



# Illustrated Parts Manual

*Model*  
**H800AJ**

PVC  
2401

P/N  
31222489

June 3, 2024 - Rev B

**ANSI**

**CE**



**UK  
CA**

**AS/NZS**



An Oshkosh Corporation Company



## **REVISION LOG**

January 1, 2024 - A - Original Issue Of Manual (Edited to B/M 1001247762 Rev M)

June 3, 2024 - B - Revised Manual (Edited to B/M 1001247762 Rev N)

# GENERAL INFORMATION



## 1) MACHINE IDENTIFICATION

Machines are identified by model and in some cases a combination of models, serial number (SN) or regional standard (i.e ANSI, CE, CSA). Components may also be identified by SN or manufacturer. Common components that may be identified by these characteristics are engines and hydraulic components.

## 2) PARTS MANUAL ORGANIZATION

Product information in this manual is organized under section titles. Frame, Cylinder, Hydraulic and Electrical are a few examples. Each section is organized by figure and page number. The information within the Figure is then organized by item number, part number, description and corresponding illustration (s).

## 3) TABLE OF CONTENTS (NOT SHOWN)

A table of contents is found toward the beginning of the manual. Figure number, description and page number are provided for quick reference to the page containing the related information.

## 4) RECOMMENDED SPARE PARTS (NOT SHOWN)

The Recommended Spare Parts List, located near the end of the manual, reference most frequently used maintenance parts.

## 5) PART NUMBER INDEX (NOT SHOWN)

A numerical index listing all part numbers and the corresponding page number(s) appears at the back of the manual.

## GENERAL INFORMATION

### 6) NON-SERVICED PARTS

In some instances, it is necessary to display non-serviced parts, assemblies or installations. In the case of assemblies and installations there will be a Ref in the Qty. column. In case of parts that are not available for service within assemblies or components, there will be a NSS (Not Sold Separately) or NLA (No Longer Available) listed in the Qty. column of the manual.

### 7) PARTS LIST ITEM NUMBERS

Numbers shown in the item# column correspond to numbers used in the associated illustration (s). Item numbers which are missing from the sequence in the parts list are not used on that page.

### 8) INDENTED PARTS DESCRIPTION

An indented part description is included in the item under which it is indented.

### 9) ABBREVIATION AND SYMBOLS

AC.....	Alternating Current	L.....	Liter
ADE.....	Advanced Design Electronics	LB(LBS).....	Pounds
AG.....	Agricultural	LCD.....	Liquid Crystal Display
ANSI.....	American National Standards Institute	LED.....	Light Emitting Diodes
AR.....	As Required	LH.....	Left Hand
ASSY.....	Assembly	LRC.....	Low Rated Countries
AUS.....	Australia	LSS.....	Load Sensing System
AUX.....	Auxiliary	M(m).....	Metric/Meter
AWG.....	American Wire Gauge	MM(mm).....	Milimeter
B/M.....	Bill of Material	mA.....	Miliamps
CAC.....	Charge Air Cooler	NLA.....	No Longer Available
CE.....	European Conformity	NPT.....	National Pipe Threads
CCW.....	Counter Clockwise	NSS.....	Not Sold Separately
CM.....	Centimeter	OD.....	Outside Diameter
CW.....	Clockwise	ORB.....	O-Ring Boss
CSA.....	Canadian Standards Association	ORFS.....	O-Ring Face Seal
CYL.....	Cylinder	OZ (oz).....	Ounces
DIA.....	Diameter	PG.....	Page
DC.....	Direct Current	PN.....	Part Number
DEF.....	Diesel Exhaust Fluid	QT(qt.).....	Quarts
EMS.....	Emergency Stop	QTY.....	Quantity
ENG.....	Engine	REF.....	Reference
FT(ft).....	Feet	REV.....	Revision Level
GA(Ga).....	Gauge	RH.....	Right Hand
HRC.....	High Rated Countries	SAE.....	Society of Automotive Engineers
HVAC.....	Heating, Ventilating, and Air Conditioning	SN.....	Serial Number
HYD.....	Hydraulic	SPEC(S).....	Specifications
Hz.....	Hertz	T/T.....	Turntable
ID.....	Inside Diameter	UGM.....	Universal Ground Module
IN.....	inches	V.....	Volts
ISO.....	International Organization for Standards	W.....	Watts
JIC.....	Joint Industry Council	#.....	Number
KG.....	Kilogram		

### 10) ILLUSTRATION REFERENCE LETTERS

When necessary, illustrations may contain reference letters that are intended to track information (i. e. hoses, harnesses) from one point to another or to track visual enlargement of components to show details that may be located in another area on the illustration.

*Note: Due to continuous product improvements, JLG Industries, Inc. reserves the right to make specification changes without prior notification. Contact JLG Industries, Inc. for updated information.*



# TABLE OF CONTENTS

SECTION 1 - FRAME.....	13
FIGURE 1-1. AXLE INSTALLATION - WITHOUT TOW PACKAGE.....	14
FIGURE 1-2. AXLE INSTALLATION - WITH TOW PACKAGE.....	16
FIGURE 1-3. STEER INSTALLATION - WITHOUT TOW PACKAGE.....	18
FIGURE 1-4. STEER INSTALLATION - WITH TOW PACKAGE.....	20
FIGURE 1-5. WHEEL DRIVE AND FRAME VALVES INSTALLATION.....	22
FIGURE 1-6. DRIVE HUB/BRAKE ASSEMBLY.....	24
FIGURE 1-7. DRIVE MOTOR ASSEMBLY.....	26
FIGURE 1-8. TIRE & WHEEL INSTALLATION - 15-625 NHS FOAM-FILLED.....	28
FIGURE 1-9. TIRE AND WHEEL INSTALLATION - 18-625 NHS FOAM-FILLED.....	30
FIGURE 1-10. TIRE AND WHEEL INSTALLATION - 18-625 NHS FOAM-FILLED NON-MARKING.....	32
FIGURE 1-11. FRAME SHIELDS INSTALLATION.....	34
FIGURE 1-12. TOW PACKAGE INSTALLATION (OPTIONAL) (ANSI, SPECS).....	36
FIGURE 1-13. TOW BAR ASSEMBLY.....	38
SECTION 2 - TURNTABLE.....	41
FIGURE 2-1. VALVES INSTALLATION.....	42
FIGURE 2-2. MAIN VALVE ASSEMBLY.....	44
FIGURE 2-3. BRAKE/2 SPEED VALVE ASSEMBLY.....	48
FIGURE 2-4. SWING DRIVE INSTALLATION.....	50
FIGURE 2-5. SWING MOTOR/HUB ASSEMBLY.....	52
FIGURE 2-6. TURNTABLE BEARING AND LUBE INSTALLATION.....	56
FIGURE 2-7. TURNTABLE LOCK INSTALLATION.....	58
FIGURE 2-8. ROTARY COUPLING INSTALLATION.....	60
FIGURE 2-9. TANKS INSTALLATION.....	62
FIGURE 2-10. HYDRAULIC TANK ASSEMBLY.....	64
FIGURE 2-11. FUEL TANK ASSEMBLY.....	66
FIGURE 2-12. OIL COOLER INSTALLATION.....	68
FIGURE 2-13. BATTERY BOXES INSTALLATION.....	70
FIGURE 2-14. BATTERY CHARGERS INSTALLATION (FACTORY SUPPLIED 220V PLUG).....	74
FIGURE 2-15. BATTERY CHARGERS INSTALLATION (CUSTOMER SUPPLIED PLUG).....	76
FIGURE 2-16. ELECTRICAL SYSTEM INSTALLATION.....	78
FIGURE 2-17. IMG CONTROL BOX ASSEMBLY.....	80
FIGURE 2-18. ELECTRICAL ASSEMBLY - 12V FUSE BOX.....	84
FIGURE 2-19. GROUND CONTROL BOX ASSEMBLY.....	86
FIGURE 2-20. LIGHT PANEL INSTALLATION - GROUND CONTROL.....	88
FIGURE 2-21. GROUND CONTROL PANEL DECAL INSTALLATION (WITHOUT MSSO & WITHOUT TOWER STOW).....	90
FIGURE 2-22. GROUND CONTROL PANEL DECAL INSTALLATION (WITHOUT MSSO & WITH TOWER STOW).....	92
FIGURE 2-23. GROUND CONTROL PANEL DECAL INSTALLATION (WITH MSSO & WITHOUT TOWER STOW).....	94
FIGURE 2-24. GROUND CONTROL PANEL DECAL INSTALLATION (WITH MSSO & WITH TOWER STOW).....	96
FIGURE 2-25. ALARM INSTALLATION.....	98
FIGURE 2-26. WHITE NOISE ALARM INSTALLATION - ADJUSTABLE AMBIENT.....	100
FIGURE 2-27. WHITE NOISE MOTION ALARM INSTALLATION - AMBIENT.....	102
FIGURE 2-28. STROBE LIGHT INSTALLATION - AMBER.....	104
FIGURE 2-29. STROBE LIGHT INSTALLATION - BLUE.....	106

# TABLE OF CONTENTS

FIGURE 2-30. STROBE LIGHT INSTALLATION - RED (OPTIONAL).....	108
FIGURE 2-31. HEAT SHIELD AND ACCESS PANELS INSTALLATION .....	110
FIGURE 2-32. HOODS INSTALLATION .....	112
FIGURE 2-33. HOOD ASSEMBLY - TANK SIDE.....	116
FIGURE 2-34. HOOD ASSEMBLY - ENGINE SIDE .....	118
SECTION 3 - ENGINE .....	121
FIGURE 3-1. ENGINE INSTALLATION (KUBOTA ENGINE).....	122
FIGURE 3-2. ENGINE AND PUMPS SUB-ASSEMBLY .....	126
FIGURE 3-3. ENGINE AND TRAY ASSEMBLY .....	128
FIGURE 3-4. ENGINE AND GENERATOR ASSEMBLY .....	132
FIGURE 3-5. ENGINE AND CLUTCH ASSEMBLY.....	134
FIGURE 3-6. ENGINE FAN MOUNTING ASSEMBLY (H800AJ).....	136
FIGURE 3-7. KUBOTA ENGINE COMPONENTS.....	138
FIGURE 3-8. GENERATOR ASSEMBLY.....	142
FIGURE 3-9. VARIABLE PUMP ASSEMBLY .....	144
FIGURE 3-10. HYDROSTATIC PUMP ASSEMBLY .....	146
FIGURE 3-11. FUEL/WATER SEPARATOR ASSEMBLY .....	148
FIGURE 3-12. ENGINE HOOD Baffles INSTALLATION.....	150
FIGURE 3-13. TRAY JACK INSTALLATION .....	152
FIGURE 3-14. 4000W GENERATOR INSTALLATION - 220V/50HZ (OPTIONAL) .....	154
FIGURE 3-15. 7500W SKYPOWER GENERATOR INSTALLATION - 220V/50HZ (OPTIONAL).....	158
FIGURE 3-16. 7500W SKYPOWER GENERATOR INSTALLATION - 110V/60HZ (OPTIONAL).....	162
SECTION 4 - BOOM.....	165
FIGURE 4-1. BOOM AND CYLINDER INSTALLATION.....	166
FIGURE 4-2. MAIN BOOM ASSEMBLY .....	168
FIGURE 4-3. TOWER BOOM ASSEMBLY .....	170
FIGURE 4-4. JIB ASSEMBLY .....	172
FIGURE 4-5. ROTATOR ASSEMBLY.....	174
FIGURE 4-6. POWER TRACK INSTALLATION - MAIN BOOM .....	176
FIGURE 4-7. POWER TRACK INSTALLATION - TOWER BOOM .....	178
FIGURE 4-8. BOOM VALVES INSTALLATION .....	180
FIGURE 4-9. BOOM VALVE ASSEMBLY.....	182
FIGURE 4-10. BOOM VALVE AND LIMIT SWITCHES INSTALLATION (WITHOUT TOWER STOW) .....	184
FIGURE 4-11. BOOM VALVE AND LIMIT SWITCHES INSTALLATION (WITH TOWER STOW).....	186
FIGURE 4-12. TILT SENSOR INSTALLATION.....	188
FIGURE 4-13. TRANSPORT POSITION SWITCH INSTALLATION (CE & UK CA SPECS) .....	190
FIGURE 4-14. PLATFORM SUPPORT INSTALLATION .....	192
SECTION 5 - PLATFORM .....	195
FIGURE 5-1. PLATFORM ASSEMBLY - 30IN X 4FT (76CM X 1.22M) WITH SWING GATE .....	196
FIGURE 5-2. PLATFORM ASSEMBLY - 30IN X 4FT (76CM X 1.22M) WITH DROP BAR .....	198
FIGURE 5-3. PLATFORM ASSEMBLY - 30IN X 6FT (76CM X 1.83M) WITH SWING GATE .....	200
FIGURE 5-4. PLATFORM ASSEMBLY - 30IN X 6FT (76CM X 1.83M) WITH DROP BAR .....	202
FIGURE 5-5. PLATFORM ASSEMBLY - 36IN X 6FT (91.5CM X 1.83M) WITH SWING GATE .....	204



# TABLE OF CONTENTS

FIGURE 5-6. PLATFORM ASSEMBLY - 36IN X 6FT (91.5CM X 1.83M) WITH DROP BAR .....	206
FIGURE 5-7. PLATFORM ASSEMBLY - 36IN X 6FT (91.5CM X 1.83M) WITH FALL ARREST (ANSI, ANSI EXPORT, CHINA & CSA SPECS).....	208
FIGURE 5-8. PLATFORM ASSEMBLY - 36IN X 8FT (91.5CM X 2.44M) WITH SWING GATE .....	210
FIGURE 5-9. PLATFORM ASSEMBLY - 36IN X 8FT (91.5CM X 2.44M) WITH DROP BAR .....	212
FIGURE 5-10. PLATFORM ASSEMBLY - 36IN X 8FT (91.5CM X 2.44M) WITH FALL ARREST .....	214
FIGURE 5-11. TRAY ASSEMBLY .....	216
FIGURE 5-12. PLATFORM CONSOLE AND FOOTSWITCH INSTALLATION (WITHOUT TOWER STOW) .....	218
FIGURE 5-13. PLATFORM CONSOLE AND FOOTSWITCH INSTALLATION (WITH TOWER STOW).....	220
FIGURE 5-14. PLATFORM CONSOLE BOX ASSEMBLY (WITHOUT TOWER STOW) .....	222
FIGURE 5-15. PLATFORM CONSOLE BOX ASSEMBLY (WITH TOWER STOW).....	226
FIGURE 5-16. LIGHT PANEL INSTALLATION .....	230
FIGURE 5-17. JIB SWITCH INSTALLATION .....	232
FIGURE 5-18. FOOTSWITCH ASSEMBLY.....	234
FIGURE 5-19. SOFT TOUCH INSTALLATION - 6FT (1.83M) PLATFORM (OPTIONAL).....	236
FIGURE 5-20. SOFT TOUCH INSTALLATION - 6FT (1.83M) FALL ARREST PLATFORM (OPTIONAL).....	238
FIGURE 5-21. SOFT TOUCH INSTALLATION - 8FT (2.4M) PLATFORM (OPTIONAL).....	240
FIGURE 5-22. SOFT TOUCH INSTALLATION - 8FT (2.4M) FALL ARREST PLATFORM (OPTIONAL).....	242
FIGURE 5-23. SKYEYE INSTALLATION .....	244
FIGURE 5-24. SKYGUARD BAR INSTALLATION .....	246
FIGURE 5-25. SKYLINE INSTALLATION .....	248
FIGURE 5-26. SKYGLAZIER INSTALLATION (ANSI, ANSI EXPORT, AUSTRALIAN & CSA SPECS) .....	250
FIGURE 5-27. SKYWELDER INSTALLATION (50HZ).....	252
FIGURE 5-28. SKYWELDER INSTALLATION (60HZ).....	254
FIGURE 5-29. SKYWELDER PREP PACKAGE (60HZ) .....	256
FIGURE 5-30. WELDER ASSEMBLY .....	258
FIGURE 5-31. FALL ARREST INSTALLATION (BOLT-ON) 30IN X 4FT (76CM X 1.22M) PLATFORM .....	260
FIGURE 5-32. FALL ARREST INSTALLATION (BOLT-ON) 36IN X 6FT (91.2CM X 1.82M) PLATFORM .....	262
FIGURE 5-33. FALL ARREST INSTALLATION (BOLT-ON) 30IN X 6FT (76CM X 1.83M) PLATFORM .....	264
FIGURE 5-34. FALL ARREST INSTALLATION (BOLT-ON) 36IN X 8FT (91.5CM X 2.4M) PLATFORM .....	266
SECTION 6 - CYLINDER .....	269
FIGURE 6-1. AXLE LOCKOUT CYLINDER ASSMBLY.....	270
FIGURE 6-2. LEVEL (SLAVE) CYLINDER ASSEMBLY - JIB .....	272
FIGURE 6-3. LEVEL (SLAVE) CYLINDER ASSEMBLY - UPRIGHT .....	274
FIGURE 6-4. LIFT CYLINDER ASSEMBLY - JIB.....	276
FIGURE 6-5. LIFT CYLINDER ASSEMBLY - MAIN BOOM .....	278
FIGURE 6-6. LIFT CYLINDER ASSEMBLY - TOWER BOOM.....	280
FIGURE 6-7. MASTER CYLINDER ASSEMBLY.....	282
FIGURE 6-8. STEER CYLINDER ASSEMBLY.....	284
FIGURE 6-9. TELESCOPE CYLINDER ASSEMBLY - MAIN BOOM .....	286
FIGURE 6-10. TELESCOPE CYLINDER ASSEMBLY - TOWER BOOM.....	288
SECTION 7 - HYDRAULIC .....	291
FIGURE 7-1. AXLE LOCKOUT HYDRAULIC DIAGRAM .....	292
FIGURE 7-2. DRIVE HYDRAULIC DIAGRAM.....	294

# TABLE OF CONTENTS

FIGURE 7-3. STANDARD HYDRAULIC DIAGRAM.....	300
FIGURE 7-4. TOW HYDRAULIC DIAGRAM.....	304
SECTION 8 - ELECTRICAL.....	307
FIGURE 8-1. AC BOX AT PLATFORM INSTALLATION - 110V GFI RECEPTACLE (ALL SPECS EXCEPT AUSTRALIAN, CE & UK CA SPECS).....	308
FIGURE 8-2. AC BOX AT PLATFORM INSTALLATION - 110V IEC YELLOW (CE & UK CA SPECS) (MACHINES WITHOUT 4000W GENERATOR).....	310
FIGURE 8-3. AC BOX AT PLATFORM INSTALLATION - 110V IEC YELLOW (CE & UK CA SPECS) (MACHINES WITH 4000W GENERATOR).....	312
FIGURE 8-4. AC BOX AT PLATFORM INSTALLATION - 220V (ANSI, CSA & JAPANESE SPECS).....	314
FIGURE 8-5. AC BOX AT PLATFORM INSTALLATION - 220V IEC BLUE (CE & UK CA SPECS) (MACHINES WITHOUT 4000W GENERATOR).....	316
FIGURE 8-6. AC BOX AT PLATFORM INSTALLATION - 220V IEC BLUE (CE & UK CA SPECS) (MACHINES WITH 4000W GENERATOR).....	318
FIGURE 8-7. AC BOX AT PLATFORM INSTALLATION - 220V CEE7 2X4 POST GROUND (CE & UK CA SPECS) (MACHINES WITHOUT 4000W GENERATOR).....	320
FIGURE 8-8. AC BOX AT PLATFORM INSTALLATION - 220V CEE7 2X4 POST GROUND (CE & UK CA SPECS) (MACHINES WITH 4000W GENERATOR).....	322
FIGURE 8-9. AC BOX AT PLATFORM INSTALLATION - 220V CEE7 2X4 SIDE GROUND (CE & UK CA SPECS) (MACHINES WITHOUT 4000W GENERATOR).....	324
FIGURE 8-10. AC BOX AT PLATFORM INSTALLATION - 220V CEE7 2X4 SIDE GROUND (CE & UK CA SPECS) (MACHINES WITH 4000W GENERATOR).....	326
FIGURE 8-11. AC BOX AT PLATFORM INSTALLATION - 220V AFSINT 107 (CE & UK CA SPECS) (MACHINES WITHOUT 4000W GENERATOR).....	328
FIGURE 8-12. AC BOX AT PLATFORM INSTALLATION - 220V AFSINT 107 (CE & UK CA SPECS) (MACHINES WITH 4000W GENERATOR).....	330
FIGURE 8-13. AC BOX AT PLATFORM INSTALLATION - BOX WITH COVER (ANSI EXPORT, AUSTRALIAN, CHINA & JAPANESE SPECS).....	332
FIGURE 8-14. AC BOX AT PLATFORM INSTALLATION - 240V RECEPTACLE (WITH 4000W GENERATOR) (ALL SPECS EXCEPT ANSI & CSA SPECS).....	334
FIGURE 8-15. AC BOX AT PLATFORM INSTALLATION - 240V RECEPTACLE (WITH 7500W SKYPOWER GENERATOR) (ANSI & CSA SPECS).....	336
FIGURE 8-16. AC BOX AT PLATFORM MID-BOOM PLUG INSTALLATION (WITHOUT 7500W SKYPOWER GENERATOR) (ALL SPECS EXCEPT ANSI & CSA SPECS).....	338
FIGURE 8-17. AC BOX AT PLATFORM MID-BOOM PLUG INSTALLATION (WITH 7500W SKYPOWER GENERATOR).....	340
FIGURE 8-18. AC BREAKER BOX INSTALLATION - WITH 2 BREAKERS (CE & UK CA SPECS WITH 4000W GENERATOR).....	342
FIGURE 8-19. AC BREAKER BOX INSTALLATION - WITH 2 BREAKERS (BRAZIL SPECS).....	344
FIGURE 8-20. AC BREAKER BOX INSTALLATION - WITH 3 BREAKERS (CE & UK CA SPECS WITH 4000W GENERATOR).....	346
FIGURE 8-21. BATTERY CABLES INSTALLATION.....	348
FIGURE 8-22. BATTERY STACK HARNESS (LH).....	350
FIGURE 8-23. BATTERY STACK HARNESS (RH).....	352
FIGURE 8-24. BOOM VALVE HARNESS.....	354
FIGURE 8-25. BOOM CABLES INSTALLATION (MACHINES WITHOUT GENERATOR).....	356
FIGURE 8-26. BOOM CABLES INSTALLATION (AUSTRALIAN SPECS WITH 4000W GENERATOR).....	358
FIGURE 8-27. BOOM CABLES INSTALLATION (CE & UK CA SPECS WITH 4000W GENERATOR).....	360
FIGURE 8-28. BOOM CABLES INSTALLATION (ALL SPECS EXCEPT CE & UK CA SPECS WITH 7500W GENERATOR).....	362
FIGURE 8-29. BOOM CABLE - MAIN BOOM.....	364
FIGURE 8-30. BOOM CABLE - TOWER BOOM.....	366

# TABLE OF CONTENTS

FIGURE 8-31. BREAKER BOX KIT - WITH 2 BREAKERS (CE & UK CA SPECS WITHOUT 4000W GENERATOR & BRAZIL SPECS) .....	368
FIGURE 8-32. BREAKER BOX KIT - WITH 2 BREAKERS (CE & UK CA SPECS WITH 4000W GENERATOR) (H800AJ) .....	370
FIGURE 8-33. BREAKER BOX KIT - WITH 3 BREAKERS (CE & UK CA SPECS WITH 4000W GENERATOR) .....	372
FIGURE 8-34. CLEARSKY INSTALLATION - 3 WIRE GT1030 .....	374
FIGURE 8-35. CLEARSKY INSTALLATION - CANBUS (ANSI SPECS).....	376
FIGURE 8-36. CLEARSKY INSTALLATION - CANBUS (AUSTRALIAN SPECS) .....	378
FIGURE 8-37. CLEARSKY INSTALLATION - CANBUS (CE SPECS) .....	380
FIGURE 8-38. CLEARSKY INSTALLATION - CANBUS (CHINA SPECS).....	382
FIGURE 8-39. CLEARSKY TELEMATCIS HARNESS (3-WIRE) .....	384
FIGURE 8-40. CLEARSKY TELEMATCIS HARNESS (CANBUS).....	386
FIGURE 8-41. CHARGER HARNESS.....	388
FIGURE 8-42. CONTROL HARNESS .....	390
FIGURE 8-43. ELECTRICAL SYSTEM INSTALLATION.....	392
FIGURE 8-44. ENGINE HARNESS - KUBOTA .....	394
FIGURE 8-45. ENGINE TRAY HARNESS .....	396
FIGURE 8-46. GENERATOR HARNESS - 4000W.....	398
FIGURE 8-47. GENERATOR HARNESS - 7500W SKYPOWER.....	400
FIGURE 8-48. GENERATOR HARNESS - 4000W AND 7500W SKYPOWER .....	402
FIGURE 8-49. GROUND CONTROL BOX HARNESS.....	404
FIGURE 8-50. H-BRIDGE/CLUTCH HARNESS.....	406
FIGURE 8-51. HYBRID 84V HARNESS.....	408
FIGURE 8-52. HOURMETER JUMPER HARNESS.....	410
FIGURE 8-53. MAIN VALVE HARNESS .....	412
FIGURE 8-54. PLATFORM CONSOLE BOX HARNESS .....	414
FIGURE 8-55. RECEPTACLE BOX KIT - 110V IEC YELLOW (CE & UK CA SPEC) .....	418
FIGURE 8-56. RECEPTACLE BOX KIT - 220V IEC BLUE (CE & UK CA SPEC).....	420
FIGURE 8-57. RECEPTACLE BOX KIT - 220V CEE7 POST GROUND 2X4 BOX (CE & UK CA SPEC) .....	422
FIGURE 8-58. RECEPTACLE BOX KIT - 220V CEE7 SIDE GROUND (CE & UK CA SPEC).....	424
FIGURE 8-59. RECEPTACLE BOX KIT - 220V AFSINT 107 (CE & UK CA SPEC).....	426
FIGURE 8-60. RESOLVER/CONVERTER/INVERTER HARNESS.....	428
FIGURE 8-61. SKYEYE INTERMEDIATE HARNESS.....	430
FIGURE 8-62. SKYEYE RECEIVER HARNESS .....	432
FIGURE 8-63. SKYEYE EMITTER HARNESS.....	434
FIGURE 8-64. SKYGUARD INTERFACE HARNESS .....	436
FIGURE 8-65. SKYLINE HARNESS.....	438
FIGURE 8-66. STROBE LIGHT CONTROL HARNESS (BLUE & RED LIGHTS) .....	440
FIGURE 8-67. TURNTABLE HARNESS .....	442
FIGURE 8-68. TURNTABLE/FUSE PANEL HARNESS .....	444
FIGURE 8-69. USB RECEPTACLE INSTALLATION .....	446
FIGURE 8-70. WHITE NOISE ALARM HARNESS.....	448
SECTION 9 - DECALS.....	451
FIGURE 9-1. DECAL INSTALLATION - ANSI SPECS (ENGLISH LANGUAGE) .....	452
FIGURE 9-2. DECAL INSTALLATION - AUSTRALIAN SPECS (ENGLISH LANGUAGE) .....	454
FIGURE 9-3. DECAL INSTALLATION - BRAZIL SPECS (ENGLISH/PORTUGUESE LANGUAGES).....	456

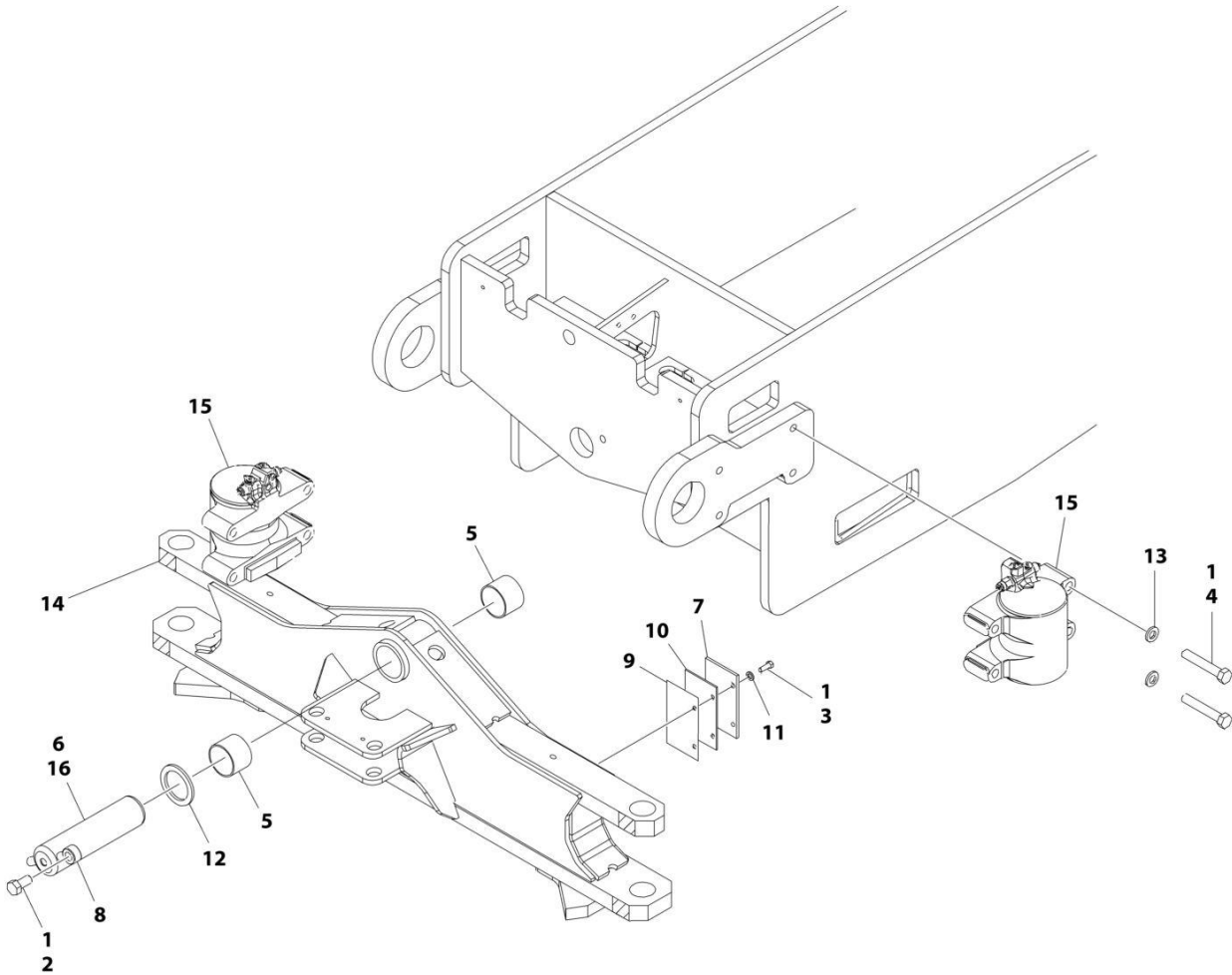
# TABLE OF CONTENTS

FIGURE 9-4. DECAL INSTALLATION - CE & UK CA SPECS (ENGLISH LANGUAGE).....	458
FIGURE 9-5. DECAL INSTALLATION - CHINA SPECS (ENGLISH/CHINESE LANGUAGES).....	460
FIGURE 9-6. DECAL INSTALLATION - CSA SPECS (ENGLISH/FRENCH LANGUAGES) .....	462
FIGURE 9-7. DECAL INSTALLATION - JAPANESE SPECS (ENGLISH/JAPANESE LANGUAGES) .....	464
FIGURE 9-8. DECAL INSTALLATION - KOREAN SPECS (ENGLISH/KOREAN LANGUAGES) .....	466
FIGURE 9-9. DECAL INSTALLATION - LATIN AMERICAN SPECS (ENGLISH/SPANISH LANGUAGES) .....	468
FIGURE 9-10. DECALS INSTALLATION - OPTIONS.....	470
FIGURE 9-11. DECAL INSTALLATION - SKYWELDER - 50HZ.....	472
FIGURE 9-12. DECAL INSTALLATION - SKYWELDER - 60HZ.....	474
SECTION 10 - RECOMMENDED SERVICE PARTS STOCK.....	477
FIGURE 10-1. RECOMMENDED SERVICE PARTS STOCK.....	478
SECTION 11 - SPECIAL OPTIONS/ACCESSORIES/KITS.....	481
FIGURE 11-1. SPECIAL OPTIONS/ACCESSORIES/KITS.....	482
PART NUMBER INDEX.....	485

**SECTION 1 - FRAME**

# SECTION 1 - FRAME

## FIGURE 1-1. AXLE INSTALLATION - WITHOUT TOW PACKAGE



ART\_1001154584

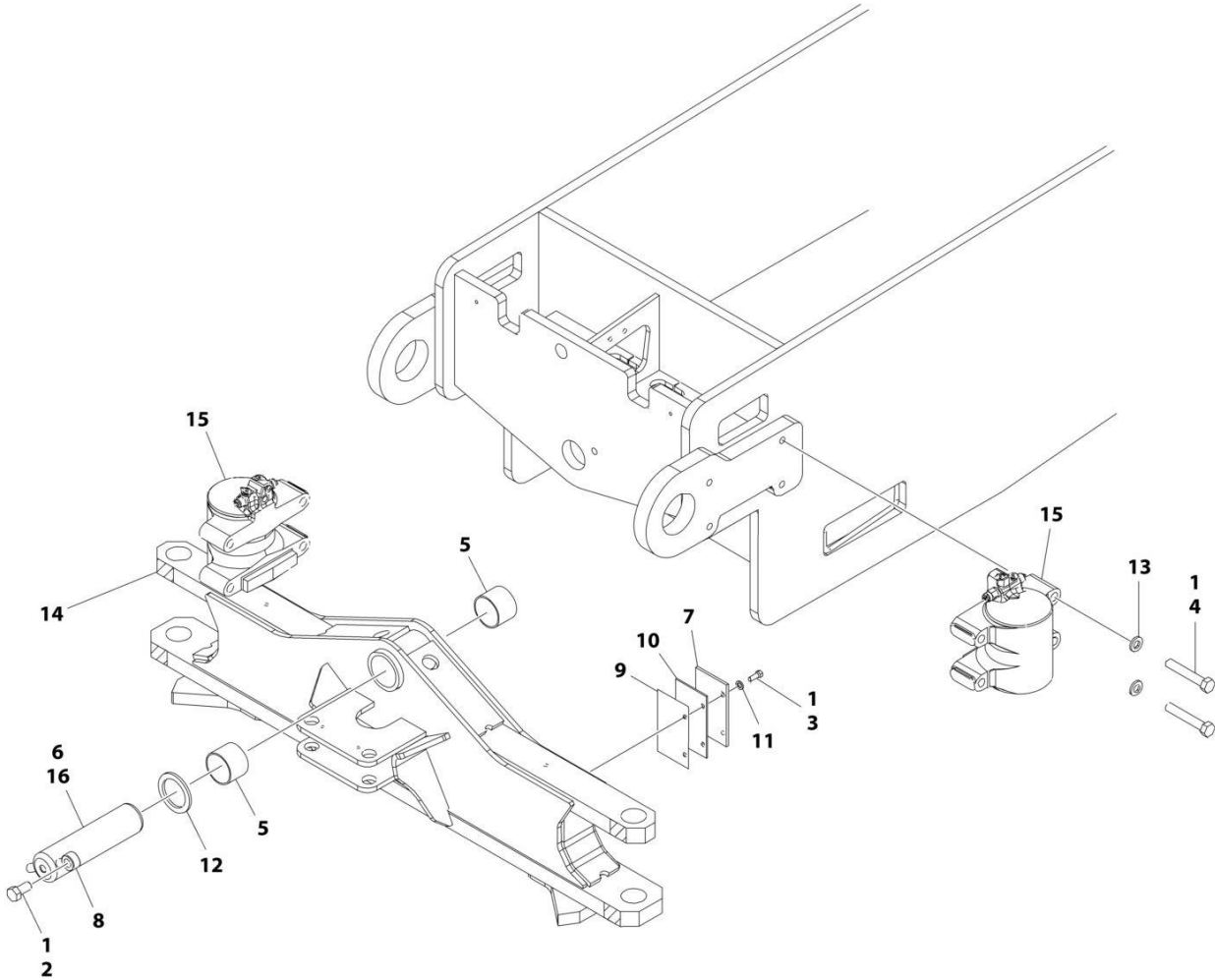
## SECTION 1 - FRAME

**FIGURE 1-1. AXLE INSTALLATION - WITHOUT TOW PACKAGE**

ITEM	PART NUMBER	QTY	DESCRIPTION	REV
	1001154584	Ref	AXLE INSTALLATION	D
1	0100011	AR	Compound, Locking	
2	0642212	1	Bolt 3/4 x 1-1/2	
3	0681608	4	Bolt 3/8 x 1 Grade 8	
4	0682236	8	Bolt 3/4 x 4-1/2 Grade 8	
5	0962102	2	Bushing	
6	3020039	AR	Lubricant	
7	3538047	2	Shim .25	
8	3841287	1	Keeper, Pin	
9	4070878	AR	Shim 16 Gauge	
10	4070879	AR	Shim 11 Gauge	
11	4711600	4	Washer 3/8	
12	4740472	1	Washer	
13	4892200	8	Washer 3/4	
14	1001152719	1	Axle	
15	1001204560	2	Axle Lockout Cylinder Assembly (See Separate Breakdown in CYLINDER SECTION)	
16	1001156710	1	Pin	

# SECTION 1 - FRAME

## FIGURE 1-2. AXLE INSTALLATION - WITH TOW PACKAGE



ART\_1001155194



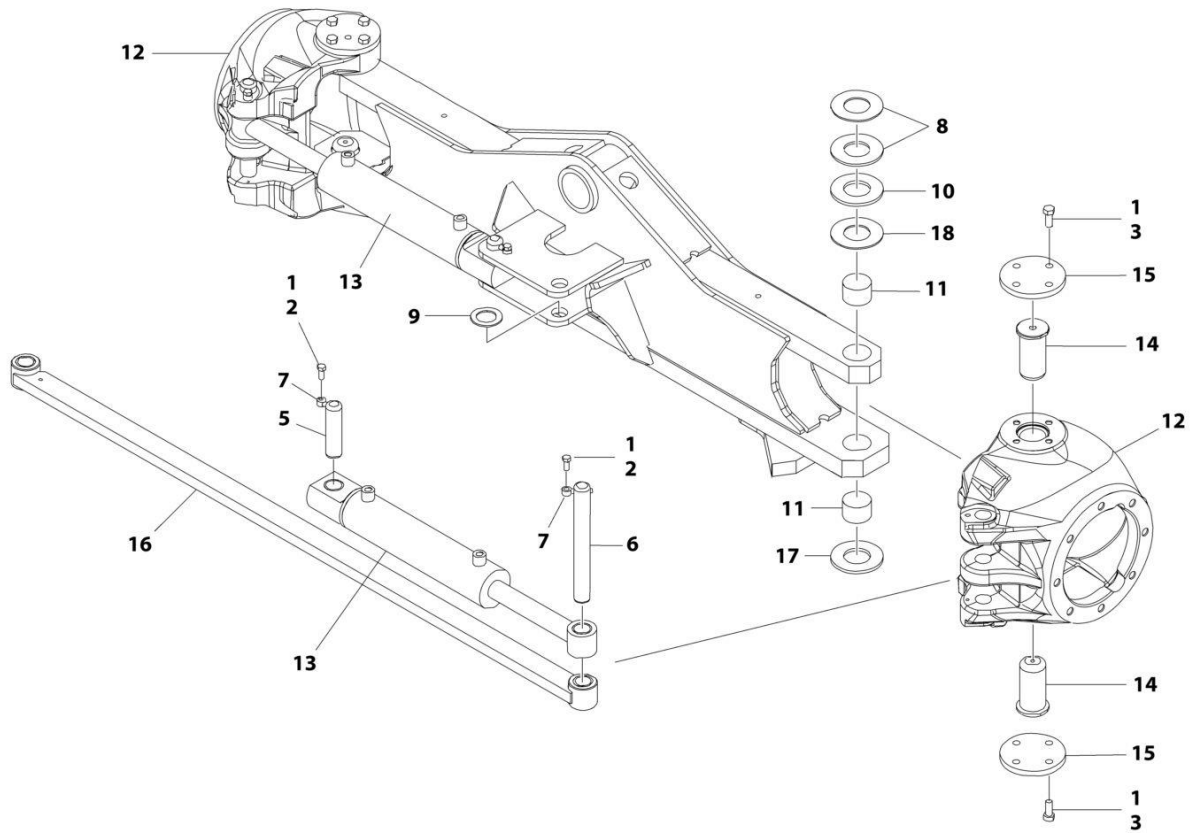
## SECTION 1 - FRAME

### FIGURE 1-2. AXLE INSTALLATION - WITH TOW PACKAGE

ITEM	PART NUMBER	QTY	DESCRIPTION	REV
	1001155194	Ref	AXLE INSTALLATION	D
1	0100011	AR	Compound, Locking	
2	0642212	1	Bolt 3/4 x 1-1/2	
3	0681608	4	Bolt 3/8 x 1 Grade 8	
4	0682236	8	Bolt 3/4 x 4-1/2 Grade 8	
5	0962102	2	Bushing	
6	3020039	AR	Lubricant	
7	3538047	2	Shim .25	
8	3841287	1	Keeper, Pin	
9	4070878	AR	Shim 16 Gauge	
10	4070879	AR	Shim 11 Gauge	
11	4711600	4	Washer 3/8	
12	4740472	1	Washer	
13	4892200	8	Washer 3/4	
14	1001154875	1	Axle	
15	1001204560	2	Axle Lockout Cylinder Assembly (See Separate Breakdown in CYLINDER SECTION)	
16	1001156710	1	Pin	

# SECTION 1 - FRAME

## FIGURE 1-3. STEER INSTALLATION - WITHOUT TOW PACKAGE



ART\_1001151034

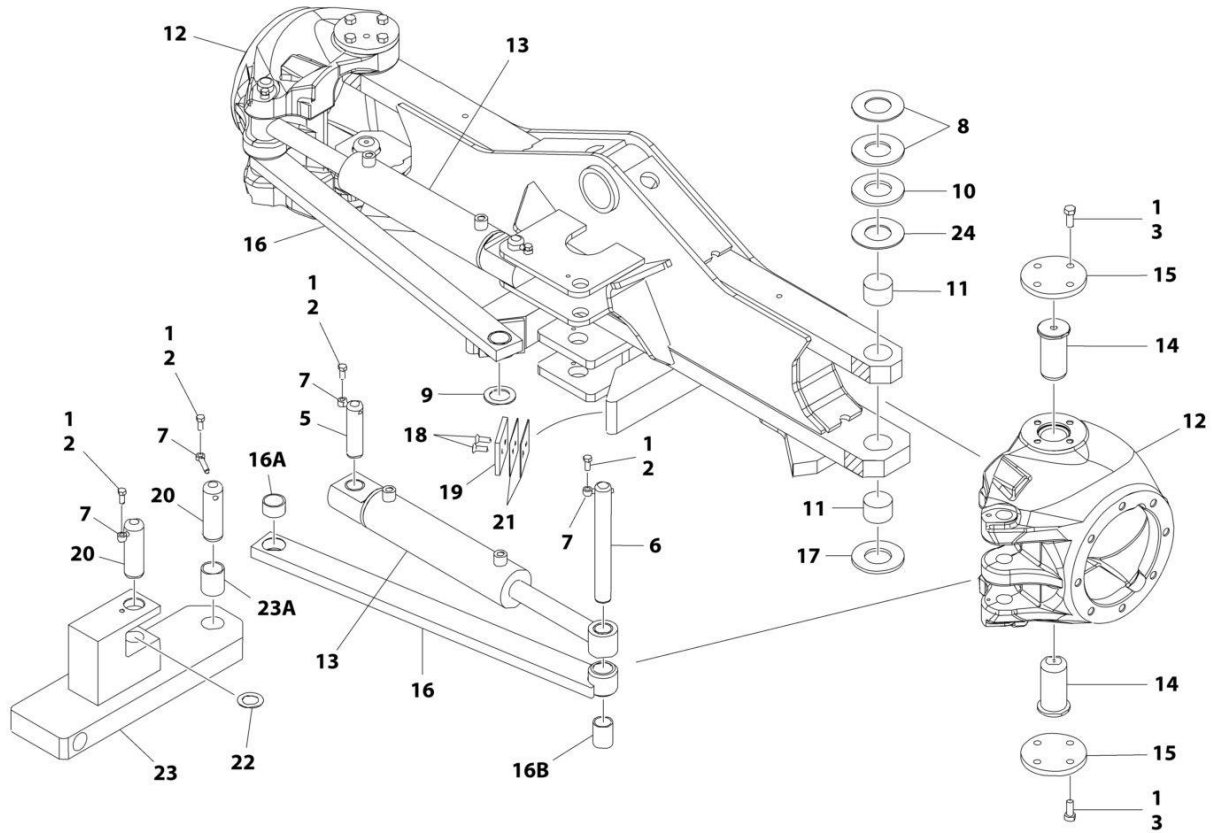
## SECTION 1 - FRAME

**FIGURE 1-3. STEER INSTALLATION - WITHOUT TOW PACKAGE**

ITEM	PART NUMBER	QTY	DESCRIPTION	REV
	1001151034	Ref	STEER INSTALLATION	H
1	0100011	AR	Compound, Locking	
2	0641607	4	Bolt 3/8 x 7/8	
3	0641810	16	Bolt 1/2 x 1-1/4	
5	3422417	2	Pin	
6	3422790	2	Pin	
7	3841520	4	Keeper, Pin	
8	4740256	AR	Washer, Thrust	
9	4740473	2	Washer	
10	1001103810	AR	Washer, Thrust	
11	1001165657	4	Bearing	
12	1001150372	2	Spindle	
13	1001150539	2	Steer Cylinder Assembly (See Separate Breakdown in CYLINDER SECTION)	
14	1001161355	4	Kingpin	
15	1001150937	4	Plate	
16	1001151980	1	Tie-Rod	
17	1001161399	2	Washer, Thrust	
18	4740463	AR	Washer, Thrust	

# SECTION 1 - FRAME

## FIGURE 1-4. STEER INSTALLATION - WITH TOW PACKAGE



ART\_1001155192

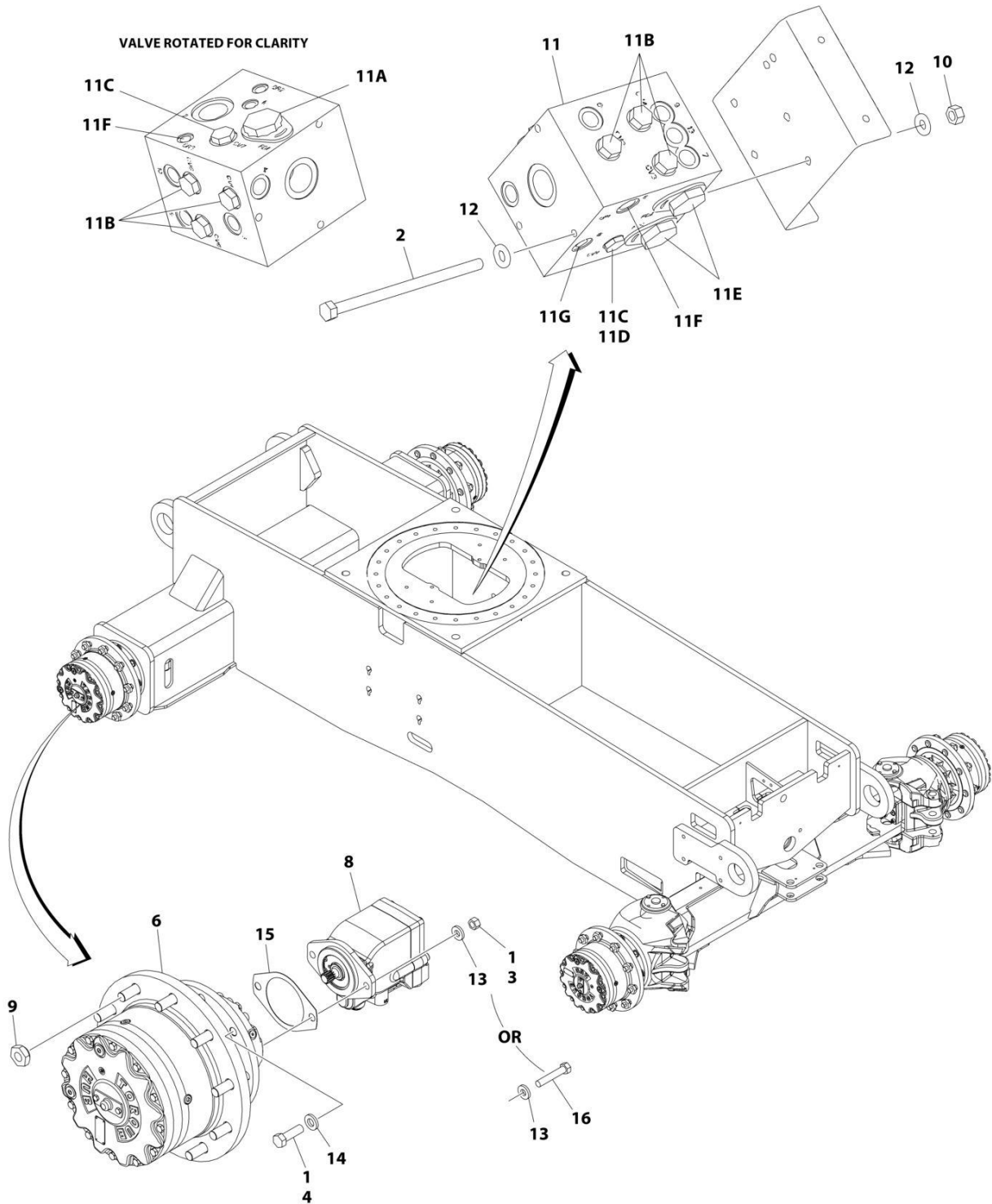
## SECTION 1 - FRAME

**FIGURE 1-4. STEER INSTALLATION - WITH TOW PACKAGE**

ITEM	PART NUMBER	QTY	DESCRIPTION	REV
	1001155192	Ref	STEER INSTALLATION	G
1	0100011	AR	Compound, Locking	
2	0641607	6	Bolt 3/8 x 7/8	
3	0641810	16	Bolt 1/2 x 1-1/4	
5	3422417	2	Pin	
6	3422790	2	Pin	
7	3841520	6	Keeper, Pin	
8	4740256	AR	Washer, Thrust	
9	4740473	2	Washer	
10	1001103810	AR	Washer, Thrust	
11	1001165657	4	Bearing	
12	1001150372	2	Spindle	
13	1001150539	2	Steer Cylinder Assembly (See Separate Breakdown in CYLINDER SECTION)	
14	1001161355	4	Kingpin	
15	1001150937	4	Plate	
16	1001154931	2	Tie-Rod	
16A	0962181	1	Bushing	
16B	0962152	1	Bushing	
17	1001161399	2	Washer, Thrust	
18	0741609	4	Screw 3/8 x 1-1/8	
19	3340966	2	Pad, Stop	
20	3422848	2	Pin, Hitch	
21	4071059	AR	Shim 16 Gauge	
22	4740155	3	Washer, Thrust	
23	1001155035	1	Link	
23A	0962348	1	Bushing	
24	4740463	AR	Washer, Thrust	

# SECTION 1 - FRAME

## FIGURE 1-5. WHEEL DRIVE AND FRAME VALVES INSTALLATION



ART\_1001157016

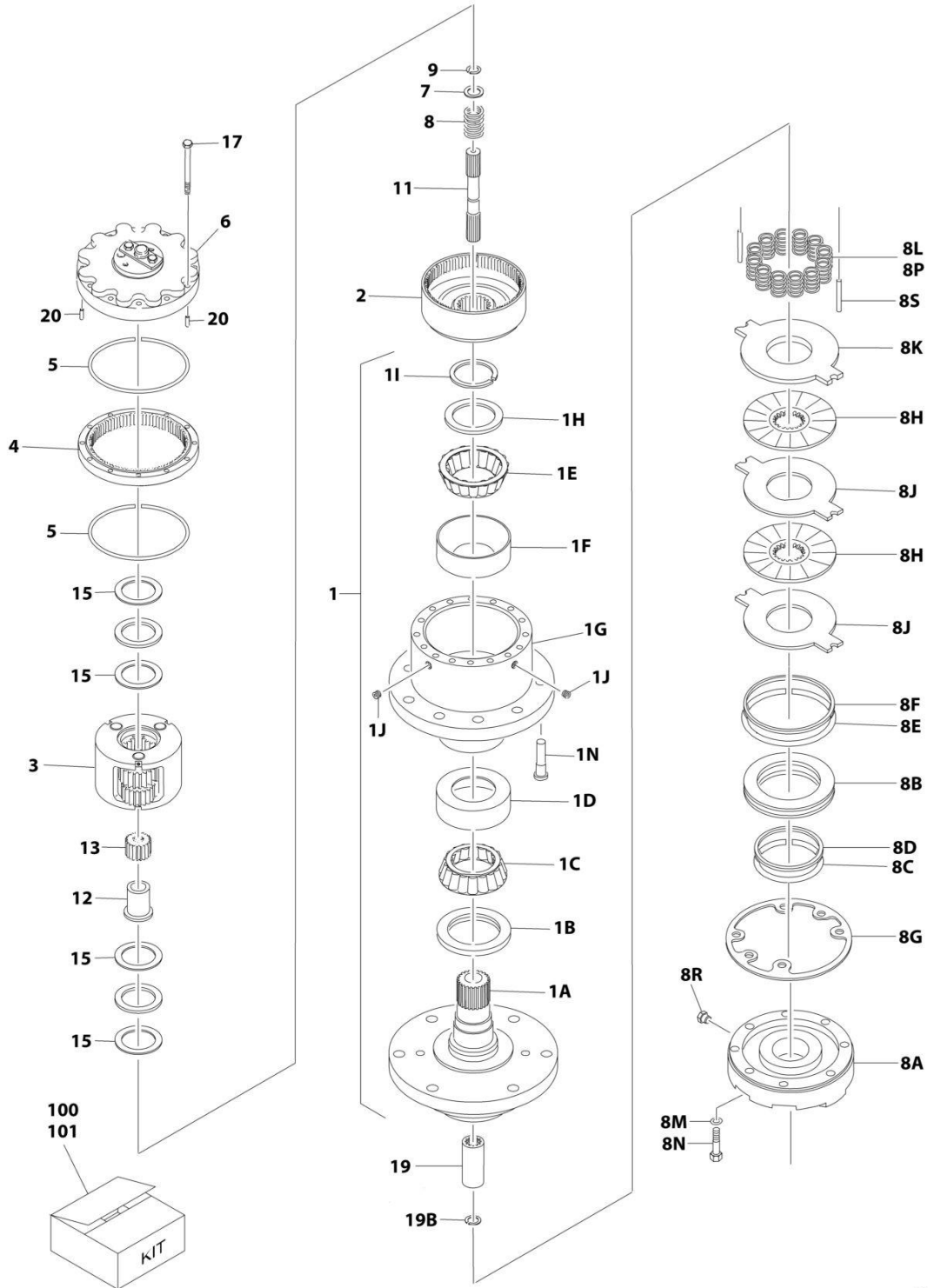
## SECTION 1 - FRAME

**FIGURE 1-5. WHEEL DRIVE AND FRAME VALVES INSTALLATION**

ITEM	PART NUMBER	QTY	DESCRIPTION	REV
	1001157016	Ref	WHEEL DRIVE AND FRAME VALVES INSTALLATION	E
1	0100011	AR	Compound, Locking	
2	0641560	3	Bolt 5/16 x 7-1/2	
3	3311801	8	Nut 1/2	
4	0682016	32	Bolt 5/8 x 2 Grade 8	
5	2300016	AR	Fluid, Hydraulic (Not Shown)	
6	1001219219	4	Drive Hub Assembly (See Separate Breakdown in this Section)	
8	3160348	4	Drive Motor Assembly (See Separate Breakdown in this Section)	
9	3300007	40	Nut, Wheel	
10	3311505	3	Nut 5/16	
11	4641303	1	Flow Divider Valve Assembly	C
11A	7023933	1	Cartridge, Flow Divider	
11A	7021625	1	Seal Kit - 7023933 Cartridge	
11B	7022397	6	Cartridge, Check	
11B	7022399	6	Seal Kit - 7022397 Cartridge	
11C	7021639	2	Cartridge, Check Valves	
11C	2900756	2	Seal Kit - 7021639 Cartridge	
11D	7024881	1	Piston, Pilot	
11E	7023917	2	Cartridge, Flow Divider	
11E	7021625	2	Seal Kit - 7023917 Cartridge	
11F	70003935	2	Orifice	
11G	70003936	1	Orifice	
12	4711500	6	Washer 5/16	
13	4891800	8	Washer 1/2	
14	4892000	32	Washer 5/8	
15	3960526	2	Gasket	
16	0681822	4	Bolt 1/2 x 2-3/4	

# SECTION 1 - FRAME

## FIGURE 1-6. DRIVE HUB/BRAKE ASSEMBLY



ART\_1001219219



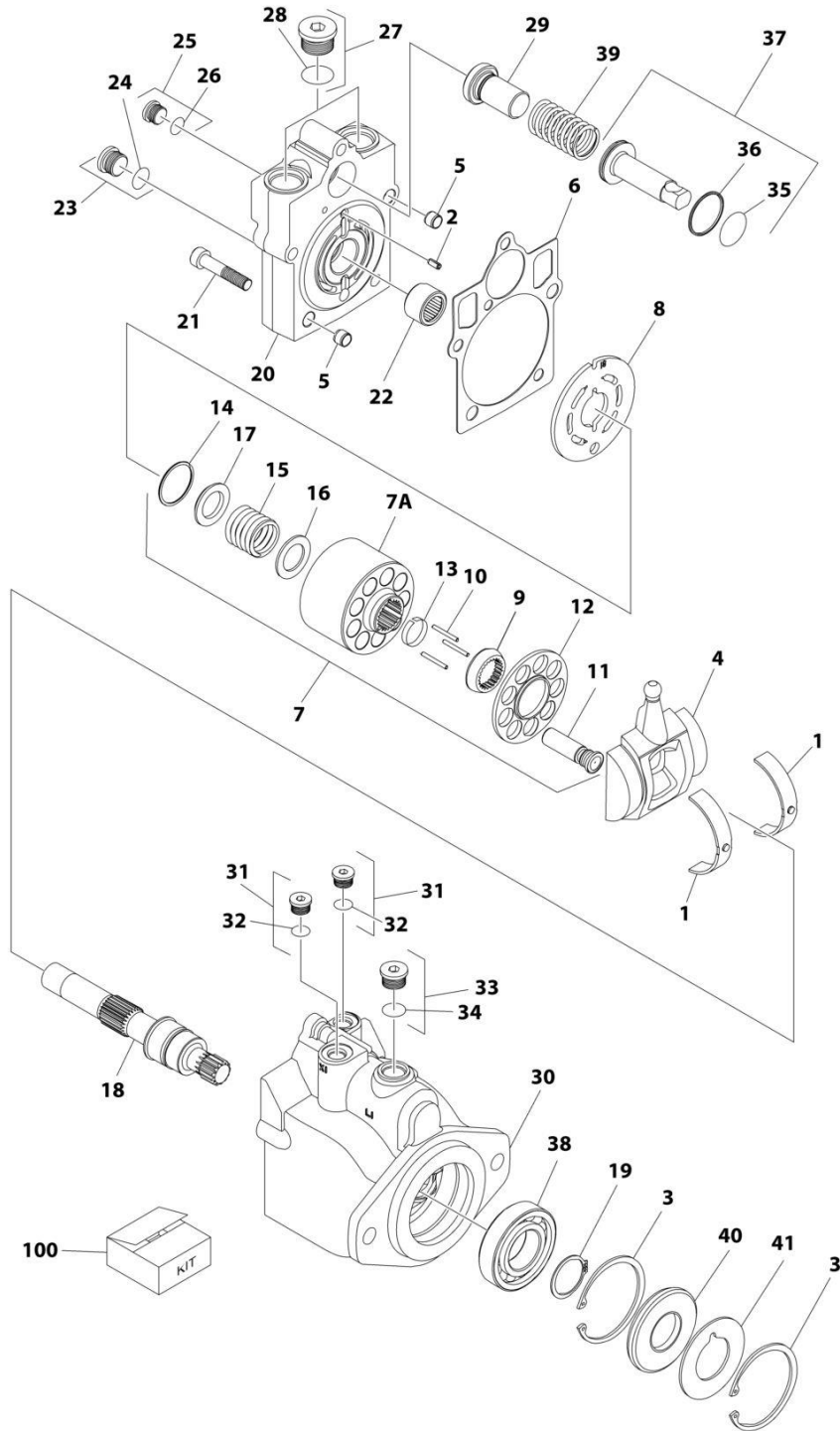
# SECTION 1 - FRAME

## FIGURE 1-6. DRIVE HUB/BRAKE ASSEMBLY

ITEM	PART NUMBER	QTY	DESCRIPTION	REV
	1001219219	Ref	DRIVE HUB/BRAKE ASSEMBLY	C
1	See Note	NSS	Spindle/Housing Assembly (Note: Not Available - Purchase Individual Components)	
1A	70006677	1	Spindle	
1B	70006678	1	Seal	
1C	1001091460	1	Cone, Bearing	
1D	1001091460	1	Cup, Bearing	
1E	1001091461	1	Cone, Bearing	
1F	1001091461	1	Cup, Bearing	
1G	See Note	NSS	Housing (Note: Not Available - Not Available for Purchase)	
1H	7000239	1	Thrustwasher	
1I	7000240	1	Ring, Retaining	
1J	7001928	1	Plug, Pipe	
1N	See Note	NSS	Stud, Wheel (Note: Not Available - Not Available for Purchase)	
2	7024782	1	Gear, Ring	
3	70006673	1	Carrier Assembly	
4	7024151	1	Gear, Internal	
5	7000224	2	O-Ring	
6	70006674	NSS	Cover Assembly (Note: Not Available - Not Available for Purchase)	
7	70006691	1	Thrustwasher	
8	7000283	1	Spring	
8A	7024191	1	Housing, Piston	
8B	70006684	1	Piston	
8C	See Note	NSS	O-Ring (Note: Use Item 101)	
8D	See Note	NSS	Ring, Back-up (Note: Use Item 101)	
8E	See Note	NSS	O-Ring (Note: Use Item 101)	
8F	See Note	NSS	Ring, Back-up (Note: Use Item 101)	
8G	See Note	NSS	Gasket (Note: Use Items 100 & 101)	
8H	See Note	NSS	Brake, Stator (Note: Use Item 100)	
8J	See Note	NSS	Brake, Rotor (Note: Use Item 100)	
8K	See Note	NSS	Plate, Pressure (Note: Use Item 100)	
8L	80344004	10	Spring	
8M	70006685	6	Capscrew	
8N	70006690	6	Lockwasher	
8P	70006680	2	Spring	
8R	7017082	2	Plug	
8S	7024190	2	Pin, Dowel	
9	7000284	1	Ring, Retaining	
11	70006675	1	Shaft, Input	
12	7024154	1	Spacer, Input	
13	7024149	1	Gear, Sun	
15	70006692	2	Thrustwasher	
17	7000289	12	Bolt 3/8 x 2-1/2in (Grade 8)	
19	70006676	1	Coupling	
19B	7017028	1	Ring, Retaining	
20	7017047	2	Pin, Dowel	
100	70006832	1	Friction Disc Kit (Includes Items 8G, 8H, 8J & 8K)	
101	70006833	1	Seal Kit (Includes Items - 8C-8G)	

# SECTION 1 - FRAME

## FIGURE 1-7. DRIVE MOTOR ASSEMBLY



ART\_3160348

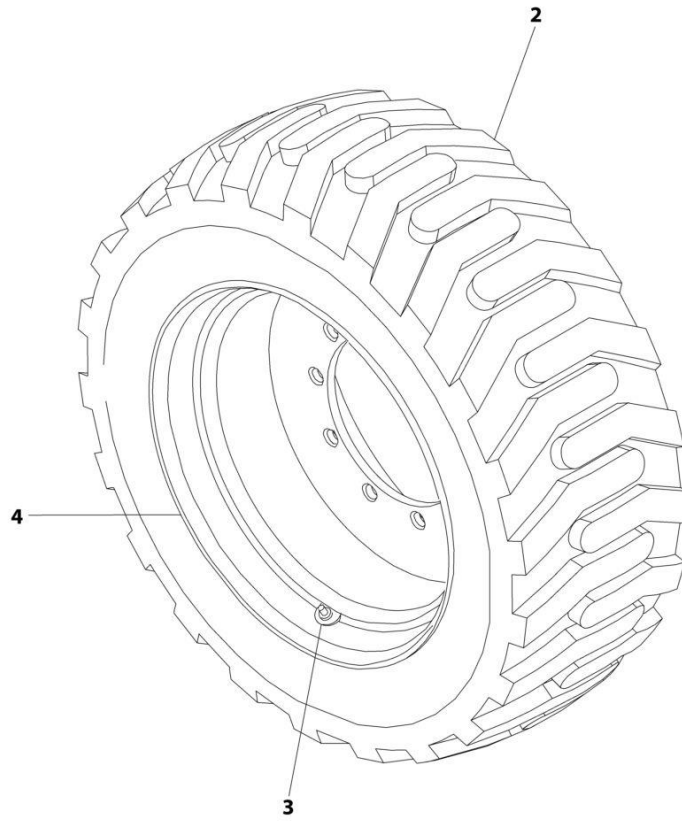
# SECTION 1 - FRAME

## FIGURE 1-7. DRIVE MOTOR ASSEMBLY

ITEM	PART NUMBER	QTY	DESCRIPTION	REV
	3160348	Ref	DRIVE MOTOR ASSEMBLY	D
1	7022302	2	Bearing, Journal	
2	7007446	1	Pin	
3	7007438	2	Ring, Retaining	
4	7022305	1	Swash Plate	
5	See Note	2	Pin (Note: Not Available for Purchase)	
6	See Note	NSS	Gasket (Note: Use Item 100)	
7	7023907	1	Cylinder Block Kit (Includes Items 7A & 9-17)	
7A	See Note	NSS	Block, Cylinder (Note: Use Item 7)	
8	7023908	1	Plate, Valve	
9	7021277	1	Guide, Slipper Retainer	
10	7021275	3	Pin, Slipper Hold Down	
11	See Note	NSS	Piston Assembly (Note: Use Item 7)	
12	7022310	1	Retainer, Slipper	
13	7021276	1	Retainer, Hold Down Pin	
14	7022311	1	Ring, Retaining	
15	7022312	1	Spring	
16	7024868	1	Washer	
17	7022314	1	Retainer, Spring	
18	7023910	1	Shaft	
19	7007439	1	Ring, Retaining	
20	70000797	1	Cap, End - Axial	
21	7022368	5	Screw	
22	7021249	1	Bearing, Needle	
23	2220886	1	Plug (Includes Item 24)	
24	See Note	1	O-Ring (Note: Use Item 23 or 100)	
25	2220883	1	Plug (Includes Item 26)	
26	See Note	NSS	O-Ring (Note: Use Item 25 or 100)	
27	2220888	2	Plug (Includes Item 28)	
28	See Note	NSS	O-Ring (Note: Use Item 27 or 100)	
29	7022372	1	Seat, Spring	
30	See Note	NSS	Housing (Note: Not Available - Purchase Complete Assembly)	
31	2220883	2	Plug (Includes Item 32)	
32	See Note	NSS	O-Ring (Note: Use Item 31 or 100)	
33	2220886	1	Plug (Includes Item 34)	
34	See Note	NSS	O-Ring (Note: Use Item 33 or 100)	
35	See Note	NSS	O-Ring (Note: Use Item 100)	
36	See Note	NSS	Ring, Seal (Note: Use Item 100)	
37	7024854	1	Piston, Servo (Includes Items 35 & 36)	
38	7007437	1	Bearing	
39	7022326	1	Spring	
40	See Note	1	Seal, Lip (Note: Use Item 100)	
41	7022371	1	Washer, Support	
		Ref	KIT OPTIONS:	
100	7022328	1	Seal Kit (Includes Items 6, 24, 26, 28, 32, 34, 35, 36 & 40)	

# SECTION 1 - FRAME

FIGURE 1-8. TIRE & WHEEL INSTALLATION - 15-625 NHS FOAM-FILLED



ART\_0270886

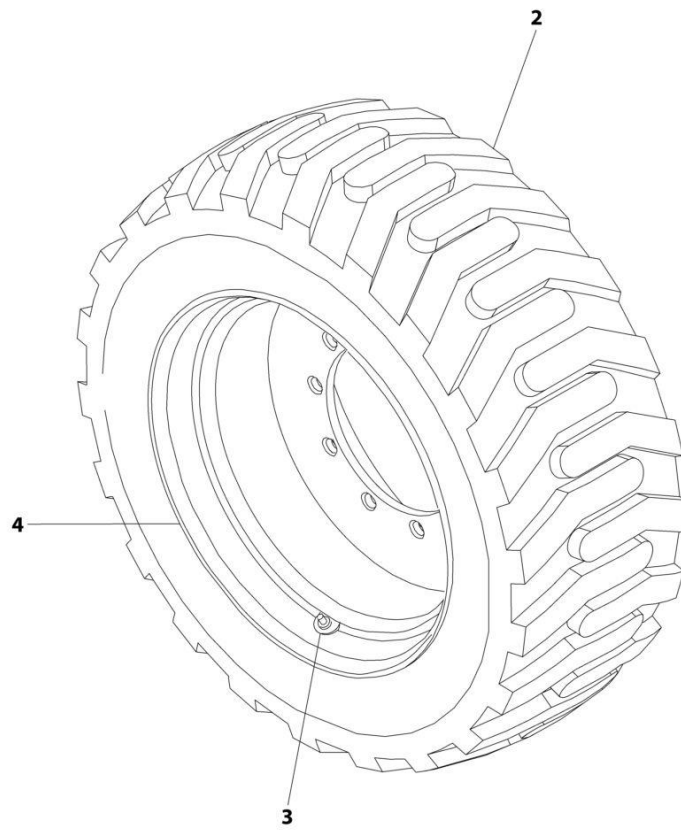
**SECTION 1 - FRAME**

**FIGURE 1-8. TIRE & WHEEL INSTALLATION - 15-625 NHS FOAM-FILLED**

ITEM	PART NUMBER	QTY	DESCRIPTION	REV
	0270886	Ref	TIRE AND WHEEL INSTALLATION	D
	0271085	2	Tire and Wheel Assembly - 15-625 NHS Foam-Filled LH Side	I
	0271086	2	Tire and Wheel Assembly - 15-625 NHS Foam-Filled RH Side	I
		Ref	Note: Assemblies may require ballast/foam filling to manufacturer's specifications prior to installing on a machine. Refer to Operation and Safety or Service and Maintenance Manuals.	
		Ref	Purchase individual tire and/or rim only if able to foam fill tire and wheel assembly, otherwise, purchase complete assembly.	
2	4520252	1	Tire 15-625	
3	4641122	1	Valve, Air	
4	4860224	1	Rim, Wheel - 13 x 24.5 Rim	

## SECTION 1 - FRAME

FIGURE 1-9. TIRE AND WHEEL INSTALLATION - 18-625 NHS FOAM-FILLED



ART\_0270888

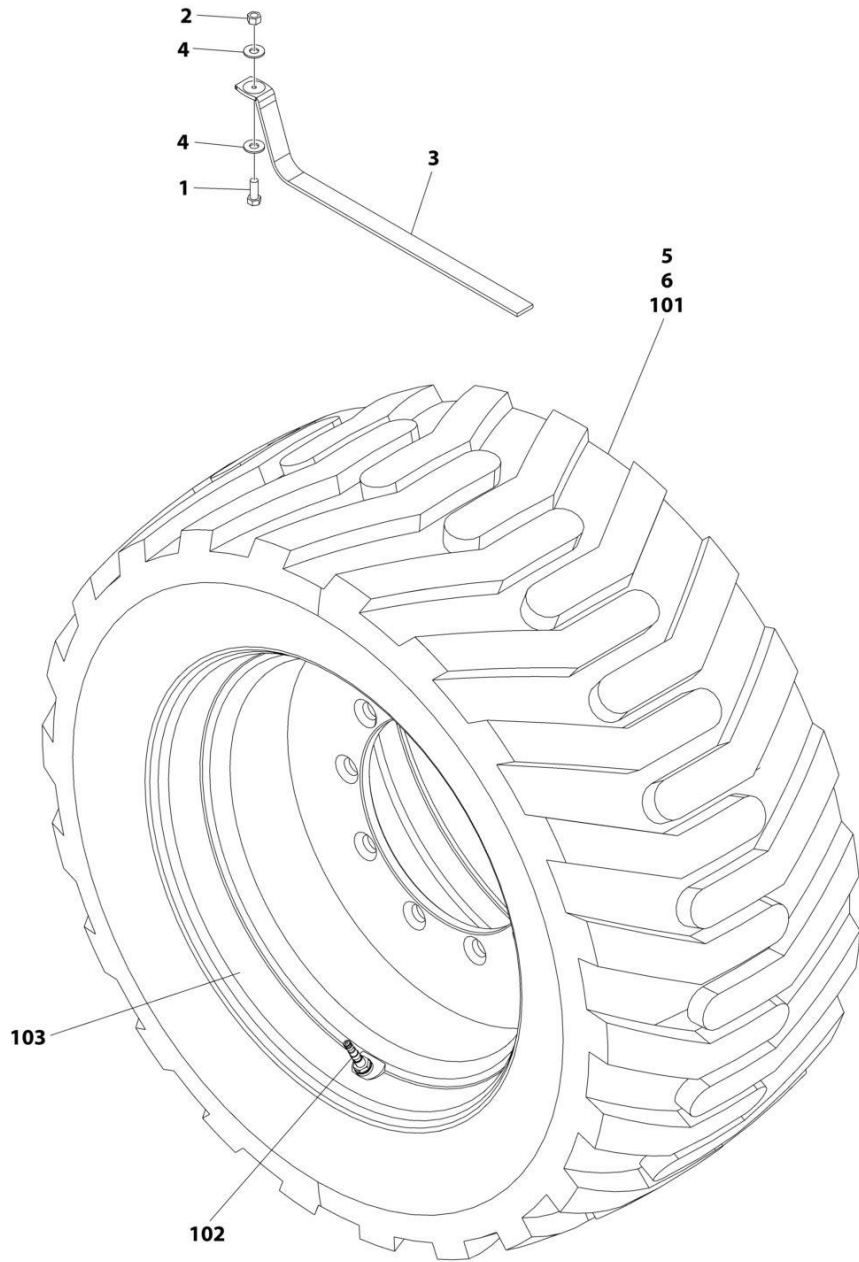
**SECTION 1 - FRAME**

**FIGURE 1-9. TIRE AND WHEEL INSTALLATION - 18-625 NHS FOAM-FILLED**

ITEM	PART NUMBER	QTY	DESCRIPTION	REV
	0270888	Ref	TIRE AND WHEEL INSTALLATION	C
	0271090	2	Tire and Wheel Assembly - 18-625 NHS Foam-Filled LH Side	G
	0271091	2	Tire and Wheel Assembly - 18-625 NHS Foam-Filled RH Side	G
		Ref	Note: Assemblies may require ballast/foam filling to manufacturer's specifications prior to installing on a machine. Refer to Operation and Safety or Service and Maintenance Manuals.	
		Ref	Purchase individual tire and/or rim only if able to foam fill tire and wheel assembly, otherwise, purchase complete assembly.	
2	4520253	1	Tire 18-625	
3	4641122	1	Valve, Air	
4	4860225	1	Rim, Wheel - 15 x 24.5 Rim	

# SECTION 1 - FRAME

FIGURE 1-10. TIRE AND WHEEL INSTALLATION - 18-625 NHS FOAM-FILLED NON-MARKING



ART\_1001236435



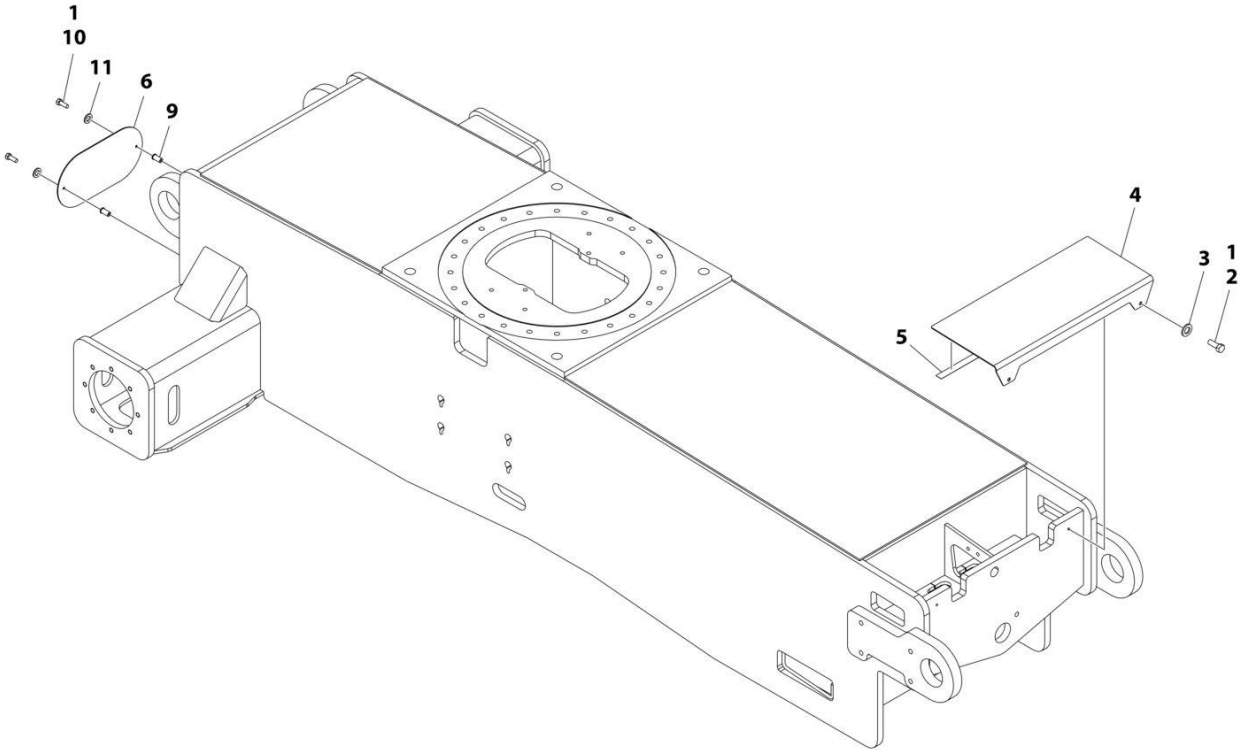
## SECTION 1 - FRAME

**FIGURE 1-10. TIRE AND WHEEL INSTALLATION - 18-625 NHS FOAM-FILLED NON-MARKING**

ITEM	PART NUMBER	QTY	DESCRIPTION	REV
	1001236435	Ref	TIRE AND WHEEL INSTALLATION	A
1	0641608	1	Bolt 3/8 x 1	
2	3311605	1	Nut 3/8	
3	4240084	1	Strap, Anti-Static	
4	4751600	2	Washer 3/8	
5	1001169755	2	Tire and Wheel Assembly - 18-625 NHS Foam-Filled Non-Marking LH Side	D
6	1001169756	2	Tire and Wheel Assembly - 18-625 NHS Foam-Filled Non-Marking RH Side	D
		Ref	Note: Assemblies may require ballast/foam filling to manufacturer's specifications prior to installing on a machine. Refer to Operation and Safety or Service and Maintenance Manuals.	
		Ref	Purchase individual tire and/or rim only if able to foam fill tire and wheel assembly, otherwise, purchase complete assembly.	
101	1001169754	1	Tire 18-625 Non-Marking	
102	4641122	1	Valve, Air	
103	4860225	1	Rim, Wheel - 15 x 24.5 Rim	

**SECTION 1 - FRAME**

**FIGURE 1-11. FRAME SHIELDS INSTALLATION**



ART\_1001158203

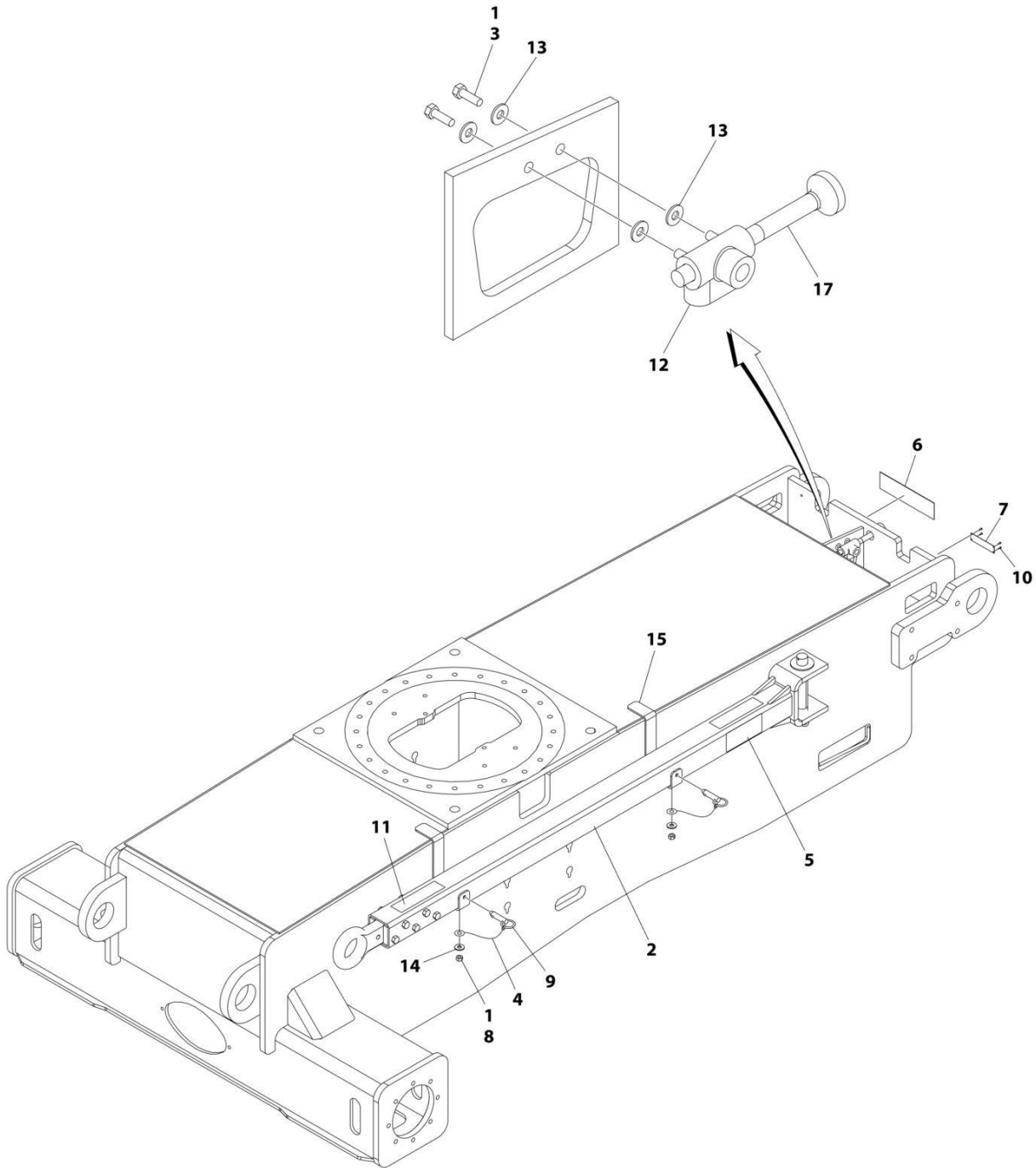
**SECTION 1 - FRAME**

**FIGURE 1-11. FRAME SHIELDS INSTALLATION**

<b>ITEM</b>	<b>PART NUMBER</b>	<b>QTY</b>	<b>DESCRIPTION</b>	<b>REV</b>
	1001158203	Ref	FRAME SHIELDS INSTALLATION	D
1	0100011	AR	Compound, Locking	
2	0641606	2	Bolt 3/8 x 3/4	
3	4751600	2	Washer 3/8	
4	1001158187	1	Cover	
5	4280296	27 in/ 68cm	Trim	
6	1001158188	1	Cover	
9	8580420	2	Nut, Well	
10	0641410	2	Bolt 1/4 x 1-1/4	
11	4751400	2	Washer 1/4	

# SECTION 1 - FRAME

## FIGURE 1-12. TOW PACKAGE INSTALLATION (OPTIONAL) (ANSI, SPECS)



ART\_1001158258

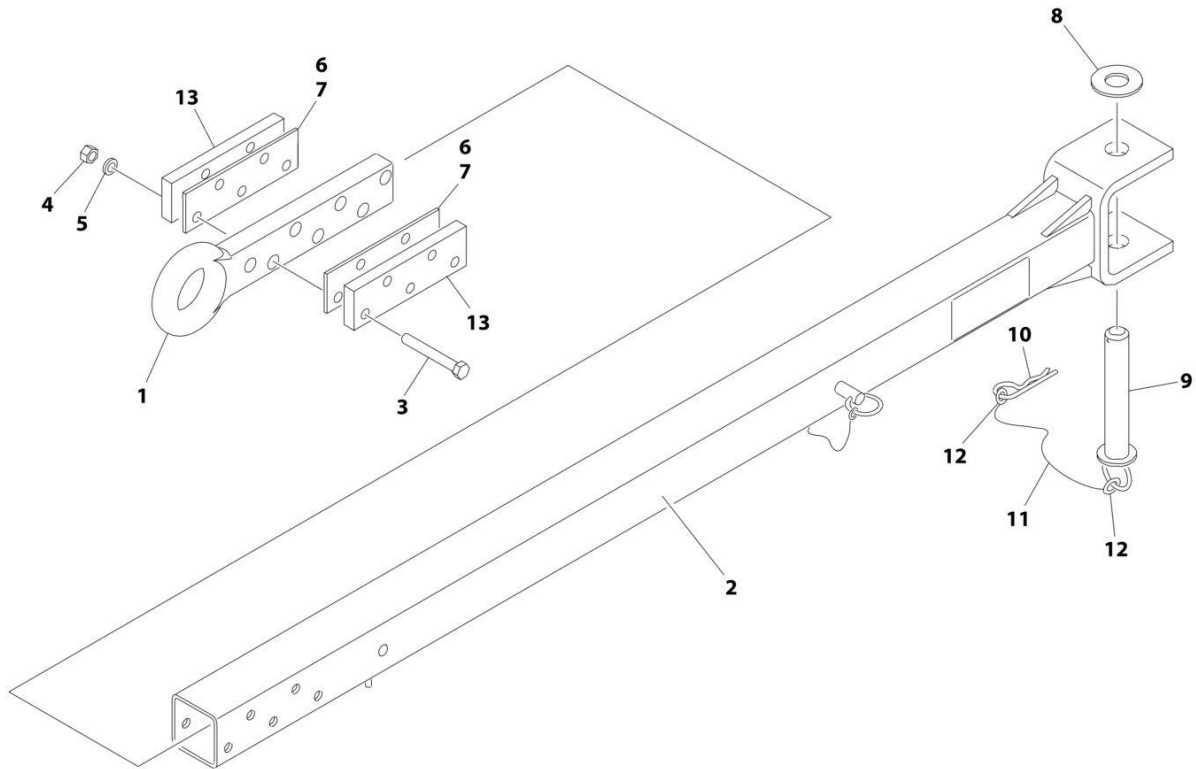
## SECTION 1 - FRAME

**FIGURE 1-12. TOW PACKAGE INSTALLATION (OPTIONAL) (ANSI, SPECS)**

ITEM	PART NUMBER	QTY	DESCRIPTION	REV
	1001158258	Ref	TOW PACKAGE INSTALLATION	B
1	0100011	AR	Compound, Locking	
2	0232121	1	Tow Bar Assembly (See Separate Breakdown in this Section)	
3	0641508	2	Bolt 5/16 x 1	
4	1260017	2 ft/0.3m	Chain	
5	1704578	2	Decal - Crushing	
6	1705090	1	Decal - Towing Instructions	
7	3250872	1	Nameplate - Steer/Tow Valve	
8	3311401	2	Nut 1/4	
9	3420292	2	Pin	
10	3820001	4	Rivet, Pop	
11	4420051	2 ft/0.3m	Tape	
12	4640261	1	Valve, Float Position	
13	4751500	4	Washer 5/16	
14	4751400	2	Washer 1/4	
15	1001158522	2	Bracket	
17	1001160780	1	Rod, Extension	

# SECTION 1 - FRAME

## FIGURE 1-13. TOW BAR ASSEMBLY



ART\_232121

# SECTION 1 - FRAME

## FIGURE 1-13. TOW BAR ASSEMBLY

ITEM	PART NUMBER	QTY	DESCRIPTION	REV
	0232121	Ref	TOW BAR ASSEMBLY	7-G
1	0360406	1	Bar, Draw	
2	4843777	1	Bar, Tow	
3	0642038	5	Bolt 5/8 x 4-3/4	
4	3312001	5	Nut 5/8	
5	4762000	5	Washer 5/8	
6	4070450	AR	Shim	
7	4070561	AR	Shim	
8	4740036	1	Washer 1-1/2	
9	3420447	1	Pin	
10	3420372	1	Pin	
11	1260135	1	Chain	
12	3760170	2	Ring	
13	4070560	2	Shim	

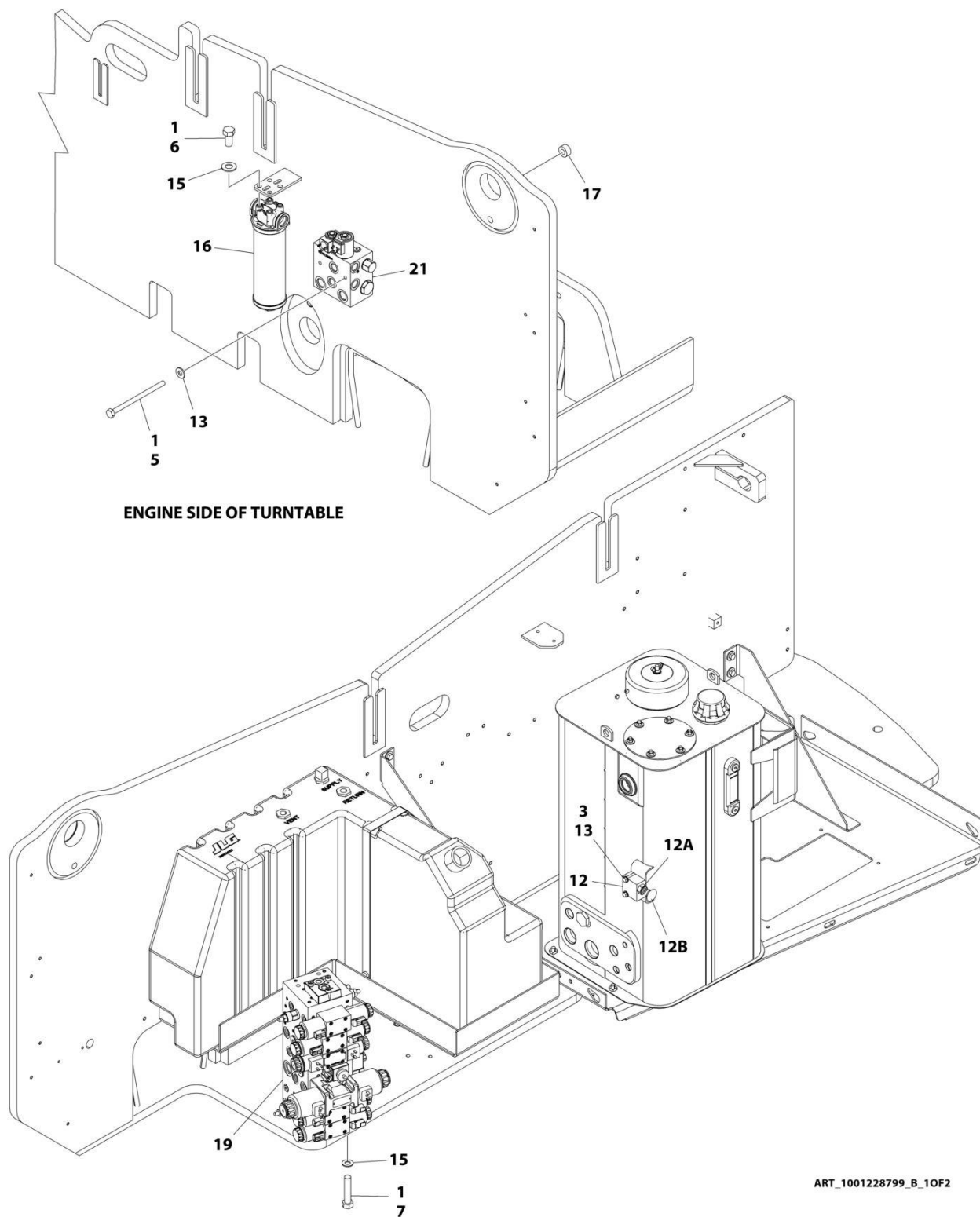




**SECTION 2 - TURNTABLE**

# SECTION 2 - TURNTABLE

## FIGURE 2-1. VALVES INSTALLATION



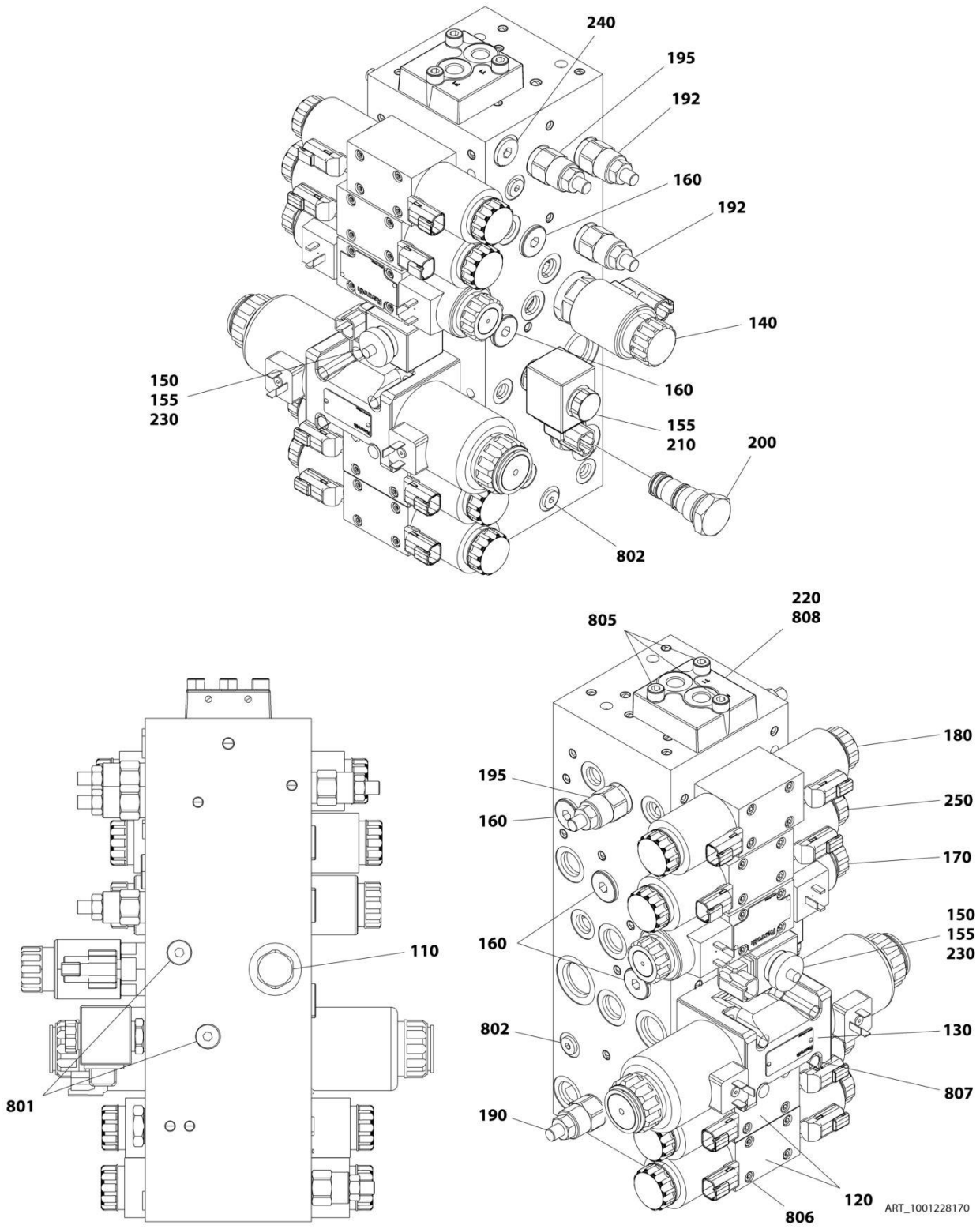
# SECTION 2 - TURNTABLE

**FIGURE 2-1. VALVES INSTALLATION**

ITEM	PART NUMBER	QTY	DESCRIPTION	REV
	1001228799	Ref	VALVES INSTALLATION	B
1	0100011	AR	Compound, Locking	
3	0641414	2	Bolt 1/4 x 1-3/4	
5	0641432	2	Bolt 1/4 x 4	
6	0641606	4	Bolt 3/8 x 3/4	
7	0641614	3	Bolt 3/8 x 1-3/4	
12	4640866	1	Level Valve Assembly	
12A	7017466	1	Cartridge	
12A	2900708	1	Seal Kit	
12B	7012959	1	Knob	
13	4711400	8	Washer 1/4	
15	4711600	9	Washer 3/8	
16	1001108617	1	Pressure Filter Assembly	
16	70002231	1	Element, Filter	
17	1001110425	2	Spacer	
19	1001228170	1	Main Valve Assembly (See Separate Breakdown in this Section)	
21	1001226814	1	Brake/2 Speed Valve Assembly (See Separate Breakdown in this Section)	

# SECTION 2 - TURNTABLE

## FIGURE 2-2. MAIN VALVE ASSEMBLY



**SECTION 2 - TURNTABLE**

**FIGURE 2-2. MAIN VALVE ASSEMBLY**

ITEM	PART NUMBER	QTY	DESCRIPTION	REV
	1001228170	Ref	MAIN VALVE ASSEMBLY	E
110	70005194	1	Valve, Check Cartridge	
110	70004584	1	Seal Kit - 70005194 Valve	
120	70004459	2	Valve Assembly (Tower Tele and Tower Lift)	
120	7012773	2	Seal Kit - 70004459 Valve	
120	70004460	4	Coil	
120	7021375	4	Nut, Coil	
120	70004461	4	O-Ring, Pole Tube	
130	70006955	1	Valve Assembly (Upper Tele)	
130	70006957	1	Seal Kit - 70006955 Valve	
130	70006956	2	Coil	
140	70004657	1	Valve, Cartridge (Flow Control)	
140	70004594	1	Seal Kit - 70004657 Valve	
140	70004595	1	Coil	
140	70004596	1	O-Ring, Pole Tube	
140	70004597	1	Nut, Coil	
150	70004598	1	Valve, Cartridge Less Coil (Steer Dump)	
150	70004055	1	Seal Kit - 70004598 Valve	
155	70004653	2	Coil	
155	70004051	2	Nut, Coil	
160	70023859	5	Valve, Shuffle Cartridge	
160	70023860	5	Seal Kit - 70023859 Valve	
170	7018992	1	Valve Assembly (Upper Lift)	
170	7024021	1	Seal Kit - 7018992 Valve	
170	7018991	2	Coil	
170	7021375	2	Nut, Coil	
170	70004461	2	O-Ring, Pole Tube	
180	70005195	1	Valve Assembly (Front Steer)	
180	7012773	1	Seal Kit - 70005195 Valve	
180	70004463	2	Coil	
180	7021375	2	Nut, Coil	
180	70004461	2	O-Ring, Pole Tube	
190	70003019	1	Valve, Relief Catridge (was PN 70006959)	
190	See Note	NSS	Seal Kit - Valve (Note: Not Available for Purchase)	
192	70003019	1	Valve, Relief Catridge (was PN 70006960)	
192	See Note	NSS	Seal Kit - Valve (Note: Not Available for Purchase)	
195	70003019	1	Valve, Relief Catridge (was PN 70006958)	
195	See Note	NSS	Seal Kit - Valve (Note: Not Available for Purchase)	
200	70004665	1	Valve, Check - Catridge	
200	70023862	1	Seal Kit - 70004665 Valve	
210	70004457	1	Valve, Cartridge Less Coil (Main Dump)	
210	70004050	1	Seal Kit - 70004665 Valve	
210	70004653	1	Coil	
220	70004667	1	Cover	
230	70005196	1	Orifice .118	
240	70005197	1	Plug (2WS)	
240	70004052	1	Seal Kit - 70005197 Plug	
250	70005198	1	Valve Assembly (Swing)	
250	70006961	1	Seal Kit - 70005198 Valve	
250	70004463	2	Coil	

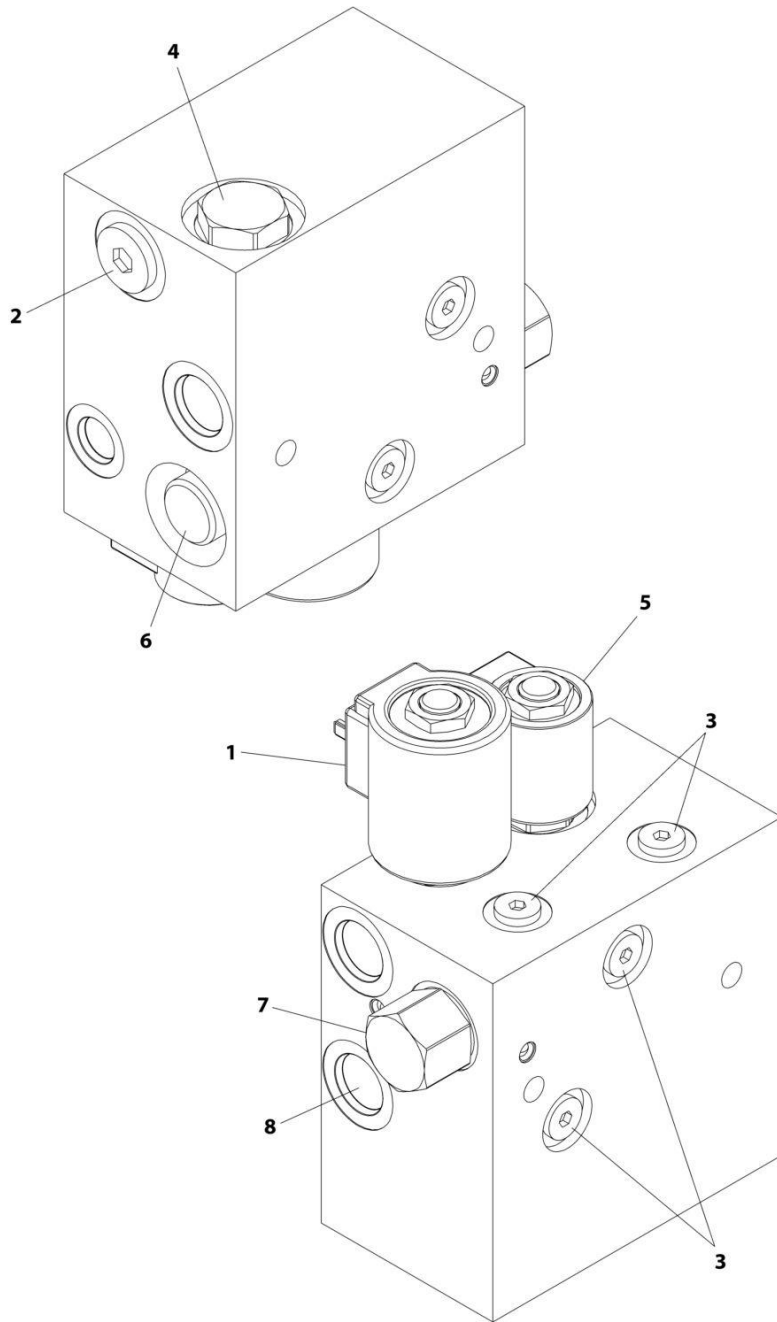
## SECTION 2 - TURNTABLE

ITEM	PART NUMBER	QTY	DESCRIPTION	REV
250	7021375	2	Nut, Coil	
250	70004461	2	O-Ring, Pole Tube	
801	70005199	2	Plug	
802	70005200	4	Plug	
805	70005201	3	Capscrew	
806	7018942	20	Capscrew	
807	7018951	4	Capscrew	
808	70005202	2	O-Ring	



# SECTION 2 - TURNTABLE

## FIGURE 2-3. BRAKE/2 SPEED VALVE ASSEMBLY



ART\_1001226814



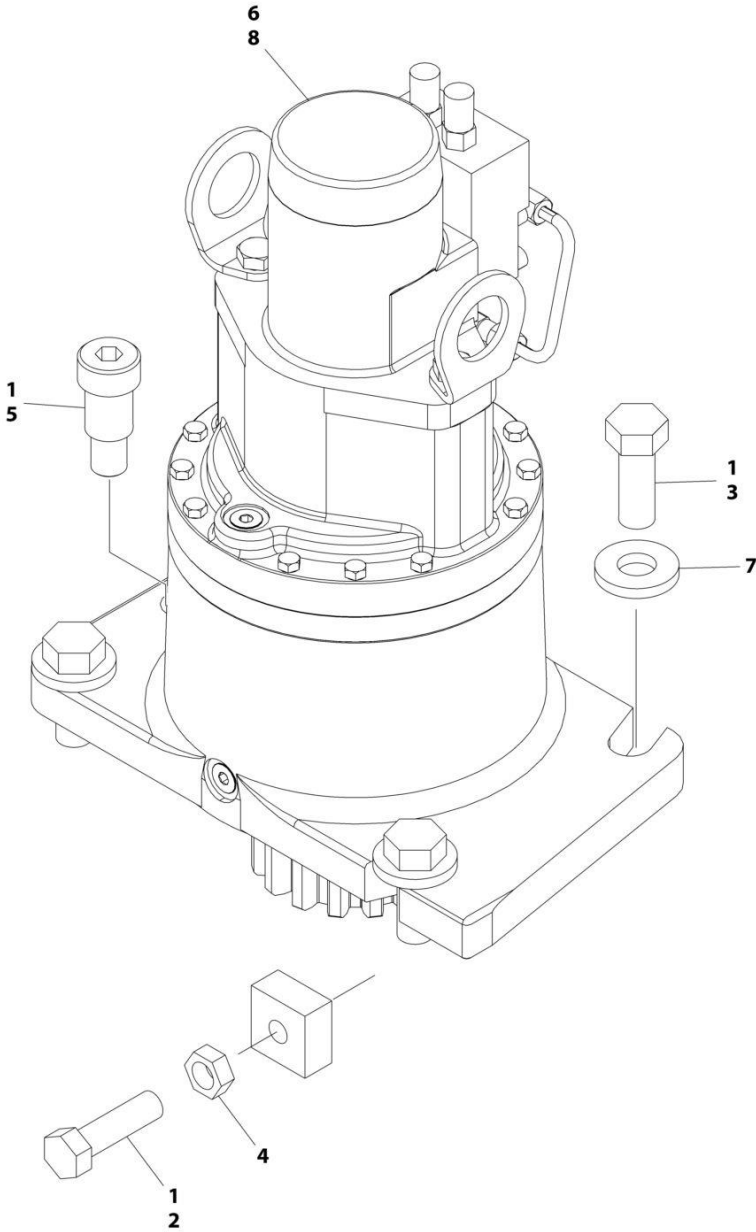
**SECTION 2 - TURNTABLE**

**FIGURE 2-3. BRAKE/2 SPEED VALVE ASSEMBLY**

ITEM	PART NUMBER	QTY	DESCRIPTION	REV
	1001226814	Ref	BRAKE/2 SPEED VALVE ASSEMBLY	E
1	7012995	1	Valve, Cartridge	
1	7012518	1	Seal Kit - 7012995 Valve	
1	7012943	1	Nut, Coil	
2	2220886	1	Plug, O-Ring	
3	2220883	1	Plug, O-Ring	
4	4641192	1	Valve, Cartridge	
4	7017496	1	Seal Kit - 4641192 Valve	
5	7012941	1	Valve, Cartridge	
5	7010543	1	Seal Kit - 7012941 Valve	
5	7012944	1	Nut, Coil	
6	7012989	1	Valve, Cartridge	
6	7012953	1	Seal Kit - 7012989 Valve	
7	7012928	1	Valve, Cartridge	
7	70003649	1	Seal Kit - 7012928 Valve	
8	70003975	1	Plug, Orifice	

# SECTION 2 - TURNTABLE

## FIGURE 2-4. SWING DRIVE INSTALLATION



ART\_1001156136\_B

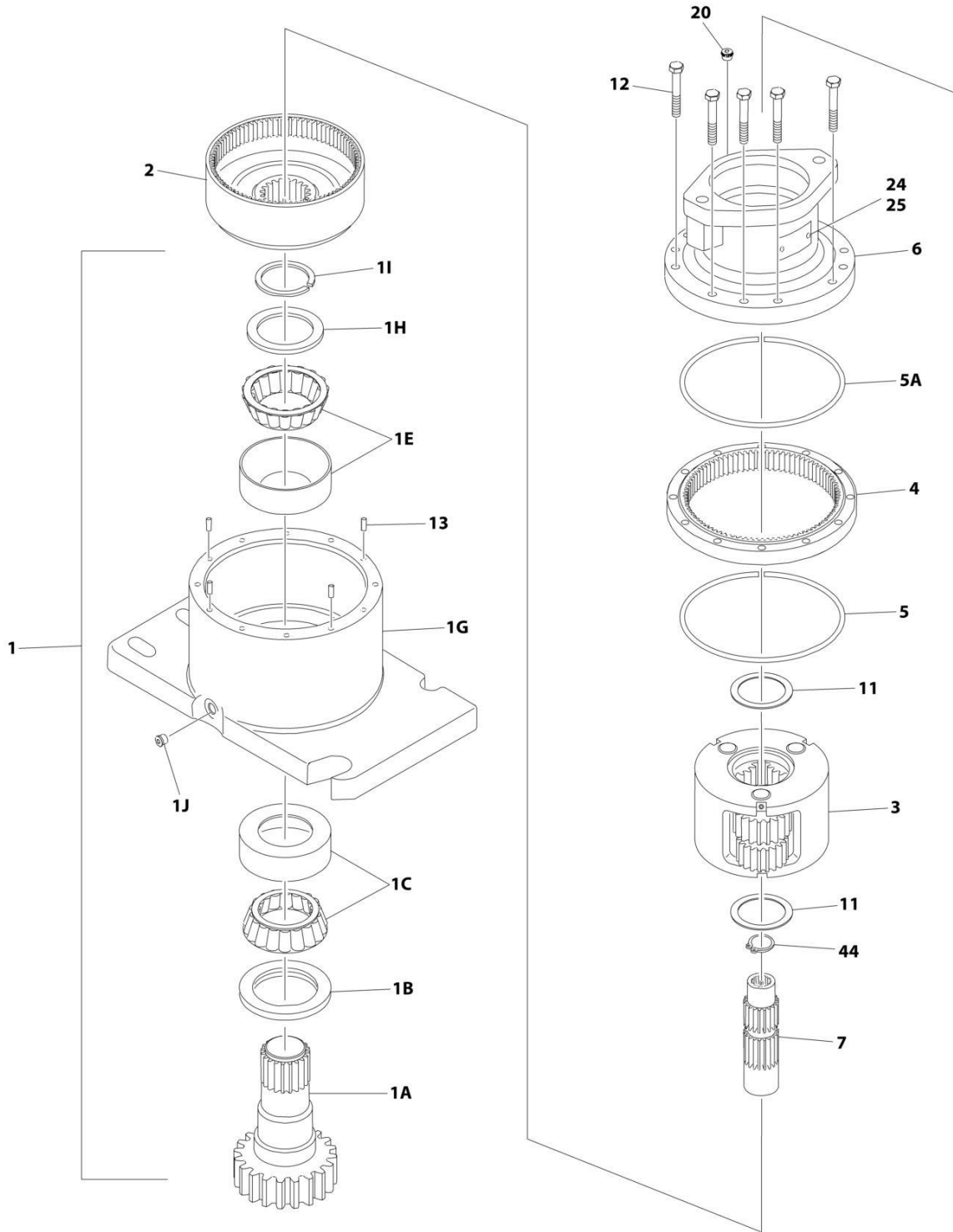
**SECTION 2 - TURNTABLE**

**FIGURE 2-4. SWING DRIVE INSTALLATION**

<b>ITEM</b>	<b>PART NUMBER</b>	<b>QTY</b>	<b>DESCRIPTION</b>	<b>REV</b>
	1001156136	Ref	SWING DRIVE INSTALLATION	B
1	0100019	AR	Compound, Locking	
2	3952020	1	Setscrew 5/8 x 2-1/2	
3	0682216	4	Bolt 3/4 x 2 Grade 8	
4	3312002	1	Nut 5/8	
5	3900293	1	Screw 1 x 1-1/4	
6	1001125492	1	Shim	
7	4740057	4	Washer	
8	1001229810	1	Swing Motor/Hub Assembly (See Separate Breakdown in this Section)	

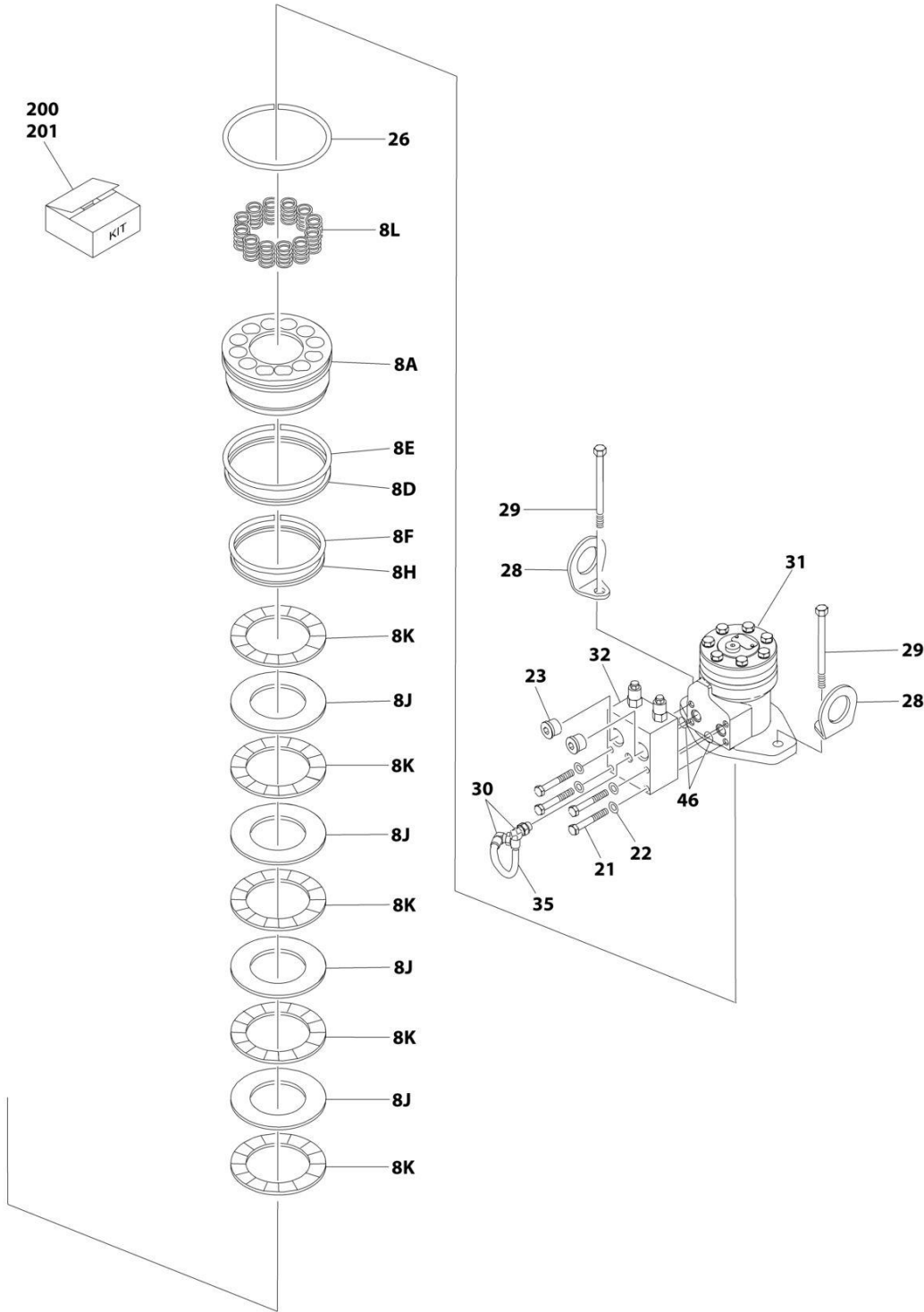
# SECTION 2 - TURNTABLE

## FIGURE 2-5. SWING MOTOR/HUB ASSEMBLY



ART\_1001229810\_10F2

SECTION 2 - TURNTABLE



ART\_1001229810\_20F2

## SECTION 2 - TURNTABLE

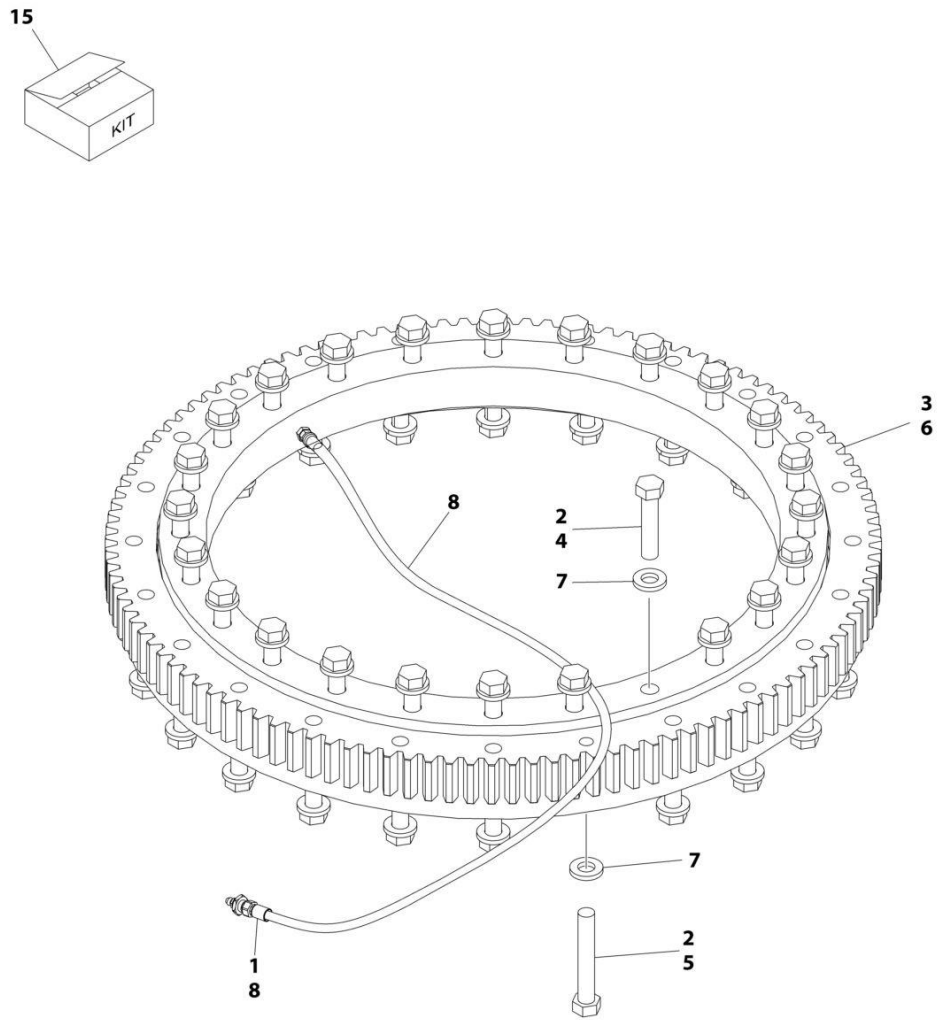
**FIGURE 2-5. SWING MOTOR/HUB ASSEMBLY**

ITEM	PART NUMBER	QTY	DESCRIPTION	REV
	1001229810	Ref	SWING MOTOR/HUB ASSEMBLY	C
1	See Note	1	Housing/Shaft Assembly (Note: Not Available - Purchase Individual Components)	
1A	7010492	1	Shaft, Output	
1B	7000228	1	Seal, Lip	
1C	7000255	1	Bearing Kit (Includes Cup and Cone)	
1E	7000257	1	Bearing Kit (Includes Cup and Cone)	
1G	7024762	1	Housing	
1H	7007633	1	Washer, Thrust	
1I	7000229	1	Ring, Retaining	
1J	7017072	1	Plug, Pipe	
2	7000246	1	Gear, Internal	
3	7000247	1	Carrier Assembly	
4	7000248	1	Gear, Ring	
5	7000230	1	O-Ring	
5A	7017070	1	O-Ring	
6	1001229810	NSS	Housing, Brake (Note: Not Available - Purchase Complete Assembly)	
7	70005203	1	Gear, Sun	
8A	70004037	1	Piston	
8D	70004041	1	O-Ring	
8E	70004044	1	Ring, Back-up	
8F	70004042	1	O-Ring	
8H	70004043	1	Ring, Back-up	
8J	70002085	4	Disc, Rotor	
8K	70002085	5	Disc, Stator	
8L	70002066	14	Spring	
11	7000253	2	Washer, Thrust	
12	7000217	12	Bolt 3/8 x 2-1/4 Grade 8	
13	7017080	4	Pin, Dowel	
20	7017072	1	Plug, Pipe	
21	7024704	4	Bolt 5/16 x 2 Grade 8	
22	70004045	4	Washer	
23	7017023	2	Plug, Pipe	
24	See Note	NSS	Plate, ID (Note: Not Available for Purchase)	
25	See Note	NSS	Rivet (Note: Not Available for Purchase)	
26	7024763	1	O-Ring	
28	See Note	NSS	Lug, Lifting (Note: Not Available for Purchase)	
29	70004040	2	Bolt 1/2 x 1 (Grade 8)	
30	7017085	2	Elbow	
31	70006304	1	Motor Assembly	
32	7024784	1	Valve Assembly - Complete (No Serviceable Parts)	
35	70004047	1	Tube	
44	7017028	1	Ring, Internal Retaining	
45	7000213	2	O-Ring	
		Ref	KIT OPTIONS:	
200	7024100	1	Seal Kit - Swing Hub (Includes Items 1B, 1I, 5, 5A & 11)	
201	70002085	1	Disc Kit - Swing Brake (Includes Items 8J & 8K)	



# SECTION 2 - TURNTABLE

## FIGURE 2-6. TURNTABLE BEARING AND LUBE INSTALLATION



ART\_1001157049



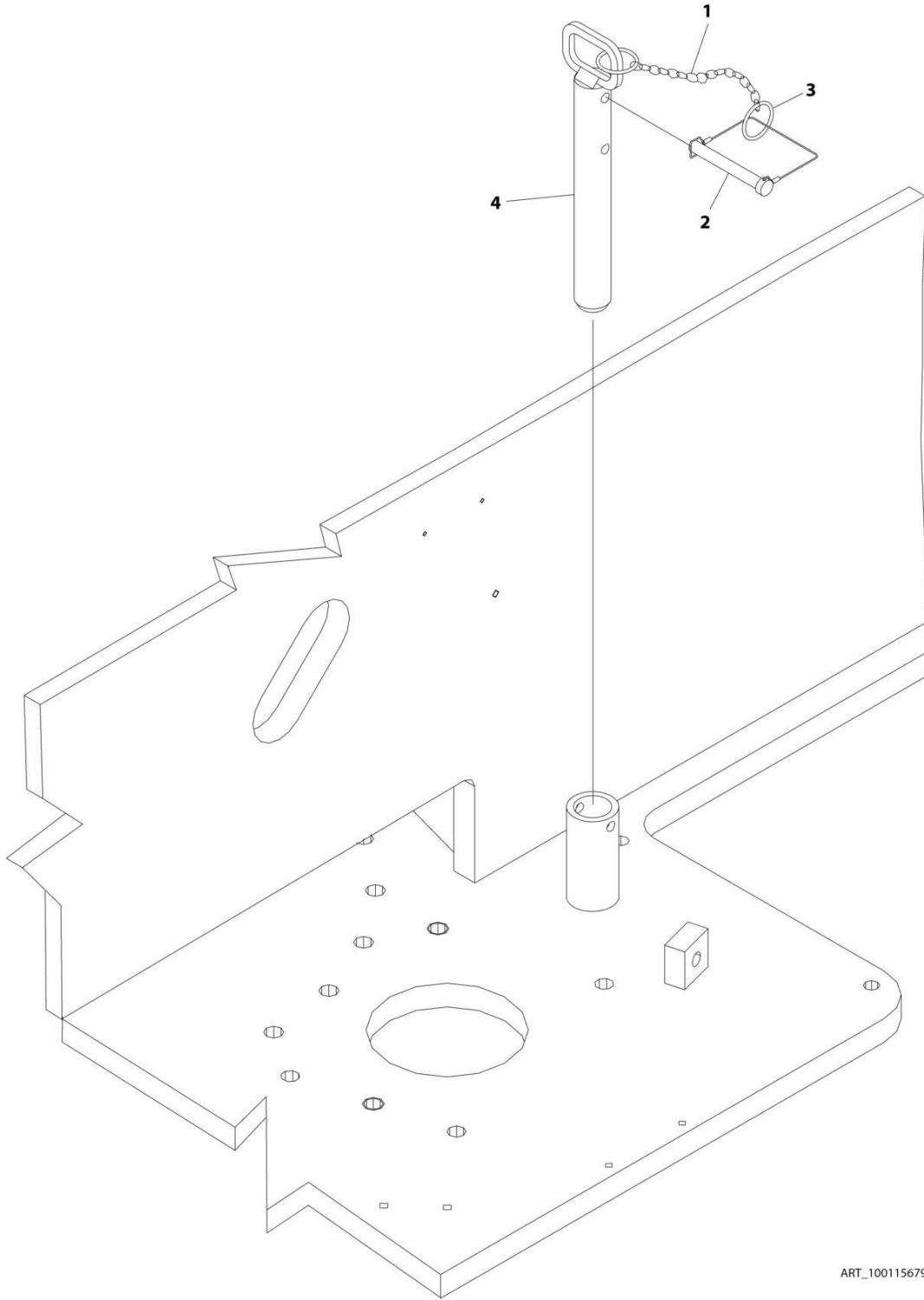
**SECTION 2 - TURNTABLE**

**FIGURE 2-6. TURNTABLE BEARING AND LUBE INSTALLATION**

<b>ITEM</b>	<b>PART NUMBER</b>	<b>QTY</b>	<b>DESCRIPTION</b>	<b>REV</b>
	1001157049	Ref	TURNTABLE BEARING AND LUBE INSTALLATION	B
1	0100011	AR	Compound, Locking	
2	0100019	AR	Compound, Locking	
3	0440244	1	Bearing, Turntable	
4	0682023	24	Bolt 5/8 x 2-7/8 Grade 8	
5	0682032	24	Bolt 5/8 x 4 Grade 8	
6	3020029	AR	Lubricant	
7	4892000	48	Washer 5/8	
8	1001157058	1	Hose	
15	2915094	1	Turntable Bearing Kit	

# SECTION 2 - TURNTABLE

## FIGURE 2-7. TURNTABLE LOCK INSTALLATION



ART\_1001156798

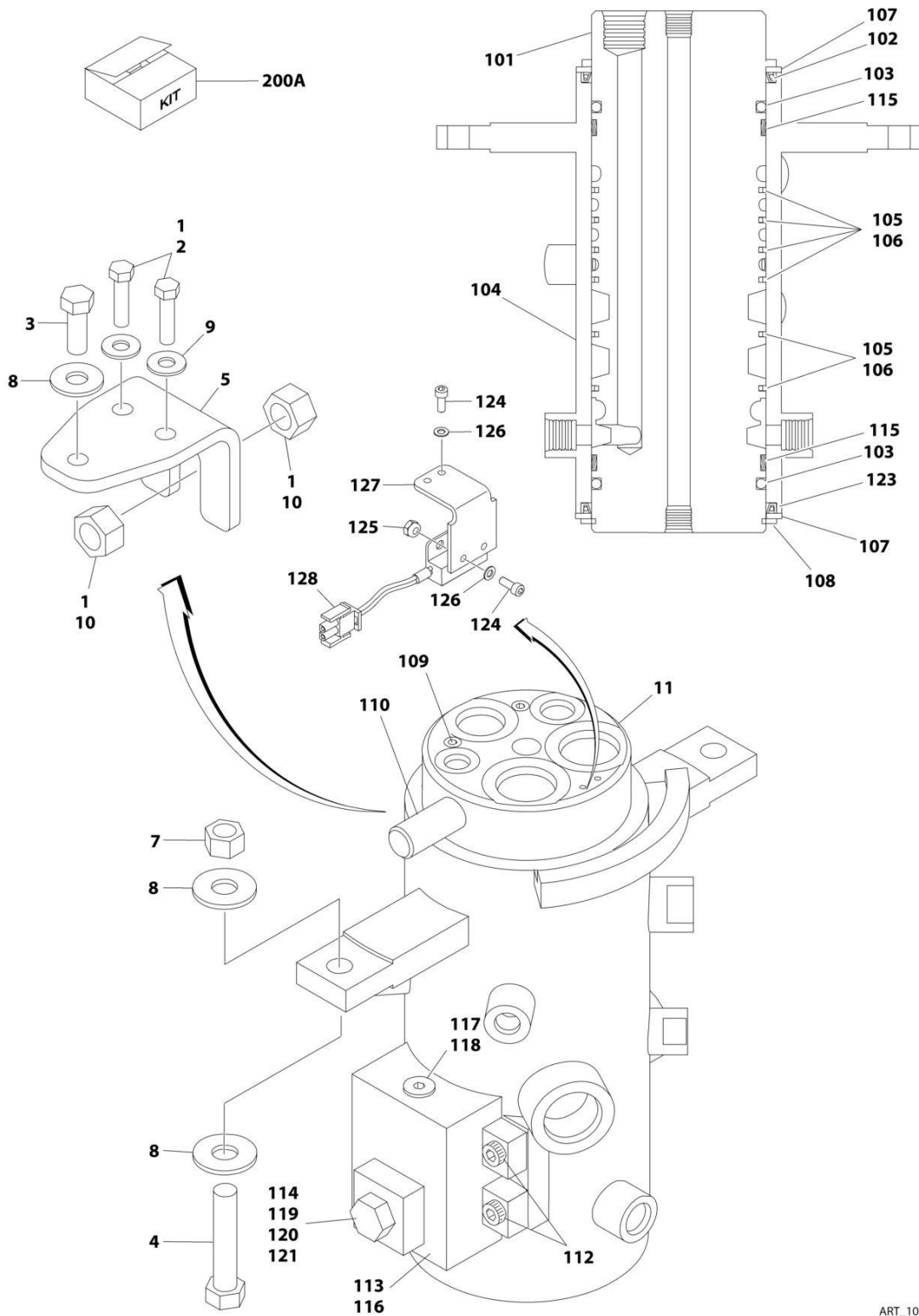
**SECTION 2 - TURNTABLE**

**FIGURE 2-7. TURNTABLE LOCK INSTALLATION**

<b>ITEM</b>	<b>PART NUMBER</b>	<b>QTY</b>	<b>DESCRIPTION</b>	<b>REV</b>
	1001156798	Ref	TURNTABLE LOCK INSTALLATION	A
1	1260017	9 in/23cm	Chain	
2	3421565	1	Pin, Snap	
3	3760170	2	Ring, Quick Release	
4	4844958	1	Pin	

# SECTION 2 - TURNTABLE

## FIGURE 2-8. ROTARY COUPLING INSTALLATION



ART\_1001107529

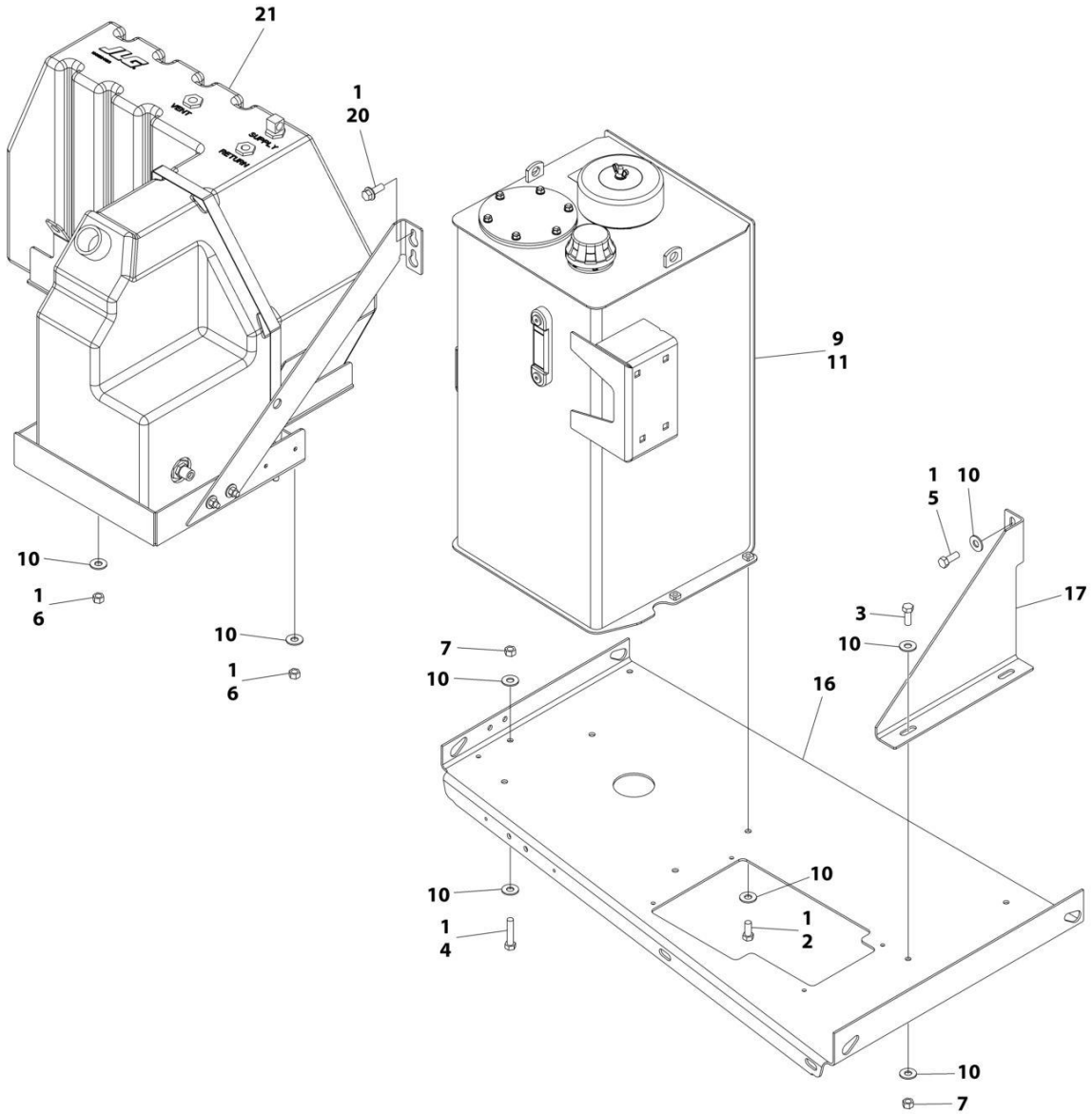
## SECTION 2 - TURNTABLE

### FIGURE 2-8. ROTARY COUPLING INSTALLATION

ITEM	PART NUMBER	QTY	DESCRIPTION	REV
	1001107529	Ref	ROTARY COUPLING INSTALLATION	B
1	0100011	AR	Compound, Locking	
2	0641611	2	Bolt 3/8 x 1-3/8	
3	0641812	1	Bolt 1/2 x 1-1/2	
4	0641820	2	Bolt 1/2 x 2-1/2	
5	0903242	1	Bracket	
7	3271805	2	Nut 1/2	
8	4751800	5	Washer 1/2	
9	4891600	2	Washer 3/8	
10	3322201	2	Nut 3/4	
11	1001106974	1	Coupling, Rotary Assembly (See Items 101-128 for Breakdown)	
	1001106974	Ref	ROTARY COUPLING ASSEMBLY	B
101	See Note	NSS	Body (Note: Not Available - Purchase Complete Assembly)	
102	See Note	NSS	Seal (Note: Use Item 200A)	
103	See Note	NSS	O-Ring (Note: Use Item 200A)	
104	See Note	NSS	Housing (Note: Not Available - Purchase Complete Assembly)	
105	See Note	NSS	Seal, Cap (Note: Use Item 200A)	
106	See Note	NSS	O-Ring (Note: Use Item 200A)	
107	7026503	2	Ring	
108	7026504	1	Ring, Retaining	
109	80934561	AR	Plug	
110	See Note	NSS	Lug, Torque (Note: Not Available for Purchase)	
112	7026197	4	Bolt 5/16 x 1-1/4	
113	See Note	NSS	O-Ring (Note: Use Item 200A)	
114	See Note	NSS	O-Ring (Note: Use Item 200A)	
115	See Note	NSS	Bearing (Note: Use Item 200A)	
116	7024404	1	Block Valve Assembly	
117	7026505	1	Plug	
118	7026506	1	Valve, Check	
119	7026507	1	Plug	
120	See Note	NSS	Plunger, Valve (Note: Use p/n 7024404)	
121	7026509	1	Spring, Compression	
123	See Note	NSS	Seal (Note: Use Item 200A)	
124	See Note	NSS	Capscrew #10 x 1/2 (Note: Not Available for Purchase)	
125	See Note	NSS	Nut #10 (Note: Not Available for Purchase)	
126	See Note	NSS	Flatwasher #10 (Note: Not Available for Purchase)	
127	70003454	1	Bracket, Switch Mounting	
128	4360517	1	Switch, Proximity	
200A	70001248	1	Seal Kit (Includes Items 102, 103, 105, 106, 113, 114, 115 & 123)	

# SECTION 2 - TURNTABLE

## FIGURE 2-9. TANKS INSTALLATION



ART\_1001223977

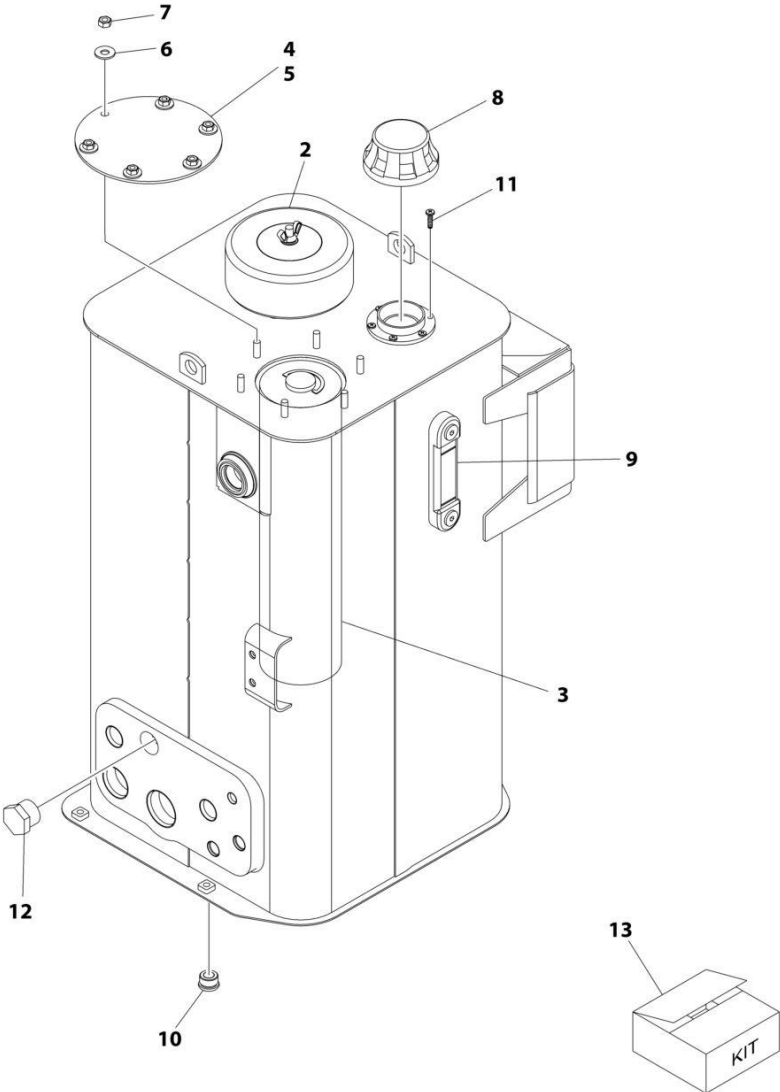
# SECTION 2 - TURNTABLE

**FIGURE 2-9. TANKS INSTALLATION**

ITEM	PART NUMBER	QTY	DESCRIPTION	REV
	1001223977	Ref	TANKS INSTALLATION	C
1	0100011	AR	Compound, Locking	
2	0641607	4	Bolt 3/8 x 7/8	
3	0641608	2	Bolt 3/8 x 1	
4	0641614	2	Bolt 3/8 x 1-3/4	
5	0681608	2	Bolt 3/8 x 1	
6	3311601	2	Nut 3/8	
7	3311605	4	Nut 3/8	
9	4420038	26 in/ 0.66m	Tape	
10	4751600	16	Washer 3/8	
11	1001178057	1	Hydraulic Tank Assembly (See Separate Breakdown in this Section)	
16	1001227338	1	Tray	
17	1001227383	1	Bracket	
20	0811608	2	Screw 3/8 x 1	
21	1001233641	1	Fuel Tank Assembly (See Separate Breakdown in this Section)	

**SECTION 2 - TURNTABLE**

**FIGURE 2-10. HYDRAULIC TANK ASSEMBLY**



ART\_1001178057



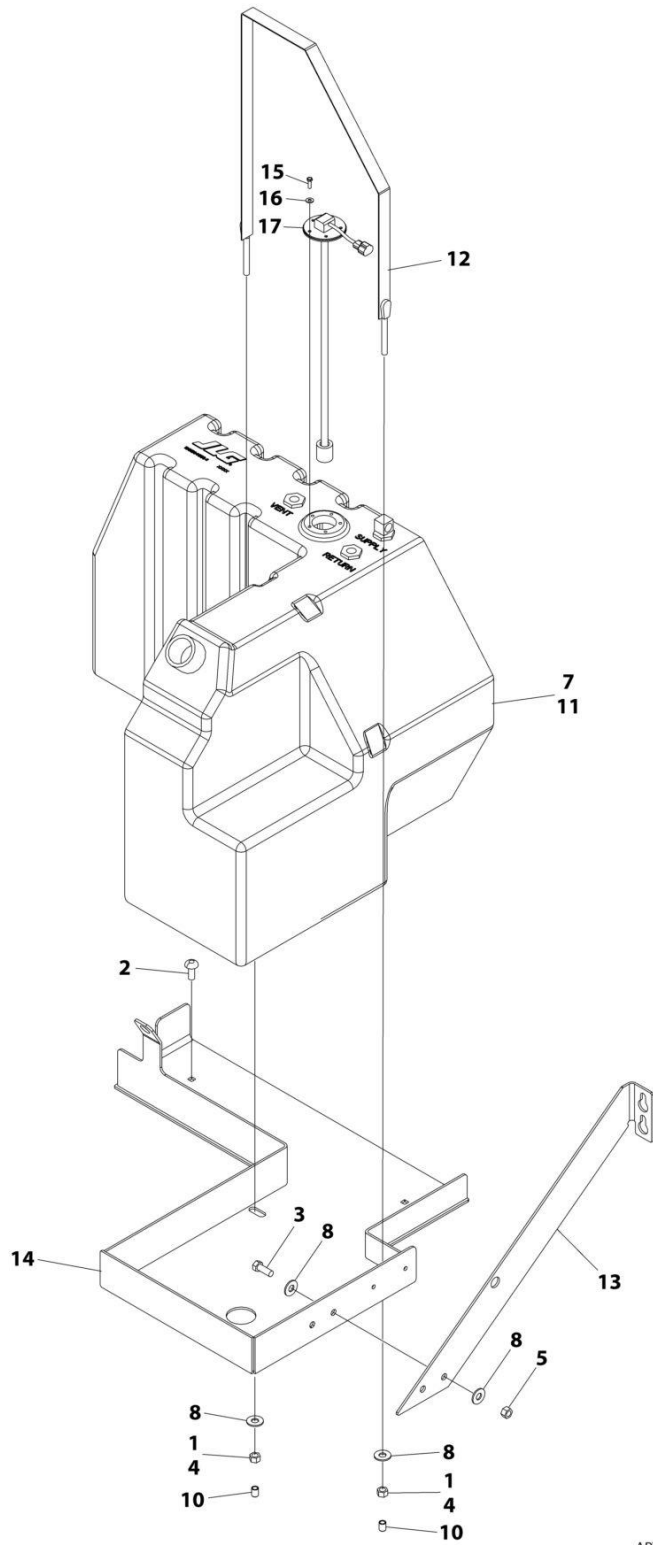
**SECTION 2 - TURNTABLE**

**FIGURE 2-10. HYDRAULIC TANK ASSEMBLY**

ITEM	PART NUMBER	QTY	DESCRIPTION	REV
	1001178057	Ref	HYDRAULIC TANK ASSEMBLY	D
2	70005708	1	Breather Assembly (Includes Breather, Element and Wingnut)	
2	See Note	NSS	Element, Breather (Note: Use p/n 70005708 or Item 13)	
3	See Note	NSS	Element, Hydraulic (Note: Use Item 13)	
4	70002839	1	Gasket	
5	See Note	NSS	Cover (Note: Not Available for Purchase)	
6	83304173	6	Washer 5/16	
7	70004199	6	Nut 5/16	
8	70002838	1	Cap, Fill	
9	7024441	1	Gauge, Level	
10	70002112	1	Plug	
11	70004795	6	Screw #10 x 3/4	
12	See Note	NSS	Plug (Note: Not Available - Purchase Locally)	
13	70002814	1	Hydraulic Tank Service Kit (Includes Items 2-4)	

# SECTION 2 - TURNTABLE

## FIGURE 2-11. FUEL TANK ASSEMBLY



ART\_1001233641\_B

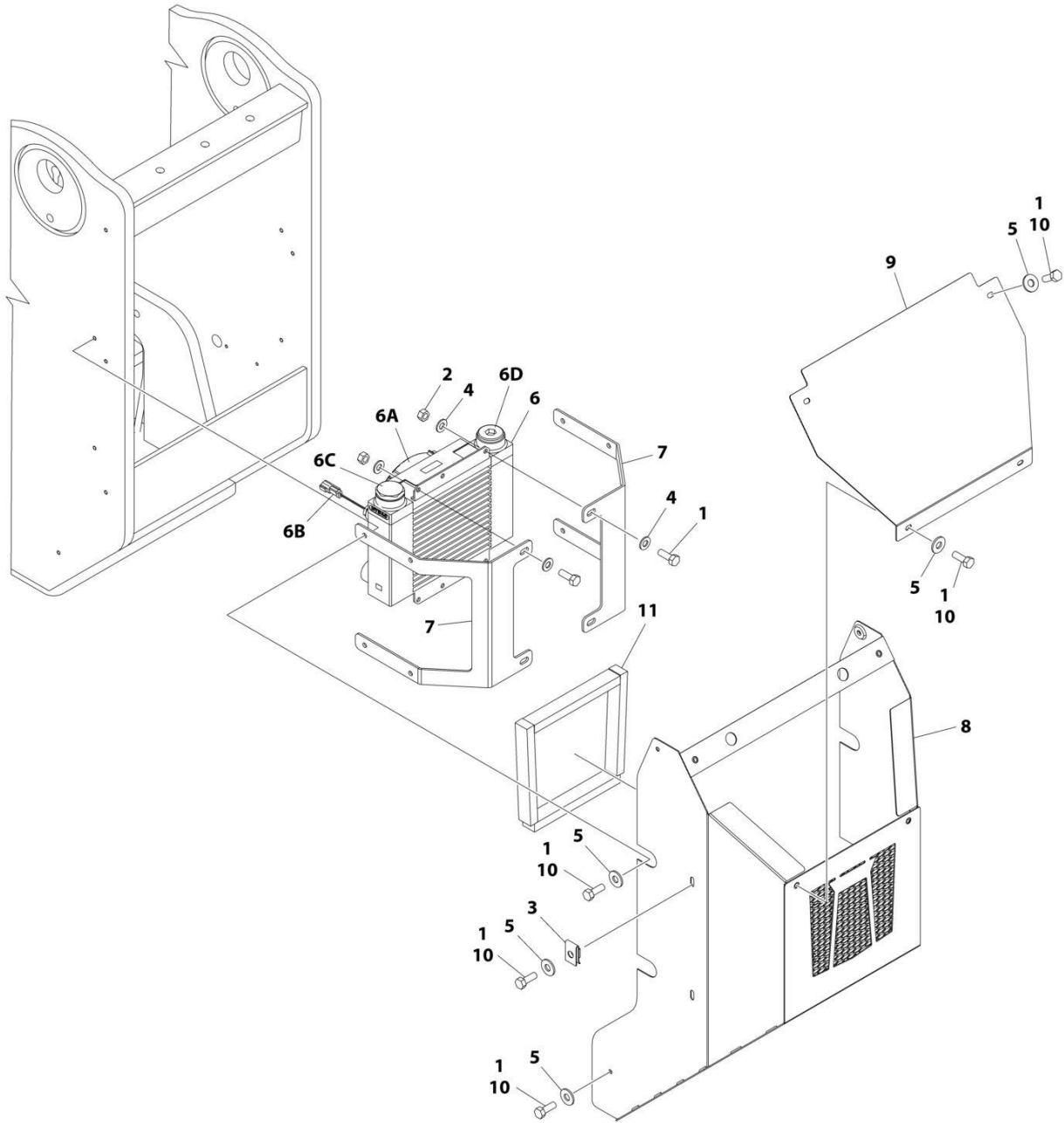
## SECTION 2 - TURNTABLE

### FIGURE 2-11. FUEL TANK ASSEMBLY

ITEM	PART NUMBER	QTY	DESCRIPTION	REV
	1001233641	Ref	FUEL TANK ASSEMBLY	B
1	0100011	AR	Compound, Locking	
2	0630446	2	Bolt 3/8 x 1	
3	0641608	2	Bolt 3/8 x 1	
4	3311601	2	Nut 3/8	
5	3311605	2	Nut 3/8	
7	4420038	37 in/ 0.94m	Tape	
8	4751600	6	Washer 3/8	
9	1001182997	AR	Adhesive (Not Shown)	
10	1001218572	2	Cap	
11	1001284959	1	Tank, Fuel	
11	See Note	NSS	Cap (Note: Not Available at time of Printing)	
11	See Note	NSS	Tube, Pick-up (Note: Not Available at time of Printing)	
12	1001224384	1	Strap	
13	1001233635	1	Bracket	
14	1001233640	1	Tray	
15	0731005	5	Bolt #10 x 5/8	
16	4751000	5	Washer #10	
17	1001285015	1	Gauge, Fuel Level With Connector	
17	4460897	1	Terminal	
17	1001274218	1	Gauge, Fuel Level	
17	1001287769	1	Gasket	

# SECTION 2 - TURNTABLE

## FIGURE 2-12. OIL COOLER INSTALLATION



ART\_1001223981

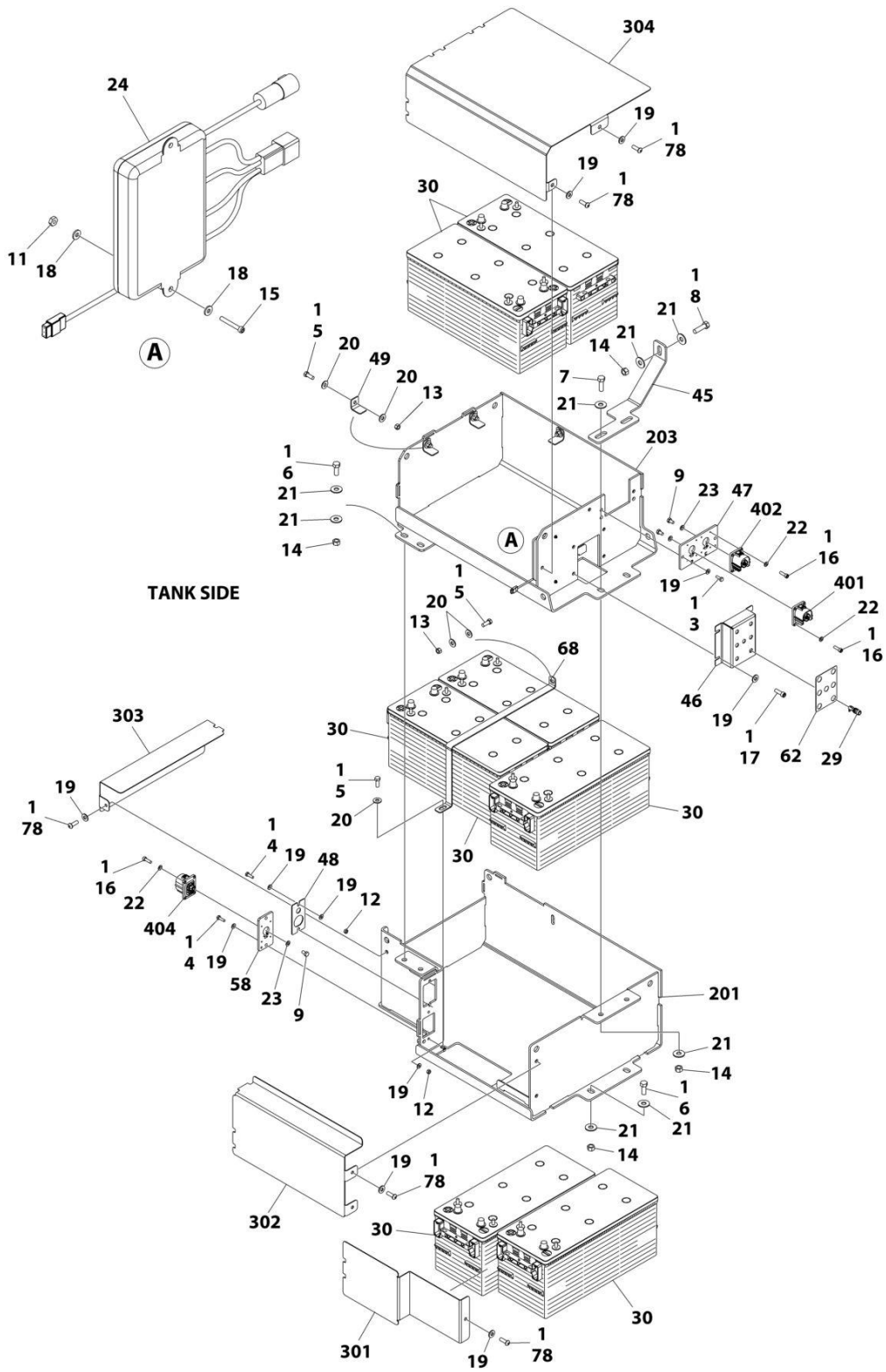
**SECTION 2 - TURNTABLE**

**FIGURE 2-12. OIL COOLER INSTALLATION**

ITEM	PART NUMBER	QTY	DESCRIPTION	REV
	1001223981	Ref	COOLER INSTALLATION	C
1	0641507	20	Bolt 5/16 x 7/8	
2	3271505	4	Nut 5/16	
3	3300364	1	Nut, Tinnerman 5/16	
4	4711500	8	Washer 5/16	
5	4751500	16	Washer 5/16	
6	1001225804	1	Cooler Assembly	
6A	70006577	1	Fan/Motor Assembly	
6A	4460994	1	Plug, Male - 2 Position (Fan/Motor)	
6A	4460993	2	Terminal (Fan/Motor)	
6B	70006576	1	Thermostat	
6B	4460891	1	Plug, Male - 2 Position (Thermostat)	
6B	4460465	2	Socket, Female (Thermostat)	
6C	70006578	1	Valve, By-Pass	
6D	70006579	1	Plug	
7	1001227198	2	Bracket	
8	1001227869	1	Cover, Vented	
9	1001227870	1	Cover	
10	0100011	AR	Compound, Locking	
11	1001233249	4	Seal	

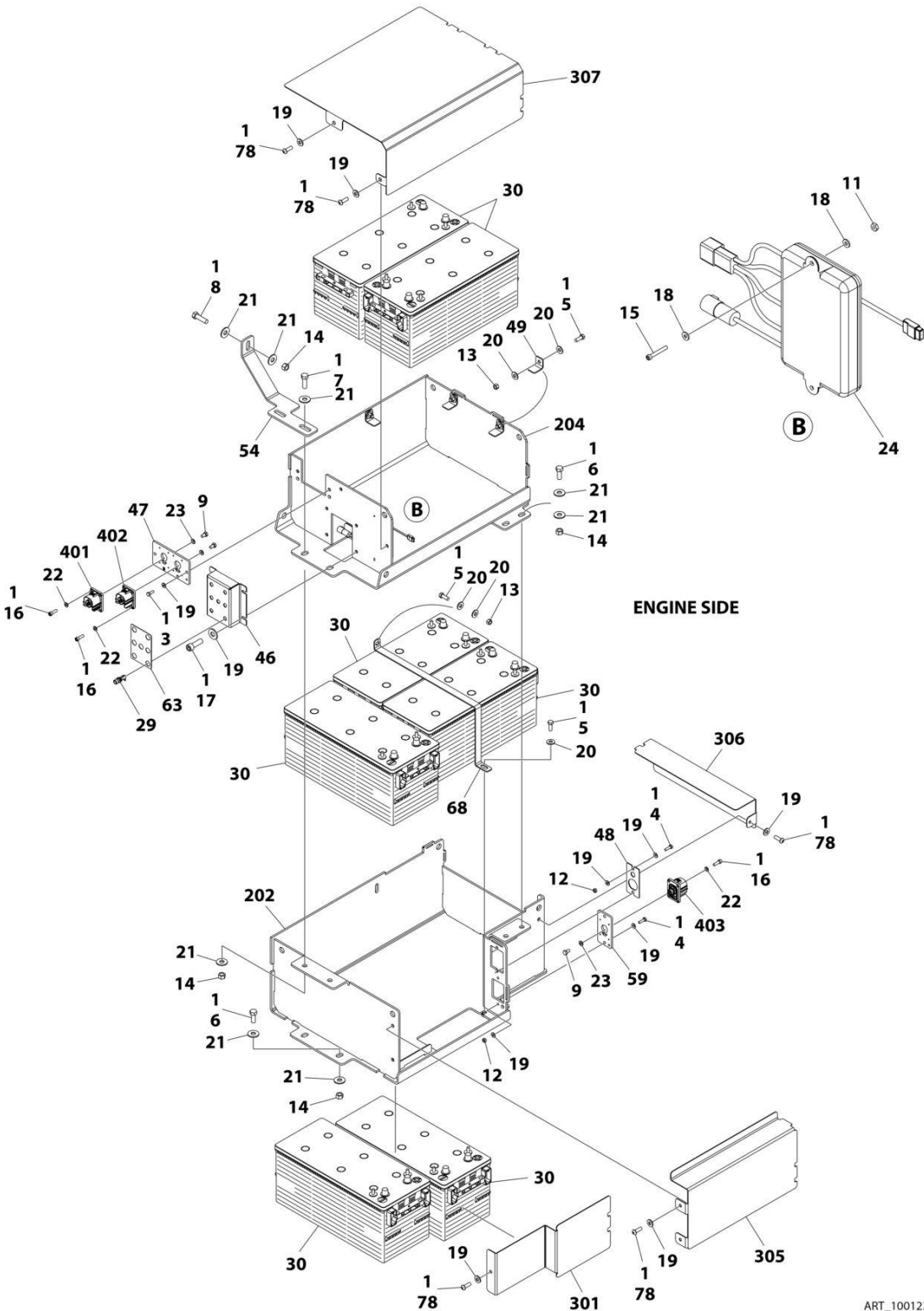
# SECTION 2 - TURNTABLE

## FIGURE 2-13. BATTERY BOXES INSTALLATION



ART\_1001231700\_10F3

# SECTION 2 - TURNTABLE



ART\_1001231700\_20F3

## SECTION 2 - TURNTABLE

FIGURE 2-13. BATTERY BOXES INSTALLATION

ITEM	PART NUMBER	QTY	DESCRIPTION	REV
	1001231700	Ref	BATTERY BOXES INSTALLATION	G
1	0100011	AR	Compound, Locking	
3	0641406	4	Bolt 1/4 x 3/4	
4	0641407	8	Bolt 1/4 x 7/8	
5	0641608	16	Bolt 3/8 x 1	
6	0641810	12	Bolt 1/2 x 1-1/4	
7	0641812	4	Bolt 1/2 x 1-1/2	
8	0641814	2	Bolt 1/2 x 1-3/4	
9	0760807	6	Bolt M8 x 14	
11	3310605	4	Nut #6	
12	3311401	8	Nut 1/4	
13	3311601	14	Nut 3/8	
14	3311801	18	Nut 1/2	
15	3930616	4	Capscrew #6 x 1	
16	3931010	24	Capscrew #10 x 5/8	
17	3931412	8	Capscrew 1/4 x 3/4	
18	4710600	8	Washer #6	
19	4711400	40	Washer 1/4	
20	4751600	30	Washer 3/8	
21	4751800	36	Washer 1/2	
22	4811600	24	Washer M5	
23	4811900	6	Washer M8	
24	1001222358	2	Regulator	
29	1001226935	14	Fuseholder	
30	1001231249	14	Battery	
45	1001231596	1	Plate	
46	1001231597	2	Mount	
47	1001231598	2	Mount	
48	1001231599	2	Cover	
49	1001231600	12	Plate	
54	1001231655	1	Plate	
58	1001231839	1	Mount	
59	1001231840	1	Mount	
62	1001230711	1	Decal - Tank Battery Stack Fuses	
63	1001230712	1	Decal - Engine Battery Stack Fuses	
68	1001233737	2	Plate	
73	4240099	2	Tie-Strap (Not Shown)	
78	0641405	12	Bolt 1/4 x 5/8	
200	1001233443	1	Battery Box Kit (Not Shown)	
201	1001231569	1	Box, Battery	
202	1001231570	1	Box, Battery	
203	1001231581	1	Box, Battery (Tank Side)	
204	1001231582	1	Box, Battery (Engine Side)	
300	1001233444	1	Battery Covers Kit (Not Shown)	
301	1001231601	2	Cover, Battery Box	
302	1001231606	1	Cover, Battery Box	
303	1001231607	1	Cover, Battery Box	
304	1001231608	1	Cover, Battery Box	
305	1001231656	1	Cover, Battery Box	
306	1001231657	1	Cover, Battery Box	

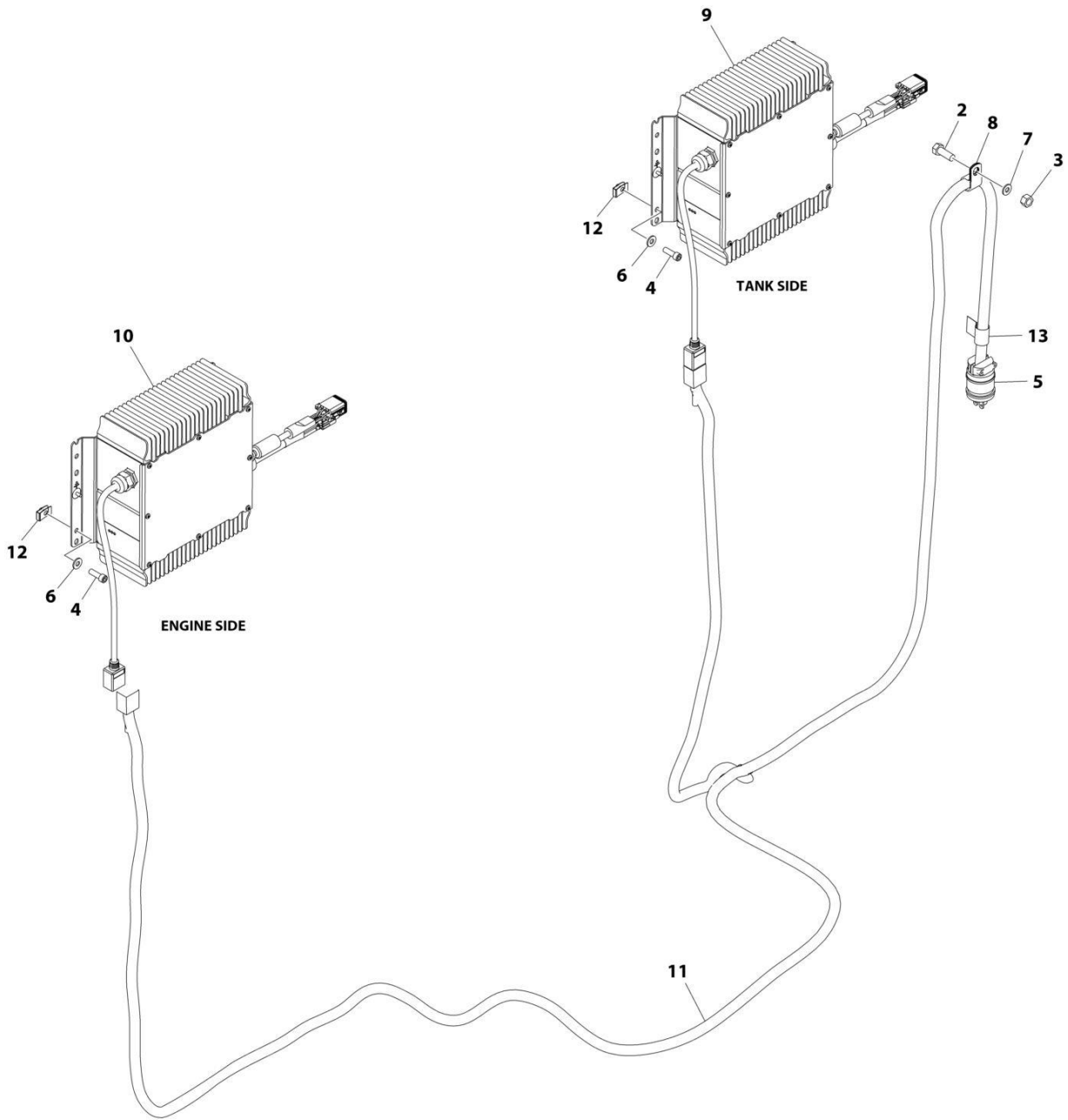


**SECTION 2 - TURNTABLE**

<b>ITEM</b>	<b>PART NUMBER</b>	<b>QTY</b>	<b>DESCRIPTION</b>	<b>REV</b>
307	1001231658	1	Cover, Battery Box	
400	1001233446	1	Connector Kit (Not Shown)	
401	1001223195	2	Connector	
402	1001223196	2	Connector	
403	1001223198	1	Connector	
404	1001223200	1	Connector	

# SECTION 2 - TURNTABLE

## FIGURE 2-14. BATTERY CHARGERS INSTALLATION (FACTORY SUPPLIED 220V PLUG)



ART\_1001223124

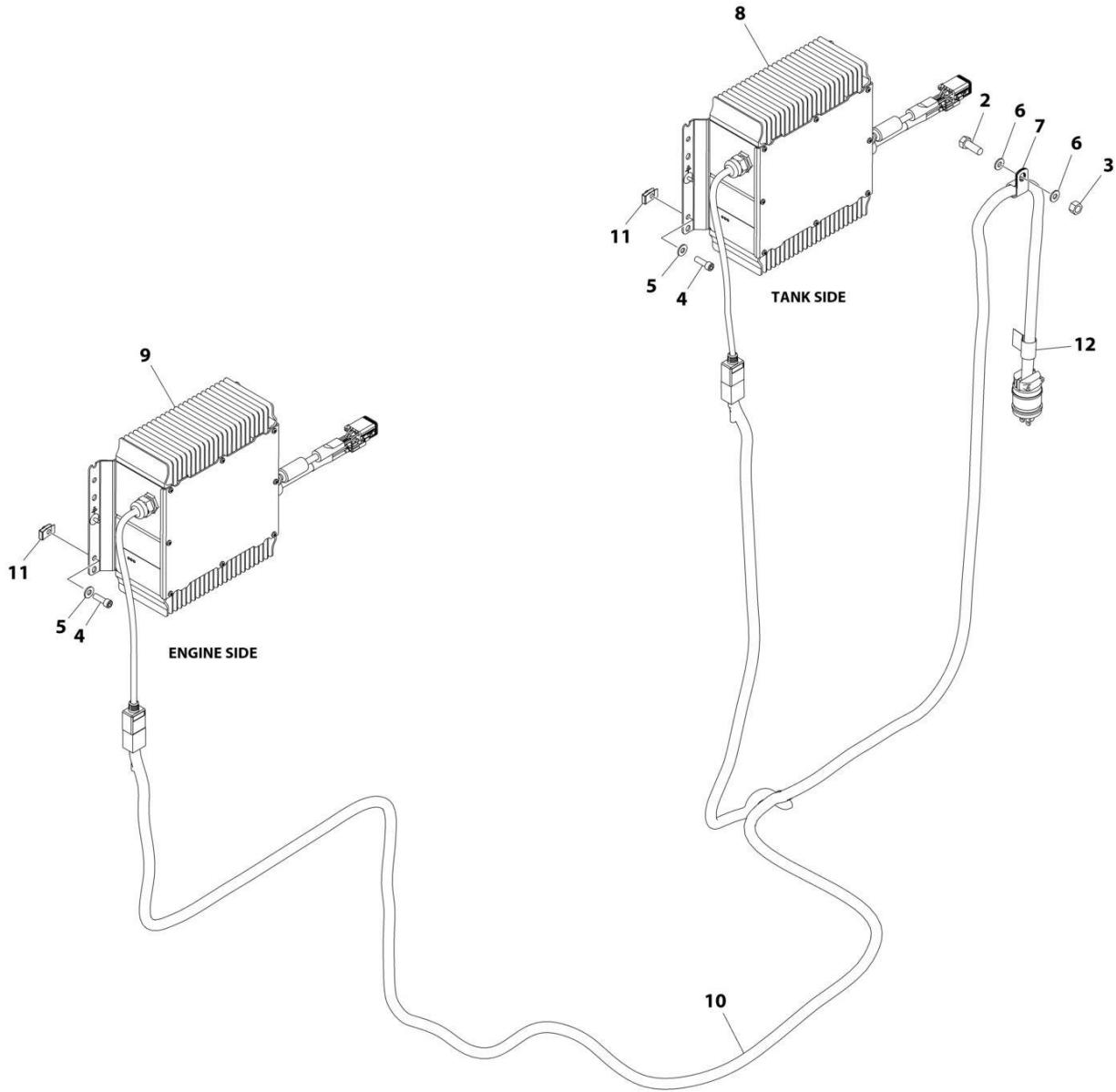
**SECTION 2 - TURNTABLE**

**FIGURE 2-14. BATTERY CHARGERS INSTALLATION (FACTORY SUPPLIED 220V PLUG)**

ITEM	PART NUMBER	QTY	DESCRIPTION	REV
	1001223124	Ref	BATTERY CHARGERS INSTALLATION	F
2	0641608	1	Bolt 3/8 x 1	
3	3311605	1	Nut 3/8	
4	3931412	8	Capscrew 1/4 x 3/4	
5	4460233	1	Plug	
6	4711400	8	Washer 1/4	
7	4711600	2	Washer 3/8	
8	1320061	1	Clamp	
9	1001222359	1	Charger, Battery (Primary)	
10	1001222360	1	Charger, Battery (Secondary)	
11	10012226031	1	Cable, AC	
12	3300454	8	Nut, Tinnerman 1/4	
13	1001238309	1	Decal - 240V Heater Cord	

## SECTION 2 - TURNTABLE

FIGURE 2-15. BATTERY CHARGERS INSTALLATION (CUSTOMER SUPPLIED PLUG)



ART\_1001227901\_F

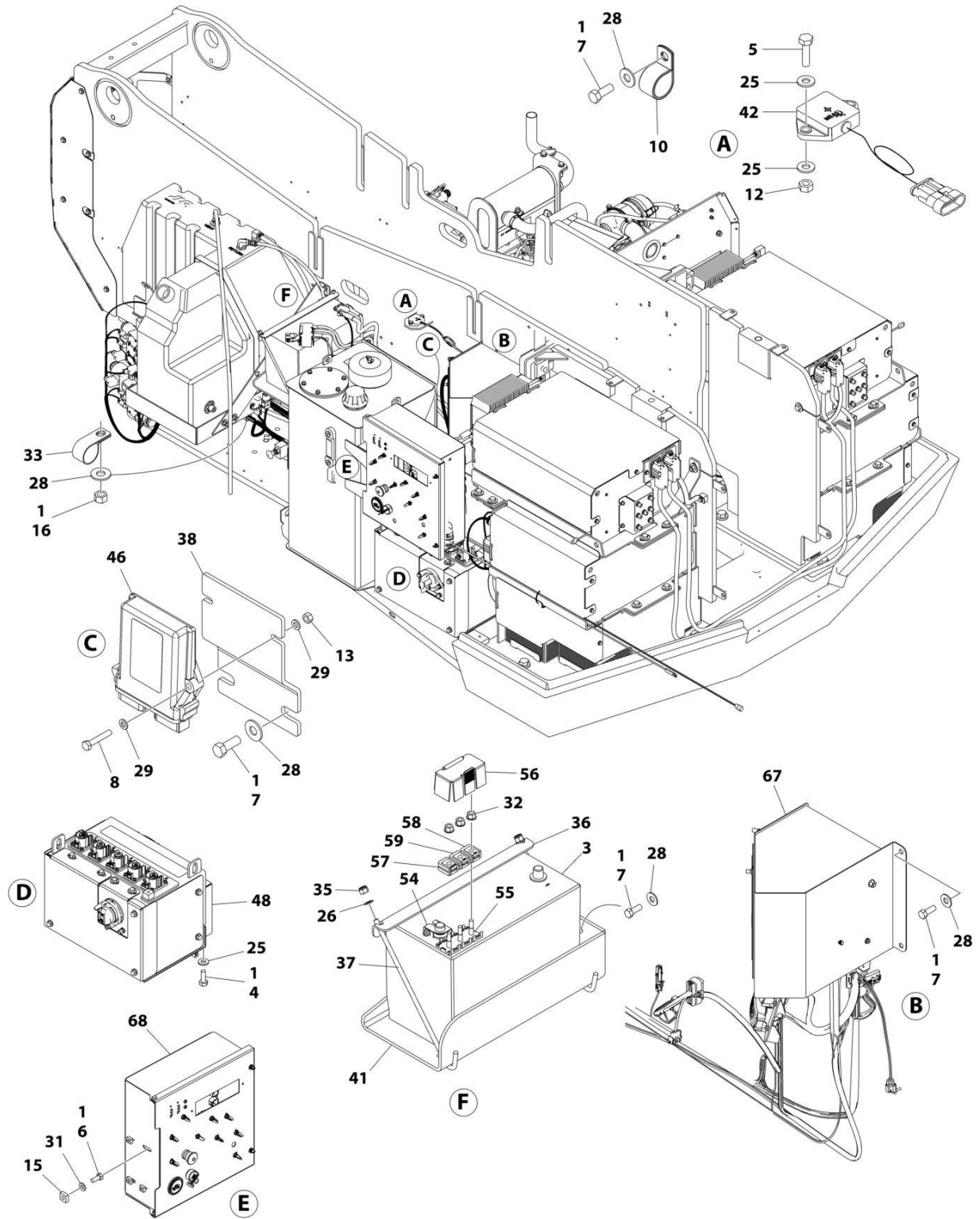
**SECTION 2 - TURNTABLE**

**FIGURE 2-15. BATTERY CHARGERS INSTALLATION (CUSTOMER SUPPLIED PLUG)**

<b>ITEM</b>	<b>PART NUMBER</b>	<b>QTY</b>	<b>DESCRIPTION</b>	<b>REV</b>
	1001227901	Ref	BATTERY CHARGERS INSTALLATION	F
2	0641608	1	Bolt 3/8 x 1	
3	3311605	1	Nut 3/8	
4	3931412	8	Capscrew 1/4 x 3/4	
5	4711400	8	Washer 1/4	
6	4711600	2	Washer 3/8	
7	1320061	1	Clamp	
8	1001222359	1	Charger, Battery (Primary)	
9	1001222360	1	Charger, Battery (Secondary)	
10	1001264430	1	Cable, AC	
11	3300454	8	Nut 1/4	
12	1001238309	1	Decal - 240V Heater Cord	

# SECTION 2 - TURNTABLE

## FIGURE 2-16. ELECTRICAL SYSTEM INSTALLATION



ART\_1001249003\_E\_10F2

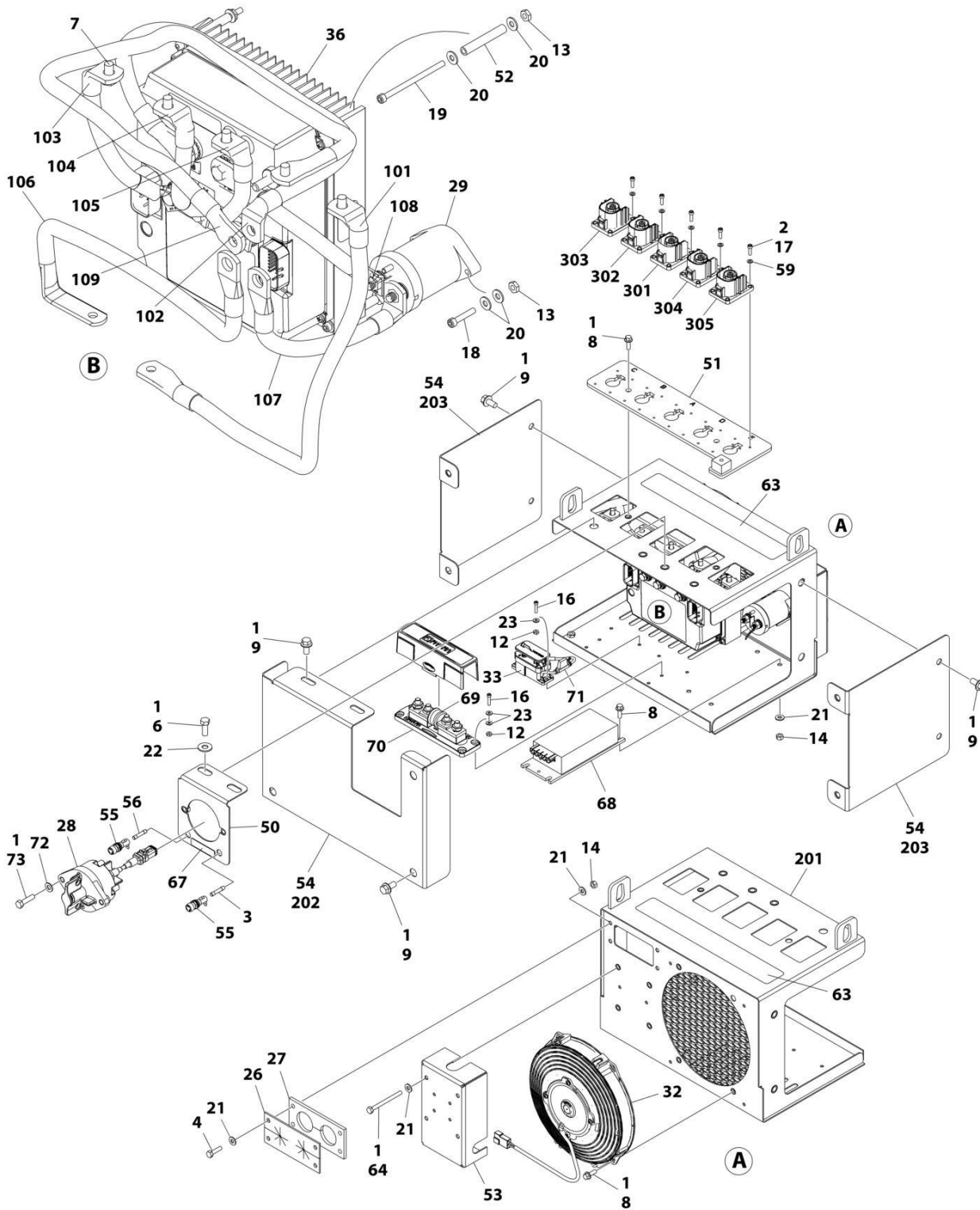
## SECTION 2 - TURNTABLE

**FIGURE 2-16. ELECTRICAL SYSTEM INSTALLATION**

ITEM	PART NUMBER	QTY	DESCRIPTION	REV
	1001249003	Ref	ELECTRICAL COMPONENTS INSTALLATION	E
1	0100011	AR	Compound, Locking	
3	0400075	1	Battery	
4	0641406	4	Bolt 1/4 x 3/4	
5	0641408	2	Bolt 1/4 x 1	
6	0641506	4	Bolt 5/16 x 3/4	
7	0681608	10	Bolt 3/8 x 1	
8	0700615	2	Bolt M6 x 35	
10	1320060	1	Clamp	
12	3271405	2	Nut 1/4	
13	3290607	2	Nut M6	
15	3300205	4	Nut, Retainer	
16	3311601	2	Nut 3/8	
17	4061032	1	Shield (Not Shown - Located over Hydraulic Pump)	
20	4240099	2	Tie-Strap (Not Shown)	
25	4711400	8	Washer 1/4	
26	4711500	2	Washer 5/16	
28	4751600	12	Washer 3/8	
29	4811700	4	Washer M6	
31	4891500	4	Washer 5/16	
32	5260818	3	Nut M8	
33	8406201	2	Clip	
35	88521205	2	Nut 5/16	
36	91401281	1	Bracket	
37	1001093382	2	J-Bolt	
38	1001142722	1	Bracket	
41	1001162497	1	Tray, Battery	
42	1001219601	1	Sensor, Tilt	
46	1001223583	1	Module, HEC Control (Note: Recalibration Required when Replaced)	
48	1001226120	1	IMG Control Box Assembly (See Separate Breakdown in this Section)	
54	1001226929	1	Terminal	
55	1001226930	1	Stud Assembly	
56	1001226931	1	Boot, Red	
57	1001226932	1	Fuse 40Amp	
58	1001226933	1	Fuse 80Amp	
59	1001226934	1	Shunt	
67	1001249004	1	Fuse Box Assembly (See Separate Breakdown in this Section)	
68	1001249005	1	Ground Control Box Assembly (See Separate Breakdown in this Section)	
70	1001213448	1	Connector (Not Shown)	

# SECTION 2 - TURNTABLE

## FIGURE 2-17. IMG CONTROL BOX ASSEMBLY



ART\_1001226120



## SECTION 2 - TURNTABLE

### FIGURE 2-17. IMG CONTROL BOX ASSEMBLY

ITEM	PART NUMBER	QTY	DESCRIPTION	REV
	1001226120	Ref	IMG CONTROL BOX ASSEMBLY	J
1	0100011	AR	Compound, Locking	
2	0100035	AR	Compound, Locking	
3	1001234314	1	Fuse 10Amp	
4	0641408	4	Bolt 1/4 x 1	
6	0641608	2	Bolt 3/8 x 1	
7	0760807	5	Bolt M8 x 14	
8	0811406	10	Screw 1/4 x 3/4	
9	0811606	9	Screw 3/8 x 3/4	
12	3310805	8	Nut #8	
13	3311005	6	Nut #10	
14	3311405	8	Nut 1/4	
16	3930812	8	Capscrew #8 x 3/4	
17	3931010	20	Capscrew #10 x 5/8	
18	3931016	2	Capscrew #10 x 1	
19	3931048	4	Capscrew #10 x 3	
20	4711000	12	Washer #10	
21	4711400	16	Washer 1/4	
22	4751600	2	Washer 3/8	
23	4750800	12	Washer #8	
26	1001168243	1	Shield	
27	1001168244	1	Shield	
28	1001236759	1	Switch, STDP Interlock	
29	1001222340	1	Relay, Main Contactor	
32	1001222363	1	Fan, Cooling	
33	1001222365	2	Relay	
36	1001222879	1	Controller, IMG (Note: Recalibration Required when Replaced)	
50	1001236967	1	Plate, IMG Disconnect Switch	
51	1001226146	1	Mount, IMG Connector	
52	1001226190	4	Sleeve	
53	1001226492	1	Cover Assembly	
53	1001224943	1	Converter	
53	1001226489	1	Cover	
54	1001113047	95 in/ 2.4m	Seal	
55	1001226935	2	Holder, Fuse	
56	1001228440	1	Fuse 15Amp	
59	4811600	20	Washer M5	
63	1001227763	1	Decal - Header Label IMG Box	
64	0641424	4	Bolt 1/4 x 3	
67	1001230714	1	Decal - IMG Fuse	
68	1001233188	1	Converter	
69	1001233198	1	Fuse 200Amp - 400Amp	
70	1001233203	1	Holder, Fuse	
71	1001234488	2	Electrical Assembly - Flyback Diode	
72	4711500	2	Washer 5/16	
73	0641510	2	Bolt 5/16 x 1-1/4	
100	1001233442	1	IMG Box Cable Kit	B
101	1001222375	1	Cable - Battery to Fuse	
102	1001222378	1	Cable - Negative to IMG	

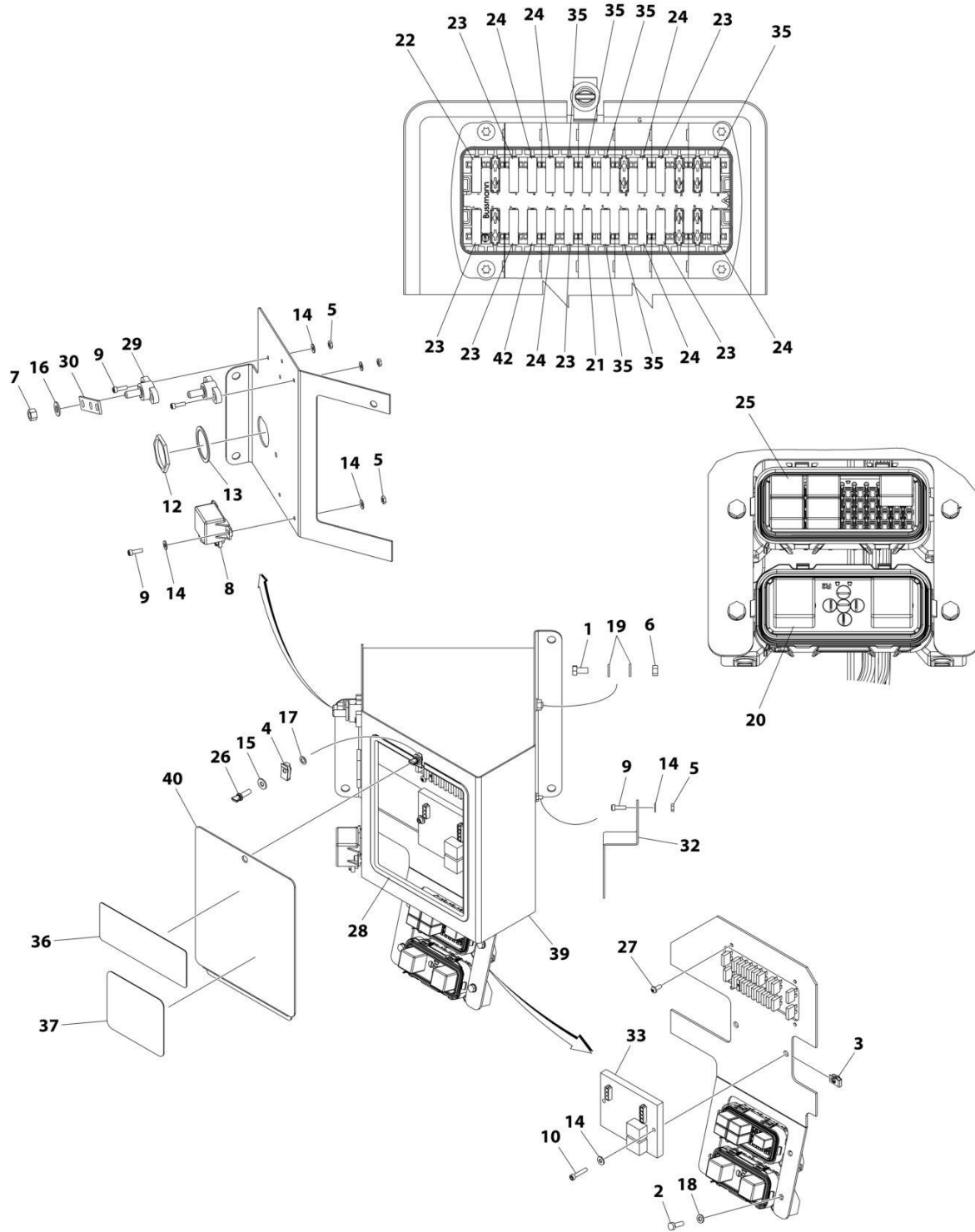
## SECTION 2 - TURNTABLE

ITEM	PART NUMBER	QTY	DESCRIPTION	REV
103	1001223916	1	Cable - IMG (U) to Box	
104	1001223917	1	Cable - IMG (V) to Box	
105	1001223918	1	Cable - IMG (W) to Box	
106	1001223951	1	Cable - Fuse to Rotary Disc	
107	1001223952	1	Cable - Rotary Disc to Main Controller	
108	1001223953	1	Cable - Main Controller to IMG	
109	1001230507	1	Cable (Negative to Bulkhead)	
200	1001233445	1	IMG Box Plate Kit	B
201	1001226121	1	Box	
202	1001226124	1	Cover, Front	
203	1001230154	2	Panel	
300	1001233447	1	IMG Cable Connector Kit	A
301	1001222915	1	Connector	
302	1001223195	1	Connector	
303	1001223196	1	Connector	
304	1001223198	1	Connector	
305	1001223200	1	Connector	



# SECTION 2 - TURNTABLE

## FIGURE 2-18. ELECTRICAL ASSEMBLY - 12V FUSE BOX



ART\_1001249004

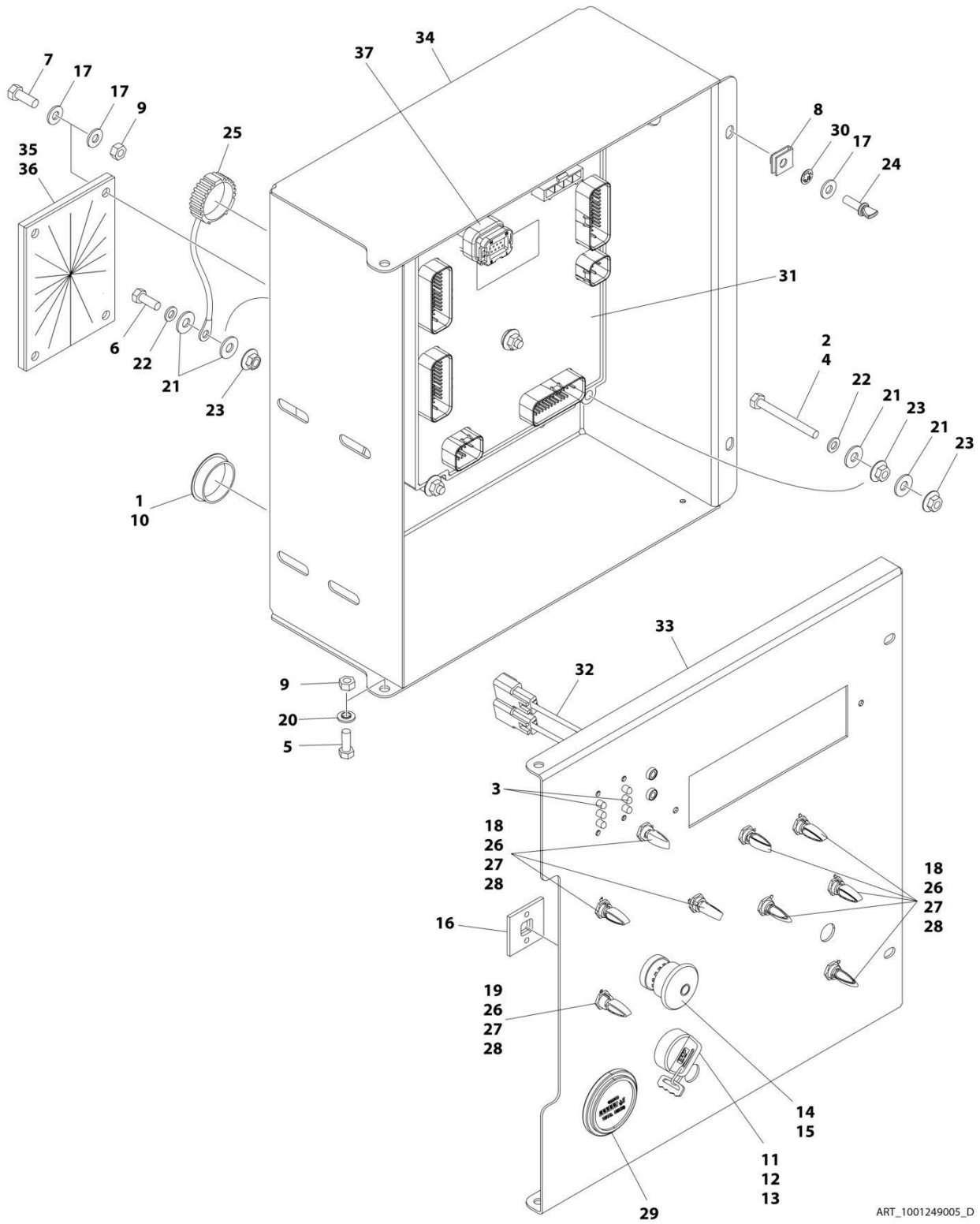
## SECTION 2 - TURNTABLE

**FIGURE 2-18. ELECTRICAL ASSEMBLY - 12V FUSE BOX**

ITEM	PART NUMBER	QTY	DESCRIPTION	REV
	1001249004	Ref	ELECTRICAL ASSEMBLY - 12V FUSE BOX	B
1	0641505	1	Bolt 5/16 x 5/8	
2	0760610	4	Bolt M6 x 20	
3	3300365	2	Nut, Retainer	
4	3300454	1	Nut, Tinnerman 1/4	
5	3311005	7	Nut #10	
6	3311505	1	Nut 5/16	
7	3311605	1	Nut 3/8	
8	3740112	1	Relay	
9	3931010	7	Capscrew #10 x 5/8	
10	3931016	2	Capscrew #10 x 1	
11	4240099	1	Tie-Strap (Not Shown)	
12	4460470	1	Nut	
13	4460471	1	Washer	
14	4711000	11	Washer #10	
15	4711400	1	Washer 1/4	
16	4711600	1	Washer 3/8	
17	4771200	1	Washer #12	
18	4811700	4	Washer M6	
19	4891500	2	Washer 5/16	
20	8225117	2	Relay	
21	8229234	1	Fuse - 10 Amp	
22	8229236	1	Fuse - 30 Amp	
23	8229237	6	Fuse - 15 Amp	
24	8229261	6	Fuse - 5 Amp	
25	1001095704	5	Relay	
26	1001103308	1	Screw 1/4 x 3/4	
27	1001108134	4	Screw #10 x 1/2	
28	1001113047	2.7 ft/ 0.82m	Trim	
29	1001120750	2	Stud	
30	1001128241	1	Bussbar	
31	1001146588	2	Tie-Strap (Not Shown)	
32	1001159162	1	Bracket	
33	1001223581	1	Control, H-Bridge	
34	1001226404	1	Harness - H-Bridge/Clutch (Not Shown) (See Separate Breakdown in ELECTRICAL SECTION)	
35	1001227788	6	Fuse - 2 Amp	
36	1001229790	1	Decal - Fuse Box	
37	1001229791	1	Decal - Relays	
38	1001230522	1	Turntable-Fuse Panel Harness (Not Shown) (See Separate Breakdown in ELECTRICAL SECTION)	
39	1001232495	1	Box, Fuse	
40	1001232499	1	Cover	
41	1001245030	1	Engine Harness (Not Shown) (See Separate Breakdown in ELECTRICAL SECTION)	
42	1001247362	1	Fuse - 40 Amp (H800AJ)	

# SECTION 2 - TURNTABLE

## FIGURE 2-19. GROUND CONTROL BOX ASSEMBLY



ART\_1001249005\_D

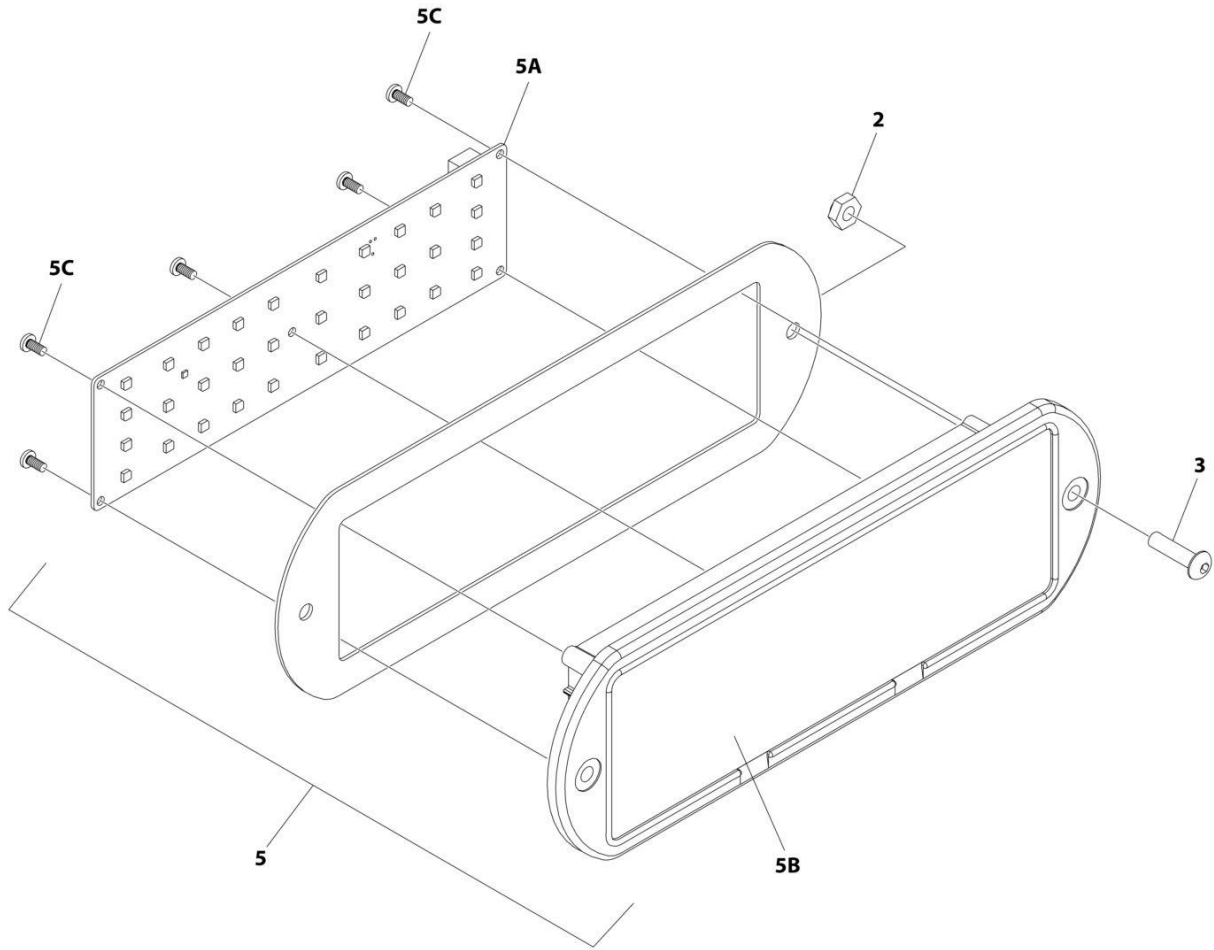
## SECTION 2 - TURNTABLE

**FIGURE 2-19. GROUND CONTROL BOX ASSEMBLY**

ITEM	PART NUMBER	QTY	DESCRIPTION	REV
	1001249005	Ref	GROUND CONTROL BOX ASSEMBLY	D
1	0100009	AR	Sealant	
2	0100011	AR	Compound, Locking	
3	0610131	2	LED P/C Board	
4	0630548	5	Bolt 2-1/2	
5	0641405	2	Bolt 1/4 x 5/8	
6	0641407	1	Bolt 1/4 x 7/8	
7	0641408	4	Bolt 1/4 x 1	
8	3300353	2	Nut, Tinnerman	
9	3311405	6	Nut 1/4	
10	3520035	1	Plug	
11	3910804	6	Screw #8 x 1/4	
12	4070991	1	Shim .125	
13	4360469	1	Switch, Key	
13	2860030	1 Set	Key, Replacement	
14	1001274559	1	Switch, Emergency Stop	
15	4360476	1	Switch, Contact Block	
16	4460488	6	Mount, Tie-Strap	
17	4711400	10	Washer 1/4	
18	4740397	8	Washer	
19	4740444	1	Washer	
20	4740518	2	Washer	
21	4751400	12	Washer 1/4	
22	4761400	6	Washer 1/4	
23	77143013	11	Nut 1/4	
24	1001103308	2	Screw 1/4 x 3/4	
25	1001106736	1	Cap, Dust	
26	1001155043	9	Washer	
27	1001155044	9	Nut 15/32	
28	1001155045	9	Switch, Toggle	
29	10836804	1	Gauge, Display	
30	1001188874	2	Nut	
31	1001284800	1	Module, Ground Control (Note: Recalibration Required when Replaced)	
32	1001225120	2	Lamp	
33	1001297393	1	Lid	
34	1001225969	1	Box	
35	1001229017	1	Shield, Cable	
36	1001229018	1	Trim, Shield	
37	1001246859	1	Connector, 14 Position Gray	

# SECTION 2 - TURNTABLE

## FIGURE 2-20. LIGHT PANEL INSTALLATION - GROUND CONTROL



ART\_1001245177\_C\_10F2



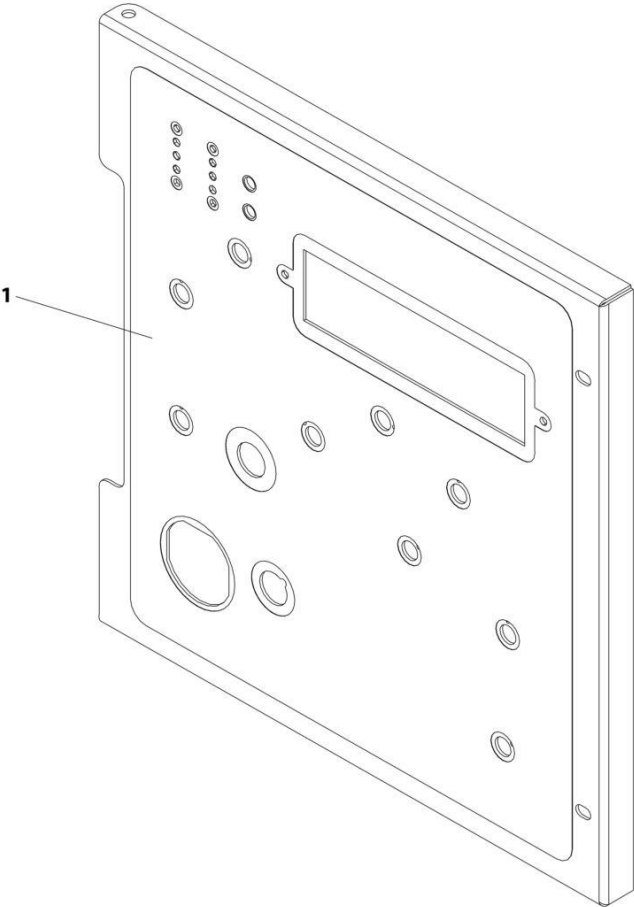
**SECTION 2 - TURNTABLE**

**FIGURE 2-20. LIGHT PANEL INSTALLATION - GROUND CONTROL**

<b>ITEM</b>	<b>PART NUMBER</b>	<b>QTY</b>	<b>DESCRIPTION</b>	<b>REV</b>
	1001245177	Ref	LIGHT PANEL INSTALLATION - GROUND CONTROL	C
2	3300408	2	Nut, Nylon Insert	
3	0630518	2	Screw #10 x 3/4	
5	1001281718	1	Light Panel Assembly	A
5A	1001238732	1	Panel, LED Light	
5B	1001281706	1	Lens, I-Con	
5C		Ref	Screw	

**SECTION 2 - TURNTABLE**

**FIGURE 2-21. GROUND CONTROL PANEL DECAL INSTALLATION (WITHOUT MSSO & WITHOUT TOWER STOW)**



ART\_1001249014

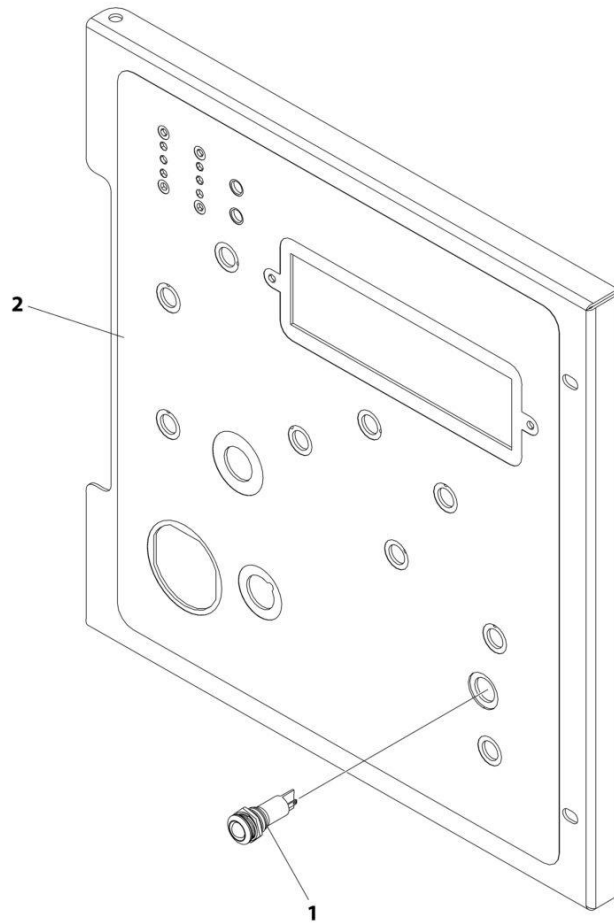
**SECTION 2 - TURNTABLE**

**FIGURE 2-21. GROUND CONTROL PANEL DECAL INSTALLATION (WITHOUT MSSO & WITHOUT TOWER STOW)**

<b>ITEM</b>	<b>PART NUMBER</b>	<b>QTY</b>	<b>DESCRIPTION</b>	<b>REV</b>
	1001249014	Ref	GROUND CONTROL PANEL DECAL INSTALLATION (WITHOUT MSSO)	A
1	1001249018	1	Decal - Ground Control Box	

## SECTION 2 - TURNTABLE

FIGURE 2-22. GROUND CONTROL PANEL DECAL INSTALLATION (WITHOUT MSSO & WITH TOWER STOW)



ART\_1001264701

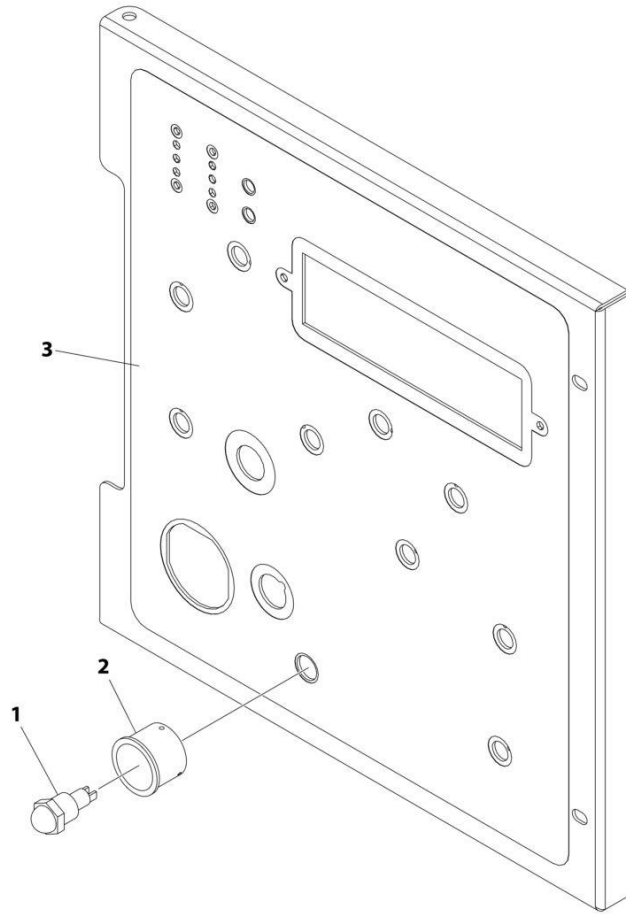
**SECTION 2 - TURNTABLE**

**FIGURE 2-22. GROUND CONTROL PANEL DECAL INSTALLATION (WITHOUT MSSO & WITH TOWER STOW)**

<b>ITEM</b>	<b>PART NUMBER</b>	<b>QTY</b>	<b>DESCRIPTION</b>	<b>REV</b>
	1001264701	Ref	GROUND CONTROL PANEL DECAL INSTALLATION (WITHOUT MSSO & WITH TOWER STOW)	A
1	1001137364	1	Lamp, LED Indicator Green	
2	1001264698	1	Decal - Ground Control Box	

## SECTION 2 - TURNTABLE

FIGURE 2-23. GROUND CONTROL PANEL DECAL INSTALLATION (WITH MSSO & WITHOUT TOWER STOW)



ART\_1001249015

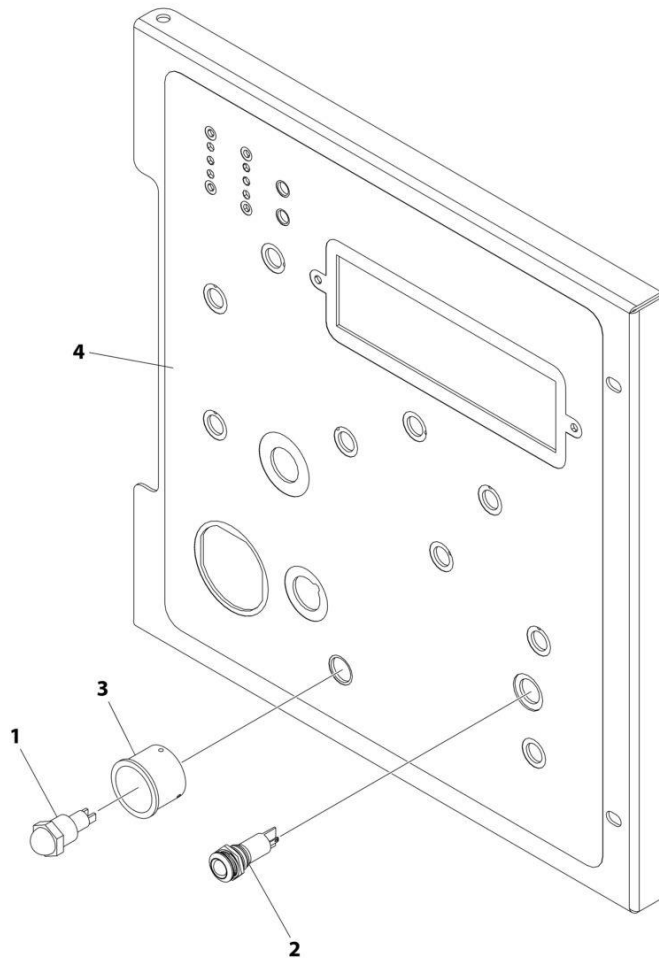
**SECTION 2 - TURNTABLE**

**FIGURE 2-23. GROUND CONTROL PANEL DECAL INSTALLATION (WITH MSSO & WITHOUT TOWER STOW)**

<b>ITEM</b>	<b>PART NUMBER</b>	<b>QTY</b>	<b>DESCRIPTION</b>	<b>REV</b>
	1001249015	Ref	GROUND CONTROL PANEL DECAL INSTALLATION (WITH MSSO)	A
1	4360387	1	Switch, Push Button	
2	1001176469	1	Shroud, Switch	
3	1001249019	1	Decal - Ground Control Box	

## SECTION 2 - TURNTABLE

FIGURE 2-24. GROUND CONTROL PANEL DECAL INSTALLATION (WITH MSSO & WITH TOWER STOW)



ART\_1001264807



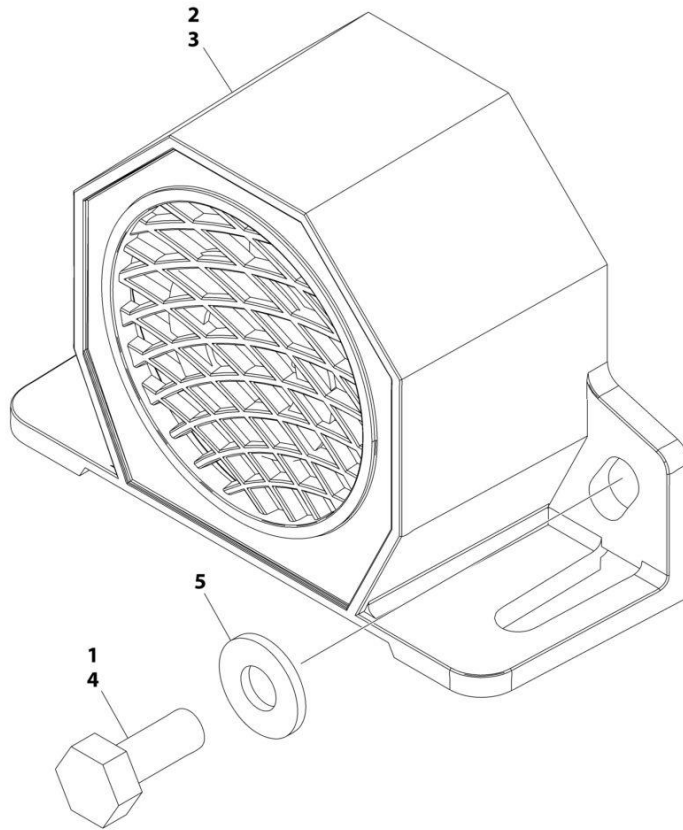
**SECTION 2 - TURNTABLE**

**FIGURE 2-24. GROUND CONTROL PANEL DECAL INSTALLATION (WITH MSSO & WITH TOWER STOW)**

<b>ITEM</b>	<b>PART NUMBER</b>	<b>QTY</b>	<b>DESCRIPTION</b>	<b>REV</b>
	1001264807	Ref	GROUND CONTROL PANEL DECAL INSTALLATION (WITH MSSO & WITH TOWER STOW)	A
1	4360387	1	Switch, Push Button	
2	1001137364	1	Lamp, LED Indicator Green	
3	1001176469	1	Shroud, Switch	
4	1001264804	1	Decal - Ground Control Box	

## SECTION 2 - TURNTABLE

FIGURE 2-25. ALARM INSTALLATION



ART\_1001158364

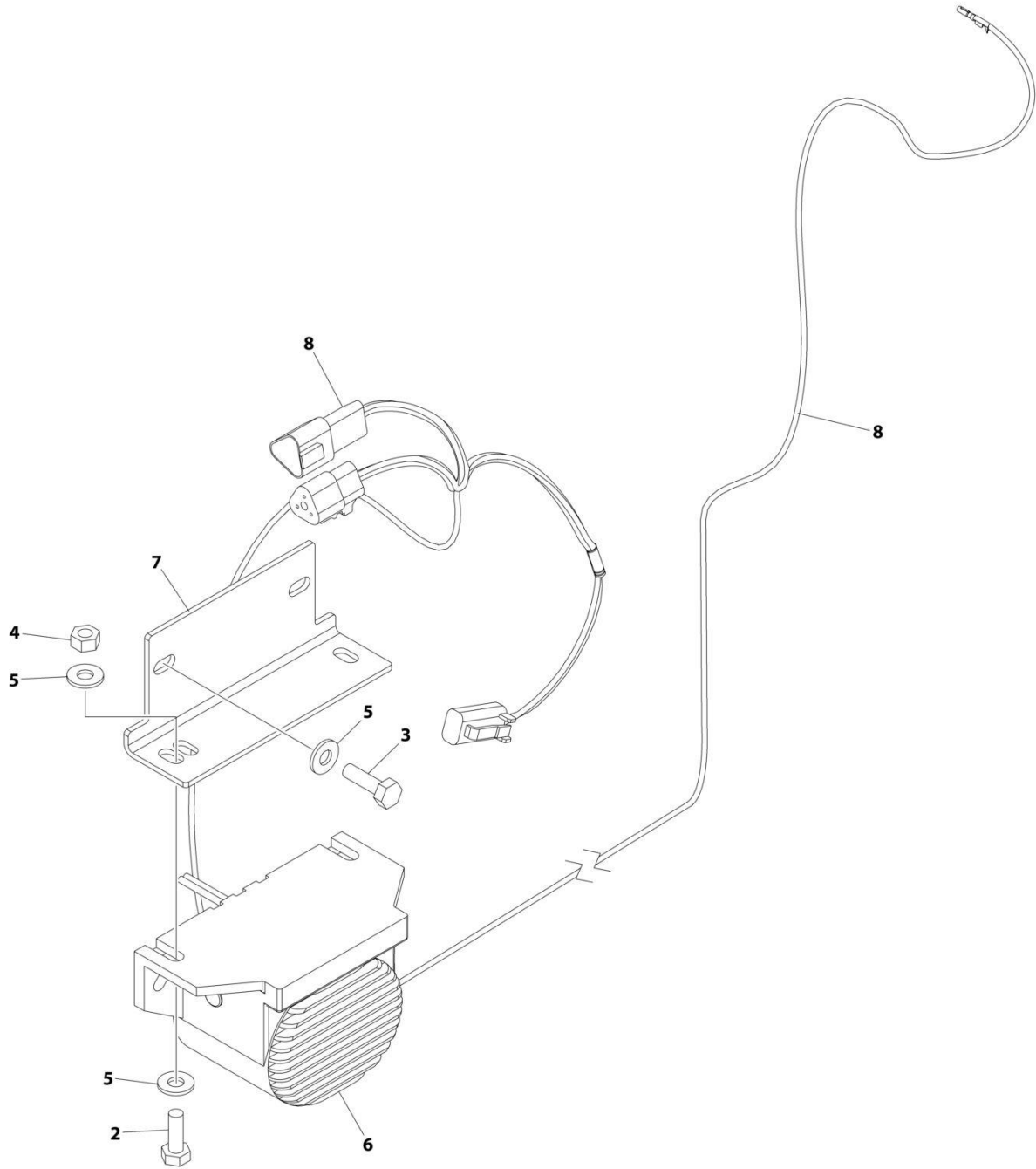
**SECTION 2 - TURNTABLE**

**FIGURE 2-25. ALARM INSTALLATION**

<b>ITEM</b>	<b>PART NUMBER</b>	<b>QTY</b>	<b>DESCRIPTION</b>	<b>REV</b>
	1001158364	Ref	ALARM INSTALLATION	A
1	0100011	AR	Compound, Locking	
2	0100048	AR	Grease, Dielectric	
3	0140044	1	Alarm	
4	0641405	2	Bolt 1/4 x 5/8	
5	4711400	2	Washer 1/4	

# SECTION 2 - TURNTABLE

## FIGURE 2-26. WHITE NOISE ALARM INSTALLATION - ADJUSTABLE AMBIENT



ART\_1001241385

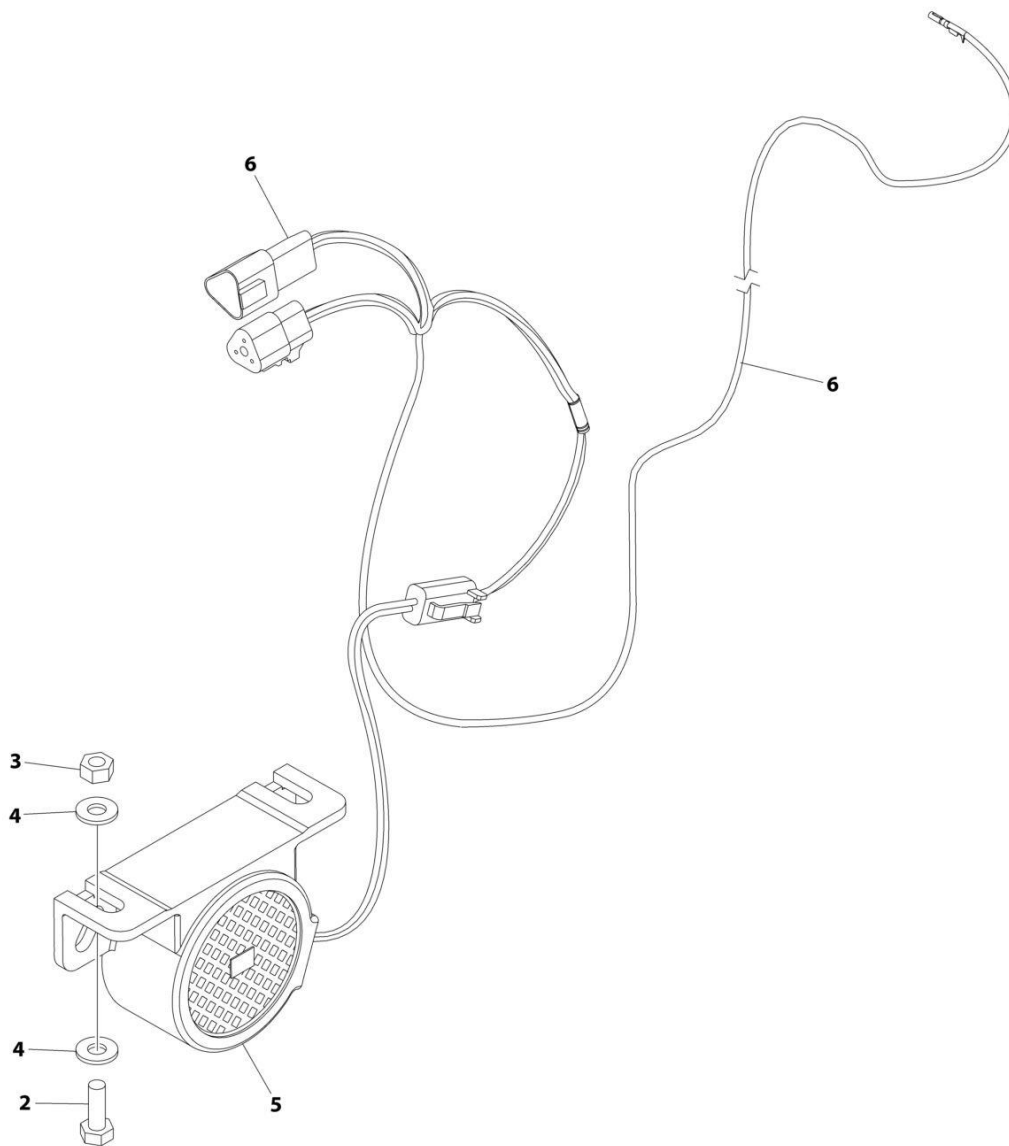
**SECTION 2 - TURNTABLE**

**FIGURE 2-26. WHITE NOISE ALARM INSTALLATION - ADJUSTABLE AMBIENT**

<b>ITEM</b>	<b>PART NUMBER</b>	<b>QTY</b>	<b>DESCRIPTION</b>	<b>REV</b>
	1001241385	Ref	WHITE NOISE ALARM INSTALLATION	B
1	0100048	AR	Compound, Silicone (Not Shown)	
2	0641406	2	Bolt 1/4 x 3/4	
3	0641407	2	Bolt 1/4 x 7/8	
4	3311405	2	Nut 1/4	
5	4711400	6	Washer 1/4	
6	1001182806	1	Alarm	
7	1001231886	1	Plate	
8	1001243682	1	White Noise Motion Alarm Harness (See Separate Breakdown in this Section)	

## SECTION 2 - TURNTABLE

FIGURE 2-27. WHITE NOISE MOTION ALARM INSTALLATION - AMBIENT



ART\_1001239347

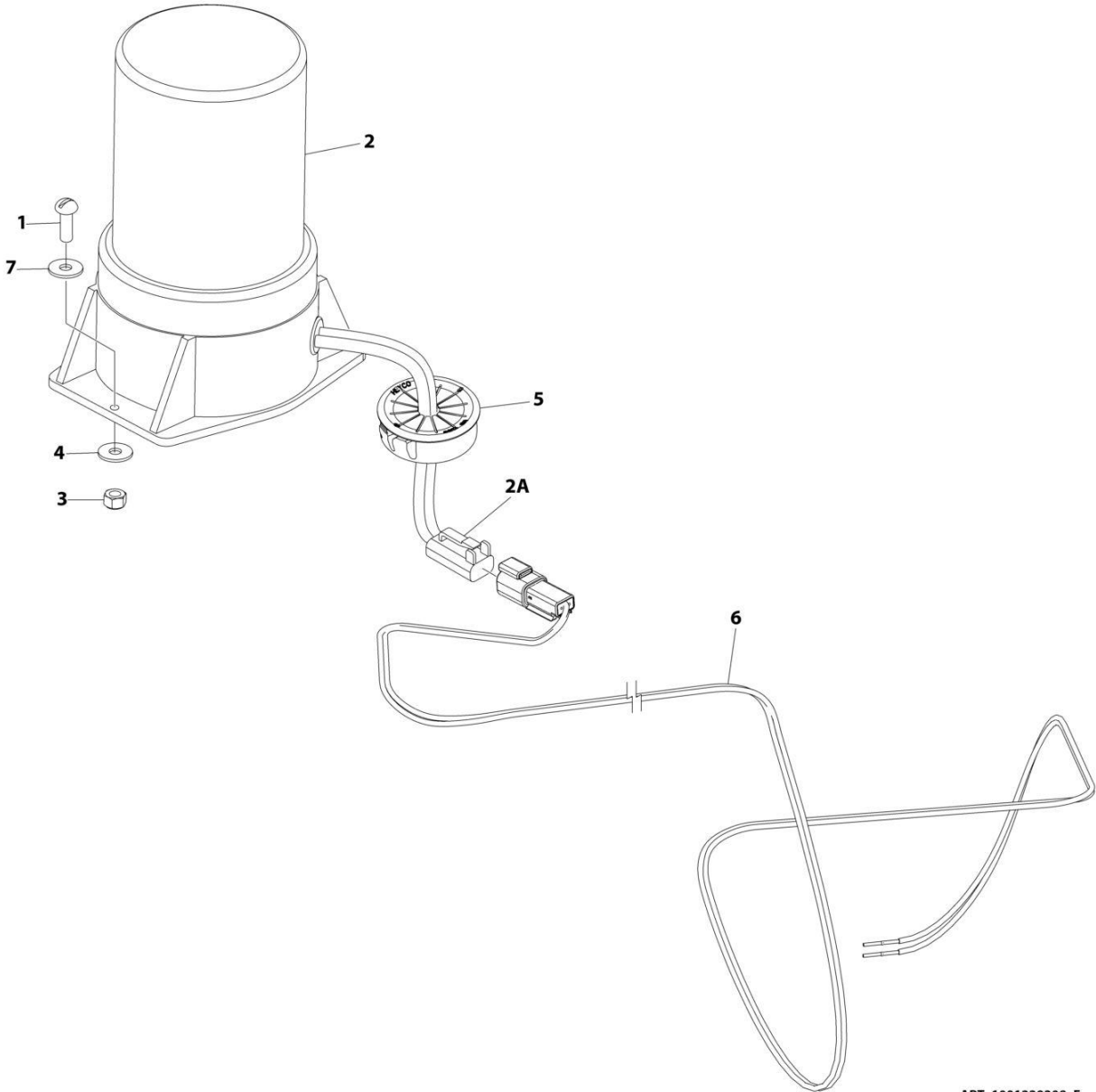
**SECTION 2 - TURNTABLE**

**FIGURE 2-27. WHITE NOISE MOTION ALARM INSTALLATION - AMBIENT**

<b>ITEM</b>	<b>PART NUMBER</b>	<b>QTY</b>	<b>DESCRIPTION</b>	<b>REV</b>
	1001239347	Ref	WHITE NOISE MOTION ALARM INSTALLATION	B
1	0100048	AR	Compound, Silicone (Not Shown)	
2	0641406	2	Bolt 1/4 x 3/4	
3	3311405	2	Nut 1/4	
4	4711400	4	Washer 1/4	
5	1001184682	1	Alarm	
6	1001243682	1	White Noise Motion Alarm Harness (See Separate Breakdown in this Section)	

# SECTION 2 - TURNTABLE

## FIGURE 2-28. STROBE LIGHT INSTALLATION - AMBER



ART\_1001229208\_E



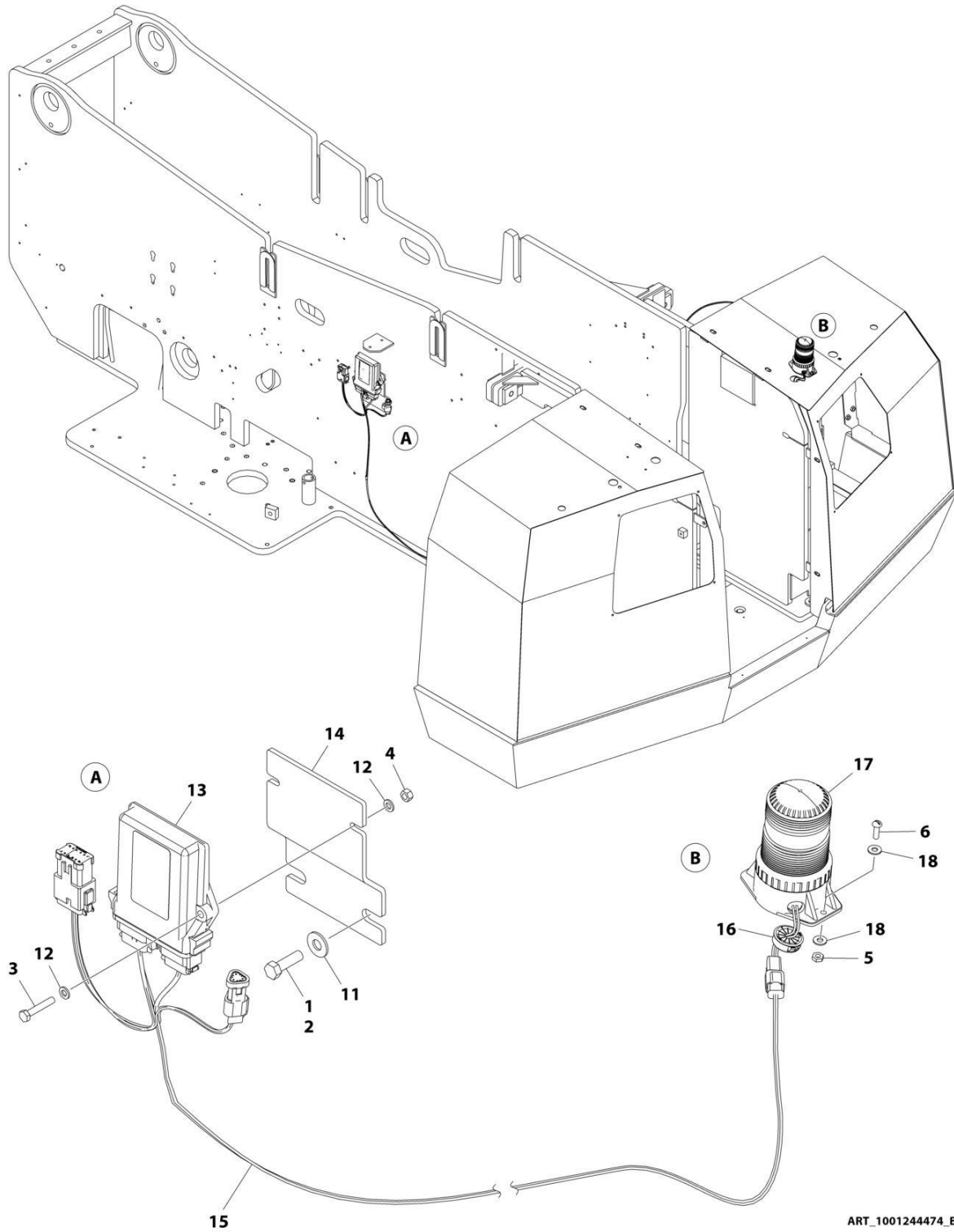
**SECTION 2 - TURNTABLE**

**FIGURE 2-28. STROBE LIGHT INSTALLATION - AMBER**

<b>ITEM</b>	<b>PART NUMBER</b>	<b>QTY</b>	<b>DESCRIPTION</b>	<b>REV</b>
	1001229208	Ref	STROBE LIGHT INSTLLATION	E
1	4031509	2	Capscrew M4 x 25	
2	1001270594	1	Lamp, Strobe Beacon	
2A	4460891	1	Plug, Male - 2 Position	
2A	4460465	2	Socket, Female	
3	3290405	2	Nut, Lock M4	
5	1001169085	1	Grommet	
6	1001231263	1	Cable, Strobe	
6	4460897	1	Receptacle, Female	
6	4460464	2	Pin, Male	
6	4460226	2	Socket, Female	
7	4811400	2	Washer M4	

# SECTION 2 - TURNTABLE

## FIGURE 2-29. STROBE LIGHT INSTALLATION - BLUE



ART\_1001244474\_B

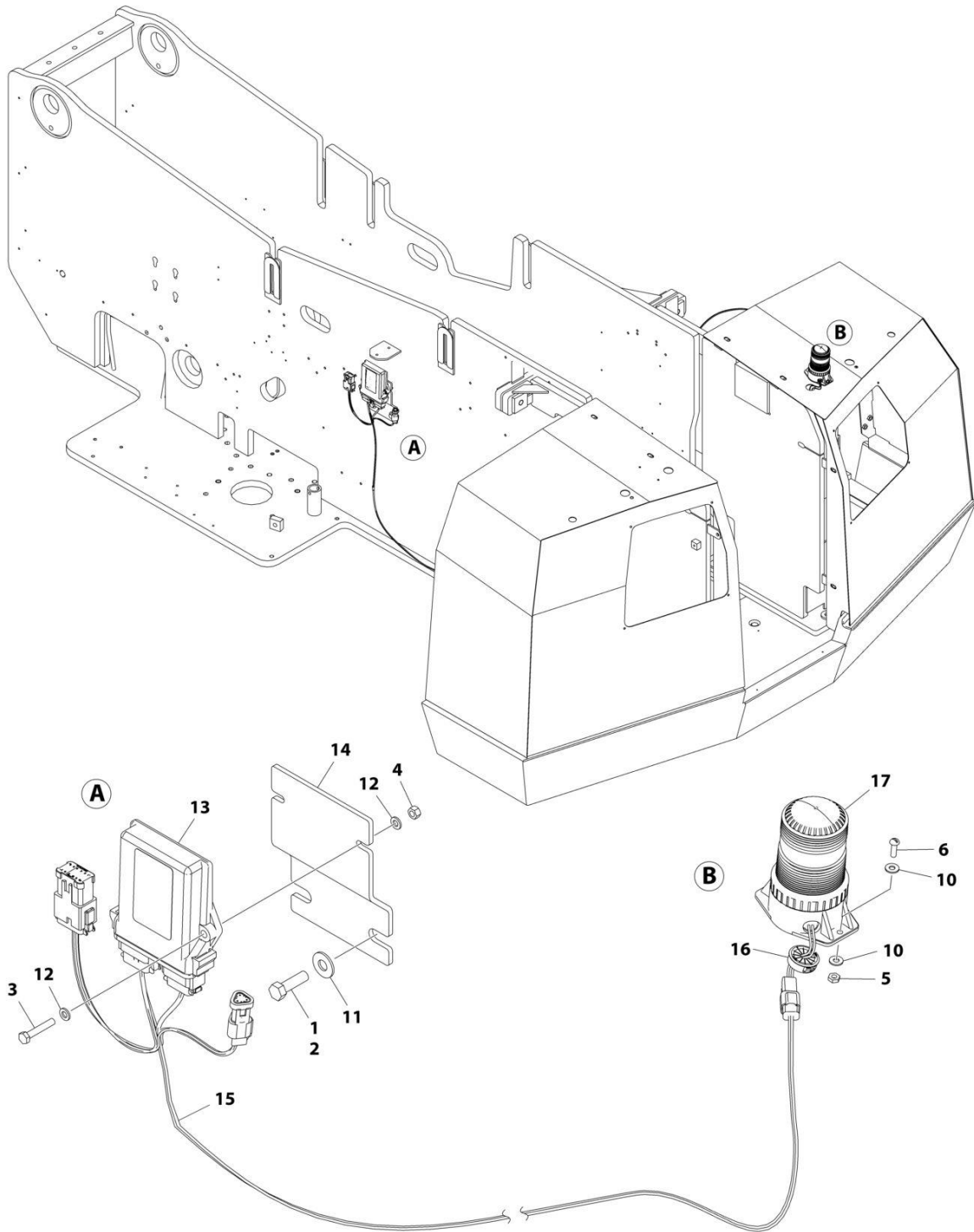
**SECTION 2 - TURNTABLE**

**FIGURE 2-29. STROBE LIGHT INSTALLATION - BLUE**

ITEM	PART NUMBER	QTY	DESCRIPTION	REV
	1001244474	Ref	STROBE LIGHT INSTALLATION	B
1	0100011	AR	Compound, Locking	
2	0641610	2	Bolt 3/8 x 1-1/4	
3	0700615	2	Bolt M6 x 35	
4	3290607	2	Nut, Lock M6	
5	3290405	2	Nut, Lock M4	
6	4031509	2	Capscrew M4 x 25	
7	4240032	AR	Tie-Strap (Not Shown)	
8	4240033	AR	Tie-Strap (Not Shown)	
9	4460488	AR	Mount, Tie-Strap (Not Shown)	
11	4751600	2	Washer 3/8	
12	4811700	4	Washer M6	
13	1001142683	1	Module, Beacon Light	
14	1001142722	1	Bracket	
15	1001142736	1	Beacon Control Harness (See Separate Breakdown in ELECTRICAL Section)	
16	1001169085	1	Grommet	
17	1001272681	1	Light, Strobe (Blue)	
17	4460891	1	Connector	
17	4460465	2	Socket	
18	4811400	2	Washer M4	

# SECTION 2 - TURNTABLE

## FIGURE 2-30. STROBE LIGHT INSTALLATION - RED (OPTIONAL)



ART\_1001244475

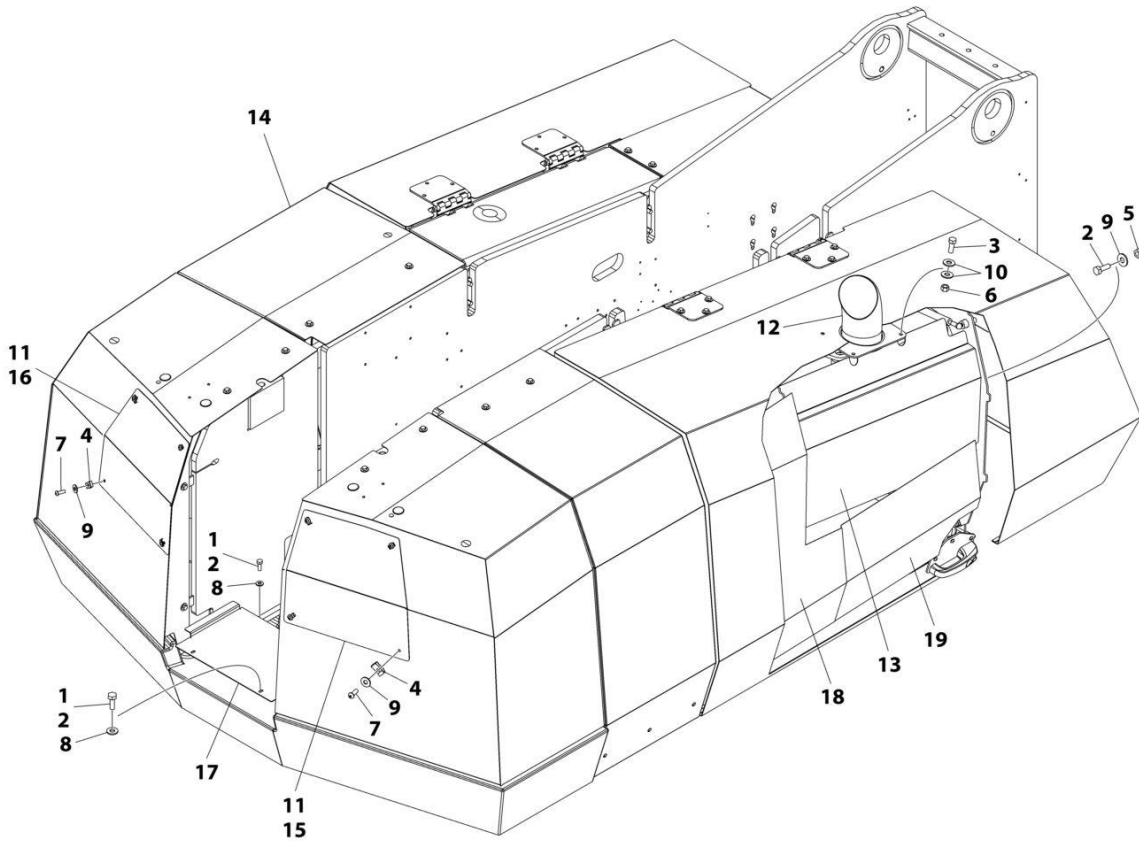
**SECTION 2 - TURNTABLE**

**FIGURE 2-30. STROBE LIGHT INSTALLATION - RED (OPTIONAL)**

ITEM	PART NUMBER	QTY	DESCRIPTION	REV
	1001244475	Ref	STROBE LIGHT INSTALLATION	A
1	0100011	AR	Compound, Locking	
2	0641610	2	Bolt 3/8 x 1-1/4	
3	0700615	2	Bolt M6 x 35	
4	3290607	2	Nut M6	
5	3311005	2	Nut #10	
6	3911010	2	Screw #10 x 5/8	
7	4240032	AR	Tie-Strap (Not Shown)	
8	4240033	AR	Tie-Strap (Not Shown)	
9	4460488	AR	Mount, Tie-Strap (Not Shown)	
10	4751000	4	Washer #10	
11	4751600	2	Washer 3/8	
12	4811700	4	Washer M6	
13	1001142683	1	Module, Beacon Light	
14	1001142722	1	Bracket	
15	1001142736	1	Beacon Control Harness (See Separate Breakdown in ELECTRICAL SECTION)	
16	1001169085	1	Grommet	
17	1001207004	1	Light, Strobe (Red)	

# SECTION 2 - TURNTABLE

## FIGURE 2-31. HEAT SHIELD AND ACCESS PANELS INSTALLATION



ART\_1001227307

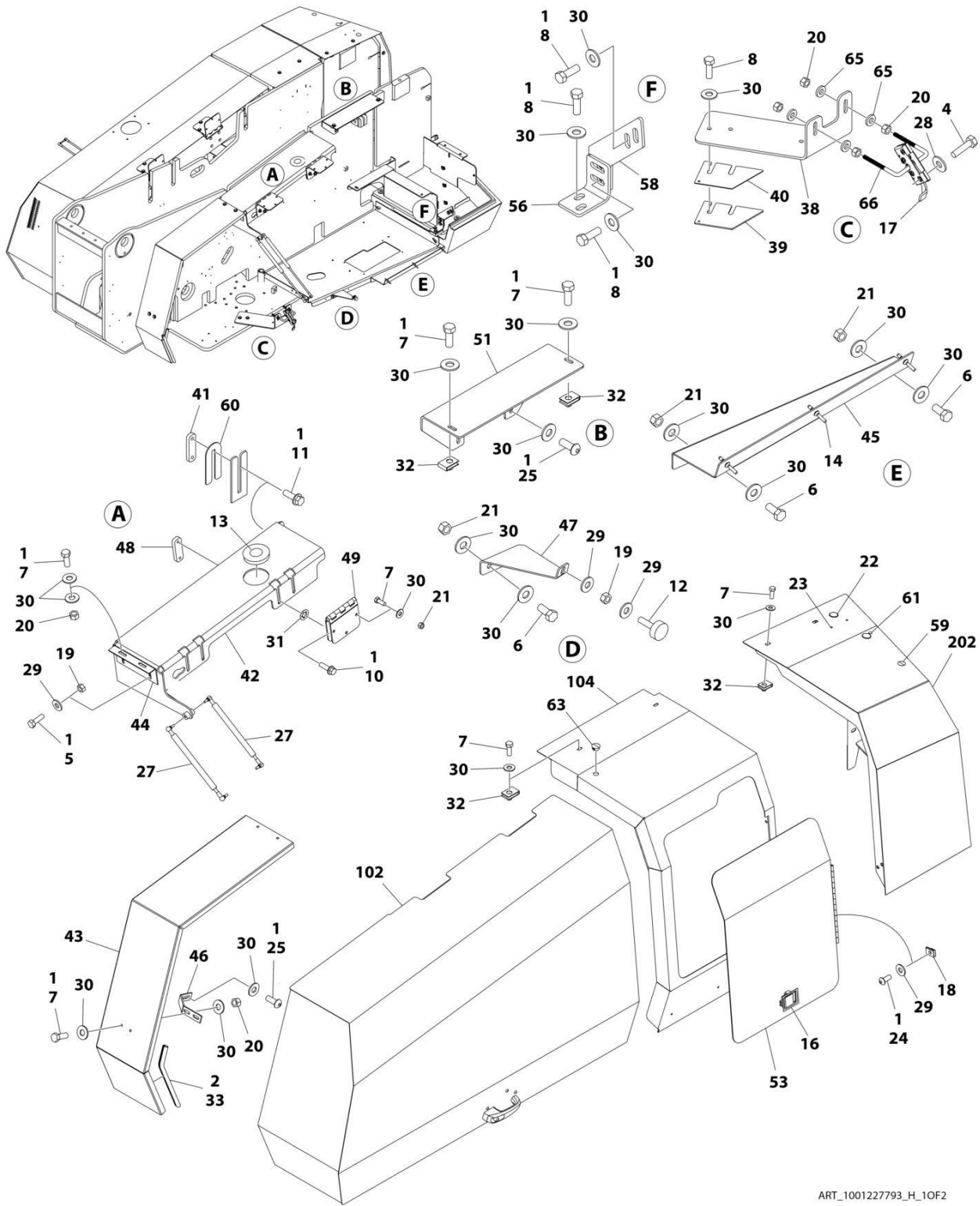
**SECTION 2 - TURNTABLE**

**FIGURE 2-31. HEAT SHIELD AND ACCESS PANELS INSTALLATION**

ITEM	PART NUMBER	QTY	DESCRIPTION	REV
	1001227307	Ref	HEAT SHIELD AND ACCESS PANELS INSTALLATION	E
1	0100011	AR	Compound, Locking	
2	0641406	7	Bolt 1/4 x 3/4	
3	0641608	4	Bolt 3/8 x 1	
4	3300454	8	Nut, Tinnerman 1/4	
5	3311405	3	Nut 1/4	
6	3311605	4	Nut 3/8	
7	3900258	8	Screw 1/4 x 3/4	
8	4711400	4	Washer 1/4	
9	4751400	11	Washer 1/4	
10	4751600	8	Washer 3/8	
11	1001113047	11 ft/ 3.3m	Seal	
12	1001144527	1	Pipe, Exhaust	
13	1001163101	1	Heat Shield	
14	1001227793	1	Hood Installation (See Separate Breakdown in this Section)	
15	1001228113	1	Panel, Access	
16	1001228475	1	Panel, Access	
17	1001229098	1	Cover	
18	1001235839	1	Insulate	
19	1001236370	1	Insulate	

# SECTION 2 - TURNTABLE

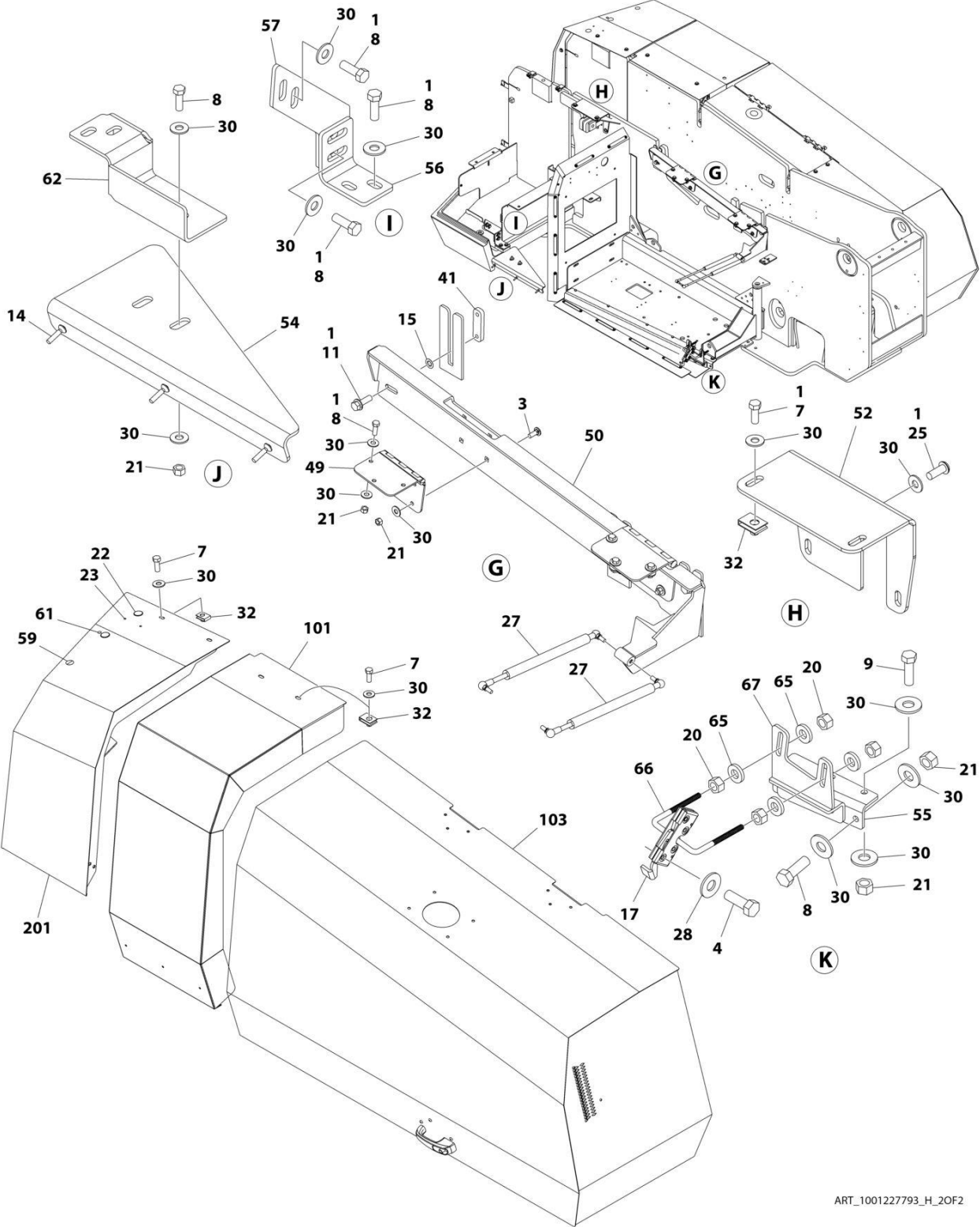
## FIGURE 2-32. HOODS INSTALLATION



ART\_1001227793\_H\_10F2



# SECTION 2 - TURNTABLE



ART\_100122793\_H\_20F2

## SECTION 2 - TURNTABLE

FIGURE 2-32. HOODS INSTALLATION

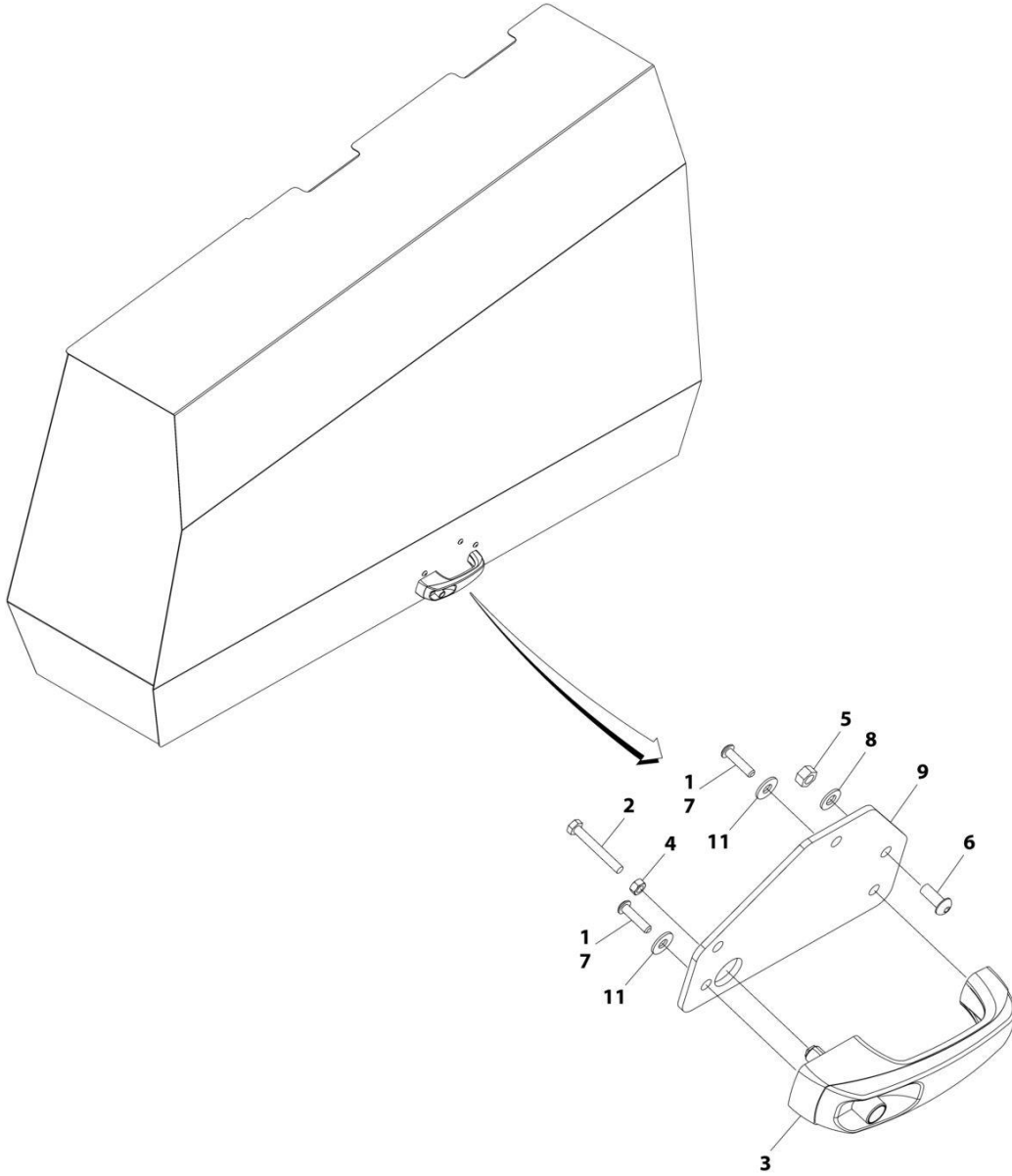
ITEM	PART NUMBER	QTY	DESCRIPTION	REV
	1001227793	Ref	HOODS INSTALLATION	H
1	0100011	AR	Compound, Locking	
2	0100081	AR	Adhesive	
3	0630485	8	Bolt	
4	0641408	8	Bolt 1/4 x 1	
5	0641508	2	Bolt 5/16 x 1	
6	0641607	4	Bolt 3/8 x 7/8	
7	0641608	22	Bolt 3/8 x 1	
8	0641609	26	Bolt 3/8 x 1-1/8	
9	0641610	2	Bolt 3/8 x 1-1/4	
10	0811610	8	Screw 3/8 x 1-1/4	
11	0811812	8	Screw 1/2 x 1-1/2	
12	0940049	1	Stopper	
13	1120601	1	Plug	
14	2080040	6	Fastener	
15	2080072	4	Fastener	
16	2940045	1	Latch	
17	2940173	2	Latch	
18	3300364	3	Nut, Tinnerman 5/16	
19	3311501	4	Nut 5/16	
20	3311601	8	Nut 3/8	
21	3311605	30	Nut 3/8	
22	3520032	4	Plug	
23	3520173	4	Plug	
24	3900210	3	Screw 5/16 x 3/4	
25	3900316	7	Screw 3/8 x 1	
27	4160194	4	Spring, Gas	
28	4751400	8	Washer 1/4	
29	4751500	7	Washer 5/16	
30	4751600	85	Washer 3/8	
31	8310070	8	Pushnut 3/8	
32	88662523	12	Nut, Tinnerman	
33	1001110166	4.9 ft/ 1.5m	Seal	
34	1001113047	6.4 ft/ 2m	Seal	
38	1001250293	1	Bracket	
39	1001121122	AR	Shim 3mm	
40	1001121123	AR	Shim 1.5mm	
41	1001150260	4	Plate	
42	1001155895	1	Mount	
43	1001155899	1	Spacer	
44	1001157612	1	Bracket	
45	1001230008	1	Bracket	
46	1001230014	1	Bracket	
47	1001161089	1	Bracket	
48	1001186251	1	Plate	
49	1001186254	1	Hinge	
50	1001196768	1	Mount	
51	1001226452	1	Bracket	
52	1001226453	1	Bracket	

## SECTION 2 - TURNTABLE

ITEM	PART NUMBER	QTY	DESCRIPTION	REV
53	1001227731	1	Door	
54	1001227735	1	Bracket	
55	1001227798	1	Mount	
56	1001228359	2	Bracket	
57	1001228403	1	Bracket	
58	1001228517	1	Bracket	
59	1001131130	2	Plug	
60	1001230010	AR	Shim	
61	1001226421	2	Plug	
62	1001235518	1	Bracket	
63	3520030	1	Plug	
64	4060805	9 in/ 0.23m	Flex-Trim	
65	4891600	8	Washer 3/8	
66	1001243414	2	U-Bolt 3/8	
67	1001250292	1	Bracket	
100	1001227794	Ref	Hood Kit	
101	1001117219	1	Hood, Engine Side (Fixed)	
102	1001157209	1	Hood Assembly - Tank Side (See Separate Breakdown in this Section)	
103	1001232084	1	Hood Assembly - Engine Side (Note: Heat Shield must be Installed Before Being put back into Service) (See Separate Breakdown in this Section)	
104	1001227734	1	Hood, Tank Side (Fixed)	
200	1001229556	Ref	Battery Cover Kit	
201	1001228882	1	Cover, Engine Side (Rear)	
202	1001228945	1	Cover, Tank Side (Rear)	

# SECTION 2 - TURNTABLE

## FIGURE 2-33. HOOD ASSEMBLY - TANK SIDE



ART\_1001157209

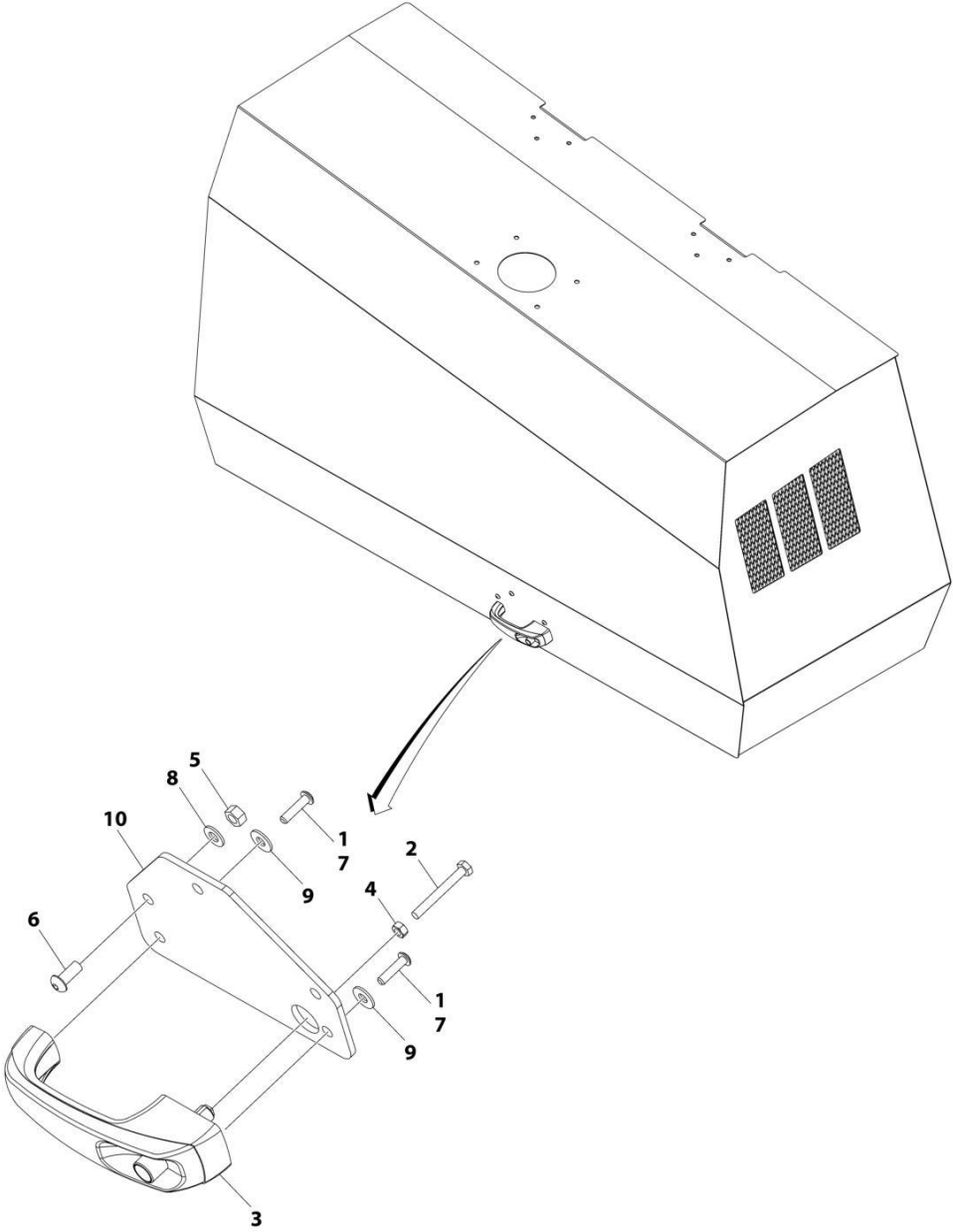
**SECTION 2 - TURNTABLE**

**FIGURE 2-33. HOOD ASSEMBLY - TANK SIDE**

<b>ITEM</b>	<b>PART NUMBER</b>	<b>QTY</b>	<b>DESCRIPTION</b>	<b>REV</b>
	1001157209	Ref	HOOD ASSEMBLY	C
1	0100011	AR	Compound, Locking	
2	0700615	1	Bolt M6 x 35	
3	2560187	1	Handle, Push Button	
4	3290601	1	Nut M6	
5	3311505	3	Nut 5/16	
6	3900210	3	Screw 5/16 x 3/4	
7	3900363	2	Screw M6 x 25	
8	4711500	3	Washer 5/16	
9	1001116290	1	Plate, Latch Mounting	
11	4751400	2	Washer 1/4	

**SECTION 2 - TURNTABLE**

**FIGURE 2-34. HOOD ASSEMBLY - ENGINE SIDE**



ART\_1001232084

**SECTION 2 - TURNTABLE**

**FIGURE 2-34. HOOD ASSEMBLY - ENGINE SIDE**

<b>ITEM</b>	<b>PART NUMBER</b>	<b>QTY</b>	<b>DESCRIPTION</b>	<b>REV</b>
	1001232084	Ref	HOOD ASSEMBLY	B
1	0100011	AR	Compound, Locking	
2	0700618	1	Bolt M6 x 50	
3	2560187	1	Handle, Push Button	
4	3290601	1	Nut M6	
5	3311505	3	Nut 5/16	
6	3900210	3	Screw 5/16 x 3/4	
7	3900363	2	Screw M6 x 25	
8	4711500	3	Washer 5/16	
9	4751400	2	Washer 1/4	
10	1001116290	1	Plate, Latch Mounting	

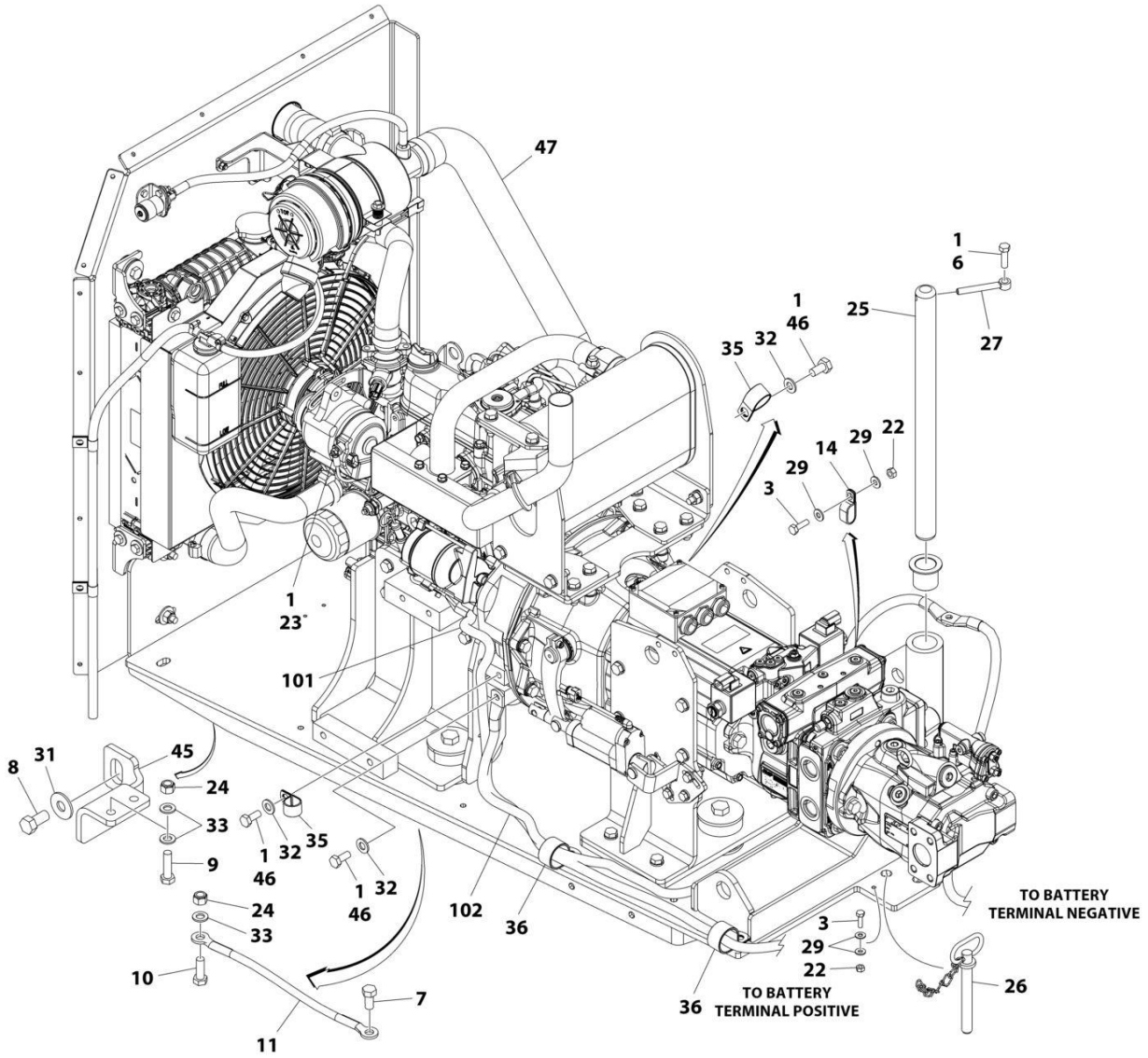




**SECTION 3 - ENGINE**

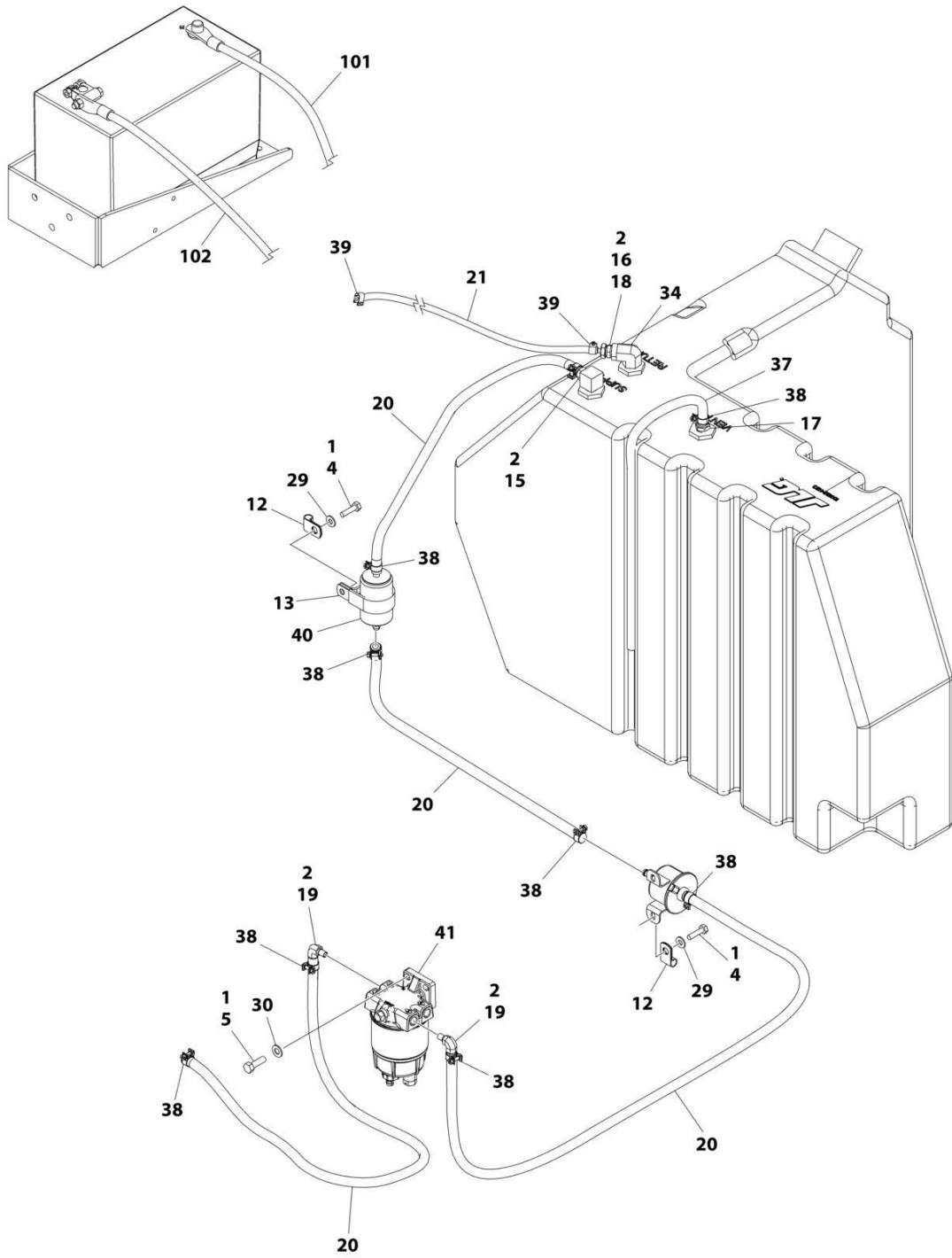
# SECTION 3 - ENGINE

## FIGURE 3-1. ENGINE INSTALLATION (KUBOTA ENGINE)



ART\_1001285025\_10F2

# SECTION 3 - ENGINE



ART\_1001285025\_20F2

## SECTION 3 - ENGINE

**FIGURE 3-1. ENGINE INSTALLATION (KUBOTA ENGINE)**

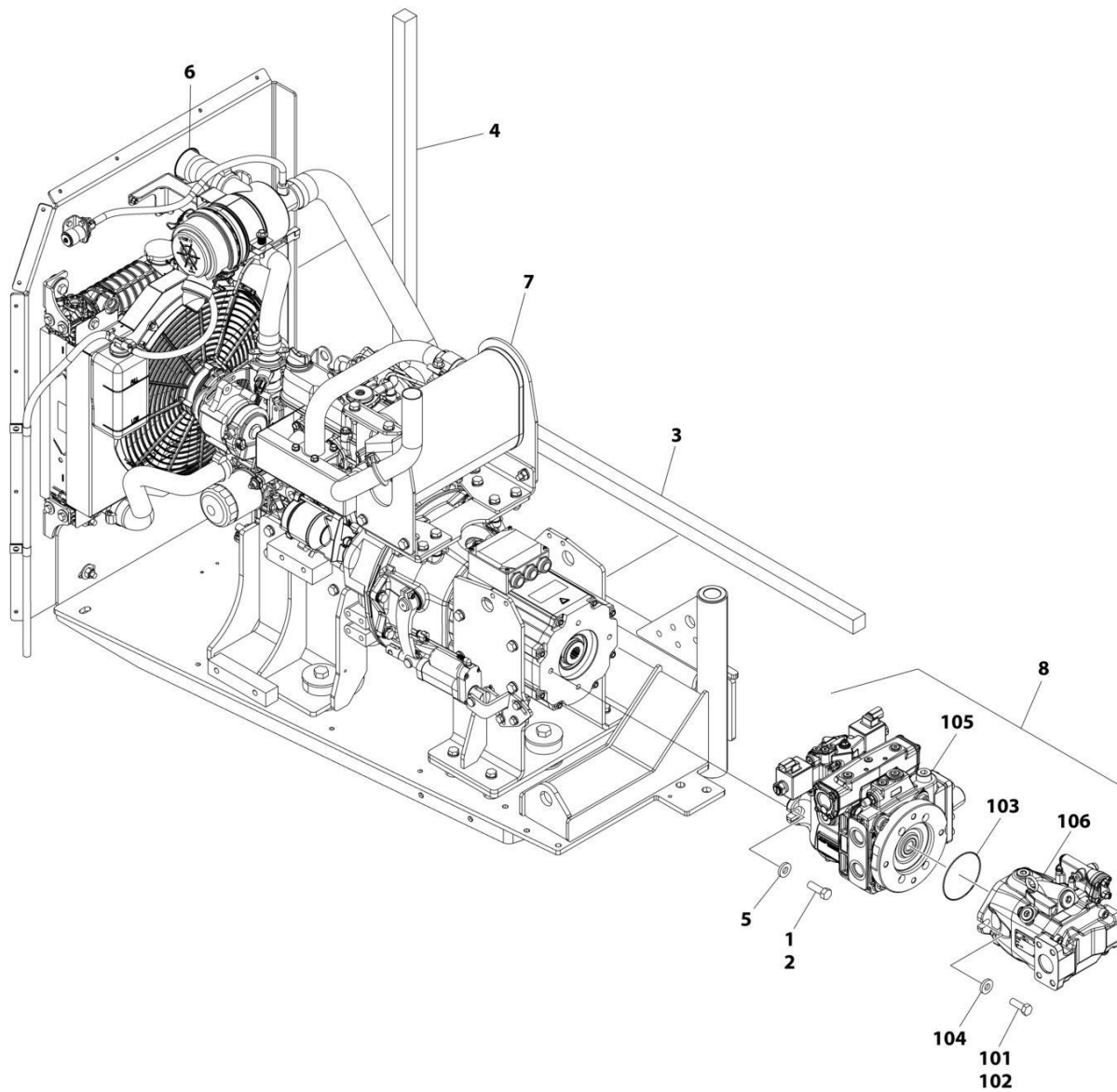
ITEM	PART NUMBER	QTY	DESCRIPTION	REV
	1001285025	Ref	ENGINE INSTALLATION (KUBOTA ENGINE)	A
1	0100011	AR	Compound, Locking	
2	0100020	AR	Sealant	
3	0641407	2	Bolt 1/4 x 7/8	
4	0641408	3	Bolt 1/4 x 1	
5	0641508	2	Bolt 5/16 x 1	
6	0641610	1	Bolt 3/8 x 1-1/4	
7	0641808	1	Bolt 1/2 x 1	
8	0642016	1	Bolt 5/8 x 2	
9	0701217	2	Bolt M12 x 45	
10	0761215	1	Bolt M12 x 35	
11	1060637	1	Lanyard	
12	1320263	2	Clamp	
13	1320265	1	Clamp	
14	1321385	1	Clamp	
15	2180348	1	Fitting, NPT/Barbed	
16	2180666	1	Fitting, NPT/Barbed	
17	2180876	1	Fitting, NPT/Barbed	
18	2220250	1	Fitting NPT/NPT	
19	2221046	2	Fitting, 90	
20	2720058	13 ft/4 m	Hose	
21	2720271	13 ft/4 m	Hose	
22	3271405	2	Nut 1/4	
23	3290601	1	Nut M6	
24	3291205	3	Nut M12	
25	3422446	1	Pin	
26	3422533	1	Pin	
27	3841143	1	Keeper, Pin	
28	4240099	AR	Tie-Strap (Not Shown)	
29	4711400	7	Washer 1/4	
30	4711500	2	Washer 5/16	
31	4752000	1	Washer 5/8	
32	4812000	3	Washer M10	
33	4812100	5	Washer M12	
34	8540205	1	Fitting, 90 FNPTF/NPTF	
35	80683013	2	Clamp	
36	85841150	2	Clamp	
37	1001165035	50 in /127 cm	Hose	
38	1001174486	9	Clamp	
39	1001185585	2	Clamp	
40	1001190545	1	Filter, Fuel	
41	1001190609	1	Fuel/Water Separator Assembly (See Separate Breakdown in this Section)	
42	1001225985	1	Cable, Alternator (Not Shown)	
43	1001230605	1	Engine Harness (Not Shown - See Separate Breakdown in ELECTRICAL Section)	
44	1001232528	1	Seal (Not Shown)	
45	1001236341	1	Plate	
46	1001236434	1	Bolt M10 x 20	

## SECTION 3 - ENGINE

ITEM	PART NUMBER	QTY	DESCRIPTION	REV
47	1001285027	1	Engine and Pumps Sub-Assembly (See Separate Breakdown in this Section)	
100	1001237291	1	Battery Cable Kit (Includes Item 101 & 102)	
101	1001225731	1	Cable, Battery (Positive)	
102	1001225733	1	Cable, Battery (Negative)	

# SECTION 3 - ENGINE

## FIGURE 3-2. ENGINE AND PUMPS SUB-ASSEMBLY



ART\_1001285027

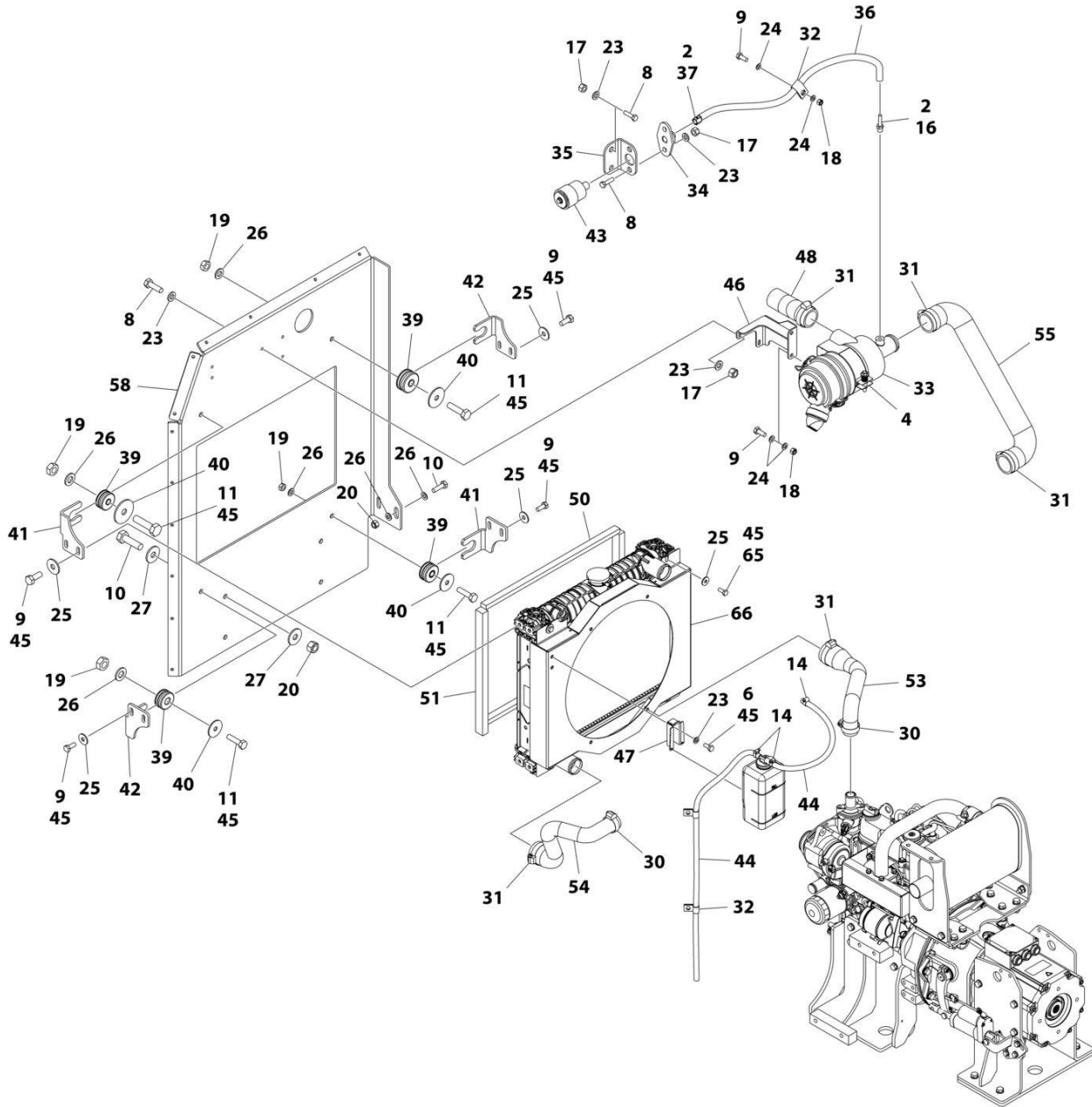
## SECTION 3 - ENGINE

**FIGURE 3-2. ENGINE AND PUMPS SUB-ASSEMBLY**

ITEM	PART NUMBER	QTY	DESCRIPTION	REV
	1001285027	Ref	ENGINE AND PUMPS SUB-ASSEMBLY	A
1	0100011	AR	Compound, Locking	
2	0641812	2	Bolt 1/2 x 1-1/2	
3	3960468	1	Seal	
4	3960469	1	Seal	
5	4891800	2	Washer 1/2	
6	1001232529	1	Seal	
7	1001237932	1	Engine Assembly (See Separate Breakdown in this Section)	
8	1001285021	1	Pump Sub-Assembly	
101	0100011	AR	Compound, Locking	
102	0711215	2	Bolt M12 x 35	
103	3790044	1	O-Ring	
104	4891800	2	Washer 1/2	
105	1001276376	1	Hydrostatic Pump Assembly (See Separate Breakdown in this Section)	
106	1001276377	1	Variable Pump Assembly (See Separate Breakdown in this Section)	

# SECTION 3 - ENGINE

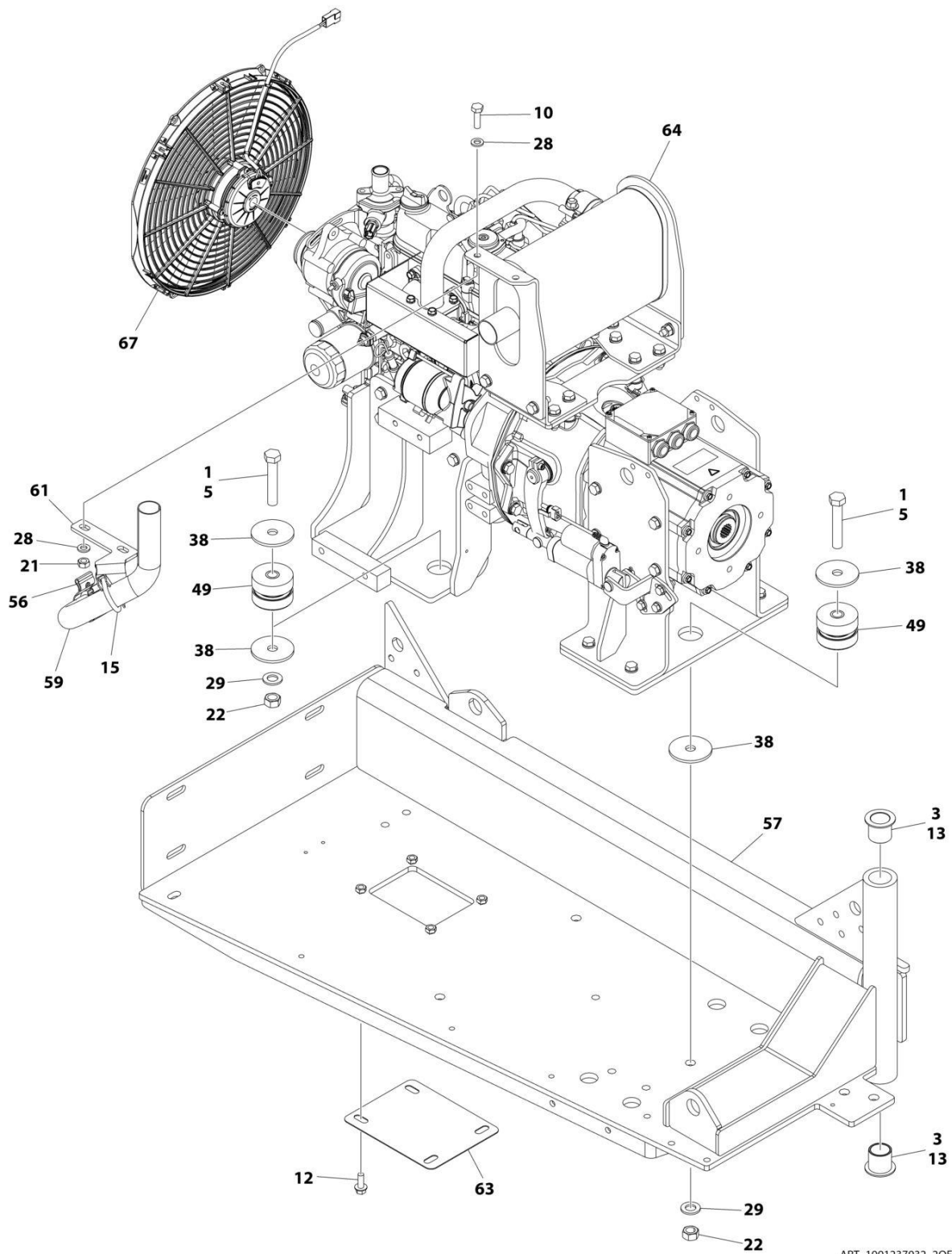
## FIGURE 3-3. ENGINE AND TRAY ASSEMBLY



ART\_1001237932\_10F2



# SECTION 3 - ENGINE



ART\_1001237932\_2OF2

## SECTION 3 - ENGINE

**FIGURE 3-3. ENGINE AND TRAY ASSEMBLY**

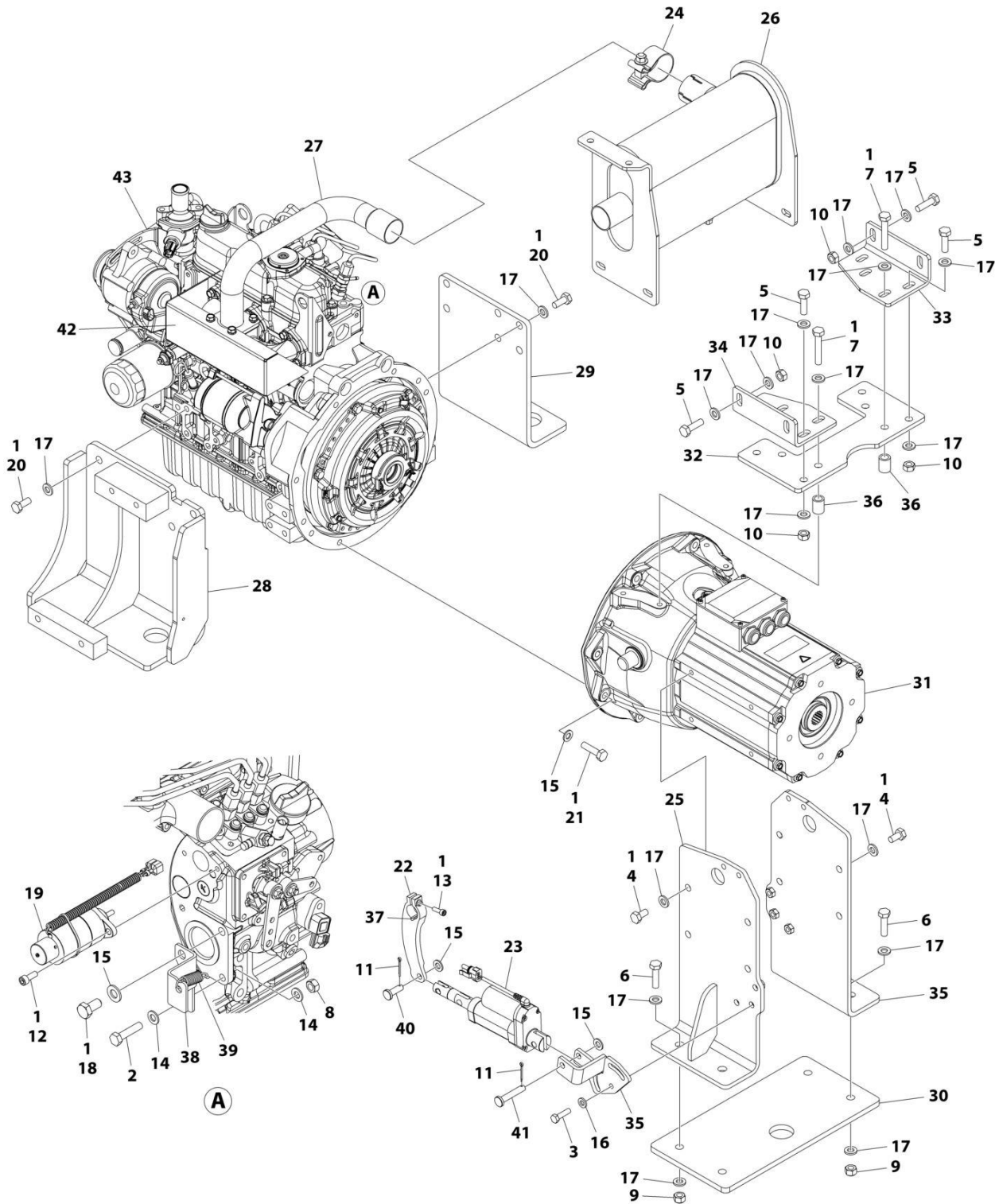
ITEM	PART NUMBER	QTY	DESCRIPTION	REV
	1001237932	Ref	ENGINE AND TRAY ASSEMBLY	B
1	0100011	AR	Compound, Locking	
2	0100020	AR	Sealant	
3	0100062	AR	Adhesive	
4	0340045	1	Band	
5	0711626	3	Bolt M16 x 90 Grade 10.9	
6	0760607	2	Bolt M6 x 14	
8	0760610	7	Bolt M6 x 20	
9	0760810	10	Bolt M8 x 20	
10	0761015	8	Bolt M10 x 35	
11	0761016	4	Bolt M10 x 40	
12	0811608	4	Screw 3/8 x 1	
13	0961986	2	Bearing	
14	1320022	3	Clamp	
15	1320274	1	Clamp	
16	2220315	1	Fitting, Straight Barbed	
17	3290605	7	Nut M6	
18	3290805	2	Nut M8	
19	3291001	4	Nut M10	
20	3291005	6	Nut M10	
21	3291007	2	Nut M10	
22	3331611	3	Nut M16	
23	4811700	12	Washer M6	
24	4811900	4	Washer M8	
25	4811902	12	Washer M8	
26	4812000	8	Washer M10	
27	4812002	8	Washer M10	
28	5241000	4	Washer M10	
29	5241600	3	Washer M16	
30	8405102	2	Clamp	
31	8405104	5	Clamp	
32	8406110	3	Clip	
33	1001118280	1	Air Filter Assembly	
33	7015004	1	Element, Air Filter	
34	1001138173	1	Support	
35	1001138175	1	Bracket	
36	1001138248	18 in/ 44cm	Tube	
37	1001141995	1	Fitting, NPT/Barbed	
38	1001146219	6	Washer	
39	1001169054	4	Isolator	
40	1001169138	4	Pad	
41	1001169967	2	Bracket	
42	1001170035	2	Bracket	
43	1001170981	1	Indicator, Air Intake Restriction	
44	1001172533	50 in/ 1.3m	Hose	
45	1001180620	AR	Adhesive	
46	1001182980	1	Bracket	
47	1001182982	1	Mount	

## SECTION 3 - ENGINE

ITEM	PART NUMBER	QTY	DESCRIPTION	REV
48	1001182983	1	Tube	
49	1001190164	3	Mount, Motor	
50	1001217183	2	Seal	
51	1001217185	2	Seal	
53	1001222882	1	Tube, Coolant Inlet	
54	1001222883	1	Tube, Coolant Outlet	
55	1001222884	1	Tube	
56	1001223302	1	Clamp	
57	1001223405	1	Tray	
58	1001223787	1	Plate, Radiator	
59	1001223987	1	Pipe, Exhaust	
61	1001229561	1	Support	
63	1001232375	1	Panel	
64	1001237931	1	Engine and Generator Assembly (See Separate Breakdown in this Section)	
65	0760808	4	Bolt M8 x 16	
66	1001214690	1	Radiator (H800AJ)	
67	1001247415	1	Fan Mounting Assembly (See Separate Breakdown in this Section) (H800AJ)	

# SECTION 3 - ENGINE

## FIGURE 3-4. ENGINE AND GENERATOR ASSEMBLY



ART\_1001237931

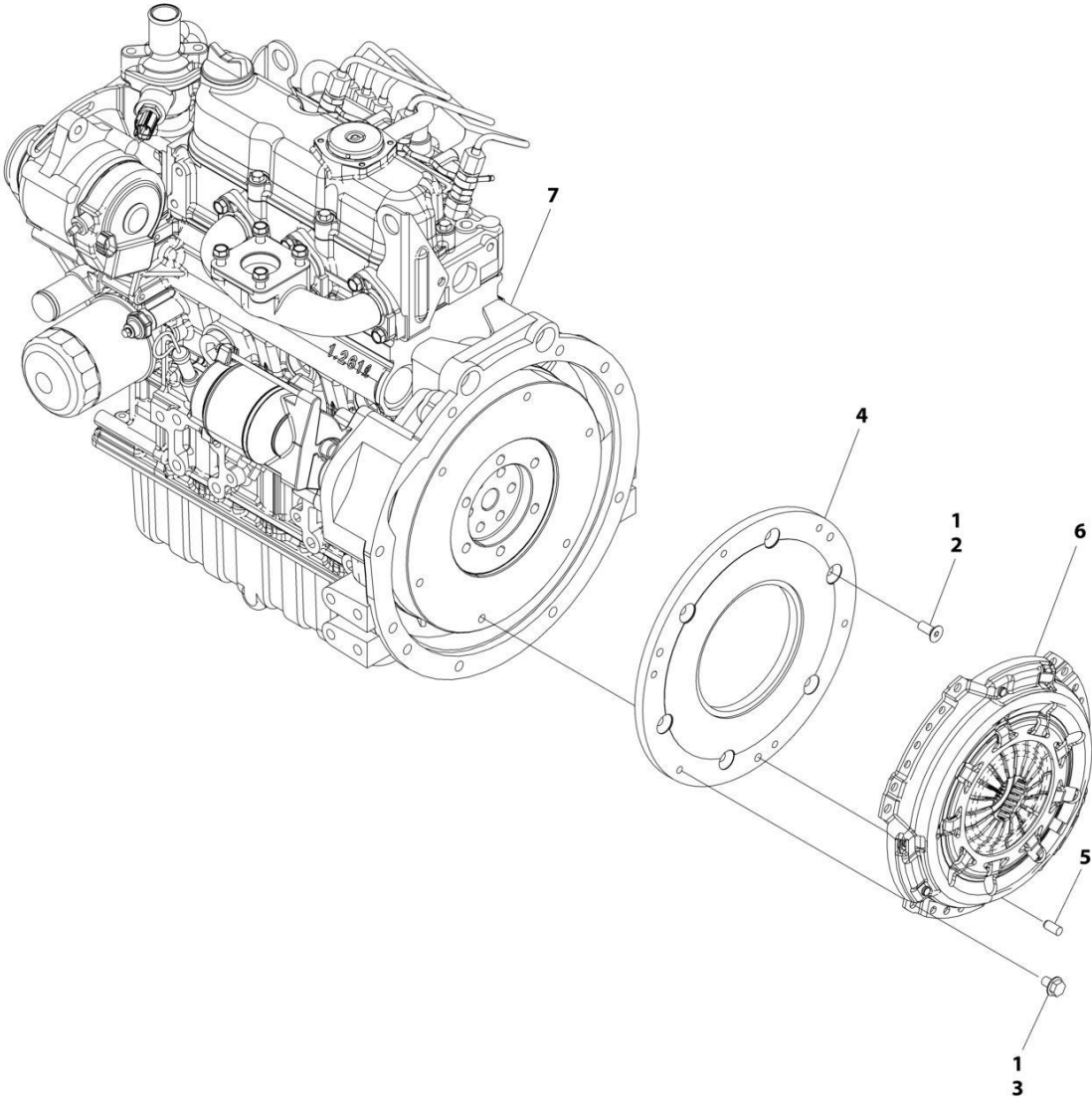
## SECTION 3 - ENGINE

**FIGURE 3-4. ENGINE AND GENERATOR ASSEMBLY**

ITEM	PART NUMBER	QTY	DESCRIPTION	REV
	1001237931	Ref	ENGINE AND GENERATOR ASSEMBLY	A
1	0100011	AR	Compound, Locking	
2	0700815	1	Bolt M8 x 35	
3	0760814	3	Bolt M8 x 30	
4	0761010	8	Bolt M10 x 20	
5	0761015	8	Bolt M10 x 35	
6	0761016	4	Bolt M10 x 40	
7	0761020	4	Bolt M10 x 60	
8	3290807	1	Nut M8	
9	3291005	4	Nut M10 x 1.5	
10	3291007	8	Nut M10	
11	3450304	2	Pin, Cotter 3/32 x 1	
12	4031707	2	Bolt M6 x 16	
13	4031708	1	Capscrew M6 x 20	
14	4811900	2	Washer M8	
15	4812000	11	Washer M10	
16	5240800	3	Washer M8	
17	5241000	48	Washer M10	
18	8303511	1	Bolt M10 x 20	
19	1001118579	1	Actuator	
20	1001118746	12	Bolt M10 x 25	
21	1001186919	8	Bolt M10 x 40	
22	1001222784	1	Lever	
23	1001223088	1	Actuator	
24	1001223302	1	Clamp	
25	1001223721	2	Support	
26	1001223744	1	Muffler	
27	1001223842	1	Pipe, Exhaust	
28	1001223997	1	Mount, Engine	
29	1001224000	1	Mount, Engine	
30	1001224009	1	Plate	
31	1001224585	1	Generator Assembly (See Separate Breakdown in this Section)	
32	1001225093	1	Plate	
33	1001225094	1	Plate	
34	1001225095	1	Plate	
35	1001225104	1	Mount	
36	1001225429	4	Spacer	
37	1001228723	1	Key	
38	1001231323	1	Plate	
39	1001232181	1	Spring	
40	1001235452	1	Pin	
41	1001235453	1	Pin	
42	1001236206	1	Shield	
43	1001237919	1	Engine and Clutch Assembly (See Separate Breakdown in this Section)	

**SECTION 3 - ENGINE**

**FIGURE 3-5. ENGINE AND CLUTCH ASSEMBLY**



ART\_1001237919

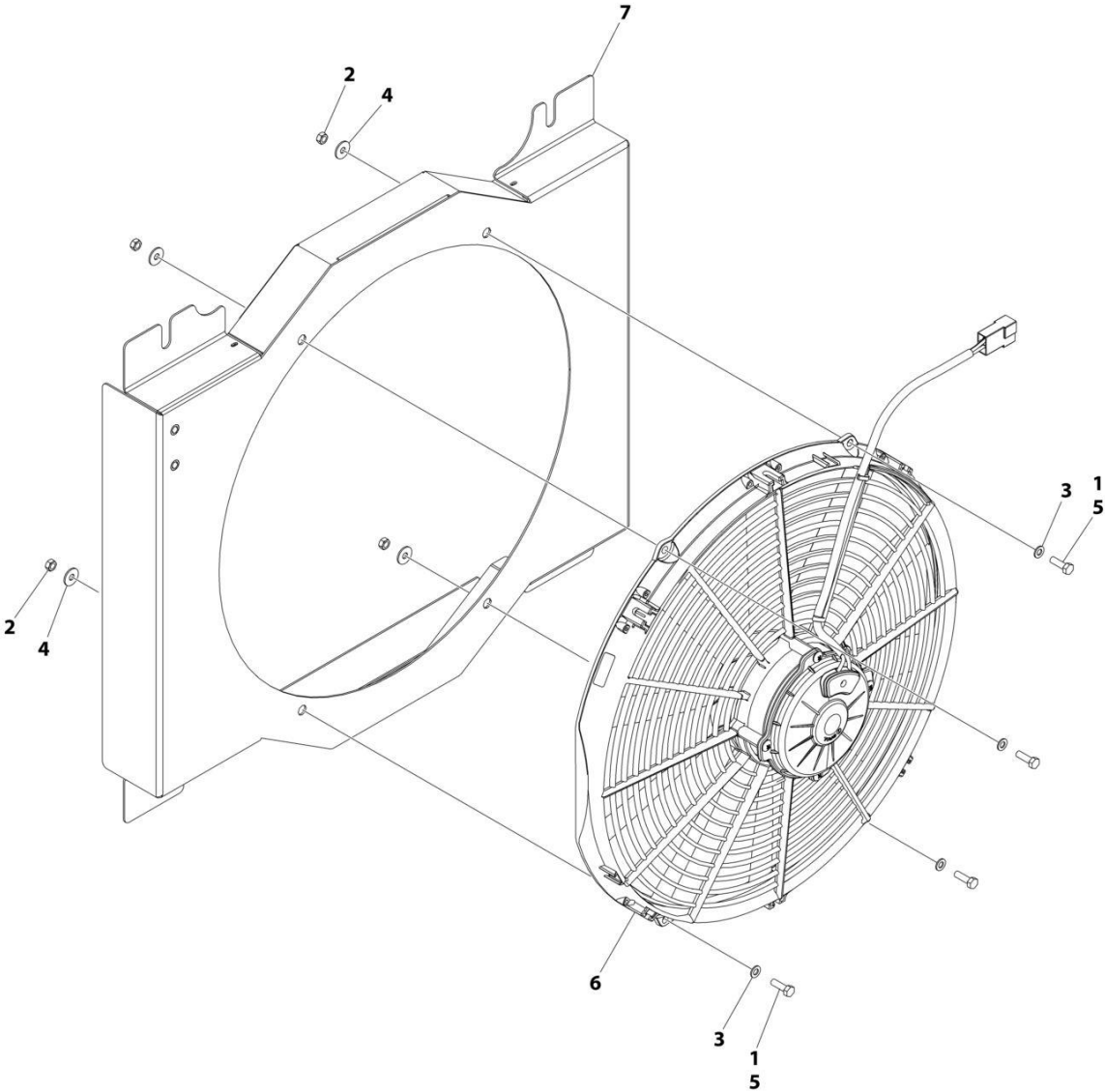
## SECTION 3 - ENGINE

### FIGURE 3-5. ENGINE AND CLUTCH ASSEMBLY

ITEM	PART NUMBER	QTY	DESCRIPTION	REV
	1001237919	Ref	ENGINE AND CLUTCH ASSEMBLY	A
1	0100011	AR	Compound, Locking	
2	3900382	6	Screw	
3	5250806	6	Bolt M8 x 12	
4	1001222783	1	Adapter	
5	1001223061	3	Pin	
6	1001223148	1	Clutch	
7	1001237918	1	Kubota Engine Components (See Separate Breakdown in this Section)	

**SECTION 3 - ENGINE**

**FIGURE 3-6. ENGINE FAN MOUNTING ASSEMBLY (H800AJ)**



ART\_1001247415



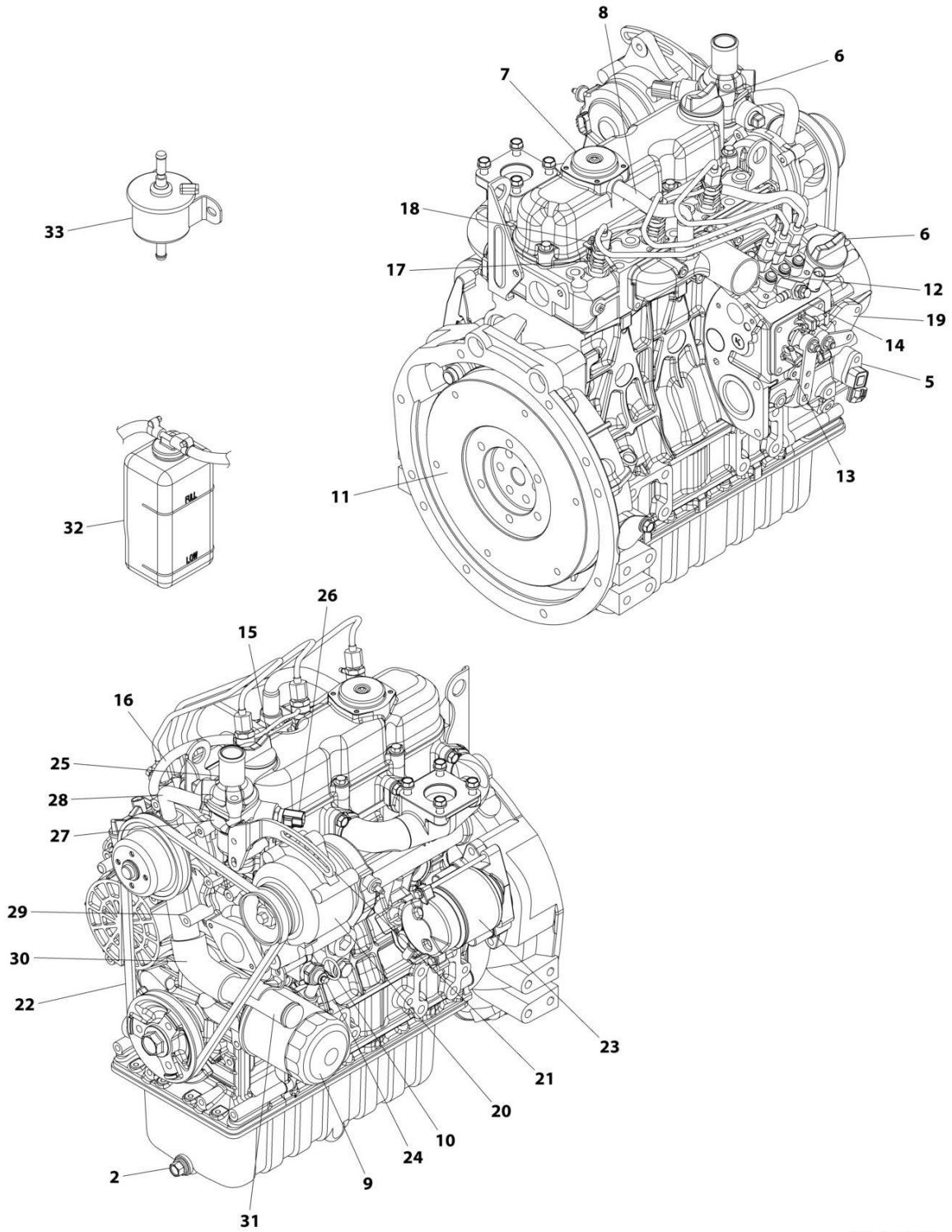
## SECTION 3 - ENGINE

**FIGURE 3-6. ENGINE FAN MOUNTING ASSEMBLY (H800AJ)**

ITEM	PART NUMBER	QTY	DESCRIPTION	REV
	1001247415	Ref	ENGINE FAN MOUNTING ASSEMBLY	A
1	0760508	4	Bolt M5 x 16	
2	3290501	4	Nut M5	
3	4811600	4	Washer M5	
4	4811602	4	Washer M5	
5	1001180620	AR	Compound, Locking	
6	1001222465	1	Fan	
7	1001225072	1	Shroud	

# SECTION 3 - ENGINE

## FIGURE 3-7. KUBOTA ENGINE COMPONENTS



ART\_1001237918

## SECTION 3 - ENGINE

### FIGURE 3-7. KUBOTA ENGINE COMPONENTS

ITEM	PART NUMBER	QTY	DESCRIPTION	REV
	1001237918	Ref	KUBOTA ENGINE COMPONENTS	B
1	7023154	1	Plug, Drain (Not Shown - Located on bottom of Oil Pan)	
1	70002315	1	Seal	
2	70004525	1	Plug, Drain	
2	70004526	1	Seal	
3	70005220	1	Gasket, Head (Not Shown)	
3	70005221	1	Gasket, Valve Cover (Not Shown)	
3	7023149	1	Gasket, Intake Manifold (Not Shown)	
3	7023148	1	Gasket, Exhaust Manifold (Not Shown)	
3	7023124	1	Gasket, Muffler (Not Shown)	
3	70005226	1	Gasket, Upper Kit (Not Shown)	
3	70005227	1	Gasket, Lower Kit (Not Shown)	
4	7023157	1	Seal, Oil (Not Shown - Crankshaft Seal)	
5	70007505	1	Sensor	
6	70002318	2	Cap, Filler	
6	70004311	2	O-Ring	
7	70003060	1	Valve, Breather	
7	70003061	1	Cover, Beather	
7	7017934	4	Screw	
8	70002316	1	Pipe, Water Return	
8	70002317	1	Tube, Breather	
8	70004530	1	Clamp	
8	70004531	1	Clamp	
9	70004395	1	Filter, Oil	
9	7017913	1	Washer	
9	7017914	1	Pipe, Joint	
10	70006667	1	Dipstick	
11	70005224	1	Gear, Rim	
12	7023164	1	Pump, Injector	
12	70002319	1	Shim (0.175mm)	
12	70002320	1	Shim (0.200mm)	
12	70002321	1	Shim (0.250mm)	
12	70002322	1	Shim (0.300mm)	
12	70002323	1	Shim (0.350mm)	
12	70004842	2	Stud	
13	7023165	1	Gasket	
14	70004397	1	Gasket	
15	70004536	1	Over Flow Pipe Assembly (To injectors)	
16	70004539	1	Over Flow Pipe Assembly (To Injector Pump)	
16	70004537	1	Seal	
16	70004538	1	Seal	
17	70004399	3	Injector	
17	70004540	3	Nut	
17	7023167	3	Seal	
17	7023168	3	Seal, Heat	
18	70004398	3	Plug, Glow	
18	70004544	1	Cord, Glow Plug	
19	70004400	1	Gasket, Fuel Pump	
20	70006661	1	Alternator	
21	70006664	1	Adjustment Arm	

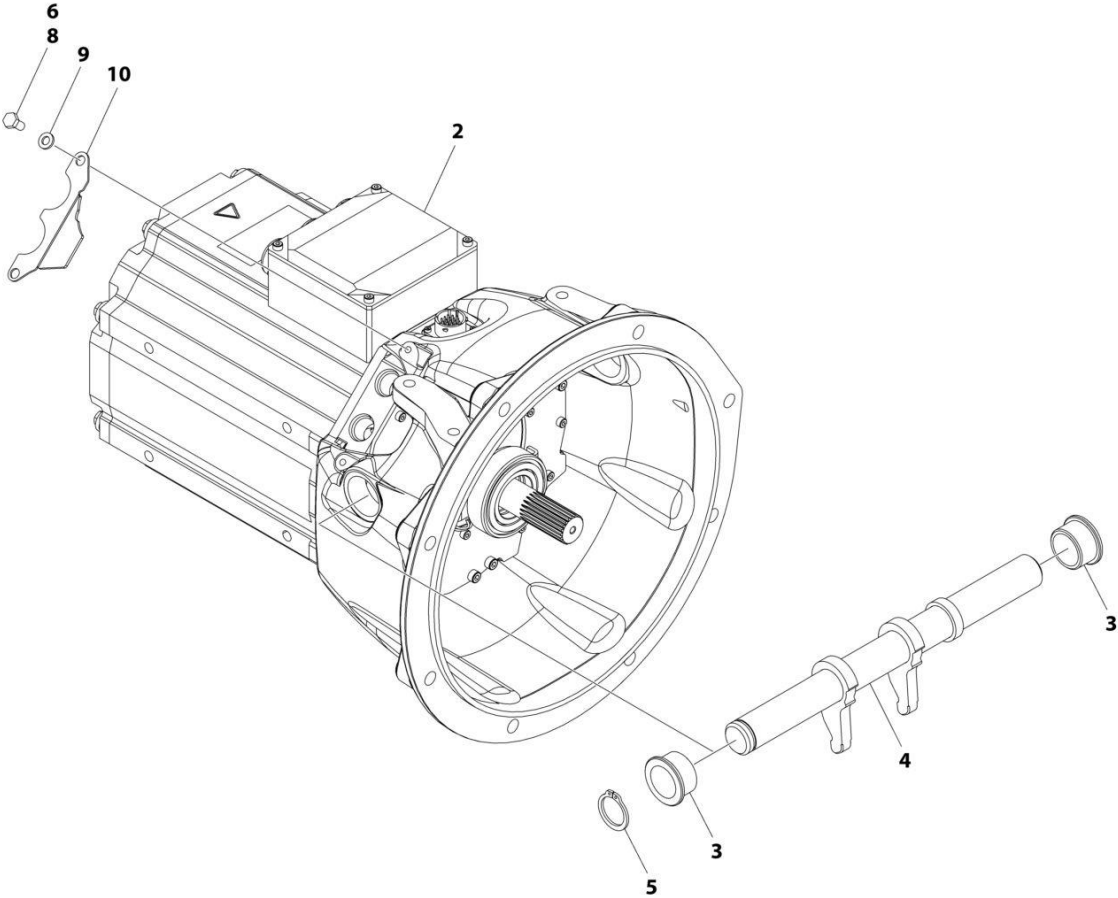
## SECTION 3 - ENGINE

ITEM	PART NUMBER	QTY	DESCRIPTION	REV
22	70006665	1	Belt	
23	7023144	1	Starter	
24	7017901	1	Oil Pressure Switch	
25	7023170	1	Thermostat	
25	70002326	1	Gasket	
26	70003064	1	Sensor, Water Temperature	
26	70003063	1	Seal	
27	7023145	1	Gasket, Thermostat Housing	
28	7017958	1	Pipe, Water Return	
29	70002327	1	Pump, Water	
29	70002328	1	Gasket	
30	7017963	1	Pipe, Water	
31	70002330	1	Pipe, Water	
32	7023126	1	Tank, Reserve	
33	70005228	1	Pump, Fuel	



**SECTION 3 - ENGINE**

**FIGURE 3-8. GENERATOR ASSEMBLY**



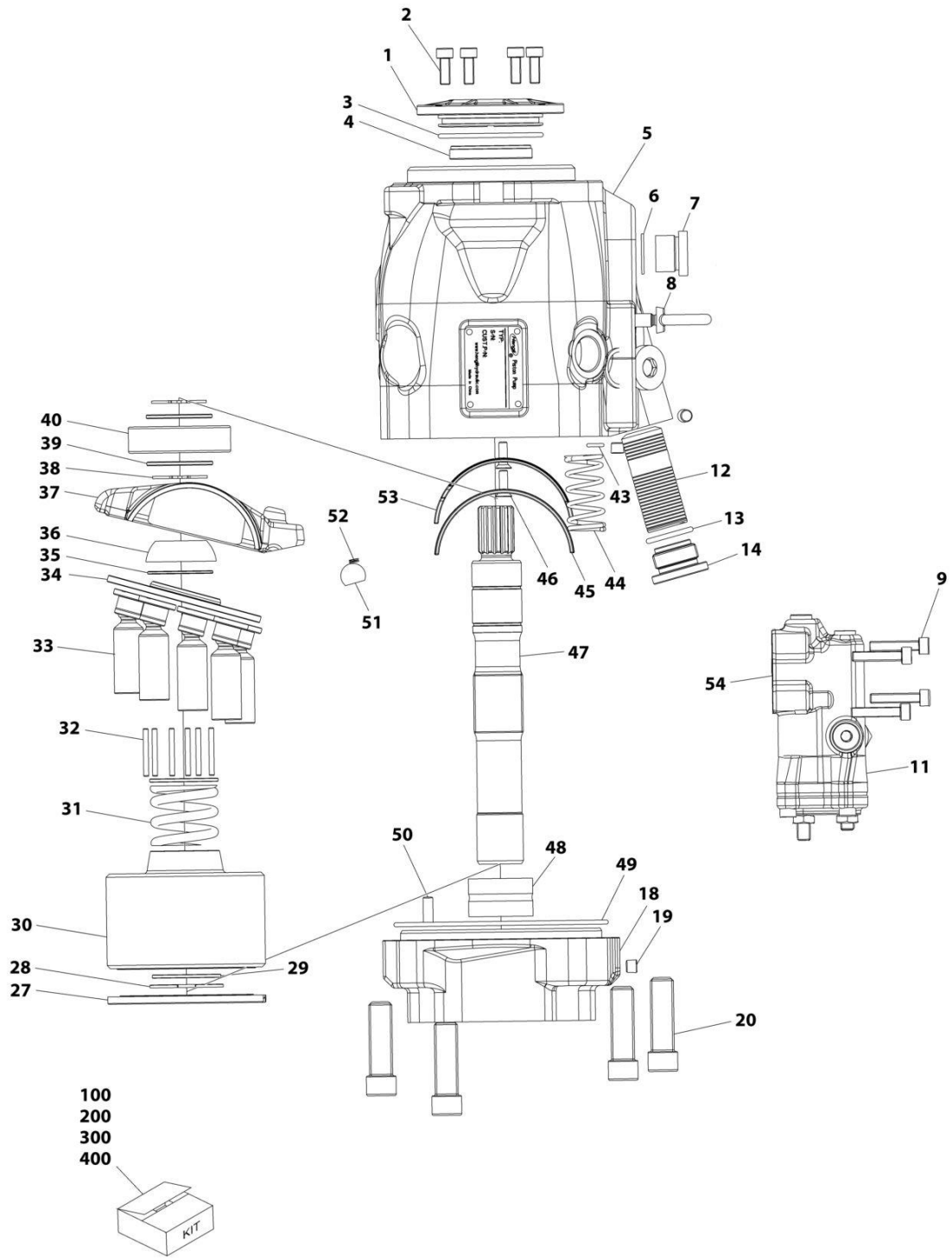
ART\_1001224585

**FIGURE 3-8. GENERATOR ASSEMBLY**

ITEM	PART NUMBER	QTY	DESCRIPTION	REV
	1001224585	Ref	GENERATOR ASSEMBLY	C
2	1001221813	1	Generator Components (Note: No Serviceable Components)	
3	1001222731	2	Bearing	
4	1001222797	1	Release Shaft Assembly	
5	1001223059	1	Ring, Snap	
6	0100011	AR	Compound, Locking	
8	0760606	2	Bolt M6 x 12	
9	4811700	2	Washer M6	
10	1001227909	1	Cover	

# SECTION 3 - ENGINE

## FIGURE 3-9. VARIABLE PUMP ASSEMBLY



ART\_1001276377



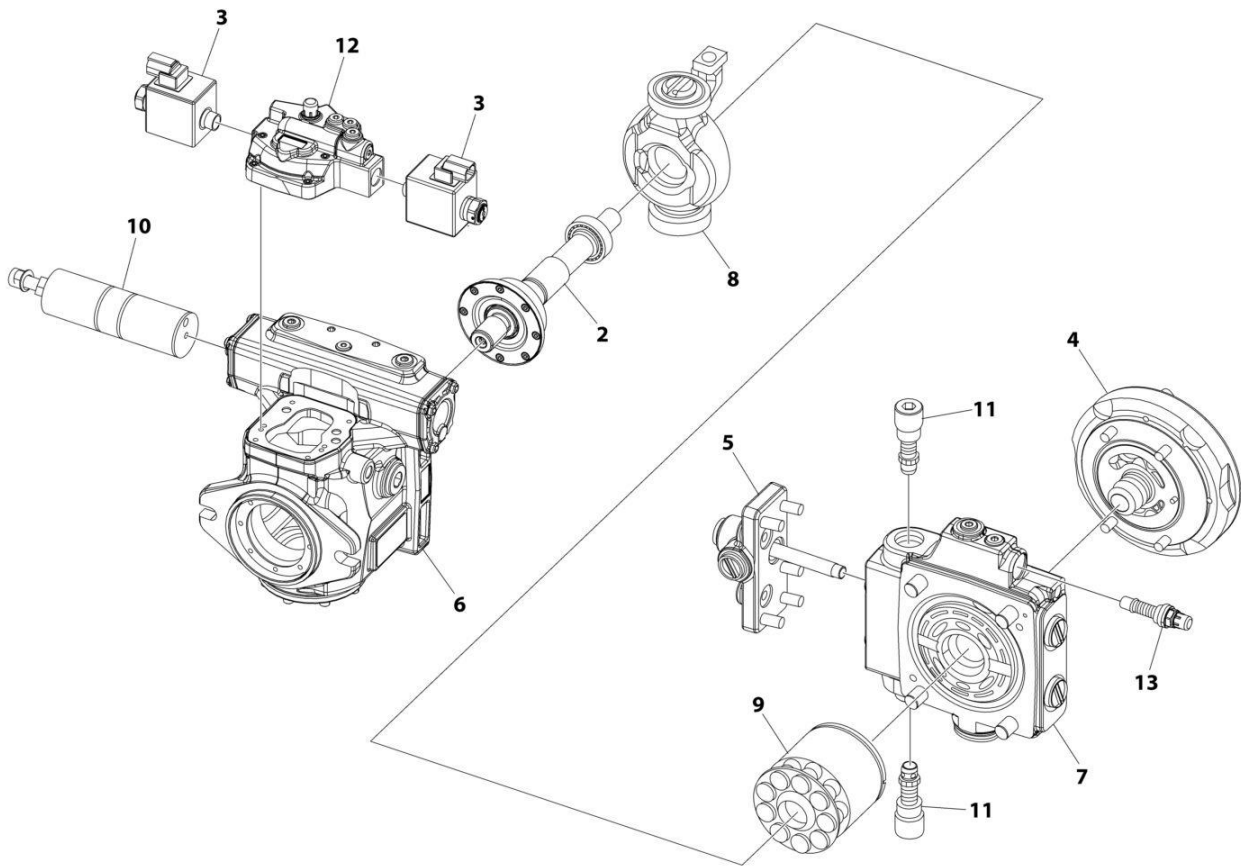
## SECTION 3 - ENGINE

### FIGURE 3-9. VARIABLE PUMP ASSEMBLY

ITEM	PART NUMBER	QTY	DESCRIPTION	REV
	1001276377	Ref	VARIABLE PUMP ASSEMBLY	B
1	70007789	1	Case, Oil Seal	
2	See Note	NSS	Capscrew M6 x 16 (Note: Purchase Separately)	
3	See Note	NSS	O-Ring (Note: Use Item 100)	
4	70007798	1	Seal, Oil	
5	See Note	NSS	Housing (Note: Not Available - Purchase Assembly)	
6	See Note	NSS	O-Ring (Note: Use Item 100)	
7	70007790	3	Plug	
8	See Note	NSS	Bolt, Eye M8 (Note: Purchase Separately)	
9	See Note	NSS	Capscrew M9 x 30 (Note: Purchase Separately)	
11	70007787	1	Valve, Control	
12	70007800	1	Piston	
13	See Note	NSS	O-Ring (Note: Use Item 100)	
14	70007801	1	Plug	
18	See Note	NSS	Cover (Note: Not Available - Purchase Assembly)	
19	70007791	3	Plug	
20	See Note	NSS	Capscrew M12 x 45 (Note: Purchase Separately)	
27	See Note	NSS	Plate, Valve (Note: Use Item 200)	
28	See Note	NSS	Circlip (Note: Use Item 200)	
29	See Note	NSS	Shim (Note: Use Item 200)	
30	See Note	NSS	Cylinder (Note: Use Item 200)	
31	See Note	NSS	Spring (Note: Use Item 200)	
32	See Note	NSS	Pin (Note: Use Item 200)	
33	See Note	NSS	Piston Assembly (Note: Use Item 200)	
34	See Note	NSS	Retainer (Note: Use Item 200)	
35	See Note	NSS	Shim (Note: Use Item 200)	
36	See Note	NSS	Bushing (Note: Use Item 200)	
37	See Note	NSS	Plate, Swash (Note: Use Item 300)	
38	See Note	NSS	Circlip (Note: Use Item 400)	
39	See Note	NSS	Shim (Note: Use Item 400)	
40	See Note	NSS	Bearing, Cylinder (Note: Use Item 400)	
43	See Note	NSS	O-Ring (Note: Use Item 100)	
44	70007792	1	Spring	
45	70007793	1	Bushing	
46	70007796	2	Capscrew M5 x 16	
47	See Note	NSS	Shaft (Note: Use Item 400)	
48	70007797	1	Bearing	
49	See Note	NSS	O-Ring (Note: Use Item 100)	
50	70007794	1	Spring	
51	See Note	NSS	Ball, Steel (Note: Use Item 300)	
52	See Note	NSS	Spring (Note: Use Item 300)	
53	70007795	1	Bushing	
54	70007799	1	Gasket	
100	70007802	1	Seal Kit (Includes Items 3, 6, 13, 43 & 49)	
200	70007786	1	Cylinder Assembly (Includes Items 27 - 36)	
300	70007788	1	Swash Plate Assembly (Includes Items 37, 51 & 52)	
400	70007785	1	Shaft Assembly (Includes Items 38 - 40 & 47)	

# SECTION 3 - ENGINE

## FIGURE 3-10. HYDROSTATIC PUMP ASSEMBLY



ART\_1001276376

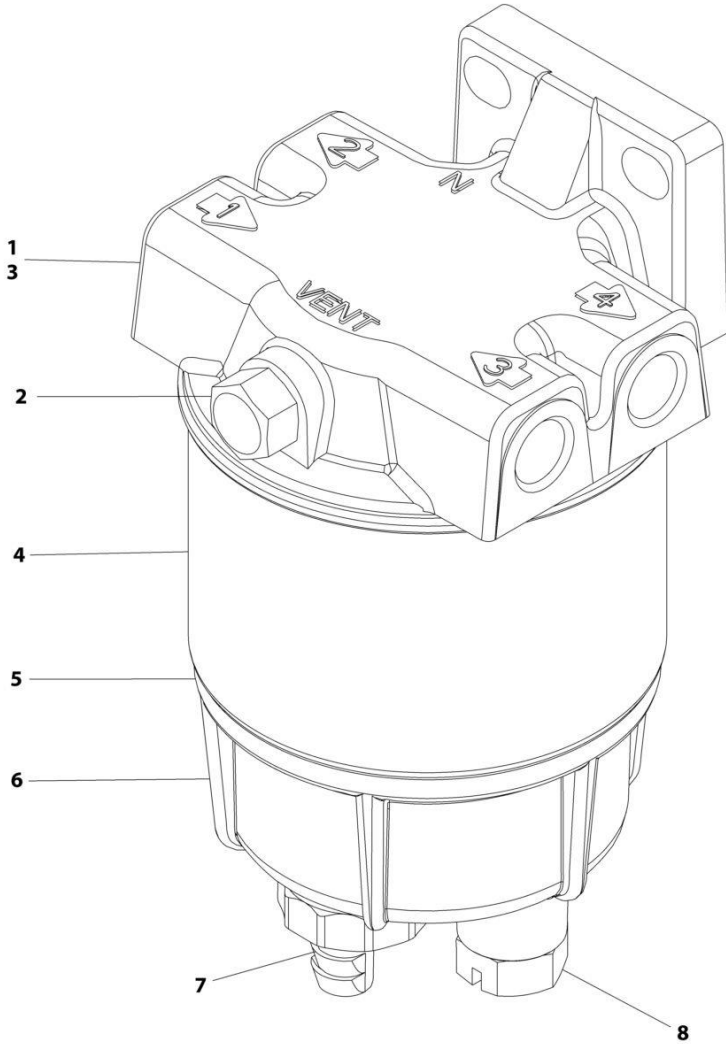
## SECTION 3 - ENGINE

**FIGURE 3-10. HYDROSTATIC PUMP ASSEMBLY**

ITEM	PART NUMBER	QTY	DESCRIPTION	REV
	1001276376	Ref	HYDROSTATIC PUMP ASSEMBLY	B
2	70008497	1	Shaft Assembly	
3	70008498	2	Coil Assembly	
4	70008602	1	Gerotor Body Assembly	
5	70008511	1	Body Assembly	
6	See Note	NSS	Body Assembly (Note: Use PN 1001276376)	
7	70008601	1	Distributor Assembly	
8	70008500	1	Swashplate Assembly	
9	70008501	1	Rotor Assembly	
10	70008502	1	Servo Assembly	
11	70008600	2	Relief Valve	
12	70008504	1	Control Valve Assembly	
13	70008505	1	Relief Valve Assembly	

**SECTION 3 - ENGINE**

**FIGURE 3-11. FUEL/WATER SEPARATOR ASSEMBLY**



ART\_1001190609

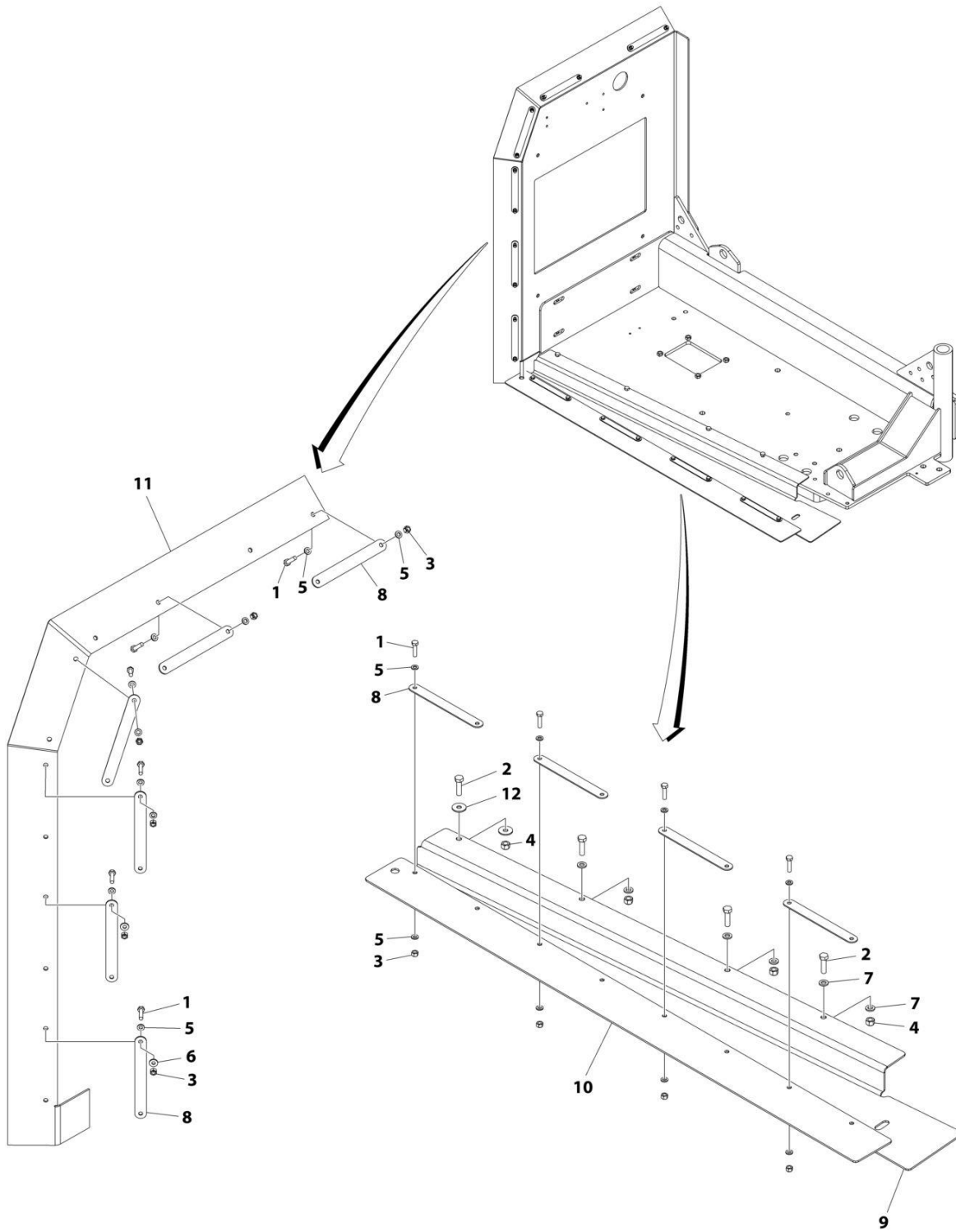
## SECTION 3 - ENGINE

### FIGURE 3-11. FUEL/WATER SEPARATOR ASSEMBLY

ITEM	PART NUMBER	QTY	DESCRIPTION	REV
	1001190609	Ref	FUEL/WATER SEPARATOR ASSEMBLY - DIESEL ENGINES	B
1	70005293	1	Head, Mounting	
2	70005294	1	Plug	
3	70005295	1	Gasket, Head	
4	70005296	1	Element	
5	70005297	1	O-Ring	
6	70002901	1	Bowl	
7	70004070	1	Drain, Self Venting	
8	70004069	1	Plug	

# SECTION 3 - ENGINE

## FIGURE 3-12. ENGINE HOOD Baffles INSTALLATION



ART\_1001227743

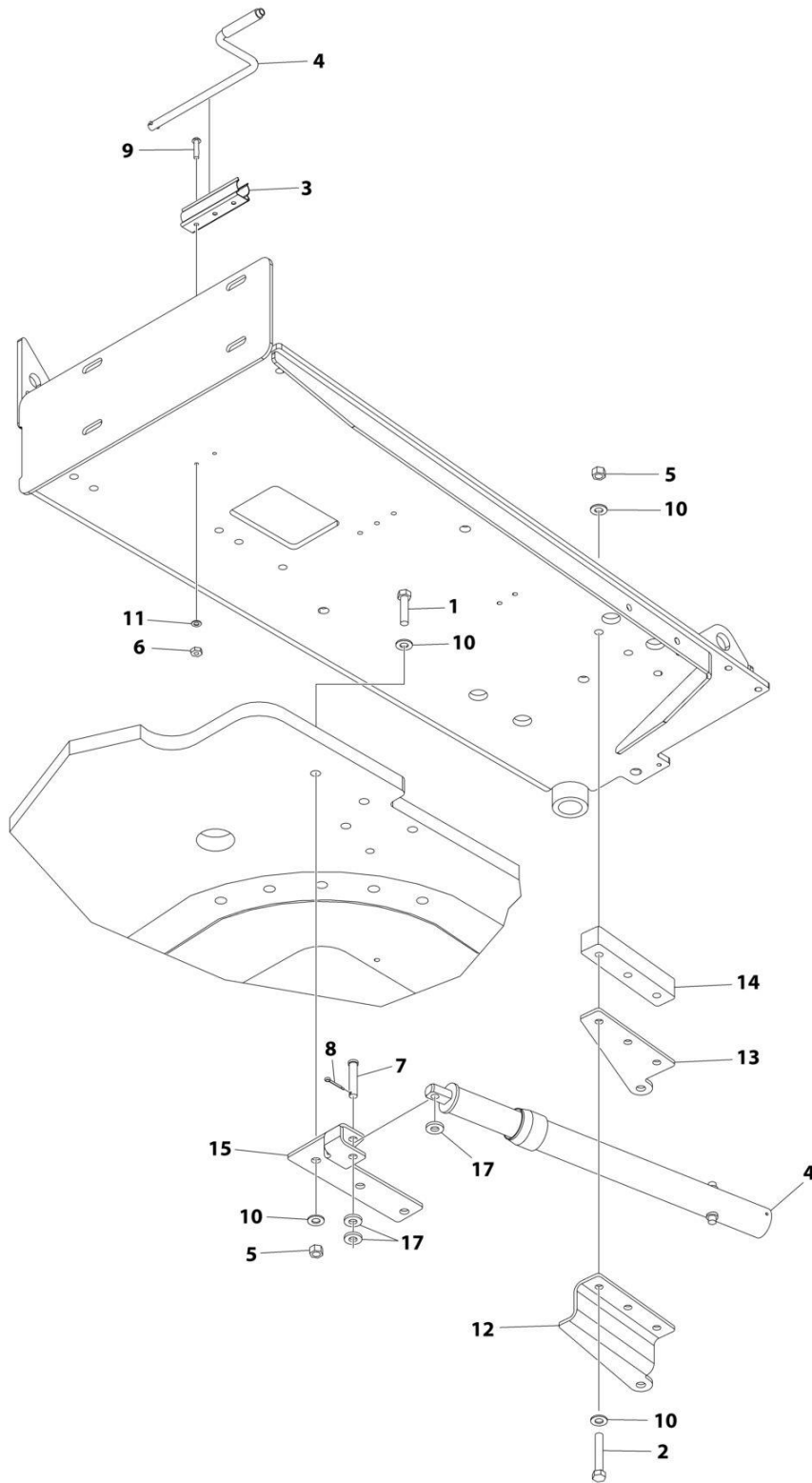
## SECTION 3 - ENGINE

### FIGURE 3-12. ENGINE HOOD BAFFLES INSTALLATION

ITEM	PART NUMBER	QTY	DESCRIPTION	REV
	1001227743	Ref	ENGINE HOOD BAFFLES INSTALLATION	C
1	0760612	20	Bolt M6 x 25	
2	0760814	4	Bolt M8 x 30	
3	3290605	20	Nut M6	
4	3290805	4	Nut M8	
5	4811700	38	Washer M6	
6	4811702	2	Washer M6	
7	4811900	6	Washer M8	
8	1001167164	10	Support	
9	1001227740	1	Plate	
10	1001227741	1	Seal	
11	1001227742	1	Seal	
12	4811902	2	Washer M8	

# SECTION 3 - ENGINE

## FIGURE 3-13. TRAY JACK INSTALLATION



ART\_1001229066\_D

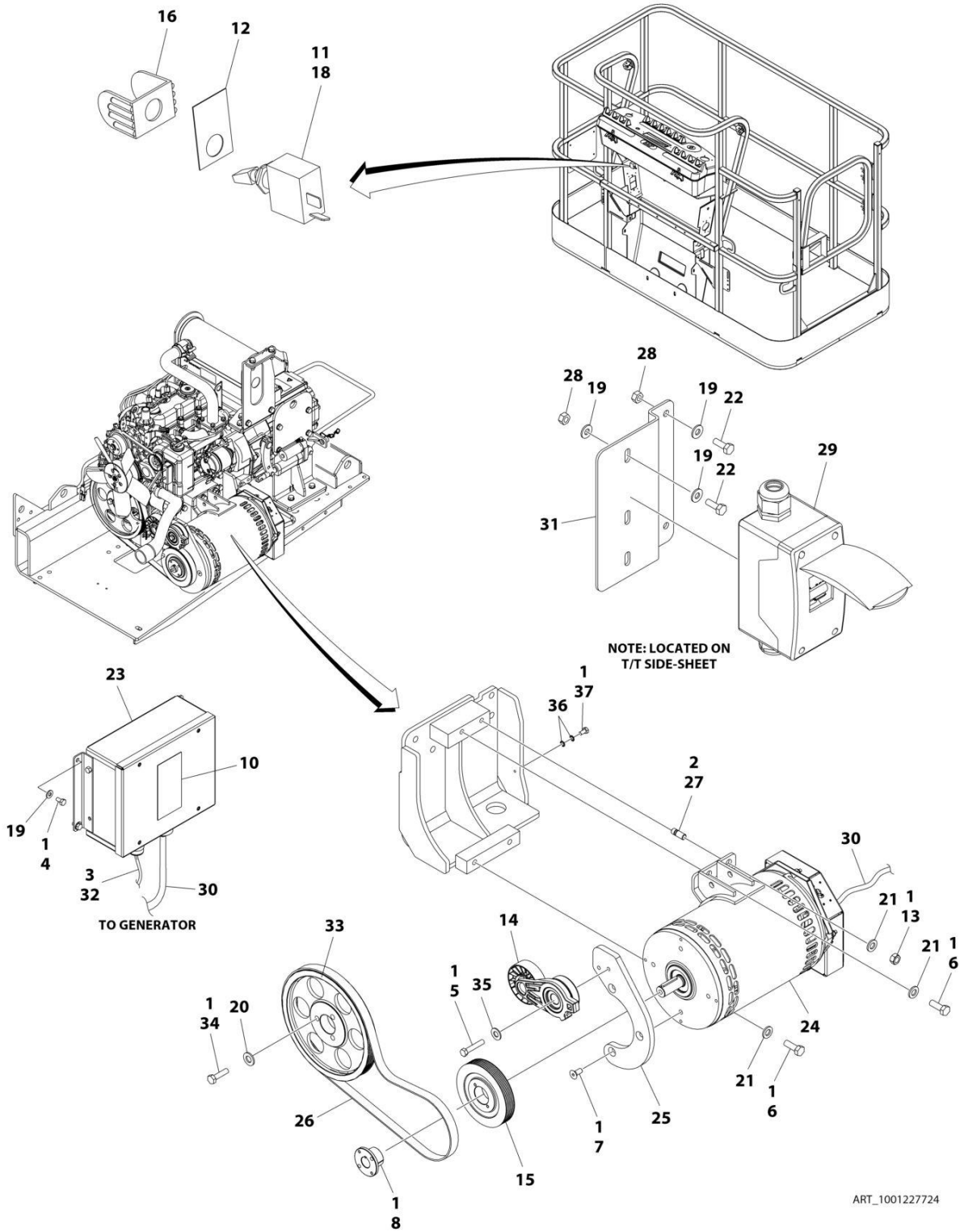


FIGURE 3-13. TRAY JACK INSTALLATION

ITEM	PART NUMBER	QTY	DESCRIPTION	REV
	1001229066	Ref	TRAY JACK INSTALLATION	D
1	0641816	3	Bolt 1/2 x 2	
2	0641824	3	Bolt 1/2 x 3	
3	1380147	1	Clip	
4	2840018	1	Jack and Handle Assembly (H800AJ,H800AJ)	
4	7024599	1	Handle	
5	3271805	6	Nut 1/2 Grade 8	
6	3310601	2	Nut #6	
7	3430820	1	Pin	
8	3450404	1	Pin, Cotter 1/8 x 1	
9	3910610	2	Screw #6 x 5/8	
10	4711800	11	Washer 1/2	
11	4770600	2	Washer #6	
12	1001175073	1	Support	
13	1001175074	1	Support	
14	1001243869	1	Shim	
15	1001229067	1	Bracket	
17	4891800	3	Washer 1/2	

# SECTION 3 - ENGINE

## FIGURE 3-14. 4000W GENERATOR INSTALLATION - 220V/50HZ (OPTIONAL)



ART\_1001227724

## SECTION 3 - ENGINE

**FIGURE 3-14. 4000W GENERATOR INSTALLATION - 220V/50HZ (OPTIONAL)**

ITEM	PART NUMBER	QTY	DESCRIPTION	REV
	1001227724	Ref	4000W GENERATOR INSTALLATION	E
1	0100011	AR	Compound, Locking	
2	0100019	AR	Compound, Locking	
3	0100048	AR	Grease, Dielectric	
4	0641404	4	Bolt 1/4 x 1/2	
5	0641616	1	Bolt 3/8 x 2	
6	0761215	3	Bolt M12 x 35	
7	0741607	3	Screw 3/8 x 7/8	
8	0962520	1	Bushing, Split	
10	1705489	2	Decal - Hazardous Voltage	
11	2820031	AR	Heatshrink	
12	3251102	1	Nameplate - Generator	
13	3291201	1	Nut M12	
14	3580317	1	Tensioner, Belt	
15	1001244352	1	Pully	
16	4060802	1	Guard, Switch	
17	4240018	1	Tie-Strap (Not Shown)	
18	4360336	1	Switch, Toggle	
19	4711400	4	Washer 1/4	
20	4812000	3	Washer M10	
21	5241200	4	Washer M12	
22	0641406	4	Bolt 1/4 x 3/4	
23	1001138566	1	Box, Control	
24	1001206119	1	Generator Assembly	
24	70003709	1	Ring, Retaining (External)	
24	70003708	1	Ring, Retaining (Internal)	
24	70001966	1	Bearing	
24	70004092	1	Endbell (Shaft End)	
24	70004171	1	Key	
24	70004676	1	Rotor	
24	70005624	1	Stator	
24	70004678	1	Endbell (Rear)	
24	70004679	1	Cover, Endbell (Rear)	
24	70004680	1	Enclosure, Wiring	
24	70004681	1	Cover, Enclosure	
24	70004682	1	Switch, Reset (Located on Enclosure Cover)	
24	70004098	1	Connector, Strain Relief (Located on Enclosure Cover)	
24	70004683	1	Bushing, Connector (Use p/n 70004098)	
24	70001973	1	Decal - Warning Pinch Point	
25	1001244926	1	Plate, Tensioner	
26	1001248171	1	V-Belt	
27	1001196382	1	Stud	
28	3311405	4	Nut 1/4	
29	1001165368	1	Breaker Box Kit (See Separate Breakdown in ELECTRICAL SECTION)	
30	1001152532	1	Generator Harness (Generator Control Box to Generator) (See Separate Breakdown in ELECTRICAL SECTION)	
31	1001229080	1	Bracket	
32	1001231225	1	Harness, Generator Enable (Generator Control Box to Engine Harness) (See Separate Breakdown in ELECTRICAL SECTION)	

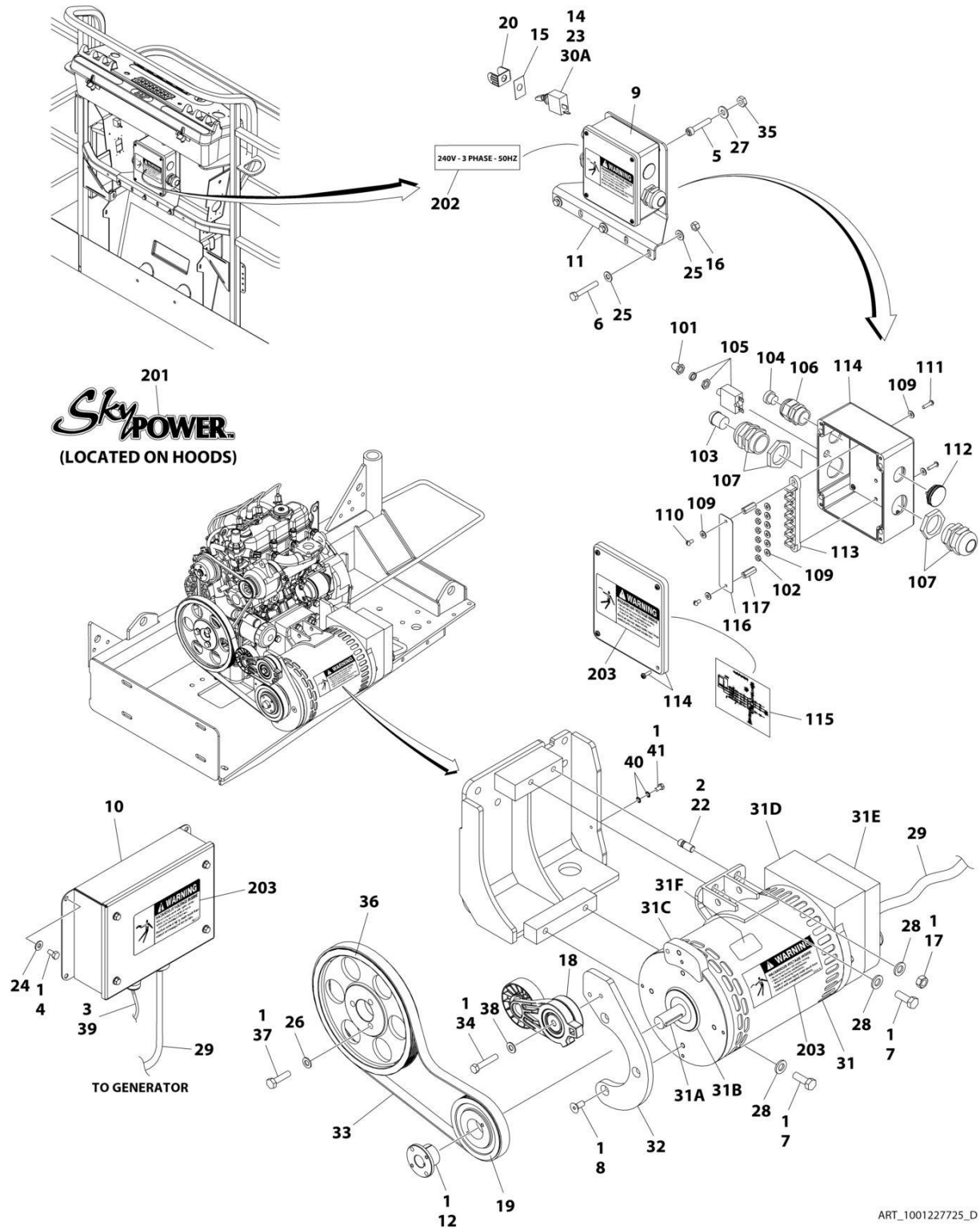
## SECTION 3 - ENGINE

ITEM	PART NUMBER	QTY	DESCRIPTION	REV
32	4460967	1	Plug, Male - 2 Position	
32	4460465	1	Socket, Female	
33	1001183726	1	Pulley	
34	1001186919	3	Bolt M10 x 40	
35	4711600	1	Washer 3/8	
36	4871700	2	Washer M6	
37	0760606	1	Bolt M6 x 12	



# SECTION 3 - ENGINE

## FIGURE 3-15. 7500W SKYPOWER GENERATOR INSTALLATION - 220V/50HZ (OPTIONAL)



## SECTION 3 - ENGINE

**FIGURE 3-15. 7500W SKYPOWER GENERATOR INSTALLATION - 220V/50HZ (OPTIONAL)**

ITEM	PART NUMBER	QTY	DESCRIPTION	REV
	1001227725	Ref	7500W SKYPOWER GENERATOR INSTALLATION	D
1	0100011	AR	Compound, Locking	
2	0100019	AR	Compound, Locking	
3	0100048	AR	Grease, Dielectric	
4	0641404	4	Bolt 1/4 x 1/2	
5	3931016	4	Capscrew #10 x 1	
6	0641516	3	Bolt 5/16 x 2	
7	0761215	3	Bolt M12 x 35	
8	0741607	3	Screw 3/8 x 7/8	
9	1001157525	1	Junction Box Assembly (See Items 101-117 for Breakdown)	
10	0861572	1	Box, Control	
10	7024488	1	Card, Circuit - Generator Power (Not Shown)	
10	See Note	1	Fuse (Note: Not Available - Purchase Locally)	
10	7024489	1	Card, Circuit - Control (Not Shown)	
10		Ref	Note: When replacing card, rocker switch on card must be set for required application.	
10	70000619	1	Circuit Card Harness	
10	77363232	1	Connector - 6 Position	
10	See Note	NSS	Connector - 3 Position (Note: Not Available for Purchase)	
11	0902888	1	Bracket	
12	0962520	1	Bushing	
14	2820031	AR	Heatshrink	
15	3252764	1	Nameplate - AC & Weld	
16	3311505	3	Nut 5/16	
17	3291201	1	Nut M12	
18	3580317	1	Tensioner, Belt	
19	3580319	1	Pulley	
20	4060802	1	Guard, Switch	
21	4240018	1	Tie-Strap (Not Shown)	
22	1001196382	1	Stud	
23	4360336	1	Switch, Toggle	
24	4711400	4	Washer 1/4	
25	4711500	6	Washer 5/16	
26	4812000	3	Washer M10	
27	4751000	4	Washer #10	
28	5241200	4	Washer M12	
29	4922925	1	Generator Harness (See Separate Breakdown in ELECTRICAL Section)	
30	1001231260	1	Generator Wiring Diagram (Not Shown)	
30A	4922641	1	Switch Harness	
31	1001155348	1	Generator Assembly	
31	70001100	1	Rotor (Includes p/n 70001384 & 70000863) (Not Shown)	
31	70001384	1	Bearing, Shaft (Rear) (Not Shown)	
31	70000863	1	Fan, Generator (Not Shown)	
31	70004093	1	Stator (Not Shown)	
31	70002297	2	Stud 1/4 x 12-7/8 (Not Shown)	
31	70003631	1	Brushholder Assembly (Not Shown)	
31A	70004099	1	Key	
31B	70001966	1	Bearing, Ball Radial (Located in Belt Tensioner Endbell)	
31B	70003709	1	Ring, Retaining (Small)	

## SECTION 3 - ENGINE

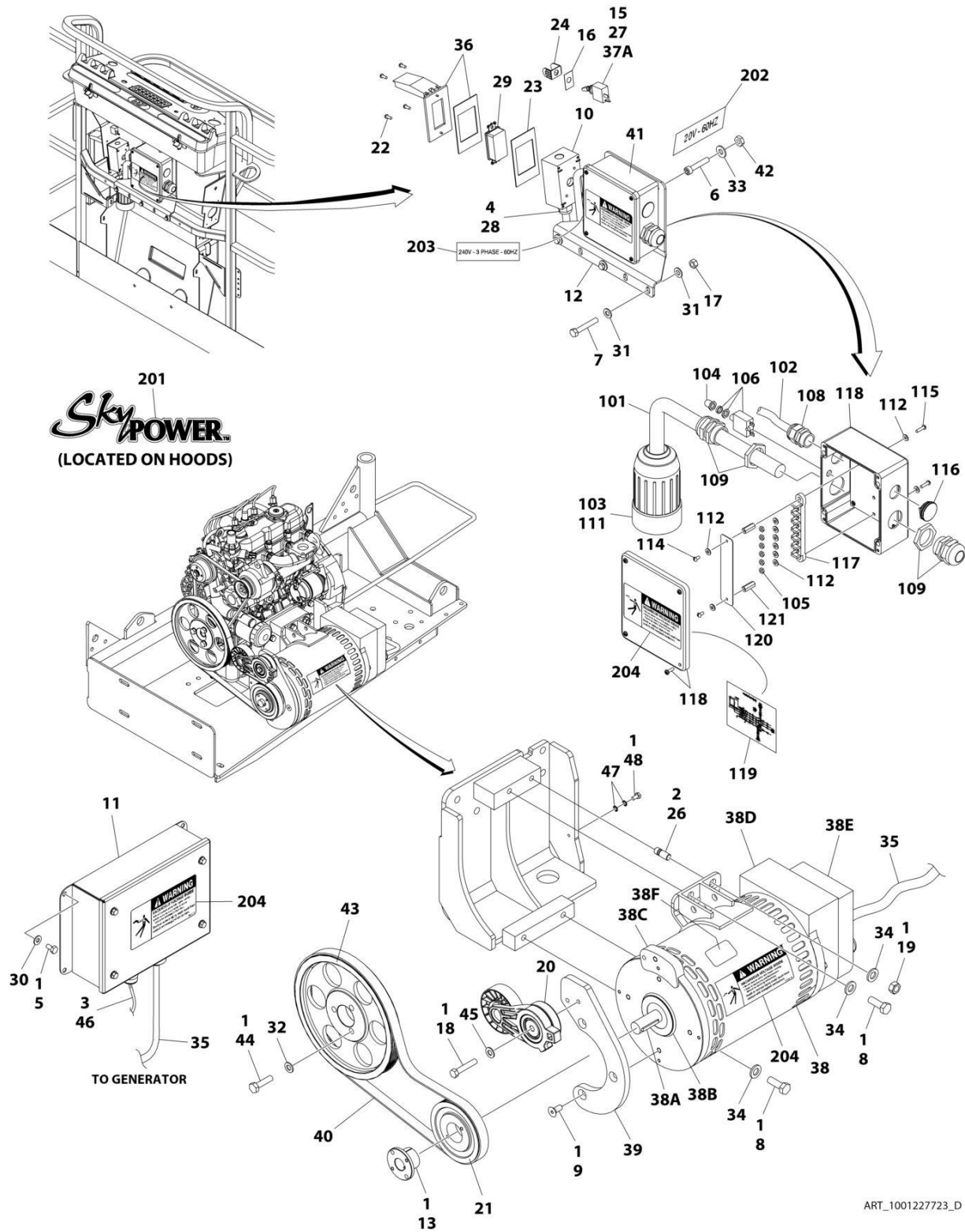
ITEM	PART NUMBER	QTY	DESCRIPTION	REV
31B	70003708	1	Ring, Retaining (Large)	
31C	70004092	1	Endbell, Belt Tensioner	
31D	70004094	1	Endbell, Brush Block	
31E	70004096	1	Shroud Assembly	
31E	7027799	1	Block, Connector - 6 Position (Not Shown)	
31E	70002460	6	Nut, Brass (Attaches p/n 7027799 to Cover) (Not Shown)	
31E	7024485	1	Breaker, Circuit 30Amp (Not Shown)	
31E	70001696	1	Boot, Breaker (Not Shown)	
31E	7026597	1	Connector with Leads (Not Shown)	
31E	7026626	1	Connector with Pins (Not Shown)	
31E	70004098	1	Clamp, Cable (Not Shown)	
31E	70004095	1	Plate, End Panel (Not Shown)	
31E	70004097	1	Insulator, End Panel (Not Shown)	
31E	70001974	1	Decal - Terminal Connections (Not Shown)	
31F	70001973	1	Decal - Warning Moving Parts	
32	1001227526	1	Plate, Tensioner	
33	1001235296	1	V-Belt	
34	0641616	1	Bolt 3/8 x 2	
35	3311005	4	Nut #10	
36	1001183726	1	Pulley	
37	1001186919	3	Bolt M10 x 40	
38	4711600	1	Washer 3/8	
39	1001231225	1	Harness, Generator Enable (See Separate Breakdown in ELECTRICAL Section)	
40	4871700	2	Washer M6	
41	0760606	1	Bolt M6 x 12	
	1001157525	Ref	JUNCTION BOX ASSEMBLY	B
101	3300396	1	Cover, Fuse	
102	3311001	6	Nut #10	
103	3520189	1	Plug (50Hz Spec Only)	
104	3520192	1	Plug	
105	4360070	1	Circuit Breaker - 15Amp	
106	4460425	1	Strain Relief, Terminal	
107	4460426	2	Connector, Strain Relief	
109	4711000	11	Washer #10	
110	10702077	2	Screw #10 x 3/8	
111	10702082	2	Screw #10 x 3/4	
112	1001152525	1	Plug	
113	1001157520	1	Block, Terminal	
114	1001157521	1	Box, Junction	
115	1001157528	1	Decal - Wiring Schematic	
116	1001158007	1	Cover, PVC	
117	1001158008	2	Stand-Off	
	0272589	Ref	DECAL INSTALLATION	A
201	1705460	2	Decal - SkyPower	
202	1705461	1	Decal - 240V - 3 Phase	
203	1705489	3	Decal - Hazardous Voltage	





# SECTION 3 - ENGINE

## FIGURE 3-16. 7500W SKYPOWER GENERATOR INSTALLATION - 110V/60HZ (OPTIONAL)



## SECTION 3 - ENGINE

**FIGURE 3-16. 7500W SKYPOWER GENERATOR INSTALLATION - 110V/60HZ (OPTIONAL)**

ITEM	PART NUMBER	QTY	DESCRIPTION	REV
	1001227723	Ref	7500W SKYPOWER GENERATOR INSTALLATION	D
1	0100011	AR	Compound, Locking	
2	0100019	AR	Compound, Locking	
3	0100048	AR	Grease, Dielectric	
4	0100079	AR	Sealant	
5	0641404	4	Bolt 1/4 x 1/2	
6	3931016	4	Capscrew #10 x 1	
7	0641516	3	Bolt 5/16 x 2	
8	0761215	3	Bolt M12 x 35	
9	0741607	3	Screw 3/8 x 7/8	
10	0860038	1	Box, Switch	
11	0861538	1	Control Box Assembly	
11	7024488	1	Card, Circuit - Generator Power	
11	See Note	NSS	Fuse (Note: Not Available - Purchase Locally)	
11	7024489	1	Card, Circuit - Control	
11	70000619	1	Harness, Control Box (Internal)	
12	0902888	1	Bracket	
13	0962520	1	Bushing	
15	2820031	AR	Heatshrink	
16	3252764	1	Nameplate - AC & Weld	
17	3311505	3	Nut 5/16	
18	0641616	1	Bolt 3/8 x 2	
19	3291201	1	Nut M12	
20	3580317	1	Pulley	
21	3580318	1	Pulley	
22	3910606	4	Screw #6 x 3/8	
23	3960422	1	Gasket	
24	4060802	1	Guard, Switch	
25	4240018	1	Tie-Strap (Not Shown)	
26	1001196382	1	Stud	
27	4360336	1	Switch, Toggle	
28	4460071	1	Connector, Strain Relief	
29	4460346	1	Receptacle	
30	4711400	4	Washer 1/4	
31	4711500	6	Washer 5/16	
32	4812000	3	Washer M10	
33	4751000	4	Washer #10	
34	5241200	4	Washer M12	
35	4922925	1	Generator Harness (See Separate Breakdown in ELECTRICAL Section)	
36	1001110873	1	Cover	
37	1001231260	1	Generator Wiring Diagram (Not Shown)	
37A	4922641	1	Switch Harness	
38	1001155348	1	Generator Assembly	
38	70004093	1	Stator (Not Shown)	
38	70002297	2	Stud 1/4 x 12-7/8 (Not Shown)	
38	70003631	1	Brushholder Assembly (Not Shown)	
38A	70004099	1	Key	
38B	70001966	1	Bearing, Ball Radial (Located in Belt Tensioner Endbell)	
38B	70003709	1	Ring, Retaining (Small)	

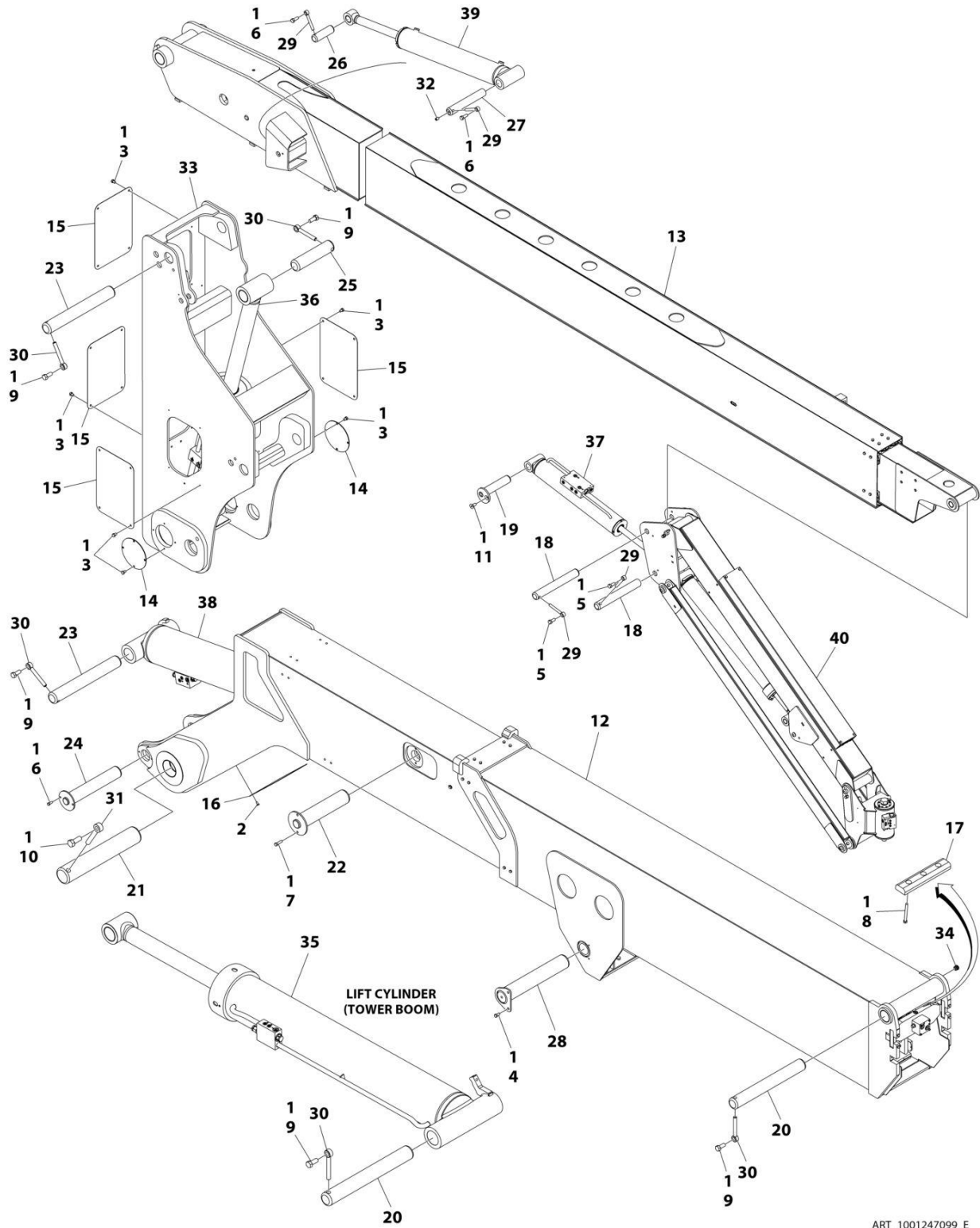
## SECTION 3 - ENGINE

ITEM	PART NUMBER	QTY	DESCRIPTION	REV
38B	70003708	1	Ring, Retaining (Large)	
38C	70004092	1	Endbell, Belt Tensioner	
38D	70004094	1	Endbell, Brush Block	
38E	70004096	1	Shroud Assembly	
38E	7027799	1	Block, Connector - 6 Position (Not Shown)	
38E	70002460	6	Nut Brass (Attaches p/n 7027799 to Cover) (Not Shown)	
38E	7024485	1	Breaker, Circuit 30Amp (Not Shown)	
38E	70001696	1	Boot, Breaker (Not Shown)	
38E	7026597	1	Connector with Leads (Not Shown)	
38E	7026626	1	Connector with Pins (Not Shown)	
38E	70004098	1	Clamp, Cable (Not Shown)	
38E	70004095	1	Plate, End Panel (Not Shown)	
38E	70004097	1	Insulator, End Panel (Not Shown)	
38E	70001974	1	Decal - Terminal Connections (Not Shown)	
38F	70001973	1	Decal - Warning Moving Parts	
39	1001227526	1	Plate, Tensioner	
40	1001235519	1	V-Belt	
41	1001157592	1	Junction Box Assembly (See Items 101-121 for Breakdown)	
42	3311005	4	Nut #10	
43	1001183726	1	Pulley	
44	1001186919	3	Bolt M10 x 40	
45	4711600	1	Washer 3/8	
46	1001231225	1	Harness, Generator Enable (See Separate Breakdown in ELECTRICAL Section)	
47	4871700	2	Washer M6	
48	0760606	1	Bolt M6 x 12	
	1001157592	Ref	JUNCTION BOX ASSEMBLY	C
101	1060343	1.5 ft/ 0.5m	Cable, Electrical 10/4	
102	1001179154	2.5 ft/ 0.8m	Cable, Electrical 12/3	
103	1671092	1	Cover	
104	3300396	1	Cover, Fuse	
105	3311001	6	Nut #10	
106	4360070	1	Circuit Breaker - 15Amp	
108	4460425	1	Strain Relief, Terminal	
109	4460426	2	Connector, Strain Relief	
111	4460963	1	Connector	
112	4711000	10	Washer #10	
114	10702077	2	Screw #10 x 3/8	
115	10702082	2	Screw #10 x 3/4	
116	1001152525	1	Plug	
117	1001157520	1	Block, Terminal	
118	1001157521	1	Box, Junction	
119	1001157528	1	Decal - Wiring Schematic	
120	1001158007	1	Cover, PVC	
121	1001158008	2	Stand-Off	
	0272435	Ref	DECAL INSTALLATION	D
201	1705460	2	Decal - SkyPower	
202	3251243	1	Decal - 120V/60Hz	
203	1705375	1	Decal - 240V/3Phase	
204	1705387	3	Decal - Hazardous Voltage	

**SECTION 4 - BOOM**

# SECTION 4 - BOOM

## FIGURE 4-1. BOOM AND CYLINDER INSTALLATION



ART\_1001247099\_E

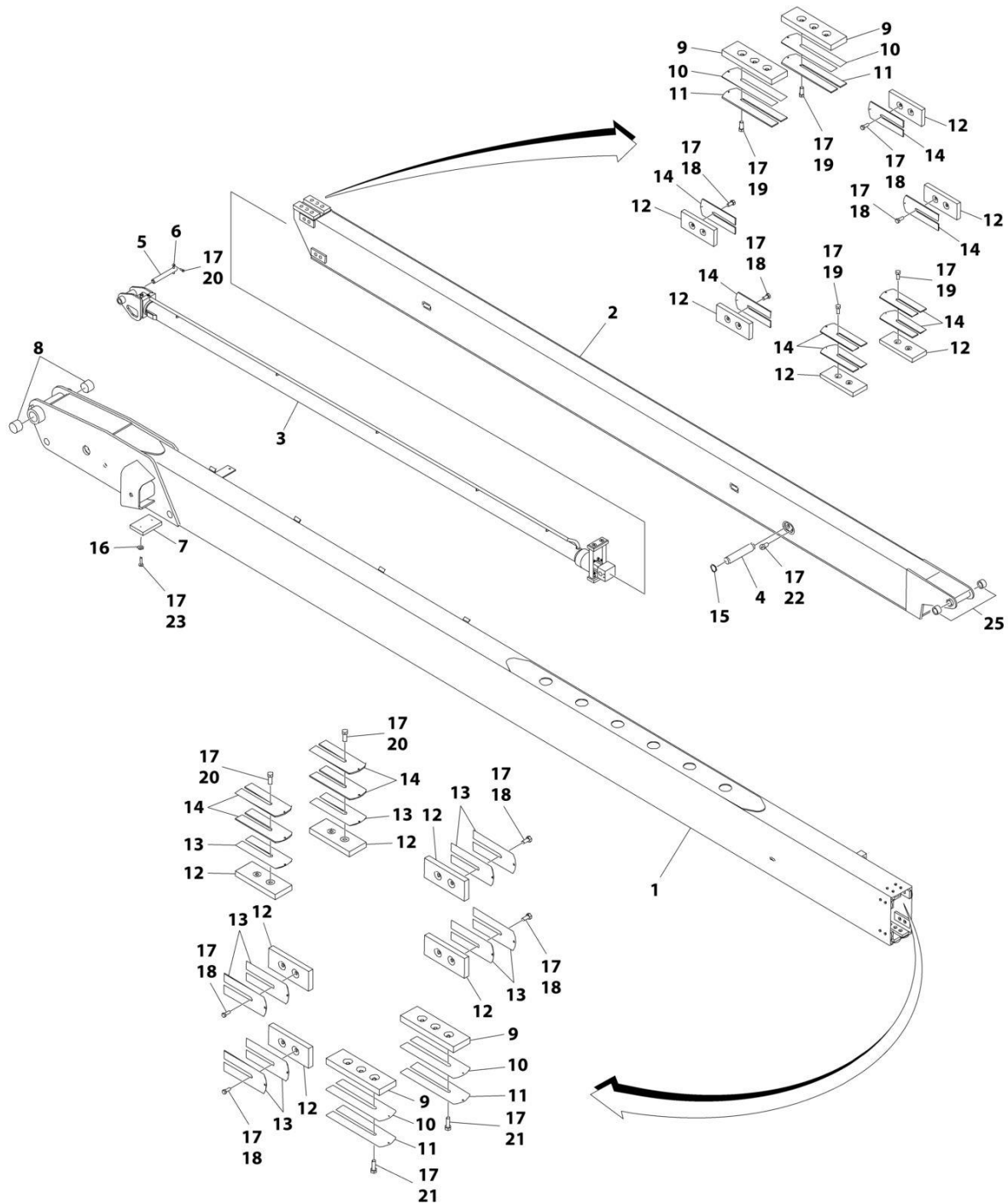
## SECTION 4 - BOOM

**FIGURE 4-1. BOOM AND CYLINDER INSTALLATION**

ITEM	PART NUMBER	QTY	DESCRIPTION	REV
	1001247099	Ref	BOOM INSTALLATION	E
1	0100011	AR	Compound, Locking	
2	0641404	4	Bolt 1/4 x 1/2	
3	0641604	24	Bolt 3/8 x 1/2	
4	0641606	2	Bolt 3/8 x 3/4	
5	0641607	2	Bolt 3/8 x 7/8	
6	0641608	4	Bolt 3/8 x 1	
7	0641611	2	Bolt 3/8 x 1-3/8	
8	0641840	3	Bolt 1/2 x 5	
9	0642214	5	Bolt 3/4 x 1-3/4	
10	0642620	1	Bolt 1 x 2-1/2	
11	0741607	1	Screw 3/8 x 7/8	
12	0801132	1	Boom Assembly - Tower (See Separate Breakdown in this Section)	
13	0801136	1	Boom Assembly - Main (See Separate Breakdown in this Section)	
14	1120510	2	Cover, Upright	
15	1670844	4	Cover, Upright	
16	1670850	1	Cover, Tower Fly	
17	3340835	1	Pad Rest	
18	3422561	2	Pin	
19	3422583	1	Pin	
20	3422681	2	Pin	
21	3422683	1	Pin	
22	3422684	1	Pin	
23	3422685	2	Pin	
24	3422686	1	Pin	
25	3422687	1	Pin	
26	3422688	1	Pin	
27	3422689	1	Pin	
28	3422729	1	Pin	
29	3841143	4	Keeper, Pin	
30	3841287	5	Keeper, Pin	
31	3841356	1	Keeper, Pin	
32	3900239	1	Set Screw	
33	4845593	1	Upright	
34	1001213705	1	Cap	
35	1001251009	1	Lift Cylinder Assembly - Tower Boom (See Separate Breakdown in CYLINDER Section)	
36	1001251010	1	Lift Cylinder Assembly - Main Boom (See Separate Breakdown in CYLINDER Section)	
37	1001251030	1	Level Cylinder Assembly - Platform Slave (See Separate Breakdown in CYLINDER Section)	
38	1001251041	1	Level Cylinder Assembly - Upright (See Separate Breakdown in CYLINDER Section)	
39	1001251050	1	Master Cylinder Assembly (See Separate Breakdown in CYLINDER Section)	
40	1001247147	1	Jib Assembly (See Separate Breakdown in this Section)	

# SECTION 4 - BOOM

## FIGURE 4-2. MAIN BOOM ASSEMBLY



ART\_0801136



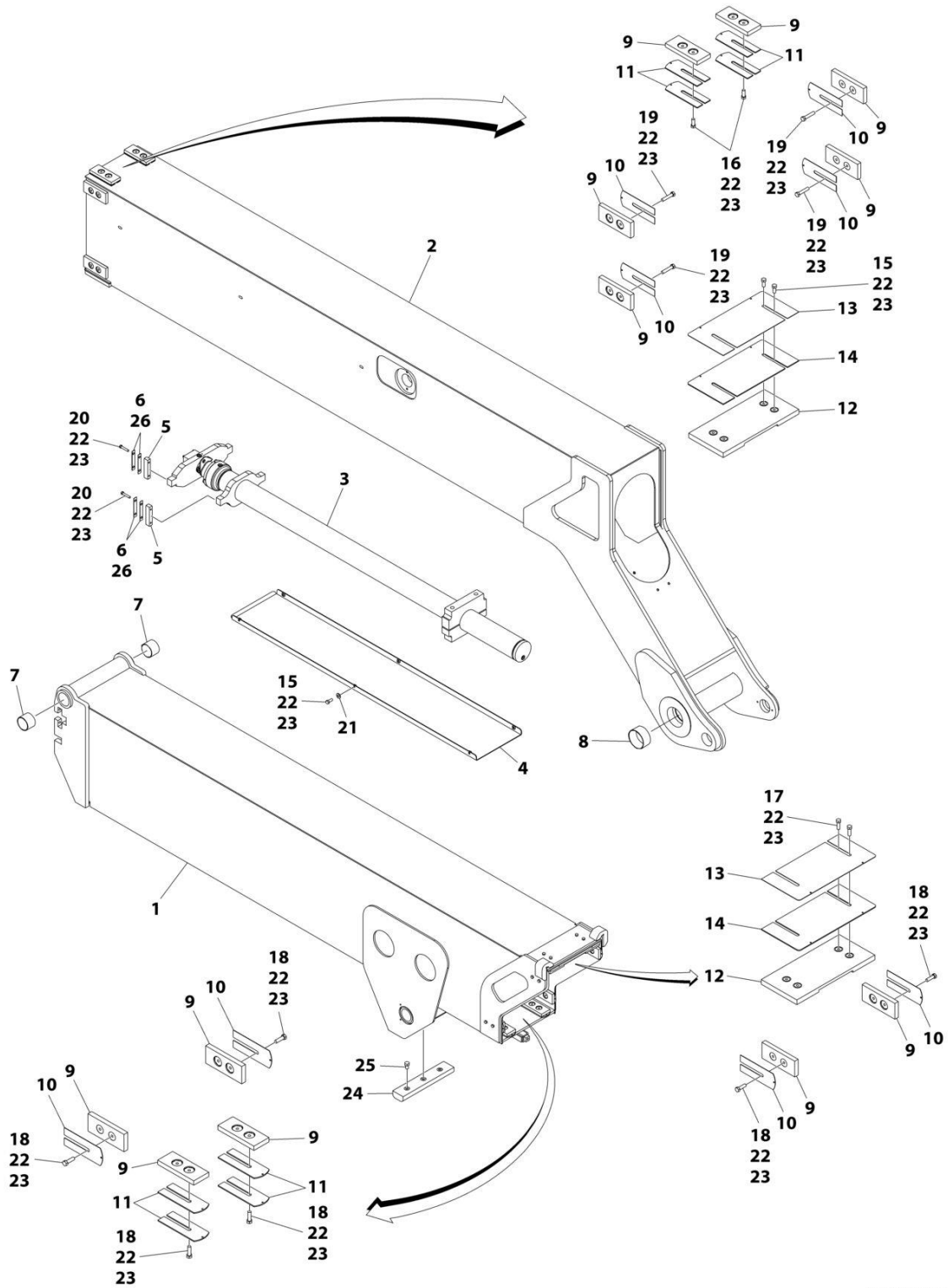
## SECTION 4 - BOOM

**FIGURE 4-2. MAIN BOOM ASSEMBLY**

ITEM	PART NUMBER	QTY	DESCRIPTION	REV
	0801136	Ref	MAIN BOOM ASSEMBLY	N
1	0801591	1	Base, Boom	
2	0801573	1	Fly, Boom	
3	1001228087	1	Telescope Cylinder Assembly (See Separate Breakdown in CYLINDER SECTION)	
4	3422457	1	Pin	
5	3422690	1	Pin	
6	3841143	1	Keeper, Pin	
7	0561295	1	Block, Boom Rest	
8	0962102	2	Bushing	
9	3340871	4	Pad, Wear	
10	4070863	4	Shim 1/8	
11	4070864	4	Shim .05	
12	1001148652	12	Pad, Wear	
13	4070897	10	Shim .05	
14	4070898	12	Shim 1/8	
15	3760133	2	Ring, Retaining	
16	4711600	2	Washer 3/8	
17	0100011	AR	Compound, Locking	
18	0641606	16	Bolt 3/8 x 3/4	
19	0641607	10	Bolt 3/8 x 7/8	
20	0641608	5	Bolt 3/8 x 1	
21	0641609	6	Bolt 3/8 x 1-1/8	
22	3900259	4	Bolt, Shoulder	
23	0641612	2	Bolt 3/8 x 1-1/2	
25	0961951	2	Bushing	

# SECTION 4 - BOOM

## FIGURE 4-3. TOWER BOOM ASSEMBLY



ART\_0801132\_I

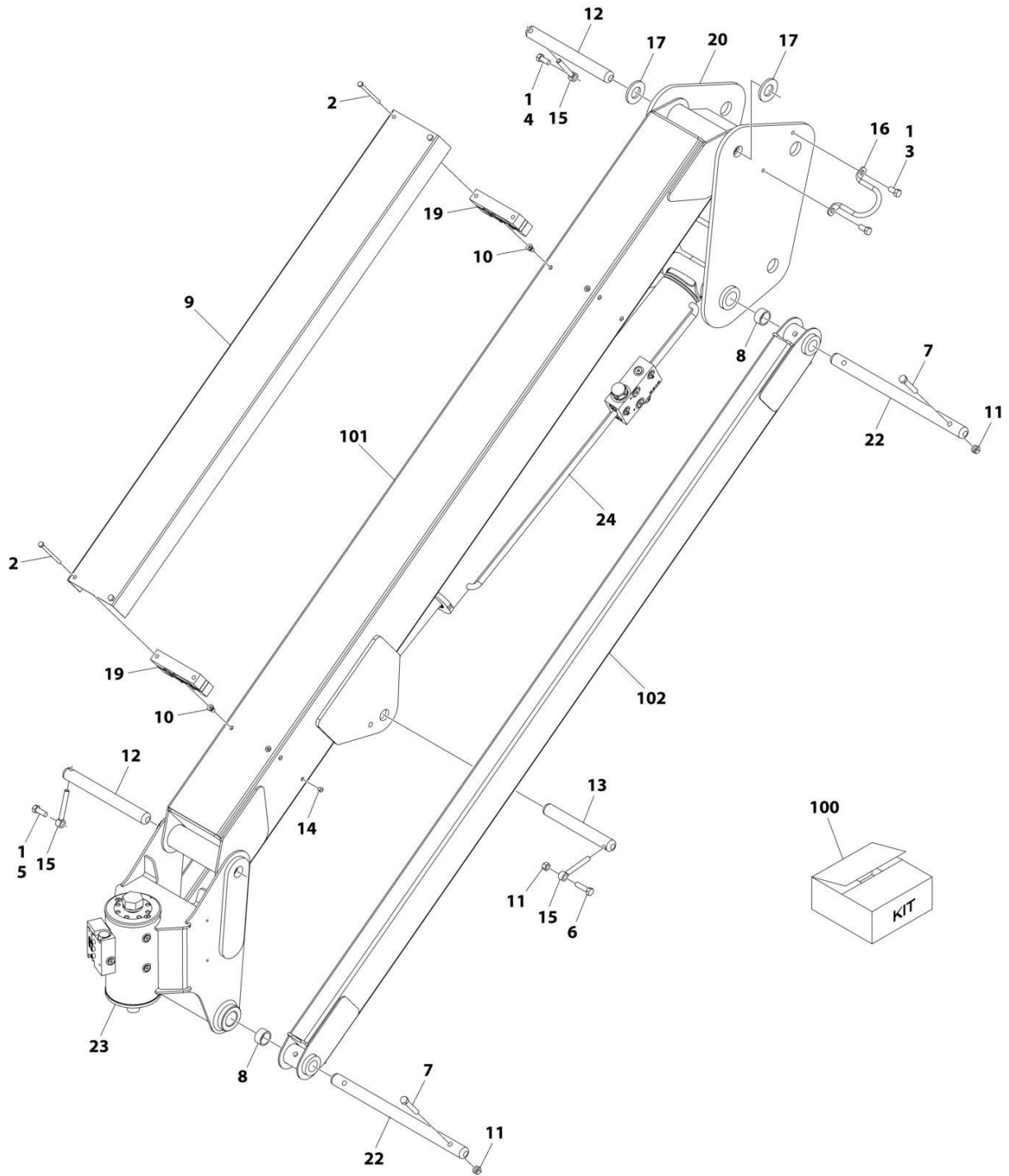
## SECTION 4 - BOOM

### FIGURE 4-3. TOWER BOOM ASSEMBLY

ITEM	PART NUMBER	QTY	DESCRIPTION	REV
	0801132	Ref	TOWER BOOM ASSEMBLY	I
1	0801594	1	Base, Boom	
2	0801496	1	Fly, Boom	
3	1001251086	1	Tower Telescope Cylinder Assembly (See Separate Breakdown in CYLINDER Section)	
4	4340706	1	Support	
5	0561185	4	Block, Attach	
6	4070929	4	Shim 1/16	
7	0962102	2	Bushing	
8	0962122	2	Bushing	
9	3340881	12	Pad, Wear	
10	4070897	8	Shim .05	
11	4070898	8	Shim .12	
12	3340828	2	Pad, Wear	
13	4070967	2	Shim .05	
14	4070968	2	Shim .12	
15	0641607	10	Bolt 3/8 x 7/8	
16	0641608	4	Bolt 3/8 x 1	
17	0641609	4	Bolt 3/8 x 1-1/8	
18	0641610	12	Bolt 3/8 x 1-1/4	
19	0641615	8	Bolt 3/8 x 1-7/8	
20	0641616	8	Bolt 3/8 x 2	
21	4711600	6	Washer 3/8	
22	0100011	AR	Compound, Locking	
23	0100038	AR	Primer, Locking	
24	3340835	1	Pad, Boom Rest	
25	0641806	3	Bolt 1/2 x 3/4	
26	4071007	4	Shim 20Ga	

# SECTION 4 - BOOM

## FIGURE 4-4. JIB ASSEMBLY



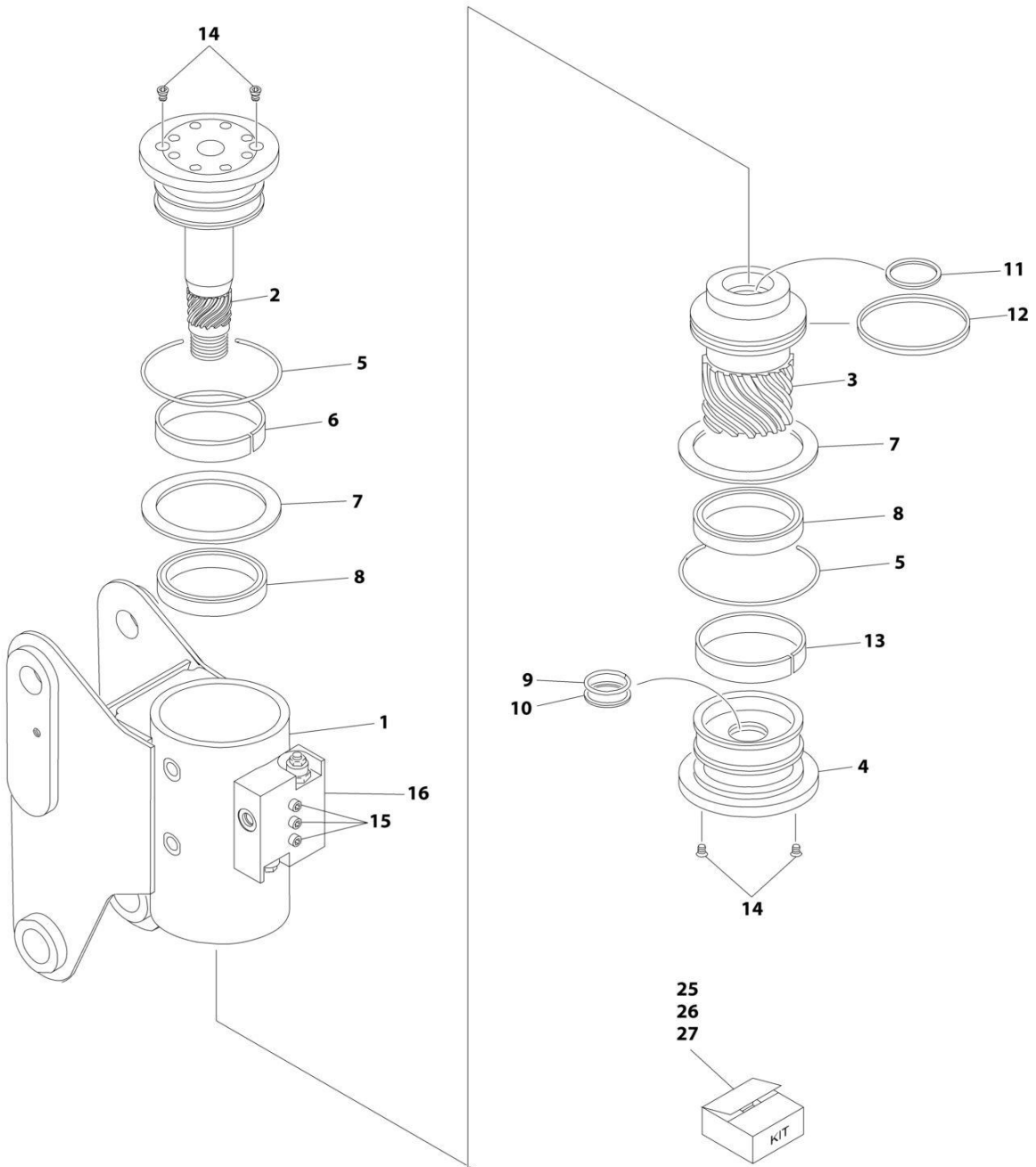
ART\_1001247147\_F

FIGURE 4-4. JIB ASSEMBLY

ITEM	PART NUMBER	QTY	DESCRIPTION	REV
	1001247147	Ref	JIB ASSEMBLY	F
1	0100011	AR	Compound, Locking	
2	0700626	4	Bolt M6 x 90	
3	0641606	2	Bolt 3/8 x 3/4	
4	0641607	1	Bolt 3/8 x 7/8	
5	0641608	1	Bolt 3/8 x 1	
6	0641611	1	Bolt 3/8 x 1-3/8	
7	0641618	4	Bolt 3/8 x 2-1/4	
8	0961947	6	Bearing	
9	1671034	1	Cover	
10	1001260680	4	Fastner M6	
11	3311605	5	Nut 3/8	
12	3422860	2	Pin	
13	3422867	1	Pin	
14	3520034	8	Plug	
15	3841143	3	Keeper, Pin	
16	3841340	1	Loop, Hose	
17	4740439	2	Washer	
19	1001165350	2	Block, Clamp	
20	1001170548	1	Pivot	
22	3422861	2	Pin	
23	1001217780	1	Rotator Assembly (See Separate Breakdown in this Section)	
24	1001251012	1	Lift Cylinder Assembly - Jib (See Separate Breakdown in CYLINDER Section)	
100	1001295242	1	Tube Kit	
101	4844816	1	Tube, Top	
102	4844817	2	Tube, Bottom	

# SECTION 4 - BOOM

## FIGURE 4-5. ROTATOR ASSEMBLY



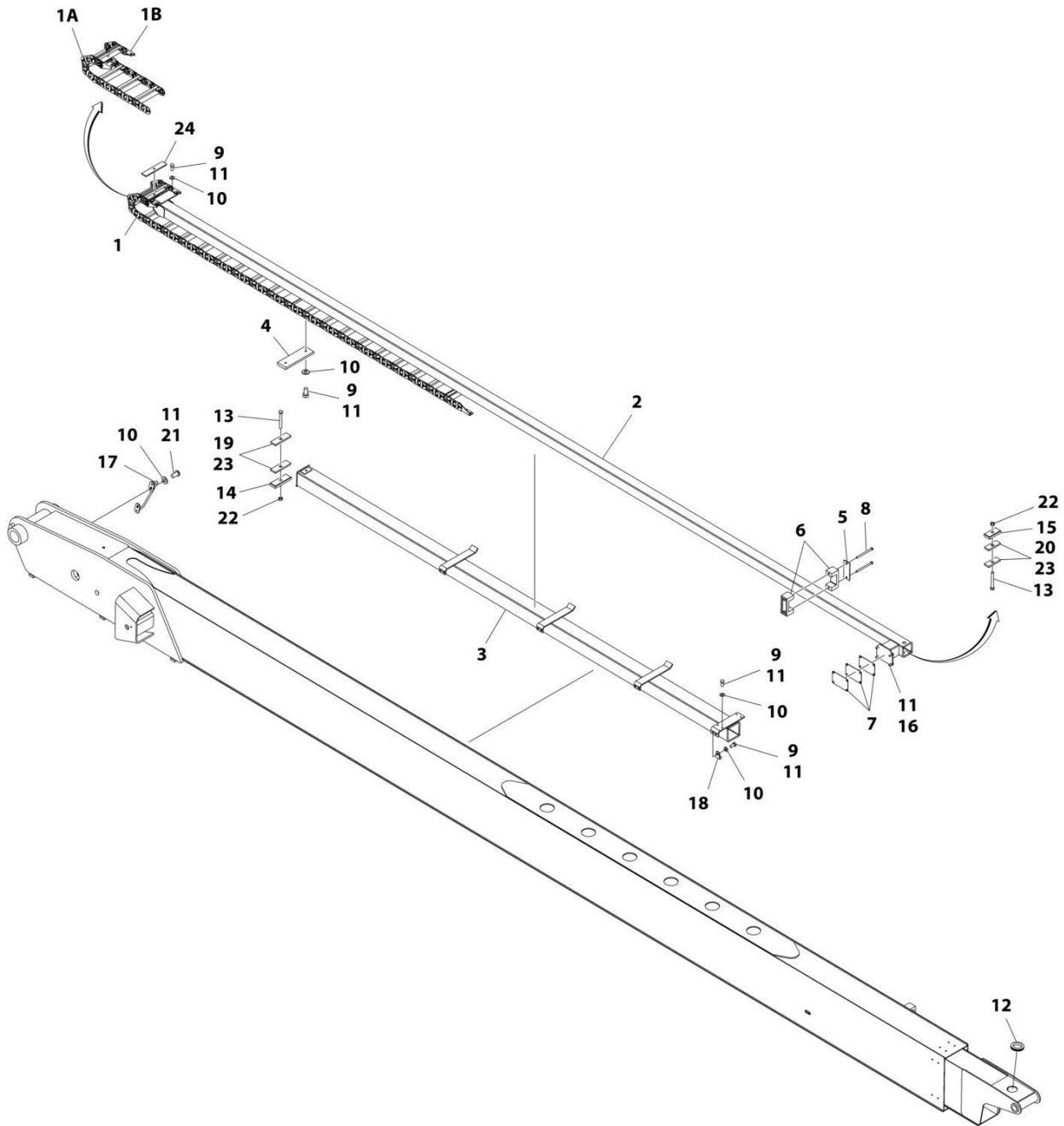
ART\_1001217780

FIGURE 4-5. ROTATOR ASSEMBLY

ITEM	PART NUMBER	QTY	DESCRIPTION	REV
	1001217780	Ref	ROTATOR ASSEMBLY	A
1	See Note	NSS	Housing/Ring Gear Assembly (Note: Not Available - Purchase Complete Assembly)	
2	7017162	1	Shaft	
2	7017195	2	Bushing, Shaft	
3	7017163	1	Piston/Sleeve Assembly	
4	7017164	1	Cap, End	
5	See Note	NSS	O-Ring (Note: Use Item 25)	
6	See Note	NSS	Bearing, Shaft (Note: Use Item 26)	
7	See Note	NSS	Washer, Thrust (Note: Use Item 26)	
8	See Note	NSS	Packing, Bearing (Note: Use Item 25)	
9	See Note	NSS	Seal, Cap (Note: Use Item 25)	
10	See Note	NSS	Ring, Back-up Cap (Note: Use Item 25)	
11	See Note	NSS	Seal, Rod (Note: Use Item 25)	
12	See Note	NSS	Seal, Piston (Note: Use Item 25)	
13	See Note	NSS	Bearing, Cap (Note: Use Item 26)	
14	70001697	6	Capscrew 1/4 x 3/8 Grade 8	
15	See Note	3	Bolt 1/4 x 1-1/2 Grade 8 (Note: Not Available - Purchase Locally)	
16	7017172	1	Valve Assembly	
16	7017192	2	Cartridge, Valve	
16	See Note	NSS	Seal Kit - 7017192 Valve (Note: Not Available - Purchase Cartridge)	
16	See Note	NSS	Cartridge, Valve (Not Shown - Located on Side of Block) (Note: Not Available - Purchase Complete Valve)	
16	See Note	NSS	Seal Kit - Valve Located on Side of Block (Note: Not Available - Purchase Cartridge)	
25	70000342	1	Seal Kit (Includes Items 5, 8-12 & 27)	
26	7017159	1	Bearing Kit (Includes Items 6, 7 & 13)	
27	7017142	1	Hardware Kit (Includes Dowel Pins, Plugs and Item 14)	

# SECTION 4 - BOOM

## FIGURE 4-6. POWER TRACK INSTALLATION - MAIN BOOM



ART\_0258077



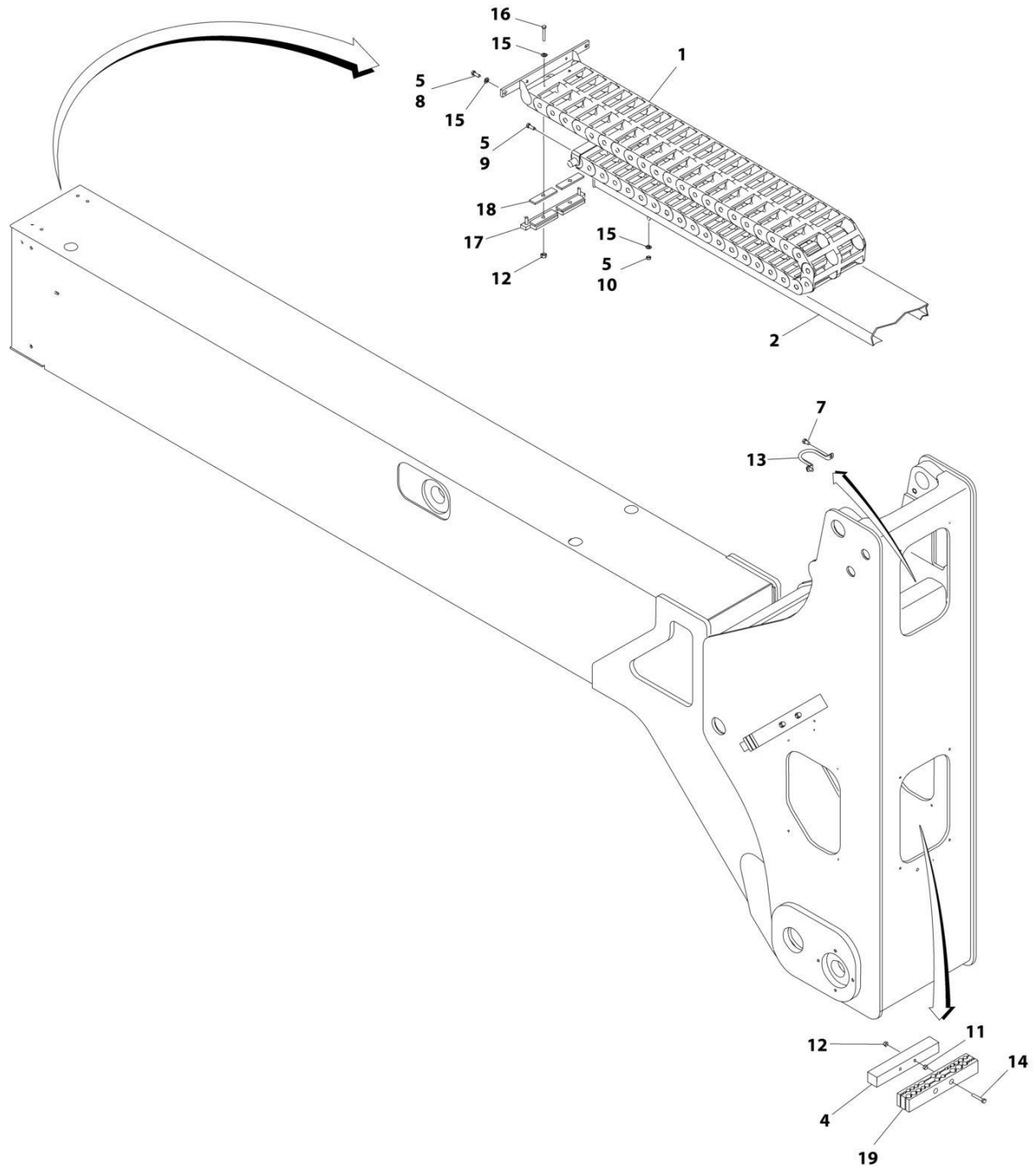
## SECTION 4 - BOOM

**FIGURE 4-6. POWER TRACK INSTALLATION - MAIN BOOM**

ITEM	PART NUMBER	QTY	DESCRIPTION	REV
	0258077	Ref	POWER TRACK INSTALLATION	M
1	1001099837	1	Track, Power	
1A	70002013	AR	Carrier Repair Section (Includes 1 Pin Assembly for each end)	
1B	70002014	1	Mounting Foot Kit (Includes Both Pair of Feet)	
2	1001170527	1	Tube, Push	
3	4845730	1	Support	
4	3340840	1	Pad	
5	1001136400	1	Plate, Backing	
5	3538758	1	Plate, Backing	
6	3340764	2	Pad	
7	4070969	3	Shim 16 Gauge	
8	0641640	2	Bolt 3/8 x 5	
9	0641606	18	Bolt 3/8 x 3/4	
10	4711600	20	Washer 3/8	
11	0100011	AR	Compound, Locking	
12	4060805	8 in/ 20cm	Flex-Trim	
13	0641624	2	Bolt 3/8 x 3	
14	1320289	1	Clamp	
15	1320288	1	Clamp	
16	0641607	4	Bolt 3/8 x 7/8	
17	3841406	1	Loop, Hose	
18	91203039	1	Pad	
19	3340943	2	Pad, Rubber	
20	3340941	2	Pad	
21	3900283	2	Screw 3/8 x 3/4	
22	3311605	2	Nut 3/8	
23	0100081	AR	Adhesive	
24	4071052	2	Shim 1/4	

# SECTION 4 - BOOM

## FIGURE 4-7. POWER TRACK INSTALLATION - TOWER BOOM



ART\_1001261274

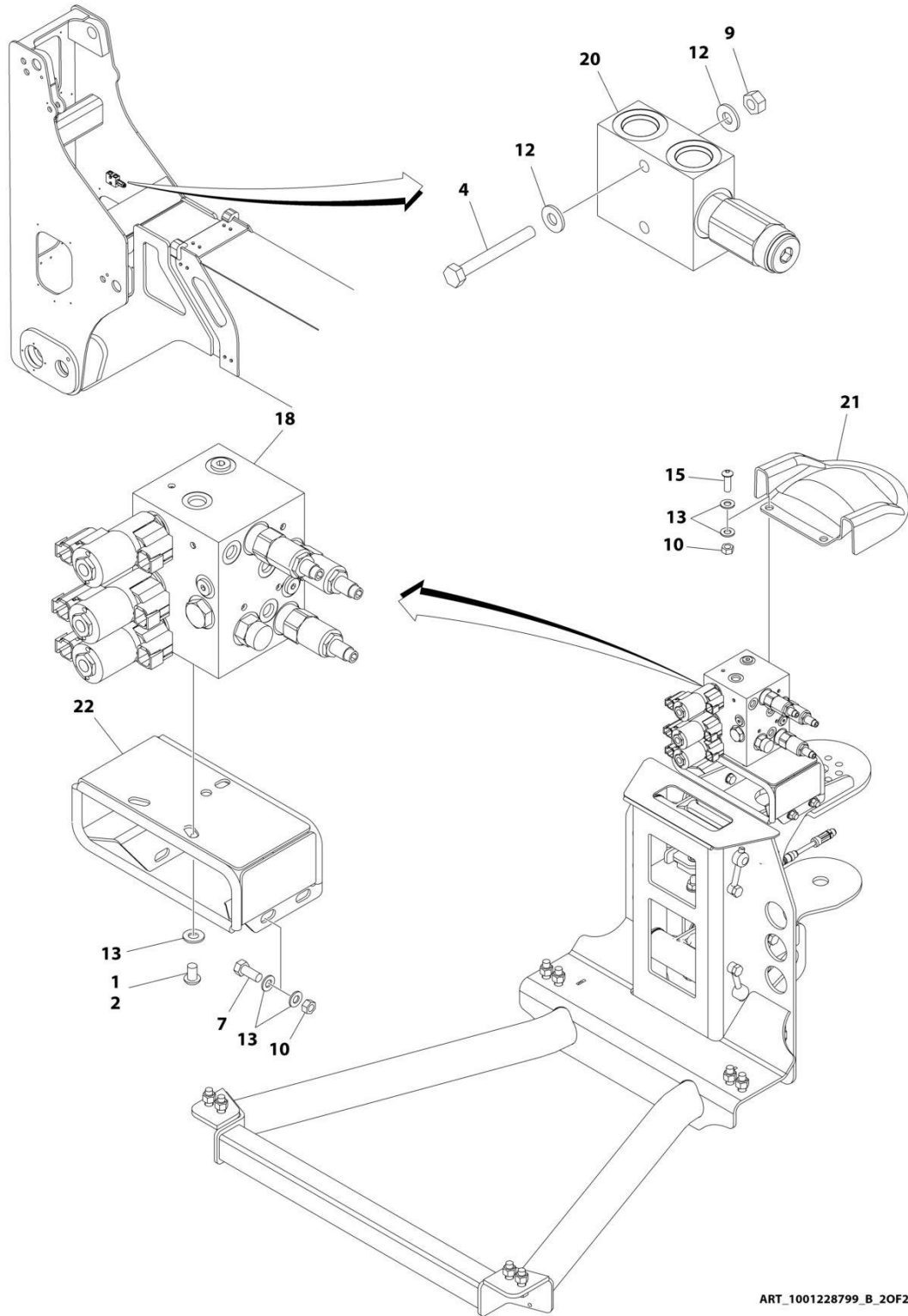
## SECTION 4 - BOOM

**FIGURE 4-7. POWER TRACK INSTALLATION - TOWER BOOM**

ITEM	PART NUMBER	QTY	DESCRIPTION	REV
	1001261274	Ref	POWER TRACK INSTALLATION	B
1	1180346	1	Track, Power	
1	7020064	1	Bracket, End (Moving)	
1	7020065	1	Bracket, End (Fixed)	
1	7020066	1	Section, Repair	
1	7020067	1	Link, Repair	
2	4845680	1	Tube, Hose	
4	1320250	2	Bar	
5	0100011	AR	Compound, Locking	
7	0641605	2	Bolt 3/8 x 5/8	
8	0641606	2	Bolt 3/8 x 3/4	
9	0641622	2	Bolt 3/8 x 2-3/4	
10	3311601	4	Nut 3/8	
11	3311602	4	Nut 3/8	
12	3311605	6	Nut 3/8	
13	3841340	1	Rod, Hose Loop	
14	3900262	4	Bolt 3/8 x 4-3/4	
15	4711600	8	Washer 3/8	
16	0641624	2	Bolt 3/8 x 3	
17	0259420	1	Clamp	
18	3340859	2	Pad	
19	1001261272	2	Clamp, Block	

# SECTION 4 - BOOM

## FIGURE 4-8. BOOM VALVES INSTALLATION



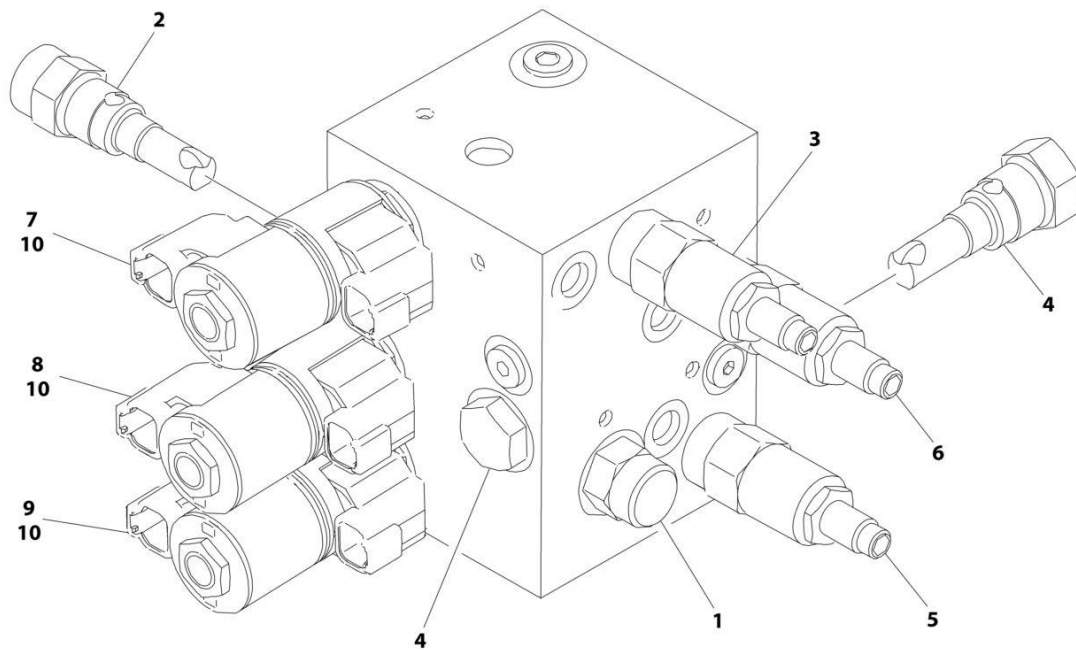
ART\_1001228799\_B\_20F2

FIGURE 4-8. BOOM VALVES INSTALLATION

ITEM	PART NUMBER	QTY	DESCRIPTION	REV
	1001228799	Ref	BOOM VALVES INSTALLATION	B
1	0100011	AR	Compound, Locking	
2	0630467	3	Screw 5/16 x 1/2	
4	0641418	2	Bolt 1/4 x 2-1/4	
7	0641607	4	Bolt 3/8 x 7/8	
9	3311405	2	Nut 1/4	
10	3311505	6	Nut 5/16	
12	4711400	8	Washer 1/4	
13	4711500	15	Washer 5/16	
15	88261024	2	Capscrew 5/16 x 1	
18	1001152565	1	Boom Valve Assembly (See Separate Breakdown in this Section)	
20	1001200054	1	Valve Assembly (Relief)	
20	7012970	1	Cartridge, Valve	
20	7012953	1	Seal Kit - 7012970 Valve	
21	1001207969	1	Cover	
22	1001208994	1	Mount	

# SECTION 4 - BOOM

## FIGURE 4-9. BOOM VALVE ASSEMBLY



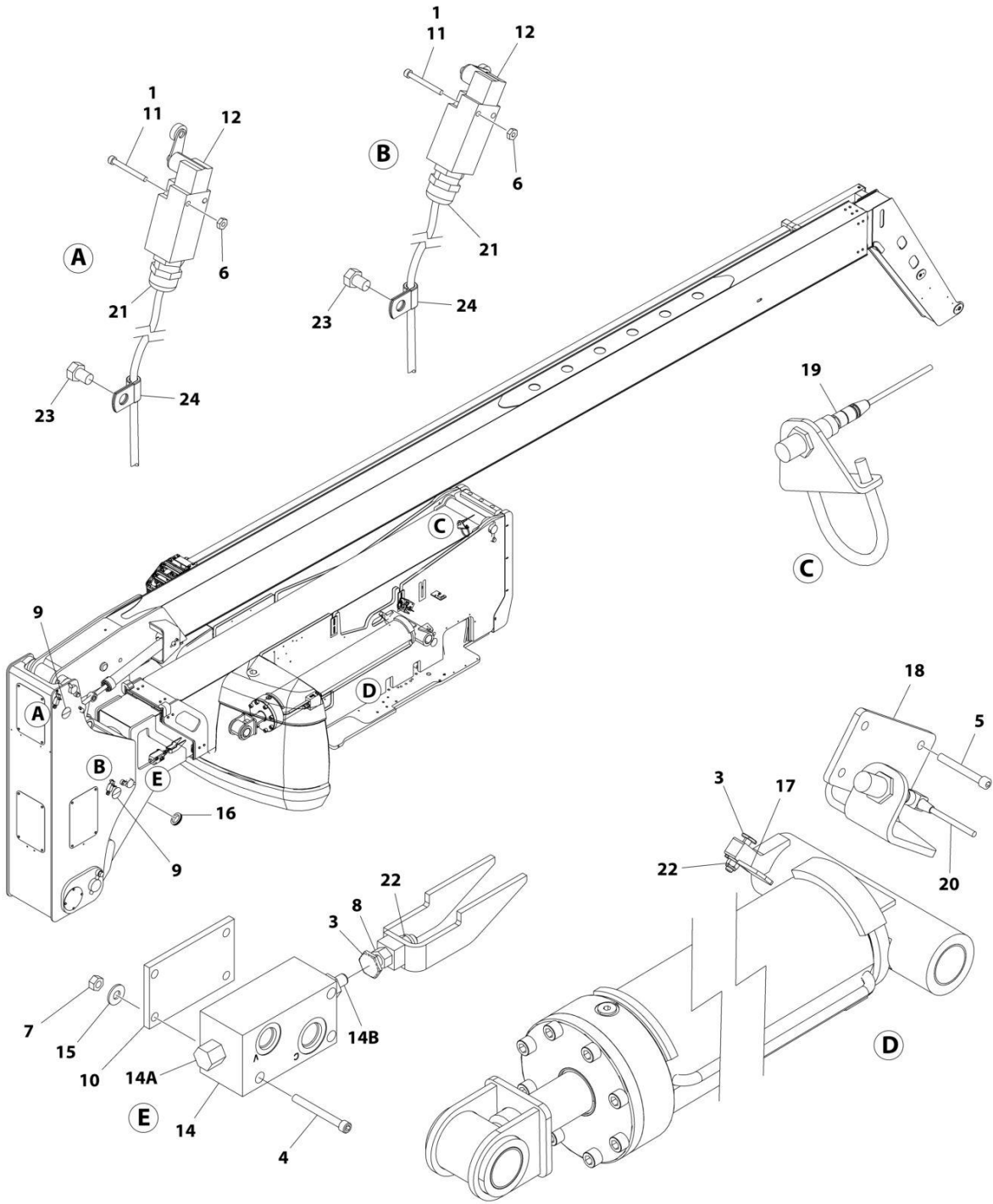
ART\_1001152565

FIGURE 4-9. BOOM VALVE ASSEMBLY

ITEM	PART NUMBER	QTY	DESCRIPTION	REV
	1001152565	Ref	BOOM VALVE ASSEMBLY	C
1	7012989	1	Valve, Flow	
1	7012953	1	Seal Kit - 7012989 Valve	
2	7012965	1	Valve, Flow	
2	7012953	1	Seal Kit - 7012965 Valve	
3	70003790	1	Valve, Relief	
3	7021653	1	Seal Kit - 70003790 Valve	
4	7012914	2	Valve, Cartridge	
4	7012918	2	Seal Kit - 7012914 Valve	
5	7023911	1	Valve, Relief	
5	7012967	1	Seal Kit - 7023911 Valve	
6	7023912	1	Valve, Relief	
6	7012967	1	Seal Kit - 7023912 Valve	
7	7017452	1	Valve, Solenoid (Jib)	
7	7017402	2	Seal Kit - 7017452 Valve	
8	7017452	1	Valve, Solenoid (Platform Level)	
8	7017402	1	Seal Kit - 7017452 Valve	
9	7017452	1	Valve, Solenoid (Rotator)	
9	7017402	2	Seal Kit - 7017452 Valve	
10	70002386	6	Coil	
11	70002064	2	Plug, Orifice (Not Shown)	
12	7017406	2	Plug (Not Shown)	

# SECTION 4 - BOOM

## FIGURE 4-10. BOOM VALVE AND LIMIT SWITCHES INSTALLATION (WITHOUT TOWER STOW)



ART\_0258217



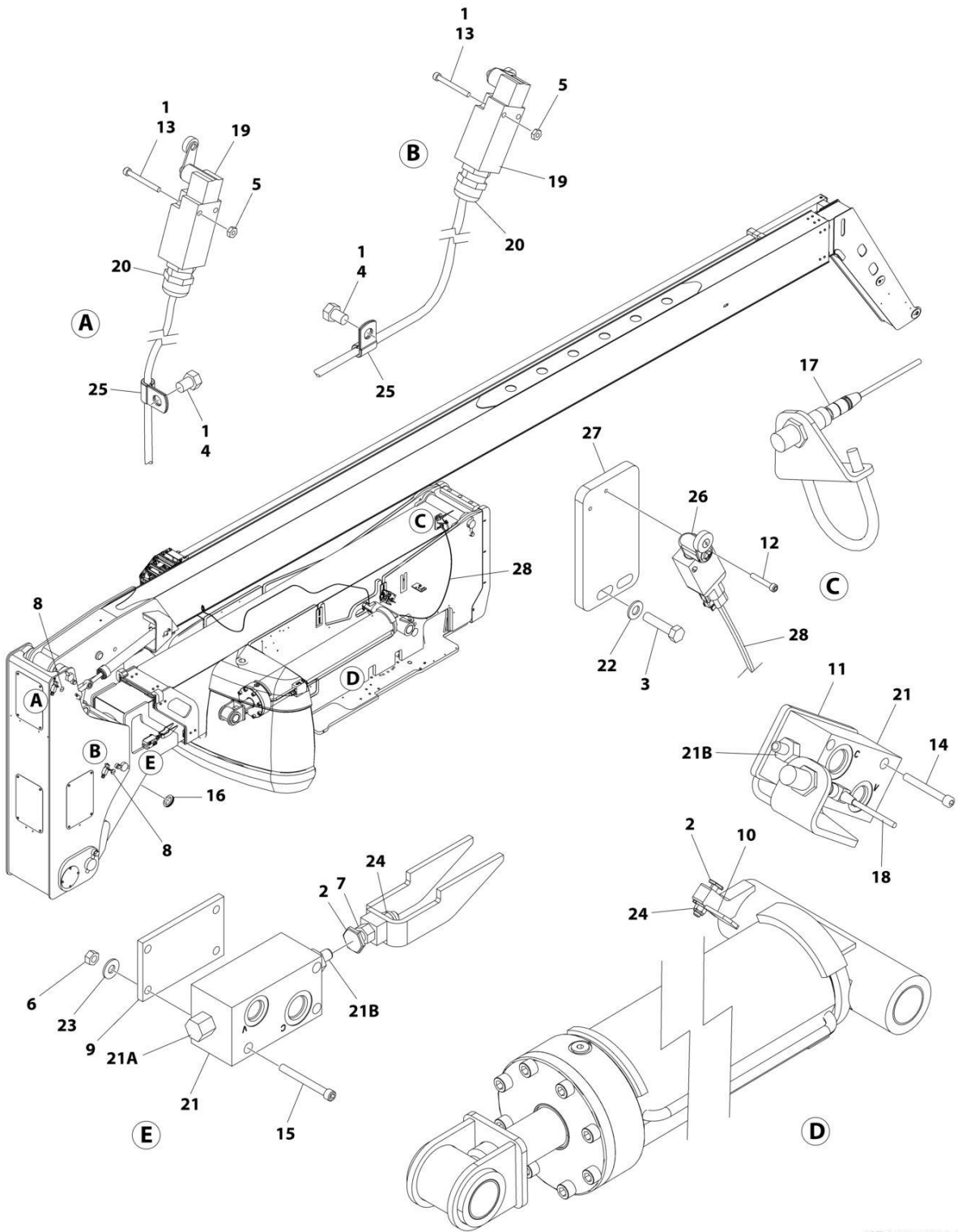
## SECTION 4 - BOOM

**FIGURE 4-10. BOOM VALVE AND LIMIT SWITCHES INSTALLATION (WITHOUT TOWER STOW)**

ITEM	PART NUMBER	QTY	DESCRIPTION	REV
	0258217	Ref	BOOM VALVE AND LIMIT SWITCHES INSTALLATION	S
1	0100011	AR	Compound, Locking	
3	0630427	2	Bolt	
4	3931436	3	Capscrew 1/4 x 2-1/4	
5	3931464	3	Capscrew 1/4 x 4	
5	3931432	3	Capscrew 1/4 x 2	
6	3310801	4	Nut #8	
7	3311405	AR	Nut 1/4	
8	3311801	1	Nut 1/2	
9	3520035	2	Plug	
10	3570928	2	Plate, Spacer	
11	3930824	2	Capscrew #8 x 1-1/2	
12	4360578	2	Switch, Limit	
14	4641435	2	Valve, Switch	
14A	7011342	2	Valve, Check (1 Per Assembly)	
14A	7011333	2	Seal Kit - Check Valve (1 Per Assembly)	
14B	See Note	NSS	Valve, Plunger (1 Per Assembly) (Note: Not Available - Purchase Complete Valve Assembly)	
14B	See Note	NSS	Seal Kit (1 Per Assembly) (Note: Not Available for Purchase)	
15	4751400	AR	Washer 1/4	
16	4060805	7 in/25cm	Trim	
17	3572606	1	Plate, Switch Target	
18	3572607	1	Plate, Switch Mount	
19	4360498	1	Switch, Proximity	
20	4360499	1	Switch, Proximity	
21	4460968	2	Connector, Strain Relief	
22	88521008	2	Nut 1/2	
23	0641604	2	Bolt 3/8 x 1/2	
24	91203039	2	Clamp	

# SECTION 4 - BOOM

## FIGURE 4-11. BOOM VALVE AND LIMIT SWITCHES INSTALLATION (WITH TOWER STOW)



ART\_1001266164\_B

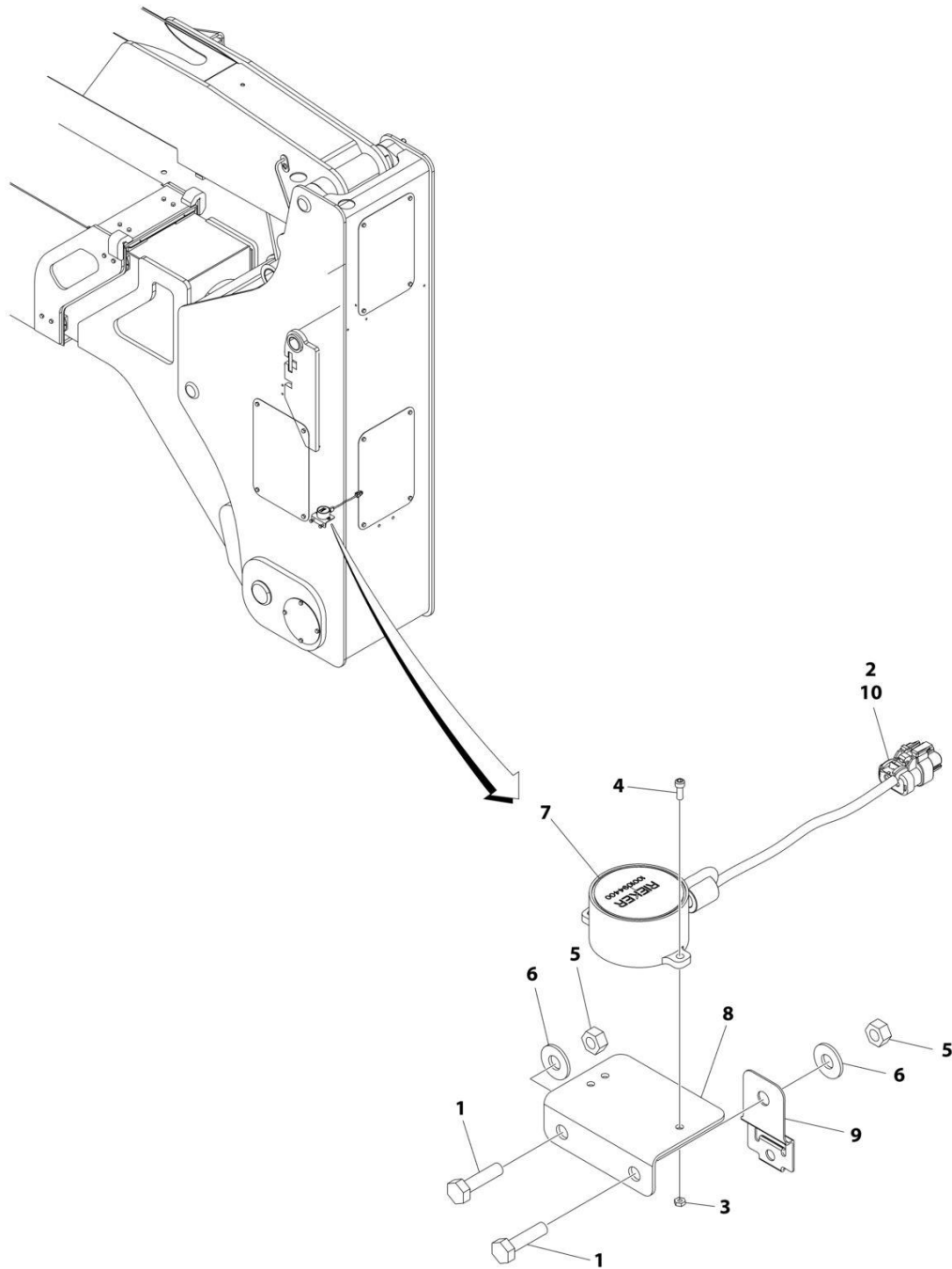
## SECTION 4 - BOOM

**FIGURE 4-11. BOOM VALVE AND LIMIT SWITCHES INSTALLATION (WITH TOWER STOW)**

ITEM	PART NUMBER	QTY	DESCRIPTION	REV
	1001266164	Ref	BOOM VALVE AND LIMIT SWITCHES INSTALLATION	B
1	0100011	AR	Compound, Locking	
2	0630427	2	Bolt	
3	0641511	2	Bolt 5/16 x 1-3/8	
4	0641604	2	Bolt 3/8 x 1/2	
5	3310801	4	Nut #8	
6	3311405	3	Nut 1/4	
7	3311801	1	Nut 1/2	
8	3520035	2	Plug	
9	3570928	1	Plate, Spacer	
10	3572606	1	Plate, Switch Target	
11	3572607	1	Plate, Switch Mount	
12	3930816	2	Bolt #8 x 1	
13	3930824	4	Capscrew #8 x 1-1/2	
14	3931432	3	Capscrew 1/4 x 2	
15	3931436	3	Capscrew 1/4 x 2-1/4	
16	4060805	6 in /2 m	Trim	
17	4360498	1	Switch, Proximity	
18	4360499	2	Switch, Proximity	
19	4360578	2	Switch, Limit	
20	4460968	2	Connector, Strain Relief	
21	4641435	2	Valve, Switch	
21A	7011342	2	Valve, Check (1 Per Assembly)	
21A	7011333	2	Seal Kit - Check Valve (1 Per Assembly)	
21B	See Note	NSS	Valve, Plunger (1 Per Assembly) (Note: Not Available - Purchase Complete Valve Assembly)	
21B	See Note	NSS	Seal Kit (1 Per Assembly) (Note: Not Available for Purchase)	
22	4711500	2	Washer 5/16	
23	4751400	3	Washer 1/4	
24	88521008	2	Nut 1/2	
25	91203039	2	Clamp	
26	1001284504	1	Switch, Roller Limit	
27	1001260475	1	Bracket, Limit Switch	
28	1001266829	1	Harness Tower Stow	
28	4460884	1	Plug, Male - 4 Position	
28	4460465	2	Socket, Female	
28	4460910	1	Connector	
28	1001116695	2	Terminal	

# SECTION 4 - BOOM

## FIGURE 4-12. TILT SENSOR INSTALLATION



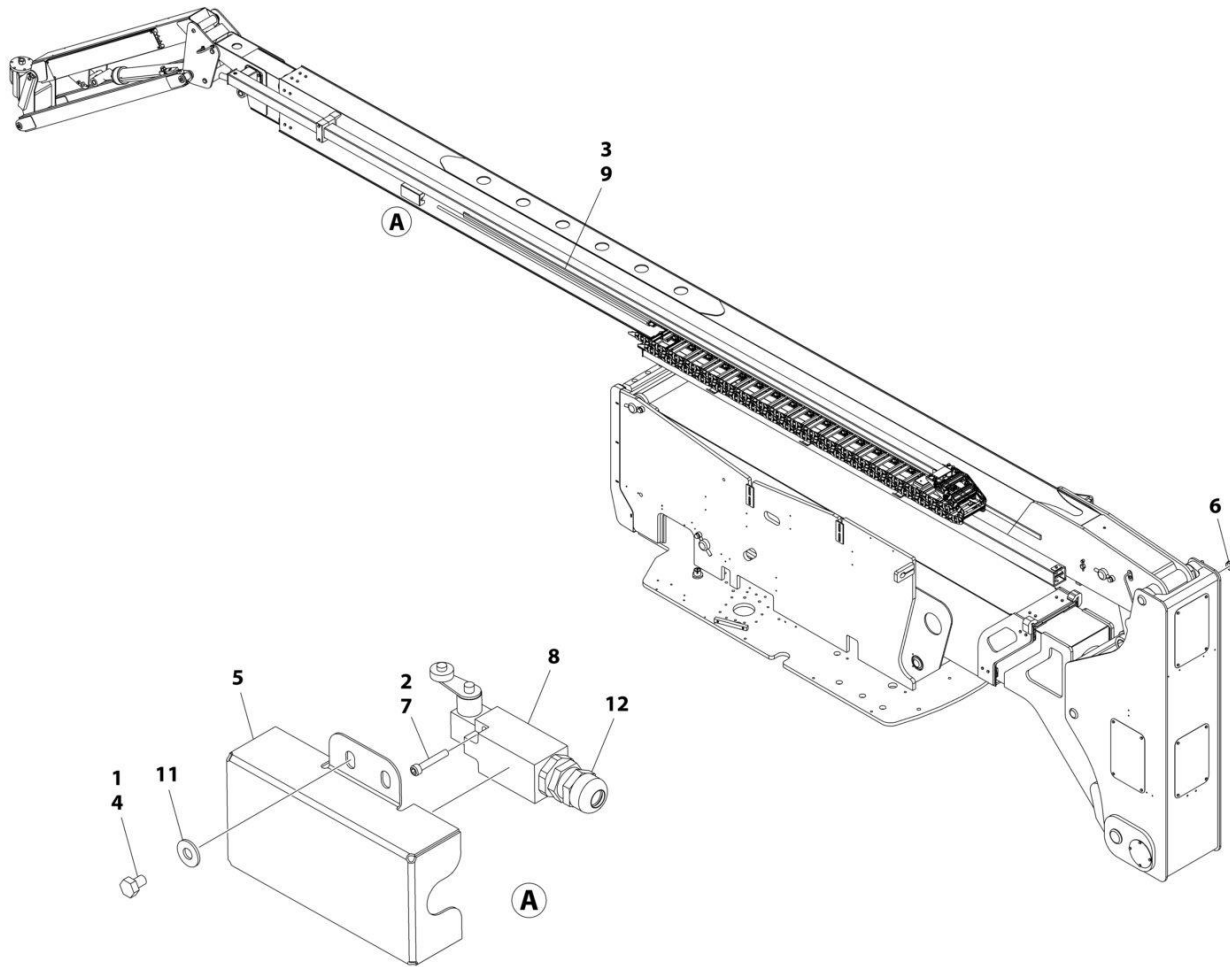
ART\_0275733

FIGURE 4-12. TILT SENSOR INSTALLATION

ITEM	PART NUMBER	QTY	DESCRIPTION	REV
	0275733	Ref	TILT SENSOR INSTALLATION	B
1	0641408	2	Bolt 1/4 x 1	
2	0100048	AR	Grease, Dielectric	
3	3310605	3	Nut #6	
4	3930606	3	Screw #6 x 3/4	
5	3311405	2	Nut 1/4	
6	4751400	2	Washer 1/4	
7	1001094400	1	Sensor, Dual Axis	
8	1001096736	1	Bracket, Tilt Sensor	
9	1001153749	1	Clip	
10	1001200497	1	Connector - 3 Position	

# SECTION 4 - BOOM

FIGURE 4-13. TRANSPORT POSITION SWITCH INSTALLATION (CE & UK CA SPECS)



ART\_0258567

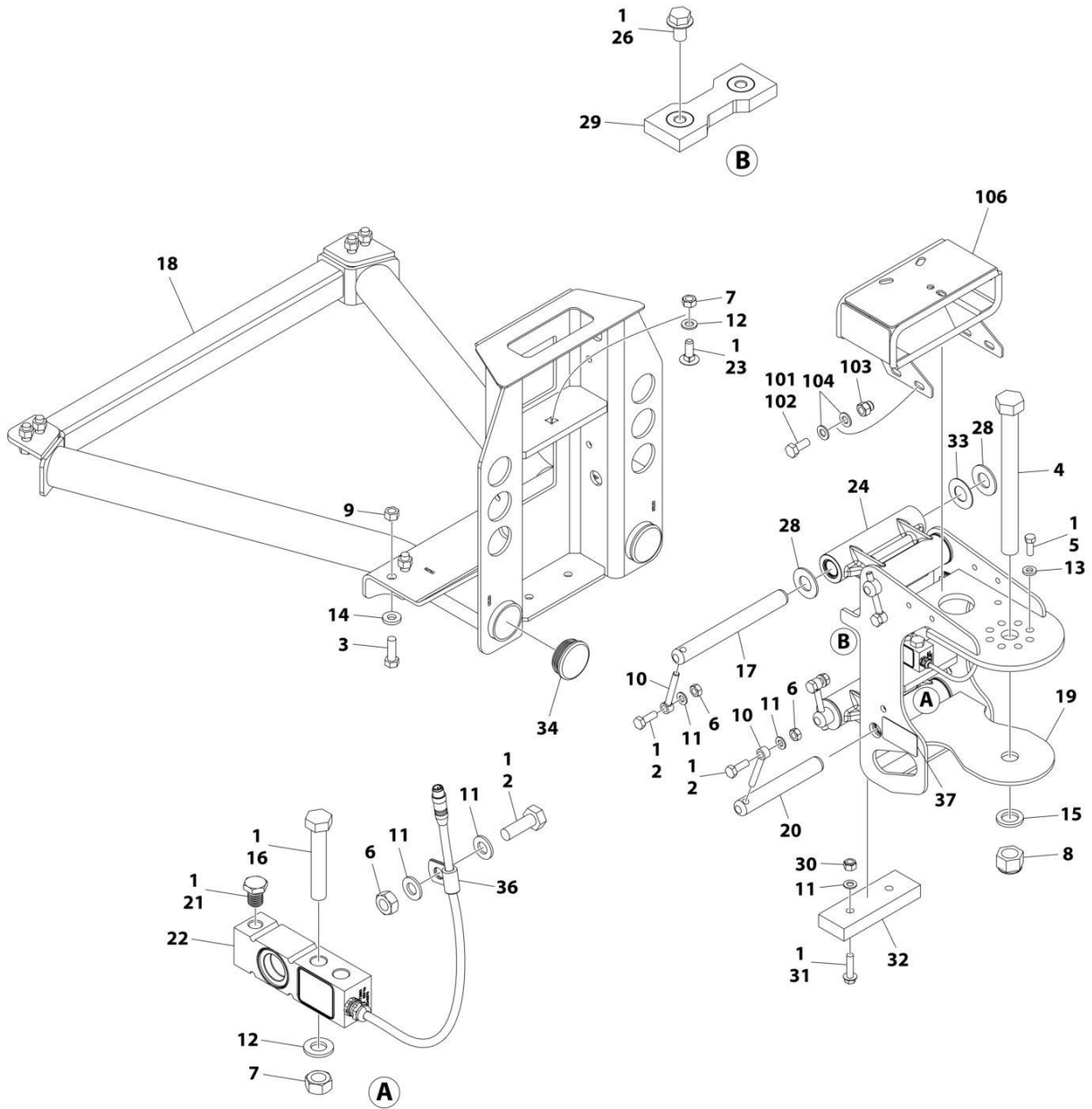
## SECTION 4 - BOOM

**FIGURE 4-13. TRANSPORT POSITION SWITCH INSTALLATION (CE & UK CA SPECS)**

ITEM	PART NUMBER	QTY	DESCRIPTION	REV
	0258567	Ref	TRANSPORT POSITION SWITCH INSTALLATION	F
1	0100011	AR	Compound, Locking	
2	0100035	AR	Compound, Locking	
3	1001106481	1	Bar, Fiberglass	
4	0641403	4	Bolt 1/4 x 3/8	
5	3380535	1	Cover, Switch	
6	3520035	1	Plug, Cap	
7	3930816	2	Capscrew #8 x 1	
8	4360578	1	Switch, Limit	
9	4420060	AR	Tape	
11	4751400	4	Washer 1/4	
12	4460968	1	Connector, Strain Relief	

# SECTION 4 - BOOM

## FIGURE 4-14. PLATFORM SUPPORT INSTALLATION



ART\_1001167596



**SECTION 4 - BOOM**

**FIGURE 4-14. PLATFORM SUPPORT INSTALLATION**

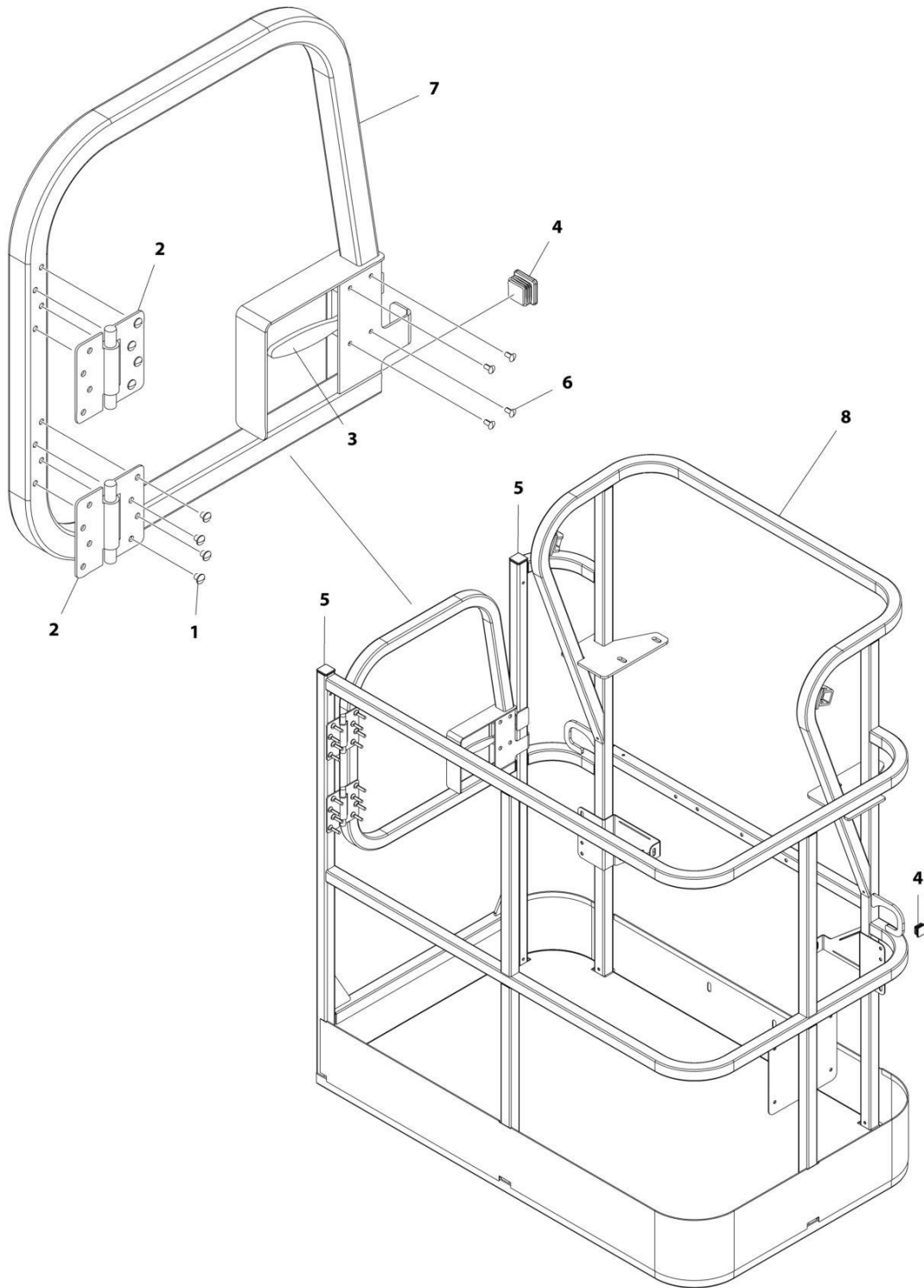
ITEM	PART NUMBER	QTY	DESCRIPTION	REV
	1001167596	Ref	PLATFORM SUPPORT INSTALLATION	N
1	0100011	AR	Compound, Locking	
2	0761014	5	Bolt M10 x 30	
3	0761216	8	Bolt M12 x 40	
4	1001255133	1	Bolt 1 x 11	
5	0681608	8	Bolt 3/8 x 1 GRD8	
6	3291001	5	Nut M10	
7	3291201	3	Nut M12	
8	1001174040	1	Nut 1	
9	3291205	8	Nut M12	
10	3841143	4	Keeper, Pin	
11	4812000	8	Washer M10	
12	4812100	3	Washer M12	
13	4891600	8	Washer 3/8	
14	5241200	8	Washer M12	
15	4892600001	1	Washer 1	
16	1001098828	2	Bolt M12 x 70 CL10.9	
17	1001167565	2	Pin	
18	1001200494	1	Support, Platform	
19	1001167567	1	Support, Rotator	
20	1001168402	2	Pin	
21	1001188622	1	Screw	
22	1001247468	1	Gauge, Load Sensing	
23	1001188844	1	Bolt M12 x 35	
24	1001201351	2	Link	
26	5251008	2	Bolt M10 x 16 CL10.9	
28	1001189002	8	Bearing	
29	1001190985	1	Pad, Wear	
30	3291005	2	Nut M10	
31	5251016	2	Bolt M10 x 40 CL10.9	
32	1001200491	1	Pad, Wear	
33	1001189001	4	Bearing	
34	1001204725	2	Plug	
36	91203039	1	Clamp	
37	1001216630	2	Decal - Tie Down/No Lift	
38	1001238421	Ref	Kit, Platform Leveling (Not Shown)	
	1001202687	Ref	VALVE MOUNT INSTALLATION	B
101	0100011	AR	Compound, Locking	
102	0760810	4	Bolt M8 x 20	
103	3290806	4	Nut M8	
104	4811900	8	Washer M8	
106	1001208994	1	Mount, Valve	



**SECTION 5 - PLATFORM**

# SECTION 5 - PLATFORM

FIGURE 5-1. PLATFORM ASSEMBLY - 30IN X 4FT (76CM X 1.22M) WITH SWING GATE



ART\_1001186387

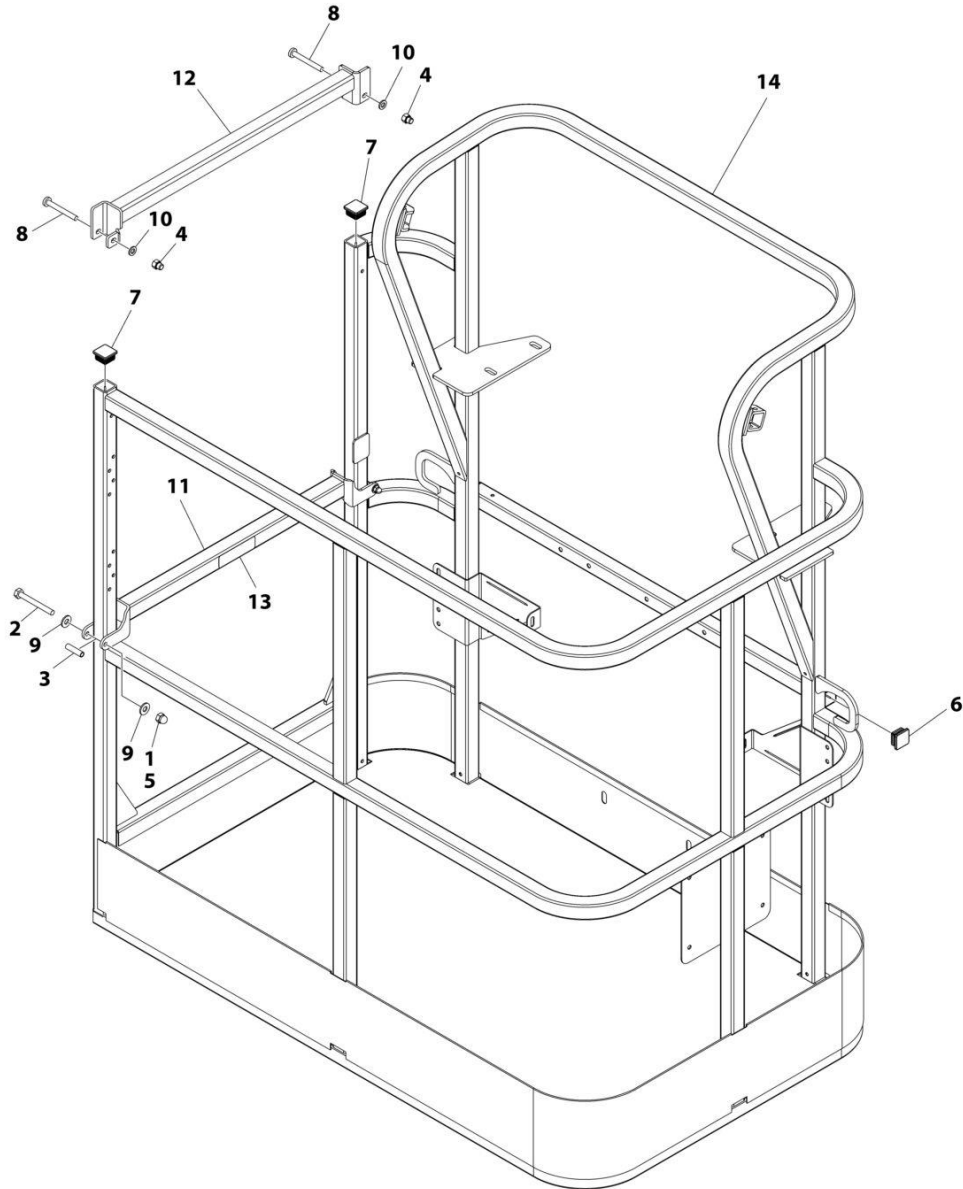
## SECTION 5 - PLATFORM

**FIGURE 5-1. PLATFORM ASSEMBLY - 30IN X 4FT (76CM X 1.22M) WITH SWING GATE**

ITEM	PART NUMBER	QTY	DESCRIPTION	REV
	1001186387	Ref	PLATFORM ASSEMBLY	C
		Ref	Note: Platform and Mesh must be ordered separately for Platforms with Mesh. See SPECIAL OPTIONS SECTION for Mesh Installations.	
		Ref	Note: Replacement Decals Must be Ordered Separately - See DECALS SECTION.	
1	2080040	16	Fastener, Huck	
2	2600281	2	Hinge, Self-Closing	
3	2940074	1	Latch	
4	3520072	3	Plug	
5	3520198	2	Plug	
6	3820020	4	Rivet	
7	1001144629	1	Gate	
8	See Note	1	Platform (Note: Not Available - Purchase Platform Assembly)	

# SECTION 5 - PLATFORM

FIGURE 5-2. PLATFORM ASSEMBLY - 30IN X 4FT (76CM X 1.22M) WITH DROP BAR



ART\_1001186375

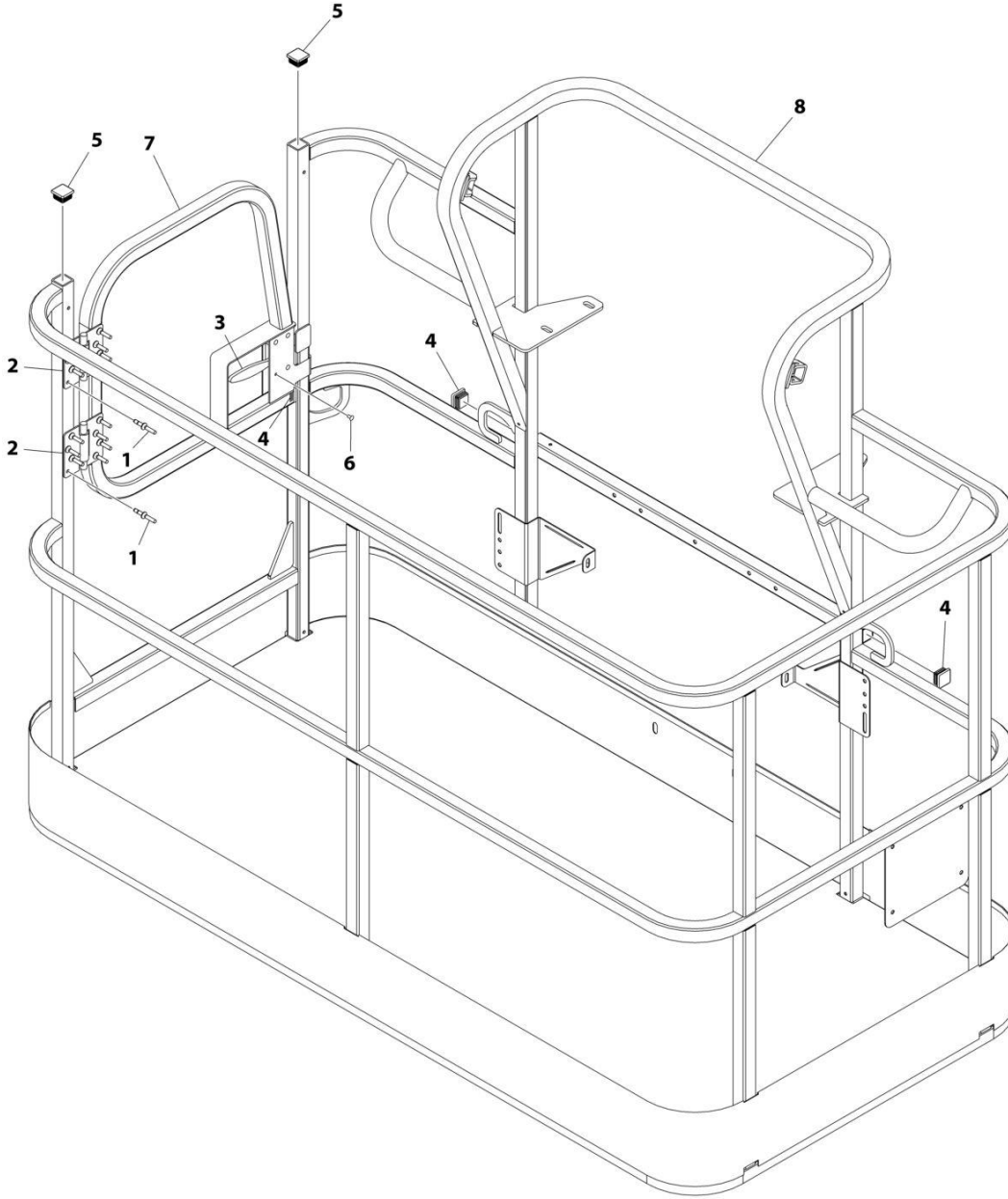
## SECTION 5 - PLATFORM

**FIGURE 5-2. PLATFORM ASSEMBLY - 30IN X 4FT (76CM X 1.22M) WITH DROP BAR**

ITEM	PART NUMBER	QTY	DESCRIPTION	REV
	1001186375	Ref	PLATFORM ASSEMBLY	B
		Ref	Note: Platform and Mesh must be ordered separately for Platforms with Mesh. See SPECIAL OPTIONS SECTION for Mesh Installations.	
		Ref	Note: Replacement Decals Must be Ordered Separately - See DECALS SECTION.	
1	0100011	AR	Compound, Locking	
2	0641418	2	Bolt 1/4 x 2-1/4	
3	0961845	2	Bushing	
4	3290606	2	Nut M6	
5	3300151	2	Nut 1/4	
6	3520072	2	Plug	
7	3520198	2	Plug	
8	4010618	2	Screw M6 x 50	
9	4711400	4	Washer 1/4	
10	4811700	2	Washer M6	
11	1001138494	1	Bar, Drop	
12	1001138514	1	Rail - Top	
13	1001140429	1	Decal - Drop Bar	
14	See Note	1	Platform (Note: Not Available - Purchase Platform Assembly)	

# SECTION 5 - PLATFORM

FIGURE 5-3. PLATFORM ASSEMBLY - 30IN X 6FT (76CM X 1.83M) WITH SWING GATE



ART\_1001186385



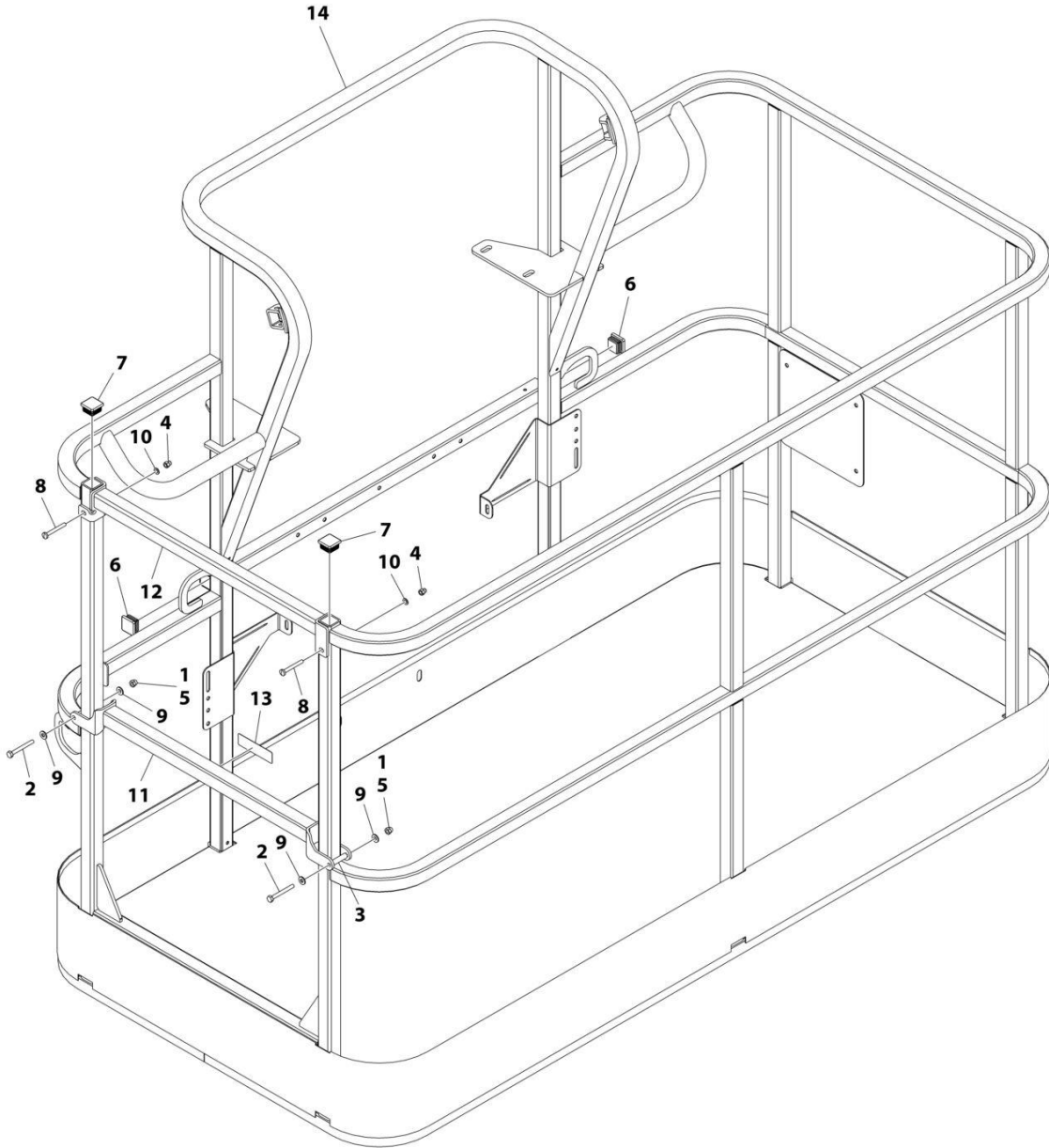
## SECTION 5 - PLATFORM

**FIGURE 5-3. PLATFORM ASSEMBLY - 30IN X 6FT (76CM X 1.83M) WITH SWING GATE**

ITEM	PART NUMBER	QTY	DESCRIPTION	REV
	1001186385	Ref	PLATFORM ASSEMBLY	D
		Ref	Note: Platform and Mesh must be ordered separately for Platforms with Mesh. See SPECIAL OPTIONS SECTION for Mesh Installations.	
		Ref	Note: Replacement Decals Must be Ordered Separately - See DECALS SECTION.	
1	2080040	16	Fastener, Huck	
2	2600281	2	Hinge	
3	2940074	1	Latch	
4	3520072	3	Plug	
5	3520198	2	Plug	
6	3820020	4	Rivet	
7	1001144629	1	Gate	
8	See Note	NSS	Platform (Note: Not Available - Purchase Platform Assembly)	

# SECTION 5 - PLATFORM

FIGURE 5-4. PLATFORM ASSEMBLY - 30IN X 6FT (76CM X 1.83M) WITH DROP BAR



ART\_1001186378

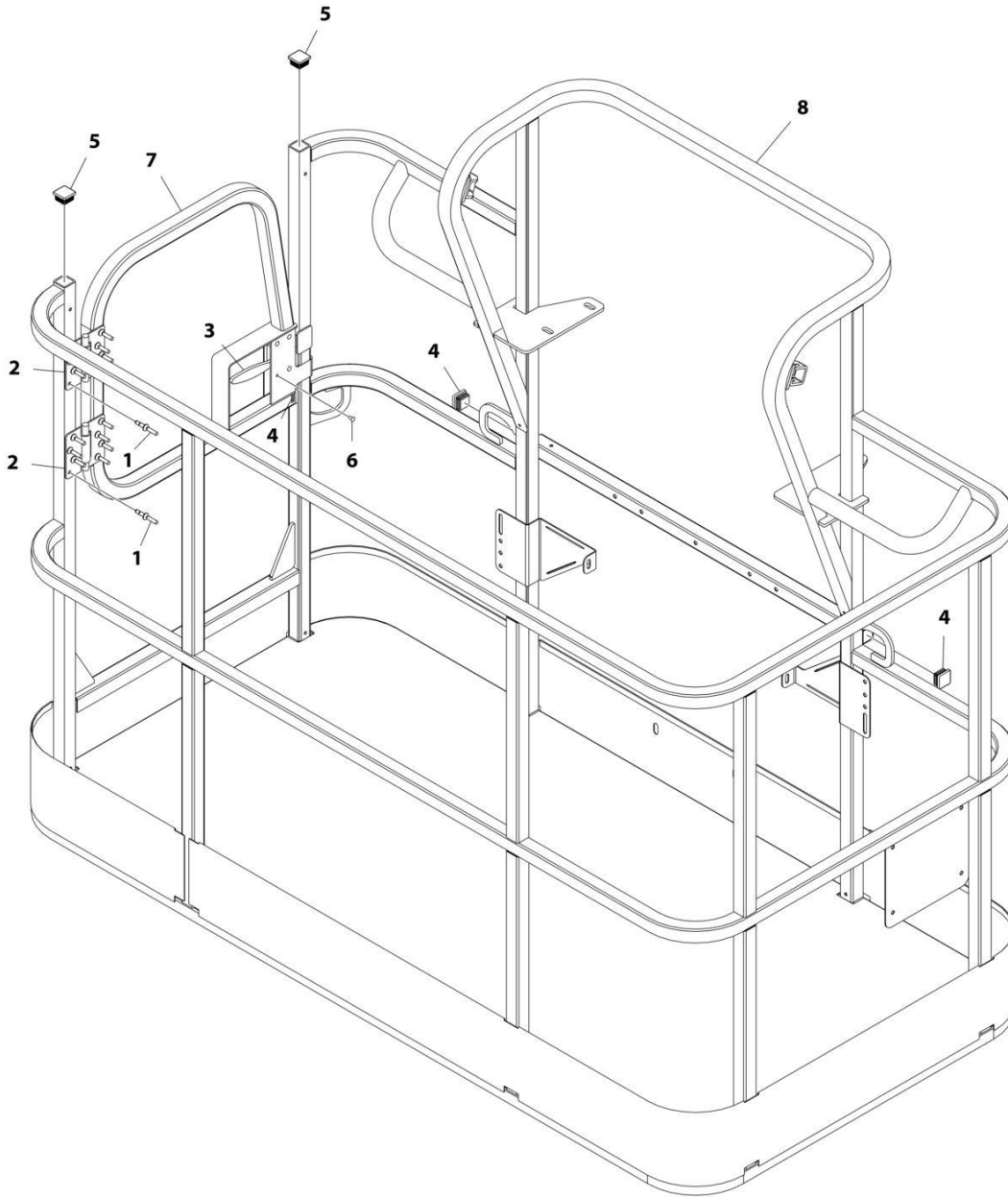
## SECTION 5 - PLATFORM

**FIGURE 5-4. PLATFORM ASSEMBLY - 30IN X 6FT (76CM X 1.83M) WITH DROP BAR**

ITEM	PART NUMBER	QTY	DESCRIPTION	REV
	1001186378	Ref	PLATFORM ASSEMBLY	C
		Ref	Note: Platform and Mesh must be ordered separately for Platforms with Mesh. See SPECIAL OPTIONS SECTION for Mesh Installations.	
		Ref	Note: Replacement Decals Must be Ordered Separately - See DECALS SECTION.	
1	0100011	AR	Compound, Locking	
2	0641418	2	Bolt 1/4 x 2-1/4	
3	0961845	2	Bushing	
4	3290606	2	Nut M6	
5	3300151	2	Nut 1/4	
6	3520072	2	Plug	
7	3520198	2	Plug	
8	4010618	2	Screw M6 x 50	
9	4711400	4	Washer 1/4	
10	4811700	2	Washer M6	
11	1001138494	1	Bar, Drop	
12	1001138514	1	Rail (Top)	
13	1001140429	1	Decal - Drop Bar	
14	See Note	NSS	Platform (Note: Not Available - Purchase Platform Assembly)	

# SECTION 5 - PLATFORM

FIGURE 5-5. PLATFORM ASSEMBLY - 36IN X 6FT (91.5CM X 1.83M) WITH SWING GATE



ART\_1001186384

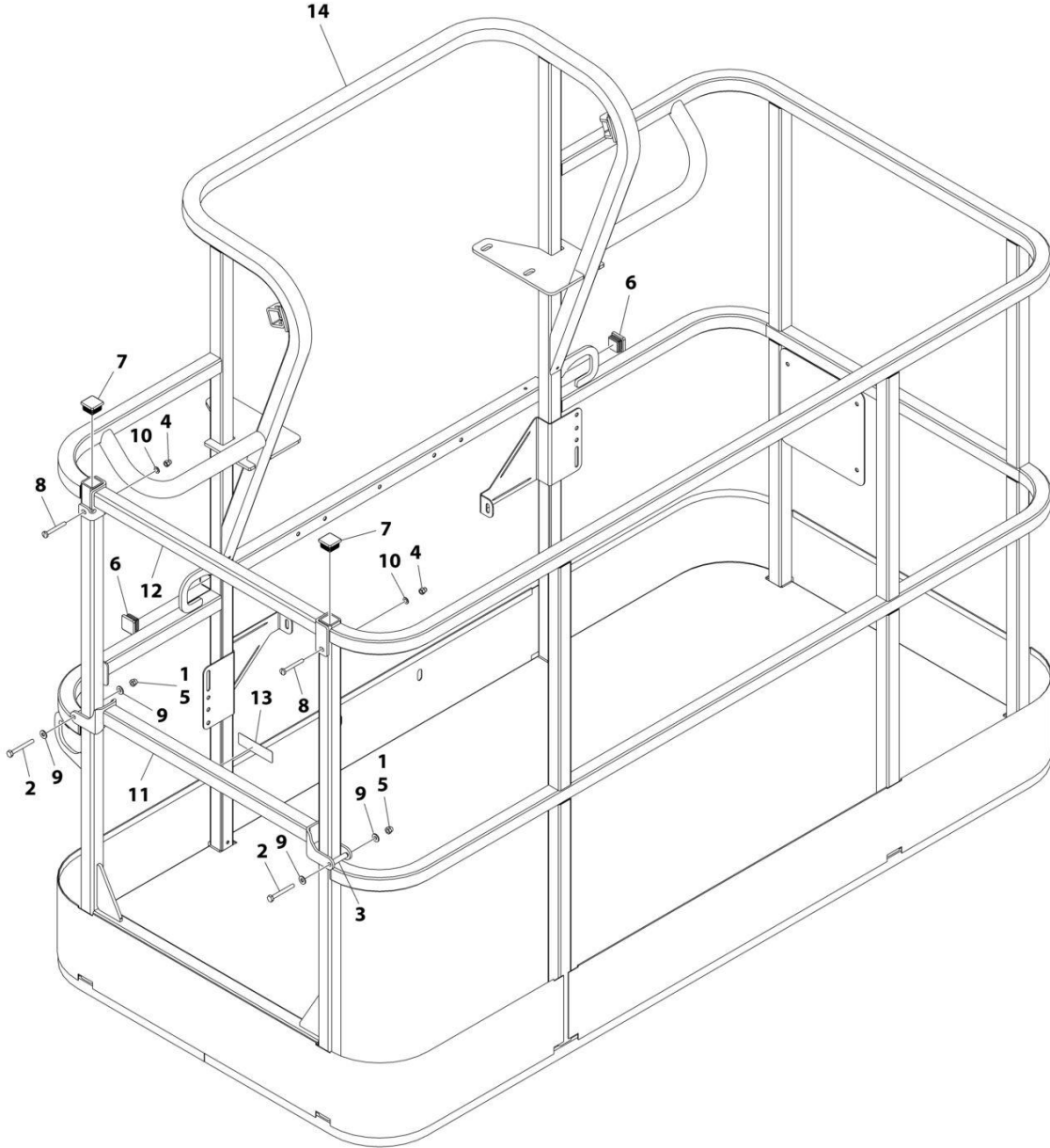
## SECTION 5 - PLATFORM

**FIGURE 5-5. PLATFORM ASSEMBLY - 36IN X 6FT (91.5CM X 1.83M) WITH SWING GATE**

ITEM	PART NUMBER	QTY	DESCRIPTION	REV
	1001186384	Ref	PLATFORM ASSEMBLY - 36IN X 6FT (91.5CM X 1.83M) WITH SWING GATE	C
	See Note	Ref	Note: Platform and Mesh must be ordered separately for Platforms with Mesh. See SPECIAL OPTIONS SECTION for Mesh Installations.	
	See Note	Ref	Note: Replacement Decals Must be Ordered Separately - See DECALS SECTION.	
1	2080040	16	Fastener, Huck	
2	2600281	2	Hinge	
3	2940074	1	Latch	
4	3520072	3	Plug	
5	3520198	2	Plug	
6	3820020	4	Rivet	
7	1001144629	1	Gate	
8	See Note	NSS	Platform (Note: Not Available - Purchase Platform Assembly)	

# SECTION 5 - PLATFORM

FIGURE 5-6. PLATFORM ASSEMBLY - 36IN X 6FT (91.5CM X 1.83M) WITH DROP BAR



ART\_1001186379

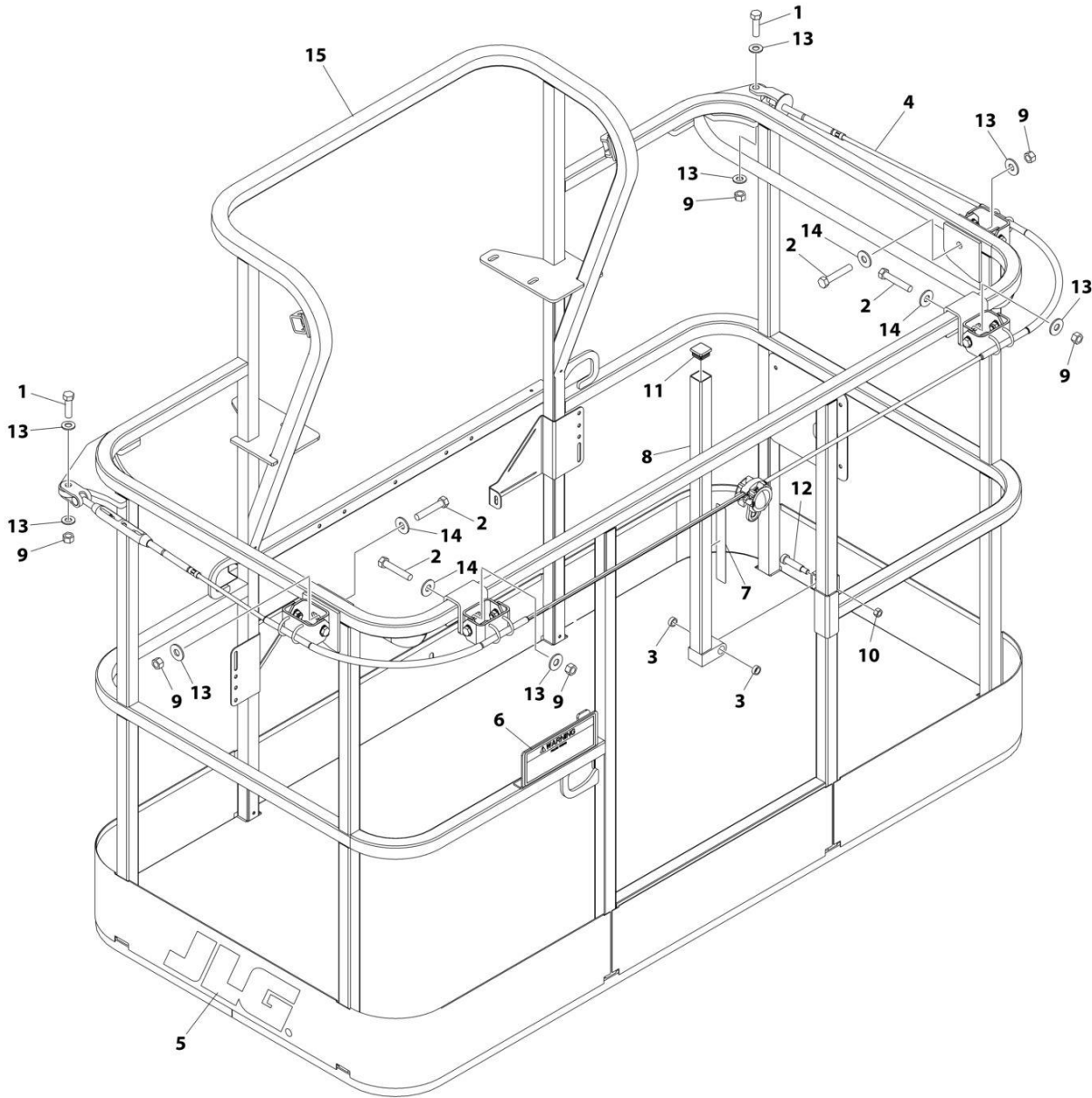
## SECTION 5 - PLATFORM

**FIGURE 5-6. PLATFORM ASSEMBLY - 36IN X 6FT (91.5CM X 1.83M) WITH DROP BAR**

ITEM	PART NUMBER	QTY	DESCRIPTION	REV
	1001186379	Ref	PLATFORM ASSEMBLY - 36IN X 6FT (91.5CM X 1.83M) WITH DROP BAR	B
		Ref	Note: Platform and Mesh must be ordered separately for Platforms with Mesh. See SPECIAL OPTIONS SECTION for Mesh Installations.	
		Ref	Note: Replacement Decals Must be Ordered Separately - See DECALS SECTION.	
1	0100011	AR	Compound, Locking	
2	0641418	2	Bolt 1/4 x 2-1/4	
3	0961845	2	Bushing	
4	3290606	2	Nut M6	
5	3300151	2	Nut 1/4	
6	3520072	2	Plug	
7	3520198	2	Plug	
8	4010618	2	Screw M6 x 50	
9	4711400	4	Washer 1/4	
10	4811700	2	Washer M6	
11	1001138494	1	Bar, Drop	
12	1001138514	1	Rail (Top)	
13	1001140429	1	Decal - Drop Bar	
14	See Note	NSS	Platform (Note: Not Available - Purchase Platform Assembly)	

# SECTION 5 - PLATFORM

FIGURE 5-7. PLATFORM ASSEMBLY - 36IN X 6FT (91.5CM X 1.83M) WITH FALL ARREST (ANSI, ANSI EXPORT, CHINA & CSA SPECS)



ART\_1001186333



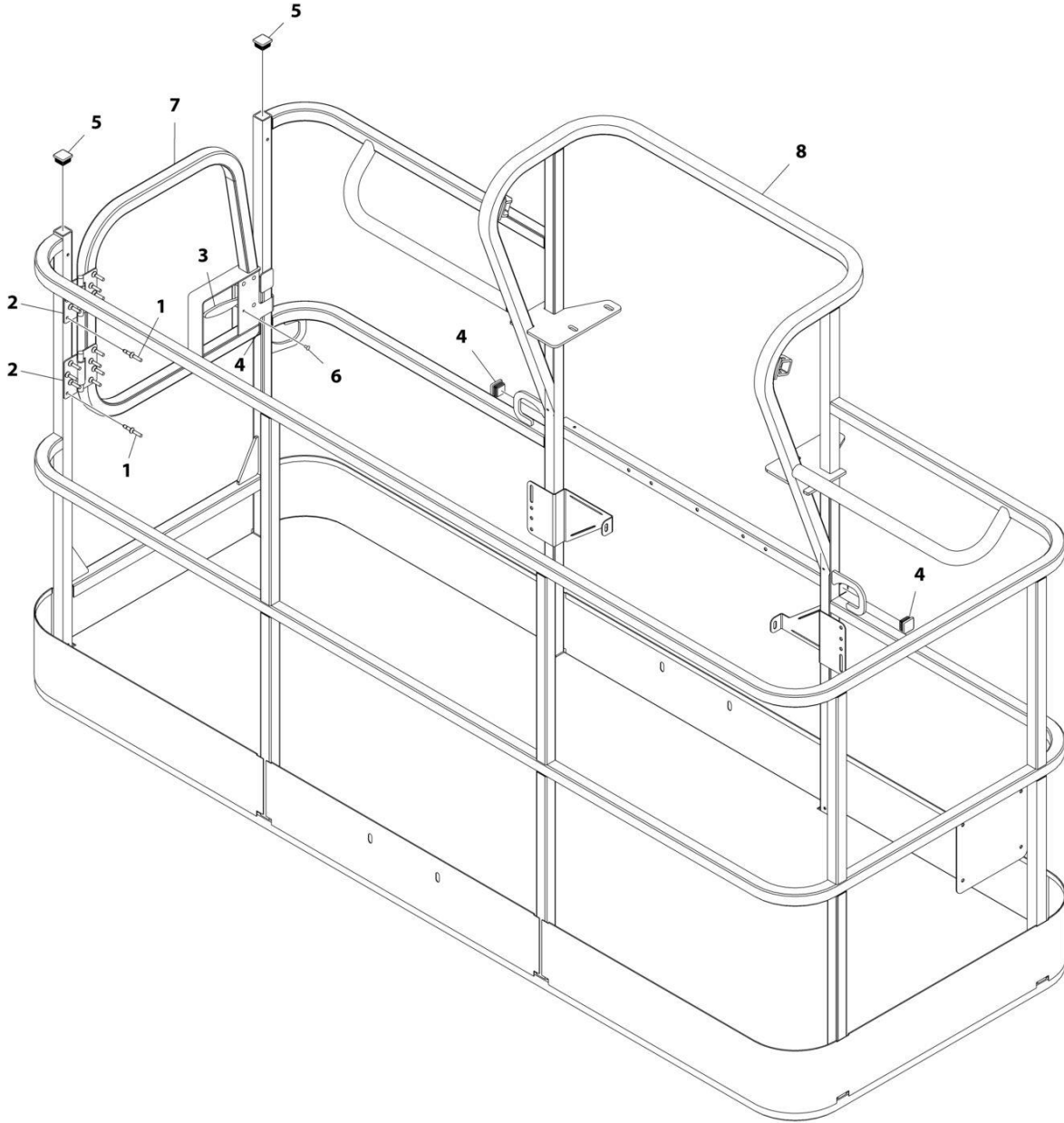
## SECTION 5 - PLATFORM

**FIGURE 5-7. PLATFORM ASSEMBLY - 36IN X 6FT (91.5CM X 1.83M) WITH FALL ARREST (ANSI, ANSI EXPORT, CHINA & CSA SPECS)**

ITEM	PART NUMBER	QTY	DESCRIPTION	REV
	1001186333	Ref	PLATFORM ASSEMBLY	C
		Ref	Note: Replacement Decals Must be Ordered Separately - See DECALS SECTION.	
1	0681814	2	Bolt 1/2 x 1-3/4 Grade 8	
2	0681822	4	Bolt 1/2 x 2-3/4 Grade 8	
3	0962270	2	Bearing	
4	1001203655	1	Cable	
5	1702773	1	Decal - JLG	
6	1705014	1	Decal - Safety	
7	1706385	1	Decal - Drop Bar	
8	2410014	1	Bar, Drop	
9	3271805	6	Nut 1/2 Grade 8	
10	3311605	1	Nut 3/8	
11	3520072	1	Plug	
12	3900054	1	Bolt 1/2 x 1-3/4	
13	4711800	8	Washer 1/2	
14	4751800	4	Washer 1/2	
15	See Note	NSS	Platform (Note: Not Available - Purchase Platform Assembly)	

# SECTION 5 - PLATFORM

FIGURE 5-8. PLATFORM ASSEMBLY - 36IN X 8FT (91.5CM X 2.44M) WITH SWING GATE



ART\_1001186383

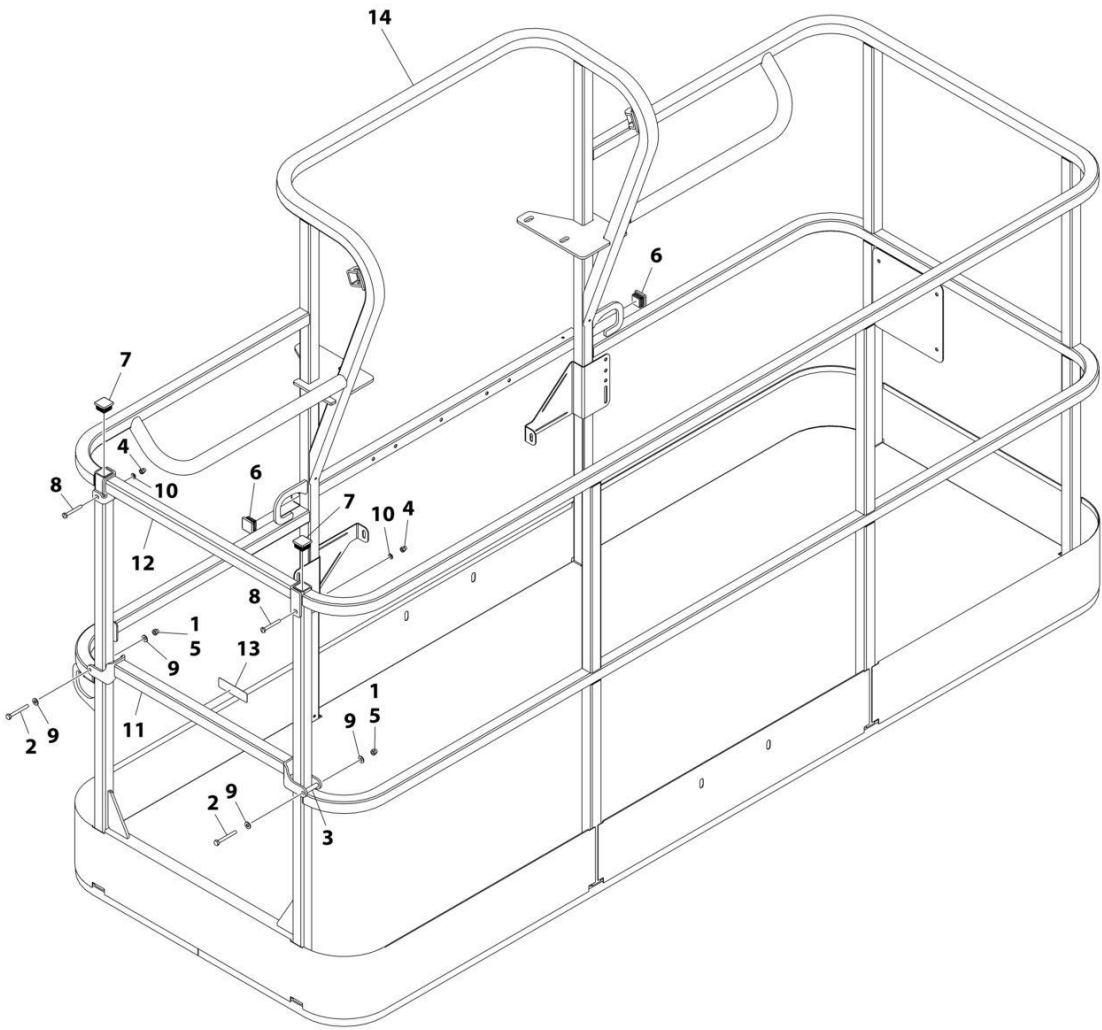
## SECTION 5 - PLATFORM

**FIGURE 5-8. PLATFORM ASSEMBLY - 36IN X 8FT (91.5CM X 2.44M) WITH SWING GATE**

ITEM	PART NUMBER	QTY	DESCRIPTION	REV
	1001186383	Ref	PLATFORM ASSEMBLY - 36IN X 8FT (91.5CM X 2.44M) WITH SWING GATE	D
		Ref	Note: Platform and Mesh must be ordered separately for Platforms with Mesh. See SPECIAL OPTIONS SECTION for Mesh Installations.	
		Ref	Note: Replacement Decals Must be Ordered Separately - See DECALS SECTION.	
1	2080040	16	Fastener, Huck	
2	2600281	2	Hinge	
3	2940074	1	Latch	
4	3520072	3	Plug	
5	3520198	2	Plug	
6	3820020	4	Rivet	
7	1001144629	1	Gate	
8	See Note	NSS	Platform (Note: Not Available - Purchase Platform Assembly)	

# SECTION 5 - PLATFORM

FIGURE 5-9. PLATFORM ASSEMBLY - 36IN X 8FT (91.5CM X 2.44M) WITH DROP BAR



ART\_1001186382

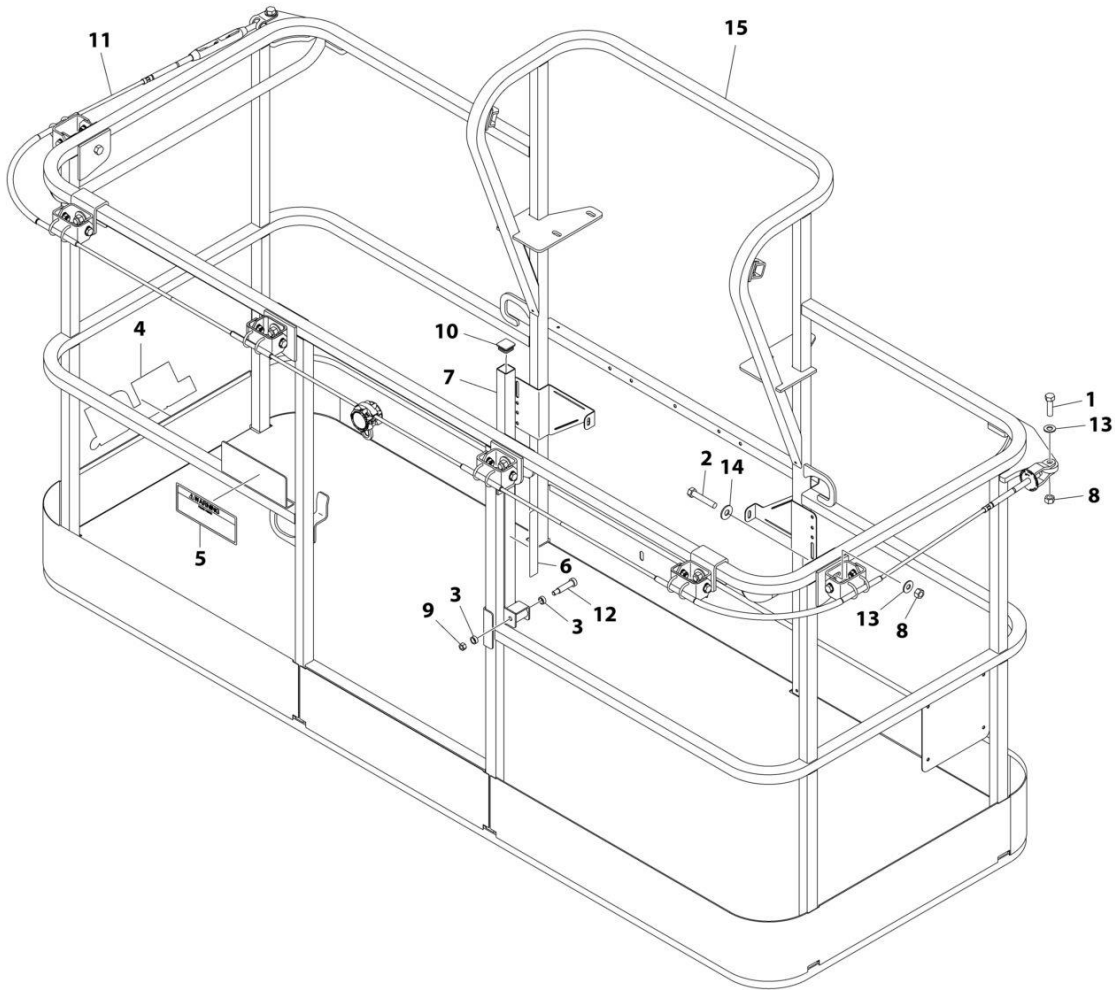
## SECTION 5 - PLATFORM

**FIGURE 5-9. PLATFORM ASSEMBLY - 36IN X 8FT (91.5CM X 2.44M) WITH DROP BAR**

ITEM	PART NUMBER	QTY	DESCRIPTION	REV
	1001186382	Ref	PLATFORM ASSEMBLY - 36IN X 8FT (91.5CM X 2.44M) WITH DROP BAR	C
		Ref	Note: Platform and Mesh must be ordered separately for Platforms with Mesh. See SPECIAL OPTIONS SECTION for Mesh Installations.	
		Ref	Note: Replacement Decals Must be Ordered Separately - See DECALS SECTION.	
1	0100011	AR	Compound, Locking	
2	0641418	2	Bolt 1/4 x 2-1/4	
3	0961845	2	Bushing	
4	3290606	2	Nut M6	
5	3300151	2	Nut 1/4	
6	3520072	2	Plug	
7	3520198	2	Plug	
8	4010618	2	Screw M6 x 50	
9	4711400	4	Washer 1/4	
10	4811700	2	Washer M6	
11	1001138494	1	Bar, Drop	
12	1001138514	1	Rail (Top)	
13	1001140429	1	Decal - Drop Bar	
14	See Note	NSS	Platform (Note: Not Available - Purchase Platform Assembly)	

# SECTION 5 - PLATFORM

FIGURE 5-10. PLATFORM ASSEMBLY - 36IN X 8FT (91.5CM X 2.44M) WITH FALL ARREST



ART\_1001186334

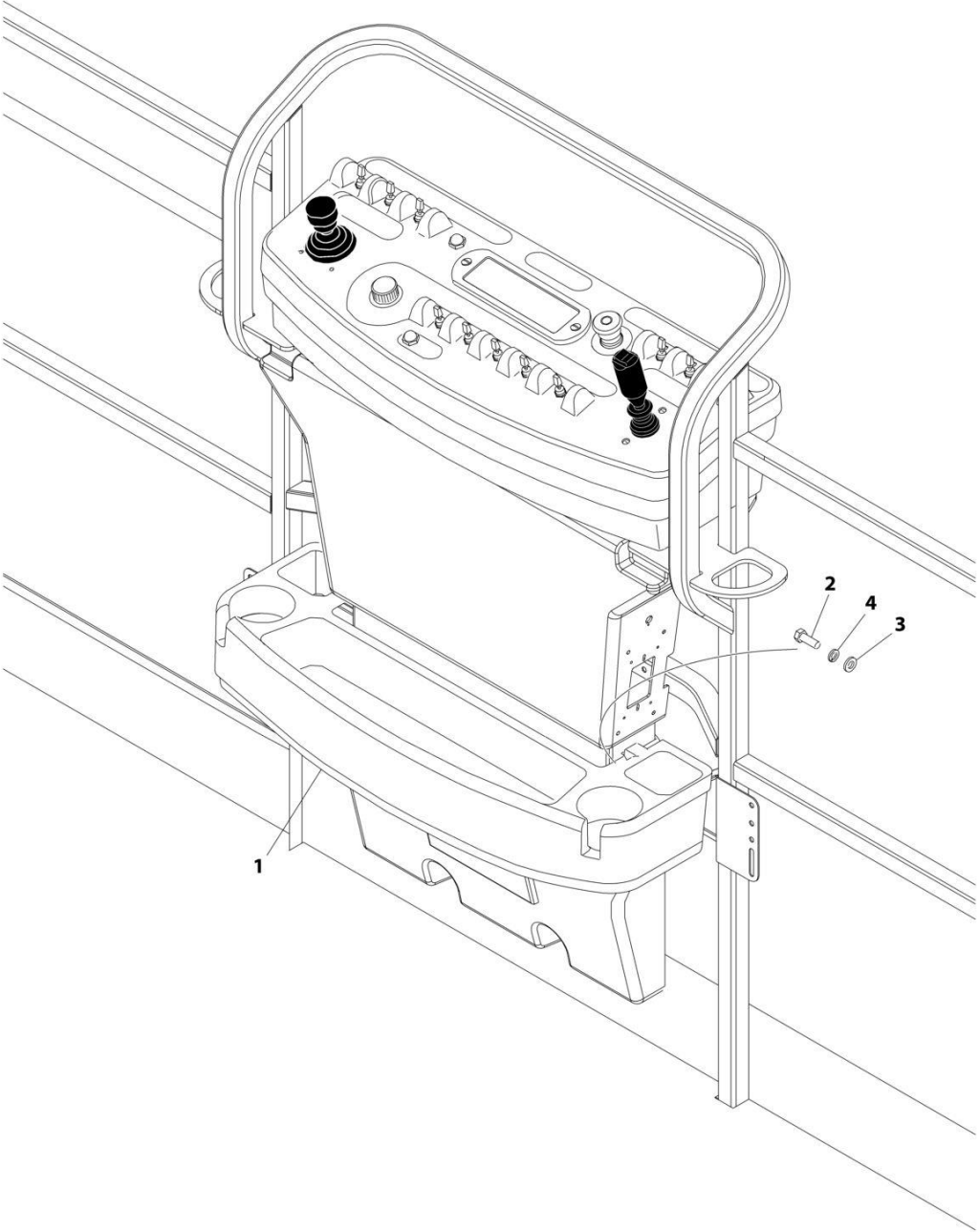
## SECTION 5 - PLATFORM

**FIGURE 5-10. PLATFORM ASSEMBLY - 36IN X 8FT (91.5CM X 2.44M) WITH FALL ARREST**

ITEM	PART NUMBER	QTY	DESCRIPTION	REV
	1001186334	Ref	PLATFORM ASSEMBLY	D
		Ref	Note: Replacement Decals Must be Ordered Separately - See DECALS SECTION.	
1	0681814	2	Bolt 1/2 x 1-3/4 Grade 8	
2	0681822	6	Bolt 1/2 x 2-3/4 Grade 8	
3	0962270	2	Bearing	
4	1702773	1	Decal - JLG	
5	1705014	1	Decal - Safety	
6	1706385	1	Decal - Drop Bar	
7	2410014	1	Bar, Drop	
8	3271805	8	Nut 1/2 Grade 8	
9	3311605	1	Nut 3/8	
10	3520072	1	Plug	
11	1001203656	1	Cable	
12	3900054	1	Bolt 1/2 x 1-3/4	
13	4711800	2	Washer 1/2	
14	4751800	6	Washer 1/2	
15	See Note	NSS	Platform (Note: Purchase Platform Assembly)	

**SECTION 5 - PLATFORM**

**FIGURE 5-11. TRAY ASSEMBLY**



ART\_1580012



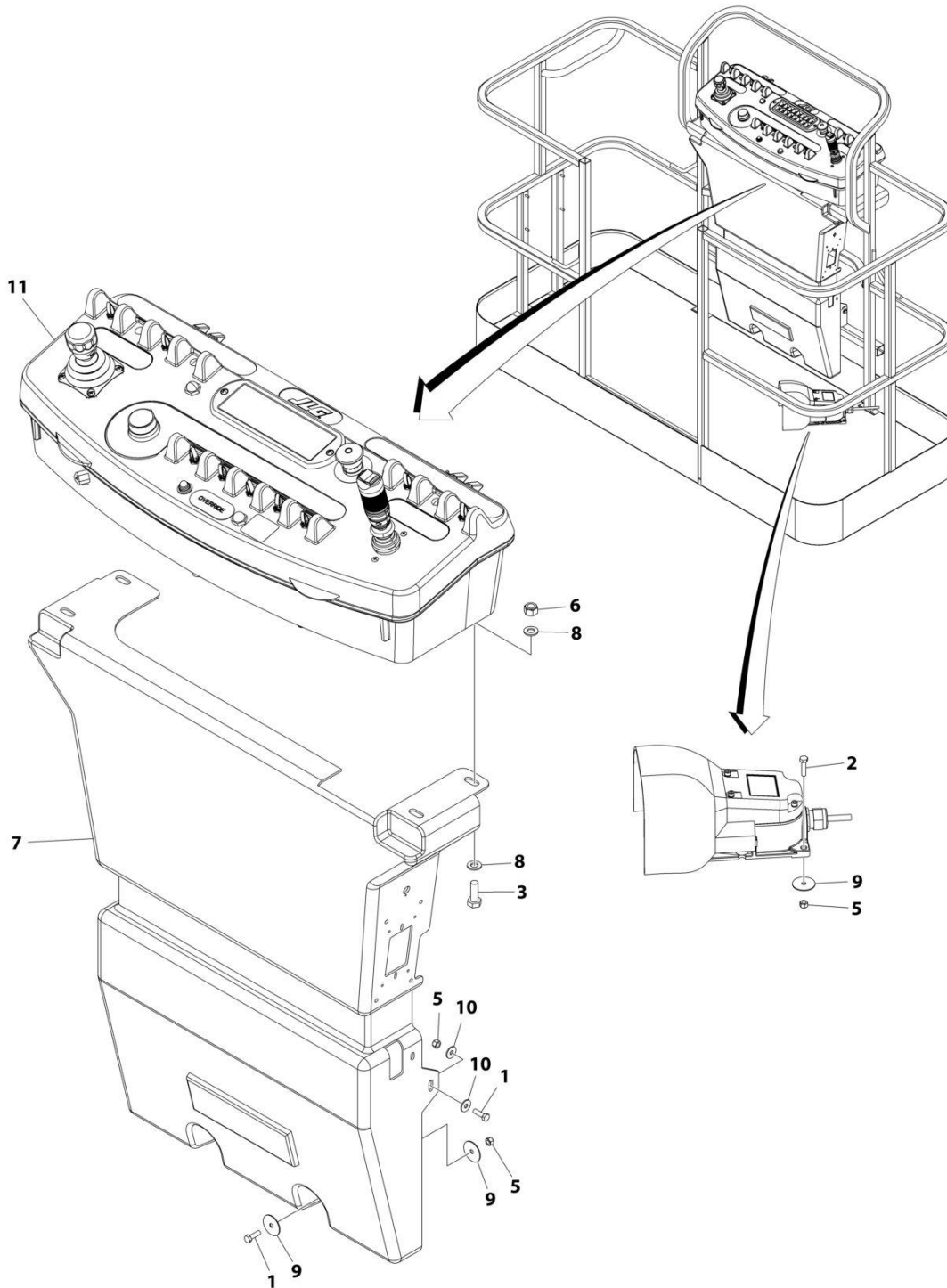
## SECTION 5 - PLATFORM

### FIGURE 5-11. TRAY ASSEMBLY

ITEM	PART NUMBER	QTY	DESCRIPTION	REV
	1580012	Ref	TRAY ASSEMBLY	C
1	See Note	NSS	Tray, Storage (Center) (Note: Purchase p/n 1580012)	
2	0641406	2	Bolt 1/4 x 3/4	
3	4751400	2	Washer 1/4	
4	4761400	2	Washer 1/4	

# SECTION 5 - PLATFORM

FIGURE 5-12. PLATFORM CONSOLE AND FOOTSWITCH INSTALLATION (WITHOUT TOWER STOW)



ART\_1001266074\_B

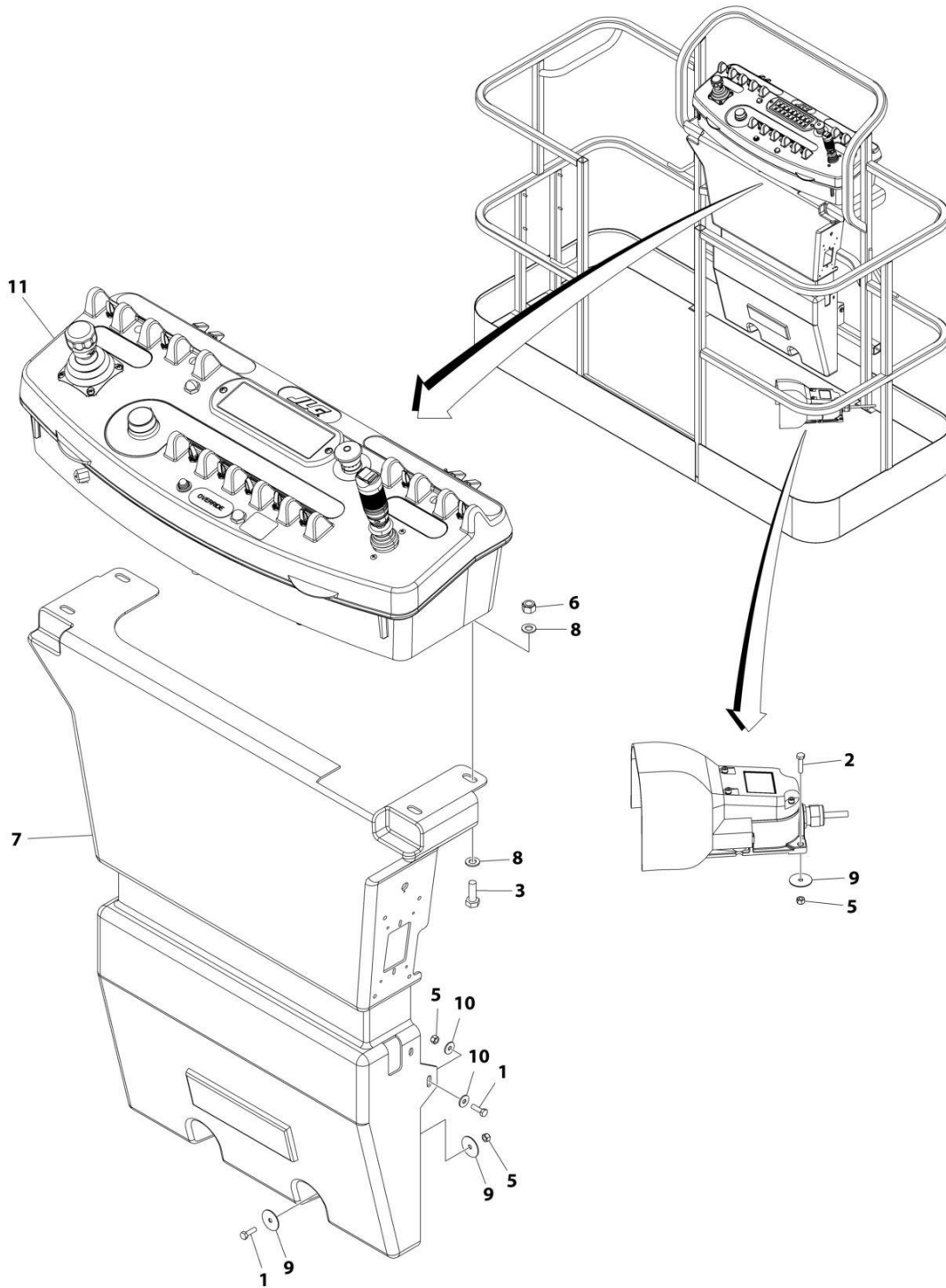
## SECTION 5 - PLATFORM

**FIGURE 5-12. PLATFORM CONSOLE AND FOOTSWITCH INSTALLATION (WITHOUT TOWER STOW)**

ITEM	PART NUMBER	QTY	DESCRIPTION	REV
	1001266074	Ref	PLATFORM CONSOLE AND FOOTSWITCH INSTALLATION	B
1	0641406	4	Bolt 1/4 x 3/4	
2	0641408	3	Bolt 1/4 x 1	
3	0641610	4	Bolt 3/8 x 1-1/4	
5	3311405	7	Nut 1/4	
6	3311605	4	Nut 3/8	
7	3380434	1	Panel	
8	4711600	8	Washer 3/8	
9	4740362	7	Washer	
10	4751400	4	Washer 1/4	
11	1001266070	1	Platform Console Assembly (See Separate Breakdown in this Section)	

# SECTION 5 - PLATFORM

## FIGURE 5-13. PLATFORM CONSOLE AND FOOTSWITCH INSTALLATION (WITH TOWER STOW)



ART\_1001264706\_B

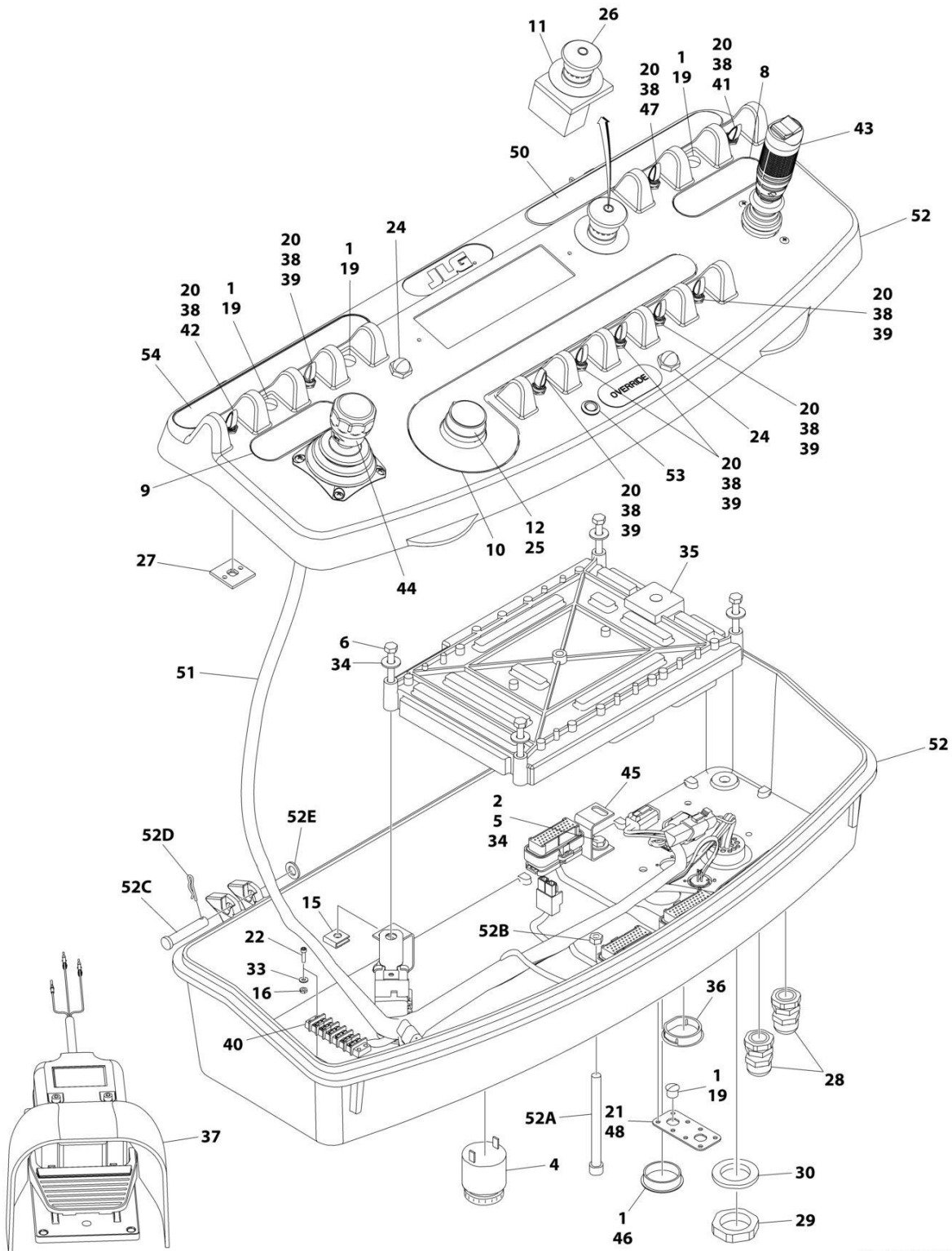
## SECTION 5 - PLATFORM

**FIGURE 5-13. PLATFORM CONSOLE AND FOOTSWITCH INSTALLATION (WITH TOWER STOW)**

ITEM	PART NUMBER	QTY	DESCRIPTION	REV
	1001264706	Ref	PLATFORM CONSOLE AND FOOTSWITCH INSTALLATION	B
1	0641406	4	Bolt 1/4 x 3/4	
2	0641408	3	Bolt 1/4 x 1	
3	0641610	4	Bolt 3/8 x 1-1/4	
5	3311405	7	Nut 1/4	
6	3311605	4	Nut 3/8	
7	3380434	1	Panel	
8	4711600	8	Washer 3/8	
9	4740362	7	Washer	
10	4751400	4	Washer 1/4	
11	1001264705	1	Platform Console Assembly (See Separate Breakdown in this Section)	

# SECTION 5 - PLATFORM

## FIGURE 5-14. PLATFORM CONSOLE BOX ASSEMBLY (WITHOUT TOWER STOW)



ART\_1001266070\_C

## SECTION 5 - PLATFORM

**FIGURE 5-14. PLATFORM CONSOLE BOX ASSEMBLY (WITHOUT TOWER STOW)**

ITEM	PART NUMBER	QTY	DESCRIPTION	REV
	1001266070	Ref	CONSOLE BOX ASSEMBLY	C
1	0100009	AR	Sealant	
2	0100035	AR	Compound, Locking	
4	0140011	1	Alarm	
5	0641405	4	Bolt 1/4 x 5/8	
6	0641414	4	Bolt 1/4 x 1-3/4	
8	1702565	1	Decal - Drive and Steer	
9	1702566	1	Decal - Lift and Swing	
10	1702567	1	Decal - Function Speed	
11	1704260	1	Decal - Emergency Stop	
12	2560136	1	Handle, Knob	
15	3300353	4	Nut, Tinnerman	
16	3311005	2	Nut #10	
19	3520054	4	Plug	
20	3790012	9	O-Ring	
21	3900349	8	Capscrew M2.5 x 8	
22	3931016	2	Capscrew #10 x 1	
23	4240099	AR	Tie-Strap (Not Shown)	
24	4360387	2	Switch, Push Button	
25	4360407	1	Controller, Speed	
25	4460224	1	Receptacle, Female - 6 Position	
25	4460226	1	Socket, Female	
25	See Note	NLA	Gasket "Top Hat" (Included with Switch) (Note: Not Available for Purchase)	
25	70003784	1	Seal	
26	1001274559	1	Switch, Emergency Stop	
26	7020175	1	Cap, Red	
26	7020176	1	Block, Contact	
27	4460234	6	Mount, Tie-Strap	
28	4460428	2	Connector, Strain Relief	
29	4460470	1	Nut, Terminal	
30	4460471	1	Washer, Terminal	
33	4751000	2	Washer #10	
34	4751400	8	Washer 1/4	
35	1001106938	1	Module, Platform (Note: Re-calibration Required when Replaced)	
36	1001110434	1	Plug	
37	1001117174	1	Footswitch Assembly (See Separate Breakdown in this Section)	
38	1001155044	9	Nut 15/32	
39	1001155045	6	Switch, Toggle	
40	1001157292	1	Bussbar	
41	1001159256	1	Switch, Toggle	
42	1001161709	1	Switch, Toggle	
43	1001275628	1	Controller Assembly - Drive and Steer	
44	1001275629	1	Controller Assembly - Lift and Swing	
45	1001172760	4	Bracket	
46	1001185281	1	Plug	
47	1001211363	1	Switch, Toggle	
48	1001213882	1	Mount	
50	1001222709	1	Decal - Stop	

## SECTION 5 - PLATFORM

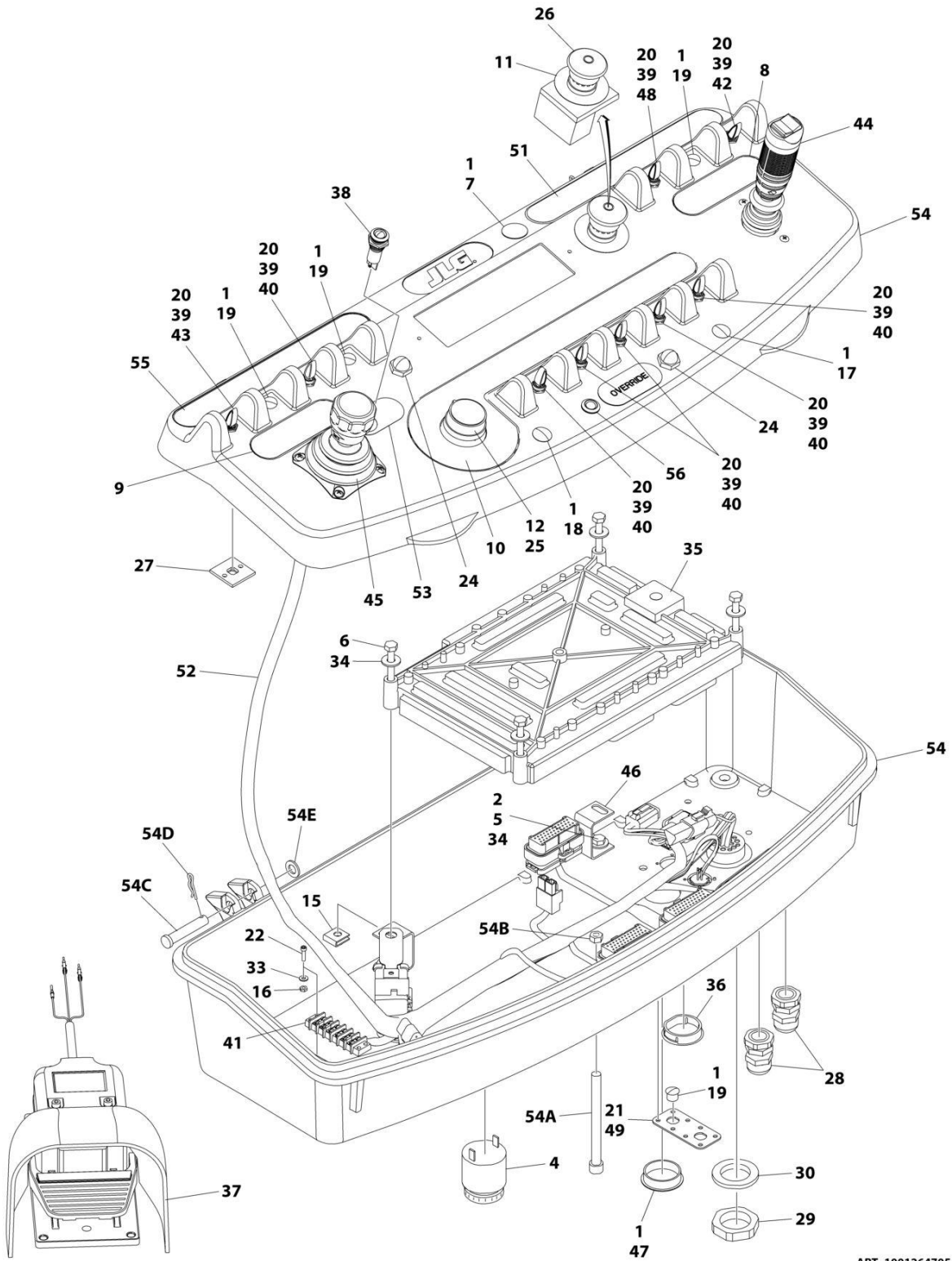
ITEM	PART NUMBER	QTY	DESCRIPTION	REV
51	1001245026	1	Platform Console Harness (See Separate Breakdown in ELECTRICAL Section)	
52	1001215228	1	Console Box Assembly	
52A	0630568	1	Capscrew 3/8 x 4-1/2	
52B	3311601	1	Nut 3/8	
52C	3430616	2	Pin	
52D	3470003	2	Hairpin	
52E	4711600	2	Washer 3/8	
53	1001206532	1	Lamp, LED Indicator Yellow	
54	1001184626	1	Decal, Horn	





# SECTION 5 - PLATFORM

## FIGURE 5-15. PLATFORM CONSOLE BOX ASSEMBLY (WITH TOWER STOW)



ART\_1001264705\_C

## SECTION 5 - PLATFORM

**FIGURE 5-15. PLATFORM CONSOLE BOX ASSEMBLY (WITH TOWER STOW)**

ITEM	PART NUMBER	QTY	DESCRIPTION	REV
	1001264705	Ref	CONSOLE BOX ASSEMBLY	C
1	0100009	AR	Sealant	
2	0100035	AR	Compound, Locking	
4	0140011	1	Alarm	
5	0641405	4	Bolt 1/4 x 5/8	
6	0641414	4	Bolt 1/4 x 1-3/4	
7	1671314	1	Cover, Box	
8	1702565	1	Decal - Drive and Steer	
9	1702566	1	Decal - Lift and Swing	
10	1702567	1	Decal - Function Speed	
11	1704260	1	Decal - Emergency Stop	
12	2560136	1	Handle, Knob	
15	3300353	4	Nut, Tinnerman	
16	3311005	2	Nut #10	
17	3520026	1	Plug, Hole	
18	3520027	1	Plug, Hole	
19	3520054	4	Plug	
20	3790012	9	O-Ring	
21	3900349	8	Capscrew M2.5 x 8	
22	3931016	2	Capscrew #10 x 1	
23	4240099	AR	Tie Strap (Not Shown)	
24	4360387	2	Switch, Push Button	
25	4360407	1	Controller, Speed	
25	4460224	1	Receptacle, Female - 6 Position	
25	4460226	1	Socket, Female	
25	See Note	NLA	Gasket "Top Hat" (Included with Switch) (Note: Not Available for Purchase)	
25	70003784	1	Seal	
26	1001274559	1	Switch, Emergency Stop	
26	7020175	1	Cap, Red	
26	7020176	1	Block, Contact	
27	4460234	6	Mount, Tie-Strap	
28	4460428	2	Connector, Strain Relief	
29	4460470	1	Nut, Terminal	
30	4460471	1	Washer, Terminal	
33	4751000	2	Washer #10	
34	4751400	8	Washer 1/4	
35	1001106938	1	Module, Platform (Note: Re-calibration Required when Replaced)	
36	1001110434	1	Plug	
37	1001117174	1	Footswitch Assembly (See Separate Breakdown in this Section)	
38	1001137364	1	Lamp, LED indicator Green	
39	1001155044	9	Nut 15/32	
40	1001155045	6	Switch, Toggle	
41	1001157292	1	Bussbar	
42	1001159256	1	Switch, Toggle	
43	1001161709	1	Switch, Toggle	
44	1001275628	1	Controller Assembly - Drive and Steer	
45	1001275629	1	Controller Assembly - Lift and Swing	
46	1001172760	4	Bracket	
47	1001185281	1	Plug	

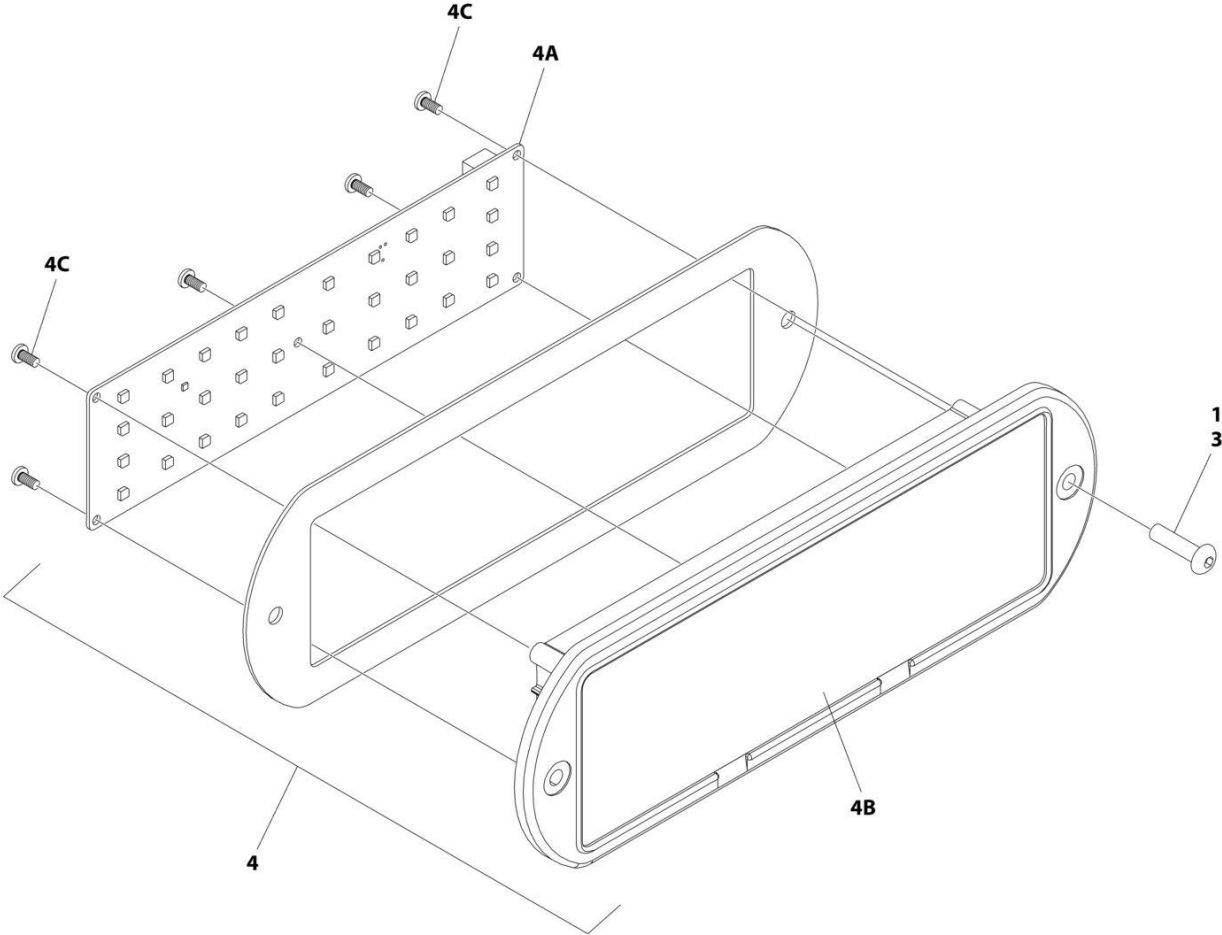
## SECTION 5 - PLATFORM

ITEM	PART NUMBER	QTY	DESCRIPTION	REV
48	1001211363	1	Switch, Toggle	
49	1001213882	1	Mount	
51	1001222709	1	Decal - Stop	
52	1001245026	1	Platform Console Harness (See Separate Breakdown in ELECTRICAL Section)	
53	1001260937	1	Decal - Tower Stow	
54	1001263587	1	Console Box Assembly	
54A	0630568	1	Capscrew 3/8 x 4-1/2	
54B	3311601	1	Nut 3/8	
54C	3430616	2	Pin	
54D	3470003	2	Hairpin	
54E	4711600	2	Washer 3/8	
55	1001184626	1	Decal - Horn	
56	1001206532	1	Lamp, LED Indicator Yellow	



**SECTION 5 - PLATFORM**

**FIGURE 5-16. LIGHT PANEL INSTALLATION**



ART\_1001245177\_C\_20F2

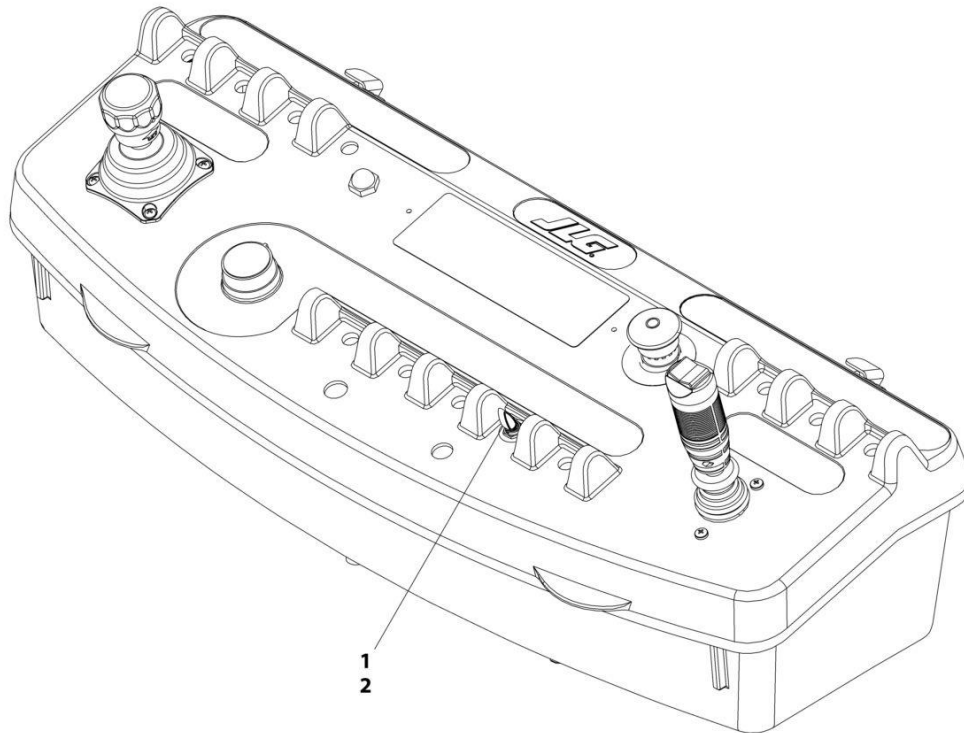
## SECTION 5 - PLATFORM

### FIGURE 5-16. LIGHT PANEL INSTALLATION

ITEM	PART NUMBER	QTY	DESCRIPTION	REV
	1001245177	Ref	LIGHT PANEL INSTALLATION - PLATFORM CONSOLE	C
1	0100035	AR	Compound, Locking	
3	0630518	2	Screw #10 x 3/4	
4	1001281717	1	Light Panel Assembly	A
4A	1001238732	1	Panel, LED Light	
4B	1001281705	1	Lens, I-Con	
4C		Ref	Screw	

# SECTION 5 - PLATFORM

## FIGURE 5-17. JIB SWITCH INSTALLATION



ART\_0271340



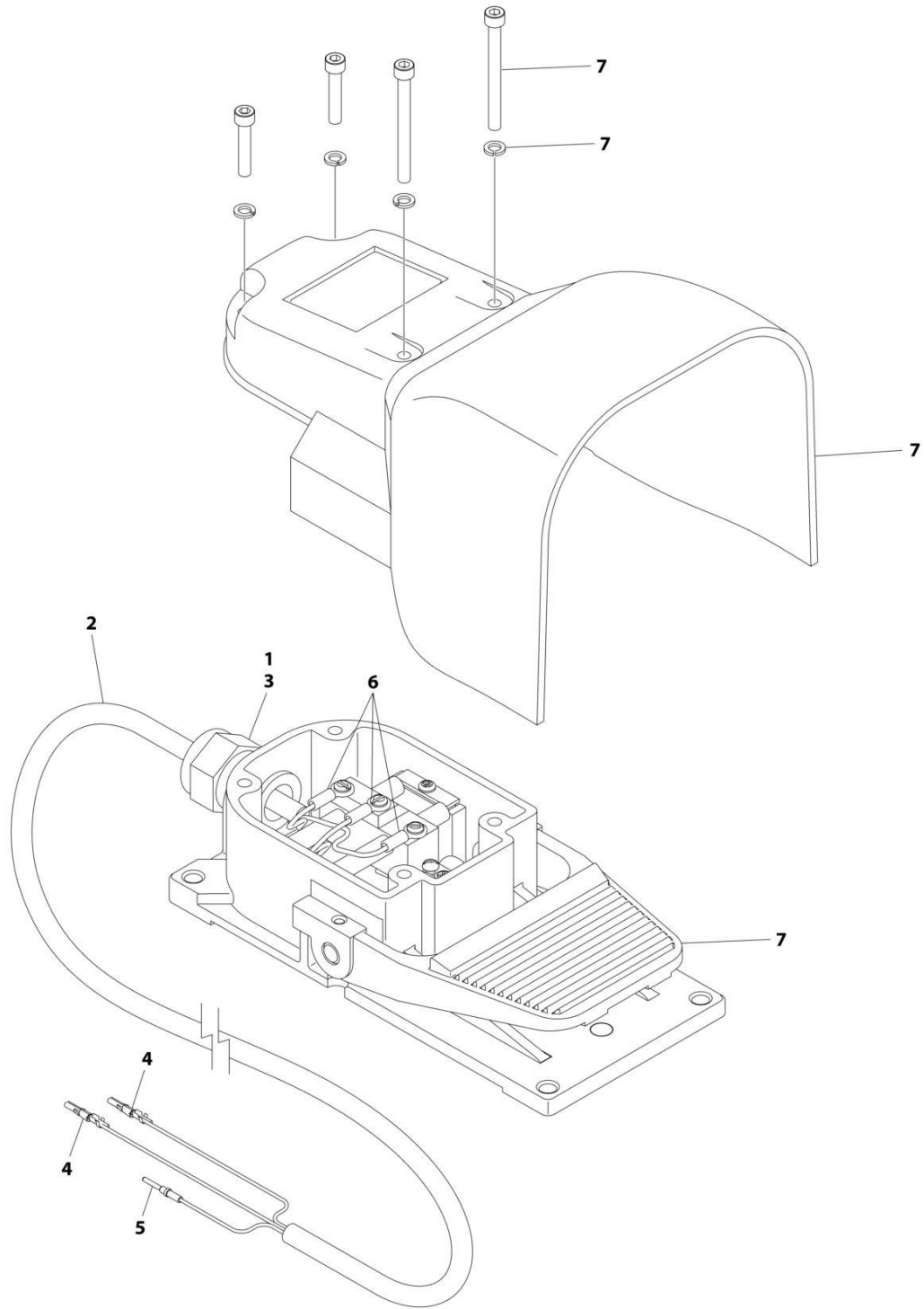
## SECTION 5 - PLATFORM

### FIGURE 5-17. JIB SWITCH INSTALLATION

ITEM	PART NUMBER	QTY	DESCRIPTION	REV
	0271340	Ref	JIB SWITCH INSTALLATION	1/A
1	4360328	1	Switch, Toggle	
2	3790012	1	O-Ring	

# SECTION 5 - PLATFORM

## FIGURE 5-18. FOOTSWITCH ASSEMBLY



ART\_100117174

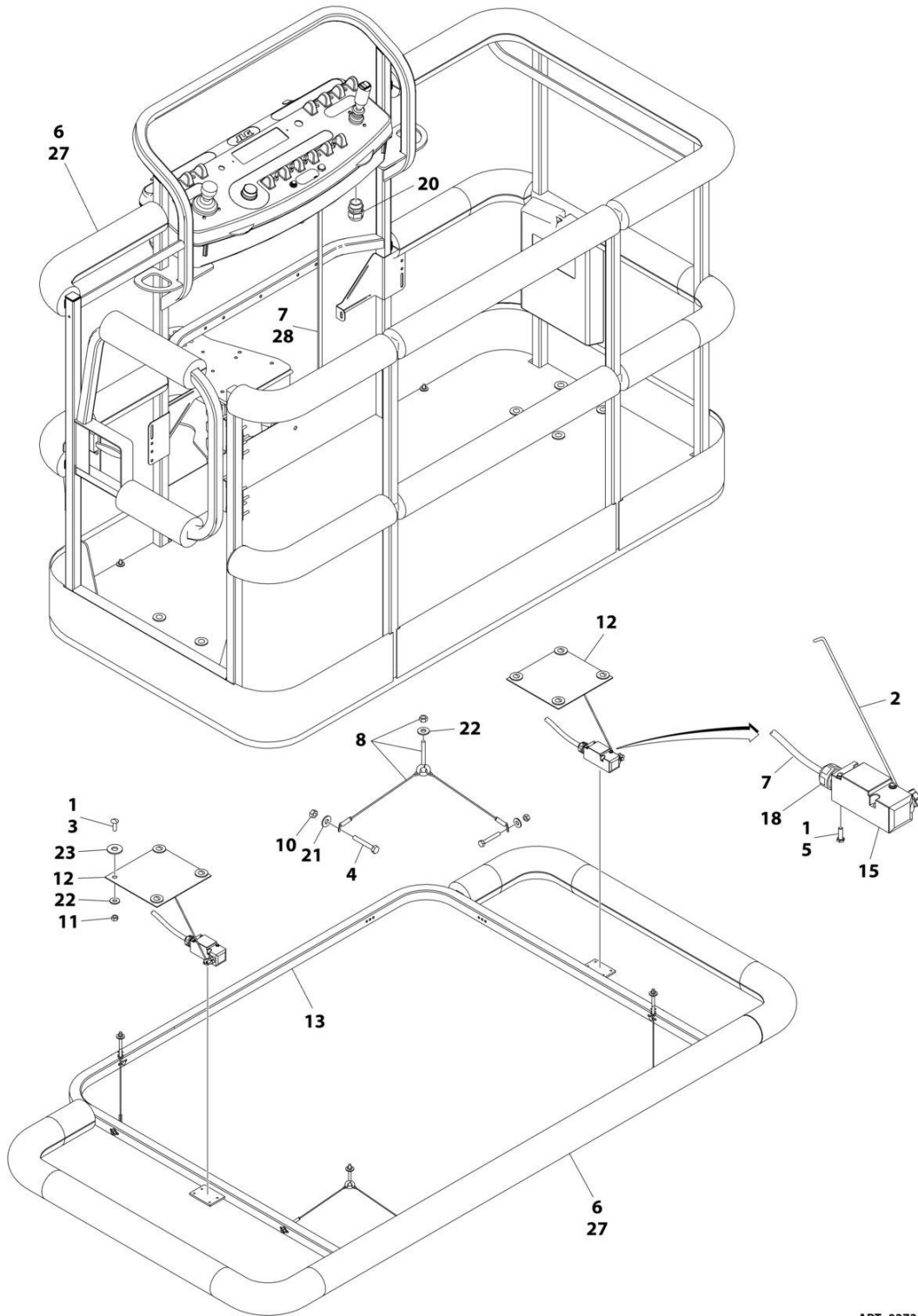
## SECTION 5 - PLATFORM

**FIGURE 5-18. FOOTSWITCH ASSEMBLY**

ITEM	PART NUMBER	QTY	DESCRIPTION	REV
	1001117174	Ref	FOOTSWITCH ASSEMBLY	C
1	0100020	AR	Sealant	
2	1060918	7.5 ft/ 2.3m	Cable, Electrical - 18/3	
3	4460071	1	Connector, Strain Relief	
4	4460226	2	Socket, Female	
5	4460464	1	Pin, Male	
6	1001098122	3	Terminal	
7	1001117172	1	Footswitch	
7	70002902	1	Switch, 20Amp	
7	70002903	1	Gasket	
7	70002905	1	Cover	
7	70002904	1	Kit, Replacement Bolt	

# SECTION 5 - PLATFORM

## FIGURE 5-19. SOFT TOUCH INSTALLATION - 6FT (1.83M) PLATFORM (OPTIONAL)



ART\_0273824\_E

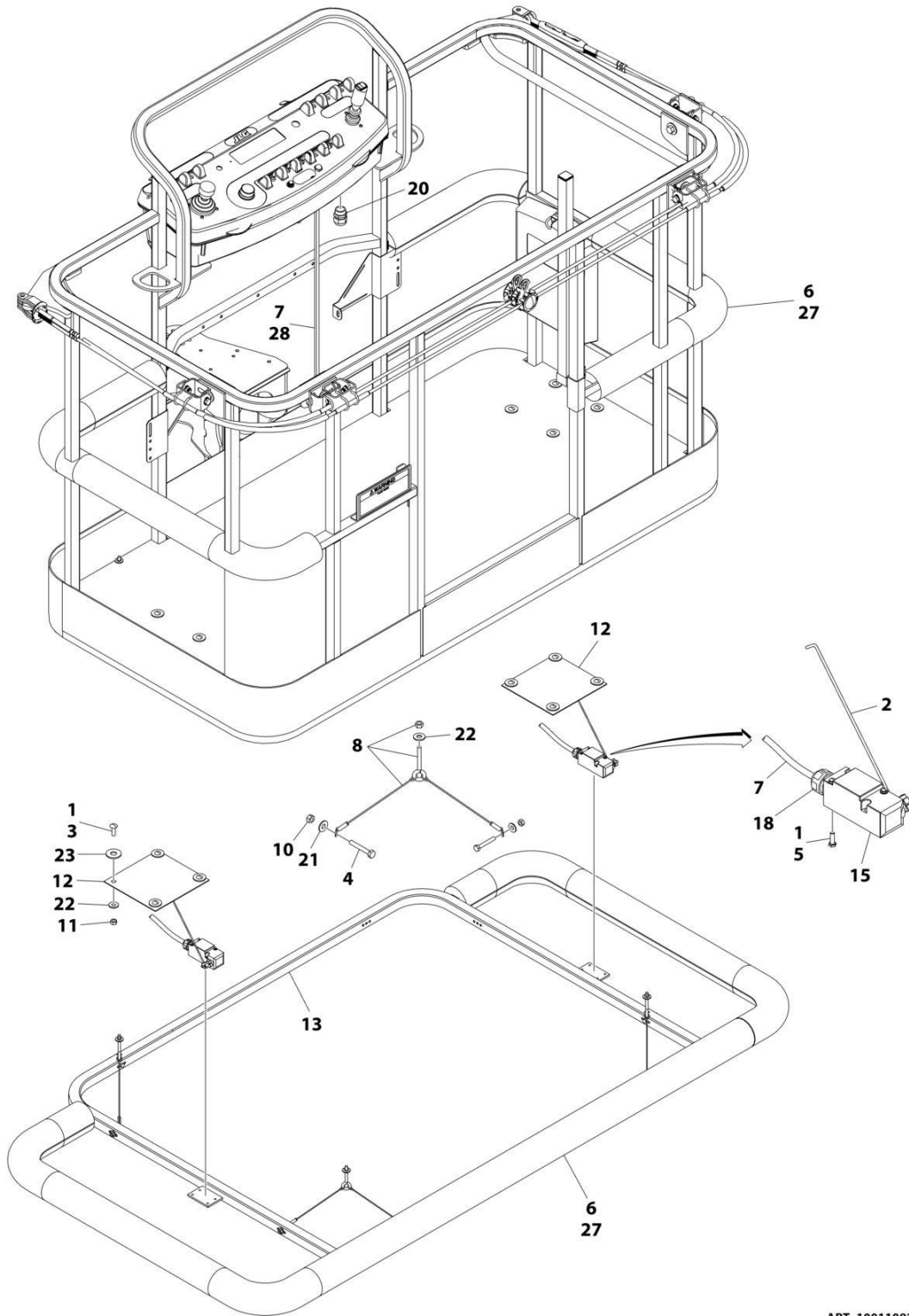
## SECTION 5 - PLATFORM

**FIGURE 5-19. SOFT TOUCH INSTALLATION - 6FT (1.83M) PLATFORM (OPTIONAL)**

ITEM	PART NUMBER	QTY	DESCRIPTION	REV
	0273824	Ref	SOFT TOUCH SYSTEM INSTALLATION	E
1	0100011	AR	Compound, Locking	
2	0200048	2	Arm, Switch	
3	0630462	8	Bolt	
4	0641414	8	Bolt 1/4 x 1-3/4	
5	0731005	4	Bolt #10 x 5/8	
6	0940134	1	Bumper Kit (Includes Corners and Enough Straight Material for One Platform)	
6	0940092	AR	Bumper (Corner)	
6	0940094	AR	Bumper (12ft Length)	
7	1060341	23 ft/7m	Cable, Soft Touch - 16/2	
8	1060903	4	Wire Rope and Eyebolt Assembly	
10	3311401	8	Nut 1/4	
11	3311501	8	Nut 5/16	
12	3575359	2	Plate, Switch Strike	
13	3641569	1	Rail, Soft Touch	
14	4240099	7	Tie-Strap (Not Shown)	
15	4360057	2	Switch, Limit	
18	4460049	2	Connector, Strain Relief	
19	4460234	7	Tie-Strap (Not Shown)	
20	4460425	1	Connector, Strain Relief	
21	4751400	8	Washer 1/4	
22	4751500	12	Washer 5/16	
23	4751800	8	Washer 1/2	
27	1001197017	AR	Tie-Strap	
28	4460226	4	Socket	

# SECTION 5 - PLATFORM

## FIGURE 5-20. SOFT TOUCH INSTALLATION - 6FT (1.83M) FALL ARREST PLATFORM (OPTIONAL)



ART\_1001108256\_D

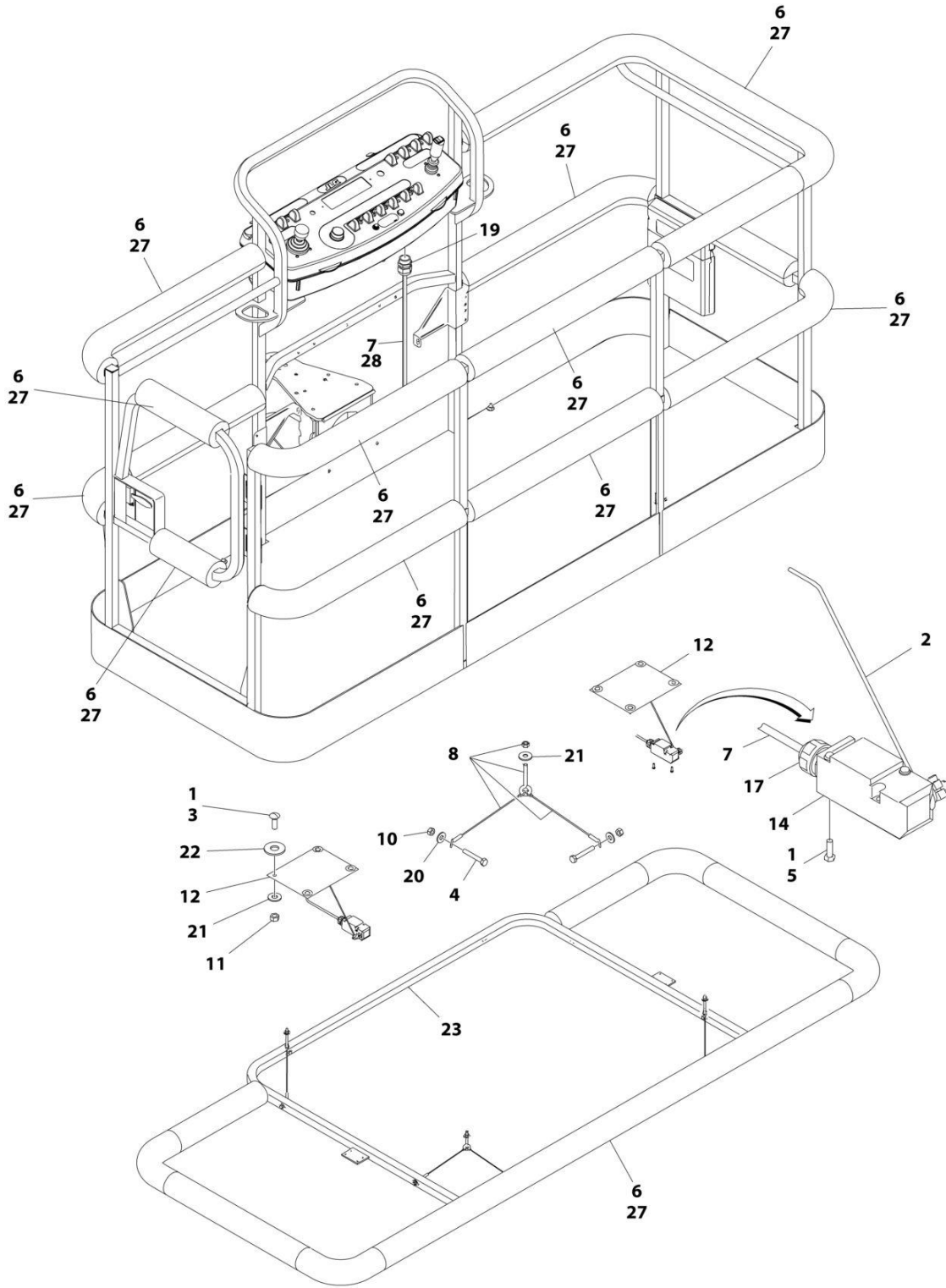
## SECTION 5 - PLATFORM

**FIGURE 5-20. SOFT TOUCH INSTALLATION - 6FT (1.83M) FALL ARREST PLATFORM (OPTIONAL)**

ITEM	PART NUMBER	QTY	DESCRIPTION	REV
	1001108256	Ref	SOFT TOUCH INSTALLATION	D
1	0100011	AR	Compound, Locking	
2	0200048	2	Arm, Switch	
3	0630462	8	Bolt	
4	0641414	8	Bolt 1/4 x 1-3/4	
5	0731005	4	Bolt #10 x 5/8	
6	0940177	1	Bumper Kit (Includes Corners and Enough Straight Material for One Platform)	
6	0940092	8	Bumper (Corner)	
6	0940094	AR	Bumper (12ft Length)	
7	1060341	23 ft/7m	Cable, Soft Touch - 16/2	
8	1060903	4	Wire Rope and Eyebolt Assembly	
10	3311401	8	Nut 1/4	
11	3311501	8	Nut 5/16	
12	3575359	2	Plate, Switch Strike	
13	3641569	1	Rail, Soft Touch	
14	4240099	7	Tie-Strap (Not Shown)	
15	4360057	2	Switch, Limit	
18	4460049	2	Connector, Strain Relief	
19	4460234	7	Tie-Strap (Not Shown)	
20	4460425	1	Connector, Strain Relief	
21	4751400	8	Washer 1/4	
22	4751500	9	Washer 5/16	
23	4751800	8	Washer 1/2	
27	1001197017	AR	Strap, Cable Tie (Yellow)	
28	4460226	4	Socket	

# SECTION 5 - PLATFORM

## FIGURE 5-21. SOFT TOUCH INSTALLATION - 8FT (2.4M) PLATFORM (OPTIONAL)



ART\_0272427\_H



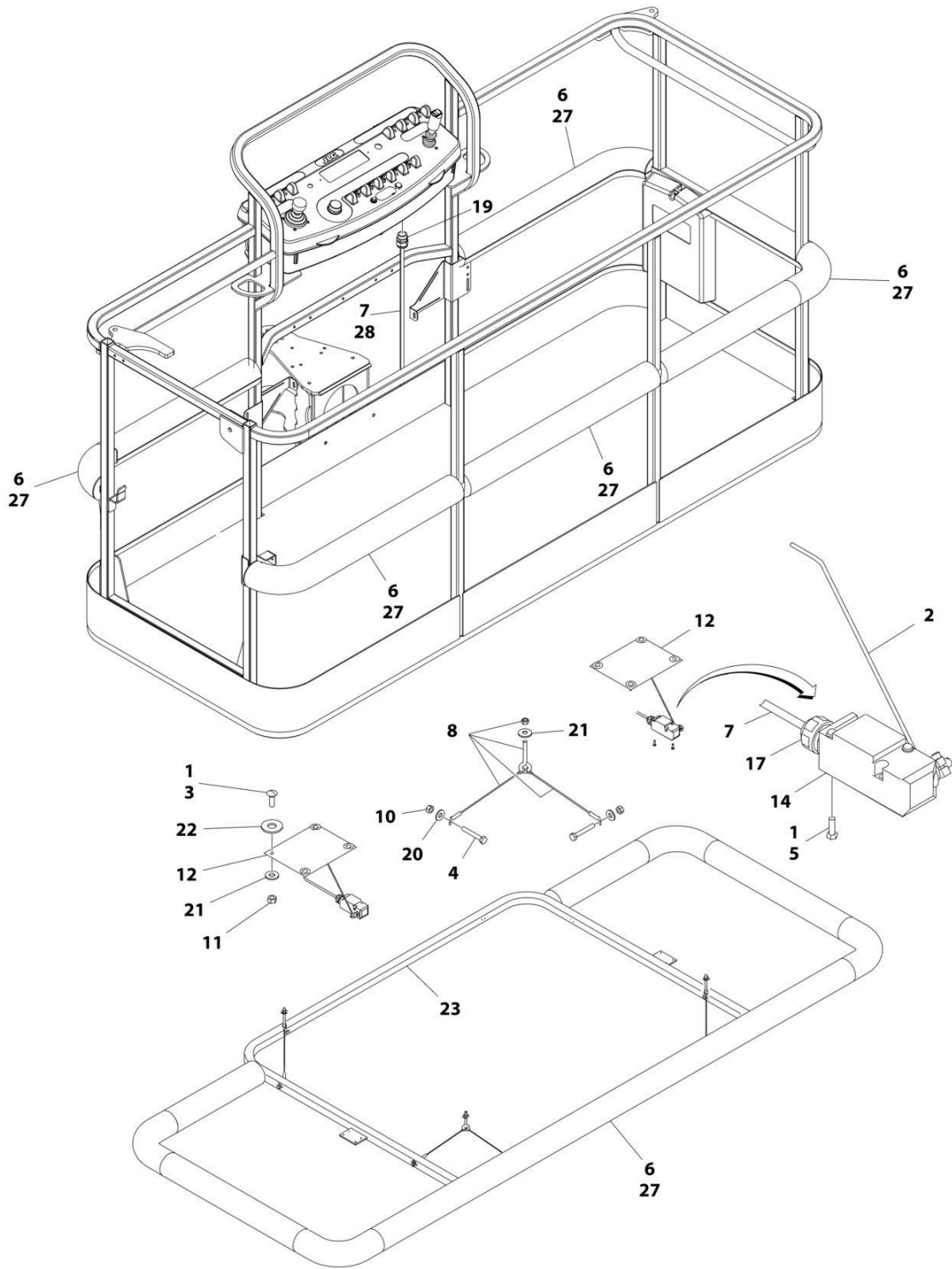
## SECTION 5 - PLATFORM

**FIGURE 5-21. SOFT TOUCH INSTALLATION - 8FT (2.4M) PLATFORM (OPTIONAL)**

ITEM	PART NUMBER	QTY	DESCRIPTION	REV
	0272427	Ref	SOFT TOUCH INSTALLATION - 36IN X 8FT (91.5CM X 2.44M) PLATFORM	H
1	0100011	AR	Compound, Locking	
2	0200048	2	Arm, Switch	
3	0630462	8	Bolt	
4	0641414	8	Bolt 1/4 x 1-3/4	
5	0721005	4	Bolt #10 x 5/8	
6	0940103	1	Bumper Kit (Includes Corners and Enough Straight Material for One Platform)	
6	0940092	12	Bumper (Corner)	
6	0940094	AR	Bumper (12ft Length)	
7	1060341	23 ft/7m	Cable, Soft Touch - 16/2	
8	1060903	4	Wire Rope and Eyebolt Assembly	
10	3311401	8	Nut 1/4	
11	3311501	8	Nut 5/16	
12	3574091	2	Plate, Switch Strike	
13	4240099	7	Tie-Strap (Not Shown)	
14	4360057	2	Switch, Limit	
17	4460049	2	Connector, Strain Relief	
18	4460234	7	Tie-Strap (Not Shown)	
19	4460425	1	Connector, Strain Relief	
20	4751400	8	Washer 1/4	
21	4751500	12	Washer 5/16	
22	4751800	8	Washer 1/2	
23	4846673	1	Rail, Soft Touch	
27	1001197017	AR	Tie-Strap	
28	4460226	1	Socket	

# SECTION 5 - PLATFORM

## FIGURE 5-22. SOFT TOUCH INSTALLATION - 8FT (2.4M) FALL ARREST PLATFORM (OPTIONAL)



ART\_0273706\_E

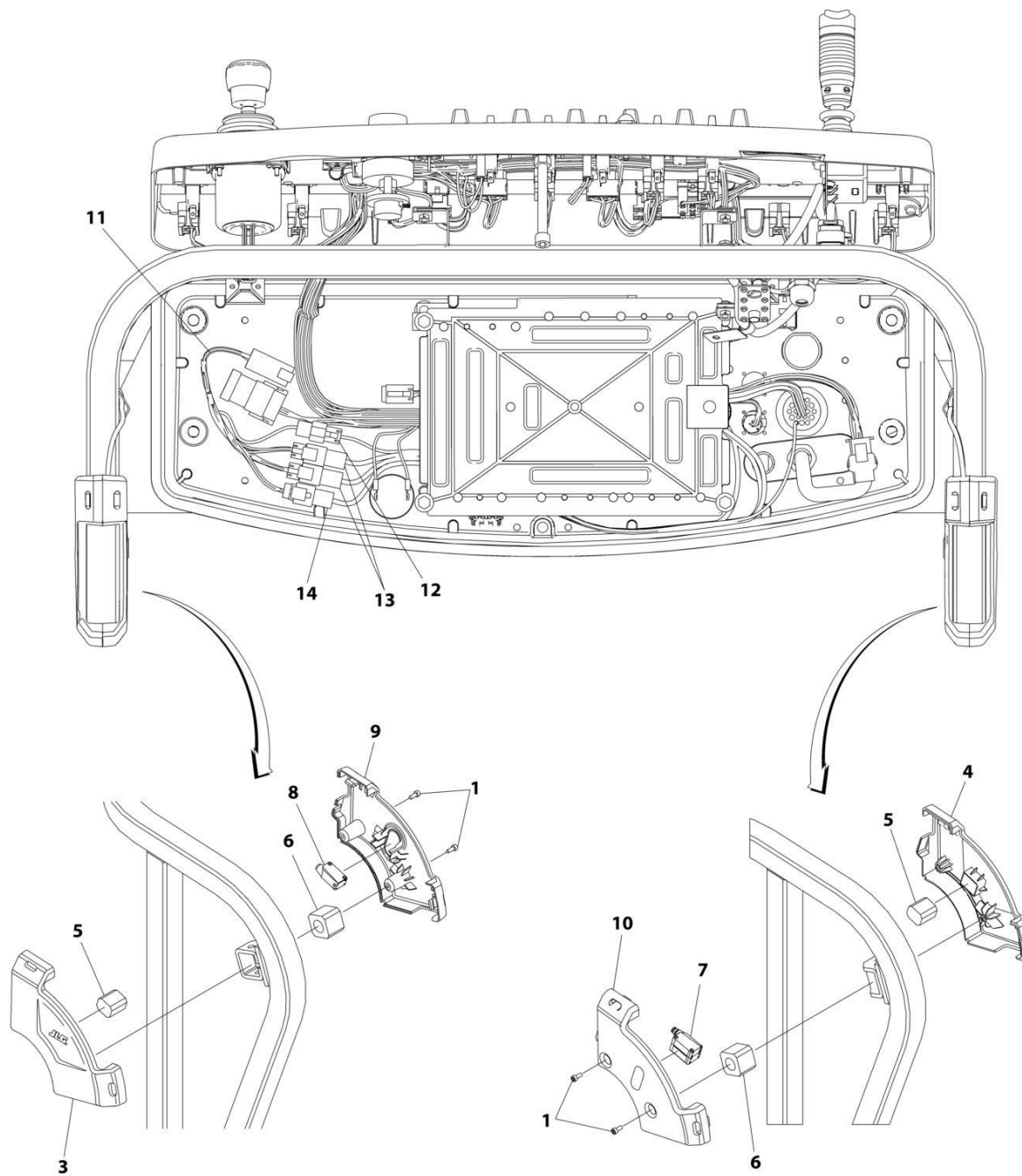
## SECTION 5 - PLATFORM

**FIGURE 5-22. SOFT TOUCH INSTALLATION - 8FT (2.4M) FALL ARREST PLATFORM (OPTIONAL)**

ITEM	PART NUMBER	QTY	DESCRIPTION	REV
	0273706	Ref	SOFT TOUCH INSTALLATION	E
1	0100011	AR	Compound, Locking	
2	0200048	2	Arm, Switch	
3	0630462	8	Bolt	
4	0641414	8	Bolt 1/4 x 1-3/4	
5	0721005	4	Bolt #10 x 5/8	
6	0940133	1	Bumper Kit (Includes Corners and Enough Straight Material for One Platform)	
6	0940092	8	Bumper (Corner)	
6	0940094	AR	Bumper (12ft Length)	
7	1060341	23 ft/7m	Cable, Soft Touch - 16/2	
8	1060903	4	Wire Rope and Eyebolt Assembly	
10	3311401	8	Nut 1/4	
11	3311501	8	Nut 5/16	
12	3574091	2	Plate, Switch Strike	
13	4240099	7	Tie-Strap (Not Shown)	
14	4360057	2	Switch, Limit	
17	4460049	2	Connector, Strain Relief	
18	4460234	7	Tie-Strap (Not Shown)	
19	4460425	1	Connector, Strain Relief	
20	4751400	8	Washer 1/4	
21	4751500	12	Washer 5/16	
22	4751800	8	Washer 1/2	
23	4846673	1	Rail, Soft Touch	
27	1001197017	AR	Tie-Strap	
28	4460226	4	Socket	

# SECTION 5 - PLATFORM

## FIGURE 5-23. SKYEYE INSTALLATION



ART\_1001229341

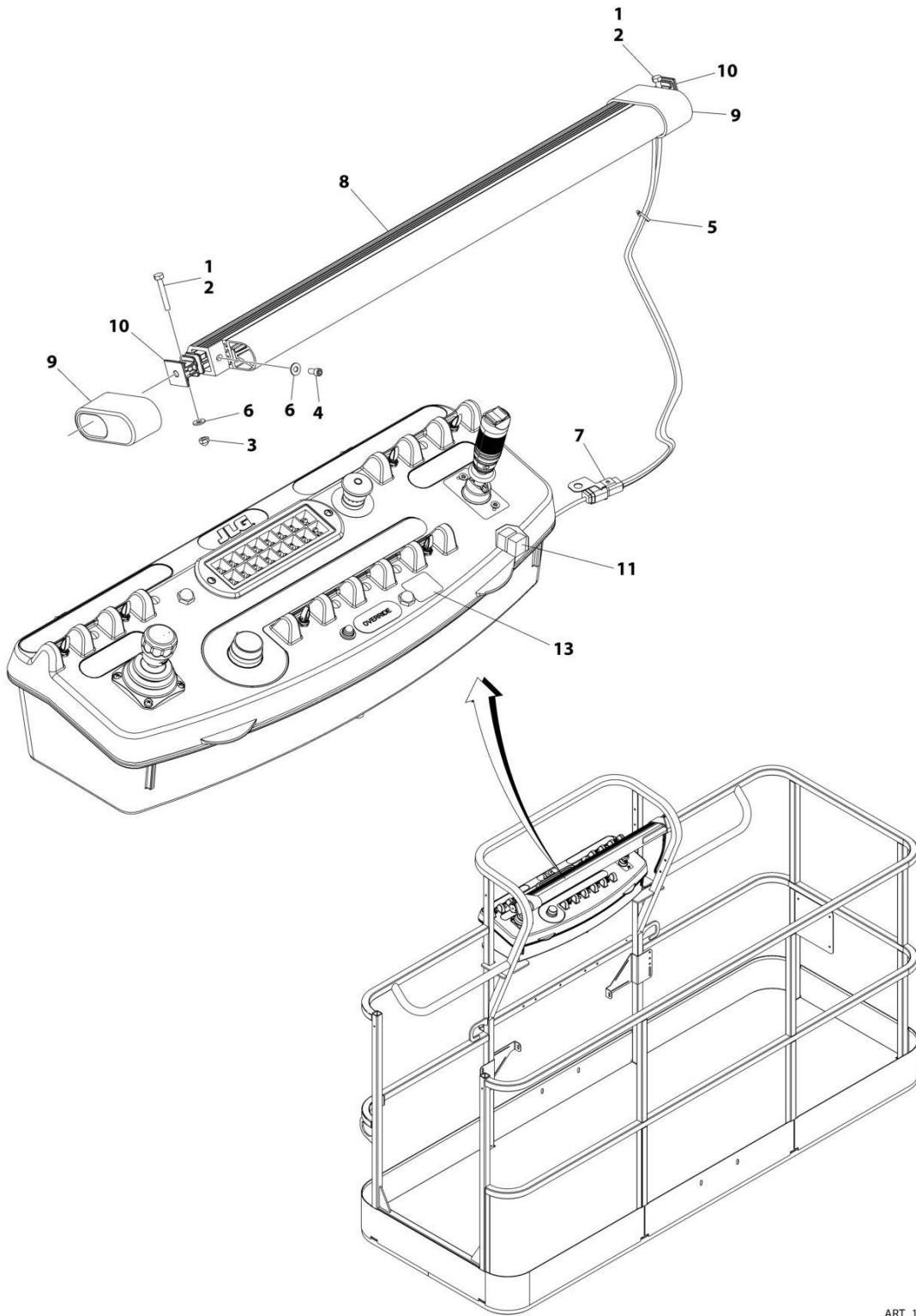
## SECTION 5 - PLATFORM

**FIGURE 5-23. SKYEYE INSTALLATION**

ITEM	PART NUMBER	QTY	DESCRIPTION	REV
	1001229341	Ref	SKYEYE INSTALLATION	B
1	4031505	4	Bolt M4 x 10	
2	4240033	AR	Tie-Strap (Not Shown)	
3	1001227633	1	Housing, LH Outer	
4	1001227634	1	Housing, RH Outer	
5	1001227985	2	Shim	
6	1001227987	2	Shim	
7	1001228224	2	Sensor, Receiver	
8	1001228225	1	Sensor, Emitter	
9	1001232164	1	Housing, LH Inner	
10	1001232165	1	Housing, RH Inner	
11	1001237865	1	Harness, Skyeeye Intermediate (See Separate Breakdown in ELECTRICAL Section)	
12	1001238319	NLA	Harness, Skyeeye Drain Jumper	
12	1001187674	1	Plug, Male - 2 Position	
12	4460942	1	Terminal	
12	4460466	1	Plug, Terminal	
12	4460508	1	Pin, Male	
13	1001237863	2	Harness, Skyeeye Receiver (See Separate Breakdown in ELECTRICAL Section)	
14	1001237864	1	Harness, Skyeeye Emitter (See Separate Breakdown in ELECTRICAL Section)	

# SECTION 5 - PLATFORM

## FIGURE 5-24. SKYGUARD BAR INSTALLATION



ART\_1001238495

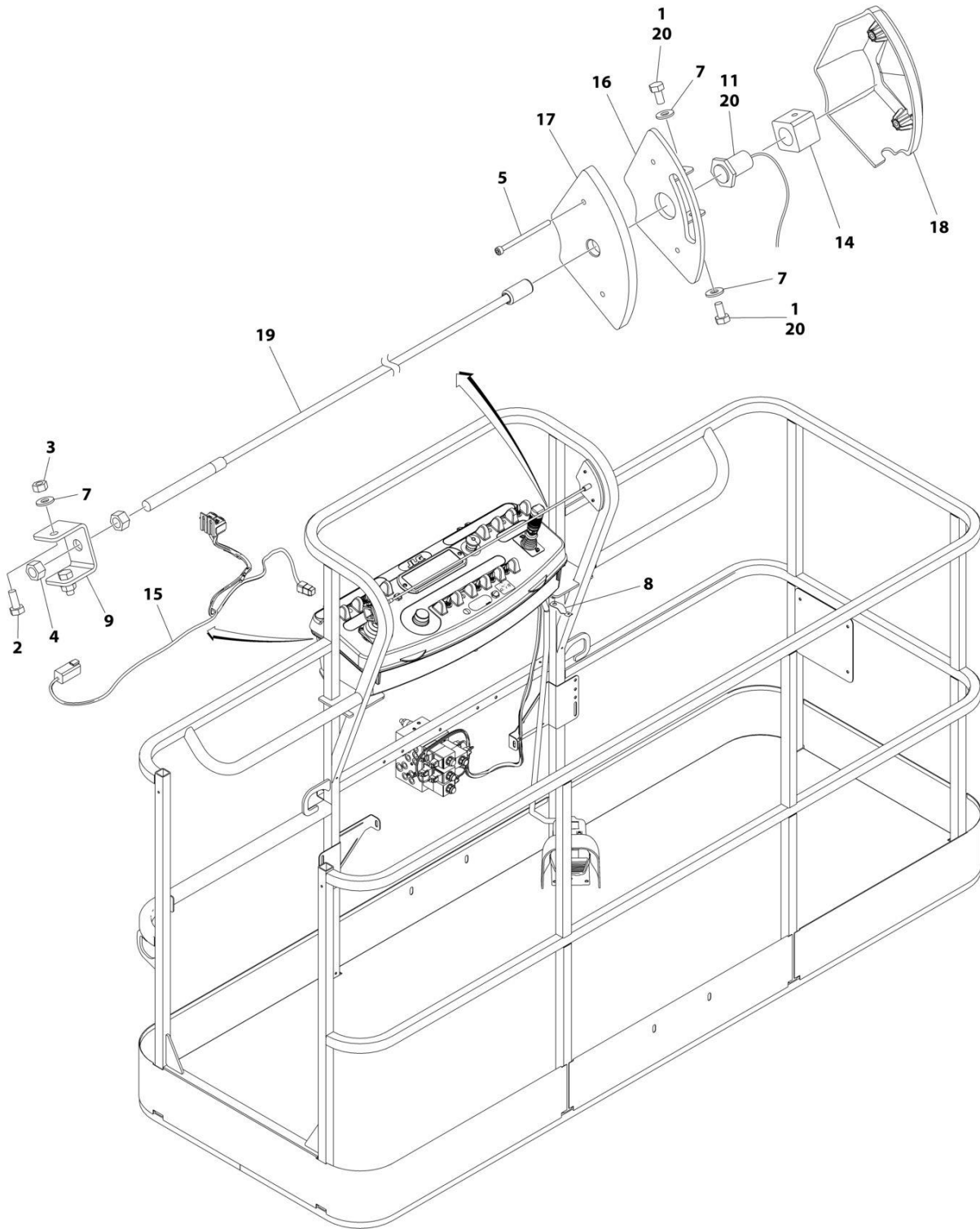
## SECTION 5 - PLATFORM

**FIGURE 5-24. SKYGUARD BAR INSTALLATION**

ITEM	PART NUMBER	QTY	DESCRIPTION	REV
	1001238495	Ref	SKYGUARD BAR INSTALLATION	A
1	0100011	AR	Compound, Locking	
2	0641414	2	Bolt 1/4 x 1-3/4	
3	3300430	2	Nut 1/4	
4	3931408	2	Capscrew 1/4 x 1/2	
5	4240033	8	Tie-Strap	
6	4711400	6	Washer 1/4	
7	1001120328	1	Mount	
8	1001137673	1	SkyGuard Switch Assembly	
9	1001186517	2	Cover, Platform Sensor	
10	1001209664	2	Support, Block	
11	1001186431	2	Relay	
12	1001225580	1	Interface Harness Assembly (Not Shown - Located Inside Console Box) (See Separate Breakdown in ELECTRICAL Section)	
13	1001144433	1	Decal - No Weight SkyGuard	

# SECTION 5 - PLATFORM

## FIGURE 5-25. SKYLINE INSTALLATION



ART\_1001238559\_D



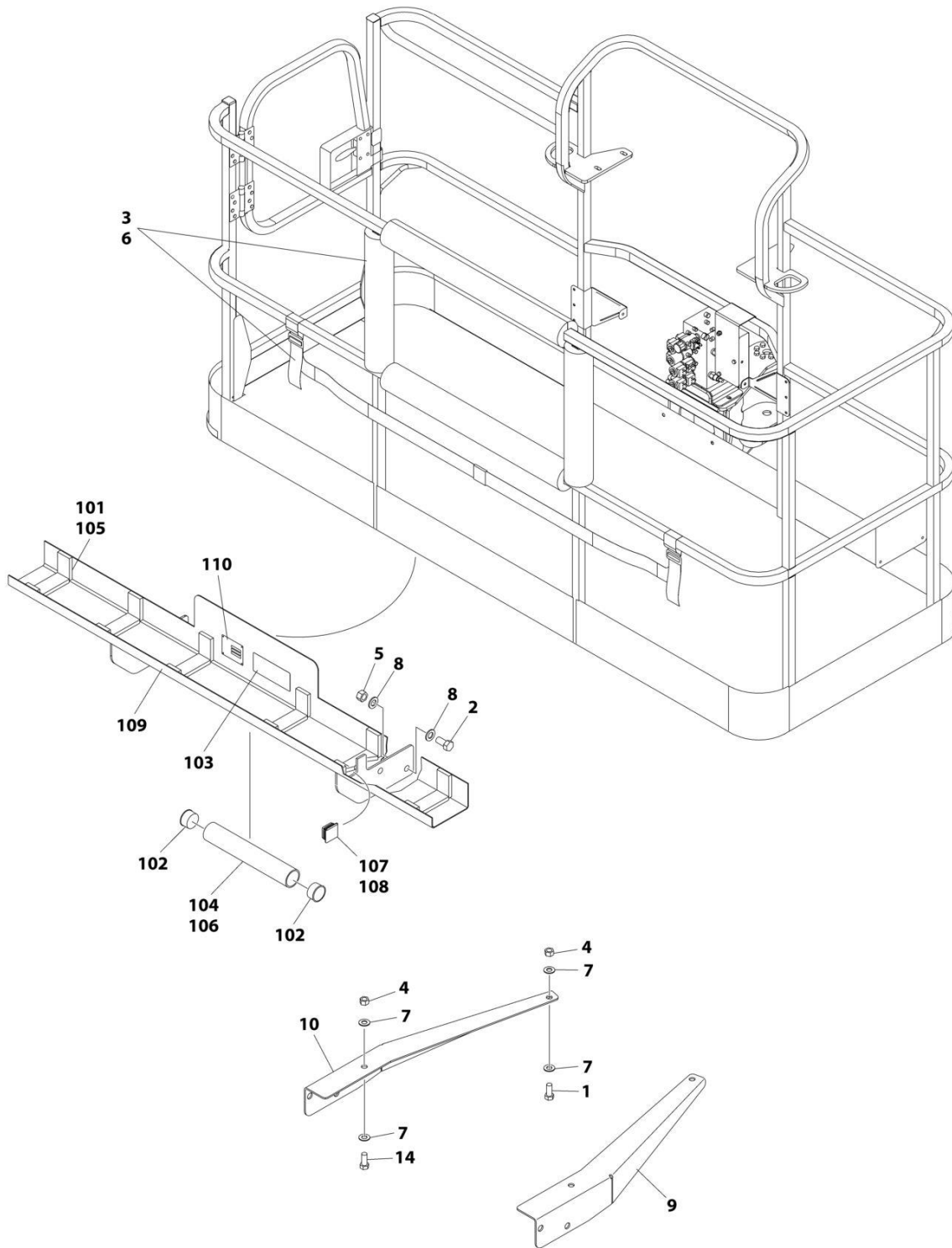
## SECTION 5 - PLATFORM

**FIGURE 5-25. SKYLINE INSTALLATION**

ITEM	PART NUMBER	QTY	DESCRIPTION	REV
	1001238559	Ref	SKYLINE INSTALLATION	D
1	0641404	2	Bolt 1/4 x 1/2	
2	0641405	2	Bolt 1/4 x 5/8	
3	3311405	2	Nut 1/4	
4	3311601	2	Nut 3/8	
5	4031516	2	Capscrew M4 x 60	
6	4240033	AR	Tie-Strap (Not Shown)	
7	4711400	4	Washer 1/4	
8	1001120328	1	Mount	
9	1001232642	1	Bracket	
11	1001232667	1	Sensor, Proximity	
11	1001311034	1	Sensor, Proximity	
14	1001236552	1	Block	
15	1001238418	1	Harness, Skyline (See Separate Breakdown in ELECTRICAL Section)	
16	1001238472	1	Mount	
17	1001254473	1	Housing, LH	
18	1001241965	1	Housing, RH	
19	1001254472	1	Rod	
20	0100011	AR	Compound, Locking	

# SECTION 5 - PLATFORM

FIGURE 5-26. SKYGLAZIER INSTALLATION (ANSI, ANSI EXPORT, AUSTRALIAN & CSA SPECS)



ART\_1001172578\_D

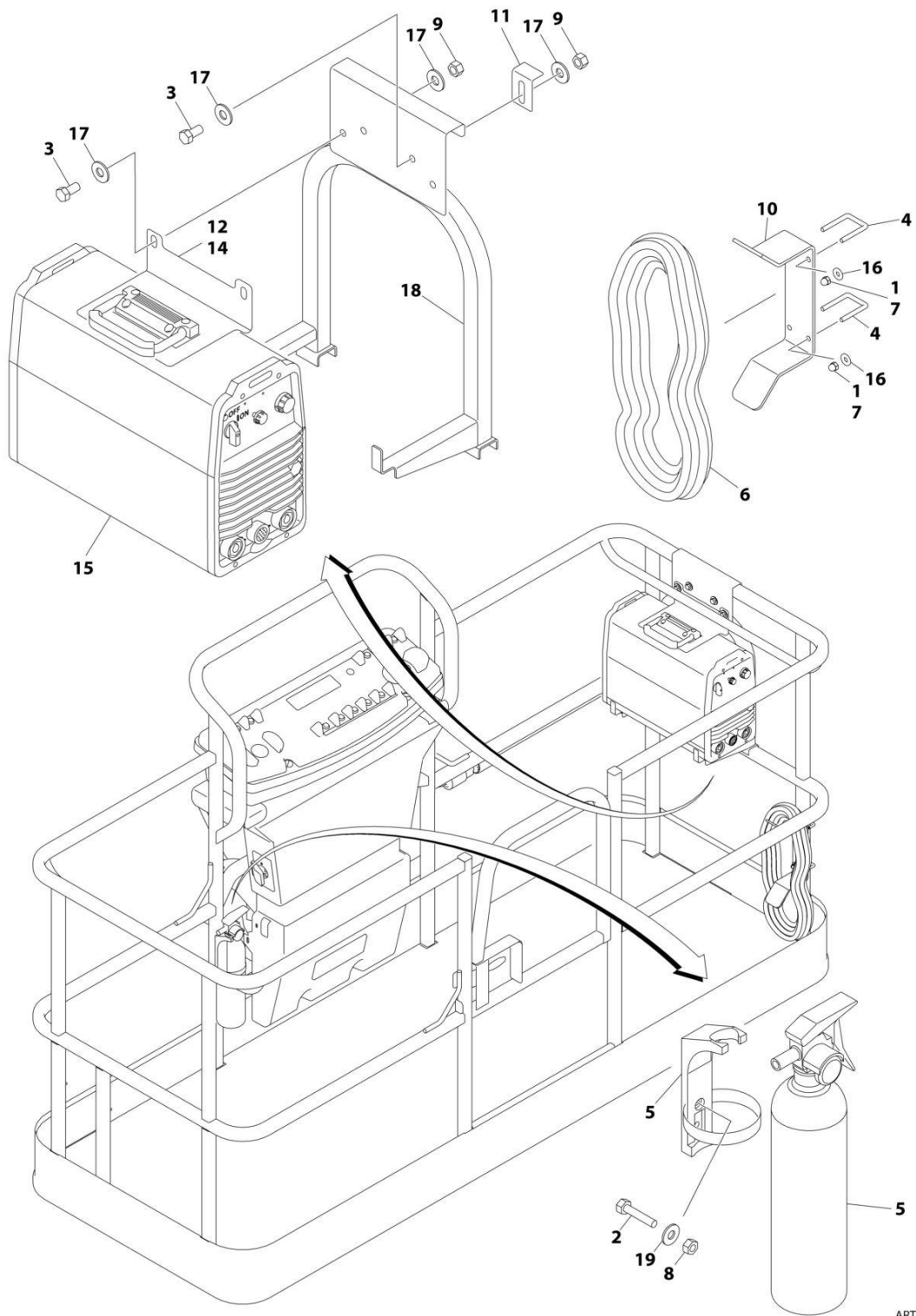
## SECTION 5 - PLATFORM

**FIGURE 5-26. SKYGLAZIER INSTALLATION (ANSI, ANSI EXPORT, AUSTRALIAN & CSA SPECS)**

ITEM	PART NUMBER	QTY	DESCRIPTION	REV
	1001172578	Ref	SKYGLAZIER INSTALLATION	D
1	0642012	2	Bolt 5/8 x 1-1/2	
2	0642212	4	Bolt 3/4 x 1-1/2	
3	2902212	1	Bumpers and Strap Kit	
3	0940102	1	Bumper Only	
3	4240149	1	Strap Only	
4	3312005	1	Nut 5/8	
5	3312205	4	Nut 3/4	
6	4420014	AR	Tape	
7	4712000	6	Washer 5/8	
8	4712200	8	Washer 3/4	
9	1001099366	1	Support	
10	1001099367	1	Support	
13	1001303430	1	Tray Assembly (Not Shown) (See Items 101-110 for Breakdown)	
14	8310129	2	Bolt 3/4 x 2-1/2	
	1001303430	Ref	TRAY ASSEMBLY	A
101	0100081	AR	Adhesive	
102	1120555	2	Cap, Tube	
103	1701509	1	Decal - Manual	
104	3124242	1	Manual - Accessories	
105	3340956	1	Pad Kit	
106	3460334	1	Pipe	
107	3520071	2	Plug	
108	4420066	AR	Tape, Double Sided	
109	4846562	1	Weld, Glazier Shelf	
110	1001253726	1	Decal - Accessory	

# SECTION 5 - PLATFORM

## FIGURE 5-27. SKYWELDER INSTALLATION (50HZ)



ART\_0272521\_F

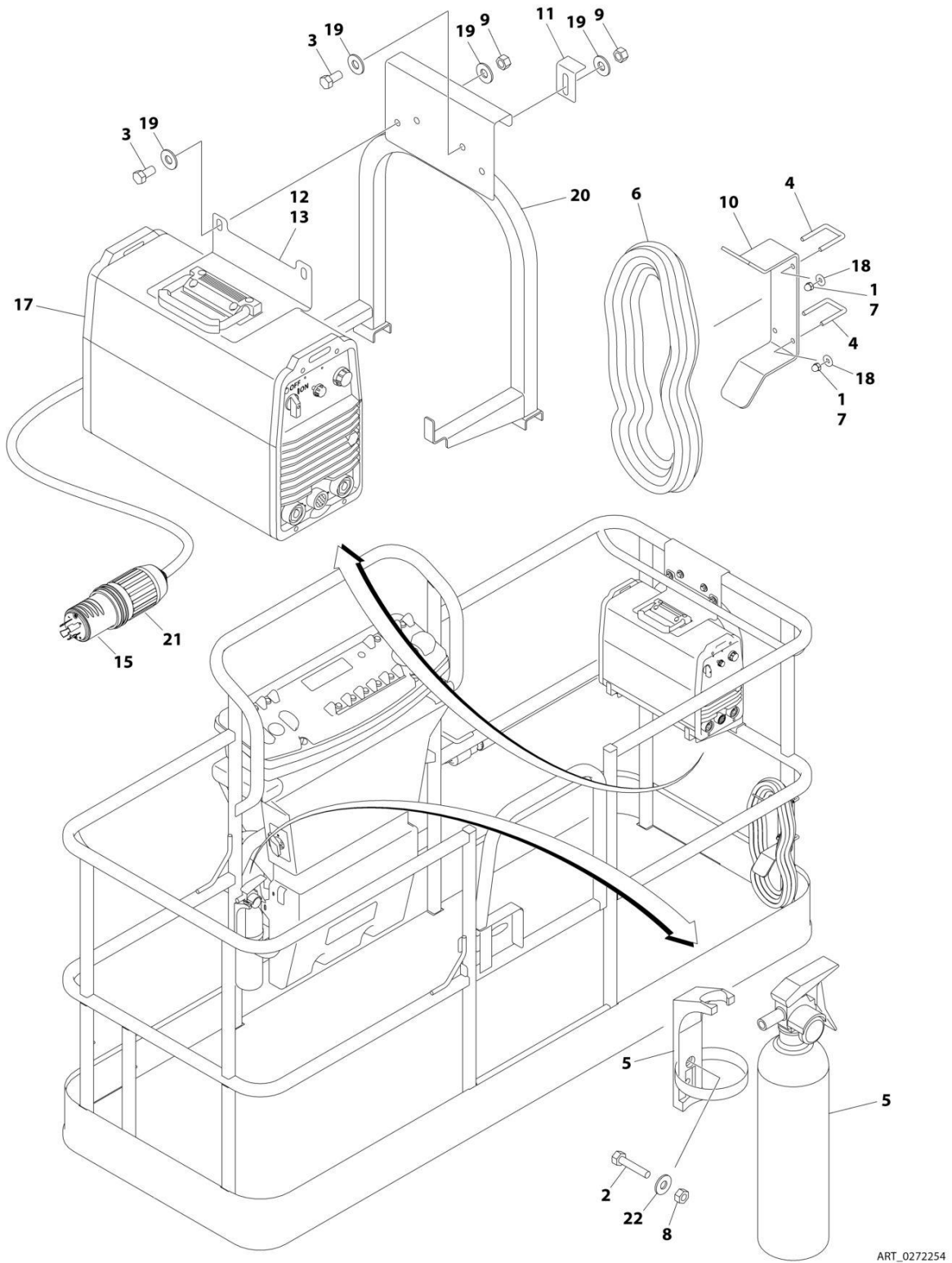
## SECTION 5 - PLATFORM

**FIGURE 5-27. SKYWELDER INSTALLATION (50HZ)**

ITEM	PART NUMBER	QTY	DESCRIPTION	REV
	0272521	Ref	SKYWELDER INSTALLATION	F
1	0100011	AR	Compound, Locking	
2	0630518	2	Screw #10 x 3/4	
3	0641606	4	Bolt 3/8 x 3/4	
4	1320302	2	U-Clamp	
5	2030010	1	Extinguisher, Fire	
6	2902217	1	Weld Leads Kit	
7	3300151	4	Nut 1/4	
8	3311005	2	Nut #10	
9	3311605	4	Nut 3/8	
10	3573400	1	Bracket	
11	3577121	2	Angle	
12	3573642	1	Plate	
13	4240099	AR	Tie-Strap (Not Shown)	
14	4420037	AR	Tape	
15	4530028	1	Welder Assembly (See Separate Breakdown in this Section)	
16	4751400	4	Washer 1/4	
17	4751600	8	Washer 3/8	
18	4846627	1	Support	
19	4751000	2	Washer #10	

# SECTION 5 - PLATFORM

## FIGURE 5-28. SKYWELDER INSTALLATION (60HZ)



ART\_0272254

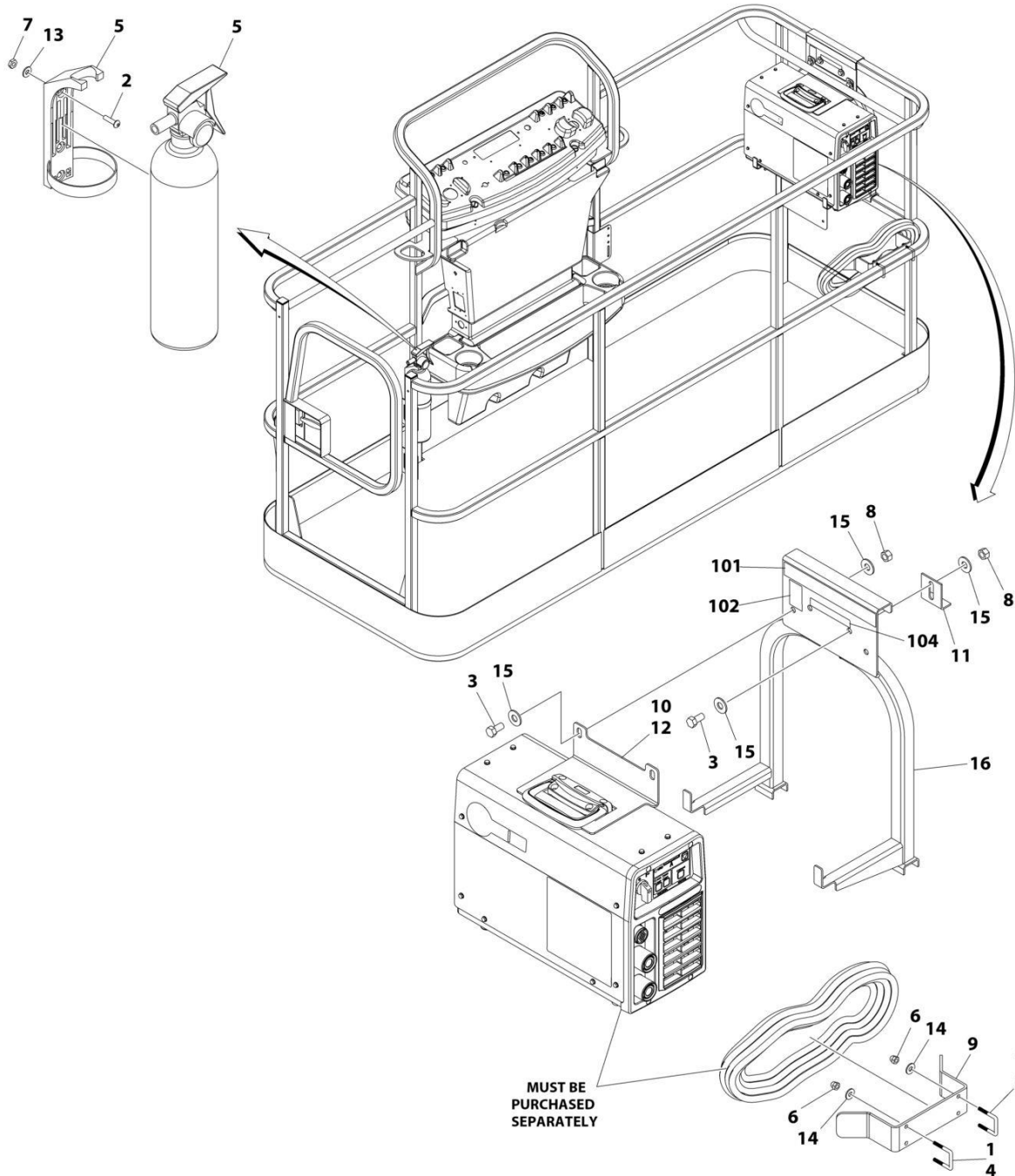
## SECTION 5 - PLATFORM

**FIGURE 5-28. SKYWELDER INSTALLATION (60HZ)**

ITEM	PART NUMBER	QTY	DESCRIPTION	REV
	0272254	Ref	SKYWELDER INSTALLATION	1
1	0100011	AR	Compound, Locking	
2	0630518	2	Screw #10 x 3/4	
3	0641606	4	Bolt 3/8 x 3/4	
4	1320302	2	U-Clamp	
5	2030010	1	Extinguisher, Fire	
6	2902217	1	Weld Leads Kit	
7	3300151	4	Nut 1/4	
8	3311005	2	Nut #10	
9	3311605	4	Nut 3/8	
10	3573400	1	Bracket	
11	3577121	2	Angle	
12	3573642	1	Plate	
13	4420037	AR	Tape	
14	4240099	AR	Tie-Strap (Not Shown)	
15	4460962	1	Plug, Male Twistlock	
17	4530028	1	Welder Assembly (See Separate Breakdown in this Section)	
18	4751400	4	Washer 1/4	
19	4751600	8	Washer 3/8	
20	4846627	1	Support	
21	1671093	1	Cover, Plug	
22	4751000	2	Washer #10	

# SECTION 5 - PLATFORM

## FIGURE 5-29. SKYWELDER PREP PACKAGE (60HZ)



ART\_1001128527\_C



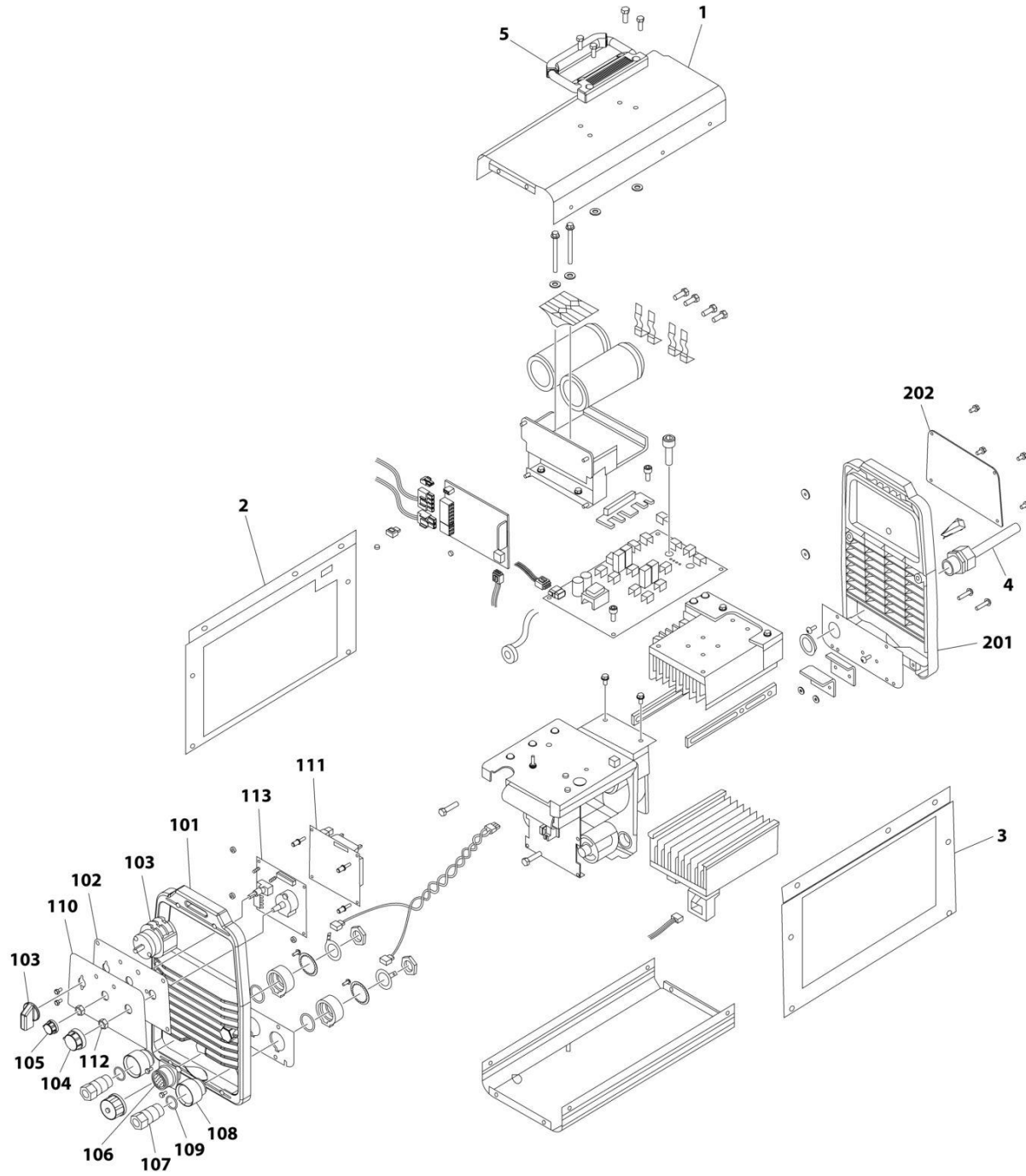
## SECTION 5 - PLATFORM

**FIGURE 5-29. SKYWELDER PREP PACKAGE (60HZ)**

ITEM	PART NUMBER	QTY	DESCRIPTION	REV
	1001128527	Ref	SKYWELDER PREP PACKAGE	C
1	0100011	AR	Compound, Locking	
2	0630518	2	Screw #10 x 3/4	
3	0641606	4	Bolt 3/8 x 3/4	
4	1320302	2	U-Clamp	
5	2030010	1	Extinguisher, Fire	
6	3300151	4	Nut 1/4	
7	3311005	2	Nut #10	
8	3311605	4	Nut 3/8	
9	3573400	1	Bracket	
10	1001269573	1	Plate	
11	3577121	2	Angle	
12	4420037	AR	Tape	
13	4751000	2	Washer #10	
14	4751400	4	Washer 1/4	
15	4751600	8	Washer 3/8	
16	1001269322	1	Support	
	1001128556	Ref	SKYWELDER DECAL INSTALLATION	D
101	1702868	1	Decal - No Hands	
102	1705305	1	Decal - Weld Lead	
104	1001228988	1	Decal - Weight	

# SECTION 5 - PLATFORM

## FIGURE 5-30. WELDER ASSEMBLY



ART\_4530028

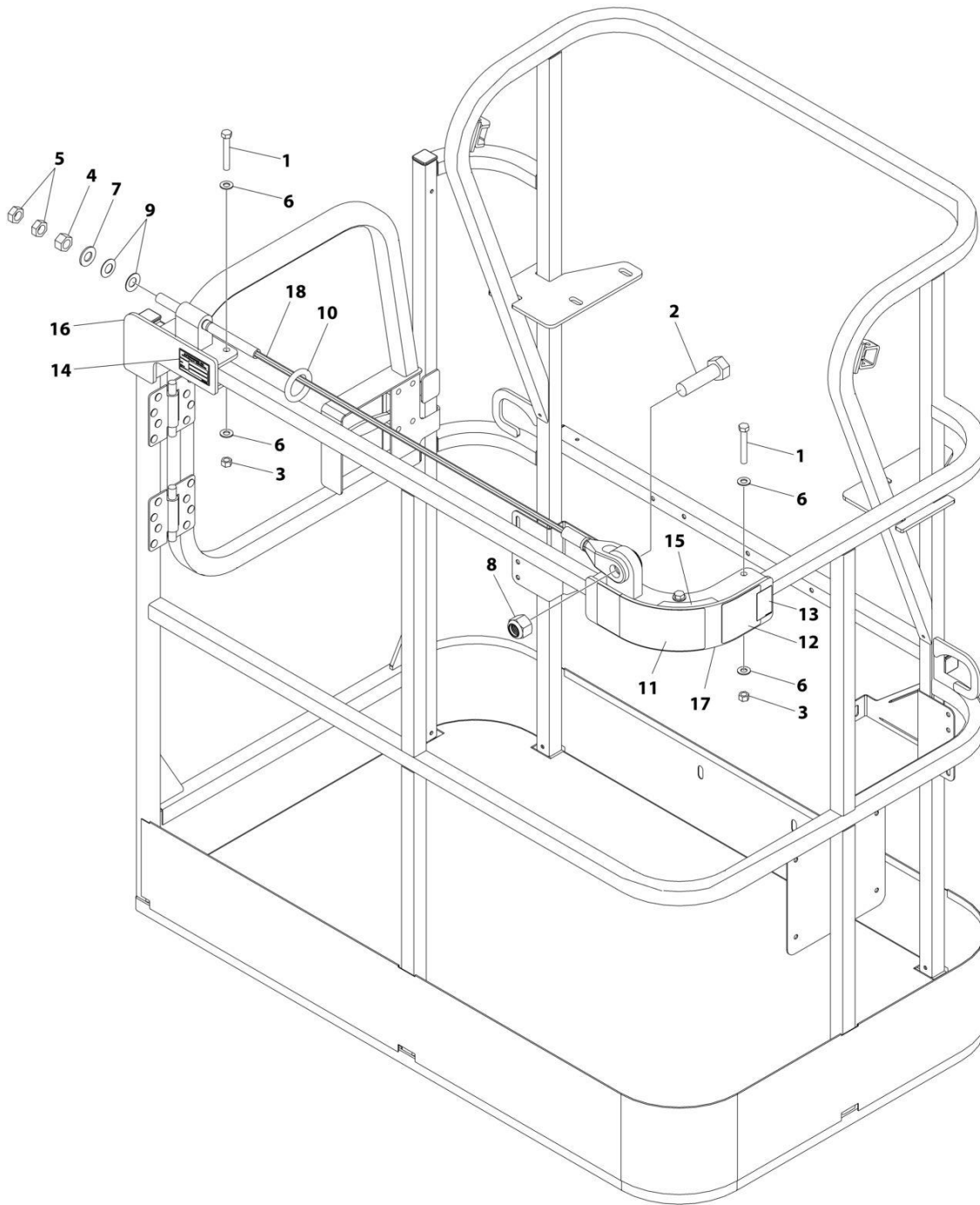
## SECTION 5 - PLATFORM

### FIGURE 5-30. WELDER ASSEMBLY

ITEM	PART NUMBER	QTY	DESCRIPTION	REV
	4530028	Ref	WELDER ASSEMBLY	B
		Ref	Note: For Other Components, contact your Miller Welder Dealer.	
1	7027773	1	Cover, Top	
1	7027774	1	Decal - Static Precautionary Warning	
2	See Note	NSS	Panel, LH Side (Note: Part of Item 1. Purchase Item 1)	
3	See Note	NSS	Panel, RH Side (Note: Part of Item 1. Purchase Item 1)	
4	7024467	1	Cable, Power	
4	7027775	1	Decal - Electrical Shock Warning (Not Shown)	
5	7027776	1	Handle, Carrying	
101	7024462	1	Panel, Front	
102	7024463	1	Panel, Console	
103	7024469	1	Switch with Lead	
104	7024470	1	Knob	
105	7024471	1	Knob	
106	7024472	1	Receptacle with Leads and Plugs	
107	7024473	2	Receptacle, Twistlock Female	
108	7024474	2	Insulator	
109	7024475	2	O-Ring	
110	7027777	1	Nameplate	
111	7027779	1	Circuit Card Assembly (Process Control)	
112	7024478	2	Nut	
113	7027778	1	Circuit Card Assembly (Operator Interface)	
201	7024462	1	Panel, Rear	
202	7027780	1	Panel, Cover	

# SECTION 5 - PLATFORM

FIGURE 5-31. FALL ARREST INSTALLATION (BOLT-ON) 30IN X 4FT (76CM X 1.22M) PLATFORM



ART\_1001261338

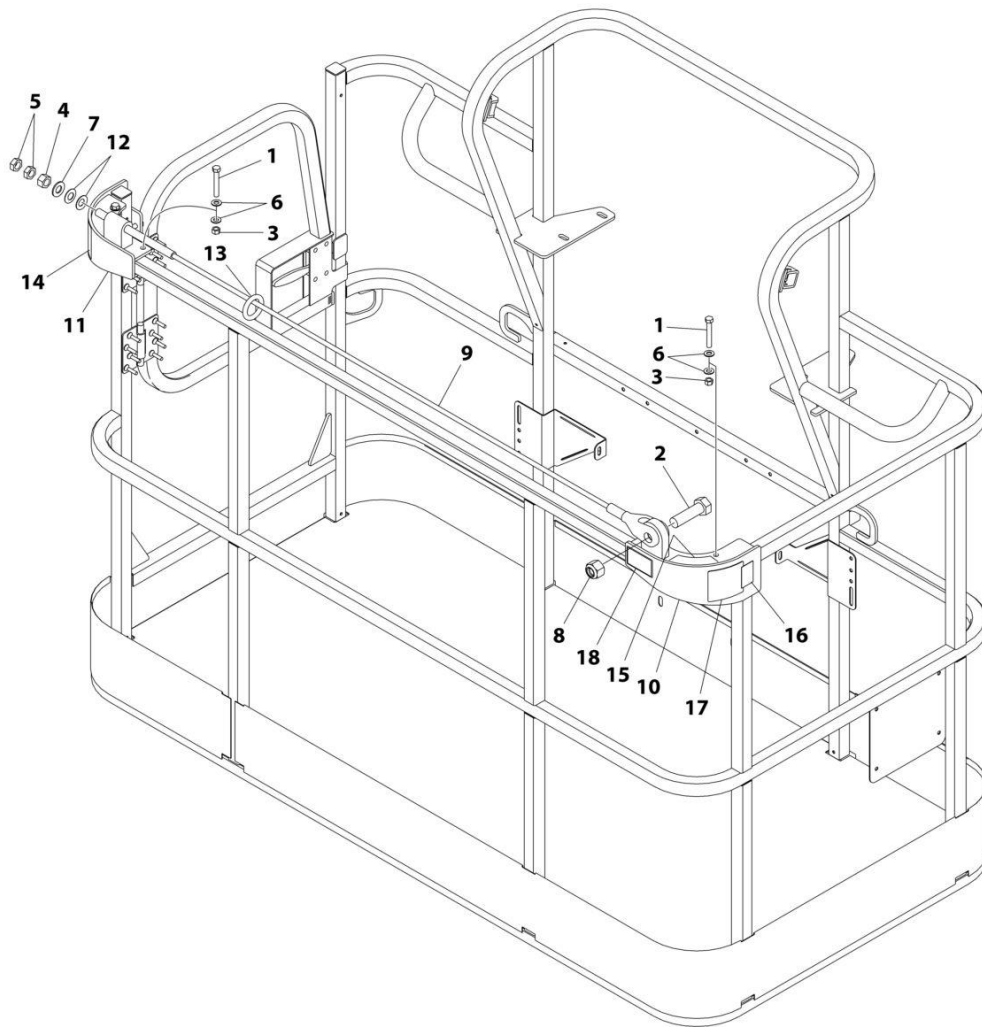
## SECTION 5 - PLATFORM

**FIGURE 5-31. FALL ARREST INSTALLATION (BOLT-ON) 30IN X 4FT (76CM X 1.22M) PLATFORM**

ITEM	PART NUMBER	QTY	DESCRIPTION	REV
	1001261338	Ref	FALL ARREST INSTALLATION	A
1	0681620	6	Bolt 3/8 x 2-1/2	
2	0682424	1	Bolt 7/8 x 3	
3	3271605	6	Nut 3/8	
4	3272001	1	Nut 5/8	
5	3312002	2	Nut 5/8	
6	4711600	12	Washer 3/8	
7	4712000	1	Washer 5/8	
8	88521214	1	Nut 7/8	
9	1001236891	2	Washer	
10	1001236895	1	Ring	
11	1001238263	1	Decal - Warning Falling Hazard	
12	1001248140	1	Decal - Bolt Fall Arrest Re-Cert	
13	1001248141	1	Decal - Incription	
14	See Note	NSS	Nameplate - Manufacturers Serial Number (Note: Not Available for Purchase)	
15	1001252629	1	Decal - Weight	
16	1001257271	1	Bracket (RH)	
17	1001257274	1	Bracket (LH)	
18	1001261335	1	Rope	

# SECTION 5 - PLATFORM

FIGURE 5-32. FALL ARREST INSTALLATION (BOLT-ON) 36IN X 6FT (91.2CM X 1.82M) PLATFORM



ART\_1001236747

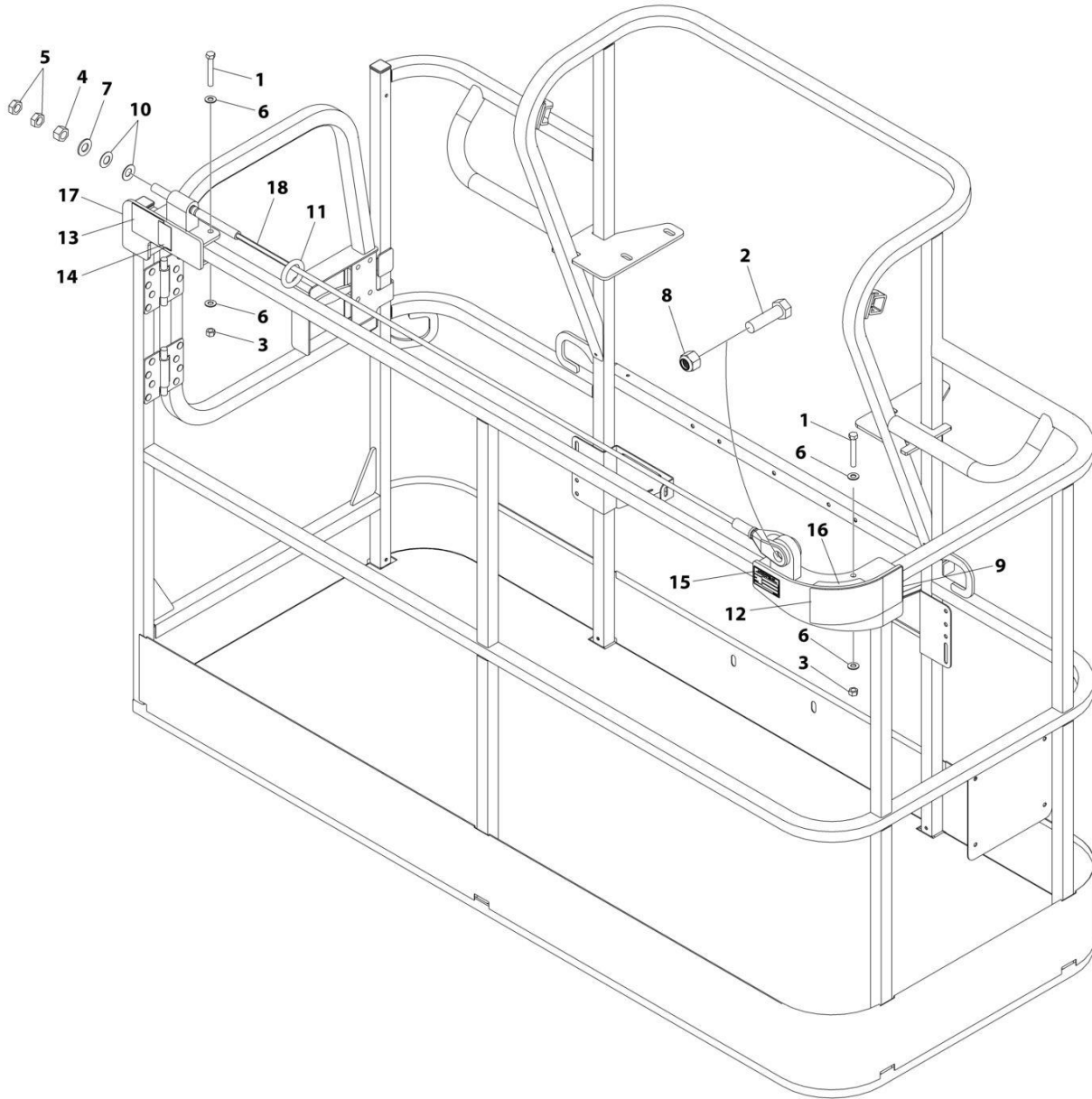
## SECTION 5 - PLATFORM

**FIGURE 5-32. FALL ARREST INSTALLATION (BOLT-ON) 36IN X 6FT (91.2CM X 1.82M) PLATFORM**

ITEM	PART NUMBER	QTY	DESCRIPTION	REV
	1001236747	Ref	FALL ARREST INSTALLATION (BOLT - ON) 6FT/1.82M PLATFORM	C
1	0681620	6	Bolt 3/8 x 2-1/2	
2	0682424	1	Bolt 7/8 x 3	
3	3271605	6	Nut 3/8	
4	3272001	1	Nut 5/8	
5	3312002	2	Nut 5/8	
6	4711600	12	Washer 3/8	
7	4712000	1	Washer 5/8	
8	88521214	1	Nut 7/8	
9	1001231950	1	Rope	
10	1001232010	1	Bracket (RH)	
11	1001232011	1	Bracket (LH)	
12	1001236891	2	Washer	
13	1001236895	1	Ring	
14	1001238263	1	Decal - Warning Falling Hazard	
15	1001252629	1	Decal - Weight	
16	1001248140	1	Decal - Bolt Fall Arrest Re-Cert	
17	1001248141	1	Decal - Inscription	

# SECTION 5 - PLATFORM

FIGURE 5-33. FALL ARREST INSTALLATION (BOLT-ON) 30IN X 6FT (76CM X 1.83M) PLATFORM



ART\_1001261339



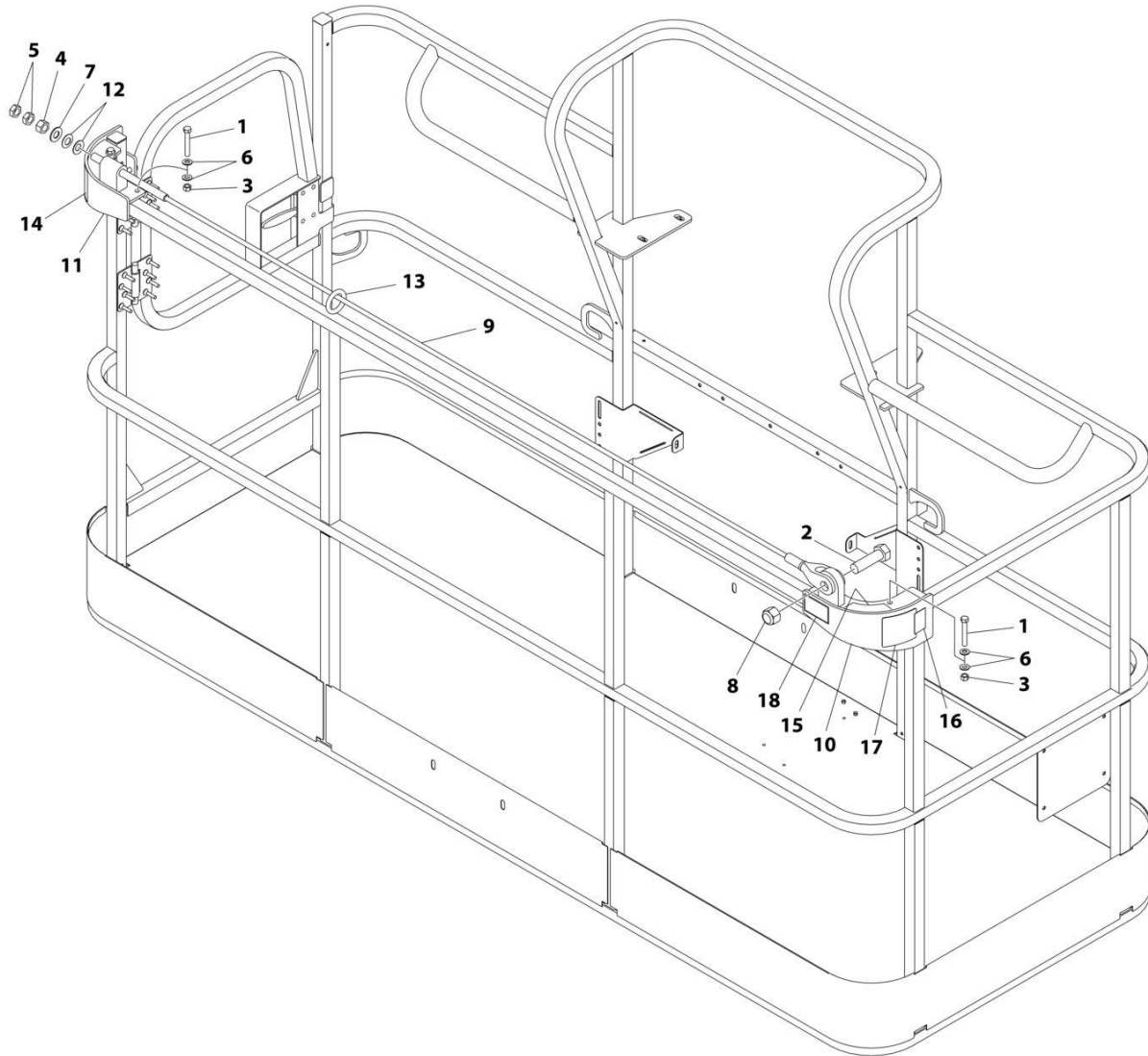
## SECTION 5 - PLATFORM

**FIGURE 5-33. FALL ARREST INSTALLATION (BOLT-ON) 30IN X 6FT (76CM X 1.83M) PLATFORM**

ITEM	PART NUMBER	QTY	DESCRIPTION	REV
	1001261339	Ref	FALL ARREST INSTALLATION (BOLT-ON) 30IN X 6FT (76CM X 1.83M) PLATFORM	A
1	0681620	6	Bolt 3/8 x 2-1/2	
2	0682424	1	Bolt 7/8 x 3	
3	3271605	6	Nut 3/8	
4	3272001	1	Nut 5/8	
5	3312002	2	Nut 5/8	
6	4711600	12	Washer 3/8	
7	4712000	1	Washer 5/8	
8	88521214	1	Nut 7/8	
9	1001232010	1	Bracket	
10	1001236891	2	Washer	
11	1001236895	1	Ring	
12	1001238263	1	Decal - Warning Falling Hazard	
13	1001248140	1	Decal - Bolt Fall Arrest Re-Cert	
14	1001248141	1	Decal - Incription	
15	See Note	NSS	Nameplate - Manufacturers Serial Number (Note: Not Available for Purchase)	
16	1001252629	1	Decal - Weight	
17	1001257271	1	Bracket	
18	1001261336	1	Rope	

# SECTION 5 - PLATFORM

FIGURE 5-34. FALL ARREST INSTALLATION (BOLT-ON) 36IN X 8FT (91.5CM X 2.4M) PLATFORM



ART\_1001236746

## SECTION 5 - PLATFORM

**FIGURE 5-34. FALL ARREST INSTALLATION (BOLT-ON) 36IN X 8FT (91.5CM X 2.4M) PLATFORM**

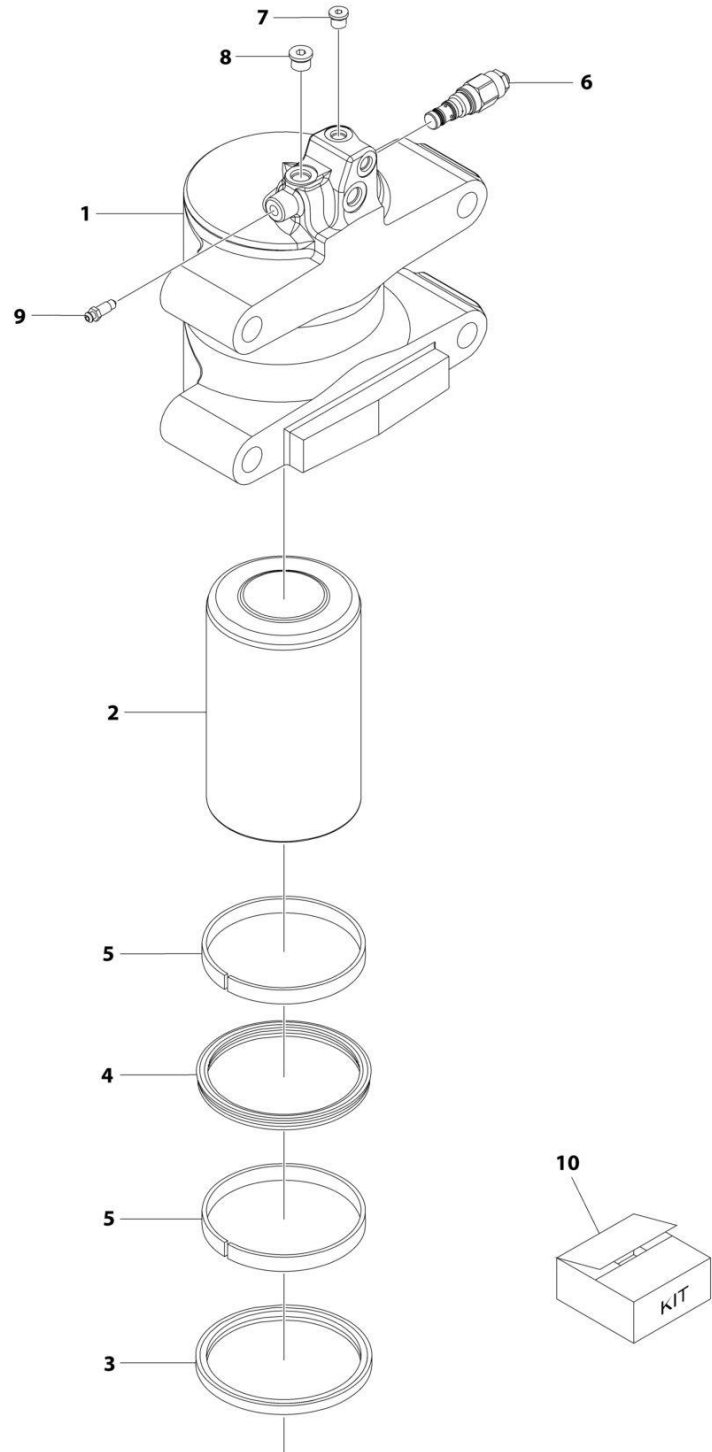
ITEM	PART NUMBER	QTY	DESCRIPTION	REV
	1001236746	Ref	FALL ARREST INSTALLATION (BOLT - ON) 8FT/2.4M PLATFORM	C
1	0681620	6	Bolt 3/8 x 2-1/2	
2	0682424	1	Bolt 7/8 x 3	
3	3271605	6	Nut 3/8	
4	3272001	1	Nut 5/8	
5	3312002	2	Nut 5/8	
6	4711600	12	Washer 3/8	
7	4712000	1	Washer 5/8	
8	88521214	1	Nut 7/8	
9	1001231949	1	Rope	
10	1001232010	1	Bracket (RH)	
11	1001232011	1	Bracket (LH)	
12	1001236891	2	Washer	
13	1001236895	1	Ring	
14	1001238263	1	Decal - Warning Falling Hazard	
15	1001252629	1	Decal - Weight 23LBS/10.4KG	
16	1001248140	1	Decal - Bolt Fall Arrest Re-Cert	
17	1001248141	1	Decal - Inscription	



**SECTION 6 - CYLINDER**

# SECTION 6 - CYLINDER

## FIGURE 6-1. AXLE LOCKOUT CYLINDER ASSEMBLY



ART\_1001204560

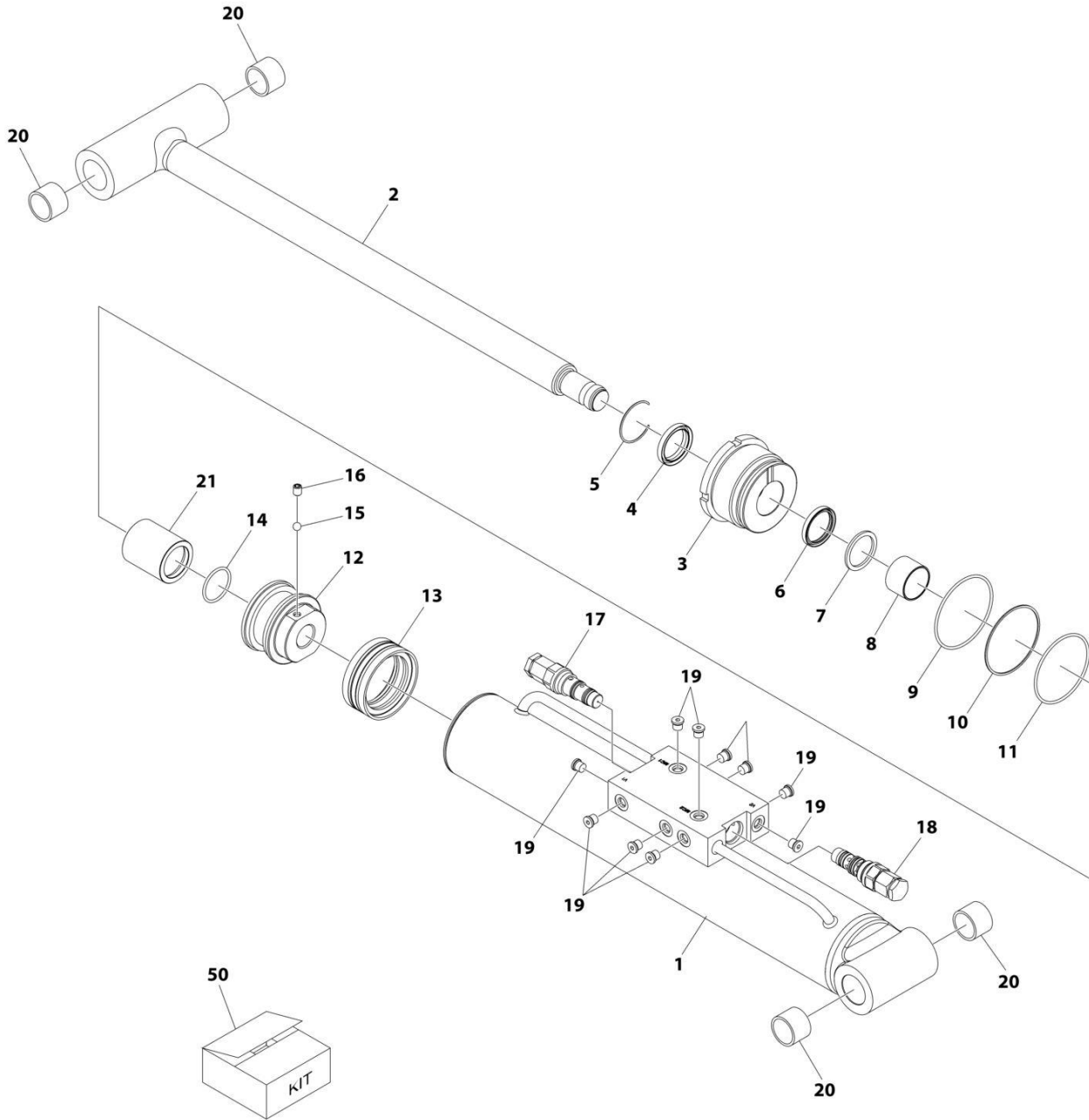
## SECTION 6 - CYLINDER

**FIGURE 6-1. AXLE LOCKOUT CYLINDER ASSMBLY**

ITEM	PART NUMBER	QTY	DESCRIPTION	REV
	1001204560	Ref	AXLE LOCKOUT CYLINDER ASSEMBLY	D
1	1001154126	1	Barrel	
2	1001154687	1	Rod	
3	See Note	NSS	Wiper (Note: Use Item 10)	
4	See Note	NSS	Seal, Rod (Note: Use Item 10)	
5	See Note	NSS	Ring, Wear (Note: Use Item 10)	
6	1001117372	1	Cartridge, Valve (Counterbalance)	
6	70002842	1	Seal Kit - 1001117372 Valve (1 Per Assembly)	
7	2220883	1	Plug, O-Ring	
8	2220885	1	Plug, O-Ring	
9	4640858	1	Valve, Bleeder	
10	1001098167	1	Seal Kit (Includes Items 3-5)	

# SECTION 6 - CYLINDER

## FIGURE 6-2. LEVEL (SLAVE) CYLINDER ASSEMBLY - JIB



ART\_1001251030



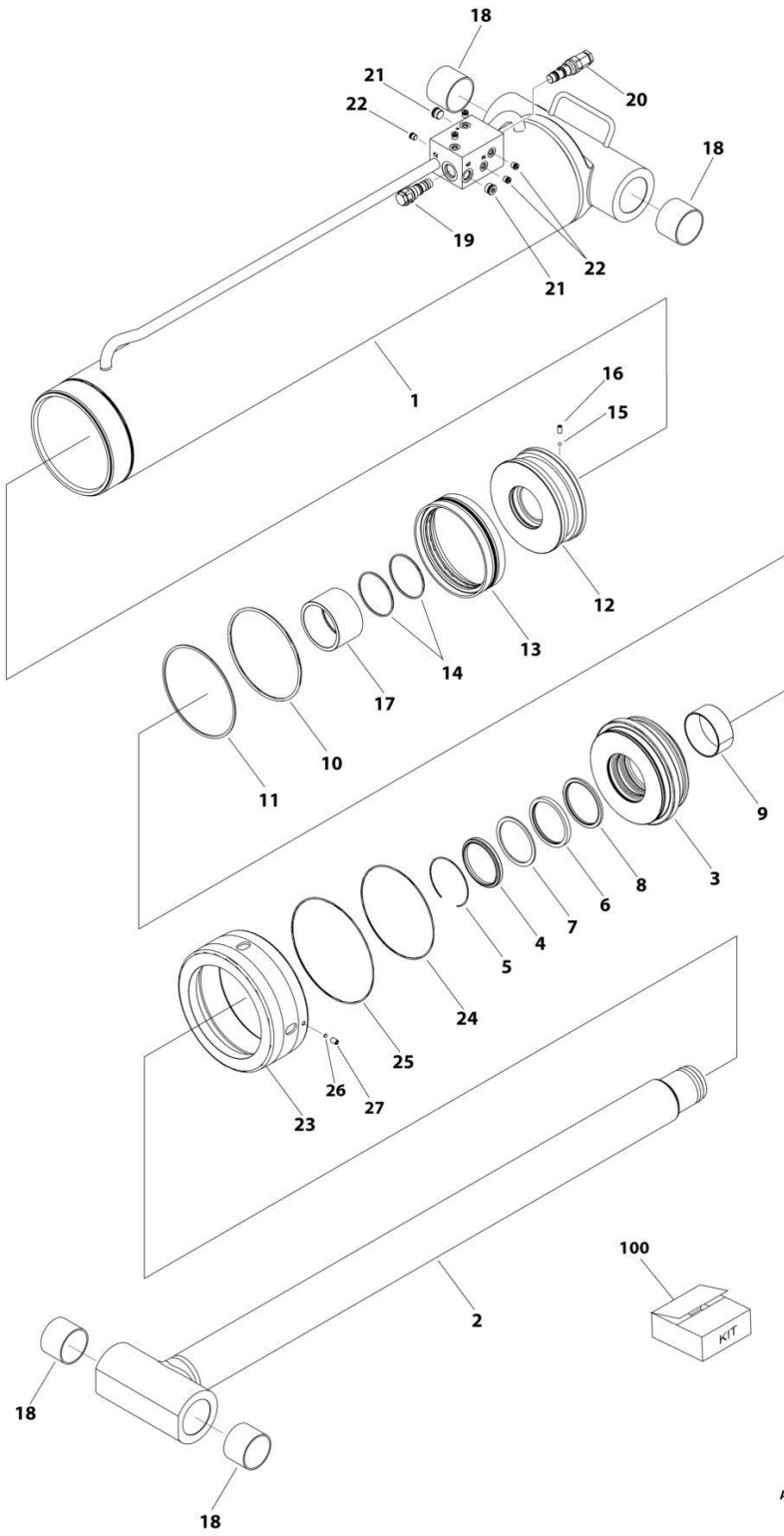
## SECTION 6 - CYLINDER

**FIGURE 6-2. LEVEL (SLAVE) CYLINDER ASSEMBLY - JIB**

ITEM	PART NUMBER	QTY	DESCRIPTION	REV
	1001251030	Ref	LEVEL (SLAVE) CYLINDER ASSEMBLY	B
		Ref	Note: Cylinder May Have Been Replaced with Service Replacement. Identify PN Stamped Cylinder Before Ordering Parts.	
1	See Note	NSS	Barrel (Note: Use PN 1001251030)	
2	70007966	1	Rod	
3	70007967	1	Head	
4	See Note	NSS	Wiper (Note: Use Item 50)	
5	70002373	1	Ring, Retaining	
6	See Note	NSS	Seal, Rod (Note: Use Item 50)	
7	See Note	NSS	Ring, Back-up (Note: Use Item 50)	
8	70005143	1	Bearing	
9	See Note	NSS	O-Ring (Note: Use Item 50)	
10	See Note	NSS	Ring, Back-up (Note: Use Item 50)	
11	See Note	NSS	O-Ring (Note: Use Item 50)	
12	70005144	1	Piston	
13	See Note	NSS	Seal, Piston (Note: Use Item 50)	
14	See Note	NSS	O-Ring (Note: Use Item 50)	
15	70022564	1	Ball, Steel	
16	70006596	1	Setscrew M8 x 12	
17	4640932	1	Cartridge, Valve - Counterbalance	
17	7011112	1	Seal Kit - 4640932 Valve	
18	4640605	1	Cartridge, Valve - Counterbalance	
18	2900792	1	Seal Kit - 4640605 Valve	
19	70023370	10	Plug 7/16	
20	0961951	4	Bearing	
21	70007968	1	Spacer	
50	70007969	1	Seal Kit - 1001251030 Cylinder (Includes Items 4, 6, 7, 9-11, 13 & 14)	

# SECTION 6 - CYLINDER

## FIGURE 6-3. LEVEL (SLAVE) CYLINDER ASSEMBLY - UPRIGHT



ART\_1001251041

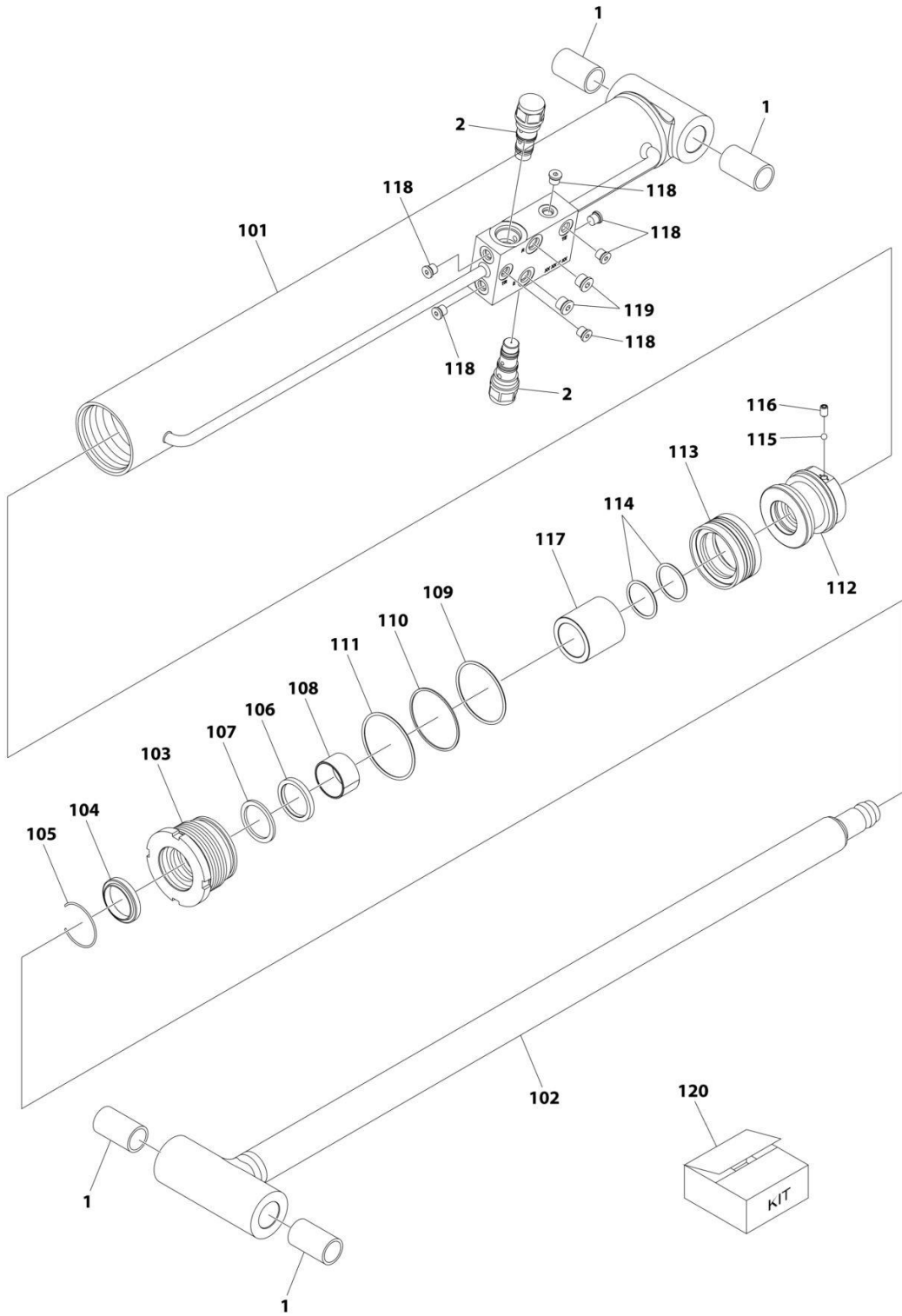
## SECTION 6 - CYLINDER

**FIGURE 6-3. LEVEL (SLAVE) CYLINDER ASSEMBLY - UPRIGHT**

ITEM	PART NUMBER	QTY	DESCRIPTION	REV
	1001251041	Ref	LIFT CYLINDER ASSEMBLY	C
		Ref	Note: Original Cylinder may have been replaced with Service Replacement. Identify PN Stamped on Cylinder Before Ordering Parts.	
1	See Note	NSS	Barrel (Note: Not Available for Purchase)	
2	70007427	1	Rod	
3	70007422	1	Head	
4	See Note	NSS	Wiper (Note: Use Item 100)	
5	70023380	1	Ring, Retaining	
6	See Note	NSS	Seal (Note: Use Item 100)	
7	See Note	NSS	Ring, Back-up (Note: Use Item 100)	
8	See Note	NSS	Ring, Buffer (Note: Use Item 100)	
9	70007423	1	Ring, Wear	
10	See Note	NSS	O-Ring (Note: Use Item 100)	
11	See Note	NSS	Ring, Back-up (Note: Use Item 100)	
12	70007428	1	Piston	
13	See Note	NSS	Seal (Note: Use Item 100)	
14	See Note	NSS	O-Ring (Note: Use Item 100)	
15	70022564	1	Steel Ball	
16	70007246	1	Screw, Set	
17	70007429	1	Spacer	
18	0962102	4	Bushing	
19	4640509	1	Cartridge, Valve	
19	2900792	1	Seal Kit - 4640509 Valve	
20	4640605	1	Cartridge, Valve	
20	2900792	1	Seal Kit - 4640605 Valve	
21	2220886	2	Plug, O-Ring	
22	2220883	5	Plug, O-Ring	
23	70007278	1	Cap	
24	See Note	1	O-Ring (Note: Use Item 100)	
25	See Note	NSS	O-Ring (Note: Use Item 100)	
26	70007282	1	Insert, Locking	
27	70026287	1	Screw, Set	
100	70007430	1	Seal Kit (Includes Items 4, 6-8, 10, 11, 13, 14, 24 & 25)	

# SECTION 6 - CYLINDER

## FIGURE 6-4. LIFT CYLINDER ASSEMBLY - JIB



ART\_1001251012

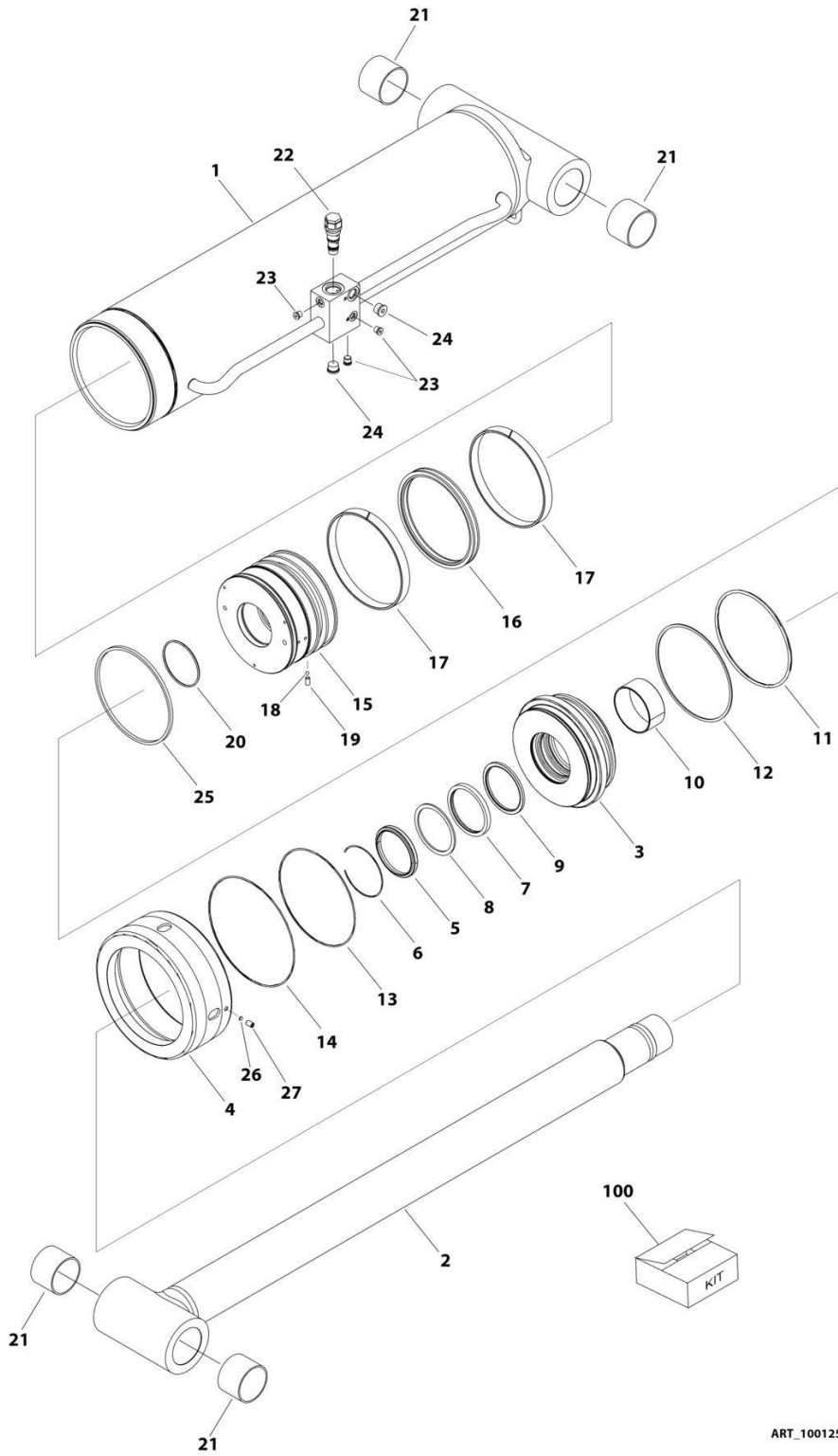
## SECTION 6 - CYLINDER

**FIGURE 6-4. LIFT CYLINDER ASSEMBLY - JIB**

ITEM	PART NUMBER	QTY	DESCRIPTION	REV
	1001251012	Ref	LIFT CYLINDER ASSEMBLY - JIB	A
		Ref	Note: Original Cylinder May Have Been Replaced with Service Replacement. Identify PN Stamped on Cylinder Before Ordering Parts.	
1	0962336	4	Bushing	
2	4640509	2	Cartridge, Valve	
2	2900792	2	Seal Kit - 4640509 Valve	
101	See Note	NSS	Tube (Note: Not Available for Purchase)	
102	70008175	1	Rod	
103	70008176	1	Head	
104	See Note	NSS	Wiper, Dust (Note: Use Item 120)	
105	70002373	1	Ring, Retaining	
106	See Note	NSS	Seal, Rod (Note: Use Item 120)	
107	See Note	NSS	Ring, Backup (Note: Use Item 120)	
108	70005871	1	Bushing	
109	See Note	NSS	O-Ring (Note: Use Item 120)	
110	See Note	NSS	Ring, Backup (Note: Use Item 120)	
111	See Note	NSS	O-Ring (Note: Use Item 120)	
112	70008177	1	Piston	
113	See Note	NSS	Seal, Piston (Note: Use Item 120)	
114	See Note	NSS	O-Ring (Note: Use Item 120)	
115	70022564	1	Ball, Steel	
116	70006596	1	Setscrew	
117	70008178	1	Spacer	
118	2220883	6	Plug 7/16	
119	2220885	2	Plug 9/16	
120	70008179	1	Seal Kit (Includes Items 104, 106-107, 109-111 & 113-114)	

# SECTION 6 - CYLINDER

## FIGURE 6-5. LIFT CYLINDER ASSEMBLY - MAIN BOOM



ART\_1001251010

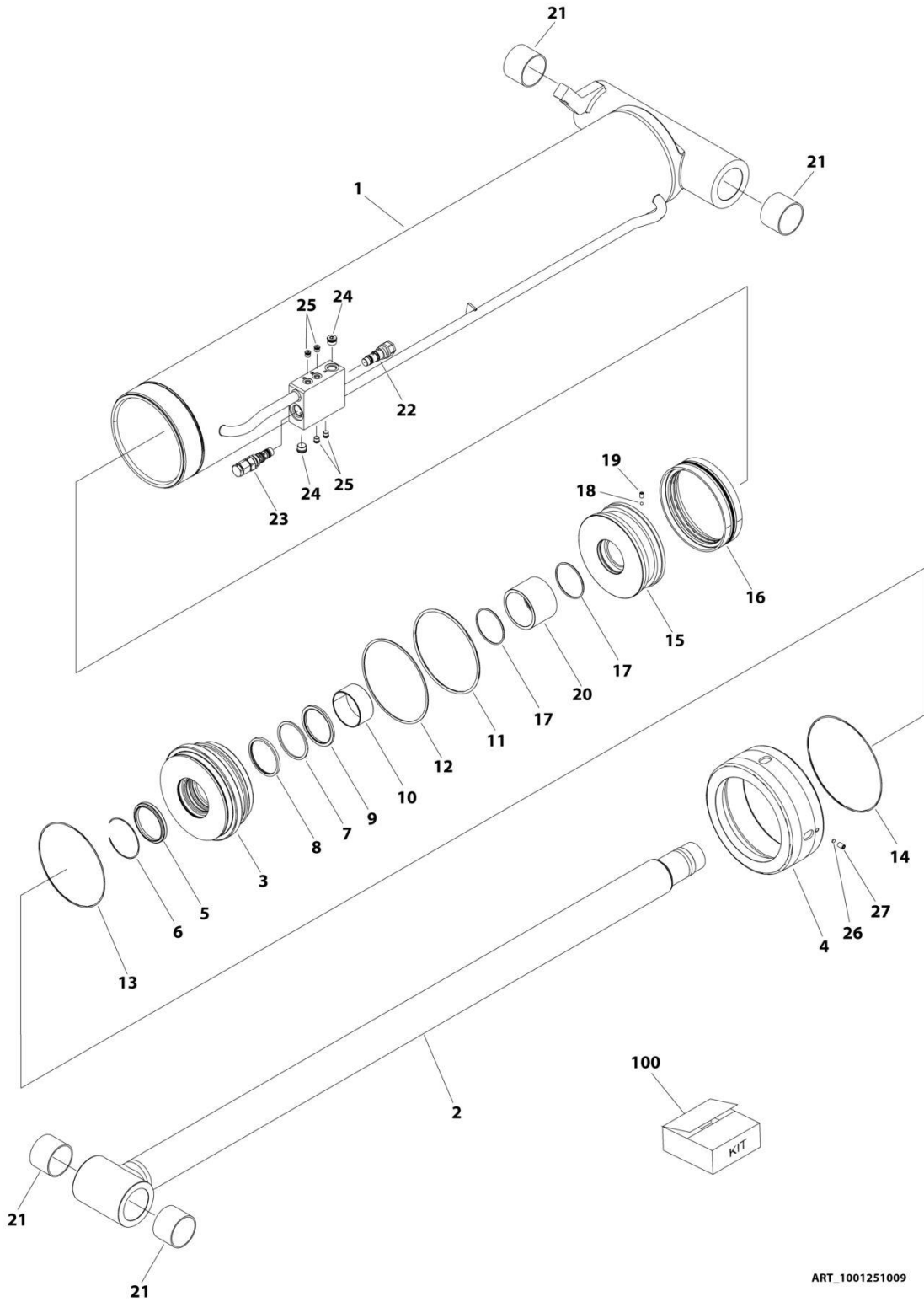
## SECTION 6 - CYLINDER

**FIGURE 6-5. LIFT CYLINDER ASSEMBLY - MAIN BOOM**

ITEM	PART NUMBER	QTY	DESCRIPTION	REV
	1001251010	Ref	LIFT CYLINDER ASSEMBLY	C
		Ref	Note: Original Cylinder may have been replaced with Service Replacement. Identify PN Stamped on Cylinder Before Ordering Parts.	
1	See Note	NSS	Barrel (Note: Not Available for Purchase)	
2	70007421	1	Rod	
3	70007422	1	Head	
4	70007278	1	Cap	
5	See Note	NSS	Wiper (Note: Use Item 100)	
6	70023380	1	Ring, Retaining	
7	See Note	NSS	Seal (Note: Use Item 100)	
8	See Note	NSS	Ring, Back-up (Note: Use Item 100)	
9	See Note	NSS	Ring, Buffer (Note: Use Item 100)	
10	70007423	1	Ring, Wear	
11	See Note	NSS	O-Ring (Note: Use Item 100)	
12	See Note	NSS	Ring, Back-up (Note: Use Item 100)	
13	See Note	NSS	O-Ring (Note: Use Item 100)	
14	See Note	NSS	O-Ring (Note: Use Item 100)	
15	70007424	1	Piston	
16	See Note	NSS	Seal (Note: Use Item 100)	
17	See Note	NSS	Ring, Wear (Note: Use Item 100)	
18	70022564	1	Steel Ball	
19	70007246	1	Screw, Set	
20	See Note	1	O-Ring (Note: Use Item 100)	
21	0962102	4	Bushing	
22	4640509	1	Cartridge, Valve	
22	2900792	1	Seal Kit - 4640509 Valve	
23	2220883	3	Plug, O-Ring	
24	2220886	2	Plug, O-Ring	
25	70007425	1	Ring, Piston	
26	70007282	1	Insert, Locking	
27	70026287	1	Screw, Set	
100	70007426	1	Seal Kit (Includes Items 5, 7-9, 11-14, 16, 17 & 20)	

# SECTION 6 - CYLINDER

## FIGURE 6-6. LIFT CYLINDER ASSEMBLY - TOWER BOOM



ART\_1001251009



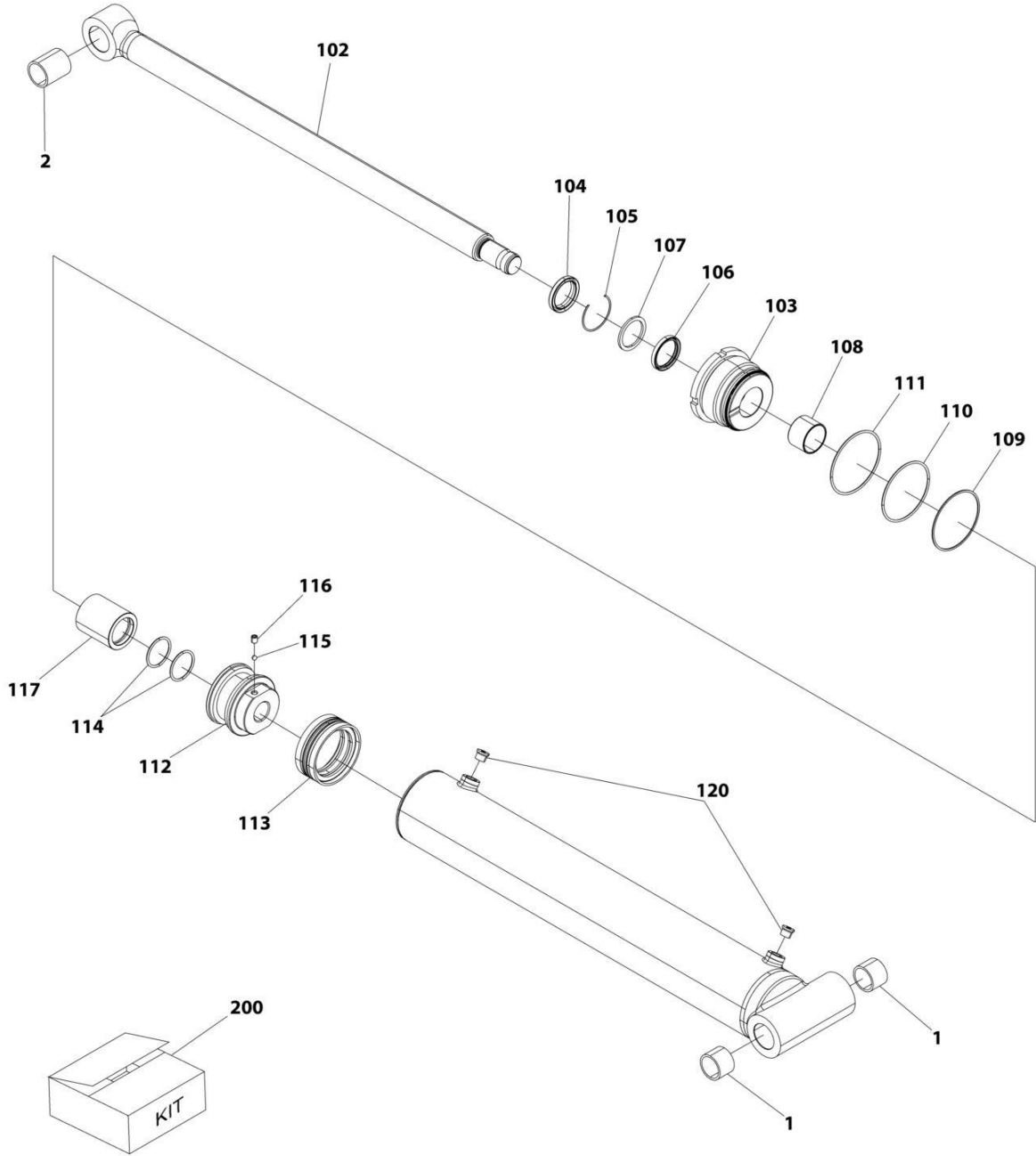
## SECTION 6 - CYLINDER

**FIGURE 6-6. LIFT CYLINDER ASSEMBLY - TOWER BOOM**

ITEM	PART NUMBER	QTY	DESCRIPTION	REV
	1001251009	Ref	LIFT CYLINDER ASSEMBLY	C
		Ref	Note: Original Cylinder may have been replaced with Service Replacement. Identify PN Stamped on Cylinder Before Ordering Parts.	
1	See Note	NSS	Barrel (Note: Not Available for Purchase)	
2	70007419	1	Rod	
3	70007277	1	Head	
4	70007278	1	Cap	
5	See Note	NSS	Wiper (Note: Use Item 100)	
6	70027750	1	Ring, Retaining	
7	See Note	NSS	Seal (Note: Use Item 100)	
8	See Note	NSS	Ring, Back-up (Note: Use Item 100)	
9	See Note	NSS	Ring, Buffer (Note: Use Item 100)	
10	70007279	1	Ring, Wear	
11	See Note	NSS	O-Ring (Note: Use Item 100)	
12	See Note	NSS	Ring, Back-up (Note: Use Item 100)	
13	See Note	NSS	O-Ring (Note: Use Item 100)	
14	See Note	NSS	O-Ring (Note: Use Item 100)	
15	70007280	1	Piston	
16	See Note	NSS	Seal (Note: Use Item 100)	
17	See Note	NSS	O-Ring (Note: Use Item 100)	
18	70022564	1	Steel Ball	
19	70029468	1	Screw, Set	
20	70007420	1	Spacer	
21	0962102	4	Bushing	
22	4640509	1	Cartridge, Valve	
22	2900792	1	Seal Kit - 4640509 Valve	
23	4640605	1	Cartridge, Valve	
23	2900792	1	Seal Kit - 4640605 Valve	
24	2220886	1	Plug, O-Ring	
25	2220883	4	Plug, O-Ring	
26	70007282	1	Insert, Locking	
27	70026287	1	Screw, Set	
100	70007283	1	Seal Kit (Includes Items 5, 7-9, 11-14, 16 & 17)	

# SECTION 6 - CYLINDER

## FIGURE 6-7. MASTER CYLINDER ASSEMBLY



ART\_1001251050

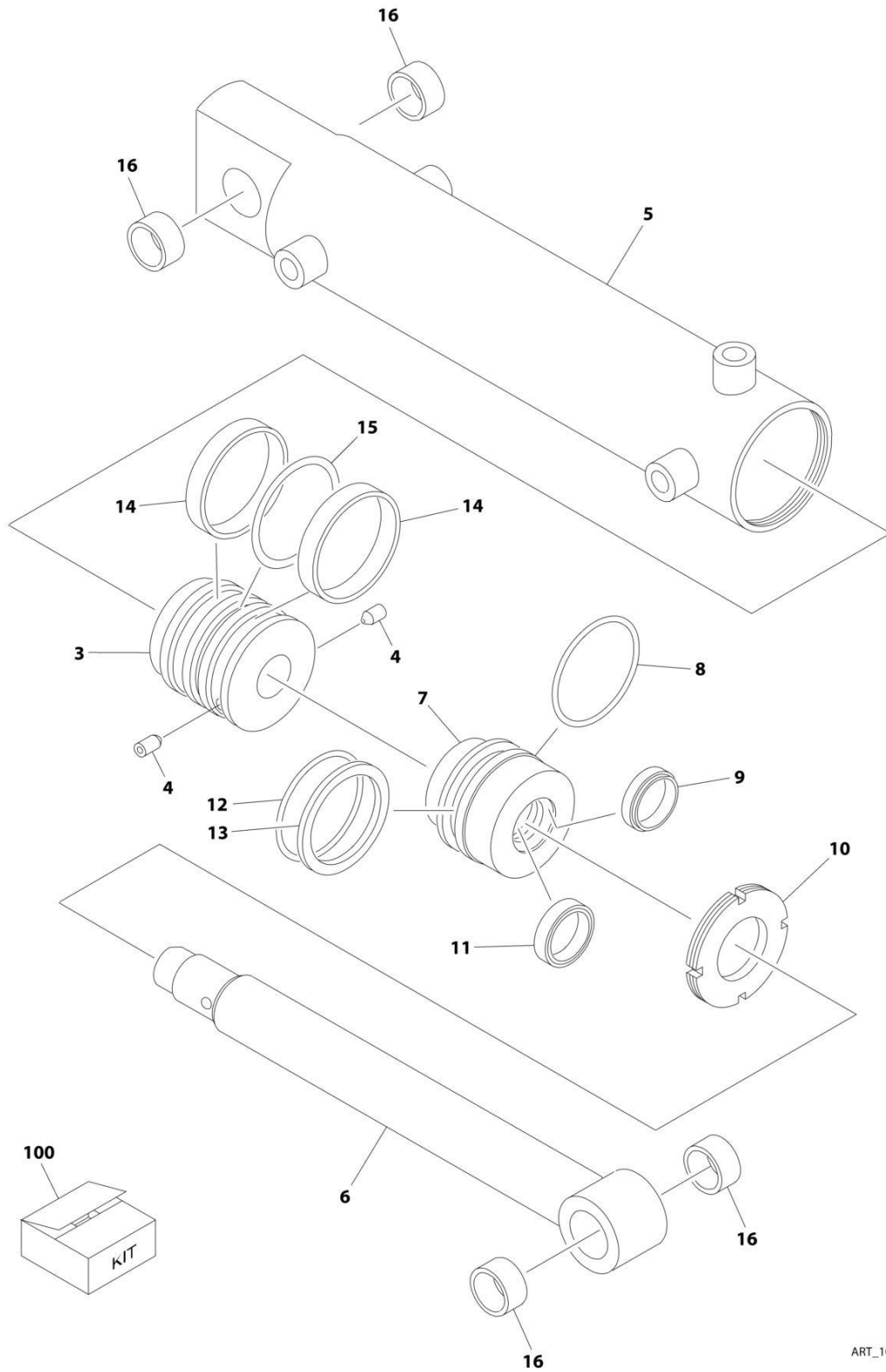
## SECTION 6 - CYLINDER

### FIGURE 6-7. MASTER CYLINDER ASSEMBLY

ITEM	PART NUMBER	QTY	DESCRIPTION	REV
	1001251050	Ref	MASTER CYLINDER ASSEMBLY	B
		Ref	Note: Cylinder May Have Been Replaced with Service Replacement. Identify PN Stamped Cylinder Before Ordering Parts.	
1	0961951	2	Bushing	
2	0962155	1	Bushing	
102	70007992	1	Rod	
103	70007967	1	Head	
104	See Note	NSS	Wiper (Note: Use Item 200)	
105	70002373	1	Ring, Retaining	
106	See Note	NSS	Seal (Note: Use Item 200)	
107	See Note	NSS	Ring (Note: Use Item 200)	
108	70005143	1	Bearing	
109	See Note	NSS	O-Ring (Note: Use Item 200)	
110	See Note	NSS	Ring (Note: Use Item 200)	
111	See Note	NSS	O-Ring (Note: Use Item 200)	
112	70005144	1	Piston	
113	See Note	NSS	Seal (Note: Use Item 200)	
114	See Note	NSS	O-Ring (Note: Use Item 200)	
115	70022564	1	Ball, Steel	
116	70006596	1	Setscrew M8 x 1-1/4	
117	70007968	1	Spacer	
120	2220885	2	Plug	
200	70007969	1	Seal Kit (Includes 104, 106, 107, 109-111, 113 & 114)	

# SECTION 6 - CYLINDER

## FIGURE 6-8. STEER CYLINDER ASSEMBLY



ART\_1001150539

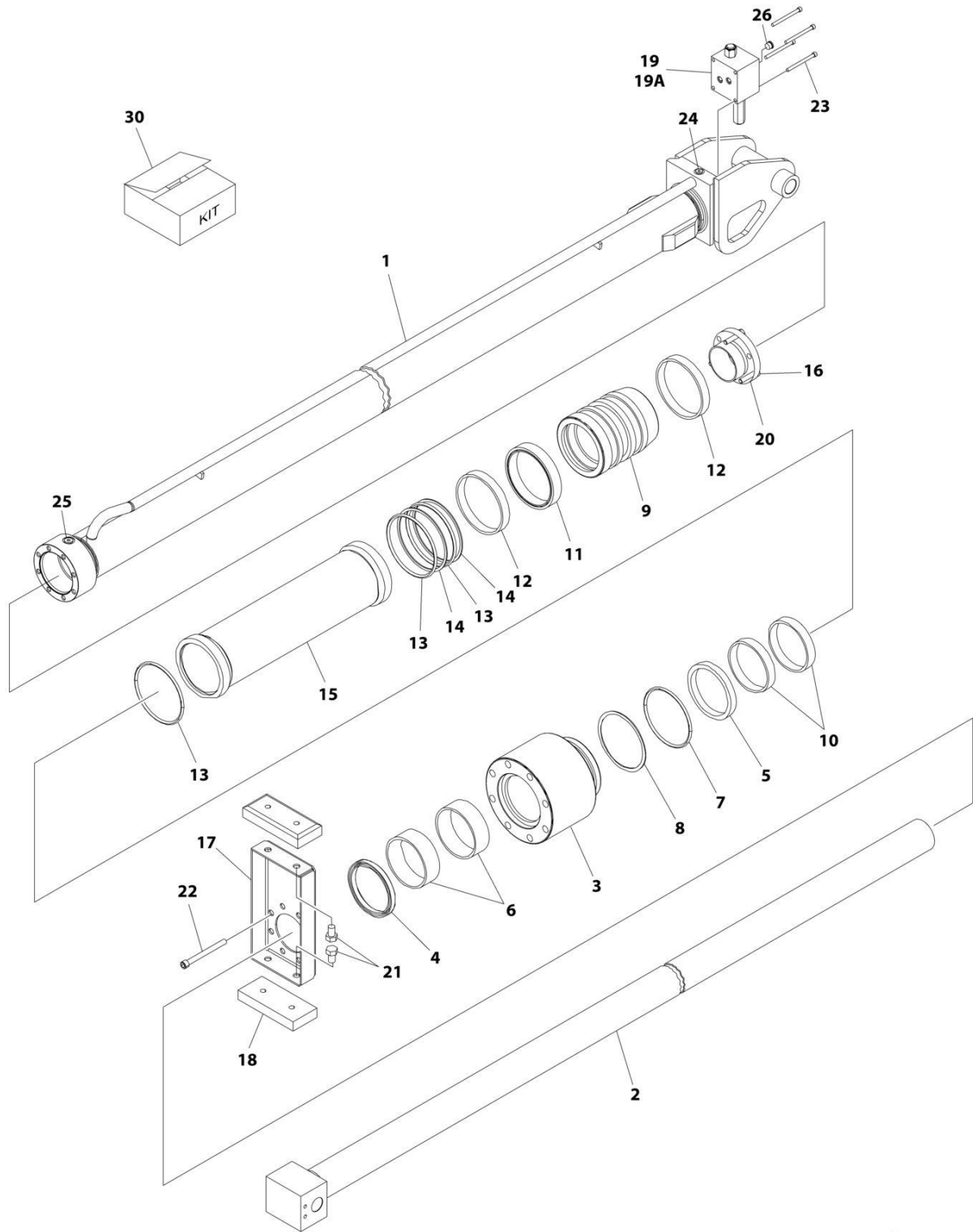
## SECTION 6 - CYLINDER

**FIGURE 6-8. STEER CYLINDER ASSEMBLY**

ITEM	PART NUMBER	QTY	DESCRIPTION	REV
	1001150539	Ref	STEER CYLINDER ASSEMBLY	F
		Ref	Note: Original Cylinder may have been replaced with Service Replacement. Identify PN Stamped on Cylinder Before Ordering Parts.	
3	70002744	1	Piston	
4	70002745	2	Setscrew M6 x 10	
5	70004381	1	Barrel	
6	70004382	1	Rod	
7	70002748	1	Head	
8	See Note	NSS	Ring (Note: Use Item 100)	
9	See Note	NSS	Wiper (Note: Use Item 100)	
10	70002749	1	Nut, Spanner	
11	See Note	NSS	Seal (Note: Use Item 100)	
12	See Note	NSS	O-Ring (Note: Use Item 100)	
13	See Note	NSS	Ring, Back-up (Note: Use Item 100)	
14	See Note	NSS	Ring, Wear (Note: Use Item 100)	
15	See Note	NSS	Seal (Note: Use Item 100)	
16	0962152	4	Bushings	
100	70002751	1	Seal Kit (Includes Items 8, 9 & 11-15)	

# SECTION 6 - CYLINDER

## FIGURE 6-9. TELESCOPE CYLINDER ASSEMBLY - MAIN BOOM



ART\_1001228087

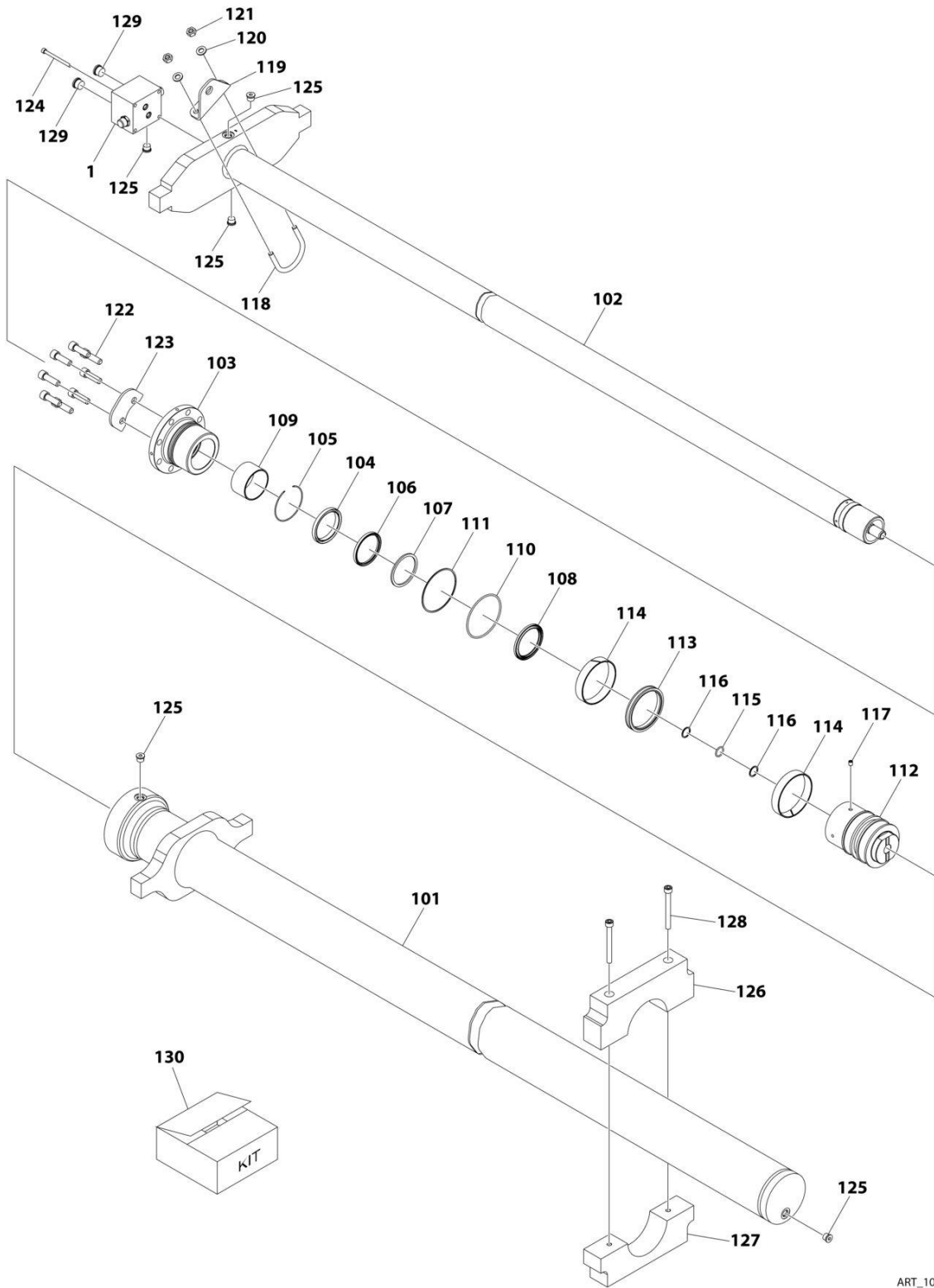
## SECTION 6 - CYLINDER

**FIGURE 6-9. TELESCOPE CYLINDER ASSEMBLY - MAIN BOOM**

ITEM	PART NUMBER	QTY	DESCRIPTION	REV
	1001228087	Ref	TELESCOPE CYLINDER ASSEMBLY	F
		Ref	Note: Original Cylinder may have been replaced with Service Replacement. Identify PN Stamped on Cylinder Before Ordering Parts.	
1	See Note	NSS	Barrel (Note: Not Available for Purchase)	
2	70006669	1	Rod	
3	70006670	1	Head	
4	See Note	NSS	Wiper (Note: Use Item 30)	
5	See Note	NSS	Seal, Rod (Note: Use Item 30)	
6	See Note	NSS	Ring, Wear (Note: Use Item 30)	
7	See Note	NSS	O-Ring (Note: Use Item 30)	
8	See Note	NSS	Ring, Back-up (Note: Use Item 30)	
9	70006671	1	Piston	
10	See Note	NSS	Ring, Wear (Note: Use Item 30)	
11	See Note	NSS	Seal, Piston (Note: Use Item 30)	
12	See Note	NSS	Ring, Wear (Note: Use Item 30)	
13	See Note	NSS	O-Ring (Note: Use Item 30)	
14	See Note	NSS	Ring, Back-up (Note: Use Item 30)	
15	70006672	1	Spacer	
16	0961897	1	Bushing, Tapered	
17	3570775	1	Plate	
18	3340838	2	Pad, Wear	
19	4641033	1	Valve Assembly (No serviceable parts - sold as assembly only)	
19A	7024508	2	O-Ring (Between Valve and Cylinder Barrel)	
20	0630535	3	Bolt 1/4 x 1-1/8	
21	0641806	4	Bolt 1/2 x 3/4	
22	3931664	8	Capscrew 3/8 x 4	
23	3931448	4	Capscrew 1/4 x 3	
24	2220883	1	Plug, O-Ring	
25	2220885	AR	Plug, O-Ring	
26	2220886	1	Plug, O-Ring	
30	1001149391	1	Seal Kit (Includes Items 4-8 & 10-14)	

# SECTION 6 - CYLINDER

## FIGURE 6-10. TELESCOPE CYLINDER ASSEMBLY - TOWER BOOM



ART\_1001251086



## SECTION 6 - CYLINDER

**FIGURE 6-10. TELESCOPE CYLINDER ASSEMBLY - TOWER BOOM**

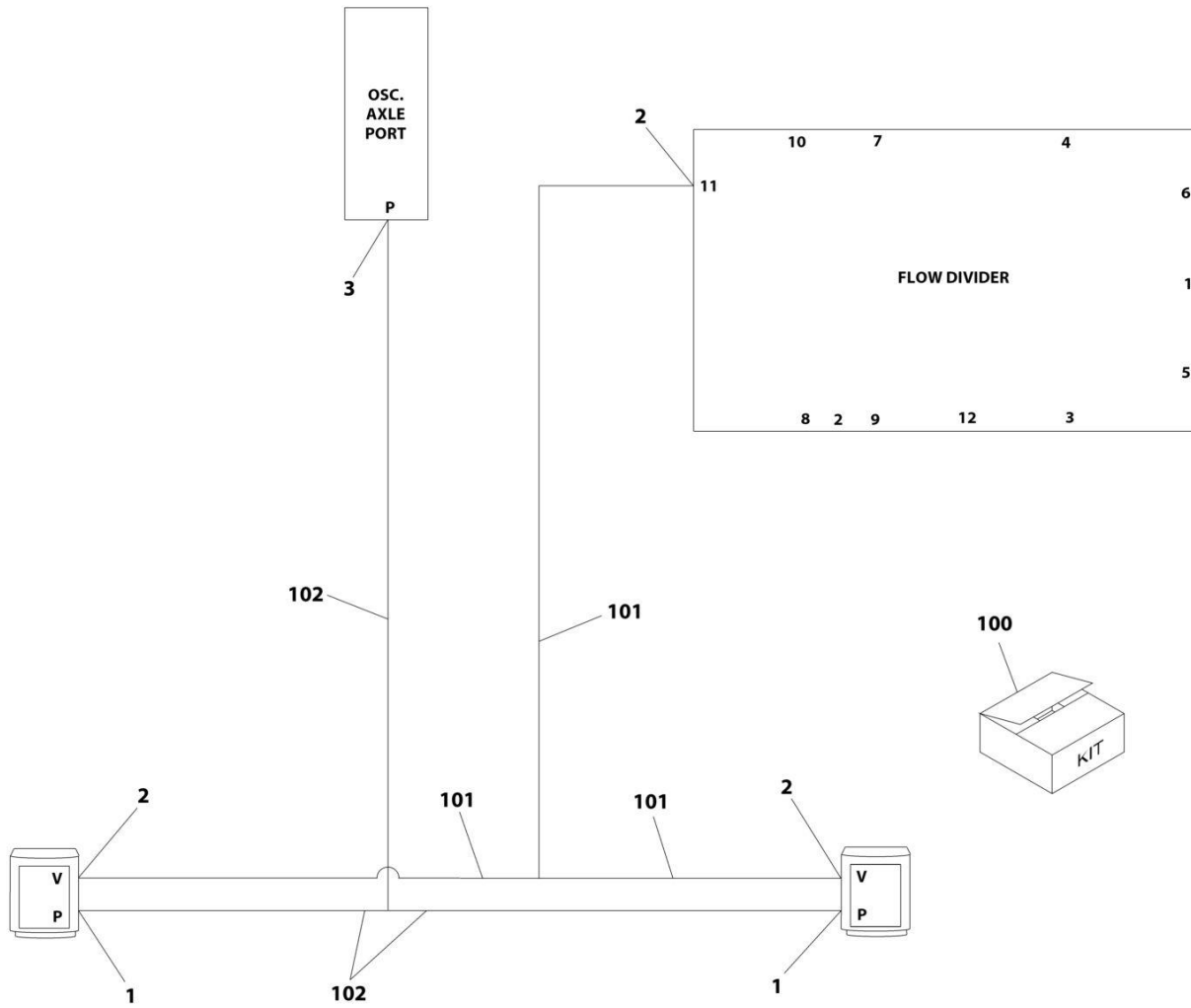
ITEM	PART NUMBER	QTY	DESCRIPTION	REV
	1001251086	Ref	TELESCOPE CYLINDER ASSEMBLY - TOWER BOOM	A
		Ref	Note: Original Cylinder May Have Been Replaced with Service Replacement. Identify PN Stamped on Cylinder Before Ordering Parts.	
1	4641032	1	Valve Assembly (No serviceable parts - sold as assembly only)	
1	7002388	1	Seal Kit	
101	See Note	NSS	Tube (Note: Not Available for Purchase)	
102	70008199	1	Rod	
103	70008200	1	Head	
104	See Note	NSS	Wiper, Dust (Note: Use Item 130)	
105	70050795	1	Ring, Retaining	
106	See Note	NSS	Seal, Rod (Note: Use Item 130)	
107	See Note	NSS	Ring, Backup (Note: Use Item 130)	
108	See Note	NSS	Ring, Buffer (Note: Use Item 130)	
109	70008201	1	Bushing	
110	See Note	NSS	O-Ring (Note: Use Item 130)	
111	See Note	NSS	Ring, Backup (Note: Use Item 130)	
112	70008202	1	Piston	
113	See Note	NSS	Seal, Piston (Note: Use Item 130)	
114	See Note	NSS	Ring, Wear (Note: Use Item 130)	
115	See Note	NSS	O-Ring (Note: Use Item 130)	
116	See Note	1	Ring, Backup (Note: Use Item 130)	
117	70005839	1	Setscrew	
118	70008203	1	U-Bolt M10 x 1.5	
119	70008204	1	Plate	
120	70006344	2	Washer M10	
121	70005594	2	Nut M12	
122	70008205	8	Bolt M12 x 40	
123	70008206	1	Plate	
124	70007981	4	Bolt M6 x 75	
125	2220885	5	Plug 9/16	
126	70008207	1	Pad	
127	70008208	1	Pad	
128	70008209	2	Bolt M10 x 95	
129	2220886	1	Plug 3/4	
130	70008210	1	Seal Kit (Includes Items 104, 106-108, 110-111 & 113-116)	



**SECTION 7 - HYDRAULIC**

# SECTION 7 - HYDRAULIC

## FIGURE 7-1. AXLE LOCKOUT HYDRAULIC DIAGRAM



ART\_1001157400

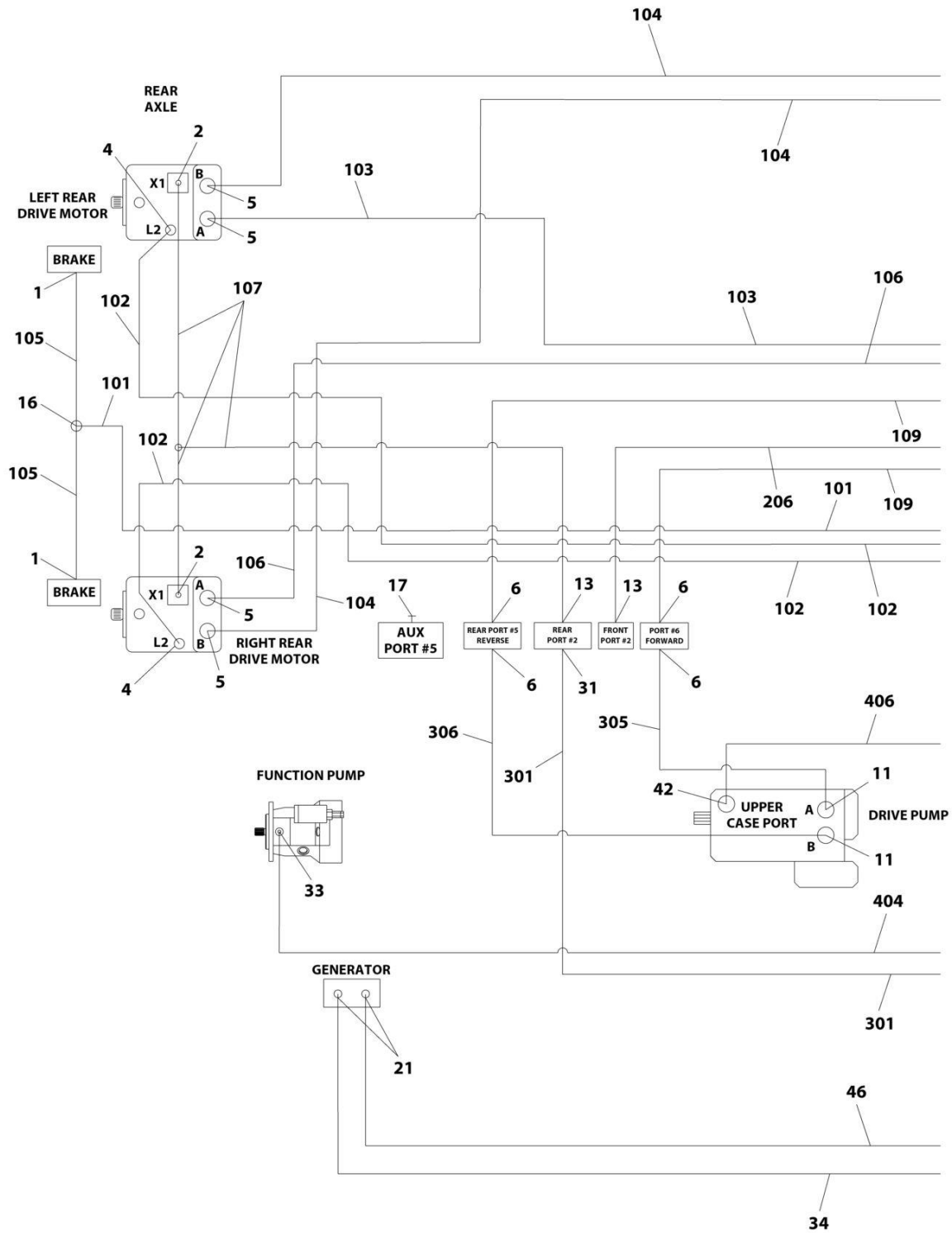
## SECTION 7 - HYDRAULIC

### FIGURE 7-1. AXLE LOCKOUT HYDRAULIC DIAGRAM

ITEM	PART NUMBER	QTY	DESCRIPTION	REV
	1001157400	Ref	AXLE LOCKOUT HYDRAULIC DIAGRAM	G
1	2110404	2	Fitting, Straight ORFS/ORB	
2	2110606	3	Fitting, Straight ORFS/ORB	
3	2110408	1	Fitting, Straight ORFS/ORB	
100	1001270068	1	Hose Lockout Kit	
101	1001198336	1	Hose with Crimped Tee	
102	1001198339	1	Hose with Crimped Tee	

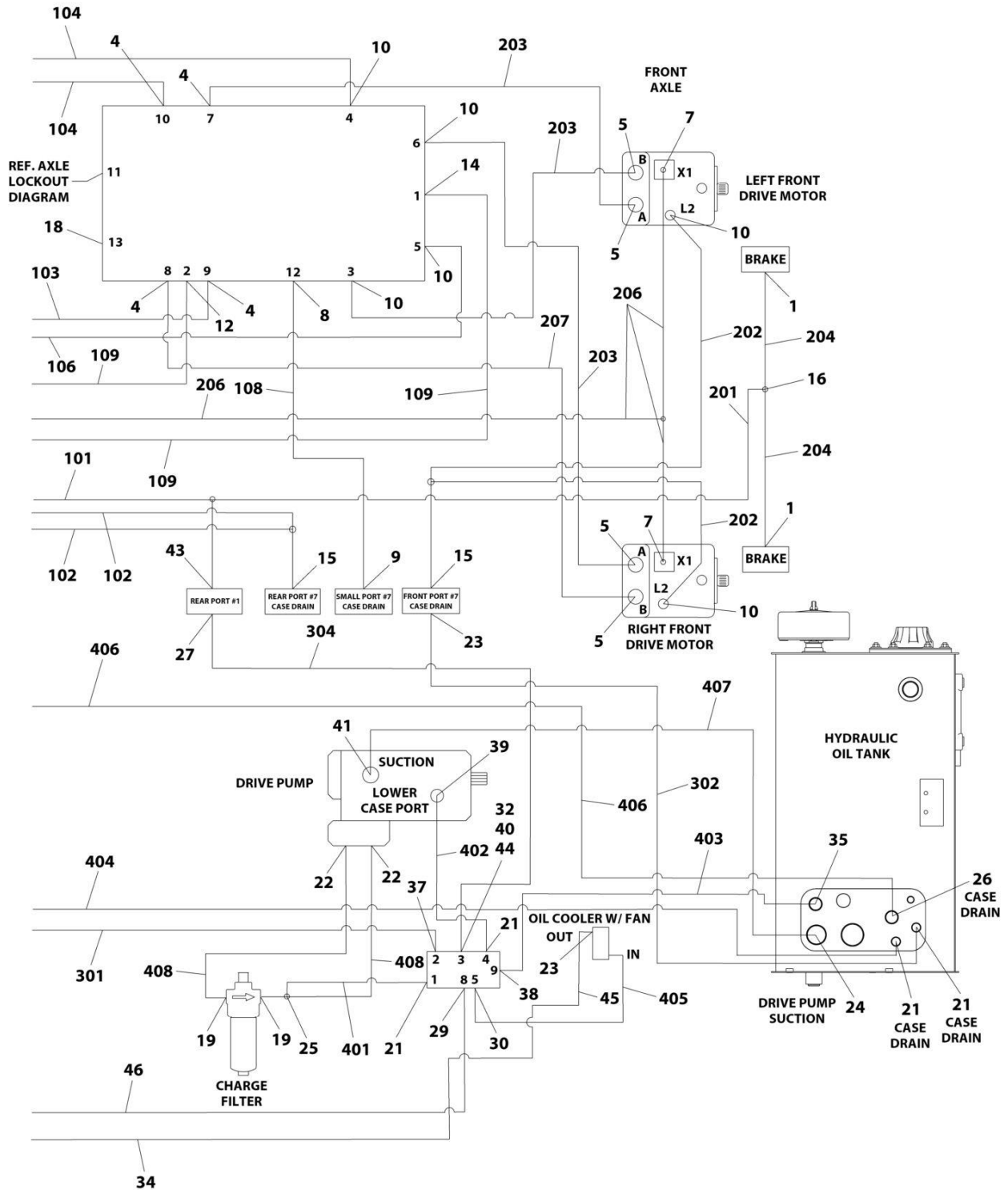
# SECTION 7 - HYDRAULIC

## FIGURE 7-2. DRIVE HYDRAULIC DIAGRAM



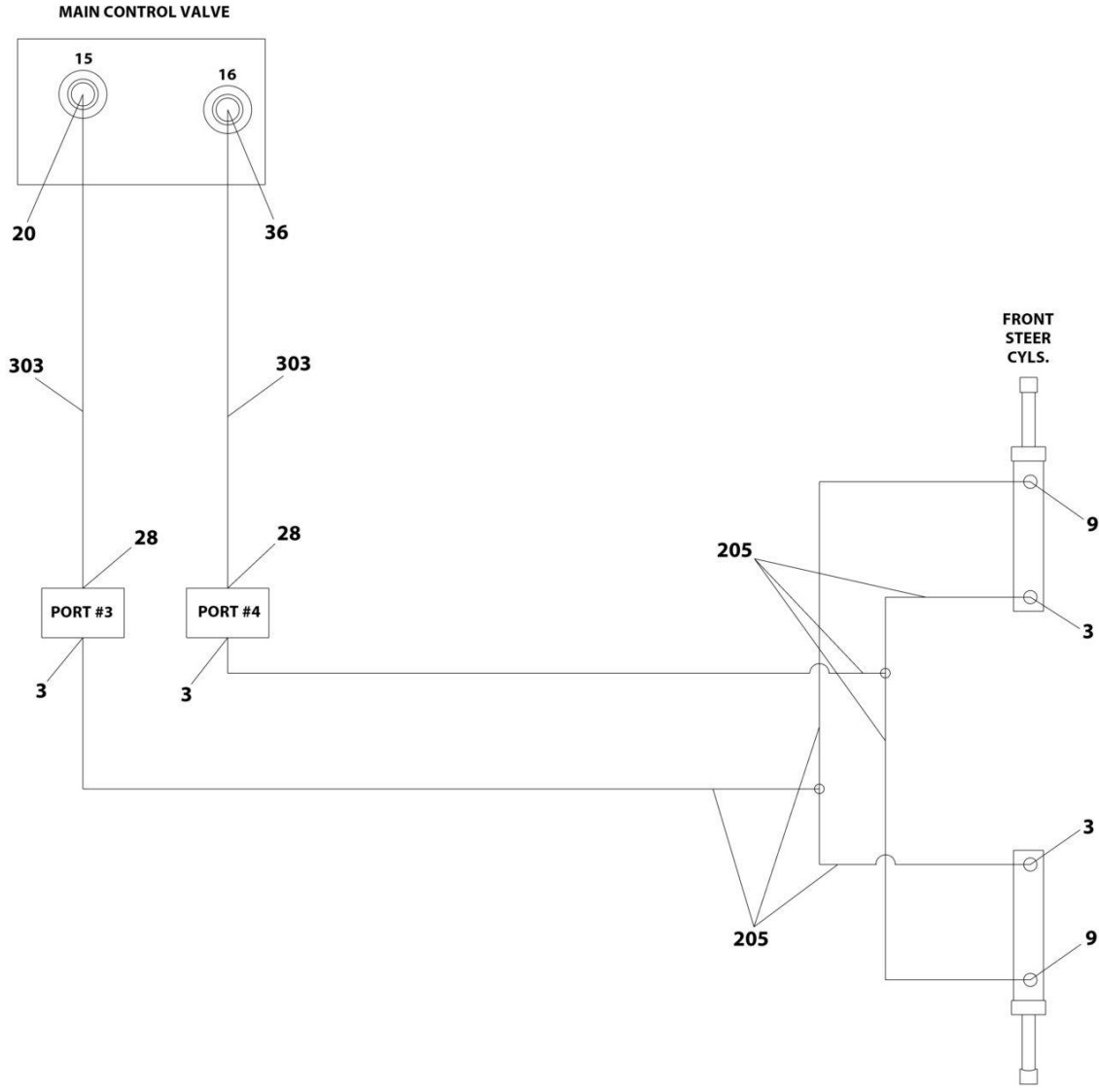
ART\_1001296853\_1OF3

# SECTION 7 - HYDRAULIC



ART\_1001296853\_20F3

# SECTION 7 - HYDRAULIC



ART\_1001296853\_3OF3



## SECTION 7 - HYDRAULIC

### FIGURE 7-2. DRIVE HYDRAULIC DIAGRAM

ITEM	PART NUMBER	QTY	DESCRIPTION	REV
	1001296853	Ref	DRIVE HYDRAULIC DIAGRAM	A
1	2110404	4	Fitting, Straight ORFS/ORB	
2	2110406	2	Fitting, Straight ORFS/ORB	
3	2110606	4	Fitting, Straight ORFS/ORB	
4	2110808	6	Fitting, Straight ORFS/ORB	
5	2110812	8	Fitting, Straight ORFS/ORB	
6	2111616	4	Fitting, Straight ORFS/ORB	
7	2130406	2	Fitting, 90 ORFS/ORB	
8	2130604	1	Fitting, 90 ORFS/ORB	
9	2130606	3	Fitting, 90 ORFS/ORB	
10	2130808	6	Fitting, 90 ORFS/ORB	
11	2131612	2	Fitting, 90° ORFS/ORB	
12	2131616	1	Fitting, 90 ORFS/ORB	
13	2150406	2	Fitting, 45 ORFS/ORB	
14	2151616	1	Fitting, 45 ORFS/ORB	
15	2170408	2	Fitting, Tee ORFS/ORFS/ORB	
16	2170504	2	Fitting, Tee ORFS	
17	2220237	1	Fitting, Plug ORB	
18	2220238	1	Fitting, Plug ORB	
19	2220366	2	Fitting, 90 ORB	
20	2220371	1	Fitting, Straight JIC/ORB	
21	2220373	6	Fitting, Straight JIC/ORB	
22	2220374	2	Fitting, Straight JIC/ORB	
23	2220375	3	Fitting, Straight ORB/FL	
24	2220380	1	Fitting, Straight ORB/FL	
25	2220385	1	Fitting, Tee JIC	
26	2220451	1	Fitting, Straight JIC/ORB	
27	2220468	1	Fitting, Straight ORB/FL	
28	2220473	2	Fitting, 90 ORB/FL	
29	2220499	1	Fitting, 45 JIC/ORB	
30	2220500	1	Fitting, 45 JIC/ORB	
31	2220582	1	Fitting, Straight ORB/FL	
32	2220654	1	Fitting, 90 JIC/FSJIC	
33	2220671	1	Fitting, 90 JIC/ORB	
34	2220683	1	Fitting, 45 JIC/FSJIC	
35	2220865	1	Fitting, Straight JIC/ORB	
36	2220998	1	Fitting, Straight JIC/ORB	
37	2221040	1	Fitting, 45 JIC/ORB	
38	2221050	1	Fitting, 45 JIC/ORB	
39	2221077	1	Fitting, 45	
40	4641284	1	Valve, Check	
41	8770050	1	Fitting, 90 JIC/ORB	
42	8770157	1	Fitting 90° JIC/ORB	
43	1001198338	1	Fitting, Tee ORFS/ORB	
44	1001228696	1	Fitting, Straight FORB/ORB	
45	1001228678	1	Hose	
46	1001228679	1	Hose	
100	1001270080	1	Hose Rear Kit	
101	2753622	1	Hose	
102	2753686	2	Hose	

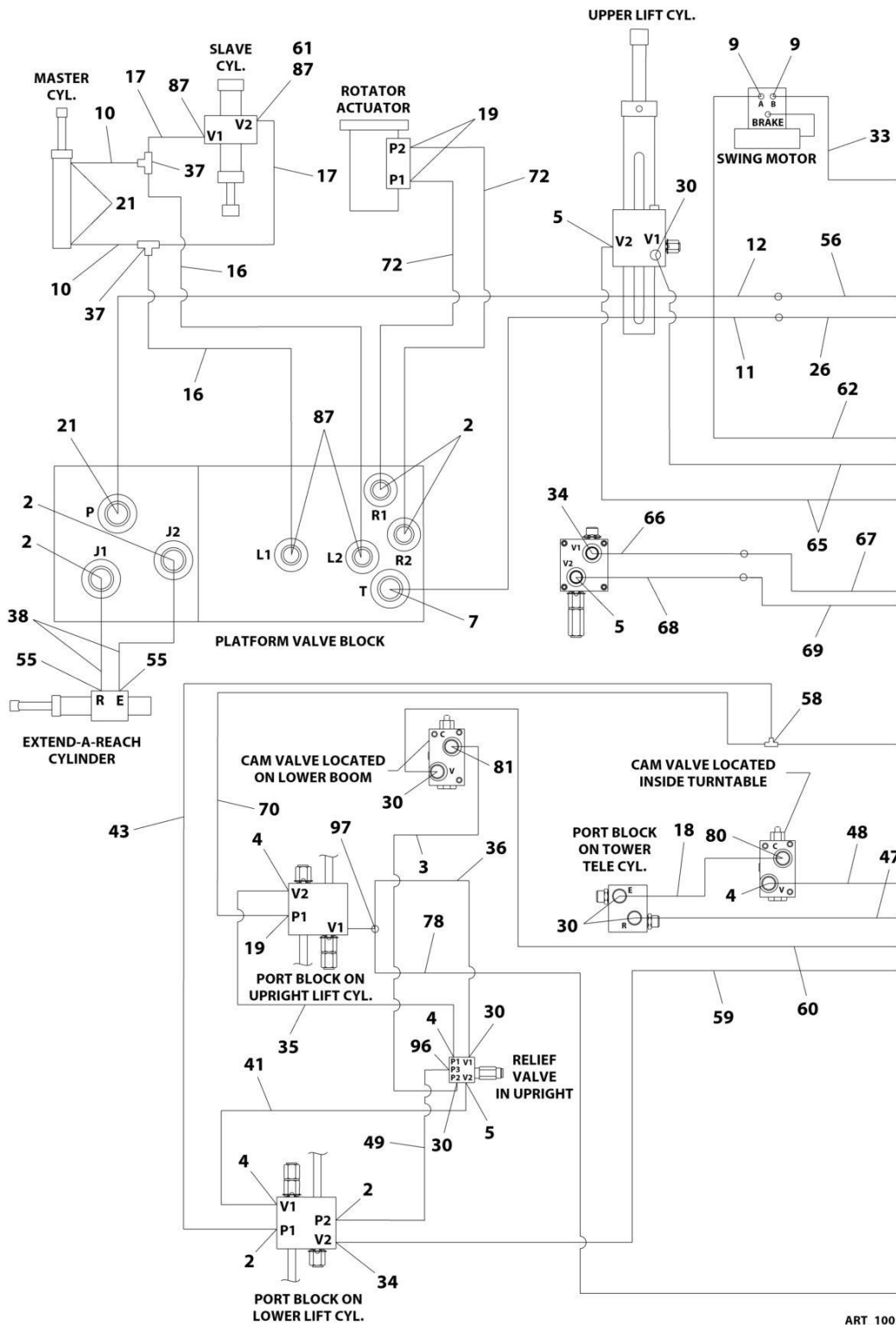
## SECTION 7 - HYDRAULIC

ITEM	PART NUMBER	QTY	DESCRIPTION	REV
103	2753970	1	Hose	
104	2753971	2	Hose	
105	2754337	2	Hose	
106	2754338	1	Hose	
107	1001198340	1	Hose	
108	2753626	1	Hose	
109	2753634	2	Hose	
200	1001270081	1	Hose Front Kit	
201	2753542	1	Hose	
202	2753628	2	Hose	
203	2753970	3	Hose	
204	2754512	2	Hose	
205	1001198333	2	Hose	
206	1001198341	1	Hose	
207	1001233573	1	Hose	
300	1001296858	1	Hose Assembly - Towbar TT Kit	
301	2751399	1	Hose	
302	2751500	1	Hose	
303	2752489	2	Hose	
304	2752997	1	Hose	
305	1001296839	1	Hose	
306	1001296840	1	Hose	
400	1001296861	1	Hose Assembly - Turntable Kit	
401	2752493	1	Hose	
402	2752494	1	Hose	
403	2752765	1	Hose	
404	2752938	1	Hose	
405	1001196297	1	Hose	
406	1001296842	1	Hose	
407	1001296993	1	Hose	
408	1001296994	2	Hose	



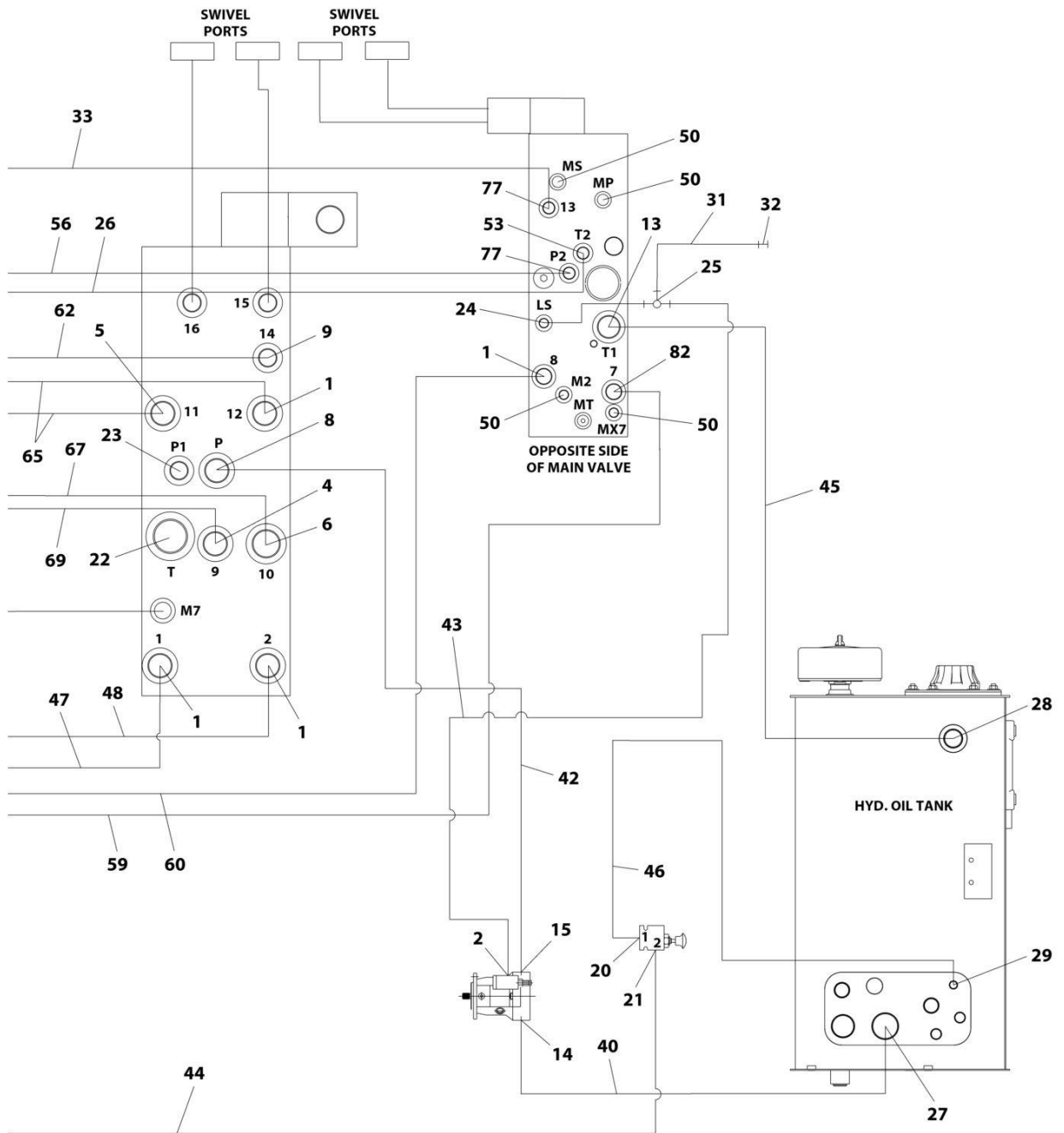
# SECTION 7 - HYDRAULIC

## FIGURE 7-3. STANDARD HYDRAULIC DIAGRAM



ART\_1001227892\_E\_10F2

# SECTION 7 - HYDRAULIC



ART\_1001227892\_E\_20F2

# SECTION 7 - HYDRAULIC

## FIGURE 7-3. STANDARD HYDRAULIC DIAGRAM

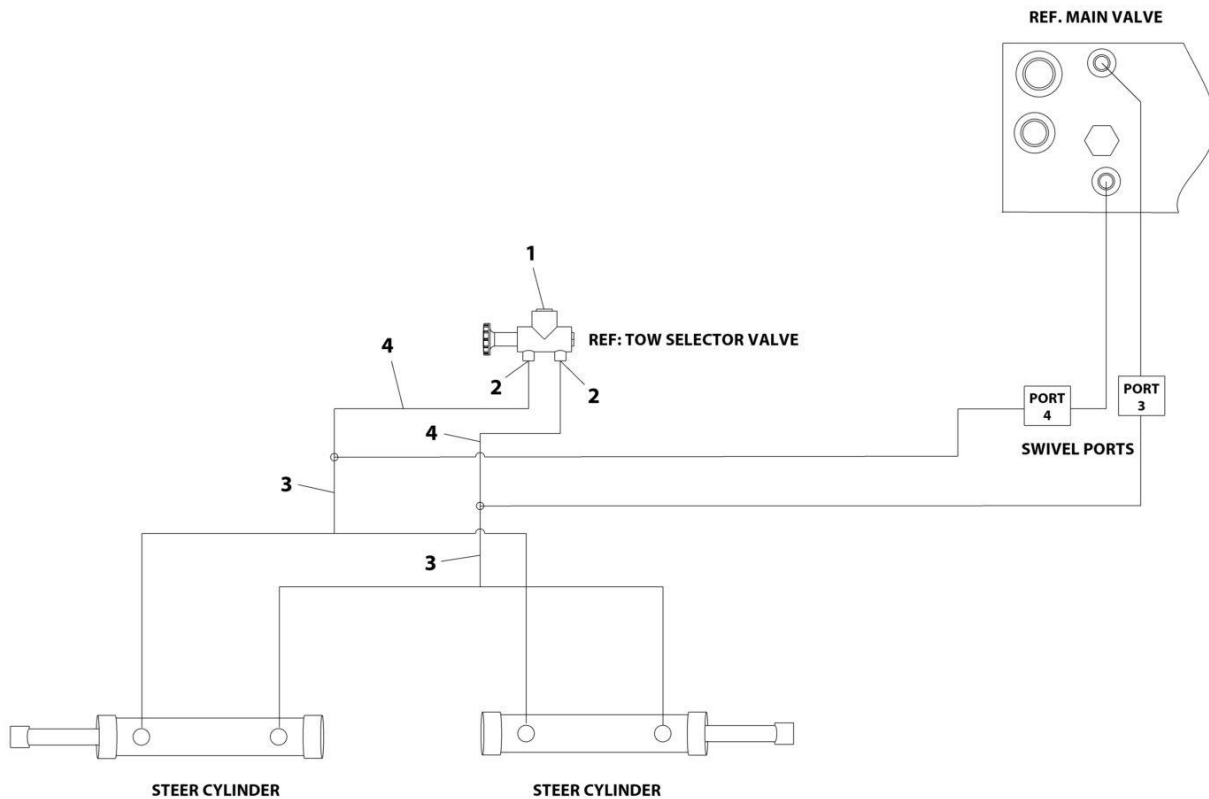
ITEM	PART NUMBER	QTY	DESCRIPTION	REV
	1001227892	Ref	STANDARD HYDRAULIC DIAGRAM	E
1	2220381	AR	Fitting, Straight ORB/JIC	
2	2220415	AR	Fitting, Straight ORB/JIC	
3	2753199	1	Hose	
4	2220373	AR	Fitting, Straight ORB/JIC	
5	2220500	3	Fitting, 45 ORB/JIC	
6	88662037	1	Adapter, Straight/JIC	
7	2220600	1	Adapter, Straight/JIC	
8	2220593	1	Fitting, Straight ORB/JIC	
9	2220371	3	Fitting, Straight ORB/JIC	
10	2753126	2	Hose	
11	1001179546	1	Hose	
12	1001179545	1	Hose	
13	1001179329	1	Hose	
14	2220737	1	Split Flange	
15	2220478	1	Split Flange	
16	1001155673	2	Hose	
17	1001119602	2	Hose	
18	2753200	1	Hose	
19	2220466	2	Fitting, 90 ORB/JIC	
20	2220582	1	Fitting, Straight ORB/JIC	
21	2220473	4	Fitting, 90 ORB/JIC	
22	2220240	1	Fitting, Plug ORB	
23	2220237	1	Fitting, Plug ORB	
24	2220923	1	Fitting, Straight ORB/JIC	
25	2220605	1	Fitting, Tee JIC/FSJIC/JIC	
26	1001182162	1	Hose	
27	2220765	1	Fitting, Straight ORB/FL	
28	2220377	1	Fitting, Straight JIC/ORB	
29	2220582	1	Fitting, Straight JIC/ORB	
30	2220596	6	Fitting, 90 ORB/FL	
31	2752995	1	Hose	
32	91143177	1	Fitting, Test	
33	2752461	1	Hose	
34	2220852	2	Fitting, Straight ORB/FL	
35	2753197	1	Hose	
36	2753196	1	Hose	
37	2220490	2	Fitting, Tee FL/FL	
38	2753442	2	Hose	
40	1001179079	1	Hose	
41	2753195	1	Hose	
42	2753231	1	Hose	
43	2753010	2	Hose	
44	2752468	1	Hose	
45	2752723	1	Hose	
46	2753274	1	Hose	
47	2753192	1	Hose	
48	2752494	1	Hose	
49	2753008	1	Hose	
50	2221086	4	Fitting,Test	

## SECTION 7 - HYDRAULIC

ITEM	PART NUMBER	QTY	DESCRIPTION	REV
53	1001136881	1	Fitting, 45 ORB/FG	
55	2220472	2	Fitting, 90 ORB/FL	
56	2753123	1	Hose	
58	2221034	1	Fitting, Tee FL/FL/ORB	
59	2752768	1	Hose	
60	2752930	1	Hose	
61	4567139	1	Tube	
62	2752484	1	Hose	
65	2753189	2	Hose	
66	2752767	1	Hose	
67	2752766	1	Hose	
68	2753190	1	Hose	
69	2753191	1	Hose	
70	2752978	1	Hose	
72	1001159707	2	Hose	
77	2220501	2	Fitting, 45 ORB/FL	
78	4567757	1	Tube	
79	4100062	4	Protection, Hose (Not Shown - Located at Tower Boom Power Track)	
80	2220947	1	Fitting, O-Ring FL	
81	2221036	1	Fitting, 90 ORB/FL	
82	2220950	1	Fitting, 45 ORB/FL	
87	2220603	4	Fitting, Straight ORB/FL	
96	2220468	1	Fitting, Straight JIC/ORB	
97	1001215289	1	Fitting, Tee JIC/ORB/JIC	

# SECTION 7 - HYDRAULIC

## FIGURE 7-4. TOW HYDRAULIC DIAGRAM



ART\_1001157401



## SECTION 7 - HYDRAULIC

### FIGURE 7-4. TOW HYDRAULIC DIAGRAM

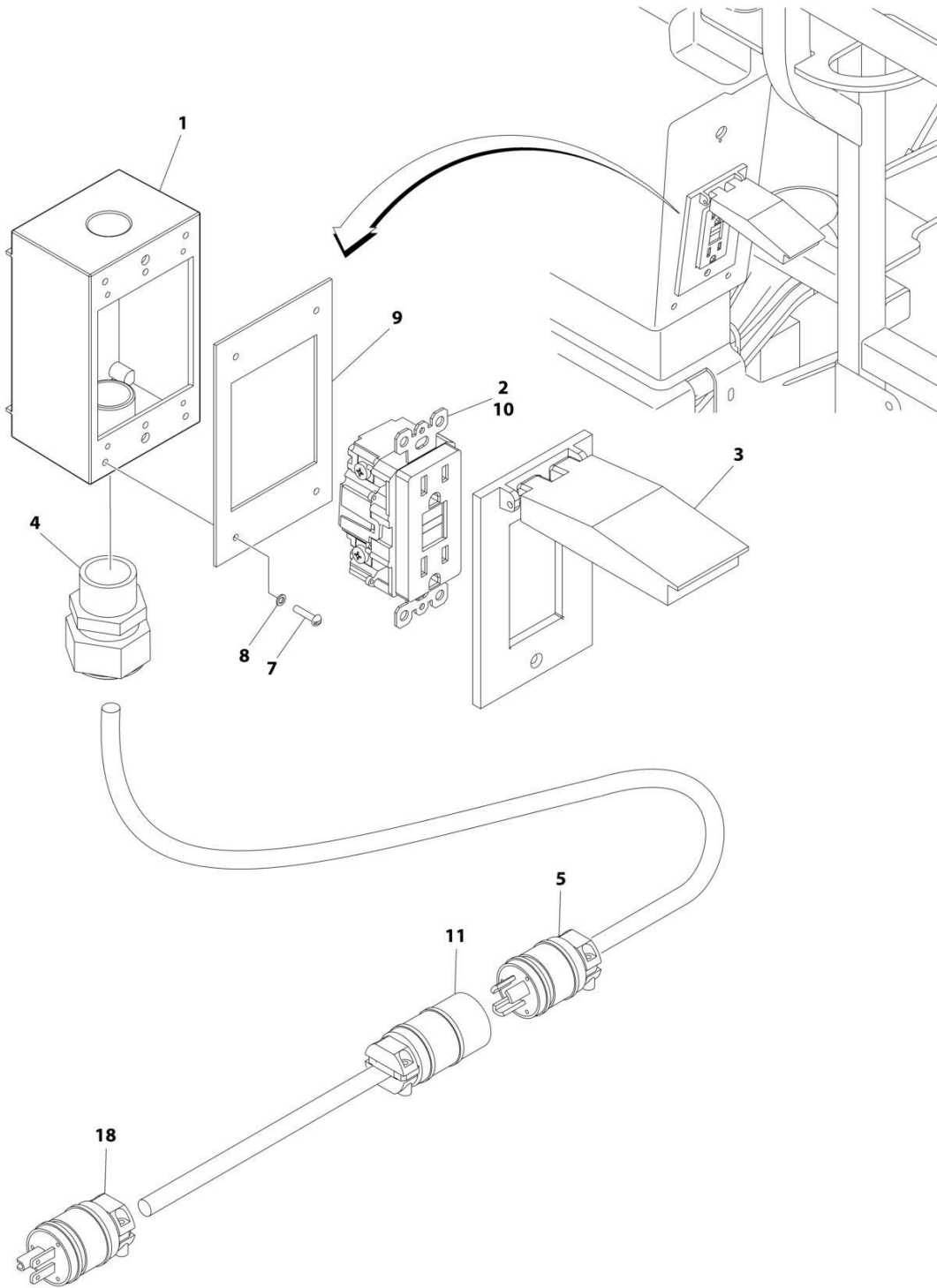
ITEM	PART NUMBER	QTY	DESCRIPTION	REV
	1001157401	Ref	TOW HYDRAULIC DIAGRAM	B
1	2220238	1	Fitting, Plug ORB	
2	2110608	2	Fitting, Straight ORFS/ORB	
3	2170706	2	Fitting, Tee ORFS/ORFS/ORFS	
4	2753879	2	Hose	



**SECTION 8 - ELECTRICAL**

# SECTION 8 - ELECTRICAL

FIGURE 8-1. AC BOX AT PLATFORM INSTALLATION - 110V GFI RECEPTACLE (ALL SPECS EXCEPT AUSTRALIAN, CE & UK CA SPECS)



ART\_0272259

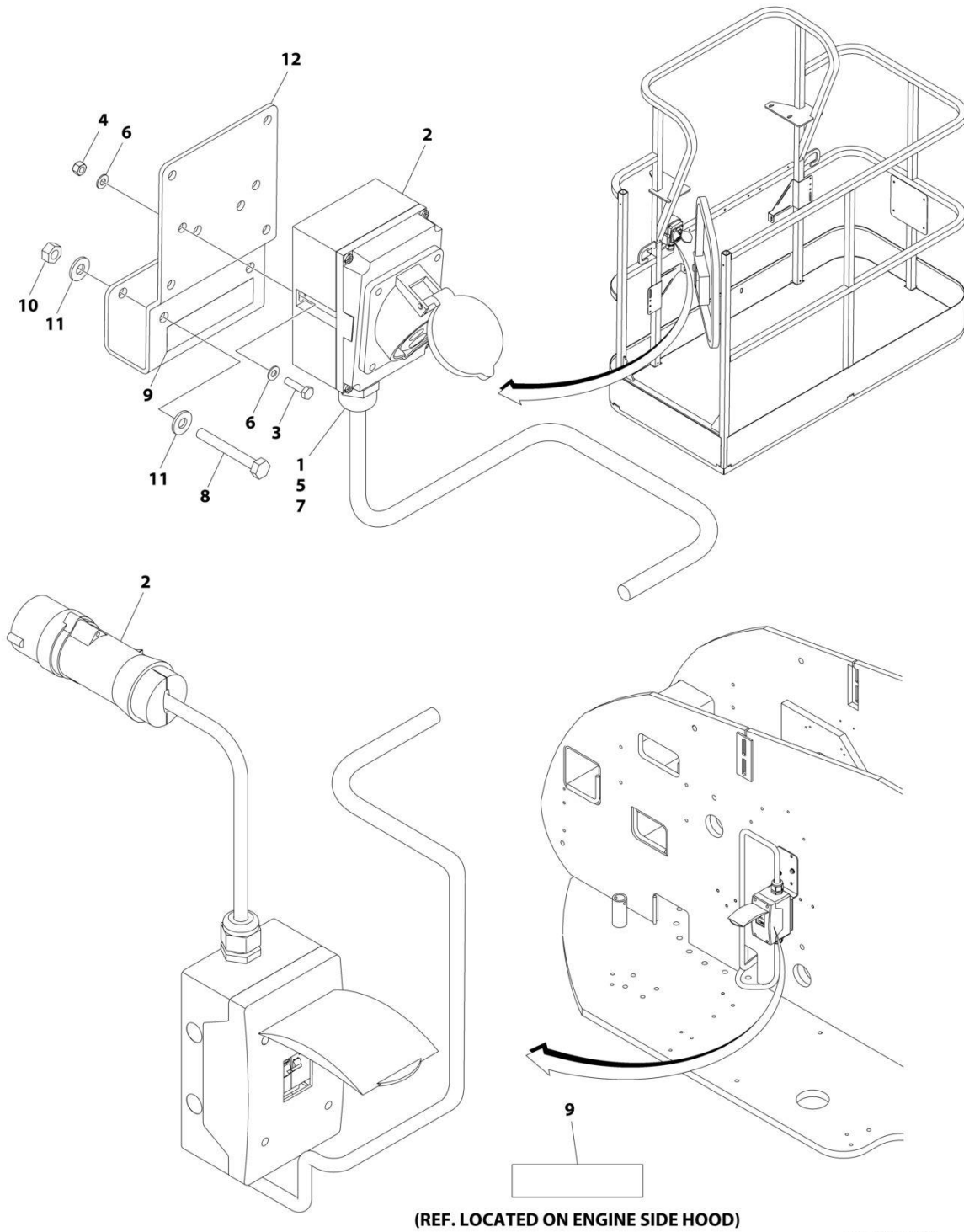
## SECTION 8 - ELECTRICAL

**FIGURE 8-1. AC BOX AT PLATFORM INSTALLATION - 110V GFI RECEPTACLE (ALL SPECS EXCEPT AUSTRALIAN, CE & UK CA SPECS)**

ITEM	PART NUMBER	QTY	DESCRIPTION	REV
	0272259	Ref	AC BOX AT PLATFORM INSTALLATION - 110V GFI RECEPTACLE	C
1	0860038	1	Box, Switch	
2	4460346	1	Receptacle	
3	1001110873	1	Shield, Cover	
4	4460051	1	Connector, Strain Relief	
5	1001213584	1	Plug, Male	
7	3910610	4	Screw #6 x 5/8	
8	4760600	4	Washer #6	
9	3960422	1	Gasket	
10	4460315	3	Terminal, Spade	
11	1001213585	1	Receptacle, Female	
18	4460205	1	Plug, Male	

# SECTION 8 - ELECTRICAL

**FIGURE 8-2. AC BOX AT PLATFORM INSTALLATION - 110V IEC YELLOW (CE & UK CA SPECS)  
(MACHINES WITHOUT 4000W GENERATOR)**



ART\_1001091969

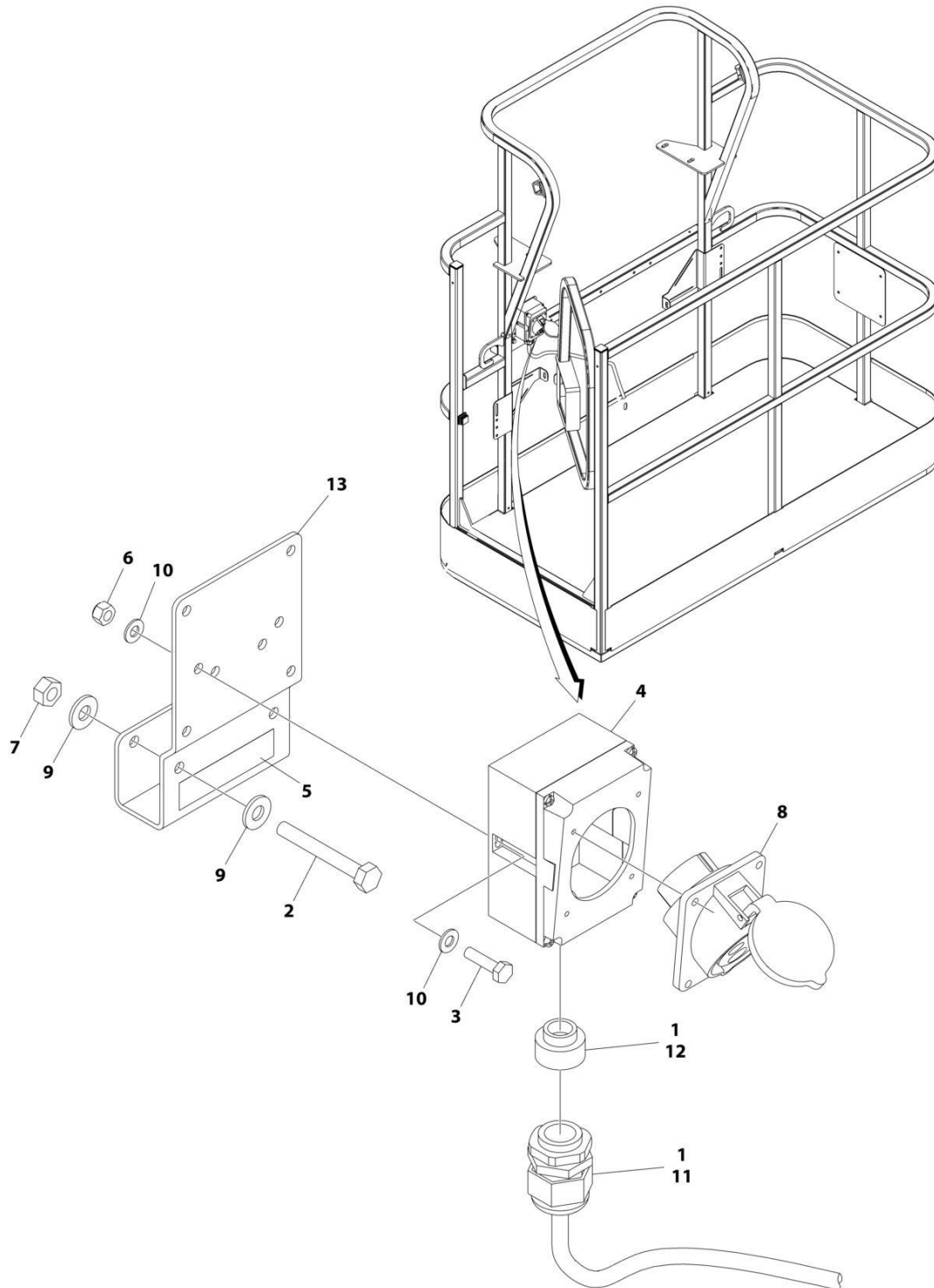
## SECTION 8 - ELECTRICAL

**FIGURE 8-2. AC BOX AT PLATFORM INSTALLATION - 110V IEC YELLOW (CE & UK CA SPECS)  
(MACHINES WITHOUT 4000W GENERATOR)**

ITEM	PART NUMBER	QTY	DESCRIPTION	REV
	1001091969	Ref	AC BOX AT PLATFORM INSTALLATION - 110V IEC YELLOW	D
1	0100020	AR	Sealant, Pipe	
2	0275216	1	Receptacle Box Kit (See Separate Breakdown in this Section)	
3	0700408	2	Bolt M4 x 16	
4	3290405	2	Nut M4	
5	1001101196	1	Adapter	
6	4811400	4	Washer M4	
7	1001101191	1	Connector, Strain Relief	
8	0641416	2	Bolt 1/4 x 2	
9	1705325	2	Decal - 110V	
10	3311405	2	Nut 1/4	
11	4711400	4	Washer 1/4	
12	1001193018	1	Bracket	

# SECTION 8 - ELECTRICAL

**FIGURE 8-3. AC BOX AT PLATFORM INSTALLATION - 110V IEC YELLOW (CE & UK CA SPECS)  
(MACHINES WITH 4000W GENERATOR)**



ART\_1001206253



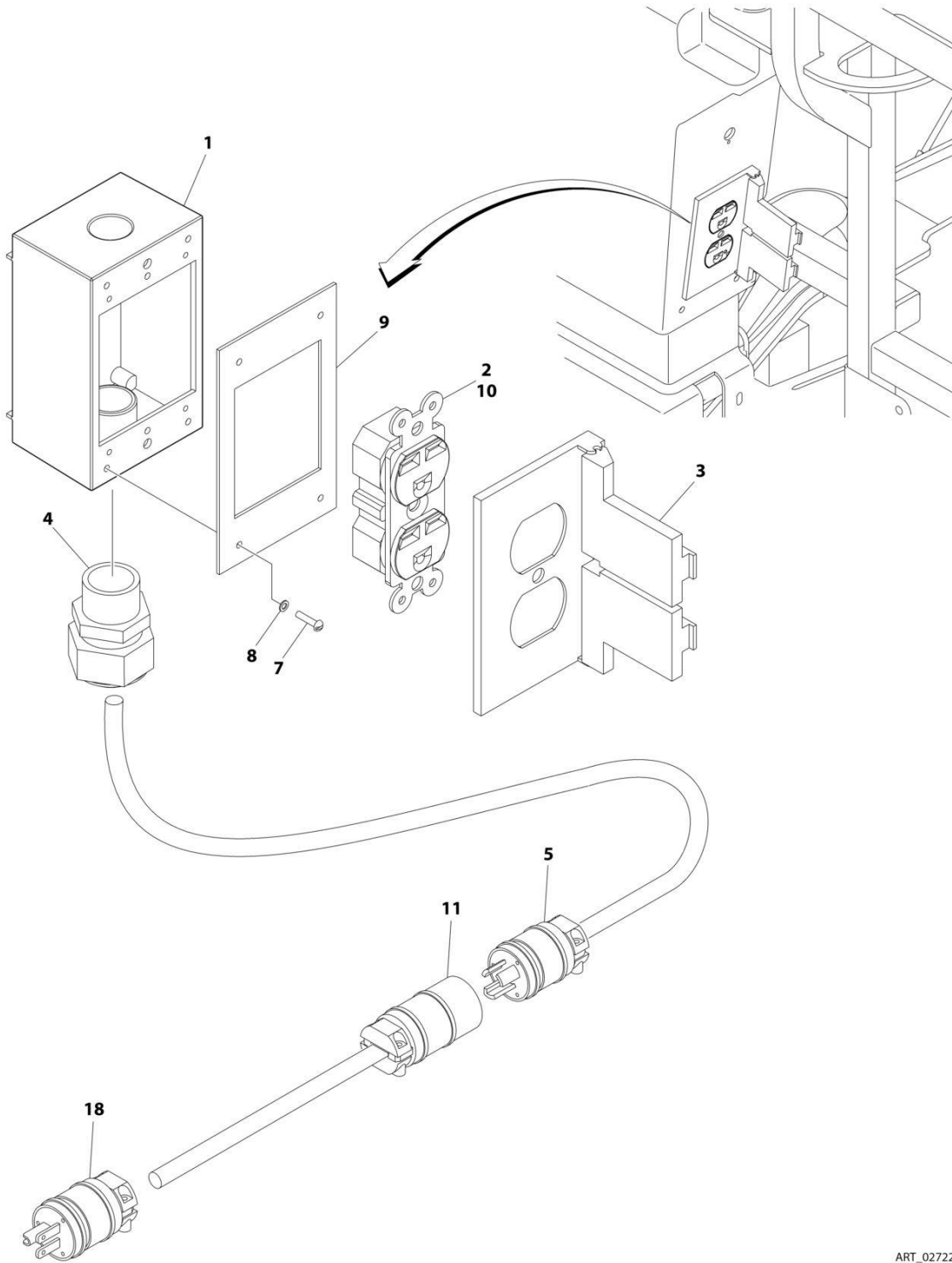
## SECTION 8 - ELECTRICAL

**FIGURE 8-3. AC BOX AT PLATFORM INSTALLATION - 110V IEC YELLOW (CE & UK CA SPECS)  
(MACHINES WITH 4000W GENERATOR)**

ITEM	PART NUMBER	QTY	DESCRIPTION	REV
	1001206253	Ref	AC BOX AT PLATFORM INSTALLATION - 110V IEC 60309 YELLOW WITHOUT 4000W GENERATOR	A
1	0100020	AR	Sealant, Pipe	
2	0641416	2	Bolt 1/4 x 2	
3	0700408	2	Bolt M4 x 16	
4	0861781	1	Box, Switch	
5	1705325	1	Decal - 110V	
6	3290405	2	Nut M4	
7	3311405	2	Nut 1/4	
8	4461198	1	Receptacle	
9	4711400	4	Washer 1/4	
10	4811400	4	Washer M4	
11	1001101191	1	Connector, Strain Relief	
12	1001101196	1	Adapter	
13	1001193018	1	Bracket, AC Receptacle	

# SECTION 8 - ELECTRICAL

FIGURE 8-4. AC BOX AT PLATFORM INSTALLATION - 220V (ANSI, CSA & JAPANESE SPECS)



ART\_0272260

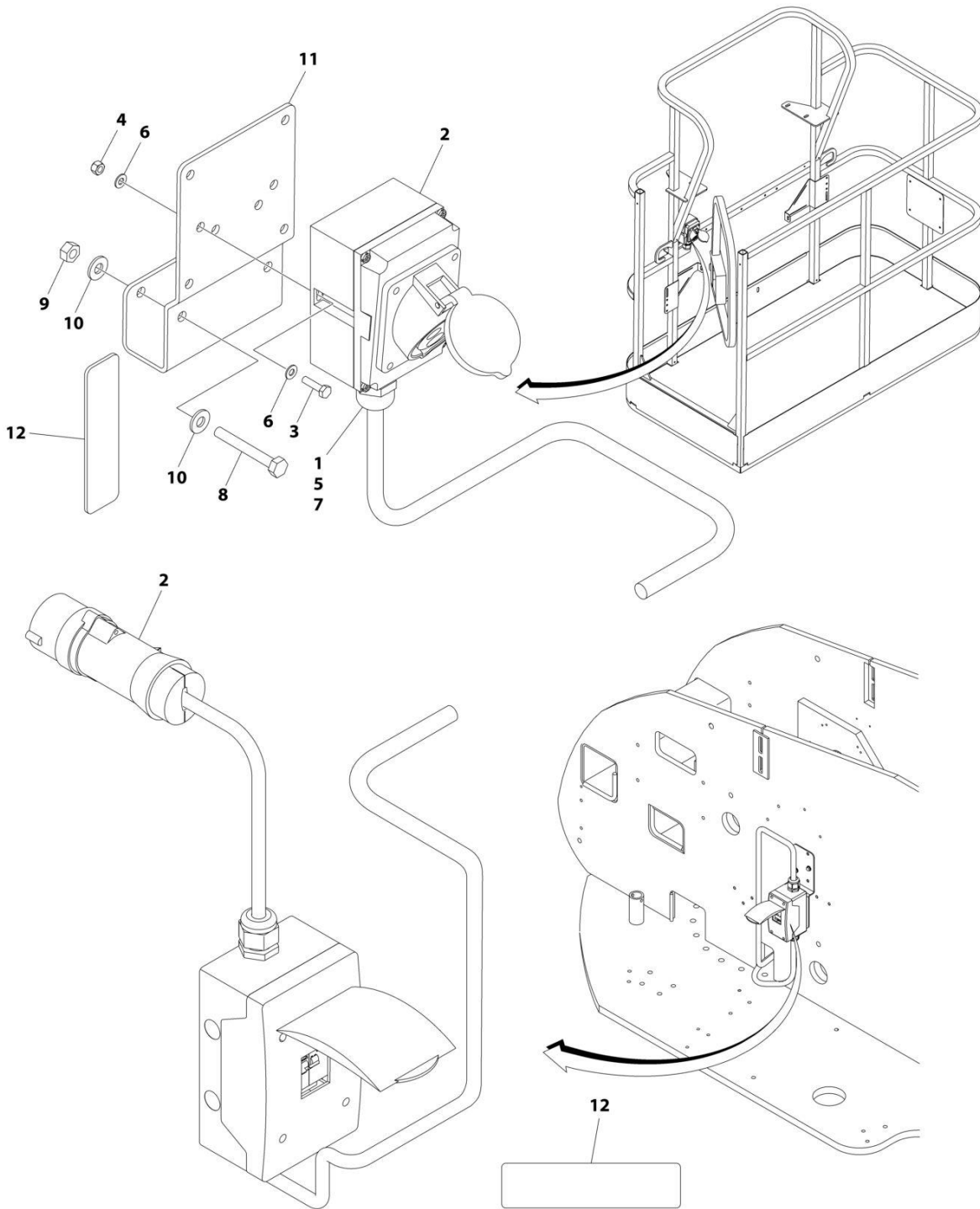
## SECTION 8 - ELECTRICAL

**FIGURE 8-4. AC BOX AT PLATFORM INSTALLATION - 220V (ANSI, CSA & JAPANESE SPECS)**

ITEM	PART NUMBER	QTY	DESCRIPTION	REV
	0272260	Ref	AC BOX AT PLATFORM INSTALLATION - 220V	C
1	0860038	1	Box, Switch	
2	4460125	1	Receptacle	
3	4060092	1	Shield	
4	4460051	1	Connector, Strain Relief	
5	1001213584	2	Plug, Male	
7	3910610	4	Screw #6 x 5/8	
8	4760600	4	Washer #6	
9	3960422	1	Gasket	
10	4460315	1	Terminal, Spade	
11	1001213585	1	Receptacle, Female	
18	4460233	1	Plug, Male	

# SECTION 8 - ELECTRICAL

**FIGURE 8-5. AC BOX AT PLATFORM INSTALLATION - 220V IEC BLUE (CE & UK CA SPECS)  
(MACHINES WITHOUT 4000W GENERATOR)**



(REF. LOCATED ON ENGINE SIDE HOOD)

ART\_1001091970

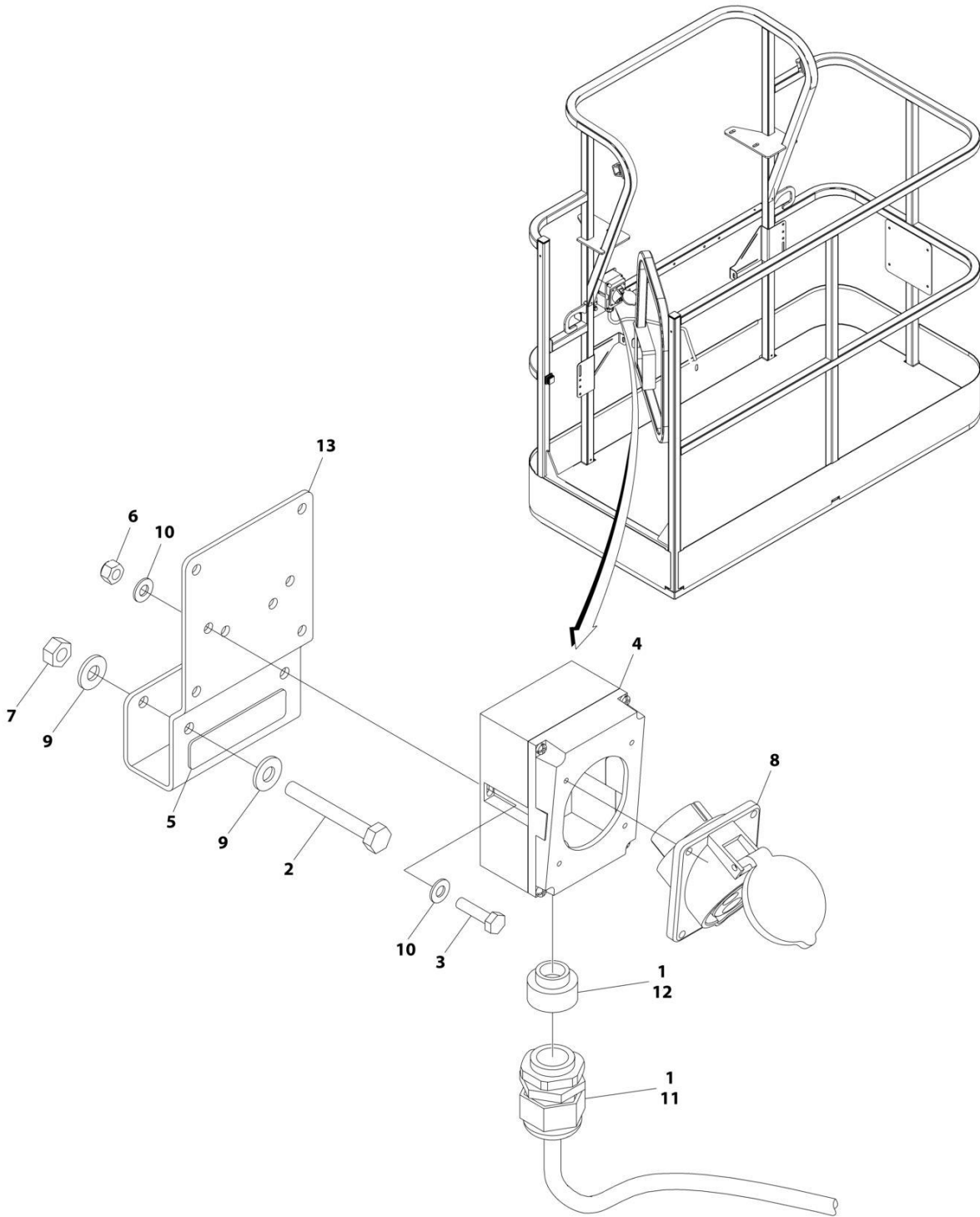
## SECTION 8 - ELECTRICAL

**FIGURE 8-5. AC BOX AT PLATFORM INSTALLATION - 220V IEC BLUE (CE & UK CA SPECS)  
(MACHINES WITHOUT 4000W GENERATOR)**

ITEM	PART NUMBER	QTY	DESCRIPTION	REV
	1001091970	Ref	AC BOX AT PLATFORM INSTALLATION - 220V IEC BLUE	D
1	0100020	AR	Sealant, Pipe	
2	0275217	1	Receptacle Box Kit (See Separate Breakdown in this Section)	
3	0700408	2	Bolt M4 x 16	
4	3290405	2	Nut M4	
5	1001101196	1	Adapter	
6	4811400	4	Washer M4	
7	1001101191	1	Connector, Strain Relief	
8	0641416	2	Bolt 1/4 x 2	
9	3311405	2	Nut 1/4	
10	4711400	4	Washer 1/4	
11	1001193018	1	Bracket	
12	3251242	2	Decal - 240V/50Hz	

# SECTION 8 - ELECTRICAL

**FIGURE 8-6. AC BOX AT PLATFORM INSTALLATION - 220V IEC BLUE (CE & UK CA SPECS)  
(MACHINES WITH 4000W GENERATOR)**



ART\_1001206254

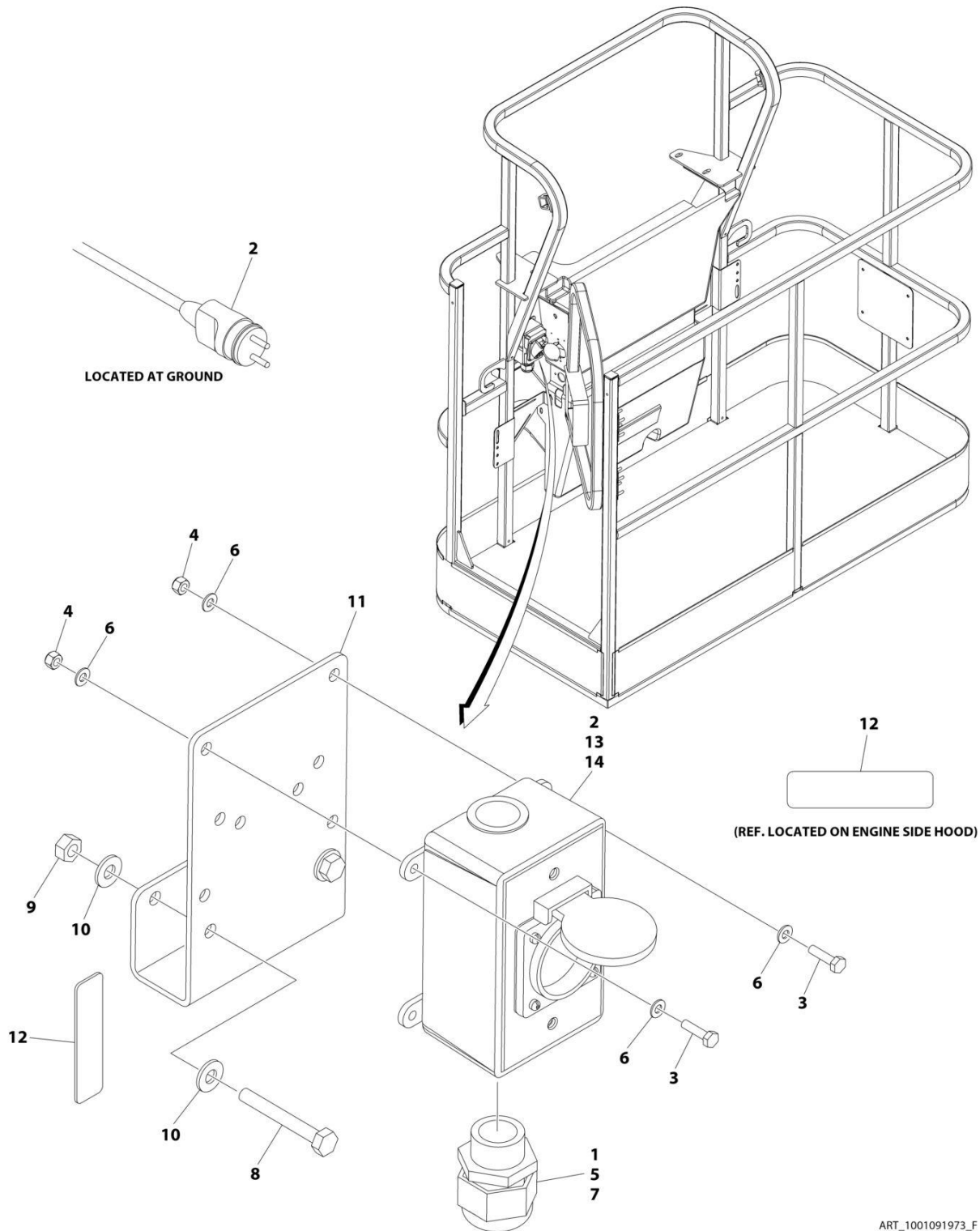
## SECTION 8 - ELECTRICAL

**FIGURE 8-6. AC BOX AT PLATFORM INSTALLATION - 220V IEC BLUE (CE & UK CA SPECS)  
(MACHINES WITH 4000W GENERATOR)**

ITEM	PART NUMBER	QTY	DESCRIPTION	REV
	1001206254	Ref	AC BOX AT PLATFORM INSTALLATION - 220V IEC BLUE	A
1	0100020	AR	Sealant, Pipe	
2	0641416	2	Bolt 1/4 x 2	
3	0700408	2	Bolt M4 x 16	
4	0861781	1	Box, Switch	
5	3251242	1	Decal - 240V/50Hz	
6	3290405	2	Nut M4	
7	3311405	2	Nut 1/4	
8	4461201	1	Receptacle	
9	4711400	4	Washer 1/4	
10	4811400	4	Washer M4	
11	1001101191	1	Connector, Strain Relief	
12	1001101196	1	Adapter	
13	1001193018	1	Bracket, AC Receptacle	

# SECTION 8 - ELECTRICAL

FIGURE 8-7. AC BOX AT PLATFORM INSTALLATION - 220V CEE7 2X4 POST GROUND (CE & UK CA SPECS) (MACHINES WITHOUT 4000W GENERATOR)





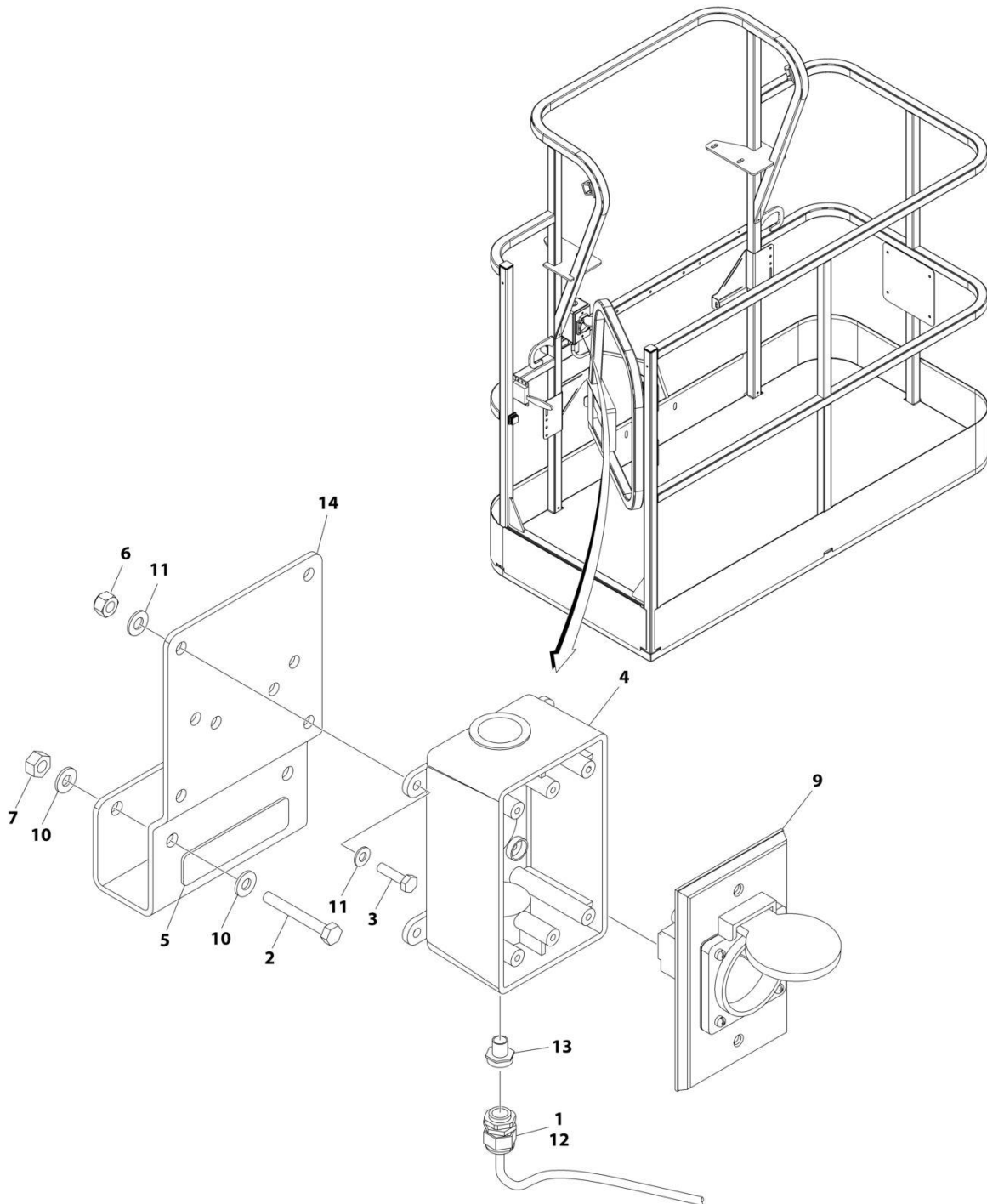
## SECTION 8 - ELECTRICAL

**FIGURE 8-7. AC BOX AT PLATFORM INSTALLATION - 220V CEE7 2X4 POST GROUND (CE & UK CA SPECS) (MACHINES WITHOUT 4000W GENERATOR)**

ITEM	PART NUMBER	QTY	DESCRIPTION	REV
	1001091973	Ref	AC BOX AT PLATFORM INSTALLATION - 220V CEE7 2X4 BOX POST GROUND	F
1	0100020	AR	Sealant, Pipe	
2	0275452	1	Receptacle Box Kit (See Separate Breakdown in this Section)	
3	0700408	4	Bolt M4 x 16	
4	3290405	4	Nut M4	
5	1001101197	1	Adapter	
6	4811400	8	Washer M4	
7	1001101191	1	Connector, Strain Relief	
8	0641416	2	Bolt 1/4 x 2	
9	3311405	2	Nut 1/4	
10	4711400	4	Washer 1/4	
11	1001193018	1	Bracket	
12	3251242	2	Decal - 240V/50Hz	
13	4460806	2	Terminal, Fork (Not Shown)	
14	1001205958	1	Terminal (Not Shown)	

# SECTION 8 - ELECTRICAL

FIGURE 8-8. AC BOX AT PLATFORM INSTALLATION - 220V CEE7 2X4 POST GROUND (CE & UK CA SPECS) (MACHINES WITH 4000W GENERATOR)



ART\_1001206250

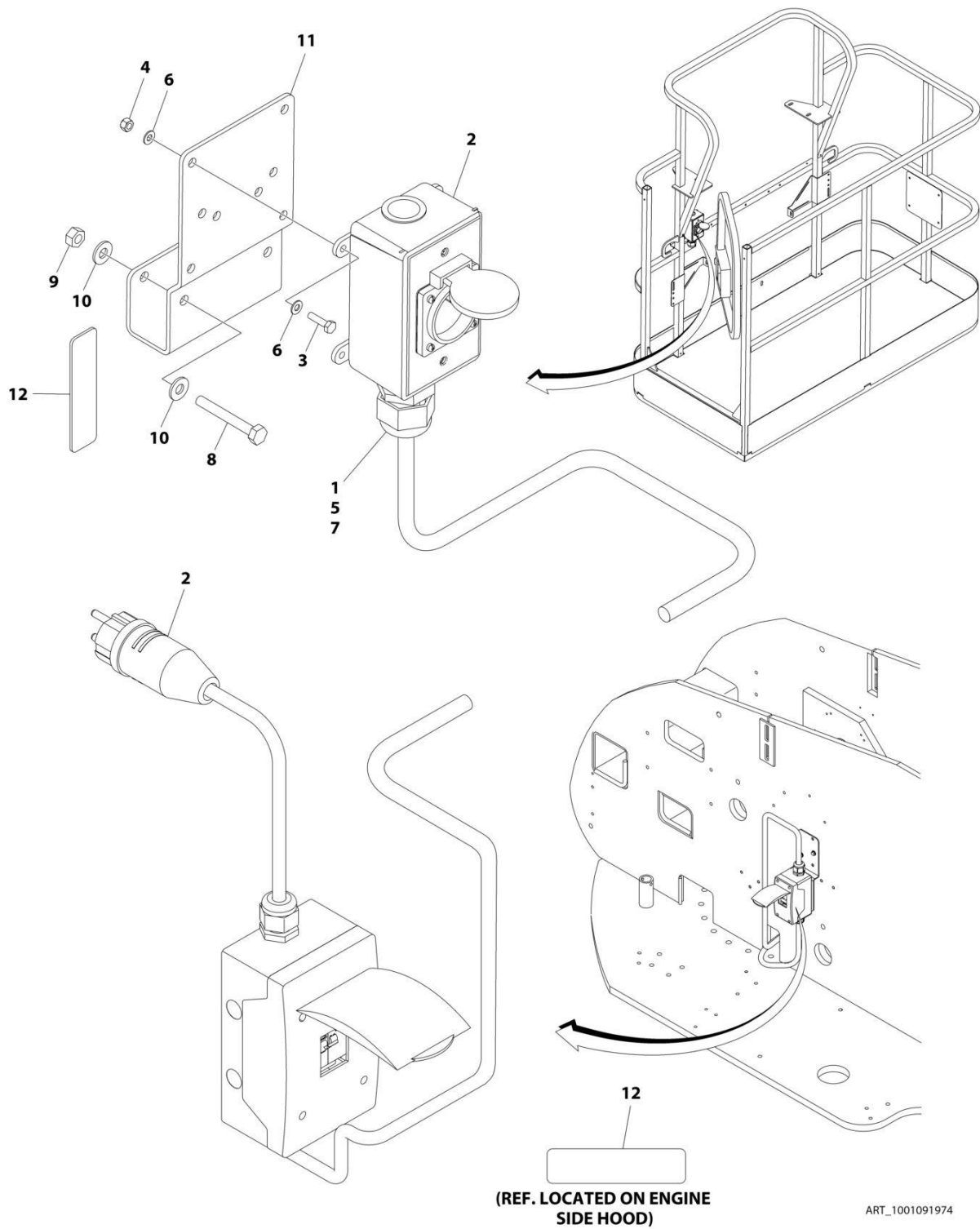
## SECTION 8 - ELECTRICAL

**FIGURE 8-8. AC BOX AT PLATFORM INSTALLATION - 220V CEE7 2X4 POST GROUND (CE & UK CA SPECS) (MACHINES WITH 4000W GENERATOR)**

ITEM	PART NUMBER	QTY	DESCRIPTION	REV
	1001206250	Ref	AC BOX AT PLATFORM INSTALLATION - 220V CEE7 2X4 BOX POST GROUND	A
1	0100020	AR	Sealant, Pipe	
2	0641416	2	Bolt 1/4 x 2	
3	0700408	4	Bolt M4 x 16	
4	0861731	1	Box, Switch	
5	3251242	1	Decal - 240V/50Hz	
6	3290405	4	Nut M4	
7	3311405	2	Nut 1/4	
8	4460806	2	Terminal, Fork (Not Shown)	
9	4461244	1	Receptacle	
10	4711400	4	Washer 1/4	
11	4811400	8	Washer M4	
12	1001101191	1	Connector, Strain Relief	
13	1001101197	1	Adapter	
14	1001193018	1	Bracket, AC Receptacle	
15	1001205958	1	Terminal (Not Shown)	

# SECTION 8 - ELECTRICAL

FIGURE 8-9. AC BOX AT PLATFORM INSTALLATION - 220V CEE7 2X4 SIDE GROUND (CE & UK CA SPECS) (MACHINES WITHOUT 4000W GENERATOR)



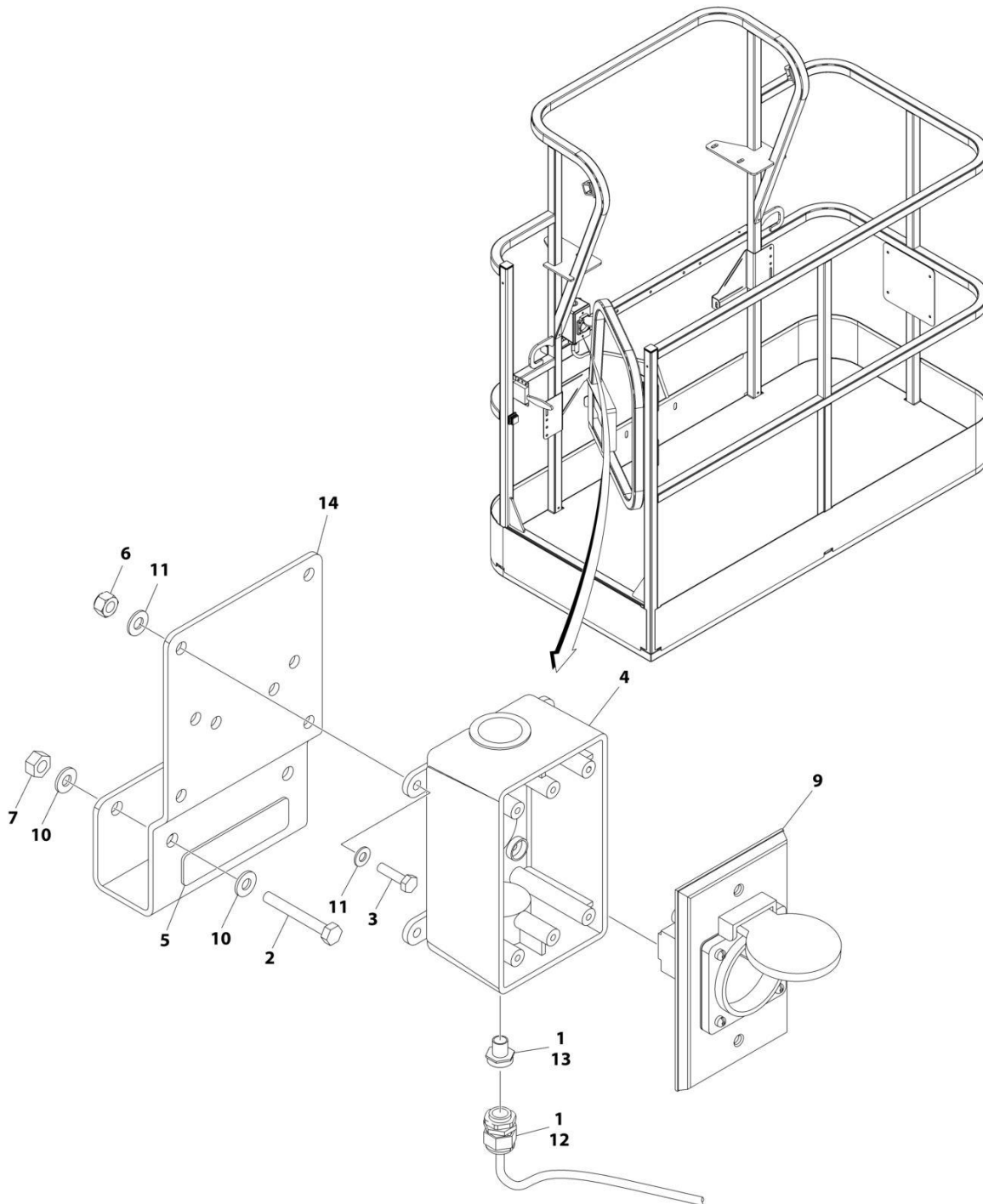
## SECTION 8 - ELECTRICAL

**FIGURE 8-9. AC BOX AT PLATFORM INSTALLATION - 220V CEE7 2X4 SIDE GROUND (CE & UK CA SPECS) (MACHINES WITHOUT 4000W GENERATOR)**

ITEM	PART NUMBER	QTY	DESCRIPTION	REV
	1001091974	Ref	AC BOX AT PLATFORM INSTALLATION - 220V CEE7 2X4 BOX SIDE GROUND	F
1	0100020	AR	Sealant, Pipe	
2	0275453	1	Receptacle Box Kit (See Separate Breakdown in this Section)	
3	0700408	4	Bolt M4 x 16	
4	3290405	4	Nut M4	
5	1001101197	1	Adapter	
6	4811400	8	Washer M4	
7	1001101191	1	Connector, Strain Relief	
8	0641416	2	Bolt 1/4 x 2	
9	3311405	2	Nut 1/4	
10	4711400	4	Washer 1/4	
11	1001193018	1	Bracket	
12	3251242	2	Decal - 240V/50Hz	
13	4460806	2	Terminal, Fork (Not Shown)	
14	1001205958	1	Terminal (Not Shown)	

# SECTION 8 - ELECTRICAL

FIGURE 8-10. AC BOX AT PLATFORM INSTALLATION - 220V CEE7 2X4 SIDE GROUND (CE & UK CA SPECS) (MACHINES WITH 4000W GENERATOR)



ART\_1001206251

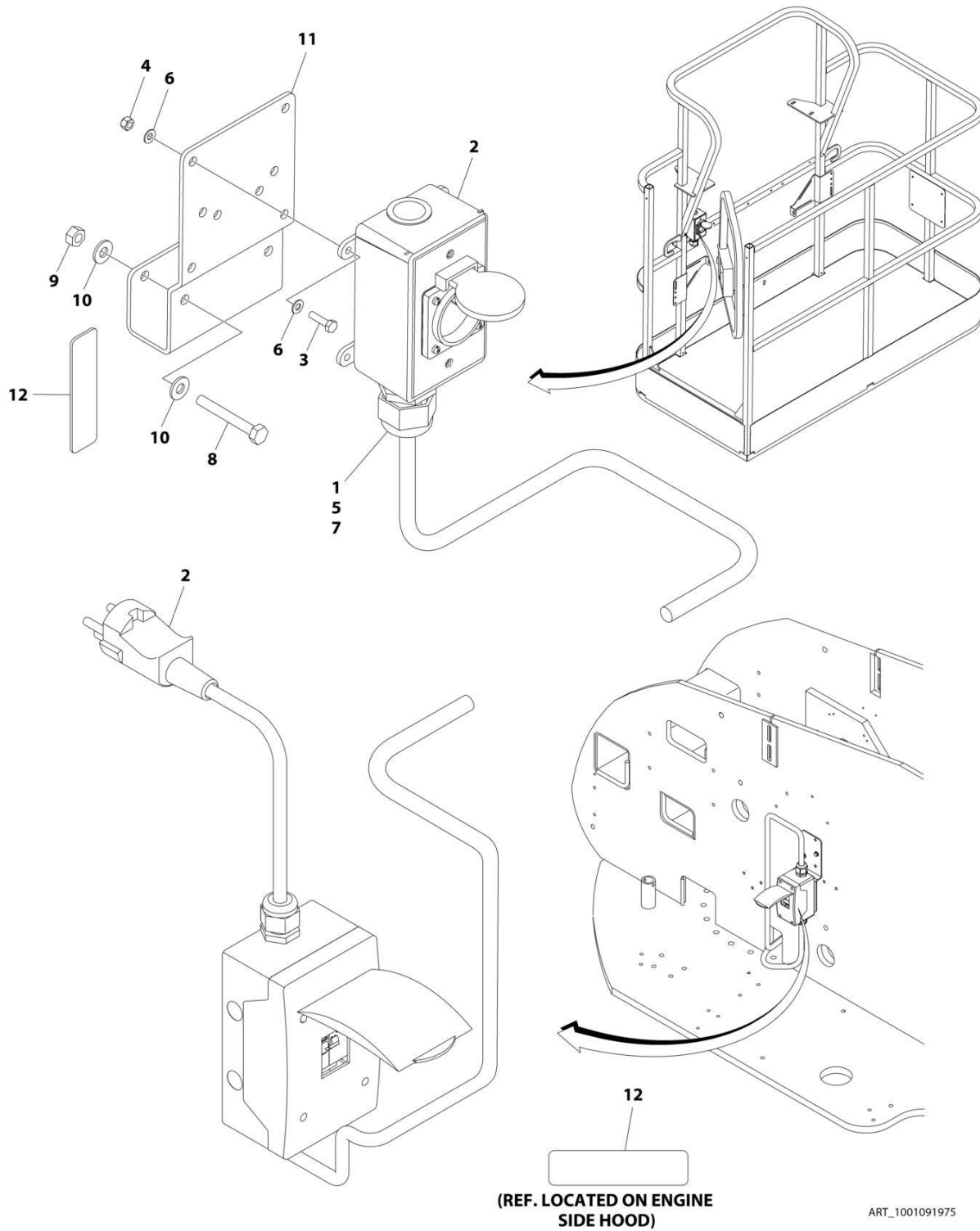
## SECTION 8 - ELECTRICAL

**FIGURE 8-10. AC BOX AT PLATFORM INSTALLATION - 220V CEE7 2X4 SIDE GROUND (CE & UK CA SPECS) (MACHINES WITH 4000W GENERATOR)**

ITEM	PART NUMBER	QTY	DESCRIPTION	REV
	1001206251	Ref	AC BOX AT PLATFORM INSTALLATION - 220V CEE7 2X4 BOX SIDE GROUND	A
1	0100020	AR	Sealant, Pipe	
2	0641416	2	Bolt 1/4 x 2	
3	0700408	4	Bolt M4 x 16	
4	0861731	1	Box, Switch	
5	3251242	1	Decal - 240V/50Hz	
6	3290405	4	Nut M4	
7	3311405	2	Nut 1/4	
8	4460806	2	Terminal, Fork (Not Shown)	
9	4461245	1	Receptacle	
10	4711400	4	Washer 1/4	
11	4811400	8	Washer M4	
12	1001101191	1	Connector, Strain Relief	
13	1001101197	1	Adapter	
14	1001193018	1	Bracket, AC Receptacle	
15	1001205958	1	Terminal (Not Shown)	

# SECTION 8 - ELECTRICAL

**FIGURE 8-11. AC BOX AT PLATFORM INSTALLATION - 220V AFSINT 107 (CE & UK CA SPECS)  
(MACHINES WITHOUT 4000W GENERATOR)**



ART\_1001091975



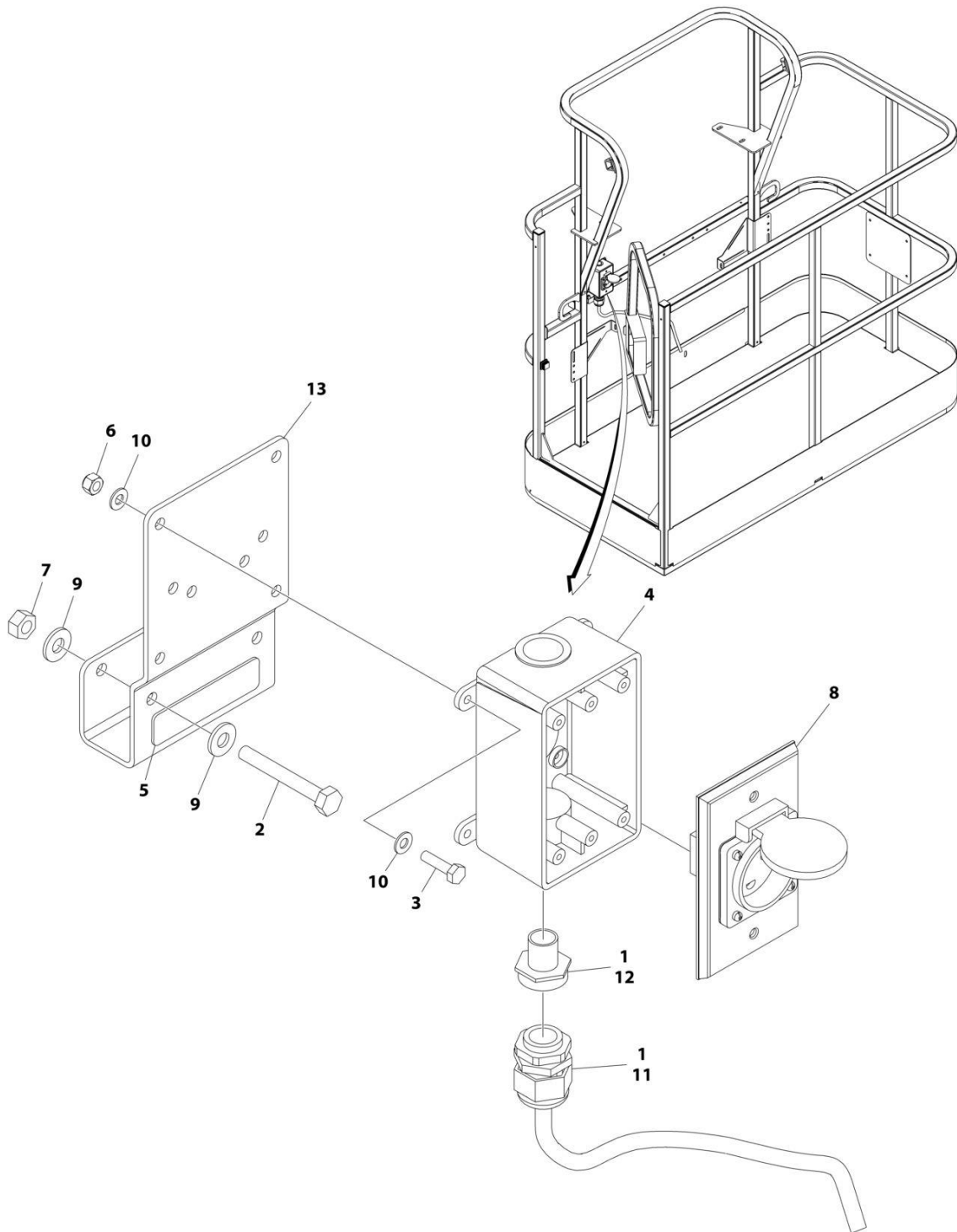
## SECTION 8 - ELECTRICAL

**FIGURE 8-11. AC BOX AT PLATFORM INSTALLATION - 220V AFSINT 107 (CE & UK CA SPECS)  
(MACHINES WITHOUT 4000W GENERATOR)**

ITEM	PART NUMBER	QTY	DESCRIPTION	REV
	1001091975	Ref	AC BOX AT PLATFORM INSTALLATION - 220V AFSINT 107 2X4 BOX KEYED GROUND	F
1	0100020	AR	Sealant, Pipe	
2	0275454	1	Receptacle Box Kit (See Separate Breakdown in this Section)	
3	0700408	4	Bolt M4 x 16	
4	3290405	4	Nut M4	
5	1001101197	1	Adapter	
6	4811400	8	Washer M4	
7	1001101191	1	Connector, Strain Relief	
8	0641416	2	Bolt 1/4 x 2	
9	3311405	2	Nut 1/4	
10	4711400	4	Washer 1/4	
11	1001193018	1	Bracket	
12	3251242	2	Decal - 240V/50Hz	
13	1001205958	3	Terminal (Not Shown)	

# SECTION 8 - ELECTRICAL

**FIGURE 8-12. AC BOX AT PLATFORM INSTALLATION - 220V AFSINT 107 (CE & UK CA SPECS)  
(MACHINES WITH 4000W GENERATOR)**



ART\_1001206252

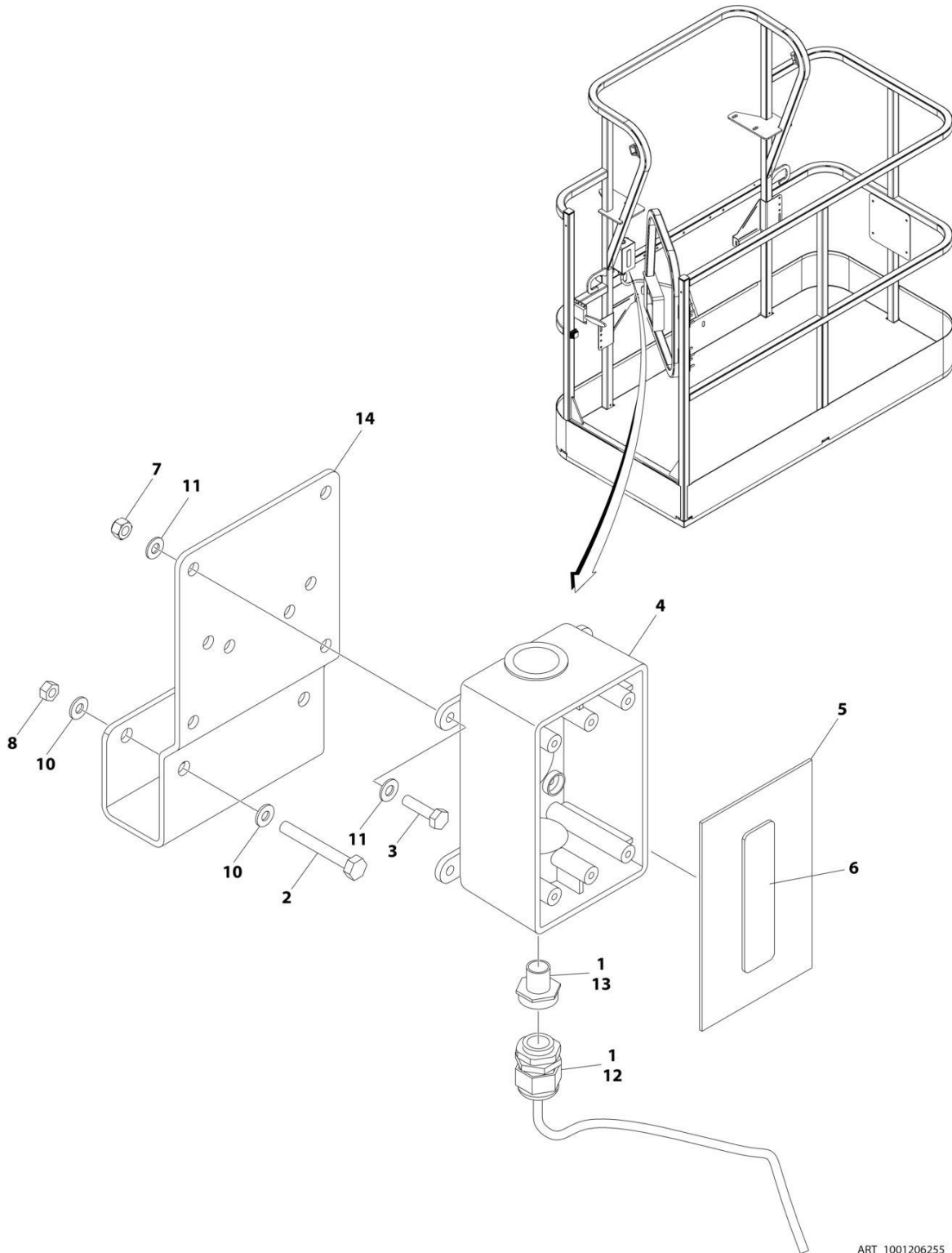
## SECTION 8 - ELECTRICAL

**FIGURE 8-12. AC BOX AT PLATFORM INSTALLATION - 220V AFSINT 107 (CE & UK CA SPECS)  
(MACHINES WITH 4000W GENERATOR)**

ITEM	PART NUMBER	QTY	DESCRIPTION	REV
	1001206252	Ref	AC BOX AT PLATFORM INSTALLATION - 220V AFSINT 107 2x4 BOX KEYED GROUND	A
1	0100020	AR	Sealant, Pipe	
2	0641416	2	Bolt 1/4 x 2	
3	0700408	4	Bolt M4 x 16	
4	0861731	1	Box, Switch	
5	3251242	1	Decal - 240V/50Hz	
6	3290405	4	Nut M4	
7	3311405	2	Nut 1/4	
8	4461246	1	Receptacle	
9	4711400	4	Washer 1/4	
10	4811400	8	Washer M4	
11	1001101191	1	Connector, Strain Relief	
12	1001101197	1	Adapter	
13	1001193018	1	Bracket, AC Receptacle	
14	1001205958	3	Terminal (Not Shown)	

# SECTION 8 - ELECTRICAL

FIGURE 8-13. AC BOX AT PLATFORM INSTALLATION - BOX WITH COVER (ANSI EXPORT, AUSTRALIAN, CHINA & JAPANESE SPECS)



ART\_1001206255

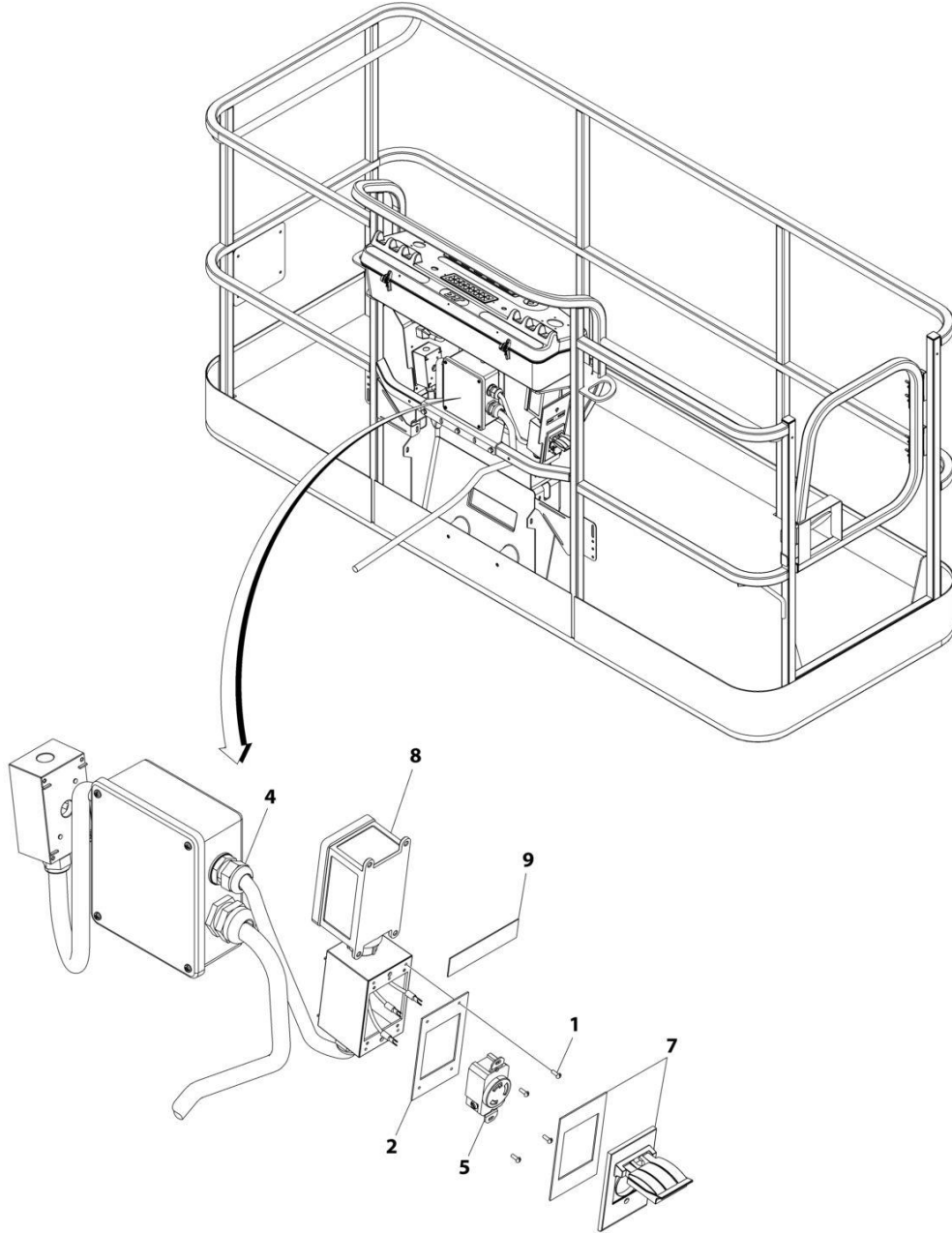
## SECTION 8 - ELECTRICAL

**FIGURE 8-13. AC BOX AT PLATFORM INSTALLATION - BOX WITH COVER (ANSI EXPORT, AUSTRALIAN, CHINA & JAPANESE SPECS)**

ITEM	PART NUMBER	QTY	DESCRIPTION	REV
	1001206255	Ref	AC BOX AT PLATFORM INSTALLATION - BOX WITH COVER (2X4 BOX) WITH 4000W GENERATOR	A
1	0100020	AR	Sealant, Pipe	
2	0641416	2	Bolt 1/4 x 2	
3	0700408	4	Bolt M4 x 16	
4	0861731	1	Box, Switch	
5	1670603	1	Cover	
6	3251242	1	Decal - 240V-50Hz	
7	3290405	4	Nut M4	
8	3311405	2	Nut 1/4	
10	4711400	4	Washer 1/4	
11	4811400	8	Washer M4	
12	1001101191	1	Connector, Strain Relief	
13	1001101197	1	Adapter	
14	1001193018	1	Bracket, AC Receptacle	

# SECTION 8 - ELECTRICAL

FIGURE 8-14. AC BOX AT PLATFORM INSTALLATION - 240V RECEPTACLE (WITH 4000W GENERATOR) (ALL SPECS EXCEPT ANSI & CSA SPECS)



ART\_1001171131

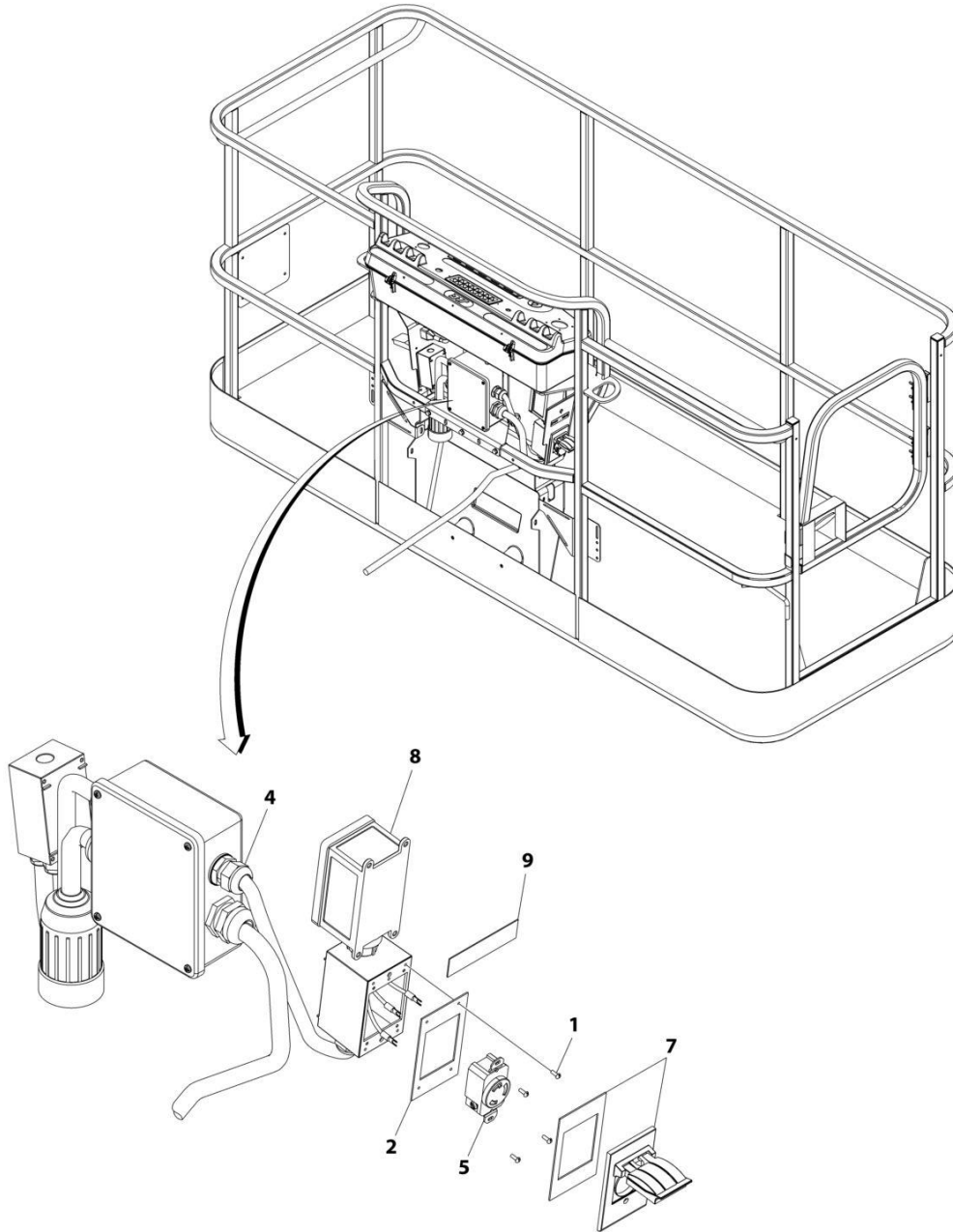
## SECTION 8 - ELECTRICAL

**FIGURE 8-14. AC BOX AT PLATFORM INSTALLATION - 240V RECEPTACLE (WITH 4000W GENERATOR) (ALL SPECS EXCEPT ANSI & CSA SPECS)**

ITEM	PART NUMBER	QTY	DESCRIPTION	REV
	1001171131	Ref	AC BOX AT PLATFORM INSTALLATION - 240V RECEPTACLE	B
1	3910606	4	Screw 6 x 3/8	
2	3960422	1	Gasket	
3	4240018	AR	Tie-Strap (Not Shown)	
4	4460425	1	Connector, Strain Relief	
5	1001176862	1	Receptacle	
7	1001110872	1	Cover, Receptacle	
8	1001159120	1	Receptacle/Breaker Box Assembly	
8	1001148675	1	Box, Receptacle	
8	1001159118	1	Breaker GFCI 30Amp 240VAC	
8	4460612	1	Connector, Strain Relief	
8	1001159119	1	Connector (Between Boxes)	
9	1705374	1	Decal - 240V/60Hz	

# SECTION 8 - ELECTRICAL

FIGURE 8-15. AC BOX AT PLATFORM INSTALLATION - 240V RECEPTACLE (WITH 7500W SKYPOWER GENERATOR) (ANSI & CSA SPECS)



ART\_1001159121



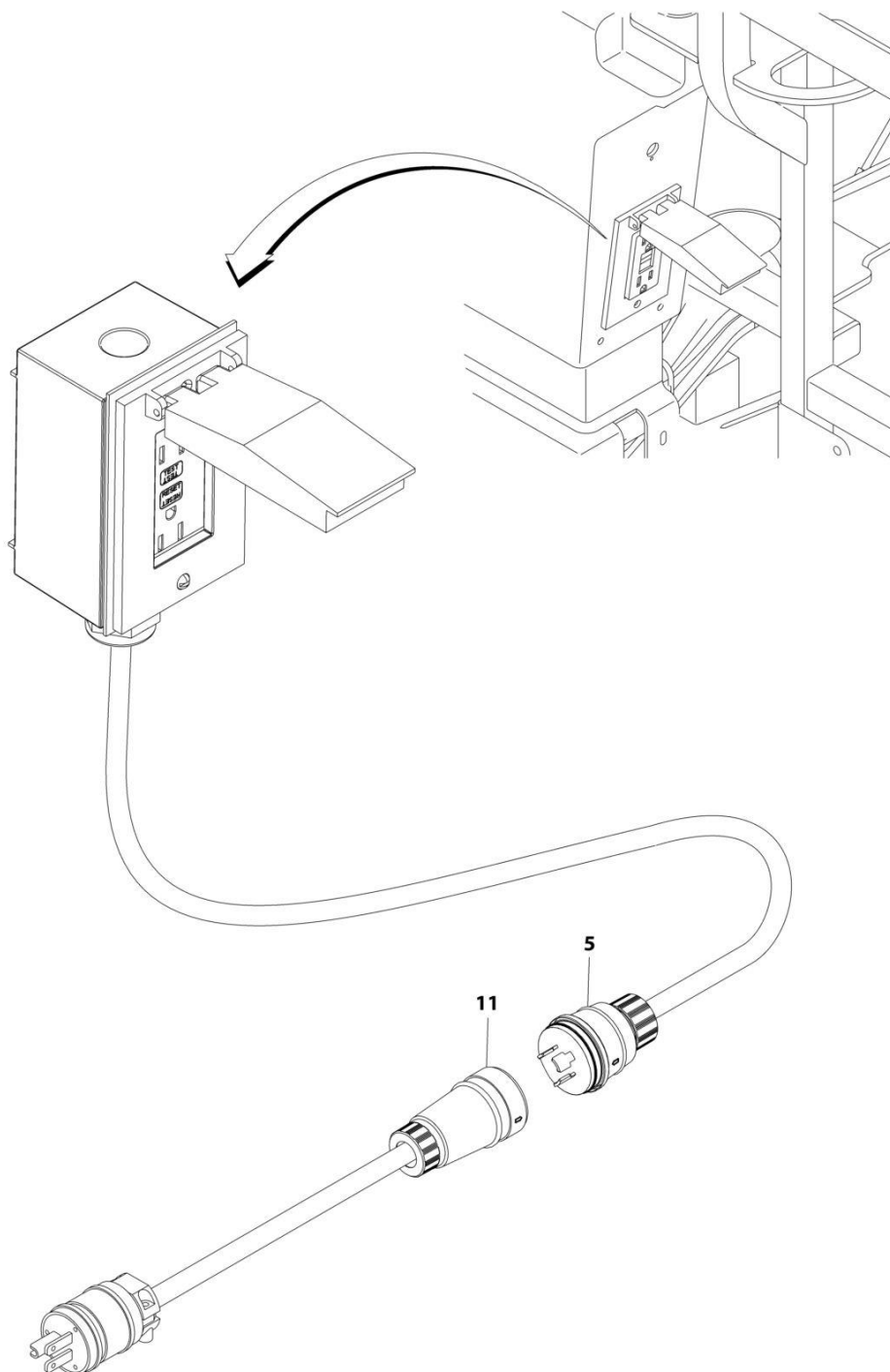
## SECTION 8 - ELECTRICAL

**FIGURE 8-15. AC BOX AT PLATFORM INSTALLATION - 240V RECEPTACLE (WITH 7500W SKYPOWER GENERATOR) (ANSI & CSA SPECS)**

ITEM	PART NUMBER	QTY	DESCRIPTION	REV
	1001159121	Ref	AC BOX AT PLATFORM INSTALLATION - 240V RECEPTACLE	B
1	3910606	4	Screw 6 x 3/8	
2	3960422	1	Gasket	
3	4240018	AR	Tie-Strap (Not Shown)	
4	4460425	1	Connector, Strain Relief	
5	4460958	1	Receptacle	
7	1001110872	1	Cover, Receptacle	
8	1001159120	1	Receptacle/Breaker Box Assembly	
8	1001148675	1	Box, Receptacle	
8	1001159118	1	Breaker Box Assembly	
8	4460612	1	Connector, Strain Relief	
8	1001159119	1	Connector (Between Boxes)	
9	1705374	1	Decal - 240V/60Hz	

## SECTION 8 - ELECTRICAL

**FIGURE 8-16. AC BOX AT PLATFORM MID-BOOM PLUG INSTALLATION (WITHOUT 7500W SKYPOWER GENERATOR) (ALL SPECS EXCEPT ANSI & CSA SPECS)**



ART\_0256202

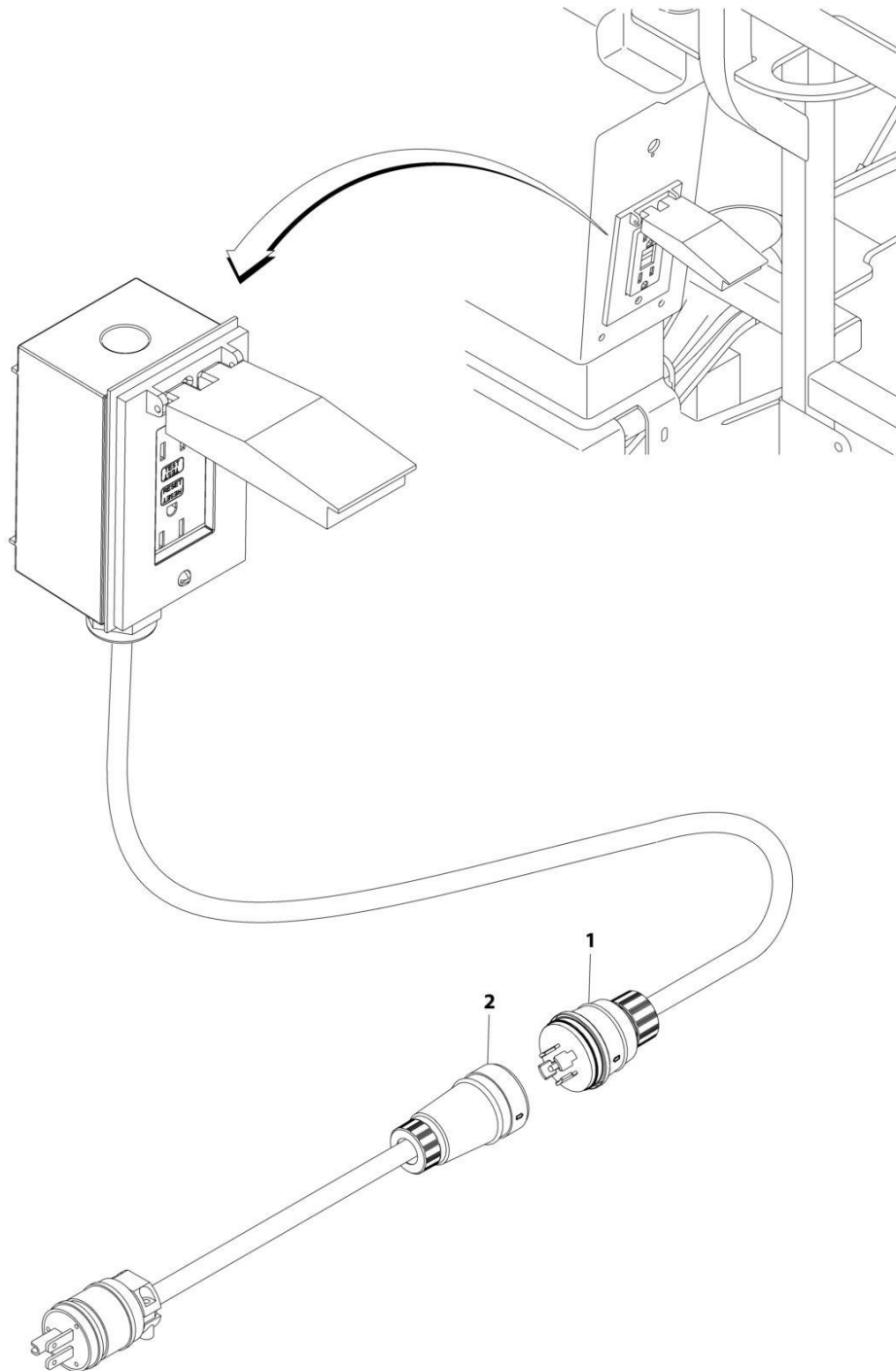
## SECTION 8 - ELECTRICAL

**FIGURE 8-16. AC BOX AT PLATFORM MID-BOOM PLUG INSTALLATION (WITHOUT 7500W SKYPOWER GENERATOR) (ALL SPECS EXCEPT ANSI & CSA SPECS)**

ITEM	PART NUMBER	QTY	DESCRIPTION	REV
	0256202	Ref	AC BOX AT PLATFORM MID-BOOM PLUG INSTALLATION	D
5	1001213584	1	Plug	
11	1001213585	1	Receptacle	

## SECTION 8 - ELECTRICAL

FIGURE 8-17. AC BOX AT PLATFORM MID-BOOM PLUG INSTALLATION (WITH 7500W SKYPOWER GENERATOR)



ART\_0272433

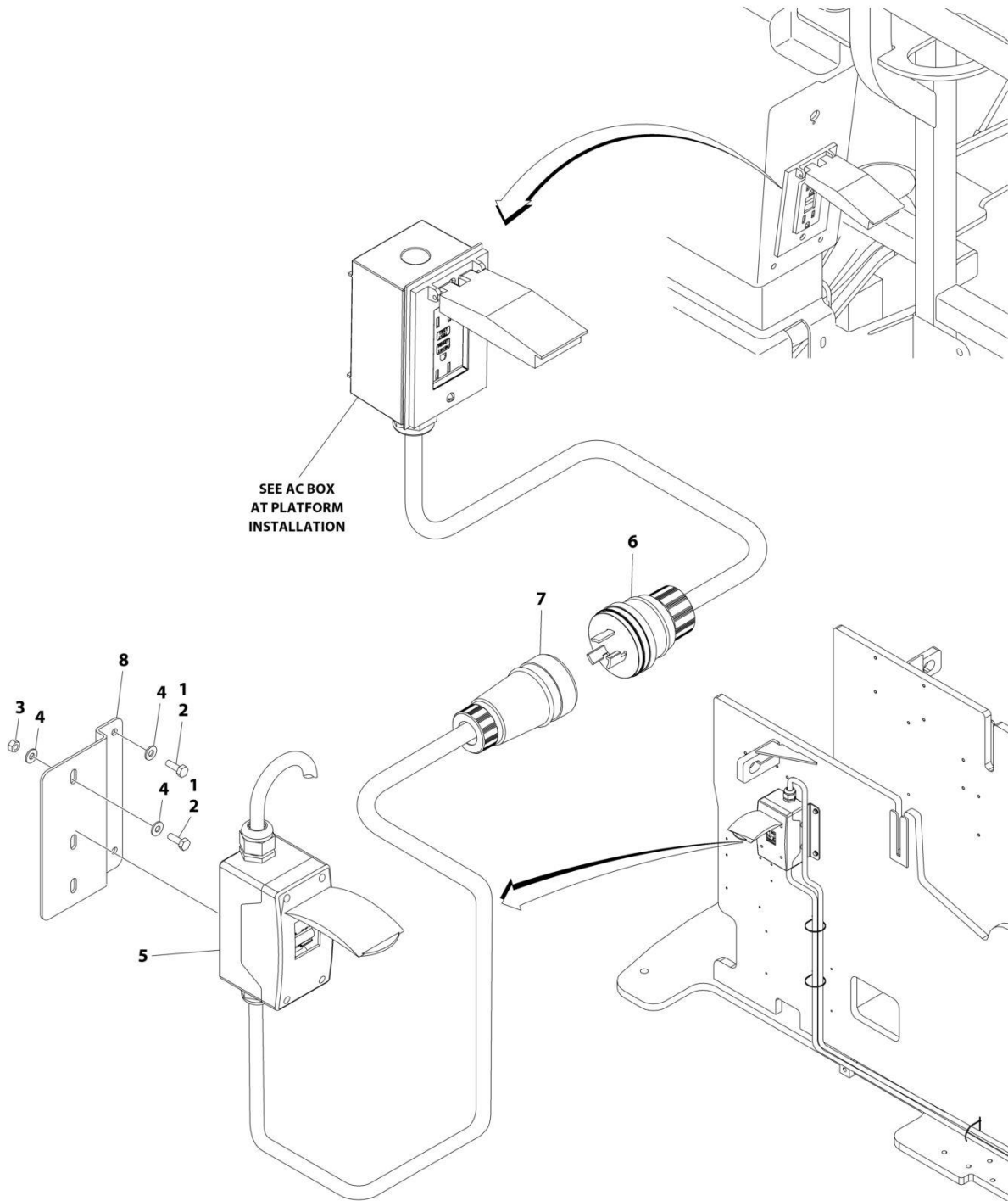
## SECTION 8 - ELECTRICAL

**FIGURE 8-17. AC BOX AT PLATFORM MID-BOOM PLUG INSTALLATION (WITH 7500W SKYPOWER GENERATOR)**

ITEM	PART NUMBER	QTY	DESCRIPTION	REV
	0272433	Ref	AC CABLE INSTALLATION - 110V/220V	D
1	1001218622	1	Plug, Male	
2	1001218623	1	Plug, Female	

# SECTION 8 - ELECTRICAL

FIGURE 8-18. AC BREAKER BOX INSTALLATION - WITH 2 BREAKERS (CE & UK CA SPECS WITH 4000W GENERATOR)



ART\_1001236962

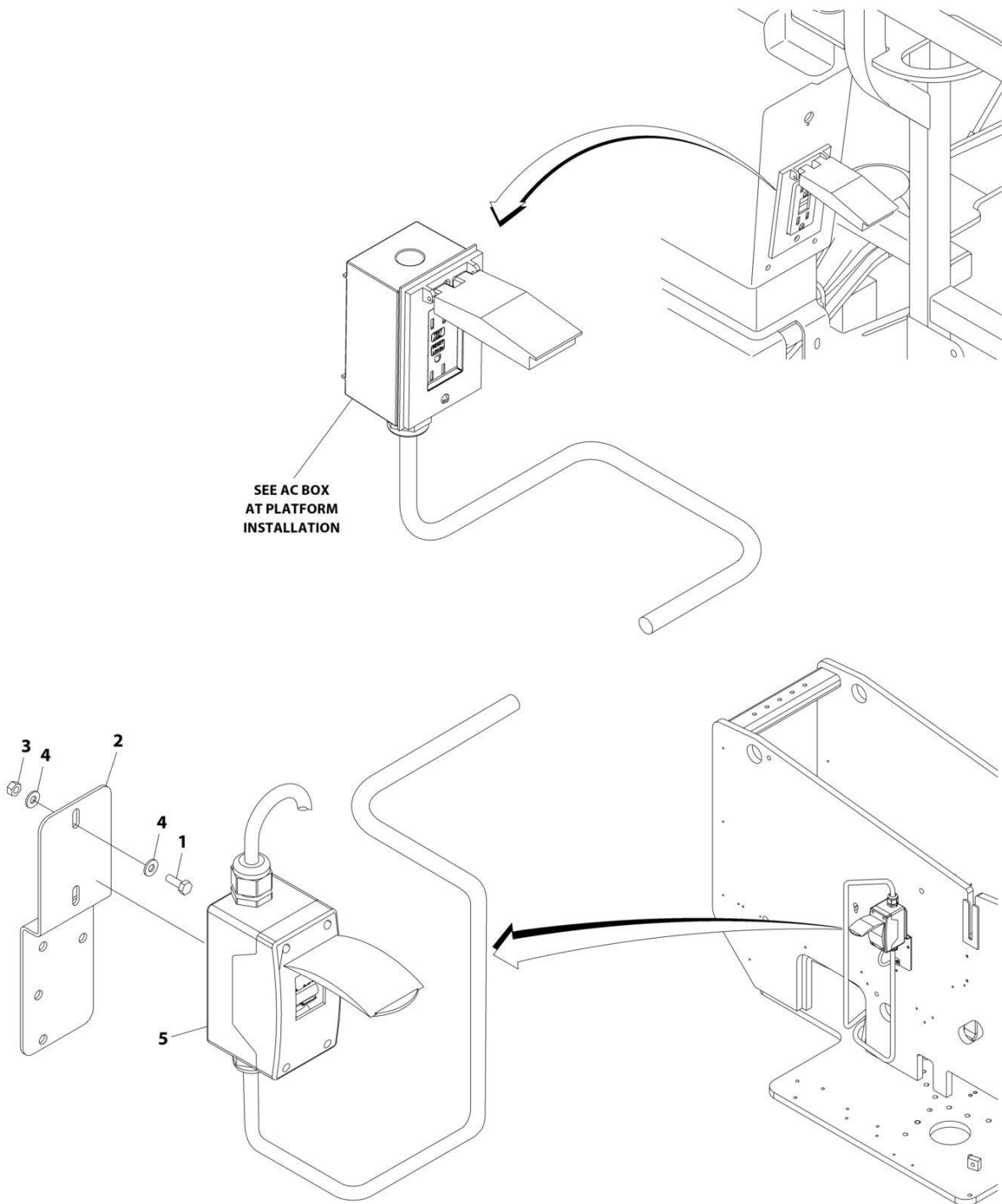
## SECTION 8 - ELECTRICAL

**FIGURE 8-18. AC BREAKER BOX INSTALLATION - WITH 2 BREAKERS (CE & UK CA SPECS WITH 4000W GENERATOR)**

ITEM	PART NUMBER	QTY	DESCRIPTION	REV
	1001236962	Ref	AC BREAKER BOX INSTALLATION	A
1	0100011	AR	Compound, Locking	
2	0641406	4	Bolt 1/4 x 3/4	
3	3311405	2	Nut 1/4	
4	4711400	6	Washer 1/4	
5	1001165368	1	Breaker Box Kit - With 2 Breakers (See Separate Breakdown in this Section)	
6	1001213584	1	Plug, Male	
7	1001213585	1	Receptacle, Female	
8	1001229080	1	Bracket	
9	4240099	AR	Tie-Strap (Not Shown)	

# SECTION 8 - ELECTRICAL

## FIGURE 8-19. AC BREAKER BOX INSTALLATION - WITH 2 BREAKERS (BRAZIL SPECS)



ART\_1001171016



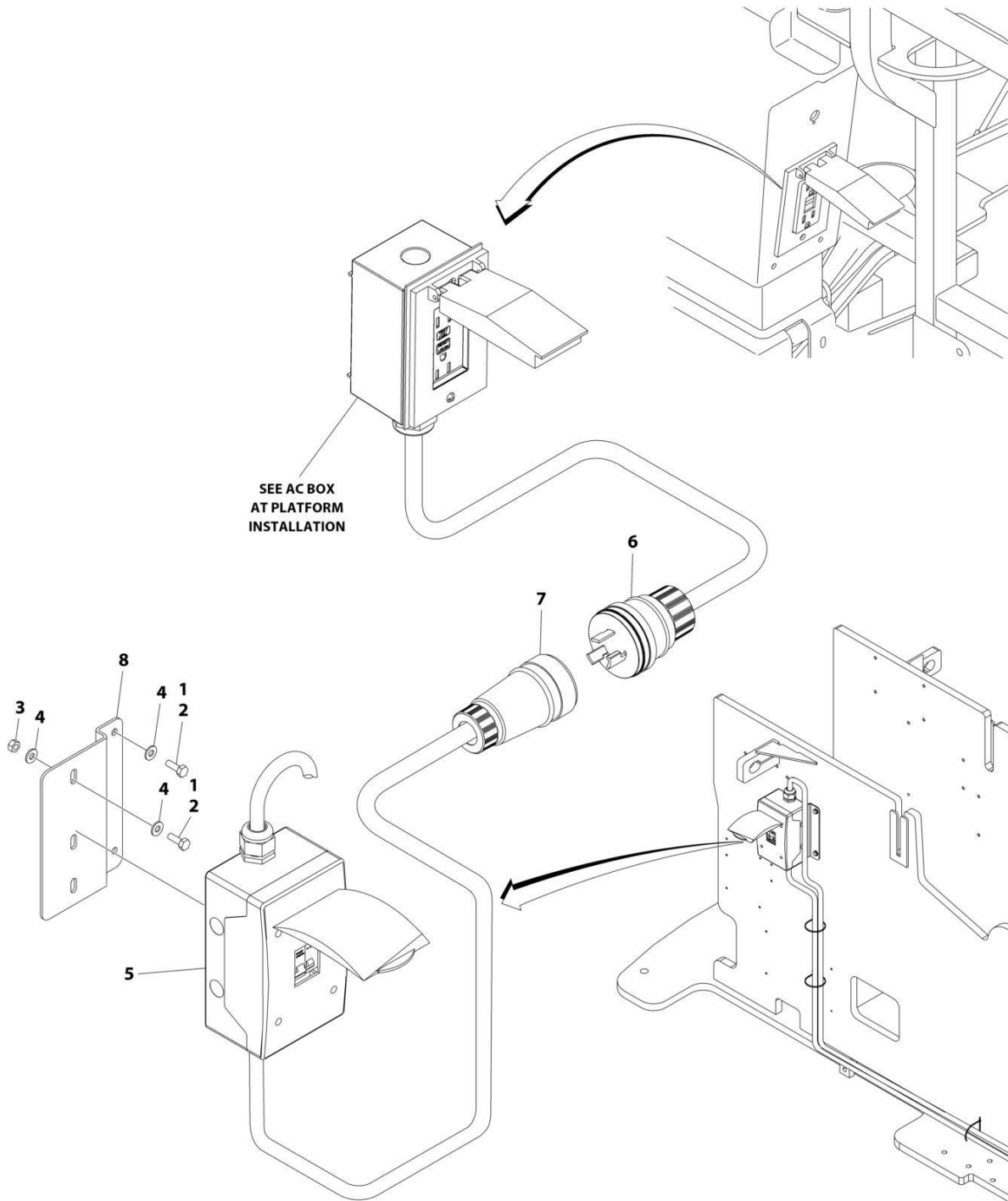
## SECTION 8 - ELECTRICAL

**FIGURE 8-19. AC BREAKER BOX INSTALLATION - WITH 2 BREAKERS (BRAZIL SPECS)**

ITEM	PART NUMBER	QTY	DESCRIPTION	REV
	1001171016	Ref	AC BREAKER BOX INSTALLATION	B
1	0641406	2	Bolt 1/4 x 3/4	
2	0903697	1	Bracket	
3	3311405	2	Nut 1/4	
4	4711400	4	Washer 1/4	
5	1001109654	1	Breaker Box Kit - With 2 Breakers (See Separate Breakdown in this Section)	

# SECTION 8 - ELECTRICAL

FIGURE 8-20. AC BREAKER BOX INSTALLATION - WITH 3 BREAKERS (CE & UK CA SPECS WITH 4000W GENERATOR)



ART\_1001234588

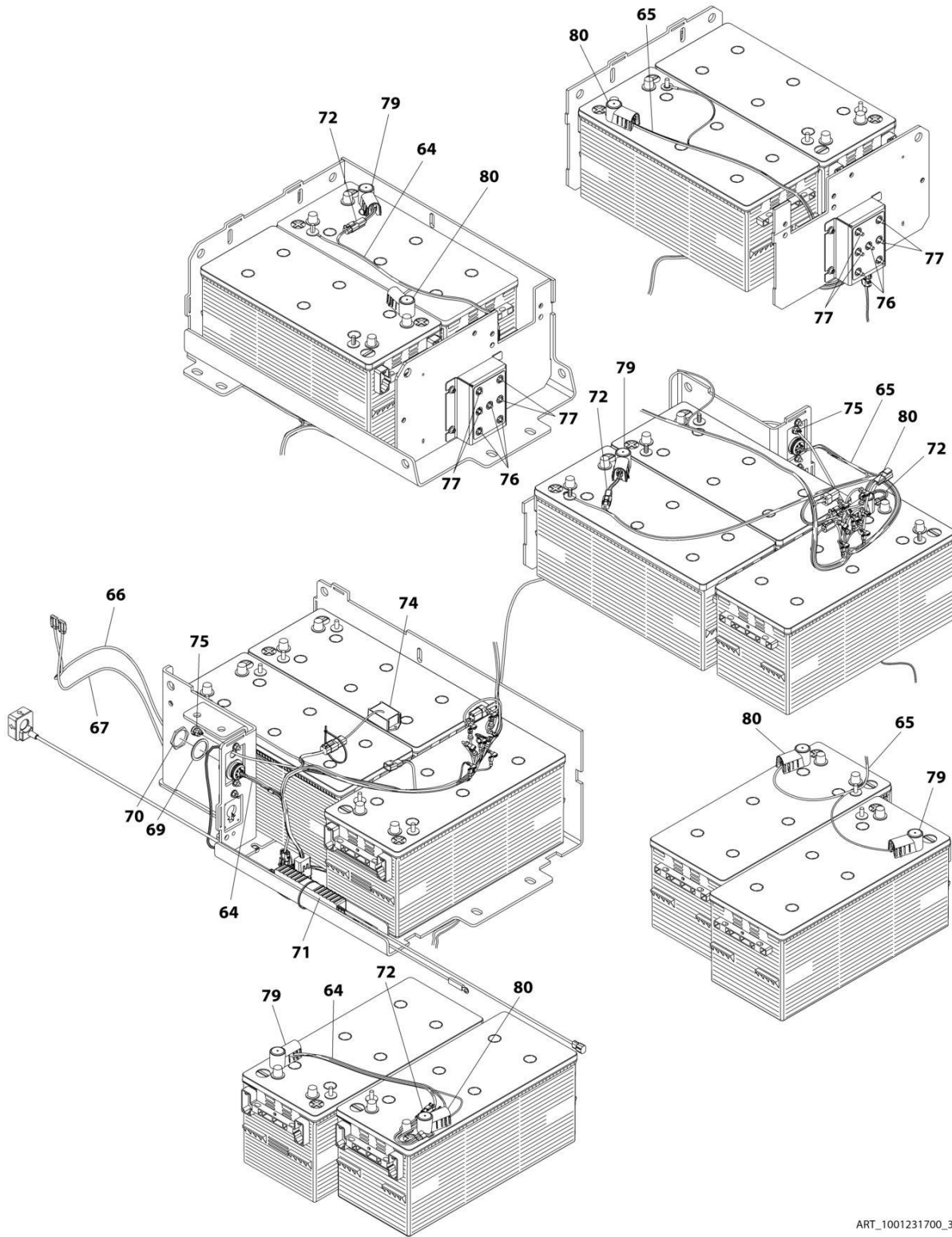
## SECTION 8 - ELECTRICAL

**FIGURE 8-20. AC BREAKER BOX INSTALLATION - WITH 3 BREAKERS (CE & UK CA SPECS WITH 4000W GENERATOR)**

ITEM	PART NUMBER	QTY	DESCRIPTION	REV
	1001234588	Ref	AC BREAKER BOX INSTALLATION	A
1	0100011	AR	Compound, Locking	
2	0641406	4	Bolt 1/4 x 3/4	
3	3311405	2	Nut 1/4	
4	4711400	6	Washer 1/4	
5	1001205690	1	Breaker Box Kit - With 3 Breakers (See Separate Breakdown in this Section)	
6	1001213584	1	Plug, Male	
7	1001213585	1	Receptacle, Female	
8	1001229080	1	Bracket	
9	4240099	AR	Tie-Strap (Not Shown)	

# SECTION 8 - ELECTRICAL

## FIGURE 8-21. BATTERY CABLES INSTALLATION



ART\_1001231700\_30F3

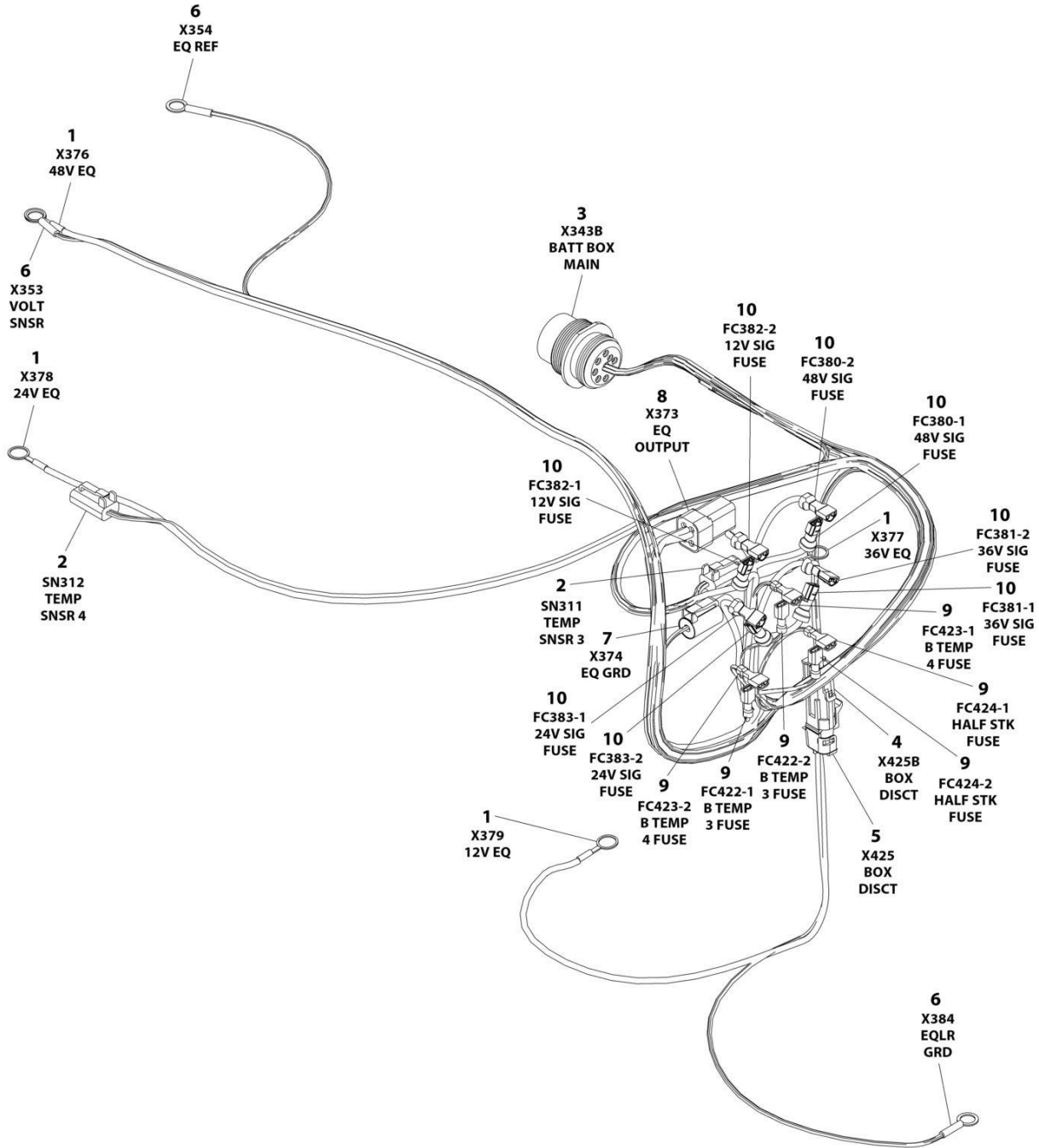
## SECTION 8 - ELECTRICAL

### FIGURE 8-21. BATTERY CABLES INSTALLATION

ITEM	PART NUMBER	QTY	DESCRIPTION	REV
	1001231700	Ref	BATTERY CABLES INSTALLATION	G
64	1001231685	1	Battery Stack Harness (RH) (See Separate Breakdown in this Section)	
65	1001231686	1	Battery Stack Harness (LH) (See Separate Breakdown in this Section)	
66	1001232840	1	Cable Equalizer LED (LH)	
66	4460910	1	Receptacle, Female - 3 Position	
66	1001126011	3	Terminal	
66	4460911	1	Plug, Male - 3 Position	
66	1001126008	3	Terminal	
67	1001232841	1	Cable Equalizer LED (RH)	
67	4460910	1	Receptacle, Female - 3 Position	
67	1001126011	3	Terminal	
67	4460911	1	Plug, Male - 3 Position	
67	1001126008	3	Terminal	
69	4460496	2	Washer	
70	4460497	2	Nut	
71	1001222336	1	Control, SOC Monitor	
72	1001225131	5	Temperature Sensor Harness	
74	1001227080	1	Terminator, Electrical	
75	1001233825	2	Connector, Strain Relief	
76	2400080	6	Fuse - 1 Amp	
77	1001234313	8	Fuse - 7.5 Amp	
79	1001225557	4	Boot (Black)	
80	1001225558	5	Boot (Red)	
81	4240032	AR	Tie-Strap (Not Shown)	
100	1001233440	1	Battery Connect Cable Kit (Not Shown)	
101	1001222379	1	Cable, Battery Jumper (+)	
102	1001222380	1	Cable, Battery Jumper (-)	
500	1001233448	2	Battery Box Cable Kit (Not Shown)	
501	1001231425	2	Cable, Battery Jumper (+) (1 Per Kit)	
502	1001231426	2	Cable, Battery Jumper (-) (1 Per Kit)	
503	1001231481	2	Cable, Battery Bulkhead (+) (1 Per Kit)	
504	1001231482	2	Cable, Battery Bulkhead (-) (1 Per Kit)	
505	1001231514	2	Cable, Battery Jumper (+) (1 Per Kit)	
506	1001231515	2	Cable, Battery Jumper (-) (1 Per Kit)	
507	1001231519	2	Cable, 84V Short (1 Per Kit)	
508	1001231520	2	Cable, 84V MID (1 Per Kit)	
509	1001231521	2	Cable, 84V Long (1 Per Kit)	
510	1001231522	2	Cable, 84V Bulkhead (1 Per Kit)	

# SECTION 8 - ELECTRICAL

## FIGURE 8-22. BATTERY STACK HARNESS (LH)



ART\_1001231686

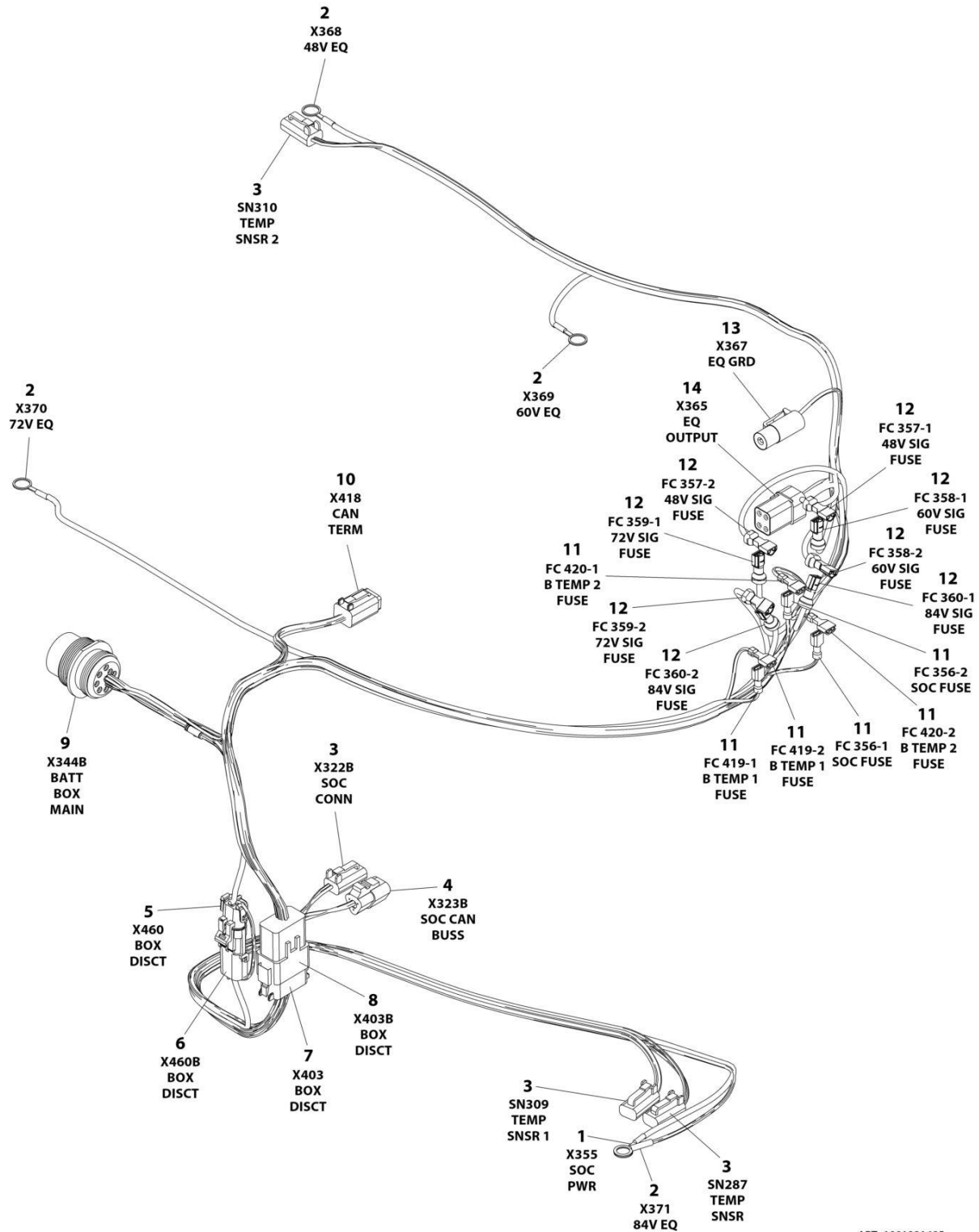
## SECTION 8 - ELECTRICAL

**FIGURE 8-22. BATTERY STACK HARNESS (LH)**

ITEM	PART NUMBER	QTY	DESCRIPTION	REV
	1001231686	Ref	BATTERY STACK HARNESS	B
1	4460019	4	Terminal, Ring	
2	4460891	2	Plug, Male - 2 Position	
2	4460465	4	Socket, Female	
3	1001112612	1	Connector - 9 Position	
3	4460464	5	Pin, Male	
3	4460466	4	Plug, Terminal	
4	4461157	1	Receptacle, Female - 2 Position	
4	4460850	2	Terminal	
5	4460742	1	Plug, Male - 2 Position	
5	4460790	2	Terminal	
6	4460256	3	Terminal, Ring	
7	4461261	1	Plug, Male - 1 Position	
7	4460509	1	Socket, Female	
8	1001116810	1	Plug, Male - 4 Position	
8	4460509	8	Socket, Female	
9	8220051	6	Terminal	
10	8220043	8	Terminal	

# SECTION 8 - ELECTRICAL

## FIGURE 8-23. BATTERY STACK HARNESS (RH)



ART\_1001231685



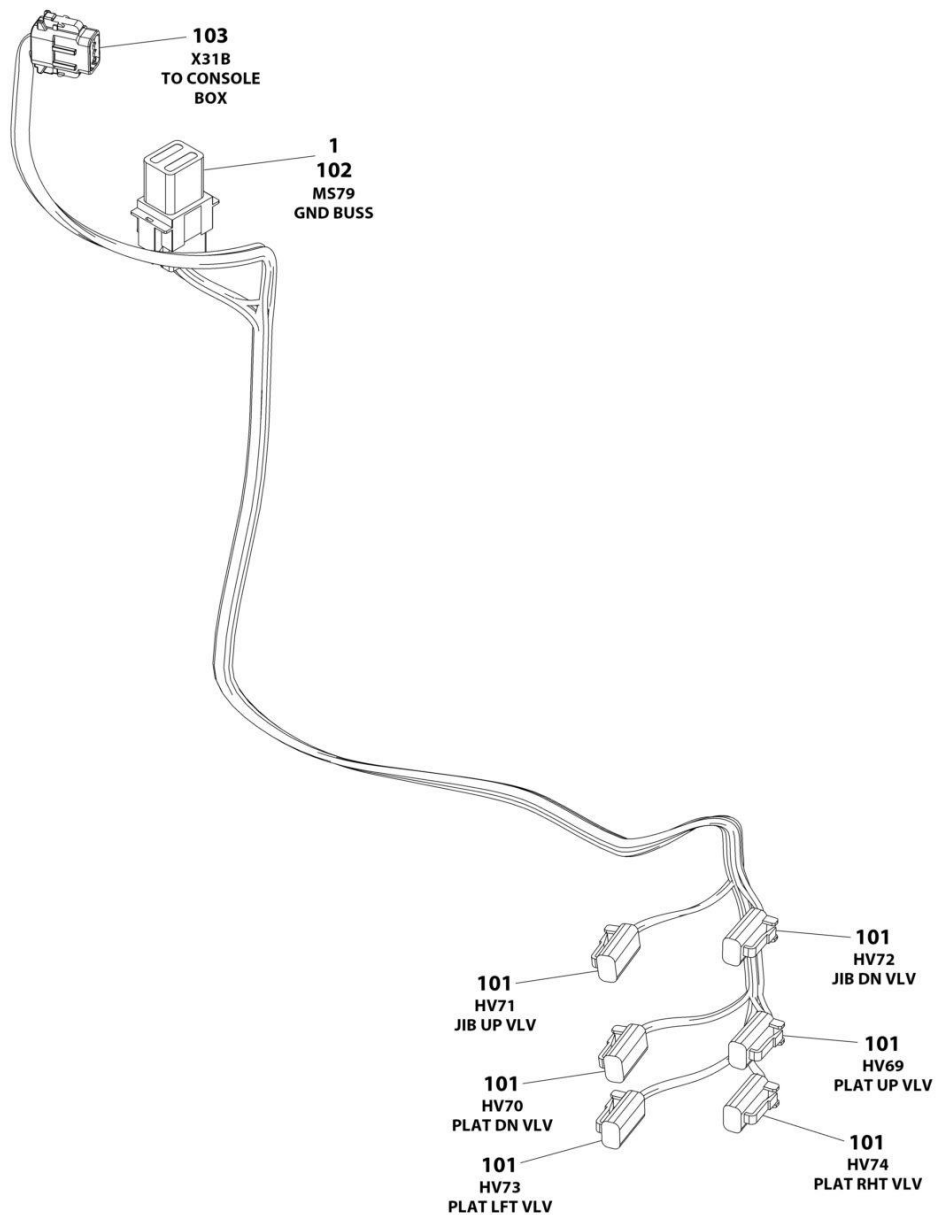
## SECTION 8 - ELECTRICAL

**FIGURE 8-23. BATTERY STACK HARNESS (RH)**

ITEM	PART NUMBER	QTY	DESCRIPTION	REV
	1001231685	Ref	BATTERY STACK HARNESS	A
1	4460256	3	Terminal, Ring	
2	4460019	4	Terminal, Ring	
3	4460891	2	Plug, Male - 2 Position	
3	4460465	4	Socket, Female	
4	4460539	1	Plug, Male - 3 Position	
4	4460465	3	Socket, Female	
5	4461157	1	Receptacle, Female - 2 Position	
5	4460850	2	Terminal	
6	4460742	1	Plug, Male - 2 Position	
6	4460790	2	Terminal	
7	4460836	1	Plug, Male - 12 Position	
7	4460465	9	Socket, Female	
7	4460466	3	Plug, Terminal	
8	4460950	1	Receptacle, Female - 12 Position	
8	4460464	9	Pin, Male	
8	4460466	3	Plug, Terminal	
9	1001112612	1	Connector - 9 Position	
9	4460464	5	Pin, Male	
10	4460884	1	Plug, Male - 4 Position	
10	4460465	4	Socket, Female	
11	8220051	6	Terminal	
12	8220043	8	Terminal	
13	4461261	1	Plug, Male - 1 Position	
13	4460509	1	Socket, Female	
14	1001116810	1	Plug, Male - 4 Position	
14	4460509	8	Socket, Female	

# SECTION 8 - ELECTRICAL

## FIGURE 8-24. BOOM VALVE HARNESS



ART\_1001222047

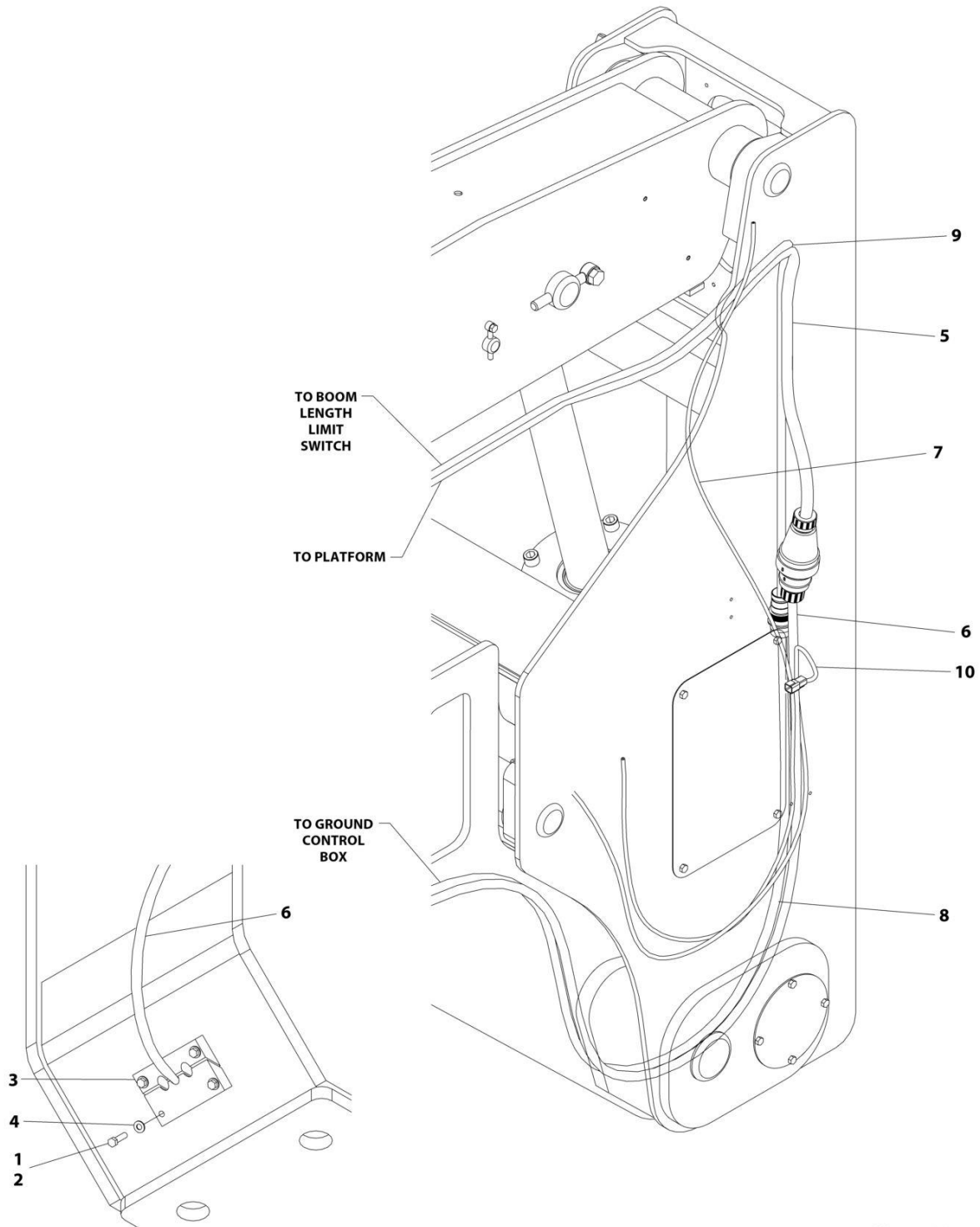
## SECTION 8 - ELECTRICAL

### FIGURE 8-24. BOOM VALVE HARNESS

ITEM	PART NUMBER	QTY	DESCRIPTION	REV
	1001222047	Ref	BOOM VALVE HARNESS	B
1	4460852	1	Connector, Buss - 8 Position	
101	4460891	6	Plug, Male - 2 Position	
101	4460465	12	Socket, Female	
102	4460851	1	Plug, Male - 8 Position	
102	4460465	8	Socket, Female	
103	1001190577	1	Plug, Male - 8 Position	
103	1001126008	7	Socket, Female	
103	4460518	1	Plug, Terminal	

# SECTION 8 - ELECTRICAL

## FIGURE 8-25. BOOM CABLES INSTALLATION (MACHINES WITHOUT GENERATOR)



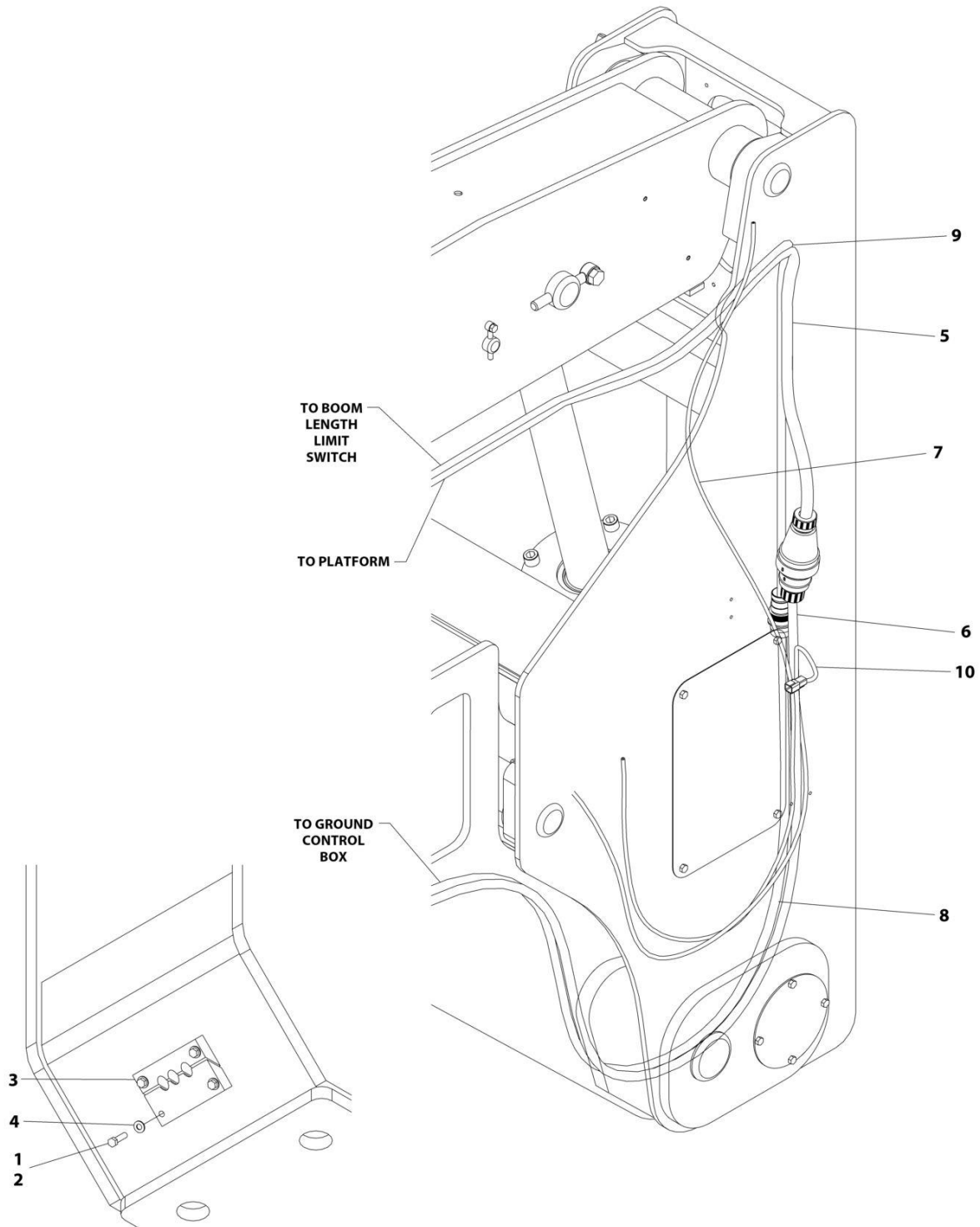
## SECTION 8 - ELECTRICAL

**FIGURE 8-25. BOOM CABLES INSTALLATION (MACHINES WITHOUT GENERATOR)**

ITEM	PART NUMBER	QTY	DESCRIPTION	REV
	1001223433	Ref	BOOM CABLES INSTALLATION	D
1	0100011	AR	Compound, Locking	
2	0641612	4	Bolt 3/8 x 1-1/2	
3	1320256	1	Clamp, Block	
4	4711600	4	Washer 3/8	
5	4922216	1	AC Cable, 10/3 (Main Boom)	
6	4922217	1	AC Cable, 10/3 (Tower Boom)	
7	4922578	2	Cable, Main Boom Elevation Limit Switch	
8	1001222055	1	Boom Cable - Tower Boom (See Separate Breakdown in this Section)	
9	1001227356	1	Boom Cable - Main Boom (See Separate Breakdown in this Section)	
10	1001227359	1	Tilt Sensor Harness	
10	1001097051	1	Connector - 4 Position	
10	1001097082	3	Terminal	

# SECTION 8 - ELECTRICAL

## FIGURE 8-26. BOOM CABLES INSTALLATION (AUSTRALIAN SPECS WITH 4000W GENERATOR)



ART\_1001227853

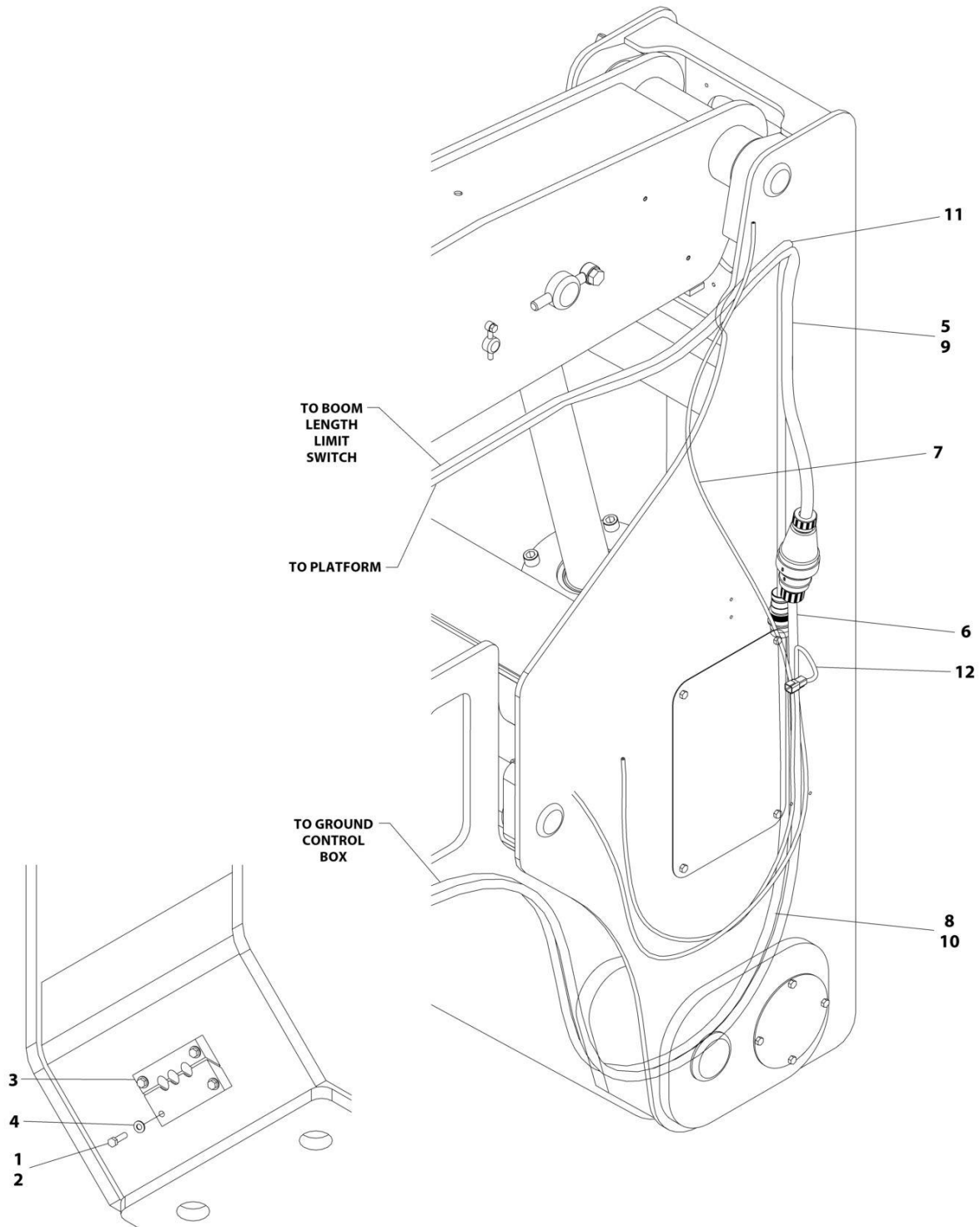
## SECTION 8 - ELECTRICAL

**FIGURE 8-26. BOOM CABLES INSTALLATION (AUSTRALIAN SPECS WITH 4000W GENERATOR)**

ITEM	PART NUMBER	QTY	DESCRIPTION	REV
	1001227853	Ref	BOOM CABLES INSTALLATION	D
1	0100011	AR	Compound, Locking	
2	0641612	4	Bolt 3/8 x 1-1/2	
3	1320256	1	Clamp, Block	
4	4711600	4	Washer 3/8	
5	4922219	1	AC Cable - 10/3 (Main Boom)	
6	4922220	1	AC Cable - 10/3 (Tower Boom)	
7	4922578	2	Cable, Main Boom Elevation Limit Switch	
8	1001222055	1	Boom Cable - Tower Boom (See Separate Breakdown in this Section)	
9	1001227356	1	Boom Cable - Main Boom (See Separate Breakdown in this Section)	
10	1001227359	1	Tilt Sensor Harness	
10	1001097051	1	Connector - 4 Position	
10	1001097082	3	Terminal	
11	4240099	AR	Tie-Strap (Not Shown)	

# SECTION 8 - ELECTRICAL

## FIGURE 8-27. BOOM CABLES INSTALLATION (CE & UK CA SPECS WITH 4000W GENERATOR)



ART\_1001227850



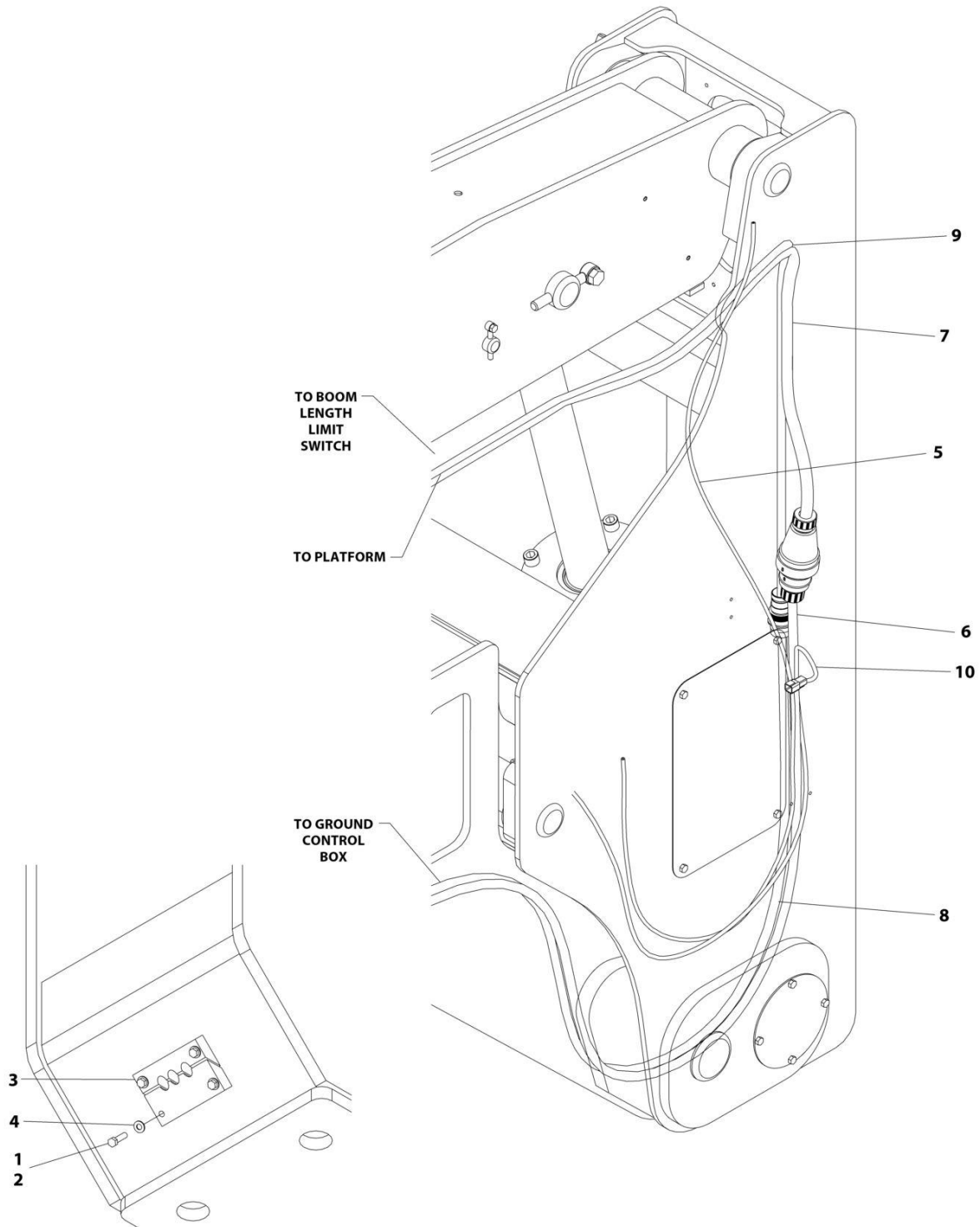
## SECTION 8 - ELECTRICAL

**FIGURE 8-27. BOOM CABLES INSTALLATION (CE & UK CA SPECS WITH 4000W GENERATOR)**

ITEM	PART NUMBER	QTY	DESCRIPTION	REV
	1001227850	Ref	BOOM CABLES INSTALLATION	D
1	0100011	AR	Compound, Locking	
2	0641612	4	Bolt 3/8 x 1-1/2	
3	1320256	1	Clamp, Block	
4	4711600	4	Washer 3/8	
5	4922219	1	AC Cable - 10/3 (Main Boom)	
6	4922220	1	AC Cable - 10/3 (Tower Boom)	
7	4922578	2	Cable, Main Boom Elevation Limit Switch	
8	4922579	1	Boom Length Harness (Tower Boom)	
8	4460891	1	Plug, Male - 2 Position	
8	4460465	2	Socket, Female	
9	4922580	1	Boom Length Harness (Main Boom)	
9	4460897	1	Receptacle, Female	
9	4460464	2	Pin, Male	
10	1001222055	1	Boom Cable - Tower Boom (See Separate Breakdown in this Section)	
11	1001227356	1	Boom Cable - Main Boom (See Separate Breakdown in this Section)	
12	1001227359	1	Tilt Sensor Harness	
12	1001097051	1	Connector - 4 Position	
12	1001097082	3	Terminal	
13	4240099	AR	Tie-Strap (Not Shown)	

# SECTION 8 - ELECTRICAL

FIGURE 8-28. BOOM CABLES INSTALLATION (ALL SPECS EXCEPT CE & UK CA SPECS WITH 7500W GENERATOR)



ART\_1001227851

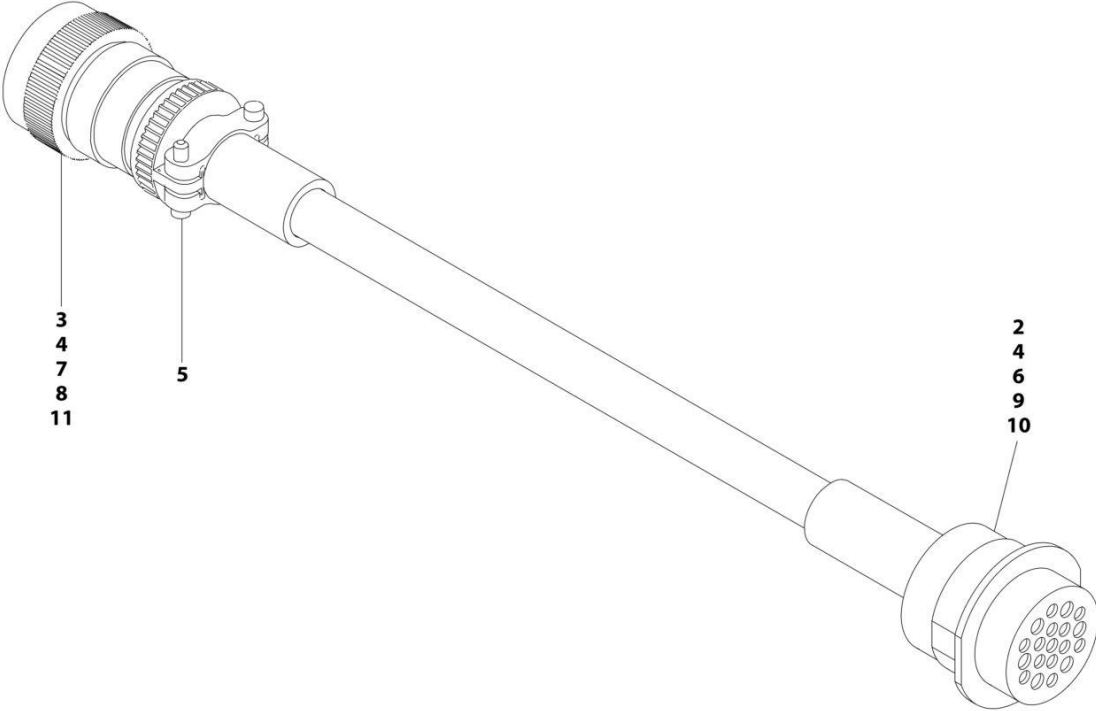
## SECTION 8 - ELECTRICAL

**FIGURE 8-28. BOOM CABLES INSTALLATION (ALL SPECS EXCEPT CE & UK CA SPECS WITH 7500W GENERATOR)**

ITEM	PART NUMBER	QTY	DESCRIPTION	REV
	1001227851	Ref	BOOM CABLES INSTALLATION	D
1	0100011	AR	Compound, Locking	
2	0641612	4	Bolt 3/8 x 1-1/2	
3	1320256	1	Clamp, Block	
4	4711600	4	Washer 3/8	
5	4922578	2	Cable, Main Boom Elevation Limit Switch	
6	1001125125	1	AC Cable 8/5 (Tower Boom)	
7	1001125126	1	AC Cable 8/5 (Main Boom)	
8	1001222055	1	Boom Cable - Tower Boom (See Separate Breakdown in this Section)	
9	1001227356	1	Boom Cable - Main Boom (See Separate Breakdown in this Section)	
10	1001227359	1	Tilt Sensor Harness	
10	1001097051	1	Connector - 4 Position	
10	1001097082	3	Terminal	
13	4240099	AR	Tie-Strap (Not Shown)	

**SECTION 8 - ELECTRICAL**

**FIGURE 8-29. BOOM CABLE - MAIN BOOM**



AI

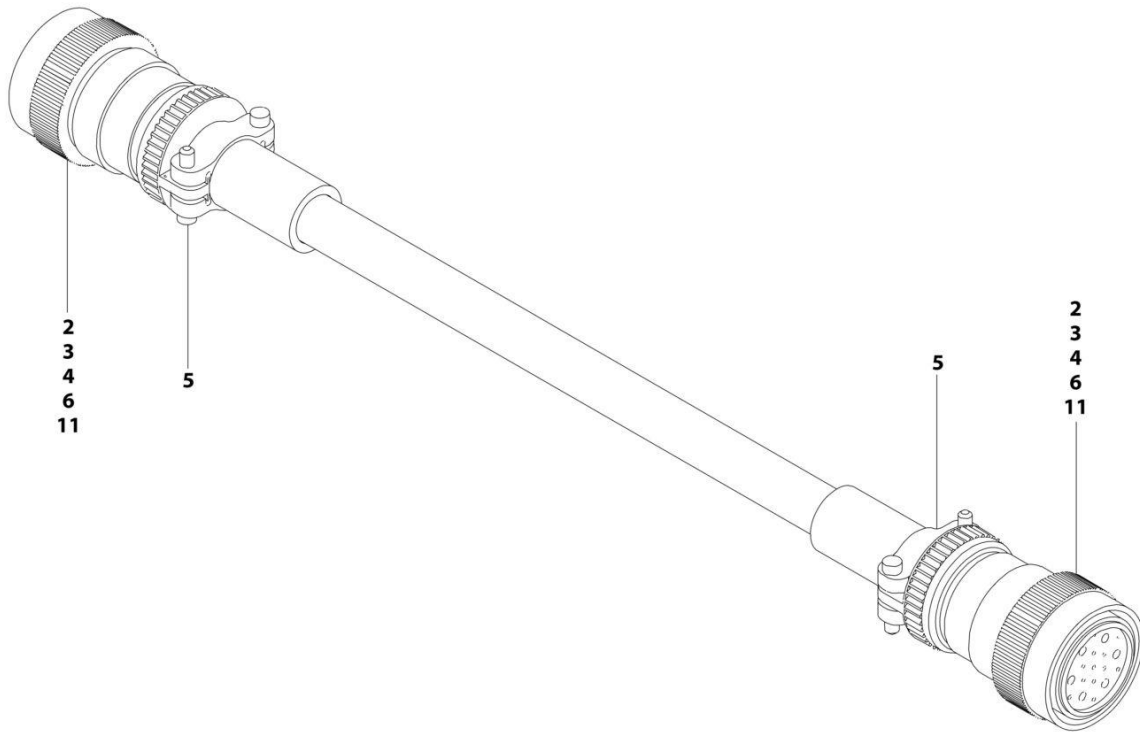
## SECTION 8 - ELECTRICAL

### FIGURE 8-29. BOOM CABLE - MAIN BOOM

ITEM	PART NUMBER	QTY	DESCRIPTION	REV
	1001227356	Ref	BOOM CABLE - MAIN BOOM	A
2	4460464	8	Pin, Male	
3	4460465	8	Socket, Female	
4	4460466	10	Plug, Terminal	
5	4460473	1	Clamp	
6	4460508	4	Pin, Male	
7	4460509	4	Socket, Female	
8	4460865	1	Connector - 19 Position	
9	4460866	1	Connector - 19 Position	
10	4460943	2	Pin, Male	
11	4460944	2	Socket, Female	

# SECTION 8 - ELECTRICAL

## FIGURE 8-30. BOOM CABLE - TOWER BOOM



ART\_1001222055

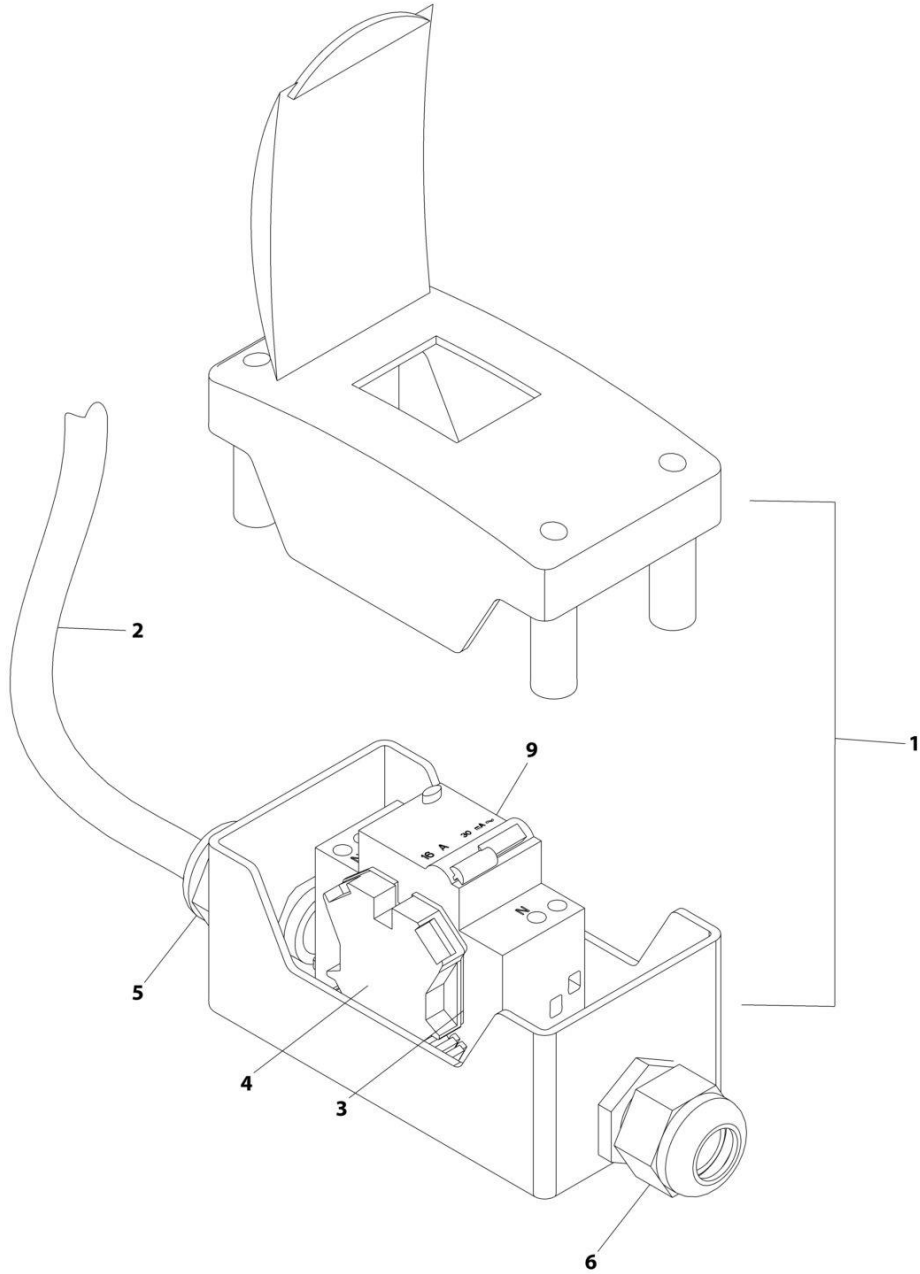
## SECTION 8 - ELECTRICAL

### FIGURE 8-30. BOOM CABLE - TOWER BOOM

ITEM	PART NUMBER	QTY	DESCRIPTION	REV
	1001222055	Ref	BOOM CABLE - TOWER BOOM	C
2	4460465	10	Socket, Female	
3	4460865	2	Connector - 19 Position	
4	4460509	8	Socket, Female	
5	4460473	2	Clamp	
6	4460466	10	Plug, Terminal	
11	4460944	10	Socket, Female	

# SECTION 8 - ELECTRICAL

**FIGURE 8-31. BREAKER BOX KIT - WITH 2 BREAKERS (CE & UK CA SPECS WITHOUT 4000W GENERATOR & BRAZIL SPECS)**



ART\_1001109654



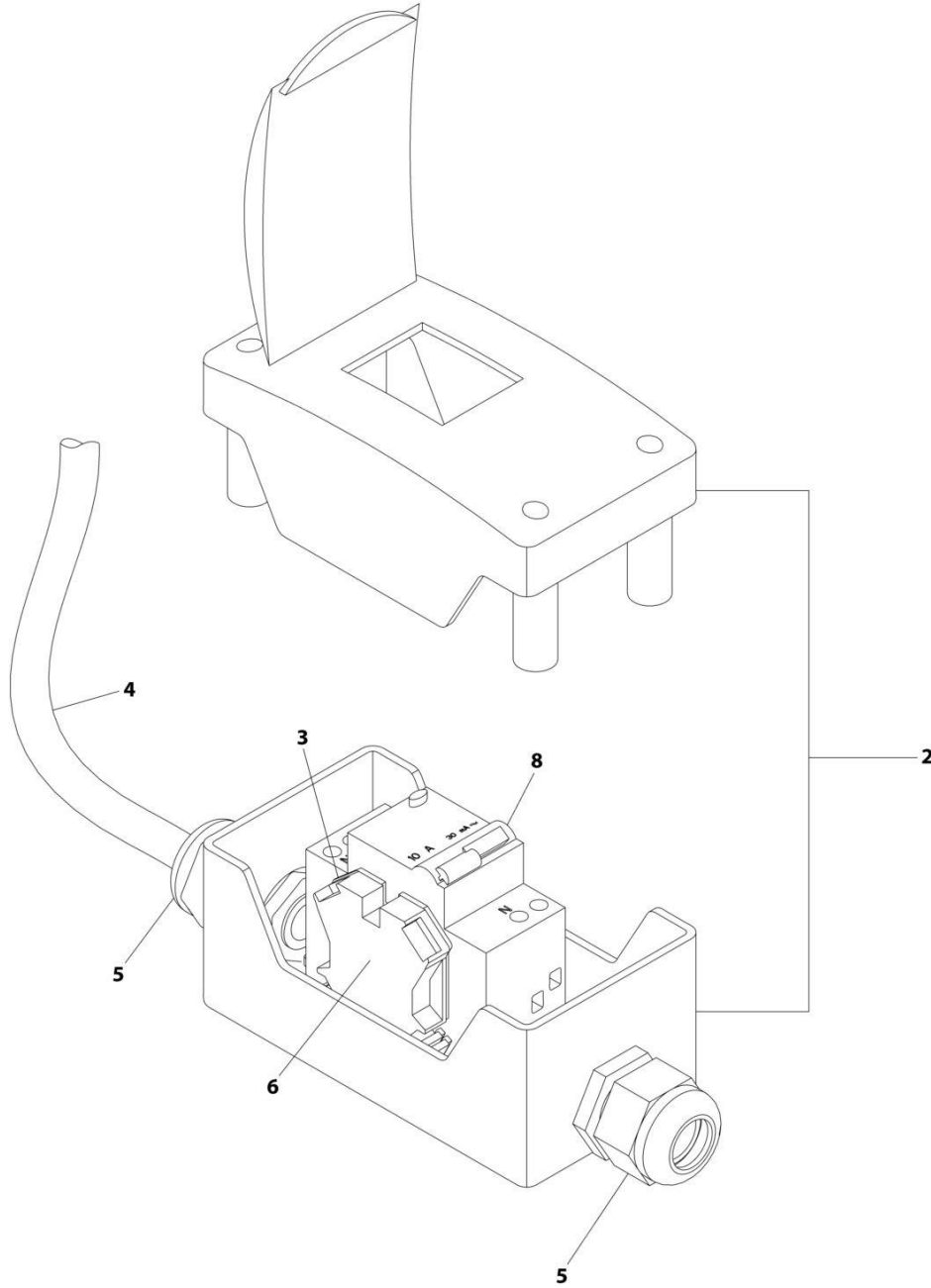
## SECTION 8 - ELECTRICAL

**FIGURE 8-31. BREAKER BOX KIT - WITH 2 BREAKERS (CE & UK CA SPECS WITHOUT 4000W GENERATOR & BRAZIL SPECS)**

ITEM	PART NUMBER	QTY	DESCRIPTION	REV
	1001109654	Ref	BREAKER BOX KIT	C
1	0861880	1	Box, Breaker	
2	1060908	12 ft/ 3.6m	Cable 12/3	
3	4460956	1	Barrier, Terminal Block End	
4	4460957	1	Block, Terminal	
5	1001097150	1	Connector, Strain Relief	
6	1001101191	1	Connector, Strain Relief	
9	1001181045	1	Breaker - 30mA/16Amp	
10	1001100231	3	Terminal (Not Shown)	

# SECTION 8 - ELECTRICAL

**FIGURE 8-32. BREAKER BOX KIT - WITH 2 BREAKERS (CE & UK CA SPECS WITH 4000W GENERATOR) (H800AJ)**



ART\_1001165368

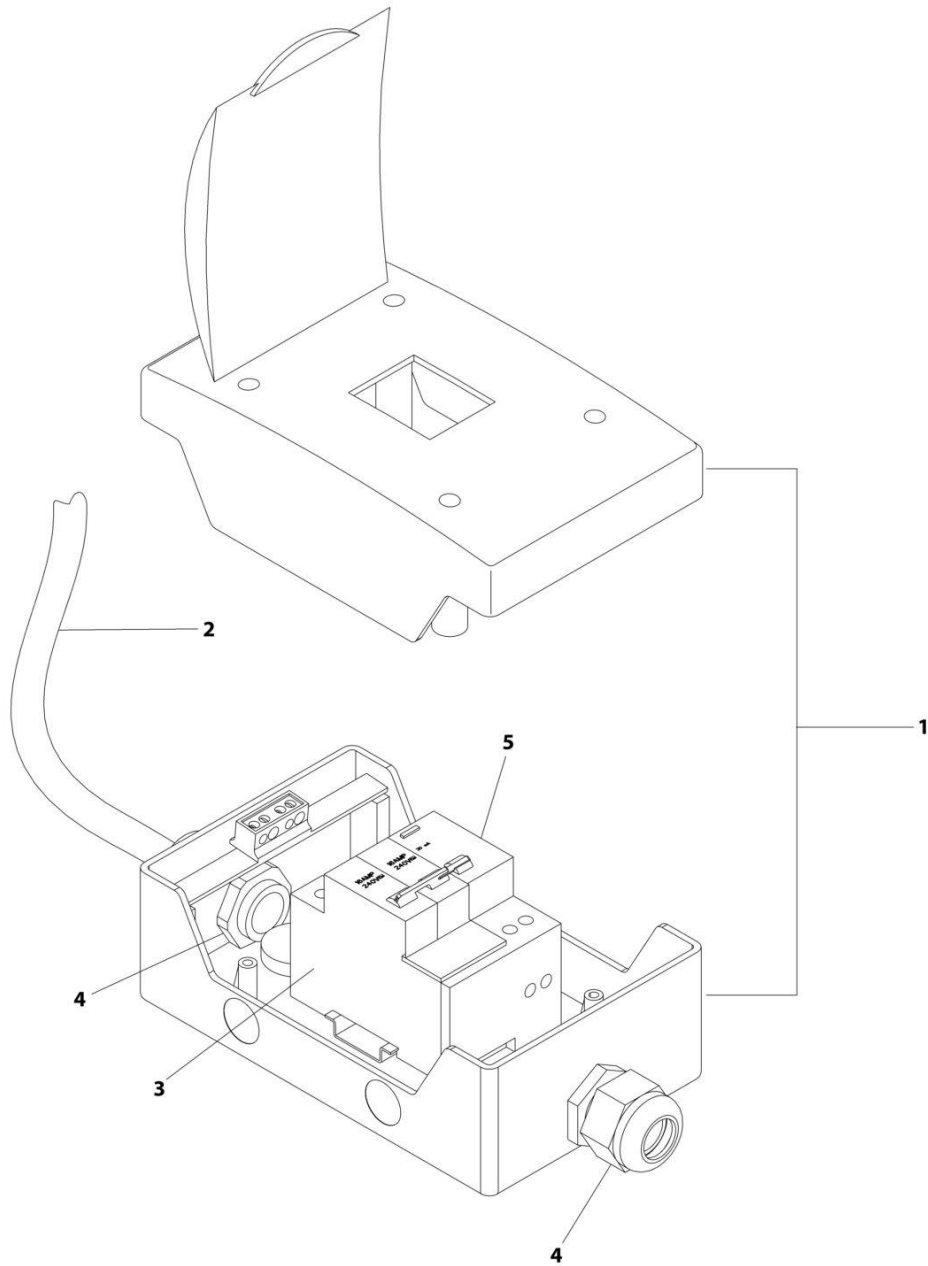
## SECTION 8 - ELECTRICAL

**FIGURE 8-32. BREAKER BOX KIT - WITH 2 BREAKERS (CE & UK CA SPECS WITH 4000W GENERATOR) (H800AJ)**

ITEM	PART NUMBER	QTY	DESCRIPTION	REV
	1001165368	Ref	BREAKER BOX KIT	B
2	0861880	1	Box, Circuit Breaker	
3	4460956	1	Barrier, Terminal Block End	
4	1060545	12 ft/ 3.6m	Cable, Electrical 10/3	
5	1001101191	2	Connector, Strain Relief	
6	4460957	1	Block, Terminal	
8	1001181045	1	Breaker 30mA/16Amp	

# SECTION 8 - ELECTRICAL

FIGURE 8-33. BREAKER BOX KIT - WITH 3 BREAKERS (CE & UK CA SPECS WITH 4000W GENERATOR)



ART\_1001205690

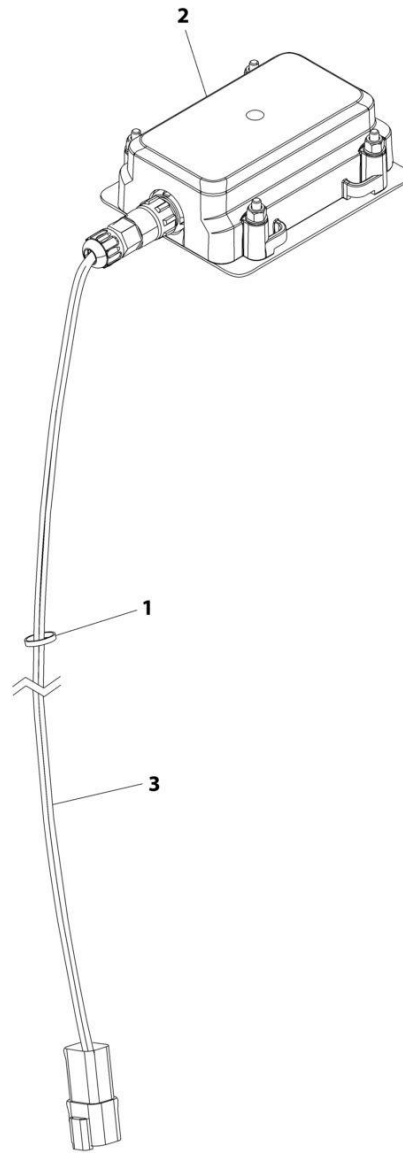
## SECTION 8 - ELECTRICAL

**FIGURE 8-33. BREAKER BOX KIT - WITH 3 BREAKERS (CE & UK CA SPECS WITH 4000W GENERATOR)**

ITEM	PART NUMBER	QTY	DESCRIPTION	REV
	1001205690	Ref	BREAKER BOX KIT	B
1	1001152483	1	Box, Breaker	
2	1060545	12 ft / 3.6m	Cable, Electrical 10/3	
3	1001189172	1	Breaker 16Amp Double	
4	1001101191	2	Connector, Strain Relief	
5	1001189171	1	Breaker 30mA	

# SECTION 8 - ELECTRICAL

FIGURE 8-34. CLEARSKY INSTALLATION - 3 WIRE GT1030



ART\_1001276610

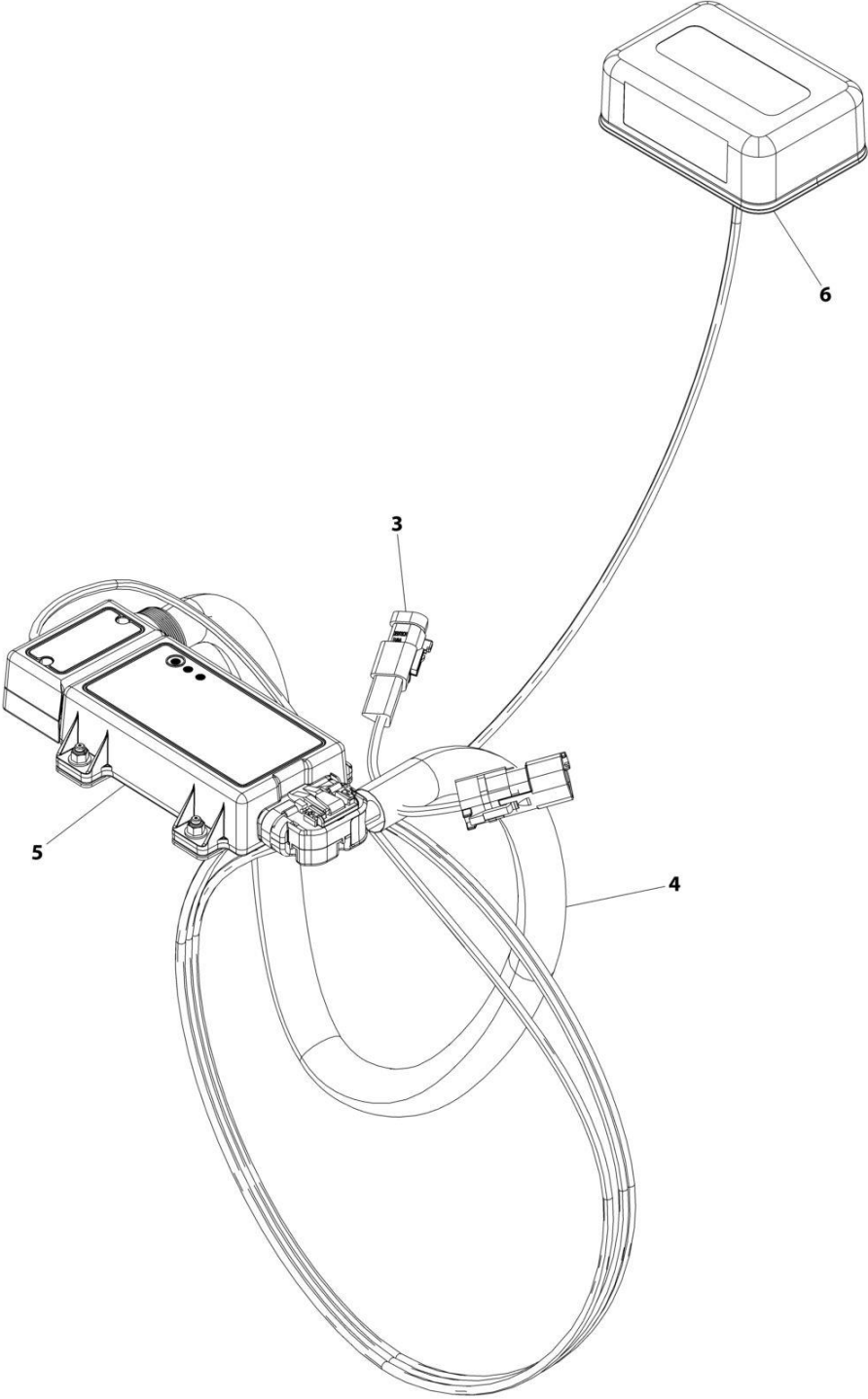
## SECTION 8 - ELECTRICAL

**FIGURE 8-34. CLEARSKY INSTALLATION - 3 WIRE GT1030**

ITEM	PART NUMBER	QTY	DESCRIPTION	REV
1	1001276610 4240032	Ref AR	CLEARSKY INSTALLATION 3-WIRE CONNECTION Tie-Strap	A
2	1001272659	1	Telematics Control Module Assembly (Note: Re-calibration Required when Replaced)	
3	1001273012	1	ClearSky Harness (See Separate Breakdown in this Section)	

**SECTION 8 - ELECTRICAL**

**FIGURE 8-35. CLEARSKY INSTALLATION - CANBUS (ANSI SPECS)**



ART\_1001227448



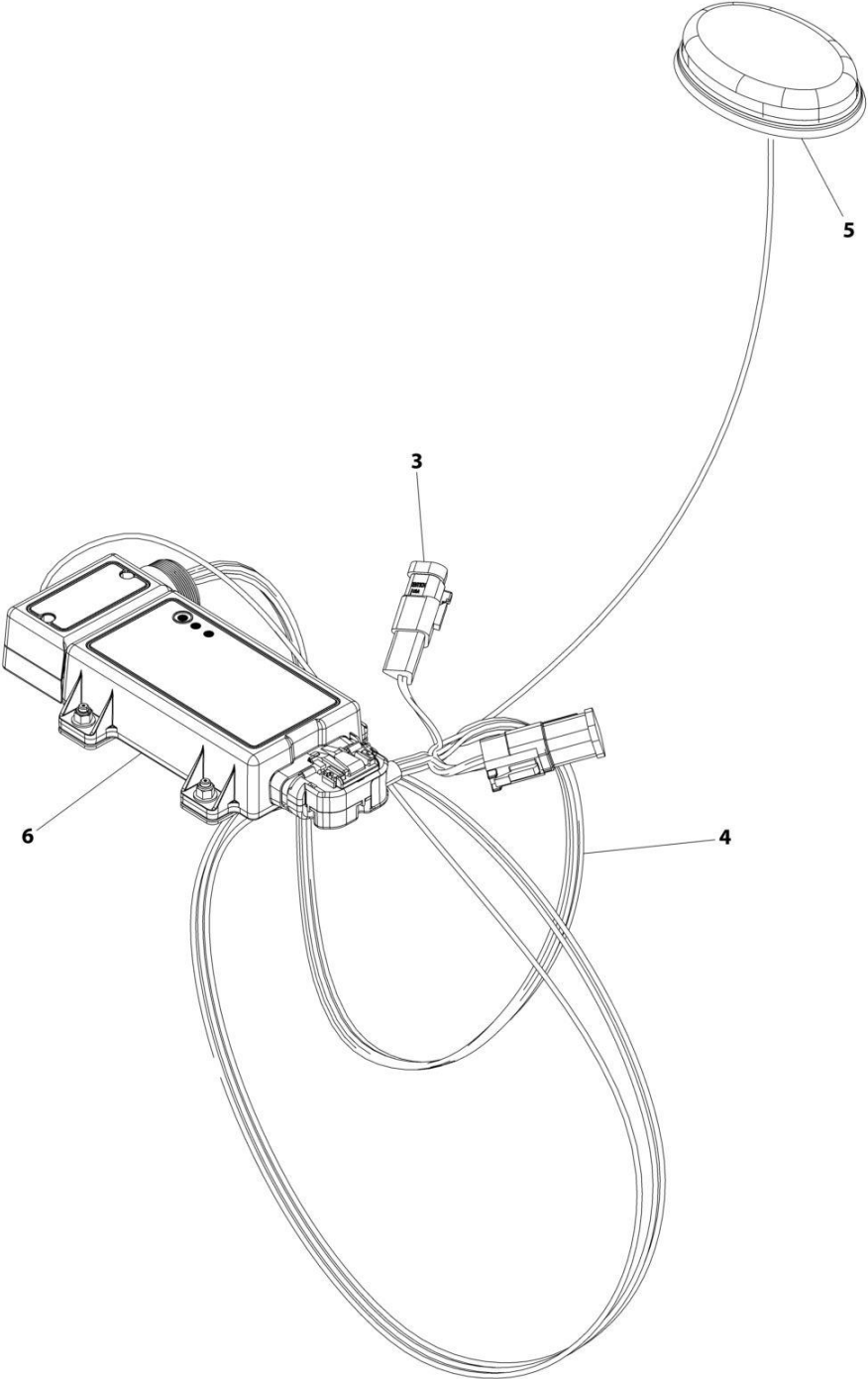
## SECTION 8 - ELECTRICAL

**FIGURE 8-35. CLEARSKY INSTALLATION - CANBUS (ANSI SPECS)**

ITEM	PART NUMBER	QTY	DESCRIPTION	REV
	1001227448	REF	CLEARSKY INSTALLATION - CANBUS	B
1	4240032	AR	Tie-Strap (Not Shown)	
2	4460234	AR	Mount, Cable -Tie (Not Shown)	
3	1001116815	1	Plug, Connector	
4	1001226739	1	ClearSky Telematics Harness (See Separate Breakdown in this Section)	
5	1001262322	1	Module, ClearSky	
6	1001262326	1	Antenna	

**SECTION 8 - ELECTRICAL**

**FIGURE 8-36. CLEARSKY INSTALLATION - CANBUS (AUSTRALIAN SPECS)**



ART\_1001246473

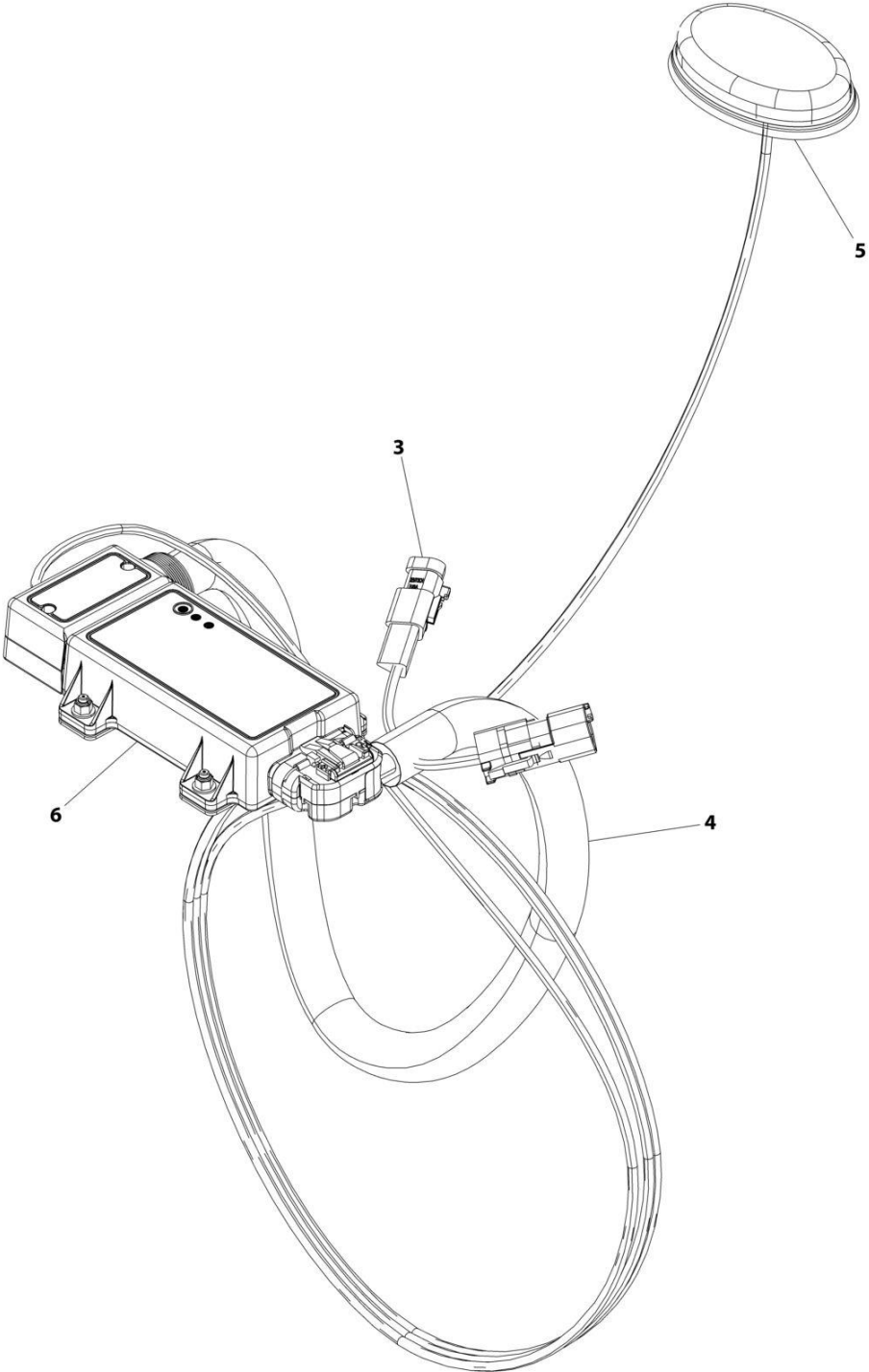
## SECTION 8 - ELECTRICAL

**FIGURE 8-36. CLEARSKY INSTALLATION - CANBUS (AUSTRALIAN SPECS)**

ITEM	PART NUMBER	QTY	DESCRIPTION	REV
	1001246473	REF	CLEARSKY INSTALLATION - CANBUS	A
1	4240032	AR	Tie-Strap (Not Shown)	
2	4460234	AR	Mount, Cable -Tie (Not Shown)	
3	1001116815	1	Plug, Connector	
4	1001226739	1	ClearSky Telematics Harness (See Separate Breakdown in this Section)	
5	1001226799	1	Antenna	
6	1001246144	1	Module, ClearSky	

**SECTION 8 - ELECTRICAL**

**FIGURE 8-37. CLEARSKY INSTALLATION - CANBUS (CE SPECS)**



ART\_1001228949

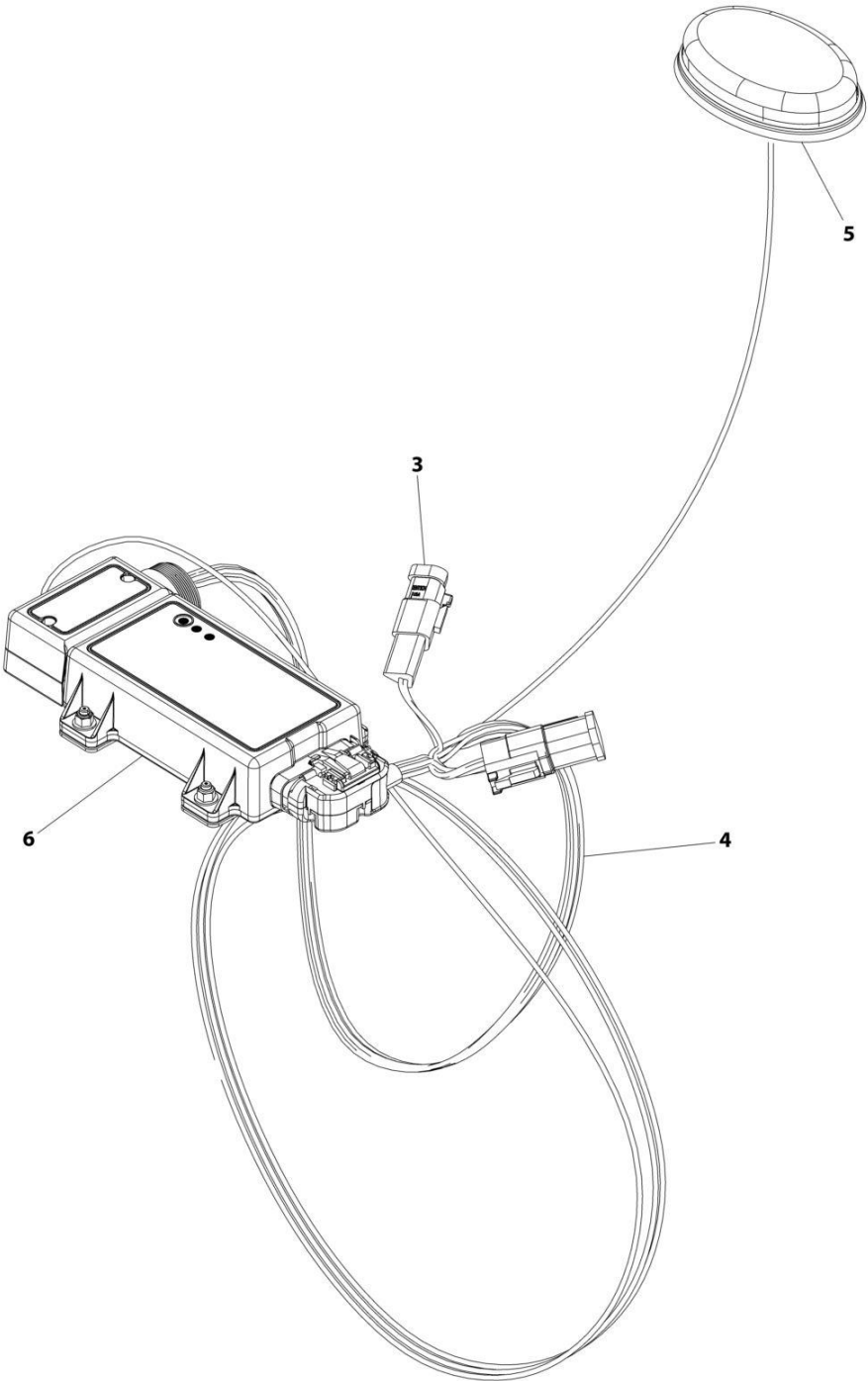
## SECTION 8 - ELECTRICAL

### FIGURE 8-37. CLEARSKY INSTALLATION - CANBUS (CE SPECS)

ITEM	PART NUMBER	QTY	DESCRIPTION	REV
	1001228949	REF	CLEARSKY INSTALLATION - CANBUS	A
1	4240032	AR	Tie-Strap (Not Shown)	
2	4460234	AR	Mount, Cable -Tie (Not Shown)	
3	1001116815	1	Plug, Connector	
4	1001226739	1	ClearSky Telematics Harness (See Separate Breakdown in this Section)	
5	1001226799	1	Antenna	
6	1001228954	1	Module, ClearSky	

**SECTION 8 - ELECTRICAL**

**FIGURE 8-38. CLEARSKY INSTALLATION - CANBUS (CHINA SPECS)**



ART\_1001246474

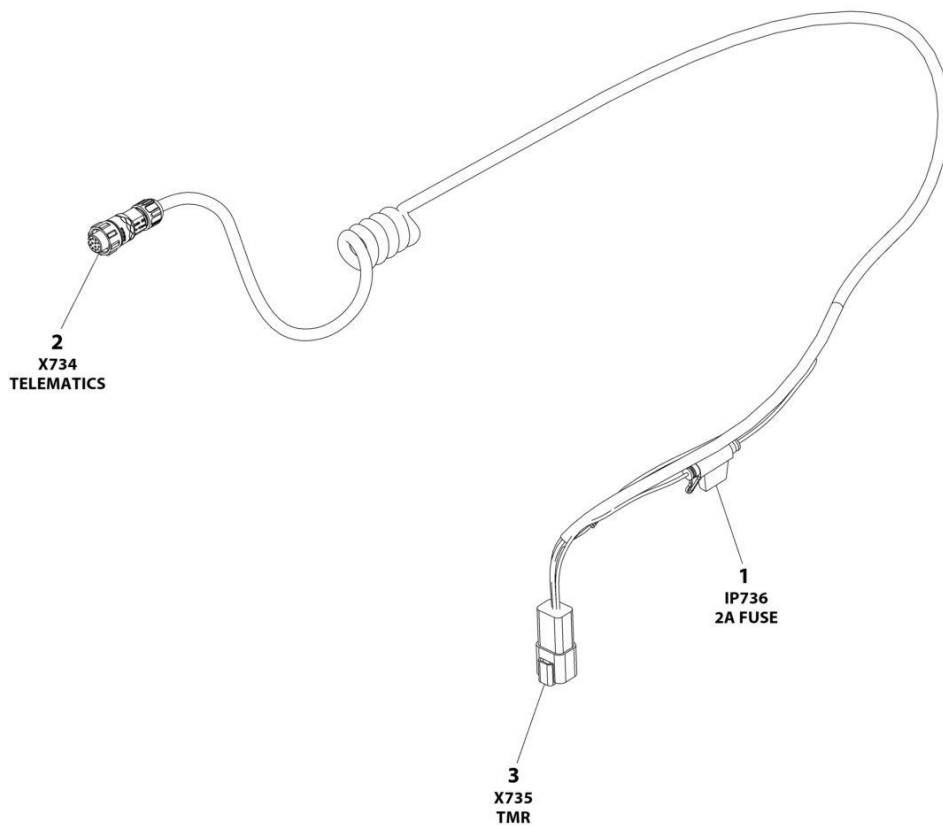
## SECTION 8 - ELECTRICAL

**FIGURE 8-38. CLEARSKY INSTALLATION - CANBUS (CHINA SPECS)**

ITEM	PART NUMBER	QTY	DESCRIPTION	REV
	1001246474	Ref	CLEARSKY INSTALLATION - CANBUS	A
1	4240032	AR	Tie-Strap (Not Shown)	
2	4460234	AR	Mount, Cable -Tie (Not Shown)	
3	1001116815	1	Plug, Connector	
4	1001226739	1	ClearSky Telematics Harness (See Separate Breakdown in this Section)	
5	1001226799	1	Antenna	
6	1001246145	1	Module, ClearSky	

# SECTION 8 - ELECTRICAL

## FIGURE 8-39. CLEARSKY TELEMATCIS HARNESS (3-WIRE)



ART\_1001273012



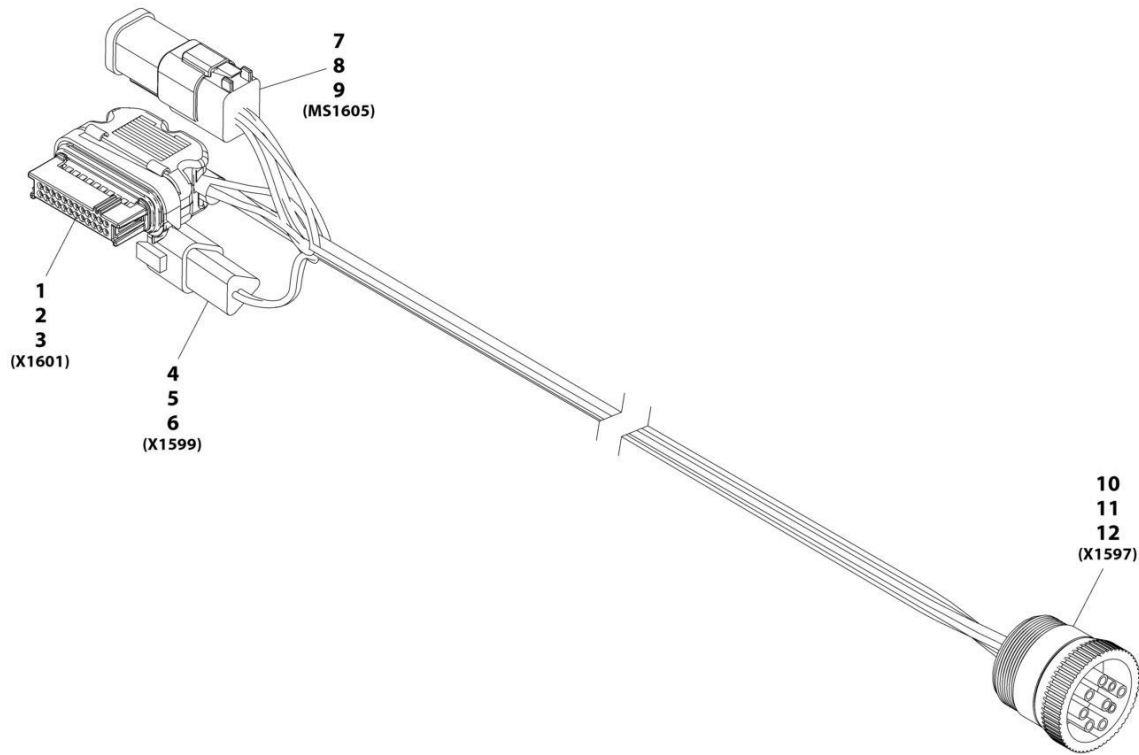
## SECTION 8 - ELECTRICAL

### FIGURE 8-39. CLEARSKY TELEMATCIS HARNESS (3-WIRE)

ITEM	PART NUMBER	QTY	DESCRIPTION	REV
	1001273012	Ref	CLEARSKY TELEMATICS HARNESS - GT1030	D
1	1001255901	1	Fuseholder	
1	1001196634	1	Fuse - 2Amp	
2	1001272997	1	Connector - 12 Position	
2		Ref	Terminal	
3	4460932	1	Receptacle, Female - 4 Position	
3	4460464	4	Pin, Male	

# SECTION 8 - ELECTRICAL

## FIGURE 8-40. CLEARSKY TELEMATICS HARNESS (CANBUS)



ART\_1001226739-A

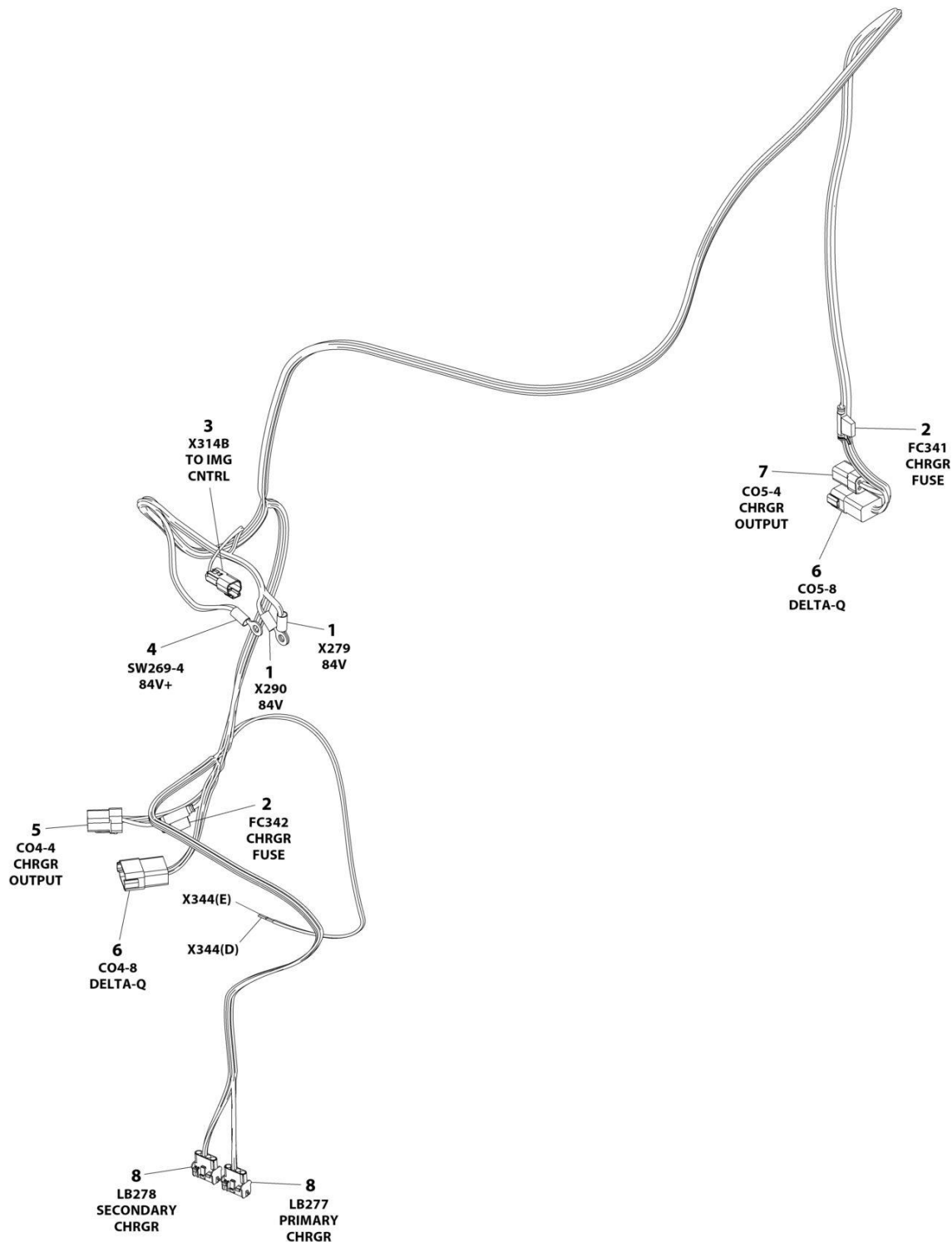
## SECTION 8 - ELECTRICAL

### FIGURE 8-40. CLEARSKY TELEMATCIS HARNESS (CANBUS)

ITEM	PART NUMBER	QTY	DESCRIPTION	REV
	1001226739	Ref	Clearsky Harness	A
1	1001226636	1	Connector	
2	1001116731	16	Plug, Terminal	
3	1001226637	8	Terminal	
4	1001144147	1	Connector	
5	4460464	2	Terminal	
6	4460466	1	Plug, Terminal	
7	4460894	1	Connector	
8	4460465	6	Terminal	
9	1001226541	1	Connector- 6 Pin Bussbar	
10	1001112796	1	Connector	
11	4460465	8	Terminal	
12	4460466	1	Plug, Terminal	

# SECTION 8 - ELECTRICAL

## FIGURE 8-41. CHARGER HARNESS



ART\_1001222052

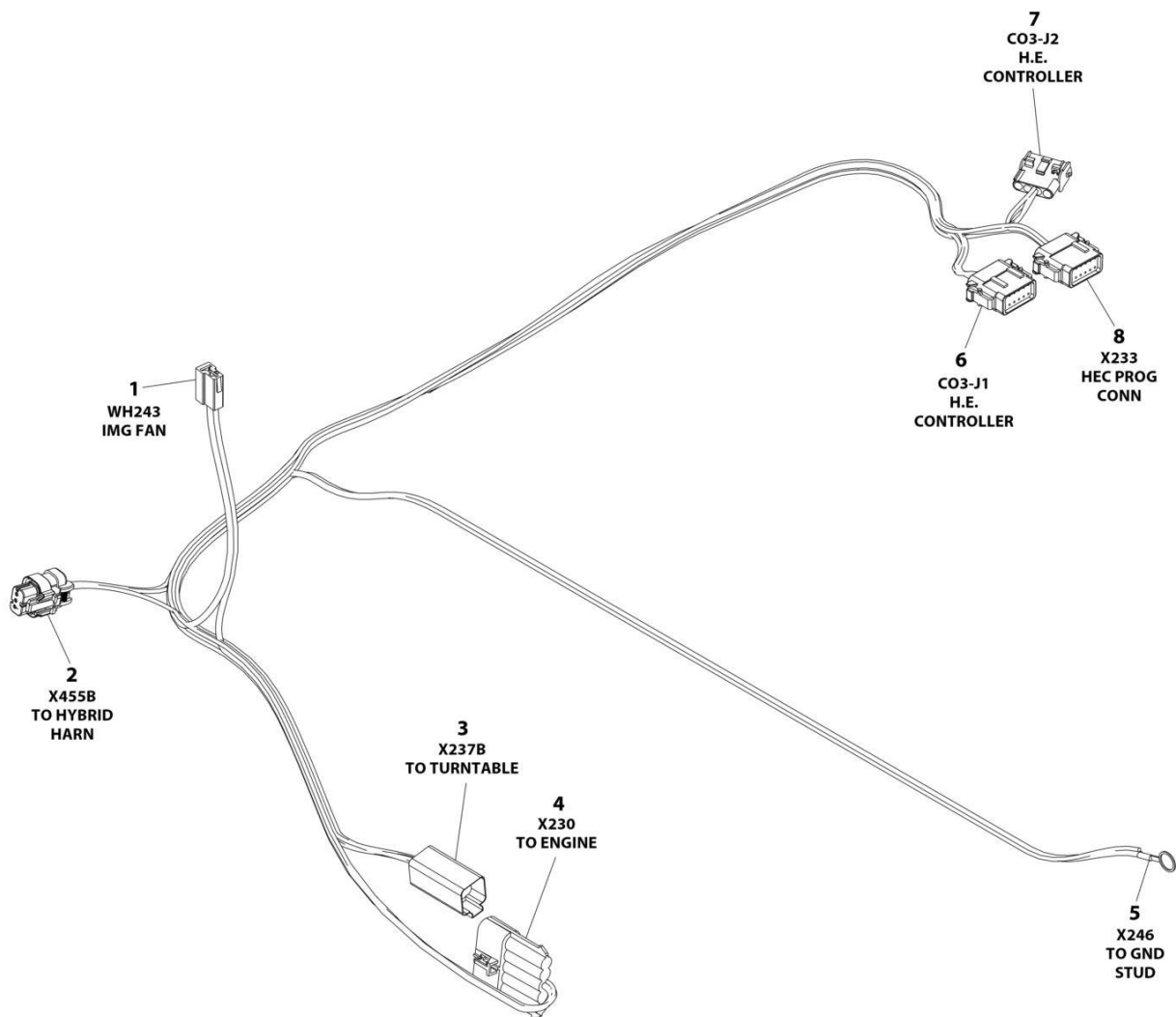
## SECTION 8 - ELECTRICAL

### FIGURE 8-41. CHARGER HARNESS

ITEM	PART NUMBER	QTY	DESCRIPTION	REV
	1001222052	Ref	CHARGER HARNESS	D
1	8220045	2	Terminal, Ring	
2	2400081	2	Fuseholder with Cover	
2	See Note	2	Fuse - 15 Amp (Note: Purchase Locally)	
3	4460897	1	Receptacle, Female - 2 Position	
3	4460464	2	Pin, Male	
4	1001130900	1	Terminal, Ring	
5	1001225476	1	Connector - 4 Position	
5	1001225591	4	Terminal	
6	4460931	2	Receptacle, Female - 8 Position	
6	4460464	17	Pin, Male	
6	4460466	2	Plug, Terminal	
7	1001225477	1	Connector - 4 Position	
7	1001225591	2	Terminal	
8	4460761	2	Receptacle, Female - 4 Position	
8	4460226	8	Socket, Female	

# SECTION 8 - ELECTRICAL

## FIGURE 8-42. CONTROL HARNESS



ART\_1001228985

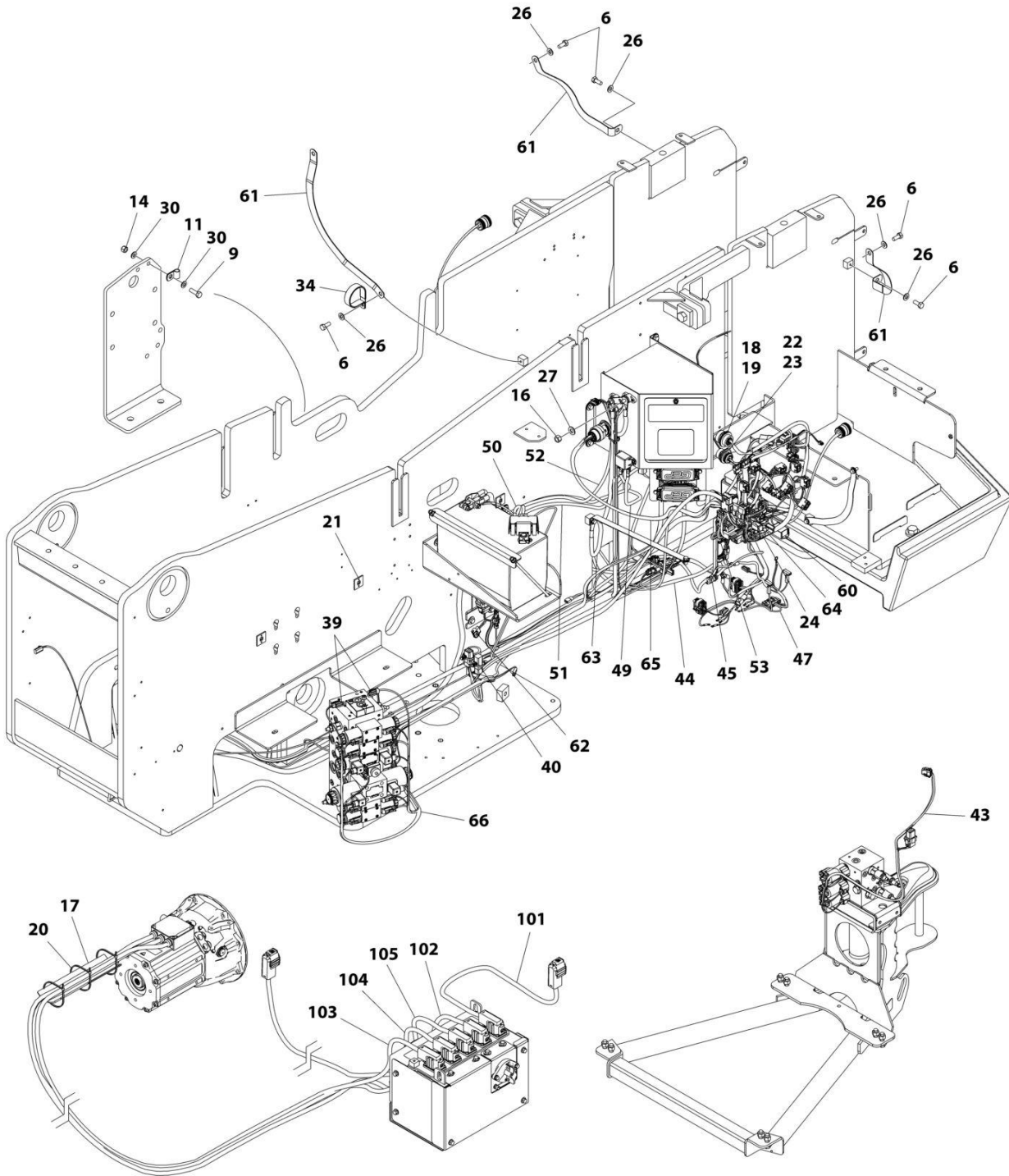
## SECTION 8 - ELECTRICAL

### FIGURE 8-42. CONTROL HARNESS

ITEM	PART NUMBER	QTY	DESCRIPTION	REV
	1001228985	Ref	CONTROL HARNESS	D
1	4460994	1	Housing, Terminal	
1	1001116723	2	Terminal	
2	1001200497	1	Plug, Male - 3 Position	
2	4460465	3	Socket, Female	
3	4460899	1	Receptacle, Female - 6 Position	
3	4460943	2	Pin, Male	
3	4460464	3	Pin, Male	
3	4460466	1	Plug, Terminal	
4	1001121727	1	Plug, Male - 5 Position	
4	1001116745	2	Socket, Female	
4	8220162	1	Socket, Female	
4	4460508	2	Seal	
4	80963067	1	Seal	
4	1001116727	2	Plug, Terminal	
5	8220019	1	Terminal, Ring	
6	1001116808	1	Plug, Male - 12 Position	
6	1001116694	5	Socket, Female	
6	4460518	7	Plug, Terminal	
7	1001116774	1	Plug, Male - 12 Position	
7	1001119619	2	Socket, Female	
7	1001116694	2	Socket, Female	
7	4460518	8	Plug, Terminal	
8	4460761	1	Receptacle, Female - 4 Position	
8	4460226	4	Socket, Female	

# SECTION 8 - ELECTRICAL

## FIGURE 8-43. ELECTRICAL SYSTEM INSTALLATION



ART\_1001249003\_E\_20F2



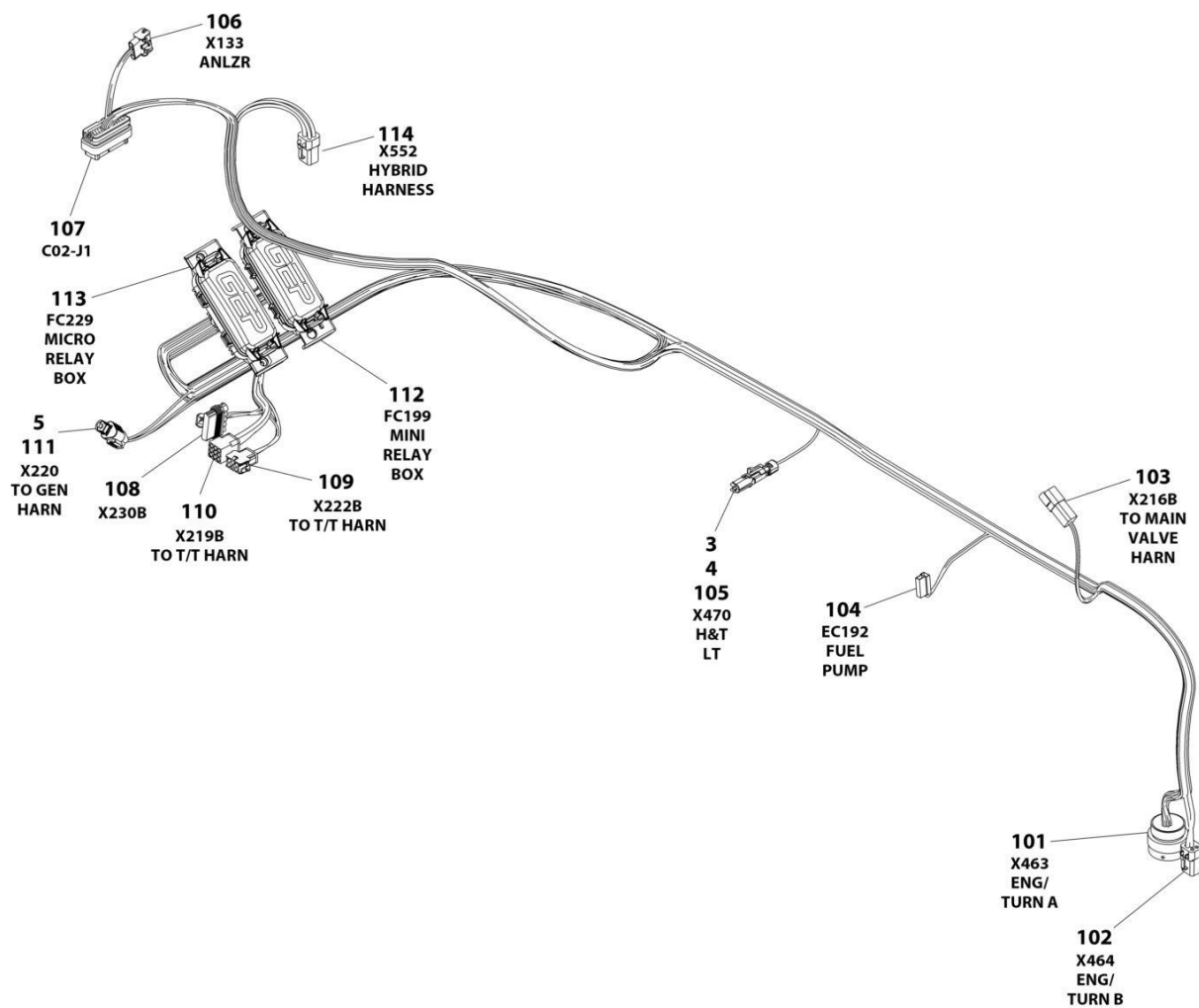
## SECTION 8 - ELECTRICAL

**FIGURE 8-43. ELECTRICAL SYSTEM INSTALLATION**

ITEM	PART NUMBER	QTY	DESCRIPTION	REV
	1001249003	Ref	ELECTRICAL COMPONENTS INSTALLATION	E
2	0100048	AR	Grease, Dielectric (Not Shown)	
6	0641506	10	Bolt 5/16 x 3/4	
9	0760812	1	Bolt M8 x 25	
11	1320263	1	Clamp	
14	3290805	1	Nut M8	
16	3311601	1	Nut 3/8	
18	4460470	1	Nut	
19	4460471	1	Washer	
20	4240099	4	Tie-Strap	
21	4460488	3	Terminal, Mount	
22	4460496	1	Washer	
23	4460497	1	Nut	
24	4460708	2	Connector - 15 Position (H800AJ)	
26	4711500	10	Washer 5/16	
27	4711600	1	Washer	
30	4811900	2	Washer M8	
34	8410001	1	Clamp	
39	1001144295	2	Cap	
40	1001146588	2	Tie-Strap (Not Shown)	
43	1001222047	1	Boom Valve Harness (See Separate Breakdown in this Section)	
44	1001222052	1	Charger Harness (See Separate Breakdown in this Section)	
45	1001222369	1	Resolver/Converter/Inverter Harness (See Separate Breakdown in this Section)	
47	1001225994	1	Hybrid 84V Harness (See Separate Breakdown in this Section)	
49	1001226267	1	Cable, Ignition Relay to Fusebox	
50	1001226268	1	Cable, Battery to Ignition Relay	
51	1001226269	1	Cable, B+ to Fuse	
52	1001226270	1	Cable, Negative to Stud	
53	1001226522	1	Cable, Resolver/Converter to Ignition Control	
60	1001227080	1	Electrical Assembly, Terminator (Connect to Item 72)	
61	1001227925	5	Cable, Ground Strap	
62	1001228985	1	Controller Harness (See Separate Breakdown in this Section)	
63	1001233420	1	Cable, Chassis Ground	
64	1001299798	1	Ground Control Harness (See Separate Breakdown in this Section)	
65	1001245028	1	Turntable Harness (See Separate Breakdown in this Section)	
66	1001282826	1	Main Valve Harness (See Separate Breakdown in this Section)	
100	1001233441	1	Cable, Battery to Ignition Kit (Not Shown)	
101	1001222370	1	Cable, System B+	
102	1001222371	1	Cable, System B- Ignition	
103	1001222372	1	Cable, 3 Phase Motor (U)	
104	1001223949	1	Cable, 3 Phase Motor (V)	
105	1001223950	1	Cable, 3 Phase Motor (W)	

# SECTION 8 - ELECTRICAL

## FIGURE 8-44. ENGINE HARNESS - KUBOTA



ART\_1001245030

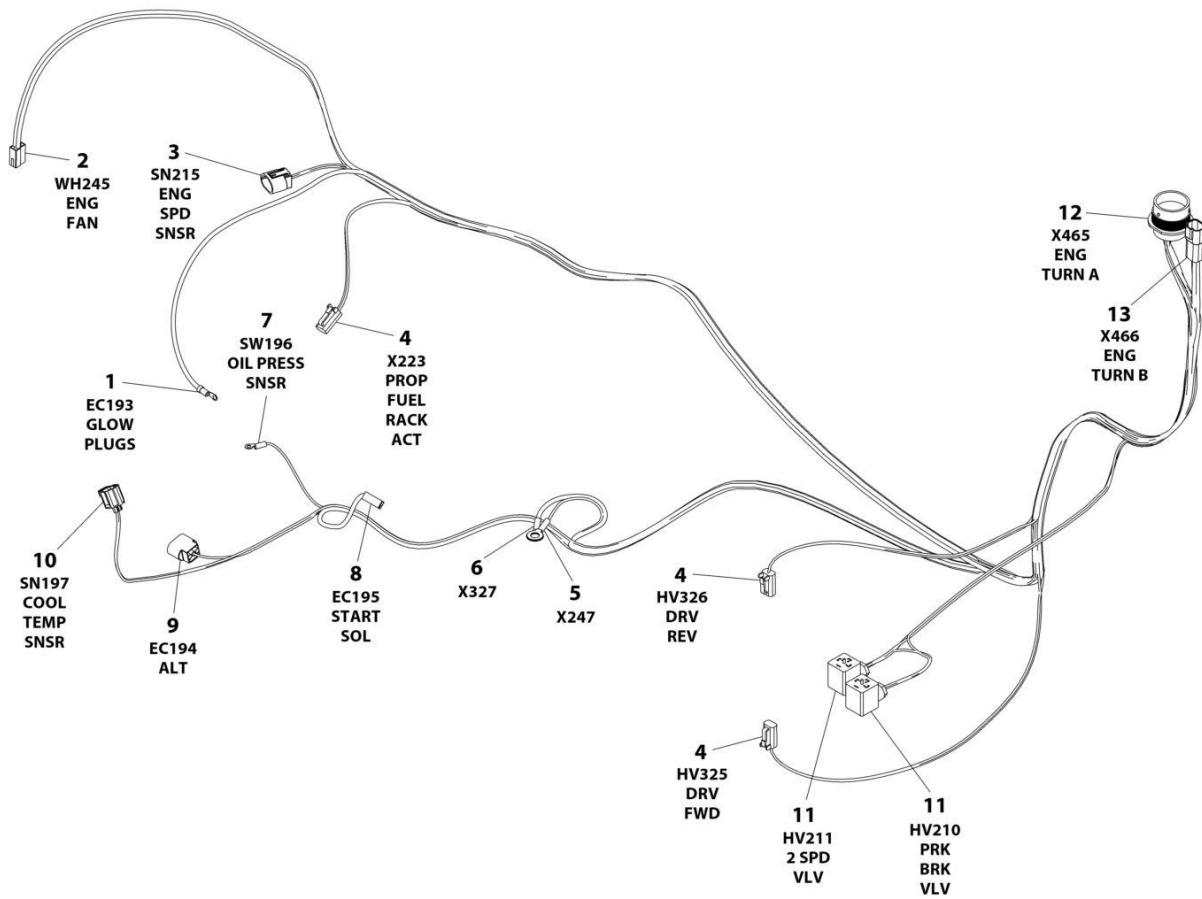
## SECTION 8 - ELECTRICAL

### FIGURE 8-44. ENGINE HARNESS - KUBOTA

ITEM	PART NUMBER	QTY	DESCRIPTION	REV
	1001245030	Ref	ENGINE HARNESS - KUBOTA	B
3	80963056	1	Connector - 1 Position	
4	1001116727	1	Plug	
5	1001144296	1	Cap	
101	1001147923	1	Connector - 24 Position	
101	4460465	17	Socket - Female	
101	4460466	7	Plug, Terminal	
102	1001200497	1	Plug, Male - 4 Position	
102	1001150611	3	Socket, Female	
102	4460466	1	Plug, Terminal	
103	4460932	1	Receptacle, Female - 4 Position	
103	4460464	4	Pin, Male	
104	1001118744	1	Housing, Terminal	
104	1001118745	2	Terminal	
105	80963055	1	Plug, Male - 1 Position	
105	4460457	1	Terminal	
105	4460458	1	Seal	
106	4460761	1	Receptacle, Female - 4 Position	
106	4460226	4	Socket - Female	
107	4460874	1	Connector - 35 Position	
107	4460871	25	Socket, Female	
107	4460905	10	Plug, Terminal	
108	1001121726	1	Receptacle, Female - 5 Position	
108	4460746	2	Terminal	
108	8220125	2	Terminal	
108	4460458	2	Seal	
108	80963067	2	Seal	
108	4460748	2	Plug, Terminal	
109	4460224	1	Receptacle, Female - 6 Position	
109	4460267	4	Pin, Male	
110	4460266	1	Receptacle, Female - 9 Position	
110	4460705	7	Pin, Male	
111	4460539	1	Plug, Male - 3 Position	
111	4460465	3	Socket, Female	
112	1001223460	1	Holder, Relay	
112	1001233761	5	Terminal	
112	8220099	3	Terminal	
112	1001234288	5	Seal	
112	1001234289	3	Seal	
112	1001234287	6	Plug, Terminal	
113	1001185964	1	Holder, Relay	
113	4460746	13	Terminal	
113	8220125	5	Terminal	
113	1001116747	1	Terminal	
113	4460458	13	Seal	
113	80963067	6	Seal	
113	4460789	1	Seal	
114	4460884	1	Plug, Male - 4 Position	
114	4460465	3	Socket, Female	
114	4460466	1	Plug, Terminal	

# SECTION 8 - ELECTRICAL

## FIGURE 8-45. ENGINE TRAY HARNESS



ART\_1001230605

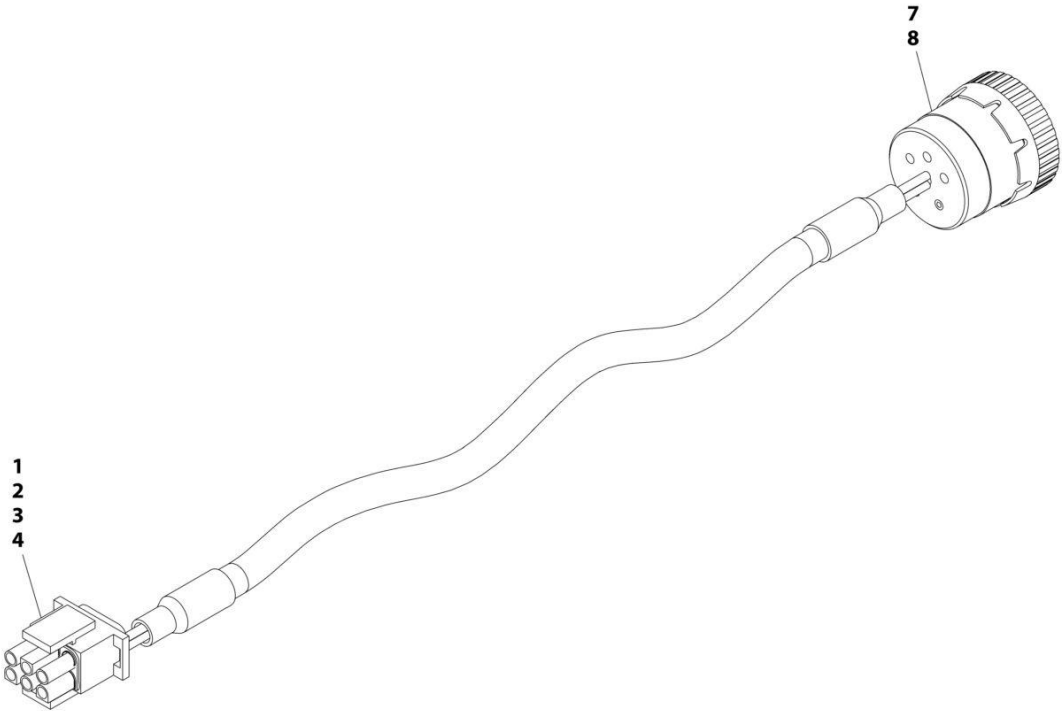
## SECTION 8 - ELECTRICAL

### FIGURE 8-45. ENGINE TRAY HARNESS

ITEM	PART NUMBER	QTY	DESCRIPTION	REV
	1001230605	Ref	ENGINE TRAY HARNESS	D
1	4460142	1	Terminal, Ring	
2	4460994	1	Housing, Terminal	
2	1001236489	2	Terminal	
3	1001223431	1	Connector - 3 Position	
3	1001223794	3	Socket, Female	
3	1001223797	3	Seal	
4	4460891	3	Plug, Male - 2 Position	
4	4460465	6	Socket, Female	
5	4460019	1	Terminal, Ring	
6	4460256	1	Terminal, Ring	
7	8220007	1	Terminal, Ring	
8	1001116995	1	Housing, Terminal	
8	1001236490	1	Terminal	
9	1001125748	1	Receptacle, Female - 3 Position	
9	1001129773	2	Pin, Male	
9	1001125773	1	Pin, Male	
9	1001129772	1	Seal	
10	1001118657	1	Plug, Male - 2 Position	
10	1001188387	2	Terminal	
10	1001118659	2	Seal	
11	4460880	2	Connector, DIN	
12	1001148106	1	Connector - 23 Position	
12	4460464	16	Pin, Male	
12	4460466	7	Plug, Terminal	
13	1001116811	1	Receptacle, Female - 4 Position	
13	1001150610	3	Pin, Male	
13	4460508	1	Pin, Male	

**SECTION 8 - ELECTRICAL**

**FIGURE 8-46. GENERATOR HARNESS - 4000W**



ART\_1001152532

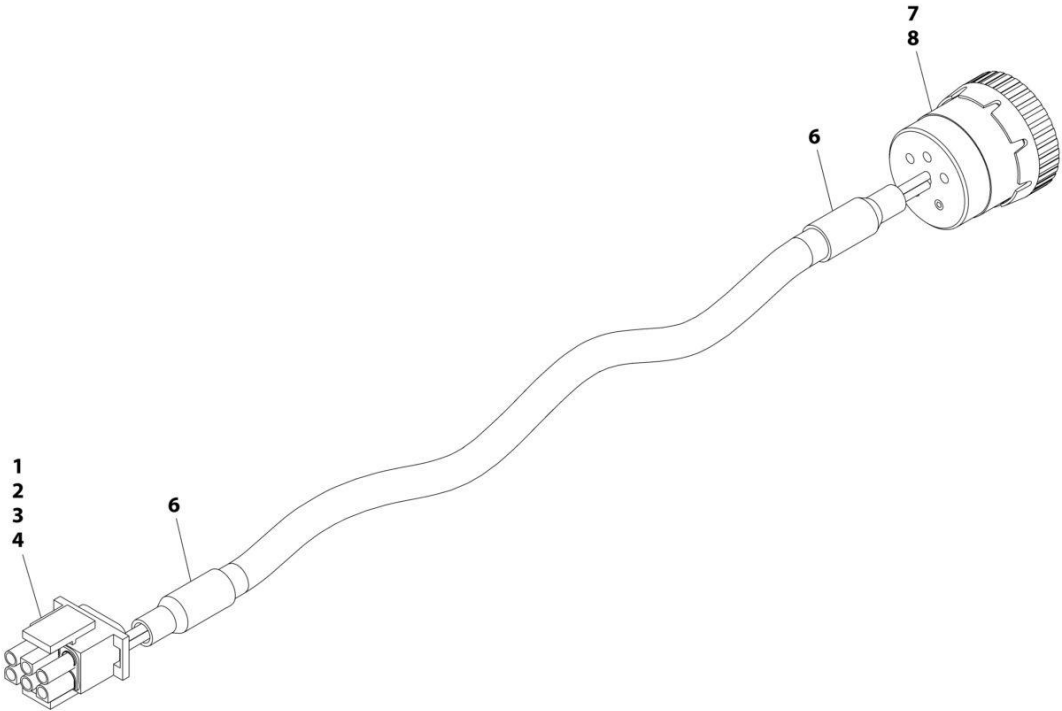
## SECTION 8 - ELECTRICAL

### FIGURE 8-46. GENERATOR HARNESS - 4000W

ITEM	PART NUMBER	QTY	DESCRIPTION	REV
	1001152532	Ref	GENERATOR HARNESS	A
1	4460225	1	Connector - 6 Position	
2	4460268	2	Socket, Female	
3	4460807	1	Seal	
4	4460808	1	Seal	
7	4460465	2	Socket, Female	
8	77363233	1	Connector - 6 Position	

**SECTION 8 - ELECTRICAL**

**FIGURE 8-47. GENERATOR HARNESS - 7500W SKYPOWER**



ART\_4922925



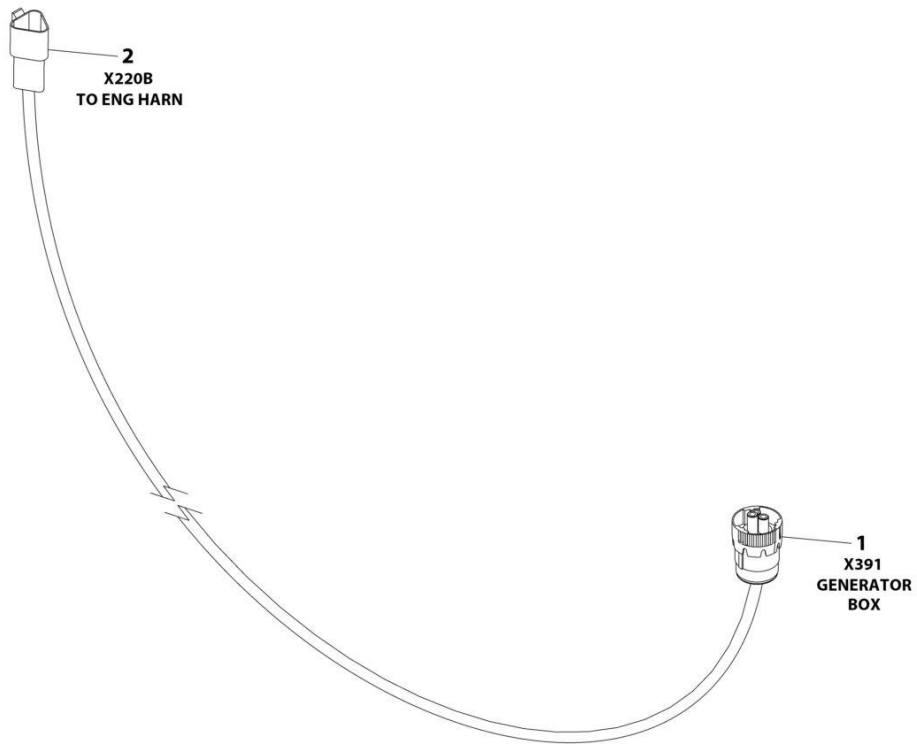
## SECTION 8 - ELECTRICAL

### FIGURE 8-47. GENERATOR HARNESS - 7500W SKYPOWER

ITEM	PART NUMBER	QTY	DESCRIPTION	REV
	4922925	Ref	GENERATOR TO CONTROL BOX HARNESS (7500W GENERATOR)	C
1	4460225	1	Plug, Male - 2 Position	
2	4460268	6	Socket, Female	
3	4460807	1	Seal	
4	4460808	1	Seal	
6	2820019	AR	Heat Shrink	
7	4460465	6	Socket, Female	
8	77363233	1	Connector - 6 Position	

# SECTION 8 - ELECTRICAL

## FIGURE 8-48. GENERATOR HARNESS - 4000W AND 7500W SKYPOWER



ART\_1001231225

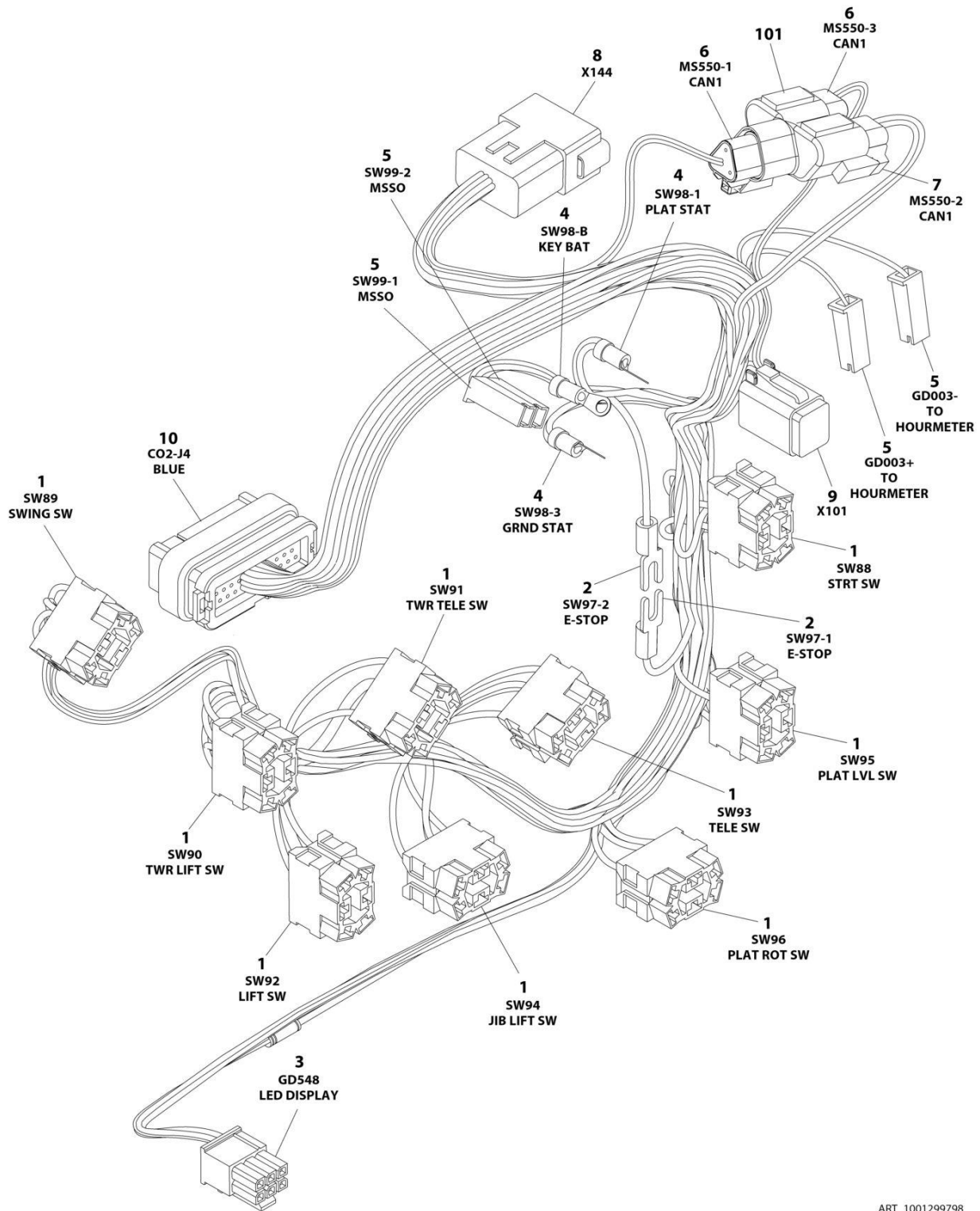
## SECTION 8 - ELECTRICAL

**FIGURE 8-48. GENERATOR HARNESS - 4000W AND 7500W SKYPOWER**

ITEM	PART NUMBER	QTY	DESCRIPTION	REV
	1001231225	Ref	GENERATOR ENABLE HARNESS	A
1	4460967	1	Plug, Male - 3 Position	
1	4460465	3	Socket, Female	
2	4460536	1	Receptacle, Female - 3 Position	
2	4460464	3	Pin, Male	

# SECTION 8 - ELECTRICAL

## FIGURE 8-49. GROUND CONTROL BOX HARNESS



ART\_1001299798

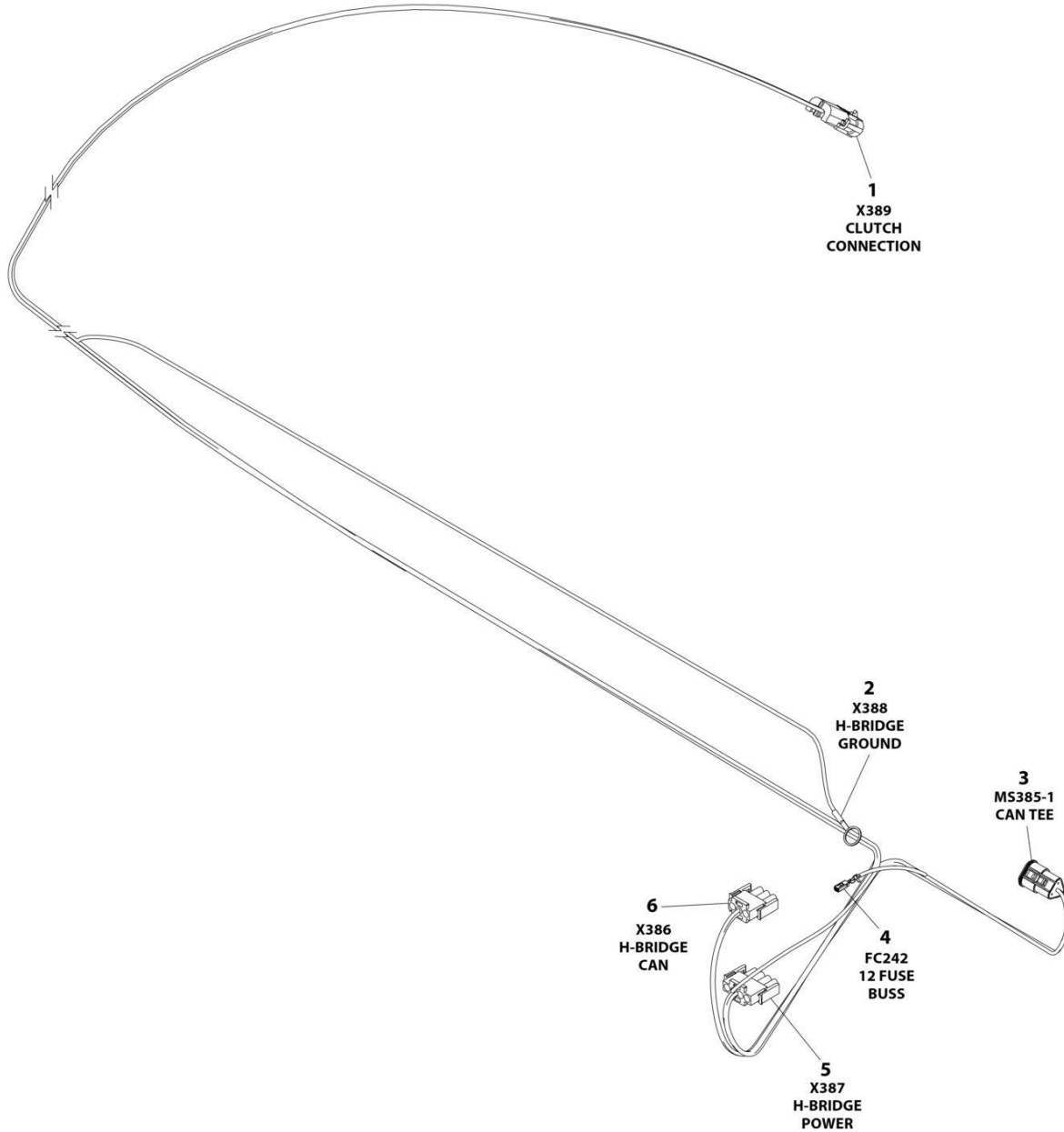
## SECTION 8 - ELECTRICAL

### FIGURE 8-49. GROUND CONTROL BOX HARNESS

ITEM	PART NUMBER	QTY	DESCRIPTION	REV
	1001299798	Ref	GROUND CONTROL BOX HARNESS	A
1	4460418	9	Connector	
1	1001159186	18	Socket	
1	4460419	9	Socket	
2	4460144	2	Terminal, Ring	
3	1001237667	1	Connector	
3	1001237668	5	Socket	
4	4460042	3	Terminal, Ring	
5	4460260	4	Connector	
5	4460259	4	Socket	
6	1001116812	2	Connector	
6	4460944	4	Socket	
6	4460466	2	Plug	
7	4460539	1	Connector	
7	4460944	2	Socket	
7	4460466	1	Plug	
8	4460970	1	Connector	
8	4460464	8	Socket	
8	4460943	2	Socket	
8	4460466	2	Plug	
9	4460894	1	Connector	
9	4460465	4	Socket	
9	4460466	2	Plug	
10	4460876	1	Connector	
10	4460871	23	Socket	
10	4460905	12	Plug	
101	4460945	1	Plug, 3-Way	

# SECTION 8 - ELECTRICAL

## FIGURE 8-50. H-BRIDGE/CLUTCH HARNESS



ART\_1001226404

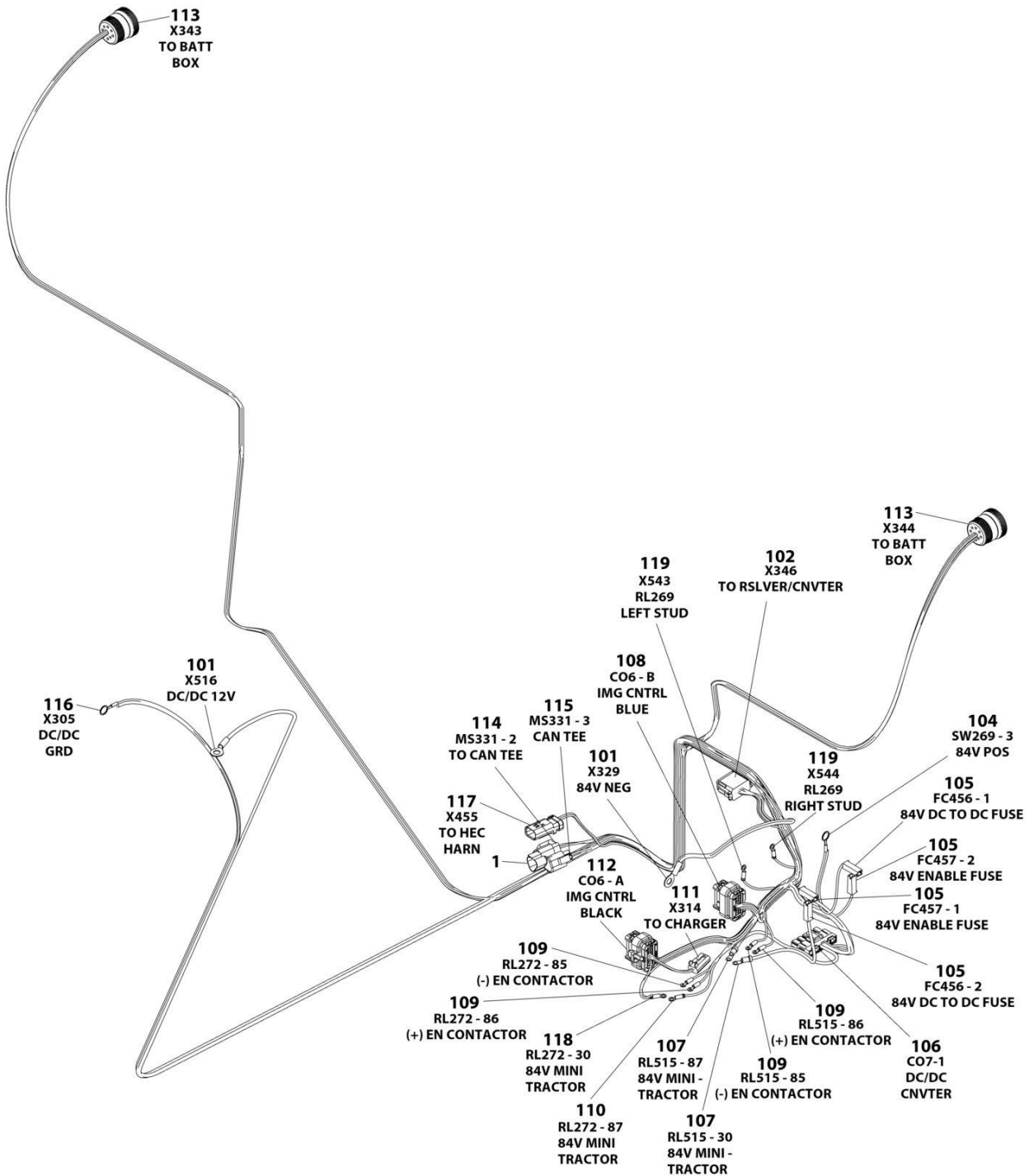
## SECTION 8 - ELECTRICAL

### FIGURE 8-50. H-BRIDGE/CLUTCH HARNESS

ITEM	PART NUMBER	QTY	DESCRIPTION	REV
	1001226404	Ref	H-BRIDGE/CLUTCH HARNESS	C
1	4461157	1	Receptacle, Female - 2 Position	
1	4460979	2	Socket, Female	
2	4460722	1	Terminal, Ring	
3	1001116812	1	Plug, Male - 3 Position	
3	4460944	2	Socket, Female	
3	4460466	1	Plug, Terminal	
4	1001189750	1	Terminal	
5	1001119031	1	Plug, Male - 4 Position	
5	4460268	4	Socket, Female	
6	4460326	1	Plug, Male - 3 Position	
6	4460268	3	Socket, Female	

# SECTION 8 - ELECTRICAL

## FIGURE 8-51. HYBRID 84V HARNESS



ART\_1001225994\_F



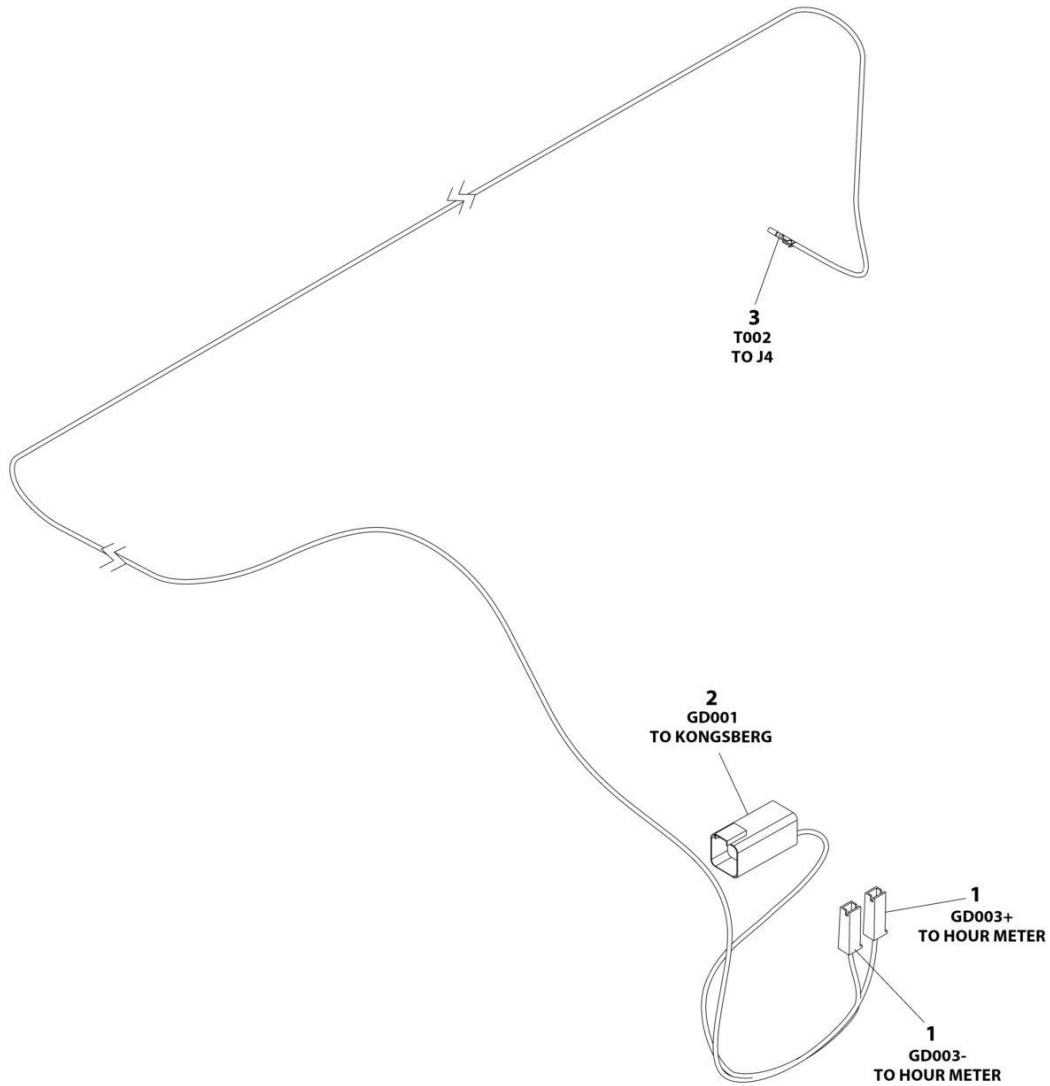
## SECTION 8 - ELECTRICAL

### FIGURE 8-51. HYBRID 84V HARNESS

ITEM	PART NUMBER	QTY	DESCRIPTION	REV
	1001225994	Ref	HYBRID 84V HARNESS	F
1	4460945	1	Receptacle, 3 Way	
101	8220045	2	Terminal, Ring	
102	4460836	1	Plug, Male - 12 Position	
102	4460465	9	Socket, Female	
102	4460466	3	Plug, Terminal	
104	8220029	1	Terminal, Ring	
105	4460260	4	Housing, Terminal	
105	4460259	4	Terminal	
106	1001117012	1	Receptacle, Female - 5 Position	
106	4460887	4	Terminal	
106	4461271	1	Plug, Terminal	
107	4460142	2	Terminal, Ring	
108	1001096138	1	Connector - 23 Position	
108	4460871	10	Socket, Female	
108	4460905	13	Plug, Terminal	
109	1001098122	4	Terminal, Ring	
110	4460247	1	Terminal, Ring	
111	4460891	1	Plug, Male - 2 Position	
111	4460465	2	Socket, Female	
112	1001116994	1	Connector - 23 Position	
112	4460871	12	Socket, Female	
112	4460905	11	Plug, Terminal	
113	1001112796	2	Connector - 9 Position	
113	4460465	13	Socket, Female	
113	4460466	4	Plug, Terminal	
114	4460539	1	Plug, Male - 3 Position	
114	4460944	2	Socket, Female	
114	4460466	1	Plug, Terminal	
115	1001116812	1	Plug, Male - 3 Position	
115	4460944	2	Socket, Female	
115	4460465	1	Socket, Female	
116	8220164	1	Terminal, Ring	
117	1001229530	1	Receptacle, Female - 3 Position	
117	4460464	2	Pin, Male	
117	4460466	1	Plug, Terminal	
118	4460042	1	Terminal, Ring	
119	4460427	2	Terminal, Ring	

# SECTION 8 - ELECTRICAL

## FIGURE 8-52. HOURMETER JUMPER HARNESS



ART\_1001296426

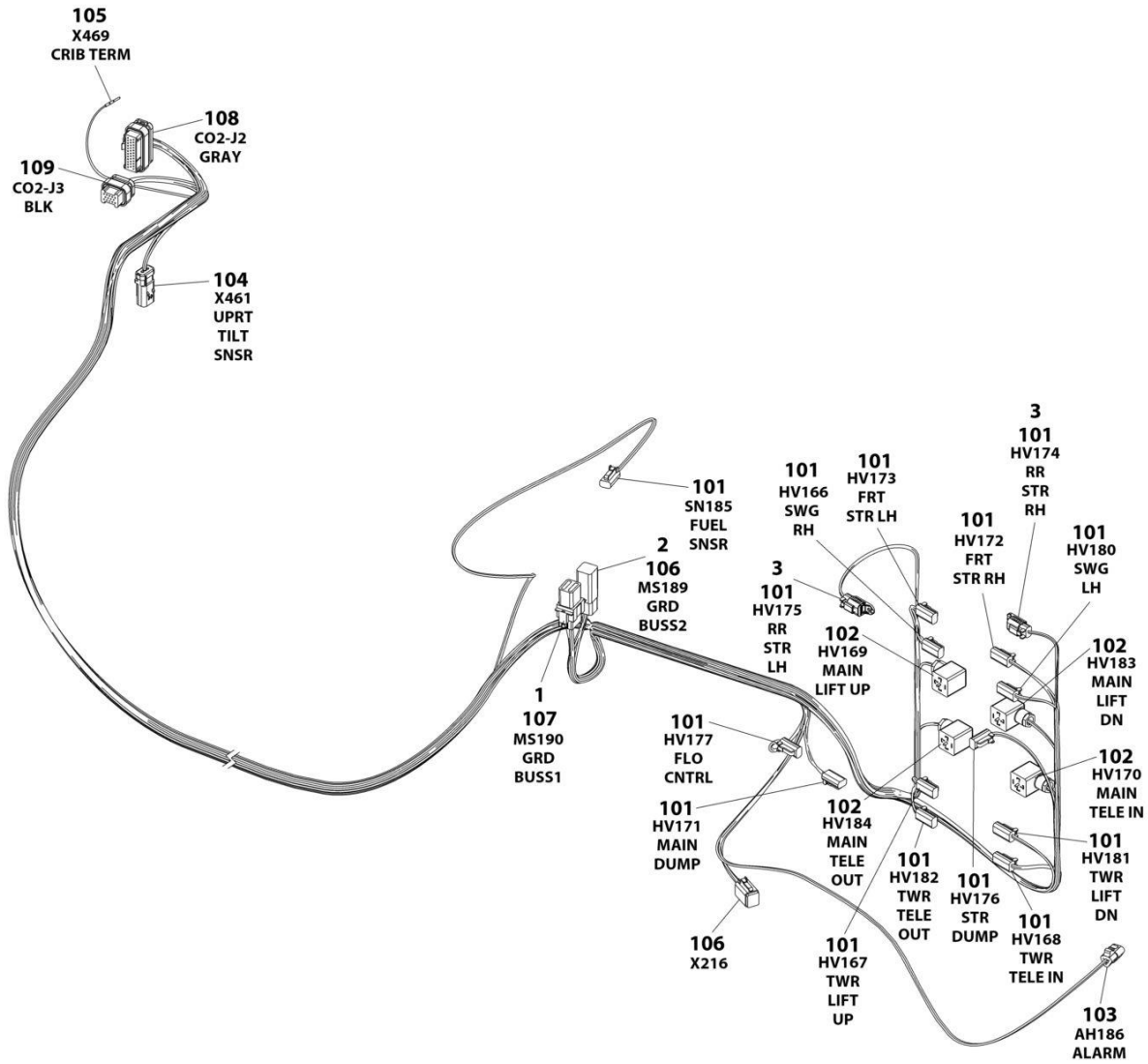
## SECTION 8 - ELECTRICAL

### FIGURE 8-52. HOURMETER JUMPER HARNESS

ITEM	PART NUMBER	QTY	DESCRIPTION	REV
	1001296426	Ref	HOUR METER JUMPER HARNESS	A
1	4460260	2	Connector	
2	4460899	1	Connector	
3	4460871	1	Socket	

# SECTION 8 - ELECTRICAL

## FIGURE 8-53. MAIN VALVE HARNESS



ART\_1001282826

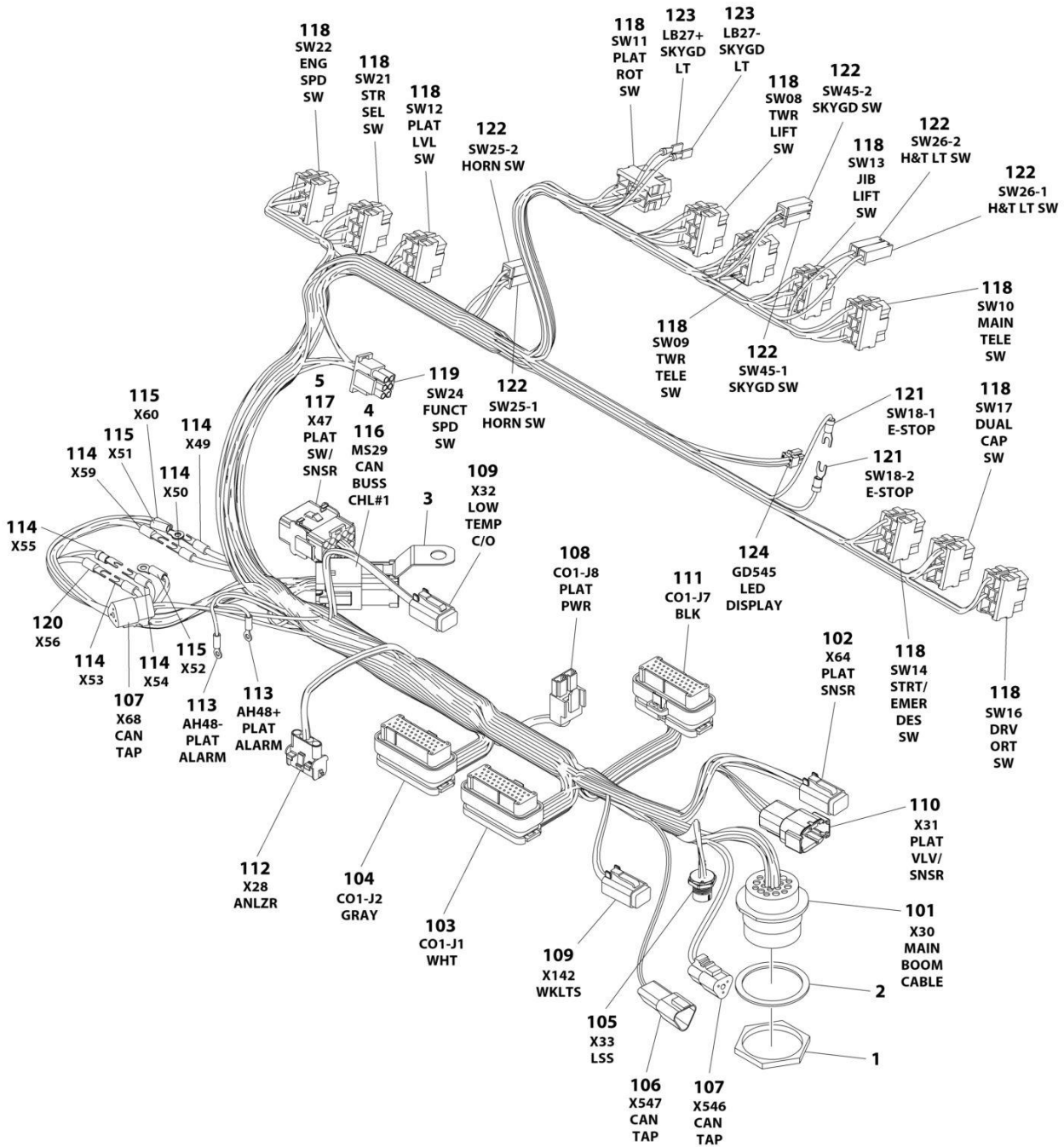
## SECTION 8 - ELECTRICAL

### FIGURE 8-53. MAIN VALVE HARNESS

ITEM	PART NUMBER	QTY	DESCRIPTION	REV
	1001282826	Ref	MAIN VALVE HARNESS	A
1	4460852	1	Connector - 8 Position	
2	4460892	1	Bussbar - 6 Position	
3	1001144295	2	Cap	
101	4460891	14	Plug, Male - 2 Position	
101	4460465	28	Socket, Female	
102	4460880	4	Connector, DIN	
103	4460539	1	Plug, Male - 3 Position	
103	4460465	2	Socket, Female	
103	4460466	1	Plug, Terminal	
104	1001229530	1	Receptacle, Female - 3 Position	
104	4460943	3	Pin, Male	
105	4460227	1	Pin, Male	
106	4460894	2	Plug, Male - 6 Position	
106	4460465	10	Socket, Female	
106	4460466	2	Plug, Terminal	
107	4460851	1	Plug, Male - 8 Position	
107	4460465	8	Socket, Female	
108	4460875	1	Connector - 35 Position	
108	4460871	24	Socket, Female	
108	4460905	11	Plug, Terminal	
109	4460872	1	Connector - 14 Position	
109	4460871	10	Socket, Female	
109	4460905	4	Plug, Terminal	

# SECTION 8 - ELECTRICAL

## FIGURE 8-54. PLATFORM CONSOLE BOX HARNESS



ART\_1001245026\_E

## SECTION 8 - ELECTRICAL

### FIGURE 8-54. PLATFORM CONSOLE BOX HARNESS

ITEM	PART NUMBER	QTY	DESCRIPTION	REV
	1001245026	Ref	PLATFORM CONSOLE BOX HARNESS	E
1	4460470	1	Nut	
2	4460471	1	Washer	
3	1001120328	1	Mount, Connector	
4	1001125677	1	Bussbar - 12 Position	
5	4460708	1	Terminal	
101	4460866	1	Connector - 19 Position	
101	4460943	2	Pin, Male	
101	4460464	3	Pin, Male	
101	4460508	4	Pin, Male	
101	4460466	10	Plug, Terminal	
102	4460894	1	Plug, Male - 6 Position	
102	4460465	4	Socket, Female	
102	4460466	2	Plug, Terminal	
103	4460874	1	Connector - 35 Position	
103	4460871	30	Socket, Female	
103	4460905	5	Plug, Terminal	
104	4460875	1	Connector - 35 Position	
104	4460871	9	Socket, Female	
104	4460905	26	Plug, Terminal	
105	1001213447	1	Receptacle, Female - 5 Position	
106	4460536	1	Receptacle, Female - 3 Position	
106	4460943	2	Pin, Male	
106	4460466	1	Plug, Terminal	
107	4460539	2	Plug, Male - 3 Position	
107	4460944	4	Socket, Female	
107	4460466	2	Plug, Terminal	
108	4460879	1	Receptacle, Female - 2 Position	
108	4460887	2	Terminal	
109	4460884	2	Plug, Male - 4 Position	
109	4460465	8	Socket, Female	
110	1001190578	1	Receptacle, Female - 8 Position	
110	1001126011	7	Terminal	
110	4460518	1	Plug, Terminal	
111	4460873	1	Connector - 35 Position	
111	4460871	22	Socket, Female	
111	4460905	13	Plug, Terminal	
112	4460761	1	Receptacle, Female - 4 Position	
112	4460227	4	Pin, Male	
113	1001098122	2	Terminal, Ring	
114	4460315	6	Terminal, Fork	
115	8220007	3	Terminal, Ring	
116	4460933	1	Plug, Male - 12 Position	
116	4460944	12	Socket, Female	
116	4460466	2	Plug, Terminal	
117	4460343	1	Plug, Male - 15 Position	
117	4460227	7	Pin, Male	
117	4460267	2	Pin, Male	
118	4460418	11	Connector, Switch	
118	4460419	22	Terminal	

## SECTION 8 - ELECTRICAL

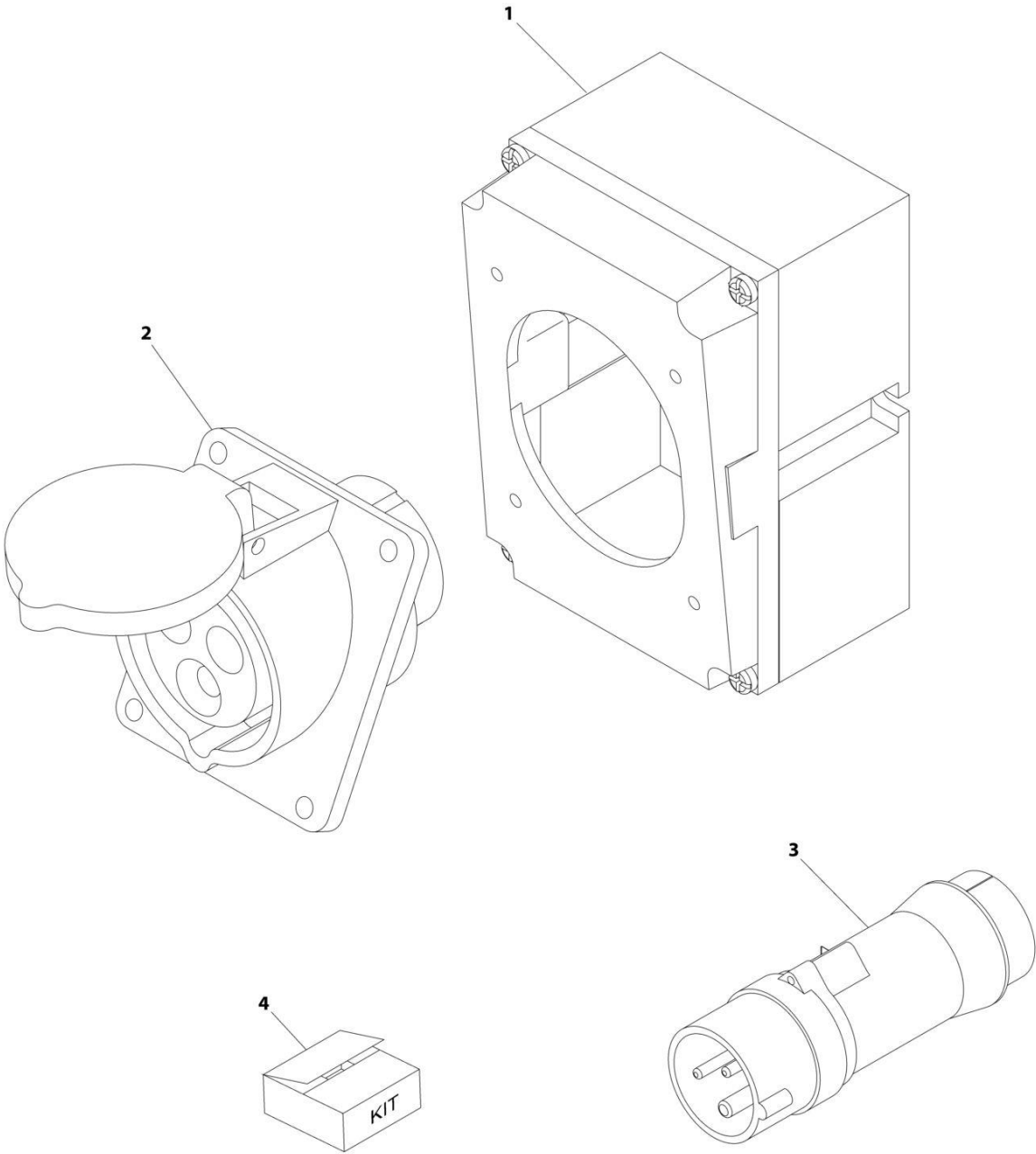
ITEM	PART NUMBER	QTY	DESCRIPTION	REV
118	1001159186	21	Terminal	
119	4460225	1	Plug, Male - 6 Position	
119	4460227	4	Pin, Male	
119	4460267	2	Pin, Male	
120	4460314	1	Terminal, Fork	
121	4460183	2	Terminal, Fork	
122	4460260	6	Housing, Terminal	
122	4460259	6	Terminal	
123	4460016	2	Terminal	
124	1001237667	1	Connector - 6 Position	
125	1001237668	4	Terminal	
126	1001201885	2	Terminal	





**SECTION 8 - ELECTRICAL**

**FIGURE 8-55. RECEPTACLE BOX KIT - 110V IEC YELLOW (CE & UK CA SPEC)**



ART\_0275216

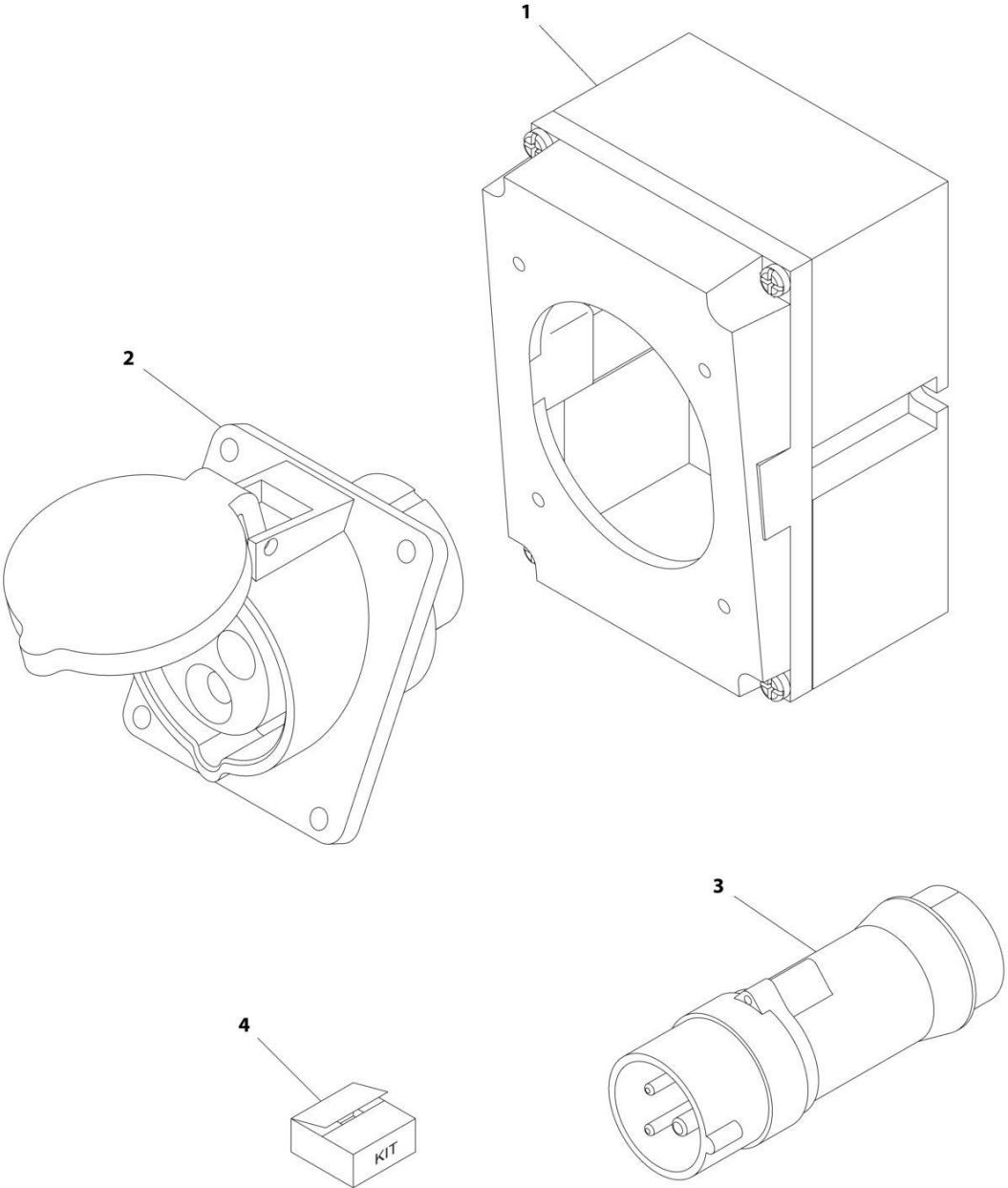
## SECTION 8 - ELECTRICAL

**FIGURE 8-55. RECEPTACLE BOX KIT - 110V IEC YELLOW (CE & UK CA SPEC)**

ITEM	PART NUMBER	QTY	DESCRIPTION	REV
	0275216	Ref	RECEPTACLE BOX KIT - 110V IEC YELLOW	B
1	0861781	1	Box, Switch	
2	4461198	1	Receptacle	
3	4461196	1	Plug, Male	
4	1001100341	1	Plug and Socket Kit (Includes Items 1-3 and Female Plug p/n 4461197)	

**SECTION 8 - ELECTRICAL**

**FIGURE 8-56. RECEPTACLE BOX KIT - 220V IEC BLUE (CE & UK CA SPEC)**



ART\_0275217

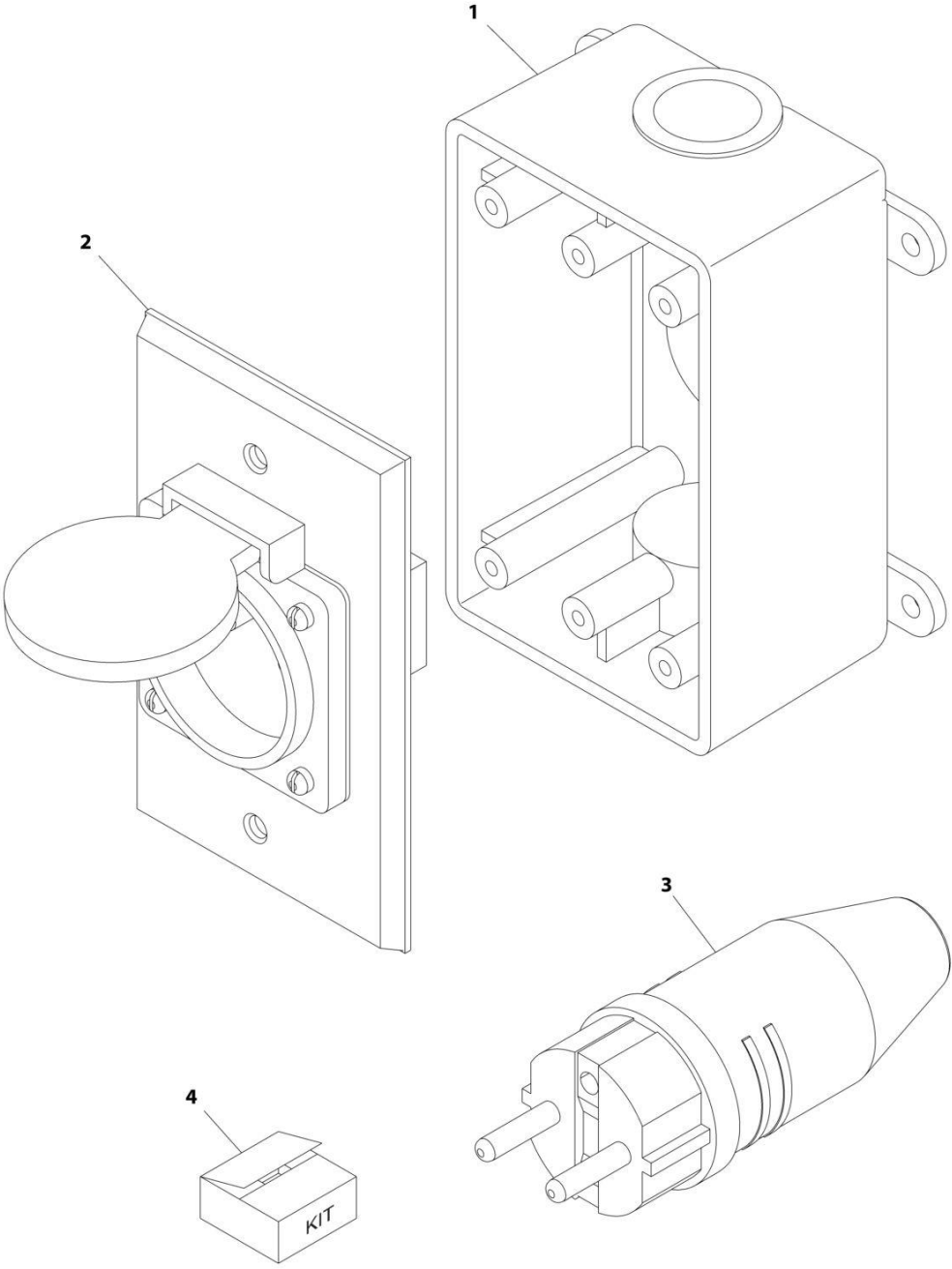
## SECTION 8 - ELECTRICAL

**FIGURE 8-56. RECEPTACLE BOX KIT - 220V IEC BLUE (CE & UK CA SPEC)**

ITEM	PART NUMBER	QTY	DESCRIPTION	REV
	0275217	Ref	RECEPTACLE BOX KIT - 220V IEC BLUE	B
1	0861781	1	Box, Switch	
2	4461201	1	Receptacle	
3	4461199	1	Plug, Male	
4	1001100342	1	Plug and Socket Kit (Includes Items 1-3 and Female Plug p/n 4461200)	

**SECTION 8 - ELECTRICAL**

**FIGURE 8-57. RECEPTACLE BOX KIT - 220V CEE7 POST GROUND 2X4 BOX (CE & UK CA SPEC)**



ART\_0275452-C

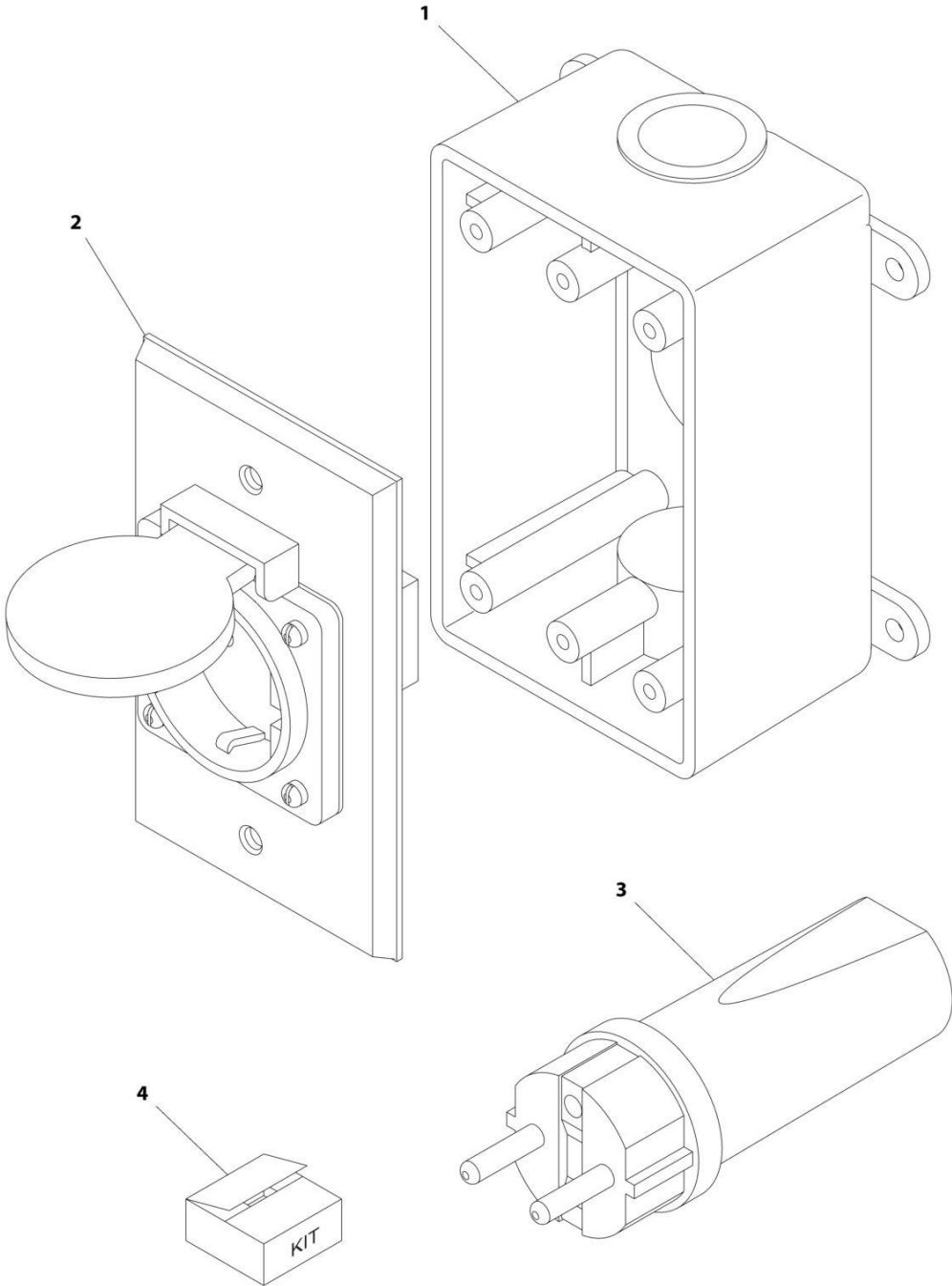
## SECTION 8 - ELECTRICAL

**FIGURE 8-57. RECEPTACLE BOX KIT - 220V CEE7 POST GROUND 2X4 BOX (CE & UK CA SPEC)**

ITEM	PART NUMBER	QTY	DESCRIPTION	REV
	0275452	Ref	RECEPTACLE BOX KIT - 220V CEE7 POST GROUND 2IN X 4IN BOX	C
1	0861731	1	Box, Switch	
2	4461244	1	Receptacle	
3	4461205	1	Plug, Male	
4	1001100345	1	Plug and Socket Kit (Includes Items 1-3 and Female Plug p/n 4461203)	

**SECTION 8 - ELECTRICAL**

**FIGURE 8-58. RECEPTACLE BOX KIT - 220V CEE7 SIDE GROUND (CE & UK CA SPEC)**



ART\_0275453



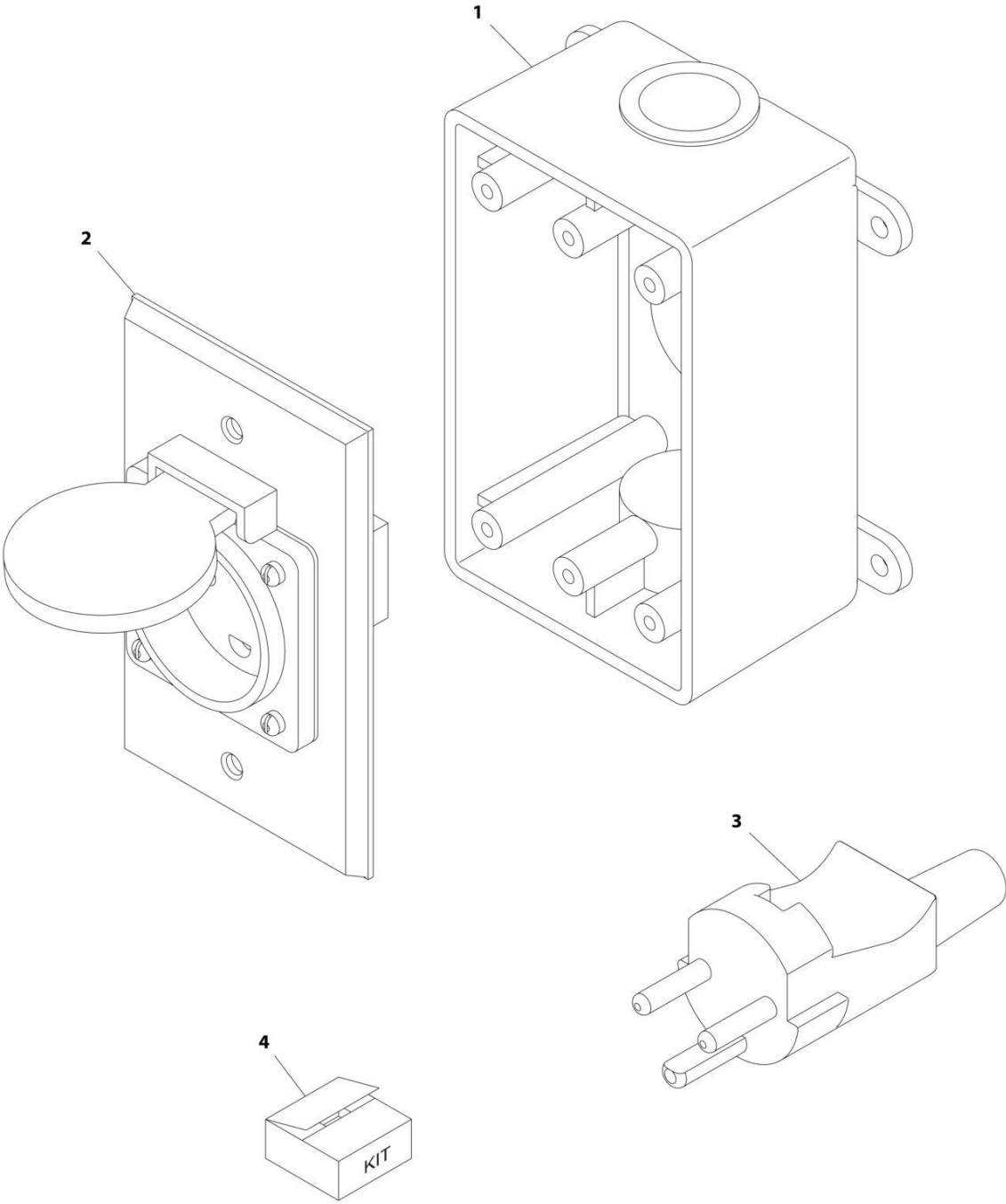
## SECTION 8 - ELECTRICAL

**FIGURE 8-58. RECEPTACLE BOX KIT - 220V CEE7 SIDE GROUND (CE & UK CA SPEC)**

ITEM	PART NUMBER	QTY	DESCRIPTION	REV
	0275453	Ref	RECEPTACLE BOX KIT - 220V CEE7 SIDE GROUND	B
1	0861731	1	Box, Switch	
2	4461245	1	Receptacle	
3	4461205	1	Plug, Male	
4	1001100347	1	Plug and Socket Kit (Includes Items 1-3 and Female Plug p/n 4461206)	

**SECTION 8 - ELECTRICAL**

**FIGURE 8-59. RECEPTACLE BOX KIT - 220V AFSINT 107 (CE & UK CA SPEC)**



ART\_0275454

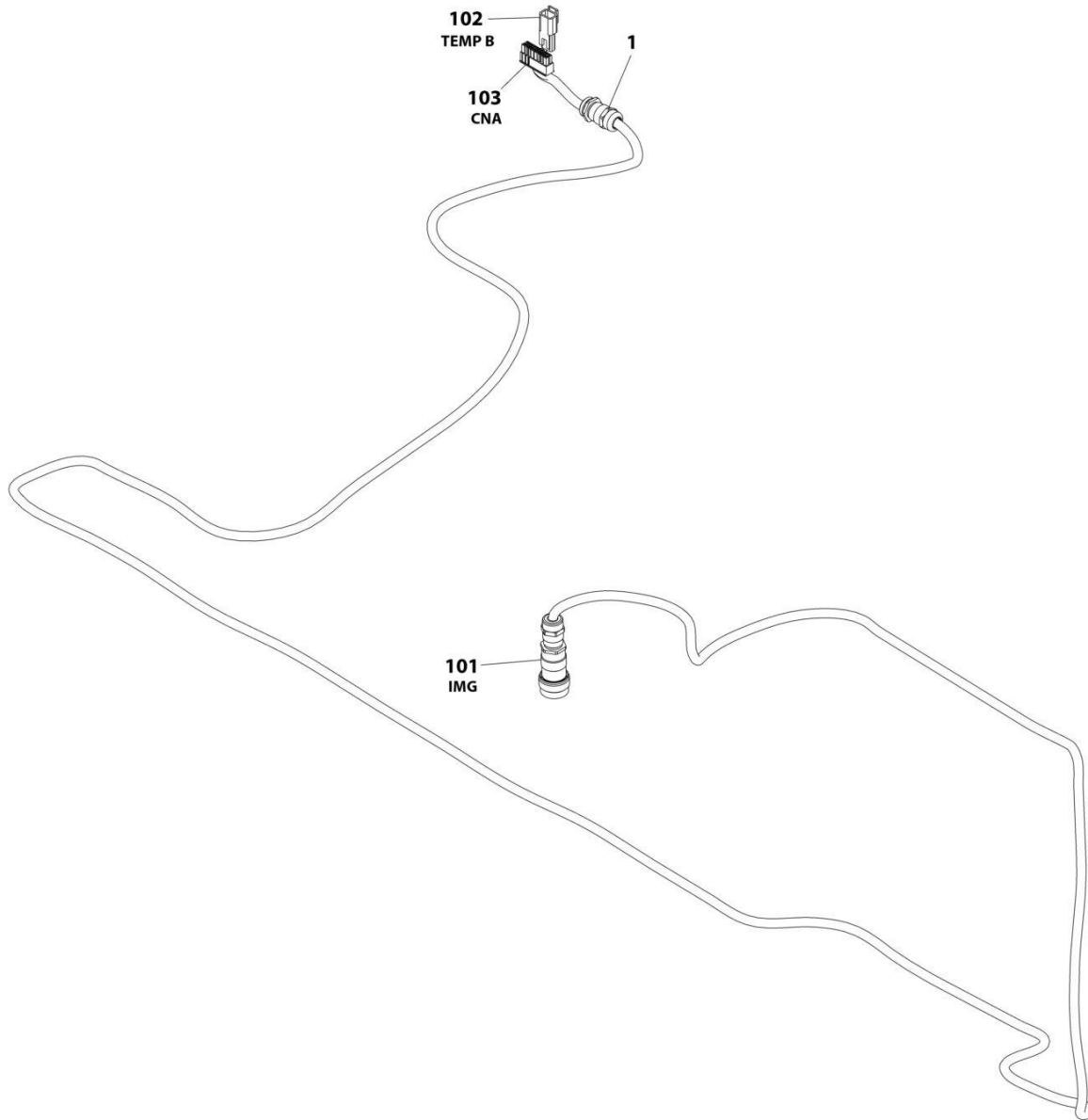
## SECTION 8 - ELECTRICAL

**FIGURE 8-59. RECEPTACLE BOX KIT - 220V AFSINT 107 (CE & UK CA SPEC)**

ITEM	PART NUMBER	QTY	DESCRIPTION	REV
	0275454	Ref	RECEPTACLE BOX KIT - 220V AFSINT 107	B
1	0861731	1	Box, Switch	
2	4461246	1	Receptacle	
3	4461249	1	Plug, Male	
4	1001100346	1	Plug and Socket Kit (Includes Items 1-3 and Female Plug p/n 4461250)	

# SECTION 8 - ELECTRICAL

## FIGURE 8-60. RESOLVER/CONVERTER/INVERTER HARNESS



ART\_1001222369

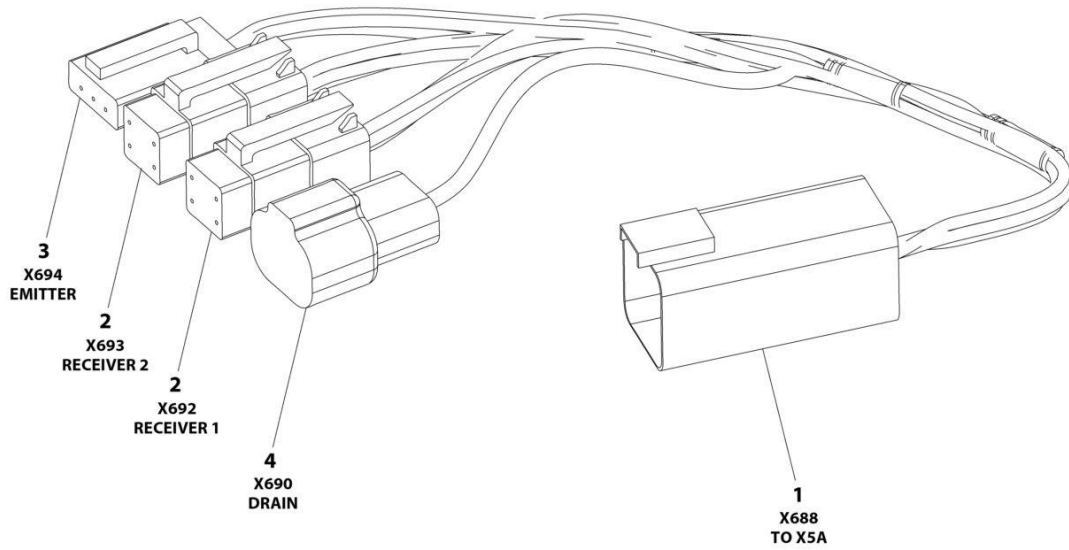
## SECTION 8 - ELECTRICAL

### FIGURE 8-60. RESOLVER/CONVERTER/INVERTER HARNESS

ITEM	PART NUMBER	QTY	DESCRIPTION	REV
	1001222369	Ref	RESOLVER/CONVERTER/INVERTER HARNESS	B
1	1001226468	1	Connector, Strain Relief	
101	1001226506	1	Connector - 19 Position	
102	1001153612	1	Receptacle, Female - 2 Position	
102	1001126010	2	Terminal	
103	1001225362	1	Connector - 16 Position	
103	4460877	6	Socket, Female	
103	1001228628	10	Plug, Terminal	
103	1001228629	1	Seal	

# SECTION 8 - ELECTRICAL

## FIGURE 8-61. SKYEYE INTERMEDIATE HARNESS



ART\_1001237865

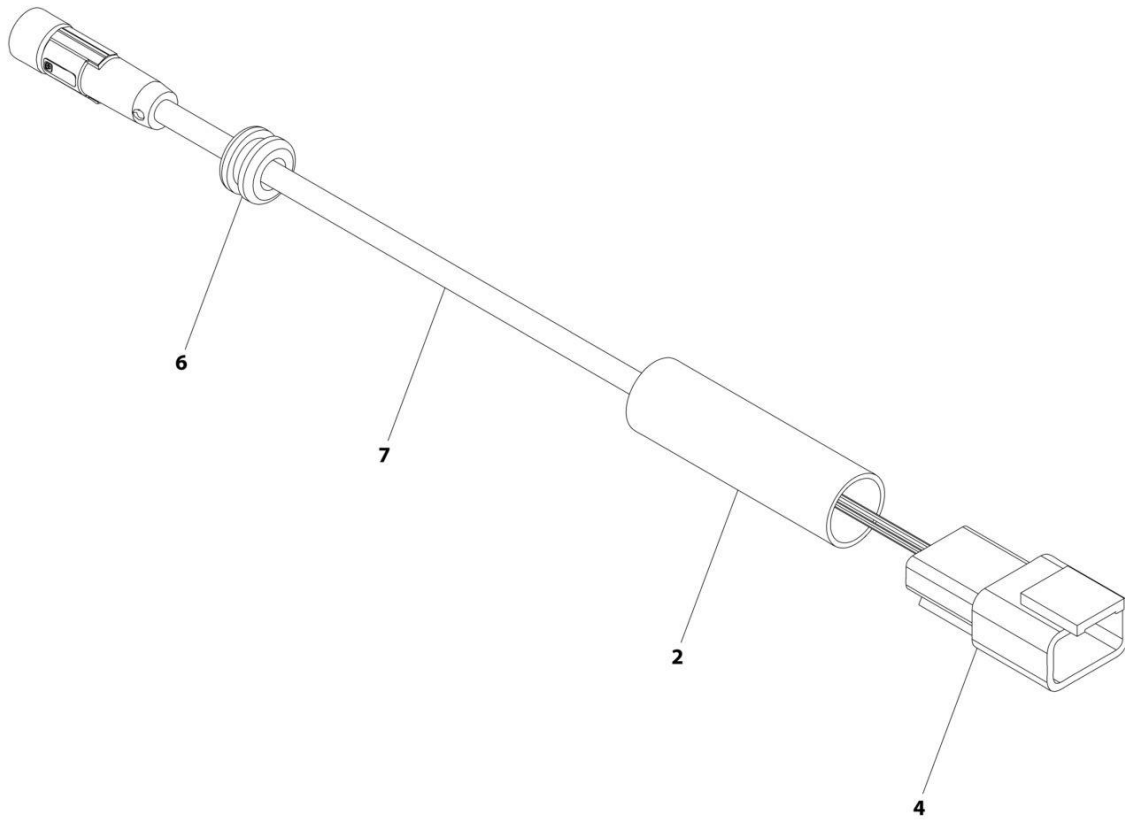
## SECTION 8 - ELECTRICAL

### FIGURE 8-61. SKYEYE INTERMEDIATE HARNESS

ITEM	PART NUMBER	QTY	DESCRIPTION	REV
	1001237865	Ref	SKYEYE INTERMEDIATE HARNESS	A
1	4460899	1	Connector - 6 Position	
1	4460943	4	Pin, Male	
1	4460466	2	Plug, Terminal	
2	4461077	2	Connector - 4 Position	
2	1001119619	8	Socket, Female	
3	4460911	1	Connector - 3 Position	
3	1001119619	3	Socket, Female	
4	1001187681	1	Connector - 2 Position	
4	4460941	1	Pin, Male	
4	4460466	1	Plug, Terminal	

# SECTION 8 - ELECTRICAL

## FIGURE 8-62. SKYEYE RECEIVER HARNESS



ART\_1001237863\_B



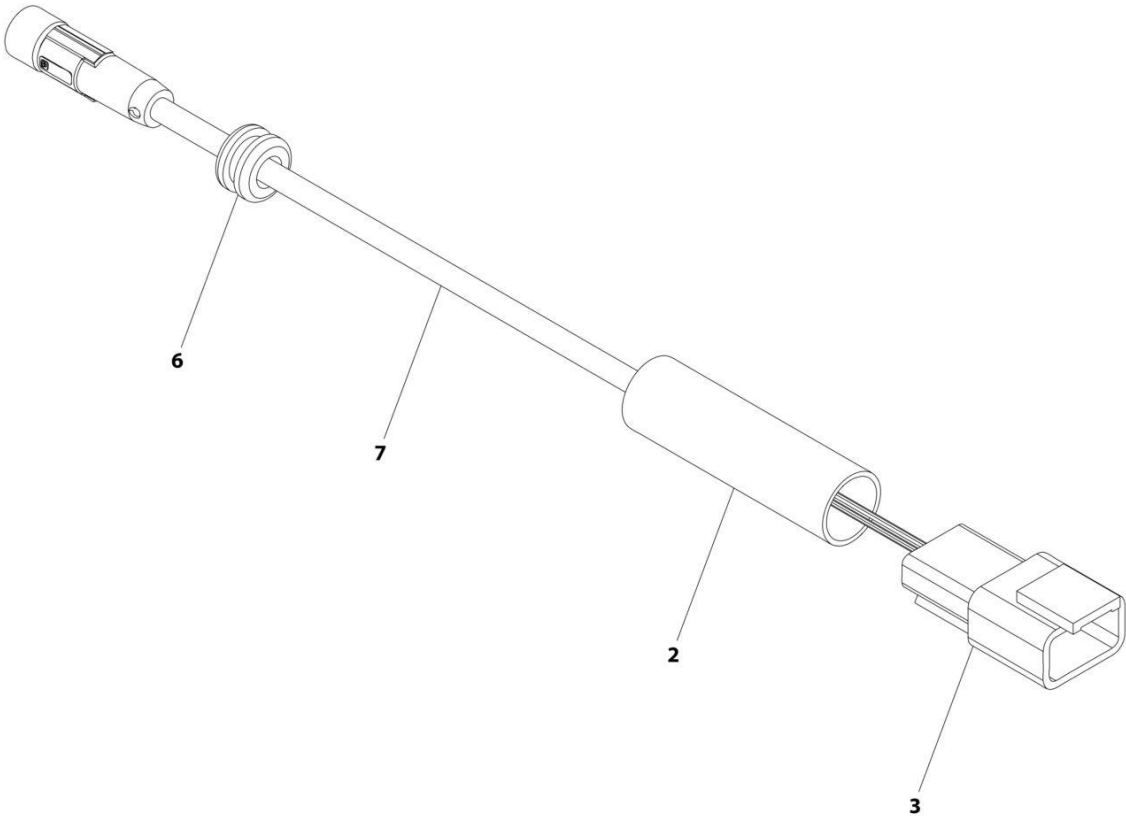
## SECTION 8 - ELECTRICAL

### FIGURE 8-62. SKYEYE RECEIVER HARNESS

ITEM	PART NUMBER	QTY	DESCRIPTION	REV
	1001237863	Ref	SKYEYE RECEIVER HARNESS	B
2	2820247	AR	Tubing, Heat Shrink	
4	1001097051	1	Connector - 4 Position	
4	1001119620	4	Pin, Male	
6	1001227996	1	Grommet	
7	1001258495	1	Cable, M8 Female Cordset	

**SECTION 8 - ELECTRICAL**

**FIGURE 8-63. SKYEYE EMITTER HARNESS**



ART\_1001237864\_B

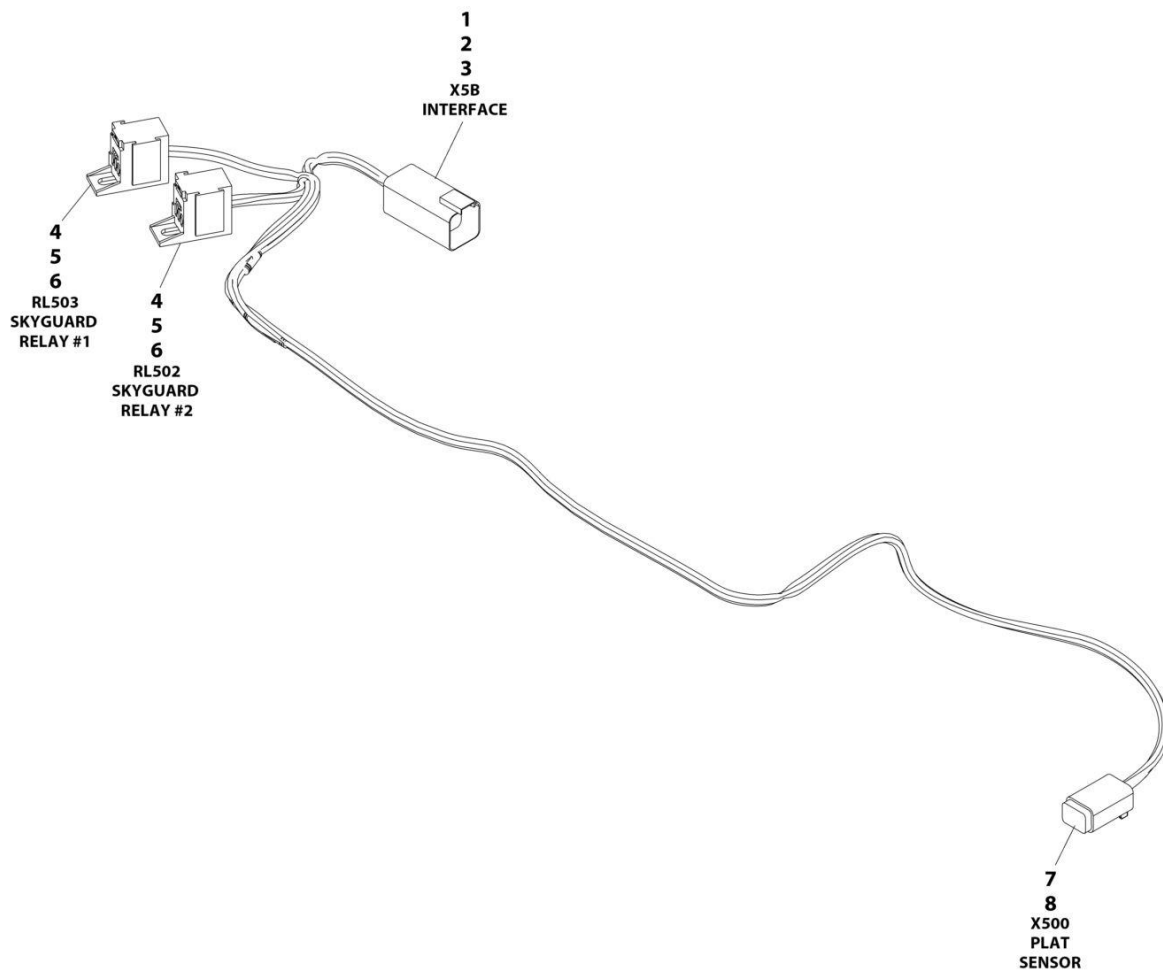
## SECTION 8 - ELECTRICAL

### FIGURE 8-63. SKYEYE EMITTER HARNESS

ITEM	PART NUMBER	QTY	DESCRIPTION	REV
	1001237864	Ref	SKYEYE EMITTER HARNESS	B
2	2820247	AR	Tubing, Heat Shrink	
3	4460910	1	Connector - 3 Position	
3	1001119620	3	Pin, Male	
6	1001227996	1	Grommet	
7	1001258495	1	Cable, M8 Female Cordset	

# SECTION 8 - ELECTRICAL

## FIGURE 8-64. SKYGUARD INTERFACE HARNESS



ART\_1001225580

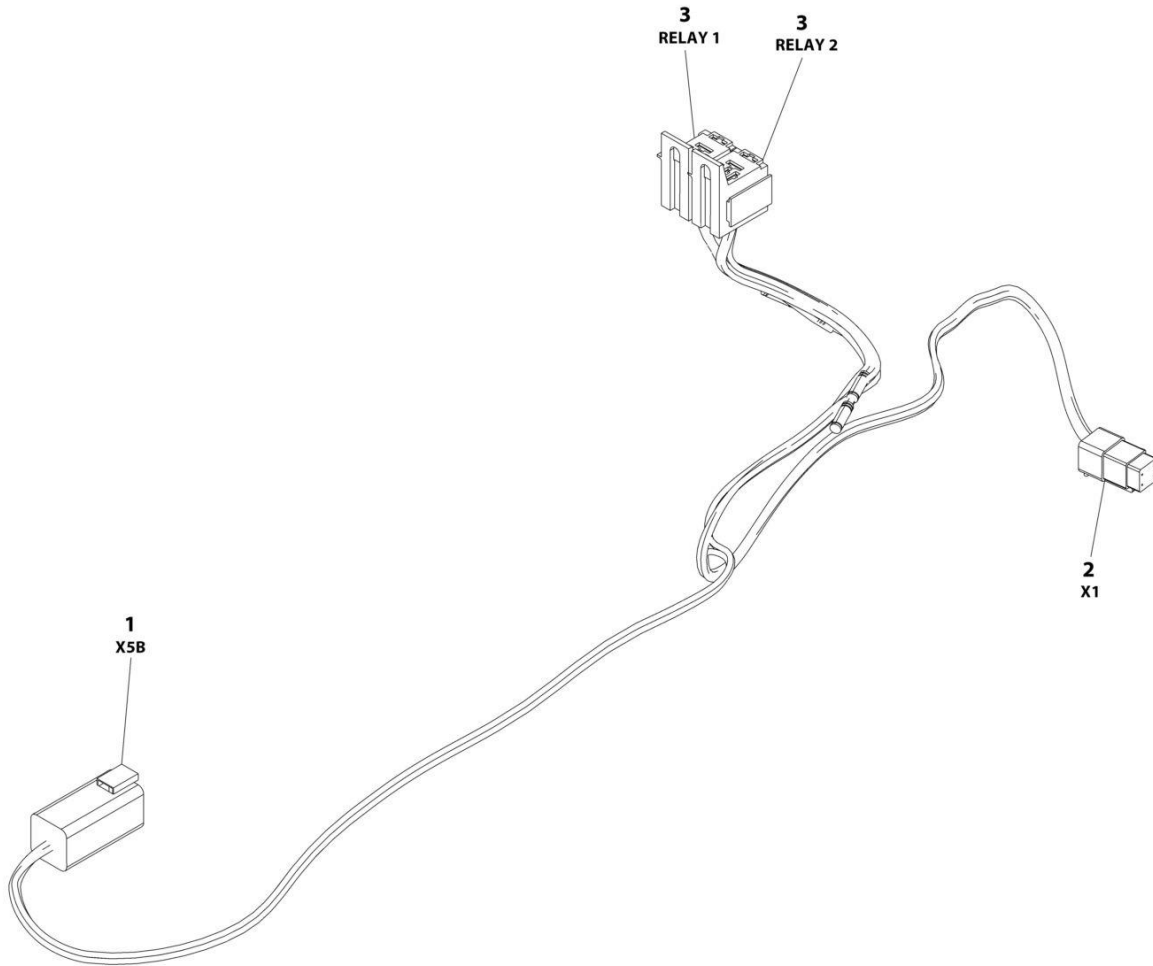
## SECTION 8 - ELECTRICAL

### FIGURE 8-64. SKYGUARD INTERFACE HARNESS

ITEM	PART NUMBER	QTY	DESCRIPTION	REV
	1001225580	Ref	INTERFACE HARNESS - WITH 1 CELL LSS	D
1	4460899	1	Connector	
2	4460464	4	Terminal	
3	4460466	2	Plug	
4	1001186432	2	Connector	
5	1001116720	4	Terminal	
6	1001118388	4	Terminal	
7	4460884	1	Connector	
8	4460465	4	Terminal	

# SECTION 8 - ELECTRICAL

## FIGURE 8-65. SKYLINE HARNESS



ART\_1001238418

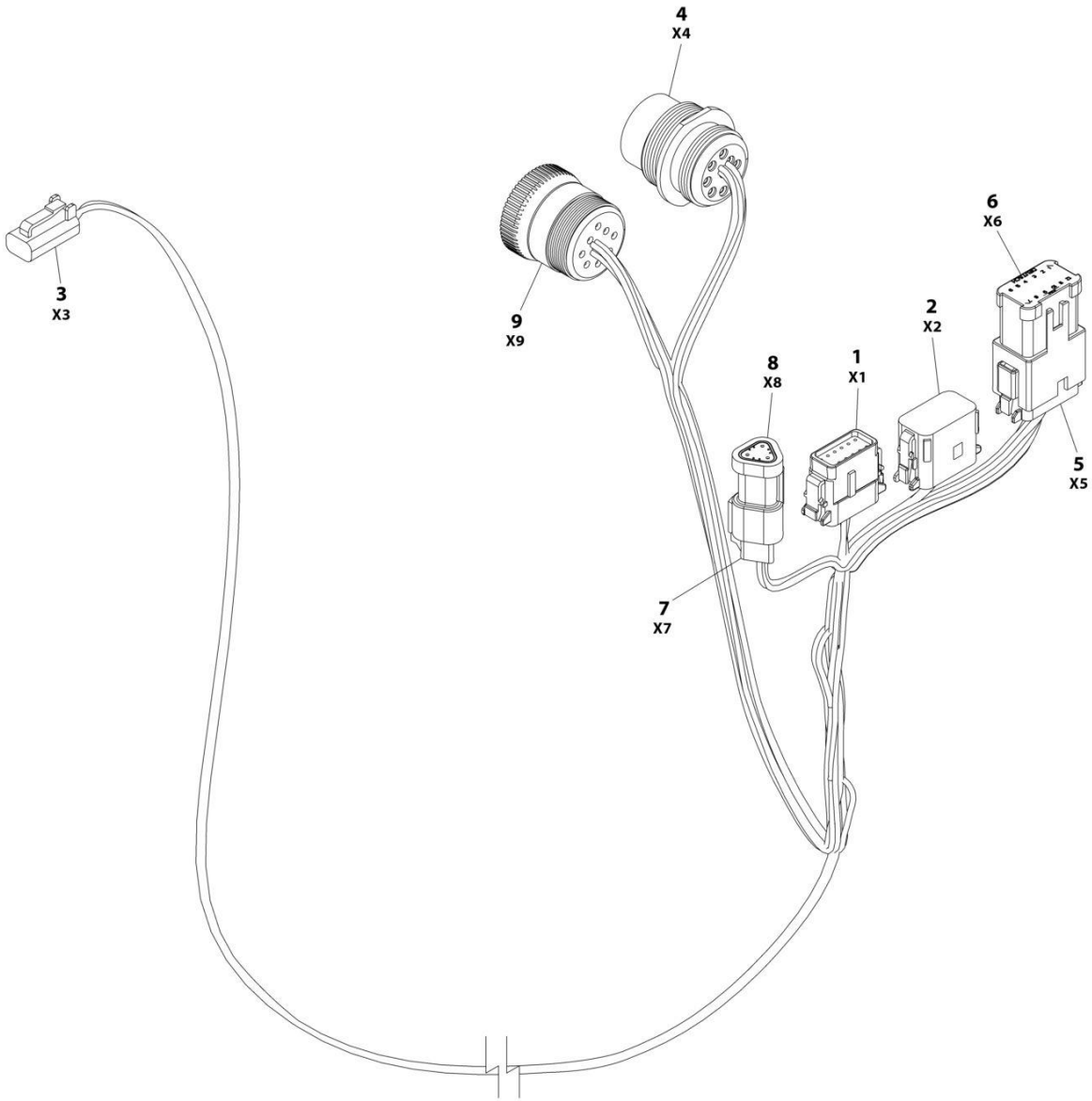
## SECTION 8 - ELECTRICAL

### FIGURE 8-65. SKYLINE HARNESS

ITEM	PART NUMBER	QTY	DESCRIPTION	REV
	1001238418	Ref	SKYLINE HARNESS	B
1	4460899	1	Connector - 6 Position	
1	4460464	4	Pin, Male	
1	4460466	2	Plug, Terminal	
2	4461077	1	Connector - 4 Position	
2	1001126009	4	Socket, Female	
3	1001186432	2	Plug, Relay	
3	1001118388	5	Terminal	
3	1001118384	3	Terminal	
3	3740086	2	Relay	

# SECTION 8 - ELECTRICAL

## FIGURE 8-66. STROBE LIGHT CONTROL HARNESS (BLUE & RED LIGHTS)



ART\_1001142736



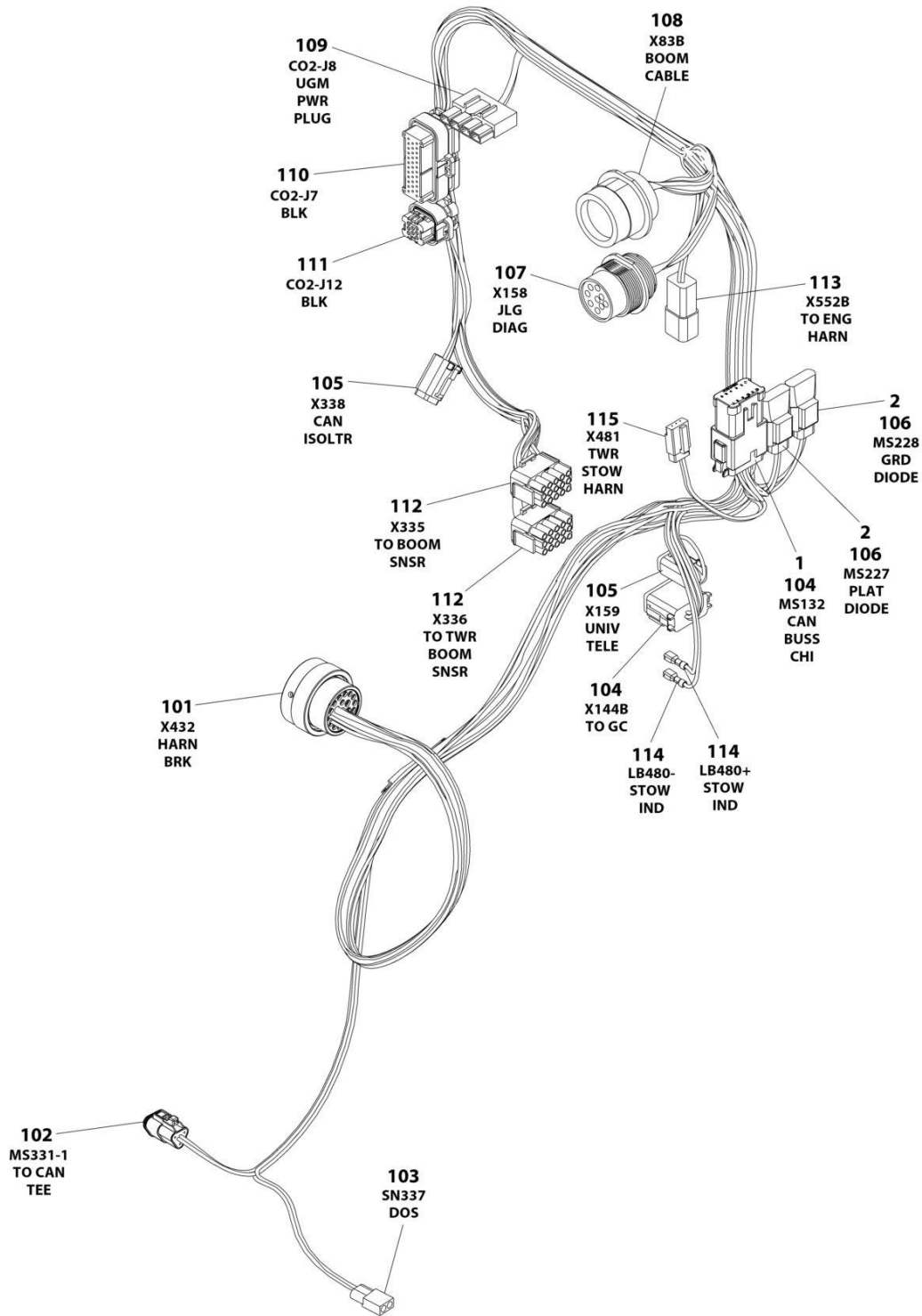
## SECTION 8 - ELECTRICAL

**FIGURE 8-66. STROBE LIGHT CONTROL HARNESS (BLUE & RED LIGHTS)**

ITEM	PART NUMBER	QTY	DESCRIPTION	REV
	1001142736	Ref	STROBE LIGHT HARNESS	F
1	1001116808	1	Plug, Male - 12 Position	
1	4460928	3	Socket, Female	
1	4460518	9	Plug, Terminal	
2	1001116774	1	Plug, Male - 12 Position	
2	4460928	3	Socket, Female	
2	4460518	9	Plug, Terminal	
3	4460891	1	Plug, Male - 2 Position	
3	4460465	2	Socket, Female	
4	1001112612	1	Connector - 9 Position	
4	4460464	6	Pin, Male	
4	4460466	3	Plug, Terminal	
5	4460933	1	Plug, Male - 12 Position	
5	4460465	12	Socket, Female	
6	1001119020	1	Bussbar - 12 Position	
7	4461095	1	Plug, Male - 3 Position	
7	4460465	3	Socket, Female	
8	4461070	1	Bussbar - 3 Position	
9	1001112796	1	Connector - 9 Position	
9	4460465	6	Socket, Female	
9	4460466	3	Plug, Terminal	

# SECTION 8 - ELECTRICAL

## FIGURE 8-67. TURNTABLE HARNESS



ART\_1001245028

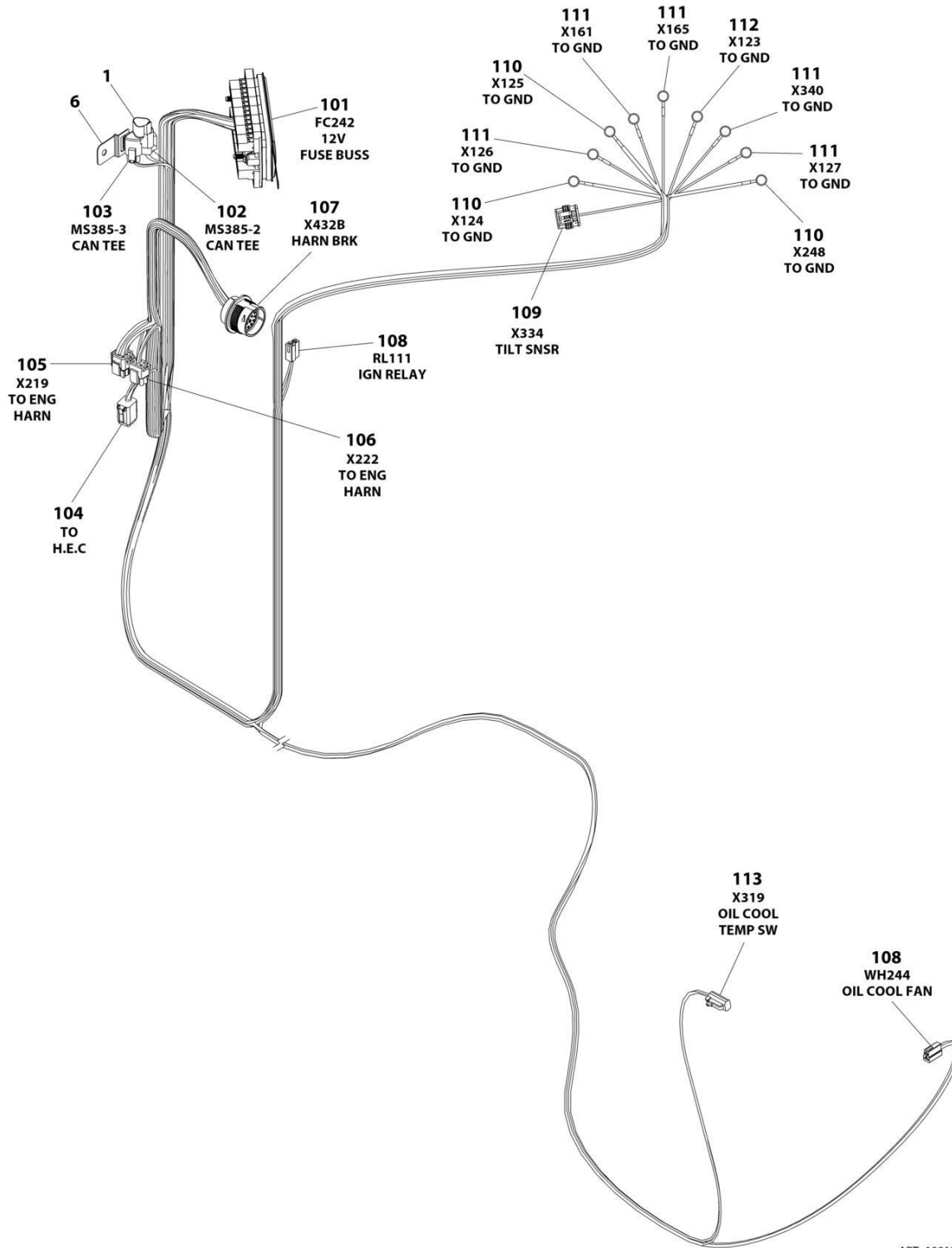
## SECTION 8 - ELECTRICAL

### FIGURE 8-67. TURNTABLE HARNESS

ITEM	PART NUMBER	QTY	DESCRIPTION	REV
	1001245028	Ref	TURNTABLE HARNESS	B
1	1001125677	1	Bussbar - 12 Position	
2	1001116816	2	Connector - 2 Position	
101	1001229233	1	Connector - 21 Position	
101	4460465	14	Socket, Female	
101	4460509	3	Socket, Female	
101	1001150611	1	Socket, Female	
101	4460466	3	Plug, Terminal	
102	1001116812	1	Plug, Male - 3 Position	
102	4460944	2	Socket, Female	
102	4460465	1	Socket, Female	
103	4460424	1	Plug, Male - 2 Position	
103	4460226	2	Socket, Female	
104	4460933	2	Plug, Male - 12 Position	
104	4460944	14	Socket, Female	
104	4460465	8	Socket, Female	
104	4460466	2	Plug, Terminal	
105	4460884	2	Plug, Male - 4 Position	
105	4460465	4	Socket, Female	
105	4460944	4	Socket, Female	
106	4460891	2	Plug, Male - 2 Position	
106	4460465	4	Socket, Female	
107	1001112612	1	Connector - 9 Position	
107	4460464	3	Pin, Male	
107	4460943	2	Pin, Male	
107	4460466	4	Plug, Terminal	
108	4460866	1	Connector - 19 Position	
108	4460464	5	Pin, Male	
108	4460943	2	Pin, Male	
108	4460508	4	Pin, Male	
108	4460466	8	Plug, Terminal	
109	4460878	1	Receptacle, Female - 4 Position	
109	4460887	2	Terminal	
110	4460873	1	Connector - 35 Position	
110	4460871	25	Socket, Female	
110	4460905	10	Plug, Terminal	
111	1001113961	1	Plug, Male - 8 Position	
111	4460871	4	Socket, Female	
111	4460905	4	Plug, Terminal	
112	4460434	2	Plug, Male - 15 Position	
112	4460227	24	Pin, Male	
112	4460267	2	Pin, Male	
113	4460932	1	Receptacle, Female - 4 Position	
113	4460464	3	Pin, Male	
113	4460466	1	Plug, Terminal	
114	1001201885	2	Terminal	
115	4460911	1	Plug, Male - 3 Position	
115	1001116694	2	Socket, Female	
115	4460518	1	Plug, Terminal	

# SECTION 8 - ELECTRICAL

## FIGURE 8-68. TURNTABLE/FUSE PANEL HARNESS



ART\_1001230522

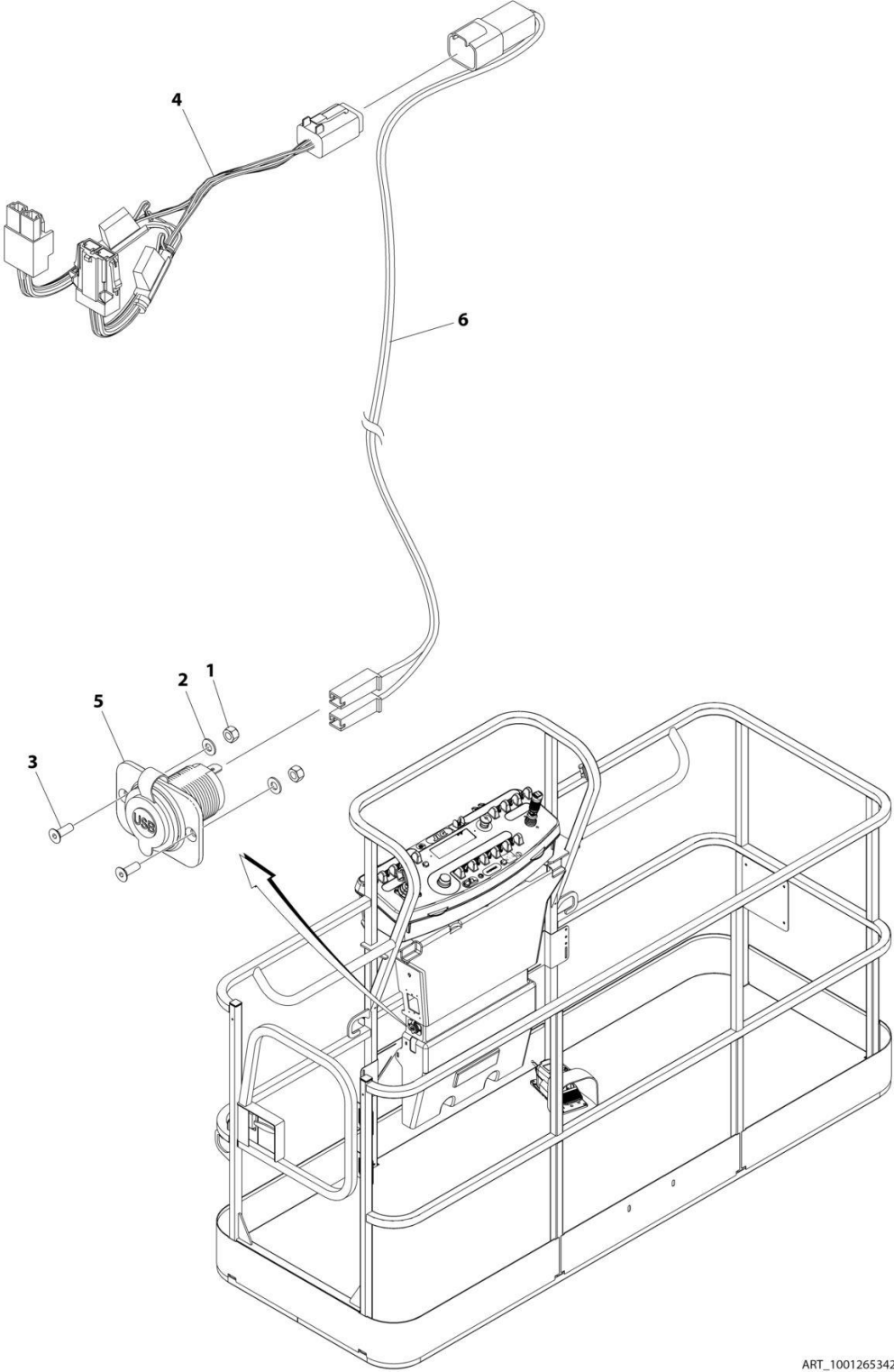
## SECTION 8 - ELECTRICAL

**FIGURE 8-68. TURNTABLE/FUSE PANEL HARNESS**

ITEM	PART NUMBER	QTY	DESCRIPTION	REV
	1001230522	Ref	TURNTABLE/FUSE PANEL HARNESS	C
1	4460945	1	Receptacle, 3 Way	
6	1001153749	1	Mount, Connector	
101	1001225219	1	Connector - 28 Position	
101	1001189572	9	Terminal	
101	1001189571	3	Terminal	
101	1001189570	10	Terminal	
102	4460539	1	Plug, Male - 3 Position	
102	4460944	2	Socket, Female	
102	4460466	1	Plug, Terminal	
103	1001116812	1	Plug, Male - 3 Position	
103	4460944	2	Socket, Female	
103	4460466	1	Plug, Terminal	
104	4460894	1	Plug, Male - 6 Position	
104	4460465	5	Socket, Female	
104	4460466	1	Plug, Terminal	
105	4460265	1	Plug, Male - 9 Position	
105	4460906	8	Socket, Female	
106	4460225	1	Plug, Male - 6 Position	
106	4460268	4	Socket, Female	
107	1001229232	1	Connector - 21 Position	
107	4460464	14	Pin, Male	
107	4460508	4	Pin, Male	
107	4460466	3	Plug, Terminal	
108	4460994	2	Housing, Terminal	
108	1001116720	2	Terminal	
108	1001116716	2	Terminal	
109	1001103012	1	Plug, Male - 4 Position	
109	1001107854	4	Terminal	
109	1001104498	4	Seal	
110	4460019	3	Terminal, Ring	
111	4460722	5	Terminal, Ring	
112	1001225219	1	Terminal, Ring	
113	4460891	1	Plug, Male - 2 Position	
113	4460465	2	Socket, Female	

**SECTION 8 - ELECTRICAL**

**FIGURE 8-69. USB RECEPTACLE INSTALLATION**



ART\_1001265342

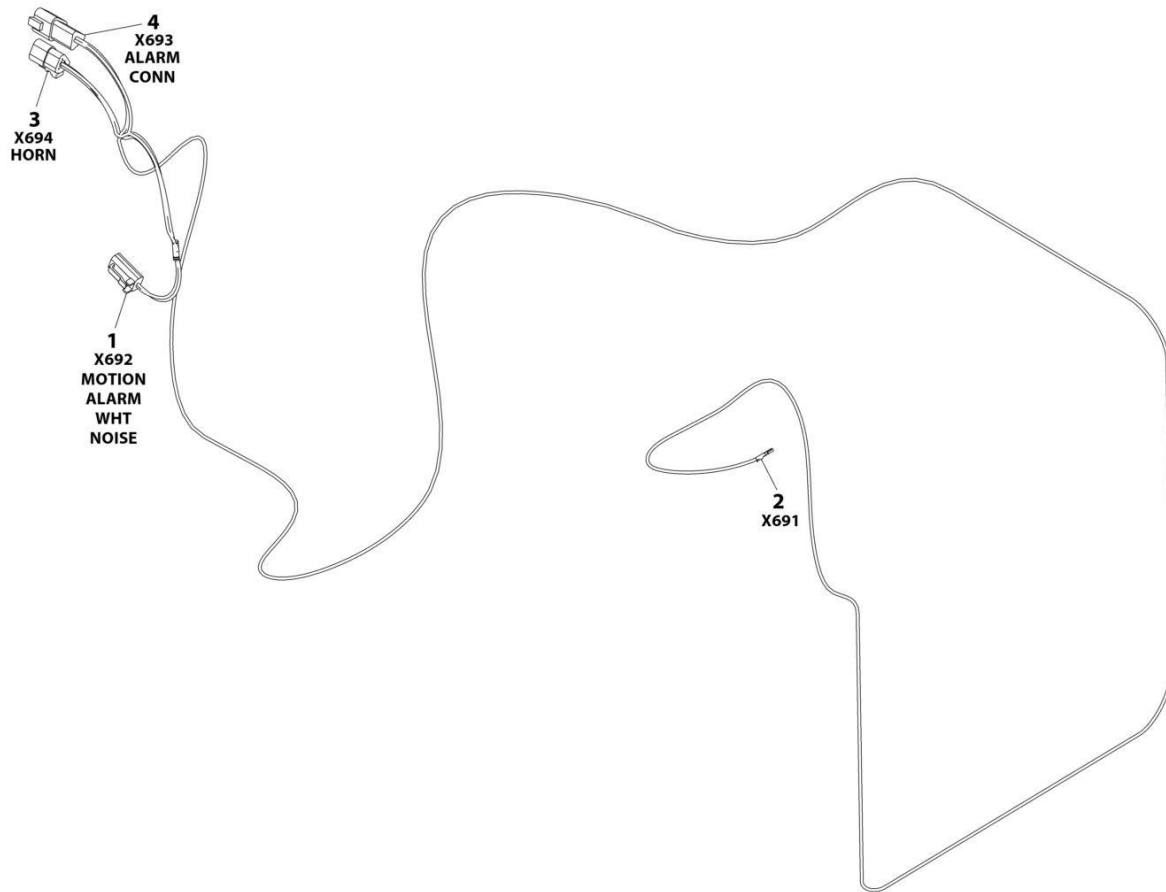
## SECTION 8 - ELECTRICAL

**FIGURE 8-69. USB RECEPTACLE INSTALLATION**

ITEM	PART NUMBER	QTY	DESCRIPTION	REV
	1001265342	Ref	USB CHARGER INSTALLATION	A
1	3290405	2	Nut M4	
2	4811400	2	Washer M4	
3	1001097244	2	Screw M4 x 12	
4	1001120484	1	Harness, Work Lights	
4	4460879	1	Plug, Male - 2 Position	
4	4460887	2	Terminal	
4	2400060	2	Fuseholder Includes Cover	
4	8229249	2	Fuse, 3 Amp	
4	4460884	1	Connector - 4 Position	
4	4460465	4	Socket, Female	
4	1001120471	1	Connector - 2 Position	
4	1001120477	2	Terminal	
5	1001210636	1	Receptacle, USB	
6	1001265163	1	Harness, USB	A
6	4460260	2	Cover, Terminal	
6	4460259	2	Terminal	
6	4460932	1	Receptacle, Bussbar - 4 Position	
6	4460464	2	Pin, Male	
6	4460466	2	Plug, Terminal	

# SECTION 8 - ELECTRICAL

## FIGURE 8-70. WHITE NOISE ALARM HARNESS



ART\_1001243682



## SECTION 8 - ELECTRICAL

### FIGURE 8-70. WHITE NOISE ALARM HARNESS

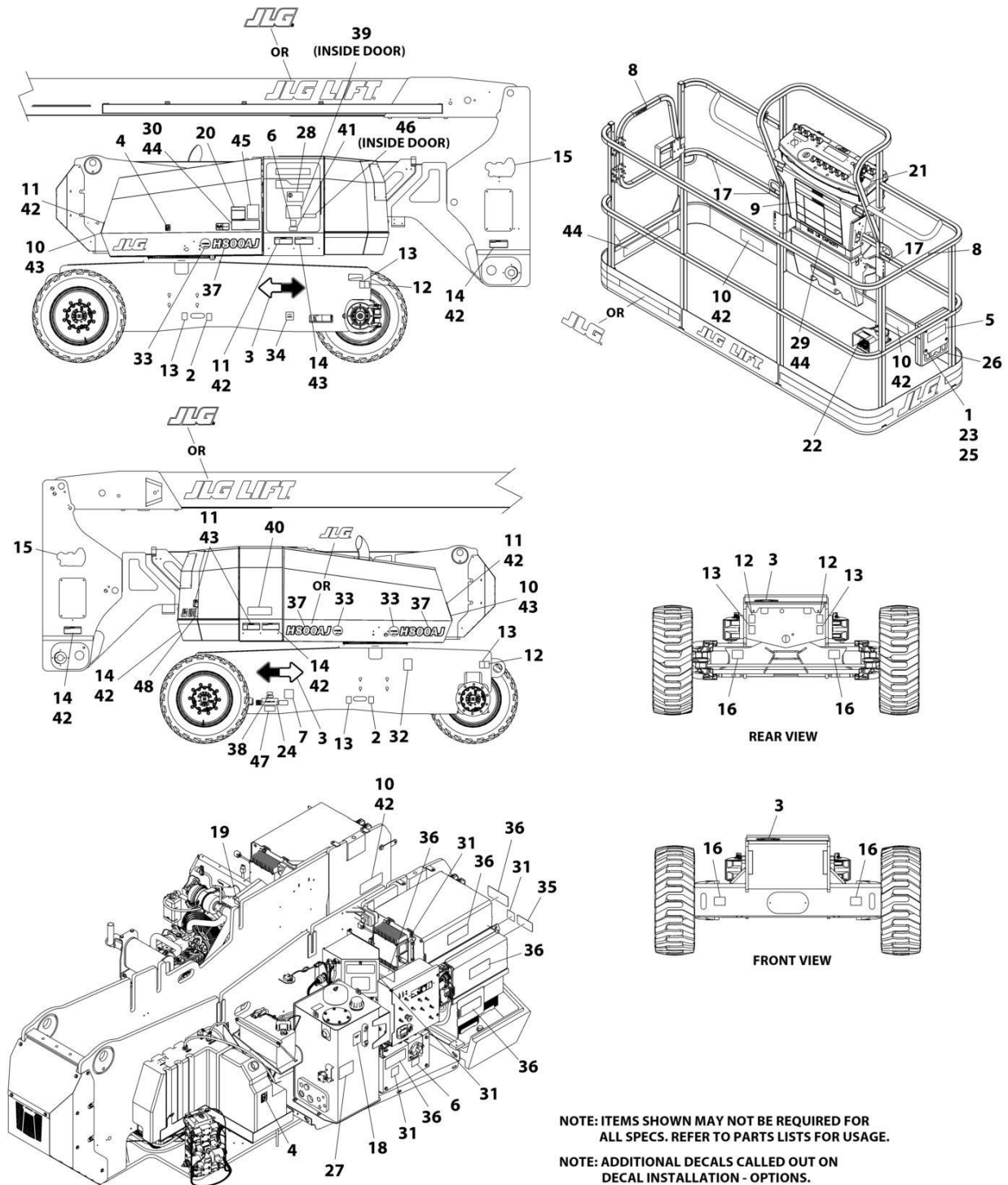
ITEM	PART NUMBER	QTY	DESCRIPTION	REV
	1001243682	Ref	WHITE NOISE ALARM HARNESS	A
1	4460891	1	Plug, Male - 2 Position	
1	4460465	2	Socket, Female	
2	4460871	1	Terminal	
3	4460539	1	Plug, Male- 3 Position	
3	4460465	3	Socket, Female	
4	4460536	1	Receptacle, Female- 3 Position	
4	4460464	3	Pin, Male	



**SECTION 9 - DECALS**

# SECTION 9 - DECALS

## FIGURE 9-1. DECAL INSTALLATION - ANSI SPECS (ENGLISH LANGUAGE)



NOTE: ITEMS SHOWN MAY NOT BE REQUIRED FOR ALL SPECS. REFER TO PARTS LISTS FOR USAGE.  
 NOTE: ADDITIONAL DECALS CALLED OUT ON DECAL INSTALLATION - OPTIONS.

ART\_1001249006

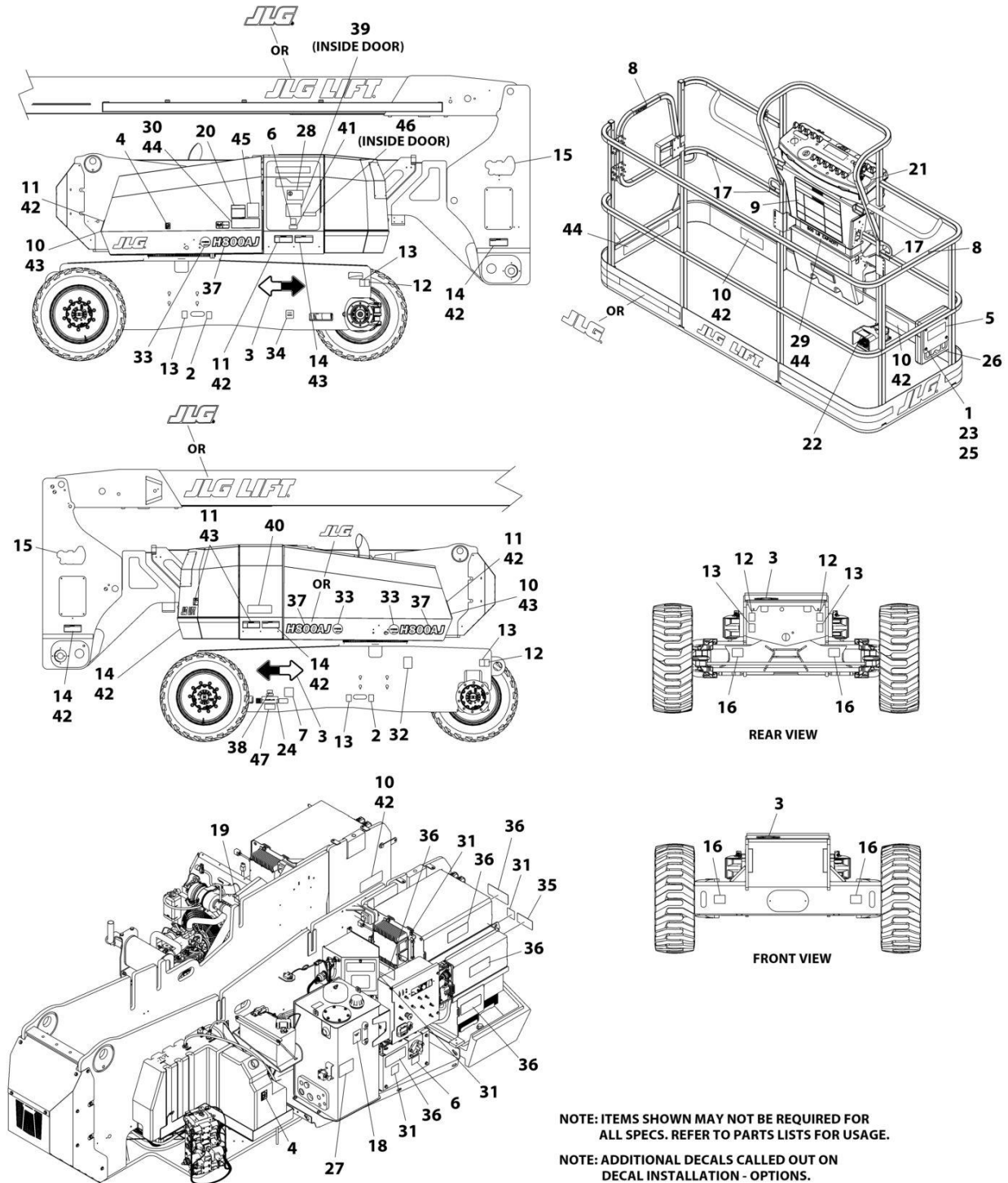
## SECTION 9 - DECALS

**FIGURE 9-1. DECAL INSTALLATION - ANSI SPECS (ENGLISH LANGUAGE)**

ITEM	PART NUMBER	QTY	DESCRIPTION	REV
	1001249006	Ref	DECAL INSTALLATION - ANSI	D
	1001249013	Ref	DECAL INSTALLATION - REFERENCE CHART	C
1	0641406	4	Bolt 1/4 x 3/4	
2	1701499	2	Decal - No Tie Down/Lift	
3	1701501	4	Decal - Arrow	
4	1701505	2	Decal - Diesel Fuel	
5	1701509	1	Decal - Manual	
6	1702155	2	Decal - Battery Disconnect	
7	See Note	NSS	Decal - Bar Code (Note: Not Available for Purchase)	
8	1702868	2	Decal - No Hands	
9	1703797	1	Decal - Danger/Warning	
10	1703804	6	Decal - Warning/Crushing	
11	1703805	5	Decal - Electrocution	
12	1703811	4	Decal - Lifting Lug	
13	1703814	6	Decal - Tie Down	
14	1703953	5	Decal - Warning/Crushing	
15	1703959	2	Decal - Quik Stik	
16	1703960	4	Decal - Maximum Tire Load	
17	1704277	3	Decal - Lanyard Attach	
18	1704412	1	Decal - Hydraulic Oil	
19	1704972	1	Decal - Glow Plugs	
20	1705336	1	Decal - Danger/Warning	
21	1705351	1	Decal - Drive/Steer Instructions	
22	3252347	1	Nameplate - Footswitch	
23	3311405	4	Nut 1/4	
24	3820001	2	Rivet	
25	4751400	8	Washer 1/4	
26	91403230	1	Box, Manual Storage	
27	1001096141	1	Decal - Upright Level Override	
28	1001117307	1	Decal - Emergency Stop	
29	1001253920	1	Decal - Warning Single Cap	
30	1001253921	1	Decal - Warning Single Cap	
31	1001125483	6	Decal - Pressure Wash	
32	1001131269	1	Decal - Patent	
33	1001174449	2	Decal - Hybrid	
34	1001223055	1	Decal - Yearly Inspection	
35	1001223554	2	Decal - Warning Tip Over Hazard	
36	1001223556	9	Decal - Electric Shock Hazard	
37	1001267328	2	Decal - H800AJ	
38	1001228370	1	Decal - ICES	
39	1001228411	1	Decal - LED Indicator	
40	1001284688	1	Decal - Lifting Diagram	
41	1001233785	1	Decal - Charger Plug	

# SECTION 9 - DECALS

## FIGURE 9-2. DECAL INSTALLATION - AUSTRALIAN SPECS (ENGLISH LANGUAGE)



NOTE: ITEMS SHOWN MAY NOT BE REQUIRED FOR ALL SPECS. REFER TO PARTS LISTS FOR USAGE.  
 NOTE: ADDITIONAL DECALS CALLED OUT ON DECAL INSTALLATION - OPTIONS.

ART\_1001249548\_D

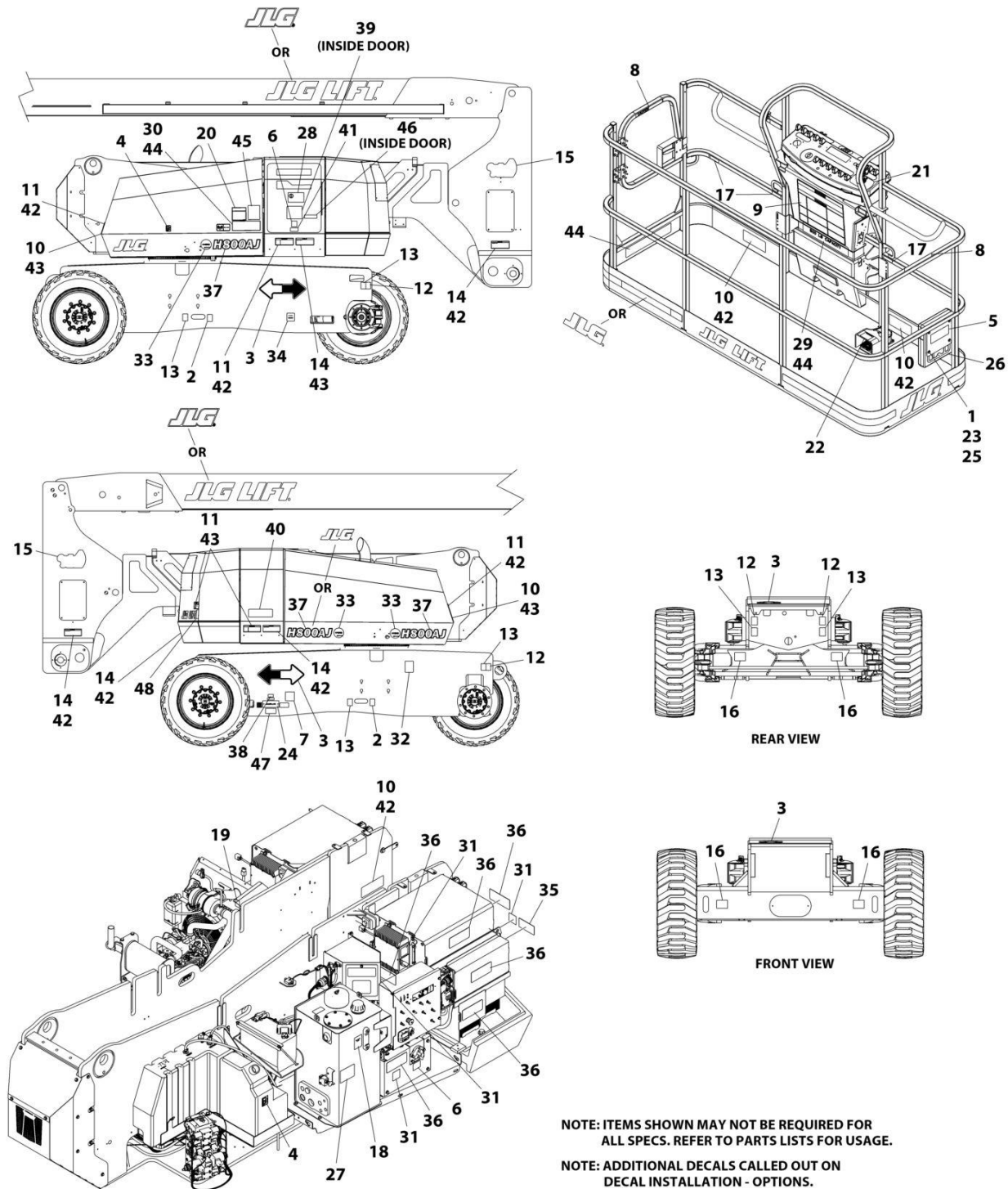
## SECTION 9 - DECALS

**FIGURE 9-2. DECAL INSTALLATION - AUSTRALIAN SPECS (ENGLISH LANGUAGE)**

ITEM	PART NUMBER	QTY	DESCRIPTION	REV
	1001249548	Ref	DECAL INSTALLATION - AUSTRALIAN	D
	1001249013	Ref	DECAL INSTALLATION - REFERENCE CHART	D
1	0641406	4	Bolt 1/4 x 3/4	
2	1701499	2	Decal - No Tie Down/Lift	
3	1701501	4	Decal - Arrow	
4	1701505	2	Decal - Diesel Fuel	
5	1701509	1	Decal - Manual	
6	1702155	2	Decal - Battery Disconnect	
7	See Note	NSS	Decal - Bar Code (Note: Not Available for Purchase)	
9	1705921	1	Decal - Tipping/Electrocution	
12	1703811	4	Decal - Lifting Lug	
13	1703814	6	Decal - Tie Down	
15	1703959	2	Decal - Quik Stik	
16	1703960	4	Decal - Maximum Tire Load	
17	1704277	3	Decal - Lanyard Attach	
18	1704412	1	Decal - Hydraulic Oil	
19	1706098	1	Decal - Warning Ether Start	
20	1705822	1	Decal - Electrical/Safety Manual	
22	1705828	1	Nameplate - Footswitch	
23	3311405	4	Nut 1/4	
24	3820001	2	Rivet	
25	4751400	8	Washer 1/4	
26	91403230	1	Box, Manual Storage	
27	1705977	1	Decal - Upright Level Override	
28	1001117307	1	Decal - Emergency Stop	
31	1001125483	6	Decal - Pressure Wash	
33	1001174449	2	Decal - Hybrid	
35	1001223560	2	Decal - Tip Over Hazard	
36	1001223561	9	Decal - Shock Hazard	
37	1001267328	2	Decal - H800AJ	
39	1001228411	1	Decal - LED Indicator	
40	1001284688	1	Decal - Lifting Diagram	
41	1001233785	1	Decal - Charger Plug	
42	1701518	11	Decal - Crushing	
43	1705961	5	Decal - Electrocution	
44	1705978	3	Decal - 230KG Capacity	
45	1001112551	1	Decal - Emergency Controls	
47	1001232893	1	Decal - Wheel Assembly Mass	

# SECTION 9 - DECALS

FIGURE 9-3. DECAL INSTALLATION - BRAZIL SPECS (ENGLISH/PORTUGUESE LANGUAGES)



NOTE: ITEMS SHOWN MAY NOT BE REQUIRED FOR ALL SPECS. REFER TO PARTS LISTS FOR USAGE.  
 NOTE: ADDITIONAL DECALS CALLED OUT ON DECAL INSTALLATION - OPTIONS.

ART\_1001249012



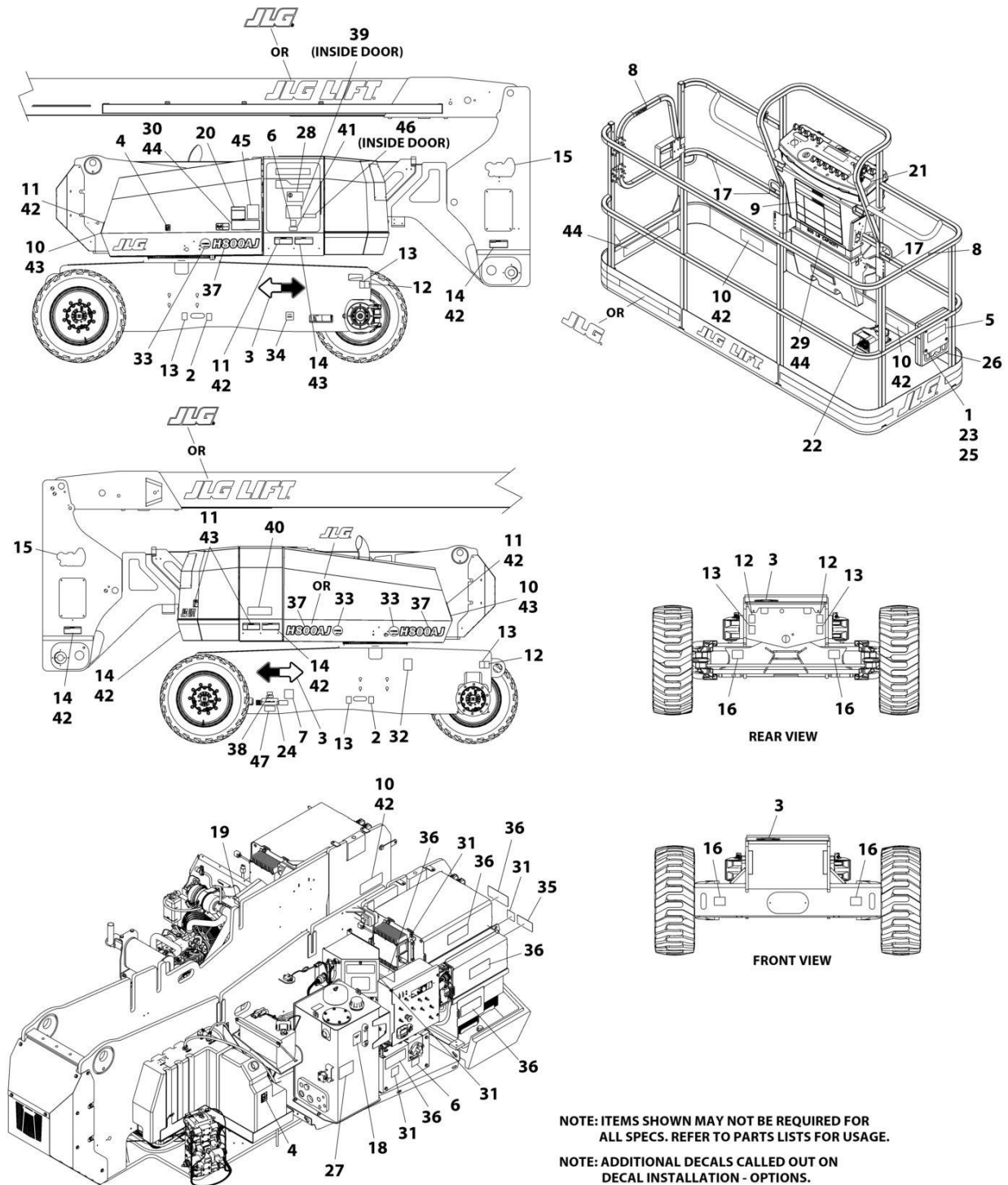
## SECTION 9 - DECALS

**FIGURE 9-3. DECAL INSTALLATION - BRAZIL SPECS (ENGLISH/PORTUGUESE LANGUAGES)**

ITEM	PART NUMBER	QTY	DESCRIPTION	REV
	1001249012	Ref	DECAL INSTALLATION - BRAZIL	E
	1001249013	Ref	DECAL INSTALLATION - REFERENCE CHART	C
1	0641406	4	Bolt 1/4 X 3/4	
2	1701499	2	Decal - No Tie Down/Lift	
3	1701501	4	Decal - Arrow	
4	1701505	2	Decal - Diesel Fuel	
5	1701509	1	Decal - Manual	
6	1702155	2	Decal - Battery Disconnect	
7	See Note	NSS	Decal - Bar Code (Note: Not Available For Purchase)	
8	1705967	2	Decal - No Hands	
9	1705895	1	Decal - Danger/Warning	
10	1705898	6	Decal - Crushing	
11	1705897	5	Decal - Danger Electrocution	
12	1703811	4	Decal - Lifting Lug	
13	1703814	6	Decal - Tie Down	
14	1705903	5	Decal - Warning/Crushing	
15	1703959	2	Decal - Quik Stik	
16	1703960	4	Decal - Maximum Tire Load	
17	1704277	3	Decal - Lanyard Attach	
18	1704412	1	Decal - Hydraulic Oil	
19	1706059	1	Decal - Warning Explosion	
20	1705896	1	Decal - Warning Inspection	
21	1705905	1	Decal - Drive/Steer Instructions	
22	1705902	1	Decal - Footswitch	
23	3311405	4	Nut 1/4	
24	3820001	2	Rivet	
25	4751400	8	Washer 1/4	
26	91403230	1	Box, Manual Storage	
27	1705977	1	Decal - Upright Level Override	
28	1001117307	1	Decal - Emergency Stop	
29	1001253936	1	Decal - Warning Single Cap	
30	1001253937	1	Decal - Warning Single Cap	
31	1001125483	6	Decal - Pressure Wash	
33	1001174449	2	Decal - Hybrid	
34	1001224052	1	Decal - Yearly Inspection	
34	1001267885	1	Decal - Yearly Inspection	
35	1001233066	2	Decal - Tipping Hazard	
36	1001233011	9	Decal - Electrical Shock Hazard	
37	1001267328	2	Decal - H800AJ	
39	1001228411	1	Decal - LED Indicator	
40	1001284688	1	Decal - Lifting Diagram	
41	1001233785	1	Decal - Charger Plug	

# SECTION 9 - DECALS

## FIGURE 9-4. DECAL INSTALLATION - CE & UK CA SPECS (ENGLISH LANGUAGE)



NOTE: ITEMS SHOWN MAY NOT BE REQUIRED FOR ALL SPECS. REFER TO PARTS LISTS FOR USAGE.  
 NOTE: ADDITIONAL DECALS CALLED OUT ON DECAL INSTALLATION - OPTIONS.

ART\_1001249549\_D

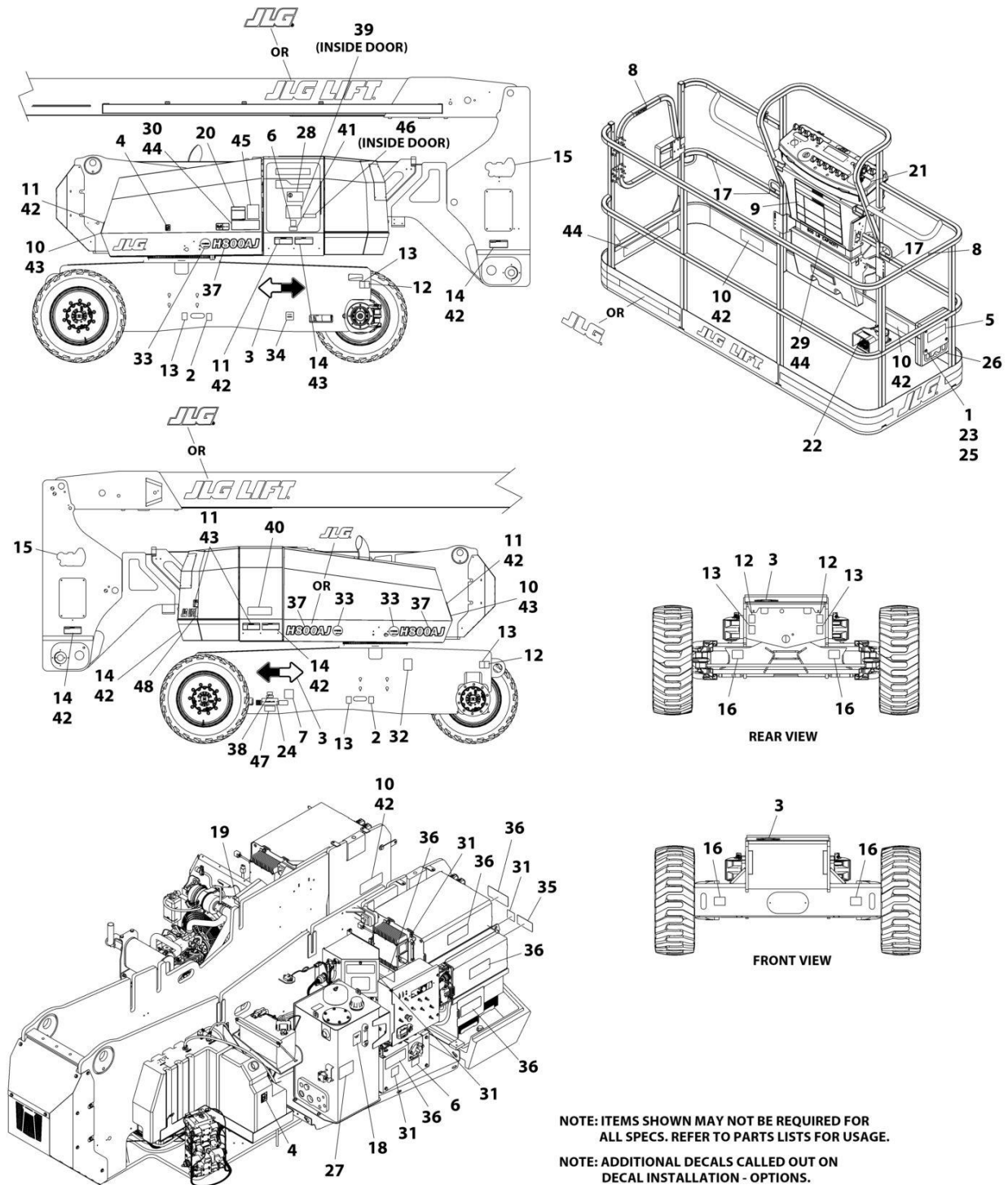
## SECTION 9 - DECALS

**FIGURE 9-4. DECAL INSTALLATION - CE & UK CA SPECS (ENGLISH LANGUAGE)**

ITEM	PART NUMBER	QTY	DESCRIPTION	REV
	1001249549	Ref	DECAL INSTALLATION - CE & UK CA	D
	1001249013	Ref	DECAL INSTALLATION - REFERENCE CHART	D
1	0641406	4	Bolt 1/4 x 3/4	
2	1701499	2	Decal - No Tie Down/Lift	
3	1701501	4	Decal - Arrow	
4	1701505	2	Decal - Diesel Fuel	
5	1701509	1	Decal - Manual	
6	1702155	2	Decal - Battery Disconnect	
7	See Note	NSS	Decal - Bar Code (Note: Not Available for Purchase)	
9	1705921	1	Decal - Tipping/Electrocution	
12	1703811	4	Decal - Lifting Lug	
13	1703814	6	Decal - Tie Down	
15	1703959	2	Decal - Quik Stik	
16	1703960	4	Decal - Maximum Tire Load	
17	1704277	3	Decal - Lanyard Attach	
18	1704412	1	Decal - Hydraulic Oil	
19	1706098	1	Decal - Warning Ether Start	
20	1705822	1	Decal - Electrical/Safety Manual	
22	1705828	1	Nameplate - Footswitch	
23	3311405	4	Nut 1/4	
24	3820001	2	Rivet	
25	4751400	8	Washer 1/4	
26	91403230	1	Box, Manual Storage	
27	1705977	1	Decal - Upright Level Override	
28	1001117307	1	Decal - Emergency Stop	
31	1001125483	6	Decal - Pressure Wash	
33	1001174449	2	Decal - Hybrid	
35	1001223560	2	Decal - Tip Over Hazard	
36	1001223561	9	Decal - Shock Hazard	
37	1001267328	2	Decal - H800AJ	
39	1001228411	1	Decal - LED Indicator	
40	1001284688	1	Decal - Lifting Diagram	
41	1001233785	1	Decal - Charger Plug	
42	1701518	11	Decal - Crushing	
43	1705961	5	Decal - Electrocution	
44	1705978	2	Decal - 230KG Capacity	
46	1001189882	1	Decal - MSSO Operation	

# SECTION 9 - DECALS

## FIGURE 9-5. DECAL INSTALLATION - CHINA SPECS (ENGLISH/CHINESE LANGUAGES)



ART\_1001249010

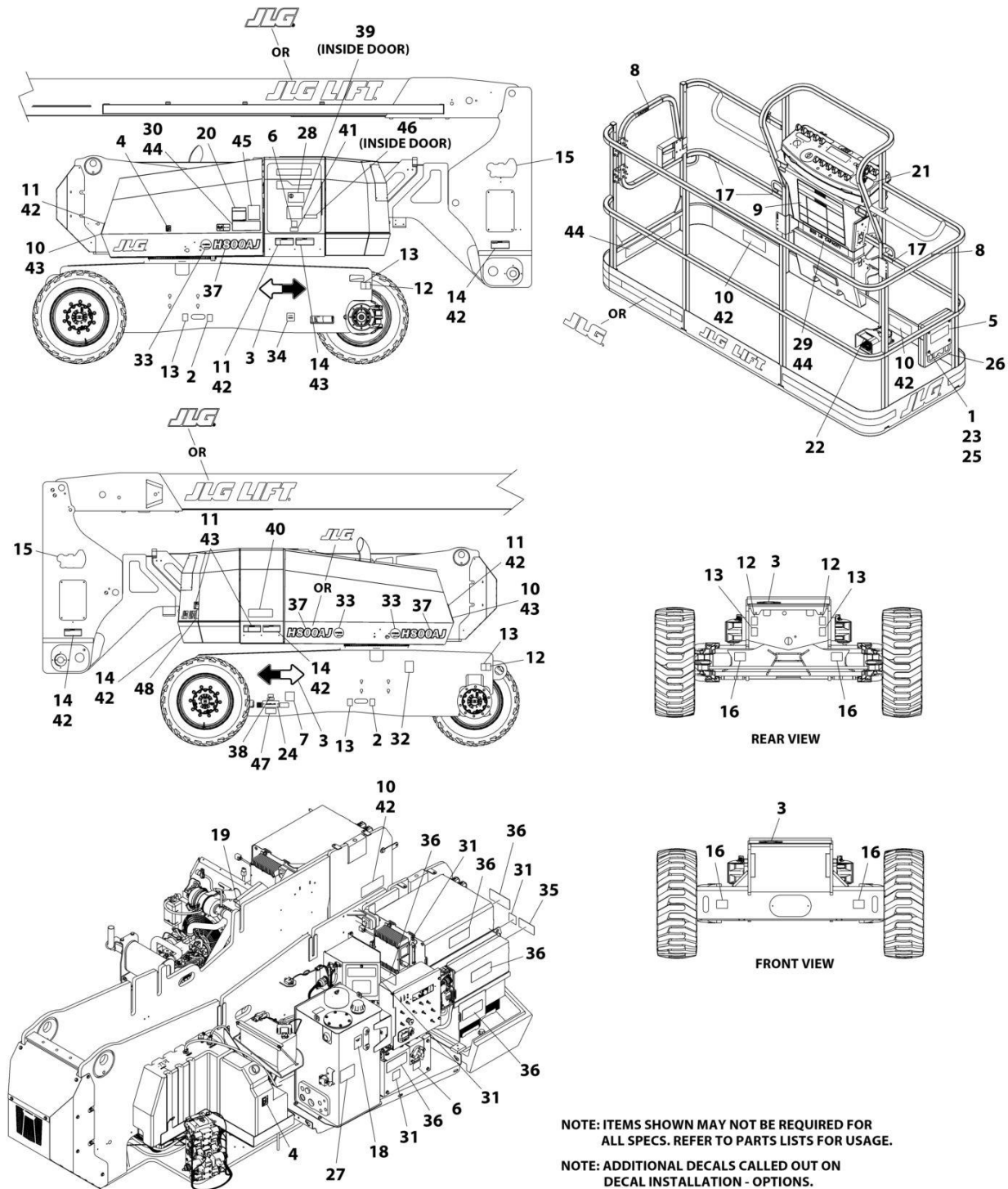
## SECTION 9 - DECALS

**FIGURE 9-5. DECAL INSTALLATION - CHINA SPECS (ENGLISH/CHINESE LANGUAGES)**

ITEM	PART NUMBER	QTY	DESCRIPTION	REV
	1001249010	Ref	DECAL INSTALLATION - CHINA SPECS	D
	1001249013	Ref	DECAL INSTALLATION - REFERENCE CHART	C
1	0641406	4	Bolt 1/4 X 3/4	
2	1701499	2	Decal - No Tie Down/Lift	
3	1701501	4	Decal - Arrow	
4	1701505	2	Decal - Diesel Fuel	
5	1701509	1	Decal - Manual	
6	1702155	2	Decal - Battery Disconnect	
7	See Note	NSS	Decal - Bar Code (Note: Not Available for Purchase)	
8	1001116846	2	Decal - Caution No Hands	
9	1703925	1	Decal - Warning/Danger	
10	1703949	6	Decal - Crushing	
11	1001116851	5	Decal - Electrocution	
12	1703811	4	Decal - Lifting Lug	
13	1703814	6	Decal - Tie Down	
14	1703943	5	Decal - Warning/Crushing	
15	1703959	2	Decal - Quik Stik	
16	1703960	4	Decal - Maximum Tire Load	
17	1704277	3	Decal - Lanyard Attach	
18	1704412	1	Decal - Hydraulic Oil	
19	1706060	1	Decal - Warning Fire Hazard	
20	1001116849	1	Decal - Warning Inspection	
21	1705430	1	Decal - Drive Steer Instructions	
22	1703982	1	Decal - Footswitch	
23	3311405	4	Nut 1/4	
24	3820001	2	Rivet	
25	4751400	8	Washer 1/4	
26	91403230	1	Box, Manual Storage	
27	1705977	1	Decal - Upright Level Override	
28	1001117307	1	Decal - Emergency Stop	
29	1001253926	1	Decal - Warning Single Cap	
30	1001253927	1	Decal - Warning Single Cap	
31	1001125483	6	Decal - Pressure Wash	
33	1001174449	2	Decal - Hybrid	
34	1001224050	1	Decal - Yearly Inspection	
35	1001233065	2	Decal - Tipping Hazard	
36	1001233010	9	Decal - Electrical Shock Hazard	
37	1001267328	2	Decal - H800AJ	
39	1001228411	1	Decal - LED Indicator	
40	1001284688	1	Decal - Lifting Diagram	
41	1001233785	1	Decal - Charger Plug	

# SECTION 9 - DECALS

FIGURE 9-6. DECAL INSTALLATION - CSA SPECS (ENGLISH/FRENCH LANGUAGES)



NOTE: ITEMS SHOWN MAY NOT BE REQUIRED FOR ALL SPECS. REFER TO PARTS LISTS FOR USAGE.  
 NOTE: ADDITIONAL DECALS CALLED OUT ON DECAL INSTALLATION - OPTIONS.

ART\_1001249009

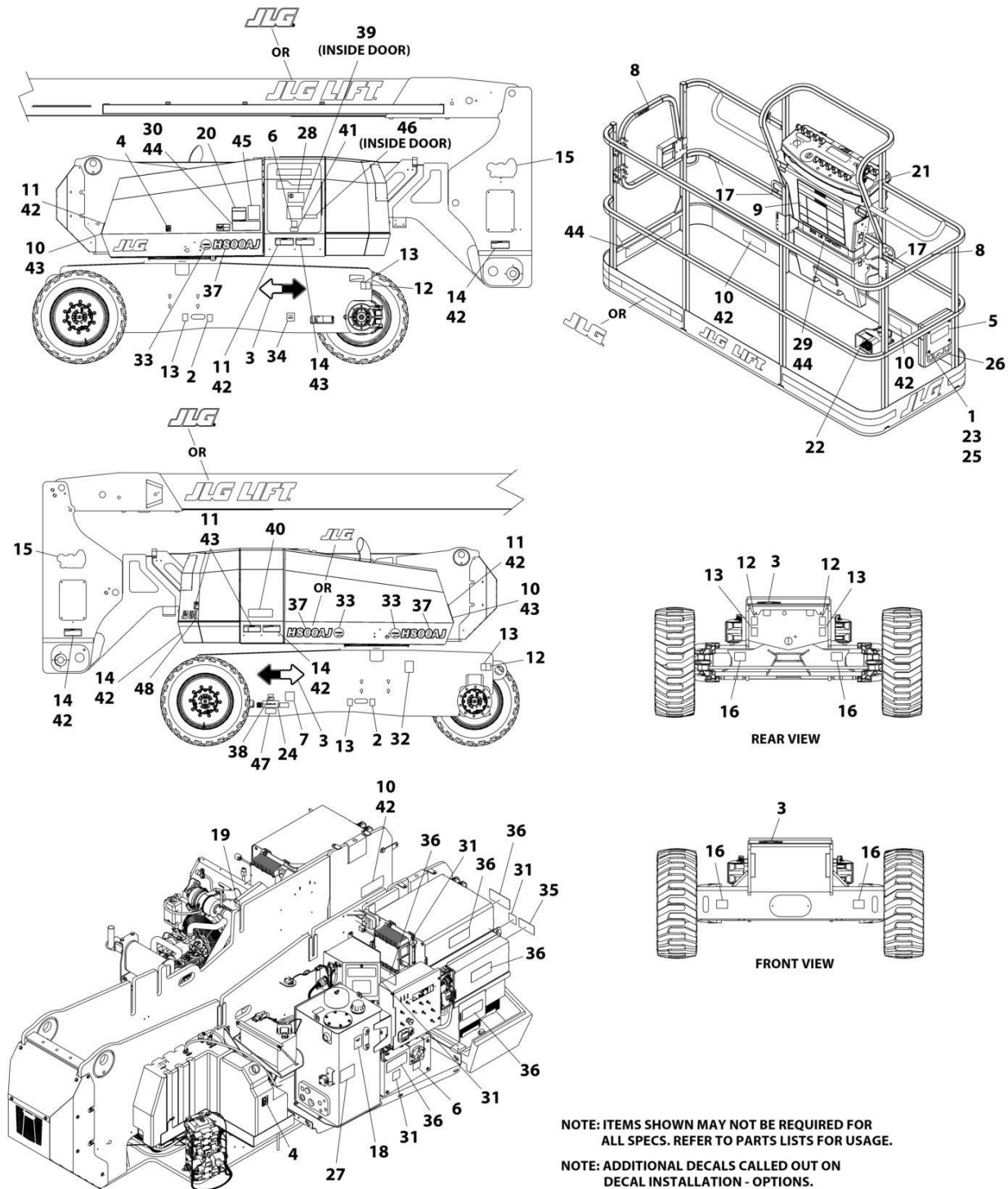
## SECTION 9 - DECALS

**FIGURE 9-6. DECAL INSTALLATION - CSA SPECS (ENGLISH/FRENCH LANGUAGES)**

ITEM	PART NUMBER	QTY	DESCRIPTION	REV
	1001249009	Ref	DECAL INSTALLATION - CSA	D
	1001249013	Ref	DECAL INSTALLATION - REFERENCE CHART	C
1	0641406	4	Bolt, 1/4 x 3/4	
2	1701499	2	Decal - No Tie Down/Lift	
3	1701501	4	Decal - Arrow	
4	1701505	2	Decal - Diesel Fuel	
5	1701509	1	Decal - Manual	
6	1702155	2	Decal - Battery Disconnect	
7	See Note	NSS	Decal - Bar Code (Note: Not Available for Purchase)	
8	1704000	2	Decal - No Hands	
9	1703924	1	Decal - Warning/Danger	
10	1703948	6	Decal - Warning/Crushing	
11	1703936	5	Decal - Electrocution	
12	1703811	4	Decal - Lifting Lug	
13	1703814	6	Decal - Tie Down	
14	1703942	5	Decal - Crushing	
15	1703959	2	Decal - Quik Stik	
16	1703960	4	Decal - Maximum Tire Load	
17	1704277	3	Decal - Lanyard Attach	
18	1704412	1	Decal - Hydraulic Oil	
19	1706064	1	Decal - Warning Fire Hazard	
20	1705347	1	Decal - Warning Inspection	
21	1705429	1	Decal - Drive/Steer Instructions	
22	1703984	1	Decal - Footswitch	
23	3311405	4	Nut 1/4	
24	3820001	2	Rivet	
25	4751400	8	Washer 1/4	
26	91403230	1	Box, Manual Storage	
27	1705977	1	Decal - Upright Level Override	
28	1001117307	1	Decal - Emergency Stop	
29	1001253922	1	Decal - Warning Single Cap	
30	1001253923	1	Decal - Warning Single Cap	
31	1001125483	6	Decal - Pressure Wash	
32	1001131269	1	Decal - Patent	
33	1001174449	2	Decal - Hybrid	
34	1001223971	1	Decal - Yearly Inspection	
35	1001233063	2	Decal - Tipping Hazard	
36	1001233008	9	Decal - Electrical Shock Hazard	
37	1001267328	2	Decal - H800AJ	
38	1001228370	1	Decal - ICES	
39	1001228411	1	Decal - LED Indicator	
40	1001284688	1	Decal - Lifting Diagram	
41	1001233785	1	Decal - Charger Plug	

# SECTION 9 - DECALS

FIGURE 9-7. DECAL INSTALLATION - JAPANESE SPECS (ENGLISH/JAPANESE LANGUAGES)



NOTE: ITEMS SHOWN MAY NOT BE REQUIRED FOR ALL SPECS. REFER TO PARTS LISTS FOR USAGE.  
 NOTE: ADDITIONAL DECALS CALLED OUT ON DECAL INSTALLATION - OPTIONS.

ART\_1001249007



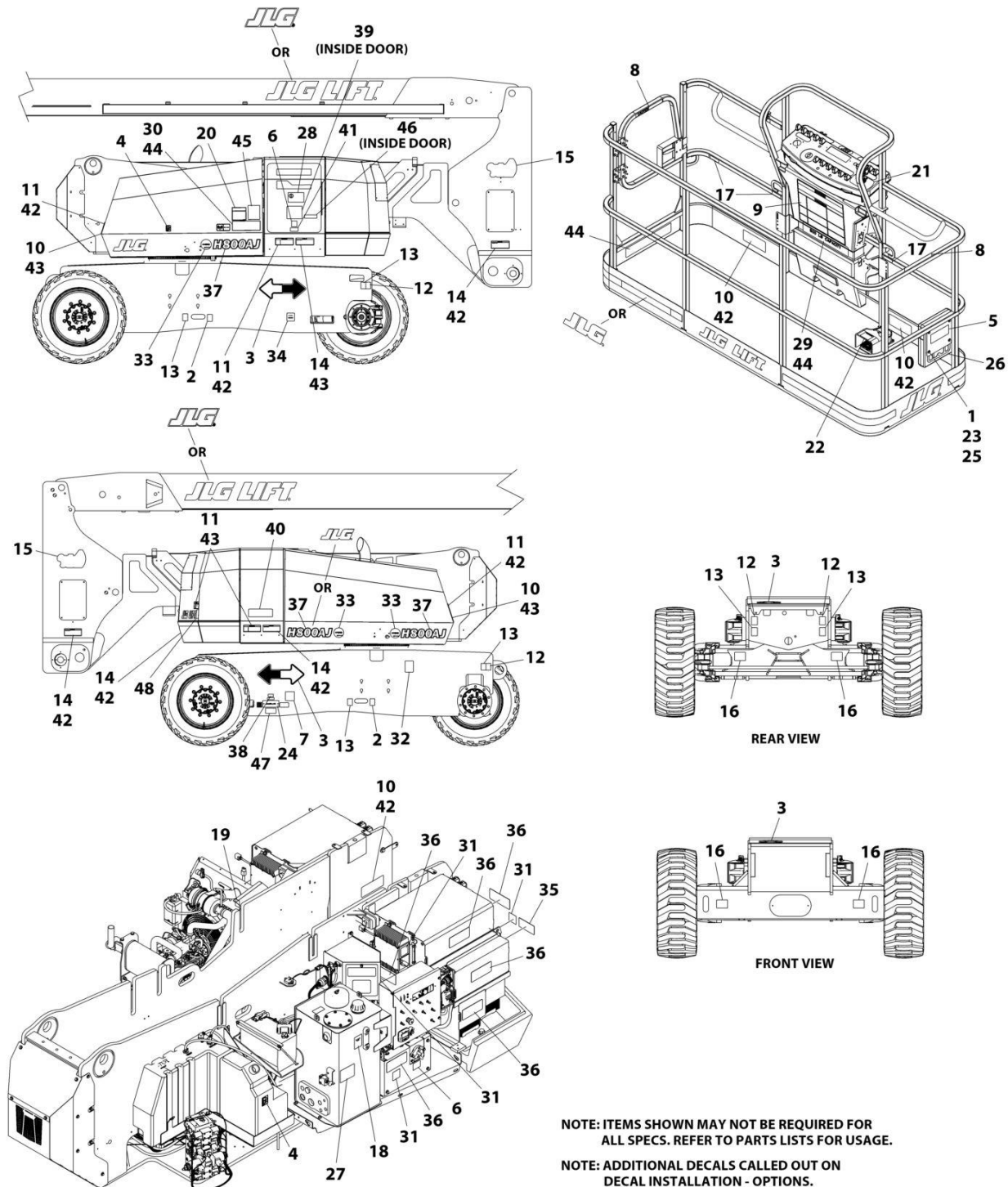
## SECTION 9 - DECALS

**FIGURE 9-7. DECAL INSTALLATION - JAPANESE SPECS (ENGLISH/JAPANESE LANGUAGES)**

ITEM	PART NUMBER	QTY	DESCRIPTION	REV
	1001249007	Ref	DECAL INSTALLATION - JAPANESE	D
	1001249013	Ref	DECAL INSTALLATION - REFERENCE CHART	C
1	0641406	4	Bolt 1/4 x 3/4	
2	1701499	2	Decal - No Tie Down/Left	
3	1701501	4	Decal - Arrow	
4	1701505	2	Decal - Diesel Fuel	
5	1701509	1	Decal - Manual	
6	1702155	2	Decal - Battery Disconnect	
7	See Note	NSS	Decal - Bar Code (Note: Not Available for Purchase)	
9	1703926	1	Decal - Danger/Warning	
10	1703950	6	Decal - Crushing	
11	1703938	5	Decal - Electrocution	
12	1703811	4	Decal - Lifting Lug	
13	1703814	6	Decal - Tie Down	
14	1703944	5	Decal - Warning/Crushing	
15	1703959	2	Decal - Quik Stik	
16	1703960	4	Decal - Maximum Tire Load	
17	1704277	3	Decal - Lanyard Attach	
18	1704412	1	Decal - Hydraulic Oil	
19	1706062	1	Decal - Warning Explosion/Fire	
20	1705344	1	Decal - Warning Inspection	
21	1705426	1	Decal - Drive/Steer Instructions	
22	1703980	1	Decal - Footswitch	
23	3311405	4	Nut 1/4	
24	3820001	2	Rivet	
25	4751400	8	Washer 1/4	
26	91403230	1	Box, Manual Storage	
27	1705977	1	Decal - Upright Level Override	
28	1001117307	1	Decal - Emergency Stop	
29	1001253932	1	Decal - Warning Single Cap	
30	1001253933	1	Decal - Warning Single Cap	
31	1001125483	6	Decal - Pressure Wash	
33	1001174449	2	Decal - Hybrid	
34	1001224053	1	Decal - Yearly Inspection	
35	1001233068	2	Decal - Tipping Hazard	
36	1001233013	9	Decal - Electrical Shock Hazard	
37	1001267328	2	Decal - H800AJ	
39	1001228411	1	Decal - LED Indicator	
40	1001284688	1	Decal - Lifting Diagram	
41	1001233785	1	Decal - Charger Plug	

# SECTION 9 - DECALS

FIGURE 9-8. DECAL INSTALLATION - KOREAN SPECS (ENGLISH/KOREAN LANGUAGES)



NOTE: ITEMS SHOWN MAY NOT BE REQUIRED FOR ALL SPECS. REFER TO PARTS LISTS FOR USAGE.  
 NOTE: ADDITIONAL DECALS CALLED OUT ON DECAL INSTALLATION - OPTIONS.

ART\_1001249008

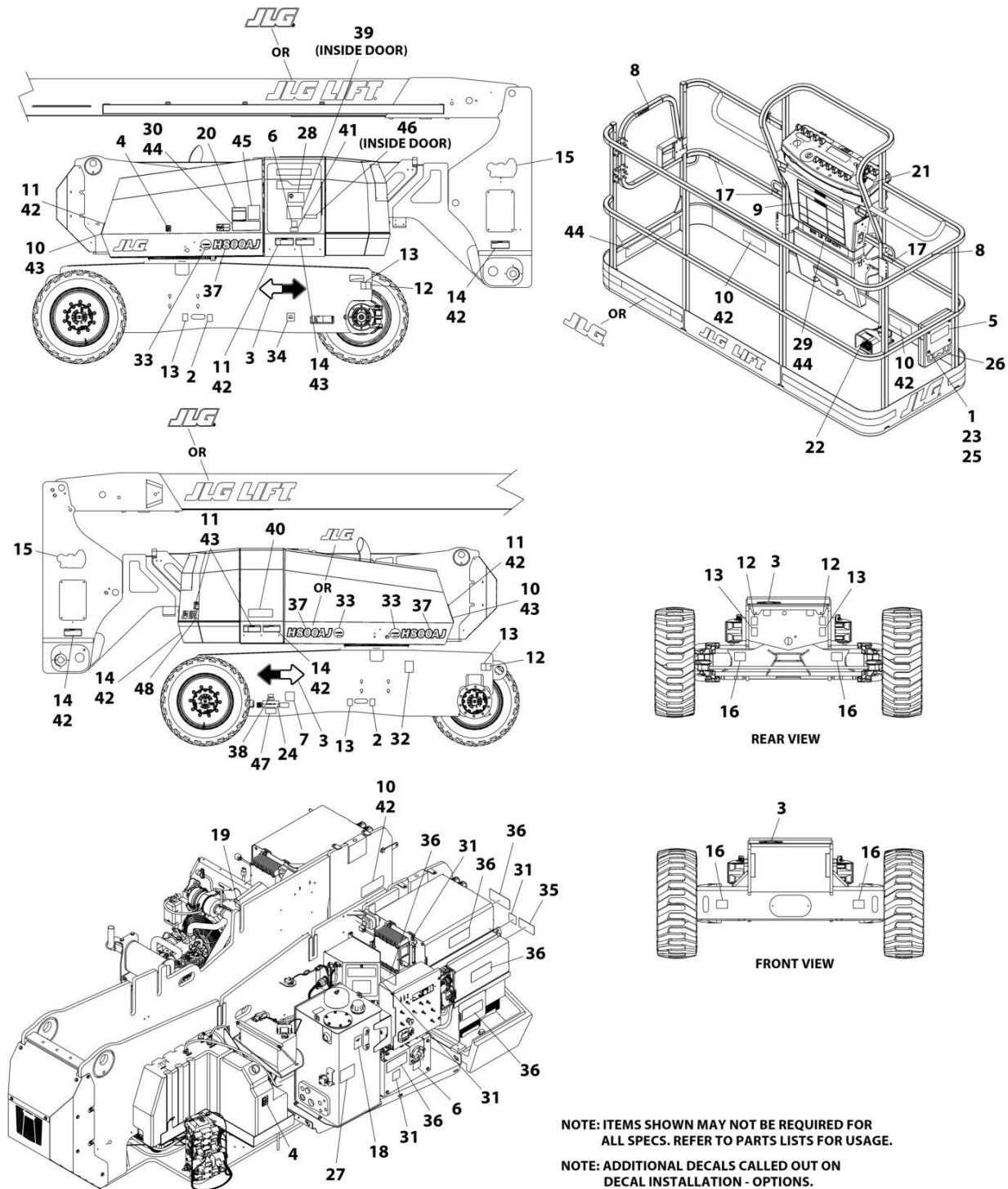
## SECTION 9 - DECALS

**FIGURE 9-8. DECAL INSTALLATION - KOREAN SPECS (ENGLISH/KOREAN LANGUAGES)**

ITEM	PART NUMBER	QTY	DESCRIPTION	REV
	1001249008	Ref	DECAL INSTALLATION - KOREAN	D
	1001249013	Ref	DECAL INSTALLATION - REFERENCE CHART	C
1	0641406	4	Bolt 1/4 x 3/4	
2	1701499	2	Decal - No Tie Down/Lift	
3	1701501	4	Decal - Arrow	
4	1701505	2	Decal - Diesel Fuel	
5	1701509	1	Decal - Manual	
6	1702155	2	Decal - Battery Disconnect	
7	See Note	NSS	Decal - Bar Code (Note: Not Available for Purchase)	
8	1705969	2	Decal - No Hands	
9	1703797	1	Decal - Danger/Warning	
10	1703951	6	Decal - Warning/Crushing	
11	1703939	5	Decal - Electrocution	
12	1703811	4	Decal - Lifting Lug	
13	1703814	6	Decal - Tie Down	
14	1703945	5	Decal - Warning/Crushing	
15	1703959	2	Decal - Quik Stik	
16	1703960	4	Decal - Maximum Tire Load	
17	1704277	3	Decal - Lanyard Attach	
18	1704412	1	Decal - Hydraulic Oil	
19	1706061	1	Decal - Glow Plugs	
20	1705345	1	Decal - Danger/Warning	
21	1705427	1	Decal - Drive/Steer Instructions	
22	1703981	1	Nameplate - Footswitch	
23	3311405	4	Nut 1/4	
24	3820001	2	Rivet	
25	4751400	8	Washer 1/4	
26	91403230	1	Box, Manual Storage	
27	1705977	1	Decal - Upright Level Override	
28	1001117307	1	Decal - Emergency Stop	
29	1001253924	1	Decal - Warning Single Cap	
30	1001253925	1	Decal - Warning Single Cap	
31	1001125483	6	Decal - Pressure Wash	
33	1001174449	2	Decal - Hybrid	
34	1001224048	1	Decal - Yearly Inspection	
35	1001233064	2	Decal - Warning Tip Over Hazard	
36	1001233009	9	Decal - Electric Shock Hazard	
37	1001267328	2	Decal - H800AJ	
39	1001228411	1	Decal - LED Indicator	
40	1001284688	1	Decal - Lifting Diagram	
41	1001233785	1	Decal - Charger Plug	

# SECTION 9 - DECALS

FIGURE 9-9. DECAL INSTALLATION - LATIN AMERICAN SPECS (ENGLISH/SPANISH LANGUAGES)



NOTE: ITEMS SHOWN MAY NOT BE REQUIRED FOR ALL SPECS. REFER TO PARTS LISTS FOR USAGE.  
 NOTE: ADDITIONAL DECALS CALLED OUT ON DECAL INSTALLATION - OPTIONS.

ART\_1001249011

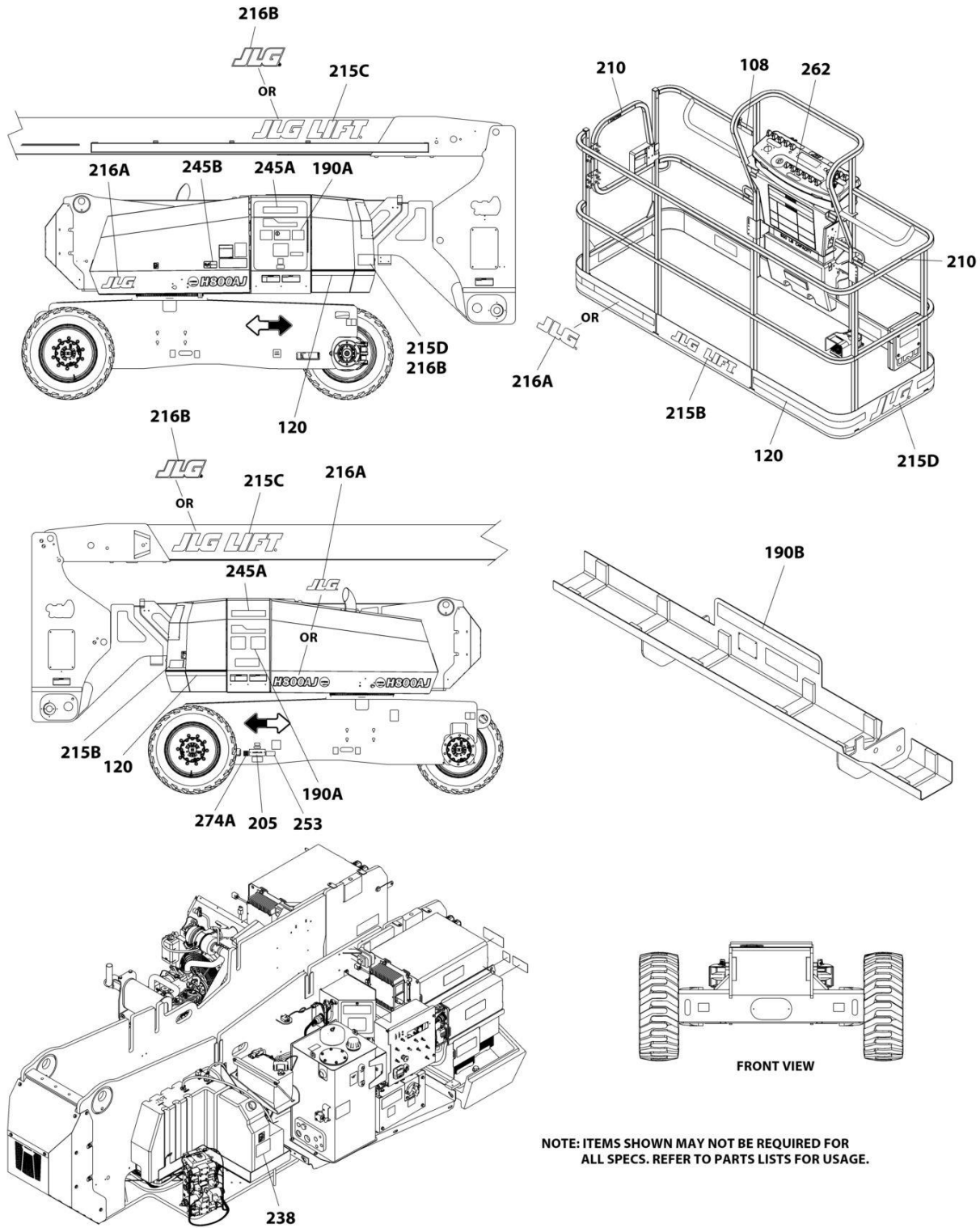
## SECTION 9 - DECALS

**FIGURE 9-9. DECAL INSTALLATION - LATIN AMERICAN SPECS (ENGLISH/SPANISH LANGUAGES)**

ITEM	PART NUMBER	QTY	DESCRIPTION	REV
	1001249011	Ref	DECAL INSTALLATION - LATIN AMERICAN	D
	1001249013	Ref	DECAL INSTALLATION - REFERENCE CHART	C
1	0641406	4	Bolt 1/4 x 3/4	
2	1701499	2	Decal - No Tie Down/Lift	
3	1701501	4	Decal - Arrow	
4	1701505	2	Decal - Diesel Fuel	
5	1701509	1	Decal - Manual	
6	1702155	2	Decal - Battery Disconnect	
7	See Note	NSS	Decal - Bar Code (Note: Not Available for Purchase)	
8	1704001	2	Decal - No Hands	
9	1703923	1	Decal - Warning/Danger	
10	1703947	6	Decal - Warning/Crushing	
11	1703935	5	Decal - Electrocution	
12	1703811	4	Decal - Lifting Lug	
13	1703814	6	Decal - Tie Down	
14	1703941	5	Decal - Warning/Crushing	
15	1703959	2	Decal - Quik Stik	
16	1703960	4	Decal - Maximum Tire Load	
17	1704277	3	Decal - Lanyard Attach	
18	1704412	1	Decal - Hydraulic Oil	
19	1706063	1	Decal - Warning Fire Hazard	
20	1705917	1	Decal - Warning Inspection	
21	1705910	1	Decal - Drive/Steer Instructions	
22	1703983	1	Decal - Footswitch	
23	3311405	4	Nut 1/4	
24	3820001	2	Rivet	
25	4751400	8	Washer 1/4	
26	91403230	1	Box, Manual Storage	
27	1705977	1	Decal - Upright Level Override	
28	1001117307	1	Decal - Emergency Stop	
29	1001253930	1	Decal - Warning Single Cap	
30	1001253931	1	Decal - Warning Single Cap	
31	1001125483	6	Decal - Pressure Wash	
33	1001174449	2	Decal - Hybrid	
34	1001224049	1	Decal - Yearly Inspection	
35	1001233067	2	Decal - Tipping Hazard	
36	1001233012	9	Decal - Electrical Shock Hazard	
37	1001267328	2	Decal - H800AJ	
39	1001228411	1	Decal - LED Indicator	
40	1001284688	1	Decal - Lifting Diagram	
41	1001233785	1	Decal - Charger Plug	

# SECTION 9 - DECALS

## FIGURE 9-10. DECALS INSTALLATION - OPTIONS



NOTE: ITEMS SHOWN MAY NOT BE REQUIRED FOR ALL SPECS. REFER TO PARTS LISTS FOR USAGE.

ART\_DECAL\_OPTIONS

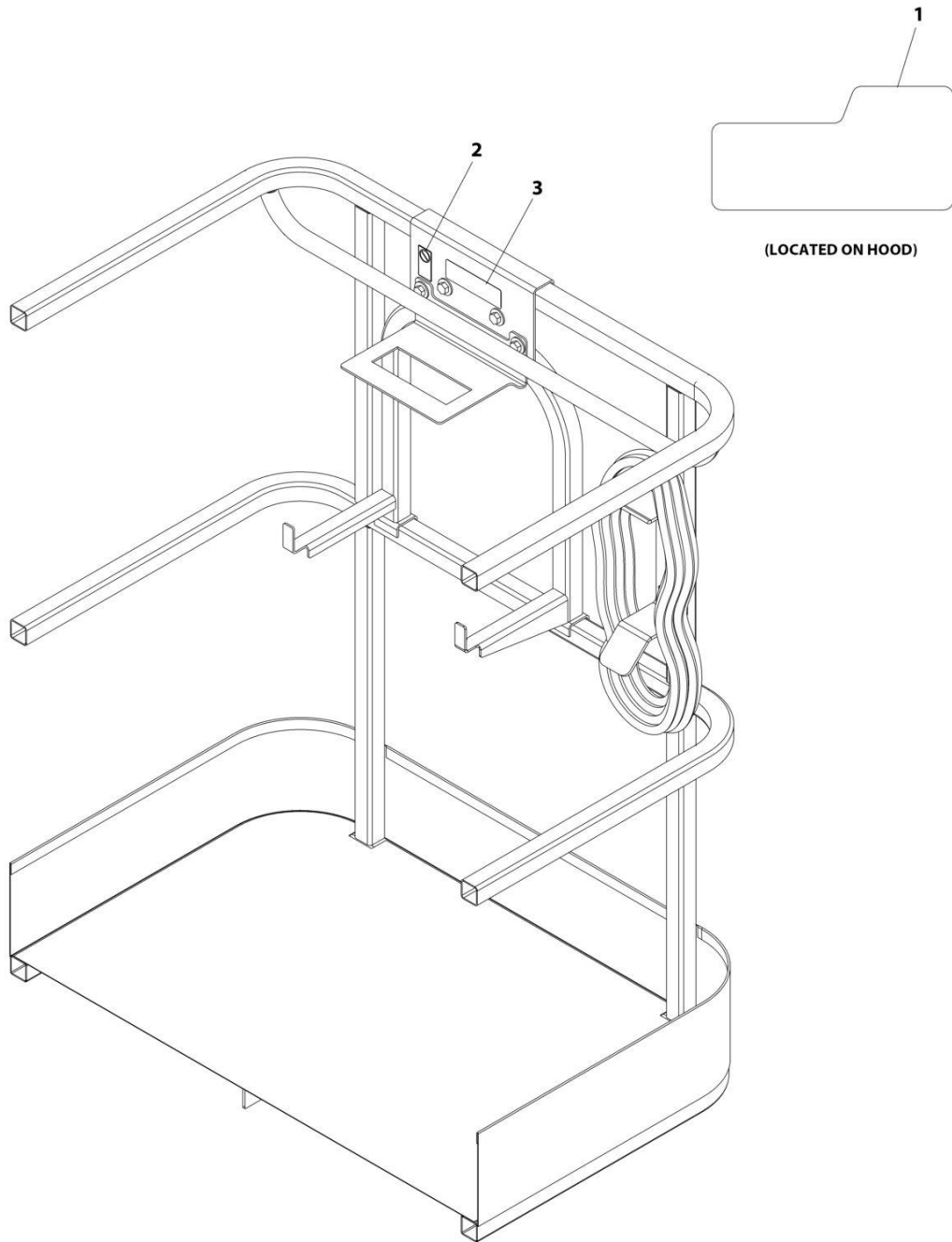
## SECTION 9 - DECALS

**FIGURE 9-10. DECALS INSTALLATION - OPTIONS**

ITEM	PART NUMBER	QTY	DESCRIPTION	REV
	1001249013	Ref	DECAL INSTALLATION - REFERENCE CHART	A
	1001247762	Ref	DECAL INSTALLATION - OPTIONS	C
108	1001231801	1	Decal - Proposition 65 (ANSI Specs Only)	
120	4420051	23 ft /7m	Decal - Warning Stripes	
190	1001172570	Ref	Decal - Installation - SkyGlazier (English Language) (Not Shown)	C
190	1001172620	Ref	SkyGlazier Decal Installation (Australian Specs)	C
190	1001234945	Ref	SkyGlazier Decal Installation (Brazil Specs)	A
190	1001234944	Ref	SkyGlazier Decal Installation (Latin American Specs)	A
190A	1705358	2	Decal - SkyGalzier	
190B	1001199035	2	Decal - SkyGalzier Capacity (English Language)	
190B	1001199036	2	Decal - SkyGalzier Capacity (Australian Specs)	
190B	1001234947	2	Decal - SkyGalzier Capacity (Brazil Specs)	
190B	1001234946	2	Decal - SkyGalzier Capacity (Latin American Specs)	
205	See Note	NSS	Nameplate - Manufacturers Serial Number (Note: Not Available for Purchase)	
210		Ref	Decal - No Hands Options	
210	1702868	2	Decal - No Hands (ANSI/ANSI Export Specs) (English Language)	
210	1705967	2	Decal - No Hands (Brazil Specs) (Portuguese & Spanish Languages)	
210	1705968	2	Decal - No Hands (China Specs) (English & Chinese Languages)	
210	1704000	2	Decal - No Hands (CSA Specs) (English & French Languages)	
210	1705969	2	Decal - No Hands (Korean Specs) (English & Korean Languages)	
210	1704001	2	Decal - No Hands (Latin American Specs) (English & Spanish Languages)	
215	1001232986	Ref	Decal Installation - JLG Logo (All Specs Except CE & UK CA Specs) (Not Shown)	B
215A	1702773	1	Decal - JLG	
215B	1702774	2	Decal - JLG Lift	
215C	1702861	2	Decal - JLG Lift	
215D	1001159323	1	Decal - JLG	
216	1001235097	Ref	Decal Installation - JLG Logo (CE & UK CA Specs Only) (Not Shown)	A
216A	1702773	3	Decal - JLG	
216B	1001159323	3	Decal - JLG (CE & UK CA Specs Only)	
238	1001125387	1	Decal - Ultra Low Sulfur Fuel (ANSI & CSA Specs)	
238	1001139654	1	Decal - Ultra Low Sulfur Fuel (CE & UK CA Specs)	
245	1001127094	Ref	ClearSky Decals Installation	
245A	1001116208	2	Decal - ClearSky	
245B	1001120989	1	Decal - Radio Frequency	
253	1001143852	1	Decal - Emission Compliance (ANSI Export, Australian and China Specs)	
262	1001141300	1	Decal - SkyGuard Override (Without Soft-Touch)	
262	1001141302	1	Decal - SkyGuard Override (With Soft-Touch)	
264	1001237844	1	Decal - Sound Power Level	
274	1001214030	1	Decal - EAC Installation (CIS and Russia Specs)	
274A	1001173703	1	Decal - EAC	

# SECTION 9 - DECALS

## FIGURE 9-11. DECAL INSTALLATION - SKYWELDER - 50HZ



ART\_0272588



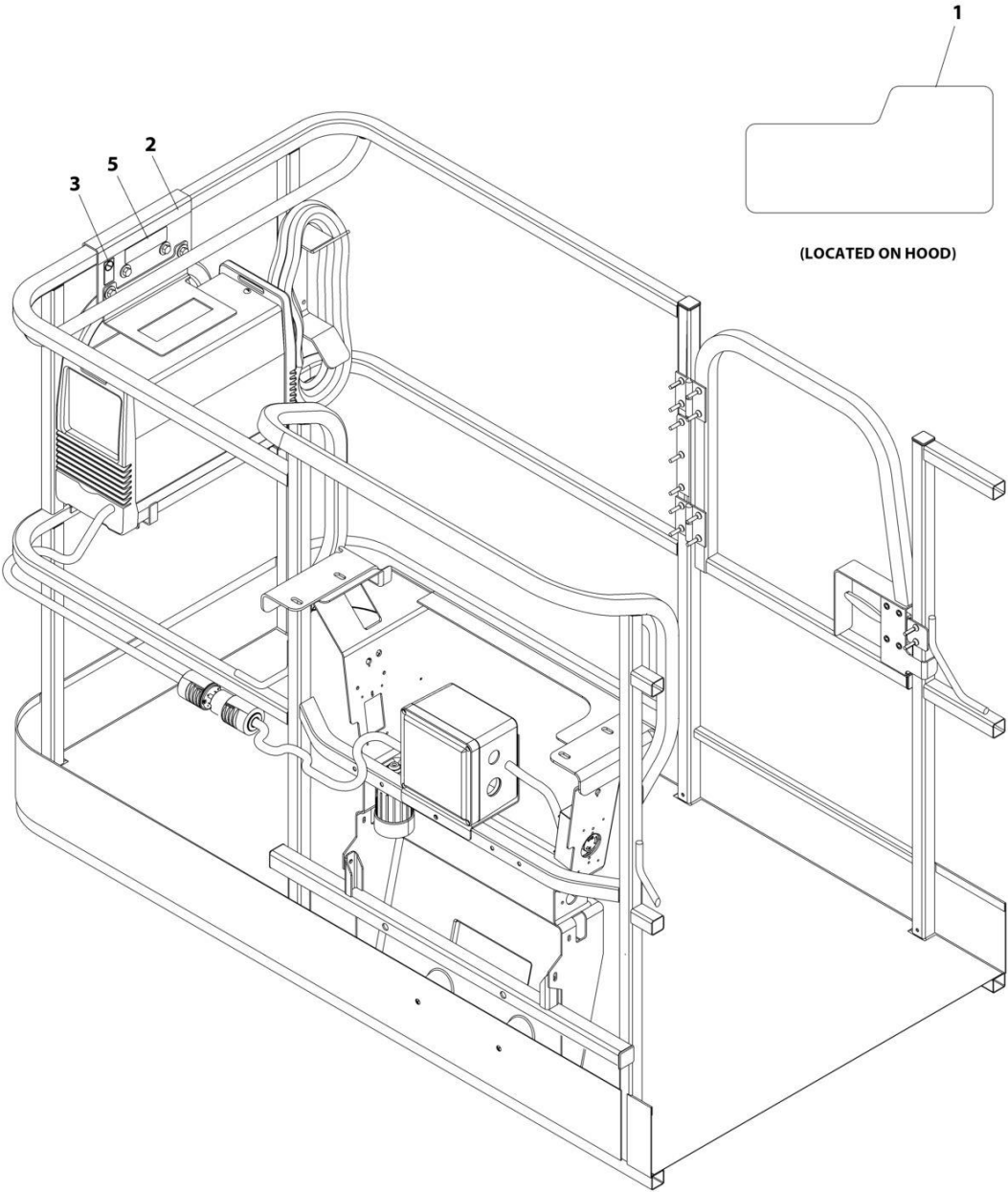
## SECTION 9 - DECALS

FIGURE 9-11. DECAL INSTALLATION - SKYWELDER - 50HZ

ITEM	PART NUMBER	QTY	DESCRIPTION	REV
	0272588	Ref	SKYWELDER DECAL INSTALLATION - 50Hz	B
1	1705355	2	Decal - SkyWelder	
2	1705305	1	Decal - Weld Lead	
3	1001228988	1	Decal - Weight	

**SECTION 9 - DECALS**

**FIGURE 9-12. DECAL INSTALLATION - SKYWELDER - 60HZ**



ART\_0272448\_D

## SECTION 9 - DECALS

**FIGURE 9-12. DECAL INSTALLATION - SKYWELDER - 60HZ**

ITEM	PART NUMBER	QTY	DESCRIPTION	REV
	0272448	Ref	SKYWELDER DECAL INSTALLATION - 60Hz	D
1	1705355	2	Decal - SkyWelder	
2	1702868	1	Decal - No Hands	
3	1705305	1	Decal - Weld Lead	
5	1001228988	1	Decal - Weight	



## **SECTION 10 - RECOMMENDED SERVICE PARTS STOCK**

## **SECTION 10 - RECOMMENDED SERVICE PARTS STOCK**

# SECTION 10 - RECOMMENDED SERVICE PARTS STOCK

## FIGURE 10-1. RECOMMENDED SERVICE PARTS STOCK

ITEM	PART NUMBER	QTY	DESCRIPTION	REV
		Ref	Note: The following list will service one machine (built to current production per date on the front cover) with emergency repair parts which can be installed in the field. Parts from the list should be replaced when inventory is depleted to keep service parts stock supplied. For further information, contact your JLG dealer or the JLG Industries Parts Department.	
	4360070	1	Breaker, 15Amp (7500W Generator)	
	1001189172	1	Breaker, 16Amp Double (Breaker Box with 3 Breakers)	
	7024485	1	Breaker, 30Amp (7500W Generator)	
	1001181045	1	Breaker, 30mA/16Amp (Breaker Box with 2 Breakers)	
	1001189171	1	Breaker, 30mA (Breaker Box with 3 Breakers)	
	1001159118	1	Breaker, GFCI 30Amp (AC Box 240V)	
	70004460	1	Coil (Main Valve)	
	70006956	1	Coil (Main Valve)	
	70004595	1	Coil (Main Valve)	
	70004653	1	Coil (Main Valve)	
	7018991	1	Coil (Main Valve)	
	70004463	1	Coil (Main Valve)	
	70002386	1	Coil (Boom Valve)	
	1001223581	1	Control, H-Bridge (Electrical Assembly)	
	1001222879	1	Control, IMG	
	1001222336	1	Control, SOC Monitor	
	1001166538	1	Controller, Drive/Steer	
	1001166539	1	Controller, Lift/Swing	
	4360407	1	Controller, Potentiometer	
	1001234488	2	Diode, Flyback (IMG Control Box)	
	70005296	12	Element (Fuel/Water Separator)	
	7015004	12	Element, Air Filter	
	70002231	12	Element, Pressure Filter	
	1001190545	12	Filter, Fuel	
	70004395	1	Filter, Oil (Kubota)	
	2400080	2	Fuse, 1A (Battery Cables Installation)	
	1001227788	2	Fuse, 2A (Electrical Assembly 12v Fuse Box)	
	8229249	2	Fuse, 3A (USB Charger)	
	8229261	2	Fuse, 5A (Electrical Assembly 12v Fuse Box)	
	1001234313	2	Fuse, 7.5A (Battery Cables Installation)	
	1001234314	2	Fuse, 10A (IMG Control Box)	
	8229234	2	Fuse, 10A (Electrical Assembly 12v Fuse Box)	
	1001228440	2	Fuse, 15A (IMG Control Box)	
	8229237	2	Fuse, 15A (Electrical Assembly 12v Fuse Box)	
	8229236	2	Fuse, 30A (Electrical Assembly 12v Fuse Box)	
	1001247362	2	Fuse, 40A (Electrical Assembly 12v Fuse Box)	
	1001226932	2	Fuse, 40A (Electrical System Installation)	
	1001226933	2	Fuse, 80A (Electrical System Installation)	
	1001233198	2	Fuse, 200A/400A (IMG Control Box)	
	1001226934	2	Fuse, SHUNT (Electrical System Installation)	
	2860030	1	Key, Replacement	
	2940074	1	Latch (Machines with Gate)	
	1001247468	1	Loadcell (Platform Support)	

## SECTION 10 - RECOMMENDED SERVICE PARTS STOCK

ITEM	PART NUMBER	QTY	DESCRIPTION	REV
	1001142683	1	Module, Beacon Light (Red & Blue Beacons)	
	1001223583	1	Module, HEC Control (Electrical Installation)	
	1001284800	1	Module, Ground Control	
	1001106938	1	Module, Platform Control	
	3740086	1	Relay, 20Amp (SkyLine Harness)	
	1001095704	1	Relay, 35Amp (Electrical Assembly)	
	1001186431	1	Relay, 35Amp (SkyGuard Bar Installation)	
	8225117	1	Relay, 40Amp (Electrical Assembly)	
	1001222365	1	Relay, 50Amp (IMG Control Box)	
	3740112	1	Relay, 75Amp (Electrical Assembly)	
	1001222340	1	Relay, 500Amp Main Contactor (IMG Control Box)	
	1001094400	1	Sensor, Dual Axis (Tilt Sensor Installation)	
	1001228225	1	Sensor, Emitter (SkyEye)	
	4360436	1	Sensor, Fuel Level (Fuel Tank)	
	4360578	1	Sensor, Limit (Boom Valve & Limit Switch Installation & Transport Switch Installation)	
	1001172271	1	Sensor, Limit (Boom Valve & Limit Switch Installation with Tower Stow)	
	4360057	1	Sensor, Limit (Soft Touch)	
	1001232667	1	Sensor, Proximity (SkyLine)	
	1001311034	1	Sensor, Proximity (SkyLine)	
	4360498	1	Sensor, Proximity (Boom Valve & Limit Switch Installation)	
	4360499	1	Sensor, Proximity (Boom Valve & Limit Switch Installation)	
	4360517	1	Sensor, Proximity (Rotary Coupling)	
	1001228224	1	Sensor, Receiver (SkyEye)	
	1001137673	1	Sensor, SkyGuard Bar	
	1001225131	1	Sensor, Temperature (Battery Cables Installation)	
	1001219601	1	Sensor, Tilt (Electrical System Installation)	
	4360475	1	Switch, Emergency Stop	
	1001117174	1	Switch, Foot	
	4360469	1	Switch, Key	
	4360387	1	Switch, Pushbutton Yellow (Ground Control, Console Box & Soft Touch)	
	1001236759	1	Switch, STDP Interlock (IMG Control Box)	
	1001155045	1	Switch, Toggle (Ground Control & Console Box)	
	4360336	1	Switch, Toggle (With Generator)	
	1001211363	1	Switch, Toggle (Console Box)	
	1001159256	1	Switch, Toggle (Console Box)	
	1001161709	1	Switch, Toggle (Console Box)	
	4360328	1	Switch, Toggle (Jib Switch)	





**SECTION 11 - SPECIAL OPTIONS/ACCESSORIES/KITS**

**SECTION 11 - SPECIAL OPTIONS/ACCESSORIES/KITS**

# SECTION 11 - SPECIAL OPTIONS/ACCESSORIES/KITS

FIGURE 11-1. SPECIAL OPTIONS/ACCESSORIES/KITS

ITEM	PART NUMBER	QTY	DESCRIPTION	REV
	Note	Ref	Note: This list is to accommodate machines ordered with special equipment. Options may not be applicable to all models. For more specific parts information contact JLG Parts Department.	
		Ref	SPECIAL OPTIONS/ACCESSORIES/KITS	
	0258805	Ref	Airline to Platform Installation - 1/2in	
	1001092092	Ref	Airline to Platform Installation - 1/2in (With Arctic Package)	
	1001205028	Ref	Arctic Package Kit - With SkyPower (Dealer Installed)	
	1001205029	Ref	Arctic Package Kit - Without SkyPower (Dealer Installed)	
	0258737	Ref	Bellows Installation - Boom	
	1001158259	Ref	Bellows Installation - Chassis	
	2910887	Ref	Boom Wear Pad Kit	
	0258654	Ref	Boom Wipers Installation	
	1001172045	Ref	Cable/Ladder Carrier Installation (800AJ Only)	
		Ref	ClearSky Telematics Add-on Kits (Dealer Installed)	
	1001230187	Ref	ClearSky Telematics Add-on Kits - Canbus Connection (ANSI & CSA Specs)	
	1001234099	Ref	ClearSky Telematics Add-on Kits - Canbus Connection (CE & UK CA Specs)	
	1001246142	Ref	ClearSky Telematics Add-on Kit (Australian Specs)	
	1001276923	Ref	ClearSky Telematics Add-on Kit (Contact JLG for Approved Countries)	
	1001230504	Ref	ClearSky Telematics Add-on Kits - 3 Wire Connection (ANSI & CSA Specs)	
	1001234102	Ref	ClearSky Telematics Installation - 3 Wire Connection (CE & UK CA Specs)	
	1001242192	Ref	ClearSky Access Control Add-on Kit	
	1001243183	Ref	ClearSky Telematics Access Control Add-on Kit - Canbus (ANSI & CSA Specs)	
	1001243184	Ref	ClearSky Telematics Access Control Add-on Kit - Canbus (ANSI Export, CE & UK CA Specs)	
	1001238307	Ref	Charging Kit – 120V (Dual Plug)	
	1001235269	Ref	Clutch Actuator Installation Kit	
	1001227904	Ref	Cold Weather Package Installation - 120V (All Specs except Australian, China, CE & UK CA Specs)	
	1001232214	Ref	Cold Weather Package Installation - 240V (CE & UK CA Specs Only)	
	1001270482	Ref	Console Cover Kit	
	1001115918	Ref	Cribbing Installation	
		Ref	Decal Kit Options:	
	1001220864	Ref	Boom Transport Decal Kit	
	1001108721	Ref	Platform Decal Kit (ANSI Specs)	
	2902396	Ref	Drive/Steer Cutout Kit	
		Ref	Electrical Connector Kits	
	1001148902	Ref	Electrical Connector Kit - Amp	
	1001148903	Ref	Electrical Connector Kit - Deutsch DT	
	1001148904	Ref	Electrical Connector Kit - Deutsch HD	
	1001148905	Ref	Electrical Connector Kit - Packard	
	1001148906	Ref	Electrical Connector Kit - Various	
	1001108962	Ref	Exhaust Rain Cap Installation (Australian Specs)	
	1001139099	Ref	Fire Extinguisher Installation (20lb)	
	1001274833	Ref	Floor Mat Add-on Kit (30x48 Platform) (Dealer Installed)	

## SECTION 11 - SPECIAL OPTIONS/ACCESSORIES/KITS

ITEM	PART NUMBER	QTY	DESCRIPTION	REV
	1001274831	Ref	Floor Mat Add-on Kit (30x72 Platform) (Dealer Installed)	
	1001274830	Ref	Floor Mat Add-on Kit (36x72 Platform) (Dealer Installed)	
	1001274829	Ref	Floor Mat Add-on Kit (36x96 Platform) (Dealer Installed)	
	1001117294	Ref	Footswitch Shield (Note: Move Decal to Shield)	
	1001202749	Ref	Fuel Cap Cover Installation (Black) (Note: Lock p/n 1001102157 must be Purchased Separately)	
	1001191395	Ref	Fuel Cap Cover Installation (Green) (Diesel Machines) (Note: Lock p/n 1001102157 must be Purchased Separately)	
	1001094475	Ref	Generator Hourmeter Installation	
	1001299797	1	Hourmeter Gauge Kit	
	1001227816	Ref	Headlights and Taillights Installation	
	1001268736	Ref	Jib Link Kit	
	1001148971	Ref	Lanyard (Bolt-On) Kit Installation	
	1001272166	Ref	Pipe Rack Kit	
	1001195304	Ref	Platform Console Cover Installation (Factory Installed)	
	1001266290	Ref	Platform Console Cover Installation (Factory Installed)	
	1580013	Ref	Platform Corner Tray Installation	
	1001142504	Ref	Platform Entry Kit - Drop Bar (To Replace Swing Gate with Drop Bar)	
	1001142505	Ref	Platform Entry Kit - Swing Gate (To Replace Drop Bar with Swing Gate)	
	1001269630	Ref	Platform Fall Arrest Add-on Kit – 30Inx4Ft Platforms	
	1001269631	Ref	Platform Fall Arrest Add-on Kit – 30Inx6Ft Platforms	
	1001237883	Ref	Platform Fall Arrest Add-on Kit – 36Inx6Ft Platforms	
	1001237882	Ref	Platform Fall Arrest Add-on Kit – 36Inx8Ft Platforms	
	1001120467	Ref	Platform Floodlights Installation	
		Ref	Platform Mesh to Top Rail Installations: (ANSI/ANSI Export, China and CSA Specs)	
	1001272182	Ref	2.5ft x 4ft Platforms - Steel	
	1001266807	Ref	2.5ft x 4ft Platforms - Plastic	
	1001271642	Ref	3ft x 6ft Platforms - Steel	
	1001266489	Ref	3ft x 6ft Platforms - Plastic	
	1001269187	Ref	3ft x 8ft Platforms - Steel	
	1001266056	Ref	3ft x 8ft Platforms - Plastic	
		Ref	Platform Mesh to Mid Rail Add-On Kits: (ANSI Specs)	
	1001281461	Ref	30in x 4ft (76cm x 1.22m) with Gate	
	1001281459	Ref	30in x 6ft (76cm x 1.83m) with Gate	
	1001281458	Ref	36in x 6ft (91.5cm x 1.83m) with Gate	
	1001281457	Ref	36in x 8ft (91.5cm x 2.44m) with Gate	
		Ref	Platform Mesh to Top Rail Add-On Kits: (ANSI, ANSI Export, CSA and China)	
	1001281456	Ref	30in x 4ft (76cm x 1.22m) with Gate	
	1001281453	Ref	36in x 6ft (91.5cm x 1.83m) with Gate	
	1001281452	Ref	36in x 8ft (91.5cm x 2.44m) with Gate	
	1001250035	Ref	Platform Sensor Retrofit Kit	
	0272733	Ref	Platform, Top Rail Extension Installation - 3ft x 6ft Platforms	
	0272725	Ref	Platform, Top Rail Extension Installation - 3ft x 8ft Platforms	
	1001282215	Ref	Platform Work Lights	
	1001303656	Ref	Platform Work Lights Installation	
	1001209059	Ref	Platform Work Surface Installation	
	1001235160	Ref	Service Kits/Tools	O
	1001247073	Ref	SkyEye Retrofit Kit	
	1001241547	Ref	SkyEye Housing Repair Kit (LH)	

## SECTION 11 - SPECIAL OPTIONS/ACCESSORIES/KITS

ITEM	PART NUMBER	QTY	DESCRIPTION	REV
	1001241548	Ref	SkyEye Housing Repair Kit (RH)	
	1001205492	Ref	SkyGlazier Tray Kit (ANSI Specs)	
	1001197016	Ref	SkyGuard Platform Sensor Kit	
	1001250595	Ref	SkyGuard 6-Pin Retrofit Installation Kit	
	1001249052	Ref	SkyGuard Retrofit Kit (Dealer Installed)	
	1001262016	Ref	SkyLine Add-on Kit (Dealer Installed)	
	1001282461	Ref	SkySense Padding Installation - For 30 x 48 Platforms equipped with SkySense	
	1001275643	Ref	SkySense Padding Installation - For 30 x 72 Platforms equipped with SkySense	
	1001275642	Ref	SkySense Padding Installation - For 36 x 72 Platforms equipped with SkySense	
	1001269655	Ref	SkySense Padding Installation - For 36 x 96 Platforms equipped with SkySense	
	1001303167	1	SkyWelder Extension Cord Cable	
	1001157013	Ref	Soft-Touch Counterweight Installation	
		Ref	Tools for Service	
	1600244	Ref	Analyzer, Machine System	
	1001249695	Ref	Analyzer, Machine System with Cable	
	1001249941	Ref	Analyzer, Machine System with Cable (Battery Powered)	
	1001137005	Ref	Software Cable Kit	
	7002840	Ref	Antirotaion Pin Removal Tool	
	1001227898	Ref	Clutch Shaft Alignment Tool (Production)	
	1001234306	Ref	Clutch Shaft Alignment Tool (Service)	
	8896941	Ref	Wire Stripper	
	7002821	Ref	Wire Crimper (To install wire ends to wires)	
	7002823	Ref	Pin/Socket Extractor - Universal (To Remove Pins/Sockets from Connectors)	
	4460467	Ref	Extractor - 16-18 Gauge (For Removal of Pin/Sockets from Deutsch Connectors)	
	4460510	Ref	Extractor - 12-14 Gauge (For Removal of Pin/Sockets from Deutsch Connectors)	
	7002822	Ref	Screwdriver, Potentiometer (To Adjust Drive Controllers)	
	7016654	Ref	Screwdriver, Magnetic	
	7004275	Ref	Seal Installation Tool - 1in	
	7004276	Ref	Seal Installation Tool - 1-1/2in	
	7002826	Ref	Seal Installation Tool - 2in	
	7016652	Ref	Huck Bolt Fastener (For Small Huck Bolts Only)	
	70005663	Ref	Tool, Port Plate for Pump p/n 1001142522	
	1001263579	Ref	Tower Stow Indicator Add-on Kit (Dealer Installed)	
	1001286022	Ref	Tower Stow Replacement Limit Switch	
	2915094	Ref	Turntable Bearing	
	1001277841	Ref	UGM2 Retrofit	
	1001262959	Ref	Voltage Regulator Relocation Add-on Kit (ClearSky) (Dealer Installed)	
	0258827	Ref	Weld Lead	
	0256196	Ref	Wheel Covers Installation	
	1001273156	Ref	White Noise Alarm	
	1001277415	Ref	White Noise Alarm - Ambient	

# SECTION 11 - SPECIAL OPTIONS/ACCESSORIES/KITS

## PART NUMBER INDEX

## SECTION 11 - SPECIAL OPTIONS/ACCESSORIES/KITS

0100009 .....	87, 223, 227	0340045 .....	130	0641616 .....	155, 160, 163, 171	0811406 .....	81
0100011 .....	15, 17, 19, 21, 23, 35, 37, 43, 57, 61, 63, 67, 69, 72, 79, 81, 87, 99, 107, 109, 111, 114, 117, 119, 124, 127, 130, 133, 135, 143, 155, 159, 163, 167, 169, 171, 173, 177, 179, 181, 185, 187, 191, 193, 199, 203, 207, 213, 237, 239, 241, 243, 247, 249, 253, 255, 257, 343, 347, 357, 359, 361, 363	0360406 .....	39	0641618 .....	173	0811606 .....	81
0100019 .....	51, 57, 155, 159, 163	0400075 .....	79	0641622 .....	179	0811608 .....	63, 130
0100020 .....	124, 130, 235, 311, 313, 317, 319, 321, 323, 325, 327, 329, 331, 333	0440244 .....	57	0641624 .....	177, 179	0811610 .....	114
0100035 .....	81, 191, 223, 227, 231	0561185 .....	171	0641640 .....	177	0811812 .....	114
0100038 .....	171	0561295 .....	169	0641806 .....	171, 287	0860038 .....	163, 309, 315
0100048 .....	99, 101, 103, 155, 159, 163, 189, 393	0610131 .....	87	0641808 .....	124	0861538 .....	163
0100062 .....	130	0630427 .....	185, 187	0641810 .....	19, 21, 72	0861572 .....	159
0100079 .....	163	0630446 .....	67	0641812 .....	61, 72, 127	0861731 323, 327, 331, 333, 423, 425, 427	
0100081 .....	114, 177, 251	0630462 .....	237, 239, 241, 243	0641814 .....	72	0861781 .....	313, 319, 419, 421
0140011 .....	223, 227	0630467 .....	181	0641816 .....	153	0861880 .....	369, 371
0140044 .....	99	0630485 .....	114	0641820 .....	61	0902888 .....	159, 163
0200048 .....	237, 239, 241, 243	0630518 .....	89, 231, 253, 255, 257	0641824 .....	153	0903242 .....	61
0232121 .....	37, 39	0630535 .....	287	0641840 .....	167	0903697 .....	345
0256196 .....	484	0630548 .....	87	0642012 .....	251	0940049 .....	114
0256202 .....	339	0630568 .....	224, 228	0642016 .....	124	0940092 .....	237, 239, 241, 243
0258077 .....	177	0641403 .....	191	0642038 .....	39	0940094 .....	237, 239, 241, 243
0258217 .....	185	0641404 .....	155, 159, 163, 167, 249	0642212 .....	15, 17, 251	0940102 .....	251
0258567 .....	191	0641405 .....	72, 87, 99, 223, 227, 249	0642214 .....	167	0940103 .....	241
0258654 .....	482	0641406 .....	72, 79, 101, 103, 111, 155, 217, 219, 221, 343, 345, 347, 453, 455, 457, 459, 461, 463, 465, 467, 469	0642220 .....	167	0940133 .....	243
0258737 .....	482	0641407 .....	72, 87, 101, 124	0681608 .....	15, 17, 63, 79, 193	0940134 .....	237
0258805 .....	482	0641408 .....	79, 81, 87, 114, 124, 189, 219, 221	0681620 .....	261, 263, 265, 267	0940177 .....	239
0258827 .....	484	0641410 .....	35	0681814 .....	209, 215	0961845 .....	199, 203, 207, 213
0259420 .....	179	0641414 .....	43, 223, 227, 237, 239, 241, 243, 247	0681822 .....	23, 209, 215	0961897 .....	287
0270886 .....	29	0641416 .....	311, 313, 317, 319, 321, 323, 325, 327, 329, 331, 333	0682016 .....	23	0961947 .....	173
0270888 .....	31	0641418 .....	181, 199, 203, 207, 213	0682023 .....	57	0961951 .....	169, 273, 283
0271085 .....	29	0641424 .....	81	0682032 .....	57	0961986 .....	130
0271086 .....	29	0641432 .....	43	0682216 .....	51	0962102 .....	15, 17, 169, 171, 275, 279, 281
0271090 .....	31	0641505 .....	85	0682236 .....	15, 17	0962122 .....	171
0271091 .....	31	0641506 .....	79, 393	0682424 .....	15, 17, 261, 263, 265, 267	0962152 .....	21, 285
0271340 .....	233	0641507 .....	69	0700408 .....	311, 313, 317, 319, 321, 323, 325, 327, 329, 331, 333	0962155 .....	283
0272254 .....	255	0641508 .....	37, 114, 124	0700615 .....	79, 107, 109, 117	0962181 .....	21
0272259 .....	309	0641510 .....	81	0700618 .....	119	0962270 .....	209, 215
0272260 .....	315	0641511 .....	187	0700626 .....	173	0962336 .....	277
0272427 .....	241	0641516 .....	159, 163	0700815 .....	133	0962348 .....	21
0272433 .....	341	0641560 .....	23	0701217 .....	124	0962520 .....	155, 159, 163
0272435 .....	164	0641604 .....	167, 185, 187	0711215 .....	127	1001091460 .....	25
0272448 .....	475	0641605 .....	179	0711626 .....	130	1001091461 .....	25
0272521 .....	253	0641606 .....	35, 43, 167, 169, 173, 177, 179, 253, 255, 257	0721005 .....	241, 243	1001091969 .....	311
0272588 .....	473	0641607 .....	19, 21, 63, 114, 167, 169, 171, 173, 177, 181	0731005 .....	67, 237, 239	1001091970 .....	317
0272589 .....	160	0641608 .....	33, 63, 67, 72, 75, 77, 81, 111, 114, 167, 169, 171, 173	0741607 .....	155, 159, 163, 167	1001091973 .....	321
0272725 .....	483	0641609 .....	114, 169, 171	0741609 .....	21	1001091974 .....	325
0272733 .....	483	0641610 .....	107, 109, 114, 124, 171, 219, 221	0760508 .....	137	1001091975 .....	329
0273706 .....	243	0641611 .....	61, 167, 173	0760606 .....	143, 156, 160, 164	1001092092 .....	482
0273824 .....	237	0641612 .....	169, 357, 359, 361, 363	0760607 .....	130	1001093382 .....	79
0275216 .....	311, 419	0641614 .....	43, 63	0760610 .....	85, 130	1001094400 .....	189, 479
0275217 .....	317, 421	0641615 .....	171	0760612 .....	151	1001094475 .....	483
0275452 .....	321, 423			0760807 .....	72, 81	1001095704 .....	85, 479
0275453 .....	325, 425			0760808 .....	131	1001096138 .....	409
0275454 .....	329, 427			0760810 .....	130, 193	1001096141 .....	453
0275733 .....	189			0760812 .....	393	1001096736 .....	189
				0760814 .....	133, 151	1001097051 .....	357, 359, 361, 363, 433
				0761010 .....	133	1001097082 .....	357, 359, 361, 363
				0761014 .....	193	1001097150 .....	369
				0761015 .....	130, 133	1001097244 .....	447
				0761016 .....	130, 133	1001098122 .....	235, 409, 415
				0761020 .....	133	1001098167 .....	271
				0761215 .....	124, 155, 159, 163	1001098828 .....	193
				0761216 .....	193	1001099366 .....	251
				0801132 .....	167, 171	1001099367 .....	251
				0801136 .....	167, 169	1001099837 .....	177
				0801496 .....	171	1001100231 .....	369
				0801573 .....	169	1001100341 .....	419
				0801591 .....	169		
				0801594 .....	171		

## SECTION 11 - SPECIAL OPTIONS/ACCESSORIES/KITS

1001100342.....421	1001117174...223, 227, 235, 479	1001138514.. 199, 203, 207, 213	1001156136 .....51
1001100345 .....423	1001117219..... 115	1001138566..... 155	1001156710 .....15, 17
1001100346.....427	1001117294..... 483	1001139099..... 482	1001156798 .....59
1001100347 .....425	1001117307...453, 455, 457, 459, 461, 463, 465, 467, 469	1001139654..... 471	1001157013 .....484
1001101191 .. 311, 313, 317, 319, 321, 323, 325, 327, 329, 331, 333, 369, 371, 373	1001117372..... 271	1001140429.. 199, 203, 207, 213	1001157016 .....23
1001101196.. 311, 313, 317, 319	1001118280..... 130	1001141300..... 471	1001157049 .....57
1001101197.. 321, 323, 325, 327, 329, 331, 333	1001118384..... 439	1001141302..... 471	1001157058 .....57
1001103012 .....445	1001118388.....437, 439	1001141995..... 130	1001157209 .....115, 117
1001103308 ..... 85, 87	1001118579..... 133	1001142504..... 483	1001157292 .....223, 227
1001103810 ..... 19, 21	1001118657..... 397	1001142505..... 483	1001157400 .....293
1001104498 .....445	1001118659..... 397	1001142505..... 483	1001157401 .....305
1001106481 ..... 191	1001118744..... 395	1001142683... 107, 109, 479	1001157520 .....160, 164
1001106736..... 87	1001118745..... 395	1001142722..... 79, 107, 109	1001157521 .....160, 164
1001106938... 223, 227, 479	1001118746..... 133	1001142736... 107, 109, 441	1001157525 .....159, 160
1001106974 ..... 61	1001119020..... 441	1001143852..... 471	1001157528 .....160, 164
1001107529 ..... 61	1001119031..... 407	1001144147 ..... 387	1001157592 .....164
1001107854 .....445	1001119602..... 302	1001144295..... 393, 413	1001157612 .....114
1001108134 ..... 85	1001119619.....391, 431	1001144296..... 395	1001158007 .....160, 164
1001108256 .....239	1001119620.....433, 435	1001144433 ..... 247	1001158008 .....160, 164
1001108617 ..... 43	1001120328...247, 249, 415	1001144527 ..... 111	1001158187 .....35
1001108721 .....482	1001120467..... 483	1001144629.. 197, 201, 205, 211	1001158188 .....35
1001108962 .....482	1001120471..... 447	1001146219 ..... 130	1001158203 .....35
1001109654 ..... 345, 369	1001120477..... 447	1001146588..... 85, 393	1001158258 .....37
1001110166 ..... 114	1001120484..... 447	1001147923 ..... 395	1001158259 .....482
1001110425 ..... 43	1001120750..... 85	1001148106 ..... 397	1001158364 .....99
1001110434 ..... 223, 227	1001120989..... 471	1001148652 ..... 169	1001158522 .....37
1001110872 ..... 335, 337	1001121122 ..... 114	1001148675 ..... 335, 337	1001159118 ...335, 337, 478
1001110873 ..... 163, 309	1001121123 ..... 114	1001148902 ..... 482	1001159119 .....335, 337
1001112551 .....455	1001121276..... 395	1001148903 ..... 482	1001159120 .....335, 337
1001112612.. 351, 353, 441, 443	1001121277..... 391	1001148904 ..... 482	1001159121 .....337
1001112796... 387, 409, 441	1001125125 ..... 363	1001148905 ..... 482	1001159162 .....85
100111304781, 85, 111, 114	1001125126 ..... 363	1001148906 ..... 482	1001159186 .....405, 416
1001113961 .....443	1001125387..... 471	1001148971 ..... 483	1001159256 ...223, 227, 479
1001115918 .....482	1001125483...453, 455, 457, 459, 461, 463, 465, 467, 469	1001149391 ..... 287	1001159323 .....471
1001116208 .....471	1001125492..... 51	1001150260 ..... 114	1001159707 .....303
1001116290 ..... 117, 119	1001125677.....415, 443	1001150372 ..... 19, 21	1001160780 .....37
1001116694 ..... 391, 443	1001125748..... 397	1001150539..... 19, 21, 285	1001161089 .....114
1001116695 ..... 187	1001125773..... 397	1001150610 ..... 397	1001161355 .....19, 21
1001116716 .....445	1001126008 .....349, 355	1001150611 ..... 395, 443	1001161399 .....19, 21
1001116720 ..... 437, 445	1001126009..... 439	1001150937 ..... 19, 21	1001161709 ...223, 227, 479
1001116723 ..... 391	1001126010..... 429	1001151034 ..... 19	1001162497 .....79
1001116727 ..... 391, 395	1001126011.....349, 415	1001151980 ..... 19	1001163101 .....111
1001116731 ..... 387	1001127094..... 471	1001152483 ..... 373	1001165035 .....124
1001116745 ..... 391	1001128241..... 85	1001152525 ..... 160, 164	1001165350 .....173
1001116747 ..... 395	1001128527..... 257	1001152532 ..... 155, 399	1001165368 ...155, 343, 371
1001116774 ..... 391, 441	1001128556..... 257	1001152565 ..... 181, 183	1001165657 .....19, 21
1001116808 ..... 391, 441	1001129772..... 397	1001152719 ..... 15	1001166538 .....478
1001116810 ..... 351, 353	1001129773..... 397	1001153612 ..... 429	1001166539 .....478
1001116811 ..... 397	1001130900..... 389	1001153749 ..... 189, 445	1001167164 .....151
1001116812.. 405, 407, 409, 443, 445	1001131130..... 115	1001154126 ..... 271	1001167565 .....193
1001116815.. 377, 379, 381, 383	1001131269.....453, 463	1001154584 ..... 15	1001167567 .....193
1001116816 .....443	1001136400..... 177	1001154687 ..... 271	1001168243 .....81
1001116846 .....461	1001136881..... 303	1001154875 ..... 17	1001168244 .....81
1001116849 .....461	1001137005..... 484	1001154931 ..... 21	1001168402 .....193
1001116851 .....461	1001137364..... 93, 97, 227	1001155035 ..... 21	1001169054 .....130
1001116994 .....409	1001137673.....247, 479	1001155043 ..... 87	1001169085 ...105, 107, 109
1001116995 ..... 397	1001138173..... 130	1001155044 ..... 87, 223, 227	1001169138 .....130
1001117012 .....409	1001138175..... 130	1001155045 .... 87, 223, 227, 479	1001169754 .....33
1001117172 .....235	1001138248..... 130	1001155192 ..... 21	1001169755 .....33
	1001138494...199, 203, 207, 213	1001155194 ..... 17	1001169756 .....33
		1001155348 ..... 159, 163	1001169967 .....130
		1001155673 ..... 302	1001170035 .....130
		1001155895 ..... 114	1001170527 .....177
		1001155899 ..... 114	1001170548 .....173
			1001170981 .....130
			1001171016 .....345

## SECTION 11 - SPECIAL OPTIONS/ACCESSORIES/KITS

1001171131.....	335	1001189572.....	445	1001213585 .....	309, 315, 339,	1001223561.....	455, 459
1001172045.....	482	1001189750.....	407	343, 347		1001223581.....	85, 478
1001172271.....	479	1001189882.....	459	1001213705 .....	167	1001223583.....	79, 479
1001172533.....	130	1001190164.....	131	1001213882 .....	223, 228	1001223721.....	133
1001172570.....	471	1001190545.....	124, 478	1001214030 .....	471	1001223744.....	133
1001172578.....	251	1001190577.....	355	1001214690 .....	131	1001223787.....	131
1001172620.....	471	1001190578.....	415	1001215228 .....	224	1001223794.....	397
1001172760.....	223, 227	1001190609.....	124, 149	1001215289 .....	303	1001223797.....	397
1001173703.....	471	1001190985.....	193	1001216630 .....	193	1001223842.....	133
1001174040.....	193	1001191395.....	483	1001217183 .....	131	1001223916.....	82
1001174449...453, 455, 457,		1001193018 .....	311, 313, 317,	1001217185 .....	131	1001223917.....	82
459, 461, 463, 465, 467,		319, 321, 323, 325, 327,		1001217780 .....	173, 175	1001223918.....	82
469		329, 331, 333		1001218572 .....	67	1001223949.....	393
1001174486.....	124	1001195304.....	483	1001218622 .....	341	1001223950.....	393
1001175073.....	153	1001196297.....	298	1001218623 .....	341	1001223951.....	82
1001175074.....	153	1001196382... 155, 159, 163		1001219219 .....	23, 25	1001223952.....	82
1001176469.....	95, 97	1001196634.....	385	1001219601 .....	79, 479	1001223953.....	82
1001176862.....	335	1001196768.....	114	1001220864 .....	482	1001223971.....	463
1001178057.....	63, 65	1001197016.....	484	1001221813 .....	143	1001223977.....	63
1001179079.....	302	1001197017 .....	237, 239, 241,	1001222047 .....	355, 393	1001223981.....	69
1001179154.....	164	243		1001222052 .....	389, 393	1001223987.....	131
1001179329.....	302	1001198333.....	298	1001222055 .....	357, 359, 361,	1001223997.....	133
1001179545.....	302	1001198336.....	293	363, 367		1001224000.....	133
1001179546.....	302	1001198338.....	297	1001222336 .....	349, 478	1001224009.....	133
1001180620.....	130, 137	1001198339.....	293	1001222340 .....	81, 479	1001224048.....	467
1001181045...369, 371, 478		1001198340.....	298	1001222358 .....	72	1001224049.....	469
1001182162.....	302	1001198341.....	298	1001222359 .....	75, 77	1001224050.....	461
1001182806.....	101	1001199035.....	471	1001222360 .....	75, 77	1001224052.....	457
1001182980.....	130	1001199036.....	471	1001222363 .....	81	1001224053.....	465
1001182982.....	130	1001200054.....	181	1001222365 .....	81, 479	1001224384.....	67
1001182983.....	131	1001200491.....	193	1001222369 .....	393, 429	1001224585.....	133, 143
1001182997.....	67	1001200494.....	193	1001222370 .....	393	1001224943.....	81
1001183726...156, 160, 164		1001200497... 189, 391, 395		1001222371 .....	393	1001225072.....	137
1001184626.....	224, 228	1001201351.....	193	1001222372 .....	393	1001225093.....	133
1001184682.....	103	1001201885.....	416, 443	1001222375 .....	81	1001225094.....	133
1001185281.....	223, 227	1001202687.....	193	1001222378 .....	81	1001225095.....	133
1001185585.....	124	1001202749.....	483	1001222379 .....	349	1001225104.....	133
1001185964.....	395	1001203655.....	209	1001222380 .....	349	1001225120.....	87
1001186251.....	114	1001203656.....	215	1001222465 .....	137	1001225131.....	349, 479
1001186254.....	114	1001204560.....	15, 17, 271	1001222709 .....	223, 228	1001225219.....	445
1001186333.....	209	1001204725.....	193	1001222731 .....	143	1001225362.....	429
1001186334.....	215	1001205028.....	482	1001222783 .....	135	1001225429.....	133
1001186375.....	199	1001205029.....	482	1001222784 .....	133	1001225476.....	389
1001186378.....	203	1001205492.....	484	1001222797 .....	143	1001225477.....	389
1001186379.....	207	1001205690.....	347, 373	1001222879 .....	81, 478	1001225557.....	349
1001186382.....	213	1001205958... 321, 323, 325,		1001222882 .....	131	1001225558.....	349
1001186383.....	211	327, 329, 331		1001222883 .....	131	1001225580.....	247, 437
1001186384.....	205	1001206119.....	155	1001222884 .....	131	1001225591.....	389
1001186385.....	201	1001206250.....	323	1001222915 .....	82	1001225731.....	125
1001186387.....	197	1001206251.....	327	1001223055 .....	453	1001225733.....	125
1001186431.....	247, 479	1001206252.....	331	1001223059 .....	143	1001225804.....	69
1001186432.....	437, 439	1001206253.....	313	1001223061 .....	135	1001225969.....	87
1001186517.....	247	1001206254.....	319	1001223088 .....	133	1001225985.....	124
1001186919...133, 156, 160,		1001206255.....	333	1001223124 .....	75	1001225994.....	393, 409
164		1001206532.....	224, 228	1001223148 .....	135	1001226031.....	75
1001187674.....	245	1001207004.....	109	1001223195 .....	73, 82	1001226120.....	79, 81
1001187681.....	431	1001207969.....	181	1001223196 .....	73, 82	1001226121.....	82
1001188387.....	397	1001208994.....	181, 193	1001223198 .....	73, 82	1001226124.....	82
1001188622.....	193	1001209059.....	483	1001223200 .....	73, 82	1001226146.....	81
1001188844.....	193	1001209664.....	247	1001223302 .....	131, 133	1001226190.....	81
1001188874.....	87	1001210636.....	447	1001223405 .....	131	1001226267.....	393
1001189001.....	193	1001211363... 223, 228, 479		1001223431 .....	397	1001226268.....	393
1001189002.....	193	1001213447.....	415	1001223433 .....	357	1001226269.....	393
1001189171.....	373, 478	1001213448.....	79	1001223460 .....	395	1001226270.....	393
1001189172.....	373, 478	1001213584... 309, 315, 339,		1001223554 .....	453	1001226404.....	85, 407
1001189570.....	445	343, 347		1001223556 .....	453	1001226421.....	115
1001189571.....	445			1001223560 .....	455, 459	1001226452.....	114



## SECTION 11 - SPECIAL OPTIONS/ACCESSORIES/KITS

1001226453.....	114	1001228225.....	245, 479	1001231569.....	72	1001233446.....	73
1001226468.....	429	1001228359.....	115	1001231570.....	72	1001233447.....	82
1001226489.....	81	1001228370.....	453, 463	1001231581.....	72	1001233448.....	349
1001226492.....	81	1001228403.....	115	1001231582.....	72	1001233573.....	298
1001226506.....	429	1001228411.....	453, 455, 457, 459, 461, 463, 465, 467, 469	1001231596.....	72	1001233635.....	67
1001226522.....	393	1001228440.....	81, 478	1001231597.....	72	1001233640.....	67
1001226541.....	387	1001228475.....	111	1001231598.....	72	1001233641.....	63, 67
1001226636.....	387	1001228517.....	115	1001231599.....	72	1001233737.....	72
1001226637.....	387	1001228628.....	429	1001231600.....	72	1001233761.....	395
1001226739.....	377, 379, 381, 383, 387	1001228629.....	429	1001231601.....	72	1001233785.....	453, 455, 457, 459, 461, 463, 465, 467, 469
1001226799.....	379, 381, 383	1001228678.....	297	1001231606.....	72	1001233825.....	349
1001226814.....	43, 49	1001228679.....	297	1001231607.....	72	1001234099.....	482
1001226929.....	79	1001228696.....	297	1001231608.....	72	1001234102.....	482
1001226930.....	79	1001228723.....	133	1001231655.....	72	1001234287.....	395
1001226931.....	79	1001228799.....	43, 181	1001231656.....	72	1001234288.....	395
1001226932.....	79, 478	1001228882.....	115	1001231657.....	72	1001234289.....	395
1001226933.....	79, 478	1001228945.....	115	1001231658.....	73	1001234306.....	484
1001226934.....	79, 478	1001228949.....	381	1001231685.....	349, 353	1001234313.....	349, 478
1001226935.....	72, 81	1001228954.....	381	1001231686.....	349, 351	1001234314.....	81, 478
1001227080.....	349, 393	1001228985.....	391, 393	1001231700.....	72, 349	1001234488.....	81, 478
1001227198.....	69	1001228988.....	257, 473, 475	1001231801.....	471	1001234588.....	347
1001227307.....	111	1001229017.....	87	1001231839.....	72	1001234944.....	471
1001227338.....	63	1001229018.....	87	1001231840.....	72	1001234945.....	471
1001227356.....	357, 359, 361, 363, 365	1001229066.....	153	1001231886.....	101	1001234946.....	471
1001227359.....	357, 359, 361, 363	1001229067.....	153	1001231949.....	267	1001234947.....	471
1001227383.....	63	1001229080.....	155, 343, 347	1001231950.....	263	1001235097.....	471
1001227448.....	377	1001229098.....	111	1001232010.....	263, 265, 267	1001235160.....	483
1001227526.....	160, 164	1001229208.....	105	1001232011.....	263, 267	1001235269.....	482
1001227633.....	245	1001229232.....	445	1001232084.....	115, 119	1001235296.....	160
1001227634.....	245	1001229233.....	443	1001232164.....	245	1001235452.....	133
1001227723.....	163	1001229341.....	245	1001232165.....	245	1001235453.....	133
1001227724.....	155	1001229530.....	409, 413	1001232181.....	133	1001235518.....	115
1001227725.....	159	1001229556.....	115	1001232214.....	482	1001235519.....	164
1001227731.....	115	1001229561.....	131	1001232375.....	131	1001235839.....	111
1001227734.....	115	1001229790.....	85	1001232495.....	85	1001236206.....	133
1001227735.....	115	1001229791.....	85	1001232499.....	85	1001236341.....	124
1001227740.....	151	1001229810.....	51, 54	1001232528.....	124	1001236370.....	111
1001227741.....	151	1001230008.....	114	1001232529.....	127	1001236434.....	124
1001227742.....	151	1001230010.....	115	1001232642.....	249	1001236435.....	33
1001227743.....	151	1001230014.....	114	1001232667.....	249, 479	1001236489.....	397
1001227763.....	81	1001230154.....	82	1001232840.....	349	1001236490.....	397
1001227788.....	85, 478	1001230187.....	482	1001232841.....	349	1001236552.....	249
1001227793.....	111, 114	1001230187.....	482	1001232893.....	455	1001236746.....	267
1001227794.....	115	1001230504.....	482	1001232986.....	471	1001236747.....	263
1001227798.....	115	1001230507.....	82	1001232986.....	471	1001236759.....	81, 479
1001227816.....	483	1001230522.....	85, 445	1001233008.....	463	1001236891.....	261, 263, 265, 267
1001227850.....	361	1001230605.....	124, 397	1001233009.....	467	1001236895.....	261, 263, 265, 267
1001227851.....	363	1001230711.....	72	1001233010.....	461	1001236962.....	343
1001227853.....	359	1001230712.....	72	1001233011.....	457	1001236967.....	81
1001227869.....	69	1001230714.....	81	1001233012.....	469	1001237291.....	125
1001227870.....	69	1001231225.....	155, 160, 164, 403	1001233013.....	465	1001237667.....	405, 416
1001227892.....	302	1001231249.....	72	1001233063.....	463	1001237668.....	405, 416
1001227898.....	484	1001231260.....	159, 163	1001233064.....	467	1001237844.....	471
1001227901.....	77	1001231263.....	105	1001233065.....	461	1001237863.....	245, 433
1001227904.....	482	1001231323.....	133	1001233066.....	457	1001237864.....	245, 435
1001227909.....	143	1001231425.....	349	1001233067.....	469	1001237882.....	483
1001227925.....	393	1001231426.....	349	1001233068.....	465	1001237883.....	483
1001227985.....	245	1001231481.....	349	1001233188.....	81	1001237918.....	135, 139
1001227987.....	245	1001231482.....	349	1001233198.....	81, 478	1001237919.....	133, 135
1001227996.....	433, 435	1001231514.....	349	1001233203.....	81	1001237931.....	131, 133
1001228087.....	169, 287	1001231515.....	349	1001233249.....	69	1001237932.....	127, 130
1001228113.....	111	1001231519.....	349	1001233420.....	393		
1001228170.....	43, 45	1001231520.....	349	1001233440.....	349		
1001228224.....	245, 479	1001231521.....	349	1001233441.....	393		
		1001231522.....	349	1001233442.....	81		
				1001233443.....	72		
				1001233444.....	72		
				1001233445.....	82		

## SECTION 11 - SPECIAL OPTIONS/ACCESSORIES/KITS

1001238263...261, 263, 265, 267	1001249549.....459	1001266489.....483	1001286022.....484
1001238307.....482	1001249695.....484	1001266807.....483	1001287769.....67
1001238309.....75, 77	1001249941.....484	1001266829.....187	1001295242.....173
1001238319.....245	1001250035.....483	1001267328..453, 455, 457, 459, 461, 463, 465, 467, 469	1001296426.....411
1001238418.....249, 439	1001250292.....115	1001267885.....457	1001296839.....298
1001238421.....193	1001250293.....114	1001268736.....483	1001296840.....298
1001238472.....249	1001250595.....484	1001269187.....483	1001296842.....298
1001238495.....247	1001251009.....167, 281	1001269322.....257	1001296853.....297
1001238559.....249	1001251010.....167, 279	1001269573.....257	1001296858.....298
1001238732.....89, 231	1001251012.....173, 277	1001269630.....483	1001296861.....298
1001239347.....103	1001251030.....167, 273	1001269631.....483	1001296993.....298
1001241385.....101	1001251041.....167, 275	1001269655.....484	1001296994.....298
1001241547.....483	1001251050.....167, 283	1001270068.....293	1001297393.....87
1001241548.....484	1001251086.....171, 289	1001270080.....297	1001299797.....483
1001241965.....249	1001252629..261, 263, 265, 267	1001270081.....298	1001299798.....393, 405
1001242192.....482	1001253726.....251	1001270482.....482	1001303167.....484
1001243183.....482	1001253920.....453	1001270594.....105	1001303430.....251
1001243184.....482	1001253921.....453	1001271642.....483	1001303656.....483
1001243414.....115	1001253922.....463	1001272166.....483	1001311034.....249, 479
1001243682....101, 103, 449	1001253923.....463	1001272182.....483	1060341..237, 239, 241, 243
1001243869.....153	1001253924.....467	1001272659.....375	1060343.....164
1001244352.....155	1001253925.....467	1001272681.....107	1060545.....371, 373
1001244474.....107	1001253926.....461	1001272997.....385	1060637.....124
1001244475.....109	1001253927.....461	1001273012.....375, 385	1060903..237, 239, 241, 243
1001244926.....155	1001253930.....469	1001273156.....484	1060908.....369
1001245026...224, 228, 415	1001253931.....469	1001274218.....67	1060918.....235
1001245028.....393, 443	1001253932.....465	1001274559.....87, 223, 227	10702077.....160, 164
1001245030.....85, 395	1001253933.....465	1001274829.....483	10702082.....160, 164
1001245177.....89, 231	1001253936.....457	1001274830.....483	10836804.....87
1001246142.....482	1001253937.....457	1001274831.....483	1120510.....167
1001246144.....379	1001254472.....249	1001274833.....482	1120555.....251
1001246145.....383	1001254473.....249	1001275628.....223, 227	1120601.....114
1001246473.....379	1001255133.....193	1001275629.....223, 227	1180346.....179
1001246474.....383	1001255901.....385	1001275642.....484	1260017.....37, 59
1001246859.....87	1001257271.....261, 265	1001275643.....484	1260135.....39
1001247073.....483	1001257274.....261	1001276376.....127, 147	1320022.....130
1001247099.....167	1001258495.....433, 435	1001276377.....127, 145	1320060.....79
1001247147.....167, 173	1001260475.....187	1001276610.....375	1320061.....75, 77
1001247362.....85, 478	1001260680.....173	1001276923.....482	1320250.....179
1001247415.....131, 137	1001260937.....228	1001277415.....484	1320256..357, 359, 361, 363
1001247468.....193, 478	1001261272.....179	1001277841.....484	1320263.....124, 393
1001247762.....471	1001261274.....179	1001281452.....483	1320265.....124
1001248140...261, 263, 265, 267	1001261335.....261	1001281453.....483	1320274.....130
1001248141...261, 263, 265, 267	1001261336.....265	1001281456.....483	1320288.....177
1001248171.....155	1001262016.....484	1001281457.....483	1320289.....177
1001249003.....79, 393	1001262322.....377	1001281458.....483	1320302.....253, 255, 257
1001249004.....79, 85	1001262326.....377	1001281459.....483	1321385.....124
1001249005.....79, 87	1001262959.....484	1001281461.....483	1380147.....153
1001249006.....453	1001263579.....484	1001281705.....231	1580012.....217
1001249007.....465	1001263587.....228	1001281706.....89	1580013.....483
1001249008.....467	1001264430.....77	1001281717.....231	1600244.....484
1001249009.....463	1001264698.....93	1001281718.....89	1670603.....333
1001249010.....461	1001264701.....93	1001282215.....483	1670844.....167
1001249011.....469	1001264705.....221, 227	1001282461.....484	1670850.....167
1001249012.....457	1001264706.....221	1001282826.....393, 413	1671034.....173
1001249013...453, 455, 457, 459, 461, 463, 465, 467, 469, 471	1001264804.....97	1001284504.....187	1671092.....164
1001249014.....91	1001264807.....97	1001284688..453, 455, 457, 459, 461, 463, 465, 467, 469	1671093.....255
1001249015.....95	1001265163.....447	1001284800.....87, 479	1671314.....227
1001249018.....91	1001265342.....447	1001284959.....67	1701499..453, 455, 457, 459, 461, 463, 465, 467, 469
1001249019.....95	1001266056.....483	1001285015.....67	1701501..453, 455, 457, 459, 461, 463, 465, 467, 469
1001249052.....484	1001266070.....219, 223	1001285021.....127	1701505..453, 455, 457, 459, 461, 463, 465, 467, 469
1001249548.....455	1001266074.....219	1001285025.....124	1701509..251, 453, 455, 457, 459, 461, 463, 465, 467, 469
	1001266164.....187	1001285027.....125, 127	
	1001266290.....483		

## SECTION 11 - SPECIAL OPTIONS/ACCESSORIES/KITS

1701518.....	455, 459	1705387.....	164	2220371.....	297, 302	2752494.....	298, 302
1702155.....	453, 455, 457, 459, 461, 463, 465, 467, 469	1705426.....	465	2220373.....	297, 302	2752723.....	302
1702565.....	223, 227	1705427.....	467	2220374.....	297	2752765.....	298
1702566.....	223, 227	1705429.....	463	2220375.....	297	2752766.....	303
1702567.....	223, 227	1705430.....	461	2220377.....	302	2752767.....	303
1702773.....	209, 215, 471	1705460.....	160, 164	2220380.....	297	2752768.....	303
1702774.....	471	1705461.....	160	2220381.....	302	2752930.....	303
1702861.....	471	1705489.....	155, 160	2220385.....	297	2752938.....	298
1702868.....	257, 453, 471, 475	1705822.....	455, 459	2220415.....	302	2752978.....	303
1703797.....	453, 467	1705828.....	455, 459	2220451.....	297	2752995.....	302
1703804.....	453	1705895.....	457	2220466.....	302	2752997.....	298
1703805.....	453	1705896.....	457	2220468.....	297, 303	2753008.....	302
1703811.....	453, 455, 457, 459, 461, 463, 465, 467, 469	1705897.....	457	2220472.....	303	2753010.....	302
1703814.....	453, 455, 457, 459, 461, 463, 465, 467, 469	1705898.....	457	2220473.....	297, 302	2753123.....	303
1703923.....	469	1705902.....	457	2220478.....	302	2753126.....	302
1703924.....	463	1705903.....	457	2220490.....	302	2753189.....	303
1703925.....	461	1705905.....	457	2220499.....	297	2753190.....	303
1703926.....	465	1705910.....	469	2220500.....	297, 302	2753191.....	303
1703935.....	469	1705917.....	469	2220501.....	303	2753192.....	302
1703936.....	463	1705921.....	455, 459	2220582.....	297, 302	2753195.....	302
1703938.....	465	1705961.....	455, 459	2220593.....	302	2753196.....	302
1703939.....	467	1705967.....	457, 471	2220596.....	302	2753197.....	302
1703941.....	469	1705968.....	471	2220600.....	302	2753199.....	302
1703942.....	463	1705969.....	467, 471	2220603.....	303	2753200.....	302
1703943.....	461	1705977.....	455, 457, 459, 461, 463, 465, 467, 469	2220605.....	302	2753231.....	302
1703944.....	465	1705978.....	455, 459	2220654.....	297	2753274.....	302
1703945.....	467	1706059.....	457	2220671.....	297	2753442.....	302
1703947.....	469	1706060.....	461	2220683.....	297	2753542.....	298
1703948.....	463	1706061.....	467	2220737.....	302	2753622.....	297
1703949.....	461	1706062.....	465	2220765.....	302	2753626.....	298
1703950.....	465	1706063.....	469	2220852.....	302	2753628.....	298
1703951.....	467	1706064.....	463	2220865.....	297	2753634.....	298
1703953.....	453	1706098.....	455, 459	2220883.....	27, 49, 271, 275, 277, 279, 281, 287	2753686.....	297
1703959.....	453, 455, 457, 459, 461, 463, 465, 467, 469	1706385.....	209, 215	2220885.....	271, 277, 283, 287, 289	2753879.....	305
1703960.....	453, 455, 457, 459, 461, 463, 465, 467, 469	2030010.....	253, 255, 257	2220886.....	27, 49, 275, 279, 281, 287, 289	2753970.....	298
1703980.....	465	2080040.....	114, 197, 201, 205, 211	2220888.....	27	2753971.....	298
1703981.....	467	2080072.....	114	2220888.....	27	2754337.....	298
1703982.....	461	2110404.....	293, 297	2220923.....	302	2754338.....	298
1703983.....	469	2110406.....	297	2220947.....	303	2754512.....	298
1703984.....	463	2110408.....	293	2220950.....	303	2820019.....	401
1704000.....	463, 471	2110606.....	293, 297	2220998.....	297	2820031.....	155, 159, 163
1704001.....	469, 471	2110608.....	305	2221034.....	303	2820247.....	433, 435
1704260.....	223, 227	2110808.....	297	2221036.....	303	2840018.....	153
1704277.....	453, 455, 457, 459, 461, 463, 465, 467, 469	2110812.....	297	2221040.....	297	2860030.....	87, 478
1704412.....	453, 455, 457, 459, 461, 463, 465, 467, 469	2111616.....	297	2221046.....	124	2900708.....	43
1704578.....	37	2130406.....	297	2221050.....	297	2900756.....	23
1704972.....	453	2130604.....	297	2221077.....	297	2900792.....	273, 275, 277, 279, 281
1705014.....	209, 215	2130606.....	297	2221086.....	302	2902212.....	251
1705090.....	37	2130808.....	297	2300016.....	23	2902217.....	253, 255
1705305.....	257, 473, 475	2131612.....	297	2400060.....	447	2902396.....	482
1705325.....	311, 313	2131616.....	297	2400080.....	349, 478	2910887.....	482
1705336.....	453	2150406.....	297	2400081.....	389	2915094.....	57, 484
1705344.....	465	2151616.....	297	2410014.....	209, 215	2940045.....	114
1705345.....	467	2170408.....	297	2560136.....	223, 227	2940074.....	197, 201, 205, 211, 478
1705347.....	463	2170504.....	297	2560187.....	117, 119	2940173.....	114
1705351.....	453	2170706.....	305	2600281.....	197, 201, 205, 211	3020029.....	57
1705355.....	473, 475	2180348.....	124	2720058.....	124	3020039.....	15, 17
1705358.....	471	2180666.....	124	2720271.....	124	3124242.....	251
1705374.....	335, 337	2180876.....	124	2751399.....	298	3160348.....	23, 27
1705375.....	164	2220237.....	297, 302	2751500.....	298	3250872.....	37
		2220238.....	297, 305	2752461.....	302	3251102.....	155
		2220240.....	302	2752468.....	302	3251242.....	317, 319, 321, 323, 325, 327, 329, 331, 333
		2220250.....	124	2752484.....	303	3251243.....	164
		2220315.....	130	2752489.....	298	3252347.....	453
		2220366.....	297	2752493.....	298		

## SECTION 11 - SPECIAL OPTIONS/ACCESSORIES/KITS

3252764 .....	159, 163	3312205 .....	251	3570928 .....	185, 187	4010618 .....	199, 203, 207, 213
3271405 .....	79, 124	3322201 .....	61	3572606 .....	185, 187	4031505 .....	245
3271505 .....	69	3331611 .....	130	3572607 .....	185, 187	4031509 .....	105, 107
3271605 .....	261, 263, 265, 267	3340764 .....	177	3573400 .....	253, 255, 257	4031516 .....	249
3271805 .....	61, 153, 209, 215	3340828 .....	171	3573642 .....	253, 255	4031707 .....	133
3272001 .....	261, 263, 265, 267	3340835 .....	167, 171	3574091 .....	241, 243	4031708 .....	133
3290405 .....	105, 107, 311, 313, 317, 319, 321, 323, 325, 327, 329, 331, 333, 447	3340838 .....	287	3575359 .....	237, 239	4060092 .....	315
3290501 .....	137	3340840 .....	177	3577121 .....	253, 255, 257	4060802 .....	155, 159, 163
3290601 .....	117, 119, 124	3340859 .....	179	3580317 .....	155, 159, 163	4060805 .....	115, 177, 185, 187
3290605 .....	130, 151	3340871 .....	169	3580318 .....	163	4061032 .....	79
3290606 .....	199, 203, 207, 213	3340881 .....	171	3580319 .....	159	4070450 .....	39
3290607 .....	79, 107, 109	3340941 .....	177	3641569 .....	237, 239	4070560 .....	39
3290805 .....	130, 151, 393	3340943 .....	177	3740086 .....	439, 479	4070561 .....	39
3290806 .....	193	3340956 .....	251	3740112 .....	85, 479	4070863 .....	169
3290807 .....	133	3340966 .....	21	3760133 .....	169	4070864 .....	169
3291001 .....	130, 193	3380434 .....	219, 221	3760170 .....	39, 59	4070878 .....	15, 17
3291005 .....	130, 133, 193	3380535 .....	191	3790012 .....	223, 227, 233	4070879 .....	15, 17
3291007 .....	130, 133	3420292 .....	37	3790044 .....	127	4070897 .....	169, 171
3291201 .....	155, 159, 163, 193	3420372 .....	39	3820001 .....	37, 453, 455, 457, 459, 461, 463, 465, 467, 469	4070898 .....	169, 171
3291205 .....	124, 193	3420447 .....	39	3820020 .....	197, 201, 205, 211	4070929 .....	171
3300007 .....	23	3421565 .....	59	3841143 .....	124, 167, 169, 173, 193	4070967 .....	171
3300151 .....	199, 203, 207, 213, 253, 255, 257	3422417 .....	19, 21	3841287 .....	15, 17, 167	4070968 .....	171
3300205 .....	79	3422446 .....	124	3841340 .....	173, 179	4070969 .....	177
3300353 .....	87, 223, 227	3422457 .....	169	3841356 .....	167	4070991 .....	87
3300364 .....	69, 114	3422533 .....	124	3841406 .....	177	4071007 .....	171
3300365 .....	85	3422561 .....	167	3841520 .....	19, 21	4071052 .....	177
3300396 .....	160, 164	3422583 .....	167	3841356 .....	167	4071059 .....	21
3300408 .....	89	3422681 .....	167	3841406 .....	177	4100062 .....	303
3300430 .....	247	3422683 .....	167	3841520 .....	19, 21	4160194 .....	114
3300454 .....	75, 77, 85, 111	3422684 .....	167	3900054 .....	209, 215	4240018 .....	155, 159, 163, 335, 337
3310601 .....	153	3422685 .....	167	3900210 .....	114, 117, 119	4240032 .....	107, 109, 349, 375, 377, 379, 381, 383
3310605 .....	72, 189	3422686 .....	167	3900239 .....	167	4240033 .....	107, 109, 245, 247, 249
3310801 .....	185, 187	3422687 .....	167	3900258 .....	111	4240084 .....	33
3310805 .....	81	3422688 .....	167	3900259 .....	169	4240099 .....	72, 79, 85, 124, 223, 227, 237, 239, 241, 243, 253, 255, 343, 347, 359, 361, 363, 393
3311001 .....	160, 164	3422689 .....	167	3900262 .....	179	4240149 .....	251
3311005 .....	81, 85, 109, 160, 164, 223, 227, 253, 255, 257	3422690 .....	169	3900283 .....	177	4280296 .....	35
3311401 .....	37, 72, 237, 239, 241, 243	3422729 .....	167	3900293 .....	51	4340706 .....	171
3311405 .....	81, 87, 101, 103, 111, 155, 181, 185, 187, 189, 219, 221, 249, 311, 313, 317, 319, 321, 323, 325, 327, 329, 331, 333, 343, 345, 347, 453, 455, 457, 459, 461, 463, 465, 467, 469	3422790 .....	19, 21	3900316 .....	114	4360057 .....	237, 239, 241, 243, 479
3311501 .....	114, 237, 239, 241, 243	3422848 .....	21	3900349 .....	223, 227	4360070 .....	160, 164, 478
3311505 .....	23, 85, 117, 119, 159, 163, 181	3422860 .....	173	3900363 .....	117, 119	4360328 .....	233, 479
3311601 .....	63, 67, 72, 79, 114, 179, 224, 228, 249, 393	3422861 .....	173	3900382 .....	135	4360336 .....	155, 159, 163, 479
3311602 .....	179	3422867 .....	173	3910606 .....	163, 335, 337	4360387 .....	95, 97, 223, 227, 479
3311605 .....	33, 63, 67, 75, 77, 85, 111, 114, 173, 177, 179, 209, 215, 219, 221, 253, 255, 257	3430616 .....	224, 228	3910610 .....	153, 309, 315	4360407 .....	223, 227, 478
3311801 .....	23, 72, 185, 187	3430820 .....	153	3910804 .....	87	4360436 .....	479
3312001 .....	39	3450304 .....	133	3911010 .....	109	4360469 .....	87, 479
3312002 .....	51, 261, 263, 265, 267	3450404 .....	153	3930606 .....	189	4360475 .....	479
3312005 .....	251	3460334 .....	251	3930616 .....	72	4360476 .....	87
		3470003 .....	224, 228	3930812 .....	81	4360498 .....	185, 187, 479
		3520026 .....	227	3930816 .....	187, 191	4360499 .....	185, 187, 479
		3520027 .....	227	3930824 .....	185, 187	4360517 .....	61, 479
		3520030 .....	115	3931010 .....	72, 81, 85	4360578 .....	185, 187, 191, 479
		3520032 .....	114	3931016 .....	81, 85, 159, 163, 223, 227	4420014 .....	251
		3520034 .....	173	3931048 .....	81	4420037 .....	253, 255, 257
		3520035 .....	87, 185, 187, 191	3931408 .....	247	4420038 .....	63, 67
		3520054 .....	223, 227	3931412 .....	72, 75, 77	4420051 .....	37, 471
		3520071 .....	251	3931432 .....	185, 187	4420060 .....	191
		3520072 .....	197, 199, 201, 203, 205, 207, 209, 211, 213, 215	3931436 .....	185, 187	4420066 .....	251
		3520173 .....	114	3931448 .....	287	4460016 .....	416
		3520189 .....	160	3931464 .....	185	4460019 .....	351, 353, 397, 445
		3520192 .....	160	3931664 .....	287		
		3520198 .....	197, 199, 201, 203, 205, 207, 211, 213	3952020 .....	51		
		3538047 .....	15, 17	3960422 .....	163, 309, 315, 335, 337		
		3538758 .....	177	3960468 .....	127		
		3570775 .....	287	3960469 .....	127		
				3960526 .....	23		

## SECTION 11 - SPECIAL OPTIONS/ACCESSORIES/KITS

4460042.....405, 409	4460496 .....349, 393	4460944 365, 367, 405, 407, 409, 415, 443, 445	4711800 .....153, 209, 215
4460049 .237, 239, 241, 243	4460497 .....349, 393	4460945..... 405, 409, 445	4712000 251, 261, 263, 265, 267
4460051 ..... 309, 315	4460508 245, 365, 391, 397, 415, 443, 445	4460950..... 353	4712200 .....251
4460071 ..... 163, 235	4460509 351, 353, 365, 367, 443	4460956..... 369, 371	4740036 .....39
4460125 ..... 315	4460510 ..... 484	4460957..... 369, 371	4740057 .....51
4460142 ..... 397, 409	4460518 355, 391, 415, 441, 443	4460958..... 337	4740155 .....21
4460144 .....405	4460536 .....403, 415, 449	4460962..... 255	4740256 .....19, 21
4460183 .....416	4460539 353, 395, 405, 409, 413, 415, 445, 449	4460963..... 164	4740362 .....219, 221
4460205 .....309	4460612 .....335, 337	4460967..... 156, 403	4740397 .....87
4460224 ..... 223, 227, 395	4460705 ..... 395	4460968..... 185, 187, 191	4740439 .....173
4460225 .399, 401, 416, 445	4460708 .....393, 415	4460970..... 405	4740444 .....87
4460226 105, 223, 227, 235, 237, 239, 241, 243, 389, 391, 395, 443	4460722 .....407, 445	4460979..... 407	4740463 .....19, 21
4460227 .413, 415, 416, 443	4460742 .....351, 353	4460993..... 69	4740472 .....15, 17
4460233 ..... 75, 315	4460746 ..... 395	4460994... 69, 391, 397, 445	4740473 .....19, 21
4460234 223, 227, 237, 239, 241, 243, 377, 379, 381, 383	4460748 ..... 395	4461070..... 441	4740518 .....87
4460247 .....409	4460761 .389, 391, 395, 415	4461077..... 431, 439	4750800 .....81
4460256 ..... 351, 353, 397	4460789 ..... 395	4461095..... 441	4751000 ..67, 109, 159, 163, 223, 227, 253, 255, 257
4460259 .405, 409, 416, 447	4460790 .....351, 353	4461157..... 351, 353, 407	4751400 .....35, 37, 87, 111, 114, 117, 119, 185, 187, 189, 191, 217, 219, 221, 223, 227, 237, 239, 241, 243, 253, 255, 257, 453, 455, 457, 459, 461, 463, 465, 467, 469
4460260 405, 409, 411, 416, 447	4460806 .321, 323, 325, 327	4461196..... 419	4751500 ....37, 69, 114, 237, 239, 241, 243
4460265 .....445	4460807 .....399, 401	4461198..... 313, 419	4751600 ..33, 35, 63, 67, 72, 79, 81, 107, 109, 111, 114, 253, 255, 257
4460266 .....395	4460808 .....399, 401	4461199..... 421	4751800 ....61, 72, 209, 215, 237, 239, 241, 243
4460267 .395, 415, 416, 443	4460836 .....353, 409	4461201..... 319, 421	4752000 .....124
4460268 .399, 401, 407, 445	4460850 .....351, 353	4461205..... 423, 425	4760600 .....309, 315
4460314 .....416	4460851 .....355, 413	4461244..... 323, 423	4761400 .....87, 217
4460315 ..... 309, 315, 415	4460852 .....355, 413	4461245..... 327, 425	4762000 .....39
4460326 .....407	4460865 .....365, 367	4461246..... 331, 427	4770600 .....153
4460343 .....415	4460866 .....365, 415, 443	4461249..... 427	4771200 .....85
4460346 ..... 163, 309	4460871 395, 405, 409, 411, 413, 415, 443, 449	4461261..... 351, 353	4811400 105, 107, 311, 313, 317, 319, 321, 323, 325, 327, 329, 331, 333, 447
4460418 .....405, 415	4460872 ..... 413	4461271..... 409	4811600 .....72, 81, 137
4460419 .....405, 415	4460873 .....415, 443	4520252..... 29	4811602 .....137
4460424 .....443	4460874 .....395, 415	4520253..... 31	4811700 ....79, 85, 107, 109, 130, 143, 151, 199, 203, 207, 213
4460425 160, 164, 237, 239, 241, 243, 335, 337	4460875 .....405	4530028..... 253, 255, 259	4811702 .....151
4460426 ..... 160, 164	4460877 .....429	4567139..... 303	4811900 ..72, 130, 133, 151, 193, 393
4460427 .....409	4460878 ..... 443	4567757..... 303	4811902 .....130, 151
4460428 ..... 223, 227	4460879 .....415, 447	4640261..... 37	4812000 124, 130, 133, 155, 159, 163, 193
4460434 .....443	4460880 .....397, 413	4640509 .275, 277, 279, 281	4812002 .....130
4460457 ..... 395	4460884 187, 353, 395, 415, 437, 443, 447	4640605..... 273, 275, 281	4812100 .....124, 193
4460458 .....395	4460887 .409, 415, 443, 447	4640858..... 271	4843777 .....39
4460464 105, 235, 351, 353, 361, 365, 385, 387, 389, 391, 395, 397, 403, 405, 409, 415, 437, 439, 441, 443, 445, 447, 449	44608879 .....415, 447	4640866..... 43	4844816 .....173
4460465 ..69, 105, 107, 156, 187, 351, 353, 355, 361, 365, 367, 387, 391, 395, 397, 399, 401, 403, 405, 409, 413, 415, 437, 441, 443, 445, 447, 449	4460880 .....397, 413	4640932..... 273	4844817 .....173
4460466 245, 351, 353, 365, 367, 387, 389, 391, 395, 397, 405, 407, 409, 413, 415, 431, 437, 439, 441, 443, 445, 447	4460884 187, 353, 395, 415, 437, 443, 447	4641032..... 289	4844958 .....59
4460467 .....484	4460887 .409, 415, 443, 447	4641033..... 287	4845593 .....167
4460470 ..85, 223, 227, 393, 415	4460891 ..69, 105, 107, 351, 353, 355, 361, 397, 409, 413, 441, 443, 445, 449	4641122..... 29, 31, 33	4845680 .....179
4460471 ..85, 223, 227, 393, 415	4460892 ..... 413	4641192..... 49	4845730 .....177
4460473 .....365, 367	4460894 387, 405, 413, 415, 445	4641284..... 297	4846562 .....251
4460488... 87, 107, 109, 393	4460897 ...67, 105, 361, 389	4641303..... 23	4846627 .....253, 255
	4460899 391, 411, 431, 437, 439	4641435..... 185, 187	4846673 .....241, 243
	4460905 395, 405, 409, 413, 415, 443	4710600..... 72	4860224 .....29
	4460906 ..... 445	4711000..... 81, 85, 160, 164	4860225 .....31, 33
	4460910 .....187, 349, 435	4711400.. 43, 72, 75, 77, 79, 81, 85, 87, 99, 101, 103, 111, 124, 155, 159, 163, 181, 199, 203, 207, 213, 247, 249, 311, 313, 317, 319, 321, 323, 325, 327, 329, 331, 333, 343, 345, 347	
	4460911 .....349, 431, 443	4711500 23, 69, 79, 81, 117, 119, 124, 159, 163, 181, 187, 393	
	4460928 ..... 441	4711600.. 15, 17, 43, 75, 77, 85, 156, 160, 164, 169, 171, 177, 179, 219, 221, 224, 228, 261, 263, 265, 267, 357, 359, 361, 363, 393	
	4460931 ..... 389		
	4460932 .385, 395, 443, 447		
	4460933 .....415, 441, 443		
	4460941 ..... 431		
	4460942 ..... 245		
	4460943 365, 391, 405, 413, 415, 431, 443		

## SECTION 11 - SPECIAL OPTIONS/ACCESSORIES/KITS

4871700	.....156, 160, 164	7000246	.....54	70004397	.....139	70006304	.....54
4891500	.....79, 85	70002460	.....160, 164	70004398	.....139	70006344	.....289
4891600	.....61, 115, 193	7000247	.....54	70004399	.....139	70006576	.....69
4891800	.....23, 127, 153	7000248	.....54	70004400	.....139	70006577	.....69
4892000	.....23, 57	7000253	.....54	70004457	.....45	70006578	.....69
4892200	.....15, 17	7000255	.....54	70004459	.....45	70006579	.....69
4892600001	.....193	7000257	.....54	70004460	.....45, 478	70006596	.....273, 277, 283
4922216	.....357	70002744	.....285	70004461	.....45, 46	70006661	.....139
4922217	.....357	70002745	.....285	70004463	.....45, 478	70006664	.....139
4922219	.....359, 361	70002748	.....285	70004525	.....139	70006665	.....140
4922220	.....359, 361	70002749	.....285	70004526	.....139	70006667	.....139
4922578	.....357, 359, 361, 363	70002751	.....285	70004530	.....139	70006669	.....287
4922579	.....361	70002814	.....65	70004531	.....139	70006670	.....287
4922580	.....361	7000283	.....25	70004536	.....139	70006671	.....287
4922641	.....159, 163	70002838	.....65	70004537	.....139	70006672	.....287
4922925	.....159, 163, 401	70002839	.....65	70004538	.....139	70006673	.....25
5240800	.....133	7000284	.....25	70004539	.....139	70006674	.....25
5241000	.....130, 133	70002842	.....271	70004540	.....139	70006675	.....25
5241200	.....155, 159, 163, 193	7000289	.....25	70004544	.....139	70006676	.....25
5241600	.....130	70002901	.....149	70004584	.....45	70006677	.....25
5250806	.....135	70002902	.....235	70004594	.....45	70006678	.....25
5251008	.....193	70002903	.....235	70004595	.....45, 478	70006680	.....25
5251016	.....193	70002904	.....235	70004596	.....45	70006684	.....25
5260818	.....79	70002905	.....235	70004597	.....45	70006685	.....25
70000342	.....175	70003019	.....45	70004598	.....45	70006690	.....25
70000619	.....159, 163	70003060	.....139	70004653	.....45, 478	70006691	.....25
70000797	.....27	70003061	.....139	70004657	.....45	70006692	.....25
70000863	.....159	70003063	.....140	70004665	.....45	70006832	.....25
70001100	.....159	70003064	.....140	70004667	.....45	70006833	.....25
70001248	.....61	70003454	.....61	70004676	.....155	70006955	.....45
70001384	.....159	70003631	.....159, 163	70004678	.....155	70006956	.....45, 478
70001696	.....160, 164	70003649	.....49	70004679	.....155	70006957	.....45
70001697	.....175	70003708	.....155, 160, 164	70004680	.....155	70006961	.....45
70001966	.....155, 159, 163	70003709	.....155, 159, 163	70004681	.....155	70007246	.....275, 279
70001973	.....155, 160, 164	70003784	.....223, 227	70004682	.....155	70007277	.....281
70001974	.....160, 164	70003790	.....183	70004683	.....155	70007278	.....275, 279, 281
70002013	.....177	70003935	.....23	70004795	.....65	70007279	.....281
70002014	.....177	70003936	.....23	70004842	.....139	70007280	.....281
70002064	.....183	70003975	.....49	70005143	.....273, 283	70007282	.....275, 279, 281
70002066	.....54	70004037	.....54	70005144	.....273, 283	70007283	.....281
70002085	.....54	70004040	.....54	70005194	.....45	70007419	.....281
70002112	.....65	70004041	.....54	70005195	.....45	70007420	.....281
7000213	.....54	70004042	.....54	70005196	.....45	70007421	.....279
7000217	.....54	70004043	.....54	70005197	.....45	70007422	.....275, 279
70002231	.....43, 478	70004044	.....54	70005198	.....45	70007423	.....275, 279
7000224	.....25	70004045	.....54	70005199	.....46	70007424	.....279
7000228	.....54	70004047	.....54	70005200	.....46	70007425	.....279
7000229	.....54	70004050	.....45	70005201	.....46	70007426	.....279
70002297	.....159, 163	70004051	.....45	70005202	.....46	70007427	.....275
7000230	.....54	70004052	.....45	70005203	.....54	70007428	.....275
70002315	.....139	70004055	.....45	70005220	.....139	70007429	.....275
70002316	.....139	70004069	.....149	70005221	.....139	70007430	.....275
70002317	.....139	70004070	.....149	70005224	.....139	70007505	.....139
70002318	.....139	70004092	.....155, 160, 164	70005226	.....139	70007785	.....145
70002319	.....139	70004093	.....159, 163	70005227	.....139	70007786	.....145
70002320	.....139	70004094	.....160, 164	70005228	.....140	70007787	.....145
70002321	.....139	70004095	.....160, 164	70005293	.....149	70007788	.....145
70002322	.....139	70004096	.....160, 164	70005294	.....149	70007789	.....145
70002323	.....139	70004097	.....160, 164	70005295	.....149	70007790	.....145
70002326	.....140	70004098	.....155, 160, 164	70005296	.....149, 478	70007791	.....145
70002327	.....140	70004099	.....159, 163	70005297	.....149	70007792	.....145
70002328	.....140	70004171	.....155	70005594	.....289	70007793	.....145
70002330	.....140	70004199	.....65	70005624	.....155	70007794	.....145
70002373	.....273, 277, 283	70004311	.....139	70005663	.....484	70007795	.....145
70002386	.....183, 478	70004381	.....285	70005708	.....65	70007796	.....145
7000239	.....25	70004382	.....285	70005839	.....289	70007797	.....145
7000240	.....25	70004395	.....139, 478	70005871	.....277	70007798	.....145

## SECTION 11 - SPECIAL OPTIONS/ACCESSORIES/KITS

70007799.....	145	7011342.....	185, 187	7022311.....	27	7026506.....	61
70007800.....	145	7012518.....	49	7022312.....	27	7026507.....	61
70007801.....	145	7012773.....	45	7022314.....	27	7026509.....	61
70007802.....	145	7012914.....	183	7022326.....	27	7026597.....	160, 164
70007966.....	273	7012918.....	183	7022328.....	27	7026626.....	160, 164
70007967.....	273, 283	7012928.....	49	7022368.....	27	7027773.....	259
70007968.....	273, 283	7012941.....	49	7022371.....	27	7027774.....	259
70007969.....	273, 283	7012943.....	49	7022372.....	27	7027775.....	259
70007981.....	289	7012944.....	49	7022397.....	23	7027776.....	259
70007992.....	283	7012953.....	49, 181, 183	7022399.....	23	7027777.....	259
70008175.....	277	7012959.....	43	7023124.....	139	7027778.....	259
70008176.....	277	7012965.....	183	7023126.....	140	7027779.....	259
70008177.....	277	7012967.....	183	7023144.....	140	7027780.....	259
70008178.....	277	7012970.....	181	7023145.....	140	7027799.....	160, 164
70008179.....	277	7012989.....	49, 183	7023148.....	139	77143013.....	87
70008199.....	289	7012995.....	49	7023149.....	139	77363232.....	159
70008200.....	289	7015004.....	130, 478	7023154.....	139	77363233.....	399, 401
70008201.....	289	7016652.....	484	7023157.....	139	80344004.....	25
70008202.....	289	7016654.....	484	7023164.....	139	80683013.....	124
70008203.....	289	7017023.....	54	7023165.....	139	80934561.....	61
70008204.....	289	7017028.....	25, 54	7023167.....	139	80963055.....	395
70008205.....	289	7017047.....	25	7023168.....	139	80963056.....	395
70008206.....	289	7017070.....	54	7023170.....	140	80963067.....	391, 395
70008207.....	289	7017072.....	54	7023907.....	27	8220007.....	397, 415
70008208.....	289	7017080.....	54	7023908.....	27	8220019.....	391
70008209.....	289	7017082.....	25	7023910.....	27	8220029.....	409
70008210.....	289	7017085.....	54	7023911.....	183	8220043.....	351, 353
70008497.....	147	7017142.....	175	7023912.....	183	8220045.....	389, 409
70008498.....	147	7017159.....	175	7023917.....	23	8220051.....	351, 353
70008500.....	147	7017162.....	175	7023933.....	23	8220099.....	395
70008501.....	147	7017163.....	175	7024021.....	45	8220125.....	395
70008502.....	147	7017164.....	175	7024100.....	54	8220162.....	391
70008504.....	147	7017172.....	175	7024149.....	25	8220164.....	409
70008505.....	147	7017192.....	175	7024151.....	25	8225117.....	85, 479
70008511.....	147	7017195.....	175	7024154.....	25	8229234.....	85, 478
70008600.....	147	7017402.....	183	7024190.....	25	8229236.....	85, 478
70008601.....	147	7017406.....	183	7024191.....	25	8229237.....	85, 478
70008602.....	147	7017452.....	183	7024404.....	61	8229249.....	447, 478
7001928.....	25	7017466.....	43	7024441.....	65	8229261.....	85, 478
70022564.....	273, 275, 277, 279, 281, 283	7017496.....	49	7024462.....	259	8303511.....	133
70023370.....	273	7017901.....	140	7024463.....	259	8310070.....	114
70023380.....	275, 279	7017913.....	139	7024467.....	259	8310129.....	251
70023859.....	45	7017914.....	139	7024469.....	259	83304173.....	65
70023860.....	45	7017934.....	139	7024470.....	259	8405102.....	130
70023862.....	45	7017958.....	140	7024471.....	259	8405104.....	130
7002388.....	289	7017963.....	140	7024472.....	259	8406110.....	130
70026287.....	275, 279, 281	7018942.....	46	7024473.....	259	8406201.....	79
70027750.....	281	7018951.....	46	7024474.....	259	8410001.....	393
7002821.....	484	7018991.....	45, 478	7024475.....	259	8540205.....	124
7002822.....	484	7018992.....	45	7024478.....	259	8580420.....	35
7002823.....	484	7020064.....	179	7024485.....	160, 164, 478	85841150.....	124
7002826.....	484	7020065.....	179	7024488.....	159, 163	8770050.....	297
7002840.....	484	7020066.....	179	7024489.....	159, 163	8770157.....	297
70029468.....	281	7020067.....	179	7024508.....	287	88261024.....	181
7004275.....	484	7020175.....	223, 227	7024599.....	153	88521008.....	185, 187
7004276.....	484	7020176.....	223, 227	7024704.....	54	88521205.....	79
70050795.....	289	7021249.....	27	7024762.....	54	88521214261, 263, 265, 267	
7007437.....	27	7021275.....	27	7024763.....	54	88662037.....	302
7007438.....	27	7021276.....	27	7024782.....	25	88662523.....	114
7007439.....	27	7021277.....	27	7024784.....	54	8896941.....	484
7007446.....	27	7021375.....	45, 46	7024854.....	27	91143177.....	302
7007633.....	54	7021625.....	23	7024868.....	27	91203039177, 185, 187, 193	
7010492.....	54	7021639.....	23	7024881.....	23	91401281.....	79
7010543.....	49	7021653.....	183	7026197.....	61	91403230.....	453, 455, 457, 459, 461, 463, 465, 467, 469
7011112.....	273	7022302.....	27	7026503.....	61		
7011333.....	185, 187	7022305.....	27	7026504.....	61		
		7022310.....	27	7026505.....	61		



**Corporate Office  
JLG Industries, Inc.  
1 JLG Drive  
McConnellsburg, PA 17233-9533 USA**

**☎ (717) 485-5161 (Corporate)**  
**☎ (877) 554-5438 (Customer Support)**  
**📠 (717) 485-6417**

**Visit our website for JLG Worldwide Locations.  
[www.jlg.com](http://www.jlg.com)**



**OSHKOSH™**