



Illustrated Parts Manual

Model **800AJ HC3**

**PVC
2401**

**P/N
31223064**

June 3, 2024 - Rev B

ANSI

CE



UK

CA

AS/NZS



An Oshkosh Corporation Company

REVISION LOG

January 1, 2024 - A - Original Issue Of Manual (Edited to B/M 1001248000 Rev Z)

June 3, 2024 - B - Revised Manual (Edited to B/M 1001248000 Rev Z)

GENERAL INFORMATION

SECTION 6 CYLINDER

FIGURE 6-3. LIFT CYLINDER ASSEMBLY

PG# Model Designation Manual #

SECTION 6 CYLINDER

FIGURE 6-3. LIFT CYLINDER ASSEMBLY

ITEM #	PART NUMBER	QTY	DESCRIPTION	REV
	1001140104	Ref	LIFT CYLINDER ASSEMBLY	B
1	0100011	AR	Compound, Locking	
2	0630305	3	Capscrew 1/4-20 x 1-1/8	
3	0791003	1	Screw #10-24 x 3/8	
4	0961897	1	Bushing, Tapered	
5	1320136	1	Clamp, Cable	
6	1683063	1	Head	
7	2220683	1	Plug, O-Ring	
8	2220685	2	Plug, O-Ring	
9	2220686	1	Plug, O-Ring	
10	3020039	AR	Lubricant	
11	3480282	1	Piston	
12	3760371	1	Ring, Washer	
13	3931420	8	Capscrew 1/4-20 x 1-1/4	
14	3931824	8	Capscrew 1/2-13 x 1-1/2	
15	3951003	1	Setscrew #10-24 x 3/8	
16	4100099	1	Spacer	
17	4640999	1	Cartridge, Holding Valve (Non Vented)	
18	4641248	1	Cartridge, Countbalance Valve (Non Vented)	
19	70004186	1	Kit, Seal - 4641248 Cartridge Valve	
20	1001117991	1	Sensor, Cylinder Length	
21	1001118070	1	Cap, Retainer	
22	1001118084	1	Barrel	
21A	0961950	2	Bushing	
22	1001118086	1	Rod	
22A	0961950	2	Bushing	
100	1001139996	1	Kit, Seal (Includes Items 101-109)	
101	See Note	2	Ring, Wear (Note: Use p/n 1001139996)	
102	See Note	1	Ring, Back-Up (Note: Use p/n 1001139996)	
103	See Note	2	Ring, Lock (Note: Use p/n 1001139996)	
104	See Note	2	Ring, Back-Up (Note: Use p/n 1001139996)	
105	See Note	2	O-Ring (Note: Use p/n 1001139996)	
106	See Note	1	O-Ring (Note: Use p/n 1001139996)	
107	See Note	1	Seal (Note: Use p/n 1001139996)	
108	See Note	1	Wiper, Rod (Note: Use p/n 1001139996)	
109	See Note	2	Seal (Note: Use p/n 1001139996)	
200	1001119105	1	Kit, Sensor Magnet (Includes Items 201-203)	
201	See Note		Sleeve, Spacer (Note: Use p/n 1001119105)	
202	1001118066		Magnet, Sensor	
203	1001118069	1	Ring, Internal Retaining	

Manual # Model Designation PG#

1) MACHINE IDENTIFICATION

Machines are identified by model and in some cases a combination of models, serial number (SN) or regional standard (i.e ANSI, CE, CSA). Components may also be identified by SN or manufacturer. Common components that may be identified by these characteristics are engines and hydraulic components.

2) PARTS MANUAL ORGANIZATION

Product information in this manual is organized under section titles. Frame, Cylinder, Hydraulic and Electrical are a few examples. Each section is organized by figure and page number. The information within the Figure is then organized by item number, part number, description and corresponding illustration (s).

3) TABLE OF CONTENTS (NOT SHOWN)

A table of contents is found toward the beginning of the manual. Figure number, description and page number are provided for quick reference to the page containing the related information.

4) RECOMMENDED SPARE PARTS (NOT SHOWN)

The Recommended Spare Parts List, located near the end of the manual, reference most frequently used maintenance parts.

5) PART NUMBER INDEX (NOT SHOWN)

A numerical index listing all part numbers and the corresponding page number(s) appears at the back of the manual.

GENERAL INFORMATION

6) NON-SERVICED PARTS

In some instances, it is necessary to display non-serviced parts, assemblies or installations. In the case of assemblies and installations there will be a Ref in the Qty. column. In case of parts that are not available for service within assemblies or components, there will be a NSS (Not Sold Separately) or NLA (No Longer Available) listed in the Qty. column of the manual.

7) PARTS LIST ITEM NUMBERS

Numbers shown in the item# column correspond to numbers used in the associated illustration (s). Item numbers which are missing from the sequence in the parts list are not used on that page.

8) INDENTED PARTS DESCRIPTION

An indented part description is included in the item under which it is indented.

9) ABBREVIATION AND SYMBOLS

AC.....	Alternating Current	L.....	Liter
ADE.....	Advanced Design Electronics	LB(LBS).....	Pounds
AG.....	Agricultural	LCD.....	Liquid Crystal Display
ANSI.....	American National Standards Institute	LED.....	Light Emitting Diodes
AR.....	As Required	LH.....	Left Hand
ASSY.....	Assembly	LRC.....	Low Rated Countries
AUS.....	Australia	LSS.....	Load Sensing System
AUX.....	Auxiliary	M(m).....	Metric/Meter
AWG.....	American Wire Gauge	MM(mm).....	Milimeter
B/M.....	Bill of Material	mA.....	Miliamps
CAC.....	Charge Air Cooler	NLA.....	No Longer Available
CE.....	European Conformity	NPT.....	National Pipe Threads
CCW.....	Counter Clockwise	NSS.....	Not Sold Separately
CM.....	Centimeter	OD.....	Outside Diameter
CW.....	Clockwise	ORB.....	O-Ring Boss
CSA.....	Canadian Standards Association	ORFS.....	O-Ring Face Seal
CYL.....	Cylinder	OZ (oz).....	Ounces
DIA.....	Diameter	PG.....	Page
DC.....	Direct Current	PN.....	Part Number
DEF.....	Diesel Exhaust Fluid	QT(qt.).....	Quarts
EMS.....	Emergency Stop	QTY.....	Quantity
ENG.....	Engine	REF.....	Reference
FT(ft).....	Feet	REV.....	Revision Level
GA(Ga).....	Gauge	RH.....	Right Hand
HRC.....	High Rated Countries	SAE.....	Society of Automotive Engineers
HVAC.....	Heating, Ventilating, and Air Conditioning	SN.....	Serial Number
HYD.....	Hydraulic	SPEC(S).....	Specifications
Hz.....	Hertz	T/T.....	Turntable
ID.....	Inside Diameter	UGM.....	Universal Ground Module
IN.....	inches	V.....	Volts
ISO.....	International Organization for Standards	W.....	Watts
JIC.....	Joint Industry Council	#.....	Number
KG.....	Kilogram		

10) ILLUSTRATION REFERENCE LETTERS

When necessary, illustrations may contain reference letters that are intended to track information (i. e. hoses, harnesses) from one point to another or to track visual enlargement of components to show details that may be located in another area on the illustration.

Note: Due to continuous product improvements, JLG Industries, Inc. reserves the right to make specification changes without prior notification. Contact JLG Industries, Inc. for updated information.

TABLE OF CONTENTS

SECTION 1 - FRAME.....	17
FIGURE 1-1. AXLE INSTALLATION - OSCILLATING.....	18
FIGURE 1-2. AXLE INSTALLATION - OSCILLATING WITH TOW PACKAGE.....	20
FIGURE 1-3. STEER INSTALLATION - 2WS.....	22
FIGURE 1-4. STEER INSTALLATION - 2WS WITH TOW PACKAGE.....	24
FIGURE 1-5. WHEEL DRIVE AND FRAME VALVES INSTALLATION - 4WD/2WS.....	26
FIGURE 1-6. DRIVE HUB/BRAKE ASSEMBLY.....	28
FIGURE 1-7. DRIVE MOTOR ASSEMBLY - 4WD.....	30
FIGURE 1-8. TIRE AND WHEEL INSTALLATION 18-625 NHS FOAM-FILLED TIRE.....	32
FIGURE 1-9. TIRE AND WHEEL INSTALLATION 18-625 NHS FOAM-FILLED NON-MARKING TIRE.....	34
FIGURE 1-10. TIRE AND WHEEL INSTALLATION 18-625 NHS FOAM-FILLED SAND TIRE.....	36
FIGURE 1-11. LP TANK BRACKETS INSTALLATIONS.....	38
FIGURE 1-12. FRAME SHIELDS INSTALLATION - 2WS.....	40
FIGURE 1-13. TOW PACKAGE INSTALLATION - 2WS (ENGLISH LANGUAGE DECALS).....	42
FIGURE 1-14. TOW PACKAGE INSTALLATION - 2WS (CE & UK CA SPECS).....	44
FIGURE 1-15. TOW BAR ASSEMBLY.....	46
SECTION 2 - TURNTABLE.....	49
FIGURE 2-1. CONTROL VALVES INSTALLATION - WITH 2WS.....	50
FIGURE 2-2. CONTROL VALVE ASSEMBLY - 2WS MACHINES.....	52
FIGURE 2-3. SWING DRIVE INSTALLATION (Prior to SN 0300315218).....	56
FIGURE 2-4. SWING DRIVE INSTALLATION (SN 0300315218 to Present).....	58
FIGURE 2-5. SWING MOTOR/HUB ASSEMBLY (Prior to SN 0300315218).....	60
FIGURE 2-6. SWING MOTOR/HUB ASSEMBLY (SN 0300315218 to Present).....	64
FIGURE 2-7. TURNTABLE BEARING INSTALLATION.....	66
FIGURE 2-8. TURNTABLE LOCK INSTALLATION.....	68
FIGURE 2-9. ROTARY COUPLING INSTALLATION - 2WS MACHINES.....	70
FIGURE 2-10. TANK INSTALLATION - DIESEL MACHINE (FUEL TANK WITHOUT SIGHT GLASS) (HELGESEN 6IN DIA BREATHER HYDRAULIC TANK - 25 GAL CAPACITY).....	72
FIGURE 2-11. TANK INSTALLATION - DIESEL MACHINE (FUEL TANK WITHOUT SIGHT GLASS) (JIANGYING 4IN DIA BREATHER HYDRAULIC TANK - 25 GAL CAPACITY).....	74
FIGURE 2-12. TANK INSTALLATION - DIESEL MACHINE (FUEL TANK WITHOUT SIGHT GLASS) (HYDRAULIC TANK - 47.8 GAL CAPACITY).....	76
FIGURE 2-13. TANK INSTALLATION - DIESEL MACHINE (FUEL TANK WITH SIGHT GLASS) (HELGESEN 6IN DIA BREATHER HYDRAULIC TANK - 25 GAL CAPACITY).....	78
FIGURE 2-14. TANK INSTALLATION - DIESEL MACHINE (FUEL TANK WITH SIGHT GLASS) (JIANGYING 4IN DIA BREATHER HYDRAULIC TANK - 25 GAL CAPACITY).....	80
FIGURE 2-15. TANK INSTALLATION - DIESEL MACHINE (FUEL TANK WITH SIGHT GLASS) (HYDRAULIC TANK - 47.8 GAL CAPACITY).....	82
FIGURE 2-16. TANK INSTALLATION - GAS ENGINES (HELGESEN 6IN DIA BREATHER HYDRAULIC TANK - 25 GAL CAPACITY).....	84
FIGURE 2-17. TANK INSTALLATION - GAS ENGINES (JIANGYING 4IN DIA BREATHER HYDRAULIC TANK - 25 GAL CAPACITY).....	86
FIGURE 2-18. TANK INSTALLATION - GAS ENGINES (HYDRAULIC TANK - 47.8 GAL CAPACITY).....	88
FIGURE 2-19. HYDRAULIC TANK ASSEMBLY (HELGESEN 6IN DIA BREATHER HYDRAULIC TANK - 25 GAL CAPACITY).....	90
FIGURE 2-20. HYDRAULIC TANK ASSEMBLY (JIANGYING 4IN DIA BREATHER HYDRAULIC TANK - 25 GAL CAPACITY).....	92
FIGURE 2-21. HYDRAULIC TANK ASSEMBLY (HYDRAULIC TANK - 47.8 GAL CAPACITY).....	94

TABLE OF CONTENTS

FIGURE 2-22. AUXILIARY POWER INSTALLATION - WITHOUT BATTERY DISCONNECT	96
FIGURE 2-23. AUXILIARY POWER INSTALLATION - WITH BATTERY DISCONNECT.....	98
FIGURE 2-24. AUXILIARY POWER PUMP/MOTOR ASSEMBLY	100
FIGURE 2-25. GROUND CONTROL BOX ASSEMBLY - WITH DEUTZ D2011 ENGINES - WITH MECHANICAL HOUR METER (ANSI EXPORT LRC AND AUSTRALIAN SPECS) (Prior to SN 0300315790).....	102
FIGURE 2-26. GROUND CONTROL BOX ASSEMBLY - WITH DEUTZ D2011 ENGINES - WITH MECHANICAL HOUR METER (ANSI EXPORT LRC AND AUSTRALIAN SPECS) (SN 0300315790 to Present).....	106
FIGURE 2-27. GROUND CONTROL BOX ASSEMBLY - WITH DEUTZ D2011 AND TOWER STOW - WITH MECHANICAL HOUR METER (ANSI EXPORT LRC AND AUSTRALIAN SPECS) (Prior to SN 0300315790).....	110
FIGURE 2-28. GROUND CONTROL BOX ASSEMBLY - WITH DEUTZ D2011 AND TOWER STOW - WITH MECHANICAL HOUR METER (ANSI EXPORT LRC AND AUSTRALIAN SPECS) (SN 0300315790 to Present).....	114
FIGURE 2-29. GROUND CONTROL BOX ASSEMBLY - WITH DEUTZ D2011 ENGINES (CE & UK CA SPECS) (Prior to SN 0300315790).....	118
FIGURE 2-30. GROUND CONTROL BOX ASSEMBLY - WITH DEUTZ D2011 ENGINES (CE & UK CA SPECS) (SN 0300315790 to Present).....	122
FIGURE 2-31. GROUND CONTROL BOX ASSEMBLY - WITH DEUTZ D2011 ENGINES - WITH FORD ENGINES - WITH MECHANICAL HOUR METER (Prior to SN 0300315790).....	126
FIGURE 2-32. GROUND CONTROL BOX ASSEMBLY - WITH DEUTZ D2011 ENGINES - WITH FORD ENGINES - WITH MECHANICAL HOUR METER (SN 0300315790 to Present).....	130
FIGURE 2-33. GROUND CONTROL BOX ASSEMBLY - WITH DEUTZ D2011 ENGINES AND WITH TOWER STOW (CE & UK CA LRC SPECS) (Prior to SN 0300315790).....	134
FIGURE 2-34. GROUND CONTROL BOX ASSEMBLY - WITH DEUTZ D2011 ENGINES AND WITH TOWER STOW (CE & UK CA LRC SPECS) (SN 0300315790 to Present).....	138
FIGURE 2-35. GROUND CONTROL BOX ASSEMBLY - WITH DEUTZ TD2.9L4 ENGINES - WITH MECHANICAL HOUR METER (ANSI, ANSI EXPORT, CSA, CHINA & JAPANESE SPECS) (Prior to SN 0300315790).....	142
FIGURE 2-36. GROUND CONTROL BOX ASSEMBLY - WITH DEUTZ TD2.9L4 ENGINES - WITH MECHANICAL HOUR METER (ANSI, ANSI EXPORT, CSA, CHINA & JAPANESE SPECS) (SN 0300315790 to Present).....	146
FIGURE 2-37. GROUND CONTROL BOX ASSEMBLY - WITH DEUTZ TD2.9L4 AND TOWER STOW - WITH MECHANICAL HOUR METER (ANSI, ANSI EXPORT, CSA, CHINA & JAPANESE SPECS) (Prior to SN 0300315790).....	150
FIGURE 2-38. GROUND CONTROL BOX ASSEMBLY - WITH DEUTZ TD2.9L4 AND TOWER STOW - WITH MECHANICAL HOUR METER (ANSI, ANSI EXPORT, CSA, CHINA & JAPANESE SPECS) (SN 0300315790 to Present).....	154
FIGURE 2-39. GROUND CONTROL BOX ASSEMBLY - WITH DEUTZ TD2.9L4 (STAGE V) ENGINES (CE & UK CA SPECS) (Prior to SN 0300315790).....	158
FIGURE 2-40. GROUND CONTROL BOX ASSEMBLY - WITH DEUTZ TD2.9L4 (STAGE V) ENGINES (CE & UK CA SPECS) (SN 0300315790 to Present).....	162
FIGURE 2-41. GROUND CONTROL BOX ASSEMBLY - WITH DEUTZ TD2.9L4 (STAGE V) ENGINES AND WITH TOWER STOW (CE & UK CA SPECS) (Prior to SN 0300315790).....	166
FIGURE 2-42. GROUND CONTROL BOX ASSEMBLY - WITH DEUTZ TD2.9L4 (STAGE V) ENGINES AND WITH TOWER STOW (CE & UK CA SPECS) (SN 0300315790 to Present).....	170
FIGURE 2-43. GROUND CONTROL BOX ASSEMBLY - WITH FORD ENGINES AND TOWER STOW - WITH MECHANICAL HOUR METER (Prior to SN 0300315790).....	174
FIGURE 2-44. GROUND CONTROL BOX ASSEMBLY - WITH FORD ENGINES AND TOWER STOW - WITH MECHANICAL HOUR METER (SN 0300315790 to Present).....	178
FIGURE 2-45. LIGHT PANEL INSTALLATION.....	182
FIGURE 2-46. ALARM INSTALLATION.....	184
FIGURE 2-47. WHITE NOISE ALARM INSTALLATION - ADJUSTABLE AMBIENT.....	186
FIGURE 2-48. WHITE NOISE MOTION ALARM INSTALLATION - AMBIENT.....	188
FIGURE 2-49. STROBE LIGHT INSTALLATION (AMBER).....	190
FIGURE 2-50. STROBE LIGHT INSTALLATION (BLUE).....	192
FIGURE 2-51. STROBE LIGHT INSTALLATION (RED).....	194
FIGURE 2-52. HOODS INSTALLATION - ABS (DEUTZ D2011 ENGINES).....	196
FIGURE 2-53. HOODS INSTALLATION - ABS (DEUTZ TD2.9L4 ENGINES).....	200

TABLE OF CONTENTS

FIGURE 2-54. HOODS INSTALLATION - ABS (DEUTZ TD2.9L4 (STAGE V) ENGINES)	204
FIGURE 2-55. HOODS INSTALLATION - STEEL (DEUTZ D2011 ENGINES)	208
FIGURE 2-56. HOODS INSTALLATION - STEEL (DEUTZ TD2.9L4 ENGINES).....	212
FIGURE 2-57. HOODS INSTALLATION - STEEL (FORD ENGINES)	216
FIGURE 2-58. EXHAUST COVER AND HEAT SHIELDS INSTALLATION - STEEL HOODS (DEUTZ D2011 ENGINES)	220
FIGURE 2-59. EXHAUST COVER AND HEAT SHIELDS INSTALLATION - STEEL HOODS (DEUTZ TD2.9L4 ENGINES).....	222
FIGURE 2-60. EXHAUST COVER INSTALLATION - STEEL HOODS (FORD ENGINES).....	224
FIGURE 2-61. SKYAIR AIR COMPRESSOR INSTALLATION.....	226
FIGURE 2-62. SKYAIR AIR COMPRESSOR INSTALLATION.....	228
FIGURE 2-63. AIR COMPRESSOR ASSEMBLY	230
SECTION 3 - ENGINE	233
FIGURE 3-1. DEUTZ D2011 ENGINE INSTALLATION (WITHOUT ARCTIC PACKAGE).....	234
FIGURE 3-2. DEUTZ D2011 ENGINE INSTALLATION (WITH ARCTIC PACKAGE)	236
FIGURE 3-3. DEUTZ D2011 ENGINE/PUMP SUB ASSEMBLY (WITHOUT ARCTIC PACKAGE)	240
FIGURE 3-4. DEUTZ TD2.9L4 ENGINE/PUMP SUB ASSEMBLY (WITH ARCTIC PACKAGE).....	242
FIGURE 3-5. DEUTZ D2011 ENGINE ASSEMBLY (WITHOUT ARCTIC PACKAGE)	244
FIGURE 3-6. DEUTZ D2011 ENGINE ASSEMBLY (WITH ARCTIC PACKAGE)	248
FIGURE 3-7. DEUTZ D2011 ENGINE COMPONENTS	252
FIGURE 3-8. DEUTZ TD2.9L4 ENGINE INSTALLATION (STAGE V)	256
FIGURE 3-9. DEUTZ TD2.9L4 ENGINE INSTALLATION (CHINA III).....	260
FIGURE 3-10. DEUTZ TD2.9L4 ENGINE INSTALLATION (CHINA IV)	264
FIGURE 3-11. DEUTZ TD2.9L4 ENGINE COMPONENTS (CHINA IV)	268
FIGURE 3-12. DEUTZ TD2.9L4 ENGINE/PUMP SUB ASSEMBLY (CHINA III)	270
FIGURE 3-13. DEUTZ TD2.9L4 ENGINE/PUMP SUB ASSEMBLY (CHINA IV).....	272
FIGURE 3-14. DEUTZ TD2.9L4 ENGINE ASSEMBLY (CHINA IV).....	274
FIGURE 3-15. DEUTZ TD2.9L4 ENGINE ASSEMBLY (CHINA IV).....	276
FIGURE 3-16. DEUTZ TD2.9L4 ENGINE ASSEMBLY (STAGE V).....	280
FIGURE 3-17. DEUTZ TD2.9L4 ENGINE ASSEMBLY (CHINA III SPECS).....	286
FIGURE 3-18. DEUTZ TD2.9L4 ENGINE/PUMP SUB ASSEMBLY (STAGE V).....	292
FIGURE 3-19. DEUTZ TD2.9L4 ENGINE COMPONENTS (STAGE V)	294
FIGURE 3-20. DEUTZ TD2.9L4 ENGINE COMPONENTS (CHINA III SPECS)	298
FIGURE 3-21. DEUTZ D2.9L4 - EMR5 ENGINE INSTALLATION WITH ARCTIC PACKAGE.....	302
FIGURE 3-22. DEUTZ D2.9L4 - EMR5 ENGINE AND PUMP SUB-ASSEMBLY WITH ARCTIC PACKAGE	306
FIGURE 3-23. ENGINE ASSEMBLY - DEUTZ D2.9L4 EMR5 ENGINE (WITH ARCTIC PACKAGE).....	308
FIGURE 3-24. DEUTZ D2.9L4 - EMR5 ENGINE INSTALLATION WITHOUT ARCTIC PACKAGE	314
FIGURE 3-25. DEUTZ D2.9L4 - EMR5 ENGINE AND PUMP SUB-ASSEMBLY WITHOUT ARCTIC PACKAGE	318
FIGURE 3-26. ENGINE ASSEMBLY - DEUTZ D2.9L4 EMR5 ENGINE (WITHOUT ARCTIC PACKAGE)	320
FIGURE 3-27. ENGINE COMPONENTS - DEUTZ D2.9L4 EMR5 ENGINE	326
FIGURE 3-28. FUEL PUMP/FILTER BRACKET ASSEMBLY (DEUTZ TD2.9L4 ENGINES)	330
FIGURE 3-29. FUEL PUMP/FILTER BRACKET ASSEMBLY (DEUTZ TD2.9L4 (STAGE V) ENGINES)	332
FIGURE 3-30. FUEL PUMP/FILTER BRACKET ASSEMBLY (DEUTZ TD2.9L4 ENGINES) (CHINA III ENGINES)	334
FIGURE 3-31. BREATHER HEATER INST (DEUTZ TD2.9L4 ENGINES).....	336
FIGURE 3-32. FORD ENGINE INSTALLATION (WITHOUT ARCTIC PACKAGE)	338
FIGURE 3-33. FORD ENGINE INSTALLATION (WITH ARCTIC PACKAGE).....	342
FIGURE 3-34. FORD ENGINE AND PUMP SUB-ASSEMBLY (WITHOUT ARCTIC PACKAGE).....	346

TABLE OF CONTENTS

FIGURE 3-35. FORD ENGINE AND PUMP SUB-ASSEMBLY (WITH ARCTIC PACKAGE)	348
FIGURE 3-36. FORD ENGINE ASSEMBLY (WITHOUT ARCTIC PACKAGE)	350
FIGURE 3-37. FORD ENGINE ASSEMBLY (WITH ARCTIC PACKAGE)	356
FIGURE 3-38. FORD ENGINE PREP ASSEMBLY	362
FIGURE 3-39. FORD ENGINE BRACKETS AND EXHAUST MANIFOLD INSTALLATION	364
FIGURE 3-40. FORD ENGINE DRIVE BELT INSTALLATION (MACHINES WITHOUT GENERATOR)	366
FIGURE 3-41. FORD ENGINE COMPONENTS	368
FIGURE 3-42. PUMP COUPLING KIT (DEUTZ ENGINES)	372
FIGURE 3-43. HYDROSTATIC PUMP ASSEMBLY	374
FIGURE 3-44. VARIABLE PUMP ASSEMBLY	376
FIGURE 3-45. VARIABLE PUMP ASSEMBLY - HENGLI	380
FIGURE 3-46. HYDROSTATIC PUMP ASSEMBLY	382
FIGURE 3-47. EXHAUST PIPE INSTALLATION - DEUTZ TD2.9L4 ENGINES	384
FIGURE 3-48. EXHAUST PIPE INSTALLATION - DEUTZ TD2.9L4 (STAGE V) ENGINES	386
FIGURE 3-49. EXHAUST PIPE INSTALLATION - FORD ENGINES	388
FIGURE 3-50. SPARK ARRESTOR MUFFLER INSTALLATION - DEUTZ D2011 ENGINES	390
FIGURE 3-51. SPARK ARRESTOR INSTALLATION (WITH STEEL HOODS) (SN 0300314169 to Present)	392
FIGURE 3-52. SPARK ARRESTOR INSTALLATION (WITH PLASTIC HOODS) (SN 0300314169 to Present)	394
FIGURE 3-53. FUEL-WATER SEPARATOR INSTALLATION - DEUTZ D2011 ENGINES	396
FIGURE 3-54. FUEL-WATER SEPARATOR INSTALLATION - DEUTZ TD2.9L4 ENGINES	398
FIGURE 3-55. RIGHT ENGINE SUPPORT INSTALLATION (DEUTZ D2011 ENGINES MACHINES WITHOUT GENERATORS)	400
FIGURE 3-56. RIGHT ENGINE SUPPORT INSTALLATION (DEUTZ D2011 ENGINES MACHINES WITH GENERATORS)	402
FIGURE 3-57. ENGINE HOOD Baffle INSTALLATION - DEUTZ TD2.9L4 ENGINES AND DEUTZ TD2.9L4 (STAGE V) ENGINES WITH ABS HOODS	404
FIGURE 3-58. ENGINE HOOD Baffle INSTALLATION - DEUTZ TD2.9L4 ENGINES WITH STEEL HOODS	406
FIGURE 3-59. ENGINE TRAY JACK INSTALLATION - DEUTZ ENGINES	408
FIGURE 3-60. ENGINE TRAY JACK INSTALLATION - FORD ENGINES	410
FIGURE 3-61. 2500W/110V/60HZ GENERATOR INSTALLATION - DEUTZ D2011 ENGINES	412
FIGURE 3-62. 2500W/110V/60HZ GENERATOR INSTALLATION - DEUTZ TD2.9L4 ENGINES	414
FIGURE 3-63. 2500W/110V/60HZ GENERATOR INSTALLATION - FORD ENGINES	418
FIGURE 3-64. 2500W/220V/50HZ GENERATOR INSTALLATION - DEUTZ D2011 ENGINES	422
FIGURE 3-65. 4000W/50HZ GENERATOR INSTALLATION - DEUTZ D2011 ENGINES	424
FIGURE 3-66. 4000W/50HZ GENERATOR INSTALLATION - DEUTZ TD2.9L4 ENGINES AND DEUTZ TD2.9L4 (STAGE V) ENGINES	428
FIGURE 3-67. 4000W/60HZ GENERATOR INSTALLATION - DEUTZ D2011 ENGINES	432
FIGURE 3-68. 4000W/60HZ GENERATOR INSTALLATION - DEUTZ TD2.9L4 ENGINES	436
FIGURE 3-69. 7500W/50HZ SKYPOWER GENERATOR INSTALLATION - DEUTZ D2011 ENGINES	440
FIGURE 3-70. 7500W/50HZ SKYPOWER GENERATOR INSTALLATION - DEUTZ TD2.9L4 ENGINES AND DEUTZ TD2.9L4 (STAGE V) ENGINES	444
FIGURE 3-71. 7500W/60HZ SKYPOWER GENERATOR INSTALLATION - DEUTZ D2011 ENGINES	448
FIGURE 3-72. 7500W/60HZ SKYPOWER GENERATOR INSTALLATION - DEUTZ TD2.9L4 ENGINES	452
FIGURE 3-73. 7500W/60HZ SKYPOWER GENERATOR INSTALLATION - FORD ENGINES	456
FIGURE 3-74. QUICKFIT OIL VALVE (DEUTZ ENGINES)	460
SECTION 4 - BOOM	463
FIGURE 4-1. BOOM AND CYLINDER INSTALLATION	464

TABLE OF CONTENTS

FIGURE 4-2. MAIN BOOM ASSEMBLY	466
FIGURE 4-3. TOWER BOOM ASSEMBLY	468
FIGURE 4-4. JIB ASSEMBLY	470
FIGURE 4-5. ROTATOR ASSEMBLY	472
FIGURE 4-6. SUPPORT, PLATFORM INSTALLATION.....	474
FIGURE 4-7. POWER TRACK INSTALLATION - MAIN BOOM.....	476
FIGURE 4-8. POWER TRACK INSTALLATION - TOWER BOOM.....	478
FIGURE 4-9. CONTROL VALVES INSTALLATION - WITH 2WS	480
FIGURE 4-10. CONTROL VALVE ASSEMBLY.....	482
FIGURE 4-11. BOOM VALVES AND PROXIMITY SWITCHES INSTALLATION.....	484
FIGURE 4-12. BOOM VALVES AND PROXIMITY SWITCHES INSTALLATION WITH TOWER STOW.....	488
FIGURE 4-13. TRANSPORT POSITION SWITCH INSTALLATION	492
SECTION 5 - PLATFORM.....	495
FIGURE 5-1. PLATFORM ASSEMBLY WITH DROP-BAR - 30IN X 3FT (76CM X 1M).....	496
FIGURE 5-2. PLATFORM ASSEMBLY WITH GATE - 30IN X 4FT (76CM X 1.22M).....	498
FIGURE 5-3. PLATFORM ASSEMBLY WITH DROP-BAR - 30IN X 4FT (76CM X 1.22M).....	500
FIGURE 5-4. PLATFORM ASSEMBLY WITH GATE - 30IN X 6FT (76CM X 1.83M).....	502
FIGURE 5-5. PLATFORM ASSEMBLY WITH GATE- 36IN X 6FT (91.5CM X 1.83M).....	504
FIGURE 5-6. PLATFORM ASSEMBLY WITH DROP-BAR - 30IN X 6FT (76CM X 1.83M).....	506
FIGURE 5-7. PLATFORM ASSEMBLY WITH DROP-BAR - 36IN X 6FT (91.5CM X 1.83M).....	508
FIGURE 5-8. PLATFORM ASSEMBLY WITH 1 GATE / 2 DROP BARS (TRI-ENTRY) - 36IN X 6FT (91.5CM X 1.83M)	510
FIGURE 5-9. PLATFORM ASSEMBLY WITH 3 DROP BARS (TRI-ENTRY) - 36IN X 6FT (91.5CM X 1.83M)	512
FIGURE 5-10. PLATFORM ASSEMBLY WITH FALL ARREST (6FT)	514
FIGURE 5-11. PLATFORM ASSEMBLY WITH GATE - 36IN X 8FT (91.5CM X 2.44M).....	516
FIGURE 5-12. PLATFORM ASSEMBLY WITH DROP-BAR - 36IN X 8FT (91.5CM X 2.44M).....	518
FIGURE 5-13. PLATFORM ASSEMBLY WITH 1 GATE / 2 DROP BARS (TRI-ENTRY) - 36IN X 8FT (91.5CM X 2.44M)	520
FIGURE 5-14. PLATFORM ASSEMBLY WITH 3 DROP BARS (TRI-ENTRY) - 36IN X 8FT (91.5CM X 2.44M)	522
FIGURE 5-15. PLATFORM ASSEMBLY WITH FALL ARREST (8FT)	524
FIGURE 5-16. CONSOLE AND FOOT SWITCH INSTALLATION.....	526
FIGURE 5-17. CONSOLE AND FOOT SWITCH INSTALLATION WITH TOWER STOW	528
FIGURE 5-18. CONSOLE BOX ASSEMBLY WITH FOOTSWITCH (WITHOUT TOWER STOW) (Prior to SN 0300316691)	530
FIGURE 5-19. CONSOLE BOX ASSEMBLY WITH FOOTSWITCH (WITHOUT TOWER STOW) (SN 0300316691 to Present)	534
FIGURE 5-20. CONSOLE BOX ASSEMBLY WITH FOOTSWITCH (WITH TOWER STOW) (Prior to SN 0300316691)	538
FIGURE 5-21. CONSOLE BOX ASSEMBLY WITH FOOTSWITCH (WITH TOWER STOW) (SN 0300316691 to Present).....	542
FIGURE 5-22. LIGHT PANEL INSTALLATION	546
FIGURE 5-23. FOOTSWITCH ASSEMBLY.....	548
FIGURE 5-24. JIB SWITCH INSTALLATION	550
FIGURE 5-25. SKYEYE INSTALLATION	552
FIGURE 5-26. SKYGUARD BAR INSTALLATION	554
FIGURE 5-27. SKYLINE INSTALLATION	556
FIGURE 5-28. STORAGE TRAY INSTALLATION - CENTER.....	558
FIGURE 5-29. MANUAL STORAGE BOX INSTALLATION.....	560
FIGURE 5-30. SKYCUTTER INSTALLATION.....	562
FIGURE 5-31. SKYWELDER/SKYCUTTER COMBO INSTALLATION (60HZ).....	564
FIGURE 5-32. PLASMA CUTTER ASSEMBLY.....	568

TABLE OF CONTENTS

FIGURE 5-33. SKYWELDER INSTALLATION (50HZ).....	570
FIGURE 5-34. SKYWELDER INSTALLATION (60HZ).....	572
FIGURE 5-35. WELDER ASSEMBLY	574
FIGURE 5-36. SKYWELDER PREP PACKAGE (60HZ)	576
FIGURE 5-37. SKYGLAZIER INSTALLATION (ALL SPECS EXCEPT CHINA AND JAPANESES SPECS).....	578
FIGURE 5-38. SKYGLAZIER INSTALLATION (ENGLISH LANGUAGE DECALS)	580
FIGURE 5-39. SOFT TOUCH SYSTEM INSTALLATION - 6FT/1.83M PLATFORM	582
FIGURE 5-40. SOFT TOUCH SYSTEM INSTALLATION - 6FT/1.83M FALL ARREST PLATFORM	584
FIGURE 5-41. SOFT TOUCH SYSTEM INSTALLATION - 8FT/2.44M PLATFORM	586
FIGURE 5-42. SOFT TOUCH SYSTEM INSTALLATION - 8FT/2.44M FALL ARREST PLATFORM	588
FIGURE 5-43. FALL ARREST INSTALLATION (BOLT-ON) 30IN X 4FT (76CM X 1.22M) PLATFORM	590
FIGURE 5-44. FALL ARREST INSTALLATION (BOLT-ON) 36IN X 6FT (91.2CM X 1.82M) PLATFORM.....	592
FIGURE 5-45. FALL ARREST INSTALLATION (BOLT-ON) 30IN X 6FT (76CM X 1.83M) PLATFORM.....	594
FIGURE 5-46. FALL ARREST INSTALLATION (BOLT-ON) 36IN X 8FT (91.5CM X 2.4M) PLATFORM.....	596
FIGURE 5-47. FALL ARREST INSTALLATION (BOLT-ON) 36IN X 6FT (91.5CM X 1.82M) TRI-ENTRY PLATFORM).....	598
FIGURE 5-48. USB CHARGER INSTALLATION.....	600
SECTION 6 - CYLINDER.....	603
FIGURE 6-1. AXLE LOCKOUT CYLINDER ASSEMBLY.....	604
FIGURE 6-2. LEVEL CYLINDER ASSEMBLY - PLATFORM SLAVE.....	606
FIGURE 6-3. LEVEL CYLINDER ASSEMBLY - UPRIGHT.....	608
FIGURE 6-4. LIFT CYLINDER ASSEMBLY - JIB	610
FIGURE 6-5. LIFT CYLINDER ASSEMBLY - MAIN BOOM.....	612
FIGURE 6-6. LIFT CYLINDER ASSEMBLY - TOWER BOOM	614
FIGURE 6-7. MASTER CYLINDER ASSEMBLY	616
FIGURE 6-8. STEER CYLINDER ASSEMBLY	618
FIGURE 6-9. TELESCOPE CYLINDER ASSEMBLY - MAIN BOOM.....	620
FIGURE 6-10. TELESCOPE CYLINDER ASSEMBLY - TOWER BOOM	622
SECTION 7 - HYDRAULIC	625
FIGURE 7-1. HYDRAULIC DIAGRAM - AXLE (OSCILLATING).....	626
FIGURE 7-2. HYDRAULIC DIAGRAM - DRIVE (4WD/2WS WITHOUT TOW PACKAGE/WITHOUT ARCTIC PACKAGE).....	628
FIGURE 7-3. HYDRAULIC DIAGRAM - DRIVE (4WD/2WS WITHOUT TOW PACKAGE/WITH ARCTIC PACKAGE)	634
FIGURE 7-4. HYDRAULIC DIAGRAM - DRIVE (4WD/2WS WITH TOW PACKAGE/WITHOUT ARCTIC PACKAGE)	640
FIGURE 7-5. HYDRAULIC DIAGRAM - DRIVE (4WD/2WS WITH TOW PACKAGE/WITH ARCTIC PACKAGE).....	646
FIGURE 7-6. HYDRAULIC DIAGRAM - DRIVE (4WD/2WS WITH TOW PACKAGE)(CE & UK CA SPECS ONLY)	652
FIGURE 7-7. HYDRAULIC DIAGRAM - DRIVE (4WD/2WS WITH TOW PACKAGE AND ARCTIC PACKAGE)(ANSI SPEC ONLY)	658
FIGURE 7-8. HYDRAULIC DIAGRAM - DRIVE (4WD/2WS WITHOUT TOW PACKAGE AND WITHOUT ARCTIC PACKAGE)(ALL SPECS).....	664
FIGURE 7-9. HYDRAULIC DIAGRAM - DRIVE (4WD/2WS WITHOUT TOW PACKAGE AND WITH ARCTIC PACKAGE)(CSA AND ANSI SPECS).....	670
FIGURE 7-10. HYDRAULIC DIAGRAM - STANDARD	676
SECTION 8 - ELECTRICAL.....	681
FIGURE 8-1. 800AJ HC3 ELECTRICAL LAYOUT	682
FIGURE 8-2. AC BOX AT PLATFORM INSTALLATION - 110V GFI RECEPTACLE (ALL SPECS EXCEPT AUSTRALIAN, CE & UK CA SPECS).....	696

TABLE OF CONTENTS

FIGURE 8-3. AC BOX AT PLATFORM INSTALLATION - 220V (ANSI, CSA & JAPANESE SPECS)	698
FIGURE 8-4. AC BOX AT PLATFORM MID-BOOM PLUG INSTALLATION (WITH 4000W/60HZ GENERATOR) (ANSI, ANSI EXPORT, CSA & JAPANESE SPECS)	700
FIGURE 8-5. AC BOX AT PLATFORM MID-BOOM PLUG INSTALLATION (WITHOUT 7500W SKYPOWER GENERATOR) (ALL SPECS EXCEPT ANSI, JAPANESE & CSA SPECS)	702
FIGURE 8-6. AC BOX AT PLATFORM MID-BOOM PLUG INSTALLATION (WITH 7500W SKYPOWER GENERATOR).....	704
FIGURE 8-7. AC BOX AT PLATFORM INSTALLATION - 110V IEC YELLOW (CE & UK CA SPECS) (MACHINES WITH 2500W GENERATOR OR NO GENERATOR OPTION).....	706
FIGURE 8-8. AC BOX AT PLATFORM INSTALLATION - 110V IEC YELLOW (CE & UK CA SPECS) (MACHINES WITH 4000W GENERATOR).....	708
FIGURE 8-9. AC BOX AT PLATFORM INSTALLATION - 220V IEC BLUE (CE & UK CA SPECS) (MACHINES WITH 2500W GENERATOR OR NO GENERATOR OPTION).....	710
FIGURE 8-10. AC BOX AT PLATFORM INSTALLATION - 220V IEC BLUE (CE & UK CA SPECS) (MACHINES WITH 4000W GENERATOR).....	712
FIGURE 8-11. AC BOX AT PLATFORM INSTALLATION - 220V CEE7 POST GROUND (CE & UK CA SPECS) (MACHINES WITH 2500W GENERATOR OR NO GENERATOR OPTION)	714
FIGURE 8-12. AC BOX AT PLATFORM INSTALLATION - 220V CEE7 POST GROUND (CE & UK CA SPECS) (MACHINES WITH 4000W GENERATOR)	716
FIGURE 8-13. AC BOX AT PLATFORM INSTALLATION - 220V CEE7 SIDE GROUND (CE & UK CA SPECS) (MACHINES WITH 2500W GENERATOR OR NO GENERATOR OPTION)	718
FIGURE 8-14. AC BOX AT PLATFORM INSTALLATION - 220V CEE7 SIDE GROUND (CE & UK CA SPECS) (MACHINES WITH 4000W GENERATOR)	720
FIGURE 8-15. AC BOX AT PLATFORM INSTALLATION - 220V AFSINT 107 KEYED GROUND (CE & UK CA SPECS) (MACHINES WITH 2500W GENERATOR OR NO GENERATOR OPTION)	722
FIGURE 8-16. AC BOX AT PLATFORM INSTALLATION - 220V AFSINT 107 KEYED GROUND (CE & UK CA SPECS) (MACHINES WITH 4000W GENERATOR)	724
FIGURE 8-17. AC BOX AT PLATFORM INSTALLATION - 220V (2X4 BOX & COVER ONLY - LOCALLY SUPPLIED RECEPTACLE) (4000W GENERATOR)	726
FIGURE 8-18. AC BOX AT PLATFORM INSTALLATION - 240V GFCI RECEPTACLE (ALL SPECS EXCEPT CE, UK CA, AUSTRALIAN & CHINESE SPECS WITH 4000W SKYPOWER GENERATOR).....	728
FIGURE 8-19. AC BOX AT PLATFORM INSTALLATION - 240V GFCI RECEPTACLE (ALL SPECS EXCEPT CE, UK CA, AUSTRALIAN & CHINESE SPECS WITH 7500W SKYPOWER GENERATOR).....	730
FIGURE 8-20. BEACON CONTROL HARNESS (BLUE AND RED STROBE LIGHTS).....	732
FIGURE 8-21. BATTERY DISCONNECT	734
FIGURE 8-22. BOOM CABLES INSTALLATION - WITH 2500W GENERATOR	736
FIGURE 8-23. BOOM CABLES INSTALLATION - WITH 4000W GENERATOR (50HZ)	738
FIGURE 8-24. BOOM CABLES INSTALLATION - WITH 4000W GENERATOR (60HZ)	740
FIGURE 8-25. BOOM CABLES INSTALLATION - WITH 7500W SKYPOWER GENERATOR.....	742
FIGURE 8-26. BOOM CABLE - MAIN BOOM	744
FIGURE 8-27. BOOM CABLE (TOWER BOOM).....	746
FIGURE 8-28. BOOM VALVE HARNESS	748
FIGURE 8-29. BREAKER BOX INSTALLATION (BRAZIL SPECS).....	750
FIGURE 8-30. BREAKER BOX INSTALLATION (CE & UK CA SPECS WITHOUT 4000W GENERATOR).....	752
FIGURE 8-31. BREAKER BOX KIT - ONE DOUBLE 16AMP BREAKER (BRAZIL, CE & UK CA SPECS WITHOUT 4000W GENERATOR).....	754
FIGURE 8-32. BREAKER BOX KIT - WITH 3 BREAKERS (CE & UK CA SPECS WITH 4000W GENERATOR)	756
FIGURE 8-33. BREAKER BOX KIT - ONE DOUBLE 16AMP BREAKER (CE & UK CA SPECS WITH 4000W GENERATOR)..	758
FIGURE 8-34. CBS HARNESS	760
FIGURE 8-35. CLEARSKY INSTALLATION - CANBUS (ANSI SPECS).....	762
FIGURE 8-36. CLEARSKY INSTALLATION - CANBUS (AUSTRALIAN SPECS)	764
FIGURE 8-37. CLEARSKY INSTALLATION - CANBUS (CE SPECS).....	766

TABLE OF CONTENTS

FIGURE 8-38. CLEARSKY INSTALLATION - CANBUS (CHINA SPECS)	768
FIGURE 8-39. CLEARSKY INSTALLATION - 3-WIRE (ANSI & CSA SPECS).....	770
FIGURE 8-40. CLEARSKY INSTALLATION - 3-WIRE (ANSI EXPORT, CE & UK CA SPECS).....	772
FIGURE 8-41. CLEARSKY INSTALLATION 3-WIRE CONNECTION (ALL SPECS).....	774
FIGURE 8-42. CLEARSKY TELEMATCIS HARNESS (3-WIRE).....	776
FIGURE 8-43. CLEARSKY TELEMATICS HARNESS.....	778
FIGURE 8-44. CLEARSKY TELEMATCIS HARNESS (CANBUS)	780
FIGURE 8-45. ECU POWER JUMPER HARNESS.....	782
FIGURE 8-46. ENGINE HARNESS - DEUTZ D2011 ENGINES.....	784
FIGURE 8-47. GROUND CONTROL ENGINE HARNESS - DEUTZ TD2.9L4 (STAGE V) ENGINE	786
FIGURE 8-48. ENGINE HARNESS - DEUTZ TD2.9L4 ENGINES AND DEUTZ TD2.9L4 (STAGE V PRE-BUY) ENGINES	788
FIGURE 8-49. ENGINE HARNESS - DEUTZ TD2.9L4 (STAGE V) ENGINES.....	792
FIGURE 8-50. ENGINE HARNESS - FORD ENGINES	796
FIGURE 8-51. FUEL PUMP HARNESS - DEUTZ TD2.9L4 ENGINES	798
FIGURE 8-52. FUEL HARNESS - DEUTZ TD2.9L4 (STAGE V) ENGINE	800
FIGURE 8-53. GENERATOR HARNESS - 4000W GENERATOR	802
FIGURE 8-54. GENERATOR HARNESS - 7500W SKYPOWER GENERATOR	804
FIGURE 8-55. GENERATOR TO ENGINE HARNESS - 2500W (FORD ENGINES).....	806
FIGURE 8-56. GENERATOR TO ENGINE HARNESS - 4000W (DEUTZ D2011 ENGINES).....	808
FIGURE 8-57. GENERATOR TO ENGINE HARNESS - 4000W (DEUTZ TD2.9L4 ENGINES)	810
FIGURE 8-58. GENERATOR TO ENGINE HARNESS - 7500W SKYPOWER GENERATOR (DEUTZ D2011 ENGINES)	812
FIGURE 8-59. GENERATOR TO ENGINE HARNESS - 7500W SKYPOWER (FORD DF 2.5L ENGINES).....	814
FIGURE 8-60. GENERATOR HARNESS - 7500W SKYPOWER (DEUTZ TD2.9L4 T4F ENGINES)	816
FIGURE 8-61. GENERATOR TO REAR OF BOOM HARNESS - 110V	818
FIGURE 8-62. GENERATOR TO REAR OF BOOM HARNESS - 220V	820
FIGURE 8-63. GROUND CONTROL BOX HARNESS (Prior to SN 0300315790).....	822
FIGURE 8-64. GROUND CONTROL BOX HARNESS (SN 0300315790 to Present).....	824
FIGURE 8-65. MID BOOM PROXIMITY SENSOR HARNESS	828
FIGURE 8-66. PLATFORM CONSOLE BOX HARNESS (Prior to SN 0300316691)	830
FIGURE 8-67. PLATFORM CONSOLE BOX HARNESS (SN 0300316691 to Present)	832
FIGURE 8-68. RECEPTACLE BOX KIT - 110V IEC YELLOW (CE & UK CA SPECS).....	834
FIGURE 8-69. RECEPTACLE BOX KIT - 220V IEC BLUE (CE & UK CA SPECS).....	836
FIGURE 8-70. RECEPTACLE BOX KIT - 220V CEE7 POST GROUND 2X4 BOX (CE & UK CA SPEC).....	838
FIGURE 8-71. RECEPTACLE BOX KIT - 220V CEE7 SIDE GROUND 2X4 BOX (CE & UK CA SPEC)	840
FIGURE 8-72. RECEPTACLE BOX KIT - 220V AFSINT107 KEYED GROUND (CE & UK CA SPECS).....	842
FIGURE 8-73. SKYEYE EMITTER HARNESS	844
FIGURE 8-74. SKYEYE INTERMEDIATE HARNESS	846
FIGURE 8-75. SKYEYE RECEIVER HARNESS.....	848
FIGURE 8-76. SKYLINE HARNESS	850
FIGURE 8-77. SKYGUARD INTERFACE HARNESS	852
FIGURE 8-78. STROBE LIGHT JUMPER HARNESS	854
FIGURE 8-79. TOWER STOW HARNESS	856
FIGURE 8-80. VALVE HARNESS.....	858
FIGURE 8-81. WHITE NOISE ALARM HARNESS	860
SECTION 9 - DECALS	863

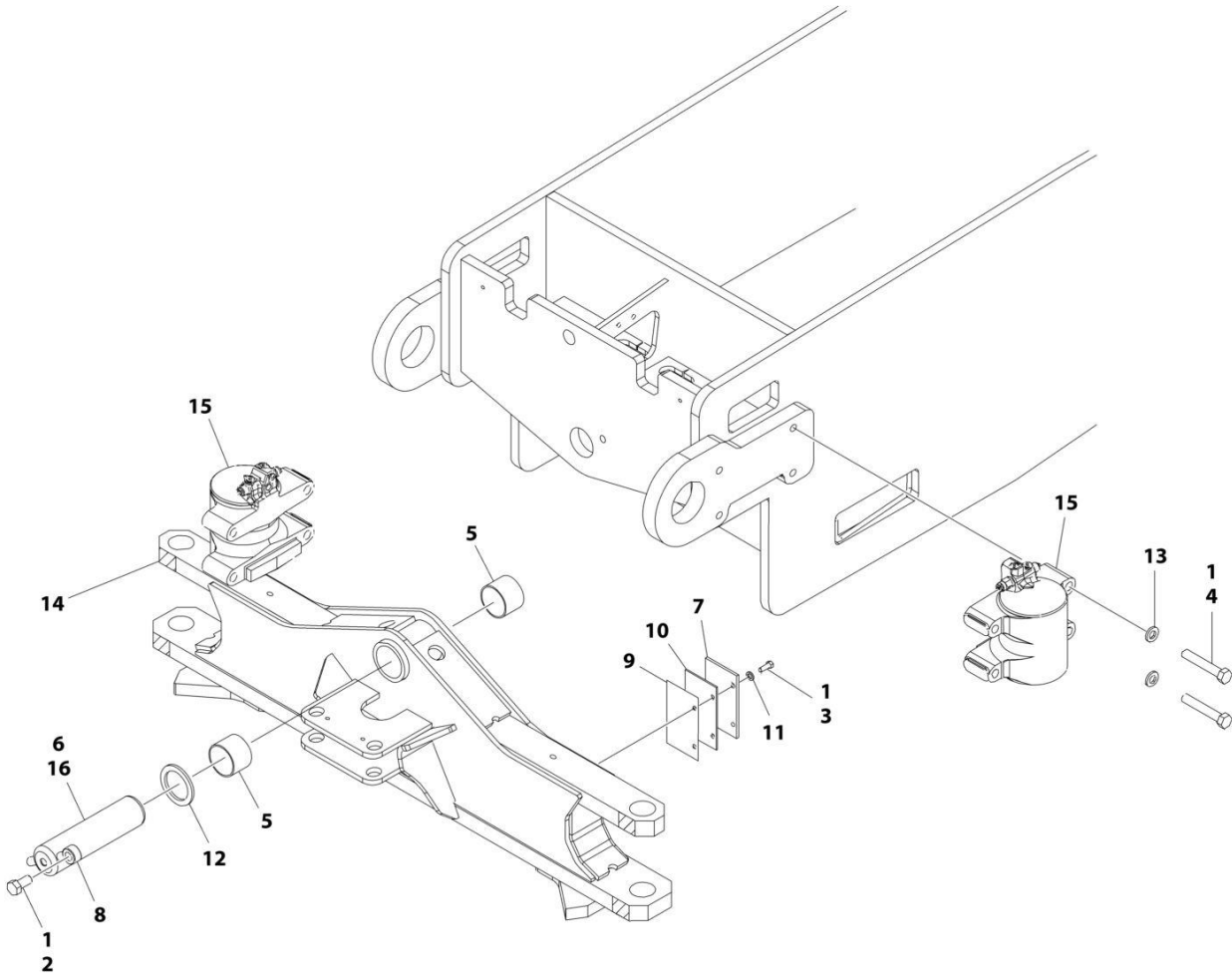
TABLE OF CONTENTS

FIGURE 9-1. DECAL INSTALLATION (ANSI SPECS).....	864
FIGURE 9-2. DECAL INSTALLATION (AUSTRALIAN SPECS).....	868
FIGURE 9-3. DECAL INSTALLATION (BRAZILIAN SPECS).....	872
FIGURE 9-4. DECAL INSTALLATION (CE & UK CA SPECS).....	876
FIGURE 9-5. DECAL INSTALLATION (CHINA SPECS).....	880
FIGURE 9-6. DECAL INSTALLATION (CSA SPECS).....	884
FIGURE 9-7. DECAL INSTALLATION (JAPANESE SPECS).....	888
FIGURE 9-8. DECAL INSTALLATION (KOREAN SPECS).....	892
FIGURE 9-9. DECAL INSTALLATION (LATIN AMERICAN SPECS).....	896
FIGURE 9-10. DECAL INSTALLATION - OPTIONS.....	900
FIGURE 9-11. SKYCUTTER DECAL INSTALLATION.....	904
FIGURE 9-12. SKYWELDER DECAL INSTALLATION - 50HZ.....	906
FIGURE 9-13. DECAL INSTALLATION - SKYWELDER (60HZ).....	908
SECTION 10 - RECOMMENDED SERVICE PARTS STOCK.....	911
FIGURE 10-1. RECOMMENDED SERVICE PARTS STOCK.....	912
SECTION 11 - SPECIAL OPTIONS.....	915
FIGURE 11-1. SPECIAL OPTIONS/ACCESSORES/KITS.....	916
PART NUMBER INDEX.....	921

SECTION 1 - FRAME

SECTION 1 - FRAME

FIGURE 1-1. AXLE INSTALLATION - OSCILLATING



ART_1001154584

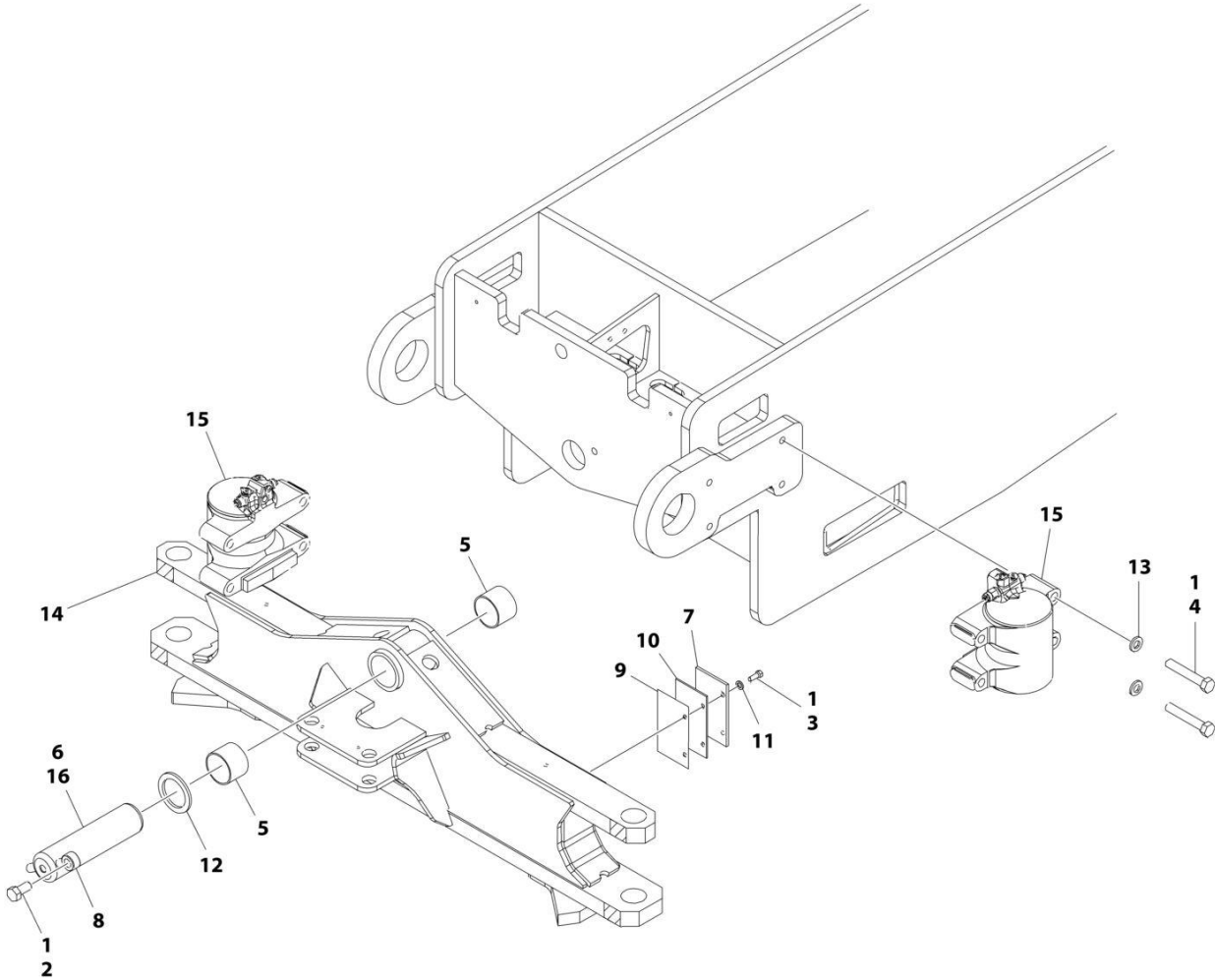
SECTION 1 - FRAME

FIGURE 1-1. AXLE INSTALLATION - OSCILLATING

ITEM	PART NUMBER	QTY	DESCRIPTION	REV
	1001154584	Ref	AXLE INSTALLATION	D
1	0100011	AR	Compound, Locking	
2	0642212	1	Bolt 3/4 x 1-1/2	
3	0681608	4	Bolt 3/8 x 1 Grade 8	
4	0682236	8	Bolt 3/4 x 4-1/2 Grade 8	
5	0962102	2	Bushing	
6	3020039	AR	Lubricant	
7	3538047	2	Shim .25	
8	3841287	1	Keeper, Pin	
9	4070878	AR	Shim 16 Gauge	
10	4070879	AR	Shim 11 Gauge	
11	4711600	4	Washer 3/8	
12	4740472	1	Washer	
13	4892200	8	Washer 3/4	
14	1001152719	1	Axle	
15	1001204560	2	Axle Lockout Cylinder Assembly (See Separate Breakdown in CYLINDER SECTION)	
16	1001156710	1	Pin	

SECTION 1 - FRAME

FIGURE 1-2. AXLE INSTALLATION - OSCILLATING WITH TOW PACKAGE



ART_1001155194

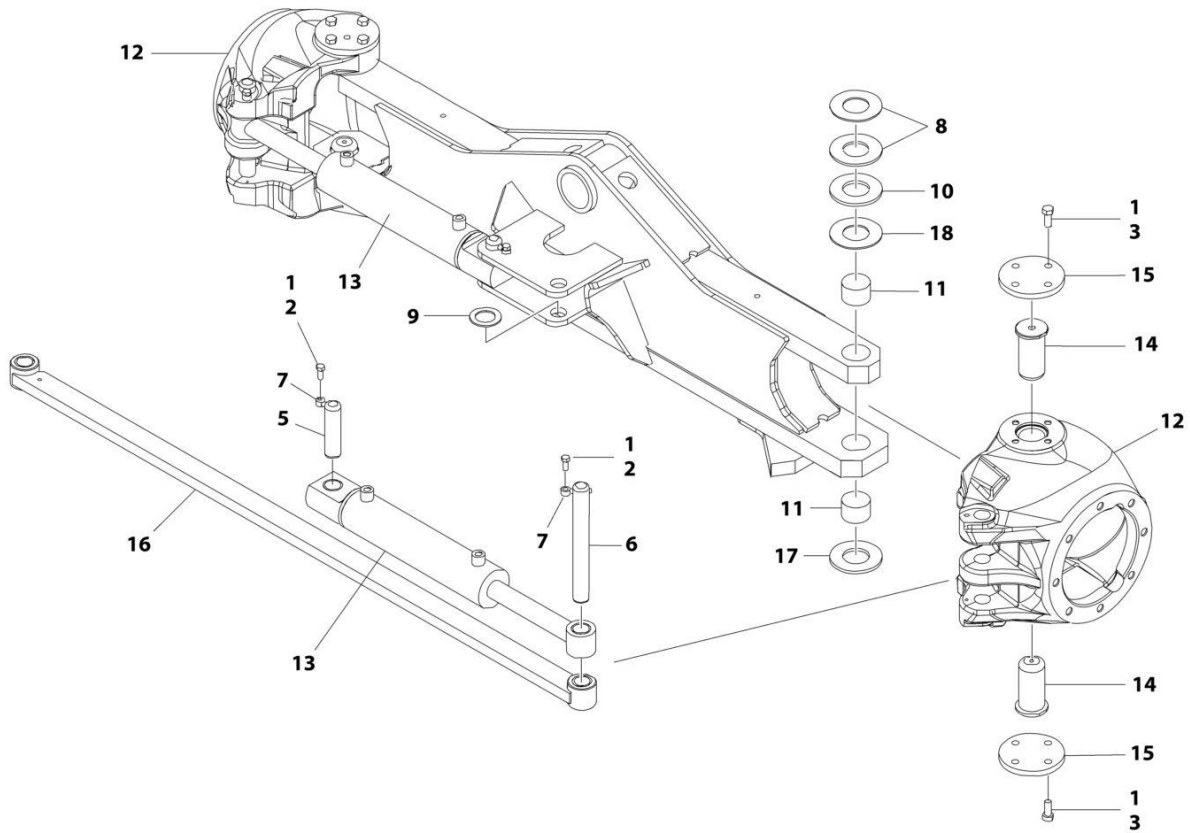
SECTION 1 - FRAME

FIGURE 1-2. AXLE INSTALLATION - OSCILLATING WITH TOW PACKAGE

ITEM	PART NUMBER	QTY	DESCRIPTION	REV
	1001155194	Ref	AXLE INSTALLATION	D
1	0100011	AR	Compound, Locking	
2	0642212	1	Bolt 3/4 x 1-1/2	
3	0681608	4	Bolt 3/8 x 1 Grade 8	
4	0682236	8	Bolt 3/4 x 4-1/2 Grade 8	
5	0962102	2	Bushing	
6	3020039	AR	Lubricant	
7	3538047	2	Shim .25	
8	3841287	1	Keeper, Pin	
9	4070878	AR	Shim 16 Gauge	
10	4070879	AR	Shim 11 Gauge	
11	4711600	4	Washer 3/8	
12	4740472	1	Washer	
13	4892200	8	Washer 3/4	
14	1001154875	1	Axle	
15	1001204560	2	Axle Lockout Cylinder Assembly (See Separate Breakdown in CYLINDER SECTION)	
16	1001156710	1	Pin	

SECTION 1 - FRAME

FIGURE 1-3. STEER INSTALLATION - 2WS



ART_1001151034

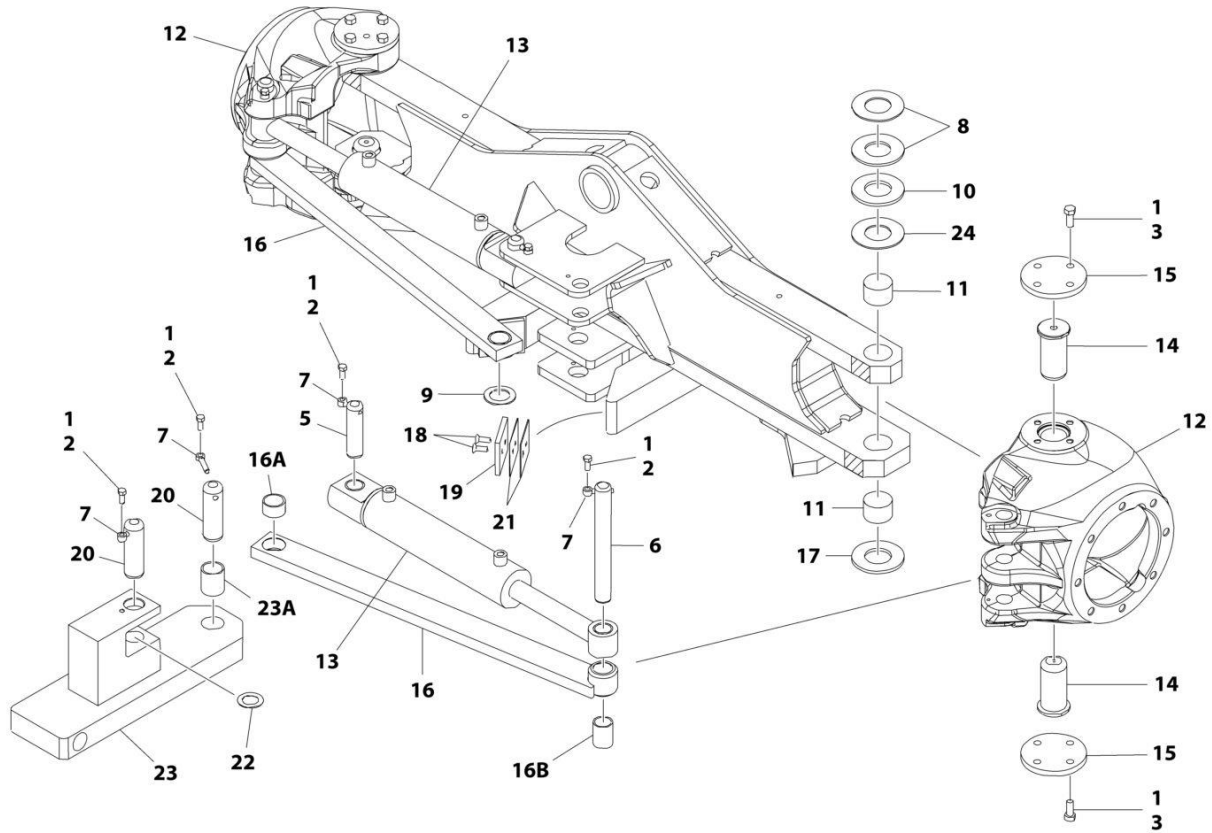
SECTION 1 - FRAME

FIGURE 1-3. STEER INSTALLATION - 2WS

ITEM	PART NUMBER	QTY	DESCRIPTION	REV
	1001151034	Ref	STEER INSTALLATION	H
1	0100011	AR	Compound, Locking	
2	0641607	4	Bolt 3/8 x 7/8	
3	0641810	16	Bolt 1/2 x 1-1/4	
5	3422417	2	Pin	
6	3422790	2	Pin	
7	3841520	4	Keeper, Pin	
8	4740256	AR	Washer, Thrust	
9	4740473	2	Washer	
10	1001103810	AR	Washer, Thrust	
11	1001165657	4	Bearing	
12	1001150372	2	Spindle	
13	1001150539	2	Steer Cylinder Assembly (See Separate Breakdown in CYLINDER SECTION)	
14	1001161355	4	Kingpin	
15	1001150937	4	Plate	
16	1001151980	1	Tie-Rod	
17	1001161399	2	Washer, Thrust	
18	4740463	AR	Washer, Thrust	

SECTION 1 - FRAME

FIGURE 1-4. STEER INSTALLATION - 2WS WITH TOW PACKAGE



ART_1001155192

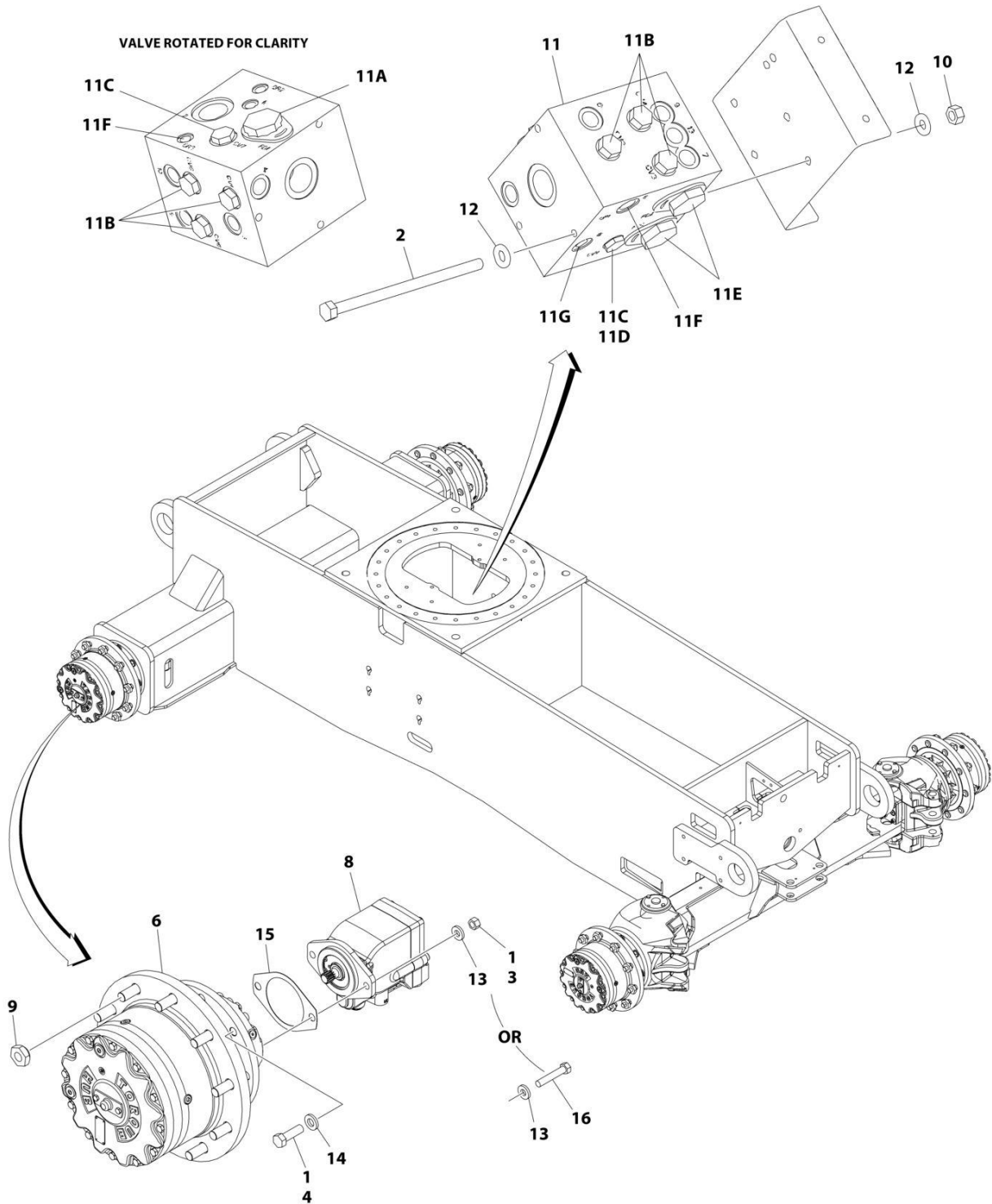
SECTION 1 - FRAME

FIGURE 1-4. STEER INSTALLATION - 2WS WITH TOW PACKAGE

ITEM	PART NUMBER	QTY	DESCRIPTION	REV
	1001155192	Ref	STEER INSTALLATION	G
1	0100011	AR	Compound, Locking	
2	0641607	6	Bolt 3/8 x 7/8	
3	0641810	16	Bolt 1/2 x 1-1/4	
5	3422417	2	Pin	
6	3422790	2	Pin	
7	3841520	6	Keeper, Pin	
8	4740256	AR	Washer, Thrust	
9	4740473	2	Washer	
10	1001103810	AR	Washer, Thrust	
11	1001165657	4	Bearing	
12	1001150372	2	Spindle	
13	1001150539	2	Steer Cylinder Assembly (See Separate Breakdown in CYLINDER SECTION)	
14	1001161355	4	Kingpin	
15	1001150937	4	Plate	
16	1001154931	2	Tie-Rod	
16A	0962181	1	Bushing	
16B	0962152	1	Bushing	
17	1001161399	2	Washer, Thrust	
18	0741609	4	Screw 3/8 x 1-1/8	
19	3340966	2	Pad, Stop	
20	3422848	2	Pin, Hitch	
21	4071059	AR	Shim 16 Gauge	
22	4740155	3	Washer, Thrust	
23	1001155035	1	Link	
23A	0962348	1	Bushing	
24	4740463	AR	Washer, Thrust	

SECTION 1 - FRAME

FIGURE 1-5. WHEEL DRIVE AND FRAME VALVES INSTALLATION - 4WD/2WS



ART_1001157016

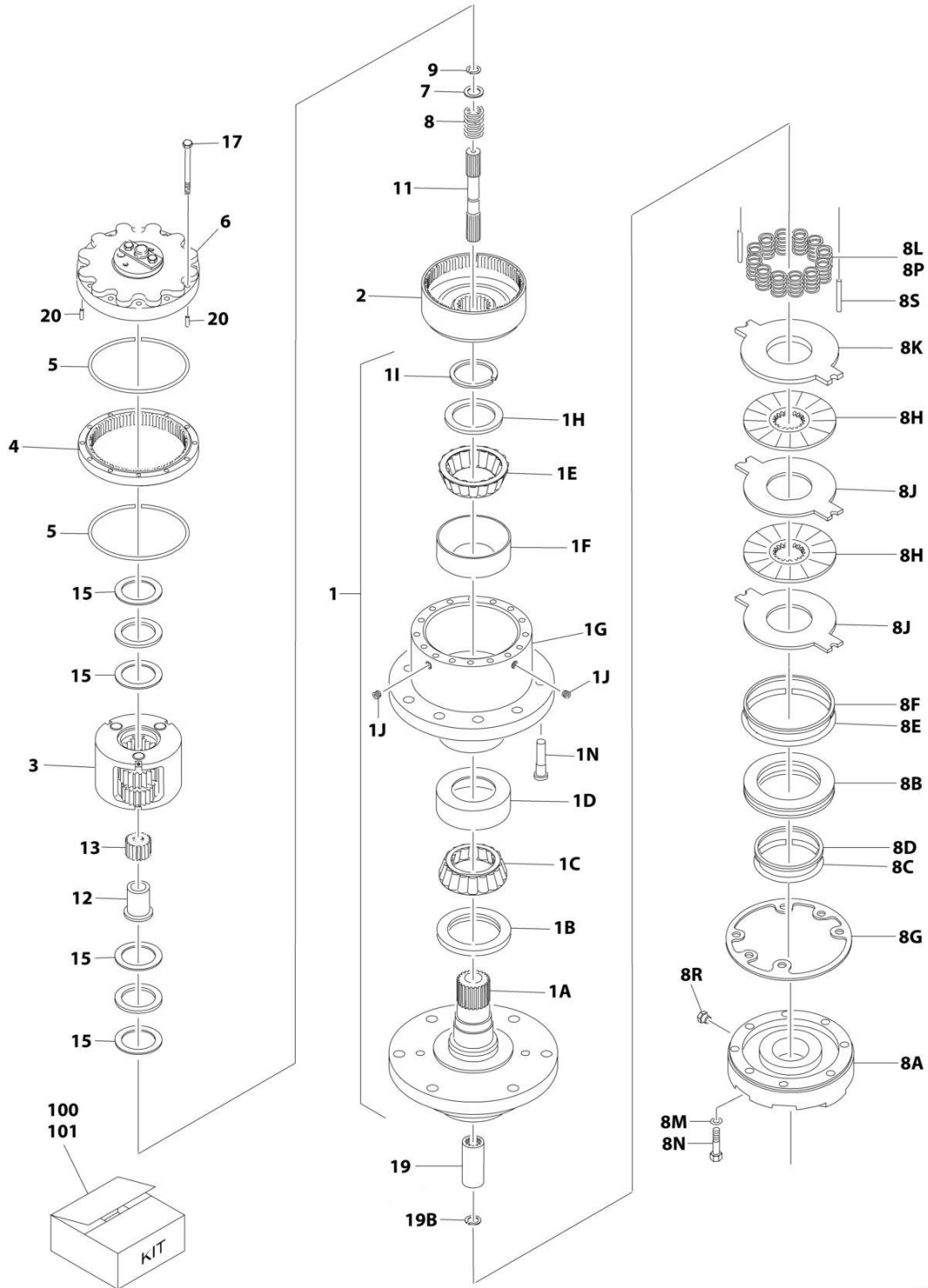
SECTION 1 - FRAME

FIGURE 1-5. WHEEL DRIVE AND FRAME VALVES INSTALLATION - 4WD/2WS

ITEM	PART NUMBER	QTY	DESCRIPTION	REV
	1001157016	Ref	WHEEL DRIVE AND FRAME VALVES INSTALLATION	E
1	0100011	AR	Compound, Locking	
2	0641560	3	Bolt 5/16 x 7-1/2	
3	3311801	8	Nut 1/2	
4	0682016	32	Bolt 5/8 x 2 Grade 8	
5	2300016	AR	Fluid, Hydraulic (Not Shown)	
6	1001219219	4	Drive Hub Assembly (See Separate Breakdown in this Section)	
8	3160348	4	Drive Motor Assembly (See Separate Breakdown in this Section)	
9	3300007	40	Nut, Wheel	
10	3311505	3	Nut 5/16	
11	4641303	1	Flow Divider Valve Assembly	C
11A	7023933	1	Cartridge, Flow Divider	
11A	7021625	1	Seal Kit - 7023933 Cartridge	
11B	7022397	6	Cartridge, Check	
11B	7022399	6	Seal Kit - 7022397 Cartridge	
11C	7021639	2	Cartridge, Check Valves	
11C	2900756	2	Seal Kit - 7021639 Cartridge	
11D	7024881	1	Piston, Pilot	
11E	7023917	2	Cartridge, Flow Divider	
11E	7021625	2	Seal Kit - 7023917 Cartridge	
11F	70003935	2	Orifice	
11G	70003936	1	Orifice	
12	4711500	6	Washer 5/16	
13	4891800	8	Washer 1/2	
14	4892000	32	Washer 5/8	
15	3960526	2	Gasket	
16	0681822	4	Bolt 1/2 x 2-3/4	

SECTION 1 - FRAME

FIGURE 1-6. DRIVE HUB/BRAKE ASSEMBLY



ART_1001219219

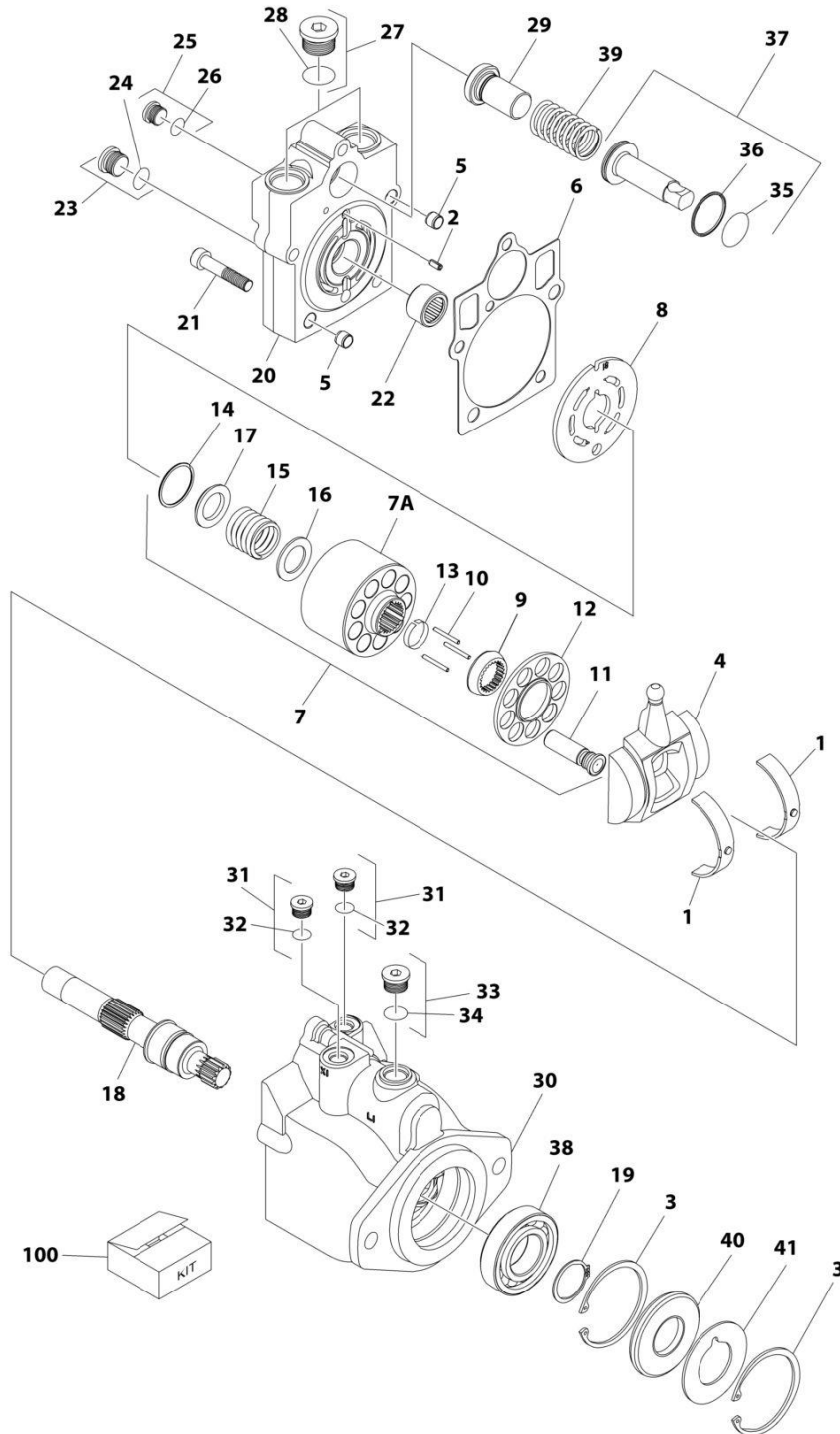
SECTION 1 - FRAME

FIGURE 1-6. DRIVE HUB/BRAKE ASSEMBLY

ITEM	PART NUMBER	QTY	DESCRIPTION	REV
	1001219219	Ref	DRIVE HUB/BRAKE ASSEMBLY	C
1	See Note	NSS	Spindle/Housing Assembly (Note: Not Available - Purchase Individual Components)	
1A	70006677	1	Spindle	
1B	70006678	1	Seal	
1C	1001091460	1	Cone, Bearing	
1D	1001091460	1	Cup, Bearing	
1E	1001091461	1	Cone, Bearing	
1F	1001091461	1	Cup, Bearing	
1G	See Note	NSS	Housing (Note: Not Available - Not Available for Purchase)	
1H	7000239	1	Thrustwasher	
1I	7000240	1	Ring, Retaining	
1J	7001928	1	Plug, Pipe	
1N	See Note	NSS	Stud, Wheel (Note: Not Available - Not Available for Purchase)	
2	7024782	1	Gear, Ring	
3	70006673	1	Carrier Assembly	
4	7024151	1	Gear, Internal	
5	7000224	2	O-Ring	
6	70006674	NSS	Cover Assembly (Note: Not Available - Not Available for Purchase)	
7	70006691	1	Thrustwasher	
8	7000283	1	Spring	
8A	7024191	1	Housing, Piston	
8B	70006684	1	Piston	
8C	See Note	NSS	O-Ring (Note: Use Item 101)	
8D	See Note	NSS	Ring, Back-up (Note: Use Item 101)	
8E	See Note	NSS	O-Ring (Note: Use Item 101)	
8F	See Note	NSS	Ring, Back-up (Note: Use Item 101)	
8G	See Note	NSS	Gasket (Note: Use Items 100 & 101)	
8H	See Note	NSS	Brake, Stator (Note: Use Item 100)	
8J	See Note	NSS	Brake, Rotor (Note: Use Item 100)	
8K	See Note	NSS	Plate, Pressure (Note: Use Item 100)	
8L	80344004	10	Spring	
8M	70006685	6	Capscrew	
8N	70006690	6	Lockwasher	
8P	70006680	2	Spring	
8R	7017082	2	Plug	
8S	7024190	2	Pin, Dowel	
9	7000284	1	Ring, Retaining	
11	70006675	1	Shaft, Input	
12	7024154	1	Spacer, Input	
13	7024149	1	Gear, Sun	
15	70006692	2	Thrustwasher	
17	7000289	12	Bolt 3/8 x 2-1/2in (Grade 8)	
19	70006676	1	Coupling	
19B	7017028	1	Ring, Retaining	
20	7017047	2	Pin, Dowel	
100	70006832	1	Friction Disc Kit (Includes Items 8G, 8H, 8J & 8K)	
101	70006833	1	Seal Kit (Includes Items - 8C-8G)	

SECTION 1 - FRAME

FIGURE 1-7. DRIVE MOTOR ASSEMBLY - 4WD



ART_3160348

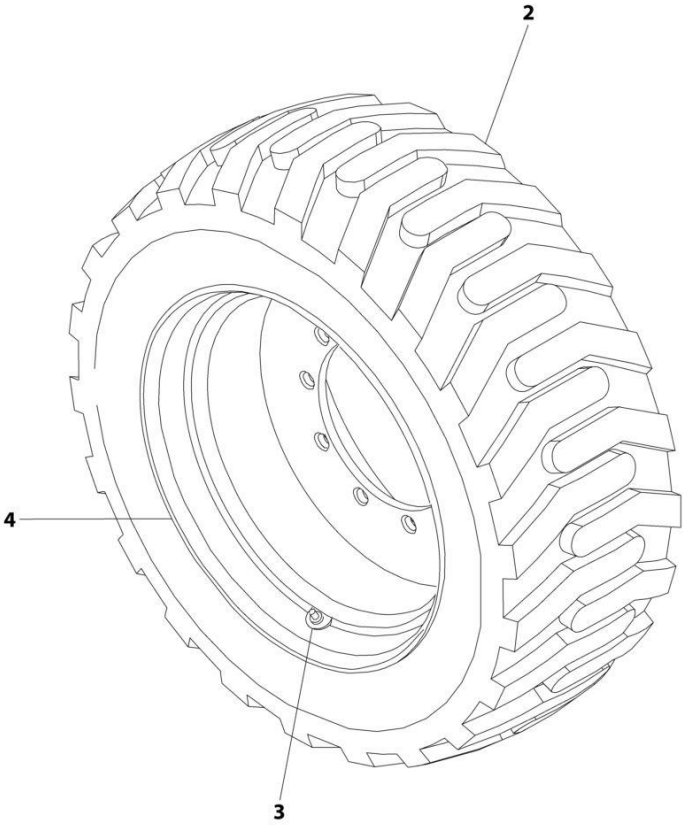
SECTION 1 - FRAME

FIGURE 1-7. DRIVE MOTOR ASSEMBLY - 4WD

ITEM	PART NUMBER	QTY	DESCRIPTION	REV
	3160348	Ref	DRIVE MOTOR ASSEMBLY	D
1	7022302	2	Bearing, Journal	
2	7007446	1	Pin	
3	7007438	2	Ring, Retaining	
4	7022305	1	Swash Plate	
5	See Note	2	Pin (Note: Not Available for Purchase)	
6	See Note	NSS	Gasket (Note: Use Item 100)	
7	7023907	1	Cylinder Block Kit (Includes Items 7A & 9-17)	
7A	See Note	NSS	Block, Cylinder (Note: Use Item 7)	
8	7023908	1	Plate, Valve	
9	7021277	1	Guide, Slipper Retainer	
10	7021275	3	Pin, Slipper Hold Down	
11	See Note	NSS	Piston Assembly (Note: Use Item 7)	
12	7022310	1	Retainer, Slipper	
13	7021276	1	Retainer, Hold Down Pin	
14	7022311	1	Ring, Retaining	
15	7022312	1	Spring	
16	7024868	1	Washer	
17	7022314	1	Retainer, Spring	
18	7023910	1	Shaft	
19	7007439	1	Ring, Retaining	
20	70000797	1	Cap, End - Axial	
21	7022368	5	Screw	
22	7021249	1	Bearing, Needle	
23	2220886	1	Plug (Includes Item 24)	
24	See Note	1	O-Ring (Note: Use Item 23 or 100)	
25	2220883	1	Plug (Includes Item 26)	
26	See Note	NSS	O-Ring (Note: Use Item 25 or 100)	
27	2220888	2	Plug (Includes Item 28)	
28	See Note	NSS	O-Ring (Note: Use Item 27 or 100)	
29	7022372	1	Seat, Spring	
30	See Note	NSS	Housing (Note: Not Available - Purchase Complete Assembly)	
31	2220883	2	Plug (Includes Item 32)	
32	See Note	NSS	O-Ring (Note: Use Item 31 or 100)	
33	2220886	1	Plug (Includes Item 34)	
34	See Note	NSS	O-Ring (Note: Use Item 33 or 100)	
35	See Note	NSS	O-Ring (Note: Use Item 100)	
36	See Note	NSS	Ring, Seal (Note: Use Item 100)	
37	7024854	1	Piston, Servo (Includes Items 35 & 36)	
38	7007437	1	Bearing	
39	7022326	1	Spring	
40	See Note	1	Seal, Lip (Note: Use Item 100)	
41	7022371	1	Washer, Support	
		Ref	KIT OPTIONS:	
100	7022328	1	Seal Kit (Includes Items 6, 24, 26, 28, 32, 34, 35, 36 & 40)	

SECTION 1 - FRAME

FIGURE 1-8. TIRE AND WHEEL INSTALLATION 18-625 NHS FOAM-FILLED TIRE



ART_0270888

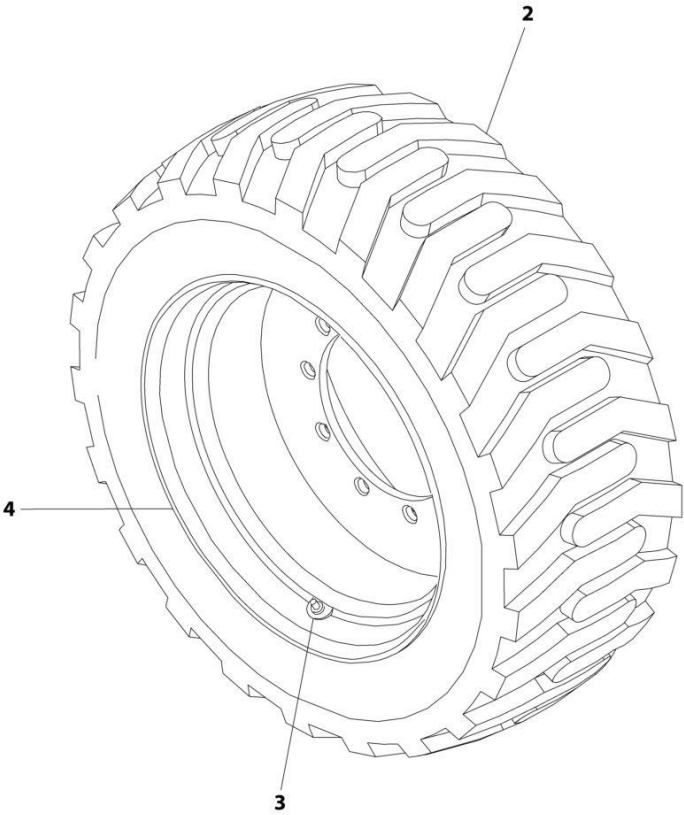
SECTION 1 - FRAME

FIGURE 1-8. TIRE AND WHEEL INSTALLATION 18-625 NHS FOAM-FILLED TIRE

ITEM	PART NUMBER	QTY	DESCRIPTION	REV
	0270888	Ref	TIRE AND WHEEL INSTALLATION	C
	0271090	2	Tire and Wheel Assembly - 18-625 NHS Foam-Filled LH Side	G
	0271091	2	Tire and Wheel Assembly - 18-625 NHS Foam-Filled RH Side	G
		Ref	Note: Assemblies may require ballast/foam filling to manufacturer's specifications prior to installing on a machine. Refer to Operation and Safety or Service and Maintenance Manuals.	
		Ref	Purchase individual tire and/or rim only if able to foam fill tire and wheel assembly, otherwise, purchase complete assembly.	
2	4520253	1	Tire 18-625	
3	4641122	1	Valve, Air	
4	4860225	1	Rim, Wheel - 15 x 24.5 Rim	

SECTION 1 - FRAME

FIGURE 1-9. TIRE AND WHEEL INSTALLATION 18-625 NHS FOAM-FILLED NON-MARKING TIRE



ART_1001169757

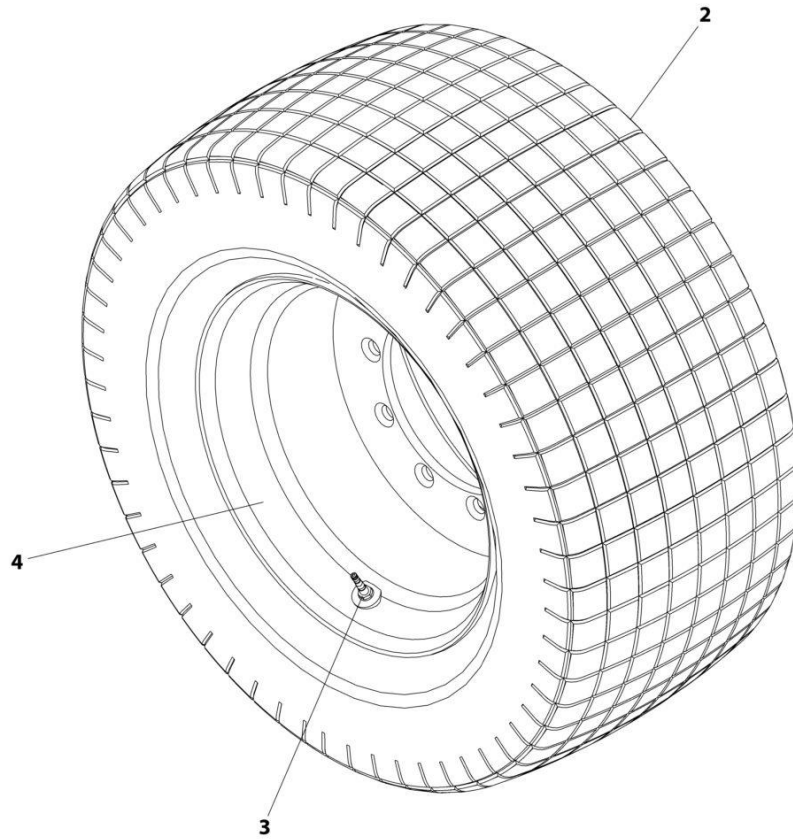
SECTION 1 - FRAME

FIGURE 1-9. TIRE AND WHEEL INSTALLATION 18-625 NHS FOAM-FILLED NON-MARKING TIRE

ITEM	PART NUMBER	QTY	DESCRIPTION	REV
	1001169757	Ref	TIRE AND WHEEL INSTALLATION	A
	1001169755	2	Tire and Wheel Assembly - 18-625 NHS Foam-Filled Non-Marking LH Side	D
	1001169756	2	Tire and Wheel Assembly - 18-625 NHS Foam-Filled Non-Marking RH Side	D
		Ref	Note: Assemblies may require ballast/foam filling to manufacturer's specifications prior to installing on a machine. Refer to Operation and Safety or Service and Maintenance Manuals.	
		Ref	Purchase individual tire and/or rim only if able to foam fill tire and wheel assembly, otherwise, purchase complete assembly.	
2	1001169754	1	Tire 18-625 Non-Marking	
3	4641122	1	Valve, Air	
4	4860225	1	Rim, Wheel - 15 x 24.5 Rim	

SECTION 1 - FRAME

FIGURE 1-10. TIRE AND WHEEL INSTALLATION 18-625 NHS FOAM-FILLED SAND TIRE



ART_1001243645

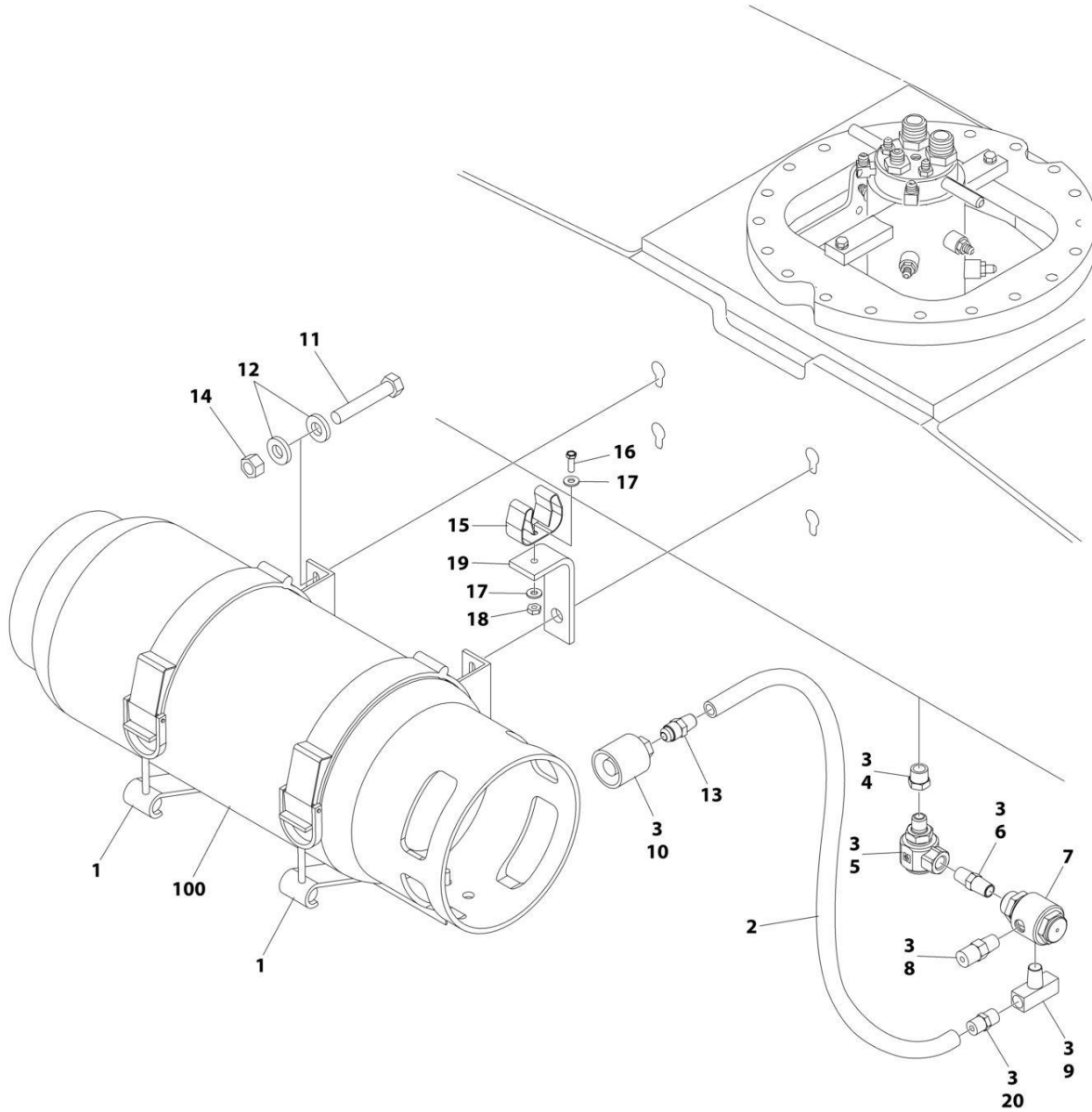
SECTION 1 - FRAME

FIGURE 1-10. TIRE AND WHEEL INSTALLATION 18-625 NHS FOAM-FILLED SAND TIRE

ITEM	PART NUMBER	QTY	DESCRIPTION	REV
	1001243645	Ref	TIRE AND WHEEL INSTALLATION	A
	1001245049	4	Tire and Wheel Assembly - 18-625 NHS Foam-Filled Sand	B
		Ref	Note: Assemblies may require ballast/foam filling to manufacturer's specifications prior to installing on a machine. Refer to Operation and Safety or Service and Maintenance Manuals.	
		Ref	Purchase individual tire and/or rim only if able to foam fill tire and wheel assembly, otherwise, purchase complete assembly.	
2	4520256	1	Tire 18-625 Non-Marking	
3	4641122	1	Valve, Air	
4	1001209982	1	Rim, Wheel - 22.5 x 14	

SECTION 1 - FRAME

FIGURE 1-11. LP TANK BRACKETS INSTALLATIONS



ART_1001151010_E

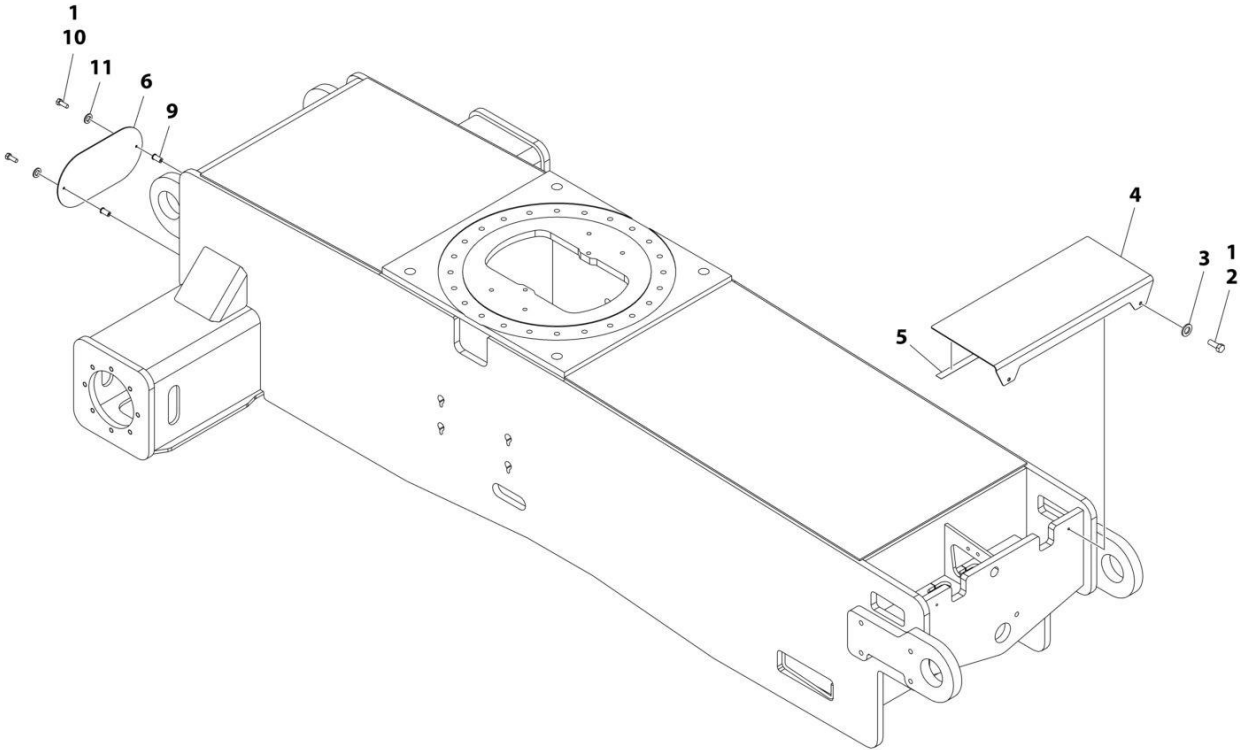
SECTION 1 - FRAME

FIGURE 1-11. LP TANK BRACKETS INSTALLATIONS

ITEM	PART NUMBER	QTY	DESCRIPTION	REV
	1001151010	Ref	LP TANK BRACKETS INSTALLATION	E
1	1320220	2	Clamp	
1	1320127	2	Clamp, Toggle (1 Per Clamp)	
2	2720144	2	Hose	
3	0100020	AR	Sealant, Pipe	
4	2221197	1	Fitting, Reducer	
5	1001247358	1	Fitting, 90 Swivel	
6	2220261	1	Fitting, Nipple	
7	2180388	1	Fitting, Bulkhead	
8	2180389	1	Valve, Relief	
9	2220418	1	Fitting, Tee	
10	2180387	2	Fitting, Straight	
11	0641617	8	Bolt 3/8 x 2-1/8	
12	4751600	16	Washer 3/8	
13	2180418	2	Fitting, Connector	
14	3311605	8	Nut 3/8	
15	1320218	2	Clamp, Spring	
16	0720804	2	Screw #8 x 1/2	
17	4750800	4	Washer #8	
18	3310805	2	Nut #8	
19	0181949	2	Angle, Support	
20	2221024	2	Fitting, Union Ball Check	
100	4400275	1	Tank, LP - 43.5 Lbs. (Aluminum)	
100	4400420	1	Tank, LP - 43.5 Lbs. (Steel)	

SECTION 1 - FRAME

FIGURE 1-12. FRAME SHIELDS INSTALLATION - 2WS



ART_1001158203

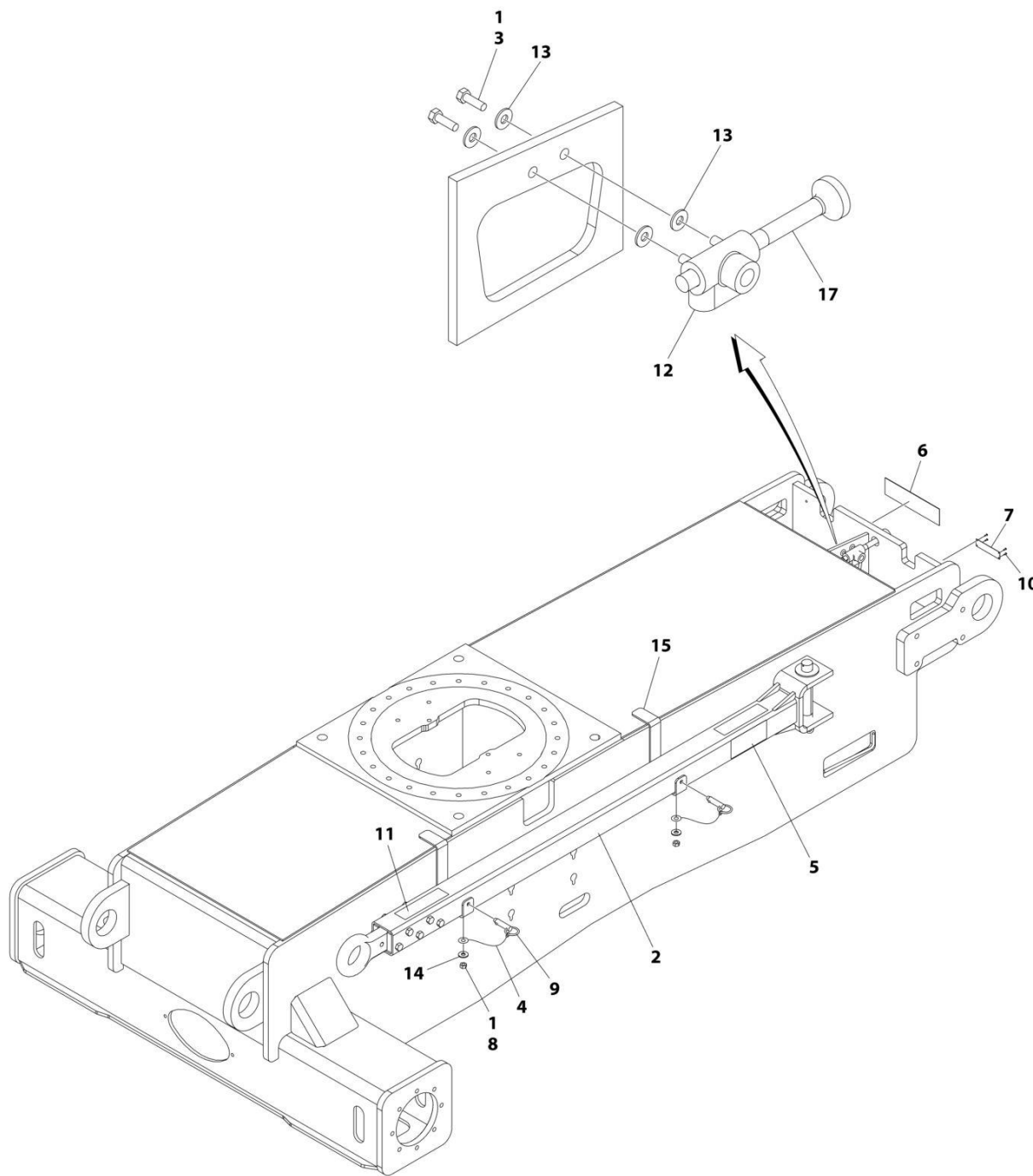
SECTION 1 - FRAME

FIGURE 1-12. FRAME SHIELDS INSTALLATION - 2WS

ITEM	PART NUMBER	QTY	DESCRIPTION	REV
	1001158203	Ref	FRAME SHIELDS INSTALLATION	D
1	0100011	AR	Compound, Locking	
2	0641606	2	Bolt 3/8 x 3/4	
3	4751600	2	Washer 3/8	
4	1001158187	1	Cover	
5	4280296	27 in/ 68cm	Trim	
6	1001158188	1	Cover	
9	8580420	2	Nut, Well	
10	0641410	2	Bolt 1/4 x 1-1/4	
11	4751400	2	Washer 1/4	

SECTION 1 - FRAME

FIGURE 1-13. TOW PACKAGE INSTALLATION - 2WS (ENGLISH LANGUAGE DECALS)



ART_1001158258

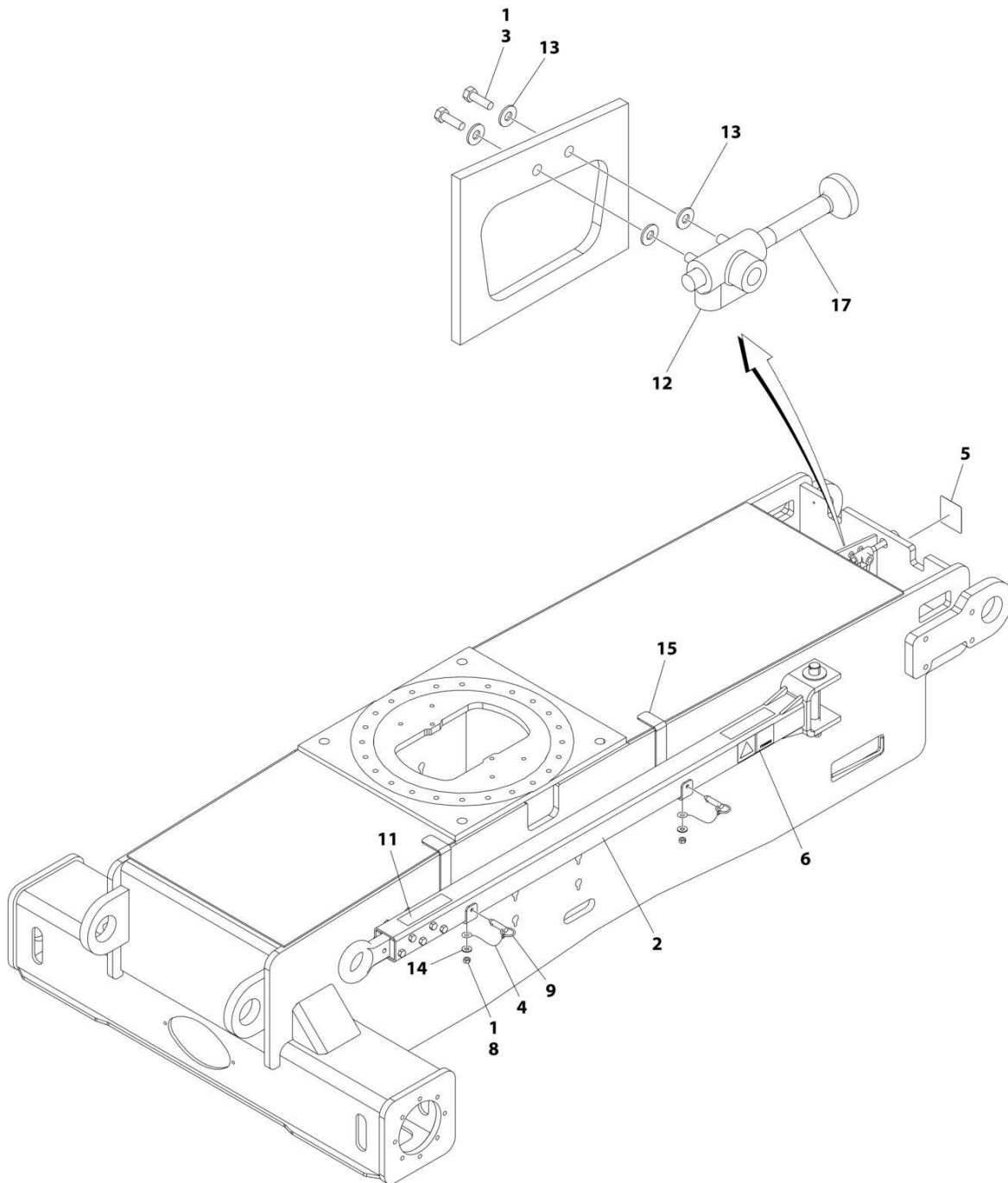
SECTION 1 - FRAME

FIGURE 1-13. TOW PACKAGE INSTALLATION - 2WS (ENGLISH LANGUAGE DECALS)

ITEM	PART NUMBER	QTY	DESCRIPTION	REV
	1001158258	Ref	TOW PACKAGE INSTALLATION	B
1	0100011	AR	Compound, Locking	
2	0232121	1	Tow Bar Assembly (See Separate Breakdown in this Section)	
3	0641508	2	Bolt 5/16 x 1	
4	1260017	2 ft/0.3m	Chain	
5	1704578	2	Decal - Crushing	
6	1705090	1	Decal - Towing Instructions	
7	3250872	1	Nameplate - Steer/Tow Valve	
8	3311401	2	Nut 1/4	
9	3420292	2	Pin	
10	3820001	4	Rivet, Pop	
11	4420051	2 ft/0.3m	Tape	
12	4640261	1	Valve, Float Position	
13	4751500	4	Washer 5/16	
14	4751400	2	Washer 1/4	
15	1001158522	2	Bracket	
17	1001160780	1	Rod, Extension	

SECTION 1 - FRAME

FIGURE 1-14. TOW PACKAGE INSTALLATION - 2WS (CE & UK CA SPECS)



ART_1001166806

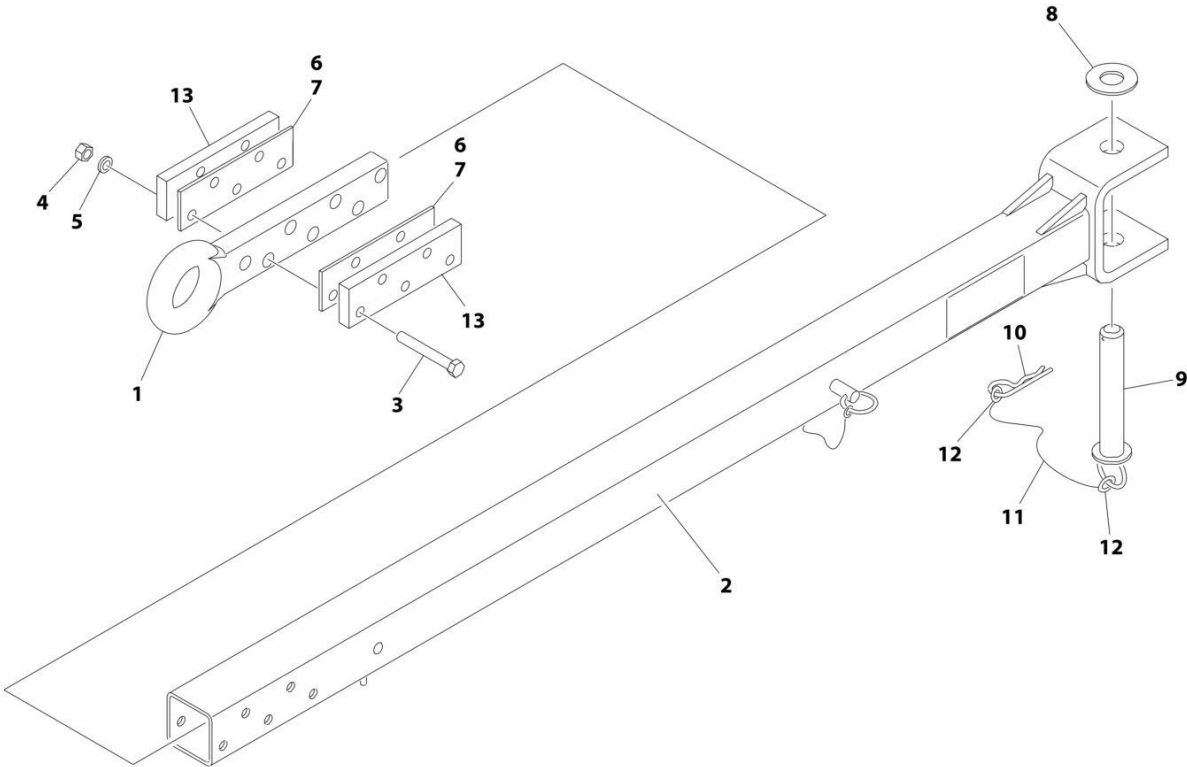
SECTION 1 - FRAME

FIGURE 1-14. TOW PACKAGE INSTALLATION - 2WS (CE & UK CA SPECS)

ITEM	PART NUMBER	QTY	DESCRIPTION	REV
	1001166806	Ref	TOW BAR INSTALLATION	B
1	0100011	AR	Compound, Locking	
2	0232121	1	Tow Bar Assembly (See Separate Breakdown in this Section)	
3	0641508	2	Bolt 5/16 x 1	
4	1260017	2 ft/0.3m	Chain	
5	1706957	1	Decal - Tow Bar and Steer Select	
6	1706960	2	Decal - Crushing	
7	2792700	1	Hydraulic Diagram, Tow Bar Circuit (Not Shown)	
8	3311401	2	Nut 1/4	
9	3420292	2	Pin	
11	4420051	2 ft/0.3m	Tape	
12	4640261	1	Valve, Float Position	
13	4751500	AR	Washer 5/16	
14	4751400	2	Washer 1/4	
15	1001158522	1	Bracket	
17	1001160780	1	Rod, Extension	

SECTION 1 - FRAME

FIGURE 1-15. TOW BAR ASSEMBLY



ART_232121

SECTION 1 - FRAME

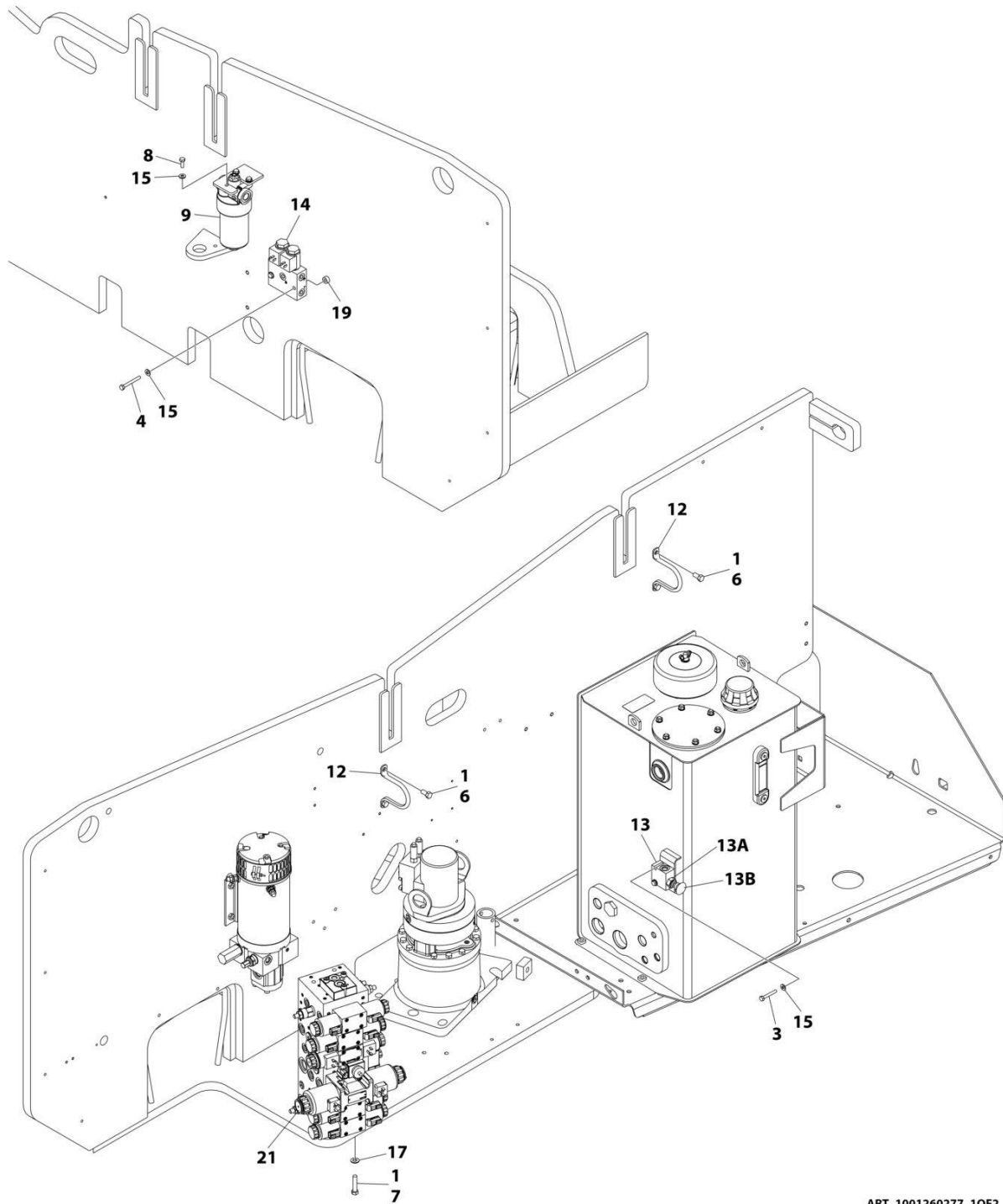
FIGURE 1-15. TOW BAR ASSEMBLY

ITEM	PART NUMBER	QTY	DESCRIPTION	REV
	0232121	Ref	TOW BAR ASSEMBLY	7-G
1	0360406	1	Bar, Draw	
2	4843777	1	Bar, Tow	
3	0642038	5	Bolt 5/8 x 4-3/4	
4	3312001	5	Nut 5/8	
5	4762000	5	Washer 5/8	
6	4070450	AR	Shim	
7	4070561	AR	Shim	
8	4740036	1	Washer 1-1/2	
9	3420447	1	Pin	
10	3420372	1	Pin	
11	1260135	1	Chain	
12	3760170	2	Ring	
13	4070560	2	Shim	

SECTION 2 - TURNTABLE

SECTION 2 - TURNTABLE

FIGURE 2-1. CONTROL VALVES INSTALLATION - WITH 2WS



ART_1001260277_10F2

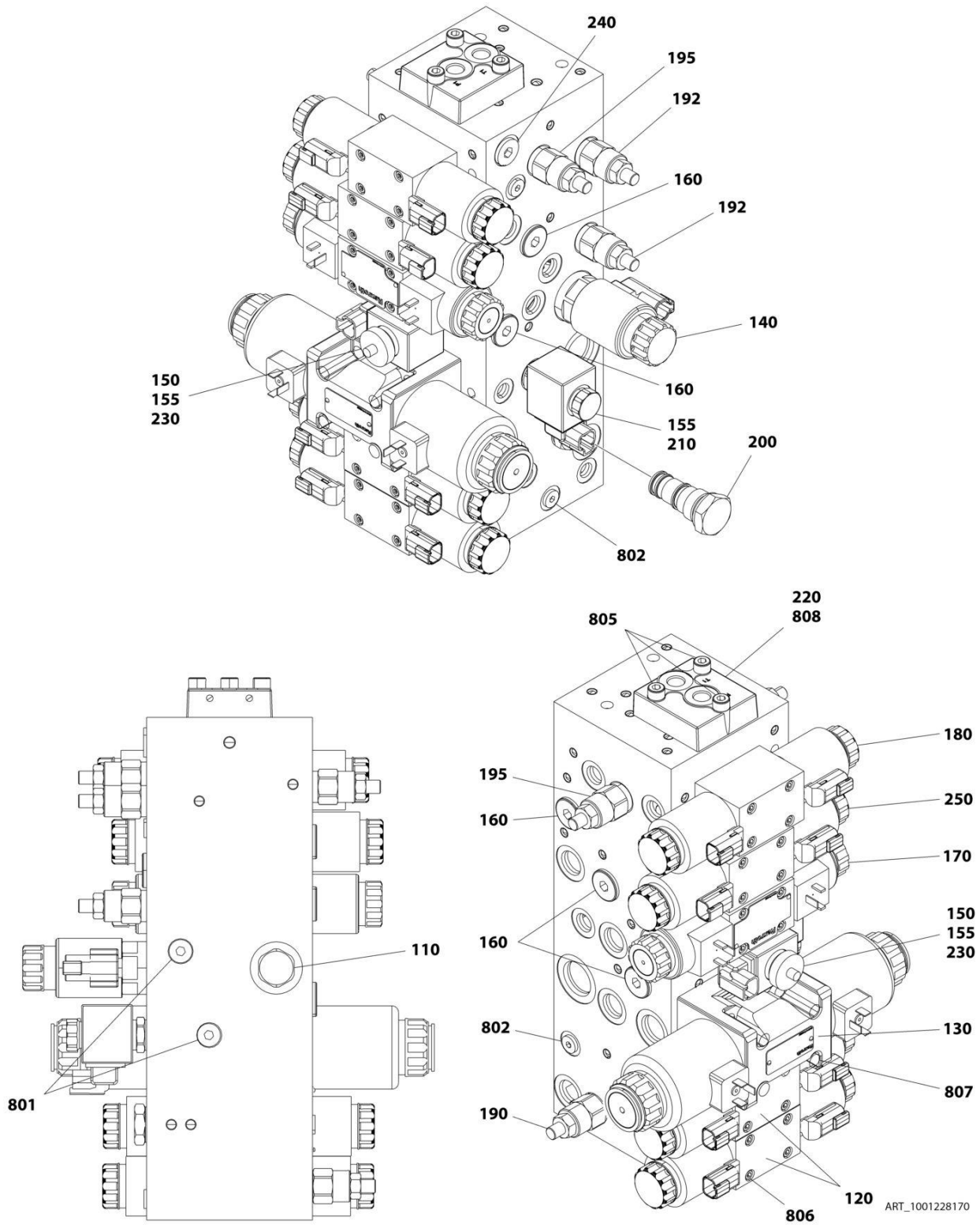
SECTION 2 - TURNTABLE

FIGURE 2-1. CONTROL VALVES INSTALLATION - WITH 2WS

ITEM	PART NUMBER	QTY	DESCRIPTION	REV
	1001260277	Ref	BOOM VALVES INSTALLATION	A
1	0100011	AR	Compound, Locking	
3	0641414	2	Bolt 1/4 x 1-3/4	
4	0641418	4	Bolt 1/4 x 2-1/4	
6	0641606	4	Bolt 3/8 x 3/4	
7	0641614	3	Bolt 3/8 x 1-3/4	
8	0651406	3	Bolt 1/4 x 3/4	
9	2120209	1	Pressure Filter Assembly	
9	2120210	1	Element, Filter	
12	3841340	2	Loop, Hose	
13	4640866	1	Level Valve Assembly	
13A	7017466	1	Cartridge	
13A	2900708	1	Seal Kit	
13B	7012959	1	Knob	
14	4641317	1	Brake/2 Speed Valve Assembly	
14	7012944	1	Coil	
14	7012941	1	Cartridge without Coil	
14	7010543	1	Seal Kit- 7012941 Cartridge (1 Per Cartridge)	
15	4711400	11	Washer 1/4	
17	4711600	3	Washer 3/8	
19	1001110425	2	Spacer	
21	1001228170	1	Main Valve Assembly (See Separate Breakdown in this Section)	

SECTION 2 - TURNTABLE

FIGURE 2-2. CONTROL VALVE ASSEMBLY - 2WS MACHINES



ART_1001228170

SECTION 2 - TURNTABLE

FIGURE 2-2. CONTROL VALVE ASSEMBLY - 2WS MACHINES

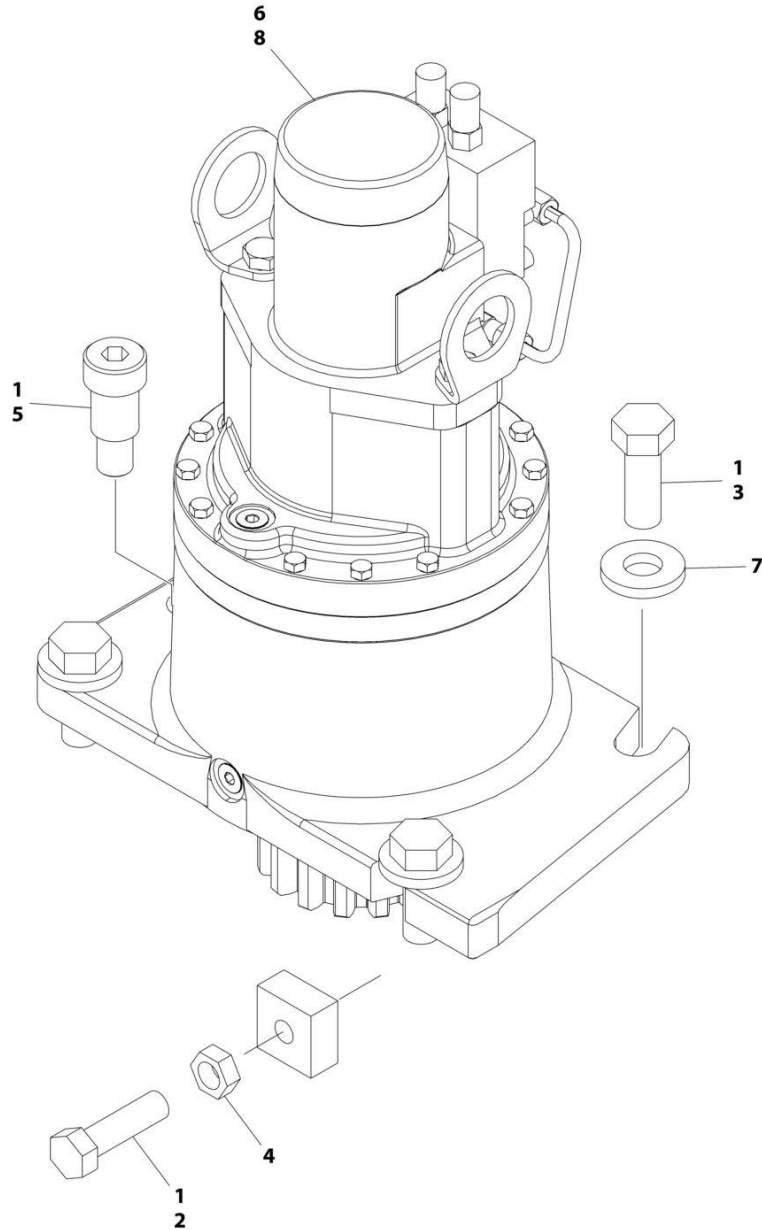
ITEM	PART NUMBER	QTY	DESCRIPTION	REV
	1001228170	Ref	MAIN VALVE ASSEMBLY	E
110	70005194	1	Valve, Check Cartridge	
110	70004584	1	Seal Kit - 70005194 Valve	
120	70004459	2	Valve Assembly (Tower Tele and Tower Lift)	
120	7012773	2	Seal Kit - 70004459 Valve	
120	70004460	4	Coil	
120	7021375	4	Nut, Coil	
120	70004461	4	O-Ring, Pole Tube	
130	70006955	1	Valve Assembly (Upper Tele)	
130	70006957	1	Seal Kit - 70006955 Valve	
130	70006956	2	Coil	
140	70004657	1	Valve, Cartridge (Flow Control)	
140	70004594	1	Seal Kit - 70004657 Valve	
140	70004595	1	Coil	
140	70004596	1	O-Ring, Pole Tube	
140	70004597	1	Nut, Coil	
150	70004598	1	Valve, Cartridge Less Coil (Steer Dump)	
150	70004055	1	Seal Kit - 70004598 Valve	
155	70004653	2	Coil	
155	70004051	2	Nut, Coil	
160	70023859	5	Valve, Shuffle Cartridge	
160	70023860	5	Seal Kit - 70023859 Valve	
170	7018992	1	Valve Assembly (Upper Lift)	
170	7024021	1	Seal Kit - 7018992 Valve	
170	7018991	2	Coil	
170	7021375	2	Nut, Coil	
170	70004461	2	O-Ring, Pole Tube	
180	70005195	1	Valve Assembly (Front Steer)	
180	7012773	1	Seal Kit - 70005195 Valve	
180	70004463	2	Coil	
180	7021375	2	Nut, Coil	
180	70004461	2	O-Ring, Pole Tube	
190	70003019	1	Valve, Relief Catridge (was PN 70006959)	
190	See Note	NSS	Seal Kit - Valve (Note: Not Available for Purchase)	
192	70003019	1	Valve, Relief Catridge (was PN 70006960)	
192	See Note	NSS	Seal Kit - Valve (Note: Not Available for Purchase)	
195	70003019	1	Valve, Relief Catridge (was PN 70006958)	
195	See Note	NSS	Seal Kit - Valve (Note: Not Available for Purchase)	
200	70004665	1	Valve, Check - Catridge	
200	70023862	1	Seal Kit - 70004665 Valve	
210	70004457	1	Valve, Cartridge Less Coil (Main Dump)	
210	70004050	1	Seal Kit - 70004665 Valve	
210	70004653	1	Coil	
220	70004667	1	Cover	
230	70005196	1	Orifice .118	
240	70005197	1	Plug (2WS)	
240	70004052	1	Seal Kit - 70005197 Plug	
250	70005198	1	Valve Assembly (Swing)	
250	70006961	1	Seal Kit - 70005198 Valve	
250	70004463	2	Coil	

SECTION 2 - TURNTABLE

ITEM	PART NUMBER	QTY	DESCRIPTION	REV
250	7021375	2	Nut, Coil	
250	70004461	2	O-Ring, Pole Tube	
801	70005199	2	Plug	
802	70005200	4	Plug	
805	70005201	3	Capscrew	
806	7018942	20	Capscrew	
807	7018951	4	Capscrew	
808	70005202	2	O-Ring	

SECTION 2 - TURNTABLE

FIGURE 2-3. SWING DRIVE INSTALLATION (Prior to SN 0300315218)



ART_1001156136_B

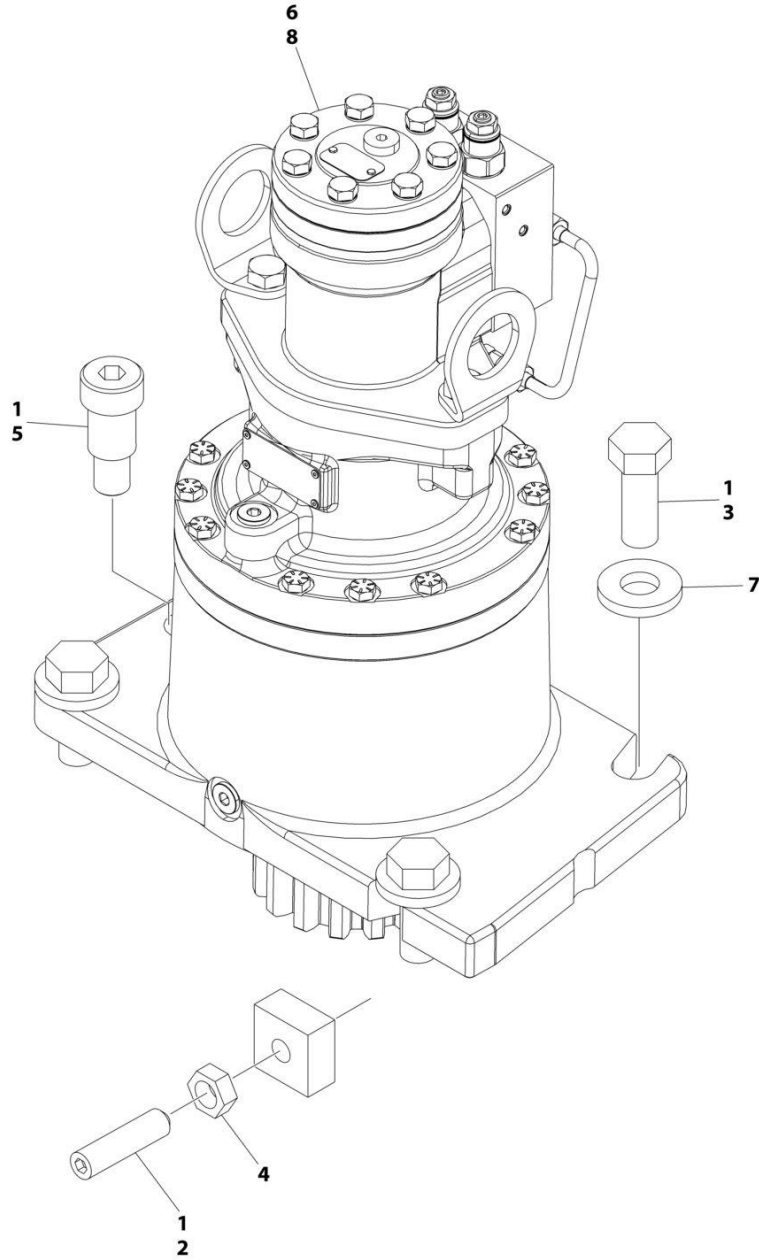
SECTION 2 - TURNTABLE

FIGURE 2-3. SWING DRIVE INSTALLATION (Prior to SN 0300315218)

ITEM	PART NUMBER	QTY	DESCRIPTION	REV
	1001156136	Ref	SWING DRIVE INSTALLATION	B
1	0100019	AR	Compound, Locking	
2	3952020	1	Setscrew 5/8 x 2-1/2	
3	0682216	4	Bolt 3/4 x 2 Grade 8	
4	3312002	1	Nut 5/8	
5	3900293	1	Screw 1 x 1-1/4	
6	1001125492	1	Shim	
7	4740057	4	Washer	
8	1001229810	1	Swing Motor/Hub Assembly (See Separate Breakdown in this Section)	

SECTION 2 - TURNTABLE

FIGURE 2-4. SWING DRIVE INSTALLATION (SN 0300315218 to Present)



ART_1001156136_C

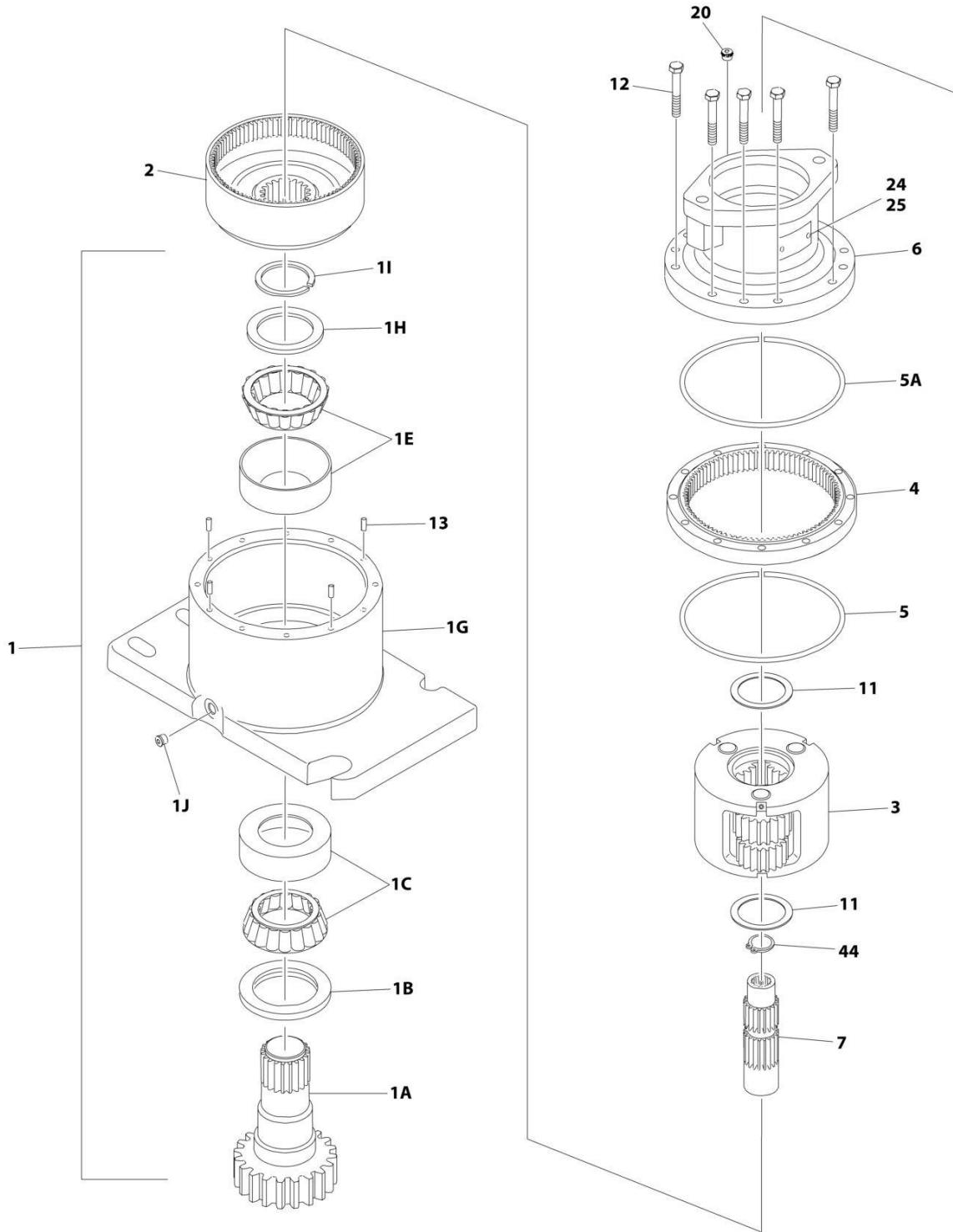
SECTION 2 - TURNTABLE

FIGURE 2-4. SWING DRIVE INSTALLATION (SN 0300315218 to Present)

ITEM	PART NUMBER	QTY	DESCRIPTION	REV
	1001156136	Ref	SWING DRIVE INSTALLATION	C
1	0100019	AR	Compound, Locking	
2	3952020	1	Setscrew 5/8 x 2-1/2	
3	0682216	4	Bolt 3/4 x 2 Grade 8	
4	3312002	1	Nut 5/8	
5	3900293	1	Screw 1 x 1-1/4	
6	1001125492	1	Shim	
7	4740057	4	Washer	
8	1001306803	1	Swing Motor/Hub Assembly (See Separate Breakdown in this Section)	

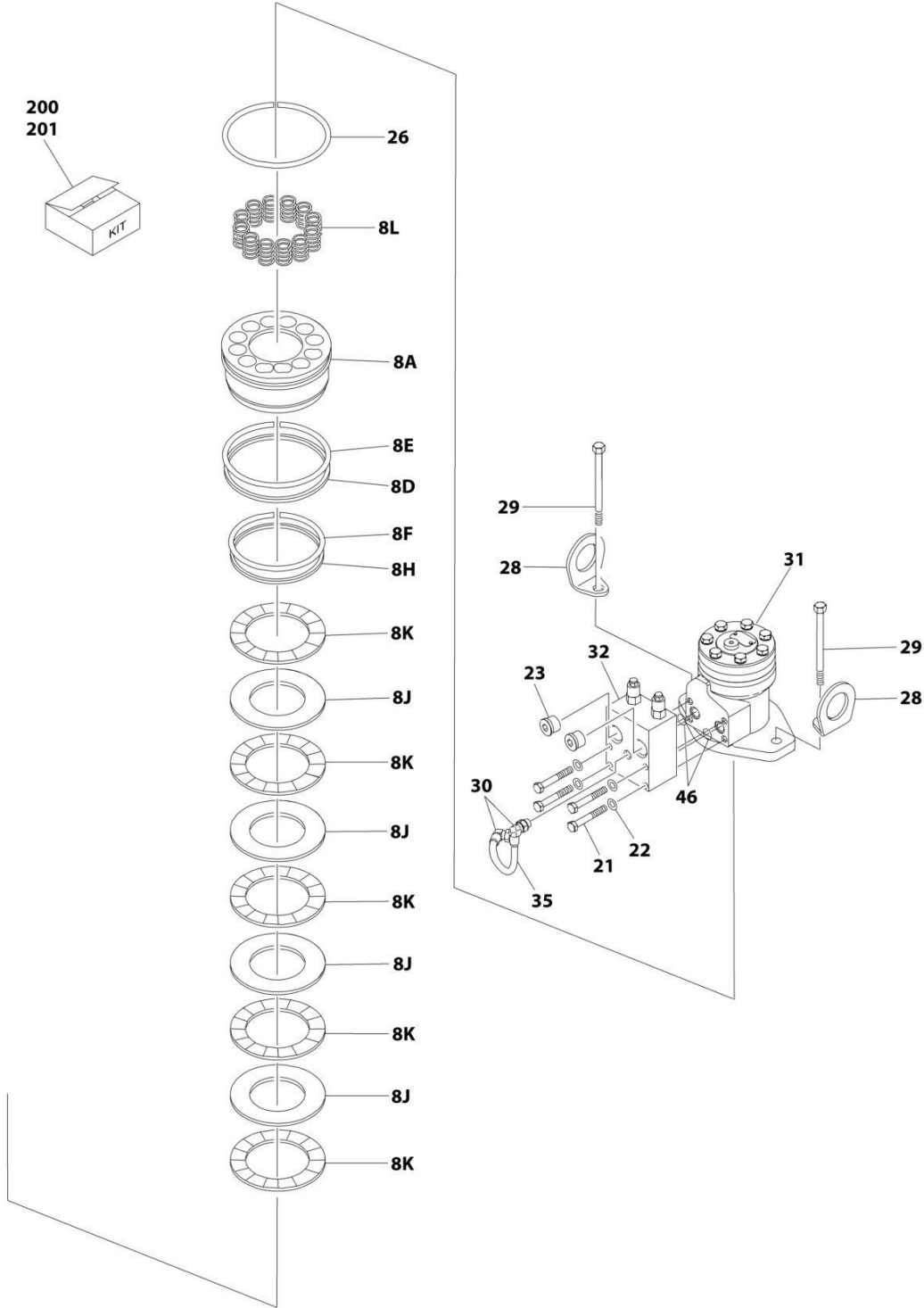
SECTION 2 - TURNTABLE

FIGURE 2-5. SWING MOTOR/HUB ASSEMBLY (Prior to SN 0300315218)



ART_1001229810_10F2

SECTION 2 - TURNTABLE



ART_1001229810_20F2

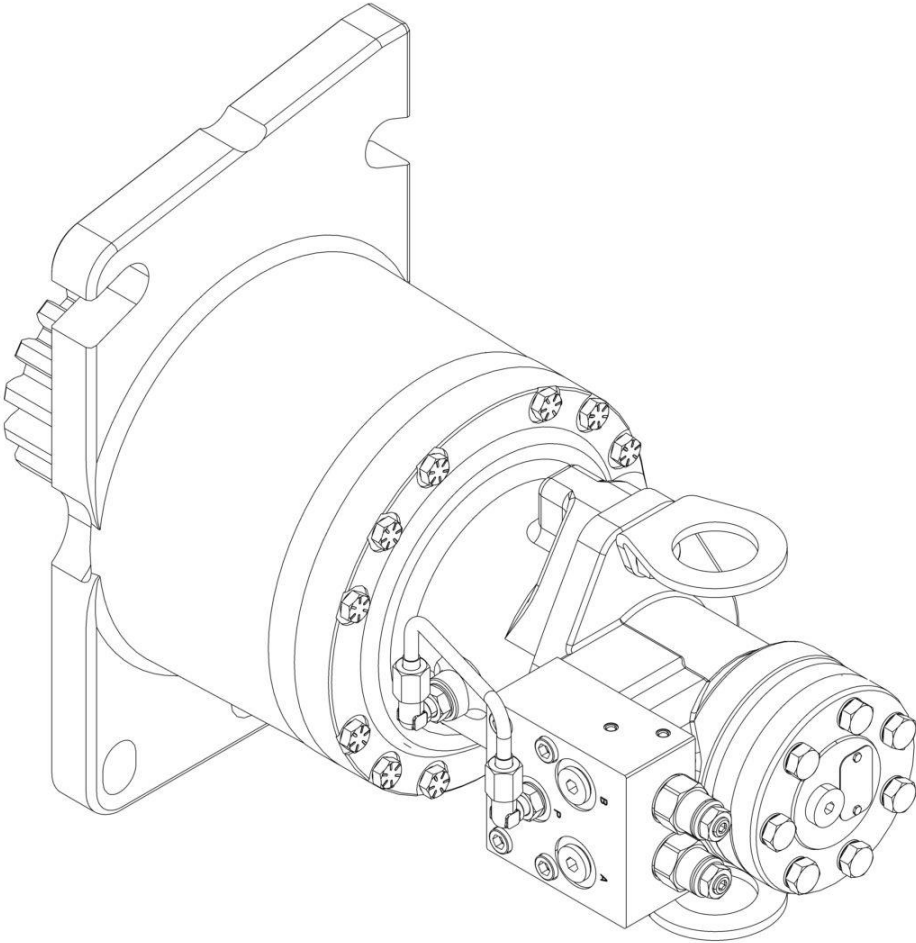
SECTION 2 - TURNTABLE

FIGURE 2-5. SWING MOTOR/HUB ASSEMBLY (Prior to SN 0300315218)

ITEM	PART NUMBER	QTY	DESCRIPTION	REV
	1001229810	Ref	SWING MOTOR/HUB ASSEMBLY	C
1	See Note	1	Housing/Shaft Assembly (Note: Not Available - Purchase Individual Components)	
1A	7010492	1	Shaft, Output	
1B	7000228	1	Seal, Lip	
1C	7000255	1	Bearing Kit (Includes Cup and Cone)	
1E	7000257	1	Bearing Kit (Includes Cup and Cone)	
1G	7024762	1	Housing	
1H	7007633	1	Washer, Thrust	
1I	7000229	1	Ring, Retaining	
1J	7017072	1	Plug, Pipe	
2	7000246	1	Gear, Internal	
3	7000247	1	Carrier Assembly	
4	7000248	1	Gear, Ring	
5	7000230	1	O-Ring	
5A	7017070	1	O-Ring	
6	1001229810	NSS	Housing, Brake (Note: Not Available - Purchase Complete Assembly)	
7	70005203	1	Gear, Sun	
8A	70004037	1	Piston	
8D	70004041	1	O-Ring	
8E	70004044	1	Ring, Back-up	
8F	70004042	1	O-Ring	
8H	70004043	1	Ring, Back-up	
8J	70002085	4	Disc, Rotor	
8K	70002085	5	Disc, Stator	
8L	70002066	14	Spring	
11	7000253	2	Washer, Thrust	
12	7000217	12	Bolt 3/8 x 2-1/4 Grade 8	
13	7017080	4	Pin, Dowel	
20	7017072	1	Plug, Pipe	
21	7024704	4	Bolt 5/16 x 2 Grade 8	
22	70004045	4	Washer	
23	7017023	2	Plug, Pipe	
24	See Note	NSS	Plate, ID (Note: Not Available for Purchase)	
25	See Note	NSS	Rivet (Note: Not Available for Purchase)	
26	7024763	1	O-Ring	
28	See Note	NSS	Lug, Lifting (Note: Not Available for Purchase)	
29	70004040	2	Bolt 1/2 x 1 (Grade 8)	
30	7017085	2	Elbow	
31	70006304	1	Motor Assembly	
32	7024784	1	Valve Assembly - Complete (No Serviceable Parts)	
35	70004047	1	Tube	
44	7017028	1	Ring, Internal Retaining	
45	7000213	2	O-Ring	
		Ref	KIT OPTIONS:	
200	7024100	1	Seal Kit - Swing Hub (Includes Items 1B, 1I, 5, 5A & 11)	
201	70002085	1	Disc Kit - Swing Brake (Includes Items 8J & 8K)	

SECTION 2 - TURNTABLE

FIGURE 2-6. SWING MOTOR/HUB ASSEMBLY (SN 0300315218 to Present)



ART_1001306803

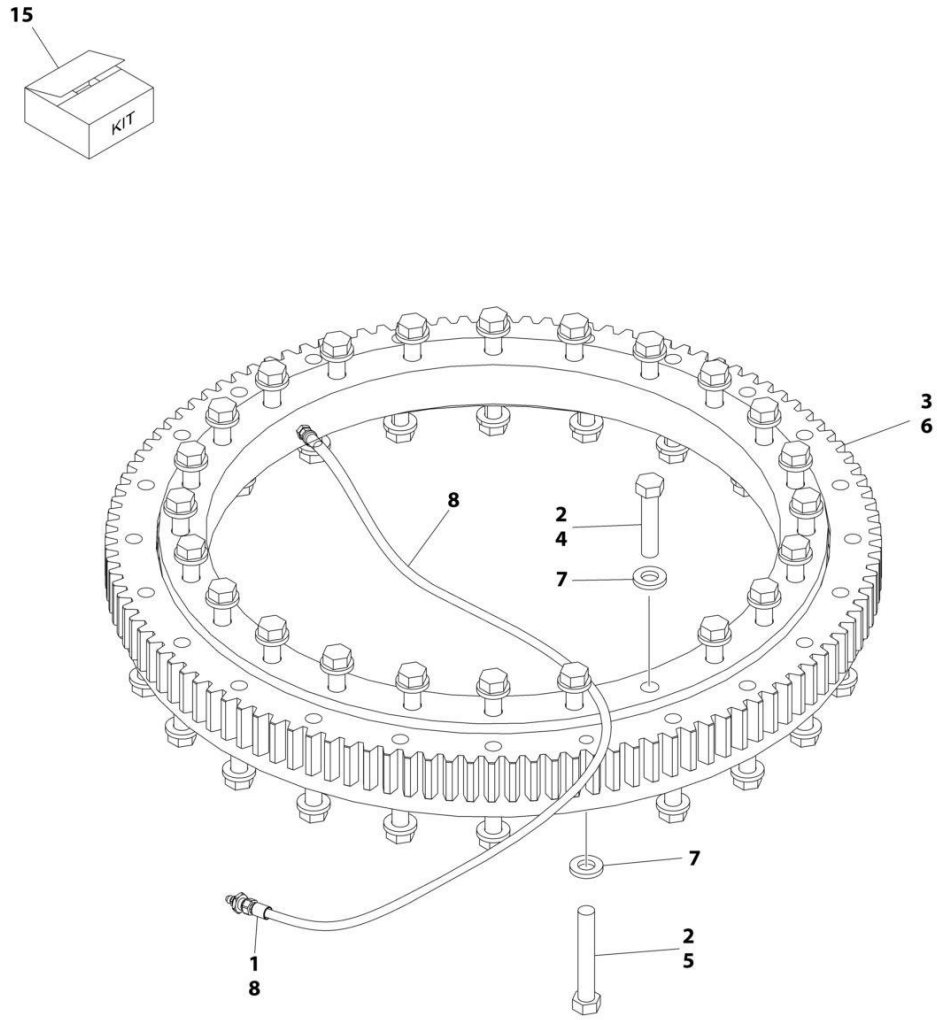
SECTION 2 - TURNTABLE

FIGURE 2-6. SWING MOTOR/HUB ASSEMBLY (SN 0300315218 to Present)

ITEM	PART NUMBER	QTY	DESCRIPTION	REV
	1001306803 See Note	Ref NSS	SWING MOTOR/HUB ASSEMBLY Note: No Service Parts Available at Time of Printing	A

SECTION 2 - TURNTABLE

FIGURE 2-7. TURNTABLE BEARING INSTALLATION



ART_1001157049

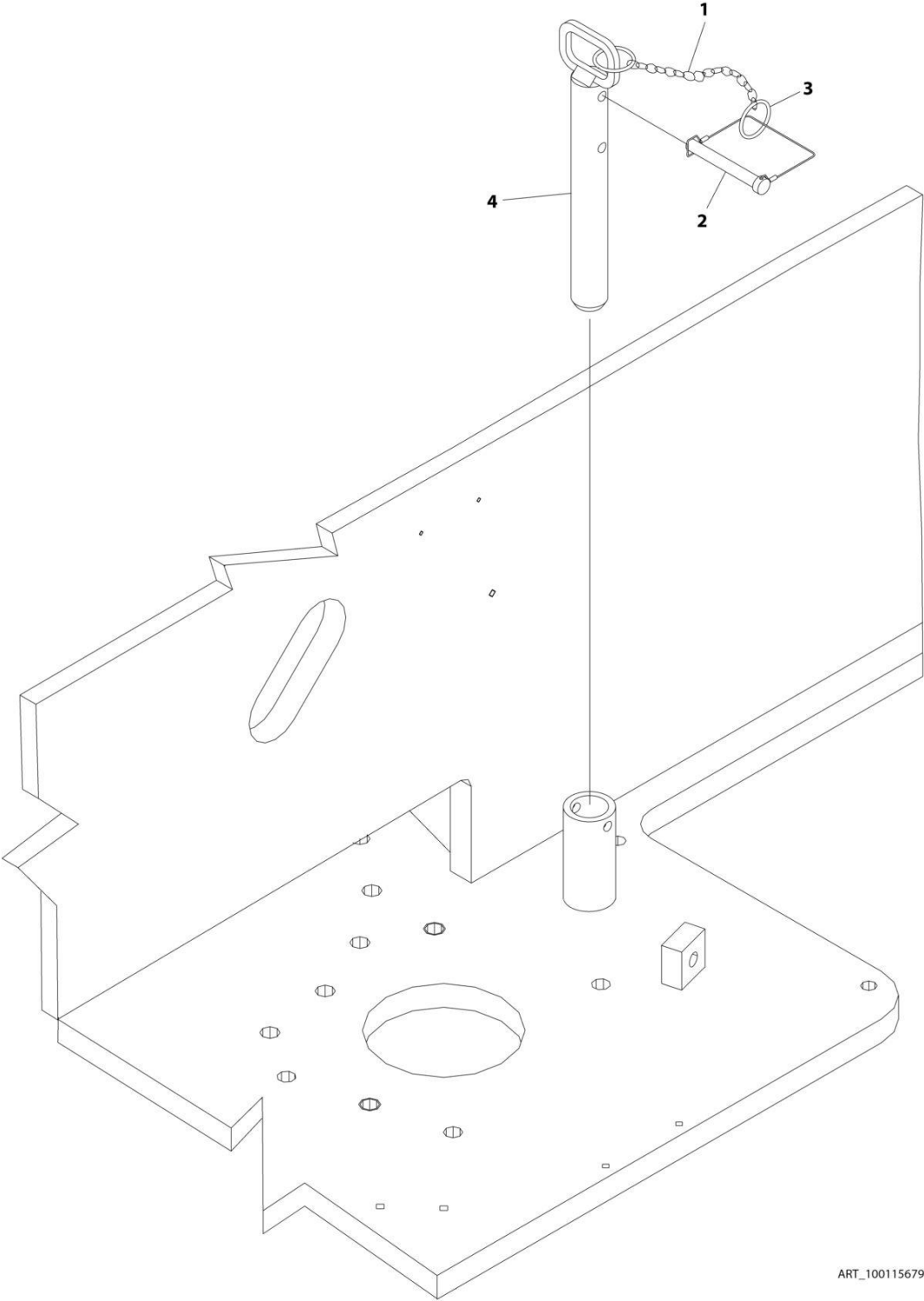
SECTION 2 - TURNTABLE

FIGURE 2-7. TURNTABLE BEARING INSTALLATION

ITEM	PART NUMBER	QTY	DESCRIPTION	REV
	1001157049	Ref	TURNTABLE BEARING AND LUBE INSTALLATION	B
1	0100011	AR	Compound, Locking	
2	0100019	AR	Compound, Locking	
3	0440244	1	Bearing, Turntable	
4	0682023	24	Bolt 5/8 x 2-7/8 Grade 8	
5	0682032	24	Bolt 5/8 x 4 Grade 8	
6	3020029	AR	Lubricant	
7	4892000	48	Washer 5/8	
8	1001157058	1	Hose	
15	2915094	1	Turntable Bearing Kit	

SECTION 2 - TURNTABLE

FIGURE 2-8. TURNTABLE LOCK INSTALLATION



ART_1001156798

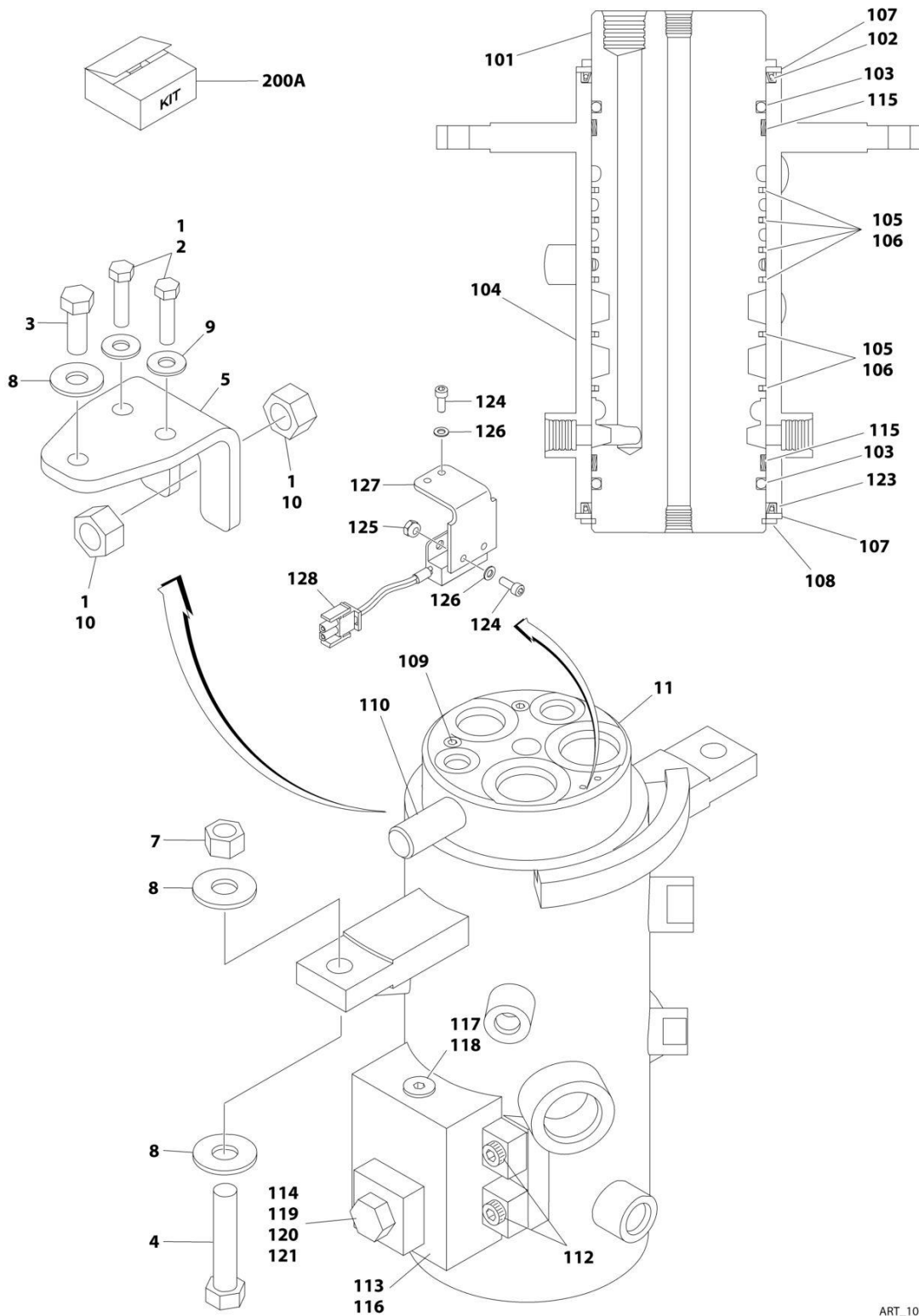
SECTION 2 - TURNTABLE

FIGURE 2-8. TURNTABLE LOCK INSTALLATION

ITEM	PART NUMBER	QTY	DESCRIPTION	REV
	1001156798	Ref	TURNTABLE LOCK INSTALLATION	A
1	1260017	9 in/23cm	Chain	
2	3421565	1	Pin, Snap	
3	3760170	2	Ring, Quick Release	
4	4844958	1	Pin	

SECTION 2 - TURNTABLE

FIGURE 2-9. ROTARY COUPLING INSTALLATION - 2WS MACHINES



ART_1001107529

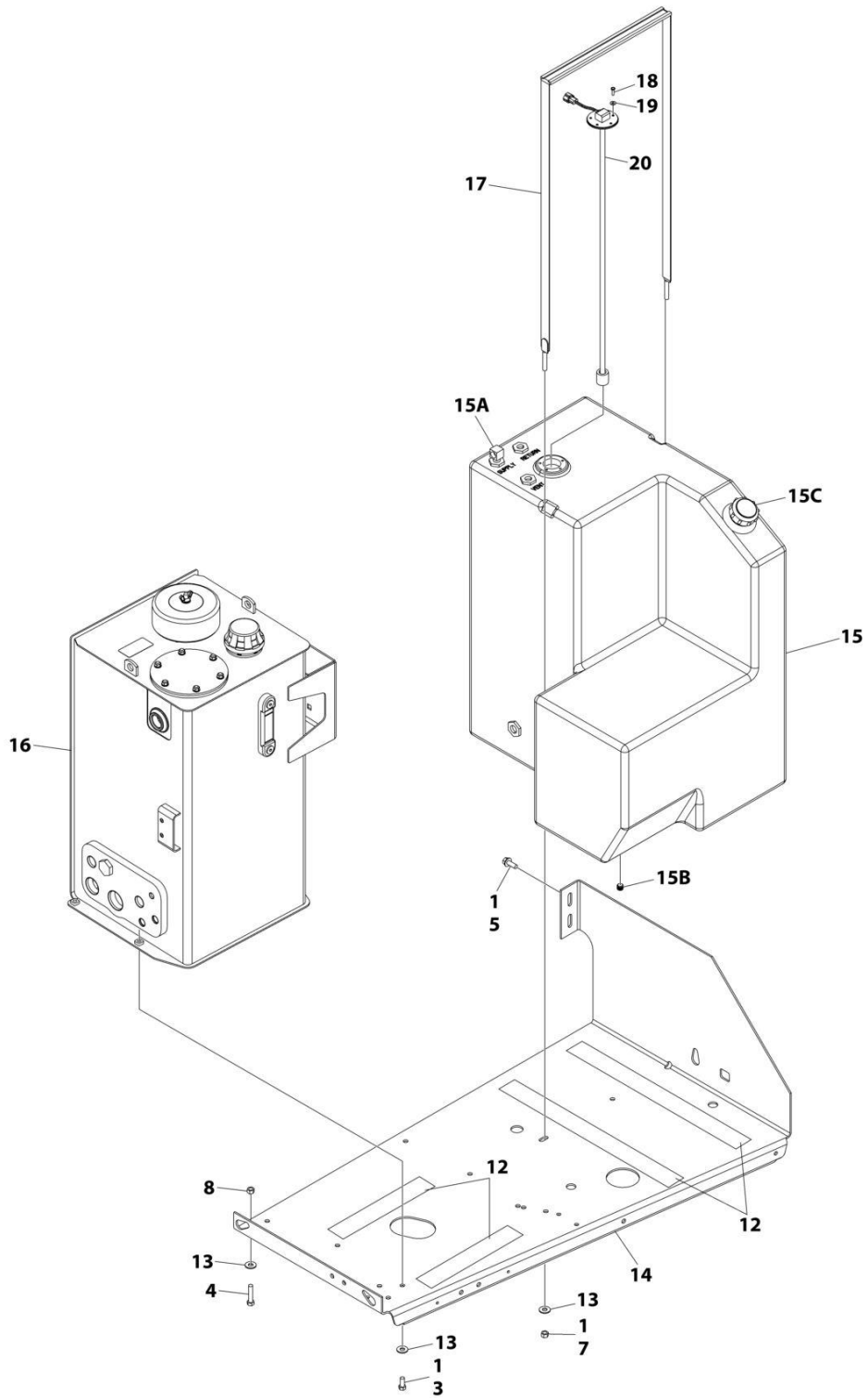
SECTION 2 - TURNTABLE

FIGURE 2-9. ROTARY COUPLING INSTALLATION - 2WS MACHINES

ITEM	PART NUMBER	QTY	DESCRIPTION	REV
	1001107529	Ref	ROTARY COUPLING INSTALLATION	B
1	0100011	AR	Compound, Locking	
2	0641611	2	Bolt 3/8 x 1-3/8	
3	0641812	1	Bolt 1/2 x 1-1/2	
4	0641820	2	Bolt 1/2 x 2-1/2	
5	0903242	1	Bracket	
7	3271805	2	Nut 1/2	
8	4751800	5	Washer 1/2	
9	4891600	2	Washer 3/8	
10	3322201	2	Nut 3/4	
11	1001106974	1	Coupling, Rotary Assembly (See Items 101-128 for Breakdown)	
	1001106974	Ref	ROTARY COUPLING ASSEMBLY	B
101	See Note	NSS	Body (Note: Not Available - Purchase Complete Assembly)	
102	See Note	NSS	Seal (Note: Use Item 200A)	
103	See Note	NSS	O-Ring (Note: Use Item 200A)	
104	See Note	NSS	Housing (Note: Not Available - Purchase Complete Assembly)	
105	See Note	NSS	Seal, Cap (Note: Use Item 200A)	
106	See Note	NSS	O-Ring (Note: Use Item 200A)	
107	7026503	2	Ring	
108	7026504	1	Ring, Retaining	
109	80934561	AR	Plug	
110	See Note	NSS	Lug, Torque (Note: Not Available for Purchase)	
112	7026197	4	Bolt 5/16 x 1-1/4	
113	See Note	NSS	O-Ring (Note: Use Item 200A)	
114	See Note	NSS	O-Ring (Note: Use Item 200A)	
115	See Note	NSS	Bearing (Note: Use Item 200A)	
116	7024404	1	Block Valve Assembly	
117	7026505	1	Plug	
118	7026506	1	Valve, Check	
119	7026507	1	Plug	
120	See Note	NSS	Plunger, Valve (Note: Use p/n 7024404)	
121	7026509	1	Spring, Compression	
123	See Note	NSS	Seal (Note: Use Item 200A)	
124	See Note	NSS	Capscrew #10 x 1/2 (Note: Not Available for Purchase)	
125	See Note	NSS	Nut #10 (Note: Not Available for Purchase)	
126	See Note	NSS	Flatwasher #10 (Note: Not Available for Purchase)	
127	70003454	1	Bracket, Switch Mounting	
128	4360517	1	Switch, Proximity	
200A	70001248	1	Seal Kit (Includes Items 102, 103, 105, 106, 113, 114, 115 & 123)	

SECTION 2 - TURNTABLE

FIGURE 2-10. TANK INSTALLATION - DIESEL MACHINE (FUEL TANK WITHOUT SIGHT GLASS)
(HELGESEN 6IN DIA BREATHER HYDRAULIC TANK - 25 GAL CAPACITY)



ART_1001178174_E

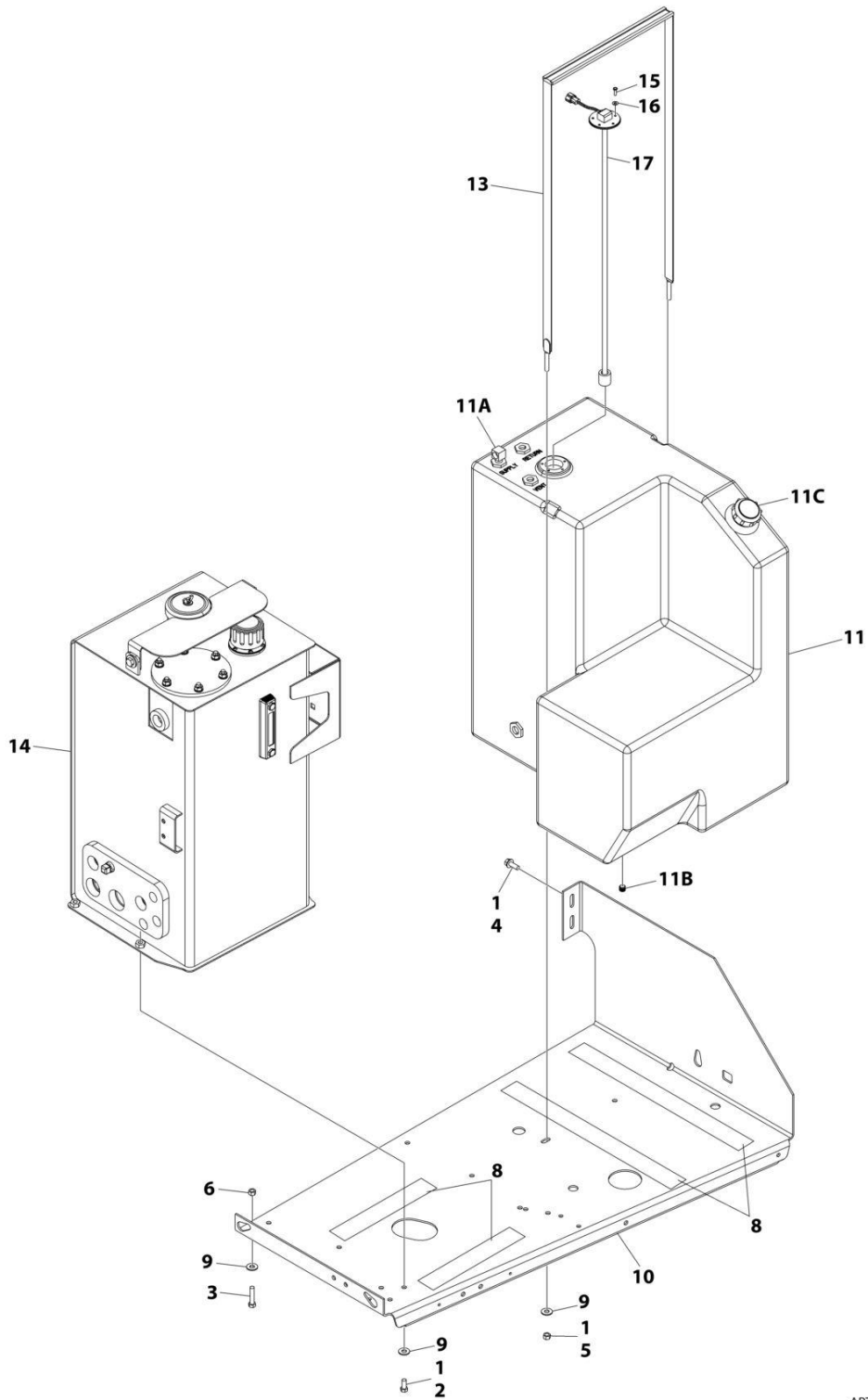
SECTION 2 - TURNTABLE

**FIGURE 2-10. TANK INSTALLATION - DIESEL MACHINE (FUEL TANK WITHOUT SIGHT GLASS)
(HELGESEN 6IN DIA BREATHER HYDRAULIC TANK - 25 GAL CAPACITY)**

ITEM	PART NUMBER	QTY	DESCRIPTION	REV
	1001178174	Ref	TANK INSTALLATION	E
1	0100011	AR	Compound, Locking	
2	1001182997	AR	Adhesive (Not Shown)	
3	0641607	4	Bolt 3/8 x 7/8	
4	0641614	2	Bolt 3/8 x 1-3/4	
5	0811608	2	Bolt 3/8 x 1	
7	3311601	2	Nut 3/8	
8	3311605	2	Nut 3/8	
12	4420038	73 in /1.85m	Tape, Rubber	
13	4751600	8	Washer 3/8	
14	1001156190	1	Tray	
15	1001284962	1	Tank, Fuel (Includes Non-Locking Cap) (Diesel Machines)	
15A	70004184	1	Fitting and Pick-up Tube (Diesel Machines)	
15B	2200222	1	Fitting (Diesel Machines Only)	
15B	0100020	AR	Sealant	
15C	7016314	1	Cap	
16	1001178057	1	Hydraulic Tank Assembly (See Separate Breakdown in this Section)	
17	1001231888	1	Strap Assembly (Includes Strap & Protective Strip)	
17	4240113	1	Strap, Tank	
18	0731005	5	Bolt #10 x 5/8	
19	4751000	5	Washer #10	
20	1001274219	1	Gauge, Fuel	

SECTION 2 - TURNTABLE

FIGURE 2-11. TANK INSTALLATION - DIESEL MACHINE (FUEL TANK WITHOUT SIGHT GLASS)
(JIANGYING 4IN DIA BREATHER HYDRAULIC TANK - 25 GAL CAPACITY)



ART_1001284873_B

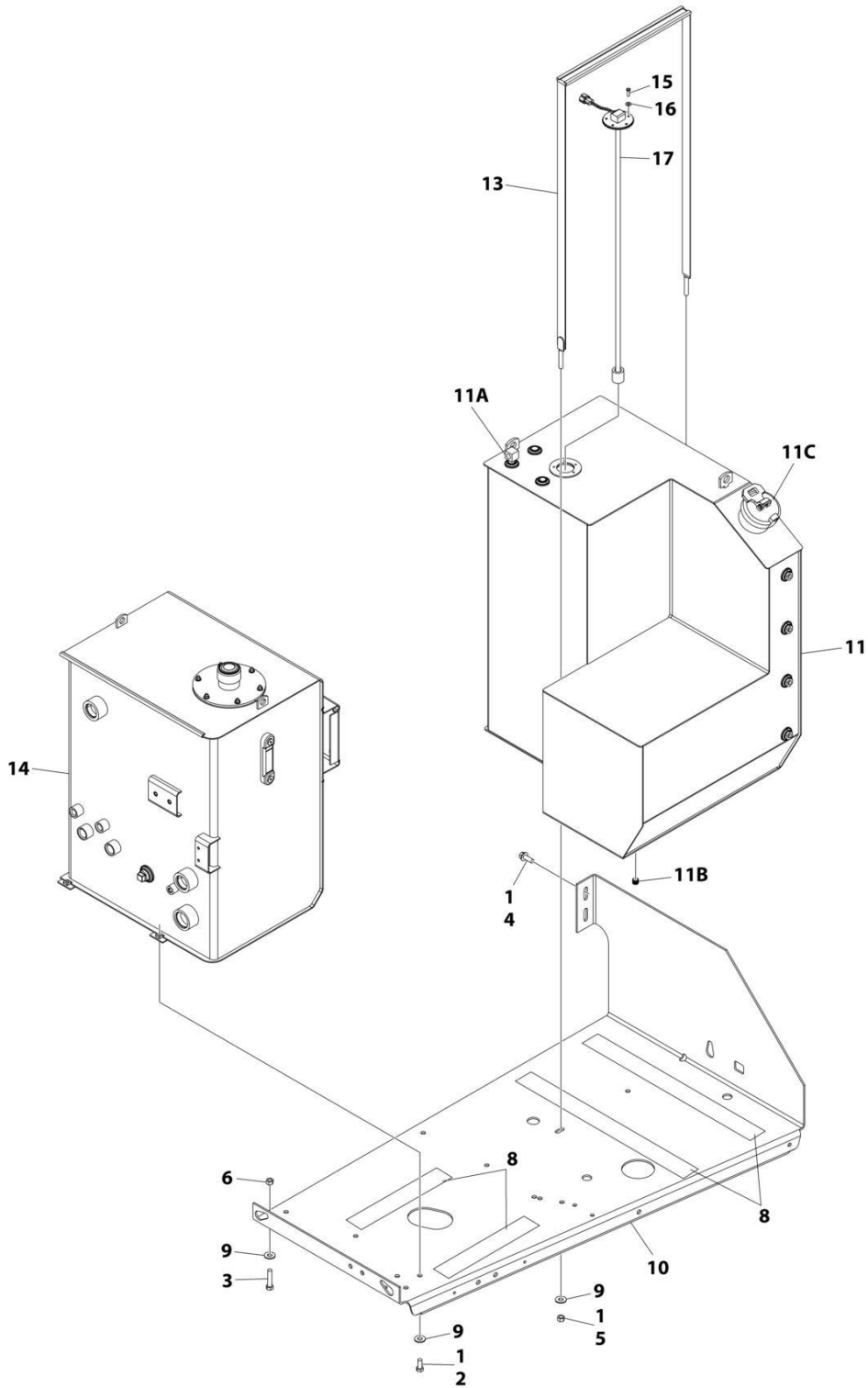
SECTION 2 - TURNTABLE

**FIGURE 2-11. TANK INSTALLATION - DIESEL MACHINE (FUEL TANK WITHOUT SIGHT GLASS)
(JIANGYING 4IIN DIA BREATHER HYDRAULIC TANK - 25 GAL CAPACITY)**

ITEM	PART NUMBER	QTY	DESCRIPTION	REV
	1001284873	Ref	TANK INSTALLATION	B
1	0100011	AR	Compound, Locking	
2	0641607	4	Bolt 3/8 x 7/8	
3	0641614	2	Bolt 3/8 x 1-3/4	
4	0811608	2	Bolt 3/8 x 1	
5	3311601	2	Nut 3/8	
6	3311605	2	Nut 3/8	
8	4420038	73 in /1.85m	Tape, Rubber	
9	4751600	8	Washer 3/8	
10	1001156190	1	Tray	
11	1001284962	1	Tank, Fuel (Includes Non-Locking Cap) (Diesel Machines)	
11A	70004184	1	Fitting and Pick-up Tube (Diesel Machines)	
11B	2200222	1	Fitting (Diesel Machines Only)	
11B	0100020	AR	Sealant	
11C	7016314	1	Cap	
13	1001231888	1	Strap Assembly (Includes Strap & Protective Strip)	
13	4240113	1	Strap, Tank	
14	1001267678	1	Hydraulic Tank Assembly (See Separate Breakdown in this Section)	
15	0731005	5	Bolt #10 x 5/8	
16	4751000	5	Washer #10	
17	1001274219	1	Guage, Fuel	

SECTION 2 - TURNTABLE

FIGURE 2-12. TANK INSTALLATION - DIESEL MACHINE (FUEL TANK WITHOUT SIGHT GLASS)
(HYDRAULIC TANK - 47.8 GAL CAPACITY)



ART_1001285832_B

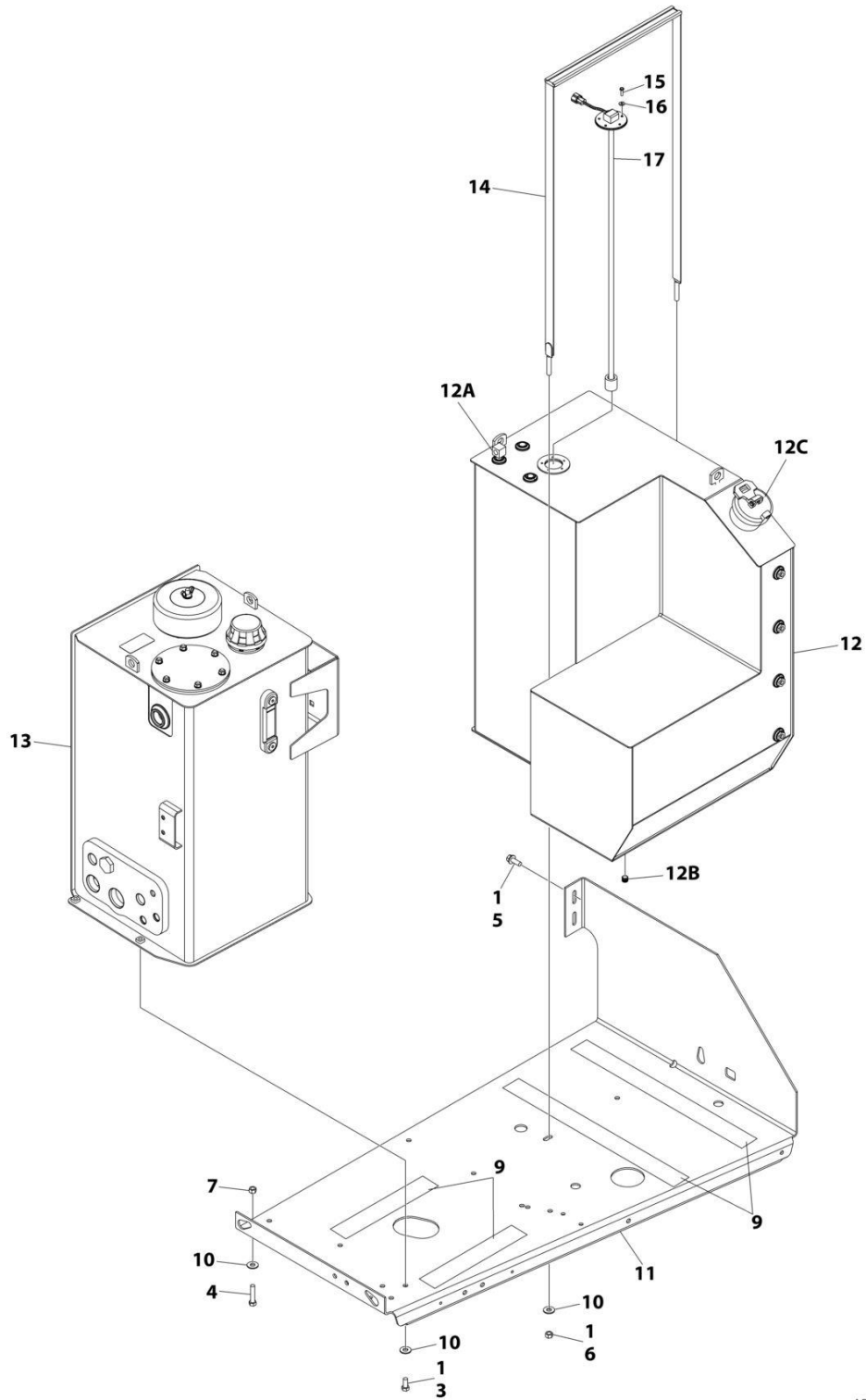
SECTION 2 - TURNTABLE

**FIGURE 2-12. TANK INSTALLATION - DIESEL MACHINE (FUEL TANK WITHOUT SIGHT GLASS)
(HYDRAULIC TANK - 47.8 GAL CAPACITY)**

ITEM	PART NUMBER	QTY	DESCRIPTION	REV
	1001285832	Ref	TANK INSTALLATION	B
1	0100011	AR	Compound, Locking	
2	0641607	4	Bolt 3/8 x 7/8	
3	0641614	2	Bolt 3/8 x 1-3/4	
4	0811608	2	Bolt 3/8 x 1	
5	3311601	2	Nut 3/8	
6	3311605	2	Nut 3/8	
8	4420038	73 in /1.85m	Tape, Rubber	
9	4751600	8	Washer 3/8	
10	1001156190	1	Tray	
11	1001284963	1	Tank, Fuel (Includes Non-Locking Cap) (Diesel Machines)	
11A	70004184	1	Fitting and Pick-up Tube (Diesel Machines)	
11B	2200222	1	Fitting (Diesel Machines Only)	
11B	0100020	AR	Sealant	
11C	7016314	1	Cap	
13	1001231888	1	Strap Assembly (Includes Strap & Protective Strip)	
13	4240113	1	Strap, Tank	
14	1001285677	1	Hydraulic Tank Assembly (See Separate Breakdown in this Section)	
15	0731005	5	Bolt #10 x 5/8	
16	4751000	5	Washer #10	
17	1001274219	1	Gauge, Fuel	

SECTION 2 - TURNTABLE

FIGURE 2-13. TANK INSTALLATION - DIESEL MACHINE (FUEL TANK WITH SIGHT GLASS)
(HELGESEN 6IN DIA BREATHER HYDRAULIC TANK - 25 GAL CAPACITY)



ART_1001250643_B

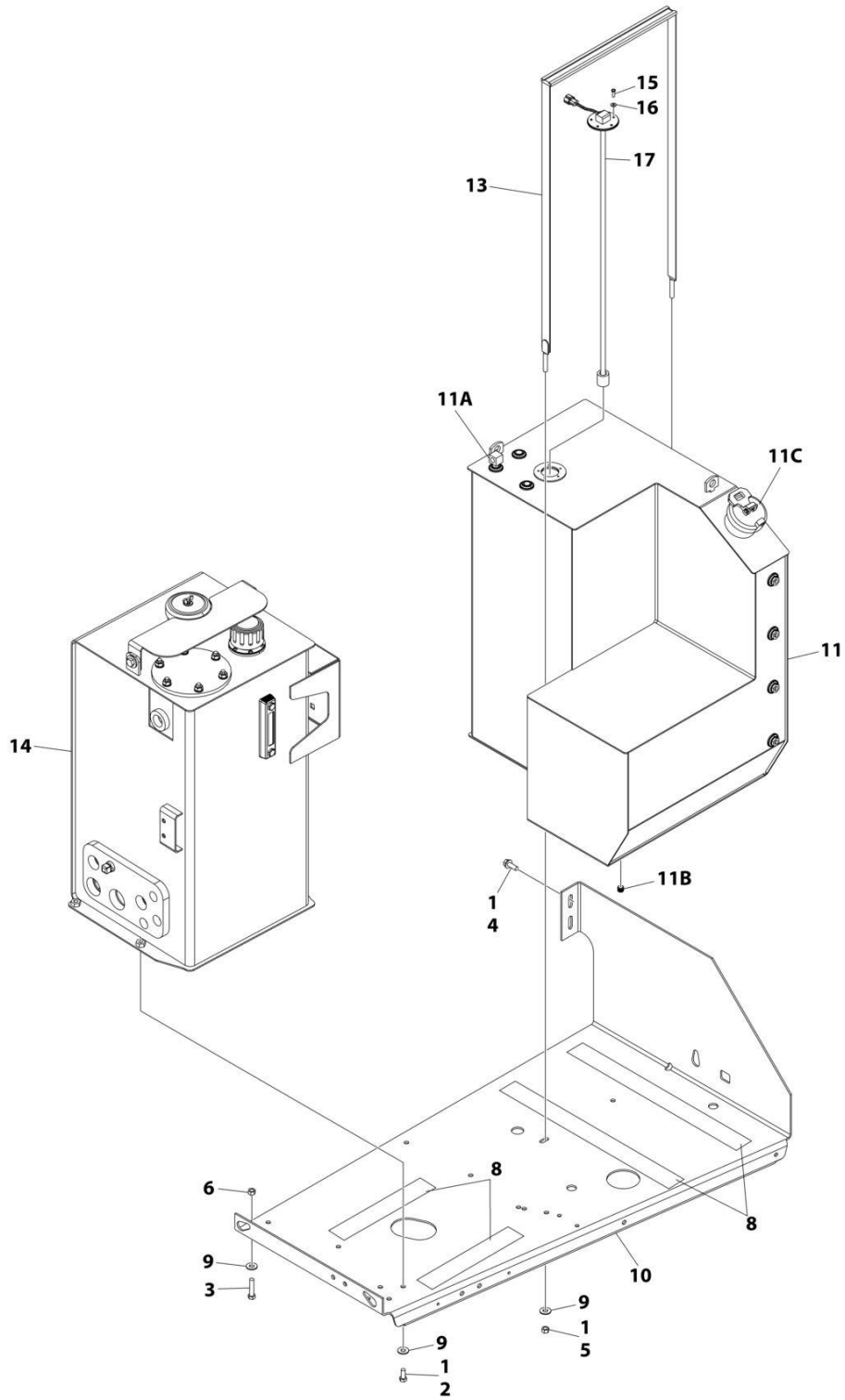
SECTION 2 - TURNTABLE

**FIGURE 2-13. TANK INSTALLATION - DIESEL MACHINE (FUEL TANK WITH SIGHT GLASS)
(HELGESEN 6IIN DIA BREATHER HYDRAULIC TANK - 25 GAL CAPACITY)**

ITEM	PART NUMBER	QTY	DESCRIPTION	REV
	1001250643	Ref	TANK INSTALLATION	B
1	0100011	AR	Compound, Locking	
2	1001182997	AR	Adhesive (Not Shown)	
3	0641607	4	Bolt 3/8 x 7/8	
4	0641614	2	Bolt 3/8 x 1-3/4	
5	0811608	2	Bolt 3/8 x 1	
6	3311601	2	Nut 3/8	
7	3311605	2	Nut 3/8	
9	4420038	73 in /1.85m	Tape, Rubber	
10	4751600	8	Washer 3/8	
11	1001156190	1	Tray	
12	1001284963	1	Tank, Fuel (Includes Non-Locking Cap) (Diesel Machines)	
12A	70007508	1	Fitting and Pick-up Tube (Diesel Machines)	
12B	70002112	1	Fitting (Diesel Machines Only)	
12C	1001080707	1	Cap	
13	1001178057	1	Hydraulic Tank Assembly (See Separate Breakdown in this Section)	
14	1001231888	1	Strap Assembly (Includes Strap & Protective Strip)	
14	4240113	1	Strap, Tank	
15	0731005	5	Bolt #10 x 5/8	
16	4751000	5	Washer #10	
17	1001274219	1	Gauge, Fuel	

SECTION 2 - TURNTABLE

FIGURE 2-14. TANK INSTALLATION - DIESEL MACHINE (FUEL TANK WITH SIGHT GLASS)
(JIANGYING 4IN DIA BREATHER HYDRAULIC TANK - 25 GAL CAPACITY)



ART_1001284872_B

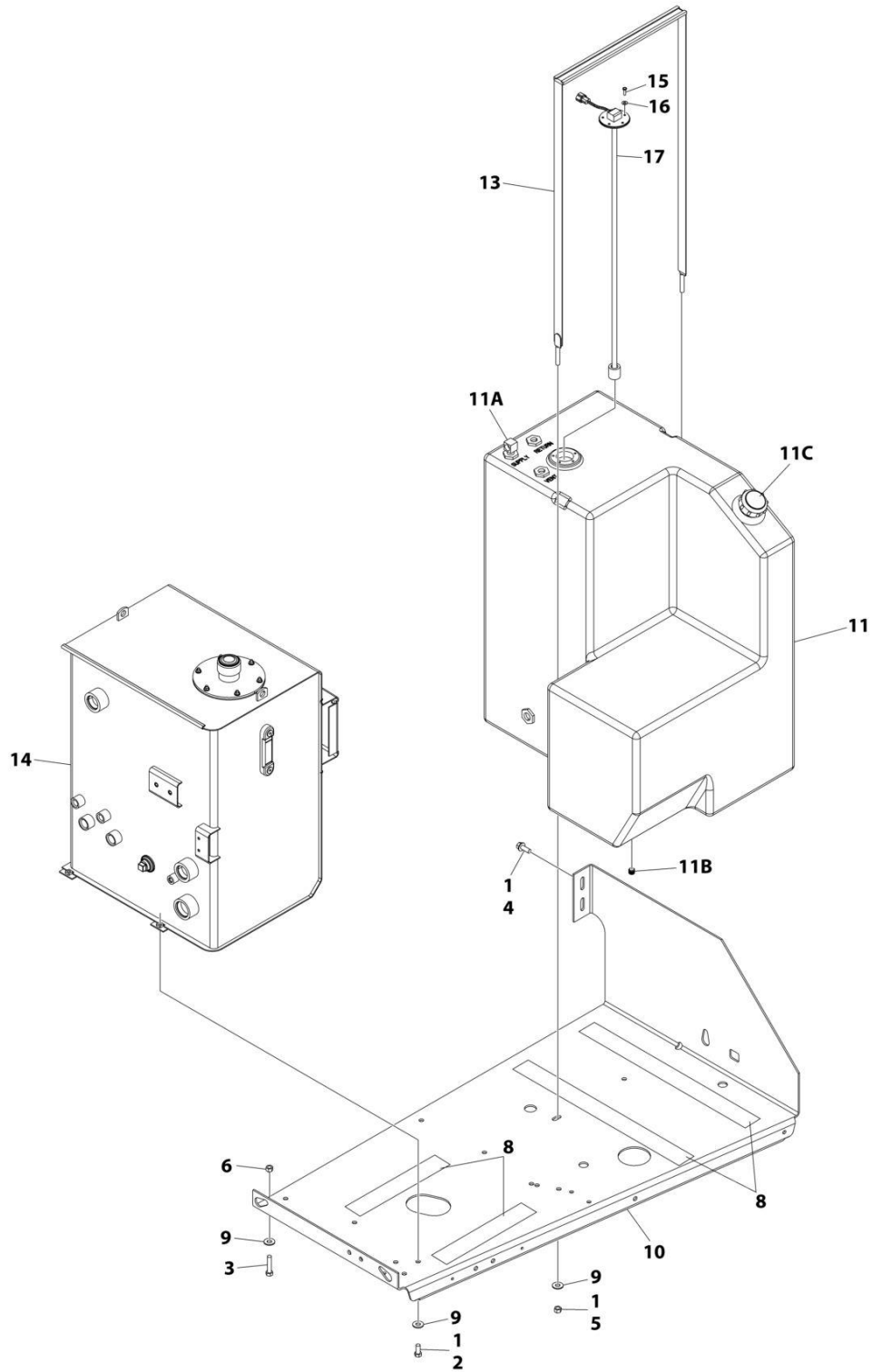
SECTION 2 - TURNTABLE

**FIGURE 2-14. TANK INSTALLATION - DIESEL MACHINE (FUEL TANK WITH SIGHT GLASS)
(JIANGYING 4IN DIA BREATHER HYDRAULIC TANK - 25 GAL CAPACITY)**

ITEM	PART NUMBER	QTY	DESCRIPTION	REV
	1001284872	Ref	TANK INSTALLATION	B
1	0100011	AR	Compound, Locking	
2	0641607	4	Bolt 3/8 x 7/8	
3	0641614	2	Bolt 3/8 x 1-3/4	
4	0811608	2	Bolt 3/8 x 1	
5	3311601	2	Nut 3/8	
6	3311605	2	Nut 3/8	
8	4420038	73 in /1.85m	Tape, Rubber	
9	4751600	8	Washer 3/8	
10	1001156190	1	Tray	
11	1001284963	1	Tank, Fuel (Includes Non-Locking Cap) (Diesel Machines)	
11A	70007508	1	Fitting and Pick-up Tube (Diesel Machines)	
11B	70002112	1	Fitting (Diesel Machines Only)	
11C	1001080707	1	Cap	
13	1001231888	1	Strap Assembly (Includes Strap & Protective Strip)	
13	4240113	1	Strap, Tank	
14	1001267678	1	Hydraulic Tank Assembly (See Separate Breakdown in this Section)	
15	0731005	5	Bolt #10 x 5/8	
16	4751000	5	Washer #10	
17	1001274219	1	Gauge, Fuel	

SECTION 2 - TURNTABLE

FIGURE 2-15. TANK INSTALLATION - DIESEL MACHINE (FUEL TANK WITH SIGHT GLASS)
(HYDRAULIC TANK - 47.8 GAL CAPACITY)



ART_1001285834_B

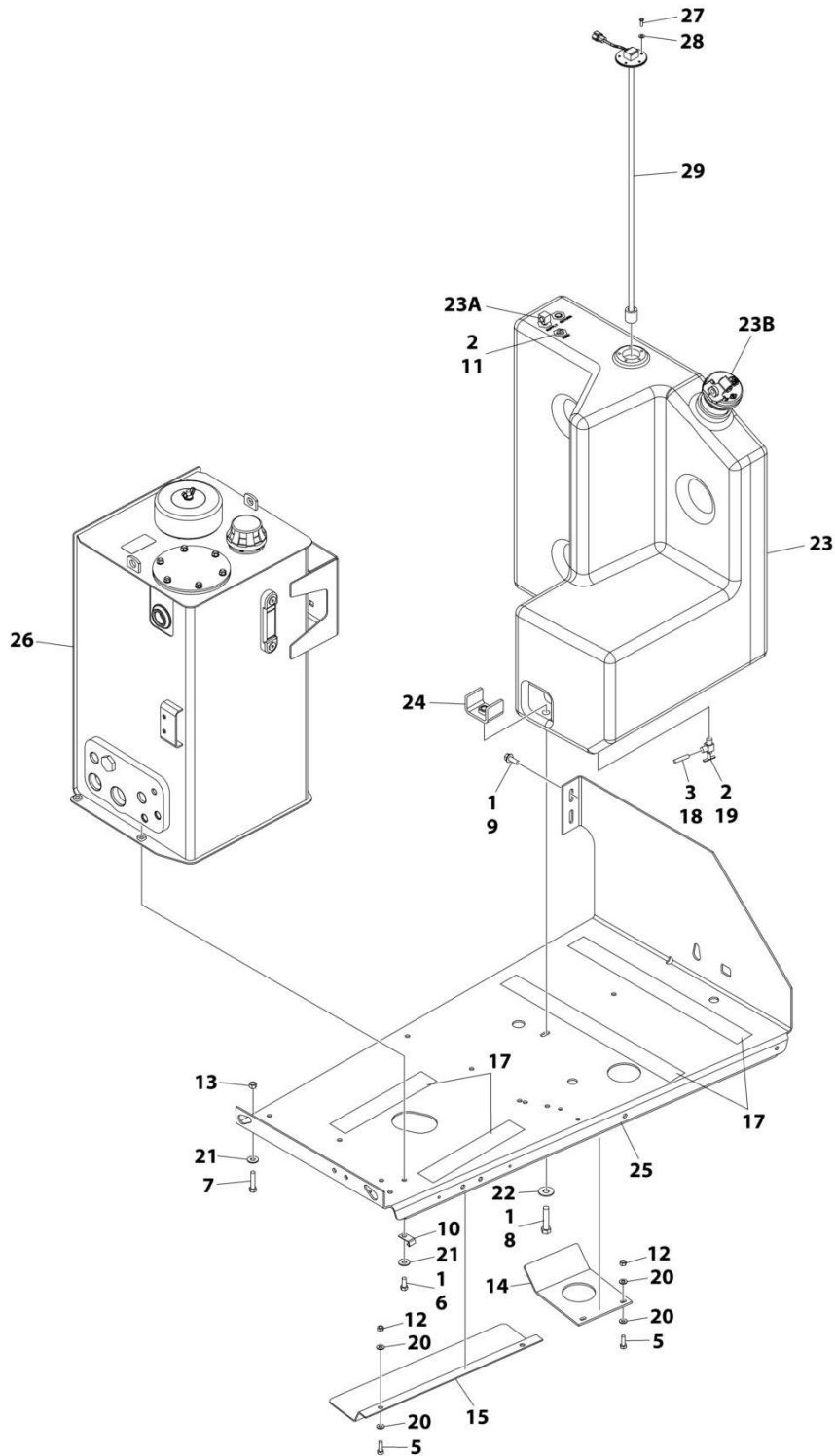
SECTION 2 - TURNTABLE

**FIGURE 2-15. TANK INSTALLATION - DIESEL MACHINE (FUEL TANK WITH SIGHT GLASS)
(HYDRAULIC TANK - 47.8 GAL CAPACITY)**

ITEM	PART NUMBER	QTY	DESCRIPTION	REV
	1001285834	Ref	TANK INSTALLATION	B
1	0100011	AR	Compound, Locking	
2	0641607	4	Bolt 3/8 x 7/8	
3	0641614	2	Bolt 3/8 x 1-3/4	
4	0811608	2	Bolt 3/8 x 1	
5	3311601	2	Nut 3/8	
6	3311605	2	Nut 3/8	
8	4420038	73 in /1.85m	Tape, Rubber	
9	4751600	8	Washer 3/8	
10	1001156190	1	Tray	
11	1001284962	1	Tank, Fuel (Includes Non-Locking Cap) (Diesel Machines)	
11A	70007508	1	Fitting and Pick-up Tube (Diesel Machines)	
11B	70002112	1	Fitting (Diesel Machines Only)	
11C	1001080707	1	Cap	
13	1001231888	1	Strap Assembly (Includes Strap & Protective Strip)	
13	4240113	1	Strap, Tank	
14	1001285677	1	Hydraulic Tank Assembly (See Separate Breakdown in this Section)	
15	0731005	5	Bolt #10 x 5/8	
16	4751000	5	Washer #10	
17	1001274219	1	Gauge, Fuel	

SECTION 2 - TURNTABLE

FIGURE 2-16. TANK INSTALLATION - GAS ENGINES (HELGESEN 6IN DIA BREATHER HYDRAULIC TANK - 25 GAL CAPACITY)



ART_1001178175_D

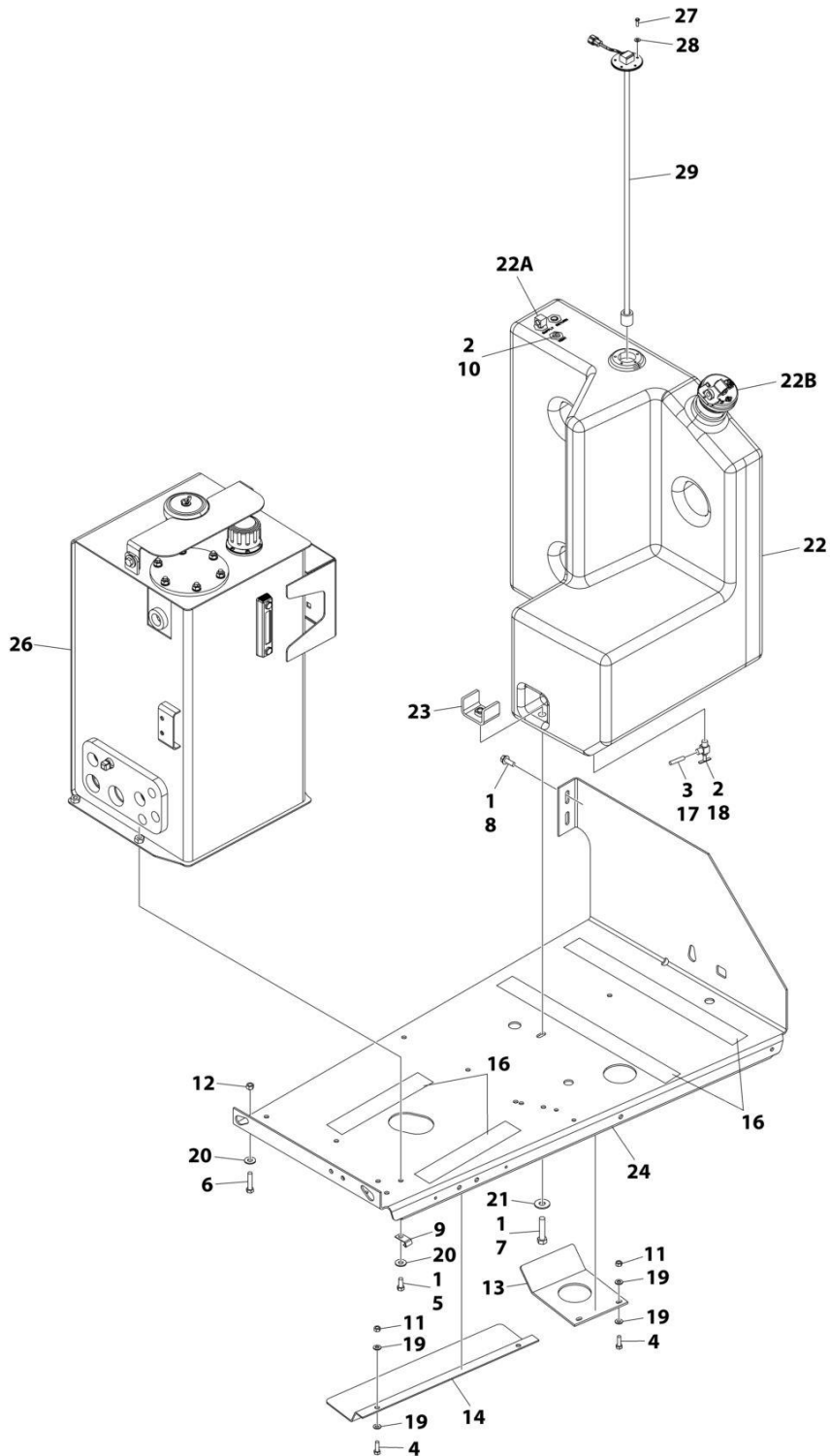
SECTION 2 - TURNTABLE

FIGURE 2-16. TANK INSTALLATION - GAS ENGINES (HELGESEN 6IN DIA BREATHER HYDRAULIC TANK - 25 GAL CAPACITY)

ITEM	PART NUMBER	QTY	DESCRIPTION	REV
	1001178175	Ref	TANK INSTALLATION	D
1	0100011	AR	Compound, Locking	
2	0100020	AR	Sealant, Pipe	
3	0100062	AR	Compound, Locking	
4	1001182997	AR	Adhesive (Not Shown)	
5	0641508	4	Bolt 5/16 x 1	
6	0641607	4	Bolt 3/8 x 7/8	
7	0641614	2	Bolt 3/8 x 1-3/4	
8	0641818	2	Bolt 1/2 x 2-1/4	
9	0811608	2	Bolt 3/8 x 1	
10	1320223	1	Clamp	
11	2200233	1	Plug	
12	3311505	4	Nut 5/16	
13	3311605	2	Nut 3/8	
14	3572423	1	Plate, Valve Needle	
15	3576755	1	Cover, Fuel Pump	
17	4420038	4 ft /1.2 m	Tape, Rubber (Gas Machines)	
18	4568119	1	Tube, Fuel	
19	4641022	1	Valve, Needle	
20	4711500	8	Washer 5/16	
21	4751600	2	Washer 3/8	
22	4751800	2	Washer 1/2	
23	1001296788	1	Tank, Fuel (Includes Non-Locking Cap) (Gas Machines)	
23A	70004149	1	Fitting and Pick-up Tube (Gas Machines)	
23B	70002715	1	Cap	
23B	70002716	1	Adapter, Cap	
24	1001118133	2	Bracket	
25	1001156190	1	Tray	
26	1001178057	1	Hydraulic Tank Assembly (See Separate Breakdown in this Section)	
27	0731005	5	Bolt #10 x 5/8	
28	4751000	5	Washer #10	
29	1001274219	1	Gauge, Fuel	

SECTION 2 - TURNTABLE

FIGURE 2-17. TANK INSTALLATION - GAS ENGINES (JIANGYING 4IN DIA BREATHER HYDRAULIC TANK - 25 GAL CAPACITY)



ART_1001284874_B

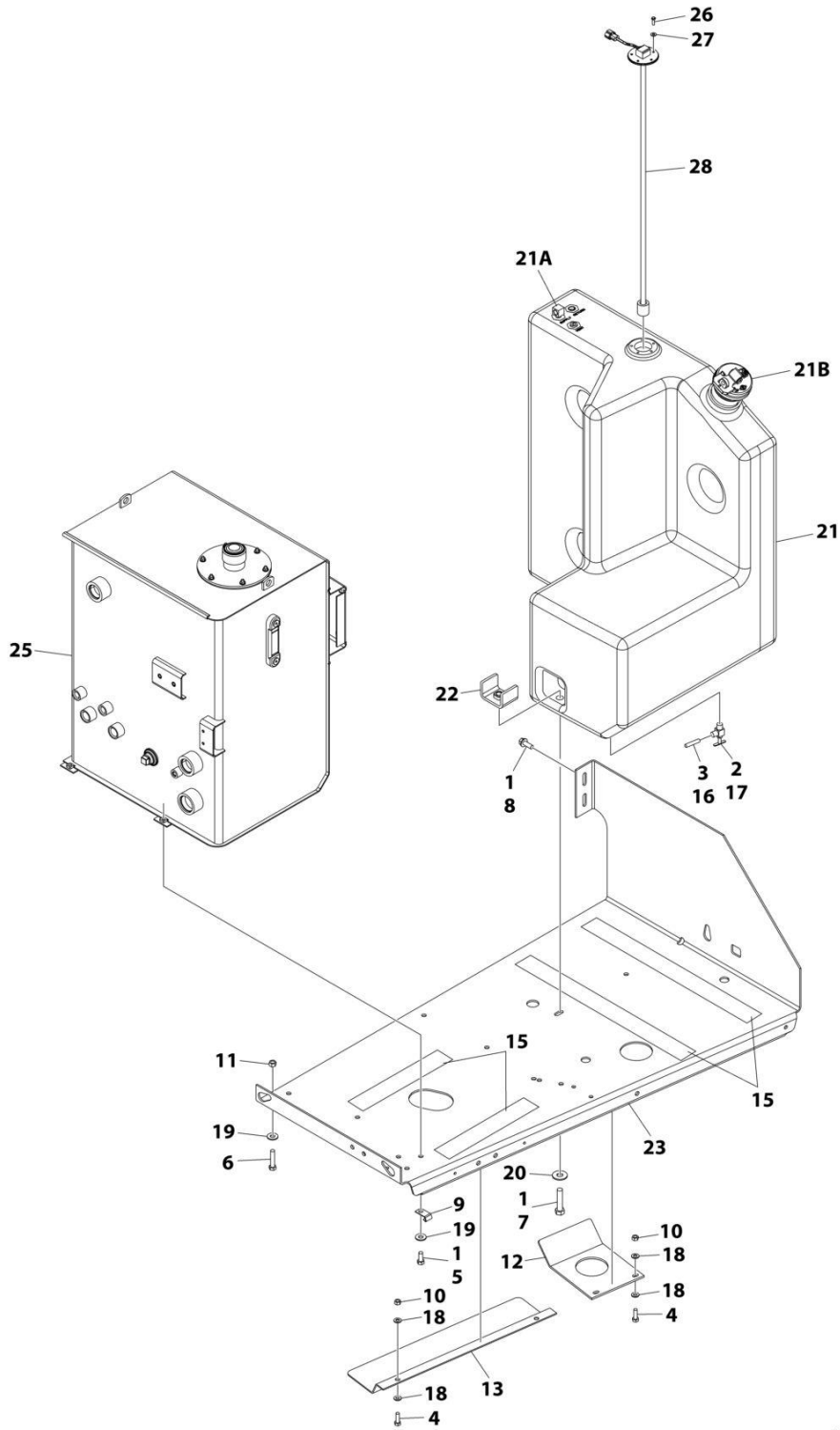
SECTION 2 - TURNTABLE

FIGURE 2-17. TANK INSTALLATION - GAS ENGINES (JIANGYING 4IN DIA BREATHER HYDRAULIC TANK - 25 GAL CAPACITY)

ITEM	PART NUMBER	QTY	DESCRIPTION	REV
	1001284874	Ref	TANK INSTALLATION	B
1	0100011	AR	Compound, Locking	
2	0100020	AR	Sealant, Pipe	
3	0100062	AR	Compound, Locking	
4	0641508	4	Bolt 5/16 x 1	
5	0641607	4	Bolt 3/8 x 7/8	
6	0641614	2	Bolt 3/8 x 1-3/4	
7	0641818	2	Bolt 1/2 x 2-1/4	
8	0811608	2	Bolt 3/8 x 1	
9	1320223	1	Clamp	
10	2200233	1	Plug	
11	3311505	4	Nut 5/16	
12	3311605	2	Nut 3/8	
13	3572423	1	Plate, Valve Needle	
14	3576755	1	Cover, Fuel Pump	
16	4420038	45 in /1.14m	Tape, Rubber (Gas Machines)	
17	4568119	1	Tube, Fuel	
18	4641022	1	Valve, Needle	
19	4711500	8	Washer 5/16	
20	4751600	6	Washer 3/8	
21	4751800	2	Washer 1/2	
22	1001284961	1	Tank, Fuel (Includes Non-Locking Cap) (Gas Machines)	
22A	70004149	1	Fitting and Pick-up Tube (Gas Machines)	
22B	70002715	1	Cap	
22B	70002716	1	Adapter, Cap	
23	1001118133	2	Bracket	
24	1001156190	1	Tray	
26	1001267678	1	Hydraulic Tank Assembly (See Separate Breakdown in this Section)	
27	0731005	5	Bolt #10 x 5/8	
28	4751000	5	Washer #10	
29	1001274219	1	Gauge, Fuel	

SECTION 2 - TURNTABLE

FIGURE 2-18. TANK INSTALLATION - GAS ENGINES (HYDRAULIC TANK - 47.8 GAL CAPACITY)



ART_1001285833_C

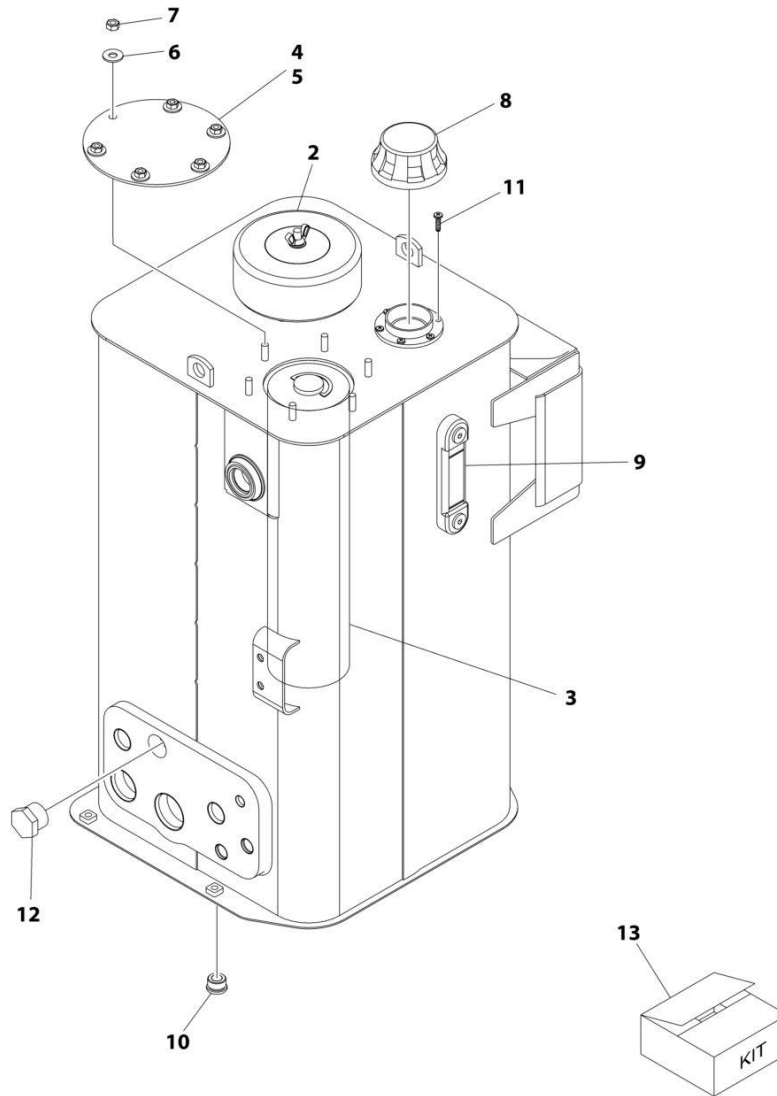
SECTION 2 - TURNTABLE

FIGURE 2-18. TANK INSTALLATION - GAS ENGINES (HYDRAULIC TANK - 47.8 GAL CAPACITY)

ITEM	PART NUMBER	QTY	DESCRIPTION	REV
	1001285833	Ref	TANK INSTALLATION	C
1	0100011	AR	Compound, Locking	
2	0100020	AR	Sealant, Pipe	
3	0100062	AR	Compound, Locking	
4	0641508	4	Bolt 5/16 x 1	
5	0641607	4	Bolt 3/8 x 7/8	
6	0641614	2	Bolt 3/8 x 1-3/4	
7	0641818	2	Bolt 1/2 x 2-1/4	
8	0811608	2	Bolt 3/8 x 1	
9	1320223	1	Clamp	
10	3311505	4	Nut 5/16	
11	3311605	2	Nut 3/8	
12	3572423	1	Plate, Valve Needle	
13	3576755	1	Cover, Fuel Pump	
15	4420038	5 ft /2 m	Tape, Rubber (Gas Machines)	
16	4568119	1	Tube, Fuel	
17	4641022	1	Valve, Needle	
18	4711500	8	Washer 5/16	
19	4751600	6	Washer 3/8	
20	4751800	2	Washer 1/2	
21	1001296788	1	Tank, Fuel (Includes Non-Locking Cap) (Gas Machines)	
21A	70004149	1	Fitting and Pick-up Tube (Gas Machines)	
21B	70002715	1	Cap	
21B	70002716	1	Adapter, Cap	
22	1001118133	2	Bracket	
23	1001156190	1	Tray	
24	1001182997	AR	Adhesive (Not Shown)	
25	1001285677	1	Hydraulic Tank Assembly (See Separate Breakdown in this Section)	
26	0731005	5	Bolt #10 x 5/8	
27	4751000	5	Washer #10	
28	1001274219	1	Guage, Fuel	

SECTION 2 - TURNTABLE

FIGURE 2-19. HYDRAULIC TANK ASSEMBLY (HELGESEN 6IN DIA BREATHER HYDRAULIC TANK - 25 GAL CAPACITY)



ART_1001178057

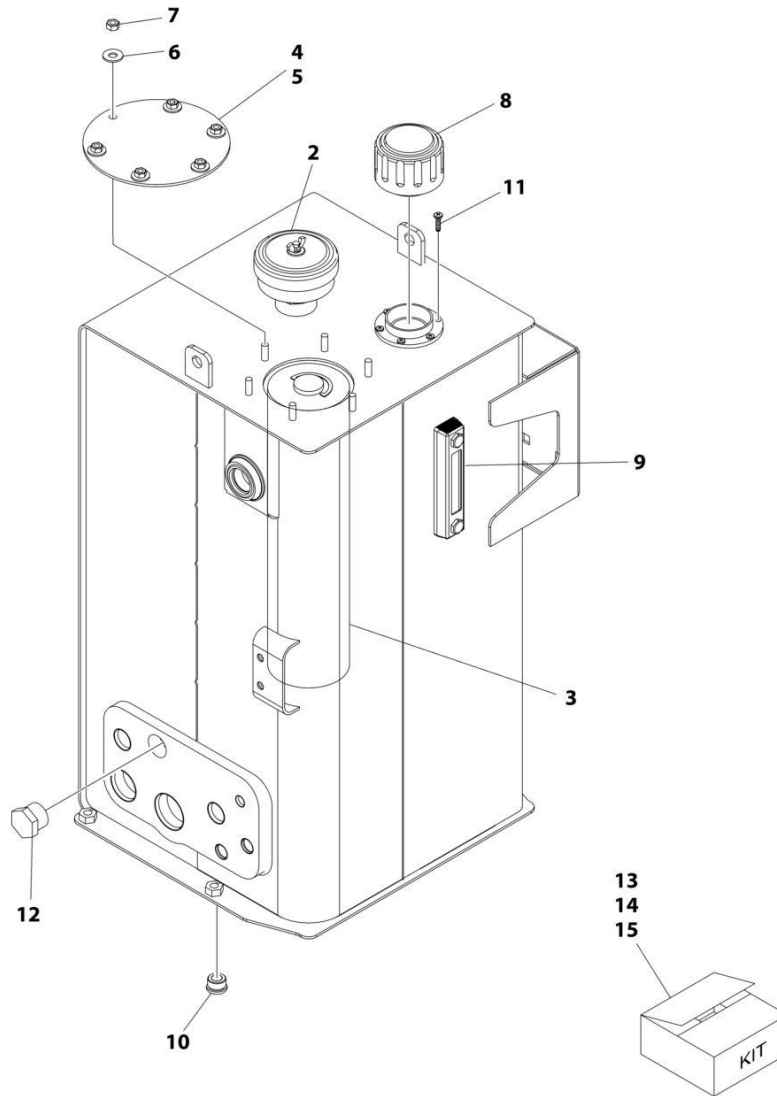
SECTION 2 - TURNTABLE

FIGURE 2-19. HYDRAULIC TANK ASSEMBLY (HELGESEN 6IN DIA BREATHER HYDRAULIC TANK - 25 GAL CAPACITY)

ITEM	PART NUMBER	QTY	DESCRIPTION	REV
	1001178057	Ref	HYDRAULIC TANK ASSEMBLY	D
2	70005708	1	Breather Assembly (Includes Breather, Element and Wingnut)	
2	See Note	NSS	Element, Breather (Note: Use p/n 70005708 or Item 13)	
3	See Note	NSS	Element, Hydraulic (Note: Use Item 13)	
4	70002839	1	Gasket	
5	See Note	NSS	Cover (Note: Not Available for Purchase)	
6	83304173	6	Washer 5/16	
7	70004199	6	Nut 5/16	
8	70002838	1	Cap, Fill	
9	7024441	1	Gauge, Level	
10	70002112	1	Plug	
11	70004795	6	Screw #10 x 3/4	
12	See Note	NSS	Plug (Note: Not Available - Purchase Locally)	
13	70002814	1	Hydraulic Tank Service Kit (Includes Items 2-4)	

SECTION 2 - TURNTABLE

FIGURE 2-20. HYDRAULIC TANK ASSEMBLY (JIANGYING 4IN DIA BREATHER HYDRAULIC TANK - 25 GAL CAPACITY)



ART_1001267678

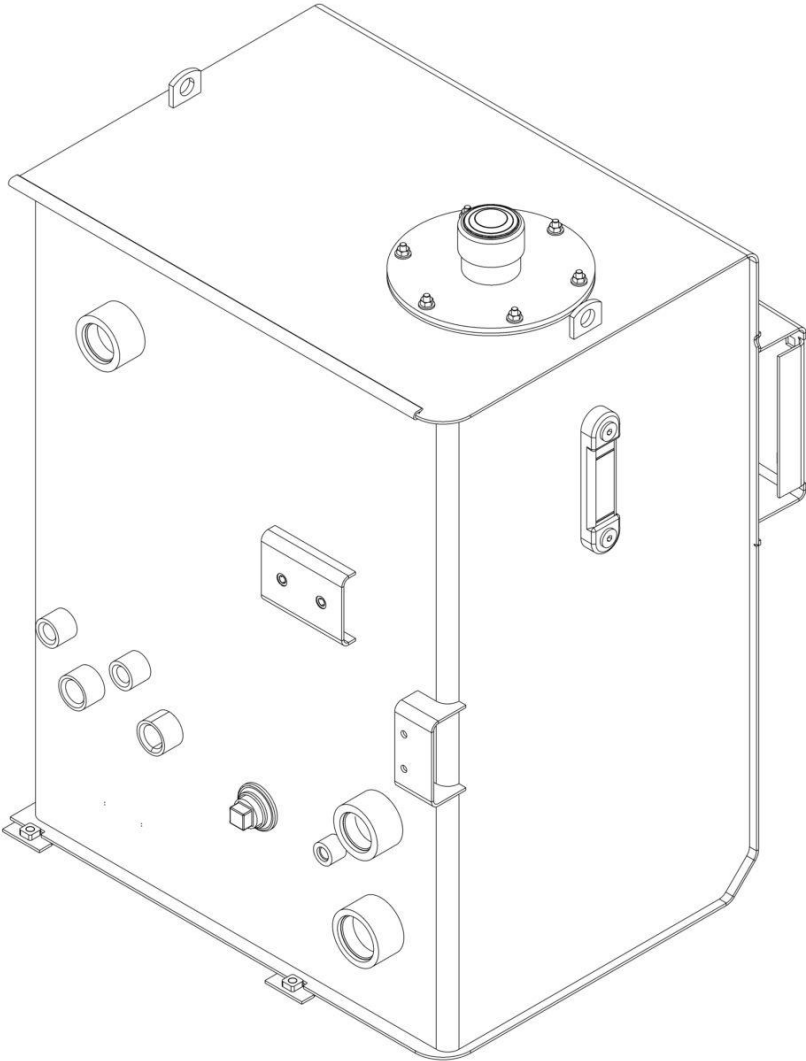
SECTION 2 - TURNTABLE

FIGURE 2-20. HYDRAULIC TANK ASSEMBLY (JIANGYING 4IN DIA BREATHER HYDRAULIC TANK - 25 GAL CAPACITY)

ITEM	PART NUMBER	QTY	DESCRIPTION	REV
	1001267678	REF	HYDRAULIC TANK ASSEMBLY	A
1	See Note	NSS	Hydraulic Tank Weldment (Not Shown) (Note: Not Available for Purchase)	
2	See Note	NSS	Breather Assembly (Note: Use Item 13)	
3	See Note	NSS	Element, Filter (Note: Use Item Use Item 14)	
4	70002839	1	Gasket	
5	See Note	NSS	Cover (Note: Not Available for Purchase)	
6	83304173	6	Washer 1/4	
7	70004199	6	Nut 5/16	
8	70002838	1	Cap, Fill	
9	70024441	1	Gauge, Level	
10	70002112	1	Plug	
11	70004795	6	Screw 10 x 3/4	
12	See Note	NSS	Plug (Note: Not Available for Purchase)	
13	70007726	1	Breather Kit (Note: Includes Item 2)	
14	70007727	1	Return Filter Kit (Note: Includes Item 3)	
15	70007725	1	Level Gauge Kit	

SECTION 2 - TURNTABLE

FIGURE 2-21. HYDRAULIC TANK ASSEMBLY (HYDRAULIC TANK - 47.8 GAL CAPACITY)



ART_1001285677

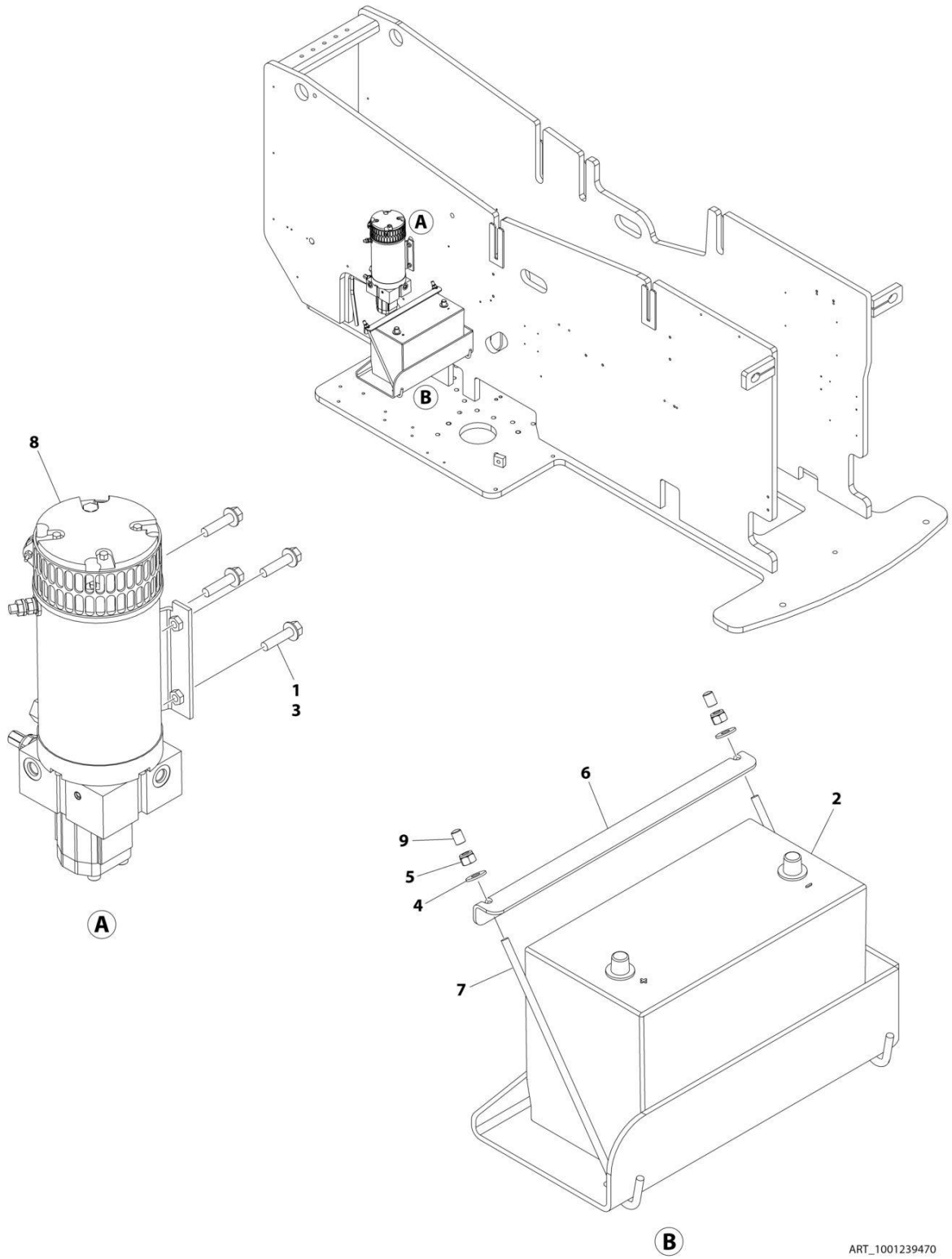
SECTION 2 - TURNTABLE

FIGURE 2-21. HYDRAULIC TANK ASSEMBLY (HYDRAULIC TANK - 47.8 GAL CAPACITY)

ITEM	PART NUMBER	QTY	DESCRIPTION	REV
	1001285677 See Note	Ref Ref	HYDRAULIC TANK ASSEMBLY Note: No Service Parts Available at Time of Printing	B

SECTION 2 - TURNTABLE

FIGURE 2-22. AUXILIARY POWER INSTALLATION - WITHOUT BATTERY DISCONNECT



ART_1001239470

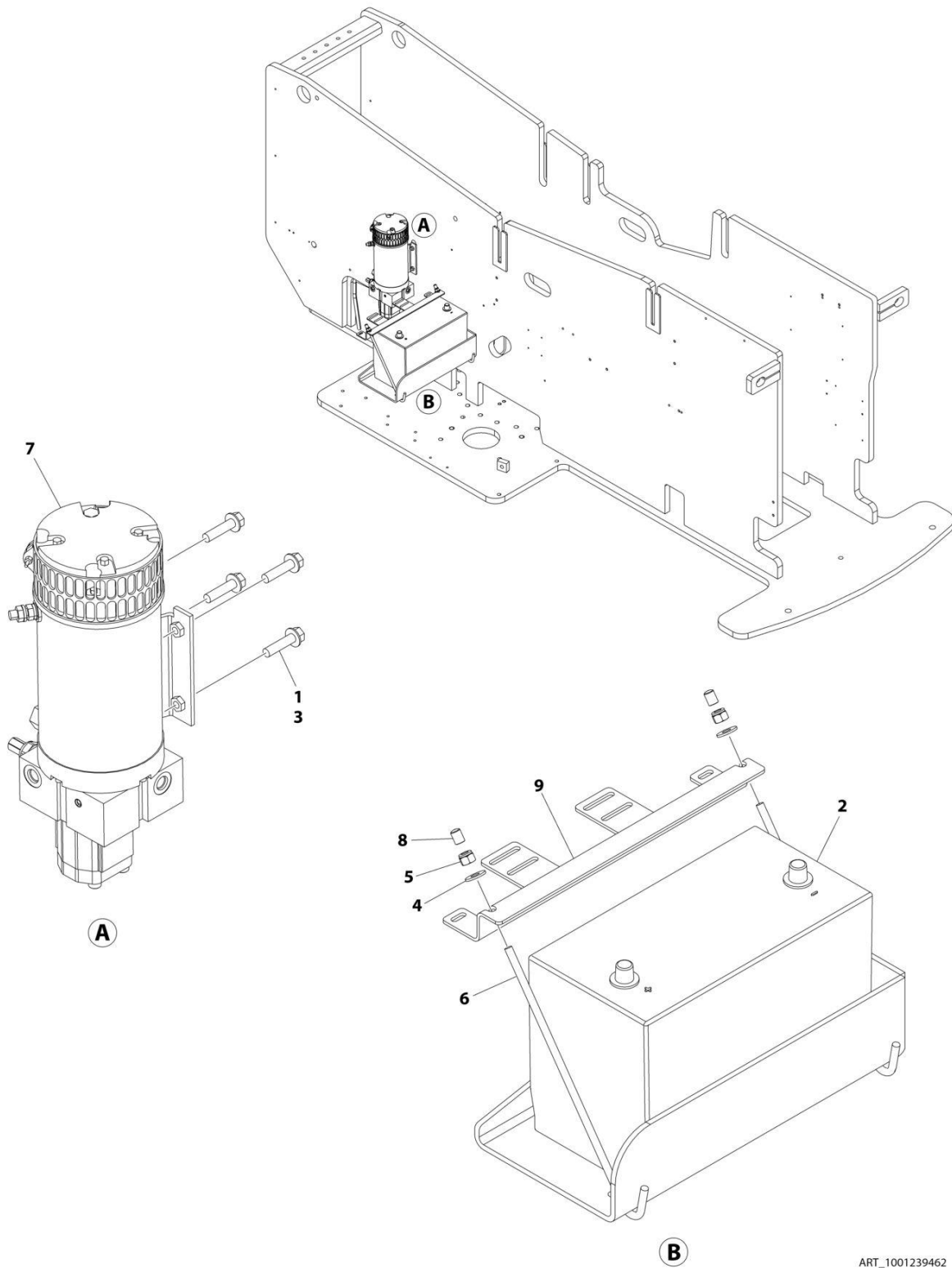
SECTION 2 - TURNTABLE

FIGURE 2-22. AUXILIARY POWER INSTALLATION - WITHOUT BATTERY DISCONNECT

ITEM	PART NUMBER	QTY	DESCRIPTION	REV
	1001239470	Ref	AUXILIARY POWER INSTALLATION	A
1	0100011	AR	Compound, Locking	
2	0400075	1	Battery	
3	0811612	4	Screw 3/8 x 1-1/2	
4	4751500	2	Washer 5/16	
5	88521205	2	Nut 5/16	
6	91401281	1	Bracket, Battery Hold Down	
7	1001093382	2	J - Bolt	
8	1001137460	1	Auxillary Power Pump/ Motor Assembly (See Separate Breakdown in this Section)	
9	1001218572	2	Cap	

SECTION 2 - TURNTABLE

FIGURE 2-23. AUXILIARY POWER INSTALLATION - WITH BATTERY DISCONNECT



ART_1001239462

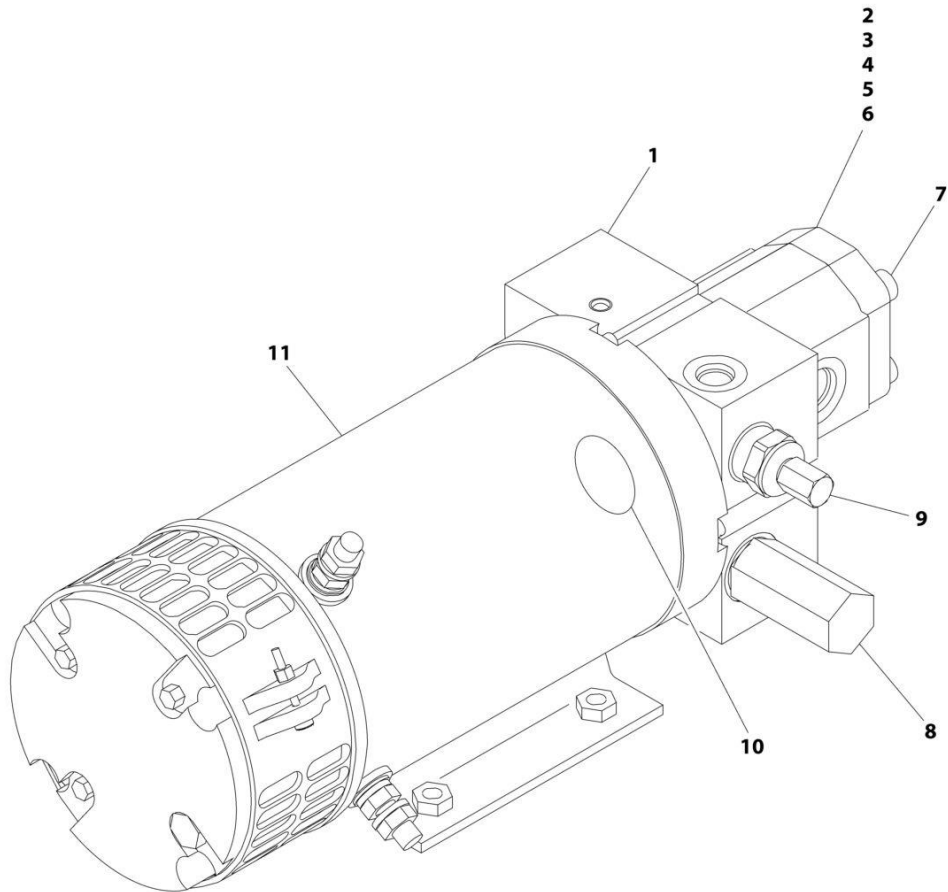
SECTION 2 - TURNTABLE

FIGURE 2-23. AUXILIARY POWER INSTALLATION - WITH BATTERY DISCONNECT

ITEM	PART NUMBER	QTY	DESCRIPTION	REV
	1001239462	Ref	AUXILIARY POWER INSTALLATION	A
1	0100011	AR	Compound, Locking	
2	0400075	1	Battery	
3	0811612	4	Screw 3/8 x 1-1/2	
4	4751500	2	Washer 5/16	
5	88521205	2	Nut 5/16	
6	1001093382	2	J - Bolt	
7	1001137460	1	Auxiliary Power Pump/Motor Assembly (See Separate Breakdown in this Section)	
8	1001218572	2	Cap	
9	1001236303	1	Bracket, Battery Hold Down	

SECTION 2 - TURNTABLE

FIGURE 2-24. AUXILIARY POWER PUMP/MOTOR ASSEMBLY



ART_1001137460

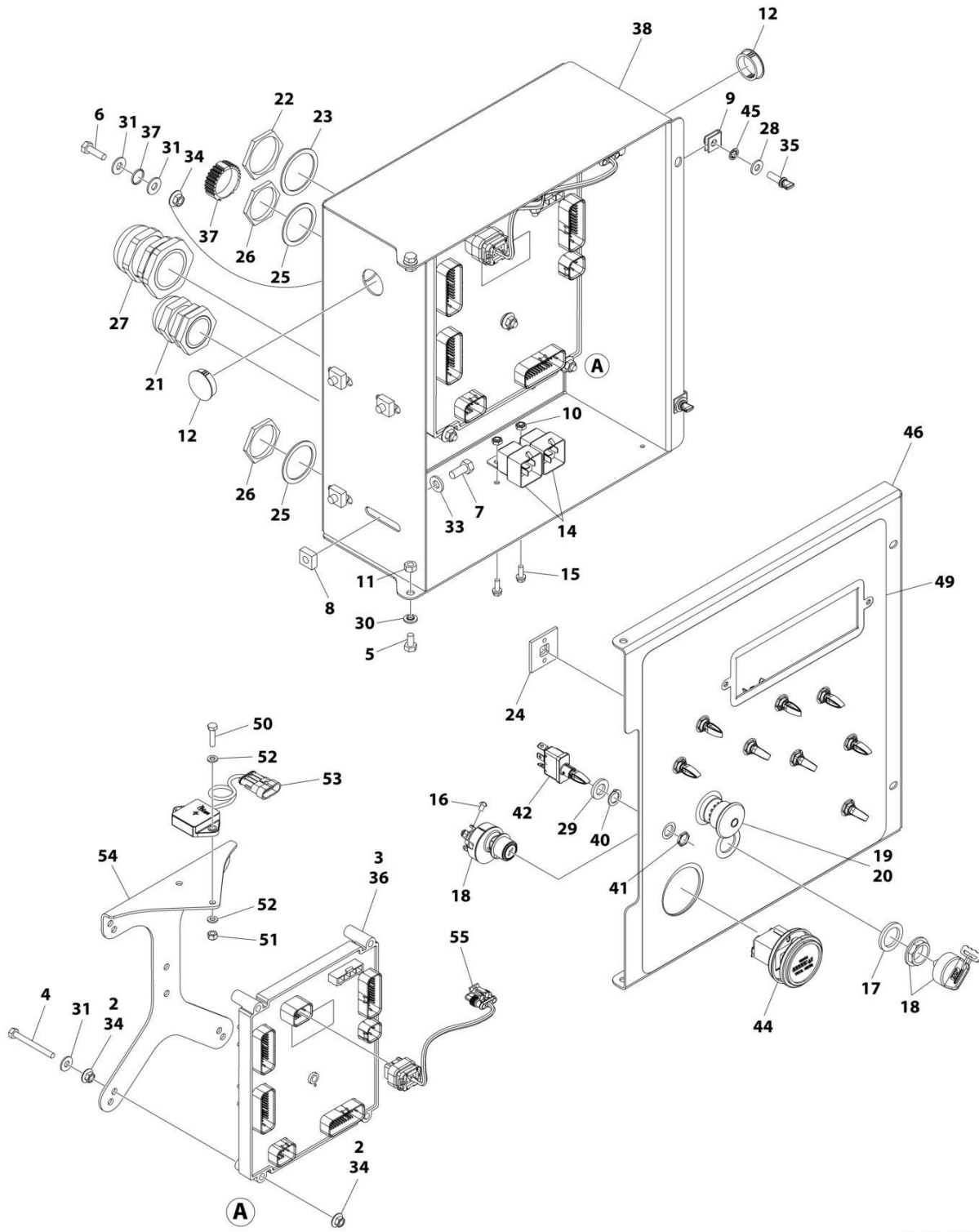
SECTION 2 - TURNTABLE

FIGURE 2-24. AUXILIARY POWER PUMP/MOTOR ASSEMBLY

ITEM	PART NUMBER	QTY	DESCRIPTION	REV
	1001137460	Ref	AUXILIARY PUMP ASSEMBLY	A
1	70004125	1	Base Assembly	
1	70003993	1	Seal, Shaft	
2	See Note	NSS	Pin, Dowel (Note: Use Item 1)	
3	See Note	NSS	O-Ring (Note: Use Item 1)	
4	See Note	NSS	Pump (Note: Use Item 1)	
5	See Note	NSS	O-Ring (Note: Use Item 1)	
6	See Note	NSS	Cover, Rear (Note: Use Item 1)	
7	See Note	NSS	Screw (Note: Use Item 1)	
8	70003989	1	Valve, Logic	
9	See Note	1	Valve, Relief (Note: Use Item 1)	
10	See Note	1	Shaft, Intermediate (Note: Use Item 1)	
11	70003992	1	Motor	

SECTION 2 - TURNTABLE

FIGURE 2-25. GROUND CONTROL BOX ASSEMBLY - WITH DEUTZ D2011 ENGINES - WITH MECHANICAL HOUR METER (ANSI EXPORT LRC AND AUSTRALIAN SPECS) (Prior to SN 0300315790)



ART_1001266893_E

SECTION 2 - TURNTABLE

FIGURE 2-25. GROUND CONTROL BOX ASSEMBLY - WITH DEUTZ D2011 ENGINES - WITH MECHANICAL HOUR METER (ANSI EXPORT LRC AND AUSTRALIAN SPECS) (Prior to SN 0300315790)

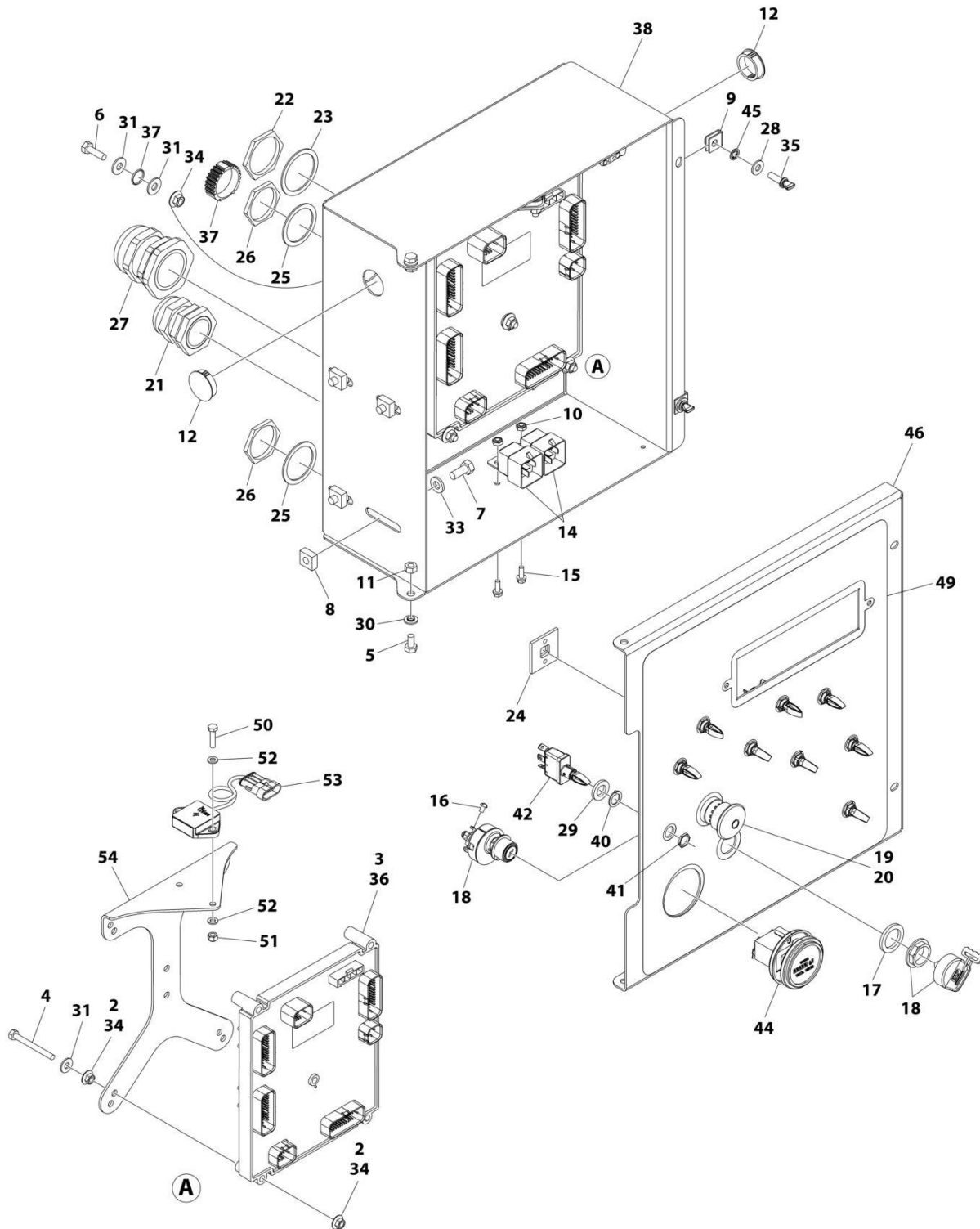
ITEM	PART NUMBER	QTY	DESCRIPTION	REV
	1001266893	Ref	GROUND CONTROL BOX ASSEMBLY	E
2	0100011	AR	Compound, Locking	
3	0100048	AR	Grease, Dielectric	
4	0630548	5	Bolt 2-1/2	
5	0641404	2	Bolt 1/4 x 1/2	
6	0641407	1	Bolt 1/4 x 7/8	
7	0641506	4	Bolt 5/16 x 3/4	
8	3300205	4	Nut, Retainer	
9	3300353	2	Nut, Tinnerman	
10	3300408	2	Nut, Nylon Insert	
11	3311405	2	Nut 1/4	
12	3520031	2	Plug	
14	3740049	2	Relay	
15	3900268	2	Screw #10x1/2	
16	3910804	6	Screw #8 x 1/4	
17	4070991	1	Shim	
18	4360469	1	Switch, Key	
18	2860030	1 Set	Key Replacement	
19	4360475	1	Switch, Emergency Stop	
19	7020175	1	Cap, Mushroom	
19	7020176	1	Block, Contact	
20	4360476	1	Switch, Contact Block	
21	4460426	1	Connector, Strain Relief	
22	4460470	1	Nut, Terminal	
23	4460471	1	Lockwasher, Terminal	
24	4460488	6	Mounting Base, Terminal	
25	4460496	2	Washer, Terminal	
26	4460497	2	Nut, Terminal	
27	4460526	1	Connector, Strain Relief	
28	4711400	2	Washer 1/4	
29	4740397	9	Spacer	
30	4740518	2	Washer	
31	4751400	7	Washer 1/4	
33	4891500	4	Washer 5/16	
34	77143013	11	Nut 1/4	
35	1001103308	2	Thumbscrew 1/4 x 3/4	
36	1001280600	1	Module, Ground Control (Note: Recalibration Required When Replaced)	
37	1001106736	1	Cap, Dust	
38	1001287467	1	Box	
39	1001286032	1	Engine Harness (Not Shown - See Separate Breakdown in ELECTRICAL Section)	
40	1001155043	9	Washer	
41	1001155044	9	Nut 15/32	
42	1001155045	9	Switch, Toggle	
43	1001285016	1	Control Valve Harness (Not Shown - See Separate Breakdown in ELECTRICAL Section)	
44	10836804	1	Hour Meter	

SECTION 2 - TURNTABLE

ITEM	PART NUMBER	QTY	DESCRIPTION	REV
45	1001188874	2	Nut	
46	1001280403	1	Lid	
47	1001285346	1	Ground Control Box Harness (Not Shown - See Separate Breakdown in ELECTRICAL Section)	
49	1001266876	1	Decal - Ground Control Box	
50	0760612	2	Bolt M6 x 25	
51	3290605	2	Nut M6	
52	4811700	4	Washer M6	
53	1001219601	1	Sensor, Tilt Dual Axis CAN	
54	1001271794	1	Bracket, Tilt Sensor	
55	1001276143	1	Harness, Tilt Sensor	

SECTION 2 - TURNTABLE

FIGURE 2-26. GROUND CONTROL BOX ASSEMBLY - WITH DEUTZ D2011 ENGINES - WITH MECHANICAL HOUR METER (ANSI EXPORT LRC AND AUSTRALIAN SPECS) (SN 0300315790 to Present)



ART_1001266893_F

SECTION 2 - TURNTABLE

FIGURE 2-26. GROUND CONTROL BOX ASSEMBLY - WITH DEUTZ D2011 ENGINES - WITH MECHANICAL HOUR METER (ANSI EXPORT LRC AND AUSTRALIAN SPECS) (SN 0300315790 to Present)

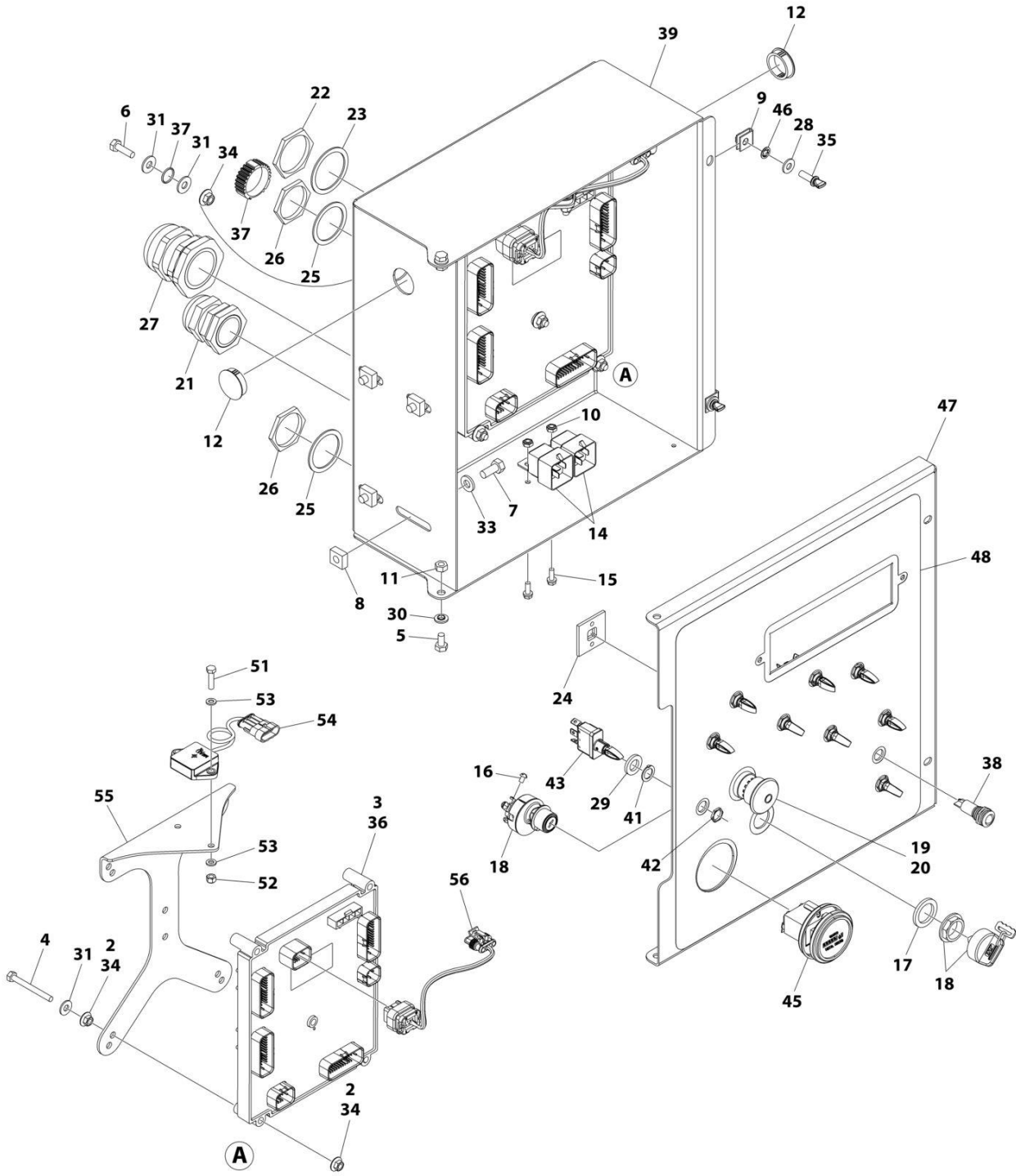
ITEM	PART NUMBER	QTY	DESCRIPTION	REV
	1001266893	Ref	GROUND CONTROL BOX ASSEMBLY	F
2	0100011	AR	Compound, Locking	
3	0100048	AR	Grease, Dielectric	
4	0630548	5	Bolt 2-1/2	
5	0641404	2	Bolt 1/4 x 1/2	
6	0641407	1	Bolt 1/4 x 7/8	
7	0641506	4	Bolt 5/16 x 3/4	
8	3300205	4	Nut, Retainer	
9	3300353	2	Nut, Tinnerman	
10	3300408	2	Nut, Nylon Insert	
11	3311405	2	Nut 1/4	
12	3520031	2	Plug	
14	3740049	2	Relay	
15	3900268	2	Screw #10x1/2	
16	3910804	6	Screw #8 x 1/4	
17	4070991	1	Shim	
18	4360469	1	Switch, Key	
18	2860030	1 Set	Key Replacement	
19	4360475	1	Switch, Emergency Stop	
19	7020175	1	Cap, Mushroom	
19	7020176	1	Block, Contact	
20	4360476	1	Switch, Contact Block	
21	4460426	1	Connector, Strain Relief	
22	4460470	1	Nut, Terminal	
23	4460471	1	Lockwasher, Terminal	
24	4460488	6	Mounting Base, Terminal	
25	4460496	2	Washer, Terminal	
26	4460497	2	Nut, Terminal	
27	4460526	1	Connector, Strain Relief	
28	4711400	2	Washer 1/4	
29	4740397	9	Spacer	
30	4740518	2	Washer	
31	4751400	7	Washer 1/4	
33	4891500	4	Washer 5/16	
34	77143013	11	Nut 1/4	
35	1001103308	2	Thumbscrew 1/4 x 3/4	
36	1001280600	1	Module, Ground Control (Note: Recalibration Required When Replaced)	
37	1001106736	1	Cap, Dust	
38	1001287467	1	Box	
39	1001286032	1	Engine Harness (Not Shown - See Separate Breakdown in ELECTRICAL Section)	
40	1001155043	9	Washer	
41	1001155044	9	Nut 15/32	
42	1001155045	9	Switch, Toggle	
43	1001285016	1	Control Valve Harness (Not Shown - See Separate Breakdown in ELECTRICAL Section)	
44	10836804	1	Hour Meter	

SECTION 2 - TURNTABLE

ITEM	PART NUMBER	QTY	DESCRIPTION	REV
45	1001188874	2	Nut	
46	1001280403	1	Lid	
47	1001306145	1	Ground Control Box Harness (Not Shown - See Separate Breakdown in ELECTRICAL Section)	
49	1001266876	1	Decal - Ground Control Box	
50	0760612	2	Bolt M6 x 25	
51	3290605	2	Nut M6	
52	4811700	4	Washer M6	
53	1001219601	1	Sensor, Tilt Dual Axis CAN	
54	1001271794	1	Bracket, Tilt Sensor	

SECTION 2 - TURNTABLE

FIGURE 2-27. GROUND CONTROL BOX ASSEMBLY - WITH DEUTZ D2011 AND TOWER STOW - WITH MECHANICAL HOUR METER (ANSI EXPORT LRC AND AUSTRALIAN SPECS) (Prior to SN 0300315790)



ART_1001263361_E

SECTION 2 - TURNTABLE

FIGURE 2-27. GROUND CONTROL BOX ASSEMBLY - WITH DEUTZ D2011 AND TOWER STOW - WITH MECHANICAL HOUR METER (ANSI EXPORT LRC AND AUSTRALIAN SPECS) (Prior to SN 0300315790)

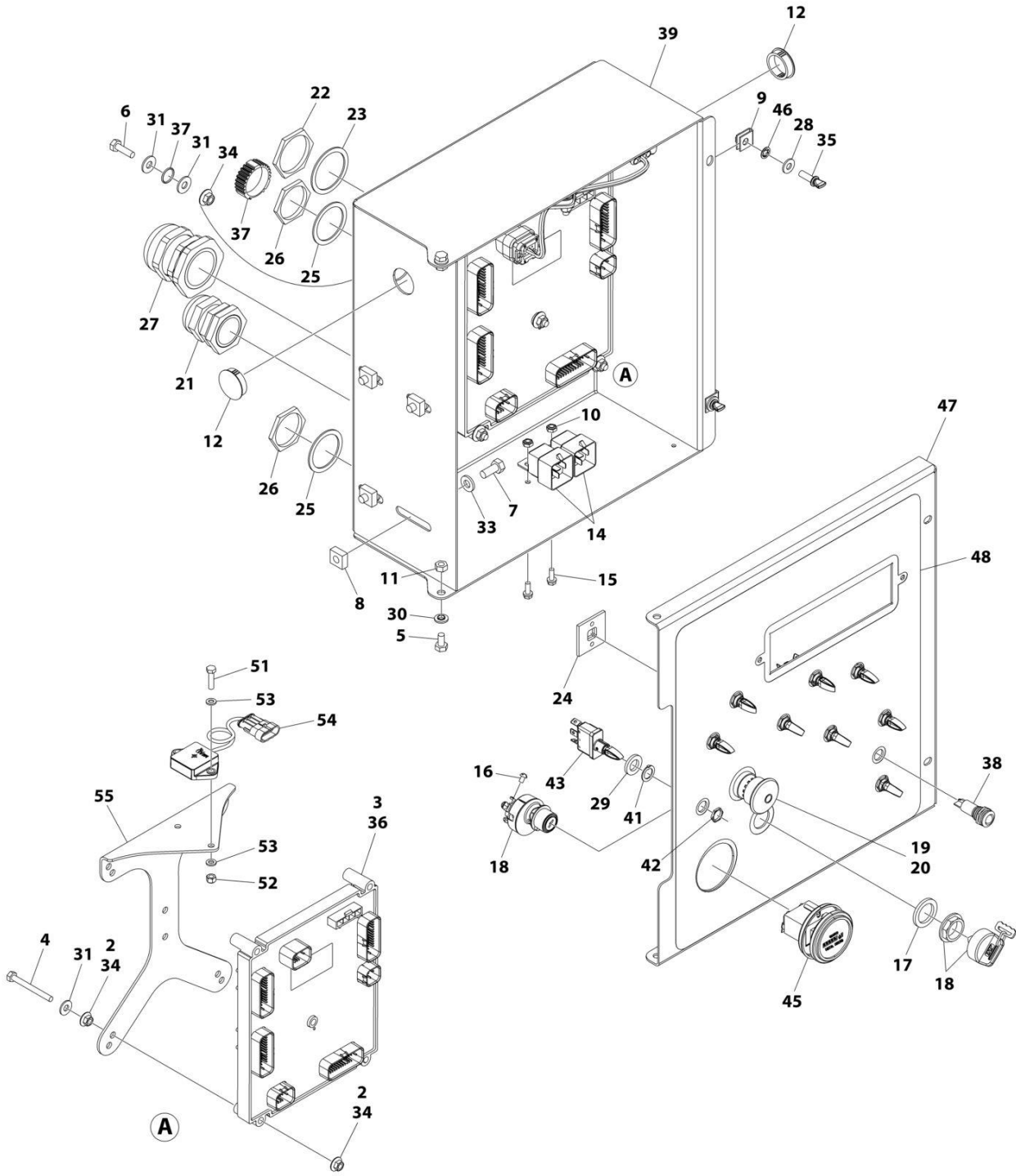
ITEM	PART NUMBER	QTY	DESCRIPTION	REV
	1001263361	Ref	GROUND CONTROL BOX ASSEMBLY	E
2	0100011	AR	Compound, Locking	
3	0100048	AR	Grease, Dielectric	
4	0630548	5	Bolt 2-1/2	
5	0641404	2	Bolt 1/4 x 1/2	
6	0641407	1	Bolt 1/4 x 7/8	
7	0641506	4	Bolt 5/16 x 3/4	
8	3300205	4	Nut, Retainer	
9	3300353	2	Nut, Tinnerman	
10	3300408	2	Nut, Nylon Insert	
11	3311405	2	Nut 1/4	
12	3520031	2	Plug	
14	3740049	2	Relay	
15	3900268	2	Screw #10x1/2	
16	3910804	6	Screw #8 x 1/4	
17	4070991	1	Shim	
18	4360469	1	Switch, Key	
18	2860030	1 Set	Key Replacement	
19	4360475	1	Switch, Emergency Stop	
19	7020175	1	Cap, Mushroom	
19	7020176	1	Block, Contact	
20	4360476	1	Switch, Contact Block	
21	4460426	1	Connector, Strain Relief	
22	4460470	1	Nut, Terminal	
23	4460471	1	Lockwasher, Terminal	
24	4460488	6	Mounting Base, Terminal	
25	4460496	2	Washer, Terminal	
26	4460497	2	Nut, Terminal	
27	4460526	1	Connector, Strain Relief	
28	4711400	2	Washer 1/4	
29	4740397	9	Spacer	
30	4740518	2	Washer	
31	4751400	7	Washer 1/4	
33	4891500	4	Washer 5/16	
34	77143013	11	Nut 1/4	
35	1001103308	2	Thumbscrew 1/4 x 3/4	
36	1001280600	1	Module, Ground Control (Note: Recalibration Required When Replaced)	
37	1001106736	1	Cap, Dust	
38	1001137364	1	Light, Indicator	
39	1001287467	1	Box	
40	1001286032	1	Engine Harness (Not Shown - See Separate Breakdown in ELECTRICAL Section)	
41	1001155043	9	Washer	
42	1001155044	9	Nut 15/32	
43	1001155045	9	Switch, Toggle	
44	1001285016	1	Control Valve Harness (Not Shown - See Separate Breakdown in ELECTRICAL Section)	

SECTION 2 - TURNTABLE

ITEM	PART NUMBER	QTY	DESCRIPTION	REV
45	10836804	1	Hour Meter	
46	1001188874	2	Nut	
47	1001280403	1	Lid	
48	1001263356	1	Decal - Ground Control Box	
49	1001285346	1	Ground Control Box Harness (Not Shown - See Separate Breakdown in ELECTRICAL Section)	
51	0760612	2	Bolt M6 x 25	
52	3290605	2	Nut M6	
53	4811700	4	Washer M6	
54	1001219601	1	Sensor, Tilt Dual Axis CAN	
55	1001271794	1	Bracket, Tilt Sensor	
56	1001276143	1	Harness, Tilt Sensor	

SECTION 2 - TURNTABLE

FIGURE 2-28. GROUND CONTROL BOX ASSEMBLY - WITH DEUTZ D2011 AND TOWER STOW - WITH MECHANICAL HOUR METER (ANSI EXPORT LRC AND AUSTRALIAN SPECS) (SN 0300315790 to Present)



ART_1001263361_F

SECTION 2 - TURNTABLE

FIGURE 2-28. GROUND CONTROL BOX ASSEMBLY - WITH DEUTZ D2011 AND TOWER STOW - WITH MECHANICAL HOUR METER (ANSI EXPORT LRC AND AUSTRALIAN SPECS) (SN 0300315790 to Present)

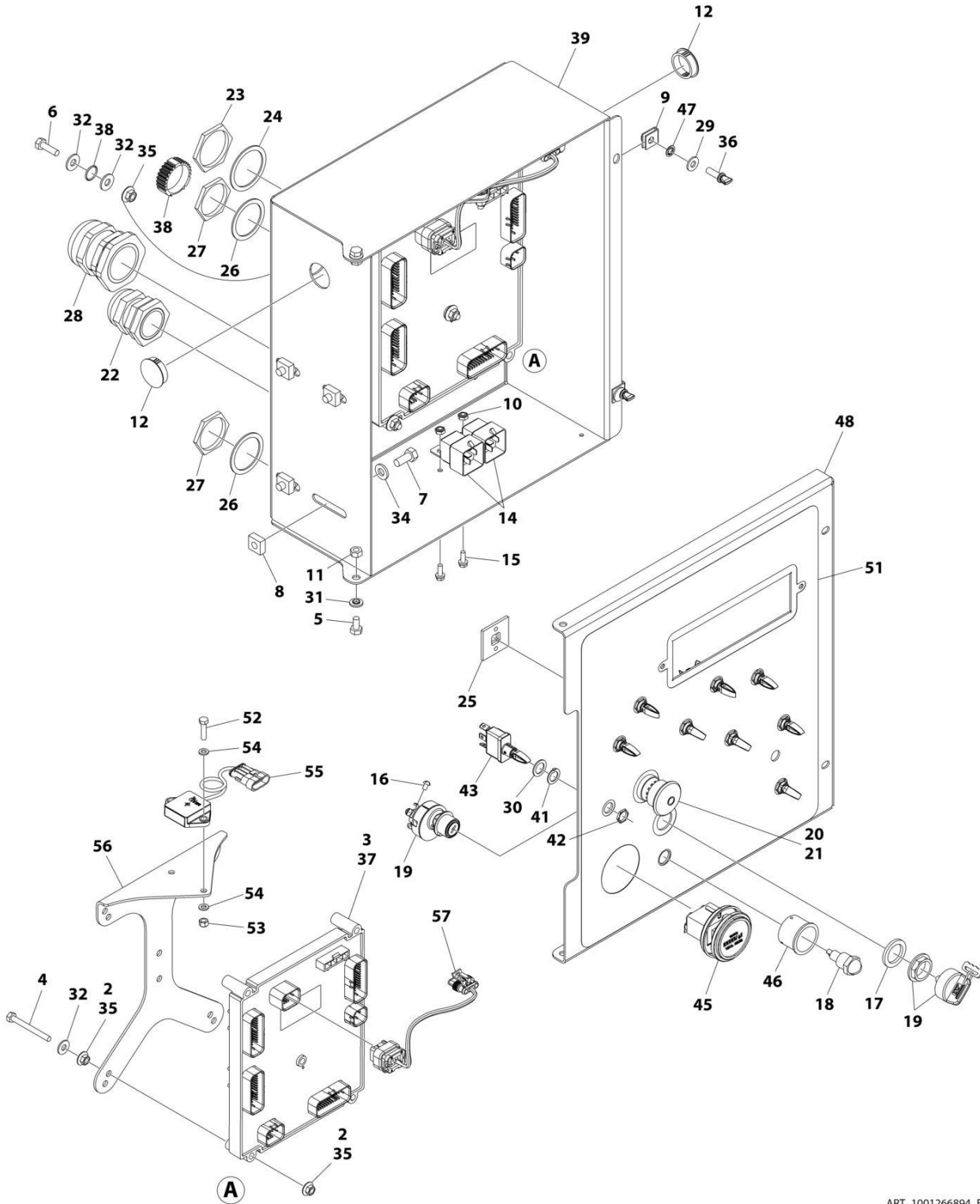
ITEM	PART NUMBER	QTY	DESCRIPTION	REV
	1001263361	Ref	GROUND CONTROL BOX ASSEMBLY	F
2	0100011	AR	Compound, Locking	
3	0100048	AR	Grease, Dielectric	
4	0630548	5	Bolt 2-1/2	
5	0641404	2	Bolt 1/4 x 1/2	
6	0641407	1	Bolt 1/4 x 7/8	
7	0641506	4	Bolt 5/16 x 3/4	
8	3300205	4	Nut, Retainer	
9	3300353	2	Nut, Tinnerman	
10	3300408	2	Nut, Nylon Insert	
11	3311405	2	Nut 1/4	
12	3520031	2	Plug	
14	3740049	2	Relay	
15	3900268	2	Screw #10x1/2	
16	3910804	6	Screw #8 x 1/4	
17	4070991	1	Shim	
18	4360469	1	Switch, Key	
18	2860030	1 Set	Key Replacement	
19	4360475	1	Switch, Emergency Stop	
19	7020175	1	Cap, Mushroom	
19	7020176	1	Block, Contact	
20	4360476	1	Switch, Contact Block	
21	4460426	1	Connector, Strain Relief	
22	4460470	1	Nut, Terminal	
23	4460471	1	Lockwasher, Terminal	
24	4460488	6	Mounting Base, Terminal	
25	4460496	2	Washer, Terminal	
26	4460497	2	Nut, Terminal	
27	4460526	1	Connector, Strain Relief	
28	4711400	2	Washer 1/4	
29	4740397	9	Spacer	
30	4740518	2	Washer	
31	4751400	7	Washer 1/4	
33	4891500	4	Washer 5/16	
34	77143013	11	Nut 1/4	
35	1001103308	2	Thumbscrew 1/4 x 3/4	
36	1001280600	1	Module, Ground Control (Note: Recalibration Required When Replaced)	
37	1001106736	1	Cap, Dust	
38	1001137364	1	Light, Indicator	
39	1001287467	1	Box	
40	1001286032	1	Engine Harness (Not Shown - See Separate Breakdown in ELECTRICAL Section)	
41	1001155043	9	Washer	
42	1001155044	9	Nut 15/32	
43	1001155045	9	Switch, Toggle	
44	1001285016	1	Control Valve Harness (Not Shown - See Separate Breakdown in ELECTRICAL Section)	

SECTION 2 - TURNTABLE

ITEM	PART NUMBER	QTY	DESCRIPTION	REV
45	10836804	1	Hour Meter	
46	1001188874	2	Nut	
47	1001280403	1	Lid	
48	1001263356	1	Decal - Ground Control Box	
49	1001306145	1	Ground Control Box Harness (Not Shown - See Separate Breakdown in ELECTRICAL Section)	
51	0760612	2	Bolt M6 x 25	
52	3290605	2	Nut M6	
53	4811700	4	Washer M6	
54	1001219601	1	Sensor, Tilt Dual Axis CAN	
55	1001271794	1	Bracket, Tilt Sensor	

SECTION 2 - TURNTABLE

FIGURE 2-29. GROUND CONTROL BOX ASSEMBLY - WITH DEUTZ D2011 ENGINES (CE & UK CA SPECS) (Prior to SN 0300315790)



ART_1001266894_E

SECTION 2 - TURNTABLE

FIGURE 2-29. GROUND CONTROL BOX ASSEMBLY - WITH DEUTZ D2011 ENGINES (CE & UK CA SPECS) (Prior to SN 0300315790)

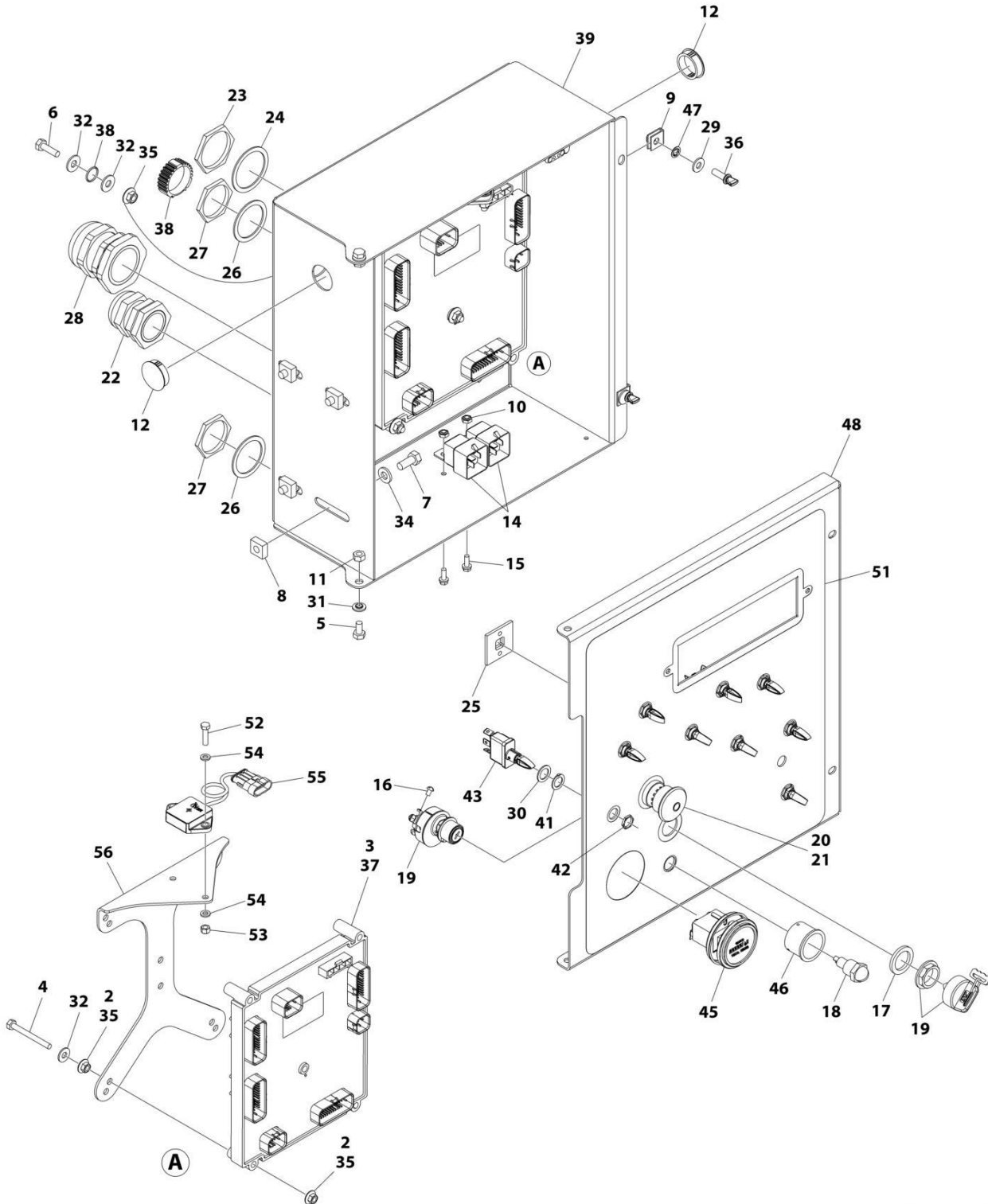
ITEM	PART NUMBER	QTY	DESCRIPTION	REV
	1001266894	Ref	GROUND CONTROL BOX ASSEMBLY	E
2	0100011	AR	Compound, Locking	
3	0100048	AR	Grease, Dielectric	
4	0630548	5	Bolt 2-1/2	
5	0641404	2	Bolt 1/4 x 1/2	
6	0641407	1	Bolt 1/4 x 7/8	
7	0641506	4	Bolt 5/16 x 3/4	
8	3300205	4	Nut, Retainer	
9	3300353	2	Nut, Tinnerman	
10	3300408	2	Nut, Nylon Insert	
11	3311405	2	Nut 1/4	
12	3520031	2	Plug	
14	3740049	2	Relay	
15	3900268	2	Screw #10x1/2	
16	3910804	6	Screw #8 x 1/4	
17	4070991	1	Shim	
18	4360387	1	Switch, Push Button	
19	4360469	1	Switch, Key	
19	2860030	1 Set	Key Replacement	
20	4360475	1	Switch, Emergency Stop	
20	7020175	1	Cap, Mushroom	
20	7020176	1	Block, Contact	
21	4360476	1	Switch, Contact Block	
22	4460426	1	Connector, Strain Relief	
23	4460470	1	Nut, Terminal	
24	4460471	1	Lockwasher, Terminal	
25	4460488	6	Mounting Base, Terminal	
26	4460496	2	Washer, Terminal	
27	4460497	2	Nut, Terminal	
28	4460526	1	Connector, Strain Relief	
29	4711400	2	Washer 1/4	
30	4740397	9	Spacer	
31	4740518	2	Washer	
32	4751400	7	Washer 1/4	
34	4891500	4	Washer 5/16	
35	77143013	11	Nut 1/4	
36	1001103308	2	Thumbscrew 1/4 x 3/4	
37	1001280600	1	Module, Ground Control (Note: Recalibration Required When Replaced)	
38	1001106736	1	Cap, Dust	
39	1001287467	1	Box	
40	1001286032	1	Engine Harness (Not Shown - See Separate Breakdown in ELECTRICAL Section)	
41	1001155043	9	Washer	
42	1001155044	9	Nut 15/32	
43	1001155045	9	Switch, Toggle	
44	1001285016	1	Control Valve Harness (Not Shown - See Separate Breakdown in ELECTRICAL Section)	
45	10836804	1	Gauge, Display	

SECTION 2 - TURNTABLE

ITEM	PART NUMBER	QTY	DESCRIPTION	REV
46	1001176469	1	Shroud	
47	1001188874	2	Nut	
48	1001297391	1	Lid	
49	1001285346	1	Ground Control Box Harness (Not Shown - See Separate Breakdown in ELECTRICAL Section)	
51	1001266874	1	Decal - Ground Control Box	
52	0760612	2	Bolt M6 x 25	
53	3290605	2	Nut M6	
54	4811700	4	Washer M6	
55	1001219601	1	Sensor, Tilt Dual Axis CAN	
56	1001271794	1	Bracket, Tilt Sensor	
57	1001276143	1	Harness, Tilt Sensor	

SECTION 2 - TURNTABLE

FIGURE 2-30. GROUND CONTROL BOX ASSEMBLY - WITH DEUTZ D2011 ENGINES (CE & UK CA SPECS) (SN 0300315790 to Present)



ART_1001266894_F

SECTION 2 - TURNTABLE

FIGURE 2-30. GROUND CONTROL BOX ASSEMBLY - WITH DEUTZ D2011 ENGINES (CE & UK CA SPECS) (SN 0300315790 to Present)

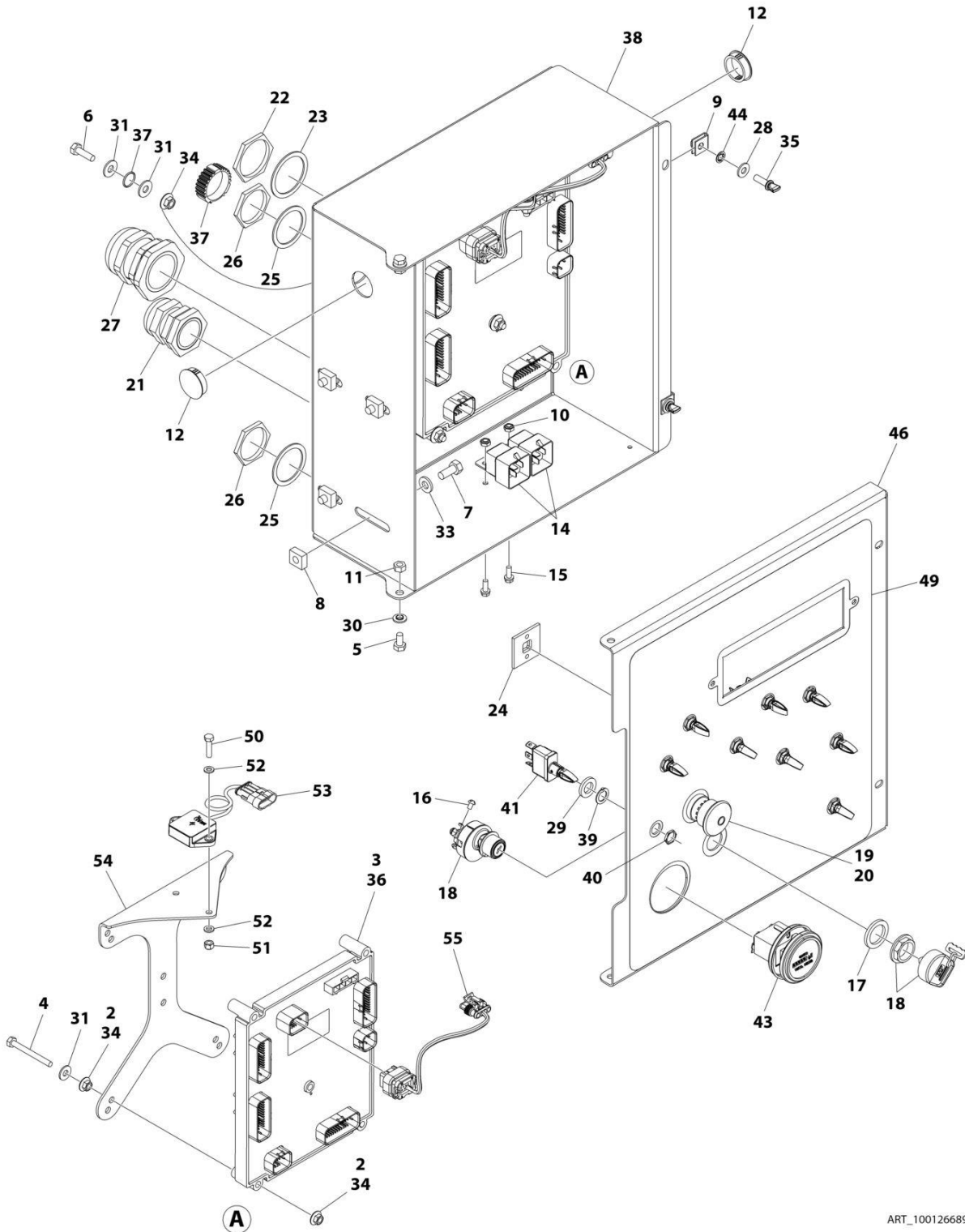
ITEM	PART NUMBER	QTY	DESCRIPTION	REV
	1001266894	Ref	GROUND CONTROL BOX ASSEMBLY	F
2	0100011	AR	Compound, Locking	
3	0100048	AR	Grease, Dielectric	
4	0630548	5	Bolt 2-1/2	
5	0641404	2	Bolt 1/4 x 1/2	
6	0641407	1	Bolt 1/4 x 7/8	
7	0641506	4	Bolt 5/16 x 3/4	
8	3300205	4	Nut, Retainer	
9	3300353	2	Nut, Tinnerman	
10	3300408	2	Nut, Nylon Insert	
11	3311405	2	Nut 1/4	
12	3520031	2	Plug	
14	3740049	2	Relay	
15	3900268	2	Screw #10x1/2	
16	3910804	6	Screw #8 x 1/4	
17	4070991	1	Shim	
18	4360387	1	Switch, Push Button	
19	4360469	1	Switch, Key	
19	2860030	1 Set	Key Replacement	
20	4360475	1	Switch, Emergency Stop	
20	7020175	1	Cap, Mushroom	
20	7020176	1	Block, Contact	
21	4360476	1	Switch, Contact Block	
22	4460426	1	Connector, Strain Relief	
23	4460470	1	Nut, Terminal	
24	4460471	1	Lockwasher, Terminal	
25	4460488	6	Mounting Base, Terminal	
26	4460496	2	Washer, Terminal	
27	4460497	2	Nut, Terminal	
28	4460526	1	Connector, Strain Relief	
29	4711400	2	Washer 1/4	
30	4740397	9	Spacer	
31	4740518	2	Washer	
32	4751400	7	Washer 1/4	
34	4891500	4	Washer 5/16	
35	77143013	11	Nut 1/4	
36	1001103308	2	Thumbscrew 1/4 x 3/4	
37	1001280600	1	Module, Ground Control (Note: Recalibration Required When Replaced)	
38	1001106736	1	Cap, Dust	
39	1001287467	1	Box	
40	1001286032	1	Engine Harness (Not Shown - See Separate Breakdown in ELECTRICAL Section)	
41	1001155043	9	Washer	
42	1001155044	9	Nut 15/32	
43	1001155045	9	Switch, Toggle	
44	1001285016	1	Control Valve Harness (Not Shown - See Separate Breakdown in ELECTRICAL Section)	
45	10836804	1	Gauge, Display	

SECTION 2 - TURNTABLE

ITEM	PART NUMBER	QTY	DESCRIPTION	REV
46	1001176469	1	Shroud	
47	1001188874	2	Nut	
48	1001297391	1	Lid	
49	1001306145	1	Ground Control Box Harness (Not Shown - See Separate Breakdown in ELECTRICAL Section)	
51	1001266874	1	Decal - Ground Control Box	
52	0760612	2	Bolt M6 x 25	
53	3290605	2	Nut M6	
54	4811700	4	Washer M6	
55	1001219601	1	Sensor, Tilt Dual Axis CAN	
56	1001271794	1	Bracket, Tilt Sensor	

SECTION 2 - TURNTABLE

FIGURE 2-31. GROUND CONTROL BOX ASSEMBLY - WITH DEUTZ D2011 ENGINES - WITH FORD ENGINES - WITH MECHANICAL HOUR METER (Prior to SN 0300315790)



ART_1001266895_E

SECTION 2 - TURNTABLE

FIGURE 2-31. GROUND CONTROL BOX ASSEMBLY - WITH DEUTZ D2011 ENGINES - WITH FORD ENGINES - WITH MECHANICAL HOUR METER (Prior to SN 0300315790)

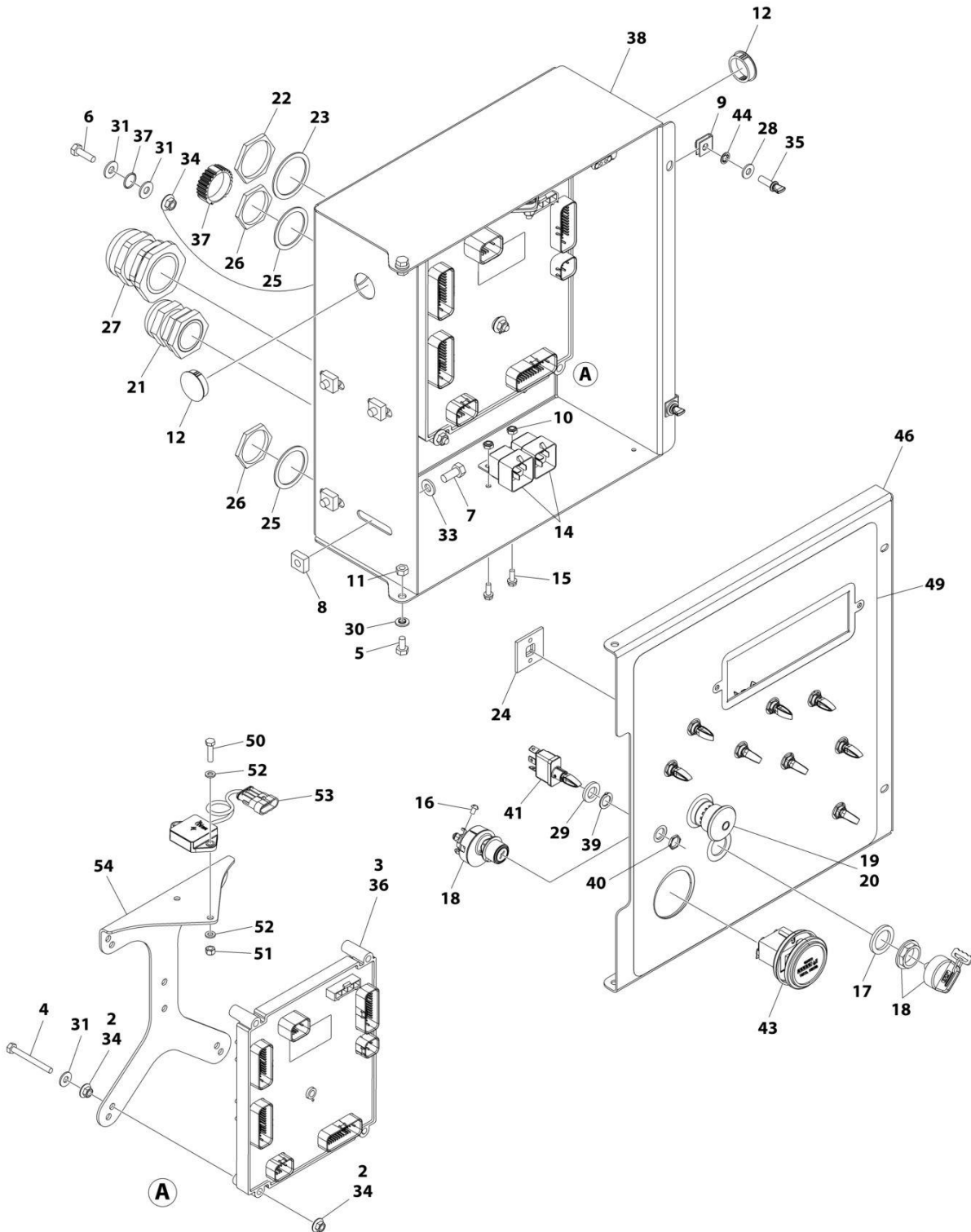
ITEM	PART NUMBER	QTY	DESCRIPTION	REV
	1001266895	Ref	GROUND CONTROL BOX ASSEMBLY	E
2	0100011	AR	Compound, Locking	
3	0100048	AR	Grease, Dielectric	
4	0630548	5	Bolt 2-1/2	
5	0641404	2	Bolt 1/4 x 1/2	
6	0641407	1	Bolt 1/4 x 7/8	
7	0641506	4	Bolt 5/16 x 3/4	
8	3300205	4	Nut, Retainer	
9	3300353	2	Nut, Tinnerman	
10	3300408	2	Nut, Nylon Insert	
11	3311405	2	Nut 1/4	
12	3520031	2	Plug	
14	3740049	2	Relay	
15	3900268	2	Screw #10 x 1/2	
16	3910804	6	Screw #8 x 1/4	
17	4070991	1	Shim	
18	4360469	1	Switch, Key	
18	2860030	1 Set	Key Replacement	
19	4360475	1	Switch, Emergency Stop	
19	7020175	1	Cap, Mushroom	
19	7020176	1	Block, Contact	
20	4360476	1	Switch, Contact Block	
21	4460426	1	Connector, Strain Relief	
22	4460470	1	Nut, Terminal	
23	4460471	1	Lockwasher, Terminal	
24	4460488	6	Mounting Base, Terminal	
25	4460496	2	Washer, Terminal	
26	4460497	2	Nut, Terminal	
27	4460526	1	Connector, Strain Relief	
28	4711400	2	Washer 1/4	
29	4740397	9	Spacer	
30	4740518	2	Washer	
31	4751400	7	Washer 1/4	
33	4891500	4	Washer 5/16	
34	77143013	11	Nut 1/4	
35	1001103308	2	Thumbscrew 1/4 x 3/4	
36	1001280600	1	Module, Ground Control (Note: Recalibration Required When Replaced)	
37	1001106736	1	Cap, Dust	
38	1001287467	1	Box	
39	1001155043	9	Washer	
40	1001155044	9	Nut 15/32	
41	1001155045	9	Switch, Toggle	
42	1001285016	1	Control Valve Harness (Not Shown - See Separate Breakdown in ELECTRICAL Section)	
43	10836804	1	Hour Meter	
44	1001188874	2	Nut	
45	1001286033	1	Engine Harness (Not Shown - See Separate Breakdown in ELECTRICAL Section)	

SECTION 2 - TURNTABLE

ITEM	PART NUMBER	QTY	DESCRIPTION	REV
46	1001280403	1	Lid	
47	1001285346	1	Ground Control Box Harness (Not Shown - See Separate Breakdown in ELECTRICAL Section)	
49	1001266876	1	Decal - Ground Control Box	
50	0760612	2	Bolt M6 x 25	
51	3290605	2	Nut M6	
52	4811700	4	Washer M6	
53	1001219601	1	Sensor, Tilt Dual Axis CAN	
54	1001271794	1	Bracket, Tilt Sensor	
55	1001276143	1	Harness, Tilt Sensor	

SECTION 2 - TURNTABLE

FIGURE 2-32. GROUND CONTROL BOX ASSEMBLY - WITH DEUTZ D2011 ENGINES - WITH FORD ENGINES - WITH MECHANICAL HOUR METER (SN 0300315790 to Present)



ART_1001266895_F

SECTION 2 - TURNTABLE

FIGURE 2-32. GROUND CONTROL BOX ASSEMBLY - WITH DEUTZ D2011 ENGINES - WITH FORD ENGINES - WITH MECHANICAL HOUR METER (SN 0300315790 to Present)

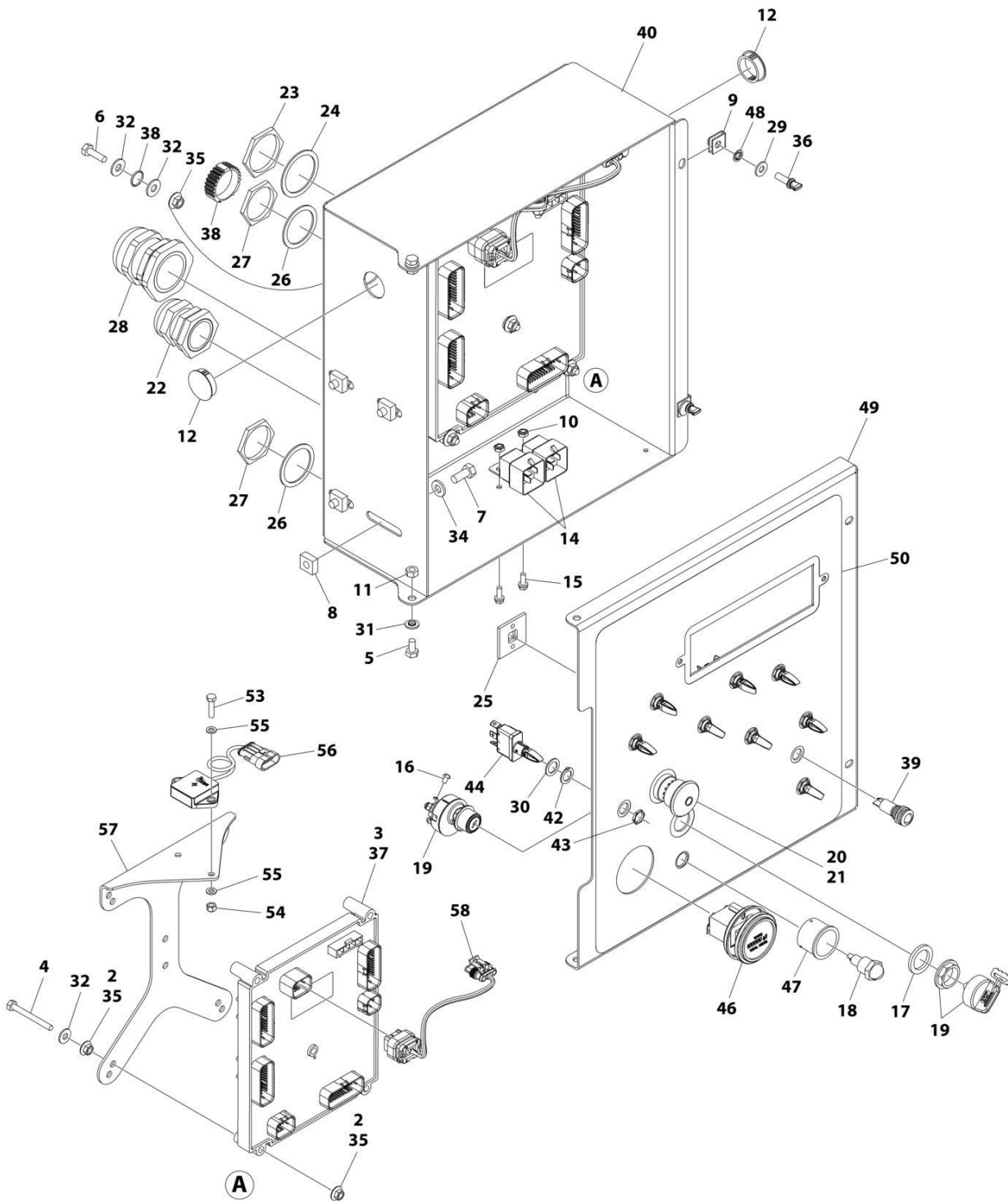
ITEM	PART NUMBER	QTY	DESCRIPTION	REV
	1001266895	Ref	GROUND CONTROL BOX ASSEMBLY	F
2	0100011	AR	Compound, Locking	
3	0100048	AR	Grease, Dielectric	
4	0630548	5	Bolt 2-1/2	
5	0641404	2	Bolt 1/4 x 1/2	
6	0641407	1	Bolt 1/4 x 7/8	
7	0641506	4	Bolt 5/16 x 3/4	
8	3300205	4	Nut, Retainer	
9	3300353	2	Nut, Tinnerman	
10	3300408	2	Nut, Nylon Insert	
11	3311405	2	Nut 1/4	
12	3520031	2	Plug	
14	3740049	2	Relay	
15	3900268	2	Screw #10 x 1/2	
16	3910804	6	Screw #8 x 1/4	
17	4070991	1	Shim	
18	4360469	1	Switch, Key	
18	2860030	1 Set	Key Replacement	
19	4360475	1	Switch, Emergency Stop	
19	7020175	1	Cap, Mushroom	
19	7020176	1	Block, Contact	
20	4360476	1	Switch, Contact Block	
21	4460426	1	Connector, Strain Relief	
22	4460470	1	Nut, Terminal	
23	4460471	1	Lockwasher, Terminal	
24	4460488	6	Mounting Base, Terminal	
25	4460496	2	Washer, Terminal	
26	4460497	2	Nut, Terminal	
27	4460526	1	Connector, Strain Relief	
28	4711400	2	Washer 1/4	
29	4740397	9	Spacer	
30	4740518	2	Washer	
31	4751400	7	Washer 1/4	
33	4891500	4	Washer 5/16	
34	77143013	11	Nut 1/4	
35	1001103308	2	Thumbscrew 1/4 x 3/4	
36	1001280600	1	Module, Ground Control (Note: Recalibration Required When Replaced)	
37	1001106736	1	Cap, Dust	
38	1001287467	1	Box	
39	1001155043	9	Washer	
40	1001155044	9	Nut 15/32	
41	1001155045	9	Switch, Toggle	
42	1001285016	1	Control Valve Harness (Not Shown - See Separate Breakdown in ELECTRICAL Section)	
43	10836804	1	Hour Meter	
44	1001188874	2	Nut	
45	1001286033	1	Engine Harness (Not Shown - See Separate Breakdown in ELECTRICAL Section)	

SECTION 2 - TURNTABLE

ITEM	PART NUMBER	QTY	DESCRIPTION	REV
46	1001280403	1	Lid	
47	1001306145	1	Ground Control Box Harness (Not Shown - See Separate Breakdown in ELECTRICAL Section)	
49	1001266876	1	Decal - Ground Control Box	
50	0760612	2	Bolt M6 x 25	
51	3290605	2	Nut M6	
52	4811700	4	Washer M6	
53	1001219601	1	Sensor, Tilt Dual Axis CAN	
54	1001271794	1	Bracket, Tilt Sensor	

SECTION 2 - TURNTABLE

FIGURE 2-33. GROUND CONTROL BOX ASSEMBLY - WITH DEUTZ D2011 ENGINES AND WITH TOWER STOW (CE & UK CA LRC SPECS) (Prior to SN 0300315790)



ART_1001263362_E

SECTION 2 - TURNTABLE

FIGURE 2-33. GROUND CONTROL BOX ASSEMBLY - WITH DEUTZ D2011 ENGINES AND WITH TOWER STOW (CE & UK CA LRC SPECS) (Prior to SN 0300315790)

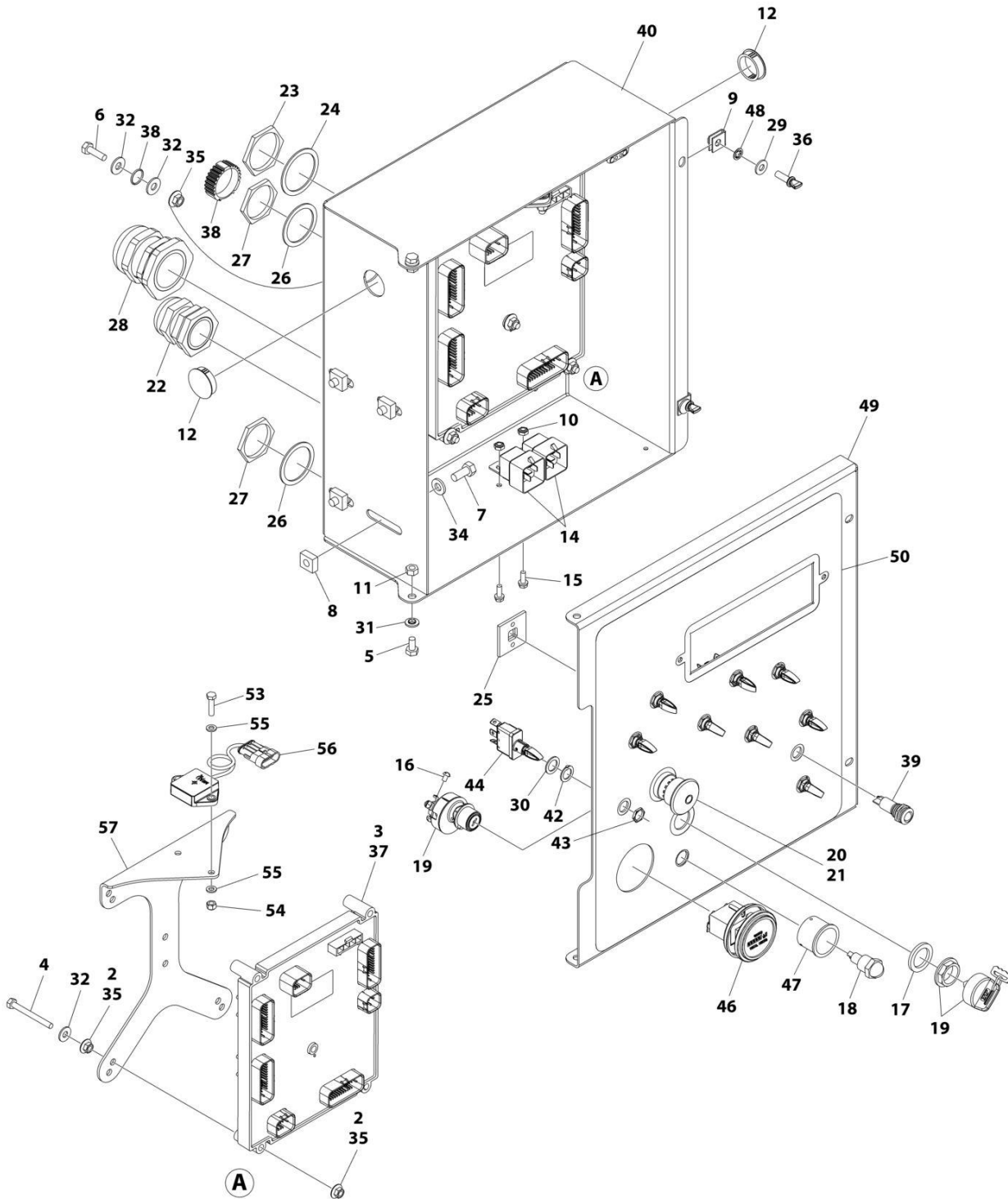
ITEM	PART NUMBER	QTY	DESCRIPTION	REV
	1001263362	Ref	GROUND CONTROL BOX ASSEMBLY	E
2	0100011	AR	Compound, Locking	
3	0100048	AR	Grease, Dielectric	
4	0630548	5	Bolt 2-1/2	
5	0641404	2	Bolt 1/4 x 1/2	
6	0641407	1	Bolt 1/4 x 7/8	
7	0641506	4	Bolt 5/16 x 3/4	
8	3300205	4	Nut, Retainer	
9	3300353	2	Nut, Tinnerman	
10	3300408	2	Nut, Nylon Insert	
11	3311405	2	Nut 1/4	
12	3520031	2	Plug	
14	3740049	2	Relay	
15	3900268	2	Screw #10x1/2	
16	3910804	6	Screw #8 x 1/4	
17	4070991	1	Shim	
18	4360387	1	Switch, Push Button	
19	4360469	1	Switch, Key	
19	2860030	1 Set	Key Replacement	
20	4360475	1	Switch, Emergency Stop	
20	7020175	1	Cap, Mushroom	
20	7020176	1	Block, Contact	
21	4360476	1	Switch, Contact Block	
22	4460426	1	Connector, Strain Relief	
23	4460470	1	Nut, Terminal	
24	4460471	1	Lockwasher, Terminal	
25	4460488	6	Mounting Base, Terminal	
26	4460496	2	Washer, Terminal	
27	4460497	2	Nut, Terminal	
28	4460526	1	Connector, Strain Relief	
29	4711400	2	Washer 1/4	
30	4740397	9	Spacer	
31	4740518	2	Washer	
32	4751400	7	Washer 1/4	
34	4891500	4	Washer 5/16	
35	77143013	11	Nut 1/4	
36	1001103308	2	Thumbscrew 1/4 x 3/4	
37	1001280600	1	Module, Ground Control (Note: Recalibration Required When Replaced)	
38	1001106736	1	Cap, Dust	
39	1001137364	1	Light, Indicator	
40	1001287467	1	Box	
41	1001286032	1	Engine Harness (Not Shown - See Separate Breakdown in ELECTRICAL Section)	
42	1001155043	9	Washer	
43	1001155044	9	Nut 15/32	
44	1001155045	9	Switch, Toggle	
45	1001285016	1	Control Valve Harness (Not Shown - See Separate Breakdown in ELECTRICAL Section)	

SECTION 2 - TURNTABLE

ITEM	PART NUMBER	QTY	DESCRIPTION	REV
46	10836804	1	Gauge, Display	
47	1001176469	1	Shroud	
48	1001188874	2	Nut	
49	1001297391	1	Lid	
50	1001263355	1	Decal - Ground Control Box	
51	1001285346	1	Ground Control Box Harness (Not Shown - See Separate Breakdown in ELECTRICAL Section)	
53	0760612	2	Bolt M6 x 25	
54	3290605	2	Nut M6	
55	4811700	4	Washer M6	
56	1001219601	1	Sensor, Tilt Dual Axis CAN	
57	1001271794	1	Bracket, Tilt Sensor	
58	1001276143	1	Harness, Tilt Sensor	

SECTION 2 - TURNTABLE

FIGURE 2-34. GROUND CONTROL BOX ASSEMBLY - WITH DEUTZ D2011 ENGINES AND WITH TOWER STOW (CE & UK CA LRC SPECS) (SN 0300315790 to Present)



ART_1001263362_F

SECTION 2 - TURNTABLE

FIGURE 2-34. GROUND CONTROL BOX ASSEMBLY - WITH DEUTZ D2011 ENGINES AND WITH TOWER STOW (CE & UK CA LRC SPECS) (SN 0300315790 to Present)

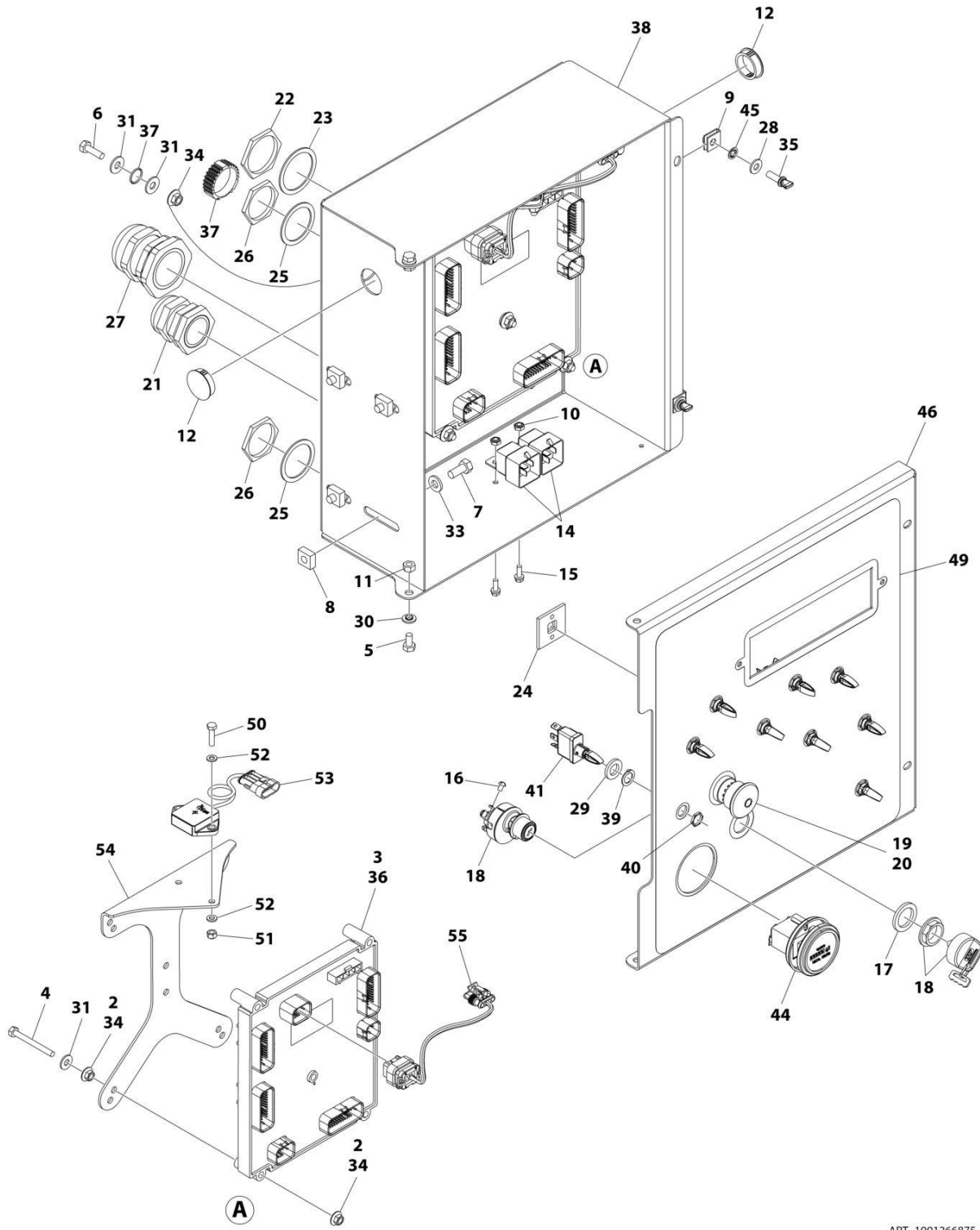
ITEM	PART NUMBER	QTY	DESCRIPTION	REV
	1001263362	Ref	GROUND CONTROL BOX ASSEMBLY	F
2	0100011	AR	Compound, Locking	
3	0100048	AR	Grease, Dielectric	
4	0630548	5	Bolt 2-1/2	
5	0641404	2	Bolt 1/4 x 1/2	
6	0641407	1	Bolt 1/4 x 7/8	
7	0641506	4	Bolt 5/16 x 3/4	
8	3300205	4	Nut, Retainer	
9	3300353	2	Nut, Tinnerman	
10	3300408	2	Nut, Nylon Insert	
11	3311405	2	Nut 1/4	
12	3520031	2	Plug	
14	3740049	2	Relay	
15	3900268	2	Screw #10x1/2	
16	3910804	6	Screw #8 x 1/4	
17	4070991	1	Shim	
18	4360387	1	Switch, Push Button	
19	4360469	1	Switch, Key	
19	2860030	1 Set	Key Replacement	
20	4360475	1	Switch, Emergency Stop	
20	7020175	1	Cap, Mushroom	
20	7020176	1	Block, Contact	
21	4360476	1	Switch, Contact Block	
22	4460426	1	Connector, Strain Relief	
23	4460470	1	Nut, Terminal	
24	4460471	1	Lockwasher, Terminal	
25	4460488	6	Mounting Base, Terminal	
26	4460496	2	Washer, Terminal	
27	4460497	2	Nut, Terminal	
28	4460526	1	Connector, Strain Relief	
29	4711400	2	Washer 1/4	
30	4740397	9	Spacer	
31	4740518	2	Washer	
32	4751400	7	Washer 1/4	
34	4891500	4	Washer 5/16	
35	77143013	11	Nut 1/4	
36	1001103308	2	Thumbscrew 1/4 x 3/4	
37	1001280600	1	Module, Ground Control (Note: Recalibration Required When Replaced)	
38	1001106736	1	Cap, Dust	
39	1001137364	1	Light, Indicator	
40	1001287467	1	Box	
41	1001286032	1	Engine Harness (Not Shown - See Separate Breakdown in ELECTRICAL Section)	
42	1001155043	9	Washer	
43	1001155044	9	Nut 15/32	
44	1001155045	9	Switch, Toggle	
45	1001285016	1	Control Valve Harness (Not Shown - See Separate Breakdown in ELECTRICAL Section)	

SECTION 2 - TURNTABLE

ITEM	PART NUMBER	QTY	DESCRIPTION	REV
46	10836804	1	Gauge, Display	
47	1001176469	1	Shroud	
48	1001188874	2	Nut	
49	1001297391	1	Lid	
50	1001263355	1	Decal - Ground Control Box	
51	1001306145	1	Ground Control Box Harness (Not Shown - See Separate Breakdown in ELECTRICAL Section)	
53	0760612	2	Bolt M6 x 25	
54	3290605	2	Nut M6	
55	4811700	4	Washer M6	
56	1001219601	1	Sensor, Tilt Dual Axis CAN	
57	1001271794	1	Bracket, Tilt Sensor	

SECTION 2 - TURNTABLE

FIGURE 2-35. GROUND CONTROL BOX ASSEMBLY - WITH DEUTZ TD2.9L4 ENGINES - WITH MECHANICAL HOUR METER (ANSI, ANSI EXPORT, CSA, CHINA & JAPANESE SPECS) (Prior to SN 0300315790)



ART_1001266875_F

SECTION 2 - TURNTABLE

FIGURE 2-35. GROUND CONTROL BOX ASSEMBLY - WITH DEUTZ TD2.9L4 ENGINES - WITH MECHANICAL HOUR METER (ANSI, ANSI EXPORT, CSA, CHINA & JAPANESE SPECS) (Prior to SN 0300315790)

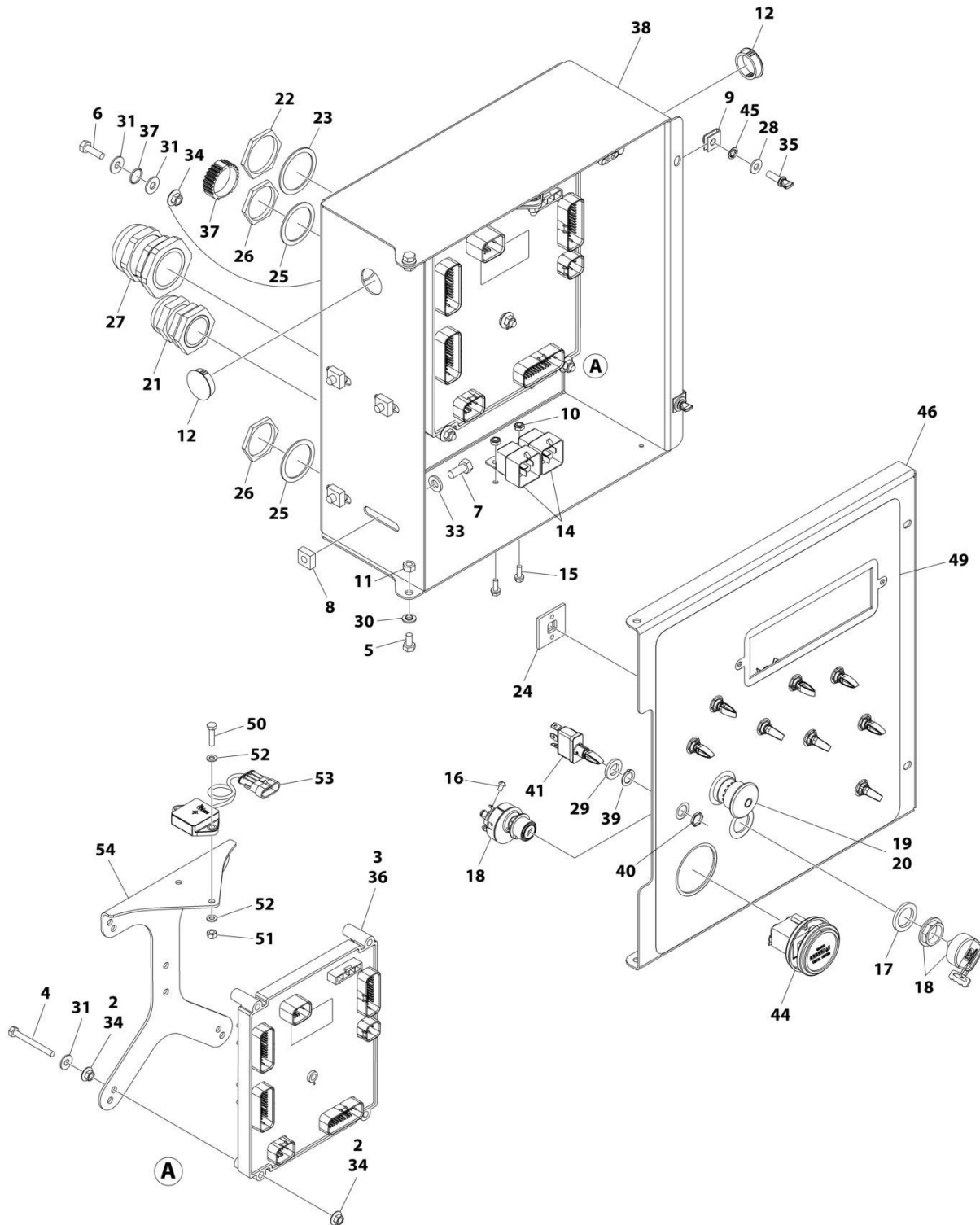
ITEM	PART NUMBER	QTY	DESCRIPTION	REV
	1001266875	Ref	GROUND CONTROL BOX ASSEMBLY	F
2	0100011	AR	Compound, Locking	
3	0100048	AR	Grease, Dielectric	
4	0630548	5	Bolt 2-1/2	
5	0641404	2	Bolt 1/4 x 1/2	
6	0641407	1	Bolt 1/4 x 7/8	
7	0641506	4	Bolt 5/16 x 3/4	
8	3300205	4	Nut, Retainer	
9	3300353	2	Nut, Tinnerman	
10	3300408	2	Nut, Nylon Insert	
11	3311405	2	Nut 1/4	
12	3520031	2	Plug	
14	3740049	2	Relay	
15	3900268	2	Screw #10x1/2	
16	3910804	6	Screw #8 x 1/4	
17	4070991	1	Shim	
18	4360469	1	Switch, Key	
18	2860030	1 Set	Key Replacement	
19	1001274559	1	Switch, Emergency Stop	
20	4360476	1	Switch, Contact Block	
21	4460426	1	Connector, Strain Relief	
22	4460470	1	Nut, Terminal	
23	4460471	1	Lockwasher, Terminal	
24	4460488	6	Mounting Base, Terminal	
25	4460496	2	Washer, Terminal	
26	4460497	2	Nut, Terminal	
27	4460526	1	Connector, Strain Relief	
28	4711400	2	Washer 1/4	
29	4740397	9	Spacer	
30	4740518	2	Washer	
31	4751400	7	Washer 1/4	
33	4891500	4	Washer 5/16	
34	77143013	11	Nut 1/4	
35	1001103308	2	Thumbscrew 1/4 x 3/4	
36	1001280600	1	Module, Ground Control (Note: Recalibration Required When Replaced)	
37	1001106736	1	Cap, Dust	
38	1001287467	1	Box	
39	1001155043	9	Washer	
40	1001155044	9	Nut 15/32	
41	1001155045	9	Switch, Toggle	
42	1001295732	1	Engine Harness (Not Shown - See Separate Breakdown in ELECTRICAL Section)	
43	1001285016	1	Control Valve Harness (Not Shown - See Separate Breakdown in ELECTRICAL Section)	
44	10836804	1	Hour Meter	
45	1001188874	2	Nut	
46	1001280403	1	Lid	

SECTION 2 - TURNTABLE

ITEM	PART NUMBER	QTY	DESCRIPTION	REV
47	1001285346	1	Ground Control Box Harness (Not Shown - See Separate Breakdown in ELECTRICAL Section)	
49	1001266876	1	Decal - Ground Control Box	
50	0760612	2	Bolt M6 x 25	
51	3290605	2	Nut M6	
52	4811700	4	Washer M6	
53	1001219601	1	Sensor, Tilt Dual Axis CAN	
54	1001271794	1	Bracket, Tilt Sensor	
55	1001276143	1	Harness, Tilt Sensor	

SECTION 2 - TURNTABLE

FIGURE 2-36. GROUND CONTROL BOX ASSEMBLY - WITH DEUTZ TD2.9L4 ENGINES - WITH MECHANICAL HOUR METER (ANSI, ANSI EXPORT, CSA, CHINA & JAPANESE SPECS) (SN 0300315790 to Present)



ART_1001266875_G

SECTION 2 - TURNTABLE

FIGURE 2-36. GROUND CONTROL BOX ASSEMBLY - WITH DEUTZ TD2.9L4 ENGINES - WITH MECHANICAL HOUR METER (ANSI, ANSI EXPORT, CSA, CHINA & JAPANESE SPECS) (SN 0300315790 to Present)

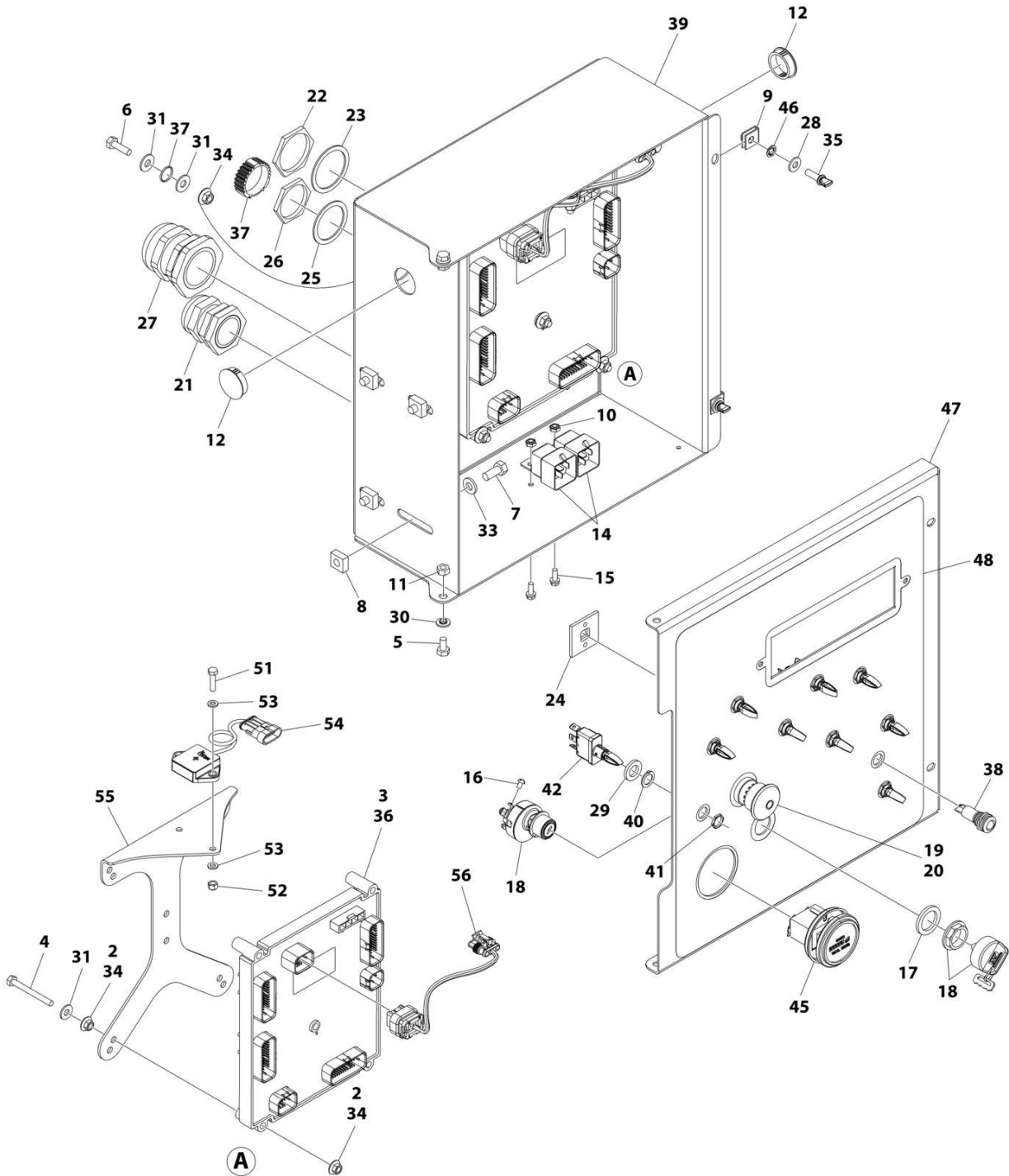
ITEM	PART NUMBER	QTY	DESCRIPTION	REV
	1001266875	Ref	GROUND CONTROL BOX ASSEMBLY	G
2	0100011	AR	Compound, Locking	
3	0100048	AR	Grease, Dielectric	
4	0630548	5	Bolt 2-1/2	
5	0641404	2	Bolt 1/4 x 1/2	
6	0641407	1	Bolt 1/4 x 7/8	
7	0641506	4	Bolt 5/16 x 3/4	
8	3300205	4	Nut, Retainer	
9	3300353	2	Nut, Tinnerman	
10	3300408	2	Nut, Nylon Insert	
11	3311405	2	Nut 1/4	
12	3520031	2	Plug	
14	3740049	2	Relay	
15	3900268	2	Screw #10x1/2	
16	3910804	6	Screw #8 x 1/4	
17	4070991	1	Shim	
18	4360469	1	Switch, Key	
18	2860030	1 Set	Key Replacement	
19	1001274559	1	Switch, Emergency Stop	
20	4360476	1	Switch, Contact Block	
21	4460426	1	Connector, Strain Relief	
22	4460470	1	Nut, Terminal	
23	4460471	1	Lockwasher, Terminal	
24	4460488	6	Mounting Base, Terminal	
25	4460496	2	Washer, Terminal	
26	4460497	2	Nut, Terminal	
27	4460526	1	Connector, Strain Relief	
28	4711400	2	Washer 1/4	
29	4740397	9	Spacer	
30	4740518	2	Washer	
31	4751400	7	Washer 1/4	
33	4891500	4	Washer 5/16	
34	77143013	11	Nut 1/4	
35	1001103308	2	Thumbscrew 1/4 x 3/4	
36	1001280600	1	Module, Ground Control (Note: Recalibration Required When Replaced)	
37	1001106736	1	Cap, Dust	
38	1001287467	1	Box	
39	1001155043	9	Washer	
40	1001155044	9	Nut 15/32	
41	1001155045	9	Switch, Toggle	
42	1001295732	1	Engine Harness (Not Shown - See Separate Breakdown in ELECTRICAL Section)	
43	1001285016	1	Control Valve Harness (Not Shown - See Separate Breakdown in ELECTRICAL Section)	
44	10836804	1	Hour Meter	
45	1001188874	2	Nut	
46	1001280403	1	Lid	

SECTION 2 - TURNTABLE

ITEM	PART NUMBER	QTY	DESCRIPTION	REV
47	1001306145	1	Ground Control Box Harness (Not Shown - See Separate Breakdown in ELECTRICAL Section)	
49	1001266876	1	Decal - Ground Control Box	
50	0760612	2	Bolt M6 x 25	
51	3290605	2	Nut M6	
52	4811700	4	Washer M6	
53	1001219601	1	Sensor, Tilt Dual Axis CAN	
54	1001271794	1	Bracket, Tilt Sensor	

SECTION 2 - TURNTABLE

FIGURE 2-37. GROUND CONTROL BOX ASSEMBLY - WITH DEUTZ TD2.9L4 AND TOWER STOW - WITH MECHANICAL HOUR METER (ANSI, ANSI EXPORT, CSA, CHINA & JAPANESE SPECS) (Prior to SN 0300315790)



ART_1001263360_F

SECTION 2 - TURNTABLE

FIGURE 2-37. GROUND CONTROL BOX ASSEMBLY - WITH DEUTZ TD2.9L4 AND TOWER STOW - WITH MECHANICAL HOUR METER (ANSI, ANSI EXPORT, CSA, CHINA & JAPANESE SPECS) (Prior to SN 0300315790)

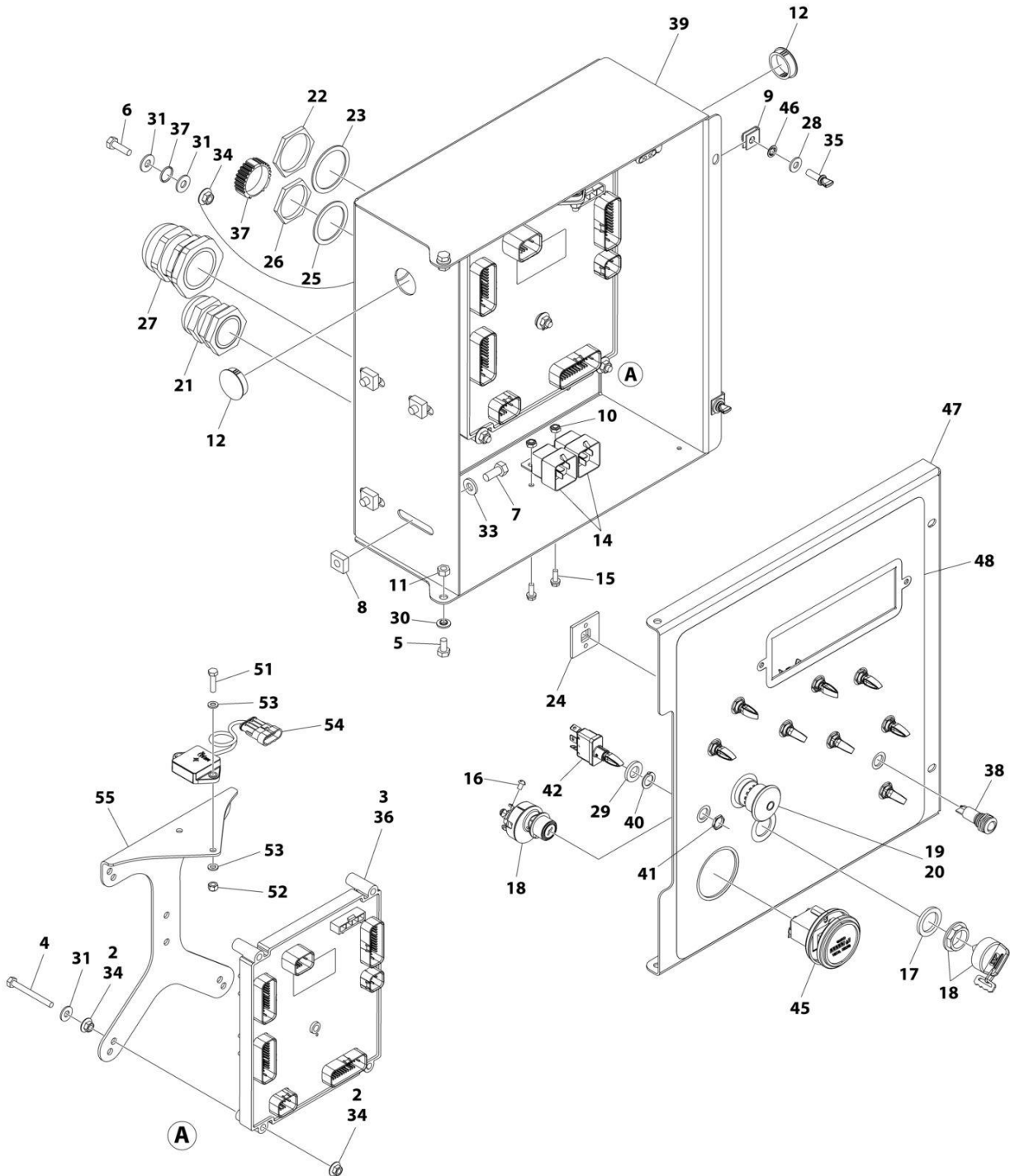
ITEM	PART NUMBER	QTY	DESCRIPTION	REV
	1001263360	Ref	GROUND CONTROL BOX ASSEMBLY	F
2	0100011	AR	Compound, Locking	
3	0100048	AR	Grease, Dielectric	
4	0630548	5	Bolt 2-1/2	
5	0641404	2	Bolt 1/4 x 1/2	
6	0641407	1	Bolt 1/4 x 7/8	
7	0641506	4	Bolt 5/16 x 3/4	
8	3300205	4	Nut, Retainer	
9	3300353	2	Nut, Tinnerman	
10	3300408	2	Nut, Nylon Insert	
11	3311405	2	Nut 1/4	
12	3520031	2	Plug	
14	3740049	2	Relay	
15	3900268	2	Screw #10x1/2	
16	3910804	6	Screw #8 x 1/4	
17	4070991	1	Shim	
18	4360469	1	Switch, Key	
18	2860030	1 Set	Key Replacement	
19	1001274559	1	Switch, Emergency Stop	
20	4360476	1	Switch, Contact Block	
21	4460426	1	Connector, Strain Relief	
22	4460470	1	Nut, Terminal	
23	4460471	1	Lockwasher, Terminal	
24	4460488	6	Mounting Base, Terminal	
25	4460496	2	Washer, Terminal	
26	4460497	2	Nut, Terminal	
27	4460526	1	Connector, Strain Relief	
28	4711400	2	Washer 1/4	
29	4740397	9	Spacer	
30	4740518	2	Washer	
31	4751400	7	Washer 1/4	
33	4891500	4	Washer 5/16	
34	77143013	11	Nut 1/4	
35	1001103308	2	Thumbscrew 1/4 x 3/4	
36	1001280600	1	Module, Ground Control (Note: Recalibration Required When Replaced)	
37	1001106736	1	Cap, Dust	
38	1001137364	1	Light, Indicator	
39	1001287467	1	Box	
40	1001155043	9	Washer	
41	1001155044	9	Nut 15/32	
42	1001155045	9	Switch, Toggle	
43	1001295732	1	Engine Harness (Not Shown - See Separate Breakdown in ELECTRICAL Section)	
44	1001285016	1	Control Valve Harness (Not Shown - See Separate Breakdown in ELECTRICAL Section)	
45	10836804	1	Hour Meter	
46	1001188874	2	Nut	

SECTION 2 - TURNTABLE

ITEM	PART NUMBER	QTY	DESCRIPTION	REV
47	1001280403	1	Lid	
48	1001263356	1	Decal - Ground Control Box	
49	1001285346	1	Ground Control Box Harness (Not Shown - See Separate Breakdown in ELECTRICAL Section)	
51	0760612	2	Bolt M6 x 25	
52	3290605	2	Nut M6	
53	4811700	4	Washer M6	
54	1001219601	1	Sensor, Tilt Dual Axis CAN	
55	1001271794	1	Bracket, Tilt Sensor	
56	1001276143	1	Harness, Tilt Sensor	

SECTION 2 - TURNTABLE

FIGURE 2-38. GROUND CONTROL BOX ASSEMBLY - WITH DEUTZ TD2.9L4 AND TOWER STOW - WITH MECHANICAL HOUR METER (ANSI, ANSI EXPORT, CSA, CHINA & JAPANESE SPECS) (SN 0300315790 to Present)



ART_1001263360_G

SECTION 2 - TURNTABLE

FIGURE 2-38. GROUND CONTROL BOX ASSEMBLY - WITH DEUTZ TD2.9L4 AND TOWER STOW - WITH MECHANICAL HOUR METER (ANSI, ANSI EXPORT, CSA, CHINA & JAPANESE SPECS) (SN 0300315790 to Present)

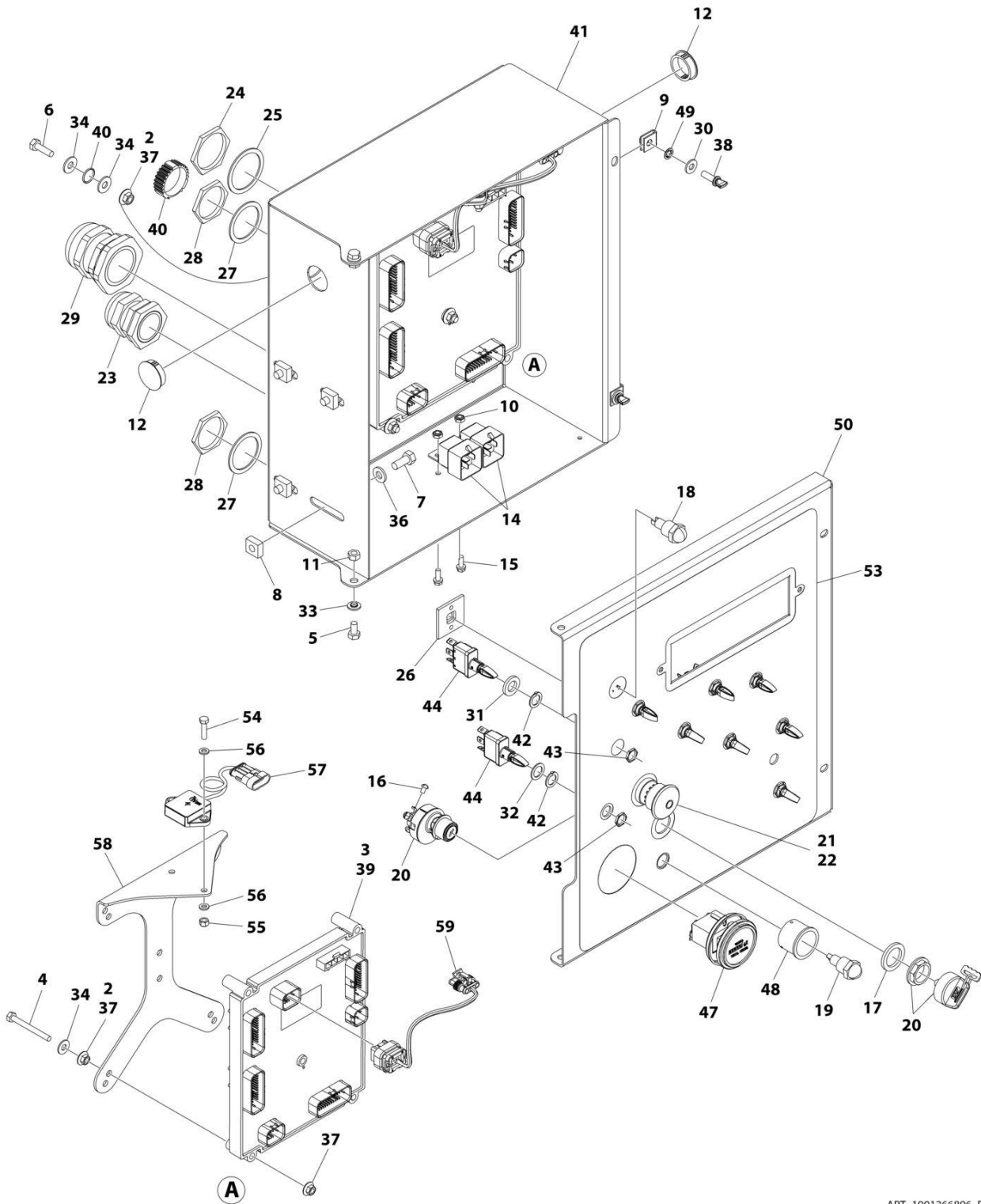
ITEM	PART NUMBER	QTY	DESCRIPTION	REV
	1001263360	Ref	GROUND CONTROL BOX ASSEMBLY	G
2	0100011	AR	Compound, Locking	
3	0100048	AR	Grease, Dielectric	
4	0630548	5	Bolt 2-1/2	
5	0641404	2	Bolt 1/4 x 1/2	
6	0641407	1	Bolt 1/4 x 7/8	
7	0641506	4	Bolt 5/16 x 3/4	
8	3300205	4	Nut, Retainer	
9	3300353	2	Nut, Tinnerman	
10	3300408	2	Nut, Nylon Insert	
11	3311405	2	Nut 1/4	
12	3520031	2	Plug	
14	3740049	2	Relay	
15	3900268	2	Screw #10x1/2	
16	3910804	6	Screw #8 x 1/4	
17	4070991	1	Shim	
18	4360469	1	Switch, Key	
18	2860030	1 Set	Key Replacement	
19	1001274559	1	Switch, Emergency Stop	
20	4360476	1	Switch, Contact Block	
21	4460426	1	Connector, Strain Relief	
22	4460470	1	Nut, Terminal	
23	4460471	1	Lockwasher, Terminal	
24	4460488	6	Mounting Base, Terminal	
25	4460496	2	Washer, Terminal	
26	4460497	2	Nut, Terminal	
27	4460526	1	Connector, Strain Relief	
28	4711400	2	Washer 1/4	
29	4740397	9	Spacer	
30	4740518	2	Washer	
31	4751400	7	Washer 1/4	
33	4891500	4	Washer 5/16	
34	77143013	11	Nut 1/4	
35	1001103308	2	Thumbscrew 1/4 x 3/4	
36	1001280600	1	Module, Ground Control (Note: Recalibration Required When Replaced)	
37	1001106736	1	Cap, Dust	
38	1001137364	1	Light, Indicator	
39	1001287467	1	Box	
40	1001155043	9	Washer	
41	1001155044	9	Nut 15/32	
42	1001155045	9	Switch, Toggle	
43	1001295732	1	Engine Harness (Not Shown - See Separate Breakdown in ELECTRICAL Section)	
44	1001285016	1	Control Valve Harness (Not Shown - See Separate Breakdown in ELECTRICAL Section)	
45	10836804	1	Hour Meter	
46	1001188874	2	Nut	

SECTION 2 - TURNTABLE

ITEM	PART NUMBER	QTY	DESCRIPTION	REV
47	1001280403	1	Lid	
48	1001263356	1	Decal - Ground Control Box	
49	1001306145	1	Ground Control Box Harness (Not Shown - See Separate Breakdown in ELECTRICAL Section)	
51	0760612	2	Bolt M6 x 25	
52	3290605	2	Nut M6	
53	4811700	4	Washer M6	
54	1001219601	1	Sensor, Tilt Dual Axis CAN	
55	1001271794	1	Bracket, Tilt Sensor	

SECTION 2 - TURNTABLE

FIGURE 2-39. GROUND CONTROL BOX ASSEMBLY - WITH DEUTZ TD2.9L4 (STAGE V) ENGINES
(CE & UK CA SPECS) (Prior to SN 0300315790)



ART_1001266896_F

SECTION 2 - TURNTABLE

**FIGURE 2-39. GROUND CONTROL BOX ASSEMBLY - WITH DEUTZ TD2.9L4 (STAGE V) ENGINES
(CE & UK CA SPECS) (Prior to SN 0300315790)**

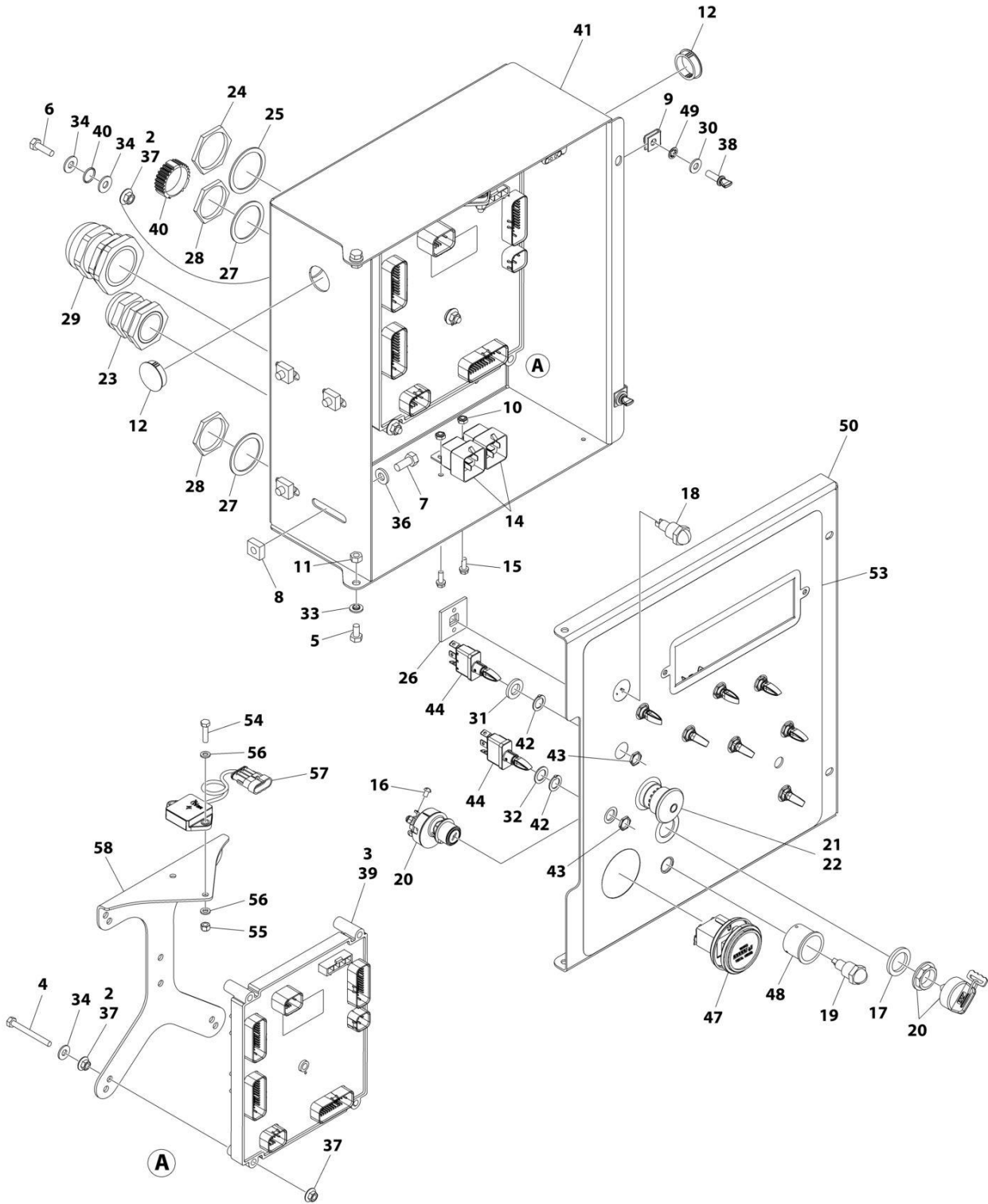
ITEM	PART NUMBER	QTY	DESCRIPTION	REV
	1001266896	Ref	GROUND CONTROL BOX ASSEMBLY	F
2	0100011	AR	Compound, Locking	
3	0100048	AR	Grease, Dielectric	
4	0630548	5	Bolt 2-1/2	
5	0641404	2	Bolt 1/4 x 1/2	
6	0641407	1	Bolt 1/4 x 7/8	
7	0641506	4	Bolt 5/16 x 3/4	
8	3300205	4	Nut, Retainer	
9	3300353	2	Nut, Tinnerman	
10	3300408	2	Nut, Nylon Insert	
11	3311405	2	Nut 1/4	
12	3520031	2	Plug	
14	3740049	2	Relay	
15	3900268	2	Screw #10x1/2	
16	3910804	6	Screw #8 x 1/4	
17	4070991	1	Shim	
18	4360274	1	Switch, Push Button	
19	4360387	1	Switch, Push Button	
20	4360469	1	Switch, Key	
20	2860030	1 Set	Key Replacement	
21	1001274559	1	Switch, Emergency Stop	
22	4360476	1	Switch, Contact Block	
23	4460426	1	Connector, Strain Relief	
24	4460470	1	Nut, Terminal	
25	4460471	1	Lockwasher, Terminal	
26	4460488	6	Mounting Base, Terminal	
27	4460496	2	Washer, Terminal	
28	4460497	2	Nut, Terminal	
29	4460526	1	Connector, Strain Relief	
30	4711400	2	Washer 1/4	
31	4740397	8	Spacer	
32	4740444	1	Washer	
33	4740518	2	Washer	
34	4751400	7	Washer 1/4	
36	4891500	4	Washer 5/16	
37	77143013	11	Nut 1/4	
38	1001103308	2	Thumbscrew 1/4 x 3/4	
39	1001280600	1	Module, Ground Control (Note: Recalibration Required When Replaced)	
40	1001106736	1	Cap, Dust	
41	1001287467	1	Box	
42	1001155043	9	Washer	
43	1001155044	9	Nut 15/32	
44	1001155045	9	Switch, Toggle	
45	1001295732	1	Engine Harness (Not Shown - See Separate Breakdown in ELECTRICAL Section)	
46	1001285016	1	Control Valve Harness (Not Shown - See Separate Breakdown in ELECTRICAL Section)	
47	10836804	1	Gauge, Display	

SECTION 2 - TURNTABLE

ITEM	PART NUMBER	QTY	DESCRIPTION	REV
48	1001176469	1	Shroud	
49	1001188874	2	Nut	
50	1001297391	1	Lid	
51	1001285346	1	Ground Control Box Harness (Not Shown - See Separate Breakdown in ELECTRICAL Section)	
53	1001266878	1	Decal - Ground Control Box	
54	0760612	2	Bolt M6 x 25	
55	3290605	2	Nut M6	
56	4811700	4	Washer M6	
57	1001219601	1	Sensor, Tilt Dual Axis CAN	
58	1001271794	1	Bracket, Tilt Sensor	
59	1001276143	1	Harness, Tilt Sensor	

SECTION 2 - TURNTABLE

FIGURE 2-40. GROUND CONTROL BOX ASSEMBLY - WITH DEUTZ TD2.9L4 (STAGE V) ENGINES
(CE & UK CA SPECS) (SN 0300315790 to Present)



ART_1001266896_G

SECTION 2 - TURNTABLE

**FIGURE 2-40. GROUND CONTROL BOX ASSEMBLY - WITH DEUTZ TD2.9L4 (STAGE V) ENGINES
(CE & UK CA SPECS) (SN 0300315790 to Present)**

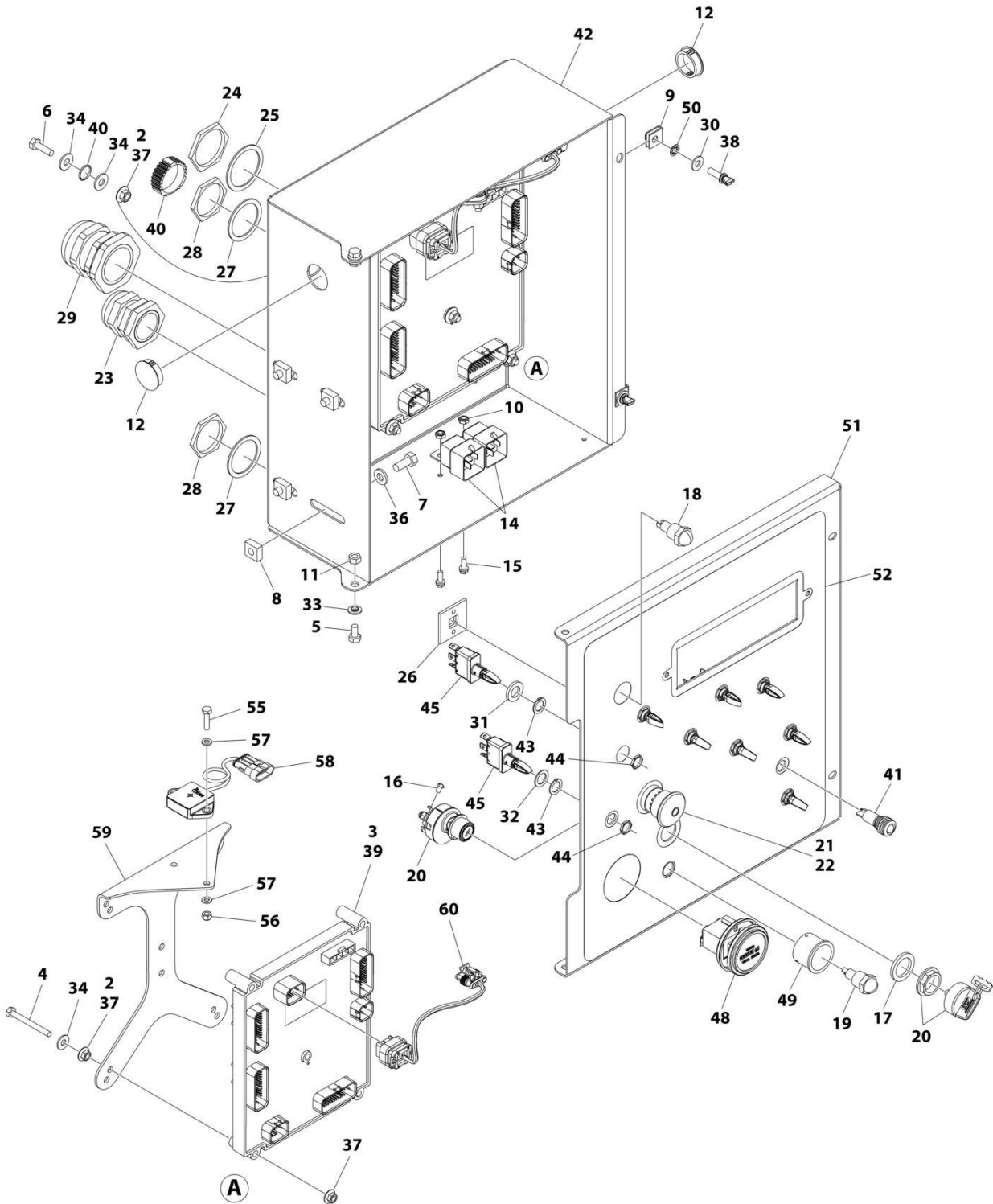
ITEM	PART NUMBER	QTY	DESCRIPTION	REV
	1001266896	Ref	GROUND CONTROL BOX ASSEMBLY	G
2	0100011	AR	Compound, Locking	
3	0100048	AR	Grease, Dielectric	
4	0630548	5	Bolt 2-1/2	
5	0641404	2	Bolt 1/4 x 1/2	
6	0641407	1	Bolt 1/4 x 7/8	
7	0641506	4	Bolt 5/16 x 3/4	
8	3300205	4	Nut, Retainer	
9	3300353	2	Nut, Tinnerman	
10	3300408	2	Nut, Nylon Insert	
11	3311405	2	Nut 1/4	
12	3520031	2	Plug	
14	3740049	2	Relay	
15	3900268	2	Screw #10x1/2	
16	3910804	6	Screw #8 x 1/4	
17	4070991	1	Shim	
18	4360274	1	Switch, Push Button	
19	4360387	1	Switch, Push Button	
20	4360469	1	Switch, Key	
20	2860030	1 Set	Key Replacement	
21	1001274559	1	Switch, Emergency Stop	
22	4360476	1	Switch, Contact Block	
23	4460426	1	Connector, Strain Relief	
24	4460470	1	Nut, Terminal	
25	4460471	1	Lockwasher, Terminal	
26	4460488	6	Mounting Base, Terminal	
27	4460496	2	Washer, Terminal	
28	4460497	2	Nut, Terminal	
29	4460526	1	Connector, Strain Relief	
30	4711400	2	Washer 1/4	
31	4740397	8	Spacer	
32	4740444	1	Washer	
33	4740518	2	Washer	
34	4751400	7	Washer 1/4	
36	4891500	4	Washer 5/16	
37	77143013	11	Nut 1/4	
38	1001103308	2	Thumbscrew 1/4 x 3/4	
39	1001280600	1	Module, Ground Control (Note: Recalibration Required When Replaced)	
40	1001106736	1	Cap, Dust	
41	1001287467	1	Box	
42	1001155043	9	Washer	
43	1001155044	9	Nut 15/32	
44	1001155045	9	Switch, Toggle	
45	1001295732	1	Engine Harness (Not Shown - See Separate Breakdown in ELECTRICAL Section)	
46	1001285016	1	Control Valve Harness (Not Shown - See Separate Breakdown in ELECTRICAL Section)	
47	10836804	1	Gauge, Display	

SECTION 2 - TURNTABLE

ITEM	PART NUMBER	QTY	DESCRIPTION	REV
48	1001176469	1	Shroud	
49	1001188874	2	Nut	
50	1001297391	1	Lid	
51	1001306145	1	Ground Control Box Harness (Not Shown - See Separate Breakdown in ELECTRICAL Section)	
53	1001266878	1	Decal - Ground Control Box	
54	0760612	2	Bolt M6 x 25	
55	3290605	2	Nut M6	
56	4811700	4	Washer M6	
57	1001219601	1	Sensor, Tilt Dual Axis CAN	
58	1001271794	1	Bracket, Tilt Sensor	

SECTION 2 - TURNTABLE

FIGURE 2-41. GROUND CONTROL BOX ASSEMBLY - WITH DEUTZ TD2.9L4 (STAGE V) ENGINES AND WITH TOWER STOW (CE & UK CA SPECS) (Prior to SN 0300315790)



ART_1001263364_F

SECTION 2 - TURNTABLE

**FIGURE 2-41. GROUND CONTROL BOX ASSEMBLY - WITH DEUTZ TD2.9L4 (STAGE V) ENGINES
AND WITH TOWER STOW (CE & UK CA SPECS) (Prior to SN 0300315790)**

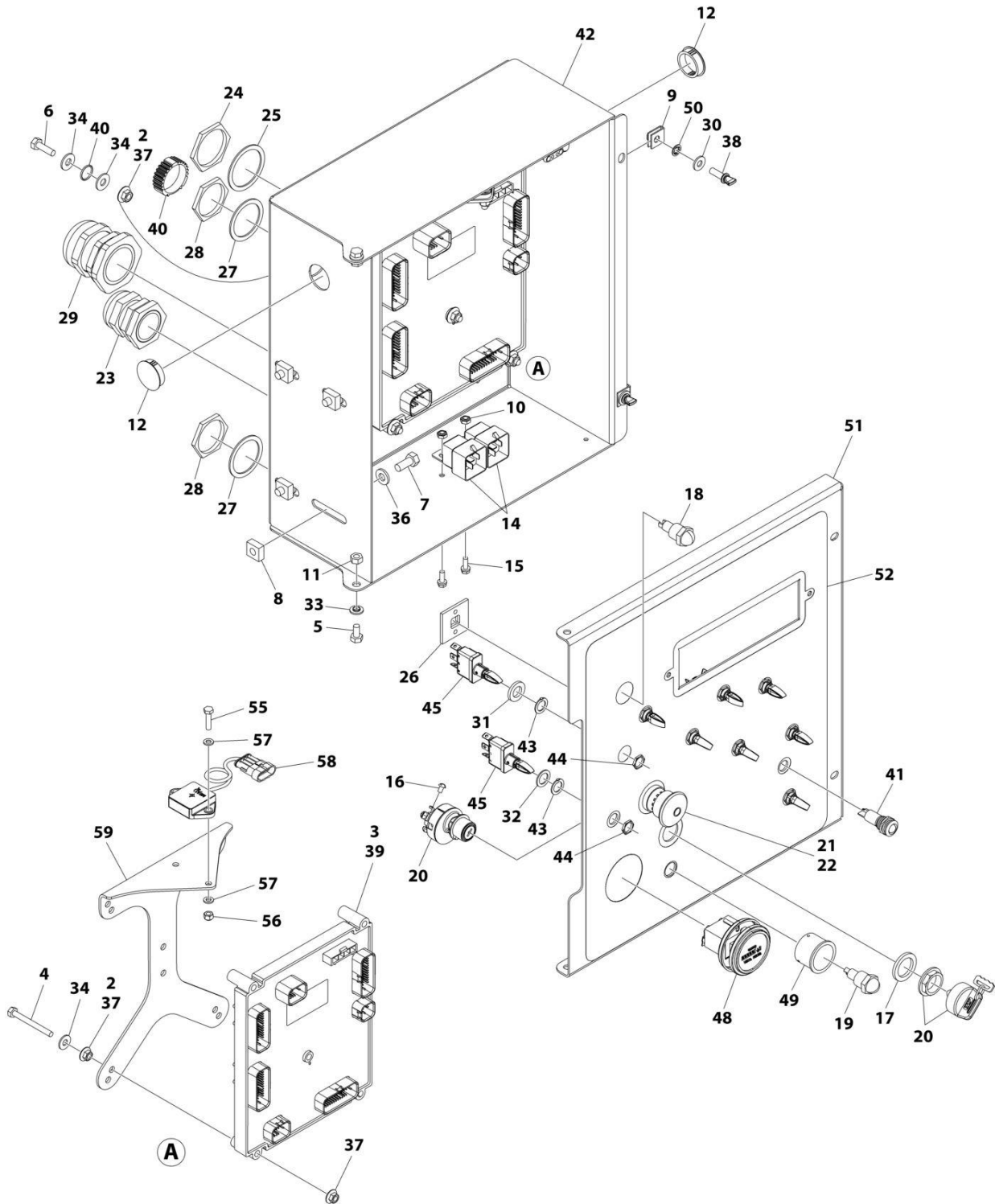
ITEM	PART NUMBER	QTY	DESCRIPTION	REV
	1001263364	Ref	GROUND CONTROL BOX ASSEMBLY	F
2	0100011	AR	Compound, Locking	
3	0100048	AR	Grease, Dielectric	
4	0630548	5	Bolt 2-1/2	
5	0641404	2	Bolt 1/4 x 1/2	
6	0641407	1	Bolt 1/4 x 7/8	
7	0641506	4	Bolt 5/16 x 3/4	
8	3300205	4	Nut, Retainer	
9	3300353	2	Nut, Tinnerman	
10	3300408	2	Nut, Nylon Insert	
11	3311405	2	Nut 1/4	
12	3520031	2	Plug	
14	3740049	2	Relay	
15	3900268	2	Screw #10x1/2	
16	3910804	6	Screw #8 x 1/4	
17	4070991	1	Shim	
18	4360274	1	Switch, Push Button	
19	4360387	1	Switch, Push Button	
20	4360469	1	Switch, Key	
20	2860030	1 Set	Key Replacement	
21	1001274559	1	Switch, Emergency Stop	
22	4360476	1	Switch, Contact Block	
23	4460426	1	Connector, Strain Relief	
24	4460470	1	Nut, Terminal	
25	4460471	1	Lockwasher, Terminal	
26	4460488	6	Mounting Base, Terminal	
27	4460496	2	Washer, Terminal	
28	4460497	2	Nut, Terminal	
29	4460526	1	Connector, Strain Relief	
30	4711400	2	Washer 1/4	
31	4740397	8	Spacer	
32	4740444	1	Washer	
33	4740518	2	Washer	
34	4751400	7	Washer 1/4	
36	4891500	4	Washer 5/16	
37	77143013	11	Nut 1/4	
38	1001103308	2	Thumbscrew 1/4 x 3/4	
39	1001280600	1	Module, Ground Control (Note: Recalibration Required When Replaced)	
40	1001106736	1	Cap, Dust	
41	1001137364	1	Light, Indicator	
42	1001287467	1	Box	
43	1001155043	9	Washer	
44	1001155044	9	Nut 15/32	
45	1001155045	9	Switch, Toggle	
46	1001295732	1	Engine Harness (Not Shown - See Separate Breakdown in ELECTRICAL Section)	
47	1001285016	1	Control Valve Harness (Not Shown - See Separate Breakdown in ELECTRICAL Section)	

SECTION 2 - TURNTABLE

ITEM	PART NUMBER	QTY	DESCRIPTION	REV
48	10836804	1	Gauge, Display	
49	1001176469	1	Shroud	
50	1001188874	2	Nut	
51	1001297391	1	Lid	
52	1001263357	1	Decal - Ground Control Box	
53	1001285346	1	Ground Control Box Harness (Not Shown - See Separate Breakdown in ELECTRICAL Section)	
55	0760612	2	Bolt M6 x 25	
56	3290605	2	Nut M6	
57	4811700	4	Washer M6	
58	1001219601	1	Sensor, Tilt Dual Axis CAN	
59	1001271794	1	Bracket, Tilt Sensor	
60	1001276143	1	Harness, Tilt Sensor	

SECTION 2 - TURNTABLE

FIGURE 2-42. GROUND CONTROL BOX ASSEMBLY - WITH DEUTZ TD2.9L4 (STAGE V) ENGINES AND WITH TOWER STOW (CE & UK CA SPECS) (SN 0300315790 to Present)



ART_1001263364_G

SECTION 2 - TURNTABLE

**FIGURE 2-42. GROUND CONTROL BOX ASSEMBLY - WITH DEUTZ TD2.9L4 (STAGE V) ENGINES
AND WITH TOWER STOW (CE & UK CA SPECS) (SN 0300315790 to Present)**

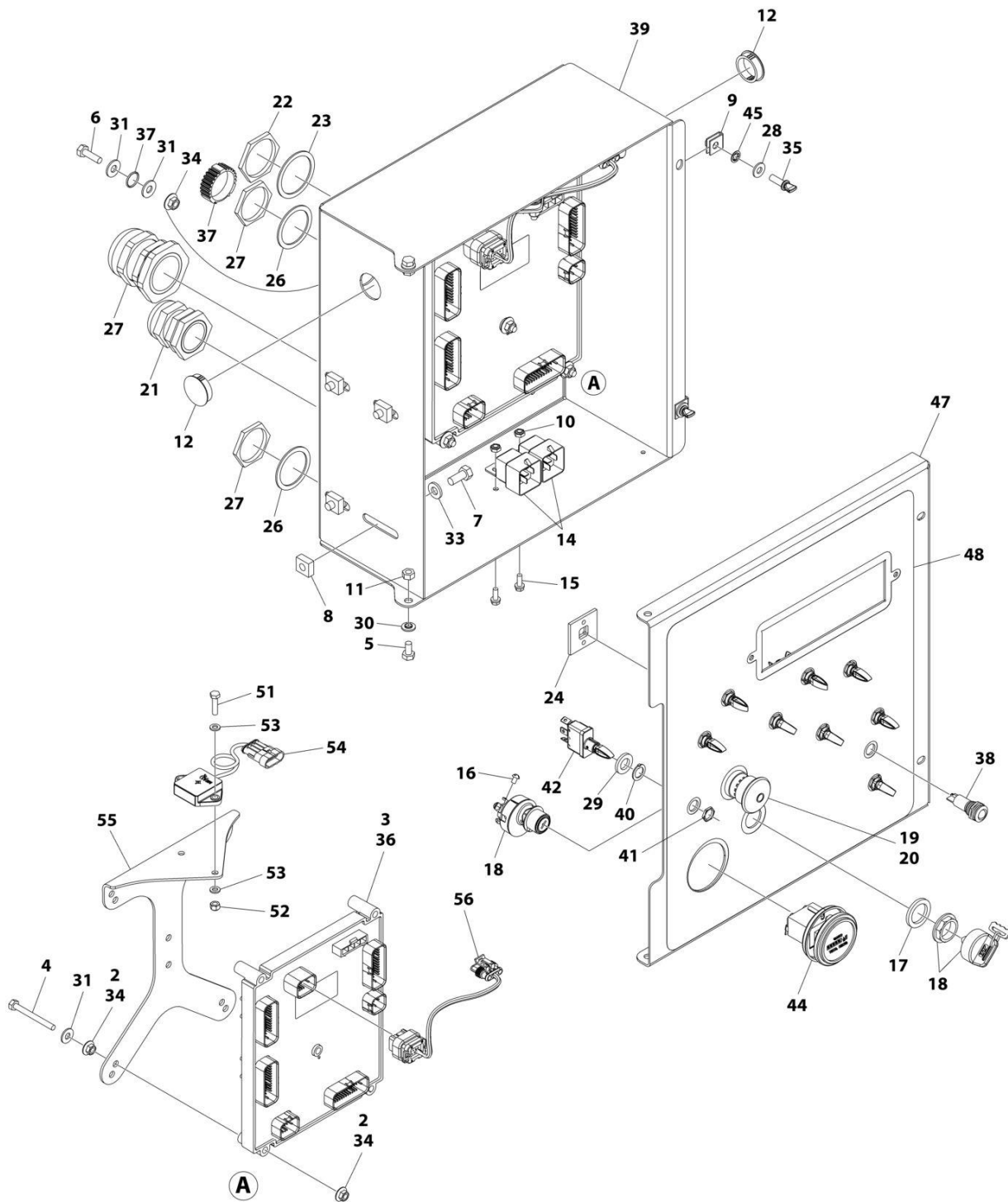
ITEM	PART NUMBER	QTY	DESCRIPTION	REV
	1001263364	Ref	GROUND CONTROL BOX ASSEMBLY	G
2	0100011	AR	Compound, Locking	
3	0100048	AR	Grease, Dielectric	
4	0630548	5	Bolt 2-1/2	
5	0641404	2	Bolt 1/4 x 1/2	
6	0641407	1	Bolt 1/4 x 7/8	
7	0641506	4	Bolt 5/16 x 3/4	
8	3300205	4	Nut, Retainer	
9	3300353	2	Nut, Tinnerman	
10	3300408	2	Nut, Nylon Insert	
11	3311405	2	Nut 1/4	
12	3520031	2	Plug	
14	3740049	2	Relay	
15	3900268	2	Screw #10x1/2	
16	3910804	6	Screw #8 x 1/4	
17	4070991	1	Shim	
18	4360274	1	Switch, Push Button	
19	4360387	1	Switch, Push Button	
20	4360469	1	Switch, Key	
20	2860030	1 Set	Key Replacement	
21	1001274559	1	Switch, Emergency Stop	
22	4360476	1	Switch, Contact Block	
23	4460426	1	Connector, Strain Relief	
24	4460470	1	Nut, Terminal	
25	4460471	1	Lockwasher, Terminal	
26	4460488	6	Mounting Base, Terminal	
27	4460496	2	Washer, Terminal	
28	4460497	2	Nut, Terminal	
29	4460526	1	Connector, Strain Relief	
30	4711400	2	Washer 1/4	
31	4740397	8	Spacer	
32	4740444	1	Washer	
33	4740518	2	Washer	
34	4751400	7	Washer 1/4	
36	4891500	4	Washer 5/16	
37	77143013	11	Nut 1/4	
38	1001103308	2	Thumbscrew 1/4 x 3/4	
39	1001280600	1	Module, Ground Control (Note: Recalibration Required When Replaced)	
40	1001106736	1	Cap, Dust	
41	1001137364	1	Light, Indicator	
42	1001287467	1	Box	
43	1001155043	9	Washer	
44	1001155044	9	Nut 15/32	
45	1001155045	9	Switch, Toggle	
46	1001295732	1	Engine Harness (Not Shown - See Separate Breakdown in ELECTRICAL Section)	
47	1001285016	1	Control Valve Harness (Not Shown - See Separate Breakdown in ELECTRICAL Section)	

SECTION 2 - TURNTABLE

ITEM	PART NUMBER	QTY	DESCRIPTION	REV
48	10836804	1	Gauge, Display	
49	1001176469	1	Shroud	
50	1001188874	2	Nut	
51	1001297391	1	Lid	
52	1001263357	1	Decal - Ground Control Box	
53	1001306145	1	Ground Control Box Harness (Not Shown - See Separate Breakdown in ELECTRICAL Section)	
55	0760612	2	Bolt M6 x 25	
56	3290605	2	Nut M6	
57	4811700	4	Washer M6	
58	1001219601	1	Sensor, Tilt Dual Axis CAN	
59	1001271794	1	Bracket, Tilt Sensor	

SECTION 2 - TURNTABLE

FIGURE 2-43. GROUND CONTROL BOX ASSEMBLY - WITH FORD ENGINES AND TOWER STOW - WITH MECHANICAL HOUR METER (Prior to SN 0300315790)



ART_1001263363_E

SECTION 2 - TURNTABLE

FIGURE 2-43. GROUND CONTROL BOX ASSEMBLY - WITH FORD ENGINES AND TOWER STOW - WITH MECHANICAL HOUR METER (Prior to SN 0300315790)

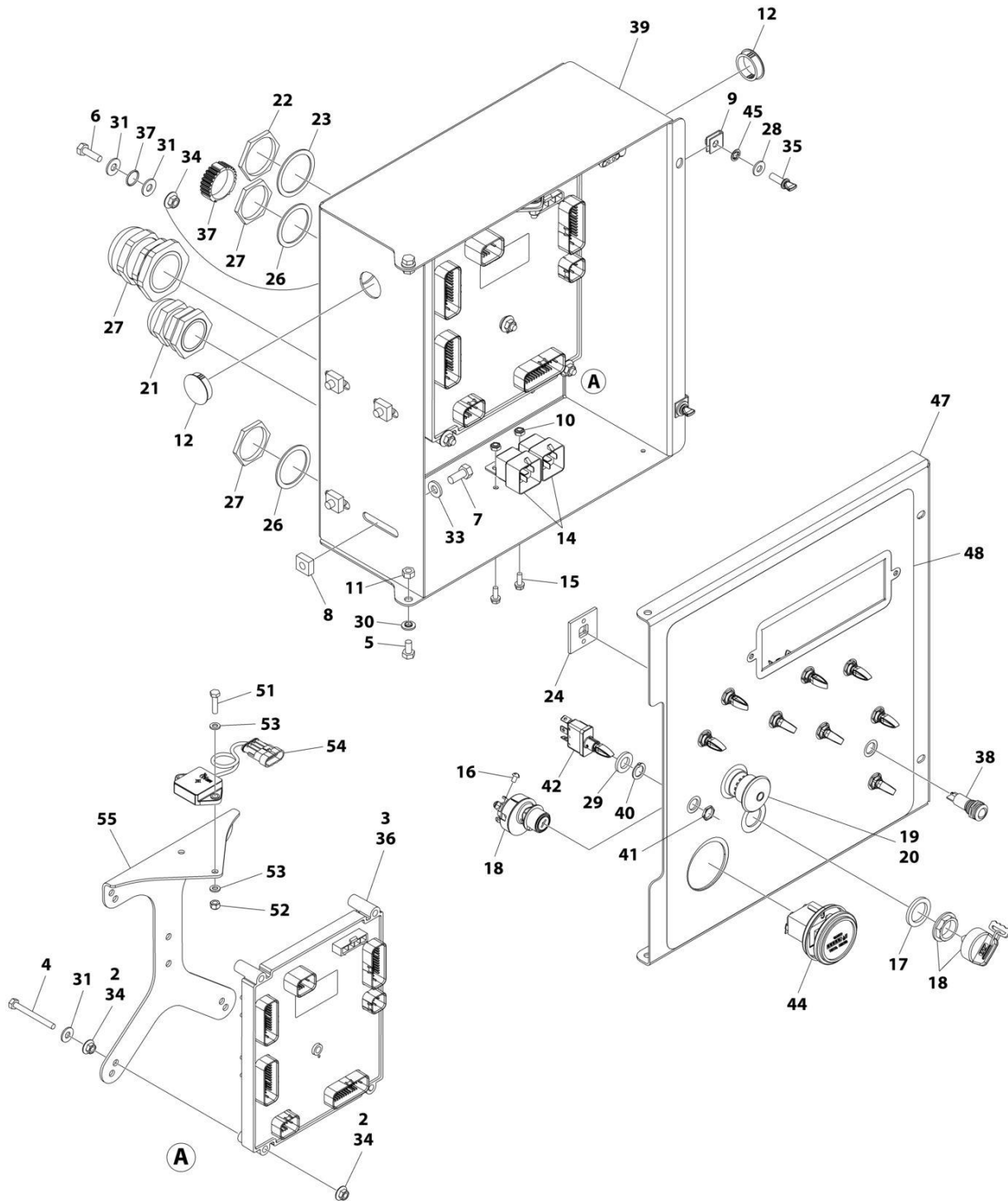
ITEM	PART NUMBER	QTY	DESCRIPTION	REV
	1001263363	Ref	GROUND CONTROL BOX ASSEMBLY	E
2	0100011	AR	Compound, Locking	
3	0100048	AR	Grease, Dielectric	
4	0630548	5	Bolt 2-1/2	
5	0641404	2	Bolt 1/4 x 1/2	
6	0641407	1	Bolt 1/4 x 7/8	
7	0641506	4	Bolt 5/16 x 3/4	
8	3300205	4	Nut, Retainer	
9	3300353	2	Nut, Tinnerman	
10	3300408	2	Nut, Nylon Insert	
11	3311405	2	Nut 1/4	
12	3520031	2	Plug	
14	3740049	2	Relay	
15	3900268	2	Screw #10x1/2	
16	3910804	6	Screw #8 x 1/4	
17	4070991	1	Shim	
18	4360469	1	Switch, Key	
18	2860030	1 Set	Key Replacement	
19	4360475	1	Switch, Emergency Stop	
19	7020175	1	Cap, Mushroom	
19	7020176	1	Block, Contact	
20	4360476	1	Switch, Contact Block	
21	4460426	1	Connector, Strain Relief	
22	4460470	1	Nut, Terminal	
23	4460471	1	Lockwasher, Terminal	
24	4460488	6	Mounting Base, Terminal	
25	4460496	2	Washer, Terminal	
26	4460497	2	Nut, Terminal	
27	4460526	1	Connector, Strain Relief	
28	4711400	2	Washer 1/4	
29	4740397	9	Spacer	
30	4740518	2	Washer	
31	4751400	7	Washer 1/4	
33	4891500	4	Washer 5/16	
34	77143013	11	Nut 1/4	
35	1001103308	2	Thumbscrew 1/4 x 3/4	
36	1001280600	1	Module, Ground Control (Note: Recalibration Required When Replaced)	
37	1001106736	1	Cap, Dust	
38	1001137364	1	Light, Indicator	
39	1001287467	1	Box	
40	1001155043	9	Washer	
41	1001155044	9	Nut 15/32	
42	1001155045	9	Switch, Toggle	
43	1001285016	1	Control Valve Harness (Not Shown - See Separate Breakdown in ELECTRICAL Section)	
44	10836804	1	Hour Meter	
45	1001188874	2	Nut	

SECTION 2 - TURNTABLE

ITEM	PART NUMBER	QTY	DESCRIPTION	REV
46	1001286033	1	Engine Harness (Not Shown - See Separate Breakdown in ELECTRICAL Section)	
47	1001280403	1	Lid	
48	1001263356	1	Decal - Ground Control Box	
49	1001285346	1	Ground Control Box Harness (Not Shown - See Separate Breakdown in ELECTRICAL Section)	
51	0760612	2	Bolt M6 x 25	
52	3290605	2	Nut M6	
53	4811700	4	Washer M6	
54	1001219601	1	Sensor, Tilt Dual Axis CAN	
55	1001271794	1	Bracket, Tilt Sensor	
56	1001276143	1	Harness, Tilt Sensor	

SECTION 2 - TURNTABLE

FIGURE 2-44. GROUND CONTROL BOX ASSEMBLY - WITH FORD ENGINES AND TOWER STOW - WITH MECHANICAL HOUR METER (SN 0300315790 to Present)



ART_1001263363_F

SECTION 2 - TURNTABLE

FIGURE 2-44. GROUND CONTROL BOX ASSEMBLY - WITH FORD ENGINES AND TOWER STOW - WITH MECHANICAL HOUR METER (SN 0300315790 to Present)

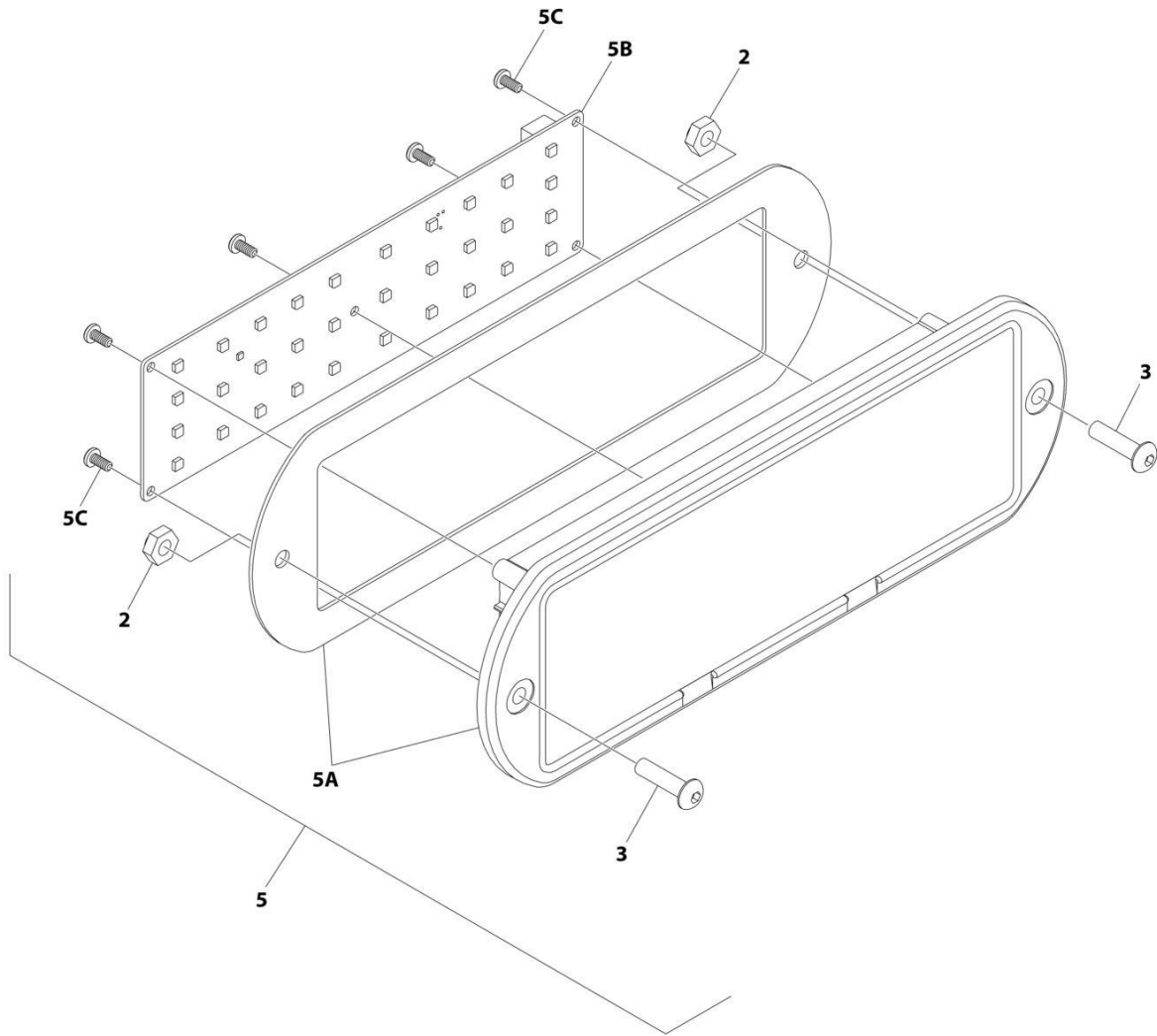
ITEM	PART NUMBER	QTY	DESCRIPTION	REV
	1001263363	Ref	GROUND CONTROL BOX ASSEMBLY	F
2	0100011	AR	Compound, Locking	
3	0100048	AR	Grease, Dielectric	
4	0630548	5	Bolt 2-1/2	
5	0641404	2	Bolt 1/4 x 1/2	
6	0641407	1	Bolt 1/4 x 7/8	
7	0641506	4	Bolt 5/16 x 3/4	
8	3300205	4	Nut, Retainer	
9	3300353	2	Nut, Tinnerman	
10	3300408	2	Nut, Nylon Insert	
11	3311405	2	Nut 1/4	
12	3520031	2	Plug	
14	3740049	2	Relay	
15	3900268	2	Screw #10x1/2	
16	3910804	6	Screw #8 x 1/4	
17	4070991	1	Shim	
18	4360469	1	Switch, Key	
18	2860030	1 Set	Key Replacement	
19	4360475	1	Switch, Emergency Stop	
19	7020175	1	Cap, Mushroom	
19	7020176	1	Block, Contact	
20	4360476	1	Switch, Contact Block	
21	4460426	1	Connector, Strain Relief	
22	4460470	1	Nut, Terminal	
23	4460471	1	Lockwasher, Terminal	
24	4460488	6	Mounting Base, Terminal	
25	4460496	2	Washer, Terminal	
26	4460497	2	Nut, Terminal	
27	4460526	1	Connector, Strain Relief	
28	4711400	2	Washer 1/4	
29	4740397	9	Spacer	
30	4740518	2	Washer	
31	4751400	7	Washer 1/4	
33	4891500	4	Washer 5/16	
34	77143013	11	Nut 1/4	
35	1001103308	2	Thumbscrew 1/4 x 3/4	
36	1001280600	1	Module, Ground Control (Note: Recalibration Required When Replaced)	
37	1001106736	1	Cap, Dust	
38	1001137364	1	Light, Indicator	
39	1001287467	1	Box	
40	1001155043	9	Washer	
41	1001155044	9	Nut 15/32	
42	1001155045	9	Switch, Toggle	
43	1001285016	1	Control Valve Harness (Not Shown - See Separate Breakdown in ELECTRICAL Section)	
44	10836804	1	Hour Meter	
45	1001188874	2	Nut	

SECTION 2 - TURNTABLE

ITEM	PART NUMBER	QTY	DESCRIPTION	REV
46	1001286033	1	Engine Harness (Not Shown - See Separate Breakdown in ELECTRICAL Section)	
47	1001280403	1	Lid	
48	1001263356	1	Decal - Ground Control Box	
49	1001306145	1	Ground Control Box Harness (Not Shown - See Separate Breakdown in ELECTRICAL Section)	
51	0760612	2	Bolt M6 x 25	
52	3290605	2	Nut M6	
53	4811700	4	Washer M6	
54	1001219601	1	Sensor, Tilt Dual Axis CAN	
55	1001271794	1	Bracket, Tilt Sensor	

SECTION 2 - TURNTABLE

FIGURE 2-45. LIGHT PANEL INSTALLATION



ART_1001241403_E_10F2

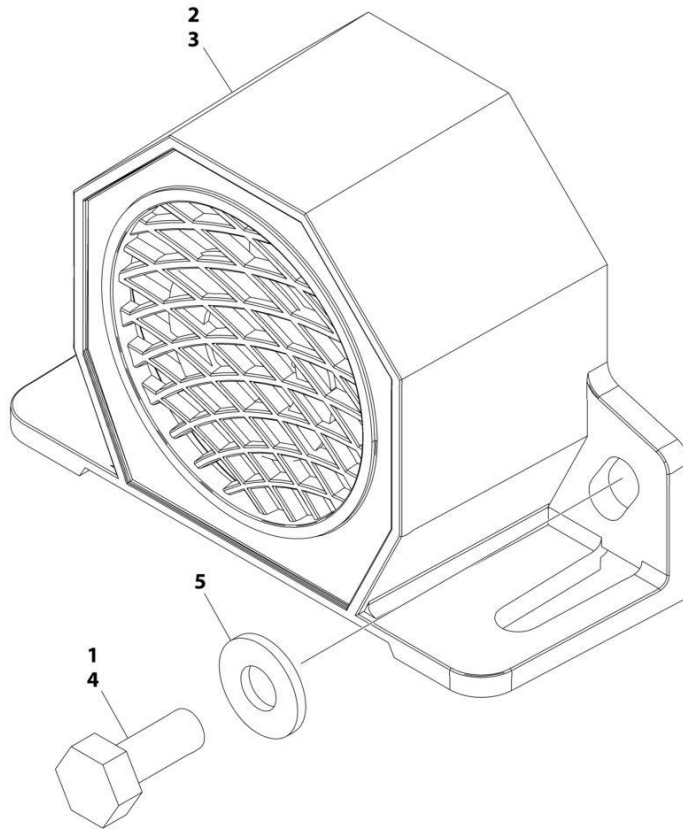
SECTION 2 - TURNTABLE

FIGURE 2-45. LIGHT PANEL INSTALLATION

ITEM	PART NUMBER	QTY	DESCRIPTION	REV
	1001241403	Ref	LIGHT PANEL INSTALLATION - GROUND CONTROL	E
2	3300408	2	Nut, Nylon Insert	
3	0630518	2	Screw #10 x 3/4	
5	1001237547	1	Light Panel Assembly	J
5A	1001281703	1	Lens Assembly (Includes Housing Shell, Decal/Lens with Icons & Gasket)	
5B	1001282106	1	Panel, LED Light	
5C		Ref	Screw	

SECTION 2 - TURNTABLE

FIGURE 2-46. ALARM INSTALLATION



ART_1001158364

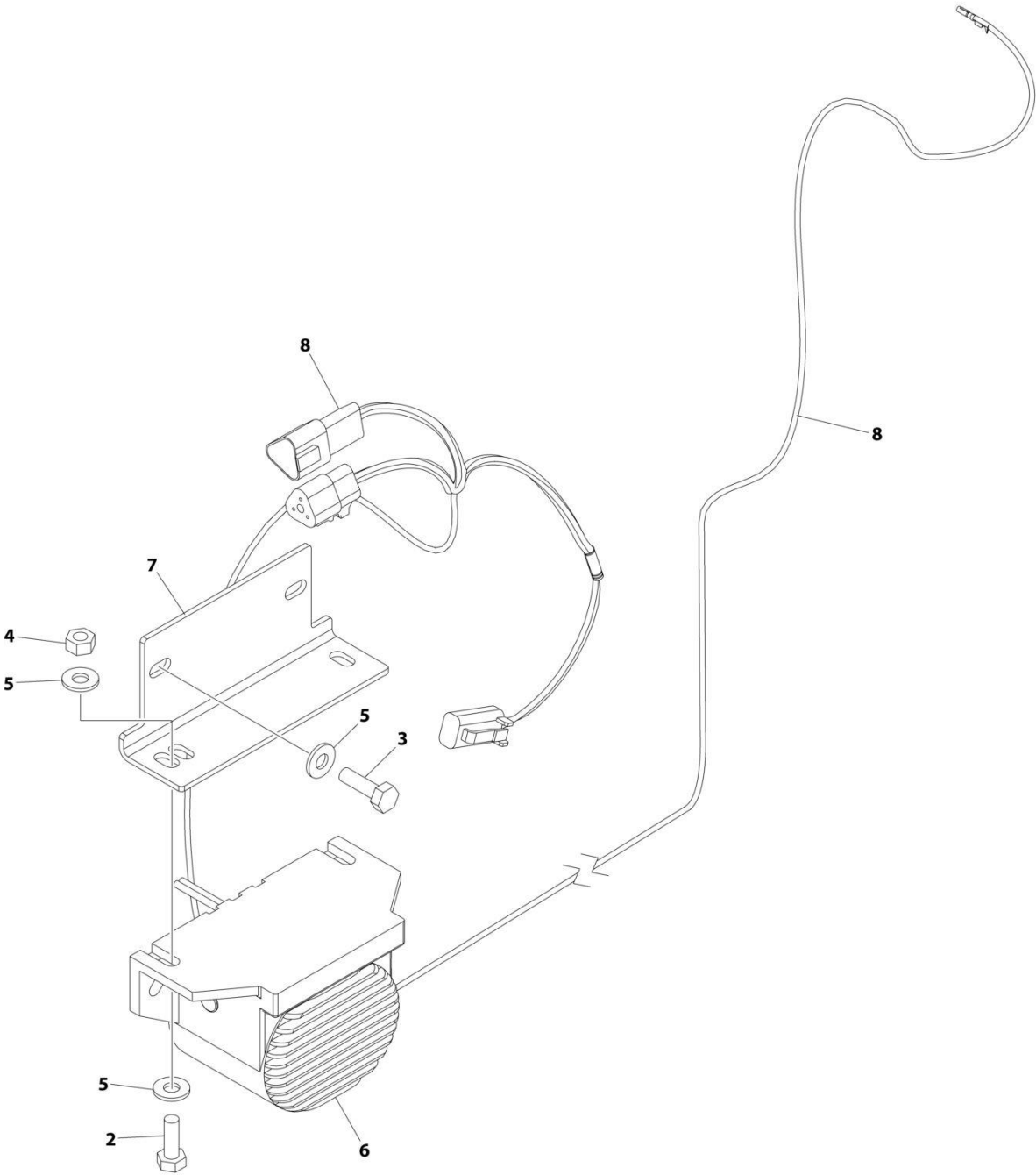
SECTION 2 - TURNTABLE

FIGURE 2-46. ALARM INSTALLATION

ITEM	PART NUMBER	QTY	DESCRIPTION	REV
	1001158364	Ref	ALARM INSTALLATION	A
1	0100011	AR	Compound, Locking	
2	0100048	AR	Grease, Dielectric	
3	0140044	1	Alarm	
4	0641405	2	Bolt 1/4 x 5/8	
5	4711400	2	Washer 1/4	

SECTION 2 - TURNTABLE

FIGURE 2-47. WHITE NOISE ALARM INSTALLATION - ADJUSTABLE AMBIENT



ART_1001241385

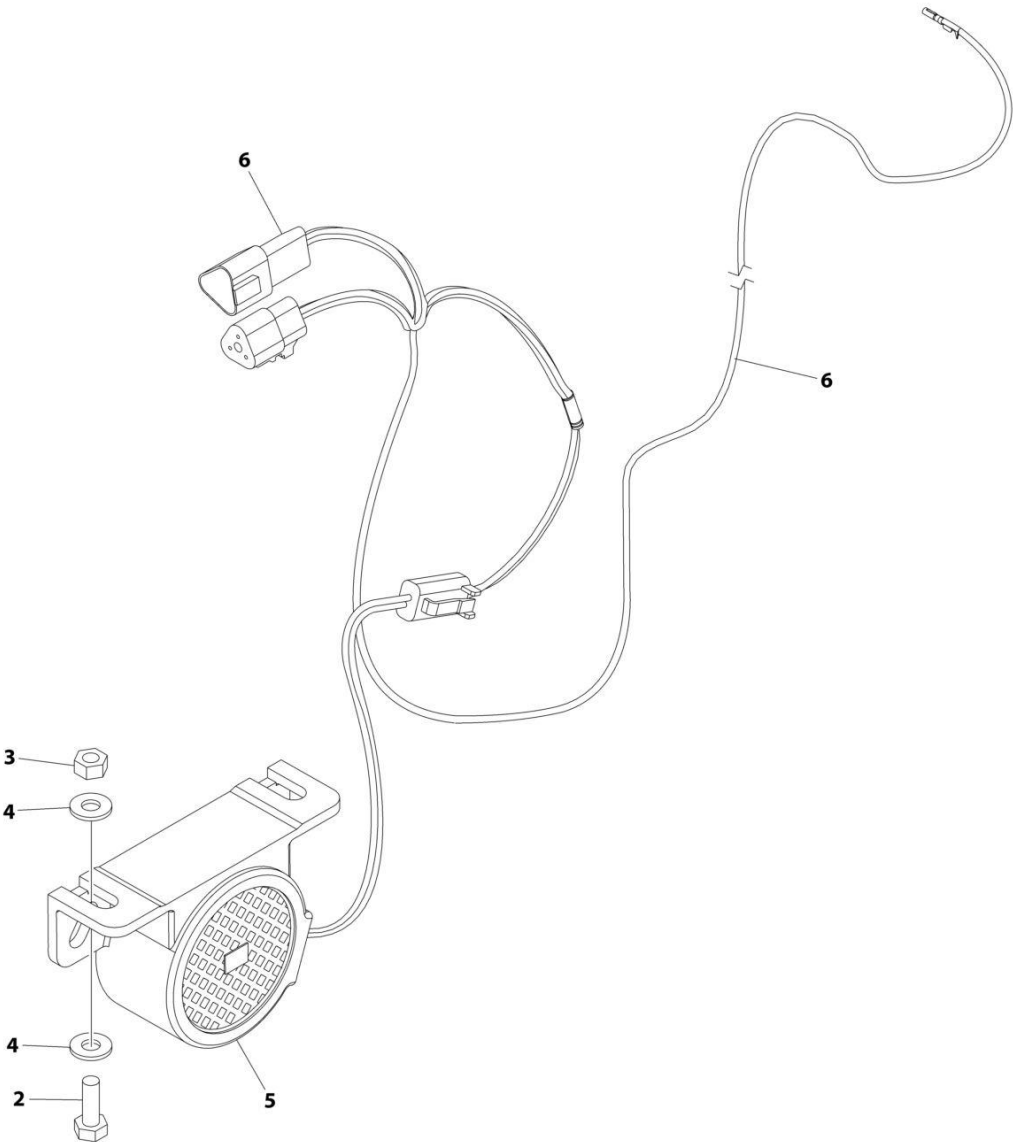
SECTION 2 - TURNTABLE

FIGURE 2-47. WHITE NOISE ALARM INSTALLATION - ADJUSTABLE AMBIENT

ITEM	PART NUMBER	QTY	DESCRIPTION	REV
	1001241385	Ref	WHITE NOISE ALARM INSTALLATION	B
1	0100048	AR	Compound, Silicone (Not Shown)	
2	0641406	2	Bolt 1/4 x 3/4	
3	0641407	2	Bolt 1/4 x 7/8	
4	3311405	2	Nut 1/4	
5	4711400	6	Washer 1/4	
6	1001182806	1	Alarm	
7	1001231886	1	Plate	
8	1001243682	1	White Noise Motion Alarm Harness (See Separate Breakdown in this Section)	

SECTION 2 - TURNTABLE

FIGURE 2-48. WHITE NOISE MOTION ALARM INSTALLATION - AMBIENT



ART_1001239347

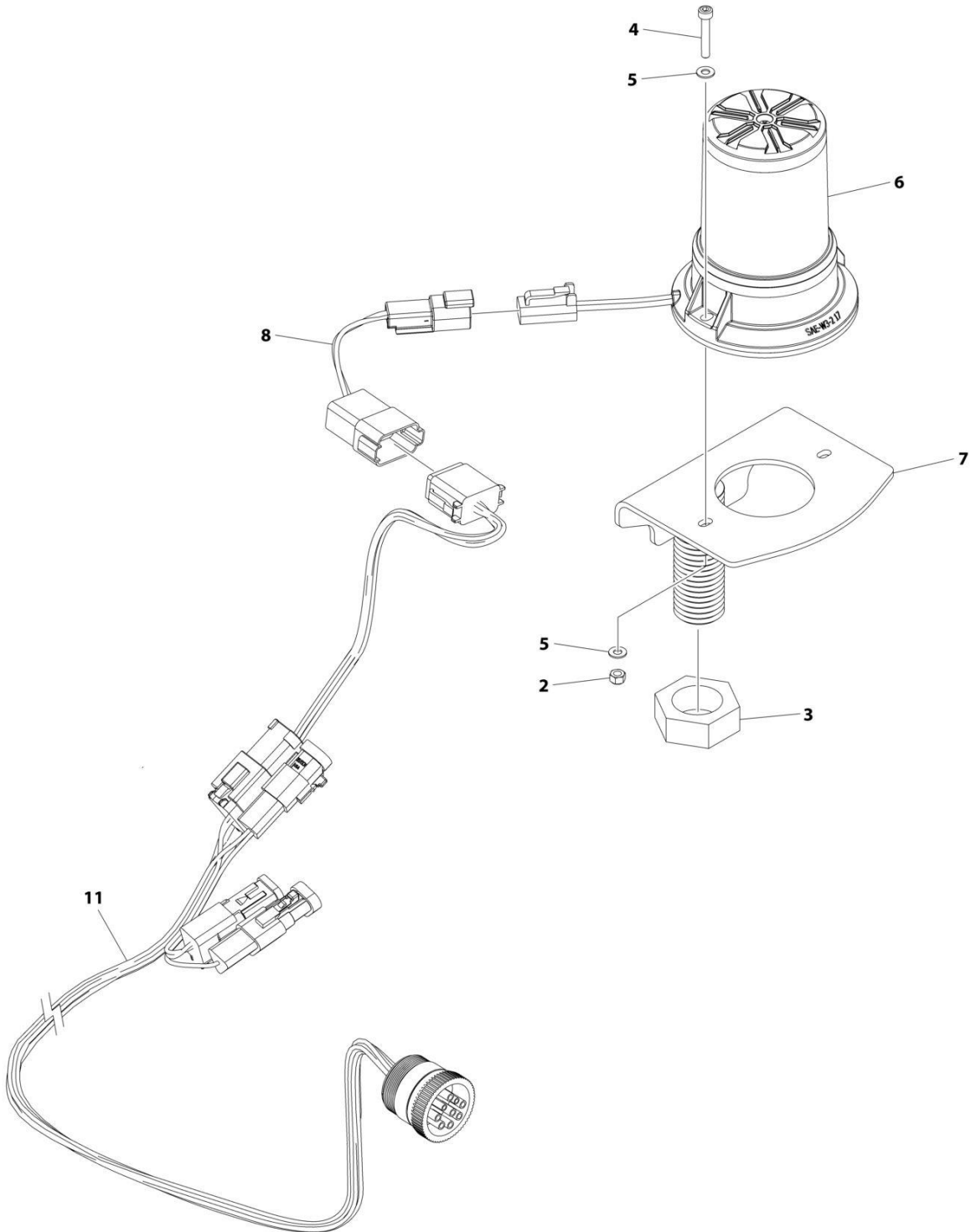
SECTION 2 - TURNTABLE

FIGURE 2-48. WHITE NOISE MOTION ALARM INSTALLATION - AMBIENT

ITEM	PART NUMBER	QTY	DESCRIPTION	REV
	1001239347	Ref	WHITE NOISE MOTION ALARM INSTALLATION	B
1	0100048	AR	Compound, Silicone (Not Shown)	
2	0641406	2	Bolt 1/4 x 3/4	
3	3311405	2	Nut 1/4	
4	4711400	4	Washer 1/4	
5	1001184682	1	Alarm	
6	1001243682	1	White Noise Motion Alarm Harness (See Separate Breakdown in this Section)	

SECTION 2 - TURNTABLE

FIGURE 2-49. STROBE LIGHT INSTALLATION (AMBER)



ART_1001160077_E

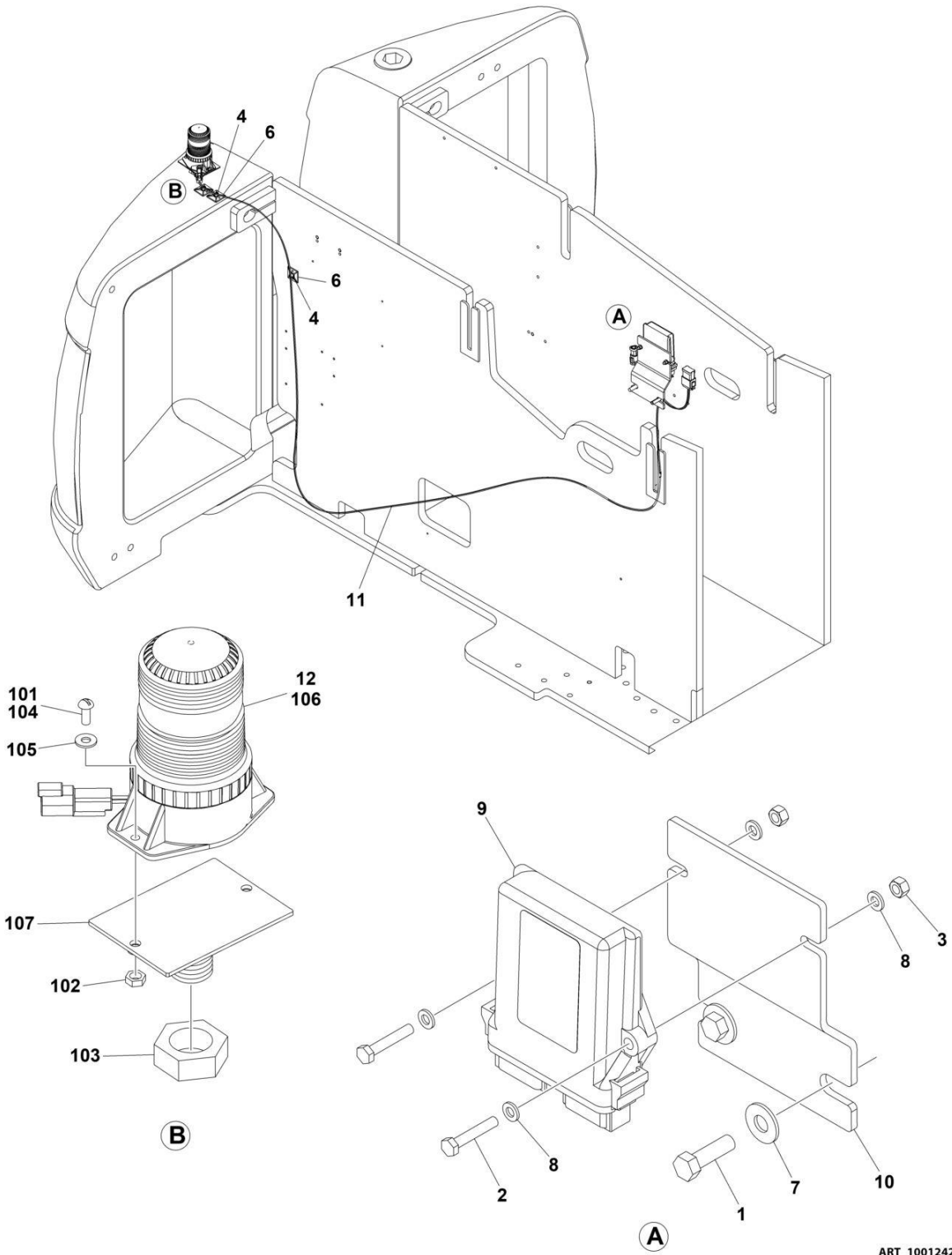
SECTION 2 - TURNTABLE

FIGURE 2-49. STROBE LIGHT INSTALLATION (AMBER)

ITEM	PART NUMBER	QTY	DESCRIPTION	REV
	1001160077	Ref	STROBE LIGHT INSTALLATION (AMBER)	E
2	3290405	2	Nut, Lock M4	
3	3312602	1	Nut	
4	4031509	2	Capscrew M4 x 25	
5	4811400	4	Washer M4	
6	1001270594	1	Strobe Light/Harness Assembly	
6	4460891	1	Connector	
6	4460465	2	Socket	
7	1001275149	2	Mount	
8	1001283776	1	Harness, Strobe Jumper (See Separate Breakdown in ELECTRICAL Section)	
9	4240017	AR	Tie-Strap (Not Shown)	
10	4460234	AR	Mount, Tie-Strap (Not Shown)	
11	1001286622	1	CSB Harness (See Separate Breakdown in ELECTRICAL Section)	

SECTION 2 - TURNTABLE

FIGURE 2-50. STROBE LIGHT INSTALLATION (BLUE)



ART_1001242255

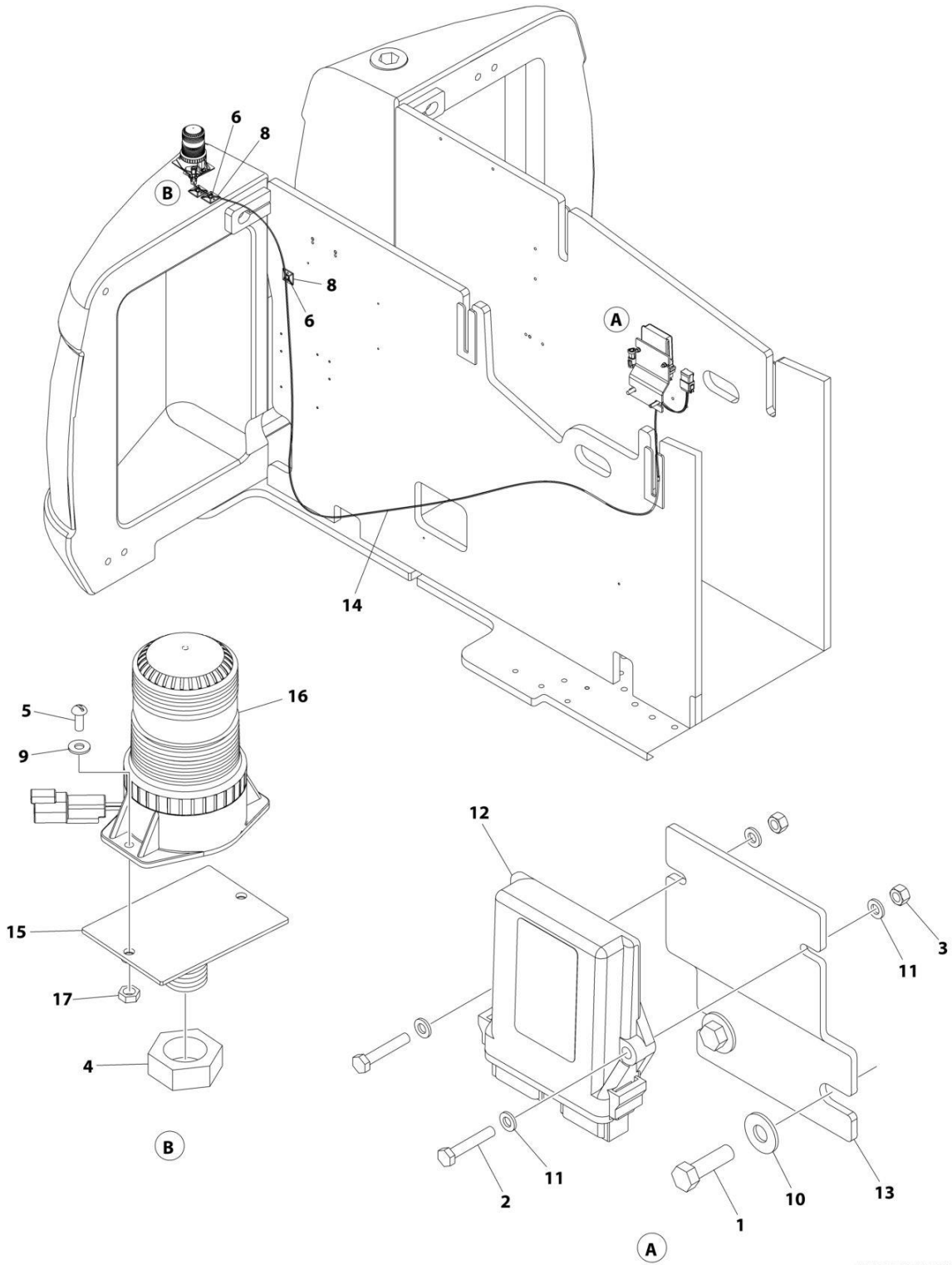
SECTION 2 - TURNTABLE

FIGURE 2-50. STROBE LIGHT INSTALLATION (BLUE)

ITEM	PART NUMBER	QTY	DESCRIPTION	REV
	1001242255	Ref	STROBE LIGHT INSTALLATION (BLUE)	B
1	0641610	2	Bolt 3/8 x 1-1/4	
2	0700615	2	Bolt 6 x 35	
3	3290607	2	Nut M6	
4	4240032	AR	Tie-Strap	
5	4240033	AR	Tie-Cable (Not Shown)	
6	4460488	AR	Base, Terminal, Mounting	
7	4751600	2	Washer 3/8	
8	4811700	4	Washer M6	
9	1001142683	1	Module, Control - Beacon	
10	1001142722	1	Bracket	
11	1001142736	1	Beacon Control Harness (See Separate Breakdown in ELECTRICAL Section)	
12	1001278845	1	Beacon Assembly - Blue (Includes Items 101 - 107)	A
101	0100035	AR	Compound, Locking	
102	3290405	2	Nut, Lock M4	
103	3312602	1	Nut	
104	4031509	2	Capscrew M4 x 25	
105	4811400	2	Washer M4	
106	1001272681	1	Light, Beacon	
106	4460891	1	Connector	
106	4460465	2	Socket	
107	1001278850	1	Mount, Strobe	

SECTION 2 - TURNTABLE

FIGURE 2-51. STROBE LIGHT INSTALLATION (RED)



ART_1001242256_B

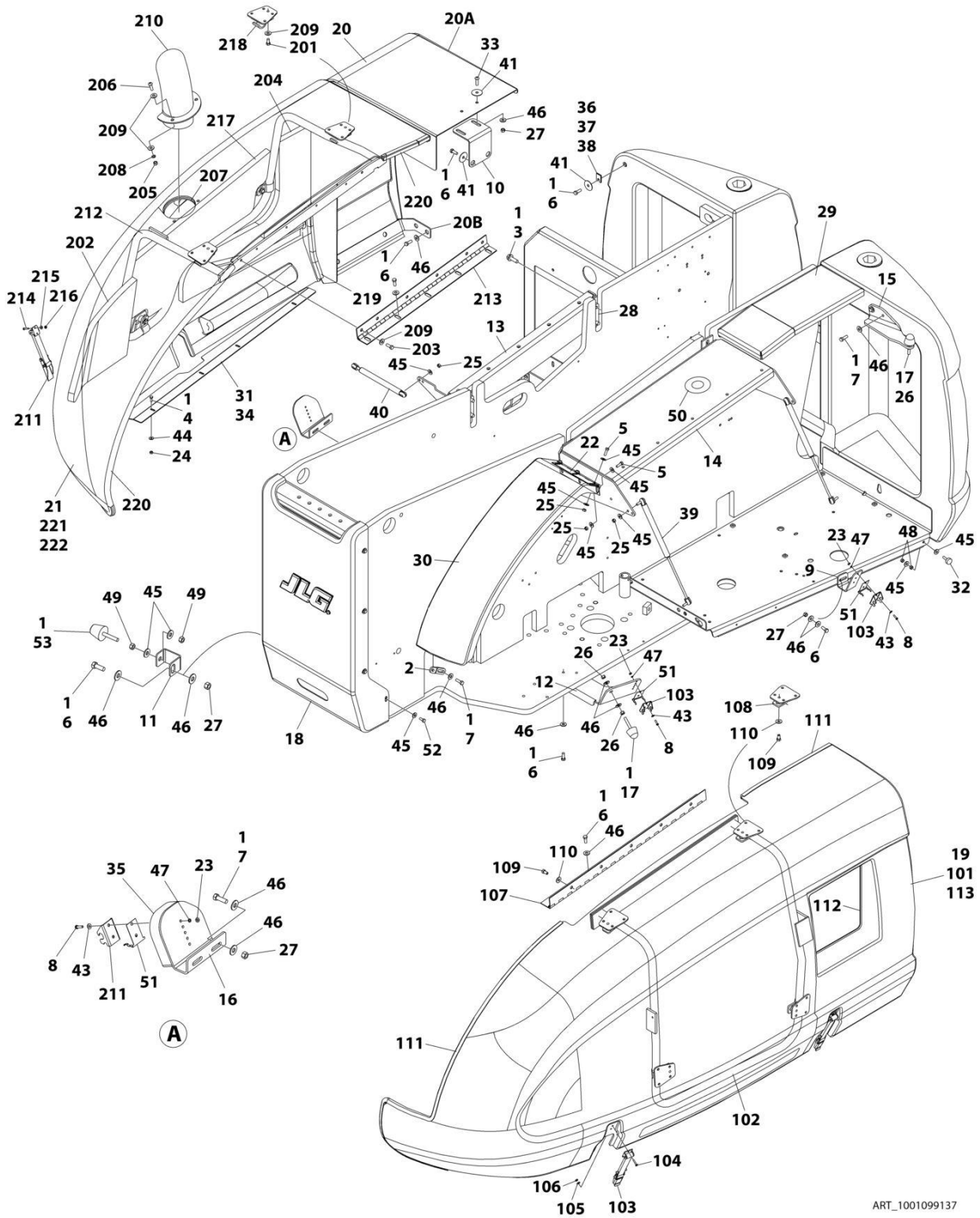
SECTION 2 - TURNTABLE

FIGURE 2-51. STROBE LIGHT INSTALLATION (RED)

ITEM	PART NUMBER	QTY	DESCRIPTION	REV
	1001242256	Ref	STROBE LIGHT INSTALLATION (RED)	B
1	0641610	2	Bolt 3/8 x 1-1/4	
2	0700615	2	Bolt 6 x 35	
3	3290607	2	Nut M6	
4	3312602	1	Nut	
5	4031509	2	Capscrew M4 x 25	
6	4240032	AR	Tie Strap	
7	4240033	AR	Tie Cable (Not Shown)	
8	4460488	AR	Base, Terminal, Mounting	
9	4811400	2	Washer M4	
10	4751600	2	Washer 3/8	
11	4811700	4	Washer M6	
12	1001142683	1	Module, Control	
13	1001142722	1	Bracket	
14	1001142736	1	Beacon Control Harness (See Separate Breakdown in ELECTRICAL Section)	
15	1001278850	1	Mount, Strobe	
16	1001272682	1	Light, Beacon	
16	4460891	1	Connector	
16	4460465	2	Socket	
17	3290405	2	Nut, Lock M4	

SECTION 2 - TURNTABLE

FIGURE 2-52. HOODS INSTALLATION - ABS (DEUTZ D2011 ENGINES)



ART_1001099137

SECTION 2 - TURNTABLE

FIGURE 2-52. HOODS INSTALLATION - ABS (DEUTZ D2011 ENGINES)

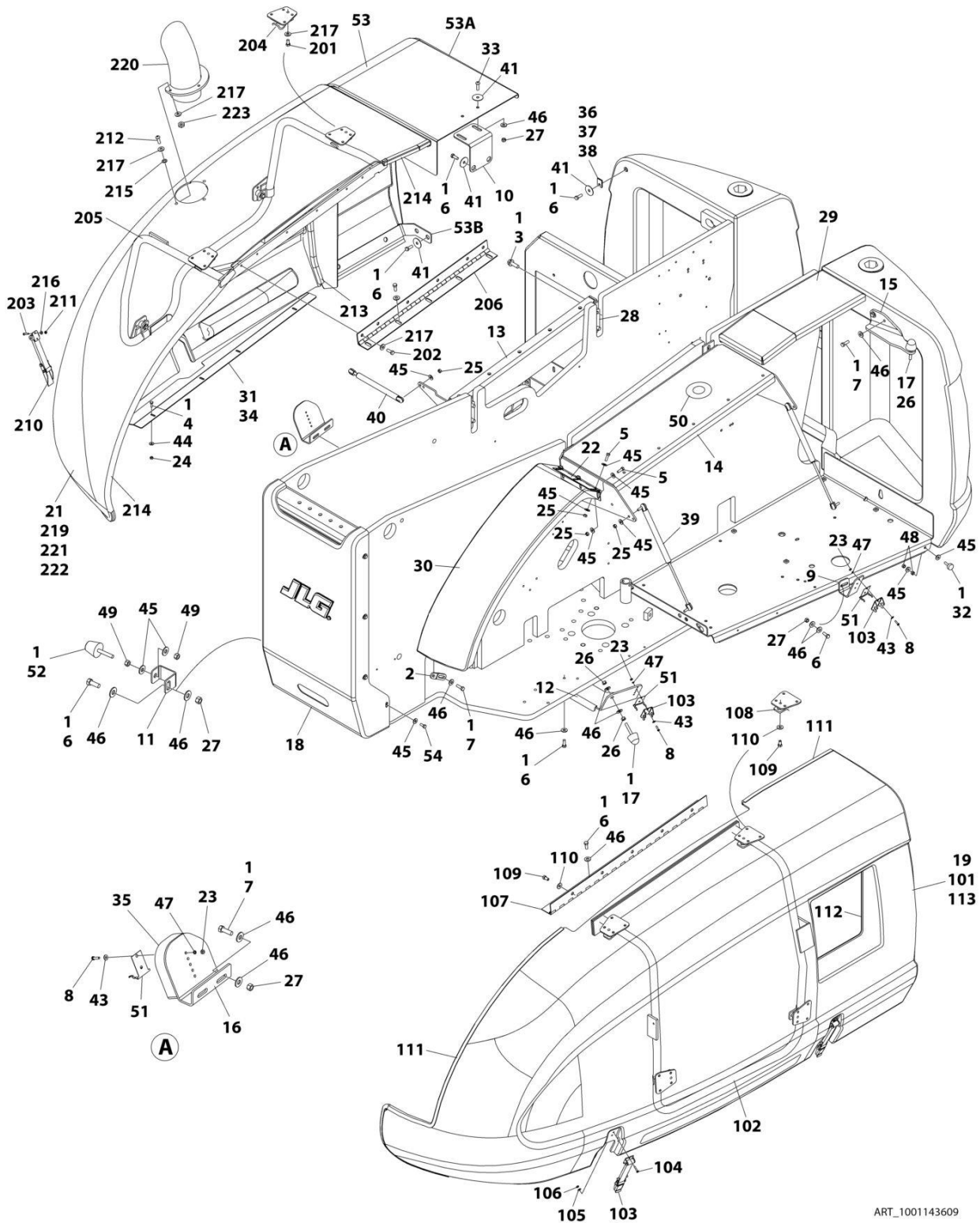
ITEM	PART NUMBER	QTY	DESCRIPTION	REV
	1001099137	Ref	HOODS INSTALLATION	G
1	0100011	AR	Compound, Locking	
2	0362770	1	Bar, Panel Mounting	
3	0811812	8	Bolt	
4	0641406	4	Bolt 1/4 x 3/4	
5	0641508	6	Bolt 5/16 x 1	
6	0641608	22	Bolt 3/8 x 1	
7	0641609	5	Bolt 3/8 x 1-1/8	
8	0721006	6	Screw #10 x 3/4	
9	0902143	1	Bracket, Latch (Tank Side)	
10	0902161	1	Bracket, Hood Spacer Mounting (Engine Side)	
11	0902219	2	Bracket, Bumper	
12	0902223	1	Bracket, Latch (Tank Side)	
13	1001207558	1	Bracket, Hood Mounting (Engine Side)	
14	0902412	1	Bracket, Hood Mounting (Tank Side)	
15	0902426	1	Bracket, Bumper - Counterweight Mounted	
16	0902491	1	Bracket, Latch (Engine Side)	
17	0940071	2	Bumper	
18	1670842	1	Cover, Turntable End	
19	1671228	1	Hood Assembly - Tank Side (See Items 101-113 for Breakdown)	
19		Ref	Note: Replacement Decals Must be Ordered Separately - See DECALS SECTION.	
20	1671233	1	Spacer Assembly	
20A	3960453	68 in /1.73m	Seal	
20B	0903308	1	Bracket	
21	1001099138	1	Hood Assembly - Engine Side (See Items 201-221 for Breakdown):	
21		Ref	Note: Replacement Decals Must be Ordered Separately - See DECAL SECTION.	
22	2600244	1	Adapter, Panel Hinge	
23	3311001	6	Nut #10	
24	3311405	4	Nut 1/4	
25	3311505	9	Nut 5/16	
26	3311601	4	Nut 3/8	
27	3311605	7	Nut 3/8	
28	1001150260	4	Plate, Hinge Block	
29	1001290021	1	Cover, Top (Tank Side)	
30	3380444	1	Panel, Adapter	
31	3571712	1	Plate, Seal	
32	0940049	1	Stopper, Hood	
33	3900232	2	Screw 3/8 x 1-1/4	
34	3960389	3.5 ft/1m	Seal	
35	3960470	1	Seal, Latch	
36	4070410	AR	Shim 1/16	
37	4070411	AR	Shim 1/8	
38	4070412	AR	Shim 3/16	
39	4160139	2	Spring, Gas (Tank Side)	
40	4160143	1	Spring, Gas (Engine Side)	
41	4740076	5	Washer, Fender	

SECTION 2 - TURNTABLE

ITEM	PART NUMBER	QTY	DESCRIPTION	REV
43	4751000	6	Washer #10	
44	4751400	4	Washer 1/4	
45	4751500	29	Washer 5/16	
46	4751600	35	Washer 3/8	
47	4761000	6	Washer #10	
48	3311501	2	Nut 5/16	
49	3321501	4	Nut 5/16	
50	1120601	1	Plug	
51	2940188	3	Latch	
52	0641506	8	Bolt, 5/16 x 3/4	
53	0940088	2	Bumper	
	1671228	Ref	HOOD ASSEMBLY (TANK SIDE)	A
101	1671231	1	Hood	
102	1671232	1	Frame, Tubular	
103	2940088	2	Latch	
104	0721008	4	Screw, #10 x 1	
105	4751000	4	Washer #10	
106	3311001	4	Nut #10	
107	2600233	1	Hinge	
108	1321384	4	Hold Down	
109	0641606	9	Bolt 3/8 x 3/4	
110	4711600	9	Washer 3/8	
111	3960464	83 in /2.11m	Seal	
112	3960438	55 in/1.4m	Seal	
113	3960462	53 in /1.35m	Seal	
	1001099138	Ref	HOOD ASSEMBLY (ENGINE SIDE)	B
201	0641606	4	Bolt 3/8 x 3/4	
202	2820233	1	Insulation, Rear Sound	
203	0641608	6	Insulation, Center Sound	
204	2820235	1	Insulation, Rear Sound	
205	3311605	2	Nut 3/8	
206	3900232	2	Screw 3/8 x 1-1/4	
207	1001101623	1	Shield, Heat Gasket	
208	4740500	2	Washer	
209	4751600	14	Washer 3/8	
210	1001099121	1	Exhaust Tube Weldment	
211	2940088	1	Latch	
212	1671230	1	Frame, Tubular	
213	2600209	1	Hinge	
214	0721008	2	Screw, #10 x 1	
215	4751000	2	Washer #10	
216	3311001	2	Nut #10	
217	2820234	AR	Insulation	
218	1321384	4	Hold Down	
219	3960462	61 in /1.55m	Seal	
220	3960464	65 in /1.67m	Seal	
221	1001101673	AR	Insulation	

SECTION 2 - TURNTABLE

FIGURE 2-53. HOODS INSTALLATION - ABS (DEUTZ TD2.9L4 ENGINES)



ART_1001143609

SECTION 2 - TURNTABLE

FIGURE 2-53. HOODS INSTALLATION - ABS (DEUTZ TD2.9L4 ENGINES)

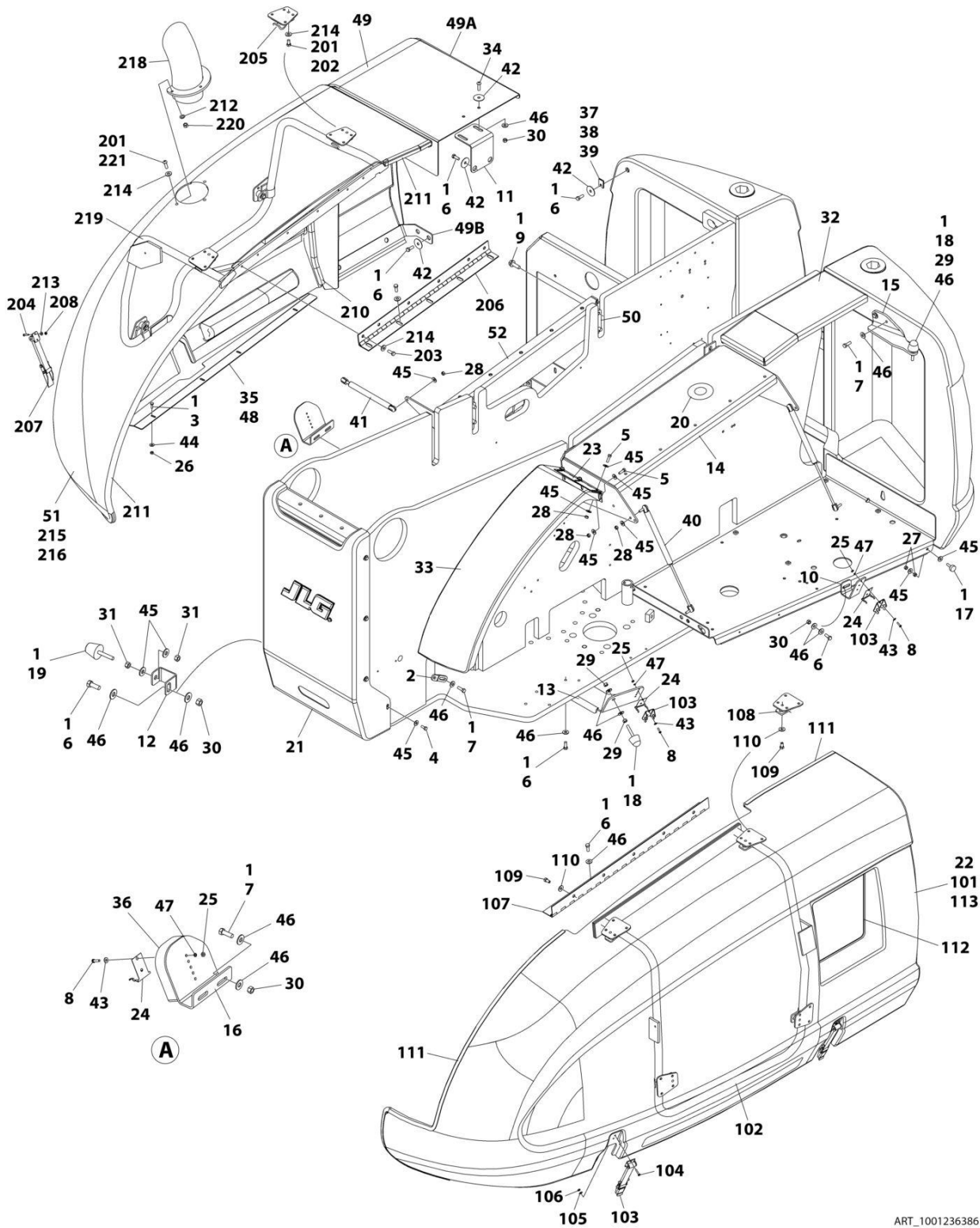
ITEM	PART NUMBER	QTY	DESCRIPTION	REV
	1001143609	Ref	HOODS INSTALLATION	G
1	0100011	AR	Compound, Locking	
2	0362770	1	Bar, Panel Mounting	
3	0811812	8	Bolt	
4	0641406	4	Bolt 1/4 x 3/4	
5	0641508	AR	Bolt 5/16 x 1	
6	0641608	22	Bolt 3/8 x 1	
7	0641609	5	Bolt 3/8 x 1-1/8	
8	0721006	6	Screw #10 x 3/4	
9	0902143	1	Bracket, Latch (Tank Side)	
10	0902161	1	Bracket, Hood Spacer Mounting (Engine Side)	
11	0902219	2	Bracket, Bumper	
12	0902223	1	Bracket, Latch (Tank Side)	
13	1001207558	1	Bracket, Hood Mounting (Engine Side)	
14	0902412	1	Bracket, Hood Mounting (Tank Side)	
15	0902426	1	Bracket, Bumper - Counterweight Mounted	
16	0902491	1	Bracket, Latch (Engine Side)	
17	0940071	2	Bumper	
18	1670842	1	Cover, Turntable End	
19	1671228	1	Hood Assembly - Tank Side (See Items 101-113 for Breakdown)	
19		Ref	Note: Replacement Decals Must be Ordered Separately - See DECALS Section.	
21	1001143607	1	Hood Assembly - Engine Side (See Items 201-223 for Breakdown)	
21		Ref	Note: Replacement Decals Must be Ordered Separately - See DECAL Section.	
22	2600244	1	Adapter, Panel Hinge	
23	3311001	6	Nut #10	
24	3311405	4	Nut 1/4	
25	3311505	9	Nut 5/16	
26	3311601	AR	Nut 3/8	
27	3311605	7	Nut 3/8	
28	1001150260	4	Plate, Hinge Block	
29	1001290021	1	Cover, Top (Tank Side)	
30	3380444	1	Panel, Adapter	
31	1001143858	1	Plate, Seal (Deutz TD2.9L4 and Deutz TD2.9L4 (Stage V Pre-Buy) Engines)	
32	0940049	1	Stopper, Hood	
33	3900232	2	Screw 3/8 x 1-1/4	
34	3960389	3.5 ft/1m	Seal	
35	3960470	1	Seal, Latch	
36	4070410	AR	Shim 1/16	
37	4070411	AR	Shim 1/8	
38	4070412	AR	Shim 3/16	
39	4160139	2	Spring, Gas (Tank Side)	
40	4160143	1	Spring, Gas (Engine Side)	
41	4740076	5	Washer, Fender	
43	4751000	6	Washer #10	
44	4751400	4	Washer 1/4	
45	4751500	AR	Washer 5/16	
46	4751600	AR	Washer 3/8	

SECTION 2 - TURNTABLE

ITEM	PART NUMBER	QTY	DESCRIPTION	REV
47	4761000	6	Washer #10	
48	3311501	2	Nut 5/16	
49	3321501	AR	Nut 5/16	
50	1120601	1	Plug	
51	2940188	3	Latch	
52	0940088	2	Stopper	
53	1001149673	1	Spacer	
54	0641506	8	Screw 5/16 x 3/4	
	1671228	Ref	HOOD ASSEMBLY (TANK SIDE)	A
101	1671231	1	Hood	
102	1671232	1	Frame, Tubular	
103	2940088	2	Latch	
104	0721008	4	Screw, Machine #10 x 1	
105	4751000	4	Washer #10	
106	3311001	4	Nut #10	
107	2600233	1	Hinge	
108	1321384	4	Hold Down	
109	0641606	9	Bolt 3/8 x 3/4	
110	4711600	9	Washer 3/8	
111	3960464	83 in /2.11m	Seal	
112	3960438	55 in/1.4m	Seal	
113	3960462	53 in /1.35m	Seal	
	1001143607	Ref	HOOD ASSEMBLY (ENGINE SIDE)	G
201	0641606	4	Bolt 3/8 x 3/4	
202	0641608	6	Bolt 3/8 x 1	
203	0721008	2	Screw #10 x 1	
204	1321384	4	Hold Down	
205	1001153435	1	Frame, Tubular	
206	2600209	1	Hinge	
210	2940088	1	Latch	
211	3311001	2	Nut #10	
212	3900316	3	Bolt 3/8 x 1	
212	88261039	3	Bolt 3/8 x 2	
213	3960462	61 in /1.55m	Seal	
214	3960464	65 in /1.67m	Seal	
215	4740500	3	Washer	
216	4751000	2	Washer #10	
217	4751600	16	Washer 3/8	
220	1001143611	1	Pipe, Exhaust	
221	1001152566	AR	Insulate, Heat	
222	1001117140	AR	Tape	
223	3311605	3	Nut 3/8	

SECTION 2 - TURNTABLE

FIGURE 2-54. HOODS INSTALLATION - ABS (DEUTZ TD2.9L4 (STAGE V) ENGINES)



ART_1001236386

SECTION 2 - TURNTABLE

FIGURE 2-54. HOODS INSTALLATION - ABS (DEUTZ TD2.9L4 (STAGE V) ENGINES)

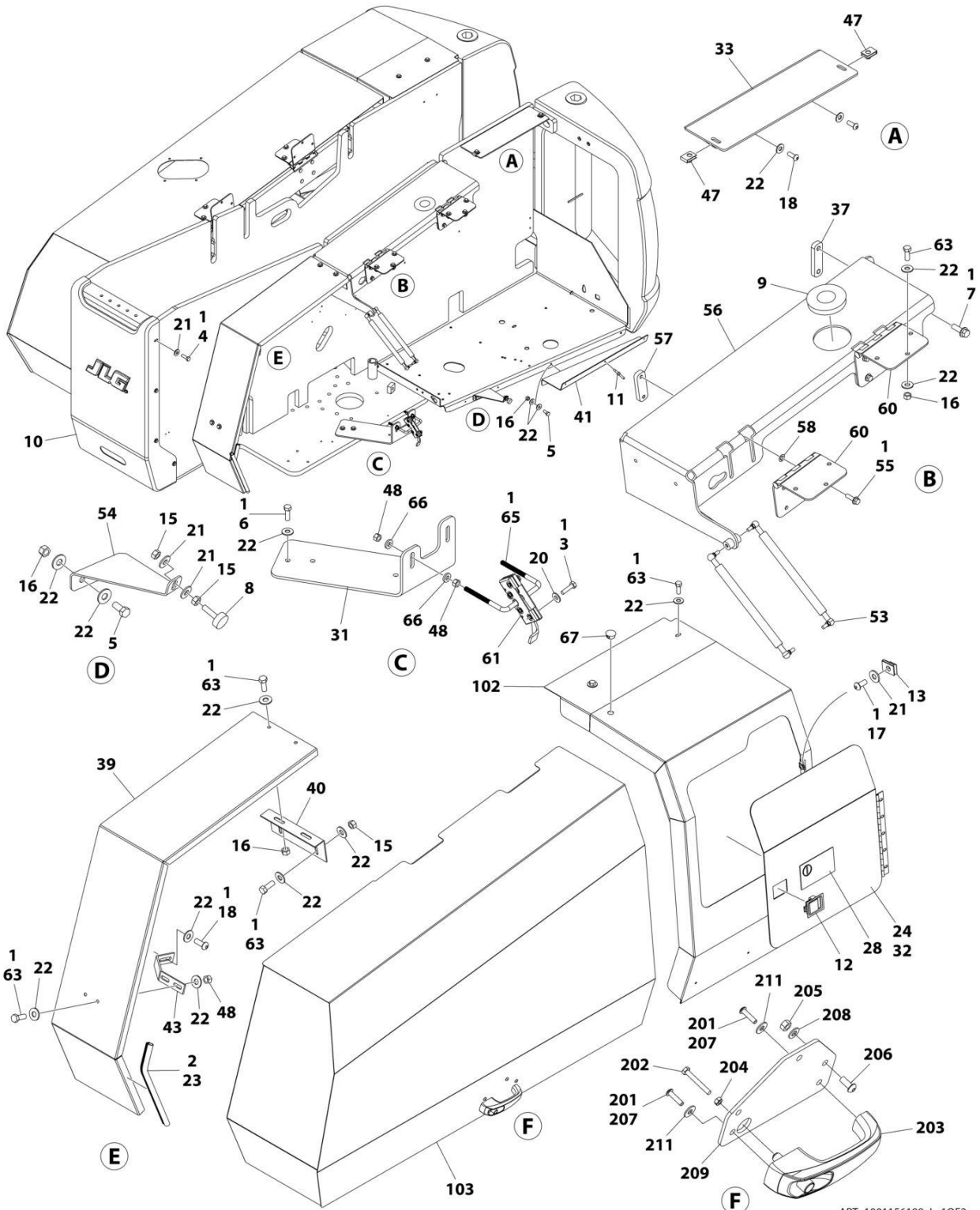
ITEM	PART NUMBER	QTY	DESCRIPTION	REV
	1001236386	Ref	HOODS INSTALLATION	D
1	0100011	AR	Compound, Locking	
2	0362770	1	Bar, Panel Mounting	
3	0641406	4	Bolt 1/4 x 3/4	
4	0641506	8	Bolt 5/16 x 3/4	
5	0641508	6	Bolt 5/16 x 1	
6	0641608	21	Bolt 3/8 x 1	
7	0641609	5	Bolt 3/8 x 1-1/8	
8	0721006	6	Screw #10 x 3/4	
9	0811812	8	Bolt	
10	0902143	1	Bracket, Latch (Tank Side)	
11	0902161	1	Bracket, Hood Spacer Mounting (Engine Side)	
12	0902219	1	Bracket, Bumper	
13	0902223	1	Bracket, Latch (Tank Side)	
14	0902412	1	Bracket, Hood Mounting (Tank Side)	
15	0902426	1	Bracket, Bumper - Counterweight Mounted	
16	0902491	1	Bracket, Latch (Engine Side)	
17	0940049	1	Stopper, Hood	
18	0940071	2	Bumper	
19	0940088	2	Stopper	
20	1120601	1	Plug	
21	1670842	1	Cover, Turntable End	
22	1671228	1	Hood Assembly - Tank Side (See Items 101-113 for Breakdown)	
22		Ref	Note: Replacement Decals Must be Ordered Separately - See DECALS SECTION.	
23	2600244	1	Adapter, Panel Hinge	
24	2940188	3	Latch	
25	3311001	6	Nut #10	
26	3311405	4	Nut 1/4	
27	3311501	2	Nut 5/16	
28	3311505	9	Nut 5/16	
29	3311601	4	Nut 3/8	
30	3311605	6	Nut 3/8	
31	3321501	4	Nut 5/16	
32	1001290021	1	Cover, Top (Tank Side)	
33	3380444	1	Panel, Adapter	
34	3900232	2	Screw 3/8 x 1-1/4	
35	3960389	3.5 ft/1m	Seal	
36	3960470	1	Seal, Latch	
37	4070410	AR	Shim 1/16	
38	4070411	AR	Shim 1/8	
39	4070412	AR	Shim 3/16	
40	4160139	2	Spring, Gas (Tank Side)	
41	4160143	1	Spring, Gas (Engine Side)	
42	4740076	7	Washer, Fender	
43	4751000	6	Washer #10	
44	4751400	4	Washer 1/4	
45	4751500	29	Washer 5/16	
46	4751600	31	Washer 3/8	
47	4761000	6	Washer #10	

SECTION 2 - TURNTABLE

ITEM	PART NUMBER	QTY	DESCRIPTION	REV
48	1001143858	1	Plate, Seal (Deutz TD2.9L4 and Deutz TD2.9L4 (Stage V Pre-Buy) Engines)	
49	1001149673	1	Spacer	
50	1001150260	4	Plate, Hinge Block	
51	1001236387	1	Hood Assembly - Engine Side (See Items 201-221 for Breakdown)	
51		Ref	Note: Replacement Decals Must be Ordered Separately - See DECAL SECTION.	
52	1001207558	1	Bracket, Hood Mounting (Engine Side)	
	1671228	Ref	HOOD ASSEMBLY (TANK SIDE)	A
101	1671231	1	Hood	
102	1671232	1	Frame, Tubular	
103	2940088	2	Latch	
104	0721008	4	Screw, Machine #10 x 1	
105	4751000	4	Washer #10	
106	3311001	4	Nut #10	
107	2600233	1	Hinge	
108	1321384	4	Hold Down	
109	0641606	9	Bolt 3/8 x 3/4	
110	4711600	9	Washer 3/8	
111	3960464	83 in /2.11m	Seal	
112	3960438	55 in/1.4m	Seal	
113	3960462	53 in /1.35m	Seal	
	1001236387	Ref	HOOD ASSEMBLY (ENGINE SIDE)	C
201	0100011	AR	Compound, Locking	
202	0641606	4	Bolt 3/8 x 3/4	
203	0641608	6	Bolt 3/8 x 1	
204	0721008	2	Screw #10 x 1	
205	1321384	4	Hold Down	
206	2600209	1	Hinge	
207	2940088	1	Latch	
208	3311001	2	Nut #10	
210	3960462	61 in /1.55m	Seal	
211	3960464	65 in/1.67m	Seal	
212	4740500	3	Washer	
213	4751000	2	Washer #10	
214	4751600	16	Washer 3/8	
215	1001117140	AR	Tape	
216	1001270099	AR	Insulate, Heat	
218	1001236389	1	Pipe, Exhaust	
219	1001236871	1	Frame, Tubular	
220	3271601	1	Nut 3/8	
221	3900232	3	Screw 3/8 x 1-1/4	

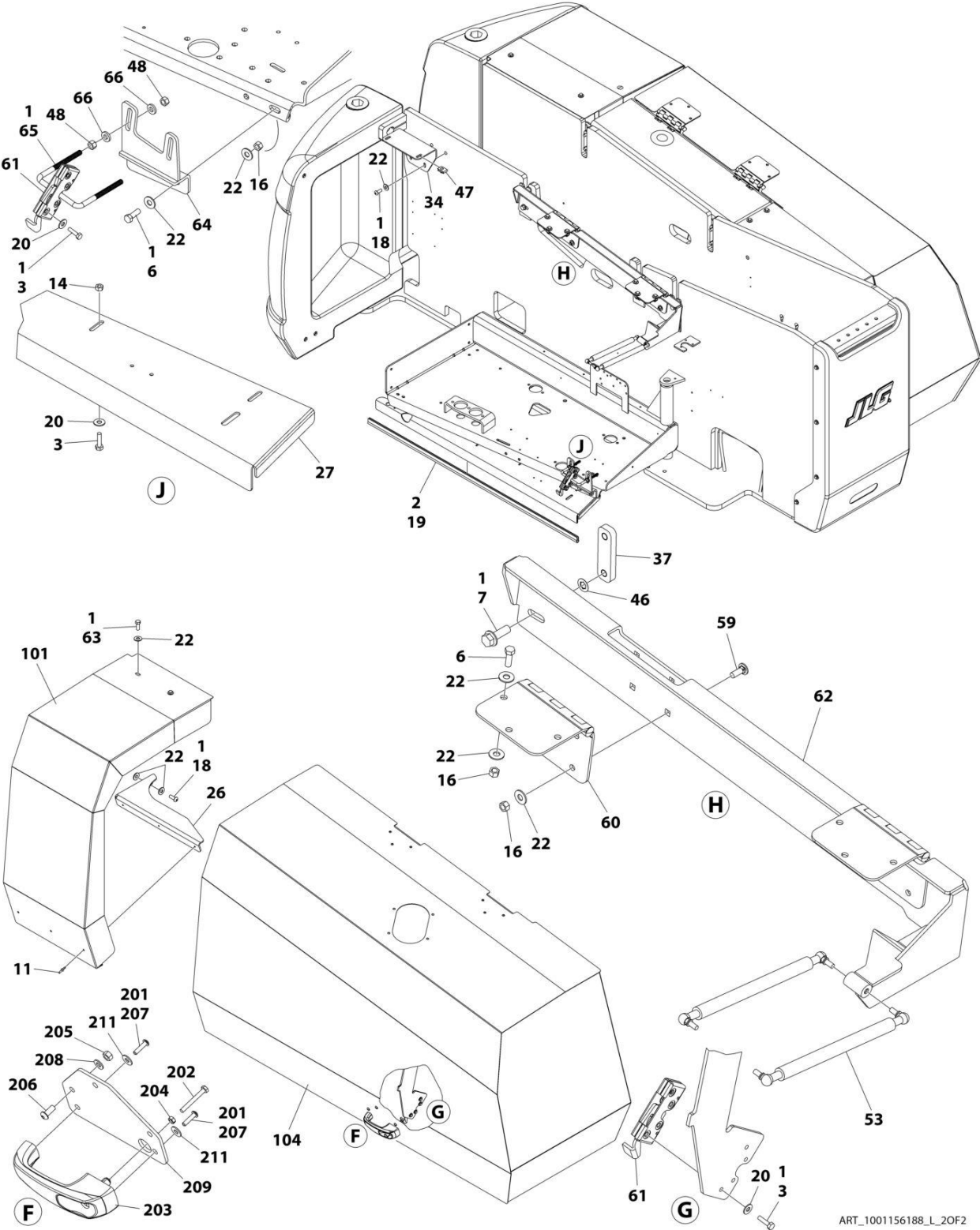
SECTION 2 - TURNTABLE

FIGURE 2-55. HOODS INSTALLATION - STEEL (DEUTZ D2011 ENGINES)



ART_1001156188_L_10F2

SECTION 2 - TURNTABLE



ART_1001156188_L_20F2

SECTION 2 - TURNTABLE

FIGURE 2-55. HOODS INSTALLATION - STEEL (DEUTZ D2011 ENGINES)

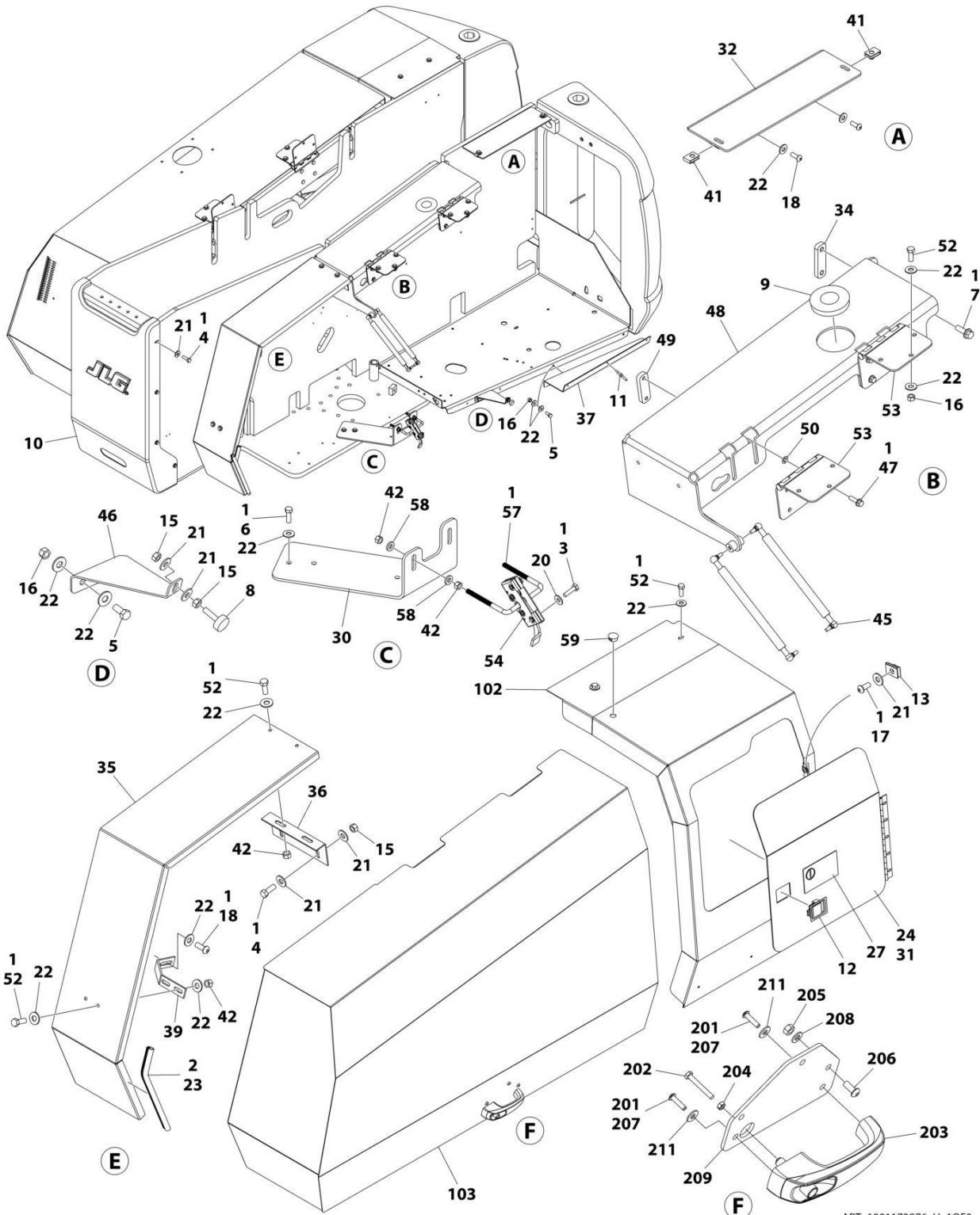
ITEM	PART NUMBER	QTY	DESCRIPTION	REV
		Ref	NOTE: REPLACEMENT DECALS MUST BE PURCHASED SEPARATELY - SEE DECALS SECTION.	
	1001156188	Ref	HOODS INSTALLATION	L
1	0100011	AR	Compound, Locking	
2	0100081	AR	Adhesive	
3	0641408	12	Bolt 1/4 x 1	
4	0641508	8	Bolt 5/16 x 1	
5	0641607	4	Bolt 3/8 x 7/8	
6	0641609	10	Bolt 3/8 x 1-1/8	
7	0811812	8	Bolt 1/2 x 2-1/4	
8	0940049	1	Stopper, Hood	
9	1120601	1	Plug	
10	1670842	1	Cover, Turntable End	
11	2080040	6	Fastener	
12	2940045	1	Latch, Paddle	
13	3300364	3	Nut, Tinnerman 5/16	
14	3311405	4	Nut 1/4	
15	3311501	2	Nut 5/16	
16	3311605	30	Nut 3/8	
17	3900210	3	Screw 5/16 x 3/4	
18	3900316	7	Screw 3/8 x 1	
19	3960389	4.2 ft /1.3m	Seal	
20	4751400	12	Washer 1/4	
21	4751500	13	Washer 5/16	
22	4751600	69	Washer 3/8	
23	1001110166	59 in/1.5m	Seal	
24	1001113047	6.5 ft/2m	Seal	
26	1001117234	1	Bracket	
27	1001117249	1	Plate	
28	1001117307	1	Decal - Emergency Stop	
31	1001250293	1	Bracket, Striker	
32	1001117598	1	Door	
33	1001158175	1	Bracket, Hood Mounting	
34	1001157867	1	Bracket, Hood Mounting	
37	1001150260	4	Plate, Hinge	
39	1001155899	1	Plate, Spacer	
40	1001157612	1	Bracket, Hood Support	
41	1001157726	1	Bracket, Hood Support	
43	1001158077	1	Bracket, Spacer Panel	
46	2080072	4	Retainer, Bolt	
47	88662523	4	Nut, Tinnerman	
48	3311601	10	Nut 3/8	
53	4160194	4	Spring, Gas	
54	1001161089	1	Bracket, Bumper	
55	0811610	8	Screw 3/8 x 1-1/4	
56	1001155895	1	Mount, Hood	
57	1001186251	4	Plate, Hinge	
58	8310070	8	Nut 3/8	
59	0630485	8	Bolt 3/8 x 1	

SECTION 2 - TURNTABLE

ITEM	PART NUMBER	QTY	DESCRIPTION	REV
60	1001186254	4	Hinge	
61	2940173	2	Latch, Rotary	
62	1001196768	1	Mount, Hood	
63	0641608	16	Screw 3/8 x 1	
64	1001250292	1	Bracket	
65	1001243414	2	Bolt 3/8	
66	4891600	8	Washer 3/8	
67	3520030	1	Plug	
100	1001290382	1	Kit, Hood (Includes Items 101-104)	
101	1001117219	1	Hood, Fixed Engine Side	
102	1001289874	1	Hood, Fixed Tank Side	
103	1001157209	1	Hood Assembly - Tank Side (Includes Items 201-211)	
104	1001157208	1	Hood Assembly - Engine Side (Includes Items 201-211) (Note: Heat Shield must be transferred from original hood or replaced before putting machine back in service)	
	1001157208	Ref	HOOD ASSEMBLY - ENGINE SIDE	D
201	0100011	AR	Compound, Locking	
202	0700618	1	Bolt M6 x 50	
203	2560187	1	Handle, Push Button	
204	3290601	1	Nut M6	
205	3311505	3	Nut 5/16	
206	3900210	3	Screw 5/16 x 3/4	
207	3900363	2	Screw M6 x 25	
208	4711500	3	Washer 5/16	
209	1001116290	1	Plate, Latch Mounting	
211	4751400	2	Washer 1/4	

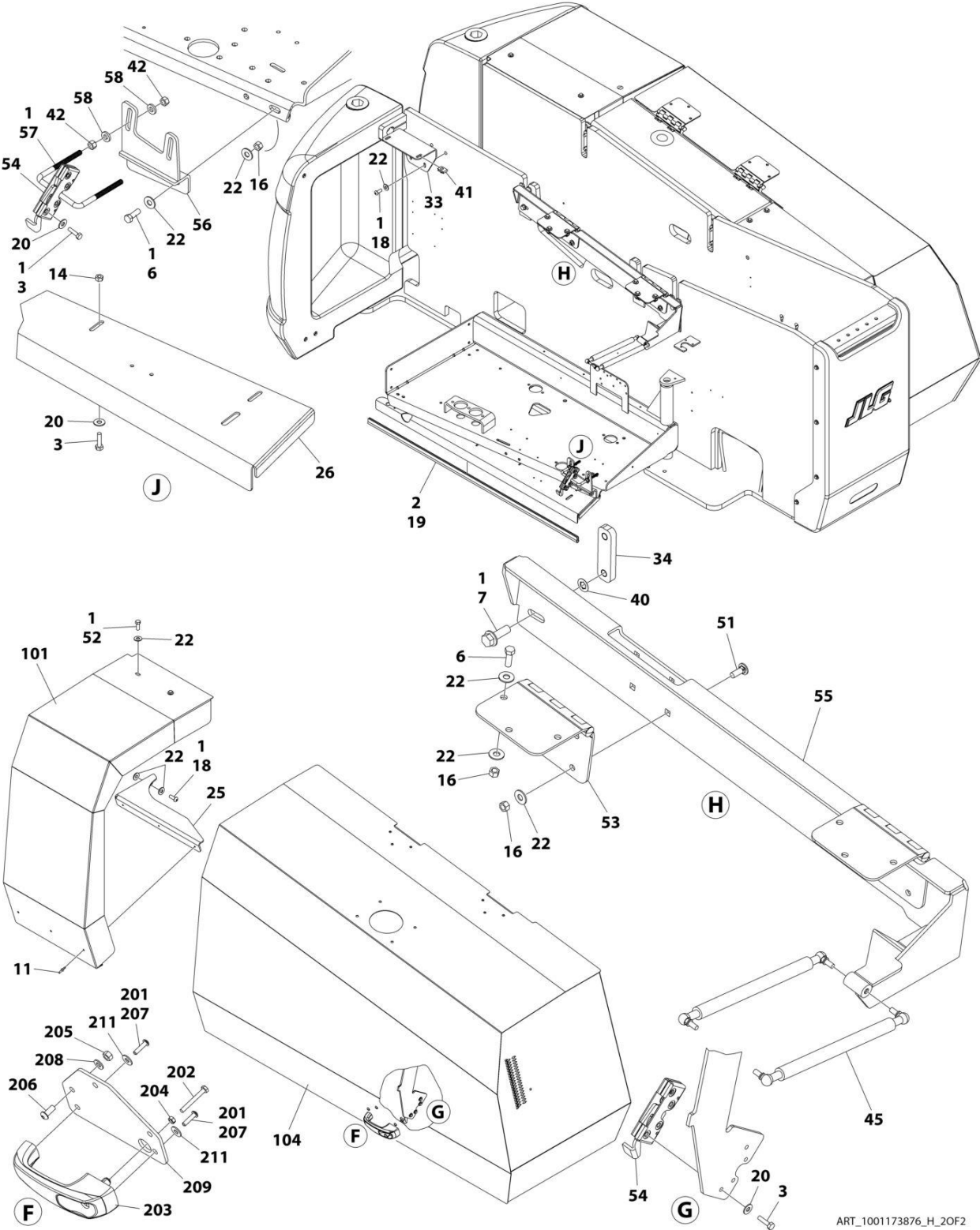
SECTION 2 - TURNTABLE

FIGURE 2-56. HOODS INSTALLATION - STEEL (DEUTZ TD2.9L4 ENGINES)



ART_1001173876_H_10F2

SECTION 2 - TURNTABLE



ART_1001173876_H_20F2

SECTION 2 - TURNTABLE

FIGURE 2-56. HOODS INSTALLATION - STEEL (DEUTZ TD2.9L4 ENGINES)

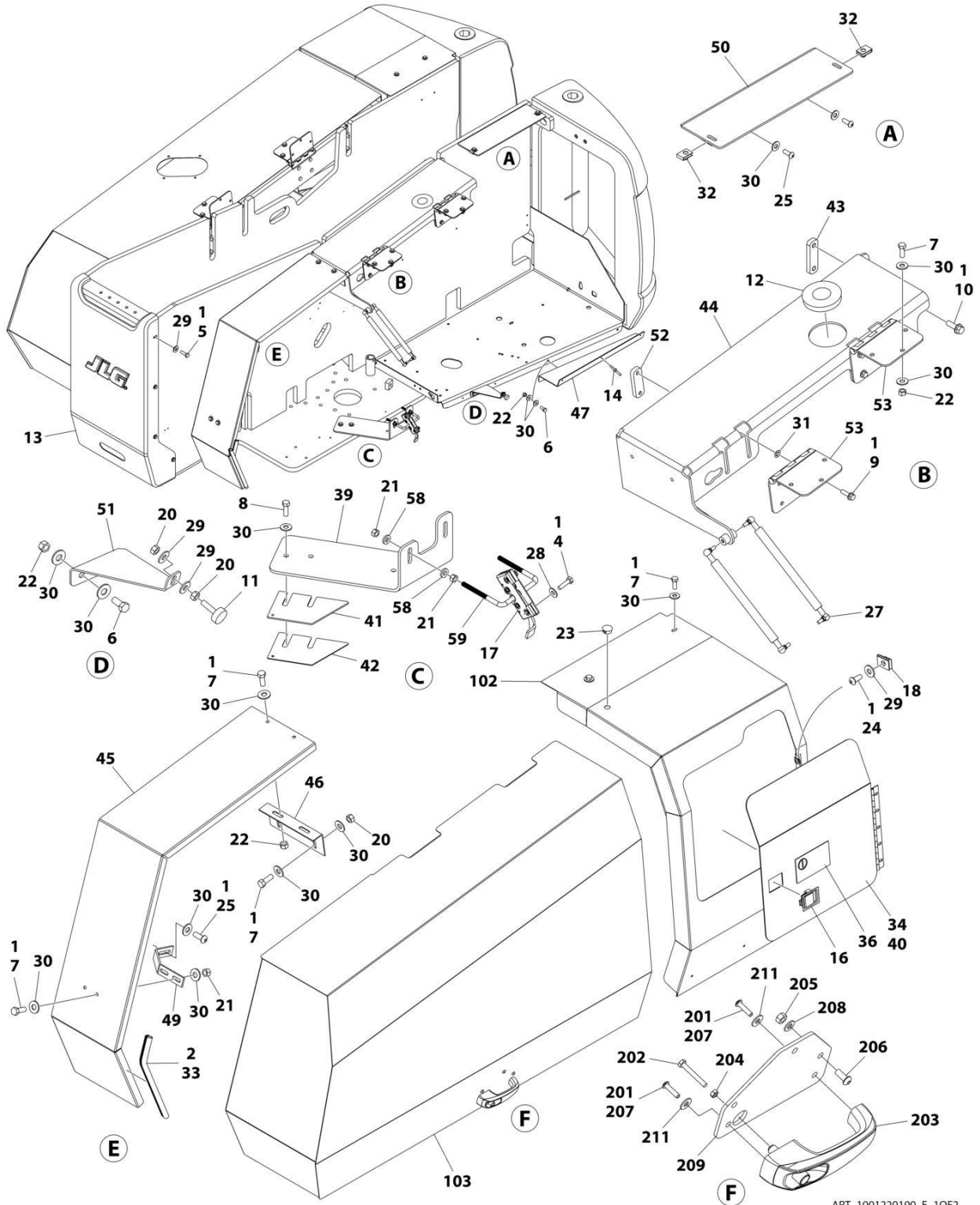
ITEM	PART NUMBER	QTY	DESCRIPTION	REV
		Ref	NOTE: REPLACEMENT DECALS MUST BE PURCHASED SEPARATELY - SEE DECALS SECTION.	
	1001173876	Ref	HOODS INSTALLATION (DEUTZ TD2.9L4 ENGINES MACHINES)	I
1	0100011	AR	Compound, Locking	
2	0100081	AR	Adhesive	
3	0641408	12	Bolt 1/4 x 1	
4	0641508	10	Bolt 5/16 x 1	
5	0641607	2	Bolt 3/8 x 7/8	
6	0641609	10	Bolt 3/8 x 1-1/8	
7	0811812	8	Bolt 1/2 x 2-1/4	
8	0940049	1	Stopper, Hood	
9	1120601	1	Plug	
10	1670842	1	Cover, Turntable End	
11	2080040	6	Fastener	
12	2940045	1	Latch, Paddle	
13	3300364	3	Nut, Tinnerman 5/16	
14	3311405	4	Nut 1/4	
15	3311501	4	Nut 5/16	
16	3311605	24	Nut 3/8	
17	3900210	3	Screw 5/16 x 3/4	
18	3900316	7	Screw 3/8 x 1	
19	3960389	4.2 ft /1.3m	Seal	
20	4751400	12	Washer 1/4	
21	4751500	15	Washer 5/16	
22	4751600	57	Washer 3/8	
23	1001110166	59 in/1.5m	Seal	
24	1001113047	6.5 ft/2m	Seal	
25	1001117234	1	Bracket	
26	1001117249	1	Plate	
27	1001117307	1	Decal - Emergency Stop	
30	1001250293	1	Bracket, Striker	
31	1001117598	1	Door	
32	1001158175	1	Bracket, Hood Mounting	
33	1001157867	1	Bracket, Hood Mounting	
34	1001150260	4	Plate, Hinge	
35	1001155899	1	Plate, Spacer	
36	1001157612	1	Bracket, Hood Support	
37	1001157726	1	Bracket, Hood Support	
39	1001158077	1	Bracket, Spacer Panel	
40	2080072	4	Retainer, Bolt	
41	88662523	4	Nut, Tinnerman	
42	3311601	12	Nut 3/8	
45	4160194	4	Spring, Gas	
46	1001161089	1	Bracket, Bumper	
47	0811610	8	Screw 3/8 x 1-1/4	
48	1001155895	1	Mount, Hood	
49	1001186251	4	Plate, Hinge	
50	8310070	8	Nut 3/8	
51	0630485	8	Bolt 3/8 x 1	

SECTION 2 - TURNTABLE

ITEM	PART NUMBER	QTY	DESCRIPTION	REV
52	0641608	14	Bolt 3/8 x 1	
53	1001186254	4	Hinge	
54	2940173	2	Latch, Rotary	
55	1001196768	1	Mount, Hood	
56	1001250292	1	Bracket	
57	1001243414	2	Bolt 3/8	
58	4891600	8	Washer 3/8	
59	3520030	1	Plug	
100	1001290383	1	Kit, Hood (Includes Items 101-104)	
101	1001117219	1	Hood, Fixed Engine Side	
102	1001289874	1	Hood, Fixed Tank Side	
103	1001157209	1	Hood Assembly - Tank Side (Includes Items 201-211)	
104	1001162915	1	Hood Assembly - Engine Side (Includes Items 201-211) (Note: Heat Shield must be transferred from original hood or replaced before putting machine back in service)	
	1001162915	Ref	HOOD ASSEMBLY - ENGINE SIDE	C
201	0100011	AR	Compound, Locking	
202	0700618	1	Bolt M6 x 50	
203	2560187	1	Handle, Push Button	
204	3290601	1	Nut M6	
205	3311505	3	Nut 5/16	
206	3900210	3	Screw 5/16 x 3/4	
207	3900363	2	Screw M6 x 25	
208	4711500	3	Washer 5/16	
209	1001116290	1	Plate, Latch Mounting	
211	4751400	2	Washer 1/4	

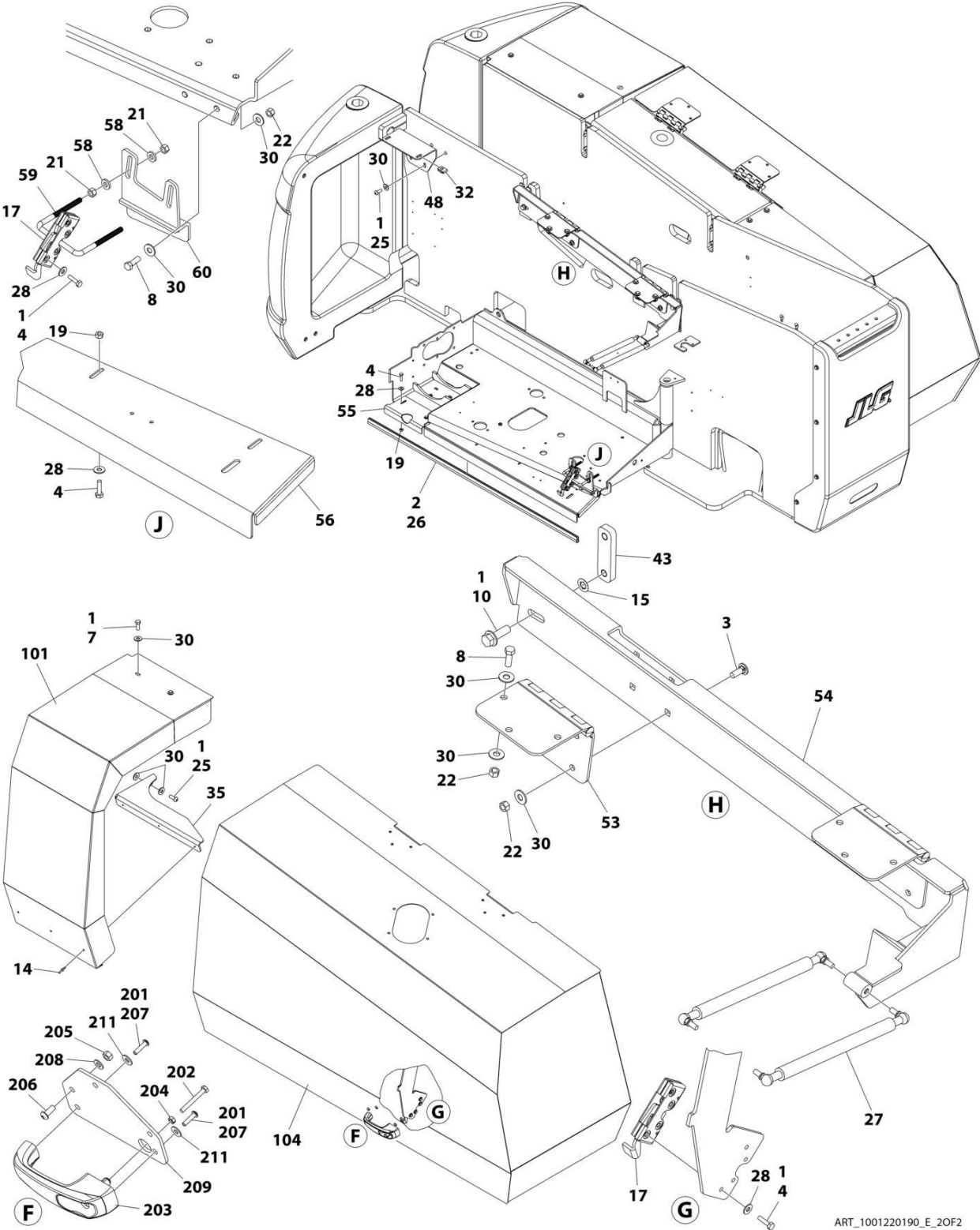
SECTION 2 - TURNTABLE

FIGURE 2-57. HOODS INSTALLATION - STEEL (FORD ENGINES)



ART_1001220190_E_10F2

SECTION 2 - TURNTABLE



ART_1001220190_E_20F2

SECTION 2 - TURNTABLE

FIGURE 2-57. HOODS INSTALLATION - STEEL (FORD ENGINES)

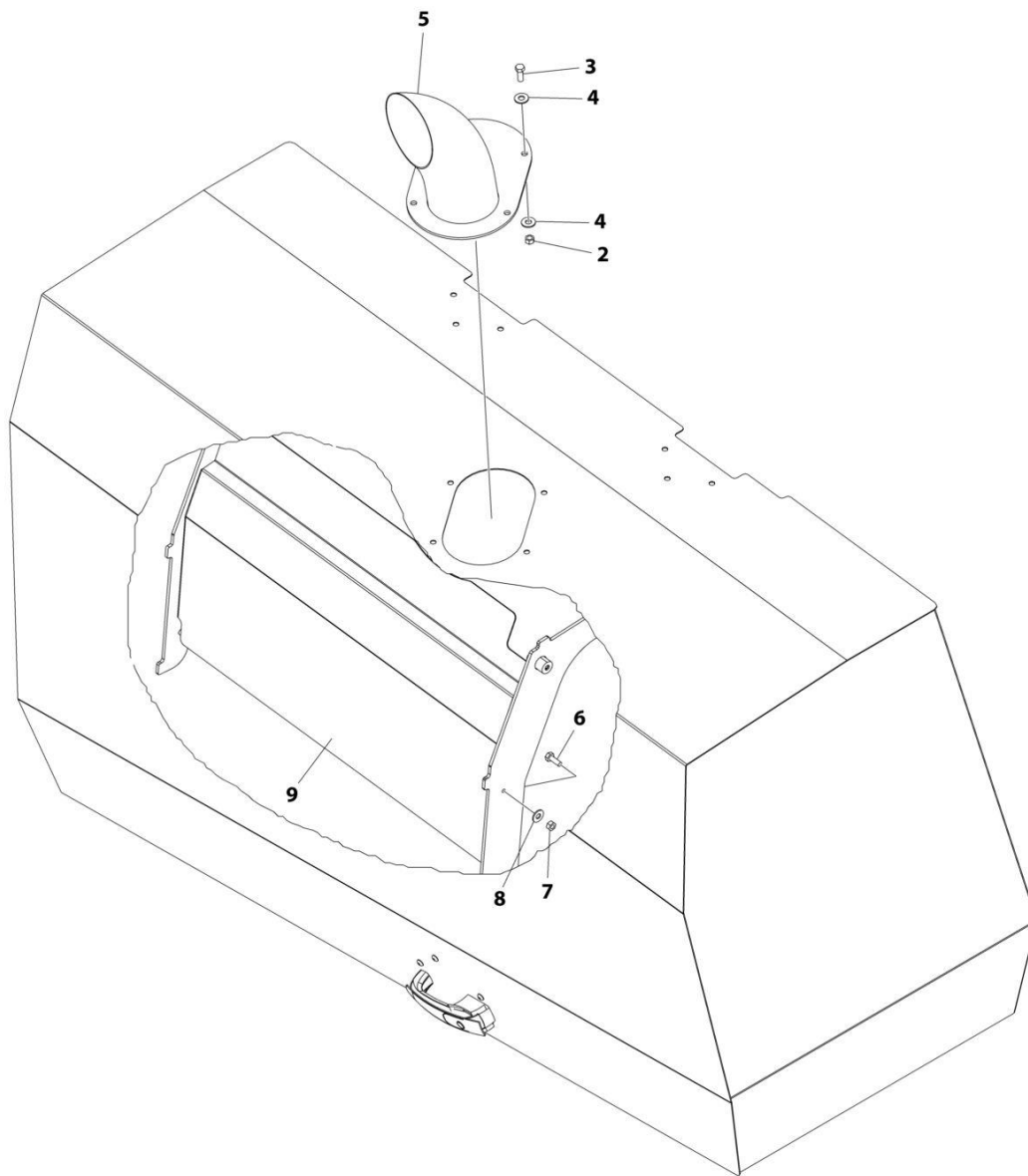
ITEM	PART NUMBER	QTY	DESCRIPTION	REV
		Ref	NOTE: REPLACEMENT DECALS MUST BE PURCHASED SEPARATELY - SEE DECALS SECTION.	
	1001220190	Ref	HOODS INSTALLATION (FORD ENGINES MACHINES)	E
1	0100011	AR	Compound, Locking	
2	0100081	AR	Adhesive	
3	0630485	8	Bolt 3/8 x 1	
4	0641408	13	Bolt 1/4 x 1	
5	0641508	8	Bolt 5/16 x 1	
6	0641607	4	Bolt 3/8 x 7/8	
7	0641608	16	Bolt 3/8 x 1	
8	0641609	12	Bolt 3/8 x 1-1/8	
9	0811610	8	Screw 3/8 x 1-1/4	
10	0811812	8	Bolt 1/2 x 2-1/4	
11	0940049	1	Stopper, Hood	
12	1120601	1	Plug	
13	1670842	1	Cover, Turntable End	
14	2080040	6	Fastener	
15	2080072	4	Retainer, Bolt	
16	2940045	1	Latch, Paddle	
17	2940173	2	Latch, Rotary	
18	3300364	3	Nut, Tinnerman 5/16	
19	3311405	5	Nut 1/4	
20	3311501	2	Nut 5/16	
21	3311601	10	Nut 3/8	
22	3311605	30	Nut 3/8	
23	3520030	1	Plug	
24	3900210	3	Screw 5/16 x 3/4i	
25	3900316	7	Screw 3/8 x 1	
26	3960389	4.2 ft /1.3m	Seal	
27	4160194	4	Spring, Gas	
28	4751400	13	Washer 1/4	
29	4751500	13	Washer 5/16	
30	4751600	69	Washer 3/8	
31	8310070	8	Nut 3/8	
32	88662523	4	Nut, Tinnerman	
33	1001110166	59 in/1.5m	Seal	
34	1001113047	6.5 ft/2m	Seal	
35	1001117234	1	Bracket	
36	1001117307	1	Decal - Emergency Stop	
39	1001250293	1	Bracket, Striker	
40	1001117598	1	Door	
41	1001121122	AR	Shim 3	
42	1001121123	AR	Shim 1.5	
43	1001150260	4	Plate, Hinge	
44	1001155895	1	Mount, Hood	
45	1001155899	1	Plate, Spacer	
46	1001157612	1	Bracket, Hood Support	
47	1001157726	1	Bracket, Hood Support	
48	1001157867	1	Bracket, Hood Mounting	

SECTION 2 - TURNTABLE

ITEM	PART NUMBER	QTY	DESCRIPTION	REV
49	1001158077	1	Bracket, Spacer Panel	
50	1001158175	1	Bracket, Hood Mounting	
51	1001161089	1	Bracket, Bumper	
52	1001186251	4	Plate, Hinge	
53	1001186254	4	Hinge	
54	1001196768	1	Mount, Hood	
55	1001220002	1	Plate	
56	1001220067	1	Plate	
58	4891600	4	Washer 3/8	
59	1001243414	2	Bolt 3/8	
60	1001250292	1	Bracket	
100	1001290382	1	Kit, Hood (Includes Items 101-104)	
101	1001117219	1	Hood, Fixed Engine Side	
102	1001289874	1	Hood, Fixed Tank Side	
103	1001157209	1	Hood Assembly - Tank Side (Includes Items 201-211)	
104	1001157208	1	Hood Assembly - Engine Side (Includes Items 201-211) (Note: Heat Shield item 309 must be transferred from original hood or replaced before putting machine back in service)	
	1001157208	Ref	HOOD ASSEMBLY- ENGINE SIDE	D
201	0100011	AR	Compound, Locking	
202	0700618	1	Bolt M6 x 50	
203	2560187	1	Handle, Push Button	
204	3290601	1	Nut M6	
205	3311505	3	Nut 5/16	
206	3900210	3	Screw 5/16 x 3/4	
207	3900363	2	Screw M6 x 25	
208	4711500	3	Washer 5/16	
209	1001116290	1	Plate, Latch Mounting	
211	4751400	2	Washer 1/4	

SECTION 2 - TURNTABLE

FIGURE 2-58. EXHAUST COVER AND HEAT SHIELDS INSTALLATION - STEEL HOODS (DEUTZ D2011 ENGINES)



ART_1001158167

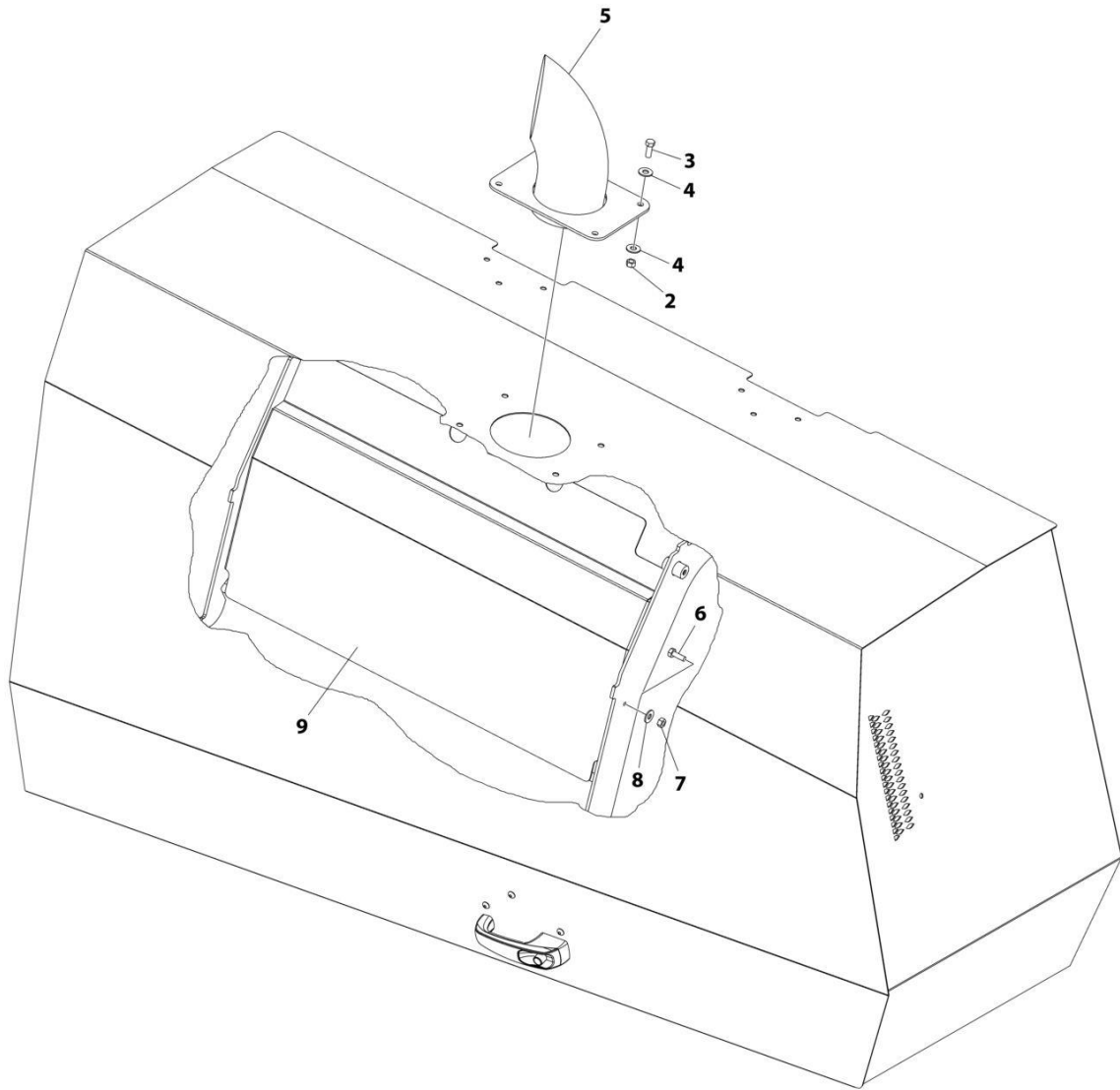
SECTION 2 - TURNTABLE

FIGURE 2-58. EXHAUST COVER AND HEAT SHIELDS INSTALLATION - STEEL HOODS (DEUTZ D2011 ENGINES)

ITEM	PART NUMBER	QTY	DESCRIPTION	REV
	1001158167	Ref	HOODS INSTALLATION	E
2	3311605	4	Nut 3/8	
3	0641608	4	Bolt 3/8 x 1	
4	4751600	8	Washer 3/8	
5	1001116456	1	Pipe, Exhaust	
6	0641406	3	Bolt 1/4 x 3/4	
7	3311405	3	Nut 1/4	
8	4751400	3	Washer 1/4	
9	1001150561	1	Shield, Heat	

SECTION 2 - TURNTABLE

FIGURE 2-59. EXHAUST COVER AND HEAT SHIELDS INSTALLATION - STEEL HOODS (DEUTZ TD2.9L4 ENGINES)



ART_1001173878

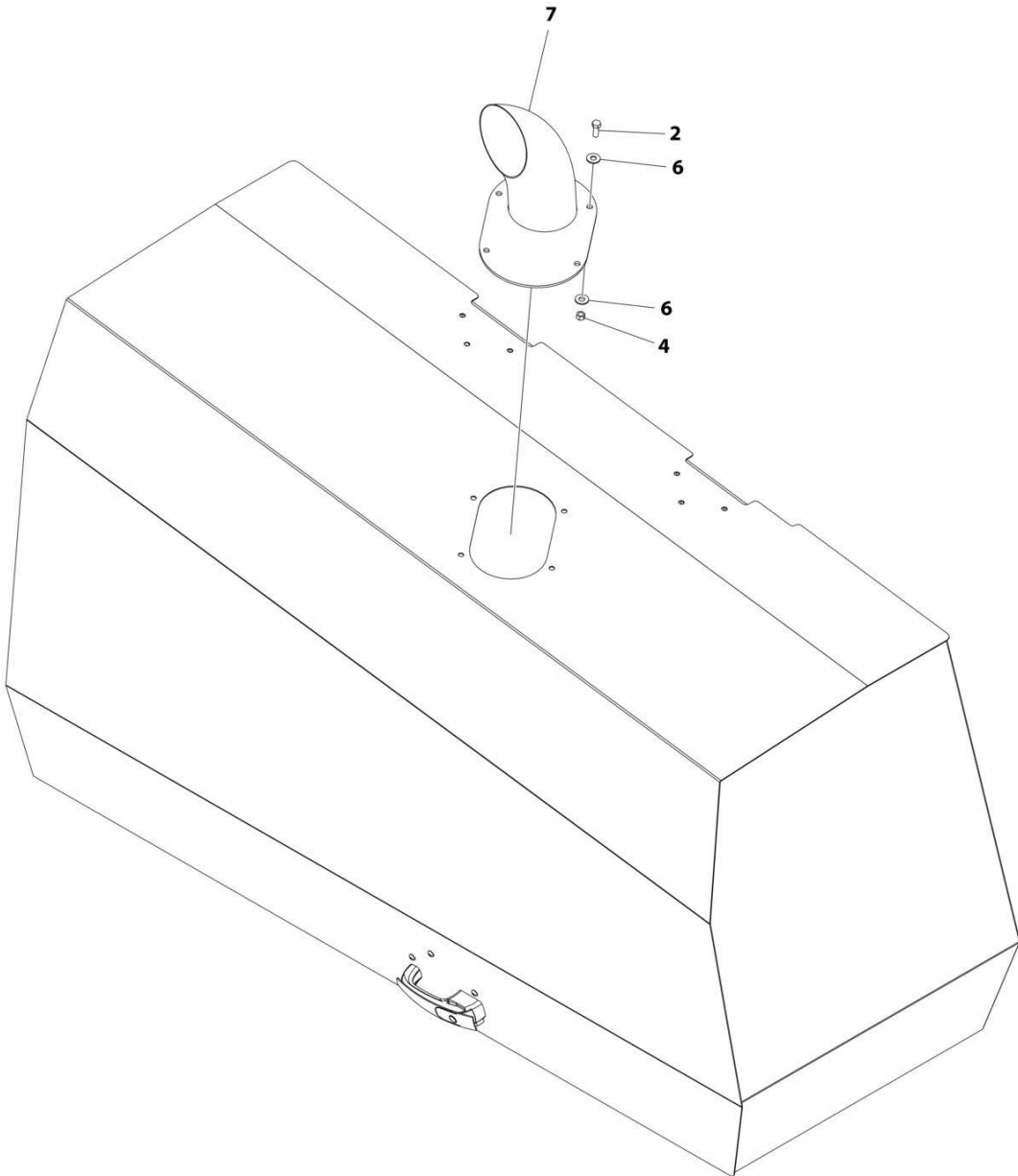
SECTION 2 - TURNTABLE

FIGURE 2-59. EXHAUST COVER AND HEAT SHIELDS INSTALLATION - STEEL HOODS (DEUTZ TD2.9L4 ENGINES)

ITEM	PART NUMBER	QTY	DESCRIPTION	REV
	1001173878	Ref	HOODS INSTALLATION	C
2	3311605	4	Nut 3/8	
3	0641608	4	Bolt 3/8 x 1	
4	4751600	8	Washer 3/8	
5	1001144527	1	Pipe, Exhaust	
6	0641406	3	Bolt 1/4 x 3/4	
7	3311405	3	Nut 1/4	
8	4751400	3	Washer 1/4	
9	1001163101	1	Shield, Heat	

SECTION 2 - TURNTABLE

FIGURE 2-60. EXHAUST COVER INSTALLATION - STEEL HOODS (FORD ENGINES)



ART_1001220189

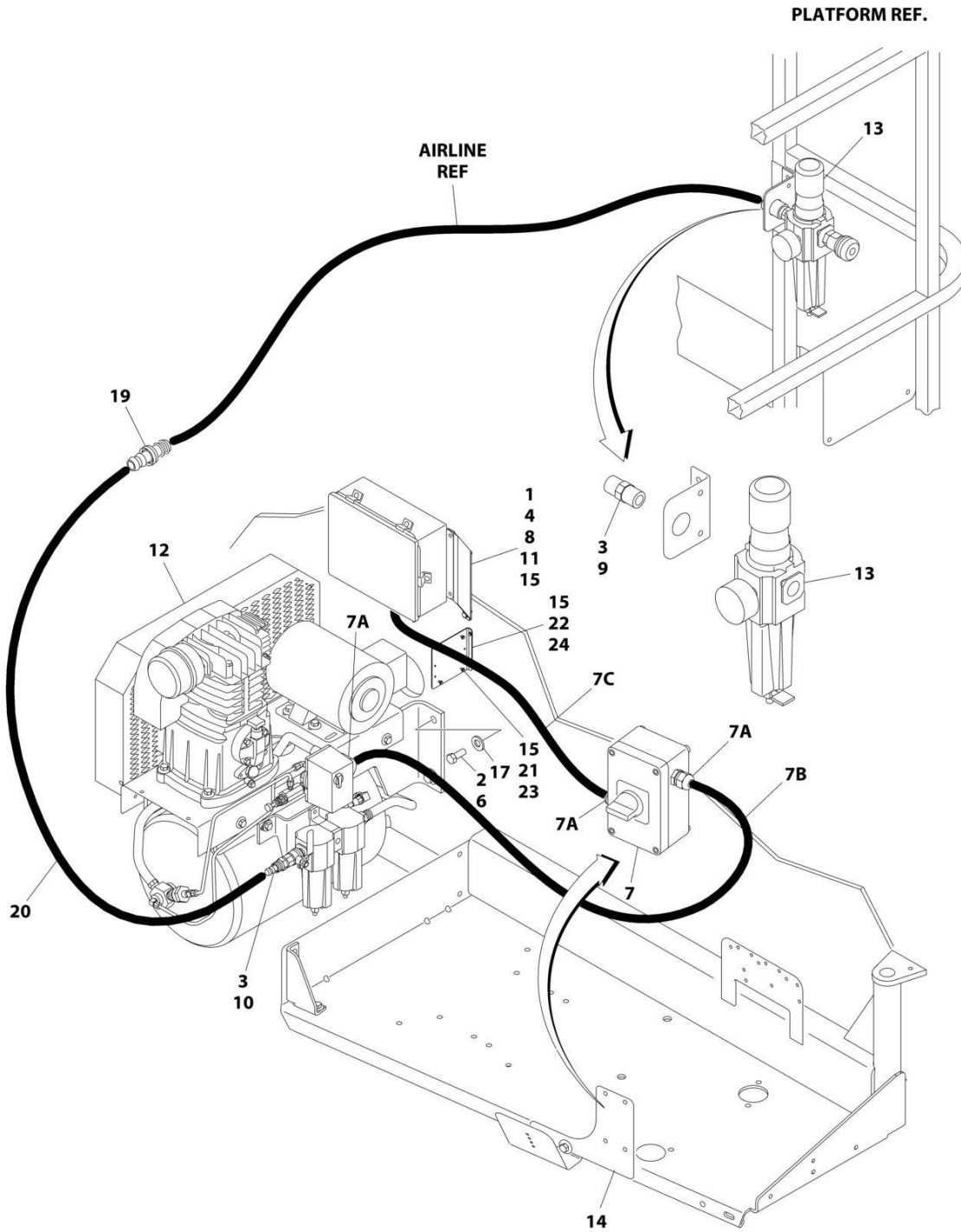
SECTION 2 - TURNTABLE

FIGURE 2-60. EXHAUST COVER INSTALLATION - STEEL HOODS (FORD ENGINES)

ITEM	PART NUMBER	QTY	DESCRIPTION	REV
	1001220189	Ref	HOODS INSTALLATION	C
2	0641608	4	Bolt 3/8 x 1	
4	3311605	4	Nut 3/8	
6	4751600	8	Washer 3/8	
7	1001116457	1	Pipe, Exhaust	

SECTION 2 - TURNTABLE

FIGURE 2-61. SKYAIR AIR COMPRESSOR INSTALLATION



ART_0274031

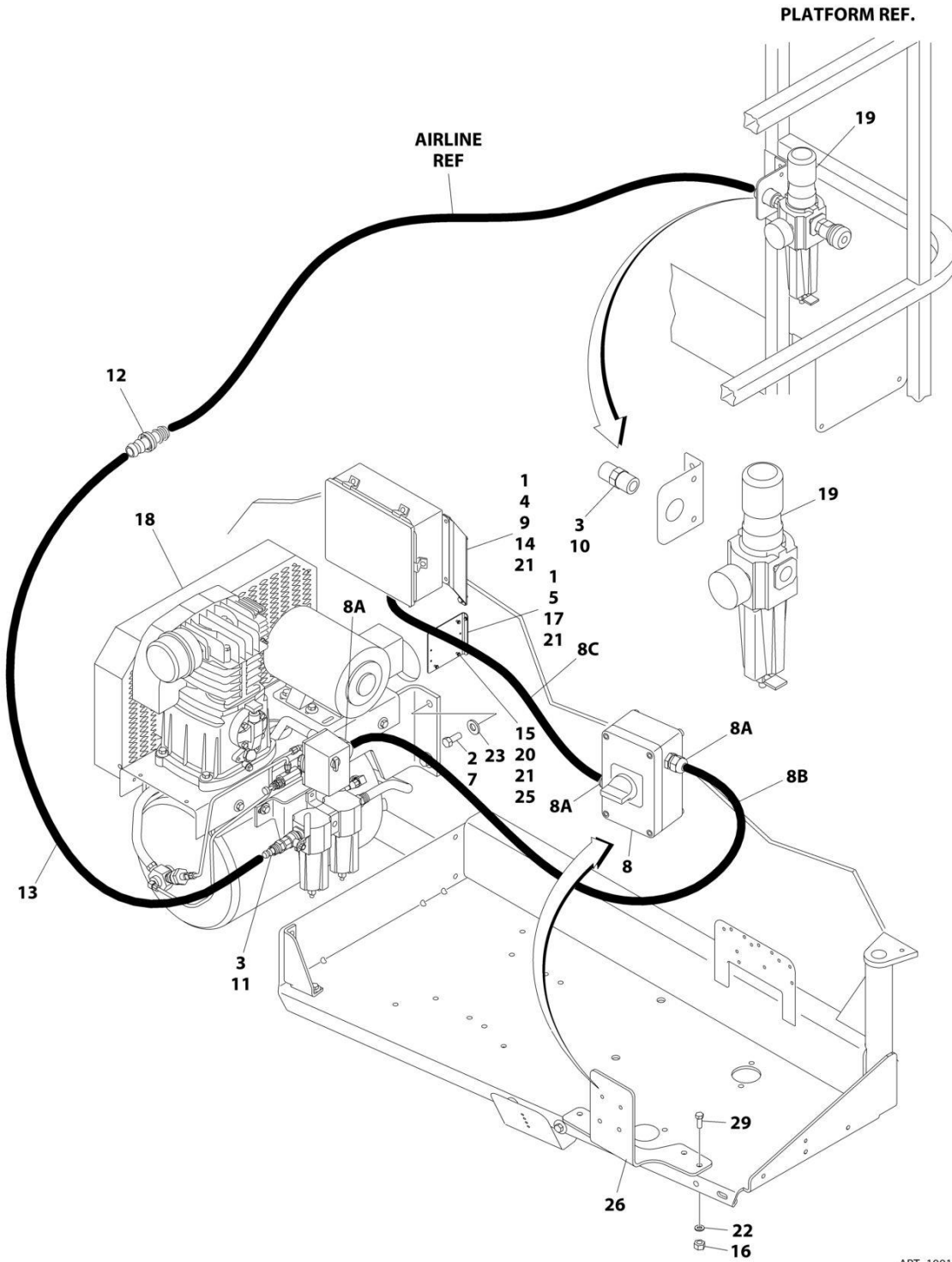
SECTION 2 - TURNTABLE

FIGURE 2-61. SKYAIR AIR COMPRESSOR INSTALLATION

ITEM	PART NUMBER	QTY	DESCRIPTION	REV
	0274031	Ref	SKYAIR AIR COMPRESSOR INSTALLATION	D
1	0100011	AR	Compound, Locking	
2	0100019	AR	Compound, Locking	
3	0100020	3	Sealant	
4	0641405	4	Bolt 1/4 x 5/8	
6	0641810	4	Bolt 1/2 x 1-1/4	
7	0861642	1	Control Box Assembly	
7A	4460633	3	Connector, Strain Relief	
7B	70002948	AR	Cable, Electrical - 12/4 (13ft/4m)	
7C	70002948	AR	Cable, Electrical - 12/4 (30in/76cm)	
8	0903088	2	Bracket, Generator Box	
9	2220252	1	Fitting, Adapter NPT	
10	2220750	1	Fitting	
11	3300454	4	Nut, Tinnerman 1/4	
12	3600386	1	Air Compressor Assembly (See Separate Breakdown in this section)	
13	3720021	1	Filter/Regulator Assembly	
13	7027781	1	Service Kit (Includes Gaskets and Seals)	
13	7027782	1	Filter	
13	7027784	1	Gauge	
13	7027783	1	Valve, Drain	
14	4340747	1	Bracket, Control Box	
15	4711400	14	Washer 1/4	
17	4751800	4	Washer 1/2	
19	2221037	1	Fitting, Barbed	
20	2720545	1	Hose, Air	
21	0641409	4	Bolt 1/4 x 1-1/8	
22	0641410	2	Bolt 1/4 x 1-1/4	
23	3311405	4	Nut 1/4	
24	3575874	1	Bracket, Module	
25	4460428	1	Connector	

SECTION 2 - TURNTABLE

FIGURE 2-62. SKYAIR AIR COMPRESSOR INSTALLATION



ART_1001144438

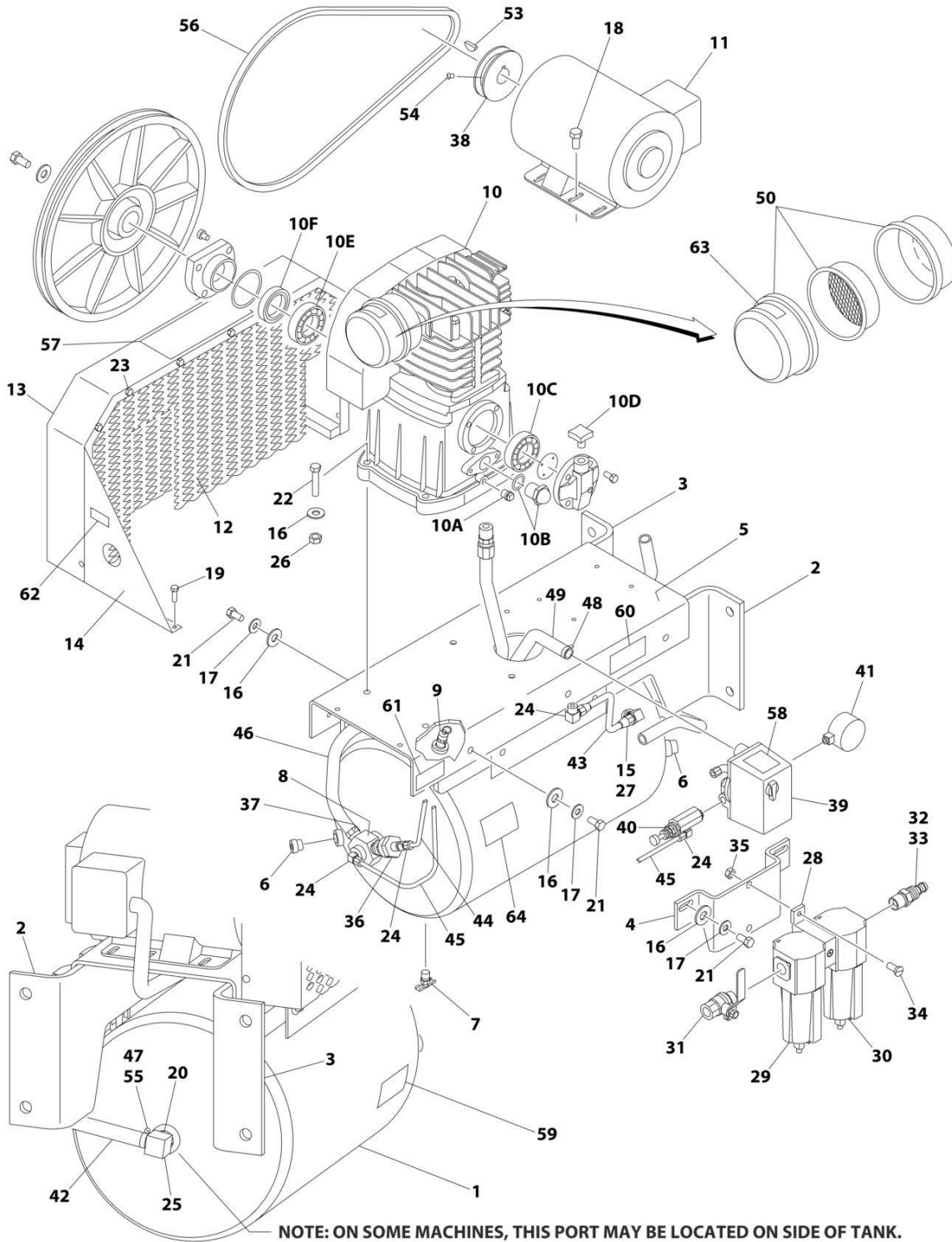
SECTION 2 - TURNTABLE

FIGURE 2-62. SKYAIR AIR COMPRESSOR INSTALLATION

ITEM	PART NUMBER	QTY	DESCRIPTION	REV
	1001144438	Ref	SKYAIR AIR COMPRESSOR INSTALLATION	B
1	0100011	AR	Compound, Locking	
2	0100019	AR	Compound, Locking	
3	0100020	AR	Sealant	
4	0641405	4	Bolt 1/4 x 5/8	
5	0641410	2	Bolt 1/4 x 1-1/4	
7	0641810	4	Bolt 1/2 x 1-1/4	
8	0861642	1	Control Box Assembly	
8A	4460633	3	Connector, Strain Relief	
8B	70002948	AR	Cable, Electrical - 12/4 (13ft/4m)	
8C	70002948	AR	Cable, Electrical - 12/4 (30in/76cm)	
9	0903088	2	Bracket, Generator Box	
10	2220252	1	Fitting, Adapter NPT	
11	2220750	1	Fitting	
12	2221037	1	Fitting, Barbed	
13	2720545	1	Hose, Air	
14	3300454	4	Nut, Tinnerman 1/4	
15	3311405	4	Nut 1/4	
16	3311605	3	Nut 3/8	
17	3575874	1	Bracket, Module	
18	3600386	1	Air Compressor Assembly (See Separate Breakdown in this Section)	
19	3720021	1	Filter/Regulator Assembly	
19	7027781	1	Service Kit (Includes Gaskets and Seals)	
19	7027782	1	Filter	
19	7027784	1	Gauge	
19	7027783	1	Valve, Drain	
20	3931424	4	Capscrew 1/4 x 1-1/2	
21	4711400	14	Washer 1/4	
22	4711600	4	Washer 3/8	
23	4751800	4	Washer 1/2	
25	1001110425	4	Spacer	
26	1001144447	1	Bracket, Control Box	
27	0641606	1	Bolt 3/8 x 3/4 (Not Shown)	
28	8406201	1	Clip (Not Shown)	
29	0641609	3	Bolt 3/8 X 1-1/8	

SECTION 2 - TURNTABLE

FIGURE 2-63. AIR COMPRESSOR ASSEMBLY



ART_3600386

SECTION 2 - TURNTABLE

FIGURE 2-63. AIR COMPRESSOR ASSEMBLY

ITEM	PART NUMBER	QTY	DESCRIPTION	REV
	3600386	Ref	AIR COMPRESSOR ASSEMBLY	B
1	7026632	1	Tank	
2	See Note	1	Bracket, Mounting (Note: Not Available for Purchase)	
3	See Note	1	Bracket, Mounting (Note: Not Available for Purchase)	
4	See Note	1	Bracket, Regulator Mounting (Note: Not Available for Purchase)	
5	See Note	1	Deck (Note: Not Available for Purchase)	
6	See Note	2	Plug (Note: Not Available for Purchase)	
7	7026633	1	Valve, Drain	
8	7026634	1	Valve, Check	
9	7026635	1	Valve, Safety	
10	7026636	1	Pump Assembly	
10	7026659	1	Gasket and Seal Kit	
10A	7026651	1	Plug, Oil Drain	
10B	7026652	1	Gauge, Oil Sight	
10C	7026653	1	Bearing	
10D	7026654	1	Cap, Oil Fill	
10E	7026655	1	Bearing	
10F	7026656	1	Seal	
11	7026637	1	Motor Assembly	
11	See Note	1	Brush Kit (Note: Not Available for Purchase)	
12	See Note	1	Screen, Inner (Note: Not Available for Purchase)	
13	See Note	1	Guard, Belt (Note: Not Available for Purchase)	
14	See Note	2	Support (Note: Not Available for Purchase)	
15	See Note	1	Bushing (Note: Not Available for Purchase)	
16	4751600	18	Washer 3/8	
17	4761600	10	Washer 3/8	
18	0641506	4	Bolt 5/16 x 3/4	
19	0641406	8	Bolt 1/4 x 3/4	
20	See Note	1	Bushing (Note: Not Available for Purchase)	
21	0641610	10	Bolt 3/8 x 1-1/4	
22	0641616	4	Bolt 3/8 x 2	
23	See Note	10	Bolt 1/4 x 1/2 (Note: Not Available for Purchase)	
24	See Note	4	Fitting (Note: Not Available for Purchase)	
25	See Note	1	Fitting, Barbed (Note: Not Available for Purchase)	
26	3311605	4	Nut 3/8	
27	See Note	1	Fitting, Compression (Note: Not Available for Purchase)	
28	See Note	1	Bracket, Mounting (Note: Not Available for Purchase)	
29	7026660	1	Filter, Oil Removal	
30	7026661	1	Filter, Water Removal	
31	70001663	1	Valve, Ball Shut-Off	
32	See Note	1	Bushing (Note: Not Available for Purchase)	
33	See Note	1	Fitting, Barbed (Note: Not Available for Purchase)	
34	See Note	2	Screw 1/4 x 1 (Note: Not Available for Purchase)	
35	3311405	2	Nut 1/4	
36	See Note	1	Unloader (Note: Not Available for Purchase)	
37	See Note	1	Fitting (Note: Not Available for Purchase)	
38	See Note	1	Pulley (Note: Not Available for Purchase)	
39	7026638	1	Switch, Pressure	
40	7026639	1	Vale, Pilot	
41	7026640	1	Gauge	

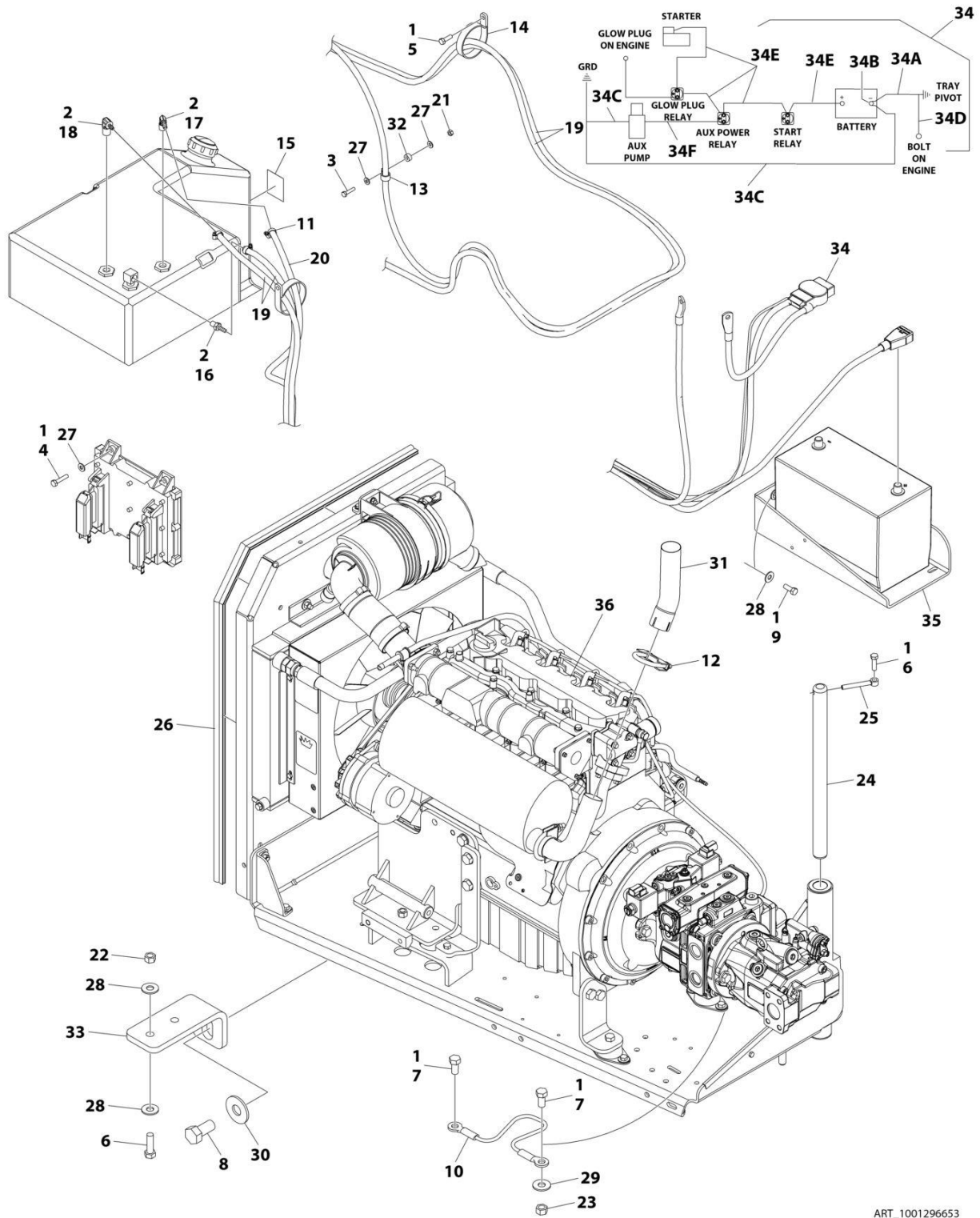
SECTION 2 - TURNTABLE

ITEM	PART NUMBER	QTY	DESCRIPTION	REV
42	See Note	1	Hose (Note: Not Available for Purchase)	
43	See Note	1	Tube, Feed (Note: Not Available for Purchase)	
44	See Note	1	Tube (Note: Not Available for Purchase)	
45	See Note	1	Tube (Note: Not Available for Purchase)	
46	See Note	1	Aftercooler (Note: Not Available for Purchase)	
47	See Note	2	Clamp (Note: Not Available for Purchase)	
48	See Note	2	Clamp (Note: Not Available for Purchase)	
49	See Note	1	Harness, Wiring (Note: Not Available for Purchase)	
50	7026658	1	Filter Assembly	
50	7026641	1	Element, Filter	
51	See Note	23 oz	Oil, Compressor (Note: Not Available for Purchase)	
52	0100020	AR	Sealant	
53	See Note	1	Key (Note: Not Available for Purchase)	
54	See Note	2	Setscrew (Note: Not Available for Purchase)	
55	See Note	2	Cover, Clamp End (Note: Not Available for Purchase)	
56	7026642	1	Belt	
57	7026643	1	Decal - Unit Warning	
58	7026644	1	Decal - Pressure Switch Warning	
59	7026645	1	Decal - Drain Tank Warning	
60	7026646	1	Decal - Compressor Maintenance	
61	7026647	1	Decal - Initial Oil Fill	
62	7026648	1	Decal - Hot Surfaces Warning	
63	7026649	1	Decal - Paper Element Cleaning	
64	7026650	1	Decal - Dual Control	

SECTION 3 - ENGINE

SECTION 3 - ENGINE

FIGURE 3-1. DEUTZ D2011 ENGINE INSTALLATION (WITHOUT ARCTIC PACKAGE)



ART_1001296653

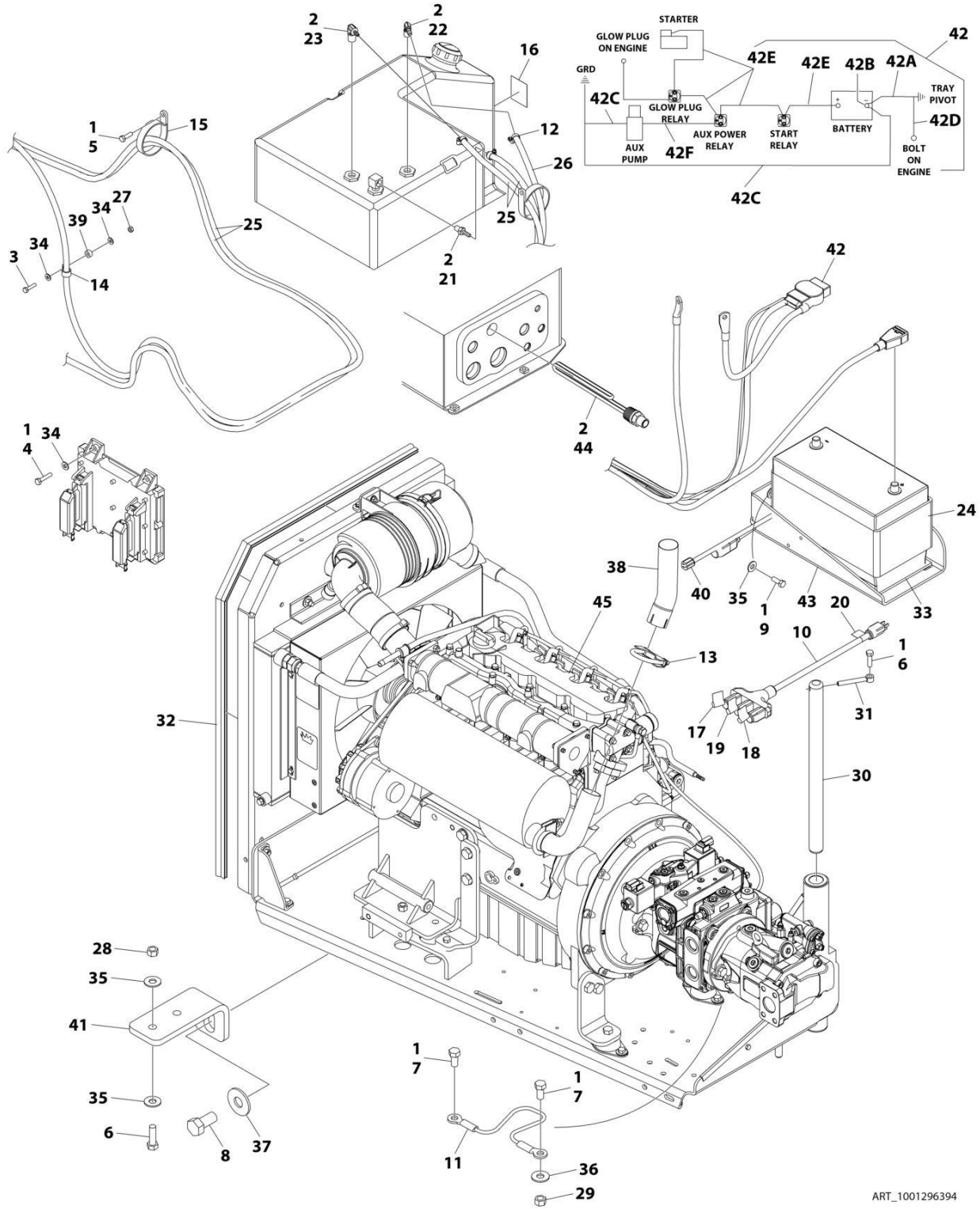
SECTION 3 - ENGINE

FIGURE 3-1. DEUTZ D2011 ENGINE INSTALLATION (WITHOUT ARCTIC PACKAGE)

ITEM	PART NUMBER	QTY	DESCRIPTION	REV
	1001296653	Ref	DEUTZ D2011 ENGINE INSTALLATION (WITHOUT ARCTIC PACKAGE)	A
1	0100011	AR	Compound, Locking	
2	0100020	AR	Sealant, Pipe	
3	0641409	1	Bolt 1/4 x 1-1/8	
4	0641410	4	Bolt 1/4 x 1-1/4	
5	0641508	1	Bolt 5/16 x 1	
6	0641610	3	Bolt 3/8 x 1-1/4	
7	0641808	2	Bolt 1/2 x 1	
8	0642010	1	Bolt 5/8 x 1-1/4	
9	0681608	3	Bolt 3/8 x 1 Grade 8	
10	1060637	1	Cable, Lanyard	
11	1320022	5	Clamp, Hose	
12	1320176	1	Clamp	
13	1320224	1	Clamp	
14	1321339	1	Clamp	
15	1701505	1	Decal - Diesel	
16	2180348	1	Fitting, Straight NPT/Barbed	
17	2220313	1	Fitting, 90 NPT/Barbed	
18	2221176	1	Fitting, 90 NPT/Barbed	
19	2720058	30 ft /9 m	Hose	
20	2750532	6 ft /2 m	Hose	
21	3311405	1	Nut 1/4	
22	3311605	2	Nut 3/8	
23	3311801	1	Nut 1/2	
24	3422446	1	Pin, Pivot	
25	3841143	1	Pin, Keeper	
26	3960389	5 ft /2 m	Seal	
27	4711400	6	Washer 1/4	
28	4751600	7	Washer 3/8	
29	4751800	1	Washer 1/2	
30	4752000	1	Washer 5/8	
31	1001101600	1	Tube, Exhaust	
32	1001110425	1	Spacer	
33	1001151070	1	Plate	
34	1001155143	1	Kit, Battery Cable	
34A	7027092	1	Cable, Battery (Black) (Battery - to Tray Pivot and Relay Grd)	
34B	8270147	1	Terminal, Battery (With Boot) Cable, Battery (Black)	
34C	7027093	1	Cable, Battery (Black) (Battery - to Aux Pump Ground)	
34D	7027053	1	Cable, Battery (Black) (Engine to Tray Pivot Grd)	
34E	7027094	1	Cable (Red) (Battery + to Relays/Starter)	
34F	7027095	1	Cable (Red) (Aux Relay to Aux Pump)	
35	1001162497	1	Bracket	
36	1001296652	1	Engine and Pump Assembly (See Separate Breakdown in this Section)	

SECTION 3 - ENGINE

FIGURE 3-2. DEUTZ D2011 ENGINE INSTALLATION (WITH ARCTIC PACKAGE)



ART_1001296394

SECTION 3 - ENGINE

FIGURE 3-2. DEUTZ D2011 ENGINE INSTALLATION (WITH ARCTIC PACKAGE)

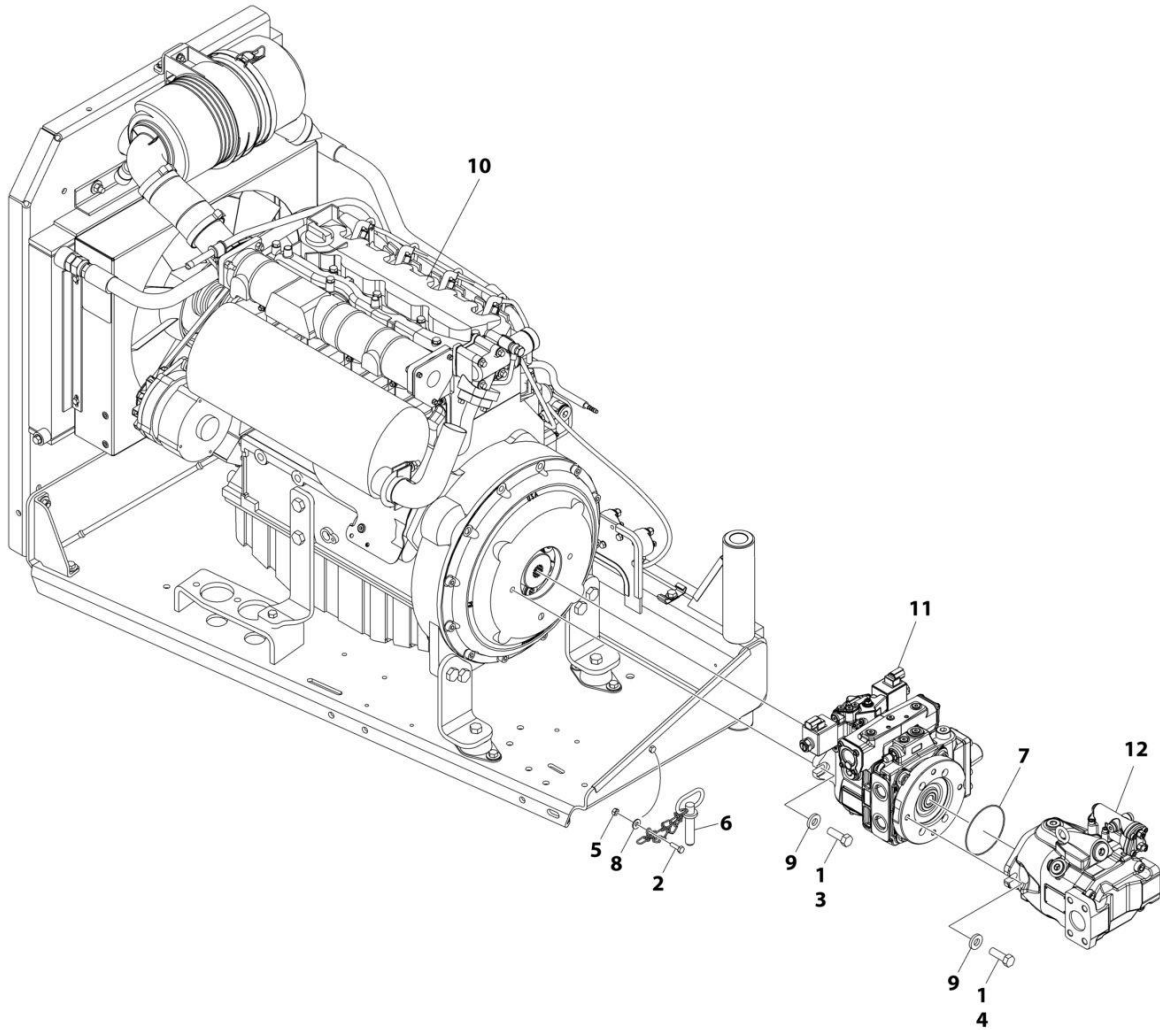
ITEM	PART NUMBER	QTY	DESCRIPTION	REV
	1001296394	Ref	DEUTZ D2011 ENGINE INSTALLATION (WITH ARCTIC PACKAGE)	A
1	0100011	AR	Compound, Locking	
2	0100020	AR	Sealant, Pipe	
3	0641409	1	Bolt 1/4 x 1-1/8	
4	0641410	4	Bolt 1/4 x 1-1/4	
5	0641508	1	Bolt 5/16 x 1	
6	0641610	3	Bolt 3/8 x 1-1/4	
7	0641808	2	Bolt 1/2 x 1	
8	0642010	1	Bolt 5/8 x 1-1/4	
9	0681608	3	Bolt 3/8 x 1 Grade 8	
10	1060626	1	Cord, 3 Way Extension (Located on Left Front of Engine)	
11	1060637	1	Lanyard	
12	1320022	5	Clamp	
13	1320176	1	Clamp	
14	1320224	1	Clamp	
15	1321339	1	Clamp	
16	1701505	1	Decal - Fuel (Diesel)	
17	1702941	1	Decal - Battery Heater (Located on Battery Heater)	
18	1702942	1	Decal - Engine Block Heater (Located on Right Side of Engine)	
19	1702943	1	Decal - Hydraulic Tank Heater (Located on bottom of Hydraulic Oil Tank)	
20	1702944	1	Decal - Heater Cord (Located on Left Front of Engine)	
21	2180348	1	Fitting, Straight Barbed	
22	2220313	1	Fitting, 90 NPT/Barbed	
23	2221176	1	Fitting, 90 NPT/Barbed	
24	2580024	1	Heater, Battery (Located on Battery)	
25	2720058	30 ft /9 m	Hose	
26	2750532	6 ft /2 m	Hose	
27	3311405	1	Nut 1/4	
28	3311605	2	Nut 3/8	
29	3311801	1	Nut 1/2	
30	3422446	1	Pin, Pivot	
31	3841143	1	Pin, Keeper	
32	3960389	5 ft /2 m	Seal	
33	3980007	1	Seat, Battery	
34	4711400	6	Washer 1/4	
35	4751600	7	Washer 3/8	
36	4751800	1	Washer 1/2	
37	4752000	1	Washer 5/8	
38	1001101600	1	Exhaust	
39	1001110425	1	Spacer	
40	1001150918	1	Cord, 8ft Extension (Located near Battery)	
41	1001151070	1	Plate	
42	1001155143	1	Kit, Battery Cable	
42A	7027092	1	Cable, Battery (Black) (Battery - to Tray Pivot and Relay Grd)	
42B	8270147	1	Terminal, Battery (With Boot) Cable, Battery (Black)	
42C	7027093	1	Cable, Battery (Black) (Battery - to Aux Pump Ground)	
42D	7027053	1	Cable, Battery (Black) (Engine to Tray Pivot Grd)	
42E	7027094	1	Cable (Red) (Battery + to Relays/Starter)	

SECTION 3 - ENGINE

ITEM	PART NUMBER	QTY	DESCRIPTION	REV
42F	7027095	1	Cable (Red) (Aux Relay to Aux Pump)	
43	1001162497	1	Bracket, Battery	
44	1001188972	1	Heater, Hydraulic Tank (Located on bottom of Hydraulic Oil Tank)	
45	1001296326	1	Engine and Pump Assembly with Arctic Package (See Separate Breakdown in this Section)	

SECTION 3 - ENGINE

FIGURE 3-3. DEUTZ D2011 ENGINE/PUMP SUB ASSEMBLY (WITHOUT ARCTIC PACKAGE)



ART_1001296652

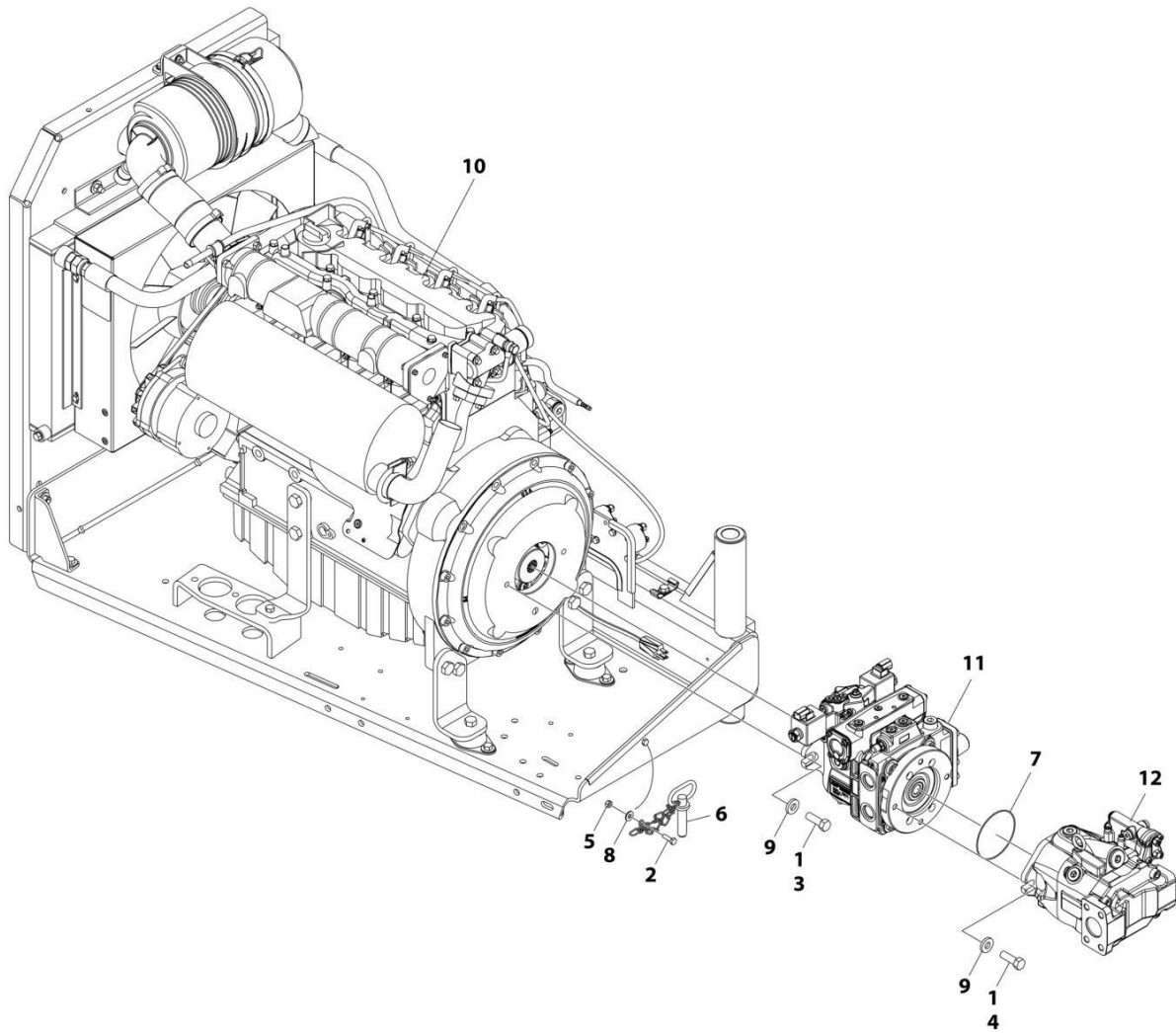
SECTION 3 - ENGINE

FIGURE 3-3. DEUTZ D2011 ENGINE/PUMP SUB ASSEMBLY (WITHOUT ARCTIC PACKAGE)

ITEM	PART NUMBER	QTY	DESCRIPTION	REV
	1001296652	Ref	DEUTZ D2011 ENGINE/PUMP SUB-ASSEMBLY	A
1	0100011	AR	Compound, Locking	
2	0641407	1	Bolt 1/4 x 7/8	
3	0641812	2	Bolt 1/2 x 1-1/2	
4	0711215	2	Bolt M12 x 35	
5	3311405	1	Nut 1/4	
6	3422532	1	Pin, Hitch	
7	3790044	1	O-Ring	
8	4751400	1	Washer 1/4	
9	4891800	4	Washer 1/2	
10	1001153396	1	Engine Assembly Without Arctic Package (See Separate Breakdown in this Section)	
11	1001276376	1	Hydrostatic Pump Assembly (See Separate Breakdown in this Section)	
12	1001276377	1	Variable Pump Assembly with Fittings (See Separate Breakdown in this Section)	

SECTION 3 - ENGINE

FIGURE 3-4. DEUTZ TD2.9L4 ENGINE/PUMP SUB ASSEMBLY (WITH ARCTIC PACKAGE)



ART_1001296326

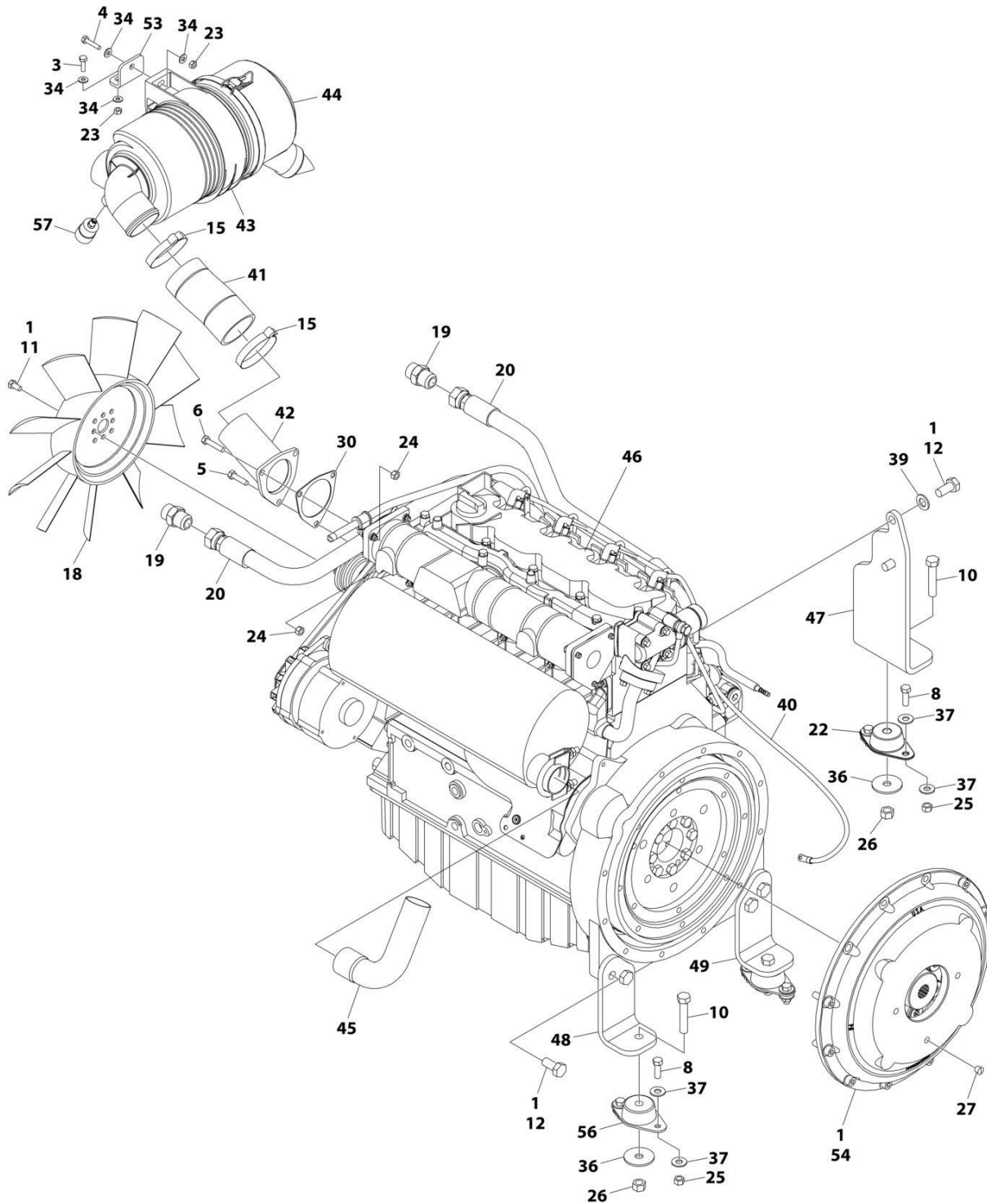
SECTION 3 - ENGINE

FIGURE 3-4. DEUTZ TD2.9L4 ENGINE/PUMP SUB ASSEMBLY (WITH ARCTIC PACKAGE)

ITEM	PART NUMBER	QTY	DESCRIPTION	REV
	1001296326	Ref	DEUTZ TP2.9L4 ENGINE/PUMP SUB-ASSEMBLY	A
1	0100011	AR	Compound, Locking	
2	0641407	1	Bolt 1/4 x 7/8	
3	0641812	2	Bolt 1/2 x 1-1/2	
4	0711215	2	Bolt M12 x 35	
5	3311405	1	Nut 1/4	
6	3422532	1	Pin, Hitch	
7	3790044	1	O-Ring	
8	4751400	1	Washer 1/4	
9	4891800	4	Washer 1/2	
10	1001153779	1	Engine Assembly With Arctic Package (See Separate Breakdown in this Section)	
11	1001276376	1	Hydrostatic Pump Assembly with Fittings (See Separate Breakdown in this Section)	
12	1001276377	1	Variable Pump Assembly with Fittings (See Separate Breakdown in this Section)	

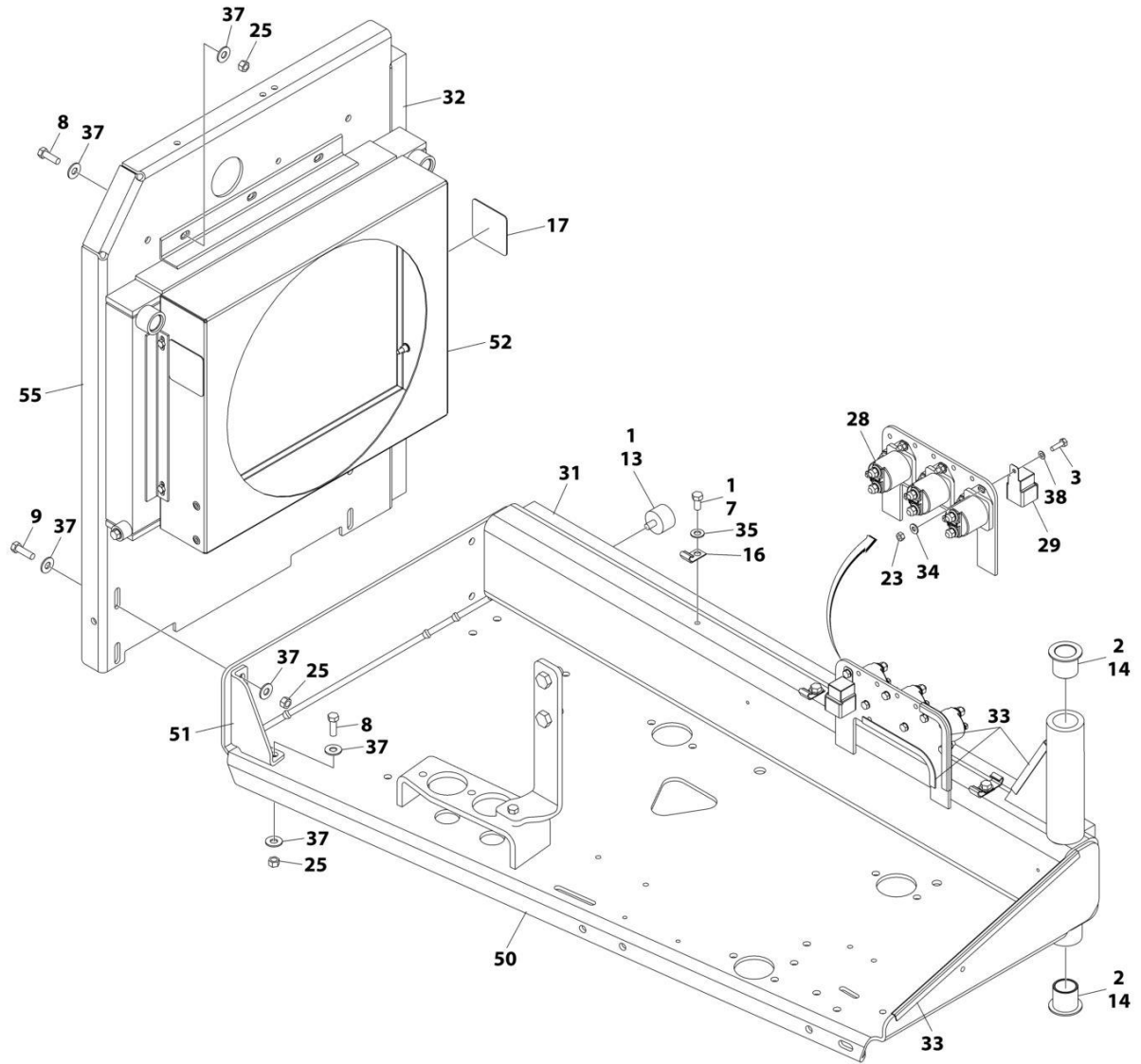
SECTION 3 - ENGINE

FIGURE 3-5. DEUTZ D2011 ENGINE ASSEMBLY (WITHOUT ARCTIC PACKAGE)



ART_1001153396_10F2

SECTION 3 - ENGINE



ART_1001153396_20F2

SECTION 3 - ENGINE

FIGURE 3-5. DEUTZ D2011 ENGINE ASSEMBLY (WITHOUT ARCTIC PACKAGE)

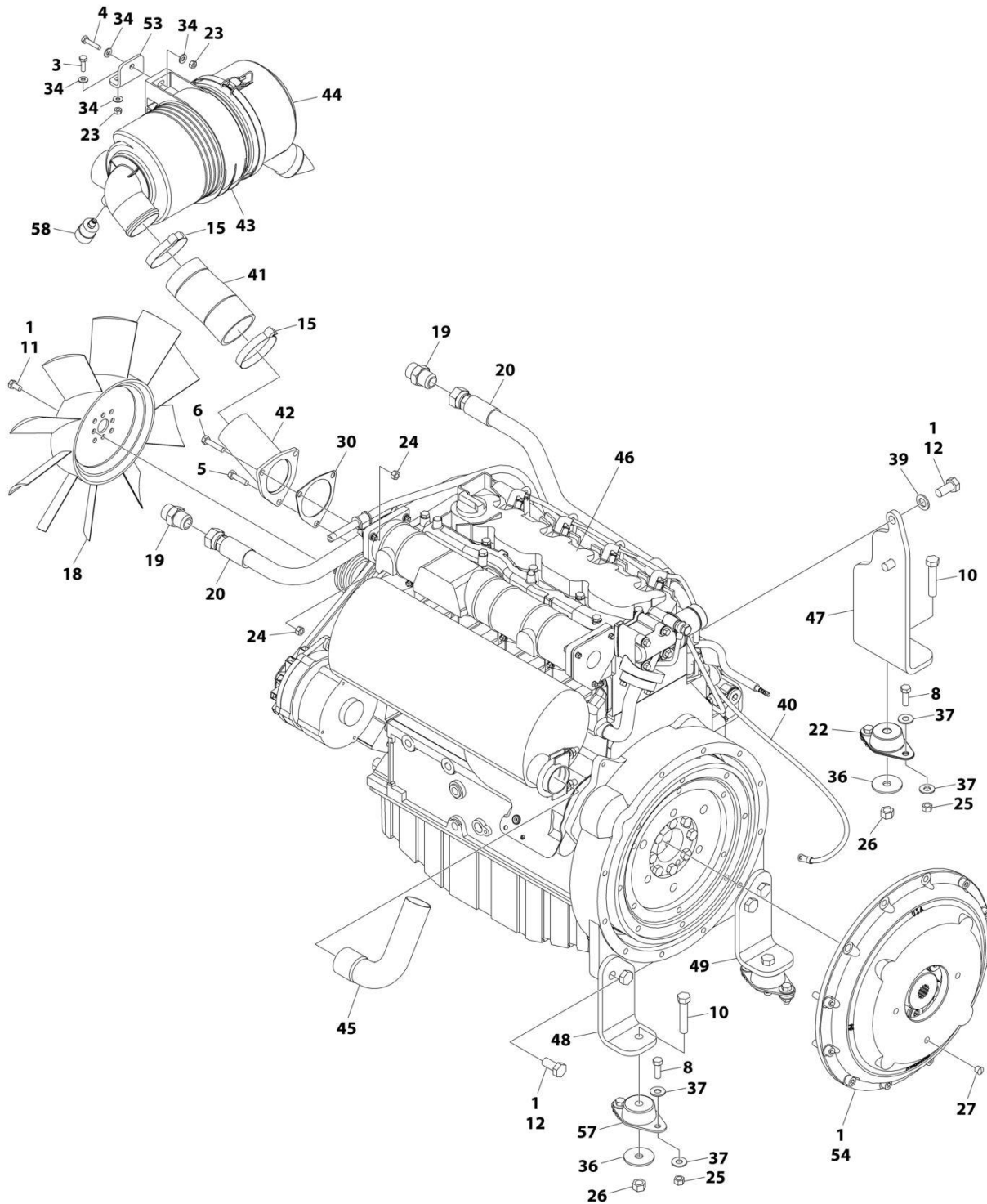
ITEM	PART NUMBER	QTY	DESCRIPTION	REV
	1001153396	Ref	ENGINE ASSEMBLY WITHOUT ARCTIC PACKAGE	H
1	0100011	AR	Compound, Locking	
2	0100062	AR	Compound, Locking	
3	0641407	8	Bolt 1/4 x 7/8	
4	0641410	2	Bolt 1/4 x 1-1/4	
5	0641510	2	Bolt 5/16 x 1-1/4	
6	0641512	1	Bolt 5/16 x 1-1/2	
7	0641606	3	Bolt 3/8 x 3/4	
8	0641609	14	Bolt 3/8 x 1-1/8	
9	0641610	4	Bolt 3/8 x 1-1/4	
10	0641820	3	Bolt 1/2 x 2-1/2	
11	0700808	4	Bolt M8 x 16	
12	0771414	6	Bolt M14 x 30	
13	0940070	1	Bumper	
14	0961986	2	Bushing, Flanged	
15	1320016	2	Clamp	
16	1320223	4	J-Clip	
17	1703162	2	Decal - Caution Fan Blade	
18	2060025	1	Fan	
19	2220451	2	Fitting, Straight	
20	2720398	2	Hose, Oil Cooler	
22	3200406	1	Mount, Motor	
23	3311405	10	Nut 1/4	
24	3311505	3	Nut 5/16	
25	3311605	18	Nut 3/8	
26	3311805	3	Nut 1/2	
27	3520054	2	Plug	
28	3740067	3	Relay	
29	3740080	1	Relay	
30	3960407	1	Gasket, Air Intake	
31	3960468	1	Seal	
32	3960469	1	Seal	
33	4060805	37 in/1m	Flex-Trim	
34	4711400	14	Washer 1/4	
35	4711600	3	Washer 3/8	
36	4740274	3	Washer, Snubbing	
37	4751600	36	Washer 3/8	
38	4791400	6	Washer, Star 1/4	
39	4812200	2	Washer M14	
40	4923379	1	Harness, Glow Plug	
41	1001001939	1	Hose, Flex	
42	1001146273	1	Adapter, Air Intake	
43	1001147812	1	Clamp	
44	1001147813	1	Air Cleaner Assembly Filter Element	
44	70004020	1	Element, Filter (Not Shown)	
45	1001147820	1	Pipe, Exhaust	
46	1001147823	1	Engine, Deutz D2011 (See Separate Breakdown in this section)	
47	1001149704	1	Support, Engine	
48	1001149705	1	Support, Engine	
49	1001149706	1	Support, Engine	

SECTION 3 - ENGINE

ITEM	PART NUMBER	QTY	DESCRIPTION	REV
50	1001149793	1	Tray, Engine	
51	1001150915	1	Gusset	
52	1001150998	1	Radiator	
53	1001152459	1	Plate, Air Cleaner Mounting	
54	1001153282	1	Pump Coupling Kit (See Separate Breakdown in this section)	
55	1001153414	1	Plate, Radiator Mounting	
56	3200401	2	Mount, Motor	
57	1001143390	1	Indicator	

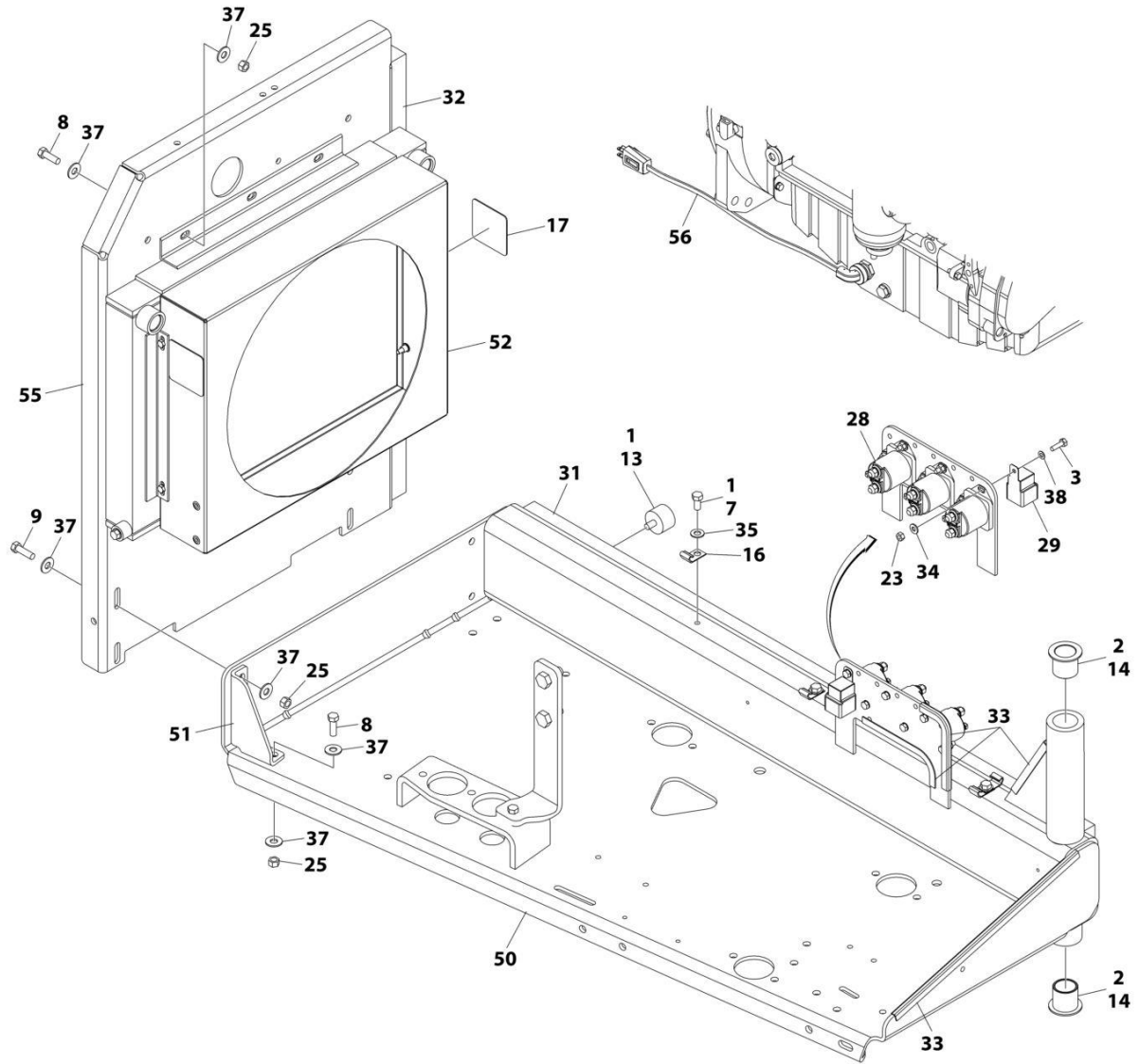
SECTION 3 - ENGINE

FIGURE 3-6. DEUTZ D2011 ENGINE ASSEMBLY (WITH ARCTIC PACKAGE)



ART_1001153779_10F2

SECTION 3 - ENGINE



ART_1001153779_2OF2

SECTION 3 - ENGINE

FIGURE 3-6. DEUTZ D2011 ENGINE ASSEMBLY (WITH ARCTIC PACKAGE)

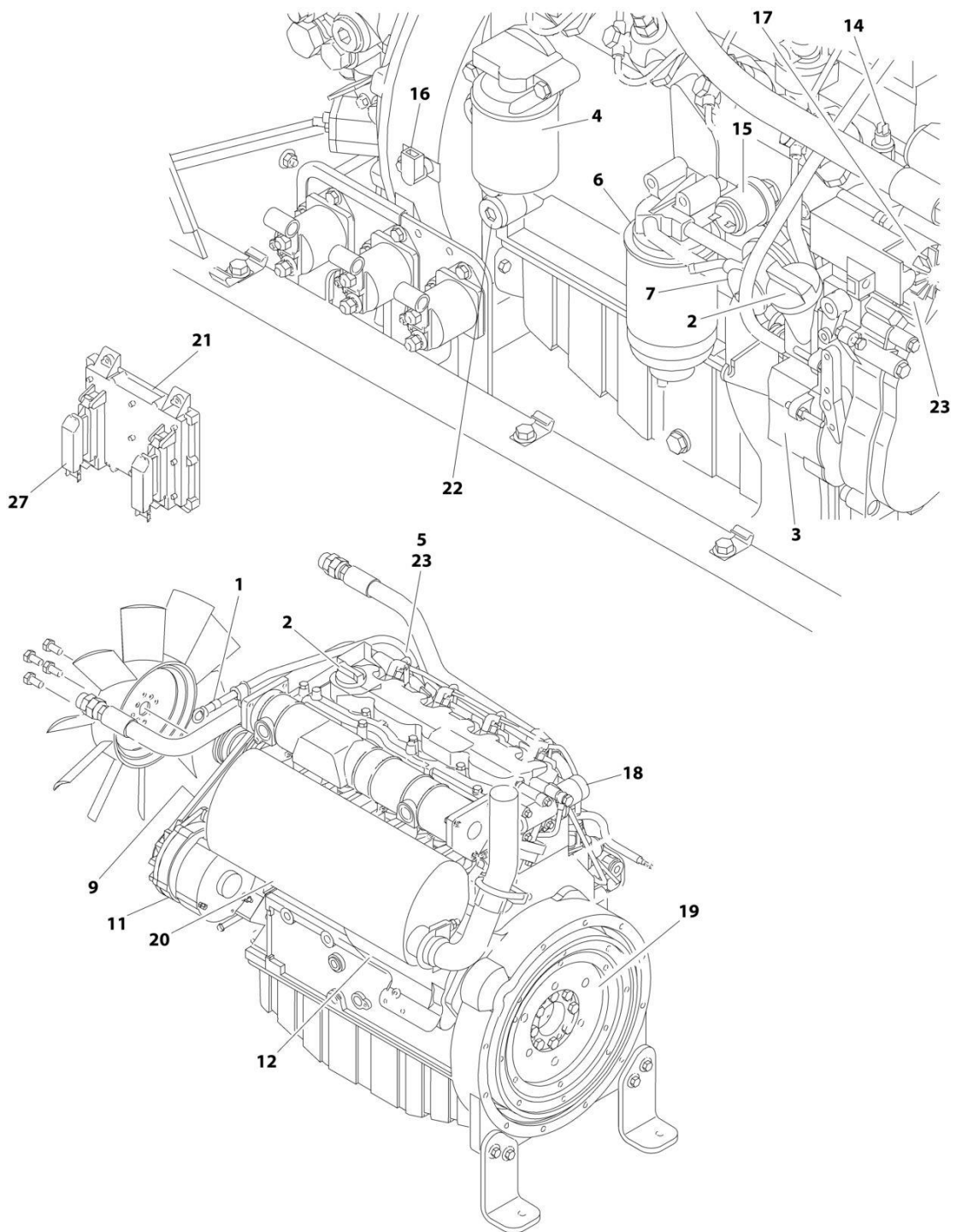
ITEM	PART NUMBER	QTY	DESCRIPTION	REV
	1001153779	Ref	ENGINE ASSEMBLY WITH ARCTIC PACKAGE	H
1	0100011	AR	Compound, Locking	
2	0100062	AR	Compound, Locking	
3	0641407	8	Bolt 1/4 x 7/8	
4	0641410	2	Bolt 1/4 x 1-1/4	
5	0641510	2	Bolt 5/16 x 1-1/4	
6	0641512	1	Bolt 5/16 x 1-1/2	
7	0641606	3	Bolt 3/8 x 3/4	
8	0641609	14	Bolt 3/8 x 1-1/8	
9	0641610	4	Bolt 3/8 x 1-1/4	
10	0641820	3	Bolt 1/2 x 2-1/2	
11	0700808	4	Bolt M8 x 16	
12	0771414	6	Bolt M14 x 30	
13	0940070	1	Bumper	
14	0961986	2	Bushing, Flanged	
15	1320016	2	Clamp	
16	1320223	4	J-Clip	
17	1703162	2	Decal - Caution Fan Blade	
18	2060025	1	Fan	
19	2220451	2	Fitting, Straight	
20	2720398	2	Hose, Oil Cooler	
22	3200406	1	Mount, Motor	
23	3311405	10	Nut 1/4	
24	3311505	3	Nut 5/16	
25	3311605	18	Nut 3/8	
26	3311805	3	Nut 1/2	
27	3520054	2	Plug	
28	3740067	3	Relay	
29	3740080	1	Relay	
30	3960407	1	Gasket, Air Intake	
31	3960468	1	Seal	
32	3960469	1	Seal	
33	4060805	37 in/1m	Flex-Trim	
34	4711400	14	Washer 1/4	
35	4711600	3	Washer 3/8	
36	4740274	3	Washer, Snubbing	
37	4751600	36	Washer 3/8	
38	4791400	6	Washer, Star 1/4	
39	4812200	2	Washer M14	
40	4923379	1	Harness, Glow Plug	
41	1001001939	1	Hose, Flex	
42	1001146273	1	Adapter, Air Intake	
43	1001147812	1	Clamp	
44	1001147813	1	Air Cleaner Assembly Filter Element	
44	70004020	1	Element, Filter (Not Shown)	
45	1001147820	1	Pipe, Exhaust	
46	1001147823	1	Engine, Deutz D2011 (See Separate Breakdown in this Section)	
47	1001149704	1	Support, Engine	
48	1001149705	1	Support, Engine	
49	1001149706	1	Support, Engine	

SECTION 3 - ENGINE

ITEM	PART NUMBER	QTY	DESCRIPTION	REV
50	1001149793	1	Tray, Engine	
51	1001150915	1	Gusset	
52	1001150998	1	Radiator	
53	1001152459	1	Plate, Air Cleaner Mounting	
54	1001153282	1	Pump Coupling Kit (See Separate Breakdown in this Section)	
55	1001153414	1	Plate, Radiator Mounting	
56	2580062	1	Heater, Block	
57	3200401	2	Mount, Motor	
58	1001143390	1	Indicator	

SECTION 3 - ENGINE

FIGURE 3-7. DEUTZ D2011 ENGINE COMPONENTS



ART_1001147823

SECTION 3 - ENGINE

FIGURE 3-7. DEUTZ D2011 ENGINE COMPONENTS

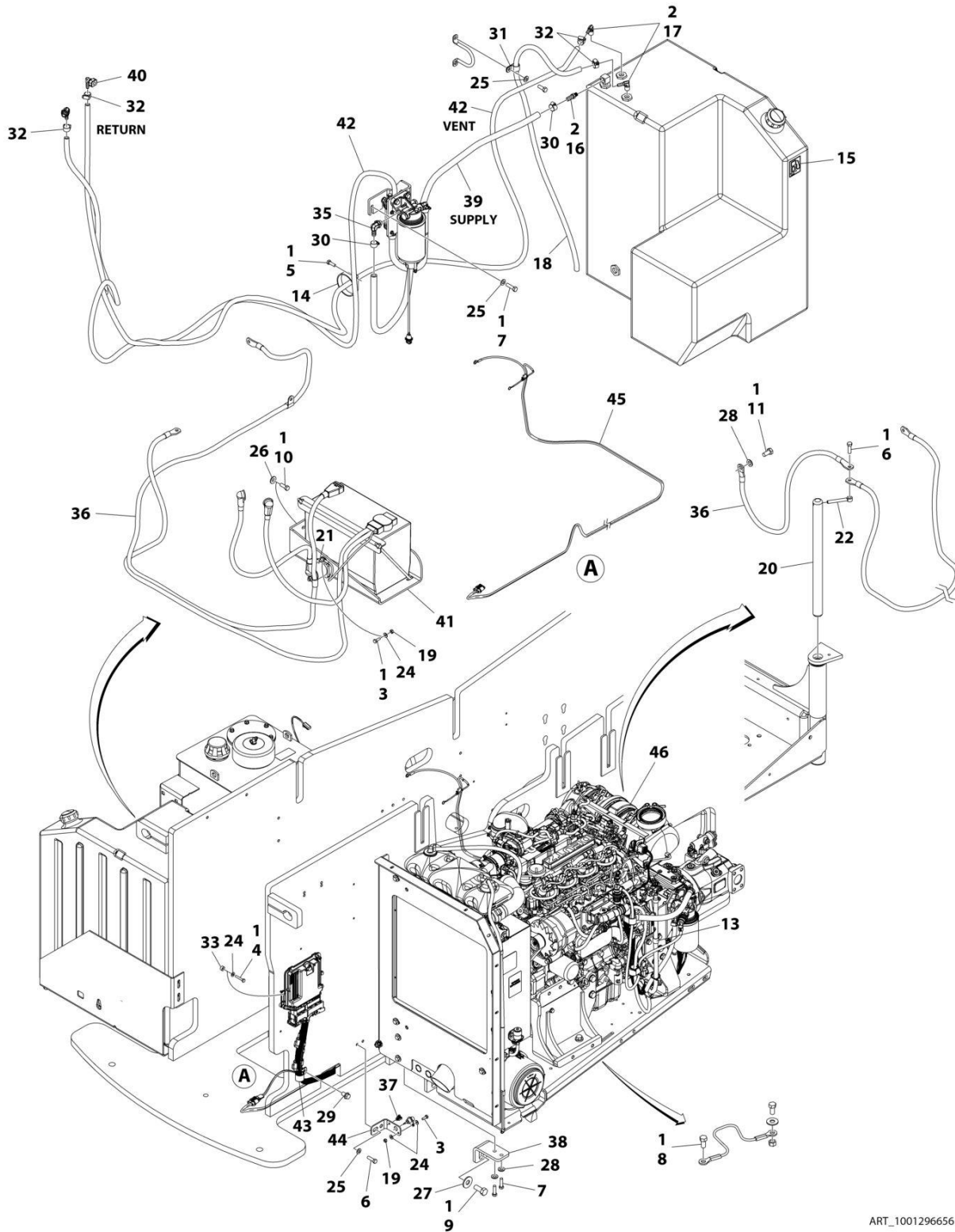
ITEM	PART NUMBER	QTY	DESCRIPTION	REV
	1001147823	Ref	ENGINE COMPONENTS	C
1	70004287	1	Dipstick	
1	70000044	1	Seal, Dipstick	
1	70001002	1	Tube, Dipstick	
1	7020403	1	Seal, Dipstick Tube	
2	7020465	2	Cap, Filler	
3	70001850	1	Pump, Oil Lube	
3	7020468	1	Seal Between Oil Pump and Engine Block (Not Shown)	
4	7016331	1	Filter, Oil	
4	70003472	1	Bracket, Oil Filter	
4	7027236	1	Sender, Temperature	
4	70025082	1	Ring, Sealing	
5	70000912	4	Series A Injector	
5	70000913	4	Series B Injector	
5	70000914	4	Series C Injector	
5	70000915	4	Series D Injector	
5	70003464	4	Seal/Gasket, Pump (1 Per Injector)	
5	70003478	4	Injector, Fuel	
5	70003136	4	Seal/Gasket, Pump (1 Per Injector)	
6	7016328	1	Filter, Fuel	
6	70003465	1	Sensor	
6	70003466	1	Seal, Sensor	
7	70000916	1	Pump, Fuel Supply	
7	70001435	1	Repair Kit for Fuel Supply Pump	
7	70000919	1	Hand Pump for Fuel Supply Pump	
7	70000917	1	O - Seal Between Fuel Pump and Engine Block	
7	70000918	1	O - Seal Between Fuel Pump and Hand Pump	
8	70001871	4	Gasket, Intake Manifold	
9	7020408	1	V-Belt	
10		Ref	Exhaust Manifold Components (Not Shown)	
10	70001835	1	Gasket, Exhaust Adapter to Exhaust Rail	
10	70001841	1	Valve, Exhaust (Fits into Exhaust Adapter)	
10	70001836	1	Gasket, Exhaust Rail to Cylinder Head	
10	70001837	1	Gasket, Exhaust Manifold to Muffler	
10	70002200	4	Stud, Mounting	
10	See Note	AR	Nut, Exhaust Manifold	
11	70004056	1	Alternator	
11	70001868	1	Regulator, Voltage (Not Shown)	
11	70001866	1	Seal, Gasket for Voltage Regulator (Not Shown)	
11	70002234	1	Bar, Alternator Adjustment	
12	7020479	1	Starter	
12	70004058	1	Relay	
13	70004060	2	Plug-In Connector	
14	7027791	1	Transmitter, Temperature	
15	7027790	1	Sensor, Oil Pressure	
16	70004272	1	Sensor, Speed	
17	7027792	1	Throttle Actuator	
17	7027276	2	Spring	
18	70003475	1	Thermostat (Located at rear of engine block - Not Shown)	
19	70001870	1	Flywheel with Ring Gear	

SECTION 3 - ENGINE

ITEM	PART NUMBER	QTY	DESCRIPTION	REV
19	7024579	1	Gear, Ring 110 Tooth	
20	7000695	1	Muffler	
20	70001844	1	U-Ciamp	
20	7020471	4	Gasket	
21	7027795	1	Module, Control	
22	70001181	1	Valve, Pressure Control	
22	70124410	1	Spring	
22	70025082	1	Seal	
22	70124440	1	Screw, Locking	
23	70000345	4	Plug, Glow	
24	70000800	1	Camshaft Pulley Repair Kit (Not Shown)	
26	70002415	1	Gasket, Head with 1 Notch (Not Shown)	
62	70002416	1	Gasket, Head with 2 Notch (Not Shown)	
26	70002417	1	Gasket, Head with 3 Notch (Not Shown)	
27	7027796	1	Harness, Engine (Connects to Item 421)	
27	70001872	1	Harness, Engine (Connects to p/n 7027796)	
28		Ref	Gaskets and Seals - Miscellaneous (Not Shown)	
28	70004289	1	Gasket Set	
28	70002718	1	Seal, Rear Main	
28	70004280	1	Seal, Front Main	
29	70025752	1	Valve, Pressure Relief (Not Shown - Located at Engine Front Left)	
29	70025753	1	Spring	
29	70005916	1	Seal	
29	70005917	1	Plug, Locking	

SECTION 3 - ENGINE

FIGURE 3-8. DEUTZ TD2.9L4 ENGINE INSTALLATION (STAGE V)



ART_1001296656

SECTION 3 - ENGINE

FIGURE 3-8. DEUTZ TD2.9L4 ENGINE INSTALLATION (STAGE V)

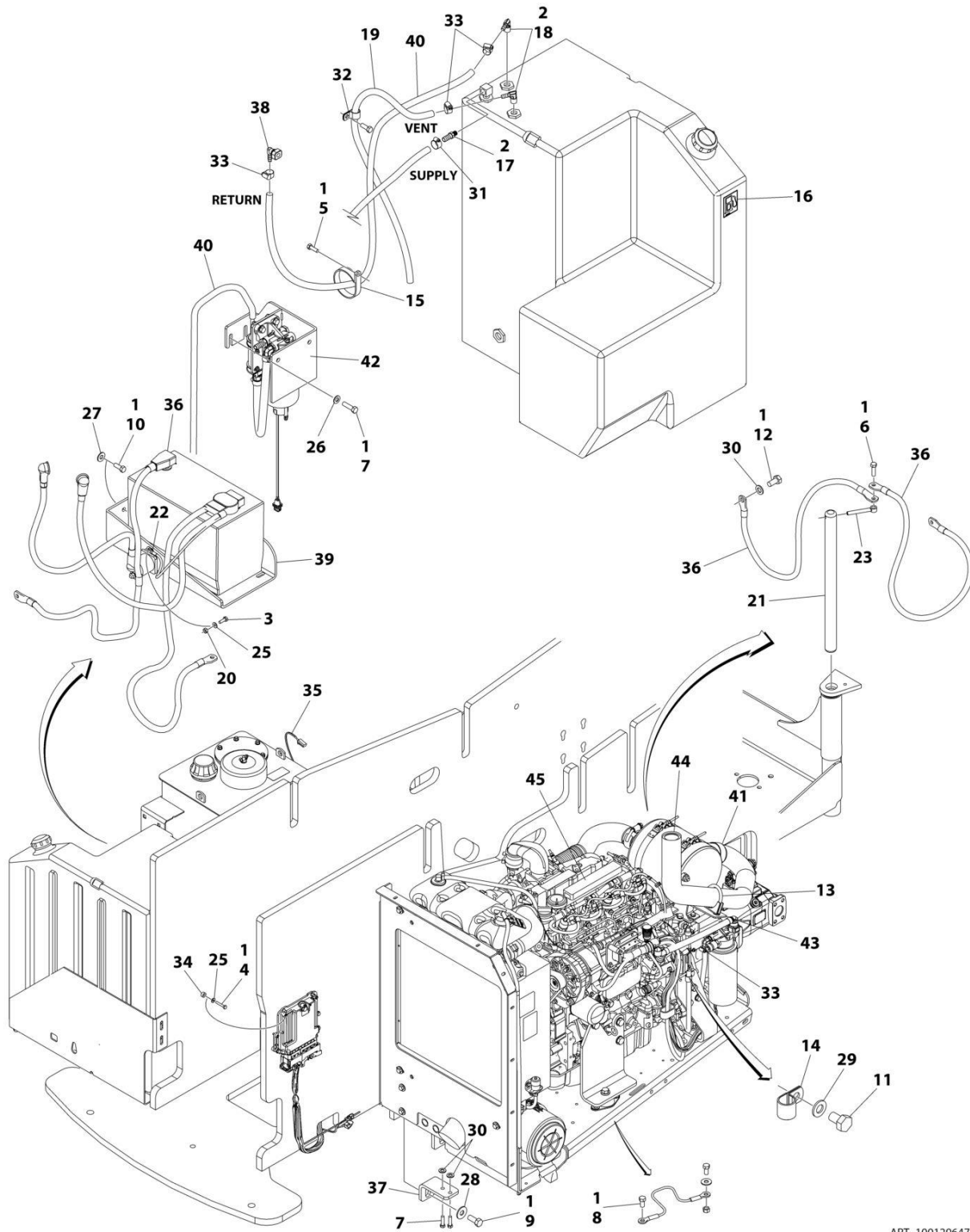
ITEM	PART NUMBER	QTY	DESCRIPTION	REV
	1001296656	Ref	DEUTZ TD2.9L4 ENGINE INSTALLATION (STAGE V)	A
1	0100011	AR	Compound, Locking	
2	0100020	AR	Sealant, Pipe	
3	0641406	3	Bolt 1/4 x 3/4	
4	0641412	4	Bolt 1/4 x 1-1/2	
5	0641508	1	Bolt 5/16 x 1	
6	0641610	3	Bolt 3/8 x 1-1/4	
7	0641611	4	Bolt 3/8 x 1-3/8	
8	0641808	1	Bolt 1/2 x 1	
9	0642012	1	Bolt 5/8 x 1-1/2	
10	0681608	3	Bolt 3/8 x 1	
11	0771212	1	Bolt M12 x 25	
12	1062255	AR	Tie-Strap (Not Shown)	
13	1320061	1	Clamp	
14	1321339	1	Clamp	
15	1701505	1	Decal - Diesel Fuel (Located on Fuel Tank)	
16	2180832	1	Fitting, 90 NPT/ Barbed	
17	2220313	2	Fitting, 90 NPT/Barbed	
18	2750532	4 ft /2 m	Hose (Vent Line)	
19	3311405	3	Nut 1/4	
20	3422446	1	Pin, Pivot	
21	3740067	1	Relay	
22	3841143	1	Pin, Keeper	
23	4240099	AR	Tie-Strap (Not Shown)	
24	4711400	8	Washer 1/4	
25	4711600	4	Washer 3/8	
26	4751600	3	Washer 3/8	
27	4752000	1	Washer 5/8	
28	4812100	3	Washer M12	
29	5251210	1	Bolt M12 x 20	
30	8405006	2	Clamp	
31	8406102	1	Clip	
32	8410013	4	Clamp	
33	1001110425	4	Spacer	
34	1001138491	1	Harness, Fuel (Not Shown - See Separate Breakdown in ELECTRICAL Section)	
35	1001142501	1	Fitting, Straight Metric/Barbed	
36	1001143736	1	Battery Cable Kit	
36	7027084	1	Cable, Battery (Black) (Battery - to Tray Pivot Grd)	
36	8270147	1	Terminal, Battery (With Boot)	
36	7027085	1	Cable, Battery (Black) (Battery - to Aux Pump and Relay Grds)	
36	7027086	1	Cable, Battery (Black) (Engine to Tray Pivot Grd)	
36	7027087	1	Cable (Red) (Battery + to Aux Relay/Power Module/Starter)	
36	7027088	1	Cable (Red) (Aux Relay to Aux Pump)	
36	See Note	1	Cable (Auxiliary Relay to Starter) (Note: Use P/N 7027087)	
37	1001146588	1	Strap	
38	1001153359	1	Mount, Engine	
39	1001154405	5 ft /2 m	Hose	
40	1001155823	1	Fitting, Quick Disconnect 90	
41	1001162497	1	Bracket, Battery	

SECTION 3 - ENGINE

ITEM	PART NUMBER	QTY	DESCRIPTION	REV
42	1001165035	24 ft /8 m	Hose	
43	1001191620	1	Clamp	
44	1001256879	1	Bracket	
45	1001289593	1	ECU Power Jumper Harness (See Separate Breakdown in ELECTRICAL Section)	
46	1001296655	1	Deutz TD2.9L4 Engine and Pump Sub-Assembly (Stage V) (See Separate Breakdown in this Section)	

SECTION 3 - ENGINE

FIGURE 3-9. DEUTZ TD2.9L4 ENGINE INSTALLATION (CHINA III)



ART_1001296475

SECTION 3 - ENGINE

FIGURE 3-9. DEUTZ TD2.9L4 ENGINE INSTALLATION (CHINA III)

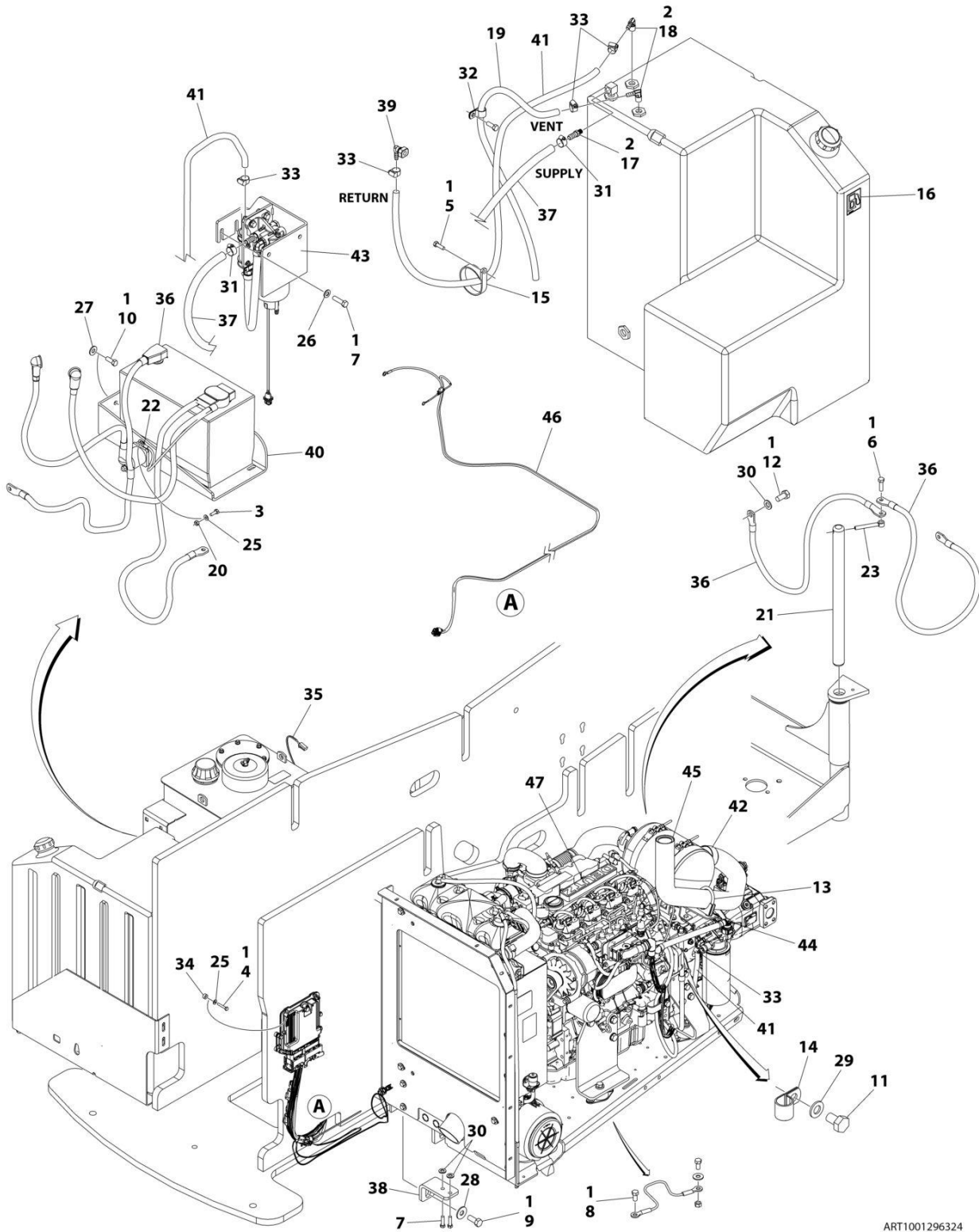
ITEM	PART NUMBER	QTY	DESCRIPTION	REV
	1001296475	Ref	DEUTZ TD2.9L4 ENGINE INSTALLATION (CHINA III)	A
1	0100011	AR	Compound, Locking	
2	0100020	AR	Sealant, Pipe	
3	0641406	2	Bolt 1/4 x 3/4	
4	0641412	4	Bolt 1/4 x 1-1/2	
5	0641508	1	Bolt 5/16 x 1	
6	0641610	1	Bolt 3/8 x 1-1/4	
7	0641611	4	Bolt 3/8 x 1-3/8	
8	0641808	1	Bolt 1/2 x 1	
9	0642012	1	Bolt 5/8 x 1-1/2	
10	0681608	3	Bolt 3/8 x 1	
11	0761008	1	Bolt M10 x 16	
12	0771212	1	Bolt M12 x 25	
13	1320011	1	Clamp, Muffler (Located on Exhaust)	
14	1320061	1	Clamp	
15	1321339	1	Clamp	
16	1701505	1	Decal - Diesel Fuel (Located on Fuel Tank)	
17	2180832	1	Fitting, 90 NPT/ Barbed	
18	2220313	2	Fitting, 90 NPT/Barbed	
19	2750532	4 ft /2 m	Hose (Vent Line)	
20	3311405	2	Nut 1/4-20	
21	3422446	1	Pin, Pivot	
22	3740067	1	Relay	
23	3841143	1	Pin, Keeper	
24	4240033	AR	Tie-Strap (Not Shown)	
25	4711400	7	Washer 1/4	
26	4711600	2	Washer 3/8	
27	4751600	3	Washer 3/8	
28	4752000	1	Washer 5/8	
29	4812000	1	Washer M10	
30	4812100	3	Washer M12	
31	8405006	1	Clamp	
32	8406102	1	Clip	
33	8410013	4	Clamp	
34	1001110425	4	Spacer	
35	1001138491	1	Harness, Fuel (See Separate Breakdown in ELECTRICAL Section)	
36	1001143736	1	Battery Cable Kit	
36	7027084	1	Cable, Battery (Black) (Battery - to Tray Pivot Grd)	
36	8270147	1	Terminal, Battery (With Boot)	
36	7027085	1	Cable, Battery (Black) (Battery - to Aux Pump and Relay Grds)	
36	7027086	1	Cable, Battery (Black) (Engine to Tray Pivot Grd)	
36	7027087	1	Cable (Red) (Battery + to Aux Relay/Power Module/Starter)	
36	7027088	1	Cable (Red) (Aux Relay to Aux Pump)	
36	See Note	1	Cable (Auxiliary Relay to Starter) (Note: Use P/N 7027087)	
37	1001153359	1	Mount, Engine	
38	1001155823	1	Fitting, Quick Disconnect 90	
39	1001162497	1	Bracket, Battery	
40	1001165035	28 ft /9 m	Hose	
41	1001221212	1	Clamp (Located on Exhaust)	

SECTION 3 - ENGINE

ITEM	PART NUMBER	QTY	DESCRIPTION	REV
42	1001227224	1	Bracket Assembly Less Filter/Pump (See Separate Breakdown in this Section)	
43	1001227620	1	Plate (Located on Exhaust)	
44	1001247013	1	Pipe	
45	1001296474	1	Engine and Pump Sub-Assembly (See Separate Breakdown in this Section)	

SECTION 3 - ENGINE

FIGURE 3-10. DEUTZ TD2.9L4 ENGINE INSTALLATION (CHINA IV)



ART1001296324

SECTION 3 - ENGINE

FIGURE 3-10. DEUTZ TD2.9L4 ENGINE INSTALLATION (CHINA IV)

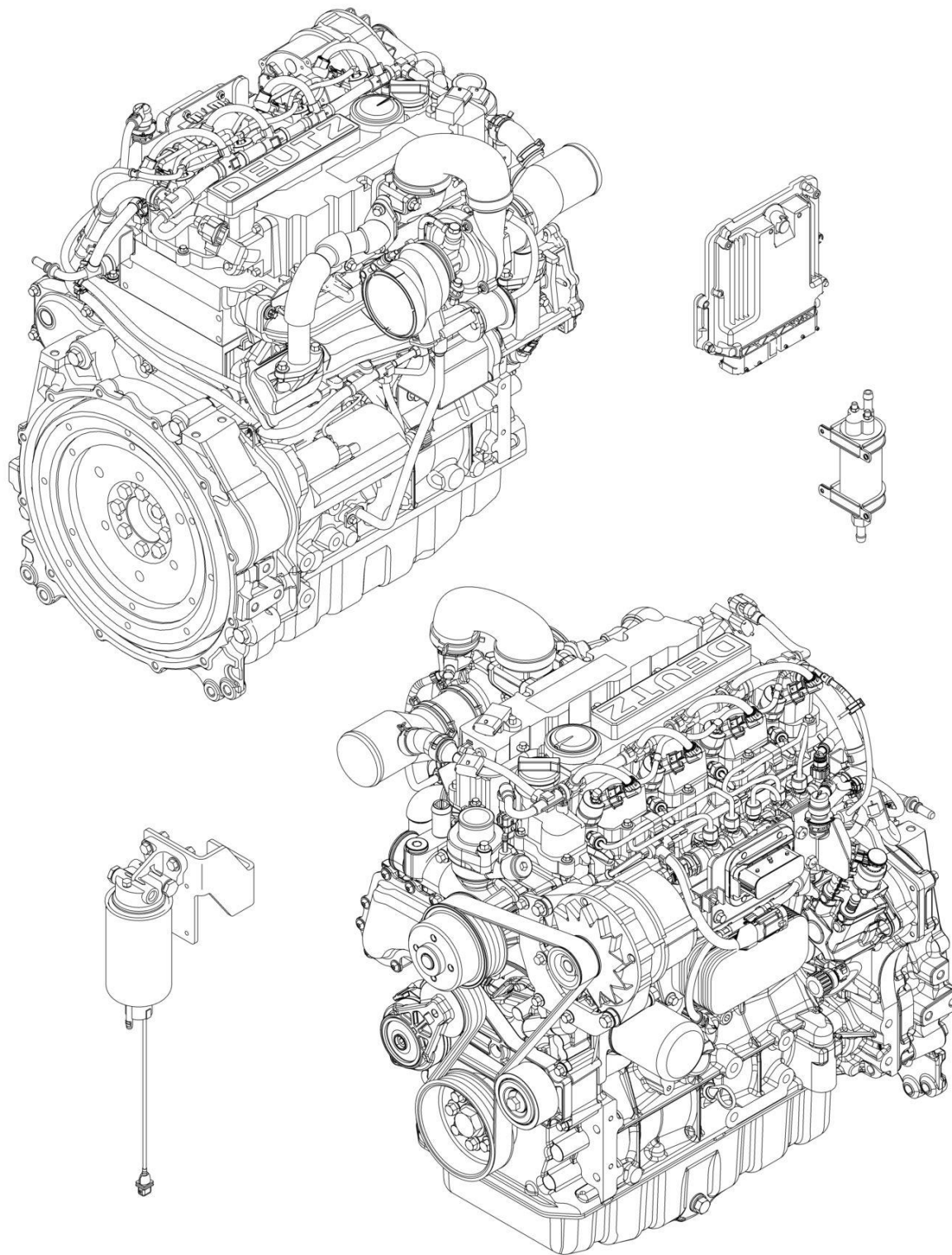
ITEM	PART NUMBER	QTY	DESCRIPTION	REV
	1001296324	Ref	DEUTZ TD2.9L4 ENGINE INSTALLATION (CHINA IV)	A
1	0100011	AR	Compound, Locking	
2	0100020	AR	Sealant, Pipe	
3	0641406	2	Bolt 1/4 x 3/4	
4	0641412	4	Bolt 1/4 x 1-1/2	
5	0641508	1	Bolt 5/16 x 1	
6	0641610	1	Bolt 3/8 x 1-1/4	
7	0641611	4	Bolt 3/8 x 1-3/8	
8	0641808	1	Bolt 1/2 x 1	
9	0642012	1	Bolt 5/8 x 1-1/2	
10	0681608	3	Bolt 3/8 x 1	
11	0761008	1	Bolt M10 x 16	
12	0771212	1	Bolt M12 x 25	
13	1320011	1	Clamp, Muffler (Located on Exhaust)	
14	1320061	1	Clamp	
15	1321339	1	Clamp	
16	1701505	1	Decal - Diesel Fuel (Located on Fuel Tank)	
17	2180832	1	Fitting, 90 Barbed	
18	2220313	2	Fitting, 90 NPTF/Barbed	
19	2750532	4 ft /2 m	Hose (Vent Line)	
20	3311405	2	Nut 1/4-20	
21	3422446	1	Pin	
22	3740067	1	Relay	
23	3841143	1	Pin, Keeper	
24	4240033	AR	Tie-Strap (Not Shown)	
25	4711400	7	Washer 1/4	
26	4711600	2	Washer 3/8	
27	4751600	3	Washer 3/8	
28	4752000	1	Washer 5/8	
29	4812000	1	Washer M10	
30	4812100	3	Washer M12	
31	8405006	2	Clamp	
32	8406102	1	Clip	
33	8410013	5	Clamp	
34	1001110425	4	Spacer	
35	1001138491	1	Harness, Fuel (See Separate Breakdown in ELECTRICAL Section)	
36	1001143736	1	Battery Cable Kit	
37	1001154405	5 ft /2 m	Hose	
38	1001153359	1	Mount, Engine	
39	1001155823	1	Fitting, Quick Disconnect 90	
40	1001162497	1	Bracket, Battery	
41	1001165035	24 ft /8 m	Hose	
42	1001221212	1	Clamp (Located on Exhaust)	
43	1001227224	1	Bracket Assembly Less Filter/Pump (See Separate Breakdown in this Section)	
44	1001227620	1	Plate (Located on Exhaust)	
45	1001247013	1	Pipe	
46	1001289593	1	ECM Jumper Harness (See Separate Breakdown ELECTRICAL Section)	

SECTION 3 - ENGINE

ITEM	PART NUMBER	QTY	DESCRIPTION	REV
47	1001296319	1	Deutz TD2.9L4 Engine and Pump Sub-Assembly (See Separate Breakdown in this Section)	

SECTION 3 - ENGINE

FIGURE 3-11. DEUTZ TD2.9L4 ENGINE COMPONENTS (CHINA IV)



ART_1001291681

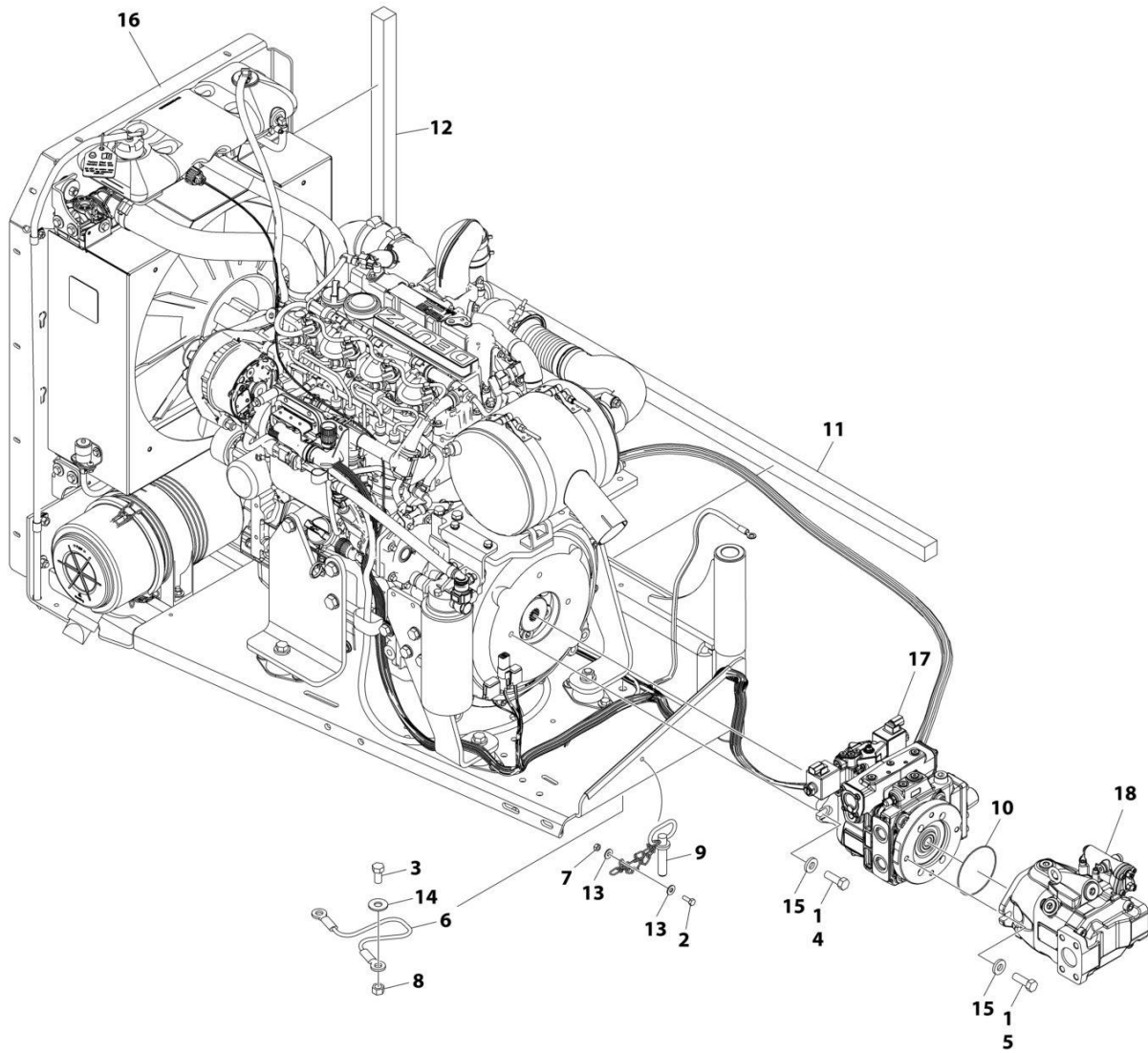
SECTION 3 - ENGINE

FIGURE 3-11. DEUTZ TD2.9L4 ENGINE COMPONENTS (CHINA IV)

ITEM	PART NUMBER	QTY	DESCRIPTION	REV
	1001291681	Ref	DEUTZ ENGINE CHINA IV	A
	See Note	Ref	Note: No Service Parts Available at Time of Printing	

SECTION 3 - ENGINE

FIGURE 3-12. DEUTZ TD2.9L4 ENGINE/PUMP SUB ASSEMBLY (CHINA III)



ART_1001296474

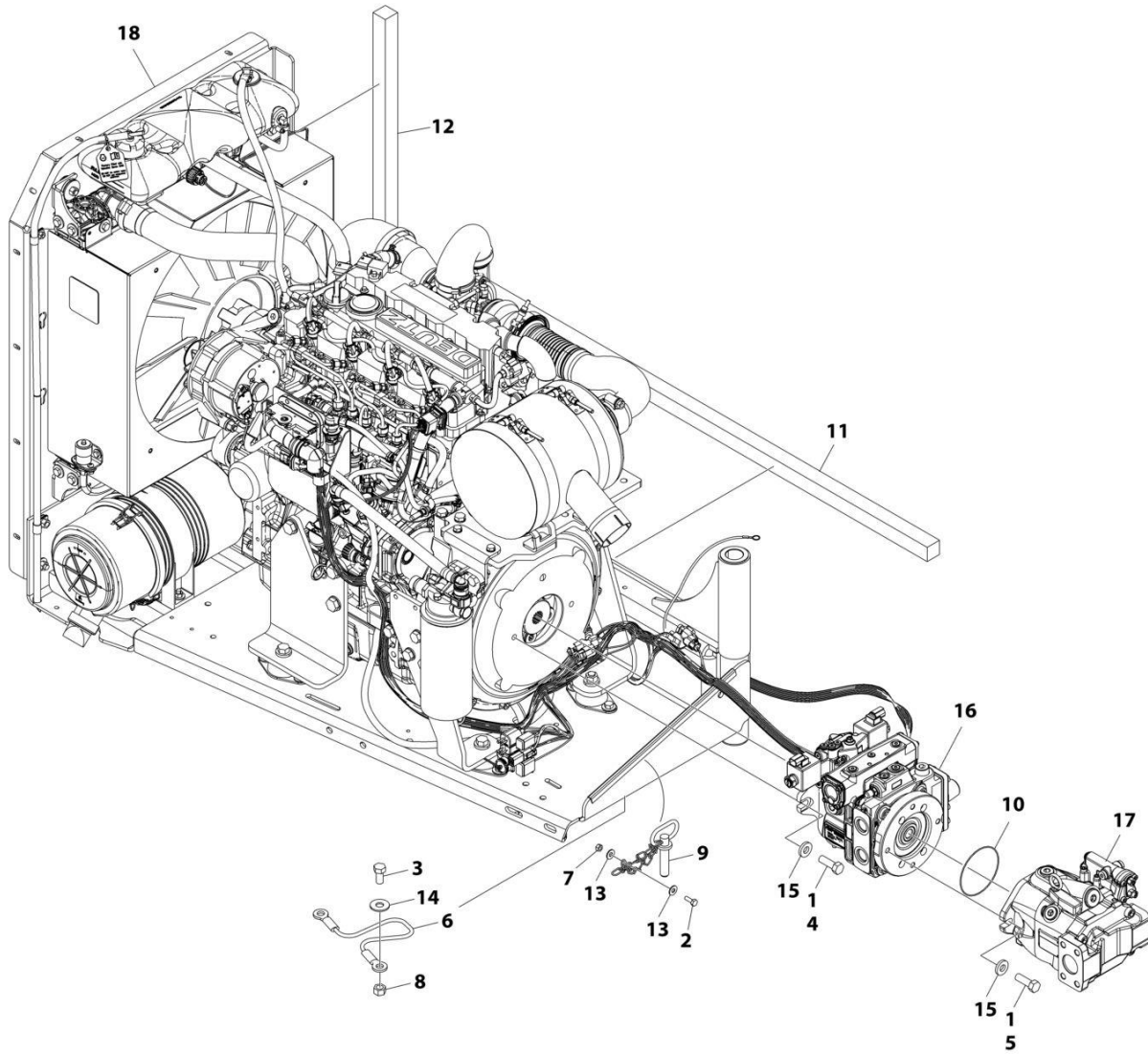
SECTION 3 - ENGINE

FIGURE 3-12. DEUTZ TD2.9L4 ENGINE/PUMP SUB ASSEMBLY (CHINA III)

ITEM	PART NUMBER	QTY	DESCRIPTION	REV
	1001296474	Ref	DEUTZ TD2.9L4 ENGINE/PUMP SUB-ASSEMBLY (CHINA III)	A
1	0100011	AR	Compound, Locking	
2	0641406	1	Bolt 1/4 x 3/4	
3	0641808	1	Bolt 1/2 x 1	
4	0641812	2	Bolt 1/2 x 1-1/2	
5	0711215	2	Bolt M12 x 35	
6	1060637	1	Lanyard	
7	3311405	1	Nut 1/4	
8	3311801	1	Nut 1/2	
9	3422532	1	Pin, Hitch	
10	3790044	1	O-Ring	
11	3960468	1	Seal	
12	3960469	1	Seal	
13	4751400	2	Washer 1/4	
14	4751800	1	Washer 1/2	
15	4891800	4	Washer 1/2	
16	1001227614	1	Engine Assembly (See Separate Breakdown in this Section)	
17	1001276376	1	Hydrostatic Pump Assembly (See Separate Breakdown in this Section)	
18	1001276377	1	Variable Pump Assembly with Fittings (See Separate Breakdown in this Section)	

SECTION 3 - ENGINE

FIGURE 3-13. DEUTZ TD2.9L4 ENGINE/PUMP SUB ASSEMBLY (CHINA IV)



ART_1001296319

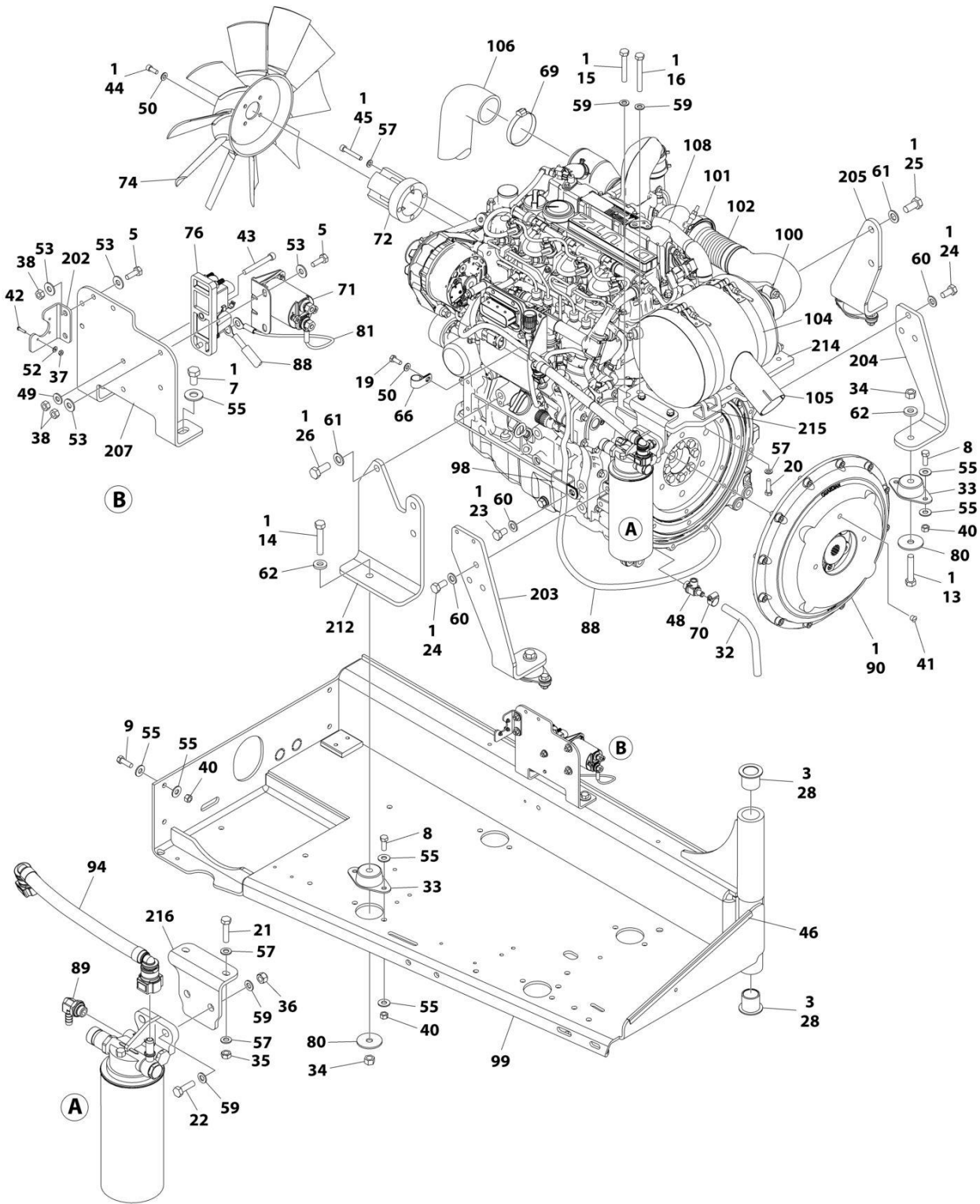
SECTION 3 - ENGINE

FIGURE 3-13. DEUTZ TD2.9L4 ENGINE/PUMP SUB ASSEMBLY (CHINA IV)

ITEM	PART NUMBER	QTY	DESCRIPTION	REV
	1001296319	Ref	DEUTZ TD2.9L4 ENGINE/PUMP SUB-ASSEMBLY	A
1	0100011	AR	Compound, Locking	
2	0641406	1	Bolt 1/4 x 3/4	
3	0641808	1	Bolt 1/2 x 1	
4	0641812	2	Bolt 1/2 x 1-1/2	
5	0711215	2	Bolt M12 x 35	
6	1060637	1	Lanyard	
6	3311405	1	Nut 1/4	
8	3311801	1	Nut 1/2	
9	3422532	1	Pin, Hitch	
10	3790044	1	O-Ring	
11	3960468	1	Seal	
12	3960469	1	Seal	
13	4751400	2	Washer 1/4	
14	4751800	1	Washer 1/2	
15	4891800	4	Washer 1/2	
16	1001276376	1	Hydrostatic Pump Assembly (See Separate Breakdown in this Section)	
17	1001276377	1	Variable Pump Assembly with Fittings (See Separate Breakdown in this Section)	
18	1001281609	1	Engine Assembly (See Separate Breakdown in this Section)	

SECTION 3 - ENGINE

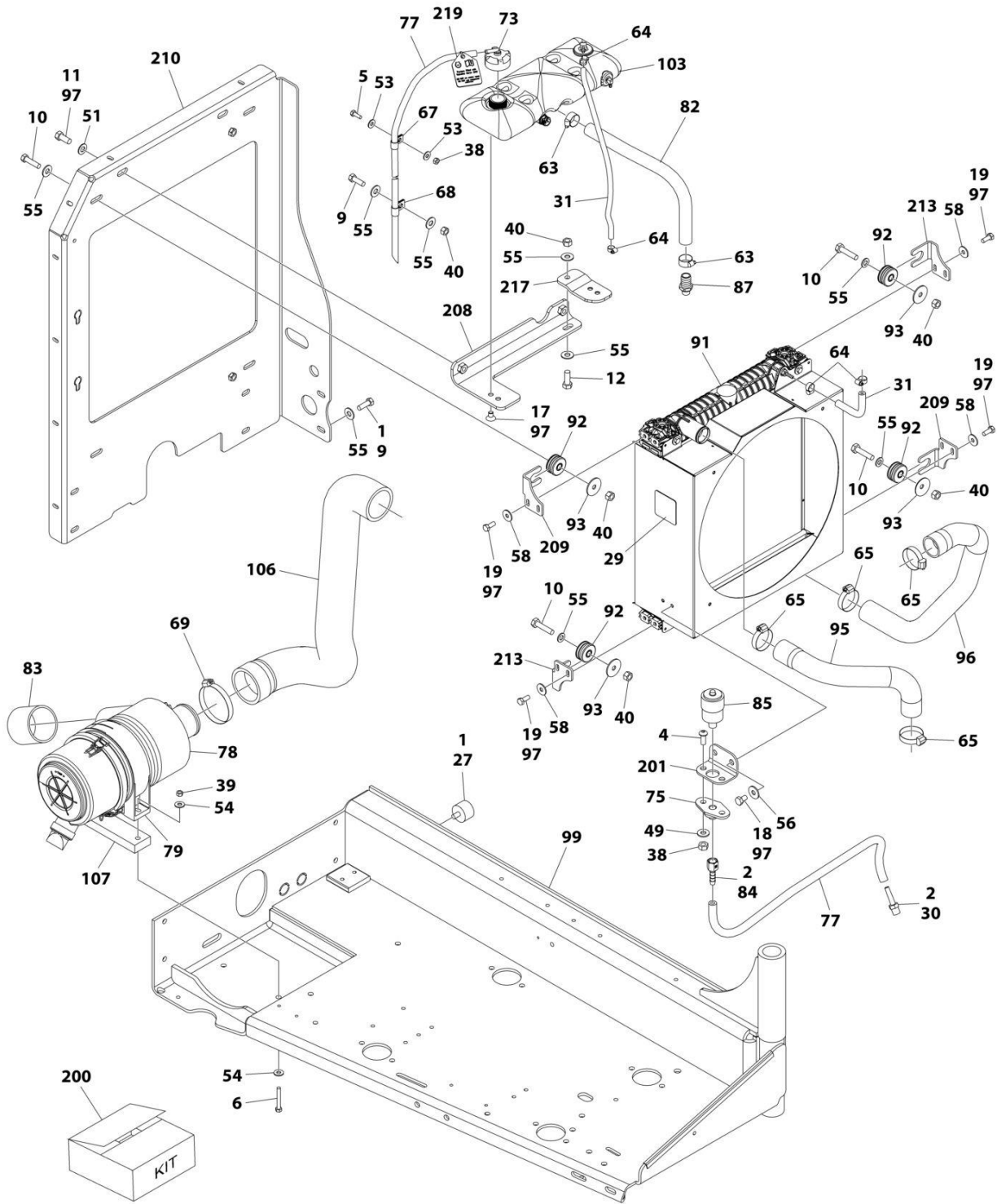
FIGURE 3-14. DEUTZ TD2.9L4 ENGINE ASSEMBLY (CHINA IV)



ART_1001281609_F_10F2

SECTION 3 - ENGINE

FIGURE 3-15. DEUTZ TD2.9L4 ENGINE ASSEMBLY (CHINA IV)



ART_1001281609_F_20F2

SECTION 3 - ENGINE

FIGURE 3-15. DEUTZ TD2.9L4 ENGINE ASSEMBLY (CHINA IV)

ITEM	PART NUMBER	QTY	DESCRIPTION	REV
	1001281609	Ref	DEUTZ TD2.9L4 ENGINE ASSEMBLY	F
1	0100011	AR	Compound, Locking	
2	0100020	AR	Sealant	
3	0100062	AR	Compound, Locking	
4	0630407	2	Screw 1/4 x 5/8	
5	0641406	5	Bolt 1/4 x 3/4	
6	0641518	2	Bolt 5/16 x 2-1/4	
7	0641605	2	Bolt 3/8 x 5/8	
8	0641608	8	Bolt 3/8 x 1	
9	0641609	6	Bolt 3/8 x 1-1/8	
10	0641612	4	Bolt 3/8 x 1-1/2	
11	0641708	2	Bolt 7/16 x 1	
12	0681608	1	Bolt 3/8 x 1 Grade 8	
13	0681820	3	Bolt 1/2 x 2-1/2 Grade 8	
14	0681822	1	Bolt 1/2 x 2-3/4 Grade 8	
15	0701022	2	Bolt M10 x 70	
16	0701025	2	Bolt M10 x 85	
17	0741605	2	Screw 3/8 x 5/8	
18	0760605	2	Bolt M6 x 10	
19	0760810	9	Bolt M8 x 20	
20	0760814	4	Bolt M8 x 30	
21	0760815	2	Bolt M8 x 35	
22	0761015	2	Bolt M10 x 35	
23	0761210	1	Bolt M12 x 20	
24	0771212	6	Bolt M12 x 25 Grade 10.9	
25	0771414	2	Bolt M14 x 30 Grade 10.9	
26	0771415	3	Bolt M14 x 35	
27	0940070	1	Bumper	
28	0961986	2	Bushing, Flanged	
29	1703162	1	Decal - Caution Fan Blade	
30	2220315	1	Fitting, Straight Barbed	
31	2720015	3 ft /1 m	Hose	
32	2720340	1 ft /0.3 m	Hose	
33	3200401	4	Mount, Motor	
34	3271801	4	Nut 1/2	
35	3290801	2	Nut M8	
36	3291005	2	Nut M10	
37	3310401	3	Nut #4	
38	3311405	8	Nut 1/4	
39	3311505	2	Locknut 5/16	
40	3311605	17	Nut 3/8	
41	3520054	1	Plug	
42	3910408	3	Screw #4 x 1/2	
43	3931432	1	Capscrew 1/4 x 2	
44	3931512	4	Capscrew 5/16 x 3/4	
45	4031912	4	Capscrew M8 x 50	
46	4060805	2 ft /0.4 m	Flex-Trim	
47	4240099	AR	Tie-Strap (Not Shown)	
48	4640751	1	Valve, Oil Drain	
49	4711400	3	Washer 1/4	

SECTION 3 - ENGINE

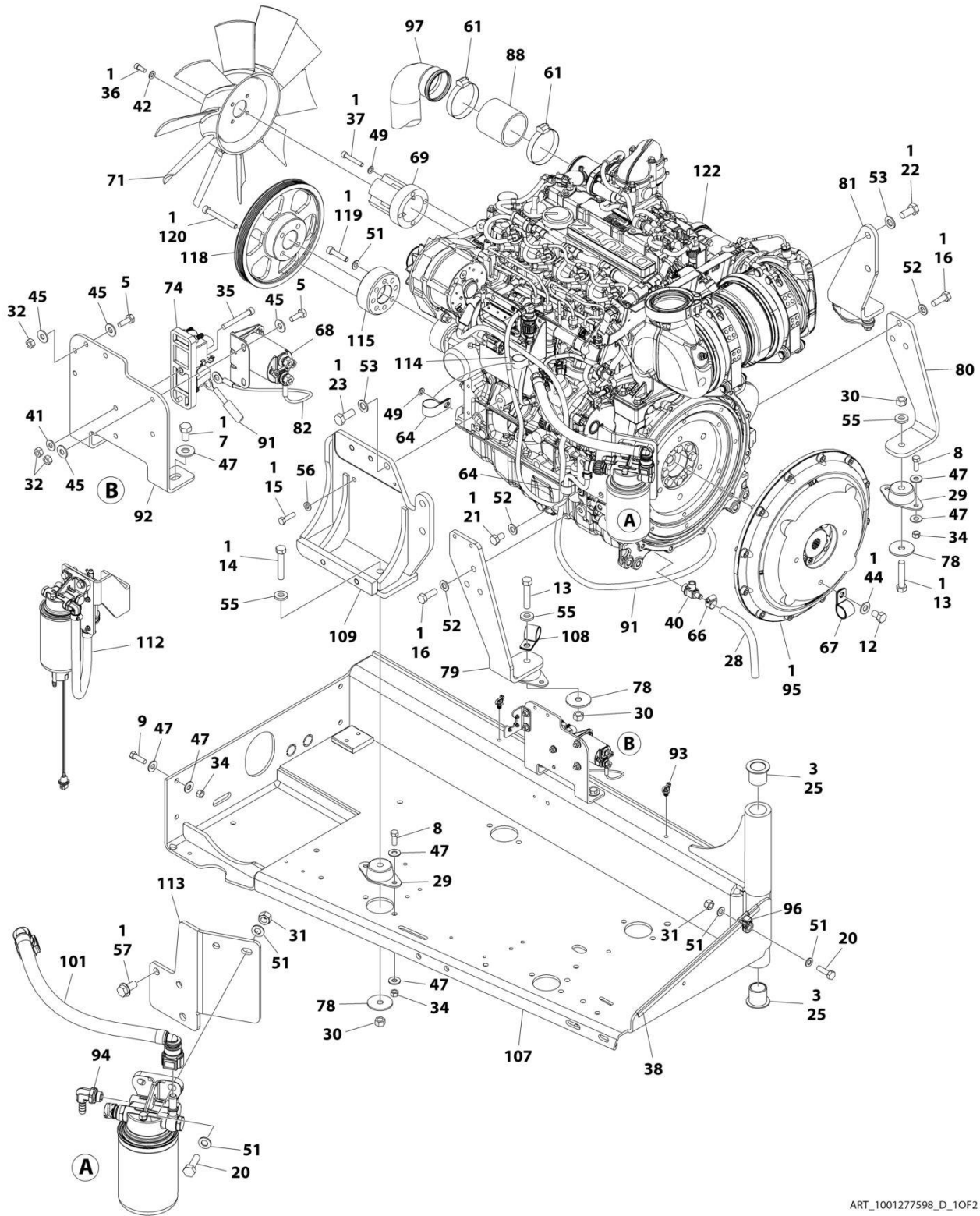
ITEM	PART NUMBER	QTY	DESCRIPTION	REV
50	4711500	5	Washer 5/16	
51	4711700	2	Washer 7/16	
52	4750400	3	Washer #4	
53	4751400	10	Washer 1/4	
54	4751500	4	Washer 5/16	
55	4751600	34	Washer 3/8	
56	4811702	2	Washer M6	
57	4811900	12	Washer M8	
58	4811902	8	Washer M8	
59	4812000	8	Washer M10	
60	4812100	7	Washer M12	
61	4812200	5	Washer M14	
62	4891800	4	Washer 1/2	
63	8405007	2	Clamp	
64	8405009	4	Clamp	
65	8405104	4	Clamp	
66	8406102	1	Clip	
67	8406109	1	Clip	
68	8406110	1	Clip	
69	8410011	2	Clamp	
70	8410013	1	Clamp	
71	1001117308	1	Relay	
72	1001289964	1	Adapter	
73	1001136834	1	Cap, Tank	
74	1001137276	1	Fan	
75	1001138173	1	Support	
76	1001138228	1	Relay, Power Module	
77	1001138248	6 ft /2 m	Tube	
78	1001138489	1	Air Cleaner Assembly	
78	91403102	1	Element, Filter	
79	1001138557	1	Clamp	
80	1001139409	4	Washer, Special	
81	1001141304	1	Harness, Glow Plug	
82	1001141370	1	Hose	
83	1001141585	1	Hose, Inlet	
84	1001141995	1	Fitting, Straight NPT/Barbed	
85	1001143390	1	Indicator, Service	
86	1001276644	1	Harness, Deutz Engine (Not Shown - See Separate Breakdown in ELECTRICAL Section)	
87	1001143797	1	Fitting, Straight Metric/Barbed	
88	1001143907	1	Cable, Alternator Power	
89	1001152489	1	Fitting, 90 Metric/ Barbed	
90	1001153282	1	Pump Coupling Kit (See Separate Breakdown in this Section)	
91	1001167042	1	Radiator	
92	1001169054	4	Isolator	
93	1001169138	4	Washer	
94	1001177359	1	Hose	
95	1001177844	1	Hose, Radiator - Upper	
96	1001177845	1	Hose, Radiator - Lower	
97	1001180620	AR	Adhesive	
98	1001181899	1	P-Clamp	
99	1001190610	1	Support, Engine Try	

SECTION 3 - ENGINE

ITEM	PART NUMBER	QTY	DESCRIPTION	REV
100	1001221212	1	Clamp	
101	1001221219	1	Clamp	
102	1001224940	1	Pipe, Exhaust	
103	1001230635	1	Tank	
104	1001233089	2	Strap	
105	1001257278	1	Muffler	
106	1001266525	1	Hose, Inlet	
107	1001267256	1	Shim, Air Cleaner	
108	1001291681	1	Deutz Engine China IV (See Separate Breakdown in this Section)	
109	1001281985	1	Connector (Not Shown - Use With Harness 1001238878)	
110	1001281986	1	Connector (Not Shown - Use With Harness 1001238878)	
200	1001257412	1	Bracket Engine Kit (Includes Items 201-217)	D
201	1001138175	1	Bracket	
202	1001139240	1	Bracket	
203	1001140448	1	Mount, Rear Engine	
204	1001140450	1	Mount, Rear Engine	
205	1001140454	1	Mount, Front Engine	
207	1001145154	1	Plate, Relay Mounting	
208	1001260413	1	Bracket, Tank	
209	1001178223	2	Bracket, Radiator	
210	1001186985	1	Plate, Mounting	
212	1001266499	1	Mount, Generator/Engine	
213	1001204325	2	Bracket, Radiator	
214	1001221203	1	Bracket	
215	1001224936	2	Mount, Doc Weldment	
216	1001224937	1	Mount, Fuel Filter	
217	1001260412	1	Bracket	
218	4240032	AR	Tie-Strap (Not Shown)	
219	1001291401	1	Tag, Coolant	

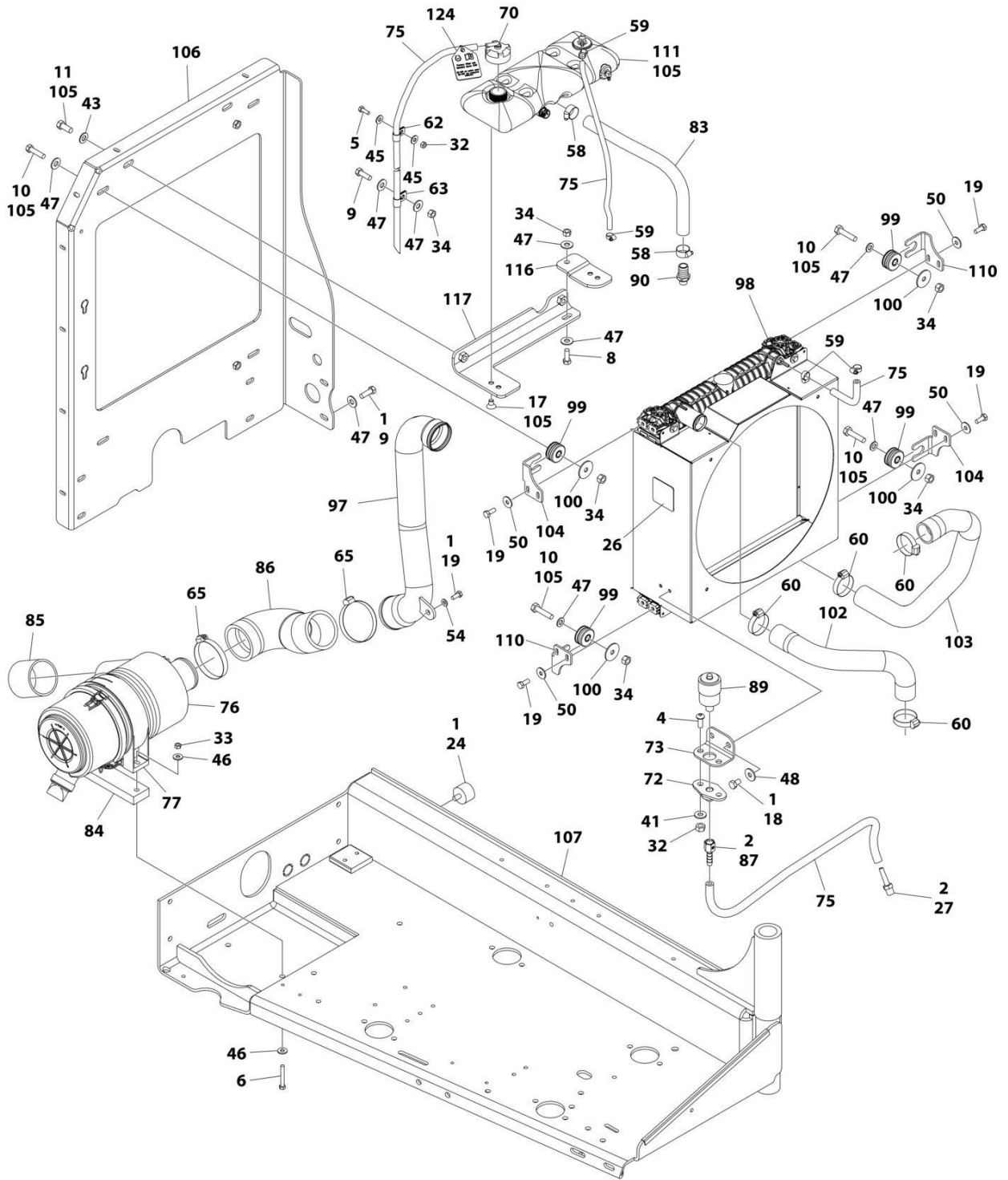
SECTION 3 - ENGINE

FIGURE 3-16. DEUTZ TD2.9L4 ENGINE ASSEMBLY (STAGE V)



ART_1001277598_D_10F2

SECTION 3 - ENGINE



ART_1001277598_D_20F2

SECTION 3 - ENGINE

FIGURE 3-16. DEUTZ TD2.9L4 ENGINE ASSEMBLY (STAGE V)

ITEM	PART NUMBER	QTY	DESCRIPTION	REV
	1001277598	Ref	DEUTZ TD2.9L4 ENGINE ASSEMBLY (STAGE V)	D
1	0100011	AR	Locking, Compound	
2	0100020	AR	Sealant	
3	0100062	AR	Compound, Locking	
4	0630407	2	Screw 1/4 x 5/8	
5	0641406	3	Bolt 1/4 x 3/4	
6	0641518	2	Bolt 5/16 x 2-1/4	
7	0641605	2	Bolt 3/8 x 5/8	
8	0641608	9	Bolt 3/8 x 1	
9	0641609	6	Bolt 3/8 x 1-1/8	
10	0641612	4	Bolt 3/8 x 1-1/2	
11	0641708	2	Bolt 7/16 x 1	
12	0641806	1	Bolt 1/2 x 3/4	
13	0681820	3	Bolt 1/2 x 2-1/2 Grade 8	
14	0681822	1	Bolt 1/2 x 2-3/4 Grade 8	
15	0700814	1	Bolt M8 x 30	
16	0711215	6	Bolt M12 x 35	
17	0741605	2	Screw 3/8 x 5/8	
18	0760605	2	Bolt M6 x 10	
19	0760810	9	Bolt M8 x 20	
20	0761015	3	Bolt M10 x 35	
21	0761210	1	Bolt M12 x 20	
22	0771414	2	Bolt M14 x 30 Grade 10.9	
23	0771415	3	Bolt M14 x 35 Grade 10.9	
24	0940070	1	Bumper	
25	0961986	2	Bushing, Flanged	
26	1703162	1	Decal - Caution Fan Blade	
27	2220315	1	Fitting, Straight Barbed	
28	2720340	1 ft /0.3 m	Hose	
29	3200401	4	Mount, Motor	
30	3271801	4	Nut 1/2 Grade 8	
31	3291005	3	Nut M10	
32	3311405	6	Nut 1/4	
33	3311505	2	Nut 5/16	
34	3311605	17	Nut 3/8	
35	3931432	1	Capscrew 1/4 x 2	
36	3931512	4	Capscrew 5/16 x 3/4	
37	4031914	4	Capscrew M8 x 50	
38	4060805	2 ft /0.4 m	Flex-Trim	
39	4240099	AR	Tie-Strap (Not Shown)	
40	4640751	1	Valve, Oil Drain	
41	4711400	3	Washer 1/4	
42	4711500	4	Washer 5/16	
43	4711700	2	Washer 7/16	
44	4711800	1	Washer 1/2	
45	4751400	6	Washer 1/4	
46	4751500	4	Washer 5/16	
47	4751600	34	Washer 3/8	
48	4811702	2	Washer M6	
49	4811900	5	Washer M8	

SECTION 3 - ENGINE

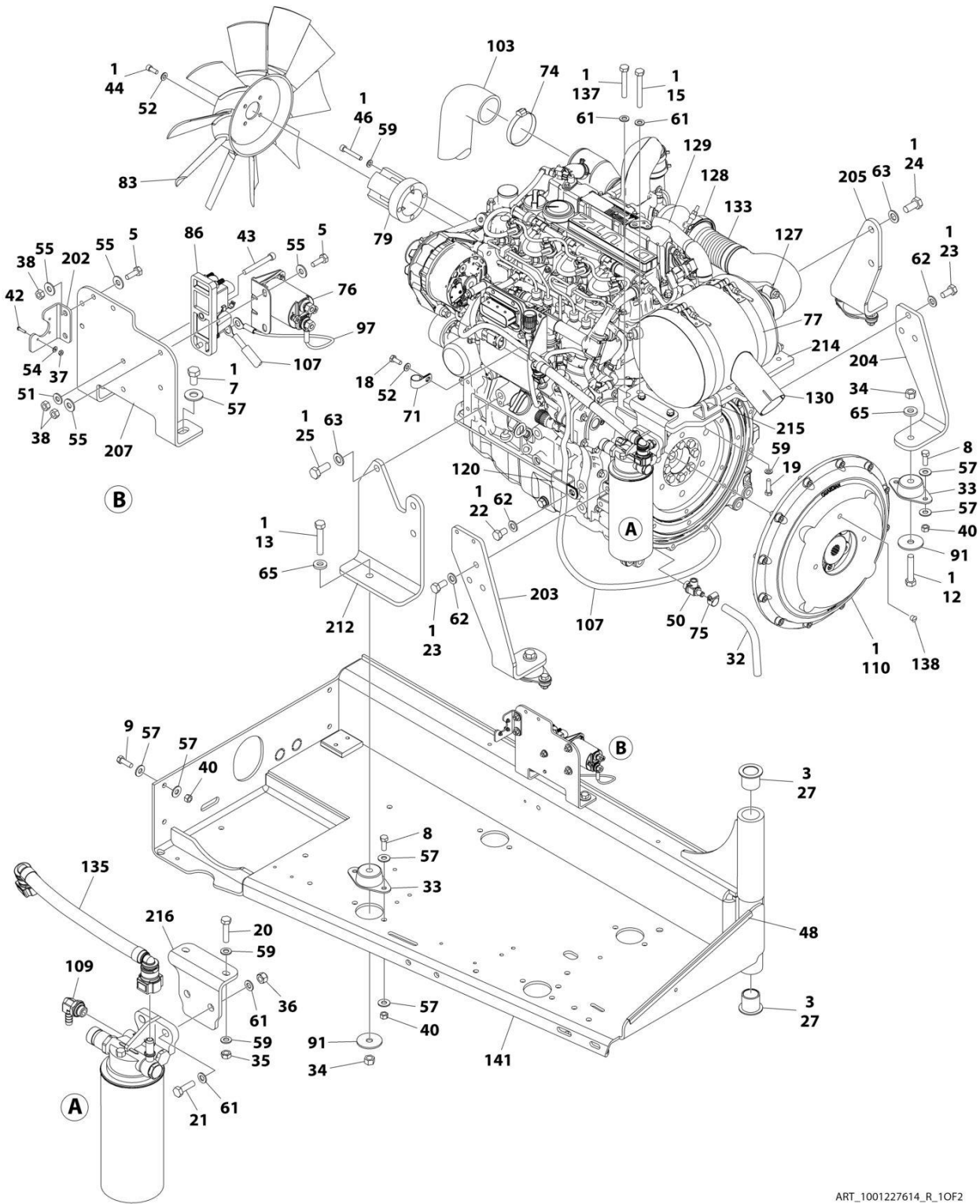
ITEM	PART NUMBER	QTY	DESCRIPTION	REV
50	4811902	8	Washer M8	
51	4812000	10	Washer M10	
52	4812100	7	Washer M12	
53	4812200	5	Washer M14	
54	4891500	1	Washer 5/16	
55	4891800	4	Washer 1/2	
56	5240800	1	Washer M8	
57	5251010	2	Bolt M10 x 20	
58	8405007	2	Clamp	
59	8405009	4	Clamp	
60	8405104	4	Clamp	
61	8405204	2	Clamp	
62	8406109	1	Clip	
63	8406110	1	Clip	
64	8406201	2	Clip	
65	8410011	2	Clamp	
66	8410013	1	Clamp	
67	85031405	1	Clamp	
68	1001117308	1	Relay	
69	1001135138	1	Adapter	
70	1001136834	1	Cap, Tank	
71	1001137276	1	Fan	
72	1001138173	1	Support	
73	1001138175	1	Bracket	
74	1001138228	1	Relay, Power Module	
75	1001138248	8 ft /3 m	Tube	
76	1001138489	1	Air Cleaner Assembly	
77	1001138557	1	Clamp	
78	1001139409	4	Washer, Special	
79	1001140448	1	Mount, Rear Engine	
80	1001140450	1	Mount, Rear Engine	
81	1001140454	1	Mount, Front Engine	
82	1001141304	1	Harness, Glow Plug	
83	1001141370	1	Hose	
84	1001141419	1	Shim	
85	1001141585	1	Hose, Inlet	
86	1001141586	1	Pipe, Intake	
87	1001141995	1	Fitting, Straight NPT/Barbed	
88	1001142623	1	Hose, Inlet	
89	1001143390	1	Indicator, Service	
90	1001143797	1	Fitting, Straight Metric/Barbed	
91	1001143907	1	Cable, Alternator Power	
92	1001145154	1	Plate, Relay Mounting	
93	1001146588	3	Strap	
94	1001152489	1	Fitting, 90 Metric/ Barbed	
95	1001153282	1	Pump Coupling Kit (See Separate Breakdown in this section)	
96	1001156107	1	Holder, Cable	
97	1001165842	1	Pipe	
98	1001167042	1	Radiator (Modine Radiator)	
99	1001169054	4	Pad, Isolator	
100	1001169138	4	Washer	

SECTION 3 - ENGINE

ITEM	PART NUMBER	QTY	DESCRIPTION	REV
101	1001177359	1	Hose	
102	1001177844	1	Hose, Radiator - Upper	
103	1001177845	1	Hose, Radiator - Lower	
104	1001178223	2	Bracket, Radiator	
105	1001180620	AR	Adhesive	
106	1001186985	1	Plate, Mounting	
107	1001190610	1	Tray	
108	1001191620	1	Clamp	
109	1001202368	1	Mount, Generator/Engine	
110	1001204325	2	Bracket, Radiator	
111	1001230635	1	Tank	
112	1001235949	1	Bracket, Fuel Pump/Filter Assy (See Separate Breakdown in this Section)	
113	1001238268	1	Mount, Fuel Filter	
114	1001245913	1	Harness, Deutz TD2.9L4 (Stage V) Engine Fuel Filter (See Separate Breakdown in ELECTRICAL Section)	
115	1001258800	1	Adapter	
116	1001260412	1	Bracket, Surge Tank	
117	1001260413	1	Bracket, Tank	
118	1001281192	1	Pulley	
119	1001261045	4	Capscrew M10 x 45	
120	1001261085	4	Capscrew M10 x 85	
121	1001276644	1	Harness Deutz (Not Shown - See Separate Breakdown in ELECTRICAL Section)	
122	1001277592	1	Engine Deutz (See Separate Breakdown in this section)	
123	4240032	AR	Tie-Strap (Not Shown)	
124	1001291401	1	Tag, Coolant	

SECTION 3 - ENGINE

FIGURE 3-17. DEUTZ TD2.9L4 ENGINE ASSEMBLY (CHINA III SPECS)



ART_1001227614_R_10F2

SECTION 3 - ENGINE

FIGURE 3-17. DEUTZ TD2.9L4 ENGINE ASSEMBLY (CHINA III SPECS)

ITEM	PART NUMBER	QTY	DESCRIPTION	REV
	1001227614	Ref	DEUTZ TD2.9L4 ENGINE ASSEMBLY	R
1	0100011	AR	Compound, Locking	
2	0100020	AR	Sealant	
3	0100062	AR	Compound, Locking	
4	0630407	2	Screw 1/4 x 5/8	
5	0641406	5	Bolt 1/4 x 3/4	
6	0641518	2	Bolt 5/16 x 2-1/4	
7	0641605	2	Bolt 3/8 x 5/8	
8	0641608	8	Bolt 3/8 x 1	
9	0641609	6	Bolt 3/8 x 1-1/8	
10	0641612	4	Bolt 3/8 x 1-1/2	
11	0641708	2	Bolt 7/16 x 1	
12	0681820	3	Bolt 1/2 x 2-1/2 Grade 8	
13	0681822	1	Bolt 1/2 x 2-3/4 Grade 8	
15	0701025	2	Bolt M10 x 85	
16	0741605	2	Screw 3/8 x 5/8	
17	0760605	2	Bolt M6 x 10	
18	0760810	10	Bolt M8 x 20	
19	0760814	4	Bolt M8 x 30	
20	0760815	2	Bolt M8 x 35	
21	0761015	2	Bolt M10 x 35	
22	0761210	1	Bolt M12 x 20	
23	0771212	6	Bolt M12 x 25 Grade 10.9	
24	0771414	2	Bolt M14 x 30 Grade 10.9	
25	0771415	3	Bolt M14 x 35	
26	0940070	1	Bumper	
27	0961986	2	Bushing, Flanged	
28	1703162	1	Decal - Caution Fan Blade	
29	2220315	1	Fitting, Straight Barbed	
31	2720015	3 ft /1 m	Hose	
32	2720340	1 ft /0.4 m	Hose	
33	3200401	4	Mount, Motor	
34	3271801	4	Nut 1/2	
35	3290801	2	Nut M8	
36	3291005	2	Nut M10	
37	3310401	3	Nut #4	
38	3311405	8	Nut 1/4	
39	3311505	2	Locknut 5/16	
40	3311605	17	Nut 3/8	
42	3910408	3	Screw #4 x 1/2	
43	3931432	1	Capscrew 1/4 x 2	
44	3931512	4	Capscrew 5/16 x 3/4	
46	4031914	4	Capscrew M8 x 50	
48	4060805	2 ft /0.4 m	Flex-Trim	
49	4240099	AR	Tie-Strap (Not Shown)	
50	4640751	1	Valve, Oil Drain	
51	4711400	3	Washer 1/4	
52	4711500	5	Washer 5/16	
53	4711700	2	Washer 7/16	
54	4750400	3	Washer #4	

SECTION 3 - ENGINE

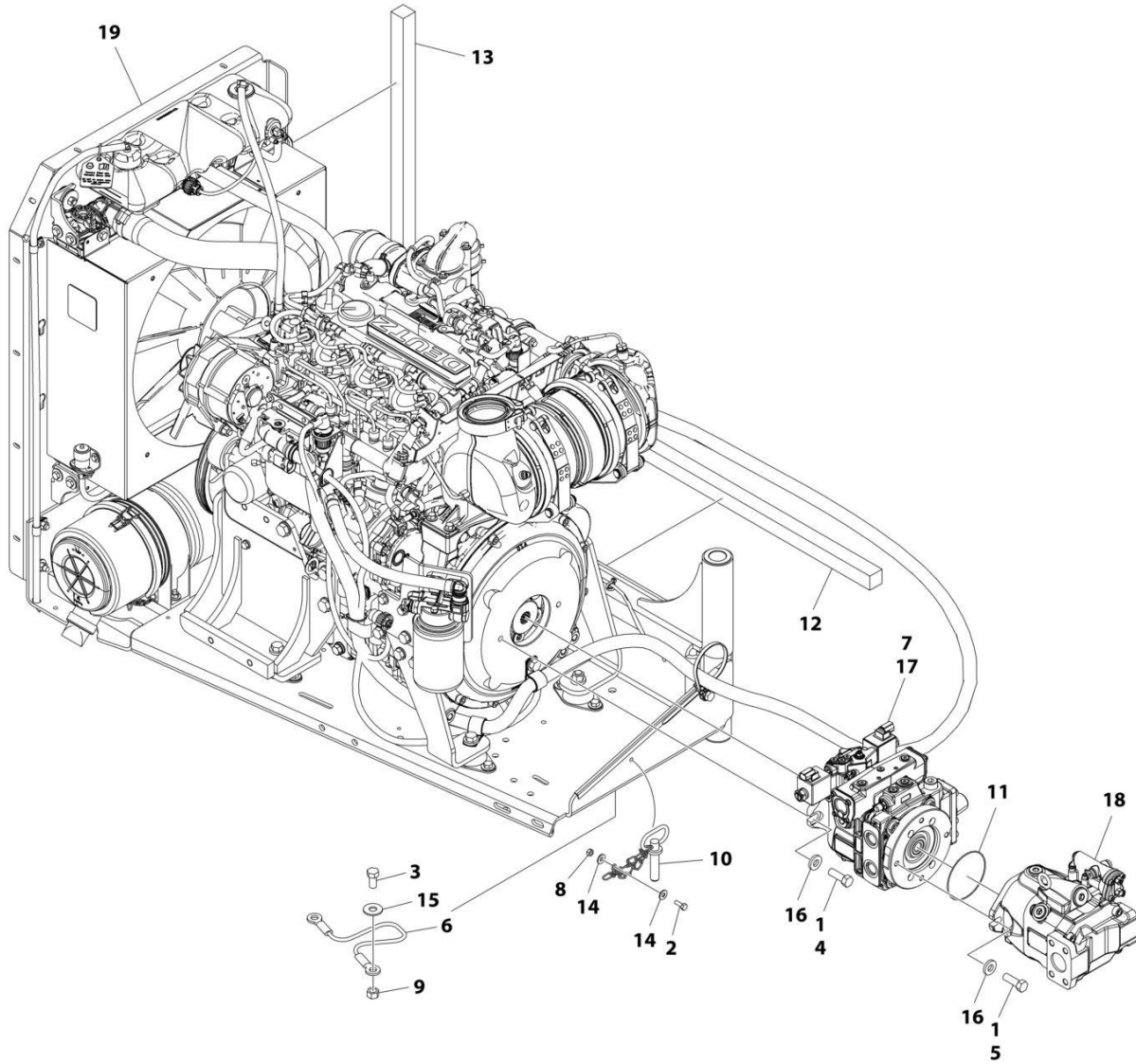
ITEM	PART NUMBER	QTY	DESCRIPTION	REV
55	4751400	10	Washer 1/4	
56	4751500	4	Washer 5/16	
57	4751600	34	Washer 3/8	
58	4811702	2	Washer M6	
59	4811900	12	Washer M8	
60	4811902	8	Washer M8	
61	4812000	8	Washer M10	
62	4812100	7	Washer M12	
63	4812200	5	Washer M14	
65	4891800	4	Washer 1/2	
67	8405007	2	Clamp	
68	8405009	4	Clamp	
69	8405104	4	Clamp	
71	8406102	1	Clip	
72	8406109	1	Clip	
73	8406110	1	Clip	
74	8410011	2	Clamp	
75	8410013	1	Clamp	
76	1001117308	1	Relay	
77	1001233089	2	Strap	
79	1001135138	1	Adapter	
82	1001136834	1	Cap, Tank	
83	1001137276	1	Fan	
84	1001138173	1	Support	
86	1001138228	1	Relay, Power Module	
87	1001138248	6 ft /2 m	Tube	
88	1001138557	1	Clamp	
91	1001139409	4	Washer, Special	
97	1001141304	1	Harness, Glow Plug	
98	1001141370	1	Hose	
100	1001141585	1	Hose, Inlet	
102	1001141995	1	Fitting, Straight NPT/Barbed	
103	1001266525	1	Hose, Inlet	
104	1001143390	1	Indicator, Service	
105	1001143726	1	Harness, Deutz Engine (Not Shown - See Separate Breakdown in ELECTRICAL SECTION)	
106	1001143797	1	Fitting, Straight Metric/Barbed	
107	1001143907	1	Cable, Alternator Power	
109	1001152489	1	Fitting, 90 Metric/ Barbed	
110	1001153282	1	Pump Coupling Kit (See Separate Breakdown in this Section)	
112	1001167042	1	Radiator	
113	1001169054	4	Isolator	
114	1001169138	4	Washer	
116	1001177844	1	Hose, Radiator - Upper	
117	1001177845	1	Hose, Radiator - Lower	
119	1001180620	AR	Adhesive	
120	1001181899	1	P-Clamp	
127	1001221212	1	Clamp	
128	1001221219	1	Clamp	
129	1001223591	1	Engine, Deutz TD2.9L4 Components (See Separate Breakdown in this Section)	
130	1001257278	1	Muffler	

SECTION 3 - ENGINE

ITEM	PART NUMBER	QTY	DESCRIPTION	REV
133	1001224940	1	Pipe, Exhaust	
134	1001138489	1	Air Cleaner Assembly	
134	91403102	1	Element, Filter	
135	1001177359	1	Hose	
136	1001230635	1	Tank	
137	0701022	2	Bolt M10 x 70	
138	3520054	1	Plug	
139	0681608	1	Bolt 3/8 x 1 Grade 8	
140	1001267256	1	Shim, Air Cleaner	
141	1001190610	1	Support, Engine Try	
200	1001257412	1	Bracket Engine Kit (Includes Items 201-217)	F
201	1001138175	1	Bracket	
203	1001140448	1	Mount, Rear Engine	
204	1001140450	1	Mount, Rear Engine	
205	1001140454	1	Mount, Front Engine	
207	1001145154	1	Plate, Relay Mounting	
208	1001260413	1	Bracket, Tank	
209	1001178223	2	Bracket, Radiator	
210	1001186985	1	Plate, Mounting	
212	1001266499	1	Mount, Generator/Engine	
213	1001204325	2	Bracket, Radiator	
214	1001221203	1	Bracket	
215	1001224936	1	Mount, Doc Weldment	
216	1001224937	2	Mount, Fuel Filter	
217	1001260412	1	Bracket	
218	4240032	AR	Tie-Strap (Not Shown)	
219	1001291401	1	Tag, Coolant	

SECTION 3 - ENGINE

FIGURE 3-18. DEUTZ TD2.9L4 ENGINE/PUMP SUB ASSEMBLY (STAGE V)



ART_1001296655

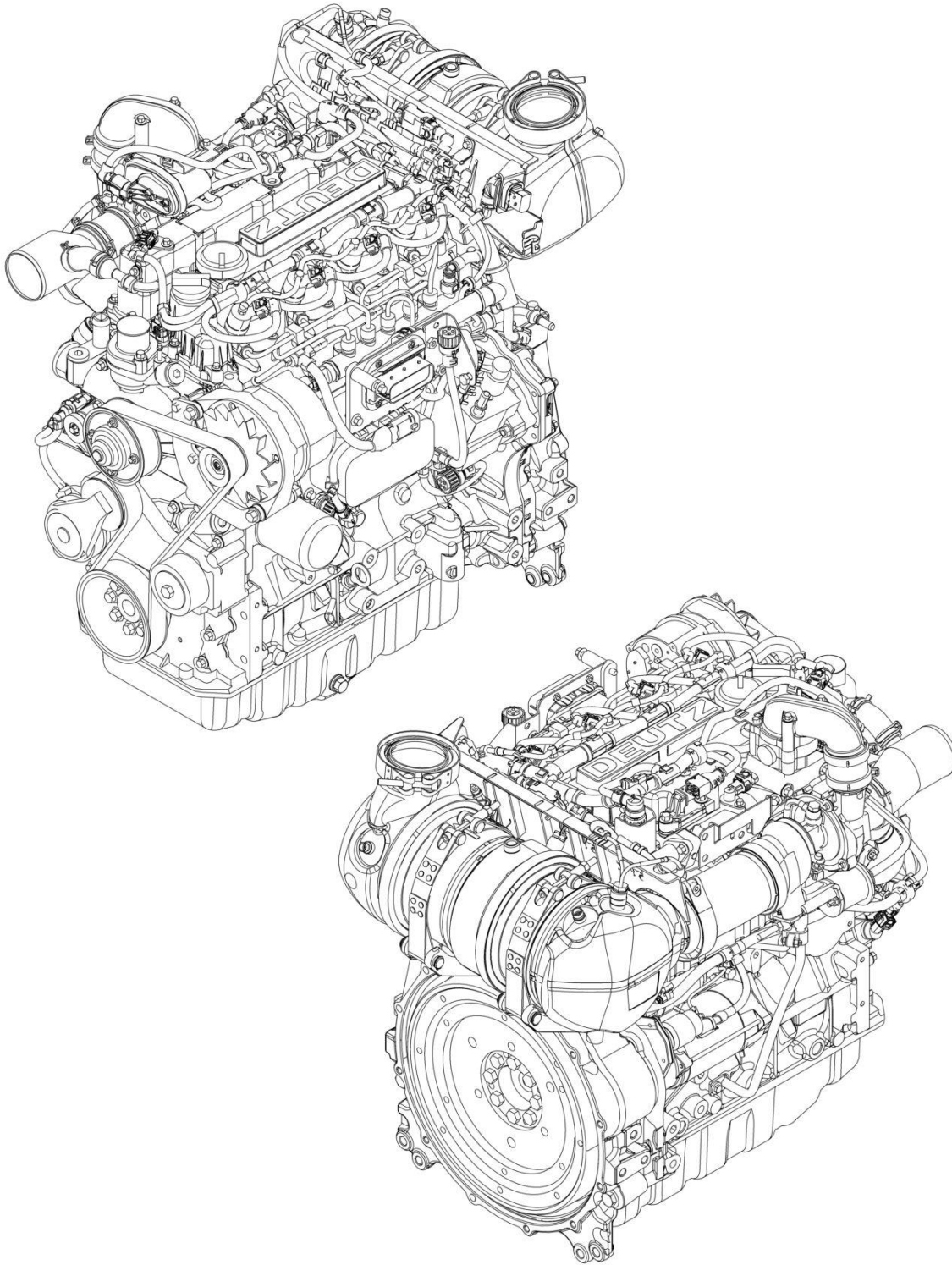
SECTION 3 - ENGINE

FIGURE 3-18. DEUTZ TD2.9L4 ENGINE/PUMP SUB ASSEMBLY (STAGE V)

ITEM	PART NUMBER	QTY	DESCRIPTION	REV
	1001296655	Ref	DEUTZ D2011 ENGINE/PUMP SUB-ASSEMBLY	A
1	0100011	AR	Compound, Locking	
2	0641406	1	Bolt 1/4 x 3/4	
3	0641808	1	Bolt 1/2 x 1	
4	0641812	2	Bolt 1/2 x 1-1/2	
5	0711215	2	Bolt M12 x 35	
6	1060637	1	Lanyard	
7	3020037	AR	Lubricant	
8	3311405	1	Nut 1/4	
9	3311801	1	Nut 1/2	
10	3422532	1	Pin, Hitch	
11	3790044	1	O-Ring	
12	3960468	1	Seal	
13	3960469	1	Seal	
14	4751400	2	Washer 1/4	
15	4751800	1	Washer 1/2	
16	4891800	4	Washer 1/2	
17	1001276376	1	Hydrostatic Pump Assembly (See Separate Breakdown in this Section)	
18	1001276377	1	Variable Pump Assembly with Fittings (See Separate Breakdown in this Section)	
19	1001277598	1	Engine Assembly - DEUTZ 2.9L4 (Stage V) Engines (See Separate Breakdown in this Section)	

SECTION 3 - ENGINE

FIGURE 3-19. DEUTZ TD2.9L4 ENGINE COMPONENTS (STAGE V)



ART_1001277592

SECTION 3 - ENGINE

FIGURE 3-19. DEUTZ TD2.9L4 ENGINE COMPONENTS (STAGE V)

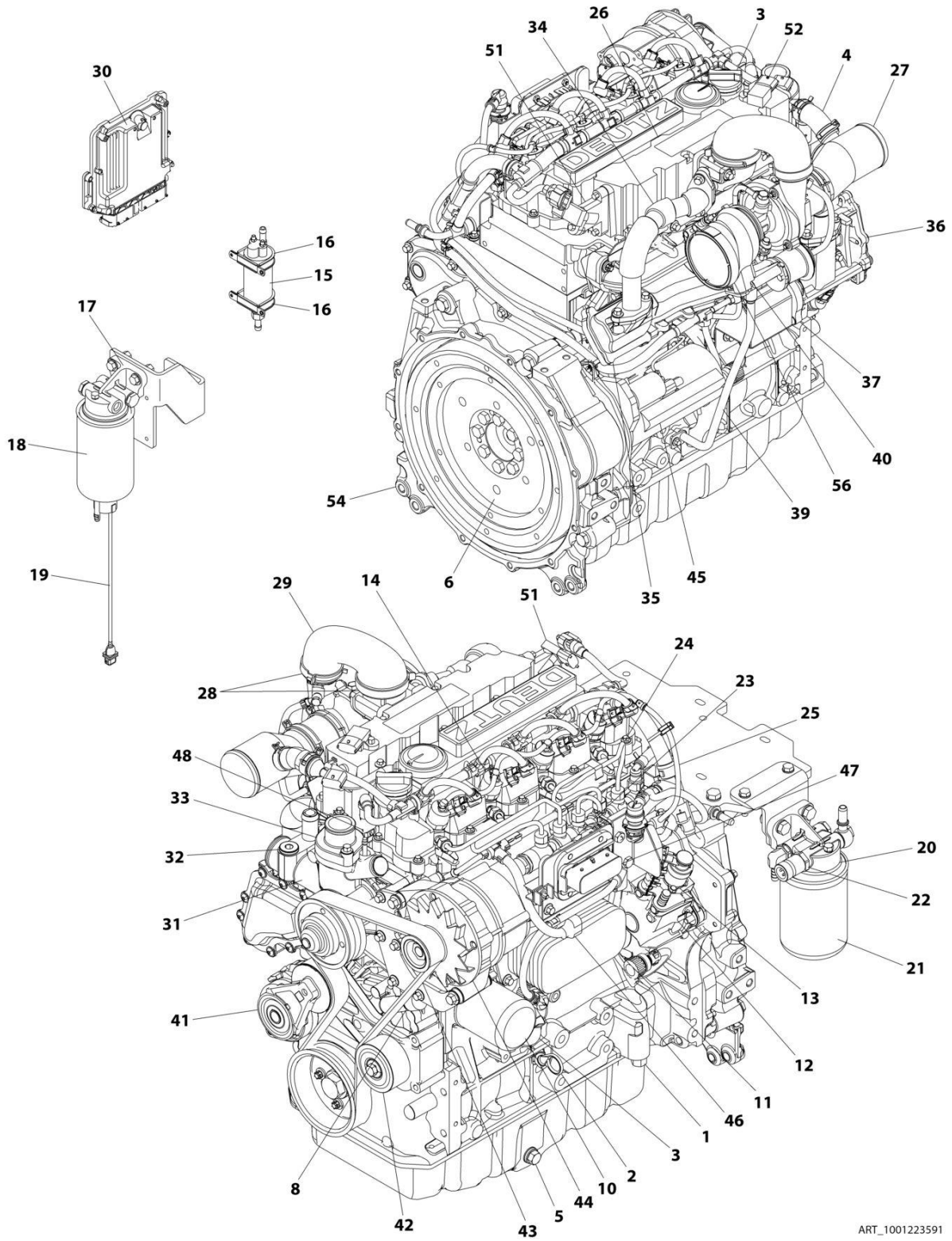
ITEM	PART NUMBER	QTY	DESCRIPTION	REV
	1001277592	Ref	DEUTZ ENGINE COMPONENTS	A
	See Note	Ref	Note: Additional components may be available. Contact JLG Customer Service for more details.	
		Ref	COOLING SYSTEM COMPONENTS	
	70031474	1	Cooler, Oil	
	70031388	1	Seal, Oil Cooler	
	70030360	1	Pump, Coolant (Includes Gasket & Sealing Rings)	
	70031055	1	O-Ring, Coolant Pump	
	7020492	1	Seal	
	70007325	1	Gasket	
	70007603	1	Thermostat	
	70005184	1	O-Ring, Thermostat	
	70005931	1	Gasket, Thermostat	
	70025142	1	Cover, Thermostat	
		Ref	ELECTRICAL SYSTEM COMPONENTS	
	70024513	1	Sensor, Fuel Filter	
	70024504	1	Sensor, Fuel Pressure (at Fuel Filter) (Includes Seal)	
	70024920	1	Seal	
	70027405	1	Sensor, Temperature	
	70007803	1	Generator (Includes Regulator)	
	70031143	1	Regulator, Voltage	
	70031144	1	Starter	
	70025231	1	Harness, Glow Plug (Not Shown)	
	1001211556	1	Sensor, Temperature 90 (Includes O-Ring)	
	70028540	1	Sensor, Temperature (Includes O-Ring) (in Cylinder Head)	
	70029407	1	Sensor, Pressure (Includes Seal) (On Exhaust Manifold)	
	70024507	1	Sensor, Pressure (Includes O-Ring) (Charge Manifold)	
	70031475	1	Sensor, Temperature (Includes O-Ring) (Charge Manifold)	
	70026210	2	Sensor, Speed (Includes Seal) (Rear of Block & Front Cover)	
		Ref	Module, Engine Control	
		Ref	Harness, Engine	
	70000345	4	Plug, Glow (Not Shown)	
	70024505	1	Sender, Temperature (Inlet End of Calalyst)	
	70029409	1	Sender, Temperature (Outlet End of Calalyst)	
		Ref	EXHAUST SYSTEM COMPONENTS	
	70031136	1	Pipe, Exhaust Recirculation	
	70029557	1	Gasket, Exhaust Recirculation Pipe to Exhaust Manifold (Upper)	
	70007354	1	Gasket, Exhaust Recirculation Pipe (Lower)	
	70025164	1	Gasket, Exhaust Manifold to Head	
	70025130	8	Bolt, Exhaust Manifold	
	70031138	1	Valve, EGR	
	70007326	1	Gasket, EGR Vlave	
	70005504	1	Sensor, Pressure (Exhaust) (includes Seals)	
	70004276	1	Turbocharger	
	70024912	1	Gasket, Turbocharger	
	70008564	1	Catalyst	
	70029520	2	Gasket (on both ends of Catalyst)	
	70029517	2	Clamp (on both ends of Catalyst)	
	70004504	1	Compensator	

SECTION 3 - ENGINE

ITEM	PART NUMBER	QTY	DESCRIPTION	REV
	70025242	2	Gasket (at Compensator)	
	70030097	1	Clamp (Compensator Engine Side)	
	70030099	1	Clamp (Compensator Catalyst Side)	
		Ref	FUEL SYSTEM COMPONENTS	
	1001225430	1	Filter, Fuel (Primary)	
	1001225431	1	Filter, Fuel (Secondary)	
	70030381	1	Pump, Injection/High Pressure (Includes Control Valves, Gasket & O-Rings)	
	70025152	1	O-Ring (Between Pump AND Spacer)	
	70004505	1	Valve, Overflow	
	70004506	1	O-Ring	
	70004507	1	O-Ring	
	70004508	1	Valve, Volume Control	
	70004509	1	O-Ring	
	70004510	1	Gasket	
	70025181	4	Injector, Fuel (Includes O-Ring)	
	70025145	4	O-Ring	
	70008422	1	Pump, Fuel Supply	
	70025144	2	Clamp	
		Ref	GASKETS & SEAL & KITS (Note: Some components listed with main component)	
	70005938	1	Gasket Kit	
	70024906	1	Gasket, Head	
	70005171	1	Gasket, Valve Cover	
	70004280	1	Seal, Main (Front)	
	70002718	1	Seal, Main (Rear)	
	70005177	1	Gasket, Air Charge Pipe	
	70005176	1	O-Ring, Air Charge Pipe	
	70008538	2	Gasket, Throttle Valve	
		Ref	LUBRICATION SYSTEM COMPONENTS	
	7016331	1	Filter, Oil	
	70024904	1	Dipstick	
	70024905	1	Seal, Dipstick	
	7020465	2	Cap, Filler	
	70005941	2	Plug, Oil Drain	
	70005942	2	Ring, Oil Drain Plug Sealing	
	70005172	1	Pump, Oil Lube (Includes Gasket & O-Ring)	
	70005173	1	Gasket	
	70025135	1	O-Ring	
		Ref	MECHANICAL COMPONENTS	
	70001870	1	Flywheel (Includes Ring Gear)	
	7024579	1	Gear, Ring	
	70030359	1	Tensioner, Belt (Generator)	
	70027432	1	Idler (Generator Belt)	
	70004277	1	Belt, Generator Drive	

SECTION 3 - ENGINE

FIGURE 3-20. DEUTZ TD2.9L4 ENGINE COMPONENTS (CHINA III SPECS)



ART_1001223591

SECTION 3 - ENGINE

FIGURE 3-20. DEUTZ TD2.9L4 ENGINE COMPONENTS (CHINA III SPECS)

ITEM	PART NUMBER	QTY	DESCRIPTION	REV
	1001223591	Ref	DEUTZ TD2.9L4 ENGINE COMPONENTS	C
1	70025660	1	Plug	
1	70006264	1	Valve, Plunger	
1	70006265	1	Spring	
1	70006266	1	Seal	
2	70024904	1	Dipstick	
2	70024905	2	Seal	
3	7020465	2	Cap, Fill	
4	70005920	1	Line, Breather	
4	70025111	2	Clamp	
5	70006941	2	Plug	
5	70005942	2	Seal	
6	70001870	1	Flywheel	
6	7024579	1	Ring Gear	
6	70025139	8	Bolt	
7		Ref	Gasket & Seal Options (Not Shown):	
7	70005938	1	Gasket Kit	
7	70024906	1	Gasket, Head	
7	70005922	1	Gasket, Valve Cover	
7	70028185	1	Gasket, Front Cover	
7	70004280	1	Seal, Front Main	
7	70002718	1	Seal, Rear Main	
8	See Note	NSS	Valve, Slide (Note: Not Available for Purchase)	
8	70025082	1	Seal	
9	70005172	1	Pump, Lube (Not Shown - Located RH Rear)	
9	70025135	1	O-Seal	
9	70005173	1	Gasket	
10	7016331	1	Filter, Oil	
11	70024494	1	Cooler, Oil	
11	70024925	1	Gasket, Oil Filter	
12	70024924	1	Pump, High Pressure	
12	70025152	1	Gasket (Spacer to Pump)	
12	70024488	1	Spacer	
12	70024517	1	Gasket (Spacer to Block)	
12	70004505	1	Valve, Overflow	
12	70004506	1	Gasket, Overflow	
12	70004507	1	Gasket, Overflow	
13	70004508	1	Valve, Volume Control	
13	70004509	1	O-Ring	
13	70004510	1	Gasket	
14	70025181	4	Injector	
14	70025140	4	Washer, Sealing	
14	70025146	4	Clamp	
14	70025145	4	O-Seal	
14	70025154	4	Shoe/Pad, Clamping	
15	70006144	NLA	Pump, Fuel Supply (Use p/n 1001226098)	
16	70025144	2	Clip, Clamp	
17	70024961	1	Fuel Filter Assembly	
18	1001225430	1	Element, Filter	
19	70024513	1	Cable, Sensor	

SECTION 3 - ENGINE

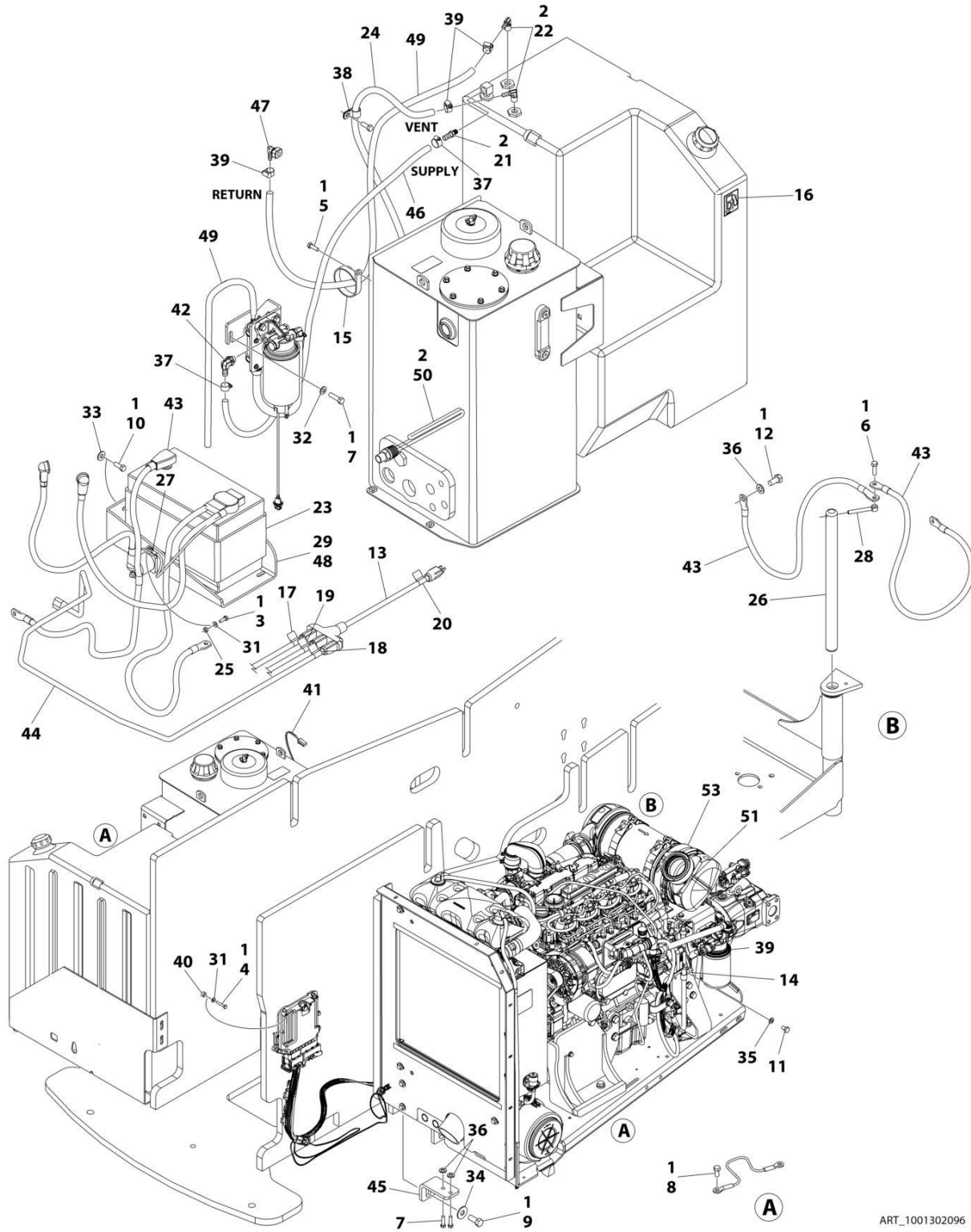
ITEM	PART NUMBER	QTY	DESCRIPTION	REV
19	70025239	1	Seal, Ring	
20	70004511	1	Fuel Filter Assembly	
20	70004513	2	Seal (at Hollow Bolt)	
21	1001225432	1	Element, Filter	
22	70028538	1	Sensor, Pressure	
22	70024920	1	O-Seal	
23	70025151	1	Rail, Fuel	
23	70025235	1	Repair Kit - Fuel Rail	
23	70025240	1	O-Ring	
24	70025182	1	Tube, Fuel - Cylinders 1 & 2	
24	70025183	1	Tube, Fuel - Cylinders 3 & 4	
24	70025184	1	Tube, Fuel	
25	70024502	1	Pipe, Fuel Leakage	
25	70025185	1	Hose, Fuel	
25	70025158	1	Manifold	
25	70025109	2	Clamp, Spring	
25	70025115	1	Clamp	
25	70025133	1	Hose	
25	70025101	2	Clamp	
25	70025148	1	Connector, Plug-in	
26	70005923	1	Manifold, Charger Air	
26	70005177	1	Gasket, Charger Air Manifold	
26	70005924	1	Seal (Manifold to Elbow)	
26	7000180	1	Line, Breather (Not Shown)	
26	70005181	1	O-Seal (Breather to Manifold)	
27	70005926	1	Elbow	
27	70025112	2	Clamp	
27	70004501	1	Sleeve, Rubber	
28	See Note	NSS	Sleeve (Note: Not Available for Purchase)	
28	70025107	2	Clamp	
29	70005928	1	Elbow, Air Charge	
30	70025210	1	Module, ECU	
31	70028802	1	Pump, Coolant	
31	70025200	1	Ring, Sealing (Pump to Block)	
32	70025084	2	Plug	
32	7020492	2	Ring, Sealing	
33	70005929	1	Thermostat	
33	70005184	1	O-Seal (Thermostat to Housing)	
33	70025142	1	Housing, Thermostat	
33	70005931	1	O-Seal (Thermostat to Pump)	
33	70025124	2	Bolt	
34	See Note	NSS	Tube (Note: Not Available for Purchase)	
34	70025179	2	Gasket (at Either End of Tube)	
35	See Note	NSS	Valve, Shuttle (Note: Not Available for Purchase)	
35	70025180	1	Gasket	
35	See Note	NSS	Housing, Shuttle Valve (Note: Not Available for Purchase)	
35	70025175	1	Cap, Shuttle Valve	
36	70025203	1	Module, EGR	
36	70025155	1	Plug (Not Shown)	
37	70005188	1	Valve, EGR Control	
37	70005189	1	Seal (Valve to Module)	

SECTION 3 - ENGINE

ITEM	PART NUMBER	QTY	DESCRIPTION	REV
38	70004282	1	Manifold, Exhaust (Not Shown)	
38	70025164	1	Gasket, Manifold to Head (Not Shown)	
38	70025130	8	Bolt, Manifold (Not Shown)	
38	70026995	1	Elbow, Exhaust (Not Shown)	
38	70025179	2	Gasket, Manifold to Elbow (Not Shown)	
39	70005932	1	Tube, Oil Return	
39	70025132	1	O-Seal	
40	70004276	1	Turbocharger	
40	70024509	1	Gasket (Turbocharger to Oil Return Tube Housing)	
40	1001191599	1	Gasket (Turbocharger to Exhaust)	
41	70025477	1	Tensioner, Belt	
42	70024484	1	Roller, Idler	
43	70004277	1	Belt	
44	70025733	1	Pulley, Alternator	
44	70006652	1	Alternator	
44	70006653	1	Controller	
44	See Note	NSS	Fan (Note: Not Available for Purchase)	
45	70024915	1	Starter	
45	70005647	1	Switch, Solenoid	
45	70005648	1	Relay	
46	70000345	4	Glow Plug	
46	70025231	1	Harness, Glow Plug	
46	70025233	1	Connector, Plug-in	
47	70025077	1	Harness, Engine	
48	70024918	1	Sender, Temperature	
49	70028538	1	Sensor, Pressure (Not Shown - RH Front)	
49	70024920	1	O-Seal	
50	70026210	1	Sensor, Speed (Not Shown - Front)	
50	70005191	1	Ring, Seal	
51	70024507	1	Sensor, Pressure	
51	70025120	1	O-Seal	
51	70005933	1	Adapter	
51	70005934	1	O-Seal	
52	70024922	1	Sender, Temperature	
52	70025212	1	O-Seal	
53	70026210	1	Sensor, Speed (Not Shown - Front)	
53	70024917	1	O-Seal	
54	70025192	1	Housing	
56	70005527	1	Clip	

SECTION 3 - ENGINE

FIGURE 3-21. DEUTZ D2.9L4 - EMR5 ENGINE INSTALLATION WITH ARCTIC PACKAGE



ART_1001302096

SECTION 3 - ENGINE

FIGURE 3-21. DEUTZ D2.9L4 - EMR5 ENGINE INSTALLATION WITH ARCTIC PACKAGE

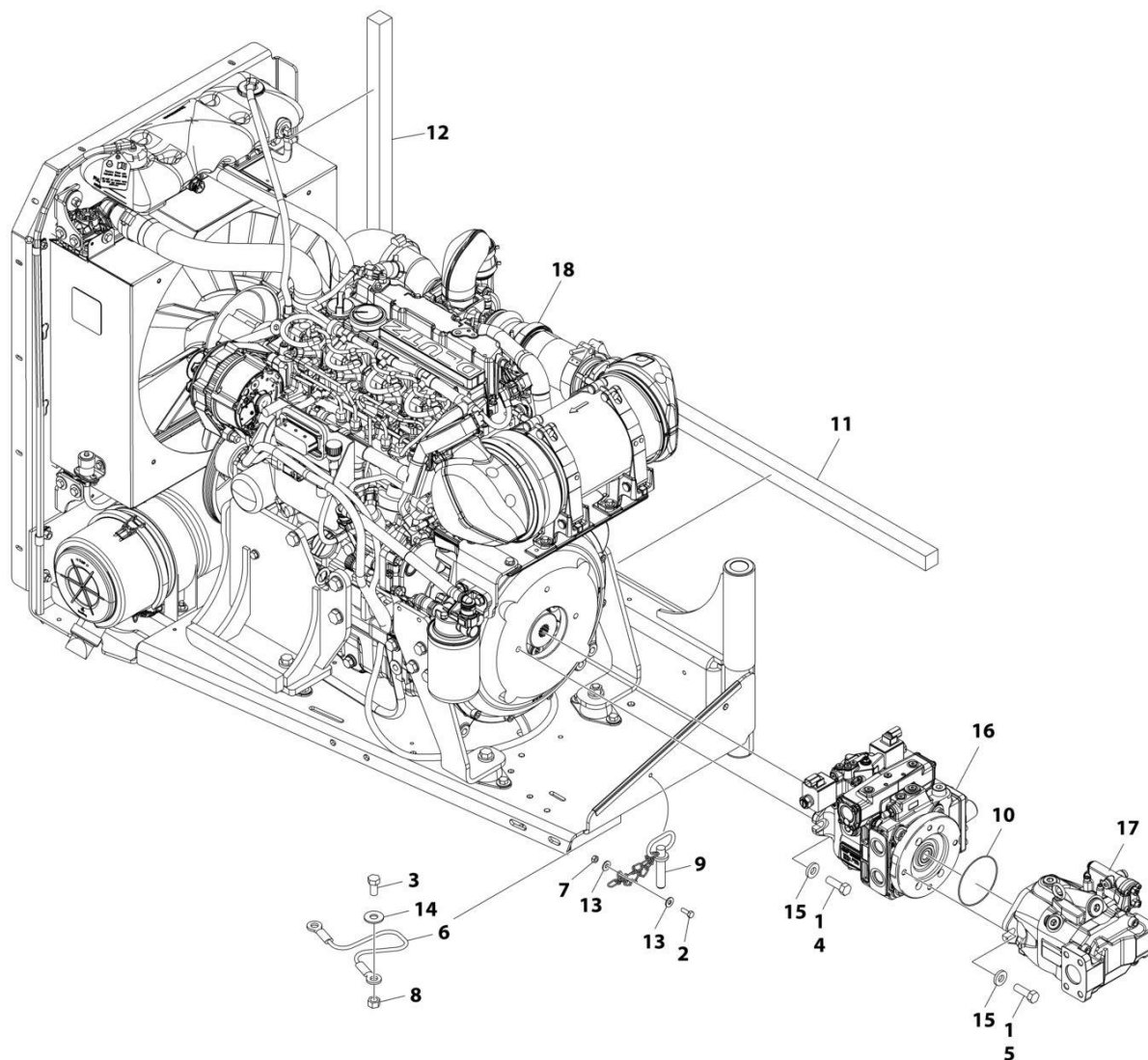
ITEM	PART NUMBER	QTY	DESCRIPTION	REV
	1001302096	Ref	ENGINE INSTALLATION EMR5 WITH ARCTIC PACKAGE	A
1	0100011	AR	Compound, Locking	
2	0100020	AR	Sealant, Pipe	
3	0641406	2	Bolt 1/4 x 3/4	
4	0641412	4	Bolt 1/4 x 1-1/2	
5	0641508	1	Bolt 5/16 x 1	
6	0641610	1	Bolt 3/8 x 1-1/4	
7	0641611	4	Bolt 3/8 x 1-3/8	
8	0641808	1	Bolt 1/2 x 1	
9	0642012	1	Bolt 5/8 x 1-1/2	
10	0681608	3	Bolt 3/8 x 1	
11	0761008	1	Bolt M10 x 16	
12	0771212	1	Bolt M12 x 25	
13	1060626	1	Cord, 3-Way Extension	
14	1320061	1	Clamp	
15	1321339	1	Clamp	
16	1701505	1	Decal - Diesel	
17	1702941	1	Decal - Battery Heater	
18	1702942	1	Decal - Engine Heater	
19	1702943	1	Decal - Hydraulic Tank Heater	
20	1702944	1	Decal - Heater Cord	
21	2180832	1	Fitting, Barbed	
22	2220313	2	Fitting, 90	
23	2580024	1	Heater, Battery	
24	2750532	4 ft /2 m	Hose	
25	3311405	2	Nut 1/4	
26	3422446	1	Pin	
27	3740067	1	Relay	
28	3841143	1	Keeper, Pin	
29	3980007	1	Seat, Battery	
30	4240033	AR	Tie-Strap (Not Shown)	
31	4711400	6	Washer 1/4	
32	4711600	2	Washer 3/8	
33	4751600	3	Washer 3/8	
34	4752000	1	Washer 5/8	
35	4812000	1	Washer M10	
36	4812100	3	Washer M12	
37	8405006	2	Clamp	
38	8406102	1	Clip	
39	8410013	4	Clamp	
40	1001110425	4	Spacer	
41	1001138491	1	Fuel Harness (See Separate Breakdown in ELECTRICAL Section)	
42	1001142501	1	Fitting, 90	
43	1001143736	1	Battery Cable Kit	
43	7027084	1	Cable, Battery (Black) (Battery - to Tray Pivot and Grds)	
43	8270147	1	Terminal, Battery (With Boot)	
43	7027085	1	Cable, Battery (Black) (Battery - to Aux Pump and Relay Grds)	
43	7027086	1	Cable, Battery (Black) (Engine to Tray Pivot)	
43	7027087	1	Cable (Red) (Battery + to Aux Relay/Power Module/Starter)	
43	7027088	1	Cable (Red) (Aux Relay to Aux Pump)	

SECTION 3 - ENGINE

ITEM	PART NUMBER	QTY	DESCRIPTION	REV
43	See Note	1	Cable (Aux Relay to Starter) (Note: Use P/N 7027087)	
44	1001150918	1	Cable, Extension Cord	
45	1001153359	1	Mount	
46	1001154405	5 ft /2 m	Hose	
47	1001155823	1	Fitting, Quick Disconnect 90	
48	1001162497	1	Bracket	
49	1001165035	24 ft /8 m	Hose	
50	1001188972	1	Heater, Immersion	
51	1001233763	1	Breather Heater Installation (See Separate Breakdown in this Section)	
52	1001289593	1	ECU Power Jumper Harness (Not Shown) (See Separate Breakdown in ELECTRICAL Section)	
53	1001301949	1	Engine and Pump Assembly with Arctic Package (See Separate Breakdown in this Section)	

SECTION 3 - ENGINE

FIGURE 3-22. DEUTZ D2.9L4 - EMR5 ENGINE AND PUMP SUB-ASSEMBLY WITH ARCTIC PACKAGE



ART_1001301949

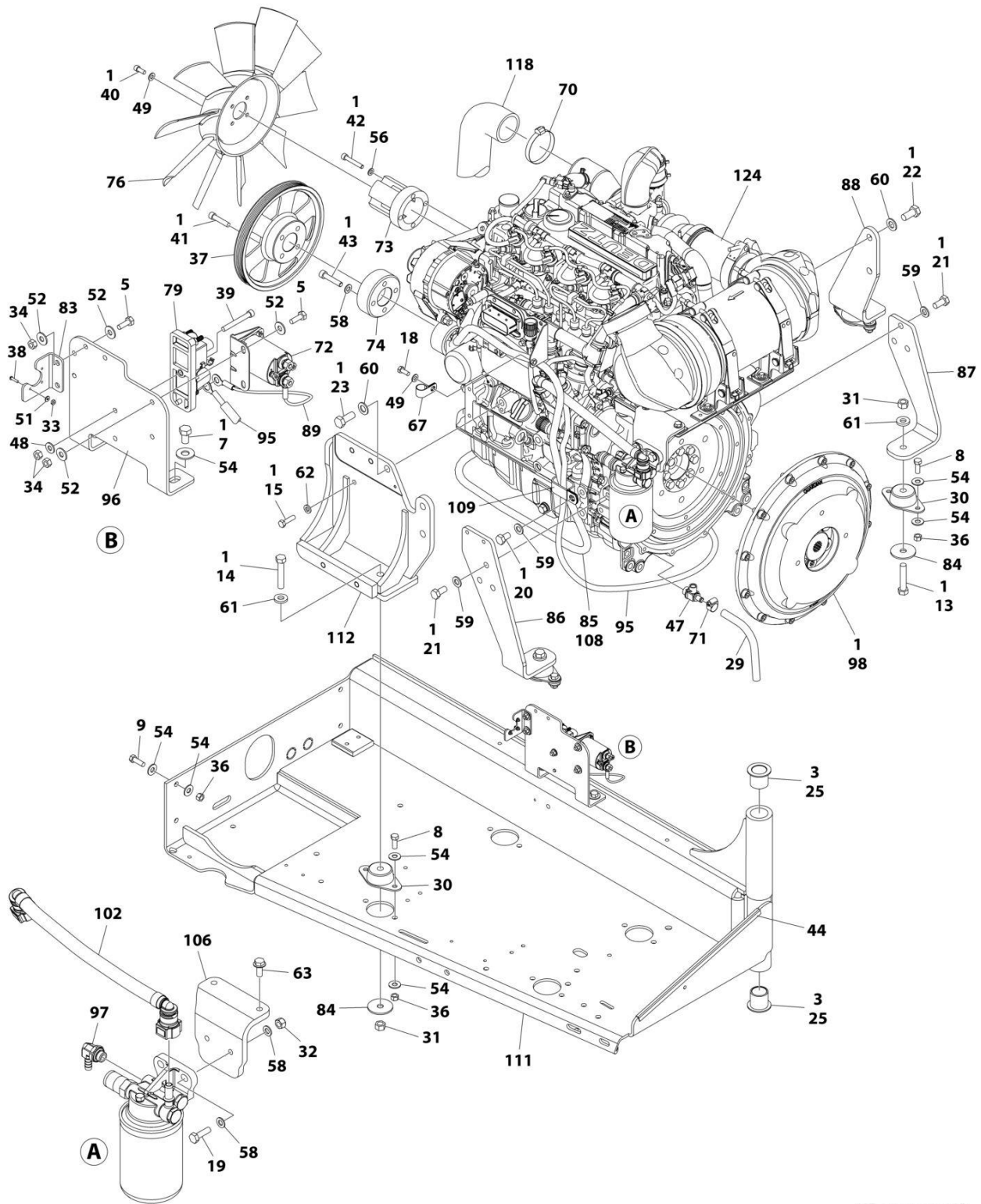
SECTION 3 - ENGINE

FIGURE 3-22. DEUTZ D2.9L4 - EMR5 ENGINE AND PUMP SUB-ASSEMBLY WITH ARCTIC PACKAGE

ITEM	PART NUMBER	QTY	DESCRIPTION	REV
	1001301949	Ref	ENGINE AND PUMP SUB-ASSEMBLY EMR5 WITH ARCTIC PACKAGE	A
1	0100011	AR	Compound, Locking	
2	0641406	1	Bolt 1/4 x 3/4	
3	0641808	1	Bolt 1/2 x 1	
4	0641812	2	Bolt 1/2 x 1-1/2	
5	0711215	2	Bolt M12 x 35	
6	1060637	1	Lanyard	
7	3311405	1	Nut 1/4	
8	3311801	1	Nut 1/2	
9	3422532	1	Pin	
10	3790044	1	O-Ring	
11	3960468	1	Seal	
12	3960469	1	Seal	
13	4751400	2	Washer 1/4	
14	4751800	1	Washer 1/2	
15	4891800	4	Washer 1/2	
16	1001276376	1	Hydrostatic Pump Assembly (See Separate Breakdown in this Section)	
17	1001276377	1	Variable Pump Assembly with Fittings (See Separate Breakdown in this Section)	
18	1001301950	1	Engine Assembly with Arctic Package (See Separate Breakdown in this Section)	

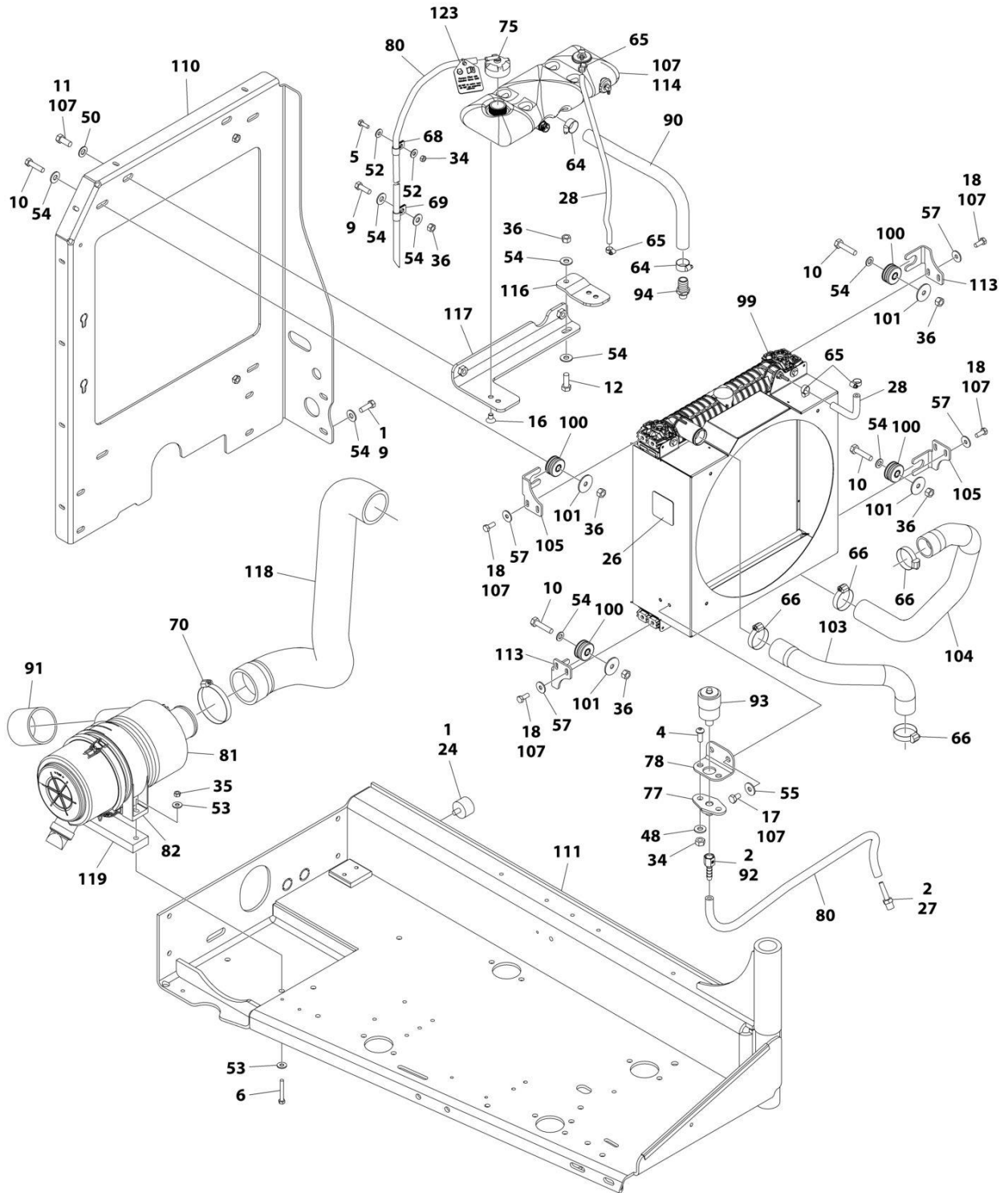
SECTION 3 - ENGINE

FIGURE 3-23. ENGINE ASSEMBLY - DEUTZ D2.9L4 EMR5 ENGINE (WITH ARCTIC PACKAGE)



ART_1001301950_10F2

SECTION 3 - ENGINE



ART_1001301950_20F2

SECTION 3 - ENGINE

FIGURE 3-23. ENGINE ASSEMBLY - DEUTZ D2.9L4 EMR5 ENGINE (WITH ARCTIC PACKAGE)

ITEM	PART NUMBER	QTY	DESCRIPTION	REV
	1001301950	Ref	ENGINE ASSEMBLY - DEUTZ D2.9L4 EMR5 ENGINE	A
1	0100011	AR	Locking, Compound	
2	0100020	AR	Sealant, Pipe	
3	0100062	AR	Adhesive	
4	0630407	2	Screw 1/4 x 5/8	
5	0641406	5	Bolt 1/4 x 3/4	
6	0641518	2	Bolt 5/16 x 2-1/4	
7	0641605	2	Bolt 3/8 x 5/8	
8	0641608	8	Bolt 3/8 x 1	
9	0641609	6	Bolt 3/8 x 1-1/8	
10	0641612	4	Bolt 3/8 x 1-1/2	
11	0641708	2	Bolt 7/16 x 1	
12	0681608	1	Bolt 3/8 x 1	
13	0681820	3	Bolt 1/2 x 2-1/2	
14	0681822	1	Bolt 1/2 x 2-3/4	
15	0700814	1	Bolt M8 x 30	
16	0741605	2	Screw 3/8 x 5/8	
17	0760605	2	Bolt M6 x 10	
18	0760810	9	Bolt M8 x 20	
19	0761015	2	Bolt M10 x 35	
20	0761210	1	Bolt M12 x 20	
21	0771212	6	Bolt M12 x 25	
22	0771414	2	Bolt M14 x 30	
23	0771415	3	Bolt M14 x 35	
24	0940070	1	Bumper	
25	0961986	2	Bushing	
26	1703162	1	Decal - Fan Blade	
27	2220315	1	Fitting, Straight Barbed	
28	2720015	3 ft /1 m	Hose	
29	2720340	1 ft /0.3 m	Hose	
30	3200401	4	Mount	
31	3271801	4	Nut 1/2	
32	3291005	2	Nut M10	
33	3310401	3	Nut #4	
34	3311405	8	Nut 1/4	
35	3311505	2	Nut 5/16	
36	3311605	17	Nut 3/8	
37	3580320	1	Pulley	
38	3910408	3	Screw #4 x 1/2	
39	3931432	1	Capscrew 1/4 x 2	
40	3931512	4	Capscrew 5/16 x 3/4	
41	3931628	4	Capscrew 3/8 x 1-3/4	
42	4031914	4	Capscrew M8 x 50	
43	4032014	4	Capscrew M10 x 50	
44	4060805	2 ft /0.4 m	Shield	
45	4240032	AR	Tie-Strap (Not Shown)	
46	4240099	AR	Tie-Strap (Not Shown)	
47	4640751	1	Valve, Oil Drain	
48	4711400	3	Washer 1/4	
49	4711500	5	Washer 5/16	

SECTION 3 - ENGINE

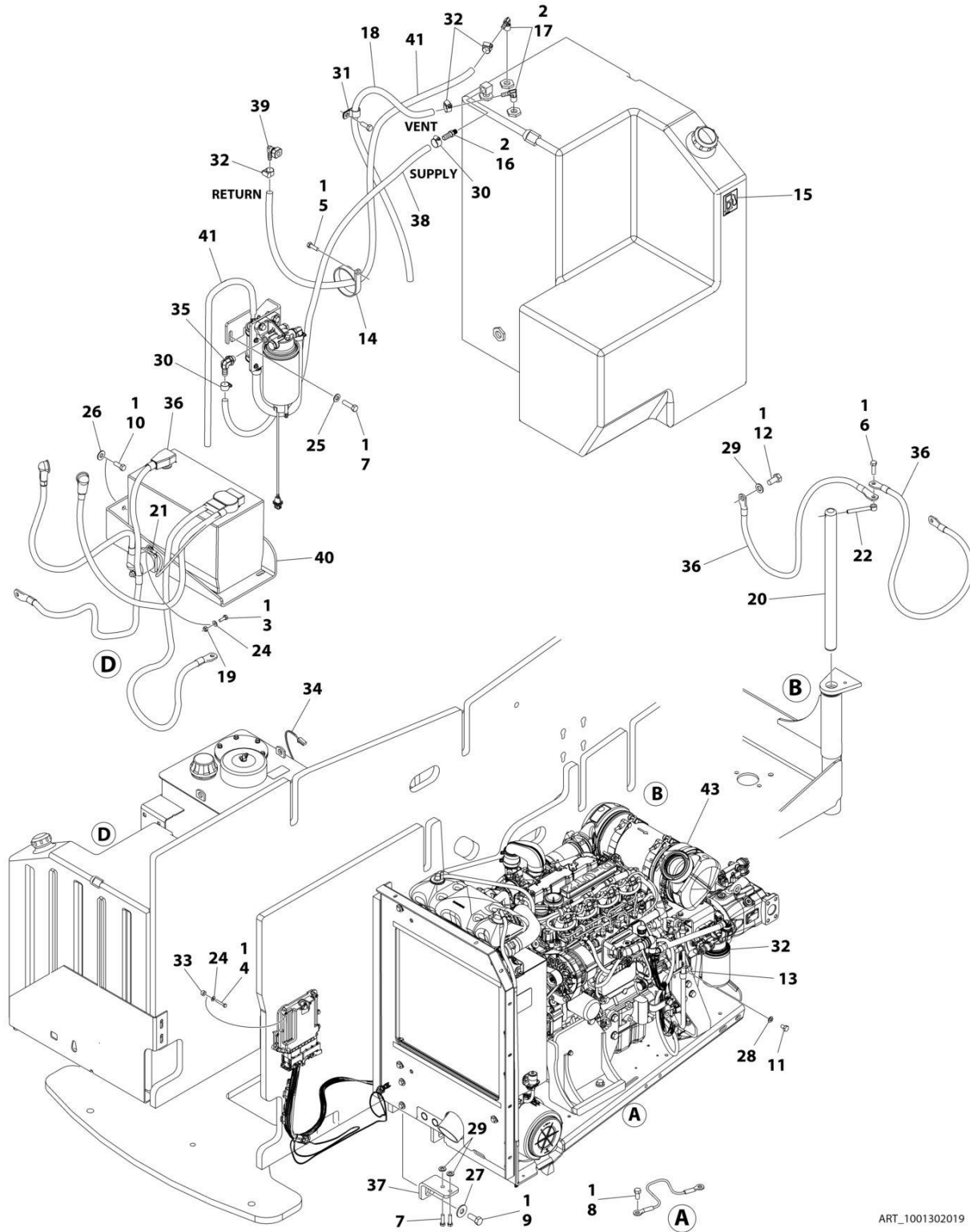
ITEM	PART NUMBER	QTY	DESCRIPTION	REV
50	4711700	2	Washer 7/16	
51	4750400	3	Washer #4	
52	4751400	10	Washer 1/4	
53	4751500	4	Washer 5/16	
54	4751600	34	Washer 3/8	
55	4811702	2	Washer M6	
56	4811900	4	Washer M8	
57	4811902	8	Washer M8	
58	4812000	8	Washer M10	
59	4812100	7	Washer M12	
60	4812200	5	Washer M14	
61	4891800	4	Washer 1/2	
62	5240800	1	Washer M8	
63	5250810	2	Bolt M8 x 20	
64	8405007	2	Clamp	
65	8405009	4	Clamp	
66	8405104	4	Clamp	
67	8406102	1	Clip	
68	8406109	1	Clip	
69	8406110	1	Clip	
70	8410011	2	Clamp	
71	8410013	1	Clamp	
72	1001117308	1	Relay	
73	1001135138	1	Adapter	
74	1001135679	1	Adapter	
75	1001136834	1	Cap	
76	1001137276	1	Fan	
77	1001138173	1	Support	
78	1001138175	1	Bracket	
79	1001138228	1	Relay, Power Module	
79	70023592	1	Fuse 20Amp	
79	70023593	1	Fuse 30Amp	
80	1001138248	6 ft /2 m	Tube	
81	1001138489	1	Filter	
82	1001138557	1	Clamp	
83	1001139240	1	Bracket	
84	1001139409	4	Washer	
85	1001140312	1	Heater, Engine Block	
86	1001140448	1	Plate	
87	1001140450	1	Plate	
88	1001140454	1	Plate	
89	1001141304	1	Wire, Glow Fuse	
90	1001141370	1	Hose	
91	1001141585	1	Hose	
92	1001141995	1	Fitting, Straight NPT/Barbed	
93	1001143390	1	Indicator	
94	1001143797	1	Fitting, Straight Barbed	
95	1001143907	1	Cable, Alternator Power	
96	1001145154	1	Plate	
97	1001152489	1	Fitting, 90 Barbed	
98	1001153282	1	Pump Coupling Kit (See Separate Breakdown in this Section)	

SECTION 3 - ENGINE

ITEM	PART NUMBER	QTY	DESCRIPTION	REV
99	1001167042	1	Radiator	
100	1001169054	4	Isolator	
101	1001169138	4	Pad	
102	1001177359	1	Hose	
103	1001177844	1	Hose, Radiator (Upper)	
104	1001177845	1	Hose, Radiator (Lower)	
105	1001178223	2	Bracket	
106	1001178876	1	Mount	
107	1001180620	AR	Adhesive	
108	1001181895	AR	Adhesive	
109	1001181899	1	Clamp	
110	1001186985	1	Support	
111	1001190610	1	Support	
112	1001202368	1	Support	
113	1001204325	2	Bracket	
114	1001230635	1	Tank	
114	0100020	AR	Sealant	
114	1001134488	1	Fitting, 90 NPT/Barbed	
114	1001138827	1	Sensor	
114	1001140564	1	Fitting, 90 NPT/Barbed	
114	1001229542	1	Tank	
115	1001235949	1	Bracket, Fuel Pump/Filter Assembly (Not Shown) (See Separate Breakdown in this Section)	
116	1001260412	1	Bracket	
117	1001260413	1	Bracket	
118	1001266525	1	Hose	
119	1001267256	1	Shim	
120	1001276644	1	Deutz Engine Harness (Not Shown) (See Separate Breakdown in ELECTRICAL Section)	
121	1001281985	1	Connector (Not Shown)	
122	1001281986	1	Connector (Not Shown)	
123	1001291401	1	Tag, Coolant	
124	1001301717	1	Deutz TD2.9L4 EMR5 Engine (See Separate Breakdown in this Section)	

SECTION 3 - ENGINE

FIGURE 3-24. DEUTZ D2.9L4 - EMR5 ENGINE INSTALLATION WITHOUT ARCTIC PACKAGE



ART_1001302019

SECTION 3 - ENGINE

FIGURE 3-24. DEUTZ D2.9L4 - EMR5 ENGINE INSTALLATION WITHOUT ARCTIC PACKAGE

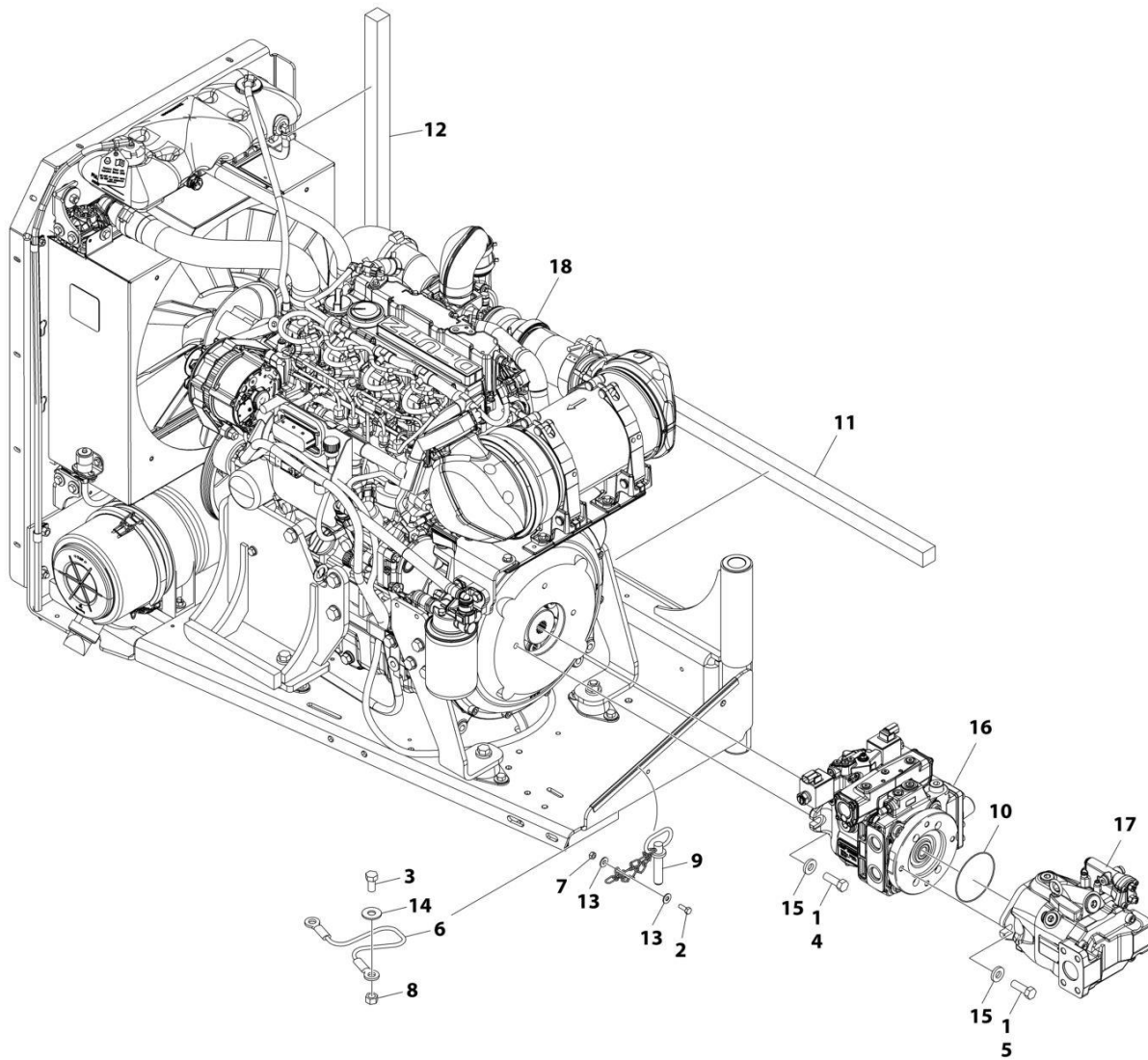
ITEM	PART NUMBER	QTY	DESCRIPTION	REV
	1001302019	Ref	ENGINE INSTALLATION EMR5 WITHOUT ARCTIC PACKAGE	A
1	0100011	AR	Compound, Locking	
2	0100020	AR	Sealant, Pipe	
3	0641406	2	Bolt 1/4 x 3/4	
4	0641412	4	Bolt 1/4 x 1-1/2	
5	0641508	1	Bolt 5/16 x 1	
6	0641610	1	Bolt 3/8 x 1-1/4	
7	0641611	4	Bolt 3/8 x 1-3/8	
8	0641808	1	Bolt 1/2 x 1	
9	0642012	1	Bolt 5/8 x 1-1/2	
10	0681608	3	Bolt 3/8 x 1	
11	0761008	1	Bolt M10 x 16	
12	0771212	1	Bolt M12 x 25	
13	1320061	1	Clamp	
14	1321339	1	Clamp	
15	1701505	1	Decal - Diesel	
16	2180832	1	Fitting, Barbed	
17	2220313	2	Fitting, 90	
18	2750532	4 ft /2 m	Hose	
19	3311405	2	Nut 1/4	
20	3422446	1	Pin	
21	3740067	1	Relay	
22	3841143	1	Keeper, Pin	
23	4240033	AR	Tie-Strap (Not Shown)	
24	4711400	6	Washer 1/4	
25	4711600	2	Washer 3/8	
26	4751600	3	Washer 3/8	
27	4752000	1	Washer 5/8	
28	4812000	1	Washer M10	
29	4812100	3	Washer M12	
30	8405006	2	Clamp	
31	8406102	1	Clip	
32	8410013	4	Clamp	
33	1001110425	4	Spacer	
34	1001138491	1	Fuel Harness (See Separate Breakdown in ELECTRICAL Section)	
35	1001142501	1	Fitting, 90	
36	1001143736	1	Battery Cable Kit	
36	7027084	1	Cable, Battery (Black) (Battery - to Tray Pivot and Grds)	
36	8270147	1	Terminal, Battery (With Boot)	
36	7027085	1	Cable, Battery (Black) (Battery - to Aux Pump and Relay Grds)	
36	7027086	1	Cable, Battery (Black) (Engine to Tray Pivot)	
36	7027087	1	Cable (Red) (Battery + to Aux Relay/Power Module/Starter)	
36	7027088	1	Cable (Red) (Aux Relay to Aux Pump)	
36	See Note	1	Cable (Aux Relay to Starter) (Note: Use P/N 7027087)	
37	1001153359	1	Mount	
38	1001154405	5 ft /2 m	Hose	
39	1001155823	1	Fitting, Quick Disconnect 90	
40	1001162497	1	Bracket	
41	1001165035	24 ft /8 m	Hose	

SECTION 3 - ENGINE

ITEM	PART NUMBER	QTY	DESCRIPTION	REV
42	1001289593	1	ECU Power Jumper Harness (Not Shown) (See Separate Breakdown in ELECTRICAL Section)	
43	1001301943	1	Engine and Pump Assembly without Arctic Package (See Separate Breakdown in this Section)	

SECTION 3 - ENGINE

FIGURE 3-25. DEUTZ D2.9L4 - EMR5 ENGINE AND PUMP SUB-ASSEMBLY WITHOUT ARCTIC PACKAGE



ART_1001301943

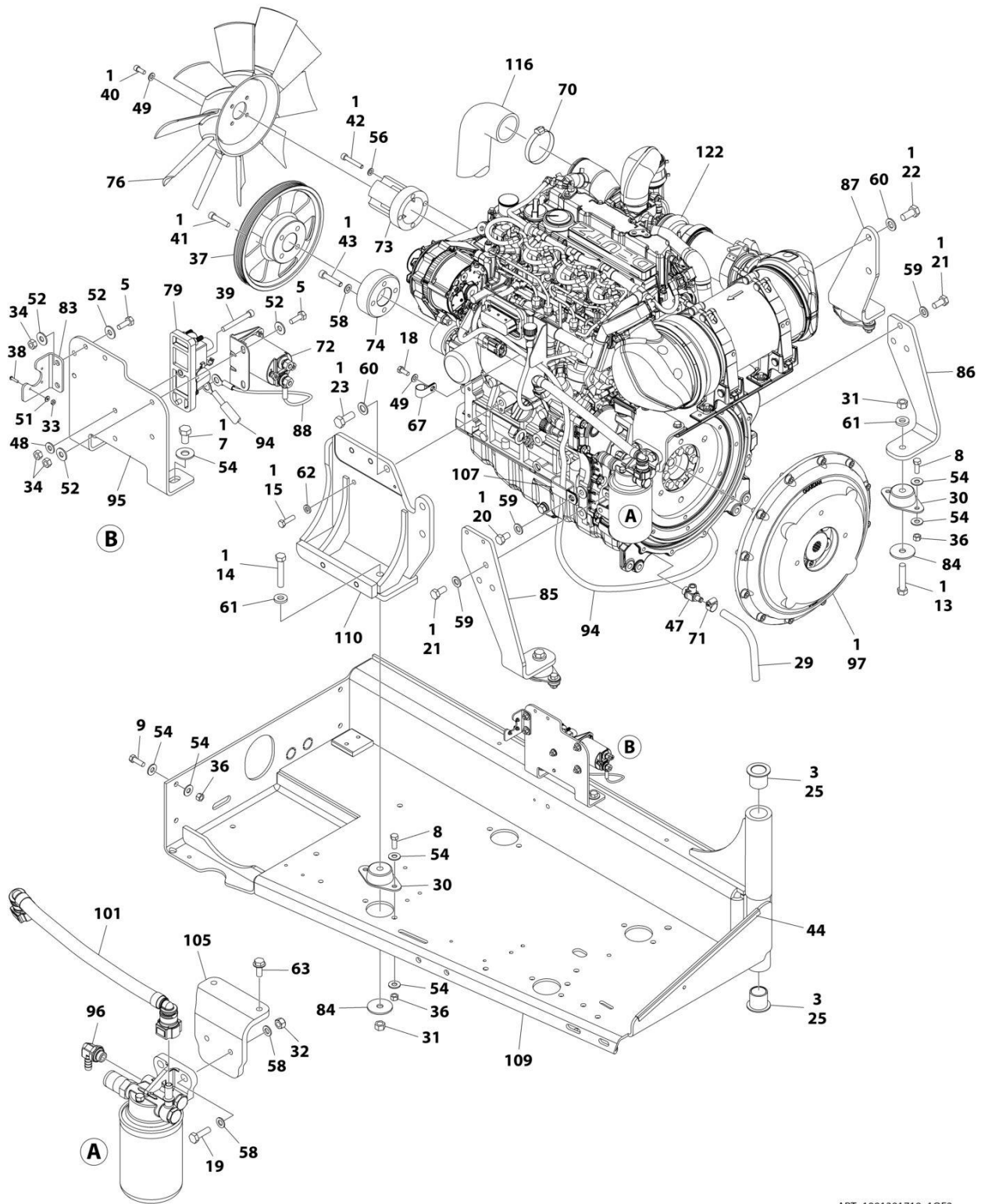
SECTION 3 - ENGINE

FIGURE 3-25. DEUTZ D2.9L4 - EMR5 ENGINE AND PUMP SUB-ASSEMBLY WITHOUT ARCTIC PACKAGE

ITEM	PART NUMBER	QTY	DESCRIPTION	REV
	1001301943	Ref	ENGINE AND PUMP SUB-ASSEMBLY EMR5 WITHOUT ARCTIC PACKAGE	A
1	0100011	AR	Compound, Locking	
2	0641406	1	Bolt 1/4 x 3/4	
3	0641808	1	Bolt 1/2 x 1	
4	0641812	2	Bolt 1/2 x 1-1/2	
5	0711215	2	Bolt M12 x 35	
6	1060637	1	Lanyard	
7	3311405	1	Nut 1/4	
8	3311801	1	Nut 1/2	
9	3422532	1	Pin	
10	3790044	1	O-Ring	
11	3960468	1	Seal	
12	3960469	1	Seal	
13	4751400	2	Washer 1/4	
14	4751800	1	Washer 1/2	
15	4891800	4	Washer 1/2	
16	1001276376	1	Hydrostatic Pump Assembly (See Separate Breakdown in this Section)	
17	1001276377	1	Variable Pump Assembly with Fittings (See Separate Breakdown in this Section)	
18	1001301719	1	Engine Assembly without Arctic Package (See Separate Breakdown in this Section)	

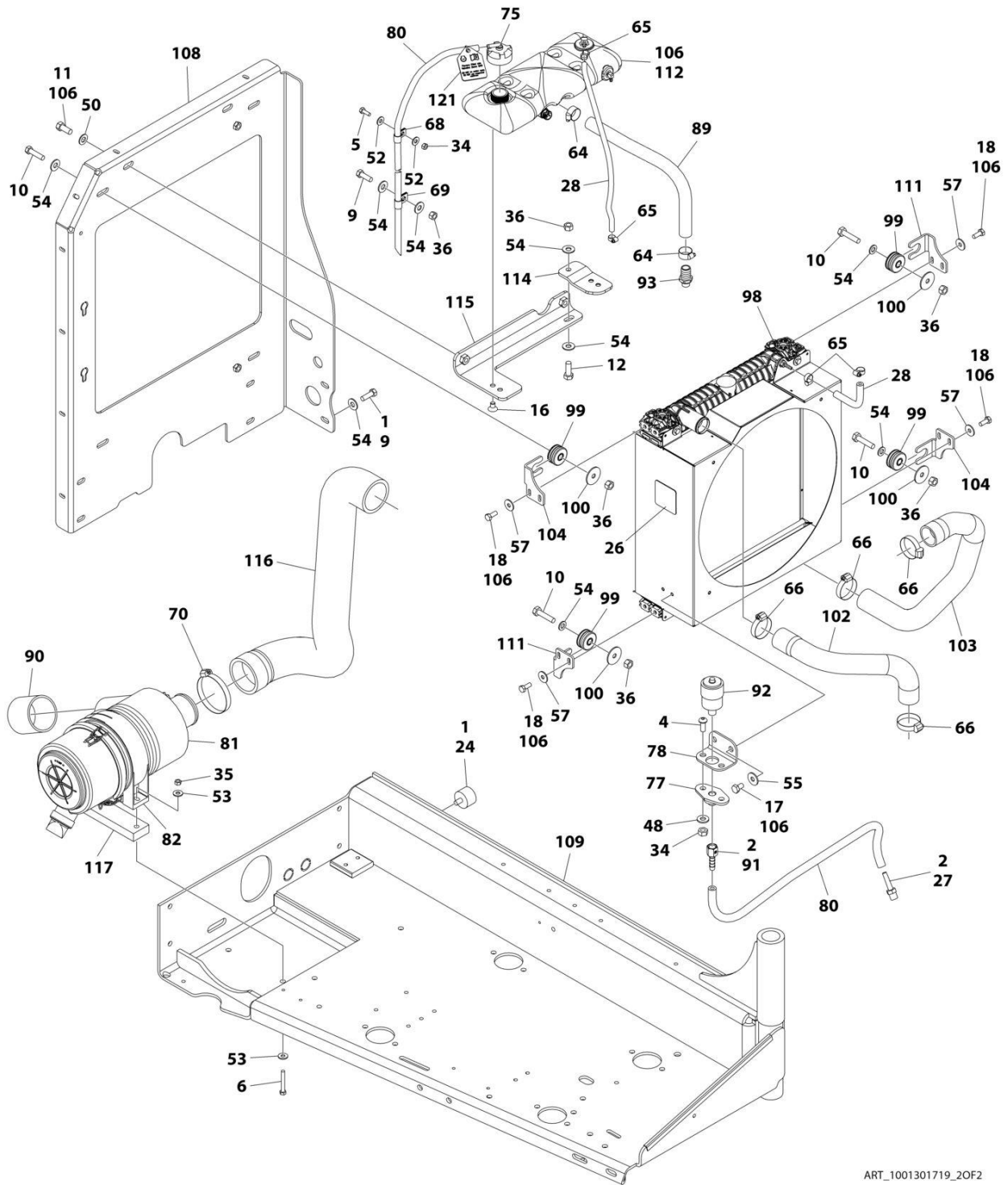
SECTION 3 - ENGINE

FIGURE 3-26. ENGINE ASSEMBLY - DEUTZ D2.9L4 EMR5 ENGINE (WITHOUT ARCTIC PACKAGE)



ART_1001301719_10F2

SECTION 3 - ENGINE



ART_1001301719_2OF2

SECTION 3 - ENGINE

FIGURE 3-26. ENGINE ASSEMBLY - DEUTZ D2.9L4 EMR5 ENGINE (WITHOUT ARCTIC PACKAGE)

ITEM	PART NUMBER	QTY	DESCRIPTION	REV
	1001301719	Ref	ENGINE ASSEMBLY - DEUTZ D2.9L4 EMR5 ENGINE	A
1	0100011	AR	Locking, Compound	
2	0100020	AR	Sealant, Pipe	
3	0100062	AR	Adhesive	
4	0630407	2	Screw 1/4 x 5/8	
5	0641406	5	Bolt 1/4 x 3/4	
6	0641518	2	Bolt 5/16 x 2-1/4	
7	0641605	2	Bolt 3/8 x 5/8	
8	0641608	8	Bolt 3/8 x 1	
9	0641609	6	Bolt 3/8 x 1-1/8	
10	0641612	4	Bolt 3/8 x 1-1/2	
11	0641708	2	Bolt 7/16 x 1	
12	0681608	1	Bolt 3/8 x 1	
13	0681820	3	Bolt 1/2 x 2-1/2	
14	0681822	1	Bolt 1/2 x 2-3/4	
15	0700814	1	Bolt M8 x 30	
16	0741605	2	Screw 3/8 x 5/8	
17	0760605	2	Bolt M6 x 10	
18	0760810	9	Bolt M8 x 20	
19	0761015	2	Bolt M10 x 35	
20	0761210	1	Bolt M12 x 20	
21	0771212	6	Bolt M12 x 25	
22	0771414	2	Bolt M14 x 30	
23	0771415	3	Bolt M14 x 35	
24	0940070	1	Bumper	
25	0961986	2	Bushing	
26	1703162	1	Decal - Fan Blade	
27	2220315	1	Fitting, Straight Barbed	
28	2720015	3 ft /1 m	Hose	
29	2720340	1 ft /0.3 m	Hose	
30	3200401	4	Mount	
31	3271801	4	Nut 1/2	
32	3291005	2	Nut M10	
33	3310401	3	Nut #4	
34	3311405	8	Nut 1/4	
35	3311505	2	Nut 5/16	
36	3311605	17	Nut 3/8	
37	3580320	1	Pulley	
38	3910408	3	Screw #4 x 1/2	
39	3931432	1	Capscrew 1/4 x 2	
40	3931512	4	Capscrew 5/16 x 3/4	
41	3931628	4	Capscrew 3/8 x 1-3/4	
42	4031914	4	Capscrew M8 x 50	
43	4032014	4	Capscrew M10 x 50	
44	4060805	2 ft /0.4 m	Shield	
45	4240032	AR	Tie-Strap (Not Shown)	
46	4240099	AR	Tie-Strap (Not Shown)	
47	4640751	1	Valve, Oil Drain	
48	4711400	3	Washer 1/4	
49	4711500	5	Washer 5/16	

SECTION 3 - ENGINE

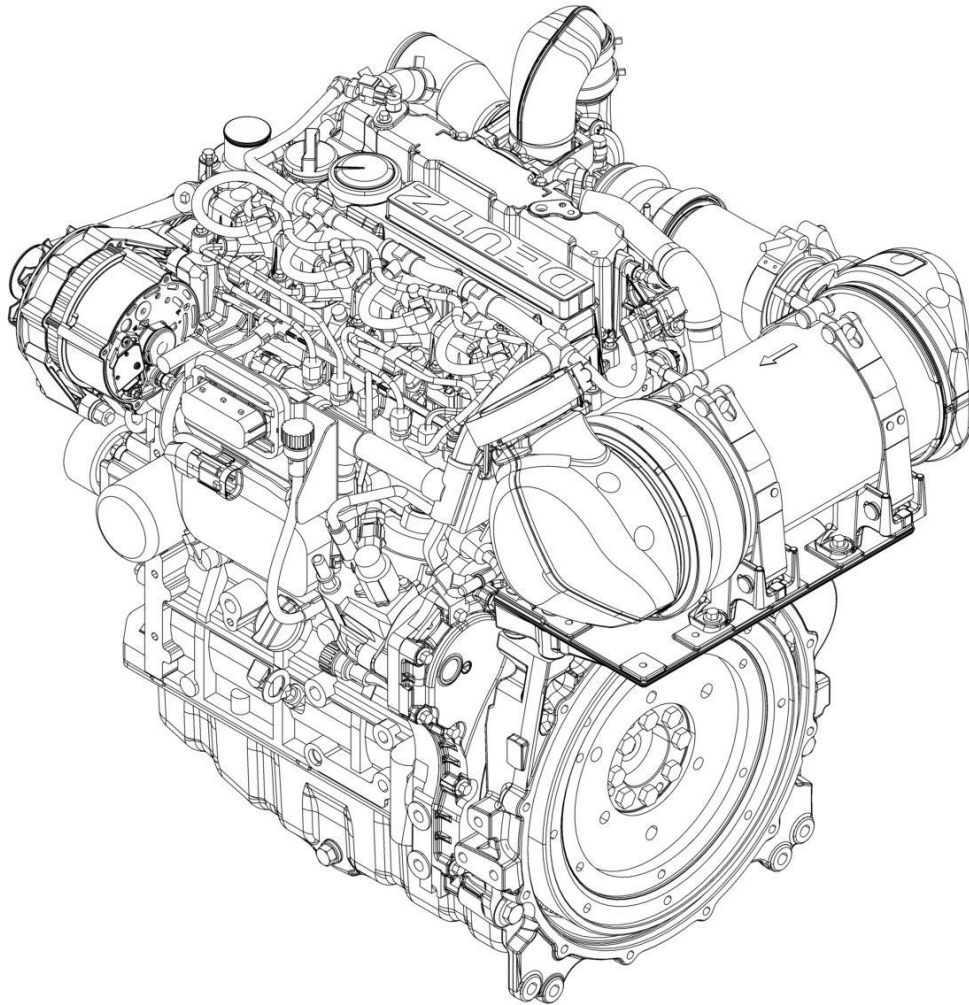
ITEM	PART NUMBER	QTY	DESCRIPTION	REV
50	4711700	2	Washer 7/16	
51	4750400	3	Washer #4	
52	4751400	10	Washer 1/4	
53	4751500	4	Washer 5/16	
54	4751600	34	Washer 3/8	
55	4811702	2	Washer M6	
56	4811900	4	Washer M8	
57	4811902	8	Washer M8	
58	4812000	8	Washer M10	
59	4812100	7	Washer M12	
60	4812200	5	Washer M14	
61	4891800	4	Washer 1/2	
62	5240800	1	Washer M8	
63	5250810	2	Bolt M8 x 20	
64	8405007	2	Clamp	
65	8405009	4	Clamp	
66	8405104	4	Clamp	
67	8406102	1	Clip	
68	8406109	1	Clip	
69	8406110	1	Clip	
70	8410011	2	Clamp	
71	8410013	1	Clamp	
72	1001117308	1	Relay	
73	1001135138	1	Adapter	
74	1001135679	1	Adapter	
75	1001136834	1	Cap	
76	1001137276	1	Fan	
77	1001138173	1	Support	
78	1001138175	1	Bracket	
79	1001138228	1	Relay, Power Module	
79	70023593	1	Fuse 30Amp	
79	70023592	1	Fuse 20Amp	
80	1001138248	6 ft /2 m	Tube	
81	1001138489	1	Filter	
82	1001138557	1	Clamp	
83	1001139240	1	Bracket	
84	1001139409	4	Washer	
85	1001140448	1	Plate	
86	1001140450	1	Plate	
87	1001140454	1	Plate	
88	1001141304	1	Wire, Glow Fuse	
89	1001141370	1	Hose	
90	1001141585	1	Hose	
91	1001141995	1	Fitting, Straight NPT/Barbed	
92	1001143390	1	Indicator	
93	1001143797	1	Fitting, Straight Barbed	
94	1001143907	1	Cable, Alternator Power	
95	1001145154	1	Plate	
96	1001152489	1	Fitting, 90 Barbed	
97	1001153282	1	Pump Coupling Kit (See Separate Breakdown in this Section)	
98	1001167042	1	Radiator	

SECTION 3 - ENGINE

ITEM	PART NUMBER	QTY	DESCRIPTION	REV
99	1001169054	4	Isolator	
100	1001169138	4	Pad	
101	1001177359	1	Hose	
102	1001177844	1	Hose, Radiator (Upper)	
103	1001177845	1	Hose, Radiator (Lower)	
104	1001178223	2	Bracket	
105	1001178876	1	Mount	
106	1001180620	AR	Adhesive	
107	1001181899	1	Clamp	
108	1001186985	1	Support	
109	1001190610	1	Support	
110	1001202368	1	Support	
111	1001204325	2	Bracket	
112	1001230635	1	Tank	
112	0100020	AR	Sealant	
112	1001134488	1	Fitting, 90 NPT/Barbed	
112	1001138827	1	Sensor, Coolant Level	
112	1001140564	1	Fitting, 90 NPT/Barbed	
112	1001229542	1	Tank	
113	1001235949	1	Bracket, Fuel Pump/Filter Assembly (Not Shown) (See Separate Breakdown in this Section)	
114	1001260412	1	Bracket	
115	1001260413	1	Bracket	
116	1001266525	1	Hose	
117	1001267256	1	Shim	
118	1001276644	1	Deutz Engine Harness (Not Shown) (See Separate Breakdown in ELECTRICAL Section)	
119	1001281985	1	Connector (Not Shown)	
120	1001281986	1	Connector (Not Shown)	
121	1001291401	1	Tag, Coolant	
122	1001301717	1	Deutz TD2.9L4 EMR5 Engine (See Separate Breakdown in this Section)	

SECTION 3 - ENGINE

FIGURE 3-27. ENGINE COMPONENTS - DEUTZ D2.9L4 EMR5 ENGINE



ART_1001301717

SECTION 3 - ENGINE

FIGURE 3-27. ENGINE COMPONENTS - DEUTZ D2.9L4 EMR5 ENGINE

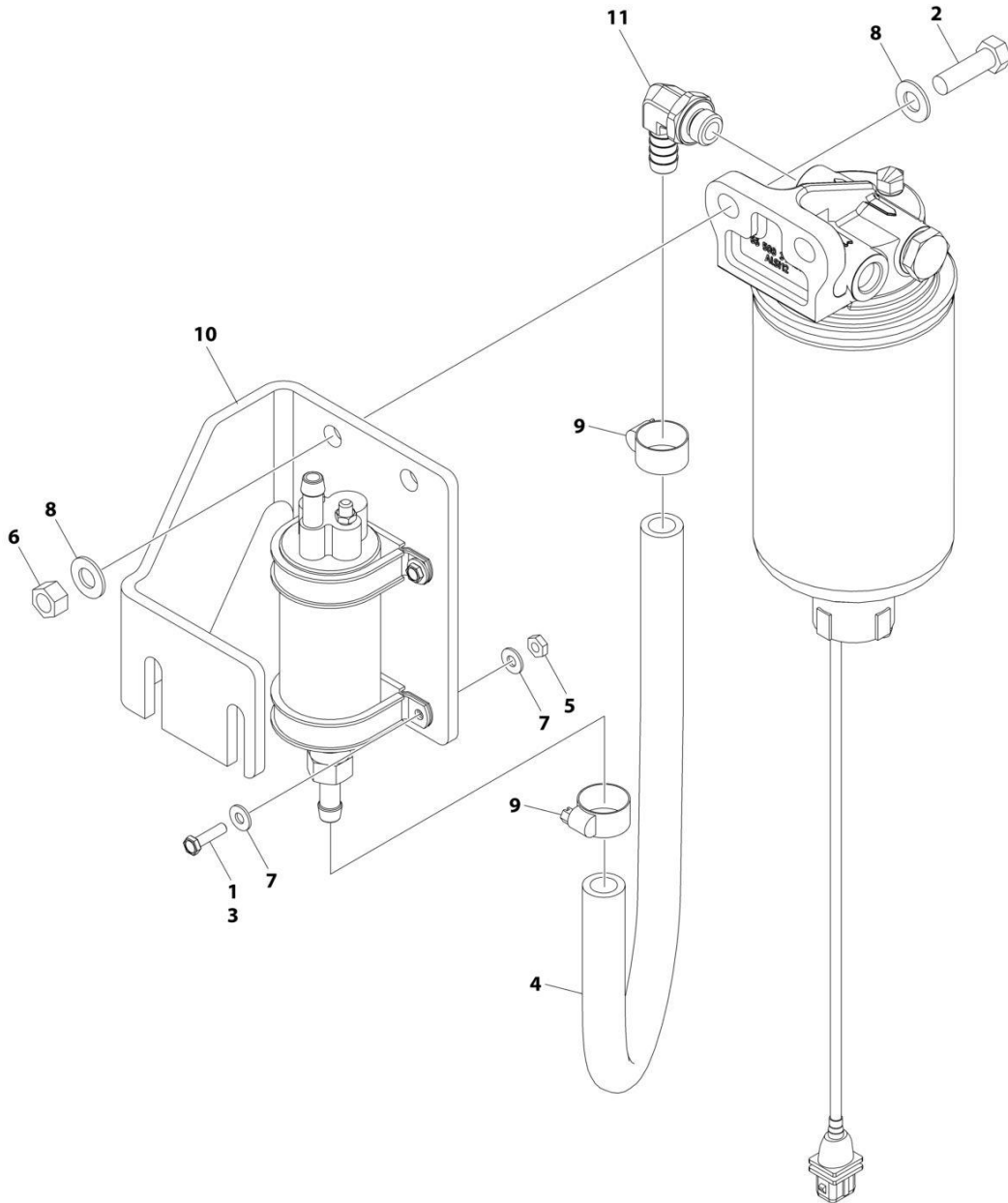
ITEM	PART NUMBER	QTY	DESCRIPTION	REV
	1001301717	Ref	DEUTZ ENGINE COMPONENTS	A
	See Note	Ref	Note: Additional components may be available. Contact JLG Customer Service for more details.	
		Ref	AIR INTAKE COMPONENTS	
		Ref	COOLING SYSTEM COMPONENTS	
	70031474	1	Cooler, Oil	
	70031388	1	Seal, Oil Cooler	
	70030360	1	Pump, Coolant (Includes Gasket & Sealing Rings)	
	70031055	1	O-Ring, Coolant Pump	
	70007325	1	Gasket	
	7020492	1	Seal	
	70007603	1	Thermostat	
	70005184	1	O-Ring, Thermostat	
	70005931	1	Gasket, Thermostat	
	70025142	1	Cover, Thermostat	
		Ref	ELECTRICAL SYSTEM COMPONENTS	
	70029512	1	Module, ECU/ECM	
	70024513	1	Sensor, Fuel Filter	
	70024504	2	Sensor, Fuel Pressure (at Fuel Filter & Side of Block) (Includes Seal)	
	70024920	2	Seal	
	70031144	1	Starter	
	70008435	1	Generator (Includes Voltage Regulator)	
	70031143	1	Regulator, Voltage	
	70025231	1	Harness, Glow Plug (Not Shown)	
		Ref	Harness, Engine	
	70028540	1	Sensor, Temperature (Includes O-Ring) (in Cylinder Head)	
	70026210	2	Sensor, Speed (Includes Seal) (Rear of Block & Front Cover)	
	70024507	1	Sensor, Pressure (Includes O-Ring) (Charge Manifold)	
	70031475	1	Sensor, Temperature (Includes O-Ring) (Charge Manifold)	
	70000345	4	Plug, Glow (Not Shown)	
		Ref	EXHAUST SYSTEM COMPONENTS	
	70025164	1	Gasket, Exhaust Manifold to Head	
	70025130	8	Bolt, Exhaust Manifold	
	70029557	1	Gasket, Exhaust Recirculation Pipe to Exhaust Manifold (Upper)	
	70007354	1	Gasket, Exhaust Recirculation Pipe (Lower)	
	70008434	1	Valve, EGR	
	70007326	1	Gasket, EGR Valve	
	70007327	1	Valve, Shuttle (EGR Module)	
	70004276	1	Turbocharger	
	70025242	2	Gasket (at Compensator)	
	70004504	1	Compensator	
	70030097	1	Clamp (Compensator Engine Side)	
	70030099	1	Clamp (Compensator Catalyst Side)	
	70029520	2	Gasket (on both ends of Catalyst)	
	70029517	2	Clamp (on both ends of Catalyst)	
	70007355	1	Muffler/Inlet	
		Ref	FUEL SYSTEM COMPONENTS	
	1001225430	1	Filter, Fuel (Primary)	

SECTION 3 - ENGINE

ITEM	PART NUMBER	QTY	DESCRIPTION	REV
	1001225431	1	Filter, Fuel (Secondary)	
	70030381	1	Pump, Injection/High Pressure (Includes Control Valves, Gasket & O-Rings)	
	70025152	1	O-Ring (Between Pump AND Spacer)	
	70004505	1	Valve, Overflow	
	70004506	1	O-Ring	
	70004507	1	O-Ring	
	70004508	1	Valve, Volume Control	
	70004509	1	O-Ring	
	70004510	1	Gasket	
	70025181	4	Injector, Fuel (Includes O-Ring)	
	70025145	4	O-Ring	
	70008422	1	Pump, Fuel Supply	
	70025144	2	Clamp	
		Ref	GASKETS & SEAL & KITS (Note: Some components listed with main component)	
	70005938	1	Gasket Kit	
	70024906	1	Gasket, Head	
	70005171	1	Gasket, Valve Cover	
	70002718	1	Seal, Main (Rear)	
	70008296	1	Seal, Main (Front)	
	70028185	1	Gasket, Front Cover	
	70005176	1	O-Ring, Air Charge Pipe	
	70005177	1	Gasket, Air Charge Pipe	
	70031095	2	Gasket (EGR Module to Pipe & Pipe to Charge Manifold Elbow)	
		Ref	LUBRICATION SYSTEM COMPONENTS	
	7016331	1	Filter, Oil	
	70024904	1	Dipstick (Includes Seal)	
	70024905	1	Seal, Dipstick	
	7020465	2	Cap, Filler	
	70005941	2	Plug, Oil Drain	
	70005942	2	Ring, Oil Drain Plug Sealing	
	70005172	1	Pump, Oil Lube (Includes Gasket & O-Ring)	
	70025135	1	O-Ring	
	70005173	1	Gasket	
		Ref	MECHANICAL COMPONENTS	
	70001870	1	Flywheel (Includes Ring Gear)	
	7024579	1	Gear, Ring	
	70028699	1	Tensioner, Belt (Generator)	
	70027432	1	Idler (Generator Belt)	
	70004277	1	Belt, Generator Drive	

SECTION 3 - ENGINE

FIGURE 3-28. FUEL PUMP/FILTER BRACKET ASSEMBLY (DEUTZ TD2.9L4 ENGINES)



ART_1001162335

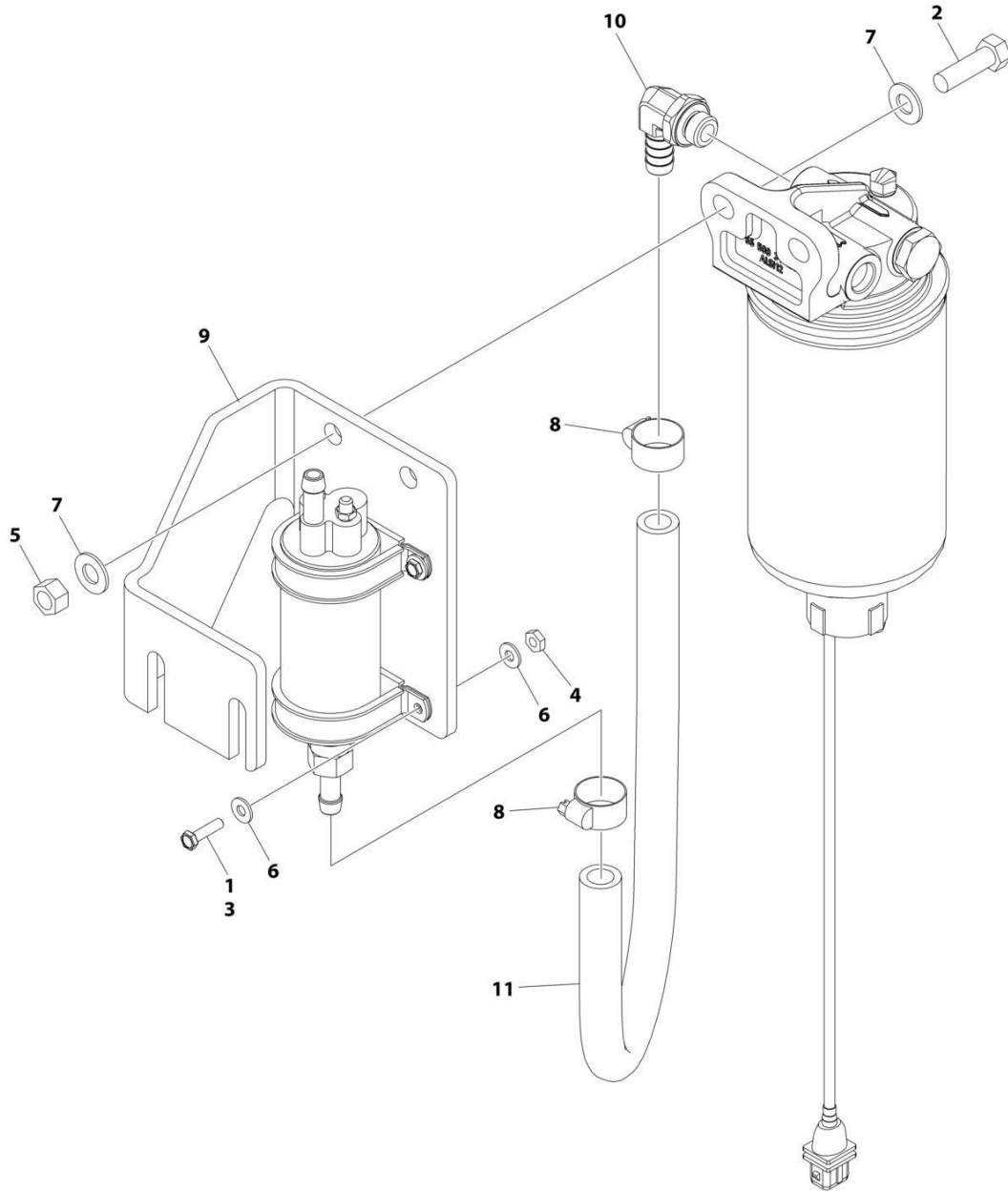
SECTION 3 - ENGINE

FIGURE 3-28. FUEL PUMP/FILTER BRACKET ASSEMBLY (DEUTZ TD2.9L4 ENGINES)

ITEM	PART NUMBER	QTY	DESCRIPTION	REV
	1001162335	Ref	BRACKET ASSEMBLY - FUEL PUMP AND FILTER (DEUTZ D2.9L4 ENGINE)	E
1	0100011	AR	Compound, Locking	
2	0641610	2	Bolt 3/8 x 1-1/4	
3	0721006	4	Bolt #10 x 3/4	
4	1001154405	AR	Hose	
5	3311001	4	Nut #10	
6	3311605	2	Nut 3/8	
7	4711000	8	Washer #10	
8	4711600	4	Washer 3/8	
9	8405006	2	Clamp	
10	1001141870	1	Plate, Fuel Pump Mount	
11	1001142501	1	Fitting, Elbow Barbed	

SECTION 3 - ENGINE

FIGURE 3-29. FUEL PUMP/FILTER BRACKET ASSEMBLY (DEUTZ TD2.9L4 (STAGE V) ENGINES)



ART_1001235949

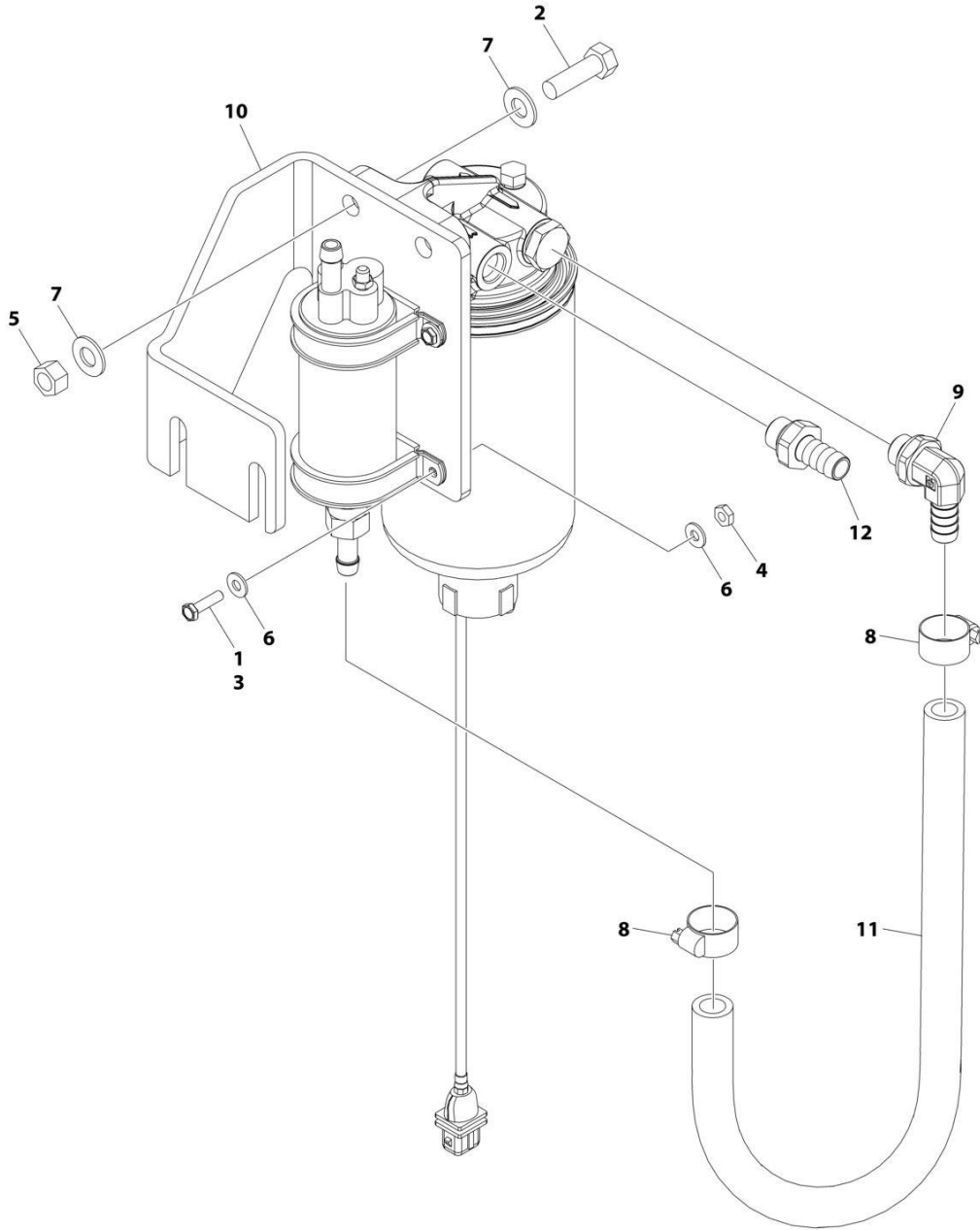
SECTION 3 - ENGINE

FIGURE 3-29. FUEL PUMP/FILTER BRACKET ASSEMBLY (DEUTZ TD2.9L4 (STAGE V) ENGINES)

ITEM	PART NUMBER	QTY	DESCRIPTION	REV
	1001235949	Ref	BRACKET ASSEMBLY - FUEL PUMP AND FILTER (DEUTZ D2.9L4 (STAGE V) ENGINE)	A
1	0100035	AR	Compound, Locking	
2	0641610	2	Bolt 3/8 x 1-1/4	
3	0721006	4	Bolt #10 x 3/4	
4	3311001	4	Nut #10	
5	3311605	2	Nut 3/8	
6	4711000	8	Washer #10	
7	4711600	4	Washer 3/8	
8	8405006	2	Clamp	
9	1001141870	1	Plate, Fuel Pump Mount	
10	1001142501	1	Fitting, Elbow Barbed	
11	1001154405	1.5 ft /0.4m	Hose	

SECTION 3 - ENGINE

FIGURE 3-30. FUEL PUMP/FILTER BRACKET ASSEMBLY (DEUTZ TD2.9L4 ENGINES) (CHINA III ENGINES)



ART_1001227224_E

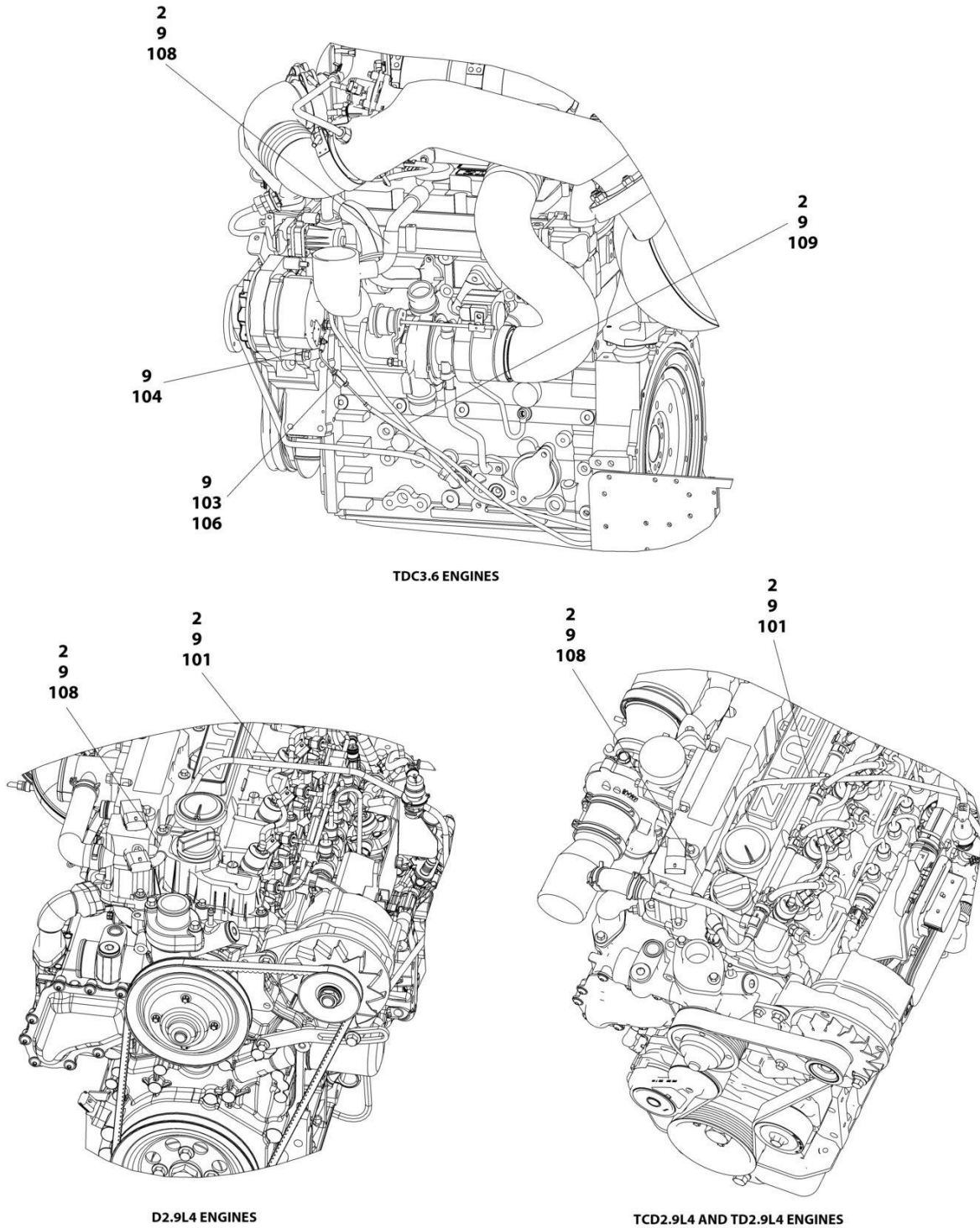
SECTION 3 - ENGINE

FIGURE 3-30. FUEL PUMP/FILTER BRACKET ASSEMBLY (DEUTZ TD2.9L4 ENGINES) (CHINA III ENGINES)

ITEM	PART NUMBER	QTY	DESCRIPTION	REV
	1001227224	Ref	BRACKET ASSEMBLY (LESS FUEL PUMP AND FILTER)	E
1	0100011	AR	Locking, Compound	
2	0641610	2	Bolt 3/8 x 1-1/4	
3	0721006	4	Bolt #10 x 3/4	
4	3311001	4	Nut #10	
5	3311605	2	Nut 3/8	
6	4711000	8	Washer #10	
7	4711600	4	Washer 3/8	
8	8405006	2	Clamp	
9	1001142501	1	Fitting, 90 Metric/Barbed	
10	1001141870	1	Plate, Fuel Pump Mount	
11	1001154405	AR	Hose	
12	1001141718	1	Fitting, Straight (Not Shown)	

SECTION 3 - ENGINE

FIGURE 3-31. BREATHER HEATER INST (DEUTZ TD2.9L4 ENGINES)



ART_1001233763

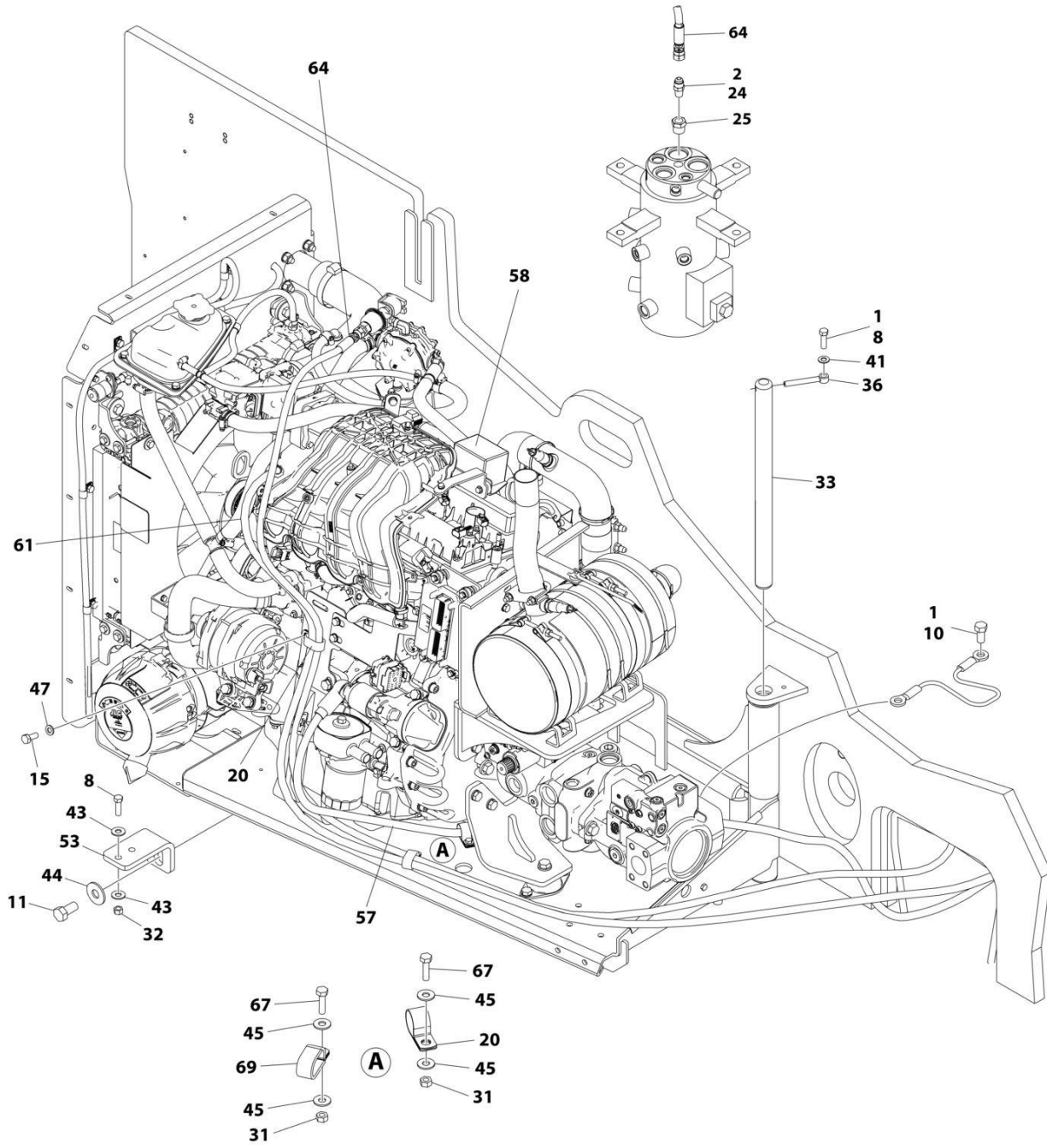
SECTION 3 - ENGINE

FIGURE 3-31. BREATHER HEATER INST (DEUTZ TD2.9L4 ENGINES)

ITEM	PART NUMBER	QTY	DESCRIPTION	REV
	1001233763	Ref	BREATHER HEATER INSTALLATION - DEUTZ ENGINES	D
2	4240099	AR	Tie-Strap	
9	1001243895	1	Breather Heater Harness	C
101	2820035	AR	Insulation	
103	2400060	1	Fuseholder with Cover	
104	4460043	1	Terminal, Ring	
105	4460722	1	Terminal, Ring (Not Shown)	
106	1001196634	1	Fuse - 2 Amp	
108	1001232842	1	Breather Heater Kit	

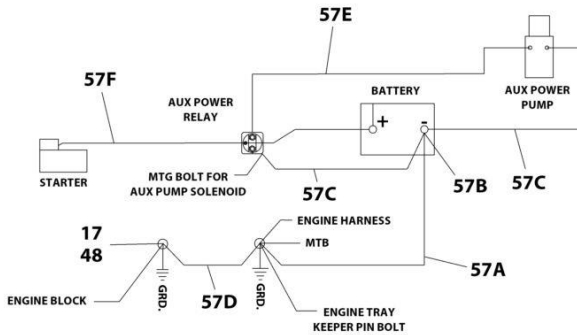
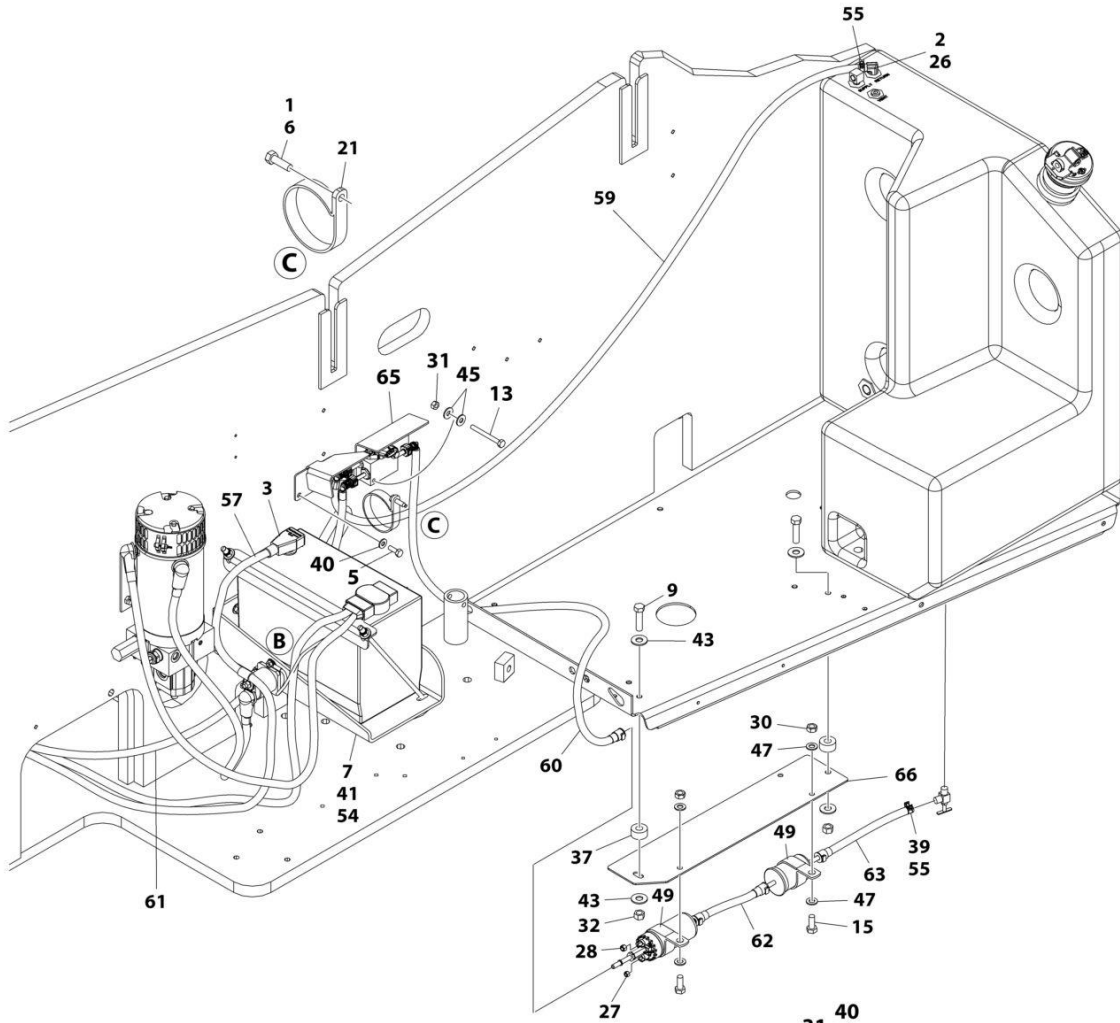
SECTION 3 - ENGINE

FIGURE 3-32. FORD ENGINE INSTALLATION (WITHOUT ARCTIC PACKAGE)

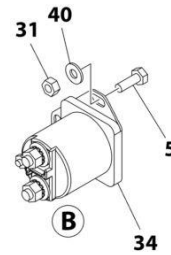


ART_1001217199_10F2

SECTION 3 - ENGINE



BATTERY CABLE KIT - ITEM 57



ART_1001217199_20F2

SECTION 3 - ENGINE

FIGURE 3-32. FORD ENGINE INSTALLATION (WITHOUT ARCTIC PACKAGE)

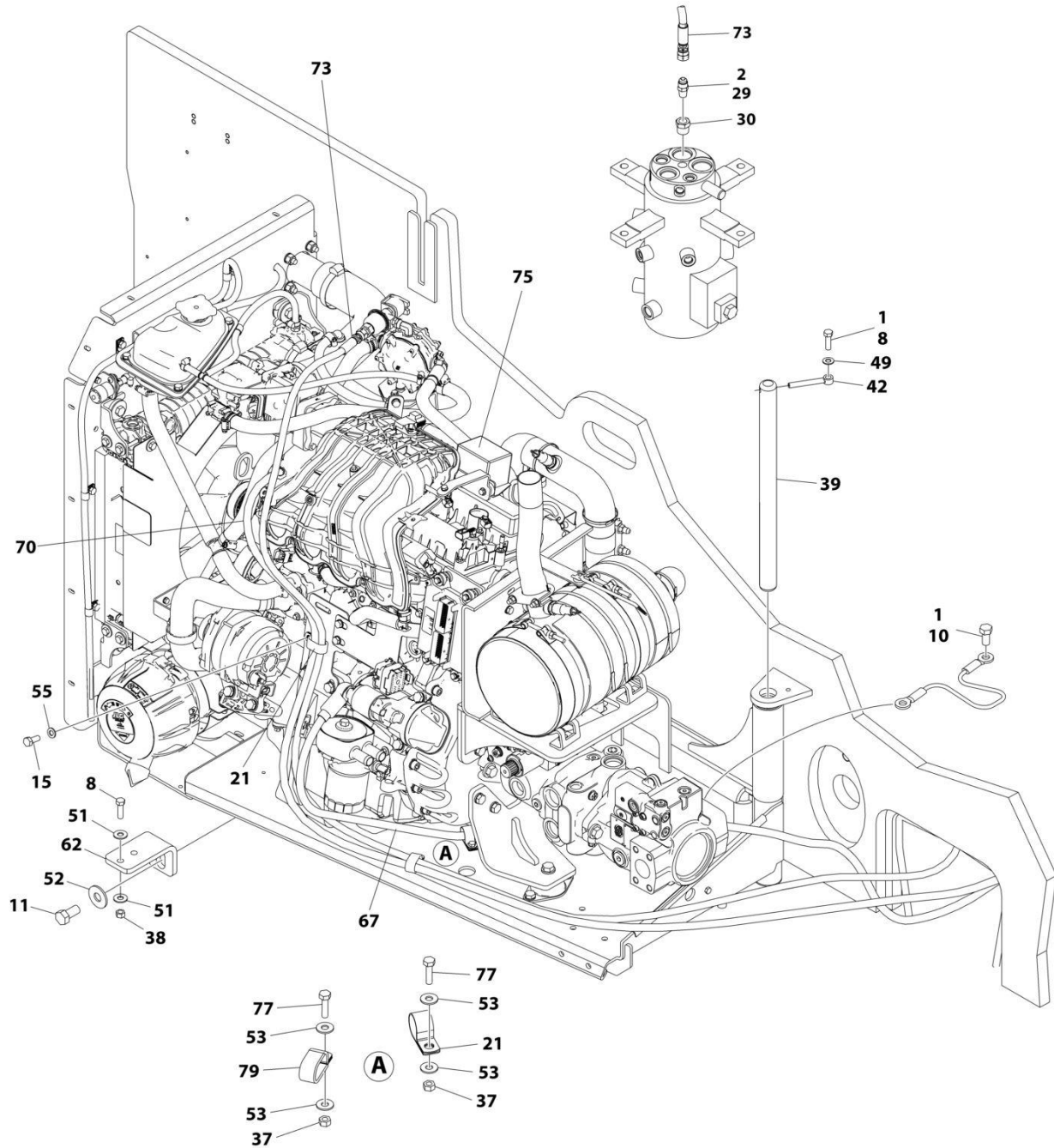
ITEM	PART NUMBER	QTY	DESCRIPTION	REV
	1001217199	Ref	Ford Engine Installation without Arctic Package	H
1	0100011	AR	Compound, Locking	
2	0100020	AR	Sealant	
3	0100048	AR	Grease, Terminal	
5	0641406	4	Bolt 1/4 x 3/4	
6	0641508	1	Bolt 5/16 x 1	
7	0641607	3	Bolt 3/8 x 7/8	
8	0641610	3	Bolt 3/8 x 1-1/4	
9	0641612	2	Bolt 3/8 x 1-1/2	
10	0641808	1	Bolt 1/2 x 1	
11	0642010	1	Bolt 5/8 x 1-1/4	
13	0641420	2	Bolt 1/4 x 2-1/2	
15	0760810	3	Bolt M8 x 20	
17	0761008	1	Bolt M10 x 16	
20	1321283	2	Clamp	
21	1321339	1	Clamp	
22	1701542	1	Decal - Gas (Not Shown)	
23	1701543	2	Decal - LPG (Not Shown)	
24	2180418	1	Fitting, Straight	
25	2221197	1	Fitting, Reducer NPT/NPT	
26	2221176	1	Fitting, 90	
27	3290405	1	Nut M4	
28	3290505	1	Nut M5	
30	3290801	2	Nut M8	
31	3311405	6	Nut 1/4	
32	3311605	4	Nut 3/8	
33	3422446	1	Pin	
34	3740067	1	Relay	
35	3790012	1	O-Ring (Not Shown - Located on Platform Console Box)	
36	3841143	1	Keeper, Pin	
37	4071122	2	Shim	
38	4360336	1	Switch, Toggle (Not Shown - Located on Platform Console Box)	
39	1001221488	1	Tube, Fuel Line	
40	4711400	6	Washer 1/4	
41	4711600	4	Washer 3/8	
43	4751600	8	Washer 3/8	
44	4752000	1	Washer 5/8	
45	4751400	8	Washer 1/4	
47	4811900	5	Washer M8	
48	4812000	1	Washer M10	
49	85941018	2	Clamp	
53	1001153359	1	Mount	
54	1001162497	1	Bracket, Battery	
55	1001174486	2	Clamp	
57	1001216568	1	Battery Cable Kit	B
57A	7027084	1	Cable, Battery - Ground to Battery -	
57B	8270147	1	Terminal, Battery with Boot	
57C	7027085	1	Cable, Battery - Auxiliary Pump/Relay to Battery -	
57D	7027086	1	Cable, Battery - Engine to Ground	
57E	7027088	1	Cable, Battery - Auxiliary Relay to Auxiliary Pump	

SECTION 3 - ENGINE

ITEM	PART NUMBER	QTY	DESCRIPTION	REV
57F	70009020	1	Cable, Battery - Starter/Auxiliary Relay to Battery +	
58	1001217192	1	Ford Engine and Pump Sub-Assembly (Without Arctic Package) (See Separate Breakdown in this Section)	
59	1001219364	1	Hose	
60	1001219365	1	Hose	
61	1001219366	1	Hose	
62	1001219367	1	Hose	
63	1001219368	1	Hose	
64	1001219369	1	Hose	
65	1001219370	1	Bracket	
66	1001219809	1	Bracket	
67	0641408	2	Bolt 1/4 x 1	
69	8406201	1	Clip	
70	4240099	AR	Tie-Strap (Not Shown)	

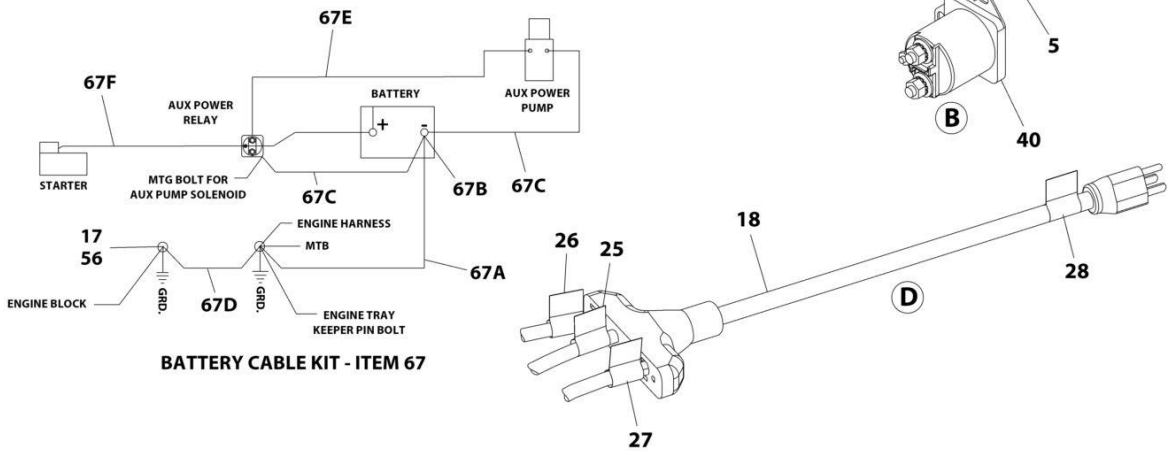
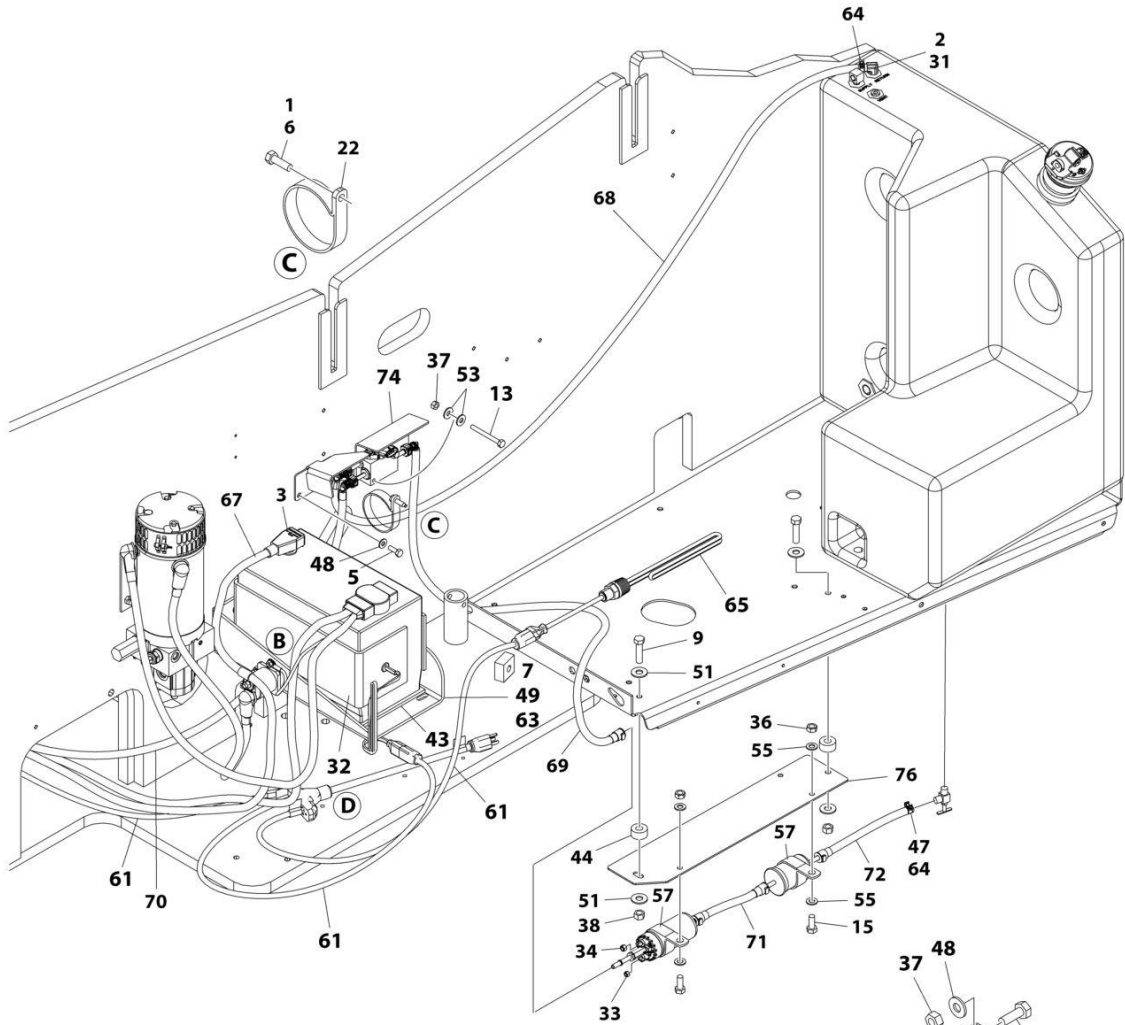
SECTION 3 - ENGINE

FIGURE 3-33. FORD ENGINE INSTALLATION (WITH ARCTIC PACKAGE)



ART_1001219610_10F2

SECTION 3 - ENGINE



ART_1001219610_20F2

SECTION 3 - ENGINE

FIGURE 3-33. FORD ENGINE INSTALLATION (WITH ARCTIC PACKAGE)

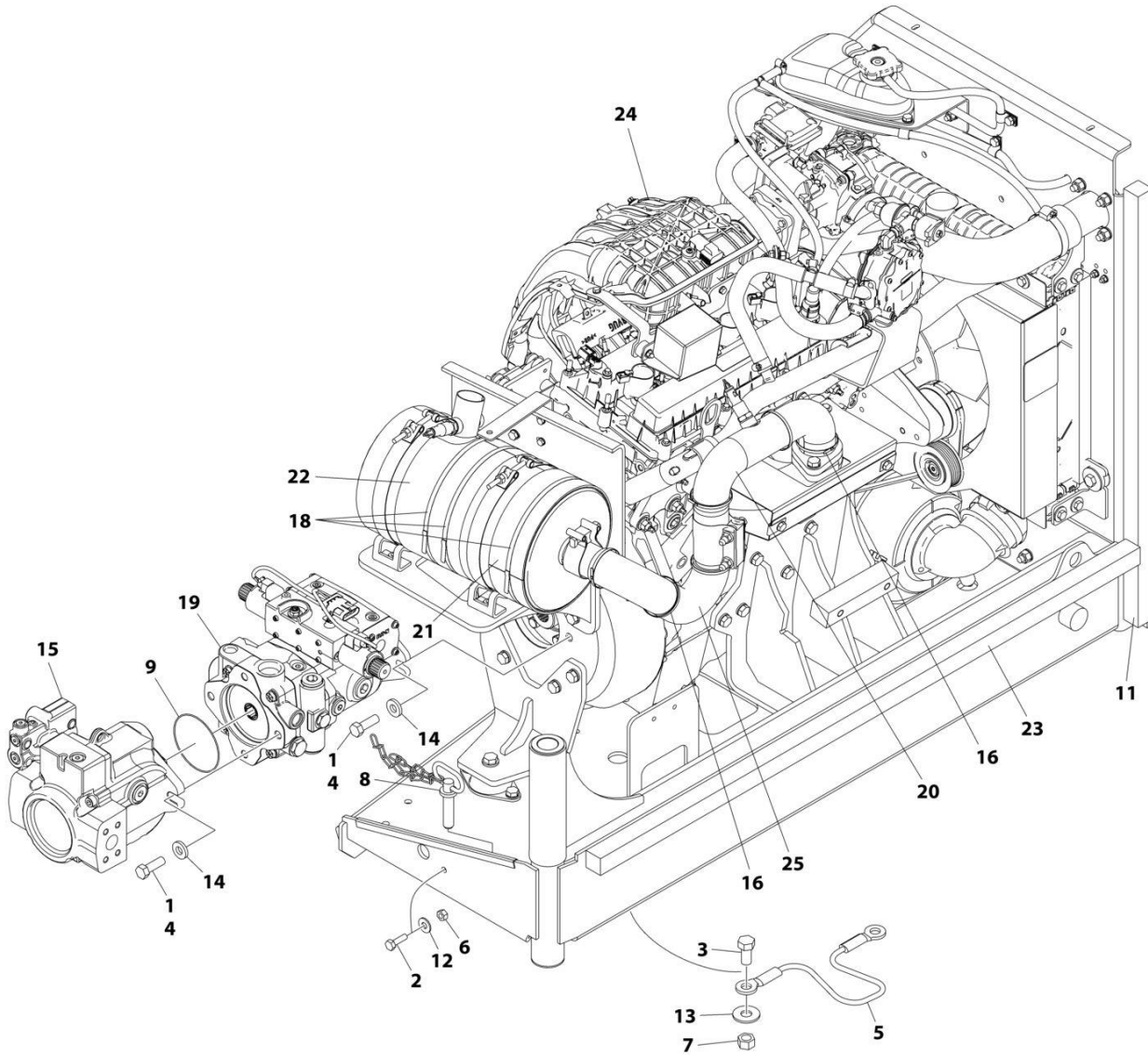
ITEM	PART NUMBER	QTY	DESCRIPTION	REV
	1001219610	Ref	FORD ENGINE INSTALLATION (WITH ARCTIC PACKAGE)	H
1	0100011	AR	Compound, Locking	
2	0100020	AR	Sealant	
3	0100048	AR	Grease, Terminal	
5	0641406	4	Bolt 1/4 x 3/4	
6	0641508	1	Bolt 5/16 x 1	
7	0641607	3	Bolt 3/8 x 7/8	
8	0641610	3	Bolt 3/8 x 1-1/4	
9	0641612	2	Bolt 3/8 x 1-1/2	
10	0641808	1	Bolt 1/2 x 1	
11	0642010	1	Bolt 5/8 x 1-1/4	
13	0641420	2	Bolt 1/4 x 2-1/2	
15	0760810	3	Bolt M8 x 20	
17	0761008	1	Bolt M10 x 16	
18	1060626	1	Plug, 3 Way	
21	1321283	2	Clamp	
22	1321339	1	Clamp	
23	1701542	1	Decal - Gas (Not Shown)	
24	1701543	2	Decal - LPG (Not Shown)	
25	1702941	1	Decal - Battery Heater	
26	1702942	1	Decal - Engine Block Heater	
27	1702943	1	Decal - Hydraulic Tank Heater	
28	1702944	1	Decal - Heater Cord	
29	2180418	1	Fitting, Straight	
30	2221197	1	Fitting, Reducer NPT/NPT	
31	2221176	1	Fitting, 90	
32	2580024	1	Heater, Battery	
33	3290405	1	Nut M4	
34	3290505	1	Nut M5	
36	3290801	2	Nut M8	
37	3311405	6	Nut 1/4	
38	3311605	4	Nut 3/8	
39	3422446	1	Pin	
40	3740067	1	Relay	
41	3790012	1	O-Ring (Not Shown - Located on Platform Console Box)	
42	3841143	1	Keeper, Pin	
43	3980007	1	Seat, Battery	
44	4071122	2	Shim	
45	4240099	AR	Tie-Strap (Not Shown)	
46	4360336	1	Switch, Toggle (Not Shown - Located on Platform Console Box)	
47	1001221488	1	Tube, Fuel Line	
48	4711400	6	Washer 1/4	
49	4711600	4	Washer 3/8	
51	4751600	8	Washer 3/8	
52	4752000	1	Washer 5/8	
53	4751400	8	Washer 1/4	
55	4811900	5	Washer M8	
56	4812000	1	Washer M10	
57	85941018	2	Clamp	
61	1001150918	1	Cable, Immersion Heater	

SECTION 3 - ENGINE

ITEM	PART NUMBER	QTY	DESCRIPTION	REV
62	1001153359	1	Mount	
63	1001162497	1	Bracket, Battery	
64	1001174486	2	Clamp	
65	1001188972	1	Heater, Hydraulic Tank	
67	1001216568	1	Battery Cable Kit	B
67A	7027084	1	Cable, Battery - Ground to Battery -	
67B	8270147	1	Terminal, Battery with Boot	
67C	7027085	1	Cable, Battery - Auxiliary Pump/Relay to Battery -	
67D	7027086	1	Cable, Battery - Engine to Ground	
67E	7027088	1	Cable, Battery - Auxiliary Relay to Auxiliary Pump	
67F	70009020	1	Cable, Battery - Starter/Auxiliary Relay to Battery +	
68	1001219364	1	Hose	
69	1001219365	1	Hose	
70	1001219366	1	Hose	
71	1001219367	1	Hose	
72	1001219368	1	Hose	
73	1001219369	1	Hose	
74	1001219370	1	Bracket	
75	1001219609	1	Ford Engine and Pump Sub-Assembly (with Arctic Package) (See Separate Breakdown in this Section)	
76	1001219809	1	Bracket	
77	0641408	1	Bolt 1/4 x 1	
79	8406201	1	Clip, Tube	

SECTION 3 - ENGINE

FIGURE 3-34. FORD ENGINE AND PUMP SUB-ASSEMBLY (WITHOUT ARCTIC PACKAGE)



ART_1001217192

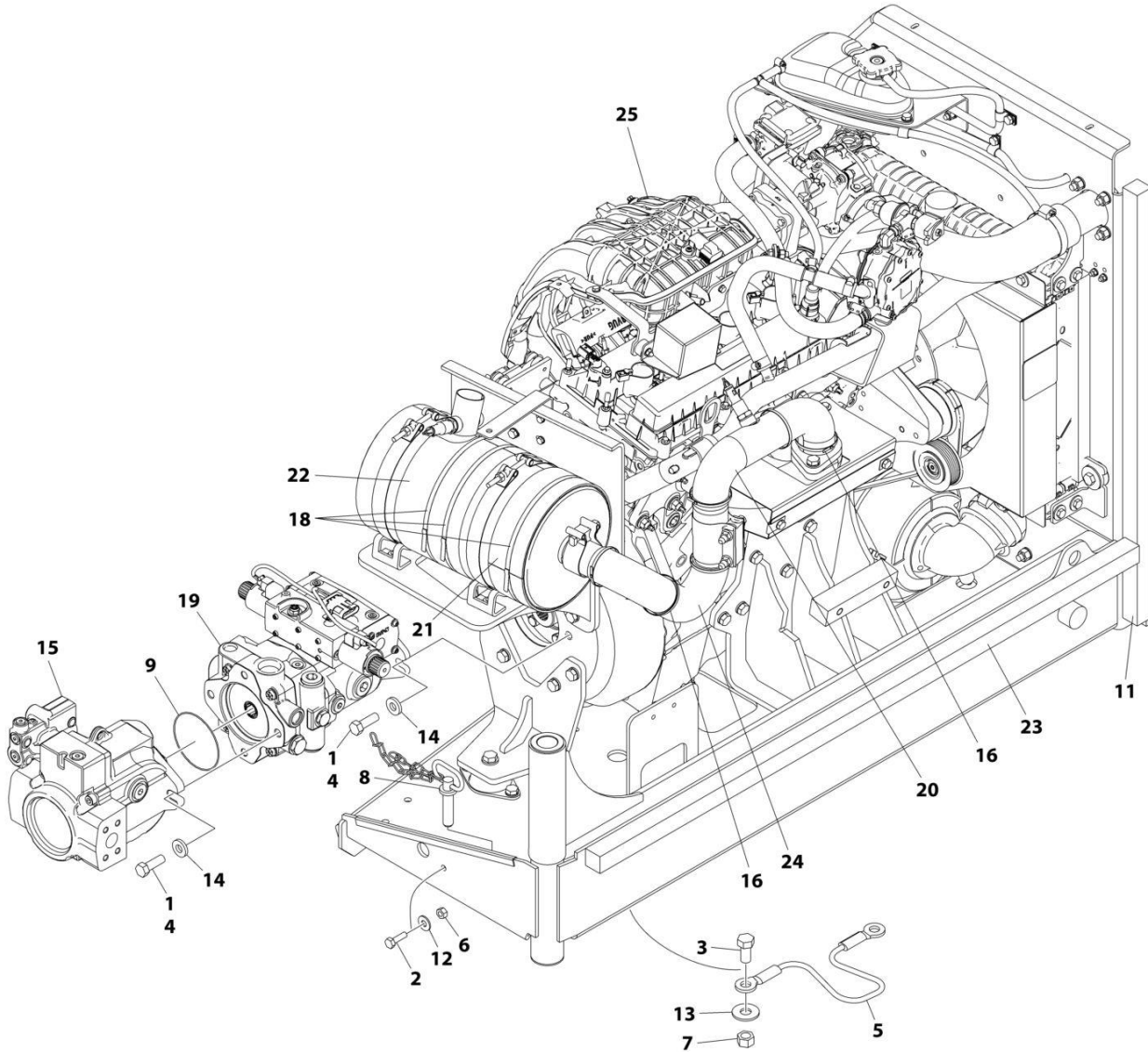
SECTION 3 - ENGINE

FIGURE 3-34. FORD ENGINE AND PUMP SUB-ASSEMBLY (WITHOUT ARCTIC PACKAGE)

ITEM	PART NUMBER	QTY	DESCRIPTION	REV
	1001217192	Ref	FORD ENGINE AND PUMP SUB-ASSEMBLY (WITHOUT ARCTIC PACKAGE)	G
1	0100011	AR	Compound, Locking	
2	0641407	1	Bolt 1/4 x 7/8	
3	0641808	1	Bolt 1/2 x 1	
4	0641812	4	Bolt 1/2 x 1-1/2	
5	1060637	1	Cable, Lanyard	
6	3311405	1	Nut 1/4	
7	3311805	1	Nut 1/2	
8	3422532	1	Pin	
9	3790044	1	O-Ring	
11	3960469	1	Seal	
12	4751400	1	Washer 1/4	
13	4751800	1	Washer 1/2	
14	4891800	4	Washer 1/2	
15	1001094595	1	Variable Pump Assembly (See Separate Breakdown in this Section)	
16	1001100825	6	Strap	
18	1001221464	3	Strap	
19	1001225745	1	Hydrostatic Pump Assembly (See Separate Breakdown in this Section)	
20	1001216532	1	Insulate, Exhaust Pipe	
21	1001216534	1	Insulate, Muffler	
22	1001216535	1	Insulate, Muffler	
23	1001217170	1	Seal	
24	1001217191	1	Ford Engine Assembly without Arctic Package (See Separate Breakdown in this Section)	
25	1001218085	1	Insulate, Exhaust Pipe	

SECTION 3 - ENGINE

FIGURE 3-35. FORD ENGINE AND PUMP SUB-ASSEMBLY (WITH ARCTIC PACKAGE)



ART_1001219609

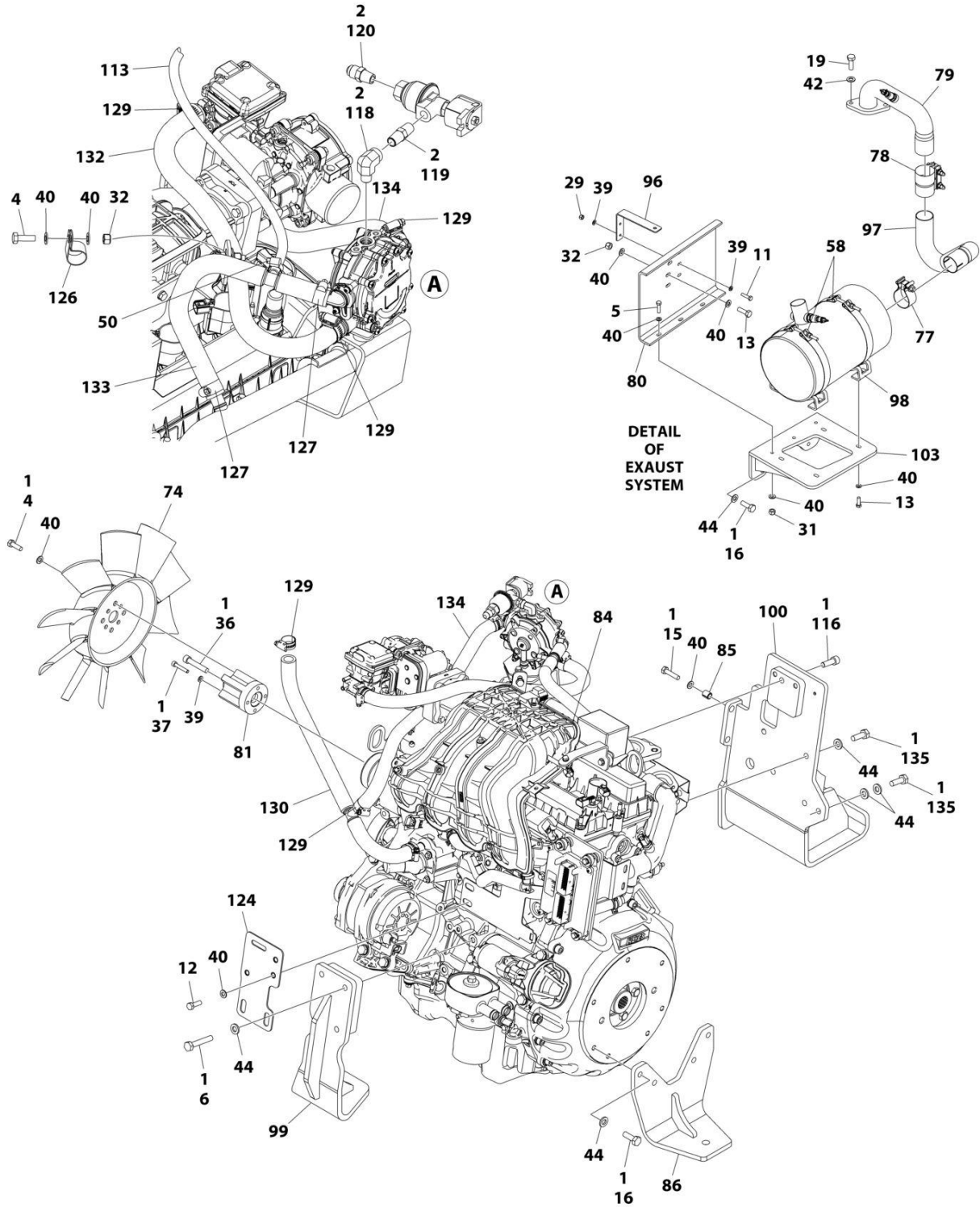
SECTION 3 - ENGINE

FIGURE 3-35. FORD ENGINE AND PUMP SUB-ASSEMBLY (WITH ARCTIC PACKAGE)

ITEM	PART NUMBER	QTY	DESCRIPTION	REV
	1001219609	Ref	FORD ENGINE AND PUMP SUB-ASSEMBLY (WITH ARCTIC PACKAGE)	E
1	0100011	AR	Compound, Locking	
2	0641407	1	Bolt 1/4 x 7/8	
3	0641808	1	Bolt 1/2 x 1	
4	0641812	4	Bolt 1/2 x 1-1/2	
5	1060637	1	Cable, Lanyard	
6	3311405	1	Nut 1/4	
7	3311805	1	Nut 1/2	
8	3422532	1	Pin	
9	3790044	1	O-Ring	
11	3960469	1	Seal	
12	4751400	1	Washer 1/4	
13	4751800	1	Washer 1/2	
14	4891800	4	Washer 1/2	
15	1001094595	1	Variable Pump Assembly (See Separate Breakdown in this Section)	
16	1001100825	6	Strap	
18	1001137336	3	Strap	
19	1001225745	1	Hydrostatic Pump Assembly (See Separate Breakdown in this Section)	
20	1001216532	1	Insulate, Exhaust Pipe	
21	1001216534	1	Insulate, Muffler	
22	1001216535	1	Insulate, Muffler	
23	1001217170	1	Seal	
24	1001218085	1	Insulate, Exhaust Pipe	
25	1001219608	1	Ford Engine Assembly with Arctic Package (See Separate Breakdown in this Section)	

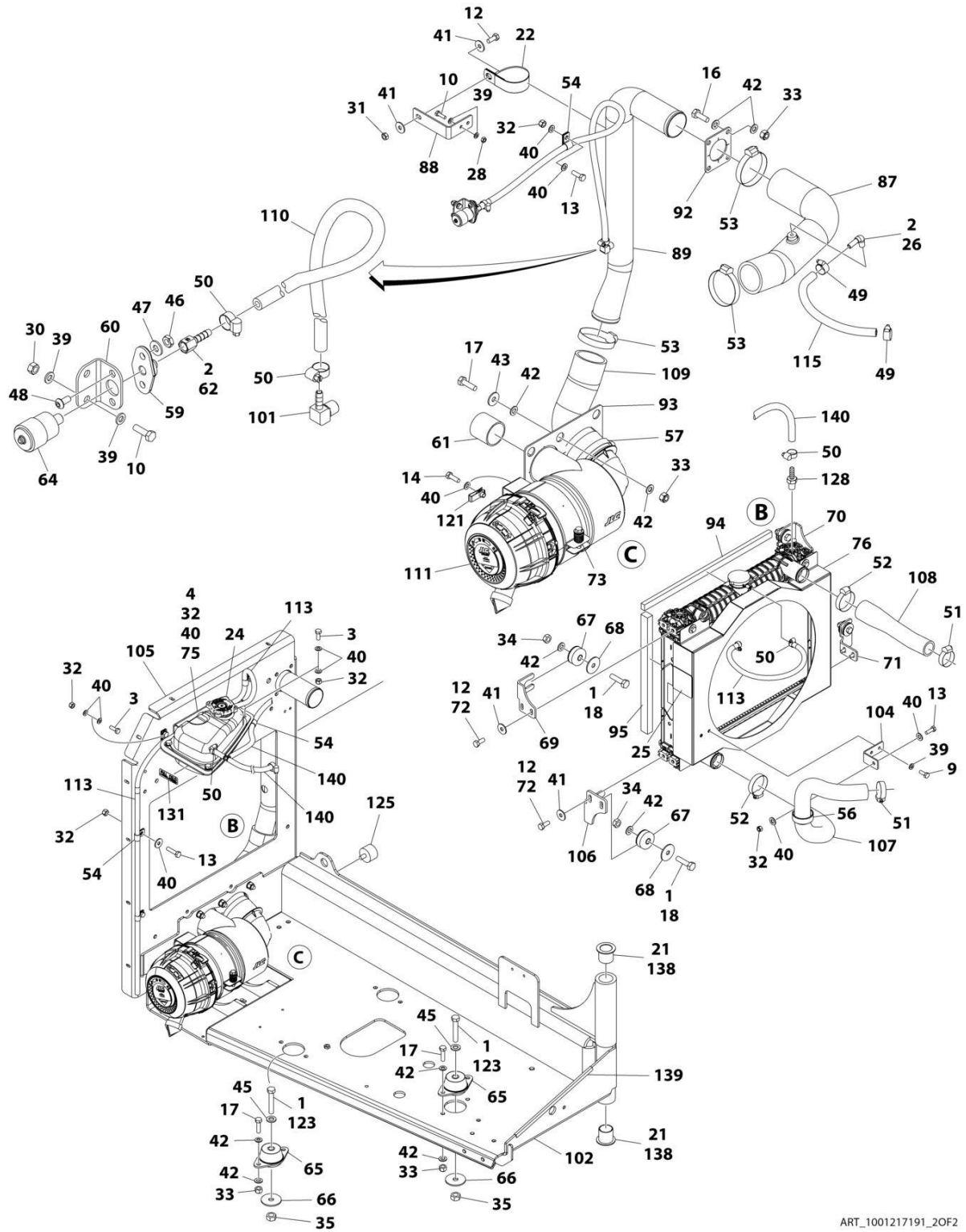
SECTION 3 - ENGINE

FIGURE 3-36. FORD ENGINE ASSEMBLY (WITHOUT ARCTIC PACKAGE)



ART_1001217191_10F2

SECTION 3 - ENGINE



ART_1001217191_2OF2

SECTION 3 - ENGINE

FIGURE 3-36. FORD ENGINE ASSEMBLY (WITHOUT ARCTIC PACKAGE)

ITEM	PART NUMBER	QTY	DESCRIPTION	REV
	1001217191	Ref	FORD ENGINE ASSEMBLY	S
1	0100011	AR	Compound, Locking	
2	0100020	AR	Sealant	
3	0700810	3	Bolt 8 x 20	
4	0700812	7	Bolt 8 x 25	
5	0700814	3	Bolt 8 x 30	
6	0711020	3	Bolt M10 x 60	
9	0760608	2	Bolt 6 x 16	
10	0760610	4	Bolt M6 x 20	
11	0760612	2	Bolt 6 x 25	
12	0760810	11	Bolt M8 x 20	
13	0760812	12	Bolt M8 x 25	
14	0760814	2	Bolt M8 x 30	
15	0760815	2	Bolt M8 x 35	
16	0761014	11	Bolt M10 x 30	
17	0761015	12	Bolt M10 x 35	
18	0761016	4	Bolt M10 x 40	
19	0771014	2	Bolt 10 x 30	
21	0961986	2	Bearing, Flange	
22	1320110	1	Clamp	
23	1001187781	1	Tie-Strap (Not Shown)	
24	1001223584	1	Tank, Surge	
25	1703162	2	Decal - Fan Blade	
26	2180467	1	Fitting, Straight NPT/Barb	
28	3290601	2	Nut M6	
29	3290605	2	Nut M6	
30	3290607	2	Nut M6	
31	3290801	4	Nut M8	
32	3290805	14	Nut M8	
33	3291005	16	Nut M10	
34	3291001	4	Nut M10	
35	3291201	3	Nut M12	
36	3931644	1	Screw 3/8 x 2-3/4	
37	4031711	4	Capscrew M6 x 35	
38	4240099	AR	Tie-Strap (Not Shown)	
39	4811700	18	Washer M6	
40	4811900	48	Washer M8	
41	4811902	10	Washer M8	
42	4812000	38	Washer M10	
43	4812002	6	Washer M10	
44	5241000	15	Washer M10	
45	5241200	3	Washer M12	
46	8305401	2	Nut Jam	
47	8307109	2	Washer	
48	8310548	2	Screw 1/4 x 1/2	
49	8405006	2	Clamp	
50	8405009	5	Gear	
51	8405102	2	Clamp	
52	8405104	2	Clamp	
53	8405203	3	Clamp	

SECTION 3 - ENGINE

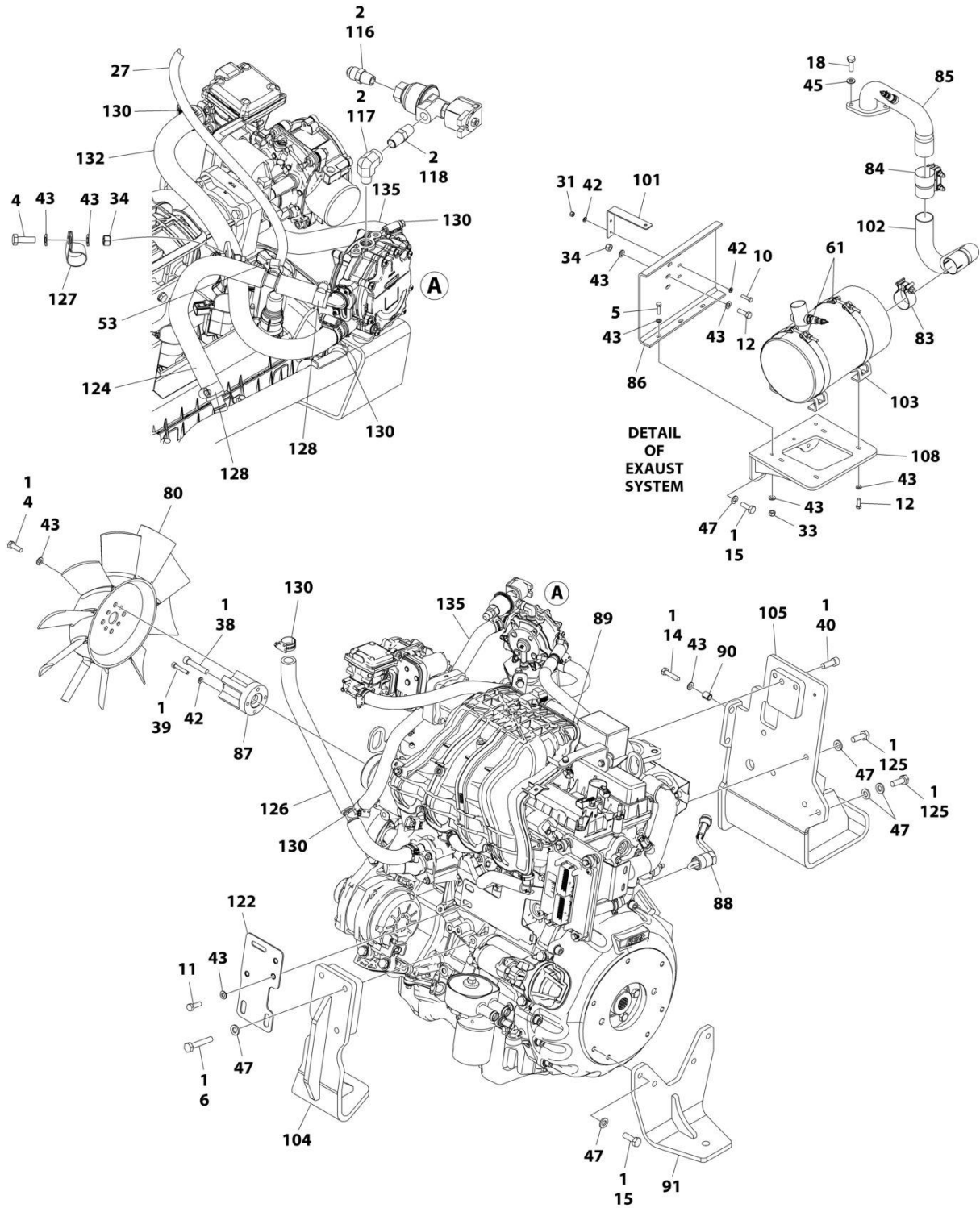
ITEM	PART NUMBER	QTY	DESCRIPTION	REV
54	8406109	6	Clip	
56	8410001	1	Clamp	
57	8410011	1	Clamp	
58	1001128901	2	Strap	
59	1001138173	1	Support	
60	1001138175	1	Bracket	
61	1001141585	1	Hose	
62	1001141995	2	Fitting, Straight NPT/Barbed	
64	1001149639	1	Indicator, Restriction	
65	1001191610	3	Mount, Motor	
66	1001168018	3	Washer	
67	1001169054	4	Isolator	
68	1001169138	4	Pad, Snubbing	
69	1001169967	1	Bracket	
70	1001170035	1	Bracket	
71	1001176329	1	Bracket	
72	1001180620	AR	Adhesive	
73	1001186426	1	Clamp	
74	1001223042	1	Fan	
75	1001225442	1	Bracket	
76	1001223923	1	Radiator	
77	1001215681	1	Clamp	
78	1001215974	1	Clamp	
79	1001216075	1	Pipe, Exhaust	
80	1001216092	1	Shield, Heat	
81	1001216201	1	Adapter	
84	1001216910	1	Ford Engine Prep Assembly (See Separate Breakdown in this Section)	
85	1001216919	2	Sleeve	
86	1001290252	1	Mount, Engine Rear	
87	1001217032	1	Tube	
88	1001217046	1	Bracket	
89	1001217090	1	Tube	
92	1001217174	1	Seal	
93	1001217175	1	Seal	
94	1001217183	2	Seal	
95	1001217185	2	Seal	
96	1001217186	1	Support	
97	1001217317	1	Pipe	
98	1001217543	2	Mount	
99	1001218362	1	Mount	
100	1001218449	1	Bracket	
101	1001134488	1	Fitting	
102	1001219259	1	Support	
103	1001219345	1	Muffler	
104	1001219361	1	Support	
105	1001219363	1	Plate	
106	1001219480	1	Bracket	
107	1001219611	1	Hose	
108	1001219612	1	Hose	
109	1001219613	1	Tube	

SECTION 3 - ENGINE

ITEM	PART NUMBER	QTY	DESCRIPTION	REV
110	1001138248	31 in/ 77cm	Tube	
111	1001189979	1	Air Filter Assembly	
111	70005008	1	Element, Filter - Primary	
111	70006460	1	Element, Filter -Secondary	
111	8273291	1	Valve, Dust Evacuator	
111	70006461	1	Cover	
113	2720058	55 in/ 1.5m	Hose	
115	1001165035	10 26cm	Hose	
116	5272010	1	Bolt M10 x 30	
118	1001247359	1	Fitting, 90 FSNPSM/NPTF	
119	2220261	1	Fitting	
120	2180418	1	Fitting	
121	1001221615	2	Nut M8	
123	0711223	3	Bolt 12 x 75	
124	1001222033	1	Plate	
125	0940070	1	Bumper	
126	8406201	1	Clip	
127	8410009	2	Gear Clamp	
128	2180348	1	Fitting	
129	1001173535	6	Clamp	
130	1001224489	1	Hose	
131	1001225510	1	Decal	
132	1001216531	1	Hose	
133	1001227666	1	Hose	
134	1001224486	1	Hose	
135	0711014	5	Bolt 10 x 30	
138	0100062	AR	Compound Locking	
139	4060805	16 in/ 41cm	Shield	
140	1001227667	1	Hose	
141	1001303818	1	Washer M10	

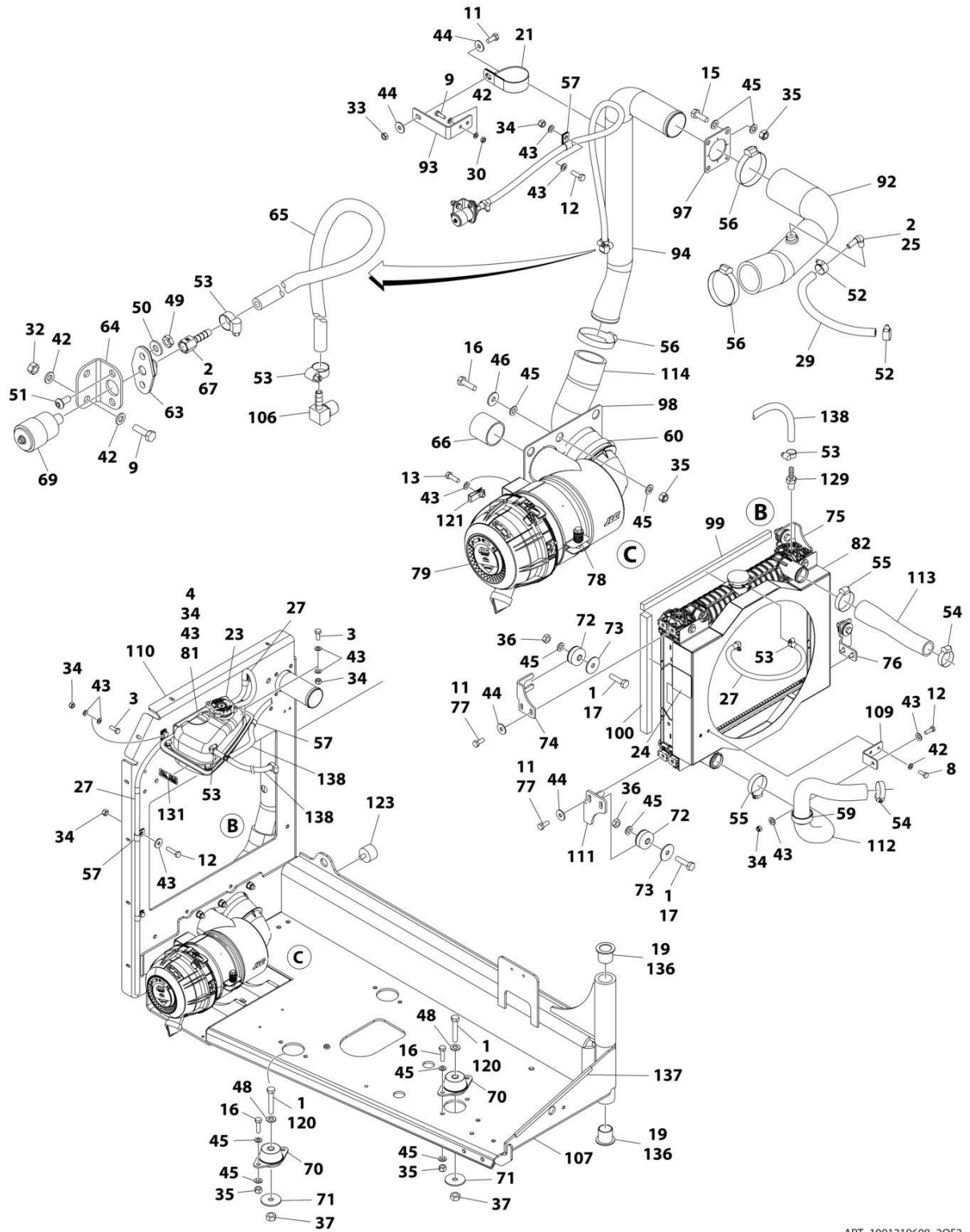
SECTION 3 - ENGINE

FIGURE 3-37. FORD ENGINE ASSEMBLY (WITH ARCTIC PACKAGE)



ART_1001219608_10F2

SECTION 3 - ENGINE



ART_1001219608_20F2

SECTION 3 - ENGINE

FIGURE 3-37. FORD ENGINE ASSEMBLY (WITH ARCTIC PACKAGE)

ITEM	PART NUMBER	QTY	DESCRIPTION	REV
	1001219608	Ref	FORD ENGINE ASSEMBLY	P
1	0100011	AR	Compound, Locking	
2	0100020	AR	Sealant	
3	0700810	3	Bolt M8 x 20	
4	0700812	7	Bolt M8 x 25	
5	0700814	3	Bolt M8 x 30	
6	0711020	3	Bolt M10 x 60	
8	0760608	2	Bolt M6 x 16	
9	0760610	4	Bolt M6 x 20	
10	0760612	2	Bolt M6 x 25	
11	0760810	11	Bolt M8 x 20	
12	0760812	12	Bolt M8 x 25	
13	0760814	2	Bolt M8 x 30	
14	0760815	2	Bolt M8 x 35	
15	0761014	11	Bolt M10 x 30	
16	0761015	12	Bolt M10 x 35	
17	0761016	4	Bolt M10 x 40	
18	0771014	2	Bolt M10 x 30	
19	0961986	2	Bearing, Flange	
21	1320110	1	Clamp	
22	1001187781	1	Tie-Strap (Not Shown)	
23	1001223584	1	Tank, Surge	
24	1703162	2	Decal - Fan Blade	
25	2180467	1	Fitting, Straight NPT/Barb	
27	2720058	55 in/ 1.5m	Hose	
29	1001165035	10 26cm	Hose	
30	3290601	2	Nut M6	
31	3290605	2	Nut M6	
32	3290607	2	Nut M6	
33	3290801	4	Nut M8	
34	3290805	14	Nut M8	
35	3291005	16	Nut M10	
36	3291001	4	Nut M10	
37	3291201	3	Nut M12	
38	3931644	1	Screw 3/8 x 2-3/4	
39	4031711	4	Capscrew M6 x 35	
40	5272010	1	Bolt M10 x 30	
41	4240099	AR	Tie-Strap (Not Shown)	
42	4811700	18	Washer M6	
43	4811900	48	Washer M8	
44	4811902	10	Washer M8	
45	4812000	38	Washer M10	
46	4812002	6	Washer M10	
47	5241000	15	Washer M10	
48	5241200	3	Washer M12	
49	8305401	2	Nut Jam	
50	8307109	2	Washer	
51	8310548	2	Bolt 1/4 x 1/2	
52	8405006	2	Clamp	

SECTION 3 - ENGINE

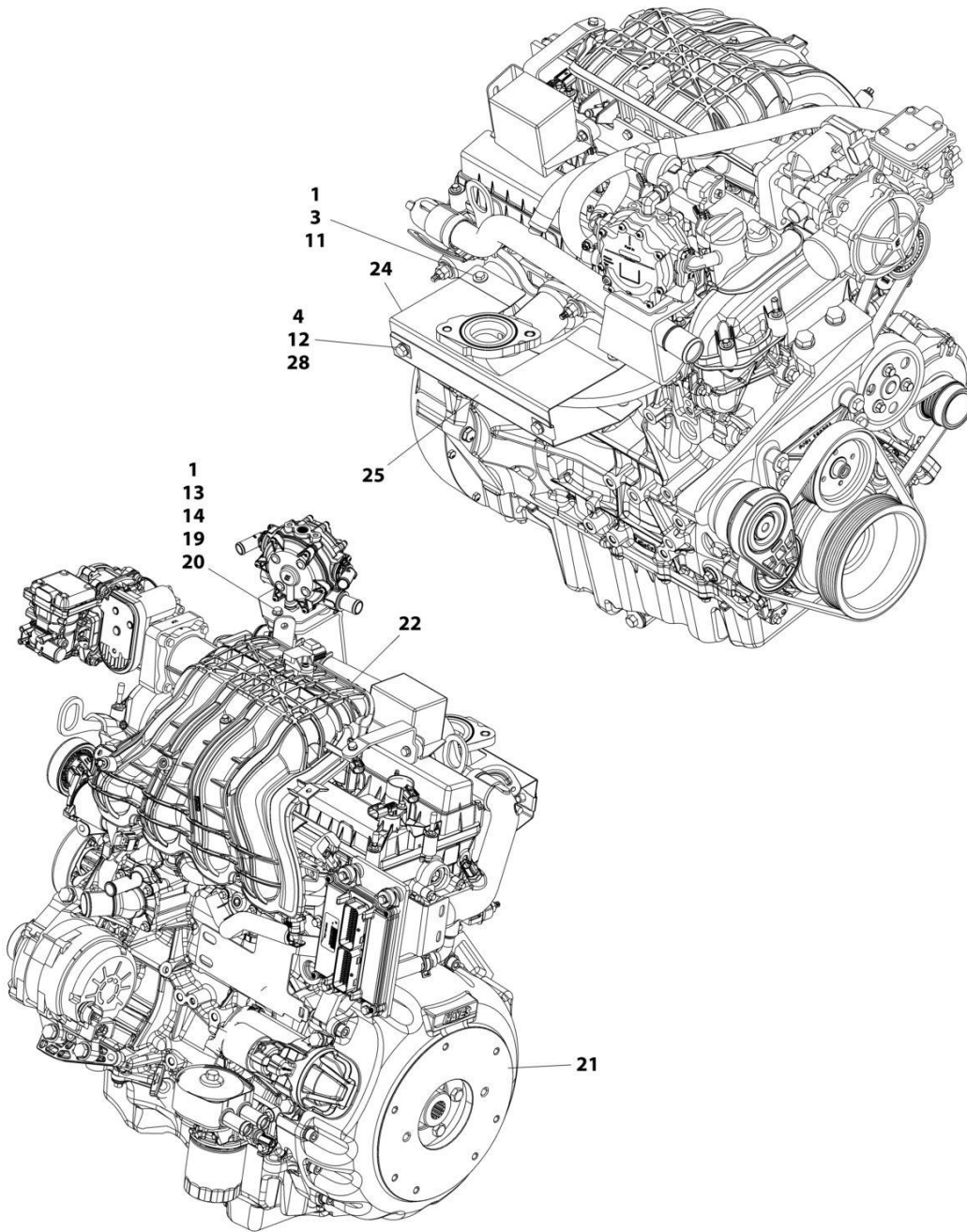
ITEM	PART NUMBER	QTY	DESCRIPTION	REV
53	8405009	5	Gear	
54	8405102	2	Clamp	
55	8405104	2	Clamp	
56	8405203	3	Clamp	
57	8406109	6	Clip	
59	8410001	1	Clamp	
60	8410011	1	Clamp	
61	1001128901	2	Strap	
63	1001138173	1	Support	
64	1001138175	1	Bracket	
65	1001138248	31 in/ 77cm	Tube	
66	1001141585	1	Hose	
67	1001141995	1	Fitting, Straight NPT/Barbed	
69	1001149639	1	Indicator, Restriction	
70	1001191610	3	Mount, Motor	
71	1001168018	3	Washer	
72	1001169054	4	Isolator	
73	1001169138	4	Pad, Snubbing	
74	1001169967	1	Bracket	
75	1001170035	1	Bracket	
76	1001176329	1	Bracket	
77	1001180620	AR	Adhesive	
78	1001186426	1	Clamp	
79	1001189979	1	Air Filter Assembly	
79	70005008	4	Element, Filter - Primary	
79	70006460	4	Element, Filter - Secondary	
79	8273291	1	Valve, Dust Evacuator	
79	70006461	1	Cover	
80	1001223042	1	Fan	
81	1001225442	1	Bracket	
82	1001223923	1	Radiator	
83	1001215681	1	Clamp	
84	1001215974	1	Clamp	
85	1001216075	1	Pipe, Exhaust	
86	1001216092	1	Shield, Heat	
87	1001216201	1	Adapter	
88	1001216393	1	Heater, Block	
89	1001216910	1	Ford Engine Prep Assembly (See Separate Breakdown in this Section)	
90	1001216919	2	Sleeve	
91	1001290252	1	Mount, Engine Rear	
92	1001217032	1	Tube	
93	1001217046	1	Bracket	
94	1001217090	1	Tube	
97	1001217174	1	Seal	
98	1001217175	1	Seal	
99	1001217183	2	Seal	
100	1001217185	2	Seal	
101	1001217186	1	Support	
102	1001217317	1	Pipe	
103	1001217543	2	Mount	

SECTION 3 - ENGINE

ITEM	PART NUMBER	QTY	DESCRIPTION	REV
104	1001218362	1	Mount	
105	1001218449	1	Bracket	
106	1001134488	1	Fitting	
107	1001219259	1	Support	
108	1001219345	1	Muffler	
109	1001219361	1	Support	
110	1001219363	1	Plate	
111	1001219480	1	Bracket	
112	1001219611	1	Hose	
113	1001219612	1	Hose	
114	1001219613	1	Tube	
116	2180418	1	Fitting	
117	1001247359	1	Fitting, 90 FSNPSM/NPTF	
118	2220261	1	Fitting	
120	0711223	3	Bolt M12 x 75	
121	1001221615	2	Nut M8	
122	1001222033	1	Plate	
123	0940070	1	Bumper	
124	1001227666	1	Hose	
125	0711014	5	Bolt M10 x 30	
126	1001224489	1	Hose	
127	8406201	1	Clip	
128	8410009	2	Gear Clamp	
129	2180348	1	Fitting	
130	1001173535	6	Clamp	
131	1001225510	1	Decal	
132	1001216531	1	Hose	
135	1001224486	1	Hose	
136	0100062	AR	Compound Locking	
137	4060805	16 in/ 41cm	Shield	
138	1001227667	1	Hose	
139	1001303818	1	Washer M10 (Not Shown)	

SECTION 3 - ENGINE

FIGURE 3-38. FORD ENGINE PREP ASSEMBLY



ART_1001216910_F

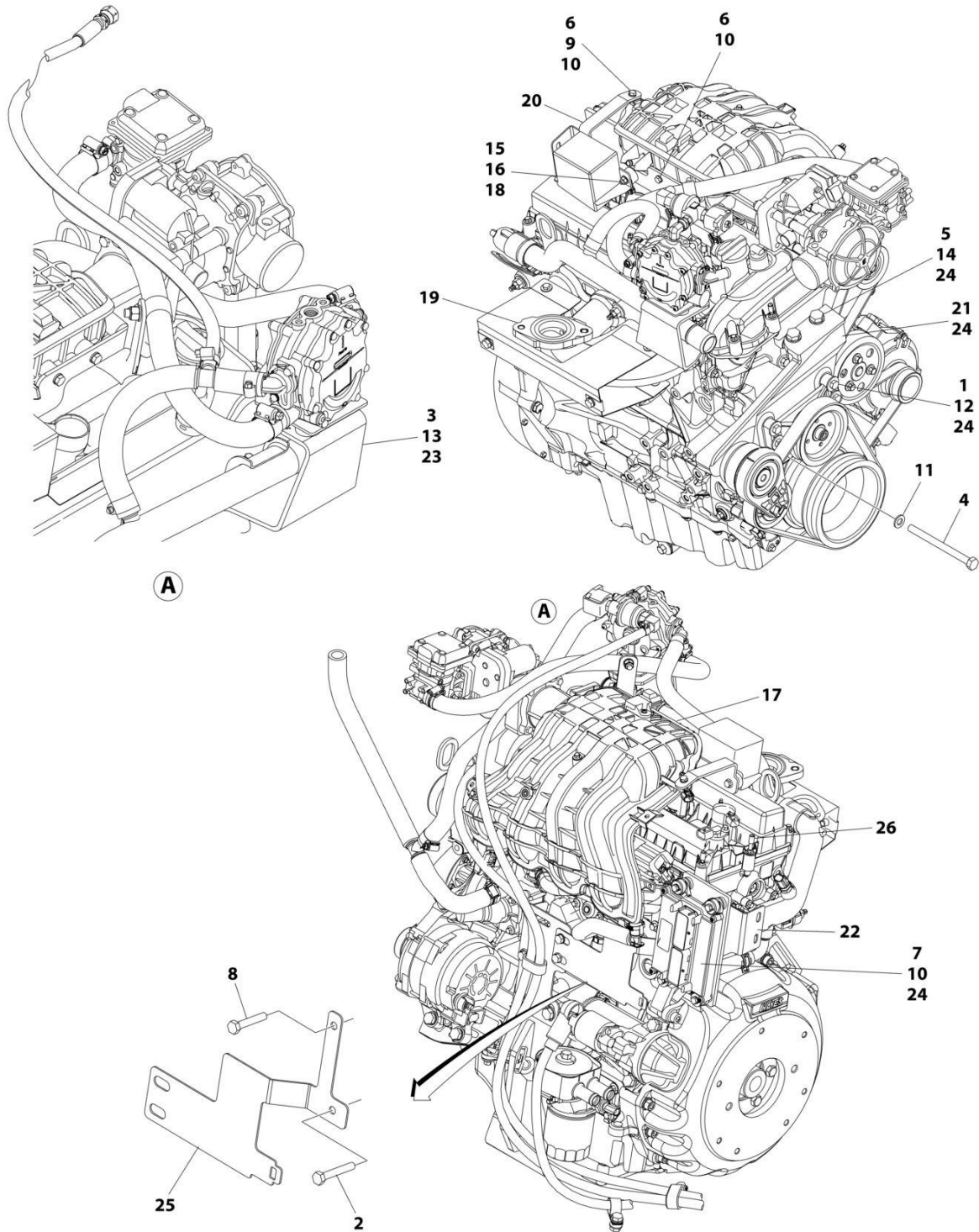
SECTION 3 - ENGINE

FIGURE 3-38. FORD ENGINE PREP ASSEMBLY

ITEM	PART NUMBER	QTY	DESCRIPTION	REV
	1001216910	Ref	FORD ENGINE PREP ASSEMBLY	F
1	0100011	AR	Compound, Locking	
3	0760605	4	Bolt M6 x 10	
4	0760807	2	Bolt M8 x 14	
11	4811702	4	Washer M6	
12	4811900	2	Washer M8	
13	5250605	3	Bolt M6 x 10	
14	5260600	1	Nut M6 Class 10	
19	1001211794	3	Mount, Isolator	
20	1001227769	1	Plate	
21	1001213810	1	Pump Coupling Kit	
21	70006134	1	Coupling	
21	70006135	1	Housing	
21	70006136	1	Hardware Kit	
22	1001216065	1	Ford Engine Assembly (See Separate Breakdown in this Section)	
24	1001216768	1	Bracket	
25	1001216769	1	Bracket	
28	1001149160	2	Nut, Tinnerman M8	

SECTION 3 - ENGINE

FIGURE 3-39. FORD ENGINE BRACKETS AND EXHAUST MANIFOLD INSTALLATION



ART_1001216065

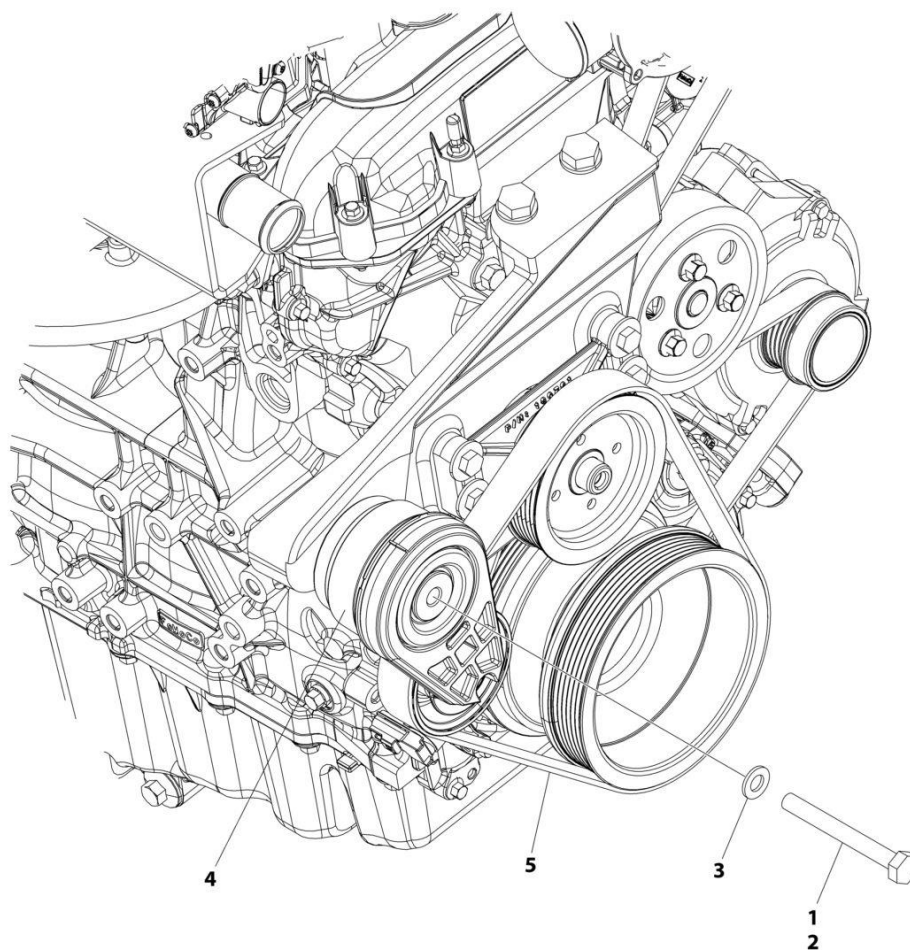
SECTION 3 - ENGINE

FIGURE 3-39. FORD ENGINE BRACKETS AND EXHAUST MANIFOLD INSTALLATION

ITEM	PART NUMBER	QTY	DESCRIPTION	REV
	1001216065	Ref	FORD ENGINE ASSEMBLY - BRACKETS/EXHAUST MANIFOLD	N
1	0700816	4	Bolt M8 x 40	
2	0700818	1	Bolt M8 x 50	
3	0701014	2	Bolt M10 x 30	
4	0710827	1	Bolt M8 x 100 Grade 10.9	
5	0711216	2	Bolt M12 x 40	
6	0760610	3	Bolt M6 x 20	
7	0760615	4	Bolt M6 x 35	
8	0760817	1	Bolt M8 x 45	
9	3290601	1	Nut M6	
10	4811700	8	Washer M6	
11	4811900	1	Washer M8	
12	4811902	4	Washer M8	
13	4812000	1	Washer M10	
14	4812100	2	Washer M12	
15	5250605	2	Bolt M6 x 10	
16	5260600	2	Nut M6 Class 10	
17	1001210448	1	Engine, Ford 2.5L (See Separate Breakdown in this Section)	
18	1001211794	2	Mount	
19	1001214827	1	Manifold, Exhaust	
20	1001215384	1	Bracket	
21	1001216071	1	Bracket	
22	1001216144	1	Support, Muffler	
23	1001227772	1	Mount, Vaporizer	
24	0100011	AR	Compound, Locking	
25	1001221545	1	Plate	
26	1001222641	6	Cap	

SECTION 3 - ENGINE

FIGURE 3-40. FORD ENGINE DRIVE BELT INSTALLATION (MACHINES WITHOUT GENERATOR)



ART_1001220404

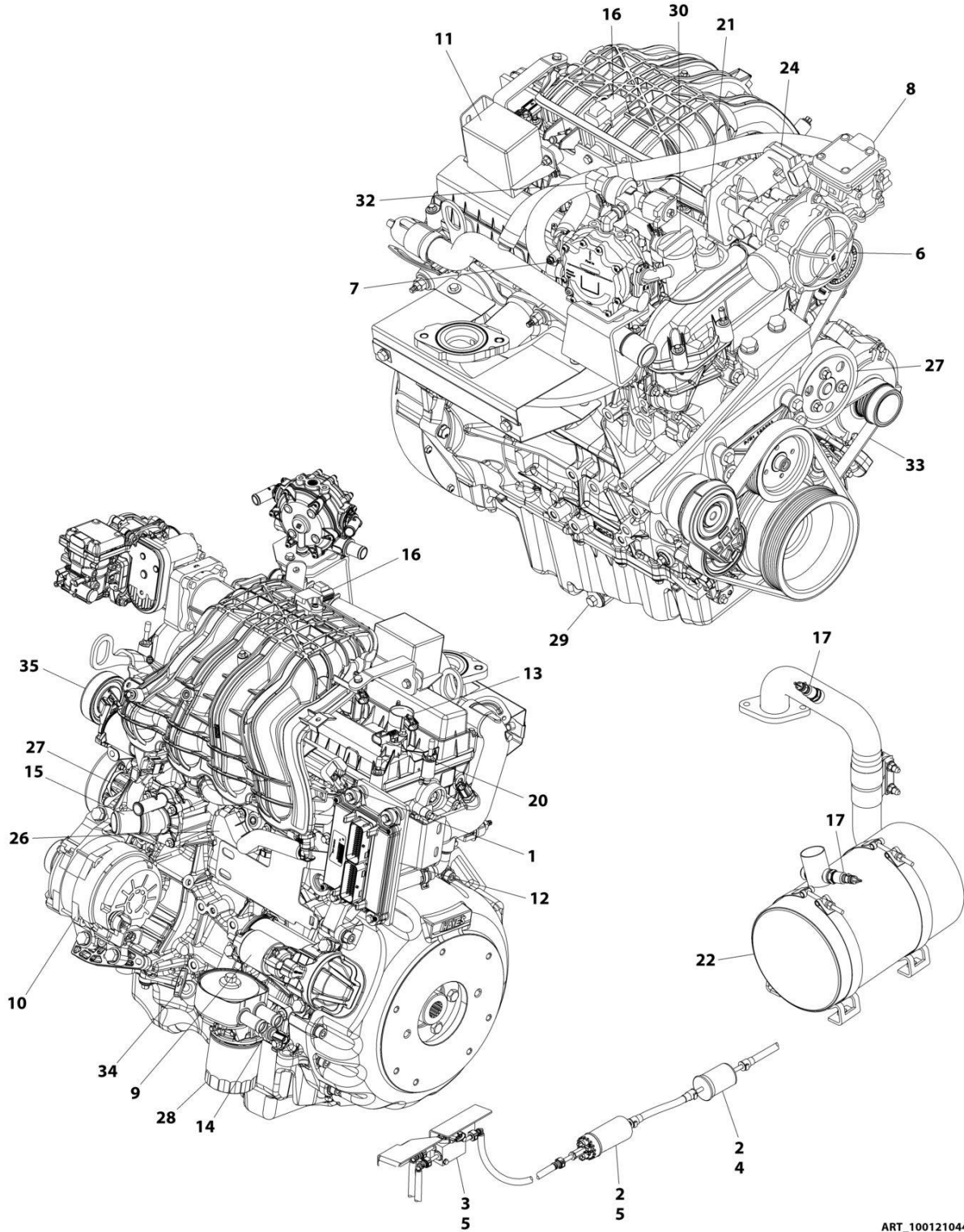
SECTION 3 - ENGINE

FIGURE 3-40. FORD ENGINE DRIVE BELT INSTALLATION (MACHINES WITHOUT GENERATOR)

ITEM	PART NUMBER	QTY	DESCRIPTION	REV
	1001220404	Ref	DRIVE BELT INSTALLATION	C
1	0100011	AR	Compound, Locking	
2	0701026	1	Bolt M10 x 90	
3	4812002	1	Washer M10	
4	1001216300	1	Pulley	
5	1001216619	1	V-Belt	

SECTION 3 - ENGINE

FIGURE 3-41. FORD ENGINE COMPONENTS



ART_1001210448

SECTION 3 - ENGINE

FIGURE 3-41. FORD ENGINE COMPONENTS

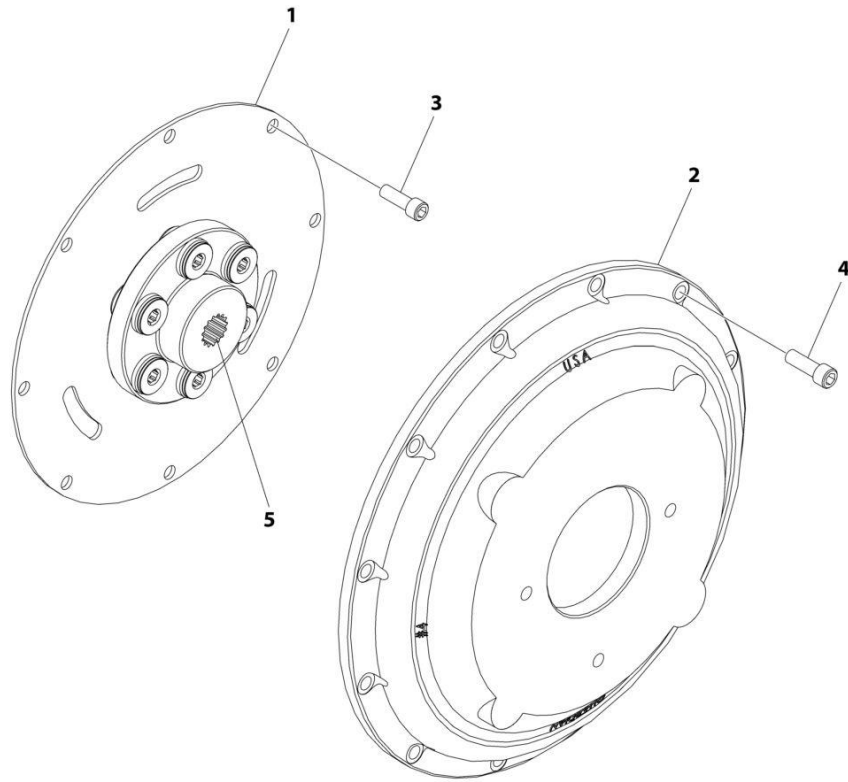
ITEM	PART NUMBER	QTY	DESCRIPTION	REV
	1001210448	Ref	FORD ENGINE COMPONENTS	H
1	70006145	4	Injector, Fuel	
1	70006147	1	Rail, Fuel	
2	70006150	1	Pump, Fuel	
2	70006154	1	Fitting M10	
3	70006151	1	Block, Fuel	
3	70006152	2	Fitting SAE6	
3	70006153	1	Fitting SAE3	
3	70006189	1	Harness, Fuel Block	
4	70006155	1	Filter, Fuel	
5	7022162	8	Clamp	
5	70006157	8	Clip, Fuel Quick Disconnect	
6	70006158	1	Mixer, LP	
6	70006168	1	Mixer Diaphragm Replacement Kit	
6	70006159	1	Adapter, Mixer to Governor	
6	70006160	1	O-Ring, Mixer to Adapter	
6	70006161	1	Seal, Mixer to Adapter	
7	70006162	1	Regulator, LP Vapor	
7	70006166	2	Fitting	
7	70006167	1	Fitting, Straight	
7	70006165	2	Isolator, Rubber	
8	70006163	1	Regulator, Direct Electronic Pressure	
8	70006164	1	Adapter, Fitting 90	
9	70006169	1	Starter	
9	70006233	1	Harness, Alternator/Starter	
10	70006170	1	Alternator	
11	70006173	1	Cover, Relay Box	
11	70006171	2	Relay (Fuel Pump & Power)	
11	70006172	1	Relay (Starter)	
11	70006175	1	Fuse - 20Amp (Starter)	
11	70006174	1	Decal - Relay Box Cover	
11	70006188	1	Harness, Engine	
11	70006165	2	Isolator, Rubber	
12	70006176	1	Module - Engine Control Unit (ECU/GCP)	
12	70006191	1	Software & Diagnostic Cable	
13	70006177	4	Coil and Boot Assembly	
13	70006178	4	Plug, Spark	
14	70006179	1	Switch, Oil Pressure	
15	70006180	1	Sensor, Knock	
16	70006181	1	Sensor, TMAP	
17	70006182	2	Sensor, O2	
18	70006183	1	Sensor, Coolant Temperature (Not Shown - Located Rear of Engine Block)	
19	70006184	1	Sensor, Crank Position (Not Shown - Located at Front RH Side of Block)	
20	70006185	1	Sensor, Cam Position	
21	70006186	1	Solenoid, Timing	
21	70006187	1	Grommet, Rubber	
22	70006194	1	Muffler	
22	70006195	1	Plug (Located at Muffler Outlet)	

SECTION 3 - ENGINE

ITEM	PART NUMBER	QTY	DESCRIPTION	REV
23		Ref	Gasket Options (Not Shown)	
23	70006196	1	Gasket, Exhaust Manifold to Head	
23	70006197	1	Gasket, Exhaust Manifold Outlet	
23	70006200	1	Gasket, Intake Manifold to Head	
23	70006219	1	Gasket Set - Camshaft Cover	
23	70006225	1	Gasket, Cylinder Head	
24	70006198	1	Governor	
24	7027404	1	Gasket, Governor Actuator	
24	70006199	1	Gasket, Governor to Intake Manifold Adapter	
25	70006203	1	Flywheel (Not Shown)	
26	70006205	1	Thermostat (Includes Housing)	
26	70006206	1	Gasket, Water Inlet	
27	70006207	1	Pump, Water	
27	70006208	1	O-Ring, Water Pump	
27	See Note	NSS	Pulley, Water Pump (Note: Not Available for Purchase at This Time)	
28	70006213	1	Filter, Oil	
29	70006215	1	Plug, Oil Drain	
29	70006217	1	Gasket, Oil Drain Plug	
30	70006221	1	Cap, Oil Fill	
31	70006232	1	Sensor, Crank (Not Shown)	
32	70006235	1	Valve, Lock-Off (Includes Filter)	
33	70006202	1	Belt	
34	70006236	1	Dipstick	
35	70007108	1	Belt Tensioner	

SECTION 3 - ENGINE

FIGURE 3-42. PUMP COUPLING KIT (DEUTZ ENGINES)



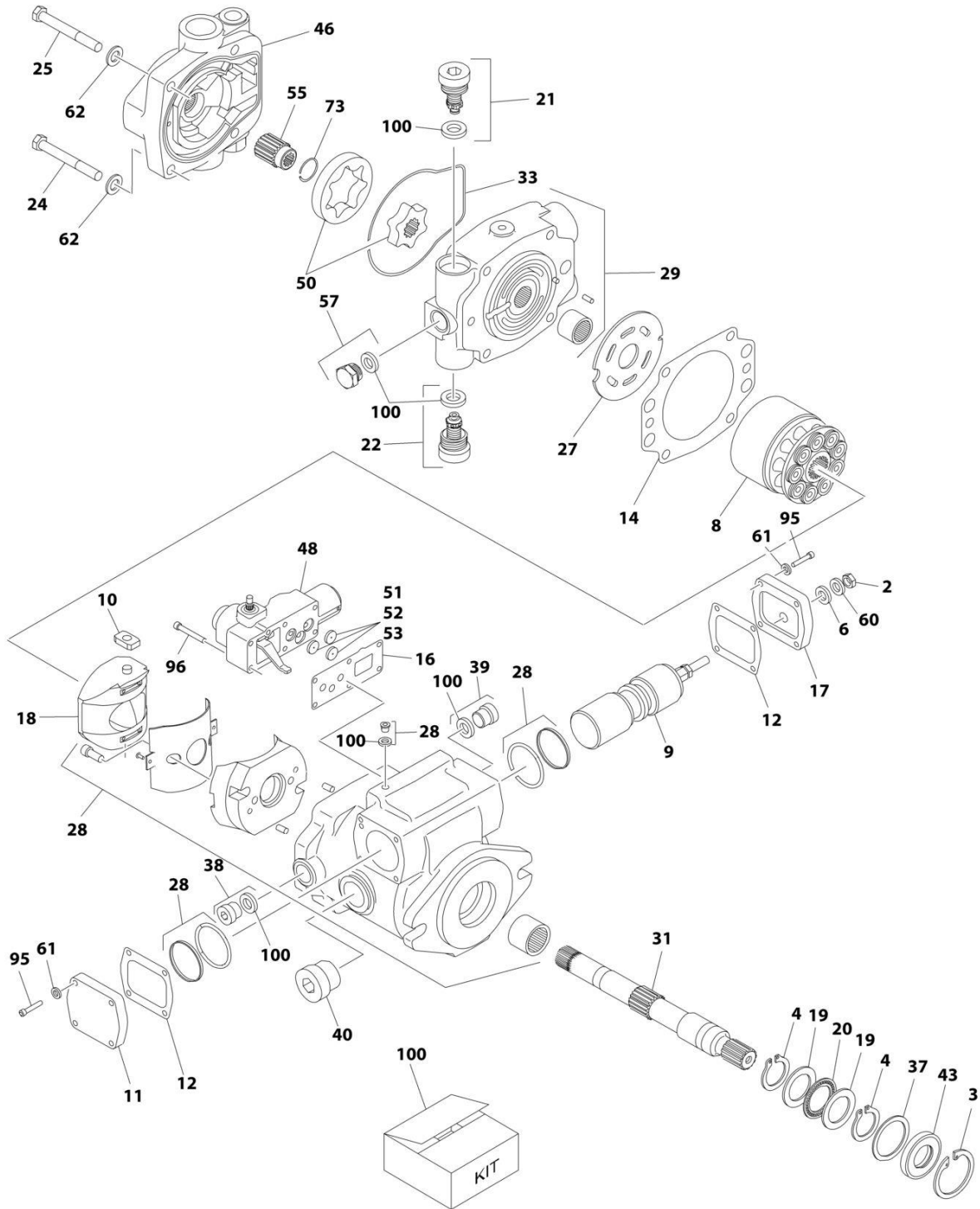
ART_1001153282

SECTION 3 - ENGINE**FIGURE 3-42. PUMP COUPLING KIT (DEUTZ ENGINES)**

ITEM	PART NUMBER	QTY	DESCRIPTION	REV
	1001153282	Ref	PUMP COUPLING KIT	E
1	70004183	1	Coupling Guardian	
2	See Note	NSS	Plate, Pump Adapter (Note: Use p/n 1001153282)	
3	See Note	8	Capscrew M10 x 20 Grade 10.9 (Note: Not Available - Purchase Locally or Purchase Kit)	
4	See Note	12	Capscrew M10 x 25 Grade 10.9 (Note: Not Available - Purchase Locally or Purchase Kit)	
5	3020021	AR	Grease, Coupling	

SECTION 3 - ENGINE

FIGURE 3-43. HYDROSTATIC PUMP ASSEMBLY



ART_1001225745

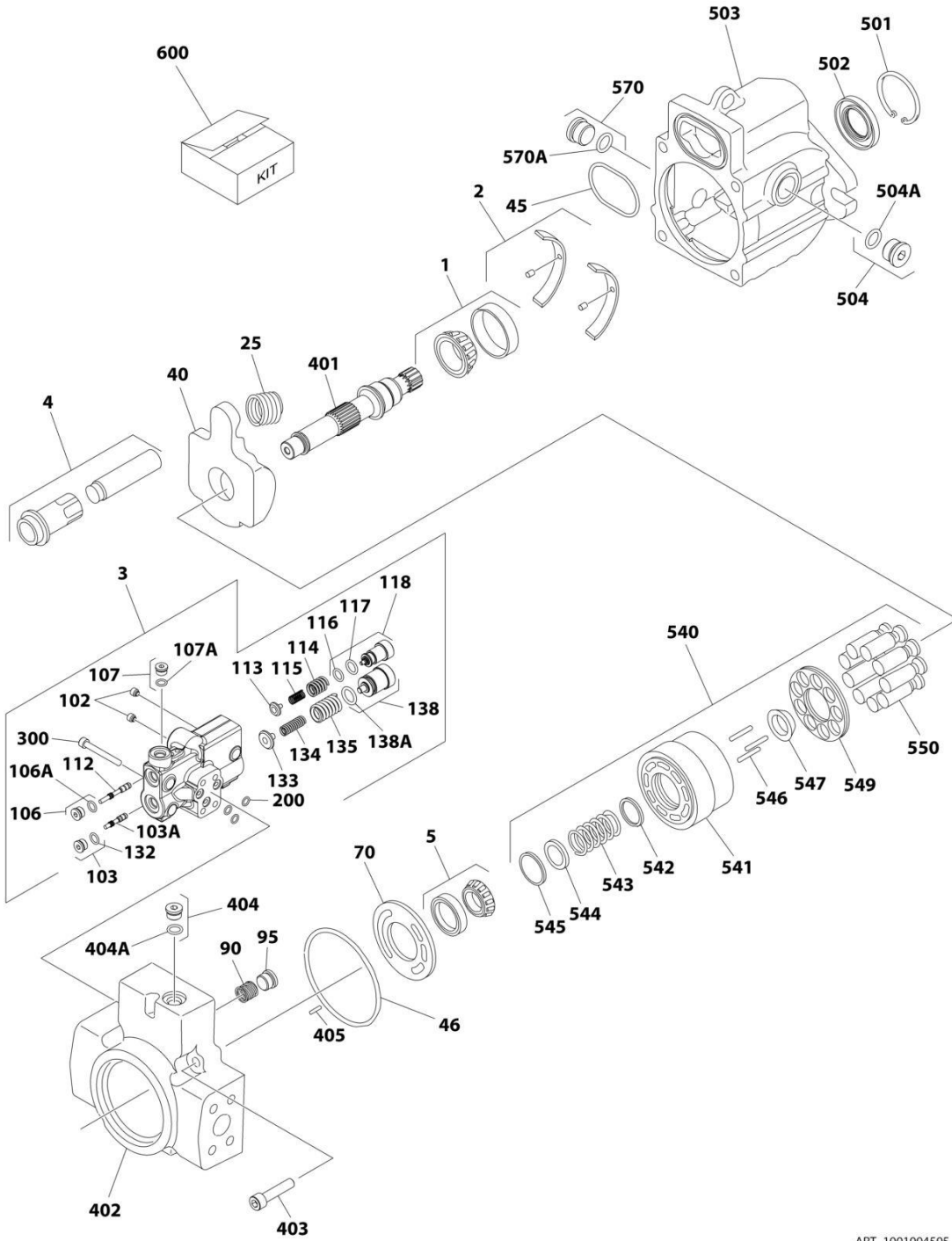
SECTION 3 - ENGINE

FIGURE 3-43. HYDROSTATIC PUMP ASSEMBLY

ITEM	PART NUMBER	QTY	DESCRIPTION	REV
	1001225745	Ref	HYDROSTATIC PUMP ASSEMBLY	A
2	70004329	1	Nut	
3	See Note	NSS	Ring, Retaining (Note: Use Item 100)	
4	See Note	NSS	Ring, Retaining (Note: Use Item 100)	
6	See Note	NSS	Washer, Seal (Note: Use Item 100)	
8	70004331	1	Cylinder Block Assembly	
9	70004332	1	Servo Piston Assembly	
10	70004333	1	Follower, Servo Piston	
11	70005458	1	Cover	
12	See Note	NSS	Gasket, Cover (Note: Use Item 100)	
14	See Note	NSS	Gasket, Housing (Note: Use Item 100)	
16	See Note	NSS	Gasket, Control Housing (Note: Use Item 100)	
17	70005459	1	Cover	
18	70004336	1	Camplate Assembly	
19	7004907	2	Race, Thrust	
20	7004908	1	Bearing, Thrust	
21	70004337	1	Relief Valve Assembly	
22	70004337	1	Relief Valve Assembly	
24	70004338	2	Capscrew	
25	70004338	2	Capscrew	
27	70004340	1	Plate, Valve	
28	See Note	NSS	Housing (Note: Not Available - Purchase Assembly)	
29	70005460	1	End Cover Assembly	
31	70004342	1	Shaft, Drive	
33	See Note	NSS	O-Ring (Note: Use Item 100)	
37	7004906	1	Washer	
38	70005461	1	Plug	
39	70005461	1	Plug	
40	70005462	1	Plug	
43	See Note	NSS	Seal, Shaft (Note: Use Item 100)	
46	70004343	1	Adapter, Charge Pump	
48	70004344	1	Servo Control Assembly	
50	70004345	1	Gerotor	
51	70004346	1	Orifice	
52	70004346	1	Orifice	
53	70004346	1	Orifice	
55	70004347	1	Coupler	
57	70005463	1	Plug	
60	70004348	1	Washer	
61	70004349	8	Washer	
62	70004350	4	Washer	
73	70004351	1	Ring, Retaining	
95	70005464	8	Capscrew	
96	70005465	6	Capscrew	
100	70004352	1	Seal Kit - Pump (Includes Items 3, 4, 6, 12, 14, 16, 33 & 43 and Valve and Plug O-Rings and Seals)	

SECTION 3 - ENGINE

FIGURE 3-44. VARIABLE PUMP ASSEMBLY



ART_1001094595

SECTION 3 - ENGINE

FIGURE 3-44. VARIABLE PUMP ASSEMBLY

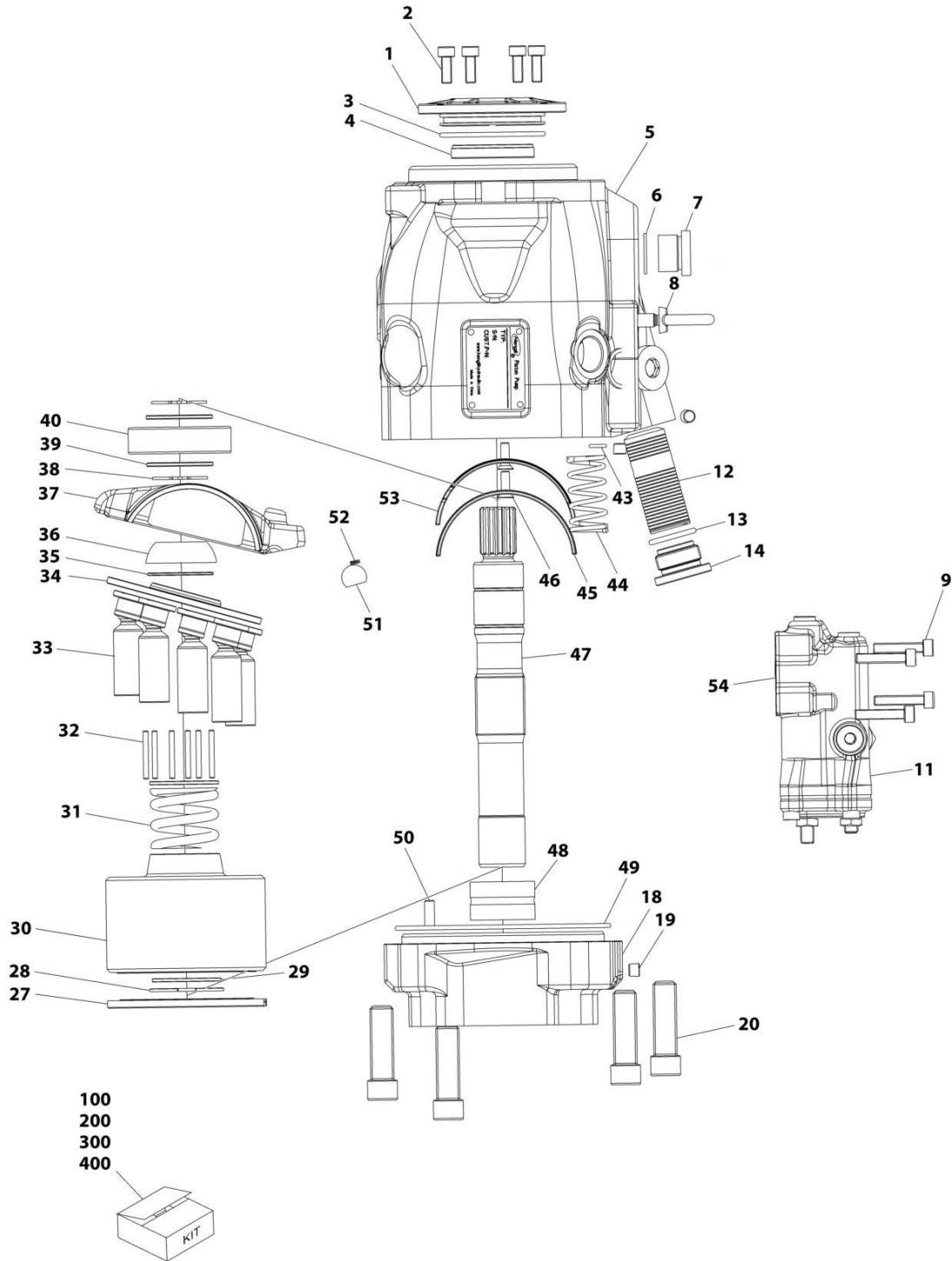
ITEM	PART NUMBER	QTY	DESCRIPTION	REV
	1001094595	Ref	VARIABLE PUMP ASSEMBLY	A
1	7023947	1	Bearing, Front (Includes Cup and Cone)	
2	7023948	1	Bearings, Swash Plate (Includes Both Sides and Pins)	
3	7023956	1	Control Valve Assembly (Includes Items 102-300)	
4	7023949	1	Servo Piston Assembly	
5	7023950	1	Bearing, Rear (Includes Cup and Cone)	
25	7023951	1	Spring	
40	7023952	1	Swash Plate	
45	See Note	NSS	O-Ring (Note: Use Item 600)	
46	See Note	NSS	O-Ring (Note: Use Item 600)	
70	70001954	1	Plate, Valve	
90	70001955	1	Spring, Check Valve	
95	70001956	1	Poppet, Check Valve	
102	See Note	NSS	Setscrew (Note: Use Item 3)	
103	See Note	NSS	Plug (Note: Use Item 3)	
103A	See Note	NSS	O-Ring (Note: Use Item 600)	
106	See Note	NSS	Plug (Note: Use Item 3)	
106A	See Note	NSS	O-Ring (Note: Use Item 600)	
107	See Note	NSS	Plug (Note: Use Item 3)	
107A	See Note	NSS	O-Ring (Note: Use Item 600)	
112	See Note	NSS	Spool, Control (Note: Use Item 3)	
113	See Note	NSS	Guide, Spring (Note: Use Item 3)	
114	See Note	NSS	Spring (Note: Use Item 3)	
115	See Note	NSS	Spring (Note: Use Item 3)	
116	See Note	NSS	O-Ring (Note: Use Item 600)	
117	See Note	NSS	Ring, Back-up (Note: Use Item 600)	
118	See Note	NSS	Plug, Adjusting (Note: Use Item 3)	
132	See Note	NSS	Spool, Control (Note: Use Item 3)	
133	See Note	NSS	Guide, Spring (Note: Use Item 3)	
134	See Note	NSS	Spring (Note: Use Item 3)	
135	See Note	NSS	Spring (Note: Use Item 3)	
138	See Note	NSS	Plug, PC Adjusting (Note: Use Item 3)	
138A	See Note	NSS	O-Ring (Note: Use Item 600)	
200	See Note	NSS	Ring, Seal (Note: Use Item 600)	
300	7023957	4	Screw	
401	7023958	1	Shaft	
402	70001957	1	Cap, End	
403	7023960	4	Screw	
404	7022318	1	Plug	
404A	See Note	NSS	O-Ring (Note: Use Item 600)	
405	7023961	1	Pin	
501	7023962	1	Ring, Retaining	
502	See Note	NSS	Seal, Lip (Note: Use Item 600)	
503	See Note	NSS	Housing (Note: Not Available - Purchase Assembly)	
504	7023964	1	Plug	
504A	7007415	1	O-Ring	
540	7023965	1	Cylinder Block Assembly	
541	See Note	NSS	Block, Cylinder (Note: Use Item 540)	
542	7024868	1	Washer	
543	7024867	1	Spring	

SECTION 3 - ENGINE

ITEM	PART NUMBER	QTY	DESCRIPTION	REV
544	7022314	1	Retainer, Spring	
545	7022311	1	Ring, Retaining	
546	7021275	3	Pin, Slipper	
547	7024864	1	Guide, Slipper	
549	7024866	1	Retainer, Slipper	
550	7023966	9	Piston Assembly	
570	7023964	1	Plug	
570A	7007415	1	O-Ring	
600	7023967	1	Seal Kit - Complete (Includes Items 45, 46, 103A, 106A, 107A, 118, 138A, 200, 444A & 502)	

SECTION 3 - ENGINE

FIGURE 3-45. VARIABLE PUMP ASSEMBLY - HENGLI



ART_1001276377

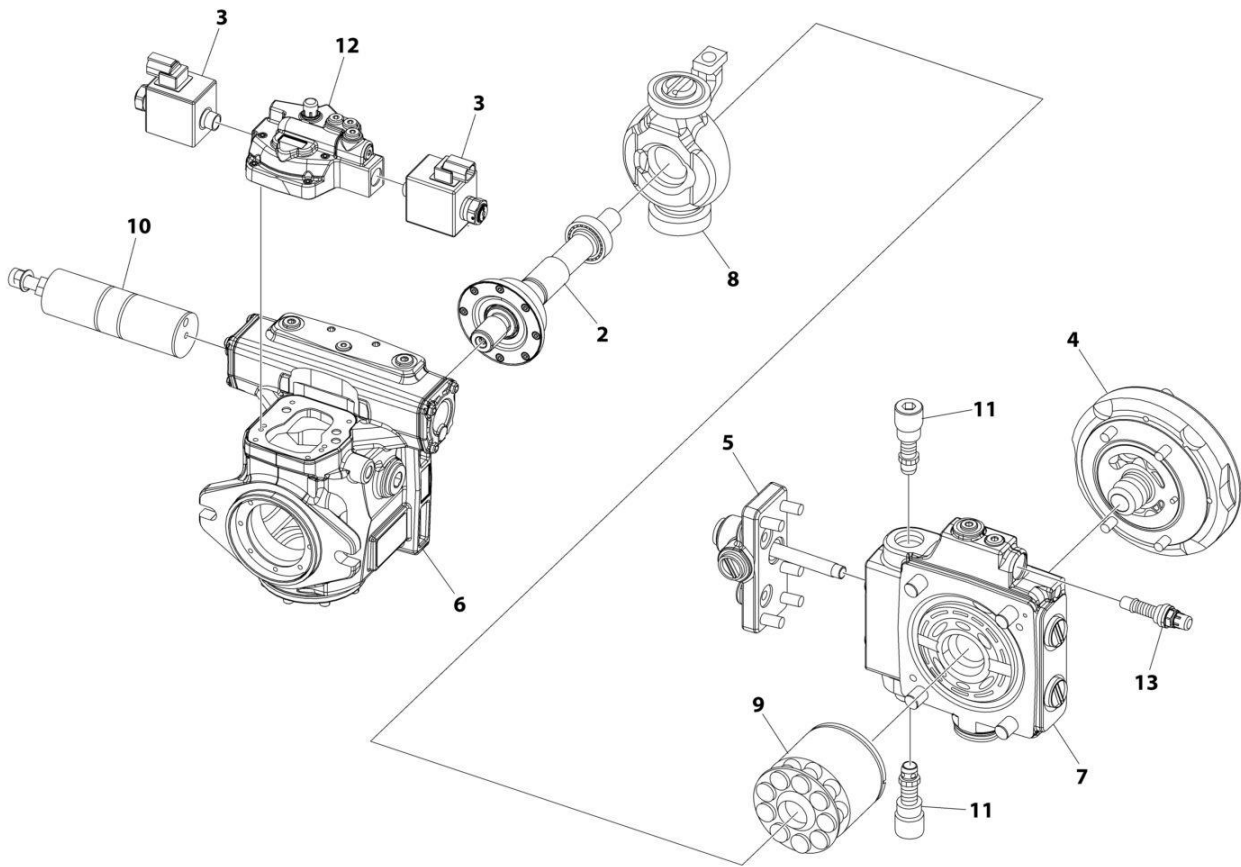
SECTION 3 - ENGINE

FIGURE 3-45. VARIABLE PUMP ASSEMBLY - HENGLI

ITEM	PART NUMBER	QTY	DESCRIPTION	REV
	1001276377	Ref	VARIABLE PUMP ASSEMBLY	B
1	70007789	1	Case, Oil Seal	
2	See Note	NSS	Capscrew M6 x 16 (Note: Purchase Separately)	
3	See Note	NSS	O-Ring (Note: Use Item 100)	
4	70007798	1	Seal, Oil	
5	See Note	NSS	Housing (Note: Not Available - Purchase Assembly)	
6	See Note	NSS	O-Ring (Note: Use Item 100)	
7	70007790	3	Plug	
8	See Note	NSS	Bolt, Eye M8 (Note: Purchase Separately)	
9	See Note	NSS	Capscrew M9 x 30 (Note: Purchase Separately)	
11	70007787	1	Valve, Control	
12	70007800	1	Piston	
13	See Note	NSS	O-Ring (Note: Use Item 100)	
14	70007801	1	Plug	
18	See Note	NSS	Cover (Note: Not Available - Purchase Assembly)	
19	70007791	3	Plug	
20	See Note	NSS	Capscrew M12 x 45 (Note: Purchase Separately)	
27	See Note	NSS	Plate, Valve (Note: Use Item 200)	
28	See Note	NSS	Circlip (Note: Use Item 200)	
29	See Note	NSS	Shim (Note: Use Item 200)	
30	See Note	NSS	Cylinder (Note: Use Item 200)	
31	See Note	NSS	Spring (Note: Use Item 200)	
32	See Note	NSS	Pin (Note: Use Item 200)	
33	See Note	NSS	Piston Assembly (Note: Use Item 200)	
34	See Note	NSS	Retainer (Note: Use Item 200)	
35	See Note	NSS	Shim (Note: Use Item 200)	
36	See Note	NSS	Bushing (Note: Use Item 200)	
37	See Note	NSS	Plate, Swash (Note: Use Item 300)	
38	See Note	NSS	Circlip (Note: Use Item 400)	
39	See Note	NSS	Shim (Note: Use Item 400)	
40	See Note	NSS	Bearing, Cylinder (Note: Use Item 400)	
43	See Note	NSS	O-Ring (Note: Use Item 100)	
44	70007792	1	Spring	
45	70007793	1	Bushing	
46	70007796	2	Capscrew M5 x 16	
47	See Note	NSS	Shaft (Note: Use Item 400)	
48	70007797	1	Bearing	
49	See Note	NSS	O-Ring (Note: Use Item 100)	
50	70007794	1	Spring	
51	See Note	NSS	Ball, Steel (Note: Use Item 300)	
52	See Note	NSS	Spring (Note: Use Item 300)	
53	70007795	1	Bushing	
54	70007799	1	Gasket	
100	70007802	1	Seal Kit (Includes Items 3, 6, 13, 43 & 49)	
200	70007786	1	Cylinder Assembly (Includes Items 27 - 36)	
300	70007788	1	Swash Plate Assembly (Includes Items 37, 51 & 52)	
400	70007785	1	Shaft Assembly (Includes Items 38 - 40 & 47)	

SECTION 3 - ENGINE

FIGURE 3-46. HYDROSTATIC PUMP ASSEMBLY



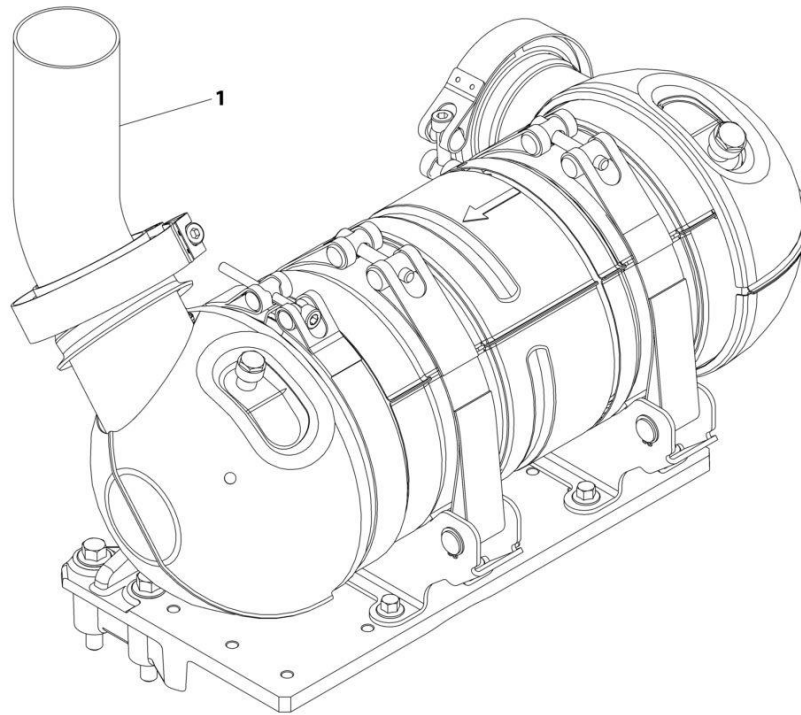
ART_1001276376

SECTION 3 - ENGINE**FIGURE 3-46. HYDROSTATIC PUMP ASSEMBLY**

ITEM	PART NUMBER	QTY	DESCRIPTION	REV
	1001276376	Ref	HYDROSTATIC PUMP ASSEMBLY	B
2	70008497	1	Shaft Assembly	
3	70008498	2	Coil Assembly	
4	70008602	1	Gerotor Body Assembly	
5	70008511	1	Body Assembly	
6	See Note	NSS	Body Assembly (Note: Use PN 1001276376)	
7	70008601	1	Distributor Assembly	
8	70008500	1	Swashplate Assembly	
9	70008501	1	Rotor Assembly	
10	70008502	1	Servo Assembly	
11	70008600	2	Relief Valve	
12	70008504	1	Control Valve Assembly	
13	70008505	1	Relief Valve Assembly	

SECTION 3 - ENGINE

FIGURE 3-47. EXHAUST PIPE INSTALLATION - DEUTZ TD2.9L4 ENGINES



ART_1001216220

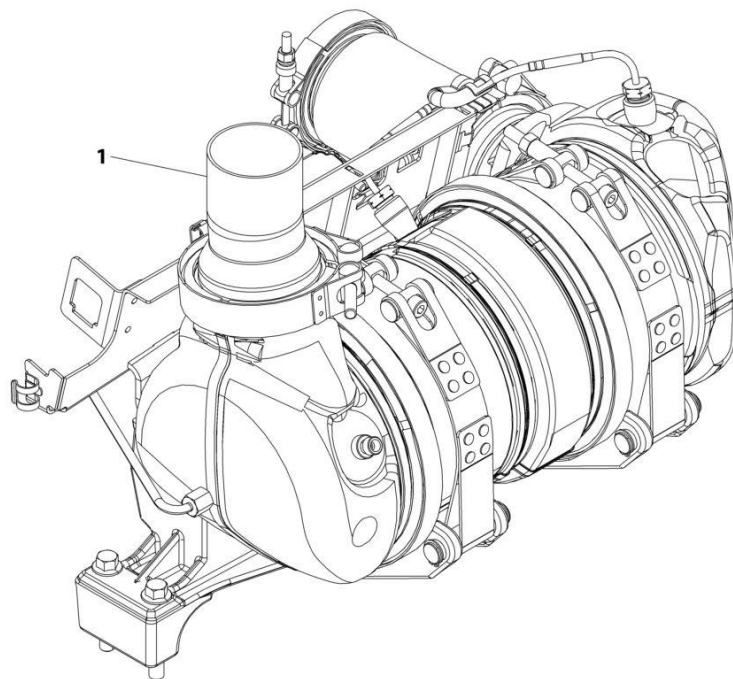
SECTION 3 - ENGINE

FIGURE 3-47. EXHAUST PIPE INSTALLATION - DEUTZ TD2.9L4 ENGINES

ITEM	PART NUMBER	QTY	DESCRIPTION	REV
1	1001216220 1001149908	Ref 1	EXHAUST PIPE INSTALLATION Pipe, Exhaust	A

SECTION 3 - ENGINE

FIGURE 3-48. EXHAUST PIPE INSTALLATION - DEUTZ TD2.9L4 (STAGE V) ENGINES



ART_1001236334

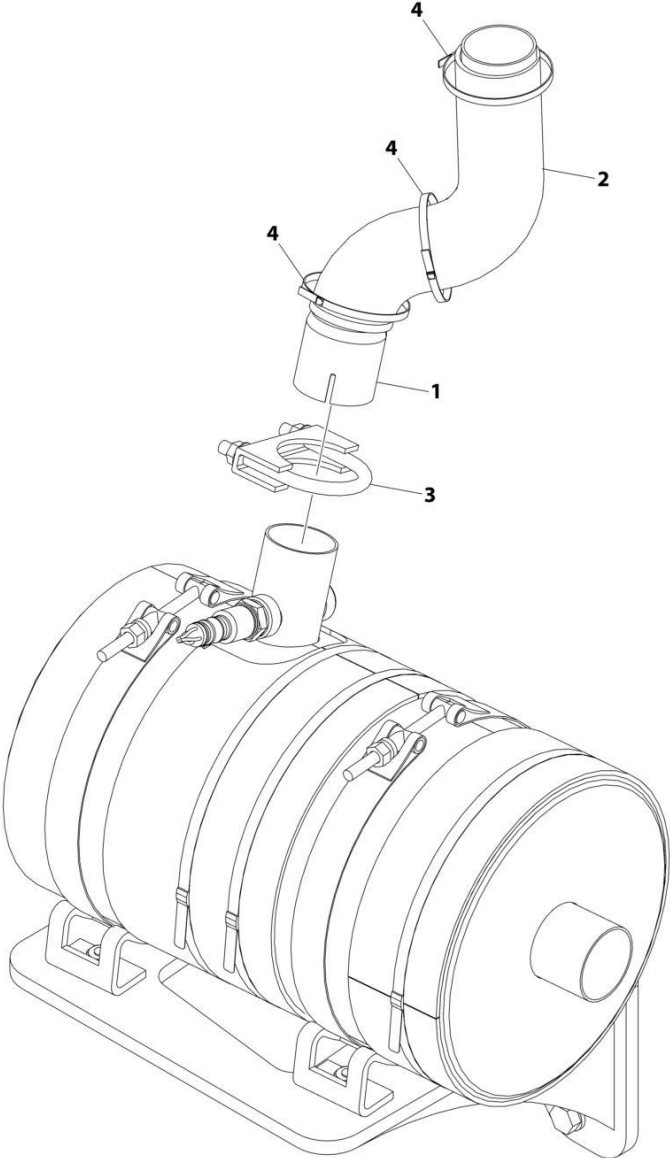
SECTION 3 - ENGINE

FIGURE 3-48. EXHAUST PIPE INSTALLATION - DEUTZ TD2.9L4 (STAGE V) ENGINES

ITEM	PART NUMBER	QTY	DESCRIPTION	REV
1	1001236334	Ref	EXHAUST PIPE INSTALLATION	B
	1001236335	1	Pipe, Exhaust	

SECTION 3 - ENGINE

FIGURE 3-49. EXHAUST PIPE INSTALLATION - FORD ENGINES



ART_1001220141

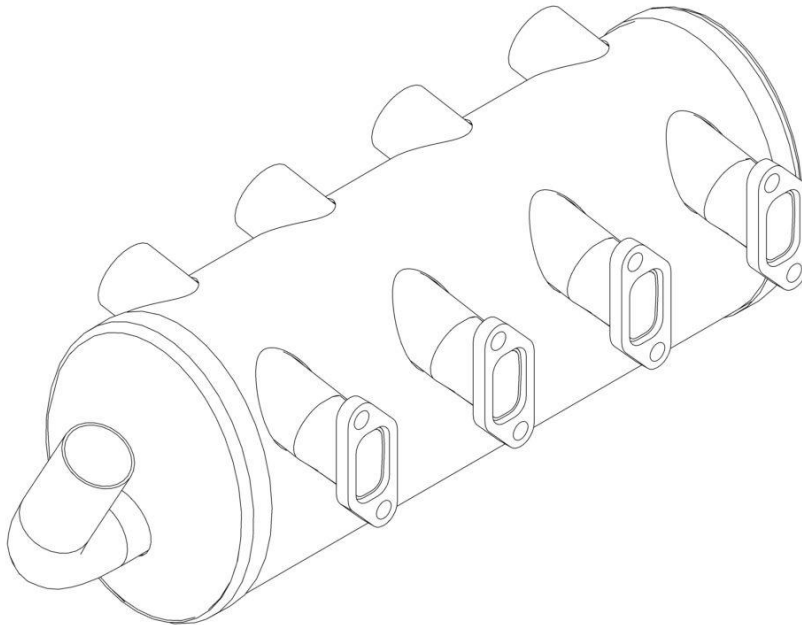
SECTION 3 - ENGINE

FIGURE 3-49. EXHAUST PIPE INSTALLATION - FORD ENGINES

ITEM	PART NUMBER	QTY	DESCRIPTION	REV
	1001220141	Ref	EXHAUST PIPE INSTALIATION	B
1	1001217478	1	Tail Pipe	
1	1001217477	1	Tail Pipe with Spark Arrestor	
2	1001218089	1	Insulate	
3	1001221397	1	Clamp	
4	1001100825	3	Strap	

SECTION 3 - ENGINE

FIGURE 3-50. SPARK ARRESTOR MUFFLER INSTALLATION - DEUTZ D2011 ENGINES



ART_1001257283

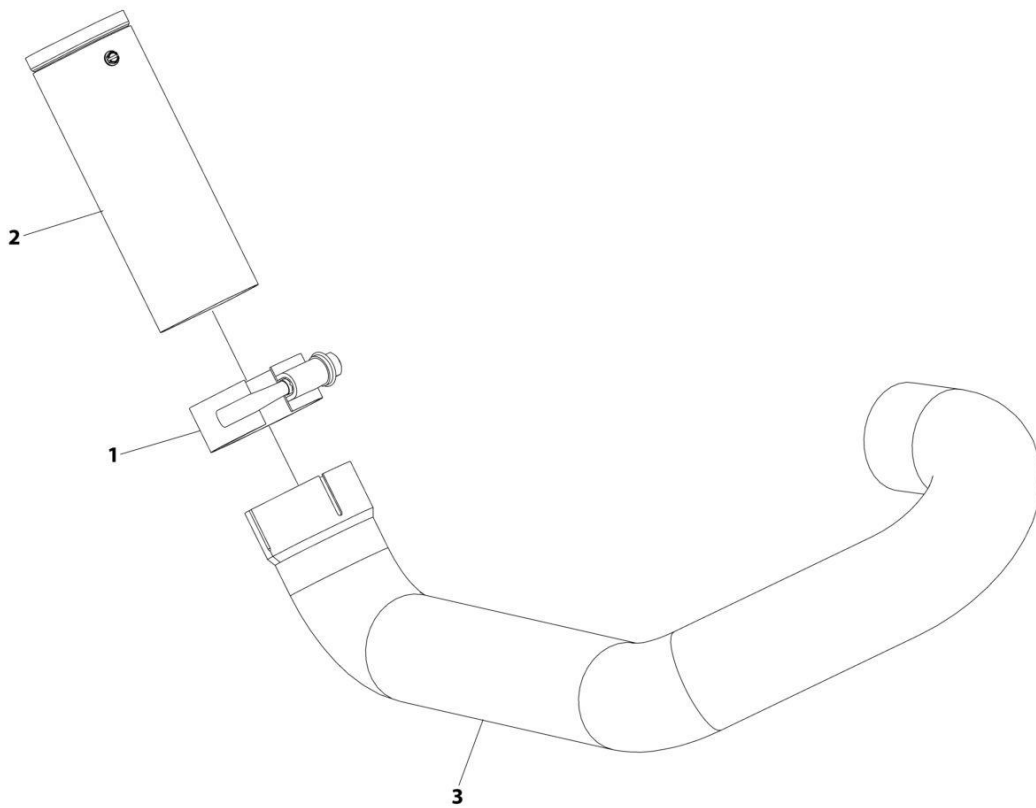
SECTION 3 - ENGINE

FIGURE 3-50. SPARK ARRESTOR MUFFLER INSTALLATION - DEUTZ D2011 ENGINES

ITEM	PART NUMBER	QTY	DESCRIPTION	REV
	1001257283 See Note	Ref 1	MUFFLER INSTALLATION SPARK ARRESTOR Muffler, (Note: Use P/N 1001257283)	A

SECTION 3 - ENGINE

FIGURE 3-51. SPARK ARRESTOR INSTALLATION (WITH STEEL HOODS) (SN 0300314169 to Present)



ART_1001299436

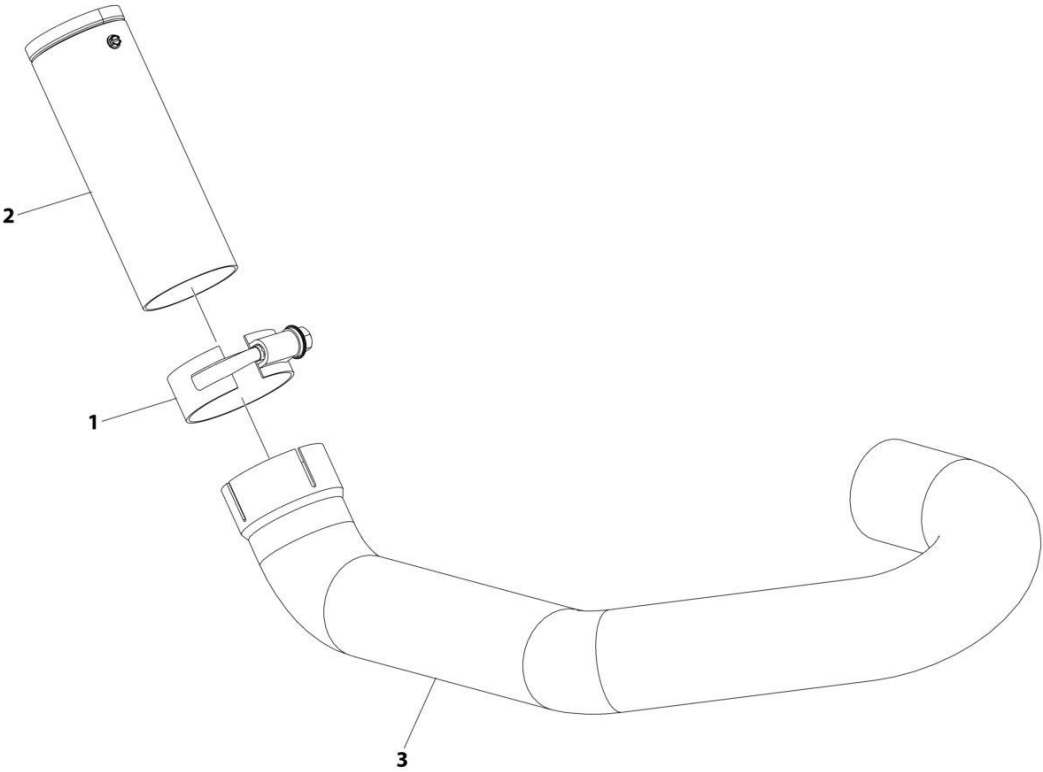
SECTION 3 - ENGINE

FIGURE 3-51. SPARK ARRESTOR INSTALLATION (WITH STEEL HOODS) (SN 0300314169 to Present)

ITEM	PART NUMBER	QTY	DESCRIPTION	REV
	1001299436	Ref	SPARK ARRESTOR INSTALLATION	A
1	1001221212	1	Clamp	
2	1001257276	1	Muffler, Spark Arresting Tip	
3	1001301709	1	Pipe, Exhaust	

SECTION 3 - ENGINE

FIGURE 3-52. SPARK ARRESTOR INSTALLATION (WITH PLASTIC HOODS) (SN 0300314169 to Present)



ART_1001299437

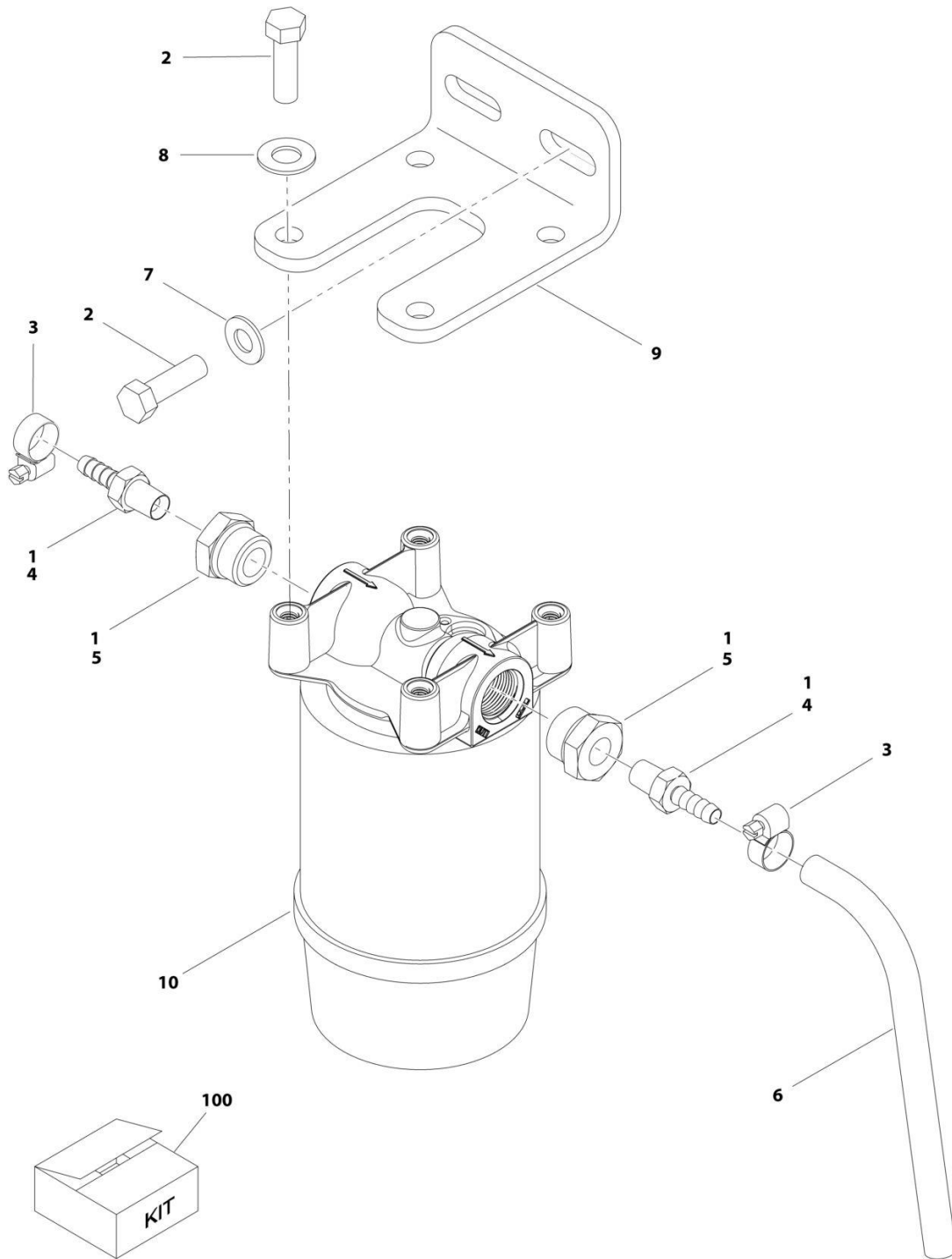
SECTION 3 - ENGINE

FIGURE 3-52. SPARK ARRESTOR INSTALLATION (WITH PLASTIC HOODS) (SN 0300314169 to Present)

ITEM	PART NUMBER	QTY	DESCRIPTION	REV
	1001299437	Ref	SPARK ARRESTOR INSTALLATION	A
1	1001221212	1	Clamp	
2	1001257276	1	Muffler, Spark Arresting Tip	
3	1001301810	1	Pipe, Exhaust	

SECTION 3 - ENGINE

FIGURE 3-53. FUEL-WATER SEPARATOR INSTALLATION - DEUTZ D2011 ENGINES



ART_1001199733

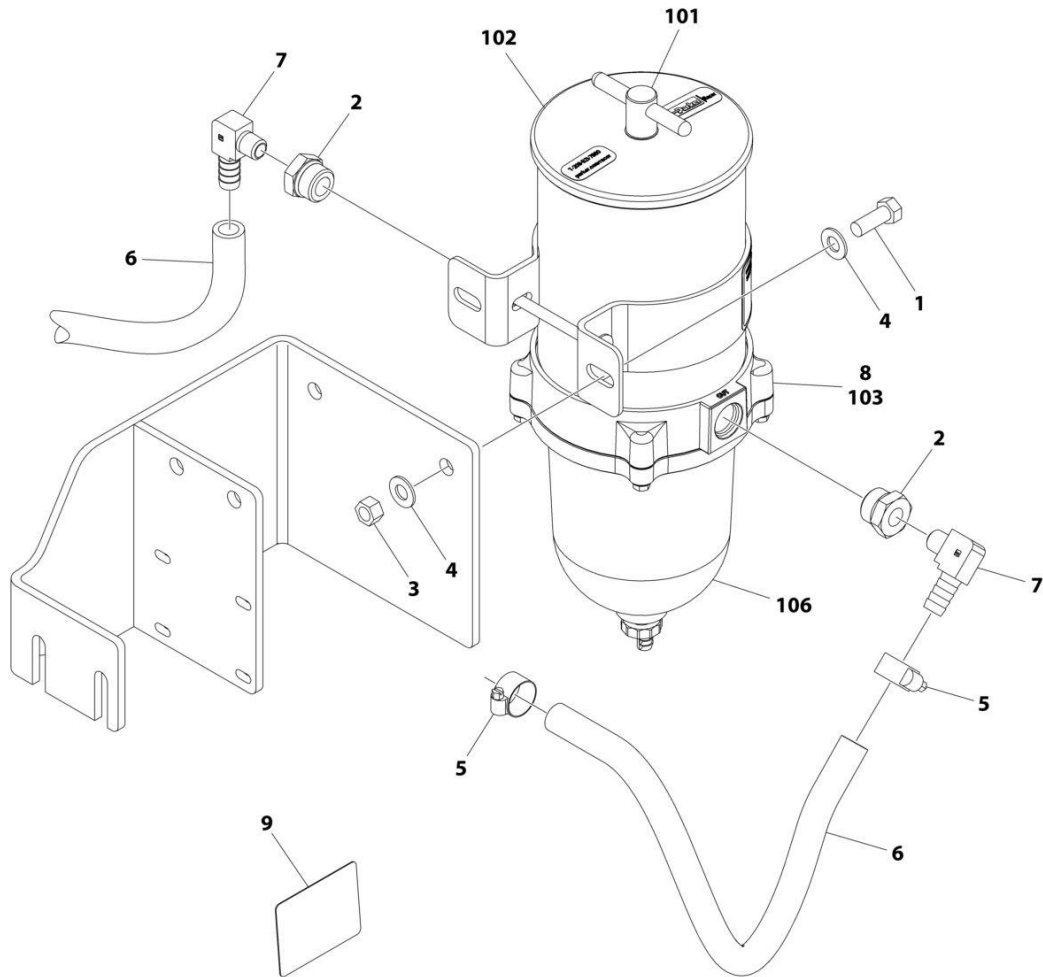
SECTION 3 - ENGINE

FIGURE 3-53. FUEL-WATER SEPARATOR INSTALLATION - DEUTZ D2011 ENGINES

ITEM	PART NUMBER	QTY	DESCRIPTION	REV
	1001199733	Ref	FUEL-WATER SEPARATOR INSTALLATION - DEUTZ TD2011 (OPTIONAL)	A
1	0100079	1	Sealant	
2	0641610	6	Bolt 3/8 X 1-1/4	
3	1320022	2	Clamp	
4	2180348	2	Fitting, Straight	
5	2220816	2	Fitting, Straight	
6	2720058	35 in/ 89cm	Hose	
7	4711600	2	Washer 3/8	
8	4711700	4	Washer 7/16	
9	1001188884	1	Bracket	
10	1001188887	1	Fuel/Water Separator Assembly	
10	1001202280	1	Head	
10	1001202281	1	Element	
100	1001204667	1	Water/Separator Add-On Kit	

SECTION 3 - ENGINE

FIGURE 3-54. FUEL-WATER SEPARATOR INSTALLATION - DEUTZ TD2.9L4 ENGINES



NOTE : LOCATED ON HOOD

ART_1001230032

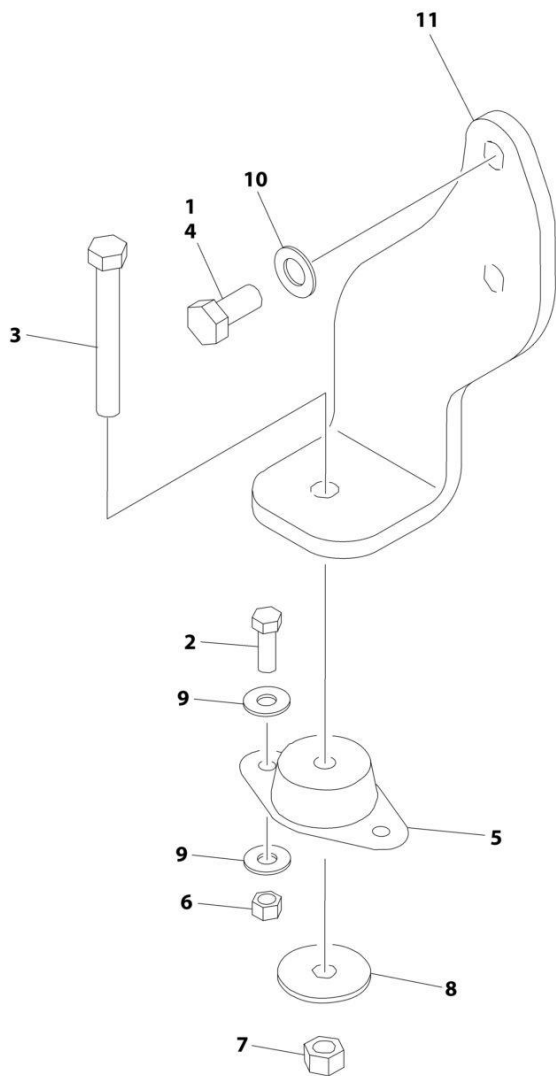
SECTION 3 - ENGINE

FIGURE 3-54. FUEL-WATER SEPARATOR INSTALLATION - DEUTZ TD2.9L4 ENGINES

ITEM	PART NUMBER	QTY	DESCRIPTION	REV
	1001230032	Ref	FUEL FILTER INSTALLATION	A
1	0641608	2	Bolt 3/8 x 1	
2	2220816	2	Fitting, Straight NPT	
3	3311605	2	Nut 3/8	
4	4711600	4	Washer 3/8	
5	8405006	2	Clamp	
6	1001154405	54 in/ 1.65m	Hose	
7	1001178797	2	Fitting, 90	
8	1001222817	1	Fuel Filter Assembly (See Items 101-107 for Breakdown)	
9	1001226923	1	Decal - Fuel Water Separator	
	1001222817	Ref	FUEL FILTER ASSEMBLY	
101	70006403	1	T-Handle Kit (Includes O-Ring)	
102	70006404	1	Lid Kit (Includes Gasket)	
103	70006405	1	Element	
104	70006406	1	Checkball & Gasket Kit (Not Shown)	
105	70006407	1	Centrifuge and Baffle Kit (Not Shown)	
106	70006409	1	Bowl Kit (Includes Gasket, O-Ring and Drain)	
106	70006408	1	Gasket, Bowl	
107	70006410	1	Bowl Ring Kit (Includes Gasket & Hardware) (Not Shown)	

SECTION 3 - ENGINE

FIGURE 3-55. RIGHT ENGINE SUPPORT INSTALLATION (DEUTZ D2011 ENGINES MACHINES WITHOUT GENERATORS)



ART_1001151253

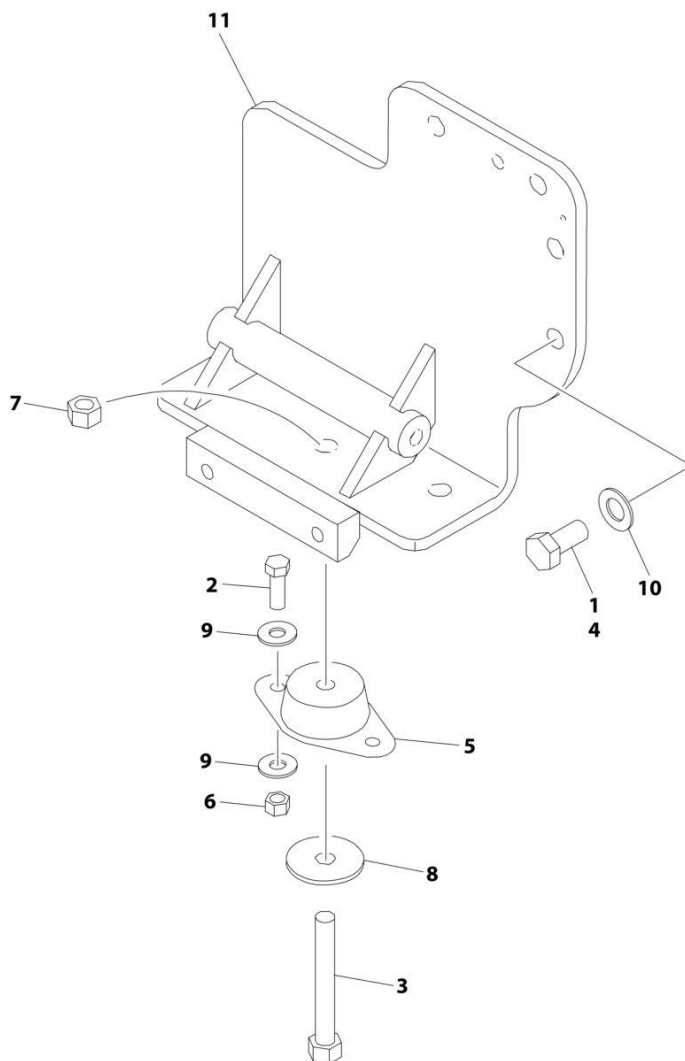
SECTION 3 - ENGINE

FIGURE 3-55. RIGHT ENGINE SUPPORT INSTALLATION (DEUTZ D2011 ENGINES MACHINES WITHOUT GENERATORS)

ITEM	PART NUMBER	QTY	DESCRIPTION	REV
	1001151253	Ref	RIGHT ENGINE SUPPORT INSTALLATION	A
1	0100011	AR	Compound, Locking	
2	0641609	2	Bolt 3/8 x 1-1/8	
3	0641820	1	Bolt 1/2 x 2-1/2	
4	0711414	2	Bolt M14 x 30 Grade 10.9	
5	3200401	1	Mount, Motor	
6	3311605	2	Nut 3/8	
7	3311805	1	Nut 1/2	
8	4740274	1	Washer	
9	4751600	4	Washer 3/8	
10	4812200	2	Washer M14	
11	1001149703	1	Support, Engine (Right Front)	

SECTION 3 - ENGINE

FIGURE 3-56. RIGHT ENGINE SUPPORT INSTALLATION (DEUTZ D2011 ENGINES MACHINES WITH GENERATORS)



ART_1001151252

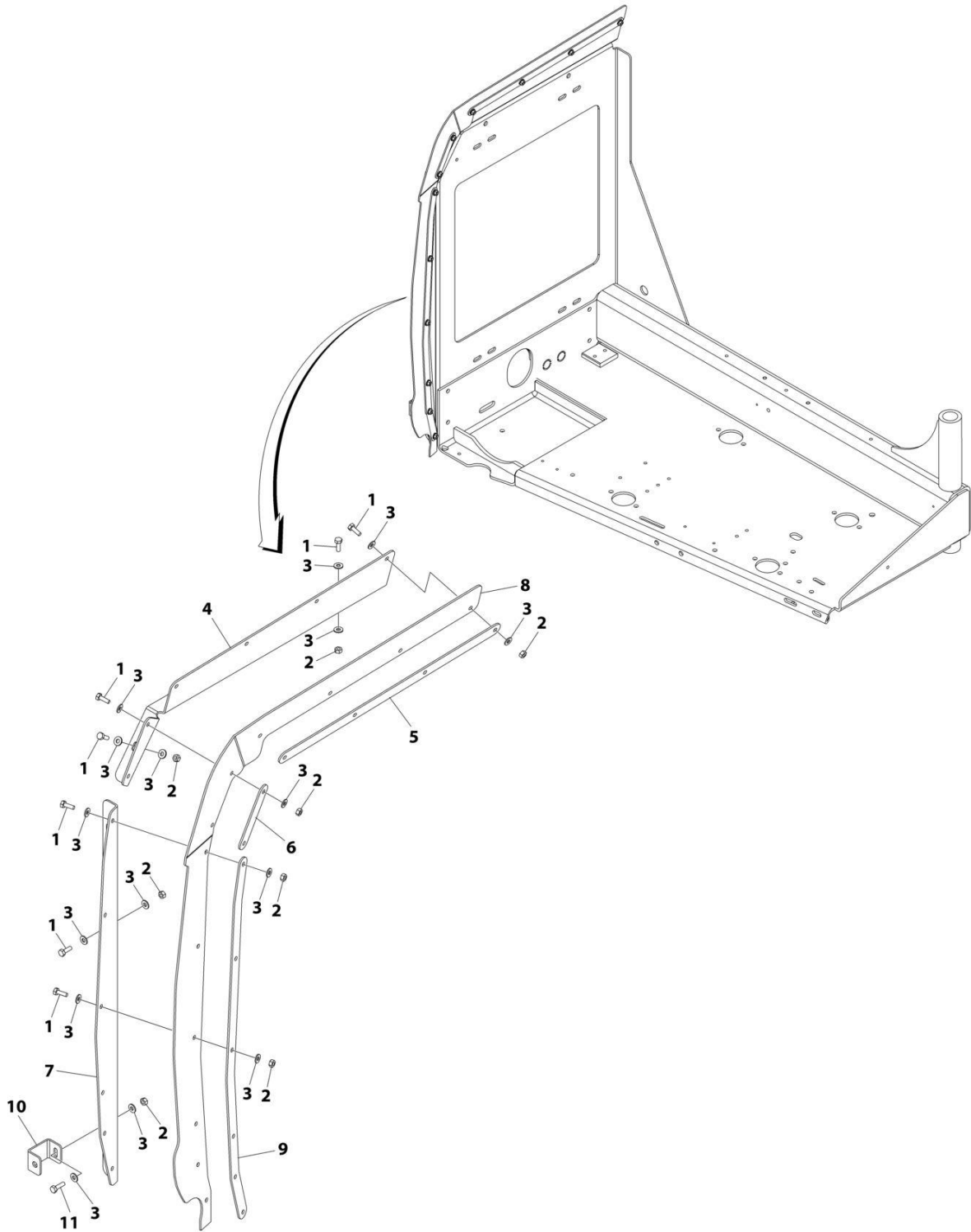
SECTION 3 - ENGINE

FIGURE 3-56. RIGHT ENGINE SUPPORT INSTALLATION (DEUTZ D2011 ENGINES MACHINES WITH GENERATORS)

ITEM	PART NUMBER	QTY	DESCRIPTION	REV
	1001151252	Ref	RIGHT ENGINE SUPPORT INSTALLATION	B
1	0100011	AR	Compound, Locking	
2	0641609	2	Bolt 3/8 x 1-1/8	
3	0641818	1	Bolt 1/2 x 2-1/2	
4	0711414	3	Bolt M14 x 30 Grade 10.9	
5	3200401	1	Mount, Motor	
6	3311605	2	Nut 3/8	
7	3311805	1	Nut 1/2	
8	4740274	1	Washer	
9	4751600	4	Washer 3/8	
10	4812200	3	Washer M14	
11	1001150890	1	Support, Engine (Right Front)	

SECTION 3 - ENGINE

FIGURE 3-57. ENGINE HOOD Baffle INSTALLATION - DEUTZ TD2.9L4 ENGINES AND DEUTZ TD2.9L4 (STAGE V) ENGINES WITH ABS HOODS



ART_1001143484

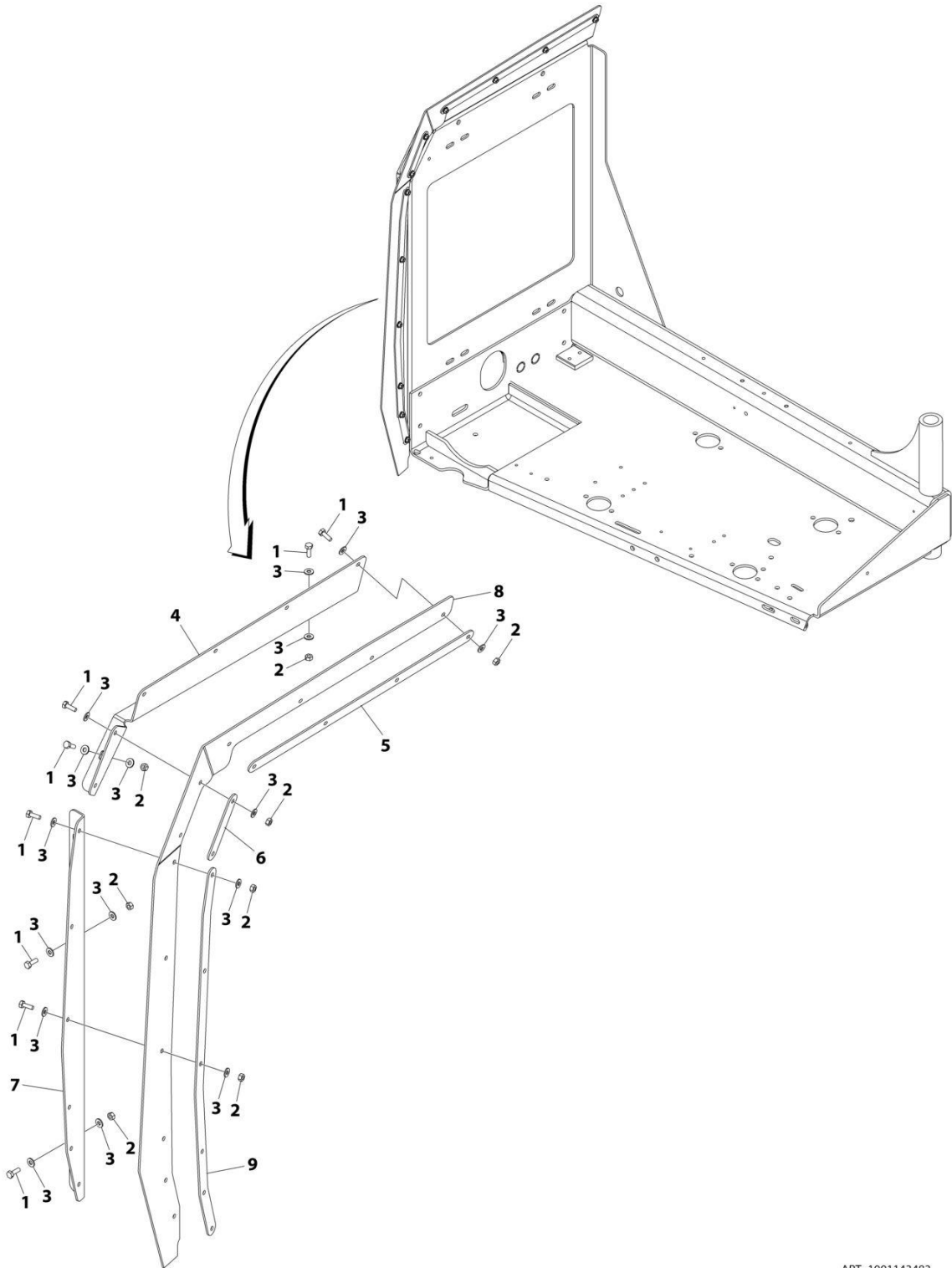
SECTION 3 - ENGINE

FIGURE 3-57. ENGINE HOOD Baffle INSTALLATION - DEUTZ TD2.9L4 ENGINES AND DEUTZ TD2.9L4 (STAGE V) ENGINES WITH ABS HOODS

ITEM	PART NUMBER	QTY	DESCRIPTION	REV
	1001143484	Ref	BAFFLES INSTALLATION (ABS HOODS)	C
1	0641406	18	Bolt 1/4 x 3/4	
2	3311405	19	Nut 1/4	
3	4711400	38	Washer 1/4	
4	1001174745	1	Bracket	
5	1001142031	1	Bracket	
6	1001142032	1	Bracket	
7	1001143449	1	Bracket	
8	1001195967	1	Baffle	
9	1001143525	1	Bracket	
10	1001143860	1	Bracket, Bumper	
11	0641407	1	Bolt 1/4 x 78	

SECTION 3 - ENGINE

FIGURE 3-58. ENGINE HOOD Baffle INSTALLATION - DEUTZ TD2.9L4 ENGINES WITH STEEL HOODS



ART_1001143483

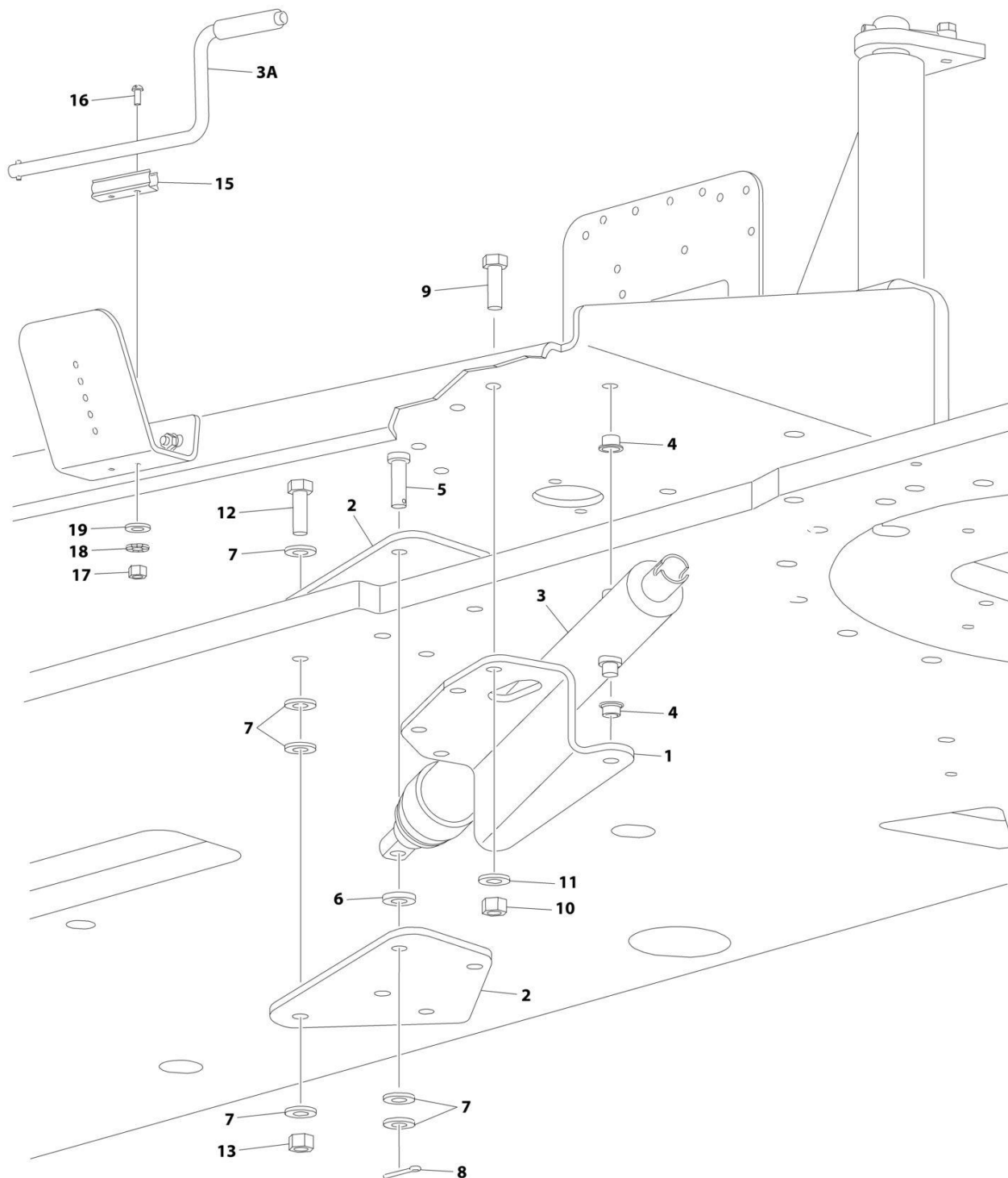
SECTION 3 - ENGINE

FIGURE 3-58. ENGINE HOOD Baffle INSTALLATION - DEUTZ TD2.9L4 ENGINES WITH STEEL HOODS

ITEM	PART NUMBER	QTY	DESCRIPTION	REV
	1001143483	Ref	BAFFLES INSTALLATION (STEEL HOODS)	B
1	0641406	19	Bolt 1/4 x 3/4	
2	3311405	19	Nut 1/4	
3	4711400	38	Washer 1/4	
4	1001174745	1	Bracket	
5	1001142031	1	Bracket	
6	1001142032	1	Bracket	
7	1001143449	1	Bracket	
8	1001174746	1	Baffle	
9	1001143525	1	Bracket	

SECTION 3 - ENGINE

FIGURE 3-59. ENGINE TRAY JACK INSTALLATION - DEUTZ ENGINES



ART_0258728

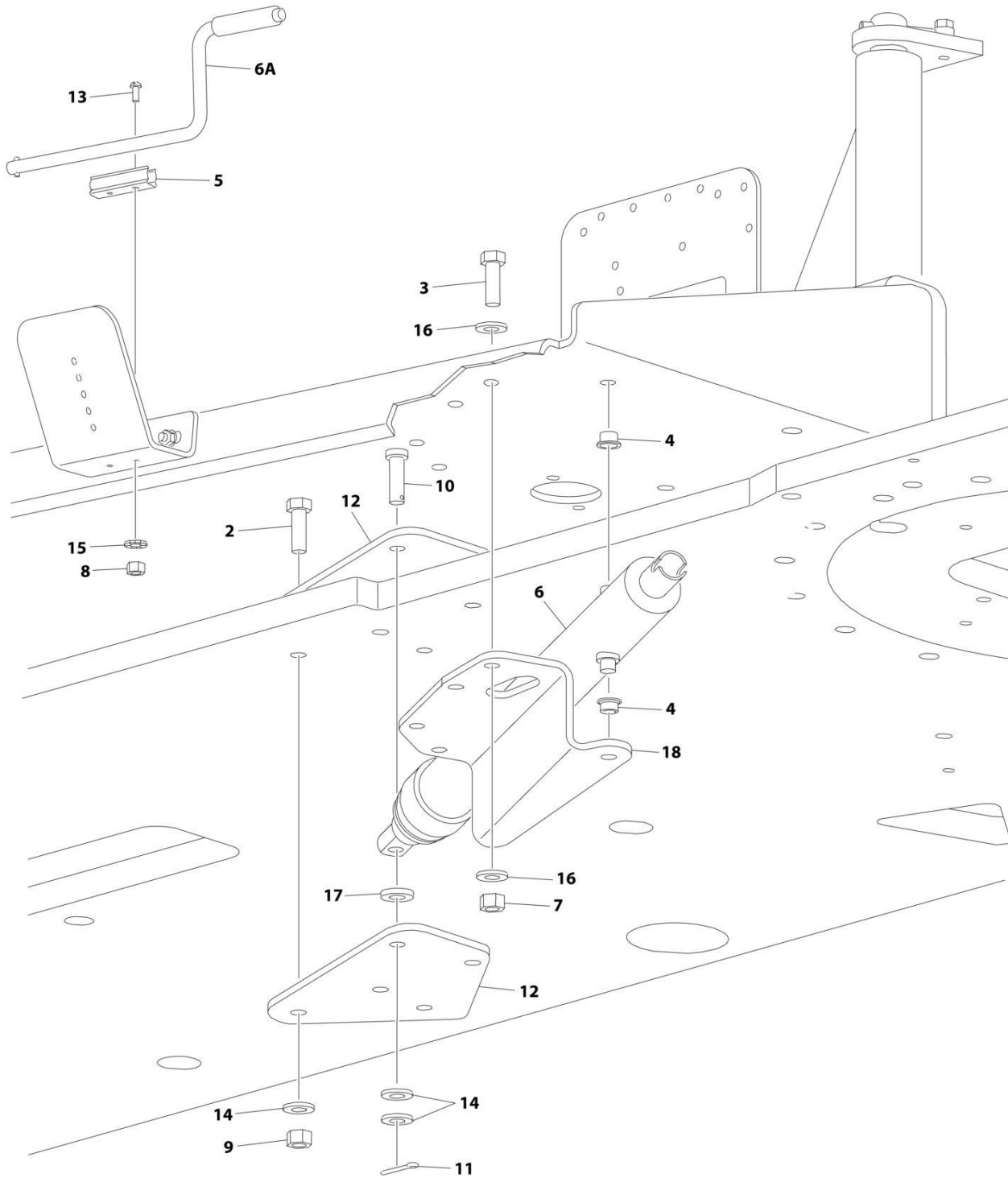
SECTION 3 - ENGINE

FIGURE 3-59. ENGINE TRAY JACK INSTALLATION - DEUTZ ENGINES

ITEM	PART NUMBER	QTY	DESCRIPTION	REV
	0258728	Ref	ENGINE TRAY JACK INSTALLATION	2-C
1	3537445	1	Bracket	
2	3537446	2	Bracket	
3	2840016	1	Jack and Handle Assembly	F
3A	7024598	1	Handle	
4	0962051	2	Bearing, Flange	
5	3430816	1	Pin, Clevis	
6	4891800	1	Washer 1/2	
7	4711800	6	Washer 1/2	
8	3450404	1	Pin, Cotter 1/8 x 1	
9	0641609	4	Bolt 3/8 x 1-1/8	
10	3311605	4	Nut 3/8	
11	4891600	4	Washer 3/8	
12	0641818	4	Bolt 1/2 x 2-1/4	
13	3311805	4	Nut 1/2	
15	1380147	1	Clip, Spring	
16	3910608	2	Screw #6 x 1	
17	3310601	2	Nut #6	
18	4770600	2	Washer #6	
19	4740119	2	Washer	

SECTION 3 - ENGINE

FIGURE 3-60. ENGINE TRAY JACK INSTALLATION - FORD ENGINES



ART_1001219881

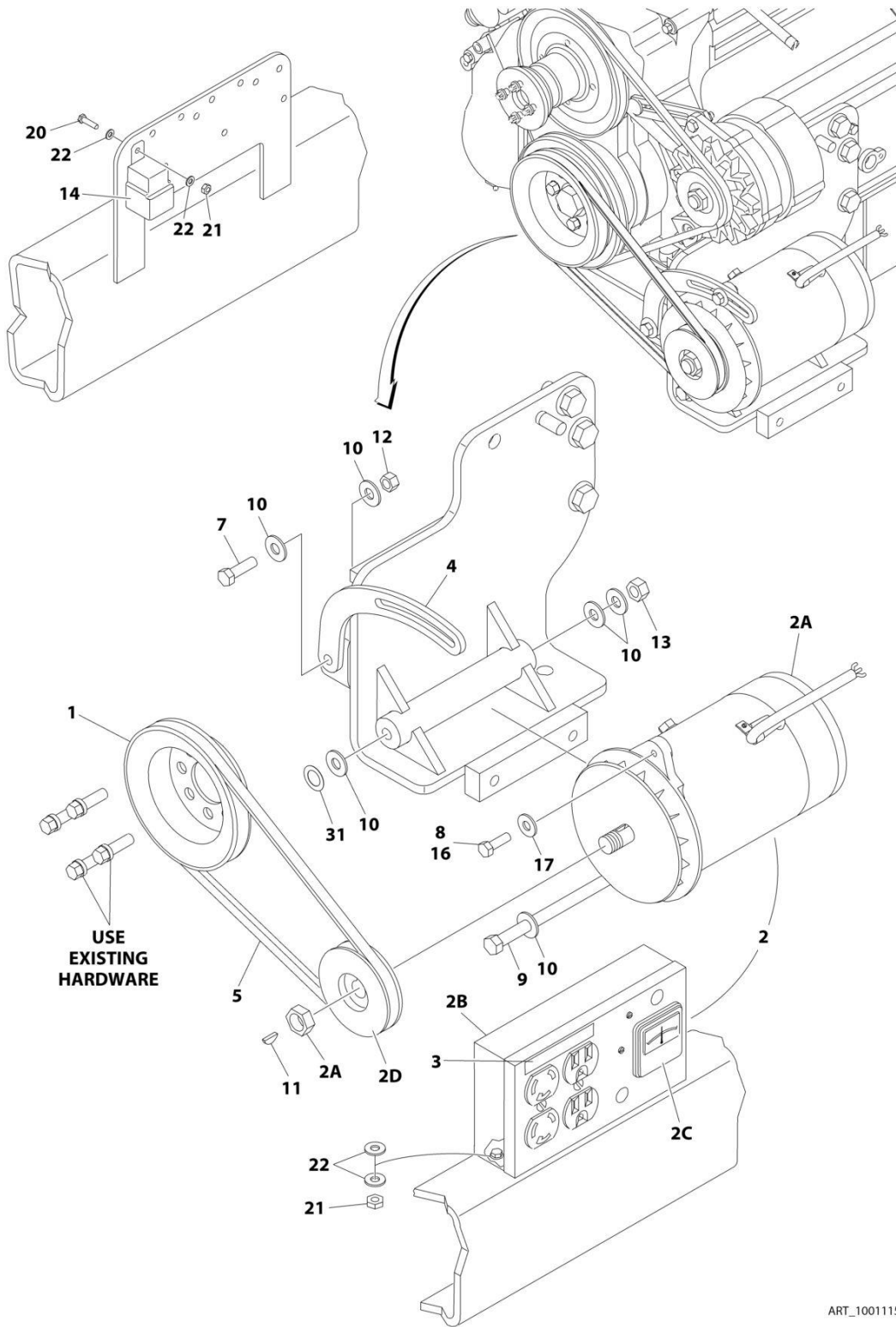
SECTION 3 - ENGINE

FIGURE 3-60. ENGINE TRAY JACK INSTALLATION - FORD ENGINES

ITEM	PART NUMBER	QTY	DESCRIPTION	REV
	1001219881	Ref	ENGINE TRAY JACK INSTALLATION	B
2	0641818	4	Bolt 1/2 x 2-1/4	
3	0761014	3	Bolt M10 x 30	
4	0962051	2	Bearing, Flange	
5	1380147	1	Clip, Spring	
6	2840016	1	Jack and Handle Assembly	F
6A	7024598	1	Handle	
7	3291007	3	Nut M10	
8	3310601	2	Nut #6-32	
9	3311805	4	Nut 1/2-13	
10	3430816	1	Pin, Clevis	
11	3450404	1	Pin, Cotter 1/8 x 1	
12	3537446	2	Bracket	
13	3910608	2	Screw #6-32 x 1	
14	4711800	6	Washer 1/2	
15	4770600	2	Washer #6	
16	4812000	6	Washer M10	
17	4891800	1	Washer 1/2	
18	1001218547	1	Bracket	

SECTION 3 - ENGINE

FIGURE 3-61. 2500W/110V/60HZ GENERATOR INSTALLATION - DEUTZ D2011 ENGINES



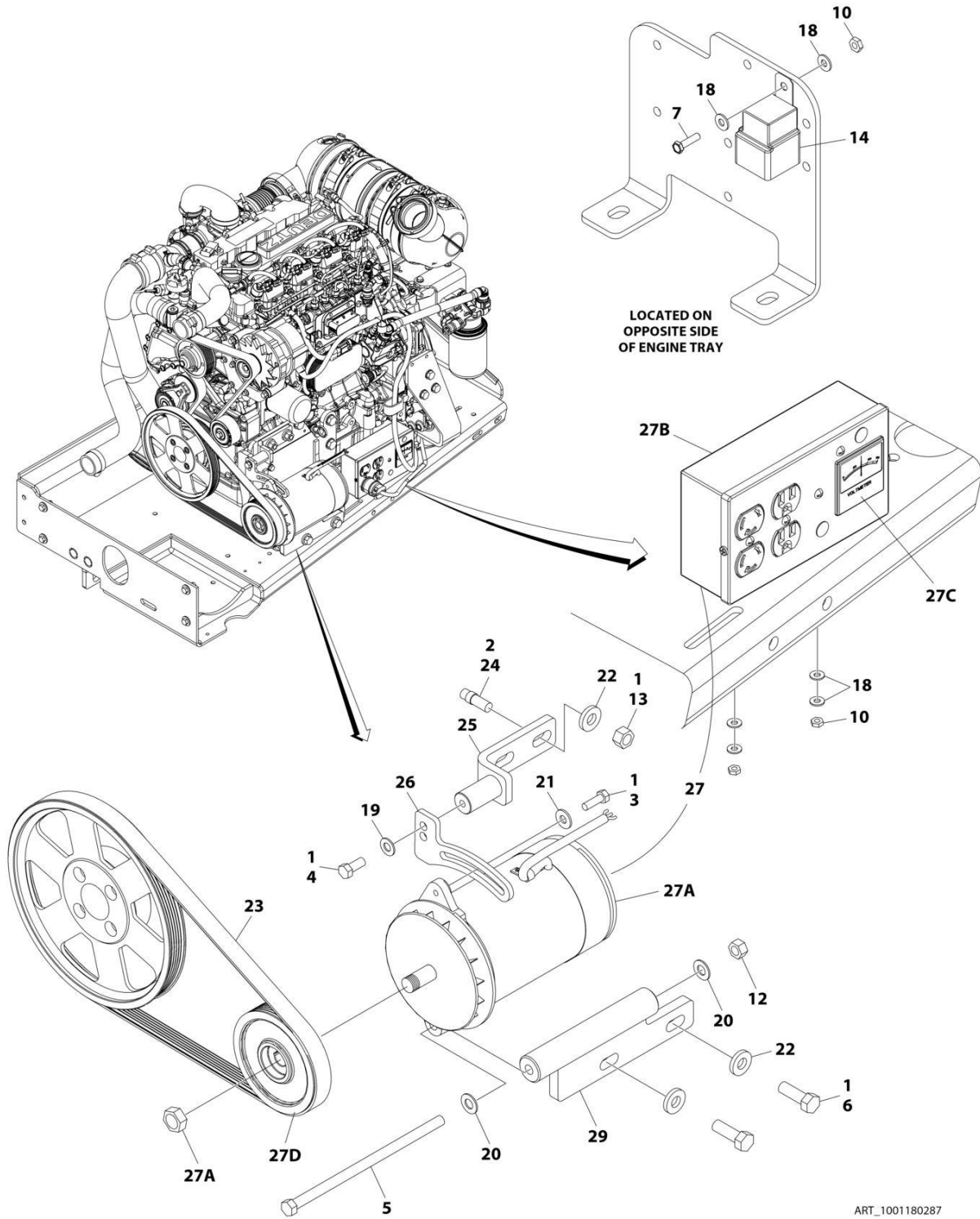
SECTION 3 - ENGINE

FIGURE 3-61. 2500W/110V/60HZ GENERATOR INSTALLATION - DEUTZ D2011 ENGINES

ITEM	PART NUMBER	QTY	DESCRIPTION	REV
	1001115405	Ref	2500W GENERATOR INSTALLATION - 110V/60Hz	B
1	3580158	1	Pulley	
2	2460055	1	Generator and Control Box Assembly:	
2A	7012558	1	Generator Only - 110V/60Hz	
2A		Ref	Note: Replacement Generators come standard with p/n 3580134 pulley. This pulley may not be correct for all applications. Refer to pulley options below.	
2A	7026199	1	Armature with Slip Rings	
2A	7012513	4	Cap, Brush Holder	
2A	7020108	4	Brush	
2A	7020109	4	Holder, Brush	
2A	7012514	1	Fan	
2A	7020110	1	Bell, Front	
2A	7020111	1	Bell, Rear	
2A	7020190	1	Bearing	
2B	7019680	1	Box, Control	
2B		Ref	Receptacle Options:	
2B	4460190	1	Receptacle, Standard	
2B	4460027	1	Receptacle, Twistlock	
2B	4360542	1	Breaker, Circuit	
2B	3520028	1	Plug, Hole	
2C	2420203	1	Voltmeter	
2D	3580276	1	Pulley	
2D	7027887	1	Key, Woodruff	
3	3251243	1	Decal - 110V/60Hz	
4	0200742	1	Arm, Adjusting	
5	0480121	1	V-Belt	
7	0641610	1	Bolt 3/8 x 1-1/4	
8	0100011	AR	Compound, Locking	
9	0641772	1	Bolt 7/16 x 9	
10	4751600	6	Washer 3/8	
11	2860012	1	Key, Woodruff	
12	3311605	1	Nut 3/8	
13	3311705	1	Nut 7/16	
14	3740080	1	Relay	
16	0641508	1	Bolt 5/16 x 1	
17	4751500	AR	Washer 5/16	
18	1001112588	1	Wiring Diagram Components (Not Shown)	
18	1001112589	1	Generator Harness (Not Shown)	
18	4922641	1	Generator ON/OFF Switch Harness (Not Shown - Located at Platform)	
20	0721006	AR	Bolt #10 x 3/4	
21	3311005	3	Nut #10	
22	4751000	AR	Washer #10	
25	4360336	1	Switch, Toggle (Not Shown - Located at Platform)	
26	4740397	1	Bushing (Not Shown - Located at Platform)	
27	4060802	1	Guard, Switch (Not Shown - Located at Platform)	
29	2820031	4 in/ 10cm	Heat Shrink (Not Shown - Located at Platform)	
30	3251102	1	Decal (Not Shown - Located at Platform)	
31	4070585	AR	Shim	

SECTION 3 - ENGINE

FIGURE 3-62. 2500W/110V/60HZ GENERATOR INSTALLATION - DEUTZ TD2.9L4 ENGINES



ART_1001180287

SECTION 3 - ENGINE

FIGURE 3-62. 2500W/110V/60HZ GENERATOR INSTALLATION - DEUTZ TD2.9L4 ENGINES

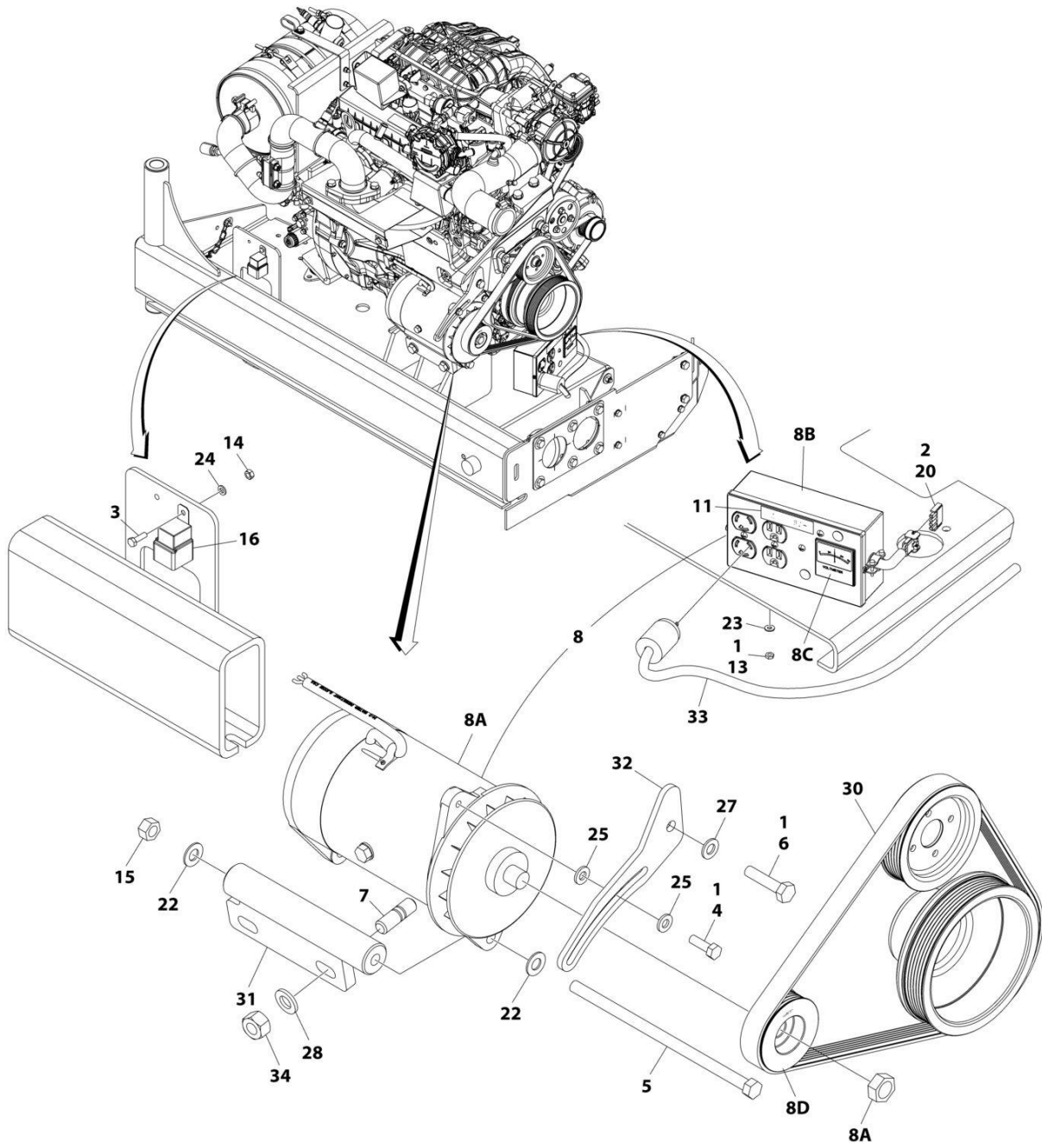
ITEM	PART NUMBER	QTY	DESCRIPTION	REV
	1001180287	Ref	2500W GENERATOR INSTALLATION - DEUTZ TD2.9L4 (OPTIONAL)	C
1	0100011	AR	Compound, Locking	
2	0100019	AR	Compound, Locking	
3	0641508	1	Bolt 5/16 x 1	
4	0641607	1	Bolt 3/8 x 7/8	
5	0641772	1	Bolt 7/16 x 9	
6	0641812	2	Bolt 1/2 x 1-1/2	
7	0721006	1	Screw #10 x 3/4	
8	2820031	AR	Heat Shrink (Not Shown - Located at Platform)	
9	3251102	1	Name Plate - Generator On (Not Shown - Located at Platform)	
10	3311005	3	Nut #10	
12	3311705	1	Nut 7/16	
13	3311801	2	Nut 1/2	
14	3740080	1	Relay	
15	4060802	1	Guard, Switch (Not Shown - Located at Platform)	
16	4240018	AR	Strap, Cable Tie (Not Shown)	
17	4360336	1	Switch, Toggle (Not Shown - Located at Platform)	
18	4711000	6	Washer #10	
19	4711600	1	Washer 3/8	
20	4711700	2	Washer 7/16	
21	4751500	1	Washer 5/16	
22	4891800	4	Washer 1/2	
23	1001148138	1	V-Belt	
24	1001163599	2	Stud	
25	1001216015	1	Bracket	
26	1001179837	1	Arm, Adjustment	
27	1001180001	1	Generator and Control Box Assembly	
27A	7012558	1	Generator Only - 110V/60Hz	
27A		Ref	Note: Replacement Generators come standard with p/n 3580134 pulley. This pulley may not be correct for all applications. Refer to pulley options below.	
27A	7026199	1	Armature with Slip Rings	
27A	7012513	4	Cap, Brush Holder	
27A	7020108	4	Brush	
27A	7020109	4	Holder, Brush	
27A	7012514	1	Fan	
27A	7020110	1	Bell, Front	
27A	7020111	1	Bell, Rear	
27A	7020190	2	Bearing	
27B	7019680	1	Box, Control - 110V/60Hz	
27B		Ref	Receptacle Options:	
27B	4460190	1	Receptacle, Standard (110V Only)	
27B	4460027	1	Receptacle, Twistlock (110V Only)	
27B	4360542	1	Breaker, Circuit	
27B	3520028	1	Plug, Hole	
27C	2420203	1	Voltmeter	
27D	3580276	1	Pulley	
27D	7027887	1	Key, Woodruff	
28		Ref	Wiring Diagram Components (Not Shown)	

SECTION 3 - ENGINE

ITEM	PART NUMBER	QTY	DESCRIPTION	REV
28	4922641	1	Generator On/Off Switch Harness (Not Shown - Located at Platform)	
28	1001180052	1	Generator Harness (Not Shown)	
29	1001181243	1	Mount, Generator	

SECTION 3 - ENGINE

FIGURE 3-63. 2500W/110V/60HZ GENERATOR INSTALLATION - FORD ENGINES



ART_1001219619

SECTION 3 - ENGINE

FIGURE 3-63. 2500W/110V/60HZ GENERATOR INSTALLATION - FORD ENGINES

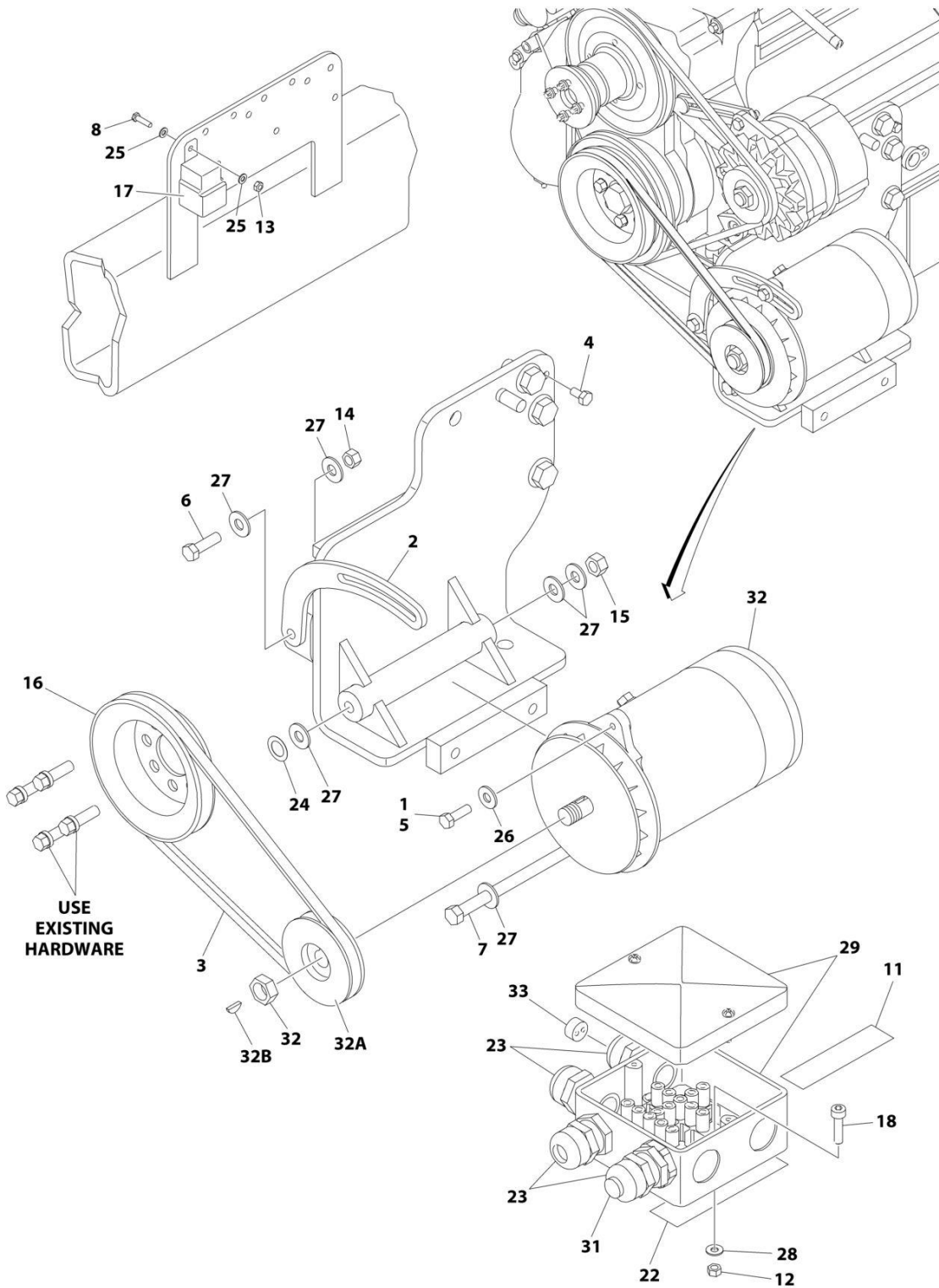
ITEM	PART NUMBER	QTY	DESCRIPTION	REV
	1001219619	Ref	2500W GENERATOR INSTALLATION - FORD MACHINES (OPTIONAL)	E
1	0100011	AR	Compound, Locking	
2	0100048	AR	Grease, Dielectric	
3	0760610	1	Bolt M6 x 20	
4	0641508	1	Bolt 5/16 x 1	
5	0641772	1	Bolt 7/16 x 9	
6	0761016	1	Bolt M10 x 40	
7	1001155041	1	Stud	
8	2460051	1	Generator and Control Box Assembly	
8A	7012558	1	Generator Only - 110V/60Hz	
		Ref	Note: Replacement Generators come standard with pin 3580134 pulley. This pulley may not be correct for all applications. Refer to pulley options below.	
8A	7026199	1	Armature with Slip Rings	
8A	7012513	4	Cap, Brush Holder	
8A	7020108	4	Brush	
8A	7020109	4	Holder, Brush	
8A	7012514	1	Fan	
8A	7020110	1	Bell, Front	
8A	7020111	1	Bell, Rear	
8A	7020190	2	Bearing	
8B	7019680	1	Box, Control - 110V/60Hz	
8B		Ref	Receptacle Options:	
8B	4460190	1	Receptacle, Standard (110V Only)	
8B	4460027	1	Receptacle, Twistlock (110V Only)	
8B	4360542	1	Breaker, Circuit	
8B	3520028	1	Plug, Hole	
8C	2420203	1	Voltmeter	
8D	3580324	1	Pulley	
8D	7027887	1	Key, Woodruff	
9	2820031	1	Heat Shrink (Not Shown - Located at Platform)	
10	3251102	1	Nameplate Generator (Not Shown - Located at Platform)	
11	3251243	1	Decal - 120V-60Hz	
13	3311005	2	Nut #10	
14	3290601	1	Nut M6	
15	3311705	1	Nut 7/16	
16	3740080	1	Relay	
17	4060802	1	Guard Switch (Not Shown - Located at Platform)	
18	4240099	AR	Tie-Strap (Not Shown)	
19	4360336	1	Switch, Toggle (Not Shown - Located at Platform)	
20	4460321	1	Plug, Male - 4 Position	
22	4711700	2	Washer 7/16	
23	4751000	2	Washer #10	
24	4811700	1	Washer M6	
25	4891500	2	Washer 5/16	
27	4812000	1	Washer M10	
28	4812200	2	Washer M14	
29		Ref	Wiring Diagram Components (Not Shown)	

SECTION 3 - ENGINE

ITEM	PART NUMBER	QTY	DESCRIPTION	REV
29	4922641	1	Generator On/Off Switch Harness (Not Shown - Located at Platform)	
29	4923445	1	Generator Harness (Not Shown - See Separate Breakdown in ELECTRICAL SECTION)	
30	1001216391	1	V-Belt	
31	1001219630	1	Mount, Generator	
32	1001219632	1	Arm, Adjustment	
33	4921829	1	Harness, Inverter	
34	3291201	2	Nut M12	

SECTION 3 - ENGINE

FIGURE 3-64. 2500W/220V/50HZ GENERATOR INSTALLATION - DEUTZ D2011 ENGINES



ART_1001115409

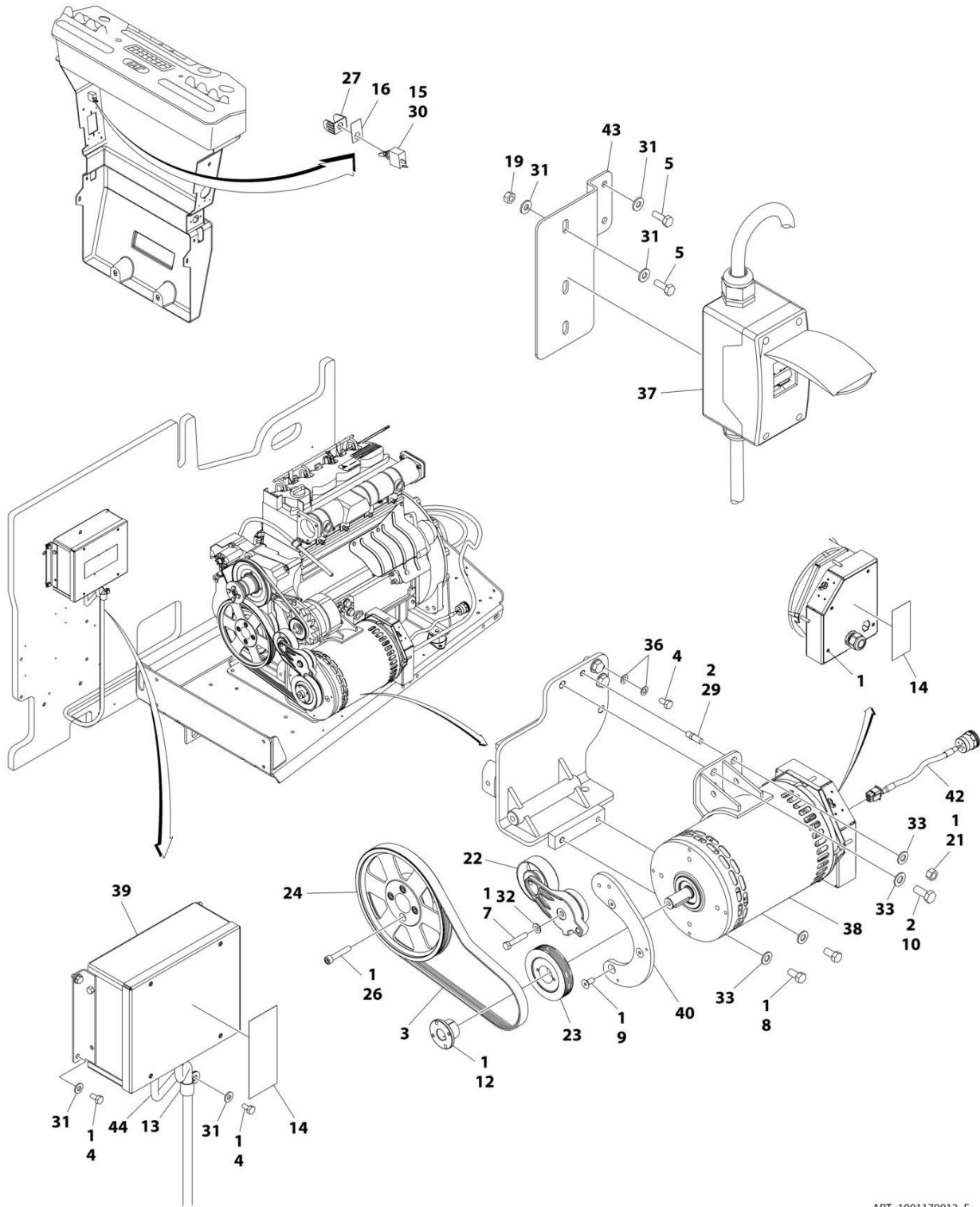
SECTION 3 - ENGINE

FIGURE 3-64. 2500W/220V/50HZ GENERATOR INSTALLATION - DEUTZ D2011 ENGINES

ITEM	PART NUMBER	QTY	DESCRIPTION	REV
	1001115409	Ref	2500W GENERATOR INSTALLATION - 220V/50Hz	B
1	0100011	AR	Compound, Locking	
2	0200742	1	Arm, Adjusting	
3	0480121	1	V-Belt	
4	0641404	1	Bolt 1/4 x 1/2	
5	0641508	1	Bolt 5/16 x 1	
6	0641610	1	Bolt 3/8 x 1-1/4	
7	0641772	1	Bolt 7/16 x 9	
8	0721006	AR	Bolt #10 x 3/4	
9	2820031	4 in/10cm	Heat Shrink (Not Shown - Located at Platform)	
10	3251102	1	Decal (Not Shown - Located at Platform)	
11	3252507	2	Decal - 220V - 50Hz	
		Ref	Note: One Decal Not Shown - Located on the Inside of Platform Rail.	
12	3290505	1	Nut M5	
13	3311005	1	Nut #10	
14	3311605	1	Nut 3/8	
15	3311705	1	Nut 7/16	
16	3580158	1	Pulley	
17	3740080	1	Relay	
18	4031608	1	Bolt M5 x 20	
19	4060802	1	Guard, Switch (Not Shown - Located at Platform)	
20	4240018	1	Tie Strap (Not Shown)	
21	4360336	1	Switch, Toggle (Not Shown - Located at Platform)	
22	4420060	AR	Tape, Double Coated Acrylic Foam	
23	4460968	3	Connector, Strain Relief	
24	4740397	1	Shim	
25	4751000	2	Washer #10	
26	4751500	1	Washer 5/16	
27	4751600	6	Washer 3/8	
28	4811600	1	Washer M5	
29	1001099869	1	Box, Junction	
30		Ref	Wiring Diagram Components (Not Shown)	
30	4922641	1	Generator On/Off Switch Harness (Not Shown - Located at Platform)	
30	1001112589	1	Generator Harness (Not Shown)	
31	1001100234	1	Light, Red	
32	1001100321	1	Generator	
32	70000123	1	Armature with Slip Rings	
32	7012513	4	Cap, Brush Holder	
32	7020108	4	Brush	
32	7020109	4	Holder, Brush	
32	7012514	1	Fan	
32	7020110	1	Bell, Front	
32	7020111	1	Bell, Rear	
32	7020190	1	Bearing	
32A	3580134	1	Pulley - 50Hz	
32B	7027887	1	Key, Woodruff	
33	0962449	1	Bushing	

SECTION 3 - ENGINE

FIGURE 3-65. 4000W/50HZ GENERATOR INSTALLATION - DEUTZ D2011 ENGINES



ART_1001179912_E

SECTION 3 - ENGINE

FIGURE 3-65. 4000W/50HZ GENERATOR INSTALLATION - DEUTZ D2011 ENGINES

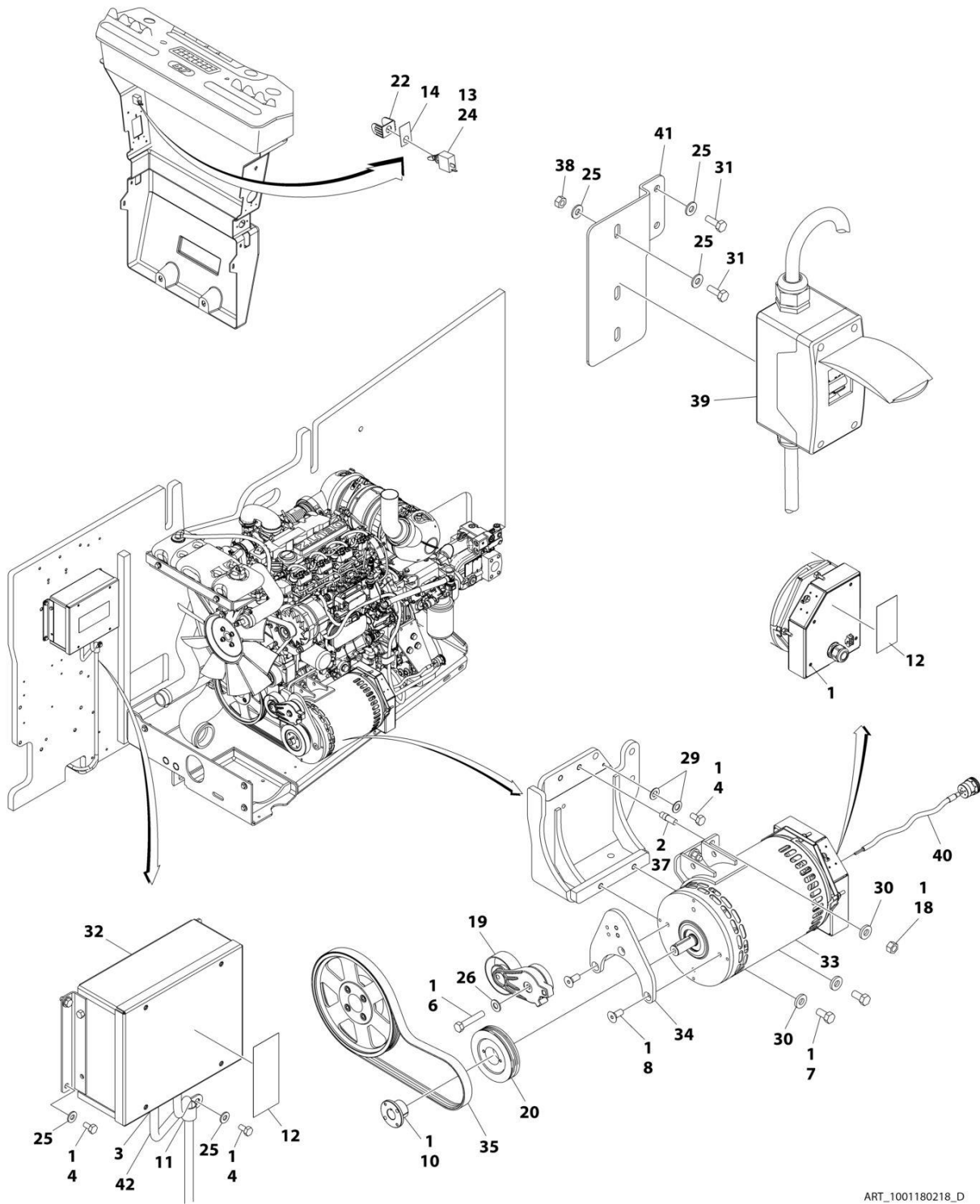
ITEM	PART NUMBER	QTY	DESCRIPTION	REV
	1001179912	Ref	4000W/50Hz GENERATOR INSTALLATION - DEUTZ D2011 ENGINES	E
1	0100011	AR	Compound, Locking	
2	0100019	AR	Compound, Locking	
3	0480126	1	Belt, Generator (50Hz)	
4	0641404	6	Bolt 1/4 x 1/2	
5	0641406	1	Bolt 1/4 x 3/4	
7	0641616	1	Bolt 3/8 x 2	
8	0641808	2	Bolt 1/2 x 1	
9	0741607	3	Screw 3/8 x 7/8	
10	0771415	1	Bolt M14 x 35	
12	0962520	1	Bushing, Split	
13	1320318	1	Clamp	
14	1705489	1	Decal - Hazardous Voltage	
15	2820031	0.33 ft /0.1m	Heat Shrink	
16	3251102	1	Nameplate - Generator	
19	3311405	1	Nut 1/4	
21	3311801	1	Nut 1/2	
22	3580317	1	Tensioner, Belt with Pulley	
23	3580319	1	Pulley, Generator	
24	3580320	1	Pulley, Engine	
26	4032015	4	Capscrew M10 x 55	
27	4060802	1	Guard, Switch	
28	4240018	AR	Tie-Strap (Not Shown)	
29	4300157	1	Stud	
30	4360336	1	Switch, Toggle	
31	4711400	11	Washer 1/4	
32	4711600	1	Washer 3/8	
33	4711800	3	Washer 1/2	
36	4791400	2	Washer 1/4	
37	1001165368	1	Breaker Box Kit (Not Shown - See Separate Breakdown in ELECTRICAL SECTION)	
38	1001138565	1	Generator Assembly (50Hz)	
38	70003709	1	Ring, Retaining (External)	
38	70003708	1	Ring, Retaining (Internal)	
38	70001966	1	Bearing	
38	70004092	1	Endbell (Shaft End)	
38	70004171	1	Key	
38	70004676	1	Rotor	
38	70004677	1	Stator (50Hz)	
38	70004678	1	Endbell (Rear)	
38	70004679	1	Cover, Endbell (Rear)	
38	70004680	1	Enclosure, Wiring	
38	70004681	1	Cover, Enclosure (50Hz)	
38	70004682	1	Switch, Reset (Located on Enclosure Cover)	
38	70004683	1	Connector, Strain Relief (50Hz) (Located on Enclosure Cover)	
39	1001138566	1	Control Box Assembly	
39	70006552	1	Capacitor	
39	70006553	1	Relay	

SECTION 3 - ENGINE

ITEM	PART NUMBER	QTY	DESCRIPTION	REV
40	1001139357	1	Mount, Tensioner	
42	1001152532	1	Generator to Control Box, Harness (See Separate Breakdown in ELECTRICAL SECTION)	
43	1001177035	1	Bracket	
44	1001153197	1	Generator Control Box to Engine Harness (See Separate Breakdown in ELECTRICAL SECTION)	

SECTION 3 - ENGINE

FIGURE 3-66. 4000W/50HZ GENERATOR INSTALLATION - DEUTZ TD2.9L4 ENGINES AND DEUTZ TD2.9L4 (STAGE V) ENGINES



ART_1001180218_D

SECTION 3 - ENGINE

FIGURE 3-66. 4000W/50HZ GENERATOR INSTALLATION - DEUTZ TD2.9L4 ENGINES AND DEUTZ TD2.9L4 (STAGE V) ENGINES

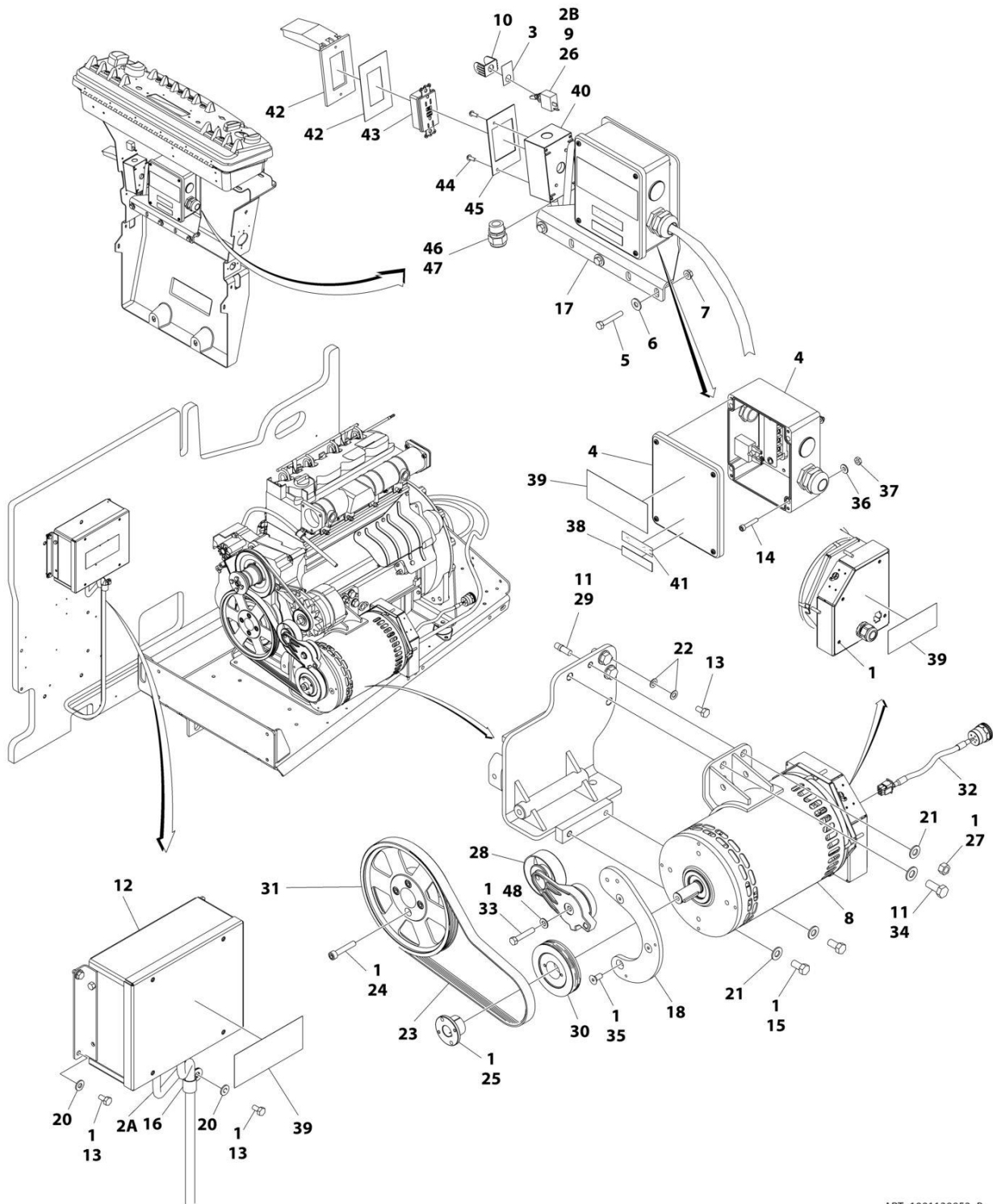
ITEM	PART NUMBER	QTY	DESCRIPTION	REV
	1001180218	1	4000W/Hz GENERATOR INSTALLATION - DEUTZ TD2.9L4 ENGINES	D
1	0100011	AR	Compound, Locking	
2	0100019	AR	Compound, Locking	
3	0100048	AR	Grease Dielectric	
4	0641404	6	Bolt 1/4 x 1/2	
6	0641616	1	Bolt 3/8 x 2	
7	0641808	2	Bolt 1/2 x 1	
8	0741607	3	Screw 3/8 x 7/8	
10	0962520	1	Bushing, Split	
11	1320318	1	Clamp	
12	1705489	2	Decal - Hazardous Voltage	
13	2820031	0.33 ft /0.1m	Heat Shrink	
14	3251102	1	Nameplate, Generator	
18	3311801	2	Nut 1/2	
19	3580317	1	Tensioner, Belt with Pulley	
20	3580319	1	Pulley, Generator	
22	4060802	1	Guard, Switch	
23	4240018	AR	Tie-Strap (Not Shown)	
24	4360336	1	Switch, Toggle	
25	4711400	11	Washer 1/4	
26	4711600	1	Washer 3/8	
29	4791400	2	Washer 1/4	
30	4891800	4	Washer 1/2	
31	0641406	4	Bolt 1/4 x 3/4	
32	1001138566	1	Control Box Assembly	
32	70006552	1	Capacitor	
32	70006553	1	Relay	
33	1001140347	1	Generator Assembly	
33	70003709	1	Ring, Retaining (External)	
33	70003708	1	Ring, Retaining (Internal)	
33	70001966	1	Bearing	
33	70004092	1	Endbell (Shaft End)	
33	70004099	1	Key	
33	70004676	1	Rotor	
33	70004686	1	Stator	
33	70004678	1	Endbell (Rear)	
33	70004679	1	Cover, Endbell (Rear)	
33	70004680	1	Enclosure, Wiring	
33	70004681	1	Cover, Enclosure	
33	70004682	1	Switch, Reset (Located on Enclosure Cover)	
33	70004683	1	Connector, Strain Relief (Located on Enclosure Cover)	
33	4460224	1	Connector - 6 Position (Located on Enclosure Cover)	
33	4460294	2	Pin, Male (Located on Enclosure Cover)	
34	1001142643	1	Support, Tensioner	
35	1001142645	1	Belt, Generator	
37	1001163599	2	Stud	
38	3311405	4	Nut 1/4	

SECTION 3 - ENGINE

ITEM	PART NUMBER	QTY	DESCRIPTION	REV
39	1001165368	1	Breaker Box Kit (Not Shown - See Separate Breakdown in ELECTRICAL SECTION)	
40	1001152532	1	Generator to Control Box Harness (See Separate Breakdown in ELECTRICAL SECTION)	
41	1001177035	1	Bracket	
42	1001153259	1	Generator Control Box to Engine Harness (See Separate Breakdown in ELECTRICAL SECTION)	

SECTION 3 - ENGINE

FIGURE 3-67. 4000W/60HZ GENERATOR INSTALLATION - DEUTZ D2011 ENGINES



ART_1001139952_B

SECTION 3 - ENGINE

FIGURE 3-67. 4000W/60HZ GENERATOR INSTALLATION - DEUTZ D2011 ENGINES

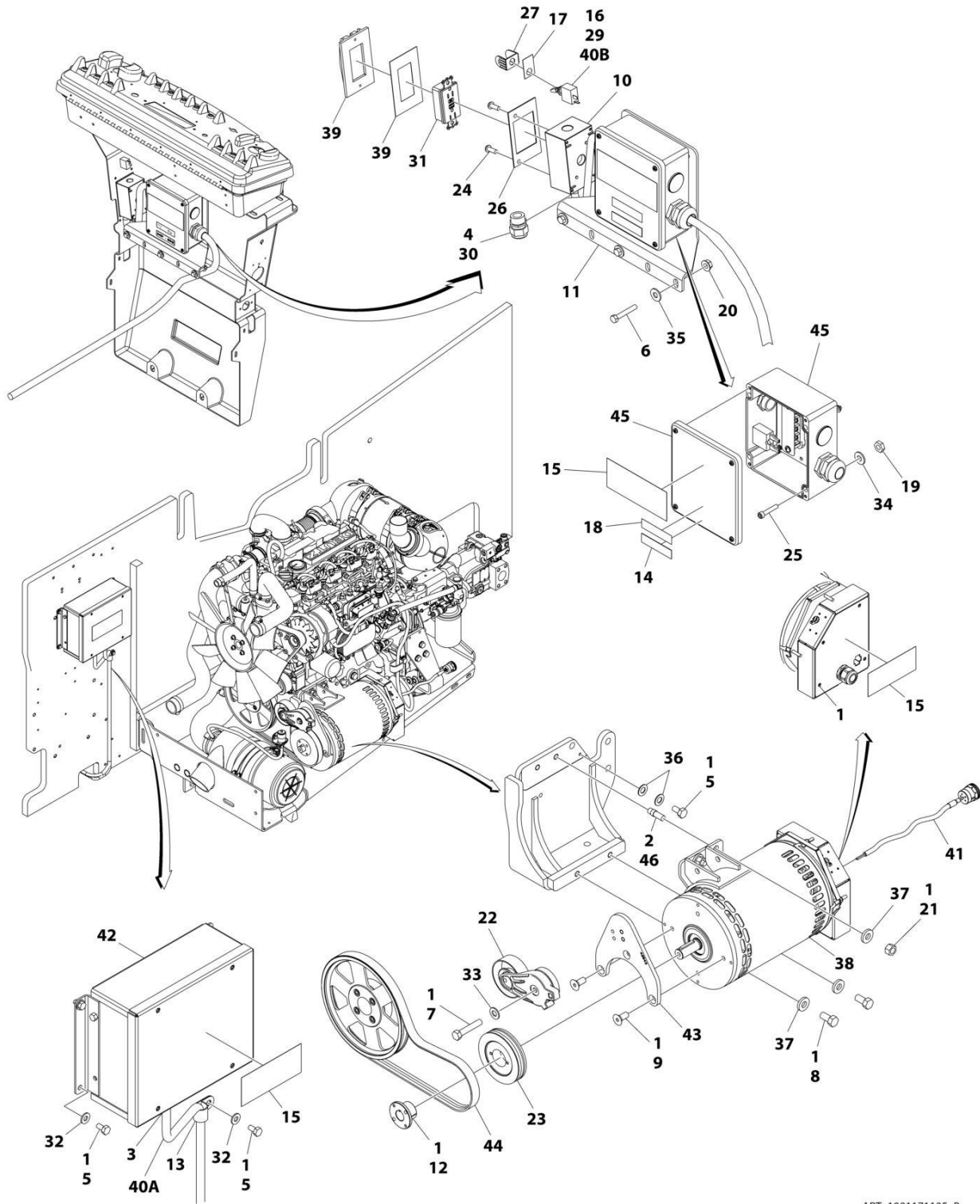
ITEM	PART NUMBER	QTY	DESCRIPTION	REV
	1001139952	Ref	4000W/60Hz GENERATOR INSTALLATION - DEUTZ D2011 ENGINES	B
1	0100011	AR	Compound, Locking	
2		Ref	Wiring Diagram Components (Not Shown)	
2A	1001153197	1	Generator Control Box to Engine Harness (See Separate Breakdown in ELECTRICAL SECTION)	
2B	4462641	1	Generator On/Off Switch Harness	
3	3251102	1	Nameplate - Generator	
4	1001152457	1	Junction Box Assembly	
4	3300396	1	Cover, Breaker	
4	4360070	1	Breaker, Circuit - 15Amp	
4	4460425	1	Connector, Strain Relief (LH Side)	
4	4460426	1	Connector, Strain Relief (RH Side)	
5	0641516	3	Bolt 5/16 x 2	
6	4751500	3	Washer 5/16	
7	3311508	3	Nut 5/16	
8	1001129858	1	Generator Assembly	
8	70003709	1	Ring, Retaining (External)	
8	70003708	1	Ring, Retaining (Internal)	
8	70001966	1	Bearing	
8	70004092	1	Endbell (Shaft End)	
8	70004171	1	Key	
8	70004676	1	Rotor	
8	70004684	1	Stator	
8	70004678	1	Endbell (Rear)	
8	70004679	1	Cover, Endbell (Rear)	
8	70004680	1	Enclosure, Wiring	
8	70004685	1	Cover, Enclosure	
8	70004682	1	Switch, Reset (Located on Enclosure Cover)	
8	70004098	1	Connector, Strain Relief (Located on Enclosure Cover)	
9	4360336	1	Switch, Toggle	
10	4060802	1	Guard, Switch	
11	0100019	AR	Compound, Locking	
12	1001138566	1	Control Box Assembly	
12	70006552	1	Capacitor	
12	70006553	1	Relay	
13	0641404	6	Bolt 1/4 x 1/2	
14	3931016	4	Capscrew #10 x 1	
15	0641808	2	Bolt 1/2 x 1	
16	1320318	1	Clamp	
17	0902888	1	Bracket	
18	1001139357	1	Mount, Tensioner	
19	4240018	AR	Tie-Strap (Not Shown)	
20	4711400	5	Washer 1/4	
21	4711800	3	Washer 1/2	
22	4791400	2	Washer 1/4	
23	0480129	1	Belt, Generator	
24	4032015	4	Capscrew M10 x 55	
25	0962520	1	Bushing, Split	

SECTION 3 - ENGINE

ITEM	PART NUMBER	QTY	DESCRIPTION	REV
26	2820031	0.33 ft /0.1m	Heat Shrink	
27	3311801	1	Nut 1/2	
28	3580317	1	Tensioner, Belt with Pulley	
29	4300157	1	Stud	
30	3580318	1	Pulley, Generator	
31	3580320	1	Pulley, Engine	
32	1001152532	1	Generator to Control Box Harness (See Separate Breakdown in ELECTRICAL SECTION)	
33	0641616	1	Bolt 3/8 x 2	
34	0771415	1	Bolt M14 x 35	
35	0741607	3	Screw 3/8 x 7/8	
36	4751000	4	Washer #10	
37	3311005	4	Nut #10	
38	1705374	1	Decal - 240V	
39	1705387	3	Decal - Hazardous Voltage	
40	0860038	1	Box, Switch - Weatherhead	
41	3251243	1	Decal - 120V	
42	1001110873	1	Cover, Receptacle	
43	4460346	1	Receptacle	
44	3910606	4	Screw #6 x 3/8	
45	3960422	1	Gasket	
46	0100020	AR	Sealant #567	
47	4460071	1	Connector	
48	4711600	1	Washer 3/8	

SECTION 3 - ENGINE

FIGURE 3-68. 4000W/60HZ GENERATOR INSTALLATION - DEUTZ TD2.9L4 ENGINES



ART_1001171125_B

SECTION 3 - ENGINE

FIGURE 3-68. 4000W/60HZ GENERATOR INSTALLATION - DEUTZ TD2.9L4 ENGINES

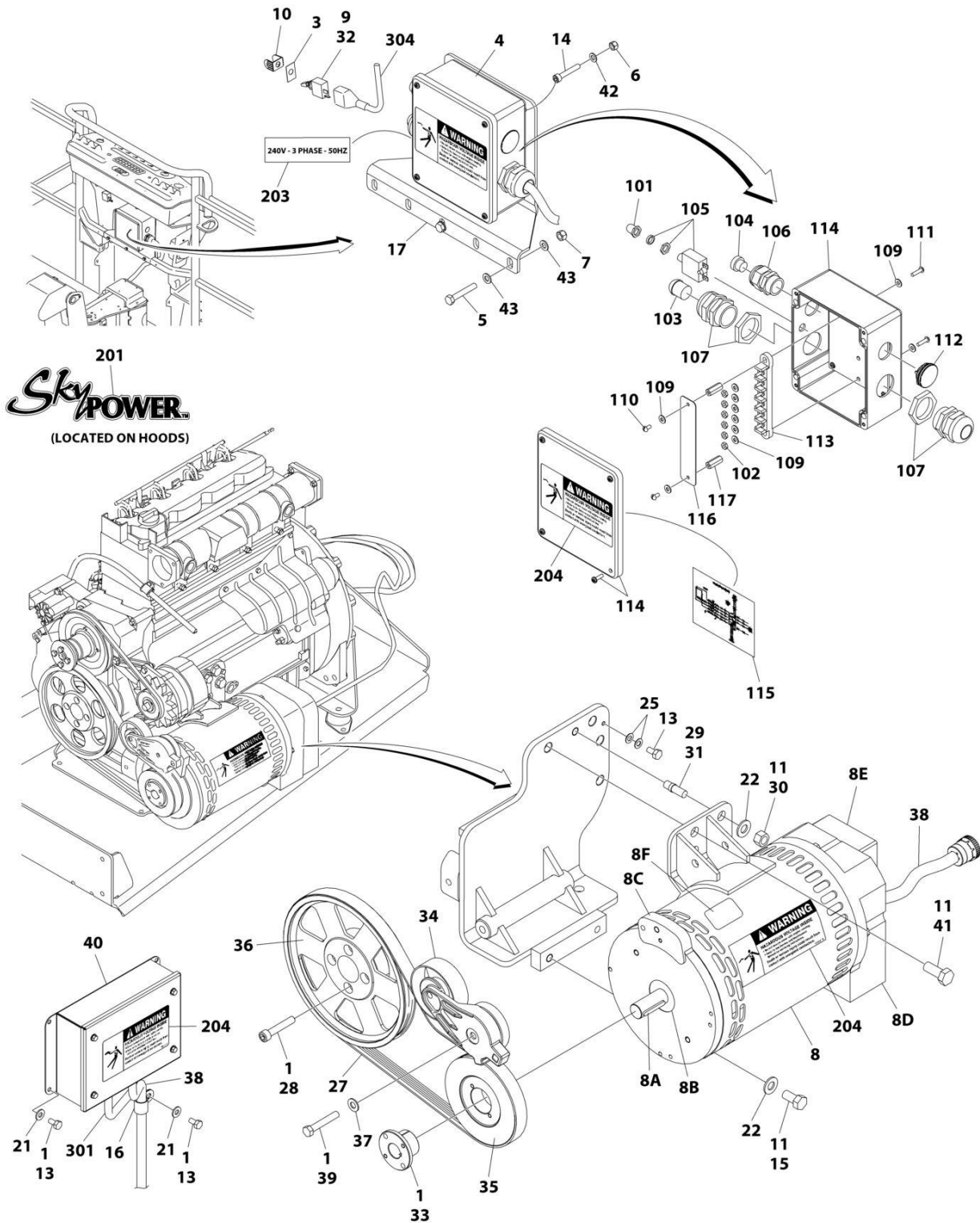
ITEM	PART NUMBER	QTY	DESCRIPTION	REV
	1001171125	1	4000W/60Hz GENERATOR INSTALLATION	B
1	0100011	AR	Compound, Locking	
2	0100019	AR	Compound, Locking	
3	0100048	AR	Grease Dielectric	
4	0100079	AR	Sealant	
5	0641404	6	Bolt 1/4 x 1/2	
6	0641516	3	Bolt 5/16 x 2	
7	0641616	1	Bolt 3/8 x 2	
8	0641808	2	Bolt 1/2 x 1	
9	0741607	3	Screw 3/8 x 7/8	
10	0860038	1	Box, Switch	
11	0902888	1	Bracket, Junction Box	
12	0962520	1	Bushing, Split	
13	1320318	1	Clamp	
14	1705374	1	Decal - 240V	
15	1705387	3	Decal - Hazardous Voltage	
16	2820031	0.33 ft /0.1m	Heat Shrink	
17	3251102	1	Nameplate, Generator	
18	3251243	1	Decal - 120V	
19	3311005	4	Nut #10	
20	3311508	3	Nut 5/16	
21	3311801	2	Nut 1/2	
22	3580317	1	Tensioner, Belt with Pulley	
23	3580318	1	Pulley, Generator	
24	3910606	4	Screw 6 x 3/8	
25	3931016	4	Capscrew #10 x 1	
26	3960422	1	Gasket, AC Receptacle	
27	4060802	1	Guard, Switch	
28	4240018	AR	Tie-Strap (Not Shown)	
29	4360336	1	Switch, Toggle	
30	4460071	1	Connector, Strain Relief	
31	4460346	1	Receptacle	
32	4711400	5	Washer 1/4	
33	4711600	1	Washer 3/8	
34	4751000	4	Washer #10	
35	4751500	3	Washer 5/16	
36	4791400	2	Washer 1/4	
37	4891800	4	Washer 1/2	
38	1001140346	1	Generator Assembly	
38	70003709	1	Ring, Retaining (External)	
38	70003708	1	Ring, Retaining (Internal)	
38	70001966	1	Bearing	
38	70004092	1	Endbell (Shaft End)	
38	70004099	1	Key	
38	70004676	1	Rotor	
38	70004687	1	Stator	
38	70004678	1	Endbell (Rear)	
38	70004679	1	Cover, Endbell (Rear)	
38	70004680	1	Enclosure, Wiring	

SECTION 3 - ENGINE

ITEM	PART NUMBER	QTY	DESCRIPTION	REV
38	70004685	1	Cover, Enclosure	
38	70004682	1	Switch, Reset (Located on Enclosure Cover)	
38	70004098	1	Connector, Strain Relief (Located on Enclosure Cover)	
39	1001110873	1	Cover, Receptacle	
40		Ref	Wiring Diagram Components (Not Shown)	
40A	1001153259	1	Generator Control Box to Engine Harness (See Separate Breakdown in ELECTRICAL SECTION)	
40B	4922641	1	Generator On/Off Switch Harness	
41	1001152532	1	Generator to Control Box (See Separate Breakdown in ELECTRICAL SECTION)	
42	1001138566	1	Control Box Assembly	
42	70006552	1	Capacitor	
42	70006553	1	Relay	
43	1001142643	1	Support, Tensioner	
44	1001142646	1	Belt, Generator	
45	1001152457	1	Junction Box Assembly	
45	3300396	1	Cover, Breaker	
45	4360070	1	Breaker, Circuit - 15Amp	
45	4460425	1	Connector, Strain Relief (LH Side)	
45	4460426	1	Connector, Strain Relief (RH Side)	
46	1001163599	2	Stud	

SECTION 3 - ENGINE

FIGURE 3-69. 7500W/50HZ SKYPOWER GENERATOR INSTALLATION - DEUTZ D2011 ENGINES



ART_1001115389_E

SECTION 3 - ENGINE

FIGURE 3-69. 7500W/50HZ SKYPOWER GENERATOR INSTALLATION - DEUTZ D2011 ENGINES

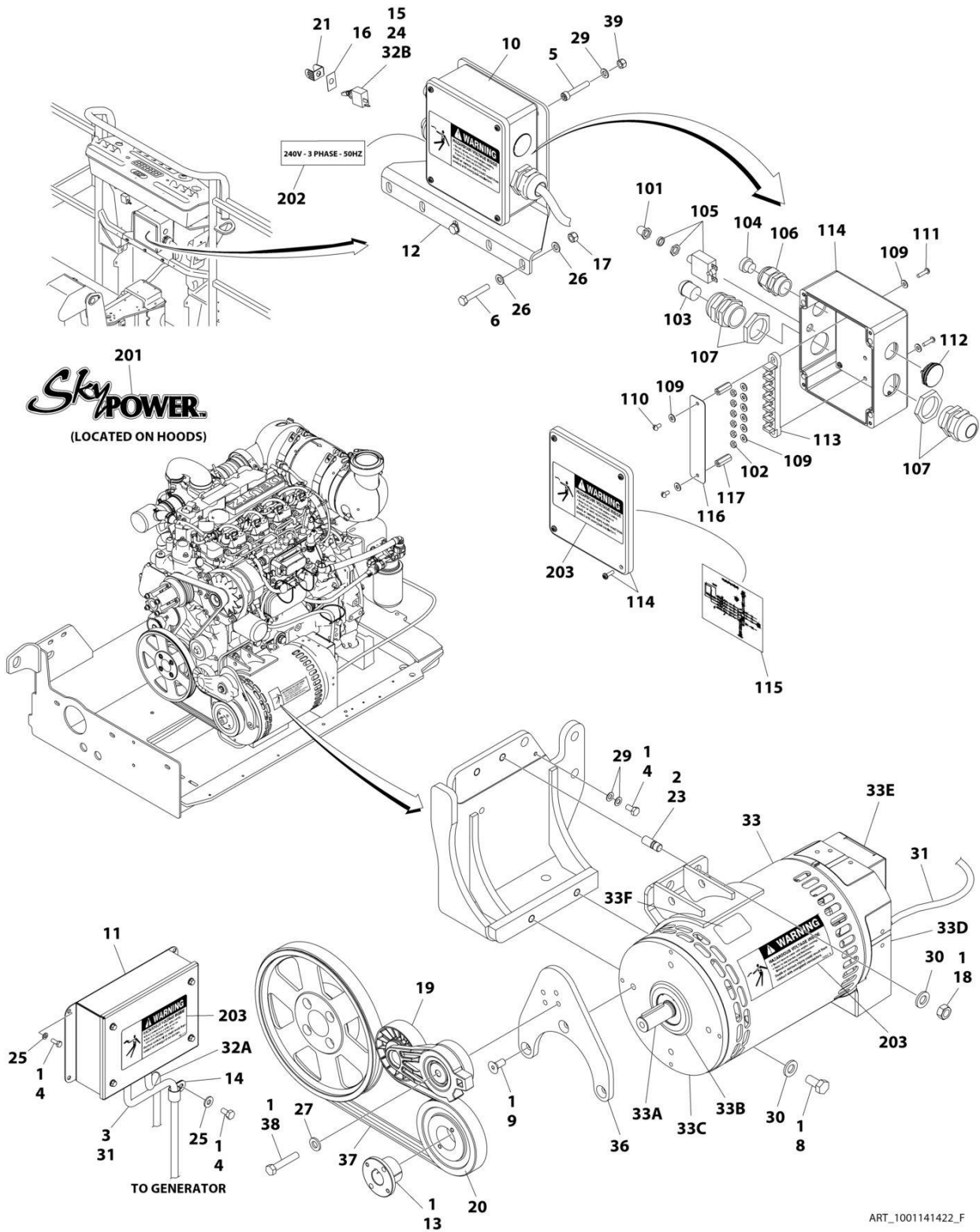
ITEM	PART NUMBER	QTY	DESCRIPTION	REV
	1001115389	Ref	7500W/50HZ SKYPOWER GENERATOR INSTALLATION - DEUTZ D2011 ENGINE MACHINES	E
1	0100011	AR	Compound, Locking	
3	3252764	1	Nameplate	
4	1001157525	1	Junction Box Assembly (See Items 101-117 for Breakdown)	
5	0641516	3	Bolt 5/16 x 2	
6	3311005	4	Nut #10	
7	3311508	3	Nut 5/16	
8	2460048	1	Generator Assembly (Deutz D2011 Engines)	
8	70001100	1	Rotor (Includes p/n 70001384 & 70000863) (Not Shown)	
8	70001384	1	Bearing, Ball Radial (Not Shown):	
8	70000863	1	Fan (Not Shown)	
8	70002088	1	Stator	
8	70002297	1	Stud	
8	7024484	NLA	Brushholder Assembly (Not Shown) (Use p/n 70003631)	
8A	7024561	NLA	Key	
8B	70001966	1	Bearing, Ball Radial (Located in Belt Tensioner Endbell)	
8B	70003708	1	Ring, Internal Retaining (Located in Belt Tensioner Endbell)	
8B	70003709	1	Ring, External Retaining (Located in Belt Tensioner Endbell)	
8C	70001953	1	Endbell, Belt Tensioner	
8D	70001385	NLA	Endbell, Brush Block (use p/n 70004169)	
8E	70002290	NLA	Shroud (Use p/n 70004169)	
8E	See Note	NSS	Insulator, Endbell (Note: Not Available for Purchase)	
8E	7027799	1	Block, Connector 6 Position (Not Shown)	
8E	70002460	1	Nut, Brass (Attaches p/n 7027799 to Cover) (Not Shown)	
8E	7024485	1	Breaker, Circuit 30Amp (Not Shown):	
8E	70001696	1	Boot, Breaker (Not Shown):	
8E	7026626	1	Connector, 6 Position (Includes Seal) (Not Shown - Plugs into Item 36)	
8E	7026597	1	Connector, W/Leads (Not Shown)	
8E	7026188	1	Clamp, Cable (Not Shown)	
8E	70004169	1	Plate, End Panel	
8E	70001974	1	Decal - Terminal Connections	
8F	70001973	1	Decal - Warning Moving Parts	
9	4360336	1	Switch, Toggle	
10	4060802	1	Guard, Switch	
11	0100019	AR	Compound, Locking	
13	0641404	6	Bolt 1/4 x 1/2	
14	3931016	4	Capscrew 3/8 x 1	
15	0641808	2	Bolt 1/2 x 1	
16	1320318	1	Clamp	
17	0902888	1	Bracket, Box Mounting	
20	4240018	AR	Tie-Strap (Not Shown)	
21	4711400	5	Washer 1/4	
22	4711800	3	Washer 1/2	
25	4791400	2	Washer 1/4	
27	0480126	1	Belt, Drive	
28	4032015	4	Capscrew M10 x 55	
29	4300157	1	Stud	
30	3311801	1	Nut 1/2	

SECTION 3 - ENGINE

ITEM	PART NUMBER	QTY	DESCRIPTION	REV
31	0100062	AR	Adhesive (Not Shown)	
32	2820031	1	Insulator	
33	0962520	1	Bushing, Split Taper	
34	3580317	1	Tensioner, Belt	
35	3580319	1	Pulley	
36	3580320	1	Pulley	
37	4711600	1	Washer 3/8	
38	4922925	1	Generator to Control Box Harness (See Separate Breakdown in ELECTRICAL SECTION)	
39	0641618	1	Bolt 3/8 x 2-1/4	
40	0861572	1	Control Box Assembly	
40	7024488	1	Card, Circuit - Generator Power	
40	See Note	1	Fuse (Note: Not Available - Purchase Locally)	
40	70000619	1	Harness, Control Box (Internal)	
40	7024489	1	Card, Circuit - Control	
		Ref	Note: Same Circuit Card (P/N 7024489) is used for both 60Hz & 50Hz Specs. When replacing card, rocker switch on card must be set for required application.	
41	0771415	1	Bolt M14 x 35 Grade 10.9	
42	4751000	4	Washer #10	
43	4751500	3	Washer 5/16	
	1001157525	Ref	JUNCTION BOX ASSEMBLY	B
101	3300396	1	Cover, Fuse	
102	3311001	6	Nut #10-24	
103	3520189	1	Plug	
104	3520192	1	Plug	
105	4360070	1	Circuit Breaker - 15 Amp	
106	4460425	1	Connector, Strain Relief	
107	4460426	2	Connector, Strain Relief	
109	4711000	10	Washer #10	
110	10702077	2	Screw #10 x 3/8	
111	10702082	2	Screw #10 x 3/4	
112	1001152525	1	Plug	
113	1001157520	1	Block, Terminal	
114	1001157521	1	Box, Junction	
115	1001157528	1	Decal - Wiring Schematic	
116	1001158007	1	Cover, PVC	
117	1001158008	2	Stand-Off	
	0272589	Ref	DECAL INSTALLATION	A
201	1705460	2	Decal - SkyPower	
203	1705461	1	Decal - 240V - 3 Phase	
204	1705489	3	Decal, Hazardous Voltage	
	1001157769	Ref	ELECTRICAL DIAGRAM COMPONENTS	B
301	1001152429	1	Generator Harness (See Separate Breakdown in ELECTRICAL SECTION)	
304	4922641	1	Switch Harness	

SECTION 3 - ENGINE

FIGURE 3-70. 7500W/50HZ SKYPOWER GENERATOR INSTALLATION - DEUTZ TD2.9L4 ENGINES AND DEUTZ TD2.9L4 (STAGE V) ENGINES



SECTION 3 - ENGINE

**FIGURE 3-70. 7500W/50HZ SKYPOWER GENERATOR INSTALLATION - DEUTZ TD2.9L4 ENGINES
AND DEUTZ TD2.9L4 (STAGE V) ENGINES**

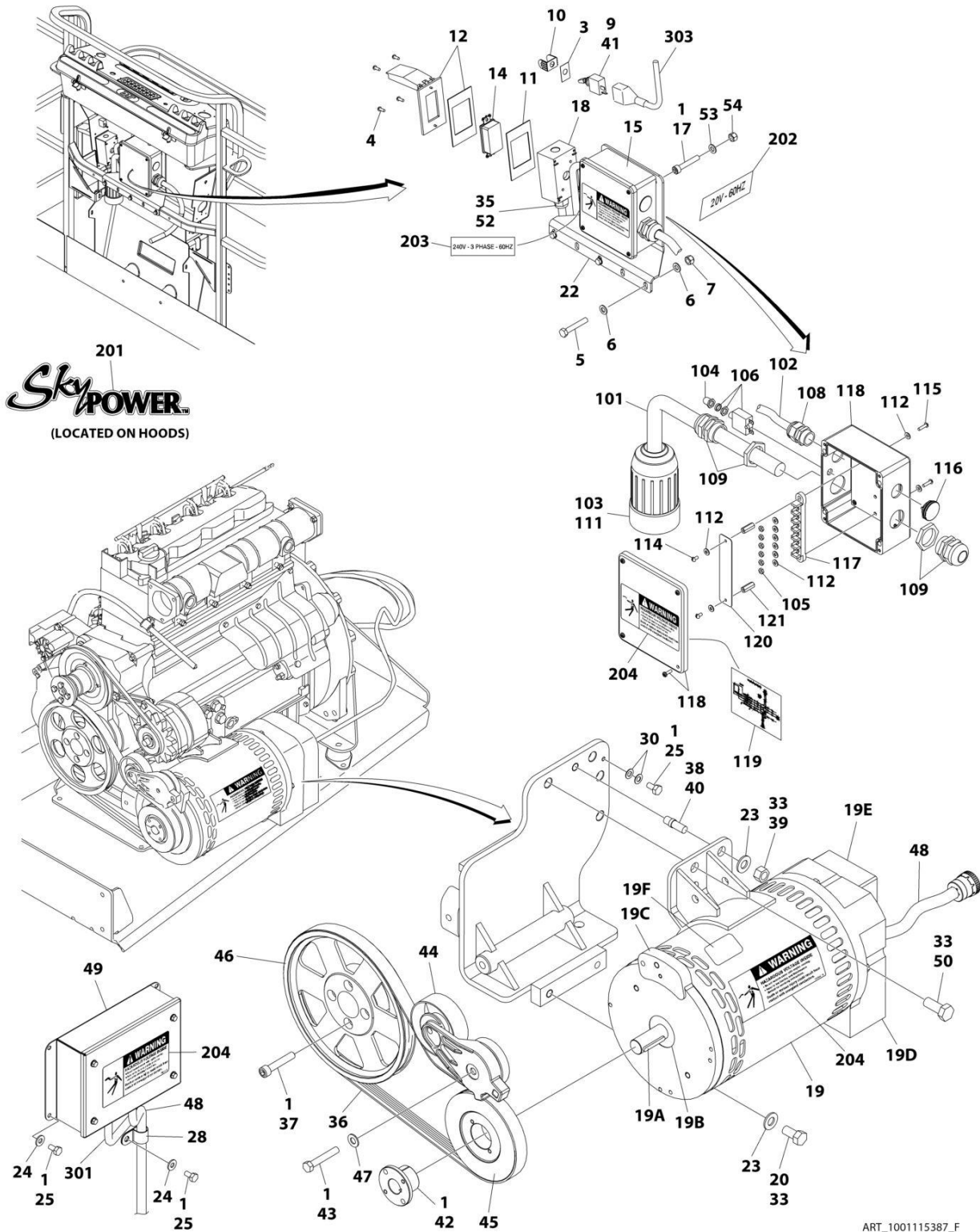
ITEM	PART NUMBER	QTY	DESCRIPTION	REV
	1001141422	Ref	7500W SKYPOWER GENERATOR INSTALLATION	F
1	0100011	AR	Compound, Locking	
2	0100019	AR	Compound, Locking	
3	0100048	AR	Compound Terminal	
4	0641404	6	Bolt 1/4 x 1/2	
5	3931016	4	Capscrew #10 x 1	
6	0641516	3	Bolt 5/16 x 2	
8	0641808	2	Bolt 1/2 x 1	
9	0741607	3	Screw 3/8 x 7/8	
10	1001157525	1	Junction Box Assembly (See Items 101 - 117 for Breakdown)	
11	0861572	1	Control Box Assembly	
11	0860038	1	Box, Receptacle	
11	7024488	1	Card, Circuit - Generator Power	
11	See Note	NSS	Fuse (Note: Not Available - Purchase Locally)	
11	7024489	1	Card, Circuit - Control	
11	70000619	1	Harness, Control Box (Internal)	
11		Ref	Note: Same Circuit Card (P/N 7024489) is used for both 60Hz and 50Hz. When replacing card, rocker switch on card must be set for required application.	
12	0902888	1	Bracket	
13	0962520	1	Bushing, Split	
14	1320318	1	Clamp	
15	2820031	AR	Heat Shrink	
16	3252764	1	Nameplate - AC & Weld	
17	3311505	3	Nut 5/16	
18	3311801	2	Nut 1/2	
19	3580317	1	Tensioner, Belt	
20	3580319	1	Pulley	
21	4060802	1	Guard, Switch	
22	4240018	AR	Tie - Strap (Not Shown)	
23	1001163599	2	Stud	
24	4360336	1	Switch, Toggle	
25	4711400	5	Washer 1/4	
26	4711500	6	Washer 5/16	
27	4711600	1	Washer 3/8	
28	4751000	4	Washer #10	
29	4791400	2	Washer 1/4	
30	4891800	4	Washer 1/2	
31	4922925	1	Generator to Control Box Harness (See Separate Breakdown in ELECTRICAL SECTION)	
32		Ref	Wiring Diagram Components (Not Shown)	
32A	1001119968	1	Generator to Engine Harness (See Separate Breakdown in ELECTRICAL SECTION)	
32B	4922641	1	Generator On/Off Switch Harness	
33	1001212223	1	Generator Assembly	
33	70001100	1	Rotor (Includes p/n 70001384 & 70000863) (Not Shown)	
33	70001384	1	Bearing, Ball Radial (Not Shown)	
33	70000863	1	Fan (Not Shown)	
33	70006093	1	Stator (Not Shown)	
33	70002297	1	Stud	

SECTION 3 - ENGINE

ITEM	PART NUMBER	QTY	DESCRIPTION	REV
33	70003631	1	Brushholder Assembly (Not Shown) (was p/n 7024484)	
33A	70004099	1	Key	
33B	70001966	1	Bearing, Ball Radial (Located in Belt Tensioner Endbell)	
33B	70003708	1	Ring, Internal Retaining (Located in Belt Tensioner Endbell)	
33B	70003709	1	Ring, External Retaining (Located in Belt Tensioner Endbell)	
33C	70004092	1	Endbell, Belt Tensioner	
33D	70004094	1	Endbell, Brush Block	
33E	70006094	1	Shroud	
33E	70002291	1	Insulator, Endbell	
33E	7027799	1	Block, Connector - 6 Position (Not Shown)	
33E	70002460	1	Nut, Brass (Attaches p/n 7027799 to Cover) (Not Shown)	
33E	70006095	1	Breaker, Circuit 30Amp (Not Shown)	
33E	70006096	1	Boot, Breaker (Not Shown)	
33E	7026626	1	Connector, 6 Position (Includes Seal) (Not Shown - Plugs into Item 45)	
33E	7026597	1	Connector with Leads (Not Shown)	
33E	70004098	1	Clamp, Cable (Not Shown)	
33E	70006097	1	Plate, End Panel	
33E	70001974	1	Decal - Terminal Connections	
33F	70001973	1	Decal - Warning Moving Parts	
36	1001142643	1	Support	
37	1001142645	1	Belt	
38	0641616	1	Bolt 3/8 x 2	
39	3311005	4	Nut #10	
	1001157525	Ref	JUNCTION BOX ASSEMBLY	B
101	3300396	1	Cover, Fuse	
102	3311001	6	Nut #10	
103	3520189	1	Plug	
104	3520192	1	Plug	
105	4360070	1	Circuit Breaker - 15Amp	
106	4460425	1	Connector, Strain Relief	
107	4460426	2	Connector, Strain Relief	
109	4711000	10	Washer #10	
110	10702077	2	Screw #10 x 3/8	
111	10702082	2	Screw #10 x 3/4	
112	1001152525	1	Plug	
113	1001152520	1	Block, Terminal	
114	1001157521	1	Box, Junction	
115	1001157528	1	Decal - Wiring Schematic	
116	1001158007	1	Cover, PVC	
117	1001158008	2	Stand-Off	
	0272589	Ref	DECAL INSTALLATION	A
201	1705460	2	Decal - SkyPower	
202	1705461	1	Decal - 240V - 3 Phase - 50Hz	
203	1705489	3	Decal - Hazardous Voltage	

SECTION 3 - ENGINE

FIGURE 3-71. 7500W/60HZ SKYPOWER GENERATOR INSTALLATION - DEUTZ D2011 ENGINES



SECTION 3 - ENGINE

FIGURE 3-71. 7500W/60HZ SKYPOWER GENERATOR INSTALLATION - DEUTZ D2011 ENGINES

ITEM	PART NUMBER	QTY	DESCRIPTION	REV
	1001115387	Ref	7500W 60HZ SKYPOWER GENERATOR INSTALLATION - DEUTZ D2011 ENGINE MACHINES	F
1	0100011	AR	Compound, Locking	
3	3252764	1	Nameplate	
4	3910606	4	Screw #6 x 3/8	
5	0641516	3	Bolt 5/16 x 2	
6	4751500	3	Washer 5/16	
7	3311508	3	Nut 5/16	
9	4360336	1	Switch, Toggle	
10	4060802	1	Guard, Switch	
11	3960422	1	Gasket	
12	1001110873	1	Cover, Receptacle (60Hz Specs)	
14	4460346	1	Receptacle, Female	
15	1001157592	1	Junction Box Assembly (See Items 101-124 for Breakdown)	
17	3931016	4	Capscrew 3/8 x 1	
18	0860038	1	Box, Switch	
19	2460048	1	Generator Assembly (Deutz D2011 Engines)	
19	70001100	1	Rotor (Includes p/n 70001384 & 70000863) (Not Shown)	
19	70001384	1	Bearing, Ball Radial (Not Shown):	
19	70000863	1	Fan (Not Shown)	
19	70002088	1	Stator	
19	70002297	1	Stud	
19	7024484	NLA	Brushholder Assembly (Not Shown) (Use p/n 70003631)	
19A	7024561	NLA	Key - 2460048 Generator (Use p/n 70004171)	
19B	70001966	1	Bearing, Ball Radial (Located in Belt Tensioner Endbell)	
19B	70003708	1	Ring, Internal Retaining (Located in Belt Tensioner Endbell)	
19B	70003709	1	Ring, External Retaining (Located in Belt Tensioner Endbell)	
19C	70001953	1	Endbell, Belt Tensioner	
19D	70001385	NLA	Endbell, Brush Block - (Use p/n 70004169)	
19E	70002290	NLA	Shroud - (Use p/n 70004169)	
19E	See Note	NSS	Insulator, Endbell (Note: Not Available for Purchase)	
19E	7027799	1	Block, Connector 6 Position (Not Shown)	
19E	70002460	1	Nut, Brass (Attaches p/n 7027799 to Cover) (Not Shown)	
19E	7024485	1	Breaker, Circuit 30Amp (Not Shown)	
19E	70006095	1	Breaker - 1001212223 Generator	
19E	70001696	1	Boot, Breaker (Not Shown):	
19E	7026626	1	Connector, 6 Position (Includes Seal) (Not Shown - Plugs into Item 36)	
19E	7026597	1	Connector, W/Leads (Not Shown)	
19E	7026188	1	Clamp, Cable (Not Shown)	
19E	70004169	1	Plate, End Panel:	
19E	70001974	1	Decal - Terminal Connections	
19F	70001973	1	Decal - Warning Moving Parts	
20	0641808	2	Bolt 1/2 x 1	
22	0902888	1	Bracket, Box Mounting	
23	4711800	3	Washer 1/2	
24	4711400	5	Washer 1/4	
25	0641404	6	Bolt 1/4 x 1/2	
28	1320318	1	Clamp	
29	4240018	AR	Tie-Strap (Not Shown)	

SECTION 3 - ENGINE

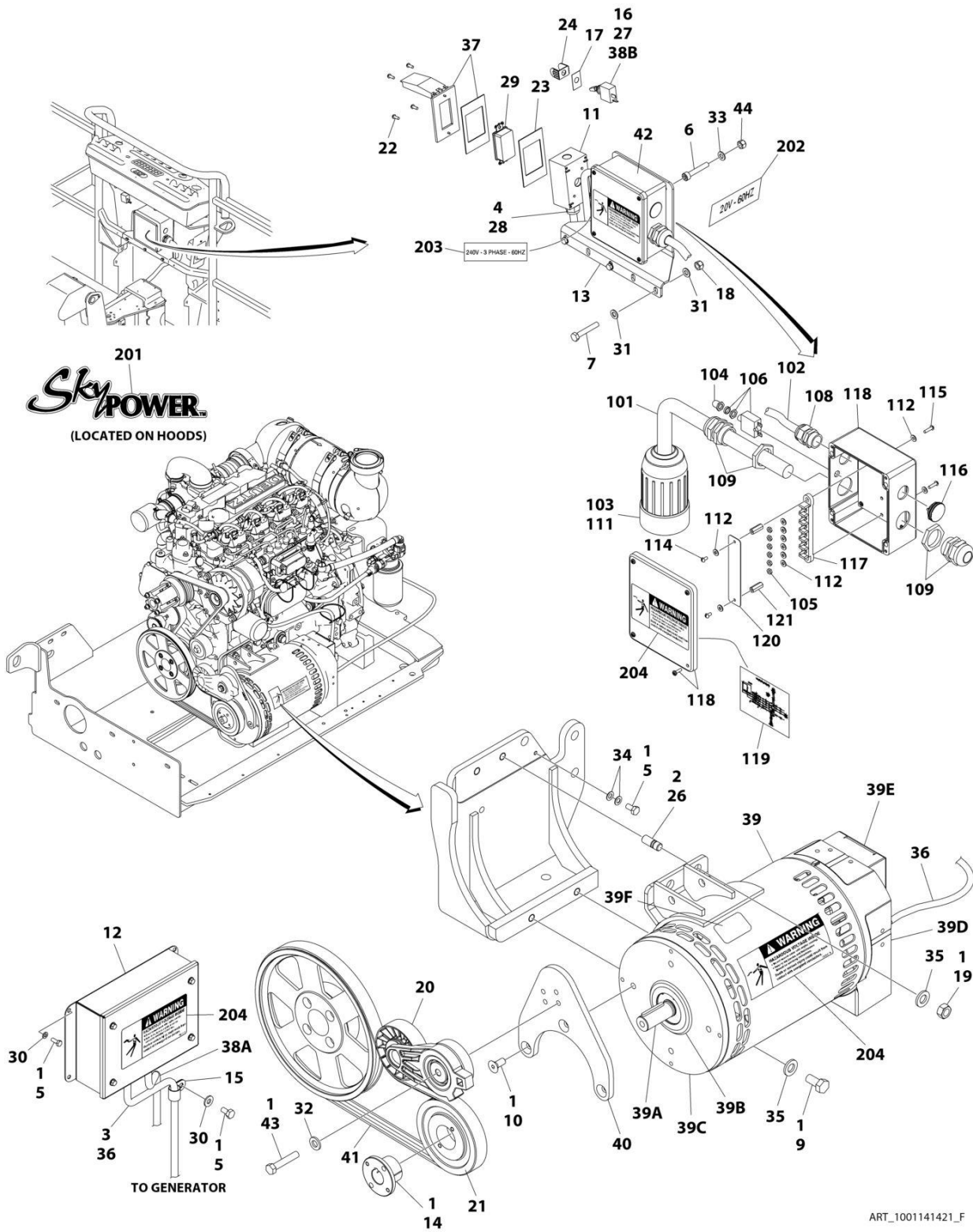
ITEM	PART NUMBER	QTY	DESCRIPTION	REV
30	4791400	2	Washer 1/4	
33	0100019	AR	Compound, Locking	
35	4460071	1	Connector, Strain Relief	
36	0480129	1	Belt, Drive	
37	4032015	4	Capscrew M10 x 55	
38	4300157	1	Stud	
39	3311801	1	Nut 1/2-13	
40	0100062	AR	Compound, Locking	
41	2820031	1	Insulator	
42	0962520	1	Bushing, Split Taper	
43	0641618	1	Bolt 3/8 x 2-1/4	
44	3580317	1	Tensioner, Belt	
45	3580318	1	Pulley	
46	3580320	1	Pulley	
47	4711600	1	Washer 3/8	
48	4922925	1	Generator to Control Box Harness (See Separate Breakdown in ELECTRICAL SECTION)	
49	0861538	1	Control Box Assembly	
49	7024488	1	Card, Circuit - Generator Power	
49	See Note	1	Fuse (Note: Not Available - Purchase Locally)	
49	70000619	1	Harness, Control Box (Internal)	
49	7024489	1	Card, Circuit - Control	
49		Ref	Note: Same Circuit Card (P/N 7024489) is used for both 60Hz & 50Hz Specs. When replacing card, rocker switch on card must be set for required application.	
50	0771415	1	Bolt M14 x 35 Grade 10.9	
52	0100020	AR	Sealant	
53	4751000	4	Washer #10	
54	3311005	4	Nut #10	
	1001157592	Ref	JUNCTION BOX ASSEMBLY	C
101	1060343	1.5 ft /.46m	Cable, Electrical 10/4	
102	1001179154	2.5 ft /.76m	Cable, Electrical 12/3	
103	1671092	1	Cover	
104	3300396	1	Cover, Fuse	
105	3311001	6	Nut #10	
106	4360070	1	Circuit Breaker - 15 Amp	
108	4460425	1	Connector, Strain Relief	
109	4460426	2	Connector, Strain Relief	
111	4460963	1	Connector	
112	4711000	4	Washer #10	
114	10702077	2	Screw #10 x 3/8	
115	10702082	2	Screw #10 x 3/4	
116	1001152525	1	Plug	
117	1001157520	1	Block, Terminal	
118	1001157521	1	Box, Junction	
119	1001157528	1	Decal - Wiring Schematic	
120	1001158007	1	Cover, PVC	
121	1001158008	1	Stand-Off	
	0272435	Ref	DECAL INSTALLATION	D
201	1705460	2	Decal - SkyPower	

SECTION 3 - ENGINE

ITEM	PART NUMBER	QTY	DESCRIPTION	REV
202	3251243	1	Decal - 120V - 60Hz (Not Shown - Located on Platform Receptacle)	
203	1705375	1	Decal - 240V - 3 Phase	
204	1705387	3	Decal, Hazardous Voltage	
	1001157769	Ref	ELECTRICAL DIAGRAM COMPONENTS	B
301	1001152429	1	Generator Harness (See Separate Breakdown in ELECTRICAL SECTION)	C
303	4922641	1	Switch Harness	

SECTION 3 - ENGINE

FIGURE 3-72. 7500W/60HZ SKYPOWER GENERATOR INSTALLATION - DEUTZ TD2.9L4 ENGINES



SECTION 3 - ENGINE

FIGURE 3-72. 7500W/60HZ SKYPOWER GENERATOR INSTALLATION - DEUTZ TD2.9L4 ENGINES

ITEM	PART NUMBER	QTY	DESCRIPTION	REV
	1001141421	Ref	7500W SKYPOWER GENERATOR INSTALLATION	F
1	0100011	AR	Compound, Locking	
2	0100019	AR	Compound, Locking	
3	0100048	AR	Compound Terminal	
4	0100079	AR	Sealant	
5	0641404	6	Bolt 1/4 x 1/2	
6	3931016	4	Capscrew #10 x 1	
7	0641516	3	Bolt 5/16 x 2	
9	0641808	2	Bolt 1/2 x 1	
10	0741607	3	Screw 3/8 x 7/8	
11	0860038	1	Box, Receptacle	
12	0861538	1	Control Box Assembly	
12	7024488	1	Card, Circuit - Generator Power	
12	See Note	NSS	Fuse (Note: Not Available - Purchase Locally)	
12	7024489	1	Card, Circuit - Control	
12	70000619	1	Harness, Control Box (Internal)	
		Ref	Note: Same Circuit Card (P/N 7024489) is used for both 60Hz and 50Hz. When replacing card, rocker switch on card must be set for required application.	
13	0902888	1	Bracket	
14	0962520	1	Bushing, Split	
15	1320318	1	Clamp	
16	2820031	AR	Heat Shrink	
17	3252764	1	Nameplate - AC & Weld	
18	3311505	3	Nut 5/16	
19	3311801	2	Nut 1/2	
20	3580317	1	Tensioner, Belt	
21	3580318	1	Pulley	
22	3910606	4	Screw #6 x 3/8	
23	3960422	1	Gasket	
24	4060802	1	Guard, Switch	
25	4240018	AR	Tie - Strap (Not Shown)	
26	1001163599	2	Stud	
27	4360336	1	Switch, Toggle	
28	4460071	1	Connector, Strain Relief	
29	4460346	1	Receptacle	
30	4711400	5	Washer 1/4	
31	4711500	6	Washer 5/16	
32	4711600	1	Washer 3/8	
33	4751000	4	Washer #10	
34	4791400	2	Washer 1/4	
35	4891800	4	Washer 1/2	
36	4922925	1	Generator to Control Box Harness (See Separate Breakdown in ELECTRICAL SECTION)	
37	1001110873	1	Cover	
38		Ref	Wiring Diagram Components (Not Shown)	
38A	1001119968	1	Generator to Engine Harness (See Separate Breakdown in ELECTRICAL SECTION)	
38B	4922641	1	Generator ON/OFF Switch Harness	
39	1001212223	1	Generator Assembly	

SECTION 3 - ENGINE

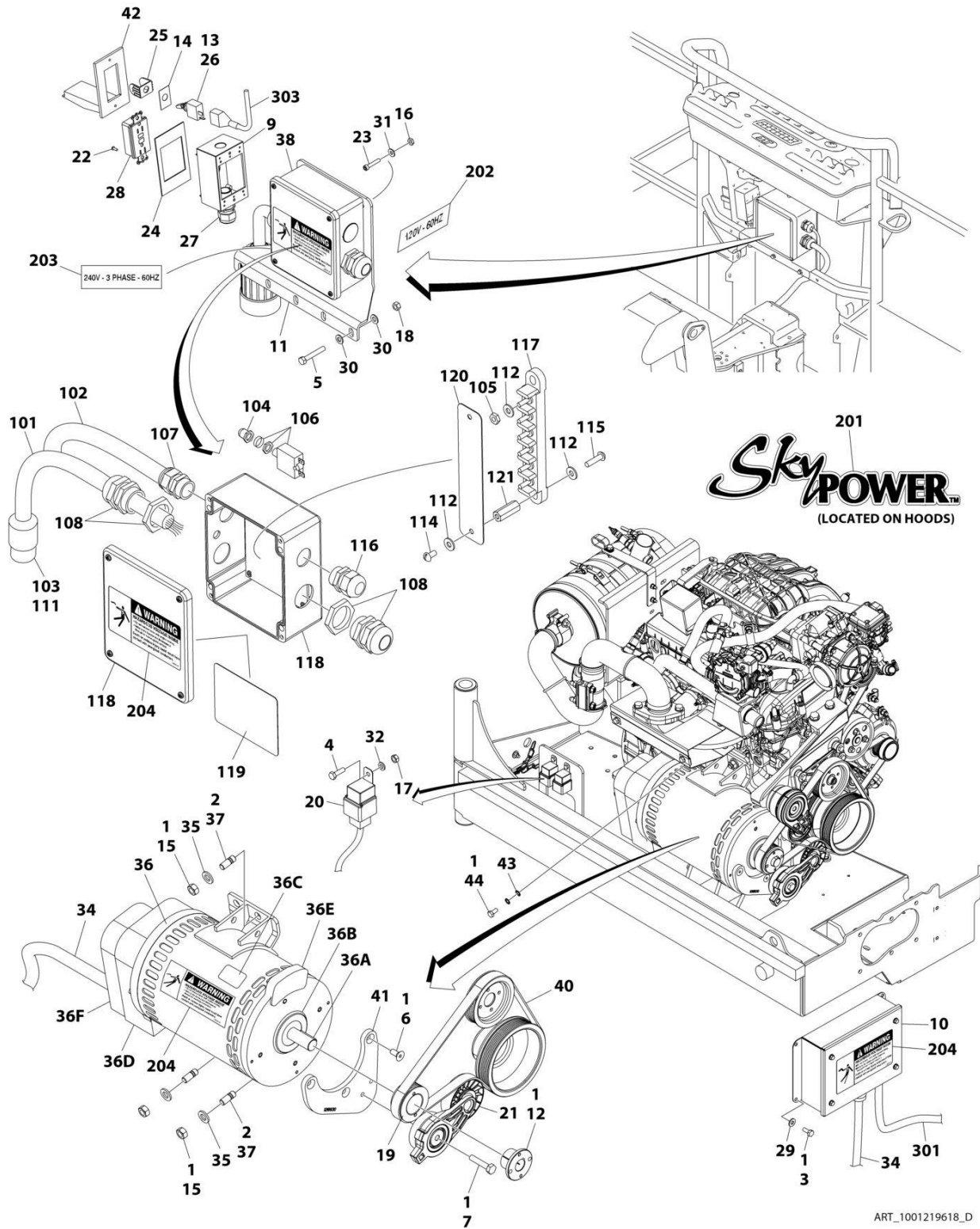
ITEM	PART NUMBER	QTY	DESCRIPTION	REV
39	70001100	1	Rotor (Includes p/n 70001384 & 70000863) (Not Shown)	
39	70001384	1	Bearing, Ball Radial (Not Shown)	
39	70000863	1	Fan (Not Shown)	
39	70006093	1	Stator (Not Shown)	
39	70002297	1	Stud	
39	70003631	1	Brushholder Assembly (Not Shown) (was p/n 7024484)	
39A	70004099	1	Key	
39B	70001966	1	Bearing, Ball Radial (Located in Belt Tensioner Endbell)	
39B	70003708	1	Ring, Internal Retaining (Located in Belt Tensioner Endbell)	
39B	70003709	1	Ring, External Retaining (Located in Belt Tensioner Endbell)	
39C	70004092	1	Endbell, Belt Tensioner	
39D	70004094	1	Endbell, Brush Block	
39E	70006094	1	Shroud	
39E	70002291	1	Insulator, Endbell	
39E	7027799	1	Block, Connector - 6 Position (Not Shown)	
39E	70002460	1	Nut, Brass (Attaches p/n 7027799 to Cover) (Not Shown)	
39E	70006095	1	Breaker, Circuit 30Amp (Not Shown)	
39E	70006096	1	Boot, Breaker (Not Shown)	
39E	7026626	1	Connector, 6 Position (Includes Seal) (Not Shown - Plugs into Item 45)	
39E	7026597	1	Connector with Leads (Not Shown)	
39E	70004098	1	Clamp, Cable (Not Shown)	
39E	70006097	1	Plate, End Panel	
39E	70001974	1	Decal - Terminal Connections	
39F	70001973	1	Decal - Warning Moving Parts	
40	1001142643	1	Support	
41	1001142646	1	Belt	
42	1001157592	1	Junction Box Assembly (See Items 101-121 for Breakdown)	
43	0641616	1	Bolt 3/8 x 2	
44	3311005	4	Nut #10	
	1001157592	Ref	JUNCTION BOX ASSEMBLY	C
101	1060343	1.5 ft/ 0.5m	Cable, Electrical 10/4	
102	1001179154	2.5 ft/ 76cm	Cable, Electrical 12/3	
103	1671092	1	Cover, Connector	
104	3300396	1	Cover, Fuse	
105	3311001	6	Nut #10	
106	4360070	1	Circuit Breaker - 15Amp	
108	4460425	1	Connector, Strain Relief	
109	4460426	2	Connector, Strain Relief	
111	4460963	1	Connector	
112	4711000	4	Washer #10	
114	10702077	2	Screw #10 x 3/8	
115	10702082	2	Screw #10 x 3/4	
116	1001152525	1	Plug	
117	1001157520	1	Block, Terminal	
118	1001157521	1	Box, Junction	
119	1001157528	1	Decal - Wiring Schematic	
120	1001158007	1	Cover, PVC	
121	1001158008	1	Stand-Off	
	0272435	Ref	DECAL INSTALLATION	D

SECTION 3 - ENGINE

ITEM	PART NUMBER	QTY	DESCRIPTION	REV
201	1705460	2	Decal - SkyPower	
202	3251243	1	Decal - 120V-60Hz	
203	1705375	1	Decal - 240V - 3 Phase - 60Hz	
204	1705387	3	Decal - Hazardous Voltage	

SECTION 3 - ENGINE

FIGURE 3-73. 7500W/60HZ SKYPOWER GENERATOR INSTALLATION - FORD ENGINES



ART_1001219618_D

SECTION 3 - ENGINE

FIGURE 3-73. 7500W/60HZ SKYPOWER GENERATOR INSTALLATION - FORD ENGINES

ITEM	PART NUMBER	QTY	DESCRIPTION	REV
	1001219618	Ref	7500W SKYPOWER GENERATOR INSTALLATION - FORD ENGINES	D
		Ref	Note: See ELECTRICAL SECTION for Boom Cable Components.	
1	0100011	AR	Compound, Locking	
2	0100019	AR	Compound, Locking	
3	0641405	4	Bolt 1/4 x 5/8	
4	0760610	2	Bolt M6 x 20	
5	0641516	3	Bolt 5/16 x 2	
6	0741607	3	Screw 3/8 x 7/8	
7	0761018	1	Bolt M10 x 50	
9	0860038	1	Box, Switch	
10	0861538	1	Control Box Assembly	
10	7024488	1	Card, Circuit - Generator Power	
10	See Note	1	Fuse (Note: Not Available - Purchase Locally)	
10	7024489	1	Card, Circuit - Control	
10	70000619	1	Harness, Circuit Card	
11	0902888	1	Bracket, Box Mounting	
12	0962520	1	Bushing, Split Taper	
13	2820031	1	Heat Shrink	
14	3252764	1	Nameplate - AC & Weld	
15	3291201	4	Nut M12	
16	3311005	4	Nut #10	
17	3290601	2	Nut M6	
18	3311505	3	Nut 5/16	
19	3580314	1	Pulley	
20	3740080	2	Relay	
21	3580317	1	Tensioner, Belt	
22	3910606	2	Screw #6 x 3/8	
23	3931016	4	Capscrew #10 x 1	
24	3960422	1	Gasket	
25	4060802	1	Guard, Switch	
26	4360336	1	Switch, Toggle	
27	4460071	1	Connector, Strain Relief	
28	4460346	1	Receptacle	
29	4711400	4	Washer 1/4	
30	4711500	6	Washer 5/16	
31	4751000	4	Washer #10	
32	4811700	2	Washer M6	
34	4922925	1	Harness, Generator	
35	5241200	4	Washer M12	
36	1001136104	1	Generator Assembly	
36	70003631	1	Brushholder Assembly (Not Shown) (was p/n 7024484)	
36	7024485	1	Breaker, Circuit 30Amp (Not Shown)	
36	70001696	1	Boot, Breaker (was p/n 7024486 - Not Shown)	
36	70001966	1	Bearing, Ball Radial (Located In Belt Tensioner Endbell - Not Shown)	
36	7027799	1	Block, Connector 6 Position (Not Shown)	
36	70002460	6	Nut, Brass (Attaches p/n 7027799 to Cover) (Not Shown)	
36	7026188	1	Clamp, Cable (Not Shown)	
36	7026597	1	Connector, W/Leads (Not Shown)	

SECTION 3 - ENGINE

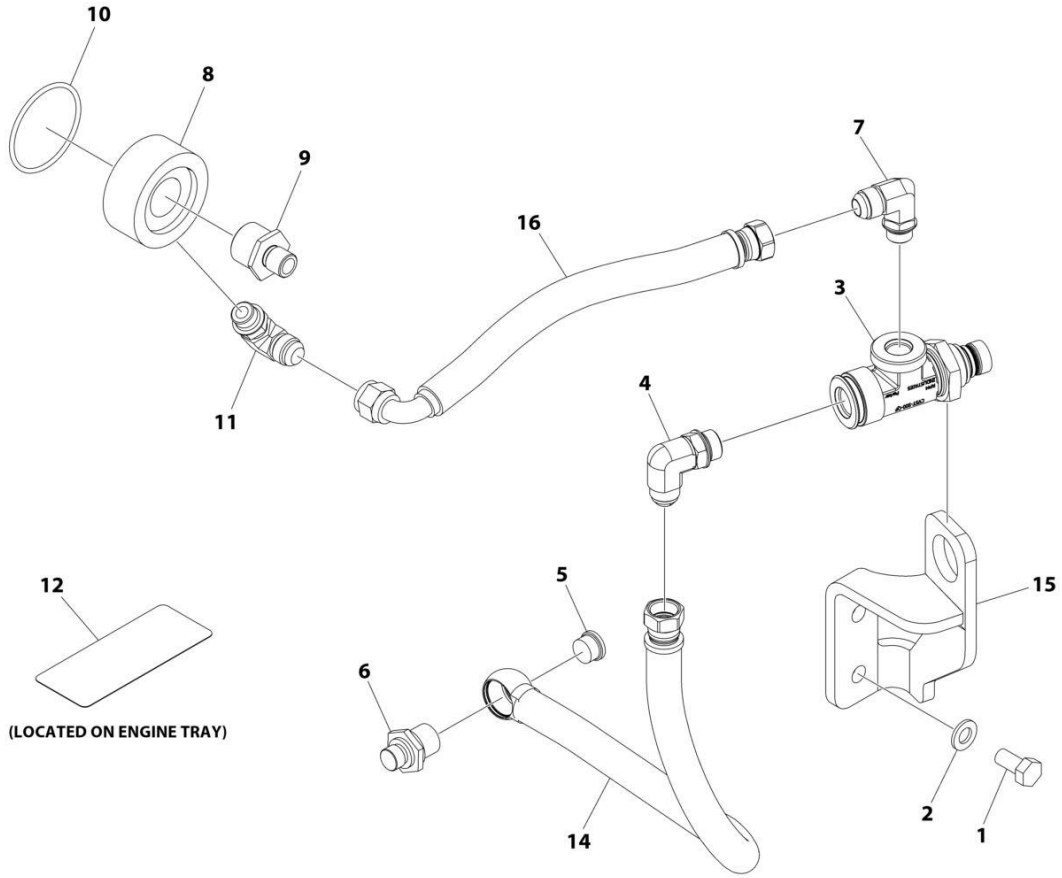
ITEM	PART NUMBER	QTY	DESCRIPTION	REV
36	7026626	1	Connector - 6 Position with Seal (Not Shown)	
36	70002088	1	Stator (Not Shown)	
36	70004169	1	Panel, End (Not Shown) (was p/n 70002255)	
36	70001974	1	Decal - Terminal Connections (Not Shown)	
36	70000863	1	Fan (Not Shown)	
36	70002297	4	Stud (Not Shown)	
36A	70004171	1	Key (was p/n 7024561)	
36A	70001100	1	Armature, Generator (Includes Radial Ball Bearing on End with Brushes and Fan)	
36A	70001384	1	Bearing, Ball Radial	
36B	70001966	1	Bearing, Radial Ball	
36B	70003708	1	Ring, Internal Retaining (Located in Belt Tensioner Endbell)	
36B	70003709	1	Ring, External Retaining (Located in Belt Tensioner Endbell)	
36C	70001973	1	Decal - Warning Moving Parts	
36D	70004169	1	Endbell, Brush Block (was p/n 70001385)	
36E	70001953	1	Endbell, Belt Tensioner	
36F	70004169	1	Endbell, Shroud Assembly (was p/n 70002290)	
37	1001196382	4	Stud	
38	1001157592	1	Junction Box Assembly (See Items 101-121 for Breakdown)	
40	1001216390	1	V-Belt	
41	1001218930	1	Mount, Tensioner	
42	1001110873	1	Cover, Receptacle	
43	4871700	2	Washer M6	
44	0760606	1	Bolt M6 x 12	
	1001157592	Ref	JUNCTION BOX ASSEMBLY	C
101	1060343	1.5 ft /0.46m	Cable, Electrical - 10/4 (60Hz Only)	
102	1001179154	2.5 ft /0.76m	Cable Electrical - 12/3	
103	1671092	1	Cover, Connector	
104	3300396	1	Cover, Fuse	
105	3311001	6	Nut #10	
106	4360070	1	Breaker, Circuit 15Amp	
107	4460425	1	Connector, Strain Relief	
108	4460426	2	Connector, Strain Relief	
111	4460963	1	Receptacle	
112	4711000	10	Washer #10	
114	10702077	2	Screw #10 x 3/8	
115	10702082	2	Screw #10 x 3/4	
116	1001152525	1	Plug, Hole	
117	1001157520	1	Block, Terminal Pole	
118	1001157521	1	Box, Junction	
119	1001157528	1	Decal - Box Junction	
120	1001158007	1	Cover	
121	1001158008	2	Standoff	
	0272435	Ref	DECAL INSTALLATION	D
201	1705460	2	Decal - SkyPower	
202	3251243	1	Decal - 120V - 60Hz (60Hz Spec Only) (Located on Opposite Side)	
203	1705375	1	Decal - 240V - 3 Phase	
204	1705387	3	Decal, Hazardous Voltage	
	1001221498	Ref	ELECTRICAL DIAGRAM COMPONENTS	B

SECTION 3 - ENGINE

ITEM	PART NUMBER	QTY	DESCRIPTION	REV
301	1001257972	1	Generator to Engine Harness (See Separate Breakdown in ELECTRICAL SECTION)	
303	4922641	1	Generator On/Off Switch Harness	

SECTION 3 - ENGINE

FIGURE 3-74. QUICKFIT OIL VALVE (DEUTZ ENGINES)



ART_1001285349

SECTION 3 - ENGINE

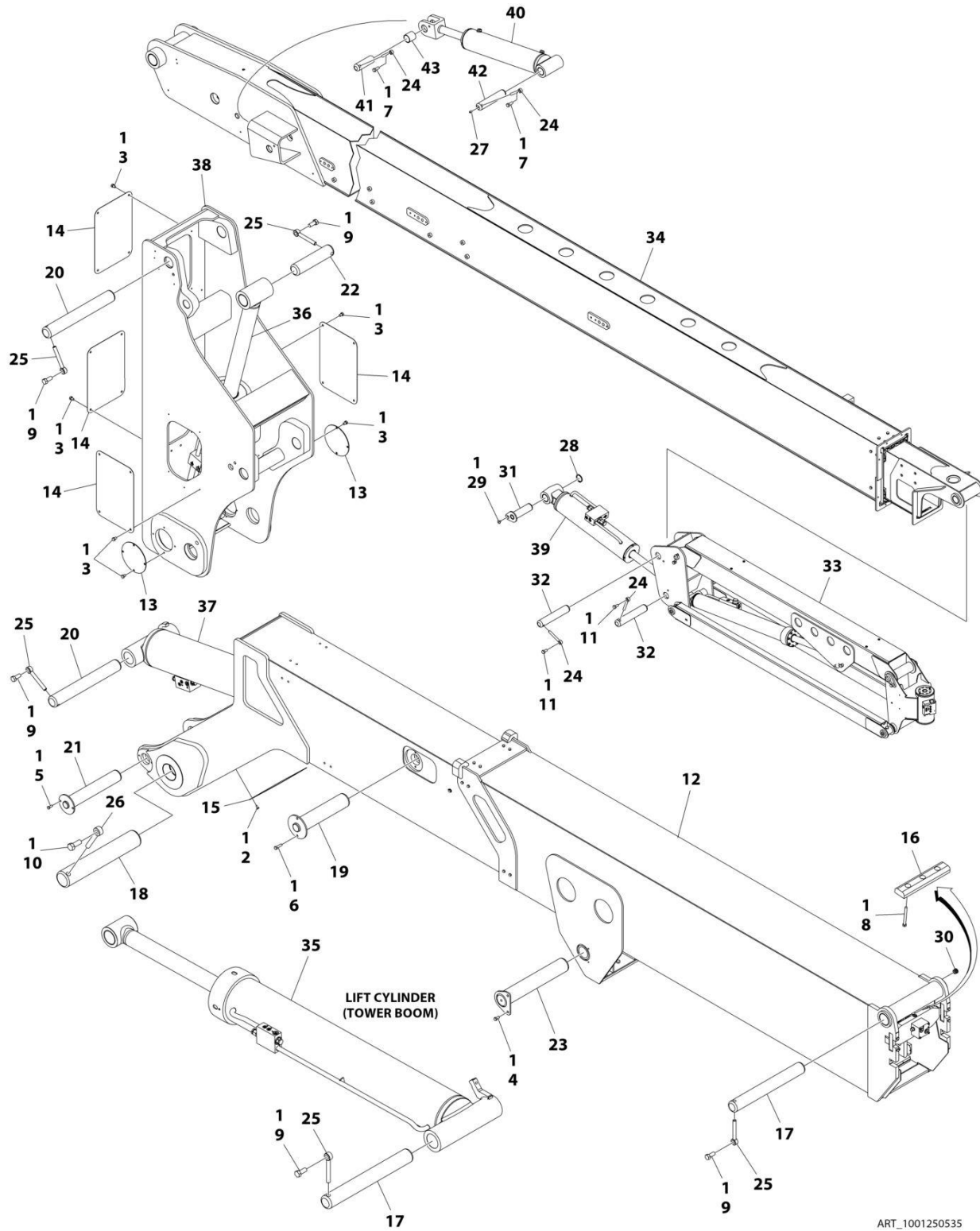
FIGURE 3-74. QUICKFIT OIL VALVE (DEUTZ ENGINES)

ITEM	PART NUMBER	QTY	DESCRIPTION	REV
	1001285349	Ref	QUICKFIT OIL VALVE	A
1	0761212	2	Bolt M12 x 25	
2	4812100	2	Washer M12	
3	1001281298	1	Valve, Quickfit	
4	1001281301	1	Fitting, 90	
5	1001281304	1	Plug	
6	1001281305	1	Fitting, Banjo	
7	1001281307	1	Fitting, 90	
8	1001281309	1	Filter, Ring	
9	1001281310	1	Fitting, Straight	
10	1001281311	1	O-Ring	
11	1001281359	1	Valve, Check	
12	1001281360	1	Decal - RPM Quickfit	
13	1001281656	1	Tie-Strap (Not Shown)	
14	1001284101	1	Hose	
15	1001287536	1	Bracket	
16	1001288113	1	Hose	

SECTION 4 - BOOM

SECTION 4 - BOOM

FIGURE 4-1. BOOM AND CYLINDER INSTALLATION



ART_1001250535

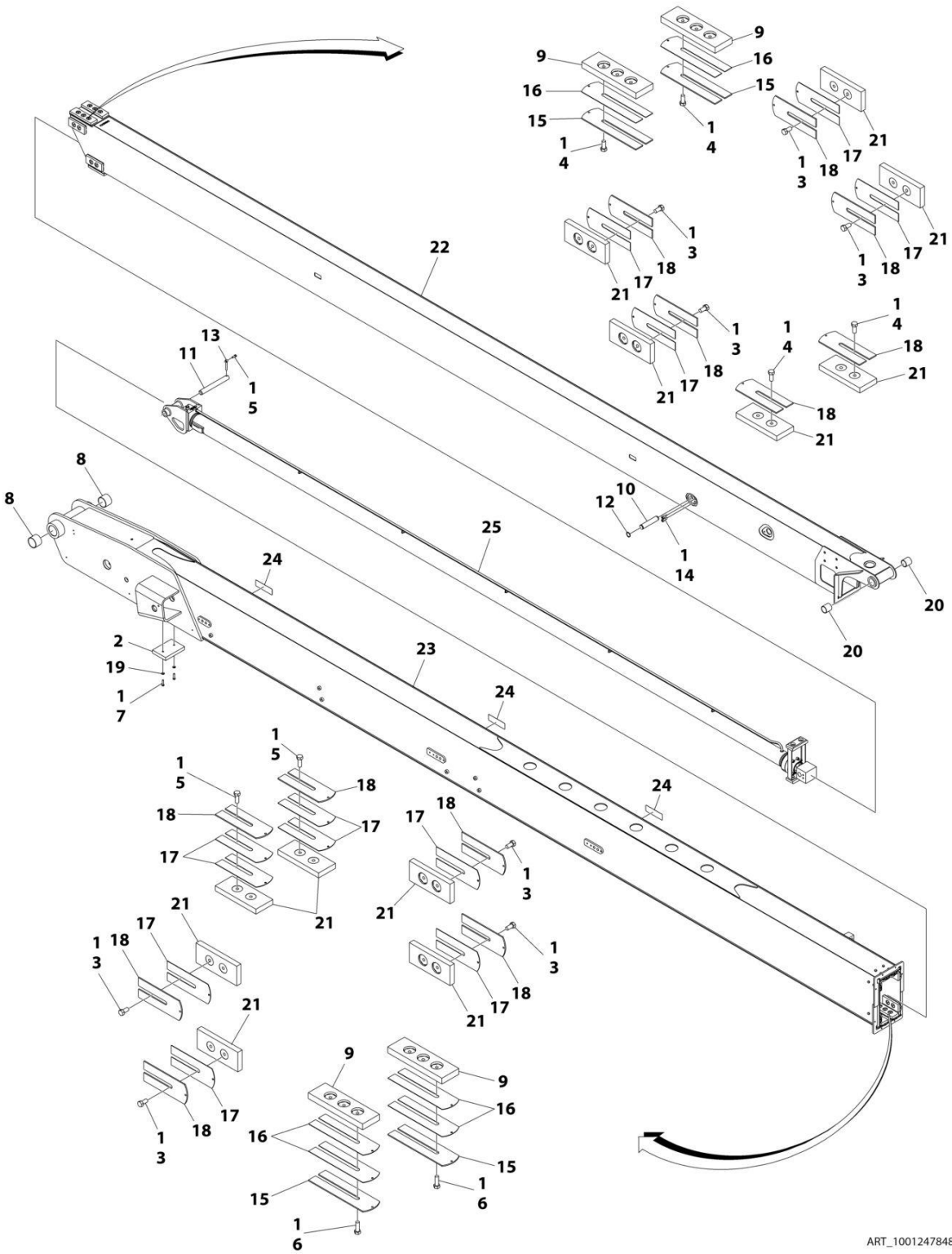
SECTION 4 - BOOM

FIGURE 4-1. BOOM AND CYLINDER INSTALLATION

ITEM	PART NUMBER	QTY	DESCRIPTION	REV
	1001250535	Ref	BOOM AND CYLINDER INSTALLATION	C
1	0100011	AR	Compound, Locking	
2	0641404	4	Bolt 1/4 x 1/2	
3	0641604	24	Bolt 3/8 x 1/2	
4	0641606	2	Bolt 3/8 x 3/4	
5	0641608	2	Bolt 3/8 x 1	
6	0641611	2	Bolt 3/8 x 1-3/8	
7	0641810	2	Bolt 1/2 x 1-1/4	
8	0641840	3	Bolt 1/2 x 5	
9	0642214	5	Bolt 3/4 x 1-3/4	
10	0642620	1	Bolt 1 x 2-1/2	
11	0761212	2	Bolt M12	
12	0801132	1	Boom Assembly - Tower (See Separate Breakdown in this Section)	
13	1120510	2	Cover, Upright	
14	1670844	4	Cover, Upright	
15	1670850	1	Cover, Tower Fly	
16	3340835	1	Pad Rest	
17	3422681	2	Pin	
18	3422683	1	Pin	
19	3422684	1	Pin	
20	3422685	2	Pin	
21	3422686	1	Pin	
22	3422687	1	Pin	
23	3422729	1	Pin	
24	3841203	4	Keeper, Rod	
25	3841287	5	Keeper, Pin	
26	3841356	1	Keeper, Pin	
27	3900239	1	Set Screw	
28	1001138671	1	Ring, Snap	
29	1001192027	1	Bolt M10	
30	1001213705	1	Cap	
31	1001237142	1	Pin	
32	1001237949	2	Pin	
33	1001238331	1	Jib Assembly (See Separate Breakdown in this Section)	
34	1001247848	1	Boom Assembly - Main (See Separate Breakdown in this Section)	
35	1001251009	1	Lift Cylinder Assembly - Tower Boom (See Separate Breakdown in CYLINDER SECTION)	
36	1001251010	1	Lift Cylinder Assembly - Main Boom (See Separate Breakdown in CYLINDER SECTION)	
37	1001251041	1	Level Cylinder Assembly - Upright (See Separate Breakdown in CYLINDER SECTION)	
38	1001252315	1	Upright	
39	1001255320	1	Lift Cylinder Assembly - Jib Level (See Separate Breakdown in CYLINDER SECTION)	
40	1001255321	1	Lift Cylinder Assembly - Master (See Separate Breakdown in CYLINDER SECTION)	
41	1001256267	1	Pin	
42	1001257397	1	Pin	
43	1001118666	1	Bearing	

SECTION 4 - BOOM

FIGURE 4-2. MAIN BOOM ASSEMBLY



ART_1001247848

SECTION 4 - BOOM

FIGURE 4-2. MAIN BOOM ASSEMBLY

ITEM	PART NUMBER	QTY	DESCRIPTION	REV
	1001247848	Ref	MAIN BOOM ASSEMBLY	A
1	0100011	AR	Compound, Locking	
2	0561295	1	Block, Boom Rest	
3	0641606	16	Bolt 3/8 x 3/4	
4	0641607	10	Bolt 3/8 x 7/8	
5	0641608	5	Bolt 3/8 x 1	
6	0641609	6	Bolt 3/8 x 1-1/8	
7	0641612	2	Bolt 3/8 x 1-1/2	
8	0962102	2	Bushing	
9	3340871	4	Pad, Wear	
10	3422457	1	Pin	
11	3422690	1	Pin	
12	3760133	2	Ring, Retaining	
13	3841143	1	Keeper, Pin	
14	3900259	4	Bolt, Shoulder	
15	4070863	4	Shim 1/8	
16	4070864	6	Shim .05	
17	4070897	12	Shim .05	
18	4070898	12	Shim 1/8	
19	4711600	2	Washer 3/8	
20	1001118666	2	Bearing	
21	1001148652	12	Pad, Wear	
22	1001247846	1	Boom, Fly	
23	1001247847	1	Boom, Base	
24	1001250737	3	Cover	
25	1001251087	1	Cylinder Assembly - Telescope (Main Boom) (See Separate Breakdown in CYLINDER SECTION)	

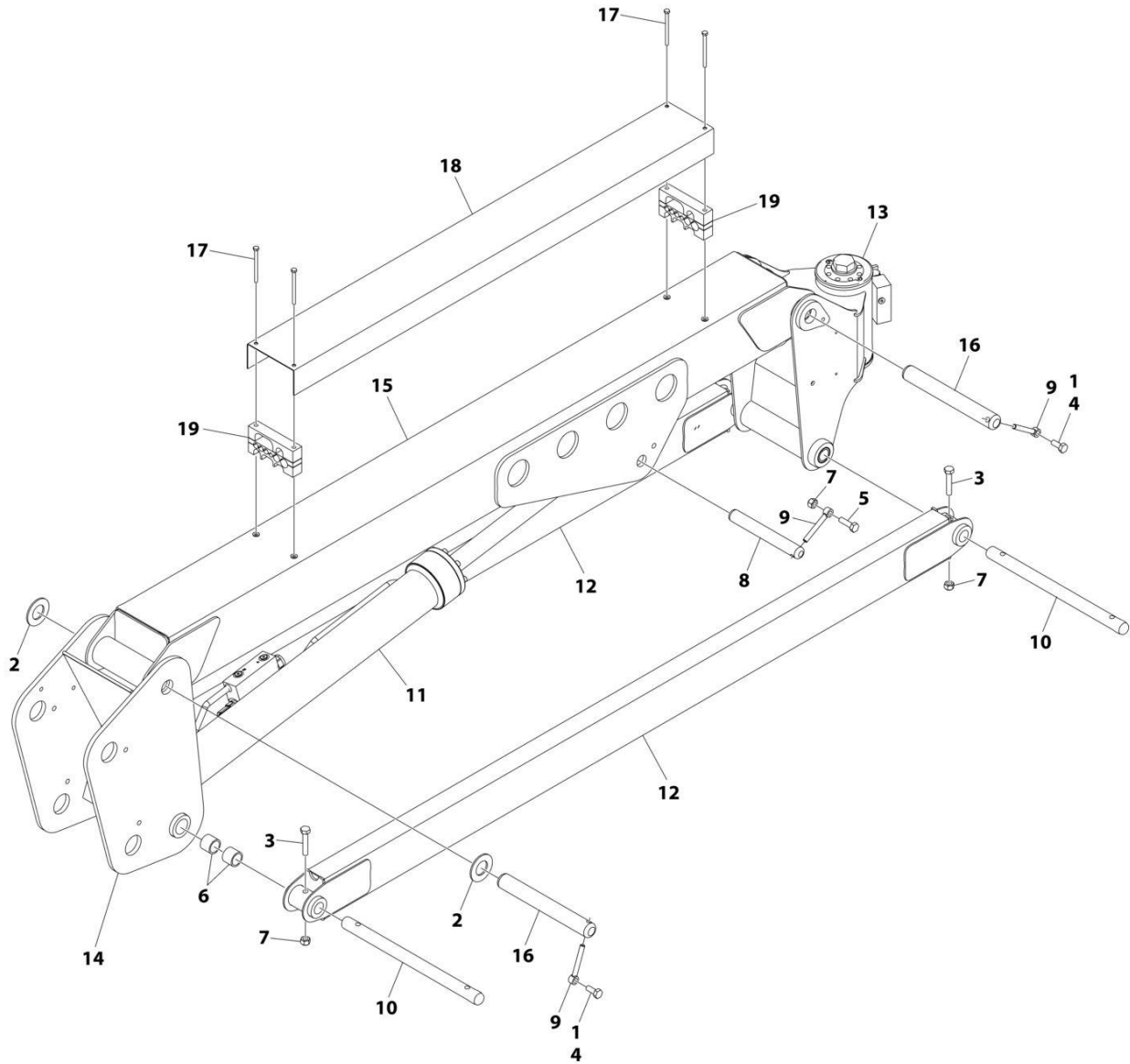
SECTION 4 - BOOM

FIGURE 4-3. TOWER BOOM ASSEMBLY

ITEM	PART NUMBER	QTY	DESCRIPTION	REV
	0801132	Ref	TOWER BOOM ASSEMBLY	I
1	0801594	1	Base, Boom	
2	0801496	1	Fly, Boom	
3	1001251086	1	Tower Telescope Cylinder Assembly (See Separate Breakdown in CYLINDER Section)	
4	4340706	1	Support	
5	0561185	4	Block, Attach	
6	4070929	4	Shim 1/16	
7	0962102	2	Bushing	
8	0962122	2	Bushing	
9	3340881	12	Pad, Wear	
10	4070897	8	Shim .05	
11	4070898	8	Shim .12	
12	3340828	2	Pad, Wear	
13	4070967	2	Shim .05	
14	4070968	2	Shim .12	
15	0641607	10	Bolt 3/8 x 7/8	
16	0641608	4	Bolt 3/8 x 1	
17	0641609	4	Bolt 3/8 x 1-1/8	
18	0641610	12	Bolt 3/8 x 1-1/4	
19	0641615	8	Bolt 3/8 x 1-7/8	
20	0641616	8	Bolt 3/8 x 2	
21	4711600	6	Washer 3/8	
22	0100011	AR	Compound, Locking	
23	0100038	AR	Primer, Locking	
24	3340835	1	Pad, Boom Rest	
25	0641806	3	Bolt 1/2 x 3/4	
26	4071007	4	Shim 20Ga	

SECTION 4 - BOOM

FIGURE 4-4. JIB ASSEMBLY



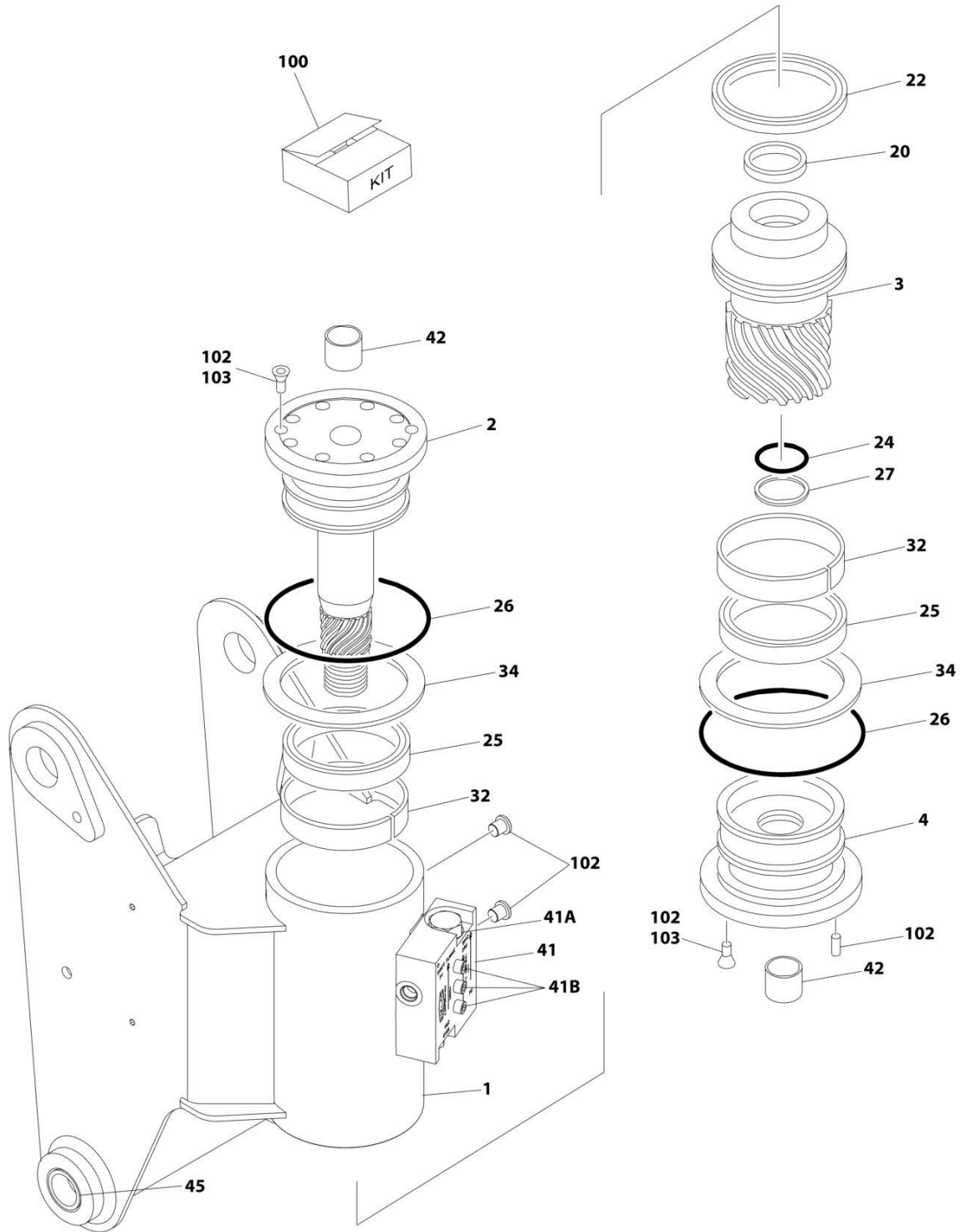
ART_1001238331_F

FIGURE 4-4. JIB ASSEMBLY

ITEM	PART NUMBER	QTY	DESCRIPTION	REV
	1001238331	Ref	JIB ASSEMBLY	F
1	0100011	AR	Compound, Locking	
2	0440237	2	Bearing	
3	0701020	4	Bolt M10 x 60	
4	0761012	2	Bolt M10 x 25	
5	0761015	1	Bolt M10 x 35	
6	1001134289	4	Bearing	
7	3291005	5	Nut M10	
8	3422867	1	Pin	
9	3841143	3	Keeper, Pin	
10	3422861	2	Pin	
11	1001264991	1	Cylinder Assembly - Jib (See Separate Breakdown in CYLINDER Section)	
12	4844817	2	Tube, Jib (Lower)	
13	1001234811	1	Rotator Assembly - Platform (See Separate Breakdown in this Section)	
14	1001238169	1	Pivot	
15	1001238333	1	Tube, Jib (Upper)	
16	1001238398	2	Pin	
17	0700624	4	Bolt M6 x 80	
18	1671034	1	Cover, JIB	
19	1001165350	2	Block, Clamp	

SECTION 4 - BOOM

FIGURE 4-5. ROTATOR ASSEMBLY



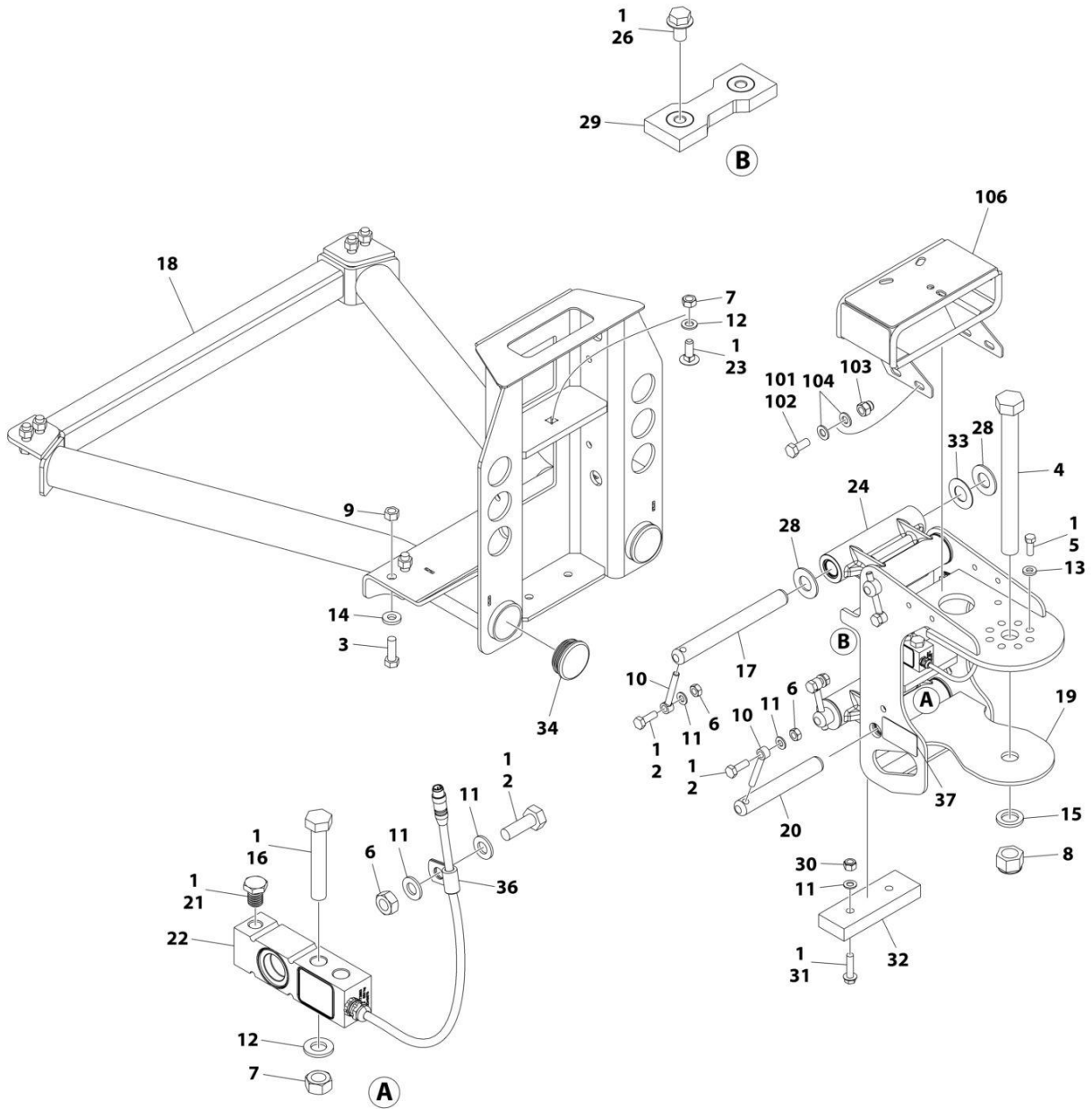
ART_1001234811

FIGURE 4-5. ROTATOR ASSEMBLY

ITEM	PART NUMBER	QTY	DESCRIPTION	REV
	1001234811	Ref	ROTATOR ASSEMBLY	B
1	See Note	NSS	Housing/Ring Gear Assembly (Note: Not Available - Purchase Complete Rotator Assembly)	
2	7017162	1	Shaft Weldment	
3	7017163	1	Piston/Sleeve Assembly	
4	7017164	1	Cap, End	
20	See Note	NSS	T-Seal (Note: Use Item 100)	
22	See Note	NSS	T-Seal (Note: Use Item 100)	
24	See Note	NSS	O-Ring (Note: Use Item 100)	
25	See Note	NSS	Seal (Note: Use Item 100)	
26	See Note	NSS	O-Ring (Note: Use Item 100)	
27	See Note	NSS	Ring, Back-up (Note: Use Item 100)	
32	See Note	NSS	Ring, Wear (Note: Use Item 101)	
34	See Note	NSS	Washer, Thrust (Note: Use Item 101)	
41	7017172	AR	Valve Assembly	
41A	7017192	2	Cartridge, Valve	
41A	See Note	NSS	Seal Kit - 7017192 Valve (Note: Not Available for Purchase)	
41B	See Note	3	Bolt 1/4-20NC x 1-1/2 Grade 8 (Note: Not Available - Purchase Locally)	
42	7017195	2	Bushing	
45	0961947	2	Bushing 1IN ID x 1.25IN OD x 5/8IN L	
45	1001134289	2	Bushing 1IN ID x 1.5IN OD x 1IN L	
100	70000342	1	Seal Kit (Includes Items 20, 22, 24, 25, 27 & 33)	
101	7017159	1	Bearing Kit (Includes Items 32 & 34)	
102	7017142	1	Hardware Kit	
103	70001697	4	Screw, Countersunk 1/4 x 3/8 Grade 8	

SECTION 4 - BOOM

FIGURE 4-6. SUPPORT, PLATFORM INSTALLATION



ART_1001167596

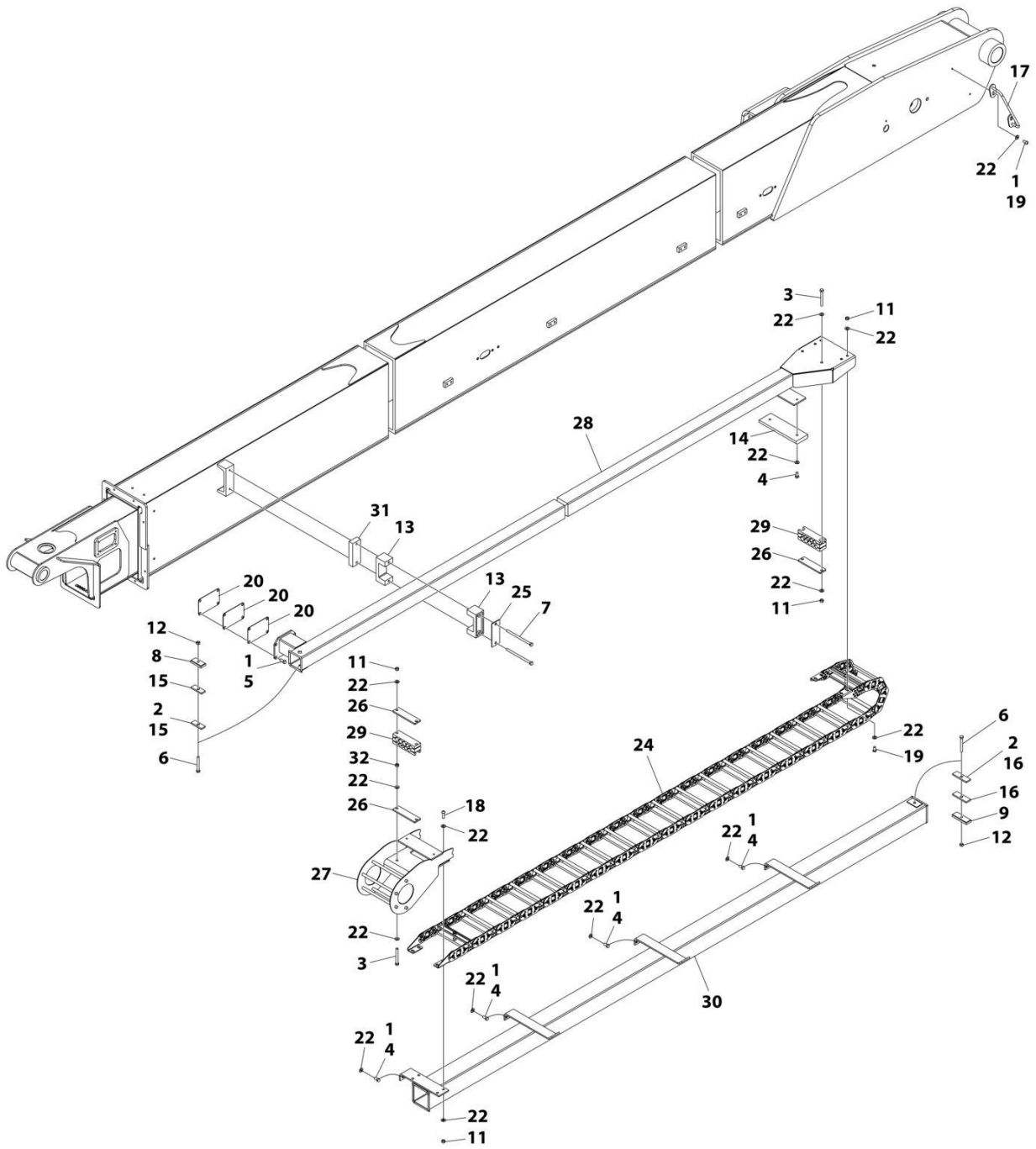
SECTION 4 - BOOM

FIGURE 4-6. SUPPORT, PLATFORM INSTALLATION

ITEM	PART NUMBER	QTY	DESCRIPTION	REV
	1001167596	Ref	PLATFORM SUPPORT INSTALLATION	N
1	0100011	AR	Compound, Locking	
2	0761014	5	Bolt M10 x 30	
3	0761216	8	Bolt M12 x 40	
4	1001255133	1	Bolt 1 x 11	
5	0681608	8	Bolt 3/8 x 1 GRD8	
6	3291001	5	Nut M10	
7	3291201	3	Nut M12	
8	1001174040	1	Nut 1	
9	3291205	8	Nut M12	
10	3841143	4	Keeper, Pin	
11	4812000	8	Washer M10	
12	4812100	3	Washer M12	
13	4891600	8	Washer 3/8	
14	5241200	8	Washer M12	
15	4892600001	1	Washer 1	
16	1001098828	2	Bolt M12 x 70 CL10.9	
17	1001167565	2	Pin	
18	1001200494	1	Support, Platform	
19	1001167567	1	Support, Rotator	
20	1001168402	2	Pin	
21	1001188622	1	Screw	
22	1001247468	1	Gauge, Load Sensing	
23	1001188844	1	Bolt M12 x 35	
24	1001201351	2	Link	
26	5251008	2	Bolt M10 x 16 CL10.9	
28	1001189002	8	Bearing	
29	1001190985	1	Pad, Wear	
30	3291005	2	Nut M10	
31	5251016	2	Bolt M10 x 40 CL10.9	
32	1001200491	1	Pad, Wear	
33	1001189001	4	Bearing	
34	1001204725	2	Plug	
36	91203039	1	Clamp	
37	1001216630	2	Decal - Tie Down/No Lift	
38	1001238421	Ref	Kit, Platform Leveling (Not Shown)	
	1001202687	Ref	VALVE MOUNT INSTALLATION	B
101	0100011	AR	Compound, Locking	
102	0760810	4	Bolt M8 x 20	
103	3290806	4	Nut M8	
104	4811900	8	Washer M8	
106	1001208994	1	Mount, Valve	

SECTION 4 - BOOM

FIGURE 4-7. POWER TRACK INSTALLATION - MAIN BOOM



ART_1001253658_C

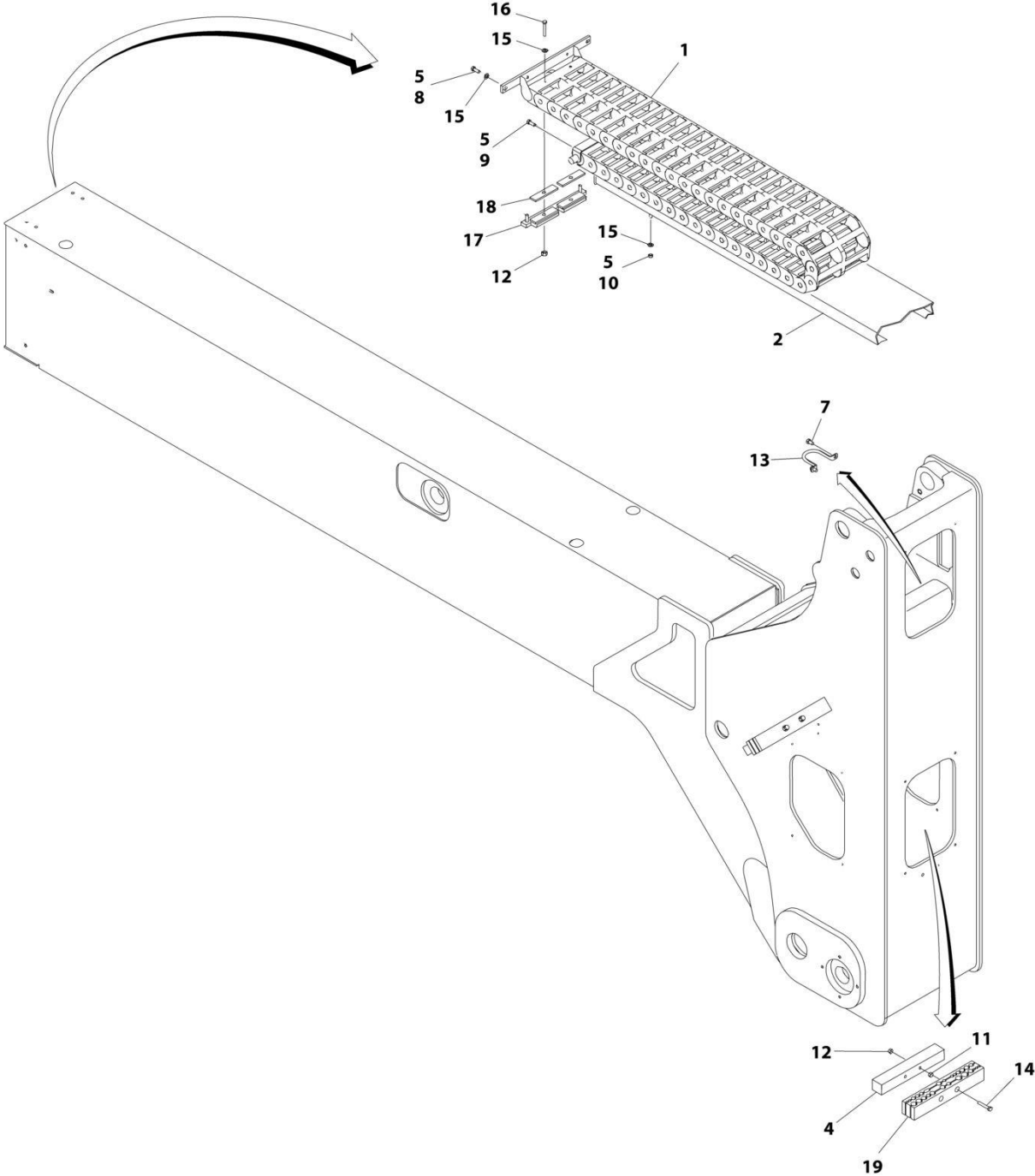
SECTION 4 - BOOM

FIGURE 4-7. POWER TRACK INSTALLATION - MAIN BOOM

ITEM	PART NUMBER	QTY	DESCRIPTION	REV
	1001253658	Ref	POWER TRACK INSTALLATION	C
1	0100011	AR	Compound, Locking	
2	0100081	AR	Adhesive	
3	0630593	4	Bolt 3/8 x 3-1/4	
4	0641606	10	Bolt 3/8 x 3/4	
5	0641607	4	Bolt 3/8 x 7/8	
6	0641624	2	Bolt 3/8 x 3	
7	0641648	2	Bolt 3/8 x 6	
8	1320288	1	Clamp	
9	1320289	1	Clamp	
11	3271605	12	Nut	
12	3311605	2	Nut 3/8	
13	3340764	2	Pad	
14	3340840	1	Pad	
15	3340941	2	Pad	
16	3340943	2	Pad, Rubber	
17	3841406	1	Loop, Hose	
18	3900232	4	Screw 3/8 x 1-1/4	
19	3900283	6	Screw 3/8 x 3/4	
20	4070969	3	Shim 16 Gauge	
22	4711600	38	Washer 3/8	
24	1001099837	1	Power Track Assembly	
24	70002013	1	Repair Section	
24	70002014	1	Mounting Kit	
25	1001136400	1	Plate, Backing	
26	1001249824	3	Plate	
27	1001250384	1	Mount	
28	1001253724	1	Push Tube	
29	1001253880	2	Clamp, Hose	
30	1001254317	1	Tube	
31	1001254632	1	Spacer	
32	3271601	1	Nut 3/8	

SECTION 4 - BOOM

FIGURE 4-8. POWER TRACK INSTALLATION - TOWER BOOM



ART_1001261274

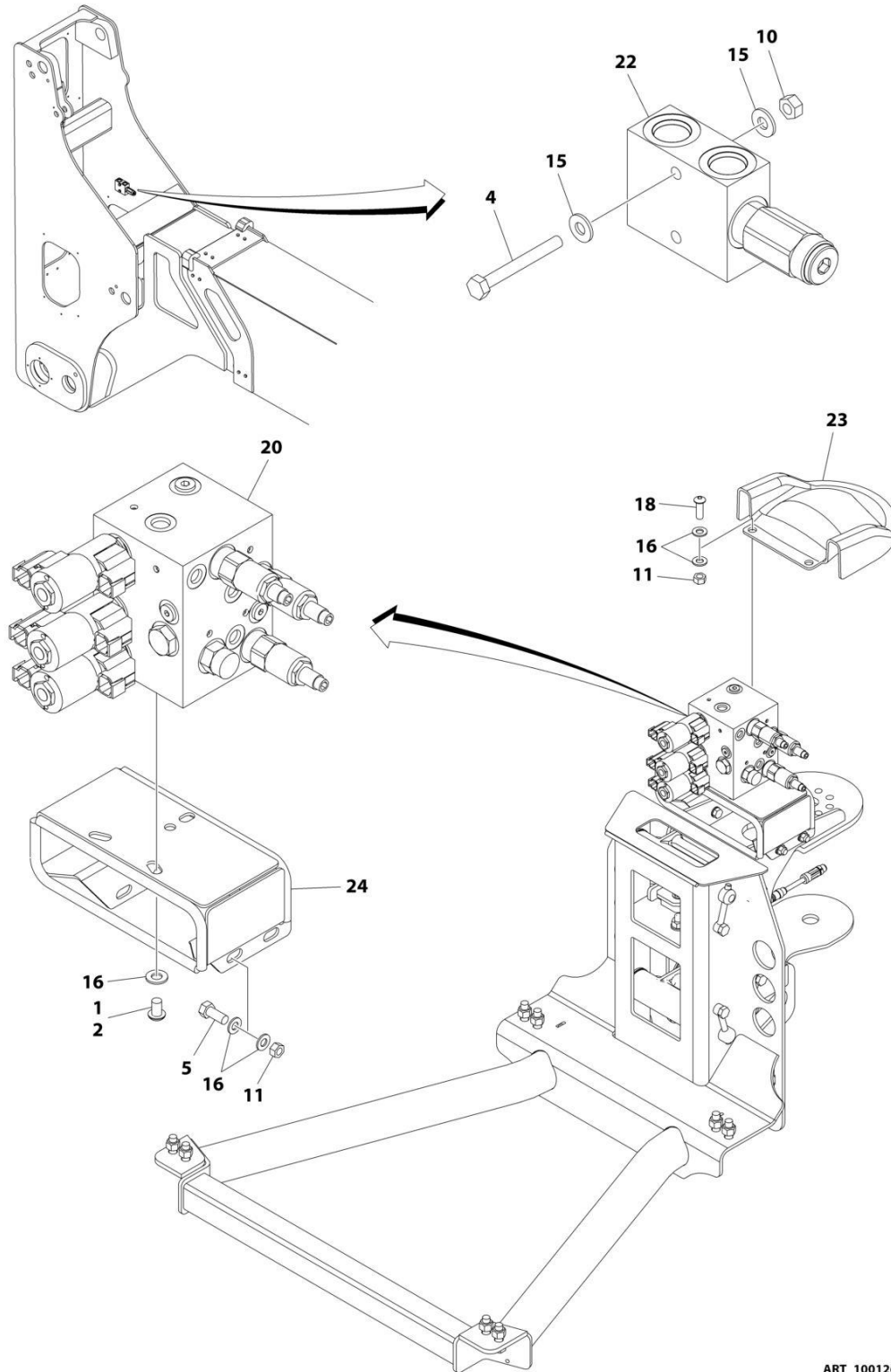
SECTION 4 - BOOM

FIGURE 4-8. POWER TRACK INSTALLATION - TOWER BOOM

ITEM	PART NUMBER	QTY	DESCRIPTION	REV
	1001261274	Ref	POWER TRACK INSTALLATION	B
1	1180346	1	Track, Power	
1	7020064	1	Bracket, End (Moving)	
1	7020065	1	Bracket, End (Fixed)	
1	7020066	1	Section, Repair	
1	7020067	1	Link, Repair	
2	4845680	1	Tube, Hose	
4	1320250	2	Bar	
5	0100011	AR	Compound, Locking	
7	0641605	2	Bolt 3/8 x 5/8	
8	0641606	2	Bolt 3/8 x 3/4	
9	0641622	2	Bolt 3/8 x 2-3/4	
10	3311601	4	Nut 3/8	
11	3311602	4	Nut 3/8	
12	3311605	6	Nut 3/8	
13	3841340	1	Rod, Hose Loop	
14	3900262	4	Bolt 3/8 x 4-3/4	
15	4711600	8	Washer 3/8	
16	0641624	2	Bolt 3/8 x 3	
17	0259420	1	Clamp	
18	3340859	2	Pad	
19	1001261272	2	Clamp, Block	

SECTION 4 - BOOM

FIGURE 4-9. CONTROL VALVES INSTALLATION - WITH 2WS



ART_1001260277_20F2

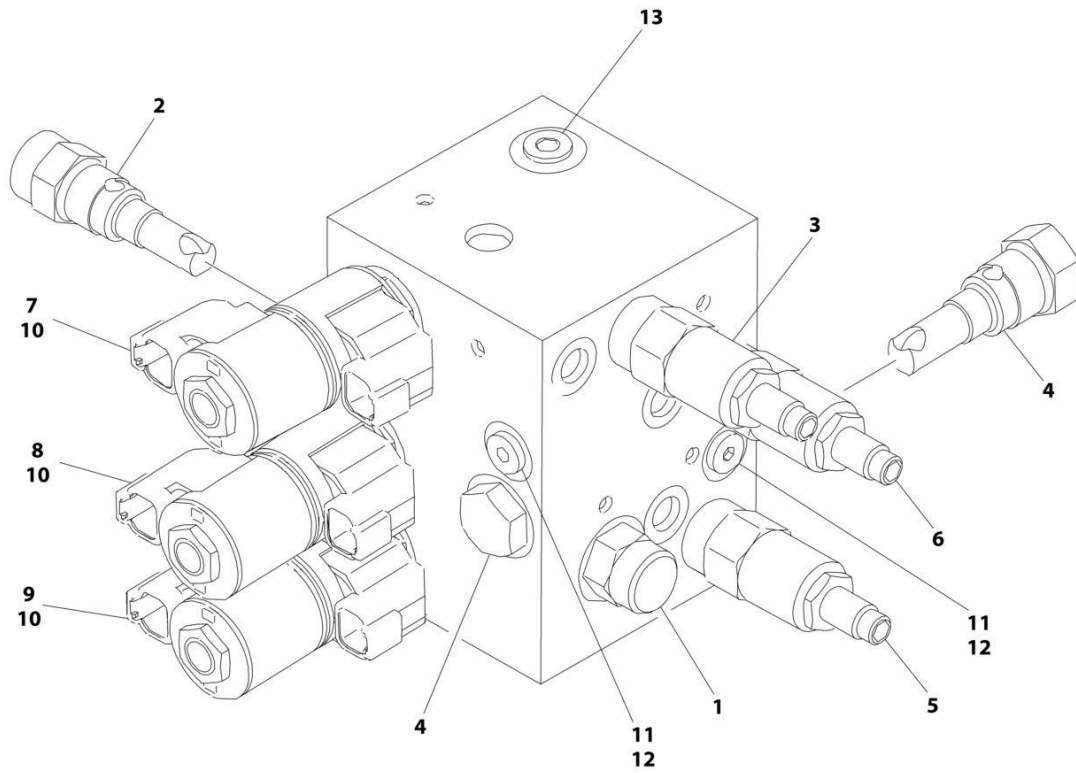
SECTION 4 - BOOM

FIGURE 4-9. CONTROL VALVES INSTALLATION - WITH 2WS

ITEM	PART NUMBER	QTY	DESCRIPTION	REV
	1001260277	Ref	BOOM VALVES INSTALLATION	A
1	0100011	AR	Compound, Locking	
2	0630467	3	Screw 5/16 x 1/2	
4	0641418	4	Bolt 1/4 x 2-1/4	
5	0641507	4	Bolt 5/16 x 7/8	
10	3311405	2	Nut 1/4	
11	3311505	6	Nut 5/16	
15	4711400	11	Washer 1/4	
16	4711500	15	Washer 5/16	
18	88261024	2	Capscrew 5/16 x 1	
20	1001253677	1	Boom Valve Assembly (See Separate Breakdown in this Section)	
22	1001200054	1	Valve Assembly (Relief)	
22	7012970	1	Cartridge, Valve	
22	7012953	1	Seal Kit - 7012970 Valve	
23	1001207969	1	Cover	
24	1001208994	1	Mount	

SECTION 4 - BOOM

FIGURE 4-10. CONTROL VALVE ASSEMBLY



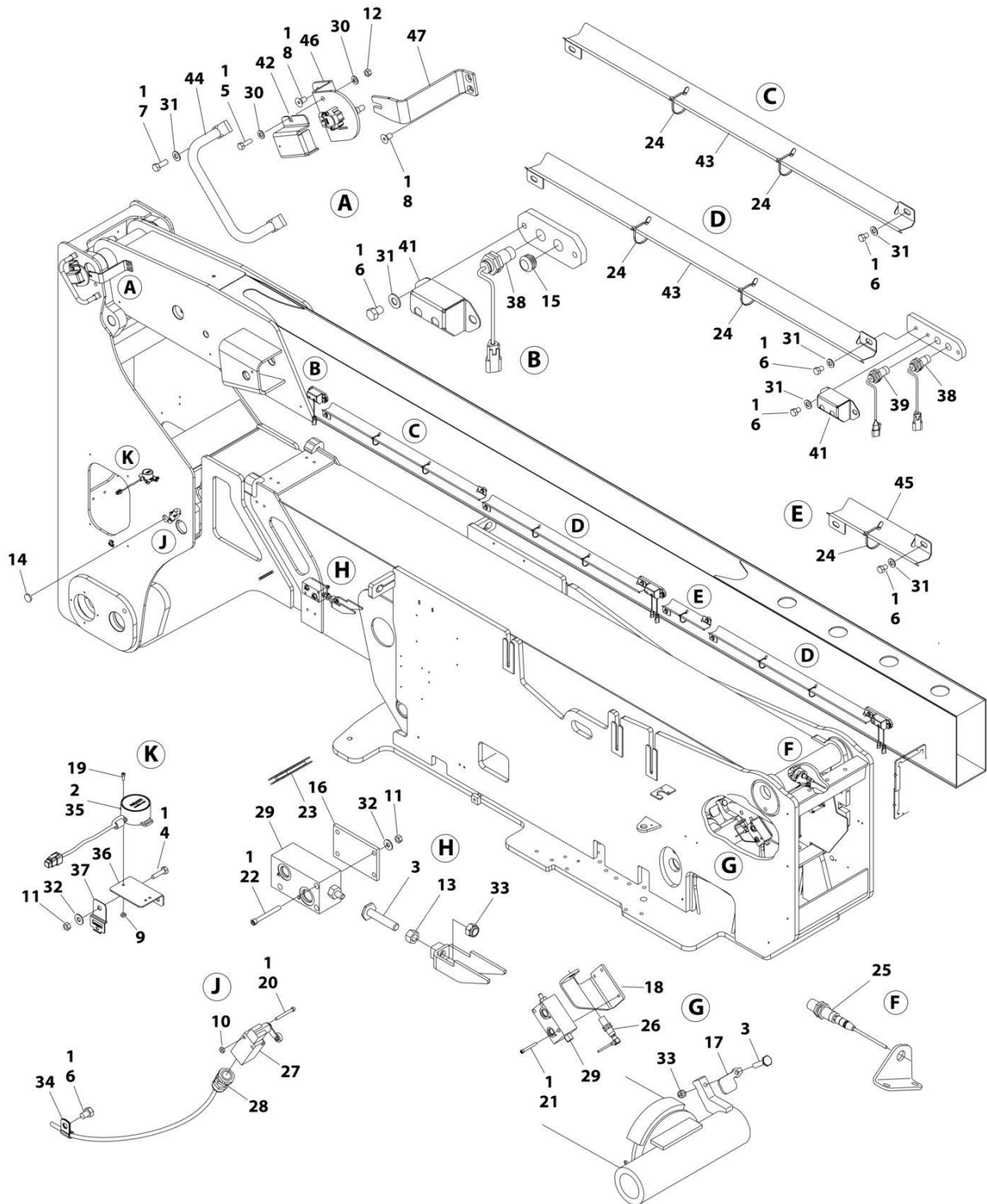
ART_1001253677

FIGURE 4-10. CONTROL VALVE ASSEMBLY

ITEM	PART NUMBER	QTY	DESCRIPTION	REV
	1001253677	Ref	BOOM VALVE ASSEMBLY	B
1	7012989	1	Valve, Flow	
1	7012953	1	Seal Kit - 7012989 Valve	
2	7012965	1	Valve, Flow	
2	7012953	1	Seal Kit - 7012965 Valve	
3	70004151	1	Valve, Relief	
3	7021653	1	Seal Kit - 70003962 Valve	
4	7012914	2	Valve, Cartridge	
4	7012918	2	Seal Kit - 7012914 Valve	
5	7023911	1	Valve, Relief	
5	7012967	1	Seal Kit - 7023911 Valve	
6	70007446	1	Valve, Relief	
6	7012998	1	Seal Kit - 70007446 Valve	
7	7017452	1	Valve, Solenoid (Jib)	
7	7017402	2	Seal Kit - 7017452 Valve	
8	7017452	1	Valve, Solenoid (Platform Level)	
8	7017402	1	Seal Kit - 7017452 Valve	
9	7017452	1	Valve, Solenoid (Rotator)	
9	7017402	2	Seal Kit - 7017452 Valve	
10	70002386	6	Coil	
11	70002064	2	Plug, Orifice	
12	2220883	2	Plug	
13	91164079	1	Plug	

SECTION 4 - BOOM

FIGURE 4-11. BOOM VALVES AND PROXIMITY SWITCHES INSTALLATION



ART_1001253789

SECTION 4 - BOOM

FIGURE 4-11. BOOM VALVES AND PROXIMITY SWITCHES INSTALLATION

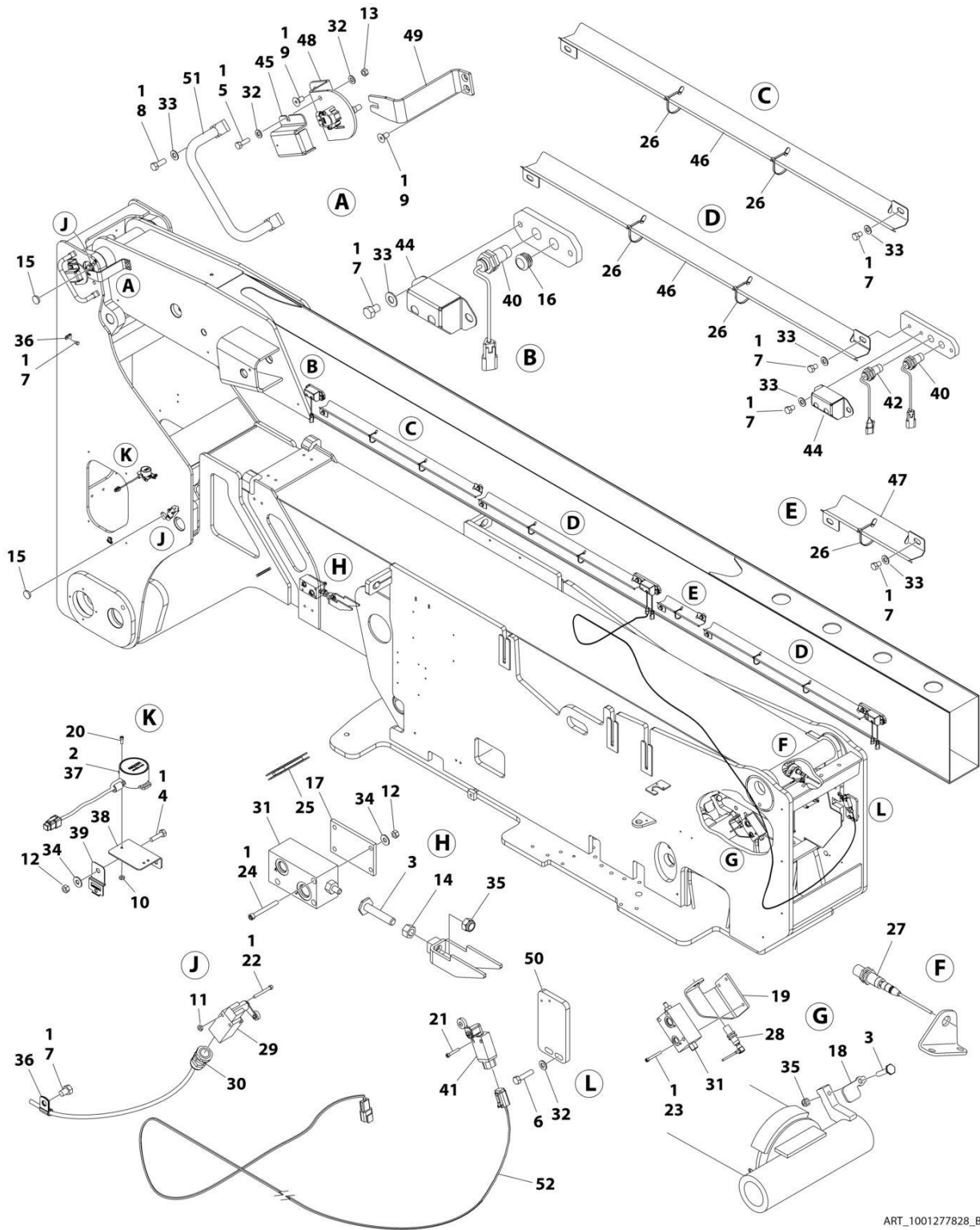
ITEM	PART NUMBER	QTY	DESCRIPTION	REV
	1001253789	Ref	BOOM VALVE AND LIMIT SWITCHES INSTALLATION	D
1	0100011	AR	Compound, Locking	
2	0100048	AR	Grease	
3	0630427	2	Bolt	
4	0641408	2	Capscrew 1/4 x 1	
5	0641508	1	Capscrew 5/16 x 1	
6	0641604	15	Bolt 3/8 x 1/2	
7	0641608	2	Bolt 3/8 x 1	
8	0741606	4	Bolt 3/8 x 3/4	
9	3310605	3	Nut 6	
10	3310801	2	Nut #8	
11	3311405	AR	Nut 1/4	
12	3311501	1	Nut 5/16	
13	3311801	1	Nut 1/2	
14	3520035	1	Plug	
15	3520193	1	Plug	
16	3570928	1	Plate, Spacer	
17	3572606	1	Plate, Switch Target	
18	3572607	1	Plate, Switch Mount	
19	3930606	3	Capscrew #6 x 3/8	
20	3930824	2	Capscrew #8 x 1-1/2	
21	3931432	3	Capscrew 1/4 x 2	
22	3931436	3	Capscrew 1/4 x 2-1/4	
23	4060805	7 in/25cm	Trim	
24	4240033	7	Tie, Cable	
25	4360498	1	Switch, Proximity	
26	4360499	1	Switch, Proximity	
27	4360578	1	Switch, Limit	
28	4460968	1	Connector, Strain Relief	
29	4641435	2	Valve, Switch	
29	7011342	1	Valve, Check	
29	7011333	1	Seal Kit - 7011342 Valve	
30	4711500	2	Washer 5/16	
31	4711600	16	Washer 3/8	
32	4751400	AR	Washer 1/4	
33	88521008	2	Nut 1/2	
34	91203039	1	Clamp	
35	1001094400	1	Sensor, Dual Axis	
36	1001096736	1	Bracket, Tilt Sensor	
37	1001153749	1	Clip	
38	1001170847	3	Sensor, Proximity	
39	1001182570	2	Sensor, Proximity	
40	1001200497	1	Connector (Not Shown)	
41	1001204715	3	Bracket	
42	1001211588	1	Shield, Angle Sensor	
43	1001247453	3	Angle, Cable	
44	1001263612	1	Bar, Guard	
45	1001250531	1	Plate, Cable Cover	
46	1001255880	1	Sensor, Boom Angle	
46	1001204939	1	Sensor, Angle	

SECTION 4 - BOOM

ITEM	PART NUMBER	QTY	DESCRIPTION	REV
46	3930820	2	Capscrew #8x1-1/4 (Sensor Screw)	
46	1001211582	1	Arm/Link	
46	4010303	1	Screw M3x6 (Arm Screw)	
47	1001255882	1	Plate, Sensor	

SECTION 4 - BOOM

FIGURE 4-12. BOOM VALVES AND PROXIMITY SWITCHES INSTALLATION WITH TOWER STOW



ART_1001277828_B

SECTION 4 - BOOM

FIGURE 4-12. BOOM VALVES AND PROXIMITY SWITCHES INSTALLATION WITH TOWER STOW

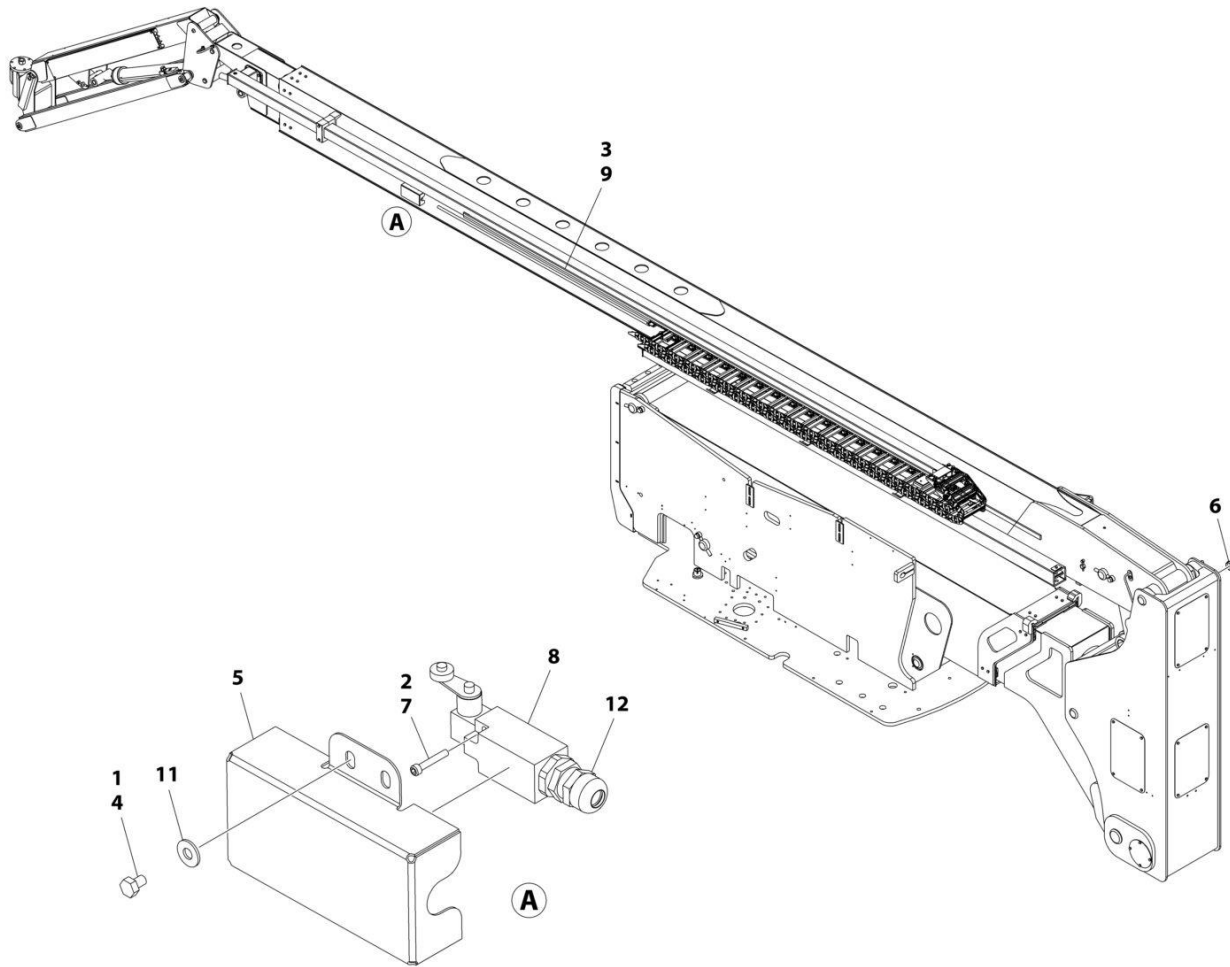
ITEM	PART NUMBER	QTY	DESCRIPTION	REV
	1001277828	Ref	BOOM VALVE AND LIMIT SWITCHES INSTALLATION	B
1	0100011	AR	Compound, Locking	
2	0100048	AR	Grease	
3	0630427	2	Bolt	
4	0641408	2	Capscrew 1/4 x 1	
5	0641508	1	Capscrew 5/16 x 1	
6	0641511	2	Bolt 5/16 x 1-3/8	
7	0641604	16	Bolt 3/8 x 1/2	
8	0641608	2	Bolt 3/8 x 1	
9	0741606	4	Bolt 3/8 x 3/4	
10	3310605	3	Nut 6	
11	3310801	4	Nut #8	
12	3311405	5	Nut 1/4	
13	3311501	1	Nut 5/16	
14	3311801	1	Nut 1/2	
15	3520035	2	Plug	
16	3520193	1	Plug	
17	3570928	1	Plate, Spacer	
18	3572606	1	Plate, Switch Target	
19	3572607	1	Plate, Switch Mount	
20	3930606	3	Capscrew #6 x 3/8	
21	3930816	2	Capscrew #8 x 1-1/4	
22	3930824	4	Capscrew #8 x 1-1/2	
23	3931432	3	Capscrew 1/4 x 2	
24	3931436	3	Capscrew 1/4 x 2-1/4	
25	4060805	7 in/25cm	Trim	
26	4240033	7	Tie, Cable	
27	4360498	1	Switch, Proximity	
28	4360499	1	Switch, Proximity	
29	4360578	2	Switch, Limit	
30	4460968	2	Connector, Strain Relief	
31	4641435	2	Valve, Switch	
31	7011342	1	Valve, Check	
31	7011333	1	Seal Kit - 7011342 Valve	
32	4711500	4	Washer 5/16	
33	4711600	16	Washer 3/8	
34	4751400	5	Washer 1/4	
35	88521008	2	Nut 1/2	
36	91203039	2	Clamp	
37	1001094400	1	Sensor, Dual Axis	
38	1001096736	1	Bracket, Tilt Sensor	
39	1001153749	1	Clip	
40	1001170847	3	Sensor, Proximity	
41	1001284504	1	Switch, Limit	
42	1001182570	2	Sensor, Proximity	
43	1001200497	1	Connector (Not Shown)	
44	1001204715	3	Bracket	
45	1001211588	1	Shield, Angle Sensor	
46	1001247453	3	Angle, Cable	
47	1001250531	1	Plate, Cable Cover	

SECTION 4 - BOOM

ITEM	PART NUMBER	QTY	DESCRIPTION	REV
48	1001255880	1	Sensor, Boom Angle	
48	1001204939	1	Sensor, Angle	
48	3930820	2	Capscrew #8x1-1/4 (Sensor Screw)	
48	1001211582	1	Arm/Link	
48	4010303	1	Screw M3 x 6 (Arm Screw)	
49	1001255882	1	Plate, Sensor	
50	1001260475	1	Bracket	
51	1001263612	1	Bar, Guard	
52	1001266829	1	Harness, Tower Stow (See Separate Breakdown in ELECTRICAL Section)	

SECTION 4 - BOOM

FIGURE 4-13. TRANSPORT POSITION SWITCH INSTALLATION



ART_0258567

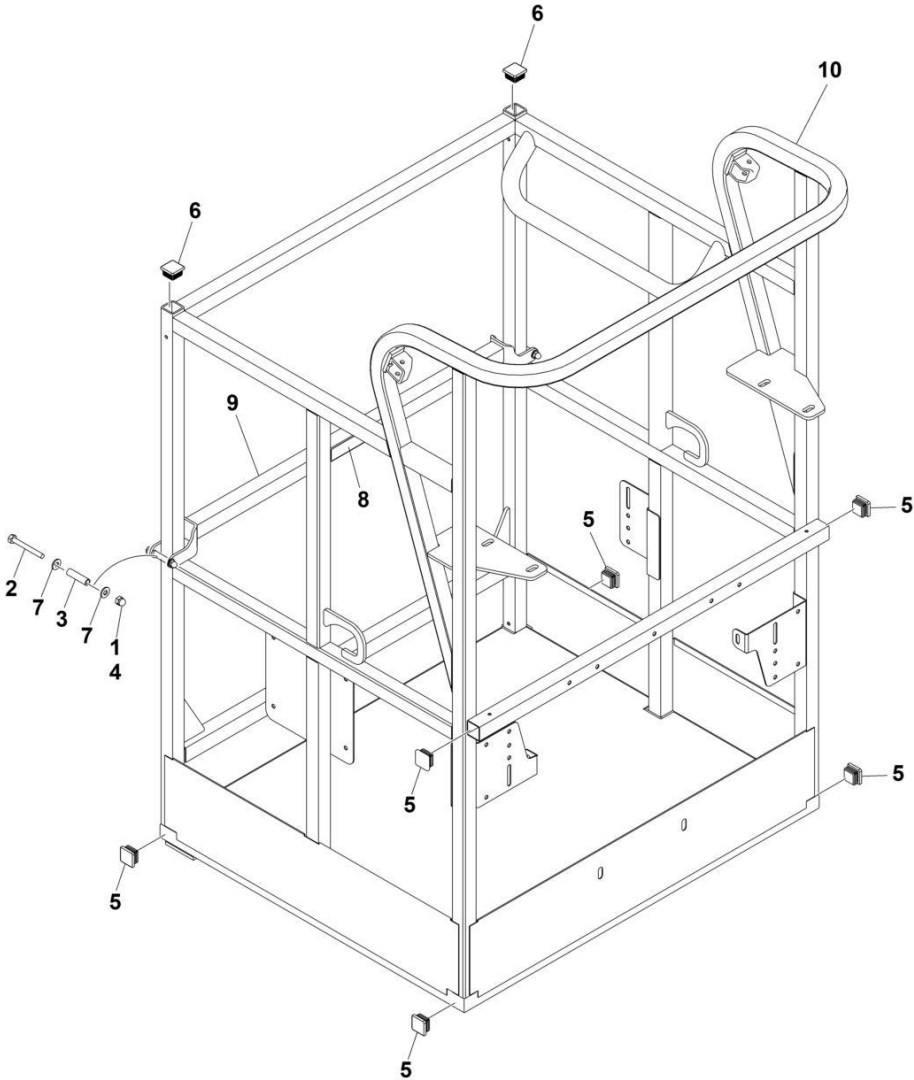
FIGURE 4-13. TRANSPORT POSITION SWITCH INSTALLATION

ITEM	PART NUMBER	QTY	DESCRIPTION	REV
	0258567	Ref	TRANSPORT POSITION SWITCH INSTALLATION	F
1	0100011	AR	Compound, Locking	
2	0100035	AR	Compound, Locking	
3	1001106481	1	Bar, Fiberglass	
4	0641403	4	Bolt 1/4 x 3/8	
5	3380535	1	Cover, Switch	
6	3520035	1	Plug, Cap	
7	3930816	2	Capscrew #8 x 1	
8	4360578	1	Switch, Limit	
9	4420060	AR	Tape	
11	4751400	4	Washer 1/4	
12	4460968	1	Connector, Strain Relief	

SECTION 5 - PLATFORM

SECTION 5 - PLATFORM

FIGURE 5-1. PLATFORM ASSEMBLY WITH DROP-BAR - 30IN X 3FT (76CM X 1M)



ART_1001228215

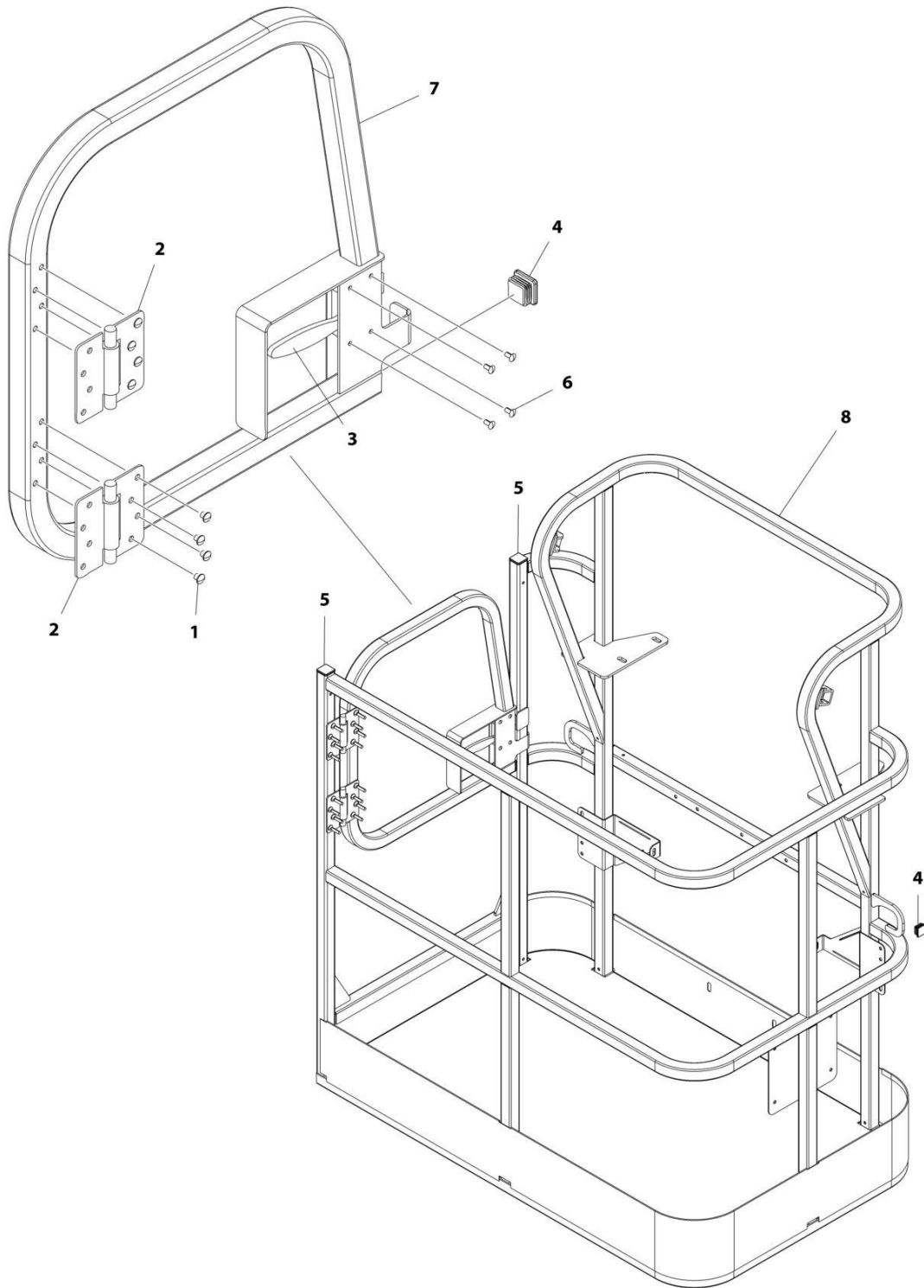
SECTION 5 - PLATFORM

FIGURE 5-1. PLATFORM ASSEMBLY WITH DROP-BAR - 30IN X 3FT (76CM X 1M)

ITEM	PART NUMBER	QTY	DESCRIPTION	REV
	1001228215	Ref	PLATFORM ASSEMBLY	A
	See Note	Ref	Note: Platform and Mesh must be ordered separately for Platforms with Mesh. See SPECIAL OPTIONS SECTION for Mesh Installations.	
	See Note	Ref	Note: Replacement Decals Must be Ordered Separately - See DECAL SECTION.	
1	0100011	AR	Compound, Locking	
2	0641418	2	Bolt 1/4 x 2-1/4	
3	0961845	2	Bushing	
4	3300151	2	Nut 1/4	
5	3520072	6	Cap, Plug	
6	3520198	2	Cap, Plug	
7	4711400	4	Washer 1/4	
8	1001140429	1	Decal - Drop Bar	
9	1001226872	1	Bar, Drop	
10	See Note	NSS	Platform (Note: Not Available - Purchase Platform Assembly)	

SECTION 5 - PLATFORM

FIGURE 5-2. PLATFORM ASSEMBLY WITH GATE - 30IN X 4FT (76CM X 1.22M)



ART_1001186387

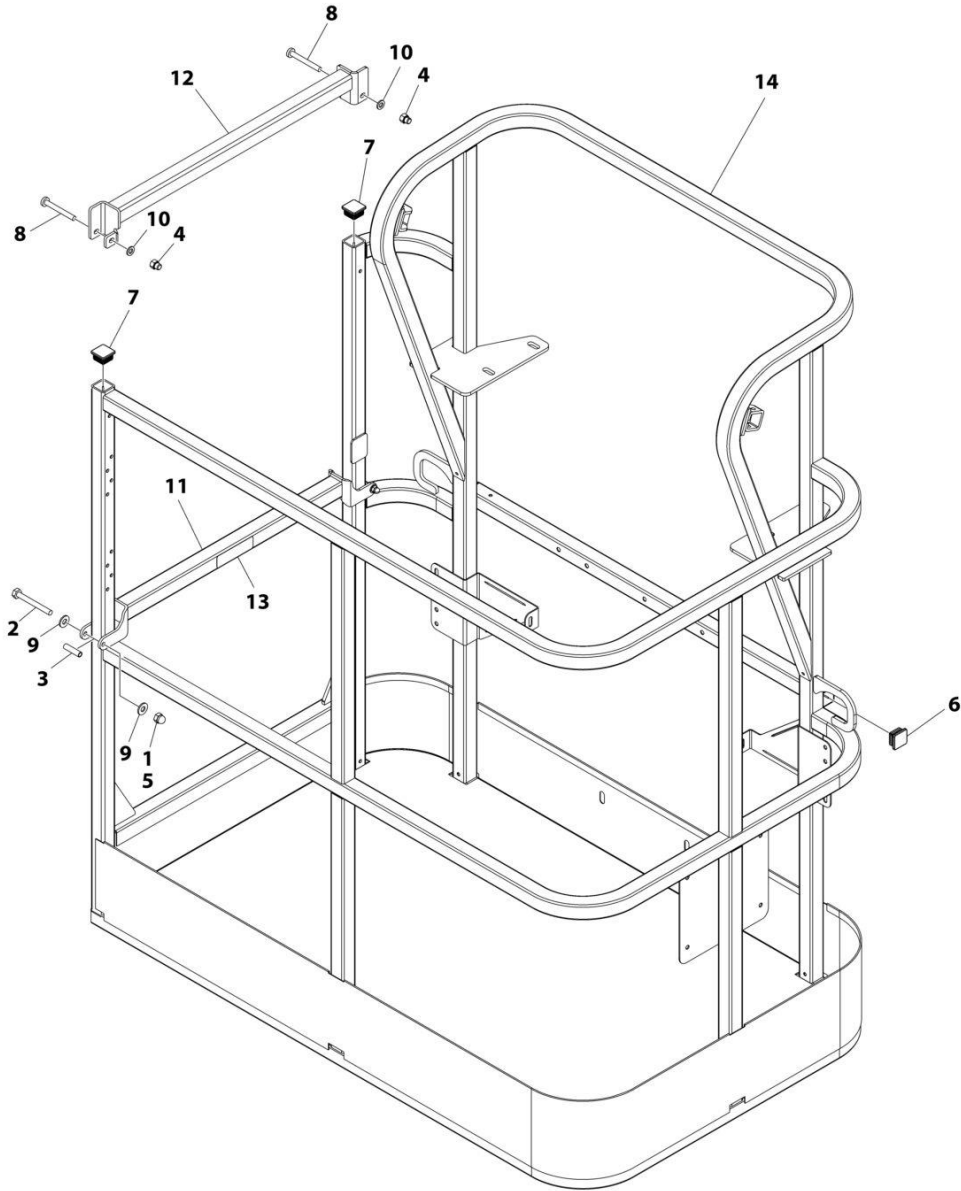
SECTION 5 - PLATFORM

FIGURE 5-2. PLATFORM ASSEMBLY WITH GATE - 30IN X 4FT (76CM X 1.22M)

ITEM	PART NUMBER	QTY	DESCRIPTION	REV
	1001186387	Ref	PLATFORM ASSEMBLY	C
		Ref	Note: Platform and Mesh must be ordered separately for Platforms with Mesh. See SPECIAL OPTIONS SECTION for Mesh Installations.	
		Ref	Note: Replacement Decals Must be Ordered Separately - See DECALS SECTION.	
1	2080040	16	Fastener, Huck	
2	2600281	2	Hinge, Self-Closing	
3	2940074	1	Latch	
4	3520072	3	Plug	
5	3520198	2	Plug	
6	3820020	4	Rivet	
7	1001144629	1	Gate	
8	See Note	1	Platform (Note: Not Available - Purchase Platform Assembly)	

SECTION 5 - PLATFORM

FIGURE 5-3. PLATFORM ASSEMBLY WITH DROP-BAR - 30IN X 4FT (76CM X 1.22M)



ART_1001186375

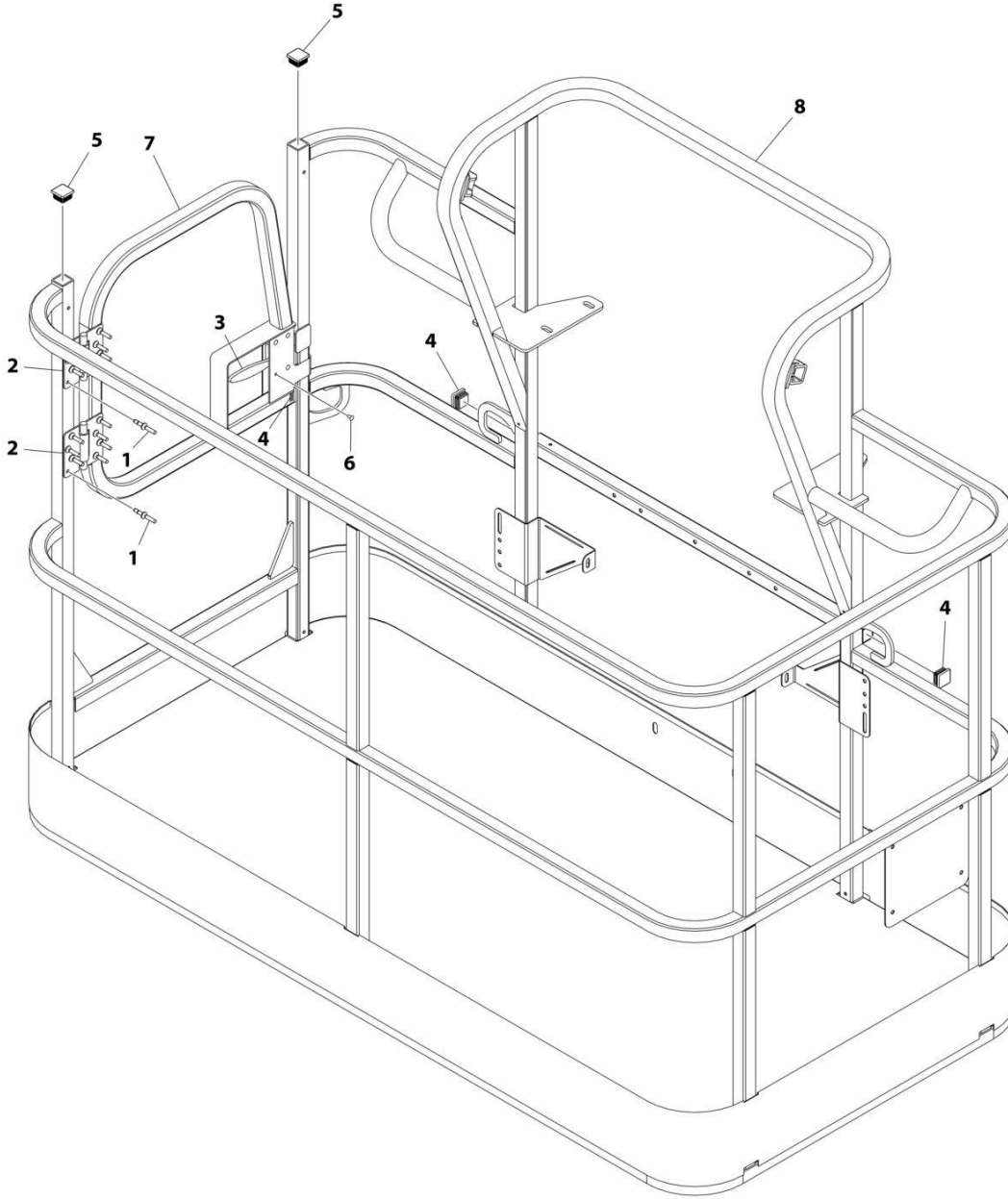
SECTION 5 - PLATFORM

FIGURE 5-3. PLATFORM ASSEMBLY WITH DROP-BAR - 30IN X 4FT (76CM X 1.22M)

ITEM	PART NUMBER	QTY	DESCRIPTION	REV
	1001186375	Ref	PLATFORM ASSEMBLY	B
		Ref	Note: Platform and Mesh must be ordered separately for Platforms with Mesh. See SPECIAL OPTIONS SECTION for Mesh Installations.	
		Ref	Note: Replacement Decals Must be Ordered Separately - See DECALS SECTION.	
1	0100011	AR	Compound, Locking	
2	0641418	2	Bolt 1/4 x 2-1/4	
3	0961845	2	Bushing	
4	3290606	2	Nut M6	
5	3300151	2	Nut 1/4	
6	3520072	2	Plug	
7	3520198	2	Plug	
8	4010618	2	Screw M6 x 50	
9	4711400	4	Washer 1/4	
10	4811700	2	Washer M6	
11	1001138494	1	Bar, Drop	
12	1001138514	1	Rail - Top	
13	1001140429	1	Decal - Drop Bar	
14	See Note	1	Platform (Note: Not Available - Purchase Platform Assembly)	

SECTION 5 - PLATFORM

FIGURE 5-4. PLATFORM ASSEMBLY WITH GATE - 30IN X 6FT (76CM X 1.83M)



ART_1001186385

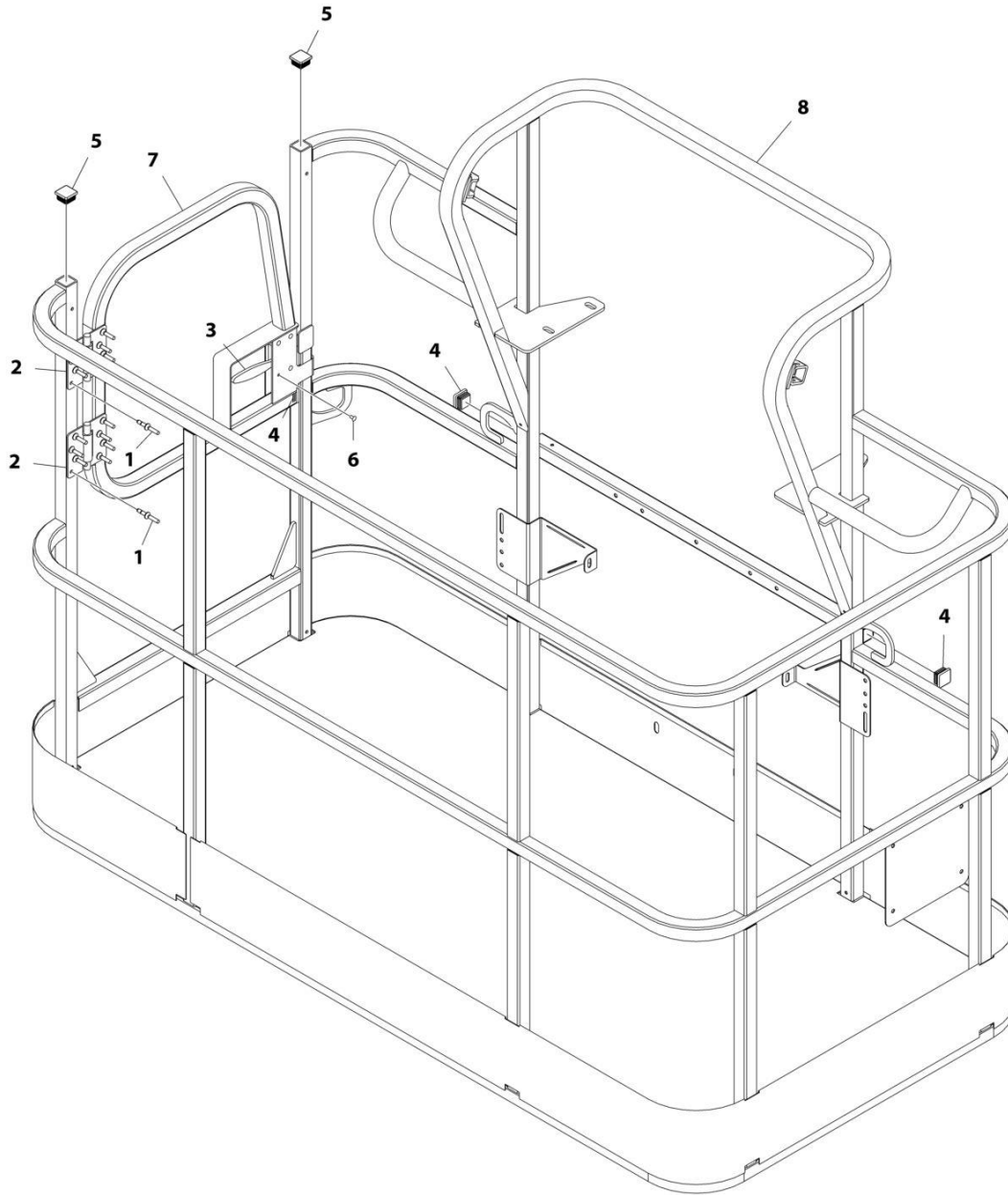
SECTION 5 - PLATFORM

FIGURE 5-4. PLATFORM ASSEMBLY WITH GATE - 30IN X 6FT (76CM X 1.83M)

ITEM	PART NUMBER	QTY	DESCRIPTION	REV
	1001186385	Ref	PLATFORM ASSEMBLY	D
		Ref	Note: Platform and Mesh must be ordered separately for Platforms with Mesh. See SPECIAL OPTIONS SECTION for Mesh Installations.	
		Ref	Note: Replacement Decals Must be Ordered Separately - See DECALS SECTION.	
1	2080040	16	Fastener, Huck	
2	2600281	2	Hinge	
3	2940074	1	Latch	
4	3520072	3	Plug	
5	3520198	2	Plug	
6	3820020	4	Rivet	
7	1001144629	1	Gate	
8	See Note	NSS	Platform (Note: Not Available - Purchase Platform Assembly)	

SECTION 5 - PLATFORM

FIGURE 5-5. PLATFORM ASSEMBLY WITH GATE- 36IN X 6FT (91.5CM X 1.83M)



ART_1001186384

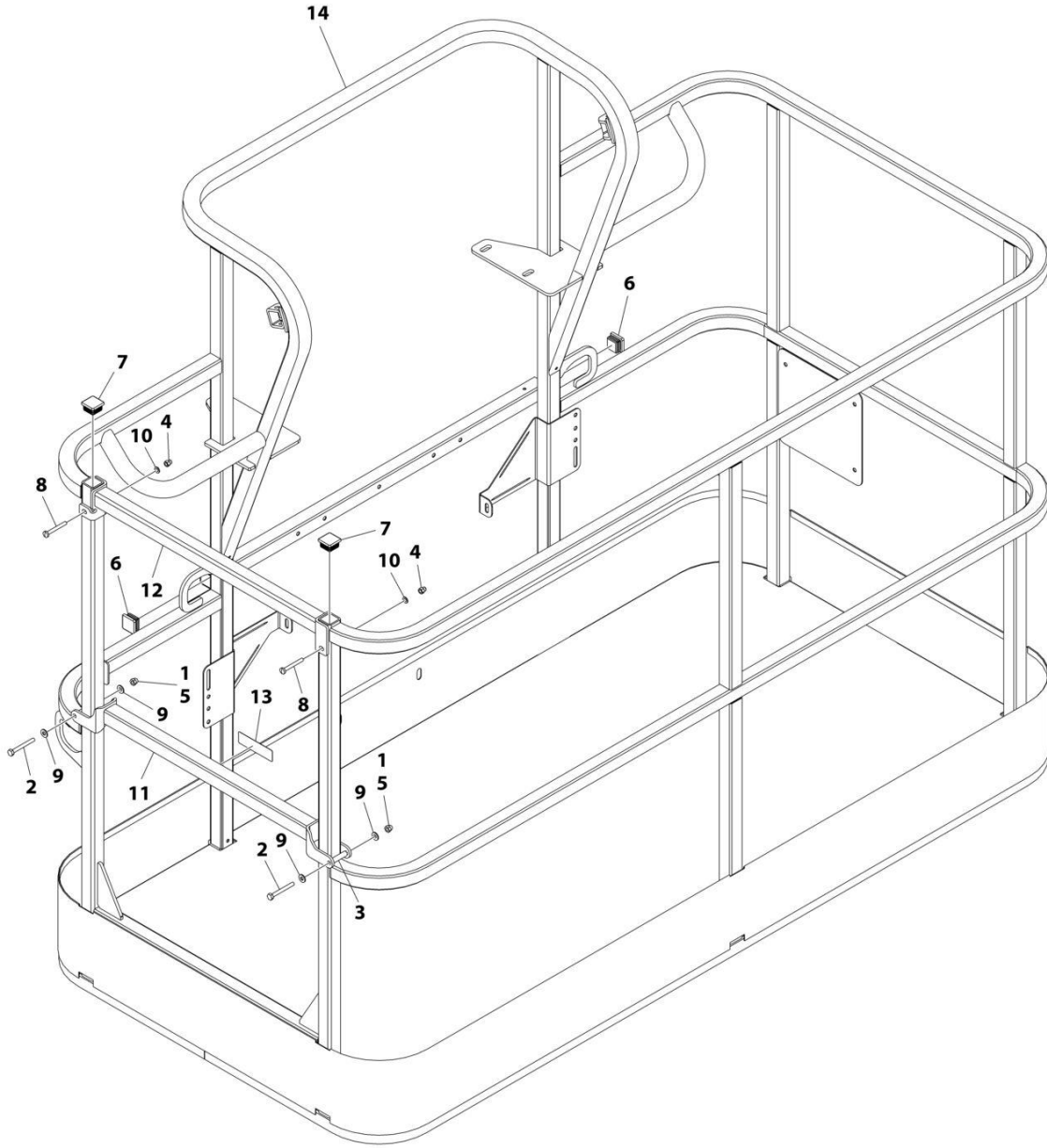
SECTION 5 - PLATFORM

FIGURE 5-5. PLATFORM ASSEMBLY WITH GATE- 36IN X 6FT (91.5CM X 1.83M)

ITEM	PART NUMBER	QTY	DESCRIPTION	REV
	1001186384	Ref	PLATFORM ASSEMBLY - 36IN X 6FT (91.5CM X 1.83M) WITH SWING GATE	C
	See Note	Ref	Note: Platform and Mesh must be ordered separately for Platforms with Mesh. See SPECIAL OPTIONS SECTION for Mesh Installations.	
	See Note	Ref	Note: Replacement Decals Must be Ordered Separately - See DECALS SECTION.	
1	2080040	16	Fastener, Huck	
2	2600281	2	Hinge	
3	2940074	1	Latch	
4	3520072	3	Plug	
5	3520198	2	Plug	
6	3820020	4	Rivet	
7	1001144629	1	Gate	
8	See Note	NSS	Platform (Note: Not Available - Purchase Platform Assembly)	

SECTION 5 - PLATFORM

FIGURE 5-6. PLATFORM ASSEMBLY WITH DROP-BAR - 30IN X 6FT (76CM X 1.83M)



ART_1001186378

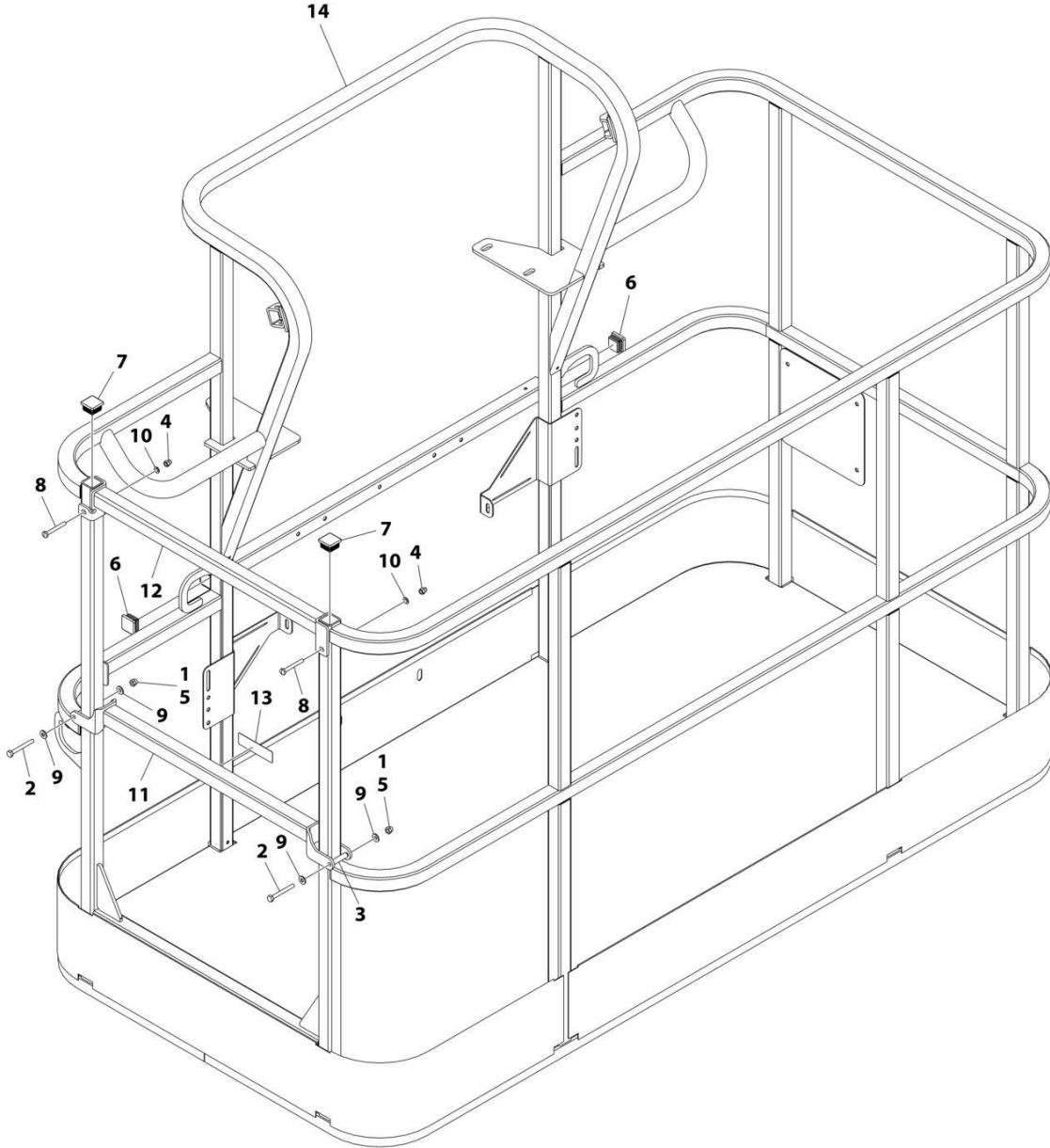
SECTION 5 - PLATFORM

FIGURE 5-6. PLATFORM ASSEMBLY WITH DROP-BAR - 30IN X 6FT (76CM X 1.83M)

ITEM	PART NUMBER	QTY	DESCRIPTION	REV
	1001186378	Ref	PLATFORM ASSEMBLY	C
		Ref	Note: Platform and Mesh must be ordered separately for Platforms with Mesh. See SPECIAL OPTIONS SECTION for Mesh Installations.	
		Ref	Note: Replacement Decals Must be Ordered Separately - See DECALS SECTION.	
1	0100011	AR	Compound, Locking	
2	0641418	2	Bolt 1/4 x 2-1/4	
3	0961845	2	Bushing	
4	3290606	2	Nut M6	
5	3300151	2	Nut 1/4	
6	3520072	2	Plug	
7	3520198	2	Plug	
8	4010618	2	Screw M6 x 50	
9	4711400	4	Washer 1/4	
10	4811700	2	Washer M6	
11	1001138494	1	Bar, Drop	
12	1001138514	1	Rail (Top)	
13	1001140429	1	Decal - Drop Bar	
14	See Note	NSS	Platform (Note: Not Available - Purchase Platform Assembly)	

SECTION 5 - PLATFORM

FIGURE 5-7. PLATFORM ASSEMBLY WITH DROP-BAR - 36IN X 6FT (91.5CM X 1.83M)



ART_1001186379

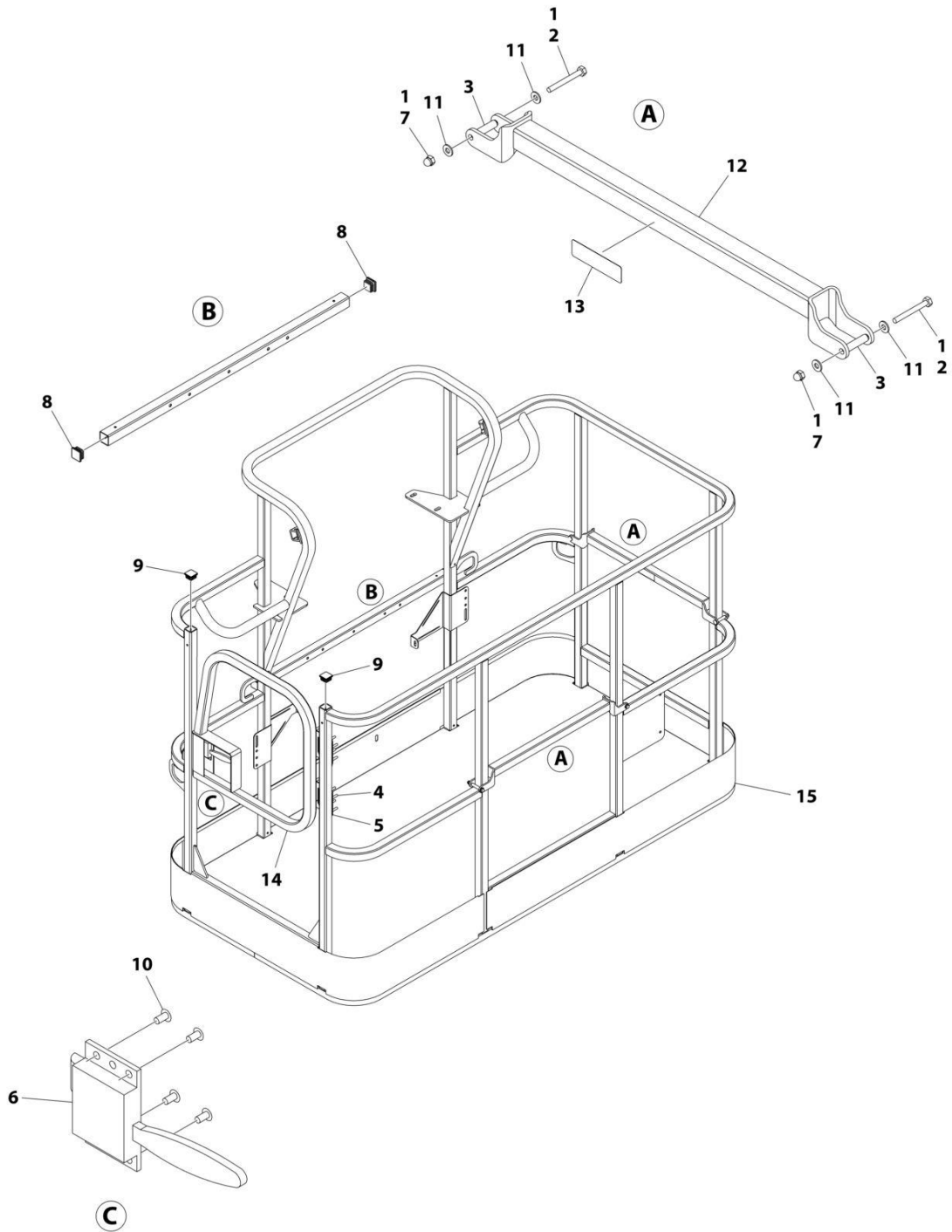
SECTION 5 - PLATFORM

FIGURE 5-7. PLATFORM ASSEMBLY WITH DROP-BAR - 36IN X 6FT (91.5CM X 1.83M)

ITEM	PART NUMBER	QTY	DESCRIPTION	REV
	1001186379	Ref	PLATFORM ASSEMBLY - 36IN X 6FT (91.5CM X 1.83M) WITH DROP BAR	B
		Ref	Note: Platform and Mesh must be ordered separately for Platforms with Mesh. See SPECIAL OPTIONS SECTION for Mesh Installations.	
		Ref	Note: Replacement Decals Must be Ordered Separately - See DECALS SECTION.	
1	0100011	AR	Compound, Locking	
2	0641418	2	Bolt 1/4 x 2-1/4	
3	0961845	2	Bushing	
4	3290606	2	Nut M6	
5	3300151	2	Nut 1/4	
6	3520072	2	Plug	
7	3520198	2	Plug	
8	4010618	2	Screw M6 x 50	
9	4711400	4	Washer 1/4	
10	4811700	2	Washer M6	
11	1001138494	1	Bar, Drop	
12	1001138514	1	Rail (Top)	
13	1001140429	1	Decal - Drop Bar	
14	See Note	NSS	Platform (Note: Not Available - Purchase Platform Assembly)	

SECTION 5 - PLATFORM

FIGURE 5-8. PLATFORM ASSEMBLY WITH 1 GATE / 2 DROP BARS (TRI-ENTRY) - 36IN X 6FT (91.5CM X 1.83M)



ART_1001228376

SECTION 5 - PLATFORM

**FIGURE 5-8. PLATFORM ASSEMBLY WITH 1 GATE / 2 DROP BARS (TRI-ENTRY) - 36IN X 6FT
(91.5CM X 1.83M)**

ITEM	PART NUMBER	QTY	DESCRIPTION	REV
	1001228376	Ref	PLATFORM ASSEMBLY - 36IN x 6FT (91.5CM x 1.83M)	B
		Ref	Note: Platform and Mesh must be ordered separately for Platforms with Mesh. See SPECIAL OPTIONS SECTION for Mesh Installations.	
		Ref	Note: Replacement Decals Must be Ordered Separately - See DECAL SECTION.	
1	0100011	AR	Compound, Locking	
2	0641418	4	Bolt 1/4 x 2-1/4	
3	0961845	4	Bushing	
4	2080040	16	Fastener	
5	2600281	2	Hinge	
6	2940074	1	Latch	
7	3300151	4	Nut 1/4	
8	3520072	3	Plug	
9	3520198	2	Plug	
10	3820020	4	Rivet	
11	4711400	8	Washer 1/4	
12	1001138494	2	Bar, Drop	
13	1001140429	2	Decal - Drop Bar	
14	1001144629	1	Gate	
15	See Note	NSS	Platform (Note: Not Available - Purchase Platform Assembly)	

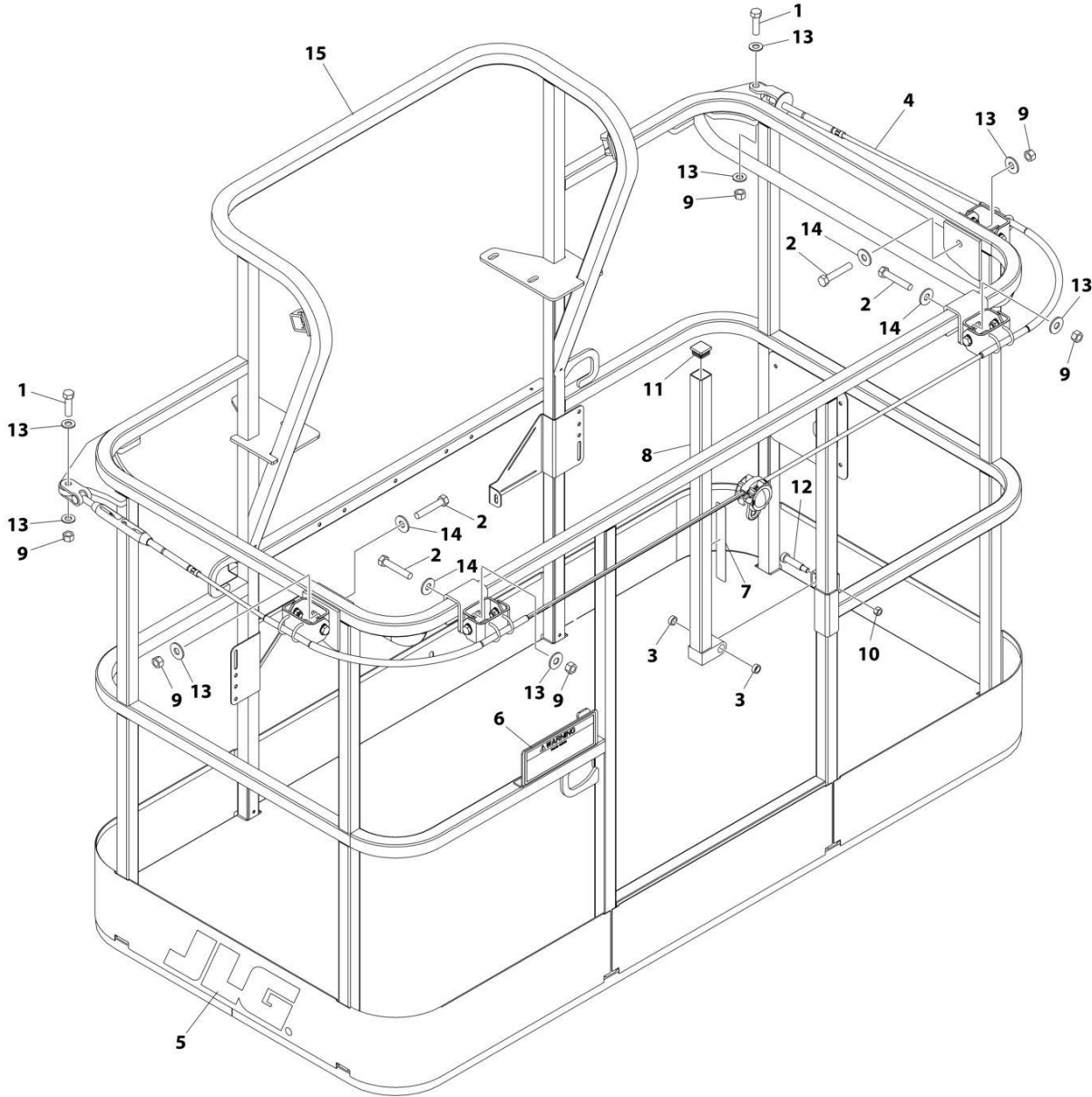
SECTION 5 - PLATFORM

FIGURE 5-9. PLATFORM ASSEMBLY WITH 3 DROP BARS (TRI-ENTRY) - 36IN X 6FT (91.5CM X 1.83M)

ITEM	PART NUMBER	QTY	DESCRIPTION	REV
	1001228377	Ref	PLATFORM ASSEMBLY - 36IN x 6FT (91.5CM x 1.83M)	B
		Ref	Note: Platform and Mesh must be ordered separately for Platforms with Mesh. See SPECIAL OPTIONS SECTION for Mesh Installations.	
		Ref	Note: Replacement Decals Must be Ordered Separately - See DECAL SECTION.	
1	0100011	1	Compound, Locking	
2	0641418	6	Bolt 1/4 x 2-1/4	
3	0961845	6	Bushing	
4	3290606	2	Nut M6	
5	3300151	6	Nut 1/4	
6	3520072	2	Plug	
7	3520198	2	Plug	
8	4010618	2	Screw M6 x 50	
9	4711400	12	Washer 1/4	
10	4811700	2	Washer M6	
11	1001138494	3	Bar, Drop	
12	1001138514	1	Rail (Top)	
13	1001140429	3	Decal - Drop Bar	
14	See Note	NSS	Platform, Weldment (Note: Not Available - Purchase Platform Assembly)	

SECTION 5 - PLATFORM

FIGURE 5-10. PLATFORM ASSEMBLY WITH FALL ARREST (6FT)



ART_1001186333

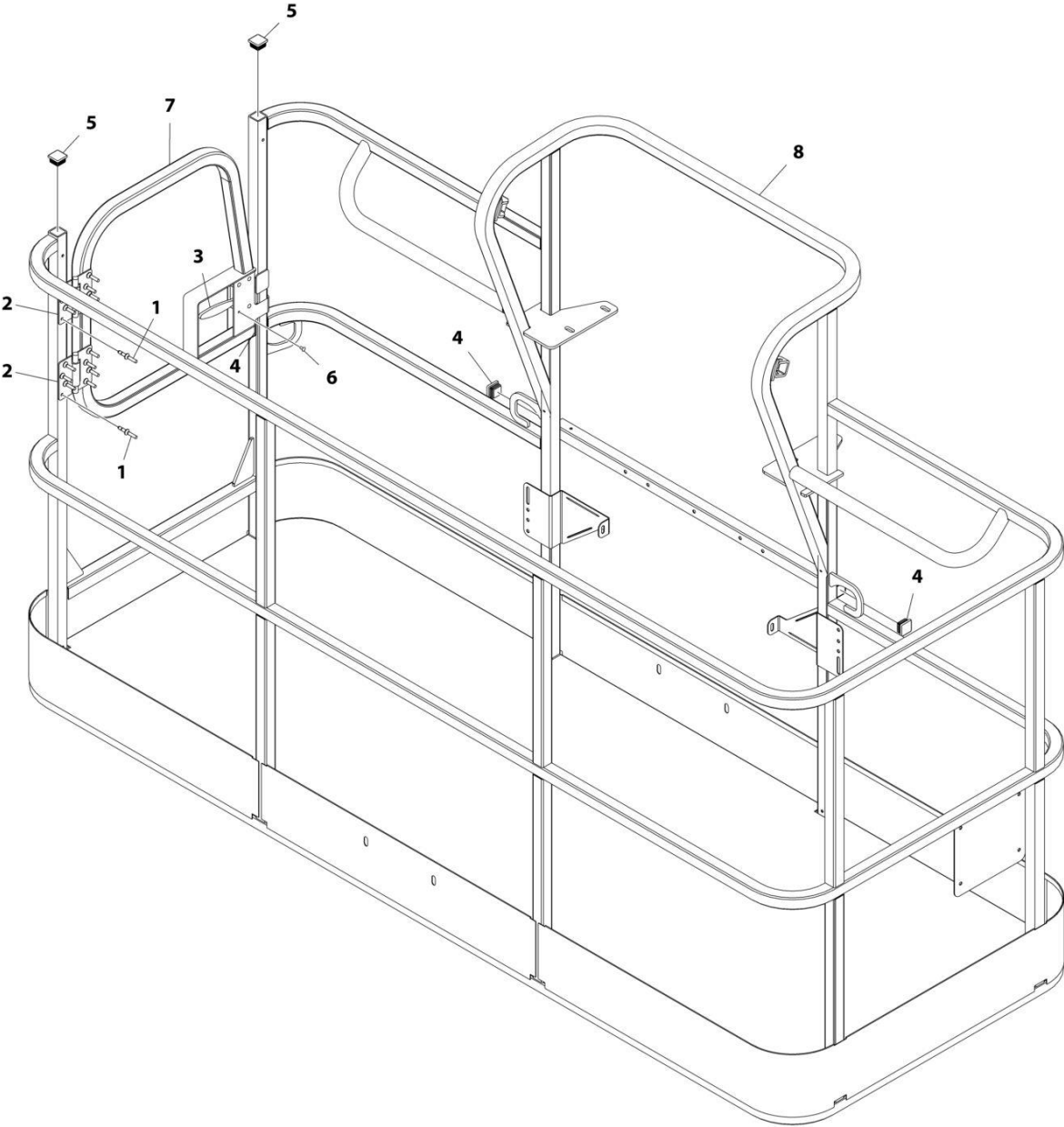
SECTION 5 - PLATFORM

FIGURE 5-10. PLATFORM ASSEMBLY WITH FALL ARREST (6FT)

ITEM	PART NUMBER	QTY	DESCRIPTION	REV
	1001186333	Ref	PLATFORM ASSEMBLY	C
		Ref	Note: Replacement Decals Must be Ordered Separately - See DECALS SECTION.	
1	0681814	2	Bolt 1/2 x 1-3/4 Grade 8	
2	0681822	4	Bolt 1/2 x 2-3/4 Grade 8	
3	0962270	2	Bearing	
4	1001203655	1	Cable	
5	1702773	1	Decal - JLG	
6	1705014	1	Decal - Safety	
7	1706385	1	Decal - Drop Bar	
8	2410014	1	Bar, Drop	
9	3271805	6	Nut 1/2 Grade 8	
10	3311605	1	Nut 3/8	
11	3520072	1	Plug	
12	3900054	1	Bolt 1/2 x 1-3/4	
13	4711800	8	Washer 1/2	
14	4751800	4	Washer 1/2	
15	See Note	NSS	Platform (Note: Not Available - Purchase Platform Assembly)	

SECTION 5 - PLATFORM

FIGURE 5-11. PLATFORM ASSEMBLY WITH GATE - 36IN X 8FT (91.5CM X 2.44M)



ART_1001186383

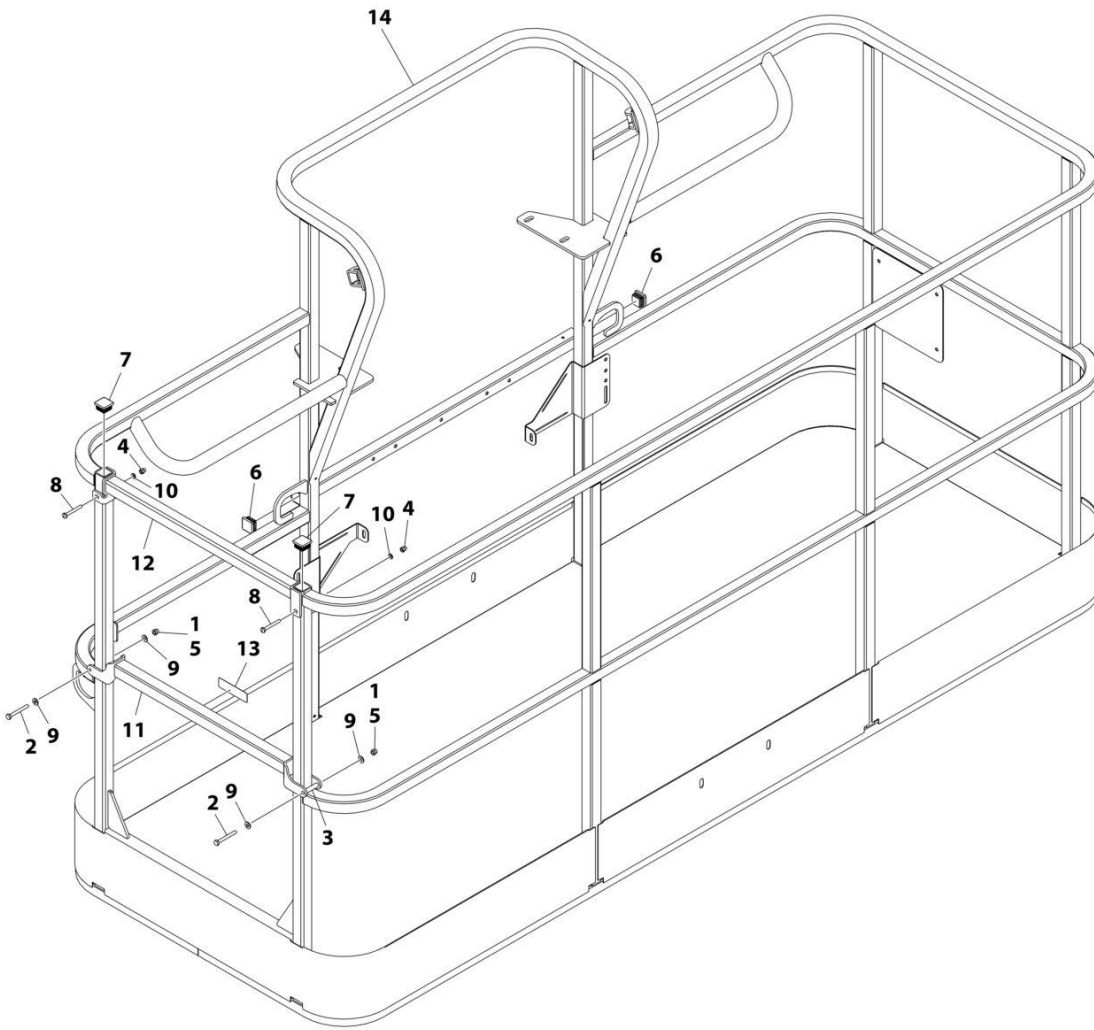
SECTION 5 - PLATFORM

FIGURE 5-11. PLATFORM ASSEMBLY WITH GATE - 36IN X 8FT (91.5CM X 2.44M)

ITEM	PART NUMBER	QTY	DESCRIPTION	REV
	1001186383	Ref	PLATFORM ASSEMBLY - 36IN X 8FT (91.5CM X 2.44M) WITH SWING GATE	D
		Ref	Note: Platform and Mesh must be ordered separately for Platforms with Mesh. See SPECIAL OPTIONS SECTION for Mesh Installations.	
		Ref	Note: Replacement Decals Must be Ordered Separately - See DECALS SECTION.	
1	2080040	16	Fastener, Huck	
2	2600281	2	Hinge	
3	2940074	1	Latch	
4	3520072	3	Plug	
5	3520198	2	Plug	
6	3820020	4	Rivet	
7	1001144629	1	Gate	
8	See Note	NSS	Platform (Note: Not Available - Purchase Platform Assembly)	

SECTION 5 - PLATFORM

FIGURE 5-12. PLATFORM ASSEMBLY WITH DROP-BAR - 36IN X 8FT (91.5CM X 2.44M)



ART_1001186382

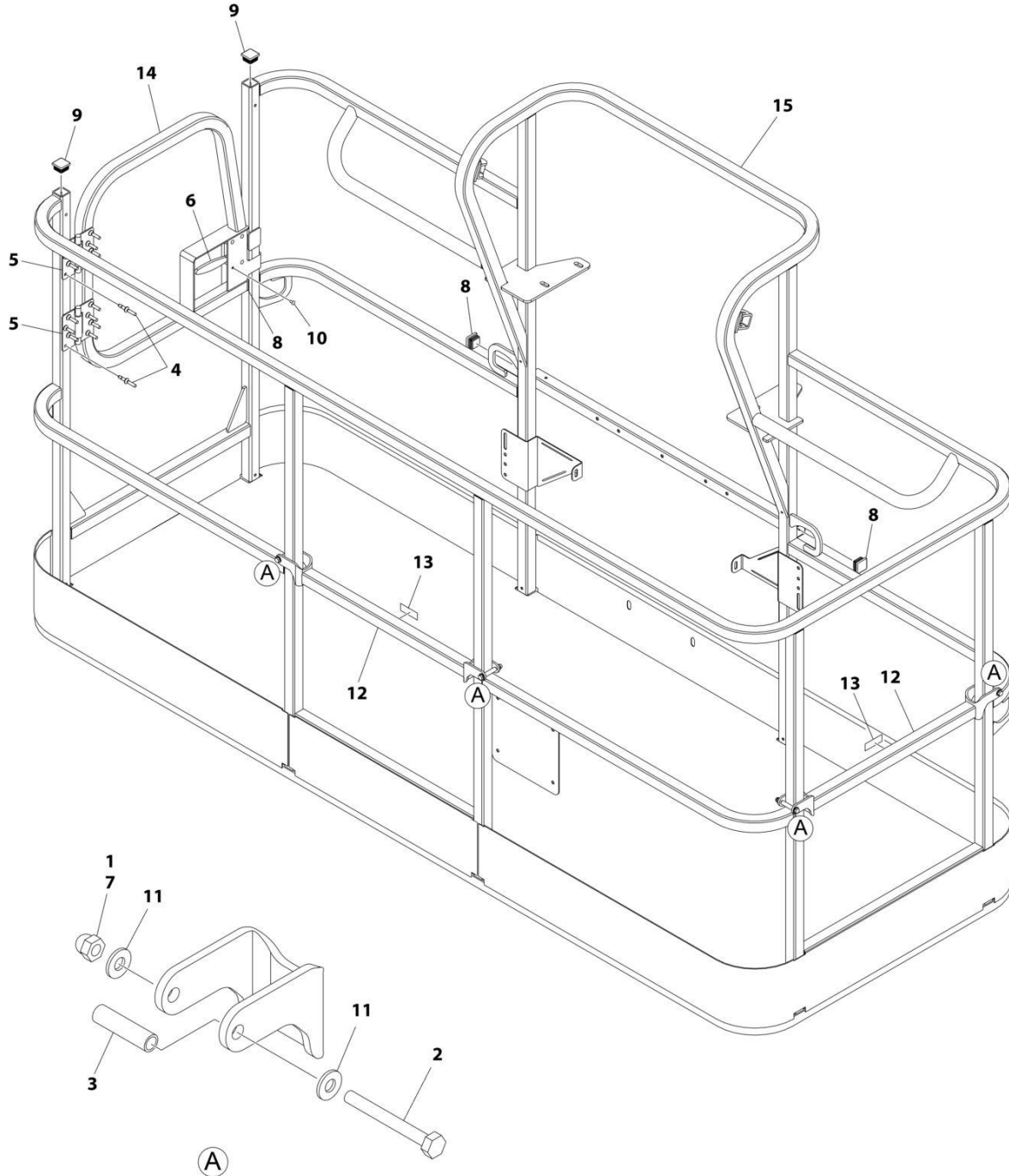
SECTION 5 - PLATFORM

FIGURE 5-12. PLATFORM ASSEMBLY WITH DROP-BAR - 36IN X 8FT (91.5CM X 2.44M)

ITEM	PART NUMBER	QTY	DESCRIPTION	REV
	1001186382	Ref	PLATFORM ASSEMBLY - 36IN X 8FT (91.5CM X 2.44M) WITH DROP BAR	C
		Ref	Note: Platform and Mesh must be ordered separately for Platforms with Mesh. See SPECIAL OPTIONS SECTION for Mesh Installations.	
		Ref	Note: Replacement Decals Must be Ordered Separately - See DECALS SECTION.	
1	0100011	AR	Compound, Locking	
2	0641418	2	Bolt 1/4 x 2-1/4	
3	0961845	2	Bushing	
4	3290606	2	Nut M6	
5	3300151	2	Nut 1/4	
6	3520072	2	Plug	
7	3520198	2	Plug	
8	4010618	2	Screw M6 x 50	
9	4711400	4	Washer 1/4	
10	4811700	2	Washer M6	
11	1001138494	1	Bar, Drop	
12	1001138514	1	Rail (Top)	
13	1001140429	1	Decal - Drop Bar	
14	See Note	NSS	Platform (Note: Not Available - Purchase Platform Assembly)	

SECTION 5 - PLATFORM

FIGURE 5-13. PLATFORM ASSEMBLY WITH 1 GATE / 2 DROP BARS (TRI-ENTRY) - 36IN X 8FT
(91.5CM X 2.44M)



ART_1001228243

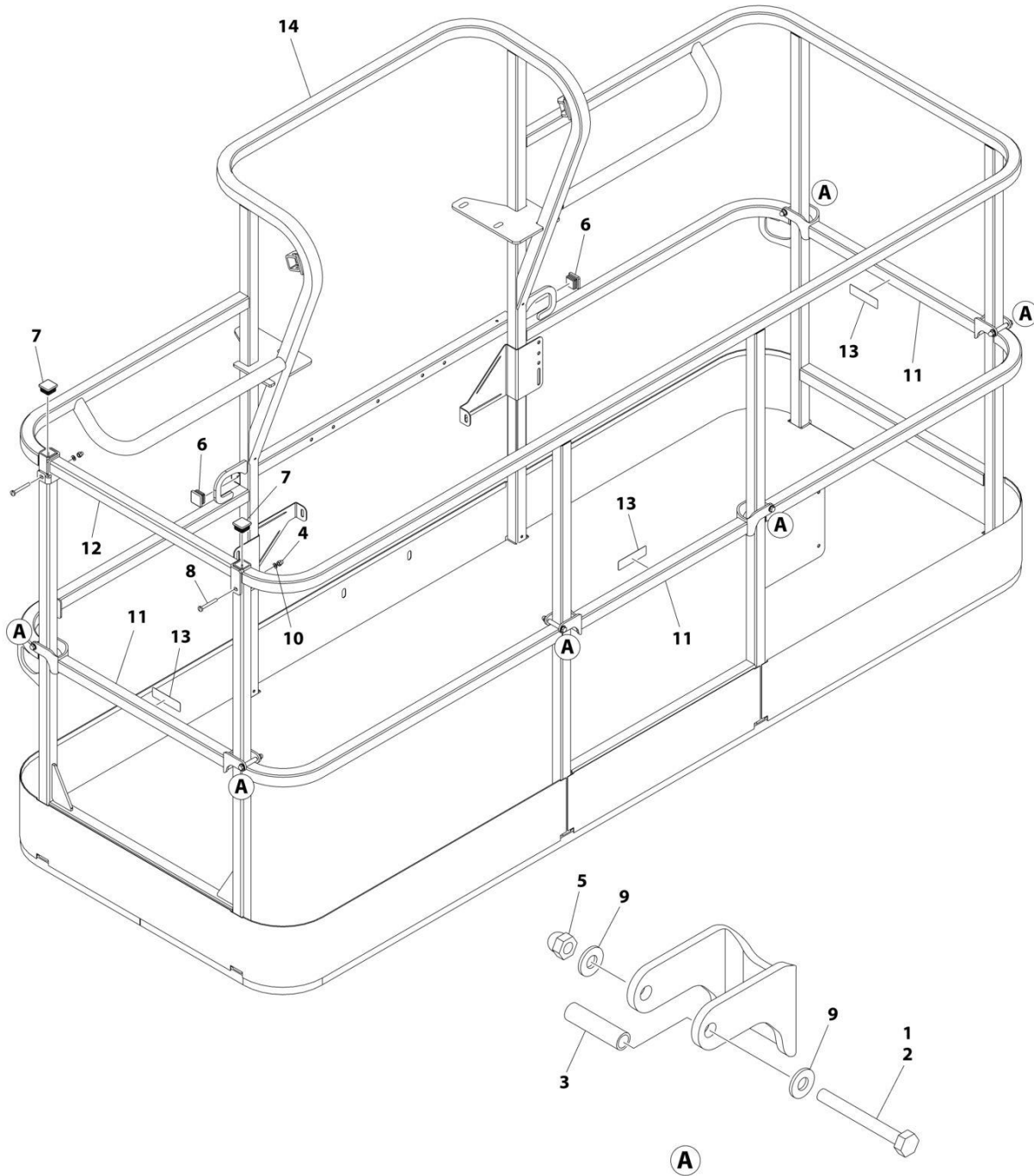
SECTION 5 - PLATFORM

**FIGURE 5-13. PLATFORM ASSEMBLY WITH 1 GATE / 2 DROP BARS (TRI-ENTRY) - 36IN X 8FT
(91.5CM X 2.44M)**

ITEM	PART NUMBER	QTY	DESCRIPTION	REV
	1001228243	Ref	PLATFORM ASSEMBLY - 36IN X 8FT (91.5CM X 2.44M) WITH TRI-ENTRY	A
		Ref	Note: Platform and Mesh must be ordered separately for Platforms with Mesh. See SPECIAL OPTIONS SECTION for Mesh Installations.	
1	0100011	AR	Compound, Locking	
2	0641418	4	Bolt 1/4 x 2-1/4	
3	0961845	4	Bushing	
4	2080040	16	Fastener, Huck	
5	2600281	2	Hinge, Self-Closing	
6	2940074	1	Latch	
7	3300151	4	Nut 1/4	
8	3520072	3	Cap, Plug	
9	3520198	2	Cap, Plug	
10	3820020	4	Rivet	
11	4711400	8	Washer 1/4	
12	1001138494	2	Bar, Drop	
13	1001140429	2	Decal - Drop Bar	
14	1001144629	1	Gate, Weldment	
15	See Note	1	Platform (Note: Not Available - Purchase Platform Assembly)	

SECTION 5 - PLATFORM

FIGURE 5-14. PLATFORM ASSEMBLY WITH 3 DROP BARS (TRI-ENTRY) - 36IN X 8FT (91.5CM X 2.44M)



ART_1001228375

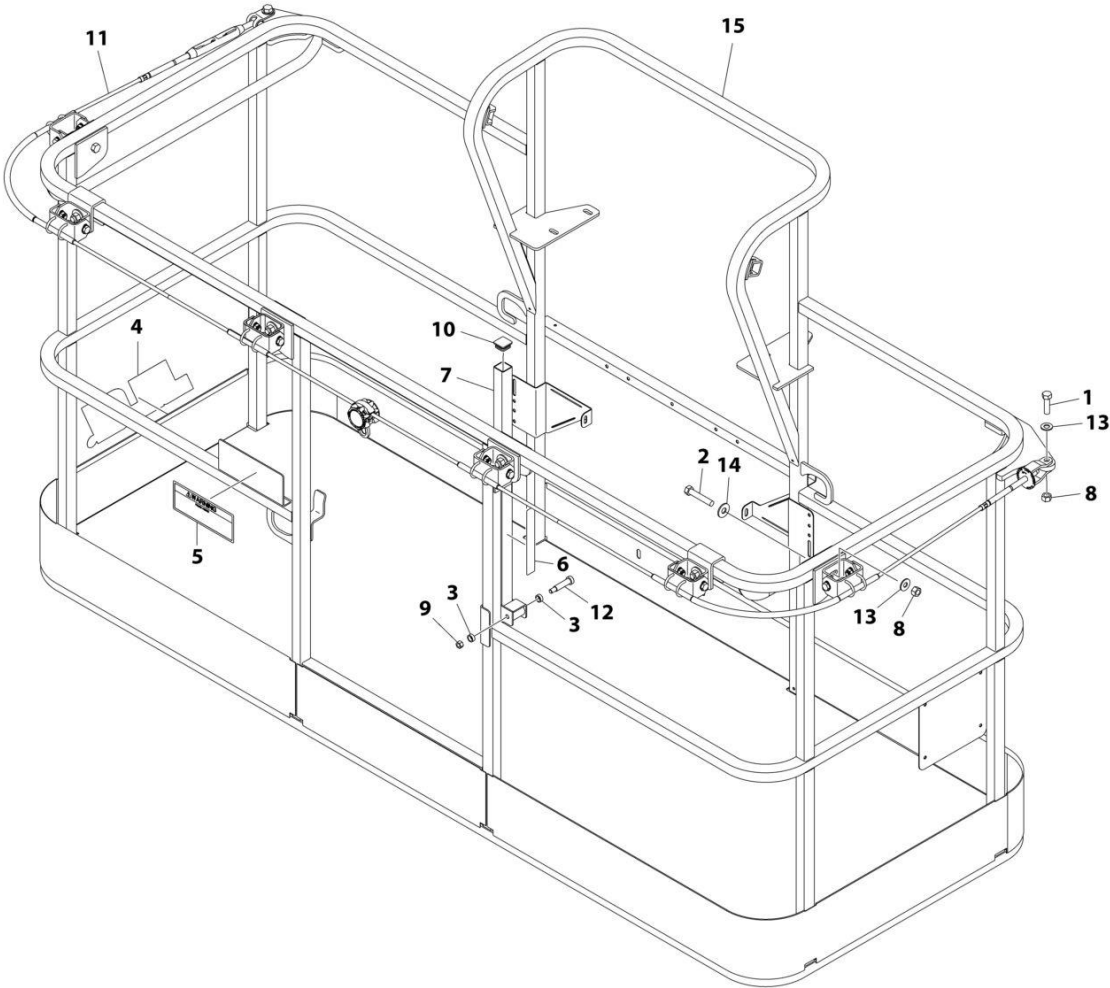
SECTION 5 - PLATFORM

FIGURE 5-14. PLATFORM ASSEMBLY WITH 3 DROP BARS (TRI-ENTRY) - 36IN X 8FT (91.5CM X 2.44M)

ITEM	PART NUMBER	QTY	DESCRIPTION	REV
	1001228375	Ref	PLATFORM ASSEMBLY - 36IN X 8FT (91.5CM X 2.44M) WITH TRI-ENTRY	A
		Ref	Note: Platform and Mesh must be ordered separately for Platforms with Mesh. See SPECIAL OPTIONS SECTION for Mesh Installations.	
		Ref	Note: Replacement Decals Must be Ordered Separately - See DECAL SECTION.	
1	0100011	AR	Compound, Locking	
2	0641418	6	Bolt 1/4 x 2-1/4	
3	0961845	6	Bushing	
4	3290606	2	Nut M6 x 1	
5	3300151	6	Nut 1/4	
6	3520072	2	Cap, Plug	
7	3520198	2	Cap, Plug	
8	4010618	2	Screw M6 x 50	
9	4711400	12	Washer 1/4	
10	4811700	2	Washer M6	
11	1001138494	3	Bar, Drop	
12	1001138514	1	Rail (Top)	
13	1001140429	3	Decal - Drop Bar	
14	See Note	1	Platform (Note: Not Available - Purchase Platform Assembly)	

SECTION 5 - PLATFORM

FIGURE 5-15. PLATFORM ASSEMBLY WITH FALL ARREST (8FT)



ART_1001186334

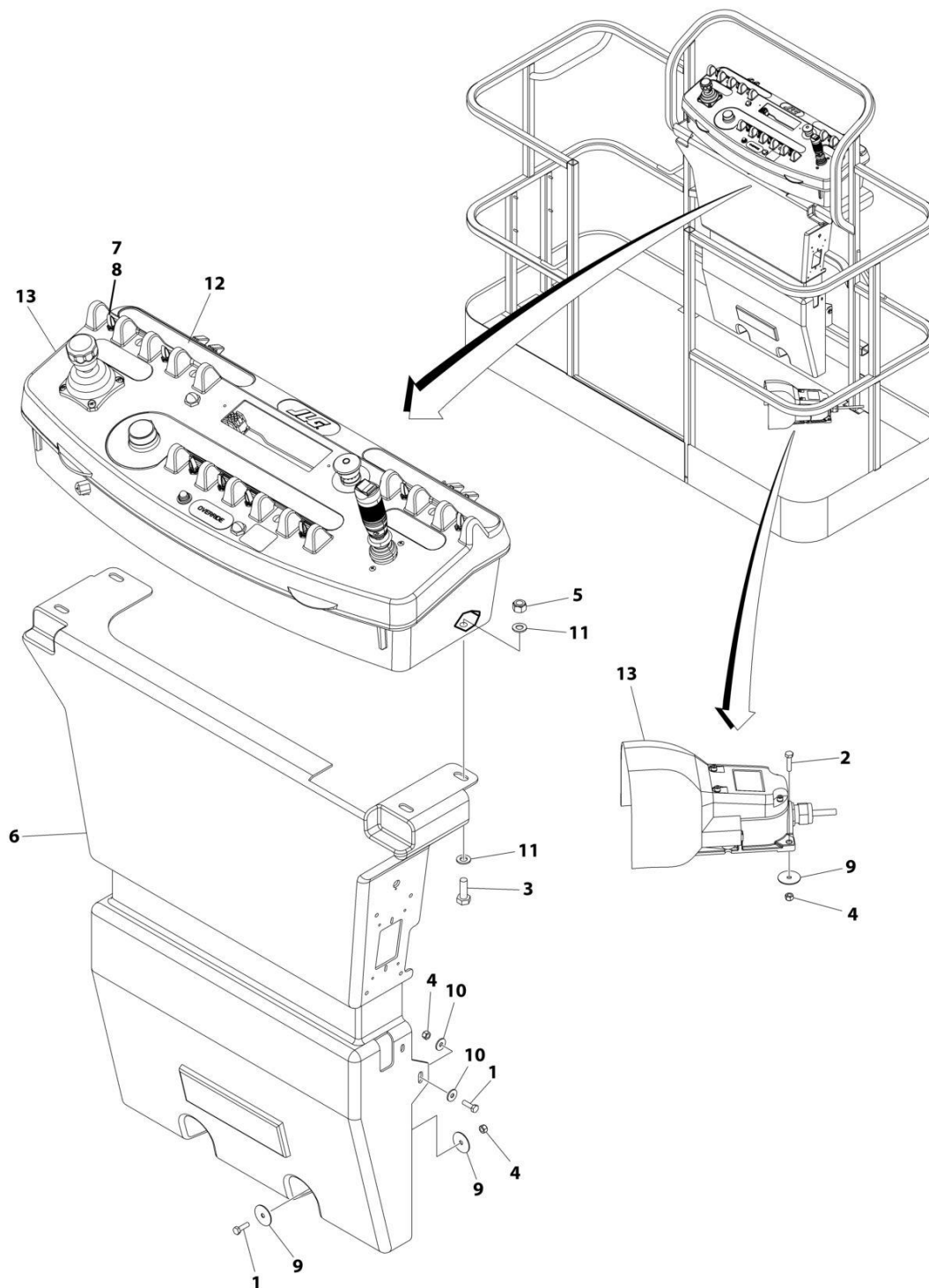
SECTION 5 - PLATFORM

FIGURE 5-15. PLATFORM ASSEMBLY WITH FALL ARREST (8FT)

ITEM	PART NUMBER	QTY	DESCRIPTION	REV
	1001186334	Ref	PLATFORM ASSEMBLY	D
		Ref	Note: Replacement Decals Must be Ordered Separately - See DECALS SECTION.	
1	0681814	2	Bolt 1/2 x 1-3/4 Grade 8	
2	0681822	6	Bolt 1/2 x 2-3/4 Grade 8	
3	0962270	2	Bearing	
4	1702773	1	Decal - JLG	
5	1705014	1	Decal - Safety	
6	1706385	1	Decal - Drop Bar	
7	2410014	1	Bar, Drop	
8	3271805	8	Nut 1/2 Grade 8	
9	3311605	1	Nut 3/8	
10	3520072	1	Plug	
11	1001203656	1	Cable	
12	3900054	1	Bolt 1/2 x 1-3/4	
13	4711800	2	Washer 1/2	
14	4751800	6	Washer 1/2	
15	See Note	NSS	Platform (Note: Purchase Platform Assembly)	

SECTION 5 - PLATFORM

FIGURE 5-16. CONSOLE AND FOOT SWITCH INSTALLATION



ART_1001266073

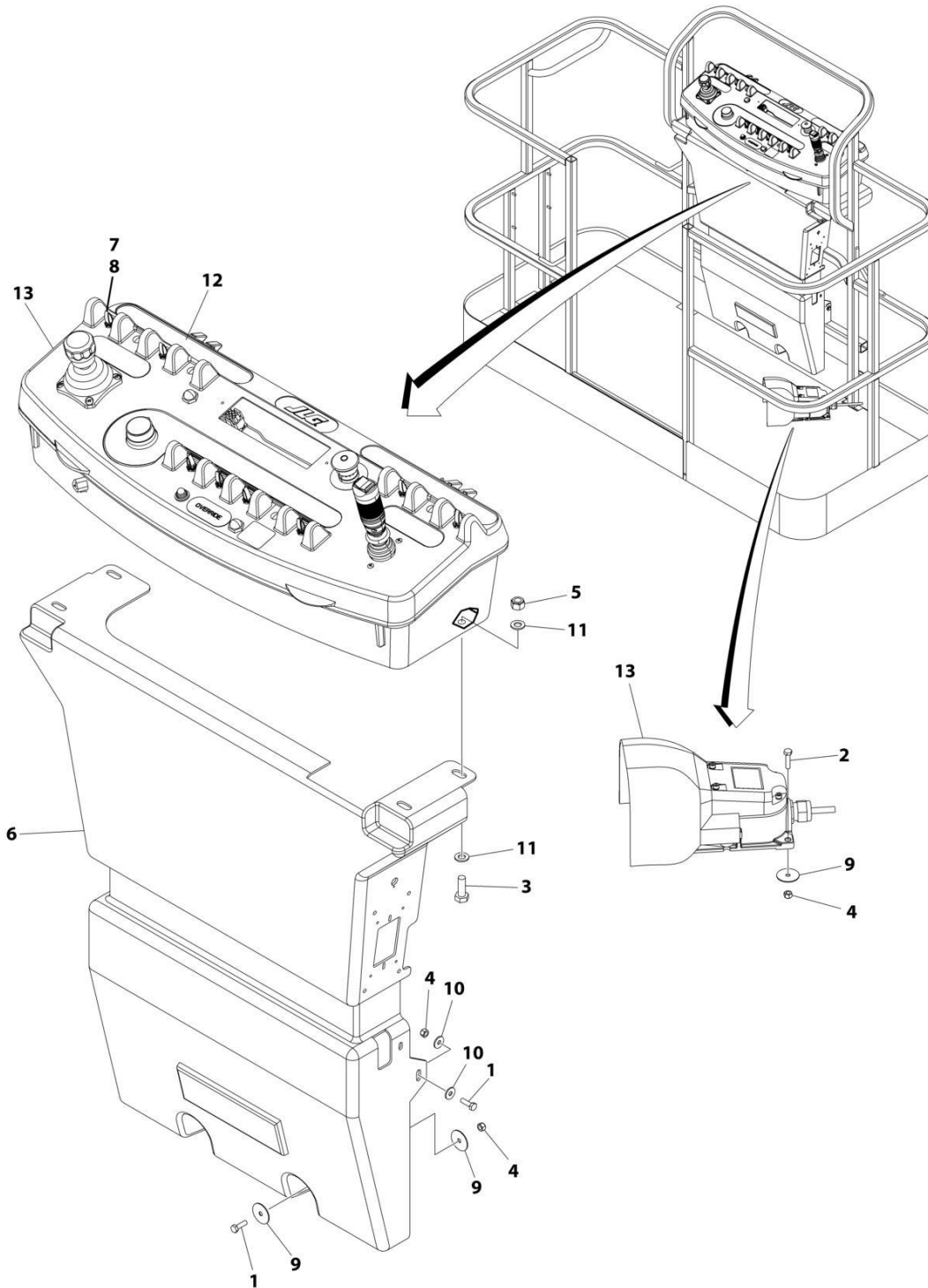
SECTION 5 - PLATFORM

FIGURE 5-16. CONSOLE AND FOOT SWITCH INSTALLATION

ITEM	PART NUMBER	QTY	DESCRIPTION	REV
	1001266073	Ref	PLATFORM CONSOLE AND FOOTSWITCH INSTALLATION	A
1	0641406	4	Bolt 1/4 x 3/4	
2	0641408	3	Bolt 1/4 x 1	
3	0641610	4	Bolt 3/8 x 1-1/4	
4	3311405	7	Nut 1/4	
5	3311605	4	Nut 3/8	
6	3380434	1	Panel	
7	3790012	1	O-Ring	
8	4360331	1	Switch, Toggle	
9	4740362	7	Washer	
10	4751400	4	Washer 1/4	
11	4761600	8	Washer 3/8	
12	1001184626	1	Decal - Horn	
13	1001266069	1	Platform Console Assembly (See Separate Breakdown in this Section)	

SECTION 5 - PLATFORM

FIGURE 5-17. CONSOLE AND FOOT SWITCH INSTALLATION WITH TOWER STOW



ART_1001264239

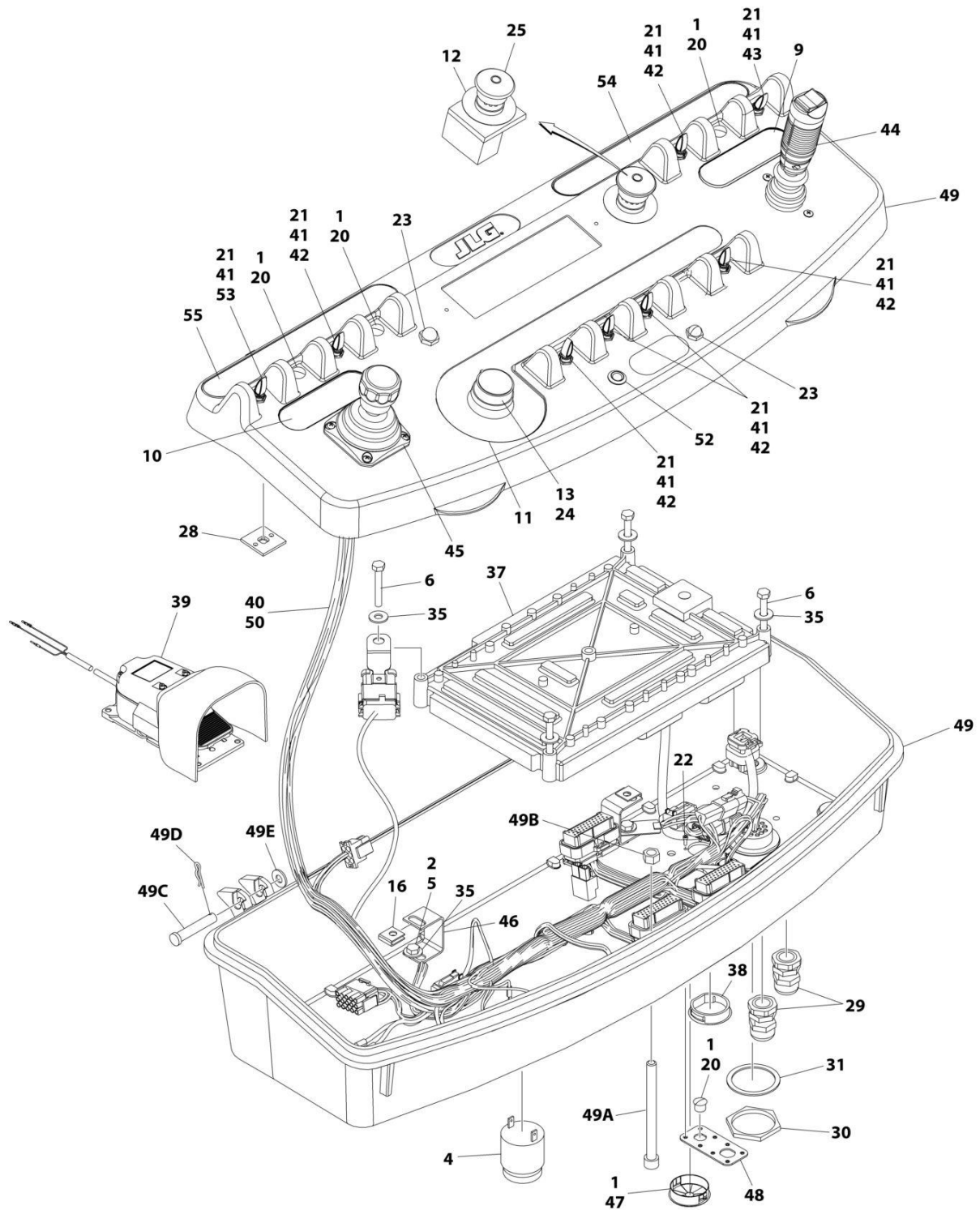
SECTION 5 - PLATFORM

FIGURE 5-17. CONSOLE AND FOOT SWITCH INSTALLATION WITH TOWER STOW

ITEM	PART NUMBER	QTY	DESCRIPTION	REV
	1001264239	Ref	PLATFORM CONSOLE AND FOOTSWITCH INSTALLATION (TOWER STOW)	A
1	0641406	4	Bolt 1/4 x 3/4	
2	0641408	3	Bolt 1/4 x 1	
3	0641610	4	Bolt 3/8 x 1-1/4	
4	3311405	7	Nut 1/4	
5	3311605	4	Nut 3/8	
6	3380434	1	Panel	
7	3790012	AR	O-Ring	
8	4360331	AR	Switch, Toggle	
9	4740362	7	Washer	
10	4751400	4	Washer 1/4	
11	4761600	8	Washer 3/8	
12	1001184626	AR	Decal - Horn	
13	1001263588	1	Platform Console Assembly (See Separate Breakdown in this Section)	

SECTION 5 - PLATFORM

FIGURE 5-18. CONSOLE BOX ASSEMBLY WITH FOOTSWITCH (WITHOUT TOWER STOW) (Prior to SN 0300316691)



ART_1001266069_C

SECTION 5 - PLATFORM

FIGURE 5-18. CONSOLE BOX ASSEMBLY WITH FOOTSWITCH (WITHOUT TOWER STOW) (Prior to SN 0300316691)

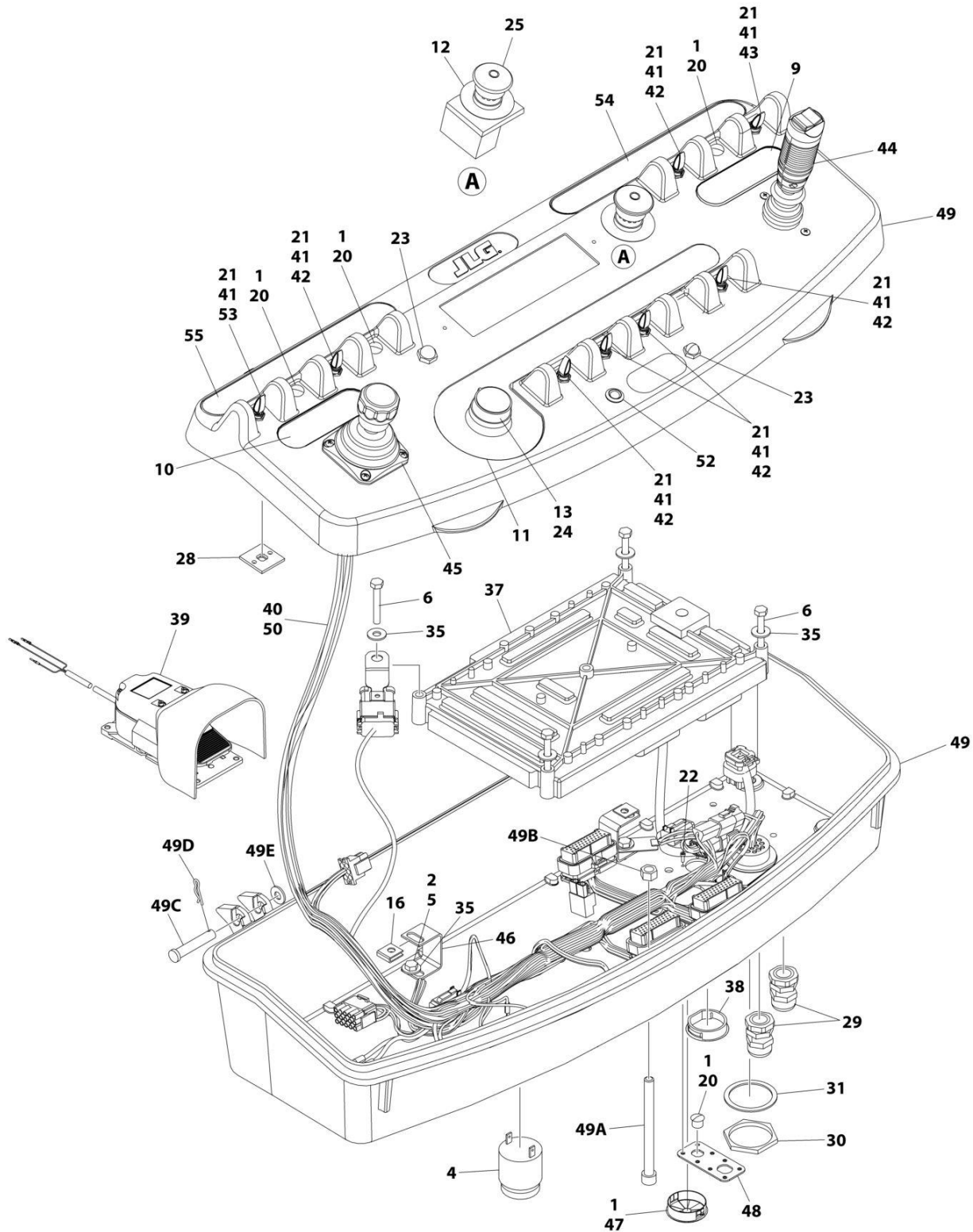
ITEM	PART NUMBER	QTY	DESCRIPTION	REV
	1001266069	Ref	CONSOLE BOX ASSEMBLY	C
1	0100009	AR	Sealant	
2	0100035	AR	Compound, Locking	
4	0140011	1	Alarm	
5	0641405	4	Bolt 1/4 x 5/8	
6	0641414	4	Bolt 1/4 x 1-3/4	
9	1702565	1	Decal - Drive and Steer	
10	1702566	1	Decal - Lift and Swing	
11	1702567	1	Decal - Function Speed	
12	1704260	1	Decal - Emergency Stop	
13	2560136	1	Handle, Knob	
16	3300353	4	Nut, Tinnerman	
20	3520054	4	Plug	
21	3790012	8	O-Ring	
22	3900349	8	Capscrew M2.5 x 8	
23	4360387	2	Switch, Push Button	
24	4360407	1	Controller, Speed	
24	4460224	1	Receptacle, Female - 6 Position	
24	4460226	6	Socket, Female	
24	See Note	1	Gasket "Top Hat" (Included with Switch) (Note: Not Available - Purchase Complete Controller)	
24	70003784	1	Seal	
25	1001274559	1	Switch, Emergency Stop	
28	4460234	6	Mount, Tie-Strap	
29	4460428	2	Connector, Strain Relief	
30	4460470	1	Nut, Terminal	
31	4460471	1	Washer, Terminal	
35	4751400	8	Washer 1/4	
36	4922666	1	Analyzer Harness (Not Shown)	
36	4460761	1	Receptacle, Female - 4 Position	
36	4460227	4	Pin, Male	
37	1001106938	1	Module, Platform (Note: Re-calibration Required when Replaced)	
38	1001110434	1	Plug	
39	1001117174	1	Footswitch Assembly (See Separate Breakdown in this Section)	
40	1001139135	1	Boom Valve Harness (See Separate Breakdown in ELECTRICAL Section)	
41	1001155044	8	Nut 15/32	
42	1001155045	6	Switch, Toggle	
43	1001159256	1	Switch, Toggle	
44	1001275628	1	Controller Assembly (Drive and Steer)	
45	1001275629	1	Controller Assembly (Lift and Swing)	
46	1001172760	4	Bracket	
47	1001185281	1	Plug	
48	1001213882	1	Mount	
49	1001215228	1	Console Box Assembly	
49A	0630568	1	Capscrew 3/8 x 4-1/2	
49B	3311601	1	Nut 3/8	
49C	3430616	2	Pin	
49D	3470003	2	Hairpin	

SECTION 5 - PLATFORM

ITEM	PART NUMBER	QTY	DESCRIPTION	REV
49E	4711600	2	Washer 3/8	
50	1001266648	1	Platform Console Harness (See Separate Breakdown in ELECTRICAL Section)	
51	4240099	AR	Tie-Strap (Not Shown)	
52	1001206532	1	Lamp, LED Indicator Yellow	
53	1001161709	1	Switch, Toggle DPDT	
54	1001184618	1	Decal - Stop & Auxiliary Power	
55	1001184626	1	Decal - Horn	

SECTION 5 - PLATFORM

FIGURE 5-19. CONSOLE BOX ASSEMBLY WITH FOOTSWITCH (WITHOUT TOWER STOW) (SN 0300316691 to Present)



ART_1001266069_D

SECTION 5 - PLATFORM

FIGURE 5-19. CONSOLE BOX ASSEMBLY WITH FOOTSWITCH (WITHOUT TOWER STOW) (SN 0300316691 to Present)

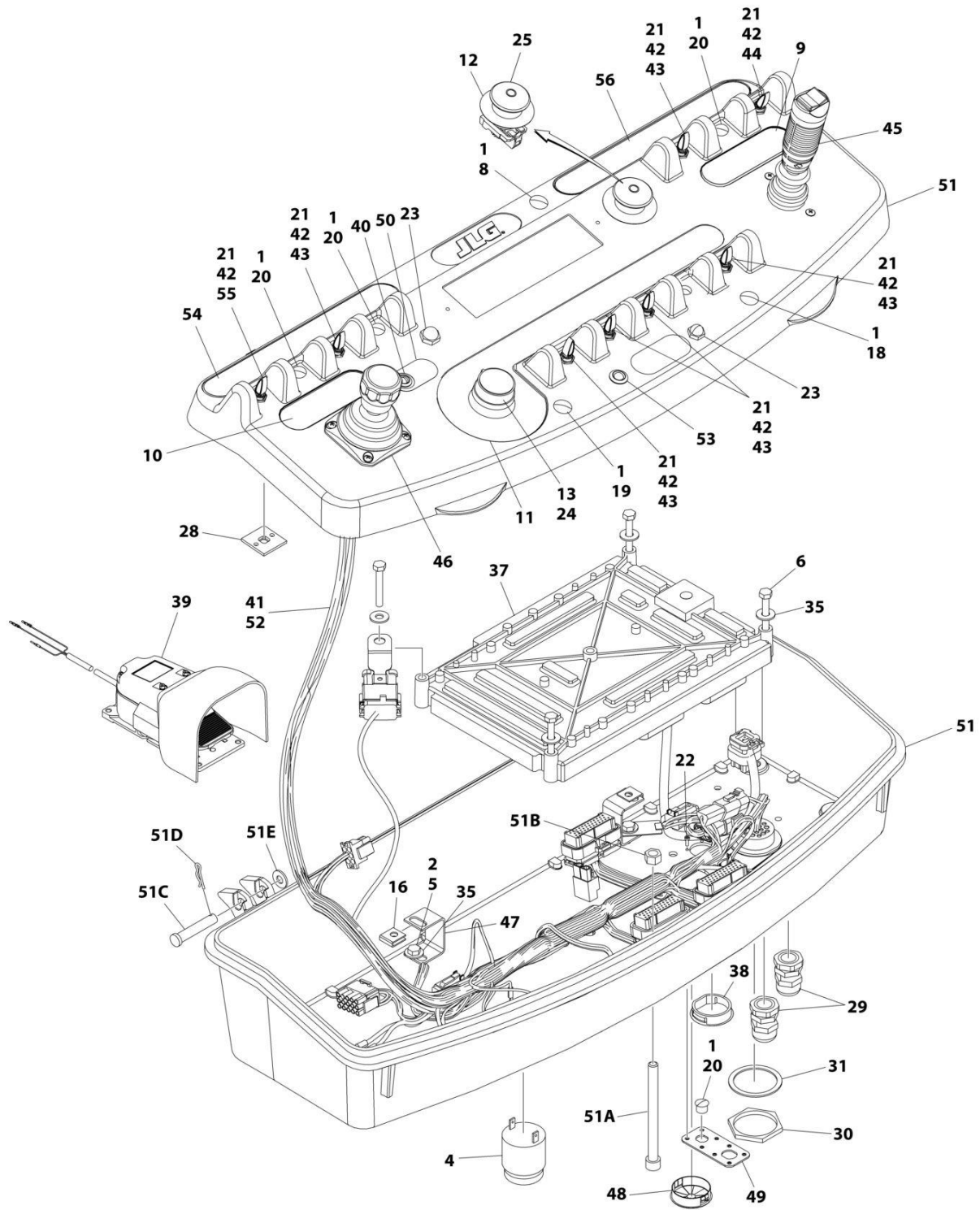
ITEM	PART NUMBER	QTY	DESCRIPTION	REV
	1001266069	Ref	CONSOLE BOX ASSEMBLY	D
1	0100009	AR	Sealant	
2	0100035	AR	Compound, Locking	
4	0140011	1	Alarm	
5	0641405	4	Bolt 1/4 x 5/8	
6	0641414	4	Bolt 1/4 x 1-3/4	
9	1702565	1	Decal - Drive and Steer	
10	1702566	1	Decal - Lift and Swing	
11	1702567	1	Decal - Function Speed	
12	1704260	1	Decal - Emergency Stop	
13	2560136	1	Handle, Knob	
16	3300353	4	Nut, Tinnerman	
20	3520054	4	Plug	
21	3790012	8	O-Ring	
22	3900349	8	Capscrew M2.5 x 8	
23	4360387	2	Switch, Push Button	
24	4360407	1	Controller, Speed	
24	4460224	1	Receptacle, Female - 6 Position	
24	4460226	6	Socket, Female	
24	See Note	1	Gasket "Top Hat" (Included with Switch) (Note: Not Available - Purchase Complete Controller)	
24	70003784	1	Seal	
25	1001274559	1	Switch, Emergency Stop	
28	4460234	6	Mount, Tie-Strap	
29	4460428	2	Connector, Strain Relief	
30	4460470	1	Nut, Terminal	
31	4460471	1	Washer, Terminal	
35	4751400	8	Washer 1/4	
36	4922666	1	Analyzer Harness (Not Shown)	
36	4460761	1	Receptacle, Female - 4 Position	
36	4460227	4	Pin, Male	
37	1001106938	1	Module, Platform (Note: Re-calibration Required when Replaced)	
38	1001110434	1	Plug	
39	1001117174	1	Footswitch Assembly (See Separate Breakdown in this Section)	
40	1001139135	1	Boom Valve Harness (See Separate Breakdown in ELECTRICAL Section)	
41	1001155044	8	Nut 15/32	
42	1001155045	6	Switch, Toggle	
43	1001159256	1	Switch, Toggle	
44	1001275628	1	Controller Assembly (Drive and Steer)	
45	1001275629	1	Controller Assembly (Lift and Swing)	
46	1001172760	4	Bracket	
47	1001185281	1	Plug	
48	1001213882	1	Mount	
49	1001215228	1	Console Box Assembly	
49A	0630568	1	Capscrew 3/8 x 4-1/2	
49B	3311601	1	Nut 3/8	
49C	3430616	2	Pin	
49D	3470003	2	Hairpin	

SECTION 5 - PLATFORM

ITEM	PART NUMBER	QTY	DESCRIPTION	REV
49E	4711600	2	Washer 3/8	
50	1001309250	1	Platform Console Harness (See Separate Breakdown in ELECTRICAL Section)	
51	4240099	AR	Tie-Strap (Not Shown)	
52	1001206532	1	Lamp, LED Indicator Yellow	
53	1001161709	1	Switch, Toggle DPDT	
54	1001184618	1	Decal - Stop & Auxiliary Power	
55	1001184626	1	Decal - Horn	

SECTION 5 - PLATFORM

FIGURE 5-20. CONSOLE BOX ASSEMBLY WITH FOOTSWITCH (WITH TOWER STOW) (Prior to SN 0300316691)



ART_1001263588_C

SECTION 5 - PLATFORM

FIGURE 5-20. CONSOLE BOX ASSEMBLY WITH FOOTSWITCH (WITH TOWER STOW) (Prior to SN 0300316691)

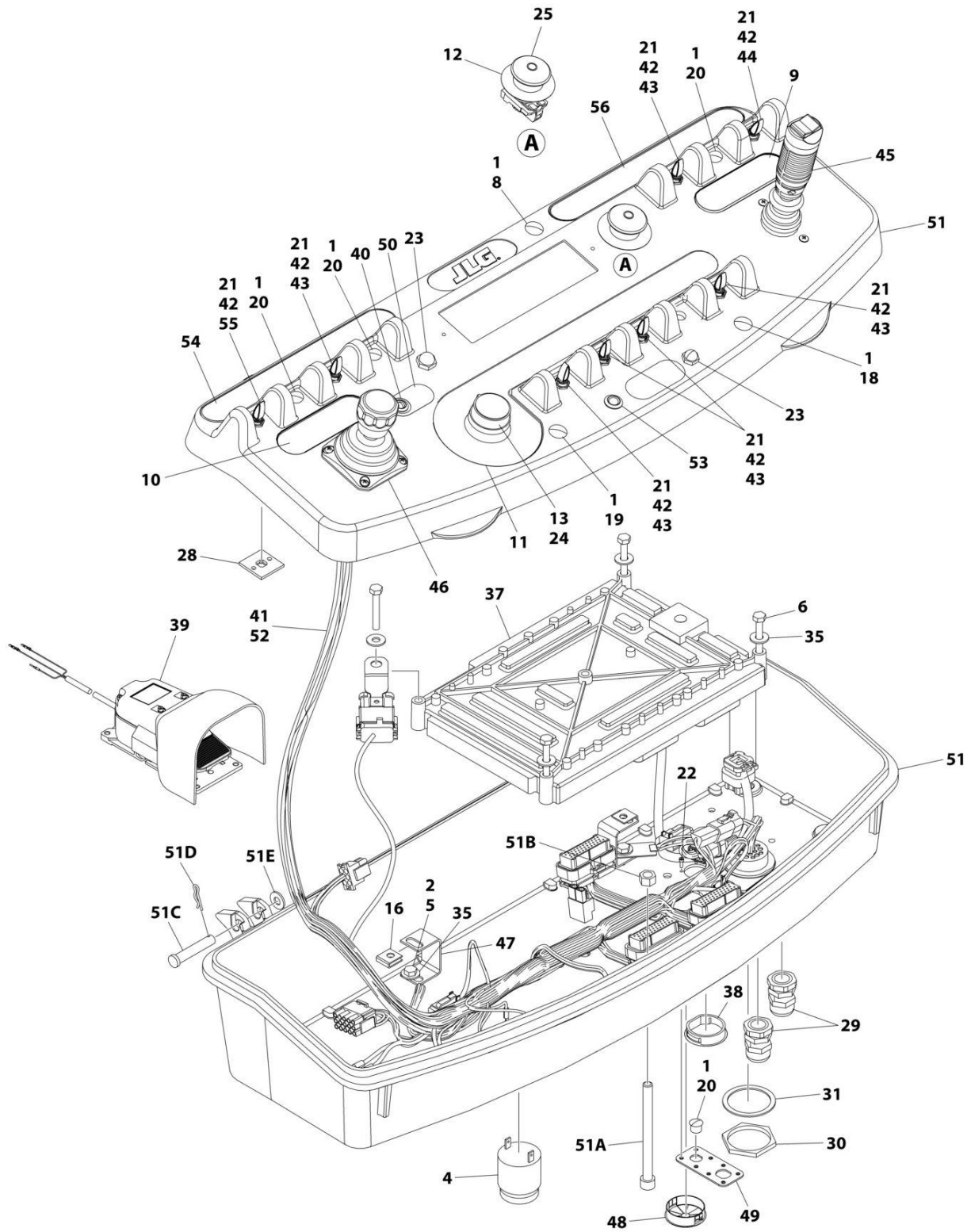
ITEM	PART NUMBER	QTY	DESCRIPTION	REV
	1001263588	Ref	CONSOLE BOX ASSEMBLY	C
1	0100009	AR	Sealant	
2	0100035	AR	Compound, Locking	
4	0140011	1	Alarm	
5	0641405	1	Bolt 1/4 x 5/8	
6	0641414	4	Bolt 1/4 x 1-3/4	
8	1671314	1	Cover	
9	1702565	1	Decal - Drive and Steer	
10	1702566	1	Decal - Lift and Swing	
11	1702567	1	Decal - Function Speed	
12	1704260	1	Decal - Emergency Stop	
13	2560136	1	Handle, Knob	
16	3300353	4	Nut, Tinnerman	
18	3520026	2	Plug	
19	3520027	1	Plug	
20	3520054	4	Plug	
21	3790012	8	O-Ring	
22	3900349	8	Capscrew M2.5 x 8	
23	4360387	2	Switch, Push Button	
24	4360407	1	Controller, Speed	
24	4460224	1	Receptacle, Female - 6 Position	
24	4460226	6	Socket, Female	
24	See Note	1	Gasket "Top Hat" (Included with Switch) (Note: Not Available - Purchase Complete Controller)	
24	70003784	1	Seal	
25	1001274559	1	Switch, Emergency Stop	
28	4460234	6	Mount, Tie-Strap	
29	4460428	2	Connector, Strain Relief	
30	4460470	1	Nut, Terminal	
31	4460471	1	Washer, Terminal	
35	4751400	8	Washer 1/4	
36	4922666	1	Analyzer Harness (Not Shown)	
36	4460761	1	Receptacle, Female - 4 Position	
36	4460227	4	Pin, Male	
37	1001106938	1	Module, Platform (Note: Re-calibration Required when Replaced)	
38	1001110434	1	Plug	
39	1001117174	1	Footswitch Assembly (See Separate Breakdown in this Section)	
40	1001137364	1	Light, Indicator	
41	1001139135	1	Boom Valve Harness (See Separate Breakdown in ELECTRICAL Section)	
42	1001155044	8	Nut 15/32	
43	1001155045	6	Switch, Toggle	
44	1001159256	1	Switch, Toggle	
45	1001275628	1	Controller Assembly (Drive and Steer)	
46	1001275629	1	Controller Assembly (Lift and Swing)	
47	1001172760	4	Bracket	
48	1001185281	1	Plug	
49	1001213882	1	Mount	
50	1001260937	1	Decal - Tower Stow	

SECTION 5 - PLATFORM

ITEM	PART NUMBER	QTY	DESCRIPTION	REV
51	1001263587	1	Console Box Assembly	
51A	0630568	1	Capscrew 3/8 x 4-1/2	
51B	3311601	1	Nut 3/8	
51C	3430616	2	Pin	
51D	3470003	2	Hairpin	
51E	4711600	2	Washer 3/8	
52	1001266648	1	Platform Console Harness (See Separate Breakdown in ELECTRICAL Section)	
53	1001206532	1	Lamp, LED Indicator Yellow	
54	1001184626	1	Decal - Horn	
55	1001161709	1	Switch, Toggle DPDT	
56	1001184618	1	Decal - Stop & Auxiliary Power	
57	4240099	AR	Tie-Strap (Not Shown)	

SECTION 5 - PLATFORM

FIGURE 5-21. CONSOLE BOX ASSEMBLY WITH FOOTSWITCH (WITH TOWER STOW) (SN 0300316691 to Present)



ART_1001263588_D

SECTION 5 - PLATFORM

FIGURE 5-21. CONSOLE BOX ASSEMBLY WITH FOOTSWITCH (WITH TOWER STOW) (SN 0300316691 to Present)

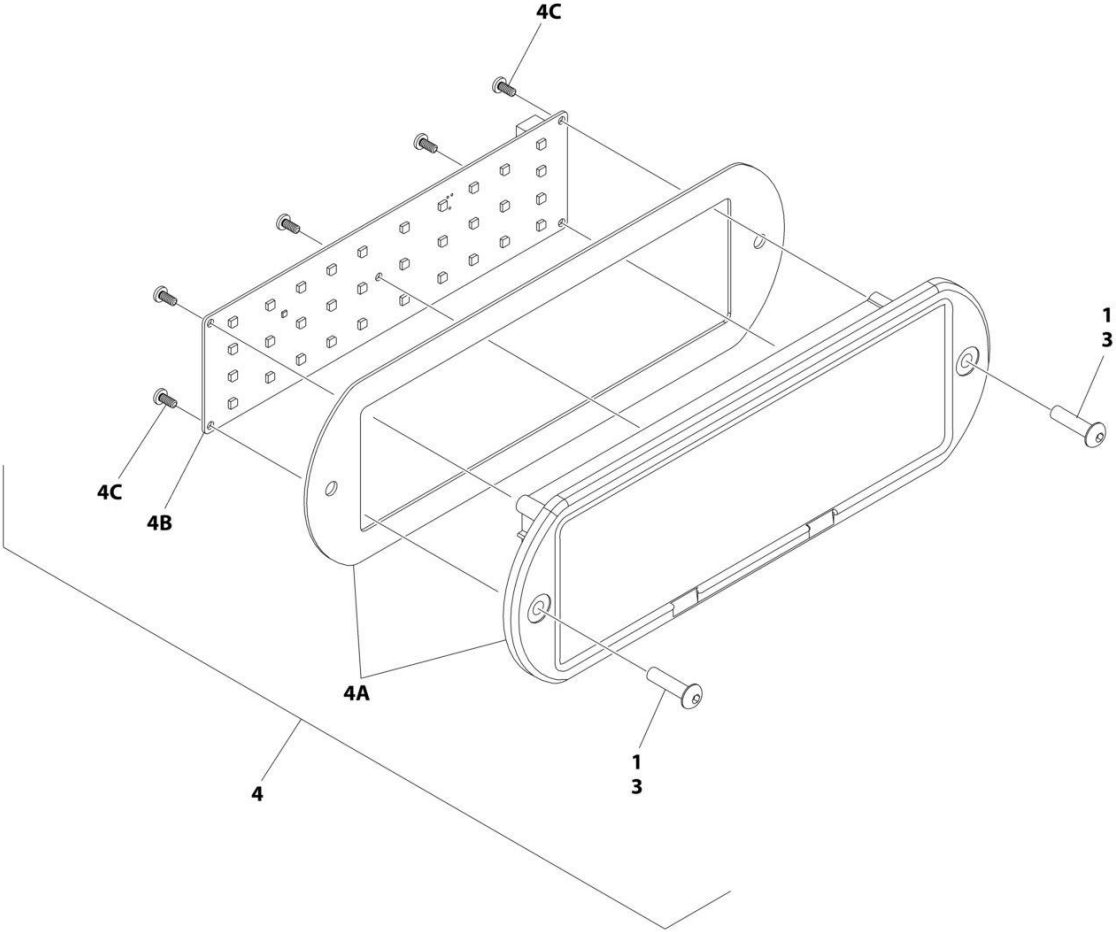
ITEM	PART NUMBER	QTY	DESCRIPTION	REV
	1001263588	Ref	CONSOLE BOX ASSEMBLY	D
1	0100009	AR	Sealant	
2	0100035	AR	Compound, Locking	
4	0140011	1	Alarm	
5	0641405	4	Bolt 1/4 x 5/8	
6	0641414	4	Bolt 1/4 x 1-3/4	
8	1671314	1	Cover	
9	1702565	1	Decal - Drive and Steer	
10	1702566	1	Decal - Lift and Swing	
11	1702567	1	Decal - Function Speed	
12	1704260	1	Decal - Emergency Stop	
13	2560136	1	Handle, Knob	
16	3300353	4	Nut, Tinnerman	
18	3520026	1	Plug	
19	3520027	1	Plug	
20	3520054	4	Plug	
21	3790012	8	O-Ring	
22	3900349	8	Capscrew M2.5 x 8	
23	4360387	2	Switch, Push Button	
24	4360407	1	Controller, Speed	
24	4460224	1	Receptacle, Female - 6 Position	
24	4460226	6	Socket, Female	
24	See Note	1	Gasket "Top Hat" (Included with Switch) (Note: Not Available - Purchase Complete Controller)	
24	70003784	1	Seal	
25	1001274559	1	Switch, Emergency Stop	
28	4460234	6	Mount, Tie-Strap	
29	4460428	2	Connector, Strain Relief	
30	4460470	1	Nut, Terminal	
31	4460471	1	Washer, Terminal	
35	4751400	8	Washer 1/4	
36	4922666	1	Analyzer Harness (Not Shown)	
36	4460761	1	Receptacle, Female - 4 Position	
36	4460227	4	Pin, Male	
37	1001106938	1	Module, Platform (Note: Re-calibration Required when Replaced)	
38	1001110434	1	Plug	
39	1001117174	1	Footswitch Assembly (See Separate Breakdown in this Section)	
40	1001137364	1	Light, Indicator	
41	1001139135	1	Boom Valve Harness (See Separate Breakdown in ELECTRICAL Section)	
42	1001155044	8	Nut 15/32	
43	1001155045	6	Switch, Toggle	
44	1001159256	1	Switch, Toggle	
45	1001275628	1	Controller Assembly (Drive and Steer)	
46	1001275629	1	Controller Assembly (Lift and Swing)	
47	1001172760	4	Bracket	
48	1001185281	1	Plug	
49	1001213882	1	Mount	
50	1001260937	1	Decal - Tower Stow	

SECTION 5 - PLATFORM

ITEM	PART NUMBER	QTY	DESCRIPTION	REV
51	1001263587	1	Console Box Assembly	
51A	0630568	1	Capscrew 3/8 x 4-1/2	
51B	3311601	1	Nut 3/8	
51C	3430616	2	Pin	
51D	3470003	2	Hairpin	
51E	4711600	2	Washer 3/8	
52	1001309250	1	Platform Console Harness (See Separate Breakdown in ELECTRICAL Section)	
53	1001206532	1	Lamp, LED Indicator Yellow	
54	1001184626	1	Decal - Horn	
55	1001161709	1	Switch, Toggle DPDT	
56	1001184618	1	Decal - Stop & Auxiliary Power	
57	4240099	AR	Tie-Strap (Not Shown)	

SECTION 5 - PLATFORM

FIGURE 5-22. LIGHT PANEL INSTALLATION



ART_1001241403_E_2OF2

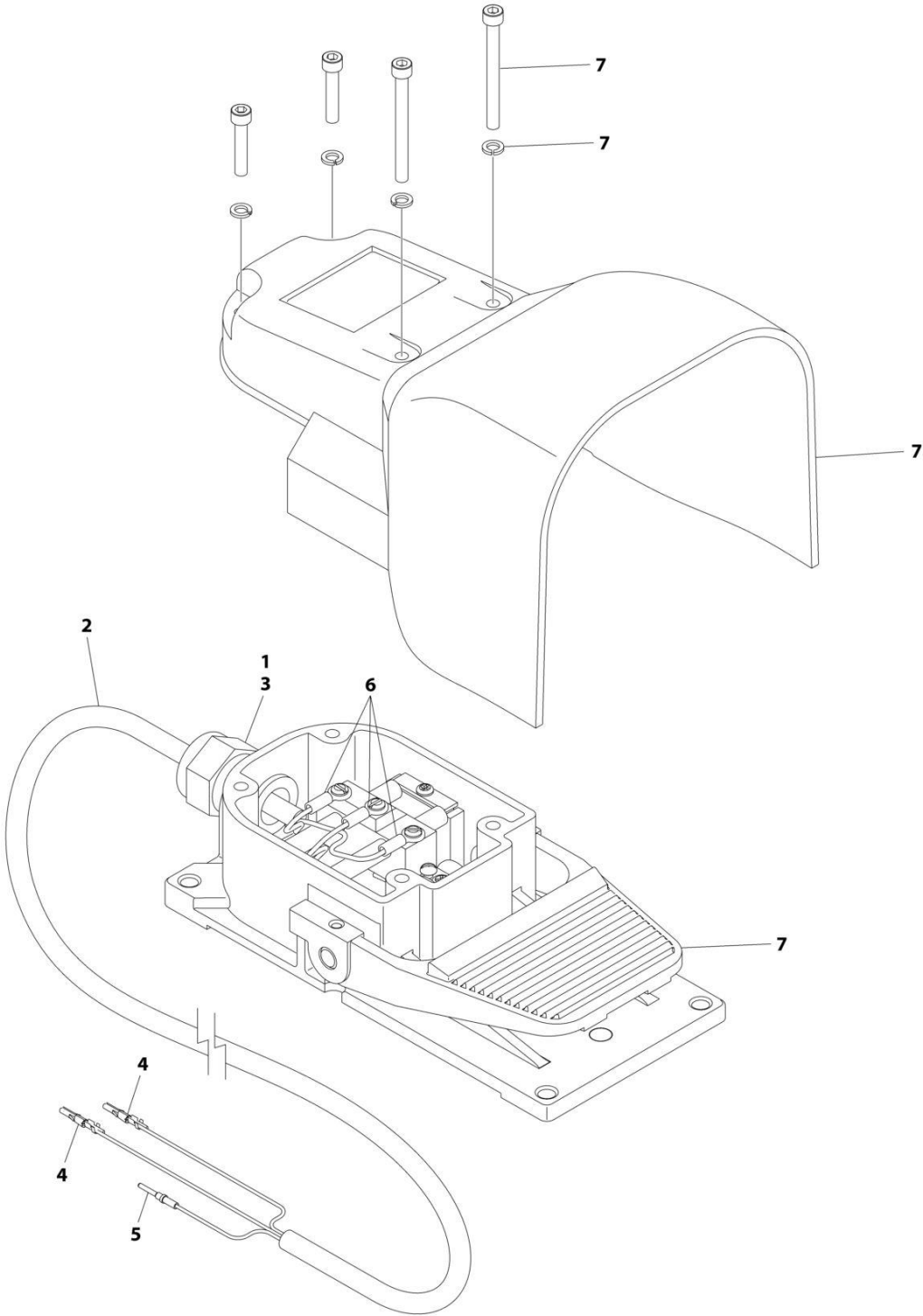
SECTION 5 - PLATFORM

FIGURE 5-22. LIGHT PANEL INSTALLATION

ITEM	PART NUMBER	QTY	DESCRIPTION	REV
	1001241403	Ref	LIGHT PANEL INSTALLATION - PLATFORM CONSOLE	E
1	3300408	1	Nut, Nylon Insert	
3	0630518	2	Screw #10 x 3/4	
4	1001237545	1	Light Panel Electrical Assembly	J
4A	1001281703	1	Lens Assembly (Includes Housing Shell, Decal/Lens with Icons & Gasket)	
4B	1001282106	1	Panel, LED Light	
4C		Ref	Screw	

SECTION 5 - PLATFORM

FIGURE 5-23. FOOTSWITCH ASSEMBLY



ART_1001117174

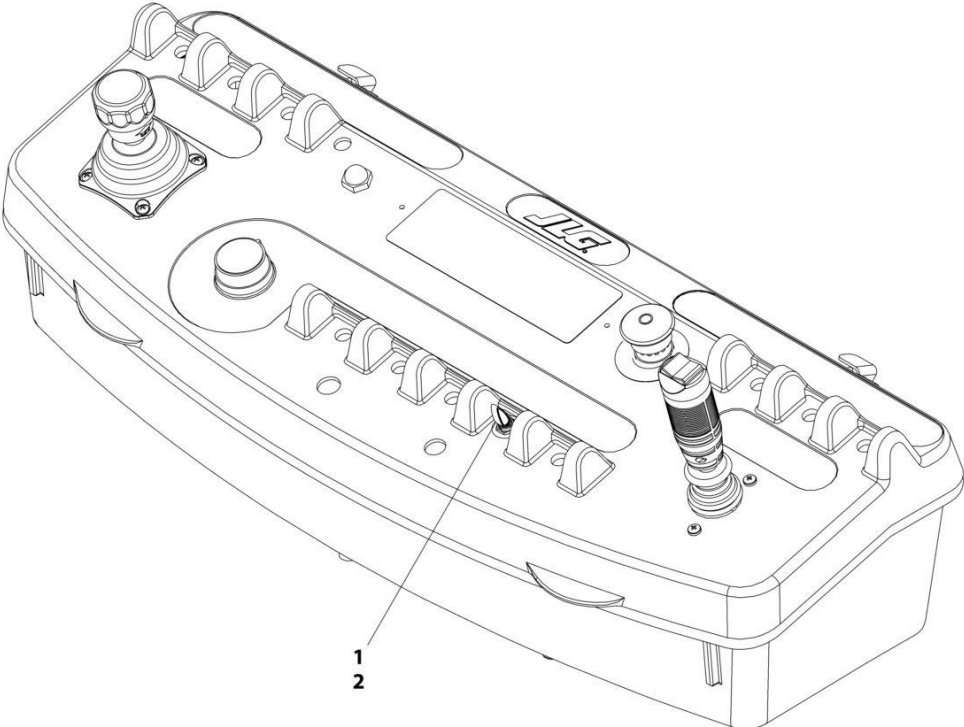
SECTION 5 - PLATFORM

FIGURE 5-23. FOOTSWITCH ASSEMBLY

ITEM	PART NUMBER	QTY	DESCRIPTION	REV
	1001117174	Ref	FOOTSWITCH ASSEMBLY	C
1	0100020	AR	Sealant	
2	1060918	7.5 ft/ 2.3m	Cable, Electrical - 18/3	
3	4460071	1	Connector, Strain Relief	
4	4460226	2	Socket, Female	
5	4460464	1	Pin, Male	
6	1001098122	3	Terminal	
7	1001117172	1	Footswitch	
7	70002902	1	Switch, 20Amp	
7	70002903	1	Gasket	
7	70002905	1	Cover	
7	70002904	1	Kit, Replacement Bolt	

SECTION 5 - PLATFORM

FIGURE 5-24. JIB SWITCH INSTALLATION



ART_0271340

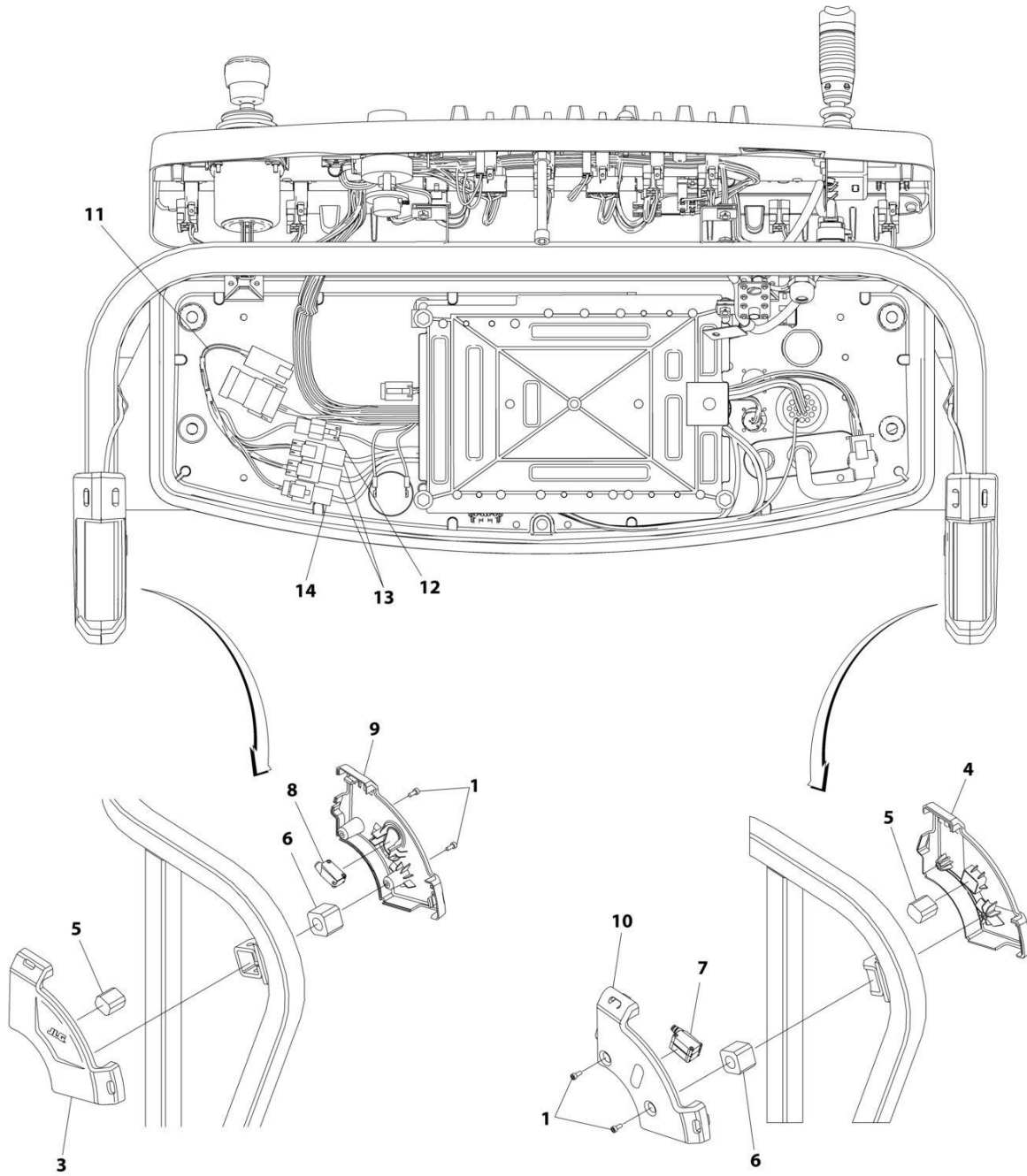
SECTION 5 - PLATFORM

FIGURE 5-24. JIB SWITCH INSTALLATION

ITEM	PART NUMBER	QTY	DESCRIPTION	REV
	0271340	Ref	JIB SWITCH INSTALLATION	1/A
1	4360328	1	Switch, Toggle	
2	3790012	1	O-Ring	

SECTION 5 - PLATFORM

FIGURE 5-25. SKYEYE INSTALLATION



ART_1001229341

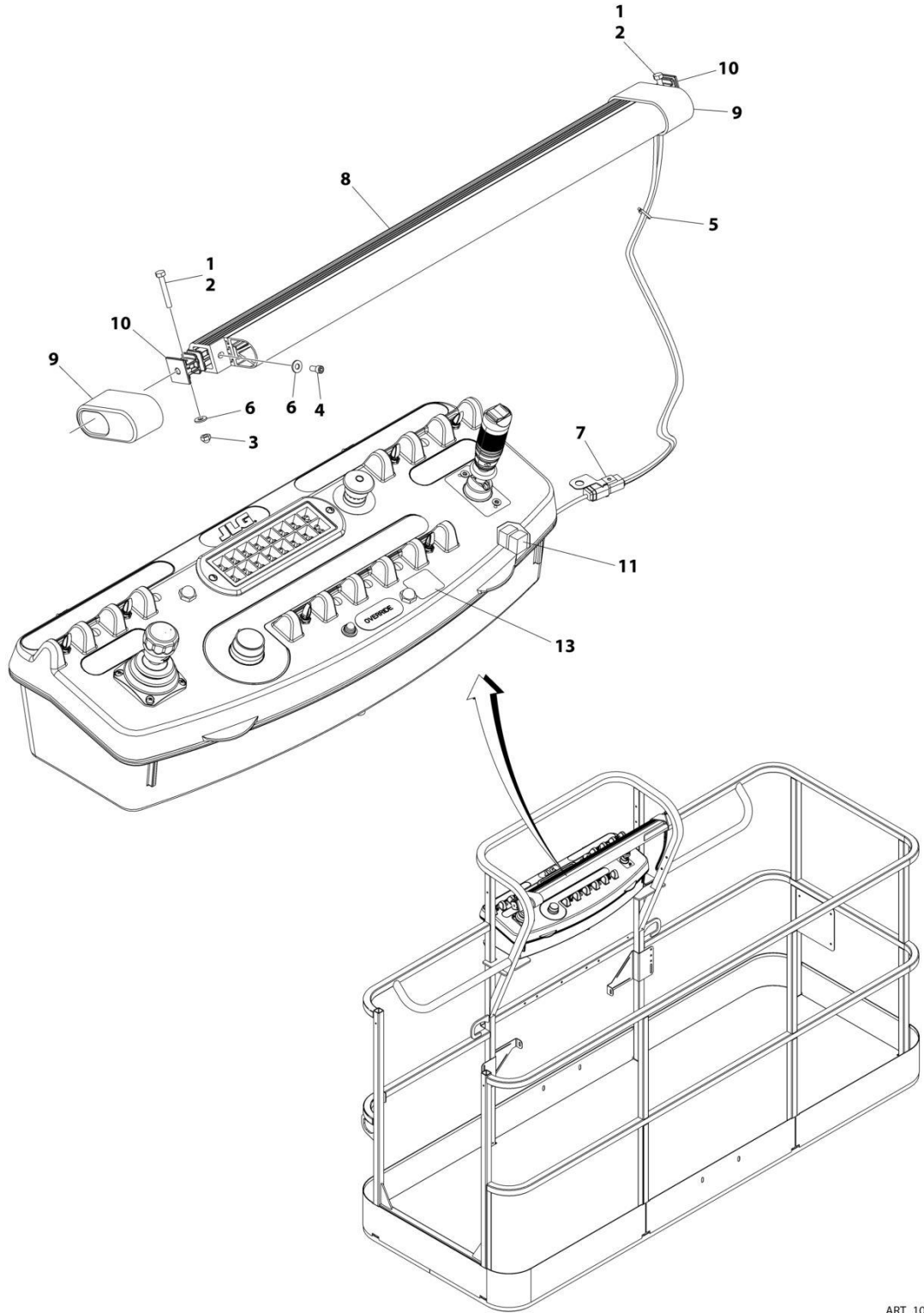
SECTION 5 - PLATFORM

FIGURE 5-25. SKYEYE INSTALLATION

ITEM	PART NUMBER	QTY	DESCRIPTION	REV
	1001229341	Ref	SKYEYE INSTALLATION	B
1	4031505	4	Bolt M4 x 10	
2	4240033	AR	Tie-Strap (Not Shown)	
3	1001227633	1	Housing, LH Outer	
4	1001227634	1	Housing, RH Outer	
5	1001227985	2	Shim	
6	1001227987	2	Shim	
7	1001228224	2	Sensor, Receiver	
8	1001228225	1	Sensor, Emitter	
9	1001232164	1	Housing, LH Inner	
10	1001232165	1	Housing, RH Inner	
11	1001237865	1	Harness, Skyeeye Intermediate (See Separate Breakdown in ELECTRICAL Section)	
12	1001238319	NLA	Harness, Skyeeye Drain Jumper	
12	1001187674	1	Plug, Male - 2 Position	
12	4460942	1	Terminal	
12	4460466	1	Plug, Terminal	
12	4460508	1	Pin, Male	
13	1001237863	2	Harness, Skyeeye Receiver (See Separate Breakdown in ELECTRICAL Section)	
14	1001237864	1	Harness, Skyeeye Emitter (See Separate Breakdown in ELECTRICAL Section)	

SECTION 5 - PLATFORM

FIGURE 5-26. SKYGUARD BAR INSTALLATION



ART_1001238495

SECTION 5 - PLATFORM

FIGURE 5-26. SKYGUARD BAR INSTALLATION

ITEM	PART NUMBER	QTY	DESCRIPTION	REV
	1001238495	Ref	SKYGUARD BAR INSTALLATION	A
1	0100011	AR	Compound, Locking	
2	0641414	2	Bolt 1/4 x 1-3/4	
3	3300430	2	Nut 1/4	
4	3931408	2	Capscrew 1/4 x 1/2	
5	4240033	8	Tie-Strap	
6	4711400	6	Washer 1/4	
7	1001120328	1	Mount	
8	1001137673	1	SkyGuard Switch Assembly	
9	1001186517	2	Cover, Platform Sensor	
10	1001209664	2	Support, Block	
11	1001186431	2	Relay	
12	1001225580	1	Interface Harness Assembly (Not Shown - Located Inside Console Box) (See Separate Breakdown in ELECTRICAL Section)	
13	1001144433	1	Decal - No Weight SkyGuard	

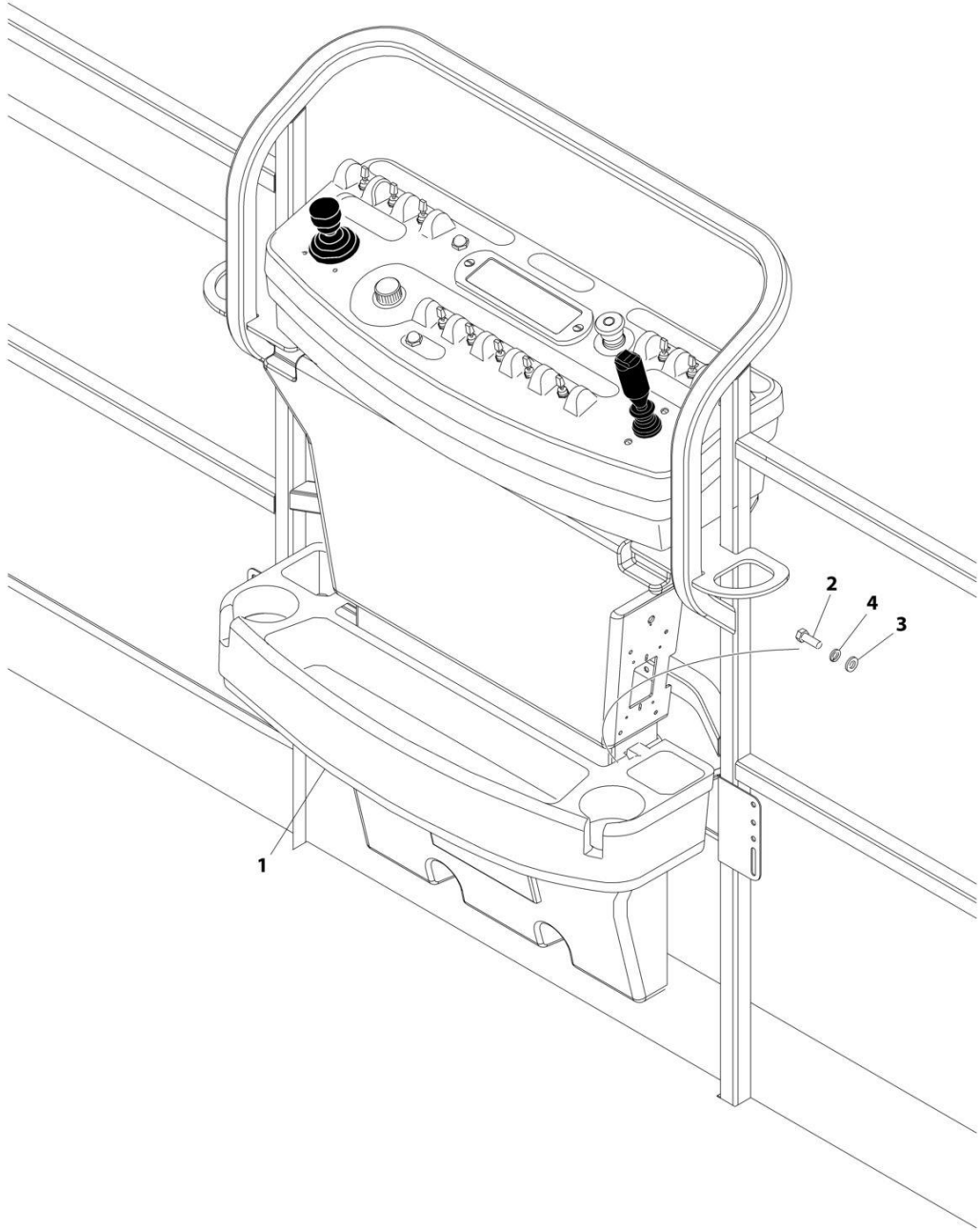
SECTION 5 - PLATFORM

FIGURE 5-27. SKYLINE INSTALLATION

ITEM	PART NUMBER	QTY	DESCRIPTION	REV
	1001238559	Ref	SKYLINE INSTALLATION	D
1	0641404	2	Bolt 1/4 x 1/2	
2	0641405	2	Bolt 1/4 x 5/8	
3	3311405	2	Nut 1/4	
4	3311601	2	Nut 3/8	
5	4031516	2	Capscrew M4 x 60	
6	4240033	AR	Tie-Strap (Not Shown)	
7	4711400	4	Washer 1/4	
8	1001120328	1	Mount	
9	1001232642	1	Bracket	
11	1001232667	1	Sensor, Proximity	
11	1001311034	1	Sensor, Proximity	
14	1001236552	1	Block	
15	1001238418	1	Harness, Skyline (See Separate Breakdown in ELECTRICAL Section)	
16	1001238472	1	Mount	
17	1001254473	1	Housing, LH	
18	1001241965	1	Housing, RH	
19	1001254472	1	Rod	
20	0100011	AR	Compound, Locking	

SECTION 5 - PLATFORM

FIGURE 5-28. STORAGE TRAY INSTALLATION - CENTER



ART_1580012

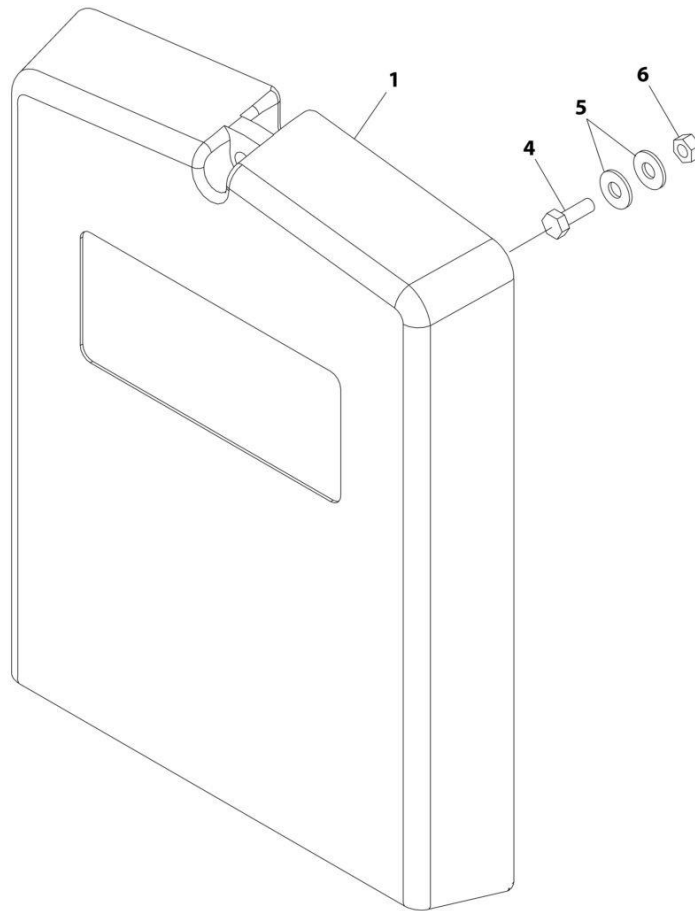
SECTION 5 - PLATFORM

FIGURE 5-28. STORAGE TRAY INSTALLATION - CENTER

ITEM	PART NUMBER	QTY	DESCRIPTION	REV
	1580012	Ref	TRAY ASSEMBLY	C
1	See Note	NSS	Tray, Storage (Center) (Note: Purchase p/n 1580012)	
2	0641406	2	Bolt 1/4 x 3/4	
3	4751400	2	Washer 1/4	
4	4761400	2	Washer 1/4	

SECTION 5 - PLATFORM

FIGURE 5-29. MANUAL STORAGE BOX INSTALLATION



ART_0258671

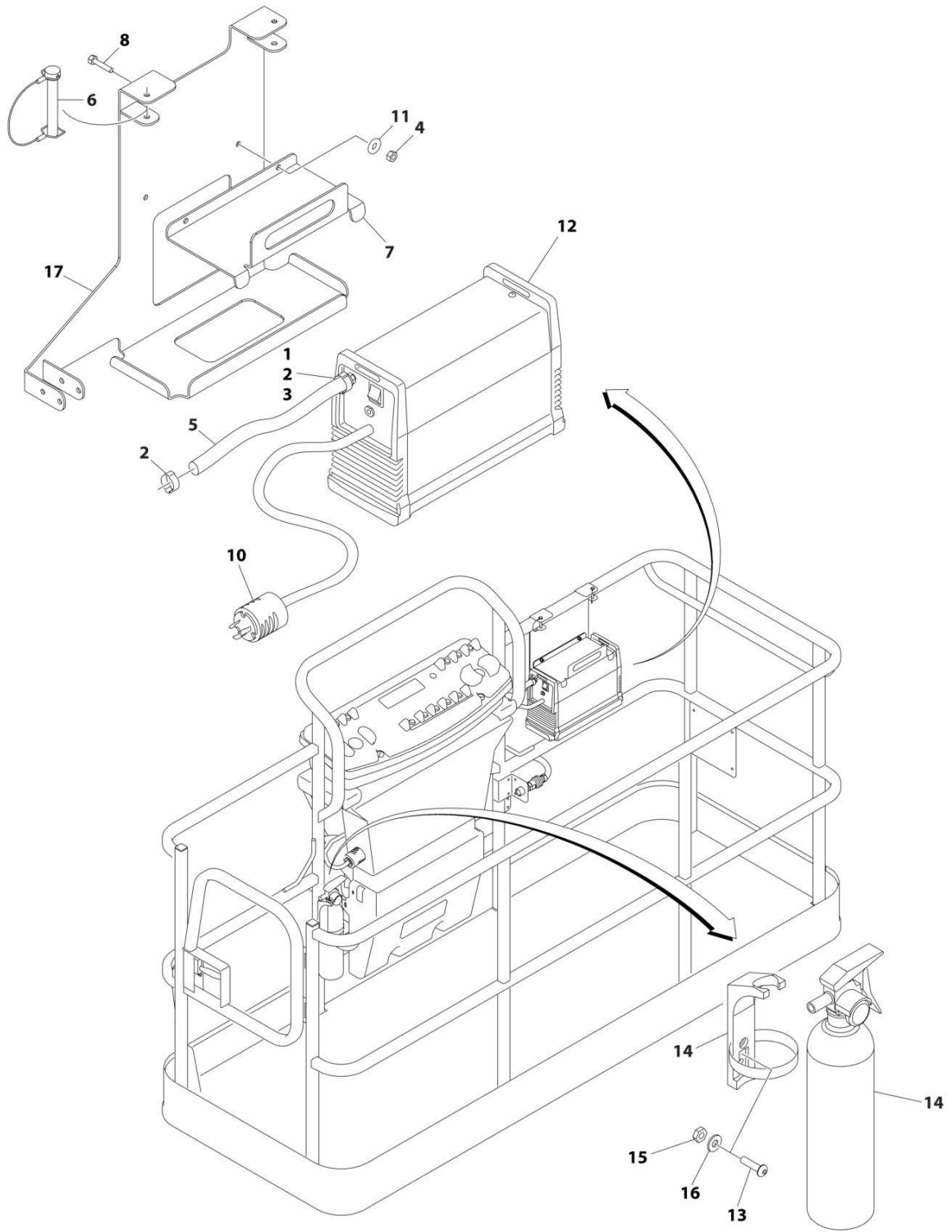
SECTION 5 - PLATFORM

FIGURE 5-29. MANUAL STORAGE BOX INSTALLATION

ITEM	PART NUMBER	QTY	DESCRIPTION	REV
	0258671	Ref	MANUAL STORAGE BOX INSTALLATION	C
1	0860520	1	Box, Manual Storage	
4	0641406	4	Bolt 1/4 x 3/4	
5	4751400	8	Washer 1/4	
6	3311405	4	Nut 1/4	

SECTION 5 - PLATFORM

FIGURE 5-30. SKYCUTTER INSTALLATION



ART_1001098149_D

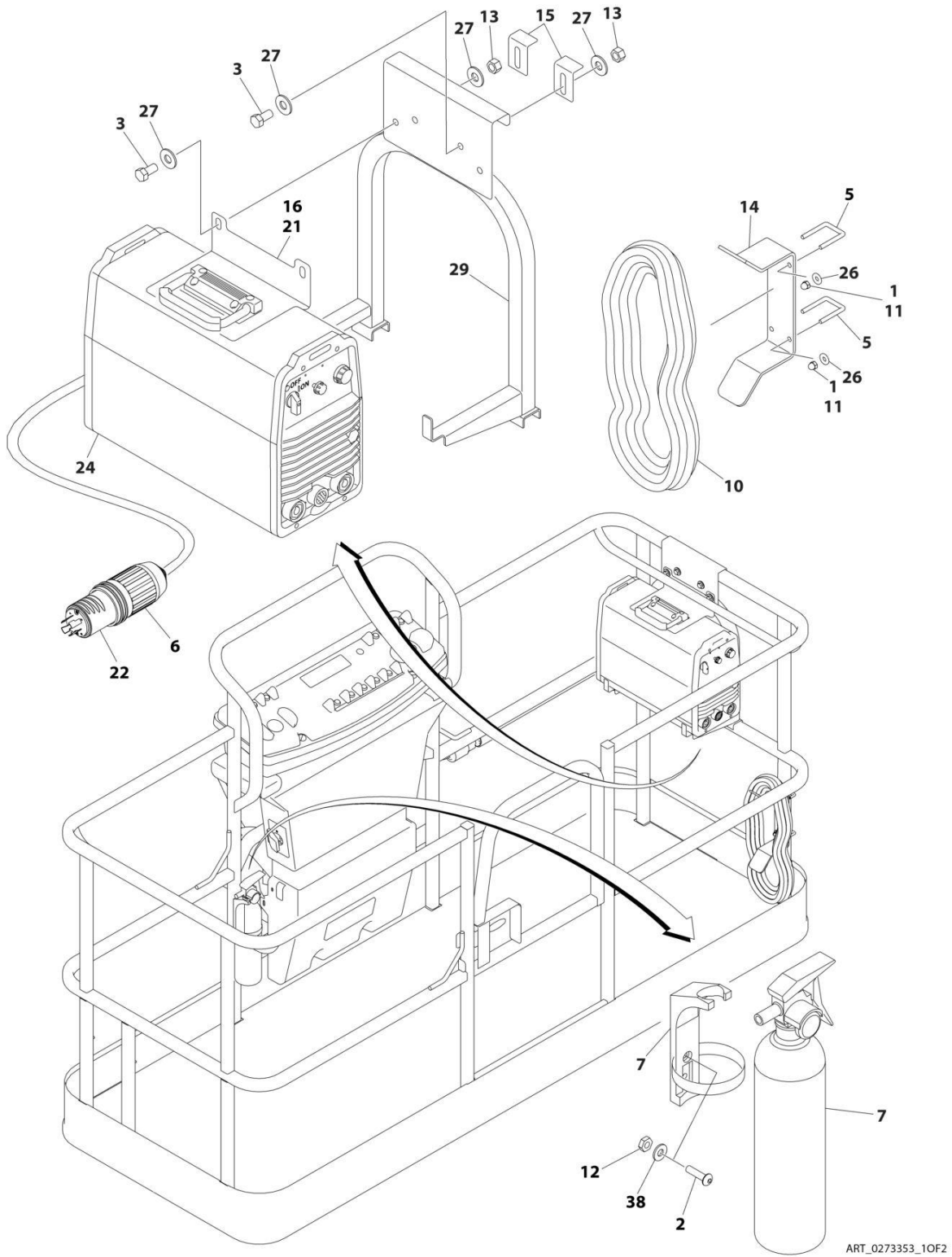
SECTION 5 - PLATFORM

FIGURE 5-30. SKYCUTTER INSTALLATION

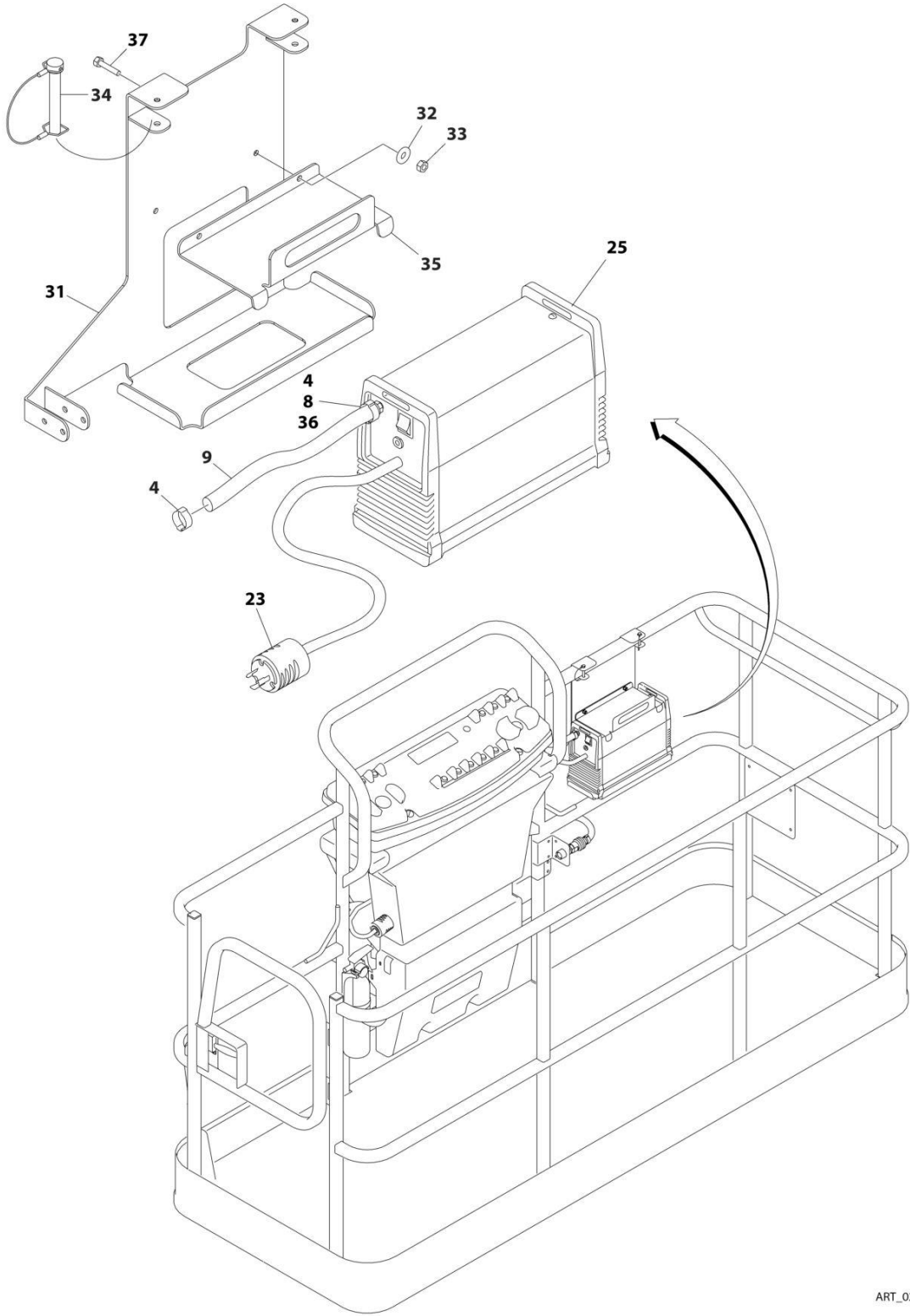
ITEM	PART NUMBER	QTY	DESCRIPTION	REV
	1001098149	Ref	SKYCUTTER INSTALLATION	D
		Ref	Note: When replacing platform on machines with SkyCutter option, new bracket p/n 1001145405 must be purchased to accommodate SkyCutter components.	
1	0100020	AR	Sealant	
2	1320177	2	Clamp, Hose	
3	2180832	1	Fitting, NPT/Barbed	
4	3290605	2	Nut M6	
5	2720160	3 ft /.9m	Hose	
6	3421453	3	Pin	
7	3576799	1	Plate, Hold-Down	
8	4010608	2	Screw M6 x 16	
10	4460971	1	Plug, Twistlock	
11	4811700	2	Washer M6	
12	1001098012	1	Plasma Cutter Assembly (See Separate Breakdown in this Section)	
13	0630518	2	Screw #10 x 3/4	
14	2030010	1	Extinguisher, Fire	
15	3311005	2	Nut #10	
16	4751000	2	Washer #10	
17	1001145405	1	Support	

SECTION 5 - PLATFORM

FIGURE 5-31. SKYWELDER/SKYCUTTER COMBO INSTALLATION (60HZ)



SECTION 5 - PLATFORM



ART_0273353_20F2

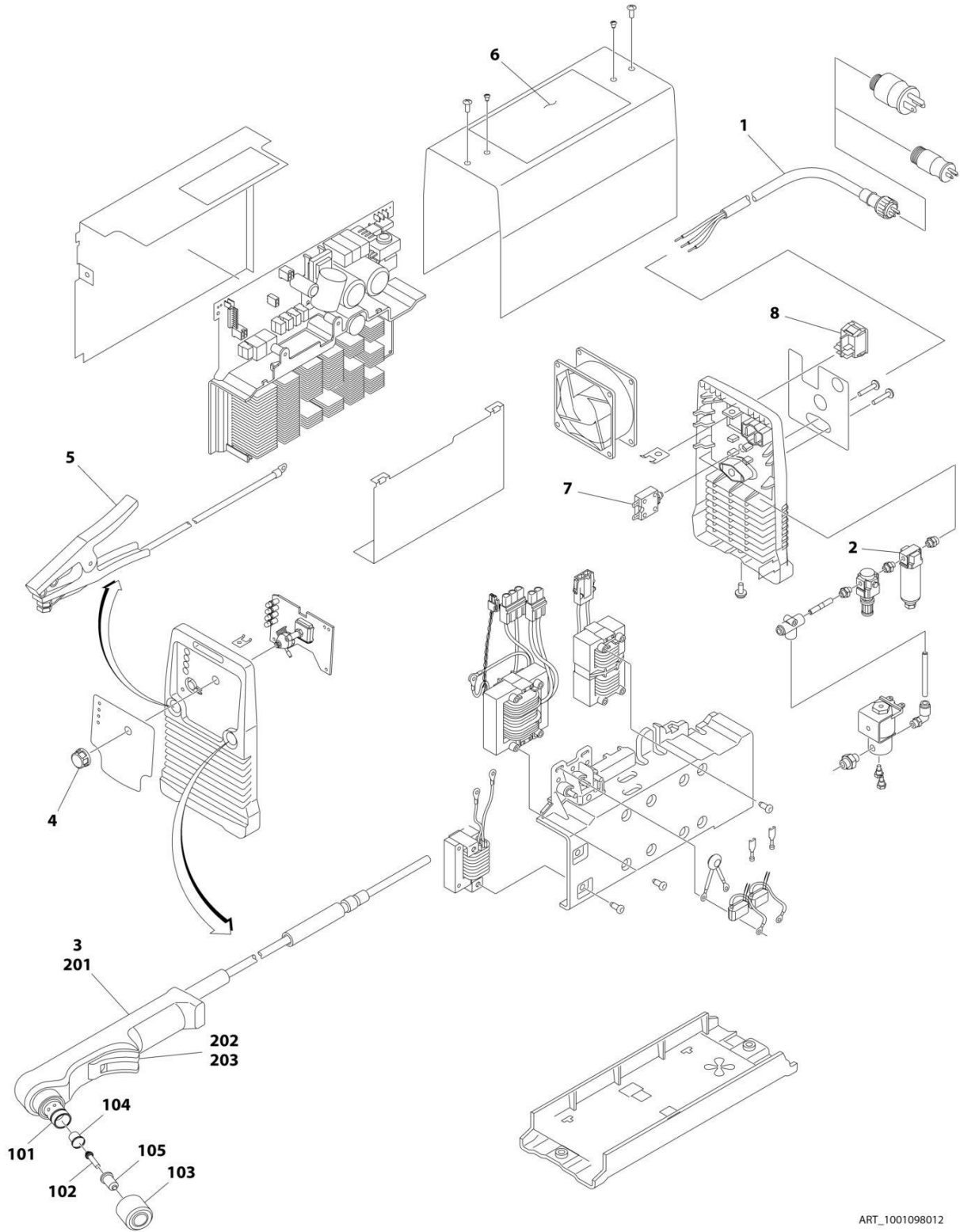
SECTION 5 - PLATFORM

FIGURE 5-31. SKYWELDER/SKYCUTTER COMBO INSTALLATION (60HZ)

ITEM	PART NUMBER	QTY	DESCRIPTION	REV
	0273353	Ref	SKYWELDER/SKYCUTTER COMBO INSTALLATION (60HZ)	G
1	0100011	AR	Compound, Locking	
2	0630518	2	Screw #10 x 3/4	
3	0641606	4	Bolt 3/8 x 3/4	
4	1320177	2	Clamp	
5	1320302	2	Clamp	
6	1671093	1	Cover, Plug	
7	2030010	1	Extinguisher, Fire	
8	2180832	1	Fitting, Barbed/NPT	
9	2720160	4.5 ft /1.37m	Hose	
10	2902217	1	Weld Leads Kit	
11	3300151	4	Nut 1/4	
12	3311005	2	Nut #10	
13	3311605	4	Nut 3/8	
14	3573400	1	Bracket	
15	3577121	2	Angle	
16	3573642	1	Plate	
20	4240099	AR	Tie-Strap (Not Shown)	
21	4420037	2.36 ft /.71m	Tape	
22	4460962	1	Plug, Twist Lock	
23	4460971	1	Plug, Twist Lock	
24	4530028	1	Welder Assembly (See Separate Breakdown in this section)	
25	1001098012	1	Plasma Cutter Assembly (See Separate Breakdown in this Section)	
26	4751400	4	Washer 1/4	
27	4751600	8	Washer 3/8	
29	4846627	1	Support	
31	1001145405	1	Bracket	
32	4811700	2	Washer M6	
33	3290605	2	Nut M6	
34	3421453	3	Pin	
35	3576799	1	Plate, Hold-Down	
36	0100020	1	Sealant	
37	4010608	2	Screw M6 x 16	
38	4751000	2	Washer #10	

SECTION 5 - PLATFORM

FIGURE 5-32. PLASMA CUTTER ASSEMBLY



ART_1001098012

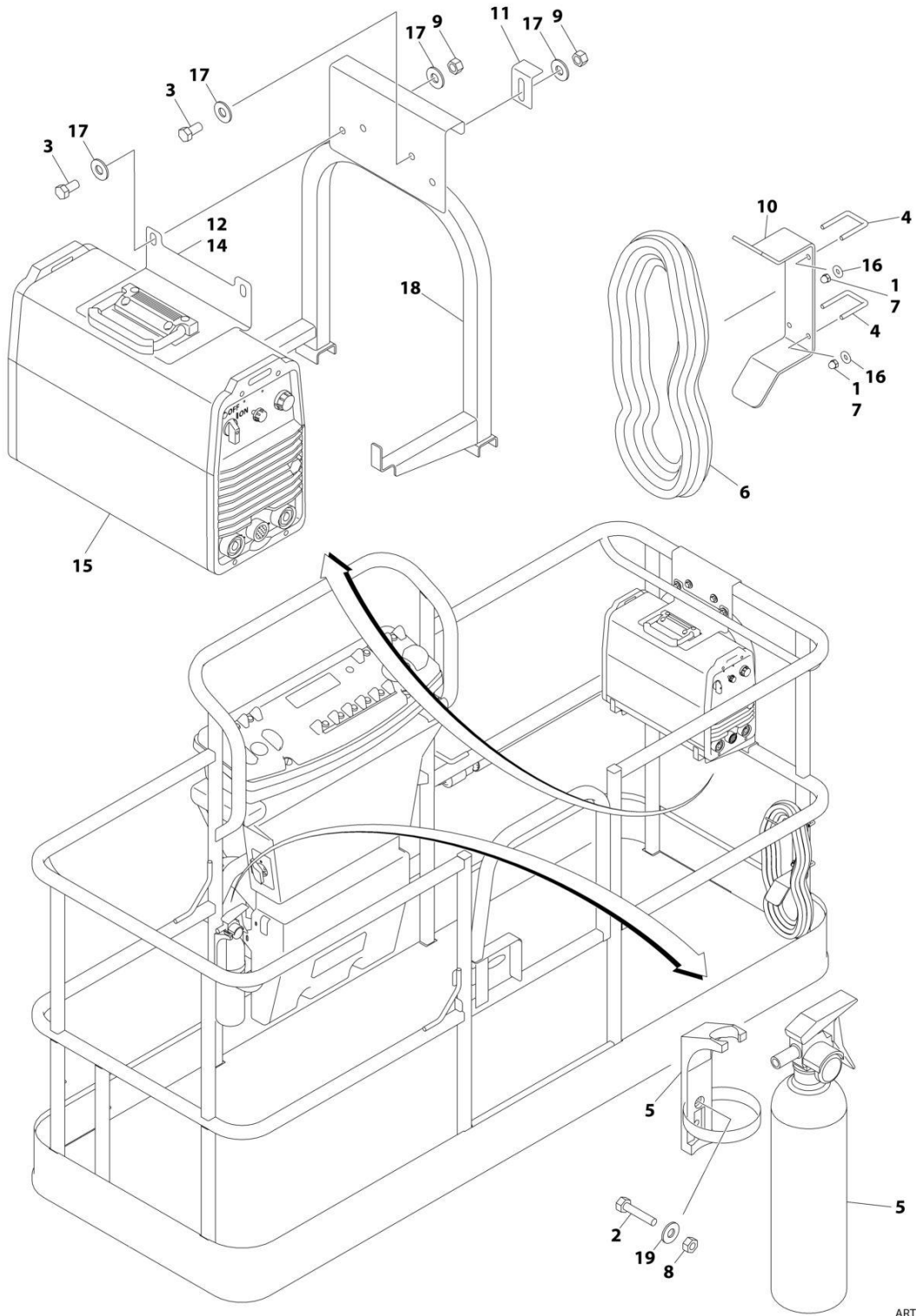
SECTION 5 - PLATFORM

FIGURE 5-32. PLASMA CUTTER ASSEMBLY

ITEM	PART NUMBER	QTY	DESCRIPTION	REV
	1001098012	Ref	PLASMA CUTTER ASSEMBLY	A
		Ref	Note: For Other Components, contact your Miller Welder Dealer.	
1	70001424	1	Cable, Power	
1	70001425	1	Decal - Voltage Warning	
2	70001427	1	Filter, Regulator	
3	70001428	1	Torch Assembly (See Items 101-203 for Breakdown)	
4	7024471	1	Knob	
5	70001429	1	Clamp with Cable	
6	70001430	1	Decal - Caution	
7	70001431	1	Breaker, Circuit	
8	70001432	1	Switch, Rocker	
	70001428	Ref	TORCH ASSEMBLY	
101	7024530	1	O-Ring	
102	7024531	1	Electrode	
103	7024532	1	Cup, Retaining	
104	7024533	1	Swirl Ring	
105	7024534	1	Tip	
201	7024535	1	Handle, Torch	
202	7024536	1	Switch	
203	7024537	1	Trigger	

SECTION 5 - PLATFORM

FIGURE 5-33. SKYWELDER INSTALLATION (50HZ)



ART_0272521_F

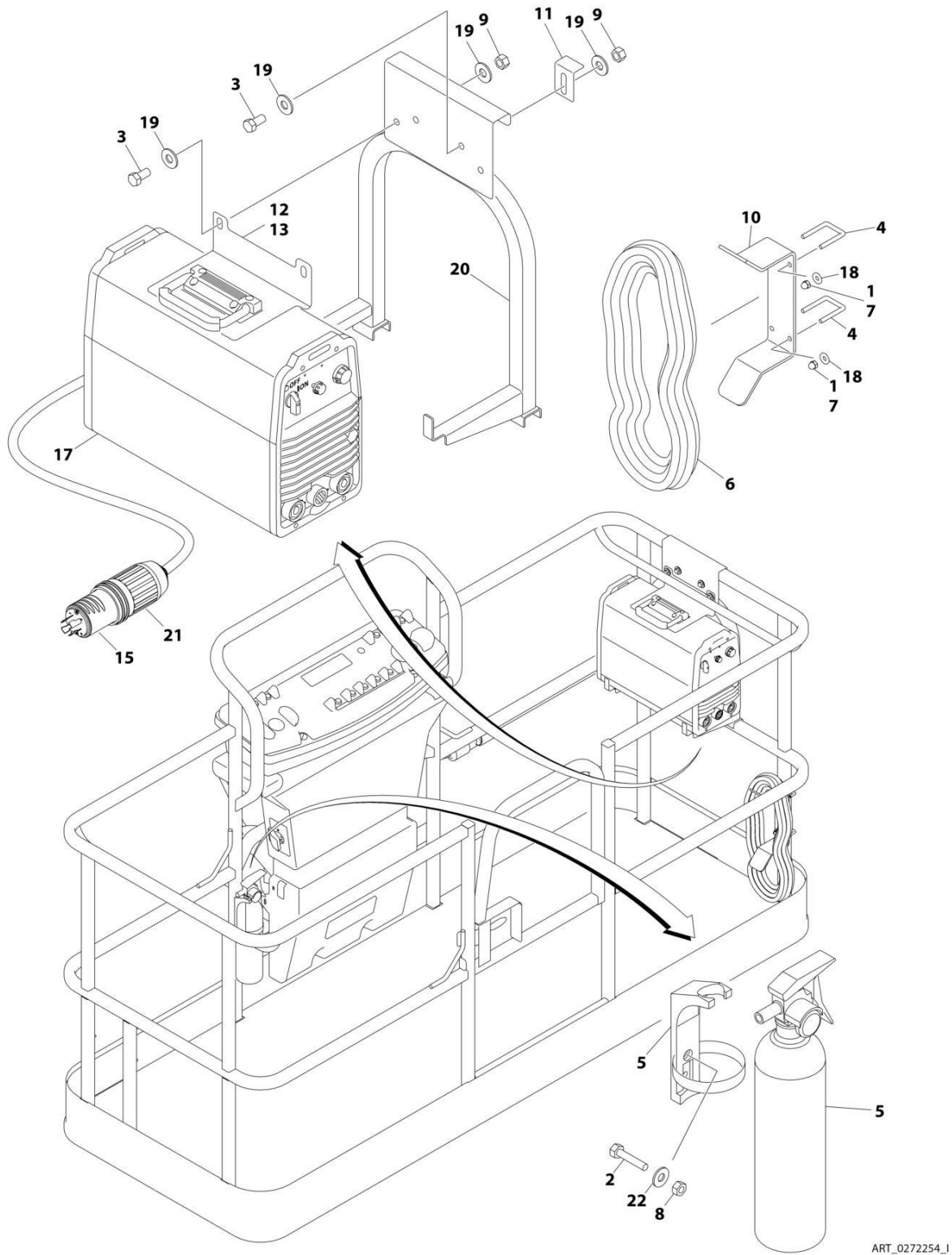
SECTION 5 - PLATFORM

FIGURE 5-33. SKYWELDER INSTALLATION (50HZ)

ITEM	PART NUMBER	QTY	DESCRIPTION	REV
	0272521	Ref	SKYWELDER INSTALLATION	F
1	0100011	AR	Compound, Locking	
2	0630518	2	Screw #10 x 3/4	
3	0641606	4	Bolt 3/8 x 3/4	
4	1320302	2	U-Clamp	
5	2030010	1	Extinguisher, Fire	
6	2902217	1	Weld Leads Kit	
7	3300151	4	Nut 1/4	
8	3311005	2	Nut #10	
9	3311605	4	Nut 3/8	
10	3573400	1	Bracket	
11	3577121	2	Angle	
12	3573642	1	Plate	
13	4240099	AR	Tie-Strap (Not Shown)	
14	4420037	AR	Tape	
15	4530028	1	Welder Assembly (See Separate Breakdown in this Section)	
16	4751400	4	Washer 1/4	
17	4751600	8	Washer 3/8	
18	4846627	1	Support	
19	4751000	2	Washer #10	

SECTION 5 - PLATFORM

FIGURE 5-34. SKYWELDER INSTALLATION (60HZ)



ART_0272254_I

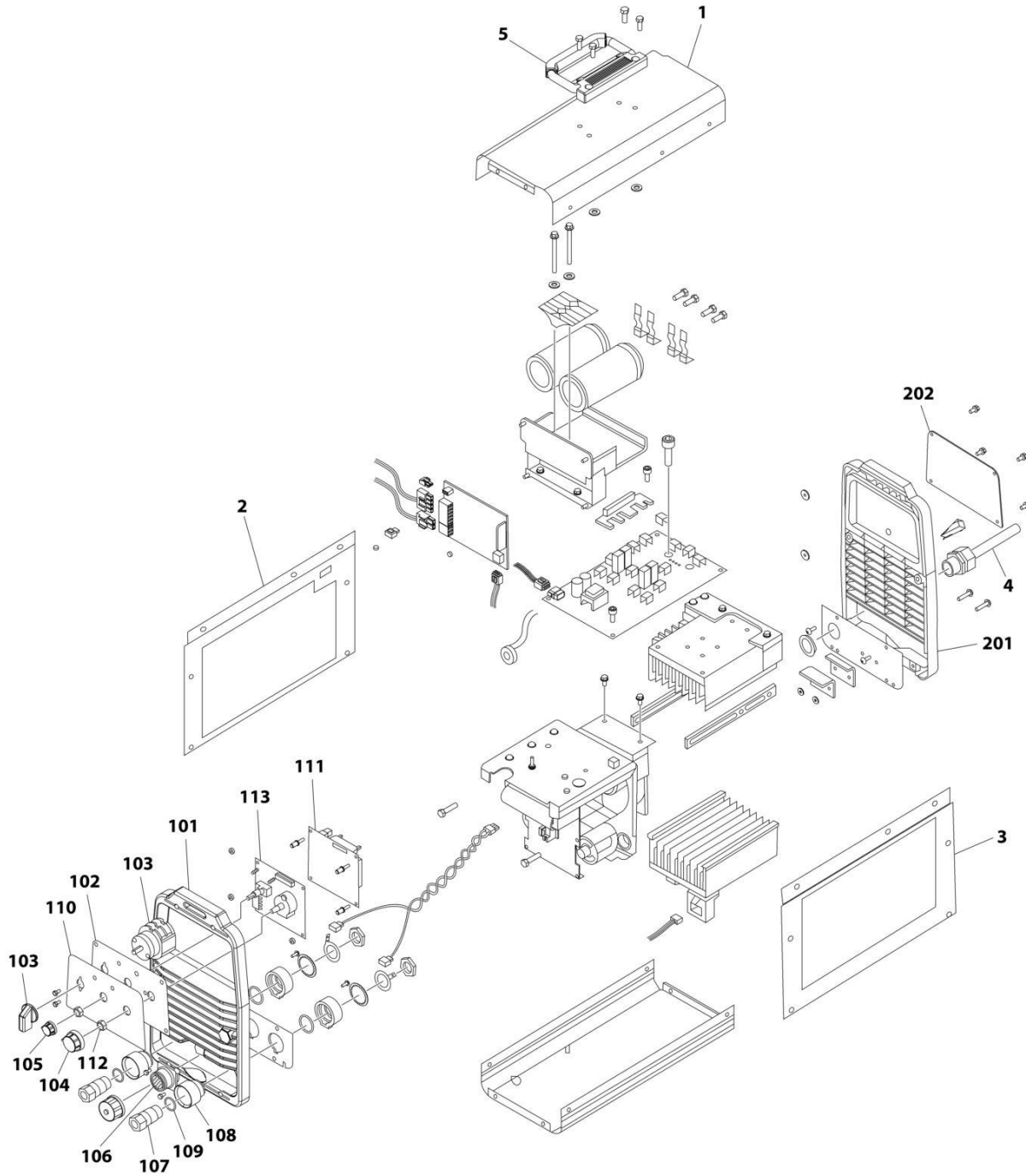
SECTION 5 - PLATFORM

FIGURE 5-34. SKYWELDER INSTALLATION (60HZ)

ITEM	PART NUMBER	QTY	DESCRIPTION	REV
	0272254	Ref	SKYWELDER INSTALLATION	1
1	0100011	AR	Compound, Locking	
2	0630518	2	Screw #10 x 3/4	
3	0641606	4	Bolt 3/8 x 3/4	
4	1320302	2	U-Clamp	
5	2030010	1	Extinguisher, Fire	
6	2902217	1	Weld Leads Kit	
7	3300151	4	Nut 1/4	
8	3311005	2	Nut #10	
9	3311605	4	Nut 3/8	
10	3573400	1	Bracket	
11	3577121	2	Angle	
12	3573642	1	Plate	
13	4420037	AR	Tape	
14	4240099	AR	Tie-Strap (Not Shown)	
15	4460962	1	Plug, Male Twistlock	
17	4530028	1	Welder Assembly (See Separate Breakdown in this Section)	
18	4751400	4	Washer 1/4	
19	4751600	8	Washer 3/8	
20	4846627	1	Support	
21	1671093	1	Cover, Plug	
22	4751000	2	Washer #10	

SECTION 5 - PLATFORM

FIGURE 5-35. WELDER ASSEMBLY



ART_4530028

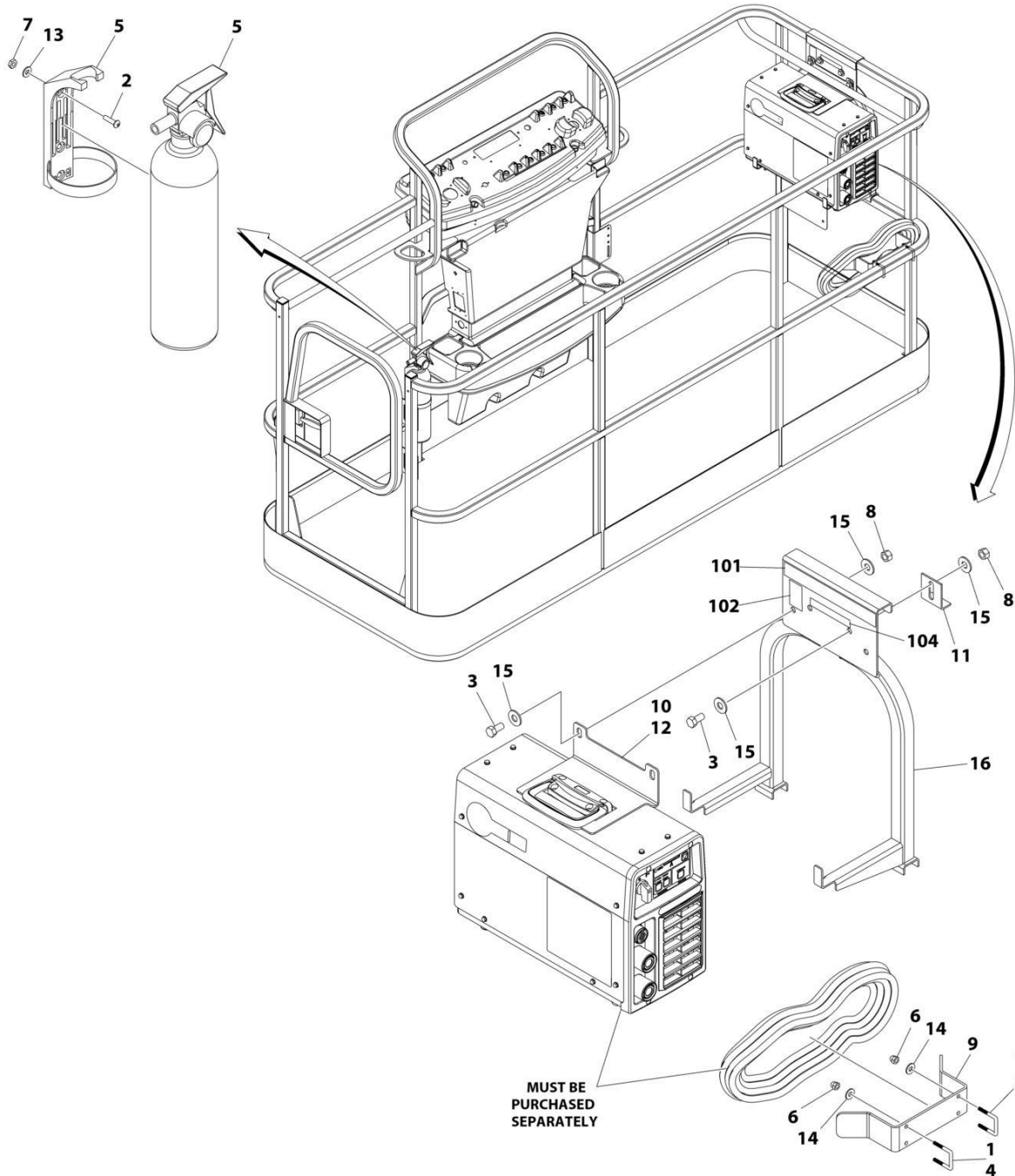
SECTION 5 - PLATFORM

FIGURE 5-35. WELDER ASSEMBLY

ITEM	PART NUMBER	QTY	DESCRIPTION	REV
	4530028	Ref	WELDER ASSEMBLY	B
		Ref	Note: For Other Components, contact your Miller Welder Dealer.	
1	7027773	1	Cover, Top	
1	7027774	1	Decal - Static Precautionary Warning	
2	See Note	NSS	Panel, LH Side (Note: Part of Item 1. Purchase Item 1)	
3	See Note	NSS	Panel, RH Side (Note: Part of Item 1. Purchase Item 1)	
4	7024467	1	Cable, Power	
4	7027775	1	Decal - Electrical Shock Warning (Not Shown)	
5	7027776	1	Handle, Carrying	
101	7024462	1	Panel, Front	
102	7024463	1	Panel, Console	
103	7024469	1	Switch with Lead	
104	7024470	1	Knob	
105	7024471	1	Knob	
106	7024472	1	Receptacle with Leads and Plugs	
107	7024473	2	Receptacle, Twistlock Female	
108	7024474	2	Insulator	
109	7024475	2	O-Ring	
110	7027777	1	Nameplate	
111	7027779	1	Circuit Card Assembly (Process Control)	
112	7024478	2	Nut	
113	7027778	1	Circuit Card Assembly (Operator Interface)	
201	7024462	1	Panel, Rear	
202	7027780	1	Panel, Cover	

SECTION 5 - PLATFORM

FIGURE 5-36. SKYWELDER PREP PACKAGE (60HZ)



ART_1001128527_C

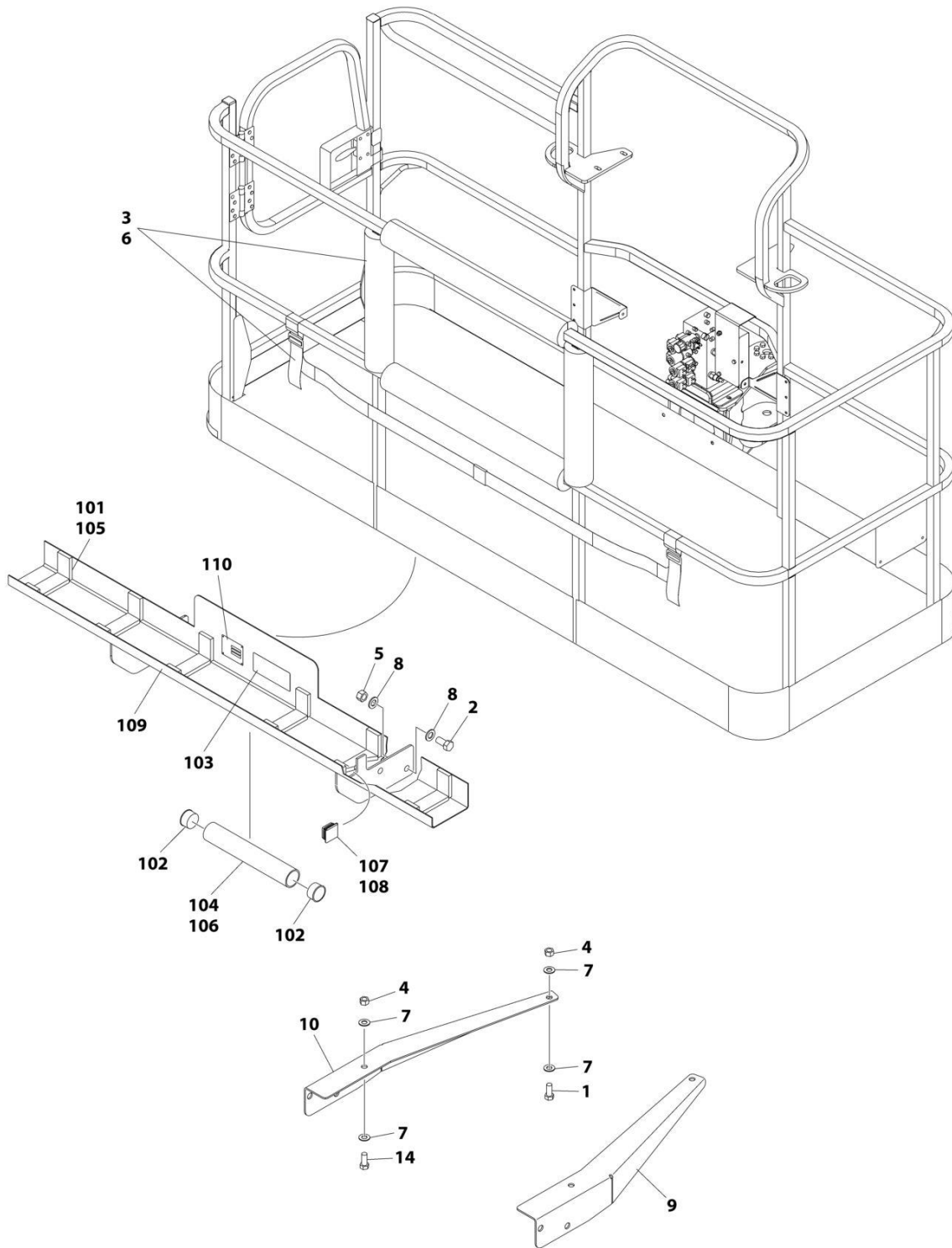
SECTION 5 - PLATFORM

FIGURE 5-36. SKYWELDER PREP PACKAGE (60HZ)

ITEM	PART NUMBER	QTY	DESCRIPTION	REV
	1001128527	Ref	SKYWELDER PREP PACKAGE	C
1	0100011	AR	Compound, Locking	
2	0630518	2	Screw #10 x 3/4	
3	0641606	4	Bolt 3/8 x 3/4	
4	1320302	2	U-Clamp	
5	2030010	1	Extinguisher, Fire	
6	3300151	4	Nut 1/4	
7	3311005	2	Nut #10	
8	3311605	4	Nut 3/8	
9	3573400	1	Bracket	
10	1001269573	1	Plate	
11	3577121	2	Angle	
12	4420037	AR	Tape	
13	4751000	2	Washer #10	
14	4751400	4	Washer 1/4	
15	4751600	8	Washer 3/8	
16	1001269322	1	Support	
	1001128556	Ref	SKYWELDER DECAL INSTALLATION	D
101	1702868	1	Decal - No Hands	
102	1705305	1	Decal - Weld Lead	
104	1001228988	1	Decal - Weight	

SECTION 5 - PLATFORM

FIGURE 5-37. SKYGLAZIER INSTALLATION (ALL SPECS EXCEPT CHINA AND JAPANESE SPECS)



ART_1001172578_D

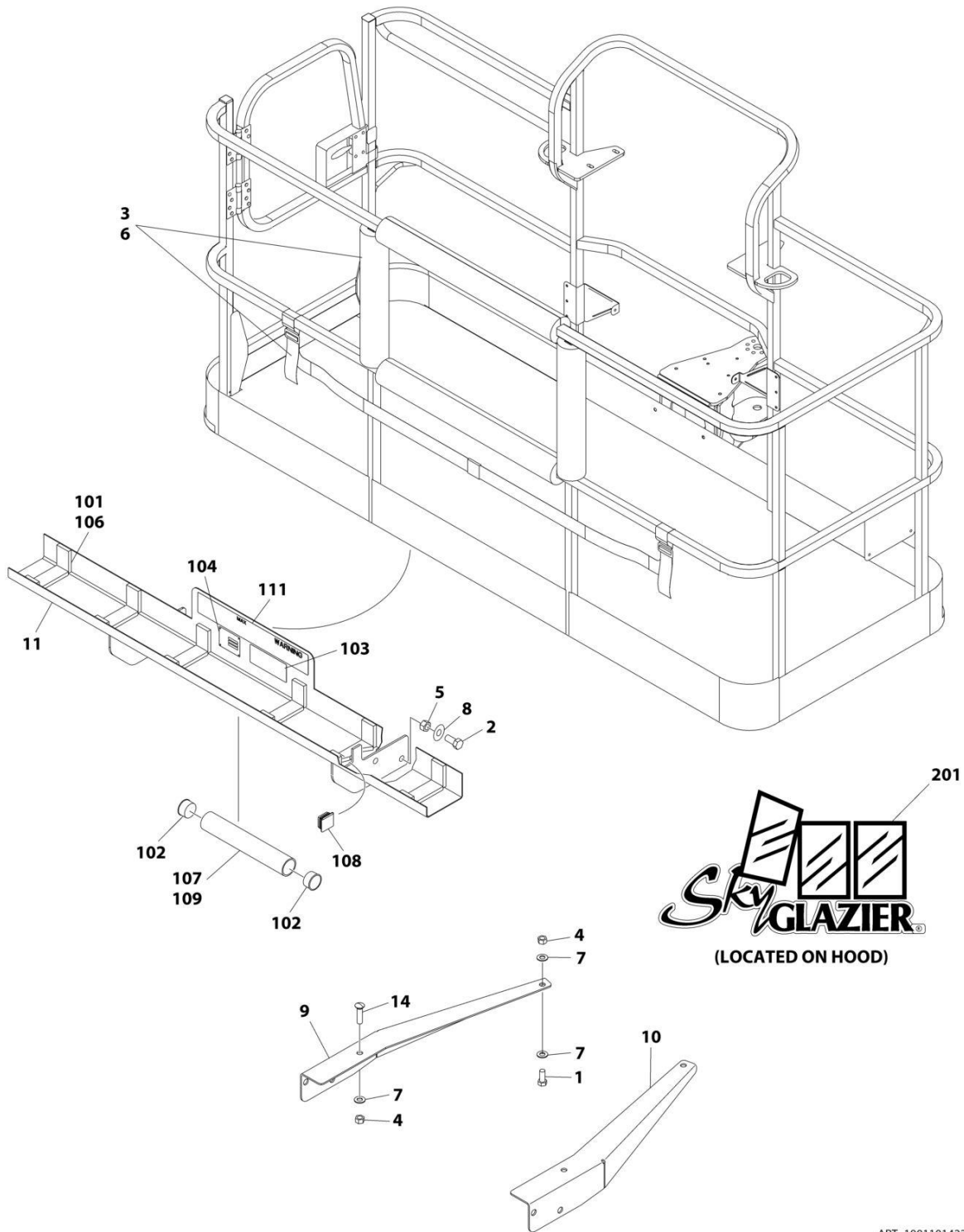
SECTION 5 - PLATFORM

FIGURE 5-37. SKYGLAZIER INSTALLATION (ALL SPECS EXCEPT CHINA AND JAPANESE SPECS)

ITEM	PART NUMBER	QTY	DESCRIPTION	REV
	1001172578	Ref	SKYGLAZIER INSTALLATION	D
1	0642012	2	Bolt 5/8 x 1-1/2	
2	0642212	4	Bolt 3/4 x 1-1/2	
3	2902212	1	Bumpers and Strap Kit	
3	0940102	1	Bumper Only	
3	4240149	1	Strap Only	
4	3312005	1	Nut 5/8	
5	3312205	4	Nut 3/4	
6	4420014	AR	Tape	
7	4712000	6	Washer 5/8	
8	4712200	8	Washer 3/4	
9	1001099366	1	Support	
10	1001099367	1	Support	
13	1001303430	1	Tray Assembly (Not Shown) (See Items 101-110 for Breakdown)	
14	8310129	2	Bolt 3/4 x 2-1/2	
	1001303430	Ref	TRAY ASSEMBLY	A
101	0100081	AR	Adhesive	
102	1120555	2	Cap, Tube	
103	1701509	1	Decal - Manual	
104	3124242	1	Manual - Accessories	
105	3340956	1	Pad Kit	
106	3460334	1	Pipe	
107	3520071	2	Plug	
108	4420066	AR	Tape, Double Sided	
109	4846562	1	Weld, Glazier Shelf	
110	1001253726	1	Decal - Accessory	

SECTION 5 - PLATFORM

FIGURE 5-38. SKYGLAZIER INSTALLATION (ENGLISH LANGUAGE DECALS)



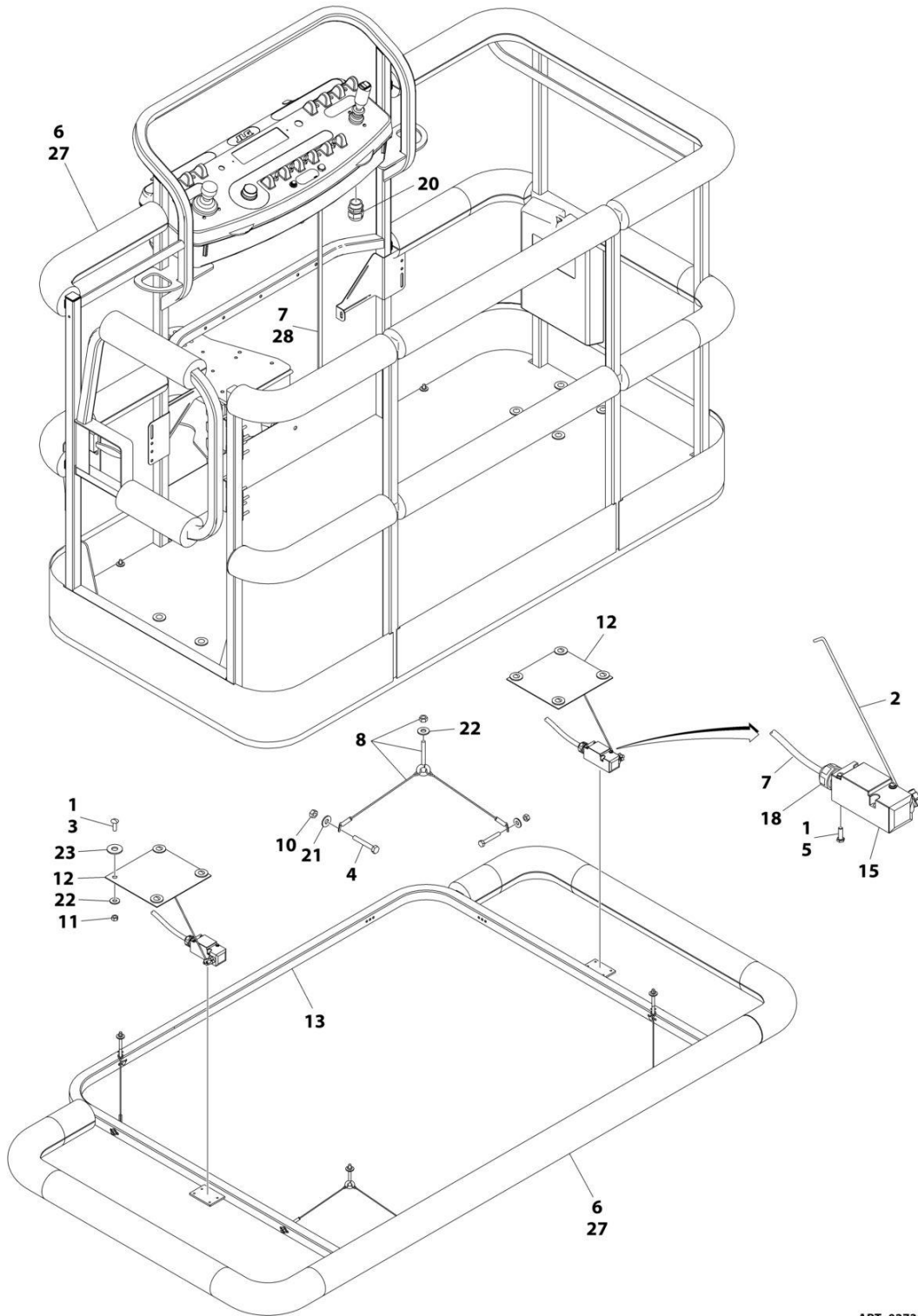
SECTION 5 - PLATFORM

FIGURE 5-38. SKYGLAZIER INSTALLATION (ENGLISH LANGUAGE DECALS)

ITEM	PART NUMBER	QTY	DESCRIPTION	REV
	1001101422	Ref	SKYGLAZIER INSTALLATION	C
1	0642012	2	Bolt 5/8 x 1-1/2	
2	0642212	4	Bolt 3/4 x 1-1/2	
3	2902212	1	Bumpers and Strap Kit	
3	0940102	1	Bumper Only	
3	4240149	1	Strap Only	
4	3312005	4	Nut 5/8	
5	3312205	4	Nut 3/4	
6	4420014	AR	Tape	
7	4712000	6	Washer 5/8	
8	4712200	8	Washer 3/4	
9	1001099366	1	Support	
10	1001099367	1	Support	
11	1001101421	1	Tray Assembly (See Items 101-111 for Breakdown)	
14	8310129	2	Bolt 3/4 x 2-1/2	
	1001101421	Ref	TRAY ASSEMBLY	F
101	0100081	AR	Adhesive	
102	1120555	2	Cap, Tube	
103	1701509	1	Decal - Manual	
104	See Note	NSS	Nameplate - Serial Number (Note: Not Available for Purchase)	
106	3340956	1	Pad Kit	
107	3460334	1	Tube	
108	3520071	2	Plug	
109	4420066	AR	Tape, Double Sided	
111	1001163131	2	Decal - Glazier Capacity	
	0272418	Ref	SKYGLAZIER DECAL INSTALLATION	4
201	1705358	2	Decal - SkyGlazier	

SECTION 5 - PLATFORM

FIGURE 5-39. SOFT TOUCH SYSTEM INSTALLATION - 6FT/1.83M PLATFORM



ART_0273824_E

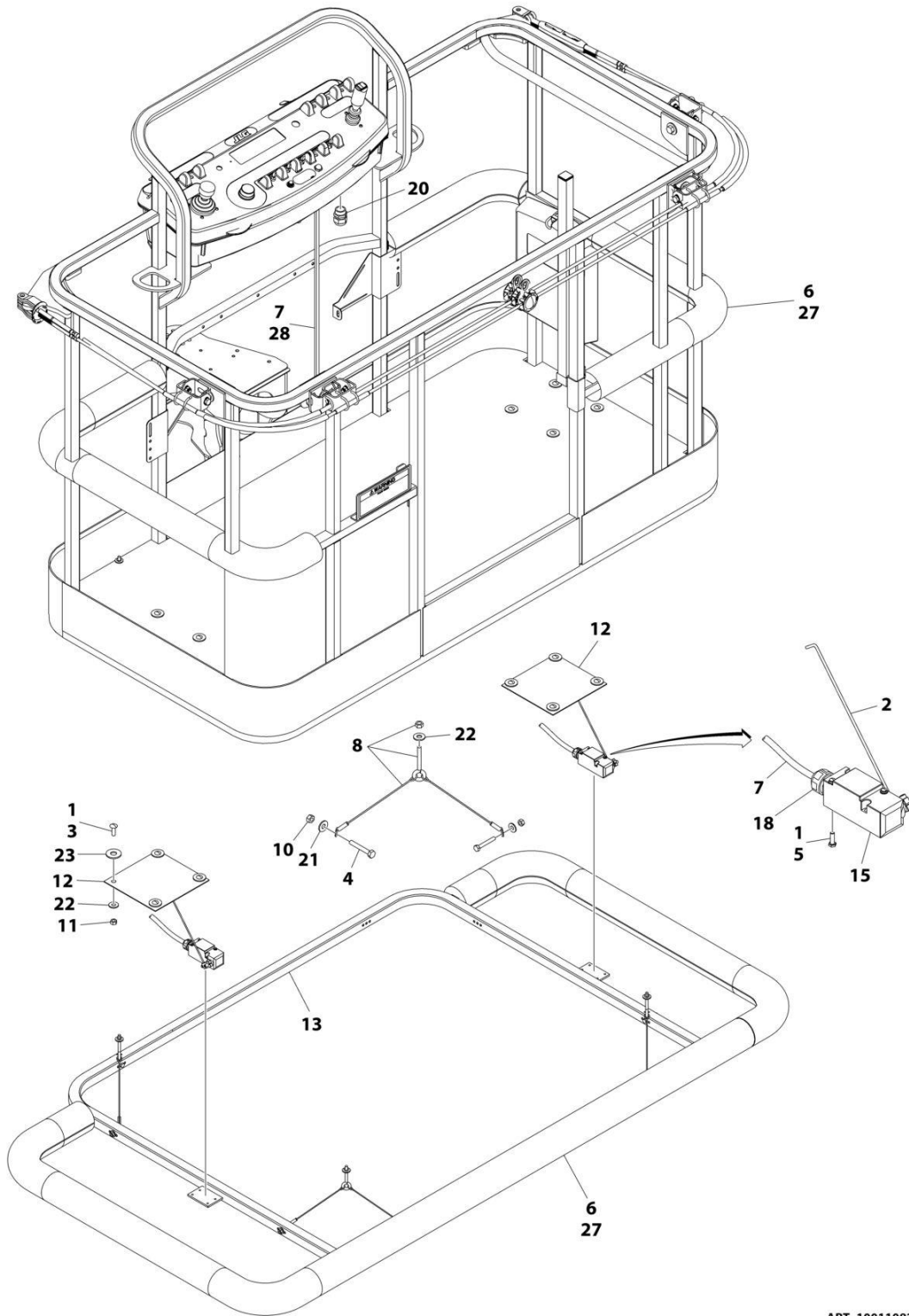
SECTION 5 - PLATFORM

FIGURE 5-39. SOFT TOUCH SYSTEM INSTALLATION - 6FT/1.83M PLATFORM

ITEM	PART NUMBER	QTY	DESCRIPTION	REV
	0273824	Ref	SOFT TOUCH SYSTEM INSTALLATION	E
1	0100011	AR	Compound, Locking	
2	0200048	2	Arm, Switch	
3	0630462	8	Bolt	
4	0641414	8	Bolt 1/4 x 1-3/4	
5	0731005	4	Bolt #10 x 5/8	
6	0940134	1	Bumper Kit (Includes Corners and Enough Straight Material for One Platform)	
6	0940092	AR	Bumper (Corner)	
6	0940094	AR	Bumper (12ft Length)	
7	1060341	23 ft/7m	Cable, Soft Touch - 16/2	
8	1060903	4	Wire Rope and Eyebolt Assembly	
10	3311401	8	Nut 1/4	
11	3311501	8	Nut 5/16	
12	3575359	2	Plate, Switch Strike	
13	3641569	1	Rail, Soft Touch	
14	4240099	7	Tie-Strap (Not Shown)	
15	4360057	2	Switch, Limit	
18	4460049	2	Connector, Strain Relief	
19	4460234	7	Tie-Strap (Not Shown)	
20	4460425	1	Connector, Strain Relief	
21	4751400	8	Washer 1/4	
22	4751500	12	Washer 5/16	
23	4751800	8	Washer 1/2	
27	1001197017	AR	Tie-Strap	
28	4460226	4	Socket	

SECTION 5 - PLATFORM

FIGURE 5-40. SOFT TOUCH SYSTEM INSTALLATION - 6FT/1.83M FALL ARREST PLATFORM



ART_1001108256_D

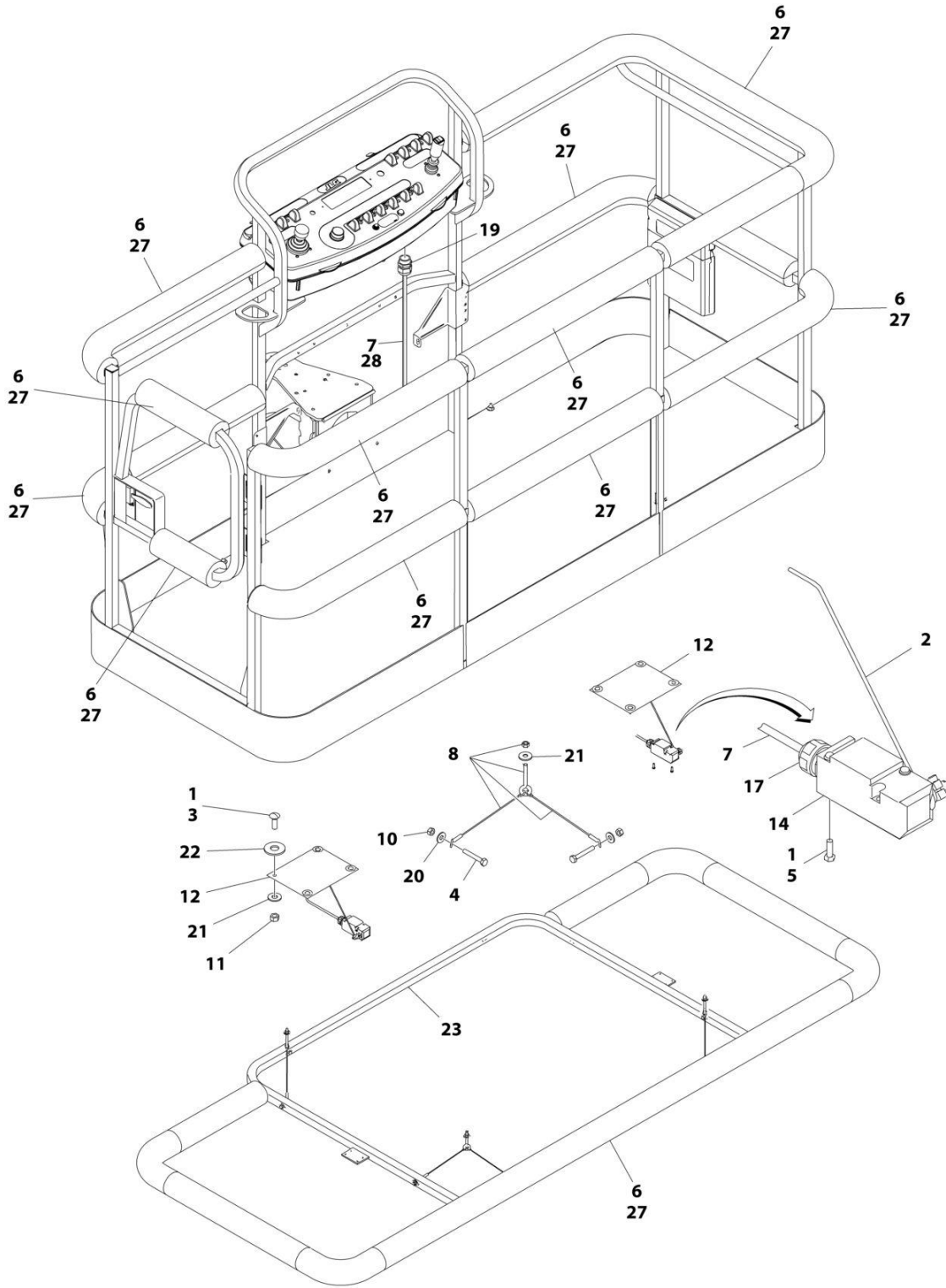
SECTION 5 - PLATFORM

FIGURE 5-40. SOFT TOUCH SYSTEM INSTALLATION - 6FT/1.83M FALL ARREST PLATFORM

ITEM	PART NUMBER	QTY	DESCRIPTION	REV
	1001108256	Ref	SOFT TOUCH INSTALLATION	D
1	0100011	AR	Compound, Locking	
2	0200048	2	Arm, Switch	
3	0630462	8	Bolt	
4	0641414	8	Bolt 1/4 x 1-3/4	
5	0731005	4	Bolt #10 x 5/8	
6	0940177	1	Bumper Kit (Includes Corners and Enough Straight Material for One Platform)	
6	0940092	8	Bumper (Corner)	
6	0940094	AR	Bumper (12ft Length)	
7	1060341	23 ft/7m	Cable, Soft Touch - 16/2	
8	1060903	4	Wire Rope and Eyebolt Assembly	
10	3311401	8	Nut 1/4	
11	3311501	8	Nut 5/16	
12	3575359	2	Plate, Switch Strike	
13	3641569	1	Rail, Soft Touch	
14	4240099	7	Tie-Strap (Not Shown)	
15	4360057	2	Switch, Limit	
18	4460049	2	Connector, Strain Relief	
19	4460234	7	Tie-Strap (Not Shown)	
20	4460425	1	Connector, Strain Relief	
21	4751400	8	Washer 1/4	
22	4751500	9	Washer 5/16	
23	4751800	8	Washer 1/2	
27	1001197017	AR	Strap, Cable Tie (Yellow)	
28	4460226	4	Socket	

SECTION 5 - PLATFORM

FIGURE 5-41. SOFT TOUCH SYSTEM INSTALLATION - 8FT/2.44M PLATFORM



ART_0272427_H

SECTION 5 - PLATFORM

FIGURE 5-41. SOFT TOUCH SYSTEM INSTALLATION - 8FT/2.44M PLATFORM

ITEM	PART NUMBER	QTY	DESCRIPTION	REV
	0272427	Ref	SOFT TOUCH INSTALLATION - 36IN X 8FT (91.5CM X 2.44M) PLATFORM	H
1	0100011	AR	Compound, Locking	
2	0200048	2	Arm, Switch	
3	0630462	8	Bolt	
4	0641414	8	Bolt 1/4 x 1-3/4	
5	0721005	4	Bolt #10 x 5/8	
6	0940103	1	Bumper Kit (Includes Corners and Enough Straight Material for One Platform)	
6	0940092	12	Bumper (Corner)	
6	0940094	AR	Bumper (12ft Length)	
7	1060341	23 ft/7m	Cable, Soft Touch - 16/2	
8	1060903	4	Wire Rope and Eyebolt Assembly	
10	3311401	8	Nut 1/4	
11	3311501	8	Nut 5/16	
12	3574091	2	Plate, Switch Strike	
13	4240099	7	Tie-Strap (Not Shown)	
14	4360057	2	Switch, Limit	
17	4460049	2	Connector, Strain Relief	
18	4460234	7	Tie-Strap (Not Shown)	
19	4460425	1	Connector, Strain Relief	
20	4751400	8	Washer 1/4	
21	4751500	12	Washer 5/16	
22	4751800	8	Washer 1/2	
23	4846673	1	Rail, Soft Touch	
27	1001197017	AR	Tie-Strap	
28	4460226	1	Socket	

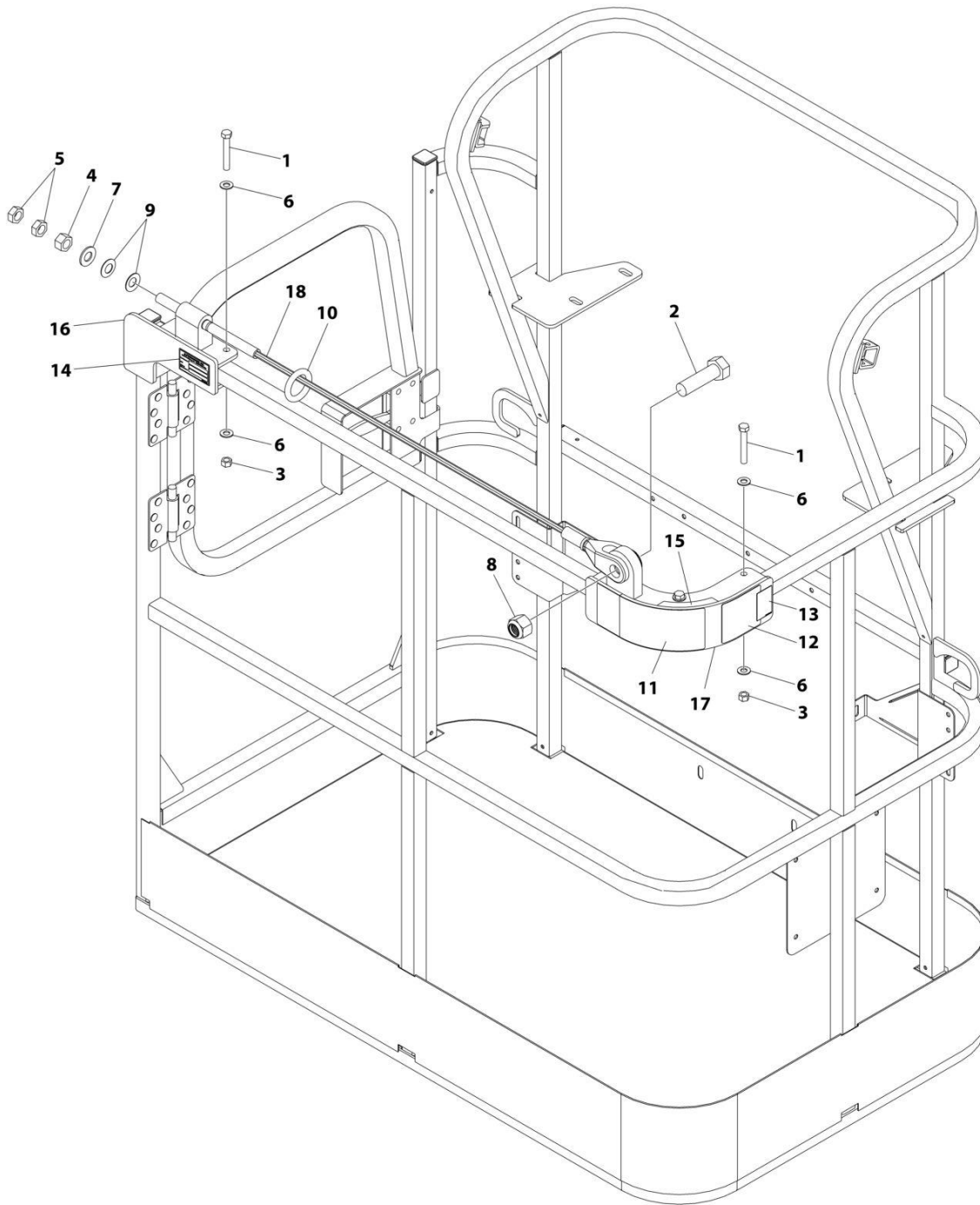
SECTION 5 - PLATFORM

FIGURE 5-42. SOFT TOUCH SYSTEM INSTALLATION - 8FT/2.44M FALL ARREST PLATFORM

ITEM	PART NUMBER	QTY	DESCRIPTION	REV
	0273706	Ref	SOFT TOUCH INSTALLATION	E
1	0100011	AR	Compound, Locking	
2	0200048	2	Arm, Switch	
3	0630462	8	Bolt	
4	0641414	8	Bolt 1/4 x 1-3/4	
5	0721005	4	Bolt #10 x 5/8	
6	0940133	1	Bumper Kit (Includes Corners and Enough Straight Material for One Platform)	
6	0940092	8	Bumper (Corner)	
6	0940094	AR	Bumper (12ft Length)	
7	1060341	23 ft/7m	Cable, Soft Touch - 16/2	
8	1060903	4	Wire Rope and Eyebolt Assembly	
10	3311401	8	Nut 1/4	
11	3311501	8	Nut 5/16	
12	3574091	2	Plate, Switch Strike	
13	4240099	7	Tie-Strap (Not Shown)	
14	4360057	2	Switch, Limit	
17	4460049	2	Connector, Strain Relief	
18	4460234	7	Tie-Strap (Not Shown)	
19	4460425	1	Connector, Strain Relief	
20	4751400	8	Washer 1/4	
21	4751500	12	Washer 5/16	
22	4751800	8	Washer 1/2	
23	4846673	1	Rail, Soft Touch	
27	1001197017	AR	Tie-Strap	
28	4460226	4	Socket	

SECTION 5 - PLATFORM

FIGURE 5-43. FALL ARREST INSTALLATION (BOLT-ON) 30IN X 4FT (76CM X 1.22M) PLATFORM



ART_1001261338

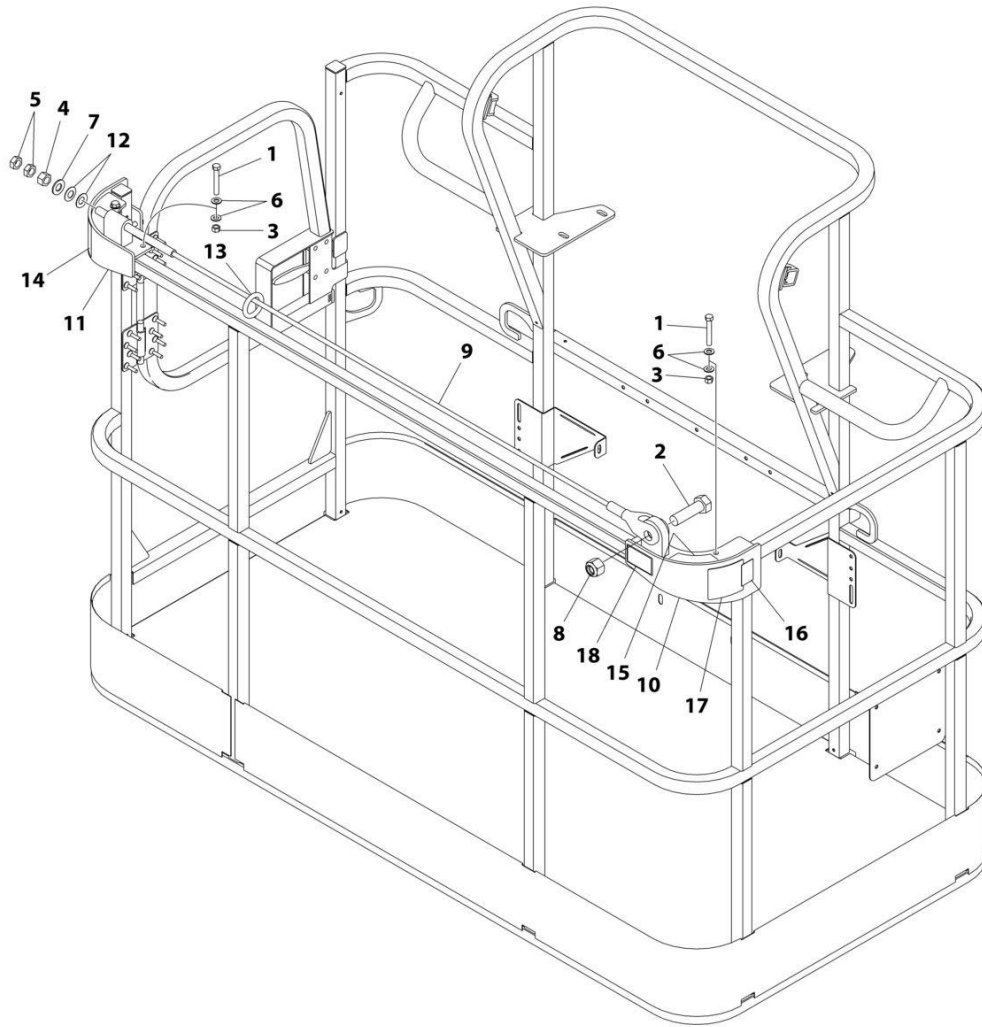
SECTION 5 - PLATFORM

FIGURE 5-43. FALL ARREST INSTALLATION (BOLT-ON) 30IN X 4FT (76CM X 1.22M) PLATFORM

ITEM	PART NUMBER	QTY	DESCRIPTION	REV
	1001261338	Ref	FALL ARREST INSTALLATION	A
1	0681620	6	Bolt 3/8 x 2-1/2	
2	0682424	1	Bolt 7/8 x 3	
3	3271605	6	Nut 3/8	
4	3272001	1	Nut 5/8	
5	3312002	2	Nut 5/8	
6	4711600	12	Washer 3/8	
7	4712000	1	Washer 5/8	
8	88521214	1	Nut 7/8	
9	1001236891	2	Washer	
10	1001236895	1	Ring	
11	1001238263	1	Decal - Warning Falling Hazard	
12	1001248140	1	Decal - Bolt Fall Arrest Re-Cert	
13	1001248141	1	Decal - Incription	
14	See Note	NSS	Nameplate - Manufacturers Serial Number (Note: Not Available for Purchase)	
15	1001252629	1	Decal - Weight	
16	1001257271	1	Bracket (RH)	
17	1001257274	1	Bracket (LH)	
18	1001261335	1	Rope	

SECTION 5 - PLATFORM

FIGURE 5-44. FALL ARREST INSTALLATION (BOLT-ON) 36IN X 6FT (91.2CM X 1.82M) PLATFORM



ART_1001236747

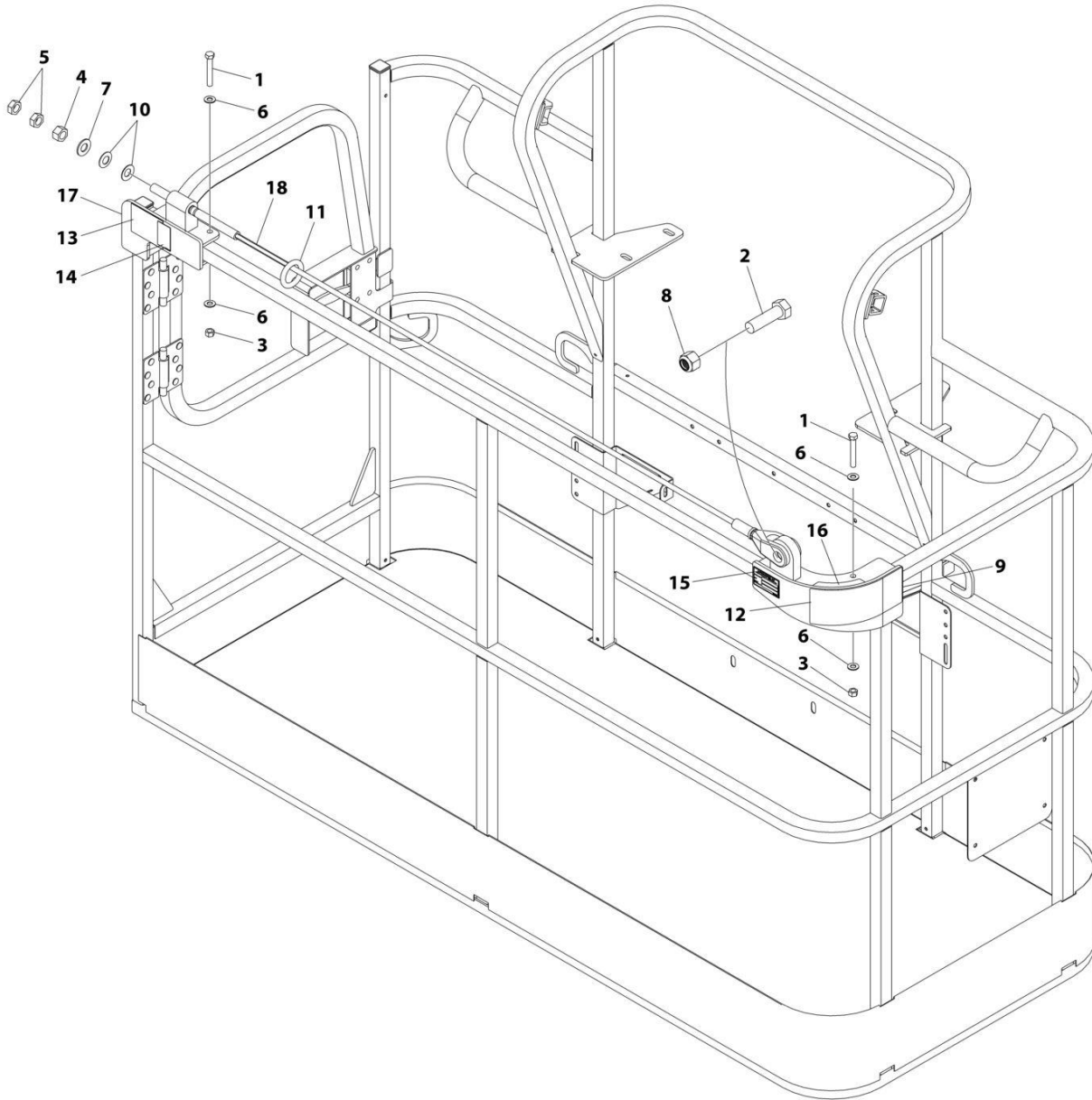
SECTION 5 - PLATFORM

FIGURE 5-44. FALL ARREST INSTALLATION (BOLT-ON) 36IN X 6FT (91.2CM X 1.82M) PLATFORM

ITEM	PART NUMBER	QTY	DESCRIPTION	REV
	1001236747	Ref	FALL ARREST INSTALLATION (BOLT - ON) 6FT/1.82M PLATFORM	C
1	0681620	6	Bolt 3/8 x 2-1/2	
2	0682424	1	Bolt 7/8 x 3	
3	3271605	6	Nut 3/8	
4	3272001	1	Nut 5/8	
5	3312002	2	Nut 5/8	
6	4711600	12	Washer 3/8	
7	4712000	1	Washer 5/8	
8	88521214	1	Nut 7/8	
9	1001231950	1	Rope	
10	1001232010	1	Bracket (RH)	
11	1001232011	1	Bracket (LH)	
12	1001236891	2	Washer	
13	1001236895	1	Ring	
14	1001238263	1	Decal - Warning Falling Hazard	
15	1001252629	1	Decal - Weight	
16	1001248140	1	Decal - Bolt Fall Arrest Re-Cert	
17	1001248141	1	Decal - Inscription	

SECTION 5 - PLATFORM

FIGURE 5-45. FALL ARREST INSTALLATION (BOLT-ON) 30IN X 6FT (76CM X 1.83M) PLATFORM



ART_1001261339

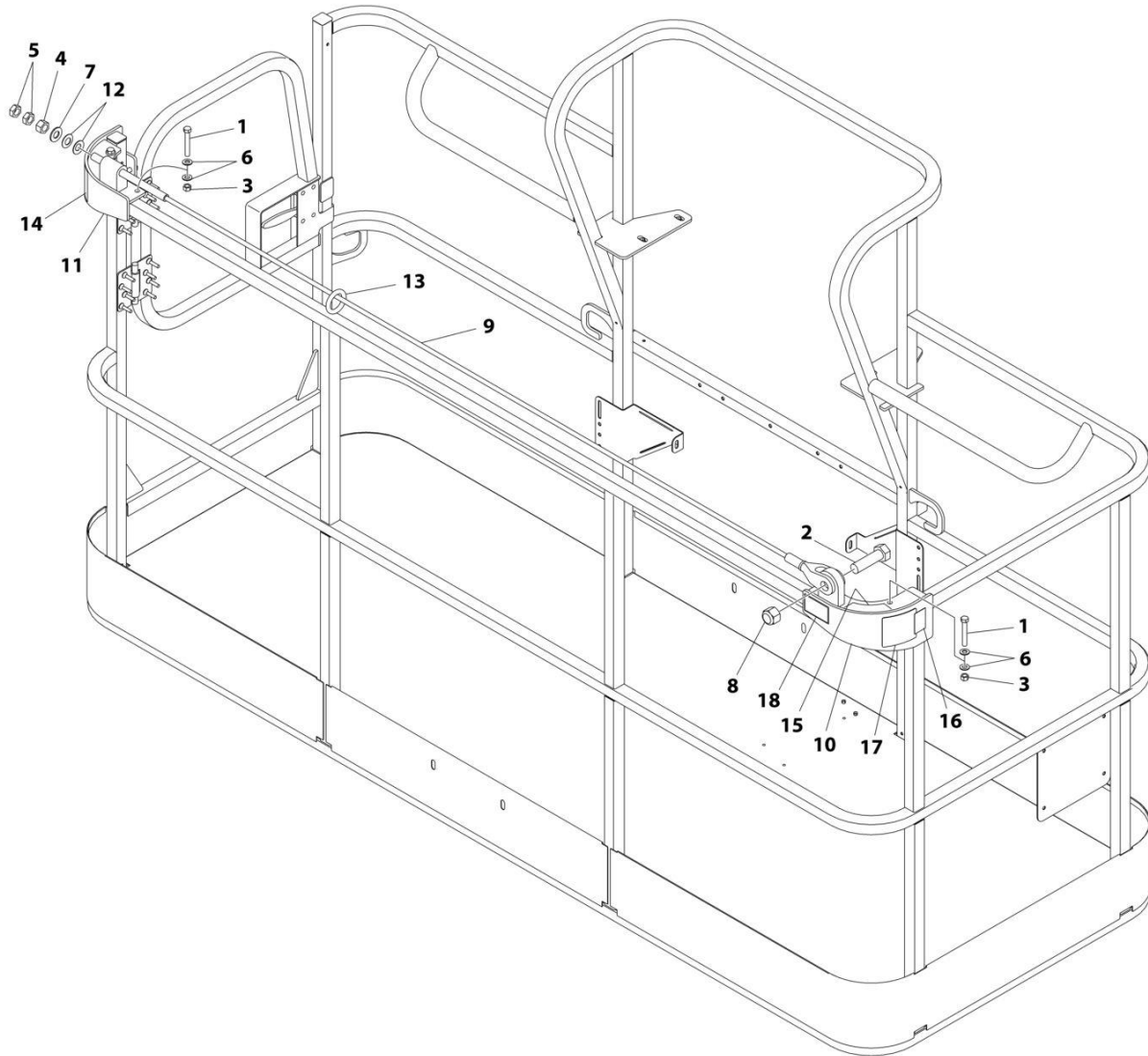
SECTION 5 - PLATFORM

FIGURE 5-45. FALL ARREST INSTALLATION (BOLT-ON) 30IN X 6FT (76CM X 1.83M) PLATFORM

ITEM	PART NUMBER	QTY	DESCRIPTION	REV
	1001261339	Ref	FALL ARREST INSTALLATION (BOLT-ON) 30IN X 6FT (76CM X 1.83M) PLATFORM	A
1	0681620	6	Bolt 3/8 x 2-1/2	
2	0682424	1	Bolt 7/8 x 3	
3	3271605	6	Nut 3/8	
4	3272001	1	Nut 5/8	
5	3312002	2	Nut 5/8	
6	4711600	12	Washer 3/8	
7	4712000	1	Washer 5/8	
8	88521214	1	Nut 7/8	
9	1001232010	1	Bracket	
10	1001236891	2	Washer	
11	1001236895	1	Ring	
12	1001238263	1	Decal - Warning Falling Hazard	
13	1001248140	1	Decal - Bolt Fall Arrest Re-Cert	
14	1001248141	1	Decal - Incription	
15	See Note	NSS	Nameplate - Manufacturers Serial Number (Note: Not Available for Purchase)	
16	1001252629	1	Decal - Weight	
17	1001257271	1	Bracket	
18	1001261336	1	Rope	

SECTION 5 - PLATFORM

FIGURE 5-46. FALL ARREST INSTALLATION (BOLT-ON) 36IN X 8FT (91.5CM X 2.4M) PLATFORM



ART_1001236746

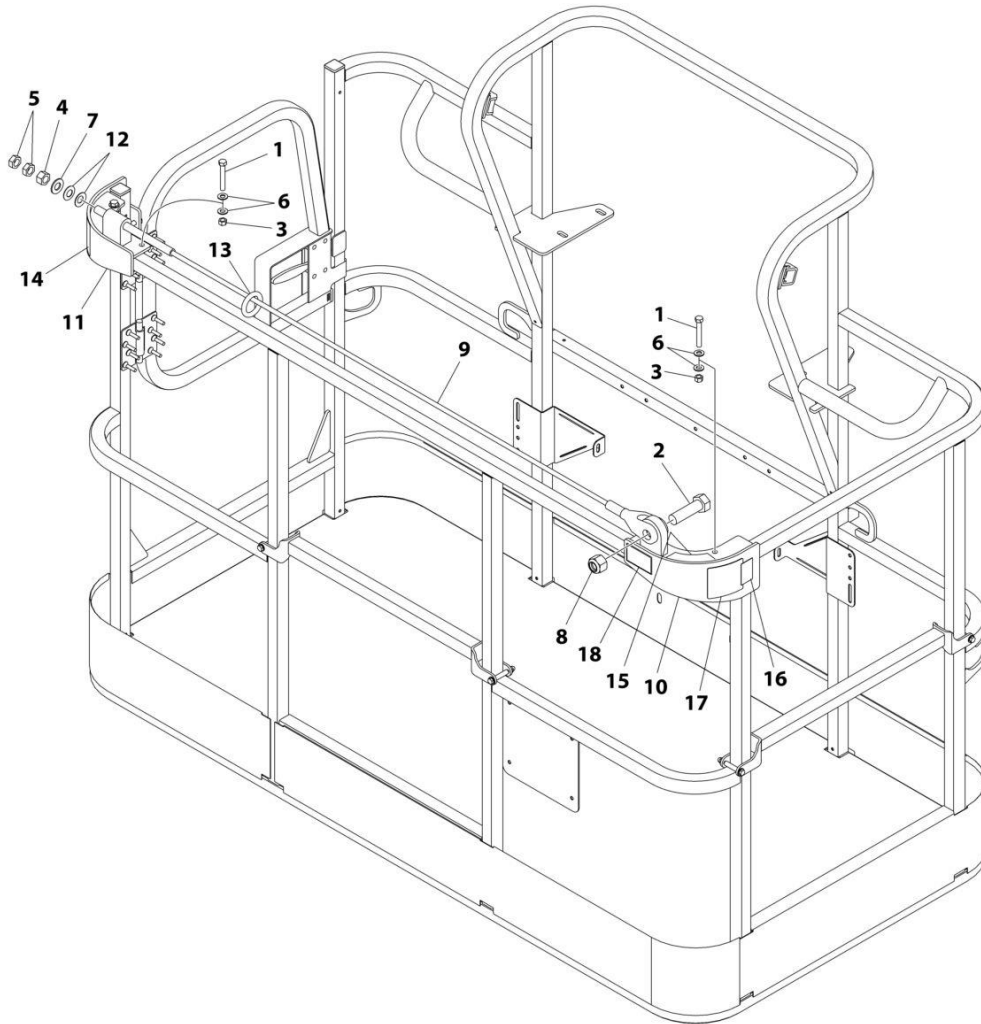
SECTION 5 - PLATFORM

FIGURE 5-46. FALL ARREST INSTALLATION (BOLT-ON) 36IN X 8FT (91.5CM X 2.4M) PLATFORM

ITEM	PART NUMBER	QTY	DESCRIPTION	REV
	1001236746	Ref	FALL ARREST INSTALLATION (BOLT - ON) 8FT/2.4M PLATFORM	C
1	0681620	6	Bolt 3/8 x 2-1/2	
2	0682424	1	Bolt 7/8 x 3	
3	3271605	6	Nut 3/8	
4	3272001	1	Nut 5/8	
5	3312002	2	Nut 5/8	
6	4711600	12	Washer 3/8	
7	4712000	1	Washer 5/8	
8	88521214	1	Nut 7/8	
9	1001231949	1	Rope	
10	1001232010	1	Bracket (RH)	
11	1001232011	1	Bracket (LH)	
12	1001236891	2	Washer	
13	1001236895	1	Ring	
14	1001238263	1	Decal - Warning Falling Hazard	
15	1001252629	1	Decal - Weight 23LBS/10.4KG	
16	1001248140	1	Decal - Bolt Fall Arrest Re-Cert	
17	1001248141	1	Decal - Inscription	

SECTION 5 - PLATFORM

FIGURE 5-47. FALL ARREST INSTALLATION (BOLT-ON) 36IN X 6FT (91.5CM X 1.82M) TRI-ENTRY PLATFORM)



ART_1001238463

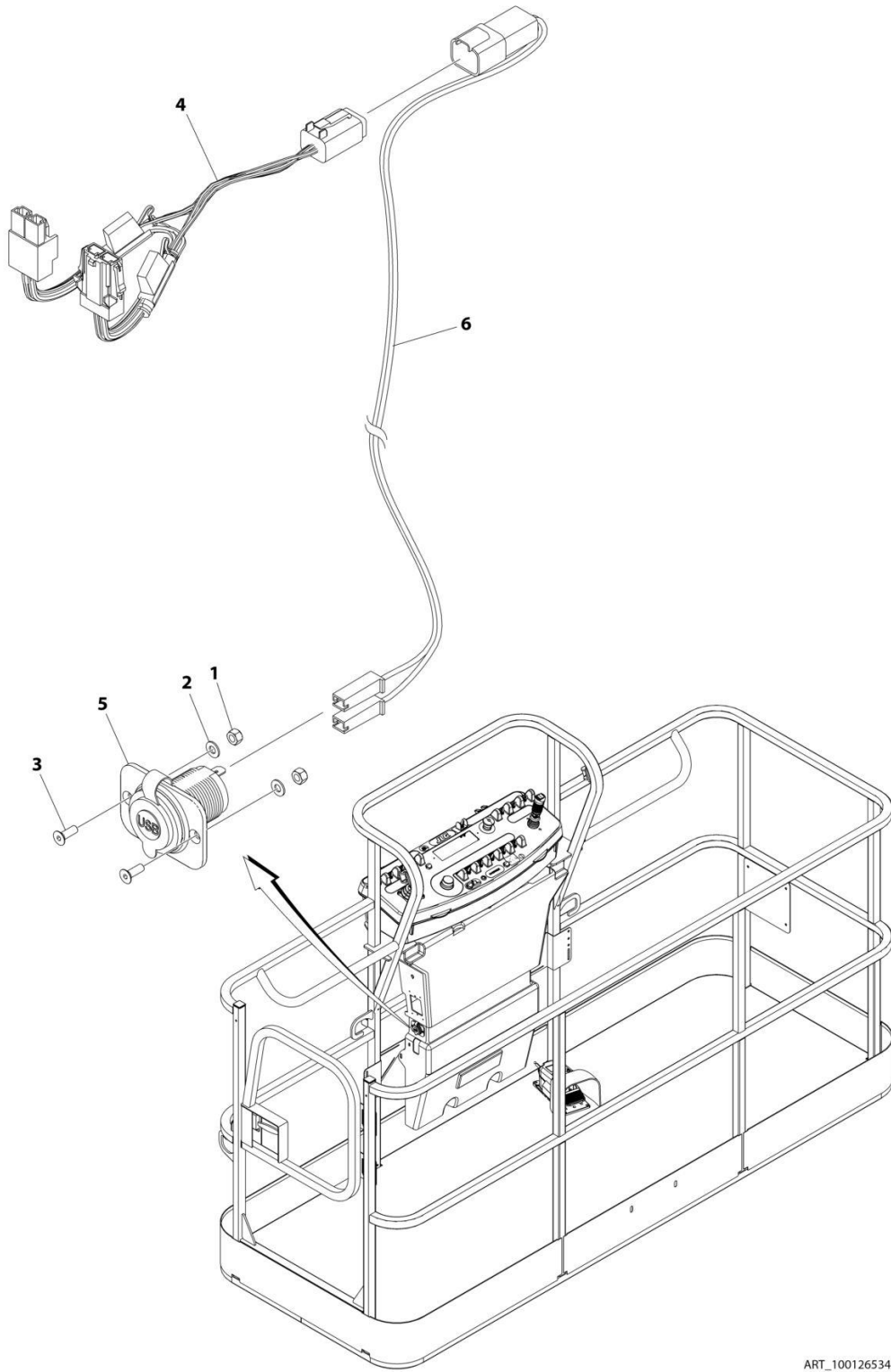
SECTION 5 - PLATFORM

FIGURE 5-47. FALL ARREST INSTALLATION (BOLT-ON) 36IN X 6FT (91.5CM X 1.82M) TRI-ENTRY PLATFORM)

ITEM	PART NUMBER	QTY	DESCRIPTION	REV
	1001238463	Ref	FALL ARREST INSTALLATION (BOLT - ON) 6FT/1.82M PLATFORM	C
1	0681620	6	Bolt 3/8 x 2-1/2	
2	0682424	1	Bolt 7/8 x 3	
3	3271605	6	Nut 3/8	
4	3272001	1	Nut 5/8	
5	3312002	2	Nut 5/8	
6	4711600	12	Washer 3/8	
7	4712000	1	Washer 5/8	
8	88521214	1	Nut 7/8	
9	1001231950	1	Rope	
10	1001232010	1	Bracket (RH)	
11	1001232011	1	Bracket (LH)	
12	1001236891	2	Washer	
13	1001236895	1	Ring	
14	1001238263	1	Decal - Warning Falling Hazard	
15	1001252629	1	Decal - Weight	
16	1001248140	1	Decal - Bolt Fall Arrest Re-Cert	
17	1001248141	1	Decal - Inscription	

SECTION 5 - PLATFORM

FIGURE 5-48. USB CHARGER INSTALLATION



ART_1001265342

SECTION 5 - PLATFORM

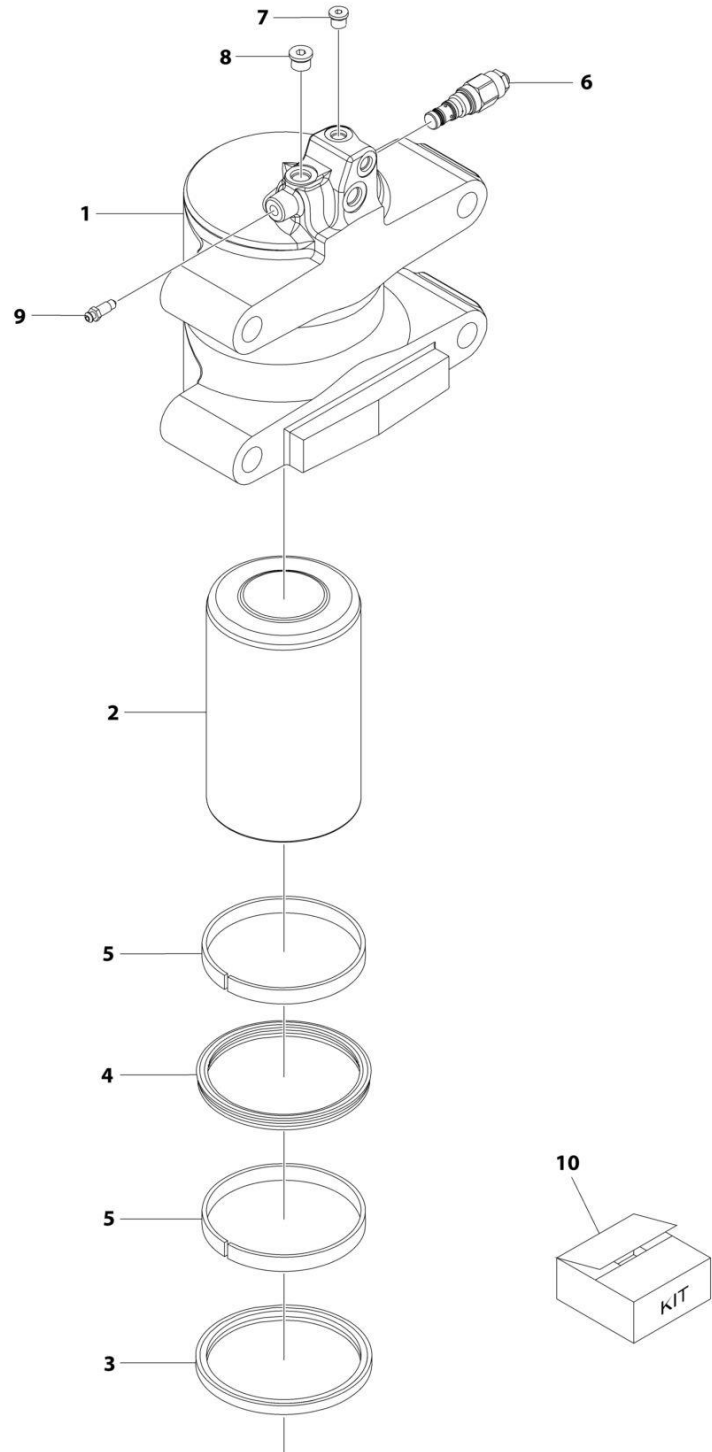
FIGURE 5-48. USB CHARGER INSTALLATION

ITEM	PART NUMBER	QTY	DESCRIPTION	REV
	1001265342	Ref	USB CHARGER INSTALLATION	A
1	3290405	2	Nut M4	
2	4811400	2	Washer M4	
3	1001097244	2	Screw M4 x 12	
4	1001120484	1	Harness, Work Lights	
4	4460879	1	Plug, Male - 2 Position	
4	4460887	2	Terminal	
4	2400060	2	Fuseholder Includes Cover	
4	8229249	2	Fuse, 3 Amp	
4	4460884	1	Connector - 4 Position	
4	4460465	4	Socket, Female	
4	1001120471	1	Connector - 2 Position	
4	1001120477	2	Terminal	
5	1001210636	1	Receptacle, USB	
6	1001265163	1	Harness, USB	A
6	4460260	2	Cover, Terminal	
6	4460259	2	Terminal	
6	4460932	1	Receptacle, Bussbar - 4 Position	
6	4460464	2	Pin, Male	
6	4460466	2	Plug, Terminal	

SECTION 6 - CYLINDER

SECTION 6 - CYLINDER

FIGURE 6-1. AXLE LOCKOUT CYLINDER ASSEMBLY



ART_1001204560

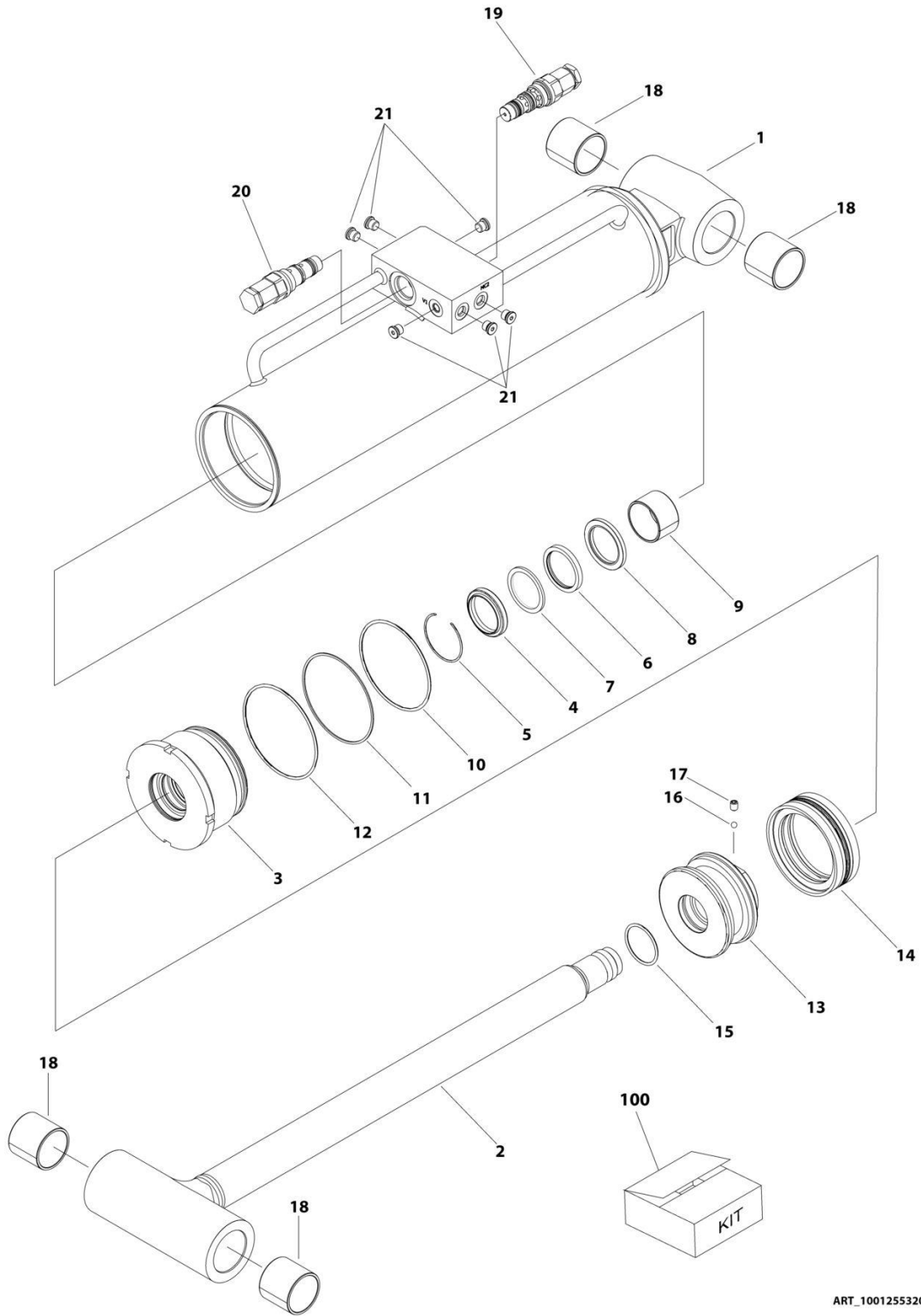
SECTION 6 - CYLINDER

FIGURE 6-1. AXLE LOCKOUT CYLINDER ASSEMBLY

ITEM	PART NUMBER	QTY	DESCRIPTION	REV
	1001204560	Ref	AXLE LOCKOUT CYLINDER ASSEMBLY	D
1	1001154126	1	Barrel	
2	1001154687	1	Rod	
3	See Note	NSS	Wiper (Note: Use Item 10)	
4	See Note	NSS	Seal, Rod (Note: Use Item 10)	
5	See Note	NSS	Ring, Wear (Note: Use Item 10)	
6	1001117372	1	Cartridge, Valve (Counterbalance)	
6	70002842	1	Seal Kit - 1001117372 Valve (1 Per Assembly)	
7	2220883	1	Plug, O-Ring	
8	2220885	1	Plug, O-Ring	
9	4640858	1	Valve, Bleeder	
10	1001098167	1	Seal Kit (Includes Items 3-5)	

SECTION 6 - CYLINDER

FIGURE 6-2. LEVEL CYLINDER ASSEMBLY - PLATFORM SLAVE



ART_1001255320

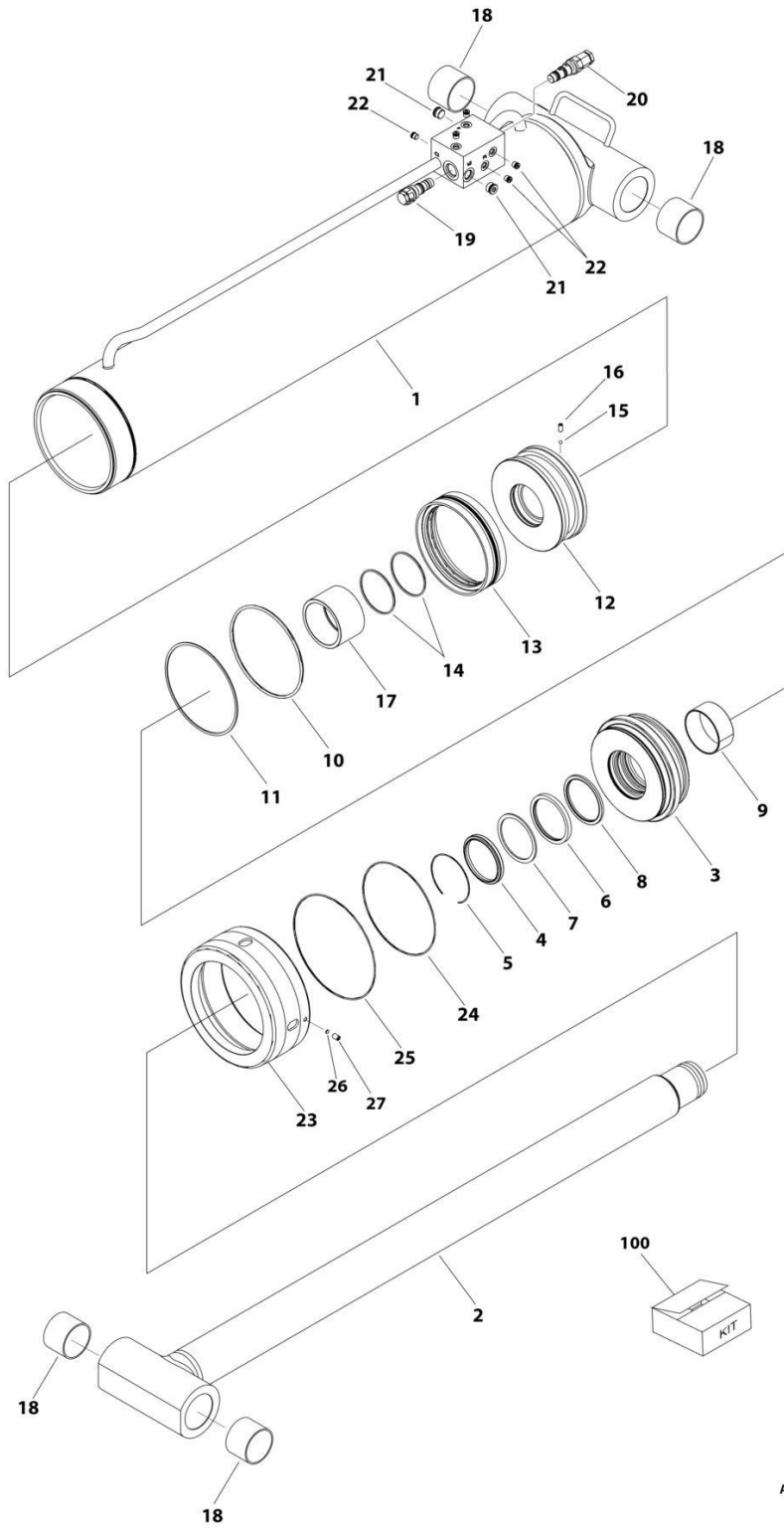
SECTION 6 - CYLINDER

FIGURE 6-2. LEVEL CYLINDER ASSEMBLY - PLATFORM SLAVE

ITEM	PART NUMBER	QTY	DESCRIPTION	REV
	1001255320	Ref	LEVEL (SLAVE) CYLINDER ASSEMBLY	C
		Ref	Note: Original Cylinder may have been replaced with Service Replacement. Identify PN Stamped on Cylinder Before Ordering Parts.	
1	See Note	NSS	Barrel (Note: Not Available for Purchase)	
2	70007523	1	Rod	
3	70007157	1	Head	
4	See Note	NSS	Wiper (Note: Use Item 100)	
5	70002410	1	Ring, Retaining	
6	See Note	NSS	Seal (Note: Use Item 100)	
7	See Note	NSS	Ring, Back-up (Note: Use Item 100)	
8	See Note	NSS	Ring, Buffer (Note: Use Item 100)	
9	70004237	1	Ring, Wear	
10	See Note	NSS	O-Ring (Note: Use Item 100)	
11	See Note	NSS	Ring, Back-up (Note: Use Item 100)	
12	See Note	NSS	O-Ring (Note: Use Item 100)	
13	70007161	1	Piston	
14	See Note	NSS	Seal (Note: Use Item 100)	
15	See Note	NSS	O-Ring (Note: Use Item 100)	
16	70022564	1	Steel Ball	
17	70023369	1	Screw, Set	
18	70007159	4	Bushing	
19	4640605	1	Valve, Cartridge	
19	2900792	1	Seal Kit - 4640605 Valve	
20	4640932	1	Valve, Cartridge	
20	7011112	1	Seal Kit - 4640932 Valve	
21	2220883	6	Plug, O-Ring	
100	70007524	1	Seal Kit (Includes Items 4, 6-8, 10-12, 14 & 15)	

SECTION 6 - CYLINDER

FIGURE 6-3. LEVEL CYLINDER ASSEMBLY - UPRIGHT



ART_1001251041

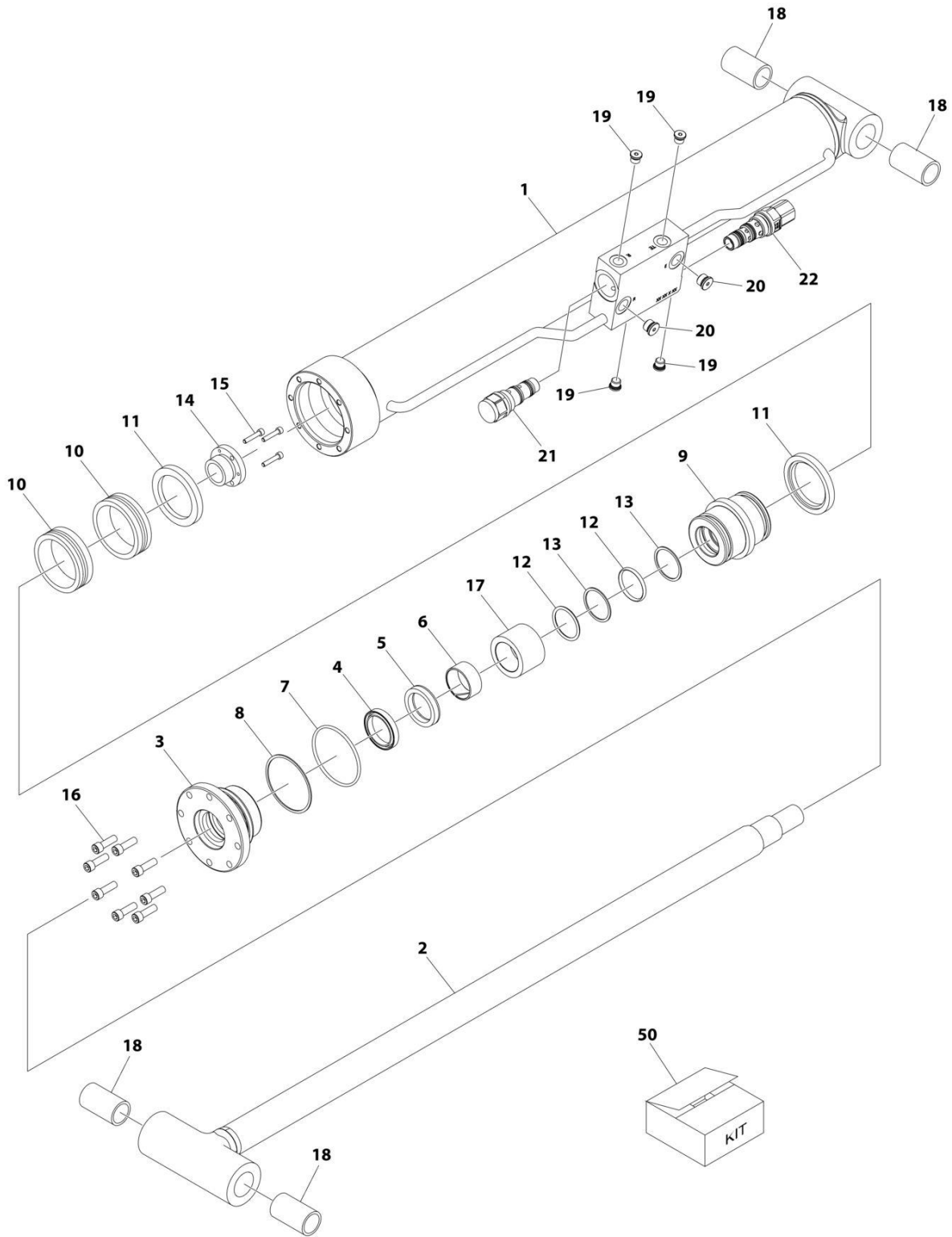
SECTION 6 - CYLINDER

FIGURE 6-3. LEVEL CYLINDER ASSEMBLY - UPRIGHT

ITEM	PART NUMBER	QTY	DESCRIPTION	REV
	1001251041	Ref	LIFT CYLINDER ASSEMBLY	C
		Ref	Note: Original Cylinder may have been replaced with Service Replacement. Identify PN Stamped on Cylinder Before Ordering Parts.	
1	See Note	NSS	Barrel (Note: Not Available for Purchase)	
2	70007427	1	Rod	
3	70007422	1	Head	
4	See Note	NSS	Wiper (Note: Use Item 100)	
5	70023380	1	Ring, Retaining	
6	See Note	NSS	Seal (Note: Use Item 100)	
7	See Note	NSS	Ring, Back-up (Note: Use Item 100)	
8	See Note	NSS	Ring, Buffer (Note: Use Item 100)	
9	70007423	1	Ring, Wear	
10	See Note	NSS	O-Ring (Note: Use Item 100)	
11	See Note	NSS	Ring, Back-up (Note: Use Item 100)	
12	70007428	1	Piston	
13	See Note	NSS	Seal (Note: Use Item 100)	
14	See Note	NSS	O-Ring (Note: Use Item 100)	
15	70022564	1	Steel Ball	
16	70007246	1	Screw, Set	
17	70007429	1	Spacer	
18	0962102	4	Bushing	
19	4640509	1	Cartridge, Valve	
19	2900792	1	Seal Kit - 4640509 Valve	
20	4640605	1	Cartridge, Valve	
20	2900792	1	Seal Kit - 4640605 Valve	
21	2220886	2	Plug, O-Ring	
22	2220883	5	Plug, O-Ring	
23	70007278	1	Cap	
24	See Note	1	O-Ring (Note: Use Item 100)	
25	See Note	NSS	O-Ring (Note: Use Item 100)	
26	70007282	1	Insert, Locking	
27	70026287	1	Screw, Set	
100	70007430	1	Seal Kit (Includes Items 4, 6-8, 10, 11, 13, 14, 24 & 25)	

SECTION 6 - CYLINDER

FIGURE 6-4. LIFT CYLINDER ASSEMBLY - JIB



ART_1001264991

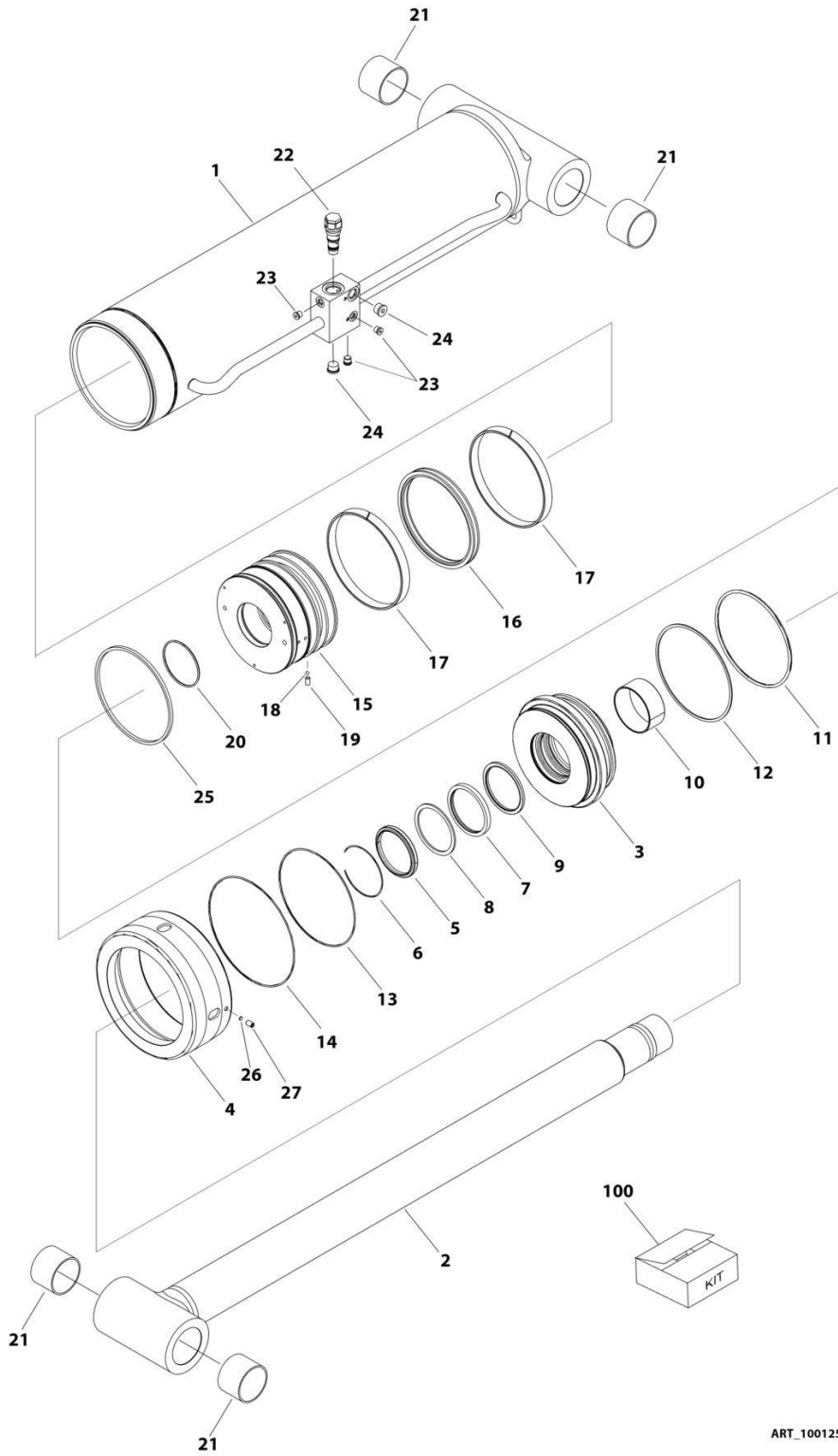
SECTION 6 - CYLINDER

FIGURE 6-4. LIFT CYLINDER ASSEMBLY - JIB

ITEM	PART NUMBER	QTY	DESCRIPTION	REV
	1001264991	Ref	LIFT CYLINDER ASSEMBLY - JIB	B
		Ref	Note: Original Cylinder May Have Been Replaced with Service Replacement. Identify PN Stamped on Cylinder Before Ordering Parts.	
1	See Note	NSS	Barrel (Note: Use PN 1001264991)	
2	70006734	1	Rod	
3	70006649	1	Head	
4	See Note	NSS	Wiper (Note: Use Item 50)	
5	See Note	NSS	Seal, Rod (Note: Use Item 50)	
6	See Note	NSS	Ring, Wear (Note: Use Item 50)	
7	See Note	NSS	O-Ring (Note: Use Item 50)	
8	See Note	NSS	Ring, Back-up (Note: Use Item 50)	
9	70006650	1	Piston	
10	See Note	NSS	Ring, Hydro Lock (Note: Use Item 50)	
11	See Note	NSS	Ring, Guide Lock (Note: Use Item 50)	
12	See Note	NSS	O-Ring (Note: Use Item 50)	
13	See Note	NSS	Ring, Back-up (Note: Use Item 50)	
14	0961893	1	Bushing, Tapered	
15	0630534	3	Capscrew	
16	70006735	8	Capscrew	
17	70006736	1	Spacer	
18	0962336	4	Bearing	
19	70023370	4	Plug	
20	70023371	2	Plug	
21	4640509	1	Cartridge, Counterbalance Valve	
21	2900792	1	Seal Kit - 4640509 Valve	
22	1001263800	1	Cartridge, Counterbalance Valve	
22	70004186	1	Seal Kit - 1001263800 Valve	
50	1001138795	1	Seal Kit - 1001264991 Cylinder (Includes Items 4-8 & 10-13)	

SECTION 6 - CYLINDER

FIGURE 6-5. LIFT CYLINDER ASSEMBLY - MAIN BOOM



ART_1001251010

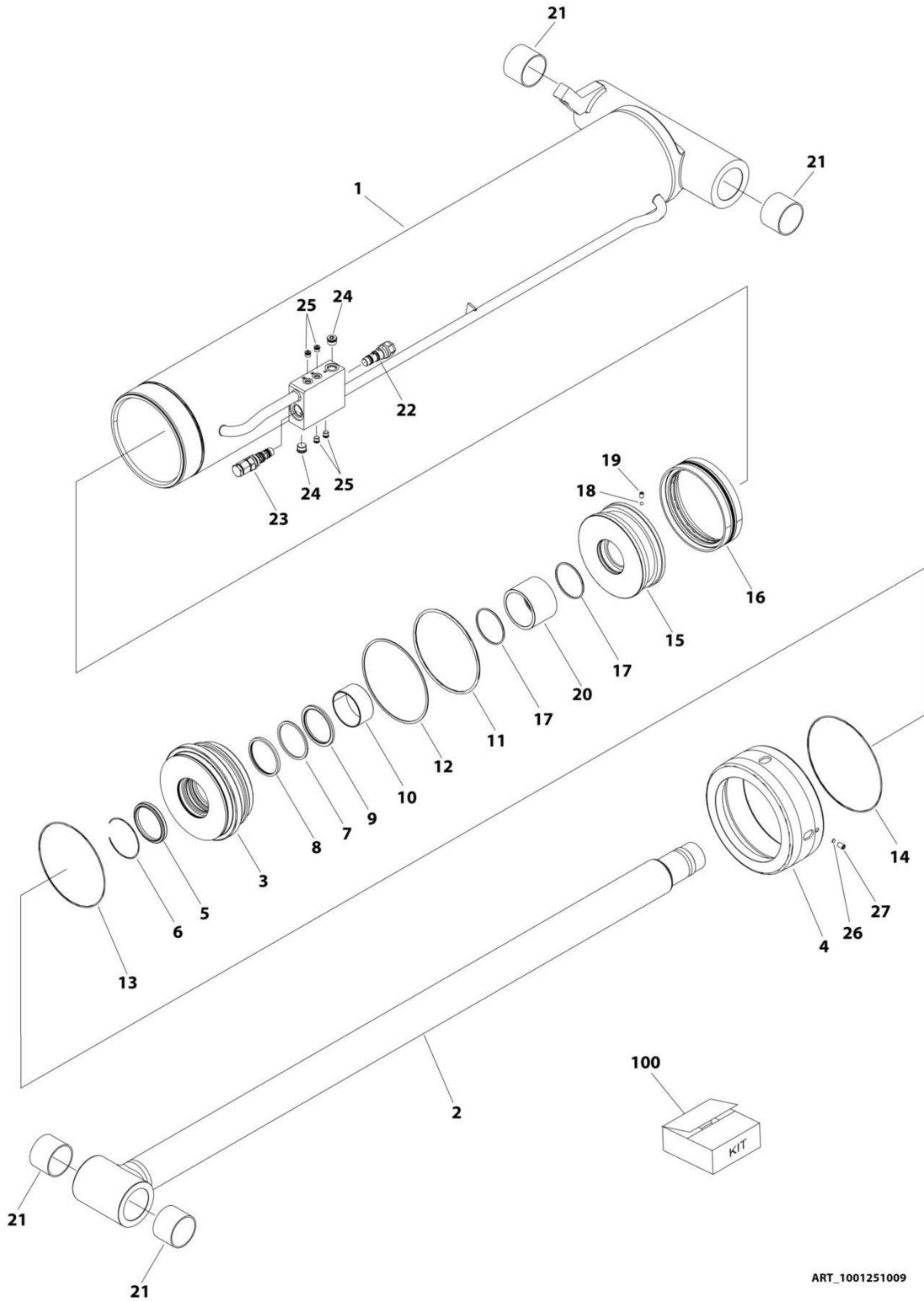
SECTION 6 - CYLINDER

FIGURE 6-5. LIFT CYLINDER ASSEMBLY - MAIN BOOM

ITEM	PART NUMBER	QTY	DESCRIPTION	REV
	1001251010	Ref	LIFT CYLINDER ASSEMBLY	C
		Ref	Note: Original Cylinder may have been replaced with Service Replacement. Identify PN Stamped on Cylinder Before Ordering Parts.	
1	See Note	NSS	Barrel (Note: Not Available for Purchase)	
2	70007421	1	Rod	
3	70007422	1	Head	
4	70007278	1	Cap	
5	See Note	NSS	Wiper (Note: Use Item 100)	
6	70023380	1	Ring, Retaining	
7	See Note	NSS	Seal (Note: Use Item 100)	
8	See Note	NSS	Ring, Back-up (Note: Use Item 100)	
9	See Note	NSS	Ring, Buffer (Note: Use Item 100)	
10	70007423	1	Ring, Wear	
11	See Note	NSS	O-Ring (Note: Use Item 100)	
12	See Note	NSS	Ring, Back-up (Note: Use Item 100)	
13	See Note	NSS	O-Ring (Note: Use Item 100)	
14	See Note	NSS	O-Ring (Note: Use Item 100)	
15	70007424	1	Piston	
16	See Note	NSS	Seal (Note: Use Item 100)	
17	See Note	NSS	Ring, Wear (Note: Use Item 100)	
18	70022564	1	Steel Ball	
19	70007246	1	Screw, Set	
20	See Note	1	O-Ring (Note: Use Item 100)	
21	0962102	4	Bushing	
22	4640509	1	Cartridge, Valve	
22	2900792	1	Seal Kit - 4640509 Valve	
23	2220883	3	Plug, O-Ring	
24	2220886	2	Plug, O-Ring	
25	70007425	1	Ring, Piston	
26	70007282	1	Insert, Locking	
27	70026287	1	Screw, Set	
100	70007426	1	Seal Kit (Includes Items 5, 7-9, 11-14, 16, 17 & 20)	

SECTION 6 - CYLINDER

FIGURE 6-6. LIFT CYLINDER ASSEMBLY - TOWER BOOM



ART_1001251009

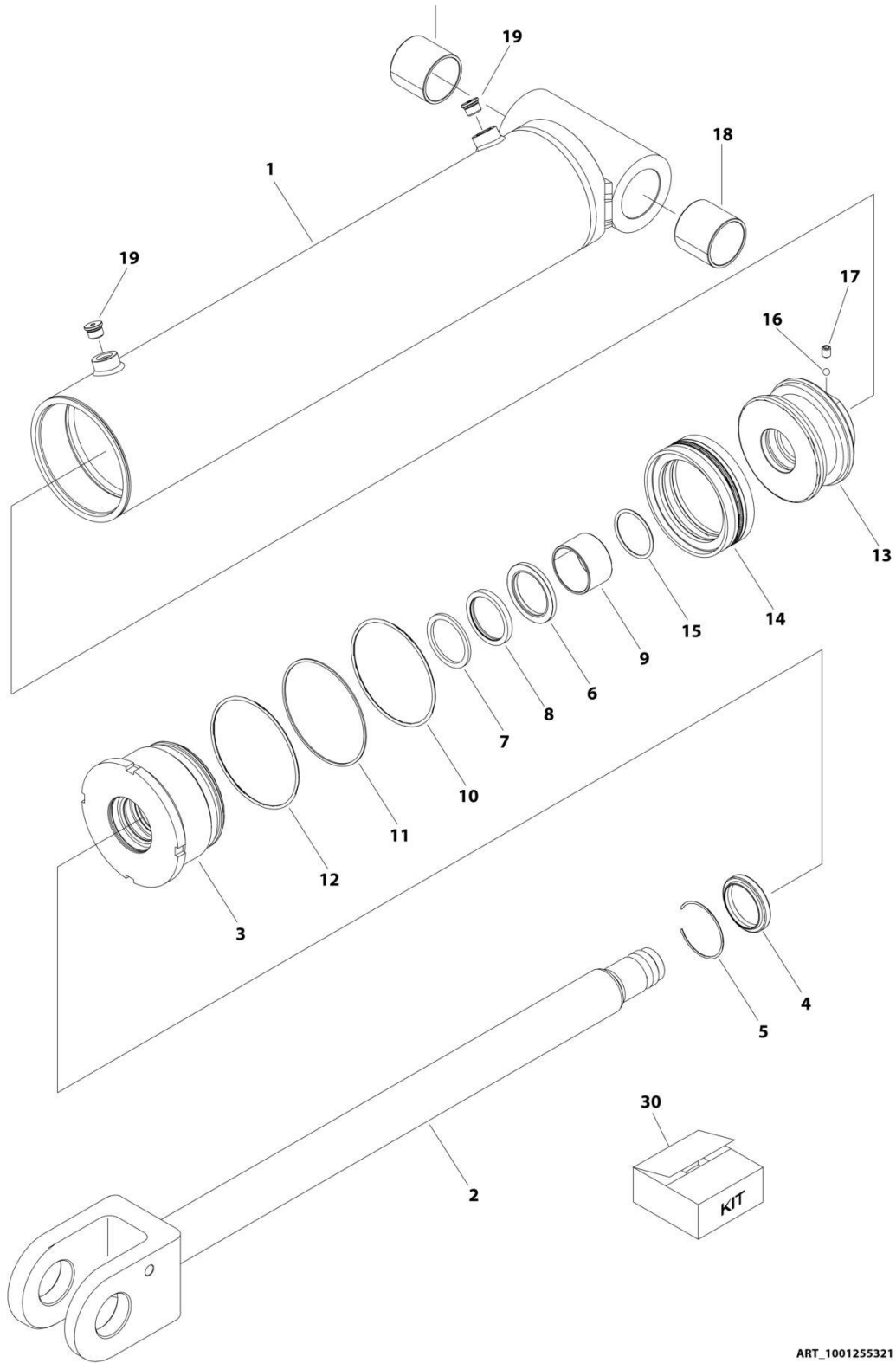
SECTION 6 - CYLINDER

FIGURE 6-6. LIFT CYLINDER ASSEMBLY - TOWER BOOM

ITEM	PART NUMBER	QTY	DESCRIPTION	REV
	1001251009	Ref	LIFT CYLINDER ASSEMBLY	C
		Ref	Note: Original Cylinder may have been replaced with Service Replacement. Identify PN Stamped on Cylinder Before Ordering Parts.	
1	See Note	NSS	Barrel (Note: Not Available for Purchase)	
2	70007419	1	Rod	
3	70007277	1	Head	
4	70007278	1	Cap	
5	See Note	NSS	Wiper (Note: Use Item 100)	
6	70027750	1	Ring, Retaining	
7	See Note	NSS	Seal (Note: Use Item 100)	
8	See Note	NSS	Ring, Back-up (Note: Use Item 100)	
9	See Note	NSS	Ring, Buffer (Note: Use Item 100)	
10	70007279	1	Ring, Wear	
11	See Note	NSS	O-Ring (Note: Use Item 100)	
12	See Note	NSS	Ring, Back-up (Note: Use Item 100)	
13	See Note	NSS	O-Ring (Note: Use Item 100)	
14	See Note	NSS	O-Ring (Note: Use Item 100)	
15	70007280	1	Piston	
16	See Note	NSS	Seal (Note: Use Item 100)	
17	See Note	NSS	O-Ring (Note: Use Item 100)	
18	70022564	1	Steel Ball	
19	70029468	1	Screw, Set	
20	70007420	1	Spacer	
21	0962102	4	Bushing	
22	4640509	1	Cartridge, Valve	
22	2900792	1	Seal Kit - 4640509 Valve	
23	4640605	1	Cartridge, Valve	
23	2900792	1	Seal Kit - 4640605 Valve	
24	2220886	1	Plug, O-Ring	
25	2220883	4	Plug, O-Ring	
26	70007282	1	Insert, Locking	
27	70026287	1	Screw, Set	
100	70007283	1	Seal Kit (Includes Items 5, 7-9, 11-14, 16 & 17)	

SECTION 6 - CYLINDER

FIGURE 6-7. MASTER CYLINDER ASSEMBLY



ART_1001255321

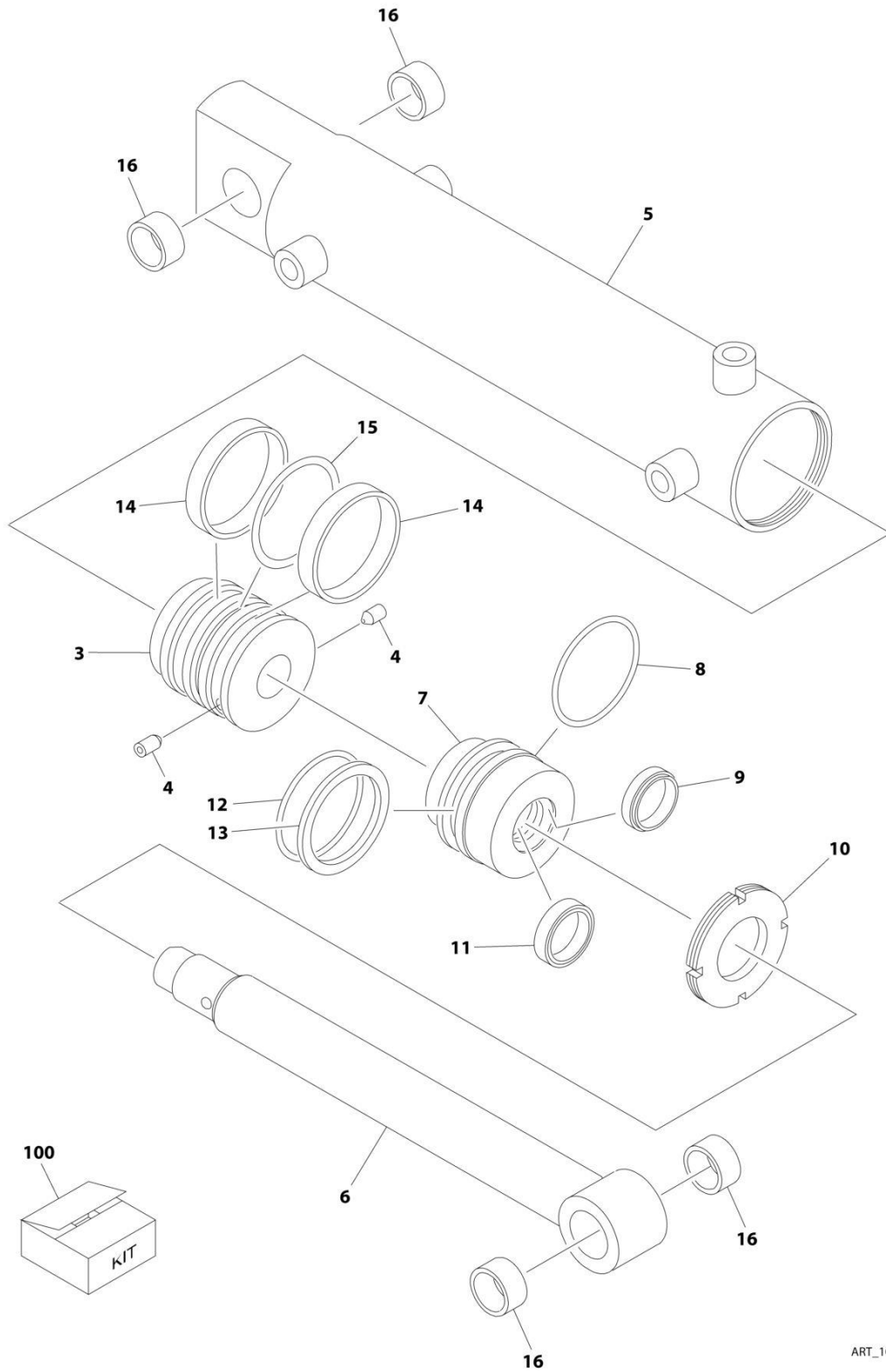
SECTION 6 - CYLINDER

FIGURE 6-7. MASTER CYLINDER ASSEMBLY

ITEM	PART NUMBER	QTY	DESCRIPTION	REV
	1001255321	Ref	MASTER CYLINDER ASSEMBLY	E
		Ref	Note: Original Cylinder may have been replaced with Service Replacement. Identify PN Stamped on Cylinder Before Ordering Parts.	
1	See Note	NSS	Barrel (Note: Not Available for Purchase)	
2	70007525	1	Rod	
3	70007157	1	Head	
4	See Note	NSS	Wiper (Note: Use Item 30)	
5	70002410	1	Ring, Retaining	
6	See Note	NSS	Seal, Rod (Note: Use Item 30)	
7	See Note	NSS	Ring, Back-up (Note: Use Item 30)	
8	See Note	NSS	Ring, Buffer (Note: Use Item 30)	
9	70004237	1	Ring, Wear	
10	See Note	NSS	O-Ring (Note: Use Item 30)	
11	See Note	NSS	Ring, Back-up (Note: Use Item 30)	
12	See Note	NSS	O-Ring (Note: Use Item 30)	
13	70007161	1	Piston	
14	See Note	NSS	Ring, Lock (Note: Use Item 30)	
15	See Note	NSS	O-Ring (Note: Use Item 30)	
16	70022564	1	Steel Ball	
17	70023369	1	Screw, Set	
18	70007159	1	Bushing	
19	2220885	2	Plug, O-Ring	
30	70007524	1	Seal Kit (Includes Items 4, 6-8, 10-12, 14 & 15)	

SECTION 6 - CYLINDER

FIGURE 6-8. STEER CYLINDER ASSEMBLY



ART_1001150539

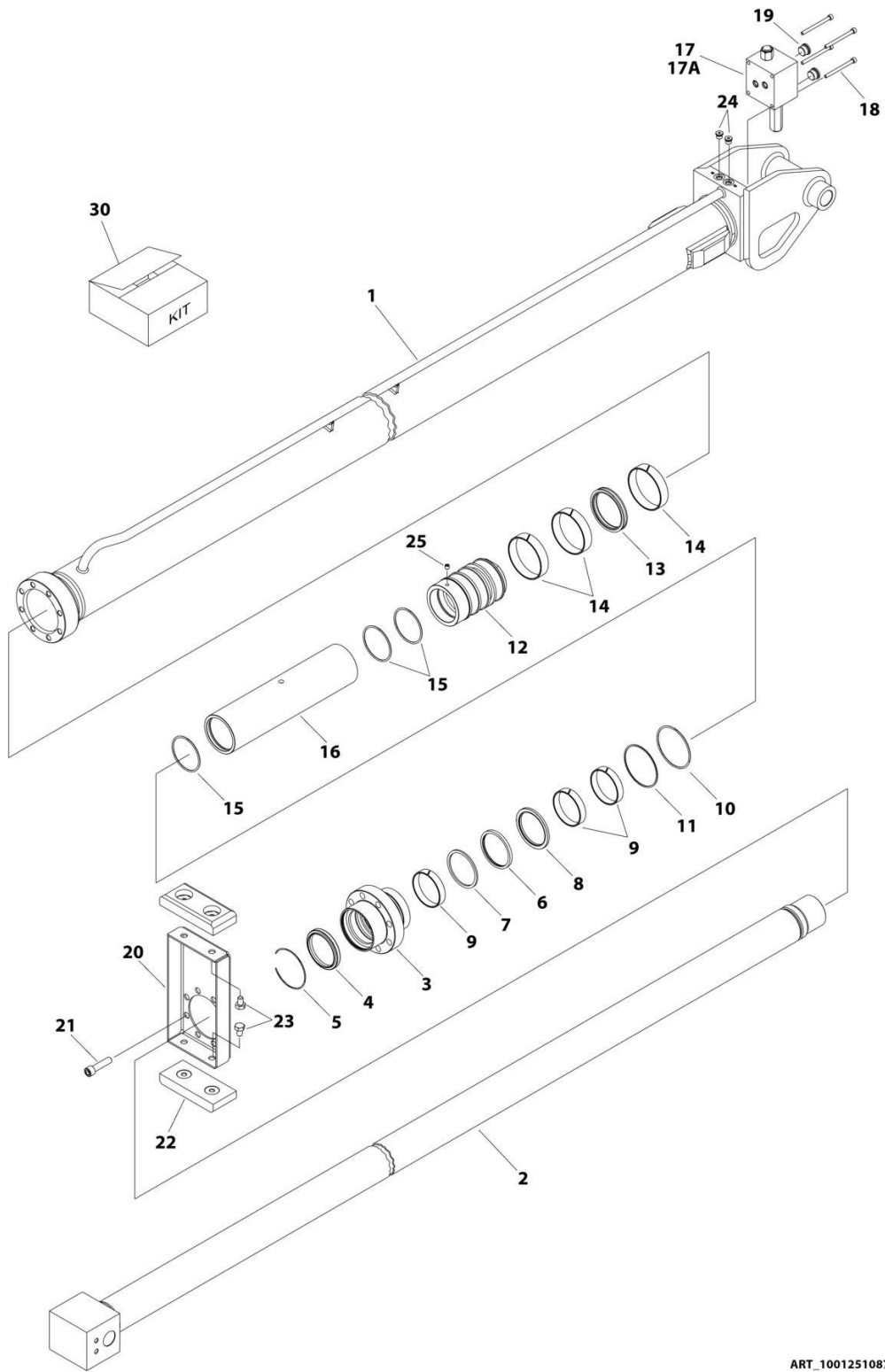
SECTION 6 - CYLINDER

FIGURE 6-8. STEER CYLINDER ASSEMBLY

ITEM	PART NUMBER	QTY	DESCRIPTION	REV
	1001150539	Ref	STEER CYLINDER ASSEMBLY	F
		Ref	Note: Original Cylinder may have been replaced with Service Replacement. Identify PN Stamped on Cylinder Before Ordering Parts.	
3	70002744	1	Piston	
4	70002745	2	Setscrew M6 x 10	
5	70004381	1	Barrel	
6	70004382	1	Rod	
7	70002748	1	Head	
8	See Note	NSS	Ring (Note: Use Item 100)	
9	See Note	NSS	Wiper (Note: Use Item 100)	
10	70002749	1	Nut, Spanner	
11	See Note	NSS	Seal (Note: Use Item 100)	
12	See Note	NSS	O-Ring (Note: Use Item 100)	
13	See Note	NSS	Ring, Back-up (Note: Use Item 100)	
14	See Note	NSS	Ring, Wear (Note: Use Item 100)	
15	See Note	NSS	Seal (Note: Use Item 100)	
16	0962152	4	Bushings	
100	70002751	1	Seal Kit (Includes Items 8, 9 & 11-15)	

SECTION 6 - CYLINDER

FIGURE 6-9. TELESCOPE CYLINDER ASSEMBLY - MAIN BOOM



ART_1001251087

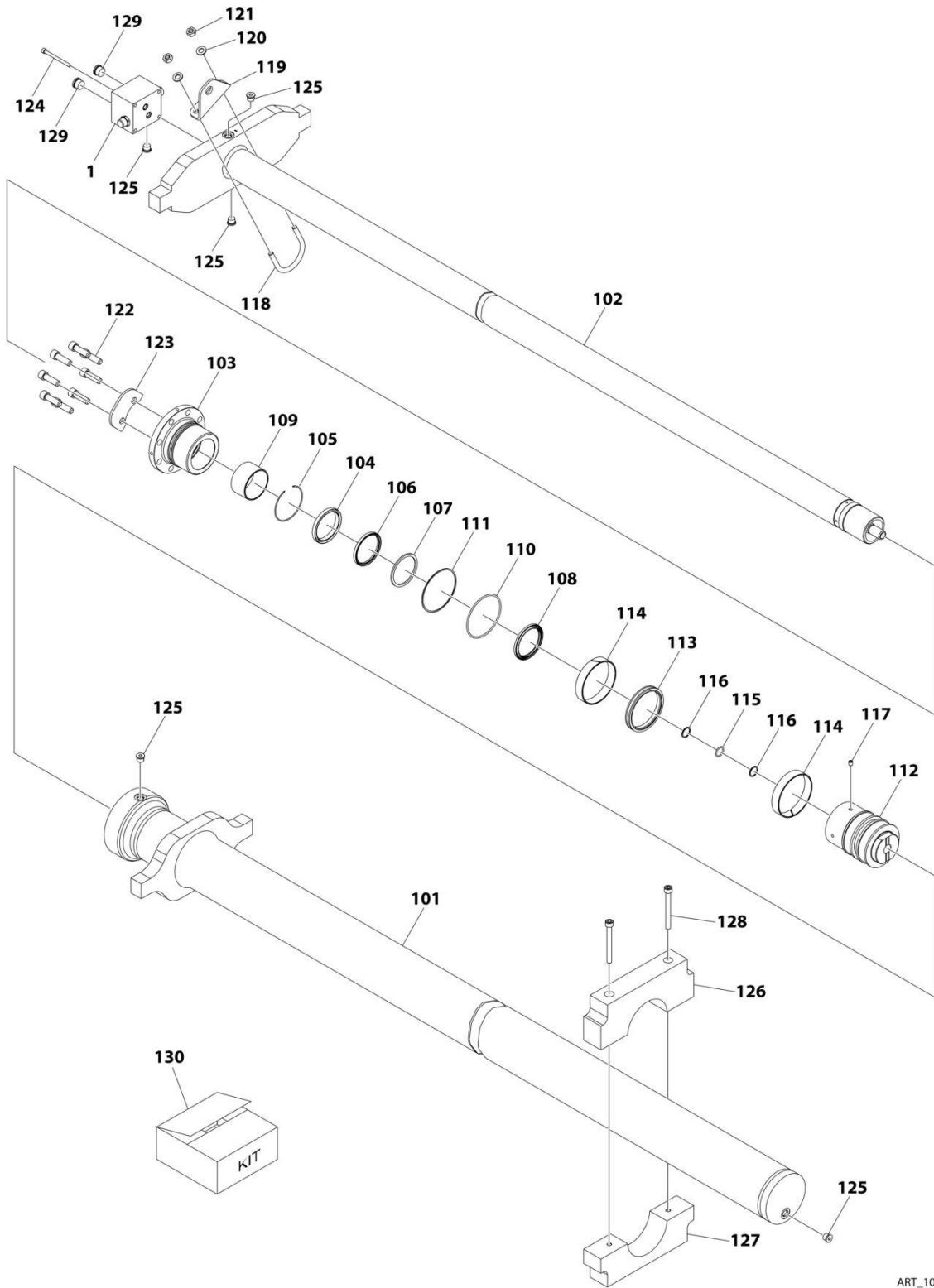
SECTION 6 - CYLINDER

FIGURE 6-9. TELESCOPE CYLINDER ASSEMBLY - MAIN BOOM

ITEM	PART NUMBER	QTY	DESCRIPTION	REV
	1001251087	Ref	TELESCOPE CYLINDER ASSEMBLY	A
		Ref	Note: Original Cylinder may have been replaced with Service Replacement. Identify PN Stamped on Cylinder Before Ordering Parts.	
1	See Note	NSS	Barrel (Note: Not Available for Purchase)	
2	70007514	1	Rod	
3	70007515	1	Head	
4	See Note	NSS	Wiper (Note: Use Item 30)	
5	70027259	1	Ring, Retaining	
6	See Note	NSS	Seal, Rod (Note: Use Item 30)	
7	See Note	NSS	Ring, Back-up (Note: Use Item 30)	
8	See Note	NSS	Ring, Buffer (Note: Use Item 30)	
9	See Note	NSS	Ring, Wear (Note: Use Item 30)	
10	See Note	NSS	O-Ring (Note: Use Item 30)	
11	See Note	NSS	Ring, Back-up (Note: Use Item 30)	
12	70007516	1	Piston	
13	See Note	NSS	Seal, Piston (Note: Use Item 30)	
14	See Note	NSS	Ring, Wear (Note: Use Item 30)	
15	See Note	NSS	O-Ring (Note: Use Item 30)	
16	70007517	1	Spacer	
17	4641033	1	Valve Assembly (No serviceable parts - sold as assembly only)	
17A	7024508	2	O-Ring (Between Valve and Cylinder Barrel)	
18	70006802	4	Capscrew M6	
19	2220886	2	Plug, O-Ring	
20	70007518	1	Plate	
21	70007519	8	Capscrew M12	
22	70007520	2	Pad, Wear	
23	70007521	4	Bolt M10	
24	2220883	2	Plug, O-Ring	
25	70006799	1	Screw, Set	
30	70007522	1	Seal Kit (Includes Items 4, 6, 7, 9-11 & 13-15)	

SECTION 6 - CYLINDER

FIGURE 6-10. TELESCOPE CYLINDER ASSEMBLY - TOWER BOOM



ART_1001251086

SECTION 6 - CYLINDER

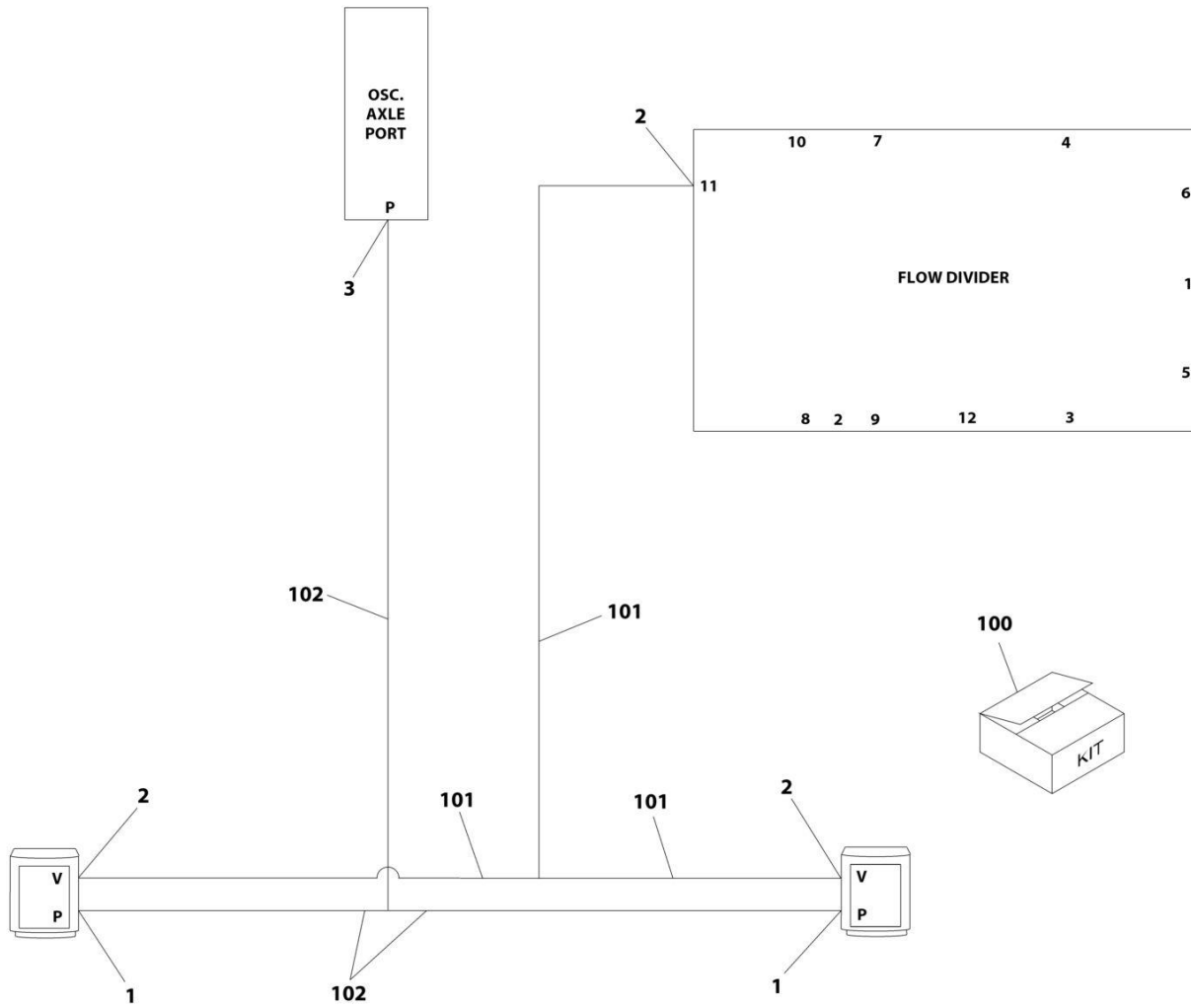
FIGURE 6-10. TELESCOPE CYLINDER ASSEMBLY - TOWER BOOM

ITEM	PART NUMBER	QTY	DESCRIPTION	REV
	1001251086	Ref	TELESCOPE CYLINDER ASSEMBLY - TOWER BOOM	A
		Ref	Note: Original Cylinder May Have Been Replaced with Service Replacement. Identify PN Stamped on Cylinder Before Ordering Parts.	
1	4641032	1	Valve Assembly (No serviceable parts - sold as assembly only)	
1	7002388	1	Seal Kit	
101	See Note	NSS	Tube (Note: Not Available for Purchase)	
102	70008199	1	Rod	
103	70008200	1	Head	
104	See Note	NSS	Wiper, Dust (Note: Use Item 130)	
105	70050795	1	Ring, Retaining	
106	See Note	NSS	Seal, Rod (Note: Use Item 130)	
107	See Note	NSS	Ring, Backup (Note: Use Item 130)	
108	See Note	NSS	Ring, Buffer (Note: Use Item 130)	
109	70008201	1	Bushing	
110	See Note	NSS	O-Ring (Note: Use Item 130)	
111	See Note	NSS	Ring, Backup (Note: Use Item 130)	
112	70008202	1	Piston	
113	See Note	NSS	Seal, Piston (Note: Use Item 130)	
114	See Note	NSS	Ring, Wear (Note: Use Item 130)	
115	See Note	NSS	O-Ring (Note: Use Item 130)	
116	See Note	1	Ring, Backup (Note: Use Item 130)	
117	70005839	1	Setscrew	
118	70008203	1	U-Bolt M10 x 1.5	
119	70008204	1	Plate	
120	70006344	2	Washer M10	
121	70005594	2	Nut M12	
122	70008205	8	Bolt M12 x 40	
123	70008206	1	Plate	
124	70007981	4	Bolt M6 x 75	
125	2220885	5	Plug 9/16	
126	70008207	1	Pad	
127	70008208	1	Pad	
128	70008209	2	Bolt M10 x 95	
129	2220886	1	Plug 3/4	
130	70008210	1	Seal Kit (Includes Items 104, 106-108, 110-111 & 113-116)	

SECTION 7 - HYDRAULIC

SECTION 7 - HYDRAULIC

FIGURE 7-1. HYDRAULIC DIAGRAM - AXLE (OSCILLATING)



ART_1001157400

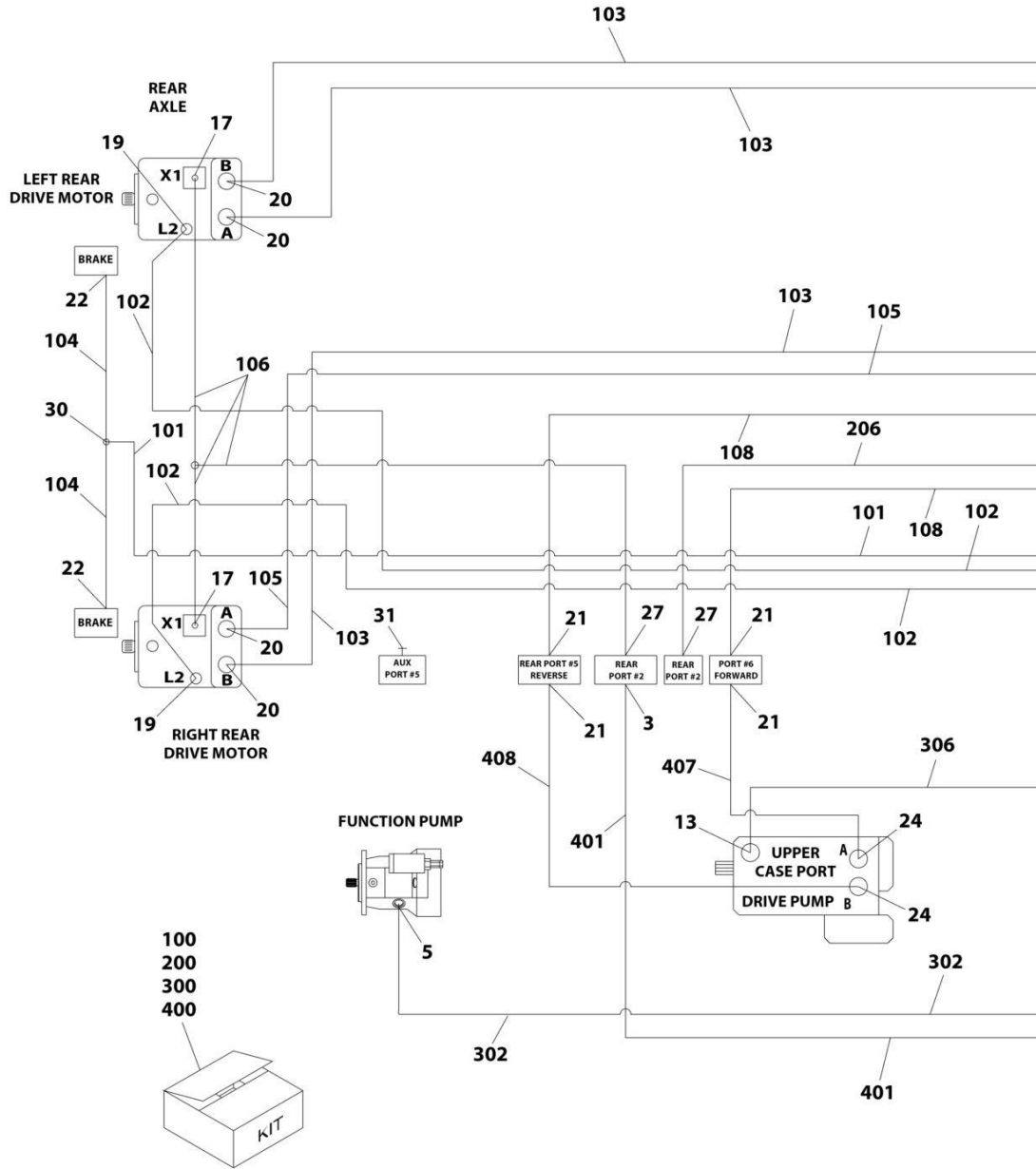
SECTION 7 - HYDRAULIC

FIGURE 7-1. HYDRAULIC DIAGRAM - AXLE (OSCILLATING)

ITEM	PART NUMBER	QTY	DESCRIPTION	REV
	1001157400	Ref	AXLE LOCKOUT HYDRAULIC DIAGRAM	G
1	2110404	2	Fitting, Straight ORFS/ORB	
2	2110606	3	Fitting, Straight ORFS/ORB	
3	2110408	1	Fitting, Straight ORFS/ORB	
100	1001270068	1	Hose Lockout Kit	
101	1001198336	1	Hose with Crimped Tee	
102	1001198339	1	Hose with Crimped Tee	

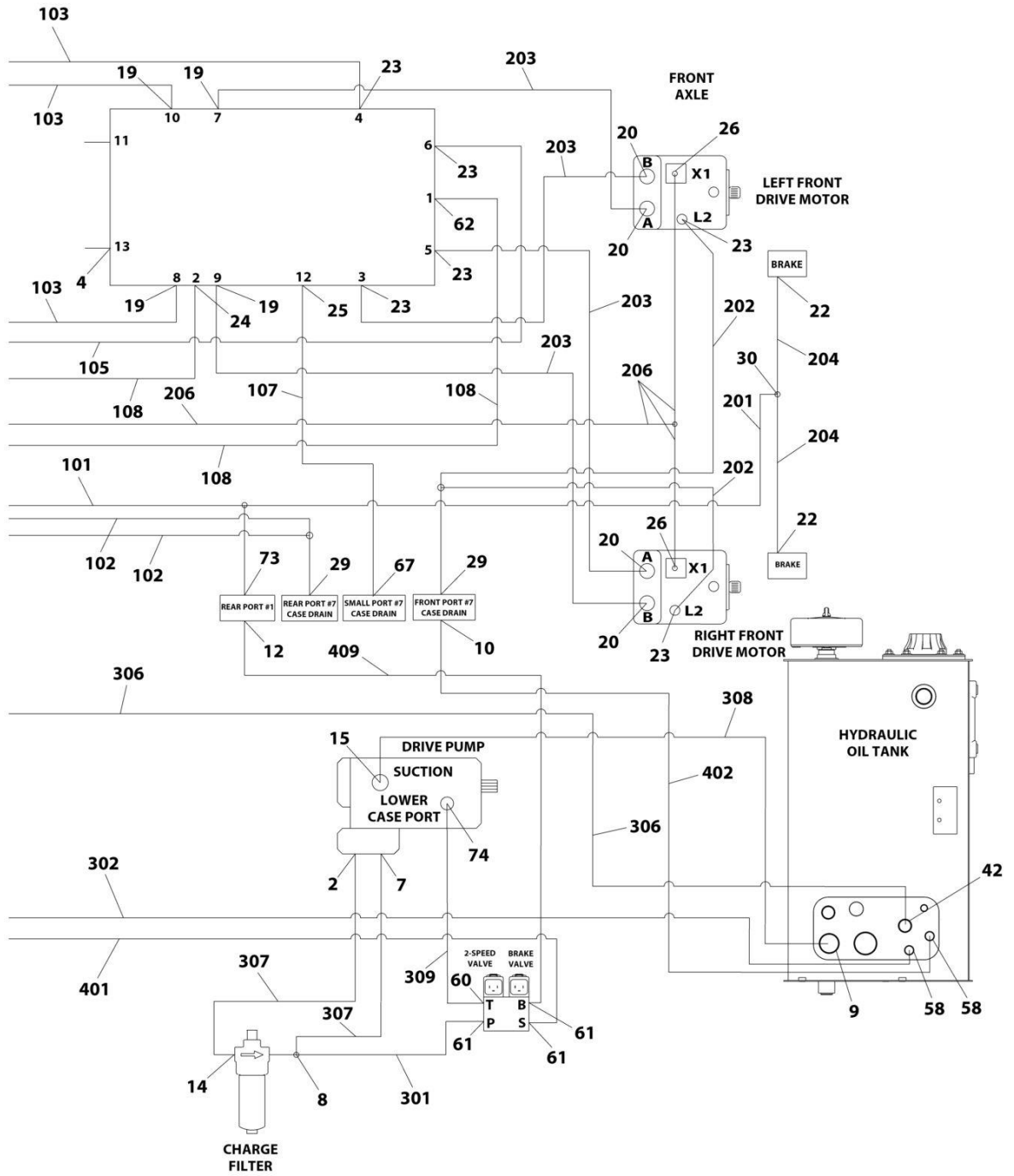
SECTION 7 - HYDRAULIC

FIGURE 7-2. HYDRAULIC DIAGRAM - DRIVE (4WD/2WS WITHOUT TOW PACKAGE/WITHOUT ARCTIC PACKAGE)



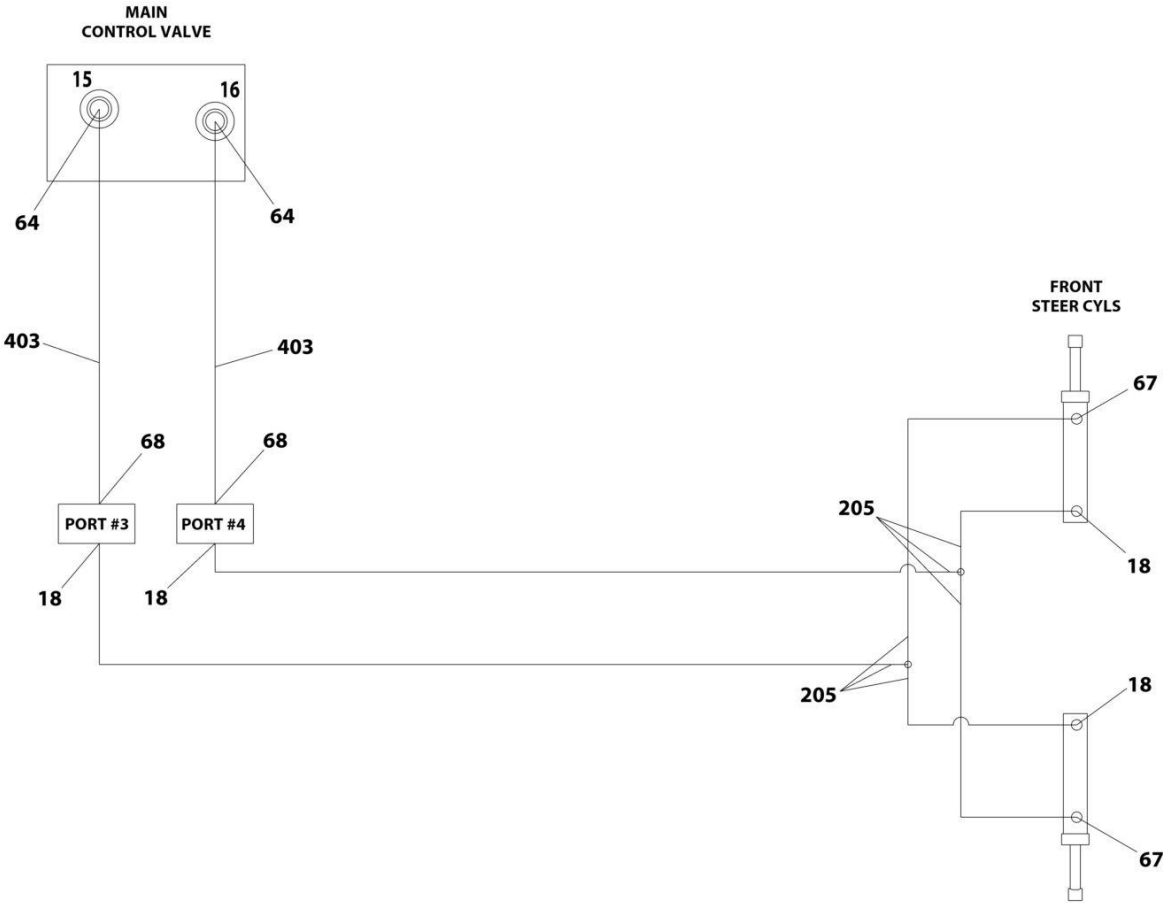
ART_1001178204_1OF3

SECTION 7 - HYDRAULIC



ART_1001178204_2OF3

SECTION 7 - HYDRAULIC



ART_1001178204_30F3

SECTION 7 - HYDRAULIC

FIGURE 7-2. HYDRAULIC DIAGRAM - DRIVE (4WD/2WS WITHOUT TOW PACKAGE/WITHOUT ARCTIC PACKAGE)

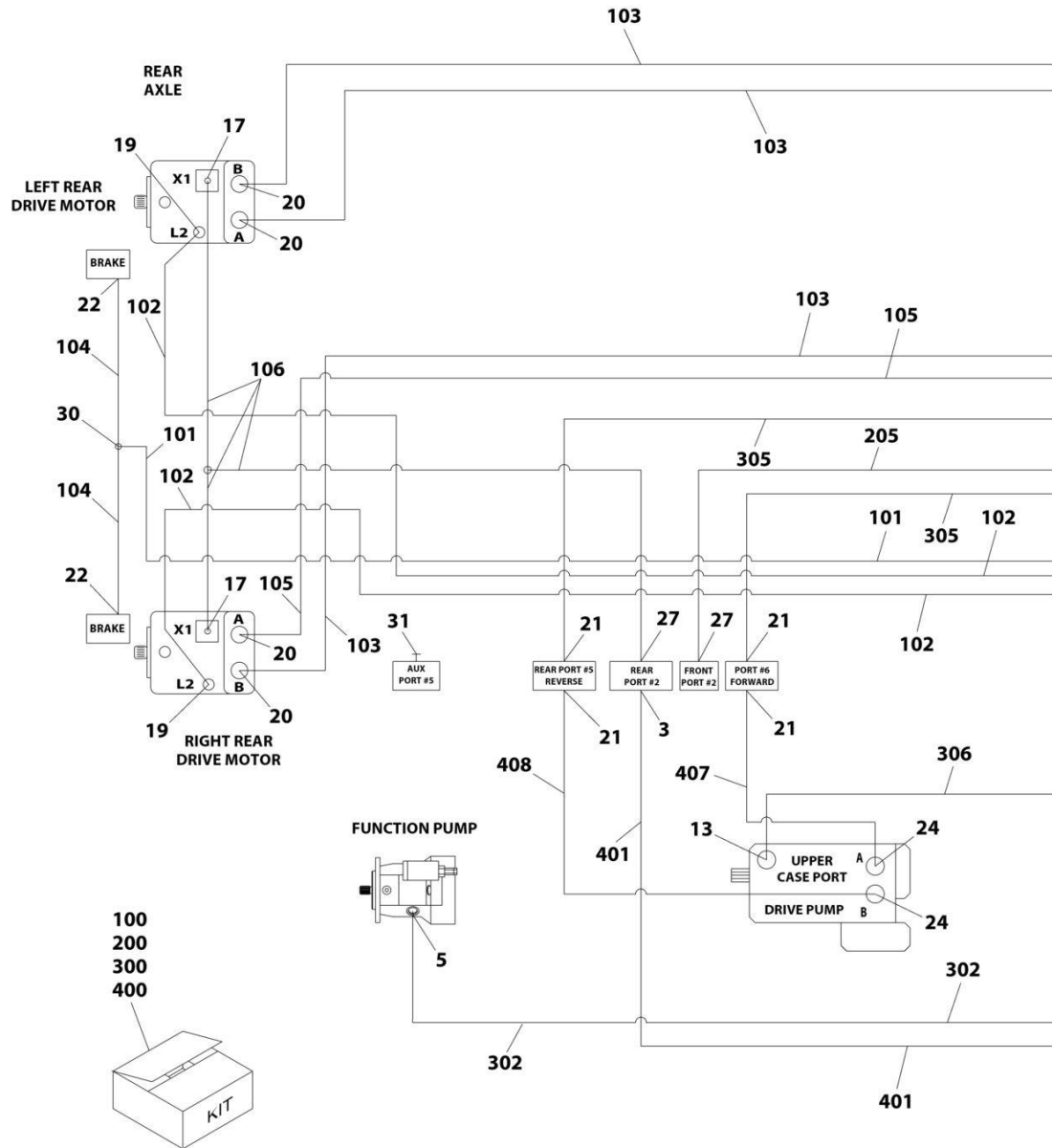
ITEM	PART NUMBER	QTY	DESCRIPTION	REV
	1001178204	Ref	DRIVE HYDRAULIC DIAGRAM - 4WD/2WS	J
2	2220800	1	Fitting, Straight ORB/FL	
3	2220582	1	Fitting, Straight ORB/FL	
4	2220238	1	Plug	
5	2220671	1	Fitting, 90 JIC/ORB	
7	2220374	1	Fitting, Straight JIC/ORB	
8	1001199394	1	Fitting, Tee JIC/ORB/JIC	
9	2220380	1	Fitting, Straight ORB/FL	
10	2220375	1	Fitting, Straight ORB/FL	
12	2220468	1	Fitting, Straight ORB/FL	
13	2220578	1	Fitting, 90 JIC/ORB	
14	2220596	1	Fitting, 90 JIC/FL	
15	8770050	1	Fitting, 90 JIC/ORB	
17	2110406	2	Fitting, Straight ORFS/ORB	
18	2110606	4	Fitting, Straight ORFS/ORB	
19	2110808	6	Fitting, Straight ORFS/ORB	
20	2110812	8	Fitting, Straight ORFS/ORB	
21	2111616	4	Fitting, Straight ORFS/ORB	
22	2110404	4	Fitting, Straight ORFS/ORB	
23	2130808	6	Fitting, 90 ORFS/ORB	
24	2131616	3	Fitting, 90 ORFS/ORB	
25	2130604	1	Fitting, 90 ORFS/ORB	
26	2130406	2	Fitting, 90 ORFS/ORB	
27	2150406	2	Fitting, 45 ORFS/ORB	
29	2170408	2	Fitting, Tee ORFS/ORFS/ORB	
30	2170504	2	Fitting, Tee ORFS	
31	2220237	1	Plug	
42	2220451	1	Fitting, Straight JIC/ORB	
58	2220373	2	Fitting, Straight JIC/ORB	
60	2220940	1	Fitting, 90 ORB/FL	
61	2220466	3	Fitting, 90 ORB/FL	
62	2151616	1	Fitting, 90 ORFS/ORB	
64	2220371	2	Fitting, Straight JIC/ORB	
67	2130606	3	Fitting, 90 ORFS/ORB	
68	2220473	2	Fitting, 90 ORB/FL	
73	1001198338	1	Fitting, Tee ORFS/ORB	
74	1001215296	1	Fitting, 90 JIC/SORB	
100	1001270069	1	Arctic Towbar Hose Kit	
101	2753622	1	Hose	
102	2753686	2	Hose	
103	2753971	3	Hose	
104	2754337	2	Hose	
105	2754338	1	Hose	
106	1001198340	1	Hose	
107	2753626	1	Hose	
108	2753634	1	Hose	
200	1001270630	1	Front Hose Kit	
201	2753542	1	Hose	
202	2753628	2	Hose	

SECTION 7 - HYDRAULIC

ITEM	PART NUMBER	QTY	DESCRIPTION	REV
203	2753970	4	Hose	
204	2754512	2	Hose	
205	1001198333	2	Hose	
206	1001198341	1	Hose	
300	1001270090	1	Arctic Towbar Hose Kit	
301	2752434	1	Hose	
302	2752938	1	Hose	
306	1001188135	1	Hose	
307	2752495	1	Hose	
308	2752754	1	Hose	
309	1001151354	1	Hose	
400	1001270091	1	Arctic Towbar Hose Kit	
401	2751399	1	Hose	
402	2751500	1	Hose	
403	2752489	2	Hose	
407	1001156332	1	Hose	
408	1001156333	1	Hose	
409	2752997	1	Hose	

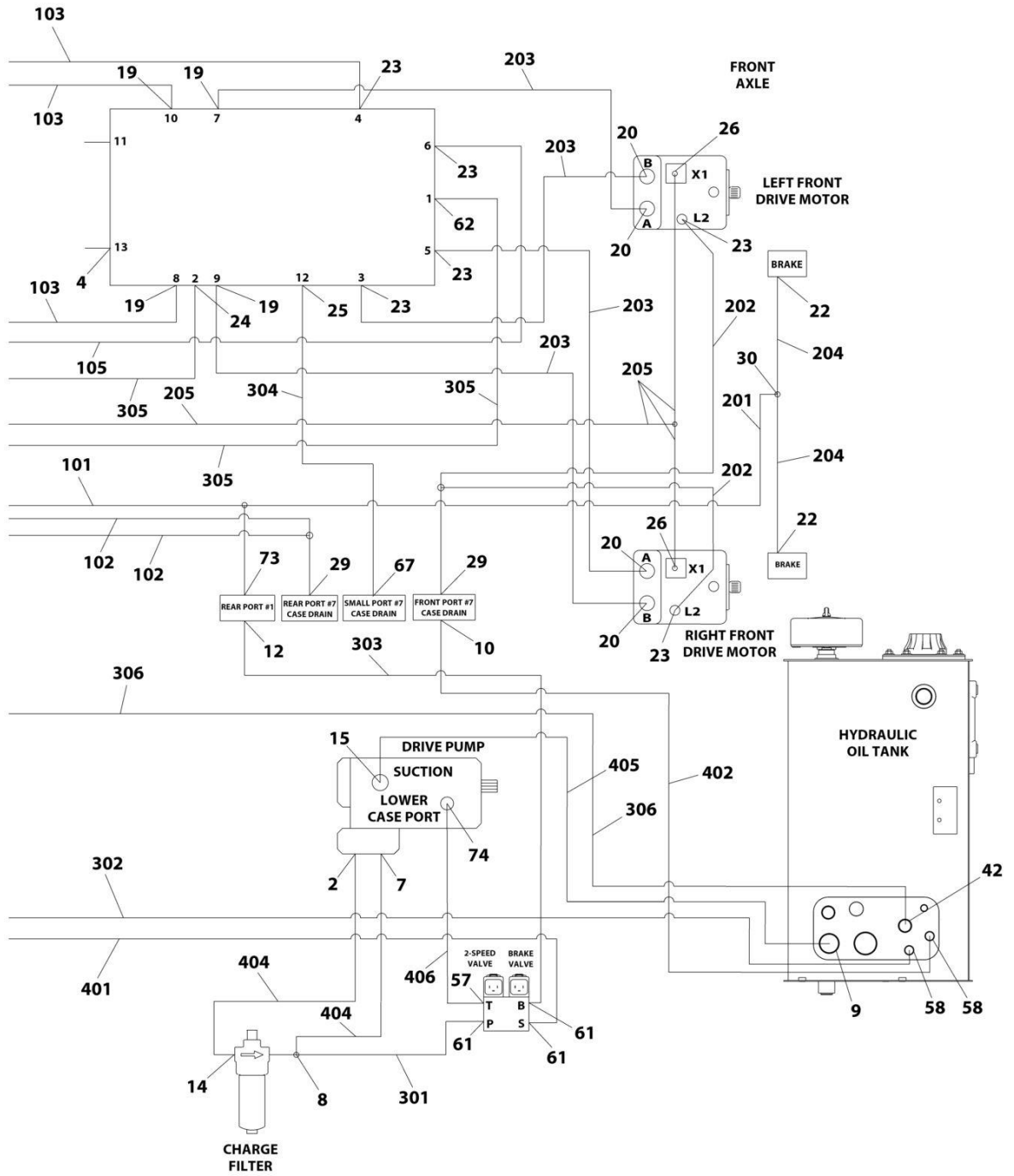
SECTION 7 - HYDRAULIC

FIGURE 7-3. HYDRAULIC DIAGRAM - DRIVE (4WD/2WS WITHOUT TOW PACKAGE/WITH ARCTIC PACKAGE)



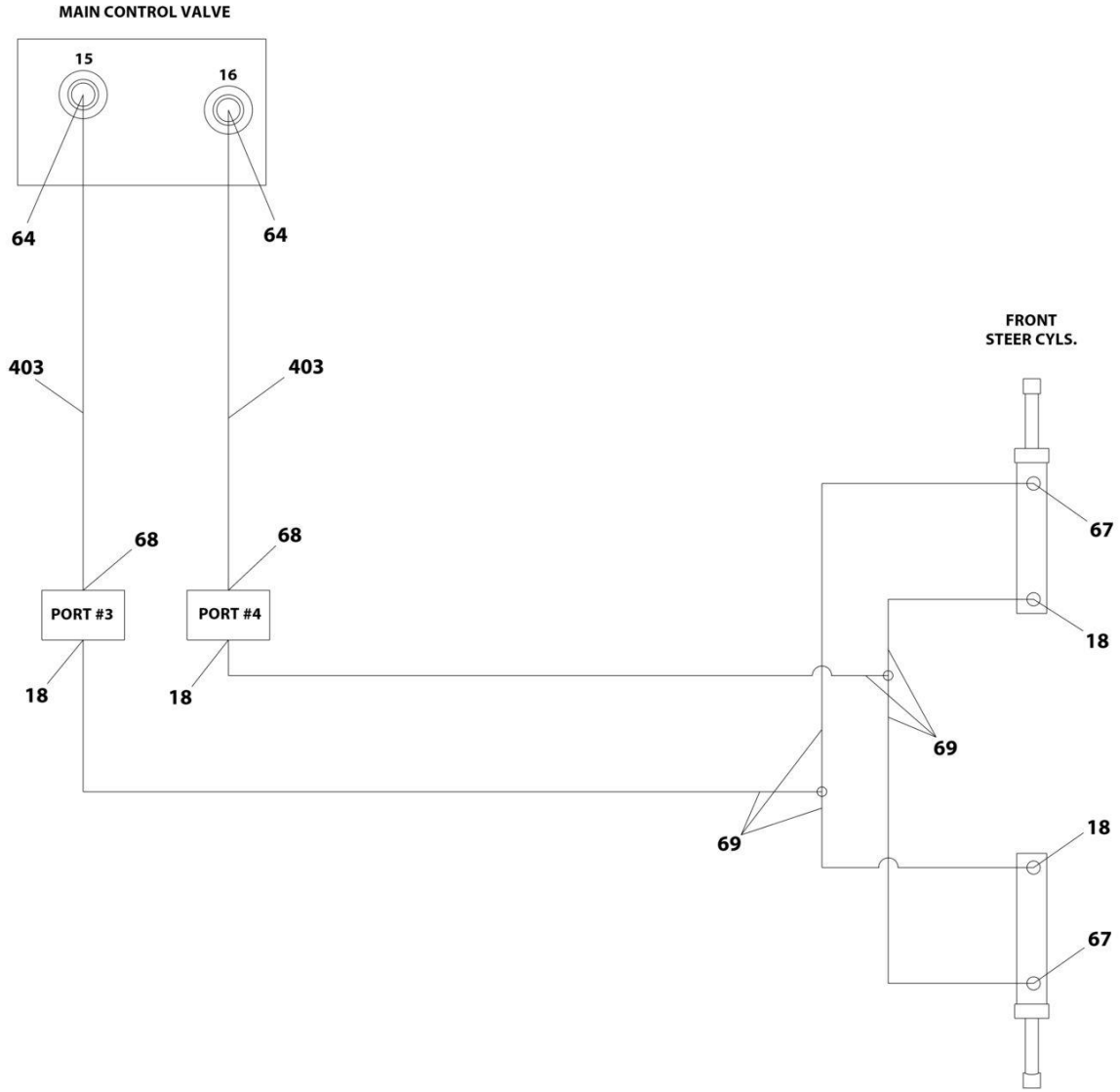
ART_1001178205_10F3

SECTION 7 - HYDRAULIC



ART_1001178205_2OF3

SECTION 7 - HYDRAULIC



ART_1001178205_3OF3

SECTION 7 - HYDRAULIC

FIGURE 7-3. HYDRAULIC DIAGRAM - DRIVE (4WD/2WS WITHOUT TOW PACKAGE/WITH ARCTIC PACKAGE)

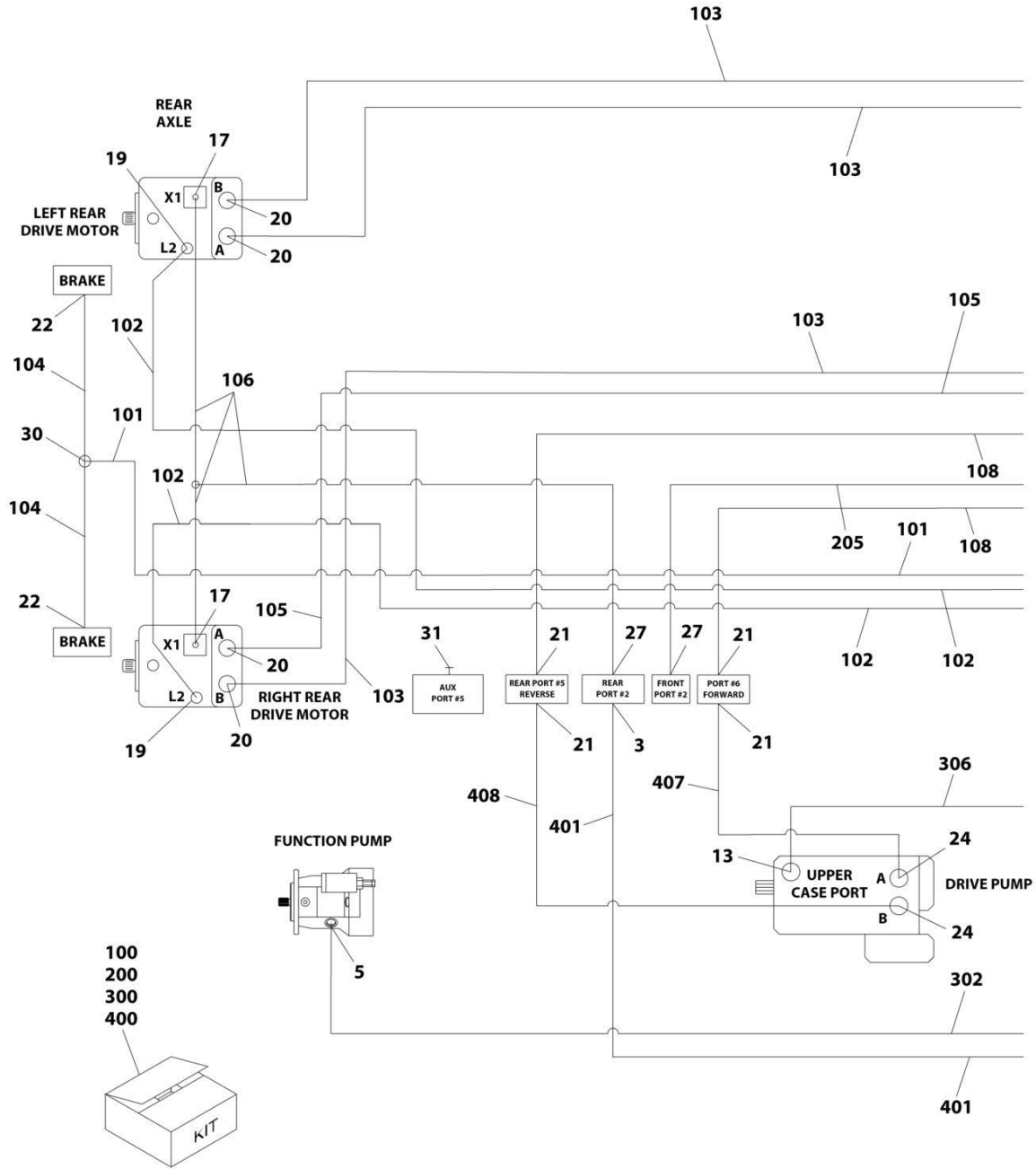
ITEM	PART NUMBER	QTY	DESCRIPTION	REV
	1001178205	Ref	DRIVE HYDRAULIC DIAGRAM - 4WD/2WS	H
2	2220800	1	Fitting, Straight ORB/FL	
3	2220582	1	Fitting, Straight ORB/FL	
4	2220238	1	Plug	
5	2220671	1	Fitting, 90 JIC/ORB	
7	2220374	1	Fitting, Straight JIC/ORB	
8	1001199394	1	Fitting, Tee JIC/ORB/JIC	
9	2220380	1	Fitting, Straight ORB/FL	
10	2220375	1	Fitting, Straight ORB/FL	
12	2220468	1	Fitting, Straight ORB/FL	
13	2220578	1	Fitting, 90 JIC/ORB	
14	2220596	1	Fitting, 90 JIC/FL	
15	8770050	1	Fitting, 90 JIC/ORB	
17	2110406	2	Fitting, Straight ORFS/ORB	
18	2110606	4	Fitting, Straight ORFS/ORB	
19	2110808	6	Fitting, Straight ORFS/ORB	
20	2110812	8	Fitting, Straight ORFS/ORB	
21	2111616	4	Fitting, Straight ORFS/ORB	
22	2110404	4	Fitting, Straight ORFS/ORB	
23	2130808	6	Fitting, 90 ORFS/ORB	
24	2131616	3	Fitting, 90 ORFS/ORB	
25	2130604	1	Fitting, 90 ORFS/ORB	
26	2130406	2	Fitting, 90 ORFS/ORB	
27	2150406	2	Fitting, 45 ORFS/ORB	
29	2170408	2	Fitting, Tee ORFS/ORFS/ORB	
30	2170504	2	Fitting, Tee ORFS	
31	2220237	1	Plug	
42	2220451	1	Fitting, Straight JIC/ORB	
57	2220940	1	Fitting, 90 ORB/FL	
58	2220373	2	Fitting, Straight JIC/ORB	
61	2220466	3	Fitting, 90 ORB/FL	
62	2151616	1	Fitting, 90 ORFS/ORB	
64	2220371	2	Fitting, Straight JIC/ORB	
67	2130606	3	Fitting, 90 ORFS/ORB	
68	2220473	2	Fitting, 90 ORB/FL	
69	1001198333	2	Hose	
73	1001198338	1	Fitting, Tee ORFS/ORB	
74	1001215296	1	Fitting, 90 JIC/SORB	
100	1001270069	1	Arctic Towbar Hose Kit	
101	2753622	1	Hose	
102	2753686	2	Hose	
103	2753971	3	Hose	
104	2754337	2	Hose	
105	2754338	1	Hose	
106	1001198340	1	Hose	
200	1001270073	1	Arctic Towbar Hose Kit	
201	2753542	1	Hose	
202	2754720	2	Hose	
203	2754743	4	Hose	

SECTION 7 - HYDRAULIC

ITEM	PART NUMBER	QTY	DESCRIPTION	REV
204	1001106957	2	Hose	
205	1001204269	1	Hose	
300	1001270090	1	Arctic Towbar Hose Kit	
301	2752434	1	Hose	
302	2752938	1	Hose	
303	2752997	1	Hose	
304	2753626	1	Hose	
305	2753634	2	Hose	
306	1001188135	1	Hose	
400	1001270091	1	Arctic Towbar Hose Kit	
401	2751399	1	Hose	
402	2751500	1	Hose	
403	2752489	2	Hose	
404	2752495	2	Hose	
405	2752754	1	Hose	
406	1001151354	1	Hose	
407	1001156332	1	Hose	
408	1001156333	1	Hose	

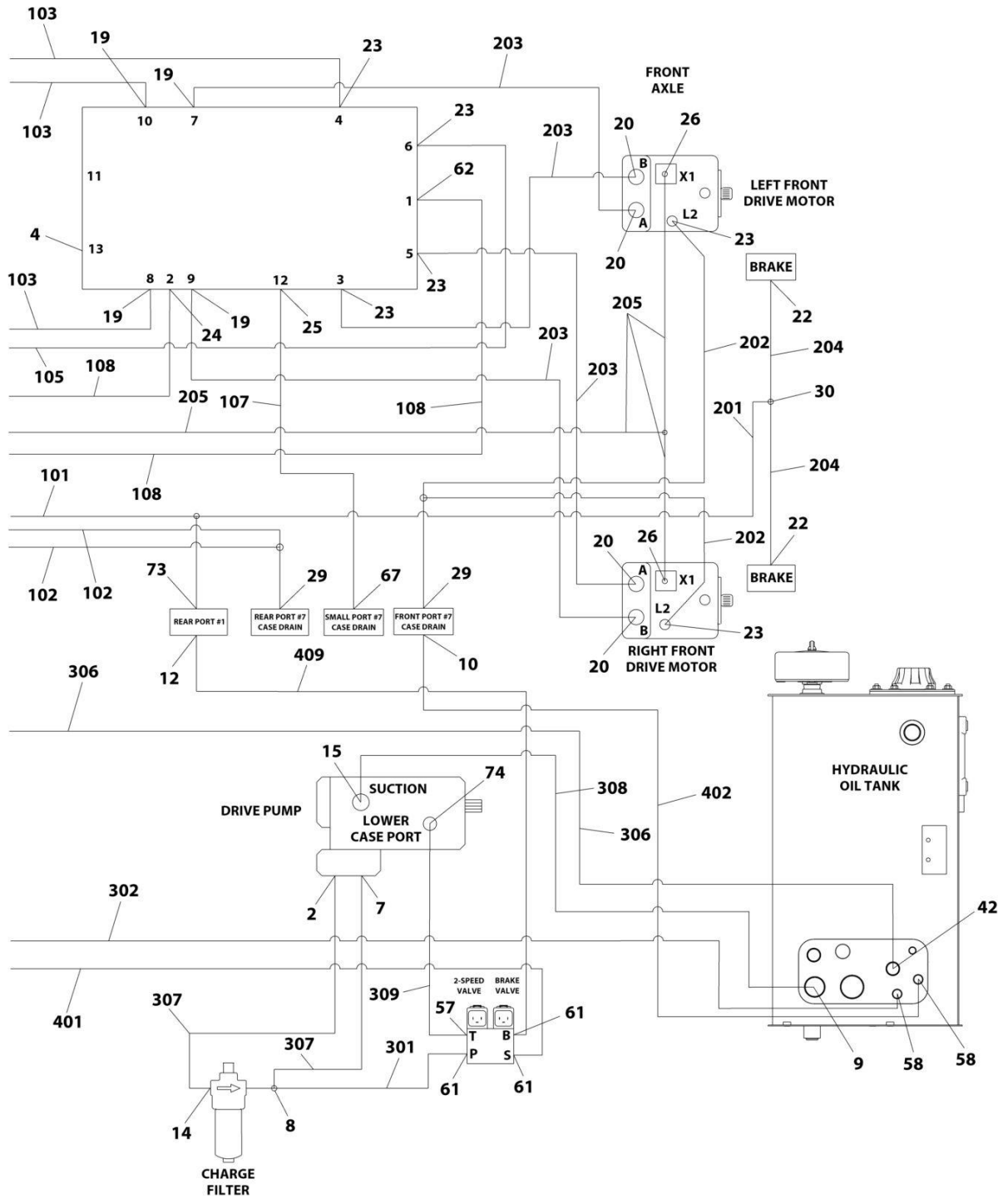
SECTION 7 - HYDRAULIC

FIGURE 7-4. HYDRAULIC DIAGRAM - DRIVE (4WD/2WS WITH TOW PACKAGE/WITHOUT ARCTIC PACKAGE)



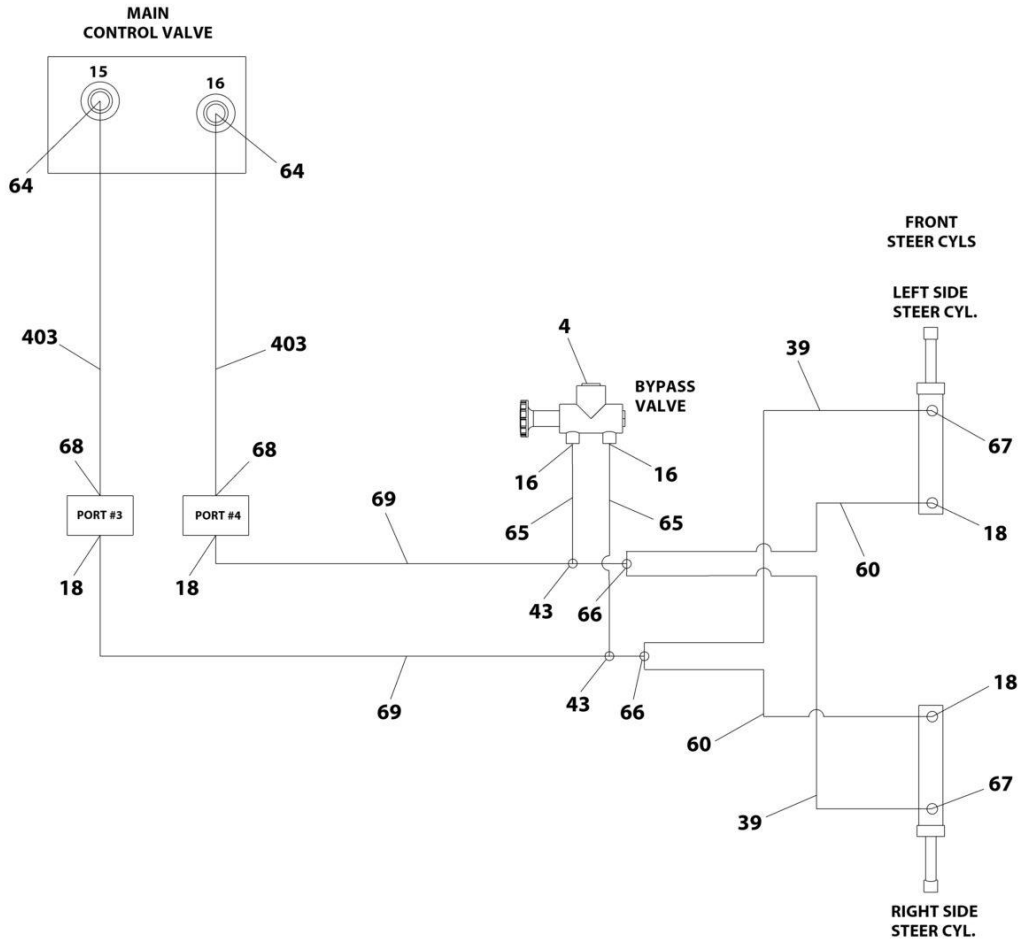
ART_1001217196_10F3

SECTION 7 - HYDRAULIC



ART_1001217196_20F3

SECTION 7 - HYDRAULIC



ART_1001217196_3OF3

SECTION 7 - HYDRAULIC

FIGURE 7-4. HYDRAULIC DIAGRAM - DRIVE (4WD/2WS WITH TOW PACKAGE/WITHOUT ARCTIC PACKAGE)

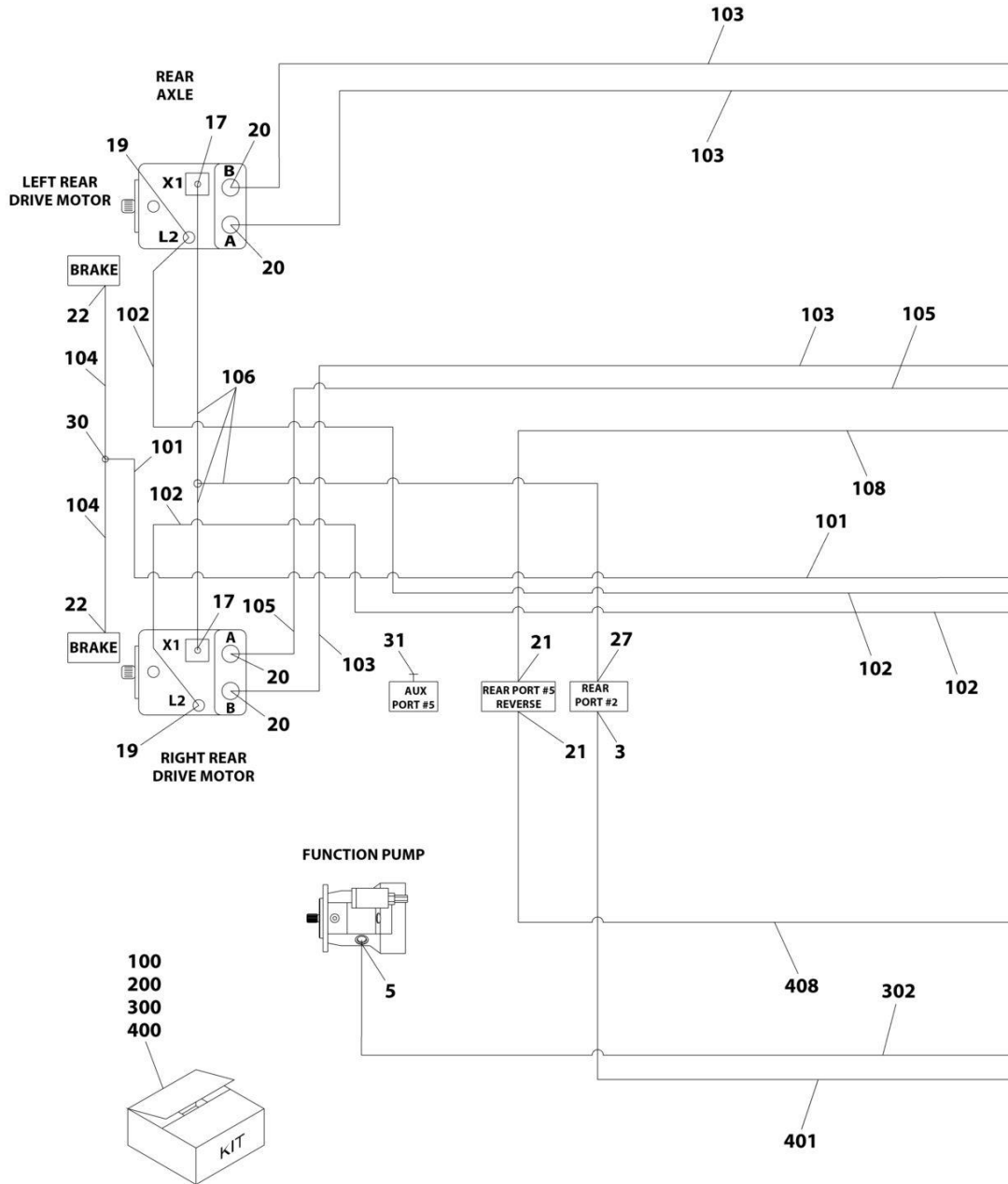
ITEM	PART NUMBER	QTY	DESCRIPTION	REV
	1001217196	Ref	Drive Hydraulic Diagram - 4WD/2WS	D
2	2220800	1	Fitting, Straight ORB/FL	
3	2220582	1	Fitting, Straight ORB/FL	
4	2220238	2	Plug	
5	2220671	1	Fitting, 90 JIC/ORB	
7	2220374	1	Fitting, Straight JIC/ORB	
8	1001199394	1	Fitting, Tee JIC/ORB/JIC	
9	2220380	1	Fitting, Straight ORB/FL	
10	2220375	1	Fitting, Straight ORB/FL	
12	2220468	1	Fitting, Straight ORB/FL	
13	2220578	1	Fitting, 90 JIC/ORB	
14	2220596	1	Fitting, 90 ORB/FL	
15	8770050	1	Fitting, 90 JIC/ORB	
16	2110608	2	Fitting, Straight ORFS/ORB	
17	2110406	2	Fitting, Straight ORFS/ORB	
18	2110606	4	Fitting, Straight ORFS/ORB	
19	2110808	6	Fitting, Straight ORFS/ORB	
20	2110812	8	Fitting, Straight ORFS/OBS	
21	2131616	4	Fitting, 90 ORFS/ORB	
22	2110404	4	Fitting, Straight ORFS/ORB	
23	2130808	6	Fitting, 90 ORFS/ORB	
24	2111616	3	Fitting, Straight ORFS/ORB	
25	2130604	1	Fitting, 90 ORFS/OBS	
26	2130406	2	Fitting, 90 ORFS/OBS	
27	2150406	2	Fitting, 45 ORFS/ORB	
29	2170408	2	Fitting, Tee ORFS/ORFS/OBS	
30	2170504	2	Fitting, Tee ORFS	
31	2220237	1	Plug	
39	2753656	2	Hose	
42	2220451	1	Fitting, Straight JIC/ORB	
43	2170706	2	Fitting, Tee - ORFS/ORFS/ORFS	
57	2220940	1	Fitting, 90 ORB/FL	
58	2220373	2	Fitting, Straight JIC/ORB	
60	1001159340	2	Hose	
61	2220466	3	Fitting, 90 ORB/FL	
62	2151616	1	Fitting, 45 ORFS/ORB	
64	2220371	2	Fitting, Straight JIC/ORB	
65	2753879	2	Hose	
66	2170506	2	Fitting, Tee ORFS/ORFS/ORFS	
67	2130606	3	Fitting, 90 ORFS/ORB	
68	2220473	2	Fitting, 90 ORB/FL	
69	2753732	2	Hose	
73	1001198338	1	Fitting, Tee ORFS/ORB	
74	1001215296	1	Fitting, 90 JIC/SORB	
100	1001270069	1	Arctic Towbar Hose Kit	
101	2753622	1	Hose	
102	2753686	2	Hose	
103	2753971	3	Hose	
104	2754337	2	Hose	

SECTION 7 - HYDRAULIC

ITEM	PART NUMBER	QTY	DESCRIPTION	REV
105	2754338	1	Hose	
106	1001198340	1	Hose	
107	2753626	1	Hose	
108	2753634	1	Hose	
200	1001270073	1	Arctic Towbar Hose Kit	
201	2753542	1	Hose	
202	2754720	2	Hose	
203	2754743	4	Hose	
204	1001106957	2	Hose	
205	1001204269	1	Hose	
300	1001270090	1	Arctic Towbar Hose Kit	
301	2752434	1	Hose	
302	2752938	1	Hose	
306	1001188135	1	Hose	
307	2752495	1	Hose	
308	2752754	1	Hose	
309	1001151354	1	Hose	
400	1001270091	1	Arctic Towbar Hose Kit	
401	2751399	1	Hose	
402	2751500	1	Hose	
403	2752489	2	Hose	
407	1001156332	1	Hose	
408	1001156333	1	Hose	
409	2752997	1	Hose	

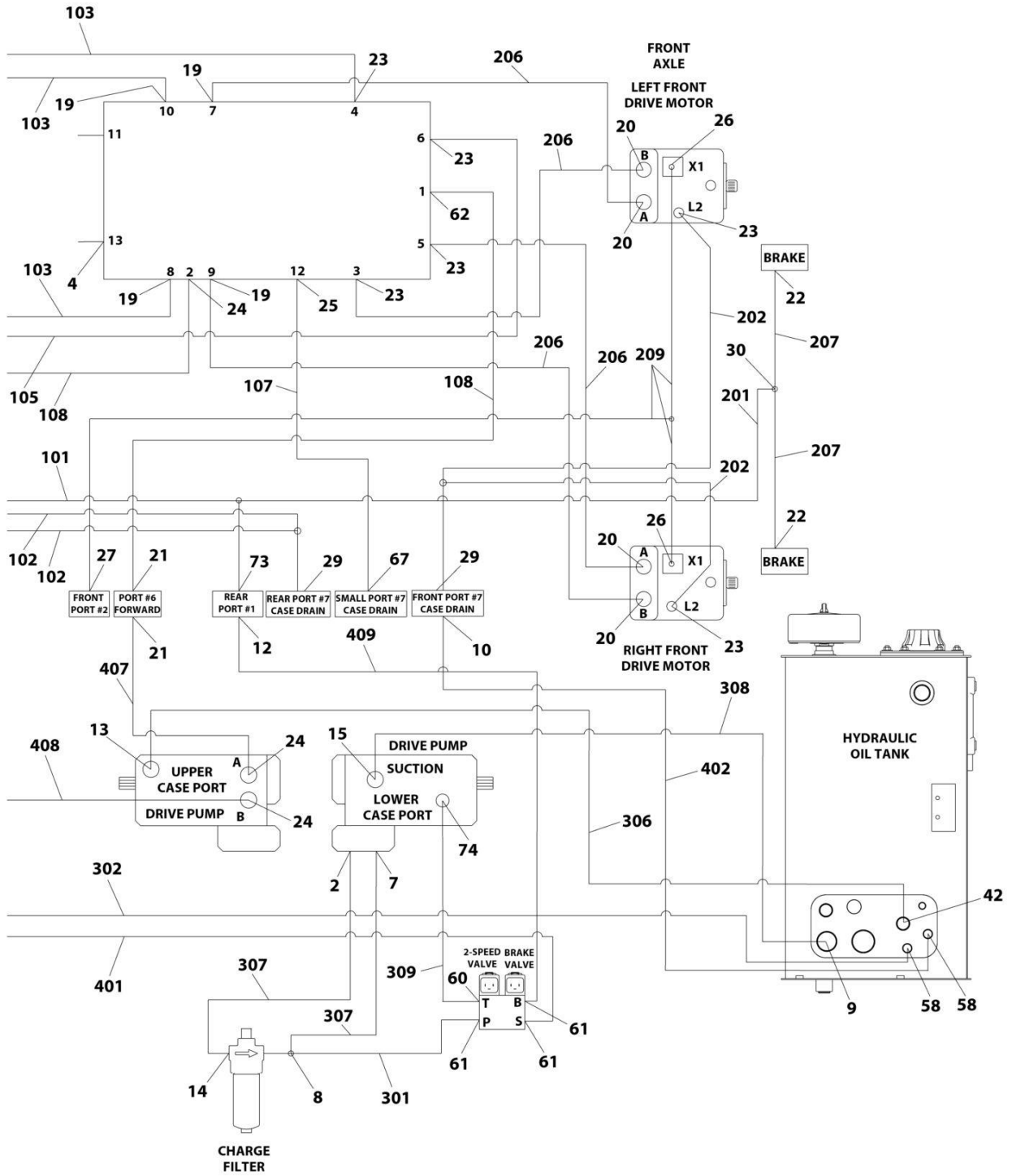
SECTION 7 - HYDRAULIC

FIGURE 7-5. HYDRAULIC DIAGRAM - DRIVE (4WD/2WS WITH TOW PACKAGE/WITH ARCTIC PACKAGE)



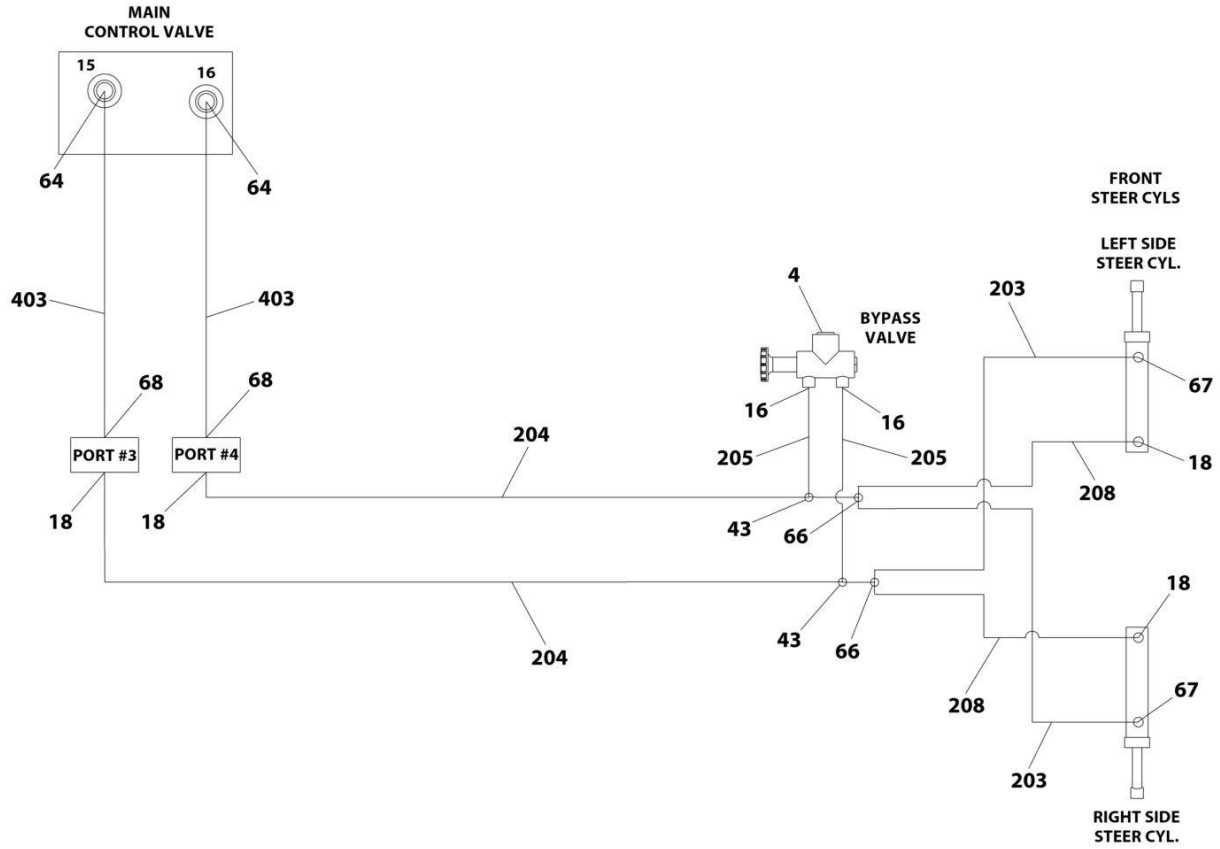
ART_1001217195_10F3

SECTION 7 - HYDRAULIC



ART_1001217195_2OF3

SECTION 7 - HYDRAULIC



ART_1001217195_3OF3

SECTION 7 - HYDRAULIC

FIGURE 7-5. HYDRAULIC DIAGRAM - DRIVE (4WD/2WS WITH TOW PACKAGE/WITH ARCTIC PACKAGE)

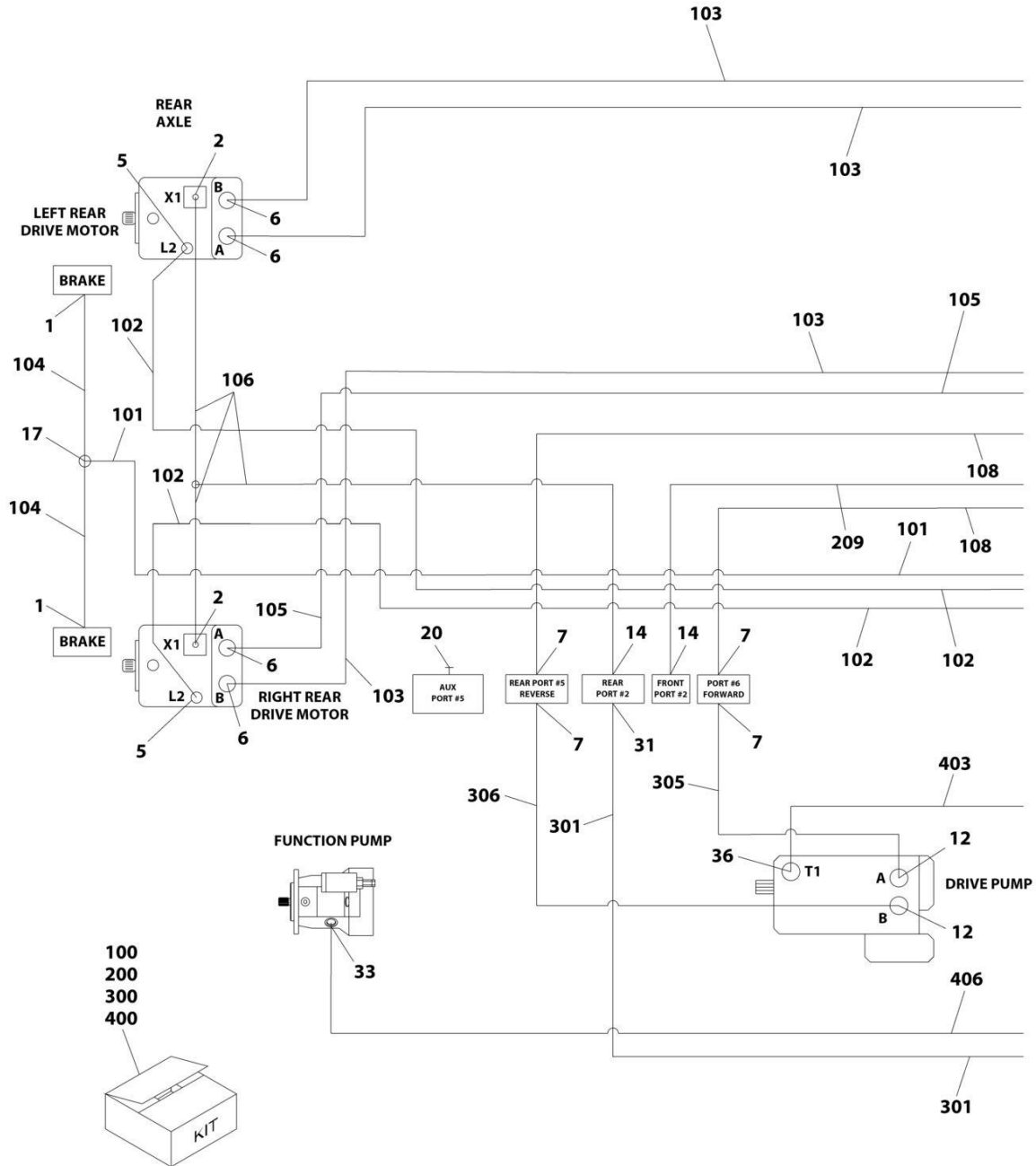
ITEM	PART NUMBER	QTY	DESCRIPTION	REV
	1001217195	Ref	HYDRAULIC DIAGRAM - DRIVE (4WD/2WS)	D
2	2220800	1	Fitting, Straight ORB/FL	
3	2220582	1	Fitting, Straight ORB/FL	
4	2220238	2	Plug	
5	2220671	1	Fitting, 90 JIC/ORB	
7	2220374	1	Fitting, Straight JIC/ORB	
8	1001199394	1	Fitting, Tee JIC/ORB/JIC	
9	2220380	1	Fitting, Straight ORB/FL	
10	2220375	1	Fitting, Straight ORB/FL	
12	2220468	1	Fitting, Straight ORB/FL	
13	2220578	1	Fitting, 90 JIC/ORB	
14	2220596	1	Fitting, 90 ORB/FL	
15	8770050	1	Fitting, 90 JIC/ORB	
16	2110608	2	Fitting, Straight ORFS/ORB	
17	2110406	2	Fitting, Straight ORFS/ORB	
18	2110606	4	Fitting, Straight ORFS/ORB	
19	2110808	6	Fitting, Straight ORFS/ORB	
20	2110812	8	Fitting, Straight ORFS/OBS	
21	2131616	4	Fitting, 90 ORFS/ORB	
22	2110404	4	Fitting, Straight ORFS/ORB	
23	2130808	6	Fitting, 90 ORFS/ORB	
24	2111616	3	Fitting, Straight ORFS/ORB	
25	2130604	1	Fitting, 90 ORFS/OBS	
26	2130406	2	Fitting, 90 ORFS/OBS	
27	2150406	2	Fitting, 45 ORFS/ORB	
29	2170408	2	Fitting, Tee ORFS/ORFS/OBS	
30	2170504	2	Fitting, Tee ORFS	
31	2220237	1	Plug	
42	2220451	1	Fitting, Straight JIC/ORB	
43	2170706	2	Fitting, Tee - ORFS/ORFS/ORFS	
58	2220373	2	Fitting, Straight JIC/ORB	
60	2220940	1	Fitting, 90 ORB/FL	
61	2220466	3	Fitting, 90 ORB/FL	
62	2151616	1	Fitting, 45 ORFS/ORB	
64	2220371	2	Fitting, Straight JIC/ORB	
66	2170506	2	Fitting, Tee ORFS/ORFS/ORFS	
67	2130606	3	Fitting, 90 ORFS/ORB	
68	2220473	2	Fitting, 90 ORB/FL	
73	1001198338	1	Fitting, Tee ORFS/ORB	
74	1001215296	1	Fitting, 90 JIC/SORB	
100	1001270069	1	Arctic Two-Bar Hose Kit	
101	2753622	1	Hose	
102	2753686	2	Hose	
103	2753971	3	Hose	
104	2754337	2	Hose	
105	2754338	1	Hose	
106	1001198340	1	Hose	
107	2753626	1	Hose	
108	2753634	1	Hose	

SECTION 7 - HYDRAULIC

ITEM	PART NUMBER	QTY	DESCRIPTION	REV
200	1001270096	1	Towbar Front Hose Kit	
201	2753542	1	Hose	
202	2753628	2	Hose	
203	2753656	2	Hose	
204	2753732	2	Hose	
205	2753879	2	Hose	
206	2753970	4	Hose	
207	2754512	2	Hose	
208	1001159340	2	Hose	
209	1001198341	1	Hose	
300	1001270090	1	Arctic Twobar Hose Kit	
301	2752434	1	Hose	
302	2752938	1	Hose	
306	1001188135	1	Hose	
307	2752495	1	Hose	
308	2752754	1	Hose	
309	1001151354	1	Hose	
400	1001270091	1	Arctic Twobar Hose Kit	
401	2751399	1	Hose	
402	2751500	1	Hose	
403	2752489	2	Hose	
407	1001156332	1	Hose	
408	1001156333	1	Hose	
409	2752997	1	Hose	

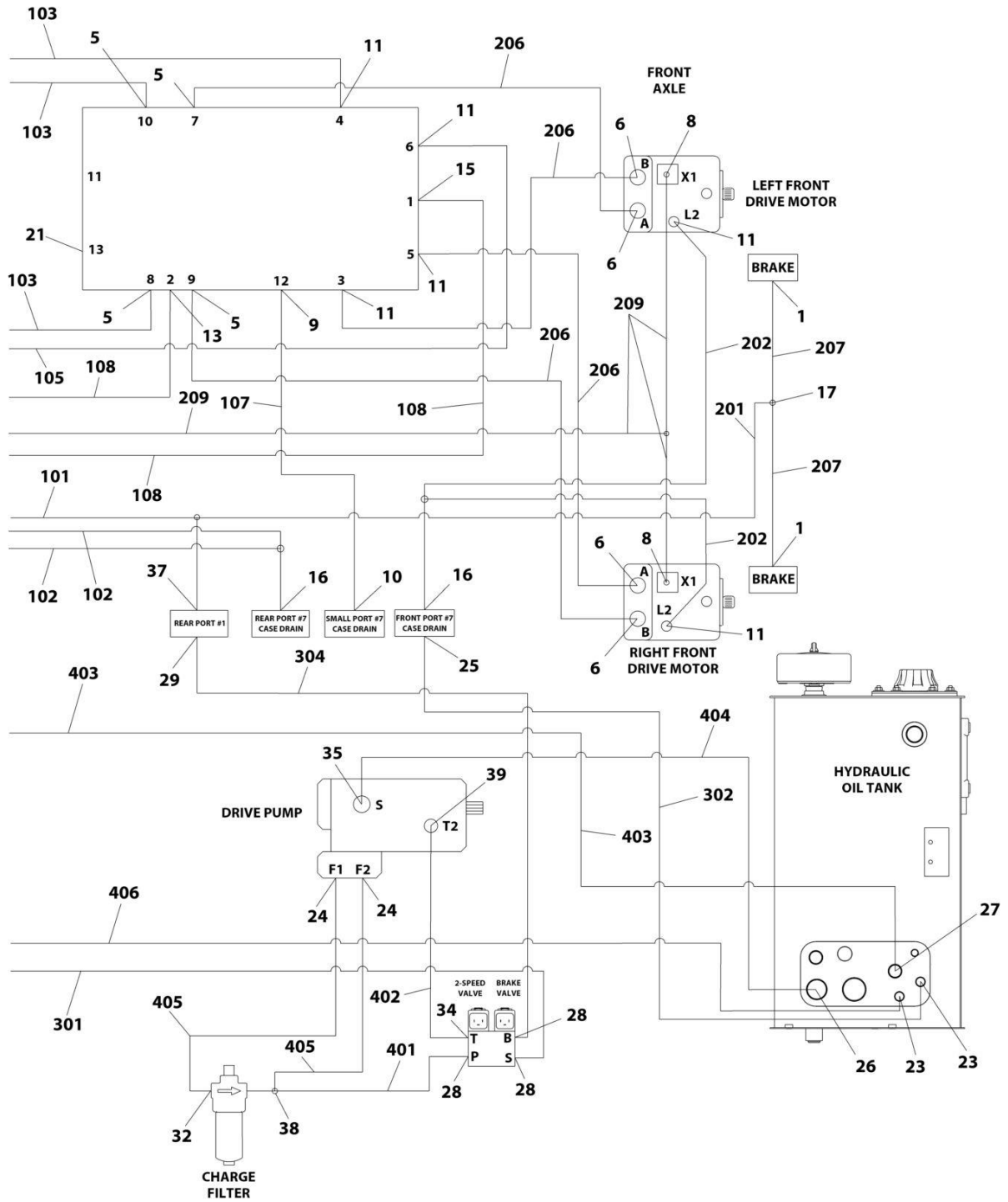
SECTION 7 - HYDRAULIC

FIGURE 7-6. HYDRAULIC DIAGRAM - DRIVE (4WD/2WS WITH TOW PACKAGE)(CE & UK CA SPECS ONLY)



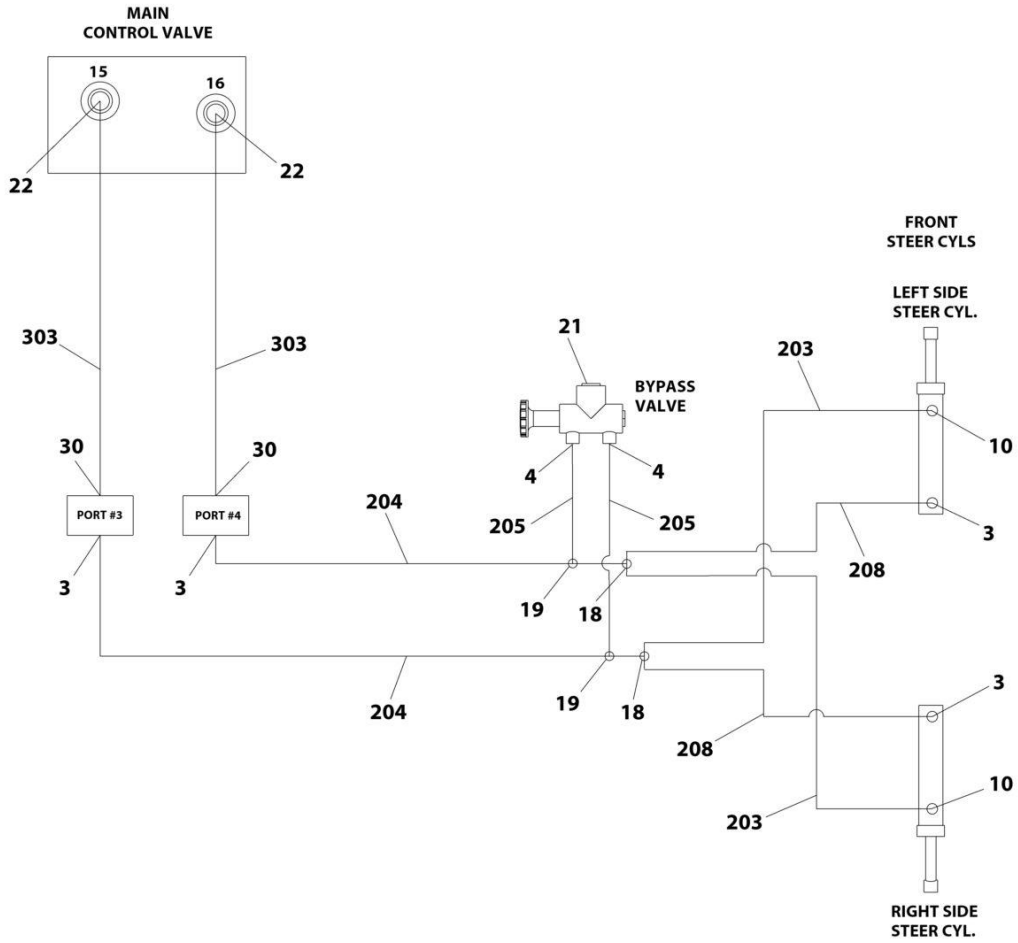
ART_1001296909_10F3

SECTION 7 - HYDRAULIC



ART_1001296909_20F3

SECTION 7 - HYDRAULIC



ART_1001296909_3OF3

SECTION 7 - HYDRAULIC

FIGURE 7-6. HYDRAULIC DIAGRAM - DRIVE (4WD/2WS WITH TOW PACKAGE)(CE & UK CA SPECS ONLY)

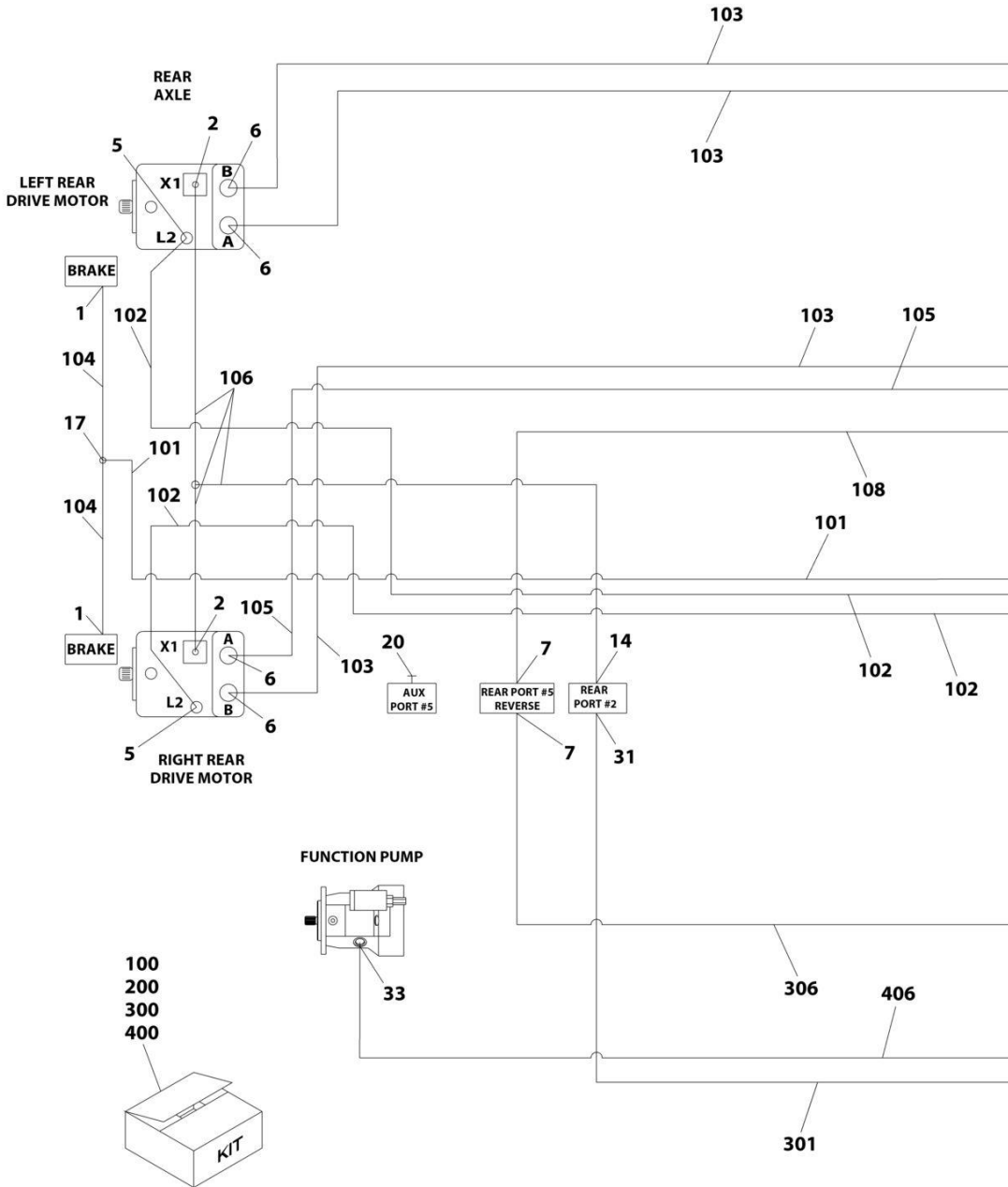
ITEM	PART NUMBER	QTY	DESCRIPTION	REV
	1001296909	Ref	HYDRAULIC DIAGRAM - DRIVE (4WD/2WS)	A
1	2110404	2	Fitting, Straight ORFS/ORB	
2	2110406	2	Fitting, Straight ORFS/ORB	
3	2110606	4	Fitting, Straight ORFS/ORB	
4	2110608	2	Fitting, Straight ORFS/ORB	
5	2110808	6	Fitting, Straight ORFS/ORB	
6	2110812	8	Fitting, Straight ORFS/OBS	
7	2111616	4	Fitting, Straight ORFS/ORB	
8	2130406	2	Fitting, 90 ORFS/OBS	
9	2130604	1	Fitting, 90 ORFS/OBS	
10	2130606	3	Fitting, 90 ORFS/ORB	
11	2130808	6	Fitting, 90 ORFS/ORB	
12	2131612	2	Fitting, 90 ORFS/ORB	
13	2131616	1	Fitting, 90 ORFS/ORB	
14	2150406	2	Fitting, 45 ORFS/ORB	
15	2151616	1	Fitting, 45 ORFS/ORB	
16	2170408	2	Fitting, Tee ORFS/ORFS/OBS	
17	2170504	2	Fitting, Tee ORFS	
18	2170506	2	Fitting, Tee ORFS/ORFS/ORFS	
19	2170706	2	Fitting, Tee - ORFS/ORFS/ORFS	
20	2220237	1	Plug	
21	2220238	1	Plug	
22	2220371	2	Fitting, Straight JIC/ORB	
23	2220373	2	Fitting, Straight JIC/ORB	
24	2220374	2	Fitting, Straight JIC/ORB	
25	2220375	1	Fitting, Straight ORB/FL	
26	2220380	1	Fitting, Straight ORB/FL	
27	2220451	1	Fitting, Straight JIC/ORB	
28	2220466	3	Fitting, 90 ORB/FL	
29	2220468	1	Fitting, Straight ORB/FL	
30	2220473	2	Fitting, 90 ORB/FL	
31	2220582	1	Fitting, Straight ORB/FL	
32	2220596	1	Fitting, 90 ORB/FL	
33	2220671	1	Fitting, 90 JIC/ORB	
34	2220940	1	Fitting, 90 ORB/FL	
35	8770050	1	Fitting, 90 JIC/ORB	
36	8770157	1	Fitting, 90 JIC/ORB	
37	1001198338	1	Fitting, Tee ORFS/ORB	
38	1001199394	1	Fitting, Tee JIC/ORB/JIC	
39	1001215296	1	Fitting, 90 JIC/SORB	
100	1001270069	1	Hose Kit - Rear Kit	
101	2753622	1	Hose	
102	2753686	2	Hose	
103	2753971	3	Hose	
104	2754337	2	Hose	
105	2754338	1	Hose	
106	1001198340	1	Hose	
107	2753626	1	Hose	
108	2753634	2	Hose	

SECTION 7 - HYDRAULIC

ITEM	PART NUMBER	QTY	DESCRIPTION	REV
200	1001270096	1	Hose Kit - Towbar Front	
201	2753542	1	Hose	
202	2753628	2	Hose	
203	2753656	2	Hose	
204	2753732	2	Hose	
205	2753879	2	Hose	
206	2753970	4	Hose	
207	2754512	2	Hose	
208	1001159340	2	Hose	
209	1001198341	1	Hose	
300	1001296858	1	Hose Kit - 4WD/2WS TT	
301	2751399	1	Hose	
302	2751500	1	Hose	
303	2752489	2	Hose	
304	2752997	1	Hose	
305	1001296839	1	Hose	
306	1001296840	1	Hose	
400	1001296859	1	Hose Kit - 4WD/2WS TT	
401	2752434	1	Hose	
402	1001296841	1	Hose	
403	1001296842	1	Hose	
404	1001296843	1	Hose	
405	1001296844	2	Hose	
406	1001296913	1	Hose	

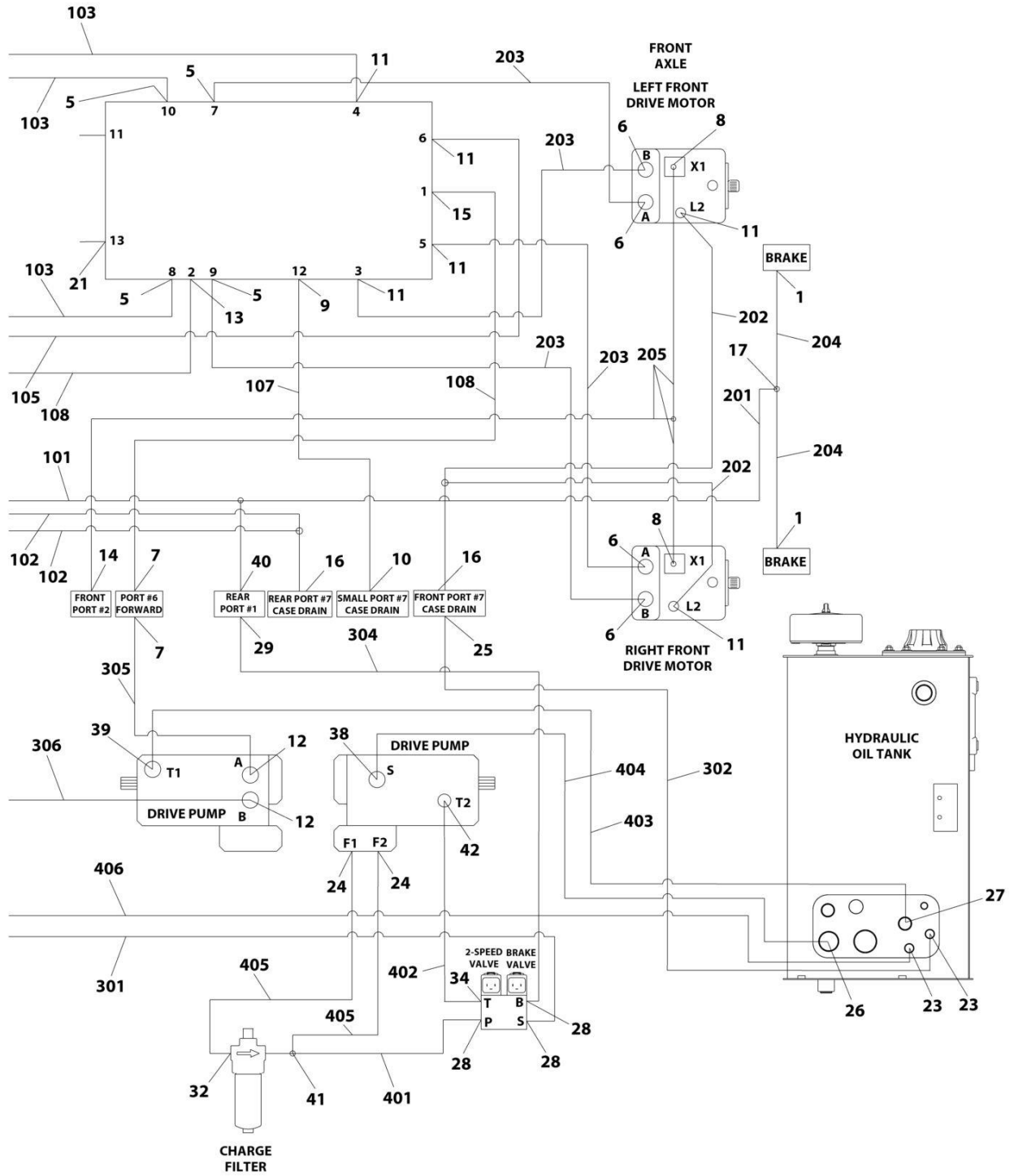
SECTION 7 - HYDRAULIC

FIGURE 7-7. HYDRAULIC DIAGRAM - DRIVE (4WD/2WS WITH TOW PACKAGE AND ARCTIC PACKAGE)(ANSI SPEC ONLY)



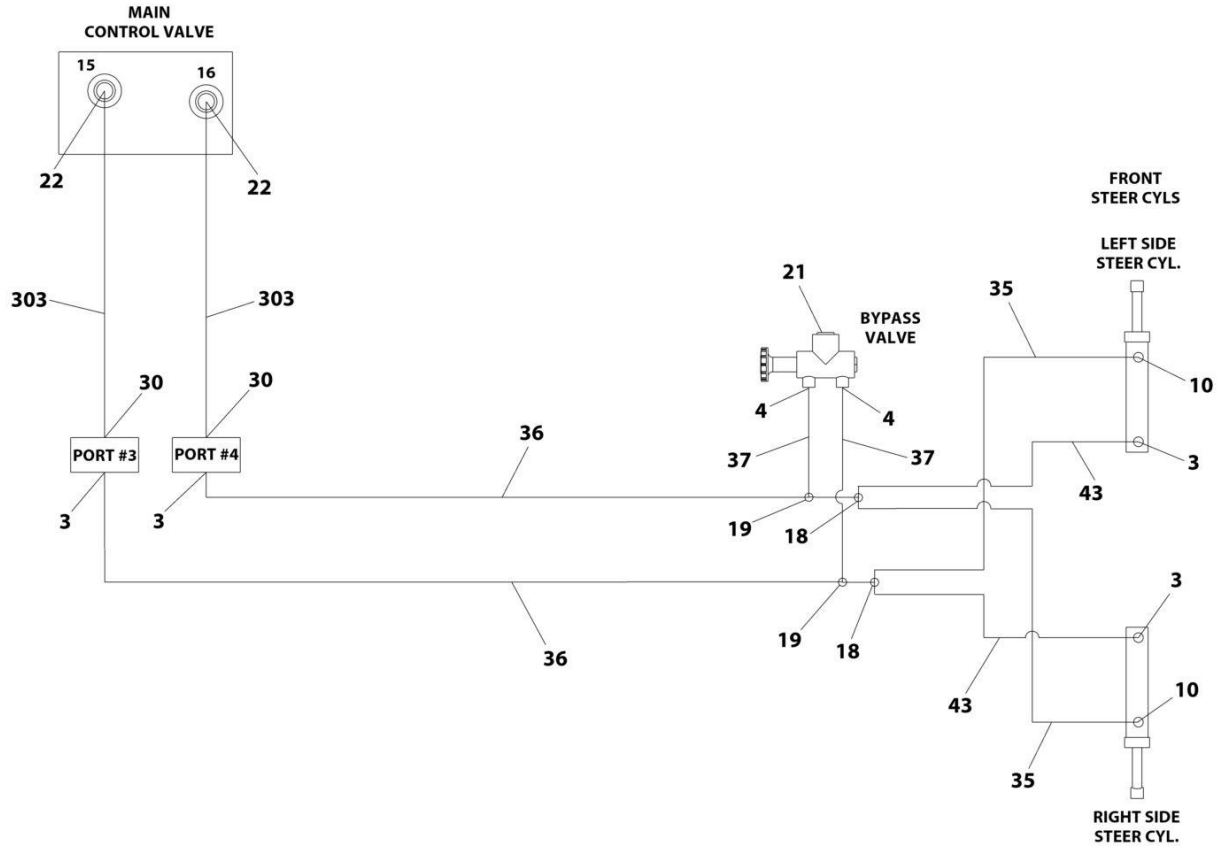
ART_1001296910_10F3

SECTION 7 - HYDRAULIC



ART_1001296910_2OF3

SECTION 7 - HYDRAULIC



ART_1001296910_3OF3

SECTION 7 - HYDRAULIC

FIGURE 7-7. HYDRAULIC DIAGRAM - DRIVE (4WD/2WS WITH TOW PACKAGE AND ARCTIC PACKAGE)(ANSI SPEC ONLY)

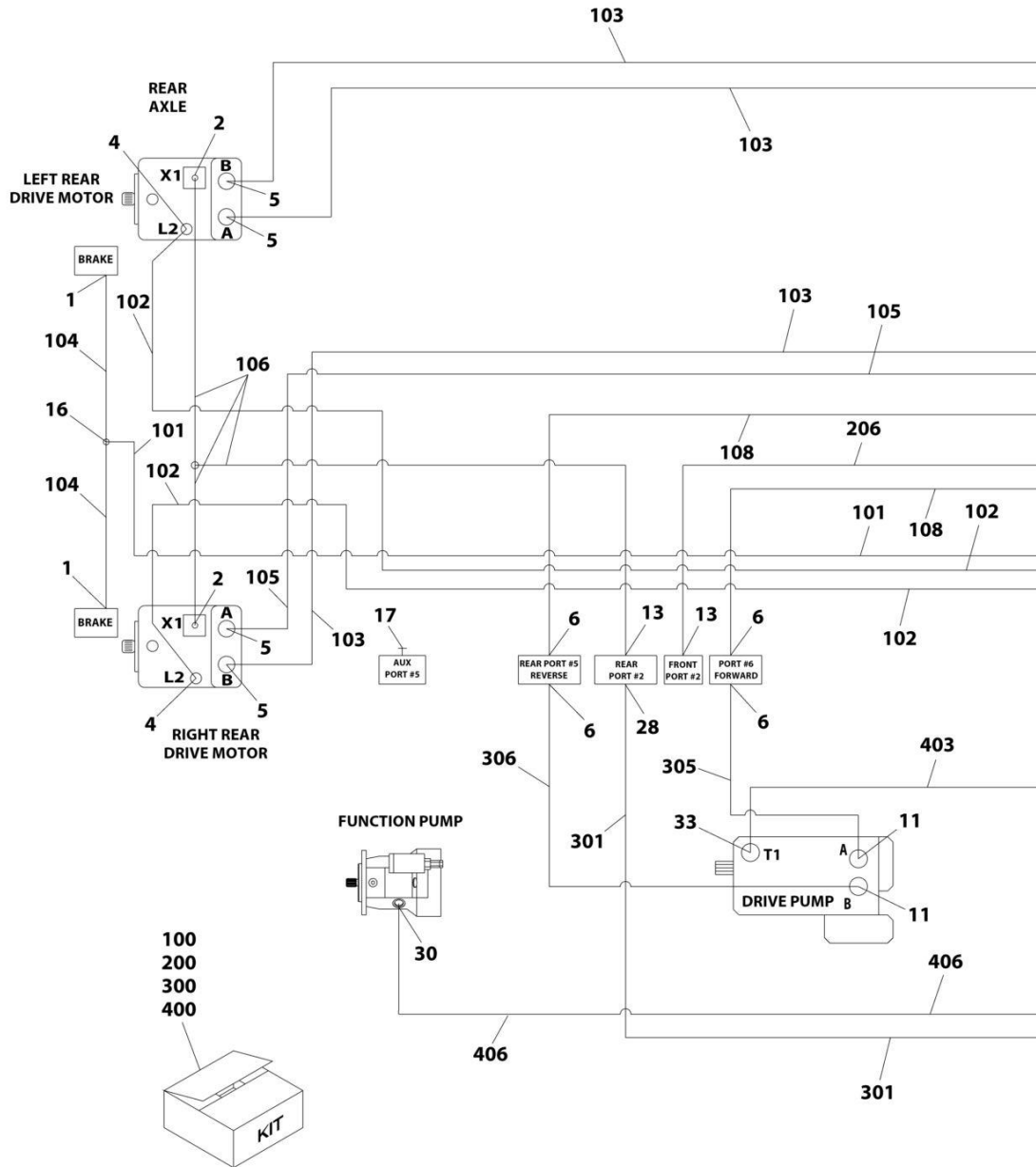
ITEM	PART NUMBER	QTY	DESCRIPTION	REV
	1001296910	Ref	HYDRAULIC DIAGRAM - DRIVE (4WD/2WS)	A
1	2110404	4	Fitting, Straight ORFS/ORB	
2	2110406	2	Fitting, Straight ORFS/ORB	
3	2110606	4	Fitting, Straight ORFS/ORB	
4	2110608	2	Fitting, Straight ORFS/ORB	
5	2110808	6	Fitting, Straight ORFS/ORB	
6	2110812	8	Fitting, Straight ORFS/ORB	
7	2111616	4	Fitting, Straight ORFS/ORB	
8	2130406	2	Fitting, 90 ORFS/ORB	
9	2130604	1	Fitting, 90 ORFS/OBS	
10	2130606	3	Fitting, 90 ORFS/ORB	
11	2130808	6	Fitting, 90 ORFS/ORB	
12	2131612	2	Fitting, 90 ORFS/ORB	
13	2131616	1	Fitting, 90 ORFS/ORB	
14	2150406	2	Fitting, 45 ORFS/ORB	
15	2151616	1	Fitting, 45 ORFS/ORB	
16	2170408	2	Fitting, Tee ORFS/ORB/ORFS	
17	2170504	2	Fitting, Tee ORFS/ORFS/ORFS	
18	2170506	2	Fitting, Tee ORFS/ORFS/ORFS	
19	2170706	2	Fitting, Tee - ORFS/FSORFS/ORFS	
20	2220237	1	Plug 3/8	
21	2220238	2	Plug 1/2	
22	2220371	2	Fitting, Straight JIC/ORB	
23	2220373	2	Fitting, Straight JIC/ORB	
24	2220374	2	Fitting, Straight JIC/ORB	
25	2220375	1	Fitting, Straight JIC/ORB	
26	2220380	1	Fitting, Straight JIC/ORB	
27	2220451	1	Fitting, Straight JIC/ORB	
28	2220466	3	Fitting, 90 JIC/ORB	
29	2220468	1	Fitting, Straight JIC/ORB	
30	2220473	2	Fitting, 90 JIC/ORB	
31	2220582	1	Fitting, Straight JIC/ORB	
32	2220596	1	Fitting, 90 JIC/ORB	
33	2220671	1	Fitting, 90 JIC/ORB	
34	2220940	1	Fitting, 90 JIC/ORB	
35	2753656	2	Hose	
36	2753732	2	Hose	
37	2753879	2	Hose	
38	8770050	1	Fitting, 90	
39	8770157	1	Fitting, 90 JIC/ORB	
40	1001198338	1	Fitting, Tee ORFS/ORB	
41	1001199394	1	Fitting, Tee JIC/ORB/JIC	
42	1001215296	1	Fitting, 90 JIC/SORB	
43	1001159340	2	Hose	
100	1001270069	1	Hose Kit - Rear Kit	
101	2753622	1	Hose	
102	2753686	2	Hose	
103	2753971	3	Hose	
104	2754337	2	Hose	

SECTION 7 - HYDRAULIC

ITEM	PART NUMBER	QTY	DESCRIPTION	REV
105	2754338	2	Hose	
106	1001198340	4	Hose	
107	2753626	2	Hose	
108	2753634	2	Hose	
200	1001270073	1	Hose Kit - Front Kit	
201	2753542	1	Hose	
202	2754720	2	Hose	
203	2754743	4	Hose	
204	1001106957	2	Hose	
205	1001204269	1	Hose	
300	1001296858	1	Hose Kit - 4WS/2WS TT	
301	2751399	1	Hose	
302	2751500	1	Hose	
303	2752489	2	Hose	
304	2752997	1	Hose	
305	1001296839	1	Hose	
306	1001296840	1	Hose	
400	1001296859	1	Hose Kit - 4WS/2WS TT	
401	2752434	1	Hose	
402	1001296841	1	Hose	
403	1001296842	1	Hose	
404	1001296843	1	Hose	
405	1001296844	2	Hose	
406	1001296913	1	Hose	

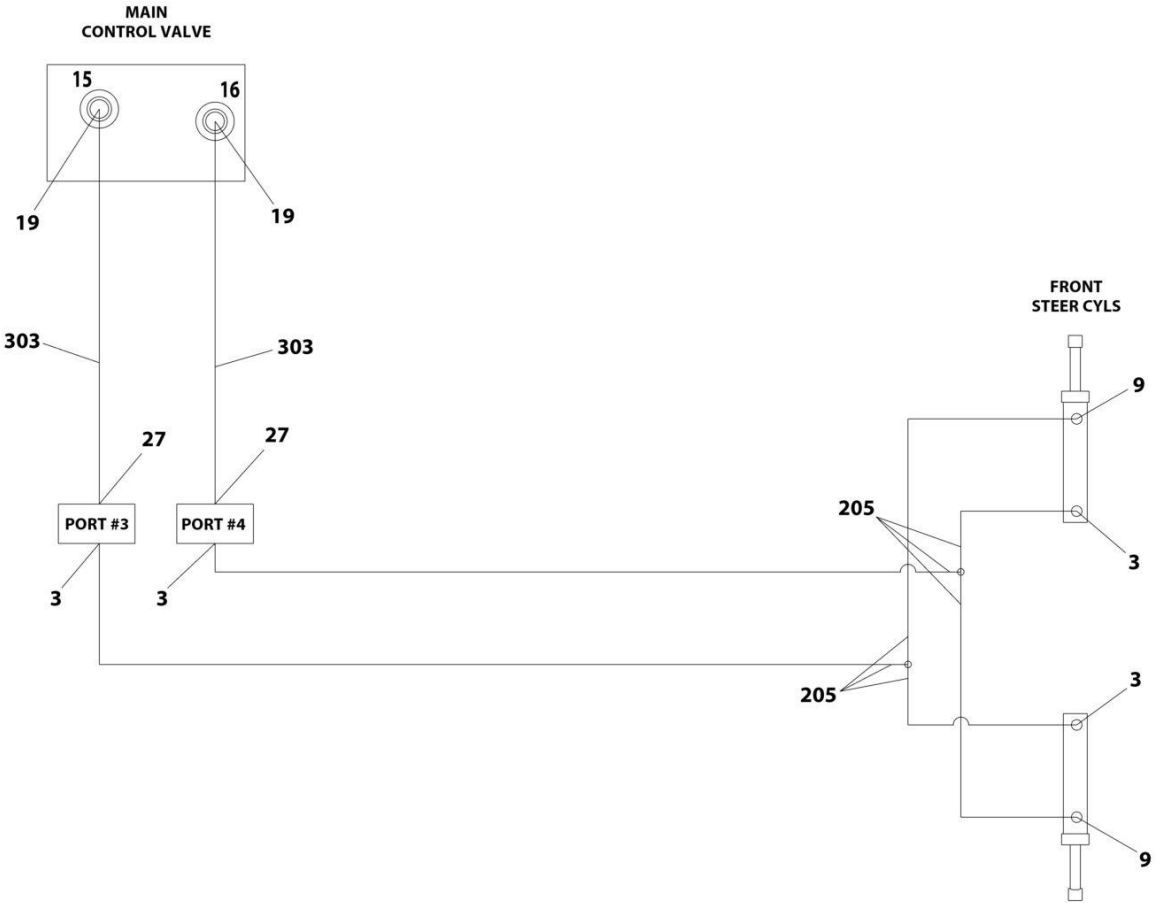
SECTION 7 - HYDRAULIC

FIGURE 7-8. HYDRAULIC DIAGRAM - DRIVE (4WD/2WS WITHOUT TOW PACKAGE AND WITHOUT ARCTIC PACKAGE)(ALL SPECS)



ART_1001296911_10F3

SECTION 7 - HYDRAULIC



ART_1001296911_30F3

SECTION 7 - HYDRAULIC

FIGURE 7-8. HYDRAULIC DIAGRAM - DRIVE (4WD/2WS WITHOUT TOW PACKAGE AND WITHOUT ARCTIC PACKAGE)(ALL SPECS)

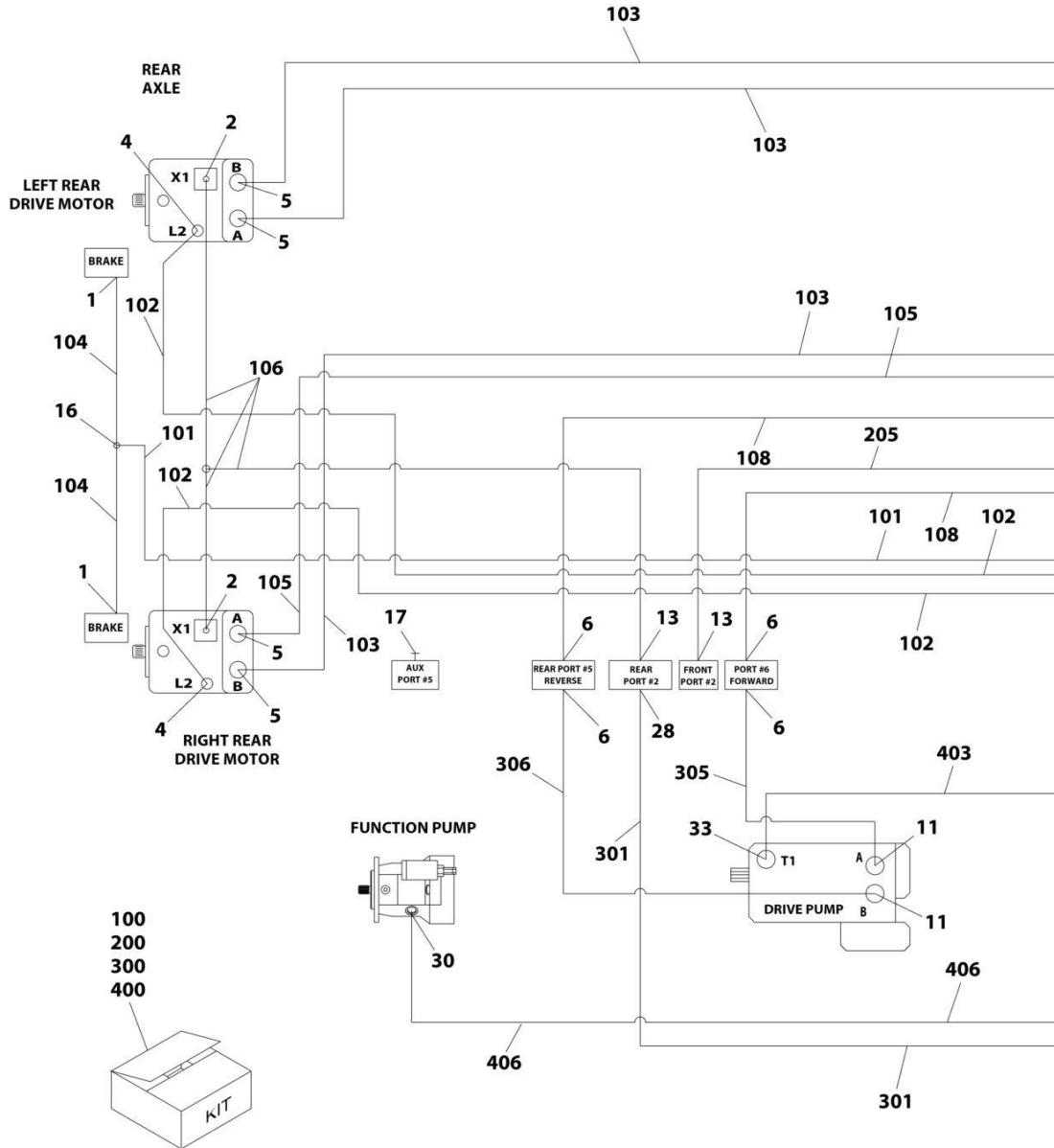
ITEM	PART NUMBER	QTY	DESCRIPTION	REV
	1001296911	Ref	HYDRAULIC DIAGRAM - DRIVE (4WD/2WS)	A
1	2110404	4	Fitting, Straight ORFS/ORB	
2	2110406	2	Fitting, Straight ORFS/ORB	
3	2110606	4	Fitting, Straight ORFS/ORB	
4	2110808	6	Fitting, Straight ORFS/ORB	
5	2110812	8	Fitting, Straight ORFS/ORB	
6	2111616	4	Fitting, Straight ORFS/ORB	
7	2130406	2	Fitting, 90 ORFS/ORB	
8	2130604	1	Fitting, 90 ORFS/ORB	
9	2130606	3	Fitting, 90 ORFS/ORB	
10	2130808	6	Fitting, 90 ORFS/ORB	
11	2131612	2	Fitting, 90 ORFS/ORB	
12	2131616	1	Fitting, 90 ORFS/ORB	
13	2150406	2	Fitting, 45 ORFS/ORB	
14	2151616	1	Fitting, 45 ORFS/ORB	
15	2170408	2	Fitting, Tee ORFS/ORB/ORFS	
16	2170504	2	Fitting, Tee ORFS	
17	2220237	1	Plug 3/8	
18	2220238	1	Plug 1/2	
19	2220371	2	Fitting, Straight JIC/ORB	
20	2220373	2	Fitting, Straight JIC/ORB	
21	2220374	2	Fitting, Straight JIC/ORB	
22	2220375	1	Fitting, Straight JIC/ORB	
23	2220380	1	Fitting, Straight JIC/ORB	
24	2220451	1	Fitting, Straight JIC/ORB	
25	2220466	3	Fitting, 90 JIC/ORB	
26	2220468	1	Fitting, Straight JIC/ORB	
27	2220473	2	Fitting, 90 JIC/ORB	
28	2220582	1	Fitting, Straight JIC/ORB	
29	2220596	1	Fitting, 90 JIC/ORB	
30	2220671	1	Fitting, 90 JIC/ORB	
31	2220940	1	Fitting, 90 JIC/ORB	
32	8770050	1	Fitting, 90	
33	8770157	1	Fitting, 90 JIC/ORB	
34	1001198338	1	Fitting, Tee ORFS/ORB	
35	1001199394	1	Fitting, Tee JIC/ORB/JIC	
36	1001215296	1	Fitting, 90 JIC/SORB	
100	1001270069	1	Hose Kit - Rear Kit	
101	2753622	1	Hose	
102	2753686	2	Hose	
103	2753971	3	Hose	
104	2754337	2	Hose	
105	2754338	1	Hose	
106	1001198340	1	Hose	
107	2753626	1	Hose	
108	2753634	2	Hose	
200	1001270630	1	Hose Kit - Front Kit	
201	2753542	1	Hose	
202	2753628	2	Hose	

SECTION 7 - HYDRAULIC

ITEM	PART NUMBER	QTY	DESCRIPTION	REV
203	2753970	4	Hose	
204	2754512	2	Hose	
205	1001198333	2	Hose	
206	1001198341	1	Hose	
300	1001296858	1	Hose Kit - 4WD/2WS TT	
301	2751399	1	Hose	
302	2751500	1	Hose	
303	2752489	2	Hose	
304	2752997	1	Hose	
305	1001296839	1	Hose	
306	1001296840	1	Hose	
400	1001296859	1	Hose Kit - 4WD/2WS TT	
401	2752434	1	Hose	
402	1001296841	1	Hose	
403	1001296842	1	Hose	
404	1001296843	1	Hose	
405	1001296844	2	Hose	
406	1001296913	1	Hose	

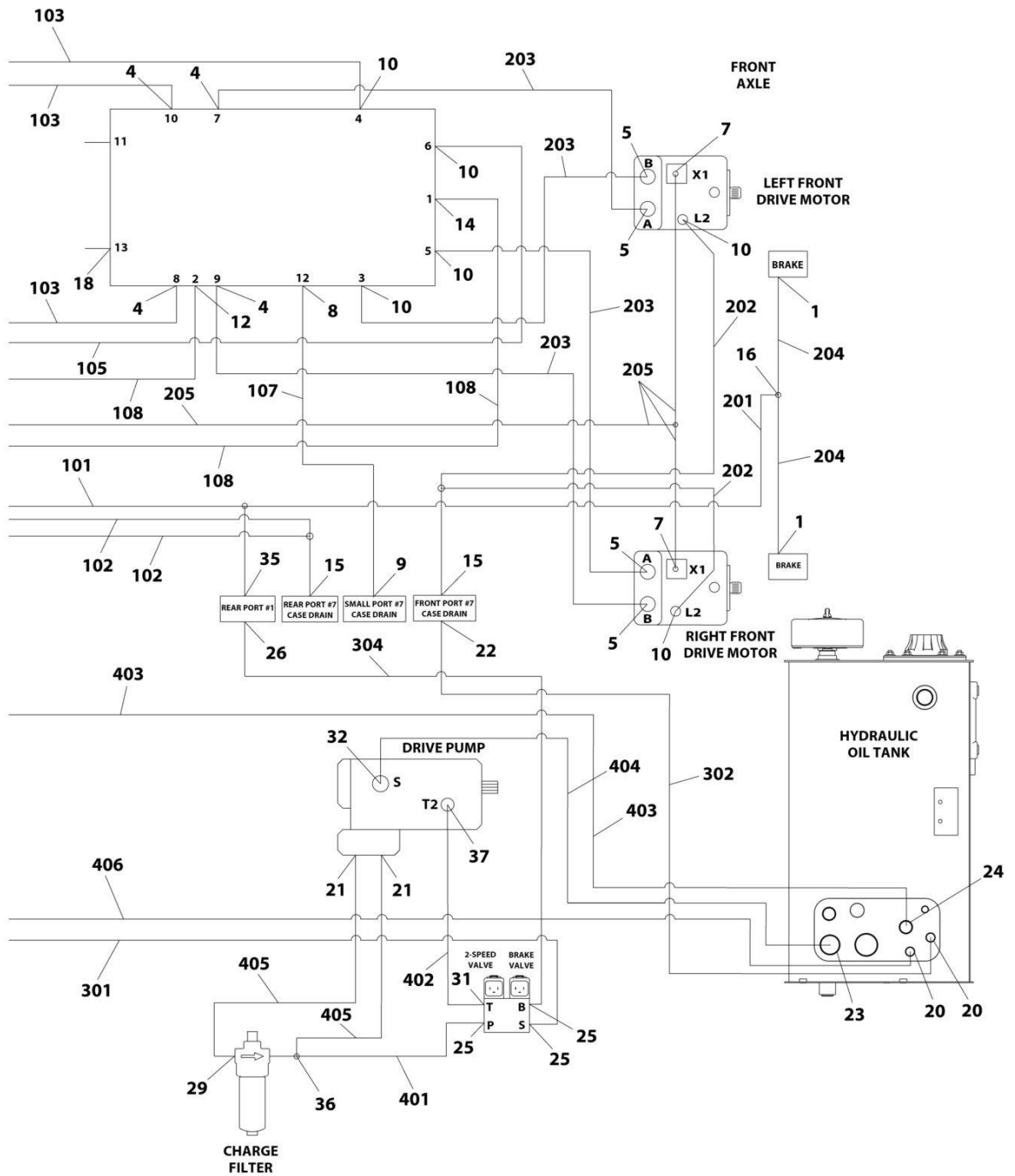
SECTION 7 - HYDRAULIC

FIGURE 7-9. HYDRAULIC DIAGRAM - DRIVE (4WD/2WS WITHOUT TOW PACKAGE AND WITH ARCTIC PACKAGE)(CSA AND ANSI SPECS)



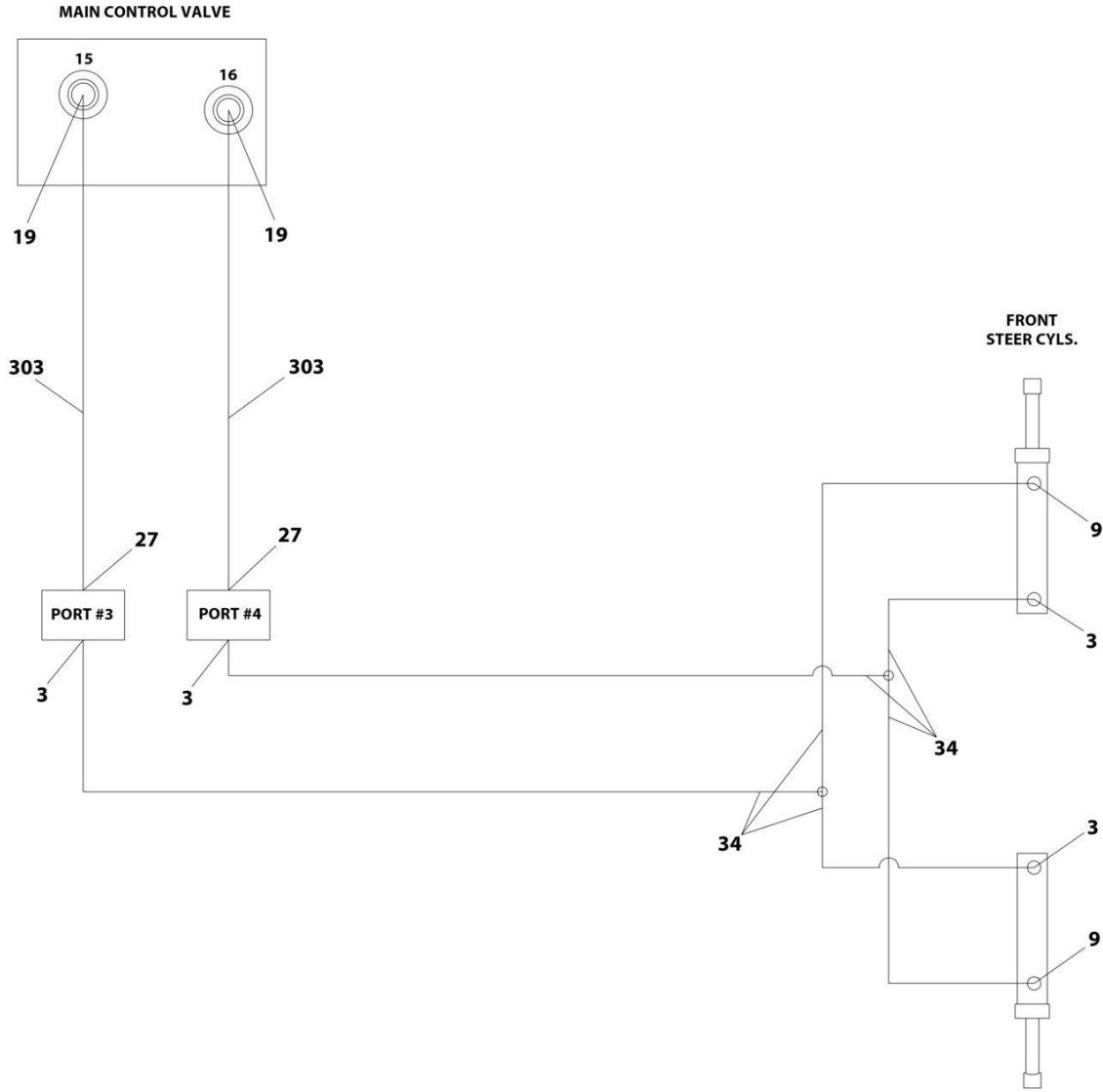
ART_1001296912_10F3

SECTION 7 - HYDRAULIC



ART_1001296912_2OF3

SECTION 7 - HYDRAULIC



ART_1001296912_3OF3

SECTION 7 - HYDRAULIC

FIGURE 7-9. HYDRAULIC DIAGRAM - DRIVE (4WD/2WS WITHOUT TOW PACKAGE AND WITH ARCTIC PACKAGE)(CSA AND ANSI SPECS)

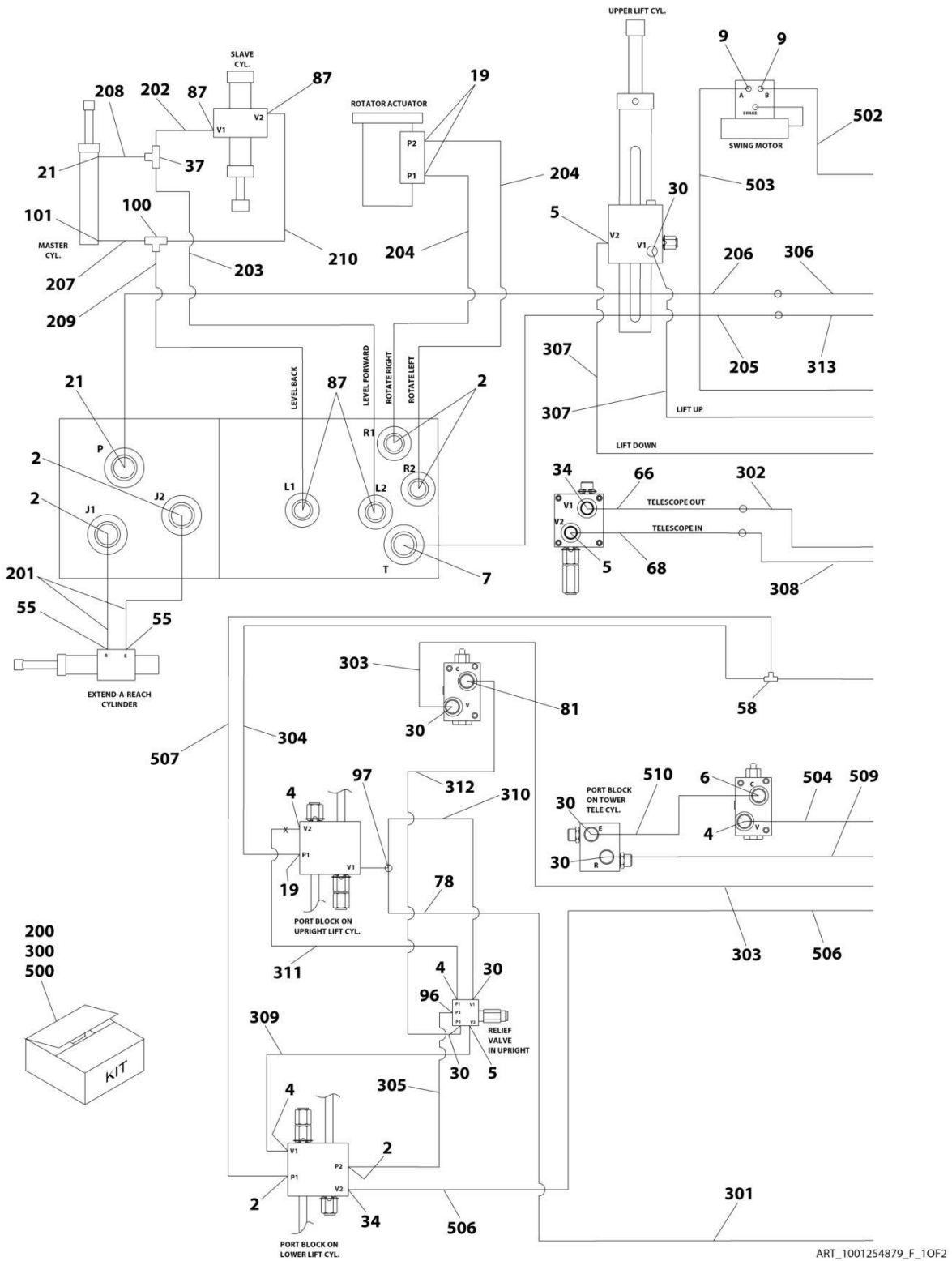
ITEM	PART NUMBER	QTY	DESCRIPTION	REV
	1001296912	Ref	HYDRAULIC DIAGRAM - DRIVE (4WD/2WS)	A
1	2110404	4	Fitting, Straight ORFS/ORB	
2	2110406	2	Fitting, Straight ORFS/ORB	
3	2110606	4	Fitting, Straight ORFS/ORB	
4	2110808	6	Fitting, Straight ORFS/ORB	
5	2110812	8	Fitting, Straight ORFS/ORB	
6	2111616	4	Fitting, Straight ORFS/ORB	
7	2130406	2	Fitting, 90 ORFS/ORB	
8	2130604	1	Fitting, 90 ORFS/ORB	
9	2130606	3	Fitting, 90 ORFS/ORB	
10	2130808	6	Fitting, 90 ORFS/ORB	
11	2131612	2	Fitting, 90 ORFS/ORB	
12	2131616	1	Fitting, 90 ORFS/ORB	
13	2150406	2	Fitting, 45 ORFS/ORB	
14	2151616	1	Fitting, 45 ORFS/ORB	
15	2170408	2	Fitting, Tee ORFS/ORB/ORFS	
16	2170504	2	Fitting, Tee ORFS	
17	2220237	1	Plug 3/8	
18	2220238	1	Plug 1/2	
19	2220371	2	Fitting, Straight JIC/ORB	
20	2220373	2	Fitting, Straight JIC/ORB	
21	2220374	2	Fitting, Straight JIC/ORB	
22	2220375	1	Fitting, Straight JIC/ORB	
23	2220380	1	Fitting, Straight JIC/ORB	
24	2220451	1	Fitting, Straight JIC/ORB	
25	2220466	3	Fitting, 90 JIC/ORB	
26	2220468	1	Fitting, Straight JIC/ORB	
27	2220473	2	Fitting, 90 JIC/ORB	
28	2220582	1	Fitting, Straight JIC/ORB	
29	2220596	1	Fitting, 90 JIC/ORB	
30	2220671	1	Fitting, 90 JIC/ORB	
31	2220940	1	Fitting, 90 JIC/ORB	
32	8770050	1	Fitting, 90	
33	8770157	1	Fitting, 90 JIC/ORB	
34	1001198333	2	Hose	
35	1001198338	1	Fitting, Tee ORFS/ORB	
36	1001199394	1	Fitting, Tee JIC/ORB/JIC	
37	1001215296	1	Fitting, 90 JIC/SORB	
100	1001270069	1	Hose Kit - Rear Kit	
101	2753622	1	Hose	
102	2753686	2	Hose	
103	2753971	3	Hose	
104	2754337	2	Hose	
105	2754338	1	Hose	
106	1001198340	1	Hose	
107	2753626	1	Hose	
108	2753634	2	Hose	
200	1001270073	1	Hose Kit - Front Kit	
201	2753542	1	Hose	

SECTION 7 - HYDRAULIC

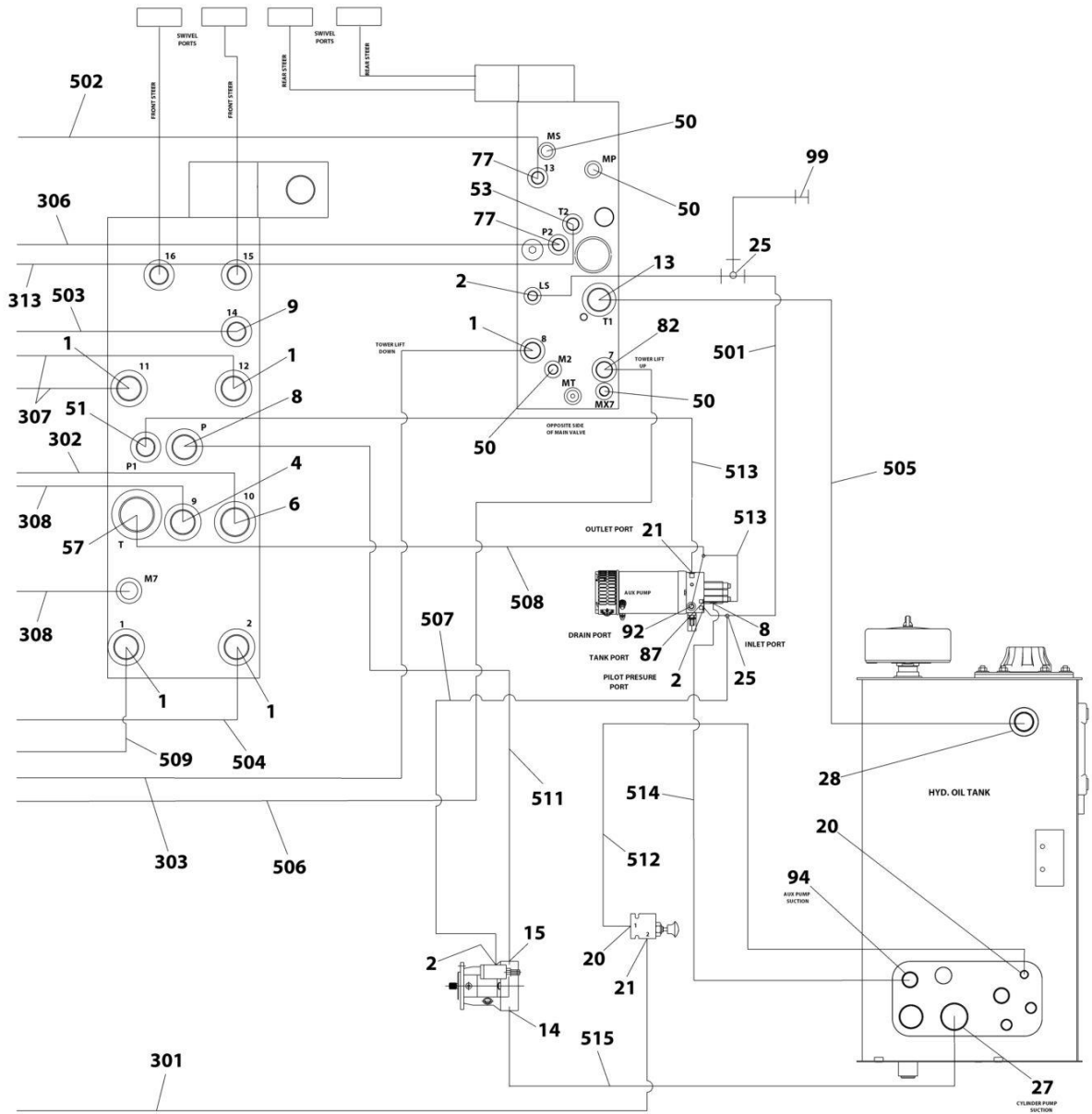
ITEM	PART NUMBER	QTY	DESCRIPTION	REV
202	2754720	2	Hose	
203	2754743	4	Hose	
204	1001106957	2	Hose	
205	1001204269	2	Hose	
300	1001296858	1	Hose Kit - 4WD/2WS TT	
301	2751399	1	Hose	
302	2751500	1	Hose	
303	2752489	2	Hose	
304	2752997	1	Hose	
305	1001296839	1	Hose	
306	1001296840	1	Hose	
400	1001296859	1	Hose Kit - 4WD/2WS TT	
401	2752434	1	Hose	
402	1001296841	1	Hose	
403	1001296842	1	Hose	
404	1001296843	1	Hose	
405	1001296844	2	Hose	
406	1001296913	1	Hose	

SECTION 7 - HYDRAULIC

FIGURE 7-10. HYDRAULIC DIAGRAM - STANDARD



SECTION 7 - HYDRAULIC



ART_1001254879_F_20F2

SECTION 7 - HYDRAULIC

FIGURE 7-10. HYDRAULIC DIAGRAM - STANDARD

ITEM	PART NUMBER	QTY	DESCRIPTION	REV
	1001254879	Ref	STANDARD HYDRAULIC DIAGRAM	F
1	2220381	5	Fitting, Straight ORB/FL	
2	2220415	9	Fitting, Straight ORB/FL	
4	2220373	5	Fitting, Straight ORB/FL	
5	2220500	3	Fitting, 45 ORB/FL	
6	2220947	2	Fitting, Straight ORB/FL	
7	2220600	1	Fitting, Straight JIC/ORB	
8	2220593	2	Fitting, Straight ORB/FL	
9	2220371	3	Fitting, Straight ORB/FL	
13	1001179329	1	Fitting, Straight JIC/ORB	
14	2220737	1	Split Flange Kit #24	
15	2220478	1	Split Flange Kit #16	
19	2220466	3	Fitting, 90 ORB/FL	
20	2220582	2	Fitting, Straight JIC/ORB	
21	2220473	4	Fitting, 90 ORB/FL	
25	2220605	2	Fitting, Tee FL/FL	
27	2220765	1	Fitting, Straight ORB/FL	
28	2220377	1	Fitting, Straight JIC/ORB	
30	2220596	6	Fitting, 90 ORB/FL	
34	2220852	2	Fitting, Straight ORB/FL	
37	2220490	1	Fitting, Tee FL/FL	
50	2221086	4	Fitting, Diagnostic Test Port, EM3A	
51	4640780	1	Fitting, Check Valve	
53	1001136881	1	Fitting, 45 ORB/FG	
55	2220472	2	Fitting, 90 ORB/FL (800AJ)	
57	2220577	1	Fitting, Straight ORB/FL	
58	2221034	1	Fitting, Tee FL/FL/ORB	
66	2752767	1	Hose	
68	2753190	1	Hose	
77	2220501	2	Fitting, 45 ORB/FL	
78	4567757	1	Tube	
79	4100062	4	Protection, Hose (Not Shown - Located at Tower Boom Power Track)	
81	2221036	1	Fitting, 90 ORB/FL	
82	2220950	1	Fitting, 45 ORB/FL	
87	2220603	5	Fitting, Straight ORB/FL	
92	2220899	1	Fitting, Tee ORB/FL/FL	
94	2220451	1	Fitting, Straight JIC/ORB	
96	2220468	1	Fitting, Straight JIC/ORB	
97	1001215289	1	Fitting, Tee JIC/ORB/JIC	
99	91143177	1	Fitting - Diagnostic Test Port	
100	2220362	1	Fitting, Tee FL/FL/FL	
101	2220726	1	Adapter, 90 SJIC/ORB	
102	1001136358	1	Sleeve, Abrasion (Not Shown)	
103	4240032	2	Tie-Strap (Not Shown)	
200	1001256059	1	Upper Boom Hose Kit	
202	1001119602	1	Hose	
203	1001155673	1	Hose	
204	1001159707	2	Hose	
205	1001254846	1	Hose	

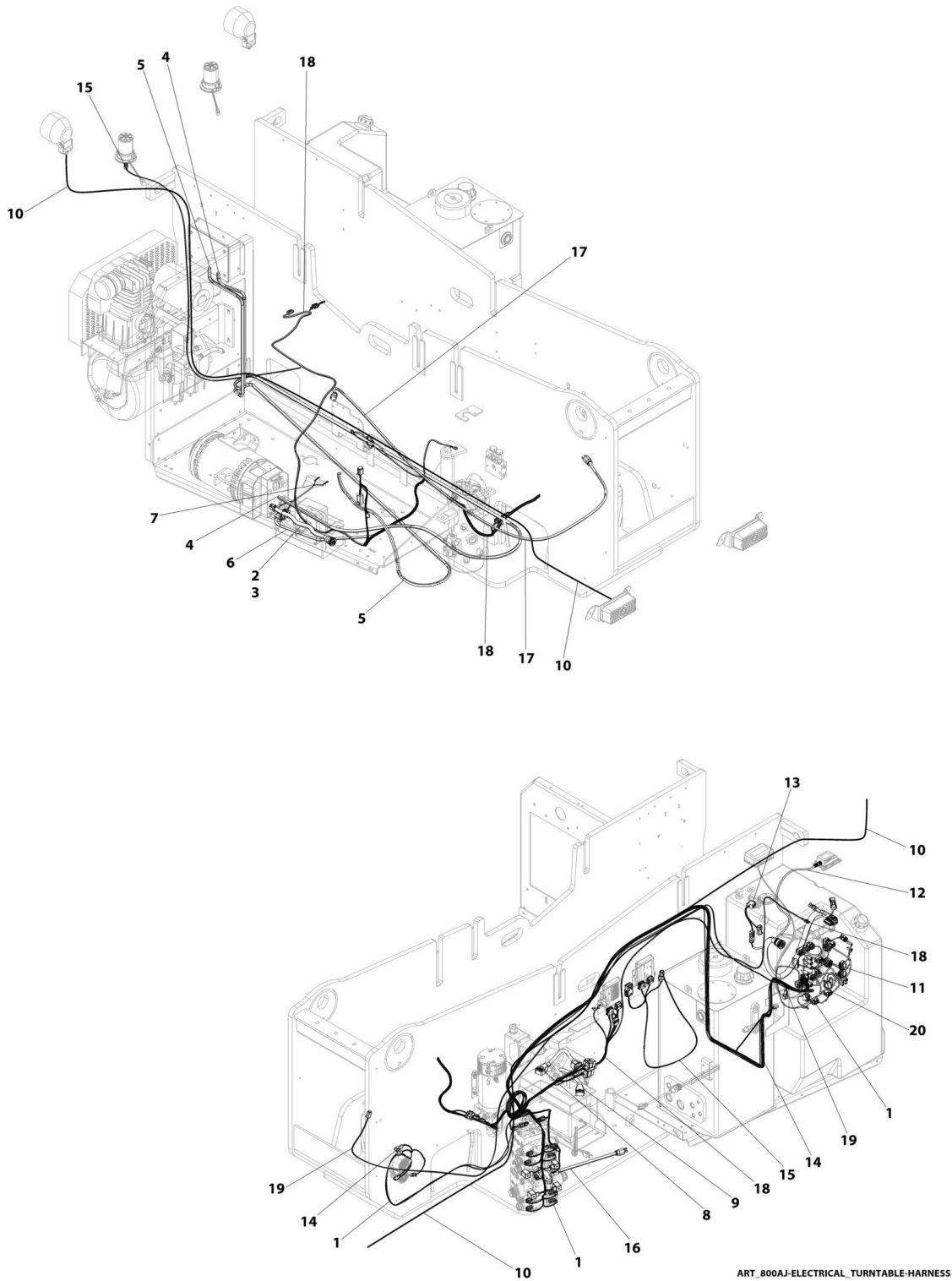
SECTION 7 - HYDRAULIC

ITEM	PART NUMBER	QTY	DESCRIPTION	REV
206	1001254847	1	Hose	
207	1001259466	1	Hose	
208	1001259467	1	Hose	
209	1001259468	1	Hose	
210	1001259470	1	Hose	
300	1001183226	1	Lower Boom Hose Kit	
301	2752468	1	Hose	
302	2752766	1	Hose	
303	2752930	1	Hose	
304	2752978	1	Hose	
305	2753008	1	Hose	
306	2753123	1	Hose	
307	2753189	2	Hose	
308	2753191	1	Hose	
309	2753195	1	Hose	
310	2753196	1	Hose	
311	2753197	1	Hose	
312	2753199	1	Hose	
313	1001182162	1	Hose	
500	1001270089	1	Turntable Hose Kit	
501	2752434	1	Hose	
502	2752461	1	Hose	
503	2752484	1	Hose	
504	2752494	1	Hose	
505	2752723	1	Hose	
506	2752768	1	Hose	
507	2753010	2	Hose	
508	2753118	1	Hose	
509	2753192	1	Hose	
510	2753200	1	Hose	
511	2753231	1	Hose	
512	2753274	1	Hose	
513	1001109690	2	Hose	
514	1001149410	1	Hose	
515	1001179079	1	Hose	

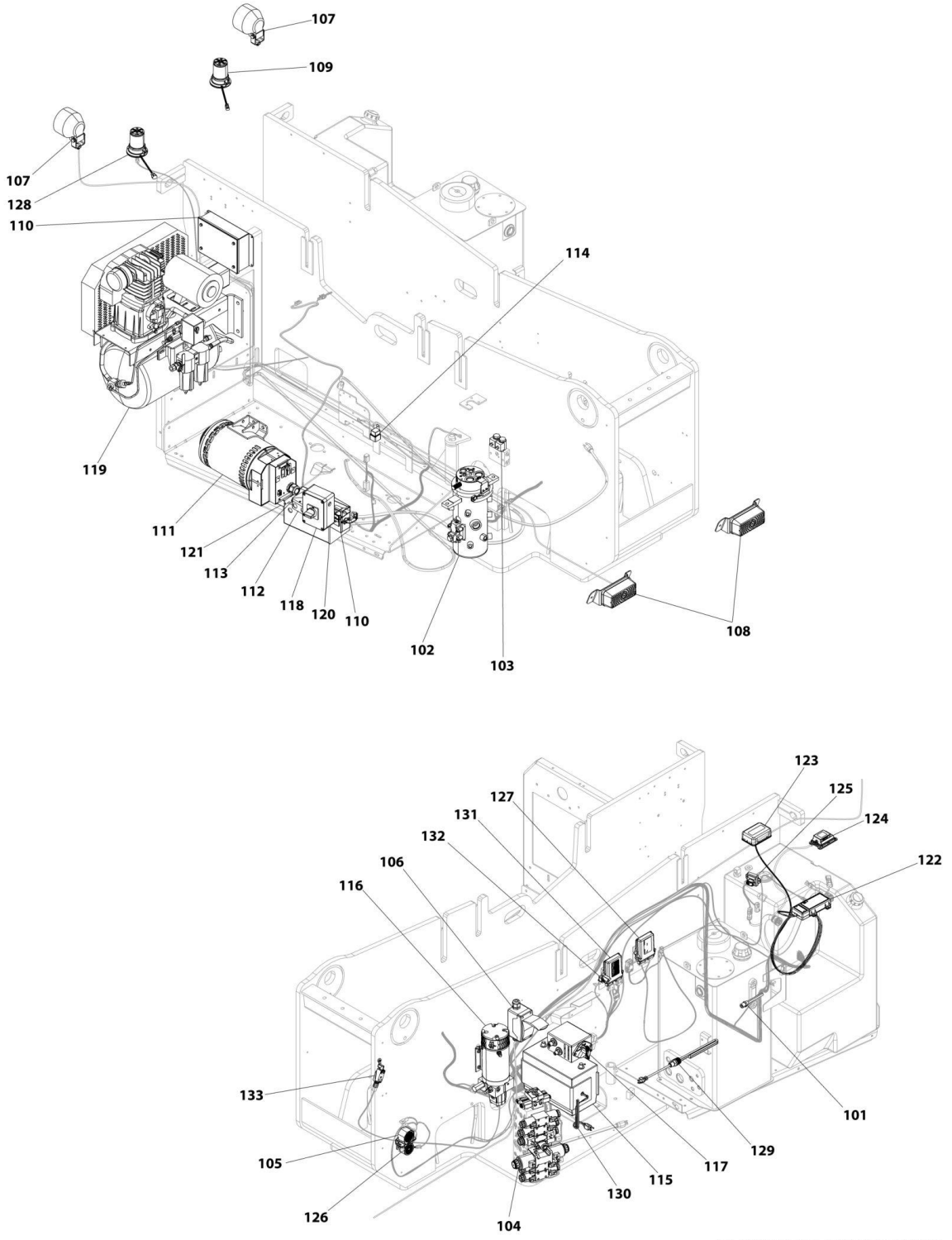
SECTION 8 - ELECTRICAL

SECTION 8 - ELECTRICAL

FIGURE 8-1. 800AJ HC3 ELECTRICAL LAYOUT

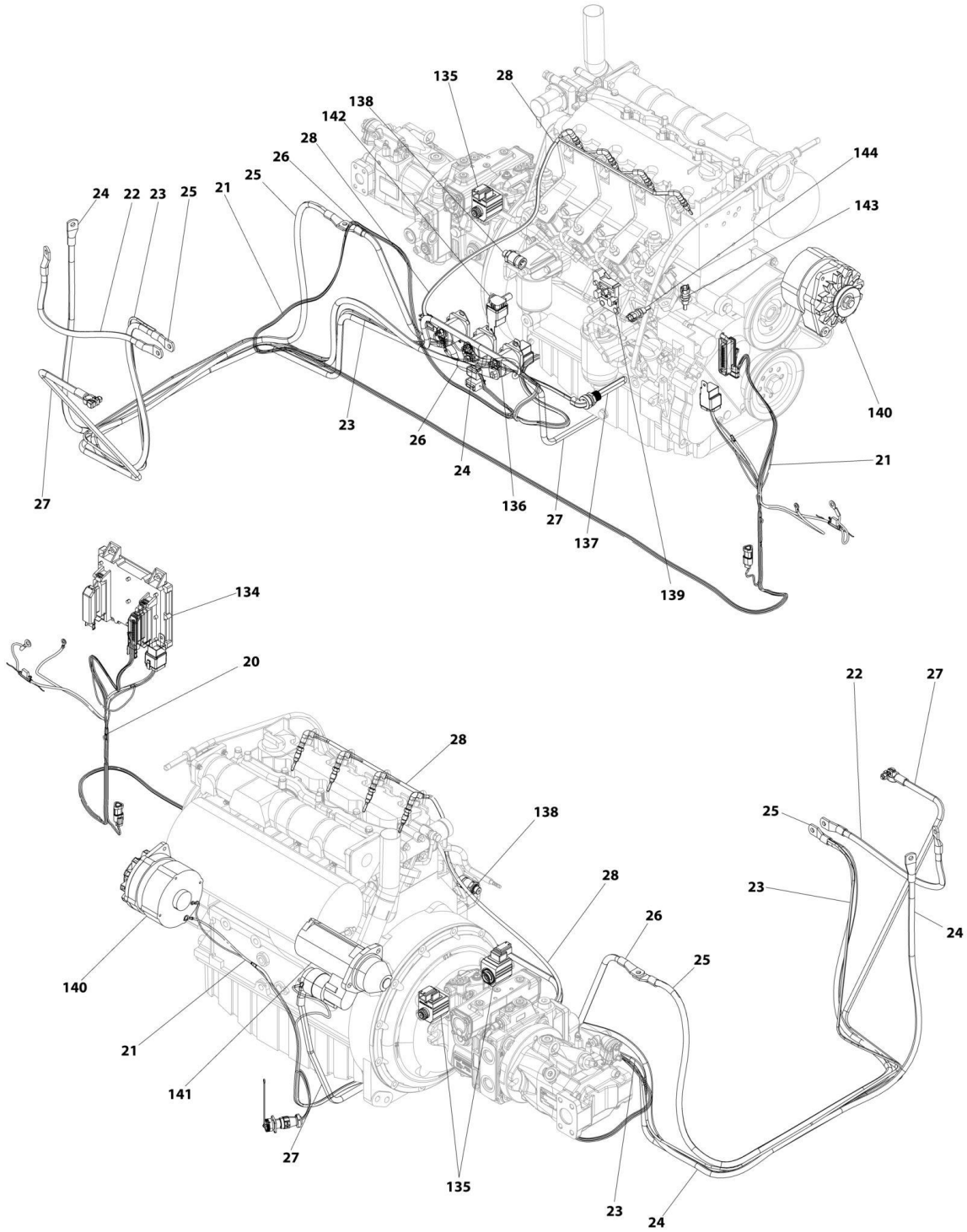


SECTION 8 - ELECTRICAL



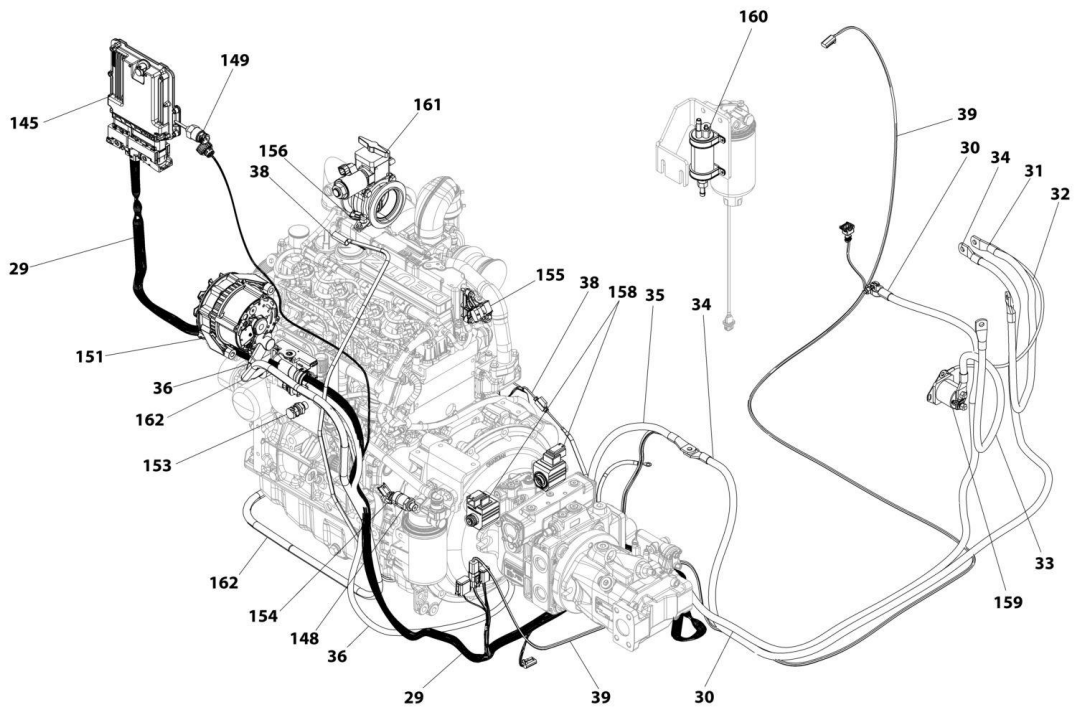
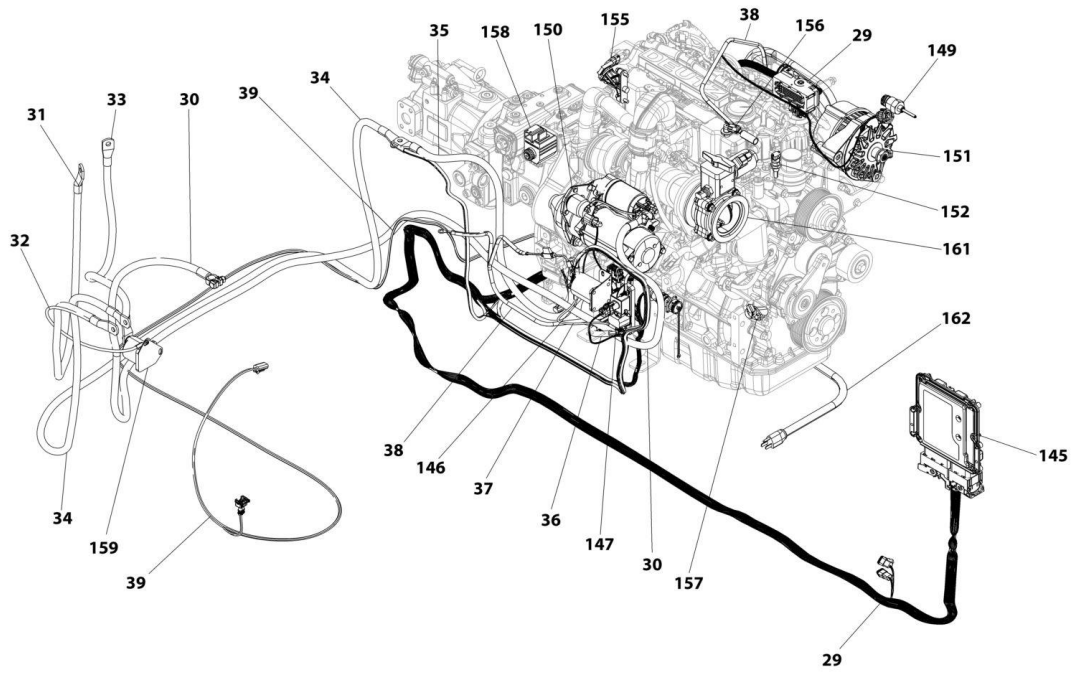
ART_800AJ-ELECTRICAL_TURNTABLE-COMPONENT

SECTION 8 - ELECTRICAL



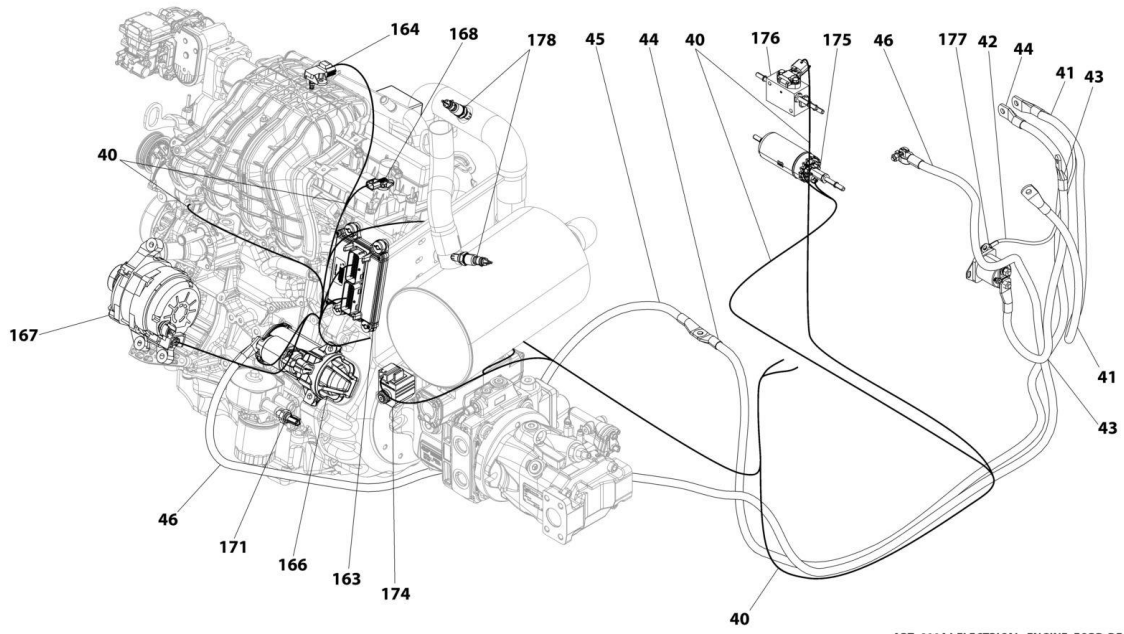
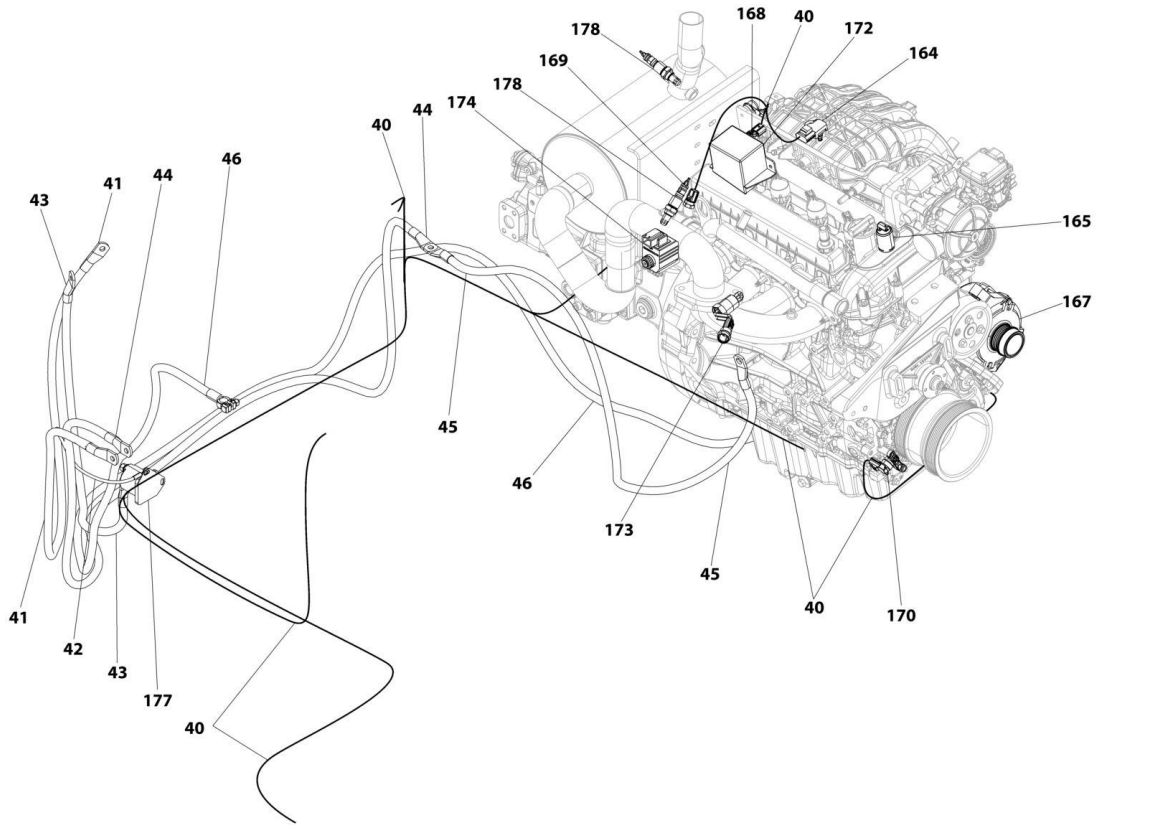
ART_800AJ-ELECTRICAL_ENGINE_DEUTZ-D2011

SECTION 8 - ELECTRICAL



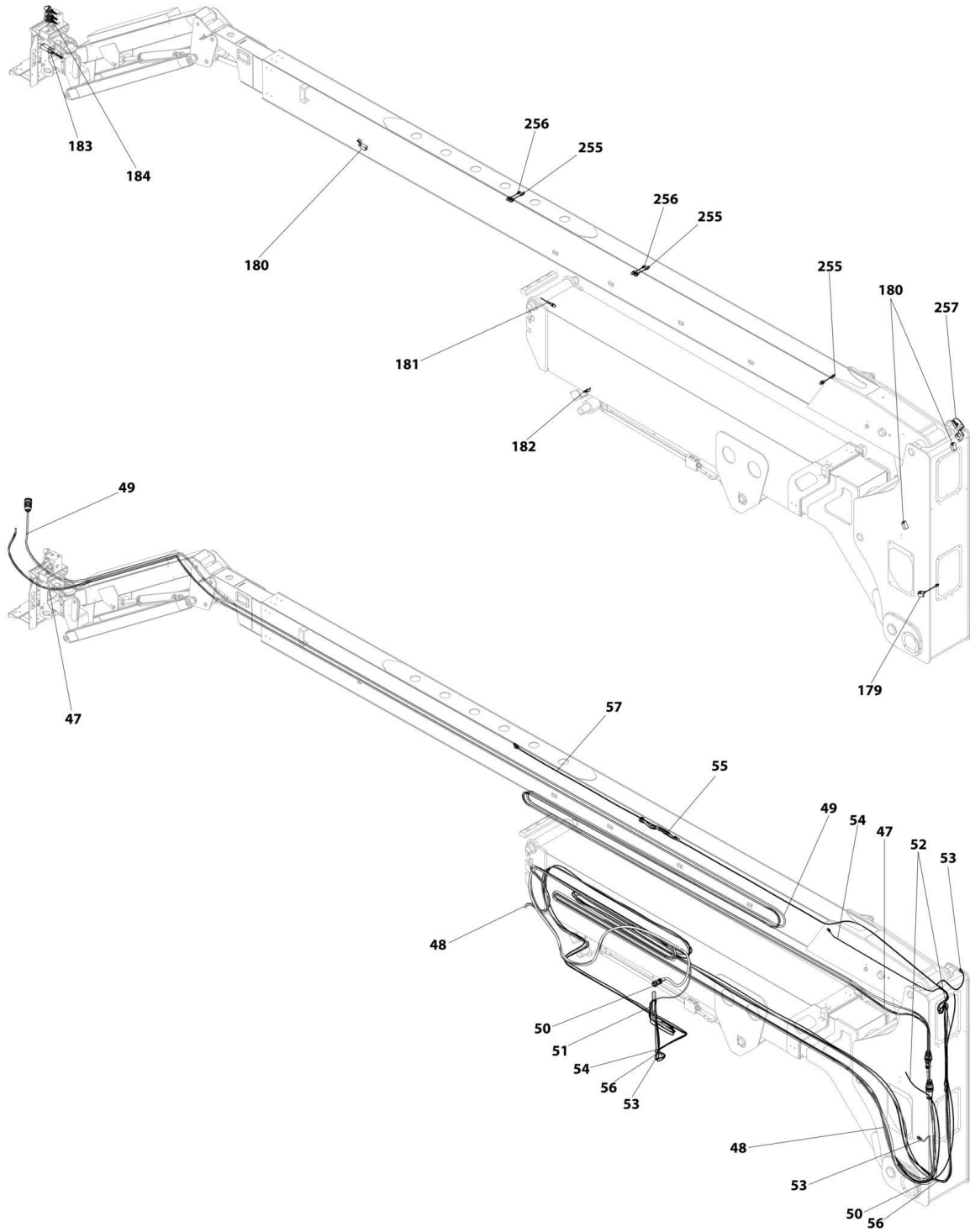
ART_800AJ-ELECTRICAL_ENGINE_DEUTZ-2.9L4

SECTION 8 - ELECTRICAL



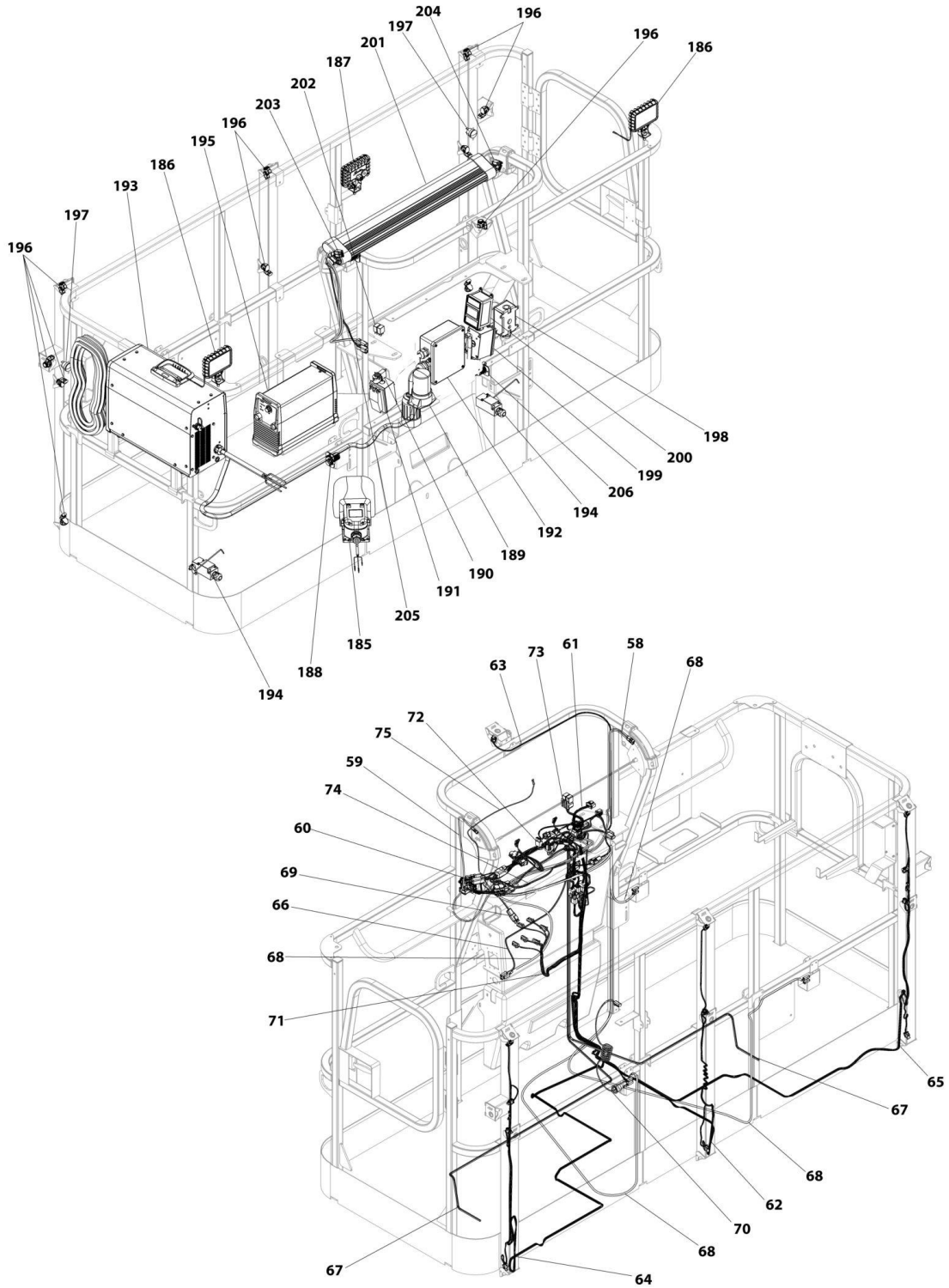
ART_800AJ-ELECTRICAL_ENGINE_FORD-DF

SECTION 8 - ELECTRICAL



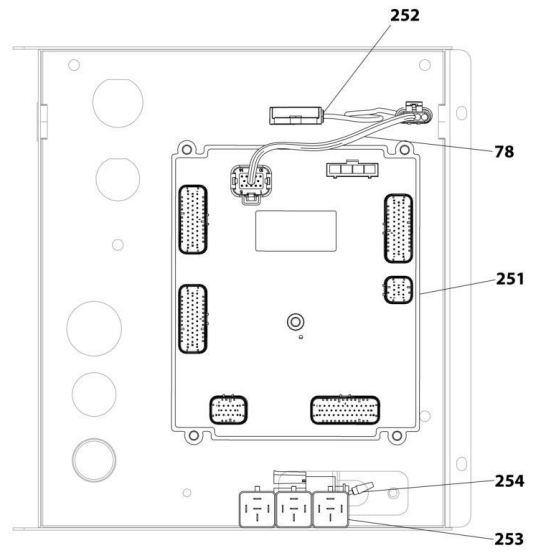
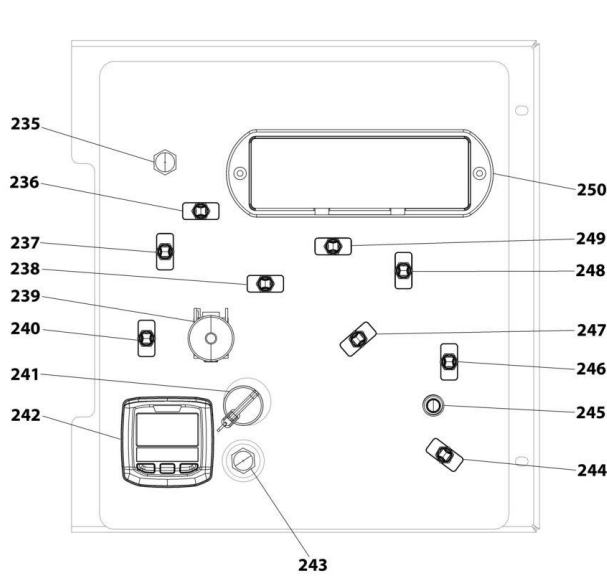
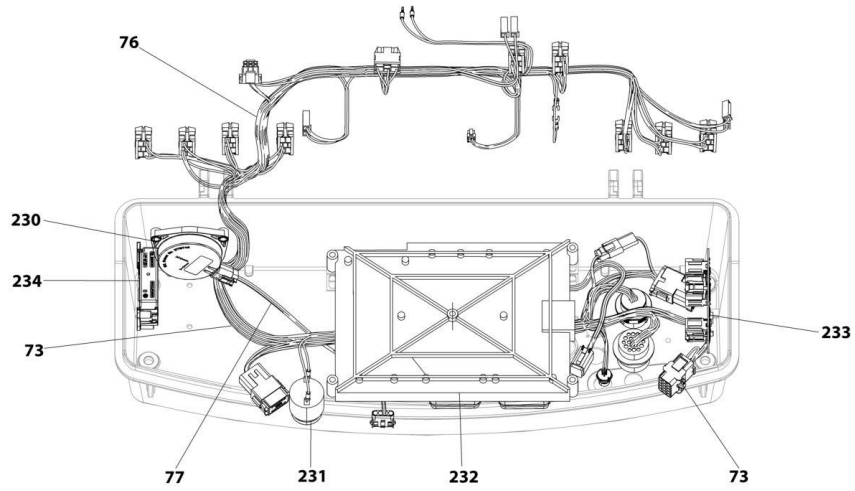
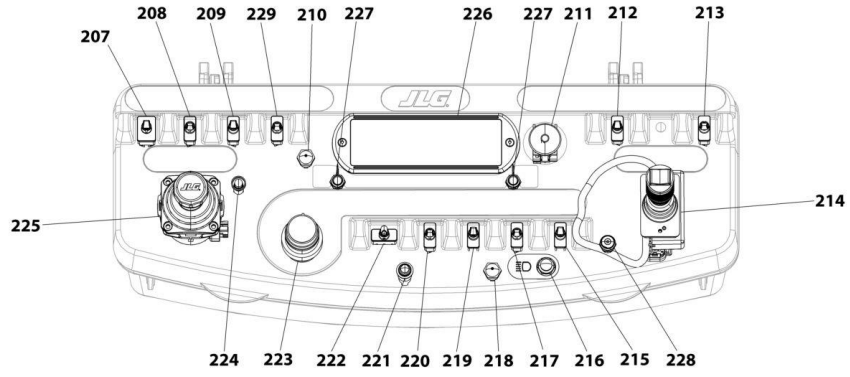
ART_800AJ_HC3-ELECTRICAL_BOOM

SECTION 8 - ELECTRICAL



ART_800AJ_HC3-ELECTRICAL_PLATFORM

SECTION 8 - ELECTRICAL



ART_800AJ_HC3-ELECTRICAL_CONTROLS

SECTION 8 - ELECTRICAL

FIGURE 8-1. 800AJ HC3 ELECTRICAL LAYOUT

ITEM	PART NUMBER	QTY	DESCRIPTION	REV
		Ref	HARNESS LIST	
		Ref	Note: This figure is for part identification only.	
1		Ref	Harness, Main Valve	
2		Ref	Harness, 7500W Generator	
3		Ref	Harness, 4000W Generator	
4		Ref	Harness, Generator to Control Box	
5		Ref	Harness, Generator Control Box to Engine	
6		Ref	Harness, 2500W Generator	
7		Ref	Harness, Hourmeter	
8		Ref	Cable, Battery (+) to Disconnect	
9		Ref	Cable, Battery (-) to Disconnect	
10		Ref	Harness, Head and Tail Light	
11		Ref	Harness, Clearsky	
12		Ref	Harness, Telematics	
13		Ref	Harness, Xirgo Jumper	
14		Ref	Harness, White Noise Alarm	
15		Ref	Harness, Strobe Light Control	
16		Ref	3-Way Plug	
17		Ref	Cable, Extension	
18		Ref	Harness, ASOV	
19		Ref	Harness, Tower Stow	
20		Ref	Harness, Ground Control	
21		Ref	Harness, Engine	
22		Ref	Cable, Battery (-) to Aux Pump	
23		Ref	Cable, Battery (-) to Relay	
24		Ref	Cable, Aux Pump to Relay	
25		Ref	Cable, Battery (-) to Ground	
26		Ref	Cable, Engine Ground	
27		Ref	Cable, Battery (+) to Starter	
28		Ref	Harness, Glow Plug	
29		Ref	Harness, Engine	
30		Ref	Cable, Battery (+) to Starter	
31		Ref	Cable, Battery (-) to Aux Pump	
32		Ref	Cable, Battery (-) to Relay	
33		Ref	Cable, Aux Pump to Relay	
34		Ref	Cable, Battery (-) to Ground	
35		Ref	Cable, Engine Ground	
36		Ref	Harness, Alternator Power	
37		Ref	Harness, Glow Plug Fuse	
38		Ref	Heater, Breather	
39		Ref	Harness, Fuel Pump	
40		Ref	Harness, Engine	
41		Ref	Cable, Battery (-) to Aux Pump	
42		Ref	Cable, Battery (-) to Relay	
43		Ref	Cable, Aux Pump to Relay	
44		Ref	Cable, Battery (-) to Ground	
45		Ref	Cable, Engine Ground	
46		Ref	Cable, Battery (+) to Starter	
47		Ref	Cable, AC Ground to Platform (Upper)	
48		Ref	Cable, AC Ground to Platform (Lower)	

SECTION 8 - ELECTRICAL

ITEM	PART NUMBER	QTY	DESCRIPTION	REV
49		Ref	Cable, Boom (Upper)	
50		Ref	Cable, Boom (Lower)	
51		Ref	Harness, Tilt Sensor	
52		Ref	Harness, Proximity Sensor	
53		Ref	Harness, Main Boom Angle Sensor	
54		Ref	Harness, Transport Proximity Sensor	
55		Ref	Harness, Capacity (Upper)	
56		Ref	Harness, Capacity (Lower)	
57		Ref	Harness, Capacity Proximity (Upper)	
58		Ref	Harness, SkyEye Receiver	
59		Ref	Harness, SkyEye Emitter	
60		Ref	Harness, SkyEye Intermediate	
61		Ref	Harness, SkySense Main	
62		Ref	Harness, SkySense Mid Tube	
63		Ref	Harness SkySense Overhead Sensor	
64		Ref	Harness, SkySense Left Tube	
65		Ref	Harness, SkySense Right Tube	
66		Ref	Harness, USB	
67		Ref	Cable, Soft Touch	
68		Ref	Harness, Portable Work Light	
69		Ref	Harness, Portable Light Power	
70		Ref	Harness, Portable Work Light Extension	
71		Ref	Harness, Platform Valve	
72		Ref	Harness, Platform Work Light	
73		Ref	Harness, SkyLine	
74		Ref	Harness, SkyGuard	
75		Ref	Harness, Platform Strobe Light	
76		Ref	Harness, Platform Console	
77		Ref	Harness, Tilt Sensor	
78		Ref	Harness, Tilt Sensor	
		Ref	COMPONENT LIST	
101		Ref	Sensor, Fuel Level	
102		Ref	Rotary Coupling	
103		Ref	Solenoids, Axle Valve	
104		Ref	Solenoids, Main Control Valve	
105		Ref	Alarm	
106		Ref	AC Breaker Box	
107		Ref	Headlight	
108		Ref	Taillight	
109		Ref	Light, Strobe (Amber)	
110		Ref	Box, Generator Control	
111		Ref	Generator	
112		Ref	Generator Junction Box	
113		Ref	Light, Generator	
114		Ref	Relay	
115		Ref	Battery	
116		Ref	Auxiliary Pump/Motor	
117		Ref	Switch, Battery Disconnect	
118		Ref	Box, Air Compressor Control	
119		Ref	Air Compressor	
120		Ref	Transformer, Cold Weather	

SECTION 8 - ELECTRICAL

ITEM	PART NUMBER	QTY	DESCRIPTION	REV
121		Ref	Generator Hourmeter	
122		Ref	Module, ClearSky Telematics CANBUS	
123		Ref	Antenna, ClearSky Telematics	
124		Ref	Module, ClearSky Telematics 3-Wire	
125		Ref	Voltage Regulator, ClearSky Telematics	
126		Ref	Alarm, White Noise	
127		Ref	Module, Strobe Control	
128		Ref	Light, Strobe	
129		Ref	Heater, Immersion	
130		Ref	Heater, Battery	
131		Ref	Module, ASOV Control	
132		Ref	Switch, ASOV	
133		Ref	Sensor, Tower Stow	
134		Ref	Module, Engine Control	
135		Ref	Solenoids, Hydrostatic Pump	
136		Ref	Relays	
137		Ref	Heater, Engine Block	
138		Ref	Sensor, Temperature	
139		Ref	Sensor	
140		Ref	Alternator	
141		Ref	Starter	
142		Ref	Sensor, Speed	
143		Ref	Sensor, Engine Coolant Temperature	
144		Ref	Sensor, Pressure	
145		Ref	Module, Engine Control	
146		Ref	Relay	
147		Ref	Relay	
148		Ref	Sensor, Pressure	
149		Ref	Sensor, Coolant Level	
150		Ref	Starter	
151		Ref	Alternator	
152		Ref	Sensor, Engine Coolant Temperature	
153		Ref	Sensor, Pressure	
154		Ref	Sensor, Speed	
155		Ref	Sensor, Oil Pressure	
156		Ref	Sensor, Temperature	
157		Ref	Sensor, Speed	
158		Ref	Solenoids, Hydrostatic Pump	
159		Ref	Relay	
160		Ref	Fuel Pump	
161		Ref	Air Shut Off Valve (ASOV)	
162		Ref	Heater, Engine Block	
163		Ref	Module, Engine Control	
164		Ref	Sensor, TMAP	
165		Ref	Solenoid, Timing	
166		Ref	Starter	
167		Ref	Alternator	
168		Ref	Sensor, Speed	
169		Ref	Engine Coolant Temperature Sensor	
170		Ref	Sensor, Speed	
171		Ref	Sensor, Oil Pressure	

SECTION 8 - ELECTRICAL

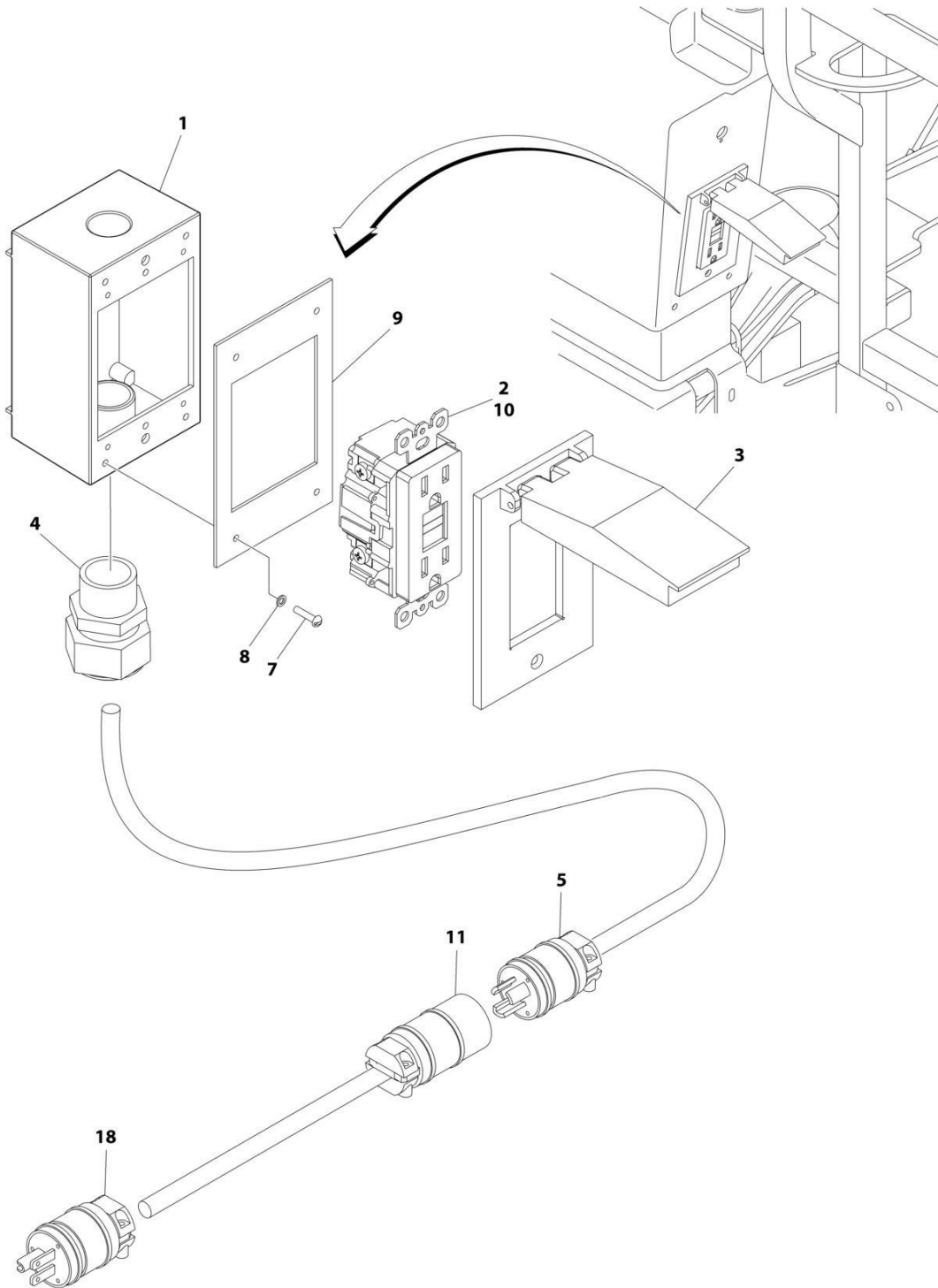
ITEM	PART NUMBER	QTY	DESCRIPTION	REV
172		Ref	Fuse Box	
173		Ref	Heater, Engine Block	
174		Ref	Solenoids, Hydrostatic Pump	
175		Ref	Fuel Pump	
176		Ref	Fuel Block	
177		Ref	Relay	
178		Ref	Sensor, O2	
179		Ref	Sensor, Tilt	
180		Ref	Sensor, Transport Position	
181		Ref	Sensor, Proximity	
182		Ref	Sensor, Proximity	
183		Ref	Cell, Load Sensing	
184		Ref	Solenoids, Platform Valve	
185		Ref	Footswitch	
186		Ref	Platform Work Light	
187		Ref	Portable Work Light	
188		Ref	AC Receptacle	
189		Ref	Light, Platform Strobe	
190		Ref	Switch, Generator	
191		Ref	AC Receptacle	
192		Ref	Junction Box	
193		Ref	Welding Machine	
194		Ref	Switch, Soft Touch Limit	
195		Ref	Plasma Cutter	
196		Ref	Sensor, SkySense	
197		Ref	Alarm	
198		Ref	AC Receptacle	
199		Ref	AC Receptacle	
200		Ref	AC Receptacle/Breaker Box	
201		Ref	Switch, SkyGuard	
202		Ref	Relay	
203		Ref	Sensor, SkyEye Receiver	
204		Ref	Sensor, SkyEye Emitter	
205		Ref	Sensor, SkyLine Proximity	
206		Ref	USB Receptacle	
207		Ref	Switch, Drive Speed/ Torque Select	
208		Ref	Switch, Steer Select	
209		Ref	Switch, Platform Leveling Override	
210		Ref	Switch, Horn	
211		Ref	Switch, Emergency Stop	
212		Ref	Switch, Start/Auxilliary Power	
213		Ref	Switch, Drive Orientation Override	
214		Ref	Controller, Drive/Steer	
215		Ref	Switch, Boom Telescope	
216		Ref	Switch, Lights	
217		Ref	Switch, Jib Up/Down	
218		Ref	Switch, Soft Touch/SkyGuard/SkySense Override	
219		Ref	Switch, Tower Telescope	
220		Ref	Switch, Tower Lift	
221		Ref	Light, Soft Touch/SkyGuard/SkySense Indicator	
222		Ref	Switch, Platform Rotate	

SECTION 8 - ELECTRICAL

ITEM	PART NUMBER	QTY	DESCRIPTION	REV
223		Ref	Switch, Function Speed Control	
224		Ref	Light, Boom Stow Indicator	
225		Ref	Controller, Main Lift/Swing	
226		Ref	Display, Platform	
227		Ref	Light, SkySense Indicator	
228		Ref	Switch, SkySense	
229		Ref	Switch, Fuel Select	
230		Ref	Sensor, Tilt	
231		Ref	Alarm	
232		Ref	Module, Platform	
233		Ref	Module, SkySense Control	
234		Ref	Module, SkySense Sensor	
235		Ref	Switch, Diesel Particulate Filter (DPF)	
236		Ref	Switch, Platform Rotate	
237		Ref	Switch, Platform Leveling Override	
238		Ref	Switch, Jib Up/Down	
239		Ref	Switch, Emergency Stop	
240		Ref	Switch, Engine Start/ Auxiliary Power	
241		Ref	Switch, Key	
242		Ref	Display, Ground	
243		Ref	Switch, Machine Safety System Override (MSSO)	
244		Ref	Switch, Turntable Swing	
245		Ref	Light, Boom Stow/ASOV Indicator	
246		Ref	Switch, Tower Lift	
247		Ref	Switch, Tower Telescope	
248		Ref	Switch, Boom Lift	
249		Ref	Switch, Boom Telescope	
250		Ref	Indicator Panel	
251		Ref	Module, Ground Control	
252		Ref	Sensor, Tilt	
253		Ref	Relay	
254		Ref	Switch, Cribbing	
255		Ref	Sensor, Proximity	
256		Ref	Sensor, Proximity	
257		Ref	Sensor, Boom Angle	

SECTION 8 - ELECTRICAL

FIGURE 8-2. AC BOX AT PLATFORM INSTALLATION - 110V GFI RECEPTACLE (ALL SPECS EXCEPT AUSTRALIAN, CE & UK CA SPECS)



ART_0272259

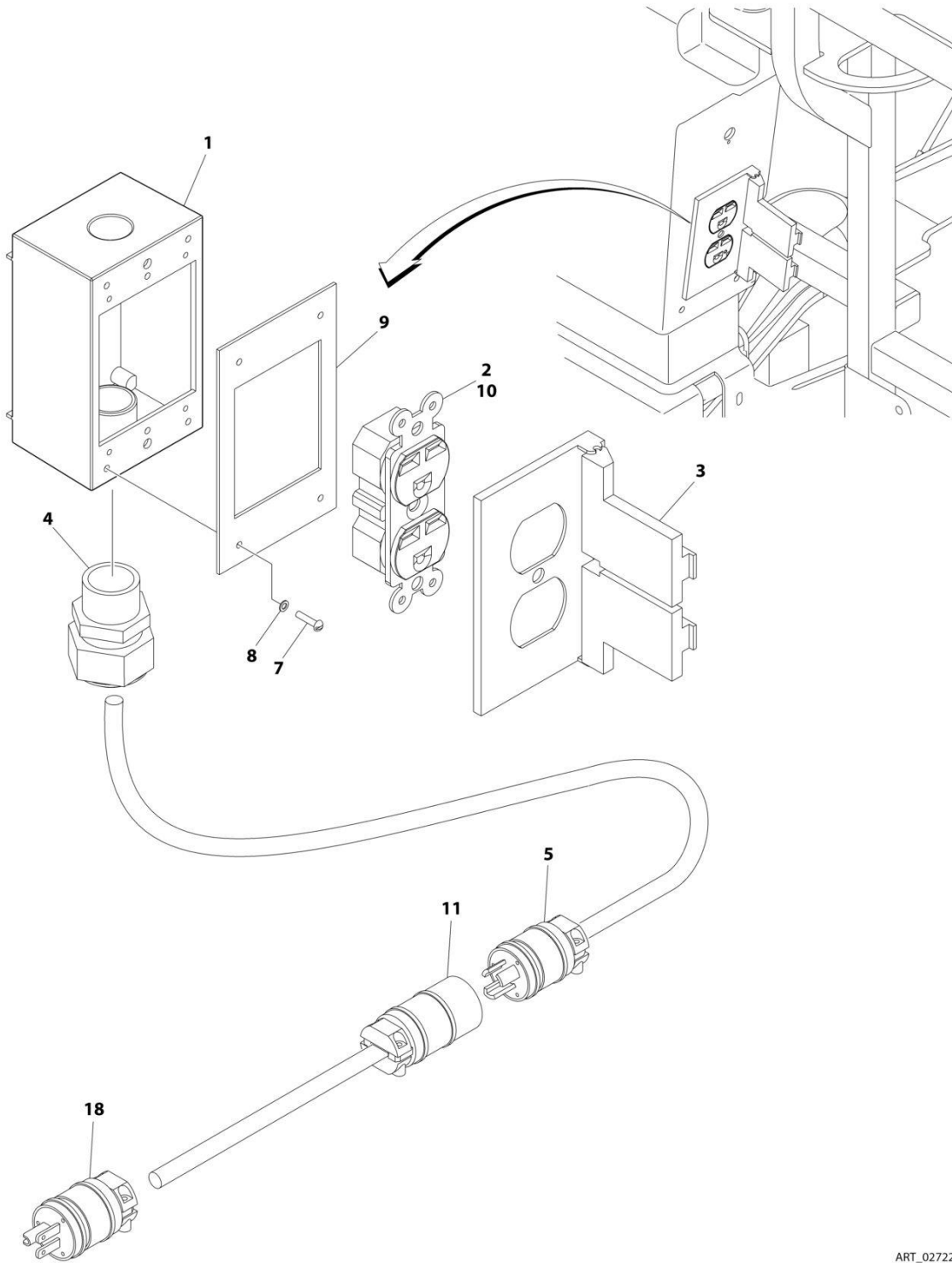
SECTION 8 - ELECTRICAL

FIGURE 8-2. AC BOX AT PLATFORM INSTALLATION - 110V GFI RECEPTACLE (ALL SPECS EXCEPT AUSTRALIAN, CE & UK CA SPECS)

ITEM	PART NUMBER	QTY	DESCRIPTION	REV
	0272259	Ref	AC BOX AT PLATFORM INSTALLATION - 110V GFI RECEPTACLE	C
1	0860038	1	Box, Switch	
2	4460346	1	Receptacle	
3	1001110873	1	Shield, Cover	
4	4460051	1	Connector, Strain Relief	
5	1001213584	1	Plug, Male	
7	3910610	4	Screw #6 x 5/8	
8	4760600	4	Washer #6	
9	3960422	1	Gasket	
10	4460315	3	Terminal, Spade	
11	1001213585	1	Receptacle, Female	
18	4460205	1	Plug, Male	

SECTION 8 - ELECTRICAL

FIGURE 8-3. AC BOX AT PLATFORM INSTALLATION - 220V (ANSI, CSA & JAPANESE SPECS)



ART_0272260

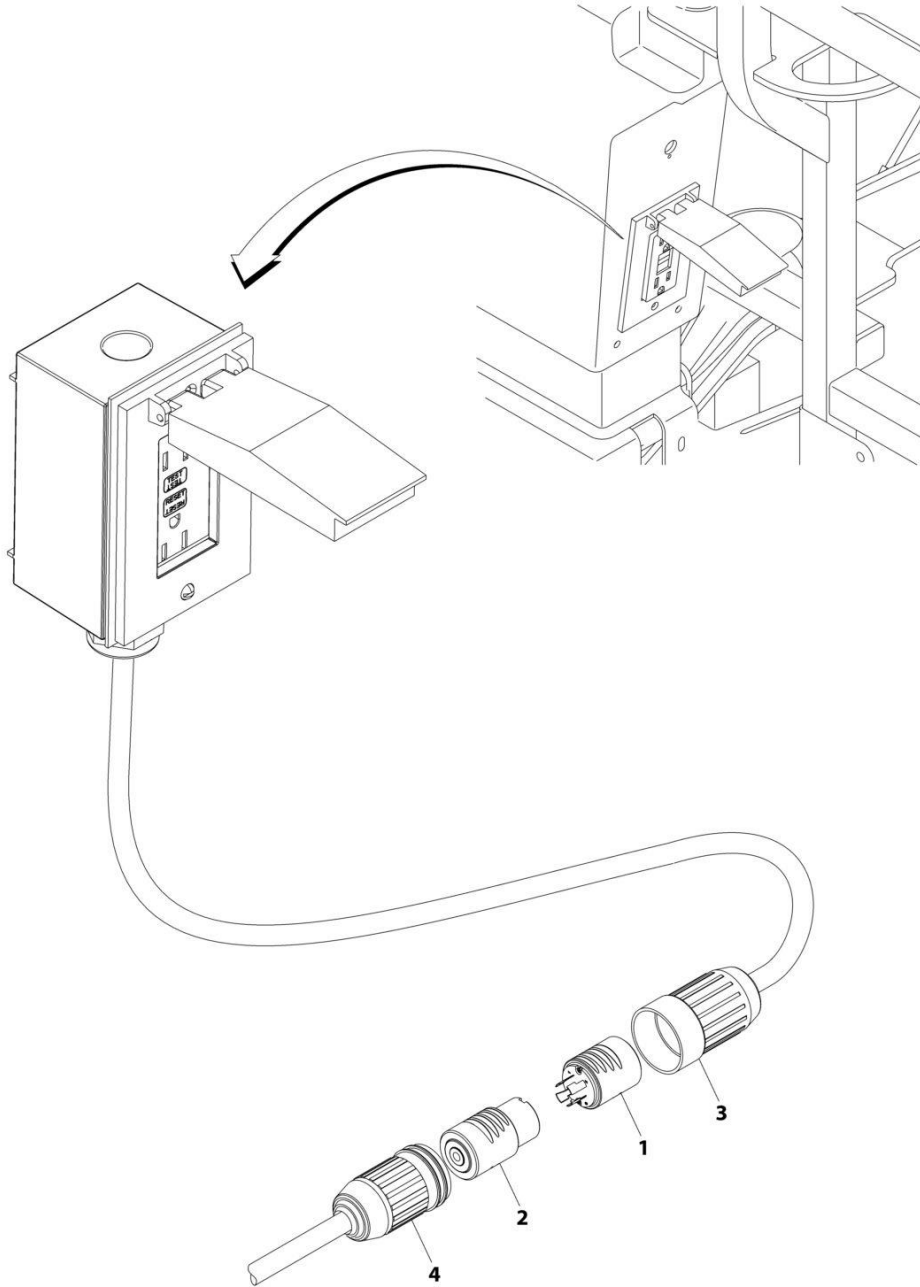
SECTION 8 - ELECTRICAL

FIGURE 8-3. AC BOX AT PLATFORM INSTALLATION - 220V (ANSI, CSA & JAPANESE SPECS)

ITEM	PART NUMBER	QTY	DESCRIPTION	REV
	0272260	Ref	AC BOX AT PLATFORM INSTALLATION - 220V	C
1	0860038	1	Box, Switch	
2	4460125	1	Receptacle	
3	4060092	1	Shield	
4	4460051	1	Connector, Strain Relief	
5	1001213584	2	Plug, Male	
7	3910610	4	Screw #6 x 5/8	
8	4760600	4	Washer #6	
9	3960422	1	Gasket	
10	4460315	1	Terminal, Spade	
11	1001213585	1	Receptacle, Female	
18	4460233	1	Plug, Male	

SECTION 8 - ELECTRICAL

FIGURE 8-4. AC BOX AT PLATFORM MID-BOOM PLUG INSTALLATION (WITH 4000W/60HZ GENERATOR) (ANSI, ANSI EXPORT, CSA & JAPANESE SPECS)



ART_1001160272

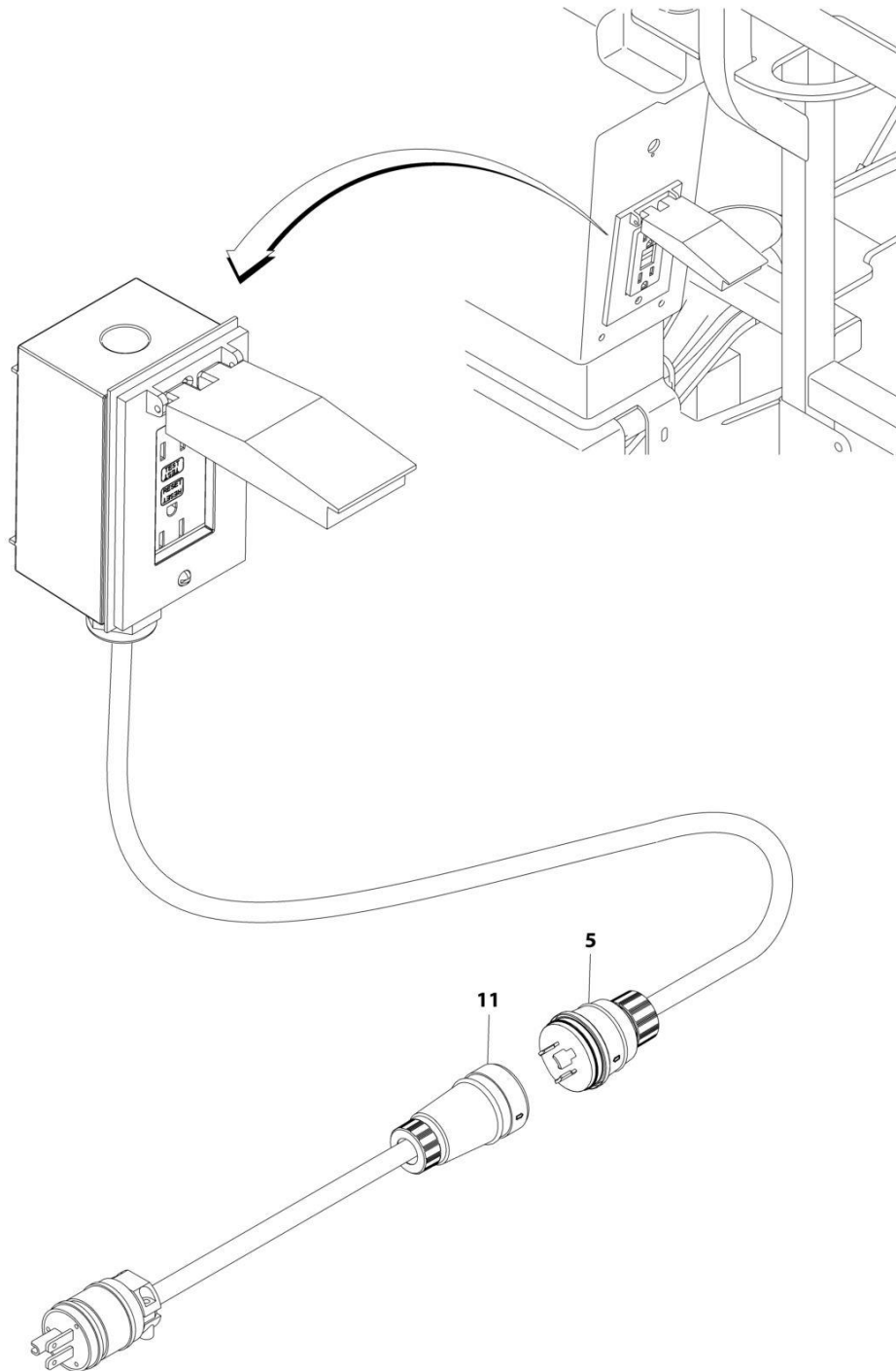
SECTION 8 - ELECTRICAL

FIGURE 8-4. AC BOX AT PLATFORM MID-BOOM PLUG INSTALLATION (WITH 4000W/60HZ GENERATOR) (ANSI, ANSI EXPORT, CSA & JAPANESE SPECS)

ITEM	PART NUMBER	QTY	DESCRIPTION	REV
	1001160272	Ref	AC CABLE CONNECTOR INSTALLATION – 4000W GENERATOR	A
1	4460962	1	Plug, Male	
2	4460963	1	Connector	
3	1671092	1	Cover	
4	1671093	1	Plug	

SECTION 8 - ELECTRICAL

FIGURE 8-5. AC BOX AT PLATFORM MID-BOOM PLUG INSTALLATION (WITHOUT 7500W SKYPOWER GENERATOR) (ALL SPECS EXCEPT ANSI, JAPANESE & CSA SPECS)



ART_0256202

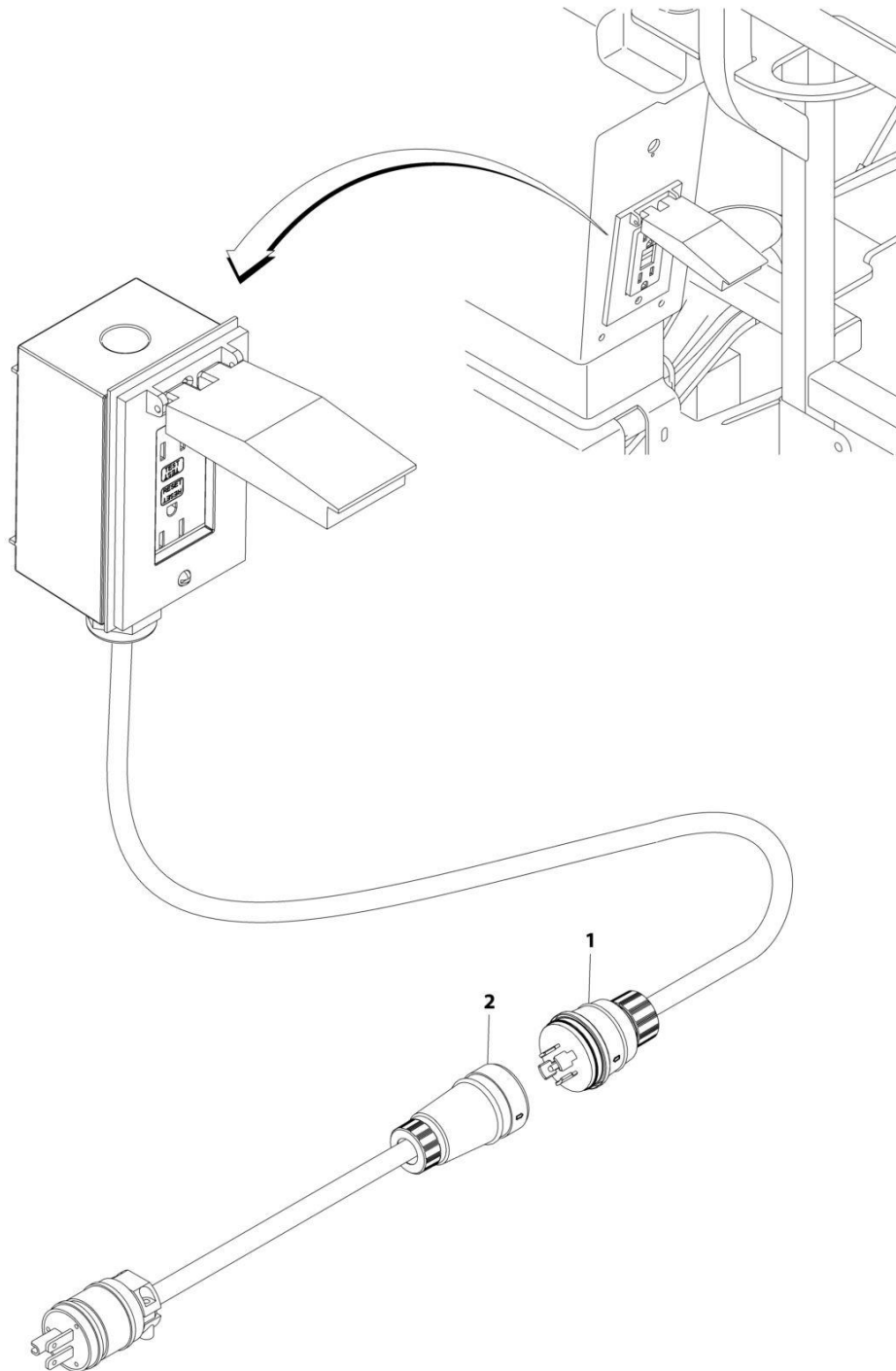
SECTION 8 - ELECTRICAL

FIGURE 8-5. AC BOX AT PLATFORM MID-BOOM PLUG INSTALLATION (WITHOUT 7500W SKYPOWER GENERATOR) (ALL SPECS EXCEPT ANSI, JAPANESE & CSA SPECS)

ITEM	PART NUMBER	QTY	DESCRIPTION	REV
	0256202	Ref	AC BOX AT PLATFORM MID-BOOM PLUG INSTALLATION	D
5	1001213584	1	Plug	
11	1001213585	1	Receptacle	

SECTION 8 - ELECTRICAL

FIGURE 8-6. AC BOX AT PLATFORM MID-BOOM PLUG INSTALLATION (WITH 7500W SKYPOWER GENERATOR)



ART_0272433

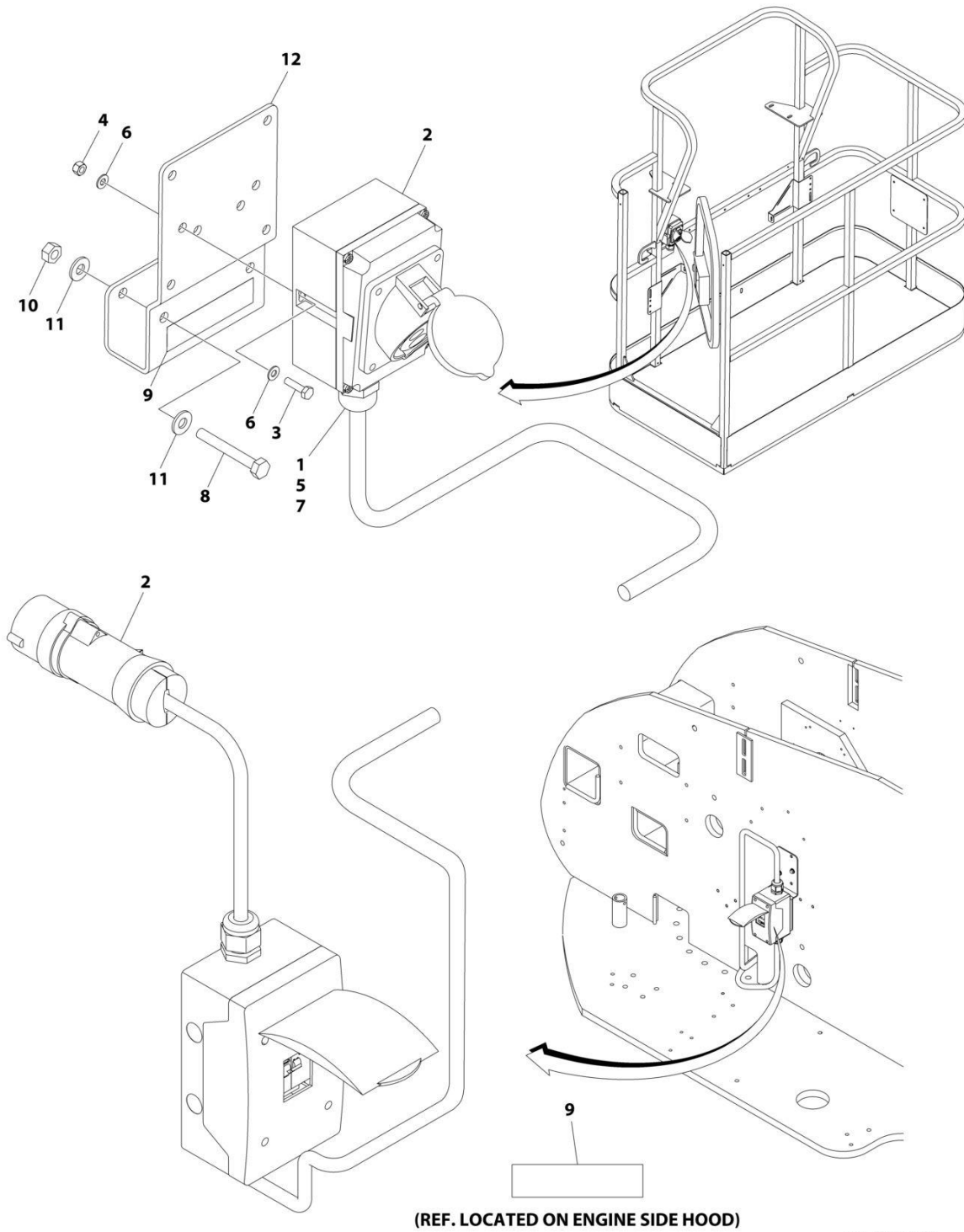
SECTION 8 - ELECTRICAL

FIGURE 8-6. AC BOX AT PLATFORM MID-BOOM PLUG INSTALLATION (WITH 7500W SKYPOWER GENERATOR)

ITEM	PART NUMBER	QTY	DESCRIPTION	REV
	0272433	Ref	AC CABLE INSTALLATION - 110V/220V	D
1	1001218622	1	Plug, Male	
2	1001218623	1	Plug, Female	

SECTION 8 - ELECTRICAL

**FIGURE 8-7. AC BOX AT PLATFORM INSTALLATION - 110V IEC YELLOW (CE & UK CA SPECS)
(MACHINES WITH 2500W GENERATOR OR NO GENERATOR OPTION)**



ART_1001091969

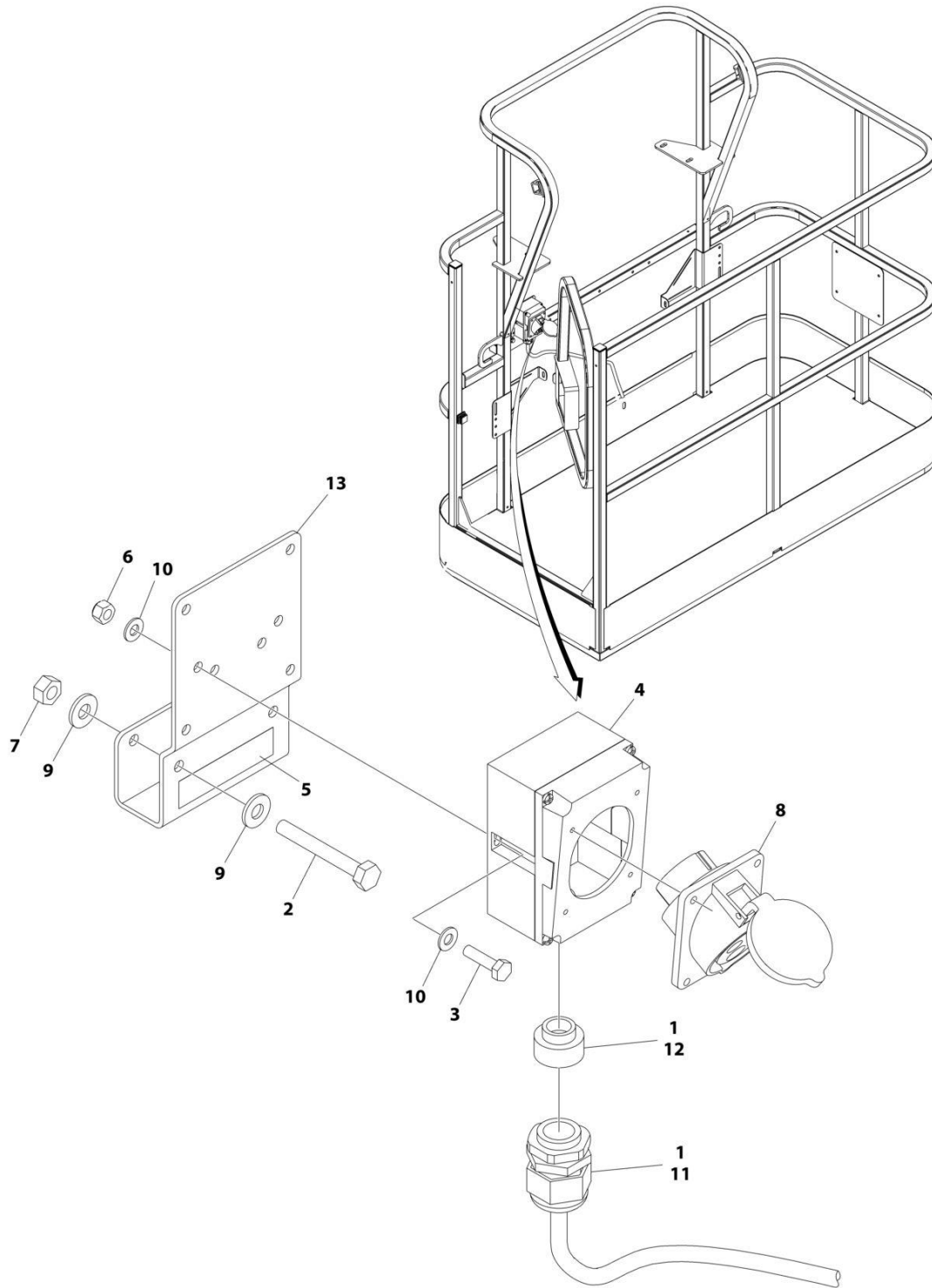
SECTION 8 - ELECTRICAL

**FIGURE 8-7. AC BOX AT PLATFORM INSTALLATION - 110V IEC YELLOW (CE & UK CA SPECS)
(MACHINES WITH 2500W GENERATOR OR NO GENERATOR OPTION)**

ITEM	PART NUMBER	QTY	DESCRIPTION	REV
	1001091969	Ref	AC BOX AT PLATFORM INSTALLATION - 110V IEC YELLOW	D
1	0100020	AR	Sealant, Pipe	
2	0275216	1	Receptacle Box Kit (See Separate Breakdown in this Section)	
3	0700408	2	Bolt M4 x 16	
4	3290405	2	Nut M4	
5	1001101196	1	Adapter	
6	4811400	4	Washer M4	
7	1001101191	1	Connector, Strain Relief	
8	0641416	2	Bolt 1/4 x 2	
9	1705325	2	Decal - 110V	
10	3311405	2	Nut 1/4	
11	4711400	4	Washer 1/4	
12	1001193018	1	Bracket	

SECTION 8 - ELECTRICAL

**FIGURE 8-8. AC BOX AT PLATFORM INSTALLATION - 110V IEC YELLOW (CE & UK CA SPECS)
(MACHINES WITH 4000W GENERATOR)**



ART_1001206253

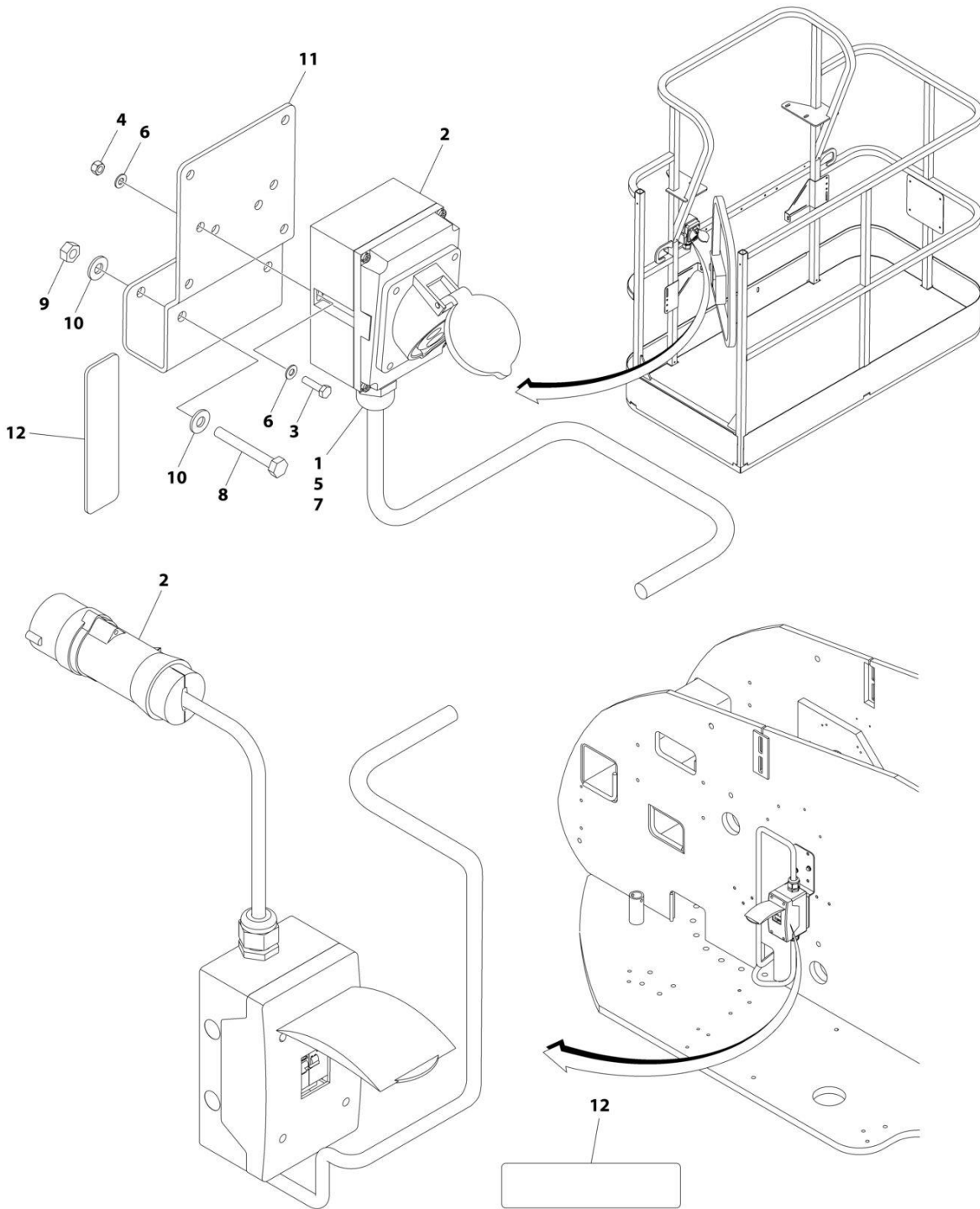
SECTION 8 - ELECTRICAL

**FIGURE 8-8. AC BOX AT PLATFORM INSTALLATION - 110V IEC YELLOW (CE & UK CA SPECS)
(MACHINES WITH 4000W GENERATOR)**

ITEM	PART NUMBER	QTY	DESCRIPTION	REV
	1001206253	Ref	AC BOX AT PLATFORM INSTALLATION - 110V IEC 60309 YELLOW WITHOUT 4000W GENERATOR	A
1	0100020	AR	Sealant, Pipe	
2	0641416	2	Bolt 1/4 x 2	
3	0700408	2	Bolt M4 x 16	
4	0861781	1	Box, Switch	
5	1705325	1	Decal - 110V	
6	3290405	2	Nut M4	
7	3311405	2	Nut 1/4	
8	4461198	1	Receptacle	
9	4711400	4	Washer 1/4	
10	4811400	4	Washer M4	
11	1001101191	1	Connector, Strain Relief	
12	1001101196	1	Adapter	
13	1001193018	1	Bracket, AC Receptacle	

SECTION 8 - ELECTRICAL

**FIGURE 8-9. AC BOX AT PLATFORM INSTALLATION - 220V IEC BLUE (CE & UK CA SPECS)
(MACHINES WITH 2500W GENERATOR OR NO GENERATOR OPTION)**



(REF. LOCATED ON ENGINE SIDE HOOD)

ART_1001091970

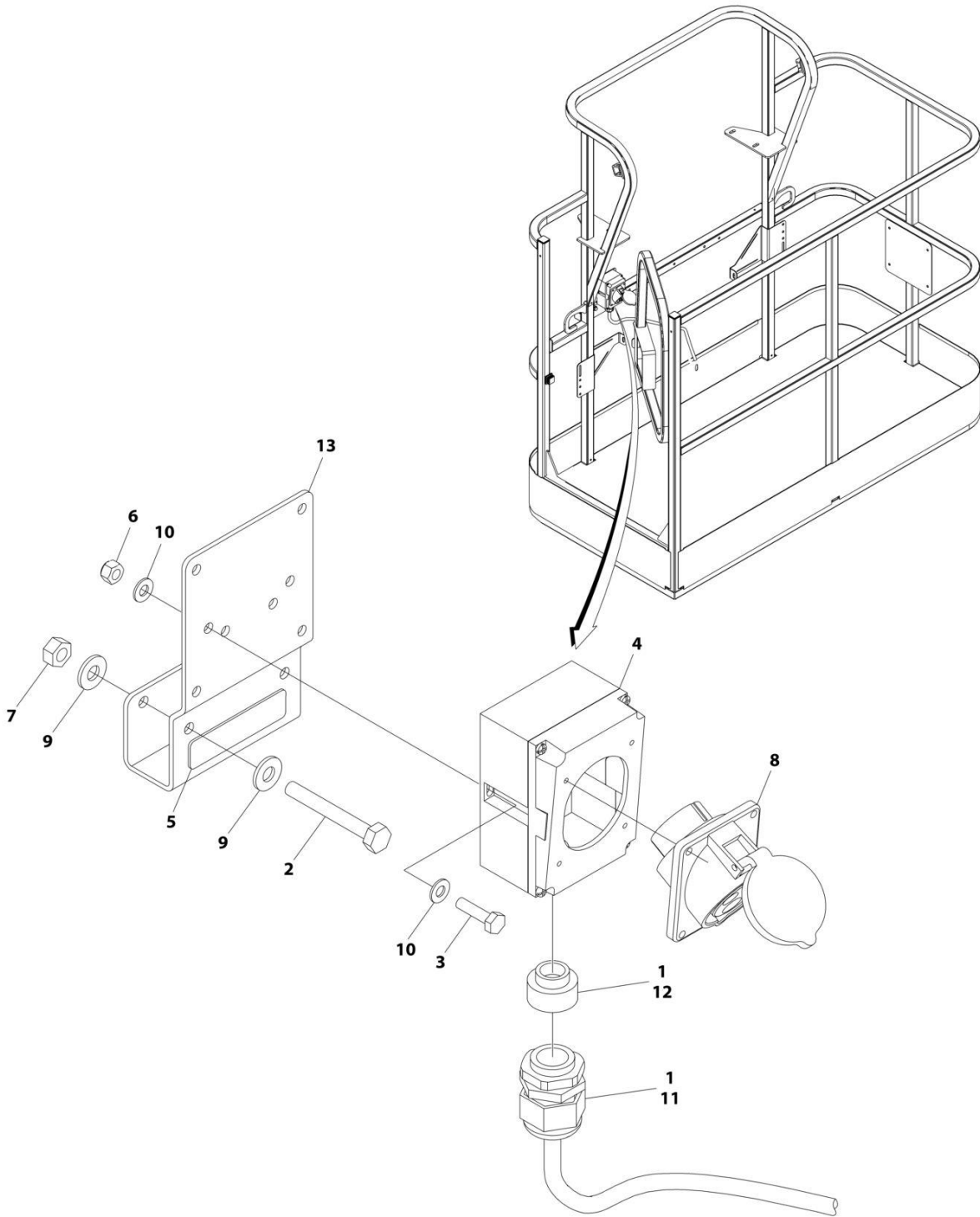
SECTION 8 - ELECTRICAL

**FIGURE 8-9. AC BOX AT PLATFORM INSTALLATION - 220V IEC BLUE (CE & UK CA SPECS)
(MACHINES WITH 2500W GENERATOR OR NO GENERATOR OPTION)**

ITEM	PART NUMBER	QTY	DESCRIPTION	REV
	1001091970	Ref	AC BOX AT PLATFORM INSTALLATION - 220V IEC BLUE	D
1	0100020	AR	Sealant, Pipe	
2	0275217	1	Receptacle Box Kit (See Separate Breakdown in this Section)	
3	0700408	2	Bolt M4 x 16	
4	3290405	2	Nut M4	
5	1001101196	1	Adapter	
6	4811400	4	Washer M4	
7	1001101191	1	Connector, Strain Relief	
8	0641416	2	Bolt 1/4 x 2	
9	3311405	2	Nut 1/4	
10	4711400	4	Washer 1/4	
11	1001193018	1	Bracket	
12	3251242	2	Decal - 240V/50Hz	

SECTION 8 - ELECTRICAL

FIGURE 8-10. AC BOX AT PLATFORM INSTALLATION - 220V IEC BLUE (CE & UK CA SPECS)
(MACHINES WITH 4000W GENERATOR)



ART_1001206254

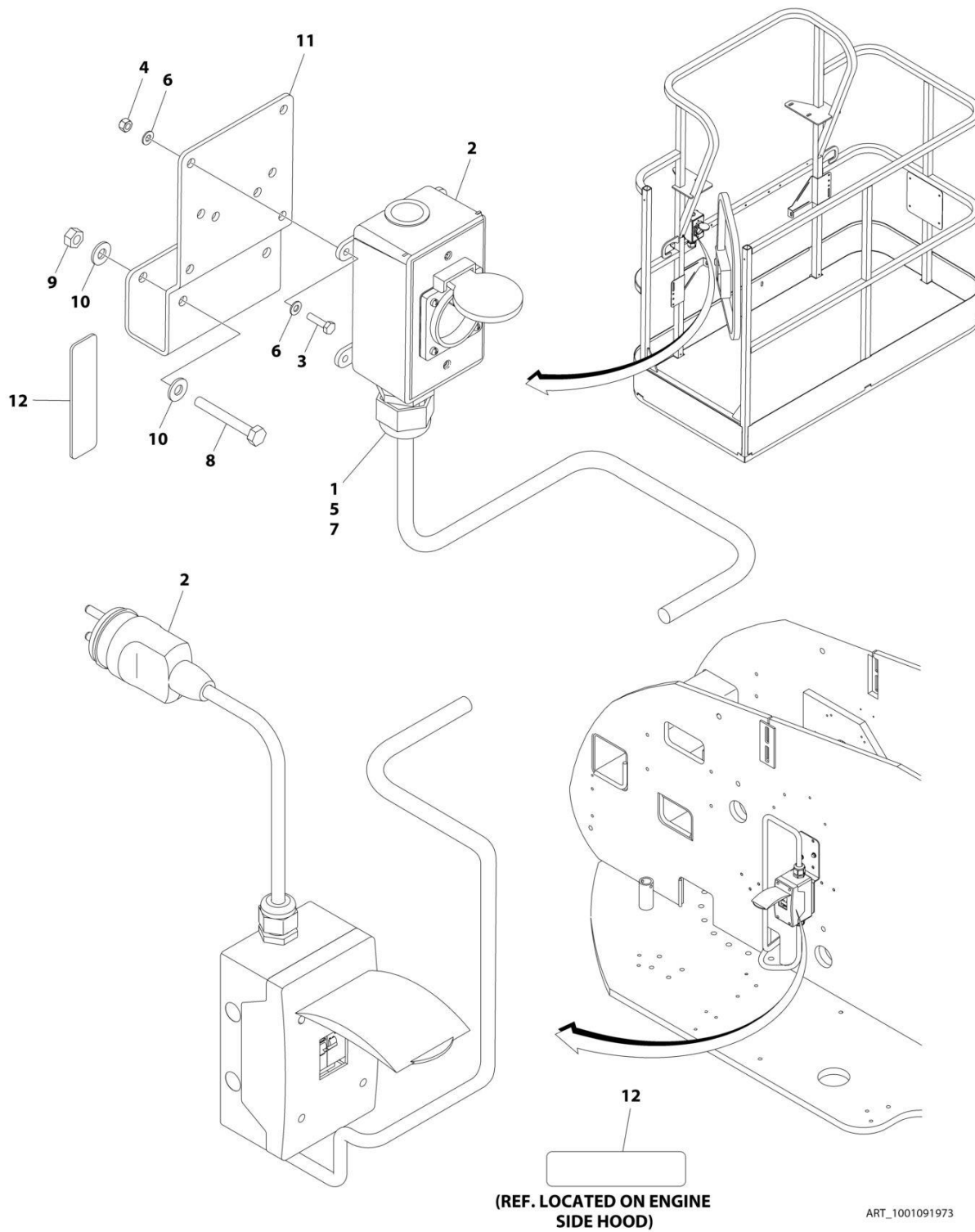
SECTION 8 - ELECTRICAL

**FIGURE 8-10. AC BOX AT PLATFORM INSTALLATION - 220V IEC BLUE (CE & UK CA SPECS)
(MACHINES WITH 4000W GENERATOR)**

ITEM	PART NUMBER	QTY	DESCRIPTION	REV
	1001206254	Ref	AC BOX AT PLATFORM INSTALLATION - 220V IEC BLUE	A
1	0100020	AR	Sealant, Pipe	
2	0641416	2	Bolt 1/4 x 2	
3	0700408	2	Bolt M4 x 16	
4	0861781	1	Box, Switch	
5	3251242	1	Decal - 240V/50Hz	
6	3290405	2	Nut M4	
7	3311405	2	Nut 1/4	
8	4461201	1	Receptacle	
9	4711400	4	Washer 1/4	
10	4811400	4	Washer M4	
11	1001101191	1	Connector, Strain Relief	
12	1001101196	1	Adapter	
13	1001193018	1	Bracket, AC Receptacle	

SECTION 8 - ELECTRICAL

FIGURE 8-11. AC BOX AT PLATFORM INSTALLATION - 220V CEE7 POST GROUND (CE & UK CA SPECS) (MACHINES WITH 2500W GENERATOR OR NO GENERATOR OPTION)



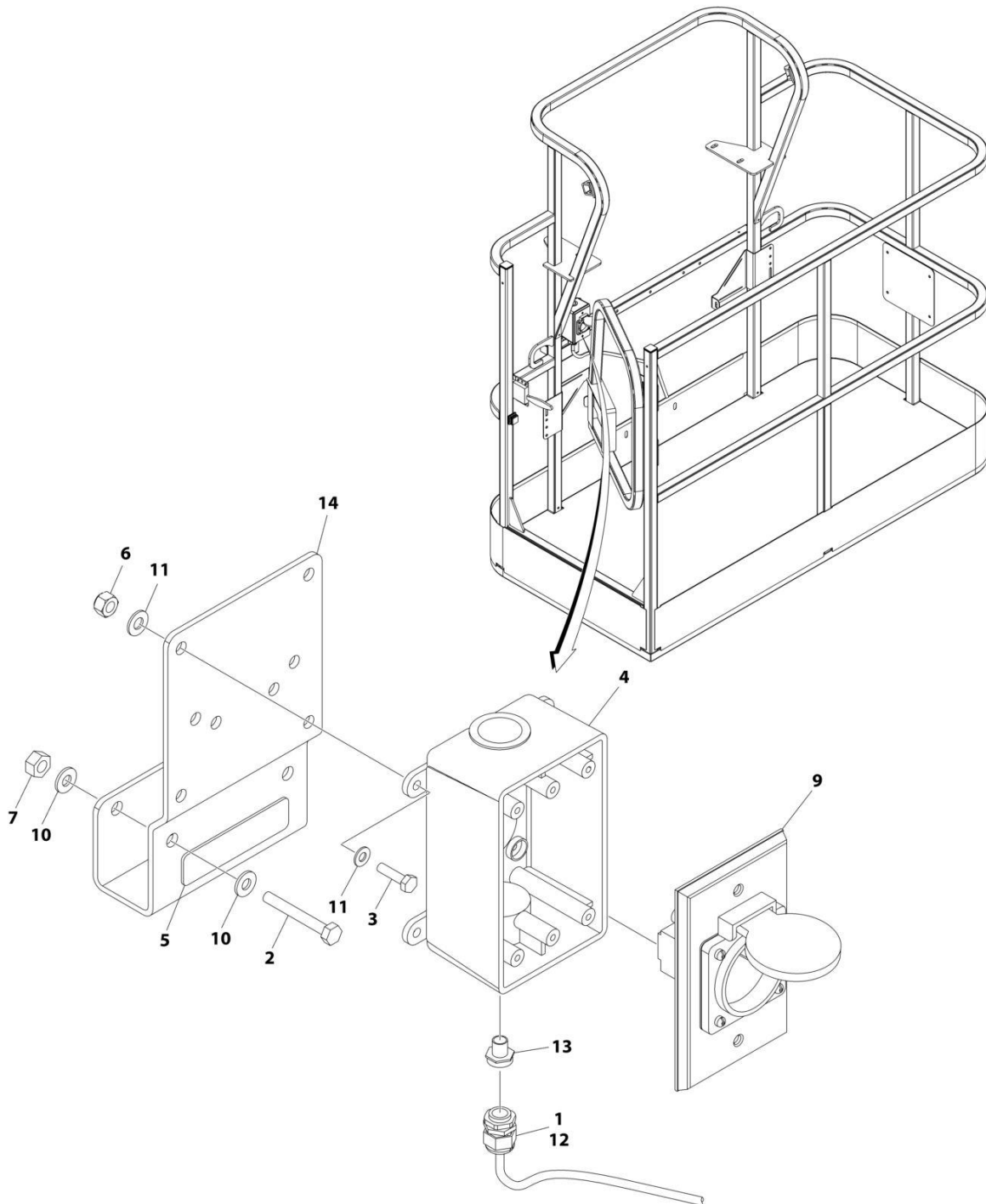
SECTION 8 - ELECTRICAL

FIGURE 8-11. AC BOX AT PLATFORM INSTALLATION - 220V CEE7 POST GROUND (CE & UK CA SPECS) (MACHINES WITH 2500W GENERATOR OR NO GENERATOR OPTION)

ITEM	PART NUMBER	QTY	DESCRIPTION	REV
	1001091973	Ref	AC BOX AT PLATFORM INSTALLATION - 220V CEE7 2X4 BOX POST GROUND	F
1	0100020	AR	Sealant, Pipe	
2	0275452	1	Receptacle Box Kit (See Separate Breakdown in this Section)	
3	0700408	4	Bolt M4 x 16	
4	3290405	4	Nut M4	
5	1001101197	1	Adapter	
6	4811400	8	Washer M4	
7	1001101191	1	Connector, Strain Relief	
8	0641416	2	Bolt 1/4 x 2	
9	3311405	2	Nut 1/4	
10	4711400	4	Washer 1/4	
11	1001193018	1	Bracket	
12	3251242	2	Decal - 240V/50Hz	
13	4460806	2	Terminal, Fork (Not Shown)	
14	1001205958	1	Terminal (Not Shown)	

SECTION 8 - ELECTRICAL

FIGURE 8-12. AC BOX AT PLATFORM INSTALLATION - 220V CEE7 POST GROUND (CE & UK CA SPECS) (MACHINES WITH 4000W GENERATOR)



ART_1001206250

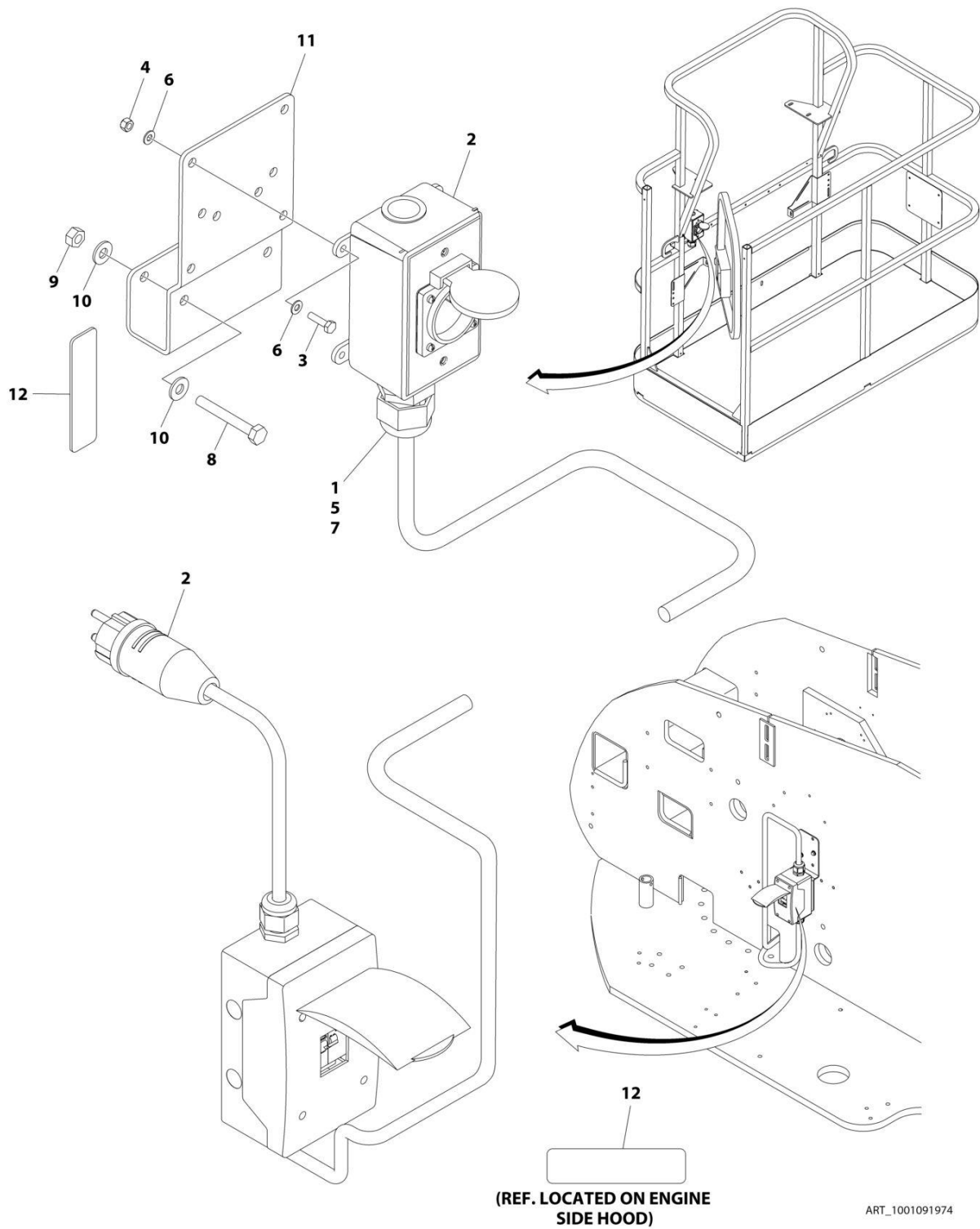
SECTION 8 - ELECTRICAL

FIGURE 8-12. AC BOX AT PLATFORM INSTALLATION - 220V CEE7 POST GROUND (CE & UK CA SPECS) (MACHINES WITH 4000W GENERATOR)

ITEM	PART NUMBER	QTY	DESCRIPTION	REV
	1001206250	Ref	AC BOX AT PLATFORM INSTALLATION - 220V CEE7 2X4 BOX POST GROUND	A
1	0100020	AR	Sealant, Pipe	
2	0641416	2	Bolt 1/4 x 2	
3	0700408	4	Bolt M4 x 16	
4	0861731	1	Box, Switch	
5	3251242	1	Decal - 240V/50Hz	
6	3290405	4	Nut M4	
7	3311405	2	Nut 1/4	
8	4460806	2	Terminal, Fork (Not Shown)	
9	4461244	1	Receptacle	
10	4711400	4	Washer 1/4	
11	4811400	8	Washer M4	
12	1001101191	1	Connector, Strain Relief	
13	1001101197	1	Adapter	
14	1001193018	1	Bracket, AC Receptacle	
15	1001205958	1	Terminal (Not Shown)	

SECTION 8 - ELECTRICAL

FIGURE 8-13. AC BOX AT PLATFORM INSTALLATION - 220V CEE7 SIDE GROUND (CE & UK CA SPECS) (MACHINES WITH 2500W GENERATOR OR NO GENERATOR OPTION)



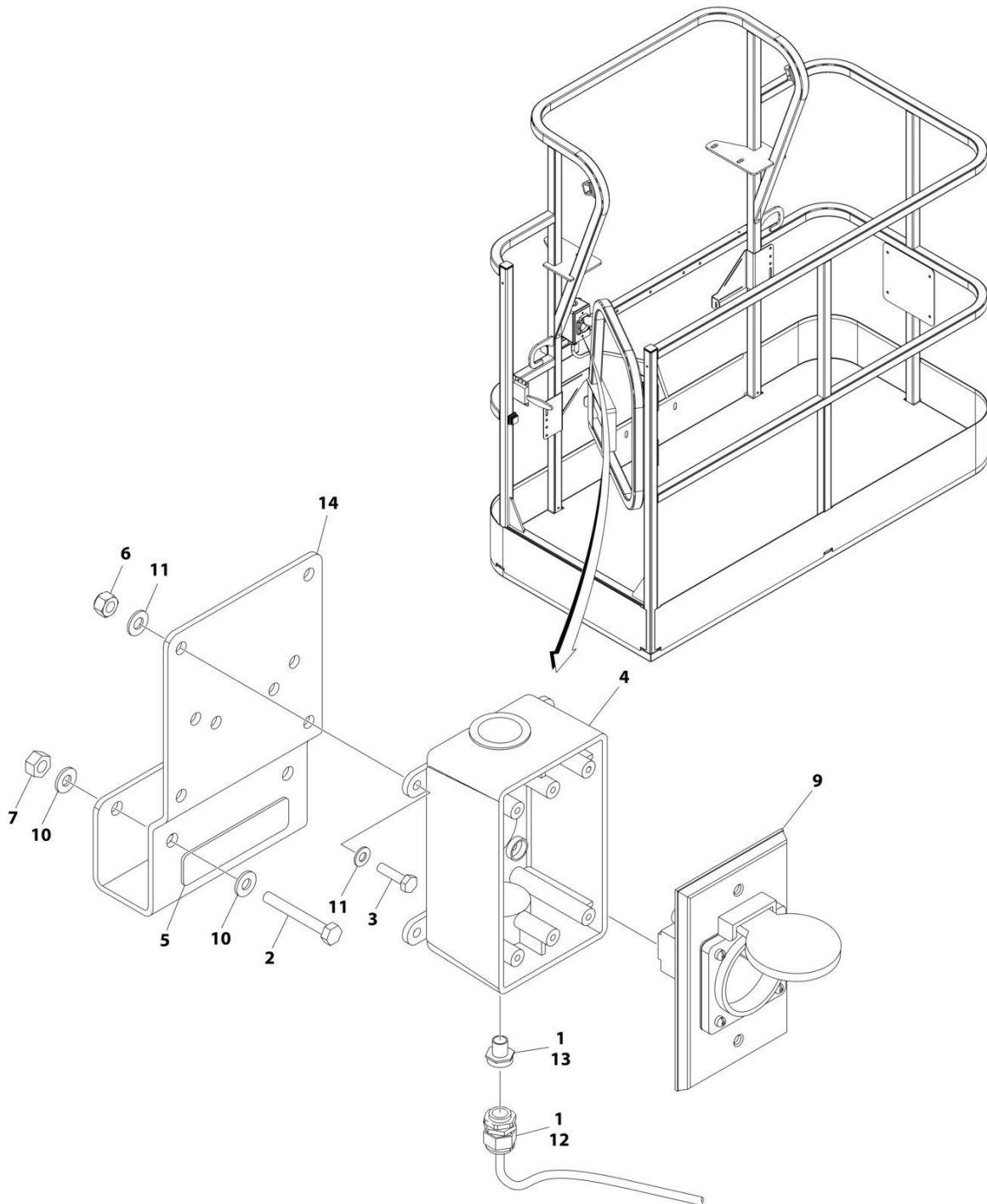
SECTION 8 - ELECTRICAL

FIGURE 8-13. AC BOX AT PLATFORM INSTALLATION - 220V CEE7 SIDE GROUND (CE & UK CA SPECS) (MACHINES WITH 2500W GENERATOR OR NO GENERATOR OPTION)

ITEM	PART NUMBER	QTY	DESCRIPTION	REV
	1001091974	Ref	AC BOX AT PLATFORM INSTALLATION - 220V CEE7 2X4 BOX SIDE GROUND	F
1	0100020	AR	Sealant, Pipe	
2	0275453	1	Receptacle Box Kit (See Separate Breakdown in this Section)	
3	0700408	4	Bolt M4 x 16	
4	3290405	4	Nut M4	
5	1001101197	1	Adapter	
6	4811400	8	Washer M4	
7	1001101191	1	Connector, Strain Relief	
8	0641416	2	Bolt 1/4 x 2	
9	3311405	2	Nut 1/4	
10	4711400	4	Washer 1/4	
11	1001193018	1	Bracket	
12	3251242	2	Decal - 240V/50Hz	
13	4460806	2	Terminal, Fork (Not Shown)	
14	1001205958	1	Terminal (Not Shown)	

SECTION 8 - ELECTRICAL

FIGURE 8-14. AC BOX AT PLATFORM INSTALLATION - 220V CEE7 SIDE GROUND (CE & UK CA SPECS) (MACHINES WITH 4000W GENERATOR)



ART_1001206251

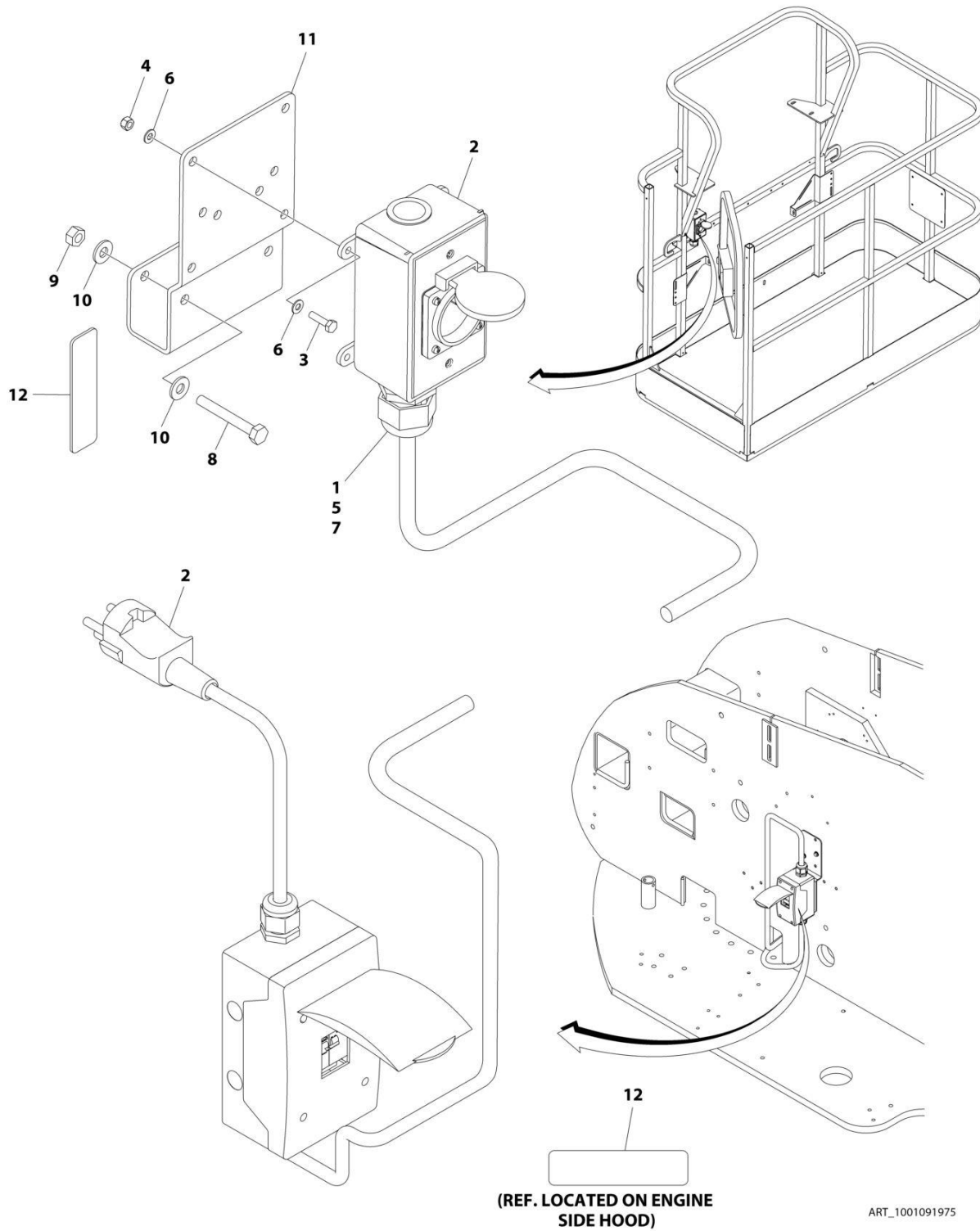
SECTION 8 - ELECTRICAL

FIGURE 8-14. AC BOX AT PLATFORM INSTALLATION - 220V CEE7 SIDE GROUND (CE & UK CA SPECS) (MACHINES WITH 4000W GENERATOR)

ITEM	PART NUMBER	QTY	DESCRIPTION	REV
	1001206251	Ref	AC BOX AT PLATFORM INSTALLATION - 220V CEE7 2X4 BOX SIDE GROUND	A
1	0100020	AR	Sealant, Pipe	
2	0641416	2	Bolt 1/4 x 2	
3	0700408	4	Bolt M4 x 16	
4	0861731	1	Box, Switch	
5	3251242	1	Decal - 240V/50Hz	
6	3290405	4	Nut M4	
7	3311405	2	Nut 1/4	
8	4460806	2	Terminal, Fork (Not Shown)	
9	4461245	1	Receptacle	
10	4711400	4	Washer 1/4	
11	4811400	8	Washer M4	
12	1001101191	1	Connector, Strain Relief	
13	1001101197	1	Adapter	
14	1001193018	1	Bracket, AC Receptacle	
15	1001205958	1	Terminal (Not Shown)	

SECTION 8 - ELECTRICAL

FIGURE 8-15. AC BOX AT PLATFORM INSTALLATION - 220V AFSINT 107 KEYED GROUND (CE & UK CA SPECS) (MACHINES WITH 2500W GENERATOR OR NO GENERATOR OPTION)



ART_1001091975

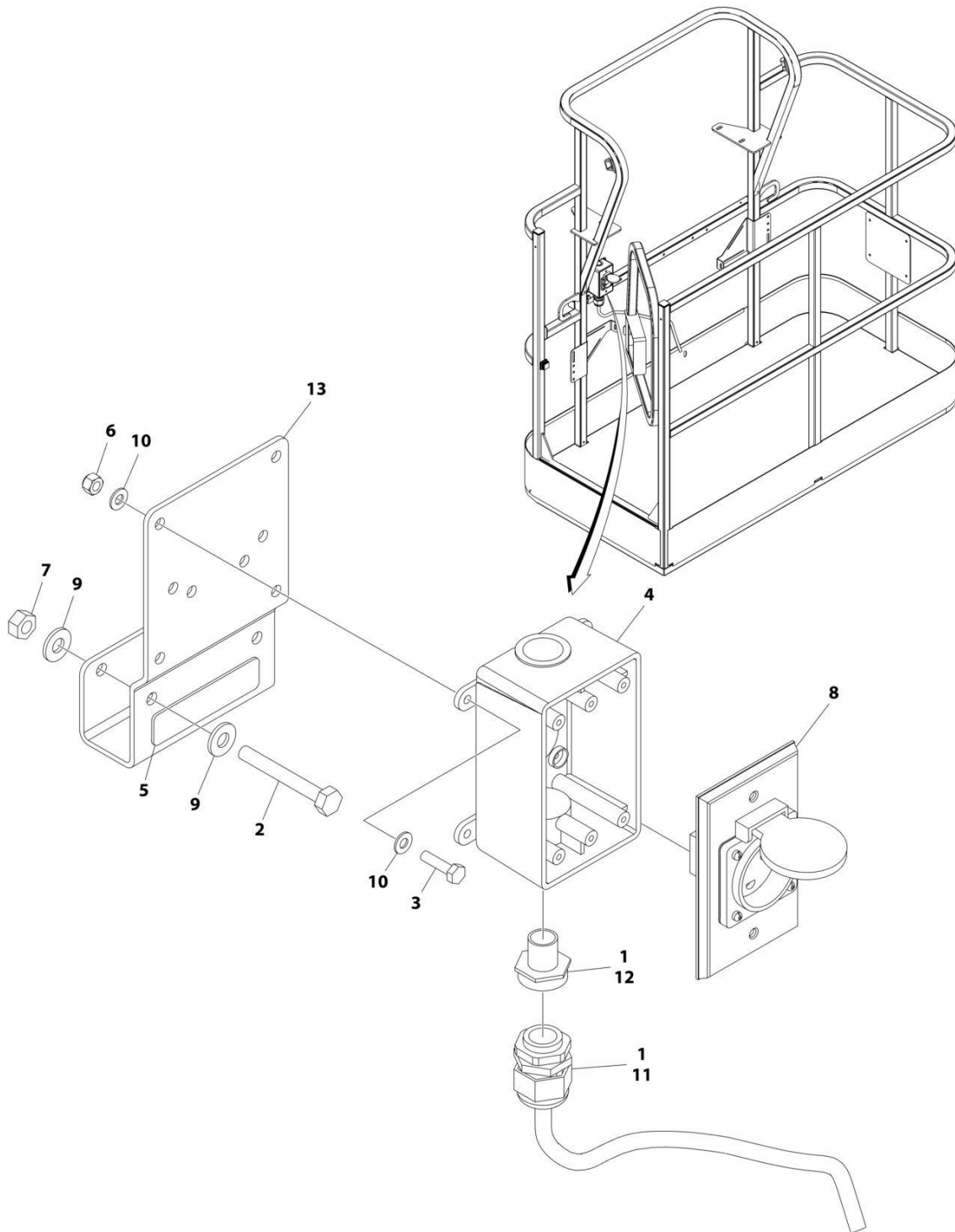
SECTION 8 - ELECTRICAL

FIGURE 8-15. AC BOX AT PLATFORM INSTALLATION - 220V AFSINT 107 KEYED GROUND (CE & UK CA SPECS) (MACHINES WITH 2500W GENERATOR OR NO GENERATOR OPTION)

ITEM	PART NUMBER	QTY	DESCRIPTION	REV
	1001091975	Ref	AC BOX AT PLATFORM INSTALLATION - 220V AFSINT 107 2X4 BOX KEYED GROUND	F
1	0100020	AR	Sealant, Pipe	
2	0275454	1	Receptacle Box Kit (See Separate Breakdown in this Section)	
3	0700408	4	Bolt M4 x 16	
4	3290405	4	Nut M4	
5	1001101197	1	Adapter	
6	4811400	8	Washer M4	
7	1001101191	1	Connector, Strain Relief	
8	0641416	2	Bolt 1/4 x 2	
9	3311405	2	Nut 1/4	
10	4711400	4	Washer 1/4	
11	1001193018	1	Bracket	
12	3251242	2	Decal - 240V/50Hz	
13	1001205958	3	Terminal (Not Shown)	

SECTION 8 - ELECTRICAL

FIGURE 8-16. AC BOX AT PLATFORM INSTALLATION - 220V AFSINT 107 KEYED GROUND (CE & UK CA SPECS) (MACHINES WITH 4000W GENERATOR)



ART_1001206252

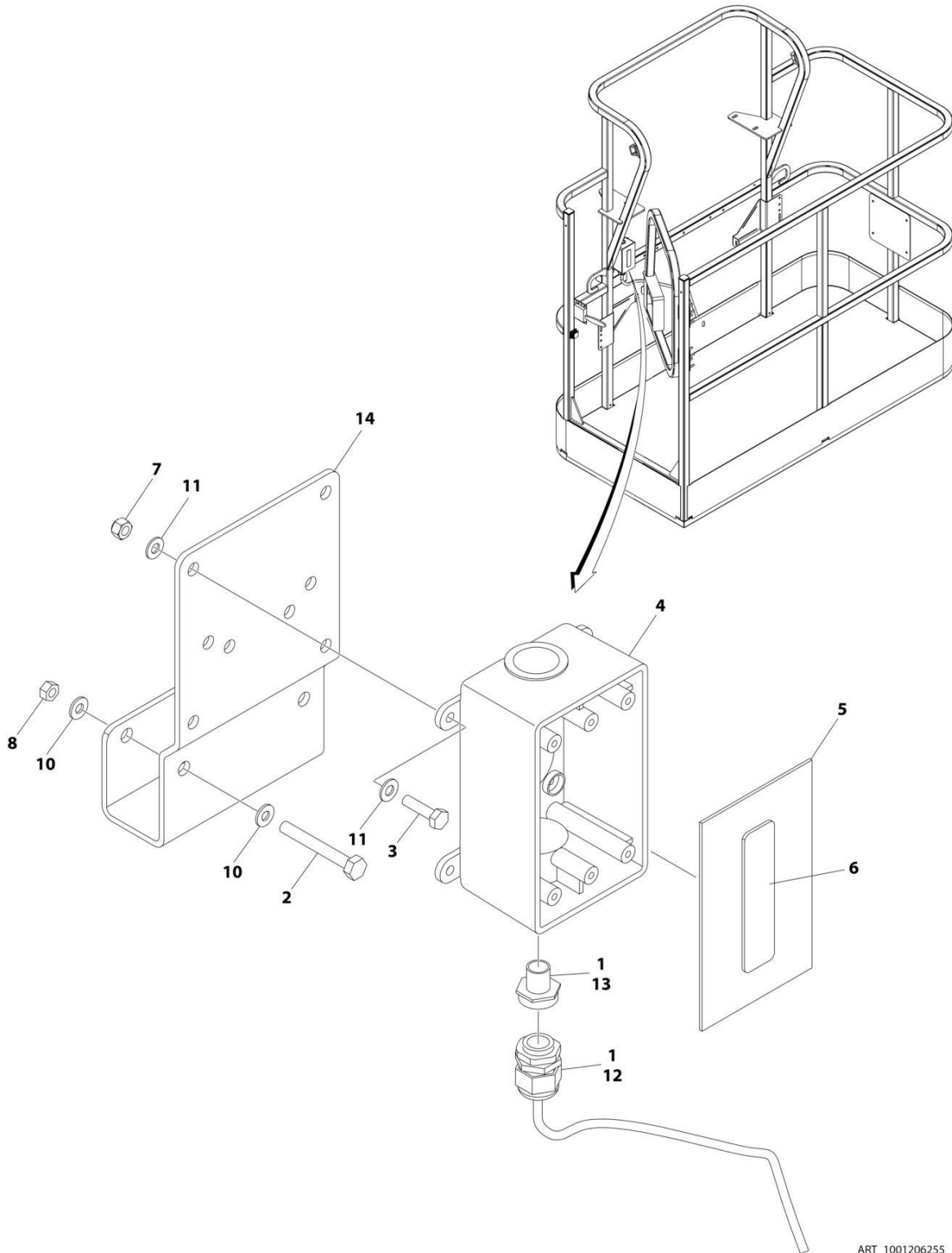
SECTION 8 - ELECTRICAL

FIGURE 8-16. AC BOX AT PLATFORM INSTALLATION - 220V AFSINT 107 KEYED GROUND (CE & UK CA SPECS) (MACHINES WITH 4000W GENERATOR)

ITEM	PART NUMBER	QTY	DESCRIPTION	REV
	1001206252	Ref	AC BOX AT PLATFORM INSTALLATION - 220V AFSINT 107 2x4 BOX KEYED GROUND	A
1	0100020	AR	Sealant, Pipe	
2	0641416	2	Bolt 1/4 x 2	
3	0700408	4	Bolt M4 x 16	
4	0861731	1	Box, Switch	
5	3251242	1	Decal - 240V/50Hz	
6	3290405	4	Nut M4	
7	3311405	2	Nut 1/4	
8	4461246	1	Receptacle	
9	4711400	4	Washer 1/4	
10	4811400	8	Washer M4	
11	1001101191	1	Connector, Strain Relief	
12	1001101197	1	Adapter	
13	1001193018	1	Bracket, AC Receptacle	
14	1001205958	3	Terminal (Not Shown)	

SECTION 8 - ELECTRICAL

FIGURE 8-17. AC BOX AT PLATFORM INSTALLATION - 220V (2X4 BOX & COVER ONLY - LOCALLY SUPPLIED RECEPTACLE) (4000W GENERATOR)



ART_1001206255

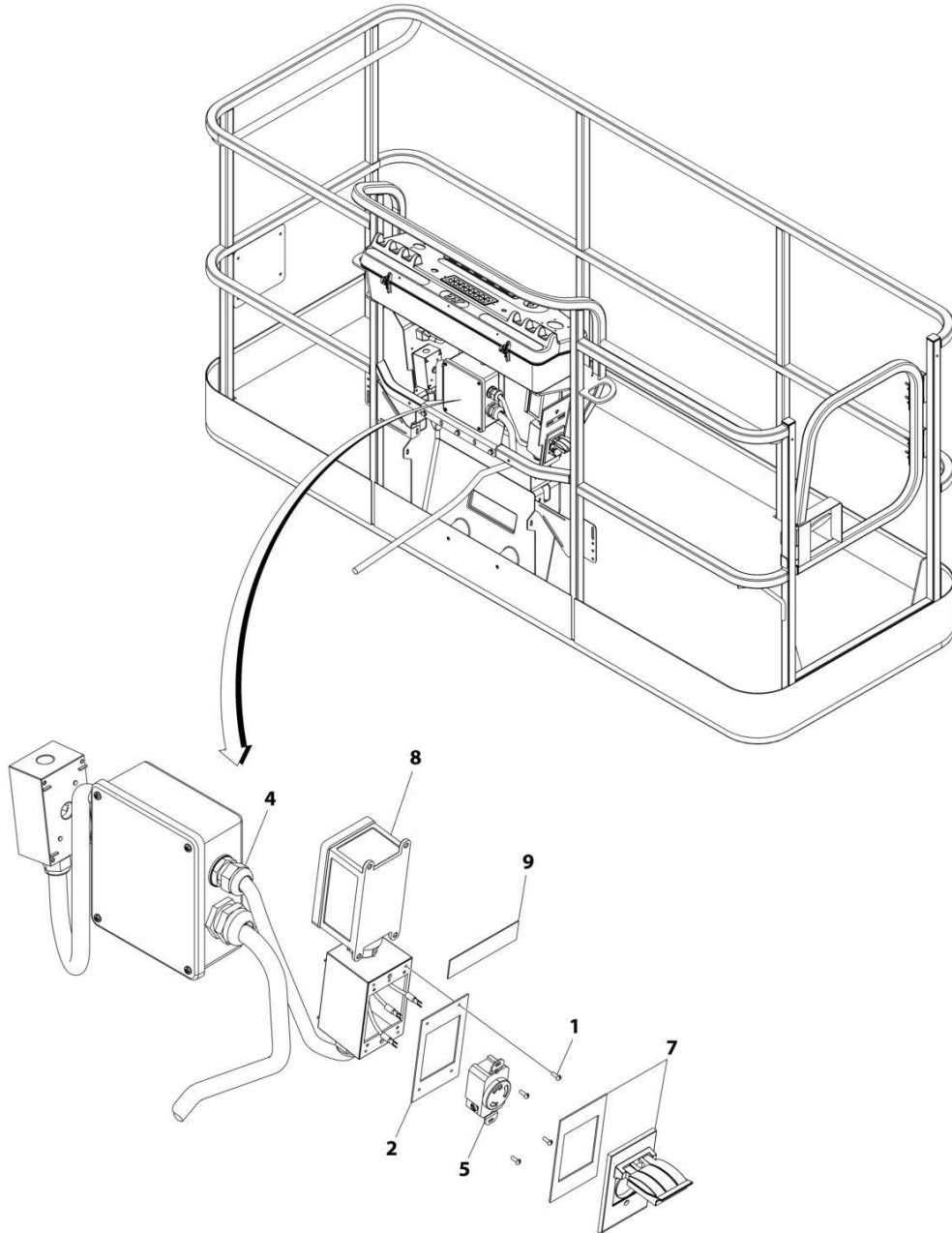
SECTION 8 - ELECTRICAL

FIGURE 8-17. AC BOX AT PLATFORM INSTALLATION - 220V (2X4 BOX & COVER ONLY - LOCALLY SUPPLIED RECEPTACLE) (4000W GENERATOR)

ITEM	PART NUMBER	QTY	DESCRIPTION	REV
	1001206255	Ref	AC BOX AT PLATFORM INSTALLATION - BOX WITH COVER (2X4 BOX) WITH 4000W GENERATOR	A
1	0100020	AR	Sealant, Pipe	
2	0641416	2	Bolt 1/4 x 2	
3	0700408	4	Bolt M4 x 16	
4	0861731	1	Box, Switch	
5	1670603	1	Cover	
6	3251242	1	Decal - 240V-50Hz	
7	3290405	4	Nut M4	
8	3311405	2	Nut 1/4	
10	4711400	4	Washer 1/4	
11	4811400	8	Washer M4	
12	1001101191	1	Connector, Strain Relief	
13	1001101197	1	Adapter	
14	1001193018	1	Bracket, AC Receptacle	

SECTION 8 - ELECTRICAL

FIGURE 8-18. AC BOX AT PLATFORM INSTALLATION - 240V GFCI RECEPTACLE (ALL SPECS EXCEPT CE, UK CA, AUSTRALIAN & CHINESE SPECS WITH 4000W SKYPOWER GENERATOR)



ART_1001171131

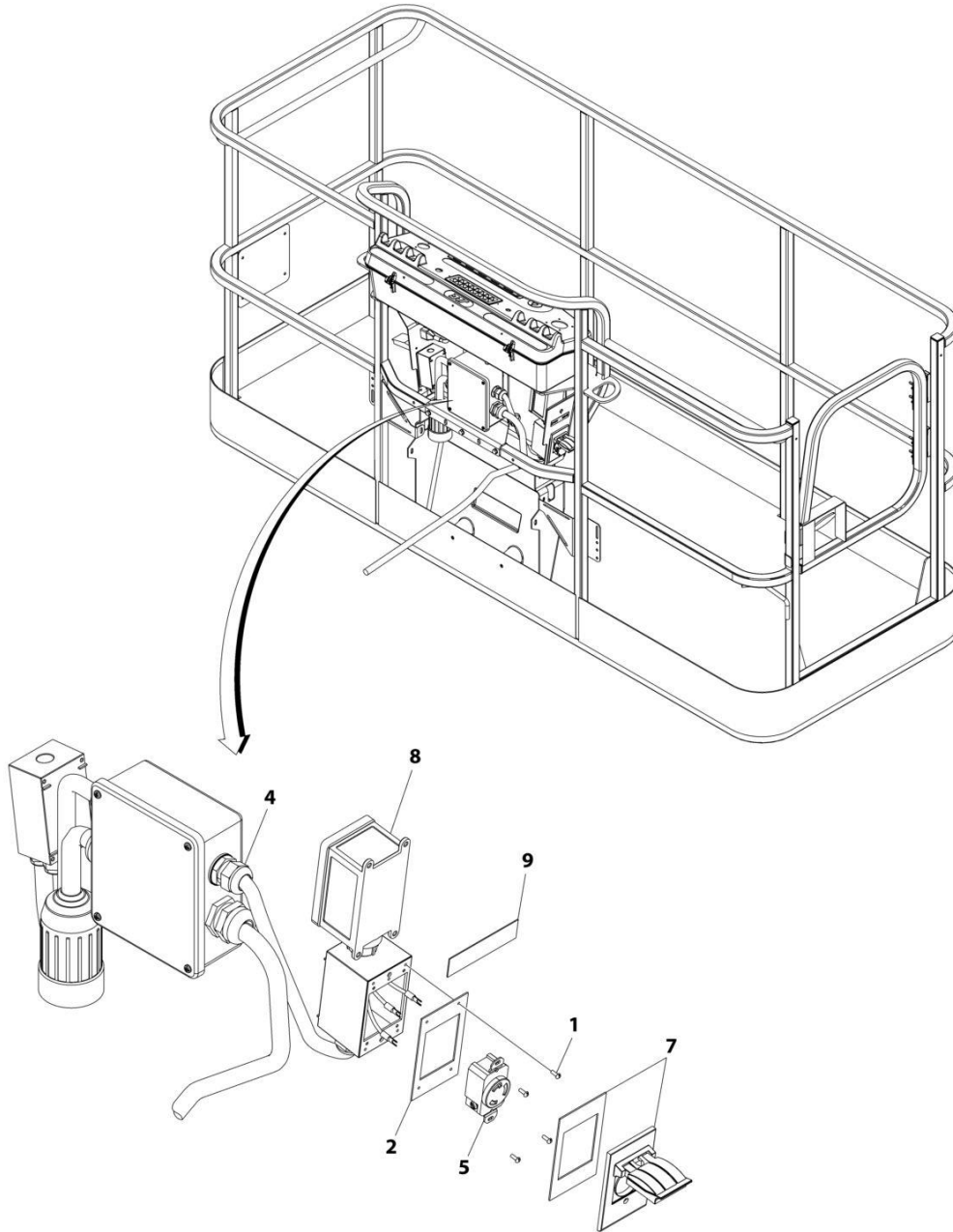
SECTION 8 - ELECTRICAL

FIGURE 8-18. AC BOX AT PLATFORM INSTALLATION - 240V GFCI RECEPTACLE (ALL SPECS EXCEPT CE, UK CA, AUSTRALIAN & CHINESE SPECS WITH 4000W SKYPOWER GENERATOR)

ITEM	PART NUMBER	QTY	DESCRIPTION	REV
	1001171131	Ref	AC BOX AT PLATFORM INSTALLATION - 240V RECEPTACLE	B
1	3910606	4	Screw 6 x 3/8	
2	3960422	1	Gasket	
3	4240018	AR	Tie-Strap (Not Shown)	
4	4460425	1	Connector, Strain Relief	
5	1001176862	1	Receptacle	
7	1001110872	1	Cover, Receptacle	
8	1001159120	1	Receptacle/Breaker Box Assembly	
8	1001148675	1	Box, Receptacle	
8	1001159118	1	Breaker GFCI 30Amp 240VAC	
8	4460612	1	Connector, Strain Relief	
8	1001159119	1	Connector (Between Boxes)	
9	1705374	1	Decal - 240V/60Hz	

SECTION 8 - ELECTRICAL

FIGURE 8-19. AC BOX AT PLATFORM INSTALLATION - 240V GFCI RECEPTACLE (ALL SPECS EXCEPT CE, UK CA, AUSTRALIAN & CHINESE SPECS WITH 7500W SKYPOWER GENERATOR)



ART_1001159121

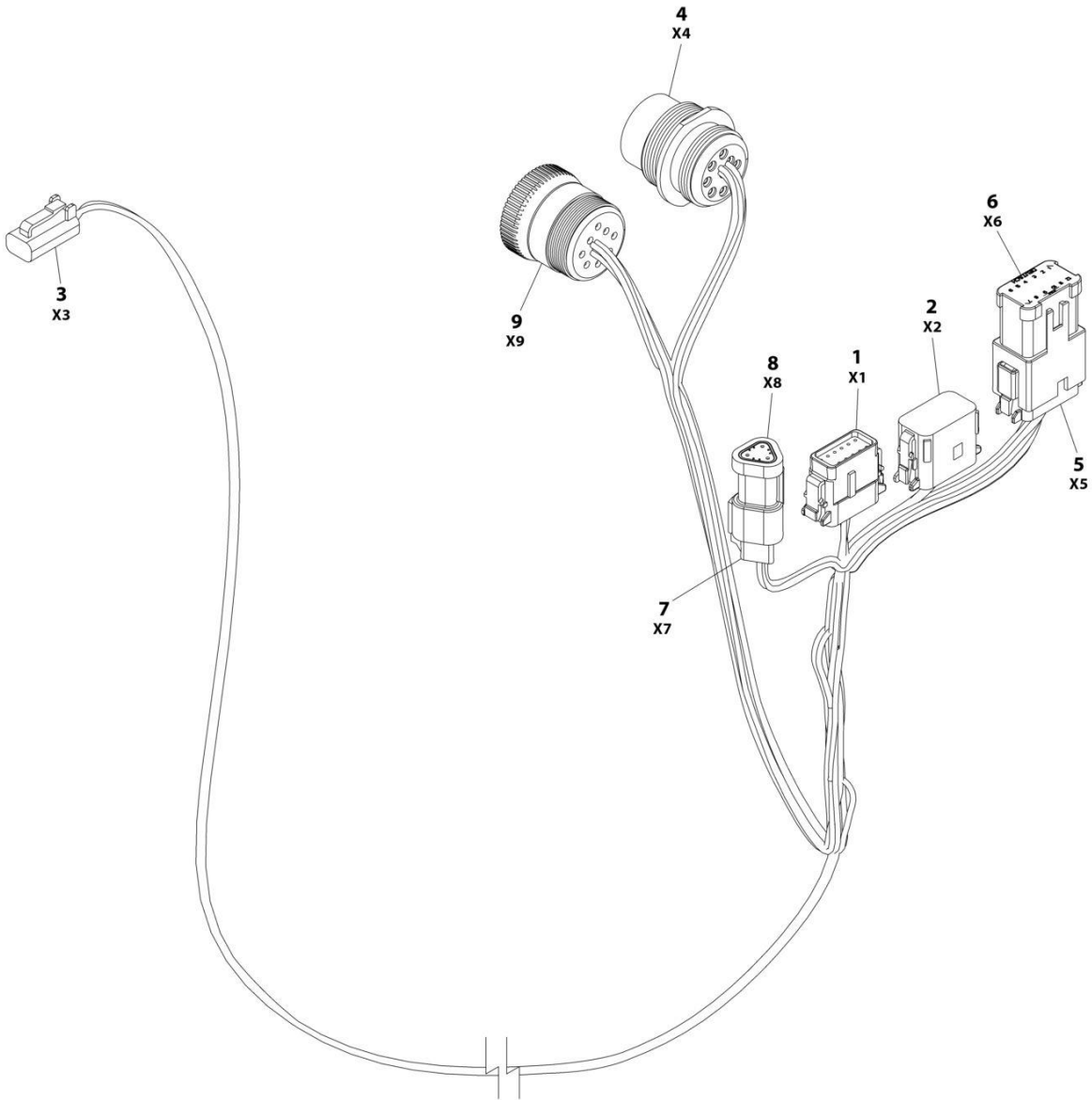
SECTION 8 - ELECTRICAL

FIGURE 8-19. AC BOX AT PLATFORM INSTALLATION - 240V GFCI RECEPTACLE (ALL SPECS EXCEPT CE, UK CA, AUSTRALIAN & CHINESE SPECS WITH 7500W SKYPOWER GENERATOR)

ITEM	PART NUMBER	QTY	DESCRIPTION	REV
	1001159121	Ref	AC BOX AT PLATFORM INSTALLATION - 240V RECEPTACLE	B
1	3910606	4	Screw 6 x 3/8	
2	3960422	1	Gasket	
3	4240018	AR	Tie-Strap (Not Shown)	
4	4460425	1	Connector, Strain Relief	
5	4460958	1	Receptacle	
7	1001110872	1	Cover, Receptacle	
8	1001159120	1	Receptacle/Breaker Box Assembly	
8	1001148675	1	Box, Receptacle	
8	1001159118	1	Breaker Box Assembly	
8	4460612	1	Connector, Strain Relief	
8	1001159119	1	Connector (Between Boxes)	
9	1705374	1	Decal - 240V/60Hz	

SECTION 8 - ELECTRICAL

FIGURE 8-20. BEACON CONTROL HARNESS (BLUE AND RED STROBE LIGHTS)



ART_1001142736

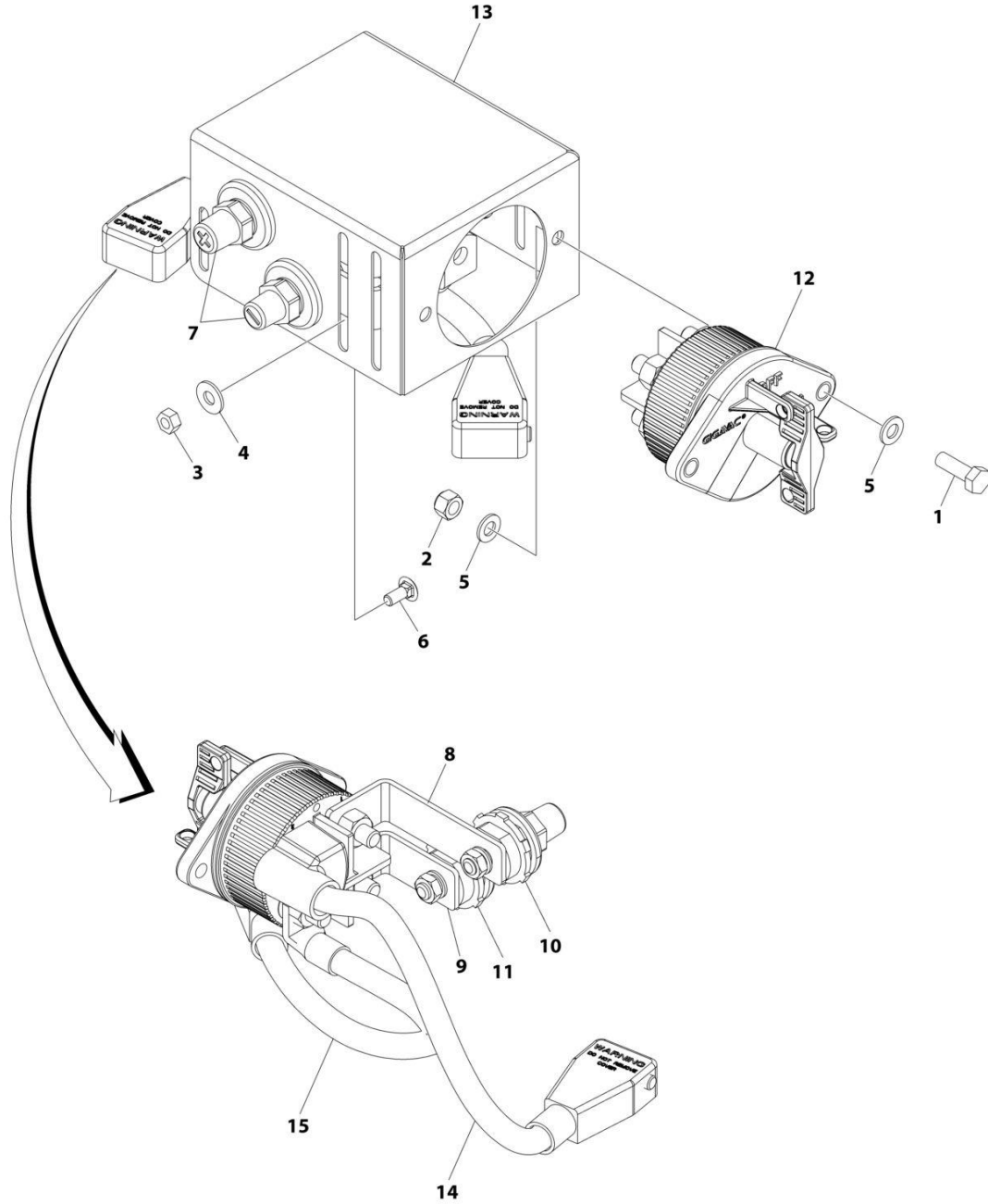
SECTION 8 - ELECTRICAL

FIGURE 8-20. BEACON CONTROL HARNESS (BLUE AND RED STROBE LIGHTS)

ITEM	PART NUMBER	QTY	DESCRIPTION	REV
	1001142736	Ref	STROBE LIGHT HARNESS	F
1	1001116808	1	Plug, Male - 12 Position	
1	4460928	3	Socket, Female	
1	4460518	9	Plug, Terminal	
2	1001116774	1	Plug, Male - 12 Position	
2	4460928	3	Socket, Female	
2	4460518	9	Plug, Terminal	
3	4460891	1	Plug, Male - 2 Position	
3	4460465	2	Socket, Female	
4	1001112612	1	Connector - 9 Position	
4	4460464	6	Pin, Male	
4	4460466	3	Plug, Terminal	
5	4460933	1	Plug, Male - 12 Position	
5	4460465	12	Socket, Female	
6	1001119020	1	Bussbar - 12 Position	
7	4461095	1	Plug, Male - 3 Position	
7	4460465	3	Socket, Female	
8	4461070	1	Bussbar - 3 Position	
9	1001112796	1	Connector - 9 Position	
9	4460465	6	Socket, Female	
9	4460466	3	Plug, Terminal	

SECTION 8 - ELECTRICAL

FIGURE 8-21. BATTERY DISCONNECT



ART_1001236304

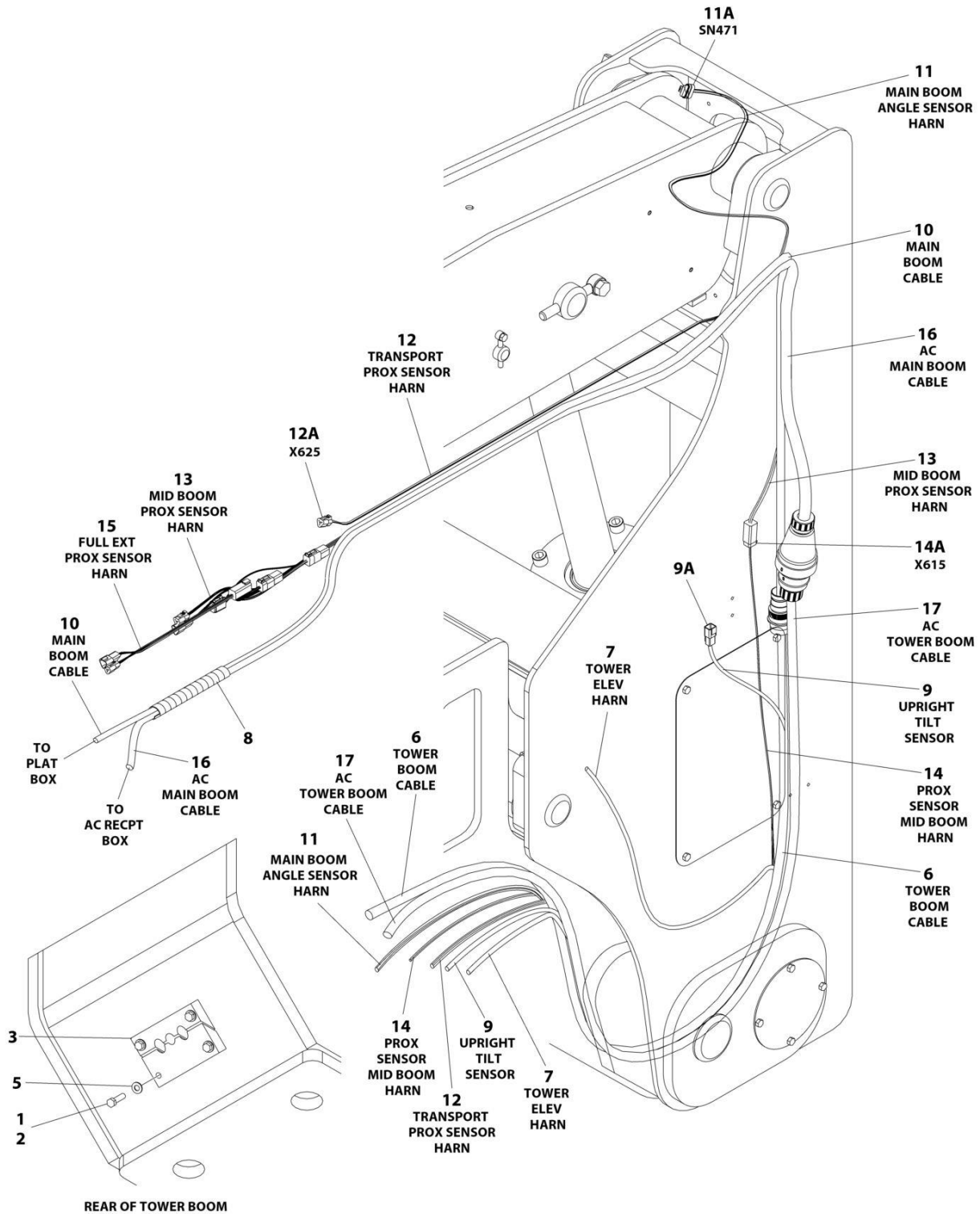
SECTION 8 - ELECTRICAL

FIGURE 8-21. BATTERY DISCONNECT

ITEM	PART NUMBER	QTY	DESCRIPTION	REV
	1001236304	Ref	BATTERY DISCONNECT SWITCH INSTALLATION	A
1	0760812	2	Bolt M8 x 25	
2	3290805	2	Nut M8	
3	3311405	3	Nut 1/4	
4	4751400	3	Washer 1/4	
5	4811900	4	Washer M8	
6	88411013	3	Bolt 1/4 x 3/4	
7	1001206476	1	Connectors, Post	
8	1001209432	1	Bussbar	
9	1001209474	1	Bussbar	
10	1001214570	1	Connector (Red)	
11	1001214571	1	Connector (Black)	
12	1001225346	1	Switch, Battery	
13	1001226531	1	Mount	
14	1001236504	1	Cable, Battery (+)	
15	1001236505	1	Cable, Battery (-)	

SECTION 8 - ELECTRICAL

FIGURE 8-22. BOOM CABLES INSTALLATION - WITH 2500W GENERATOR



ART_1001257902

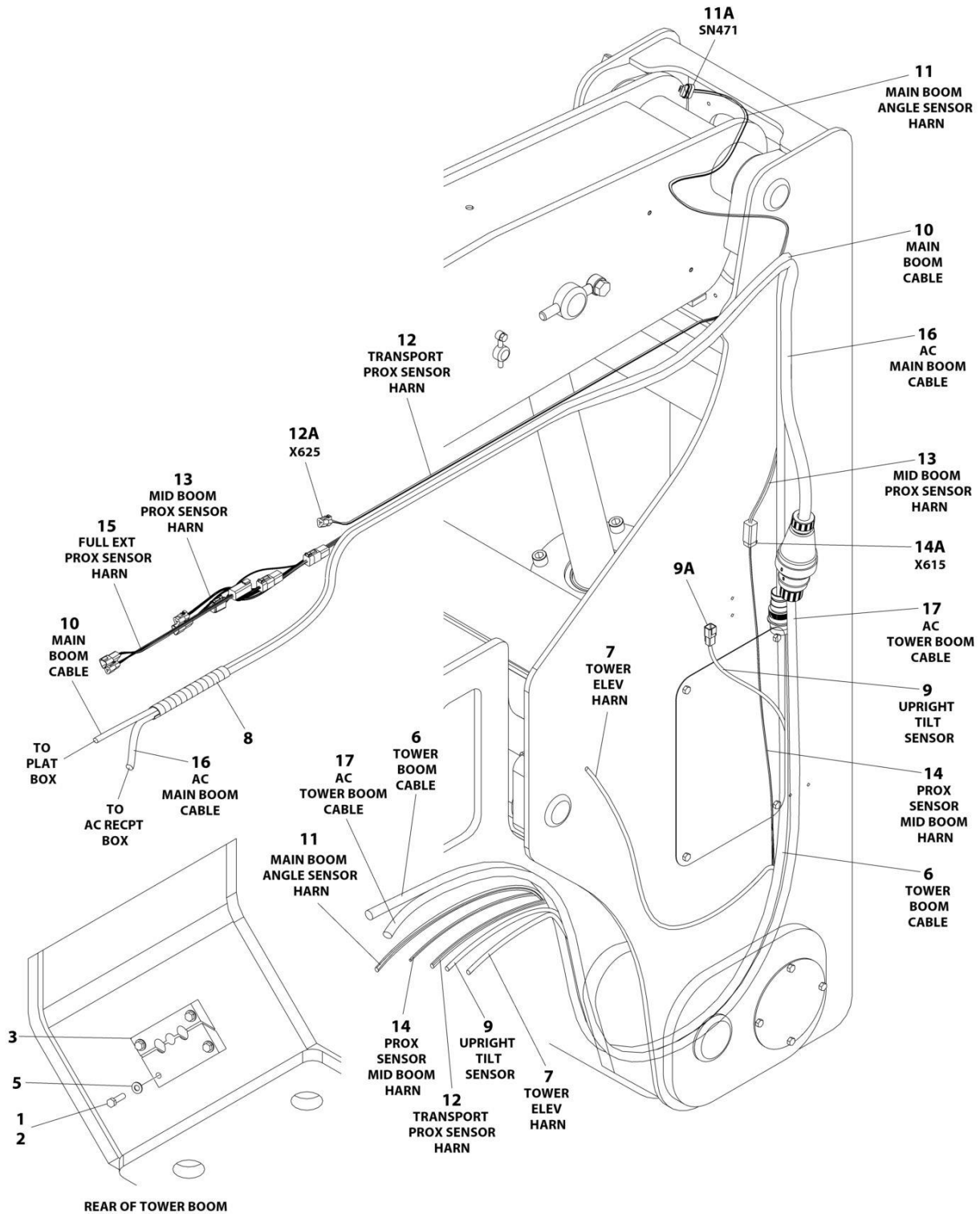
SECTION 8 - ELECTRICAL

FIGURE 8-22. BOOM CABLES INSTALLATION - WITH 2500W GENERATOR

ITEM	PART NUMBER	QTY	DESCRIPTION	REV
	1001257902	Ref	BOOM CABLES INSTALLATION	A
1	0100011	AR	Compound, Locking	
2	0641612	4	Bolt 3/8 x 1-1/2	
3	1320256	1	Clamp, Block	
4	4240033	3	Tie, Cable (Not Shown)	
5	4711600	4	Washer 3/8	
6	4922576	1	Boom Cable - Tower Boom (See Separate Breakdown in this Section)	
7	4922578	1	Harness, Tower Boom Elevation Limit Switch	
8	1001181923	1	Shield, Cable/Hose	
9	1001227359	1	Harness, Tilt Sensor Harness	
9	4460944	3	Socket, Female (at GC Box)	
9A	1001097051	1	Connector - 4 Position	
9A	1001097082	1	Terminal	
9A	4460518	1	Plug, Terminal	
10	1001227488	1	Boom Cable - Main Boom (See Separate Breakdown in this Section)	
11	1001258707	1	Harness, Main Boom Angle Sensor	
11A	1001230931	1	Connector - 6 Position	
11A	1001116748	6	Terminal	
12	1001258708	1	Harness, Transport Proximity Sensor	
12A	4460539	1	Plug, Male - 3 Position	
12A	4460465	3	Socket, Female	
13	1001258709	1	Harness, Mid Boom Proximity Sensor (Main Boom) (See Separate Breakdown in ths Section)	
14	1001258710	1	Cable, Middle Boom Proximity Sensor, Lower	
14A	4460894	1	Plug, Male - 6 Position	
14A	4460465	6	Socket, Female	
15	1001258711	1	Cable, Full Extension Proximity Sensor	
16	4922218	1	AC Cable, 10/3 (Main Boom)	
17	4922220	1	AC Cable, 10/3 (Tower Boom)	

SECTION 8 - ELECTRICAL

FIGURE 8-23. BOOM CABLES INSTALLATION - WITH 4000W GENERATOR (50HZ)



ART_1001257902

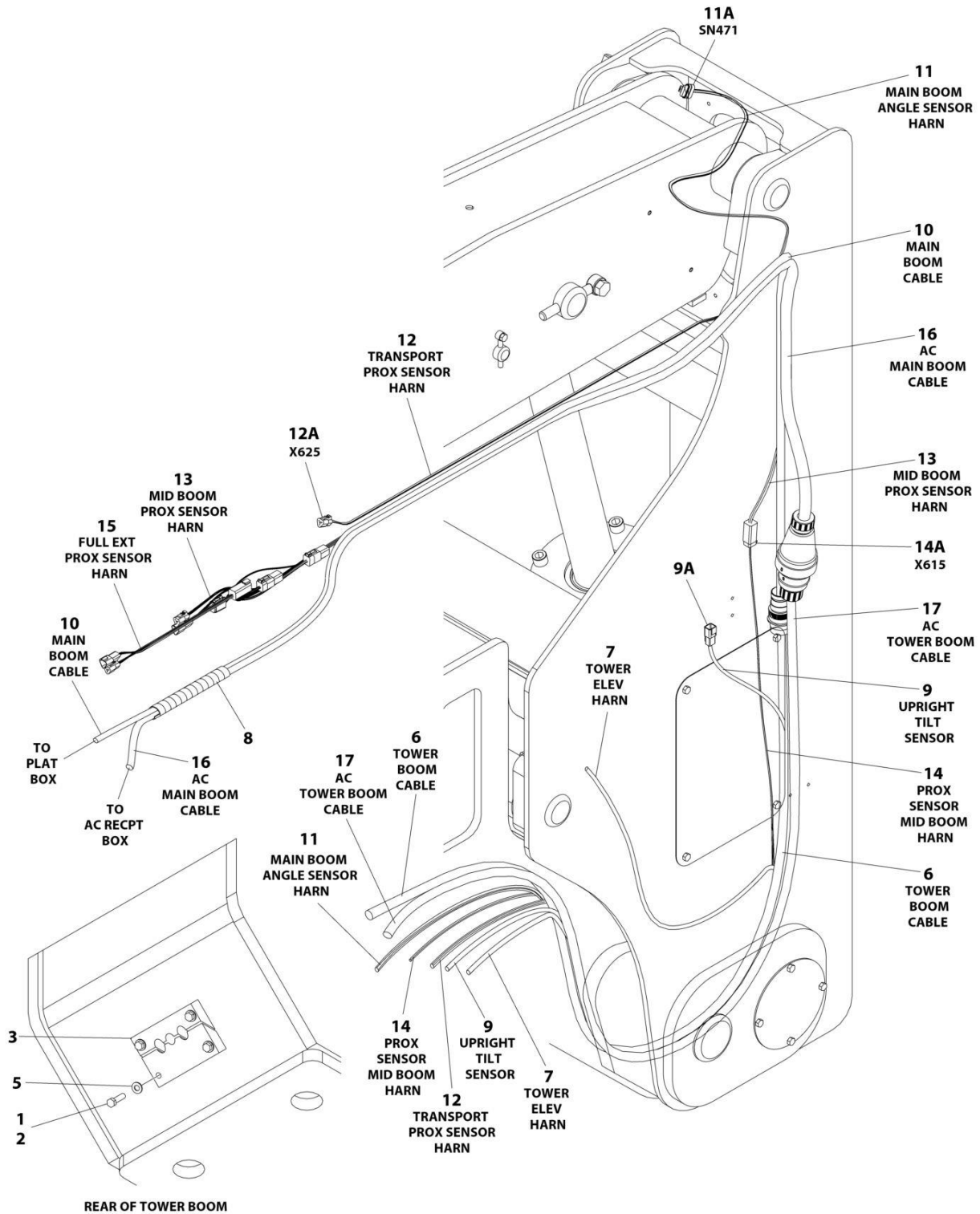
SECTION 8 - ELECTRICAL

FIGURE 8-23. BOOM CABLES INSTALLATION - WITH 4000W GENERATOR (50HZ)

ITEM	PART NUMBER	QTY	DESCRIPTION	REV
	1001257902	Ref	BOOM CABLES INSTALLATION	A
1	0100011	AR	Compound, Locking	
2	0641612	4	Bolt 3/8 x 1-1/2	
3	1320256	1	Clamp, Block	
4	4240033	3	Tie, Cable (Not Shown)	
5	4711600	4	Washer 3/8	
6	4922576	1	Boom Cable - Tower Boom (See Separate Breakdown in this Section)	
7	4922578	1	Harness, Tower Boom Elevation Limit Switch	
8	1001181923	1	Shield, Cable/Hose	
9	1001227359	1	Harness, Tilt Sensor Harness	
9	4460944	3	Socket, Female (at GC Box)	
9A	1001097051	1	Connector - 4 Position	
9A	1001097082	1	Terminal	
9A	4460518	1	Plug, Terminal	
10	1001227488	1	Boom Cable - Main Boom (See Separate Breakdown in this Section)	
11	1001258707	1	Harness, Main Boom Angle Sensor	
11A	1001230931	1	Connector - 6 Position	
11A	1001116748	6	Terminal	
12	1001258708	1	Harness, Transport Proximity Sensor	
12A	4460539	1	Plug, Male - 3 Position	
12A	4460465	3	Socket, Female	
13	1001258709	1	Harness, Mid Boom Proximity Sensor (Main Boom) (See Separate Breakdown in this Section)	
14	1001258710	1	Cable, Middle Boom Proximity Sensor, Lower	
14A	4460894	1	Plug, Male - 6 Position	
14A	4460465	6	Socket, Female	
15	1001258711	1	Cable, Full Extension Proximity Sensor	
16	4922218	1	AC Cable, 10/3 (Main Boom)	
17	4922220	1	AC Cable, 10/3 (Tower Boom)	

SECTION 8 - ELECTRICAL

FIGURE 8-24. BOOM CABLES INSTALLATION - WITH 4000W GENERATOR (60HZ)



ART_1001257904

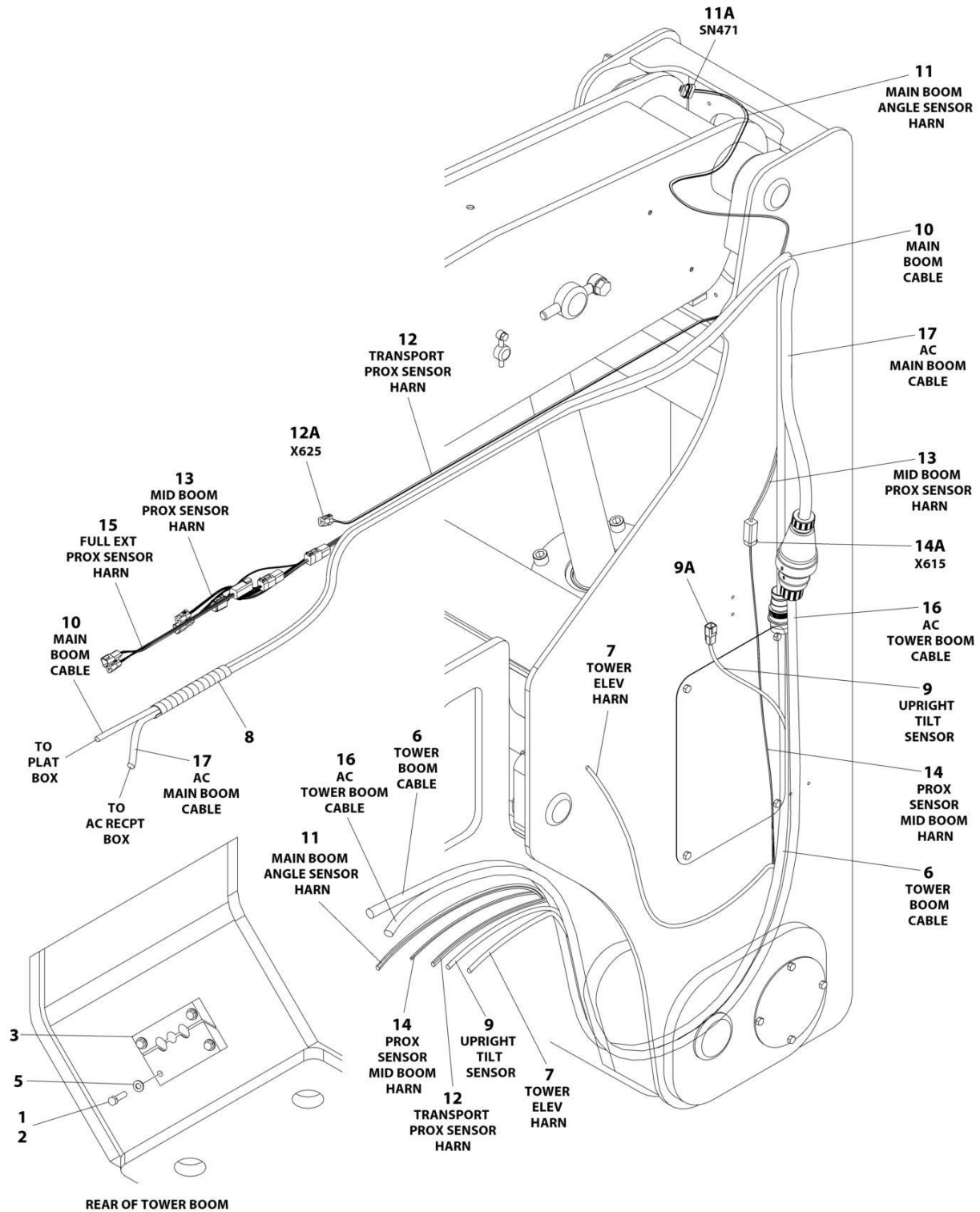
SECTION 8 - ELECTRICAL

FIGURE 8-24. BOOM CABLES INSTALLATION - WITH 4000W GENERATOR (60HZ)

ITEM	PART NUMBER	QTY	DESCRIPTION	REV
	1001257904	Ref	BOOM CABLES INSTALLATION	A
1	0100011	AR	Compound, Locking	
2	0641612	4	Bolt 3/8 x 1-1/2	
3	1320256	1	Clamp, Block	
4	4240033	3	Tie, Cable (Not Shown)	
5	4711600	4	Washer 3/8	
6	4922576	1	Boom Cable - Tower Boom (See Separate Breakdown in this Section)	
7	4922578	1	Harness, Tower Boom Elevation Limit Switch	
8	1001181923	1	Shield, Cable/Hose	
9	1001227359	1	Harness, Tilt Sensor Harness	
9	4460944	3	Socket, Female (at GC Box)	
9A	1001097051	1	Connector - 4 Position	
9A	1001097082	1	Terminal	
9A	4460518	1	Plug, Terminal	
10	1001227488	1	Boom Cable - Main Boom (See Separate Breakdown in this Section)	
11	1001258707	1	Harness, Main Boom Angle Sensor	
11A	1001230931	1	Connector - 6 Position	
11A	1001116748	6	Terminal	
12	1001258708	1	Harness, Transport Proximity Sensor	
12A	4460539	1	Plug, Male - 3 Position	
12A	4460465	3	Socket, Female	
13	1001258709	1	Harness, Mid Boom Proximity Sensor (Main Boom) (See Separate Breakdown in ths Section)	
14	1001258710	1	Cable, Middle Boom Proximity Sensor, Lower	
14A	4460894	1	Plug, Male - 6 Position	
14A	4460465	6	Socket, Female	
15	1001258711	1	Cable, Full Extension Proximity Sensor	
16	1001156695	1	AC Cable, 10/4 (Main Boom)	
17	1001156693	1	AC Cable, 10/4 (Tower Boom)	

SECTION 8 - ELECTRICAL

FIGURE 8-25. BOOM CABLES INSTALLATION - WITH 7500W SKYPOWER GENERATOR



ART_1001257903

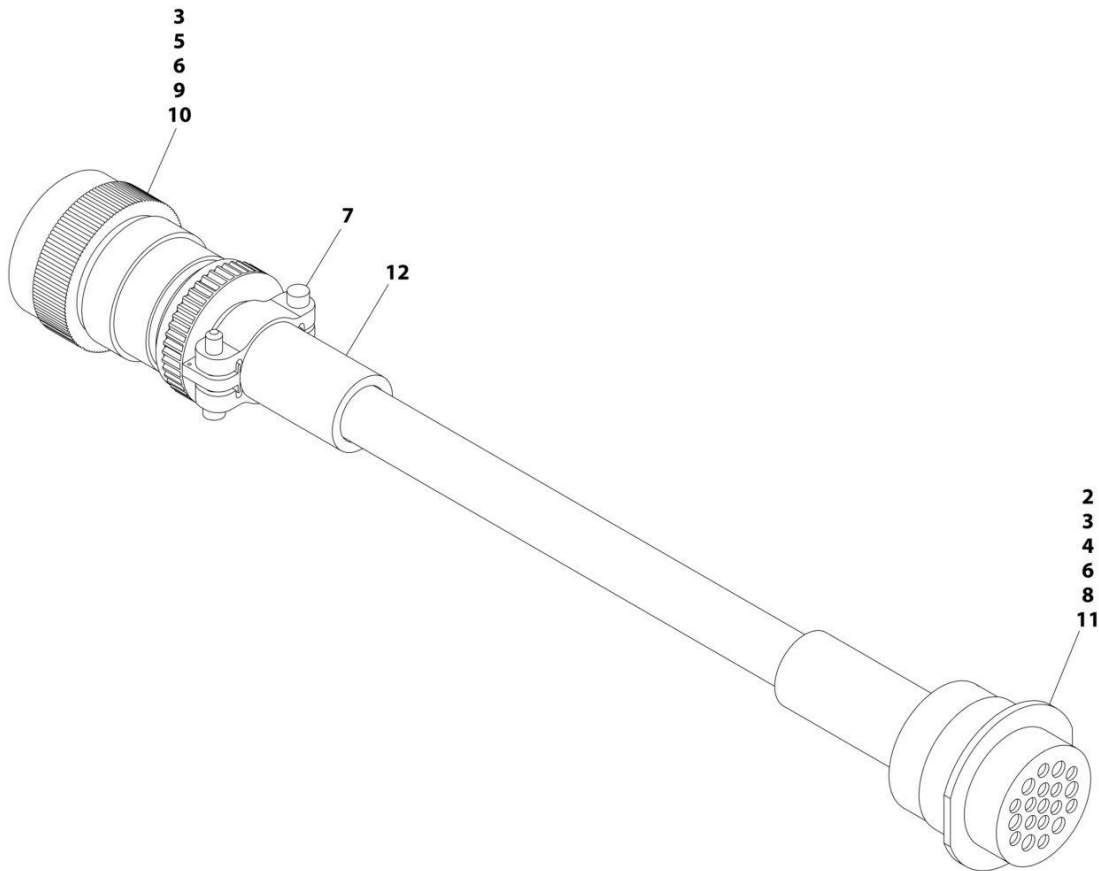
SECTION 8 - ELECTRICAL

FIGURE 8-25. BOOM CABLES INSTALLATION - WITH 7500W SKYPOWER GENERATOR

ITEM	PART NUMBER	QTY	DESCRIPTION	REV
	1001257903	Ref	BOOM CABLES INSTALLATION	A
1	0100011	AR	Compound, Locking	
2	0641612	4	Bolt 3/8 x 1-1/2	
3	1320256	1	Clamp, Block	
4	4240033	3	Tie, Cable (Not Shown)	
5	4711600	4	Washer 3/8	
6	4922576	1	Boom Cable - Tower Boom (See Separate Breakdown in this Section)	
7	4922578	1	Harness, Tower Boom Elevation Limit Switch	
8	1001181923	1	Shield, Cable/Hose	
9	1001227359	1	Harness, Tilt Sensor Harness	
9	4460944	3	Socket, Female (at GC Box)	
9A	1001097051	1	Connector - 4 Position	
9A	1001097082	1	Terminal	
9A	4460518	1	Plug, Terminal	
10	1001227488	1	Boom Cable - Main Boom (See Separate Breakdown in this Section)	
11	1001258707	1	Harness, Main Boom Angle Sensor	
11A	1001230931	1	Connector - 6 Position	
11A	1001116748	6	Terminal	
12	1001258708	1	Harness, Transport Proximity Sensor	
12A	4460539	1	Plug, Male - 3 Position	
12A	4460465	3	Socket, Female	
13	1001258709	1	Harness, Mid Boom Proximity Sensor (Main Boom) (See Separate Breakdown in ths Section)	
14	1001258710	1	Cable, Middle Boom Proximity Sensor, Lower	
14A	4460894	1	Plug, Male - 6 Position	
14A	4460465	6	Socket, Female	
15	1001258711	1	Cable, Full Extension Proximity Sensor	
16	1001125125	1	AC Cable, 8/5 (Tower Boom)	
17	1001125127	1	AC Cable, 8/5 (Main Boom)	

SECTION 8 - ELECTRICAL

FIGURE 8-26. BOOM CABLE - MAIN BOOM



ART_1001227488

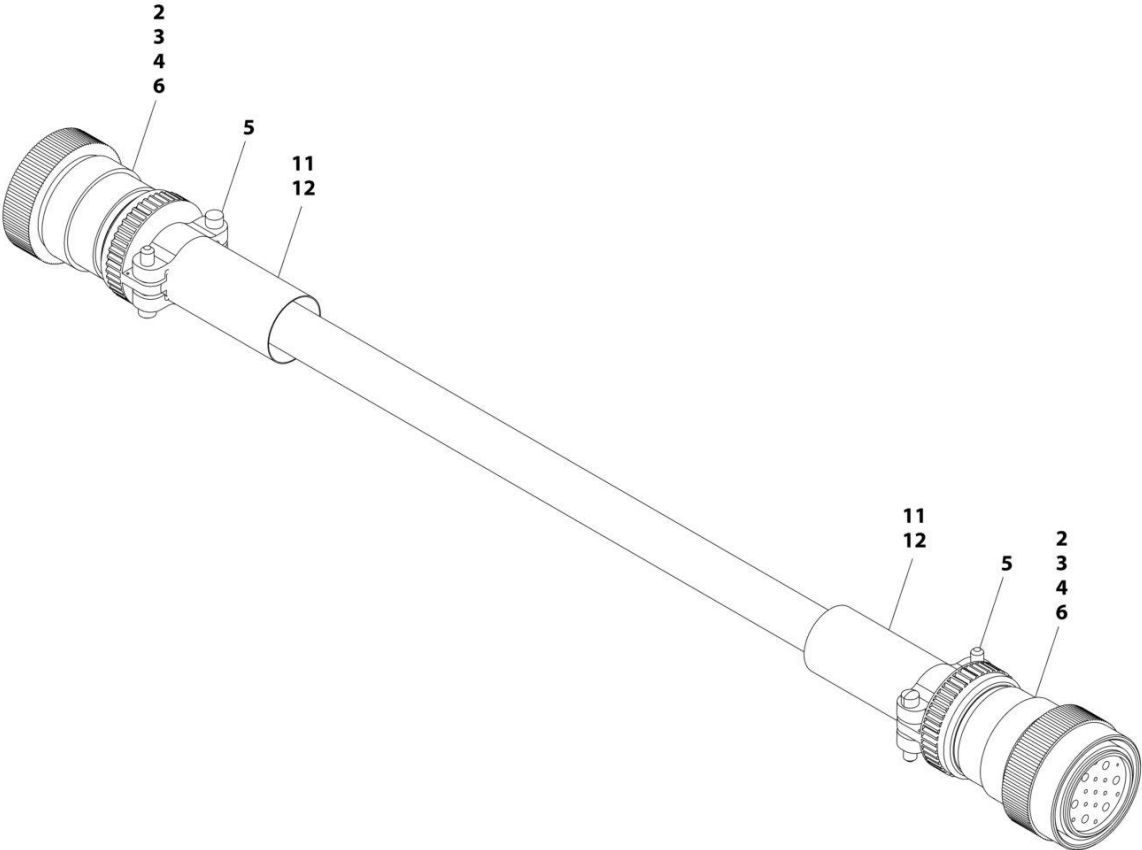
SECTION 8 - ELECTRICAL

FIGURE 8-26. BOOM CABLE - MAIN BOOM

ITEM	PART NUMBER	QTY	DESCRIPTION	REV
	1001227488	Ref	BOOM CABLE - MAIN BOOM	A
2	2820031	AR	Heatshrink	
3	2820118	AR	Heatshrink, Clear	
4	4460464	8	Pin, Male	
5	4460465	11	Socket, Female	
6	4460466	11	Plug, Terminal	
7	4460473	1	Clamp	
8	4460508	4	Pin, Male	
9	4460509	4	Socket, Female	
10	4460865	1	Connector - 19 Position	
11	4460866	1	Connector - 19 Position	
12	1001226400	1	Insulate, Heatshrink	

SECTION 8 - ELECTRICAL

FIGURE 8-27. BOOM CABLE (TOWER BOOM)



ART_4922576

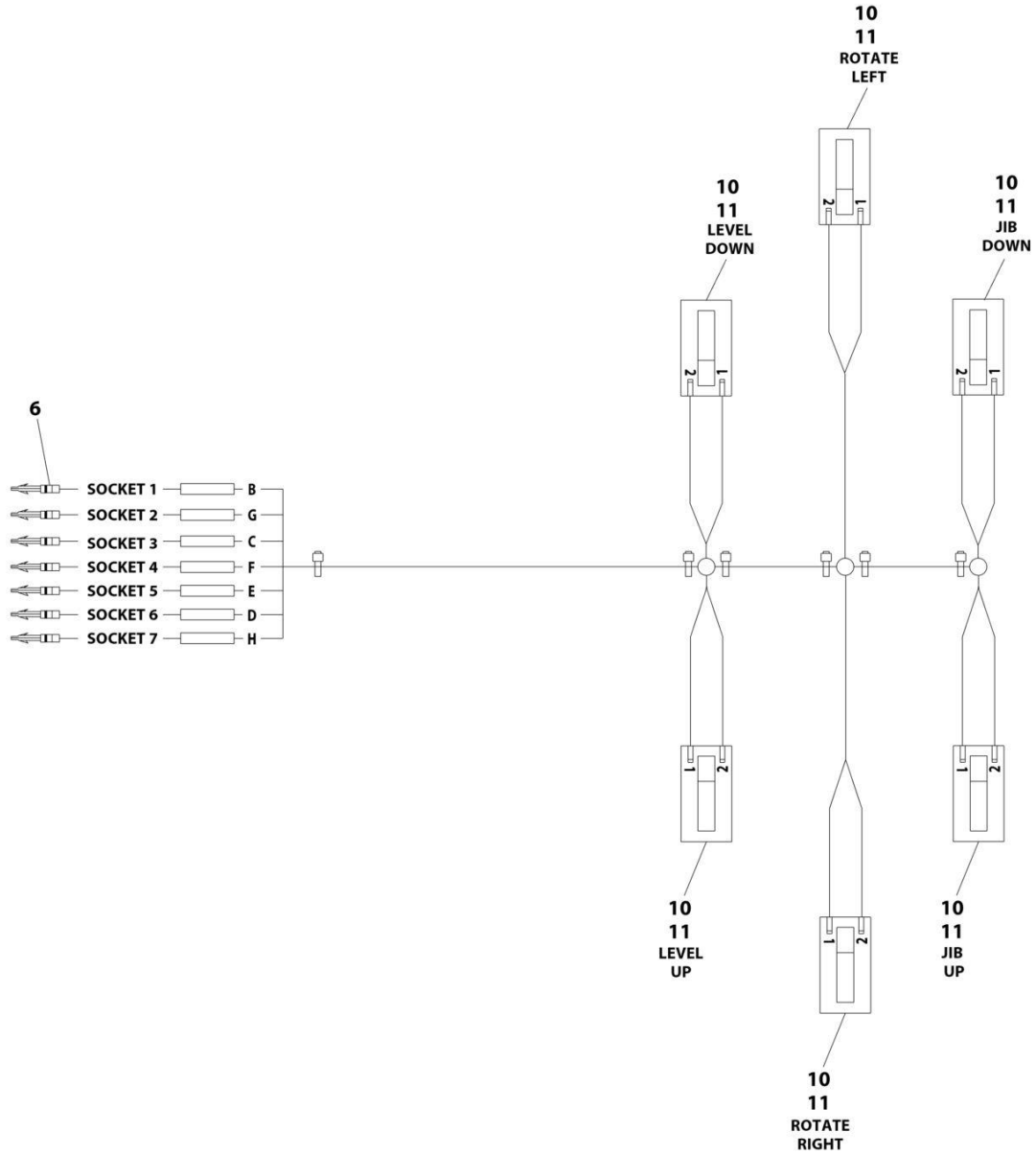
SECTION 8 - ELECTRICAL

FIGURE 8-27. BOOM CABLE (TOWER BOOM)

ITEM	PART NUMBER	QTY	DESCRIPTION	REV
	4922576	Ref	BOOM CABLE - TOWER BOOM	E
2	4460465	22	Socket, Female	
3	4460865	2	Connector - 19 Position	
4	4460509	8	Socket, Female	
5	4460473	2	Clamp	
6	4460466	8	Plug, Terminal	
11	2820118	AR	Heatshrink, Clear	
12	1001226400	AR	Insulate, Heatshrink	

SECTION 8 - ELECTRICAL

FIGURE 8-28. BOOM VALVE HARNESS



ART_1001139135

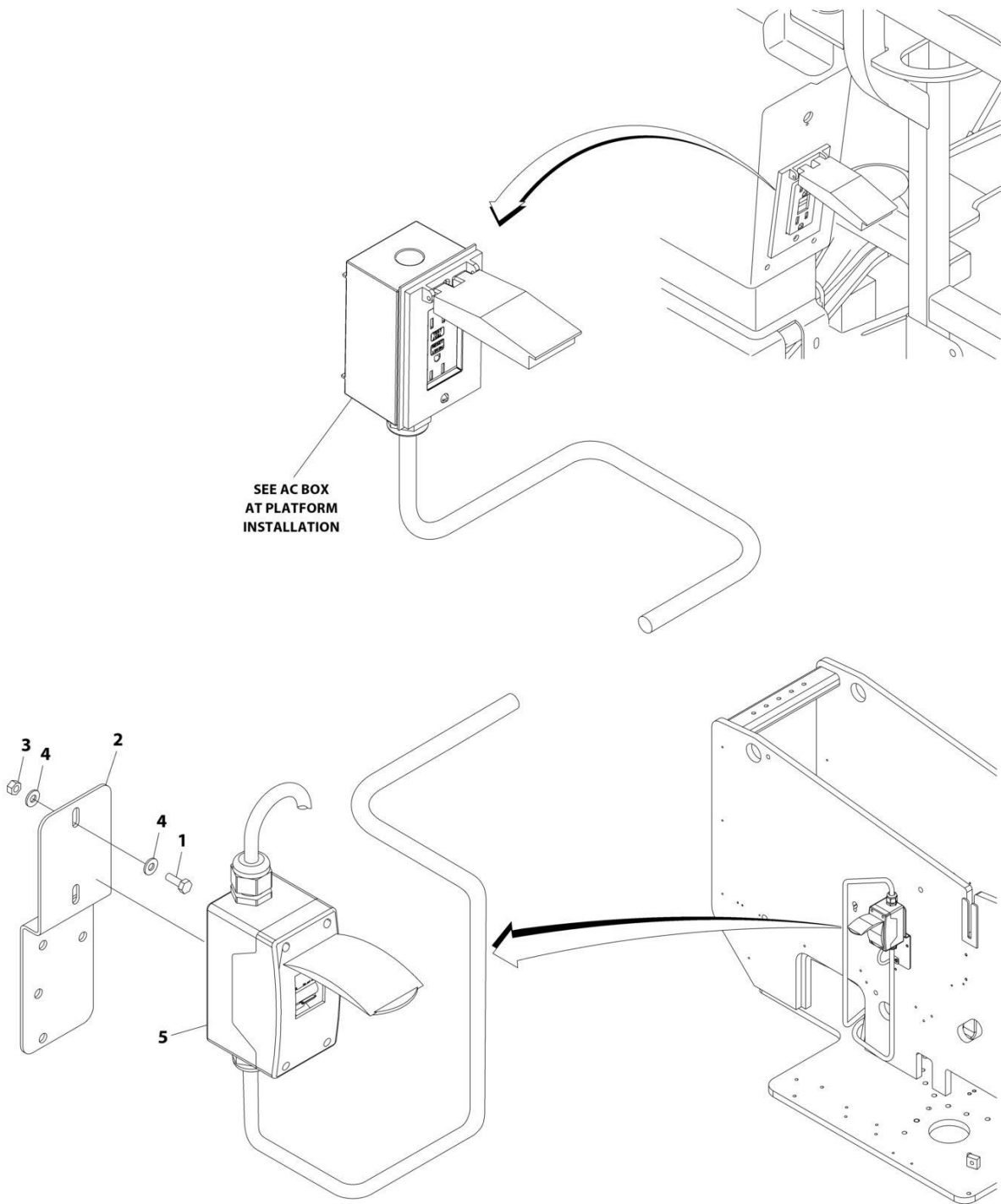
SECTION 8 - ELECTRICAL

FIGURE 8-28. BOOM VALVE HARNESS

ITEM	PART NUMBER	QTY	DESCRIPTION	REV
	1001139135	Ref	BOOM VALVE HARNESS	3
6	4460226	7	Terminal, Socket	
10	4460891	6	Deutsch connector	
11	1001116692	12	Socket	

SECTION 8 - ELECTRICAL

FIGURE 8-29. BREAKER BOX INSTALLATION (BRAZIL SPECS)



ART_1001171016

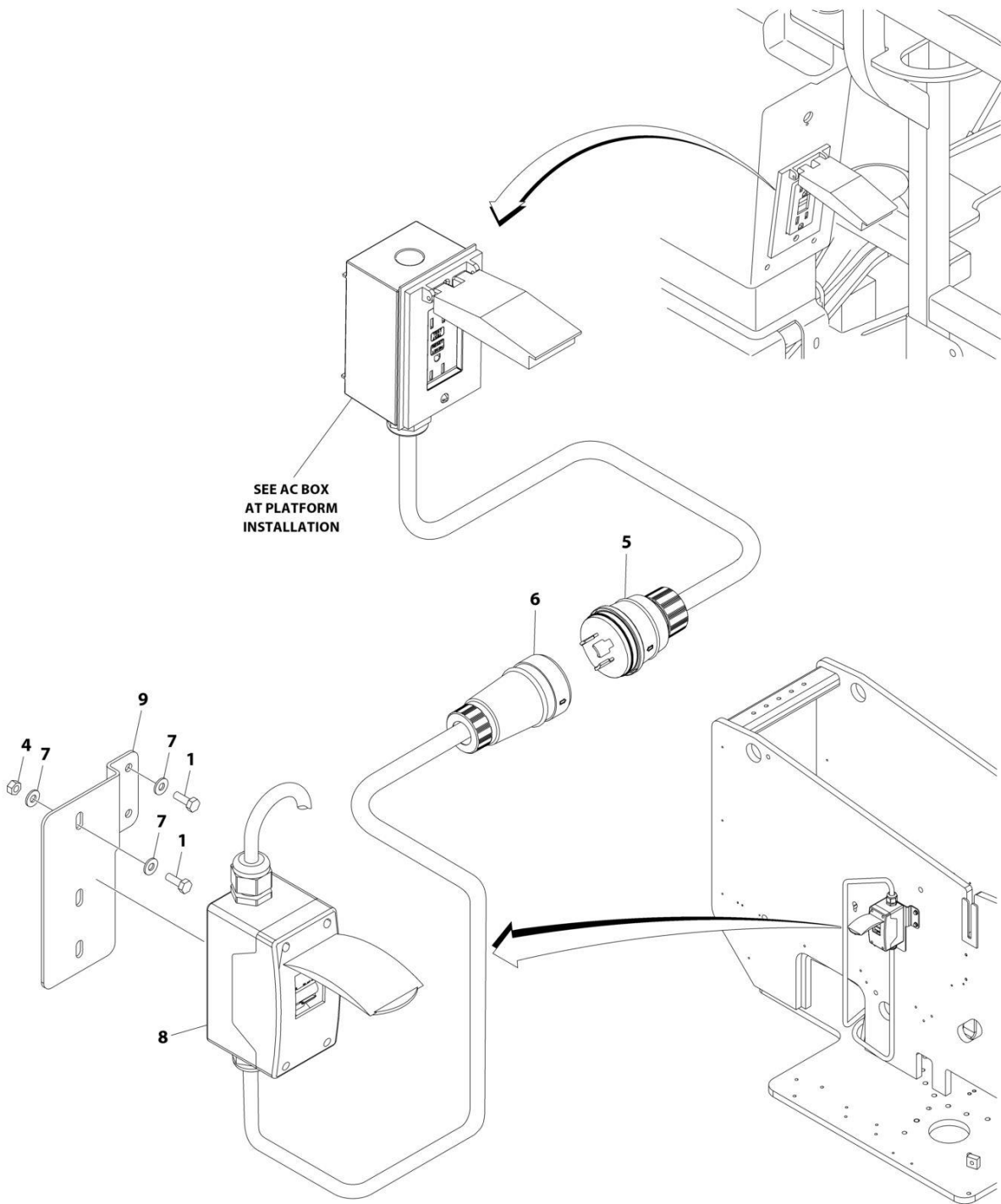
SECTION 8 - ELECTRICAL

FIGURE 8-29. BREAKER BOX INSTALLATION (BRAZIL SPECS)

ITEM	PART NUMBER	QTY	DESCRIPTION	REV
	1001171016	Ref	AC BREAKER BOX INSTALLATION	B
1	0641406	2	Bolt 1/4 x 3/4	
2	0903697	1	Bracket	
3	3311405	2	Nut 1/4	
4	4711400	4	Washer 1/4	
5	1001109654	1	Breaker Box Kit - With 2 Breakers (See Separate Breakdown in this Section)	

SECTION 8 - ELECTRICAL

FIGURE 8-30. BREAKER BOX INSTALLATION (CE & UK CA SPECS WITHOUT 4000W GENERATOR)



ART_1001177710

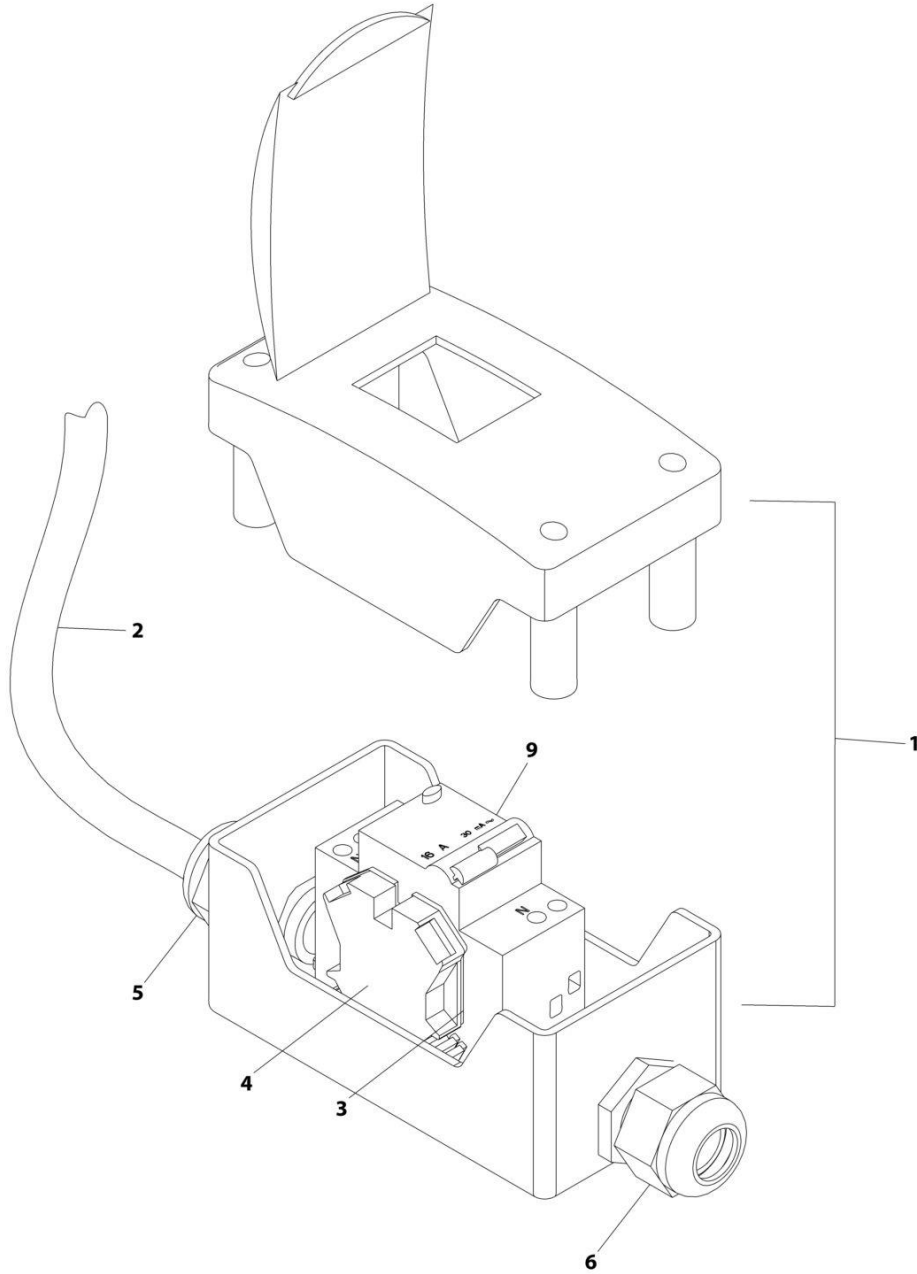
SECTION 8 - ELECTRICAL

FIGURE 8-30. BREAKER BOX INSTALLATION (CE & UK CA SPECS WITHOUT 4000W GENERATOR)

ITEM	PART NUMBER	QTY	DESCRIPTION	REV
	1001177710	Ref	AC BREAKER BOX INSTALLATION	D
1	0641406	4	Bolt 1/4 x 3/4	
4	3311405	2	Nut 1/4	
5	1001213584	1	Plug, Male	
6	1001213585	1	Receptacle, Female	
7	4711400	6	Washer 1/4	
8	1001109654	1	Breaker Box Kit - With 2 Breakers (See Separate Breakdown in this Section)	
9	1001177035	1	Bracket	

SECTION 8 - ELECTRICAL

FIGURE 8-31. BREAKER BOX KIT - ONE DOUBLE 16AMP BREAKER (BRAZIL, CE & UK CA SPECS WITHOUT 4000W GENERATOR)



ART_1001109654

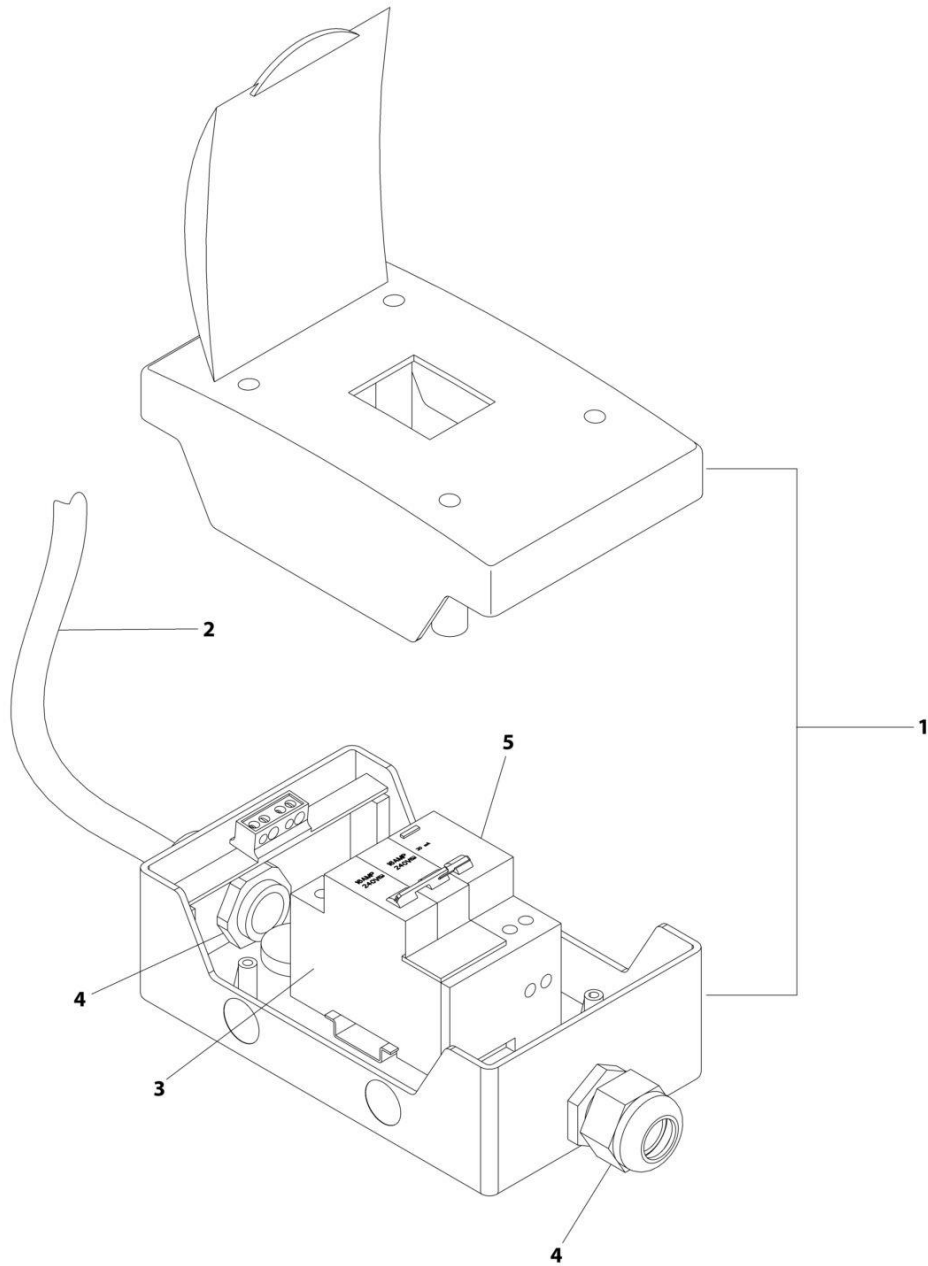
SECTION 8 - ELECTRICAL

FIGURE 8-31. BREAKER BOX KIT - ONE DOUBLE 16AMP BREAKER (BRAZIL, CE & UK CA SPECS WITHOUT 4000W GENERATOR)

ITEM	PART NUMBER	QTY	DESCRIPTION	REV
	1001109654	Ref	BREAKER BOX KIT	C
1	0861880	1	Box, Breaker	
2	1060908	12 ft/ 3.6m	Cable 12/3	
3	4460956	1	Barrier, Terminal Block End	
4	4460957	1	Block, Terminal	
5	1001097150	1	Connector, Strain Relief	
6	1001101191	1	Connector, Strain Relief	
9	1001181045	1	Breaker - 30mA/16Amp	
10	1001100231	3	Terminal (Not Shown)	

SECTION 8 - ELECTRICAL

FIGURE 8-32. BREAKER BOX KIT - WITH 3 BREAKERS (CE & UK CA SPECS WITH 4000W GENERATOR)



ART_1001205690

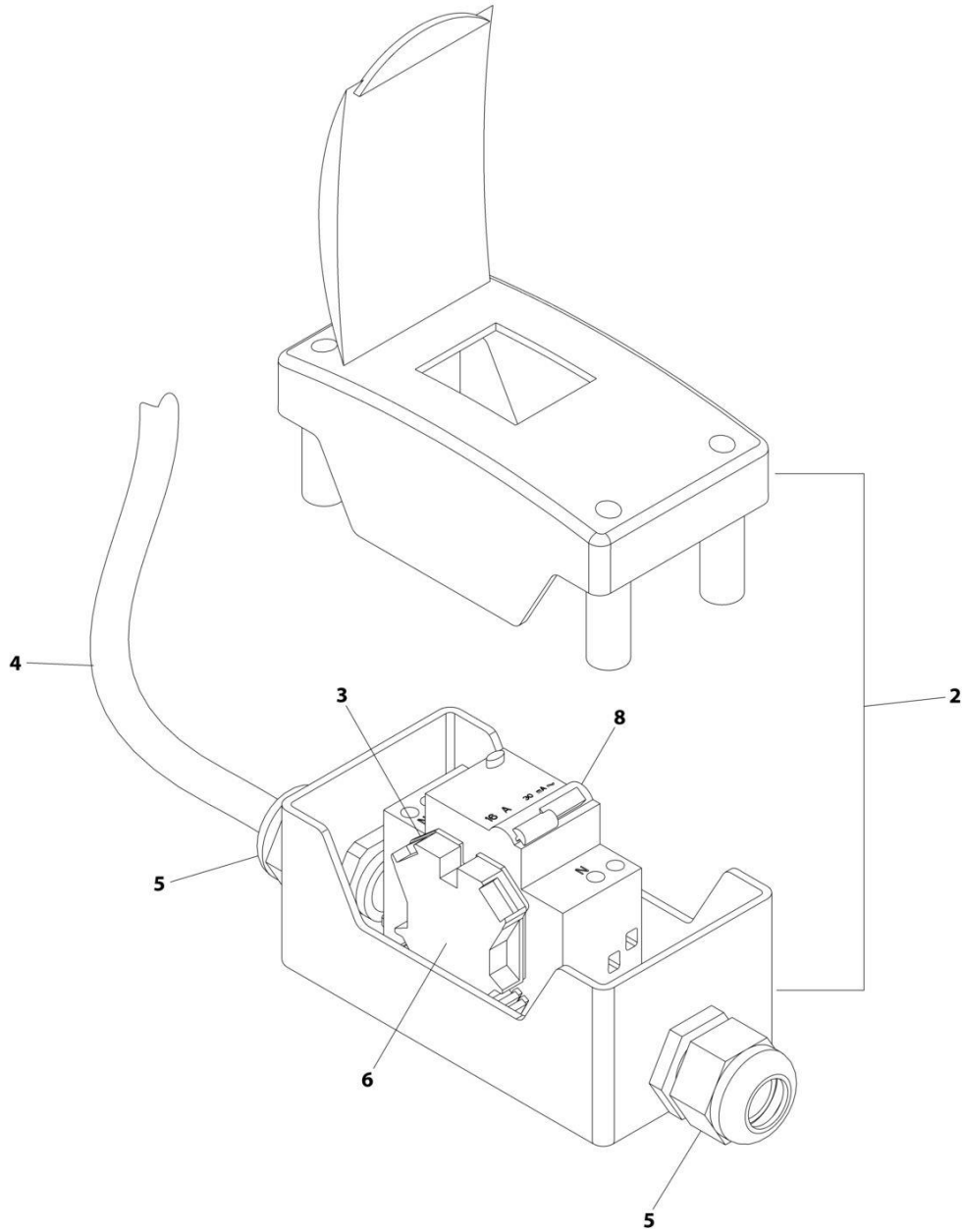
SECTION 8 - ELECTRICAL

FIGURE 8-32. BREAKER BOX KIT - WITH 3 BREAKERS (CE & UK CA SPECS WITH 4000W GENERATOR)

ITEM	PART NUMBER	QTY	DESCRIPTION	REV
	1001205690	Ref	BREAKER BOX KIT	B
1	1001152483	1	Box, Breaker	
2	1060545	12 ft / 3.6m	Cable, Electrical 10/3	
3	1001189172	1	Breaker 16Amp Double	
4	1001101191	2	Connector, Strain Relief	
5	1001189171	1	Breaker 30mA	

SECTION 8 - ELECTRICAL

FIGURE 8-33. BREAKER BOX KIT - ONE DOUBLE 16AMP BREAKER (CE & UK CA SPECS WITH 4000W GENERATOR)



ART_1001165368_B

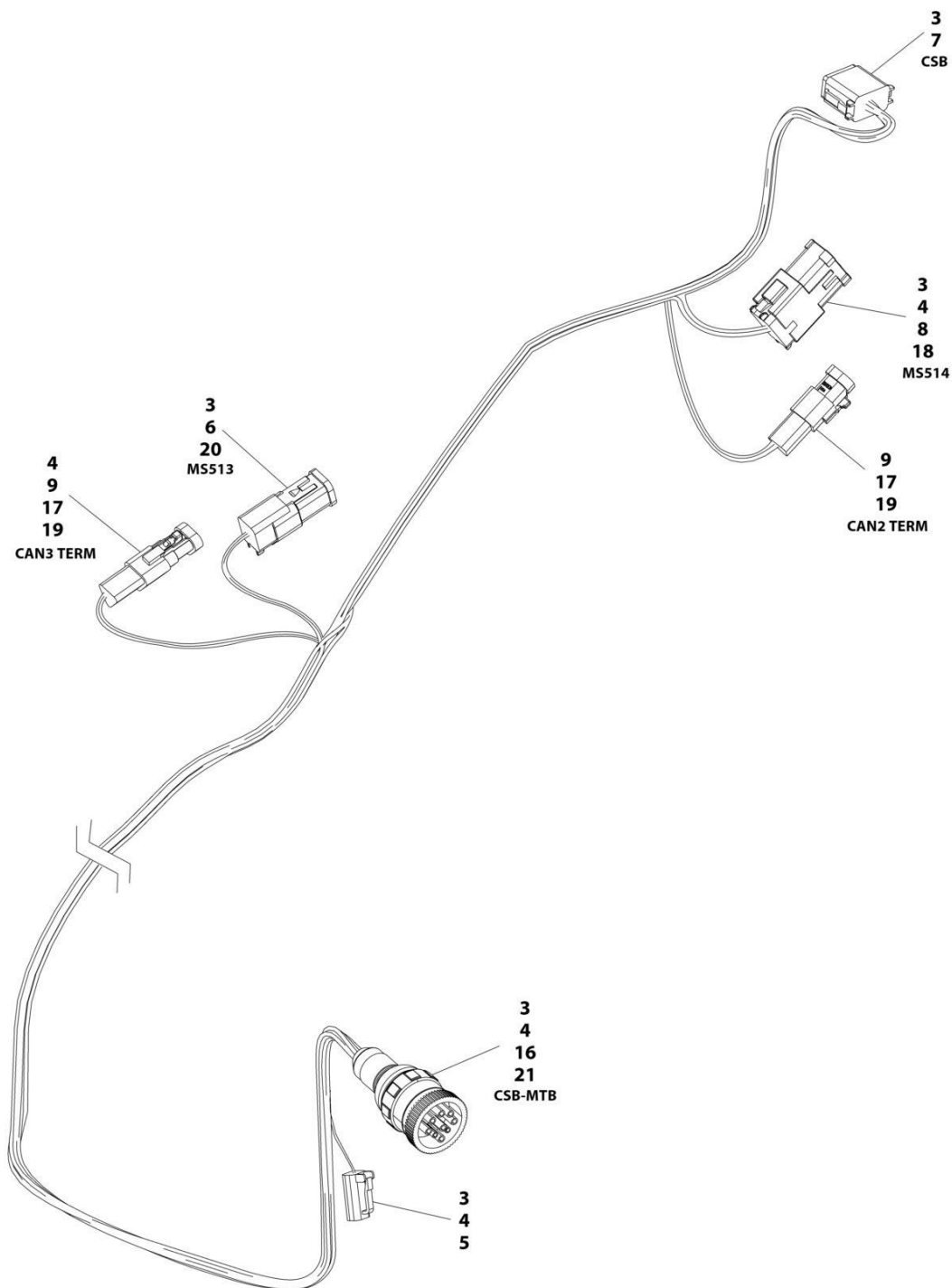
SECTION 8 - ELECTRICAL

FIGURE 8-33. BREAKER BOX KIT - ONE DOUBLE 16AMP BREAKER (CE & UK CA SPECS WITH 4000W GENERATOR)

ITEM	PART NUMBER	QTY	DESCRIPTION	REV
	1001165368	Ref	BREAKER BOX KIT	B
2	0861880	1	Box, Circuit Breaker	
3	4460956	1	Barrier, Terminal Block End	
4	1060545	12 ft/ 3.6m	Cable, Electrical 10/3	
5	1001101191	2	Connector, Strain Relief	
6	4460957	1	Block, Terminal	
8	1001181045	1	Breaker 30mA/16Amp	

SECTION 8 - ELECTRICAL

FIGURE 8-34. CBS HARNESS



ART_1001286622

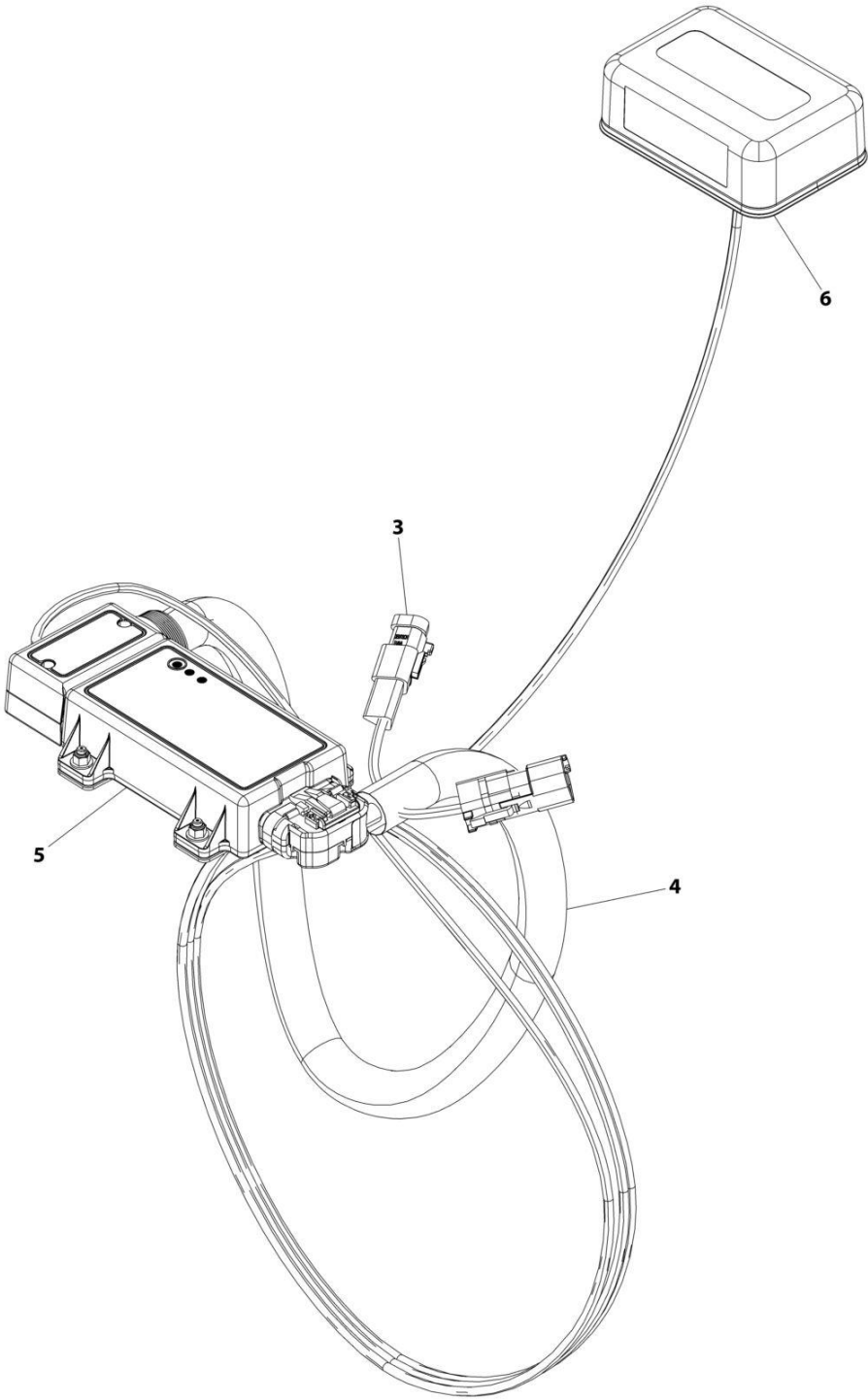
SECTION 8 - ELECTRICAL

FIGURE 8-34. CBS HARNESS

ITEM	PART NUMBER	QTY	DESCRIPTION	REV
	1001286622	Ref	CSB HARNESS	C
3	4460465	32	Socket	
4	4460466	6	Plug, Terminal	
5	4460891	1	Connector	
6	4460894	1	Connector	
7	4460930	1	Connector	
8	4460933	1	Connector	
9	4460943	6	Pin	
16	1001112796	1	Connector	
17	1001116815	2	Connector	
18	1001119020	1	Connector	
19	1001144147	2	Pin	
20	1001226541	1	Connector	
21	4461042	1	Connector	

SECTION 8 - ELECTRICAL

FIGURE 8-35. CLEARSKY INSTALLATION - CANBUS (ANSI SPECS)



ART_1001227448

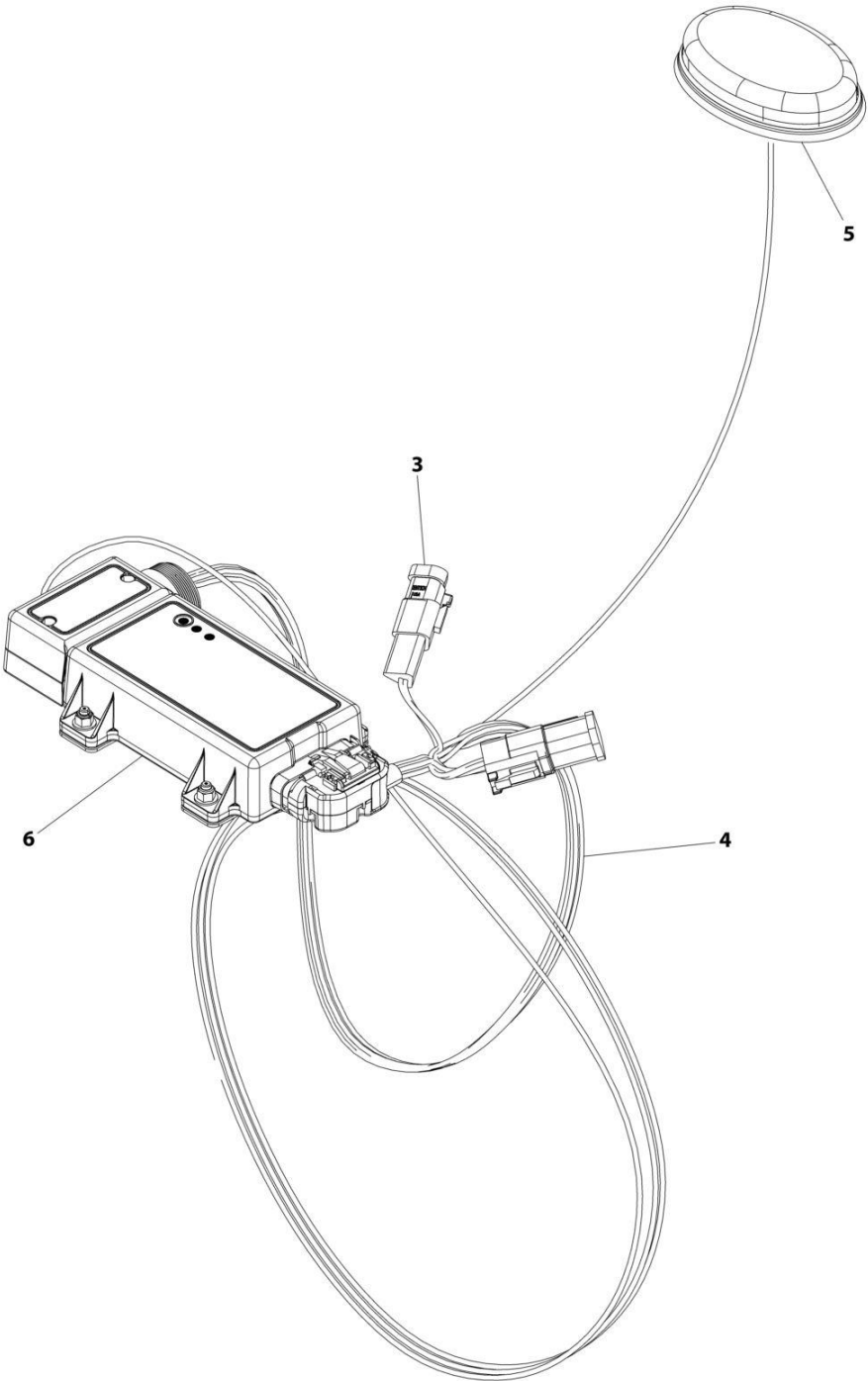
SECTION 8 - ELECTRICAL

FIGURE 8-35. CLEARSKY INSTALLATION - CANBUS (ANSI SPECS)

ITEM	PART NUMBER	QTY	DESCRIPTION	REV
	1001227448	REF	CLEARSKY INSTALLATION - CANBUS	B
1	4240032	AR	Tie-Strap (Not Shown)	
2	4460234	AR	Mount, Cable -Tie (Not Shown)	
3	1001116815	1	Plug, Connector	
4	1001226739	1	ClearSky Telematics Harness (See Separate Breakdown in this Section)	
5	1001262322	1	Module, ClearSky	
6	1001262326	1	Antenna	

SECTION 8 - ELECTRICAL

FIGURE 8-36. CLEARSKY INSTALLATION - CANBUS (AUSTRALIAN SPECS)



ART_1001246473

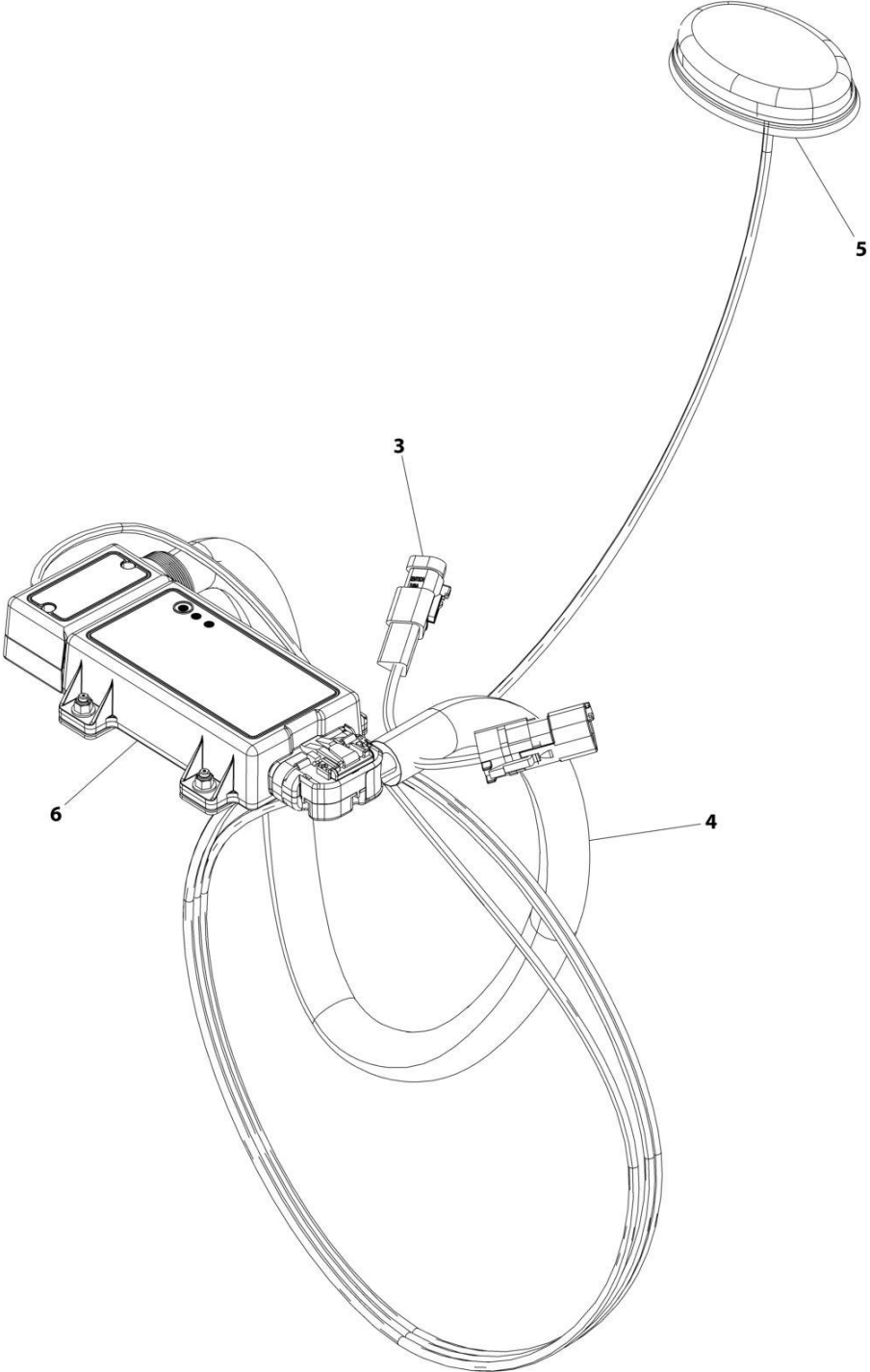
SECTION 8 - ELECTRICAL

FIGURE 8-36. CLEARSKY INSTALLATION - CANBUS (AUSTRALIAN SPECS)

ITEM	PART NUMBER	QTY	DESCRIPTION	REV
	1001246473	REF	CLEARSKY INSTALLATION - CANBUS	A
1	4240032	AR	Tie-Strap (Not Shown)	
2	4460234	AR	Mount, Cable -Tie (Not Shown)	
3	1001116815	1	Plug, Connector	
4	1001226739	1	ClearSky Telematics Harness (See Separate Breakdown in this Section)	
5	1001226799	1	Antenna	
6	1001246144	1	Module, ClearSky	

SECTION 8 - ELECTRICAL

FIGURE 8-37. CLEARSKY INSTALLATION - CANBUS (CE SPECS)



ART_1001228949

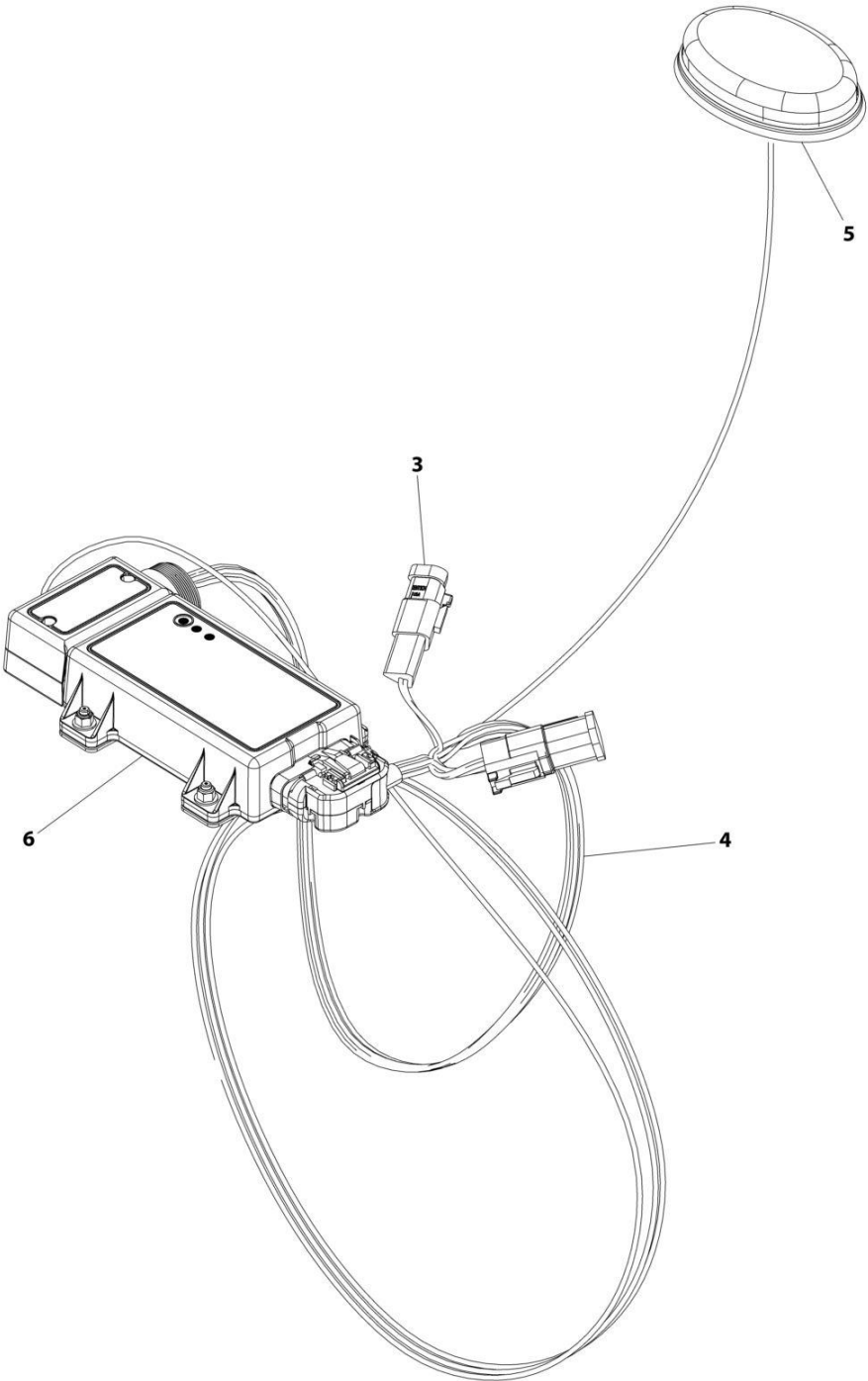
SECTION 8 - ELECTRICAL

FIGURE 8-37. CLEARSKY INSTALLATION - CANBUS (CE SPECS)

ITEM	PART NUMBER	QTY	DESCRIPTION	REV
	1001228949	REF	CLEARSKY INSTALLATION - CANBUS	A
1	4240032	AR	Tie-Strap (Not Shown)	
2	4460234	AR	Mount, Cable -Tie (Not Shown)	
3	1001116815	1	Plug, Connector	
4	1001226739	1	ClearSky Telematics Harness (See Separate Breakdown in this Section)	
5	1001226799	1	Antenna	
6	1001228954	1	Module, ClearSky	

SECTION 8 - ELECTRICAL

FIGURE 8-38. CLEARSKY INSTALLATION - CANBUS (CHINA SPECS)



ART_1001246474

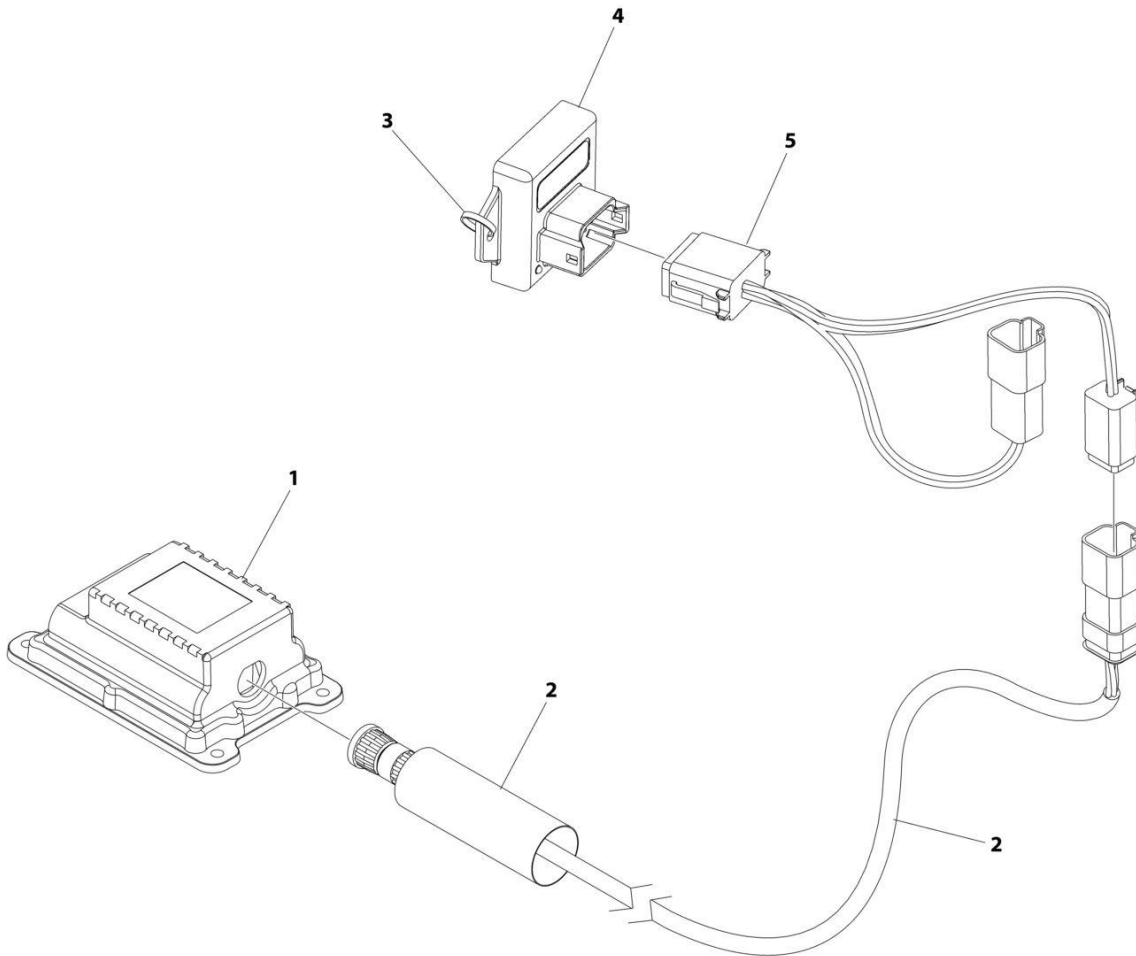
SECTION 8 - ELECTRICAL

FIGURE 8-38. CLEARSKY INSTALLATION - CANBUS (CHINA SPECS)

ITEM	PART NUMBER	QTY	DESCRIPTION	REV
	1001246474	Ref	CLEARSKY INSTALLATION - CANBUS	A
1	4240032	AR	Tie-Strap (Not Shown)	
2	4460234	AR	Mount, Cable -Tie (Not Shown)	
3	1001116815	1	Plug, Connector	
4	1001226739	1	ClearSky Telematics Harness (See Separate Breakdown in this Section)	
5	1001226799	1	Antenna	
6	1001246145	1	Module, ClearSky	

SECTION 8 - ELECTRICAL

FIGURE 8-39. CLEARSKY INSTALLATION - 3-WIRE (ANSI & CSA SPECS)



ART_1001229107

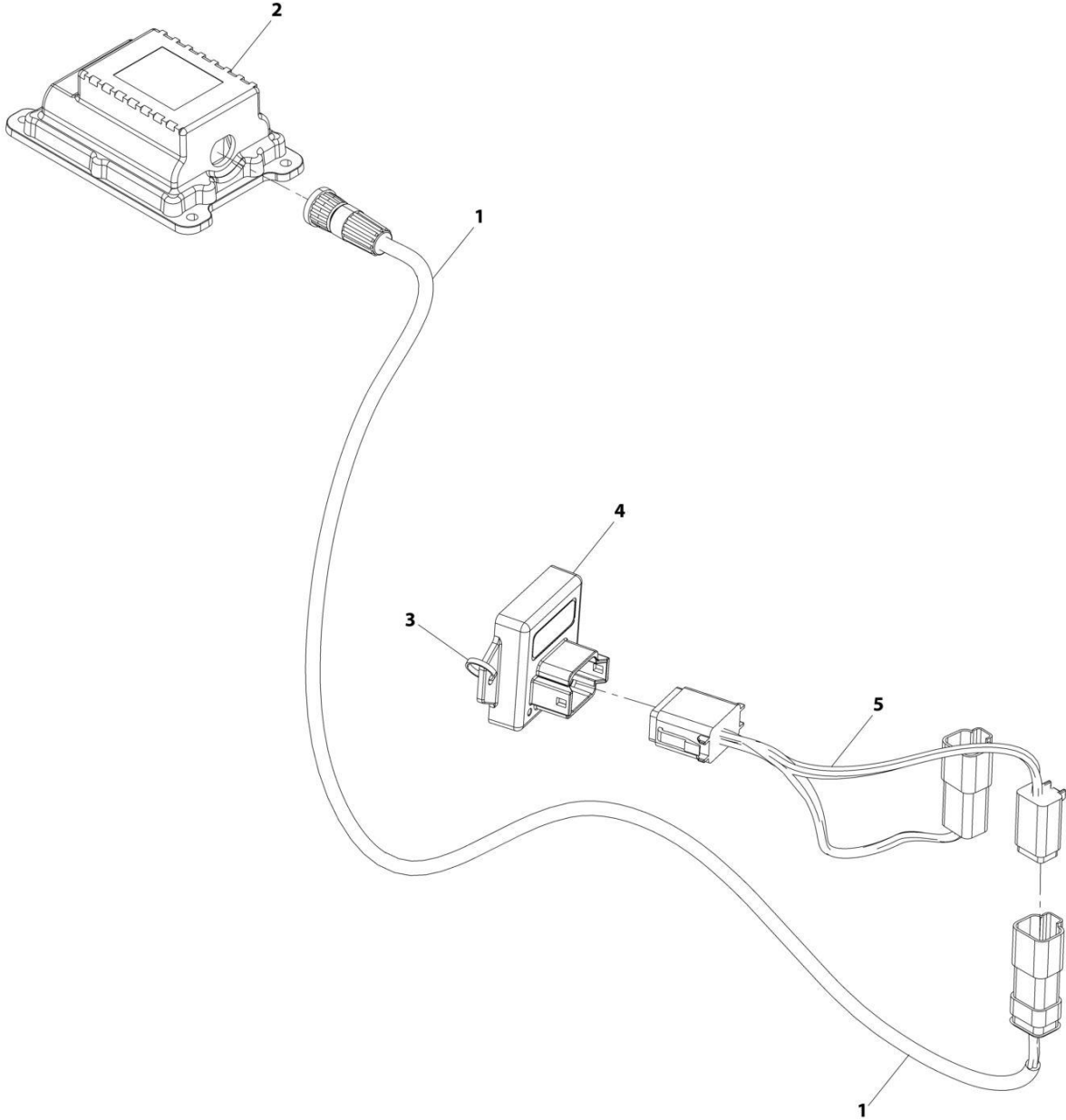
SECTION 8 - ELECTRICAL

FIGURE 8-39. CLEARSKY INSTALLATION - 3-WIRE (ANSI & CSA SPECS)

ITEM	PART NUMBER	QTY	DESCRIPTION	REV
	1001229107	Ref	CLEARSKY INSTALLATION 3-WIRE	D
1	1001226328	1	Module, 3W TCU	
2	1001227066	1	Telematics ClearSky Harness (See Separate Breakdown in this Section)	
3	4240032	AR	Tie-Strap	
4	1001262960	1	Voltage Regulator	
5	1001262963	1	Harness, Xirgo Jumper	

SECTION 8 - ELECTRICAL

FIGURE 8-40. CLEARSKY INSTALLATION - 3-WIRE (ANSI EXPORT, CE & UK CA SPECS)



ART_1001233237

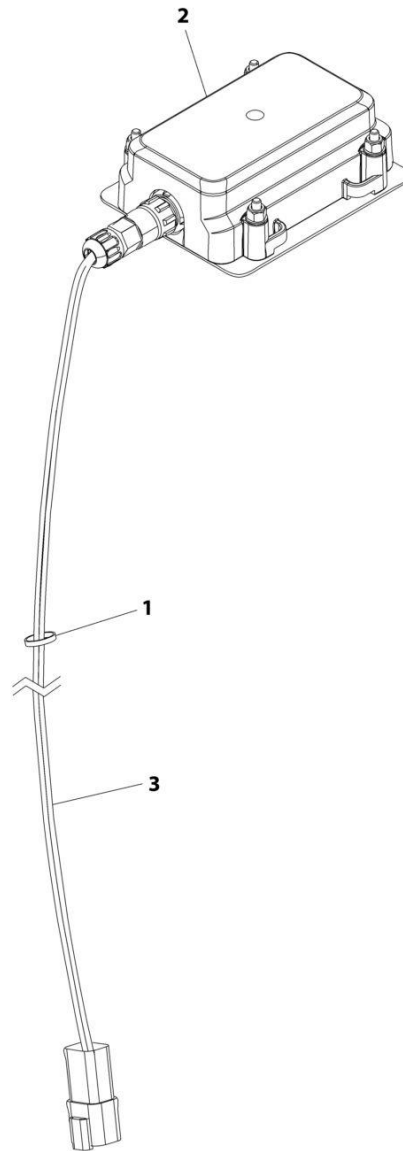
SECTION 8 - ELECTRICAL

FIGURE 8-40. CLEARSKY INSTALLATION - 3-WIRE (ANSI EXPORT, CE & UK CA SPECS)

ITEM	PART NUMBER	QTY	DESCRIPTION	REV
	1001233237	Ref	Clearsky Installation 3-Wire (CE)	E
1	1001227066	1	Telematics Harness (See Separate Breakdown in this Section)	
2	1001233236	1	Module, 3W TCU	
3	4240032	AR	Tie Strap	
4	1001262960	1	Voltage Regulator	
5	1001262963	1	Harness, Xirgo Jumper	

SECTION 8 - ELECTRICAL

FIGURE 8-41. CLEARSKY INSTALLATION 3-WIRE CONNECTION (ALL SPECS)



ART_1001276610

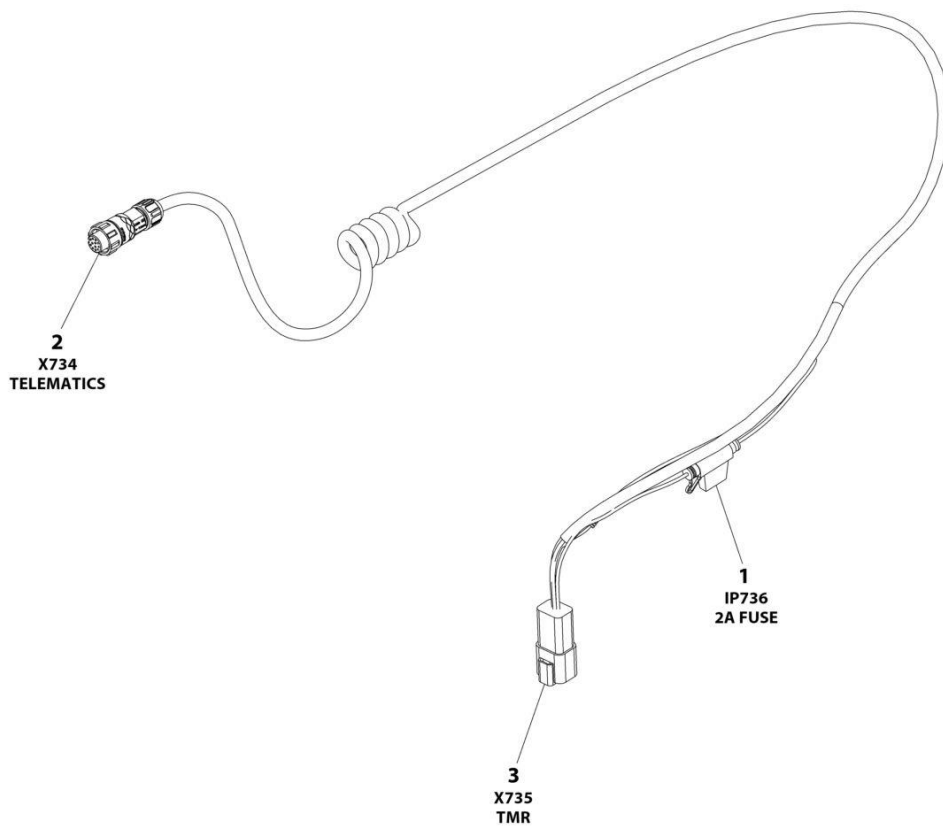
SECTION 8 - ELECTRICAL

FIGURE 8-41. CLEARSKY INSTALLATION 3-WIRE CONNECTION (ALL SPECS)

ITEM	PART NUMBER	QTY	DESCRIPTION	REV
	1001276610	Ref	CLEARSKY INSTALLATION 3-WIRE CONNECTION	A
1	4240032	AR	Tie-Strap	
2	1001272659	1	Telematics Control Module Assembly (Note: Re-calibration Required when Replaced)	
3	1001273012	1	ClearSky Harness (See Separate Breakdown in this Section)	

SECTION 8 - ELECTRICAL

FIGURE 8-42. CLEARSKY TELEMATCIS HARNESS (3-WIRE)



ART_1001273012

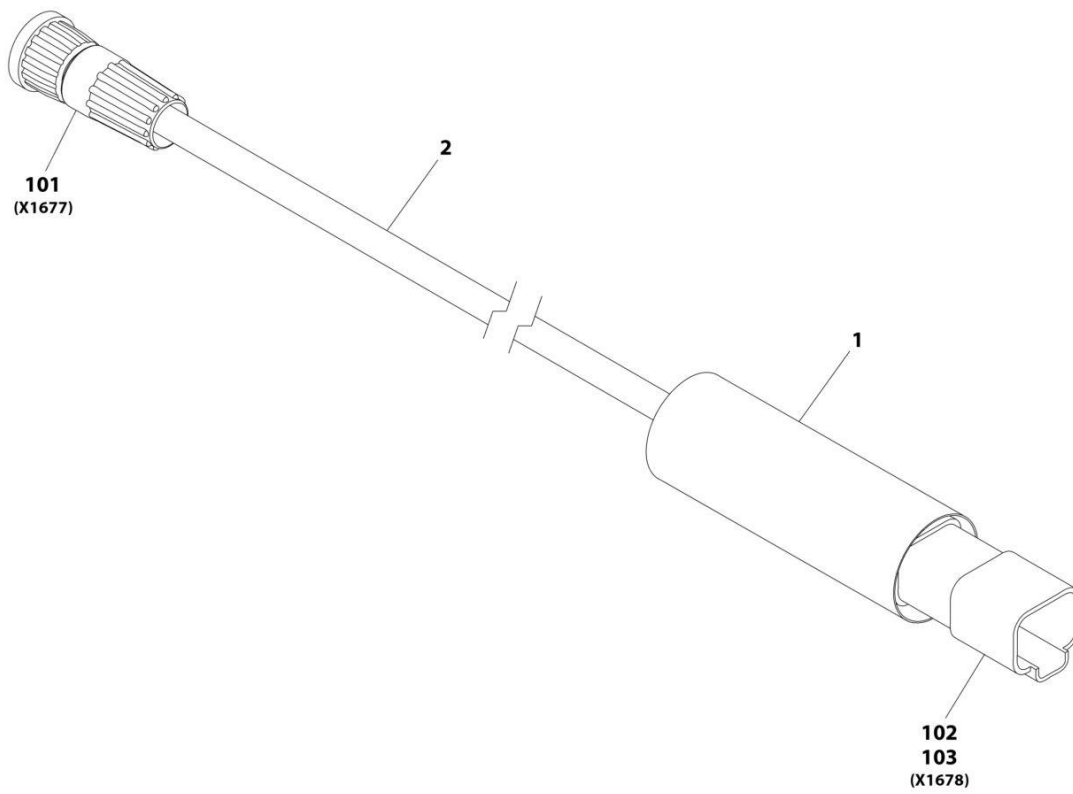
SECTION 8 - ELECTRICAL

FIGURE 8-42. CLEARSKY TELEMATICS HARNESS (3-WIRE)

ITEM	PART NUMBER	QTY	DESCRIPTION	REV
	1001273012	Ref	CLEARSKY TELEMATICS HARNESS - GT1030	D
1	1001255901	1	Fuseholder	
1	1001196634	1	Fuse - 2Amp	
2	1001272997	1	Connector - 12 Position	
2		Ref	Terminal	
3	4460932	1	Receptacle, Female - 4 Position	
3	4460464	4	Pin, Male	

SECTION 8 - ELECTRICAL

FIGURE 8-43. CLEARSKY TELEMATICS HARNESS



ART_1001227066-A

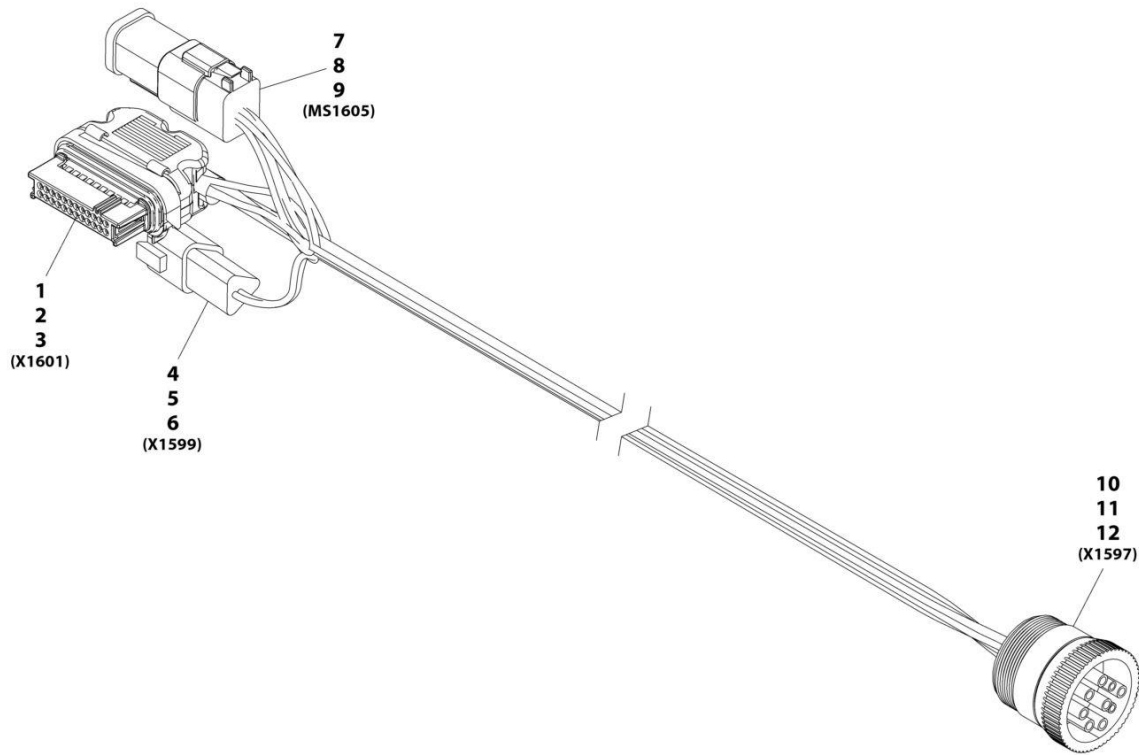
SECTION 8 - ELECTRICAL

FIGURE 8-43. CLEARSKY TELEMATICS HARNESS

ITEM	PART NUMBER	QTY	DESCRIPTION	REV
	1001227066	Ref	CLEARSKY TELEMATICS HARNESS	A
1	1001226400	0.33 ft	Insulate, Heat Shrink	
2	1001227068	3.3 ft	Cable	
101	1001227266	1	Connector	
102	1001129407	1	Connector	
103	4460464	4	Terminal	

SECTION 8 - ELECTRICAL

FIGURE 8-44. CLEARSKY TELEMATICS HARNESS (CANBUS)



ART_1001226739-A

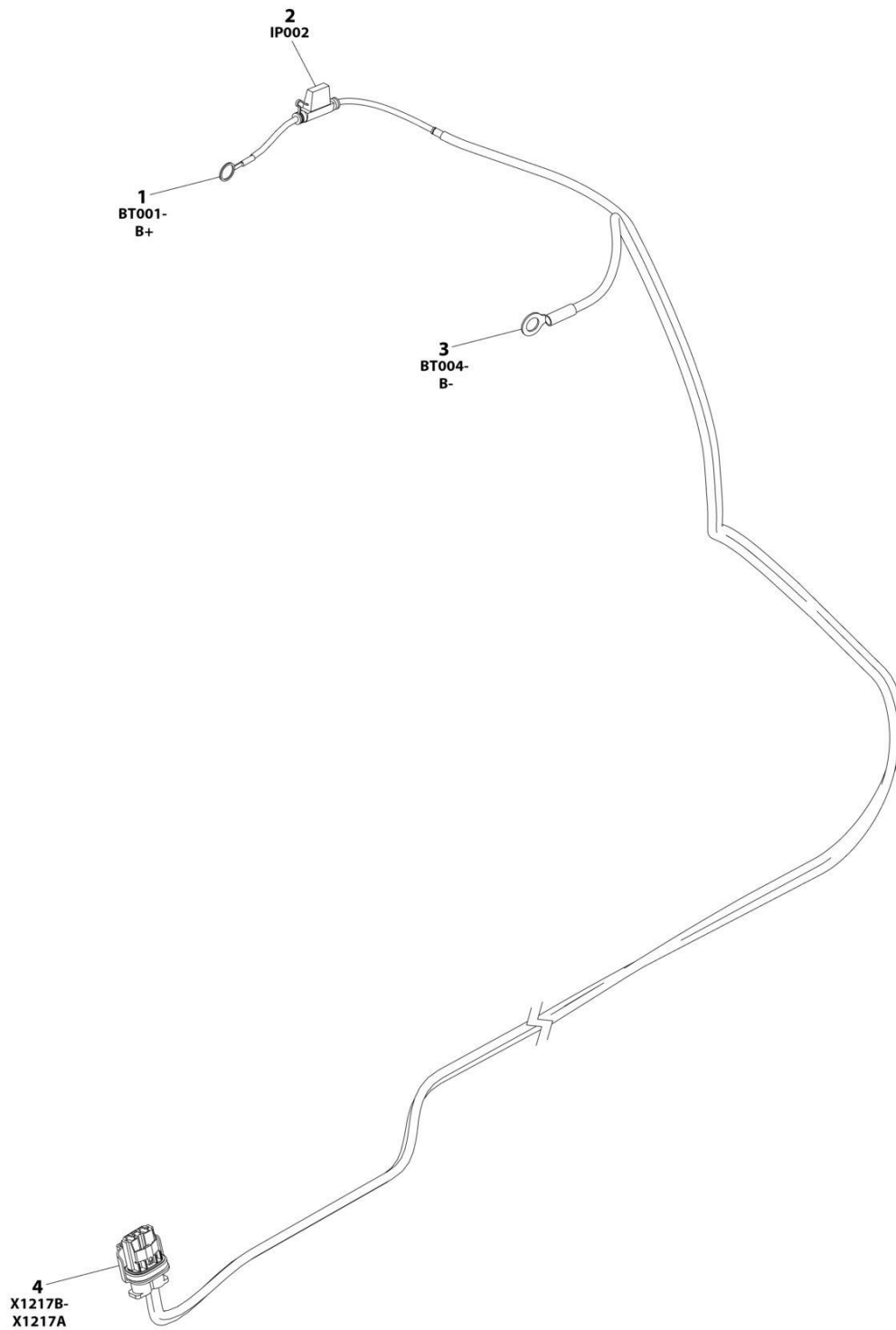
SECTION 8 - ELECTRICAL

FIGURE 8-44. CLEARSKY TELEMATCIS HARNESS (CANBUS)

ITEM	PART NUMBER	QTY	DESCRIPTION	REV
	1001226739	Ref	Clearsky Harness	A
1	1001226636	1	Connector	
2	1001116731	16	Plug, Terminal	
3	1001226637	8	Terminal	
4	1001144147	1	Connector	
5	4460464	2	Terminal	
6	4460466	1	Plug, Terminal	
7	4460894	1	Connector	
8	4460465	6	Terminal	
9	1001226541	1	Connector- 6 Pin Bussbar	
10	1001112796	1	Connector	
11	4460465	8	Terminal	
12	4460466	1	Plug, Terminal	

SECTION 8 - ELECTRICAL

FIGURE 8-45. ECU POWER JUMPER HARNESS



ART_1001289593

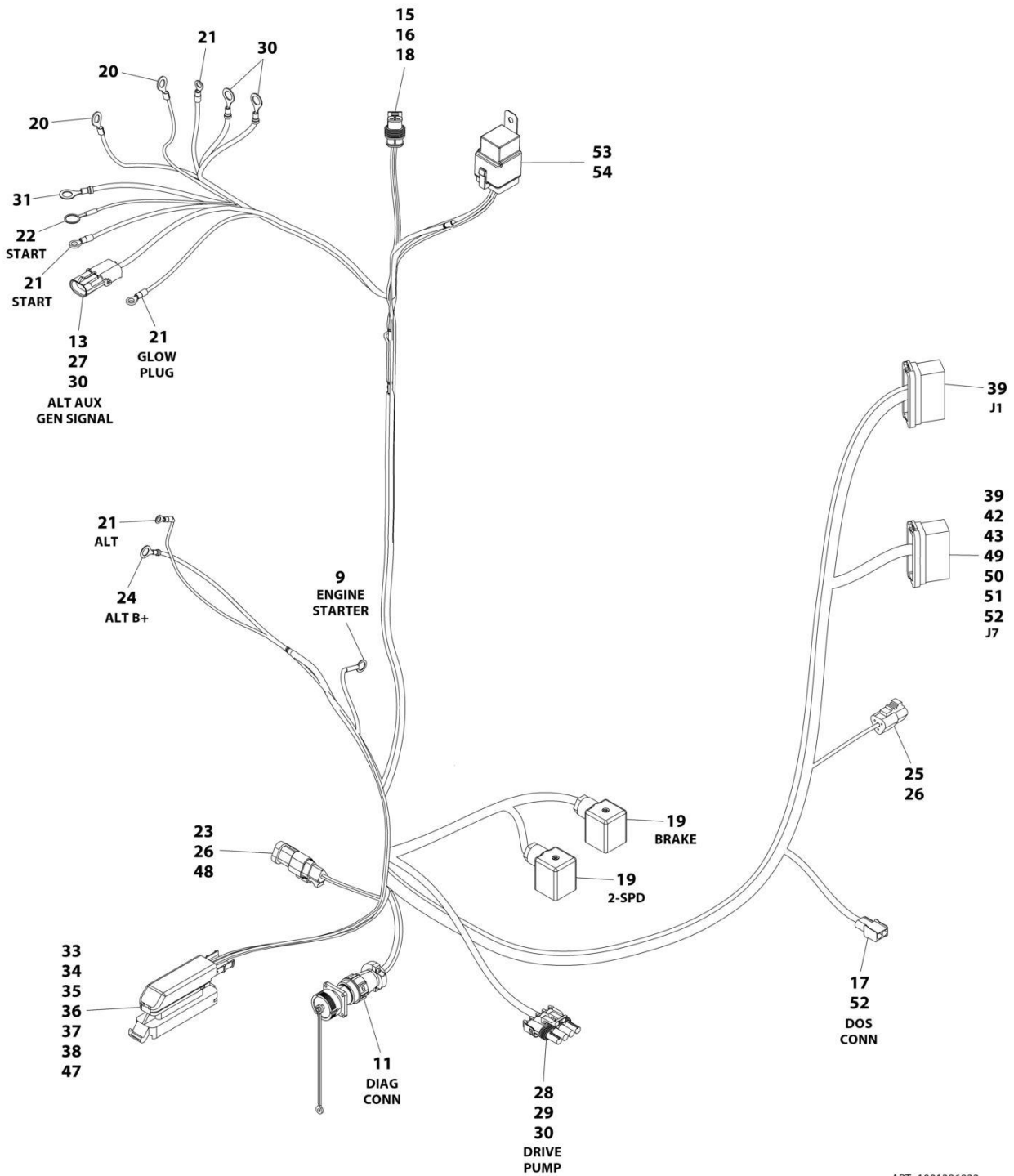
SECTION 8 - ELECTRICAL

FIGURE 8-45. ECU POWER JUMPER HARNESS

ITEM	PART NUMBER	QTY	DESCRIPTION	REV
	1001289593	Ref	ECU POWER JUMPER HARNESS	A
1	4460019	1	Terminal Ring	
2	1001172064	1	Fuse Holder	
2	1001172065	1	Fuse 30Amp	
3	8220164	1	Terminal Ring	
4	1001142938	1	Connector	
4	1001142940	2	Terminal	
4	1001142941	2	Seal	

SECTION 8 - ELECTRICAL

FIGURE 8-46. ENGINE HARNESS - DEUTZ D2011 ENGINES



ART_1001286032

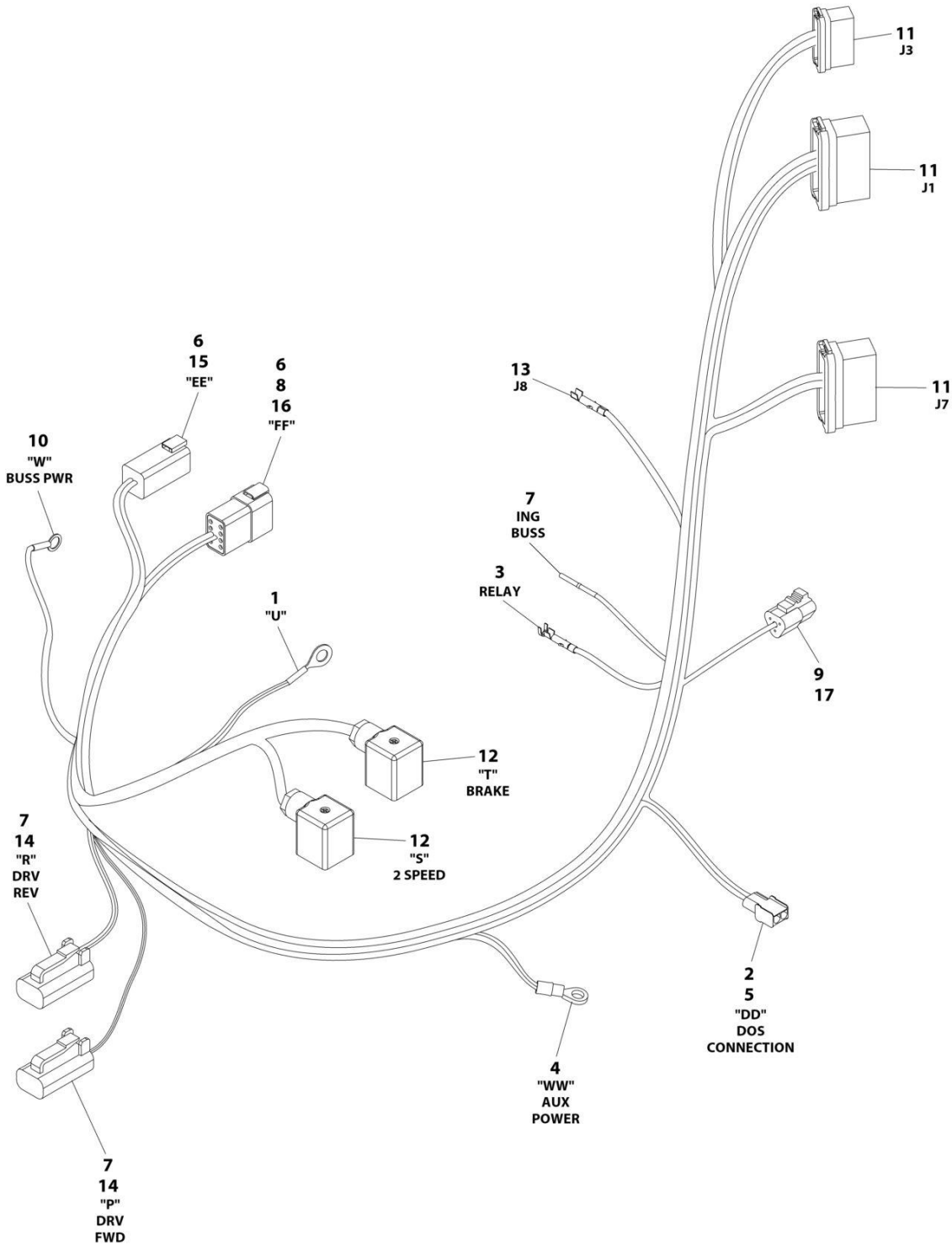
SECTION 8 - ELECTRICAL

FIGURE 8-46. ENGINE HARNESS - DEUTZ D2011 ENGINES

ITEM	PART NUMBER	QTY	DESCRIPTION	REV
	1001286032	Ref	ENGINE HARNESS - DEUTZ D2011 ENGINES	A
9	4460142	1	Terminal, Ring	
11	2902443	1	Kit, Receptacle	
11	4461073	1	Cap, Dust	
13	4461157	1	Connector	
15	1001102290	1	Connector	
16	1001102291	2	Terminal	
17	4460424	1	Connector	
18	1001102304	2	Seal	
19	1001263923	2	Connector	
20	4460312	2	Terminal, Ring	
21	4460313	4	Terminal, Ring	
22	4460019	1	Terminal, Ring	
23	4461070	1	Connector	
24	4460043	1	Terminal, Ring	
25	4460539	1	Pin	
26	4460944	6	Socket	
27	4460979	2	Pin	
28	4460460	1	Connector	
29	4460457	4	Sleeve	
30	4460458	6	Seal	
31	4460670	3	Terminal, Ring	
33	4461052	1	Connector	
34	4461005	5	Terminal	
35	4461060	2	Terminal	
36	4461006	5	Seal	
37	4461054	2	Seal	
38	4461008	18	Plug, Terminal	
39	4460871	10	Socket	
43	4460887	1	Terminal	
47	4461053	1	Cover	
48	4461095	1	Pin	
49	4460465	2	Socket	
50	4460259	1	Terminal	
51	4460260	1	Cover, Terminal	
52	4460226	4	Socket	
53	4460374	1	Plug	
54	4460375	4	Terminal	

SECTION 8 - ELECTRICAL

FIGURE 8-47. GROUND CONTROL ENGINE HARNESS - DEUTZ TD2.9L4 (STAGE V) ENGINE



ART_1001295732

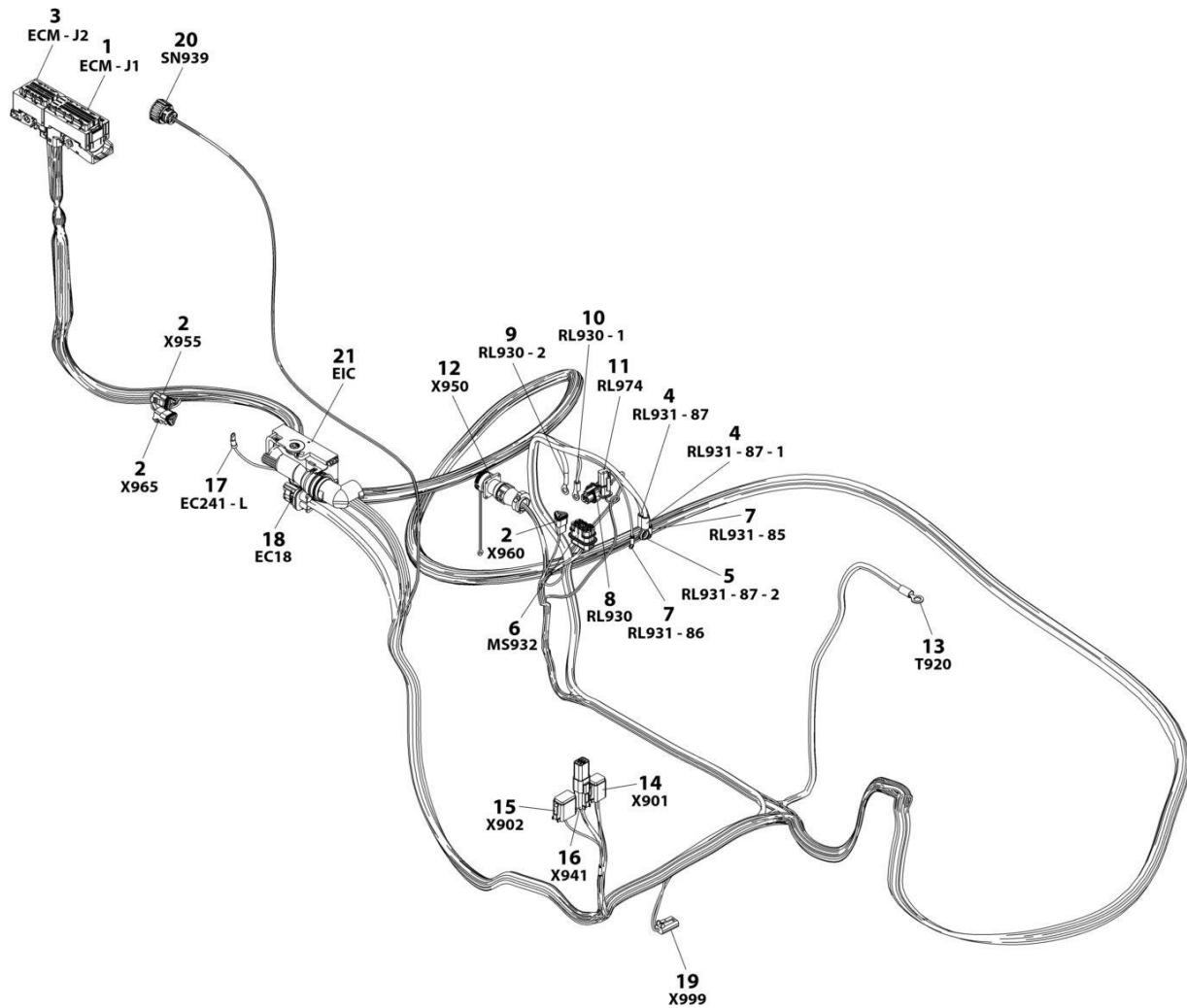
SECTION 8 - ELECTRICAL

FIGURE 8-47. GROUND CONTROL ENGINE HARNESS - DEUTZ TD2.9L4 (STAGE V) ENGINE

ITEM	PART NUMBER	QTY	DESCRIPTION	REV
	1001295732	Ref	GROUND CONTROL ENGINE HARNESS	A
1	4460019	1	Ring, Terminal	
2	4460226	2	Socket	
3	4460268	1	Socket	
4	4460313	1	Ring, Terminal	
5	4460424	1	Connector	
6	4460464	10	Pin	
7	4460465	7	Pin	
8	4460466	4	Plug	
9	4460539	1	Connector	
10	4460738	1	Ring, Terminal	
11	4460871	11	Socket	
12	4460880	2	Connector	
13	4460887	1	Socket	
14	4460891	2	Connector	
15	4460899	1	Connector	
16	4460931	1	Connector	
17	4460944	3	Pin	

SECTION 8 - ELECTRICAL

FIGURE 8-48. ENGINE HARNESS - DEUTZ TD2.9L4 ENGINES AND DEUTZ TD2.9L4 (STAGE V PRE-BUY) ENGINES



ART_1001143726

SECTION 8 - ELECTRICAL

FIGURE 8-48. ENGINE HARNESS - DEUTZ TD2.9L4 ENGINES AND DEUTZ TD2.9L4 (STAGE V PRE-BUY) ENGINES

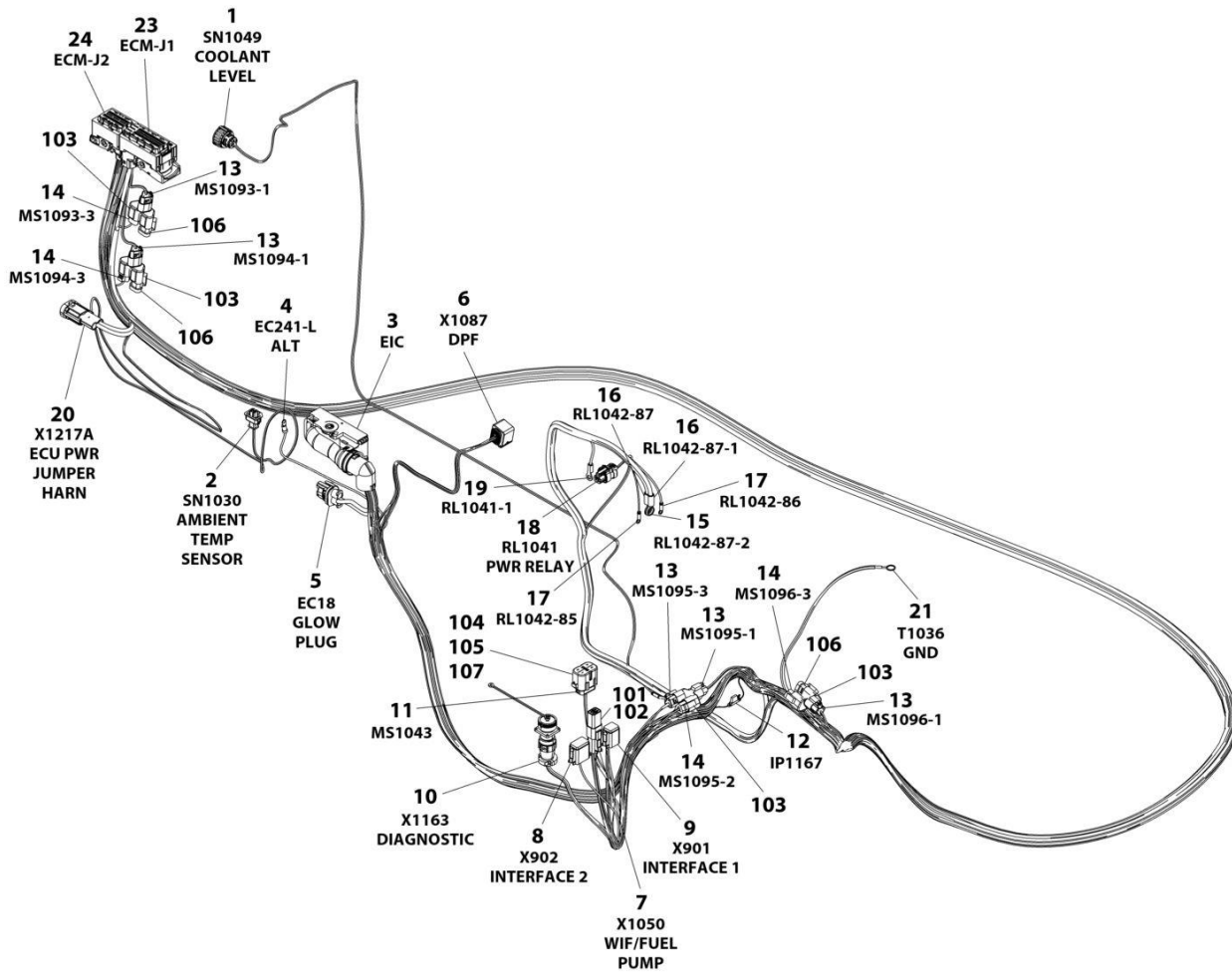
ITEM	PART NUMBER	QTY	DESCRIPTION	REV
	1001143726	Ref	ENGINE HARNESS	L
1	1001133956	1	Connector - 94 Position	
1	1001126351	2	Terminal	
1	1001126352	6	Terminal	
1	1001126384	21	Terminal	
1	1001126357	2	Plug, Terminal	
1	1001126356	63	Plug, Terminal	
2	4461095	3	Plug, Male - 3 Position	
2	4460944	6	Socket, Female	
2	4460466	3	Plug, Terminal	
3	1001133957	1	Connector - 60 Position	
3	1001126351	13	Terminal	
3	1001126384	17	Terminal	
3	1001126357	11	Plug, Terminal	
3	1001126356	19	Plug, Terminal	
4	1001117107	2	Terminal, Ring	
5	4460703	1	Terminal, Ring	
6	80484084	1	Plug, Male - 8 Position	
6	8229242	1	Fuse - 5Amp	
6	80983191	1	Fuse - 10Amp	
6	1001116728	4	Socket, Female	
6	1001116727	4	Plug, Terminal	
6	4460458	4	Seal, Terminal	
6	1001147264	1	Cap	
7	4460247	2	Terminal, Ring	
8	1001116952	1	Plug, Male - 2 Position	
8	4460465	2	Socket, Female	
9	1001117106	1	Terminal, Ring	
10	4460043	1	Terminal, Ring	
11	1001138110	1	Connector - 2 Position	
11	1001138111	2	Terminal	
11	1001138113	2	Seal	
12	2902443	1	Receptacle Kit	
12	4461073	1	Cap, Dust	
12	4461071	6	Terminal	
13	8220115	1	Terminal, Ring	
14	4460894	1	Plug, Male - 6 Position	
14	4460465	3	Socket, Female	
14	4460944	2	Socket, Female	
14	4460466	1	Plug, Terminal	
15	4460930	1	Plug, Male - 8 Position	
15	4460465	1	Socket, Female	
15	4460466	7	Plug, Terminal	
16	1001220379	1	Plug, Male - 4 Position	
16	4460465	2	Socket, Female	
16	4460942	2	Socket, Female	
16	4460932	1	Receptacle, Bussbar - 4 Position	
17	4460042	1	Terminal, Ring	
18	1001142938	1	Plug, Male - 2 Position	

SECTION 8 - ELECTRICAL

ITEM	PART NUMBER	QTY	DESCRIPTION	REV
18	1001142940	2	Terminal	
18	1001142941	2	Seal	
19	4460891	1	Plug, Male - 4 Position	
19	4460465	2	Socket, Female	
19	1001171403	1	Resistor Assembly	
19	4460897	1	Receptacle, Female - 4 Position	
20	1001133714	1	Connector - 4 Position	
20	1001133715	3	Terminal	
20	1001135650	3	Seal, Terminal	
20	1001135651	1	Plug, Terminal	
21	1001126362	1	Connector - 62 Position	
21	1001126363	23	Terminal	
21	1001126392	10	Terminal	
21	1001126365	2	Terminal	
21	1001126391	23	Plug, Terminal	
21	4461008	4	Plug, Terminal	
21	1001256506	2	Seal, Terminal	
21	1001126364	21	Seal, Terminal	
21	1001223459	10	Seal, Terminal	
21	4461008	4	Plug, Terminal	
21	1001151856	1	Elbow	

SECTION 8 - ELECTRICAL

FIGURE 8-49. ENGINE HARNESS - DEUTZ TD2.9L4 (STAGE V) ENGINES



ART_1001276644

SECTION 8 - ELECTRICAL

FIGURE 8-49. ENGINE HARNESS - DEUTZ TD2.9L4 (STAGE V) ENGINES

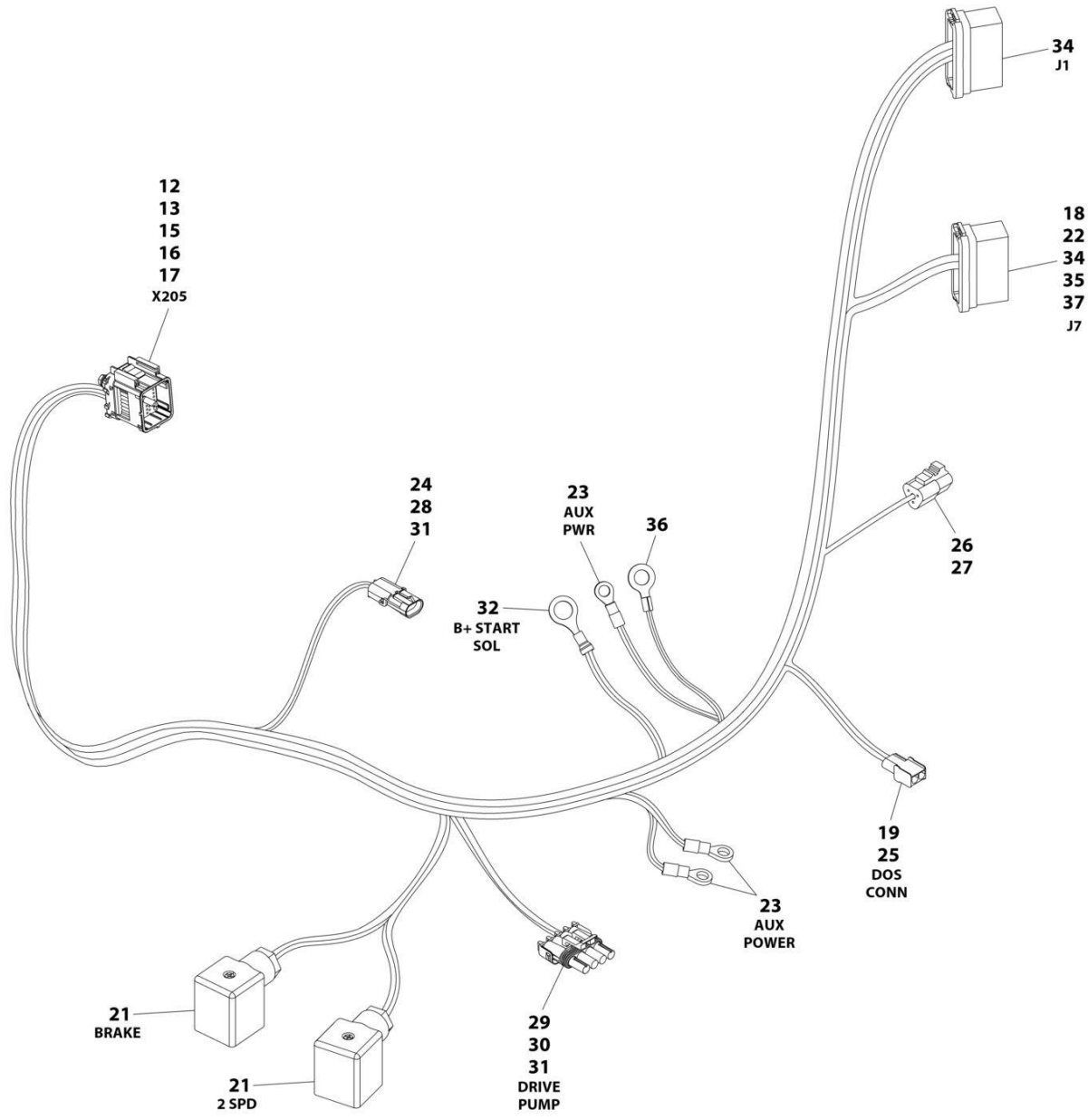
ITEM	PART NUMBER	QTY	DESCRIPTION	REV
	1001276644	Ref	Engine Harness - Deutz Engines	B
1	1001133714	1	Connector	
1	1001133715	3	Terminal	
1	1001135650	3	Seal, Terminal	
1	1001135651	1	Plug, Terminal	
2	1001126487	1	Connector	
2	1001167635	2	Terminal	
2	1001126485	2	Seal, Terminal	
3	1001126362	1	Connector	
3	1001126363	37	Terminal	
3	1001126392	12	Terminal	
3	1001126391	7	Plug, Terminal	
3	4461008	4	Plug, Terminal	
3	1001167632	2	Terminal	
3	1001126364	37	Seal, Terminal	
3	1001223459	12	Seal, Terminal	
3	4461054	2	Seal, Terminal	
4	4460042	1	Terminal, Ring	
5	1001142938	1	Plug	
5	1001142940	2	Terminal	
5	1001142941	2	Seal	
6	1001239202	1	Connector	
6	1001126363	7	Terminal	
6	1001126391	1	Plug, Terminal	
6	1001126364	7	Seal, Terminal	
7	4460884	1	Connector	
7	4460465	2	Socket	
7	4460942	2	Socket	
8	4460930	1	Plug	
8	4460465	1	Socket	
8	4460466	7	Plug, Terminal	
9	4460894	1	Plug	
9	4460465	2	Socket	
9	4460944	2	Socket	
9	4460466	2	Plug, Terminal	
10	2902443	1	Receptacle Kit	
10	4461073	1	Cap, Dust	
10	4461071	6	Terminal	
11	80484084	1	Plug	
11	4460748	4	Seal, Terminal	
11	4460746	3	Terminal	
11	1001234800	1	Terminal	
11	4460458	4	Seal, Terminal	
12	1001170764	1	Fuse Holder, Includes Resistor	
12	1001197719	1	Resistor 0.5W	
13	1001116812	5	Plug	
13	4460944	10	Socket	
13	4460466	5	Plug, Terminal	
14	4460539	4	Connector	
14	4460944	8	Socket	

SECTION 8 - ELECTRICAL

ITEM	PART NUMBER	QTY	DESCRIPTION	REV
14	4460466	4	Plug, Terminal	
15	4460703	1	Terminal, Ring	
16	1001117107	2	Terminal, Ring	
17	4460247	2	Terminal, Ring	
18	1001116952	1	Plug	
18	4460465	2	Socket	
19	4460043	1	Terminal, Ring	
20	1001289552	1	Connector	
20	1001289553	2	Socket	
20	1001142941	2	Seal	
21	4460019	1	Terminal, Ring	
23	1001133956	1	Connector	
23	1001126351	3	Terminal	
23	1001182361	6	Terminal	
23	1001230934	25	Terminal	
23	1001230935	55	Plug, Terminal	
23	1001252527	4	Terminal	
23	1001230936	1	Plug, Terminal	
23	1001182365	6	Seal, Terminal	
24	1001133957	1	Connector	
24	1001126351	13	Terminal	
24	1001230935	10	Plug, Terminal	
24	1001230934	26	Terminal	
24	1001230936	11	Plug, Terminal	
101	4460466	4	Seal, Terminal	
102	4460932	1	Connector	
103	4460945	4	Receptacle	
104	8229242	1	Fuse - 5Amp	
105	80983191	1	Fuse - 10Amp	
106	1001116815	3	Connector	
107	1001147264	1	Cap	

SECTION 8 - ELECTRICAL

FIGURE 8-50. ENGINE HARNESS - FORD ENGINES



ART_1001286033

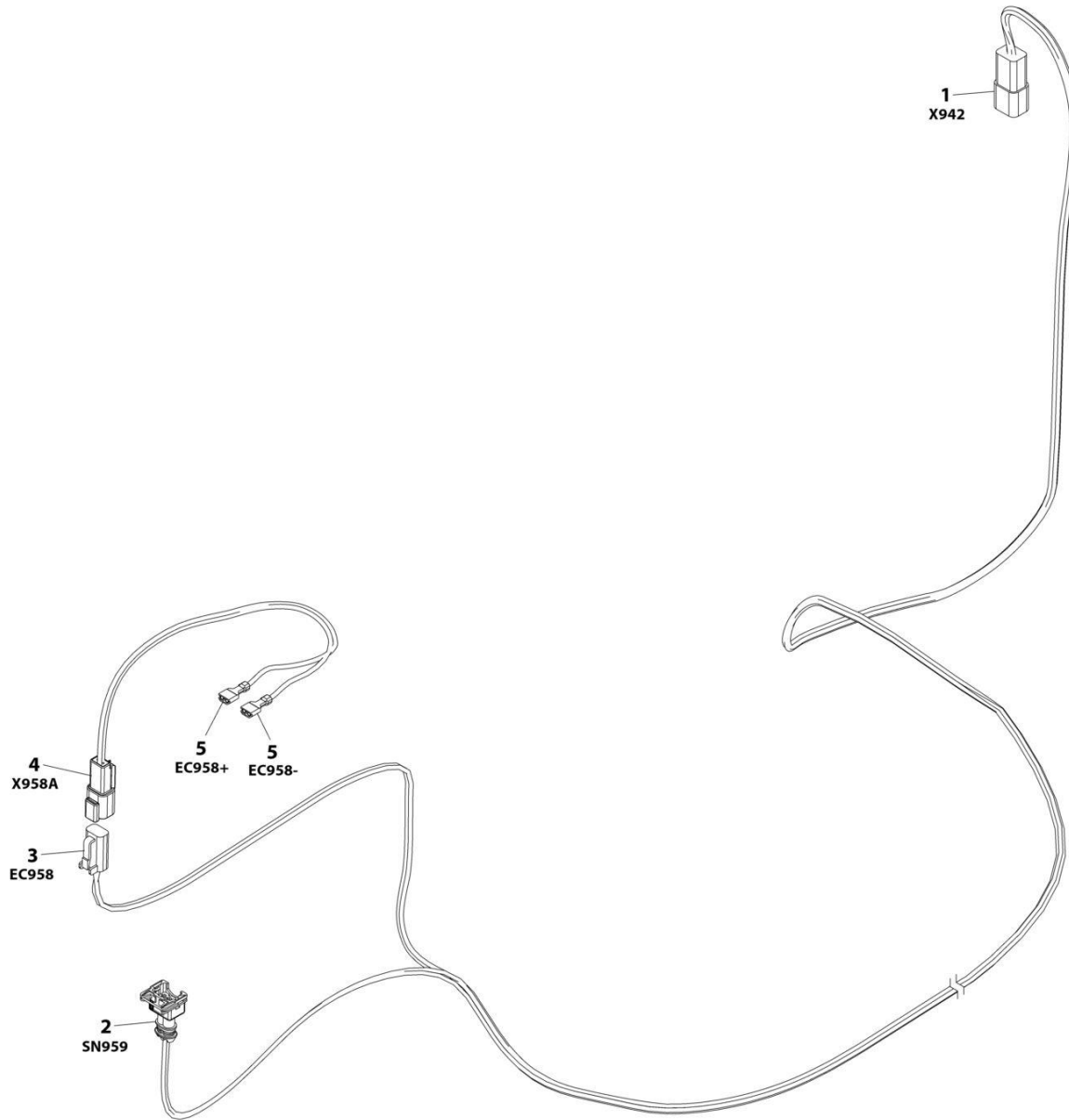
SECTION 8 - ELECTRICAL

FIGURE 8-50. ENGINE HARNESS - FORD ENGINES

ITEM	PART NUMBER	QTY	DESCRIPTION	REV
	1001286033	Ref	ENGINE HARNESS - FORD ENGINES	A
12	1001216213	3	Terminal, Plug	
13	1001216212	1	Terminal	
15	1001215534	33	Plug, Terminal	
16	1001215091	5	Terminal	
17	1001215016	NLA	Connector	
17	1001265676	1	Connector	
18	4460260	1	Cover Terminal	
19	4460424	1	Connector	
21	4460880	2	Connector	
22	4460259	1	Terminal	
23	4460313	3	Terminal, Ring	
24	4460979	2	Terminal	
25	4460226	3	Socket	
26	4460539	1	Pin	
27	4460944	3	Socket	
28	4461157	1	Connector	
29	4460460	1	Connector	
30	4460457	4	Sleeve	
31	4460458	6	Seal	
32	4460738	1	Terminal, Ring	
34	4460871	9	Socket	
35	4460465	2	Socket	
36	4460312	1	Terminal, Ring	
37	4460887	1	Terminal	

SECTION 8 - ELECTRICAL

FIGURE 8-51. FUEL PUMP HARNESS - DEUTZ TD2.9L4 ENGINES



ART_1001138491

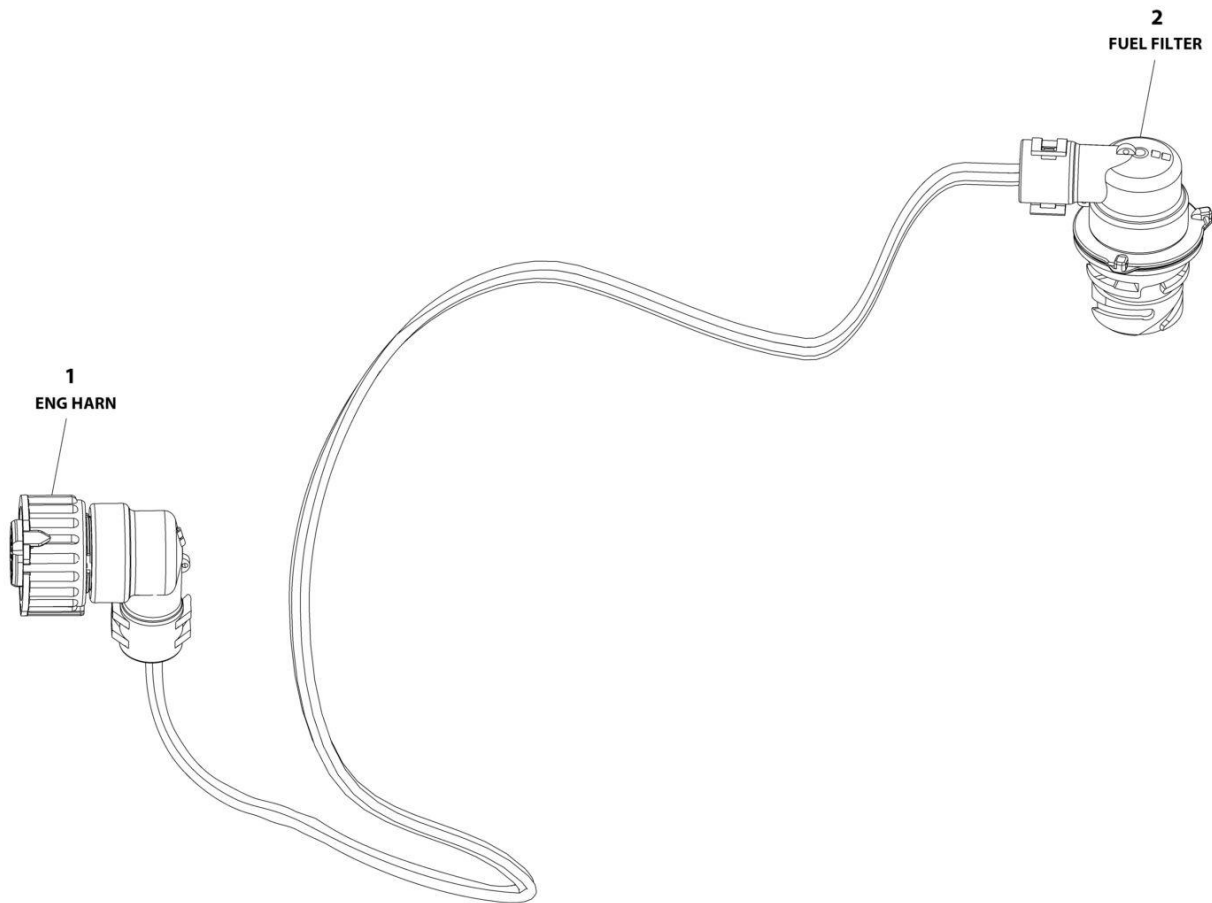
SECTION 8 - ELECTRICAL

FIGURE 8-51. FUEL PUMP HARNESS - DEUTZ TD2.9L4 ENGINES

ITEM	PART NUMBER	QTY	DESCRIPTION	REV
	1001138491	Ref	FUEL PUMP HARNESS	D
1	4460932	1	Receptacle, Female - 4 Position	
1	4460941	2	Pin, Male	
1	4460464	2	Pin, Male	
2	1001116983	1	Plug, Male - 2 Position	
2	1001116710	2	Socket, Female	
2	4461054	2	Seal	
3	4460891	1	Plug, Male - 2 Position	
3	4460942	2	Socket, Female	
4	4460897	1	Connector - 2 Position	
4	4460941	2	Pin, Male	
5	8220051	2	Terminal, Ring	

SECTION 8 - ELECTRICAL

FIGURE 8-52. FUEL HARNESS - DEUTZ TD2.9L4 (STAGE V) ENGINE



ART_1001245913

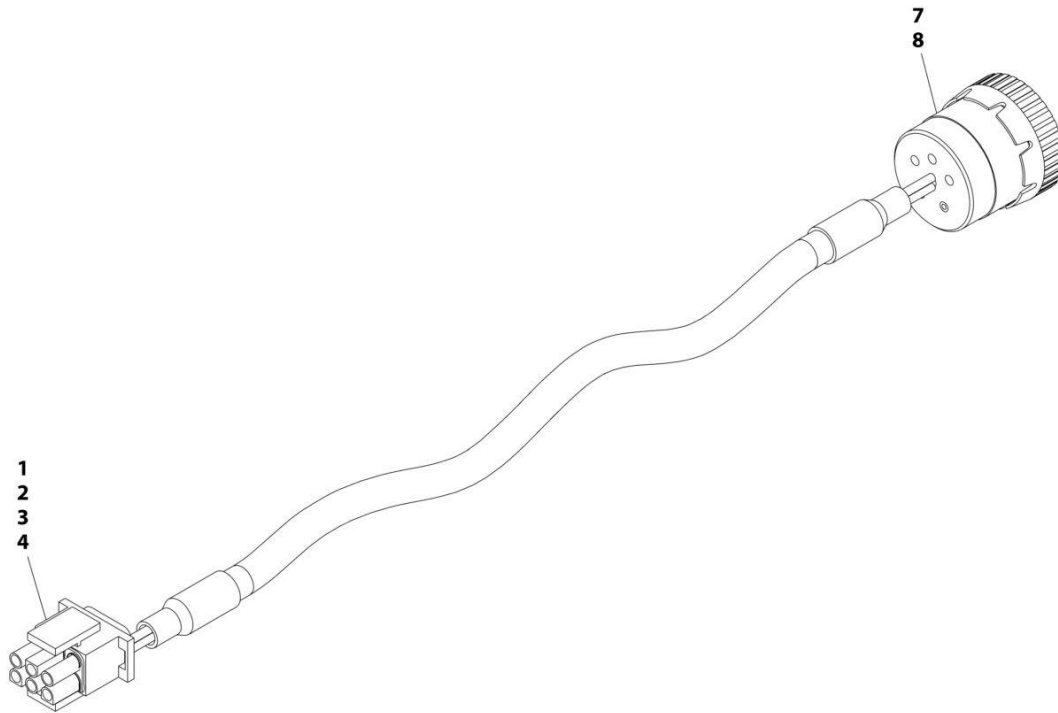
SECTION 8 - ELECTRICAL

FIGURE 8-52. FUEL HARNESS - DEUTZ TD2.9L4 (STAGE V) ENGINE

ITEM	PART NUMBER	QTY	DESCRIPTION	REV
	1001245913	Ref	FUEL HARNESS - DEUTZ (STAGE V) ENGINE	D
1	1001148842	1	Connector - 4 Position	
1	1001148841	4	Pin, Male	
1	1001135650	4	Seal	
2	1001133714	1	Plug, Male - 4 Position	
2	1001133715	4	Socket, Female	
2	1001135650	4	Seal	

SECTION 8 - ELECTRICAL

FIGURE 8-53. GENERATOR HARNESS - 4000W GENERATOR



ART_1001152532

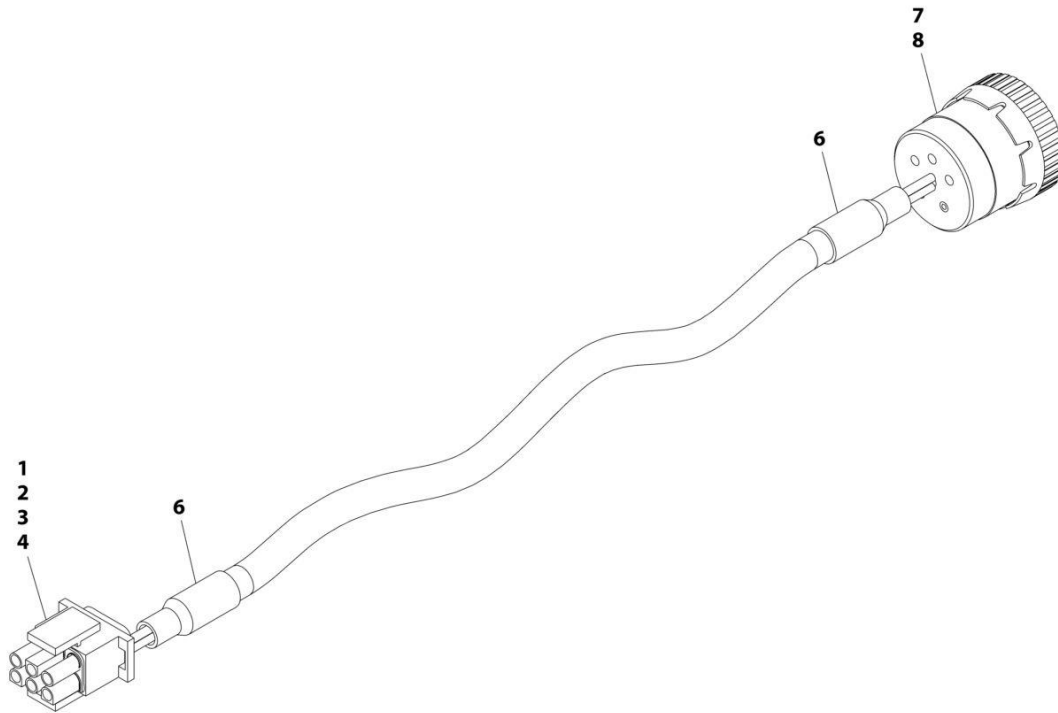
SECTION 8 - ELECTRICAL

FIGURE 8-53. GENERATOR HARNESS - 4000W GENERATOR

ITEM	PART NUMBER	QTY	DESCRIPTION	REV
	1001152532	Ref	GENERATOR HARNESS	A
1	4460225	1	Connector - 6 Position	
2	4460268	2	Socket, Female	
3	4460807	1	Seal	
4	4460808	1	Seal	
7	4460465	2	Socket, Female	
8	77363233	1	Connector - 6 Position	

SECTION 8 - ELECTRICAL

FIGURE 8-54. GENERATOR HARNESS - 7500W SKYPOWER GENERATOR



ART_4922925

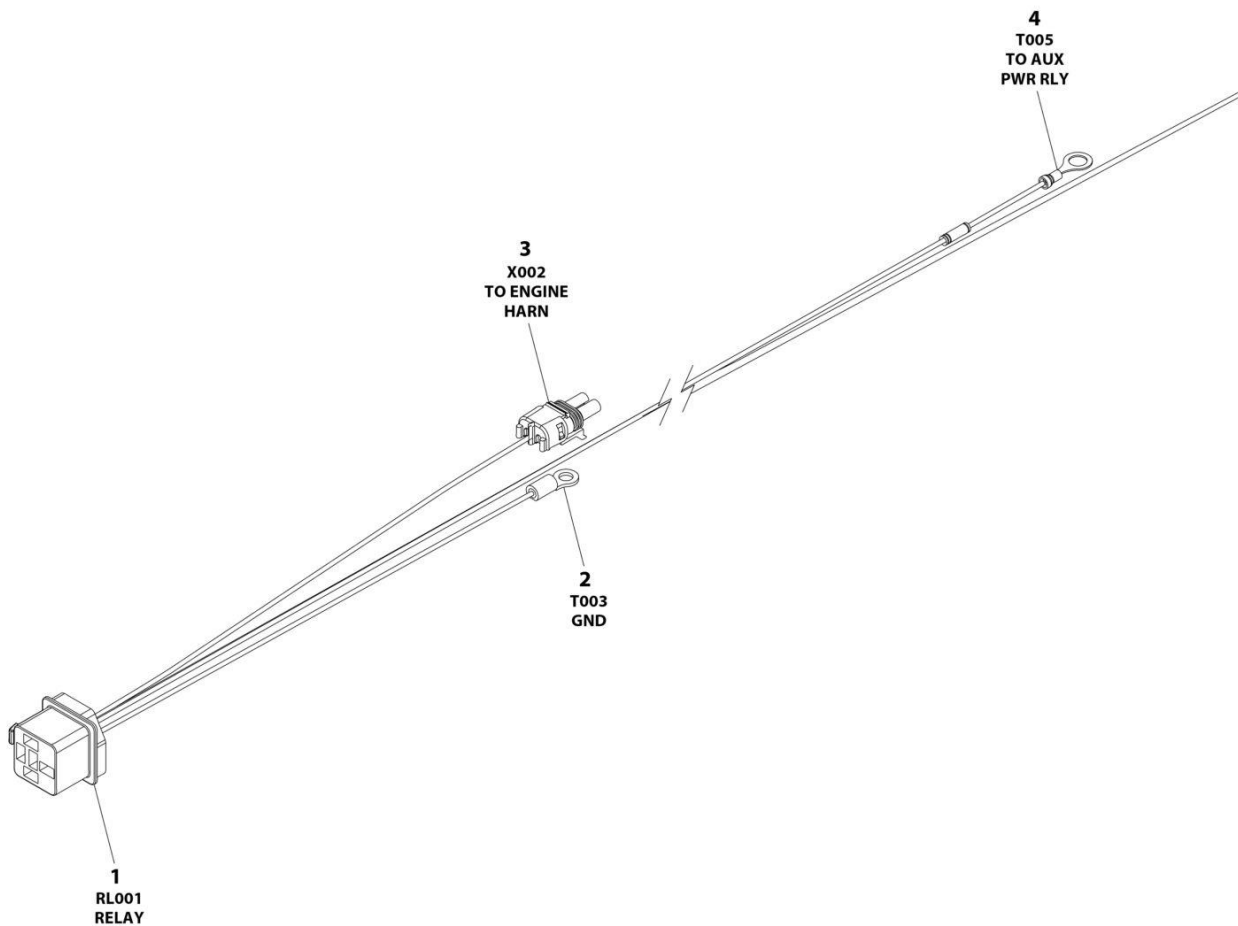
SECTION 8 - ELECTRICAL

FIGURE 8-54. GENERATOR HARNESS - 7500W SKYPOWER GENERATOR

ITEM	PART NUMBER	QTY	DESCRIPTION	REV
	4922925	Ref	GENERATOR TO CONTROL BOX HARNESS (7500W GENERATOR)	C
1	4460225	1	Plug, Male - 2 Position	
2	4460268	6	Socket, Female	
3	4460807	1	Seal	
4	4460808	1	Seal	
6	2820019	AR	Heat Shrink	
7	4460465	6	Socket, Female	
8	77363233	1	Connector - 6 Position	

SECTION 8 - ELECTRICAL

FIGURE 8-55. GENERATOR TO ENGINE HARNESS - 2500W (FORD ENGINES)



ART_4923445

SECTION 8 - ELECTRICAL

FIGURE 8-55. GENERATOR TO ENGINE HARNESS - 2500W (FORD ENGINES)

ITEM	PART NUMBER	QTY	DESCRIPTION	REV
	4923445	Ref	GENERATOR TO ENGINE HARNESS	B
1	4460374	1	Plug, Sealed Relay	
1	1001116734	2	Socket, Female	
1	1001116733	2	Socket, Female	
2	4460043	1	Terminal, Ring	
3	4460742	1	Plug, Male - 2 Position	
3	4460457	1	Socket, Female	
3	4460458	1	Seal, Terminal	
3	1001116727	1	Plug, Terminal	
4	4460670	1	Terminal, Ring	

SECTION 8 - ELECTRICAL

FIGURE 8-56. GENERATOR TO ENGINE HARNESS - 4000W (DEUTZ D2011 ENGINES)



ART_1001153197

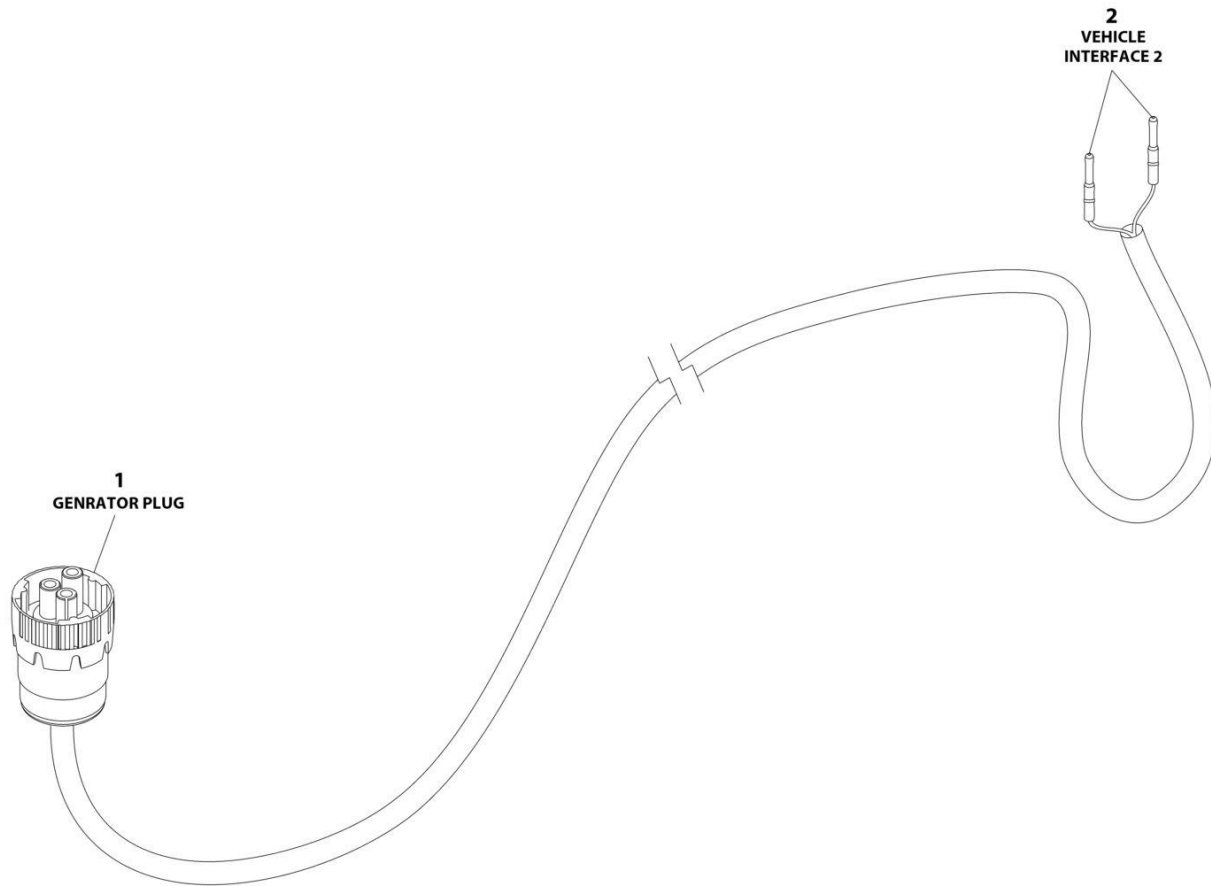
SECTION 8 - ELECTRICAL

FIGURE 8-56. GENERATOR TO ENGINE HARNESS - 4000W (DEUTZ D2011 ENGINES)

ITEM	PART NUMBER	QTY	DESCRIPTION	REV
	1001153197	Ref	GENERATOR TO ENGINE HARNESS	B
1	4460967	1	Plug, Male - 3 Position	
1	4460465	2	Socket, Female	
2	4460043	1	Terminal, Ring	
3	4460742	1	Plug, Male - 2 Position	
3	4460743	1	Socket, Female	
3	4460458	1	Seal, Terminal	
3	1001116727	1	Plug, Terminal	

SECTION 8 - ELECTRICAL

FIGURE 8-57. GENERATOR TO ENGINE HARNESS - 4000W (DEUTZ TD2.9L4 ENGINES)



ART_1001153259

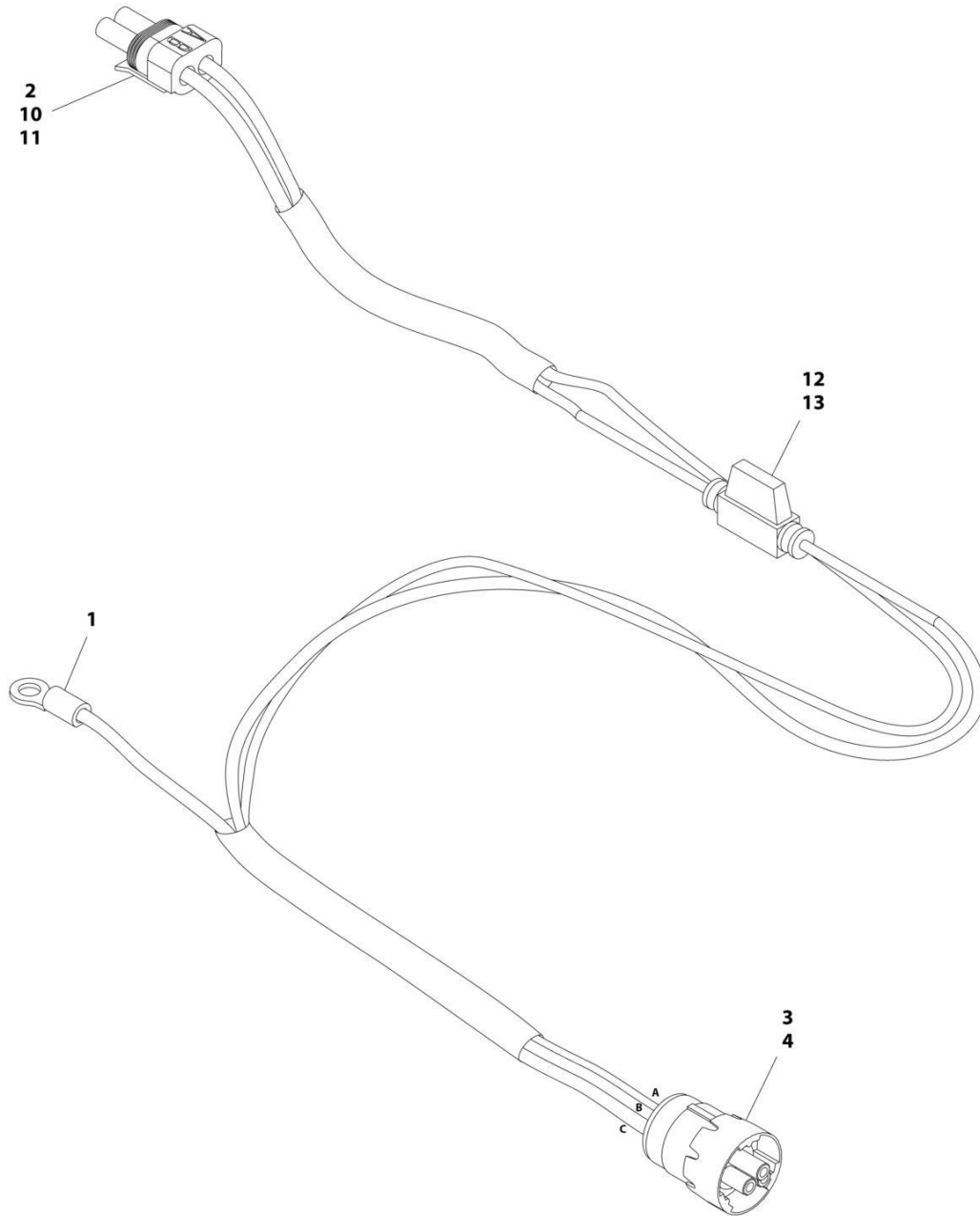
SECTION 8 - ELECTRICAL

FIGURE 8-57. GENERATOR TO ENGINE HARNESS - 4000W (DEUTZ TD2.9L4 ENGINES)

ITEM	PART NUMBER	QTY	DESCRIPTION	REV
	1001153259	Ref	GENERATOR TO PLATFORM HARNESS (4000W-60HZ GENERATOR)	B
1	4460967	1	Connector - 3 Position	
1	4460465	2	Socket, Female	
2	4460465	2	Socket, Female	

SECTION 8 - ELECTRICAL

FIGURE 8-58. GENERATOR TO ENGINE HARNESS - 7500W SKYPOWER GENERATOR (DEUTZ D2011 ENGINES)



ART_1001152429

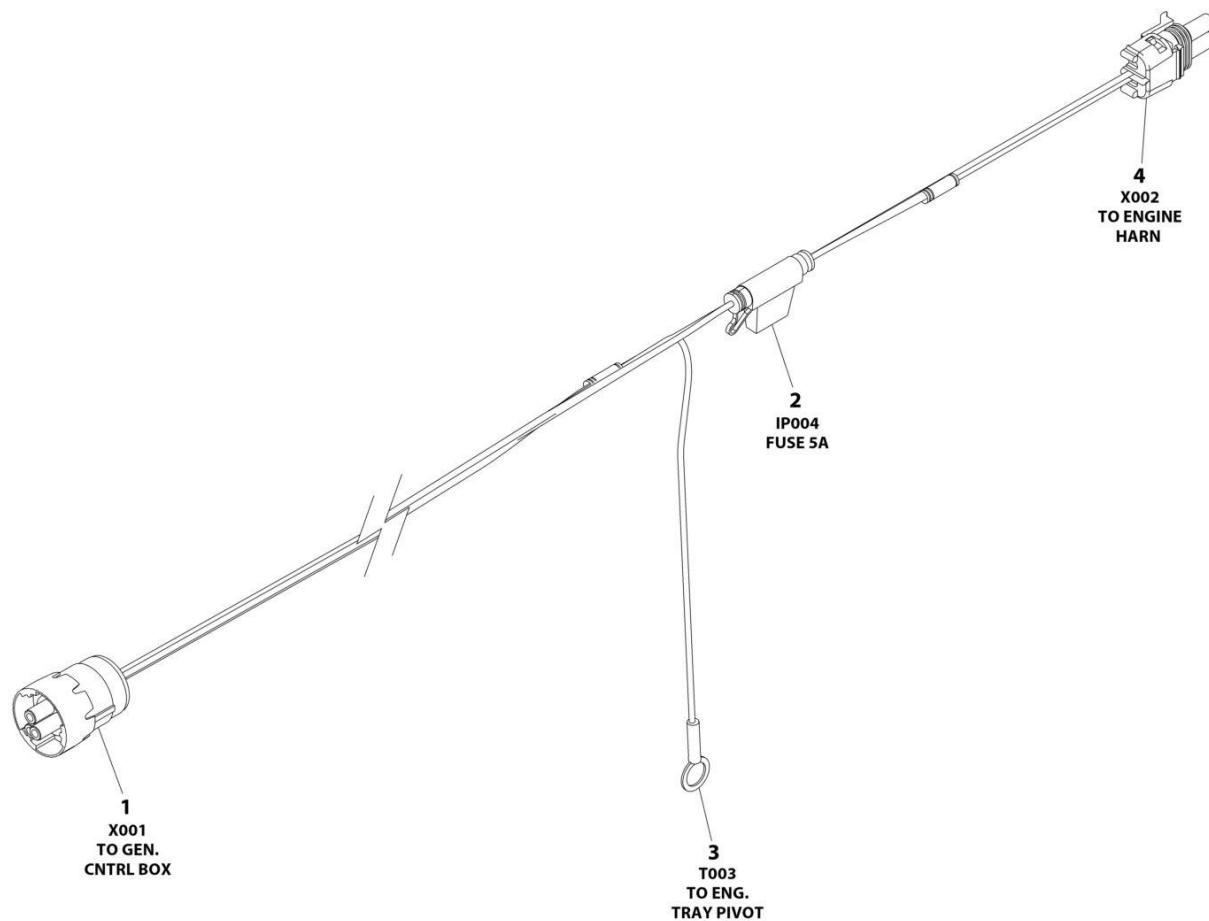
SECTION 8 - ELECTRICAL

FIGURE 8-58. GENERATOR TO ENGINE HARNESS - 7500W SKYPOWER GENERATOR (DEUTZ D2011 ENGINES)

ITEM	PART NUMBER	QTY	DESCRIPTION	REV
	1001152429	Ref	GENERATOR TO ENGINE HARNESS	C
1	4460043	1	Terminal, Ring	
2	4460742	1	Plug, Male - 2 Position	
3	4460967	1	Connector - 3 Position	
4	4460465	3	Socket, Female	
10	4460743	2	Terminal, Female	
11	4460458	2	Seal	
12	2400060	1	Fuseholder (Includes Cover)	
13	2400064	1	Fuse - 5Amp	

SECTION 8 - ELECTRICAL

FIGURE 8-59. GENERATOR TO ENGINE HARNESS - 7500W SKYPOWER (FORD DF 2.5L ENGINES)



ART_1001257972

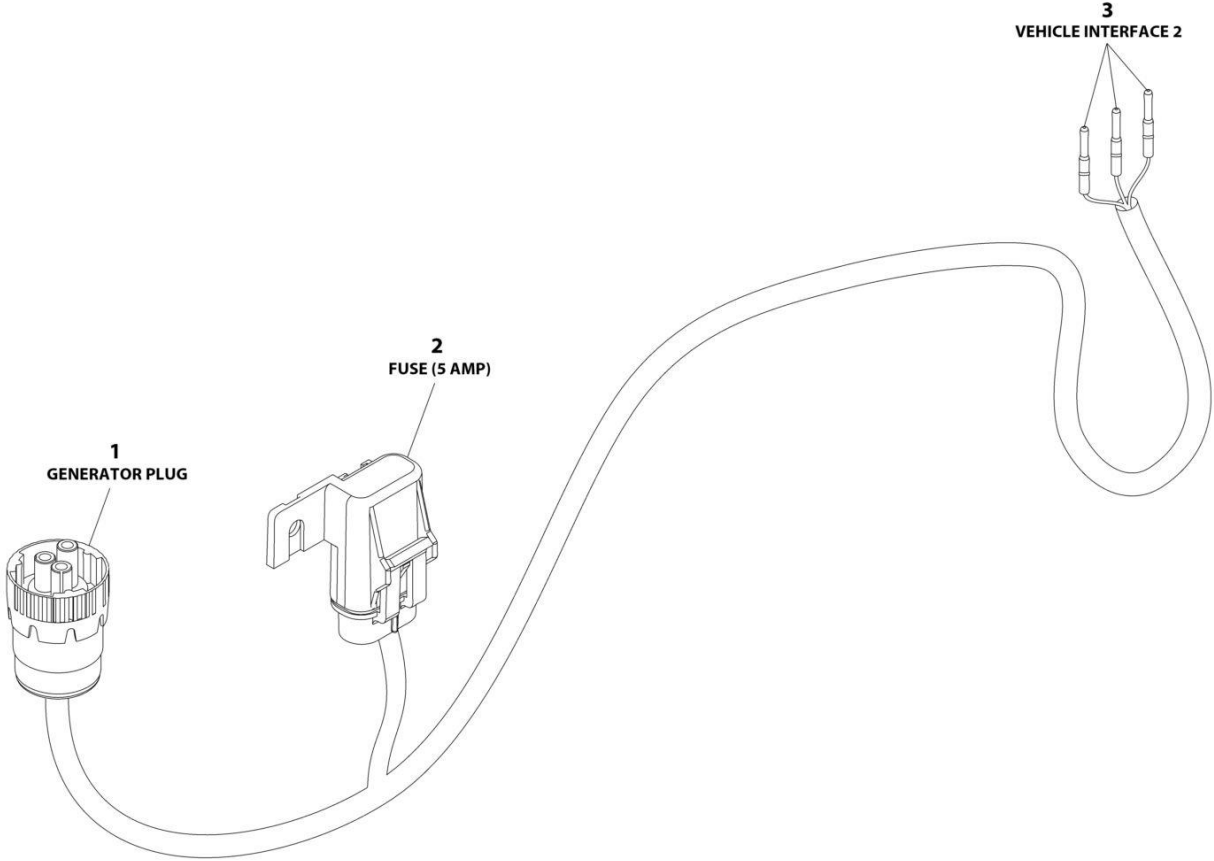
SECTION 8 - ELECTRICAL

FIGURE 8-59. GENERATOR TO ENGINE HARNESS - 7500W SKYPOWER (FORD DF 2.5L ENGINES)

ITEM	PART NUMBER	QTY	DESCRIPTION	REV
	1001257972	Ref	GENERATOR TO ENGINE HARNESS	A
1	4460967	1	Plug, Male - 3 Position	
1	4460465	3	Socket, Female	
2	2400060	1	Fuse-holder (Includes Cover)	
2	2400064	1	Fuse - 5Amp	
3	4460256	1	Terminal, Ring	
4	4460742	1	Plug, Male - 2 Position	
4	4460457	2	Socket, Female	
4	4460458	2	Seal, Terminal	

SECTION 8 - ELECTRICAL

FIGURE 8-60. GENERATOR HARNESS - 7500W SKYPOWER (DEUTZ TD2.9L4 T4F ENGINES)



ART_1001119968

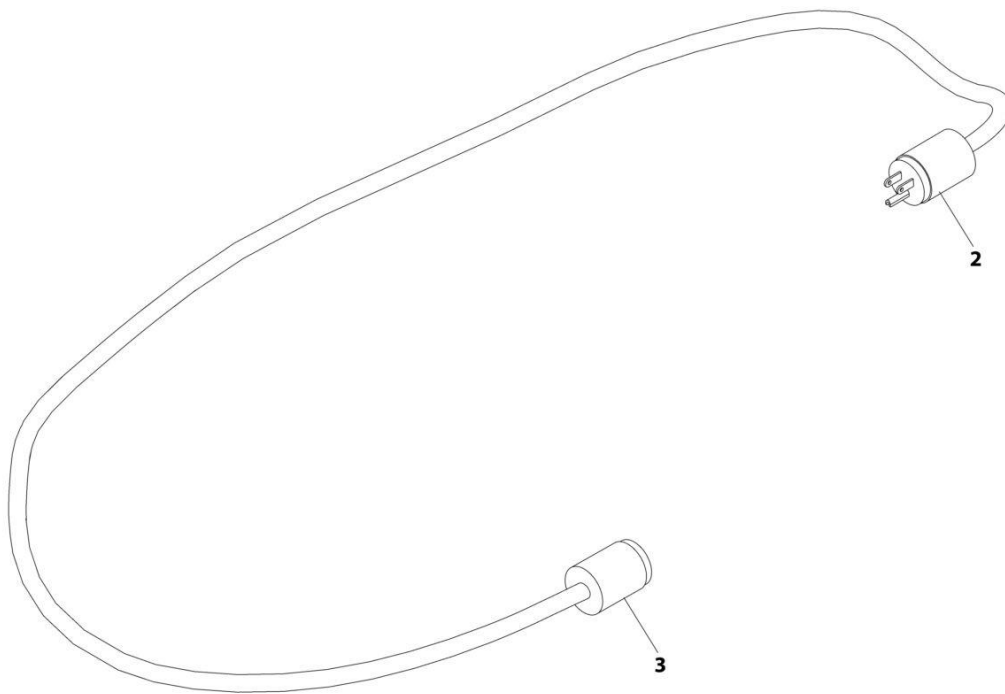
SECTION 8 - ELECTRICAL

FIGURE 8-60. GENERATOR HARNESS - 7500W SKYPOWER (DEUTZ TD2.9L4 T4F ENGINES)

ITEM	PART NUMBER	QTY	DESCRIPTION	REV
	1001119968	Ref	GENERATOR HARNESS - 7500W GENERATOR	C
1	4460967	1	Connector - 3 Position	
1	4460465	3	Socket, Female	
2	1001117078	1	Connector, Metri-Pack with 5Amp Fuse	
3	4460465	3	Socket, Female	

SECTION 8 - ELECTRICAL

FIGURE 8-61. GENERATOR TO REAR OF BOOM HARNESS - 110V



ART_4921829

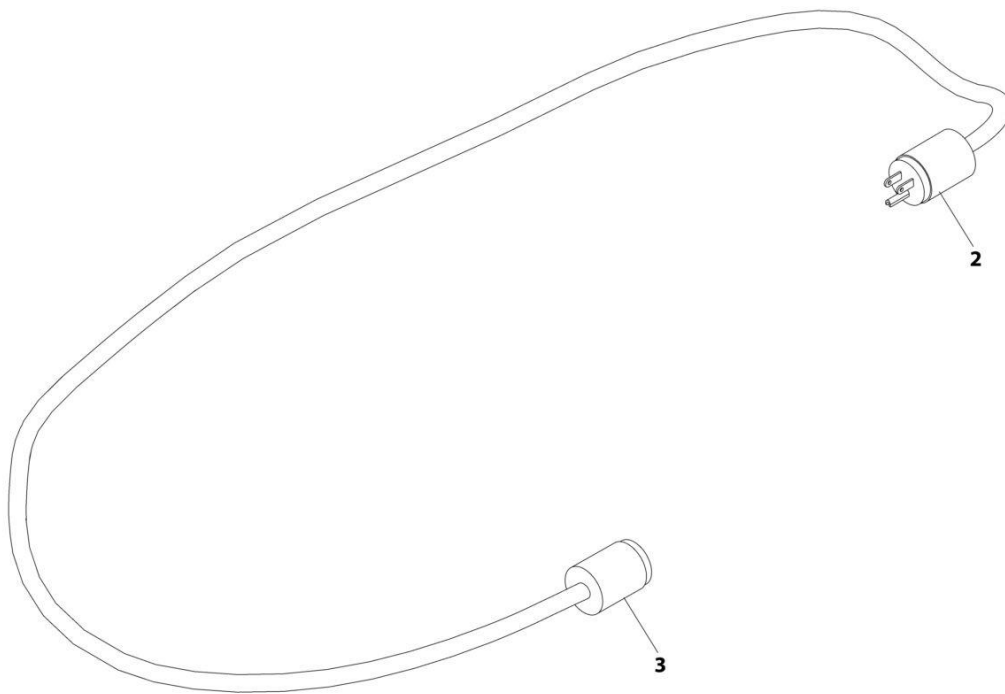
SECTION 8 - ELECTRICAL

FIGURE 8-61. GENERATOR TO REAR OF BOOM HARNESS - 110V

ITEM	PART NUMBER	QTY	DESCRIPTION	REV
	4921829	Ref	GENERATOR TO REAR OF BOOM HARNESS - 110V	Z-A
2	4460205	1	Plug, Male	
3	4460134	1	Connector, Female	

SECTION 8 - ELECTRICAL

FIGURE 8-62. GENERATOR TO REAR OF BOOM HARNESS - 220V



ART_4921955

SECTION 8 - ELECTRICAL

FIGURE 8-62. GENERATOR TO REAR OF BOOM HARNESS - 220V

ITEM	PART NUMBER	QTY	DESCRIPTION	REV
	4921955	Ref	GENERATOR TO REAR OF BOOM HARNESS - 220V	A
2	4460233	1	Terminal, Plug	
3	4460701	1	Terminal, Connector	

SECTION 8 - ELECTRICAL

FIGURE 8-63. GROUND CONTROL BOX HARNESS (Prior to SN 0300315790)

ITEM	PART NUMBER	QTY	DESCRIPTION	REV
	1001285346	Ref	GROUND CONTROL BOX HARNESS	C
1	2400060	2	Fuse Holder	
6	3990010	2	Diode, 6 Amp	
8	4460142	4	Terminal, Ring	
9	4460227	36	Pin	
10	4460259	11	Socket	
11	4460260	15	Housing, Terminal	
12	4460297	4	Socket	
13	4460313	3	Terminal, Ring	
14	4460320	1	Connector	
15	4460418	9	Connector, Switch	
16	4460419	8	Socket	
17	4460434	2	Connector	
18	4460464	27	Terminal	
19	4460465	45	Terminal	
20	4460466	9	Plug, Terminal	
21	4460508	4	Pin	
22	4460536	1	Connector	
23	4460761	1	Connector	
24	4460806	5	Terminal, Fork	
25	4460866	1	Terminal	
26	4460868	1	Connector	
27	4460871	88	Socket	
28	4460872	1	Connector	
29	4460873	1	Connector	
30	4460874	1	Connector	
31	4460875	1	Connector	
32	4460876	1	Connector	
33	4460877	4	Socket	
34	4460878	1	Housing, Terminal	
35	4460884	1	Connector	
36	4460887	3	Socket	
37	1001229530	1	Connector	
38	4460894	1	Plug	
39	4460905	2	Seal	
40	4460911	1	Plug, Terminal	
42	4460933	3	Connector	
43	4460943	8	Terminal	
66	8229242	3	Fuse 5 Amp	
67	1001112612	2	Connector	
67	1001249095	2	Connector	
68	1001113961	1	Plug	
69	1001116694	3	Terminal	
70	1001255901	1	Fuse Holder	
71	1001237668	5	Socket	
72	1001119020	3	Connector	
73	1001237667	1	Connector	
74	1001159186	18	Socket	
75	1001200497	1	Connector	
76	1001201885	2	Terminal	

SECTION 8 - ELECTRICAL

FIGURE 8-64. GROUND CONTROL BOX HARNESS (SN 0300315790 to Present)

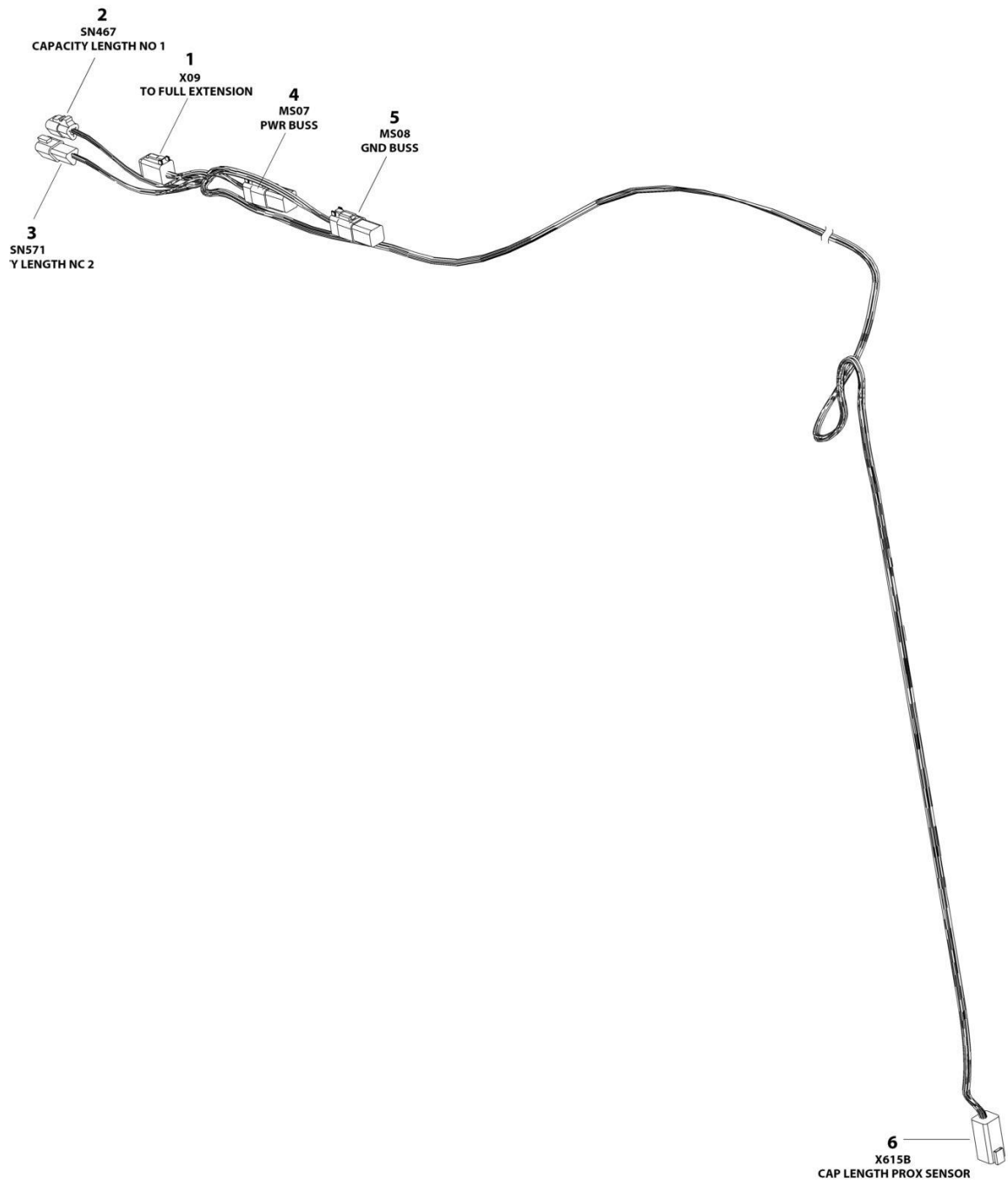
ITEM	PART NUMBER	QTY	DESCRIPTION	REV
	1001306145	Ref	GROUND CONTROL BOX HARNESS	A
1	2400060	2	Fuseholder	
6	3990010	2	Diode, 6Amp	
8	4460142	4	Terminal, Ring	
9	4460227	36	Pin	
10	4460259	11	Socket	
11	4460260	15	Housing, Terminal	
12	4460297	4	Socket	
13	4460313	3	Terminal, Ring	
14	4460320	1	Connector	
15	4460418	9	Connector, Switch	
16	4460419	8	Socket	
17	4460434	2	Connector	
18	4460464	27	Pin	
19	4460465	45	Socket	
20	4460466	9	Plug, Terminal	
21	4460508	4	Pin	
22	4460536	1	Connector	
23	4460761	1	Connector	
24	4460806	5	Terminal, Fork	
25	4460866	1	Pin	
26	4460868	1	Connector	
27	4460871	92	Socket	
28	4460872	1	Connector	
29	4460873	1	Connector	
30	4460874	1	Connector	
31	4460875	1	Connector	
32	4460876	1	Connector	
33	4460877	4	Socket	
34	4460878	1	Housing, Terminal	
35	4460884	1	Connector	
36	4460887	3	Socket	
37	1001229530	1	Connector	
38	4460894	1	Plug	
39	4460905	2	Seal	
40	4460911	1	Plug, Terminal	
42	4460933	3	Connector	
43	4460943	8	Pin	
66	8229242	3	Fuse, 5Amp	
67	1001249095	2	Connector	
68	1001113961	1	Plug	
69	1001116694	3	Socket	
70	1001255901	1	Fuseholder	
71	1001237668	5	Socket	
72	1001119020	3	Connector	
73	1001237667	1	Connector	
74	1001159186	18	Socket	
75	1001200497	1	Connector	
76	1001201885	2	Terminal	
78	1001103012	1	Connector	

SECTION 8 - ELECTRICAL

ITEM	PART NUMBER	QTY	DESCRIPTION	REV
79	1001107854	4	Terminal	
80	1001246859	1	Connector	

SECTION 8 - ELECTRICAL

FIGURE 8-65. MID BOOM PROXIMITY SENSOR HARNESS



ART_1001258709

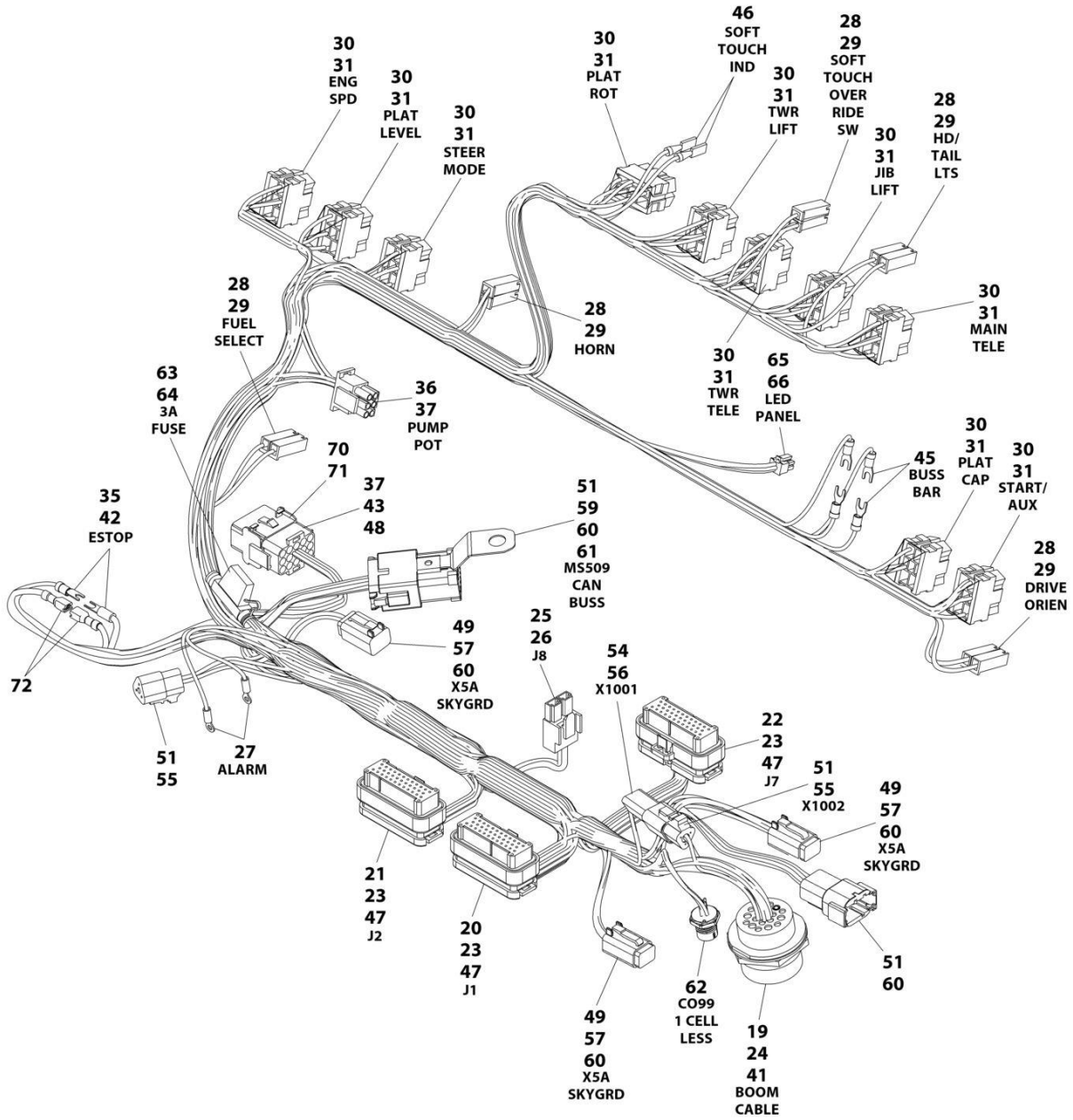
SECTION 8 - ELECTRICAL

FIGURE 8-65. MID BOOM PROXIMITY SENSOR HARNESS

ITEM	PART NUMBER	QTY	DESCRIPTION	REV
	1001258709	Ref	MID BOOM PROX SENSOR HARNESS	B
1	4460894	1	Plug, Male - 6 Position	
1	4460465	6	Socket, Female	
2	4460539	1	Plug, Male - 3 Position	
2	4460465	3	Socket, Female	
3	4460536	1	Receptacle, Female - 3 Position	
3	4460464	3	Pin, Male	
4	4460894	2	Plug, Male - 6 Position	
4	4460465	10	Socket, Female	
4	4460466	2	Plug, Terminal	
4	4460892	2	Connector, Buss Bar - 6 Position	
5	4460899	1	Connector - 6 Position	
5	4460465	6	Socket, Female	

SECTION 8 - ELECTRICAL

FIGURE 8-66. PLATFORM CONSOLE BOX HARNESS (Prior to SN 0300316691)



ART_1001266648

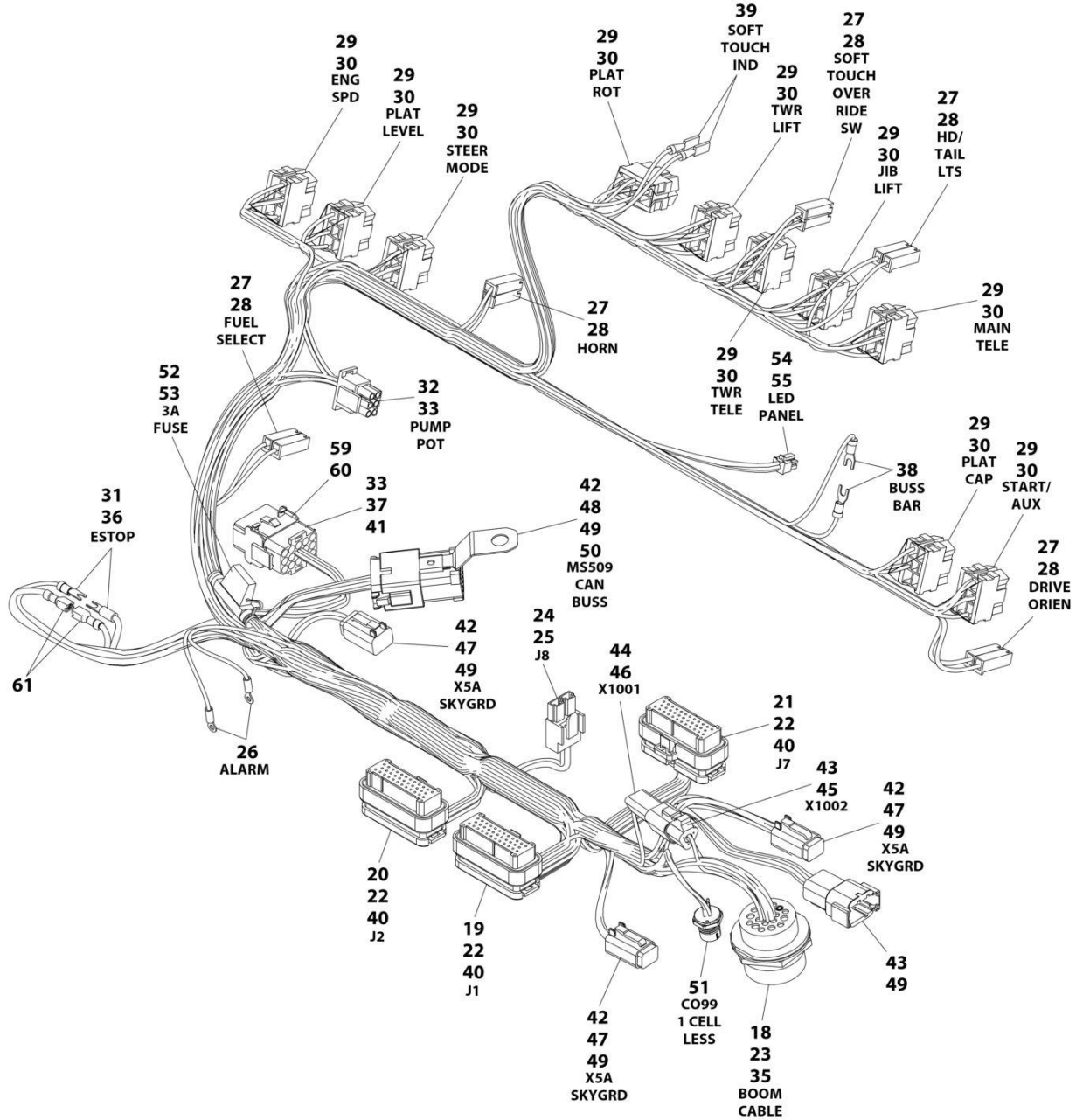
SECTION 8 - ELECTRICAL

FIGURE 8-66. PLATFORM CONSOLE BOX HARNESS (Prior to SN 0300316691)

ITEM	PART NUMBER	QTY	DESCRIPTION	REV
	1001266648	Ref	PLATFORM CONSOLE BOX HARNESS	B
19	4460866	1	Connector - 19 Position	
20	4460874	1	Connector - 35 Position	
21	4460875	1	Connector - 35 Position	
22	4460873	1	Connector - 35 Position	
23	4460871	81	Socket, Female	
24	4460464	6	Pin, Male	
25	4460879	1	Plug, Male - 2 Position	
26	4460887	2	Terminal	
27	1001098122	2	Terminal, Ring	
28	4460260	10	Housing, Terminal	
29	4460259	10	Terminal	
30	4460418	9	Connector, Switch	
31	4460419	27	Terminal	
32	4120035	14	Socket, Light (Not Shown)	
33	4460634	14	Socket, Lamp (Single Wire) (Not Shown)	
34	4460635	14	Socket, Lamp (Double Wire) (Not Shown)	
35	4460888	1	Terminal, Fork	
36	4460225	1	Plug, Male - 6 Position	
37	4460227	31	Pin, Male	
41	4460508	3	Pin, Male	
42	4460806	1	Terminal, Fork	
43	4460434	2	Connector - 15 Position	
44	2920129	14	Bulb (Not Shown)	
45	4460183	4	Terminal, Fork	
46	4460016	2	Terminal	
47	4460905	24	Plug, Terminal	
48	4460267	1	Pin, Male	
49	4460465	5	Socket, Female	
51	4460944	11	Socket, Female	
54	4460536	1	Receptacle, Female - 3 Position	
55	4460539	1	Plug, Male - 3 Position	
56	4460943	3	Pin, Male	
57	4460894	2	Plug, Male - 6 Position	
59	4460933	2	Plug, Male - 12 Position	
60	4460466	5	Plug, Terminal	
61	1001119020	1	Connector, Buss Bar - 12 Position	
62	1001213447	1	Connector - 5 Position	
63	2400060	1	Fuseholder Includes Cover	
64	8229249	1	Fuse, 3 Amp	
65	1001237667	1	Plug, Male - 6 Position	
66	1001237668	4	Socket, Female	
70	4460708	2	Connector - 15 Position	
71	4460226	2	Socket, Female	
72	1001201885	2	Terminal	

SECTION 8 - ELECTRICAL

FIGURE 8-67. PLATFORM CONSOLE BOX HARNESS (SN 0300316691 to Present)



ART_1001309250

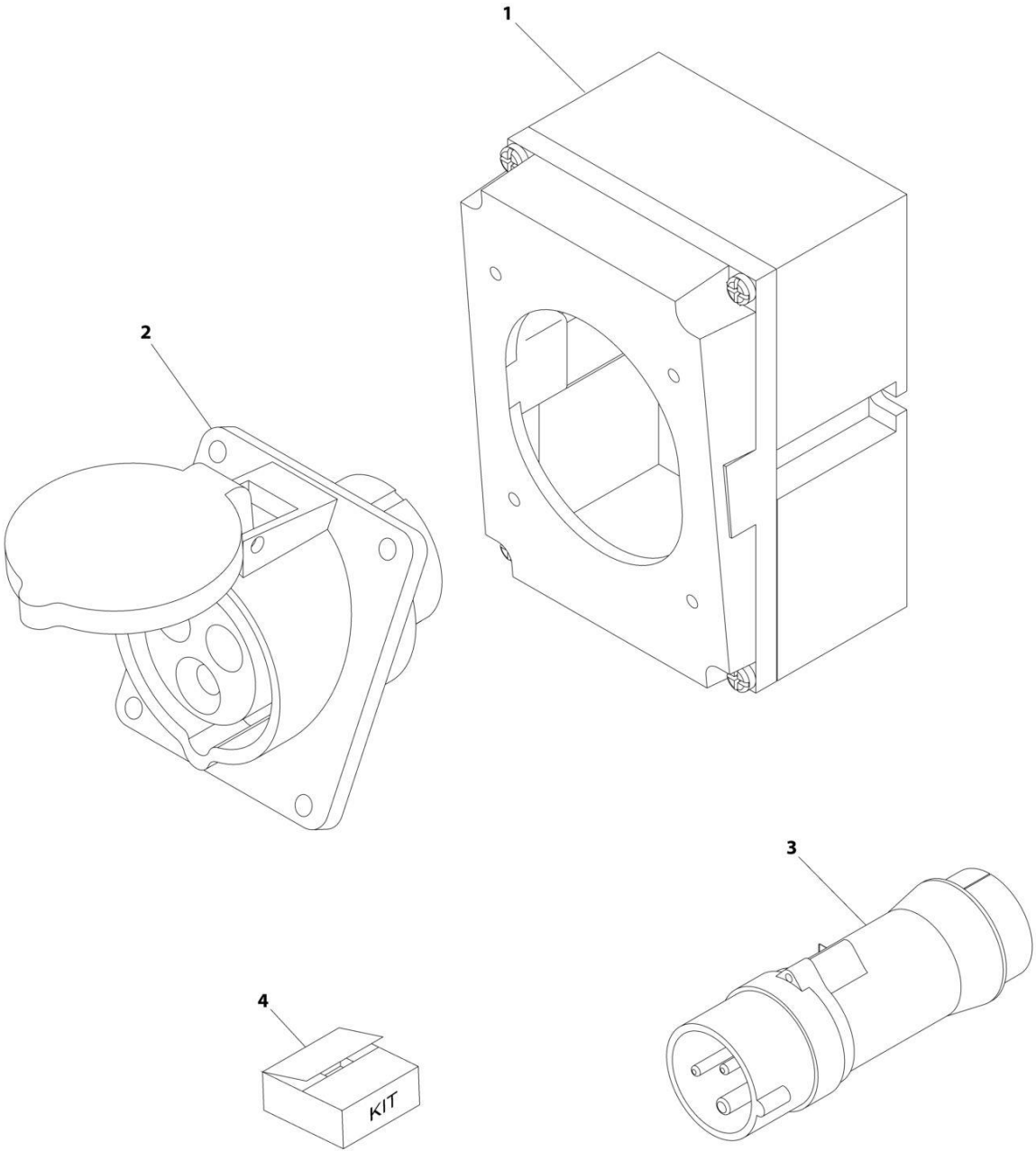
SECTION 8 - ELECTRICAL

FIGURE 8-67. PLATFORM CONSOLE BOX HARNESS (SN 0300316691 to Present)

ITEM	PART NUMBER	QTY	DESCRIPTION	REV
	1001309250	Ref	PLATFORM CONSOLE BOX HARNESS	A
18	4460866	1	Connector	
19	4460874	1	Connector	
20	4460875	1	Connector	
21	4460873	1	Connector	
22	4460871	83	Socket	
23	4460464	6	Pin	
24	4460879	1	Plug	
25	4460887	2	Terminal	
26	1001098122	2	Terminal, Ring	
27	4460260	10	Housing, Terminal	
28	4460259	10	Terminal	
29	4460418	10	Connector, Switch	
30	4460419	30	Terminal	
31	4460888	1	Terminal, Fork	
32	4460225	1	Plug	
33	4460227	30	Pin	
35	4460508	3	Pin	
36	4460806	1	Terminal, Fork	
37	4460434	2	Connector	
38	4460183	2	Terminal, Fork	
39	4460016	2	Terminal	
40	4460905	22	Plug, Terminal	
41	4460267	1	Pin	
42	4460465	15	Socket	
43	4460944	3	Socket	
44	4460536	1	Connector	
45	4460539	1	Plug	
46	4460943	3	Pin	
47	4460894	1	Plug	
48	4460933	1	Connector	
49	4460466	3	Plug, Terminal	
50	1001119020	1	Connector	
51	1001213447	1	Connector	
52	2400060	1	Fuseholder with Cover	
53	8229249	1	Fuse, 3Amp	
54	1001237667	1	Connector	
55	1001237668	4	Socket	
59	4460708	2	Connector	
60	4460226	2	Socket	
61	1001201885	2	Terminal	

SECTION 8 - ELECTRICAL

FIGURE 8-68. RECEPTACLE BOX KIT - 110V IEC YELLOW (CE & UK CA SPECS)



ART_0275216

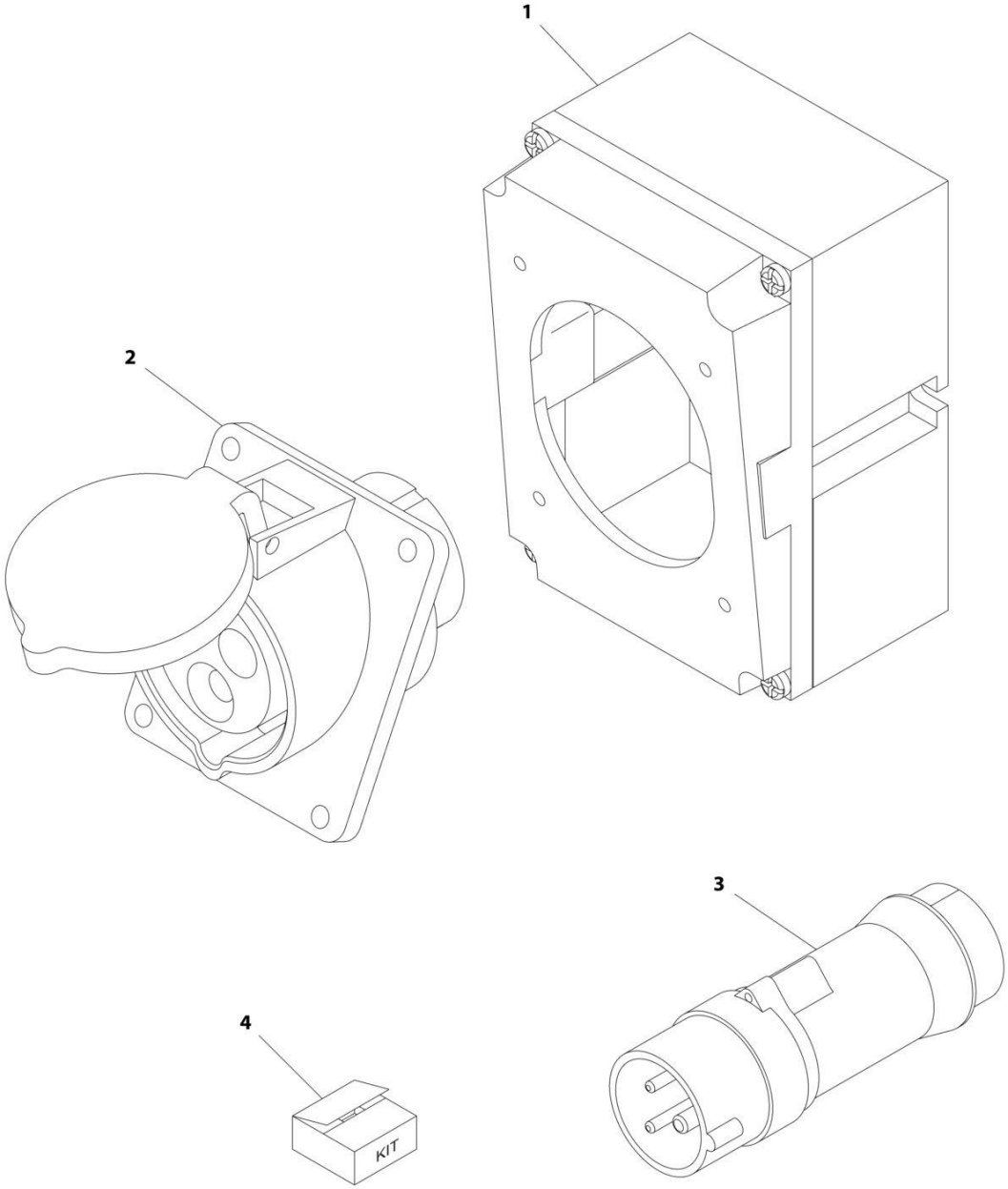
SECTION 8 - ELECTRICAL

FIGURE 8-68. RECEPTACLE BOX KIT - 110V IEC YELLOW (CE & UK CA SPECS)

ITEM	PART NUMBER	QTY	DESCRIPTION	REV
	0275216	Ref	RECEPTACLE BOX KIT - 110V IEC YELLOW	B
1	0861781	1	Box, Switch	
2	4461198	1	Receptacle	
3	4461196	1	Plug, Male	
4	1001100341	1	Plug and Socket Kit (Includes Items 1-3 and Female Plug p/n 4461197)	

SECTION 8 - ELECTRICAL

FIGURE 8-69. RECEPTACLE BOX KIT - 220V IEC BLUE (CE & UK CA SPECS)



ART_0275217

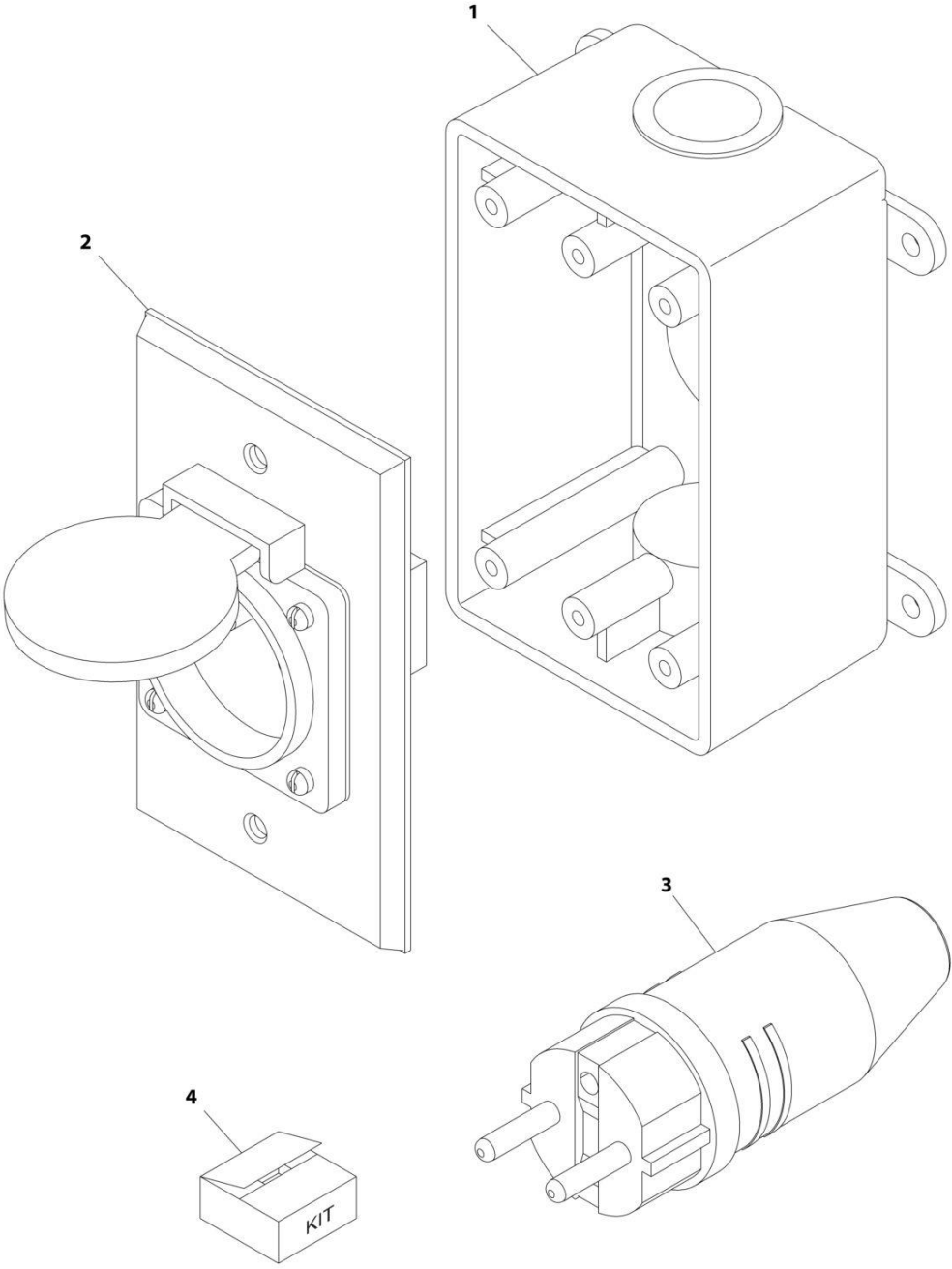
SECTION 8 - ELECTRICAL

FIGURE 8-69. RECEPTACLE BOX KIT - 220V IEC BLUE (CE & UK CA SPECS)

ITEM	PART NUMBER	QTY	DESCRIPTION	REV
	0275217	Ref	RECEPTACLE BOX KIT - 220V IEC BLUE	B
1	0861781	1	Box, Switch	
2	4461201	1	Receptacle	
3	4461199	1	Plug, Male	
4	1001100342	1	Plug and Socket Kit (Includes Items 1-3 and Female Plug p/n 4461200)	

SECTION 8 - ELECTRICAL

FIGURE 8-70. RECEPTACLE BOX KIT - 220V CEE7 POST GROUND 2X4 BOX (CE & UK CA SPEC)



ART_0275452-C

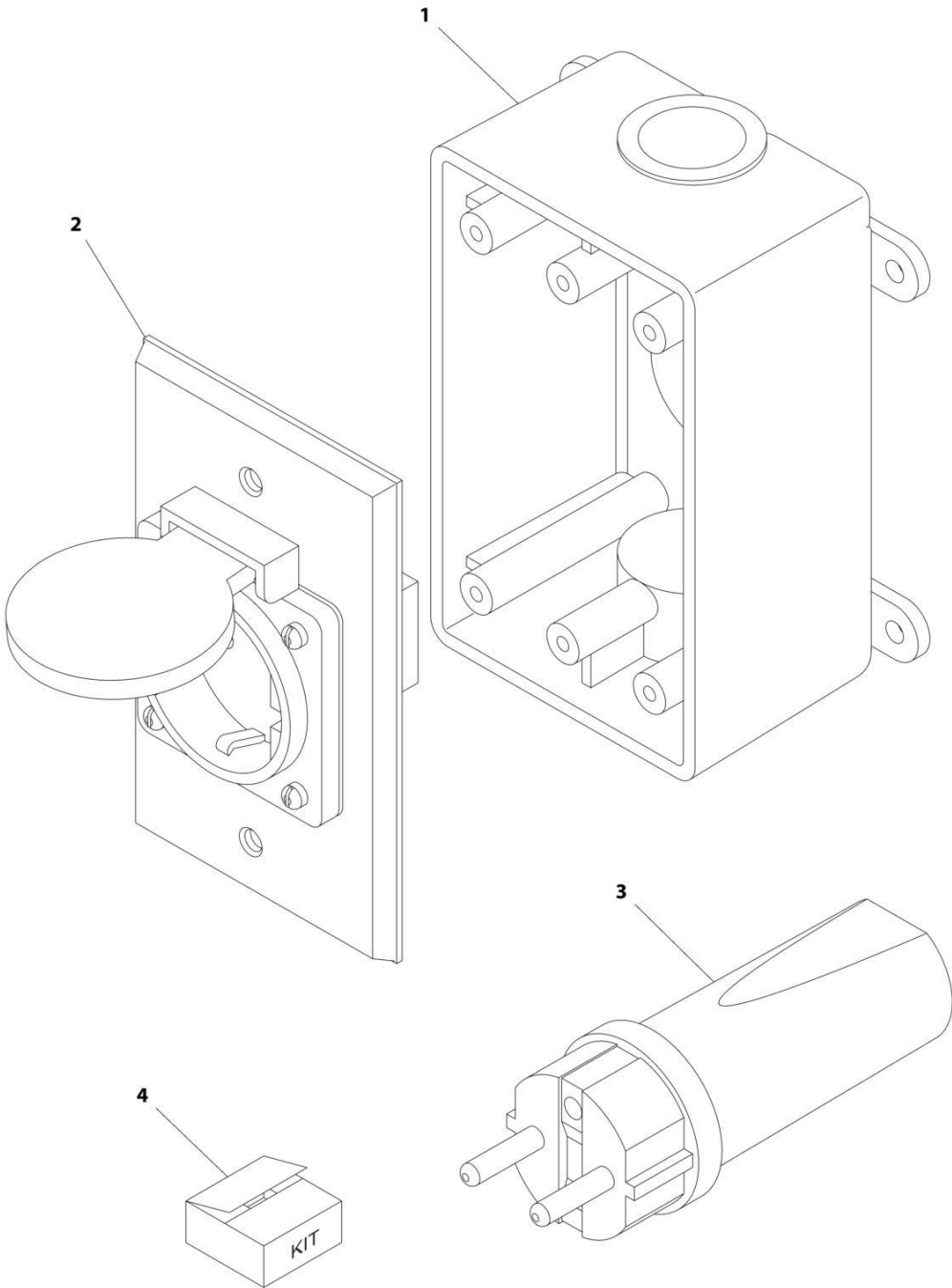
SECTION 8 - ELECTRICAL

FIGURE 8-70. RECEPTACLE BOX KIT - 220V CEE7 POST GROUND 2X4 BOX (CE & UK CA SPEC)

ITEM	PART NUMBER	QTY	DESCRIPTION	REV
	0275452	Ref	RECEPTACLE BOX KIT - 220V CEE7 POST GROUND 2IN X 4IN BOX	C
1	0861731	1	Box, Switch	
2	4461244	1	Receptacle	
3	4461205	1	Plug, Male	
4	1001100345	1	Plug and Socket Kit (Includes Items 1-3 and Female Plug p/n 4461203)	

SECTION 8 - ELECTRICAL

FIGURE 8-71. RECEPTACLE BOX KIT - 220V CEE7 SIDE GROUND 2X4 BOX (CE & UK CA SPEC)



ART_0275453

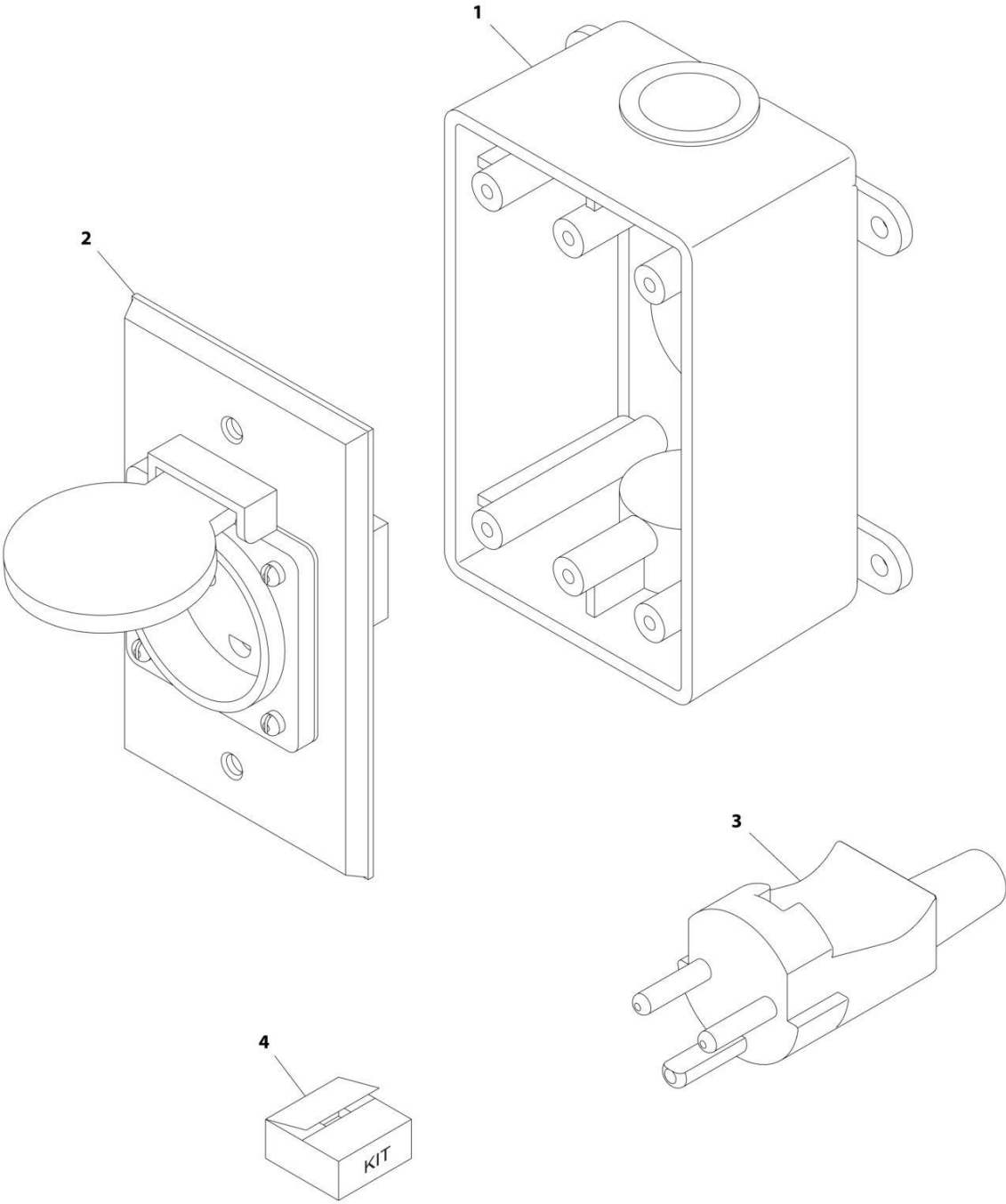
SECTION 8 - ELECTRICAL

FIGURE 8-71. RECEPTACLE BOX KIT - 220V CEE7 SIDE GROUND 2X4 BOX (CE & UK CA SPEC)

ITEM	PART NUMBER	QTY	DESCRIPTION	REV
	0275453	Ref	RECEPTACLE BOX KIT - 220V CEE7 SIDE GROUND	B
1	0861731	1	Box, Switch	
2	4461245	1	Receptacle	
3	4461205	1	Plug, Male	
4	1001100347	1	Plug and Socket Kit (Includes Items 1-3 and Female Plug p/n 4461206)	

SECTION 8 - ELECTRICAL

FIGURE 8-72. RECEPTACLE BOX KIT - 220V AFSINT107 KEYED GROUND (CE & UK CA SPECS)



ART_0275454

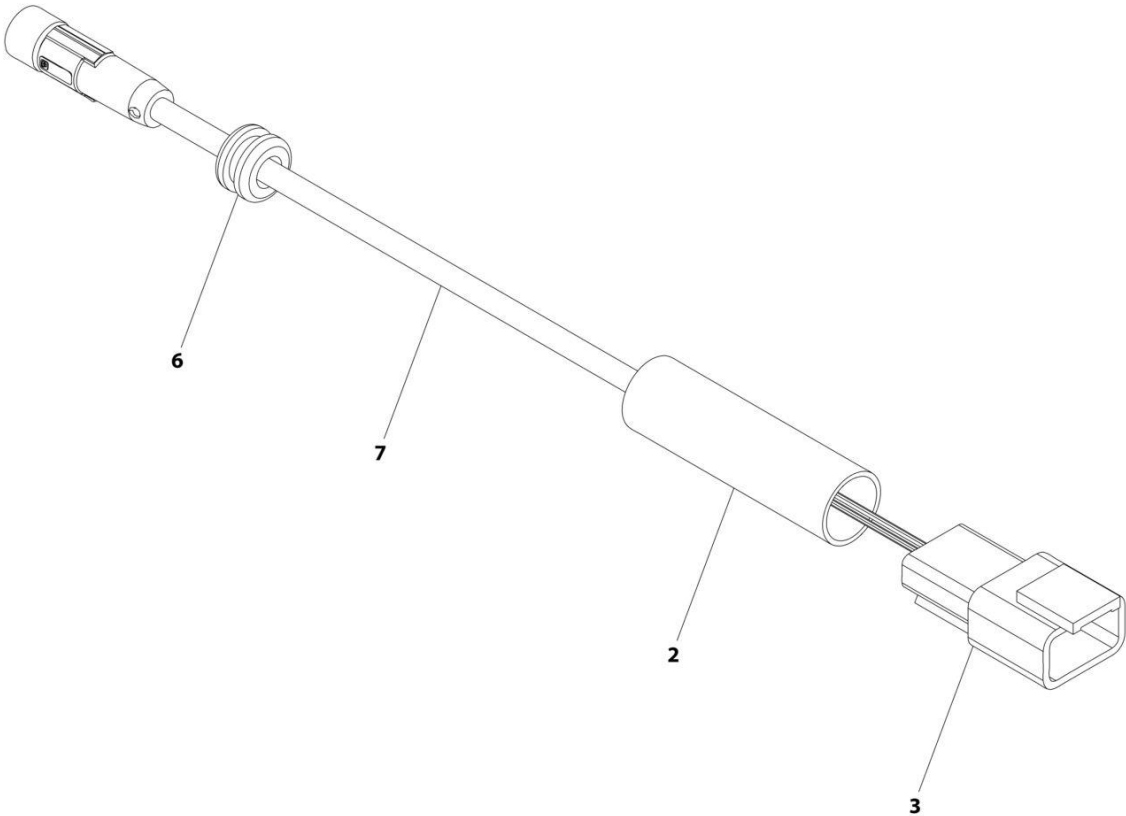
SECTION 8 - ELECTRICAL

FIGURE 8-72. RECEPTACLE BOX KIT - 220V AFSINT107 KEYED GROUND (CE & UK CA SPECS)

ITEM	PART NUMBER	QTY	DESCRIPTION	REV
	0275454	Ref	RECEPTACLE BOX KIT - 220V AFSINT 107	B
1	0861731	1	Box, Switch	
2	4461246	1	Receptacle	
3	4461249	1	Plug, Male	
4	1001100346	1	Plug and Socket Kit (Includes Items 1-3 and Female Plug p/n 4461250)	

SECTION 8 - ELECTRICAL

FIGURE 8-73. SKYEYE EMITTER HARNESS



ART_1001237864

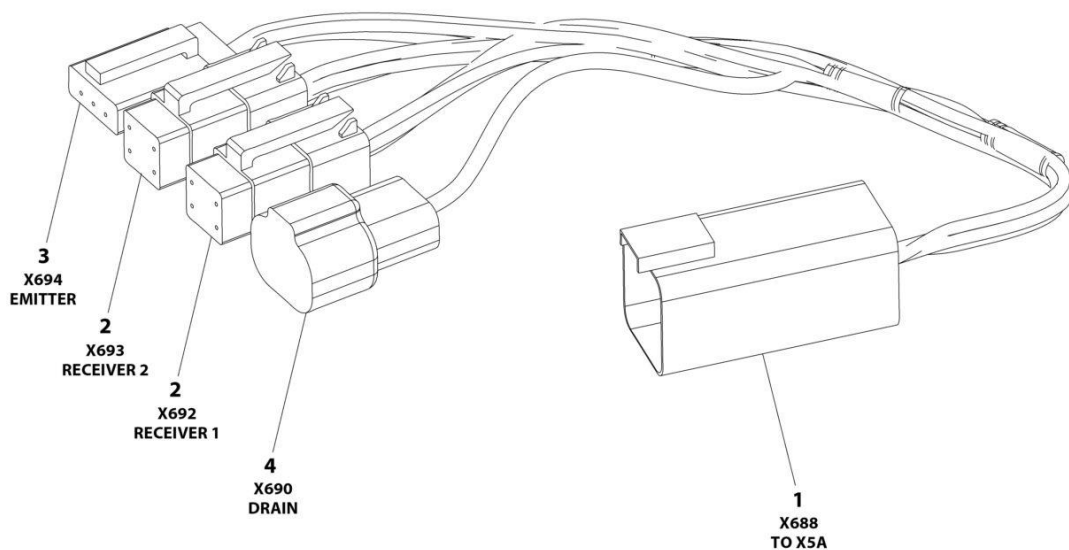
SECTION 8 - ELECTRICAL

FIGURE 8-73. SKYEYE EMITTER HARNESS

ITEM	PART NUMBER	QTY	DESCRIPTION	REV
	1001237864	Ref	SKYEYE EMITTER HARNESS	A
2	2820247	AR	Tubing, Heat Shrink	
3	4460910	1	Connector - 3 Position	
3	1001119620	3	Pin, Male	
6	1001227996	1	Grommet	
7	1001237862	1	Cable, M8 Female Cordset	

SECTION 8 - ELECTRICAL

FIGURE 8-74. SKYEYE INTERMEDIATE HARNESS



ART_1001237865

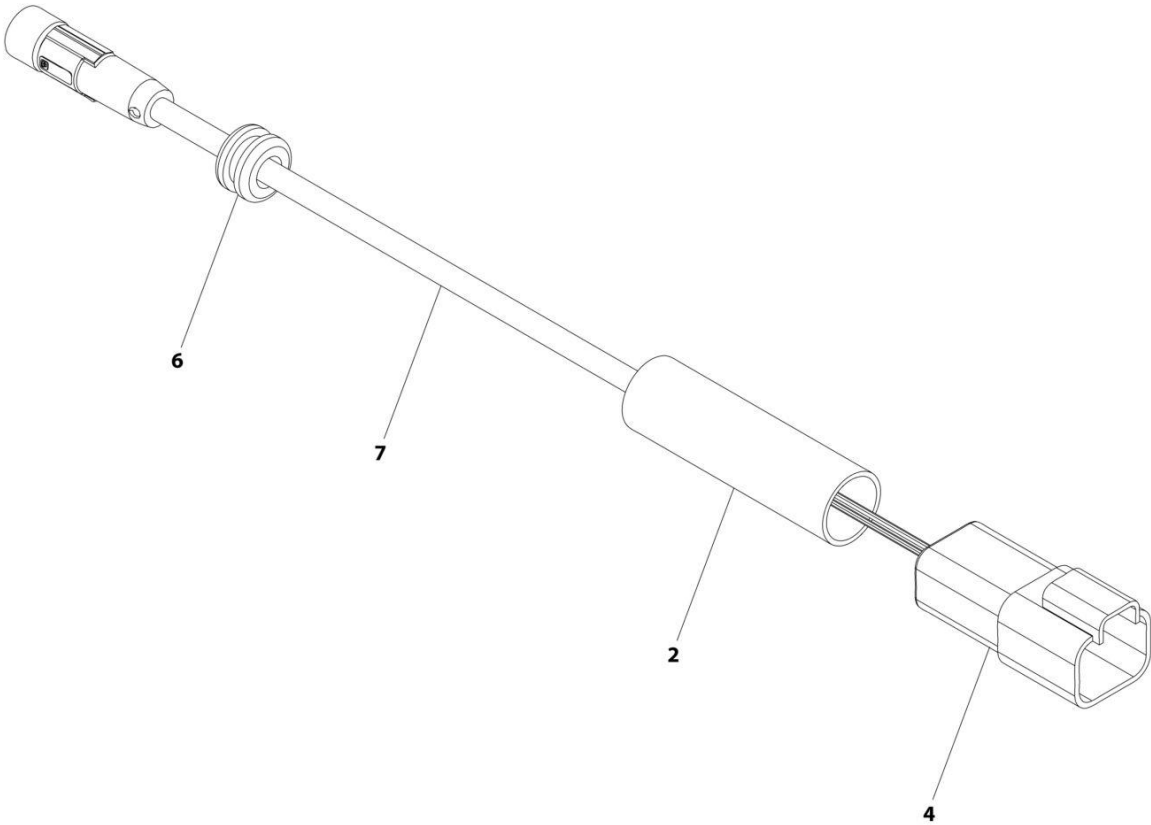
SECTION 8 - ELECTRICAL

FIGURE 8-74. SKYEYE INTERMEDIATE HARNESS

ITEM	PART NUMBER	QTY	DESCRIPTION	REV
	1001237865	Ref	SKYEYE INTERMEDIATE HARNESS	A
1	4460899	1	Connector - 6 Position	
1	4460943	4	Pin, Male	
1	4460466	2	Plug, Terminal	
2	4461077	2	Connector - 4 Position	
2	1001119619	8	Socket, Female	
3	4460911	1	Connector - 3 Position	
3	1001119619	3	Socket, Female	
4	1001187681	1	Connector - 2 Position	
4	4460941	1	Pin, Male	
4	4460466	1	Plug, Terminal	

SECTION 8 - ELECTRICAL

FIGURE 8-75. SKYEYE RECEIVER HARNESS



ART_1001237863

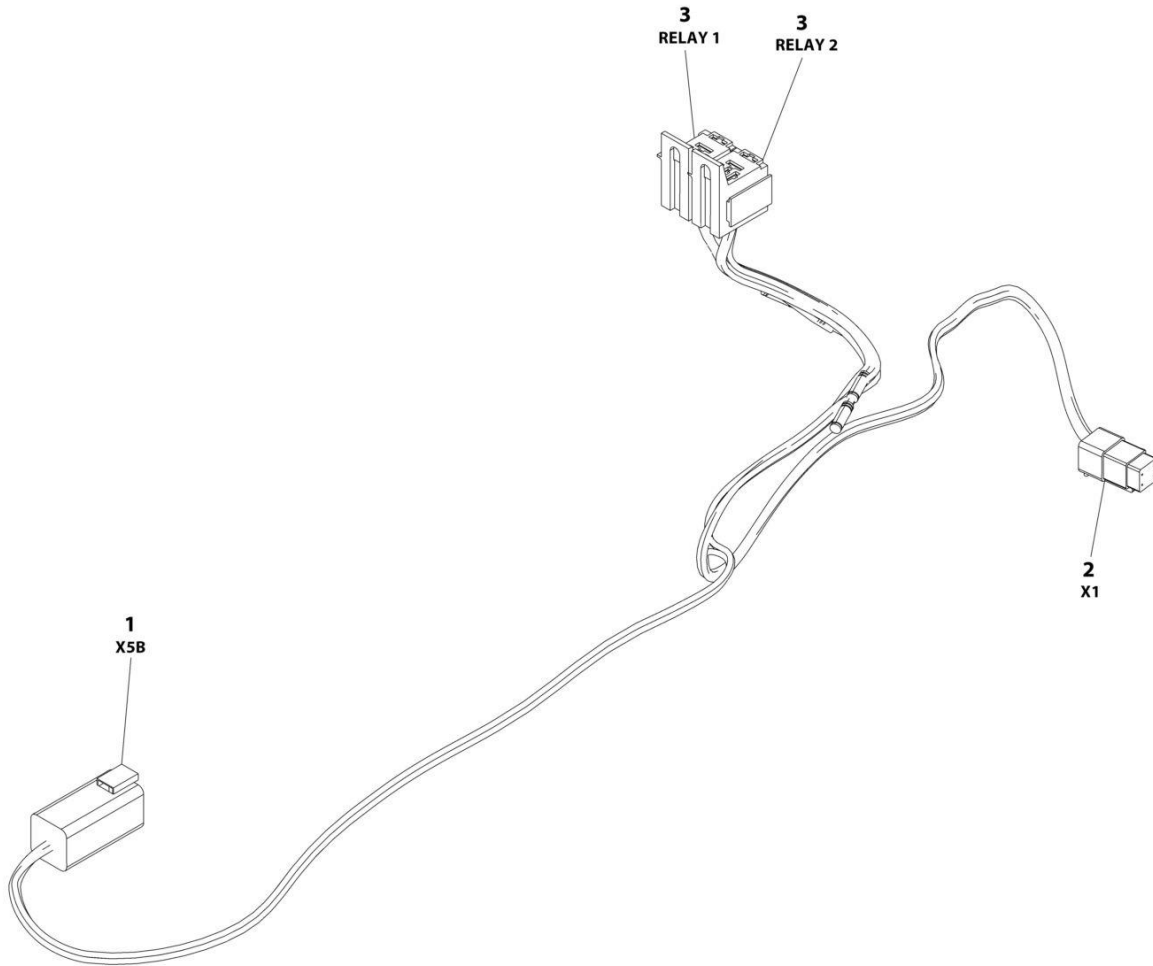
SECTION 8 - ELECTRICAL

FIGURE 8-75. SKYEYE RECEIVER HARNESS

ITEM	PART NUMBER	QTY	DESCRIPTION	REV
	1001237863	Ref	SKYEYE RECEIVER HARNESS	A
2	2820247	AR	Tubing, Heat Shrink	
4	1001097051	1	Connector - 4 Position	
4	1001119620	4	Pin, Male	
6	1001227996	1	Grommet	
7	1001237862	1	Cable, M8 Female Cordset	

SECTION 8 - ELECTRICAL

FIGURE 8-76. SKYLINE HARNESS



ART_1001238418

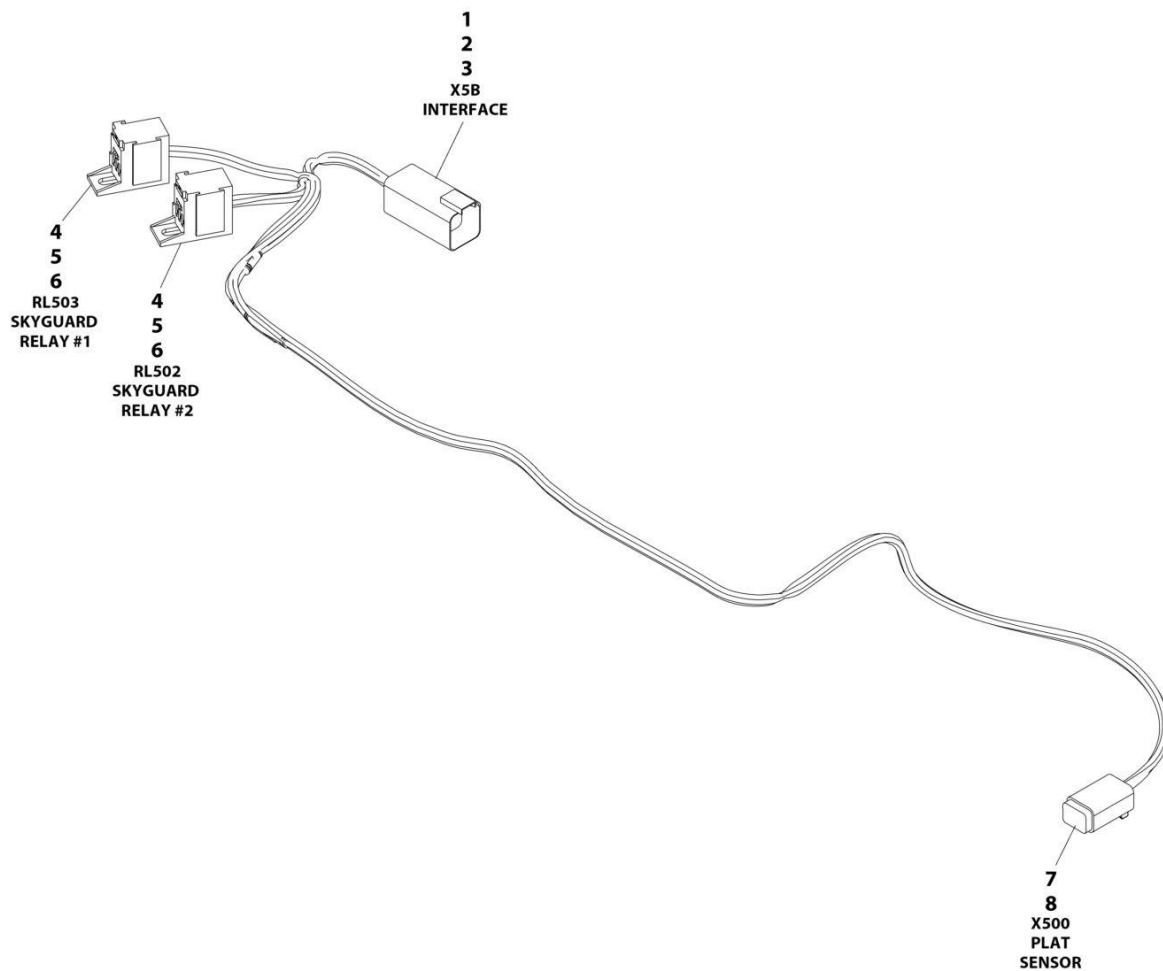
SECTION 8 - ELECTRICAL

FIGURE 8-76. SKYLINE HARNESS

ITEM	PART NUMBER	QTY	DESCRIPTION	REV
	1001238418	Ref	SKYLINE HARNESS	B
1	4460899	1	Connector - 6 Position	
1	4460464	4	Pin, Male	
1	4460466	2	Plug, Terminal	
2	4461077	1	Connector - 4 Position	
2	1001126009	4	Socket, Female	
3	1001186432	2	Plug, Relay	
3	1001118388	5	Terminal	
3	1001118384	3	Terminal	
3	3740086	2	Relay	

SECTION 8 - ELECTRICAL

FIGURE 8-77. SKYGUARD INTERFACE HARNESS



ART_1001225580_E

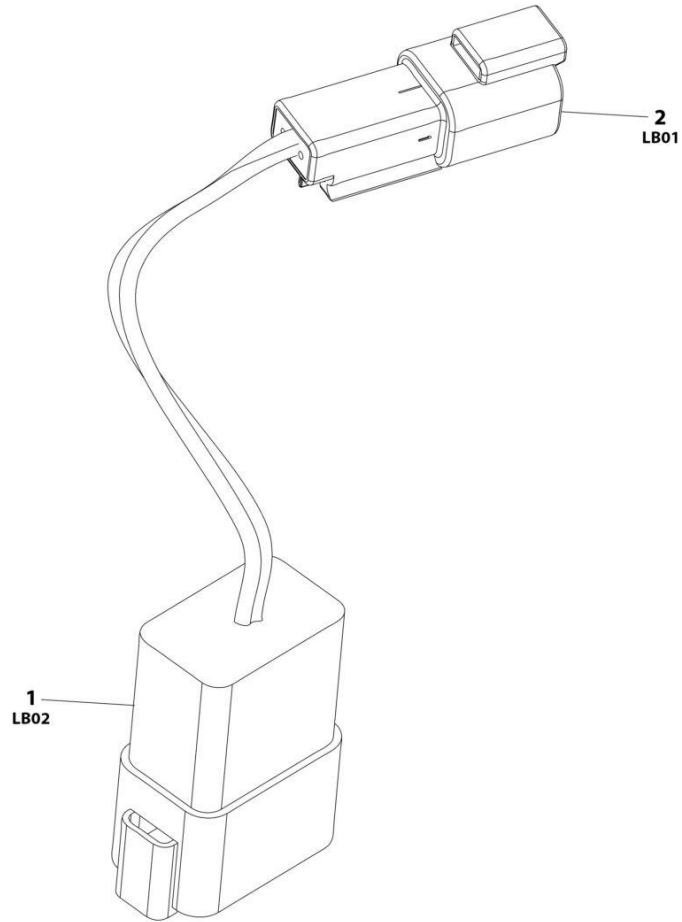
SECTION 8 - ELECTRICAL

FIGURE 8-77. SKYGUARD INTERFACE HARNESS

ITEM	PART NUMBER	QTY	DESCRIPTION	REV
	1001225580	Ref	PLATFORM INTERFACE HARNESS - WITH 1 CELL LSS	E
1	4460899	1	Connector	
2	4460464	4	Terminal	
3	4460466	2	Plug	
4	1001186432	2	Connector	
5	1001253375	4	Terminal	
6	1001104519	4	Terminal	
7	4460884	1	Connector	
8	4460465	4	Terminal	

SECTION 8 - ELECTRICAL

FIGURE 8-78. STROBE LIGHT JUMPER HARNESS



ART_1001283776

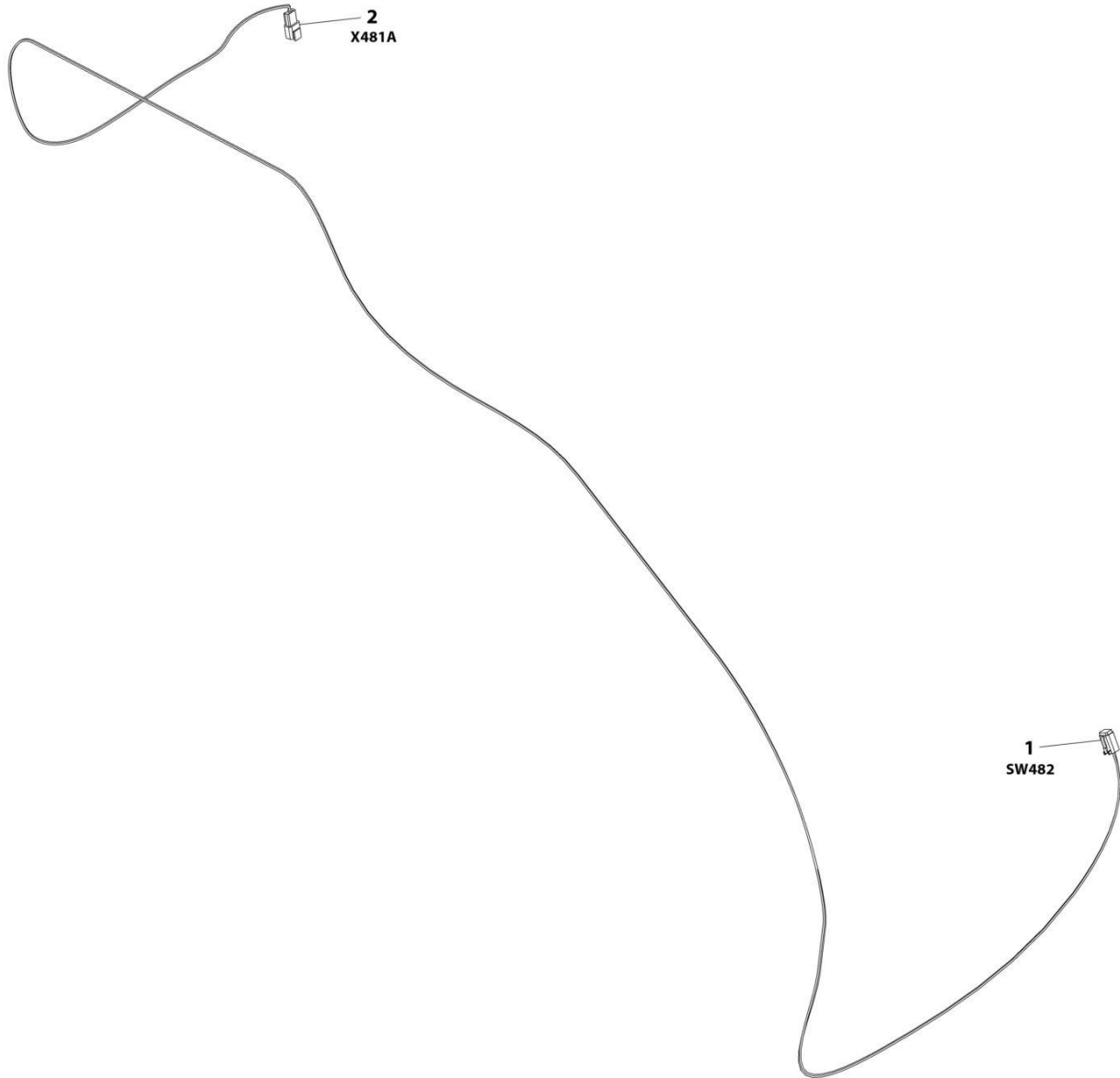
SECTION 8 - ELECTRICAL

FIGURE 8-78. STROBE LIGHT JUMPER HARNESS

ITEM	PART NUMBER	QTY	DESCRIPTION	REV
	1001283776	Ref	STROBE LIGHT HARNESS (AMBER)	A
1	4460931	1	Connector	
1	4460464	2	Pin	
1	4460466	6	Plug	
2	4460897	1	Connector	
2	4460464	2	Pin	

SECTION 8 - ELECTRICAL

FIGURE 8-79. TOWER STOW HARNESS



ART_1001266829

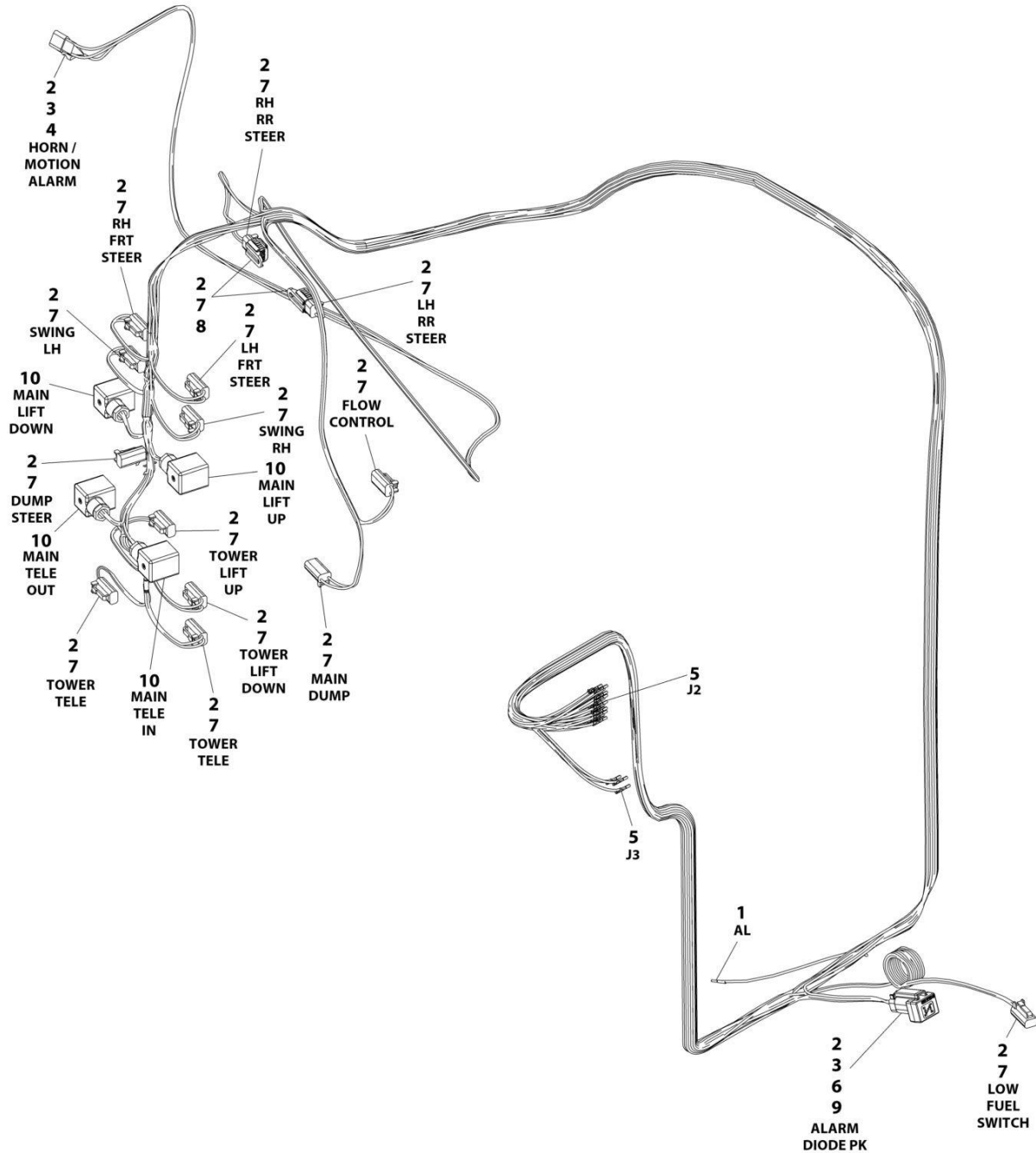
SECTION 8 - ELECTRICAL

FIGURE 8-79. TOWER STOW HARNESS

ITEM	PART NUMBER	QTY	DESCRIPTION	REV
	1001266829	Ref	TOWER STOW HARNESS	A
1	4460884	1	Connector	
1	4460465	2	Socket, Female	
1	4460466	2	Plug	
2	4460910	1	Connector	
2	1001116695	2	Pin	
2	4460518	1	Plug	

SECTION 8 - ELECTRICAL

FIGURE 8-80. VALVE HARNESS



ART_1001285016

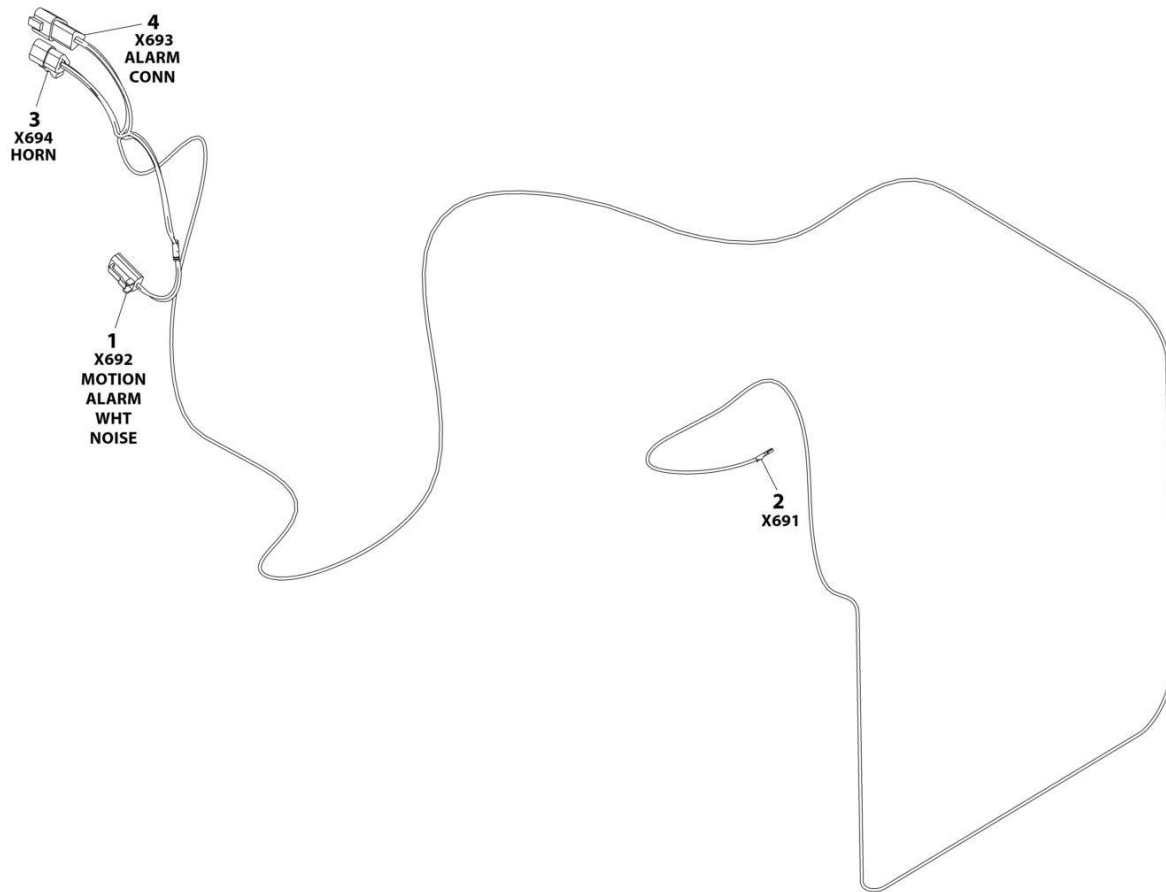
SECTION 8 - ELECTRICAL

FIGURE 8-80. VALVE HARNESS

ITEM	PART NUMBER	QTY	DESCRIPTION	REV
	1001285016	Ref	VALVE HARNESS	D
1	4460464	1	Terminal	
2	4460465	33	Socket	
3	4460466	3	Plug, Terminal	
4	4460539	1	Connector	
5	4460871	27	Socket	
6	4460884	1	Connector	
7	4460891	14	Connector	
8	1001144295	2	Cap, Dust	
9	1001152266	1	Connector	
10	1001263923	4	Connector	
11	4460897	1	Connector (Not Shown)	

SECTION 8 - ELECTRICAL

FIGURE 8-81. WHITE NOISE ALARM HARNESS



ART_1001243682

SECTION 8 - ELECTRICAL

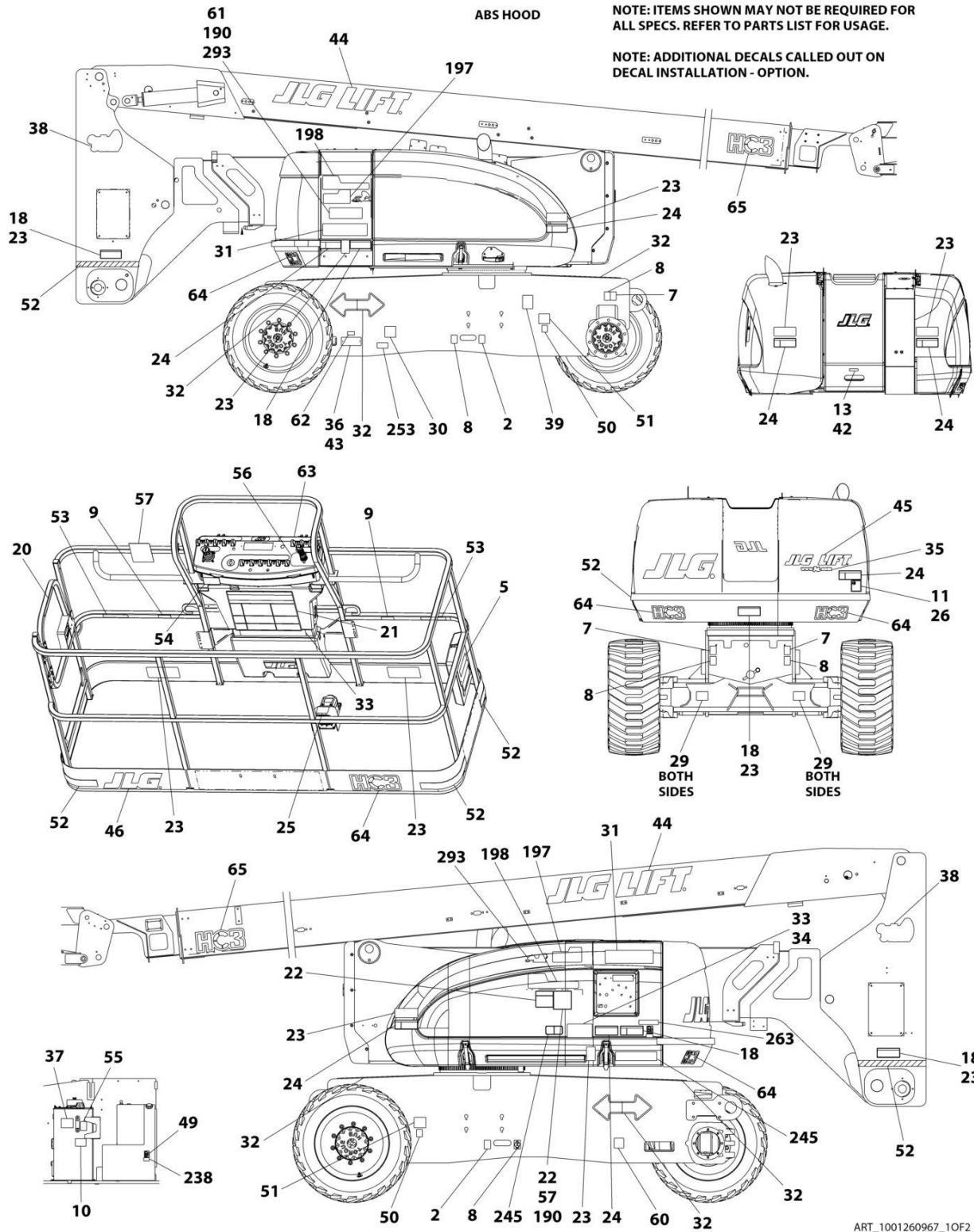
FIGURE 8-81. WHITE NOISE ALARM HARNESS

ITEM	PART NUMBER	QTY	DESCRIPTION	REV
	1001243682	Ref	WHITE NOISE ALARM HARNESS	A
1	4460891	1	Plug, Male - 2 Position	
1	4460465	2	Socket, Female	
2	4460871	1	Terminal	
3	4460539	1	Plug, Male- 3 Position	
3	4460465	3	Socket, Female	
4	4460536	1	Receptacle, Female- 3 Position	
4	4460464	3	Pin, Male	

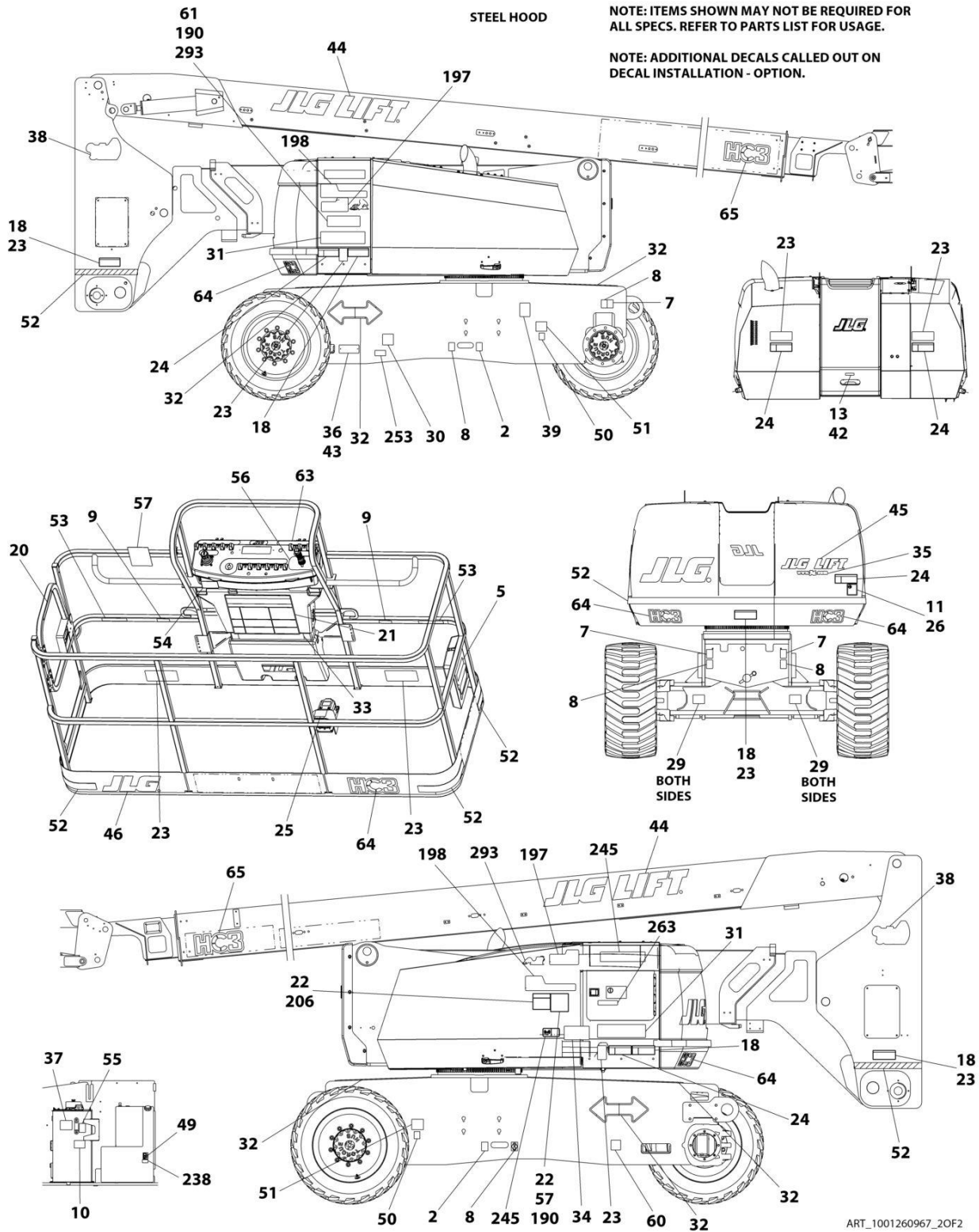
SECTION 9 - DECALS

SECTION 9 - DECALS

FIGURE 9-1. DECAL INSTALLATION (ANSI SPECS)



SECTION 9 - DECALS



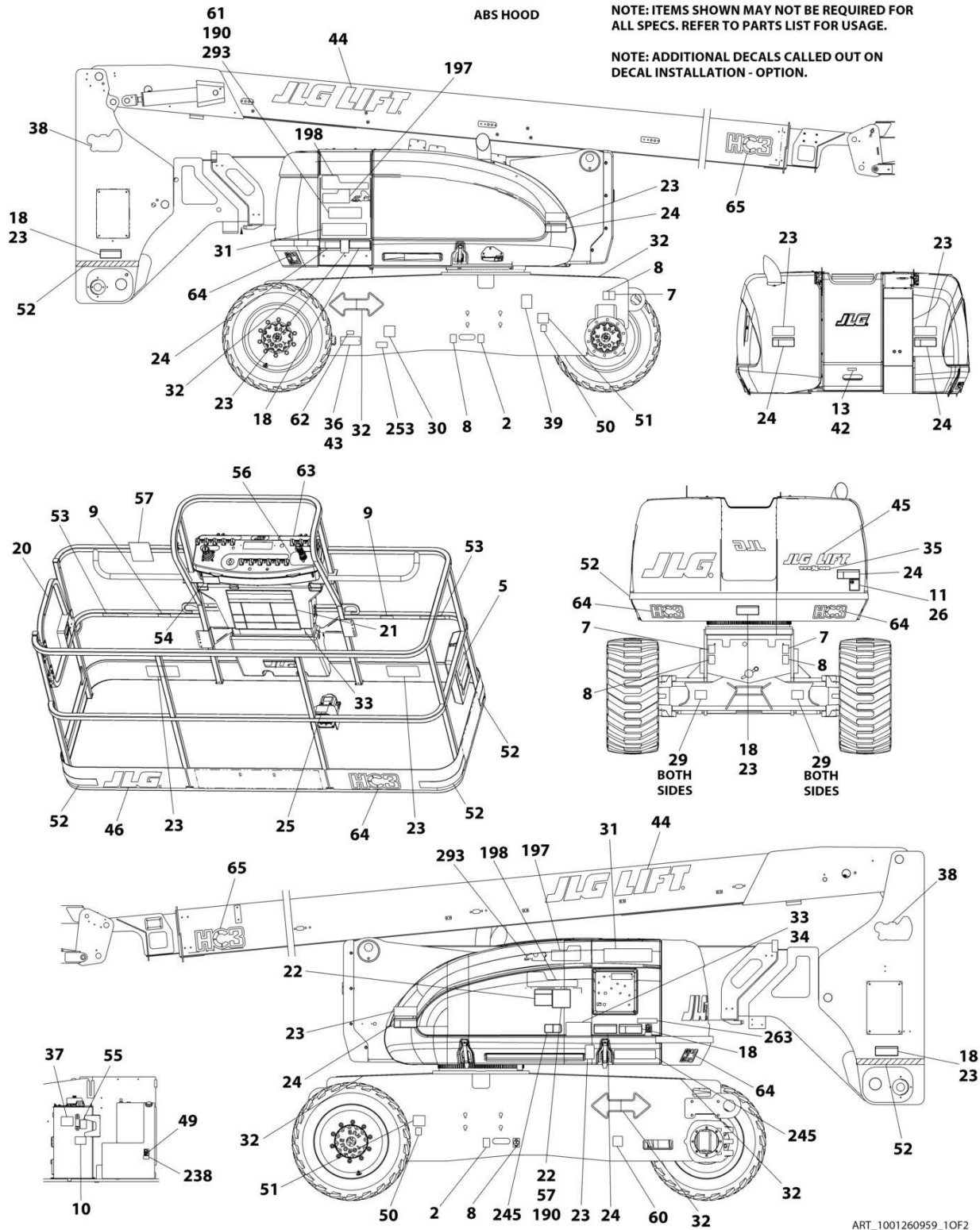
SECTION 9 - DECALS

FIGURE 9-1. DECAL INSTALLATION (ANSI SPECS)

ITEM	PART NUMBER	QTY	DESCRIPTION	REV
	1001260967	Ref	DECAL INSTALLATION	E
	1001260969	Ref	REFERENCE CHART	B
2	1701499	2	Decal - No Lifting	
5	1701509	1	Decal - Manual	
7	1703811	4	Decal - Lifting Lug	
8	1703814	6	Decal - Tie Down	
9	1704277	3	Decal - Lanyard Attach Graphic	
10	1704412	1	Decal - Hydraulic Oil Chart	
13	3251243	1	Nameplate - 120V-60Hz	
18	1703953	5	Decal - Warning Crushing	
20	1702868	2	Decal - No Hands	
21	1703797	1	Decal - Warning/Danger	
22	1705336	1	Decal - Warning Inspection	
23	1703804	4	Decal - Warning Crushing	
24	1703805	5	Decal - Danger Electrocuton	
25	3252347	1	Decal - Footswitch	
29	1703482	4	Decal - Maximum Tire Load	
30	See Note	NSS	Decal - Bar Code (Note: Not Available for Purchase)	
31	1001267312	2	Decal - 800AJ	
32	1701501	4	Decal - Arrow	
33	1001234425	1	Decal - Warning Maximum Capacity	
34	1001234426	1	Decal - Warning Maximum Capacity	
37	1001096141	1	Decal - Upright Level Override	
38	1703959	2	Decal - Quick Stick	
39	1001131269	1	Decal - Patent	
43	3820001	2	Rivet	
52	4420051	23 ft /7m	Tape, Safety	
56	1705351	1	Decal - Drive/Steer Instructions	
60	1001223055	1	Decal - Yearly Inspection	
61	1001263941	1	Decal - Lift Diagram	
62	1001223453	1	Decal - ICES	
63	1001131168	1	Decal - Stop	

SECTION 9 - DECALS

FIGURE 9-2. DECAL INSTALLATION (AUSTRALIAN SPECS)



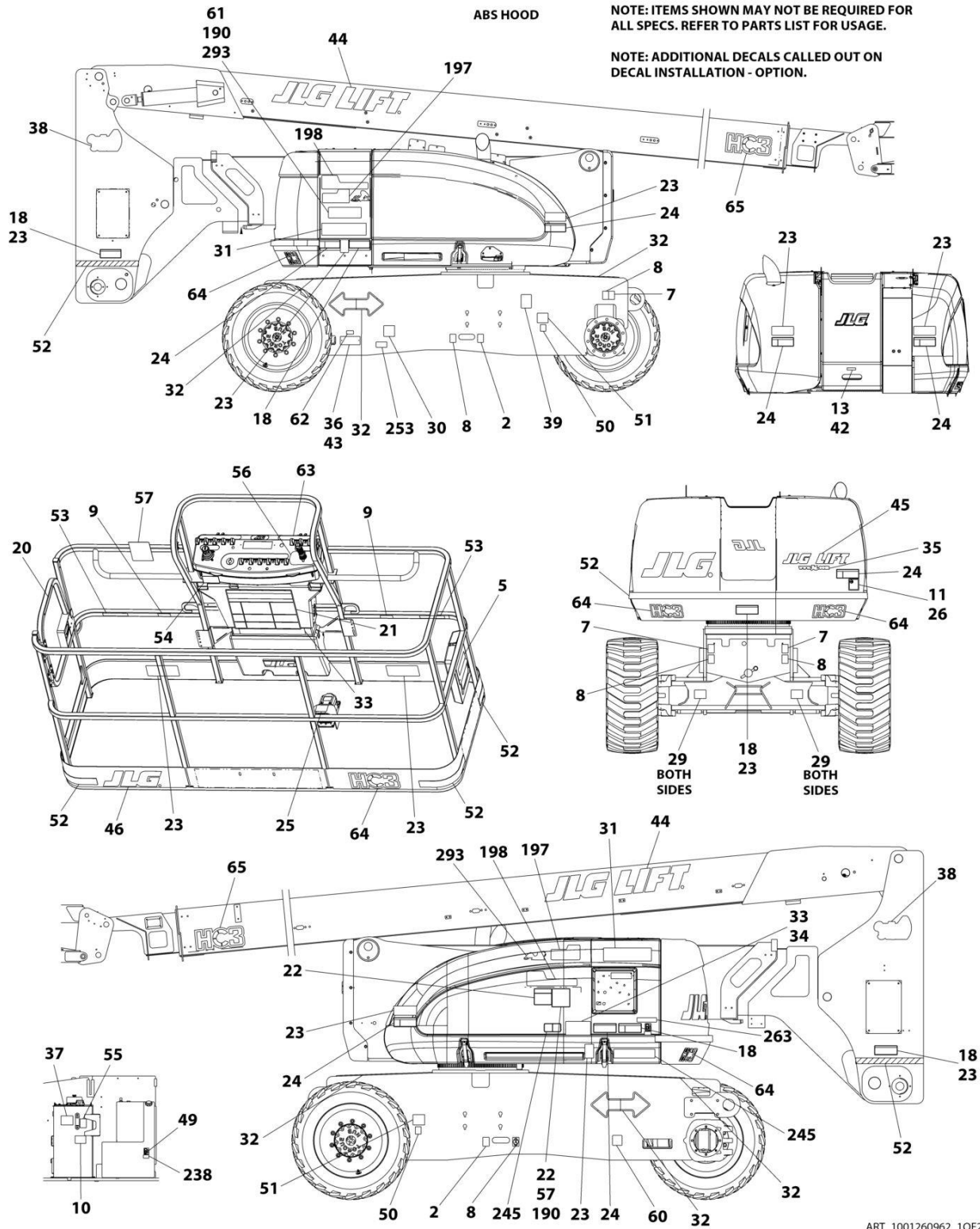
SECTION 9 - DECALS

FIGURE 9-2. DECAL INSTALLATION (AUSTRALIAN SPECS)

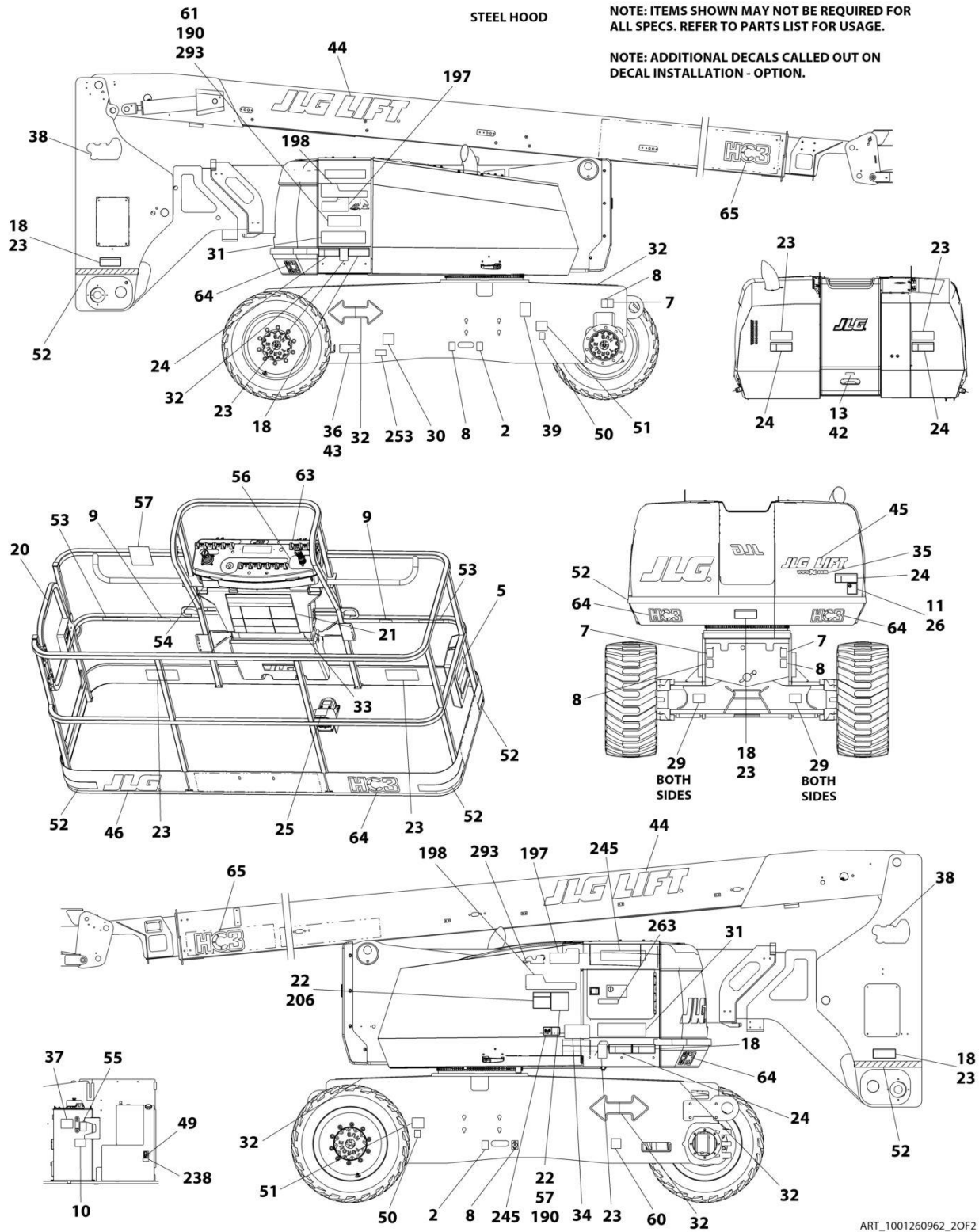
ITEM	PART NUMBER	QTY	DESCRIPTION	REV
	1001260959	Ref	DECAL INSTALLATION	D
	1001260969	Ref	REFERENCE CHART	B
2	1701499	2	Decal - No Lifting	
5	1701509	1	Decal - Manual	
7	1703811	4	Decal - Lifting Lug	
8	1703814	6	Decal - Tie Down	
9	1704277	3	Decal - Lanyard Attach Graphic	
10	1704412	1	Decal - Hydraulic Oil Chart	
21	1705921	1	Decal - Tipping	
22	1705822	1	Decal - Danger	
23	1701518	9	Decal - Warning Crushing	
24	1705961	5	Decal - Danger Electrocution	
25	1705828	1	Decal - Footswitch	
29	1703482	4	Decal - Maximum Tire Load	
30	See Note	NSS	Decal - Bar Code (Note: Not Available for Purchase)	
31	1001267312	2	Decal - 800AJ	
32	1701501	4	Decal - Arrow	
33	1001234439	2	Decal - Warning Maximum Capacity	
37	1705977	1	Decal - Upright Level	
38	1703959	2	Decal - Quick Stick	
43	3820001	2	Rivet	
52	4420051	23 ft /7m	Tape, Safety	
57	1001112551	1	Decal - Emergency Control	
61	1001263941	1	Decal - Lift Diagram	
63	1001184618	1	Decal - Stop	

SECTION 9 - DECALS

FIGURE 9-3. DECAL INSTALLATION (BRAZILIAN SPECS)



SECTION 9 - DECALS



ART_1001260962_20F2

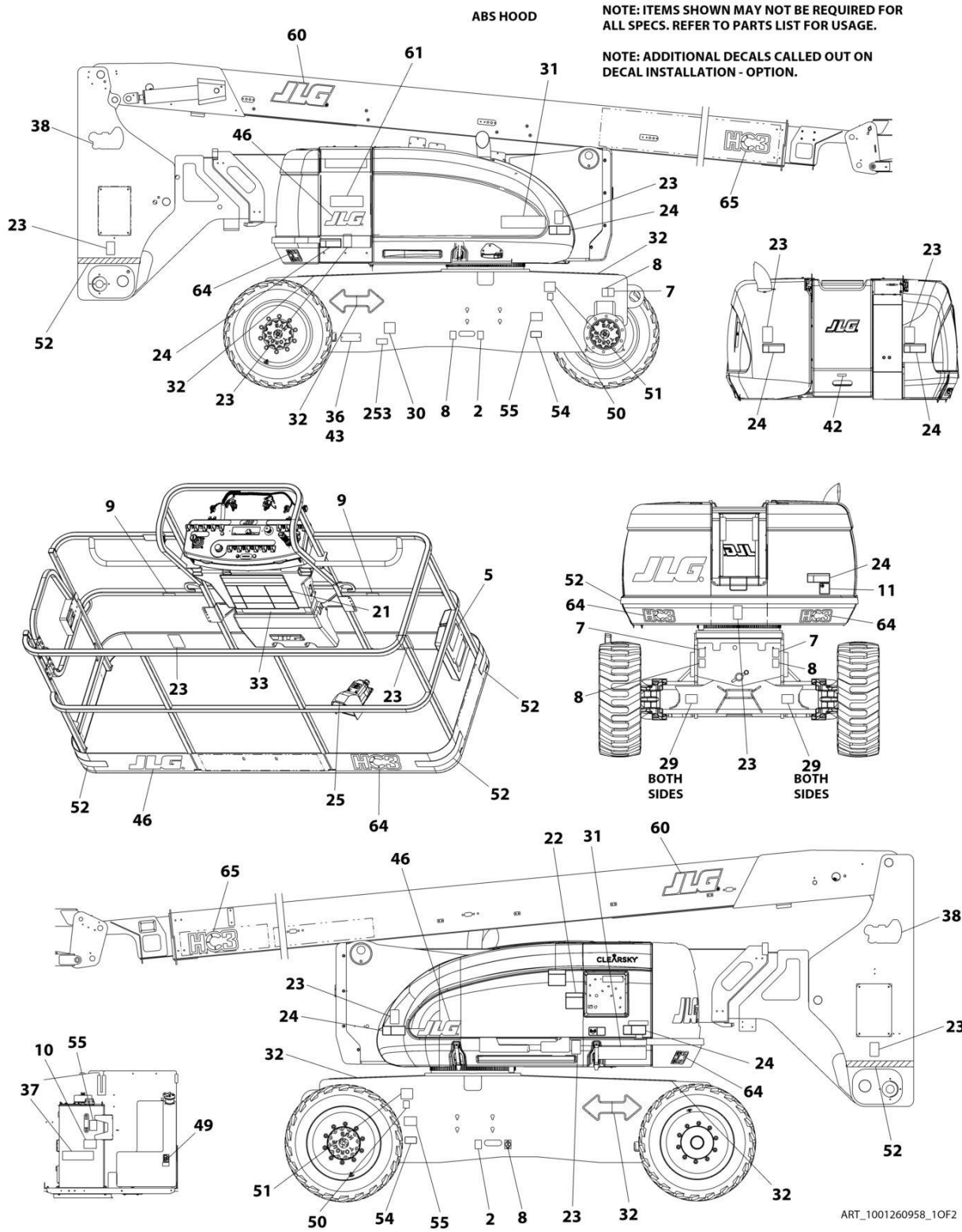
SECTION 9 - DECALS

FIGURE 9-3. DECAL INSTALLATION (BRAZILIAN SPECS)

ITEM	PART NUMBER	QTY	DESCRIPTION	REV
	1001260962	Ref	DECAL INSTALLATION	D
	1001260969	Ref	REFERENCE CHART	B
2	1701499	2	Decal - No Lifting	
5	1701509	1	Decal - Manual	
7	1703811	4	Decal - Lifting Lug	
8	1703814	6	Decal - Tie Down	
9	1704277	3	Decal - Lanyard Attach Graphic	
10	1704412	1	Decal - Hydraulic Oil Chart	
18	1703943	5	Decal - Warning Crushing	
20	1705967	2	Decal - No Hands	
21	1705895	1	Decal - Warning/Danger	
22	1705896	1	Decal - Warning Inspection	
23	1705898	4	Decal - Warning Crushing	
24	1705897	5	Decal - Danger Electrocution	
25	1705902	1	Decal - Footswitch	
29	1703482	4	Decal - Maximum Tire Load	
30	See Note	NSS	Decal - Bar Code (Note: Not Available for Purchase)	
31	1001267312	2	Decal - 800AJ	
32	1701501	4	Decal - Arrow	
33	1001234437	1	Decal - Warning Maximum Capacity	
34	1001234438	1	Decal - Warning Maximum Capacity	
37	1705977	1	Decal - Upright Level	
38	1703959	2	Decal - Quick Stick	
43	3820001	2	Rivet	
52	4420051	23 ft /7m	Tape, Safety	
56	1705905	1	Decal - Drive/Steer	
60	1001224052	1	Decal - Yearly Inspection	
61	1001263941	1	Decal - Lift Diagram	
63	1001184618	1	Decal - Stop	

SECTION 9 - DECALS

FIGURE 9-4. DECAL INSTALLATION (CE & UK CA SPECS)



ART_1001260958_10F2

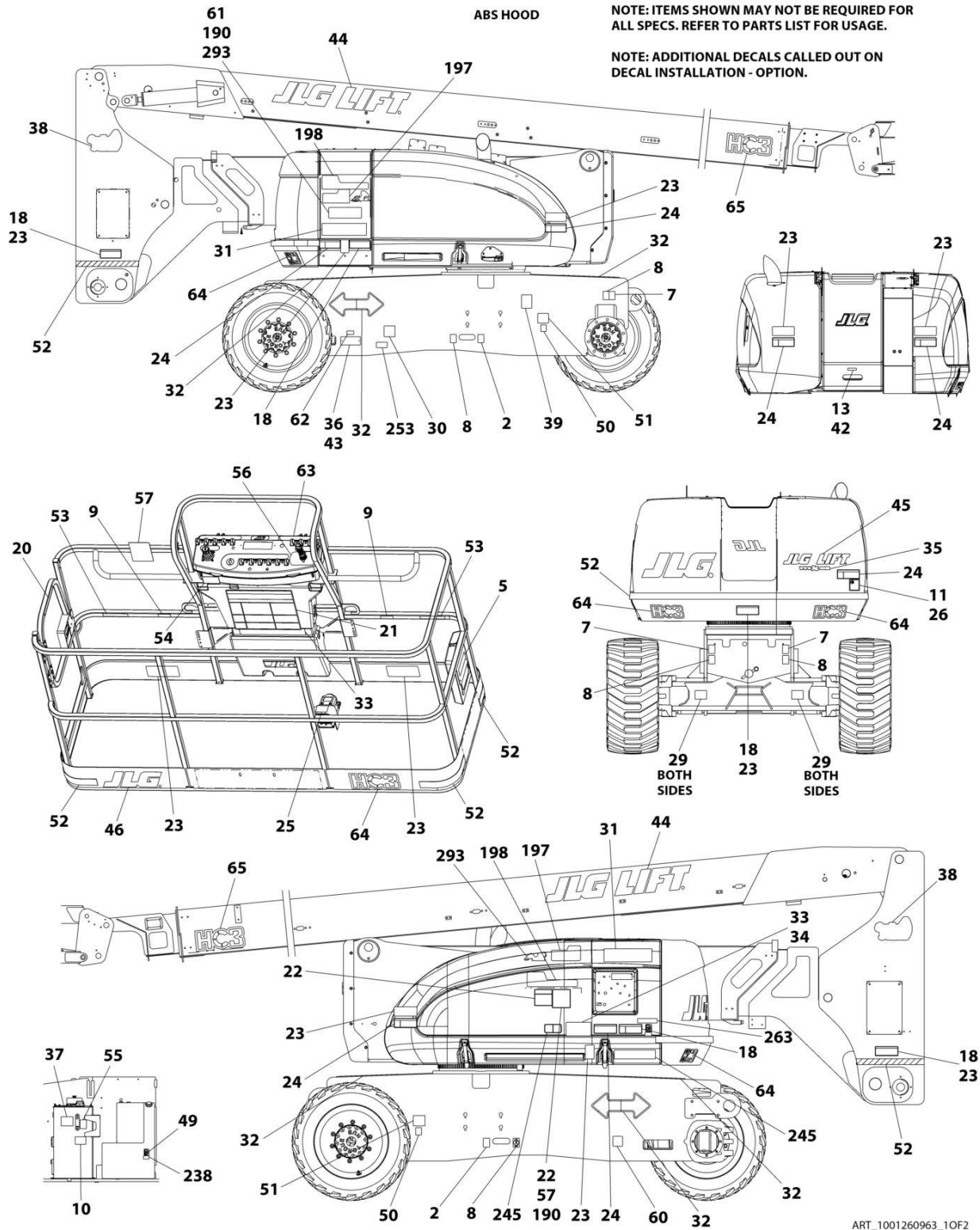
SECTION 9 - DECALS

FIGURE 9-4. DECAL INSTALLATION (CE & UK CA SPECS)

ITEM	PART NUMBER	QTY	DESCRIPTION	REV
	1001260958	Ref	DECAL INSTALLATION	D
	1001260968	Ref	REFERENCE CHART	B
2	1701499	2	Decal - No Lifting	
5	1701509	1	Decal - Manual	
7	1703811	4	Decal - Lifting Lug	
8	1703814	6	Decal - Tie Down	
9	1704277	3	Decal - Lanyard Attach Graphic	
10	1704412	1	Decal - Hydraulic Oil Chart	
21	1705921	1	Decal - Tipping	
22	1705822	1	Decal - Danger	
23	1701518	9	Decal - Warning Crushing	
24	1705961	5	Decal - Danger Electrocution	
25	1705828	1	Decal - Footswitch	
29	1703482	4	Decal - Maximum Tire Load	
30	See Note	NSS	Decal - Bar Code (Note: Not Available for Purchase)	
31	1001267312	2	Decal - 800AJ	
32	1701501	4	Decal - Arrow	
33	1001234439	1	Decal - Warning Maximum Capacity	
37	1705977	1	Decal - Upright Level	
38	1703959	2	Decal - Quick Stick	
43	3820001	2	Rivet	
52	4420051	23 ft /7m	Tape, Safety	
61	1001263941	1	Decal - Lift Diagram	
63	1001184618	1	Decal - Stop	

SECTION 9 - DECALS

FIGURE 9-5. DECAL INSTALLATION (CHINA SPECS)

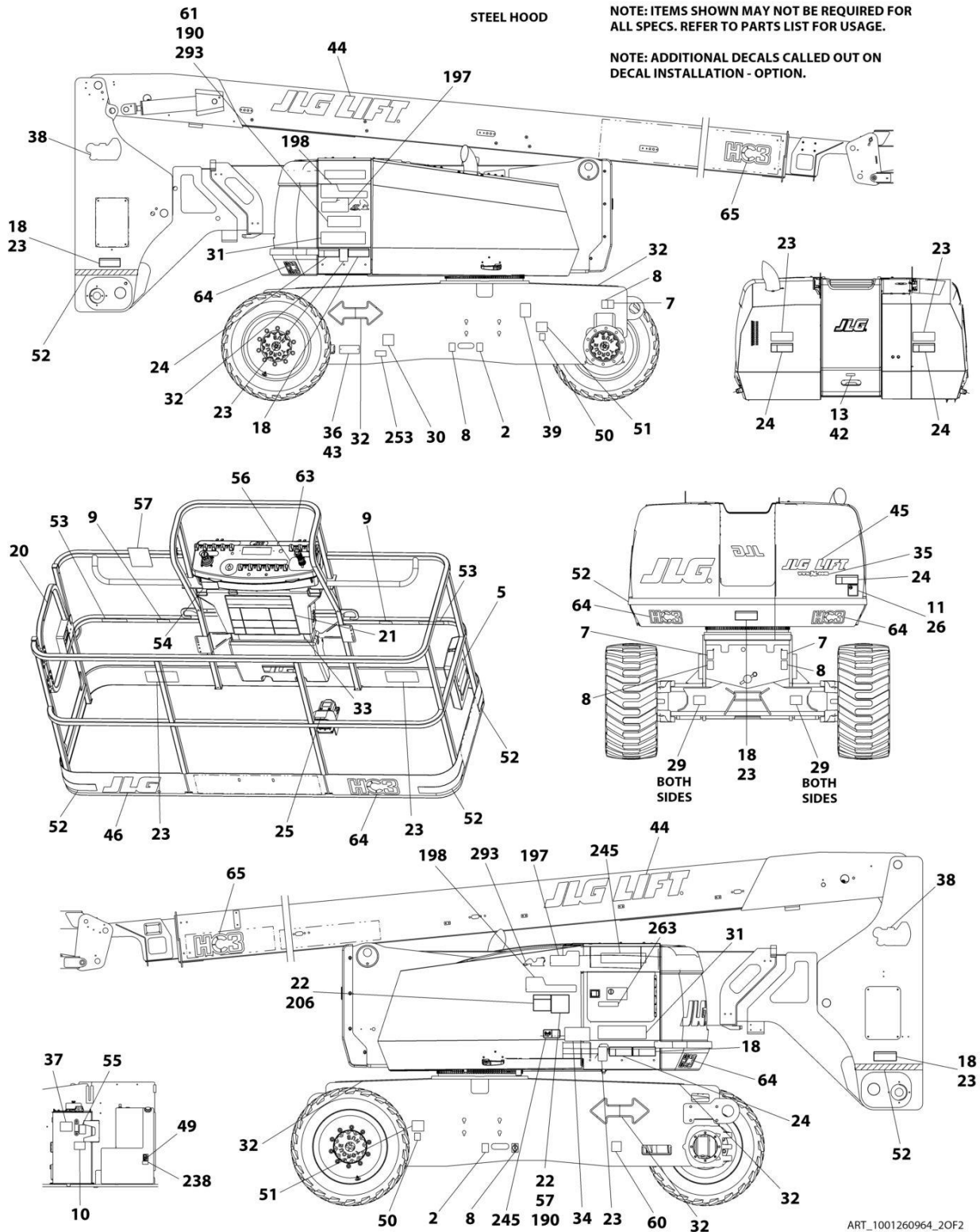


SECTION 9 - DECALS

FIGURE 9-5. DECAL INSTALLATION (CHINA SPECS)

ITEM	PART NUMBER	QTY	DESCRIPTION	REV
	1001260963	Ref	DECAL INSTALLATION	D
	1001260969	Ref	REFERENCE CHART	B
2	1701499	2	Decal - No Lifting	
5	1701509	1	Decal - Manual	
7	1703811	4	Decal - Lifting Lug	
8	1703814	6	Decal - Tie Down	
9	1704277	3	Decal - Lanyard Attach Graphic	
10	1704412	1	Decal - Hydraulic Oil Chart	
18	1703943	5	Decal - Warning Crushing	
20	1705968	2	Decal - No Hands	
21	1703925	1	Decal - Warning/Danger	
22	1705348	1	Decal - Warning Inspection	
23	1703949	4	Decal - Warning Crushing	
24	1703937	5	Decal - Danger Electrocution	
25	1703982	1	Decal - Footswitch	
29	1703482	4	Decal - Maximum Tire Load	
30	See Note	NSS	Decal - Bar Code (Note: Not Available for Purchase)	
31	1001267312	2	Decal - 800AJ	
32	1701501	4	Decal - Arrow	
33	1001234435	1	Decal - Warning Maximum Capacity	
34	1001234436	1	Decal - Warning Maximum Capacity	
37	1705977	1	Decal - Upright Level	
38	1703959	2	Decal - Quick Stick	
43	3820001	2	Rivet	
52	4420051	23 ft /7m	Tape, Safety	
60	1001224050	1	Decal - Yearly Inspection	
61	1001263941	1	Decal - Lift Diagram	
63	1001184618	1	Decal - Stop	

SECTION 9 - DECALS



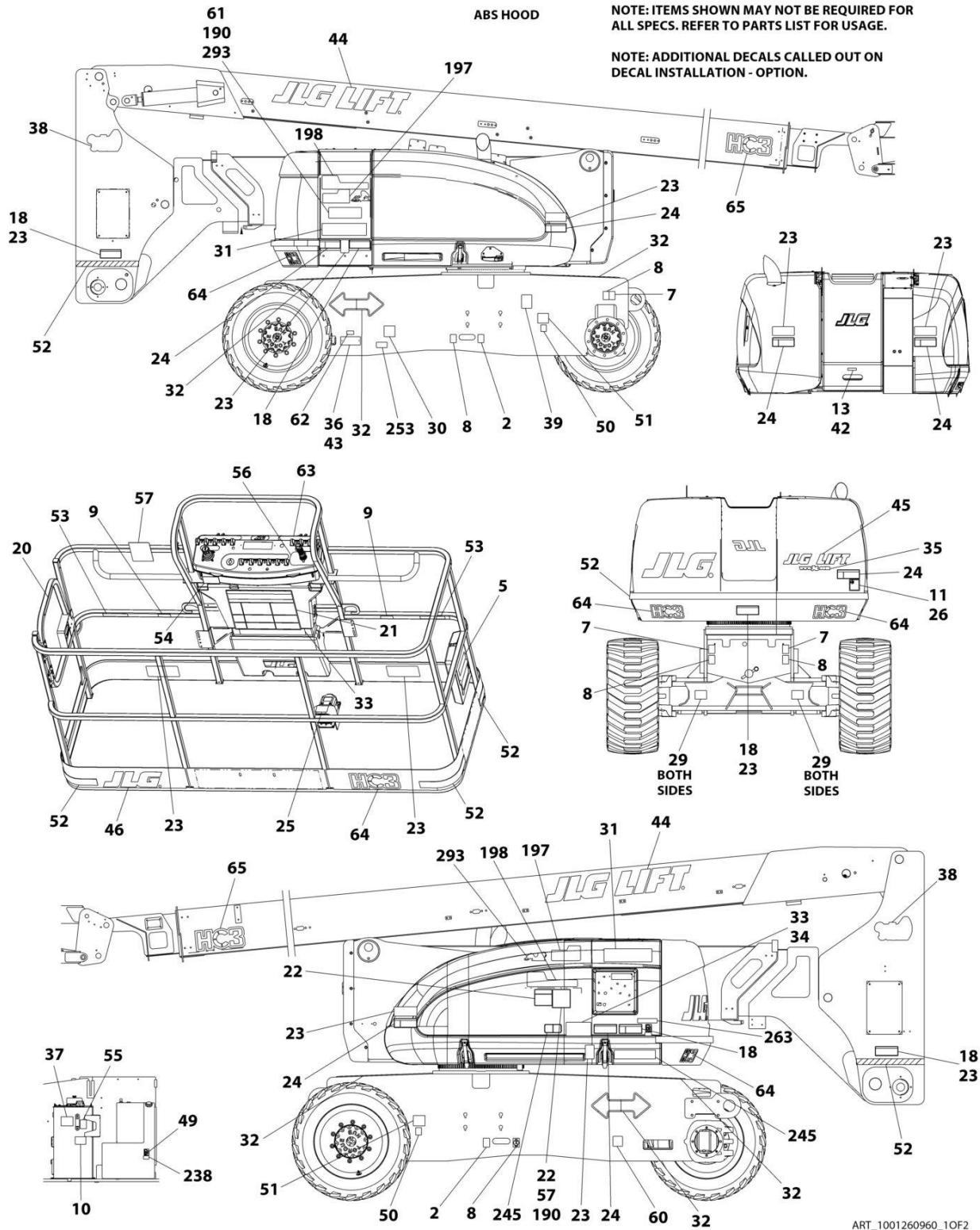
SECTION 9 - DECALS

FIGURE 9-6. DECAL INSTALLATION (CSA SPECS)

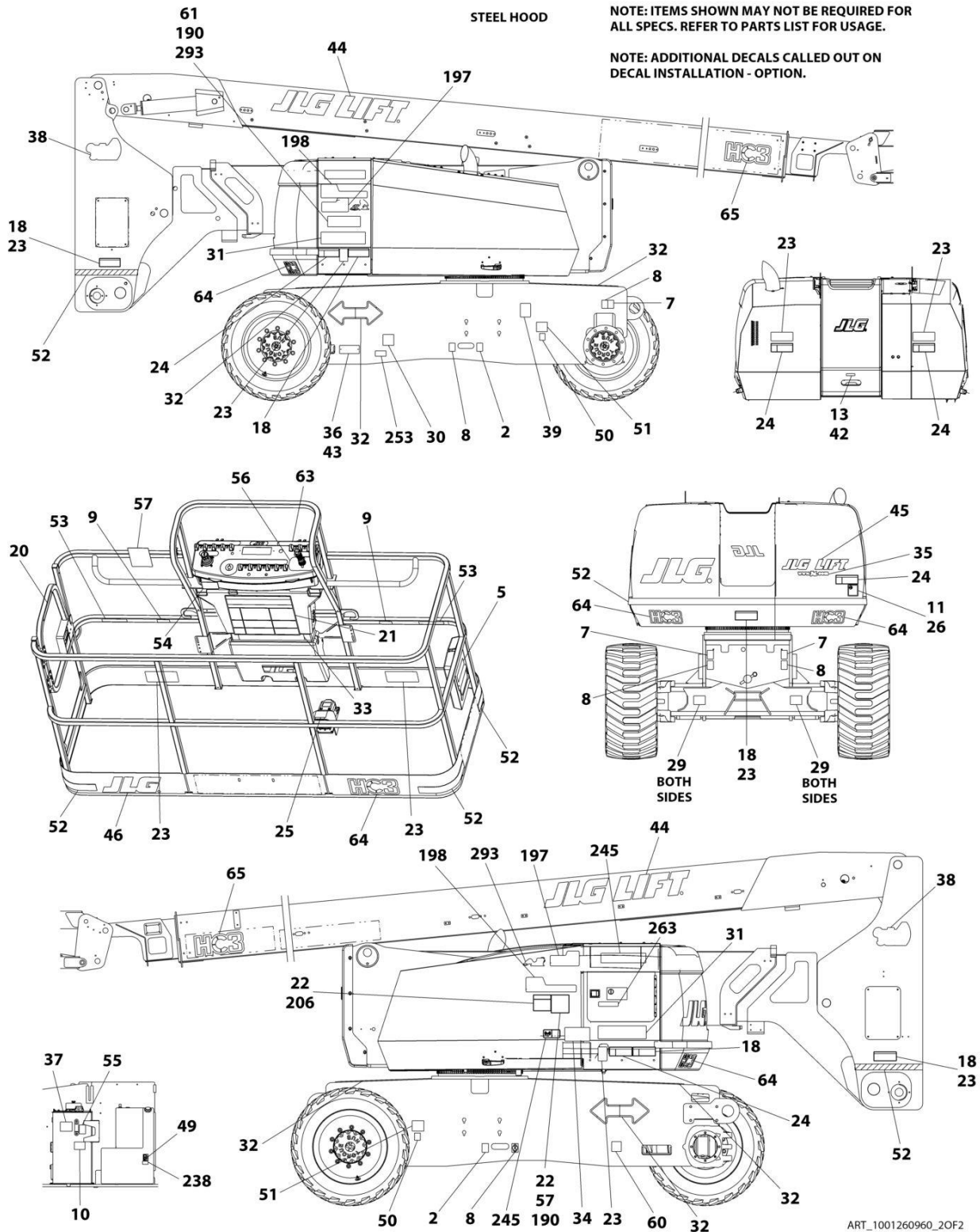
ITEM	PART NUMBER	QTY	DESCRIPTION	REV
	1001260964	Ref	DECAL INSTALLATION	D
	1001260969	Ref	REFERENCE CHART	B
2	1701499	2	Decal - No Lifting	
5	1701509	1	Decal - Manual	
7	1703811	4	Decal - Lifting Lug	
8	1703814	6	Decal - Tie Down	
9	1704277	3	Decal - Lanyard Attach Graphic	
10	1704412	1	Decal - Hydraulic Oil Chart	
13	3251243	1	Decal - Nameplate	
18	1703942	5	Decal - Warning Crushing	
20	1704000	2	Decal - No Hands	
21	1703924	1	Decal - Warning/Danger	
22	1705347	1	Decal - Warning Inspection	
23	1703948	4	Decal - Warning Crushing	
24	1703936	5	Decal - Danger Electrocution	
25	1703984	1	Decal - Footswitch	
29	1703482	4	Decal - Maximum Tire Load	
30	See Note	NSS	Decal - Bar Code (Note: Not Available for Purchase)	
31	1001267312	2	Decal - 800AJ	
32	1701501	4	Decal - Arrow	
33	1001234433	1	Decal - Warning Maximum Capacity	
34	1001234434	1	Decal - Warning Maximum Capacity	
37	1705977	1	Decal - Upright Level	
38	1703959	2	Decal - Quick Stick	
43	3820001	2	Rivet	
52	4420051	23 ft /7m	Tape, Safety	
56	1705429	1	Decal - Drive/Steer	
60	1001223971	1	Decal - Yearly Inspection	
61	1001263941	1	Decal - Lift Diagram	
62	1001223453	1	Decal - ICES	
63	1001184618	1	Decal - Stop	

SECTION 9 - DECALS

FIGURE 9-7. DECAL INSTALLATION (JAPANESE SPECS)



SECTION 9 - DECALS



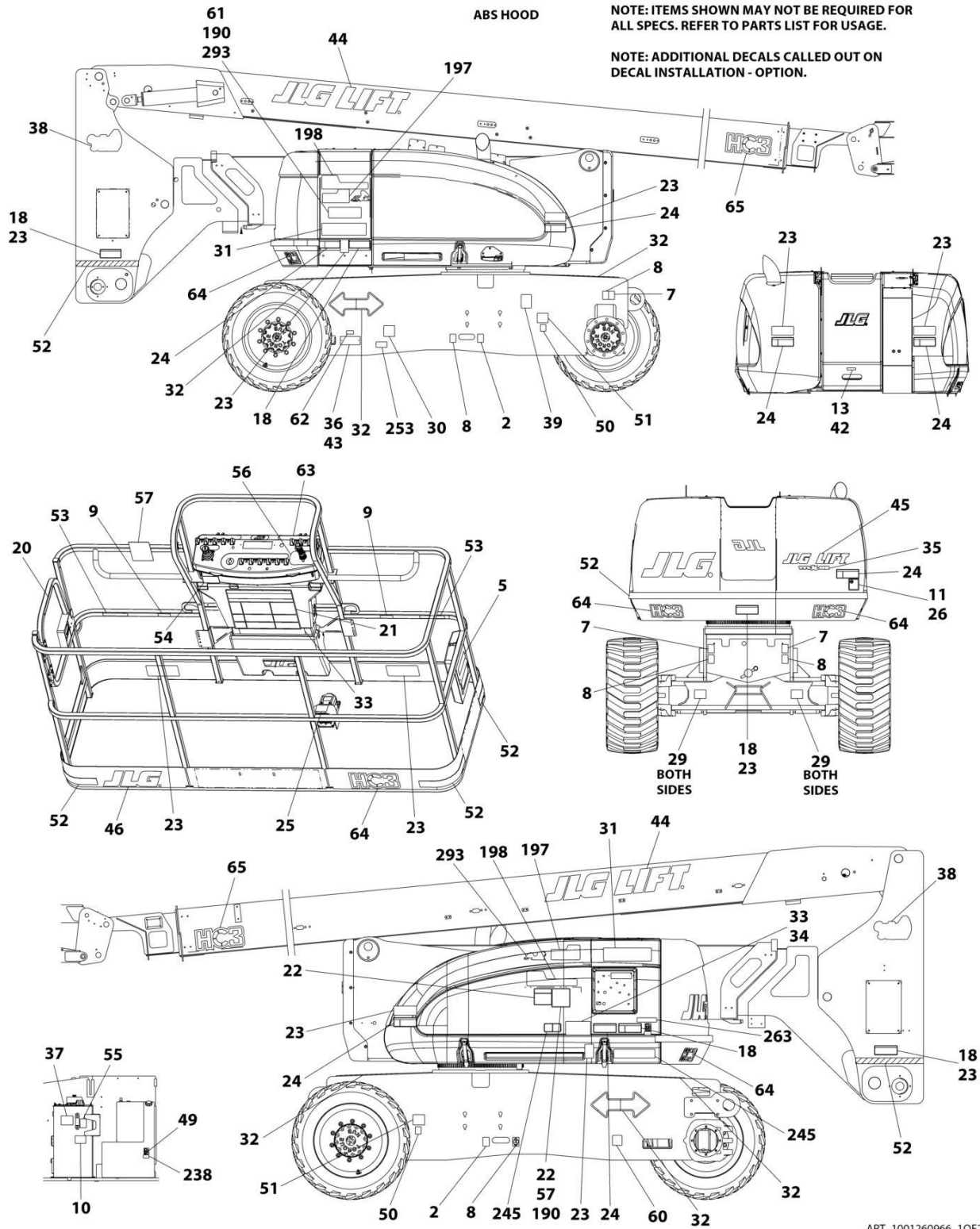
SECTION 9 - DECALS

FIGURE 9-7. DECAL INSTALLATION (JAPANESE SPECS)

ITEM	PART NUMBER	QTY	DESCRIPTION	REV
	1001260960	Ref	DECAL INSTALLATION	D
	1001260969	Ref	REFERENCE CHART	B
2	1701499	2	Decal - No Lifting	
5	1701509	1	Decal - Manual	
7	1703811	4	Decal - Lifting Lug	
8	1703814	6	Decal - Tie Down	
9	1704277	3	Decal - Lanyard Attach Graphic	
10	1704412	1	Decal - Hydraulic Oil Chart	
13	3251243	1	Decal - Nameplate	
18	1703944	5	Decal - Warning Crushing	
21	1703926	1	Decal - Warning/Danger	
22	1705344	1	Decal - Warning Inspection	
23	1703950	4	Decal - Warning Crushing	
24	1703938	5	Decal - Danger Electrocution	
25	1703980	1	Decal - Footswitch	
29	1703482	4	Decal - Maximum Tire Load	
30	See Note	NSS	Decal - Bar Code (Note: Not Available for Purchase)	
31	1001267312	2	Decal - 800AJ	
32	1701501	4	Decal - Arrow	
33	1001234428	1	Decal - Warning Maximum Capacity	
34	1001234429	1	Decal - Warning Maximum Capacity	
37	1705977	1	Decal - Upright Level	
38	1703959	2	Decal - Quick Stick	
43	3820001	2	Rivet	
52	4420051	23 ft /7m	Tape, Safety	
56	1705426	1	Decal - Drive/Steer	
60	1001224053	1	Decal - Yearly Inspection	
61	1001263941	1	Decal - Lift Diagram	
63	1001184618	1	Decal - Stop	

SECTION 9 - DECALS

FIGURE 9-8. DECAL INSTALLATION (KOREAN SPECS)



ART_1001260966_10F2

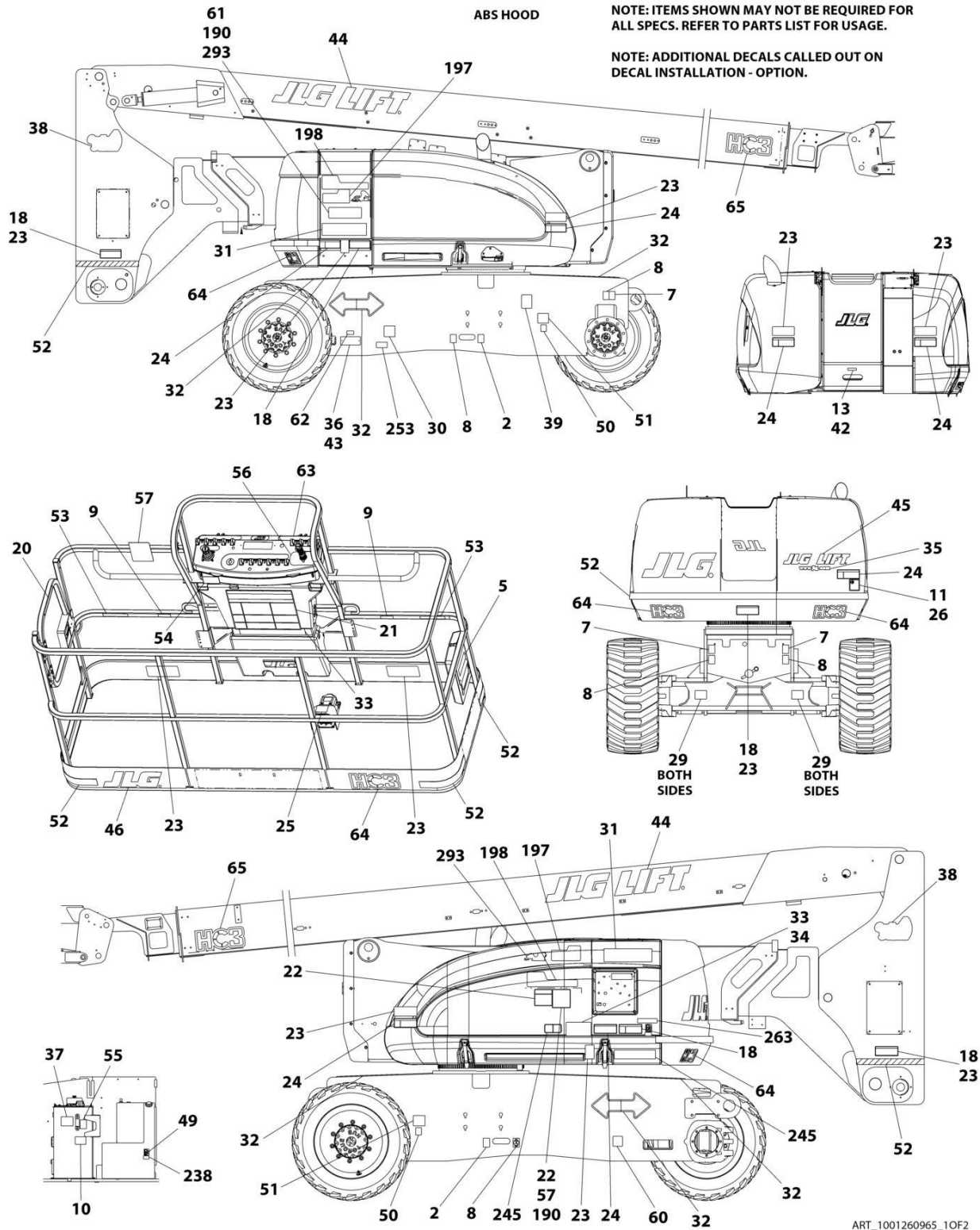
SECTION 9 - DECALS

FIGURE 9-8. DECAL INSTALLATION (KOREAN SPECS)

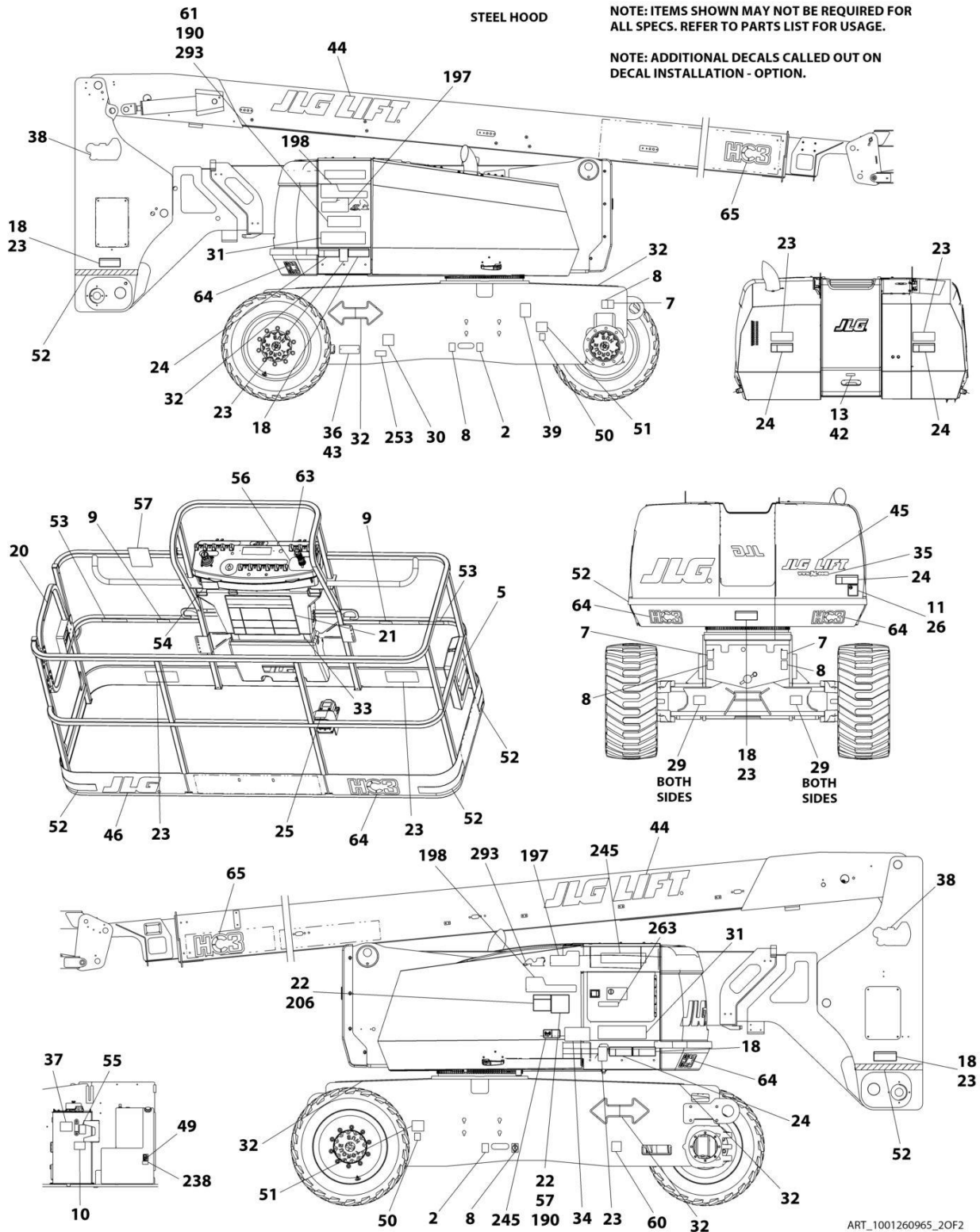
ITEM	PART NUMBER	QTY	DESCRIPTION	REV
	1001260966	Ref	DECAL INSTALLATION	D
	1001260969	Ref	REFERENCE CHART	B
1	1001263941	1	Decal - Lift Diagram	
2	1701499	2	Decal - No Lifting	
5	1701509	1	Decal - Manual	
7	1703811	4	Decal - Lifting Lug	
8	1703814	6	Decal - Tie Down	
9	1704277	3	Decal - Lanyard Attach Graphic	
10	1704412	1	Decal - Hydraulic Oil Chart	
18	1703945	5	Decal - Warning Crushing	
20	1705969	2	Decal - No Hands	
22	1703927	1	Decal - Warning/Danger	
23	1703951	4	Decal - Warning Crushing	
24	1703939	5	Decal - Danger Electrocution	
25	1703981	1	Decal - Footswitch	
29	1703482	4	Decal - Maximum Tire Load	
30	See Note	NSS	Decal - Bar Code (Note: Not Available for Purchase)	
31	1001267312	2	Decal - 800AJ	
32	1701501	4	Decal - Arrow	
33	1001234430	1	Decal - Warning Maximum Capacity	
34	1001235585	1	Decal - Warning Maximum Capacity	
37	1705977	1	Decal - Upright Level	
38	1703959	2	Decal - Quick Stick	
43	3820001	2	Rivet	
52	4420051	23 ft /7m	Tape, Safety	
56	1705427	1	Decal - Drive/Steer Instructions	
60	1001224048	1	Decal - Yearly Inspection	
63	1001184618	1	Decal - Stop	

SECTION 9 - DECALS

FIGURE 9-9. DECAL INSTALLATION (LATIN AMERICAN SPECS)



SECTION 9 - DECALS



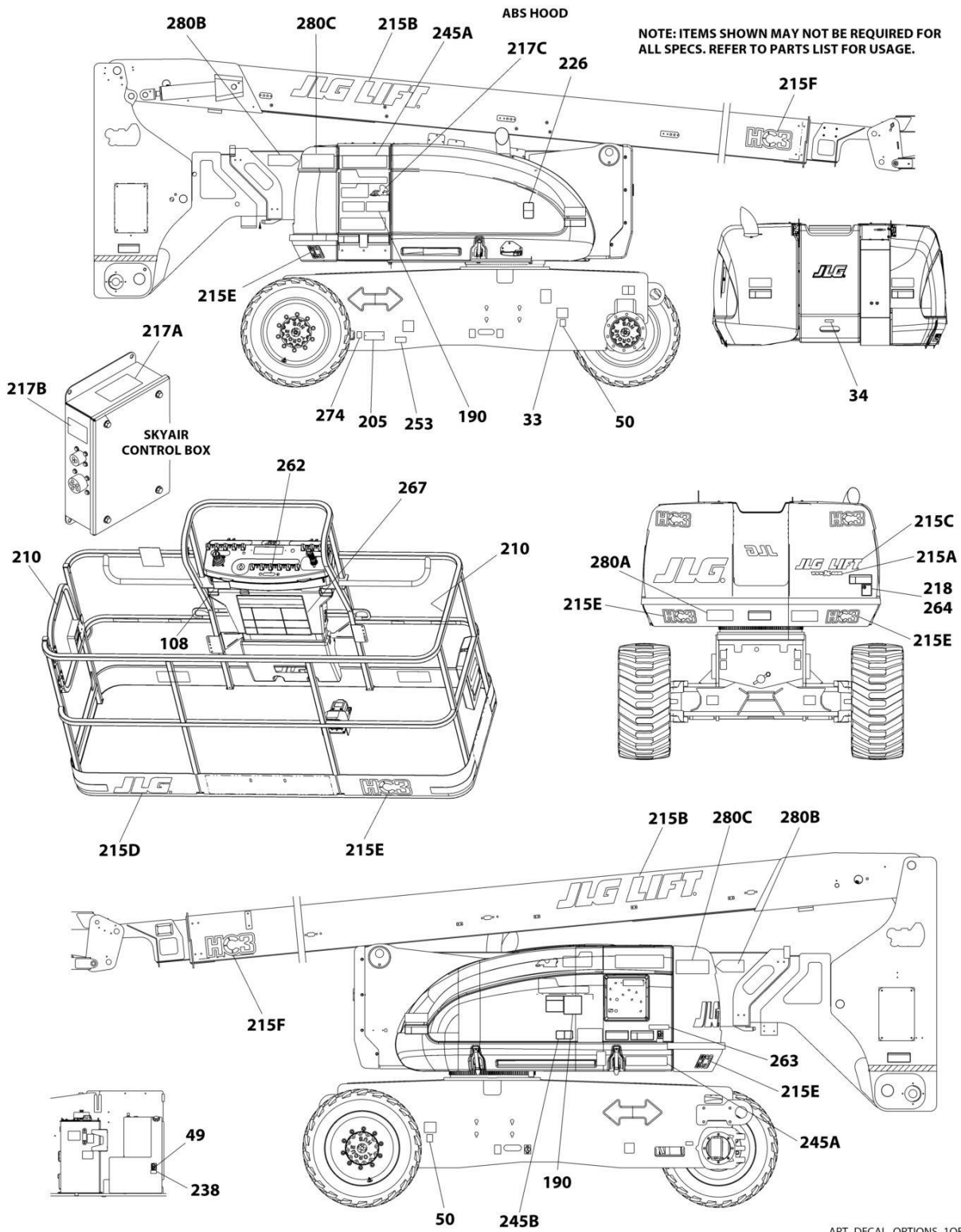
SECTION 9 - DECALS

FIGURE 9-9. DECAL INSTALLATION (LATIN AMERICAN SPECS)

ITEM	PART NUMBER	QTY	DESCRIPTION	REV
	1001260965	Ref	DECAL INSTALLATION	D
	1001260969	Ref	REFERENCE CHART	B
2	1701499	2	Decal - No Lifting	
5	1701509	1	Decal - Manual	
7	1703811	4	Decal - Lifting Lug	
8	1703814	6	Decal - Tie Down	
9	1704277	3	Decal - Lanyard Attach Graphic	
10	1704412	1	Decal - Hydraulic Oil Chart	
18	1703943	5	Decal - Warning Crushing	
20	1704001	2	Decal - No Hands	
21	1703923	1	Decal - Warning/Danger	
22	1705917	1	Decal - Warning Inspection	
23	1703947	4	Decal - Warning Crushing	
24	1703935	5	Decal - Danger Electrocution	
25	1703983	1	Decal - Footswitch	
29	1703482	4	Decal - Maximum Tire Load	
30	See Note	NSS	Decal - Bar Code (Note: Not Available for Purchase)	
31	1001267312	2	Decal - 800AJ	
32	1701501	4	Decal - Arrow	
33	1001234431	1	Decal - Warning Maximum Capacity	
34	1001234432	1	Decal - Warning Maximum Capacity	
37	1705977	1	Decal - Upright Level	
38	1703959	2	Decal - Quick Stick	
43	3820001	2	Rivet	
52	4420051	23 ft /7m	Tape, Safety	
60	1001224049	1	Decal - Yearly Inspection	
61	1001263941	1	Decal - Lift Diagram	
63	1001184618	1	Decal - Stop	

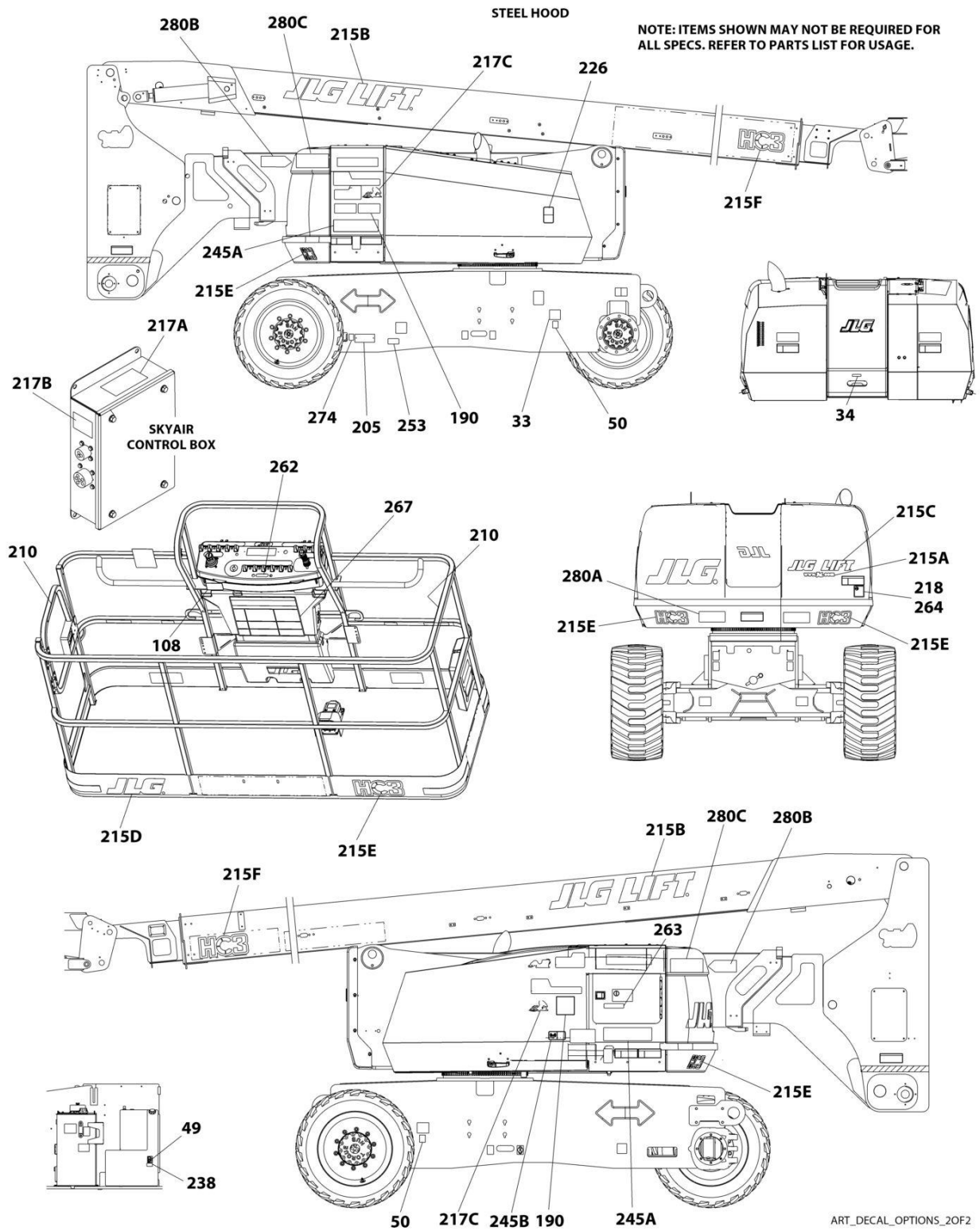
SECTION 9 - DECALS

FIGURE 9-10. DECAL INSTALLATION - OPTIONS



ART_DECAL_OPTIONS_10F2

SECTION 9 - DECALS



SECTION 9 - DECALS

FIGURE 9-10. DECAL INSTALLATION - OPTIONS

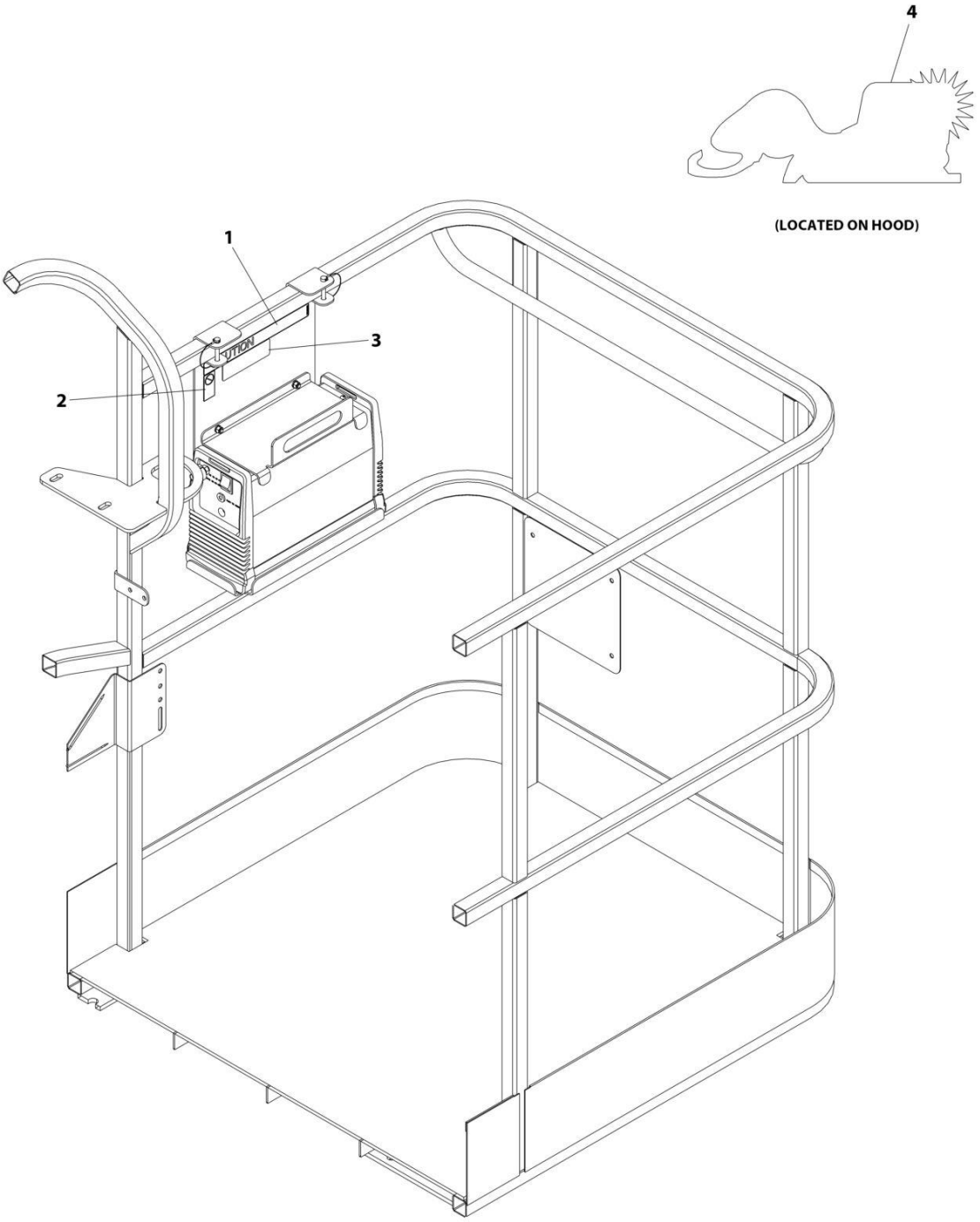
ITEM	PART NUMBER	QTY	DESCRIPTION	REV
		Ref	DECAL INSTALLATION - OPTIONS	
33	1700818	1	Decal - Fuel (LP Gas Machines) (English Language) (ANSI, CSA & Australian Specs)	
33	1704271	1	Decal - Fuel (LP Gas Machines) (English/French Languages) (CSA Specs)	
33	1702720	1	Decal - Fuel (LP Gas Machines) (English/Spansih Languages) (ANSI Export Specs)	
34	3251242	1	Nameplate - 240-50HZ (CE & UK CA Specs)	
49	1701505	1	Decal - Fuel (Diesel)	
49	1701542	1	Decal - Fuel (Gas)	
50	1701543	2	Decal - LP Gas (LP GASS Machines)	
108	1001231801	1	Decal - Warning Proposition 65 (ANSI Specs)	
190		Ref	Decal Installation - SkyGlazier Options:	
190	1001262102	1	Decal Installation - SkyGlazier (ANSI/CSA Specs)	
190	1001262105	1	Decal Installation - SkyGlazier (Australian Specs)	
190	1001262104	1	Decal Installation - SkyGlazier (Brazil & Chinese Specs)	
190	1001262103	1	Decal Installation - SkyGlazier (Latin American & Chinese Specs)	
205	See Note	1	Nameplate - Manufacturers Serial Number (Note: Not Available for Purchase)	
210	1702868	2	Decal - No Hands (English Language)	
210	1705968	2	Decal - No Hands (English/Chinese Language)	
210	1704000	2	Decal - No Hands (English/French Language)	
210	1705969	2	Decal - No Hands (English/Korean Language)	
210	1705967	2	Decal - No Hands (English/Portuguese Language)	
210	1704001	2	Decal - No Hands (English/Spanish Language)	
215	1001260957	1	Decal - Logo Installation (All Specs Except CE & UK CA Specs)	A
215	1001263022	1	Decal - Logo Installation (CE & UK CA Specs)	A
215A	1704885	1	Decal - Website	
215B	1702861	2	Decal - JLG Lift	
215C	1702774	2	Decal - JLG Lift	
215D	1702773	1	Decal - JLG	
215E	1001244212	1	Decal - HC3	
215F	1001256906	1	Decal - HC3	
215G	1001159323	1	Decal - JLG (CE & UK CA Specs) (Not Shown)	
217	0273687	Ref	Decal - SkyAir (Machines with SkyAir Option)	
217A	1705836	1	Decal - Hazardous Voltage	
217B	1705837	1	Decal - Air Compressor	
217C	1705886	1	Decal - SkyAir	
218	3251813	1	Decal - USA	
226	1704972	1	Decal - Warning Explosion/ Fire (English Language) (Diesel Machines) (ANSI Specs)	
226	1706098	1	Decal - Warning Explosion/Fire (English Language) (Diesel Machines) (Australian, CE & UK CA Specs)	
226	1706059	1	Decal - Warning Explosion/Fire (English/Portuguese Language) (Diesel Machines) (Brazil Specs)	
226	1706060	1	Decal - Warning Explosion/Fire (English/Chinese Language) (Diesel Machines) (Chinese Specs)	
226	1706064	1	Decal - Warning Explosion/Fire (English Language) (Diesel Machines) (CSA Specs)	
226	1706062	1	Decal - Warning Explosion/Fire (English/Japanes Language) (Diesel Machines) (Japanese Specs)	

SECTION 9 - DECALS

ITEM	PART NUMBER	QTY	DESCRIPTION	REV
226	1706061	1	Decal - Warning Explosion/Fire (English/Korean Language) (Diesel Machines) (Korean Specs)	
226	1706063	1	Decal - Warning Explosion/Fire - (English/Spanish Language) (Diesel Machines) (Latin American Specs)	
238	1001125387	1	Decal - Ultra Low Sulfur Fuel (Diesel Machines) (ANSI & CSA Specs)	
238	1001139654	1	Decal - Ultra Low Sulfur Fuel (Diesel Machines) (CE, UK CA & Chinese Specs)	
245	1001127094	Ref	Decal Installation - ClearSky (Machines with ClearSky Option)	
245A	1001116208	2	Decal - ClearSky	
245B	1001120989	1	Decal - Radio Frequency	
245	1001294757	Ref	Smart Fleet ClearSky Decal Installation	
245A	1001120989	1	Decal - Radio Frequency	
245B	1001294815	1	Decal - ClearSky	
253	1001143852	1	Decal - Emission Compliance (Diesel Machines) (ANSI Export, Australian, China, CE & UK CA Specs)	
262	1001141300	1	Decal - SkyGuard Override (Machines without Soft Touch Option)	
262	1001141302	1	Decal - SkyGuard Override (Machines with Soft Touch Option)	
263	1001197408	1	Decal - MSSO (CE & UK CA Specs)	
264	1705980	1	Decal - Sound Power (106dB) (Machines with Deutz D2011 Engines) (Australian, CE & UK CA Specs)	
	1001191525	1	Decal - Sound Power (108dB) (Machines with Deutz TD2.9L4 Stage V Engines (CE & UK CA Specs)	
267	1001200124	1	Decal - Quick Start Guide (Danish Language)	
267	1001200121	1	Decal - Quick Start Guide (Dutch Language)	
267	1001180861	1	Decal - Quick Start Guide (English Language)	
267	1001200120	1	Decal - Quick Start Guide (French Language)	
267	1001200122	1	Decal - Quick Start Guide (German Language)	
267	1001200127	1	Decal - Quick Start Guide (Norwegian Language)	
267	1001200125	1	Decal - Quick Start Guide (Swedish Language)	
267	1001200126	1	Decal - Quick Start Guide (Spanish Language)	
274	1001214030	Ref	Decal Installation- EAC (Russian/CIS Specs)	
274	1001173703	1	Decal - EAC	
280	1001220864	Ref	Decal Kit - Boom Transport Position	
280A	1001220512	2	Decal - Lower Boom	
280B	1001220510	2	Decal - Warning Arrow	
280C	1001220511	2	Decal - Warning Stripe	
287	1001292423	1	ECO LABEL INSTALLATION	

SECTION 9 - DECALS

FIGURE 9-11. SKYCUTTER DECAL INSTALLATION



ART_0272599

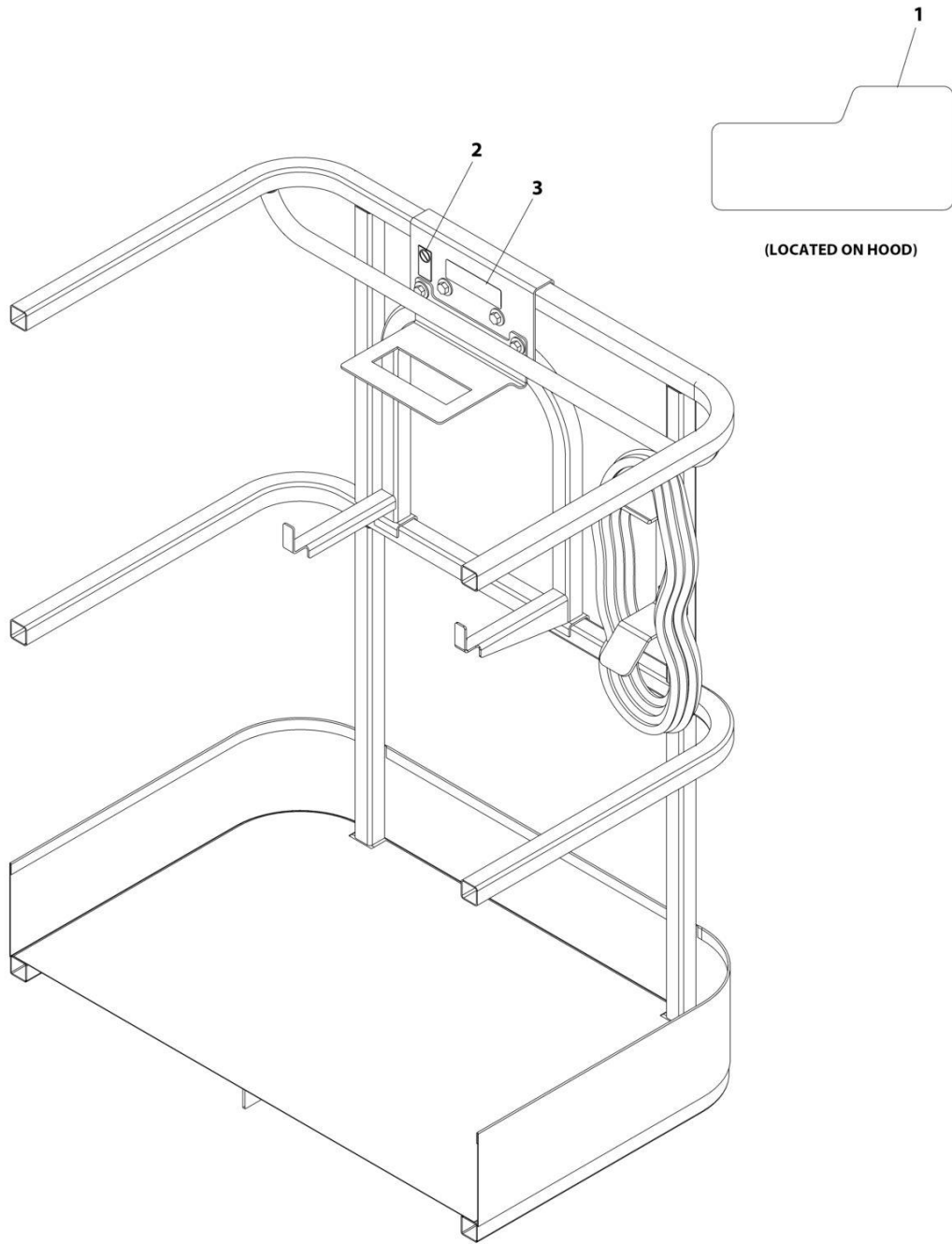
SECTION 9 - DECALS

FIGURE 9-11. SKYCUTTER DECAL INSTALLATION

ITEM	PART NUMBER	QTY	DESCRIPTION	REV
	0272599	Ref	SKYCUTTER DECAL INSTALLATION	C
1	1702868	1	Decal - No Hands	
2	1705305	1	Decal - Weld Leads	
3	1001252627	1	Decal - Weight	
4	1705490	2	Decal - SkyCutter	

SECTION 9 - DECALS

FIGURE 9-12. SKYWELDER DECAL INSTALLATION - 50HZ



ART_0272588

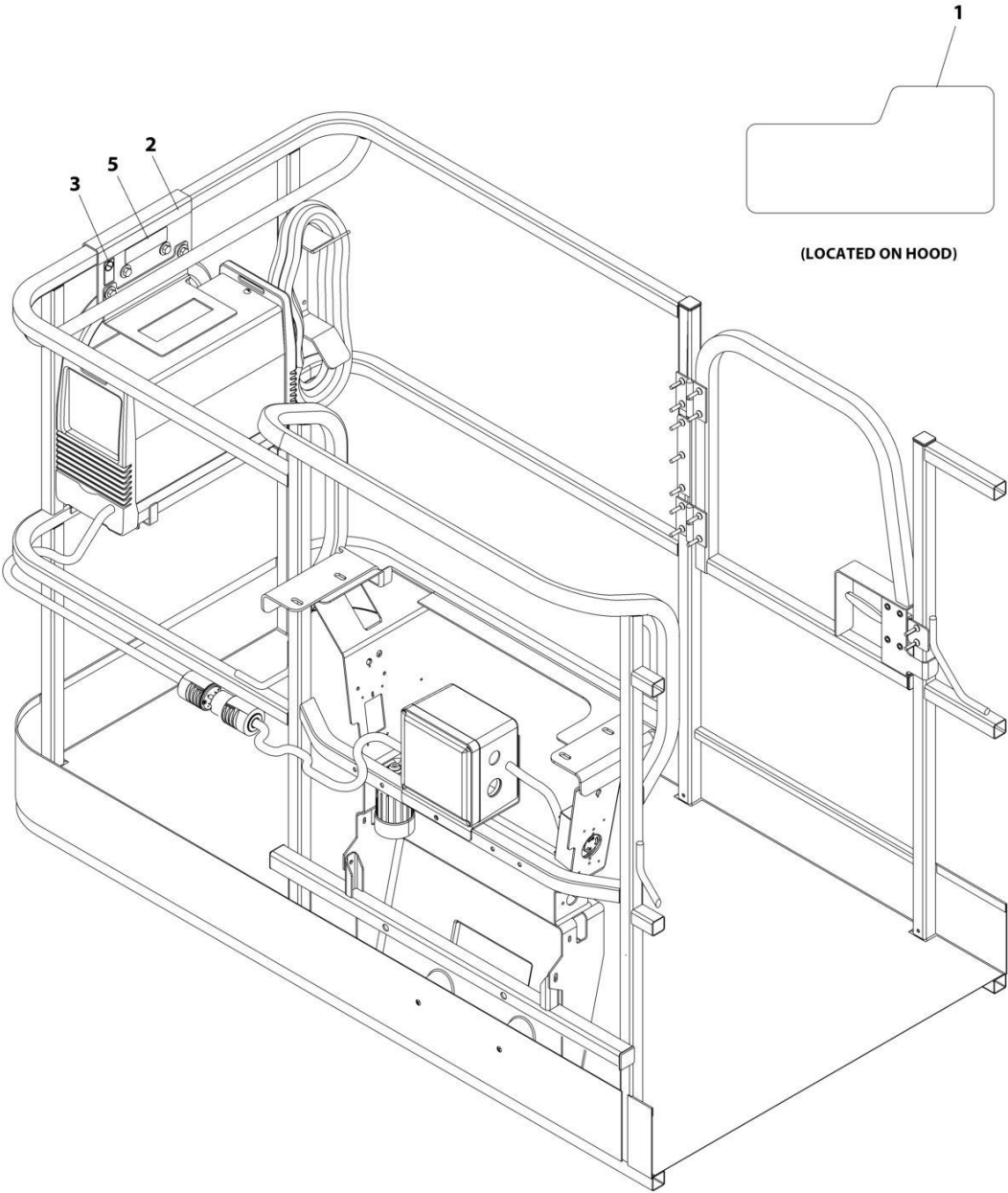
SECTION 9 - DECALS

FIGURE 9-12. SKYWELDER DECAL INSTALLATION - 50HZ

ITEM	PART NUMBER	QTY	DESCRIPTION	REV
	0272588	Ref	SKYWELDER DECAL INSTALLATION - 50Hz	B
1	1705355	2	Decal - SkyWelder	
2	1705305	1	Decal - Weld Lead	
3	1001228988	1	Decal - Weight	

SECTION 9 - DECALS

FIGURE 9-13. DECAL INSTALLATION - SKYWELDER (60HZ)



ART_0272448_D

SECTION 9 - DECALS

FIGURE 9-13. DECAL INSTALLATION - SKYWELDER (60HZ)

ITEM	PART NUMBER	QTY	DESCRIPTION	REV
	0272448	Ref	SKYWELDER DECAL INSTALLATION - 60Hz	D
1	1705355	2	Decal - SkyWelder	
2	1702868	1	Decal - No Hands	
3	1705305	1	Decal - Weld Lead	
5	1001228988	1	Decal - Weight	

SECTION 10 - RECOMMENDED SERVICE PARTS STOCK

SECTION 10 - RECOMMENDED SERVICE PARTS STOCK

SECTION 10 - RECOMMENDED SERVICE PARTS STOCK

FIGURE 10-1. RECOMMENDED SERVICE PARTS STOCK

ITEM	PART NUMBER	QTY	DESCRIPTION	REV
	Note	Ref	Note: The following list will service one machine (built to current production per date on the front cover) with emergency repair parts which can be installed in the field. Parts from the list should be replaced when inventory is depleted to keep service parts stock supplied. For further information, contact your JLG dealer or the JLG Industries Parts Department.	
	4360070	1	Breaker, Circuit 15Amp (4000W/60HZ & 7500W Generators)	
	1001189172	1	Breaker, Circuit 16Amp Double (Breaker Box Kit with Three Breakers)	
	4360542	1	Breaker, Circuit 20Amp (2500W/60HZ Generators)	
	7024485	1	Breaker, Circuit 30Amp (7500W Generators with Deutz D2011 or Ford Engines)	
	70006095	1	Breaker, Circuit 30Amp (7500W Generator with Deutz TD2.9L4 Engine and 7500W/60HZ Generator with Deutz D2011 Engine)	
	1001181045	1	Breaker, Circuit 30mA/16Amp (Breaker Box Kit with One Double Breaker)	
	1001189171	1	Breaker, Circuit 30mA (Breaker Box Kit with Three Breakers)	
	1001159118	1	Breaker GFCI 30Amp 240VAC (240V AC Box at Platform)	
	70001431	1	Breaker, Circuit (Plasma Cutter)	
	70005708	1	Breather Assembly (Hydraulic Tank)	
	70002386	1	Coil (Boom Control Valve Assembly)	
	7012944	1	Coil (Control Valve Installation)	
	7018991	1	Coil (Control Valve Assembly)	
	70004460	1	Coil (Control Valve Assembly)	
	70004463	1	Coil (Control Valve Assembly)	
	70004595	1	Coil (Control Valve Assembly)	
	70004653	1	Coil (Control Valve Assembly)	
	70006956	1	Coil (Control Valve Assembly)	
	4360476	1	Contacto (Ground Control Boxes and Platform Console Boxes)	
	7020176	1	Contacto (Ground Control Boxes and Platform Console Boxes)	
	4360407	1	Controller, Speed (Platform Console Box)	
	1001129555	1	Controller Assembly (Lift and Swing) (Platform Console Box)	
	1001212415	1	Controller Assembly (Drive and Steer) (Platform Console Box)	
	1001117174	1	Controller, Footswitch	
	3990010	1	Diode, 6 Amp (Ground Control Box Harness)	
		Ref	Engine - Deutz D2011	
	70004020	12	Filter, Air	
	7016328	12	Filter, Fuel	
	7016331	12	Filter, Oil	
	7027795	1	Module, Control	
	3740067	1	Relay	
	3740080	1	Relay	
	70004058	1	Relay	
		Ref	Engine - Deutz TD2.9L4	
	91403102	12	Filter, Air	
	70025153	12	Filter, Fuel (Frame Mounted Filter)	
	70025161	12	Filter, Fuel (Engine Mounted Filter)	
	7016331	12	Filter, Oil	
	1001196634	2	Fuse, 2Amp (Breather Heater Harness)	
	8229242	2	Fuse, 5Amp	

SECTION 10 - RECOMMENDED SERVICE PARTS STOCK

ITEM	PART NUMBER	QTY	DESCRIPTION	REV
	80983191	2	Fuse, 10Amp	
	70023592	2	Fuse, 20Amp	
	70023593	2	Fuse, 30Amp	
	70025210	1	Module, ECU	
	3740067	1	Relay	
	70005648	1	Relay	
	1001117308	1	Relay	
		Ref	Engine - Deutz TD2.9L4 (Stage V)	
	91403102	12	Filter, Air	
	70025153	12	Filter, Fuel (Frame Mounted Filter)	
	70025161	12	Filter, Fuel (Engine Mounted Filter)	
	7016331	12	Filter, Oil	
	1001196634	2	Fuse, 2Amp (Breather Heater Harness)	
	8229242	2	Fuse, 5Amp	
	80983191	2	Fuse, 10Amp	
	70023592	2	Fuse, 20Amp	
	70023593	2	Fuse, 30Amp	
	70025210	1	Module, ECU	
	3740067	1	Relay	
	70005648	1	Relay	
	1001117308	1	Relay	
		Ref	Engine - Deutz TD2.9L4 (China III)	
	91403102	12	Filter, Air	
	1001225432	12	Filter, Fuel (Engine Mounted Filter)	
	1001225430	12	Filter, Fuel (Frame Mounted Filter)	
	7016331	12	Filter, Oil	
	70025210	1	Module, ECU	
	3740067	1	Relay	
	70005648	1	Relay	
	1001117308	1	Relay	
		Ref	Engine - Ford	
	70005008	12	Filter, Primary Air	
	70006460	12	Filter, Secondary Air	
	70006155	12	Filter, Fuel	
	70006213	12	Filter, Oil	
	70006175	2	Fuse, 20Amp	
	70006176	1	Module, Engine Control Unit	
	3740067	1	Relay	
	70006171	1	Relay	
	70006172	1	Relay	
	2120210	12	Element, Filter (Control Valves Installation)	
	8229249	2	Fuse, 3Amp (USB Charger & Platform Console Box Harness)	
	2400064	2	Fuse, 5Amp (Generator to Engine Harness)	
	8229242	2	Fuse, 5Amp (Control Box Harness)	
	2860030	1	Key, Replacement (Ground Control Boxes)	
	2940074	1	Latch (Platform Assemblies with Gates)	
	1001142683	1	Module, Control (Strobe Light Installations)	
	1001103667	1	Module, Ground Control	
	1001106938	1	Module, Platform	
	3740080	1	Relay (2500W Generators and 7500W Generator with Ford Engine)	
	70006553	1	Relay (4000W Generators)	

SECTION 10 - RECOMMENDED SERVICE PARTS STOCK

ITEM	PART NUMBER	QTY	DESCRIPTION	REV
	3740049	1	Relay (Ground Control Boxes)	
	3740086	1	Relay (SkyLine Harness)	
	1001186431	1	Relay (SkyGuard)	
	1001204939	1	Sensor, Angle (Boom Valves and Proximity Switches Installation)	
	1001094400	1	Sensor, Dual Axis (Boom Valves and Proximity Switches Installation)	
	1001228225	1	Sensor, Emitter (SkyEye)	
	4360436	1	Sensor, Fuel Level (Tank Installations)	
	4360578	1	Sensor, Limit (Boom Valves and Proximity Switches Installation and Transport Position Switch)	
	1001172271	1	Sensor, Limit (Boom Valves and Proximity Switches Installation with Tower Stow)	
	4360057	1	Sensor, Limit (Soft Touch Installation)	
	7026638	1	Sensor, Pressure (Air Compressor)	
	4360498	1	Sensor, Proximity (Boom Valves and Proximity Switches Installation)	
	4360499	1	Sensor, Proximity (Boom Valves and Proximity Switches Installation)	
	1001170847	1	Sensor, Proximity (Boom Valves and Proximity Switches Installation)	
	1001182570	1	Sensor, Proximity (Boom Valves and Proximity Switches Installation)	
	1001232667	1	Sensor, Proximity (SkyLine)	
	4360517	1	Sensor, Proximity (Rotary Coupling)	
	1001228224	1	Sensor, Receiver (SkyEye)	
	1001225346	1	Switch, Battery (Battery Disconnect Installation)	
	4360475	1	Switch, Emergency Stop (Ground Control and Platform Conosole Boxes)	
	4360469	1	Switch, Key (Ground Control Boxes)	
	70001432	1	Switch, Rocker (Plasma Cutter)	
	4360387	1	Switch, Push Button (CE & UK CA Ground Control Boxes, Platform Console Boxes, and Soft Touch)	
	4360274	1	Switch, Push Button (Ground Control Boxes with Deutz Stage V Engine)	
	4360336	1	Switch, Toggle (Generator Installations)	
	1001155045	1	Switch, Toggle (Ground Control and Platform Console Boxes)	
	4360328	1	Switch, Toggle (Jib Switch Installation)	
	4360331	1	Switch, Toggle (Platform Console Boxes)	
	1001159256	1	Switch, Toggle (Platform Console Boxes)	
	7024469	1	Switch with Lead (Welder Assembly)	

SECTION 11 - SPECIAL OPTIONS

SECTION 11 - SPECIAL OPTIONS

FIGURE 11-1. SPECIAL OPTIONS/ACCESSORES/KITS

ITEM	PART NUMBER	QTY	DESCRIPTION	REV
		Ref	Note: This list is to accommodate machines ordered with special equipment. Options may not be applicable to all models. For more specific parts information contact JLG Parts Department.	
		Ref	MISCELLANEOUS SPECIAL OPTIONS/ACCESSORES/KITS	
	1001229762	Ref	Air Intake Shut-off Valve (Deutz TD2.9L4 Engines) (Factory Installed)	
	1001260970	Ref	Airline to Platform Installation - 1/2in	
	1001092092	Ref	Airline to Platform Installation - 1/2in (Cold Weather Package)	
	1001249695	Ref	Analyzer and Cable Kit	
	1001249941	Ref	Battery Powered Analyzer Installation Kit	
	1001260886	Ref	Bellows Installation - Boom	
	1001158259	Ref	Bellows Installation - Chassis (Fixed Axle 2WS)	
	2910887	Ref	Boom Wear Pad Kit	
	1001260858	Ref	Boom Wipers Installation	
	1001233047	Ref	Breather Heater Kit (Deutz TD2.9L4 Engines)	
	1001172045	Ref	Cable Ladder Carrier Installation	
		Ref	ClearSky Telematics Kits (Dealer Installed)	
	1001242409	Ref	ClearSky Telematics Access Control Add-on Kit	
	1001243183	Ref	ClearSky Telematics Access Control Add-on Kit - Canbus (ANSI & CSA Specs)	
	1001243184	Ref	ClearSky Telematics Access Control Add-on Kit - Canbus (ANSI Export, CE & UK CA Specs)	
	1001246142	Ref	ClearSky Telematics Add-On Kit (Australian Specs)	
	1001119939	Ref	ClearSky Telematics Add-On Kit (ANSI Spec)	
	1001119947	Ref	ClearSky Telematics Add-On Kit (CSA Spec)	
	1001276923	Ref	ClearSky Telematics Add-On Kit (Contact JLG for Approved Countries)	
	1001289850	Ref	ClearSky (Telematics) CS550 Installation	
	1001178208	Ref	Cold Weather Package Installation - Deutz D2011 Engines	
	1001178207	Ref	Cold Weather Package Installation - Deutz TD2.9L4 Engines	
	1001255807	Ref	Cold Weather Package Installation - Deutz TD2.9L4 (Stage V) Engines	
	1001219840	Ref	Cold Weather Package Installation - Ford Engines	
	0274883	Ref	Cold Weather Transformer Installation (ANSI Export, Australian, China and Japanese Specs Only)	
	1001115918	Ref	Cribbing Installation	
	1001264254	Ref	Cylinder Kit - Level/Upright (Includes 2 Cylinders - Tower Lift & Upright Level)	
	1001264148	Ref	Cylinder Kit - Lift (Includes 1 Cylinder and Service info)	
		Ref	Decals Kits:	
	1001273008	1	Machine - ANSI	
	1001108721	Ref	Platform	
	1001273009	1	Platform - ANSI	
	1001119563	Ref	Platform Console	
	1001273010	1	Platform Console - ANSI	
	2902396	Ref	Drive/Steer Cutout Kit	
	1001148902	Ref	Electrical Connector Kits - Amp	
	1001148903	Ref	Electrical Connector Kits - Deutsch DT	
	1001148904	Ref	Electrical Connector Kits - Deutsch HD	
	1001148905	Ref	Electrical Connector Kits - Packard	

SECTION 11 - SPECIAL OPTIONS

ITEM	PART NUMBER	QTY	DESCRIPTION	REV
	1001148906	Ref	Electrical Connector Kits - Various	
	1001218022	Ref	Engine Block Heater Installation - Ford Engines	
	1001108962	Ref	Exhaust Rain Cap Installation (Australian, CE & UK CA Specs)	
	1001269630	Ref	Fall Arrest (Bolt-On) Add-On Kit (30inch x 4 Ft/1.22m Platform)	
	1001269629	Ref	Fall Arrest (Bolt-On) Add-On Kit (30inch x 5 Ft/1.52m Platform)	
	1001269631	Ref	Fall Arrest (Bolt-On) Add-On Kit (30inch x 6 Ft/1.82m Platform)	
	1001237883	Ref	Fall Arrest (Bolt-On) Add-On Kit (6 Ft/1.82m Platform) (ANSI, ANSI Export, China, CSA & Japanese Specs)	
	1001237882	Ref	Fall Arrest (Bolt-On) Add-On Kit (8 Ft/2.4m Platform) (ANSI, ANSI Export, China, CSA & Japanese Specs)	
		Ref	Fan Cover/Grille Options	
	1001182599	Ref	Fan Cover Installation (Deutz D2011 Engines)	
	1001177694	Ref	Fan Grille Installation (Deutz TD2.9L4 Engines and Deutz TD2.9L4 (Stage V) Engines (Modine Radiator)	
		Ref	Filter Kits:	
		Ref	Combined Filter Kit Options (Hydraulic/Air and Fuel/Engine Oil)	
	1001241774	Ref	Deutz D2011 Engine Machines	
	1001195533	Ref	Deutz TD2.9L4 Engine Machines	
	1001241776	Ref	Ford Engine Machines	
	1001139099	Ref	Fire Extinguisher Installation (20lb)	
	1001274833	Ref	Floor Mat Add-on Kit (30x48 Platform) (Dealer Installed)	
	1001274831	Ref	Floor Mat Add-on Kit (30x72 Platform) (Dealer Installed)	
	1001274830	Ref	Floor Mat Add-on Kit (36x72 Platform) (Dealer Installed)	
	1001274829	Ref	Floor Mat Add-on Kit (36x96 Platform) (Dealer Installed)	
	1001117294	Ref	Footswitch Shield (Note: Move Decal to Shield)	
	1001205441	Ref	Fuel Cap Cover Installation (Red) (Note: Lock p/n 1001102157 must be Purchased Separately)	
	1001202749	Ref	Fuel Cap Cover Installation (Black) (Note: Lock p/n 1001102157 must be Purchased Separately)	
	1001191395	Ref	Fuel Cap Cover Installation (Green) (Diesel Machines) (Note: Lock p/n 1001102157 must be Purchased Separately)	
	1001094475	Ref	Generator Hourmeter Installation	
	0257195	Ref	Government Warranty Decal Installation	
	1001293369	Ref	Hood Plug Installation (Strobe Light)	
	1001293501	Ref	Hood Plug Installation (ClearSky)	
	1001281423	Ref	Hostile Environment Add-on Kit - Boom/Turntable	
	1001241413	Ref	Hostile Environment Add-on Kit - 2WD	
	1001241415	Ref	Hostile Environment Add-on Kit - 4WD	
	1001209632	Ref	Hose Kit - Platform Valve	
	1001268736	Ref	Jib Link Kit	
	1001148971	Ref	Lanyard (Bolt-On) Kit Installation	
		Ref	Light Options:	
	1001286022	Ref	Limit Switch Replacement Kit (Roller Switch	
	0271768	Ref	Headlights & Taillights Installation (ABS Hoods)	
	1001164786	Ref	Headlights & Taillights Installation (Steel Hoods)	
	0273485	Ref	Platform Worklights Installation	
	1001257561	Ref	Portable Worklights Installation	
	1001152965	Ref	Strobe Light Installation - Platform Mounted (Amber)	
	1001236951	Ref	Low Temperature Cutout Installation (Russian Specs)	
	1001290375	Ref	Oil Drain Kit (Ford Engines)	
		Ref	Oil Cooler Options:	
	1001297086	Ref	Oil Cooler Installation - Deutz D2011 Engine Machines	

SECTION 11 - SPECIAL OPTIONS

ITEM	PART NUMBER	QTY	DESCRIPTION	REV
	1001184569	Ref	Oil Cooler Installation - Deutz TD2.9L4 Engine and Deutz TD2.9L4 (Stage V) Engine Machines	
	1001219633	Ref	Oil Cooler Installation - Ford Engine Machines	
	1001200700	Ref	Oil Cooler Replacement Kit (RCP to YMER)	
	1001272166	Ref	Pipe Rack Kit	
	1001195304	Ref	Platform Console Cover Installation (Factory Installed)	
	1001266290	Ref	Platform Console Enclosure Cover Installation - Steel (Factory Installed)	
	1001270482	Ref	Platform Console Enclosure Cover Installation - Steel (Dealer Installed)	
	2915228	Ref	Platform Conversion Kit (Front to Side Entry)	
	1001142504	Ref	Platform Entry Kit - Drop Bar (Replaces Swing Gate with Drop Bar)	
	1001142505	Ref	Platform Entry Kit - Swing Gate (Replaces Drop Bar with Swing Gate)	
		Ref	Platform Mesh to Mid Rail Installation (Factory Installed) Options:	
	1001266098	Ref	Platform Mesh to Mid Rail Installation - 3ft x 8ft Platforms (Vinyl) (ANSI, ANSI Export, Australian, China, and CSA Specs)	
	1001269389	Ref	Platform Mesh to Mid Rail Installation - 3ft x 8ft Platforms (Steel) (ANSI, ANSI Export, Australian, China, and CSA Specs)	
		Ref	Platform Mesh to Mid Rail Add-on Kits (Dealer Installed):	
	1001281457	Ref	Platform Mesh to Mid Rail Add-on Kit - 36IN x 8FT (Dealer Installed)	
		Ref	Platform Mesh to Top Rail Installation (Factory Installed) Options:	
	1001272182	Ref	Platform Mesh to Top Rail Installation - 2.5ft x 4ft Platforms (Steel) (ANSI, ANSI Export, China, and CSA Specs)	
	1001266807	Ref	Platform Mesh to Top Rail Installation - 2.5ft x 4ft Platforms (Vinyl) (ANSI, ANSI Export, China, and CSA Specs)	
	1001271642	Ref	Platform Mesh to Top Rail Installation - 3ft x 6ft Platforms (Steel) (ANSI, ANSI Export, China, and CSA Specs)	
	1001266489	Ref	Platform Mesh to Top Rail Installation - 3ft x 6ft Platforms (Vinyl) (ANSI, ANSI Export, China, and CSA Specs)	
	1001269187	Ref	Platform Mesh to Top Rail Installation - 3ft x 8ft Platforms (Steel) (ANSI, ANSI Export, China, and CSA Specs)	
	1001266056	Ref	Platform Mesh to Top Rail Installation - 3ft x 8ft Platforms (Vinyl) (ANSI, ANSI Export, China, and CSA Specs)	
		Ref	Platform Mesh to Top Rail Add-on Kits (Dealer Installed):	
	1001281456	Ref	Platform Mesh to Top Rail Add-on Kit - 30in x 6ft Platforms (Dealer Installed) (ANSI/ANSI Export, CSA, and China Specs)	
	1001281453	Ref	Platform Mesh to Top Rail Add-on Kit - 3ft x 6ft Platforms (Dealer Installed) (ANSI/ANSI Export, CSA, and China Specs)	
	1001281452	Ref	Platform Mesh to Top Rail Add-on Kit - 3ft x 8ft Platforms (Dealer Installed) (ANSI/ANSI Export, CSA, and China Specs)	
	0272733	Ref	Platform, Top Rail Extension Installation - 3ft x 6ft Platforms	
	0272725	Ref	Platform, Top Rail Extension Installation - 3ft x 8ft Platforms	
	1580013	Ref	Platform Storage Tray	
	1001209059	Ref	Platform Work Surface Installation	
	1001162546	Ref	Pump Coupling Replacement Kit	
	1001199488	Ref	Radiator Replacement Kit (RCP to Modine Radiator)	
	1001190888	Ref	Service Kits	R
	1001241547	Ref	SkyEye Housing Kit (Left Side)	
	1001241548	Ref	SkyEye Housing Kit (Right Side)	
	1001247073	Ref	SkyEye Retrofit Kit	

SECTION 11 - SPECIAL OPTIONS

ITEM	PART NUMBER	QTY	DESCRIPTION	REV
	1001206477	Ref	SkyGuard Complete Add-On Kit (Blue Beacon) (UGM Machines) (Note: Requires 7500W SkyPower Generator)	
	1001210026	Ref	SkyGuard Complete Add-On Kit (Red Beacon) (UGM Machines) (Note: Requires 7500W SkyPower Generator)	
	1001137672	Ref	SkyGuard Platform Sensor Kit (UGM Machines)	
	1001137440	1	SkyGuard Sensor Harness	
	1001186431	2	Relay	
	1001206311	Ref	SkyGuard Strobe Light Kit - Hood Mounted (Blue Beacon)	
	1001210025	Ref	SkyGuard Strobe Light Kit - Hood Mounted (Red Beacon)	
	1001250595	Ref	SkyGuard 6-Pin Retrofit Installation Kit	
	1001249052	Ref	SkyGuard Retrofit Kit (Dealer Installed)	
	1001262016	Ref	SkyLine Add-on (Dealer Installed)	
	1001289905	1	SkySense/Enhanced Detection System (EDS) Level 1 (2-Bar) Add-on Kit (Dealer Installed)	
	1001289906	1	SkySense/Enhanced Detection System (EDS) Level 2 (3-Bar) Add-on Kit (Dealer Installed)	
	1001253618	Ref	SkySense/Enhanced Detection System (EDS) Level 1 (2-Bar) Module Kit (Dealer Installed)	
	1001253619	Ref	SkySense/Enhanced Detection System (EDS) Level 2 (3-Bar) Module Kit (Dealer Installed)	
	1001289831	Ref	SkySense/Enhanced Detection System (EDS) Level 1 (2-Bar) Installation Kit (Factory Installed)	
	1001289832	Ref	SkySense/Enhanced Detection System (EDS) Level 2 (3-Bar) Installation Kit (Factory Installed)	
	1001282461	Ref	SkySense Padding Installation - For 30 x 48 Platforms equipped with SkySense	
	1001275643	Ref	SkySense Padding Installation - For 30 x 72 Platforms equipped with SkySense	
	1001275642	Ref	SkySense Padding Installation - For 36 x 72 Platforms equipped with SkySense	
	1001269655	Ref	SkySense Padding Installation - For 36 x 96 Platforms equipped with SkySense	
	1001231235	Ref	SkyWelder Locking Bracket	
	1001157013	Ref	Softtouch Counterweight Installation (Required with Soft Touch Option)	
		Ref	Tools for Service	
	1600244	1	Analyzer, Machine System	
	7002840	1	Antirotation Pin Removal Tool	
	8896941	1	Wire Stripper	
	7002821	1	Wire Crimper (To install wire ends to wires)	
	7002823	1	Pin/Socket Extractor - Universal (To Remove Pins/Sockets from Connectors)	
	4460467	1	Extractor - 16-18 Gauge (For Removal of Pin/Sockets from Deutsch Connectors)	
	4460510	1	Extractor - 12-14 Gauge (For Removal of Pin/Sockets from Deutsch Connectors)	
	7002822	1	Screwdriver, Potentiometer (To Adjust Drive Controllers)	
	7016654	1	Screwdriver, Magnetic	
	7004275	1	Seal Installation Tool - 1in	
	7004276	1	Seal Installation Tool - 1-1/2in	
	7002826	1	Seal Installation Tool - 2in	
	7016655	1	Wire Rope Sheave Gauge	
	7016652	1	Huck Bolt Fastener (For Small Huck Bolts Only)	
	70000017	1	ADE Software CD	
	1001137005	1	Software Cable Kit	

SECTION 11 - SPECIAL OPTIONS

ITEM	PART NUMBER	QTY	DESCRIPTION	REV
	70005663	1	Tool, Port Plate for Pump p/n 1001142522	
	1001258953	Ref	Tower Stow Indicator Add-on Kit (Dealer Installed)	
	2915094	Ref	Turntable Bearing Kit	
	1001262959	Ref	Voltage Regulator Relocation Kit	
	1001273007	Ref	Wear Pad Kit	
	0258827	Ref	Weld Lead	
	1001228544	Ref	Wheel Drive Kit (Replaces Hub 2780272)	
	0256196	Ref	Wheel Covers	
		Ref	Platform Mesh to Top Rail Installation (Factory Installed):	

PART NUMBER INDEX

SECTION 11 - SPECIAL OPTIONS

0100009....531, 535, 539, 543	0100081 ... 210, 214, 218, 477, 579, 581	0630518 ... 183, 547, 563, 566, 571, 573, 577	257, 261, 265, 303, 315, 340, 344, 413, 415, 419, 423, 485, 489
0100011....19, 21, 23, 25, 27, 41, 43, 45, 51, 67, 71, 73, 75, 77, 79, 81, 83, 85, 87, 89, 97, 99, 103, 107, 111, 115, 119, 123, 127, 131, 135, 139, 143, 147, 151, 155, 159, 163, 167, 171, 175, 179, 185, 197, 201, 205, 206, 210, 211, 214, 215, 218, 219, 227, 229, 235, 237, 241, 243, 246, 250, 257, 261, 265, 271, 273, 277, 282, 288, 293, 303, 307, 310, 315, 319, 322, 331, 335, 340, 344, 347, 349, 352, 358, 363, 365, 367, 401, 403, 413, 415, 419, 423, 425, 429, 433, 437, 441, 445, 449, 453, 457, 465, 467, 469, 471, 475, 477, 479, 481, 485, 489, 493, 497, 501, 507, 509, 511, 513, 519, 521, 523, 555, 557, 566, 571, 573, 577, 583, 585, 587, 589, 737, 739, 741, 743	0140011 ... 531, 535, 539, 543 0140044 185 0181949 39 0200048 ... 583, 585, 587, 589 0200742 413, 423 0232121 43, 45, 47 0256196 920 0256202 703 0257195 917 0258567 493 0258671 561 0258728 409 0258827 920 0259420 479 0270888 33 0271090 33 0271091 33 0271340 551 0271768 917 0272254 573 0272259 697 0272260 699 0272418 581 0272427 587 0272433 705 0272435 ... 450, 454, 458 0272448 909 0272521 571 0272588 907 0272589 442, 446 0272599 905 0272725 918 0272733 918 0273353 566 0273485 917 0273687 902 0273706 589 0273824 583 0274031 227 0274883 916 0275216 707, 835 0275217 711, 837 0275452 715, 839 0275453 719, 841 0275454 723, 843 0360406 47 0362770 ... 197, 201, 205 0400075 97, 99 0440237 471 0440244 67 0480121 413, 423 0480126 425, 441 0480129 433, 450 0561185 469 0561295 467 0630407 ... 277, 282, 288, 310, 322 0630427 485, 489 0630462 ... 583, 585, 587, 589 0630467 481 0630485 ... 210, 214, 218,	0630534 611 0630548 ... 103, 107, 111, 115, 119, 123, 127, 131, 135, 139, 143, 147, 151, 155, 159, 163, 167, 171, 175, 179 0630568 ... 531, 535, 540, 544 0630593 477 0641403 493 0641404 ... 103, 107, 111, 115, 119, 123, 127, 131, 135, 139, 143, 147, 151, 155, 159, 163, 167, 171, 175, 179, 423, 425, 429, 433, 437, 441, 445, 449, 453, 465, 557 0641405 ... 185, 227, 229, 457, 531, 535, 539, 543, 557 0641406 ... 187, 189, 197, 201, 205, 221, 223, 231, 257, 261, 265, 271, 273, 277, 282, 288, 293, 303, 307, 310, 315, 319, 322, 340, 344, 405, 407, 425, 429, 527, 529, 559, 561, 751, 753 0641407 ... 103, 107, 111, 115, 119, 123, 127, 131, 135, 139, 143, 147, 151, 155, 159, 163, 167, 171, 175, 179, 187, 241, 243, 246, 250, 347, 349, 405 0641408 ... 210, 214, 218, 341, 345, 485, 489, 527, 529 0641409 227, 235, 237 0641410 41, 227, 229, 235, 237, 246, 250 0641412 ... 257, 261, 265, 303, 315 0641414 51, 531, 535, 539, 543, 555, 583, 585, 587, 589 0641416 ... 707, 709, 711, 713, 715, 717, 719, 721, 723, 725, 727 0641418 51, 481, 497, 501, 507, 509, 511, 513, 519, 521, 523 0641420 340, 344 0641506 ... 103, 107, 111, 115, 119, 123, 127, 131, 135, 139, 143, 147, 151, 155, 159, 163, 167, 171, 175, 179, 198, 202, 205, 231 0641507 481 0641508 ... 43, 45, 85, 87, 89, 197, 201, 205, 210, 214, 218, 235, 237,	0641510.....246, 250 0641511.....489 0641512.....246, 250 0641516....433, 437, 441, 445, 449, 453, 457 0641518....277, 282, 288, 310, 322 0641560.....27 0641604....465, 485, 489 0641605....277, 282, 288, 310, 322, 479 064160641, 51, 198, 202, 206, 229, 246, 250, 465, 467, 477, 479, 566, 571, 573, 577 0641607....23, 25, 73, 75, 77, 79, 81, 83, 85, 87, 89, 210, 214, 218, 340, 344, 415, 467, 469, 477 0641608....197, 198, 201, 202, 205, 206, 211, 215, 218, 221, 223, 225, 277, 282, 288, 310, 322, 399, 465, 467, 469, 485, 489 0641609....197, 201, 205, 210, 214, 218, 229, 246, 250, 277, 282, 288, 310, 322, 401, 403, 409, 467, 469 0641610....193, 195, 231, 235, 237, 246, 250, 257, 261, 265, 303, 315, 331, 333, 335, 340, 344, 397, 413, 423, 469, 527, 529 0641611.....71, 257, 261, 265, 303, 315, 465 0641612....277, 282, 288, 310, 322, 340, 344, 467, 737, 739, 741, 743 0641614....51, 73, 75, 77, 79, 81, 83, 85, 87, 89 0641615.....469 0641616....231, 425, 429, 434, 437, 446, 454, 469 0641617.....39 0641618.....442, 450 0641622.....479 0641624.....477, 479 0641648.....477 0641708....277, 282, 288, 310, 322 0641772....413, 415, 419, 423 0641806.....282, 469 0641808....235, 237, 257, 261, 265, 271, 273, 293, 303, 307, 315, 319, 340, 344, 347, 349, 425, 429, 433, 437, 441, 445, 449, 453 064181023, 25, 227, 229, 465

SECTION 11 - SPECIAL OPTIONS

0641812 71, 241, 243, 271, 273, 293, 307, 319, 347, 349, 415	0731005 ... 73, 75, 77, 79, 81, 83, 85, 87, 89, 583, 585	0861572.....442, 445	1001093382 97, 99
0641818 . 85, 87, 89, 403, 409, 411	0741605 ... 277, 282, 288, 310, 322	0861642.....227, 229	1001094400 485, 489, 914
0641820 71, 246, 250, 401	0741606 485, 489	0861731....717, 721, 725, 727, 839, 841, 843	1001094475 917
0641840 465	0741607 ... 425, 429, 434, 437, 445, 453, 457	0861781....709, 713, 835, 837	1001094595 347, 349, 377
0642010 ... 235, 237, 340, 344	0741609 25	0861880.....755, 759	1001096141 866
0642012 ... 257, 261, 265, 303, 315, 579, 581	0760605 ... 277, 282, 288, 310, 322, 363	0902143.....197, 201, 205	1001096736 485, 489
0642038 47	0760606 458	0902161....197, 201, 205	1001097051 737, 739, 741, 743, 849
0642212 19, 21, 579, 581	0760608 352, 358	0902219.....197, 201, 205	1001097082 737, 739, 741, 743
0642214 465	0760610 ... 352, 358, 365, 419, 457	0902412.....197, 201, 205	1001097150 755
0642620 465	0760612 ... 104, 108, 112, 116, 120, 124, 128, 132, 136, 140, 144, 148, 152, 156, 160, 164, 168, 172, 176, 180, 352, 358	0902426.....197, 201, 205	1001097244 601
0651406 51	0760615 365	0902491....197, 201, 205	1001098012 563, 566, 569
0681608 19, 21, 235, 237, 257, 261, 265, 277, 290, 303, 310, 315, 322, 475	0760807 363	0902888....433, 437, 441, 445, 449, 453, 457	1001098122 549, 831, 833
0681620 ... 591, 593, 595, 597, 599	0760810 ... 277, 282, 288, 310, 322, 340, 344, 352, 358, 475	0903088.....227, 229	1001098149 563
0681814 515, 525	0760812 ... 352, 358, 735	0903242.....71	1001098167 605
0681820 ... 277, 282, 288, 310, 322	0760814 ... 277, 288, 352, 358	0903308.....197	1001098828 475
0681822 27, 277, 282, 288, 310, 322, 515, 525	0760815 ... 277, 288, 352, 358	0903697.....751	1001099121 198
0682016 27	0760817 365	0940049....197, 201, 205, 210, 214, 218	1001099137 197
0682023 67	0761008 ... 261, 265, 303, 315, 340, 344	0940070....246, 250, 277, 282, 288, 310, 322, 354, 360	1001099138 197, 198
0682032 67	0761012 471	0940071....197, 201, 205	1001099366 579, 581
0682216 57, 59	0761014 ... 352, 358, 411, 475	0940088.....198, 202, 205	1001099367 579, 581
0682236 19, 21	0761015 ... 277, 282, 288, 310, 322, 352, 358, 471	0940092....583, 585, 587, 589	1001099837 477
0682424 ... 591, 593, 595, 597, 599	0761016 352, 358, 419	0940094....583, 585, 587, 589	1001099869 423
0700408 ... 707, 709, 711, 713, 715, 717, 719, 721, 723, 725, 727	0761018 457	0940102.....579, 581	1001100231 755
0700615 193, 195	0761210 ... 277, 282, 288, 310, 322	0940103.....587	1001100234 423
0700618 211, 215, 219	0761212 461, 465	0940133.....589	1001100321 423
0700624 471	0761216 475	0940134.....583	1001100341 835
0700808 246, 250	0771014 352, 358	0940177.....585	1001100342 837
0700810 352, 358	0771212 ... 257, 261, 265, 277, 288, 303, 310, 315, 322	0940184....497, 501, 507, 509, 511, 513, 519, 521, 523	1001100345 839
0700812 352, 358	0771414 ... 246, 250, 277, 282, 288, 310, 322	0961845....497, 501, 507, 509, 511, 513, 519, 521, 523	1001100346 843
0700814 ... 282, 310, 322, 352, 358	0771415 ... 277, 282, 288, 310, 322, 425, 434, 442, 450	0961893.....611	1001100347 841
0700816 365	0801132 465, 469	0961947.....473	1001100825 347, 349, 389
0700818 365	0801496 469	0961986....246, 250, 277, 282, 288, 310, 322, 352, 358	1001101191 707, 709, 711, 713, 715, 717, 719, 721, 723, 725, 727, 755, 757, 759
0701014 365	0801594 469	0962051.....409, 411	1001101196 707, 709, 711, 713
0701020 471	0811608 ... 73, 75, 77, 79, 81, 83, 85, 87, 89	0962102 19, 21, 467, 469, 609, 613, 615	1001101197 715, 717, 719, 721, 723, 725, 727
0701022 277, 290	0811610 210, 214, 218	0962122.....469	1001101421 581
0701025 277, 288	0811612 97, 99	0962152.....25, 619	1001101422 581
0701026 367	0811812 ... 197, 201, 205, 210, 214, 218	0962181.....25	1001101600 235, 237
0710827 365	0860038 ... 434, 437, 445, 449, 453, 457, 697, 699	0962270.....515, 525	1001101623 198
0711014 354, 360	0860520 561	0962336.....611	1001101673 198
0711020 352, 358	0861538 450, 453, 457	0962348.....25	1001102290 785
0711215 ... 241, 243, 271, 273, 282, 293, 307, 319		0962449.....423	1001102291 785
0711216 365		0962520....425, 429, 433, 437, 442, 445, 450, 453, 457	1001102304 785
0711223 354, 360		1001001939.....246, 250	1001103012 825
0711414 401, 403		1001080707.....79, 81, 83	1001103308 103, 107, 111, 115, 119, 123, 127, 131, 135, 139, 143, 147, 151, 155, 159, 163, 167, 171, 175, 179
0720804 39		1001091460.....29	1001103667 913
0721005 587, 589		1001091461.....29	1001103810 23, 25
0721006 ... 197, 201, 205, 331, 333, 335, 413, 415, 423		1001091969.....707	1001104519 853
0721008 198, 202, 206		1001091970.....711	1001106481 493
		1001091973.....715	1001106736 103, 107, 111, 115, 119, 123,
		1001091974.....719	
		1001091975.....723	
		1001092092.....916	

SECTION 11 - SPECIAL OPTIONS

127, 131, 135, 139, 143, 147, 151, 155, 159, 163, 167, 171, 175, 179	1001117107 789, 794	1001133714 790, 793, 801	1001139409.....278, 283, 289, 311, 323
1001106938.....531, 535, 539, 543, 913	1001117140 202, 206	1001133715 790, 793, 801	1001139654.....903
1001106957.....638, 644, 662, 674	1001117172 549	1001133956 789, 794	1001139952.....433
1001106974.....71	1001117174 531, 535, 539, 543, 549, 912	1001133957 789, 794	1001140312.....311
1001107529.....71	1001117219 211, 215, 219	1001134289 471, 473	1001140346.....437
1001107854.....826	1001117234 210, 214, 218	1001134488 312, 324, 353, 360	1001140347.....429
1001108256.....585	1001117249 210, 214	1001135138 283, 289, 311, 323	1001140429.....497, 501, 507, 509, 511, 513, 519, 521, 523
1001108721.....916	1001117294 917	1001135650 790, 793, 801	1001140448.....279, 283, 290, 311, 323
1001108962.....917	1001117307 210, 214, 218	1001135651 790, 793	1001140450.....279, 283, 290, 311, 323
1001109654.....751, 753, 755	1001117308 278, 283, 289, 311, 323, 913	1001135679 311, 323	1001140454.....279, 283, 290, 311, 323
1001109690.....679	1001117372 605	1001136104 457	1001140564.....312, 324
1001110166.....210, 214, 218	1001117598 210, 214, 218	1001136358 678	1001141300.....903
100111042551, 229, 235, 237, 257, 261, 265, 303, 315	1001118133 85, 87, 89	1001136400 477	1001141302.....903
1001110434.....531, 535, 539, 543	1001118384 851	1001136834 278, 283, 289, 311, 323	1001141304.....278, 283, 289, 311, 323
1001110872.....729, 731	1001118388 851	1001136881 678	1001141370.....278, 283, 289, 311, 323
1001110873.....434, 438, 449, 453, 458, 697	1001118666 465, 467	1001137005 919	1001141419.....283
1001112551.....870	1001119020 733, 761, 823, 825, 831, 833	1001137276 278, 283, 289, 311, 323	1001141421.....453
1001112588.....413	1001119563 916	1001137336 349	1001141422.....445
1001112589.....413, 423	1001119602 678	1001137364 111, 115, 135, 139, 151, 155, 167, 171, 175, 179, 539, 543	1001141585.....278, 283, 289, 311, 323, 353, 359
1001112612.....733, 823	1001119619 847	1001137440 919	1001141586.....283
1001112796.....733, 761, 781	1001119620 845, 849	1001137460 .. 97, 99, 101	1001141718.....335
1001113047.....210, 214, 218	1001119939 916	1001137672 919	1001141870.....331, 333, 335
1001113961.....823, 825	1001119947 916	1001137673 555	1001141995.....278, 283, 289, 311, 323, 353, 359
1001115387.....449	1001119968 445, 453, 817	1001138110 789	1001142031.....405, 407
1001115389.....441	1001120328 555, 557	1001138111 789	1001142032.....405, 407
1001115405.....413	1001120471 601	1001138113 789	1001142501.....257, 303, 315, 331, 333, 335
1001115409.....423	1001120477 601	1001138173 278, 283, 289, 311, 323, 353, 359	1001142504.....918
1001115918.....916	1001120484 601	1001138175 279, 283, 290, 311, 323, 353, 359	1001142505.....918
1001116208.....903	1001120989 903	1001138228 278, 283, 289, 311, 323	1001142623.....283
1001116290.....211, 215, 219	1001121122 218	1001138248 278, 283, 289, 311, 323, 354, 359	1001142643.....429, 438, 446, 454
1001116456.....221	1001121123 218	1001138489 278, 283, 290, 311, 323	1001142645.....429, 446
1001116457.....225	1001125125 743	1001138491 257, 261, 265, 303, 315, 799	1001142646.....438, 454
1001116692.....749	1001125127 743	1001138494 501, 507, 509, 511, 513, 519, 521, 523	1001142683.....193, 195, 913
1001116694.....823, 825	1001125387 903	1001138514 501, 507, 509, 513, 519, 523	1001142722.....193, 195
1001116695.....857	1001125492 57, 59	1001138557 278, 283, 289, 311, 323	1001142736.....193, 195, 733
1001116710.....799	1001126009 851	1001138565 425	1001142938.....783, 789, 793
1001116727.....789, 807, 809	1001126351 789, 794	1001138566 425, 429, 433, 438	1001142940.....783, 790, 793
1001116728.....789	1001126352 789	1001138671 465	1001142941.....783, 790, 793, 794
1001116731.....781	1001126356 789	1001138795 611	1001143390.....247, 251, 278, 283, 289, 311, 323
1001116733.....807	1001126357 789	1001138827 312, 324	1001143449.....405, 407
1001116734.....807	1001126362 790, 793	1001139099 917	1001143483.....407
1001116748.....737, 739, 741, 743	1001126363 790, 793	1001139135 531, 535, 539, 543, 749	1001143484.....405
1001116774.....733	1001126364 790, 793	1001139240 279, 311, 323	1001143525.....405, 407
1001116808.....733	1001126365 790	1001139357 426, 433	1001143607.....201, 202
1001116812.....793	1001126384 789		1001143609.....201
1001116815.....761, 763, 765, 767, 769, 794	1001126391 790, 793		1001143611.....202
1001116952.....789, 794	1001126392 790, 793		1001143726.....289, 789
1001116983.....799	1001126485 793		
1001117078.....817	1001126487 793		
1001117106.....789	1001127094 903		
	1001128527 577		
	1001128556 577		
	1001128901 353, 359		
	1001129407 779		
	1001129555 912		
	1001129858 433		
	1001131168 866		
	1001131269 866		

SECTION 11 - SPECIAL OPTIONS

1001143736 257, 261, 265, 303, 315	1001151856..... 790	1001155823..... 257, 261, 265, 304, 315	1001159256 531, 535, 539, 543, 914
1001143797 278, 283, 289, 311, 323	1001151980..... 23	1001155895..... 210, 214, 218	1001159323 902
1001143852 903	1001152266..... 859	1001155899..... 210, 214, 218	1001159340 643, 650, 656, 661
1001143858 201, 206	1001152429..... 442, 451, 813	1001156107..... 283	1001159707 678
1001143860 405	1001152457..... 433, 438	1001156136..... 57, 59	1001160077 191
1001143907 278, 283, 289, 311, 323	1001152459..... 247, 251	1001156188..... 210	1001160272 701
1001144147 761, 781	1001152483..... 757	1001156190..... 73, 75, 77, 79, 81, 83, 85, 87, 89	1001160780 43, 45
1001144295 859	1001152489..... 278, 283, 289, 311, 323	1001156332..... 632, 638, 644, 650	1001161089 210, 214, 219
1001144433 555	1001152520..... 446	1001156333..... 632, 638, 644, 650	1001161355 23, 25
1001144438 229	1001152525..... 442, 446, 450, 454, 458	1001156693..... 741	1001161399 23, 25
1001144447 229	1001152532..... 426, 430, 434, 438, 803	1001156695..... 741	1001161709 532, 536, 540, 544
1001144527 223	1001152566..... 202	1001156710..... 19, 21	1001162335 331
1001144629 499, 503, 505, 511, 517, 521	1001152719..... 19	1001156798..... 69	1001162497 235, 238, 257, 261, 265, 304, 315, 340, 345
1001145154 279, 283, 290, 311, 323	1001152965..... 917	1001157013..... 919	1001162546 918
1001145405 563, 566	1001153197..... 426, 433, 809	1001157016..... 27	1001162915 215
1001146273 246, 250	1001153259..... 430, 438, 811	1001157049..... 67	1001163101 223
1001146588 257, 283	1001153282..... 247, 251, 278, 283, 289, 311, 323, 373	1001157058..... 67	1001163131 581
1001147264 789, 794	1001153359..... 257, 261, 265, 304, 315, 340, 345	1001157208..... 211, 219	1001163599 415, 429, 438, 445, 453
1001147812 246, 250	1001153396..... 241, 246	1001157209..... 211, 215, 219	1001164786 917
1001147813 246, 250	1001153414..... 247, 251	1001157400..... 627	1001165035 258, 261, 265, 304, 315, 354, 358
1001147820 246, 250	1001153435..... 202	1001157520..... 442, 450, 454, 458	1001165350 471
1001147823 246, 250, 253	1001153749..... 485, 489	1001157521..... 442, 446, 450, 454, 458	1001165368 425, 430, 759
1001148138 415	1001153779..... 243, 250	1001157525..... 441, 442, 445, 446	1001165657 23, 25
1001148652 467	1001154126..... 605	1001157528..... 442, 446, 450, 454, 458	1001165842 283
1001148675 729, 731	1001154405..... 257, 265, 304, 315, 331, 333, 335, 399	1001157592..... 449, 450, 454, 458	1001166806 45
1001148841 801	1001154584..... 19	1001157612..... 210, 214, 218	1001167042 278, 283, 289, 312, 323
1001148842 801	1001154687..... 605	1001157726..... 210, 214, 218	1001167565 475
1001148902 916	1001154875..... 21	1001157769..... 442, 451	1001167567 475
1001148903 916	1001154931..... 25	1001157867..... 210, 214, 218	1001167596 475
1001148904 916	1001155035..... 25	1001158007..... 442, 446, 450, 454, 458	1001167632 793
1001148905 916	1001155041..... 419	1001158008..... 442, 446, 450, 454, 458	1001167635 793
1001148906 917	1001155043..... 103, 107, 111, 115, 119, 123, 127, 131, 135, 139, 143, 147, 151, 155, 159, 163, 167, 171, 175, 179	1001158077..... 210, 214, 219	1001168018 353, 359
1001148971 917	1001155044..... 103, 107, 111, 115, 119, 123, 127, 131, 135, 139, 143, 147, 151, 155, 159, 163, 167, 171, 175, 179, 531, 535, 539, 543	1001158167..... 221	1001168402 475
1001149160 363	1001155045..... 103, 107, 111, 115, 119, 123, 127, 131, 135, 139, 143, 147, 151, 155, 159, 163, 167, 171, 175, 179, 531, 535, 539, 543, 914	1001158175..... 210, 214, 219	1001169054 278, 283, 289, 312, 324, 353, 359
1001149410 679	1001155143..... 235, 237	1001158187..... 41	1001169138 278, 283, 289, 312, 324, 353, 359
1001149639 353, 359	1001155192..... 25	1001158188..... 41	1001169754 35
1001149673 202, 206	1001155194..... 21	1001158203..... 41	1001169755 35
1001149703 401	1001155673..... 678	1001158258..... 43	1001169756 35
1001149704 246, 250		1001158259..... 916	1001169757 35
1001149705 246, 250		1001158364..... 185	1001169967 353, 359
1001149706 246, 250		1001158522..... 43, 45	1001170035 353, 359
1001149793 247, 251		1001159118..... 729, 731, 912	1001170764 793
1001149908 385		1001159119..... 729, 731	1001170847 485, 489, 914
1001150260 197, 201, 206, 210, 214, 218		1001159120..... 729, 731	1001171016 751
1001150372 23, 25		1001159121..... 731	1001171125 437
1001150539 23, 25, 619		1001159186..... 823, 825	1001171131 729
1001150561 221			1001171403 790
1001150890 403			1001172045 916
1001150915 247, 251			1001172064 783
1001150918 237, 304, 344			1001172065 783
1001150937 23, 25			1001172271 914
1001150998 247, 251			1001172578 579
1001151010 39			1001172760 531, 535, 539, 543
1001151034 23			
1001151070 235, 237			
1001151252 403			
1001151253 401			
1001151354 632, 638, 644, 650			

SECTION 11 - SPECIAL OPTIONS

1001173535.....354, 360	1001184618..... 532, 536, 540, 544, 870, 874, 878, 882, 886, 890, 894, 898	1001195967 405	1001206252..... 725
1001173703.....903	1001184626..... 527, 529, 532, 536, 540, 544	1001196382 458	1001206253..... 709
1001173876.....214	1001184682 189	1001196634 337, 777, 912, 913	1001206254..... 713
1001173878.....223	1001185281 531, 535, 539, 543	1001196768 211, 215, 219	1001206255..... 727
1001174040.....475	1001186251 210, 214, 219	1001197017 583, 585, 587, 589	1001206311..... 919
1001174486.....340, 345	1001186254 211, 215, 219	1001197408 903	1001206476..... 735
1001174745.....405, 407	1001186333 515	1001197719 793	1001206477..... 919
1001174746.....407	1001186334 525	1001198333 632, 637, 668, 673	1001206532..... 532, 536, 540, 544
1001176329.....353, 359	1001186334 525	1001198336 627	1001207558..... 197, 201, 206
1001176469..... 120, 124, 136, 140, 160, 164, 168, 172	1001186375 501	1001198338 631, 637, 643, 649, 655, 661, 667, 673	1001207969..... 481
1001176862..... 729	1001186378 507	1001198339 627	1001208994..... 475, 481
1001177035.....426, 430, 753	1001186379 509	1001198340 631, 637, 644, 649, 655, 662, 667, 673	1001209059..... 918
1001177359.....278, 284, 290, 312, 324	1001186382 519	1001198341 632, 650, 656, 668	1001209432..... 735
1001177694..... 917	1001186383 517	1001199394 631, 637, 643, 649, 655, 661, 667, 673	1001209474..... 735
1001177710..... 753	1001186384 505	1001199488 918	1001209632..... 917
1001177844.....278, 284, 289, 312, 324	1001186385 503	1001199733 397	1001209664..... 555
1001177845.....278, 284, 289, 312, 324	1001186387 499	1001200054 481	1001209982..... 37
1001178057.....73, 79, 85, 91	1001186426 353, 359	1001200120 903	1001210025..... 919
1001178174..... 73	1001186431 555, 914, 919	1001200121 903	1001210026..... 919
1001178175..... 85	1001186432 851, 853	1001200122 903	1001210448..... 365, 369
1001178204..... 631	1001186517 555	1001200124 903	1001210636..... 601
1001178205..... 637	1001186985 279, 284, 290, 312, 324	1001200125 903	1001211556..... 295
1001178207 916	1001187674 553	1001200126 903	1001211582..... 486, 490
1001178208 916	1001187681 847	1001200127 903	1001211588..... 485, 489
1001178223.....279, 284, 290, 312, 324	1001187781 352, 358	1001200491 475	1001211794..... 363, 365
1001178797 399	1001188135 632, 638, 644, 650	1001200494 475	1001212223..... 445, 453
1001178876.....312, 324	1001188622 475	1001200497 485, 489, 823, 825	1001212415..... 912
1001179079 679	1001188844 475	1001200700 918	1001213447..... 831, 833
1001179154.....450, 454, 458	1001188874 104, 108, 112, 116, 120, 124, 127, 131, 136, 140, 143, 147, 151, 155, 160, 164, 168, 172, 175, 179	1001201351 475	1001213584..... 697, 699, 703, 753
1001179329..... 678	1001188884 397	1001201885 823, 825, 831, 833	1001213585..... 697, 699, 703, 753
1001179837 415	1001188887 397	1001202280 397	1001213705..... 465
1001179912 425	1001188972 238, 304, 345	1001202281 397	1001213810..... 363
1001180001 415	1001189001 475	1001202368 284, 312, 324	1001213882..... 531, 535, 539, 543
1001180052 416	1001189002 475	1001202687 475	1001214030..... 903
1001180218 429	1001189171 757, 912	1001202749 917	1001214570..... 735
1001180287 415	1001189172 757, 912	1001203655 515	1001214571..... 735
1001180620.....278, 284, 289, 312, 324, 353, 359	1001189979 354, 359	1001203656 525	1001214827..... 365
1001180861 903	1001190610 278, 284, 290, 312, 324	1001204269 638, 644, 662, 674	1001215016..... 797
1001181045.....755, 759, 912	1001190888 918	1001204325 279, 284, 290, 312, 324	1001215091..... 797
1001181243..... 416	1001190985 475	1001204560 .. 19, 21, 605	1001215228..... 531, 535
1001181895..... 312	1001191395 917	1001204667 397	1001215289..... 678
1001181899.....278, 289, 312, 324	1001191525 903	1001204715 485, 489	1001215296..... 631, 637, 643, 649, 655, 661, 667, 673
1001181923.....737, 739, 741, 743	1001191599 301	1001204725 475	1001215384..... 365
1001182162..... 679	1001191610 353, 359	1001204939 485, 490, 914	1001215534..... 797
1001182361 794	1001191620 258, 284	1001205441 917	1001215681..... 353, 359
1001182365 794	1001192027 465	1001205690 757	1001215974..... 353, 359
1001182570.....485, 489, 914	1001193018 707, 709, 711, 713, 715, 717, 719, 721, 723, 725, 727	1001205958 715, 717, 719, 721, 723, 725	1001216015..... 415
1001182599..... 917	1001195304 918	1001206250 717	1001216065..... 363, 365
1001182806..... 187	1001195533 917	1001206251 721	1001216071..... 365
1001182997.....73, 79, 85, 89			1001216075..... 353, 359
1001183226..... 679			1001216092..... 353, 359
1001184569..... 918			1001216144..... 365
			1001216201..... 353, 359
			1001216212..... 797
			1001216213..... 797
			1001216220..... 385
			1001216300..... 367
			1001216390..... 458
			1001216391..... 420
			1001216393..... 359

SECTION 11 - SPECIAL OPTIONS

1001216531 354, 360	1001219630.....420	1001226799.....765, 767, 769	1001232667 557, 914
1001216532 347, 349	1001219632.....420	1001226872.....497	1001232842 337
1001216534 347, 349	1001219633.....918	1001226923.....399	1001233047 916
1001216535 347, 349	1001219809..... 341, 345	1001227066.....771, 773, 779	1001233089 279, 289
1001216568 340, 345	1001219840.....916	1001227068.....779	1001233236 773
1001216619 367	1001219881.....411	1001227224.....262, 265, 335	1001233237 773
1001216630 475	1001220002.....219	1001227266.....779	1001233763 304, 337
1001216768 363	1001220067.....219	1001227359.....737, 739, 741, 743	1001234425 866
1001216769 363	1001220141.....389	1001227448.....763	1001234426 866
1001216910 353, 359, 363	1001220189.....225	1001227488.....737, 739, 741, 743, 745	1001234428 890
1001216919 353, 359	1001220190.....218	1001227614.....271, 288	1001234429 890
1001217032 353, 359	1001220379.....789	1001227620.....262, 265	1001234430 894
1001217046 353, 359	1001220404.....367	1001227633.....553	1001234431 898
1001217090 353, 359	1001220510.....903	1001227634.....553	1001234432 898
1001217170 347, 349	1001220511.....903	1001227666.....354, 360	1001234433 886
1001217174 353, 359	1001220512.....903	1001227667.....354, 360	1001234434 886
1001217175 353, 359	1001220864.....903	1001227769.....363	1001234435 882
1001217183 353, 359	1001221203.....279, 290	1001227772.....365	1001234436 882
1001217185 353, 359	1001221212.....261, 265, 279, 289, 393, 395	1001227985.....553	1001234437 874
1001217186 353, 359	1001221219.....279, 289	1001227987.....553	1001234438 874
1001217191 347, 352	1001221397.....389	1001227996.....845, 849	1001234439 870, 878
1001217192 341, 347	1001221464.....347	1001228170.....51, 53	1001234800 793
1001217195 649	1001221488.....340, 344	1001228215.....497	1001234811 471, 473
1001217196 643	1001221498.....458	1001228224.....553, 914	1001235585 894
1001217199 340	1001221545.....365	1001228225.....553, 914	1001235949 284, 312, 324, 333
1001217317 353, 359	1001221615.....354, 360	1001228243.....521	1001236303 99
1001217477 389	1001222033.....354, 360	1001228375.....523	1001236304 735
1001217478 389	1001222641.....365	1001228376.....511	1001236334 387
1001217543 353, 359	1001222817.....399	1001228377.....513	1001236335 387
1001218022 917	1001223042.....353, 359	1001228544.....920	1001236386 205
1001218085 347, 349	1001223055.....866	1001228949.....767	1001236387 206
1001218089 389	1001223453.....866, 886	1001228954.....767	1001236389 206
1001218362 353, 360	1001223459.....790, 793	1001228988.....577, 907, 909	1001236504 735
1001218449 353, 360	1001223584.....352, 358	1001229107.....771	1001236505 735
1001218547 411	1001223591.....289, 299	1001229341.....553	1001236552 557
1001218572 97, 99	1001223923.....353, 359	1001229530.....823, 825	1001236746 597
1001218622 705	1001223971.....886	1001229542.....312, 324	1001236747 593
1001218623 705	1001224048.....894	1001229762.....916	1001236871 206
1001218930 458	1001224049.....898	1001229810.....57, 62	1001236891 591, 593, 595, 597, 599
1001219219 27, 29	1001224050.....882	1001230032.....399	1001236895 591, 593, 595, 597, 599
1001219259 353, 360	1001224052.....874	1001230635.....279, 284, 290, 312, 324	1001236951 917
1001219345 353, 360	1001224053.....890	1001230931.....737, 739, 741, 743	1001237142 465
1001219361 353, 360	1001224486.....354, 360	1001230934.....794	1001237545 547
1001219363 353, 360	1001224489.....354, 360	1001230935.....794	1001237547 183
1001219364 341, 345	1001224936.....279, 290	1001230936.....794	1001237667 823, 825, 831, 833
1001219365 341, 345	1001224937.....279, 290	1001231235.....919	1001237668 823, 825, 831, 833
1001219366 341, 345	1001224940.....279, 290	1001231801.....902	1001237862 845, 849
1001219367 341, 345	1001225346.....735, 914	1001231886.....187	1001237863 553, 849
1001219368 341, 345	1001225430.....296, 299, 327, 913	1001231888.....73, 75, 77, 79, 81, 83	1001237865 553, 847
1001219369 341, 345	1001225431.....296, 328	1001231949.....597	1001237882 917
1001219370 341, 345	1001225432.....300, 913	1001231950.....593, 599	1001237883 917
1001219480 353, 360	1001225442.....353, 359	1001232010.....593, 595, 597, 599	1001237949 465
1001219601 104, 108, 112, 116, 120, 124, 128, 132, 136, 140, 144, 148, 152, 156, 160, 164, 168, 172, 176, 180	1001225510.....354, 360	1001232011.....593, 597, 599	1001238169 471
1001219608 349, 358	1001225580.....555, 853	1001232164.....553	1001238263 591, 593, 595, 597, 599
1001219609 345, 349	1001225745.....347, 349, 375	1001232165.....553	1001238268 284
1001219610 344	1001226328.....771	1001232642.....557	1001238319 553
1001219611 353, 360	1001226400.....745, 747, 779		1001238331 465, 471
1001219612 353, 360	1001226531.....735		1001238333 471
1001219613 353, 360	1001226541.....761, 781		1001238398 471
1001219618 457	1001226636.....781		1001238418 557, 851
1001219619 419	1001226637.....781		
	1001226739.....763, 765, 767, 769, 781		

SECTION 11 - SPECIAL OPTIONS

1001238421.....	475	1001251010.....	465, 613	1001260412.....	279, 284, 290, 312, 324	1001266056.....	918
1001238463.....	599	1001251041.....	465, 609	1001260413.....	279, 284, 290, 312, 324	1001266069.....	527, 531, 535
1001238472.....	557	1001251086.....	469, 623	1001260475.....	490	1001266073.....	527
1001238495.....	555	1001251087.....	467, 621	1001260858.....	916	1001266098.....	918
1001238559.....	557	1001252315.....	465	1001260886.....	916	1001266290.....	918
1001239202.....	793	1001252527.....	794	1001260937.....	539, 543	1001266489.....	918
1001239347.....	189	1001252627.....	905	1001260957.....	902	1001266499.....	279, 290
1001239462.....	99	1001252629.....	591, 593, 595, 597, 599	1001260958.....	878	1001266525.....	279, 289, 312, 324
1001239470.....	97	1001253375.....	853	1001260959.....	870	1001266648.....	532, 540, 831
1001241385.....	187	1001253618.....	919	1001260960.....	890	1001266807.....	918
1001241403.....	183, 547	1001253619.....	919	1001260962.....	874	1001266829.....	490, 857
1001241413.....	917	1001253658.....	477	1001260963.....	882	1001266874.....	120, 124
1001241415.....	917	1001253677.....	481, 483	1001260964.....	886	1001266875.....	143, 147
1001241547.....	918	1001253724.....	477	1001260965.....	898	1001266876.....	104, 108, 128, 132, 144, 148
1001241548.....	918	1001253726.....	579	1001260966.....	894	1001266878.....	160, 164
1001241774.....	917	1001253789.....	485	1001260967.....	866	1001266893.....	103, 107
1001241776.....	917	1001253880.....	477	1001260968.....	878	1001266894.....	119, 123
1001241965.....	557	1001254317.....	477	1001260969.....	866, 870, 874, 882, 886, 890, 894, 898	1001266895.....	127, 131
1001242255.....	193	1001254472.....	557	1001260970.....	916	1001266896.....	159, 163
1001242256.....	195	1001254473.....	557	1001261045.....	284	1001267256.....	279, 290, 312, 324
1001242409.....	916	1001254632.....	477	1001261085.....	284	1001267312.....	866, 870, 874, 878, 882, 886, 890, 894, 898
1001243183.....	916	1001254846.....	678	1001261272.....	479	1001267678.....	75, 81, 87, 93
1001243184.....	916	1001254847.....	679	1001261274.....	479	1001268736.....	917
1001243414.....	211, 215, 219	1001254879.....	678	1001261335.....	591	1001269187.....	918
1001243645.....	37	1001255133.....	475	1001261336.....	595	1001269322.....	577
1001243682.....	187, 189, 861	1001255320.....	465, 607	1001261338.....	591	1001269389.....	918
1001243895.....	337	1001255321.....	465, 617	1001261339.....	595	1001269573.....	577
1001244212.....	902	1001255807.....	916	1001262016.....	919	1001269629.....	917
1001245049.....	37	1001255880.....	485, 490	1001262102.....	902	1001269630.....	917
1001245913.....	284, 801	1001255882.....	486, 490	1001262103.....	902	1001269631.....	917
1001246142.....	916	1001255901.....	777, 823, 825	1001262104.....	902	1001269655.....	919
1001246144.....	765	1001256059.....	678	1001262105.....	902	1001270068.....	627
1001246145.....	769	1001256267.....	465	1001262322.....	763	1001270069.....	631, 637, 643, 649, 655, 661, 667, 673
1001246473.....	765	1001256506.....	790	1001262326.....	763	1001270073.....	637, 644, 662, 673
1001246474.....	769	1001256879.....	258	1001262959.....	920	1001270089.....	679
1001246859.....	826	1001256906.....	902	1001262960.....	771, 773	1001270090.....	632, 638, 644, 650
1001247013.....	262, 265	1001257271.....	591, 595	1001262963.....	771, 773	1001270091.....	632, 638, 644, 650
1001247073.....	918	1001257274.....	591	1001263022.....	902	1001270096.....	650, 656
1001247358.....	39	1001257276.....	393, 395	1001263355.....	136, 140	1001270099.....	206
1001247359.....	354, 360	1001257278.....	279, 289	1001263356.....	112, 116, 152, 156, 176, 180	1001270482.....	918
1001247453.....	485, 489	1001257283.....	391	1001263357.....	168, 172	1001270594.....	191
1001247468.....	475	1001257397.....	465	1001263360.....	151, 155	1001270630.....	631, 667
1001247846.....	467	1001257412.....	279, 290	1001263361.....	111, 115	1001271642.....	918
1001247847.....	467	1001257561.....	917	1001263362.....	135, 139	1001271794.....	104, 108, 112, 116, 120, 124, 128, 132, 136, 140, 144, 148, 152, 156, 160, 164, 168, 172, 176, 180
1001247848.....	465, 467	1001257902.....	737, 739	1001263363.....	175, 179	1001272166.....	918
1001248140.....	591, 593, 595, 597, 599	1001257903.....	743	1001263364.....	167, 171	1001272659.....	775
1001248141.....	591, 593, 595, 597, 599	1001257904.....	741	1001263587.....	540, 544	1001272681.....	193
1001249052.....	919	1001257972.....	459, 815	1001263588.....	529, 539, 543	1001272682.....	195
1001249095.....	823, 825	1001258707.....	737, 739, 741, 743	1001263612.....	485, 490		
1001249695.....	916	1001258708.....	737, 739, 741, 743	1001263800.....	611		
1001249824.....	477	1001258709.....	737, 739, 741, 743, 829	1001263923.....	785, 859		
1001249941.....	916	1001258710.....	737, 739, 741, 743	1001263941.....	866, 870, 874, 878, 882, 886, 890, 894, 898		
1001250292.....	211, 215, 219	1001258711.....	737, 739, 741, 743	1001264148.....	916		
1001250293.....	210, 214, 218	1001258708.....	737, 739, 741, 743	1001264239.....	529		
1001250384.....	477	1001258800.....	284	1001264254.....	916		
1001250531.....	485, 489	1001258953.....	920	1001264991.....	471, 611		
1001250535.....	465	1001259466.....	679	1001265163.....	601		
1001250595.....	919	1001259467.....	679	1001265342.....	601		
1001250643.....	79	1001259468.....	679	1001265676.....	797		
1001250737.....	467	1001259470.....	679				
1001251009.....	465, 615	1001260277.....	51, 481				

SECTION 11 - SPECIAL OPTIONS

1001272997 777	1001281609.....273, 277	1001291401.....279, 284, 290, 312, 324	1001309250 536, 544, 833
1001273007 920	1001281656.....461	1001291681269, 279	1001311034 557
1001273008 916	1001281703..... 183, 547	1001292423.....903	1060341 ... 583, 585, 587, 589
1001273009 916	1001281985.....279, 312, 324	1001293369.....917	1060343 450, 454, 458
1001273010 916	1001281986.....279, 312, 324	1001293501.....917	1060545 757, 759
1001273012 775, 777	1001282106..... 183, 547	1001294757.....903	1060626 237, 303, 344
1001274219 ... 73, 75, 77, 79, 81, 83, 85, 87, 89	1001282461.....919	1001294815.....903	1060637 ... 235, 237, 271, 273, 293, 307, 319, 347, 349
1001274559 143, 147, 151, 155, 159, 163, 167, 171, 531, 535, 539, 543	1001283776..... 191, 855	1001295732..... 143, 147, 151, 155, 159, 163, 167, 171, 787	1060903 ... 583, 585, 587, 589
1001274829 917	1001284101.....461	1001296319.....266, 273	1060908 755
1001274830 917	1001284504.....489	1001296324.....265	1060918 549
1001274831 917	1001284872..... 81	1001296326.....238, 243	1062255 257
1001274833 917	1001284873..... 75	1001296394.....237	10702077 . 442, 446, 450, 454, 458
1001275149 191	1001284874..... 87	1001296474.....262, 271	10702082 . 442, 446, 450, 454, 458
1001275628 531, 535, 539, 543	1001284962..... 73, 75, 83	1001296475.....261	10836804 . 103, 107, 112, 116, 119, 123, 127, 131, 136, 140, 143, 147, 151, 155, 159, 163, 168, 172, 175, 179
1001275629 531, 535, 539, 543	1001284963..... 77, 79, 81	1001296652.....235, 241	1120510 465
1001275642 919	1001285016..... 103, 107, 111, 115, 119, 123, 127, 131, 135, 139, 143, 147, 151, 155, 159, 163, 167, 171, 175, 179, 859	1001296653.....235	1120555 579, 581
1001275643 919	1001285346..... 104, 112, 120, 128, 136, 144, 152, 160, 168, 176, 823	1001296655.....258, 293	1120601 ... 198, 202, 205, 210, 214, 218
1001276143 104, 112, 120, 128, 136, 144, 152, 160, 168, 176	1001285349.....461	1001296656.....257	1180346 479
1001276376 241, 243, 271, 273, 293, 307, 319, 383	1001285677.... 77, 83, 89, 95	1001296788.....85, 89	1260017 43, 45, 69
1001276377 241, 243, 271, 273, 293, 307, 319, 381	1001285832..... 77	1001296839.....656, 662, 668, 674	1260135 47
1001276610 775	1001285833..... 89	1001296840.....656, 662, 668, 674	1320011 261, 265
1001276644 278, 284, 312, 324, 793	1001285834..... 83	1001296841656, 662, 668, 674	1320016 246, 250
1001276923 916	1001286022.....917	1001296842.....656, 662, 668, 674	1320022 235, 237, 397
1001277592 284, 295	1001286032..... 103, 107, 111, 115, 119, 123, 135, 139, 785	1001296858.....656, 662, 668, 674	1320061 ... 257, 261, 265, 303, 315
1001277598 282, 293	1001286033..... 127, 131, 176, 180, 797	1001296859.....656, 662, 668, 674	1320110 352, 358
1001277828 489	1001286622..... 191, 761	1001296909.....655	1320127 39
1001278845 193	1001287467..... 103, 107, 111, 115, 119, 123, 127, 131, 135, 139, 143, 147, 151, 155, 159, 163, 167, 171, 175, 179	1001296910.....661	1320176 235, 237
1001278850 193, 195	1001287536.....461	1001296911.....667	1320177 563, 566
1001280403 104, 108, 112, 116, 128, 132, 143, 147, 152, 156, 176, 180	1001288113.....461	1001296912.....673	1320218 39
1001280600 103, 107, 111, 115, 119, 123, 127, 131, 135, 139, 143, 147, 151, 155, 159, 163, 167, 171, 175, 179	1001289552.....794	1001296913.....656, 662, 668, 674	1320220 39
1001281192 284	1001289553.....794	1001297086.....917	1320223 . 85, 87, 89, 246, 250
1001281298 461	1001289593.....258, 265, 304, 316, 783	1001297391.....120, 124, 136, 140, 160, 164, 168, 172	1320224 235, 237
1001281301 461	1001289831.....919	1001299436.....393	1320250 479
1001281304 461	1001289832.....919	1001299437.....395	1320256 ... 737, 739, 741, 743
1001281305 461	1001289850.....916	1001301709.....393	1320288 477
1001281307 461	1001289874.....211, 215, 219	1001301717312, 324, 327	1320289 477
1001281309 461	1001289905.....919	1001301719.....319, 322	1320302 ... 566, 571, 573, 577
1001281310 461	1001289906.....919	1001301810.....395	1320318 ... 425, 429, 433, 437, 441, 445, 449, 453
1001281311 461	1001289964.....278	1001301943.....316, 319	1321283 340, 344
1001281359 461	1001290021..... 197, 201, 205	1001301949.....304, 307	1321339 ... 235, 237, 257, 261, 265, 303, 315, 340, 344
1001281360 461	1001290252..... 353, 359	1001301950.....307, 310	1321384 198, 202, 206
1001281423 917	1001290375.....917	1001302019.....315	1380147 409, 411
1001281452 918	1001290382.....211, 219	1001302096.....303	1580012 559
1001281453 918	1001290383.....215	1001303430.....579	1580013 918
1001281456 918		1001303818.....354, 360	1600244 919
1001281457 918		1001306145..... 108, 116, 124, 132, 140, 148, 156, 164, 172, 180, 825	1670603 727
		1001306803.....59, 65	1670842 ... 197, 201, 205, 210, 214, 218

SECTION 11 - SPECIAL OPTIONS

1670844.....465	1703938.....890	1705897.....874	2170504....631, 637, 643,
1670850.....465	1703939.....894	1705898.....874	649, 655, 661, 667, 673
1671034.....471	1703942.....886	1705902.....874	2170506....643, 649, 655,
1671092....450, 454, 458,	1703943....874, 882, 898	1705905.....874	661
701	1703944.....890	1705917.....898	2170706....643, 649, 655,
1671093....566, 573, 701	1703945.....894	1705921.....870, 878	661
1671228....197, 198, 201,	1703947.....898	1705961.....870, 878	2180348....235, 237, 354,
202, 205, 206	1703948.....886	1705967.....874, 902	360, 397
1671230.....198	1703949.....882	1705968.....882, 902	2180387.....39
1671231....198, 202, 206	1703950.....890	1705969.....894, 902	2180388.....39
1671232....198, 202, 206	1703951.....894	1705977...870, 874, 878,	2180389.....39
1671233.....197	1703953.....866	882, 886, 890, 894, 898	2180418.....39, 340, 344,
1671314.....539, 543	1703959...866, 870, 874,	1705980.....903	354, 360
1700818.....902	878, 882, 886, 890,	1706059.....902	2180467.....352, 358
1701499....866, 870, 874,	894, 898	1706060.....902	2180832....257, 261, 265,
878, 882, 886, 890,	1703980.....890	1706061.....903	303, 315, 563, 566
894, 898	1703981.....894	1706062.....902	2200222.....73, 75, 77
1701501....866, 870, 874,	1703982.....882	1706063.....903	2200233.....85, 87
878, 882, 886, 890,	1703983.....898	1706064.....902	2220237....631, 637, 643,
894, 898	1703984.....886	1706098.....902	649, 655, 661, 667, 673
1701505....235, 237, 257,	1704000.....886, 902	1706385.....515, 525	2220238....631, 637, 643,
261, 265, 303, 315, 902	1704001.....898, 902	1706957.....45	649, 655, 661, 667, 673
1701509....579, 581, 866,	1704260...531, 535, 539,	1706960.....45	2220252.....227, 229
870, 874, 878, 882,	543	2030010...563, 566, 571,	2220261.....39, 354, 360
886, 890, 894, 898	1704271.....902	573, 577	2220313....235, 237, 257,
1701518.....870, 878	1704277...866, 870, 874,	2060025.....246, 250	261, 265, 303, 315
1701542....340, 344, 902	878, 882, 886, 890,	2080040...210, 214, 218,	2220315....277, 282, 288,
1701543....340, 344, 902	894, 898	499, 503, 505, 511,	310, 322
1702565....531, 535, 539,	1704412...866, 870, 874,	517, 521	2220362.....678
543	878, 882, 886, 890,	2080072....210, 214, 218	2220371....631, 637, 643,
1702566....531, 535, 539,	894, 898	2110404...627, 631, 637,	649, 655, 661, 667,
543	1704578.....43	643, 649, 655, 661,	673, 678
1702567....531, 535, 539,	1704885.....902	667, 673	2220373....631, 637, 643,
543	1704972.....902	2110406...631, 637, 643,	649, 655, 661, 667,
1702720.....902	1705014.....515, 525	649, 655, 661, 667, 673	673, 678
1702773....515, 525, 902	1705090.....43	2110408.....627	2220374....631, 637, 643,
1702774.....902	1705305...577, 905, 907,	2110606...627, 631, 637,	649, 655, 661, 667, 673
1702861.....902	909	643, 649, 655, 661,	2220375....631, 637, 643,
1702868....577, 866, 902,	1705325.....707, 709	667, 673	649, 655, 661, 667, 673
905, 909	1705336.....866	2110608...643, 649, 655,	2220377.....678
1702941....237, 303, 344	1705344.....890	661	2220380....631, 637, 643,
1702942....237, 303, 344	1705347.....886	2110808...631, 637, 643,	649, 655, 661, 667, 673
1702943....237, 303, 344	1705348.....882	649, 655, 661, 667, 673	2220381.....678
1702944....237, 303, 344	1705351.....866	2110812...631, 637, 643,	2220415.....678
1703162....246, 250, 277,	1705355.....907, 909	649, 655, 661, 667, 673	2220418.....39
282, 288, 310, 322,	1705358.....581	2111616...631, 637, 643,	2220451....246, 250, 631,
352, 358	1705374...434, 437, 729,	649, 655, 661, 667, 673	637, 643, 649, 655,
1703482....866, 870, 874,	731	2120209.....51	661, 667, 673, 678
878, 882, 886, 890,	1705375....451, 455, 458	2120210.....51, 913	2220466....631, 637, 643,
894, 898	1705387...434, 437, 451,	2130406...631, 637, 643,	649, 655, 661, 667,
1703797.....866	455, 458	649, 655, 661, 667, 673	673, 678
1703804.....866	1705426.....890	2130604...631, 637, 643,	2220468....631, 637, 643,
1703805.....866	1705427.....894	649, 655, 661, 667, 673	649, 655, 661, 667,
1703811....866, 870, 874,	1705429.....886	2130606...631, 637, 643,	673, 678
878, 882, 886, 890,	1705460...442, 446, 450,	649, 655, 661, 667, 673	2220472.....678
894, 898	455, 458	2130808...631, 637, 643,	2220473....631, 637, 643,
1703814....866, 870, 874,	1705461.....442, 446	649, 655, 661, 667, 673	649, 655, 661, 667,
878, 882, 886, 890,	1705489...425, 429, 442,	2131612...655, 661, 667,	673, 678
894, 898	446	673	2220478.....678
1703923.....898	1705490.....905	2131616...631, 637, 643,	2220490.....678
1703924.....886	1705822.....870, 878	649, 655, 661, 667, 673	2220500.....678
1703925.....882	1705828.....870, 878	2150406...631, 637, 643,	2220501.....678
1703926.....890	1705836.....902	649, 655, 661, 667, 673	2220577.....678
1703927.....894	1705837.....902	2151616...631, 637, 643,	2220578....631, 637, 643,
1703935.....898	1705886.....902	649, 655, 661, 667, 673	649
1703936.....886	1705895.....874	2170408...631, 637, 643,	
1703937.....882	1705896.....874	649, 655, 661, 667, 673	

SECTION 11 - SPECIAL OPTIONS

2220582 ... 631, 637, 643, 649, 655, 661, 667, 673, 678	2720545 227, 229	2754337.... 631, 637, 643, 649, 655, 661, 667, 673	3251813 902
2220593 678	2750532 ... 235, 237, 257, 261, 265, 303, 315	2754338.... 631, 637, 644, 649, 655, 662, 667, 673	3252347 866
2220596 ... 631, 637, 643, 649, 655, 661, 667, 673, 678	2751399 ... 632, 638, 644, 650, 656, 662, 668, 674	2754512.... 632, 650, 656, 668	3252507 423
2220600 678	2751500 ... 632, 638, 644, 650, 656, 662, 668, 674	2754720.... 637, 644, 662, 674	3252764... 441, 445, 449, 453, 457
2220603 678	2752434 ... 632, 638, 644, 650, 656, 662, 668, 674, 679	2754743.... 637, 644, 662, 674	3271601 206, 477
2220605 678	2752461 679	2792700..... 45	3271605... 477, 591, 593, 595, 597, 599
2220671 ... 631, 637, 643, 649, 655, 661, 667, 673	2752468 679	2820019..... 805	3271801... 277, 282, 288, 310, 322
2220726 678	2752484 679	2820031... 413, 415, 419, 423, 425, 429, 434, 437, 442, 445, 450, 453, 457, 745	3271805 71, 515, 525
2220737 678	2752489 ... 632, 638, 644, 650, 656, 662, 668, 674	2820035..... 337	3272001 ... 591, 593, 595, 597, 599
2220750 227, 229	2752494 679	2820118..... 745, 747	3290405 ... 191, 193, 195, 340, 344, 601, 707, 709, 711, 713, 715, 717, 719, 721, 723, 725, 727
2220765 678	2752495 ... 632, 638, 644, 650	2820233..... 198	3290505 340, 344, 423
2220800 ... 631, 637, 643, 649	2752723 679	2820234..... 198	3290601 ... 211, 215, 219, 352, 358, 365, 419, 457
2220816 397, 399	2752754 ... 632, 638, 644, 650	2820235..... 198	3290605 ... 104, 108, 112, 116, 120, 124, 128, 132, 136, 140, 144, 148, 152, 156, 160, 164, 168, 172, 176, 180, 352, 358, 563, 566
2220852 678	2752766 679	2820247..... 845, 849	3290606 ... 501, 507, 509, 513, 519, 523
2220883 31, 483, 605, 607, 609, 613, 615, 621	2752767 678	2840016..... 409, 411	3290607 ... 193, 195, 352, 358
2220885 ... 605, 617, 623	2752768 679	2860012..... 413	3290801 ... 277, 288, 340, 344, 352, 358
2220886 31, 609, 613, 615, 621, 623	2752930 679	2860030... 103, 107, 111, 115, 119, 123, 127, 131, 135, 139, 143, 147, 151, 155, 159, 163, 167, 171, 175, 179, 913	3290805 352, 358, 735
2220888 31	2752938 ... 632, 638, 644, 650	2900708..... 51	3290806 475
2220899 678	2752978 679	2900756..... 27	3291001 352, 358, 475
2220940 ... 631, 637, 643, 649, 655, 661, 667, 673	2752997 ... 632, 638, 644, 650, 656, 662, 668, 674	2900792... 607, 609, 611, 613, 615	3291005 ... 277, 282, 288, 310, 322, 352, 358, 471, 475
2220947 678	2753008 679	2902212..... 579, 581	3291007 411
2220950 678	2753010 679	2902217 566, 571, 573	3291201 ... 352, 358, 420, 457, 475
2221024 39	2753118 679	2902396..... 916	3291205 475
2221034 678	2753123 679	2902443.... 785, 789, 793	3300007 27
2221036 678	2753189 679	2910887..... 916	3300151 ... 497, 501, 507, 509, 511, 513, 519, 521, 523, 566, 571, 573, 577
2221037 227, 229	2753190 678	2915094..... 67, 920	3300205 ... 103, 107, 111, 115, 119, 123, 127, 131, 135, 139, 143, 147, 151, 155, 159, 163, 167, 171, 175, 179
2221086 678	2753191 679	2915228..... 918	3300353 ... 103, 107, 111, 115, 119, 123, 127, 131, 135, 139, 143, 147, 151, 155, 159, 163, 167, 171, 175, 179, 531, 535, 539, 543
2221176 ... 235, 237, 340, 344	2753192 679	2920129..... 831	3300364 210, 214, 218
2221197 39, 340, 344	2753195 679	2940045.... 210, 214, 218	3300396 ... 433, 438, 442, 446, 450, 454, 458
2300016 27	2753196 679	2940074.... 499, 503, 505, 511, 517, 521, 913	3300408 ... 103, 107, 111, 115, 119, 123, 127, 131, 135, 139, 143, 147, 151, 155, 159, 163, 167, 171, 175, 179, 531, 535, 539, 543
2400060 ... 337, 601, 813, 815, 823, 825, 831, 833	2753197 679	2940088.... 198, 202, 206	3300408 ... 103, 107, 111, 115, 119, 123, 127, 131, 135, 139, 143, 147, 151, 155, 159, 163, 167, 171, 175, 179, 531, 535, 539, 543
2400064 813, 815, 913	2753199 679	2940173.... 211, 215, 218	3300408 ... 103, 107, 111, 115, 119, 123, 127, 131, 135, 139, 143, 147, 151, 155, 159, 163, 167, 171, 175, 179, 531, 535, 539, 543
2410014 515, 525	2753200 679	2940188.... 198, 202, 205	3300408 ... 103, 107, 111, 115, 119, 123, 127, 131, 135, 139, 143, 147, 151, 155, 159, 163, 167, 171, 175, 179, 531, 535, 539, 543
2420203 413, 415, 419	2753231 679	3020021..... 373	3300408 ... 103, 107, 111, 115, 119, 123, 127, 131, 135, 139, 143, 147, 151, 155, 159, 163, 167, 171, 175, 179, 531, 535, 539, 543
2460048 441, 449	2753274 679	3020029..... 67	3300408 ... 103, 107, 111, 115, 119, 123, 127, 131, 135, 139, 143, 147, 151, 155, 159, 163, 167, 171, 175, 179, 531, 535, 539, 543
2460051 419	2753542 ... 631, 637, 644, 650, 656, 662, 667, 673	3020037..... 293	3300408 ... 103, 107, 111, 115, 119, 123, 127, 131, 135, 139, 143, 147, 151, 155, 159, 163, 167, 171, 175, 179, 531, 535, 539, 543
2460055 413	2753622 ... 631, 637, 643, 649, 655, 661, 667, 673	3020039..... 19, 21	3300408 ... 103, 107, 111, 115, 119, 123, 127, 131, 135, 139, 143, 147, 151, 155, 159, 163, 167, 171, 175, 179, 531, 535, 539, 543
2560136 ... 531, 535, 539, 543	2753626 ... 631, 638, 644, 649, 655, 662, 667, 673	3124242..... 579	3300408 ... 103, 107, 111, 115, 119, 123, 127, 131, 135, 139, 143, 147, 151, 155, 159, 163, 167, 171, 175, 179, 531, 535, 539, 543
2560187 ... 211, 215, 219	2753628 ... 631, 650, 656, 667	3160348..... 27, 31	3300408 ... 103, 107, 111, 115, 119, 123, 127, 131, 135, 139, 143, 147, 151, 155, 159, 163, 167, 171, 175, 179, 531, 535, 539, 543
2580024 237, 303, 344	2753634 ... 631, 638, 644, 649, 655, 662, 667, 673	3200401.... 247, 251, 277, 282, 288, 310, 322, 401, 403	3300408 ... 103, 107, 111, 115, 119, 123, 127, 131, 135, 139, 143, 147, 151, 155, 159, 163, 167, 171, 175, 179, 531, 535, 539, 543
2580062 251	2753656 ... 643, 650, 656, 661	3200406..... 246, 250	3300408 ... 103, 107, 111, 115, 119, 123, 127, 131, 135, 139, 143, 147, 151, 155, 159, 163, 167, 171, 175, 179, 531, 535, 539, 543
2600209 198, 202, 206	2753686 ... 631, 637, 643, 649, 655, 661, 667, 673	3250872..... 43	3300408 ... 103, 107, 111, 115, 119, 123, 127, 131, 135, 139, 143, 147, 151, 155, 159, 163, 167, 171, 175, 179, 531, 535, 539, 543
2600233 198, 202, 206	2753732 ... 643, 650, 656, 661	3251102.... 413, 415, 419, 423, 425, 429, 433, 437	3300408 ... 103, 107, 111, 115, 119, 123, 127, 131, 135, 139, 143, 147, 151, 155, 159, 163, 167, 171, 175, 179, 531, 535, 539, 543
2600244 197, 201, 205	2753879 ... 643, 650, 656, 661	3251242.... 711, 713, 715, 717, 719, 721, 723, 725, 727, 902	3300408 ... 103, 107, 111, 115, 119, 123, 127, 131, 135, 139, 143, 147, 151, 155, 159, 163, 167, 171, 175, 179, 531, 535, 539, 543
2600281 ... 499, 503, 505, 511, 517, 521	2753970 ... 632, 650, 656, 668	3251243.... 413, 419, 434, 437, 451, 455, 458, 866, 886, 890	3300408 ... 103, 107, 111, 115, 119, 123, 127, 131, 135, 139, 143, 147, 151, 155, 159, 163, 167, 171, 175, 179, 531, 535, 539, 543
2720015 ... 277, 288, 310, 322	2753971 ... 631, 637, 643, 649, 655, 661, 667, 673		3300408 ... 103, 107, 111, 115, 119, 123, 127, 131, 135, 139, 143, 147, 151, 155, 159, 163, 167, 171, 175, 179, 531, 535, 539, 543
2720058 ... 235, 237, 354, 358, 397			3300408 ... 103, 107, 111, 115, 119, 123, 127, 131, 135, 139, 143, 147, 151, 155, 159, 163, 167, 171, 175, 179, 531, 535, 539, 543
2720144 39			3300408 ... 103, 107, 111, 115, 119, 123, 127, 131, 135, 139, 143, 147, 151, 155, 159, 163, 167, 171, 175, 179, 531, 535, 539, 543
2720160 563, 566			3300408 ... 103, 107, 111, 115, 119, 123, 127, 131, 135, 139, 143, 147, 151, 155, 159, 163, 167, 171, 175, 179, 531, 535, 539, 543
2720340 ... 277, 282, 288, 310, 322			3300408 ... 103, 107, 111, 115, 119, 123, 127, 131, 135, 139, 143, 147, 151, 155, 159, 163, 167, 171, 175, 179, 531, 535, 539, 543
2720398 246, 250			3300408 ... 103, 107, 111, 115, 119, 123, 127, 131, 135, 139, 143, 147, 151, 155, 159, 163, 167, 171, 175, 179, 531, 535, 539, 543

SECTION 11 - SPECIAL OPTIONS

163, 167, 171, 175, 179, 183, 547	525, 527, 529, 566, 571, 573, 577	3520028 413, 415, 419	3740080.....246, 250, 413, 415, 419, 423, 457, 912, 913
3300430.....555	3311705 ... 413, 415, 419, 423	3520030 211, 215, 218	3740086.....851, 914
3300454.....227, 229	3311801 27, 235, 237, 271, 273, 293, 307, 319, 415, 425, 429, 434, 437, 441, 445, 450, 453, 485, 489	3520031 ... 103, 107, 111, 115, 119, 123, 127, 131, 135, 139, 143, 147, 151, 155, 159, 163, 167, 171, 175, 179	3760133.....467
3310401....277, 288, 310, 322	3311805 ... 246, 250, 347, 349, 401, 403, 409, 411	3520035 485, 489, 493	3760170.....47, 69
3310601.....409, 411	3312001 47	3520054 ... 246, 250, 277, 290, 531, 535, 539, 543	3790012....340, 344, 527, 529, 531, 535, 539, 543, 551
3310605.....485, 489	331200257, 59, 591, 593, 595, 597, 599	3520071 579, 581	3790044....241, 243, 271, 273, 293, 307, 319, 347, 349
3310801.....485, 489	3312005 579, 581	3520072 ... 497, 499, 501, 503, 505, 507, 509, 511, 513, 515, 517, 519, 521, 523, 525	3820001.....43, 866, 870, 874, 878, 882, 886, 890, 894, 898
3310805.....39	3312205 579, 581	3520189 442, 446	3820020....499, 503, 505, 511, 517, 521
3311001.... 197, 198, 201, 202, 205, 206, 331, 333, 335, 442, 446, 450, 454, 458	3312602 191, 193, 195	3520192 442, 446	3841143....235, 237, 257, 261, 265, 303, 315, 340, 344, 467, 471, 475
3311005....413, 415, 419, 423, 434, 437, 441, 446, 450, 454, 457, 563, 566, 571, 573, 577	3321501 198, 202, 205	3520193 485, 489	3841203.....465
3311401 43, 45, 583, 585, 587, 589	3322201 71	3520198 ... 497, 499, 501, 503, 505, 507, 509, 511, 513, 517, 519, 521, 523	3841287.....19, 21, 465
3311405.... 103, 107, 111, 115, 119, 123, 127, 131, 135, 139, 143, 147, 151, 155, 159, 163, 167, 171, 175, 179, 187, 189, 197, 201, 205, 210, 214, 218, 221, 223, 227, 229, 231, 235, 237, 241, 243, 246, 250, 257, 261, 265, 271, 273, 277, 282, 288, 293, 303, 307, 310, 315, 319, 322, 340, 344, 347, 349, 405, 407, 425, 429, 481, 485, 489, 527, 529, 557, 561, 707, 709, 711, 713, 715, 717, 719, 721, 723, 725, 727, 735, 751, 753	3340764 477	3520198 ... 497, 499, 501, 503, 505, 507, 509, 511, 513, 517, 519, 521, 523	3841340.....51, 479
3311501.... 198, 202, 205, 210, 214, 218, 485, 489, 583, 585, 587, 589	3340828 469	3537445 409	3841356.....465
3311505....27, 85, 87, 89, 197, 201, 205, 211, 215, 219, 246, 250, 277, 282, 288, 310, 322, 445, 453, 457, 481	3340835 465, 469	3537446 409, 411	3841406.....477
3311508....433, 437, 441, 449	3340840 477	3538047 19, 21	3841520.....23, 25
3311601....73, 75, 77, 79, 81, 83, 197, 201, 205, 210, 214, 218, 479, 531, 535, 540, 544, 557	3340859 479	3570928 485, 489	3900054.....515, 525
3311602.....479	3340871 467	3571712 197	3900210....210, 211, 214, 215, 218, 219
3311605....39, 73, 75, 77, 79, 81, 83, 85, 87, 89, 197, 198, 201, 202, 205, 210, 214, 218, 221, 223, 225, 229, 231, 235, 237, 246, 250, 277, 282, 288, 310, 322, 331, 333, 335, 340, 344, 399, 401, 403, 409, 413, 423, 477, 479, 515,	3340881 469	3572423 85, 87, 89	3900232.... 197, 198, 201, 205, 206, 477
	3340941 477	3572606 485, 489	3900239.....465
	3340943 477	3572607 485, 489	3900259.....467
	3340956 579, 581	3573400 ... 566, 571, 573, 577	3900262.....479
	3340966 25	3573642 566, 571, 573	3900268.... 103, 107, 111, 115, 119, 123, 127, 131, 135, 139, 143, 147, 151, 155, 159, 163, 167, 171, 175, 179
	3380434 527, 529	3574091 587, 589	3900283.....477
	3380444 197, 201, 205	3575359 583, 585	3900293.....57, 59
	3380535 493	3575874 227, 229	3900316....202, 210, 214, 218
	3420292 43, 45	3576755 85, 87, 89	3900349.... 531, 535, 539, 543
	3420372 47	3576799 563, 566	3900363....211, 215, 219
	3420447 47	3577121 ... 566, 571, 573, 577	3910408....277, 288, 310, 322
	3421453 563, 566	3580134 423	3910606.... 434, 437, 449, 453, 457, 729, 731
	3421565 69	3580158 413, 423	3910608.....409, 411
	3422417 23, 25	3580276 413, 415	3910610.....697, 699
	3422446 ... 235, 237, 257, 261, 265, 303, 315, 340, 344	3580314 457	3910804.... 103, 107, 111, 115, 119, 123, 127, 131, 135, 139, 143, 147, 151, 155, 159, 163, 167, 171, 175, 179
	3422457 467	3580317 ... 425, 429, 434, 437, 442, 445, 450, 453, 457	3930606.....485, 489
	3422532 ... 241, 243, 271, 273, 293, 307, 319, 347, 349	3580318 ... 434, 437, 450, 453	3930816.....489, 493
	3422681 465	3580319 ... 425, 429, 442, 445	3930820.....486, 490
	3422683 465	3580320 ... 310, 322, 425, 434, 442, 450	3930824.....485, 489
	3422684 465	3580324 419	3931016.... 433, 437, 441, 445, 449, 453, 457
	3422685 465	3600386 227, 229, 231	3931408.....555
	3422686 465	3641569 583, 585	3931424.....229
	3422687 465	3720021 227, 229	3931432.... 277, 282, 288, 310, 322, 485, 489
	3422687 465	3740049 ... 103, 107, 111, 115, 119, 123, 127, 131, 135, 139, 143, 147, 151, 155, 159, 163, 167, 171, 175, 179, 914	
	3422690 467	3740067 ... 246, 250, 257, 261, 265, 303, 315, 340, 344, 912, 913	
	3422729 465		
	3422790 23, 25		
	3422848 25		
	3422861 471		
	3422867 471		
	3430616 ... 531, 535, 540, 544		
	3430816 409, 411		
	3450404 409, 411		
	3460334 579, 581		
	3470003 ... 531, 535, 540, 544		
	3520026 539, 543		
	3520027 539, 543		

SECTION 11 - SPECIAL OPTIONS

3931436	485, 489	131, 135, 139, 143,	4360476.....	103, 107, 111,	4460297	823, 825
3931512 ...	277, 282, 288,	147, 151, 155, 159,	115, 119, 123, 127,	4460312	785, 797	
310, 322		163, 167, 171, 175, 179	131, 135, 139, 143,	4460313 ...	785, 787, 797,	
3931628	310, 322	4071007	147, 151, 155, 159,	823, 825		
3931644	352, 358	4071059	163, 167, 171, 175,	4460315	697, 699	
3952020	57, 59	4071122	179, 912	4460320	823, 825	
3960389 ...	197, 201, 205,	4100062	4360498.....	4460321	419	
210, 214, 218, 235, 237		4120035	485, 489, 914	4460346 ...	434, 437, 449,	
3960407	246, 250	4160139 ...	4360499.....	453, 457, 697		
3960422 ...	434, 437, 449,	4160143 ...	4360517.....	4460374	785, 807	
453, 457, 697, 699,		4160194 ...	4360542.....	4460375	785	
729, 731		4240017	912	4460418 ...	823, 825, 831,	
3960438 ...	198, 202, 206	4240018 ...	4360578.....	833		
3960453	197	415, 423, 425,	485, 489, 493,	4460419 ...	823, 825, 831,	
3960462 ...	198, 202, 206	429, 433, 437, 441,	914	833		
3960464 ...	198, 202, 206	445, 449, 453, 729, 731	4400275.....	39		
3960468 ...	246, 250, 271,	4240032 ...	4400420.....	39		
273, 293, 307, 319		193, 195, 279,	4420014.....	579, 581		
3960469 ...	246, 250, 271,	284, 290, 310, 322,	4420037.....	566, 571, 573,		
273, 293, 307, 319,		678, 763, 765, 767,	577	4420038.....	73, 75, 77, 79,	
347, 349		769, 771, 773, 775	4420051.....	81, 83, 85, 87, 89		
3960470 ...	197, 201, 205	4240033 ...	4420051.....	43, 45, 866, 870,		
3960526	27	193, 195, 261,	874, 878, 882, 886,	890, 894, 898		
3980007 ...	237, 303, 344	265, 303, 315, 485,	4420060.....	423, 493		
3990010 ...	823, 825, 912	489, 553, 555, 557,	4420066.....	579, 581		
4010303	486, 490	737, 739, 741, 743	4460016.....	831, 833		
4010608	563, 566	4240099 ...	4460019.....	783, 785, 787,		
4010618 ...	501, 507, 509,	257, 277, 282,	794	4460027.....	413, 415, 419	
513, 519, 523		288, 310, 322, 337,	4460042.....	789, 793		
4031505	553	341, 344, 352, 358,	4460043.....	337, 785, 789,		
4031509 ...	191, 193, 195	419, 532, 536, 540,	794, 807, 809, 813	4460049.....	583, 585, 587,	
4031516	557	544, 566, 571, 573,	589	4460051.....	697, 699	
4031608	423	583, 585, 587, 589	4460071.....	434, 437, 450,		
4031711	352, 358	4240113 ...	453, 457, 549	4460125.....	699	
4031912	277	73, 75, 77, 79,	4460134.....	819		
4031914 ...	282, 288, 310,	81, 83	4460142.....	785, 823, 825		
322		4240149	4460183.....	831, 833		
4032014	310, 322	579, 581	4460190.....	413, 415, 419		
4032015 ...	425, 433, 441,	4280296	4460205.....	697, 819		
450		41	4460224.....	429, 531, 535,		
4060092	699	4300157 ...	539, 543	4460225.....	803, 805, 831,	
4060802 ...	413, 415, 419,	450	4460226.....	833		
423, 425, 429, 433,		4340706	531, 535, 539,	4460227.....	531, 535, 539,	
437, 441, 445, 449,		469	543, 823, 825, 831, 833	4460233.....	699, 821	
453, 457		4340747	4460234.....	191, 531, 535,		
4060805 ...	246, 250, 277,	227	539, 543, 583, 585,	4460260.....	601, 785, 797,	
282, 288, 310, 322,		4360057 ...	587, 589, 763, 765,	823, 825, 831, 833		
354, 360, 485, 489		583, 585, 587,	767, 769	4460267.....	831, 833	
4070410 ...	197, 201, 205	589, 914	4460275.....	789, 794		
4070411 ...	197, 201, 205	4360070 ...	4460282.....	815		
4070412 ...	197, 201, 205	433, 438, 442,	4460259 ...	601, 785, 797,		
4070450	47	446, 450, 454, 458, 912	823, 825, 831, 833	823, 825, 831, 833		
4070560	47	4360274 ...	4460260.....	601, 785, 797,		
4070561	47	159, 163, 167,	823, 825, 831, 833	823, 825, 831, 833		
4070585	413	171, 531, 535, 539,	4460267.....	831, 833		
4070863	467	543, 914	4460268.....	787, 803, 805		
4070864	467	4360407 ...	4460294.....	429		
4070878	19, 21	531, 535, 539,				
4070879	19, 21	543, 912				
4070897	467, 469	4360436				
4070898	467, 469	914				
4070929	469	4360469 ...				
4070967	469	103, 107, 111,				
4070968	469	115, 119, 123, 127,				
4070969	477	131, 135, 139, 143,				
4070991 ...	103, 107, 111,	147, 151, 155, 159,				
115, 119, 123, 127,		163, 167, 171, 175,				
		179, 914				

SECTION 11 - SPECIAL OPTIONS

163, 167, 171, 175, 179, 531, 535, 539, 543	4460874 ... 823, 825, 831, 833	4461071 789, 793	4711600.. 19, 21, 51, 198, 202, 206, 229, 246, 250, 257, 261, 265, 303, 315, 331, 333, 335, 340, 344, 397, 399, 415, 425, 429, 434, 437, 442, 445, 450, 453, 467, 469, 477, 479, 485, 489, 532, 536, 540, 544, 591, 593, 595, 597, 599, 737, 739, 741, 743
4460473.....745, 747	4460875 ... 823, 825, 831, 833	4461073 785, 789, 793	4711700....278, 282, 288, 311, 323, 397, 415, 419
4460488.... 103, 107, 111, 115, 119, 123, 127, 131, 135, 139, 143, 147, 151, 155, 159, 163, 167, 171, 175, 179, 193, 195	4460876 823, 825	4461077 847, 851	4711800....282, 409, 411, 425, 433, 441, 449, 515, 525
4460496.... 103, 107, 111, 115, 119, 123, 127, 131, 135, 139, 143, 147, 151, 155, 159, 163, 167, 171, 175, 179	4460877 823, 825	4461095 733, 785, 789	4712000....579, 581, 591, 593, 595, 597, 599
4460497.... 103, 107, 111, 115, 119, 123, 127, 131, 135, 139, 143, 147, 151, 155, 159, 163, 167, 171, 175, 179	4460878 823, 825	4461157 785, 797	4712200.....579, 581
4460508....553, 745, 823, 825, 831, 833	4460879 601, 831, 833	4461196 835	4740036.....47
4460509.....745, 747	4460880 787, 797	4461198 709, 835	4740057.....57, 59
4460510.....919	4460884 ... 601, 793, 823, 825, 853, 857, 859	4461199 837	4740076.... 197, 201, 205 4740119.....409
4460518....733, 737, 739, 741, 743, 857	4460887 ... 601, 785, 787, 797, 823, 825, 831, 833	4461201 713, 837	4740155.....25
4460526.... 103, 107, 111, 115, 119, 123, 127, 131, 135, 139, 143, 147, 151, 155, 159, 163, 167, 171, 175, 179	4460888 831, 833	4461205 839, 841	4740256.....23, 25
4460536.... 823, 825, 829, 831, 833, 861	4460891 ... 191, 193, 195, 733, 749, 761, 787, 790, 799, 859, 861	4461244 717, 839	4740274.... 246, 250, 401, 403
4460539....737, 739, 741, 743, 785, 787, 793, 797, 829, 831, 833, 859, 861	4460892 829	4461245 721, 841	4740362.....527, 529
4460612.....729, 731	4460894 ... 737, 739, 741, 743, 761, 781, 789, 793, 823, 825, 829, 831, 833	4461246 725, 843	4740397.... 103, 107, 111, 115, 119, 123, 127, 131, 135, 139, 143, 147, 151, 155, 159, 163, 167, 171, 175, 179, 413, 423
4460633.....227, 229	4460897 ... 790, 799, 855, 859	4461249 843	4740444.... 159, 163, 167, 171
4460634.....831	4460899 ... 787, 829, 847, 851, 853	4462641 433	4740463.....23, 25
4460635.....831	4460905 ... 823, 825, 831, 833	4520253 33	4740472.....19, 21
4460670.....785, 807	4460910 845, 857	4520256 37	4740473.....23, 25
4460701.....821	4460911 823, 825, 847	4530028 ... 566, 571, 573, 575	4740500.... 198, 202, 206
4460703.....789, 794	4460928 733	4567757 678	4740518.... 103, 107, 111, 115, 119, 123, 127, 131, 135, 139, 143, 147, 151, 155, 159, 163, 167, 171, 175, 179
4460708.....831, 833	4460930 761, 789, 793	4568119 85, 87, 89	4750400....278, 288, 311, 323
4460722.....337	4460931 787, 855	4640261 43, 45	4750800.....39
4460738.....787, 797	4460932 ... 601, 777, 789, 794, 799	4640509 ... 609, 611, 613, 615	4751000....73, 75, 77, 79, 81, 83, 85, 87, 89, 198, 201, 202, 205, 206, 413, 419, 423, 434, 437, 442, 445, 450, 453, 457, 563, 566, 571, 573, 577
4460742.... 807, 809, 813, 815	4460933 ... 733, 761, 823, 825, 831, 833	4640605 607, 609, 615	4751400.. 41, 43, 45, 103, 107, 111, 115, 119, 123, 127, 131, 135, 139, 143, 147, 151, 155, 159, 163, 167, 171, 175, 179, 198, 201, 205, 210, 211, 214, 215, 218, 219, 221, 223, 241, 243, 271, 273, 278, 282, 289, 293, 307, 311,
4460743.....809, 813	4460941 799, 847	4640751 ... 277, 282, 288, 310, 322	
4460746.....793	4460942 ... 553, 789, 793, 799	4640780 678	
4460748.....793	4460943 ... 761, 823, 825, 831, 833, 847	4640858 605	
4460761....531, 535, 539, 543, 823, 825	4460944 ... 737, 739, 741, 743, 785, 787, 789, 793, 797, 831, 833	4640866 51	
4460806....715, 717, 719, 721, 823, 825, 831, 833	4460945 794	4640932 607	
4460807.....803, 805	4460956 755, 759	4641022 85, 87, 89	
4460808.....803, 805	4460957 755, 759	4641032 623	
4460865.....745, 747	4460958 731	4641033 621	
4460866....745, 823, 825, 831, 833	4460962 ... 566, 573, 701	4641122 33, 35, 37	
4460868.....823, 825	4460963 ... 450, 454, 458, 701	4641303 27	
4460871....785, 787, 797, 823, 825, 831, 833, 859, 861	4460967 ... 809, 811, 813, 815, 817	4641317 51	
4460872.....823, 825	4460968 ... 423, 485, 489, 493	4641435 485, 489	
4460873.... 823, 825, 831, 833	4460971 563, 566	4711000 ... 331, 333, 335, 415, 442, 446, 450, 454, 458	
	4460979 785, 797	4711400 51, 103, 107, 111, 115, 119, 123, 127, 131, 135, 139, 143, 147, 151, 155, 159, 163, 167, 171, 175, 179, 185, 187, 189, 227, 229, 235, 237, 246, 250, 257, 261, 265, 277, 282, 288, 303, 310, 315, 322, 340, 344, 405, 407, 425, 429, 433, 437, 441, 445, 449, 453, 457, 481, 497, 501, 507, 509, 511, 513, 519, 521, 523, 555, 557, 707, 709, 711, 713, 715, 717, 719, 721, 723, 725, 727, 751, 753	
	4461005 785	4711500 ... 27, 85, 87, 89, 211, 215, 219, 278, 282, 288, 310, 322, 445, 453, 457, 481, 485, 489	
	4461006 785		
	4461008 785, 790, 793		
	4461042 761		
	4461052 785		
	4461053 785		
	4461054 785, 793, 799		
	4461060 785		
	4461070 733, 785		

SECTION 11 - SPECIAL OPTIONS

319, 323, 340, 344, 347, 349, 485, 489, 493, 527, 529, 531, 535, 539, 543, 559, 561, 566, 571, 573, 577, 583, 585, 587, 589, 735	315, 323, 340, 344, 352, 358, 365, 411, 419, 475	70000044.....253	70002066..... 62
4751500 ... 43, 45, 97, 99, 198, 201, 205, 210, 214, 218, 278, 282, 289, 311, 323, 413, 415, 423, 433, 437, 442, 449, 583, 585, 587, 589	4812002 352, 358, 367	70000123.....423	70002085..... 62
4751600 ... 39, 41, 73, 75, 77, 79, 81, 83, 85, 87, 89, 193, 195, 198, 201, 202, 205, 206, 210, 214, 218, 221, 223, 225, 231, 235, 237, 246, 250, 257, 261, 265, 278, 282, 289, 303, 311, 315, 323, 340, 344, 401, 403, 413, 423, 566, 571, 573, 577	4812100 ... 257, 261, 265, 278, 283, 289, 303, 311, 315, 323, 365, 461, 475	70000342.....473	70002088.. 441, 449, 458
4751800 ... 71, 85, 87, 89, 227, 229, 235, 237, 271, 273, 293, 307, 319, 347, 349, 515, 525, 583, 585, 587, 589	4812200 ... 246, 250, 278, 283, 289, 311, 323, 401, 403, 419	70000345..254, 295, 301, 327	70002112. 79, 81, 83, 91, 93
4752000 ... 235, 237, 257, 261, 265, 303, 315, 340, 344	4843777 47	70000619..442, 445, 450, 453, 457	7000213 62
4760600 697, 699	4844817 471	70000797.....31	7000217 62
4761000 198, 202, 205	4844958 69	70000800.....254	70002200..... 253
4761400 559	4845680 479	70000863..441, 445, 449, 454, 458	70002234..... 253
4761600 231, 527, 529	4846562 579	70000912.....253	7000224 29
4762000 47	4846627 566, 571, 573	70000913.....253	7000228 62
4770600 409, 411	4846673 587, 589	70000914.....253	7000229 62
4791400 ... 246, 250, 425, 429, 433, 437, 441, 445, 450, 453	4860225 33, 35	70000915.....253	70002290 441, 449
4811400 ... 191, 193, 195, 601, 707, 709, 711, 713, 715, 717, 719, 721, 723, 725, 727	4871700 458	70000916.....253	70002291 446, 454
4811600 423	4891500 ... 103, 107, 111, 115, 119, 123, 127, 131, 135, 139, 143, 147, 151, 155, 159, 163, 167, 171, 175, 179, 283, 419	70000917.....253	70002297. 441, 445, 449, 454, 458
4811700 ... 104, 108, 112, 116, 120, 124, 128, 132, 136, 140, 144, 148, 152, 156, 160, 164, 168, 172, 176, 180, 193, 195, 352, 358, 365, 419, 457, 501, 507, 509, 513, 519, 523, 563, 566	4891600 71, 211, 215, 219, 409, 475	70000918.....253	70002300 62
4811702 ... 278, 282, 289, 311, 323, 363	4891800 27, 241, 243, 271, 273, 278, 283, 289, 293, 307, 311, 319, 323, 347, 349, 409, 411, 415, 429, 437, 445, 453	70000919.....253	70002386 483, 912
4811900 ... 278, 282, 289, 311, 323, 340, 344, 352, 358, 363, 365, 475, 735	4892000 27, 67	70001002.....253	7000239 29
4811902 ... 278, 283, 289, 311, 323, 352, 358, 365	4892200 19, 21	70001100..441, 445, 449, 454, 458	7000240 29
4812000 ... 261, 265, 278, 283, 289, 303, 311,	4892600001..... 475	70001181.....254	70002410 607, 617
	4921829 420, 819	70001248.....71	70002415 254
	4921955 821	70001384..441, 445, 449, 454, 458	70002416 254
	4922218 737, 739	70001385..... 441, 449	70002417 254
	4922220 737, 739	70001424.....569	7000246 62
	4922576 ... 737, 739, 741, 743, 747	70001425.....569	70002460. 441, 446, 449, 454, 457
	4922578 ... 737, 739, 741, 743	70001427.....569	7000247 62
	4922641 ... 413, 416, 420, 423, 438, 442, 445, 451, 453, 459	70001428.....569	7000248 62
	4922666 ... 531, 535, 539, 543	70001429.....569	7000253 62
	4922925 ... 442, 445, 450, 453, 457, 805	70001430.....569	7000255 62
	4923379 246, 250	70001431.....569, 912	7000257 62
	4923445 420, 807	70001432.....569, 914	70002715 85, 87, 89
	5240800 283, 311, 323	70001435.....253	70002716 85, 87, 89
	5241000 352, 358	70001435.....253	70002718. 254, 296, 299, 328
	5241200 ... 352, 358, 457, 475	70001663.....231	70002744 619
	5250605 363, 365	70001696...441, 449, 457	70002745 619
	5250810 311, 323	70001697.....473	70002748 619
	5251008 475	7000180.....300	70002749 619
	5251010 283	70001835.....253	70002751 619
	5251016 475	70001836.....253	70002814 91
	5251210 257	70001837.....253	7000283 29
	5260600 363, 365	70001841.....253	70002838 91, 93
	5272010 354, 358	70001844.....254	70002839 91, 93
	70000017 919	70001850.....253	7000284 29
		70001866.....253	70002842 605
		70001868.....253	7000289 29
		70001870..253, 296, 299, 328	70002902 549
		70001871.....253	70002903 549
		70001872.....254	70002904 549
		70001953...441, 449, 458	70002905 549
		70001954.....377	70002948 227, 229
		70001955.....377	70003019 53
		70001956.....377	70003136 253
		70001957.....377	70003454 71
		70001966..425, 429, 433, 437, 441, 446, 449, 454, 457, 458	70003464 253
		70001973..441, 446, 449, 454, 458	70003465 253
		70001974..441, 446, 449, 454, 458	70003466 253
		70002013.....477	70003472 253
		70002014.....477	70003475 253
		70002064.....483	70003478 253
			70003631 .. 446, 454, 457
			70003708. 425, 429, 433, 437, 441, 446, 449, 454, 458

SECTION 11 - SPECIAL OPTIONS

70003709..425, 429, 433, 437, 441, 446, 449, 454, 458	70004351 375	70005203 62	70006173.....369
70003784..531, 535, 539, 543	70004352 375	70005458 375	70006174.....369
70003935.....27	70004381 619	70005459 375	70006175.....369, 913
70003936.....27	70004382 619	70005460 375	70006176.....369, 913
70003989.....101	70004457 53	70005461 375	70006177.....369
70003992.....101	70004459 53	70005462 375	70006178.....369
70003993.....101	70004460 53, 912	70005463 375	70006179.....369
70004020...246, 250, 912	70004461 53, 54	70005464 375	70006180.....369
70004037.....62	70004463 53, 912	70005465 375	70006181.....369
70004040.....62	70004501 300	70005504 295	70006182.....369
70004041.....62	70004504 295, 327	70005527 301	70006183.....369
70004042.....62	70004505 .. 296, 299, 328	70005594 623	70006184.....369
70004043.....62	70004506 .. 296, 299, 328	70005647 301	70006185.....369
70004044.....62	70004507 .. 296, 299, 328	70005648 301, 913	70006186.....369
70004045.....62	70004508 .. 296, 299, 328	70005663 920	70006187.....369
70004047.....62	70004509 .. 296, 299, 328	70005708 91, 912	70006188.....369
70004050.....53	70004510 .. 296, 299, 328	70005839 623	70006189.....369
70004051.....53	70004511 300	70005916 254	70006191.....369
70004052.....53	70004513 300	70005917 254	70006194.....369
70004055.....53	70004584 53	70005920 299	70006195.....369
70004056.....253	70004594 53	70005922 299	70006196.....370
70004058.....253, 912	70004595 53, 912	70005923 300	70006197.....370
70004060.....253	70004596 53	70005924 300	70006198.....370
70004092..425, 429, 433, 437, 446, 454	70004597 53	70005926 300	70006199.....370
70004094.....446, 454	70004598 53	70005928 300	70006200.....370
70004098..433, 438, 446, 454	70004653 53, 912	70005929 300	70006202.....370
70004099..429, 437, 446, 454	70004657 53	70005931 .. 295, 300, 327	70006203.....370
70004125.....101	70004665 53	70005932 301	70006205.....370
70004149.....85, 87, 89	70004667 53	70005933 301	70006206.....370
70004151.....483	70004676 . 425, 429, 433, 437	70005934 301	70006207.....370
70004169...441, 449, 458	70004677 425	70005938 .. 296, 299, 328	70006208.....370
70004171...425, 433, 458	70004678 . 425, 429, 433, 437	70005941 296, 328	70006213.....370, 913
70004183.....373	70004680 . 425, 429, 433, 437	70005942 .. 296, 299, 328	70006215.....370
70004184.....73, 75, 77	70004681 425, 429	70006093 445, 454	70006217.....370
70004186.....611	70004682 . 425, 429, 433, 438	70006094 446, 454	70006219.....370
70004199.....91, 93	70004683 425, 429	70006095 . 446, 449, 454, 912	70006221.....370
70004237.....607, 617	70004684 433	70006096 446, 454	70006225.....370
70004272.....253	70004685 433, 438	70006097 446, 454	70006232.....370
70004276...295, 301, 327	70004686 429	70006134 363	70006233.....369
70004277...296, 301, 328	70004687 437	70006135 363	70006235.....370
70004280...254, 296, 299	70004795 91, 93	70006136 363	70006236.....370
70004282.....301	70005008 .. 354, 359, 913	70006144 299	70006264.....299
70004287.....253	70005171 296, 328	70006145 369	70006265.....299
70004289.....254	70005172 .. 296, 299, 328	70006147 369	70006266.....299
70004329.....375	70005173 .. 296, 299, 328	70006150 369	70006304.....62
70004331.....375	70005176 296, 328	70006151 369	70006344.....623
70004332.....375	70005177 .. 296, 300, 328	70006152 369	70006403.....399
70004333.....375	70005181 300	70006153 369	70006404.....399
70004336.....375	70005184 .. 295, 300, 327	70006154 369	70006405.....399
70004337.....375	70005188 300	70006155 369, 913	70006406.....399
70004338.....375	70005189 300	70006157 369	70006407.....399
70004340.....375	70005191 301	70006158 369	70006408.....399
70004342.....375	70005194 53	70006159 369	70006409.....399
70004343.....375	70005195 53	70006160 369	70006410.....399
70004344.....375	70005196 53	70006161 369	70006460...354, 359, 913
70004345.....375	70005197 53	70006162 369	70006461.....354, 359
70004346.....375	70005198 53	70006163 369	70006552..425, 429, 433, 438
70004347.....375	70005199 54	70006164 369	70006553..425, 429, 433, 438, 913
70004348.....375	70005200 54	70006165 369	70006649.....611
70004349.....375	70005201 54	70006166 369	70006650.....611
70004350.....375	70005202 54	70006167 369	70006652.....301
		70006168 369	70006653.....301
		70006169 369	70006673.....29
		70006170 369	70006674.....29
		70006171 369, 913	70006675.....29
		70006172 369, 913	

SECTION 11 - SPECIAL OPTIONS

70006676	29	70007727	93	70024494	299	70025239	300
70006677	29	70007785	381	70024502	300	70025240	300
70006678	29	70007786	381	70024504	295, 327	70025242	296, 327
70006680	29	70007787	381	70024505	295	70025477	301
70006684	29	70007788	381	70024507	295, 301, 327	70025660	299
70006685	29	70007789	381	70024509	301	70025733	301
70006690	29	70007790	381	70024513	295, 299, 327	70025752	254
70006691	29	70007791	381	70024517	299	70025753	254
70006692	29	70007792	381	70024904	296, 299, 328	70026210	295, 301, 327
70006734	611	70007793	381	70024905	296, 299, 328	70026287	609, 613, 615
70006735	611	70007794	381	70024906	296, 299, 328	70026995	301
70006736	611	70007795	381	70024912	295	70027259	621
70006799	621	70007796	381	70024915	301	70027405	295
70006802	621	70007797	381	70024917	301	70027432	296, 328
70006832	29	70007798	381	70024918	301	70027750	615
70006833	29	70007799	381	70024920	295, 300, 301, 327	70028185	299, 328
70006941	299	70007800	381	70024922	301	7002821	919
7000695	254	70007801	381	70024924	299	7002822	919
70006955	53	70007802	381	70024925	299	7002823	919
70006956	53, 912	70007803	295	70024925	299	7002826	919
70006957	53	70007981	623	70024961	299	7002840	919
70006961	53	70008199	623	70025077	301	70028538	300, 301
70007108	370	70008200	623	70025082	253, 254, 299	70028540	295, 327
70007157	607, 617	70008201	623	70025084	300	70028699	328
70007159	607, 617	70008202	623	70025101	300	70028802	300
70007161	607, 617	70008203	623	70025107	300	70029407	295
70007246	609, 613	70008204	623	70025109	300	70029409	295
70007277	615	70008205	623	70025111	299	70029468	615
70007278	609, 613, 615	70008206	623	70025112	300	70029512	327
70007279	615	70008207	623	70025115	300	70029517	295, 327
70007280	615	70008208	623	70025120	301	70029520	295, 327
70007282	609, 613, 615	70008209	623	70025124	300	70029557	295, 327
70007283	615	70008210	623	70025130	295, 301, 327	70030097	296, 327
70007325	295, 327	70008296	328	70025132	301	70030099	296, 327
70007326	295, 327	70008422	296, 328	70025133	300	70030359	296
70007327	327	70008434	327	70025135	296, 299, 328	70030360	295, 327
70007354	295, 327	70008435	327	70025139	299	70030381	296, 328
70007355	327	70008497	383	70025140	299	70031055	295, 327
70007419	615	70008498	383	70025142	295, 300, 327	70031095	328
70007420	615	70008500	383	70025144	296, 299, 328	70031136	295
70007421	613	70008501	383	70025145	296, 299, 328	70031138	295
70007422	609, 613	70008502	383	70025146	299	70031143	295, 327
70007423	609, 613	70008504	383	70025148	300	70031144	295, 327
70007424	613	70008505	383	70025151	300	70031388	295, 327
70007425	613	70008511	383	70025152	296, 299, 328	70031474	295, 327
70007426	613	70008538	296	70025153	912, 913	70031475	295, 327
70007427	609	70008564	295	70025154	299	7004275	919
70007428	609	70008600	383	70025155	300	7004276	919
70007429	609	70008601	383	70025158	300	7004906	375
70007430	609	70008602	383	70025161	912, 913	7004907	375
70007446	483	70009020	341, 345	70025164	295, 301, 327	7004908	375
70007508	79, 81, 83	7001928	29	70025175	300	70050795	623
70007514	621	70022564	607, 609, 613, 615, 617	70025179	300, 301	7007415	377, 378
70007515	621	70023369	607, 617	70025180	300	7007437	31
70007516	621	70023370	611	70025181	296, 299, 328	7007438	31
70007517	621	70023371	611	70025182	300	7007439	31
70007518	621	70023380	609, 613	70025183	300	7007446	31
70007519	621	70023592	311, 323, 913	70025184	300	7007633	62
70007520	621	70023593	311, 323, 913	70025185	300	7010492	62
70007521	621	70023859	53	70025192	301	7010543	51
70007522	621	70023860	53	70025200	300	7011112	607
70007523	607	70023862	53	70025203	300	7011333	485, 489
70007524	607, 617	7002388	623	70025210	300, 913	7011342	485, 489
70007525	617	70024441	93	70025212	301	70124410	254
70007603	295, 327	70024484	301	70025231	295, 301, 327	70124440	254
70007725	93	70024488	299	70025233	301	7012513	413, 415, 419, 423
70007726	93			70025235	300		

SECTION 11 - SPECIAL OPTIONS

7012514....413, 415, 419, 423	7020403 253	7024471 569, 575	7026649.....232
7012558....413, 415, 419	7020408 253	7024472 575	7026650.....232
7012773.....53	7020465 ... 253, 296, 299, 328	7024473 575	7026651.....231
7012914.....483	7020468 253	7024474 575	7026652.....231
7012918.....483	7020471 254	7024475 575	7026653.....231
7012941.....51	7020479 253	7024478 575	7026654.....231
7012944.....51, 912	7020492 ... 295, 300, 327	7024484 441, 449	7026655.....231
7012953.....481, 483	7021249 31	7024485 ... 441, 449, 457, 912	7026656.....231
7012959.....51	7021275 31, 378	7024488 ... 442, 445, 450, 453, 457	7026658.....232
7012965.....483	7021276 31	7024489 ... 442, 445, 450, 453, 457	7026659.....231
7012967.....483	7021277 31	7024508 621	7026660.....231
7012970.....481	7021375 53, 54	7024530 569	7026661.....231
7012989.....483	7021625 27	7024531 569	7027053.....235, 237
7012998.....483	7021639 27	7024532 569	7027084....257, 261, 303, 315, 340, 345
7016314.....73, 75, 77	7021653 483	7024533 569	7027085....257, 261, 303, 315, 340, 345
7016328.....253, 912	7022162 369	7024534 569	7027086....257, 261, 303, 315, 340, 345
7016331....253, 296, 299, 328, 912, 913	7022302 31	7024535 569	7027087....257, 261, 303, 315
7016652.....919	7022305 31	7024536 569	7027088....257, 261, 303, 315, 340, 345
7016654.....919	7022310 31	7024537 569	7027092.....235, 237
7016655.....919	7022311 31, 378	7024561 441, 449	7027093.....235, 237
7017023.....62	7022312 31	7024579 ... 254, 296, 299, 328	7027094.....235, 237
7017028.....29, 62	7022314 31, 378	7024598 409, 411	7027095.....235, 238
7017047.....29	7022318 377	7024704 62	7027236.....253
7017070.....62	7022326 31	7024762 62	7027276.....253
7017072.....62	7022328 31	7024763 62	7027277.....370
7017080.....62	7022368 31	7024782 29	7027773.....575
7017082.....29	7022371 31	7024784 62	7027774.....575
7017085.....62	7022372 31	7024854 31	7027775.....575
7017142.....473	7022397 27	7024864 378	7027776.....575
7017159.....473	7022399 27	7024866 378	7027777.....575
7017162.....473	7023907 31	7024867 377	7027778.....575
7017163.....473	7023908 31	7024881 31, 377	7027779.....575
7017164.....473	7023910 31	7026188 ... 441, 449, 457	7027780.....575
7017172.....473	7023911 483	7026197 71	7027781.....227, 229
7017192.....473	7023917 27	7026199 ... 413, 415, 419	7027782.....227, 229
7017195.....473	7023933 27	7026503 71	7027783.....227, 229
7017402.....483	7023947 377	7026504 71	7027784.....227, 229
7017452.....483	7023948 377	7026505 71	7027790.....253
7017466.....51	7023949 377	7026506 71	7027791.....253
7018942.....54	7023950 377	7026507 71	7027792.....253
7018951.....54	7023951 377	7026509 71	7027795.....254, 912
7018951.....54	7023952 377	7026597 ... 441, 446, 449, 454, 457	7027796.....254
7018991.....53, 912	7023956 377	7026626 ... 441, 446, 449, 454, 458	7027799....441, 446, 449, 454, 457
7018992.....53	7023957 377	7026632 231	7027887....413, 415, 419, 423
7019680....413, 415, 419	7023958 377	7026633 231	77143013..103, 107, 111, 115, 119, 123, 127, 131, 135, 139, 143, 147, 151, 155, 159, 163, 167, 171, 175, 179
7020064.....479	7023960 377	7026634 231	77363233.....803, 805
7020065.....479	7023961 377	7026635 231	80344004.....29
7020066.....479	7023962 377	7026636 231	80484084.....789, 793
7020067.....479	7023964 377, 378	7026637 231	80934561.....71
7020108....413, 415, 419, 423	7023965 377	7026638 231, 914	80983191...789, 794, 913
7020109....413, 415, 419, 423	7023966 378	7026639 231	8220051.....799
7020110....413, 415, 419, 423	7023967 378	7026640 231	8220115.....789
7020111....413, 415, 419, 423	7024021 53	7026641 232	8220164.....783
7020175....103, 107, 111, 115, 119, 123, 127, 131, 135, 139, 175, 179	7024100 62	7026642 232	8229242....789, 794, 823, 825, 912, 913
7020176....103, 107, 111, 115, 119, 123, 127, 131, 135, 139, 175, 179, 912	7024149 29	7026643 232	
7020190....413, 415, 419, 423	7024151 29	7026644 232	
	7024154 29	7026645 232	
	7024190 29	7026646 232	
	7024191 29	7026647 232	
	7024404 71	7026648 232	
	7024441 91		
	7024462 575		
	7024463 575		
	7024467 575		
	7024469 575, 914		
	7024470 575		

SECTION 11 - SPECIAL OPTIONS

8229249 ... 601, 831, 833, 913	8405009 ... 278, 283, 289, 311, 323, 352, 359	8410001.....353, 359	88411013..... 735
8270147 ... 235, 237, 257, 261, 303, 315, 340, 345	8405102 352, 359	8410009.....354, 360	88521008..... 485, 489
8273291 354, 359	8405104 ... 278, 283, 289, 311, 323, 352, 359	8410011....278, 283, 289, 311, 323, 353, 359	88521205..... 97, 99
8305401 352, 358	8405203 352, 359	8410013....257, 261, 265, 278, 283, 289, 303, 311, 315, 323	88521214. 591, 593, 595, 597, 599
8307109 352, 358	8405204283	85031405.....283	88662523.. 210, 214, 218
8310070 210, 214, 218	8406102 ... 257, 261, 265, 278, 289, 303, 311, 315, 323	8580420.....41	8896941 919
8310129 579, 581	8406109 ... 278, 283, 289, 311, 323, 353, 359	85941018..... 340, 344	91143177 678
8310548 352, 358	8406110 ... 278, 283, 289, 311, 323	8770050....631, 637, 643, 649, 655, 661, 667, 673	91164079 483
83304173 91, 93	8406201 ... 229, 283, 341, 345, 354, 360	8770157....655, 661, 667, 673	91203039.. 475, 485, 489
8405006 ... 257, 261, 265, 303, 315, 331, 333, 335, 352, 358, 399		88261024.....481	91401281 97
8405007 ... 278, 283, 289, 311, 323		88261039.....202	91403102. 278, 290, 912, 913



**Corporate Office
JLG Industries, Inc.
1 JLG Drive
McConnellsburg, PA 17233-9533 USA
☎ (717) 485-5161 (Corporate)
☎ (877) 554-5438 (Customer Support)
📠 (717) 485-6417**

**Visit our website for JLG Worldwide Locations.
www.jlg.com**



OSHKOSH™