



Illustrated Parts Manual

AG832

PVC 2405

3122311800

July 15, 2024 - Rev B

English (en-US)

REVISION LOG

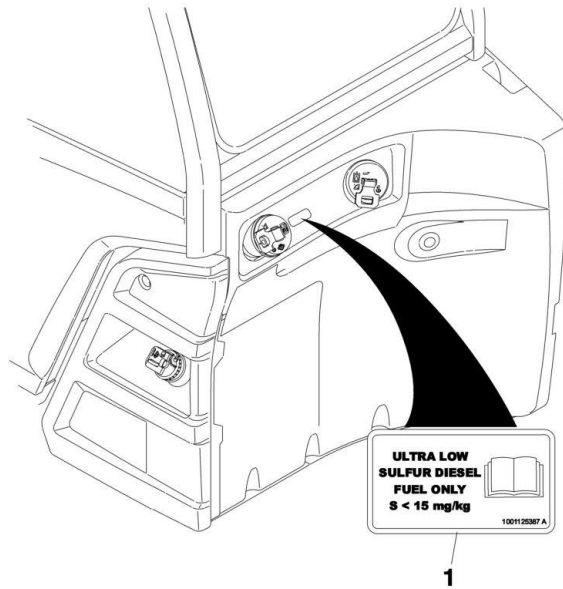
May 1, 2024 - A - Original Issue Of Manual (Edited to B/M 1001260832 Revision U)

July 15, 2024 - B - Revised Manual (Edited to B/M 1001260832 Revision U)

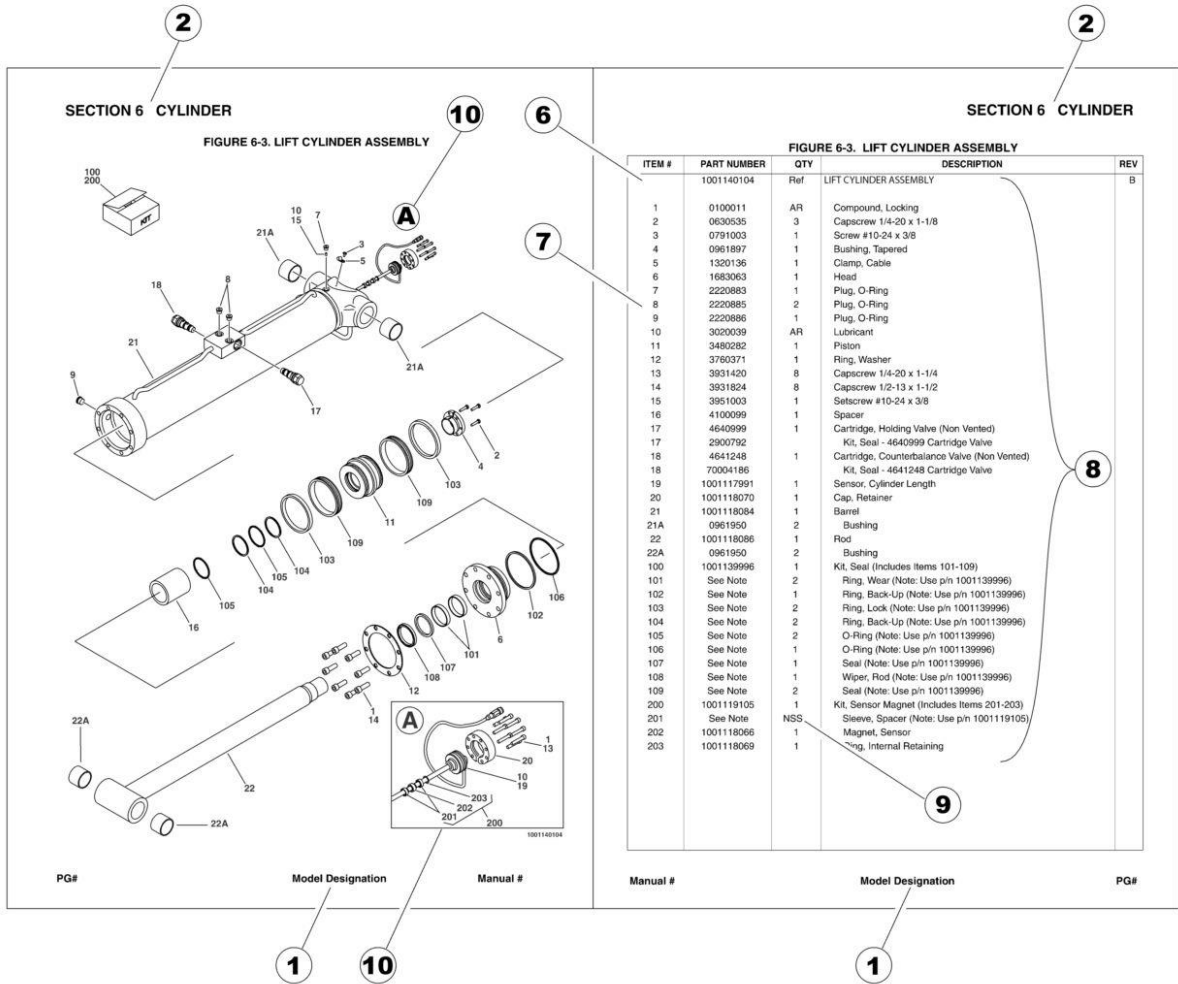
Machine Configuration

Two configurations of each machine are included in this manual. Determine if machine is equipped with Ultra Sulfur Fuel Decal (1) as indicated below.

- If equipped with the Ultra Low Sulfur decal, all specific references to this machine configuration will be referred to as Ultra Low Sulfur (ULS) from this point forward.
- If not equipped with the Ultra Low Sulfur decal, all specific references to this machine configuration will be referred to as Low Sulfur (LS) from this point forward.



GENERAL INFORMATION



1) MACHINE IDENTIFICATION

Machines are identified by model and in some cases a combination of models, serial number (SN) or regional standard (i.e ANSI, CE, CSA). Components may also be identified by SN or manufacturer. Common components that may be identified by these characteristics are engines and hydraulic components.

2) PARTS MANUAL ORGANIZATION

Product information in this manual is organized under section titles. Frame, Cylinder, Hydraulic and Electrical are a few examples. Each section is organized by figure and page number. The information within the Figure is then organized by item number, part number, description and corresponding illustration (s).

3) TABLE OF CONTENTS (NOT SHOWN)

A table of contents is found toward the beginning of the manual. Figure number, description and page number are provided for quick reference to the page containing the related information.

4) RECOMMENDED SPARE PARTS (NOT SHOWN)

The Recommended Spare Parts List, located near the end of the manual, reference most frequently used maintenance parts.

5) PART NUMBER INDEX (NOT SHOWN)

A numerical index listing all part numbers and the corresponding page number(s) appears at the back of the manual.

GENERAL INFORMATION

6) NON-SERVICED PARTS

In some instances, it is necessary to display non-serviced parts, assemblies or installations. In the case of assemblies and installations there will be a Ref in the Qty. column. In case of parts that are not available for service within assemblies or components, there will be a NSS (Not Sold Separately) or NLA (No Longer Available) listed in the Qty. column of the manual.

7) PARTS LIST ITEM NUMBERS

Numbers shown in the item# column correspond to numbers used in the associated illustration (s). Item numbers which are missing from the sequence in the parts list are not used on that page.

8) INDENTED PARTS DESCRIPTION

An indented part description is included in the item under which it is indented.

9) ABBREVIATION AND SYMBOLS

AC.....	Alternating Current	L.....	Liter
ADE.....	Advanced Design Electronics	LB(LBS).....	Pounds
AG.....	Agricultural	LCD.....	Liquid Crystal Display
ANSI.....	American National Standards Institute	LED.....	Light Emitting Diodes
AR.....	As Required	LH.....	Left Hand
ASSY.....	Assembly	LRC.....	Low Rated Countries
AUS.....	Australia	LSS.....	Load Sensing System
AUX.....	Auxiliary	M(m).....	Metric/Meter
AWG.....	American Wire Gauge	MM(mm).....	Milimeter
B/M.....	Bill of Material	mA.....	Miliamps
CAC.....	Charge Air Cooler	NLA.....	No Longer Available
CE.....	European Conformity	NPT.....	National Pipe Threads
CCW.....	Counter Clockwise	NSS.....	Not Sold Separately
CM.....	Centimeter	OD.....	Outside Diameter
CW.....	Clockwise	ORB.....	O-Ring Boss
CSA.....	Canadian Standards Association	ORFS.....	O-Ring Face Seal
CYL.....	Cylinder	OZ (oz).....	Ounces
DIA.....	Diameter	PG.....	Page
DC.....	Direct Current	PN.....	Part Number
DEF.....	Diesel Exhaust Fluid	QT(qt.).....	Quarts
EMS.....	Emergency Stop	QTY.....	Quantity
ENG.....	Engine	REF.....	Reference
FT(ft).....	Feet	REV.....	Revision Level
GA(Ga).....	Gauge	RH.....	Right Hand
HRC.....	High Rated Countries	SAE.....	Society of Automotive Engineers
HVAC.....	Heating, Ventilating, and Air Conditioning	SN.....	Serial Number
HYD.....	Hydraulic	SPEC(S).....	Specifications
Hz.....	Hertz	T/T.....	Turntable
ID.....	Inside Diameter	UGM.....	Universal Ground Module
IN.....	inches	V.....	Volts
ISO.....	International Organization for Standards	W.....	Watts
JIC.....	Joint Industry Council	#.....	Number
KG.....	Kilogram		

10) ILLUSTRATION REFERENCE LETTERS

When necessary, illustrations may contain reference letters that are intended to track information (i. e. hoses, harnesses) from one point to another or to track visual enlargement of components to show details that may be located in another area on the illustration.

Note: Due to continuous product improvements, JLG Industries, Inc. reserves the right to make specification changes without prior notification. Contact JLG Industries, Inc. for updated information.

TABLE OF CONTENTS

SECTION 1 - FRAME AND ATTACHING PARTS.....	17
FIGURE 1-1. FRAME INSTALLATION.....	18
FIGURE 1-2. ENGINE ENCLOSURE INSTALLATION.....	20
FIGURE 1-3. ENGINE ENCLOSURE COVER INSTALLATION.....	22
FIGURE 1-4. HOOD INSTALLATION.....	24
FIGURE 1-5. COVER PLATES INSTALLATION (NO OUTRIGGERS - ULS).....	26
FIGURE 1-6. COVER PLATE INSTALLATION (NO TRAILER BRAKES).....	28
FIGURE 1-7. COVER PLATE INSTALLATION (TRAILER BRAKES).....	30
FIGURE 1-8. COVER PLATE INSTALLATION (NO REAR AUX).....	32
FIGURE 1-9. COVER PLATE INSTALLATION (REAR AUX).....	34
FIGURE 1-10. COVER PLATE INSTALLATION (HYDRAULIC HITCH AND REAR AUX).....	36
FIGURE 1-11. REAR COVER PLATE INSTALLATION (NO HYDRAULIC HITCH).....	38
FIGURE 1-12. TANKS INSTALLATION.....	40
FIGURE 1-13. FUEL TANK INSTALLATION.....	42
FIGURE 1-14. FUEL TANK ASSEMBLY.....	44
FIGURE 1-15. HYDRAULIC TANK INSTALLATION.....	46
FIGURE 1-16. HYDRAULIC TANK ASSEMBLY.....	48
FIGURE 1-17. FUEL AND HYDRAULIC CAP INSTALLATION.....	50
FIGURE 1-18. HITCH RETRIEVAL INSTALLATION.....	52
FIGURE 1-19. HITCH INSTALLATION (EEC AUTO).....	54
FIGURE 1-20. HITCH INSTALLATION (PITON).....	56
FIGURE 1-21. HITCH ASSEMBLY (EEC AUTO).....	58
FIGURE 1-22. SLIDING HITCH ASSEMBLY (PITON).....	60
FIGURE 1-23. HITCH INSTALLATION (EEC MANUAL).....	62
FIGURE 1-24. HITCH ASSEMBLY (EEC MANUAL).....	64
FIGURE 1-25. HITCH INSTALLATION (FIXED).....	66
FIGURE 1-26. HITCH ASSEMBLY (FIXED).....	68
FIGURE 1-27. HITCH INSTALLATION (HYDRAULIC).....	70
FIGURE 1-28. CAB PLUG INSTALLATION (NON HYDRAULIC HITCH).....	72
FIGURE 1-29. MIRROR INSTALLATION.....	74
FIGURE 1-30. REAR MIRROR INSTALLATION (FLAT).....	76
FIGURE 1-31. REAR MIRROR INSTALLATION (CONVEX).....	78
FIGURE 1-32. MIRROR ASSEMBLY (CONVEX).....	80
FIGURE 1-33. TOOLBOX INSTALLATION.....	82
FIGURE 1-34. GROUND STRAP INSTALLATION.....	84
SECTION 2 - BOOM.....	87
FIGURE 2-1. BOOM PINNING INSTALLATION.....	88
FIGURE 2-2. LIFT CYLINDER PINNING INSTALLATION.....	90
FIGURE 2-3. COMPENSATION CYLINDER PINNING INSTALLATION.....	92
FIGURE 2-4. BOOM PIVOT INSTALLATION.....	94
FIGURE 2-5. BOOM ASSEMBLY.....	96
FIGURE 2-6. FIRST BOOM SECTION ASSEMBLY.....	98
FIGURE 2-7. SECOND BOOM SECTION ASSEMBLY.....	100
FIGURE 2-8. THIRD BOOM SECTION ASSEMBLY.....	102

TABLE OF CONTENTS

FIGURE 2-9. LINK ASSEMBLY	104
FIGURE 2-10. LEVER ASSEMBLY.....	106
FIGURE 2-11. COUPLER INSTALLATION - MANUAL (JLG).....	108
FIGURE 2-12. COUPLER INSTALLATION - MANUAL (CAT)	110
FIGURE 2-13. COUPLER INSTALLATION - HYDRAULIC (JLG)	112
FIGURE 2-14. COUPLER INSTALLATION - HYDRAULIC (CAT)	114
FIGURE 2-15. BOOM PROP INSTALLATION	116
FIGURE 2-16. BOOM BRUSHES INSTALLATION.....	118
SECTION 3 - ATTACHMENTS.....	121
FIGURE 3-1. AUGER COUPLING	122
FIGURE 3-2. AUGER BIT (6INX4IN)	124
FIGURE 3-3. AUGER BIT (9INX4IN)	126
FIGURE 3-4. AUGER BIT (12INX4IN)	128
FIGURE 3-5. AUGER BIT (15INX4IN)	130
FIGURE 3-6. AUGER BIT (18INX4IN)	132
FIGURE 3-7. AUGER BIT (24INX4IN)	134
FIGURE 3-8. AUGER BIT (36INX4IN)	136
FIGURE 3-9. BALE HANDLER (TUBE CLAMP).....	138
FIGURE 3-10. BALE HANDLER KIT (TUBE CLAMP).....	140
FIGURE 3-11. BALE HANDLER (SPIKE CLAMP).....	142
FIGURE 3-12. BALE HANDLER KIT (SPIKE CLAMP).....	144
FIGURE 3-13. BASKET PERSONNEL (1.2MX2.4M) (DOMESTIC)	146
FIGURE 3-14. BASKET PERSONNEL (1.2MX2.4M) (FRENCH LANGUAGE).....	148
FIGURE 3-15. BASKET PERSONNEL (1.2MX2.4M) (ISO)	150
FIGURE 3-16. BASKET PERSONNEL (FORK MOUNTED).....	152
FIGURE 3-17. BUCKET (CONCRETE).....	154
FIGURE 3-18. BUCKET (DIRT)	158
FIGURE 3-19. BUCKET (GRAPPLE MULTI-PURPOSE)	160
FIGURE 3-20. BUCKET (MANURE GRAPPLE)	162
FIGURE 3-21. BUCKET(0.6 M ³) (MULTI-PURPOSE 4 IN 1)	164
FIGURE 3-22. BUCKET(1M ³ /1.25YD ³) (GENERAL PURPOSE - ROUND HEEL).....	166
FIGURE 3-23. BUCKET(1M ³ /1.25YD ³) (GENERAL PURPOSE - ANGULAR HEEL).....	168
FIGURE 3-24. BUCKET(1 M ³) (MULTI-PURPOSE 4 IN 1)	170
FIGURE 3-25. BUCKET (1.5M ³ /2YD ³) (GENERAL PURPOSE - ROUND HEEL).....	172
FIGURE 3-26. BUCKET (1.5M ³ /2YD ³) (GENERAL PURPOSE - ANGULAR HEEL).....	174
FIGURE 3-27. BUCKET (2M ³ /2.6YD ³) (GENERAL PURPOSE - ROUND HEEL).....	176
FIGURE 3-28. BUCKET (2M ³ /2.6YD ³) (GENERAL PURPOSE - ANGULAR HEEL).....	178
FIGURE 3-29. BUCKET (2.5M ³ /3.25YD ³) (GENERAL PURPOSE - ROUND HEEL).....	180
FIGURE 3-30. BUCKET (2.5M ³ /3.25YD ³) (GENERAL PURPOSE - ANGULAR HEEL).....	182
FIGURE 3-31. BUCKET (3M ³ /4YD ³) (GENERAL PURPOSE - ROUND HEEL).....	184
FIGURE 3-32. BUCKET (3M ³ /4YD ³) (GENERAL PURPOSE - ANGULAR HEEL).....	186
FIGURE 3-33. BUCKET BOLT-ON EDGE (ONE PIECE)	188
FIGURE 3-34. BUCKET BOLT-ON EDGE (TWO PIECE).....	190
FIGURE 3-35. BUCKET BOLT-ON EDGE (THREE PIECE).....	192
FIGURE 3-36. BUCKET FRONT GUARD.....	194

TABLE OF CONTENTS

FIGURE 3-37. BUCKET TEETH KIT	196
FIGURE 3-38. CARRIAGE ASSEMBLY (1225MM).....	198
FIGURE 3-39. CARRIAGE ASSEMBLY (1270MM).....	200
FIGURE 3-40. CARRIAGE ASSEMBLY (1524MM).....	202
FIGURE 3-41. CARRIAGE ASSEMBLY (1829MM).....	204
FIGURE 3-42. CARRIAGE ASSEMBLY - SIDE TILTING (4.5 TON - 1225 MM).....	206
FIGURE 3-43. CARRIAGE ASSEMBLY - SIDE TILTING (4.0 TON - 1575 MM).....	208
FIGURE 3-44. CARRIAGE ASSEMBLY - SID TILTING (4.0 TON - 1829 MM).....	210
FIGURE 3-45. CARRIAGE ASSEMBLY - SIDE SHIFT (4.0 TON - 1225 MM).....	212
FIGURE 3-46. CARRIAGE ASSEMBLY - FORK POSITIONING (4.0 TON.....	214
FIGURE 3-47. CARRIAGE ASSEMBLY - FEM CARRIAGE AND FORKS.....	216
FIGURE 3-48. FORK - LUMBER (45X150X1540).....	218
FIGURE 3-49. FORK - LUMBER (50X150X1830).....	220
FIGURE 3-50. FORK - PALLET (50X100X1200).....	222
FIGURE 3-51. FORK - PALLET (50X100X1200) (CE & AUS WITH SIDE SHIFT CARRIAGE) (4.0 TON - 1225MM).....	224
FIGURE 3-52. FORK - PALLET (50X120X1200).....	226
FIGURE 3-53. FORK - PALLET (60X125X1220).....	228
FIGURE 3-54. FORK - MUCK WITH GRAB.....	230
FIGURE 3-55. FORK - DUAL TINE BAILING WITH CARRIAGE.....	232
FIGURE 3-56. FORK _ EXTENSIONS (62X163X2286) (ANSI).....	234
FIGURE 3-57. HOOK_CRANE (FORK MOUNTED).....	236
FIGURE 3-58. TRASH HOPPER INSTALLATION.....	238
FIGURE 3-59. TRUSS BOOM (0.9 TON - 3.5M/12FT WITH WINCH).....	240
FIGURE 3-60. TRUSS BOOM (1 TON - 3.4M/11FT).....	242
FIGURE 3-61. TRUSS BOOM (1TON - 3.5M/12FT).....	244
FIGURE 3-62. TRUSS BOOM (1.8 TON - 3 FT WITH WINCH).....	246
FIGURE 3-63. TRUSS BOOM (4 TON - 2.1M).....	248
FIGURE 3-64. TRUSS BOOM (4.4TON - 2.3M/7.5FT).....	250
FIGURE 3-65. UNIVERSAL HITCH ATTACHMENT.....	252
SECTION 4 - ENGINE AND ATTACHING PARTS.....	255
FIGURE 4-1. ENGINE INSTALLATION (90KW - ULS - PISTON PUMP).....	256
FIGURE 4-2. ENGINE INSTALLATION (100KW - ULS - PISTON PUMP).....	258
FIGURE 4-3. ENGINE MOUNTING INSTALLATION (90KW/100KW).....	260
FIGURE 4-4. 3.6L ENGINE (90KW - ULS - PISTON PUMP).....	262
FIGURE 4-5. 3.6L ENGINE (100KW).....	264
FIGURE 4-6. ENGINE (100KW - LS).....	268
FIGURE 4-7. ENGINE INSTALLATION (90KW - LS - PISTON PUMP).....	270
FIGURE 4-8. ENGINE ECU INSTALLATION (ULS).....	272
FIGURE 4-9. ECU HRC INSTALLATION.....	274
FIGURE 4-10. BRACKET GUARD INSTALLATION.....	276
FIGURE 4-11. FUEL LINES INSTALLATION (ULS - RHOC).....	278
FIGURE 4-12. FUEL LINES INSTALLATION (LS).....	280
FIGURE 4-13. EXHAUST INSTALLATION (LS).....	282
FIGURE 4-14. EXHAUST INSTALLATION (ULS).....	284
FIGURE 4-15. DEF TANK INSTALLATION.....	286

TABLE OF CONTENTS

FIGURE 4-16. DEF TANK ASSEMBLY.....	288
FIGURE 4-17. DEF LINES INSTALLATION (ULS)	290
FIGURE 4-18. DEF CONTROL MODULE INSTALLATION (ULS).....	292
FIGURE 4-19. AIR CLEANER INSTALLATION (90/100KW)	294
FIGURE 4-20. AIR CLEANER ASSEMBLY (90/100KW)	296
FIGURE 4-21. PRE-AIR CLEANER ACCESSORY	298
FIGURE 4-22. AIR INTAKE RAIN CAP ACCESSORY	300
FIGURE 4-23. AIR INTAKE LINES INSTALLATION (90/100KW - ULS).....	302
FIGURE 4-24. AIR INTAKE LINES INSTALLATION (90KW - LS)	304
FIGURE 4-25. COOLING PACKAGE INSTALLATION (90KW - ULS)	306
FIGURE 4-26. COOLING FAN INSTALLATION	308
FIGURE 4-27. FAN LINES INSTALLATION (90KW).....	310
FIGURE 4-28. FAN DRIVE MOTOR (NO RHOC).....	312
FIGURE 4-29. FUEL FILTER & PUMP INSTALLATION.....	314
FIGURE 4-30. REMOTE FUEL PUMP INSTALLATION (74.4KW)	316
FIGURE 4-31. PRIMARY FUEL FILTER INSTALLATION (90KW - LS).....	318
FIGURE 4-32. COOLER INSTALLATION (90KW).....	320
FIGURE 4-33. RADIATOR COOLING PACKAGE (90KW)	322
FIGURE 4-34. REMOTE HOC INSTALLATION.....	324
FIGURE 4-35. FAN DRIVE MOTOR (RHOC)	326
FIGURE 4-36. COOLANT LINES INSTALLATION (ULS)	328
FIGURE 4-37. COOLER LINES INSTALLATION (90KW).....	330
FIGURE 4-38. CAC LINES INSTALLATION (ULS).....	332
FIGURE 4-39. SURGE TANK INSTALLATION.....	334
FIGURE 4-40. TANK EXPANSION	336
FIGURE 4-41. BULKHEAD INSTALLATION.....	338
FIGURE 4-42. HYDRAULIC PUMP INSTALLATION (90KW).....	340
FIGURE 4-43. HEATER LINES INSTALLATION (LS).....	342
FIGURE 4-44. HEATER LINES INSTALLATION	344
FIGURE 4-45. HEATER LINES WITH HEATER INSTALLATION.....	346
FIGURE 4-46. HEATER LINES INSTALLATION (LS).....	348
FIGURE 4-47. BLOCK HEATER INSTALLATION (120V - LS)	350
FIGURE 4-48. BLOCK HEATER (LS)	352
FIGURE 4-49. A/C PUMP INSTALLATION.....	354
FIGURE 4-50. A/C LINES INSTALLATION.....	356
SECTION 5 - DRIVE TRAIN	359
FIGURE 5-1. DRIVETRAIN INSTALLATION	360
FIGURE 5-2. FRONT AXLE INSTALLATION.....	362
FIGURE 5-3. FRONT AXLE ASSEMBLY	364
FIGURE 5-4. REAR AXLE INSTALLATION	374
FIGURE 5-5. REAR AXLE ASSEMBLY	376
FIGURE 5-6. DRIVE SHAFTS INSTALLATION	386
FIGURE 5-7. REMOTE GREASE SYSTEM INSTALLATION	388
FIGURE 5-8. AXLE SHIM INSTALLATION	390
FIGURE 5-9. TRANSMISSION INSTALLATION (6 SPD - 90KW)	392

TABLE OF CONTENTS

FIGURE 5-10. TRANSMISSION INSTALLATION (6 SPD - 97KW).....	394
FIGURE 5-11. TRANSMISSION (6 SPD - 90KW).....	396
FIGURE 5-12. TRANSMISSION (6 SPD - HHP - 97KW).....	398
FIGURE 5-13. PLANETARY CASE AND PARTS GROUP.....	400
FIGURE 5-14. TORQUE CONVERTER GROUP.....	402
FIGURE 5-15. TORQUE CONVERTER GROUP.....	404
FIGURE 5-16. TRANSFER GEAR AND CASE GROUP.....	406
FIGURE 5-17. TRANSMISSION HYDRAULIC CONTROL GROUP.....	408
FIGURE 5-18. INPUT SHAFT GROUP.....	410
FIGURE 5-19. TRANSMISSION CLUTCH GROUP.....	412
FIGURE 5-20. CLUTCH AND GEAR GROUP.....	414
FIGURE 5-21. TRANSMISSION PUMP GROUP.....	416
FIGURE 5-22. OUTPUT SHAFT GROUP.....	418
FIGURE 5-23. SPEED SENSOR.....	420
FIGURE 5-24. IDLER GEAR.....	422
FIGURE 5-25. REAR TRANSMISSION CASE.....	424
FIGURE 5-26. PLANETARY CASE.....	426
FIGURE 5-27. FRONT TRANSFER CASE.....	428
FIGURE 5-28. REAR TRANSFER CASE.....	430
FIGURE 5-29. RELIEF VALVE.....	432
FIGURE 5-30. SOLENOID VALVE.....	434
FIGURE 5-31. SOLENOID VALVE.....	436
FIGURE 5-32. FRONT TRANSMISSION CASE ASSEMBLY.....	438
FIGURE 5-33. REAR TRANSMISSION CASE ASSEMBLY.....	440
FIGURE 5-34. TIRE/WHEEL SET (AIR - 460/70 R24 XMCL).....	442
FIGURE 5-35. TIRE/WHEEL SET (AIR - 500/70 R24 XMCL).....	444
FIGURE 5-36. FENDER INSTALLATION.....	446
FIGURE 5-37. FENDER ASSEMBLY (RR-RH).....	448
FIGURE 5-38. FENDER ASSEMBLY (RR-LH).....	450
FIGURE 5-39. FENDER ASSEMBLY (FRT-RH).....	452
FIGURE 5-40. FENDER ASSEMBLY (FRT-LH).....	454
SECTION 6 - CAB.....	457
FIGURE 6-1. CAB MOUNTS INSTALLATION.....	458
FIGURE 6-2. ENCLOSED CAB INSTALLATION.....	460
FIGURE 6-3. ENCLOSED CAB ASSEMBLY.....	462
FIGURE 6-4. ENCLOSED CAB GROUP.....	464
FIGURE 6-5. ENCLOSED CAB.....	466
FIGURE 6-6. DOOR INSTALLATION.....	468
FIGURE 6-7. DOOR UPPER GLASS ASSEMBLY.....	470
FIGURE 6-8. CAB LATCH ASSEMBLY.....	472
FIGURE 6-9. CAB DOOR TRIGGER ASSEMBLY.....	474
FIGURE 6-10. DOOR ASSEMBLY (AG).....	476
FIGURE 6-11. CAB DOOR.....	478
FIGURE 6-12. DOOR STRAP INSTALLATION.....	480
FIGURE 6-13. REAR WINDOW INSTALLATION.....	482

TABLE OF CONTENTS

FIGURE 6-14. REAR WINDOW ASSEMBLY.....	484
FIGURE 6-15. ENCLOSED CAB PLUG GROUP.....	486
FIGURE 6-16. INTERIOR MIRROR INSTALLATION.....	488
FIGURE 6-17. FRONT WIPER INSTALLATION.....	490
FIGURE 6-18. LEVEL INDICATOR INSTALLATION.....	492
FIGURE 6-19. ENCLOSED CAB TRIM INSTALLATION.....	494
FIGURE 6-20. DASH COVER ASSEMBLY.....	498
FIGURE 6-21. REAR PANEL COVER ASSEMBLY.....	500
FIGURE 6-22. ADJUSTABLE ARMREST INSTALLTION.....	502
FIGURE 6-23. ARMREST.....	504
FIGURE 6-24. FIXED ARMREST BRACKET.....	506
FIGURE 6-25. MOVING ARMREST BRACKET.....	508
FIGURE 6-26. BEACON TERMINAL INSTALLATION.....	510
FIGURE 6-27. WASHER HOSES INSTALLATION.....	512
FIGURE 6-28. HAMMER INSTALLATION.....	514
FIGURE 6-29. HAMMER ATTACHMENT ASSEMBLY.....	516
FIGURE 6-30. FRONT COVER INSTALLATION.....	518
FIGURE 6-31. FILTER TRAY PANEL.....	520
FIGURE 6-32. FRONT DUCT COVER.....	522
FIGURE 6-33. WASHER TANK INSTALLATION.....	524
FIGURE 6-34. WASHER BOTTLE.....	526
FIGURE 6-35. SEAT INSTALLATION (AIR SUSPENSION - STANDARD).....	528
FIGURE 6-36. SEAT ASSEMBLY (AIR SUSPENSION - STANDARD).....	530
FIGURE 6-37. UPPER SEAT ASSEMBLY.....	532
FIGURE 6-38. SUSPENSION KIT.....	534
FIGURE 6-39. SEAT INSTALLATION (PREMIUM).....	536
FIGURE 6-40. SEAT ASSEMBLY (AIR SUSPENSION - PREMIUM).....	538
FIGURE 6-41. SEAT AIR SUSPENSION ASSEMBLY (CLOTH).....	540
FIGURE 6-42. SEAT INSTALLATION (CLOTH)(SEAOP).....	542
FIGURE 6-43. SEAT INSTALLATION (MECHANICAL).....	544
FIGURE 6-44. SEAT ASSEMBLY.....	546
FIGURE 6-45. SEAT BELT INSTALLATION (2IN).....	548
FIGURE 6-46. SEAT BELT INSTALLATION (3IN).....	550
FIGURE 6-47. SEAT BELT INSTALLATION (3 INCH).....	552
FIGURE 6-48. HEATER INSTALLATION.....	554
FIGURE 6-49. HEATER ASSEMBLY.....	556
FIGURE 6-50. HEATER AND A/C INSTALLATION.....	558
FIGURE 6-51. CAB CONDENSER ASSEMBLY.....	562
FIGURE 6-52. CONDENSER.....	564
FIGURE 6-53. A/C RECEIVER DRIER.....	566
FIGURE 6-54. HEATER AND A/C ASSEMBLY.....	568
FIGURE 6-55. ROOF WIPER INSTALLATION.....	570
FIGURE 6-56. HEADLINER INSTALLATION.....	572
FIGURE 6-57. HEADLINER/ RADIO READY INSTALLATION.....	574
FIGURE 6-58. CAB GUARD INSTALLATION (TOP).....	576

TABLE OF CONTENTS

FIGURE 6-59. CAB GUARD INSTALLATION (FRONT).....	578
FIGURE 6-60. CAB GUARD INSTALLATION (TOP AND FRONT).....	580
FIGURE 6-61. COMMON CAB TRIM INSTALLATION.....	582
FIGURE 6-62. CAB TRIM INSTALLATION	584
FIGURE 6-63. ROOF CAP INSTALLATION (A/C).....	586
FIGURE 6-64. ROOF CAP INSTALLATION (NO A/C)	588
FIGURE 6-65. FRONT NOSE CONE INSTALLATION (SIDELIGHT).....	590
FIGURE 6-66. RETRACTABLE SUNSCREEN INSTALLATION	592
FIGURE 6-67. CAB STEP INSTALLATION.....	594
FIGURE 6-68. FLOOR MAT INSTALLATION.....	596
FIGURE 6-69. EXTERNAL WINDOW RELEASE INSTALLATION (ANSI).....	598
FIGURE 6-70. EXTERNAL WINDOW RELEASE INSTALLATION (CAN).....	600
SECTION 7 - CONTROLS	603
FIGURE 7-1. ACCELERATOR PEDAL INSTALLATION	604
FIGURE 7-2. ACCELERATOR PEDAL	606
FIGURE 7-3. BRAKE PEDAL INSTALLATION.....	608
FIGURE 7-4. BRAKE PEDAL	610
FIGURE 7-5. BRAKE PEDAL PLATE.....	612
FIGURE 7-6. BRAKE SENSOR INSTALLATION	614
FIGURE 7-7. SWITCH PLATE ASSEMBLY	616
FIGURE 7-8. PARKING BRAKE INSTALLATION (CABLE - STANDARD)	618
FIGURE 7-9. PARKING BRAKE COVER (MECHANICAL)	620
FIGURE 7-10. PARKING CABLE ASSEMBLY (MECHANICAL)	622
FIGURE 7-11. STEERING WHEEL INSTALLATION.....	624
FIGURE 7-12. STEERING WHEEL.....	626
FIGURE 7-13. STEERING COLUMN INSTALLATION.....	628
FIGURE 7-14. HORN INSTALLATION.....	630
FIGURE 7-15. HORN BUTTON INSTALLATION	632
FIGURE 7-16. JOYSTICK INSTALLATION.....	634
FIGURE 7-17. WIPER-TURN SWITCH (0 SPEED - FNR).....	636
FIGURE 7-18. WIPER-TURN SWITCH (NO SPEED)	638
SECTION 8 - HYDRAULIC CIRCUITS.....	641
FIGURE 8-1. COMMON HYDRAULICS INSTALLATION.....	642
FIGURE 8-2. AUXILIARY HYDRAULICS INSTALLATION - REAR (TWIN)	646
FIGURE 8-3. AUXILIARY HYDRAULICS INSTALLATION - REAR (SINGLE)	648
FIGURE 8-4. BOOM HYDRAULIC INSTALLATION.....	650
FIGURE 8-5. BOOM LINES INSTALLATION	652
FIGURE 8-6. BOOM RAISE HOSES INSTALLATION (NO RIDE CONTROL).....	654
FIGURE 8-7. BOOM RAISE HOSES INSTALLATION (WITH RIDE CONTROL).....	656
FIGURE 8-8. BRAKE LINES INSTALLATION	658
FIGURE 8-9. BRAKE INSTALLATION – TRAILER	660
FIGURE 8-10. BRAKE ACCUMULATOR LINES INSTALLATION (WITHOUT SAHR).....	662
FIGURE 8-11. COUPLER (HYDRAULIC) LINES INSTALLATION (FRONT BOOM - TWIN)	664
FIGURE 8-12. COUPLER (HYDRAULIC) LINES INSTALLATION (FRONT BOOM - SINGLE)	666

TABLE OF CONTENTS

FIGURE 8-13. COUPLER (MANUAL) LINES INSTALLATION (FRONT BOOM - TWIN)	668
FIGURE 8-14. COUPLER (MANUAL) LINES INSTALLATION (FRONT BOOM - SINGLE)	670
FIGURE 8-15. LIFT CYLINDER INSTALLATION.....	672
FIGURE 8-16. MAIN CONTROL VALVE INSTALLATION	674
FIGURE 8-17. MAIN HYDRAULIC PUMP INSTALLATION	676
FIGURE 8-18. IMPLEMENT PUMP INSTALLATION.....	678
FIGURE 8-19. PRIORITY LINES INSTALLATION.....	680
FIGURE 8-20. PRIORITY VALVE INSTALLATION.....	682
FIGURE 8-21. RETURN LINES INSTALLATION.....	684
FIGURE 8-22. STEERING LINES INSTALLATION.....	686
FIGURE 8-23. STEER SELECT VALVE INSTALLATION.....	688
FIGURE 8-24. SUCTION LINES INSTALLATION.....	690
SECTION 9 - HYDRAULIC COMPONENTS	693
FIGURE 9-1. BOOM HOSE AND HARNESS ASSEMBLY	694
FIGURE 9-2. CYLINDER ASSEMBLY - COMPENSATION.....	696
FIGURE 9-3. CYLINDER SUB-ASSEMBLY - COUPLER LOCKING	698
FIGURE 9-4. CYLINDER ASSEMBLY - COUPLER LOCKING.....	700
FIGURE 9-5. CYLINDER ASSEMBLY - EXTEND/RETRACT (TELESCOPE) (INNER)	702
FIGURE 9-6. CYLINDER SUB-ASSEMBLY - EXTEND/RETRACT (TELESCOPE) (OUTER)	704
FIGURE 9-7. CYLINDER ASSEMBLY - EXTEND/RETRACT (TELESCOPE) (OUTER).....	706
FIGURE 9-8. CYLINDER ASSEMBLY - LIFT.....	708
FIGURE 9-9. CYLINDER ASSEMBLY - TILT.....	710
FIGURE 9-10. IMPLEMENT PUMP	712
FIGURE 9-11. VALVE SUB-ASSEMBLY - DIVERTOR (HI-FLOW)	714
FIGURE 9-12. VALVE ASSEMBLY - DIVERTOR	716
FIGURE 9-13. VALVE ASSEMBLY - DIVERTOR	718
FIGURE 9-14. VALVE ASSEMBLY - DIVERTOR	720
FIGURE 9-15. VALVE ASSEMBLY - FAN MOTOR CONTROL.....	722
FIGURE 9-16. VALVE ASSEMBLY - HYDRAULIC HITCH CONTROL VALVE	724
FIGURE 9-17. VALVE ASSEMBLY - MAIN CONTROL	726
FIGURE 9-18. VALVE ASSEMBLY - PRIORITY FLOW MANIFOLD	728
FIGURE 9-19. VALVE ASSEMBLY - RIDE CONTROL.....	730
FIGURE 9-20. VALVE ASSEMBLY - STEERING SELECT VALVE	732
FIGURE 9-21. VALVE ASSEMBLY - TRAILER BRAKE	734
SECTION 10 - ELECTRICAL.....	737
FIGURE 10-1. 832 ELECTRICAL LAYOUT	738
FIGURE 10-2. BATTERY INSTALLATION (STANDARD).....	748
FIGURE 10-3. BATTERY INSTALLATION (DUAL).....	750
FIGURE 10-4. BEACON/STROBE INSTALLATION	752
FIGURE 10-5. BOOM HARNESS INSTALLATION.....	754
FIGURE 10-6. BOOM HARNESS	756
FIGURE 10-7. BOOM ANGLE SENSOR INSTALLATION.....	758
FIGURE 10-8. BOOM RETRACT SENSOR INSTALLATION	760
FIGURE 10-9. CAB ELECTRICAL INSTALLATION.....	762

TABLE OF CONTENTS

FIGURE 10-10. CAB HARNESS	766
FIGURE 10-11. CAB HARNESS	768
FIGURE 10-12. CAB STANDARD ELECTRICAL BOARD ASSEMBLY	774
FIGURE 10-13. CAB OPTION 1 ELECTRICAL BOARD ASSEMBLY	776
FIGURE 10-14. CAB OPTION 2 ELECTRICAL BOARD ASSEMBLY	778
FIGURE 10-15. CAB OPTION HARNESS.....	780
FIGURE 10-16. DASH ELECTRICS INSTALLATION (ULS)	782
FIGURE 10-17. CAB HEATER HARNESS INSTALLATION	784
FIGURE 10-18. CAB HEATER HARNESS.....	786
FIGURE 10-19. CAB HVAC ACTUATOR HARNESS.....	788
FIGURE 10-20. CAB HVAC ACTUATOR HARNESS.....	790
FIGURE 10-21. CAB - MULTIFUNCTION DISPLAY INSTALLATION.....	792
FIGURE 10-22. CAB SEAT ADAPTOR HARNESS (PREMIUM SEAT)	794
FIGURE 10-23. CAB SEAT BELT ALARM HARNESS.....	796
FIGURE 10-24. CLEARSKY 4G CANBUS INSTALLATION.....	798
FIGURE 10-25. DECLUTCH SWITCH INSTALLATION.....	800
FIGURE 10-26. ELECTRICAL COMPONENTS INSTALLATION.....	802
FIGURE 10-27. ELECTRICAL POWER DISTRIBUTION ELECTRICAL BOX.....	804
FIGURE 10-28. ELECTRICAL RELAY INSTALLATION - 200 AMP	806
FIGURE 10-29. ENGINE WIRING INSTALLATION (ULS)	808
FIGURE 10-30. ENGINE WIRING INSTALLATION (LS).....	810
FIGURE 10-31. ENGINE WIRING INSTALLATION (LRC).....	812
FIGURE 10-32. ENGINE HARNESS (ULS).....	814
FIGURE 10-33. ENGINE HARNESS (LS)	822
FIGURE 10-34. ENGINE HARNESS (LS)	824
FIGURE 10-35. ENGINE HARNESS (HRC).....	830
FIGURE 10-36. ENGINE HARNESS (HRC).....	832
FIGURE 10-37. ENGINE ECU INSTALLATION (HRC)	836
FIGURE 10-38. ENGINE FUEL PUMP HARNESS.....	838
FIGURE 10-39. ENGINE GLOW PLUG RELAY HARNESS.....	840
FIGURE 10-40. ENGINE SPEED SET SWITCH INSTALLATION.....	842
FIGURE 10-41. FRAME MAIN ELECTRICAL INSTALLATION	844
FIGURE 10-42. FRAME HARNESS - REAR	846
FIGURE 10-43. FRAME HARNESS - FRONT.....	850
FIGURE 10-44. IGNITION SWITCH INSTALLATION.....	854
FIGURE 10-45. LIGHTS - DIP LIGHTS INSTALLATION (RH)	856
FIGURE 10-46. LIGHTS - LICENSE PLATE LAMP INSTALLATION	858
FIGURE 10-47. LIGHTS - LICENSE PLATE LAMP HARNESS	860
FIGURE 10-48. LIGHTS - NO ROADLIGHTS INSTALLATION.....	862
FIGURE 10-49. LIGHTS - WORKLIGHTS INSTALLATION (BOOM MOUNTED)	864
FIGURE 10-50. LIGHTS - WORKLIGHTS INSTALLATION - LED (BOOM MOUNTED)	866
FIGURE 10-51. LIGHTS - WORKLIGHTS HARNESS (BOOM MOUNTED LIGHTS)	868
FIGURE 10-52. LIGHTS - WORKLIGHTS INSTALLATION (CAB MOUNTED) (NO A/C)	870
FIGURE 10-53. LIGHTS - WORKLIGHTS INSTALLATION - LED (CAB MOUNTED) (NO A/C).....	872
FIGURE 10-54. LIGHTS - WORKLIGHTS INSTALLATION (CAB MOUNTED) (WITH A/C)	874

TABLE OF CONTENTS

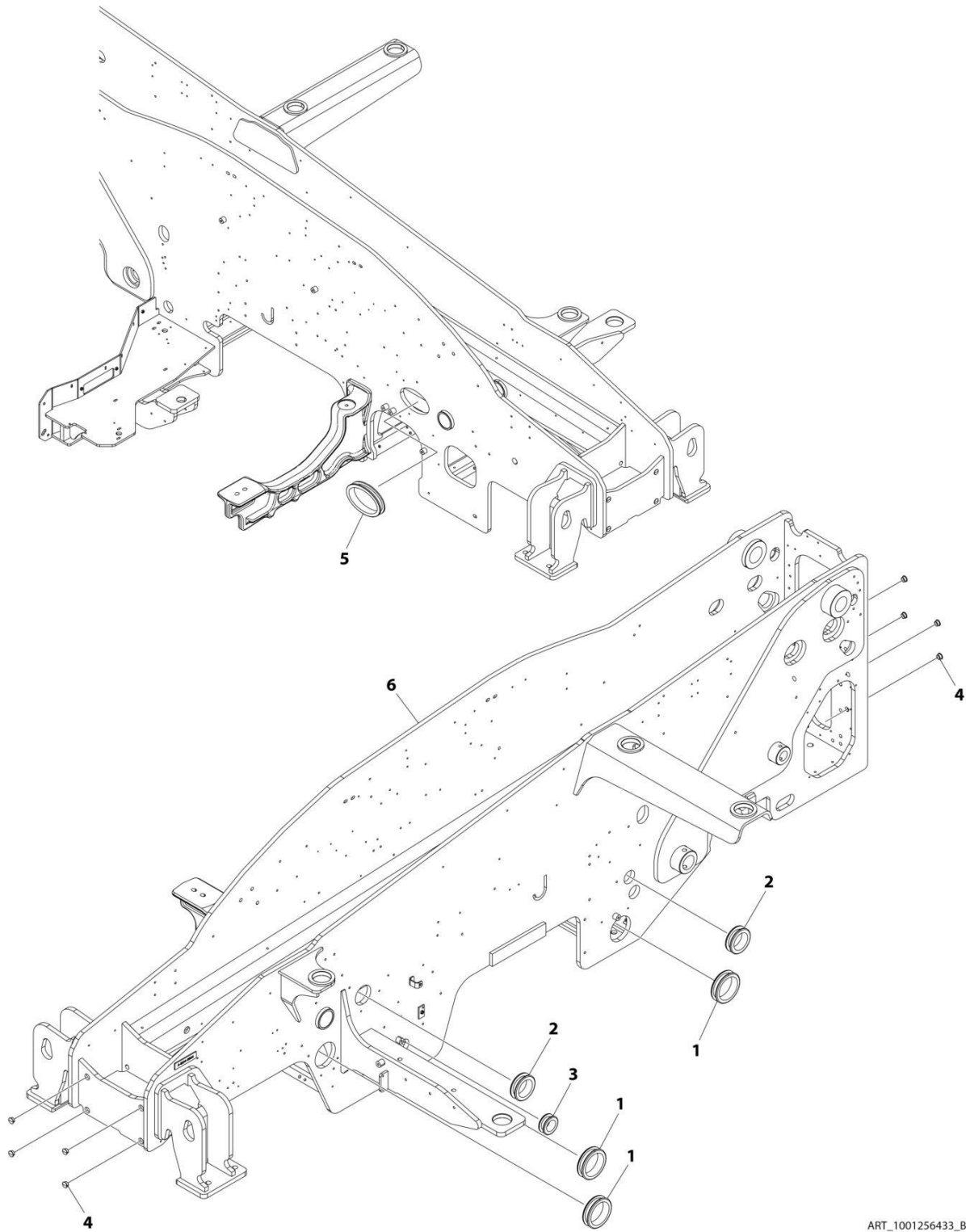
FIGURE 10-55. LIGHTS - WORKLIGHTS INSTALLATION -LED (CAB MOUNTED) (WITH A/C).....	876
FIGURE 10-56. LSI SENSOR INSTALLATION.....	878
FIGURE 10-57. LSI DISPLAY INSTALLATION.....	880
FIGURE 10-58. LSI SENSOR INSTALLATION.....	882
FIGURE 10-59. LSI SWITCH INSTALLATION.....	884
FIGURE 10-60. LSI SENSOR COVER INSTALLATION.....	886
FIGURE 10-61. REVERSE ALARM INSTALLATION.....	888
FIGURE 10-62. REVERSE CAMERA INSTALLATION.....	890
FIGURE 10-63. REVERSE CAMERA INSTALATION (WITHOUT HED).....	892
FIGURE 10-64. REVERSE SENSING INSTALLATION.....	894
FIGURE 10-65. REVERSE SENSING HARNESS.....	896
FIGURE 10-66. TELEMATICS CLEARSKY CAN 4WARD HARNESS.....	898
FIGURE 10-67. TELEMATICS ADAPTER HARNESS.....	900
FIGURE 10-68. TELEMATICS READY INSTALLATION.....	902
FIGURE 10-69. TELEMATICS READY HARNESS.....	904
FIGURE 10-70. TRAILER ELECTRICS INSTALLATION.....	906
FIGURE 10-71. TRAILER CONNECTOR HARNESS.....	908
SECTION 11 - DECALS.....	911
FIGURE 11-1. DECALS INSTALLATION (ANSI).....	912
FIGURE 11-2. DECALS INSTALLATION - JLG.....	916
FIGURE 11-3. DECALS INSTALLATION - JLG AG.....	918
FIGURE 11-4. CAPACITY CHART (ANSI).....	920
FIGURE 11-5. CAPACITY CHARTS (CAT COUPLER) (ANSI).....	922
FIGURE 11-6. CAPACITY CHARTS (CAT COUPLER) (METRIC).....	924
FIGURE 11-7. CAPACITY CHART HOLDER INSTALLATION.....	926
FIGURE 11-8. CLEARSKY DECAL INSTALLATION.....	928
FIGURE 11-9. TRIANGLE INSTALLATION - SLOW MOVING VEHICLE.....	930
FIGURE 11-10. TRIANGLE INSTALLATION - SLOW MOVING VEHICLE (WITH HITCH).....	932
SECTION 12 - RECOMMENDED SERVICE PARTS STOCK.....	935
FIGURE 12-1. RECOMMENDED SERVICE PARTS STOCK.....	936
SECTION 13 - SPECIAL OPTIONS/ACCESSORIES/KITS.....	939
FIGURE 13-1. SPECIAL OPTIONS/ACCESSORIES/KITS.....	940
PART NUMBER INDEX.....	941

SECTION 1 - FRAME AND ATTACHING PARTS

SECTION 1 - FRAME AND ATTACHING PARTS

SECTION 1 - FRAME AND ATTACHING PARTS

FIGURE 1-1. FRAME INSTALLATION



ART_1001256433_B

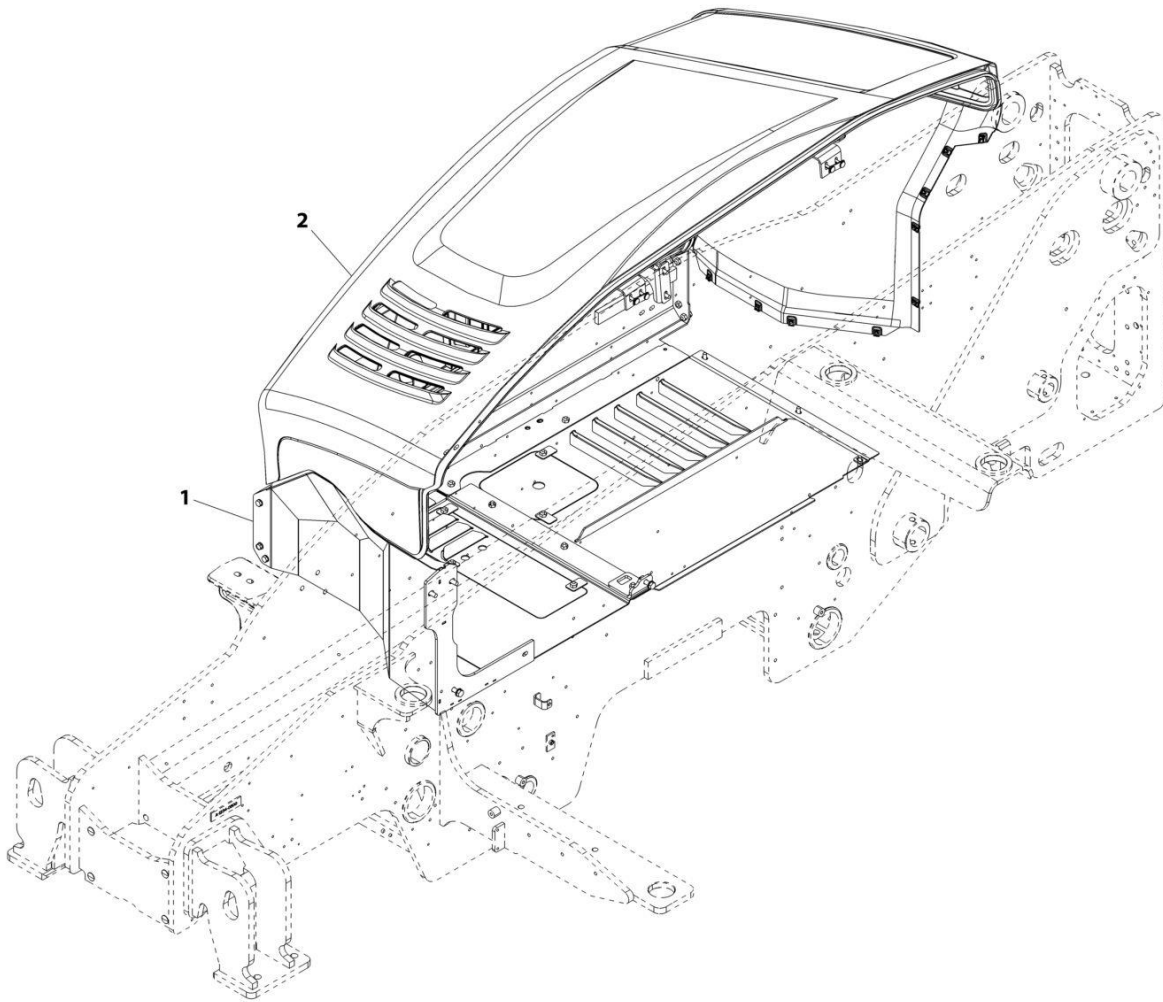
SECTION 1 - FRAME AND ATTACHING PARTS

FIGURE 1-1. FRAME INSTALLATION

ITEM	PART NUMBER	QTY	DESCRIPTION	REV
	1001256433	Ref	FRAME INSTALLATION	B
1	1001003439	3	Grommet, Rubber	
2	1001028291	2	Grommet	
3	1001028308	1	Grommet, Rubber	
4	1001091126	8	Plug, Black	
5	1001217550	1	Grommet, Rubber	
6	1001256434	1	Frame	

SECTION 1 - FRAME AND ATTACHING PARTS

FIGURE 1-2. ENGINE ENCLOSURE INSTALLATION



ART_1001257415-A

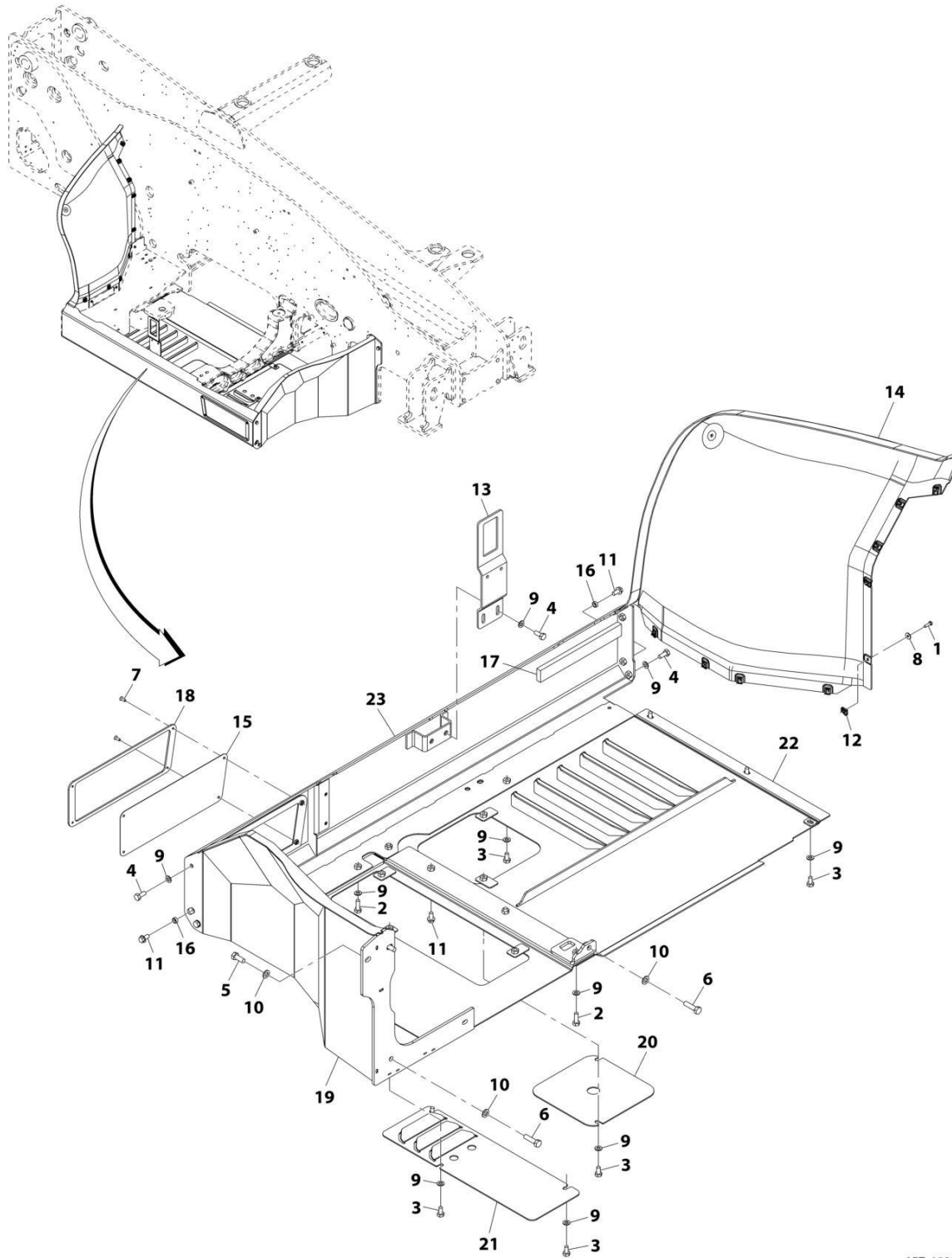
SECTION 1 - FRAME AND ATTACHING PARTS

FIGURE 1-2. ENGINE ENCLOSURE INSTALLATION

ITEM	PART NUMBER	QTY	DESCRIPTION	REV
1	1001257415	Ref	Engine Enclosure Installation (NO RHOC)	A
	1001195829	1	Installation, Engine Enclosure Cover (RHOC) (See Separate Breakdown in this Section)	
2	1001257414	1	Installation, Hood (See Separate Breakdown in this Section)	

SECTION 1 - FRAME AND ATTACHING PARTS

FIGURE 1-3. ENGINE ENCLOSURE COVER INSTALLATION



ART_1001195829-C

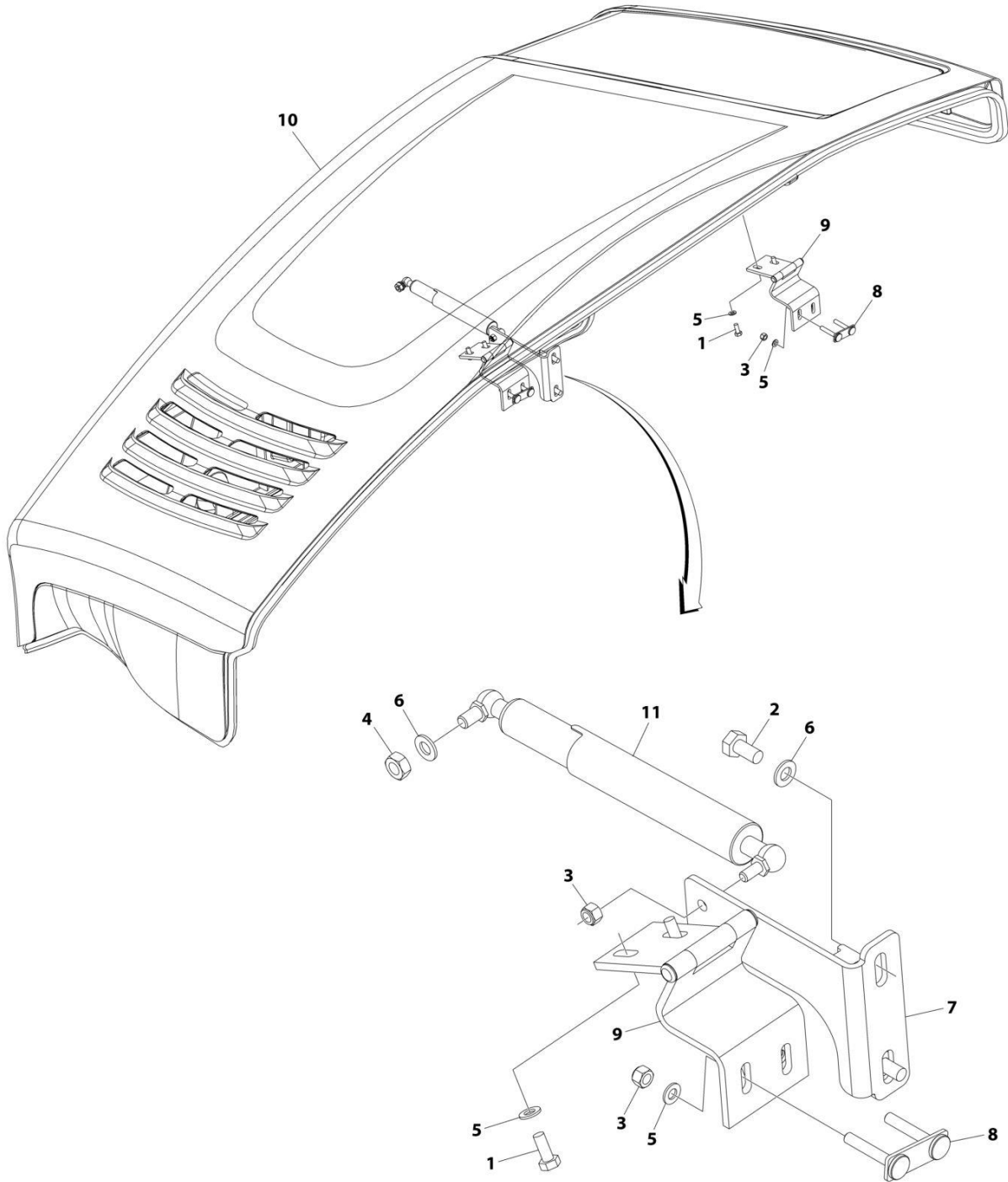
SECTION 1 - FRAME AND ATTACHING PARTS

FIGURE 1-3. ENGINE ENCLOSURE COVER INSTALLATION

ITEM	PART NUMBER	QTY	DESCRIPTION	REV
	1001195829	Ref	Engine Enclosure Cover Installation (RHOC)	E
1	0700610	9	Bolt, M6 X 20	
2	0701014	2	Bolt, M10X30	
3	0761010	10	Bolt, M10X20	
4	0761012	6	Bolt, M10X25	
5	0761214	2	Bolt, M12X30	
6	0761217	2	Bolt, M12X45	
7	3900224	4	Screw	
8	4811702	9	Washer, M6	
9	4812000	18	Washer, M10	
10	4812100	4	Washer, M12	
11	5251010	4	Bolt, M10X20 Grade 10.9	
12	8305919	9	Nut, M6	
13	1001154688	1	Plate	
14	1001184524	1	Cover, Engine Enclosure Rear	
15	1001185061	1	Grill, Engine Enclosure	
16	1001197135	2	Sleeve, Enclosure Skirt	
17	1001197266	1	Seal, Engine Enclosure	
18	1001185023J	1	Panel, Front Vent	
19	1001195210J	1	Panel, Front Enclosure	
20	1001195240J	1	Plate	
21	1001195252J	1	Plate	
22	1001201805J	1	Panel, Engine Enclosure Base	
23	1001196876J	1	Panel, Engine Enclosure Side	

SECTION 1 - FRAME AND ATTACHING PARTS

FIGURE 1-4. HOOD INSTALLATION



ART_1001257414

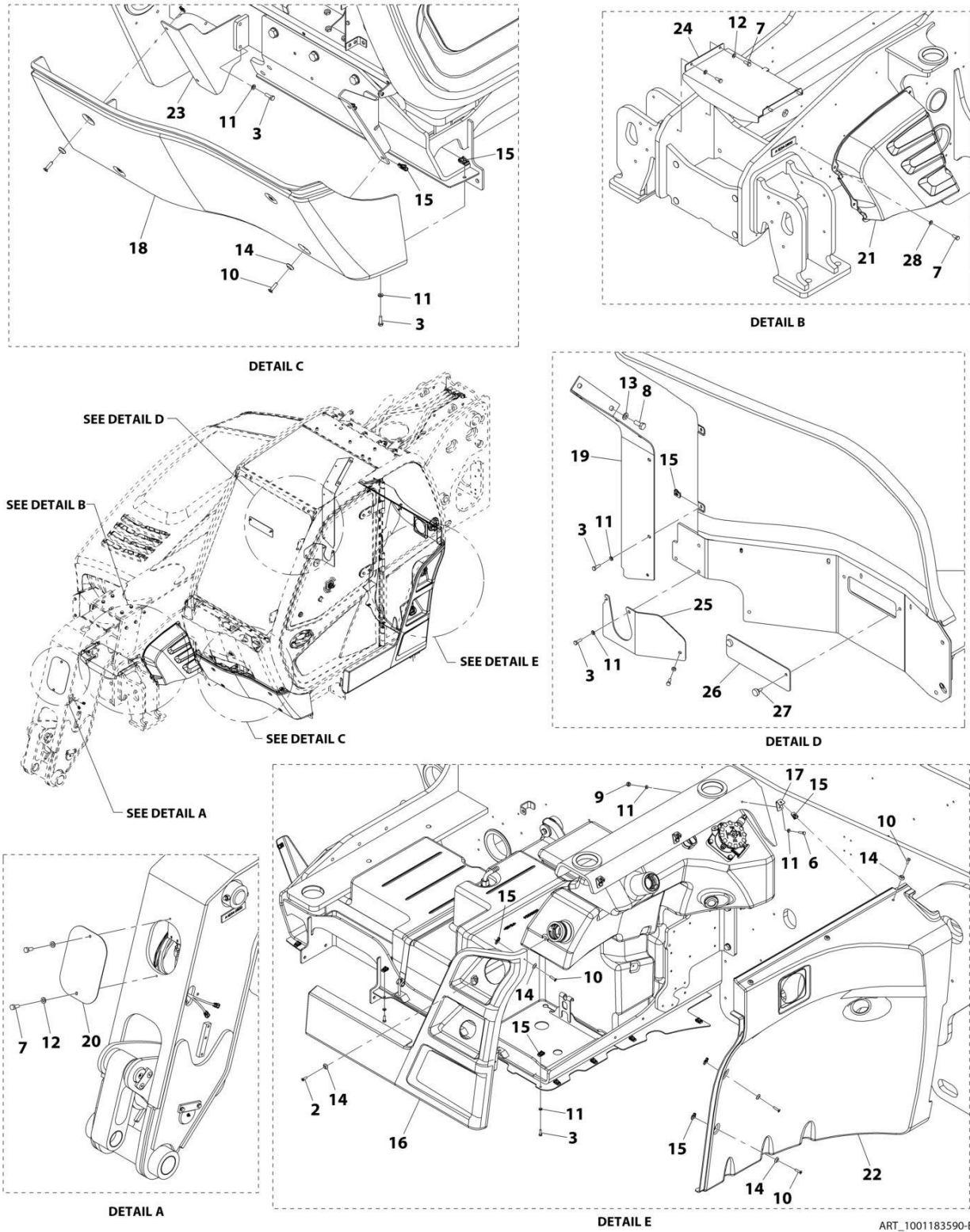
SECTION 1 - FRAME AND ATTACHING PARTS

FIGURE 1-4. HOOD INSTALLATION

ITEM	PART NUMBER	QTY	DESCRIPTION	REV
	1001257414	Ref	HOOD INSTALLATION	D
1	0760810	4	Bolt M8 x 20	
2	0761010	2	Bolt M10 x 20	
3	3290805	5	Nut M8	
4	3291001	1	Nut M10	
5	4811900	8	Washer M8	
6	4812000	3	Washer M10	
7	1001273847	1	Bracket	
8	1001195587	2	Brace	
9	1001205080	2	Hinge, Hood	
10	1001257413	1	Hood	
11	1001271338	1	Spring	

SECTION 1 - FRAME AND ATTACHING PARTS

FIGURE 1-5. COVER PLATES INSTALLATION (NO OUTRIGGERS - ULS)



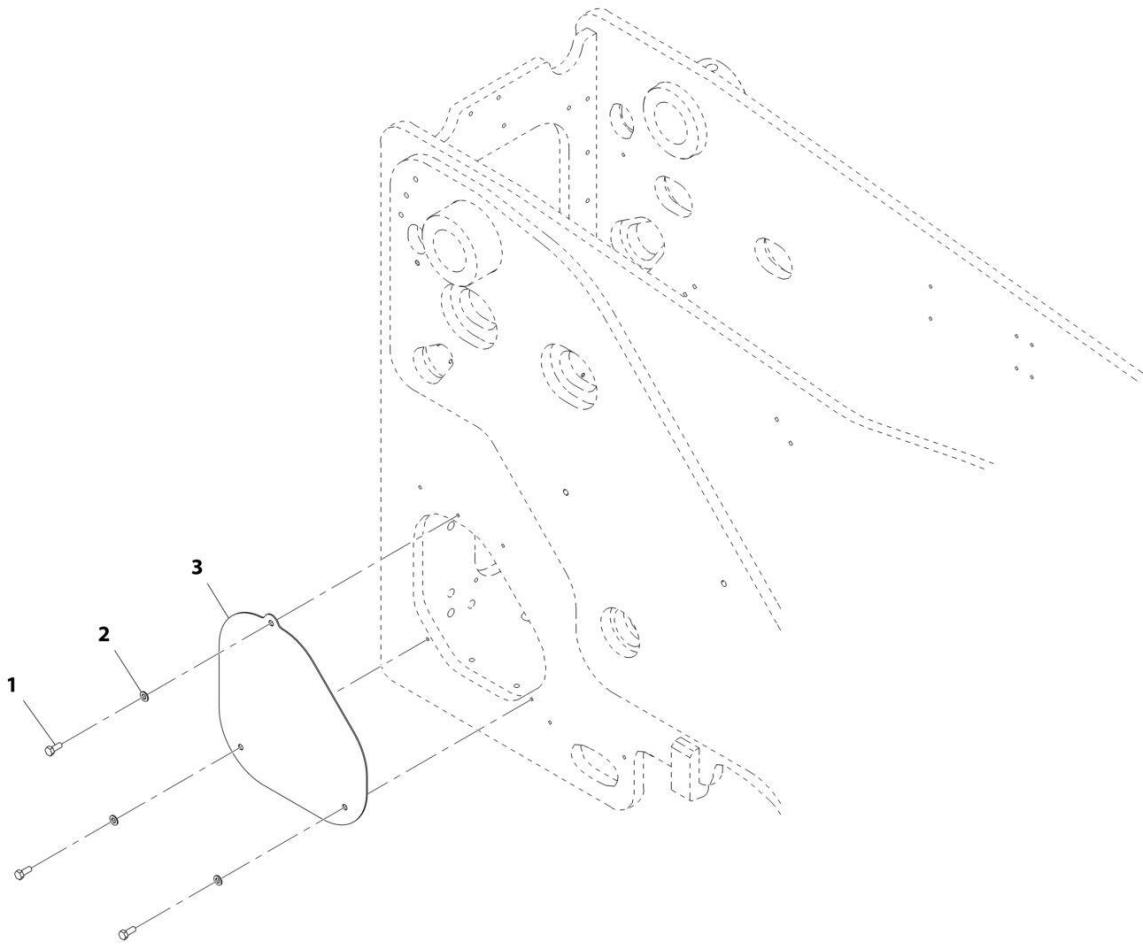
SECTION 1 - FRAME AND ATTACHING PARTS

FIGURE 1-5. COVER PLATES INSTALLATION (NO OUTRIGGERS - ULS)

ITEM	PART NUMBER	QTY	DESCRIPTION	REV
	1001183590	Ref	Cover Plates Installation (No Outriggers - ULS)	E
2	0630576	1	Screw, M6X20	
3	0700610	14	Bolt, M6X20	
6	0760612	3	Bolt, M6X25	
7	0760810	10	Bolt, M8X20	
8	0761012	2	Bolt, M10X25	
9	3290605	3	Nut, Lock M6X1 Grade 8	
10	3900379	10	Screw, M6-1X25 Grade 10.9	
11	4811700	20	Washer, M6	
12	4811900	6	Washer, M8	
13	4812000	2	Washer, M10	
14	1001097540	11	Washer, M6	
15	8305919	18	Nut, M6	
16	1001168758	1	Cover, Side Tank	
17	1001171782	3	Plate, Angle Mount	
18	1001174328	1	Cover, Lower Front	
19	1001182210	1	Plate, Enclosure Rear	
20	1001185936	1	Plate, Cover Boom Head	
21	1001187717	1	Cover, ECU	
22	1001190408	1	Cover, Rear Tank	
23	1001191808	1	Bracket, Cover	
24	1001189984J	1	Panel, Frame	
25	1001201504J	1	Panel, Cover	
26	1001216923J	1	Plate, Radiator Cover	
27	2080092	2	Screw, Thumb M6X20	
28	4811902	4	Washer, M8	

SECTION 1 - FRAME AND ATTACHING PARTS

FIGURE 1-6. COVER PLATE INSTALLATION (NO TRAILER BRAKES)



ART_1001203386-A

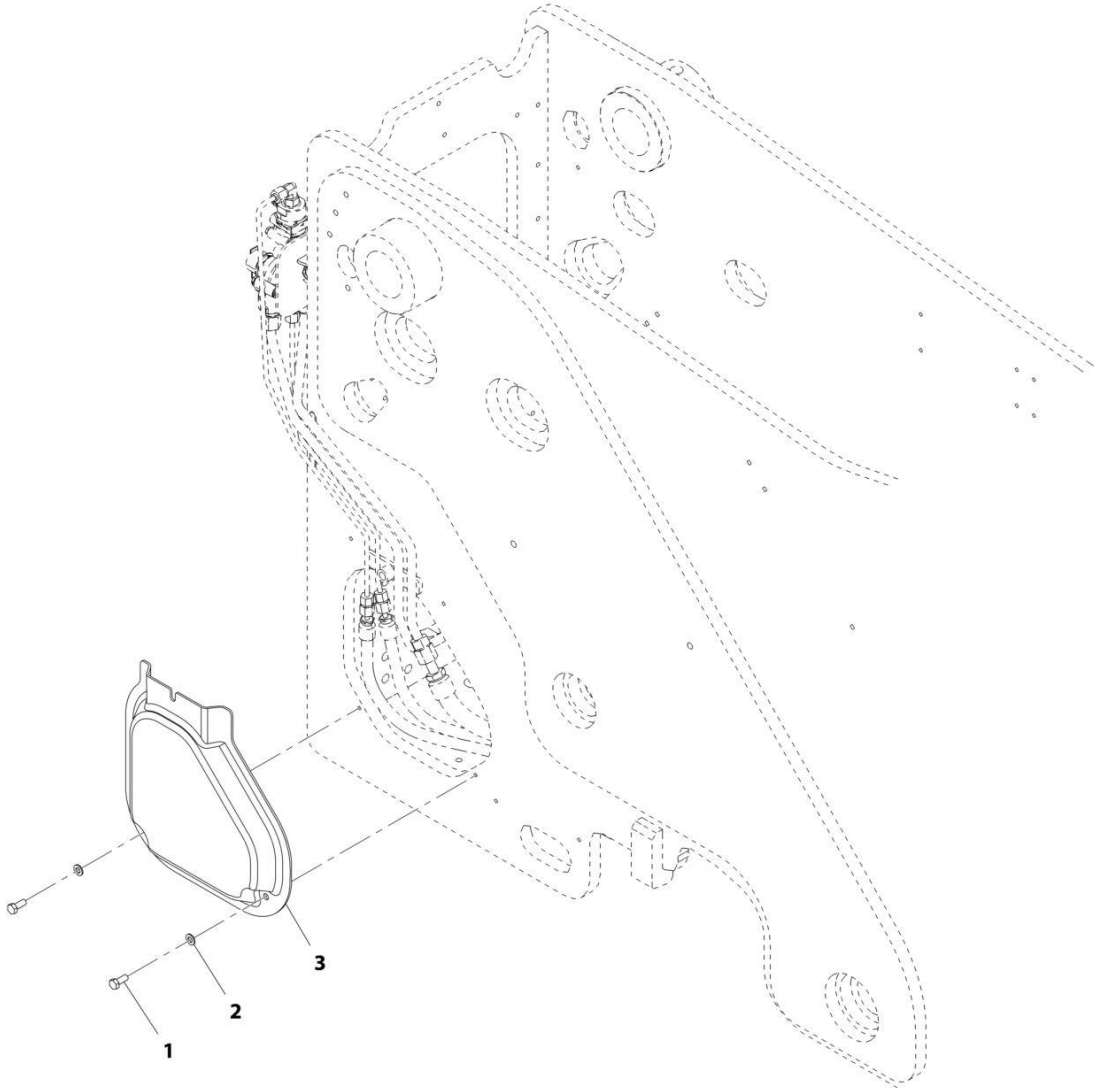
SECTION 1 - FRAME AND ATTACHING PARTS

FIGURE 1-6. COVER PLATE INSTALLATION (NO TRAILER BRAKES)

ITEM	PART NUMBER	QTY	DESCRIPTION	REV
	1001203386	Ref	Cover Plate Installation (No Trailer Brakes)	A
1	0760810	3	Bolt, M8X20	
2	4811900	3	Washer, M8	
3	1001180574J	1	Plate, Cover	

SECTION 1 - FRAME AND ATTACHING PARTS

FIGURE 1-7. COVER PLATE INSTALLATION (TRAILER BRAKES)



ART_1001203406-A

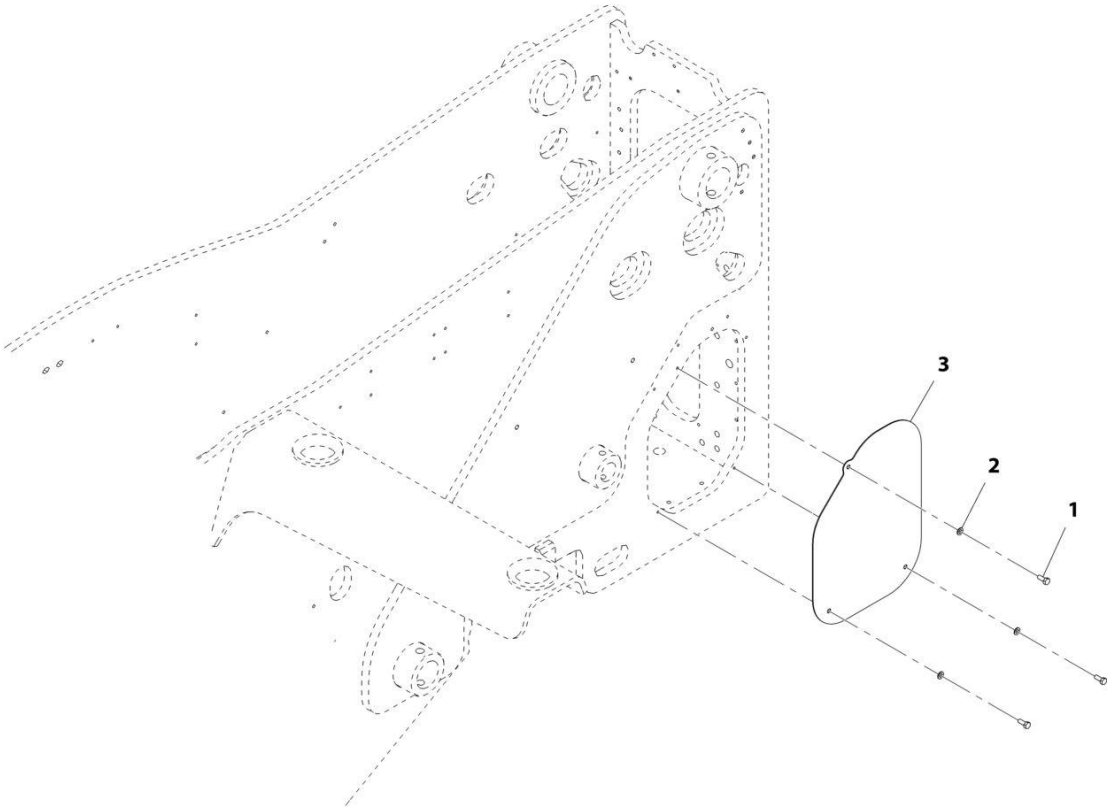
SECTION 1 - FRAME AND ATTACHING PARTS

FIGURE 1-7. COVER PLATE INSTALLATION (TRAILER BRAKES)

ITEM	PART NUMBER	QTY	DESCRIPTION	REV
	1001203406	Ref	Cover Plate Installation (Trailer Brakes)	A
1	0760810	2	Bolt, M8X20	
2	4811900	2	Washer, M8	
3	1001203410	1	Cover, Frame	

SECTION 1 - FRAME AND ATTACHING PARTS

FIGURE 1-8. COVER PLATE INSTALLATION (NO REAR AUX)



ART_1001203374-A

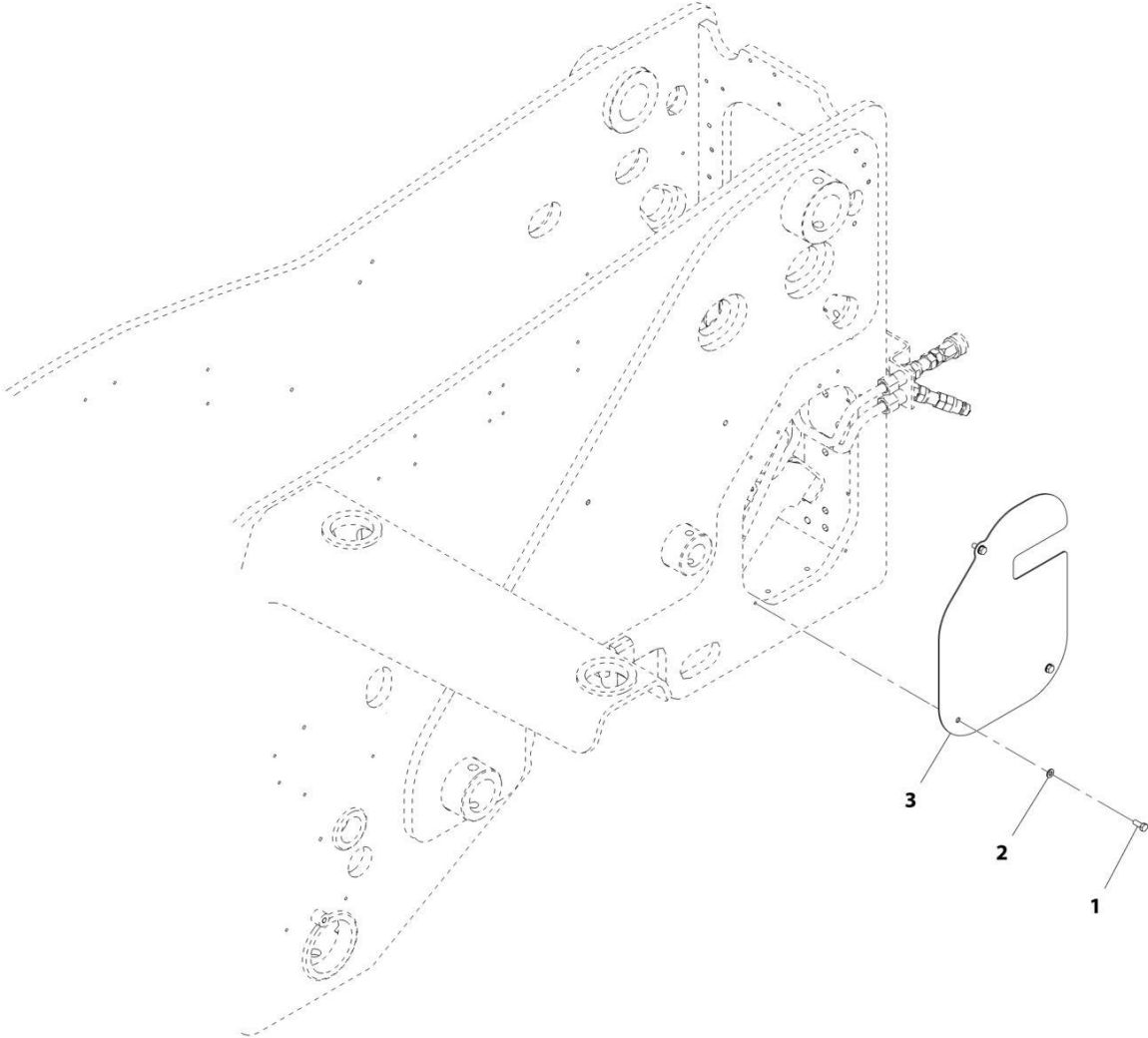
SECTION 1 - FRAME AND ATTACHING PARTS

FIGURE 1-8. COVER PLATE INSTALLATION (NO REAR AUX)

ITEM	PART NUMBER	QTY	DESCRIPTION	REV
	1001203374	Ref	Cover Plate Installation (No Rear Aux)	A
1	0760810	3	Bolt, M8X20	
2	4811900	3	Washer, M8	
3	1001183908J	1	Plate, Cover	

SECTION 1 - FRAME AND ATTACHING PARTS

FIGURE 1-9. COVER PLATE INSTALLATION (REAR AUX)



ART_1001203402-B

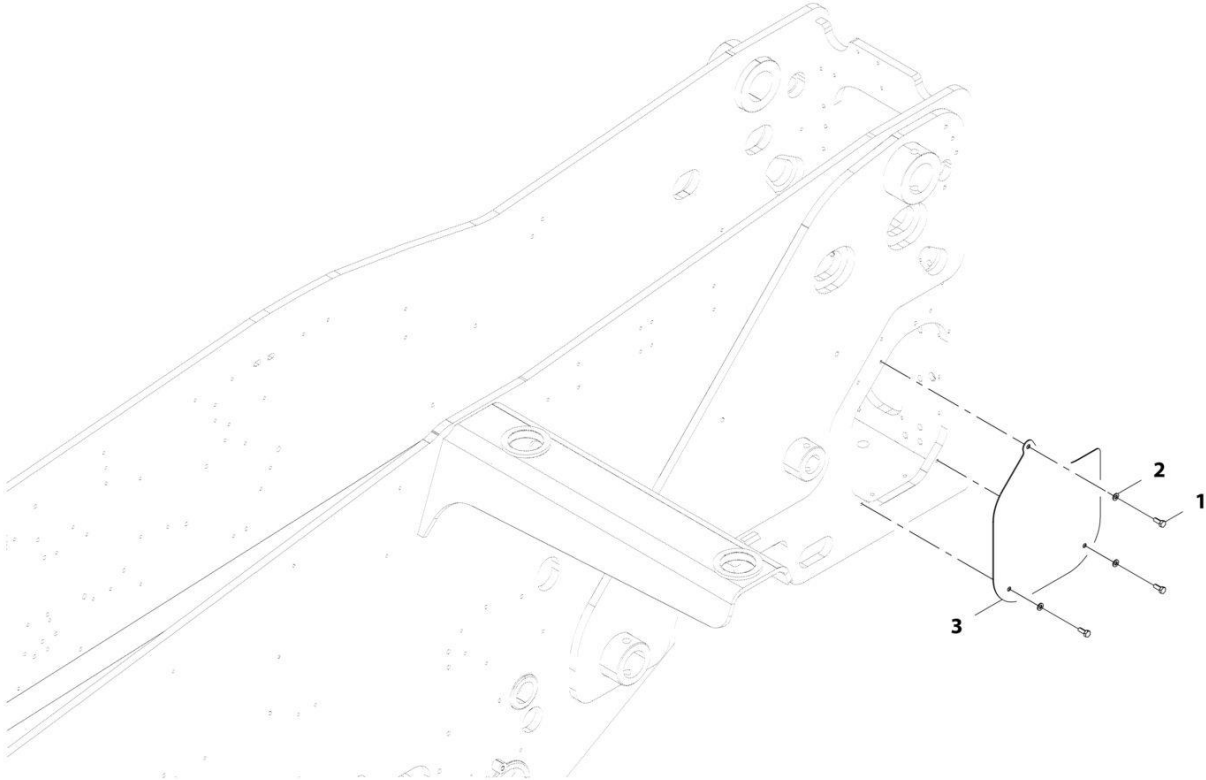
SECTION 1 - FRAME AND ATTACHING PARTS

FIGURE 1-9. COVER PLATE INSTALLATION (REAR AUX)

ITEM	PART NUMBER	QTY	DESCRIPTION	REV
	1001203402	Ref	Cover Plate Installation (Rear Aux)	B
1	0760810	3	Bolt, M8X20	
2	4811900	3	Washer, M8	
3	1001203408J	1	Plate, Cover	

SECTION 1 - FRAME AND ATTACHING PARTS

FIGURE 1-10. COVER PLATE INSTALLATION (HYDRAULIC HITCH AND REAR AUX)



ART_1001214492-A

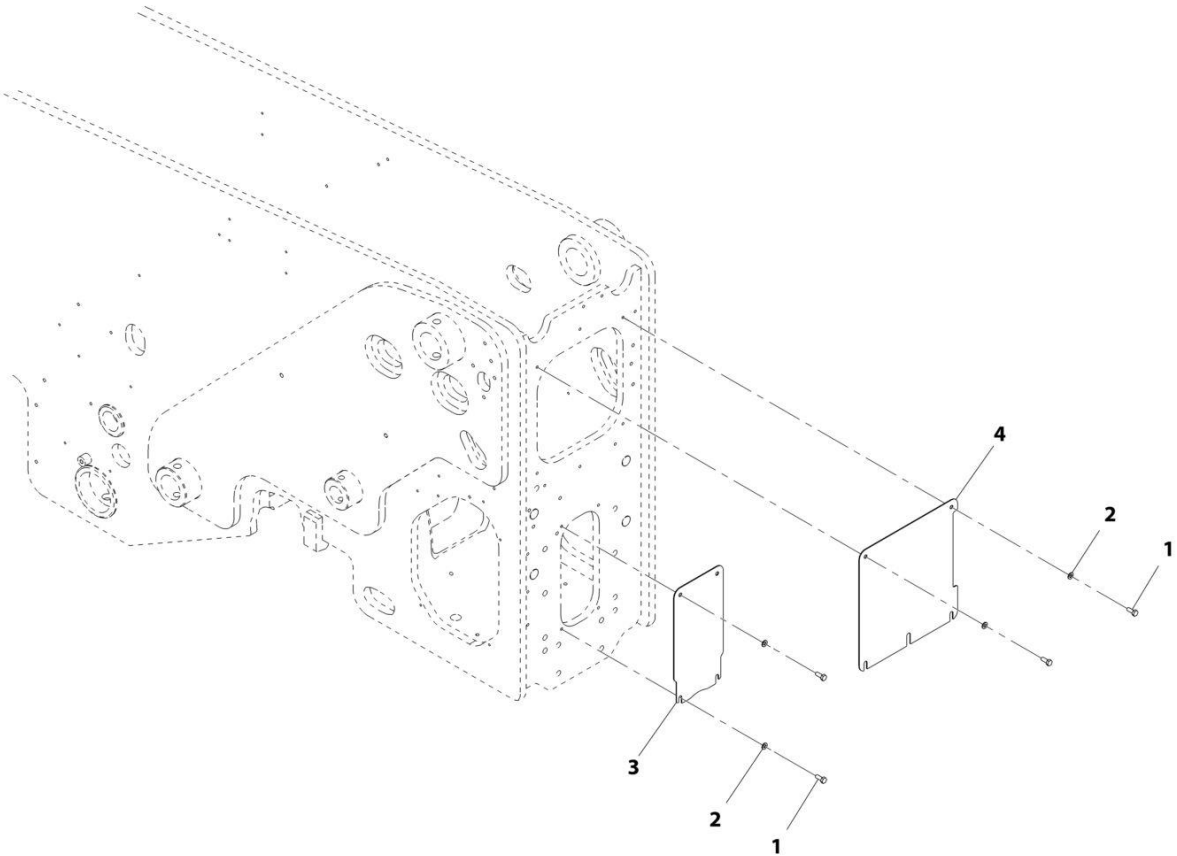
SECTION 1 - FRAME AND ATTACHING PARTS

FIGURE 1-10. COVER PLATE INSTALLATION (HYDRAULIC HITCH AND REAR AUX)

ITEM	PART NUMBER	QTY	DESCRIPTION	REV
	1001214492	Ref	Cover Plate Installation (Hydraulic Hitch and Rear Aux)	A
1	0760810	3	Bolt, M8X20	
2	4811900	3	Washer, M8	
3	1001214036J	1	Plate	

SECTION 1 - FRAME AND ATTACHING PARTS

FIGURE 1-11. REAR COVER PLATE INSTALLATION (NO HYDRAULIC HITCH)



ART_1001203291-B

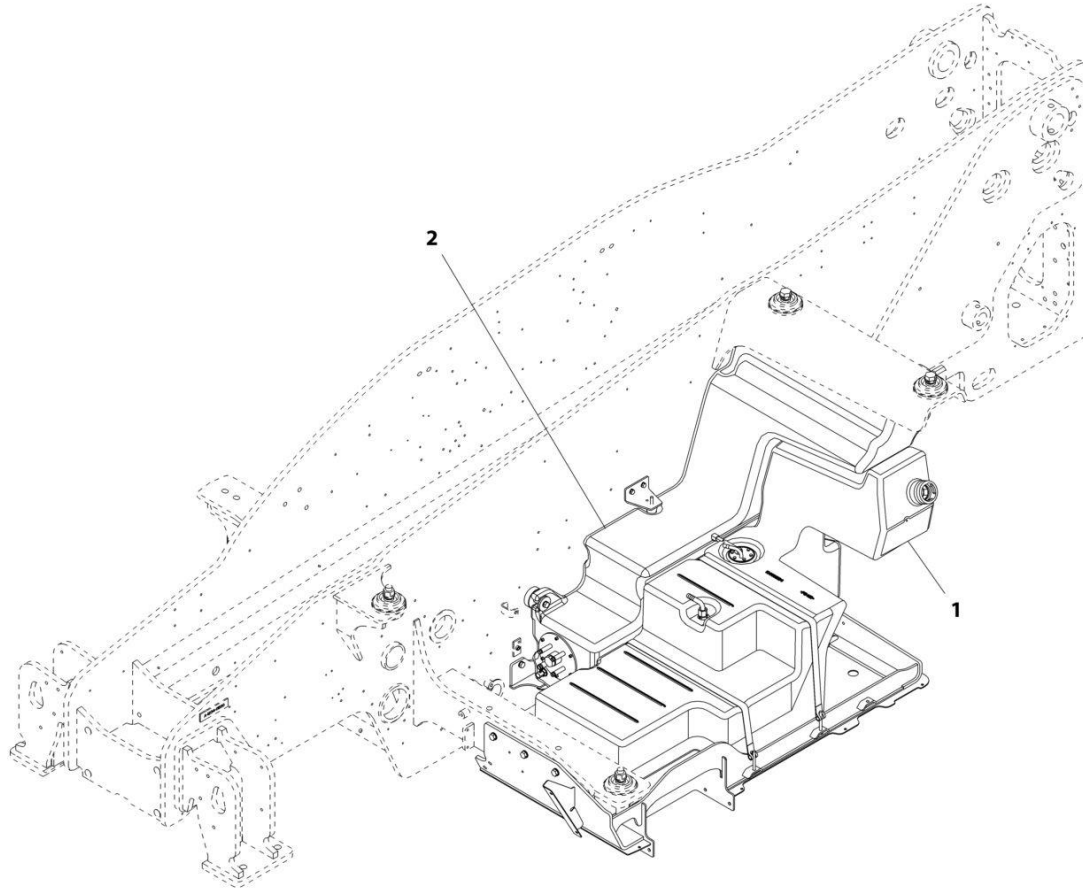
SECTION 1 - FRAME AND ATTACHING PARTS

FIGURE 1-11. REAR COVER PLATE INSTALLATION (NO HYDRAULIC HITCH)

ITEM	PART NUMBER	QTY	DESCRIPTION	REV
	1001203291	Ref	Rear Cover Plate Installation (No Hydraulic Hitch)	B
1	0760810	8	Bolt, M8X20	
2	4811900	8	Washer, M8	
3	1001183909J	1	Plate, Cover	
4	1001183910J	1	Plate, Cover	

SECTION 1 - FRAME AND ATTACHING PARTS

FIGURE 1-12. TANKS INSTALLATION



ART_1001176964-B

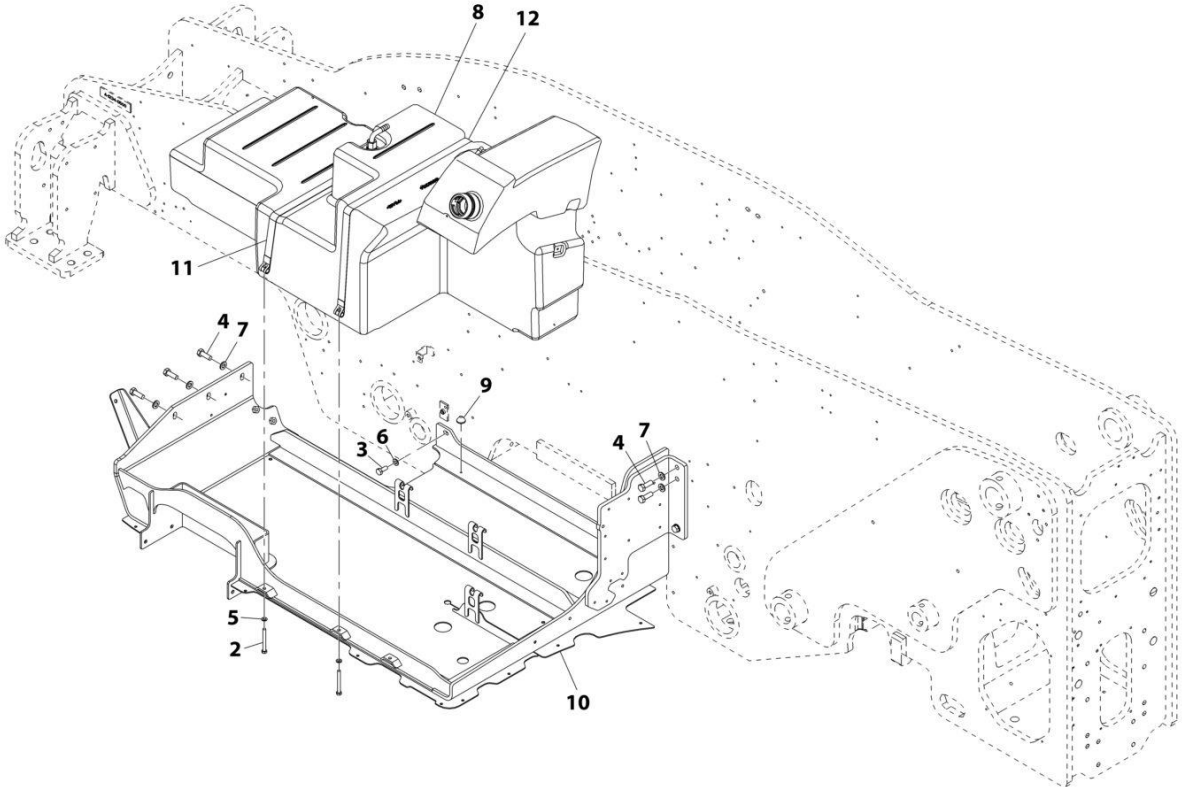
SECTION 1 - FRAME AND ATTACHING PARTS

FIGURE 1-12. TANKS INSTALLATION

ITEM	PART NUMBER	QTY	DESCRIPTION	REV
1	1001176964	Ref	Tanks Installation	B
	1001176965	Ref	Installation, Fuel Tank (See Separate Breakdown in this Section)	
	1001176966	Ref	Installation, Hydraulic Tank (See Separate Breakdown in this Section)	

SECTION 1 - FRAME AND ATTACHING PARTS

FIGURE 1-13. FUEL TANK INSTALLATION



ART_1001176965-D

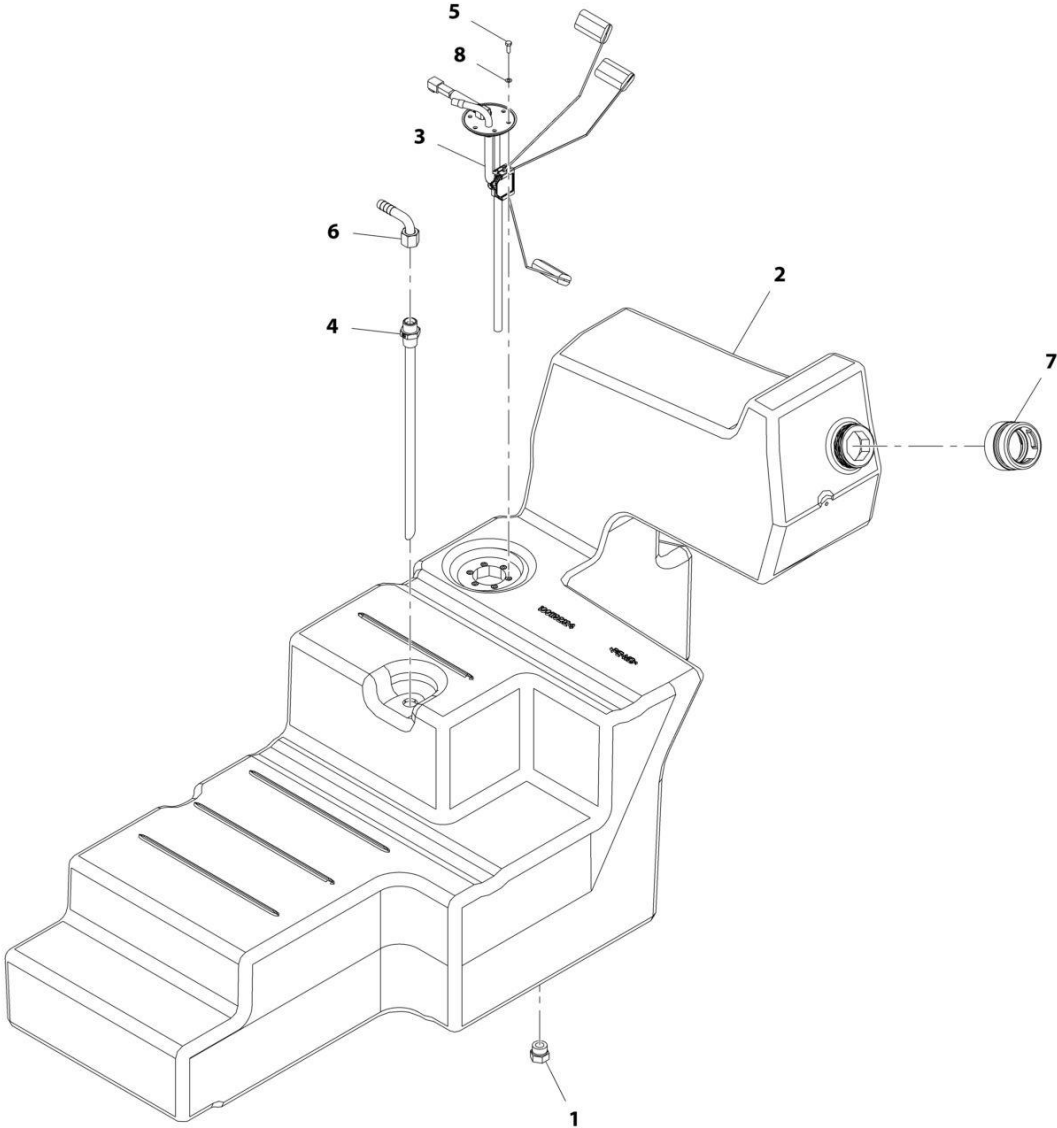
SECTION 1 - FRAME AND ATTACHING PARTS

FIGURE 1-13. FUEL TANK INSTALLATION

ITEM	PART NUMBER	QTY	DESCRIPTION	REV
	1001176965	Ref	Fuel Tank Installation	D
2	0760823	2	Bolt, M8X75	
3	0761012	1	Bolt, M10X25	
4	0761215	6	Bolt, M12X35	
5	4811900	2	Washer, M8	
6	4812000	1	Washer, M10	
7	4812100	6	Washer, M12	
8	1001192125	1	Assembly, Fuel Tank (See Separate Breakdown in this Section)	
9	1001169454	4	Mount	
10	1001197360	1	Support, Plate	
11	1001178474	1	Strap, Tank	
12	1001178693	1	Strap, Tank	

SECTION 1 - FRAME AND ATTACHING PARTS

FIGURE 1-14. FUEL TANK ASSEMBLY



ART_1001192125-C

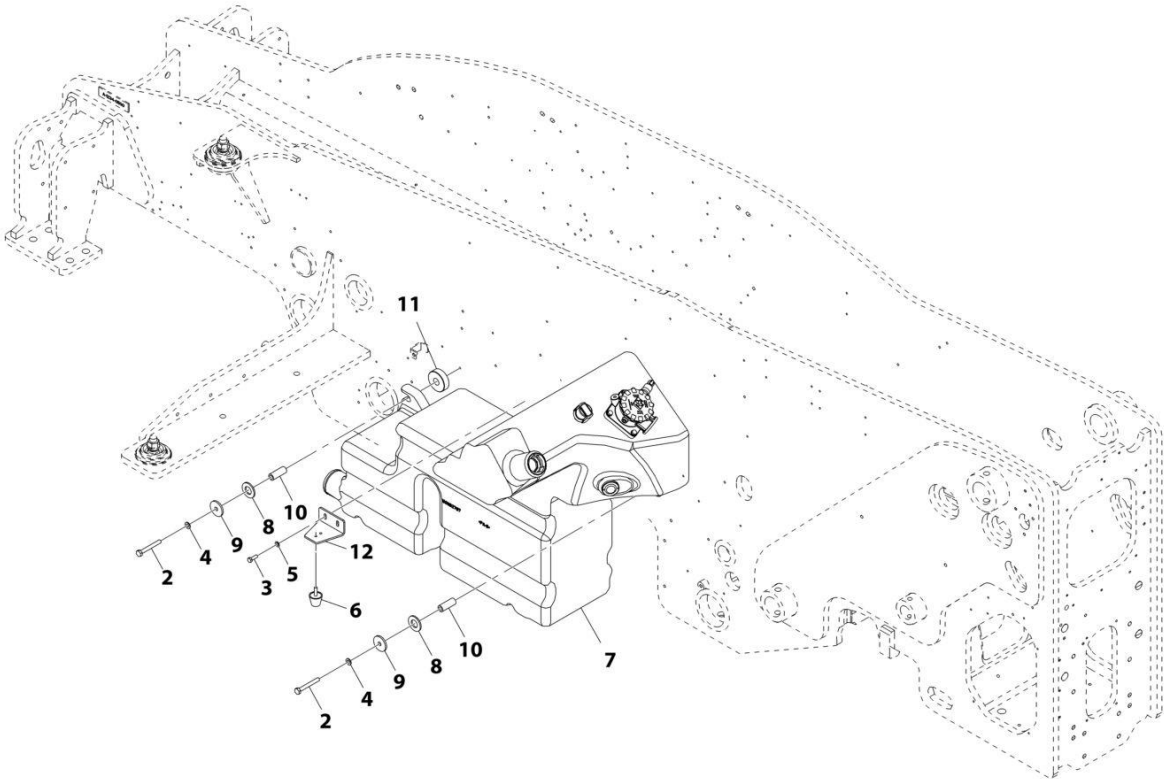
SECTION 1 - FRAME AND ATTACHING PARTS

FIGURE 1-14. FUEL TANK ASSEMBLY

ITEM	PART NUMBER	QTY	DESCRIPTION	REV
	1001192125	Ref	FUEL TANK ASSEMBLY	C
1	1001003427	1	Plug	
2	1001192124	1	Tank, Fuel	
3	1001222188	1	Pump, Fuel	
4	1001170106	1	Pipe, Fuel Supply	
5	4031607	6	Bolt, M5X16	
6	1001172693	1	Fitting, 90	
7	1001192392	1	Adapter	
8	1001222190	6	Washer	

SECTION 1 - FRAME AND ATTACHING PARTS

FIGURE 1-15. HYDRAULIC TANK INSTALLATION



ART_1001176966-C

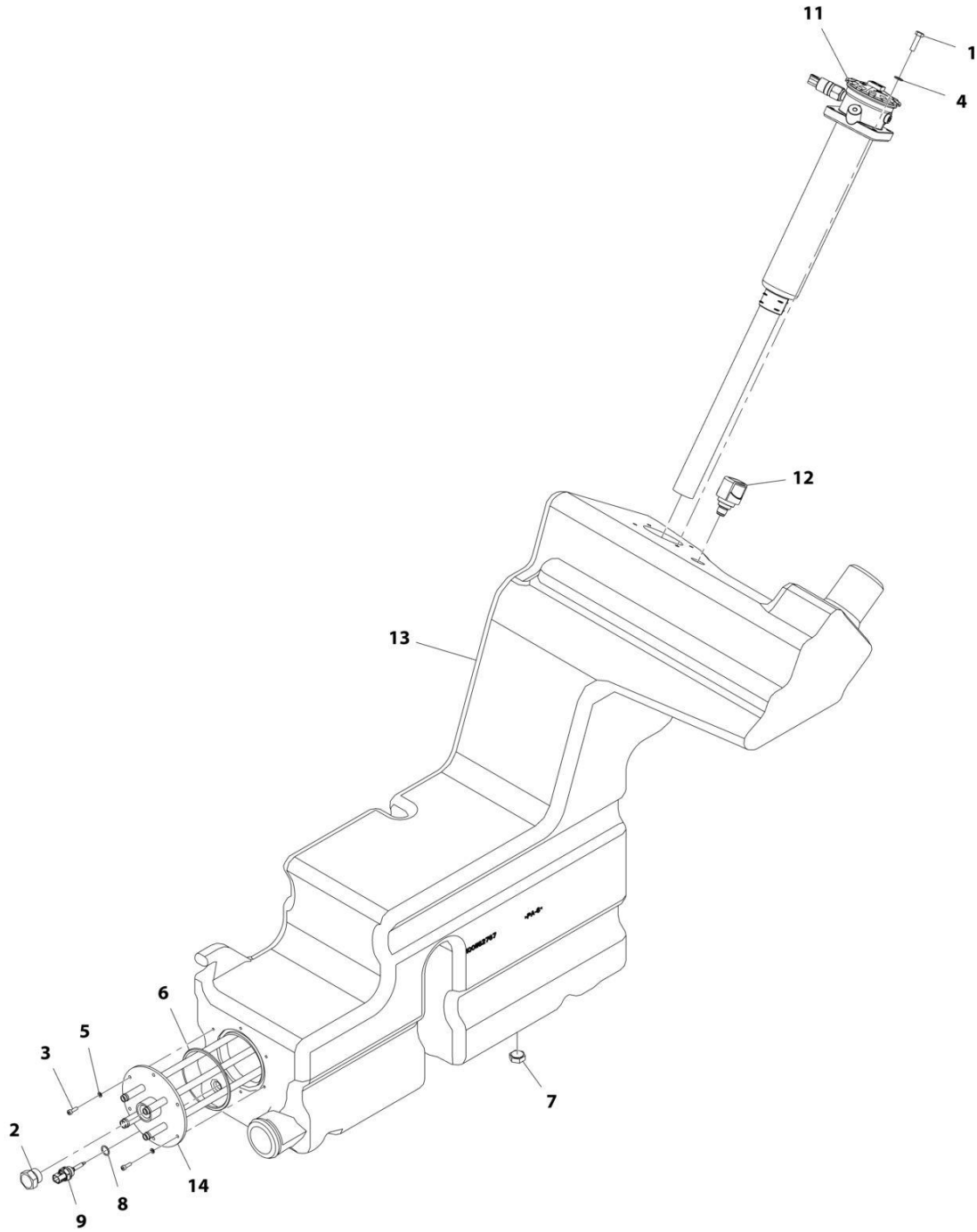
SECTION 1 - FRAME AND ATTACHING PARTS

FIGURE 1-15. HYDRAULIC TANK INSTALLATION

ITEM	PART NUMBER	QTY	DESCRIPTION	REV
	1001176966	Ref	Hydraulic Tank Installation	C
2	0701024	2	Bolt, M10X80	
3	0760812	2	Bolt, M8X25	
4	4812000	2	Washer, M10	
5	4811900	2	Washer, M8	
6	1001008575	1	Bumper	
7	1001191521	1	Assembly, Hydraulic Tank (See Separate Breakdown in this Section)	
8	1001172146	2	Washer	
9	1001172147	2	Washer, M10	
10	1001177060	2	Sleeve, Spacer	
11	1001177062	2	Washer	
12	1001177082	1	Bracket, Frame	

SECTION 1 - FRAME AND ATTACHING PARTS

FIGURE 1-16. HYDRAULIC TANK ASSEMBLY



ART_1001191521-D

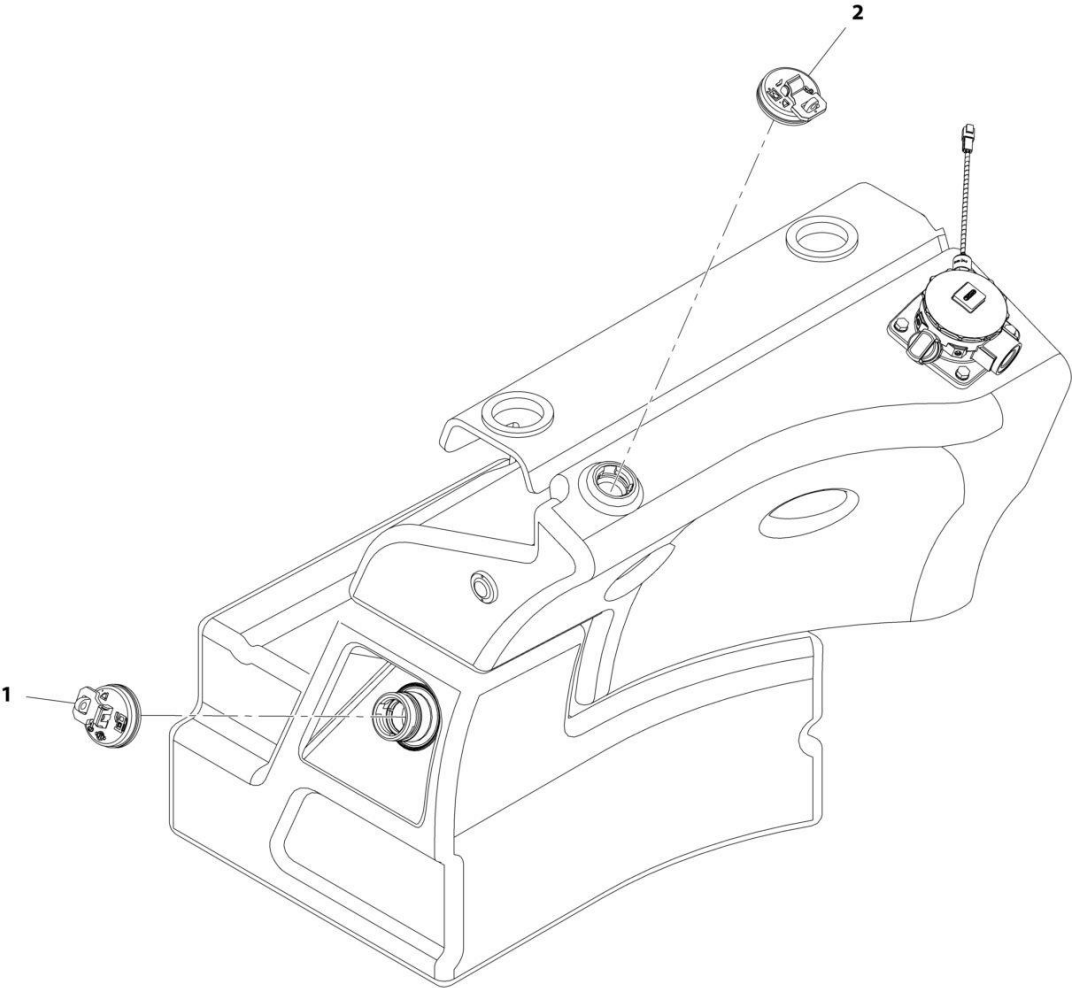
SECTION 1 - FRAME AND ATTACHING PARTS

FIGURE 1-16. HYDRAULIC TANK ASSEMBLY

ITEM	PART NUMBER	QTY	DESCRIPTION	REV
	1001191521	Ref	HYDRAULIC TANK ASSEMBLY	D
1	0700814	4	Bolt M8 x 30	
2	2220240	1	Plug	
3	4031607	6	Screw M5 x 16	
4	4811900	4	Washer M8	
5	4831600	6	Washer, Lock M5	
6	1001003301	1	O-Ring	
7	2220239	1	Plug	
8	1001009163	1	O-Ring	
9	1001128478	1	Sensor, Hydraulic Oil Temperature	
11	1001162659	1	Filter, Hydraulic	
12	1001162662	1	Filter, Breather	
13	1001162767	1	Tank, Hydraulic	
14	1001191533	1	Manifold, Hydraulic Return	

SECTION 1 - FRAME AND ATTACHING PARTS

FIGURE 1-17. FUEL AND HYDRAULIC CAP INSTALLATION



ART_1001197275-A

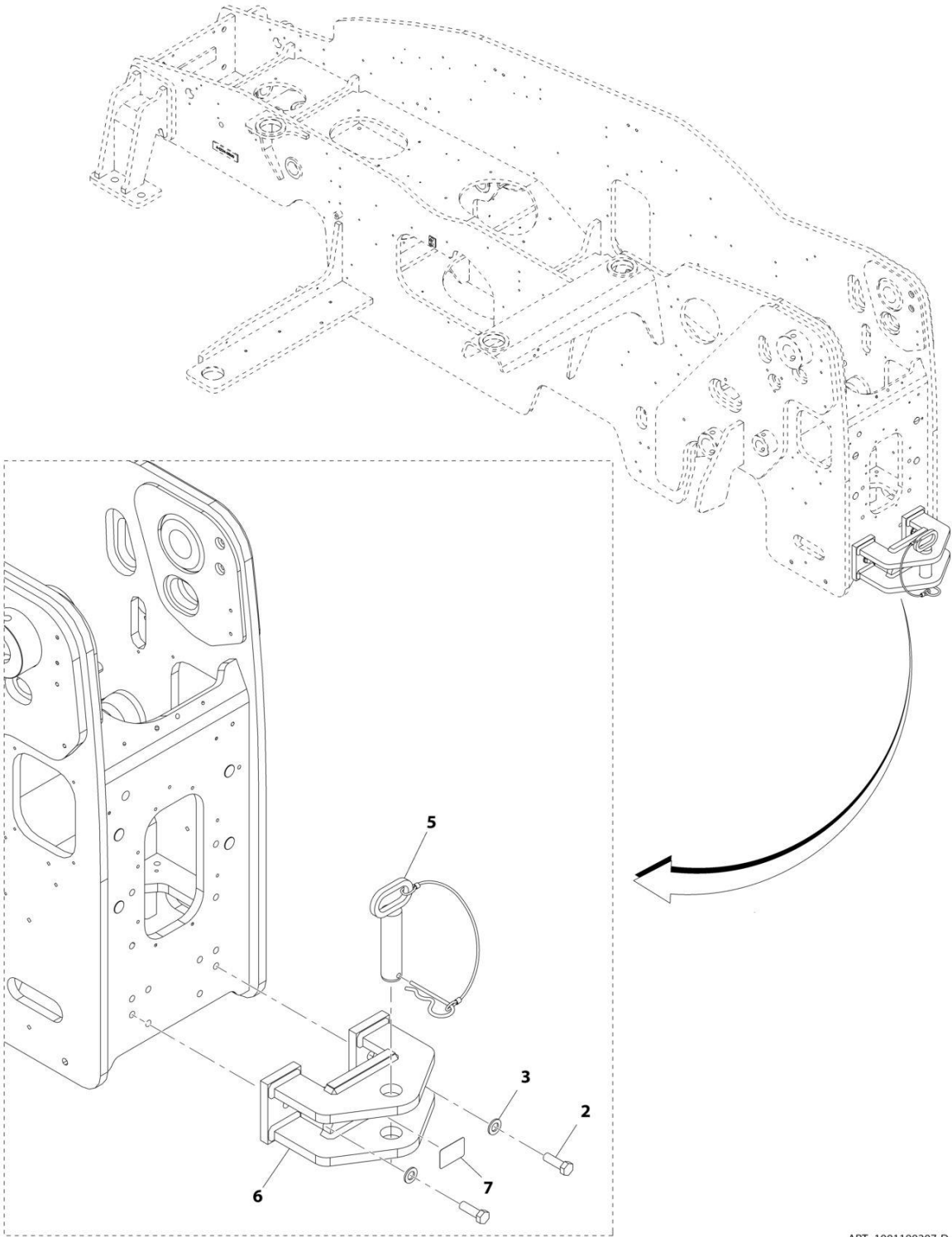
SECTION 1 - FRAME AND ATTACHING PARTS

FIGURE 1-17. FUEL AND HYDRAULIC CAP INSTALLATION

ITEM	PART NUMBER	QTY	DESCRIPTION	REV
	1001197275	Ref	Fuel and Hydraulic Cap Installation	A
1	1001142658	1	Cap, Fuel	
2	1001142659	1	Cap, Hydraulic	

SECTION 1 - FRAME AND ATTACHING PARTS

FIGURE 1-18. HITCH RETRIEVAL INSTALLATION



ART_1001180207-D

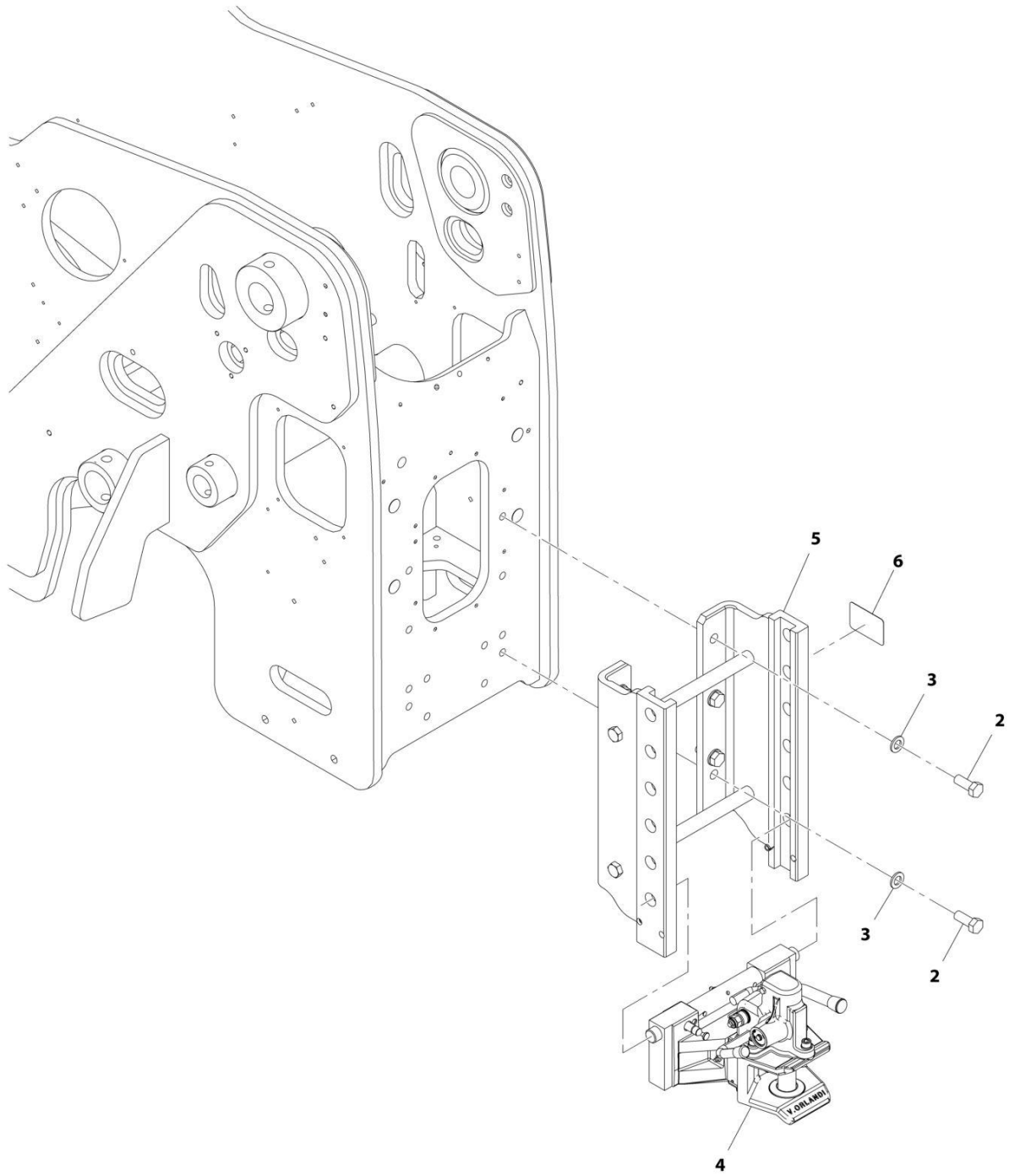
SECTION 1 - FRAME AND ATTACHING PARTS

FIGURE 1-18. HITCH RETRIEVAL INSTALLATION

ITEM	PART NUMBER	QTY	DESCRIPTION	REV
	1001180207	Ref	Hitch Retrieval Installation	D
2	0771618	2	Bolt, M16X50 Grade 10.9	
3	5241600	2	Washer, M16	
6	1001106570	NLA	Hitch, Retrieval (no longer available, use 1001238460 for replacement)	
6	1001238460	1	Hitch, Retrieval	
7	1001241674	1	Decal, Retrieval Point	

SECTION 1 - FRAME AND ATTACHING PARTS

FIGURE 1-19. HITCH INSTALLATION (EEC AUTO)



ART_1001180196-C

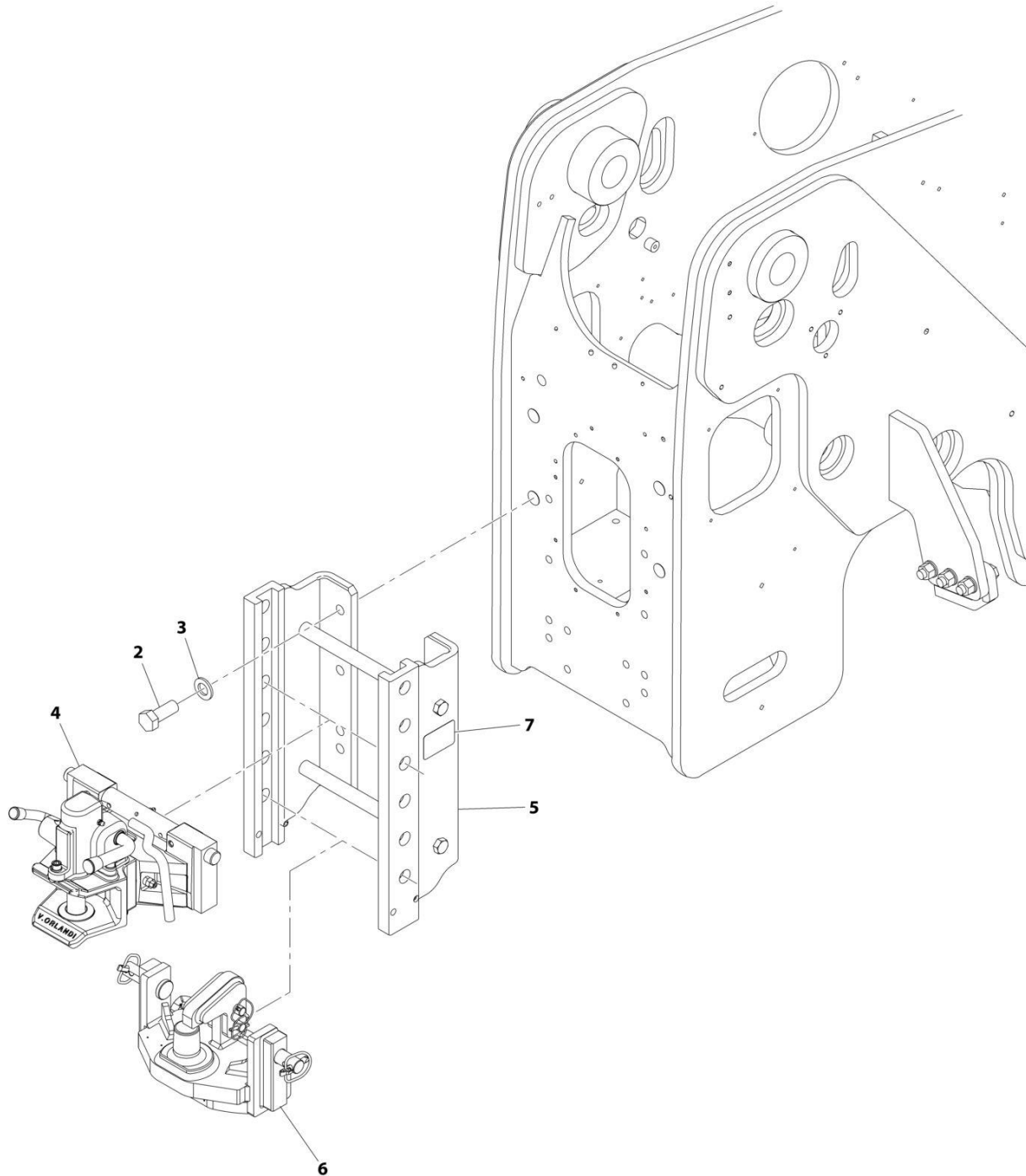
SECTION 1 - FRAME AND ATTACHING PARTS

FIGURE 1-19. HITCH INSTALLATION (EEC AUTO)

ITEM	PART NUMBER	QTY	DESCRIPTION	REV
	1001180196	Ref	Hitch Installation (EEC Auto)	C
2	0701616	8	Bolt, M16X40	
3	4812300	8	Washer, M6	
4	1001098629	1	Assembly, Hitch (EEC Auto) (See Separate Breakdown in this Section)	
5	1001183274	1	Hitch, Sliding Towing Bracket	
6	1001241674	1	Decal, Retrieval Point	

SECTION 1 - FRAME AND ATTACHING PARTS

FIGURE 1-20. HITCH INSTALLATION (PITON)



ART_1001180202-C

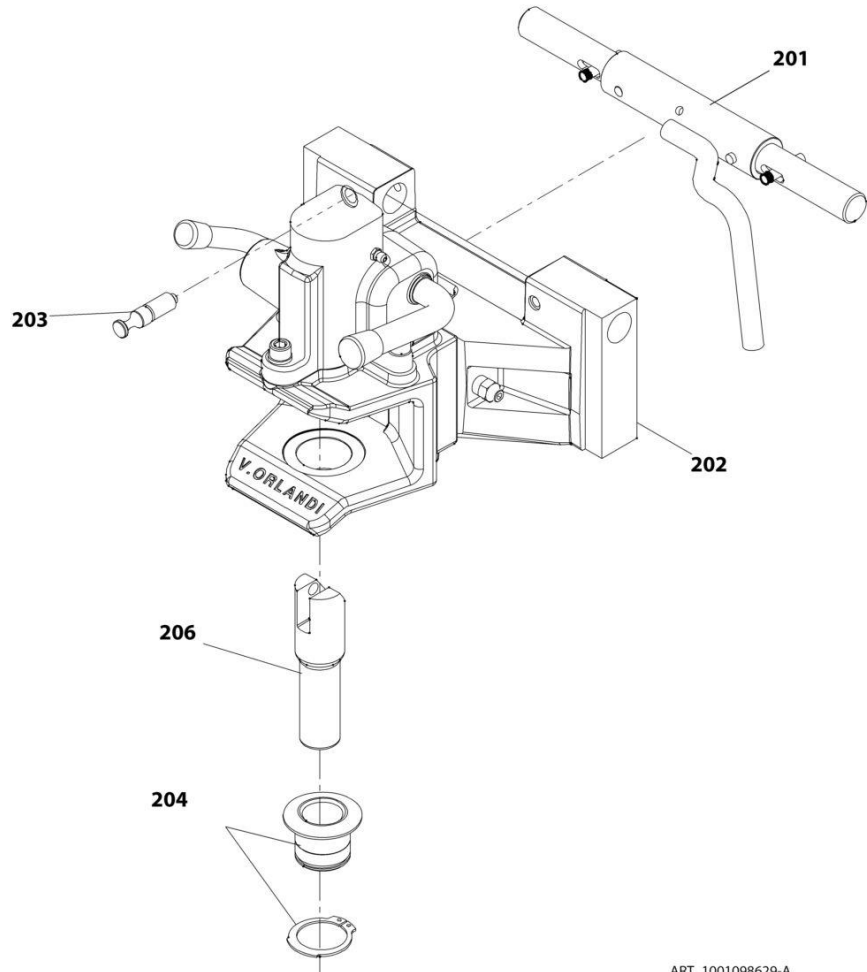
SECTION 1 - FRAME AND ATTACHING PARTS

FIGURE 1-20. HITCH INSTALLATION (PITON)

ITEM	PART NUMBER	QTY	DESCRIPTION	REV
	1001180202	Ref	Hitch Installation (Piton)	C
2	0701616	8	Bolt, M16X40	
3	4812300	8	Washer, M16	
4	1001098629	1	Assembly, Hitch (EEC AUTO) (See Separate Breakdown in this Section)	
5	1001183274	1	Hitch, Sliding Towing Bracket	
6	1001185248	1	Hitch, Sliding (Piton) (See Separate Breakdown in this Section)	
7	1001241674	1	Decal, Retrieval Point	

SECTION 1 - FRAME AND ATTACHING PARTS

FIGURE 1-21. HITCH ASSEMBLY (EEC AUTO)



ART_1001098629-A

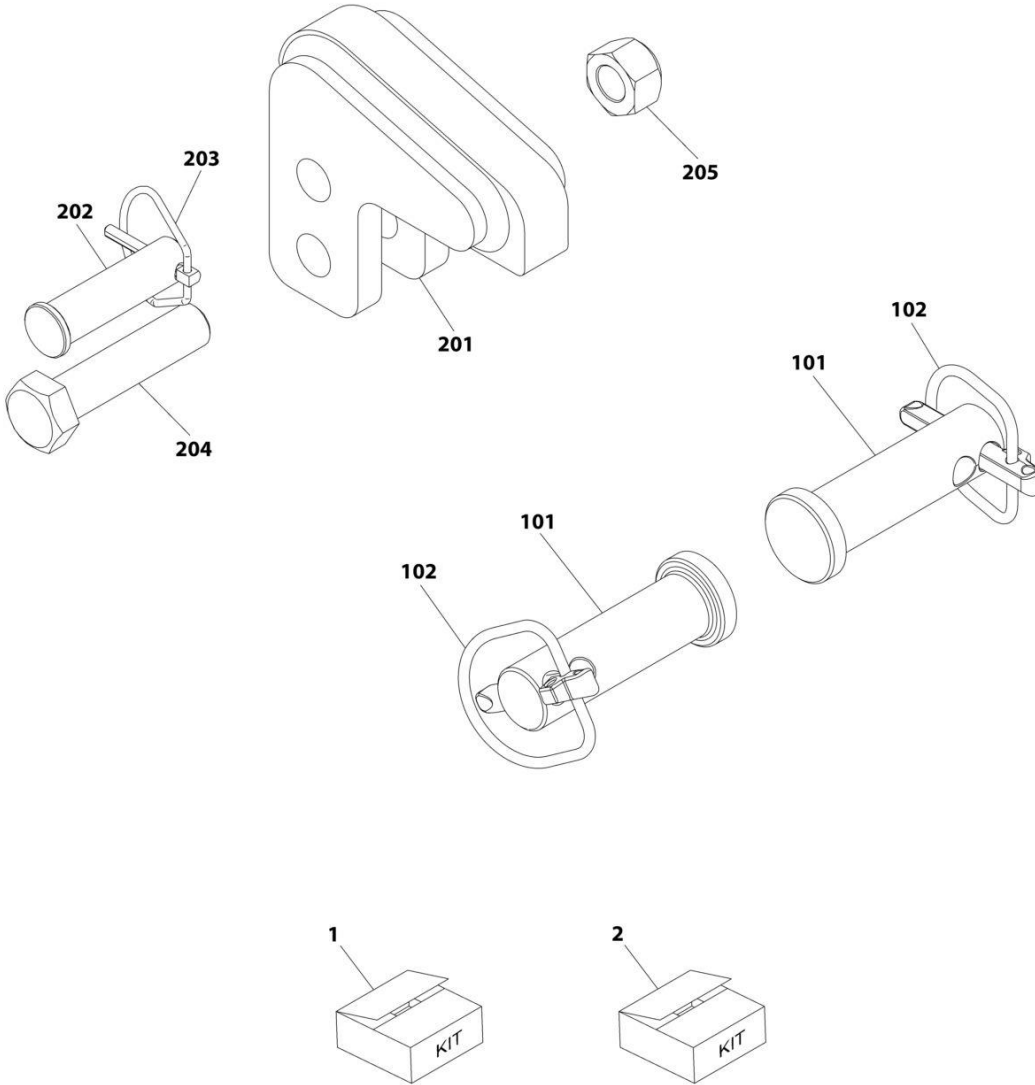
SECTION 1 - FRAME AND ATTACHING PARTS

FIGURE 1-21. HITCH ASSEMBLY (EEC AUTO)

ITEM	PART NUMBER	QTY	DESCRIPTION	REV
	1001098629	Ref	Hitch Assembly (EEC Auto)	A
201	70022821	1	Lever, Opening	
202	70022822	1	Mechanism, Box	
203	70022823	1	Pivot, Security	
204	70022824	1	Bushing	
206	70022825	1	Pin	

SECTION 1 - FRAME AND ATTACHING PARTS

FIGURE 1-22. SLIDING HITCH ASSEMBLY (PITON)



ART_1001185248-A

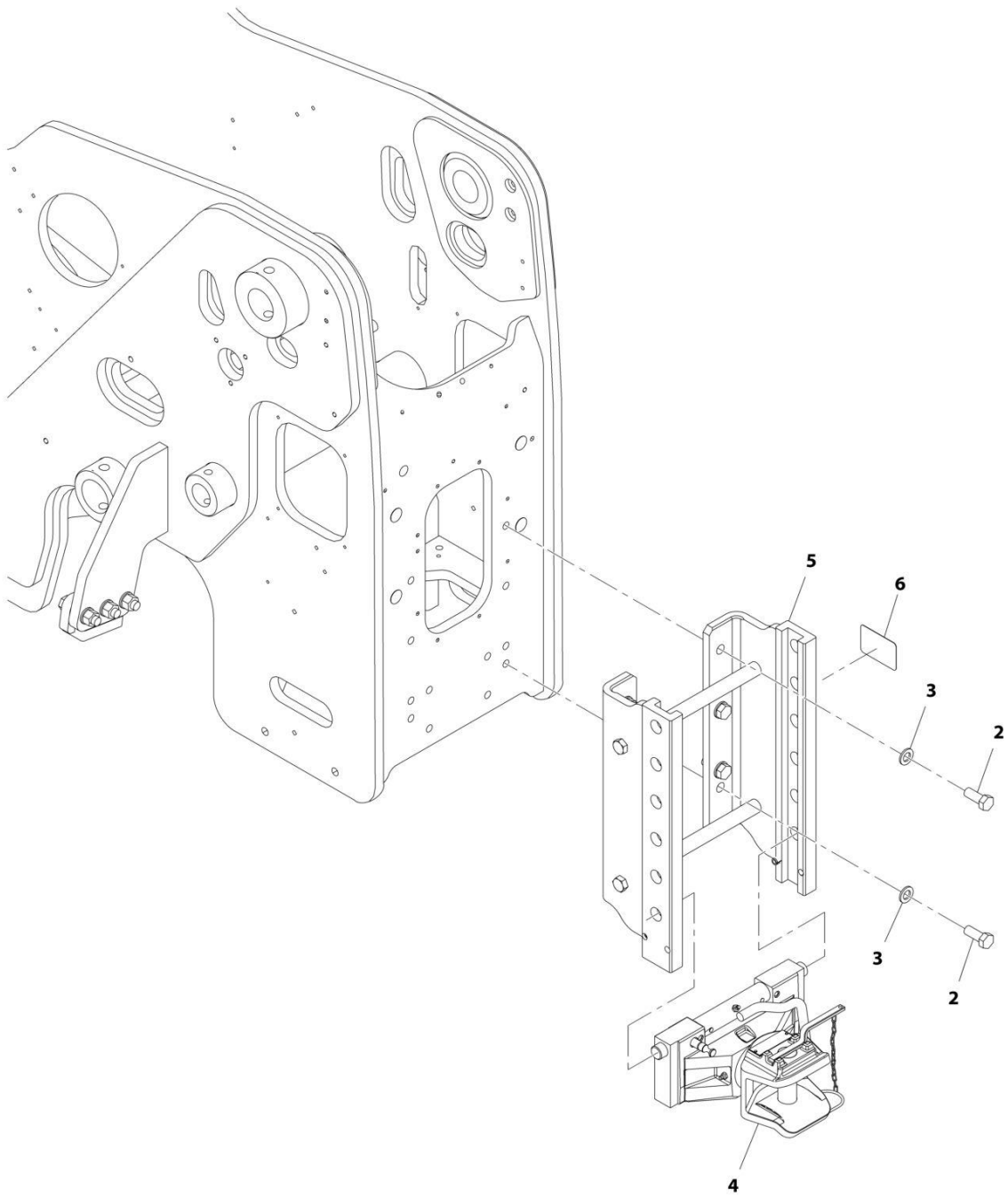
SECTION 1 - FRAME AND ATTACHING PARTS

FIGURE 1-22. SLIDING HITCH ASSEMBLY (PITON)

ITEM	PART NUMBER	QTY	DESCRIPTION	REV
	1001185248	Ref	Sliding Hitch Assembly (Piton)	A
1	70027175	1	Kit, Pins (includes items 101 and 102)	
2	70027174	1	Kit, Keeper (includes items 201 thru 205)	
101	Kit	2	Pin	
102	Kit	2	Pin, Safety	
201	Kit	1	Keeper	
202	Kit	1	Pin	
203	Kit	1	Pin, Safety	
204	Kit	1	Bolt, M20X95	
205	Kit	1	Nut	

SECTION 1 - FRAME AND ATTACHING PARTS

FIGURE 1-23. HITCH INSTALLATION (EEC MANUAL)



ART_1001180198-C

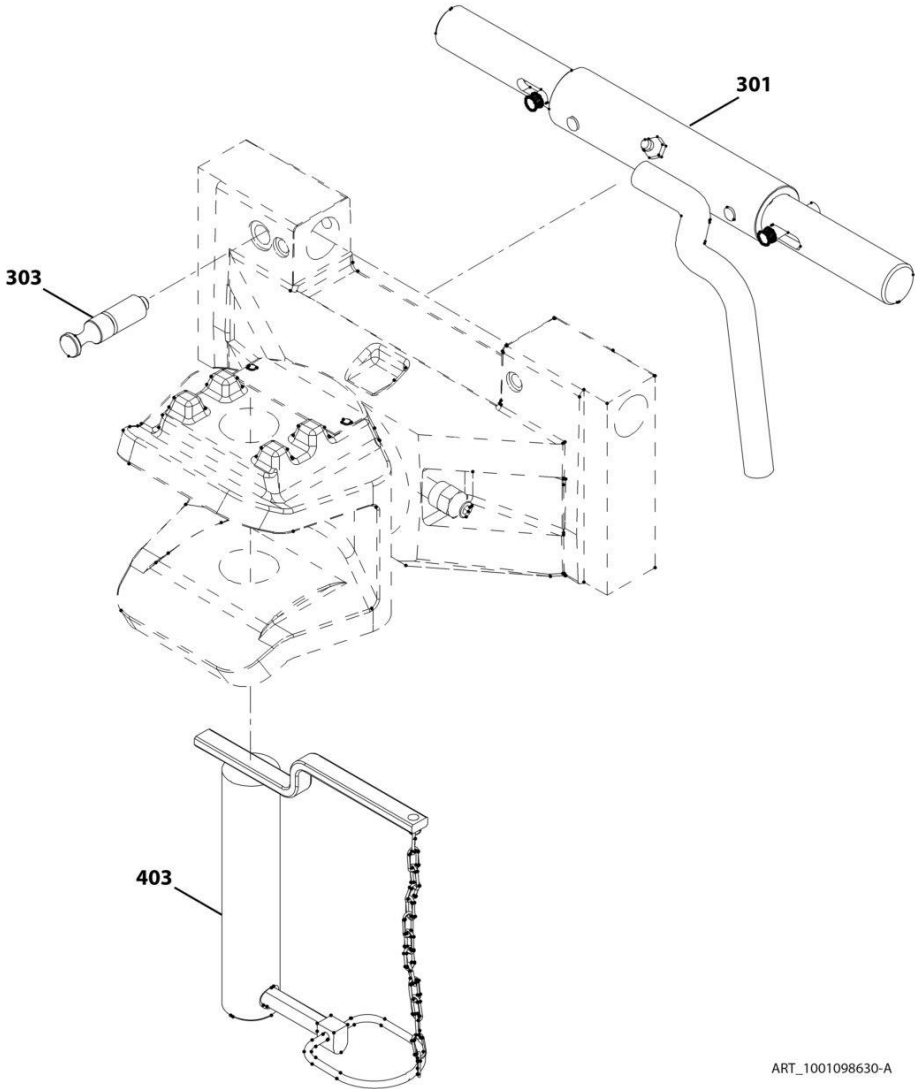
SECTION 1 - FRAME AND ATTACHING PARTS

FIGURE 1-23. HITCH INSTALLATION (EEC MANUAL)

ITEM	PART NUMBER	QTY	DESCRIPTION	REV
	1001180198	Ref	Hitch Installation (EEC Manual)	C
2	0701616	8	Bolt, M16X40	
3	4812300	8	Washer, M16	
4	1001098630	1	Assembly, Hitch (EEC Manual) (See Separate Breakdown in this Section)	
5	1001183274	1	Hitch, Sliding Towing Bracket	
6	1001241674	1	Decal, Retrieval Point	

SECTION 1 - FRAME AND ATTACHING PARTS

FIGURE 1-24. HITCH ASSEMBLY (EEC MANUAL)



ART_1001098630-A

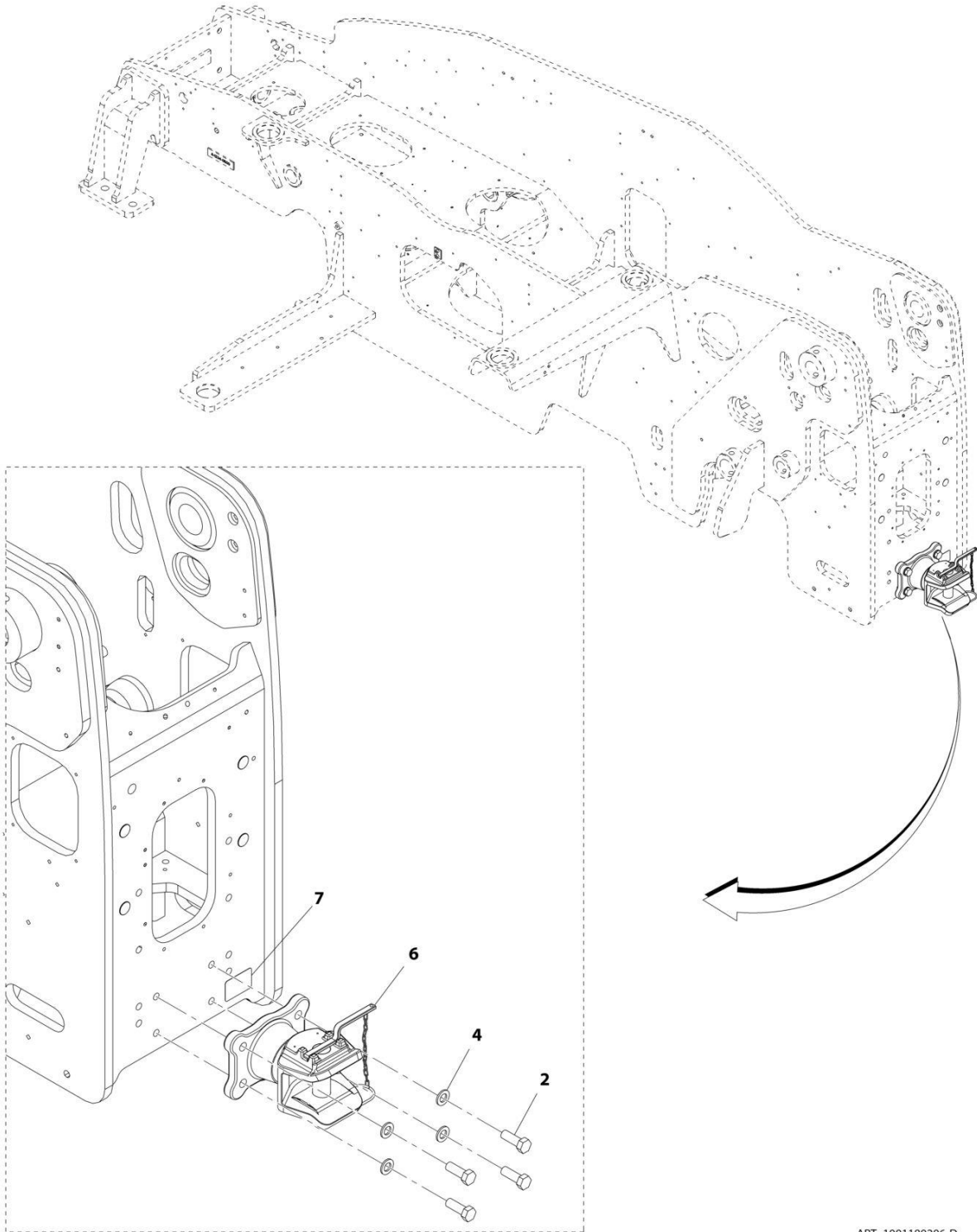
SECTION 1 - FRAME AND ATTACHING PARTS

FIGURE 1-24. HITCH ASSEMBLY (EEC MANUAL)

ITEM	PART NUMBER	QTY	DESCRIPTION	REV
	1001098630	Ref	Hitch Assembly (EEC Manual)	A
301	70022821	1	Lever, Opening	
303	70022823	1	Pivot, Security	
403	70022826	1	Pin	

SECTION 1 - FRAME AND ATTACHING PARTS

FIGURE 1-25. HITCH INSTALLATION (FIXED)



ART_1001180206-D

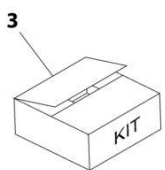
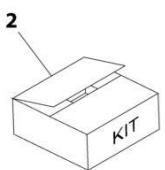
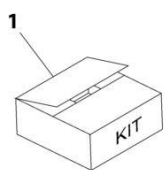
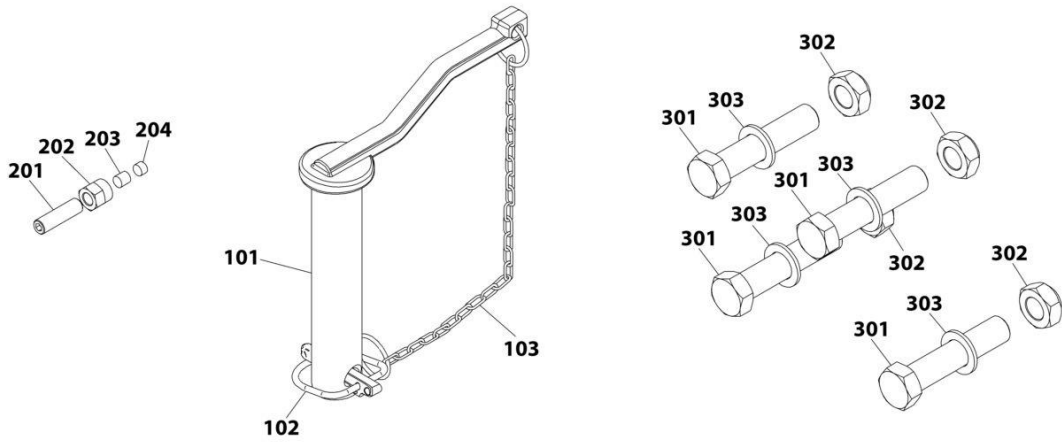
SECTION 1 - FRAME AND ATTACHING PARTS

FIGURE 1-25. HITCH INSTALLATION (FIXED)

ITEM	PART NUMBER	QTY	DESCRIPTION	REV
	1001180206	Ref	Hitch Installation (Fixed)	D
2	0701617	4	Bolt, M16X45	
4	4812300	4	Washer, M16	
6	1001110849	1	Assembly, Hitch (Fixed) (See Separate Breakdown in this Section)	
7	1001241674	1	Decal, Retrieval Point	

SECTION 1 - FRAME AND ATTACHING PARTS

FIGURE 1-26. HITCH ASSEMBLY (FIXED)



ART_1001110849-B

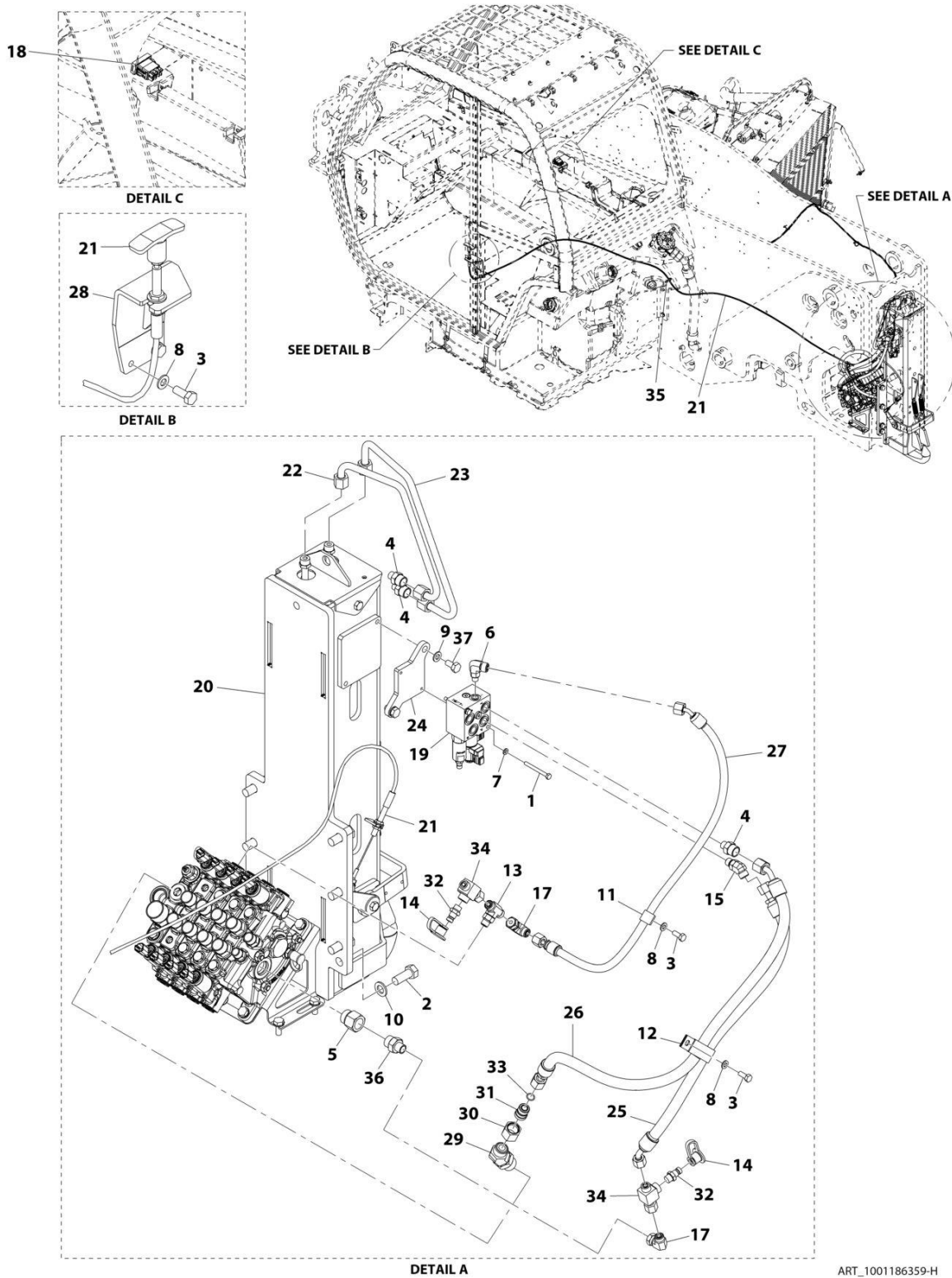
SECTION 1 - FRAME AND ATTACHING PARTS

FIGURE 1-26. HITCH ASSEMBLY (FIXED)

ITEM	PART NUMBER	QTY	DESCRIPTION	REV
	1001110849	Ref	Hitch Assembly (Fixed)	B
1	70027178	1	Kit, Towing Pin (includes items 101 thru 103)	
2	70027176	1	Kit, Friction (includes items 201 thru 204)	
3	70027177	1	Kit, Screws (includes items 301 thru 303)	
101	Kit	1	Pin	
102	Kit	1	Chain, Safety	
103	Kit	1	Pin, Safety	
201	Kit	1	Screw, M16X80	
202	Kit	1	Nut, M10	
203	Kit	1	Insert	
204	Kit	1	Insert	
301	Kit	4	Screw, M16X80	
302	Kit	4	Nut, M16	
303	Kit	4	Washer	

SECTION 1 - FRAME AND ATTACHING PARTS

FIGURE 1-27. HITCH INSTALLATION (HYDRAULIC)



ART_1001186359-H

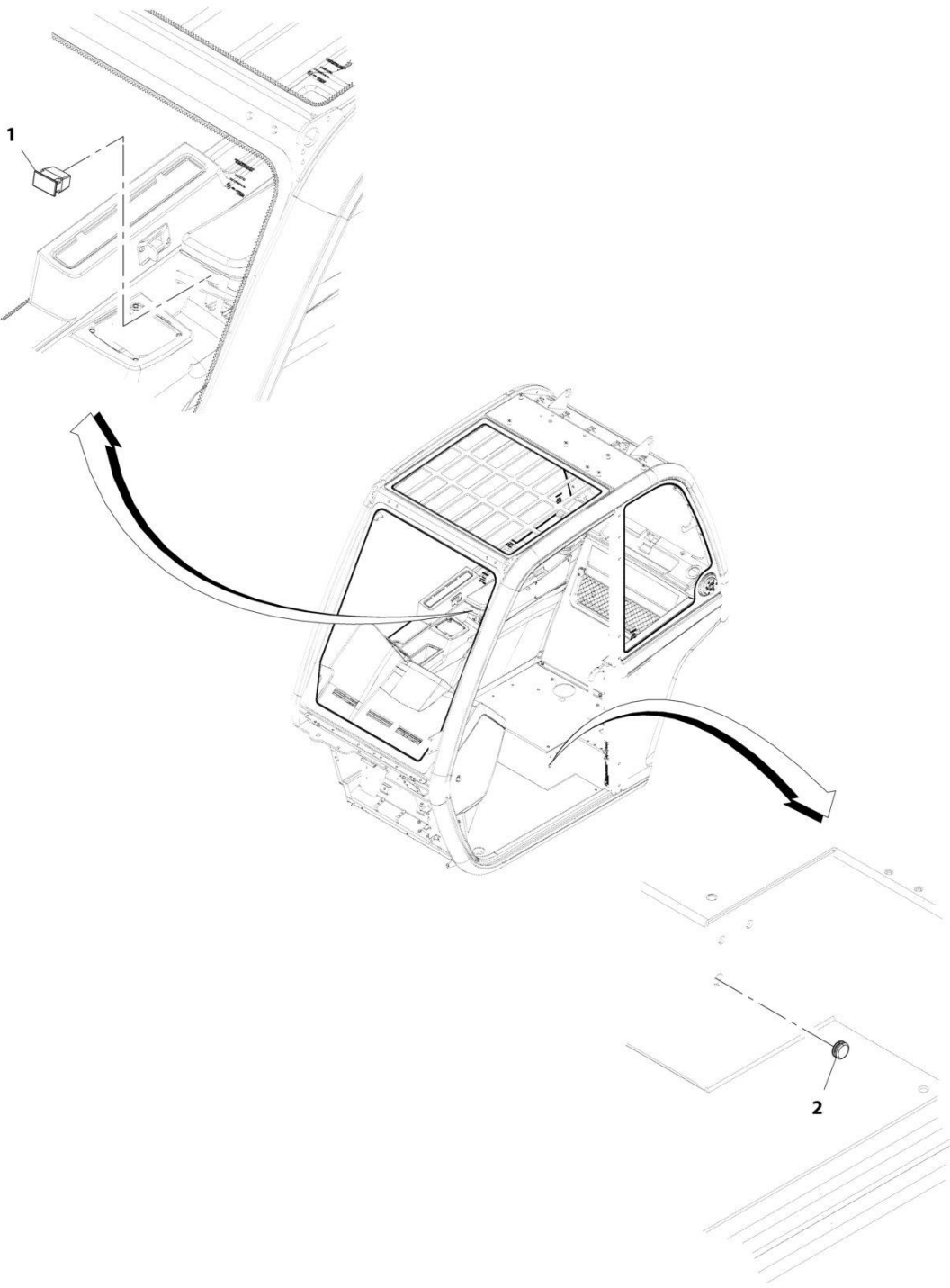
SECTION 1 - FRAME AND ATTACHING PARTS

FIGURE 1-27. HITCH INSTALLATION (HYDRAULIC)

ITEM	PART NUMBER	QTY	DESCRIPTION	REV
	1001186359	Ref	Hitch Installation (Hydraulic)	H
1	0700620	2	Bolt, M6X60	
2	0711616	8	Bolt, M16X40 Grade 10.9	
3	0760810	4	Bolt, M8X20	
4	2110806	3	Fitting, Straight ORFS	
5	8760550	1	Fitting, Tee	
6	2130604	1	Fitting, 90 ORFS	
7	4811700	2	Washer, M6	
8	4811900	4	Washer, M8	
9	4812000	2	Washer, M10	
10	4812300	8	Washer, M16	
11	1001009207	1	Clip	
12	1001008720	1	Clip	
13	2170406	1	Fitting, Tee ORFS	
14	1001008761	2	Dust Cap	
15	2150606	1	Fitting, 45 ORFS	
17	2172106	2	Fitting, 90 ORFS	
18	1001198836	1	Switch, Hitch Up/Down	
19	1001226722	Ref	Valve, Hydraulic Hitch Control (See Separate Breakdown in HYDRAULIC COMPONENTS Section)	
20	1001182763	1	Hitch, Hydraulic	
21	1001186392	1	Cable, Hitch Release	
22	1001204374	1	Pipe	
23	1001204375	1	Pipe	
24	1001188413	1	Plate	
25	1001204518	1	Hose, ORFS	
26	1001206557	1	Hose, ORFS	
27	1001206558	1	Hose, ORFS	
28	1001188722	1	Bracket, Hitch	
29	2151012	1	Fitting, 45 ORFS	
30	8770143	1	Nut, ORFS	
31	1001032853	1	Reducer, ORFS	
32	1001003590	2	Fitting, Straight	
33	1001008805	1	Seal	
34	1001033119	2	Adapter, ORFS	
35	1001146588	1	Tie Strap	
36	2110610	1	Fitting, Straight	
37	0761010	2	Bolt, M10X20	

SECTION 1 - FRAME AND ATTACHING PARTS

FIGURE 1-28. CAB PLUG INSTALLATION (NON HYDRAULIC HITCH)



ART_1001214572-A

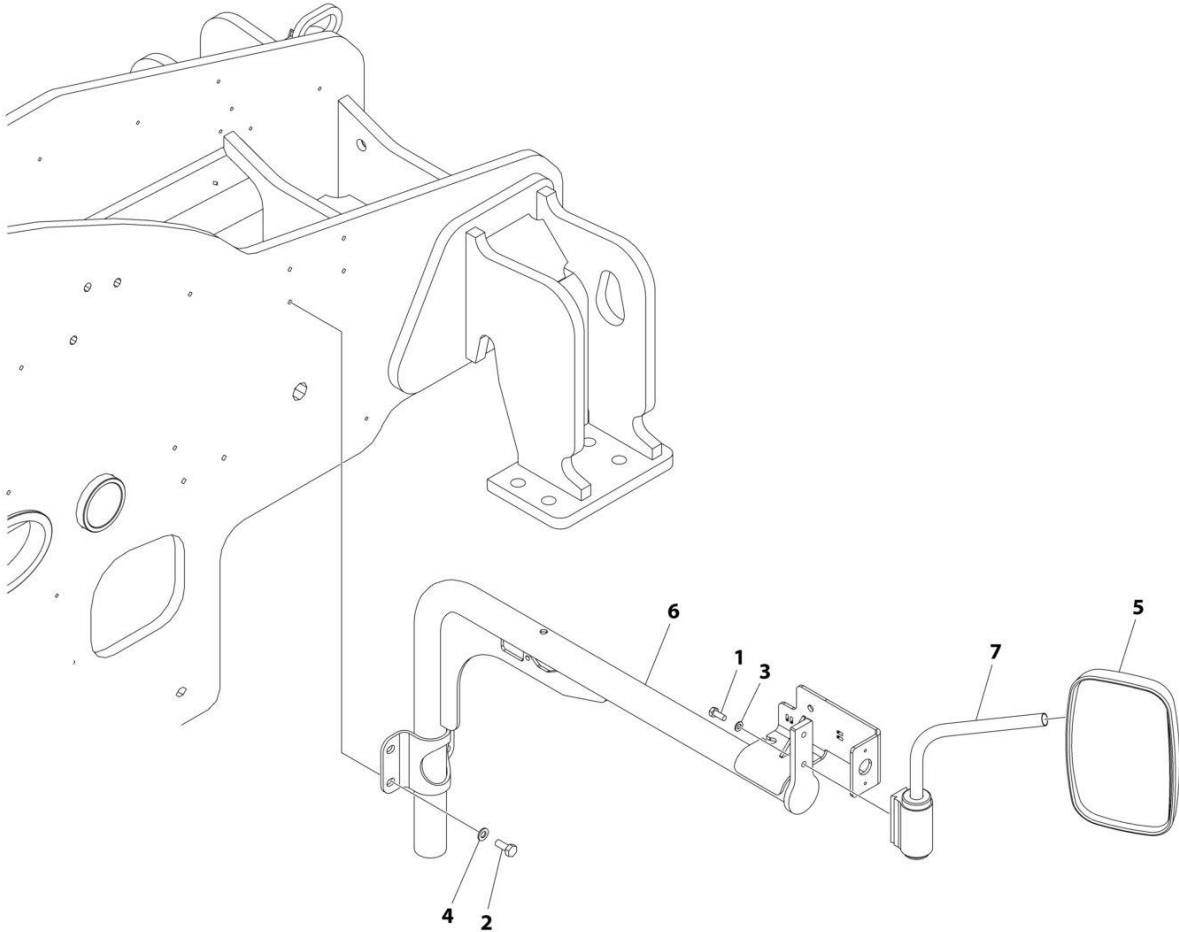
SECTION 1 - FRAME AND ATTACHING PARTS

FIGURE 1-28. CAB PLUG INSTALLATION (NON HYDRAULIC HITCH)

ITEM	PART NUMBER	QTY	DESCRIPTION	REV
	1001214572	1	Cab Plug Installation (Non Hydraulic Hitch)	A
1	4360669	1	Cover, Switch	
2	1001176323	1	Plug	

SECTION 1 - FRAME AND ATTACHING PARTS

FIGURE 1-29. MIRROR INSTALLATION



ART_1001269628_D

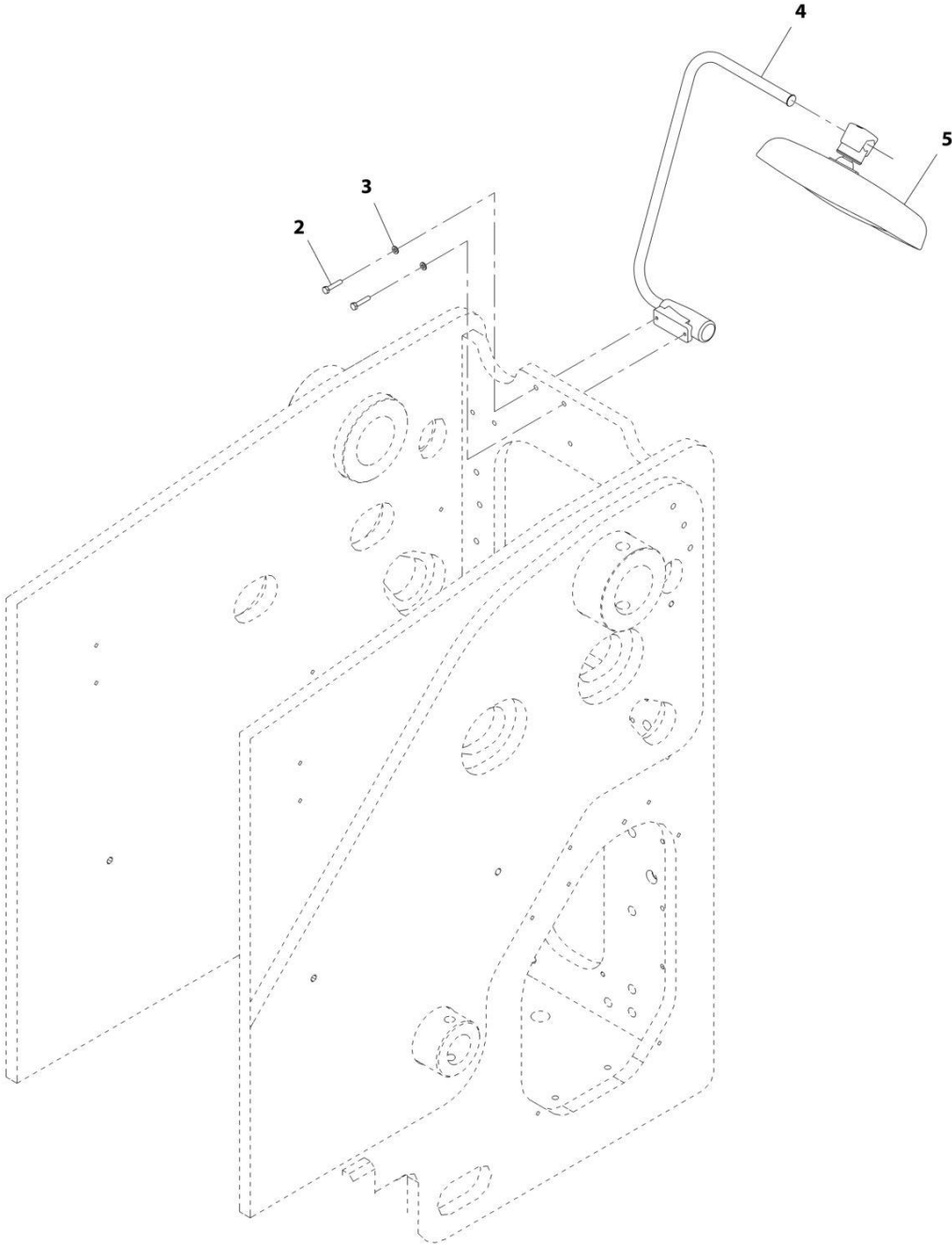
SECTION 1 - FRAME AND ATTACHING PARTS

FIGURE 1-29. MIRROR INSTALLATION

ITEM	PART NUMBER	QTY	DESCRIPTION	REV
	1001269628	Ref	MIRROR INSTALLATION	D
1	0760810	2	Bolt M8 x 20	
2	0761012	4	Bolt M10 x 25	
3	4811900	2	Washer M8	
4	4812000	4	Washer M10	
5	1001191635	1	Mirror	
6	1001265395	1	Bracket	
7	1001269627	1	Bracket	

SECTION 1 - FRAME AND ATTACHING PARTS

FIGURE 1-30. REAR MIRROR INSTALLATION (FLAT)



ART_1001186395-B

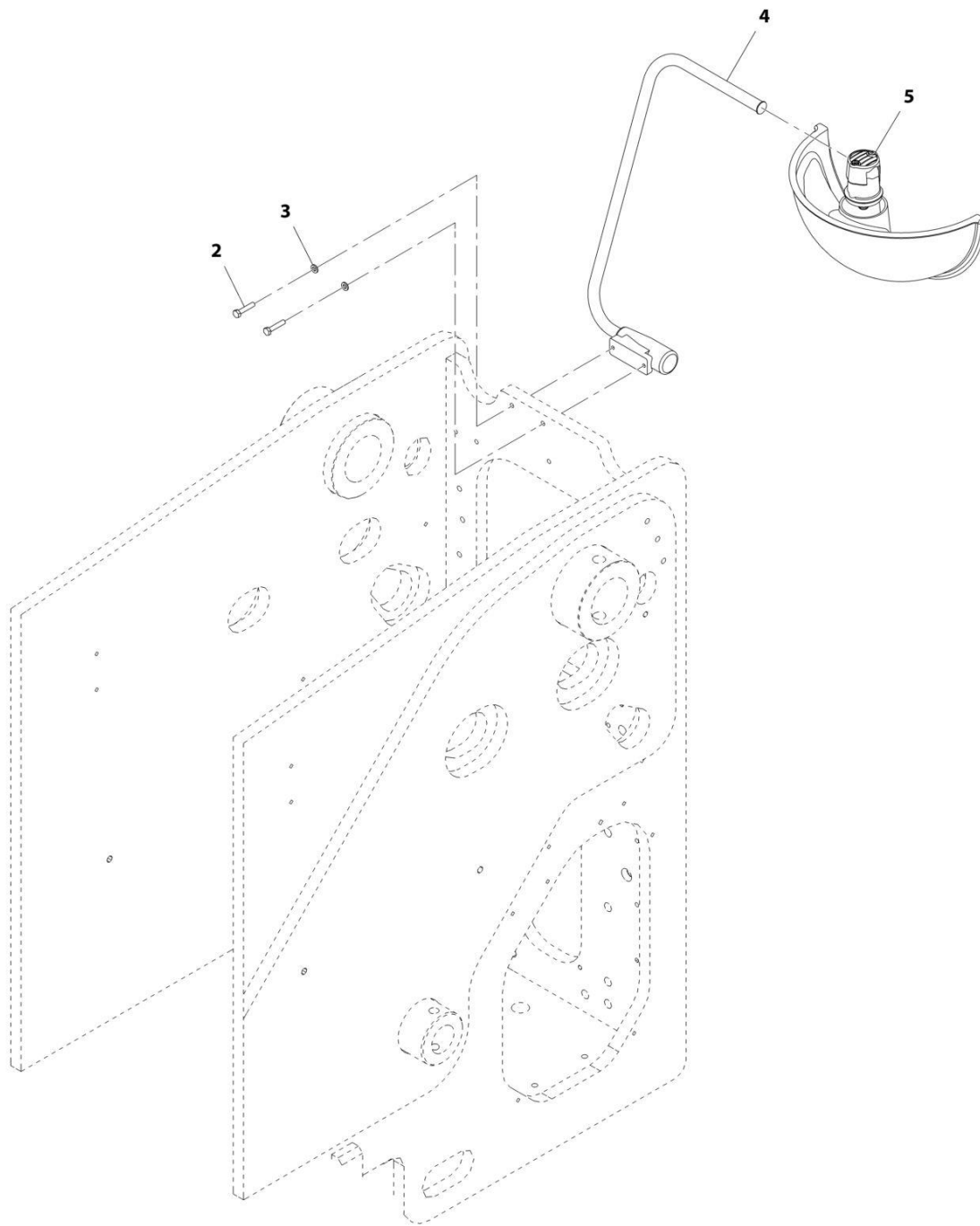
SECTION 1 - FRAME AND ATTACHING PARTS

FIGURE 1-30. REAR MIRROR INSTALLATION (FLAT)

ITEM	PART NUMBER	QTY	DESCRIPTION	REV
	1001186395	Ref	REAR MIRROR INSTALLATION (FLAT)	B
2	0700614	2	Bolt M6 x 30	
3	4811700	2	Washer M6	
4	1001005980	1	Arm	
5	1001005981	1	Assembly, Mirror	

SECTION 1 - FRAME AND ATTACHING PARTS

FIGURE 1-31. REAR MIRROR INSTALLATION (CONVEX)



ART_1001186439-B

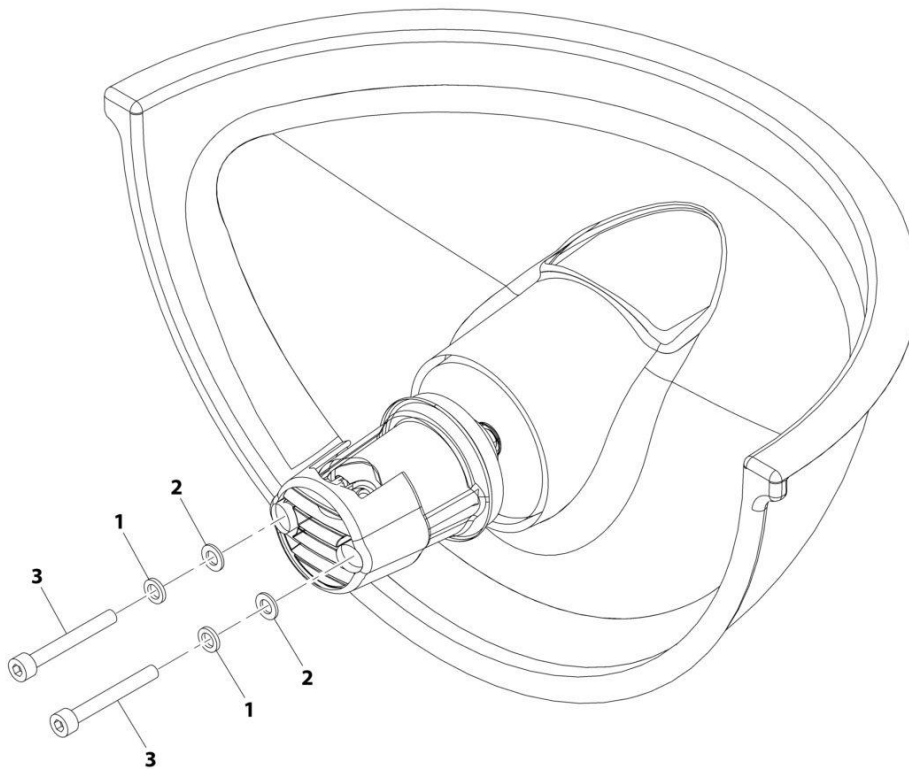
SECTION 1 - FRAME AND ATTACHING PARTS

FIGURE 1-31. REAR MIRROR INSTALLATION (CONVEX)

ITEM	PART NUMBER	QTY	DESCRIPTION	REV
	1001186439	Ref	Hitch Mirror Installation (Fish Eye)	B
2	0700614	2	Bolt, M6X30	
3	4811700	2	Washer, M6	
4	1001005980	1	Arm	
5	1001008436	1	Assembly, Mirror (Convex) (See Separate Breakdown in this Section)	

SECTION 1 - FRAME AND ATTACHING PARTS

FIGURE 1-32. MIRROR ASSEMBLY (CONVEX)



ART_1001008436-D

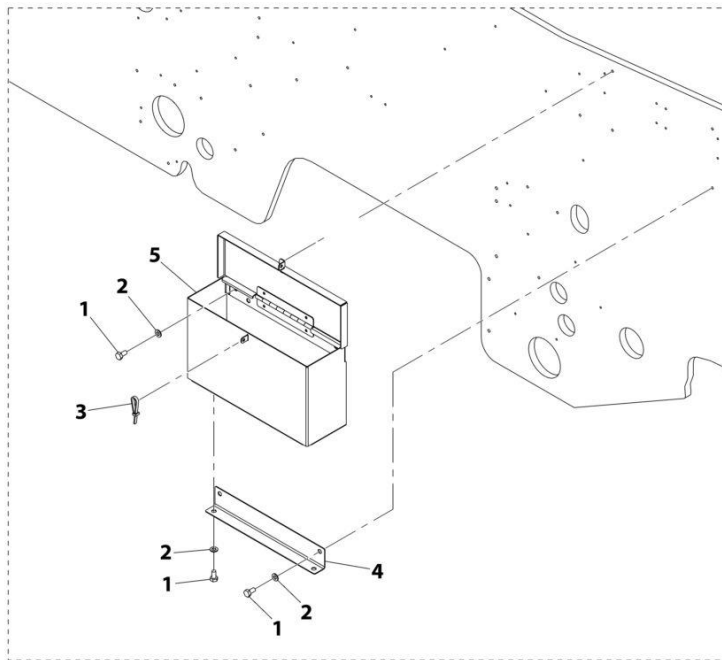
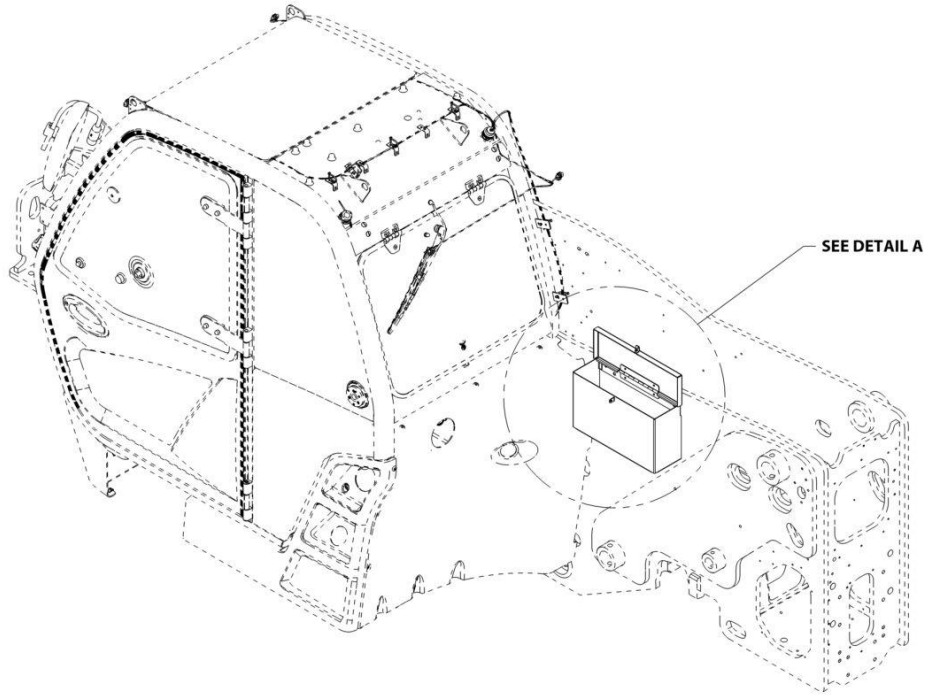
SECTION 1 - FRAME AND ATTACHING PARTS

FIGURE 1-32. MIRROR ASSEMBLY (CONVEX)

ITEM	PART NUMBER	QTY	DESCRIPTION	REV
	1001008436	Ref	Mirror Assembly (Convex)	D
1	1001008475	2	Washer, Lock	
2	1001009062	2	Washer	
3	1001010838	2	Bolt	

SECTION 1 - FRAME AND ATTACHING PARTS

FIGURE 1-33. TOOLBOX INSTALLATION



DETAIL A

ART_1001225619-A

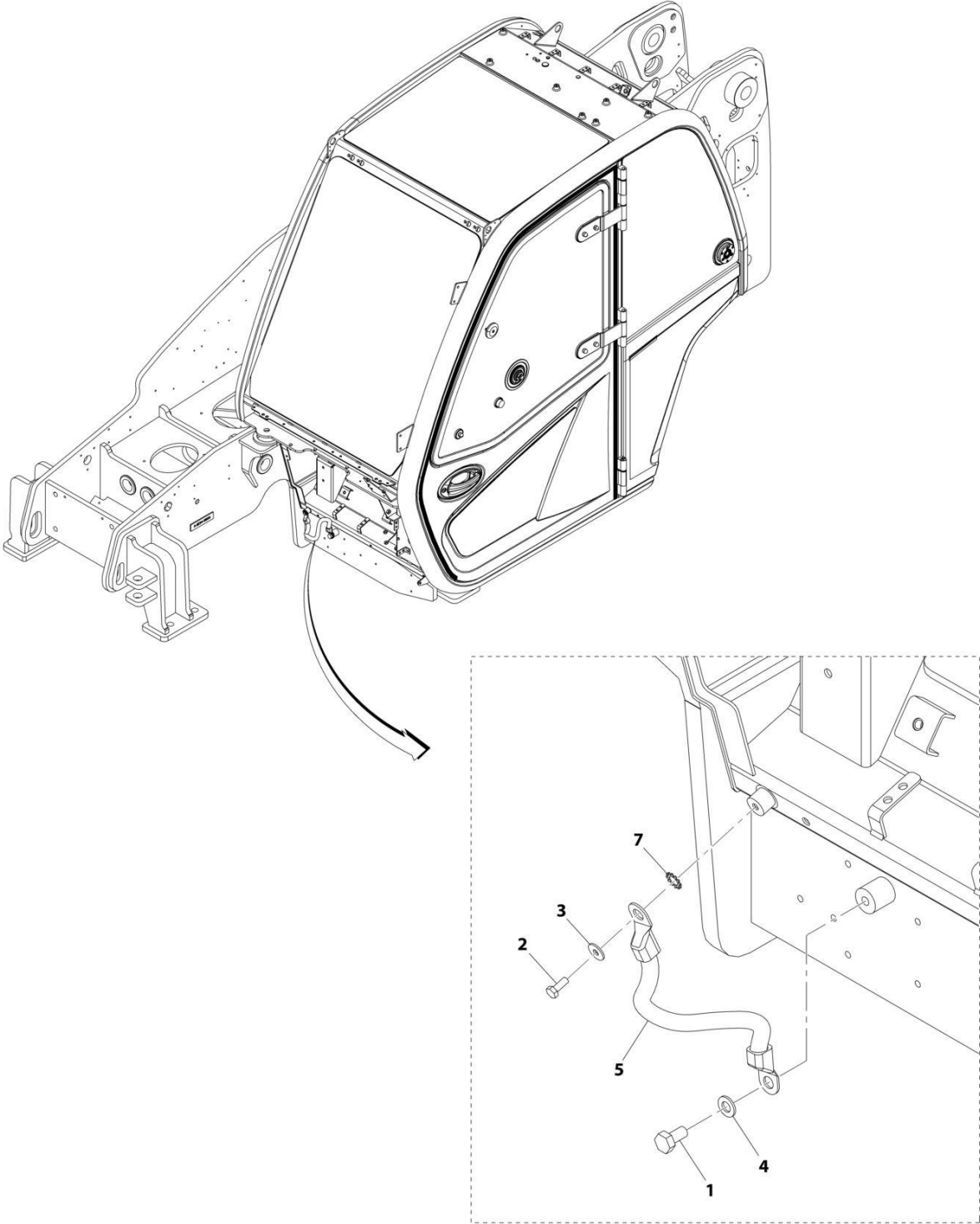
SECTION 1 - FRAME AND ATTACHING PARTS

FIGURE 1-33. TOOLBOX INSTALLATION

ITEM	PART NUMBER	QTY	DESCRIPTION	REV
	1001225619	Ref	Toolbox Installation	A
1	0761010	6	Bolt, M10X20	
2	4812000	6	Washer, M10	
3	1001008559	1	Strap	
4	1001178729	1	Bracket	
5	1001192836	1	Box	

SECTION 1 - FRAME AND ATTACHING PARTS

FIGURE 1-34. GROUND STRAP INSTALLATION



ART_1001186646-D

SECTION 1 - FRAME AND ATTACHING PARTS

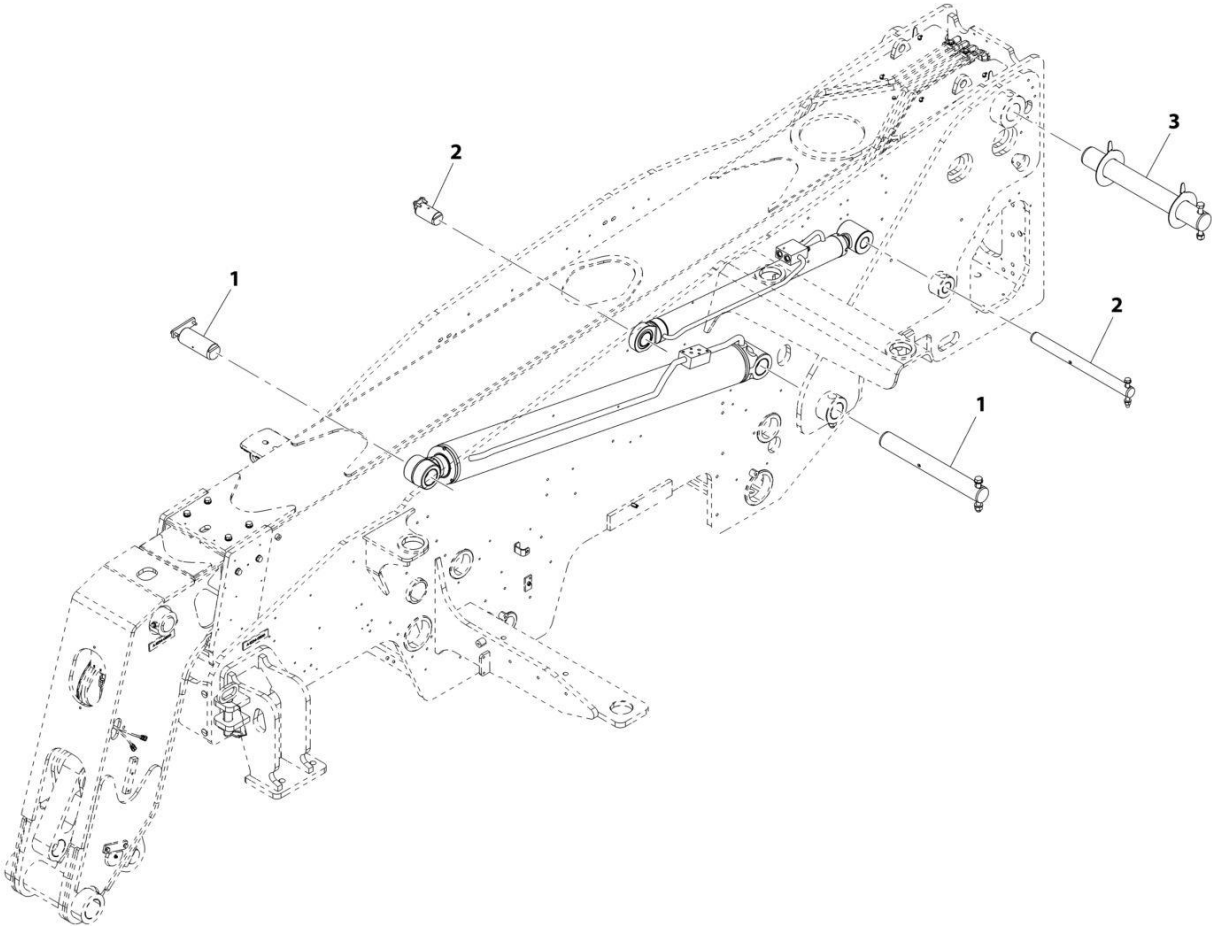
FIGURE 1-34. GROUND STRAP INSTALLATION

ITEM	PART NUMBER	QTY	DESCRIPTION	REV
	1001186646	Ref	Earth Strap Installation	D
1	0761010	1	Bolt, M10X20	
2	0760608	1	Bolt, M6X16	
3	4811702	1	Washer, M6	
4	4812000	1	Washer, M10	
5	1001009038	1	Strap, Earth	
7	4872000	1	Washer, M10	

SECTION 2 - BOOM

SECTION 2 - BOOM

FIGURE 2-1. BOOM PINNING INSTALLATION



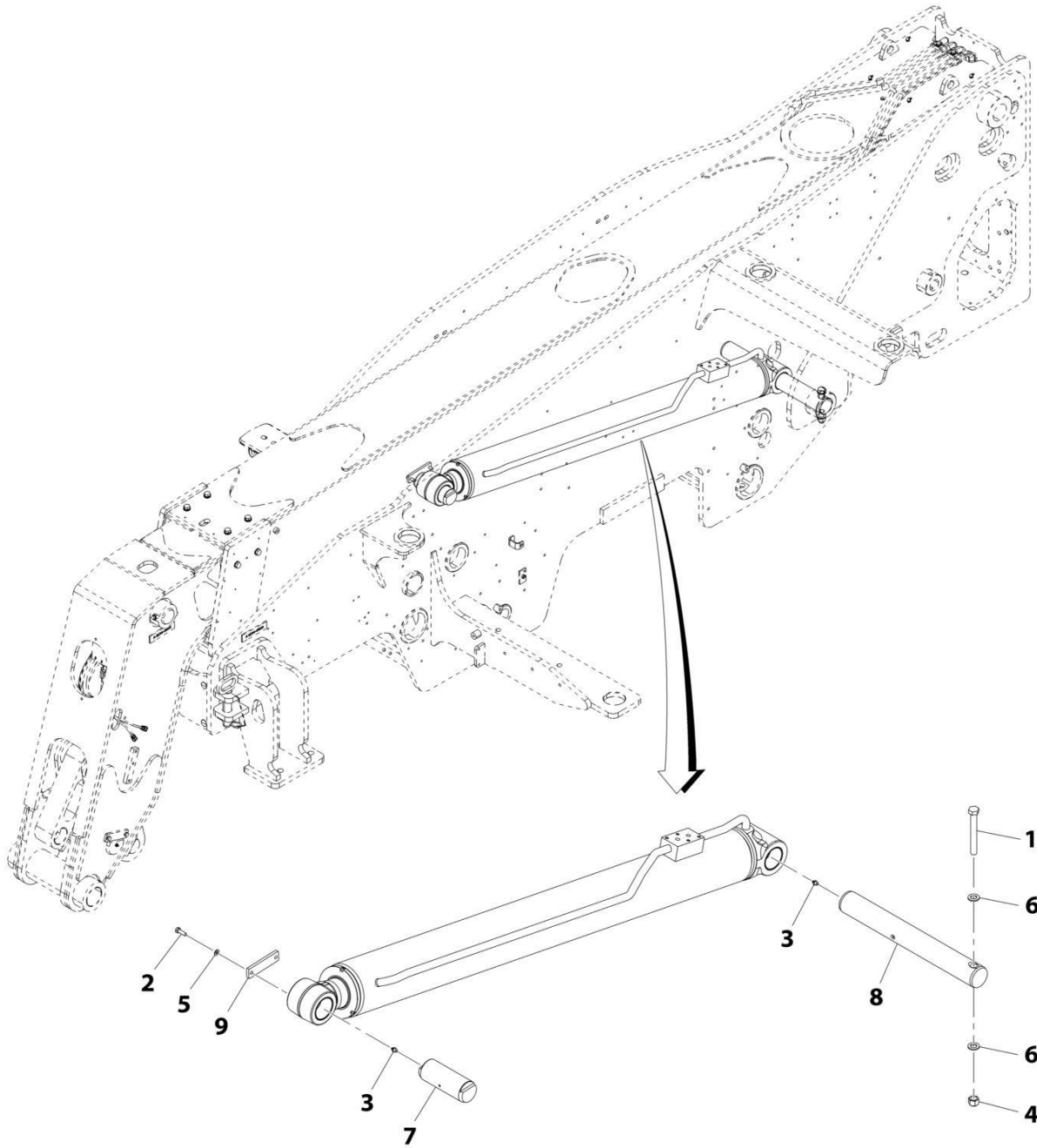
ART_1001256335-A

FIGURE 2-1. BOOM PINNING INSTALLATION

ITEM	PART NUMBER	QTY	DESCRIPTION	REV
	1001256335	Ref	Boom Pinning Installation	A
1	1001256336	1	Installation, Lift Cylinder Pinning (See Separate Breakdown in this Section)	
2	1001256337	1	Installation, Compensation Cylinder Pinning (See Separate Breakdown in this Section)	
3	1001256338	1	Installation, Boom Pivot (See Separate Breakdown in this Section)	

SECTION 2 - BOOM

FIGURE 2-2. LIFT CYLINDER PINNING INSTALLATION



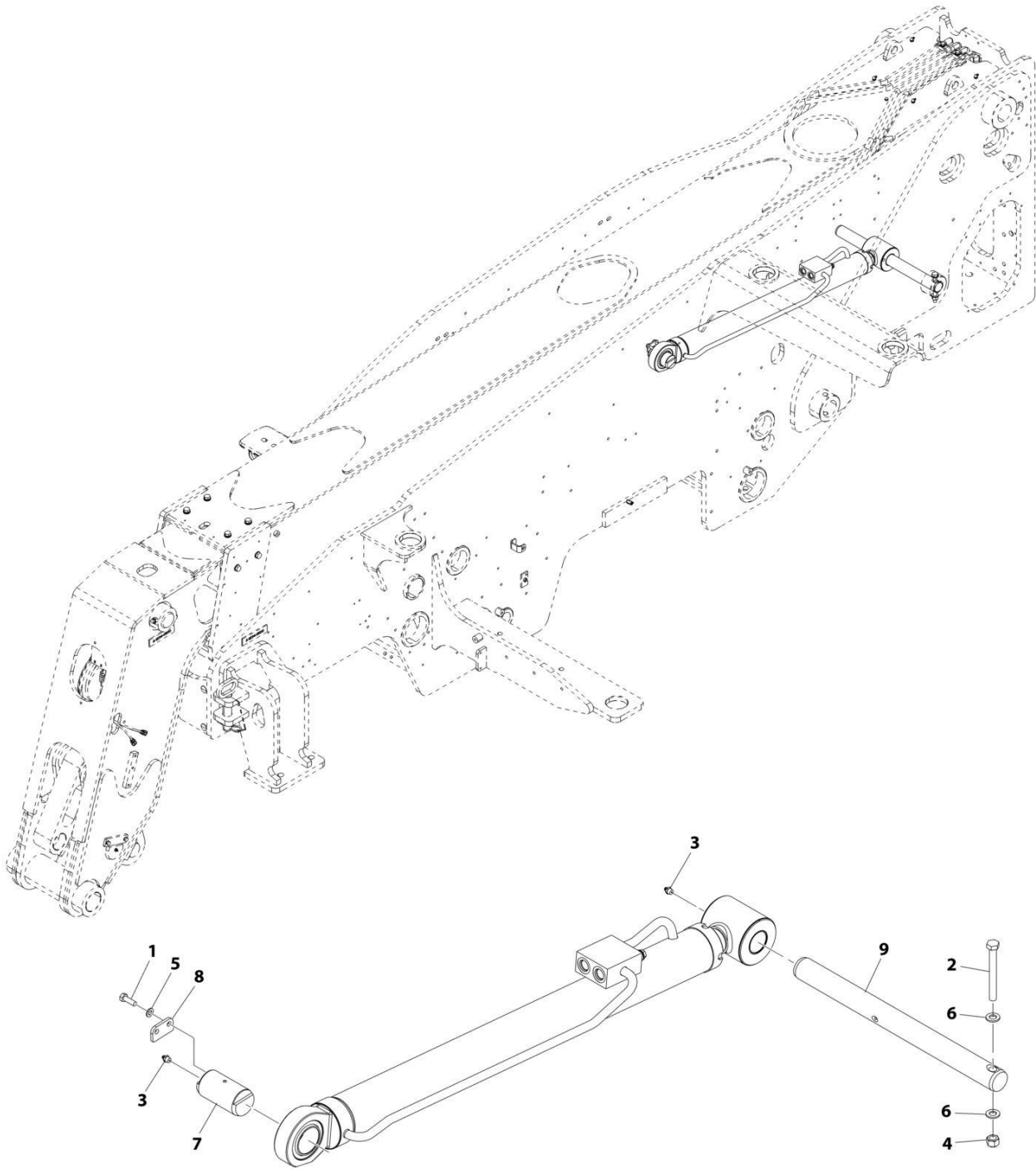
ART_1001256336-A

FIGURE 2-2. LIFT CYLINDER PINNING INSTALLATION

ITEM	PART NUMBER	QTY	DESCRIPTION	REV
	1001256336	Ref	Lift Cylinder Pinning Installation	A
1	0701630	1	Bolt, M16X130	
2	0760812	2	Bolt, M8X25	
3	2160016	2	Fitting, Grease	
4	3291605	1	Nut, Lock M16X2 Grade 8	
5	4811900	2	Washer, M8	
6	4812300	2	Washer, M16	
7	1001175898	1	Pin	
8	1001183460	1	Pin	
9	1001191621	1	Plate	

SECTION 2 - BOOM

FIGURE 2-3. COMPENSATION CYLINDER PINNING INSTALLATION



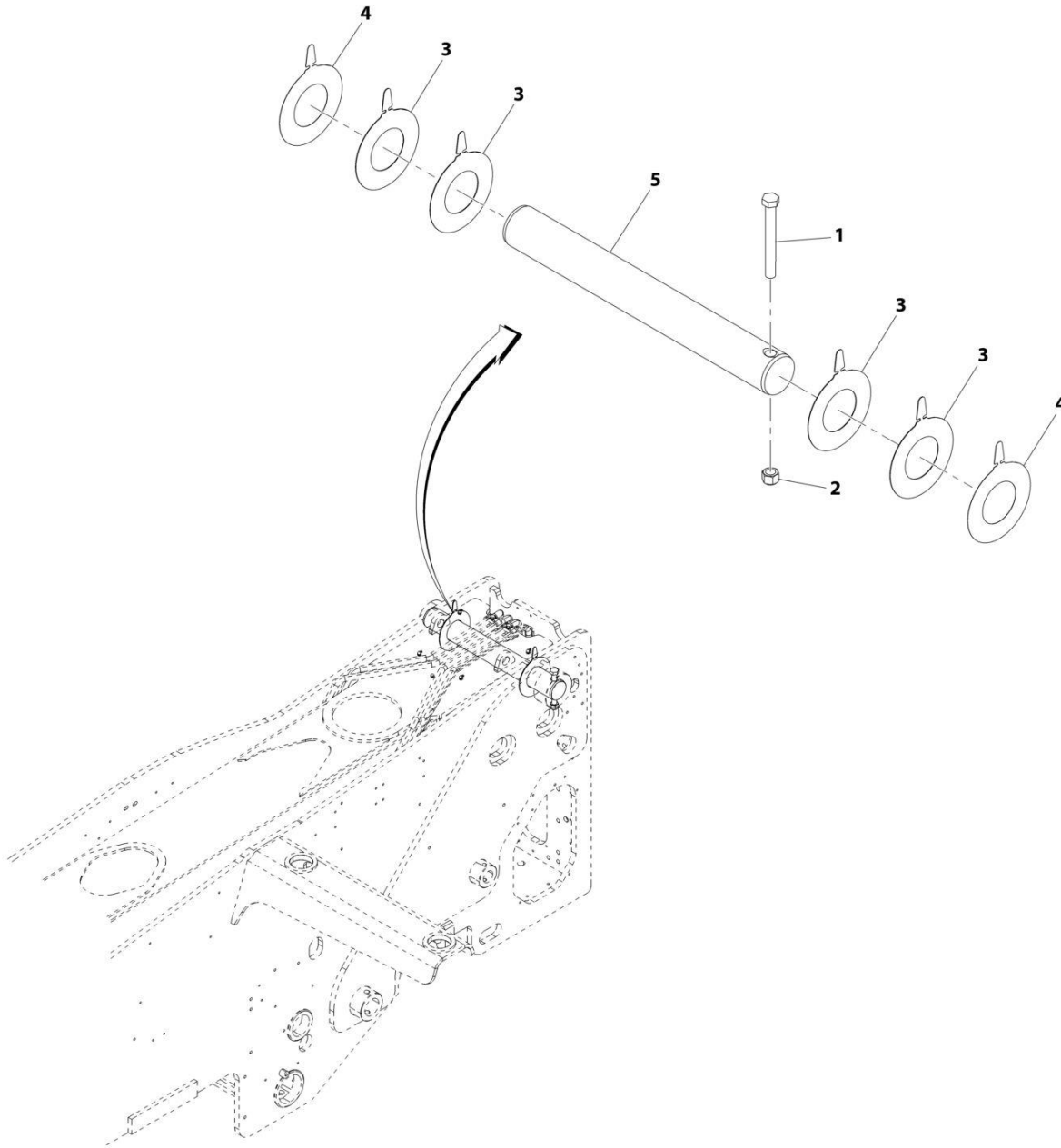
ART_1001256337-A

FIGURE 2-3. COMPENSATION CYLINDER PINNING INSTALLATION

ITEM	PART NUMBER	QTY	DESCRIPTION	REV
	1001256337	Ref	Compensation Cylinder Pinning Installation	A
1	0760812	2	Bolt, M8X25	
2	0761228	1	Bolt, M12X110	
3	2160016	2	Fitting, Grease	
4	3291205	1	Nut, Lock M12X1.75 Grade 8	
5	4811900	2	Washer, M8	
6	4812100	2	Washer, M12	
7	1001175754	1	Pin	
8	1001176942	1	Bracket	
9	1001183461	1	Pin	

SECTION 2 - BOOM

FIGURE 2-4. BOOM PIVOT INSTALLATION



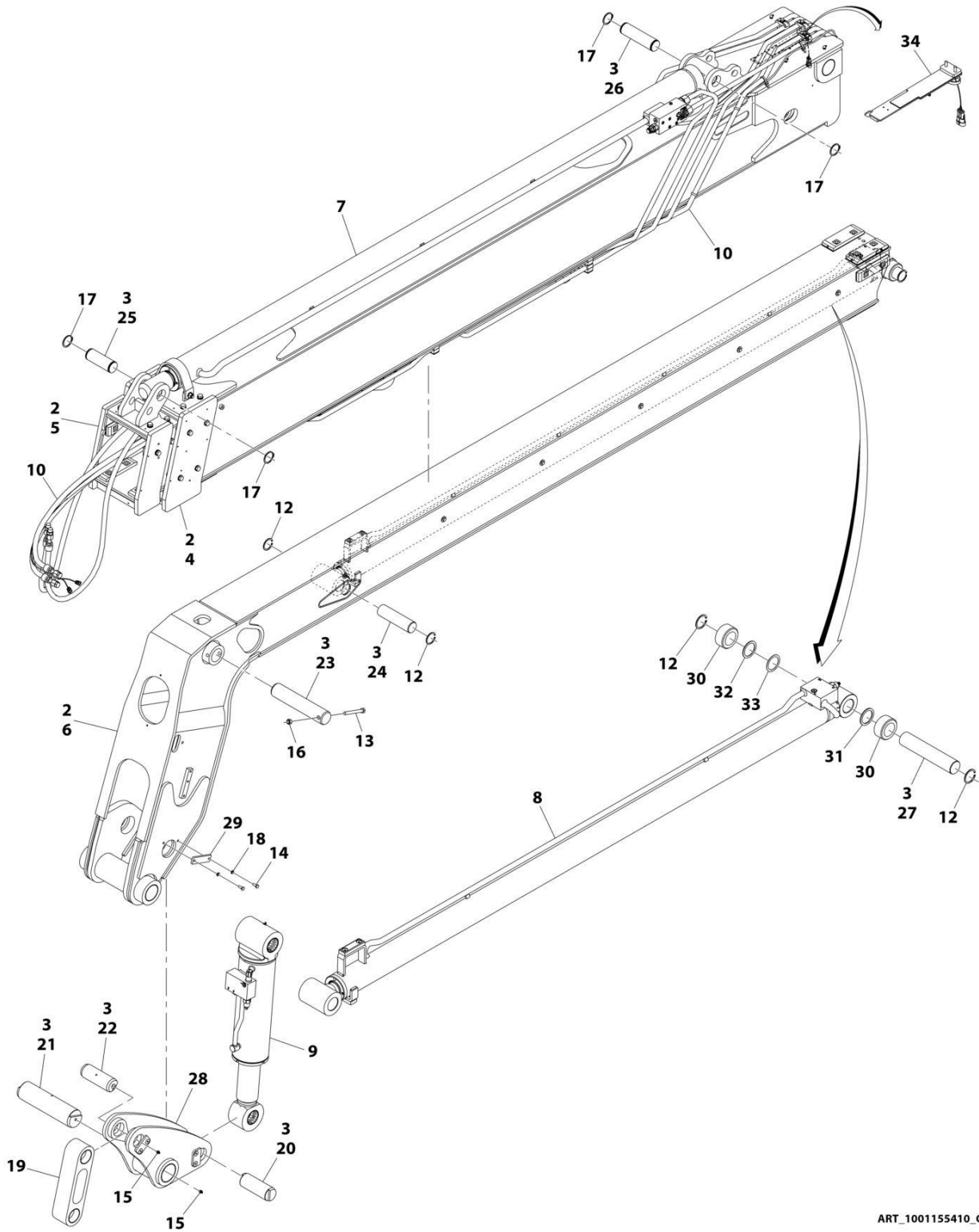
ART_1001256338-A

FIGURE 2-4. BOOM PIVOT INSTALLATION

ITEM	PART NUMBER	QTY	DESCRIPTION	REV
	1001256338	Ref	Boom Pivot Installation	A
1	0711631	1	Bolt, M16X140	
2	3291605	1	Nut, Lock M16X2	
3	1001169048	AR	Shim, 1MM	
4	1001169049	AR	Shim, 0.5MM	
5	1001175225	1	Pin	

SECTION 2 - BOOM

FIGURE 2-5. BOOM ASSEMBLY



ART_1001155410_O

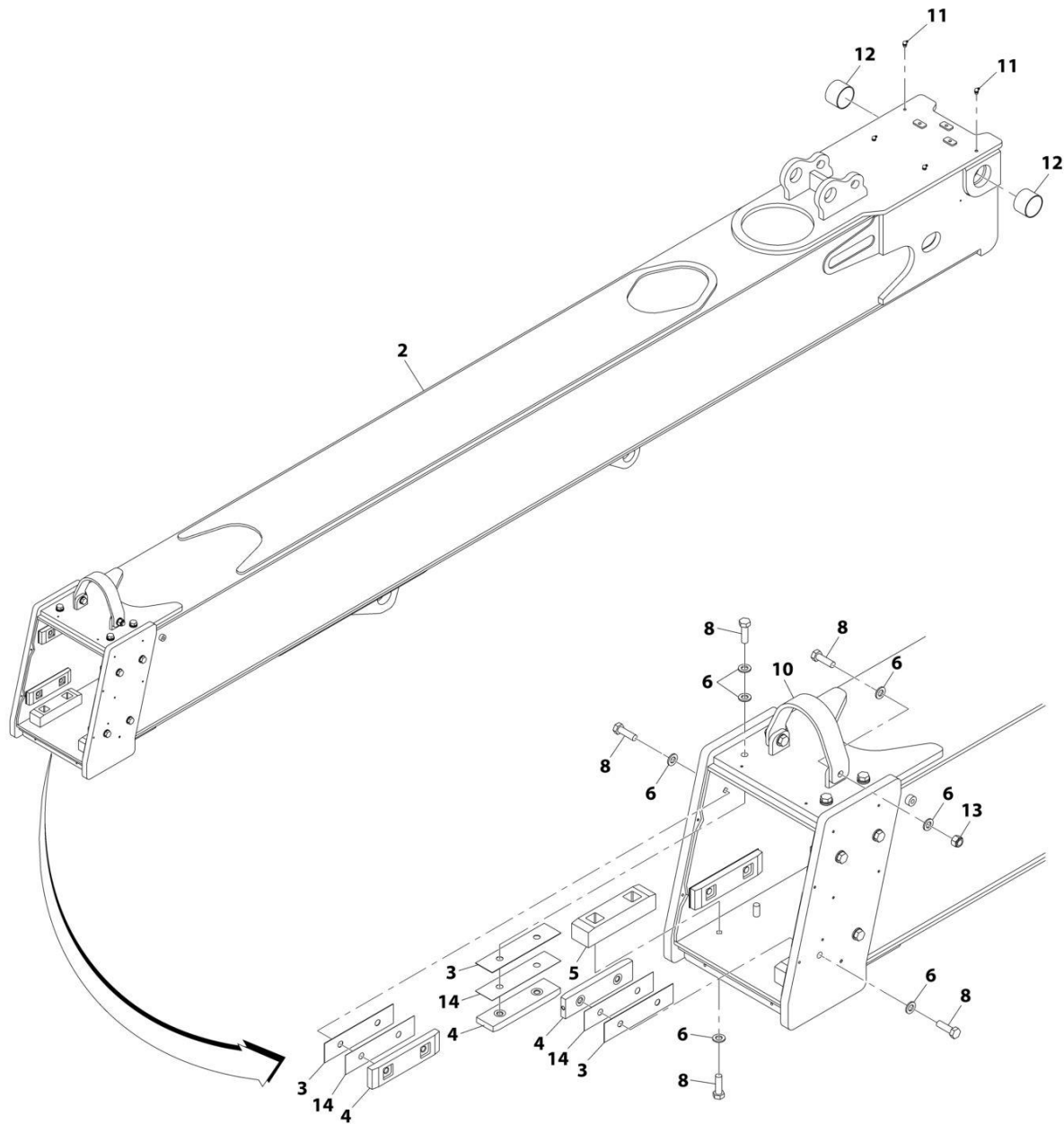
SECTION 2 - BOOM

FIGURE 2-5. BOOM ASSEMBLY

ITEM	PART NUMBER	QTY	DESCRIPTION	REV
	1001155410	Ref	Boom Assembly (JLG)	O
2	1001098457	AR	Lube, Lithium Grease	
3	3020040	AR	Lubricant, Moly Paste	
4	1001153862	1	Assembly, First Boom Section (JLG) (See Separate Breakdown in this Section)	
5	1001153863	1	Assembly, Second Boom Section (See Separate Breakdown in this Section)	
6	1001153864	1	Assembly, Third Boom Section (See Separate Breakdown in this Section)	
7	1001203313	1	Assembly, Outer Extend/Retract Cylinder (See Separate Breakdown in HYDRAULIC COMPONENTS Section)	
8	1001175020	1	Cylinder, Inner Extend/Retract (See Separate Breakdown in HYDRAULIC COMPONENTS Section)	
9	1001276694	1	Assembly, Tilt Cylinder (See Separate Breakdown in HYDRAULIC COMPONENTS Section)	
10	1001197212	Ref	Installation, Boom Hydraulic (See Separate Breakdown in HYDRAULIC CIRCUITS Section)	
12	314689	4	Retaining, Ring	
13	0711228	1	Bolt, M12X110 Grade 10.9	
14	0760810	2	Bolt, M8X20	
15	2160016	2	Fitting, Grease	
16	3291205	1	Nut, Lock M12X1.75 Grade 8	
17	3760493	4	Ring, Retaining	
18	4831900	2	Washer, Lock M8	
19	1001096870	1	Assembly, Link (See Separate Breakdown in this Section)	
20	1001175746	1	Pin, Tilt	
21	1001175747	1	Pin, Tilt Lower	
22	1001175749	1	Pin, Tilt Link	
23	1001175751	1	Pin, Tilt	
24	1001175753	1	Pin	
25	1001176426	1	Pin	
26	1001176437	1	Pin	
27	1001176439	1	Pin	
28	1001176407	1	Assembly, Lever (See Separate Breakdown in this Section)	
29	1001191621	1	Plate	
30	1001177670	2	Tube, Spacer	
31	1001155958	AR	Shim, M3	
32	1001155959	AR	Shim, M2	
33	1001155960	AR	Shim, M1	
34	1001184856	Ref	Installation, Boom Retract Sensor (See Separate Breakdown in ELECTRICAL Section)	

SECTION 2 - BOOM

FIGURE 2-6. FIRST BOOM SECTION ASSEMBLY



ART_1001153862-I

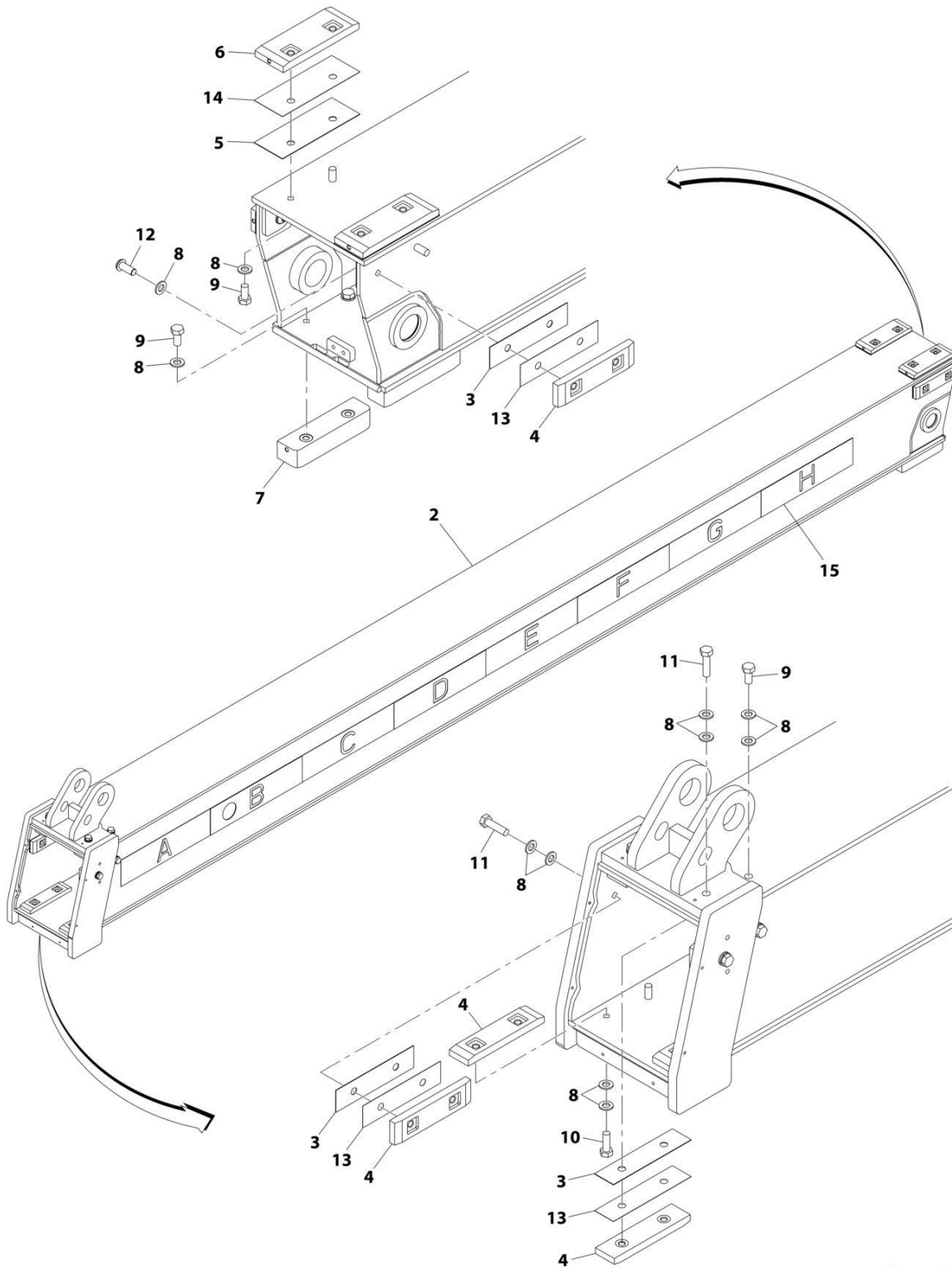
SECTION 2 - BOOM

FIGURE 2-6. FIRST BOOM SECTION ASSEMBLY

ITEM	PART NUMBER	QTY	DESCRIPTION	REV
	1001153862	Ref	First Boom Section Assembly	I
2	1001172321J	1	Boom, First	
3	1001147731	AR	Shim, M1X45X185	
4	1001147657	6	Pad, M15X45X181	
5	1001175853	2	Pad, M38X45X181	
6	1001125117	AR	Washer, M12	
8	0711216	18	Bolt, M12X40, Grade 10.9	
10	1001200696	1	Strap	
11	2160018	4	Fitting, Grease	
12	1001090150	2	Bearing	
13	3291205	2	Nut M12X1.75 Grade 8	
14	1001154174	AR	Shim, M0.5X45X185	

SECTION 2 - BOOM

FIGURE 2-7. SECOND BOOM SECTION ASSEMBLY



ART_1001153863-G

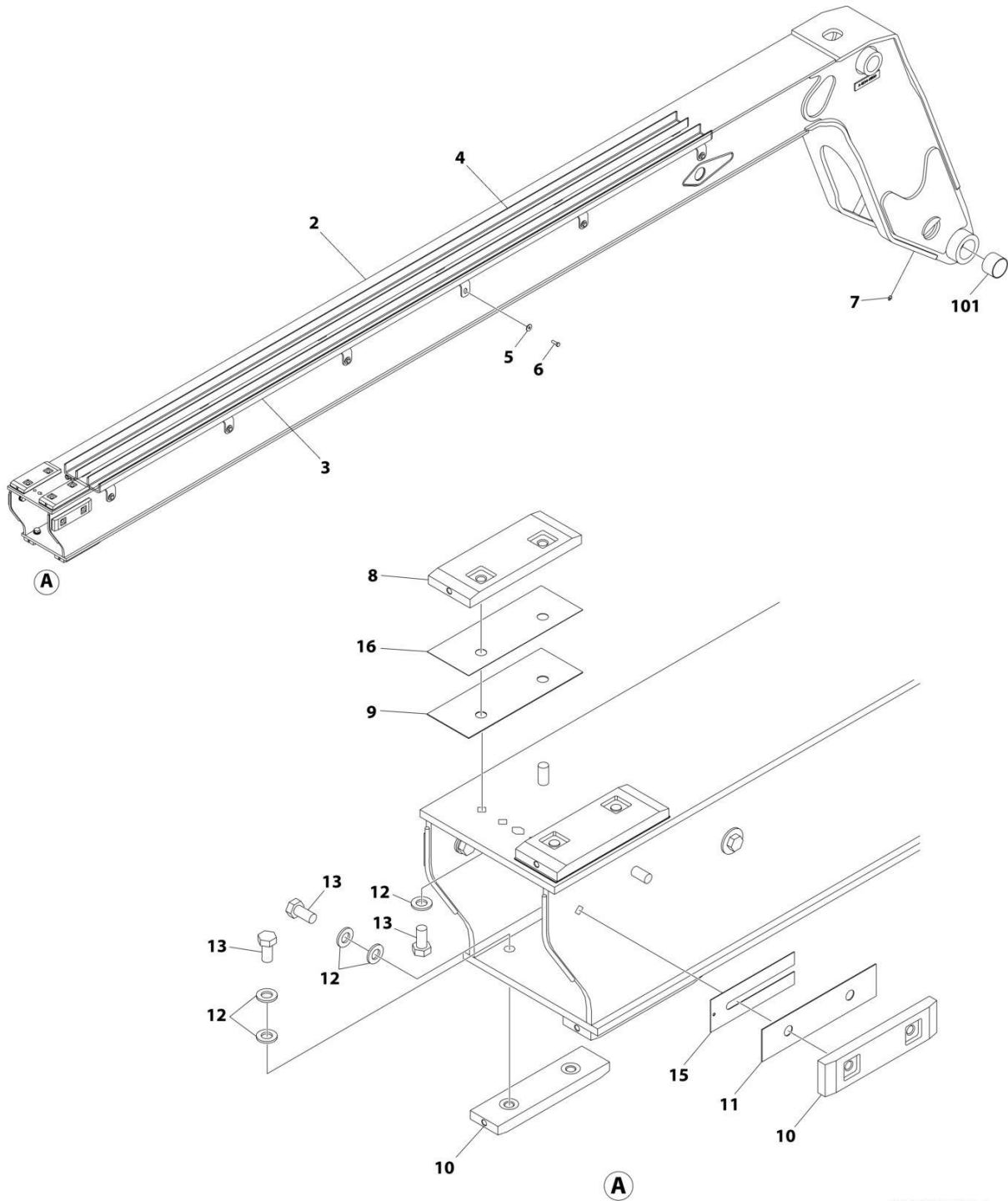
SECTION 2 - BOOM

FIGURE 2-7. SECOND BOOM SECTION ASSEMBLY

ITEM	PART NUMBER	QTY	DESCRIPTION	REV
	1001153863	Ref	Second Boom Section Assembly	H
2	1001172402	1	Boom, Second	
3	1001147731	AR	Shim, M1X45X185	
4	1001147657	8	Pad, M15X45X181	
5	1001148147	AR	Shim, M1X67.5X185	
6	1001148103	2	Pad, M15X67.5X181	
7	1001175911	2	Pad, M38X45X181	
8	1001125117	AR	Washer, M12	
9	0771212	16	Bolt, M12X25 Grade 10.9	
10	0711215	2	Bolt, M12X35 Grade 10.9	
11	0711217	4	Bolt, M12X45 Grade 10.9	
12	1001105260	2	Screw, M12X30	
13	1001154174	AR	Shim, M0.5X45X185	
14	1001154176	AR	Shim, M0.5X67.5X185	
15	1001227229	1	Decal, Boom	
16	1001163103	AR	Shime	

SECTION 2 - BOOM

FIGURE 2-8. THIRD BOOM SECTION ASSEMBLY



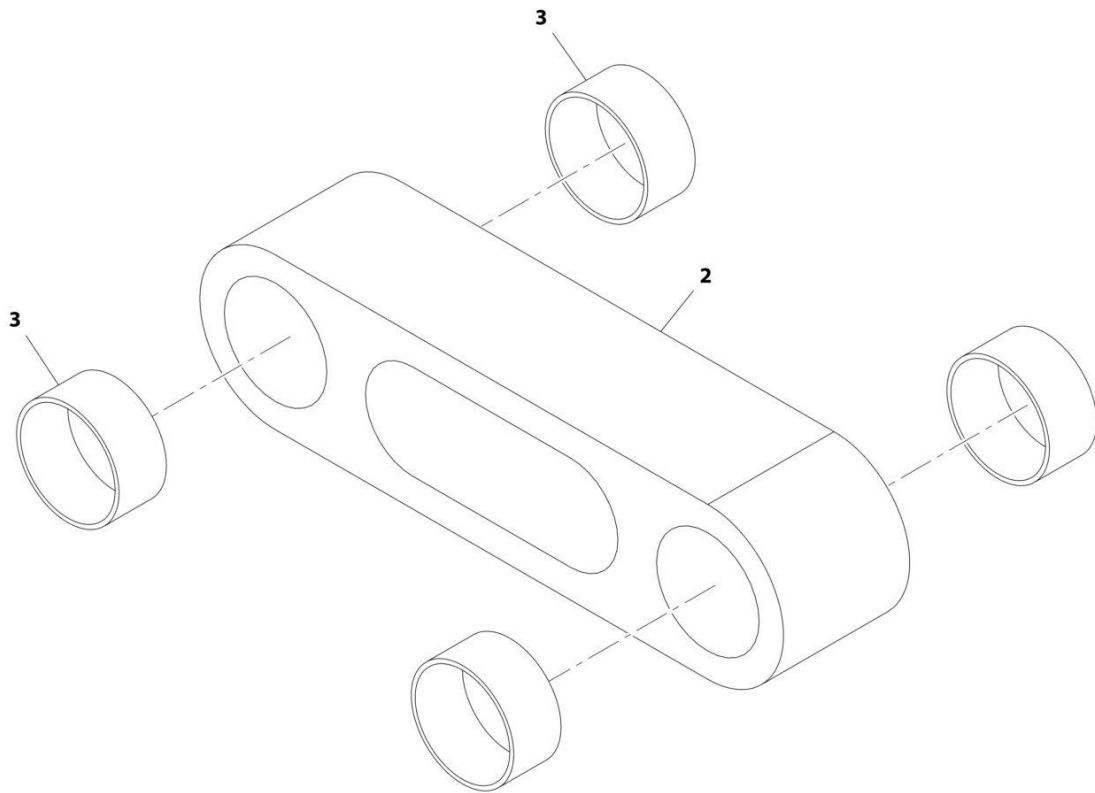
ART_1001153864_J

FIGURE 2-8. THIRD BOOM SECTION ASSEMBLY

ITEM	PART NUMBER	QTY	DESCRIPTION	REV
	1001153864	Ref	Third Boom Section Assembly	J
2	1001242218	1	Boom, Third	
3	1001174557	1	Support, Hose	
4	1001175661	1	Support, Hose	
5	4811902	12	Washer, M8	
6	0760812	12	Bolt, M8X25	
7	2160016	1	Fitting, Grease	
8	1001148103	2	Pad, M15X67.5X181	
9	1001148147	AR	Shim, M1X67.5X185	
10	1001147657	4	Pad, M15X45X181	
11	1001147731	AR	Shim, M1X45X185	
12	1001125117	AR	Washer, M12	
13	0771212	12	Bolt, M12X25 Grade 10.9	
15	1001163103	AR	Shim	
16	1001154176	AR	Shim	
101	1001090150	2	Bearing	

SECTION 2 - BOOM

FIGURE 2-9. LINK ASSEMBLY



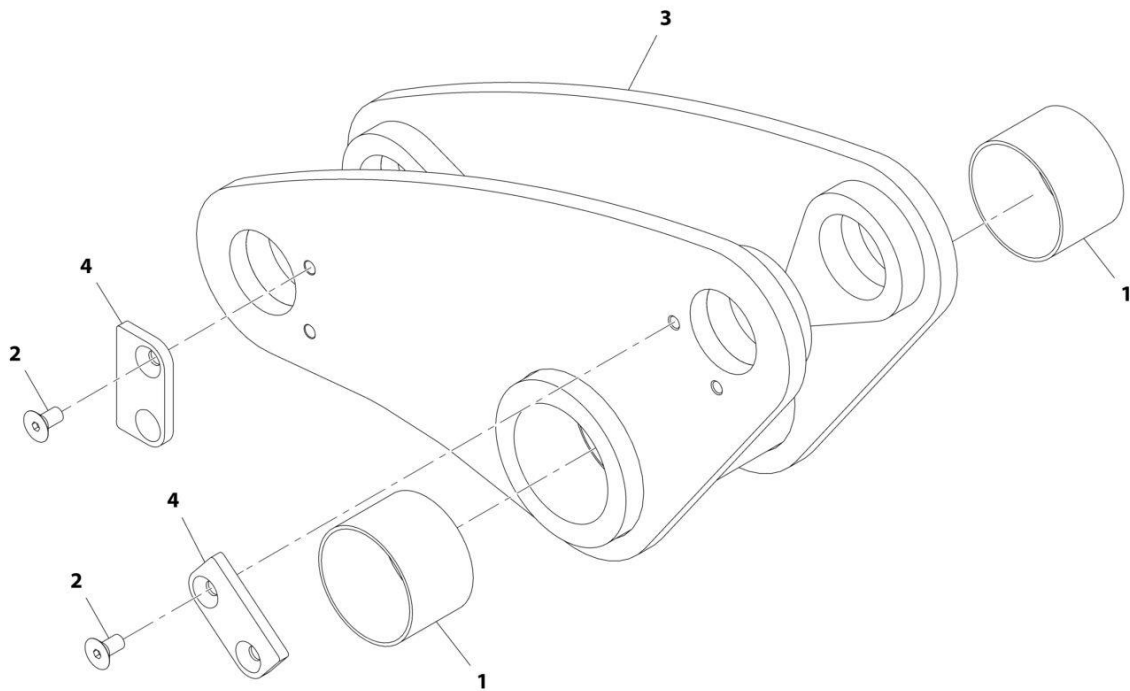
ART_1001096870-B

FIGURE 2-9. LINK ASSEMBLY

ITEM	PART NUMBER	QTY	DESCRIPTION	REV
	1001096870	Ref	Link Assembly	B
2	1001096726	NSS	Link (Use PN 1001096870 Link Assembly	
3	1001100442	4	Bearing	

SECTION 2 - BOOM

FIGURE 2-10. LEVER ASSEMBLY



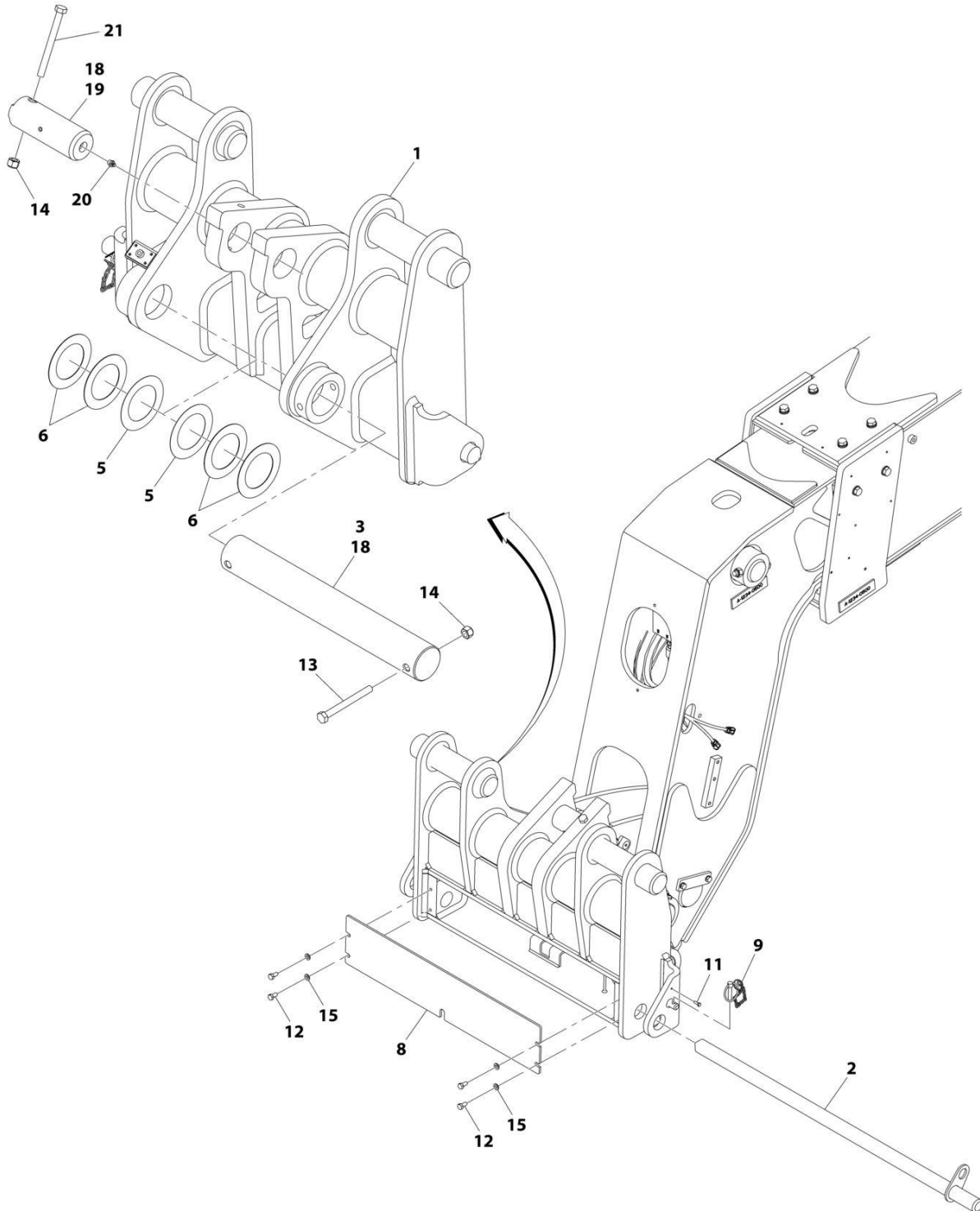
ART_1001176407-C

FIGURE 2-10. LEVER ASSEMBLY

ITEM	PART NUMBER	QTY	DESCRIPTION	REV
	1001176407	Ref	Lever Assembly	C
1	1001092298	2	Bearing	
2	1001155441	4	Screw, M10-1.5X20	
3	1001189480	1	Plate	
4	1001176882	2	Plate, Pin Retainer	

SECTION 2 - BOOM

FIGURE 2-11. COUPLER INSTALLATION - MANUAL (JLG)



ART_1001178526-E

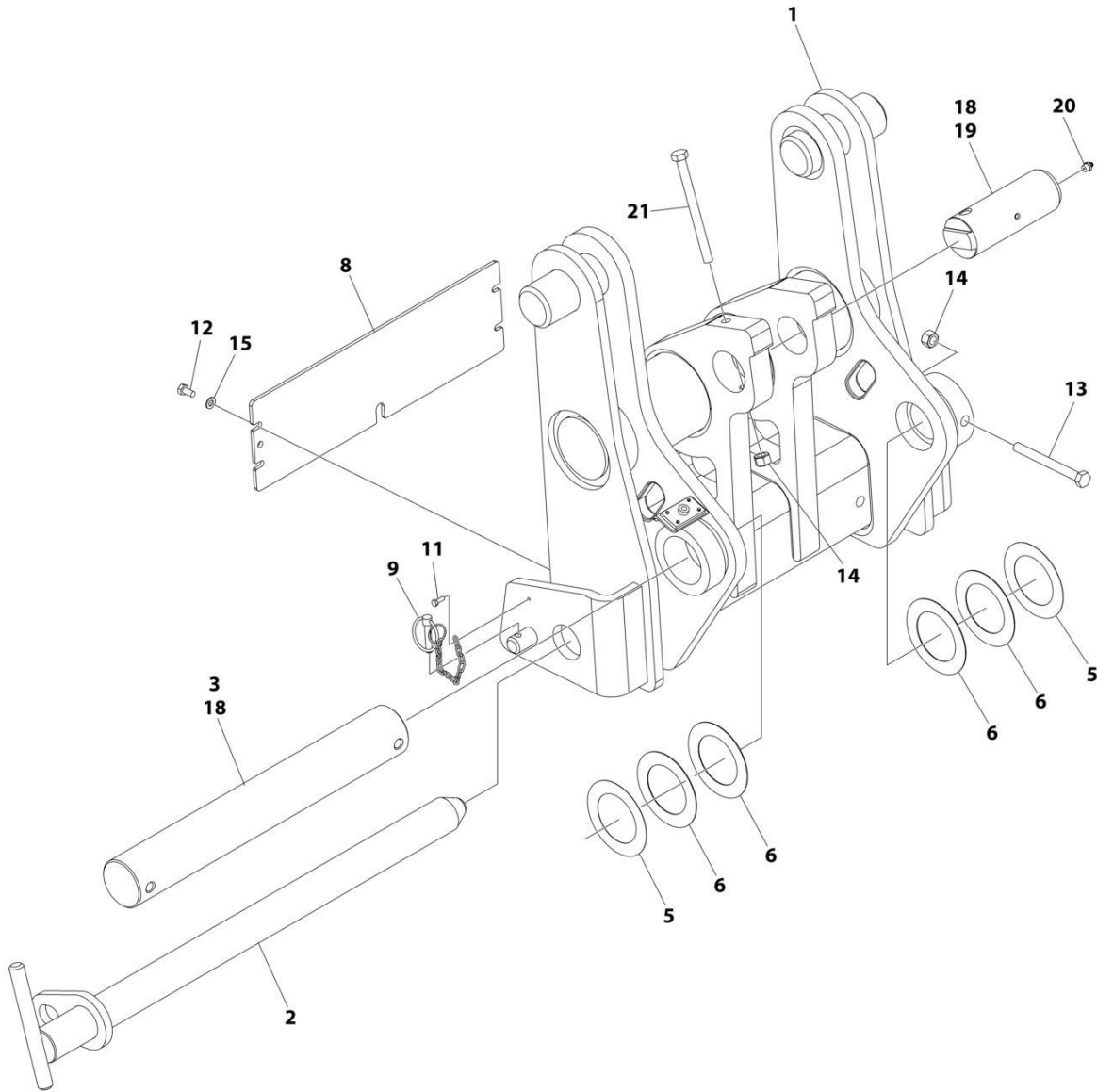
SECTION 2 - BOOM

FIGURE 2-11. COUPLER INSTALLATION - MANUAL (JLG)

ITEM	PART NUMBER	QTY	DESCRIPTION	REV
	1001178526	Ref	Manual Quick Coupler Installation	E
1	1001189099	1	Carriage	
2	1001162636	1	Pin	
3	1001172886	1	Pin	
5	1001098146	AR	Shim, M72X110X0.5	
6	1001098147	AR	Shim, M72X110X1.0	
8	1001171390	1	Plate	
9	1001149923	1	Chain, Retaining Pin	
11	0760507	1	Bolt, M5X14	
12	0760808	4	Bolt, M8X16	
13	0701229	1	Bolt, M12X120	
14	3291205	2	Nut, Lock M12X1.75 Grade 8	
15	4811900	4	Washer, M8	
18	1001098457	AR	Lube, Lithium Grease	
19	1001197479	1	Pin	
20	2160016	1	Fitting, Grease	
21	0701232	1	Bolt, M12X150	

SECTION 2 - BOOM

FIGURE 2-12. COUPLER INSTALLATION - MANUAL (CAT)



ART_1001178527

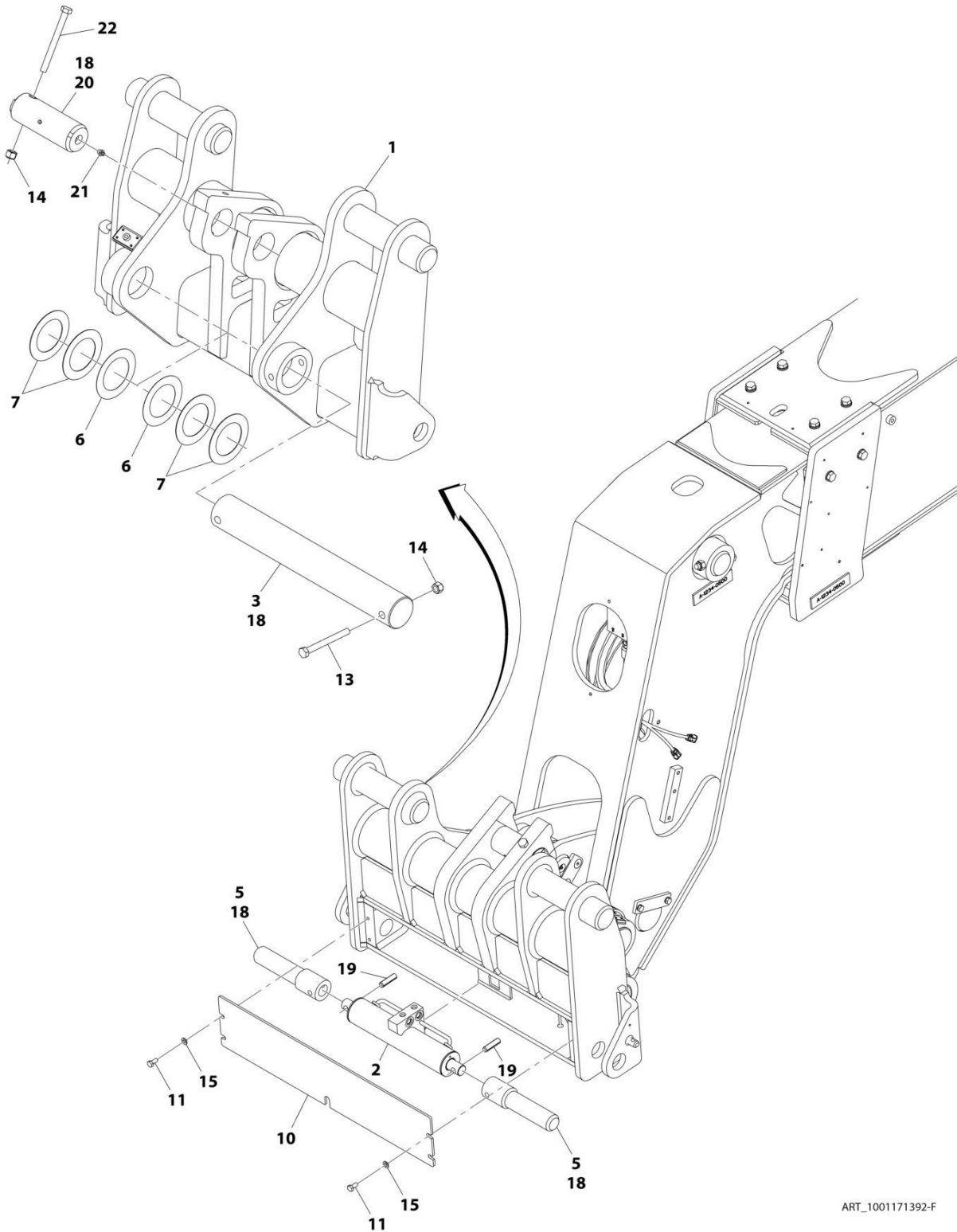
SECTION 2 - BOOM

FIGURE 2-12. COUPLER INSTALLATION - MANUAL (CAT)

ITEM	PART NUMBER	QTY	DESCRIPTION	REV
	1001178527	Ref	COUPLER ASSEMBLY - MANUAL	E
1	1001197065	1	Carriage	
2	1001183004	1	Pin	
3	1001172886	1	Pin	
5	1001098146	AR	Shim	
6	1001098147	AR	Shim	
8	1001170985	1	Plate	
9	1001149923	1	Pin, Retaining	
11	0760507	1	Bolt M5 x 14	
12	0760808	4	Bolt M8 x 16	
13	0701229	1	Bolt M12 x 120	
14	3291205	2	Nut M12	
15	4811900	4	Washer M8	
18	1001098457	AR	Grease, Lithium	
19	1001197479	1	Pin	
20	2160016	1	Fitting, Grease	
21	0701232	1	Bolt M12 x 150	

SECTION 2 - BOOM

FIGURE 2-13. COUPLER INSTALLATION - HYDRAULIC (JLG)



ART_1001171392-F

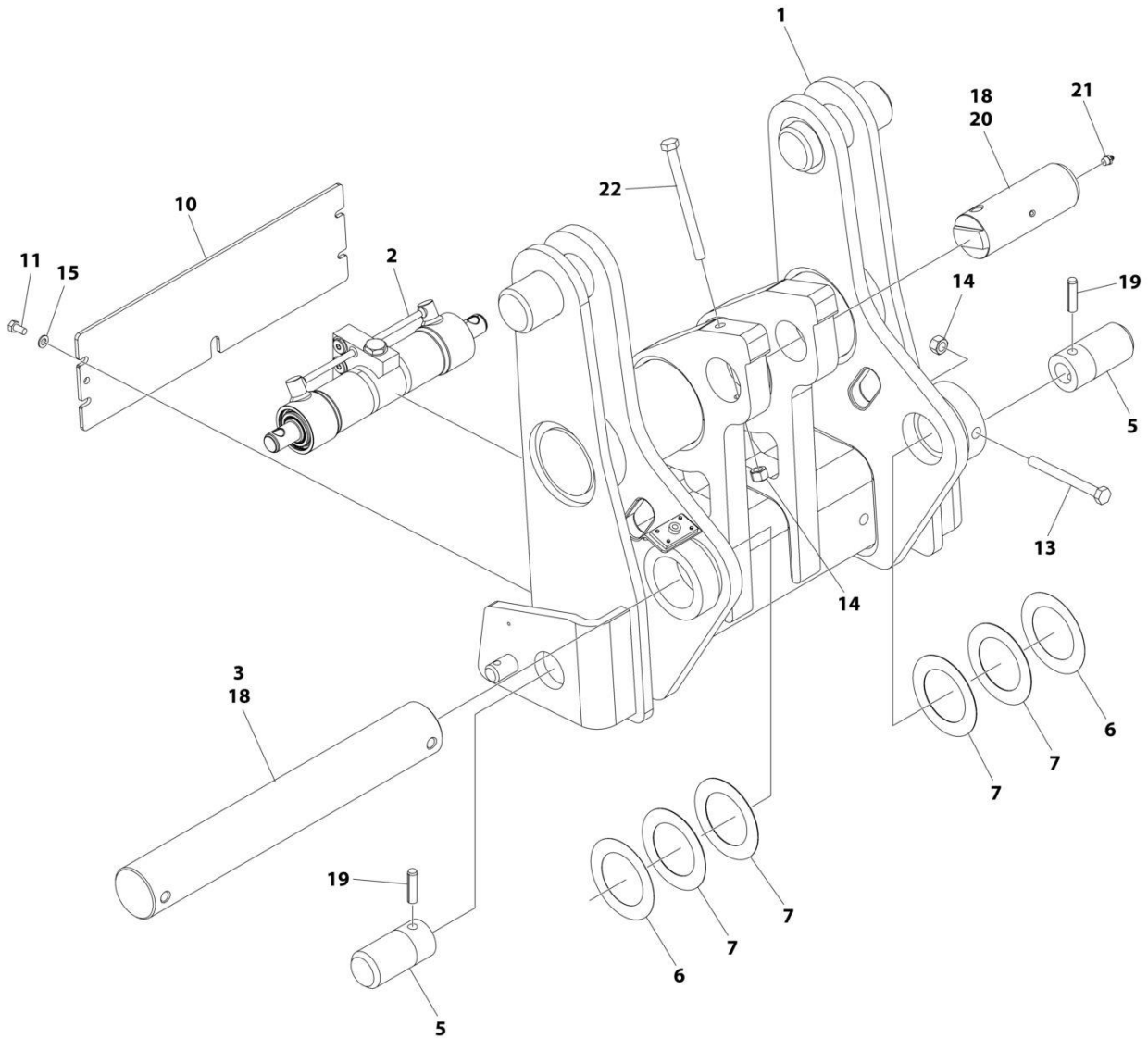
SECTION 2 - BOOM

FIGURE 2-13. COUPLER INSTALLATION - HYDRAULIC (JLG)

ITEM	PART NUMBER	QTY	DESCRIPTION	REV
	1001171392	Ref	Hydraulic Quick Coupler Installation	F
1	1001189099	1	Carriage	
2	1001114787	1	Assembly, Coupler Locking Cylinder (See Separate Breakdown in HYDRAULIC COMPONENTS Section)	
3	1001172886	1	Pin	
5	1001170984	2	Rod, Locking	
6	1001098146	AR	Shim, M72X110X0.5	
7	1001098147	AR	Shim, M72X110X1.0	
10	1001171390	1	Plate	
11	0760808	4	Bolt, M8X16	
13	0701229	1	Bolt, M12X120	
14	3291205	2	Nut, Lock M12X1.75 Grade 8	
15	4811900	4	Washer, M8	
18	1001098457	AR	Lube, Lithium Grease	
19	1001184610	2	Pin	
20	1001197479	1	Pin	
21	2160016	1	Fitting, Grease	
22	0701232	1	Bolt, M12X150	

SECTION 2 - BOOM

FIGURE 2-14. COUPLER INSTALLATION - HYDRAULIC (CAT)



ART_1001171393_F

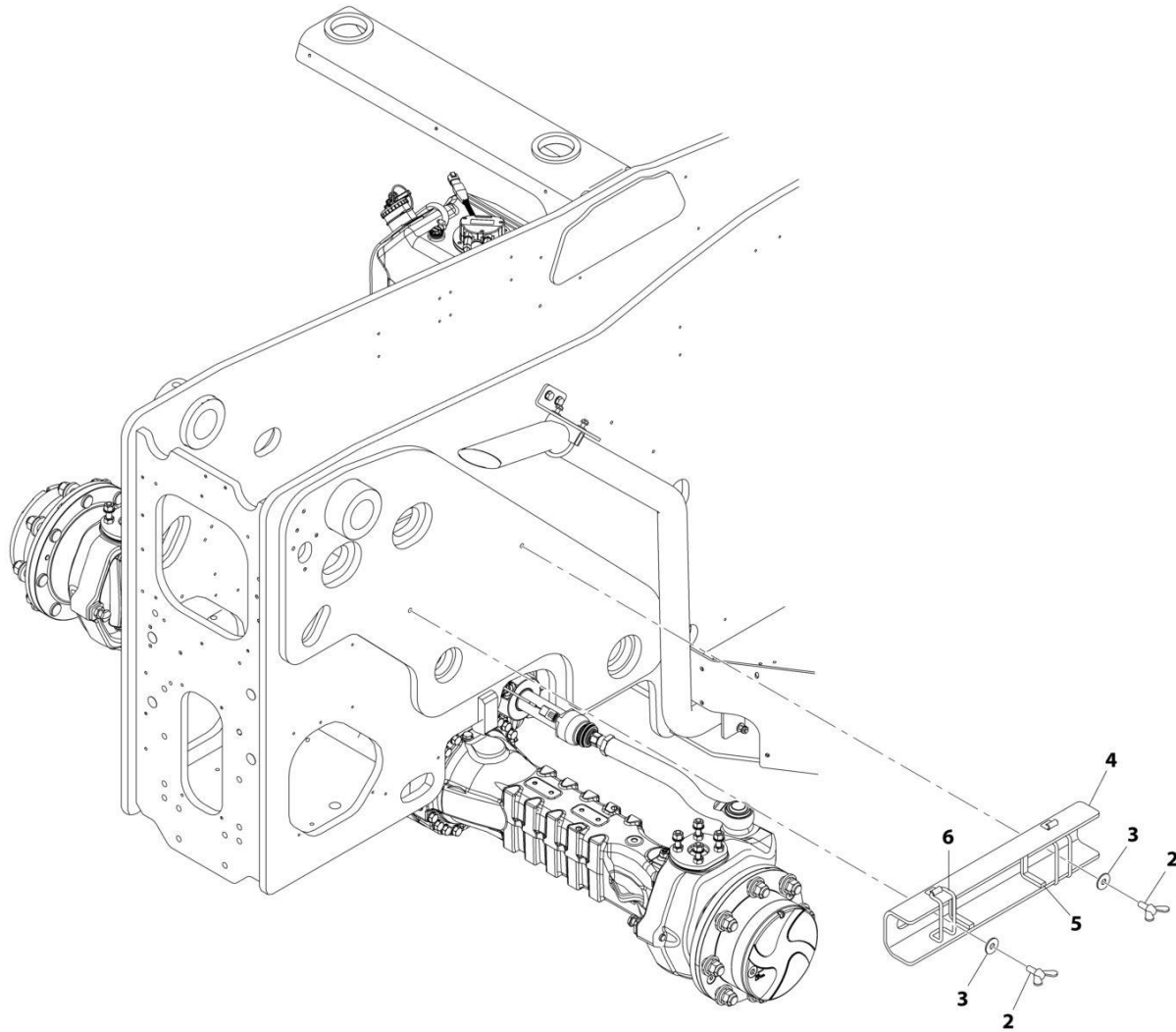
SECTION 2 - BOOM

FIGURE 2-14. COUPLER INSTALLATION - HYDRAULIC (CAT)

ITEM	PART NUMBER	QTY	DESCRIPTION	REV
	1001171393	Ref	COUPLER ASSEMBLY - HYDRAULIC	F
1	1001197065	1	Coupler	
2	1001114787	NSS	Lockout Cylinder Sub-Assembly (Purchase Individual Parts)	
2	1001267977	1	Lockout Cylinder Assembly (See Separate Breakdown in HYDRAULIC COMPONENTS Section)	
2	1001145444	1	Cartridge, Check Valve	
3	1001172886	1	Pin	
5	1001182362	2	Rod	
6	1001098146	AR	Shim	
7	1001098147	AR	Shim	
10	1001170985	1	Plate	
11	0760808	4	Bolt M8 x 16	
13	0701229	1	Bolt M12 x 120	
14	3291205	2	Nut M12	
15	4811900	4	Washer M8	
18	1001098457	AR	Grease, Lithium	
19	1001184610	2	Pin	
20	1001197479	1	Pin	
21	2160016	1	Fitting, Grease	
22	0701232	1	Bolt M12 x 150	

SECTION 2 - BOOM

FIGURE 2-15. BOOM PROP INSTALLATION



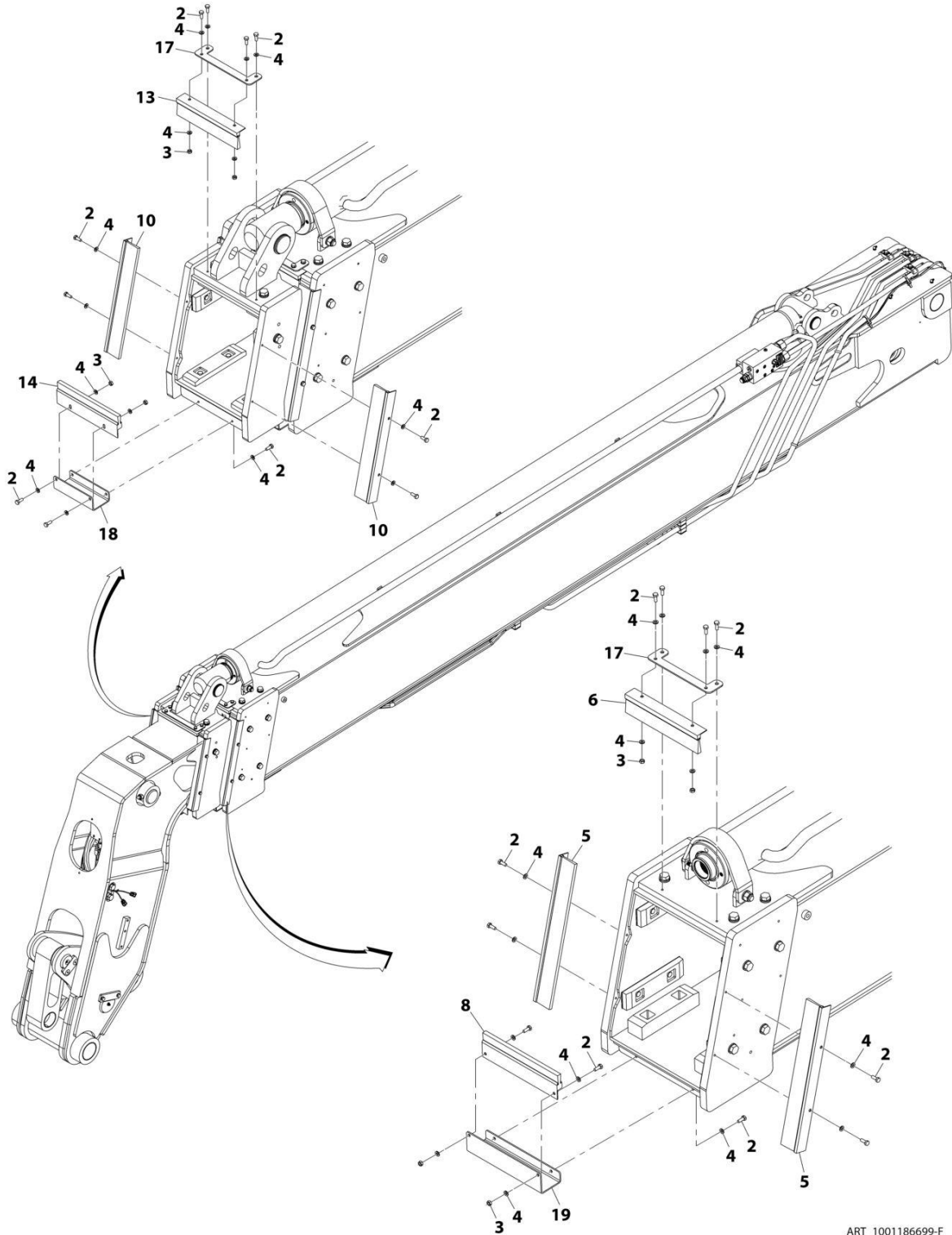
ART_1001189475-D

FIGURE 2-15. BOOM PROP INSTALLATION

ITEM	PART NUMBER	QTY	DESCRIPTION	REV
	1001189475	Ref	Boom Prop Installation	D
2	443630	2	Screw, Wing M12X30	
3	4812102	2	Washer, M12	
4	1001204535	1	Bracket, Boom Support	
5	1001189476	2	Pad	
6	1784861	2	O-Ring	

SECTION 2 - BOOM

FIGURE 2-16. BOOM BRUSHES INSTALLATION



ART_1001186699-F

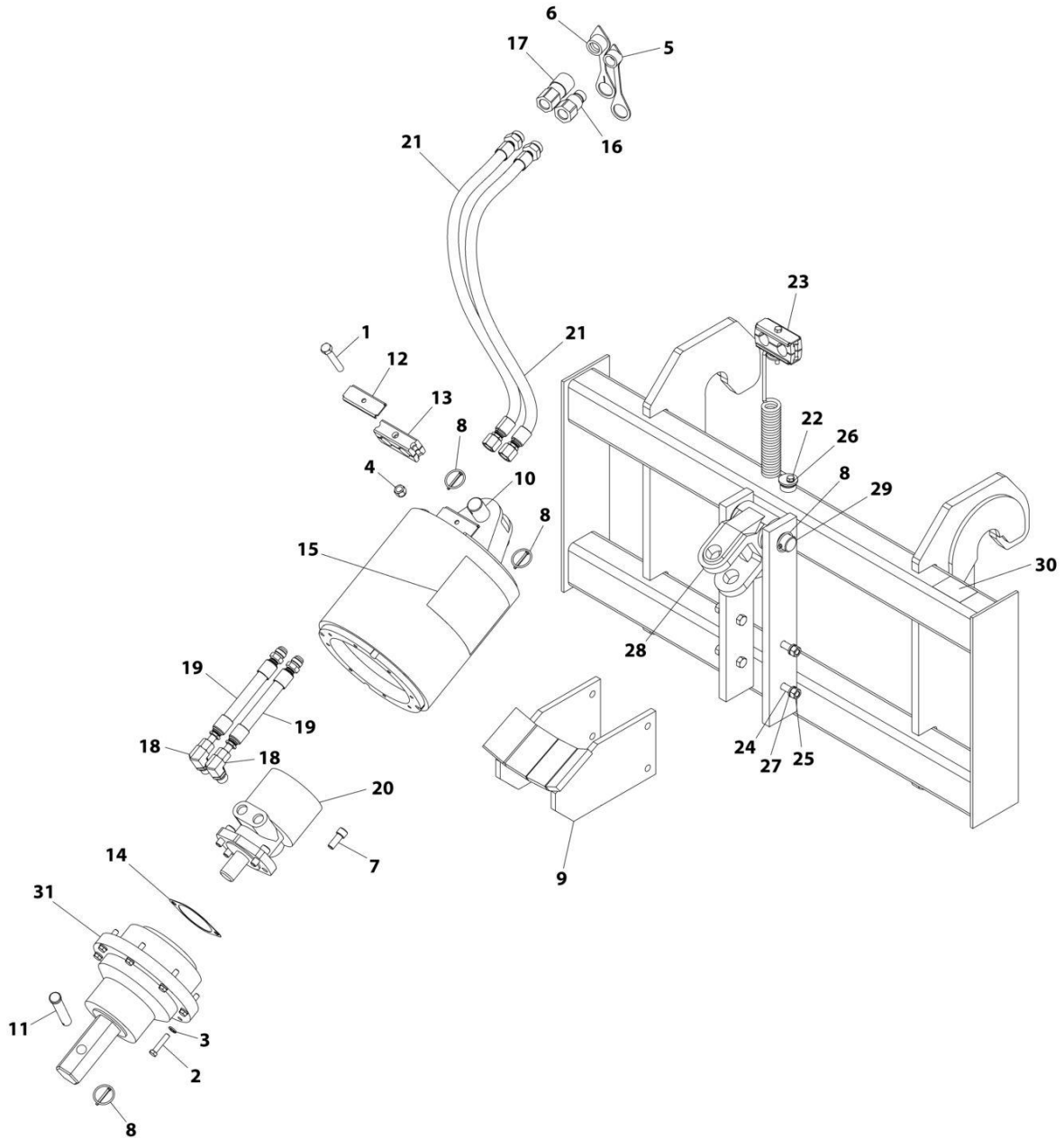
FIGURE 2-16. BOOM BRUSHES INSTALLATION

ITEM	PART NUMBER	QTY	DESCRIPTION	REV
	1001186699	Ref	Boom Brushes Installation	F
2	0760608	24	Bolt, M6X16	
3	3290601	8	Nut, M6X1 Grade 8	
4	4811700	32	Washer, M6	
5	1001184423	2	Seal, Boom Brush	
6	1001184507	1	Seal, Boom Brush	
8	1001202316	1	Seal, Boom Brush	
10	1001183676	2	Seal, Boom Brush	
13	1001186895	1	Seal, Boom Brush	
14	1001186896	1	Seal, Boom Brush	
17	1001214868	2	Bracket, Boom Brush Top	
18	1001214881	1	Bracket, Boom Brush Bottom	
19	1001214882	1	Bracket, Boom Brush Bottom	

SECTION 3 - ATTACHMENTS

SECTION 3 - ATTACHMENTS

FIGURE 3-1. AUGER COUPLING



ART_1001206173-B

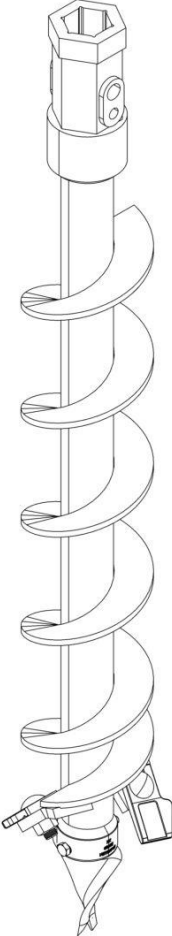
SECTION 3 - ATTACHMENTS

FIGURE 3-1. AUGER COUPLING

ITEM	PART NUMBER	QTY	DESCRIPTION	REV
	1001206173	1	Auger (Coupler Mounted)	E
1	90554070	1	Bolt	
2	70027774	8	Bolt	
3	90554042	8	Washer, Lock	
4	70027775	1	Nut, Lock	
5	1001093826	1	Cap, Male Dust	
6	1001093827	1	Cap, Female Dust	
7	70027776	4	Bolt	
8	70027777	5	Pin	
9	70027778	1	Bracket, Cradle	
10	70027781	1	Pin	
11	70027782	1	Pin	
12	70027783	1	Plate, Hose Cushion	
13	70027784	1	Block, Hose Cushion	
14	70027785	1	Gasket, Motor	
15	70027787	2	Decal, Danger	
16	1001101041	1	Coupler, Male Hydraulic	
17	1001101042	1	Coupler, Female Hydraulic	
18	70027788	2	Fitting	
19	70027789	2	Hose	
20	70027791	1	Motor	
21	70027794	2	Hose	
22	70027773	1	Bolt	
23	70027792	1	Clamp, Hose	
24	90554019	4	Bolt	
25	90554054	4	Nut	
26	90554067	1	Washer, Lock	
27	90554020	4	Washer, Lock	
28	70027779	1	Swivel	
29	70027780	1	Pin	
30	70027786	1	Decal, Warning	
31	70027793	1	Gearbox, Planetary	
101	N.S.S.	1	Plate, Serial Number	

SECTION 3 - ATTACHMENTS

FIGURE 3-2. AUGER BIT (6INX4IN)



ART_1001204128-B

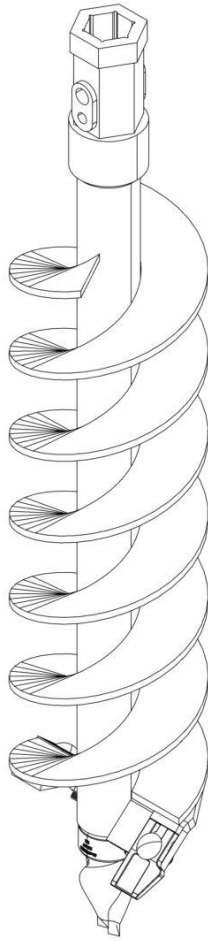
SECTION 3 - ATTACHMENTS

FIGURE 3-2. AUGER BIT (6INX4IN)

ITEM	PART NUMBER	QTY	DESCRIPTION	REV
	1001204128	Ref	Auger Bit (6INX4IN)	B

SECTION 3 - ATTACHMENTS

FIGURE 3-3. AUGER BIT (9INX4IN)



ART_1001204129-B

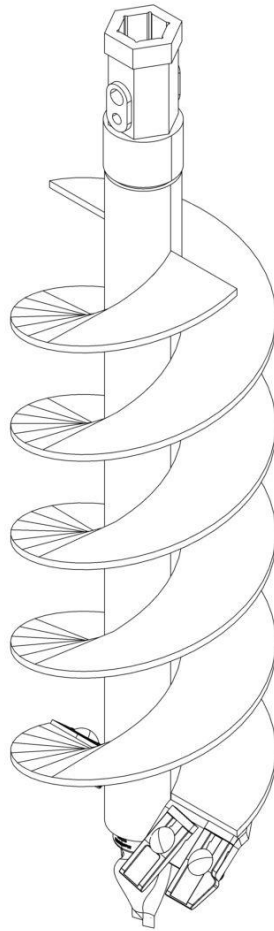
SECTION 3 - ATTACHMENTS

FIGURE 3-3. AUGER BIT (9INX4IN)

ITEM	PART NUMBER	QTY	DESCRIPTION	REV
	1001204129	Ref	Auger Bit (9INX4IN)	B

SECTION 3 - ATTACHMENTS

FIGURE 3-4. AUGER BIT (12INX4IN)



ART_1001204130-B

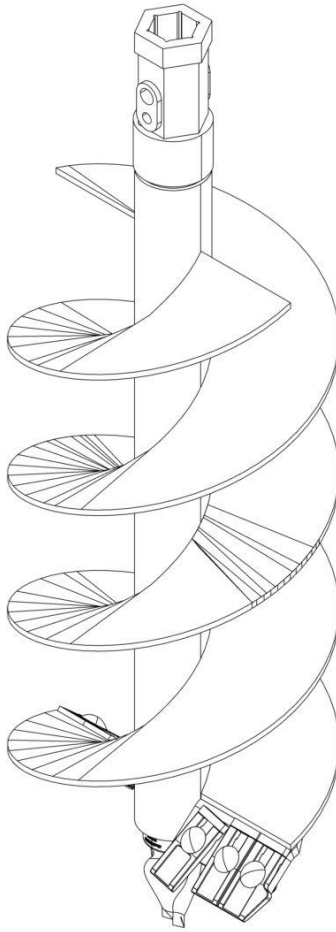
SECTION 3 - ATTACHMENTS

FIGURE 3-4. AUGER BIT (12INX4IN)

ITEM	PART NUMBER	QTY	DESCRIPTION	REV
	1001204130	Ref	Auger Bit (12INX4IN)	B

SECTION 3 - ATTACHMENTS

FIGURE 3-5. AUGER BIT (15INX4IN)



ART_1001204131-B

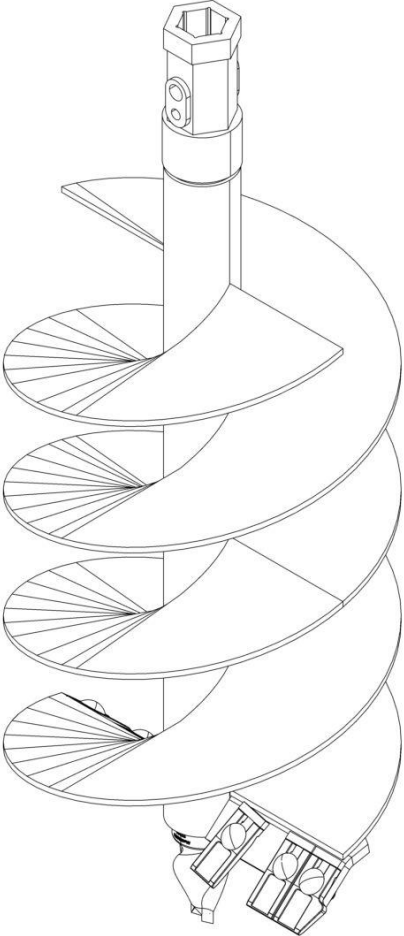
SECTION 3 - ATTACHMENTS

FIGURE 3-5. AUGER BIT (15INX4IN)

ITEM	PART NUMBER	QTY	DESCRIPTION	REV
	1001204131	Ref	Auger Bit (15INX4IN)	B

SECTION 3 - ATTACHMENTS

FIGURE 3-6. AUGER BIT (18INX4IN)



ART_1001204132-B

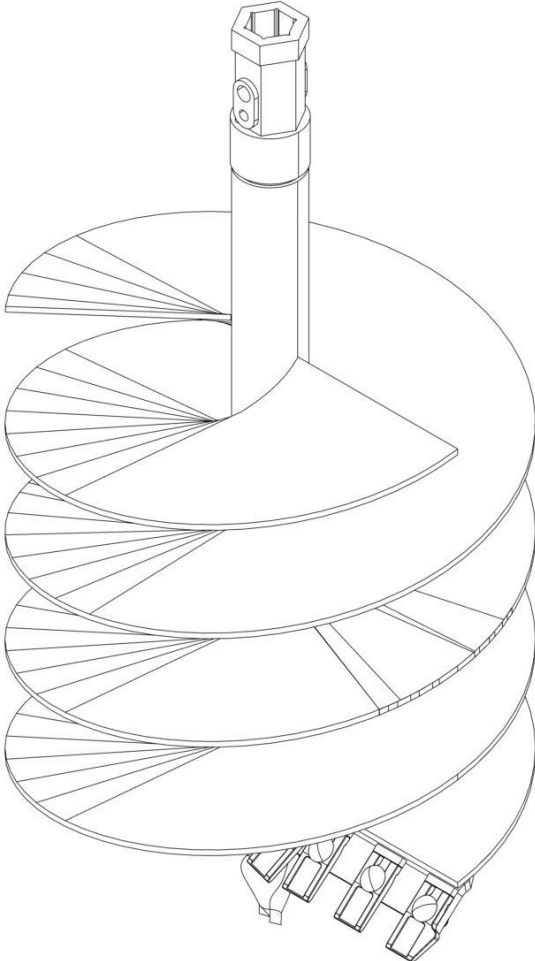
SECTION 3 - ATTACHMENTS

FIGURE 3-6. AUGER BIT (18INX4IN)

ITEM	PART NUMBER	QTY	DESCRIPTION	REV
	1001204132	Ref	Auger Bit (18INX4IN)	B

SECTION 3 - ATTACHMENTS

FIGURE 3-7. AUGER BIT (24INX4IN)



ART_1001204133-B

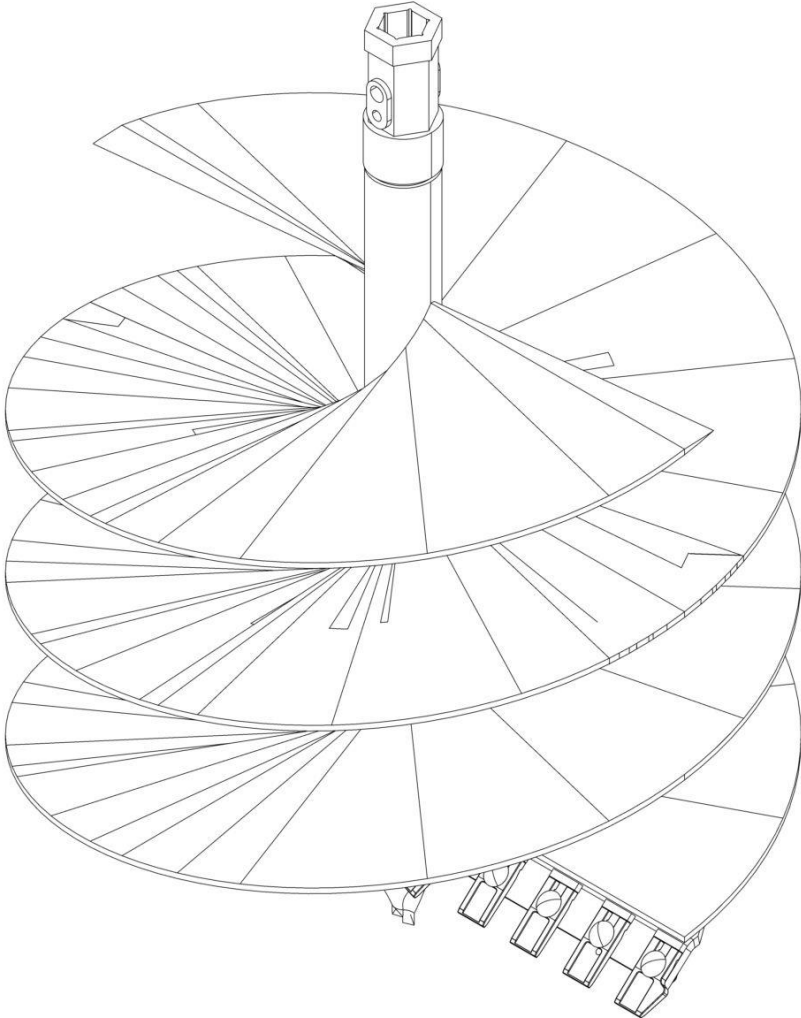
SECTION 3 - ATTACHMENTS

FIGURE 3-7. AUGER BIT (24INX4IN)

ITEM	PART NUMBER	QTY	DESCRIPTION	REV
	1001204133	Ref	Auger Bit (24INX4IN)	B

SECTION 3 - ATTACHMENTS

FIGURE 3-8. AUGER BIT (36INX4IN)



ART_1001204134-B

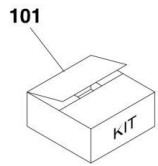
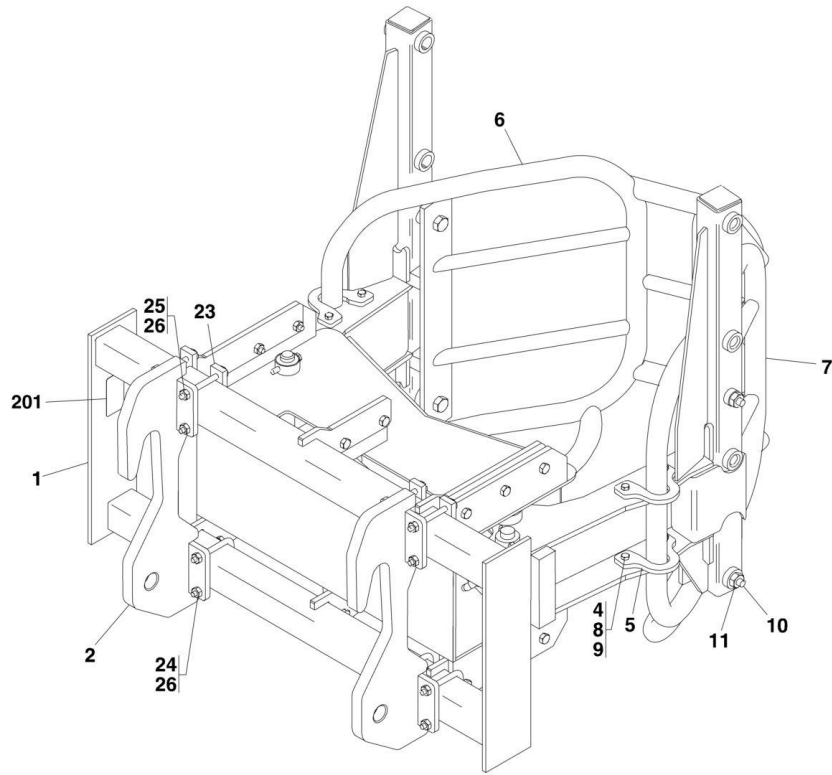
SECTION 3 - ATTACHMENTS

FIGURE 3-8. AUGER BIT (36INX4IN)

ITEM	PART NUMBER	QTY	DESCRIPTION	REV
	1001204134	Ref	Auger Bit (36INX4IN)	B

SECTION 3 - ATTACHMENTS

FIGURE 3-9. BALE HANDLER (TUBE CLAMP)



ART_0240117-E

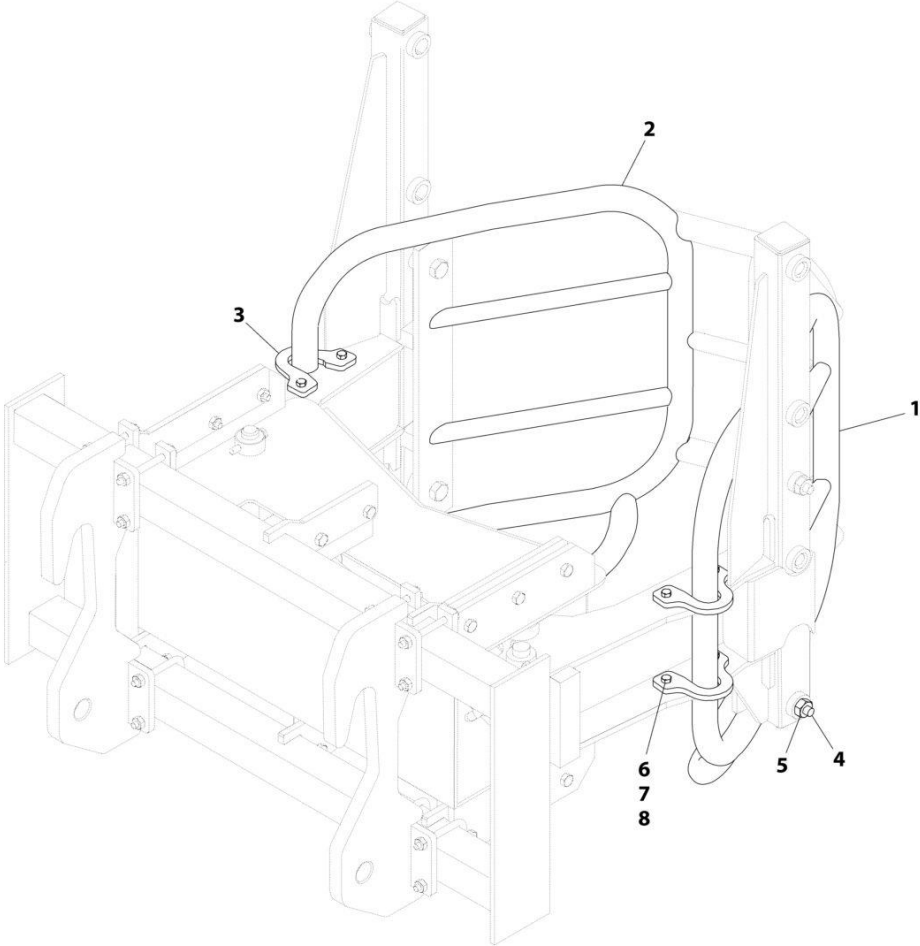
SECTION 3 - ATTACHMENTS

FIGURE 3-9. BALE HANDLER (TUBE CLAMP)

ITEM	PART NUMBER	QTY	DESCRIPTION	REV
	0240117	1	Bale Handler (Tube Clamp)	E
1	N.S.S.	1	Weldment	
2	7029344	1	Weldment, Attach (includes items 23 thru 26)	
4	7029345	8	Bolt, M12X45	
5	7029346	4	Strap	
6	7029347	1	Arm, Left Tube	
7	7029348	1	Arm, Right Tube	
8	7029349	8	Washer, M12	
9	7029350	8	Locknut, M12X8	
10	7029351	4	Bolt, M22X180	
11	7029352	4	Locknut, M22X8	
23	7029353	4	Plate	
24	7029354	4	U-Bolt	
25	7029355	8	Bolt, M16X130	
26	7029356	16	Locknut, M16X8	
101	2902440	1	Kit, Bale Handler (Spikes to Tube) (CE & AUS) (includes items 4 thru 11) (See Separate Breakdown in this Section)	
201	N.S.S.	AR	SN Plate	

SECTION 3 - ATTACHMENTS

FIGURE 3-10. BALE HANDLER KIT (TUBE CLAMP)



ART_2902440-A

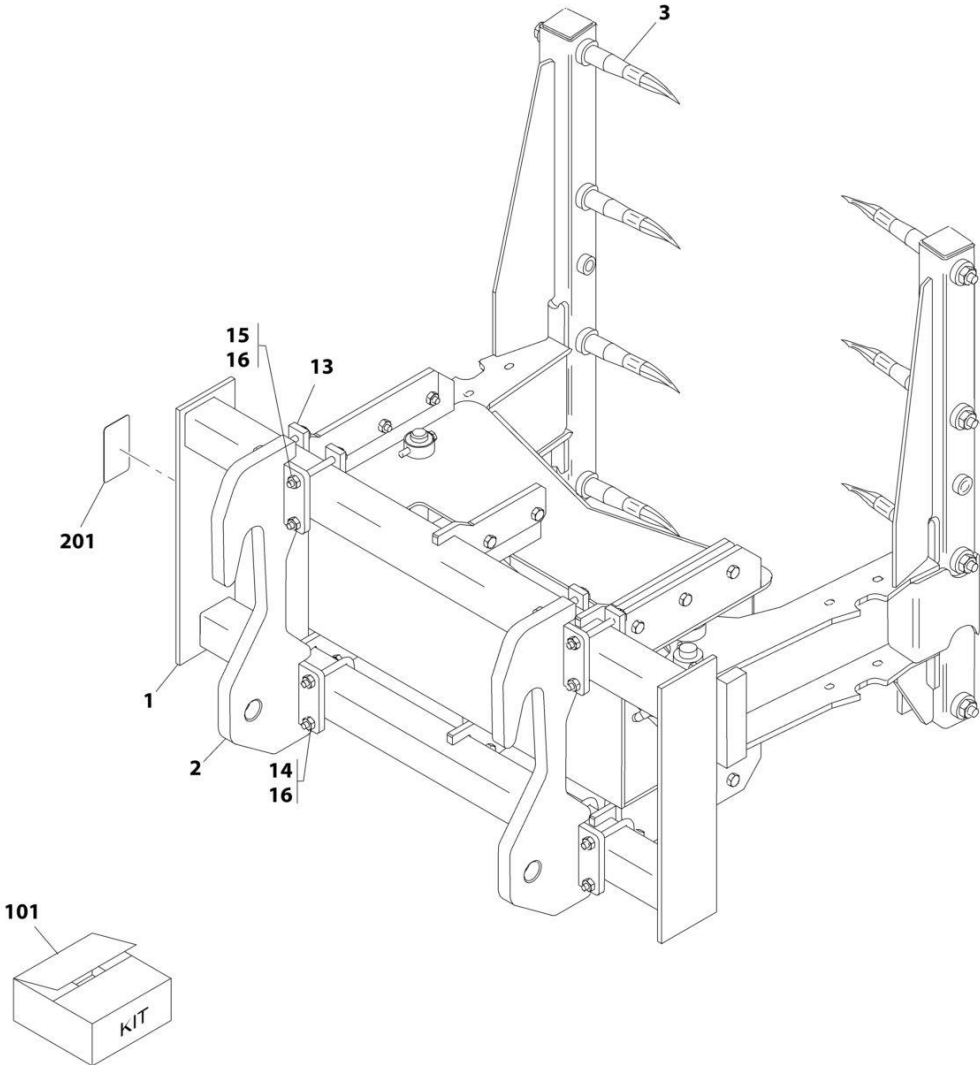
SECTION 3 - ATTACHMENTS

FIGURE 3-10. BALE HANDLER KIT (TUBE CLAMP)

ITEM	PART NUMBER	QTY	DESCRIPTION	REV
	2902440	Ref	Bale Handler Kit (Spikes to Tube)	A
1	7029348	1	Bent Arm, Right	
2	7029347	1	Bent Arm, Left	
3	7029346	4	Strap	
4	7029351	4	Bolt, M22X180-8.8	
5	7029352	4	Locknut, M22-8	
6	7029345	8	Bolt, M12X45-8.8	
7	7029350	8	Locknut, M12-8	
8	7029349	8	Washer, M12	

SECTION 3 - ATTACHMENTS

FIGURE 3-11. BALE HANDLER (SPIKE CLAMP)



ART_0240118-E

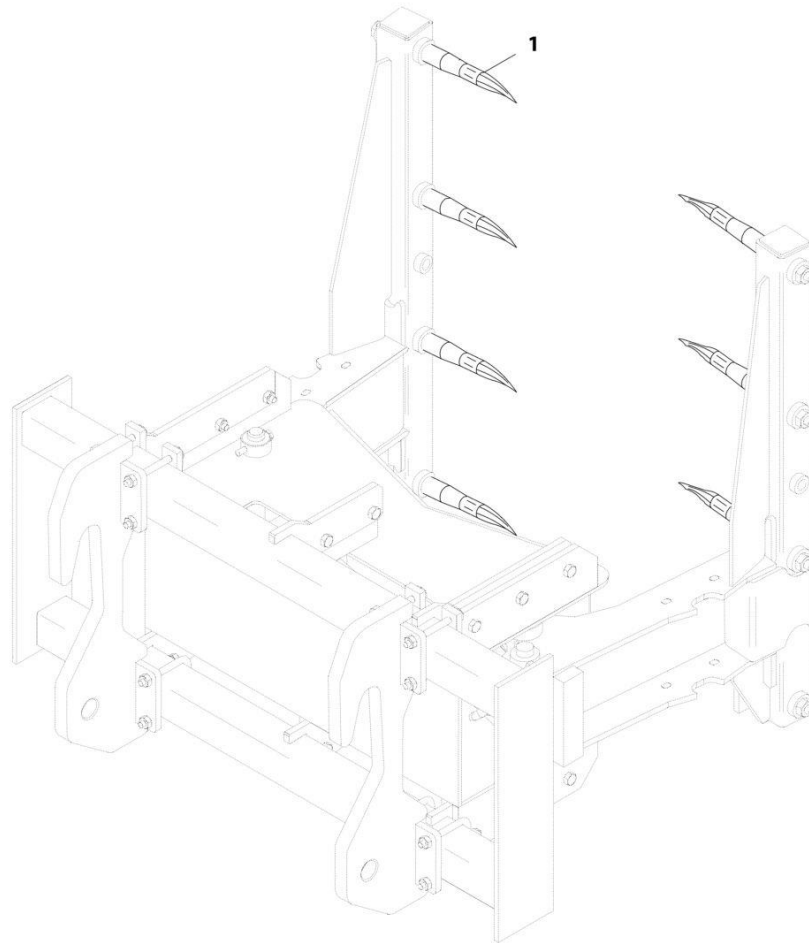
SECTION 3 - ATTACHMENTS

FIGURE 3-11. BALE HANDLER (SPIKE CLAMP)

ITEM	PART NUMBER	QTY	DESCRIPTION	REV
	0240118	1	Bale Handler (Spike Clamp)	E
1	N.S.S.	1	Weldment	
2	7029344	1	Weldment, Attach (includes items 13 thru 16)	
3	7029357	8	Spike	
13	7029353	4	Plate	
14	7029354	4	U-Bolt	
15	7029355	8	Bolt, M16X130	
16	7029356	16	Locknut, M16X8	
101	2902441	1	Kit, Bale Handler Kit (Spikes) (CE & AUS) (includes item 3) (See Separate Breakdown in this Section)	
201	N.S.S.	AR	SN Plate	

SECTION 3 - ATTACHMENTS

FIGURE 3-12. BALE HANDLER KIT (SPIKE CLAMP)



ART_2902441-A

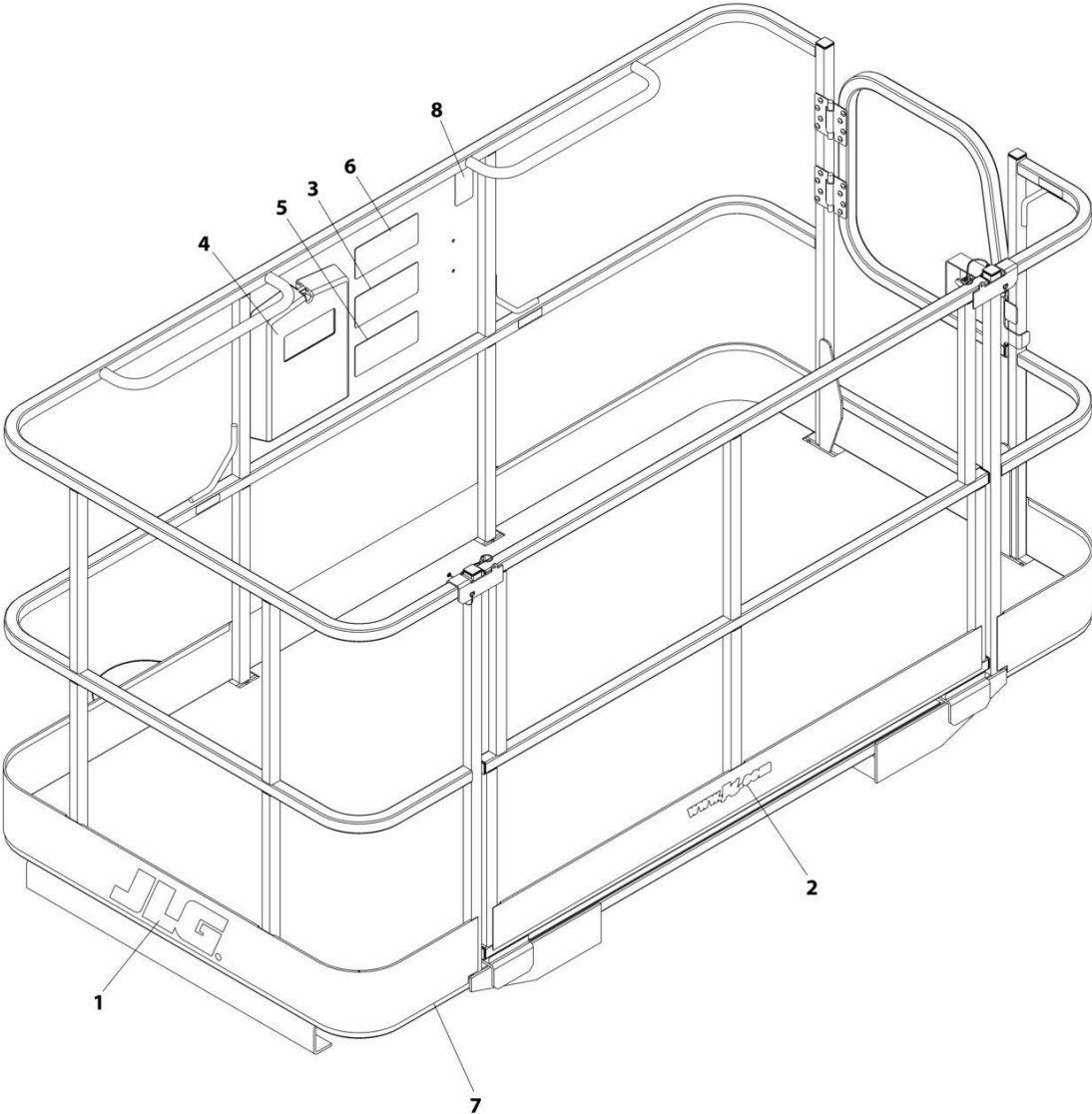
SECTION 3 - ATTACHMENTS

FIGURE 3-12. BALE HANDLER KIT (SPIKE CLAMP)

ITEM	PART NUMBER	QTY	DESCRIPTION	REV
1	2902441 Kit	1 1	Bale Handler Kit (Spikes) Kit	A

SECTION 3 - ATTACHMENTS

FIGURE 3-13. BASKET PERSONNEL (1.2MX2.4M) (DOMESTIC)



ART_1001238653-A

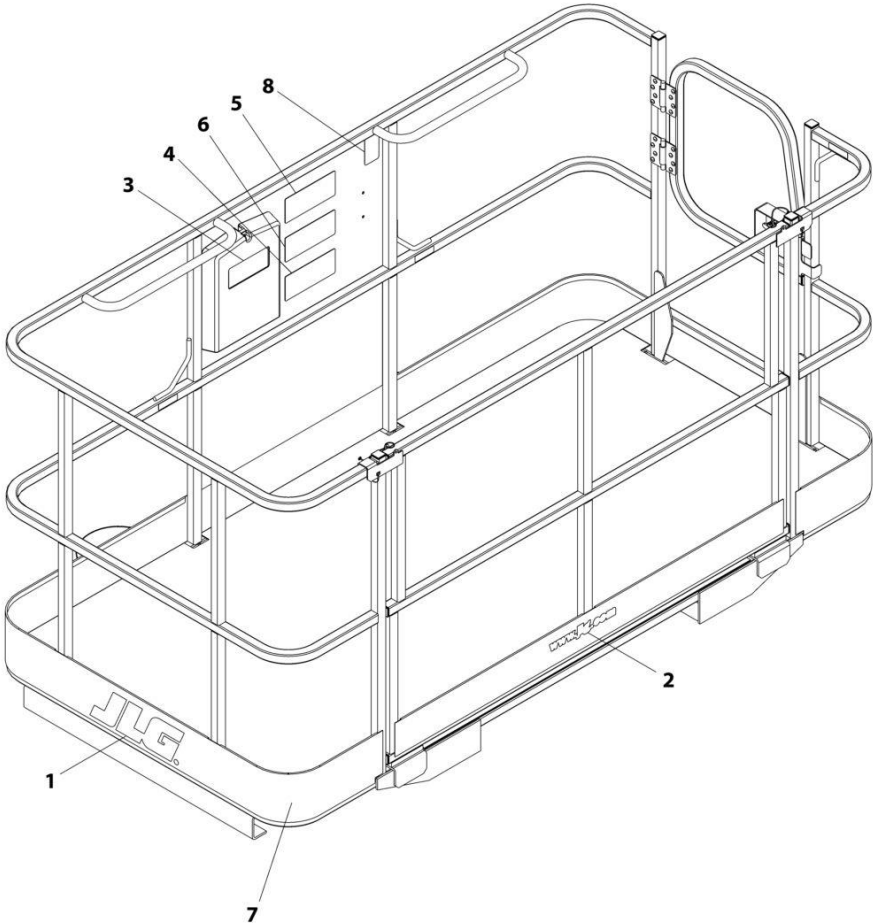
SECTION 3 - ATTACHMENTS

FIGURE 3-13. BASKET PERSONNEL (1.2MX2.4M) (DOMESTIC)

ITEM	PART NUMBER	QTY	DESCRIPTION	REV
	1001238653	Ref	FORK MOUNTED PLATFORM	B
1	1702773	2	Decal, JLG	
2	1704885	1	Decal, Website	
3	1706892	1	Decal, Platform Warning	
4	31200160	1	Manual, Personnel Work Platform Operation and Safety	
5	1001092481	1	Decal, Warning Attachment	
6	1001092482	1	Decal, Platform Capacity	
7	1001238565	1	Platform, Fork Mounted (See Separate Breakdown in this Section)	
8	See Note	NSS	SN Plate (Note: Stamped Part - Not Available for Purchase)	

SECTION 3 - ATTACHMENTS

FIGURE 3-14. BASKET PERSONNEL (1.2MX2.4M) (FRENCH LANGUAGE)



ART_1001238655-A

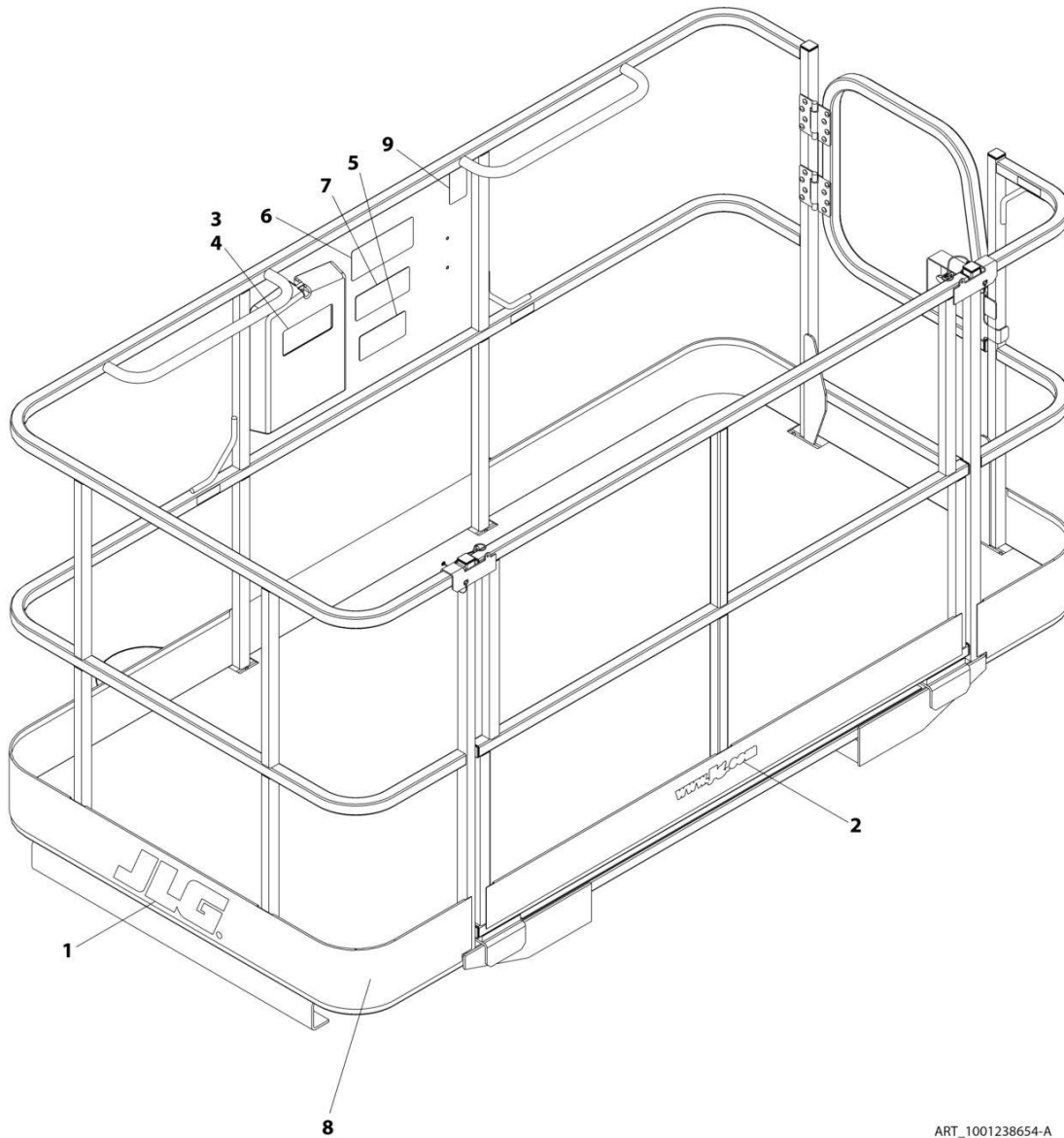
SECTION 3 - ATTACHMENTS

FIGURE 3-14. BASKET PERSONNEL (1.2MX2.4M) (FRENCH LANGUAGE)

ITEM	PART NUMBER	QTY	DESCRIPTION	REV
	1001238655	Ref	BASKET, PERSONNEL	B
1	1702773	2	Decal, JLG	
2	1704885	1	Decal, Website	
3	31200386	1	Manual, Operation and Safety (French)	
4	1001096019	1	Decal, Warning Attachment (French)	
5	1001096020	1	Decal, Platform Capacity (French)	
6	1001096024	1	Decal, Platform Warning (French)	
7	1001238565	1	Platform, Fork Mounted (ANSI) (See Separate Breakdown in this Section)	
8	See Note	NSS	SN Plate (Note: Stamped Part - Not Available for Purchase)	

SECTION 3 - ATTACHMENTS

FIGURE 3-15. BASKET PERSONNEL (1.2MX2.4M) (ISO)



ART_1001238654-A

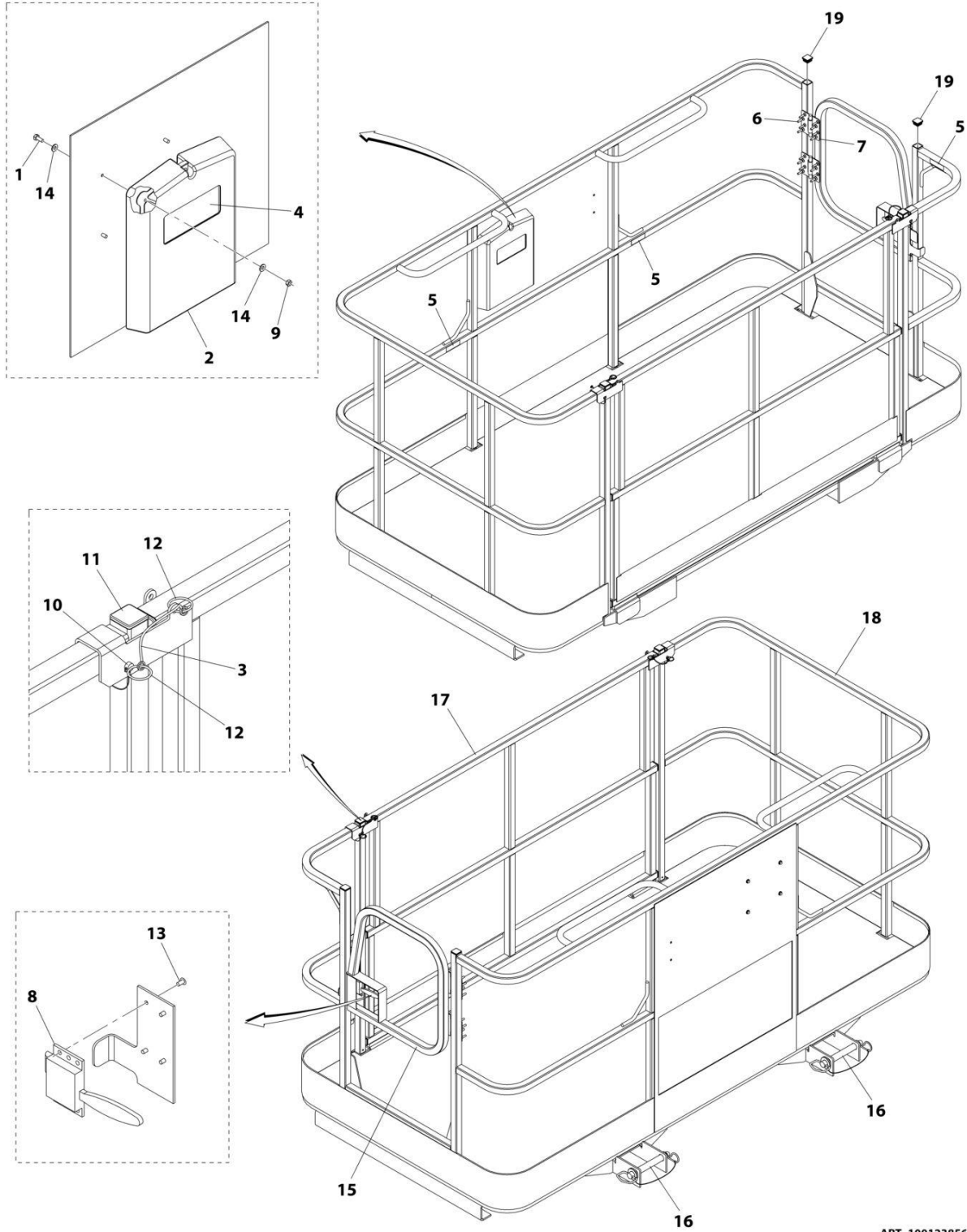
SECTION 3 - ATTACHMENTS

FIGURE 3-15. BASKET PERSONNEL (1.2MX2.4M) (ISO)

ITEM	PART NUMBER	QTY	DESCRIPTION	REV
	1001238654	Ref	BASKET, PERSONNEL	B
1	1702773	2	Decal, JLG	
2	1704885	1	Decal, Website	
3	31200387	1	Manual, Operation and Safety, Spanish	
4	31200388	1	Manual, Operation and Safety, Portuguese	
5	1001096021	1	Decal, Warning Attachment	
6	1001096023	1	Decal, Platform Capacity	
7	1001096025	1	Decal, Platform Warning	
8	1001238565	1	Platform, Fork Mounted (ANSI) (See Separate Breakdown in this Section)	
9	See Note	NSS	SN Plate (Note: Stamped Part - Not Available for Purchase)	

SECTION 3 - ATTACHMENTS

FIGURE 3-16. BASKET PERSONNEL (FORK MOUNTED)



ART_1001238565

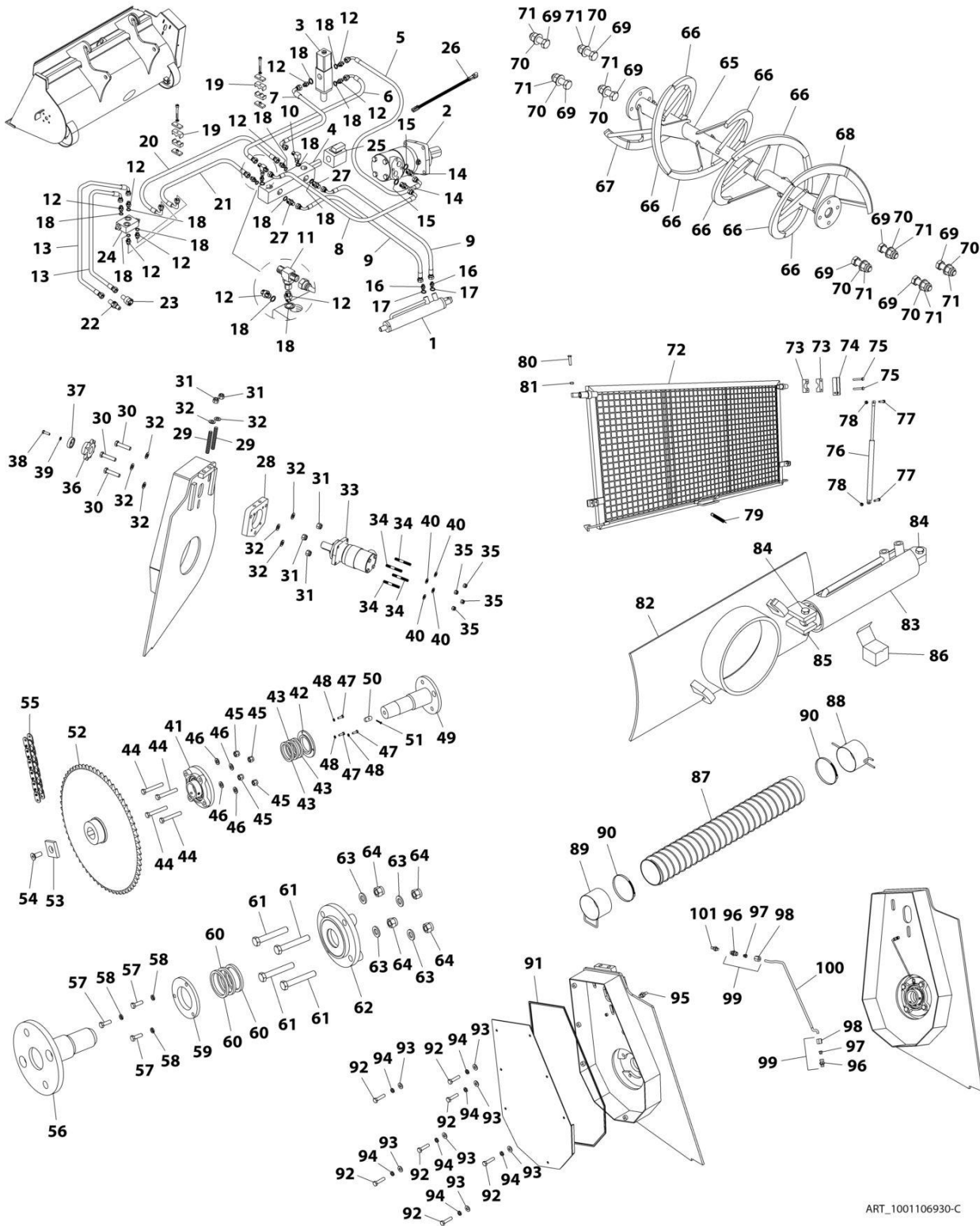
SECTION 3 - ATTACHMENTS

FIGURE 3-16. BASKET PERSONNEL (FORK MOUNTED)

ITEM	PART NUMBER	QTY	DESCRIPTION	REV
	1001238565	Ref	FORK MOUNTED PLATFORM ASSEMBLY	F
1	0641405	4	Bolt 1/4 x 5/8	
2	0860520	1	Box, Manual Storage	
3	1060379	2	Cable, Lanyard	
4	1701509	1	Decal, Manual	
5	1704277	3	Decal, Lanyard Attach	
6	2080040	16	Fastener	
7	2600281	2	Hinge	
8	2940074	1	Latch	
9	3311405	4	Nut 1/4	
10	3421453	2	Pin	
11	3520072	7	Plug	
12	3760170	4	Ring	
13	3820020	4	Rivet	
14	4711400	8	Washer 1/4	
15	1001144629J	1	Gate	
16	1001238560	2	Pin, Hitch	
17	1001095810	1	Gate	
18	See Note	NSS	Platform, Fork Mounted	
19	3520198	4	Plug	

SECTION 3 - ATTACHMENTS

FIGURE 3-17. BUCKET (CONCRETE)



ART_1001106930-C

SECTION 3 - ATTACHMENTS

FIGURE 3-17. BUCKET (CONCRETE)

ITEM	PART NUMBER	QTY	DESCRIPTION	REV
	1001106930	1	Concrete Bucket	E
1	70024436	1	Cylinder, Concrete Bucket	
2	70024437	1	Engine, Hydraulic	
3	70024438	1	Valve, Flow Divisor	
4	70024439	1	Valve, Solenoid	
5	70024440	1	Pipe	
6	70024441	1	Pipe	
7	70024442	1	Pipe	
8	70024443	1	Pipe	
9	70024444	2	Pipe	
10	70024445	1	Fitting, 90	
11	70024446	1	Fitting, Tee	
12	70024447	10	Fitting, Straight	
13	70024448	2	Pipe	
14	70024449	2	Fitting, Straight	
15	70024450	2	Gasket	
16	1001104958	2	Fitting, Straight	
17	1001103531	2	Gasket	
18	70022927	2	Gasket	
19	70024452	2	Clamp	
20	70024453	1	Pipe	
21	70024454	1	Pipe	
22	1001101041	1	Coupling, Male Quick Disconnect	
23	1001101042	1	Coupling, Female Quick Disconnect	
24	70027990	1	Valve	
25	70024455	1	Coil	
26	70024456	1	Electric Cable	
27	70027991	2	Fitting, Straight	
28	70027992	1	Regulation plate	
29	70027993	2	Stud	
30	70027994	3	Bolt	
31	70027995	5	Nut, Self Locking	
32	70020728	8	Washer	
33	70024437	1	Hydraulic Engine	
34	70027996	4	Stud	
35	70027997	4	Nut, Self Locking	
36	70027998	1	Pinion	
37	70027999	1	Pinion cover	
38	70028000	1	Bolt	
39	70028001	1	Grower	
40	70028002	4	Washer	
41	70028003	1	Support Flange bearing	
42	70028004	1	Cover seal press	
43	70028005	3	Rope Fat	
44	70020724	4	Bolt	
45	70020726	4	Nut, Self Locking	
46	70020725	4	Washer	
47	70028006	3	Bolt	
48	70028007	3	Grower	
49	70028008	1	Pin	

SECTION 3 - ATTACHMENTS

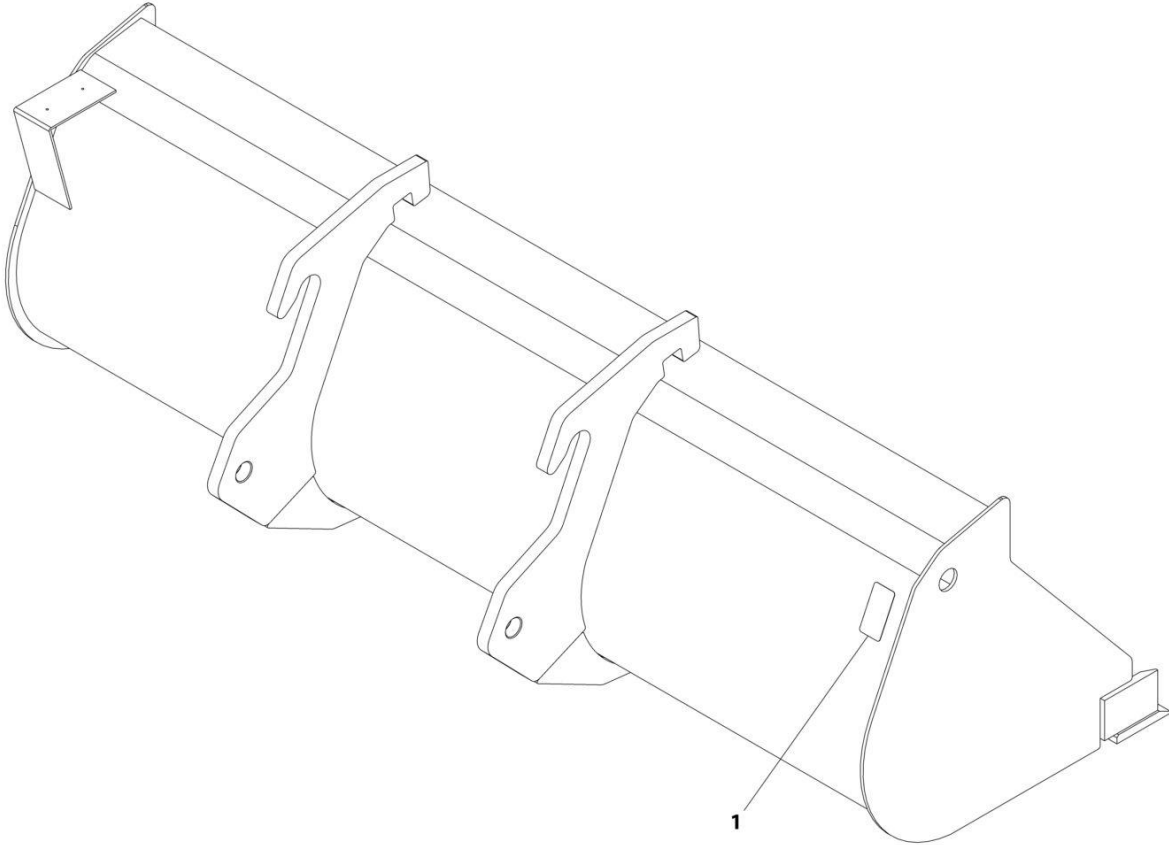
ITEM	PART NUMBER	QTY	DESCRIPTION	REV
50	70028009	1	Tab	
51	70028010	1	Bolt	
52	70028011	1	Koruna Wheels	
53	70028012	1	Fixing Koruna Wheels	
54	70028013	1	Bolt	
55	70028014	1	Track	
56	70028015	1	Pin	
57	70028006	3	Bolt	
58	70028007	3	Grower	
59	70028016	1	Cover seal press	
60	70028017	3	Rope Fat	
61	70028018	4	Bolt	
62	70028019	1	Support flange bearing	
63	70028002	4	Washer	
64	70027997	4	Nut, Self Locking	
65	70028020	1	Helical mixer only carpentry	
66	70028021	8	Central Sector	
67	70028022	1	Left Sector	
68	70028023	1	Right Sector	
69	70028024	8	Bolt	
70	70020728	8	Washer	
71	70027995	8	Nut, Self Locking	
72	70028025	1	Grid only carpentry	
73	70028026	4	Clamp heavy	
74	70028027	2	Pull nitrogen absorber	
75	70028028	4	Bolt	
76	70028029	2	Nitrogen absorber	
77	70028030	4	Bolt	
78	1001103201	4	Nut, Self Locking	
79	70028031	1	Return spring	
80	70028032	1	Bolt	
81	70028033	1	Nut	
82	70028034	1	Sliding door only carpentry	
83	70024436	1	Cylinder	
84	70028035	2	Bolt	
85	1001103201	2	Nut, Self Locking	
86	70028036	1	Gasket Kit	
87	70028037	1	Dump tube	
88	70028038	1	Tube with clevis door blocking	
89	70028039	1	Tube with clevis move	
90	70028040	2	Hose Clamp	
91	70028041	1	Gasket carter	
92	70028042	7	Bolt	
93	70028087	7	Washer	
94	70028007	7	Grower	
95	70021242	1	Greaser	
96	70028043	2	Link	
97	70028044	2	Sleeve	
98	70028046	2	Nut	
99	70028045	2	Link, sleeve, nut	
100	70028047	1	Pipe	

SECTION 3 - ATTACHMENTS

ITEM	PART NUMBER	QTY	DESCRIPTION	REV
101	70021242	1	Greaser	

SECTION 3 - ATTACHMENTS

FIGURE 3-18. BUCKET (DIRT)



ART_1001197945-A

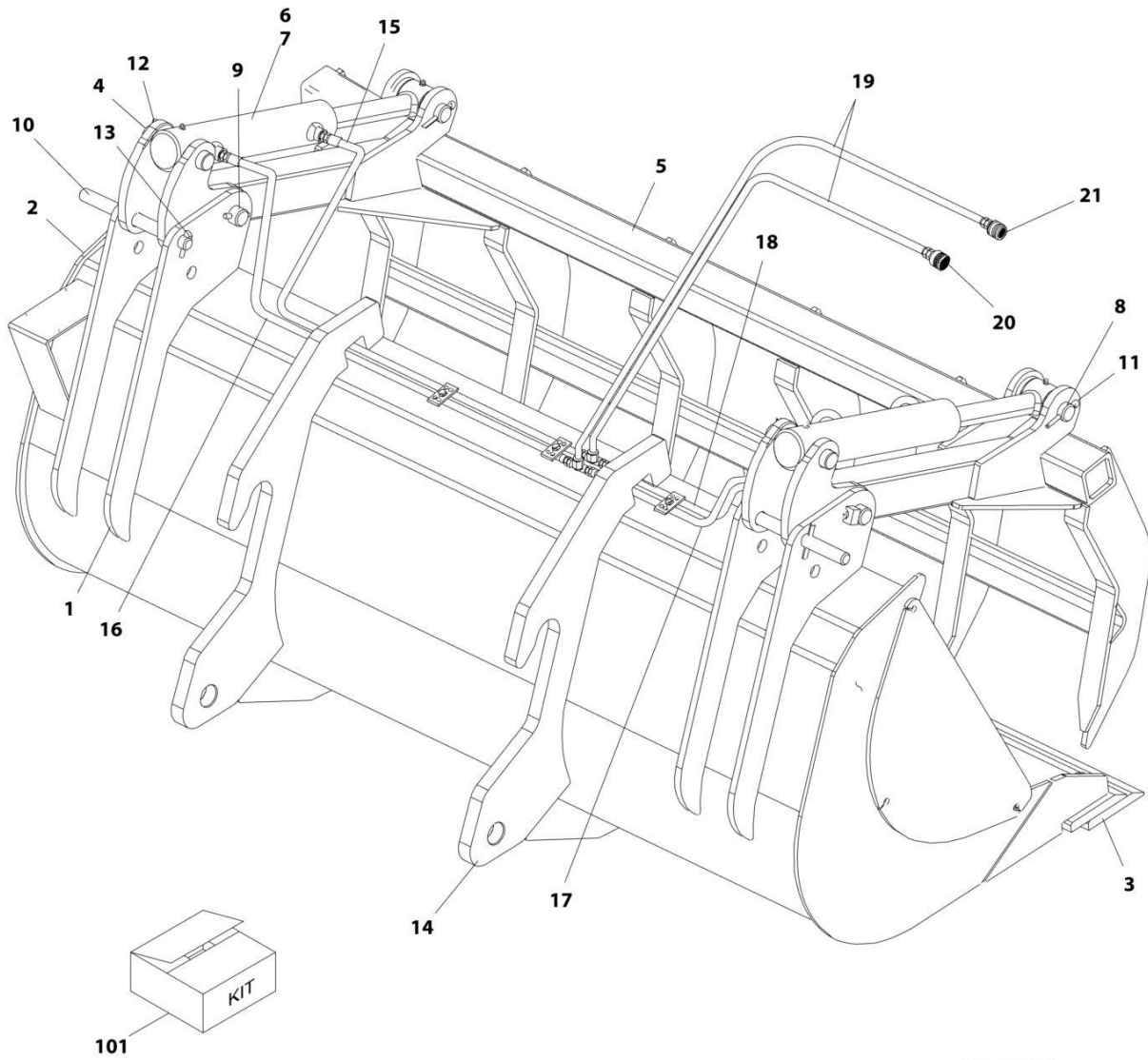
SECTION 3 - ATTACHMENTS

FIGURE 3-18. BUCKET (DIRT)

ITEM	PART NUMBER	QTY	DESCRIPTION	REV
1	1001197945	1	Dig Bucket (1.0 m ³)	D
	N.S.S.	1	Plate, Serial Number	

SECTION 3 - ATTACHMENTS

FIGURE 3-19. BUCKET (GRAPPLE MULTI-PURPOSE)



ART_0930004-E

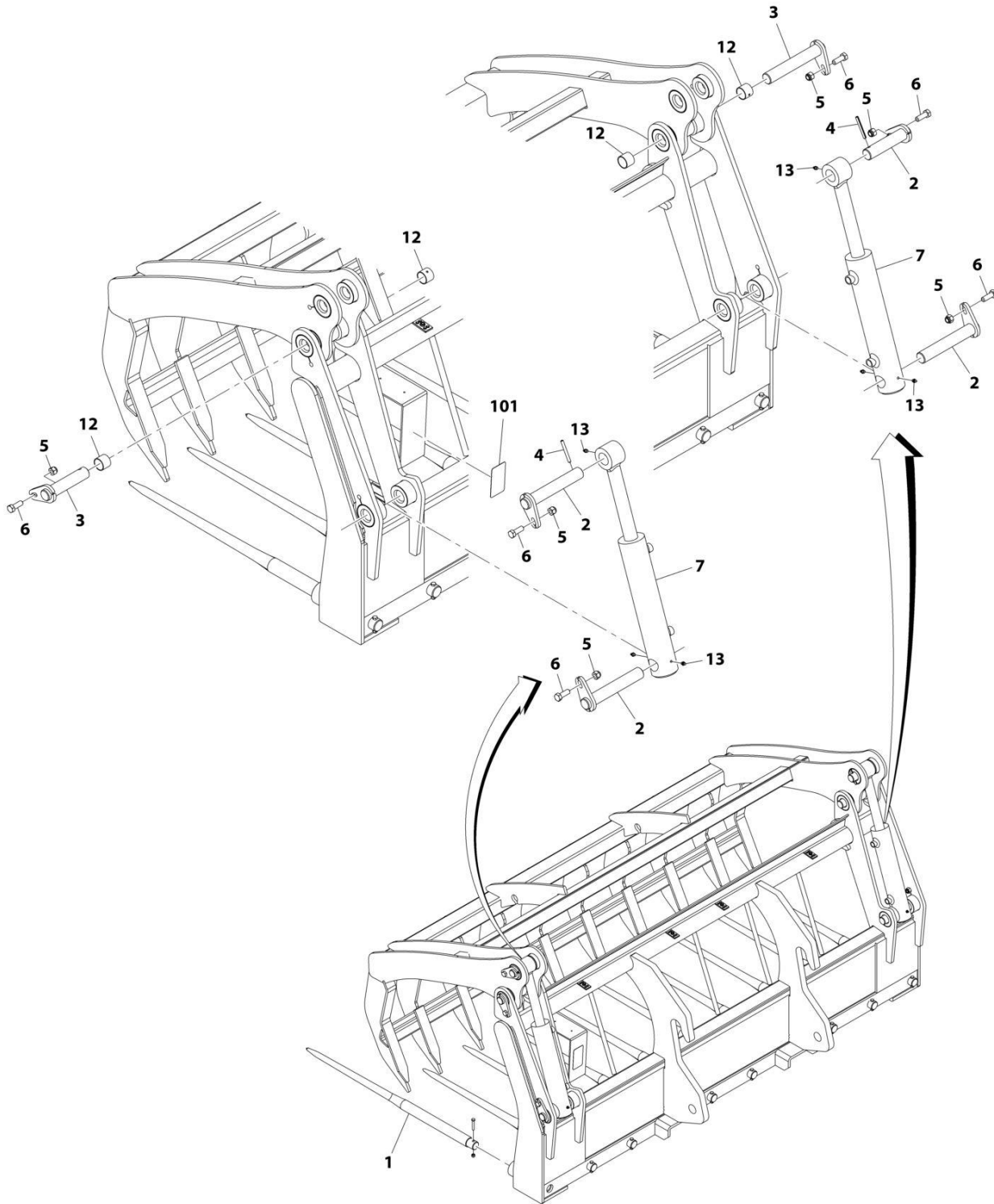
SECTION 3 - ATTACHMENTS

FIGURE 3-19. BUCKET (GRAPPLE MULTI-PURPOSE)

ITEM	PART NUMBER	QTY	DESCRIPTION	REV
	0930004	1	Multi-Purpose Grapple Bucket (Wide Grip - 2450 MM) (CE & AUS)	E
1	N.S.S.	1	Weldment	
2	7028133	1	Plate	
3	7028132	1	Assembly, Blade (includes blade and the following hardware)	
	7029356	8	Nut, Lock M16	
	70023484	8	Bolt, M16X60	
4	7028126	2	Bracket	
5	7028125	1	Grapple	
6	7028127	2	Cylinder, Tilt	
	7028910	AR	Kit, Seal	
7	7028131	6	Bushing	
8	7028128	2	Pin	
9	7028129	2	Pin, Locking	
10	7028130	2	Pin	
11	7028135	4	Pin, Roll	
12	7028134	8	Pin, Roll	
13	7029124	2	Circlip	
14	7029749	1	Assembly, Connecting	
15	7028986	1	Hose	
16	7028987	1	Hose	
17	7028988	1	Hose	
18	7028989	1	Hose	
19	7028984	2	Hose	
20	1001094555	1	Coupler, Female	
21	1001094556	1	Coupler, Male	
101	Kit	1	Kit	

SECTION 3 - ATTACHMENTS

FIGURE 3-20. BUCKET (MANURE GRAPPLE)



ART_1001216001-B

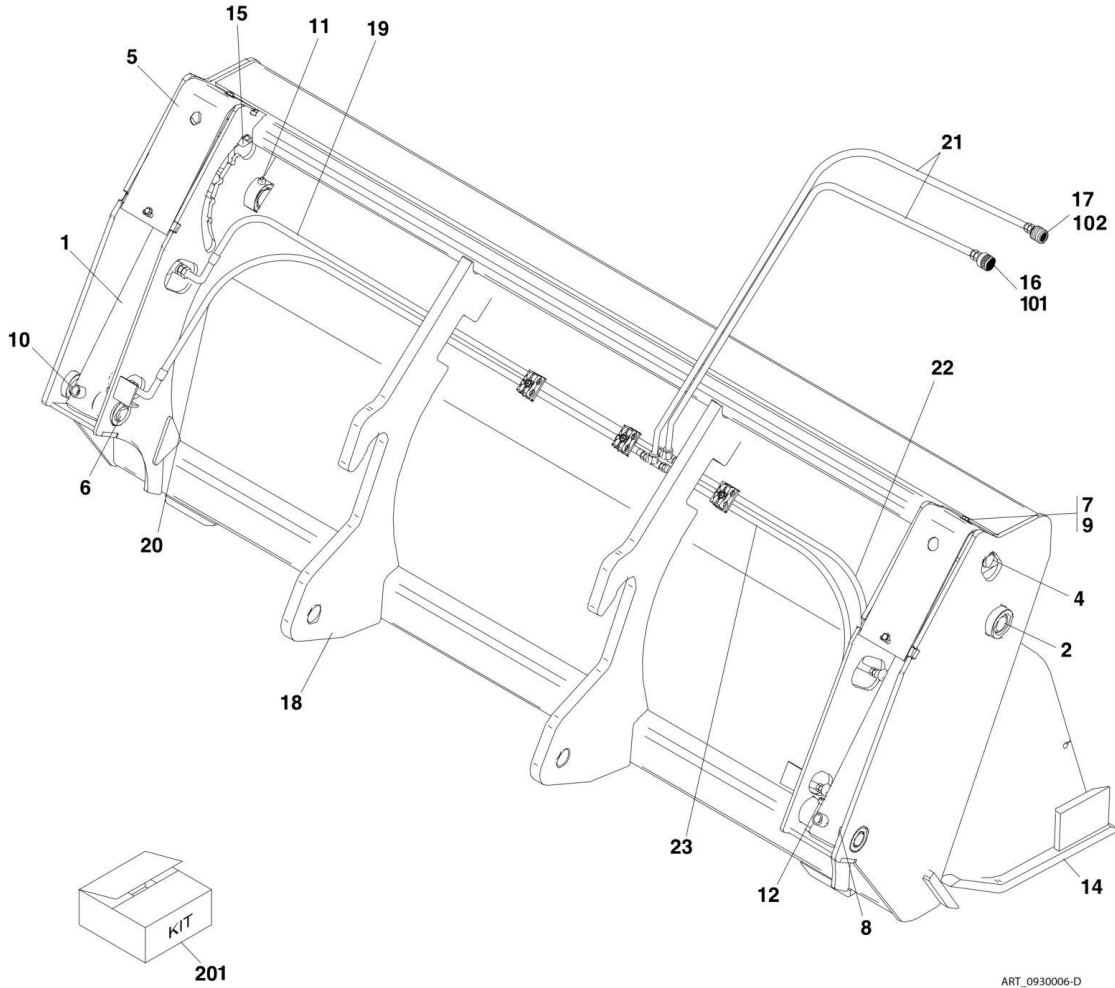
SECTION 3 - ATTACHMENTS

FIGURE 3-20. BUCKET (MANURE GRAPPLE)

ITEM	PART NUMBER	QTY	DESCRIPTION	REV
	1001216001	1	Manure Grapple Bucket (2300 MM)	D
1	70027302	10	Right Electro-Forged Fingers	
2	70027294	4	Pin	
3	70027293	2	Pin	
4	70027298	2	Roll Pin	
5	70027296	6	Nut	
6	70027297	6	Screw	
7	7028127	2	Cylinder	
8	70027325	1	Hose (not shown)	
9	7028988	1	Hose (not shown)	
10	70027326	1	Hose (not shown)	
11	7028986	1	Hose (not shown)	
12	7028131	10	Bush	
13	7028918	6	Grease Nipple	
101	N.S.S.	1	Plate, Serial Number	

SECTION 3 - ATTACHMENTS

FIGURE 3-21. BUCKET(0.6 M³) (MULTI-PURPOSE 4 IN 1)



ART_0930006-D

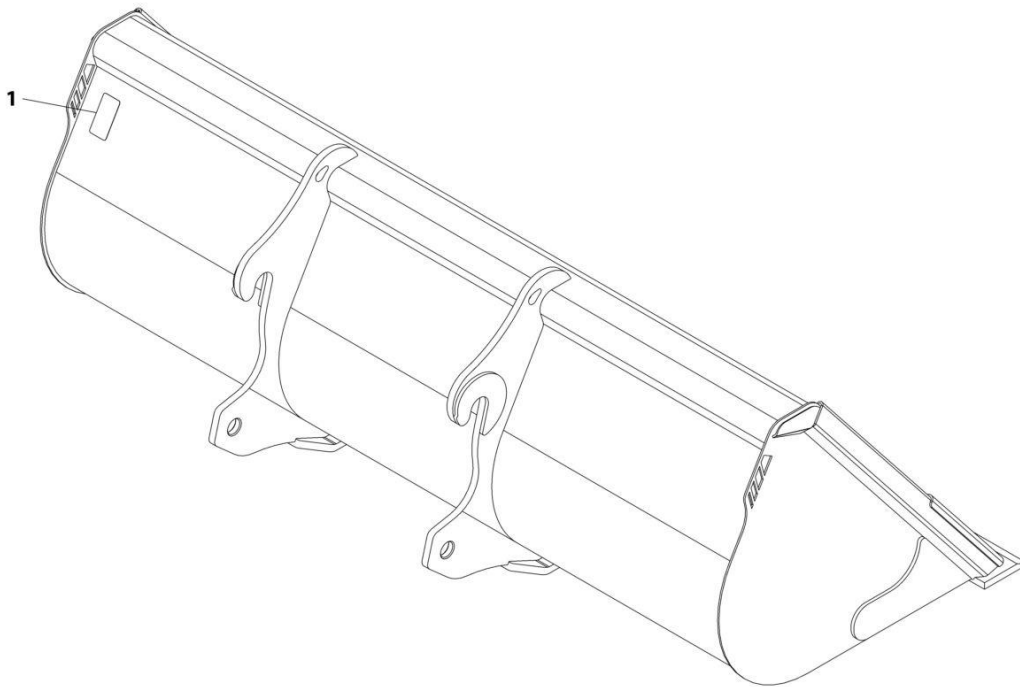
SECTION 3 - ATTACHMENTS

FIGURE 3-21. BUCKET(0.6 M³) (MULTI-PURPOSE 4 IN 1)

ITEM	PART NUMBER	QTY	DESCRIPTION	REV
	0930006	1	4 in 1 Bucket 0.6 M ³	D
1	7028990	2	Cylinder	
1	7028910	1	Kit, Seal, Cylinder	
2	7028911	2	Pin	
3	7028912	6	Nut, (not shown)	
4	7028913	2	Pin	
5	7028914	2	Plate, Protective	
6	7028915	2	Pin	
7	7028916	4	Bolt	
8	7028131	6	Bushing	
9	7028917	4	Washer	
10	7028918	6	Nipple, Grease	
11	7028920	2	Screw	
12	7028919	4	Screw	
14	N.S.S.	1	Weldment	
15	7028923	1	Gauge	
16	1001094555	1	Adapter, Female Quick Disconnect	
17	1001094556	1	Adapter, Male Quick Disconnect	
18	N.S.S.	1	Weldment	
19	7028982	1	Hose	
20	7028983	1	Hose	
21	7028984	2	Hose	
22	7028985	1	Hose	
23	7028991	1	Hose	
101	1001093826	1	Cap, Dust	
102	1001093827	1	Plug, Dust	
201	1001097287	1	Kit, Quick Disconnect Adapter (includes items 16, 17, 101 & 102)	

SECTION 3 - ATTACHMENTS

FIGURE 3-22. BUCKET(1M³/1.25YD³) (GENERAL PURPOSE - ROUND HEEL)



ART_1001215988-B

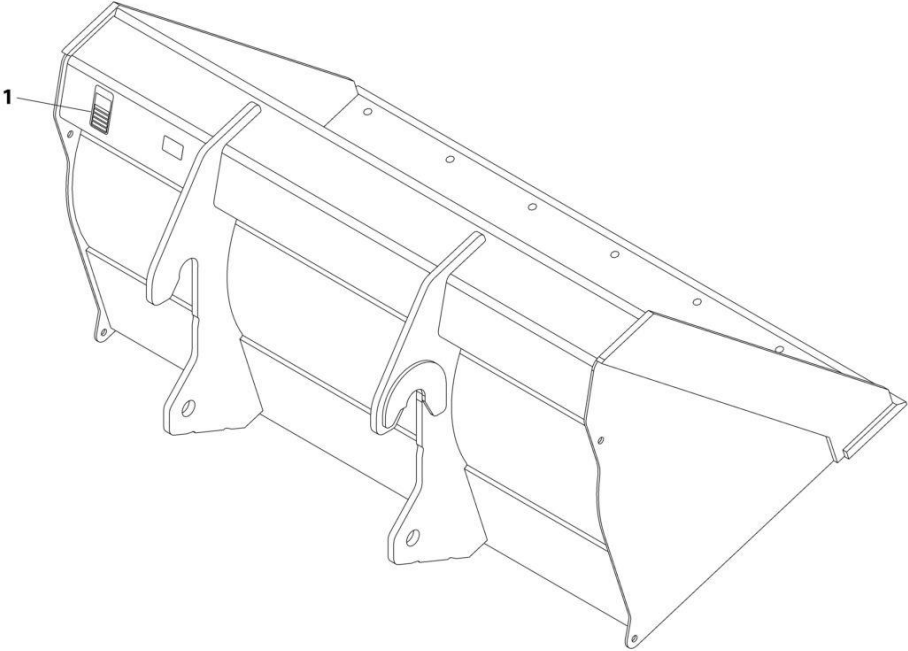
SECTION 3 - ATTACHMENTS

FIGURE 3-22. BUCKET(1M³/1.25YD³) (GENERAL PURPOSE - ROUND HEEL)

ITEM	PART NUMBER	QTY	DESCRIPTION	REV
	1001215988	1	Bucket (1 m ³)	D
1	N.S.S.	1	Plate, Serial Number	
2	70031031	1	Attachment, Cutting Edge (Optional - Must be Ordered Separately) (Not Shown)	

SECTION 3 - ATTACHMENTS

FIGURE 3-23. BUCKET(1M³/1.25YD³) (GENERAL PURPOSE - ANGULAR HEEL)



ART_1001290109

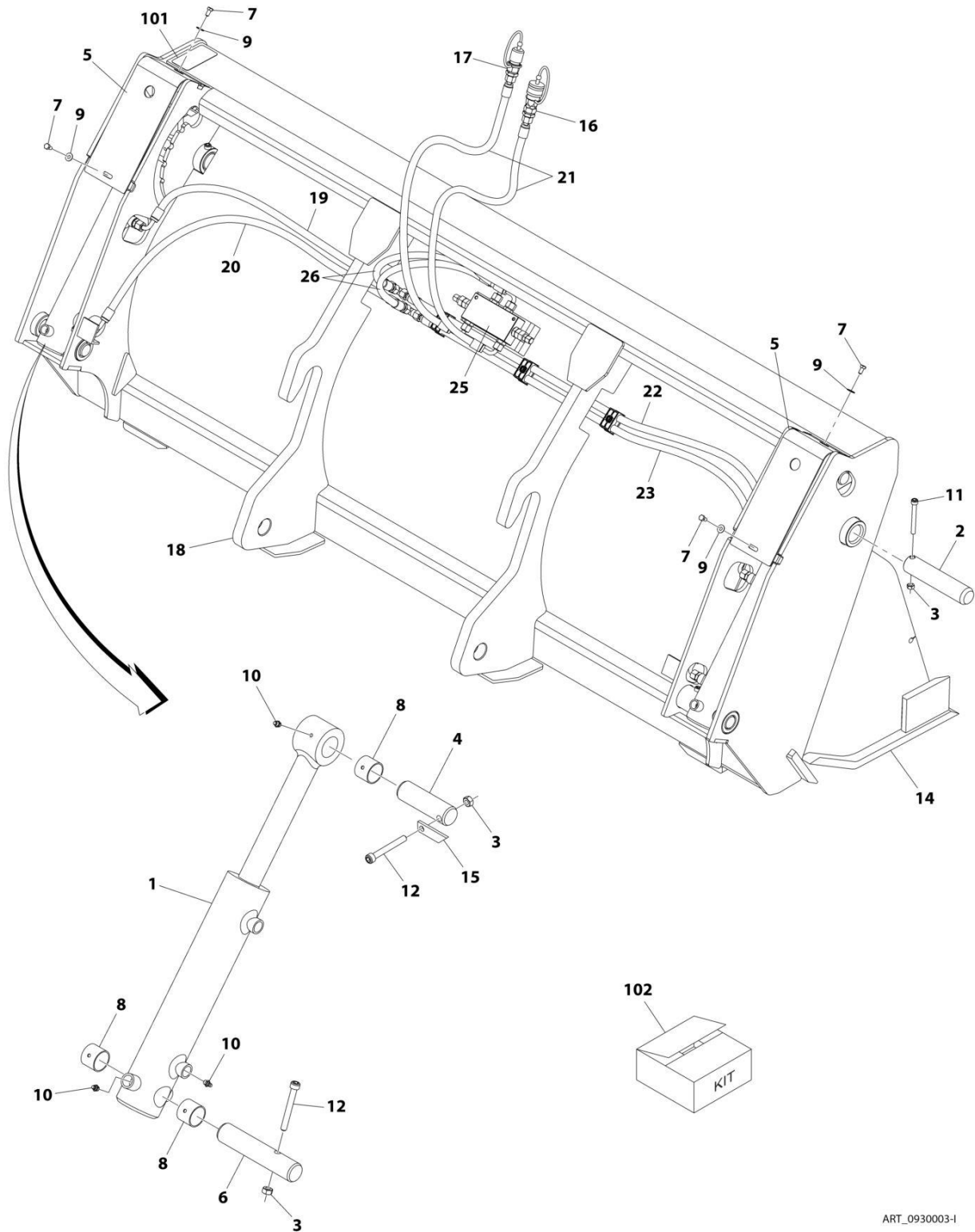
SECTION 3 - ATTACHMENTS

FIGURE 3-23. BUCKET(1M³/1.25YD³) (GENERAL PURPOSE - ANGULAR HEEL)

ITEM	PART NUMBER	QTY	DESCRIPTION	REV
1	1001290109 N.S.S.	Ref 1	BUCKET Plate, Serial Number	B

SECTION 3 - ATTACHMENTS

FIGURE 3-24. BUCKET(1 M³) (MULTI-PURPOSE 4 IN 1)



ART_0930003-1

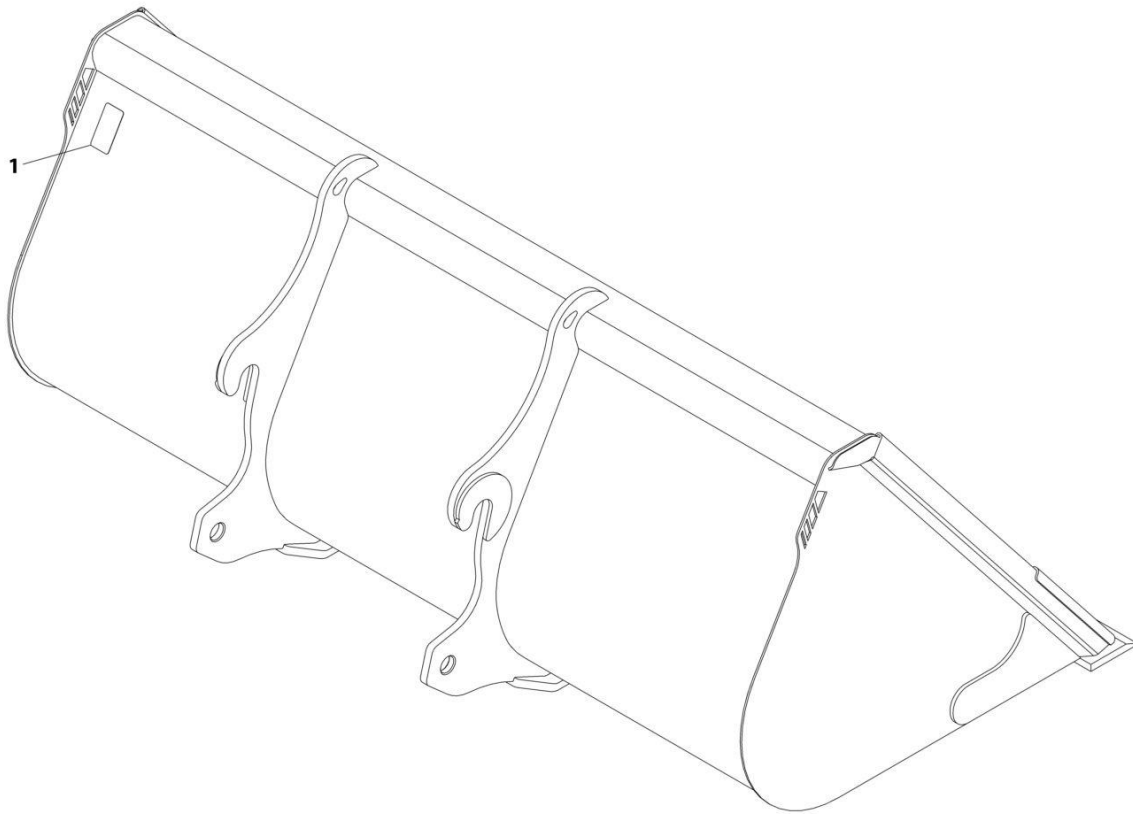
SECTION 3 - ATTACHMENTS

FIGURE 3-24. BUCKET(1 M³) (MULTI-PURPOSE 4 IN 1)

ITEM	PART NUMBER	QTY	DESCRIPTION	REV
	0930003	Ref	4 in 1 Bucket (1.0 m ³)	1
1	7028990	2	Cylinder	
	7028910	AR	Kit, Seal, Cylinder	
2	7028911	2	Pin	
3	7028912	6	Nut, (not shown)	
4	7028913	2	Pin	
5	N.S.S.	2	Plate	
6	7028915	2	Pin	
7	7028916	4	Bolt	
8	7028131	6	Bushing	
9	7028917	4	Washer	
10	7028918	6	Nipple, Grease	
11	7028920	2	Screw	
12	7028919	4	Screw	
14	N.S.S.	1	Weldment	
15	7028923	1	Gauge	
16	1001094555	1	Coupling, Female Quick Disconnect	
17	1001094556	1	Coupling, Male Quick Disconnect	
18	N.S.S.	1	Weldment	
19	7028982	1	Hose	
20	7028983	1	Hose	
21	7028984	2	Hose	
22	7028995	1	Hose	
23	7028991	1	Hose	
24	70027291	1	Balancing Valve	
26	70029011	2	Hose	
101	N.S.S.	1	S/N Plate	
102	1001097287	1	Quick Disconnect Coupling Kit, (includes items 16, 17 dust cap and dust plug)	

SECTION 3 - ATTACHMENTS

FIGURE 3-25. BUCKET (1.5M³/2YD³) (GENERAL PURPOSE - ROUND HEEL)



ART_1001215990-B

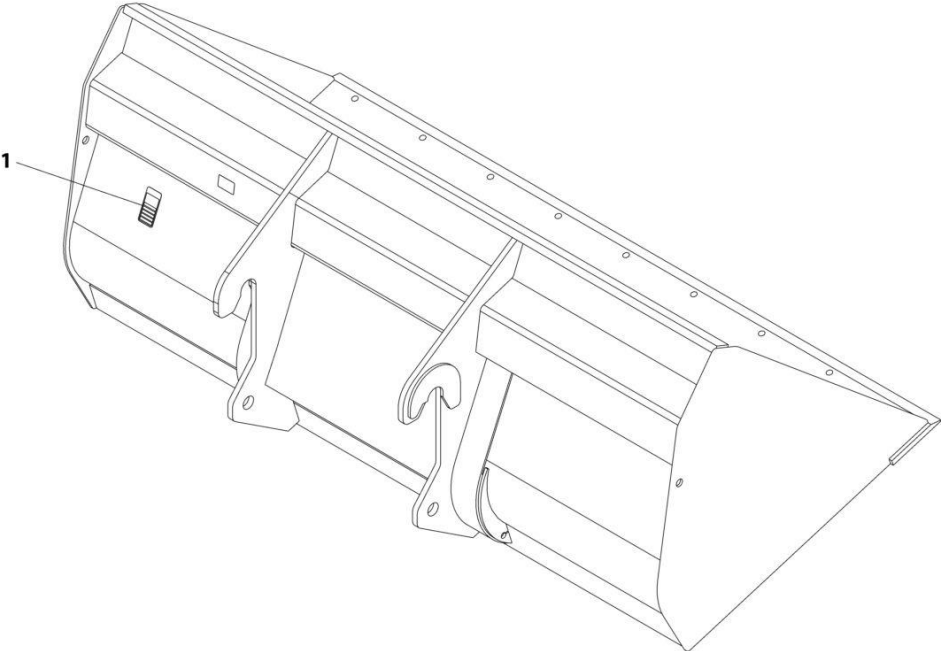
SECTION 3 - ATTACHMENTS

FIGURE 3-25. BUCKET (1.5M³/2YD³) (GENERAL PURPOSE - ROUND HEEL)

ITEM	PART NUMBER	QTY	DESCRIPTION	REV
	1001215990	1	Bucket (1.5 m ³)	D
1	N.S.S.	1	Plate, Serial Number	
2	70031031	1	Attachment, Cutting Edge (Optional - Must be Ordered Separately) (Not Shown)	

SECTION 3 - ATTACHMENTS

FIGURE 3-26. BUCKET (1.5M³/2YD³) (GENERAL PURPOSE - ANGULAR HEEL)



ART_1001290111

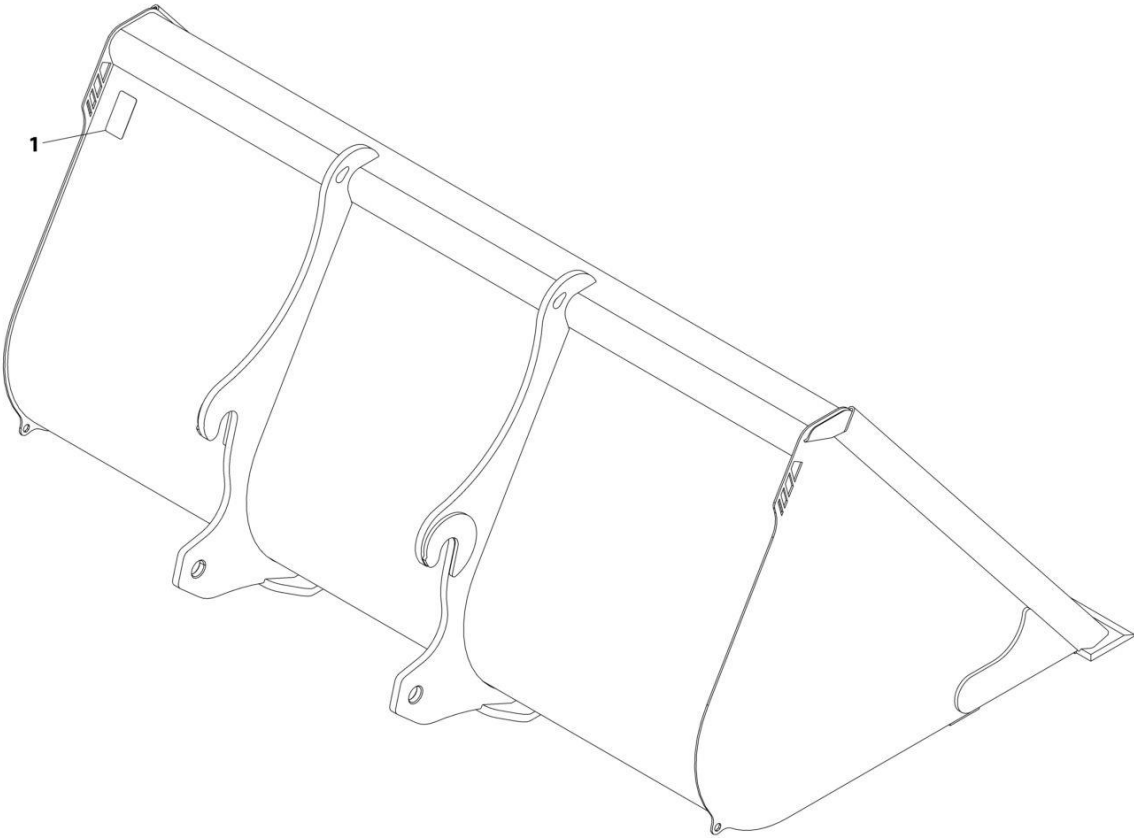
SECTION 3 - ATTACHMENTS

FIGURE 3-26. BUCKET (1.5M³/2YD³) (GENERAL PURPOSE - ANGULAR HEEL)

ITEM	PART NUMBER	QTY	DESCRIPTION	REV
1	1001290111 N.S.S.	Ref 1	BUCKET Plate, Serial Number	B

SECTION 3 - ATTACHMENTS

FIGURE 3-27. BUCKET (2M³/2.6YD³) (GENERAL PURPOSE - ROUND HEEL)



ART_1001215992-B

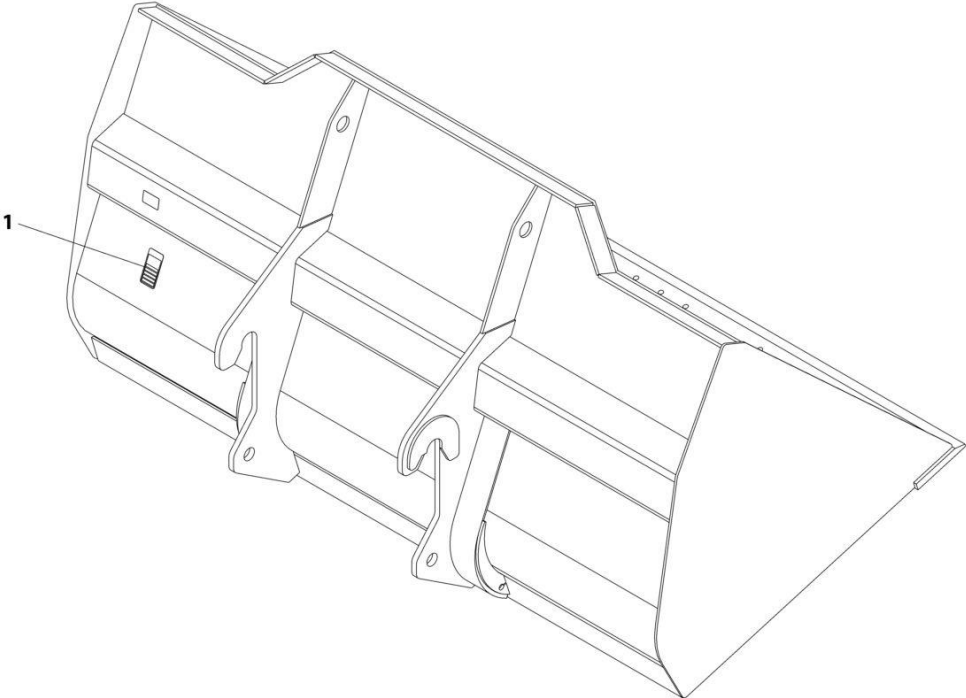
SECTION 3 - ATTACHMENTS

FIGURE 3-27. BUCKET (2M³/2.6YD³) (GENERAL PURPOSE - ROUND HEEL)

ITEM	PART NUMBER	QTY	DESCRIPTION	REV
	1001215992	1	Bucket (2 m ³)	D
1	N.S.S.	1	Plate, Serial Number	
2	70031031	1	Attachment, Cutting Edge (Optional - Must be Ordered Separately) (Not Shown)	

SECTION 3 - ATTACHMENTS

FIGURE 3-28. BUCKET (2M³/2.6YD³) (GENERAL PURPOSE - ANGULAR HEEL)



ART_1001290113

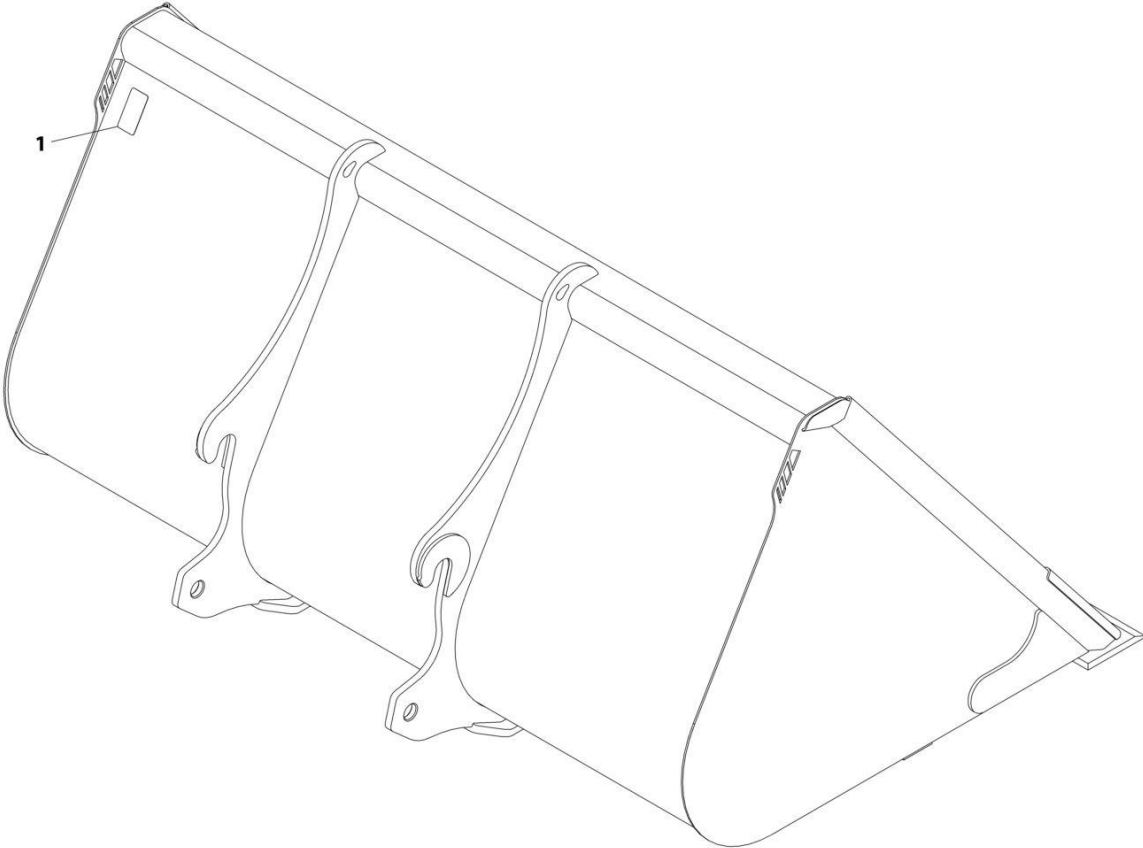
SECTION 3 - ATTACHMENTS

FIGURE 3-28. BUCKET (2M³/2.6YD³) (GENERAL PURPOSE - ANGULAR HEEL)

ITEM	PART NUMBER	QTY	DESCRIPTION	REV
1	1001290113 N.S.S.	Ref 1	BUCKET Plate, Serial Number	B

SECTION 3 - ATTACHMENTS

FIGURE 3-29. BUCKET (2.5M³/3.25YD³) (GENERAL PURPOSE - ROUND HEEL)



ART_1001215994-B

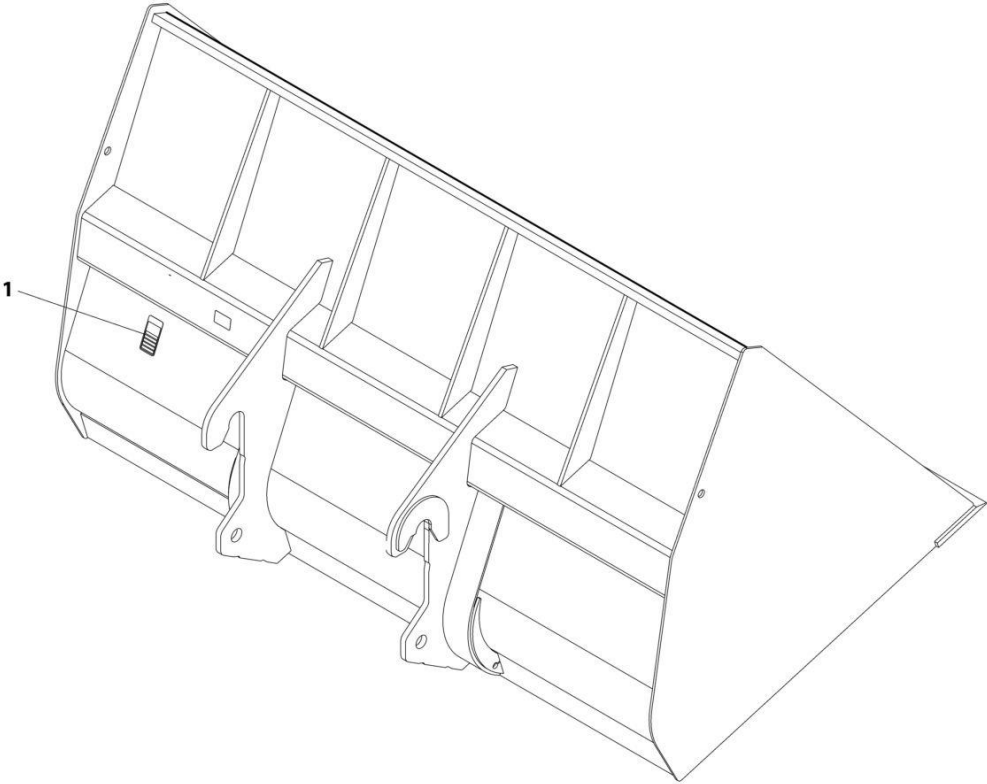
SECTION 3 - ATTACHMENTS

FIGURE 3-29. BUCKET (2.5M³/3.25YD³) (GENERAL PURPOSE - ROUND HEEL)

ITEM	PART NUMBER	QTY	DESCRIPTION	REV
	1001215994	1	Bucket (2.5 m ³)	D
1	N.S.S.	1	Plate, Serial Number	
2	70031031	1	Attachment, Cutting Edge (Optional - Must be Ordered Separately) (Not Shown)	

SECTION 3 - ATTACHMENTS

FIGURE 3-30. BUCKET (2.5M³/3.25YD³) (GENERAL PURPOSE - ANGULAR HEEL)



ART_1001290115

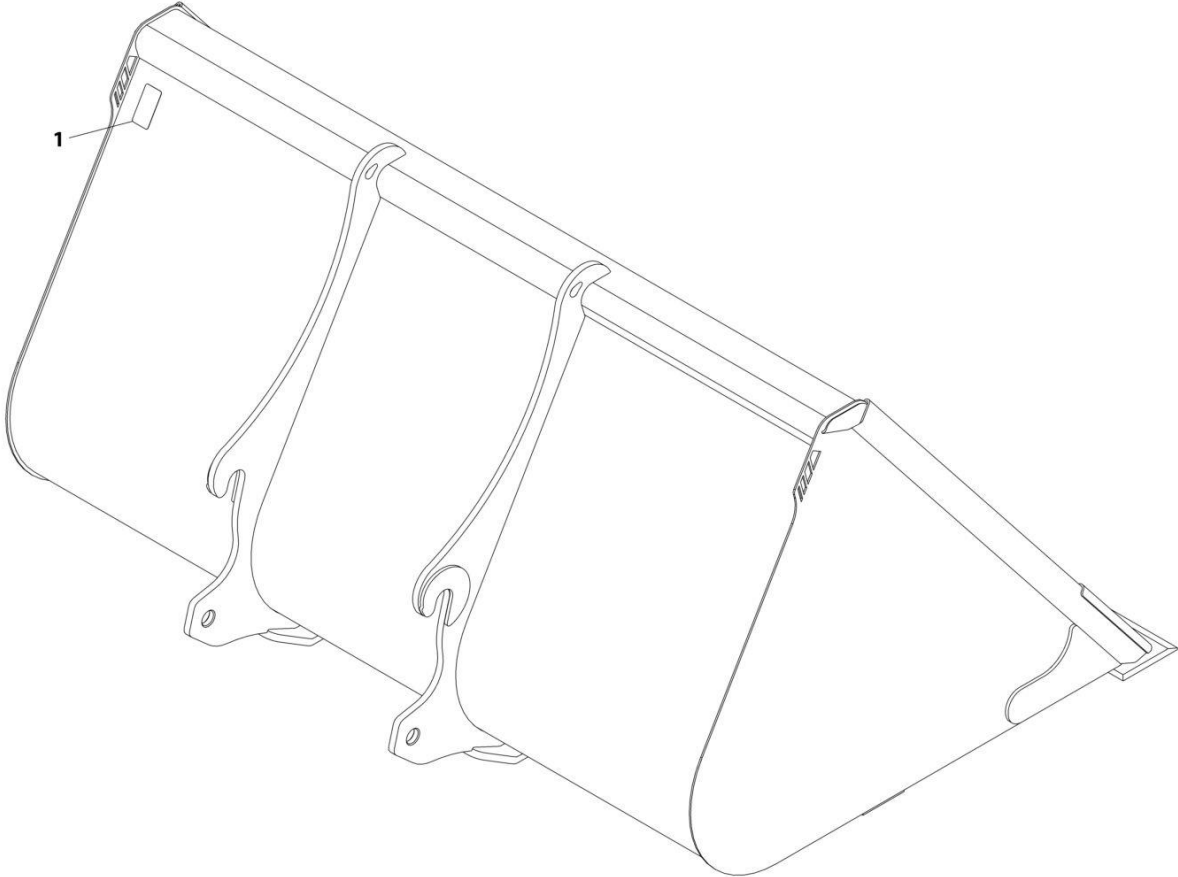
SECTION 3 - ATTACHMENTS

FIGURE 3-30. BUCKET (2.5M³/3.25YD³) (GENERAL PURPOSE - ANGULAR HEEL)

ITEM	PART NUMBER	QTY	DESCRIPTION	REV
1	1001290115 N.S.S.	Ref 1	BUCKET Plate, Serial Number	B

SECTION 3 - ATTACHMENTS

FIGURE 3-31. BUCKET (3M³/4YD³) (GENERAL PURPOSE - ROUND HEEL)



ART_1001215996-B

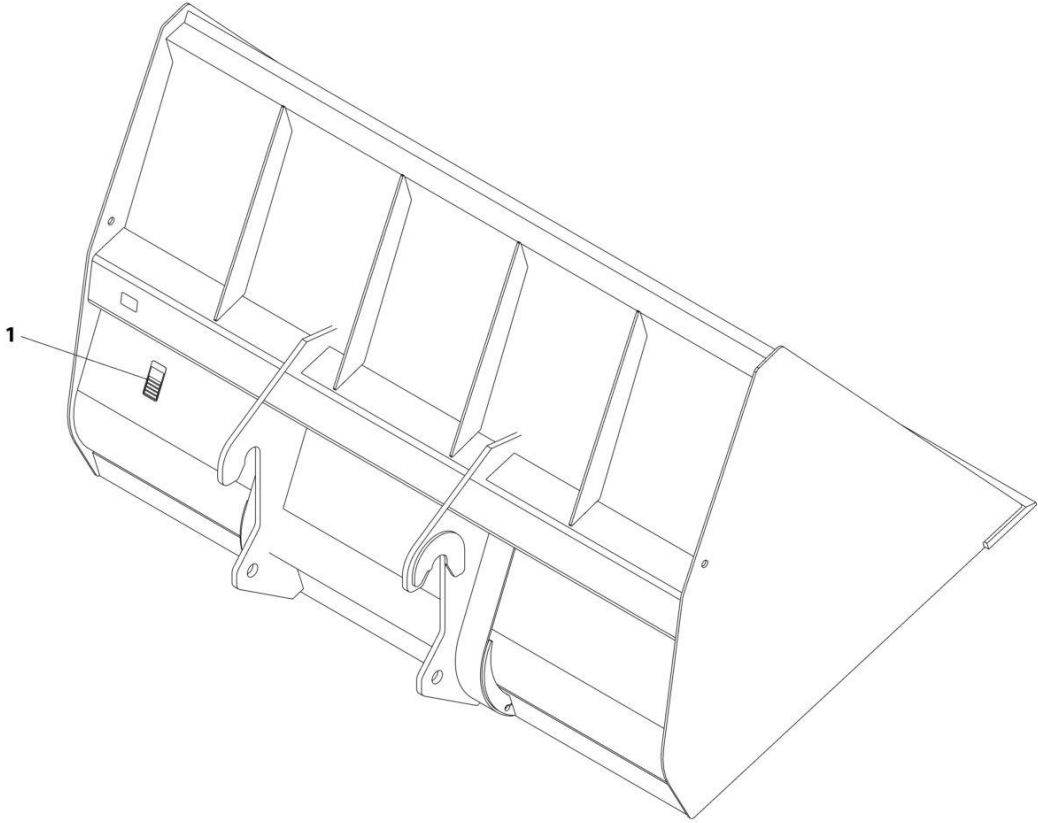
SECTION 3 - ATTACHMENTS

FIGURE 3-31. BUCKET (3M³/4YD³) (GENERAL PURPOSE - ROUND HEEL)

ITEM	PART NUMBER	QTY	DESCRIPTION	REV
	1001215996	1	Bucket (3 m ³)	D
1	N.S.S.	1	Plate, Serial Number	
2	70031032	1	Attachment, Cutting Edge (Optional - Must be Ordered Separately) (Not Shown)	

SECTION 3 - ATTACHMENTS

FIGURE 3-32. BUCKET (3M³/4YD³) (GENERAL PURPOSE - ANGULAR HEEL)



ART_1001290122

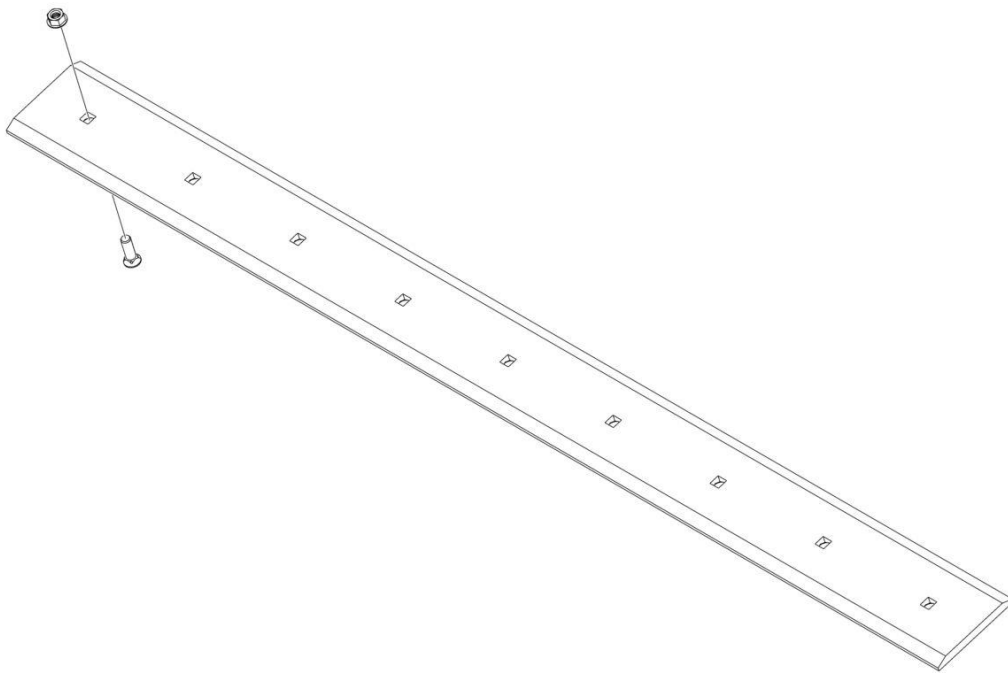
SECTION 3 - ATTACHMENTS

FIGURE 3-32. BUCKET (3M³/4YD³) (GENERAL PURPOSE - ANGULAR HEEL)

ITEM	PART NUMBER	QTY	DESCRIPTION	REV
1	1001290122 N.S.S.	Ref 1	BUCKET Plate, Serial Number	B

SECTION 3 - ATTACHMENTS

FIGURE 3-33. BUCKET BOLT-ON EDGE (ONE PIECE)



ART_1001290442

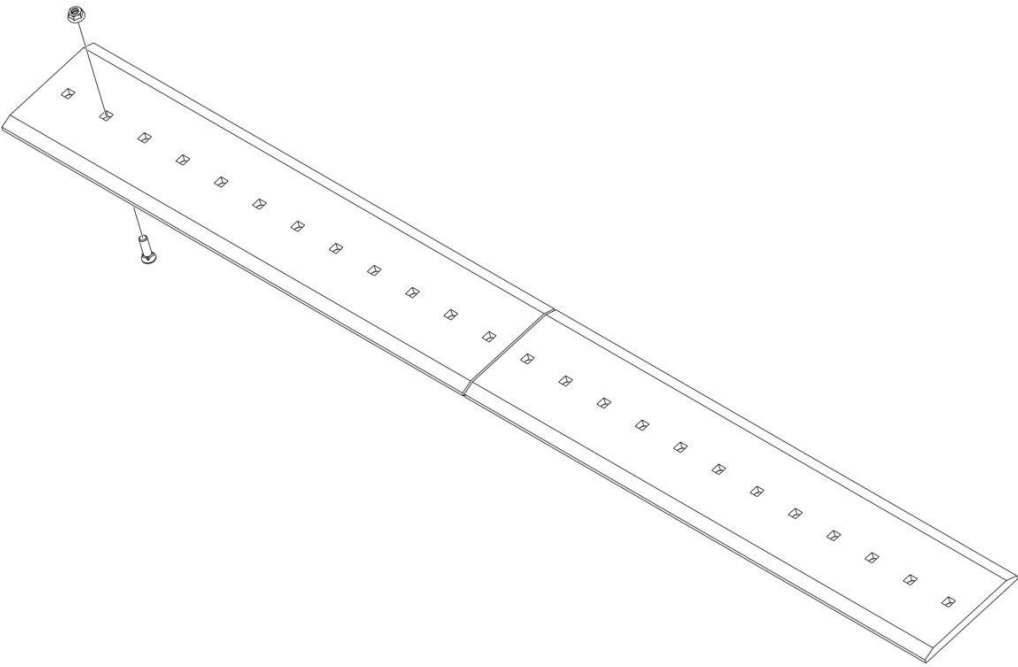
SECTION 3 - ATTACHMENTS

FIGURE 3-33. BUCKET BOLT-ON EDGE (ONE PIECE)

ITEM	PART NUMBER	QTY	DESCRIPTION	REV
	1001290442 See Note	Ref Ref	BOLT-ON EDGE Note: No Service Parts Available at Time of Printing.	A

SECTION 3 - ATTACHMENTS

FIGURE 3-34. BUCKET BOLT-ON EDGE (TWO PIECE)



ART_1001290441

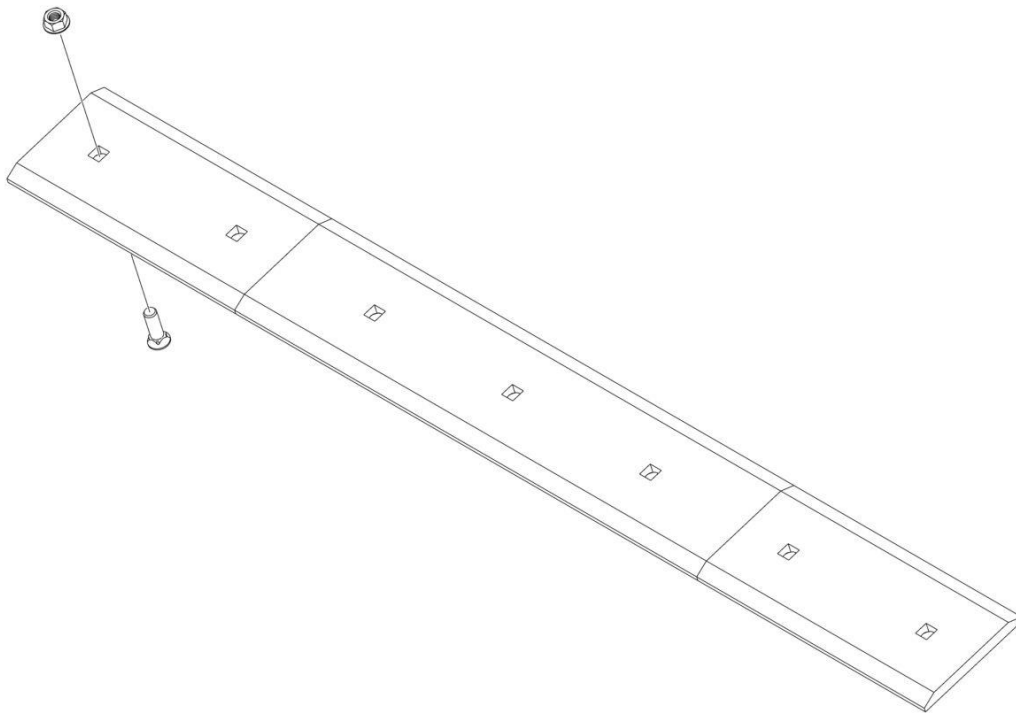
SECTION 3 - ATTACHMENTS

FIGURE 3-34. BUCKET BOLT-ON EDGE (TWO PIECE)

ITEM	PART NUMBER	QTY	DESCRIPTION	REV
	1001290441 See Note	Ref Ref	BOLT-ON EDGE Note: No Service Parts Available at Time of Printing.	A

SECTION 3 - ATTACHMENTS

FIGURE 3-35. BUCKET BOLT-ON EDGE (THREE PIECE)



ART_1001290440

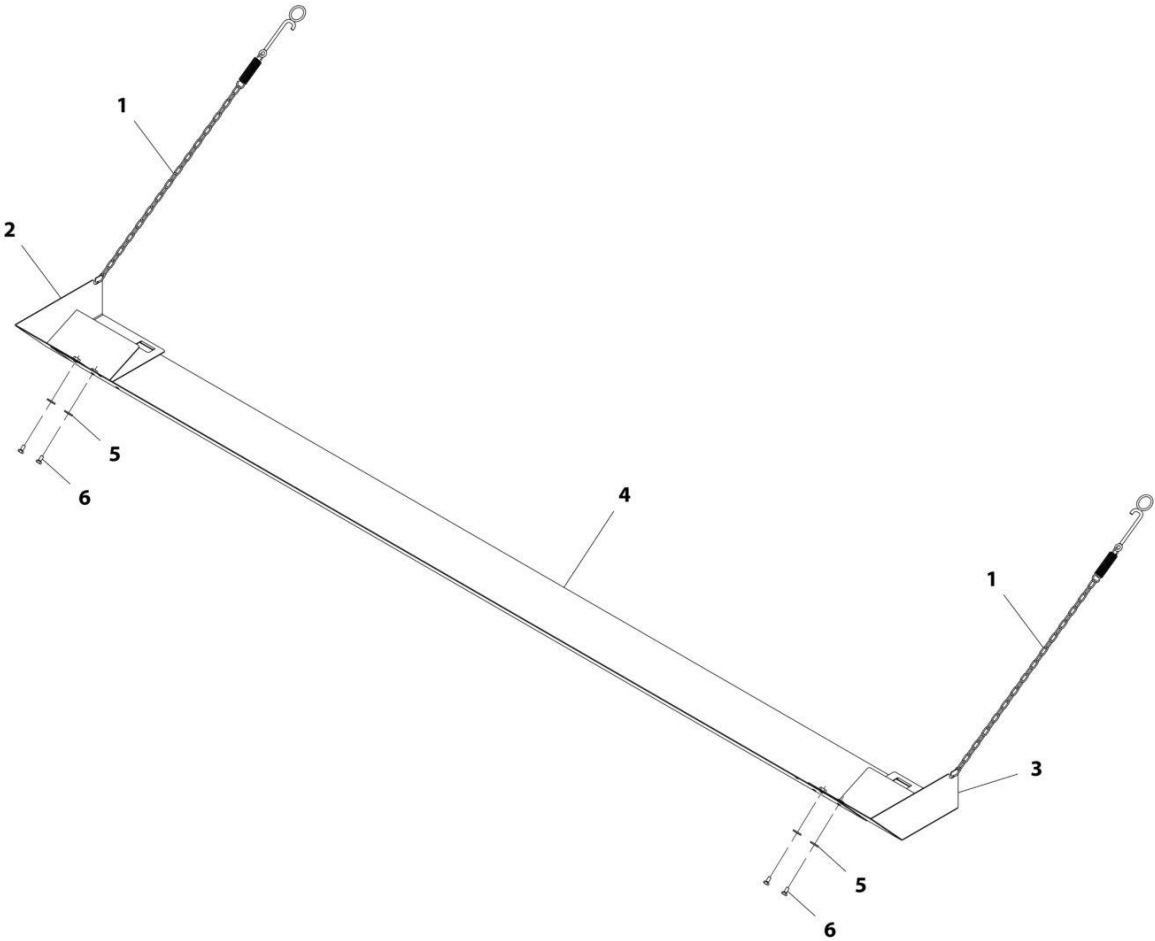
SECTION 3 - ATTACHMENTS

FIGURE 3-35. BUCKET BOLT-ON EDGE (THREE PIECE)

ITEM	PART NUMBER	QTY	DESCRIPTION	REV
	1001290440 See Note	Ref Ref	BOLT-ON EDGE Note: No Service Parts Available at Time of Printing.	A

SECTION 3 - ATTACHMENTS

FIGURE 3-36. BUCKET FRONT GUARD



ART_1001004620-B

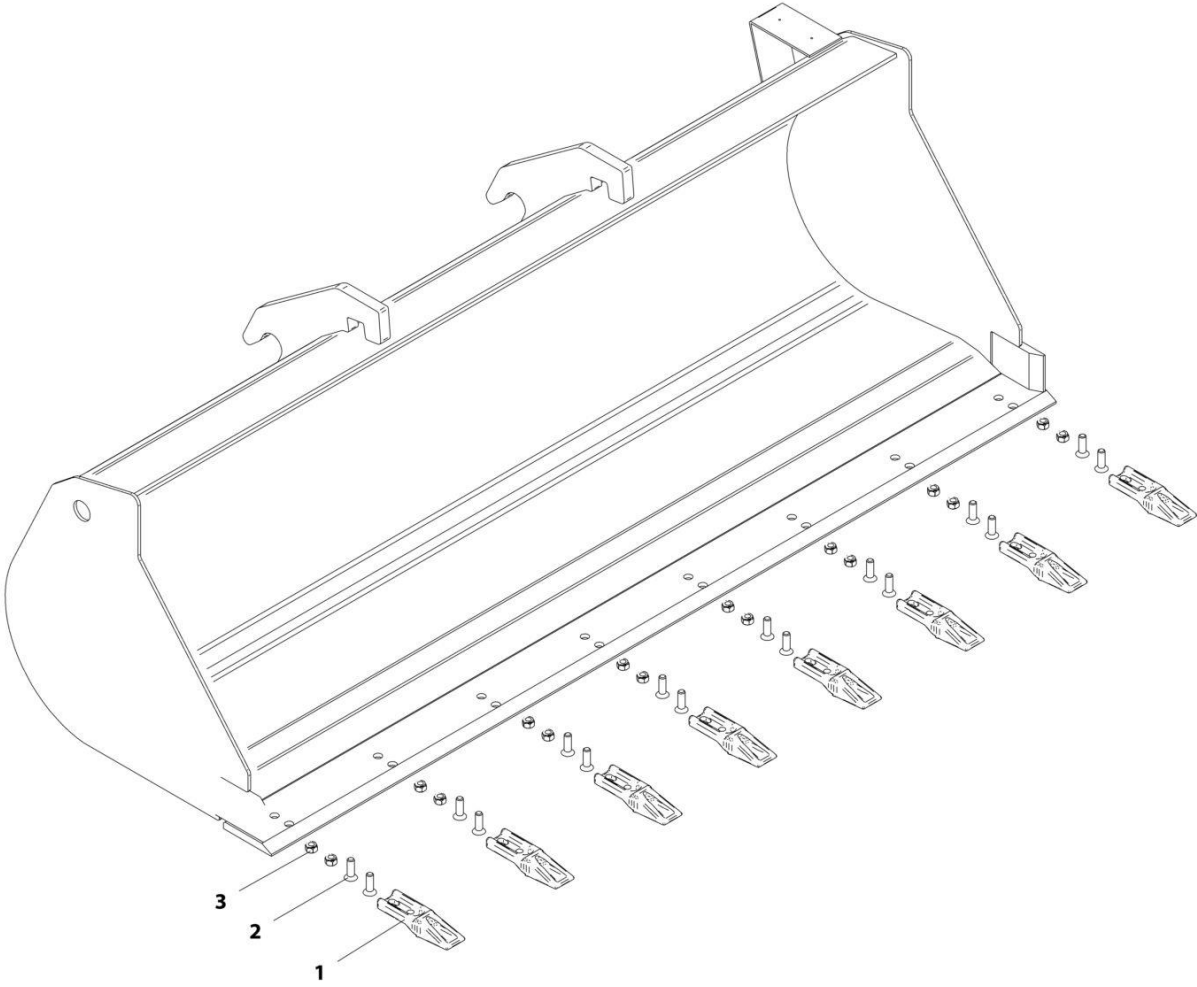
SECTION 3 - ATTACHMENTS

FIGURE 3-36. BUCKET FRONT GUARD

ITEM	PART NUMBER	QTY	DESCRIPTION	REV
	1001004620	1	Bucket Guard	B
1	1001003064	2	Assembly, Retainer	
2	1001004617	1	Plate	
3	1001004618	1	Plate	
4	1001004619	1	Plate	
5	1001008665	4	Washer	
6	1001009105	4	Bolt, M6X1	

SECTION 3 - ATTACHMENTS

FIGURE 3-37. BUCKET TEETH KIT



ART_1001196751-A

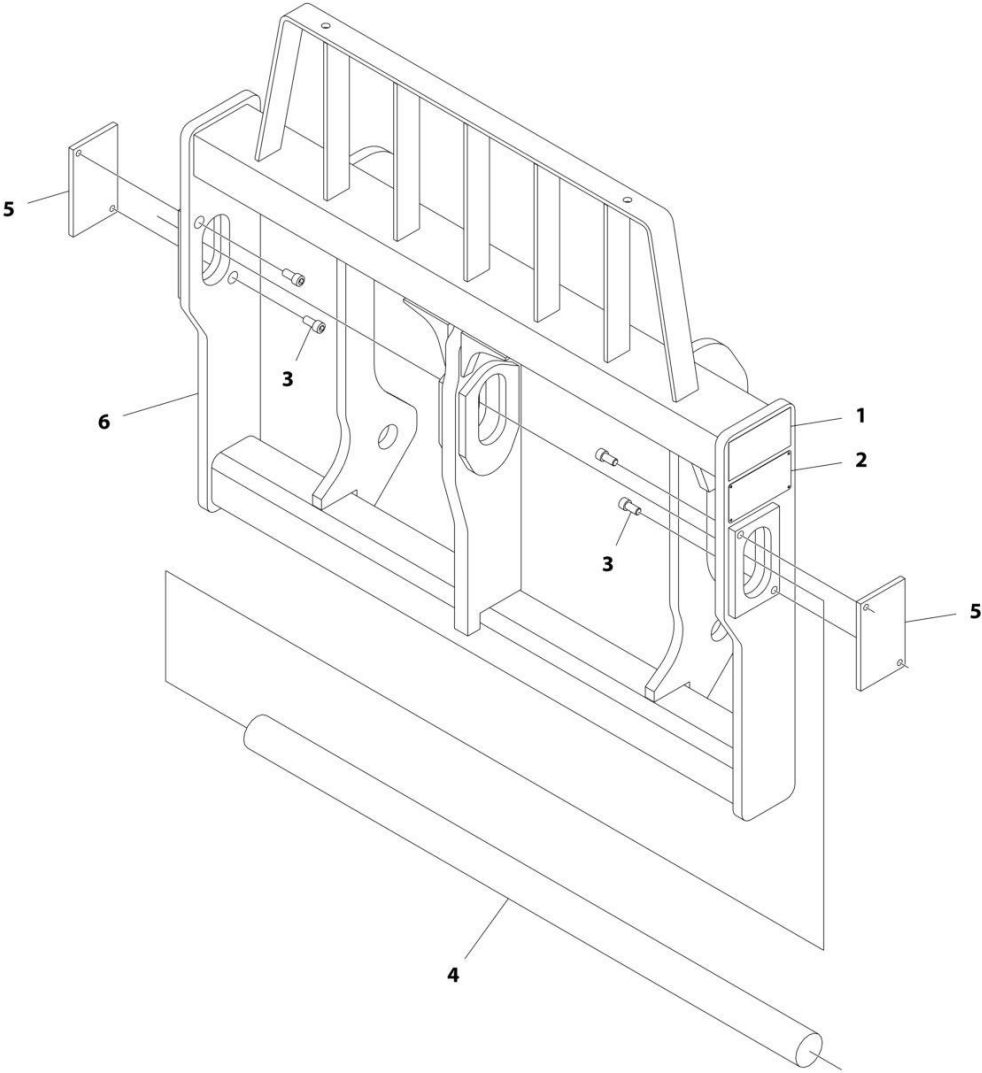
SECTION 3 - ATTACHMENTS

FIGURE 3-37. BUCKET TEETH KIT

ITEM	PART NUMBER	QTY	DESCRIPTION	REV
	1001196751	1	Bucket Teeth Kit	A
1	Kit	8	Tooth	
2	Kit	16	Screw	
3	Kit	16	Nut	

SECTION 3 - ATTACHMENTS

FIGURE 3-38. CARRIAGE ASSEMBLY (1225MM)



ART_1001107581

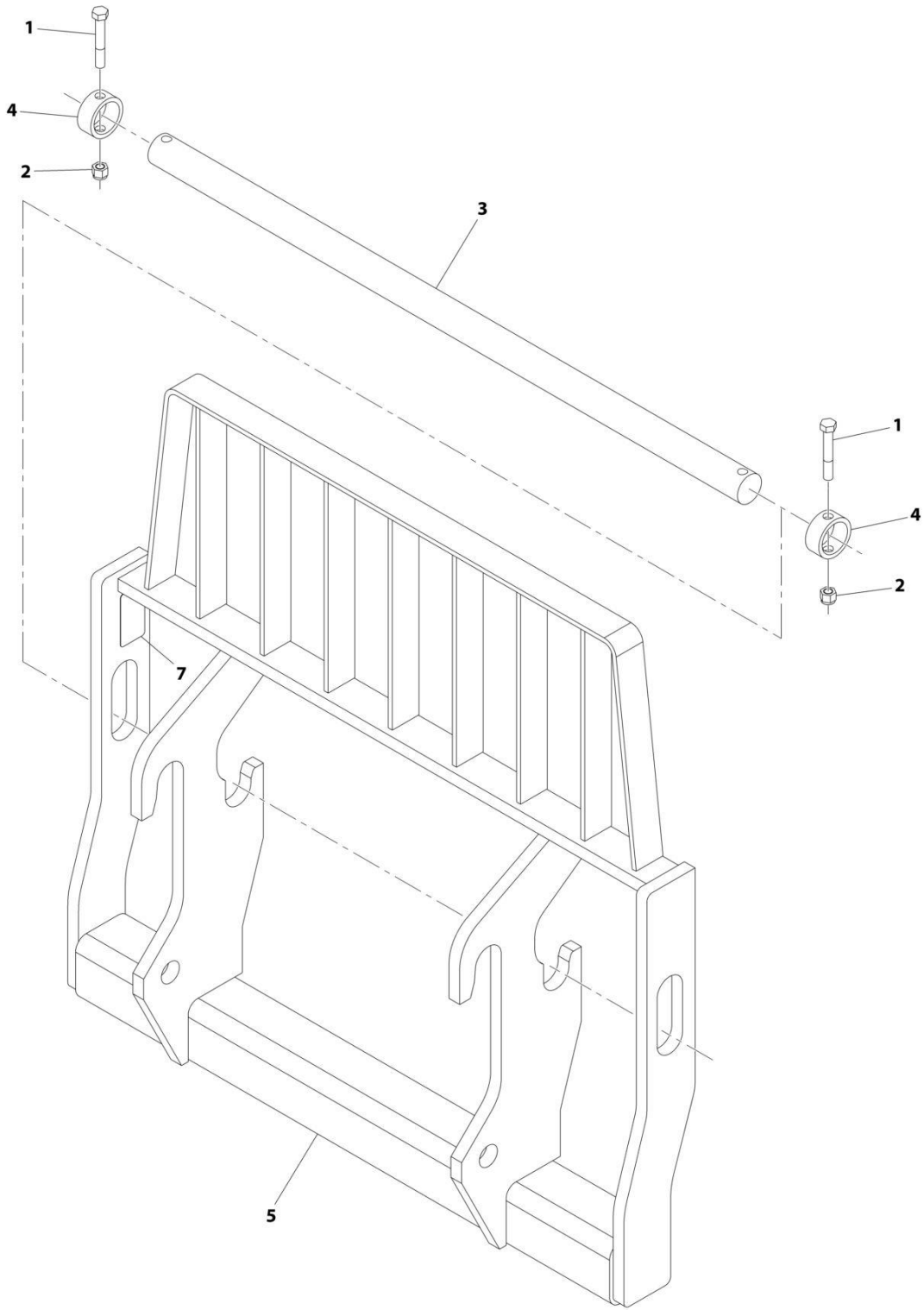
SECTION 3 - ATTACHMENTS

FIGURE 3-38. CARRIAGE ASSEMBLY (1225MM)

ITEM	PART NUMBER	QTY	DESCRIPTION	REV
	1001107581	Ref	CARRIAGE ASSEMBLY (1225MM)	E
1	See Note	NSS	Name Plate, Carriage (Note: Not Available for Purchase)	
2	See Note	NSS	Plate, Serial Number (Note: Not Available for Purchase)	
3	4032109	4	Bolt M12 x 25	
4	1001107336	1	Shaft, Carriage	
5	1001107338	2	Cover, Shaft	
6	See Note	NSS	Carriage (Note: Purchase PN 1001107581)	

SECTION 3 - ATTACHMENTS

FIGURE 3-39. CARRIAGE ASSEMBLY (1270MM)



ART_1001104435-E

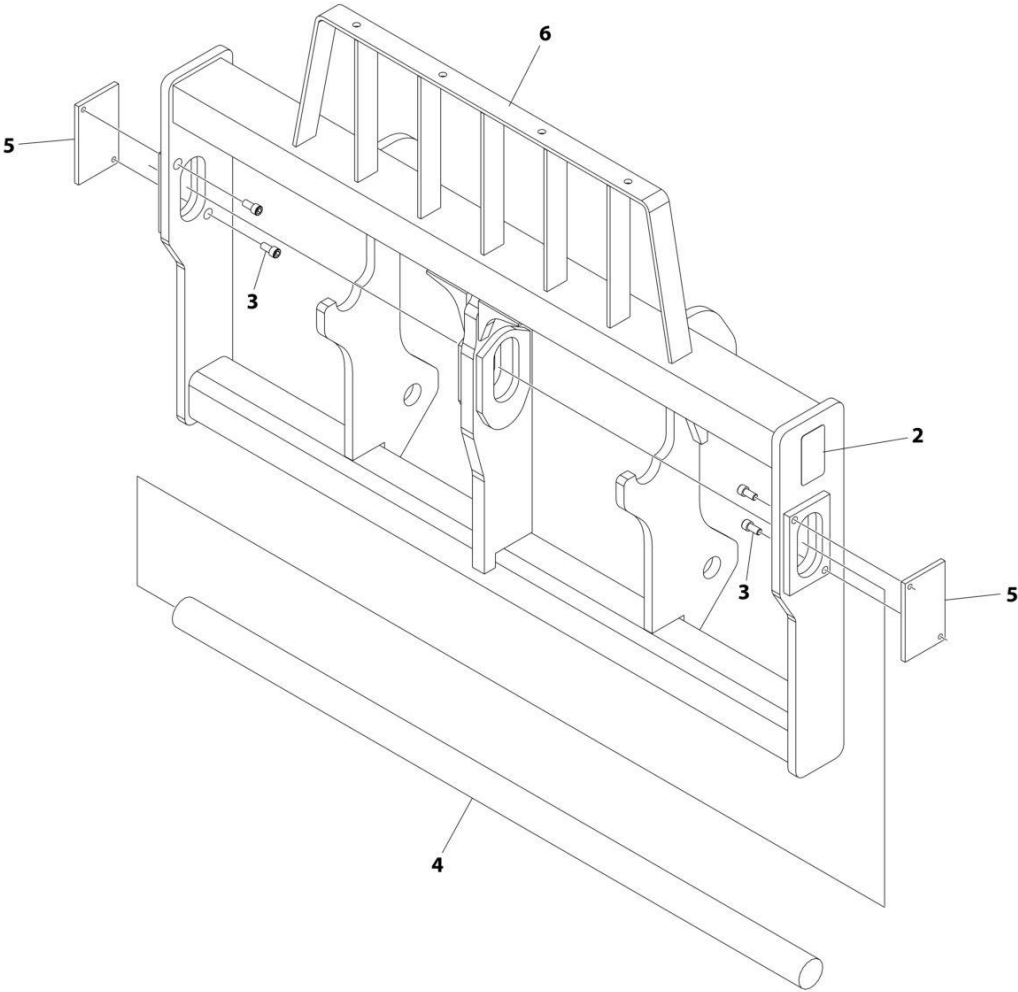
SECTION 3 - ATTACHMENTS

FIGURE 3-39. CARRIAGE ASSEMBLY (1270MM)

ITEM	PART NUMBER	QTY	DESCRIPTION	REV
	1001104435	Ref	Carriage Assembly, (50Inch/1270mm)	H
1	0642032	2	Hex HD Capscrew, 5/8-11X4	
2	3300240	2	Locknut, 5/8-11	
3	3423275	1	Fork Pin	
4	90200003	2	Collar	
5	N.S.S.	1	Carriage Weldment	
7	N.S.S.	1	S/N Plate	

SECTION 3 - ATTACHMENTS

FIGURE 3-40. CARRIAGE ASSEMBLY (1524MM)



ART_1001259144

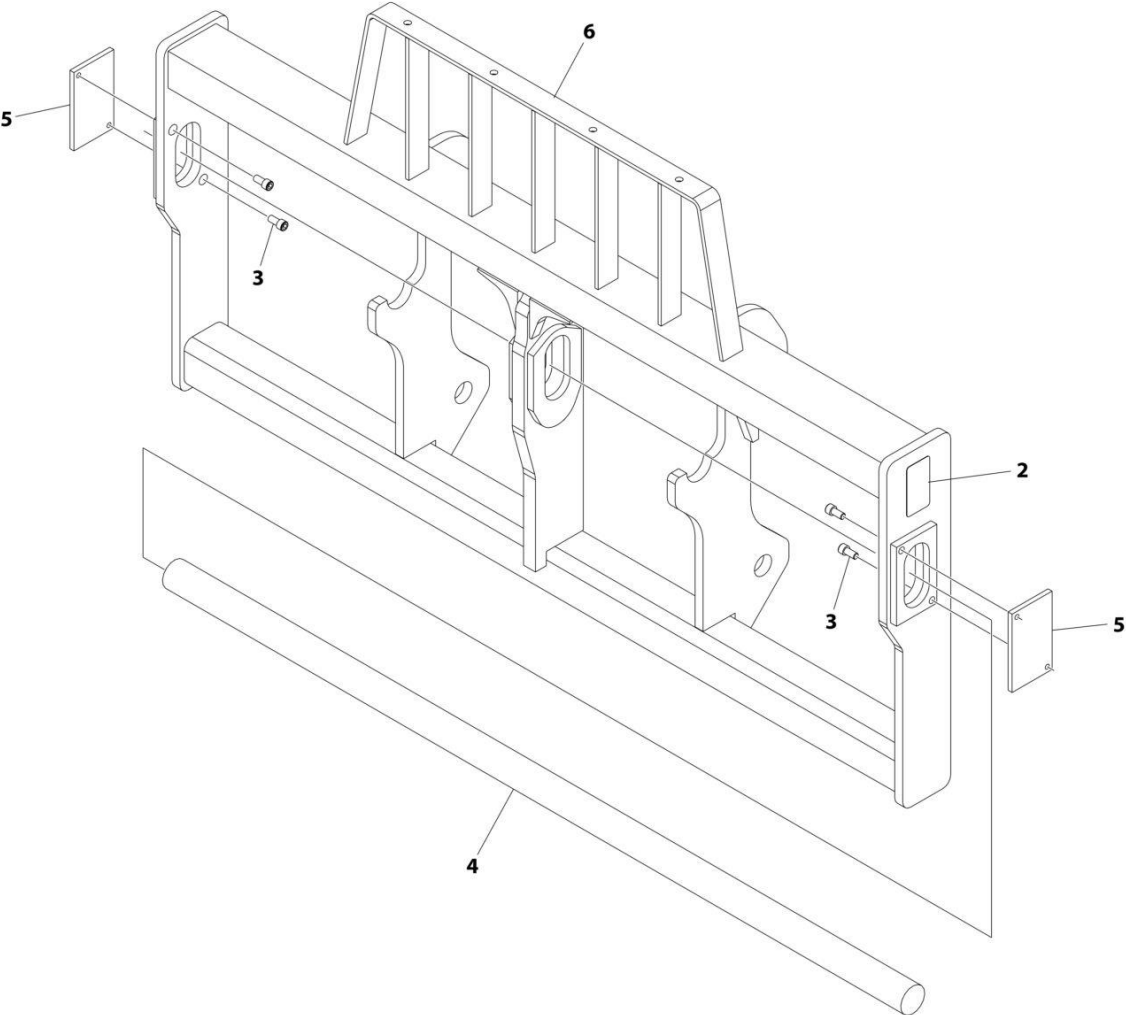
SECTION 3 - ATTACHMENTS

FIGURE 3-40. CARRIAGE ASSEMBLY (1524MM)

ITEM	PART NUMBER	QTY	DESCRIPTION	REV
	1001259144	Ref	CARRIAGE ASSEMBLY (1524MM)	C
1	See Note	NSS	Name Plate (Note: Not Available for Purchase)	
2	See Note	NSS	Plate, Serial Number (Note: Not Available for Purchase)	
3	70021504	4	Bolt M12X25	
4	70030283	1	Shaft, Carriage	
5	1001107338	2	Cover, Shaft	
6	See Note	NSS	Carriage (Use PN 1001259144)	

SECTION 3 - ATTACHMENTS

FIGURE 3-41. CARRIAGE ASSEMBLY (1829MM)



ART_1001259146

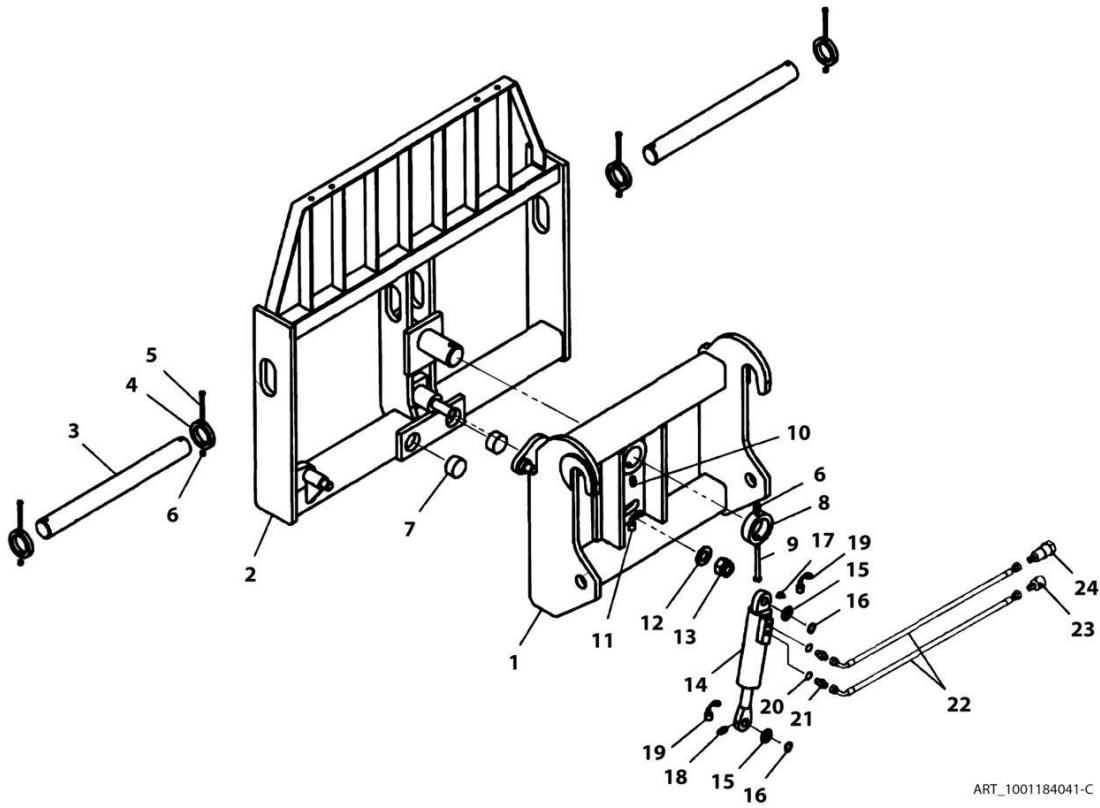
SECTION 3 - ATTACHMENTS

FIGURE 3-41. CARRIAGE ASSEMBLY (1829MM)

ITEM	PART NUMBER	QTY	DESCRIPTION	REV
	1001259146	Ref	CARRIAGE ASSEMBLY (1829MM)	C
1	See Note	NSS	Name Plate, Carriage (Note: Not Available for Purchase)	
2	See Note	NSS	Plate, Serial Number (Note: Not Available for Purchase)	
3	70021504	4	Bolt M12X25	
4	70030282	1	Shaft	
5	1001107338	2	Cover, Shaft	
6	See Note	NSS	Carriage (Note: Use PN 1001259146)	

SECTION 3 - ATTACHMENTS

FIGURE 3-42. CARRIAGE ASSEMBLY - SIDE TILTING (4.5 TON - 1225 MM)



ART_1001184041-C

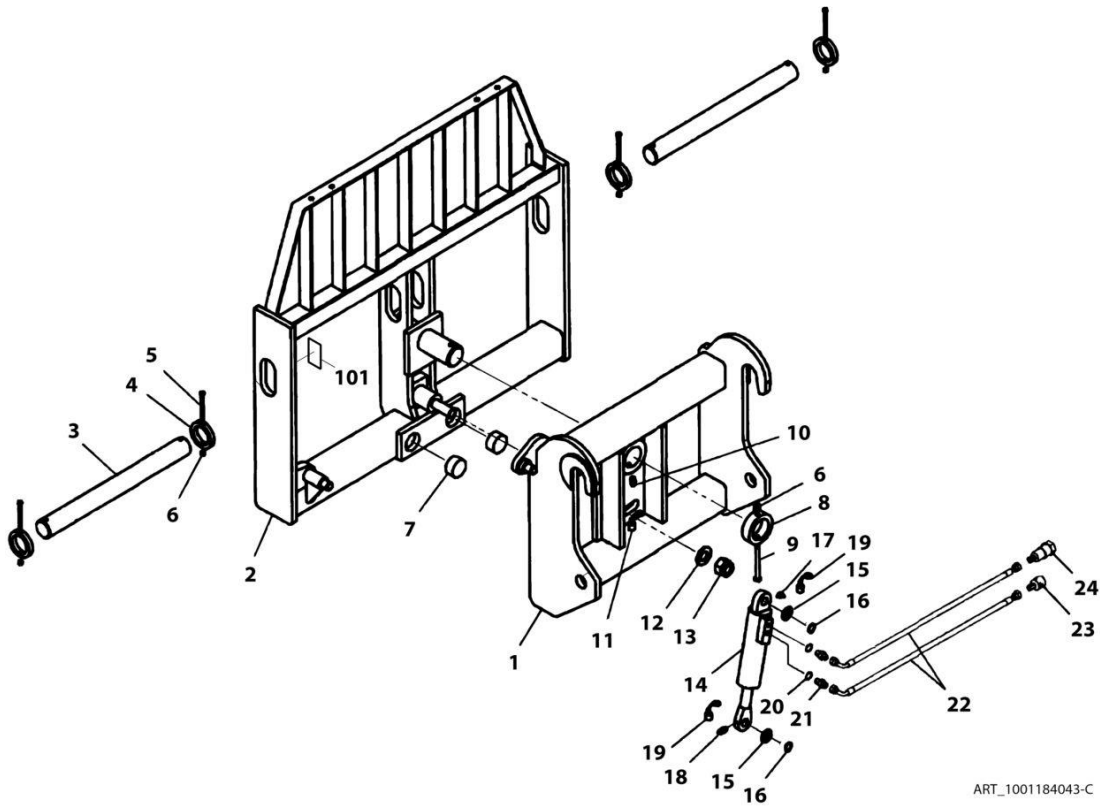
SECTION 3 - ATTACHMENTS

FIGURE 3-42. CARRIAGE ASSEMBLY - SIDE TILTING (4.5 TON - 1225 MM)

ITEM	PART NUMBER	QTY	DESCRIPTION	REV
	1001184041	1	Side Tilting Carriage (4.5 ton - 1225 MM)	E
1	N.S.S.	1	Carriage Weldment	
2	70027604	1	Fork, Carriage	
3	70027605	2	Pin	
4	70027606	4	Pin, Block	
5	70027607	4	Bolt	
6	70021241	5	Nut, Lock M12	
7	70021238	2	Buffer	
8	70021239	1	Collar	
9	70021240	1	Bolt	
10	70021242	1	Fitting, Grease	
11	70021243	1	Cover, Grease Fitting	
12	70021244	1	Washer	
13	70022697	1	Nut, Lock	
14	70020506	1	Cylinder	
15	70020507	1	Washer	
16	70020508	2	Ring, Snap	
17	70021245	1	Fitting, Grease	
18	70021246	1	Fitting, Grease	
19	70021247	2	Cover, Grease Fitting	
20	70020730	2	O-Ring	
21	70020731	2	Fitting	
22	70021248	2	Tube, Hydraulic	
23	1001094556	1	Coupling, Male Quick Disconnect	
24	1001094555	1	Coupling, Female Quick Disconnect	

SECTION 3 - ATTACHMENTS

FIGURE 3-43. CARRIAGE ASSEMBLY - SIDE TILTING (4.0 TON - 1575 MM)



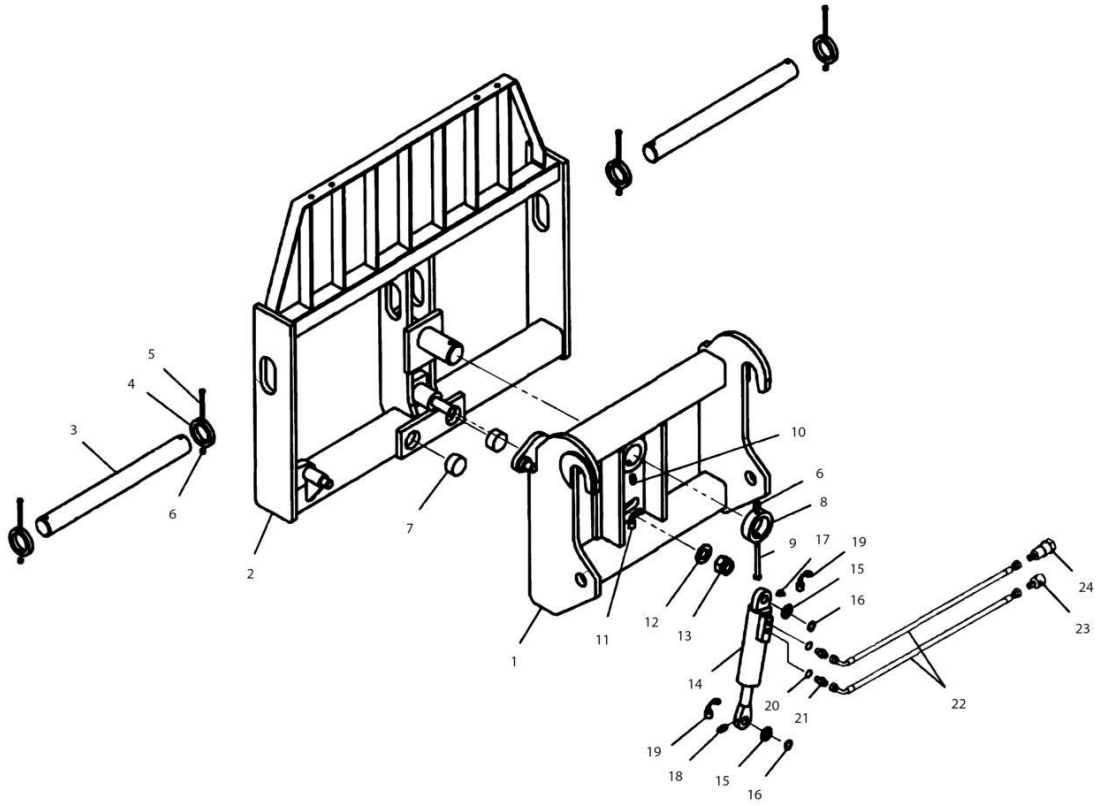
SECTION 3 - ATTACHMENTS

FIGURE 3-43. CARRIAGE ASSEMBLY - SIDE TILTING (4.0 TON - 1575 MM)

ITEM	PART NUMBER	QTY	DESCRIPTION	REV
	1001184043	1	Side Tilting Carriage (4.0 ton - 1575 MM)	E
1	N.S.S.	Ref	Weldment, Carriage	
2	70027604	1	Fork, Carriage	
3	70027605	2	Pin	
4	70027606	4	Pin, Block	
5	70027607	4	Bolt	
6	70021241	5	Locknut, M12	
7	70021238	2	Buffer	
8	70021239	1	Collar	
9	70021240	1	Bolt	
10	70021242	1	Fitting, Grease	
11	70021243	1	Cover, Grease Fitting	
12	70021244	1	Washer	
13	70022697	1	Bolt	
14	70020506	1	Cylinder	
15	70020507	1	Washer	
16	70020508	2	Ring, Snap	
17	70021245	1	Fitting, Grease	
18	70021246	1	Fitting, Grease	
19	70021247	2	Cover, Grease Fitting	
20	70020730	2	O-Ring	
21	70020731	2	Fitting, Straight	
22	70021248	2	Tube	
23	1001094556	1	Coupling, Male Quick Disconnect	
24	1001094555	1	Coupling, Female Quick Disconnect	
101	N.S.S.	Ref	Plate, Serial Number	

SECTION 3 - ATTACHMENTS

FIGURE 3-44. CARRIAGE ASSEMBLY - SID TILTING (4.0 TON - 1829 MM)



ART_1001184045-B

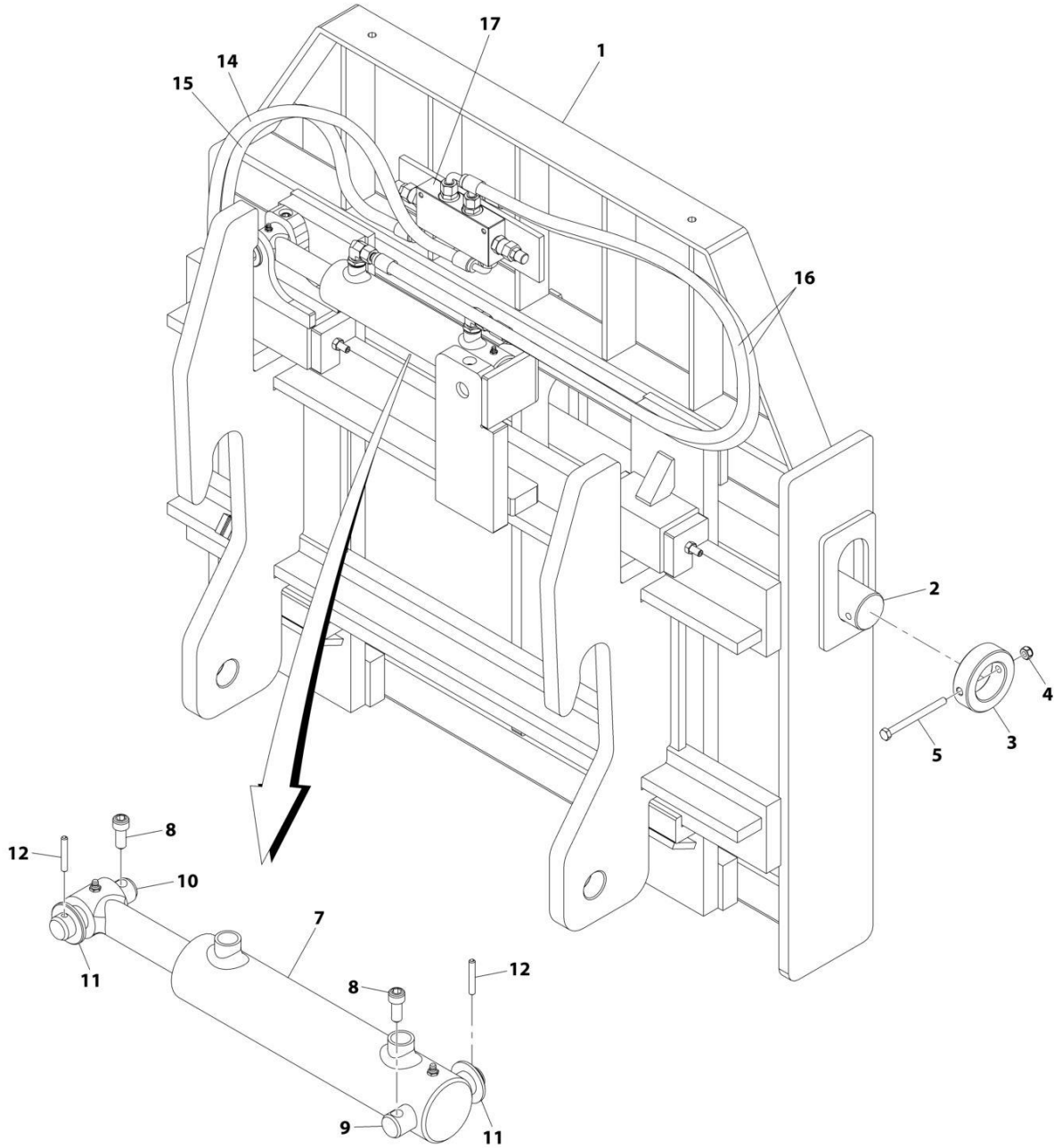
SECTION 3 - ATTACHMENTS

FIGURE 3-44. CARRIAGE ASSEMBLY - SID TILTING (4.0 TON - 1829 MM)

ITEM	PART NUMBER	QTY	DESCRIPTION	REV
	1001184045	1	Side Tilting Carriage (4.0 ton - 1829 MM)	E
1	N.S.S.	1	Weldment	
2	N.S.S.	1	Weldment, Carriage	
3	70027658	2	Shaft, Fork	
4	70027606	4	Pin, Block	
5	70027607	4	Bolt	
6	70021241	5	Nut, Lock M12	
7	70021238	2	Buffer	
8	70021239	1	Collar	
9	70021240	1	Bolt	
10	70021242	1	Fitting, Grease	
11	70021243	1	Cover	
12	70021244	1	Washer	
13	70022697	1	Nut, Lock	
14	70020506	1	Cylinder	
15	70020507	2	Washer	
16	70020508	2	Ring	
17	70021245	1	Fitting, Grease	
18	70021246	1	Fitting, Grease	
19	70021247	2	Cover	
20	70020730	2	O-Ring	
21	70020731	2	Link	
22	70027608	2	Pipe, Flexible	
23	1001094556	1	Coupling, Male Quick Disconnect	
24	1001094555	1	Coupling, Female Quick Disconnect	

SECTION 3 - ATTACHMENTS

FIGURE 3-45. CARRIAGE ASSEMBLY - SIDE SHIFT (4.0 TON - 1225 MM)



ART_1170002-L

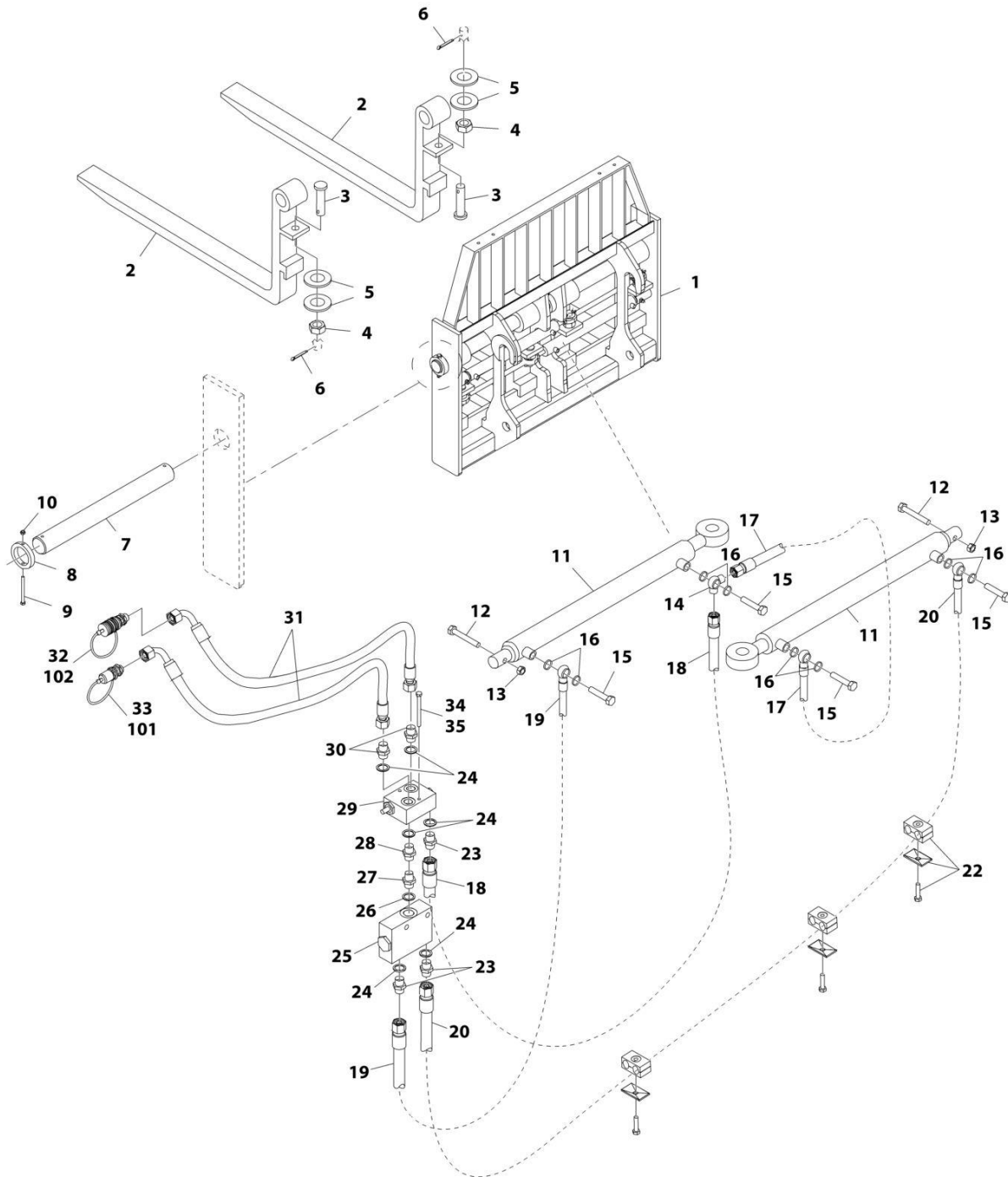
SECTION 3 - ATTACHMENTS

FIGURE 3-45. CARRIAGE ASSEMBLY - SIDE SHIFT (4.0 TON - 1225 MM)

ITEM	PART NUMBER	QTY	DESCRIPTION	REV
	1170002	Ref	Side Shift Carriage (4.0 ton - 1255 MM)	L
1	N.S.S.	1	Carriage, Side Shift	
2	7028136	1	Bar, Fork Carrier	
3	7028137	2	Collar	
4	3291005	2	Nut, Lock M10X1.5	
5	0701029	2	Bolt, M10X120	
7	70021558	1	Cylinder	
8	70021559	2	Bolt	
9	70021560	1	Pin	
10	70021561	1	Pin	
11	70021562	2	Washer	
12	70021563	2	Pin	
13	N.S.S.	1	Plate, Serial Number, (not shown)	
14	70029011	3	Hose	
15	70029012	1	Hose	
16	70029013	2	Hose	
17	70027291	1	Balancing Valve	

SECTION 3 - ATTACHMENTS

FIGURE 3-46. CARRIAGE ASSEMBLY - FORK POSITIONING (4.0 TON)



ART_1001091313-C

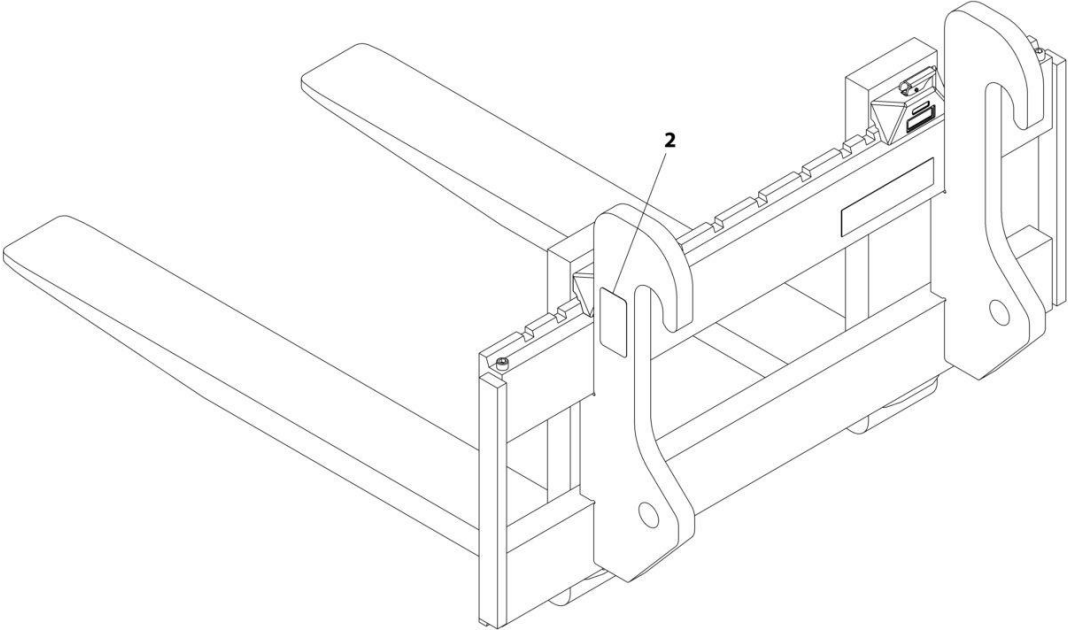
SECTION 3 - ATTACHMENTS

FIGURE 3-46. CARRIAGE ASSEMBLY - FORK POSITIONING (4.0 TON)

ITEM	PART NUMBER	QTY	DESCRIPTION	REV
	1001091313	Ref	Fork Positioning Carriage with Forks (4.0 ton)	D
1	N.S.S.	1	Weldment	
2	70022922	2	Forks, (100X50X1200), (2000kg per fork)	
3	70021835	2	Rod Pin	
4	70026018	2	Nut	
5	70028978	4	Washer	
6	70021836	2	Split Pin	
7	70022923	2	Carriage Shaft	
8	70022924	4	Shaft Collar	
9	70028979	4	Bolt	
10	70021241	4	Hex Locknut, M12	
11	70023276	2	Cylinder	
11	70023278	AR	Seal Kit, (use with cylinders marked 1.3351.01C.02.01)	
11	70023277	AR	Seal Kit, (use with cylinders marked 1.3351.01C.02.02)	
13	70028031	2	Locknut	
12	70028028	2	Bolt	
14	70022925	1	Elbow, 90	
15	1001103530	4	Bolt	
16	70020730	8	O-Ring	
17	70021838	1	Hose	
18	70021839	1	Hose	
19	70021840	1	Hose	
20	70021841	1	Hose	
22	1001103533	3	Clamp Set, (includes screw and plate)	
23	70020731	3	Fitting	
24	70022907	6	O-Ring	
25	70021842	1	Counter Valve	
26	70022927	1	O-Ring	
27	70022928	1	Fitting	
28	70022929	1	Fitting	
29	70021843	1	Pressure Valve	
30	70022906	2	Adapter	
31	70022930	2	Pipe	
32	1001094555	1	Female Quick Disconnect Coupling	
33	1001094556	1	Male Quick Disconnect Coupling	
34	70028980	2	Bolt	
35	70022912	2	Nut	
101	1001093826	1	Dust Cap	
102	1001093827	1	Dust Plug	

SECTION 3 - ATTACHMENTS

FIGURE 3-47. CARRIAGE ASSEMBLY - FEM CARRIAGE AND FORKS



ART_1001265218

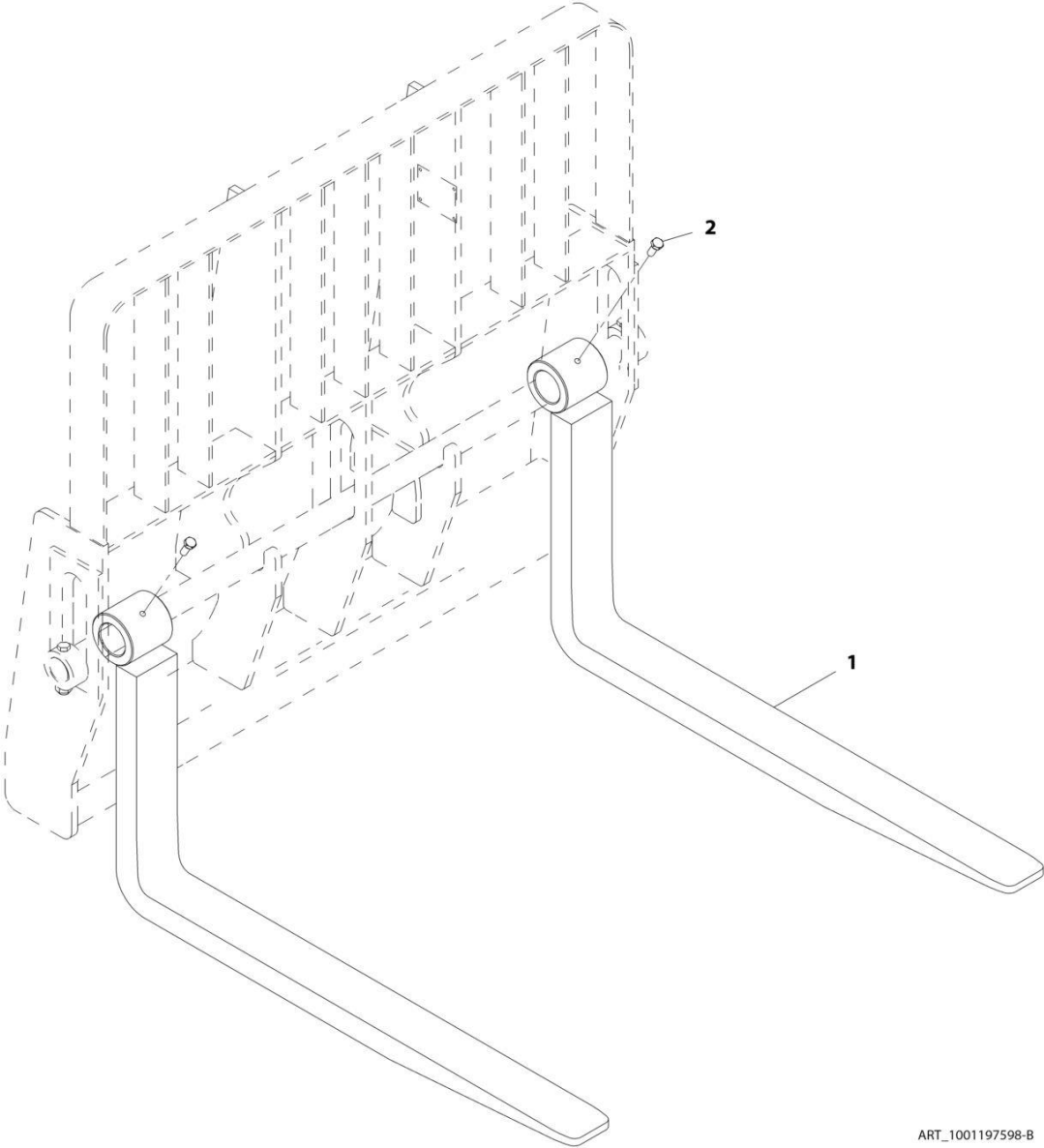
SECTION 3 - ATTACHMENTS

FIGURE 3-47. CARRIAGE ASSEMBLY - FEM CARRIAGE AND FORKS

ITEM	PART NUMBER	QTY	DESCRIPTION	REV
1	1001265218 N.S.S.	Ref 1	FEM CARRIAGE AND FORKS Plate, Serial Number	A

SECTION 3 - ATTACHMENTS

FIGURE 3-48. FORK - LUMBER (45X150X1540)



ART_1001197598-B

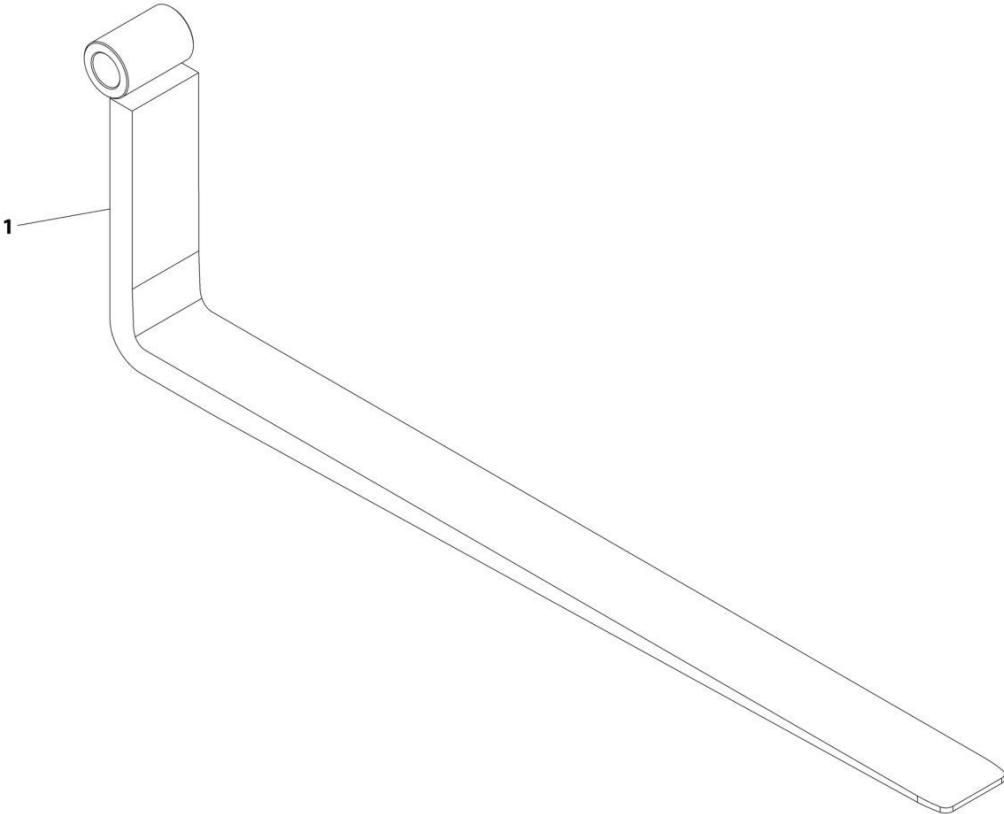
SECTION 3 - ATTACHMENTS

FIGURE 3-48. FORK - LUMBER (45X150X1540)

ITEM	PART NUMBER	QTY	DESCRIPTION	REV
1	1001197598	2	Lumber Fork (45X150X1540)	B
2	70027180	2	Screw, M16X30	
	Note	Ref	<p>FORKS RATED LESS THAN THE ATTACHMENT OR MACHINE'S CAPACITY DECREASES CAPACITY OF THE ATTACHMENT OR MACHINE TO THAT OF THE FORKS. FORKS RATED MORE THAN THE ATTACHMENT OR MACHINE'S CAPACITY DO NOT INCREASE ATTACHMENT OR MACHINE'S CAPACITY.</p>	
	Note	Ref	<p>PLEASE CONSULT JLG PARTS DEPARTMENT TO DETERMINE THE CORRECT FORKS APPLICABLE TO YOUR SPECIFIC CARRIAGE ASSEMBLY AND APPLICATION.</p>	

SECTION 3 - ATTACHMENTS

FIGURE 3-49. FORK - LUMBER (50X150X1830)



ART_1001257317-B

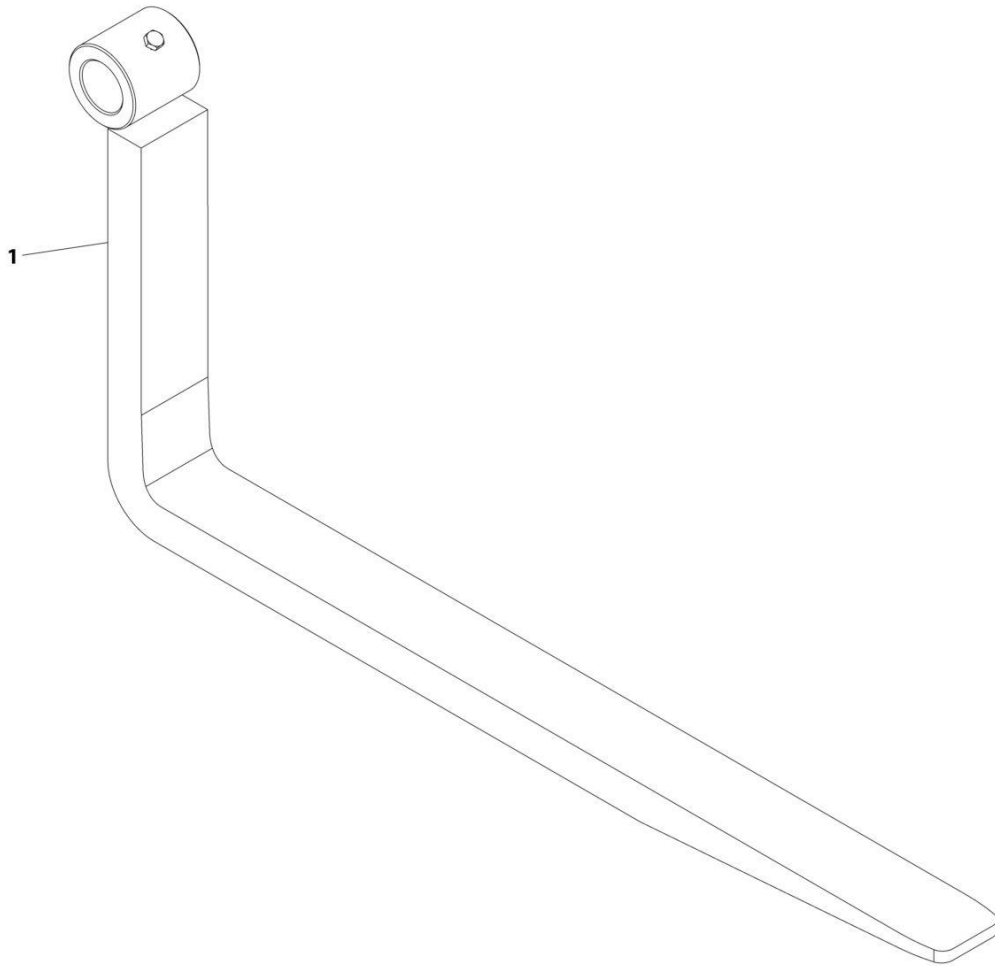
SECTION 3 - ATTACHMENTS

FIGURE 3-49. FORK - LUMBER (50X150X1830)

ITEM	PART NUMBER	QTY	DESCRIPTION	REV
1	1001257317	2	Lumber Fork (50X150X1830)	B
	Note	Ref	FORKS RATED LESS THAN THE ATTACHMENT OR MACHINE'S CAPACITY DECREASES CAPACITY OF THE ATTACHMENT OR MACHINE TO THAT OF THE FORKS. FORKS RATED MORE THAN THE ATTACHMENT OR MACHINE'S CAPACITY DO NOT INCREASE ATTACHMENT OR MACHINE'S CAPACITY.	
	Note	Ref	PLEASE CONSULT JLG PARTS DEPARTMENT TO DETERMINE THE CORRECT FORKS APPLICABLE TO YOUR SPECIFIC CARRIAGE ASSEMBLY AND APPLICATION.	

SECTION 3 - ATTACHMENTS

FIGURE 3-50. FORK - PALLET (50X100X1200)



ART_1001257263-B

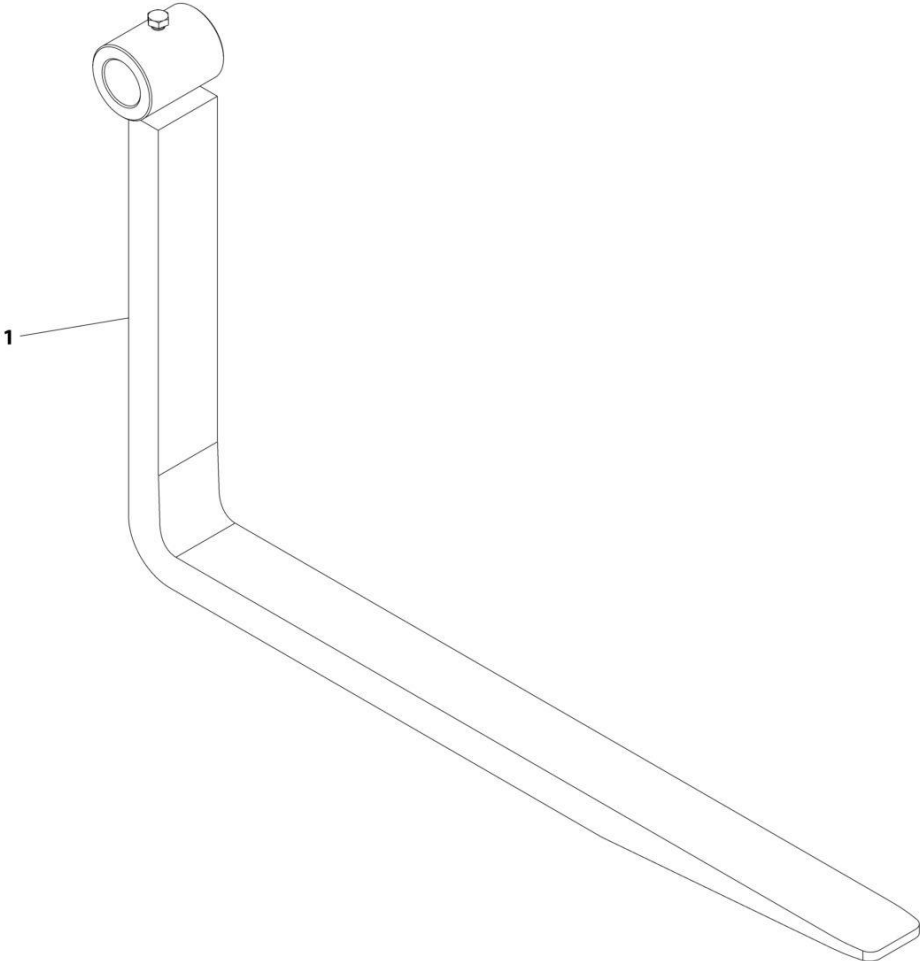
SECTION 3 - ATTACHMENTS

FIGURE 3-50. FORK - PALLET (50X100X1200)

ITEM	PART NUMBER	QTY	DESCRIPTION	REV
1	1001257263	1 pr	Pallet Fork (50X100X1200)	B
	Note	Ref	FORKS RATED LESS THAN THE ATTACHMENT OR MACHINE'S CAPACITY DECREASES CAPACITY OF THE ATTACHMENT OR MACHINE TO THAT OF THE FORKS. FORKS RATED MORE THAN THE ATTACHMENT OR MACHINE'S CAPACITY DO NOT INCREASE ATTACHMENT OR MACHINE'S CAPACITY.	
	Note	Ref	PLEASE CONSULT JLG PARTS DEPARTMENT TO DETERMINE THE CORRECT FORKS APPLICABLE TO YOUR SPECIFIC CARRIAGE ASSEMBLY AND APPLICATION.	

SECTION 3 - ATTACHMENTS

FIGURE 3-51. FORK - PALLET (50X100X1200) (CE & AUS WITH SIDE SHIFT CARRIAGE) (4.0 TON - 1225MM)



ART_1001257265-B

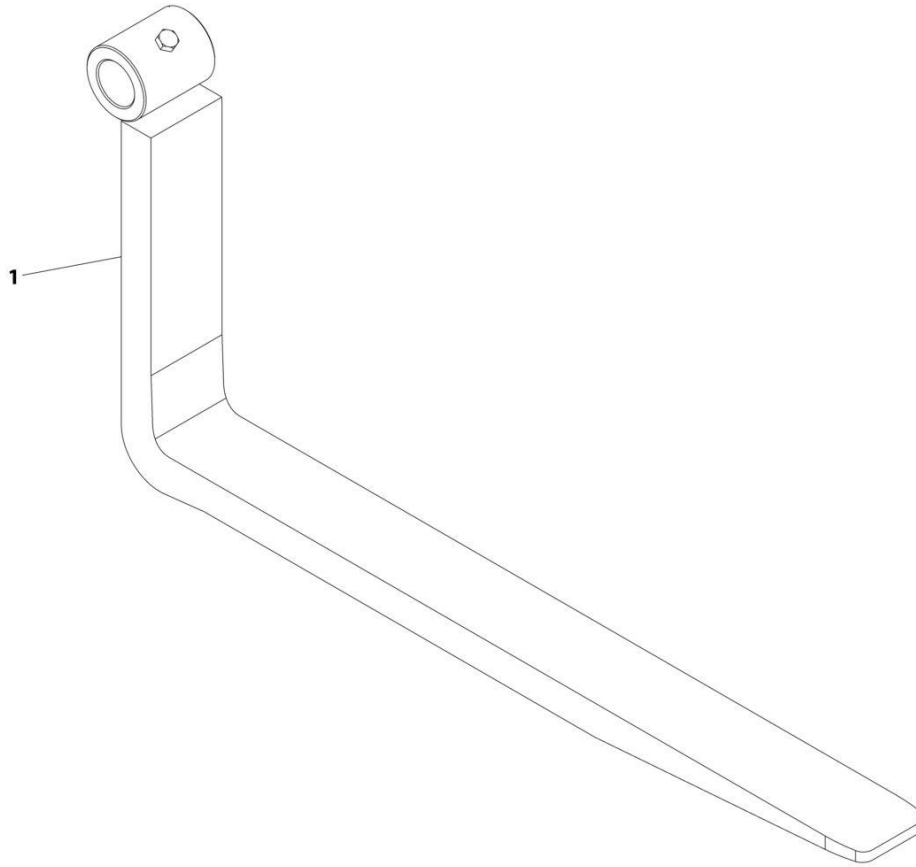
SECTION 3 - ATTACHMENTS

FIGURE 3-51. FORK - PALLET (50X100X1200) (CE & AUS WITH SIDE SHIFT CARRIAGE) (4.0 TON - 1225MM)

ITEM	PART NUMBER	QTY	DESCRIPTION	REV
1	1001257265	2 pr	Pallet Fork (50X100X1200)	B
	Note	Ref	FORKS RATED LESS THAN THE ATTACHMENT OR MACHINE'S CAPACITY DECREASES CAPACITY OF THE ATTACHMENT OR MACHINE TO THAT OF THE FORKS. FORKS RATED MORE THAN THE ATTACHMENT OR MACHINE'S CAPACITY DO NOT INCREASE ATTACHMENT OR MACHINE'S CAPACITY.	
	Note	Ref	PLEASE CONSULT JLG PARTS DEPARTMENT TO DETERMINE THE CORRECT FORKS APPLICABLE TO YOUR SPECIFIC CARRIAGE ASSEMBLY AND APPLICATION.	

SECTION 3 - ATTACHMENTS

FIGURE 3-52. FORK - PALLET (50X120X1200)



ART_1001257327-B

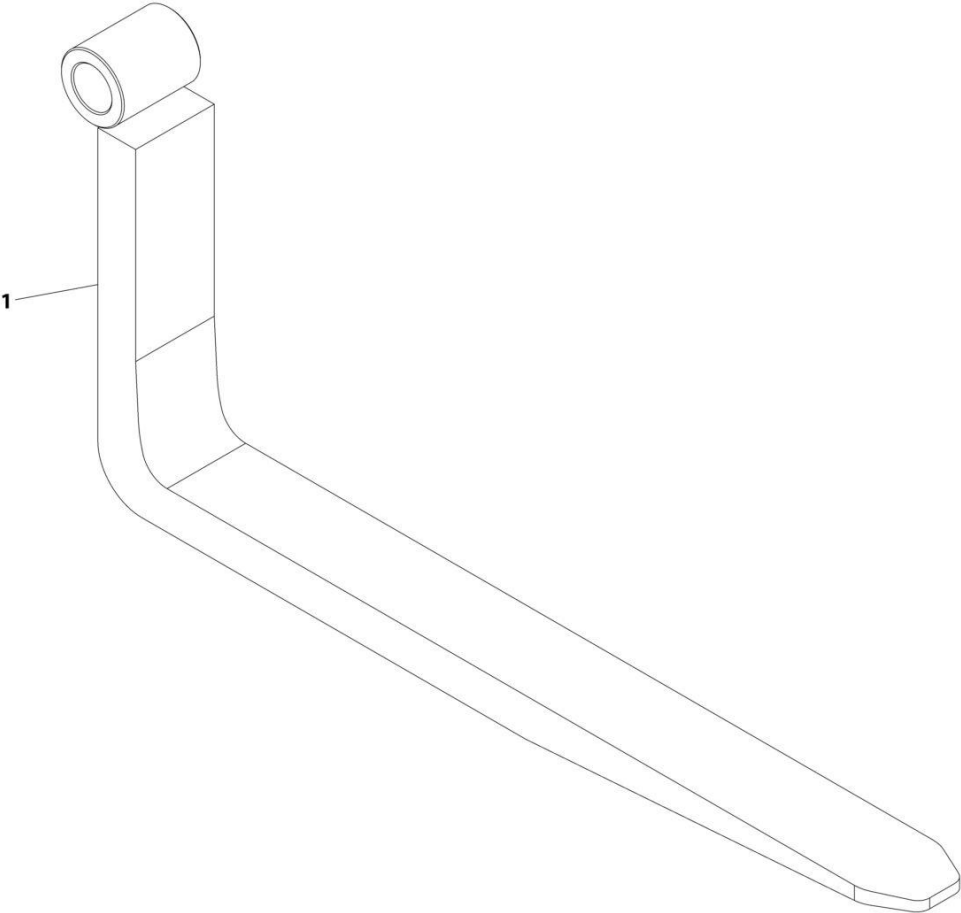
SECTION 3 - ATTACHMENTS

FIGURE 3-52. FORK - PALLET (50X120X1200)

ITEM	PART NUMBER	QTY	DESCRIPTION	REV
	1001257327	1	Fork-Pallet (50X120X1200)	B
	Note	Ref	FORKS RATED LESS THAN THE ATTACHMENT OR MACHINE'S CAPACITY DECREASES CAPACITY OF THE ATTACHMENT OR MACHINE TO THAT OF THE FORKS. FORKS RATED MORE THAN THE ATTACHMENT OR MACHINE'S CAPACITY DO NOT INCREASE ATTACHMENT OR MACHINE'S CAPACITY.	
	Note	Ref	PLEASE CONSULT JLG PARTS DEPARTMENT TO DETERMINE THE CORRECT FORKS APPLICABLE TO YOUR SPECIFIC CARRIAGE ASSEMBLY AND APPLICATION.	

SECTION 3 - ATTACHMENTS

FIGURE 3-53. FORK - PALLET (60X125X1220)



ART_1001257318-B

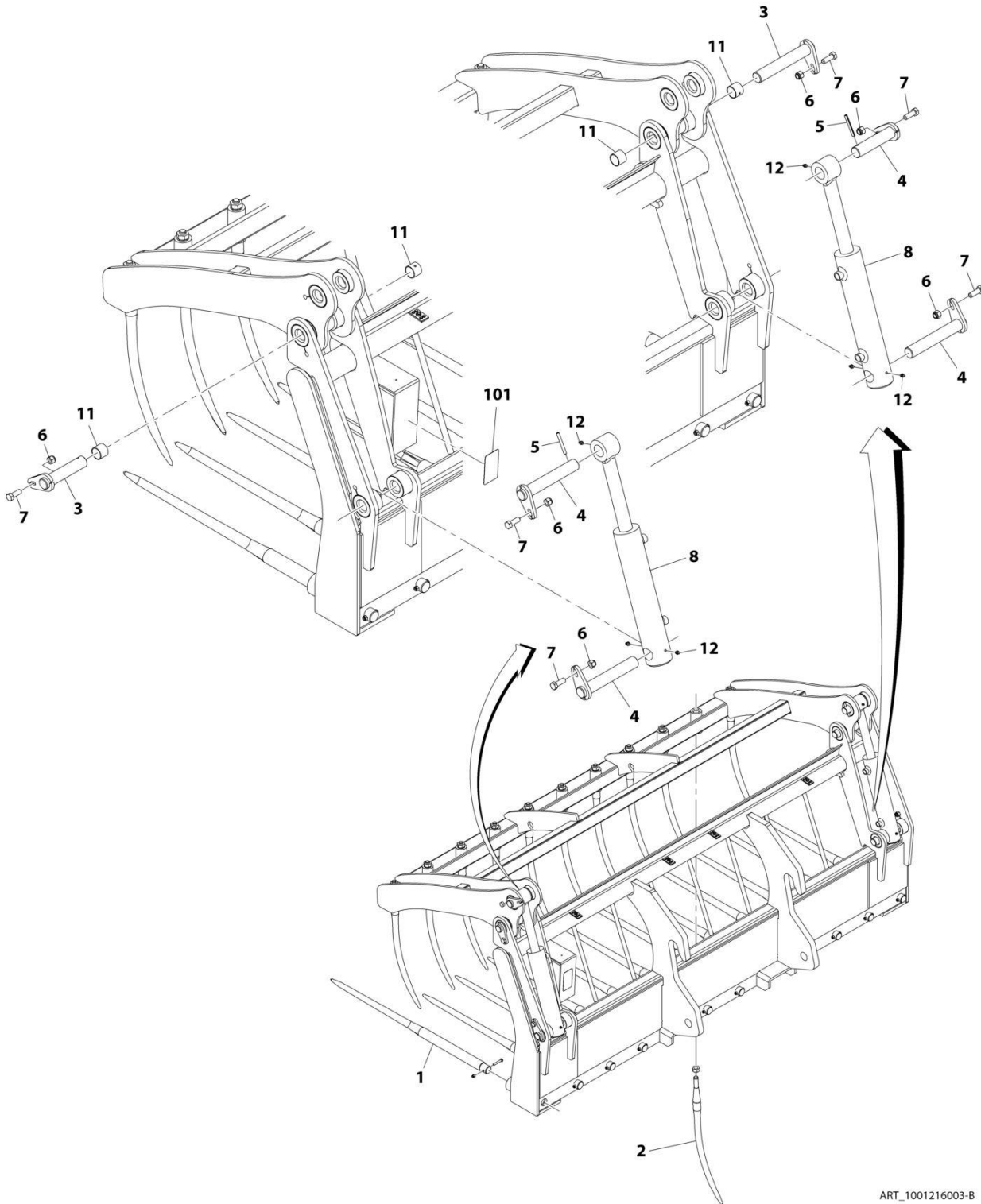
SECTION 3 - ATTACHMENTS

FIGURE 3-53. FORK - PALLET (60X125X1220)

ITEM	PART NUMBER	QTY	DESCRIPTION	REV
	1001257318	1 pr	Pallet Fork (60X125X1220)	B
	Note	Ref	FORKS RATED LESS THAN THE ATTACHMENT OR MACHINE'S CAPACITY DECREASES CAPACITY OF THE ATTACHMENT OR MACHINE TO THAT OF THE FORKS. FORKS RATED MORE THAN THE ATTACHMENT OR MACHINE'S CAPACITY DO NOT INCREASE ATTACHMENT OR MACHINE'S CAPACITY.	
	Note	Ref	PLEASE CONSULT JLG PARTS DEPARTMENT TO DETERMINE THE CORRECT FORKS APPLICABLE TO YOUR SPECIFIC CARRIAGE ASSEMBLY AND APPLICATION.	

SECTION 3 - ATTACHMENTS

FIGURE 3-54. FORK - MUCK WITH GRAB



ART_1001216003-B

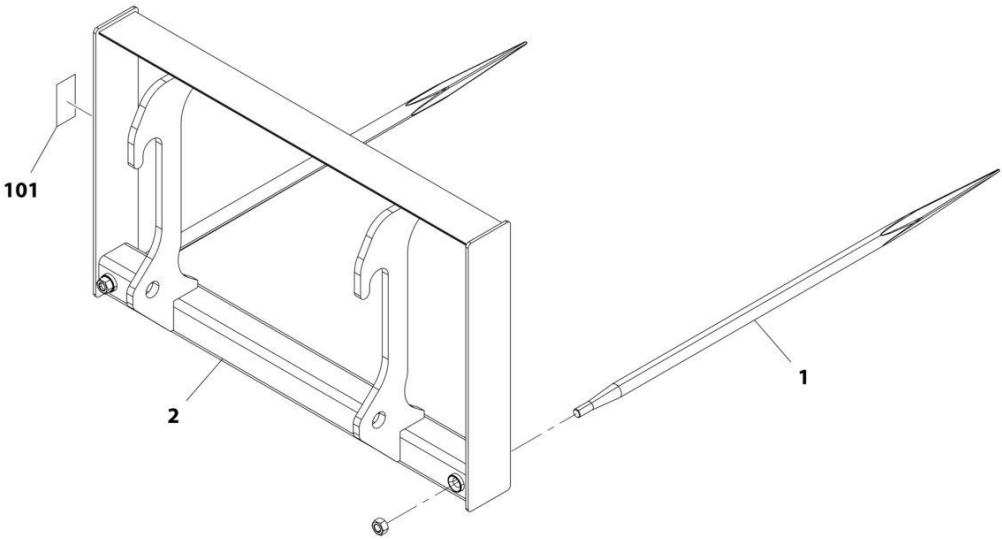
SECTION 3 - ATTACHMENTS

FIGURE 3-54. FORK - MUCK WITH GRAB

ITEM	PART NUMBER	QTY	DESCRIPTION	REV
	1001216003	1	Muck Fork and Grab (2450MM)	D
1	70027302	12	Right Electro-Forged Fingers	
2	70027324	11	Curved Electro-Forged Fingers	
3	70027293	2	Pin	
4	70027294	4	Pin	
5	70027298	2	Roll Pin	
6	70027296	6	Nut	
7	70027297	6	Screw	
8	7028127	2	Cylinder	
9	70027295	2	Hose (not shown)	
10	70028436	2	Hose (not shown)	
11	7028131	10	Ring	
12	7028918	6	Grease Nipple	
101	N.S.S.	1	Plate, Serial Number	

SECTION 3 - ATTACHMENTS

FIGURE 3-55. FORK - DUAL TINE BAILING WITH CARRIAGE



ART_1001211897-B

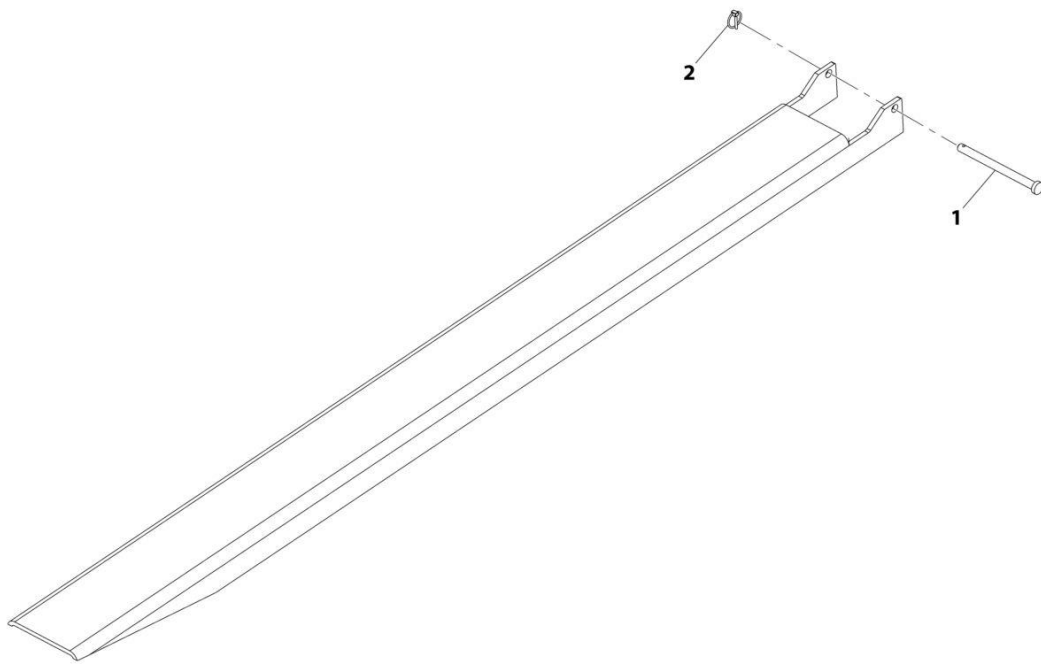
SECTION 3 - ATTACHMENTS

FIGURE 3-55. FORK - DUAL TINE BAILING WITH CARRIAGE

ITEM	PART NUMBER	QTY	DESCRIPTION	REV
	1001211897	1	Dual Tine Bailing Fork Carriage	B
1	70027631	2	Tine, Bale (includes Hex Nut)	
2	N.S.S.	Ref	Weldment, Carriage	
101	N.S.S.	Ref	Plate, Serial Number	

SECTION 3 - ATTACHMENTS

FIGURE 3-56. FORK _ EXTENSIONS (62X163X2286) (ANSI)



ART_1001137512-D

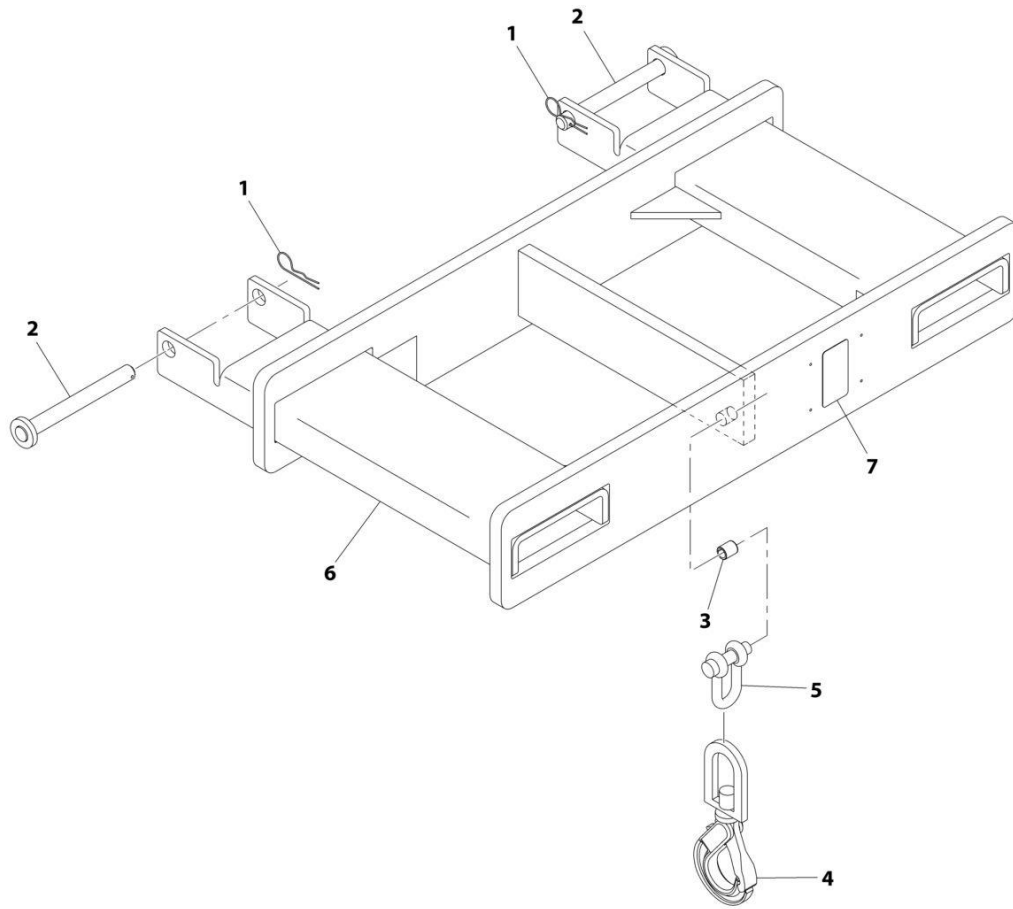
SECTION 3 - ATTACHMENTS

FIGURE 3-56. FORK _ EXTENSIONS (62X163X2286) (ANSI)

ITEM	PART NUMBER	QTY	DESCRIPTION	REV
	1001137512	2 pr	Fork Extensions (62X163X2286)	D
1	70024306	1	Pin	
2	70024307	1	Clip	

SECTION 3 - ATTACHMENTS

FIGURE 3-57. HOOK_CRANE (FORK MOUNTED)



ART_1001097205-I

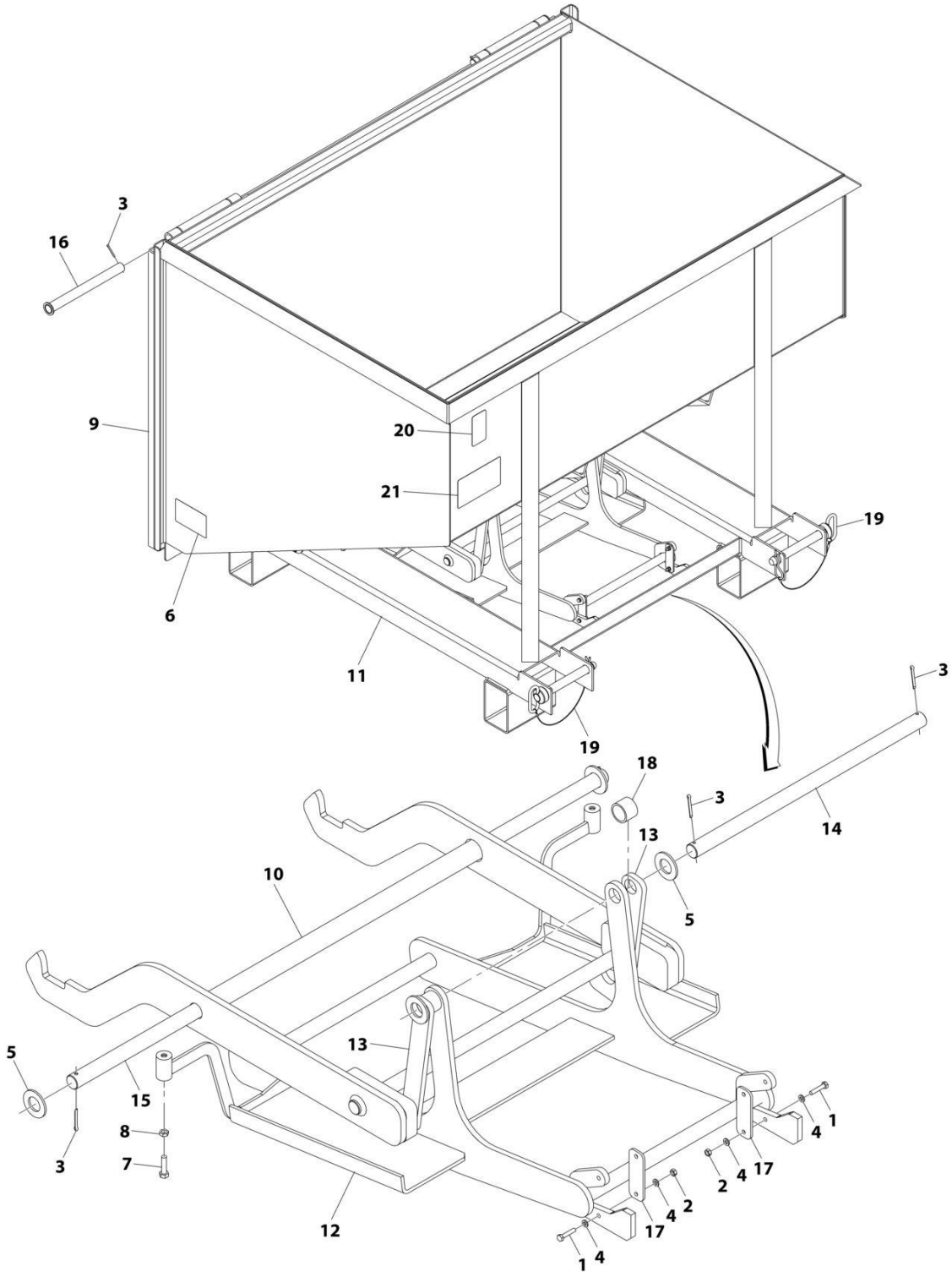
SECTION 3 - ATTACHMENTS

FIGURE 3-57. HOOK_CRANE (FORK MOUNTED)

ITEM	PART NUMBER	QTY	DESCRIPTION	REV
	1001097205	Ref	Fork Mounted Hook (4 Ton)	J
1	7029520	2	Pin, Cotter	
2	1001093171	2	Pin	
3	70020555	1	Bushing	
4	90554080	1	Hook	
5	7029521	1	Shackle	
6	See Note	NSS	Frame, Hook (Note: Purchase Complete Assembly)	
7	See Note	NSS	S/N Plate (Note: Stamped Part - Not Available for Purchase)	

SECTION 3 - ATTACHMENTS

FIGURE 3-58. TRASH HOPPER INSTALLATION



ART_1001238566-B

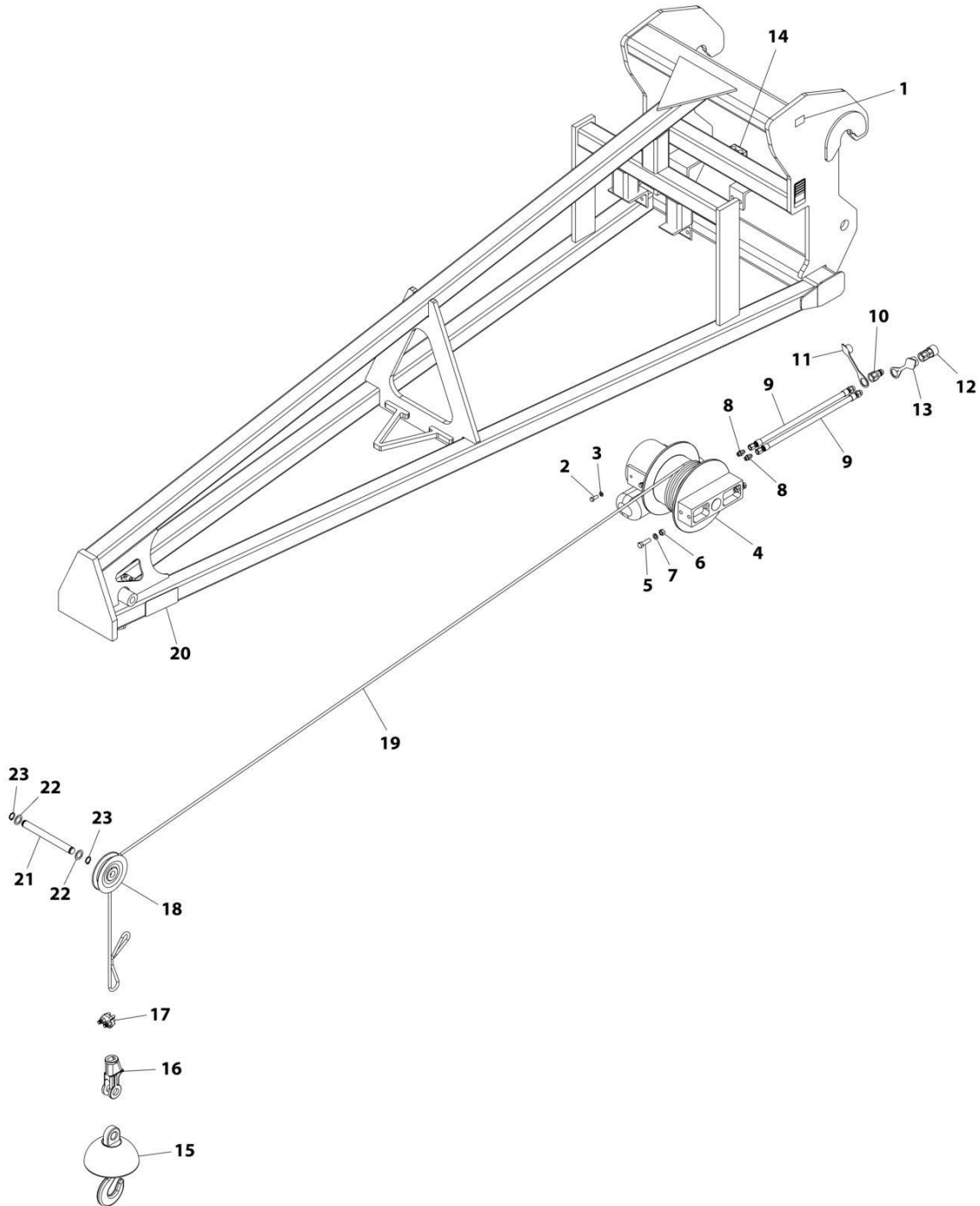
SECTION 3 - ATTACHMENTS

FIGURE 3-58. TRASH HOPPER INSTALLATION

ITEM	PART NUMBER	QTY	DESCRIPTION	REV
	1001238566	Ref	FORK MOUNTED TRASH HOPPER	C
1	0700614	4	Bolt M6 x 30	
2	3290601	4	Nut M6 x 1	
3	3391410	6	Pin	
4	4811700	8	Washer M6	
5	5242400	4	Washer M24	
6	1706302	2	Decal, Pinch Point	
7	0641510	2	Bolt 5/16 x 1-1/4	
8	3311502	2	Nut 5/16	
9	1001192711	1	Door Assembly	
10	1001192720	1	Hook Assembly	
11	See Note	NSS	Hopper, Trash (Note: Purchase Complete Assembly)	
12	1001192875	1	Tray Assembly	
13	1001192876	2	Arm, Swing	
14	1001192877	1	Rod, Swing	
15	1001238570	1	Bar	
16	1001193540	2	Pin	
17	1001193729	2	Plate	
18	1001198355	2	Spacer	
19	1001238560	2	Pin	
20	See Note	NSS	SN Plate (Note: Stamped Part - Not Available for Purchase)	
21	1001203503	1	Decal, Trash Hopper Operation	

SECTION 3 - ATTACHMENTS

FIGURE 3-59. TRUSS BOOM (0.9 TON - 3.5M/12FT WITH WINCH)



ART_1001206671-B

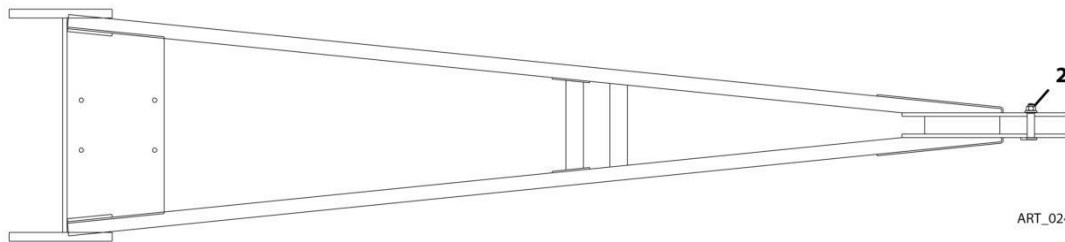
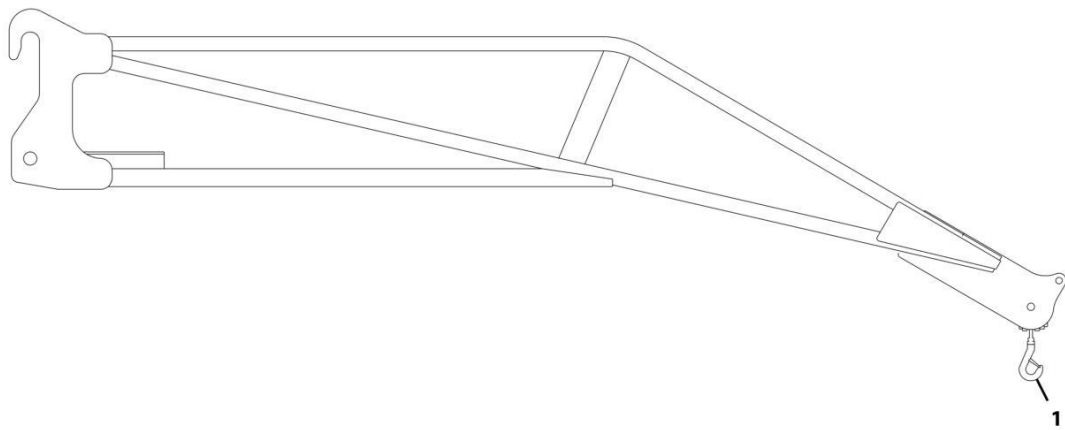
SECTION 3 - ATTACHMENTS

FIGURE 3-59. TRUSS BOOM (0.9 TON - 3.5M/12FT WITH WINCH)

ITEM	PART NUMBER	QTY	DESCRIPTION	REV
	1001206671	1	Truss Boom	E
1	90554016	1	Decal	
2	70021349	4	Bolt	
3	90554042	4	Washer	
4	70021921	1	Winch, Truss Boom, Assembly	
5	70024059	2	Bolt	
6	90554054	2	Nut	
7	90554020	2	Washer	
8	70021415	2	Fitting	
9	70026702	2	Hose	
10	1001101041	1	Hydraulic Couplier, Male	
11	1001093826	1	Dust Cap, Male	
12	1001101042	1	Hydraulic Couplier, Female	
13	1001093827	1	Plug, Dust, Female	
14	70021387	1	Hose Clamp	
15	70021978	1	Ball Swivel Safety Hook	
16	70021979	1	Wedge Socket Assembly	
17	70022528	1	Clamp, Cable	
18	70021935	1	Sheave, Grooved Pulley	
19	70022028	1	Cable	
20	70027790	2	Decal	
21	70022529	1	Pin	
22	70027009	2	Washer	
23	70026698	2	Ring, Snap	

SECTION 3 - ATTACHMENTS

FIGURE 3-60. TRUSS BOOM (1 TON - 3.4M/11FT)



ART_0240063-D

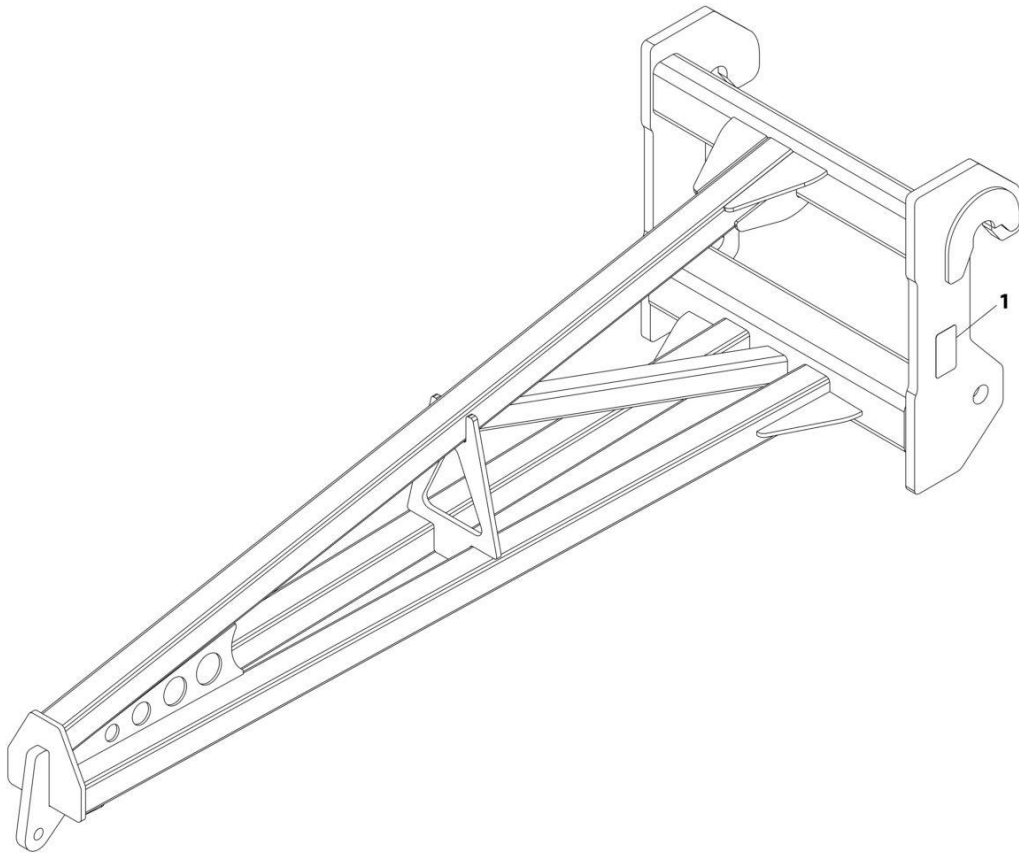
SECTION 3 - ATTACHMENTS

FIGURE 3-60. TRUSS BOOM (1 TON - 3.4M/11FT)

ITEM	PART NUMBER	QTY	DESCRIPTION	REV
	0240063	Ref	Truss Boom (1 Ton - 3.4M)	D
1	70020421	1	Hook	
2	70020422	1	Bolt	

SECTION 3 - ATTACHMENTS

FIGURE 3-61. TRUSS BOOM (1TON - 3.5M/12FT)



ART_1001292995

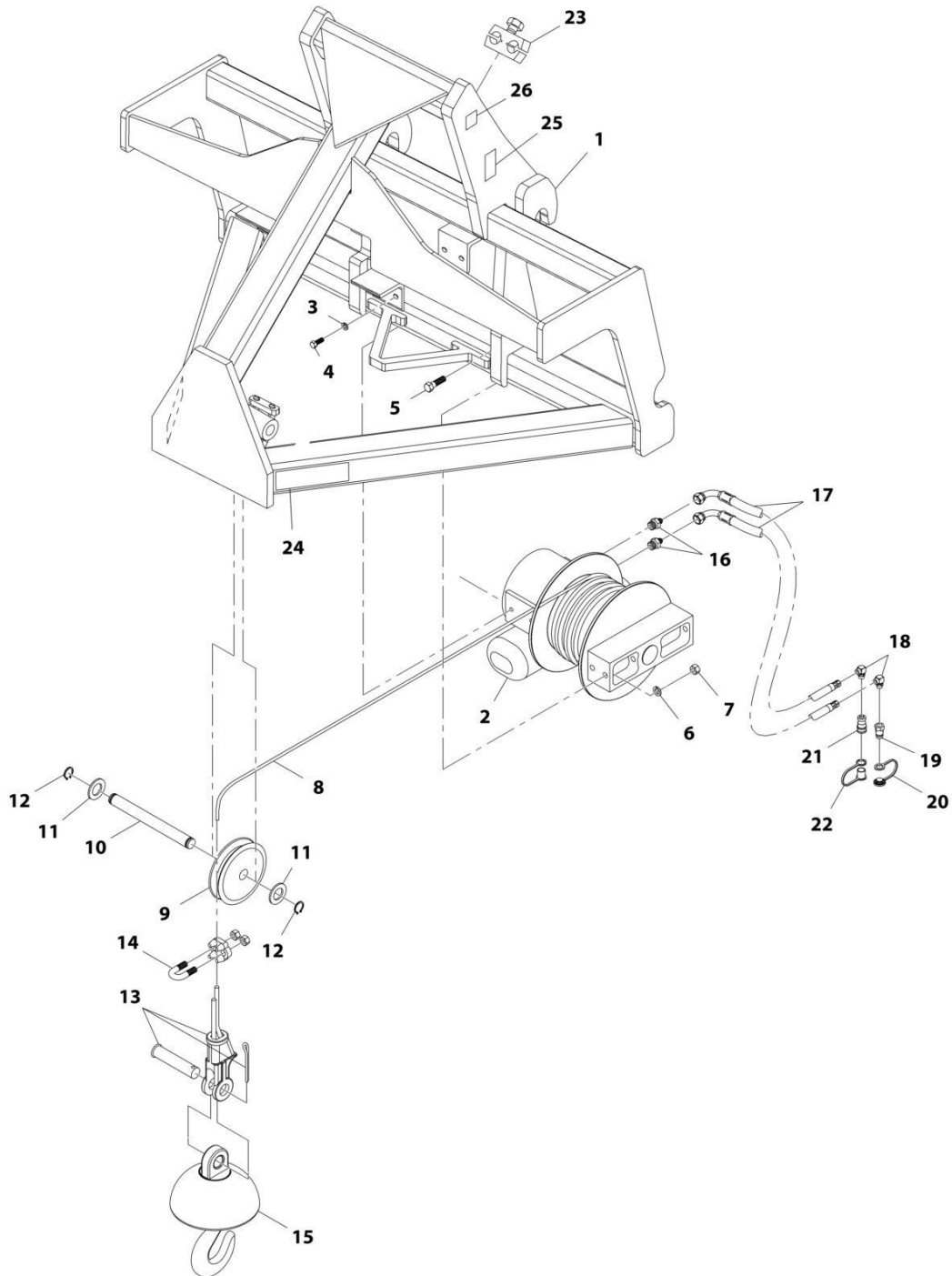
SECTION 3 - ATTACHMENTS

FIGURE 3-61. TRUSS BOOM (1TON - 3.5M/12FT)

ITEM	PART NUMBER	QTY	DESCRIPTION	REV
1	1001292995 See Note	Ref NSS	TRUSS BOOM Plate, Serial Number (Note: Not Available for Purchase)	A

SECTION 3 - ATTACHMENTS

FIGURE 3-62. TRUSS BOOM (1.8 TON - 3 FT WITH WINCH)



ART_1001206669-B

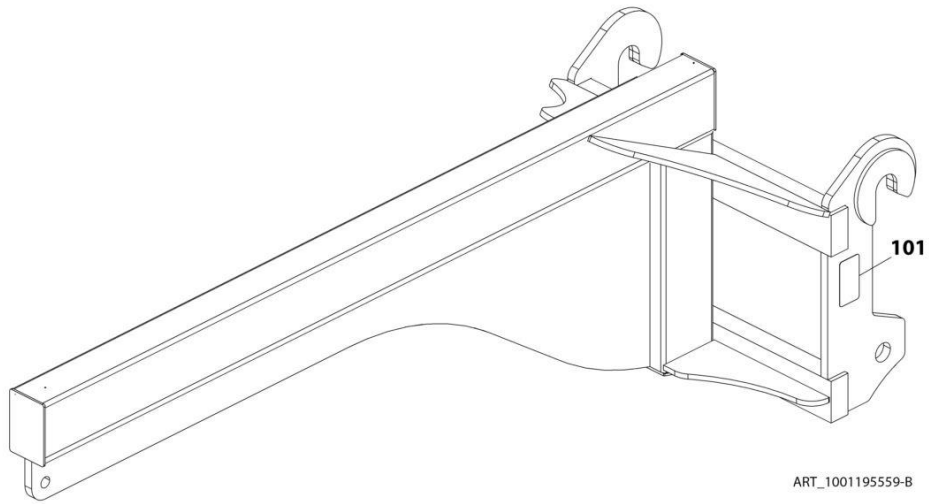
SECTION 3 - ATTACHMENTS

FIGURE 3-62. TRUSS BOOM (1.8 TON - 3 FT WITH WINCH)

ITEM	PART NUMBER	QTY	DESCRIPTION	REV
	1001206669	1	Truss Boom (1.8 Ton - 3 FT with Winch)	E
1	N.S.S.	1	Weldment, Truss Boom Frame	
2	70021921	1	Winch	
3	90554042	4	Washer	
4	70021349	4	Bolt	
5	70024059	2	Bolt	
6	90554020	2	Washer	
7	90554054	2	Nut	
8	70022028	1	Cable	
9	70021935	1	Pulley	
10	70022529	1	Pin	
11	70027009	2	Washer	
12	70026698	2	Ring, Snap	
13	70021979	1	Assembly, Socket (includes Pin & Cotter Pin)	
14	70022528	1	Clamp	
15	70021978	1	Hook, Ball Swivel	
16	70021415	2	Fitting	
17	70021977	2	Hose	
18	70022527	2	Fitting, 90	
19	7029692	1	Coupler, Male Quick	
20	1001003475	1	Cap, Dust	
21	70021342	1	Coupler, Female Quick	
22	1001003474	1	Plug, Dust	
23	70021387	1	Clamp, Hose	
24	4110422	2	Decal, Swinging Loads Danger	
25	N.S.S.	1	Plate, Serial Number	
26	90554016	1	Decal, Made in USA	

SECTION 3 - ATTACHMENTS

FIGURE 3-63. TRUSS BOOM (4 TON - 2.1M)



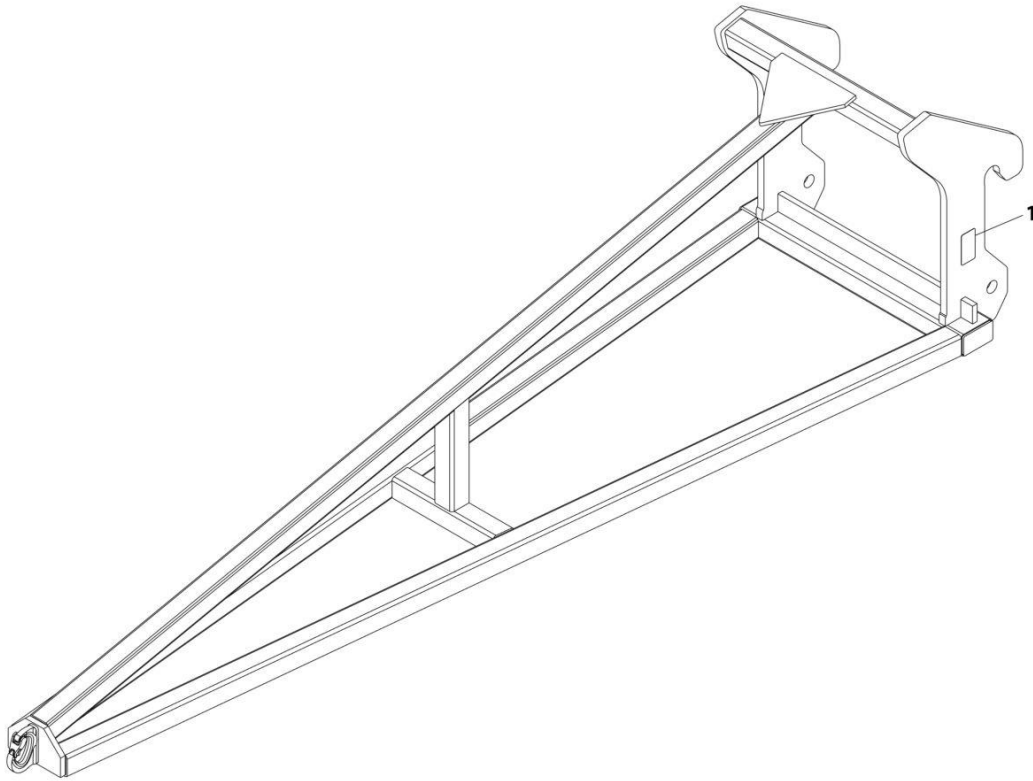
SECTION 3 - ATTACHMENTS

FIGURE 3-63. TRUSS BOOM (4 TON - 2.1M)

ITEM	PART NUMBER	QTY	DESCRIPTION	REV
	1001195559	1	Truss Boom (4 Ton - 2.1M)	B
101	N.S.S.	1	Plate, Serial Number	

SECTION 3 - ATTACHMENTS

FIGURE 3-64. TRUSS BOOM (4.4TON - 2.3M/7.5FT)



ART_1001292996

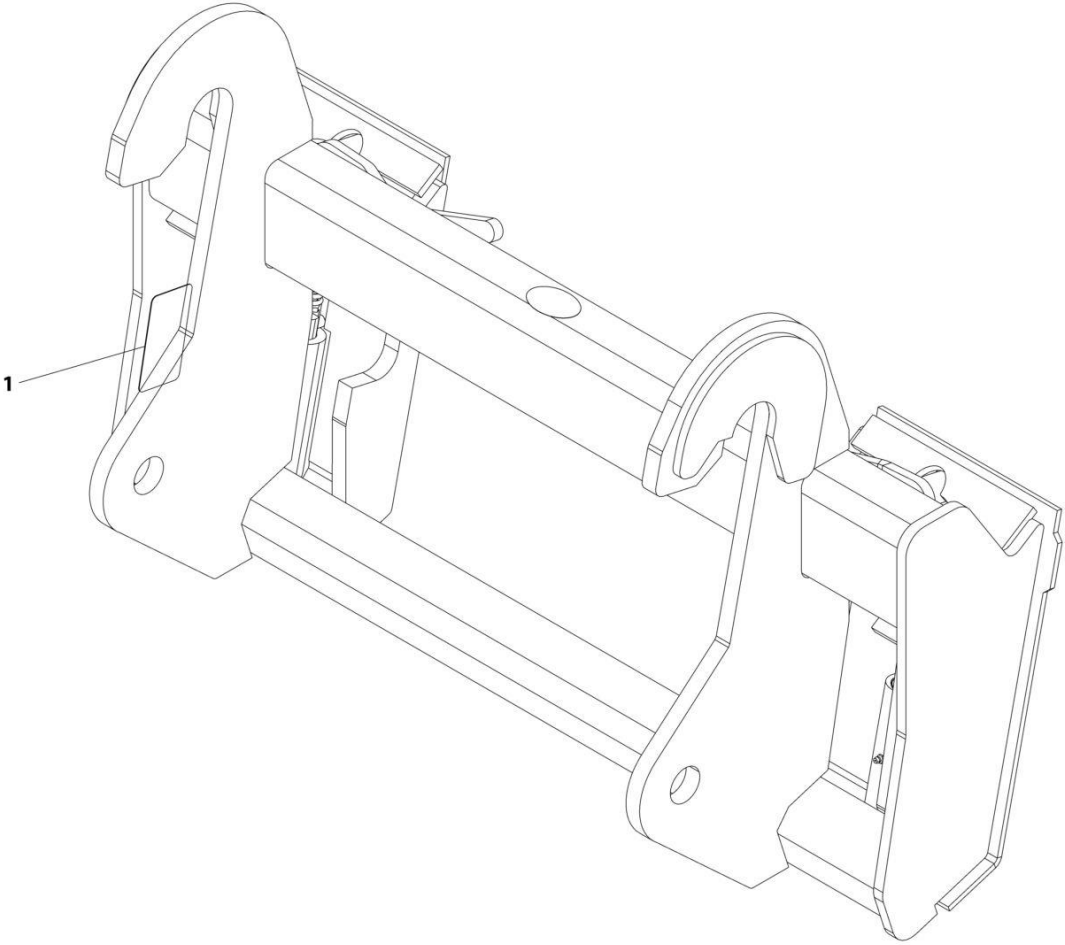
SECTION 3 - ATTACHMENTS

FIGURE 3-64. TRUSS BOOM (4.4TON - 2.3M/7.5FT)

ITEM	PART NUMBER	QTY	DESCRIPTION	REV
1	1001292996 See Note	Ref NSS	TRUSS BOOM Plate, Serial Number (Note: Not Available for Purchase)	A

SECTION 3 - ATTACHMENTS

FIGURE 3-65. UNIVERSAL HITCH ATTACHMENT



ART_1001272548

SECTION 3 - ATTACHMENTS

FIGURE 3-65. UNIVERSAL HITCH ATTACHMENT

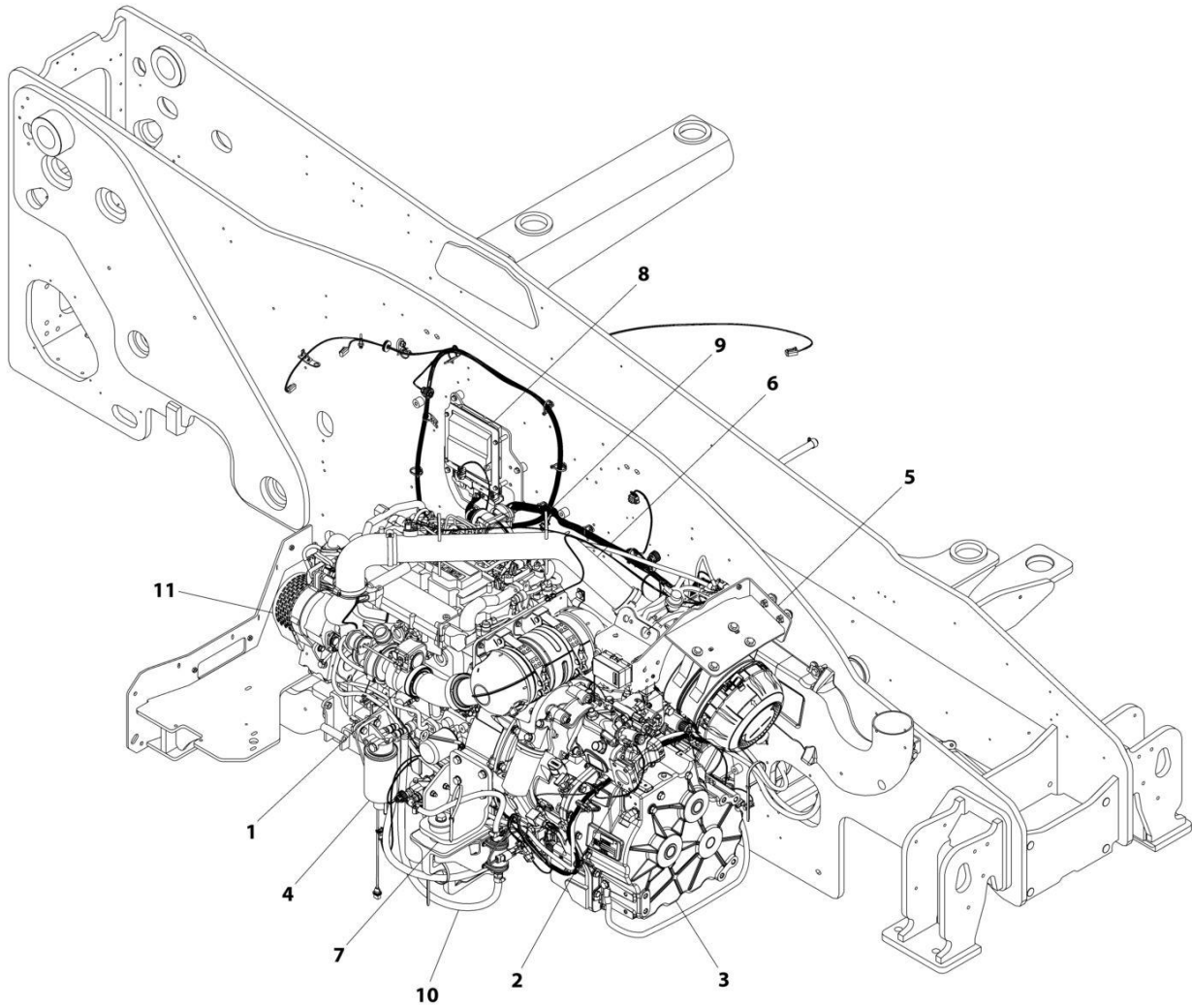
ITEM	PART NUMBER	QTY	DESCRIPTION	REV
1	1001272548 N.S.S.	Ref 1	UNIVERSAL HITCH ATTACHMENT S/N Plate	C

SECTION 4 - ENGINE AND ATTACHING PARTS

SECTION 4 - ENGINE AND ATTACHING PARTS

SECTION 4 - ENGINE AND ATTACHING PARTS

FIGURE 4-1. ENGINE INSTALLATION (90KW - ULS - PISTON PUMP)



ART_1001175309_G

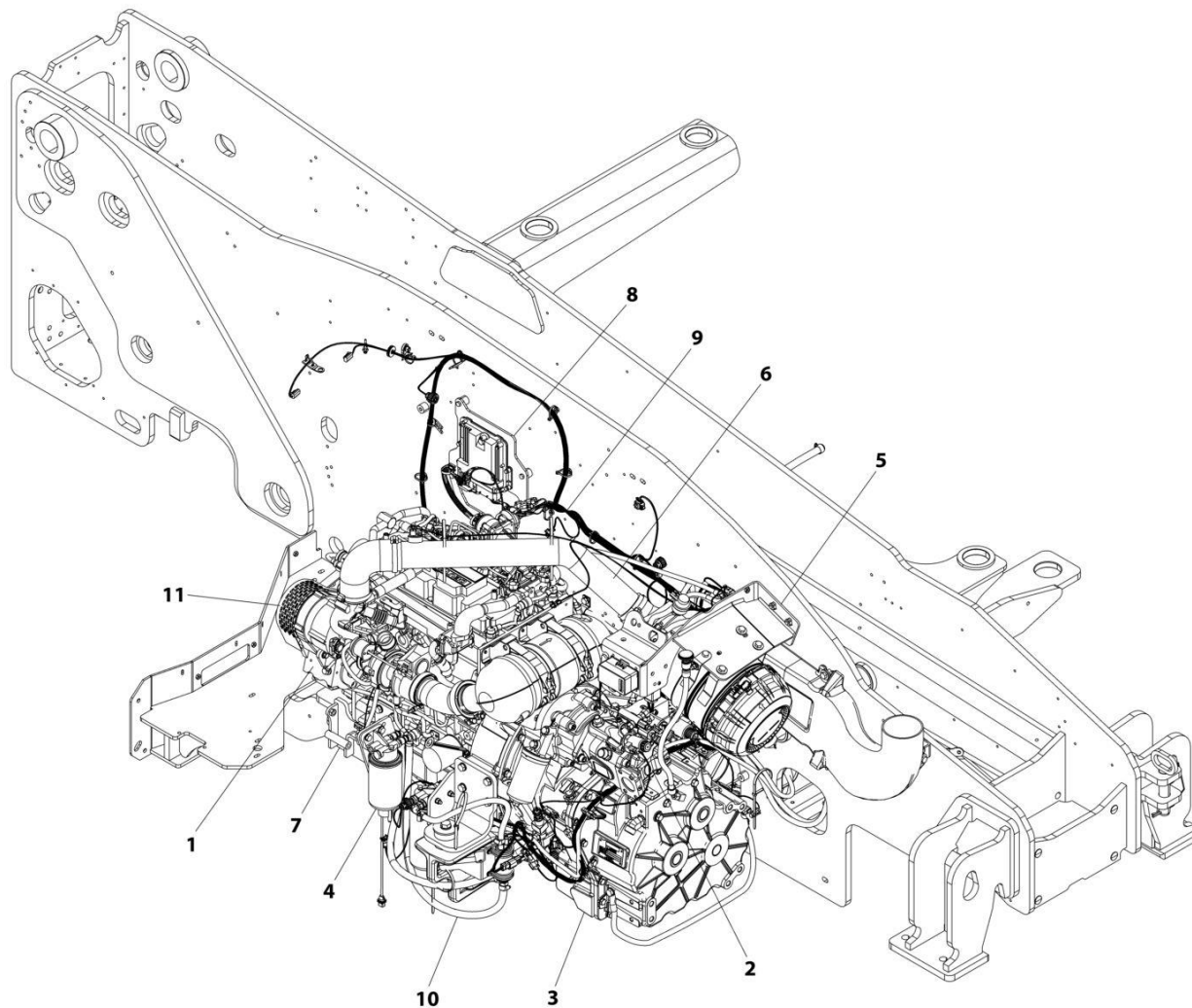
SECTION 4 - ENGINE AND ATTACHING PARTS

FIGURE 4-1. ENGINE INSTALLATION (90KW - ULS - PISTON PUMP)

ITEM	PART NUMBER	QTY	DESCRIPTION	REV
1	1001175309 1001175553	Ref 1	Engine Installation (90KW - ULS - Piston Pump) Engine, 3.6L (90KW - ULS - Piston Pump) (See Separate Breakdown in this Section)	G
2	1001177863	Ref	Installation, Main Hydraulic Pump (See Separate Breakdown in HYDRAULIC CIRCUITS Section)	
3	1001178439	Ref	Installation, Transmission (6 SPD) (See Separate Breakdown in DRIVETRAIN Section)	
4	1001181951	Ref	Installation, Fuel Filter (90/100KW - ULS) (See Separate Breakdown in this Section)	
5	1001257142	Ref	Installation, Air Cleaner (90/100KW) (See Separate Breakdown in this Section)	
6	1001182037	Ref	Installation, Air Intake Lines (90/100KW - ULS) (See Separate Breakdown in this Section)	
7	1001182582	Ref	Installation, Engine Mounting (90/100KW) (See Separate Breakdown in this Section)	
8	1001182735	Ref	Installation, Engine ECU (ULS) (See Separate Breakdown in this Section)	
9	1001185375	Ref	Installation, Engine Wiring (ULS) (See Separate Breakdown in ELECTRICAL Section)	
10	1001197821	Ref	Installation, Fuel Lines (ULS - RHOC) (See Separate Breakdown in this Section)	
11	1001182235	Ref	Installation, Bracket Guard (See Separate Breakdown in this Section)	

SECTION 4 - ENGINE AND ATTACHING PARTS

FIGURE 4-2. ENGINE INSTALLATION (100KW - ULS - PISTON PUMP)



ART_1001178622_I

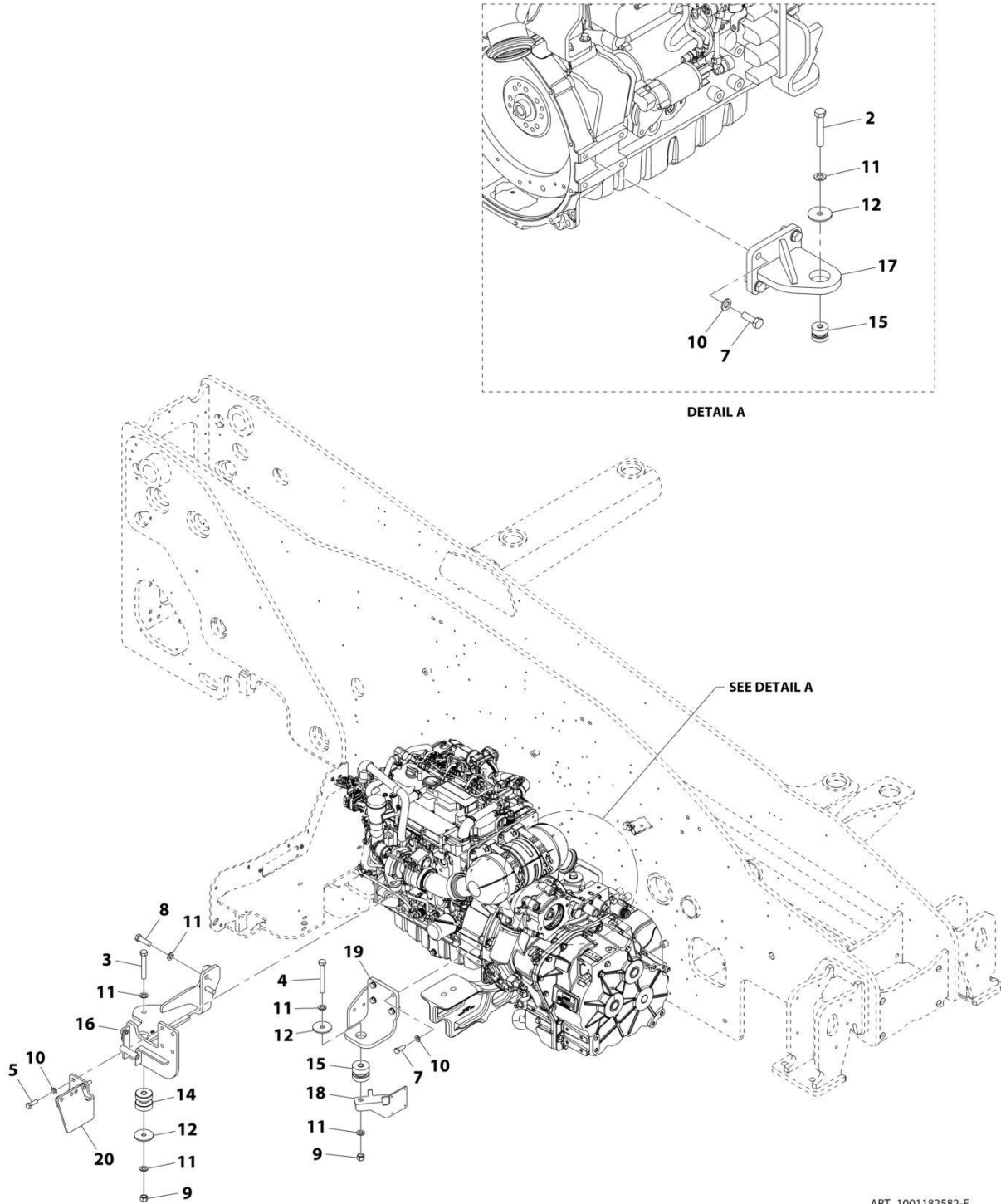
SECTION 4 - ENGINE AND ATTACHING PARTS

FIGURE 4-2. ENGINE INSTALLATION (100KW - ULS - PISTON PUMP)

ITEM	PART NUMBER	QTY	DESCRIPTION	REV
1	1001178622	Ref	EENGINE INSTALLATION (100KW - ULS - Piston Pump)	I
	1001284540	Ref	Engine, 3.6L (100KW - ULS - Piston Pump) (See Separate Breakdown in this Section)	
2	1001177863	Ref	Installation, Main Hydraulic Pump (See Separate Breakdown in HYDRAULIC CIRCUITS Section)	
3	1001182647	Ref	Installation, Transmission (6 SPD - HHP) (See Separate Breakdown in DRIVETRAIN Section)	
4	1001181951	Ref	Installation, Fuel Filter (90/100KW - ULS) (See Separate Breakdown in this Section)	
5	1001257142	Ref	Installation, Air Cleaner (90/100KW) (See Separate Breakdown in this Section)	
6	1001182037	Ref	Installation, Air Intake Lines (90/100KW - ULS) (See Separate Breakdown in this Section)	
7	1001182582	Ref	Installation, Engine Mounting (90/100KW) (See Separate Breakdown in this Section)	
8	1001286009	Ref	Installation, Engine ECU (ULS) (See Separate Breakdown in this Section)	
9	1001185375	Ref	Installation, Engine Wiring (ULS) (See Separate Breakdown in ELECTRICAL Section)	
10	1001197821	Ref	Installation, Fuel Lines (ULS - RHOC) (See Separate Breakdown in this Section)	
11	1001182235	Ref	Installation, Bracket Guard (See Separate Breakdown in this Section)	

SECTION 4 - ENGINE AND ATTACHING PARTS

FIGURE 4-3. ENGINE MOUNTING INSTALLATION (90KW/100KW)



ART_1001182582-F

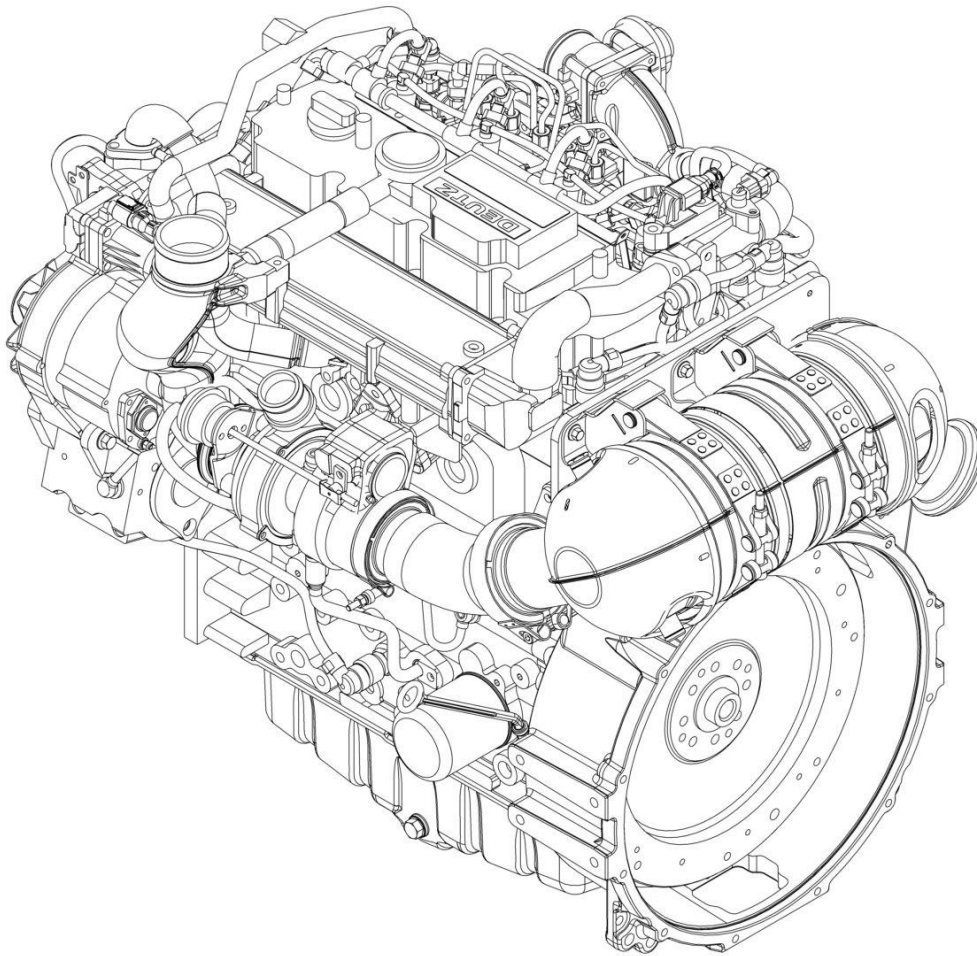
SECTION 4 - ENGINE AND ATTACHING PARTS

FIGURE 4-3. ENGINE MOUNTING INSTALLATION (90KW/100KW)

ITEM	PART NUMBER	QTY	DESCRIPTION	REV
	1001182582	Ref	Engine Mounting Installation (90KW/100KW)	G
2	0701626	1	Bolt, M16X90	
3	0701628	1	Bolt, M16X110	
4	0701630	1	Bolt, M16X130	
5	0761216	4	Bolt, M12X40	
7	0761215	8	Bolt, M12X35	
8	0761619	2	Bolt, M16X55	
9	3291605	2	Bolt, M16X2	
10	4812100	12	Washer, M12	
11	4812300	7	Washer, M16	
12	7300435	3	Washer	
14	1001163387	1	Mount, Isolator Engine	
15	1001195518	2	Mount, Isolator Engine	
16	1001169216	1	Bracket, Engine Mount	
17	1001169424	1	Bracket, Engine Mount	
18	1001188204	1	Bracket, Fuel Pump	
19	1001183745	1	Bracket, Engine Mount	
20	1001189586	1	Bracket, Fuel Filter	

SECTION 4 - ENGINE AND ATTACHING PARTS

FIGURE 4-4. 3.6L ENGINE (90KW - ULS - PISTON PUMP)



ART_1001175553

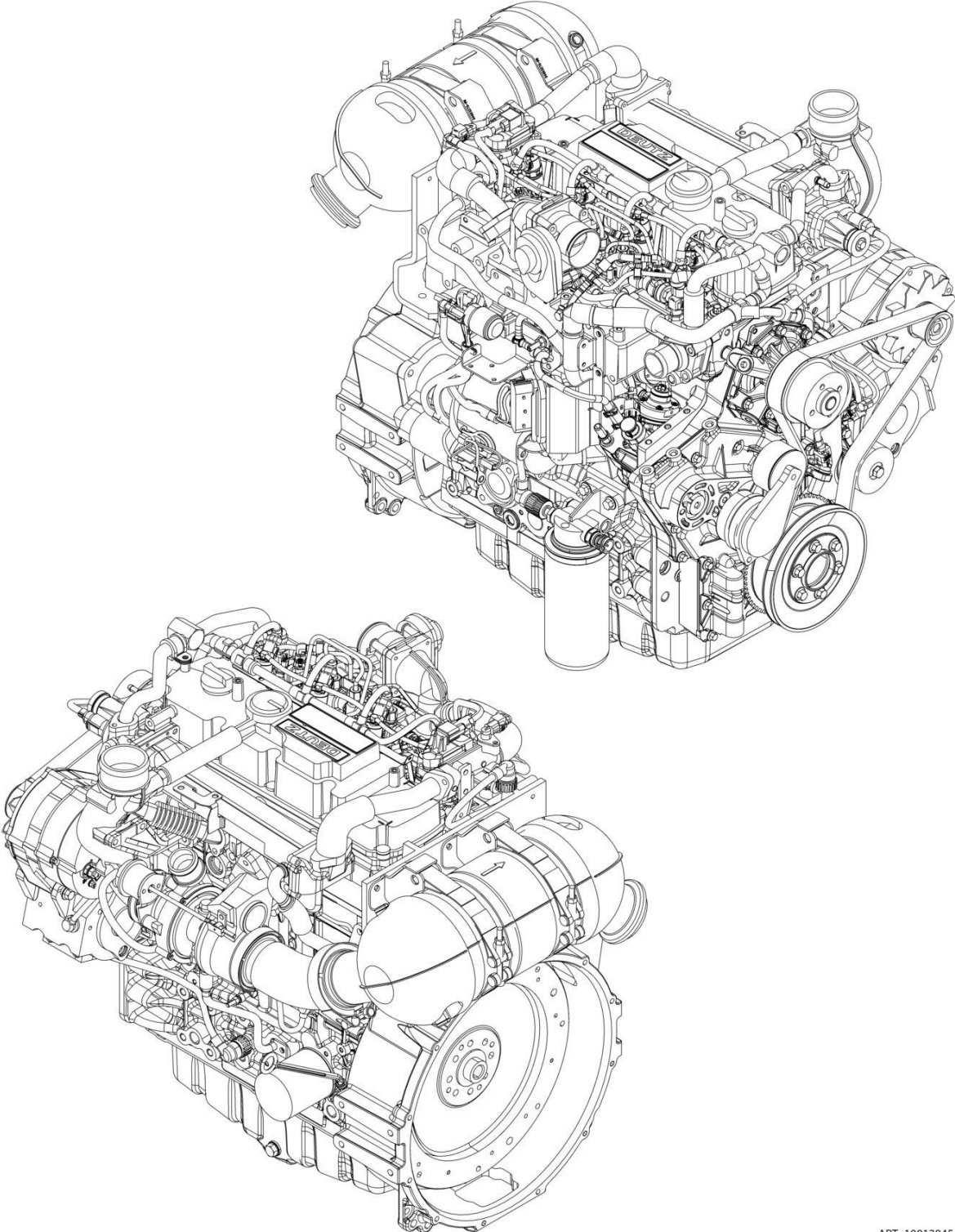
SECTION 4 - ENGINE AND ATTACHING PARTS

FIGURE 4-4. 3.6L ENGINE (90KW - ULS - PISTON PUMP)

ITEM	PART NUMBER	QTY	DESCRIPTION	REV
	1001175553	Ref	3.6L Engine (90KW - ULS - Piston Pump)	H
	70027657	1	Dipstick	
	7020442	2	O-Ring	
	7020465	1	Cap, Filler	
	70025205	1	Gasket	
	70004280	1	Seal	
	7016331	1	Filter, Oil	
	70024494	1	Oil cooler	
	70024495	1	Gasket	
	70024509	1	Gasket	
	70011901	1	Pump, High Pressure	
	70024485	4	Injector, Fuel	
	70024504	1	Sensor, Pressure	
	70024920	1	Seal	
	70026011	1	Pump, Water	
	70024918	1	Sender, Temperature	
	70005504	1	Sensor, Pressure	
	70005505	2	O-Seal	
	70027405	1	Sensor, Temperature	
	70005507	2	O-Seal	
	70005515	1	Turbocharger	
	70024480	1	Gasket	
	70027404	1	Generator	
	70027403	1	V-Belt	
	70025535	1	Starter	
	70026210	1	Sensor	
	70005191	1	O-Ring	
	70024505	1	Sensor, Temperature	
	70005556	1	Sensor, Temperature	
	70005559	1	Sensor, Temperature	
	70025153	1	Prefilter, Fuel	
	70027417	1	Filter, Fuel	
	1001225432	1	Element, Filter	

SECTION 4 - ENGINE AND ATTACHING PARTS

FIGURE 4-5. 3.6L ENGINE (100KW)



ART_1001284540

SECTION 4 - ENGINE AND ATTACHING PARTS

FIGURE 4-5. 3.6L ENGINE (100KW)

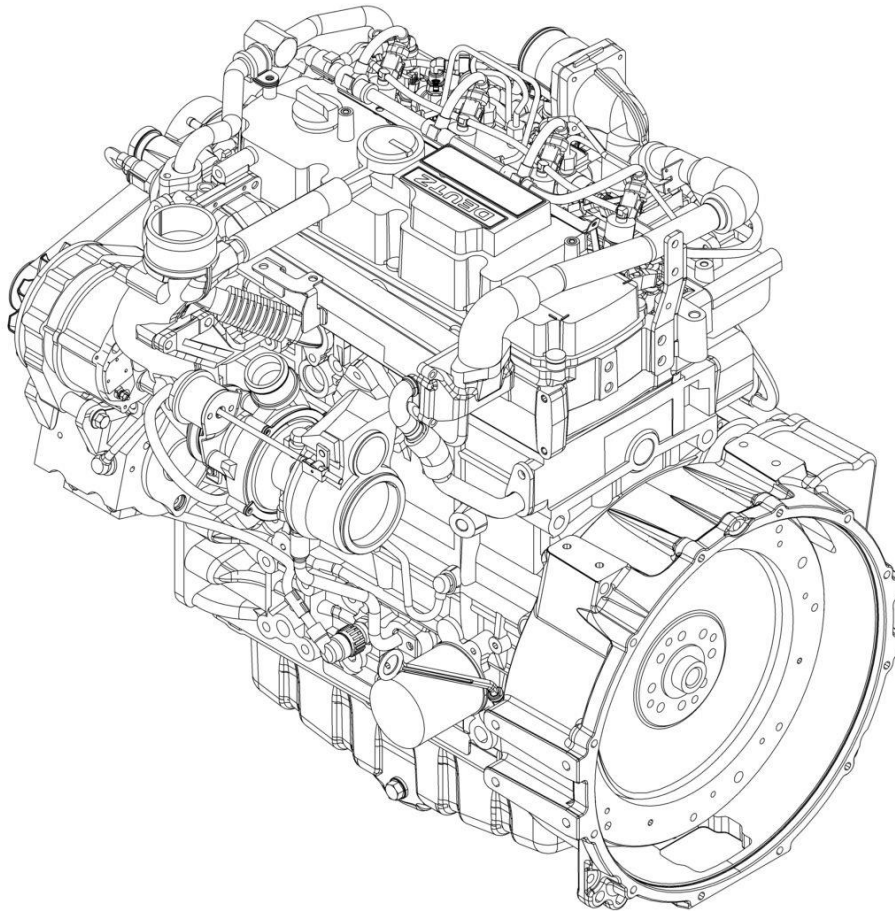
ITEM	PART NUMBER	QTY	DESCRIPTION	REV
	1001284540	Ref	ENGINE COMPONENTS - DEUTZ TCD3.6	C
		Ref	COOLING SYSTEM COMPONENTS	
	70030273	1	Pump, Water (Includes Seals)	
	70005497	1	Seal	
		Ref	ELECTRICAL SYSTEM COMPONENTS	
	70008426	1	Module, Engine Control (ECU)	
	70024513	1	Cable, Primary Fuel Filter Sensor (Includes Seal)	
	70025239	1	Seal	
	70024504	2	Sensor, Fuel Pressure (at Filter) (Includes Seal)	
	70024920	1	Seal	
	70008422	1	Pump, Fuel Supply (Includes Clamps)	
	70025144	2	Clamp	
	70024507	1	Sensor, Pressure (On Air Exchange Manifold)	
	70031697	1	Sender, Temperature	
	70025535	1	Starter	
	70031087	1	Generator (Includes Control)	
	70031706	1	Control, Generator	
	70025780	1	Relay (on Air Exchange Manifold)	
	70008430	1	Harness, Engine	
	70026210	2	Sensor, Speed (Includes Sealing Ring)	
	70028542	4	Plug, Glow	
	70008431	1	Sensor, Pressure	
	70024505	1	Sender, Temperature	
	70005556	1	Sender, Temperature	
	70005522	1	Sensor	
	70005524	1	Sensor	
	1001211556	1	Sensor/Sender, Ambient Air	
	1001293066	1	Sensor, Level (DEF)	
		Ref	EXHAUST COMPONENTS	
	70029399	1	Gasket, Exhaust Manifold to Head (Not Shown)	
	70029879	1	Gasket, Exhaust Manifold to Turbo	
	70007083	1	Turbocharger	
	70031712	1	Catalyst, Exhaust (SCR)	
	70031714	1	Catalyst, Exhaust (DPF)	
		Ref	FUEL SYSTEM COMPONENTS	
	1001225430	1	Filter, Fuel Primary	
	1001225432	1	Filter, Fuel	
	70008425	1	Pump, High Pressure	
	70025152	1	O-Ring	
	70004505	1	Valve, Overflow (Includes O-Rings)	
	70004506	1	O-Ring	
	70004507	1	O-Ring	
	70004508	1	Valve, Volume Control (Includes O-Ring & Gasket)	
	70004509	1	O-Ring	
	70004510	1	Gasket	
	70024485	4	Injector, Fuel (Includes Sealing Washer & O-Ring)	
	70025140	4	Washer, Sealing	
	70025145	4	O-Ring	
	70005492	1	Valve, Throttle	
	70031385	1	Pump, Supply (Includes Filter, Cap & Seals)	

SECTION 4 - ENGINE AND ATTACHING PARTS

ITEM	PART NUMBER	QTY	DESCRIPTION	REV
	70005549	1	Filter	
	70005550	1	Cover	
		Ref	GASKETS & SEALS & KITS	
	70025707	1	Gasket Kit	
	70024483	1	Gasket, Head	
	70024481	1	Gasket, Valve Cover	
	70004280	1	Seal, Front Main	
	70024495	1	Gasket, Oil Cooler	
	70025235	1	Kit, Repair - Fuel Rail	
	70024475	1	Gasket, Air Exchange Manifold	
	70024965	1	Gasket, Fan Pump	
	TP_REF	Ref	LUBRICATION SYSTEM COMPONENTS	
	7016331	1	Filter, Oil	
	70027657	1	Dipstick (Includes O-Ring)	
	7020442	1	O-Ring, Dipstick	
	70025755	1	Tube, Dipstick	
	70005941	1	Plug, Oil Drain	
	7020404	1	Washer, Oil Drain Plug	
	7020465	1	Cap, Oil Fill	
	70031215	1	Pump, Oil (Includes Adapter Tube & O-Ring)	
	70029386	4	O-Ring (Oil Pump)	
	70031474	1	Cooler, Oil	
		Ref	MECHANICAL COMPONENTS	
	70025743	1	Pulley, Crank (V-Groove)	
	70027410	1	Pulley, Crank (Ribbed)	
	70028764	1	Flywheel (Includes Ring Gear)	
	7020208	1	Gear, Ring	
	70025737	1	Wheel, Sensor	
	70025775	1	Belt, Ribbed (Drives Generator)	
	70027403	1	Belt, Ribbed	
	70027431	1	Tensioner, Belt	
	70027468	1	Pump, Drive	

SECTION 4 - ENGINE AND ATTACHING PARTS

FIGURE 4-6. ENGINE (100KW - LS)



ART_1001288945

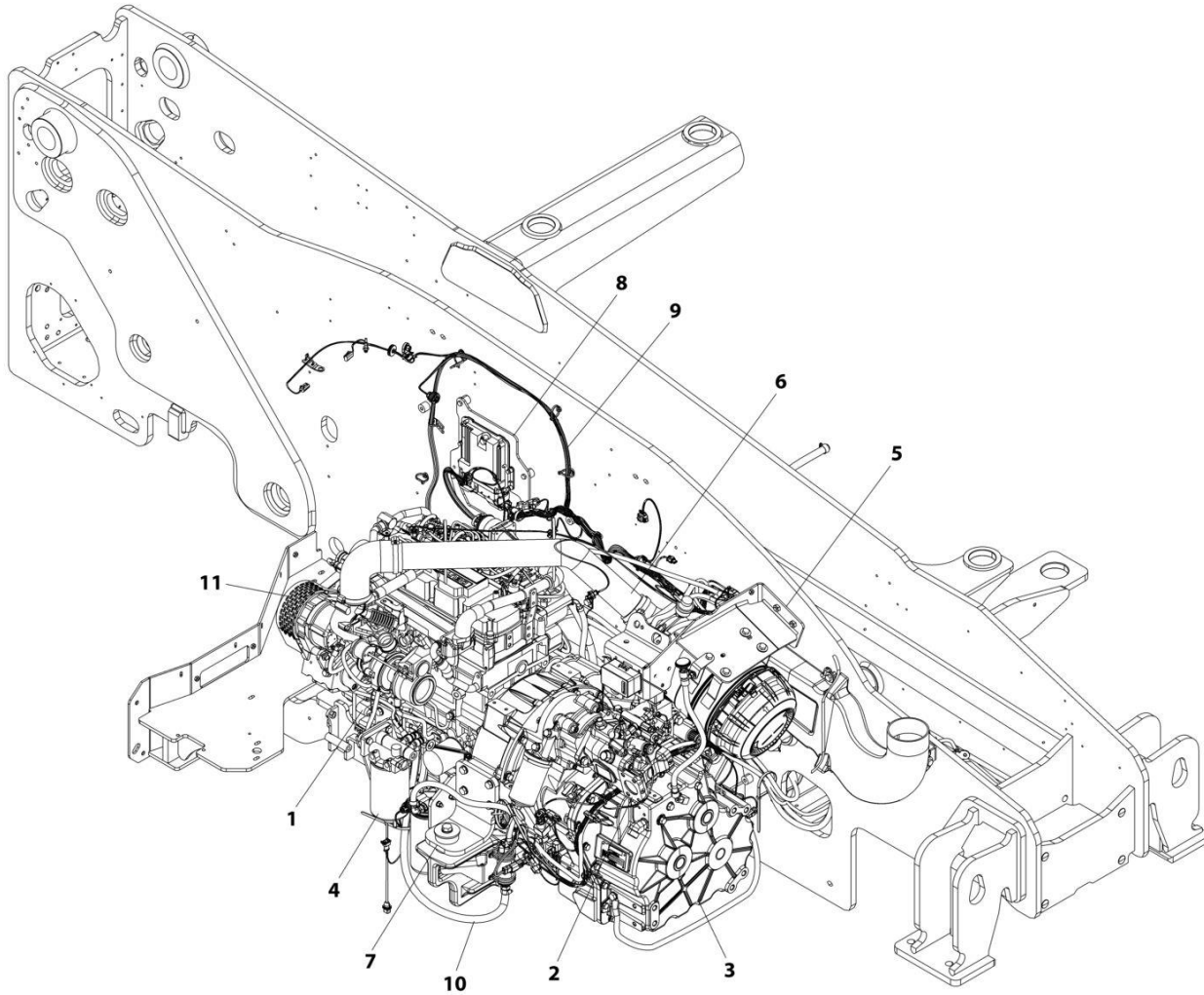
SECTION 4 - ENGINE AND ATTACHING PARTS

FIGURE 4-6. ENGINE (100KW - LS)

ITEM	PART NUMBER	QTY	DESCRIPTION	REV
	1001288945	Ref	ENGINE (100KW - LS)	A
	See Note	Ref	Note: No Other Available Service Parts at time of Printing	
	31020305	1	Pump, Fuel	
	31023448	1	Unit, Control	
	31022030	1	Clamp	
	31022047	1	Filter, Fuel	
	31020740	3	Gasket	
	31010978	3	Label	

SECTION 4 - ENGINE AND ATTACHING PARTS

FIGURE 4-7. ENGINE INSTALLATION (90KW - LS - PISTON PUMP)



ART_1001175315_E

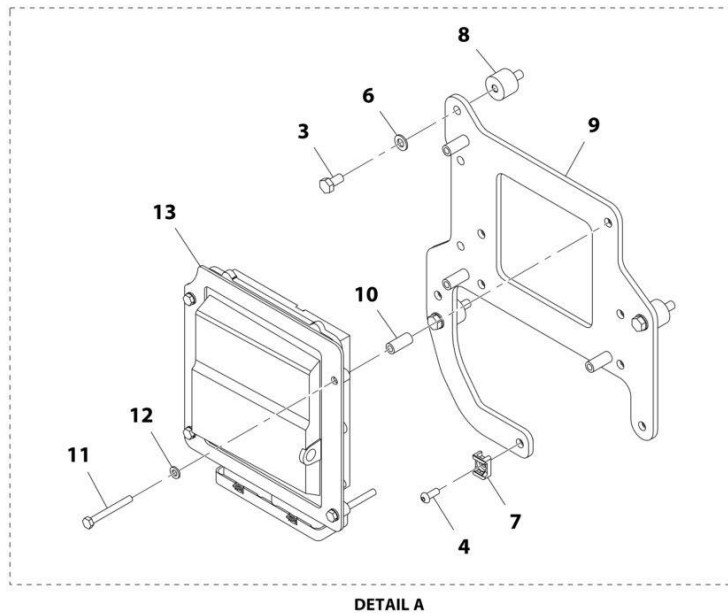
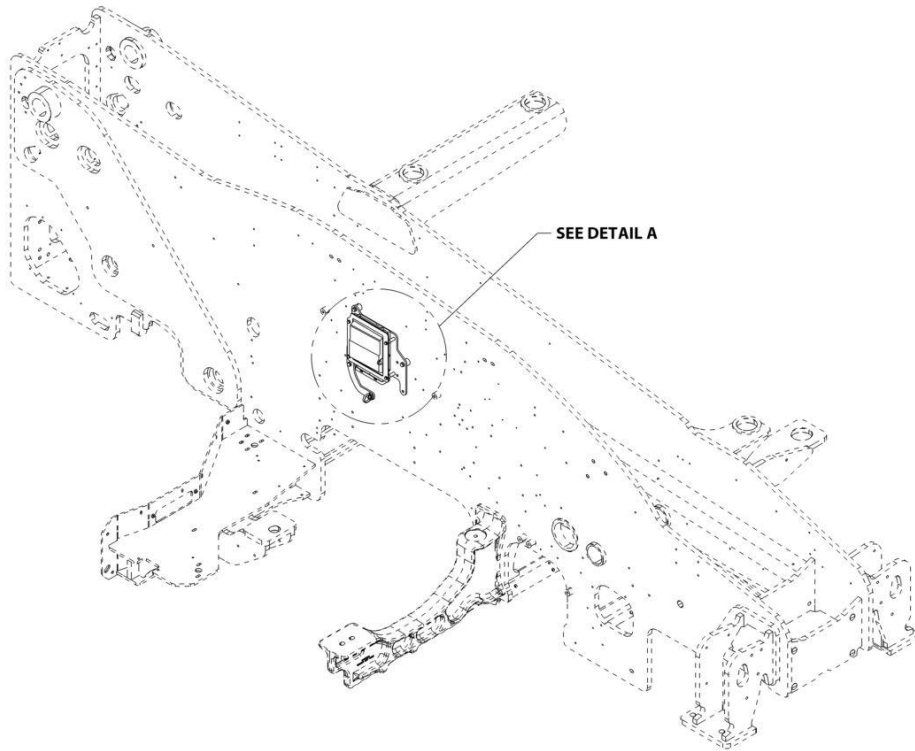
SECTION 4 - ENGINE AND ATTACHING PARTS

FIGURE 4-7. ENGINE INSTALLATION (90KW - LS - PISTON PUMP)

ITEM	PART NUMBER	QTY	DESCRIPTION	REV
1	1001175315	Ref	ENGINE INSTALLATION (90KW - LS - PISTON PUMP)	E
	1001288945	1	Engine, 3.6L (90KW - LS - Piston Pump) (See Separate Breakdown in this Section)	
2	1001177863	Ref	Installation, Main Hydraulic Pump (See Separate Breakdown in HYDRAULIC CIRCUITS Section)	
3	1001182647	Ref	Installation, Transmission (6 SPD) (See Separate Breakdown in DRIVETRAIN Section)	
4	1001181952	Ref	Installation, Primary Fuel Filter (90KW - LS) (See Separate Breakdown in this Section)	
5	1001257142	Ref	Installation, Air Cleaner (90/100KW) (See Separate Breakdown in this Section)	
6	1001182039	Ref	Installation, Air Intake Lines (90KW - LS) (See Separate Breakdown in this Section)	
7	1001182582	Ref	Installation, Engine Mounting (90/100KW) (See Separate Breakdown in this Section)	
8	1001286009	Ref	Installation, Engine ECU (LS) (See Separate Breakdown in ELECTRICAL Section)	
9	1001293131	Ref	Installation, Engine Wiring (LS) (See Separate Breakdown in ELECTRICAL Section)	
10	1001185189	Ref	Installation, Fuel Lines (LS - RHOC) (See Separate Breakdown in this Section)	
11	1001182235	Ref	Installation, Bracket Guard (See Separate Breakdown in this Section)	

SECTION 4 - ENGINE AND ATTACHING PARTS

FIGURE 4-8. ENGINE ECU INSTALLATION (ULS)



ART_1001182735-D

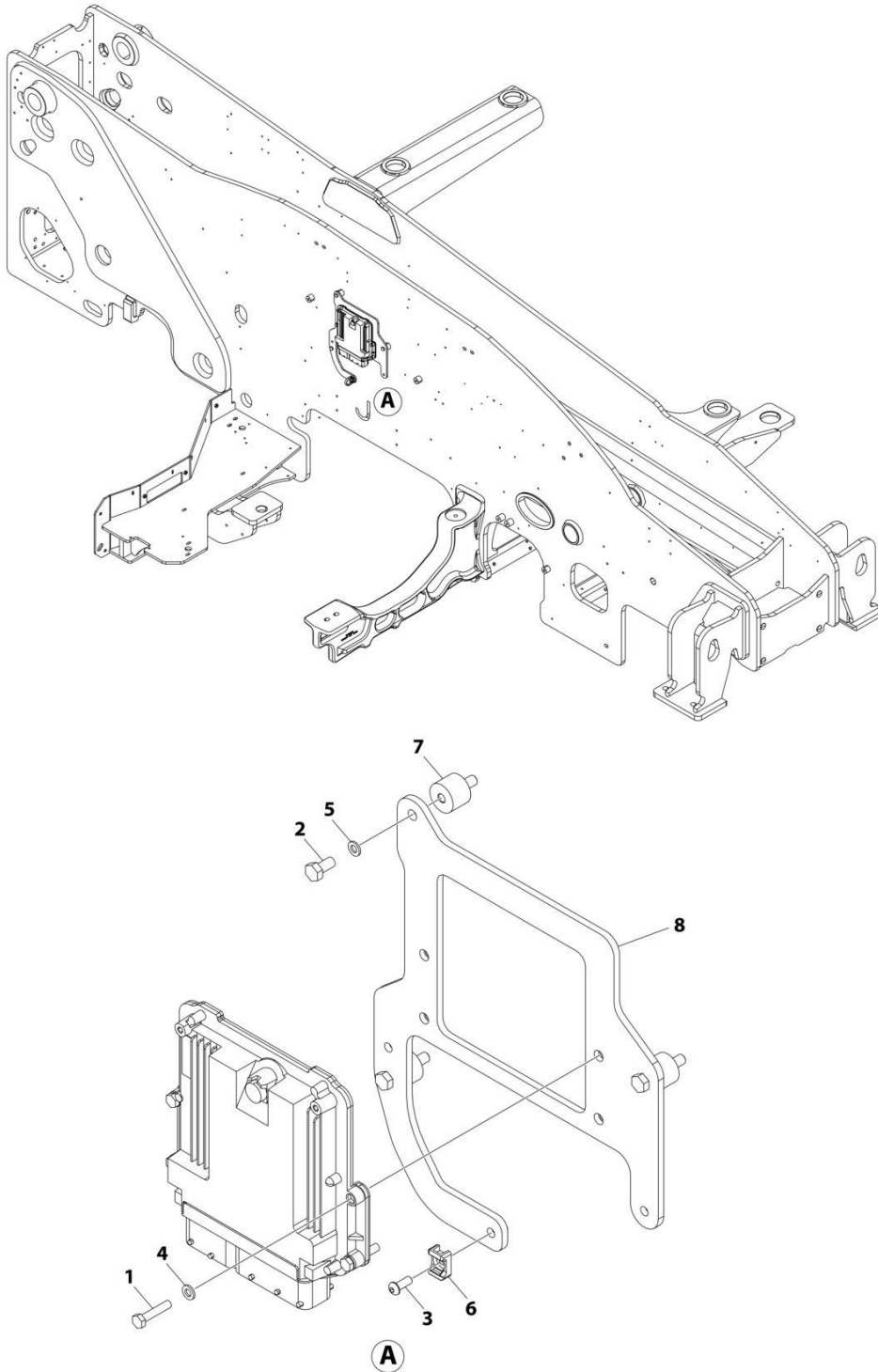
SECTION 4 - ENGINE AND ATTACHING PARTS

FIGURE 4-8. ENGINE ECU INSTALLATION (ULS)

ITEM	PART NUMBER	QTY	DESCRIPTION	REV
	1001182735	Ref	Engine ECU Installation (ULS)	D
3	0760808	3	Bolt, M8X16	
4	3900357	1	Capscrew, M6X16	
6	4811900	3	Washer, M8	
7	1001138645	1	Mount, Cable Tie	
8	1001179907	3	Mount, Isolator	
9	1001183347	1	Plate	
10	1001196587	4	Sleeve, Spacer	
11	0760619	4	Bolt, M6X55	
12	4811700	4	Washer, M6	
13	1001206120	1	Plate	

SECTION 4 - ENGINE AND ATTACHING PARTS

FIGURE 4-9. ECU HRC INSTALLATION



ART_1001286009

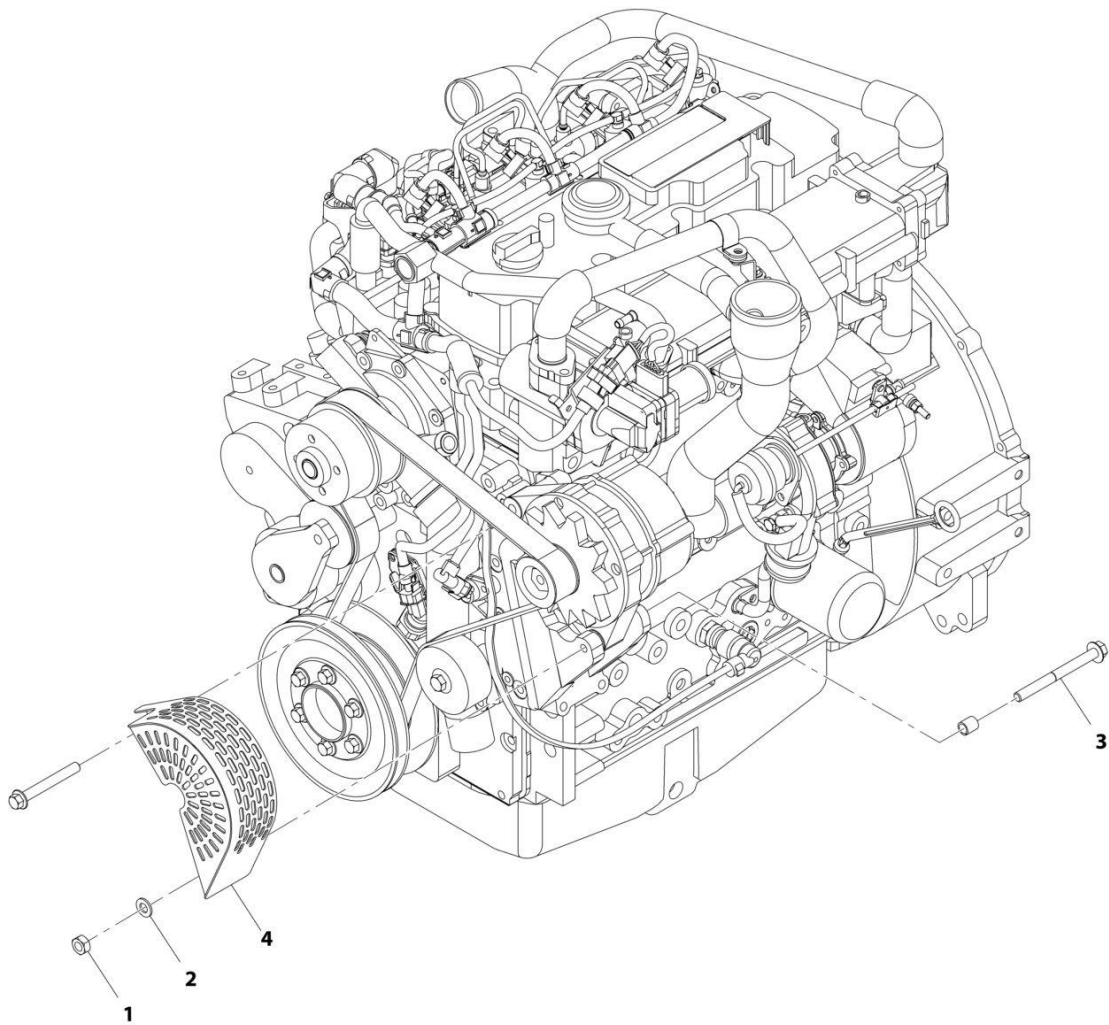
SECTION 4 - ENGINE AND ATTACHING PARTS

FIGURE 4-9. ECU HRC INSTALLATION

ITEM	PART NUMBER	QTY	DESCRIPTION	REV
	1001286009	Ref	ENGINE EUC INSTALLATION	A
1	0760614	4	Bolt M6 x 30	
2	0760808	3	Bolt, M8X16	
3	3900357	1	Capscrew, M6X16	
4	4811700	4	Washer, M6	
5	4811900	3	Washer, M8	
6	1001138645	1	Mount, Cable Tie	
7	1001179907	3	Mount, Isolator	
8	1001286598	1	Bracket	

SECTION 4 - ENGINE AND ATTACHING PARTS

FIGURE 4-10. BRACKET GUARD INSTALLATION



ART_1001182235-B

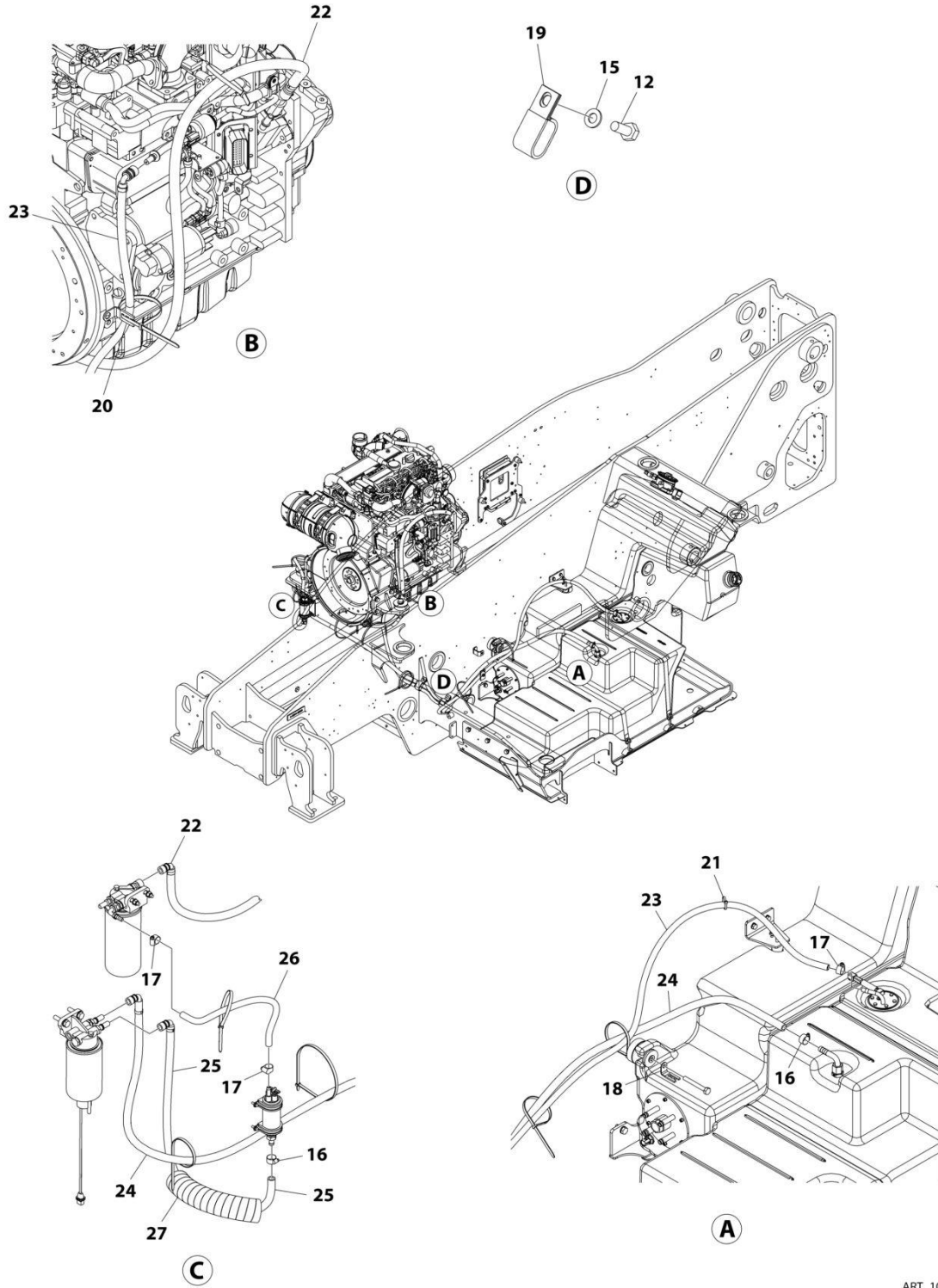
SECTION 4 - ENGINE AND ATTACHING PARTS

FIGURE 4-10. BRACKET GUARD INSTALLATION

ITEM	PART NUMBER	QTY	DESCRIPTION	REV
	1001182235	Ref	Bracket Guard Installation	B
1	3291001	1	Nut, M10X1.5 Grade 8	
2	4812000	1	Washer, M10	
3	1001152378	1	Bolt, M10X110 Grade 10.9	
4	1001213006	1	Bracket, Guard	

SECTION 4 - ENGINE AND ATTACHING PARTS

FIGURE 4-11. FUEL LINES INSTALLATION (ULS - RHOC)



ART_1001197821_F

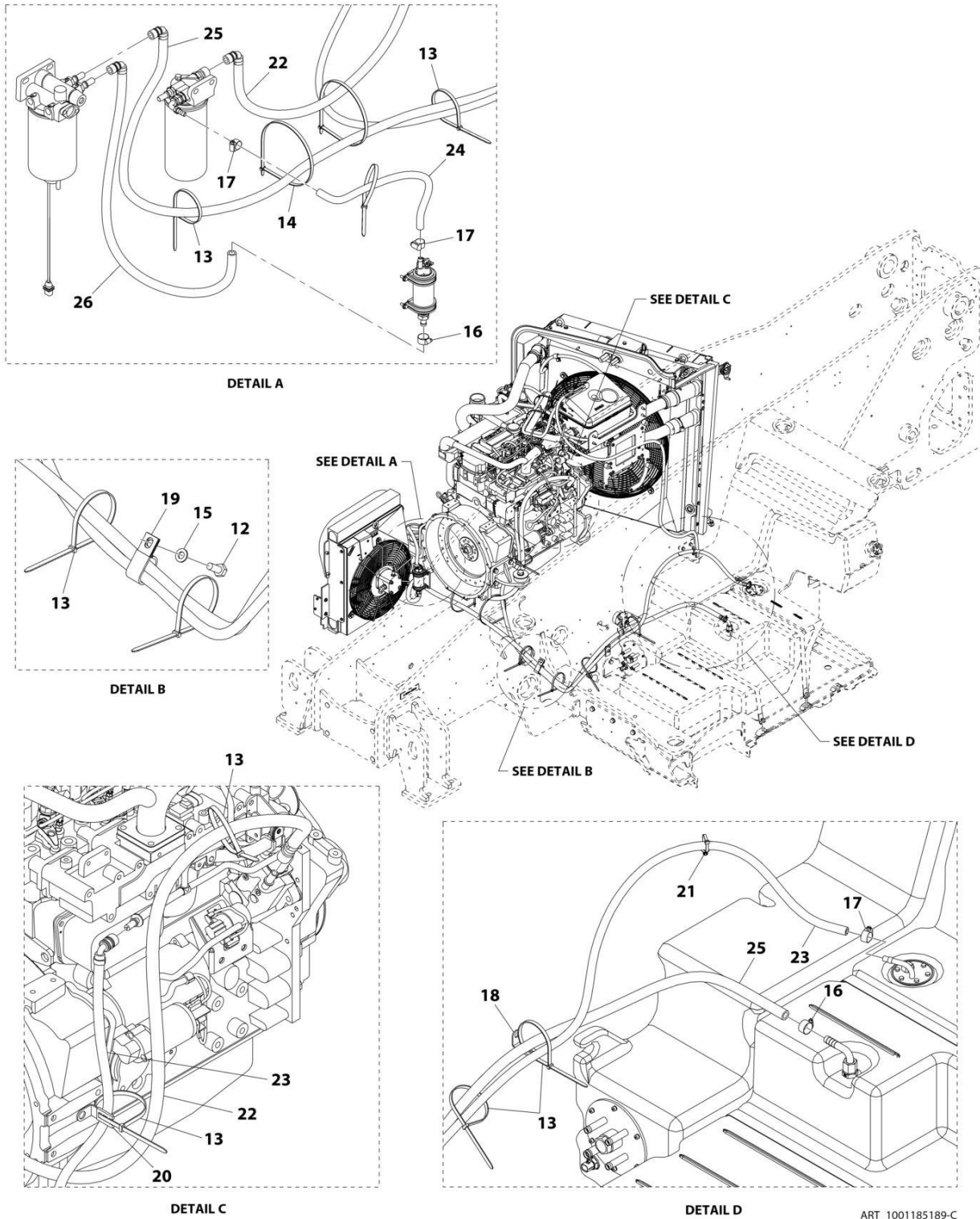
SECTION 4 - ENGINE AND ATTACHING PARTS

FIGURE 4-11. FUEL LINES INSTALLATION (ULS - RHOC)

ITEM	PART NUMBER	QTY	DESCRIPTION	REV
	1001197821	Ref	FUEL LINES INSTALLATION (ULS - RHOC)	F
12	0761012	2	Bolt M10 x 25	
13	1062255	AR	Tie-Strap 365MM (Not Shown)	
14	4240127	AR	Tie-Strap 615MM (Not Shown)	
15	4812000	2	Washer M10	
16	8405006	2	Clamp, Gear	
17	8410013	3	Clamp, Gear	
18	1001003305	1	Clip	
19	1001026104	2	Clip	
20	1001130198	1	Clip, 90	
21	1001146588	1	Strap, Fir Tree Cable Tie	
22	1001204841	1	Hose, 0.5IN Fuel	
23	1001256644	1	Hose, 0.38IN Fuel	
24	1001216854	1	Hose, 0.5IN Fuel	
25	1001216855	1	Hose, 0.5IN Fuel	
26	1001205041	1	Hose, 0.38IN Fuel	
27	1001268889	1	Sleeve, Hose Wrap	

SECTION 4 - ENGINE AND ATTACHING PARTS

FIGURE 4-12. FUEL LINES INSTALLATION (LS)



ART_1001185189-C

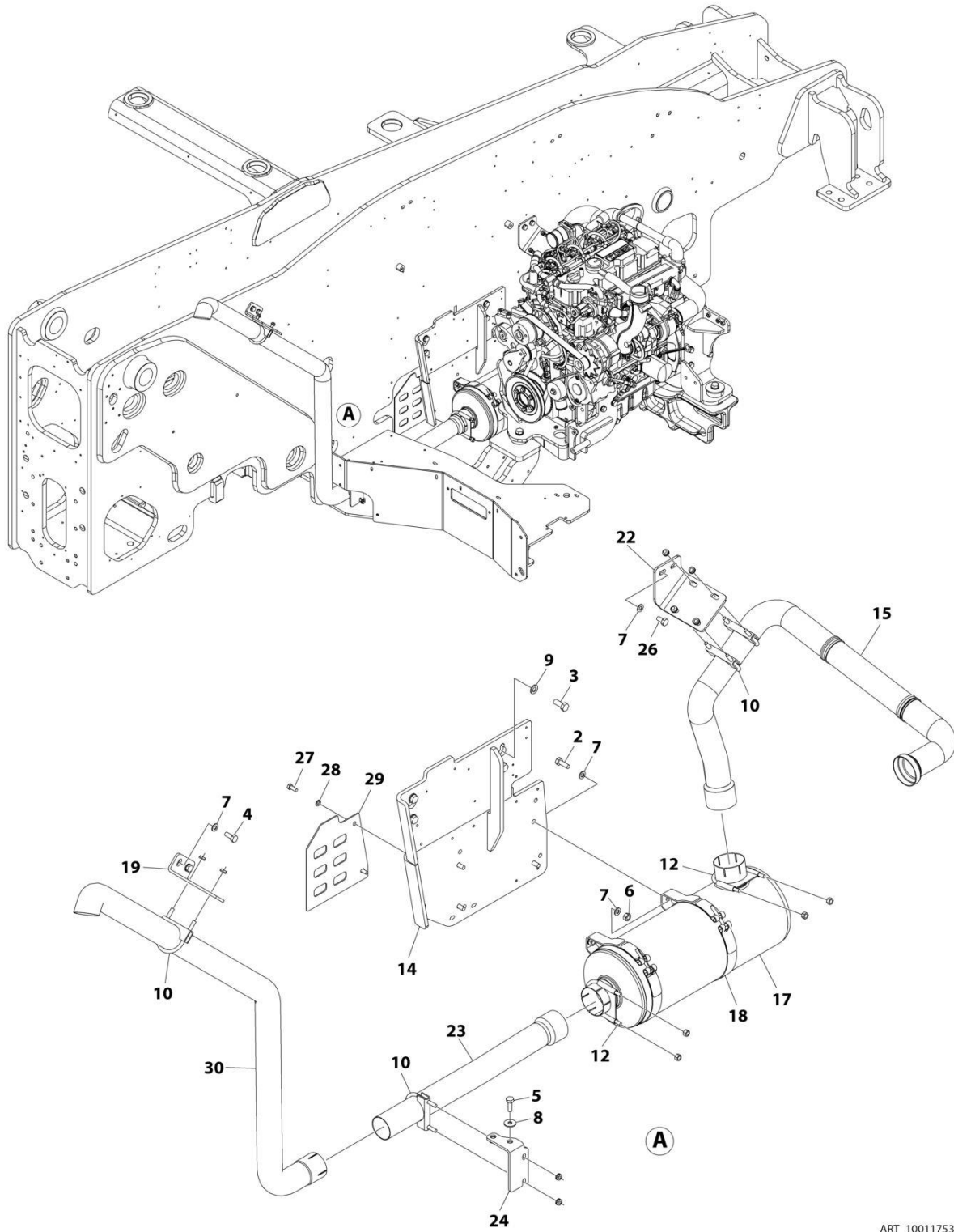
SECTION 4 - ENGINE AND ATTACHING PARTS

FIGURE 4-12. FUEL LINES INSTALLATION (LS)

ITEM	PART NUMBER	QTY	DESCRIPTION	REV
	1001185189	Ref	Fuel Lines Installation (LS - RHOC)	C
12	0761012	1	Bolt, M10X25	
13	1062255	AR	Strap, Tie	
14	4240127	AR	Strap, Tie	
15	4812000	1	Washer, M10	
16	8405006	2	Clamp, Gear	
17	8410013	3	Clamp, Gear	
18	1001003305	1	Clip	
19	1001026104	1	Clip	
20	1001130198	1	Clip, 90	
21	1001146588	1	Strap, Fir Tree Cable Tie	
22	1001204841	1	Hose, 0.5IN Fuel	
23	1001204842	1	Hose, 0.38IN Fuel	
24	1001205041	1	Hose, 0.38IN Fuel	
25	1001216854	1	Hose, 0.5IN Fuel	
26	1001216855	1	Hose, 0.5IN Fuel	

SECTION 4 - ENGINE AND ATTACHING PARTS

FIGURE 4-13. EXHAUST INSTALLATION (LS)



ART_1001175325_F

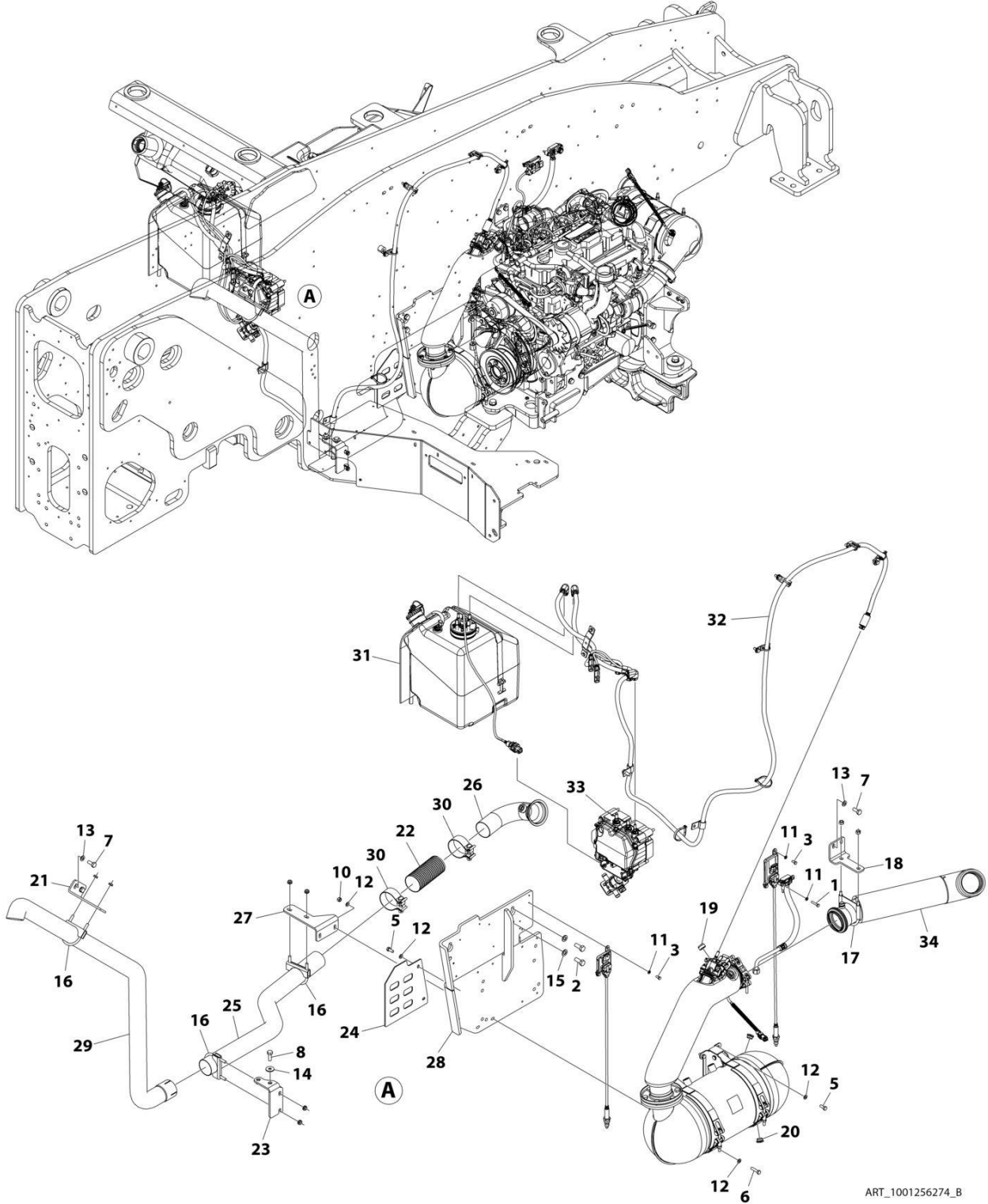
SECTION 4 - ENGINE AND ATTACHING PARTS

FIGURE 4-13. EXHAUST INSTALLATION (LS)

ITEM	PART NUMBER	QTY	DESCRIPTION	REV
	1001175325	Ref	EXHAUST INSTALLATION (LS)	F
2	0701014	4	Bolt M10 x 30	
3	0701214	4	Bolt M12 x 30	
4	0761012	2	Bolt M10 x 25	
5	0761014	2	Bolt M10 x 30	
6	3291007	4	Nut M10	
7	4812000	12	Washer M10	
8	4812002	2	Washer M10	
9	4812100	4	Washer M12	
10	8275212	4	Clamp, Muffler	
12	24921332	2	Clamp, Exhaust	
14	1001210022	1	Bracket	
15	1001298301	1	Pipe, Exhaust	
17	1001180226	1	Muffler, Exhaust	
18	1001180227	2	Clamp, Muffler	
19	1001182824	1	Bracket, Tailpipe	
22	1001288376	1	Plate, Exhaust	
23	1001184710	1	Tube, Exhaust	
24	1001201811	1	Bracket, Tailpipe	
26	0761010	2	Bolt M10 x 20	
27	0760810	2	Bolt M8 x 20	
28	4811900	2	Washer M8	
29	1001201823	1	Plate, Airflow	
30	1001222187	1	Pipe, Tail Exhaust	

SECTION 4 - ENGINE AND ATTACHING PARTS

FIGURE 4-14. EXHAUST INSTALLATION (ULS)



ART_1001256274_B

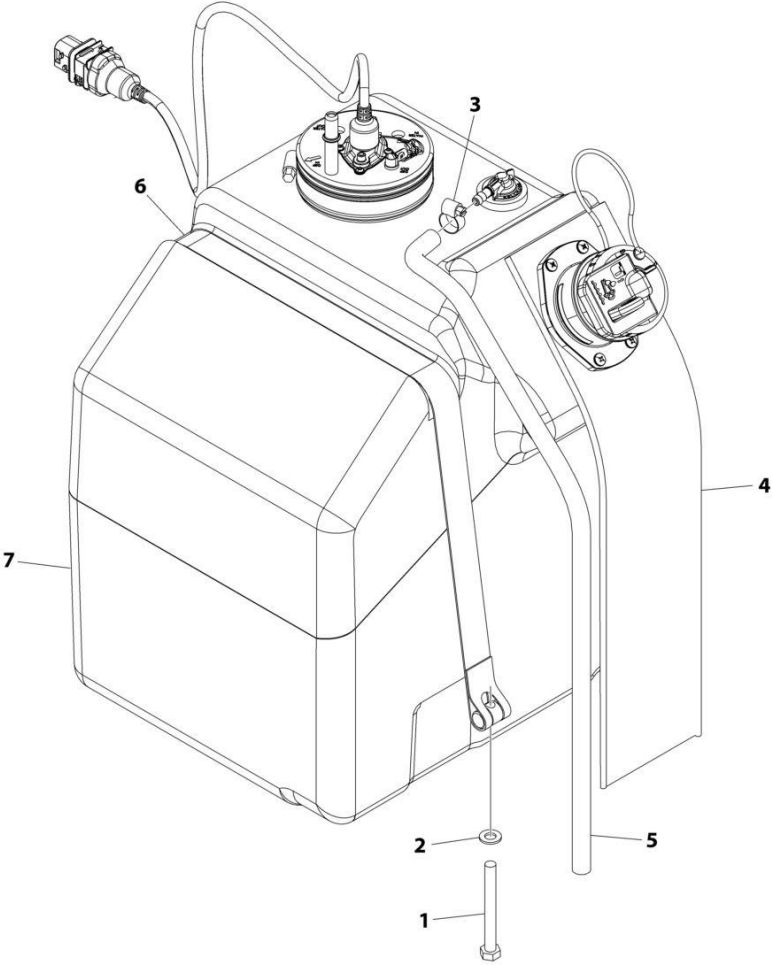
SECTION 4 - ENGINE AND ATTACHING PARTS

FIGURE 4-14. EXHAUST INSTALLATION (ULS)

ITEM	PART NUMBER	QTY	DESCRIPTION	REV
	1001256274	Ref	EXHAUST INSTALLATION (ULS)	C
1	0700614	2	Bolt M6 x 30	
2	0701214	4	Bolt M12 x 30	
3	0760607	4	Bolt M6 x 14	
5	0760810	8	Bolt M8 x 20	
6	0760815	2	Bolt M8 x 35	
7	0761012	4	Bolt M10 x 25	
8	0761014	2	Bolt M10 x 30	
10	3290805	2	Nut, Lock M8X1.25 Grade 8	
11	4811700	5	Washer M6	
12	4811900	12	Washer M8	
13	4812000	4	Washer M10	
14	4812002	2	Washer M10	
15	4812100	4	Washer M12	
16	8275212	3	Clamp, Muffler	
17	24921332	1	Clamp, Exhaust	
18	1001169918	1	Plate, Exhaust	
21	1001182824	1	Bracket, Tailpipe	
22	1001201766	1	Pipe, Exhaust Flex	
23	1001201811	1	Bracket, Tailpipe	
24	1001201823	1	Plate, Airflow	
25	1001201929	1	Pipe, Exhaust	
26	1001201930	1	Pipe, Exhaust	
27	1001201933	1	Support, Exhaust Pipe	
28	1001210022	1	Bracket	
29	1001222187	1	Pipe, Tail Exhaust	
30	1001225213	2	Clamp, Flex Pipe	
31	1001294203	1	Installation, DEF Tank (ULS) (See Separate Breakdown in this Section)	
32	1001294204	1	Installation, DEF Lines (ULS) (See Separate Breakdown in this Section)	
33	1001256563	1	Installation, DEF Control Module (ULS) (See Separate Breakdown in this Section)	
34	1001193551	1	Pipe, Exhaust Flex	
35	1001004720	4	Strap- Cable (Not Shown)	

SECTION 4 - ENGINE AND ATTACHING PARTS

FIGURE 4-15. DEF TANK INSTALLATION



ART_1001294203

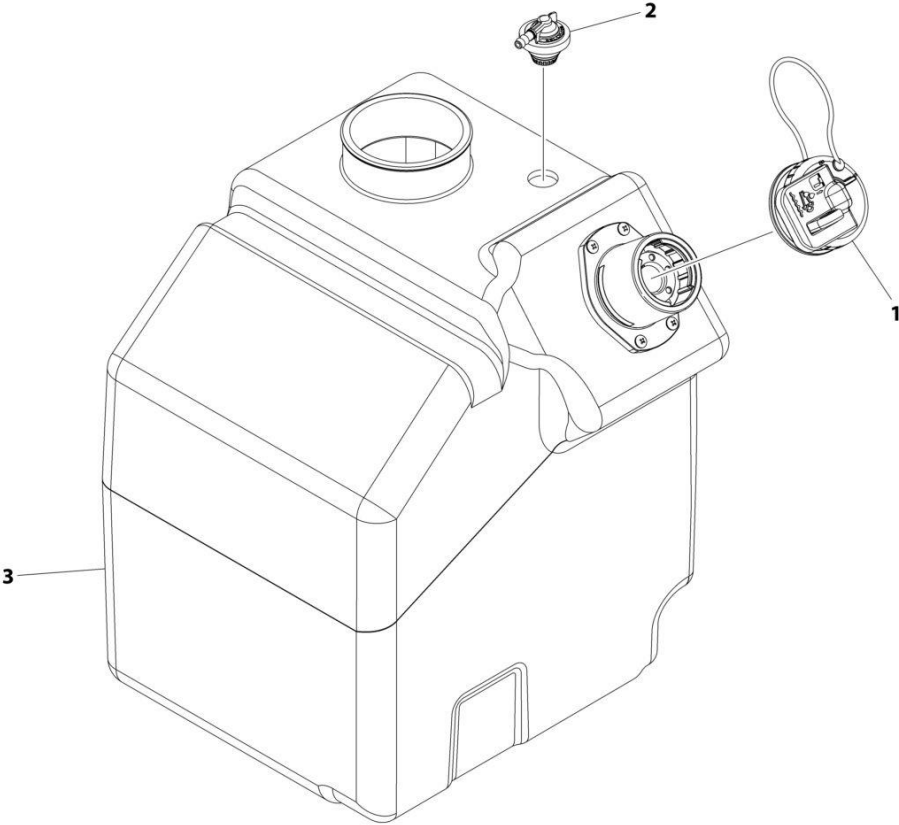
SECTION 4 - ENGINE AND ATTACHING PARTS

FIGURE 4-15. DEF TANK INSTALLATION

ITEM	PART NUMBER	QTY	DESCRIPTION	REV
	1001294203	Ref	DEF TANK INSTALLATION	A
1	0760823	1	Bolt M8 x 75	
2	4811900	1	Washer M8	
3	8405009	1	Clamp	
4	1001168272	1	Sleeve	
5	1001175201	2 ft	Hose	
6	1001178791	1	Strap	
7	1001289563	1	DEF Tank Assembly (ULS) (See Separate Breakdown in this Section)	

SECTION 4 - ENGINE AND ATTACHING PARTS

FIGURE 4-16. DEF TANK ASSEMBLY



ART_1001289563

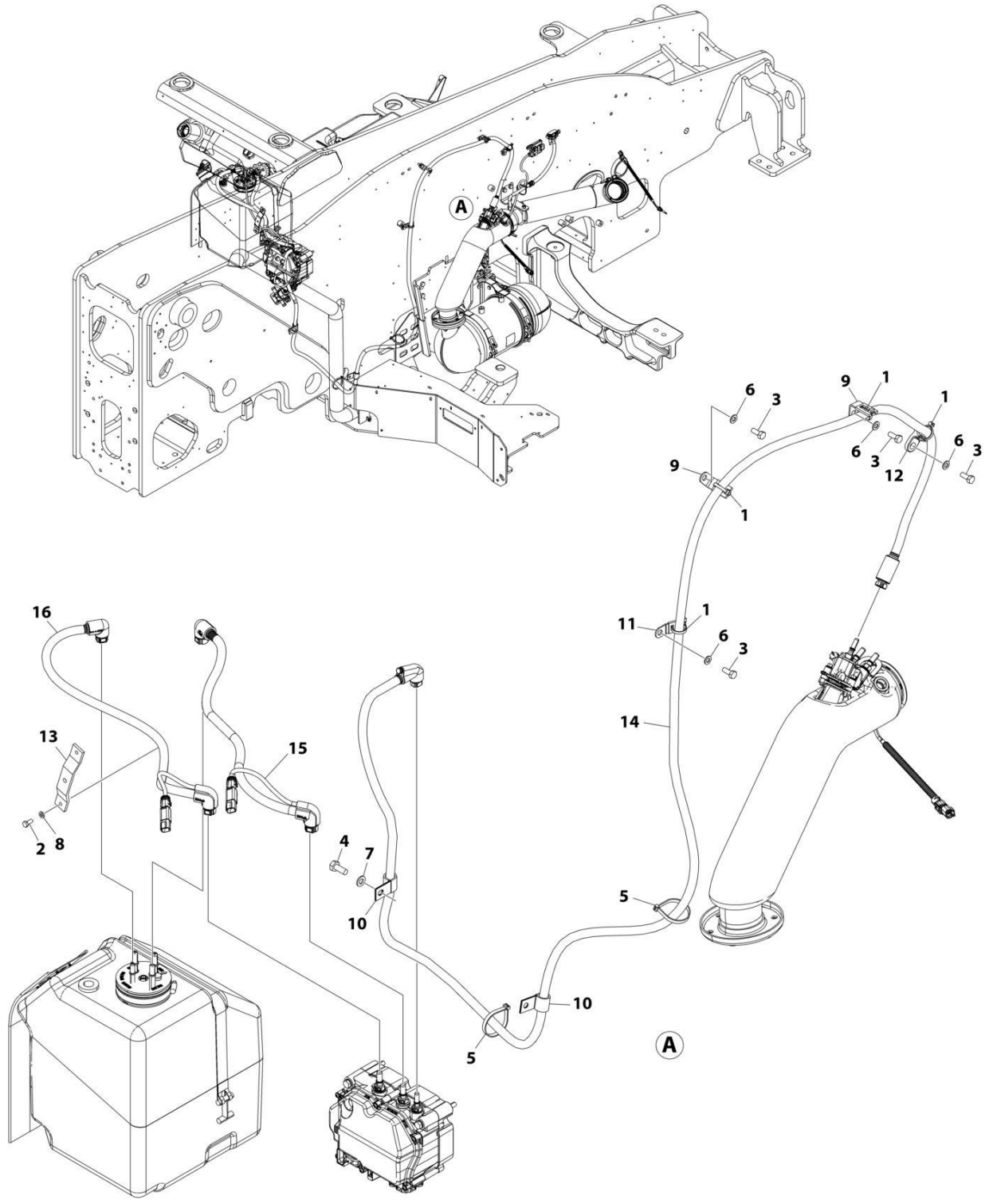
SECTION 4 - ENGINE AND ATTACHING PARTS

FIGURE 4-16. DEF TANK ASSEMBLY

ITEM	PART NUMBER	QTY	DESCRIPTION	REV
	1001289563	Ref	DEF TANK ASSEMBLY	A
1	1001174795	1	Reutter Cap Assembly	
2	1001215319	1	DEF Breather Valve	
3	1001289562	1	DEF Tank	

SECTION 4 - ENGINE AND ATTACHING PARTS

FIGURE 4-17. DEF LINES INSTALLATION (ULS)



ART_1001294204

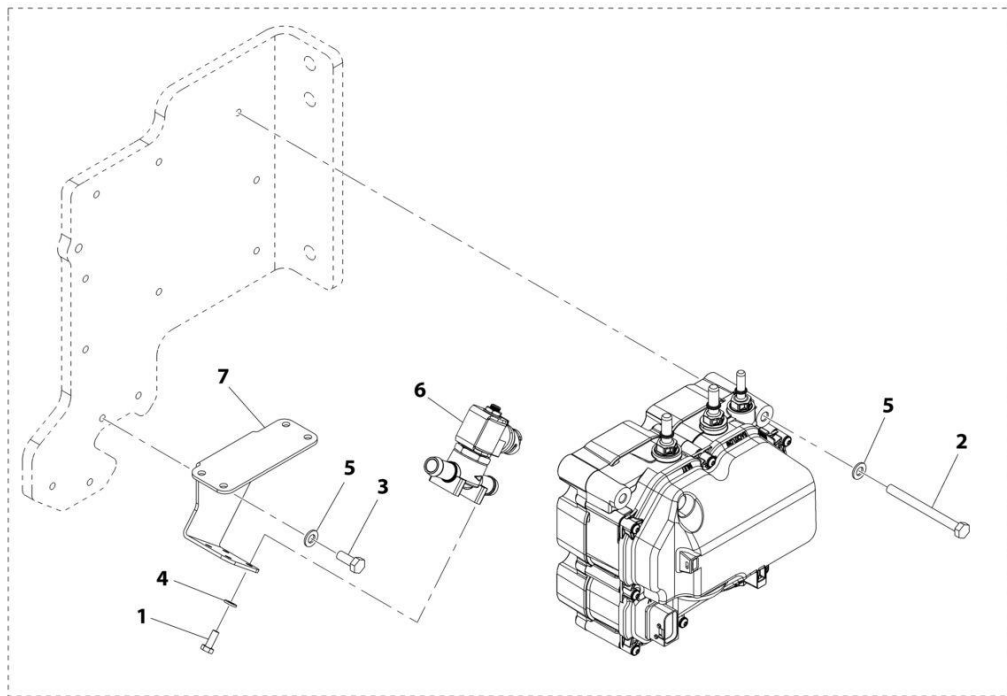
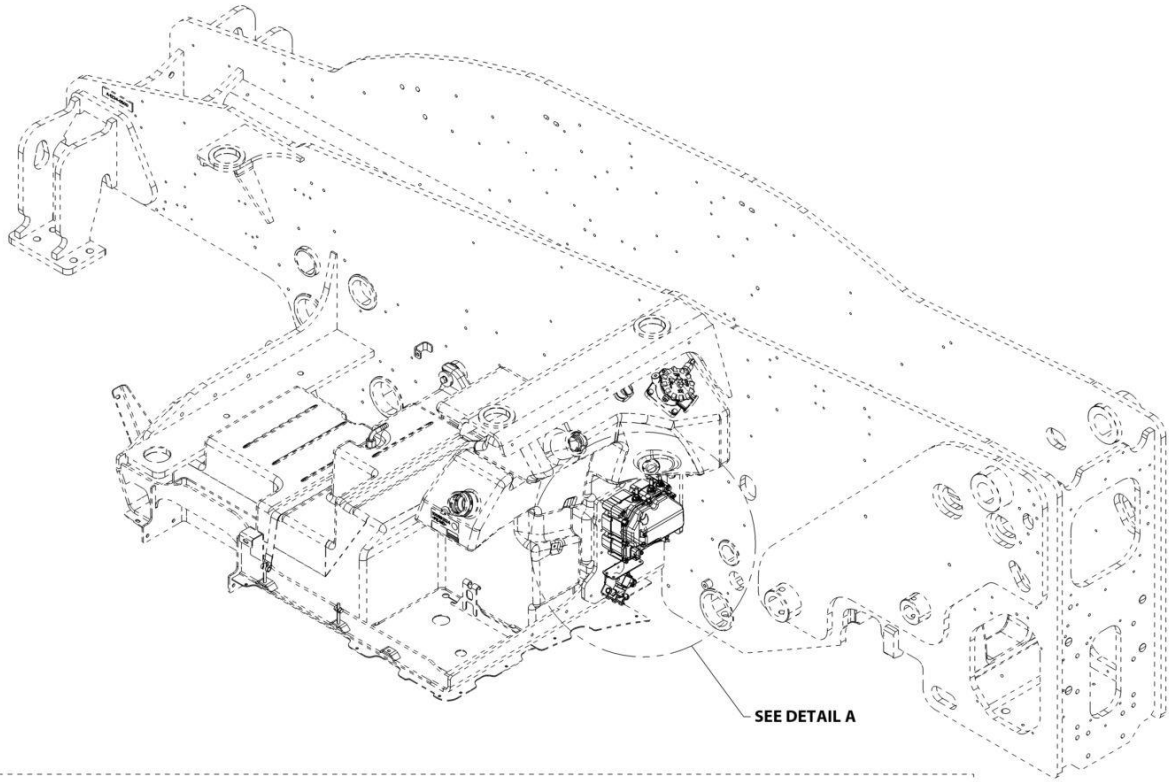
SECTION 4 - ENGINE AND ATTACHING PARTS

FIGURE 4-17. DEF LINES INSTALLATION (ULS)

ITEM	PART NUMBER	QTY	DESCRIPTION	REV
	1001294204	Ref	DEF LINES INSTALLATION	A
1	471678	4	Strap, Tie	
2	0760607	2	Bolt M6 x 14	
3	0760810	4	Bolt M8 x 20	
4	0761012	1	Bolt M10 x 25	
5	1062255	2	Strap, Tie	
6	4811900	4	Washer M8	
7	4812000	1	Washer M10	
8	4831700	2	Washer, Lock M6	
9	1001003305	2	Clip	
10	1001008574	2	Clip	
11	1001008593	1	Clip	
12	1001169146	1	Mount	
13	1001180328	1	Bracket	
14	1001207486	1	Hose, Heated (DEF)	
15	1001239878	1	Hose, Heated (DEF)	
16	1001239879	1	Hose, Heated (DEF)	

SECTION 4 - ENGINE AND ATTACHING PARTS

FIGURE 4-18. DEF CONTROL MODULE INSTALLATION (ULS)



DETAIL A

ART_1001256563-A

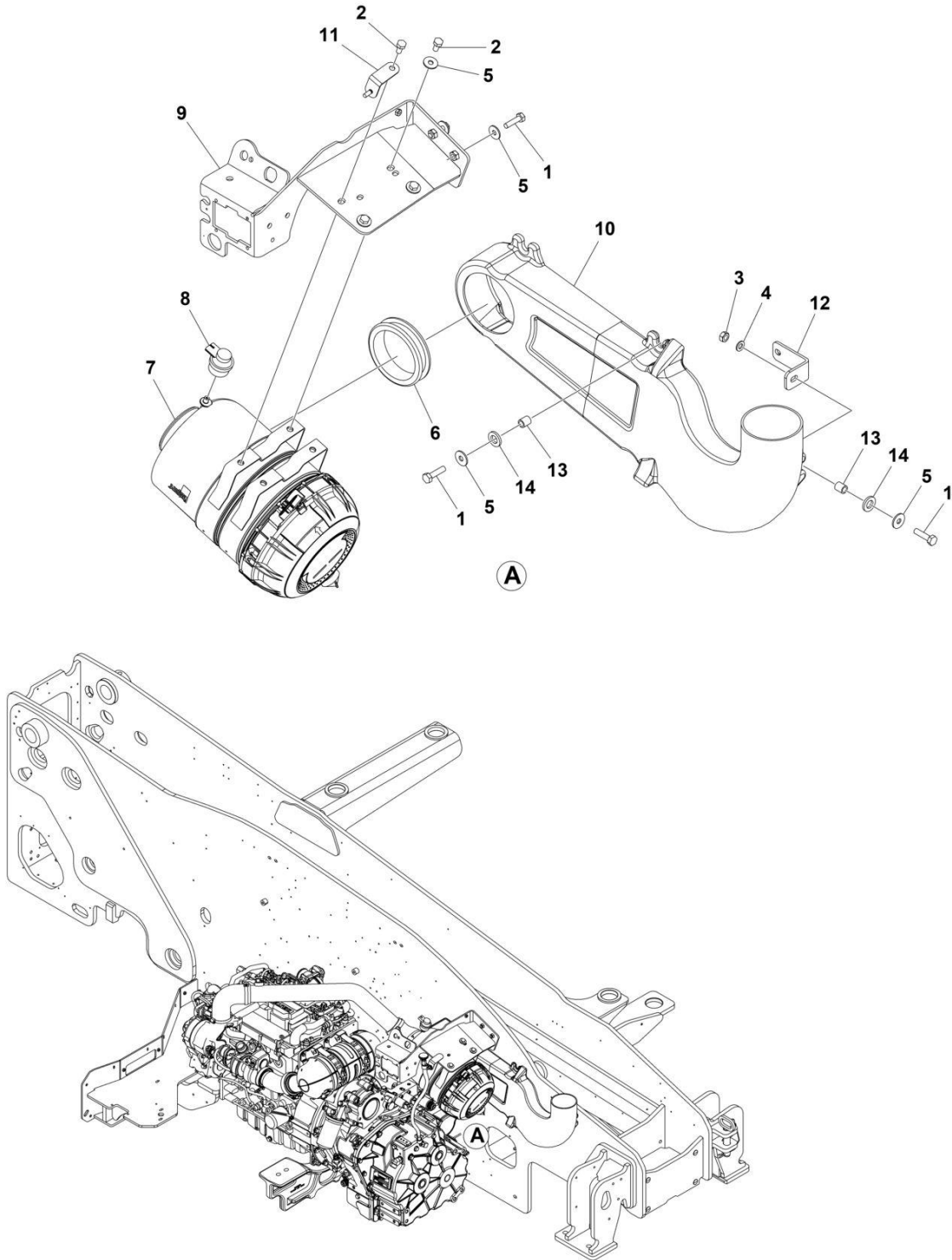
SECTION 4 - ENGINE AND ATTACHING PARTS

FIGURE 4-18. DEF CONTROL MODULE INSTALLATION (ULS)

ITEM	PART NUMBER	QTY	DESCRIPTION	REV
	1001256563	Ref	DEF Control Module Installation (ULS)	A
1	0700608	4	Bolt, M6X16	
2	0700826	3	Bolt, M8X90	
3	0760810	2	Bolt, M8X20	
4	4811700	4	Washer, M6	
5	4811900	5	Washer, M8	
6	1001199670	1	Valve	
7	1001256410	1	Bracket	

SECTION 4 - ENGINE AND ATTACHING PARTS

FIGURE 4-19. AIR CLEANER INSTALLATION (90/100KW)



ART_1001257142_D

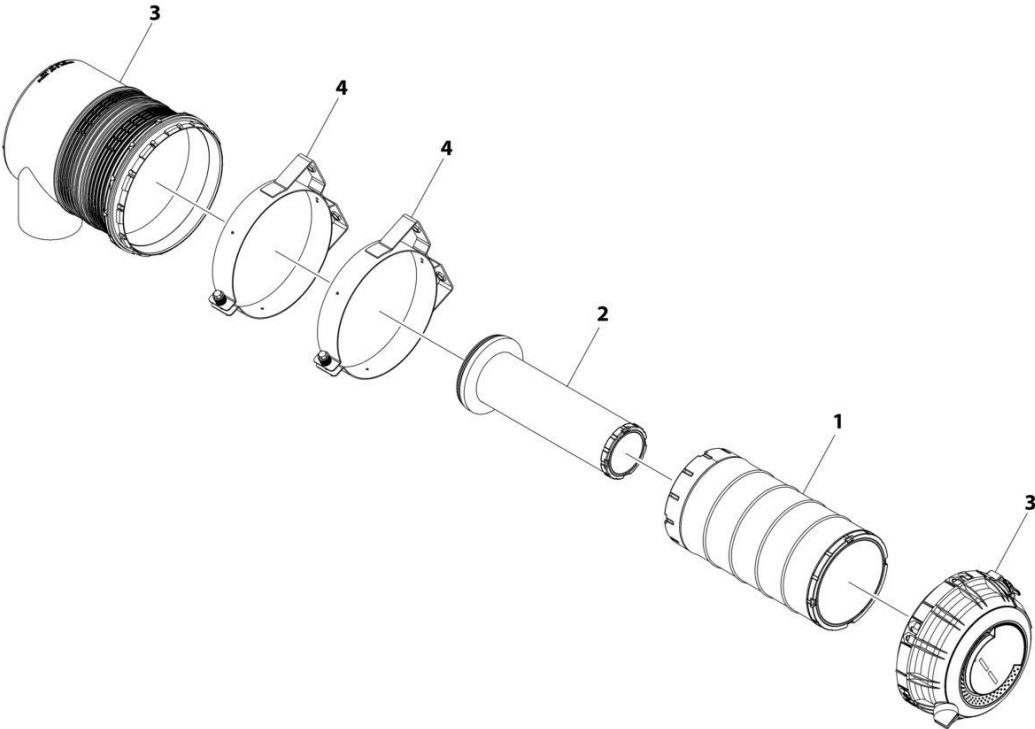
SECTION 4 - ENGINE AND ATTACHING PARTS

FIGURE 4-19. AIR CLEANER INSTALLATION (90/100KW)

ITEM	PART NUMBER	QTY	DESCRIPTION	REV
	1001257142	Ref	AIR CLEANER INSTALLATION (90/100KW)	D
1	0701016	8	Bolt M10 x 40	
2	0761010	4	Bolt M10 x 20	
3	3291001	1	Nut M10 x 1.5 Grade 8	
4	4812000	1	Washer M10	
5	4812002	11	Washer M10	
6	1001183831	1	Grommet	
7	1001166565	1	Filter, Air Cleaner (90/100KW) (See Separate Breakdown in this Section)	
8	1001166715	1	Sensor, Air Restriction	
9	1001212906	1	Bracket	
10	1001216813	1	Duct	
11	1001263830	1	Bracket	
12	1001231388	1	Bracket	
13	1001231389	5	Sleeve, Spacer	
14	1001231390	5	Washer	

SECTION 4 - ENGINE AND ATTACHING PARTS

FIGURE 4-20. AIR CLEANER ASSEMBLY (90/100KW)



ART_1001166565

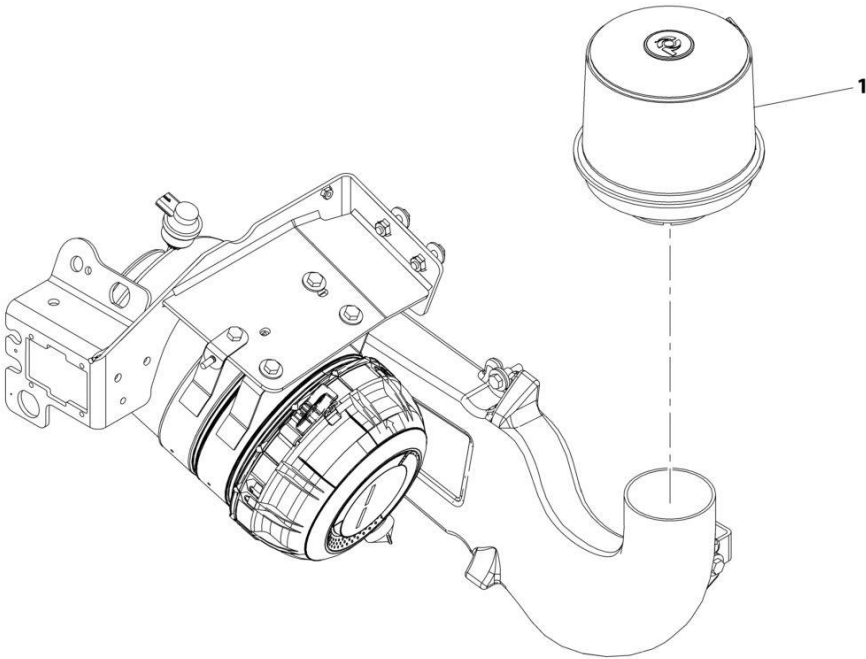
SECTION 4 - ENGINE AND ATTACHING PARTS

FIGURE 4-20. AIR CLEANER ASSEMBLY (90/100KW)

ITEM	PART NUMBER	QTY	DESCRIPTION	REV
	1001166565	Ref	AIR FILTER ASSEMBLY (90/100KW)	F
1	70025850	1	Filter, Cylindrical Air Primary	
2	70025851	1	Filter, Cylindrical Air Secondary	
3	70026395	1	Cover	
4	70026396	2	Bracket	

SECTION 4 - ENGINE AND ATTACHING PARTS

FIGURE 4-21. PRE-AIR CLEANER ACCESSORY



ART_1001231731-A

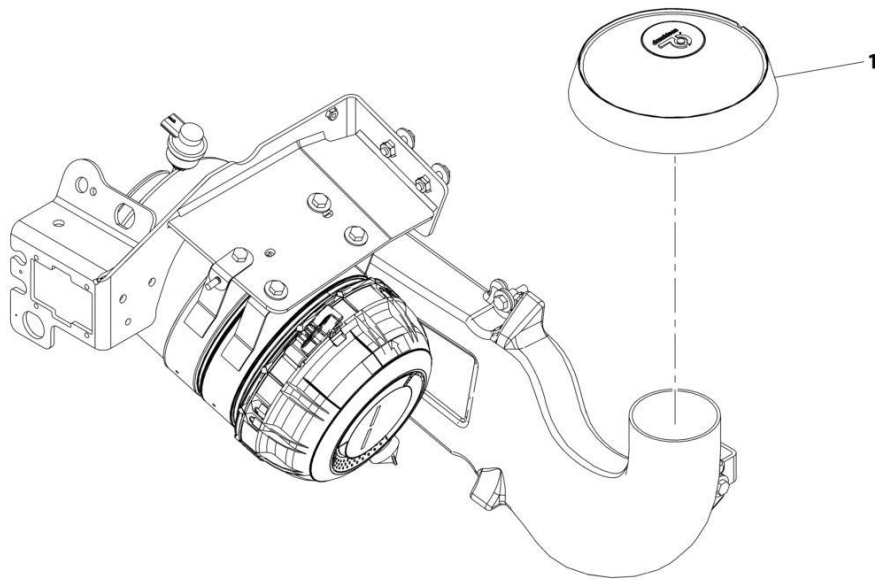
SECTION 4 - ENGINE AND ATTACHING PARTS

FIGURE 4-21. PRE-AIR CLEANER ACCESSORY

ITEM	PART NUMBER	QTY	DESCRIPTION	REV
1	1001231731 1001092771	Ref 1	PRE-AIR CLEANER ACCESSORY Accessory, Pre-Cleaner,Topspin	A

SECTION 4 - ENGINE AND ATTACHING PARTS

FIGURE 4-22. AIR INTAKE RAIN CAP ACCESSORY



ART_1001231732-A

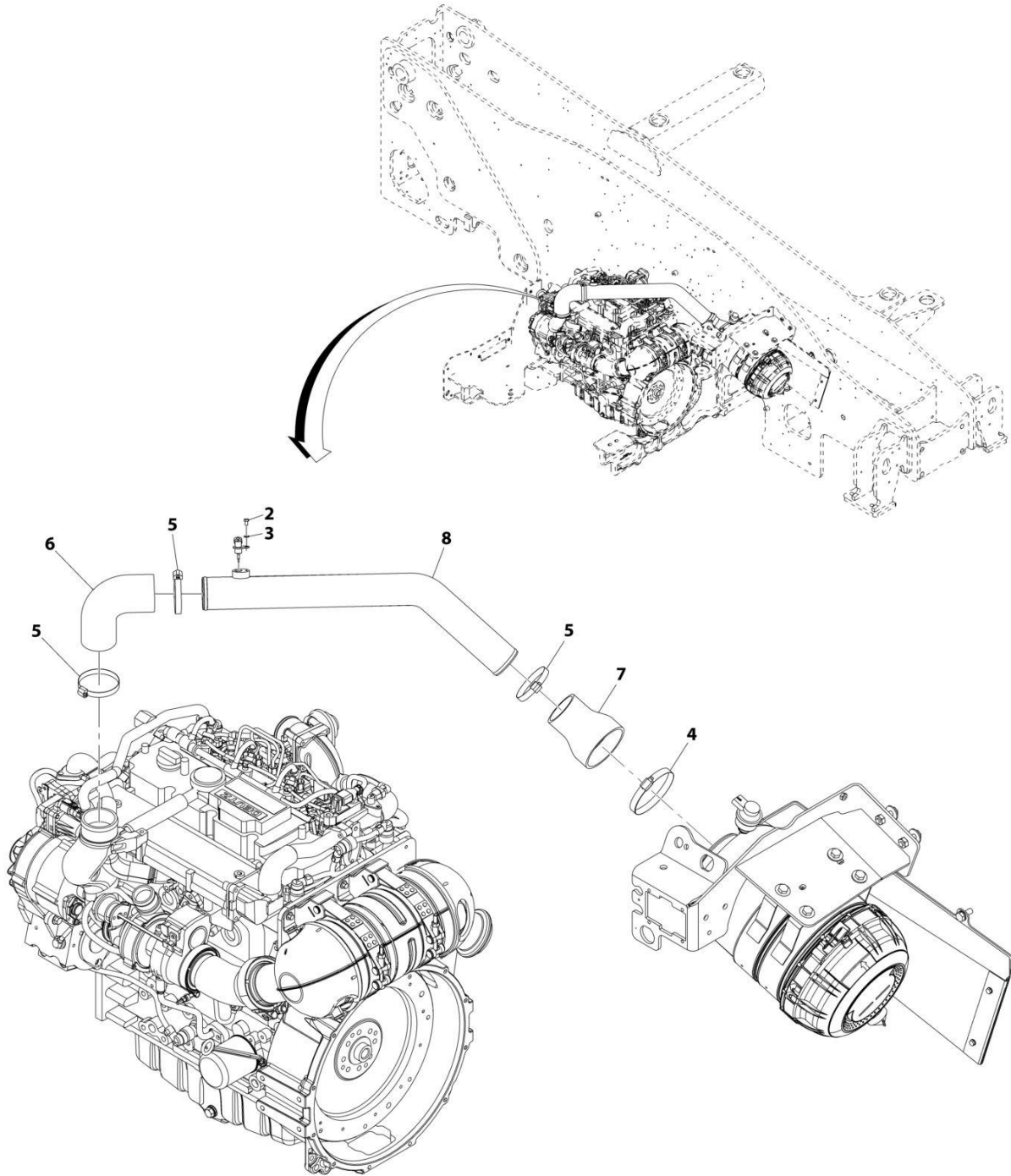
SECTION 4 - ENGINE AND ATTACHING PARTS

FIGURE 4-22. AIR INTAKE RAIN CAP ACCESSORY

ITEM	PART NUMBER	QTY	DESCRIPTION	REV
1	1001231732 1001231750	Ref 1	Air Intake Rain Cap Accessory Accessory, Rain Cap	A

SECTION 4 - ENGINE AND ATTACHING PARTS

FIGURE 4-23. AIR INTAKE LINES INSTALLATION (90/100KW - ULS)



ART_1001182037-D

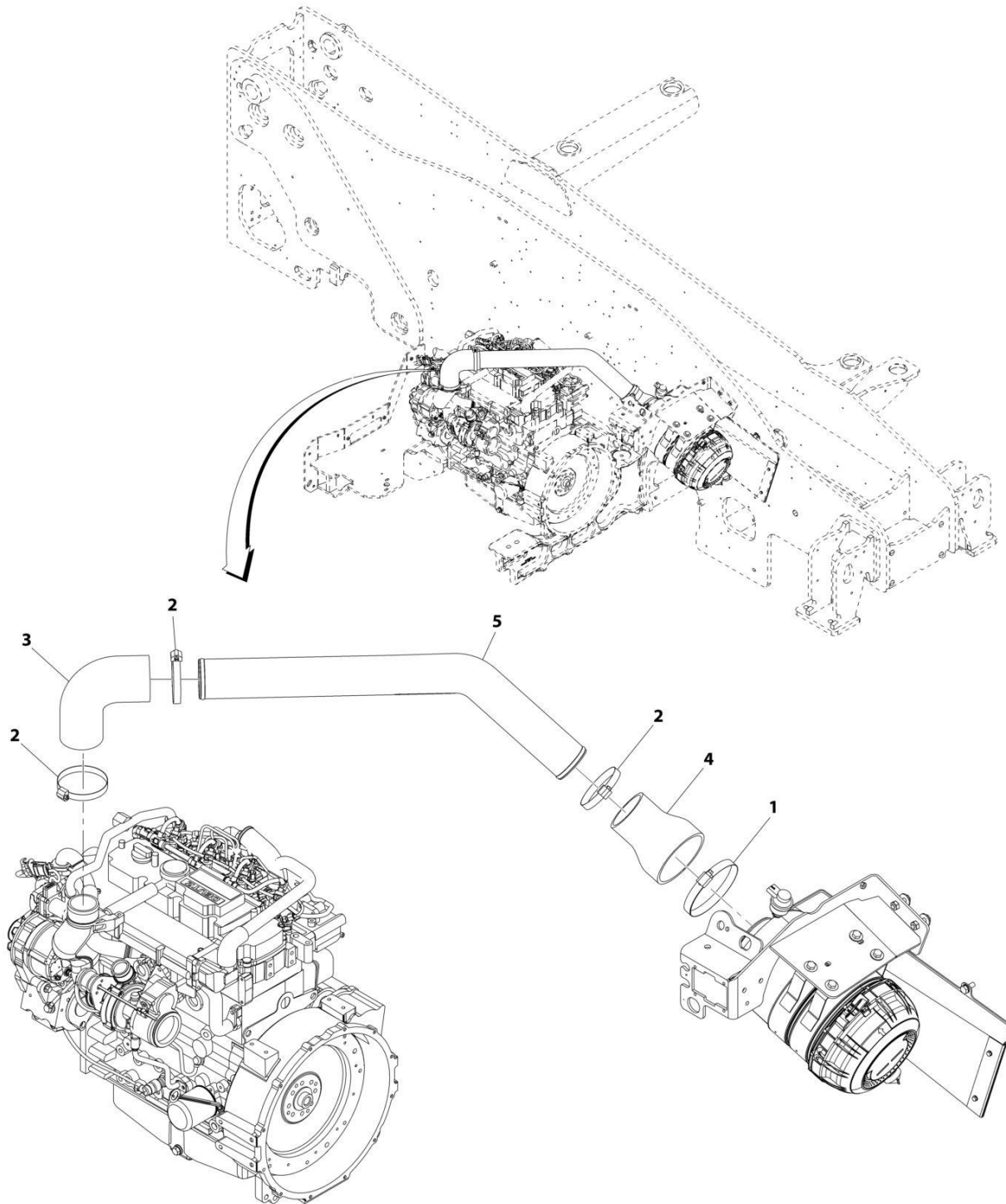
SECTION 4 - ENGINE AND ATTACHING PARTS

FIGURE 4-23. AIR INTAKE LINES INSTALLATION (90/100KW - ULS)

ITEM	PART NUMBER	QTY	DESCRIPTION	REV
	1001182037	Ref	Air Intake Lines Installation (90/100KW - ULS)	D
2	0760605	1	Bolt, M6X10	
3	4811700	1	Washer, M6	
4	8405402	1	Clamp	
5	8410011	3	Clamp, Gear	
6	1001182881	1	Hose	
7	1001182885	1	Hose	
8	1001182886	1	Tube	

SECTION 4 - ENGINE AND ATTACHING PARTS

FIGURE 4-24. AIR INTAKE LINES INSTALLATION (90KW - LS)



ART_1001182039-A

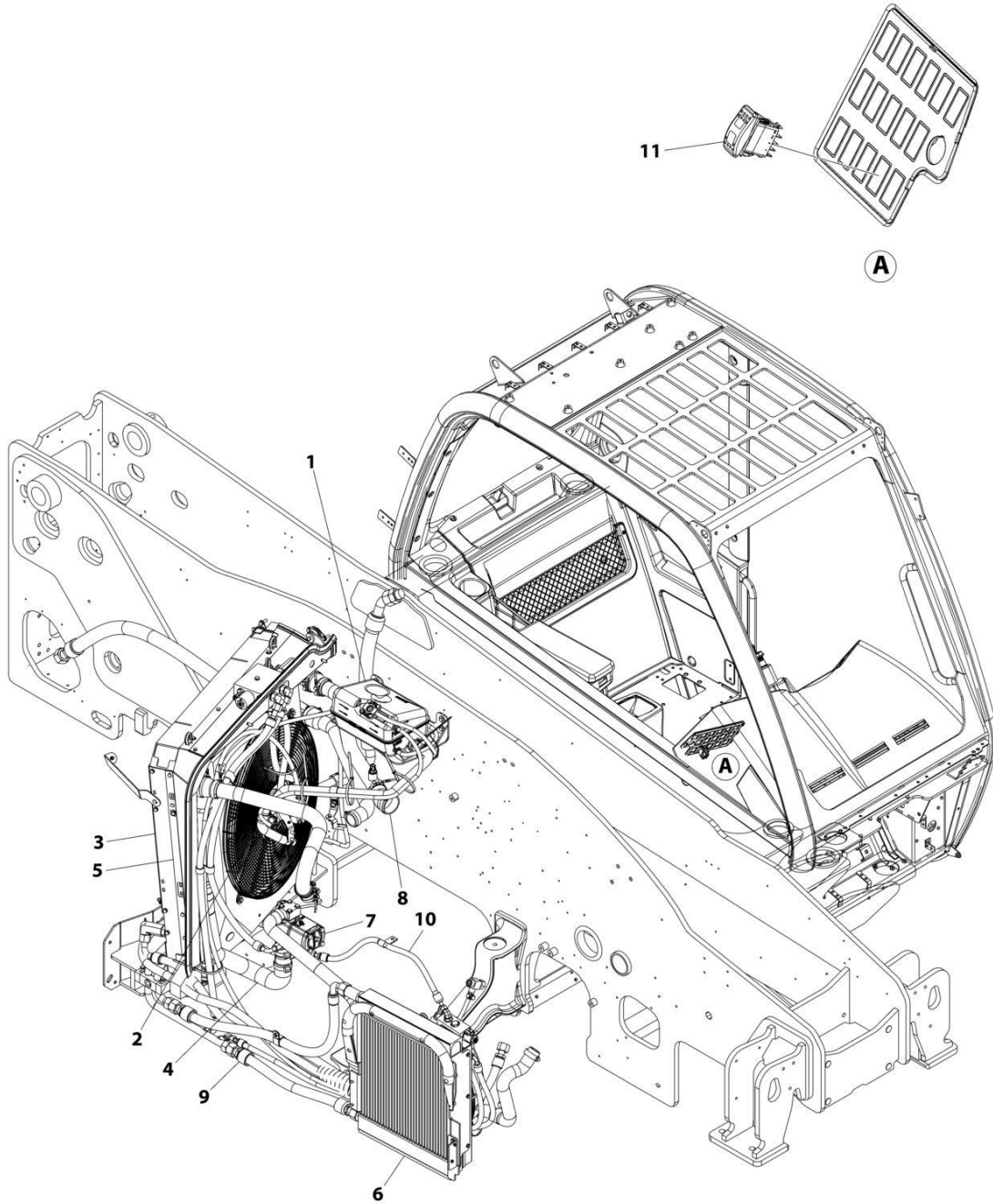
SECTION 4 - ENGINE AND ATTACHING PARTS

FIGURE 4-24. AIR INTAKE LINES INSTALLATION (90KW - LS)

ITEM	PART NUMBER	QTY	DESCRIPTION	REV
	1001182039	Ref	Air Intake Lines Installation (90KW - LS)	A
1	8405402	1	Clamp	
2	8410011	3	Clamp, Gear	
3	1001182881	1	Hose	
4	1001182885	1	Hose	
5	1001182888	1	Tube	

SECTION 4 - ENGINE AND ATTACHING PARTS

FIGURE 4-25. COOLING PACKAGE INSTALLATION (90KW - ULS)



ART_1001182450

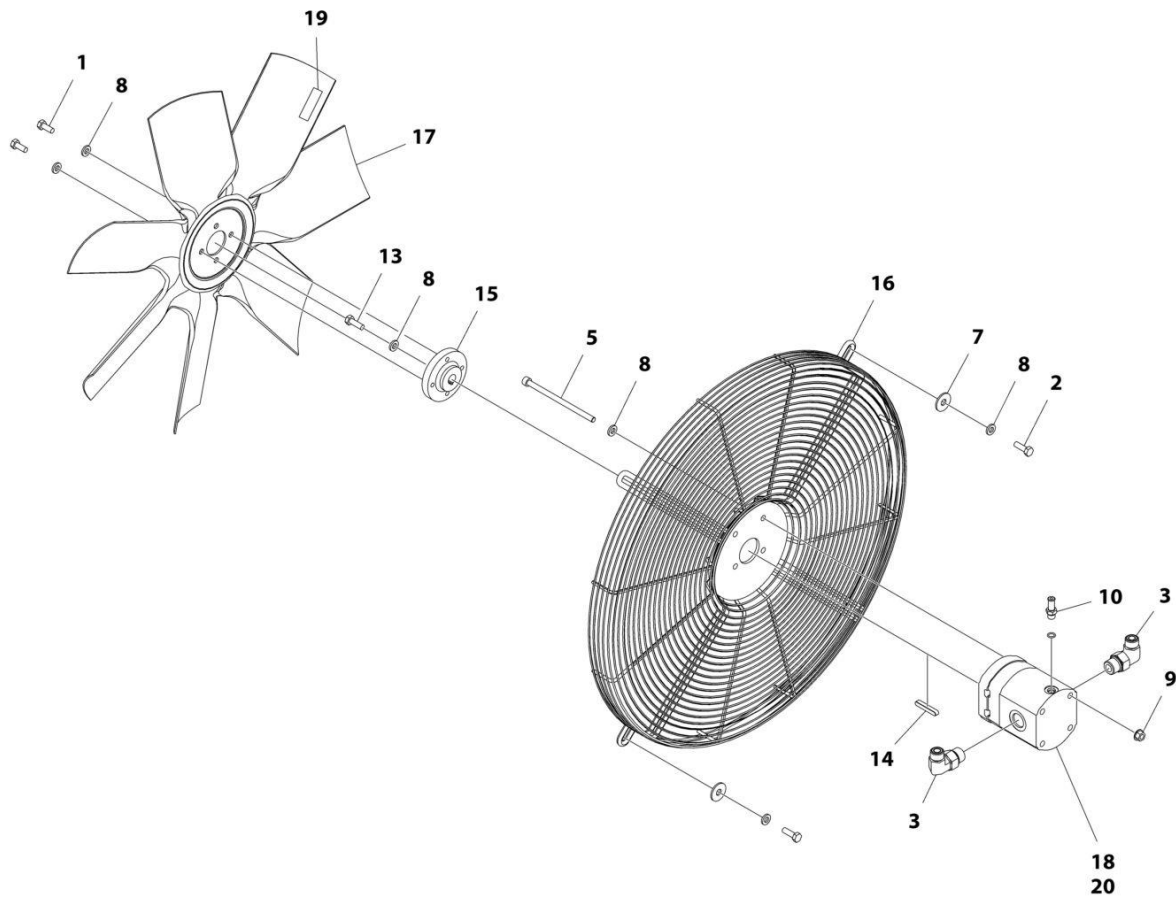
SECTION 4 - ENGINE AND ATTACHING PARTS

FIGURE 4-25. COOLING PACKAGE INSTALLATION (90KW - ULS)

ITEM	PART NUMBER	QTY	DESCRIPTION	REV
	1001182450	Ref	COOLING PACKAGE INSTALLATION (90KW - ULS)	H
1	1001179864	Ref	Installation, Surge Tank (See Separate Breakdown in this Section)	
2	1001182112	Ref	Installation, Cooling Fan (See Separate Breakdown in this Section)	
3	1001184062	Ref	Installation, Cooler (90KW) (See Separate Breakdown in this Section)	
4	1001184120	Ref	Installation, Coolant Lines (ULS) (See Separate Breakdown in this Section)	
5	1001184955	Ref	Installation, Bulkhead (See Separate Breakdown in this Section)	
6	1001185337	Ref	Installation, Remote HOC (See Separate Breakdown in this Section)	
7	1001185864	Ref	Installation, Hydraulic Pump (90KW) (See Separate Breakdown in this Section)	
8	1001186849	Ref	Installation, CAC Lines (ULS) (See Separate Breakdown in this Section)	
9	1001183076	Ref	Installation, Cooler Lines (90KW) (See Separate Breakdown in this Section)	
10	1001187276	Ref	Installation, Fan Lines (90KW) (See Separate Breakdown in this Section)	
11	1001145204	1	Switch, Reversing Fan	

SECTION 4 - ENGINE AND ATTACHING PARTS

FIGURE 4-26. COOLING FAN INSTALLATION



ART_1001182112

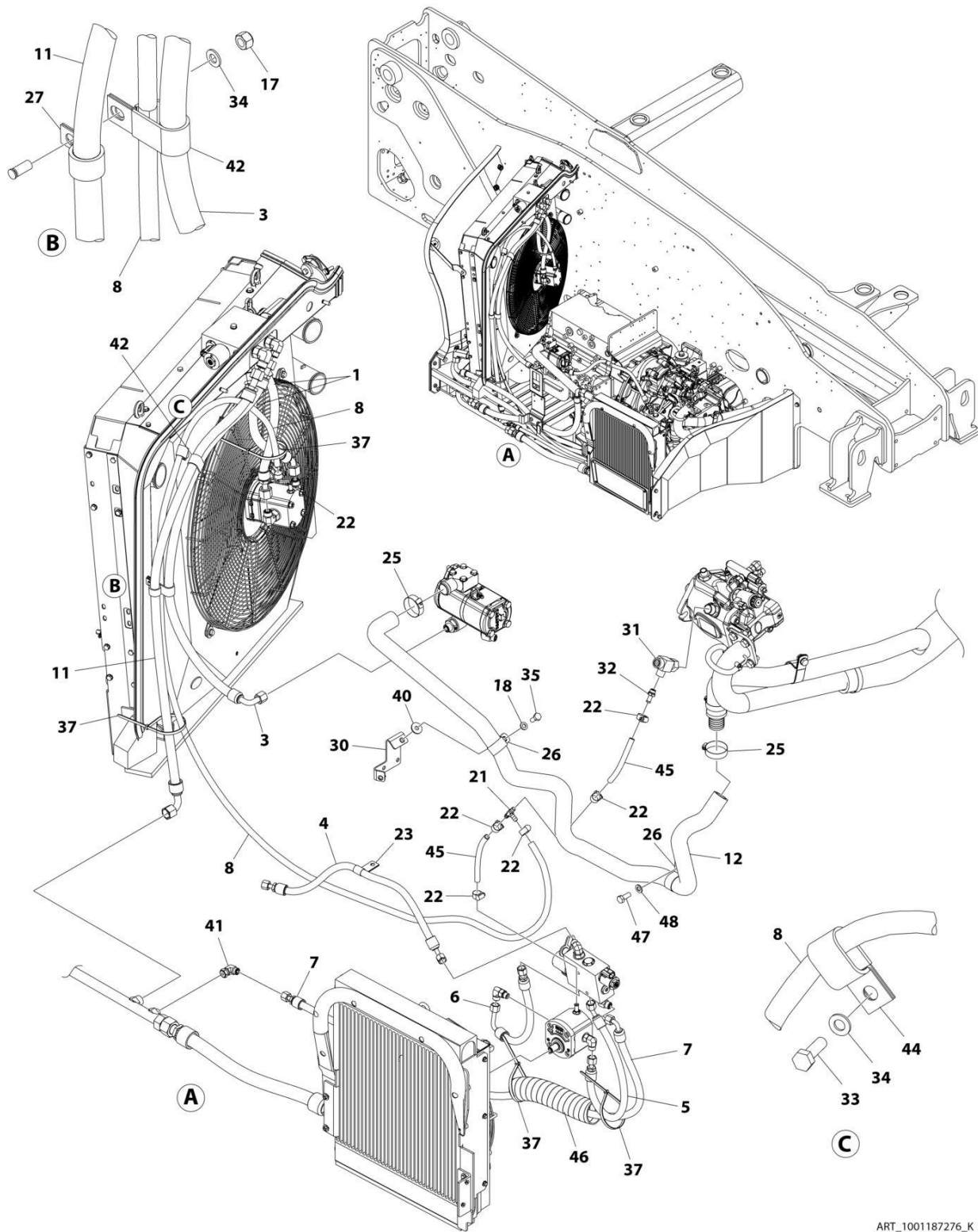
SECTION 4 - ENGINE AND ATTACHING PARTS

FIGURE 4-26. COOLING FAN INSTALLATION

ITEM	PART NUMBER	QTY	DESCRIPTION	REV
	1001182112	Ref	COOLING FAN INSTALLATION	F
1	0770810	4	Bolt M8 x 20 Grade 10.9	
2	0760812	4	Bolt M8 x 25	
3	2130810	2	Fitting, 90 ORFS	
5	4031927	4	Bolt M8 x 140	
7	4812002	4	Washer M10	
8	5240800	13	Washer M8	
9	5260800	4	Nut M10	
10	1001093401	1	Fitting, Straight ORFS	
13	1001139034	1	Bolt	
14	1001152940	1	Key, Fan Hub	
15	1001191508	1	Adapter, Fan Hub	
16	1001182111	1	Shield, Fan	
17	1001182193	1	Fan, M610	
18	1001182949	1	Motor, Fan Drive (14.53CC) (See Separate Breakdown in this Section)	
19	1001222573	AR	Reflective Tape	
20	1001125466	AR	Compound, Locking	

SECTION 4 - ENGINE AND ATTACHING PARTS

FIGURE 4-27. FAN LINES INSTALLATION (90KW)



ART_1001187276_K

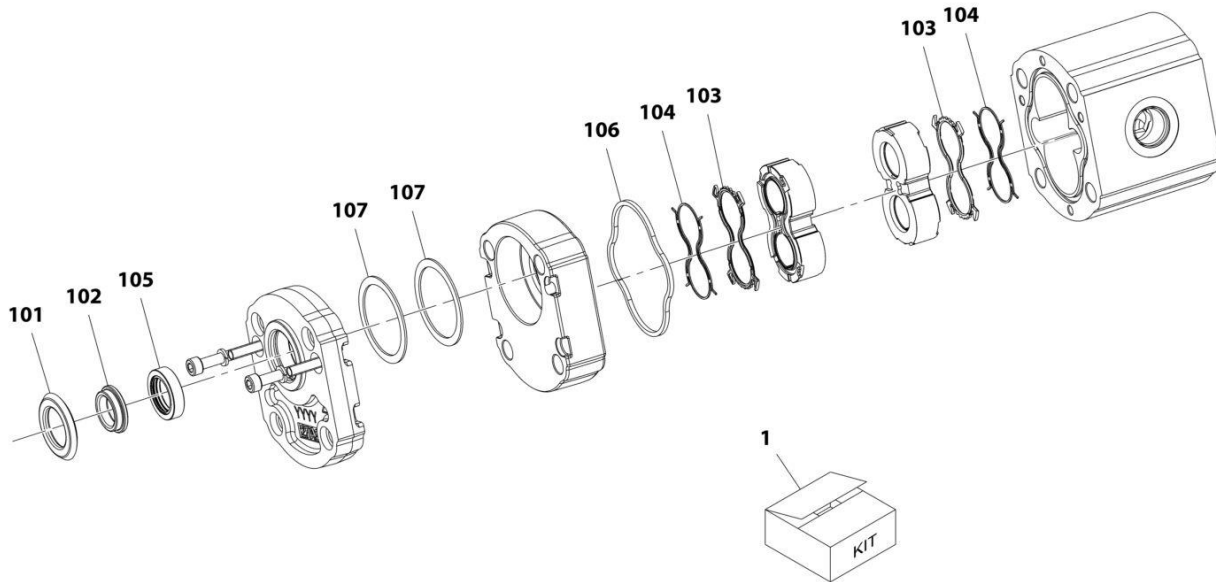
SECTION 4 - ENGINE AND ATTACHING PARTS

FIGURE 4-27. FAN LINES INSTALLATION (90KW)

ITEM	PART NUMBER	QTY	DESCRIPTION	REV
	1001187276	Ref	FAN LINES INSTALLATION (90KW)	K
1	1001187277	2	Hose	
3	1001203025	1	Hose, ORFS	
4	1001202922	1	Hose, ORFS	
5	1001229063	1	Hose, ORFS	
6	1001229068	1	Hose, ORFS	
7	1001228931	1	Hose, ORFS	
8	1001228929	1	Hose	
11	1001203178	1	Hose, ORFS	
12	1001199403	1	Hose	
17	3290805	1	Nut, Lock M8 x 1.25 Grade 8	
18	4812000	1	Washer M10	
21	1001003934	1	Fitting, Tee Barb	
22	8410013	6	Clamp, Gear	
22	1001152729	6	Clamp, Gear	
23	1001004143	1	Clip	
25	1001008657	2	Clamp, Hose	
26	1320239	2	Clamp, 1-3/4IN	
27	1001009384	1	Clip	
30	1001187712	1	Bracket	
31	1001033120	1	Fitting, Tee ORFS	
32	1001168030	1	Barb, Hose	
33	0760812	1	Bolt M8 x 25	
34	4811900	2	Washer M8	
35	0701012	1	Bolt M10 x 25	
37	1062255	4	Tie-Strap	
40	4812002	1	Washer M10	
41	2172106	1	Fitting, 90 ORFS	
42	1001008720	2	Clip	
44	1001008626	1	Clip	
45	1001228930	2	Hose	
46	1001268889	1	Sleeve, Hose Wrap	
47	0701214	1	Bolt M12 x 30	
48	4812100	1	Washer M12	

SECTION 4 - ENGINE AND ATTACHING PARTS

FIGURE 4-28. FAN DRIVE MOTOR (NO RHOC)



ART_1001182949-B

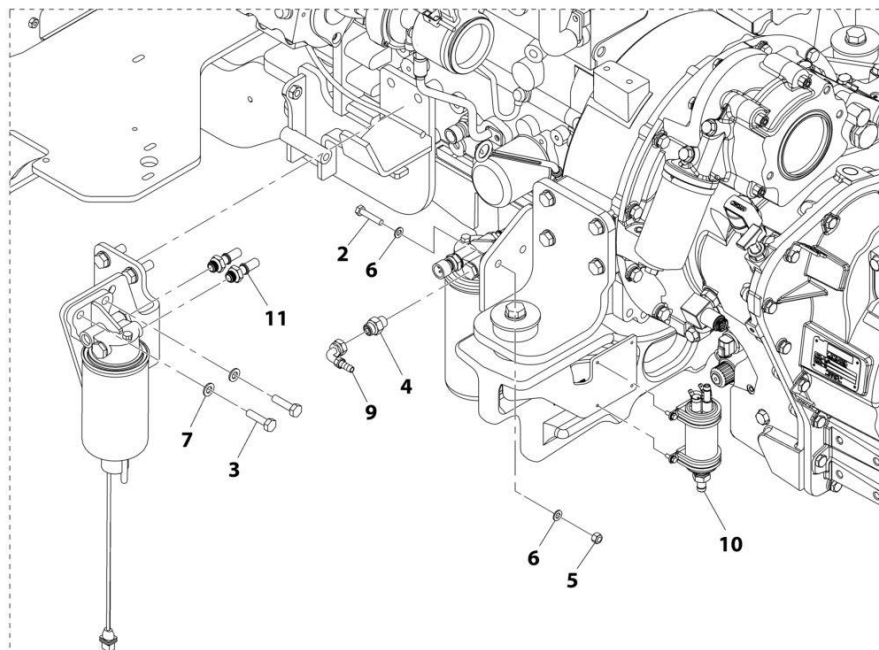
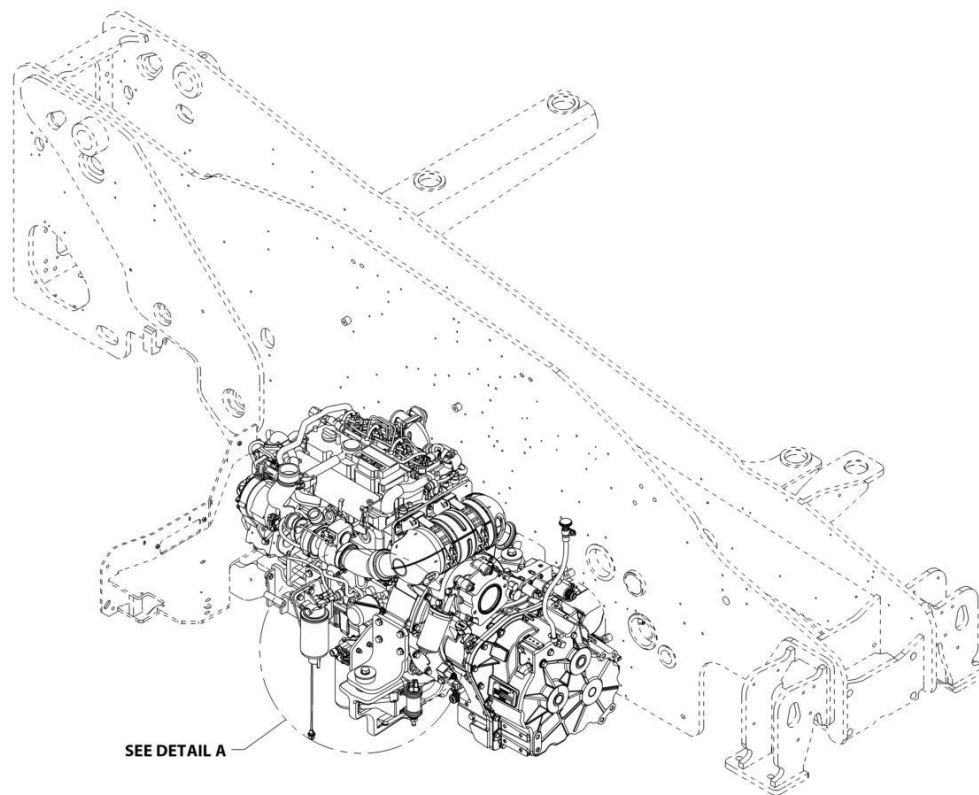
SECTION 4 - ENGINE AND ATTACHING PARTS

FIGURE 4-28. FAN DRIVE MOTOR (NO RHOC)

ITEM	PART NUMBER	QTY	DESCRIPTION	REV
	1001182949	Ref	Fan Drive Motor (No RHOC)	B
1	70027008	1	Kit, Seal	
101	Kit	1	Seal	
102	Kit	1	Holder Bushing	
103	Kit	2	Seal	
104	Kit	2	Ring, Anti-Extrusion	
105	Kit	1	Seal, Shaft	
106	Kit	1	Seal	
107	Kit	2	Seal	

SECTION 4 - ENGINE AND ATTACHING PARTS

FIGURE 4-29. FUEL FILTER & PUMP INSTALLATION



DETAIL A

ART_1001181951-F

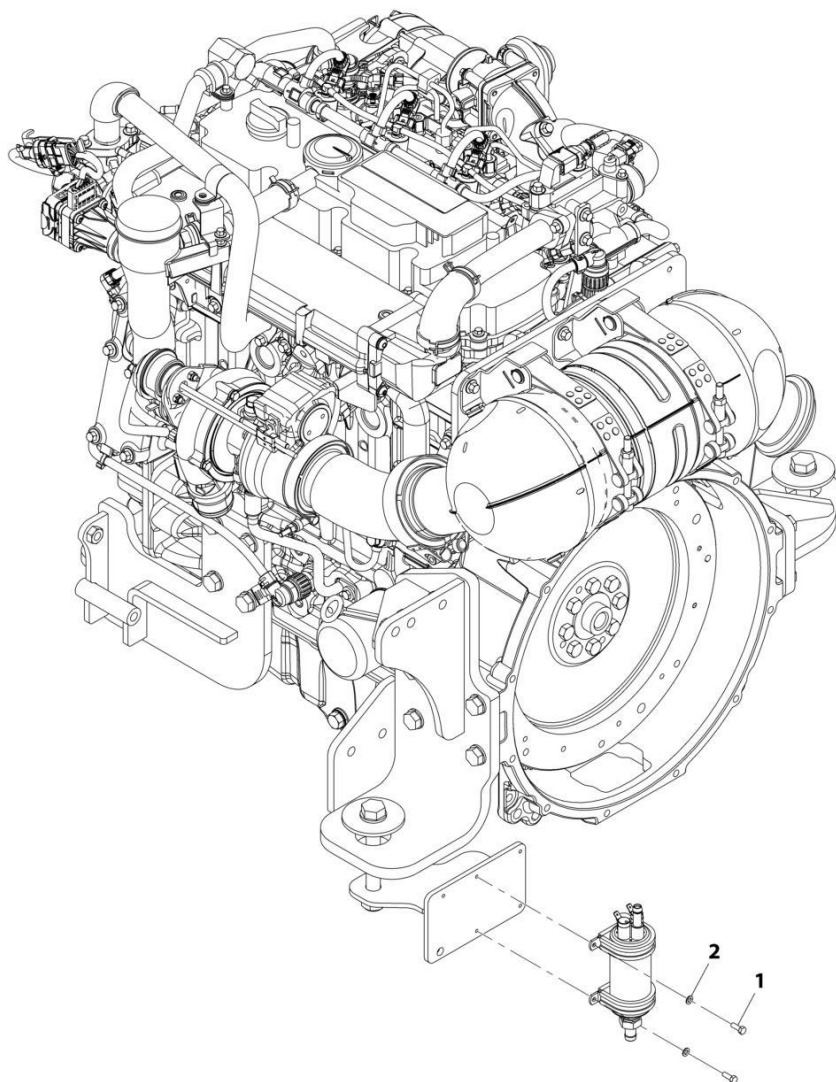
SECTION 4 - ENGINE AND ATTACHING PARTS

FIGURE 4-29. FUEL FILTER & PUMP INSTALLATION

ITEM	PART NUMBER	QTY	DESCRIPTION	REV
	1001181951	Ref	FUEL FILTER INSTALLATION	F
2	0700816	2	Bolt M8X40	
3	0701016	2	Bolt M10X40	
4	2144606	1	Fitting, Straight ORFS	
5	3290805	2	Nut, Lock M8	
6	4811900	4	Washer M8	
7	4812000	2	Washer M10	
9	1001133793	1	Fitting, 90 ORFS	
10	1001165789	1	Remote Fuel Pump Installation (See Separate Breakdown in this Section)	
11	1001133690	2	Coupling, M16X1.5	

SECTION 4 - ENGINE AND ATTACHING PARTS

FIGURE 4-30. REMOTE FUEL PUMP INSTALLATION (74.4KW)



ART_1001165789-G

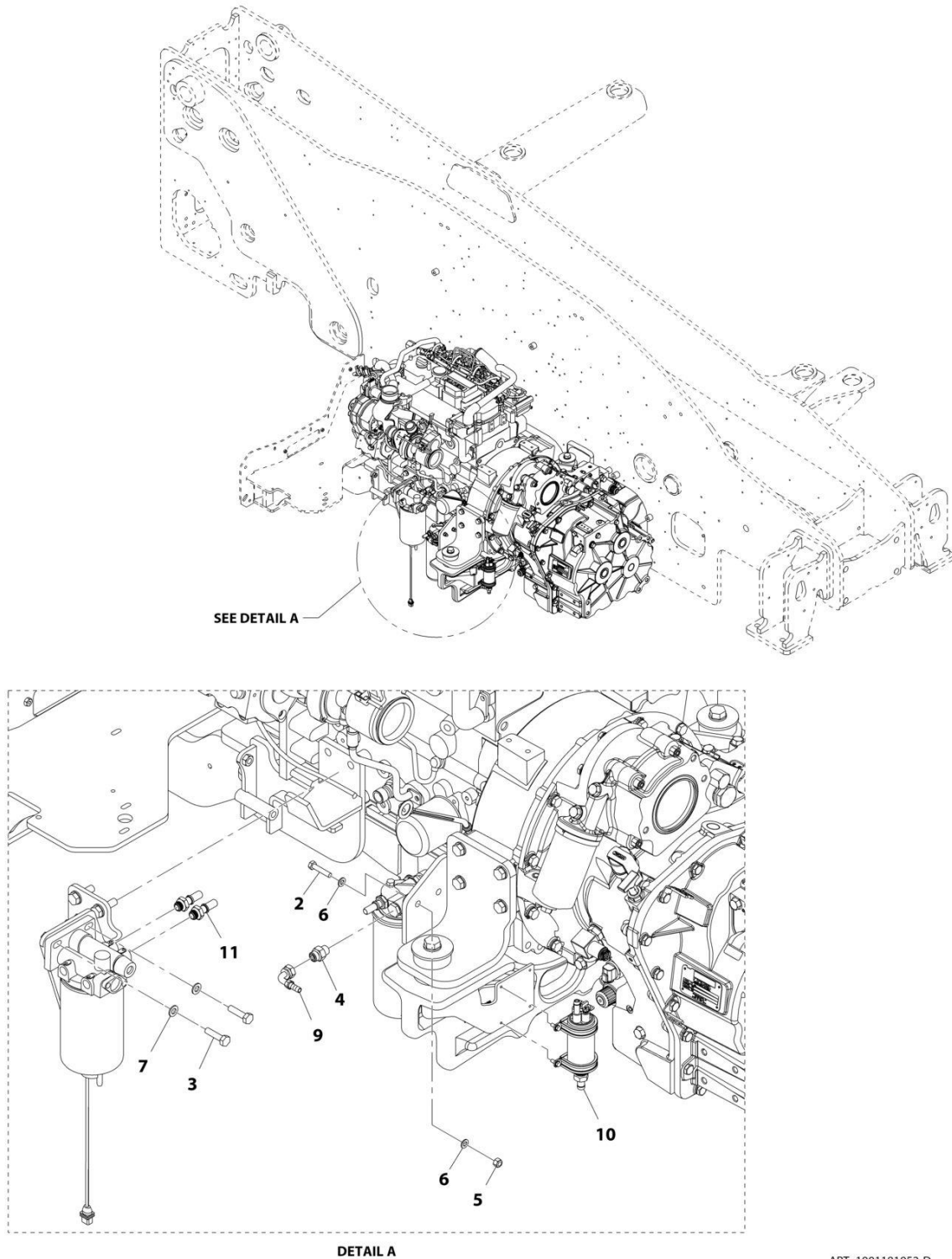
SECTION 4 - ENGINE AND ATTACHING PARTS

FIGURE 4-30. REMOTE FUEL PUMP INSTALLATION (74.4KW)

ITEM	PART NUMBER	QTY	DESCRIPTION	REV
	1001165789	Ref	Remote Fuel Pump Installation (74.4KW)	G
1	0760507	4	Bolt, M5X14	
2	4811600	4	Washer, M5	

SECTION 4 - ENGINE AND ATTACHING PARTS

FIGURE 4-31. PRIMARY FUEL FILTER INSTALLATION (90KW - LS)



ART_1001181952-D

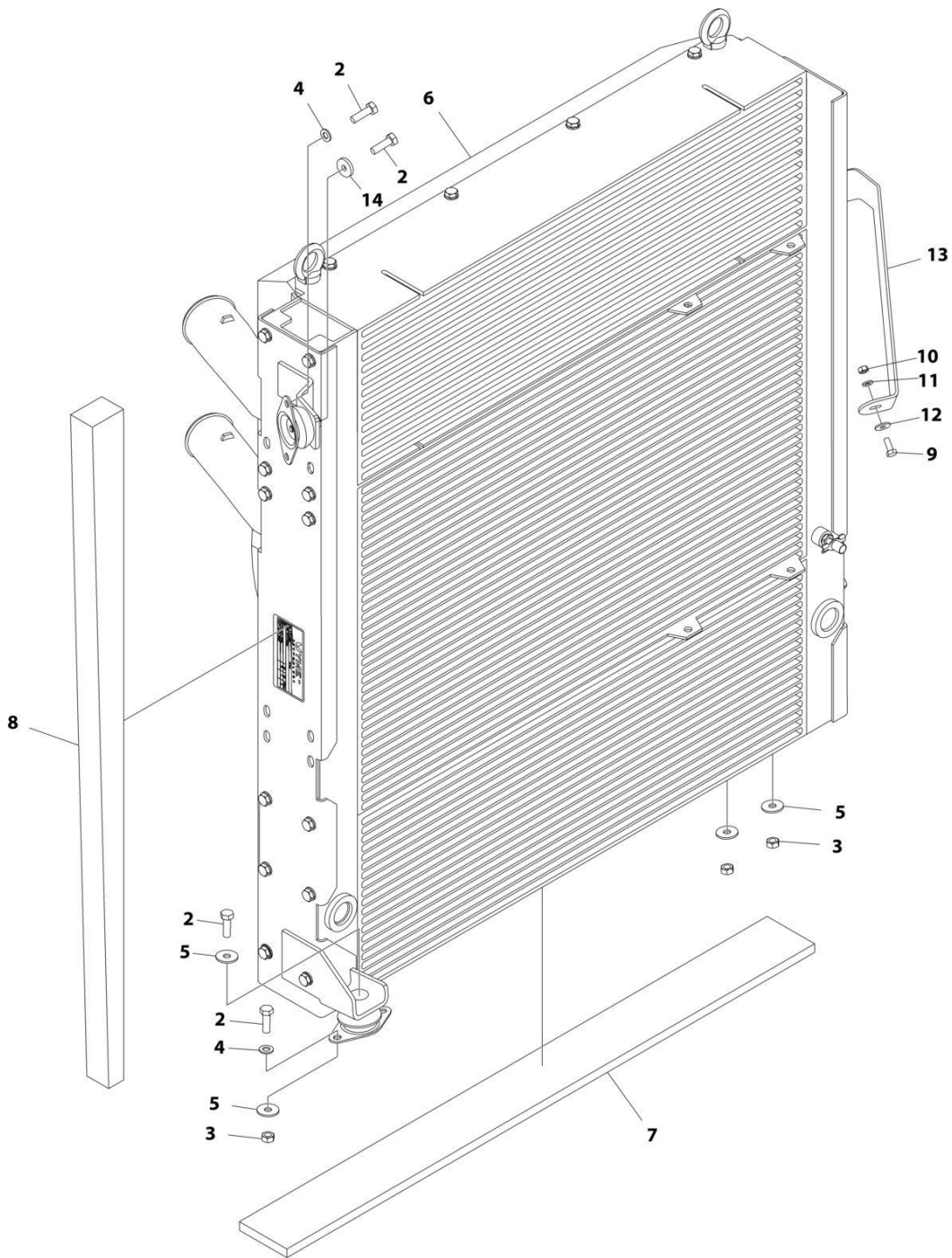
SECTION 4 - ENGINE AND ATTACHING PARTS

FIGURE 4-31. PRIMARY FUEL FILTER INSTALLATION (90KW - LS)

ITEM	PART NUMBER	QTY	DESCRIPTION	REV
	1001181952	Ref	Primary Fuel Filter Installation (90KW - LS)	D
2	0700816	2	Bolt, M8X40	
3	0701016	2	Bolt, M10X40	
4	2144606	1	Fitting, Straight ORFS	
5	3290805	2	Nut, Lock M8X1.25 Grade 8	
6	4811900	4	Washer, M8	
7	4812000	2	Washer, M10	
9	1001133793	1	Fitting, 90 ORFS	
10	1001165789	Ref	Installation, Remote Fuel Pump (74.4KW) (See Separate Breakdown in this Section)	
11	1001133690	2	Coupling, M16X1.5	

SECTION 4 - ENGINE AND ATTACHING PARTS

FIGURE 4-32. COOLER INSTALLATION (90KW)



ART_1001184062

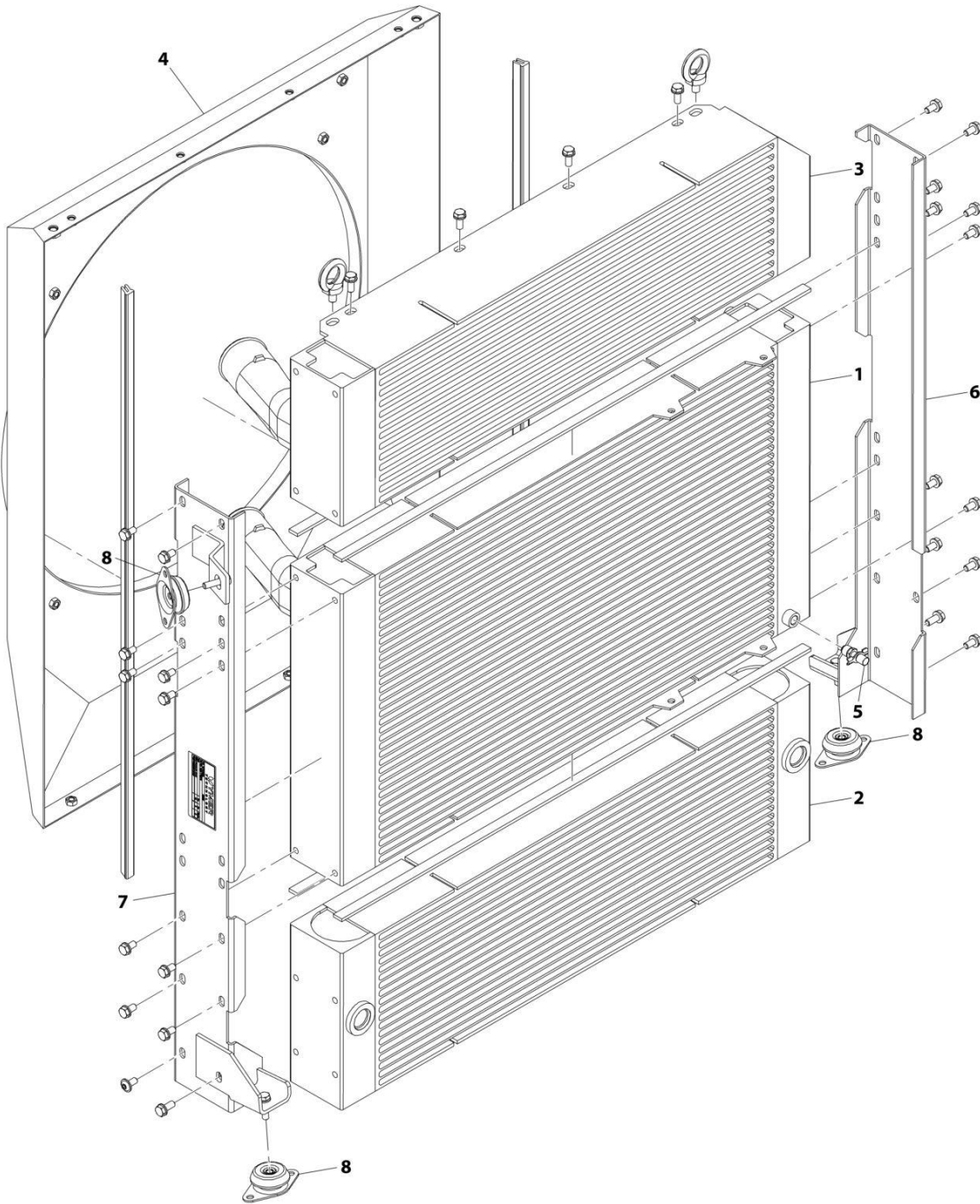
SECTION 4 - ENGINE AND ATTACHING PARTS

FIGURE 4-32. COOLER INSTALLATION (90KW)

ITEM	PART NUMBER	QTY	DESCRIPTION	REV
	1001184062	Ref	COOLER INSTALLATION (90KW)	E
2	0760812	9	Bolt M8 x 25	
3	3290801	4	Nut M8 x 1.25 Grade 8	
4	4811900	6	Washer M8	
5	4811902	6	Washer M8	
6	1001175320	1	Package, Radiator Cooling (90KW) (See Separate Breakdown in this Section)	
7	1001182994	1	Seal	
8	1001182995	1	Seal	
9	0760608	1	Bolt M6 x 16	
10	3290601	1	Nut M6 x 1 Grade 8	
11	4811700	1	Washer M6	
12	4811702	1	Washer M6	
13	1001202120	1	Plate	
14	4740572	1	Washer M10	

SECTION 4 - ENGINE AND ATTACHING PARTS

FIGURE 4-33. RADIATOR COOLING PACKAGE (90KW)



ART_1001175320-C

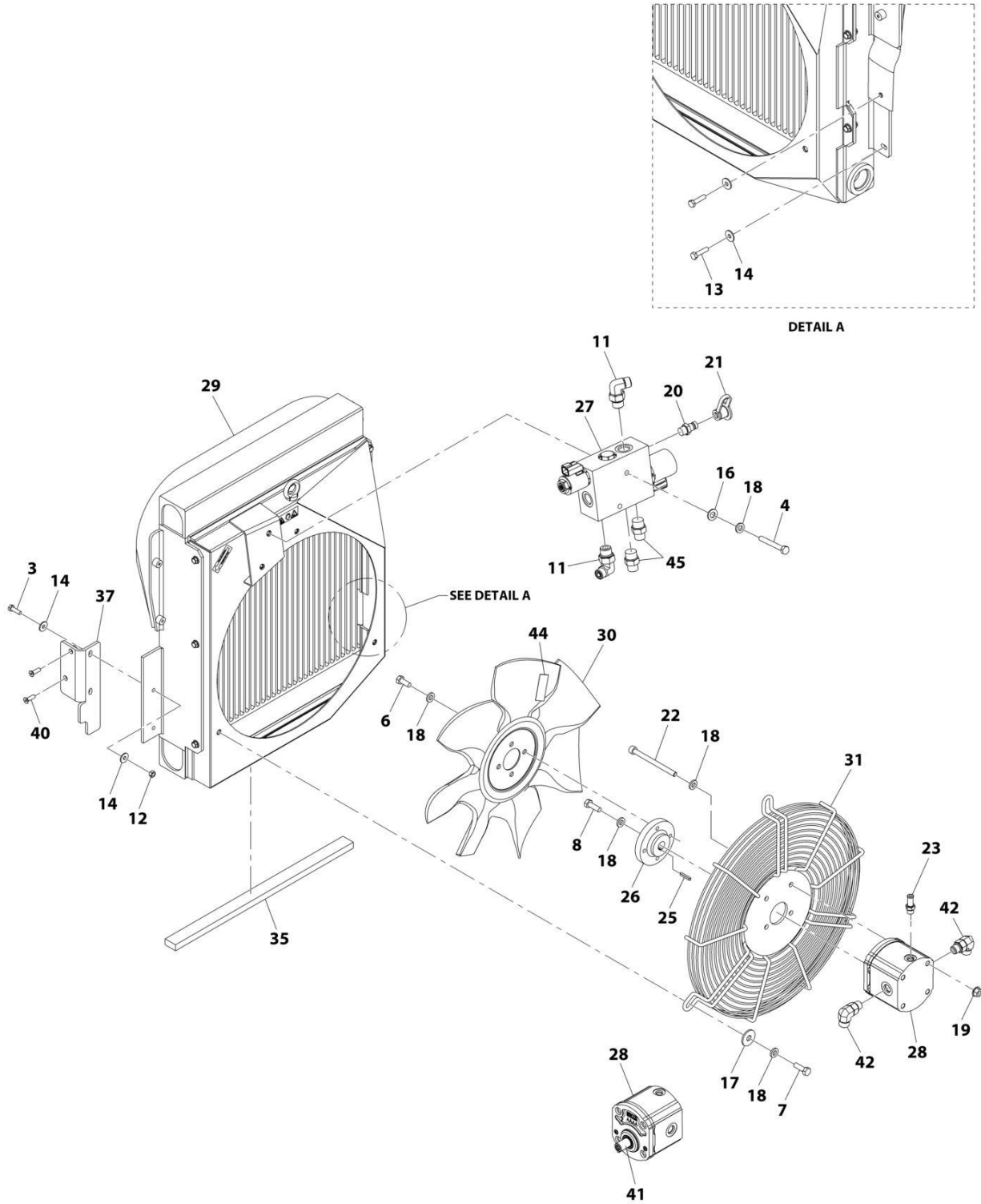
SECTION 4 - ENGINE AND ATTACHING PARTS

FIGURE 4-33. RADIATOR COOLING PACKAGE (90KW)

ITEM	PART NUMBER	QTY	DESCRIPTION	REV
	1001175320	Ref	Radiator Cooling Package (90KW)	C
1	70027199	1	Cooler, Water	
2	70027200	1	Cooler, Oil	
3	70027201	1	Cooler, Air	
4	70027202	1	Shroud	
5	70025644	1	Valve, Drain	
6	70027203	1	Bracket, Mounting	
7	70027204	1	Bracket, Mounting	
8	1001184609	1	Isolator, Mount	

SECTION 4 - ENGINE AND ATTACHING PARTS

FIGURE 4-34. REMOTE HOC INSTALLATION



ART_1001185337-11

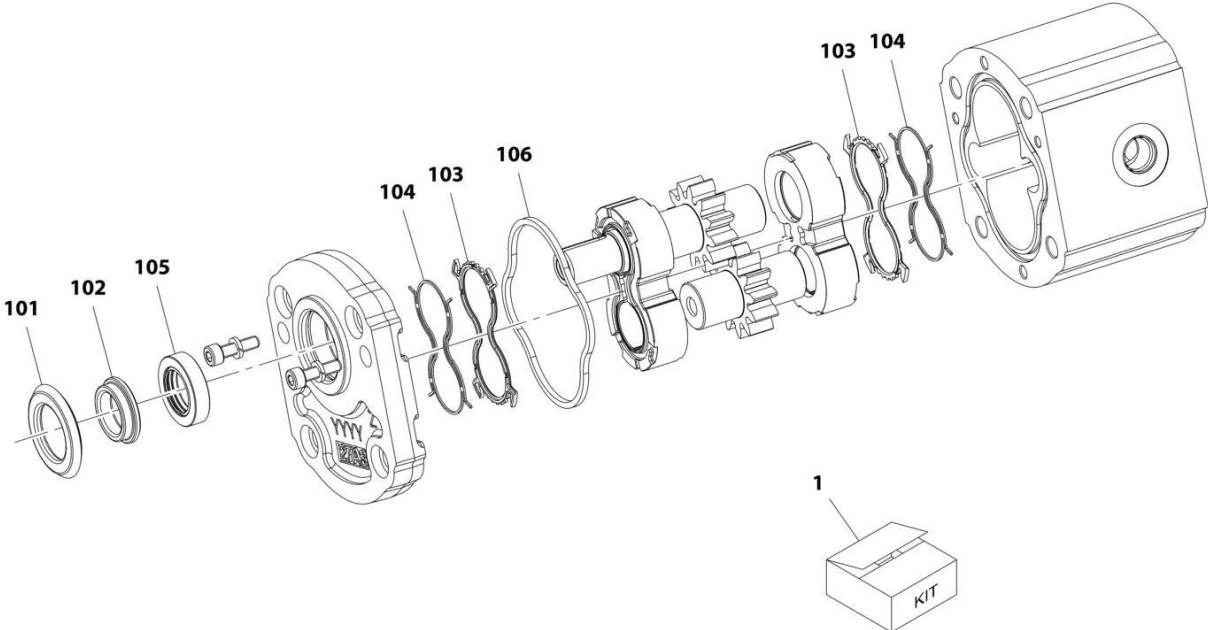
SECTION 4 - ENGINE AND ATTACHING PARTS

FIGURE 4-34. REMOTE HOC INSTALLATION

ITEM	PART NUMBER	QTY	DESCRIPTION	REV
	1001185337	Ref	Remote HOC Installation	1
3	0700610	2	Bolt, M6X20	
4	0700821	2	Bolt, M8X65	
6	0770810	4	Bolt, M8X20 Grade 10.9	
7	0760812	3	Bolt, M8X25	
8	1001139034	1	Bolt	
11	2130608	2	Fitting, 90 ORFS	
12	3290601	2	Nut, M6X1 Grade 8	
13	0700612	2	Bolt, M6X25	
14	4811702	6	Washer, M6	
16	4812000	2	Washer, M10	
17	4812002	3	Washer, M10	
18	5240800	14	Washer, M8	
19	5260800	4	Nut, M8	
20	1001003590	1	Fitting, Straight	
21	1001008761	1	Cap, Dust	
22	1001093277	4	Bolt, M8X100	
23	1001093401	1	Fitting, Straight ORFS	
25	1001152940	1	Key, Fan Hub	
26	1001191508	1	Adapter, Fan Hub	
27	1001182213	1	Valve, Fan Motor Control (See Separate Breakdown in Hydraulic Components Section)	
28	1001182950	1	Motor, Fan Drive (7.29CC) (See Separate Breakdown in this Section)	
29	1001183956	1	Cooler, Oil	
30	1001185210	1	Fan	
31	1001185282	1	Shield, Fan	
35	1001219810	1	Seal	
37	1001197430	1	Bracket	
40	0630576	2	Screw, M6X20	
41	1001125466	AR	Compound, Locking	
42	2130606	2	Fitting, 90 ORFS	
44	1001222573	AR	Reflective Tape	
45	2110608	2	Fitting, Straight ORFS	

SECTION 4 - ENGINE AND ATTACHING PARTS

FIGURE 4-35. FAN DRIVE MOTOR (RHOC)



ART_1001182950-B

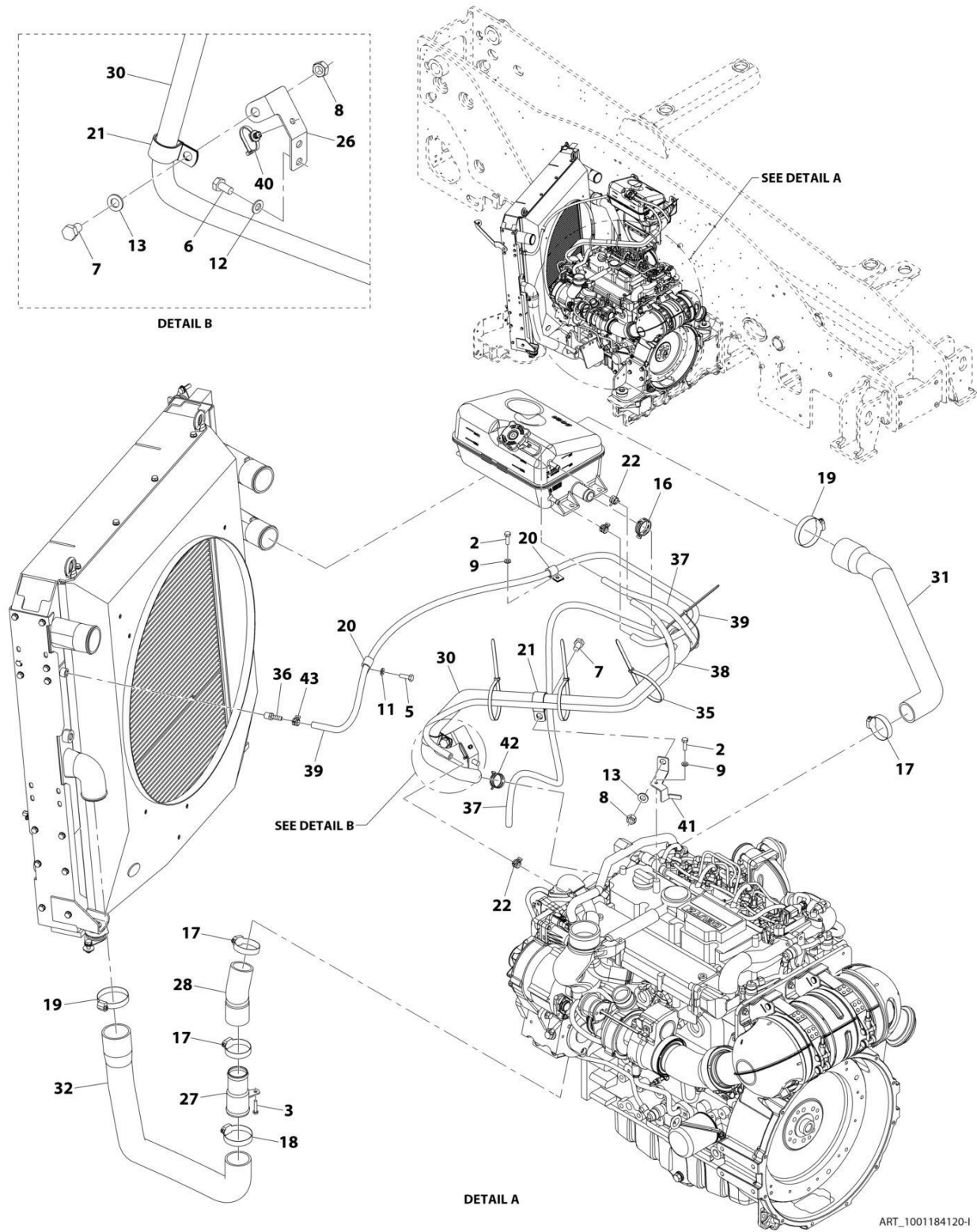
SECTION 4 - ENGINE AND ATTACHING PARTS

FIGURE 4-35. FAN DRIVE MOTOR (RHOC)

ITEM	PART NUMBER	QTY	DESCRIPTION	REV
	1001182950	Ref	Fan Drive Motor (RHOC)	B
1	70027037	1	Kit, Seal	
101	N.S.S.	1	Seal, Axial	
102	N.S.S.	1	Bush Holder	
103	N.S.S.	2	Seal	
104	N.S.S.	2	Ring	
105	N.S.S.	1	Seal	
106	N.S.S.	1	Seal	

SECTION 4 - ENGINE AND ATTACHING PARTS

FIGURE 4-36. COOLANT LINES INSTALLATION (ULS)



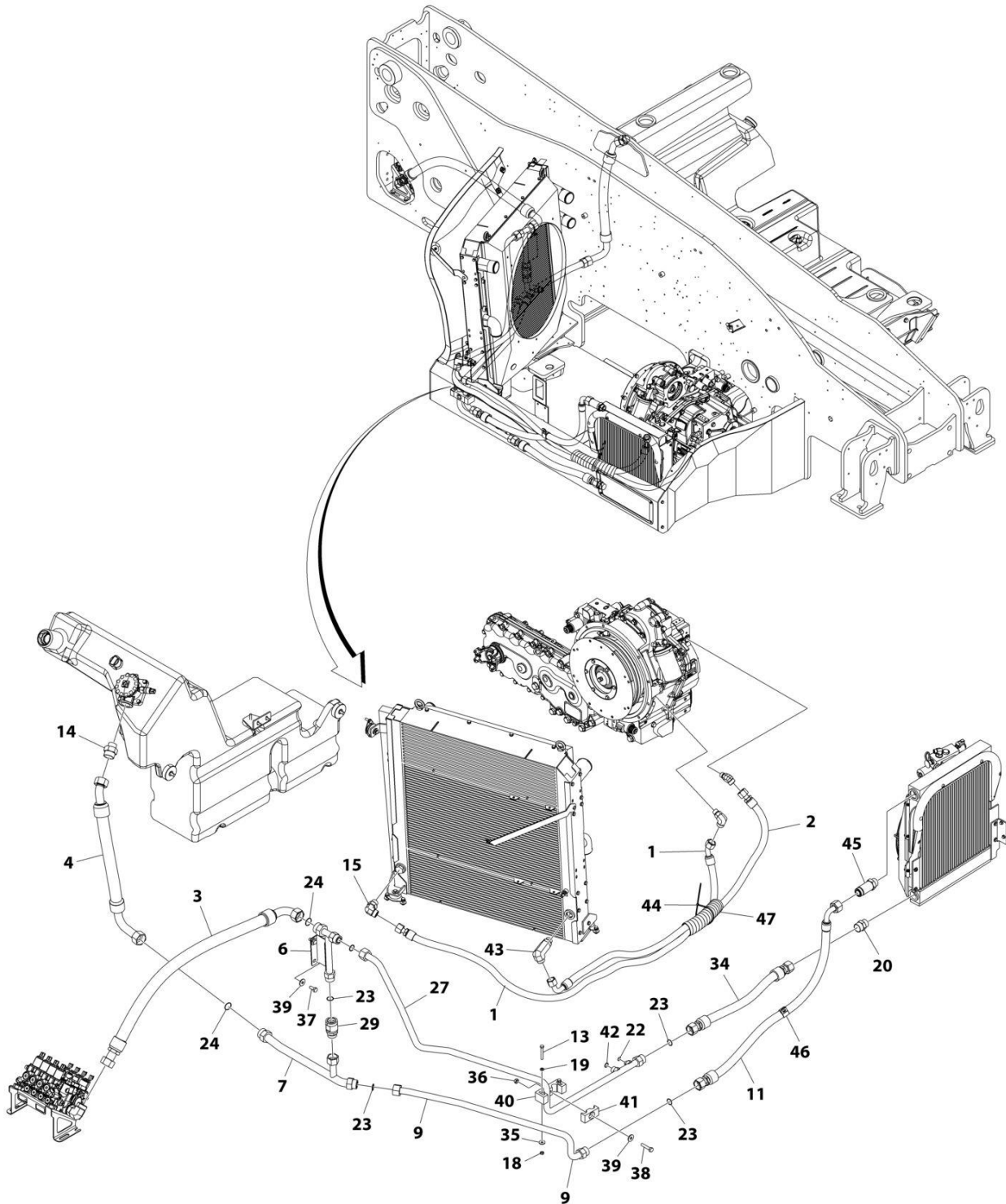
SECTION 4 - ENGINE AND ATTACHING PARTS

FIGURE 4-36. COOLANT LINES INSTALLATION (ULS)

ITEM	PART NUMBER	QTY	DESCRIPTION	REV
	1001184120	Ref	Coolant Lines Installation (ULS)	1
2	0700610	2	Bolt, M6X20	
3	0700614	1	Bolt, M6X30	
5	0760812	1	Bolt, M8X25	
6	0761010	2	Bolt, M10X20	
7	0761210	2	Bolt, M12X20	
8	3291201	2	Nut, M12X1.75 Grade 8	
9	4811700	2	Washer, M6	
11	4811900	1	Washer, M8	
12	4812000	2	Washer, M10	
13	4812100	2	Washer, M12	
16	1001212949	1	Clamp	
17	8405104	3	Clamp	
18	8405201	1	Clamp	
19	8405202	2	Clamp, Gear	
20	1001008580	2	Clip	
21	8406302	2	Clamp, Hose	
22	1001195443	3	Clamp	
26	1001168727	1	Bracket	
27	1001189884	1	Pipe	
28	1001217333	1	Hose	
30	1001184099	1	Hose	
31	1001184129	1	Hose	
32	1001184128	1	Hose	
35	1062255	AR	Strap, Tie	
36	8420231	1	Adapter	
37	1001203009	1	Hose	
38	1001203027	1	Hose	
39	1001203028	1	Hose	
40	1001146588	1	Strap	
41	1001205551	1	Bracket	
42	1001212948	1	Clamp	
43	1001140296	1	Clamp	

SECTION 4 - ENGINE AND ATTACHING PARTS

FIGURE 4-37. COOLER LINES INSTALLATION (90KW)



ART_1001183076_G

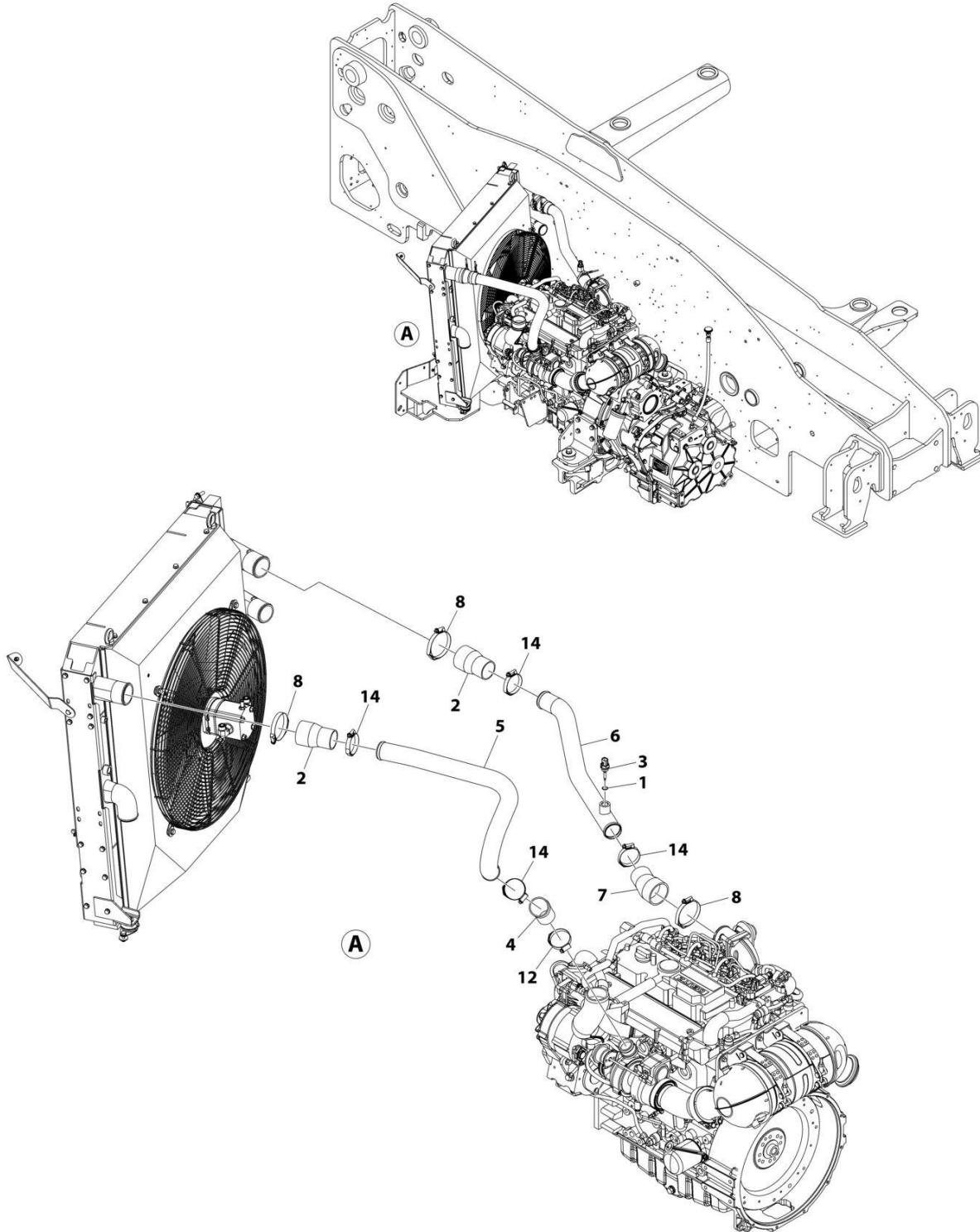
SECTION 4 - ENGINE AND ATTACHING PARTS

FIGURE 4-37. COOLER LINES INSTALLATION (90KW)

ITEM	PART NUMBER	QTY	DESCRIPTION	REV
	1001183076	Ref	COOLER LINES INSTALLATION (90KW)	G
1	1001203173	1	Hose, ORFS	
2	1001229093	1	Hose, ORFS	
3	1001202249	1	Hose, ORFS	
4	1001203039	1	Hose, ORFS	
6	1001202445	1	Pipe, ORFS	
7	1001203014	1	Pipe, ORFS	
9	1001202329	1	Pipe, ORFS	
11	1001265061	1	Hose, ORFS	
13	0700820	2	Bolt, M8X60	
14	2112016	1	Fitting, Straight ORFS	
15	2131212	1	Fitting, 90 ORFS	
18	3290801	2	Nut, M8X1.25 Grade 8	
19	4811900	2	Washer, M8	
20	2111616	1	Fitting, Straight ORFS	
22	1001008804	1	Seal	
23	1001010240	5	Seal, O-Ring ORFS	
24	1001010938	2	Seal, O-Ring ORFS	
27	1001202328	1	Pipe, ORFS	
29	1001185871	1	Check, Valve ORFS	
34	1001202376	1	Hose, ORFS	
35	4811902	2	Washer, M8	
36	3291001	1	Nut, M10X1.5 Grade 8	
37	0701012	2	Bolt, M10X25	
38	0701018	1	Bolt, M10X50	
39	4812002	3	Washer, M10	
40	1001202653	1	Clamp, Pipes Female	
41	1001202654	1	Clamp, Pipes Male	
42	1001008922	1	Seal	
43	2170212	1	Fitting, 90 ORFS	
44	1062255	1	Strap, Tie	
45	2170116	1	Fitting, Straight ORFS	
46	8406302	1	Clamp	
47	1001268889	1	Sleeve, Hose Wrap	

SECTION 4 - ENGINE AND ATTACHING PARTS

FIGURE 4-38. CAC LINES INSTALLATION (ULS)



ART_1001186849_G

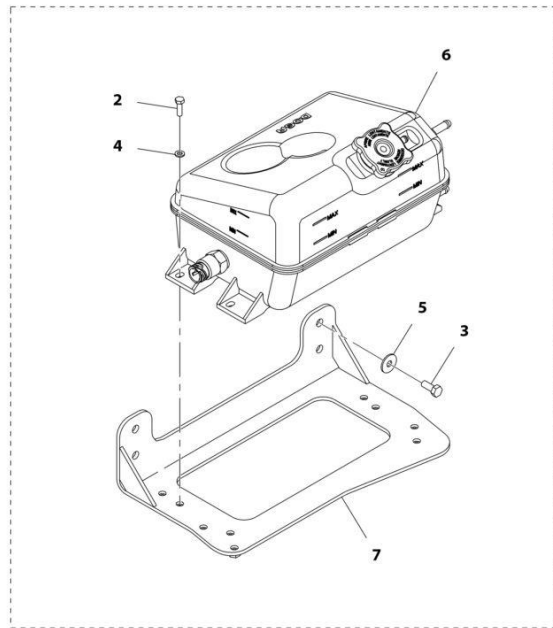
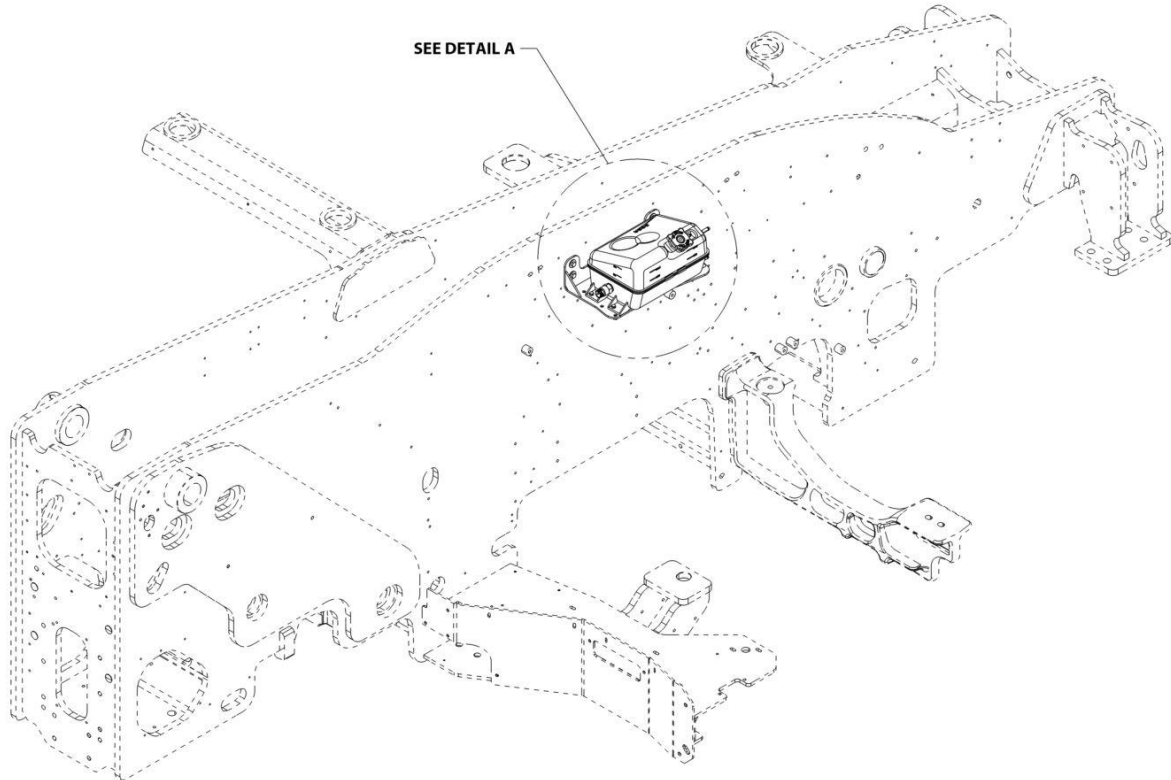
SECTION 4 - ENGINE AND ATTACHING PARTS

FIGURE 4-38. CAC LINES INSTALLATION (ULS)

ITEM	PART NUMBER	QTY	DESCRIPTION	REV
	1001186849	Ref	CAC LINES INSTALLATION (ULS)	G
1	1001009163	1	O-Ring	
2	1001226096	2	Coupling, Reducer	
3	1001128478	1	Sensor, Temperature	
4	1001197653	1	Coupling, Reducer	
5	1001197641	1	Pipe	
6	1001197638	1	Pipe	
7	1001197654	1	Coupling, Reducer	
8	1001215022	3	Clamp	
12	1001215024	1	Clamp	
14	1001215023	4	Clamp	

SECTION 4 - ENGINE AND ATTACHING PARTS

FIGURE 4-39. SURGE TANK INSTALLATION



DETAIL A

ART_1001179864-C

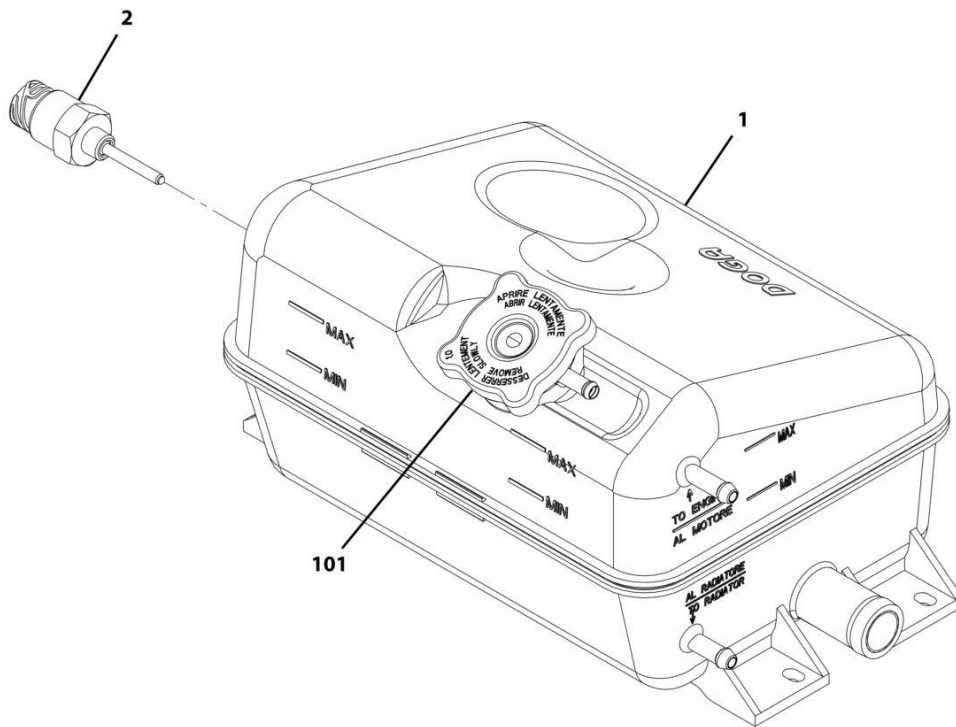
SECTION 4 - ENGINE AND ATTACHING PARTS

FIGURE 4-39. SURGE TANK INSTALLATION

ITEM	PART NUMBER	QTY	DESCRIPTION	REV
	1001179864	Ref	Surge Tank Installation	C
2	0700610	4	Bolt, M6X20	
3	0760810	4	Bolt, M8X20	
4	4811700	4	Washer, M6	
5	4811902	4	Washer, M8	
6	1001149375	1	Tank, Expansion (See Separate Breakdown in this Section)	
7	1001188407	1	Bracket	

SECTION 4 - ENGINE AND ATTACHING PARTS

FIGURE 4-40. TANK EXPANSION



ART_1001149375-B

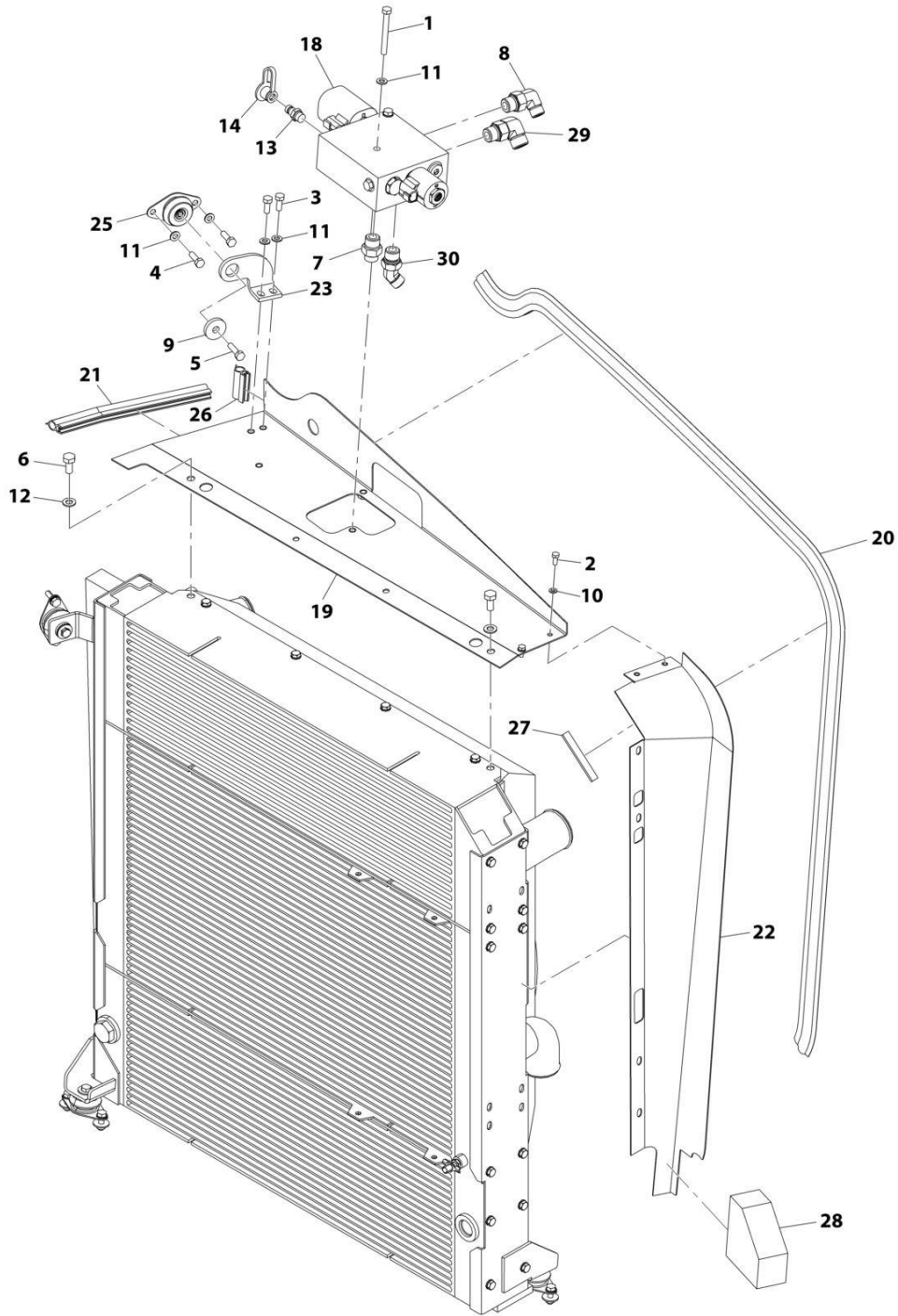
SECTION 4 - ENGINE AND ATTACHING PARTS

FIGURE 4-40. TANK EXPANSION

ITEM	PART NUMBER	QTY	DESCRIPTION	REV
	1001149375	Ref	EXPANSION TANK	B
1	1001149308	1	Tank, Expansion	
2	1001149376	1	Sensor, Coolant Level	
101	70026997	1	Cap	

SECTION 4 - ENGINE AND ATTACHING PARTS

FIGURE 4-41. BULKHEAD INSTALLATION



ART_1001184955-H

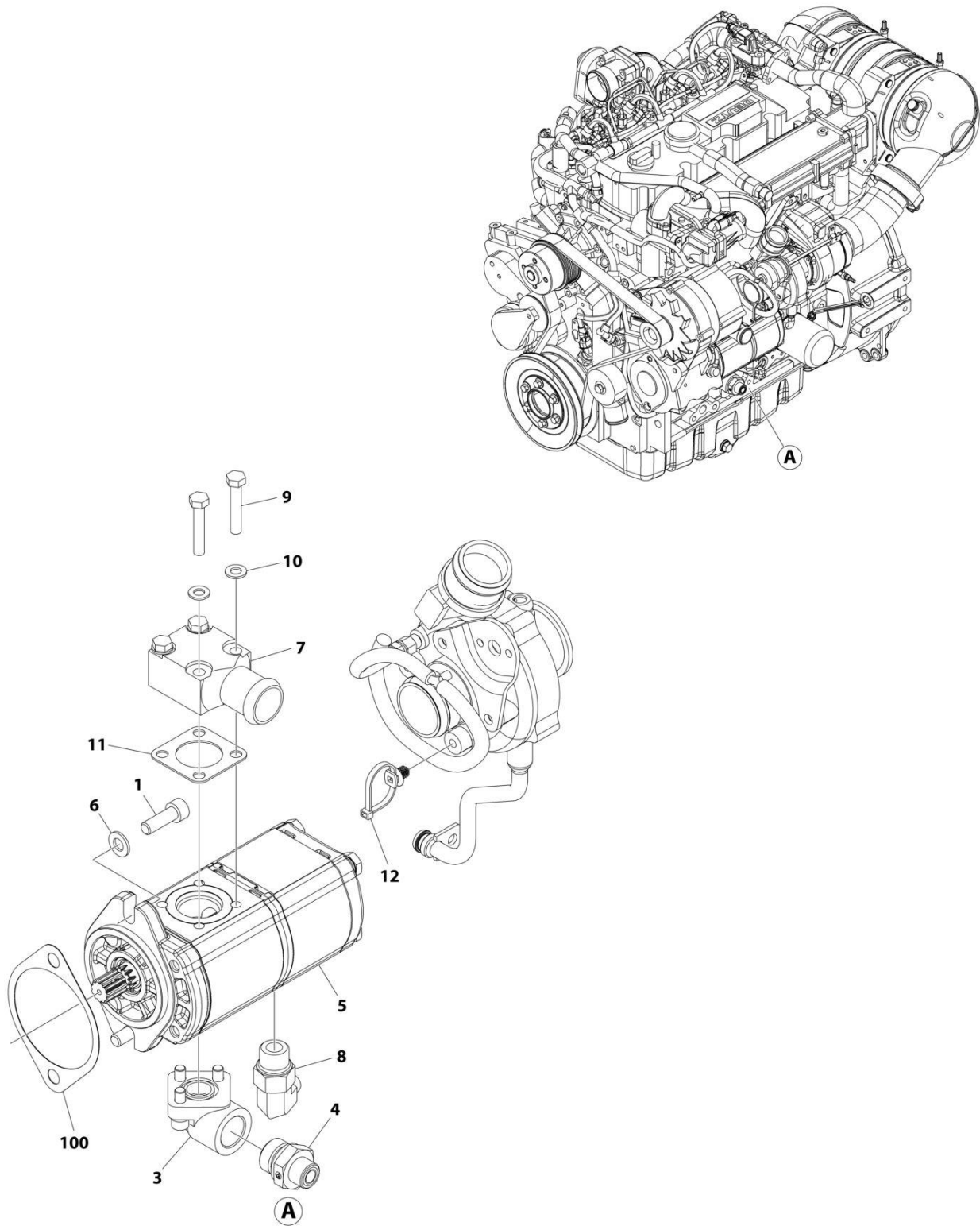
SECTION 4 - ENGINE AND ATTACHING PARTS

FIGURE 4-41. BULKHEAD INSTALLATION

ITEM	PART NUMBER	QTY	DESCRIPTION	REV
	1001184955	Ref	Bulkhead Installation	H
1	0700823	2	Bolt, M8X75	
2	0760607	2	Bolt, M6X14	
3	0760810	2	Bolt, M8X20	
4	0760812	2	Bolt, M8X25	
5	0760814	1	Bolt, M8X30	
6	0761011	2	Bolt, M10X22	
7	2110810	1	Fitting, Straight ORFS	
8	2130810	1	Fitting, 90 ORFS	
9	4740572	1	Washer, M10	
10	4811700	2	Washer, M6	
11	4811900	6	Washer, M8	
12	4812000	2	Washer, M10	
13	1001003590	1	Fitting, Straight	
14	1001008761	1	Cap	
18	1001200908	1	Valve, Fan Motor Control	
19	1001230411	1	Panel	
20	1001182452	1	Seal	
21	1001182453	1	Seal	
22	1001183958	1	Panel	
23	1001184445	1	Bracket	
25	1001184609	1	Mount	
26	1001184800	1	Seal	
27	1001216867	1	Seal, Bulkhead	
28	1001186370	1	Seal	
29	2131010	1	Fitting, 90 ORFS	
30	2150810	1	Fitting, 45 ORFS	

SECTION 4 - ENGINE AND ATTACHING PARTS

FIGURE 4-42. HYDRAULIC PUMP INSTALLATION (90KW)



ART_1001185864-G

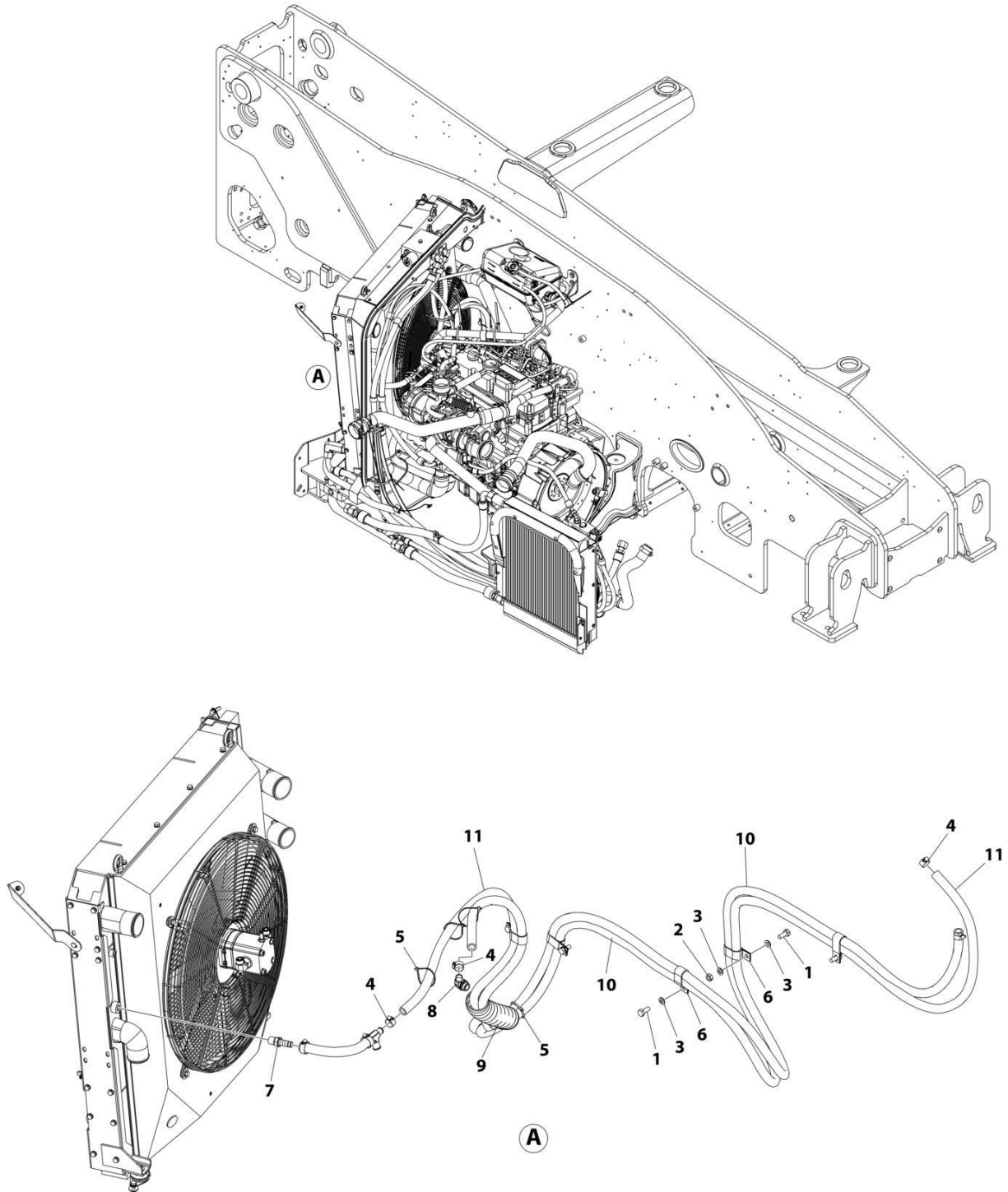
SECTION 4 - ENGINE AND ATTACHING PARTS

FIGURE 4-42. HYDRAULIC PUMP INSTALLATION (90KW)

ITEM	PART NUMBER	QTY	DESCRIPTION	REV
	1001185864	Ref	Hydraulic Pump Installation (90KW)	G
1	4032010	2	Bolt, M10X30	
3	1001135245	1	Elbow, Adapter	
4	1001192411	1	Fitting, Straight ORFS	
5	1001182935	1	Pump	
6	4812000	2	Washer, M10	
7	1001202643	1	Fitting	
8	2130610	1	Fitting, 90 ORFS	
9	0700817	4	Bolt, M8X45	
10	4811900	4	Washer, M8	
11	1001203012	1	Seal	
12	1001146588	1	Strap	
100	70024965	1	Gasket, Fan Pump (Supplied with Engine)	

SECTION 4 - ENGINE AND ATTACHING PARTS

FIGURE 4-43. HEATER LINES INSTALLATION (LS)



ART_1001260972

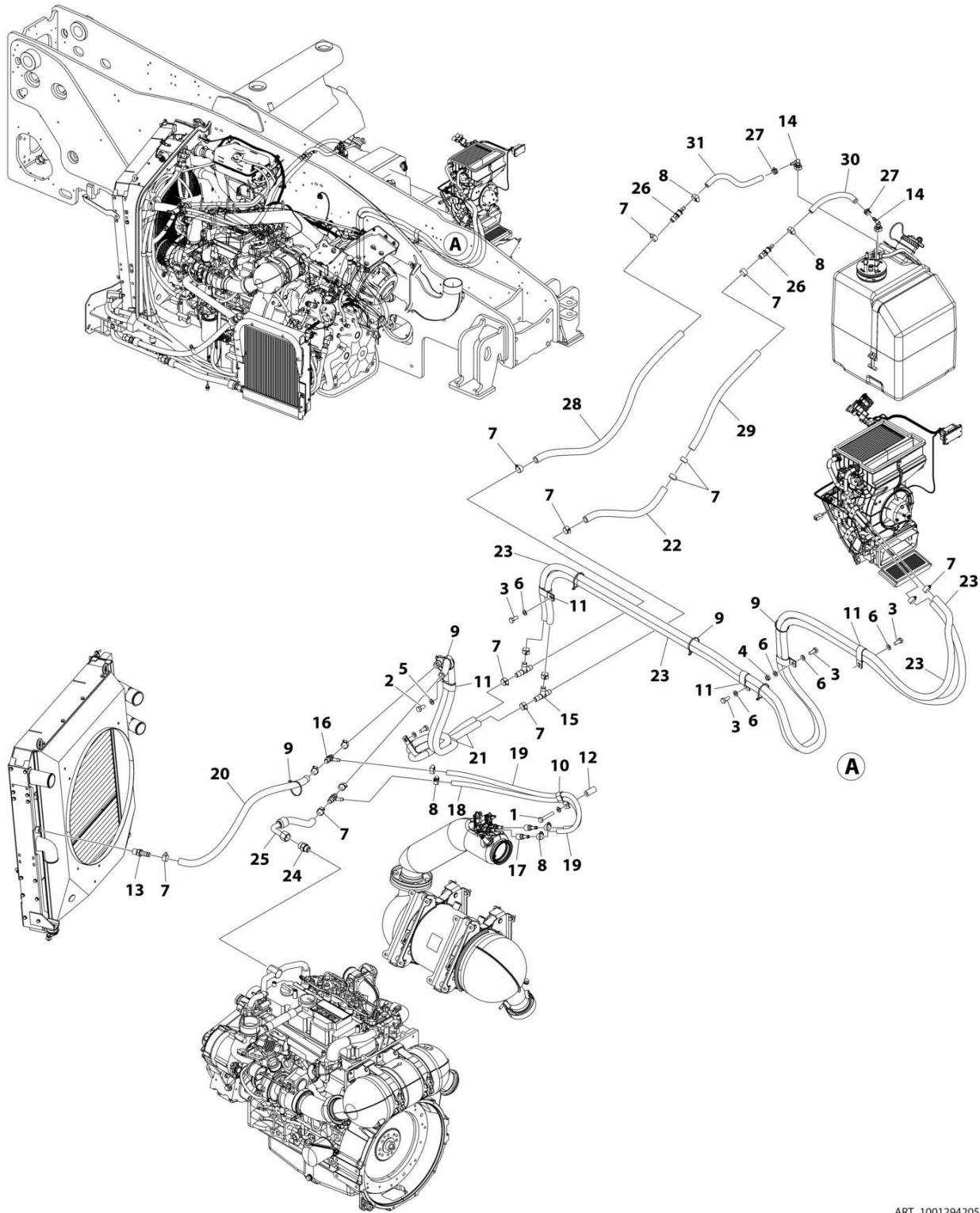
SECTION 4 - ENGINE AND ATTACHING PARTS

FIGURE 4-43. HEATER LINES INSTALLATION (LS)

ITEM	PART NUMBER	QTY	DESCRIPTION	REV
	1001260972	Ref	HEATER LINES INSTALLATION	A
1	0761012	6	Bolt M10 x 25	
2	3291001	1	Nut M10	
3	4812000	7	Washer M10	
4	8410009	4	Clamp	
5	1001008559	4	Strap, Tie	
6	1001008720	6	Clip-Loop	
7	1001104685	1	Fitting, Straight Barbed/NPTF	
8	1001203005	1	Fitting, 45 Barbed	
9	1001268889	1	Sleeve, Hose Wrap	
10	1001284544	1	Hose	
11	1001284581	1	Hose	

SECTION 4 - ENGINE AND ATTACHING PARTS

FIGURE 4-44. HEATER LINES INSTALLATION



ART_1001294205

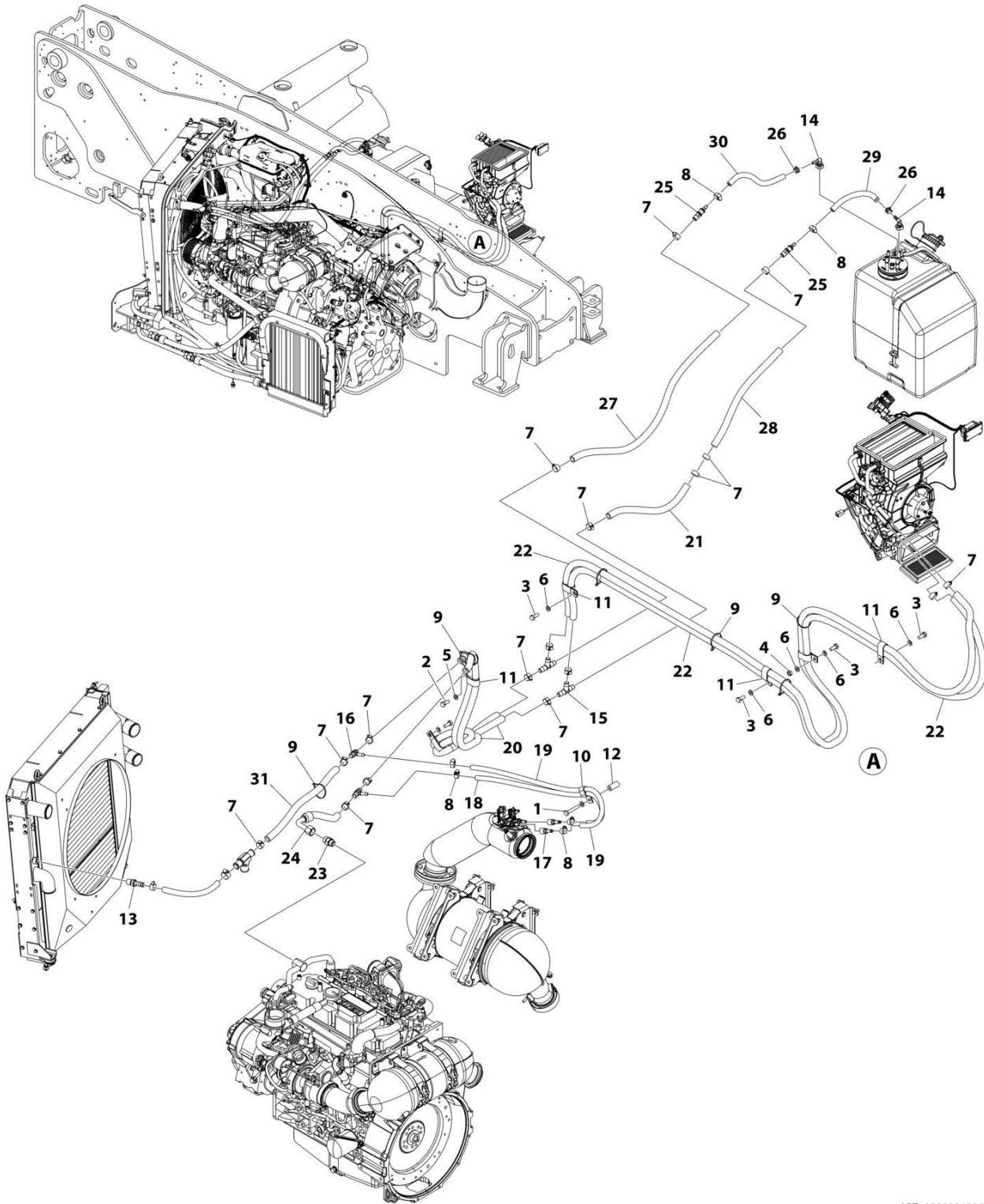
SECTION 4 - ENGINE AND ATTACHING PARTS

FIGURE 4-44. HEATER LINES INSTALLATION

ITEM	PART NUMBER	QTY	DESCRIPTION	REV
	1001294205	Ref	HEATER LINES INSTALLATION	A
1	0701020	1	Bolt M10 x 60	
2	0760812	1	Bolt M8 x 25	
3	0761012	5	Bolt M10 x 25	
4	3291001	1	Nut M10	
5	4811900	1	Washer M8	
6	4812000	7	Washer M10	
7	8410009	17	Clamp	
8	8410013	6	Clamp	
9	1001008559	8	Tie- Strap	
10	1001008573	1	Clip	
11	1001008720	6	Clip	
12	1001092122	1	Spacer	
13	1001104685	1	Fitting, Barbed	
14	1001155823	2	Coupling,90 Connect	
15	1001183125	2	Fitting, Tee	
16	1001183149	2	Fitting, Tee	
17	1001183357	2	Fitting, Straight	
18	1001202473	1	Hose	
19	1001202474	1	Hose	
20	1001202476	1	Hose	
21	1001202477	2	Hose	
22	1001202478	1	Hose	
23	1001202480	2	Hose	
24	1001202921	1	Fitting, Straight ORFS	
25	1001212956	1	Hose	
26	1001238470	2	Adapter	
27	1001254357	2	Clamp	
28	1001256381	1	Hose	
29	1001256382	1	Hose	
30	1001256383	1	Hose	
31	1001256384	1	Hose	

SECTION 4 - ENGINE AND ATTACHING PARTS

FIGURE 4-45. HEATER LINES WITH HEATER INSTALLATION



ART_1001294206

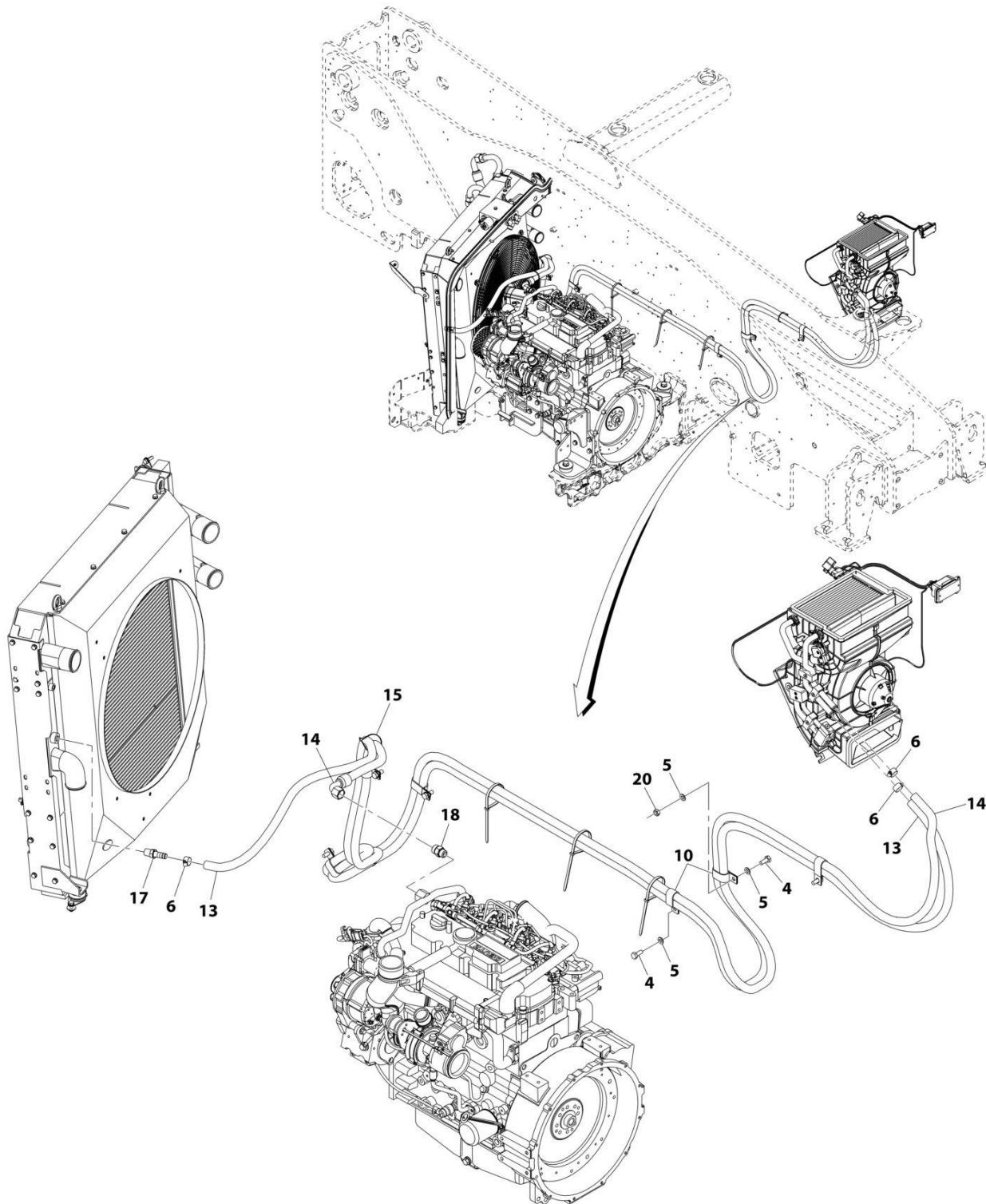
SECTION 4 - ENGINE AND ATTACHING PARTS

FIGURE 4-45. HEATER LINES WITH HEATER INSTALLATION

ITEM	PART NUMBER	QTY	DESCRIPTION	REV
	1001294206	Ref	HEATER LINES WITH HEATER INSTALLATION	A
1	0701020	1	Bolt M10 x 60	
2	0760812	1	Bolt M8 x 25	
3	0761012	5	Bolt M10 x 25	
4	3291001	1	Nut M10	
5	4811900	1	Washer M8	
6	4812000	7	Washer M10	
7	8410009	17	Clamp	
8	8410013	6	Clamp	
9	1001008559	8	Strap	
10	1001008573	1	Clip	
11	1001008720	6	Clip	
12	1001092122	1	Spacer	
13	1001104685	1	Fitting, Barbed	
14	1001155823	2	Coupling, 90 Connect	
15	1001183125	2	Fitting, Tee	
16	1001183149	2	Fitting, Tee	
17	1001183357	2	Fitting, Straight	
18	1001202473	1	Hose	
19	1001202474	1	Hose	
20	1001202477	2	Hose	
21	1001202478	1	Hose	
22	1001202480	2	Hose	
23	1001202921	1	Fitting, Straight ORFS	
24	1001212956	1	Hose	
25	1001238470	2	Adapter	
26	1001254357	2	Clamp	
27	1001256381	1	Hose	
28	1001256382	1	Hose	
29	1001256383	1	Hose	
30	1001256384	1	Hose	
31	1001260974	1	Hose	

SECTION 4 - ENGINE AND ATTACHING PARTS

FIGURE 4-46. HEATER LINES INSTALLATION (LS)



ART_1001181413-D

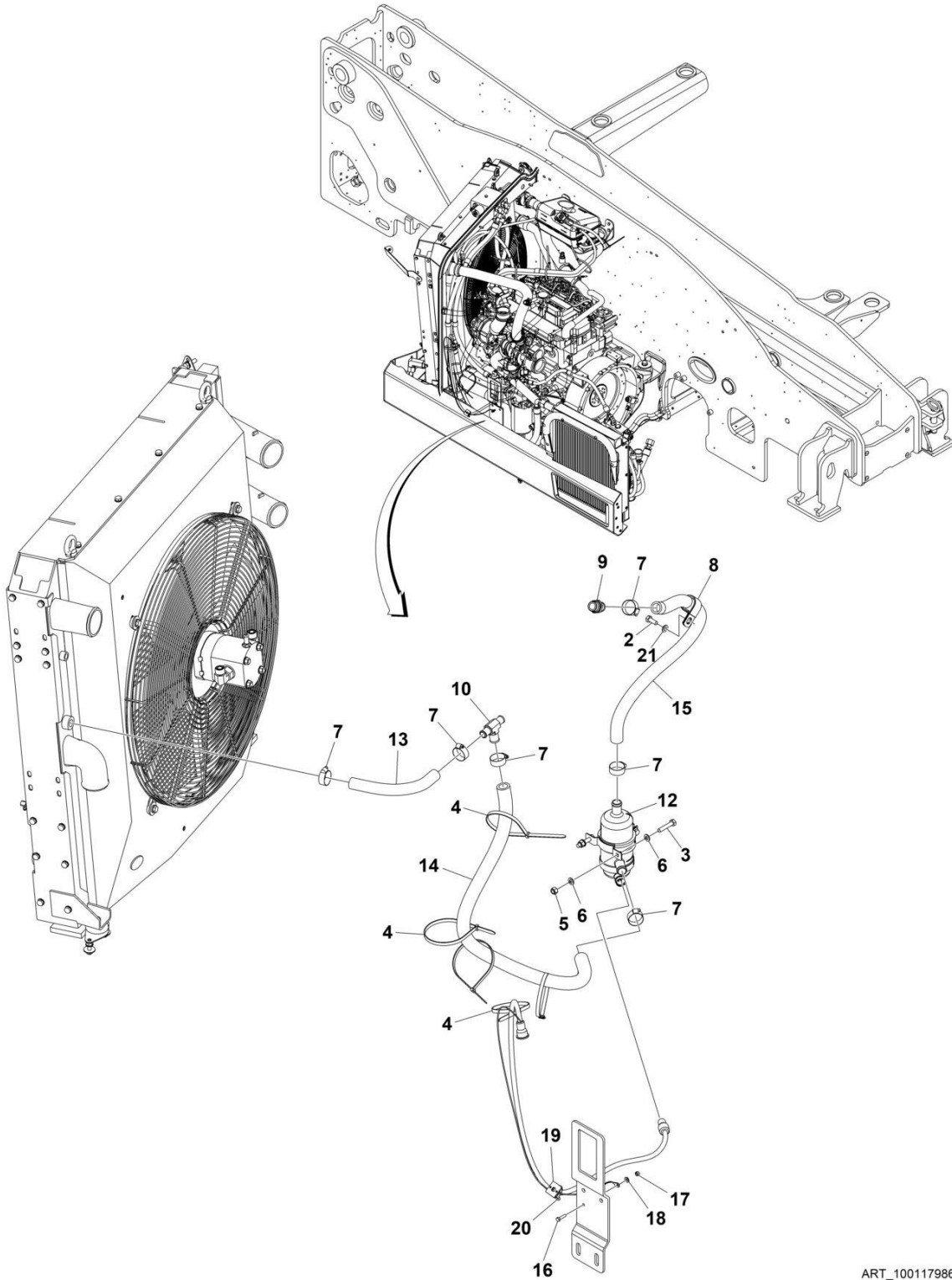
SECTION 4 - ENGINE AND ATTACHING PARTS

FIGURE 4-46. HEATER LINES INSTALLATION (LS)

ITEM	PART NUMBER	QTY	DESCRIPTION	REV
	1001181413	Ref	Heater Lines Installation (LS)	E
4	0761012	6	Bolt, M10X25	
5	4812000	7	Washer, M10	
6	8410009	4	Clamp	
10	1001008720	6	Clip	
13	1001201296	1	Hose	
13	1001284581	1	Hose	
14	1001202772	1	Hose	
14	1001284544	1	Hose	
15	1001008559	2	Strap	
17	1001104685	1	Fitting, Barbed	
18	1001202921	1	Fitting, Straight ORFS	
18	2221257	1	Fitting, Straight ORFS	
18	1001203005	1	Fitting, 45	
20	3291001	1	Nut, M10X1.5	
21	1001268889	1	Sleeve, Hose Wrap	

SECTION 4 - ENGINE AND ATTACHING PARTS

FIGURE 4-47. BLOCK HEATER INSTALLATION (120V - LS)



ART_1001179861_F

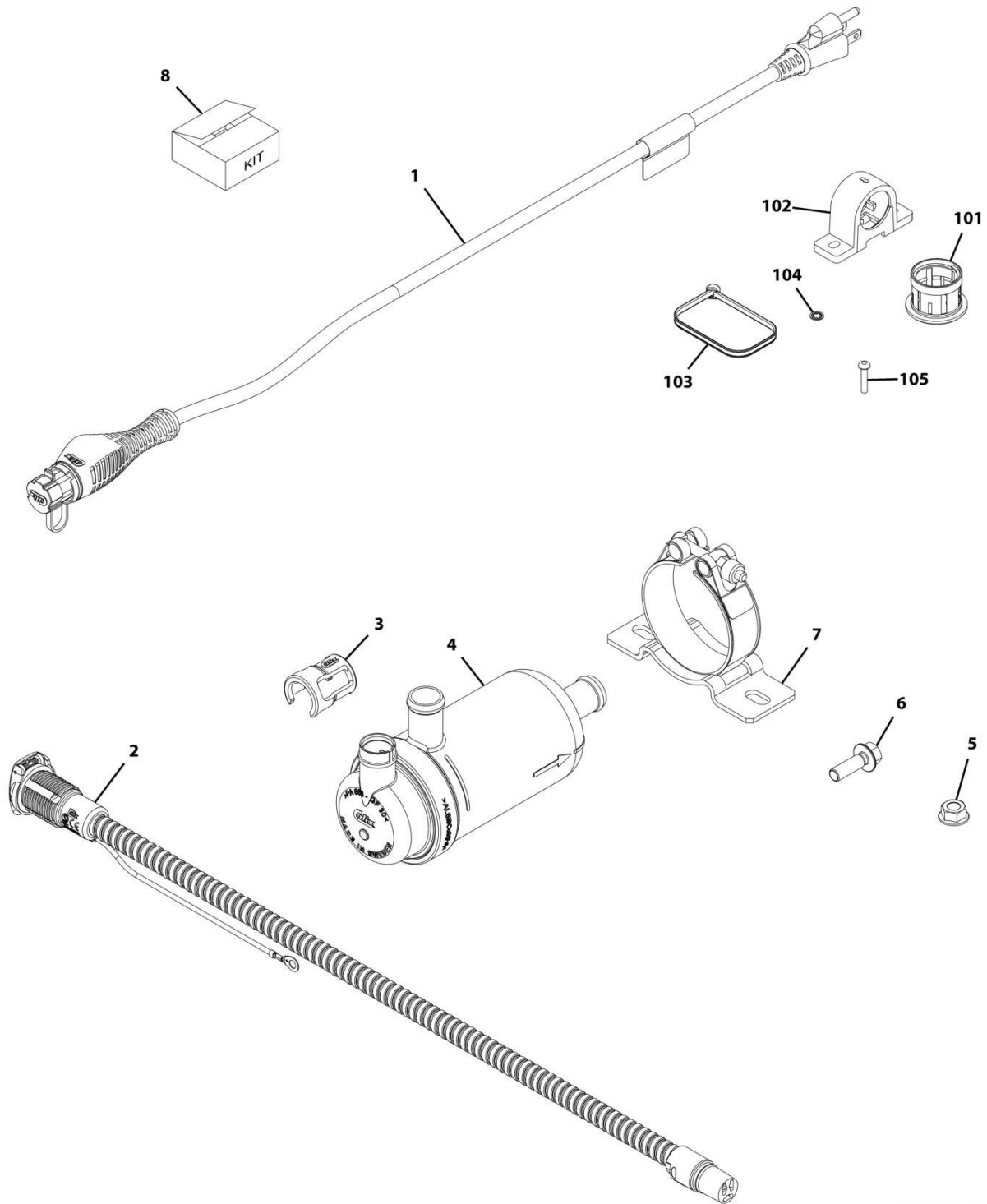
SECTION 4 - ENGINE AND ATTACHING PARTS

FIGURE 4-47. BLOCK HEATER INSTALLATION (120V - LS)

ITEM	PART NUMBER	QTY	DESCRIPTION	REV
	1001179861	Ref	BLOCK HEATER INSTALLATION (120V)	F
2	0761010	1	Bolt M10 x 20	
3	0760816	2	Bolt M8 x 40	
4	1062255	5	Strap, Tie	
5	3290805	2	Nut Lock M8 x 1.25 Grade 8	
6	4811900	4	Washer M8	
7	8405007	6	Clamp	
8	8406302	1	Clamp	
9	1001167408	1	Adapter, Hose	
10	1001167773	1	Fitting, Tee	
12	1001179910	1	Block Heater (120V) (See Separate Breakdown in this Section)	
13	1001204302	1	Hose	
14	1001204301	1	Hose	
15	1001204373	1	Hose	
16	0700510	1	Bolt M5 x 20	
17	3290505	1	Nut M5	
18	4811700	1	Washer M6	
19	4460234	1	Mount, Cable Tie	
20	1001008559	1	Strap, Tie	
21	4812000	1	Washer M10	

SECTION 4 - ENGINE AND ATTACHING PARTS

FIGURE 4-48. BLOCK HEATER (LS)



ART_1001179910-B

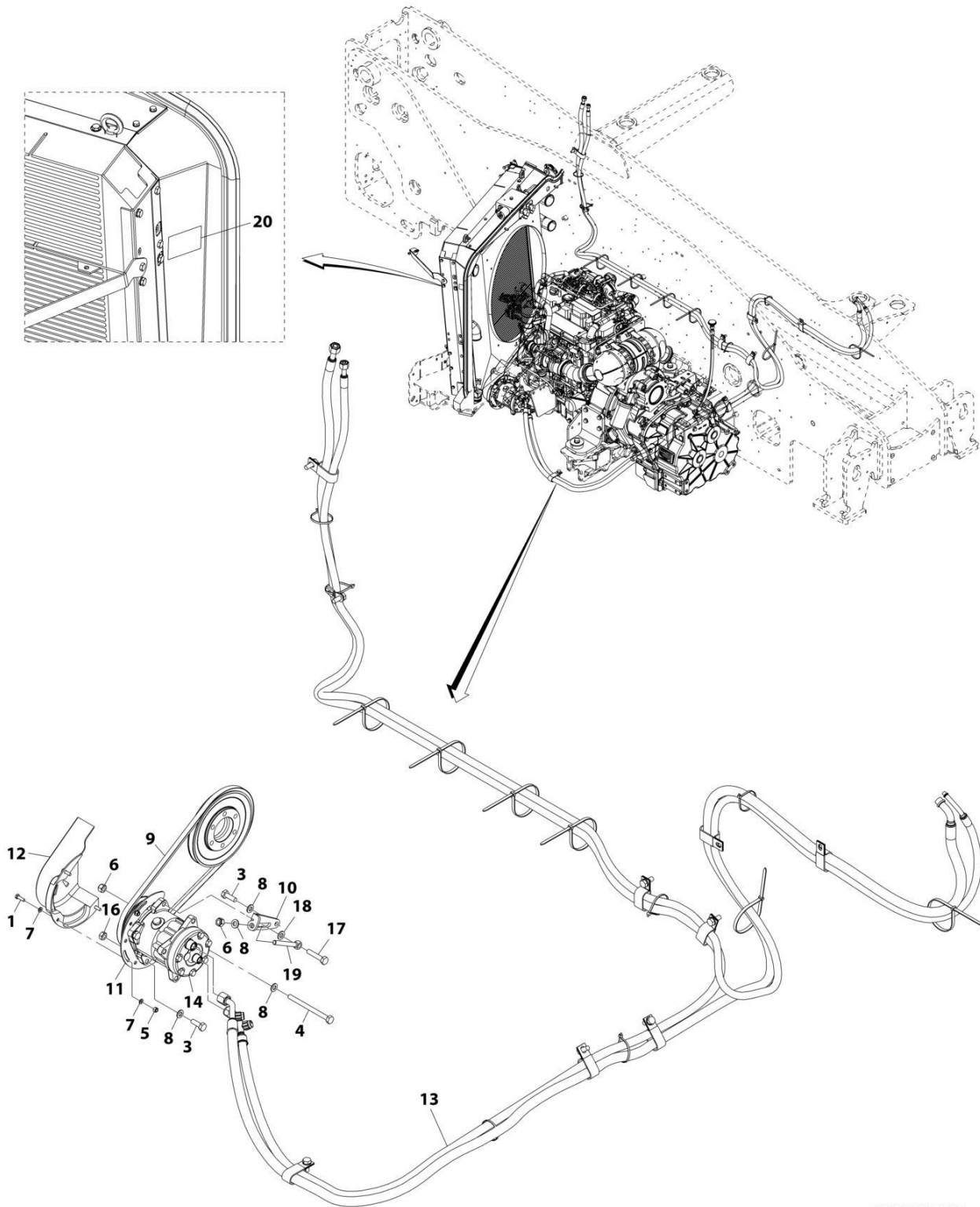
SECTION 4 - ENGINE AND ATTACHING PARTS

FIGURE 4-48. BLOCK HEATER (LS)

ITEM	PART NUMBER	QTY	DESCRIPTION	REV
	1001179910	Ref	Block Heater (LS)	B
1	70026725	1	Cable, Supply	
2	70026726	1	Cable, Inlet	
3	70026720	1	Clip, Safety	
4	70026721	1	Heater	
5	70026722	2	Nut, Flange M8X8	
6	70026723	2	Screw, Flange M8X25	
7	70026724	1	Clamp	
8	70026719	1	Kit, MK Assembly	
101	Kit	1	Expander	
102	Kit	1	Clamp	
103	Kit	5	Wrap, Tie	
104	Kit	2	Washer, Lock	
105	Kit	3	Screw	

SECTION 4 - ENGINE AND ATTACHING PARTS

FIGURE 4-49. A/C PUMP INSTALLATION



ART_1001178725

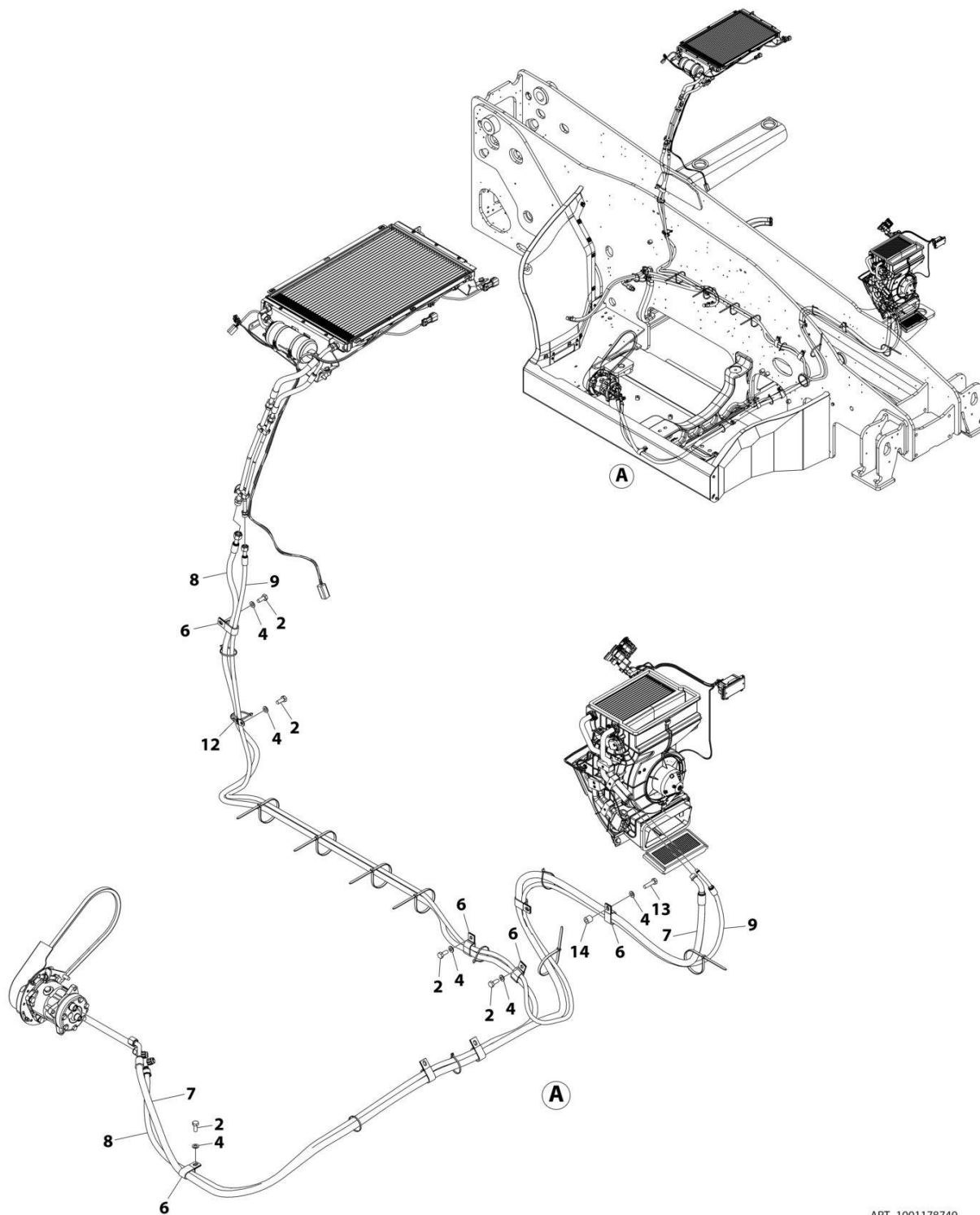
SECTION 4 - ENGINE AND ATTACHING PARTS

FIGURE 4-49. A/C PUMP INSTALLATION

ITEM	PART NUMBER	QTY	DESCRIPTION	REV
	1001178725	Ref	A/C Pump Installation	F
1	0700610	3	Bolt, M6X20	
3	0701014	3	Bolt, M10X30	
4	0701030	1	Bolt, M10X130	
5	3290605	3	Nut, Lock M6X1 Grade 8	
6	3291005	2	Nut, Lock M10X1.5 Grade 8	
7	4811700	6	Washer, M6	
8	4812000	5	Washer, M10	
9	1001167356	1	Belt, Drive A/C	
10	1001188855	1	Plate	
11	1001193735	1	Support	
12	1001171000	1	Cover	
13	1001178749	Ref	Installation, A/C Lines (See Separate Breakdown in this Section)	
14	1001119220	1	Compressor	
16	3291001	2	Nut, M10X1.5 Grade 8	
17	0701018	1	Bolt, M10X50	
18	5241000	1	Washer, M10	
19	1001188856	1	Rod	
20	1001227090	1	Decal	

SECTION 4 - ENGINE AND ATTACHING PARTS

FIGURE 4-50. A/C LINES INSTALLATION



ART_1001178749

SECTION 4 - ENGINE AND ATTACHING PARTS

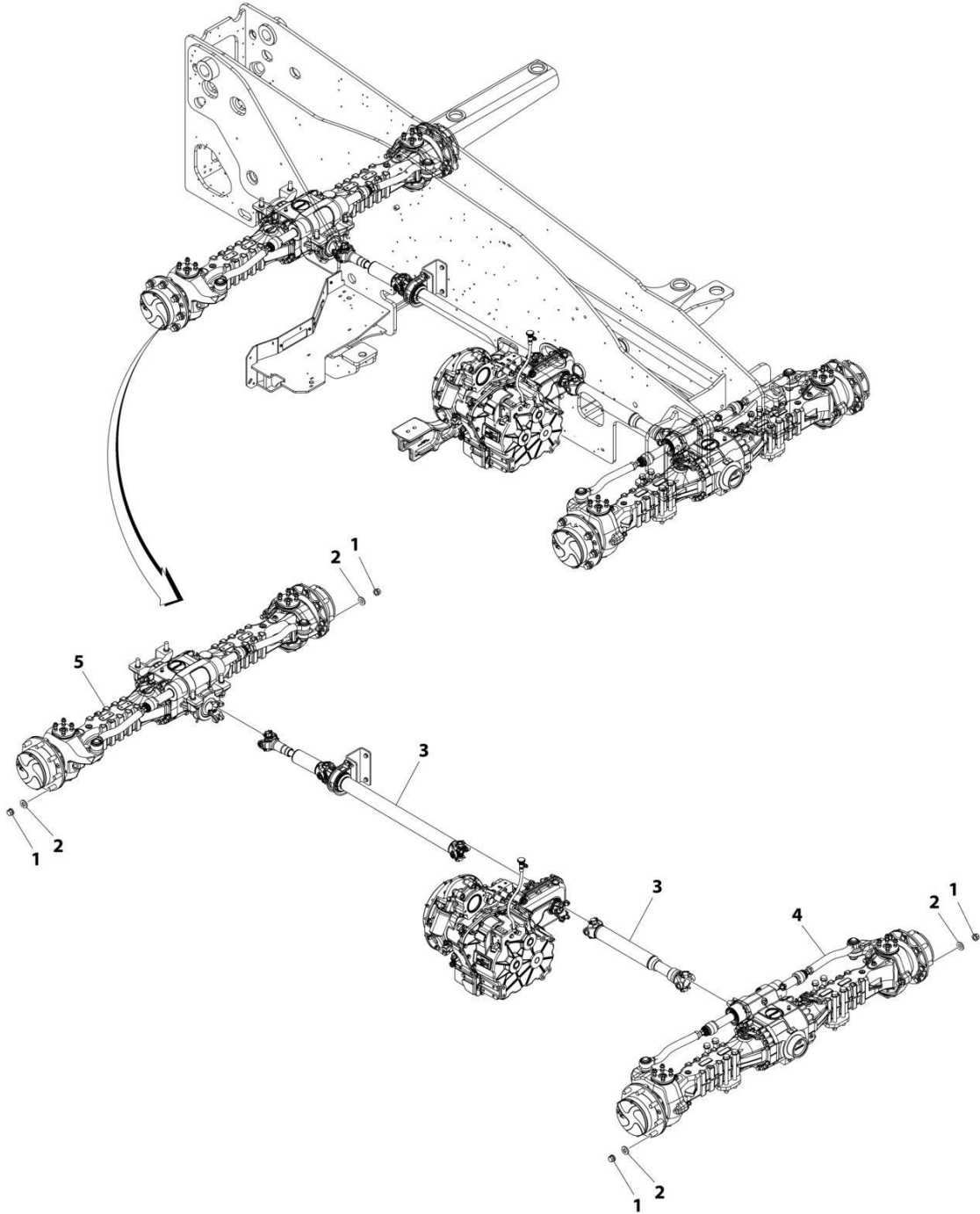
FIGURE 4-50. A/C LINES INSTALLATION

ITEM	PART NUMBER	QTY	DESCRIPTION	REV
	1001178749	Ref	A/C LINES INSTALLATION	G
2	0761012	5	Bolt M10 x 25	
4	4812000	6	Washer M10	
6	1001026104	8	Clip	
7	1001203825	1	Hose	
8	1001180593	1	Hose	
9	1001203826	1	Hose	
10	1001008559	AR	Tie-Strap 365MM (Not Shown)	
11	1062255	AR	Tie-Strap 170MM (Not Shown)	
12	1001008593	1	Clip	
13	0701016	1	Bolt M10 x 40	
14	1001095401	1	Spacer	

SECTION 5 - DRIVE TRAIN

SECTION 5 - DRIVE TRAIN

FIGURE 5-1. DRIVETRAIN INSTALLATION



ART_1001256360

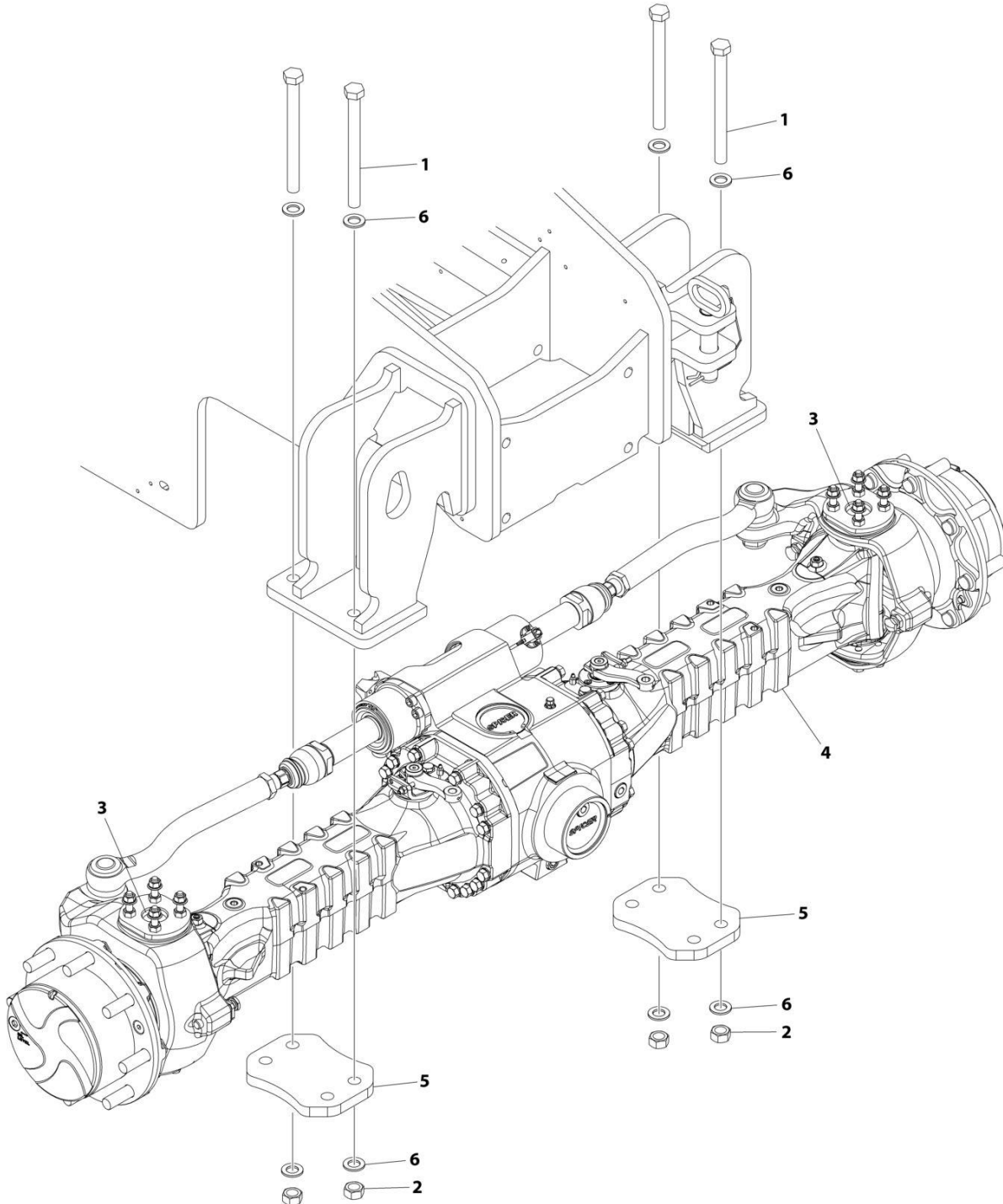
SECTION 5 - DRIVE TRAIN

FIGURE 5-1. DRIVETRAIN INSTALLATION

ITEM	PART NUMBER	QTY	DESCRIPTION	REV
	1001256360	Ref	DRIVETRAIN INSTALLATION	D
1	3300479	32	Nut M22 (Without Free-Spinning Flange)	
1	91403193	32	Nut M22 Grade 8 (With Free-Spinning Flange)	
2	1001114802	32	Washer M22	
3	1001177638	1	Installation, Drive Shaft (See Separate Breakdown in this Section)	
4	1001256366	1	Installation, Front Axle (No Hydraulic Park Brake) (See Separate Breakdown in this Section)	
5	1001256367	1	Installation, Rear Axle (See Separate Breakdown in this Section)	

SECTION 5 - DRIVE TRAIN

FIGURE 5-2. FRONT AXLE INSTALLATION



ART_1001256366_B

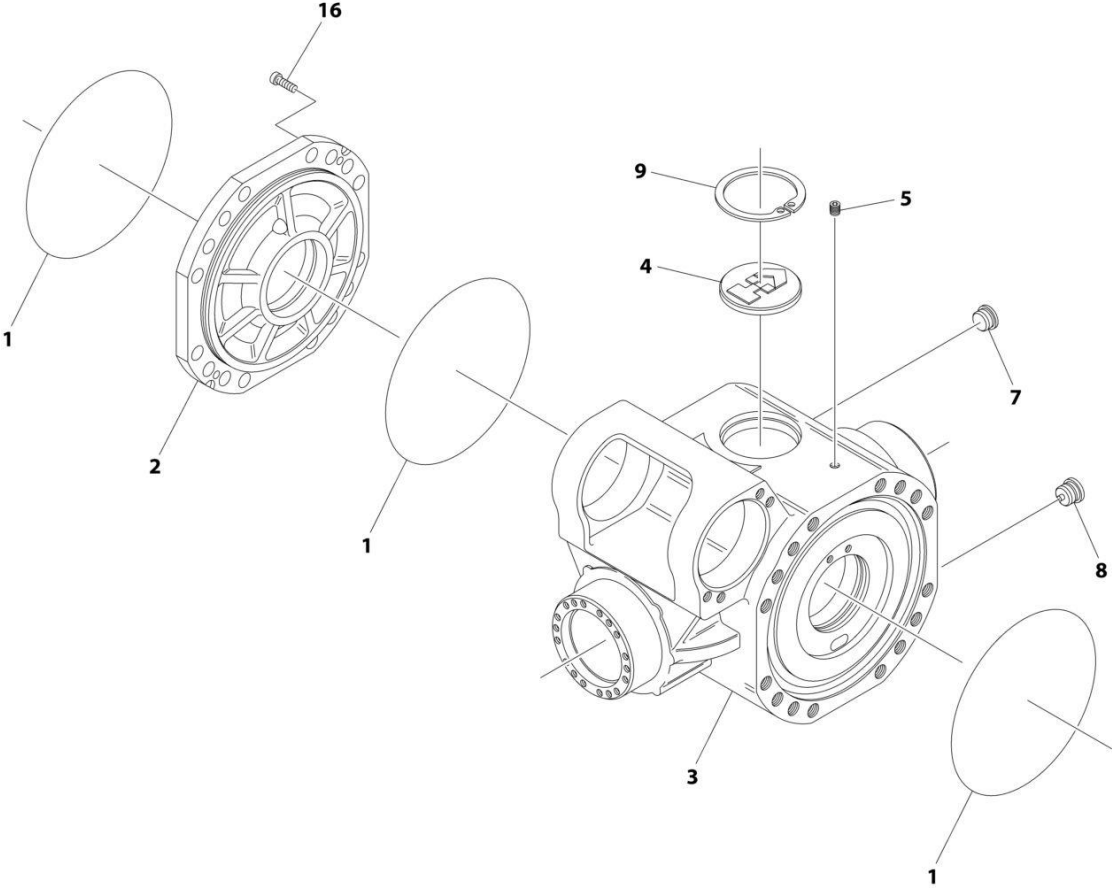
SECTION 5 - DRIVE TRAIN

FIGURE 5-2. FRONT AXLE INSTALLATION

ITEM	PART NUMBER	QTY	DESCRIPTION	REV
	1001256366	Ref	FRONT AXLE INSTALLATION (NO HYDRAULIC PARK BRAKE)	B
1	0712040	8	Bolt M20 x 230, Grade 10.9	
2	3332011	8	Nut M20 x 2.5	
3	1001008462	AR	Grease	
4	1001270167	1	Installation, Front Axle (No Hydraulic Park Brake) (See Separate Breakdown in this Section)	
5	1001190542	2	Plate	
6	1001197130	16	Washer	

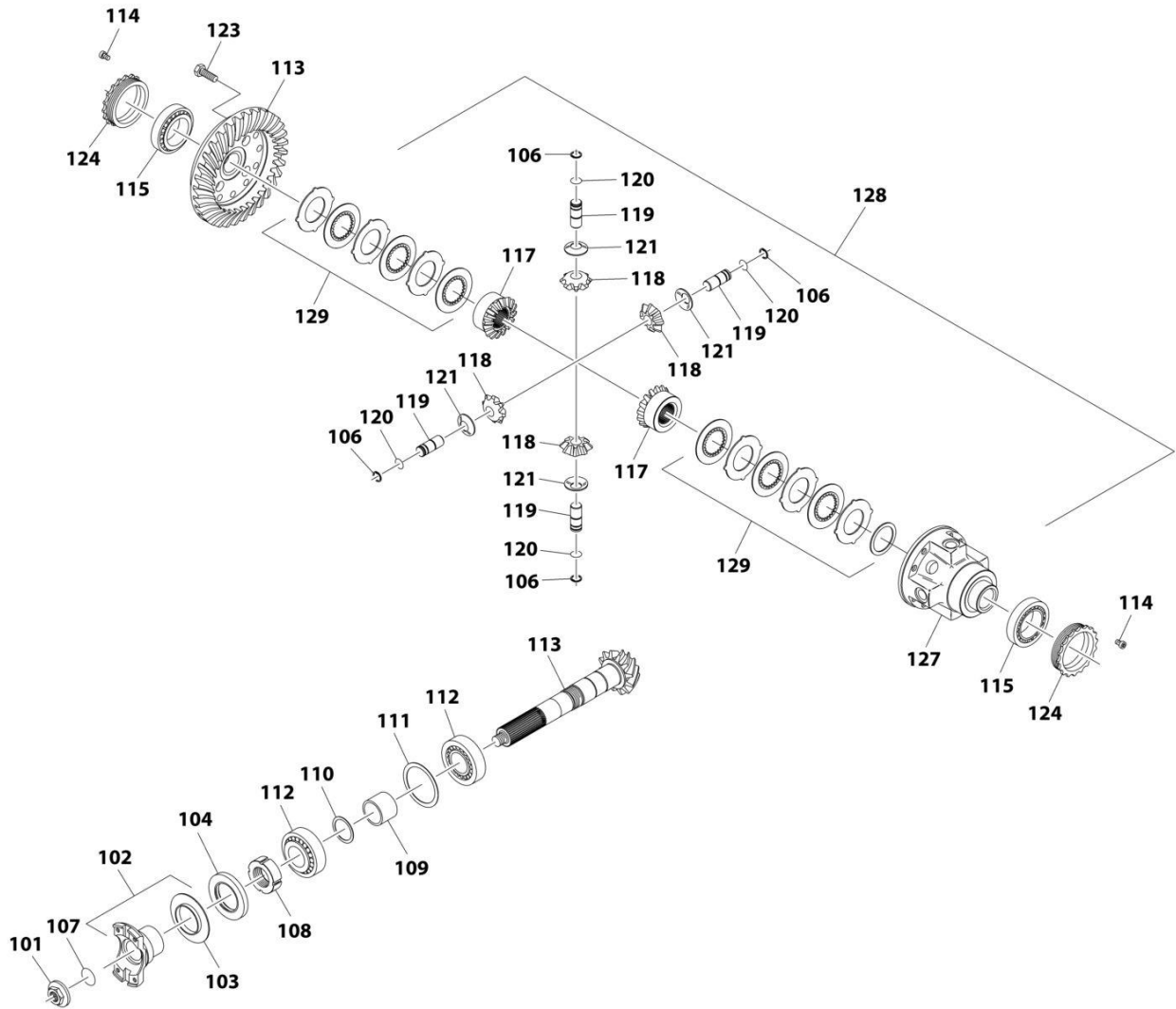
SECTION 5 - DRIVE TRAIN

FIGURE 5-3. FRONT AXLE ASSEMBLY



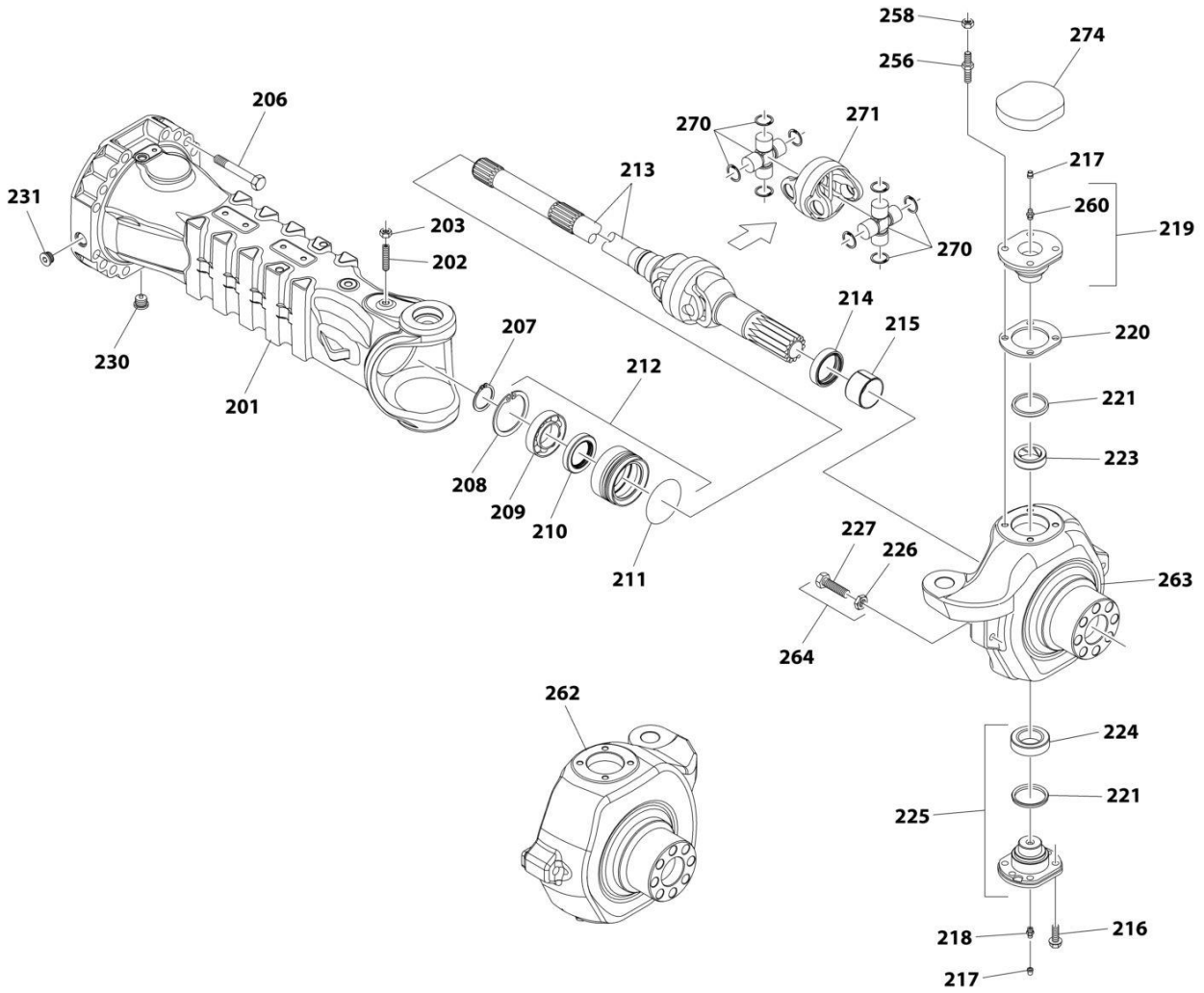
ART_1001270167_10F6

SECTION 5 - DRIVE TRAIN



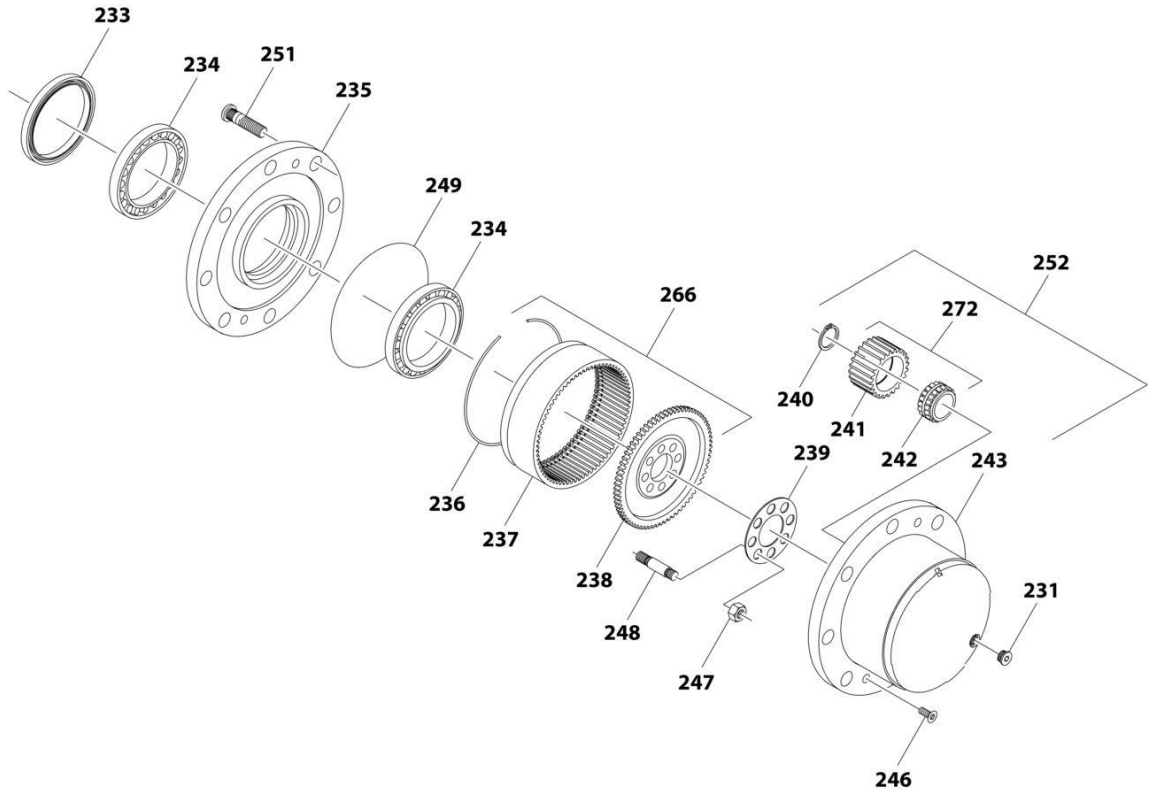
ART_1001270167_20F6

SECTION 5 - DRIVE TRAIN



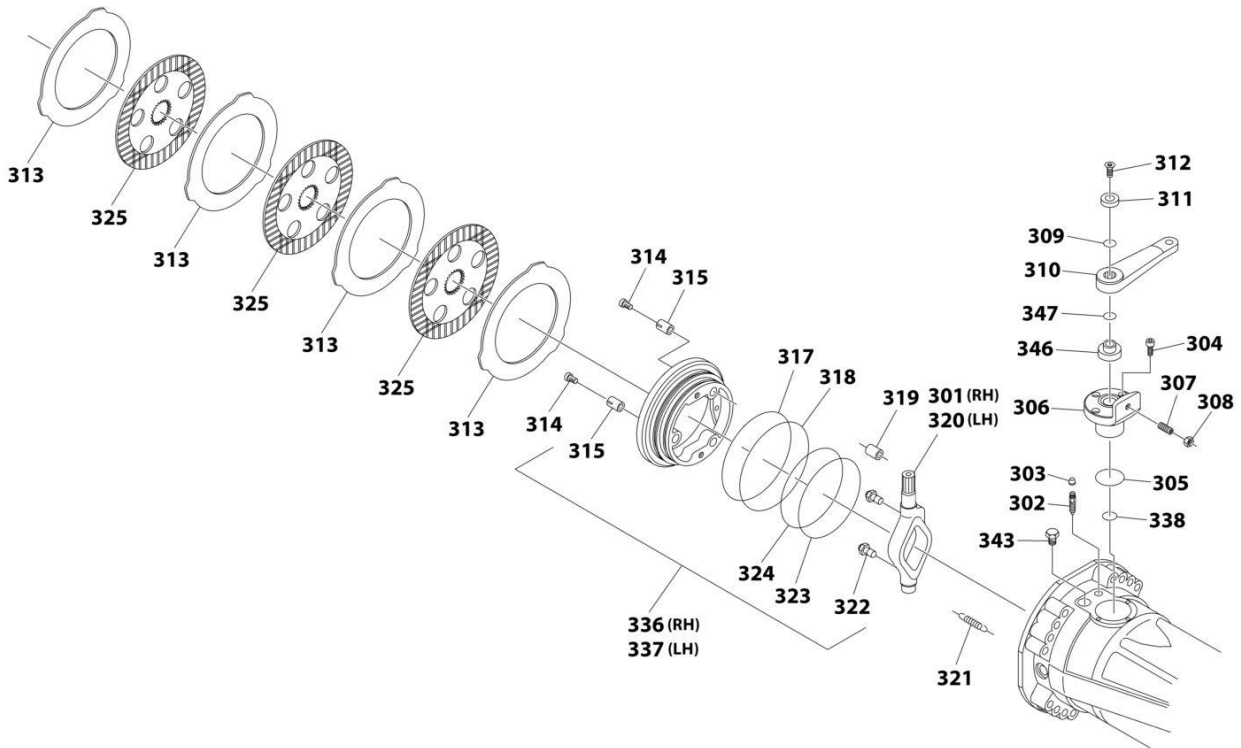
ART_1001270167_30F6

SECTION 5 - DRIVE TRAIN



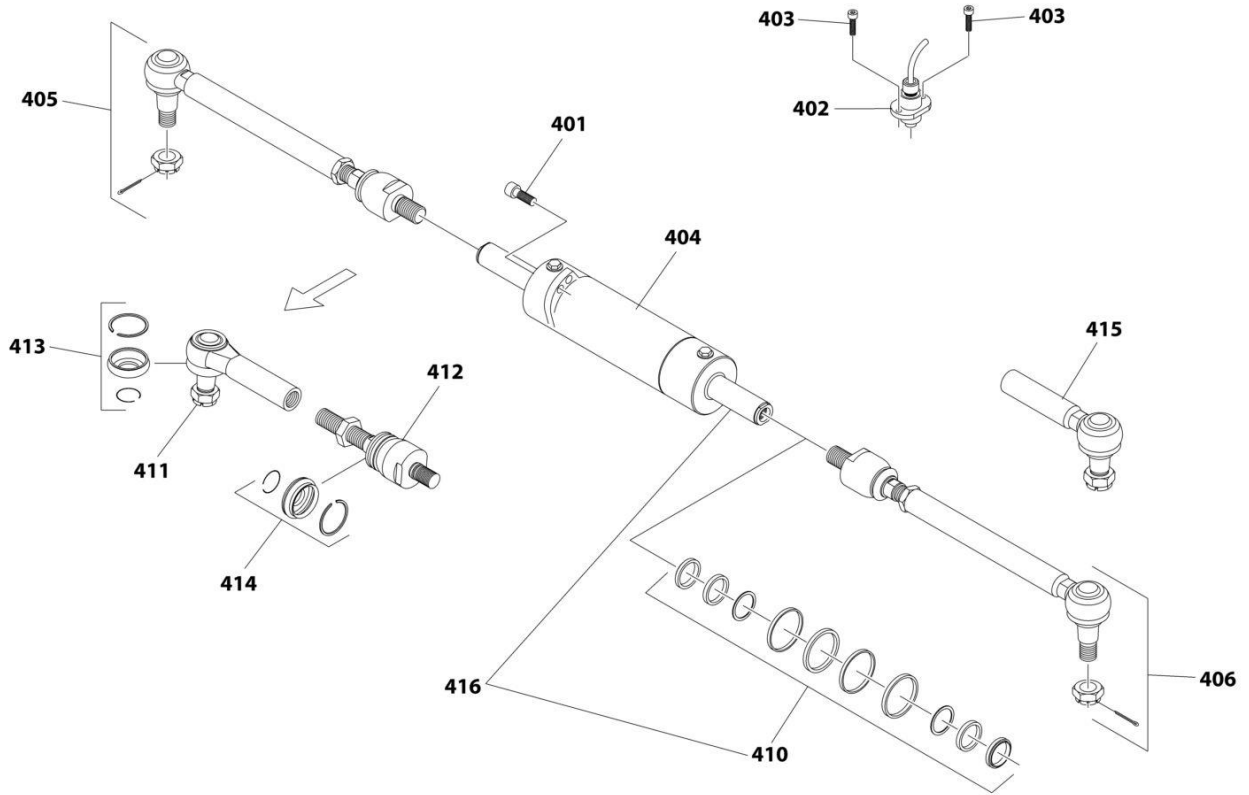
ART_1001270167_4OF6

SECTION 5 - DRIVE TRAIN



ART_1001270167_50F6

SECTION 5 - DRIVE TRAIN



ART_1001270167_6OF6

SECTION 5 - DRIVE TRAIN

FIGURE 5-3. FRONT AXLE ASSEMBLY

ITEM	PART NUMBER	QTY	DESCRIPTION	REV
	1001270167	Ref	AXLE ASSEMBLY	B
		Ref	Central Housing Assembly	
1	91474507	3	O-Ring	
2	70027107	1	Cover	
3	70026749	1	Housing	
4	91514098	1	Plug	
5	91474512	1	Plug	
7	91514188	1	Plug	
8	7028706	1	Plug	
9	80204005	1	Circlip	
16	91474591	4	Bolt	
		Ref	Differential Assembly	
101	70026631	1	Nut	
102	7029427	1	Flange	
103	91474531	1	Cover	
104	70024522	1	Seal	
106	91474550	4	Circlip	
107	91474529	1	O-Ring	
108	91474533	1	Ring Nut	
109	91474539	1	Spacer	
110	70025556	1	Shim Kit	
111	70025555	1	Shim Kit	
112	3968141	2	Bearing	
113	8007749	1	Gear Set	
114	91514134	2	Bolt	
115	70028471	2	Bearing	
117	91474549	2	Gear, Side	
118	91474554	4	Gear, Pinion	
119	7029131	4	Pin	
120	91474551	4	Circlip	
121	91474553	4	Washer	
123	70025562	12	Bolt	
124	91474547	2	Ring Nut	
127	91474555	1	Carrier	
128	70028940	1	Differential Sub-Assembly (Includes Items 106, 117-121, 127 & 129)	
129	8007755	2	Disc	
		Ref	Hub Reduction Assembly	
201	70028906	2	Case, Axle	
202	2400600	2	Bolt	
203	91514082	2	Nut	
206	7029428	28	Bolt	
207	80204071	2	Circlip	
208	80204005	2	Circlip	
209	91514146	2	Bearing	
210	91514147	2	Seal	
211	91514148	2	O-Ring	
212	70030992	2	Bushing Kit (Includes Bushing & Items 208-211)	
213	70029869	2	Joint, Universal	
214	8007771	2	Seal	

SECTION 5 - DRIVE TRAIN

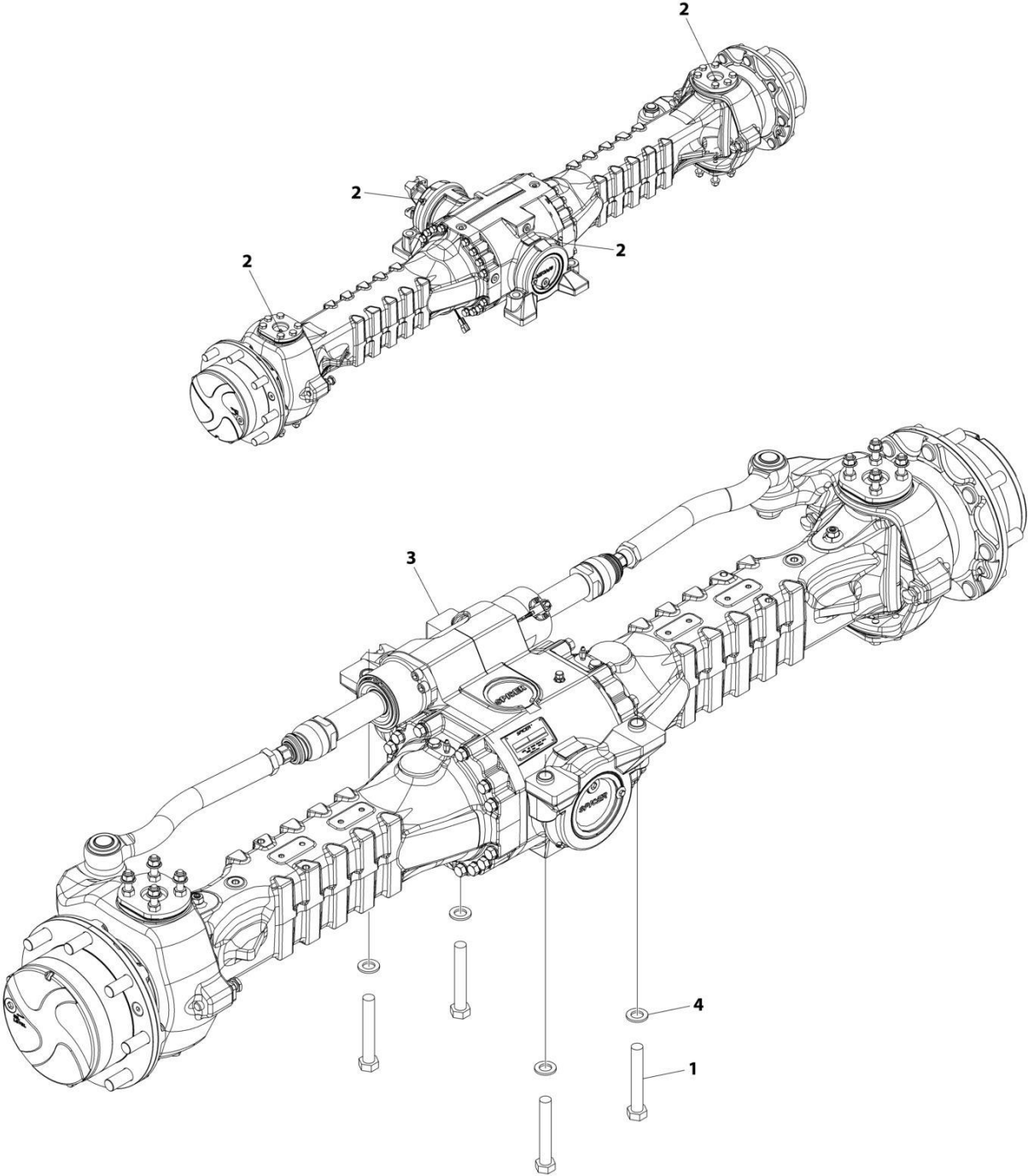
ITEM	PART NUMBER	QTY	DESCRIPTION	REV
215	8004468	2	Bushing	
216	70025562	12	Bolt	
217	80204117	4	Plug	
218	91514099	2	Grease Fitting	
219	70025567	2	Pivot (Includes Item 218)	
220	70028536	1	Shim Kit	
221	2401043	2	Seal	
223	70020173	2	Bushing	
224	2401258	2	Seal	
225	8006605	2	Pivot Kit (Includes Pivot and Items 221 & 224)	
226	80204065	4	Nut	
227	91514117	4	Bolt	
230	7028706	2	Plug	
231	91514188	4	Plug	
233	7029430	2	Seal	
234	70030251	4	Bearing	
235	70028537	2	Hub	
236	91474579	2	Circlip	
237	91474580	2	Ring Gear	
238	3983720	2	Support, Ring Gear	
239	3983731	2	Plate, Locking	
240	91474585	8	Circlip	
241	70028473	8	Gear, Planet	
242	70028474	8	Bearing	
243	70026821	2	Carrier, Planet Gear	
246	91514189	4	Bolt	
247	91474584	16	Nut	
248	70027315	16	Stud	
249	91474507	2	O-Ring	
251	70030365	16	Wheel Stud	
252	70026827	2	Planet Gear Carrier Kit (Includes Housing and Items 240-243)	
256	70025819	8	Stud	
258	70027320	8	Nut	
260	7028115	2	Grease Fitting	
262	70030274	1	Case, Steer (LH) (Includes Item 215)	
263	70030264	1	Case, Steer (RH) (Includes Item 215)	
264	70028733	4	Bolt Kit (Includes Items 226 & 227)	
266	7029432	2	Ring Gear Kit (Includes Items 236-238)	
270	70030933	2	Joint Cross	
271	70030994	1	Center, Joint	
272	70027114	8	Planet Gear Kit (Includes Items 241 & 242)	
274	70028392	2	Cover	
		Ref	Brake Assembly	
301	8007785	1	Lever (RH)	
302	2960243	2	Bolt, Bleeding	
303	80204117	2	Plug	
304	2401736	6	Bolt	
305	3986405	2	O-Ring	
306	70030250	2	Bushing	
307	8002798	2	Setscrew	
308	8008168	2	Nut	

SECTION 5 - DRIVE TRAIN

ITEM	PART NUMBER	QTY	DESCRIPTION	REV
309	7028038	2	O-Ring	
310	70030248	2	Lever, Brake	
311	7028039	2	Washer	
312	8008169	2	Screw	
313	70025823	10	Disc, Intermediate Brake	
314	7029786	6	Bolt	
315	70027317	3	Spring	
317	70025821	1	O-Ring	
318	70025821	1	O-Ring	
319	70021613	2	Bolt	
320	8007786	1	Lever (LH)	
321	3984425	6	Spring	
322	2903197	2	Pusher	
323	70025822	1	O-Ring	
324	70025822	1	O-Ring	
325	91474568	8	Disc	
336	70027319	1	Piston Kit (RH) (Includes Piston and Items 315, 317, 318 & 322-324)	
337	70027318	1	Piston Kit (LH) (Includes Piston and Items 315, 317, 318 & 322-324)	
338	8007802	2	O-Ring	
343	91514154	2	Plug	
346	70030247	2	Bushing	
347	70030249	2	O-Ring	
		Ref	Steering Assembly	
401	91474522	4	Bolt	
402	70031002	1	Sensor	
403	8008175	2	Bolt	
404	70031000	1	Cylinder	
405	70026819	1	Tie Rod (RH)	
406	70026820	1	Tie Rod (LH)	
410	70031001	1	Seal Kit Less Rod (Includes Seals Only)	
411	70028907	1	Joint, 90 Degree (RH)	
412	70028476	2	Joint, Axial (1 Per Side)	
413	70028477	2	Rubber Boot & Locking Ring Kit (1 Per Side)	
414	70028468	2	Rubber Boot & Locking Ring Kit (1 Per Side)	
415	70028908	1	Joint, 90 Degree (LH)	
416	70031003	1	Seal & Rod Kit (Includes Seals & Rod)	

SECTION 5 - DRIVE TRAIN

FIGURE 5-4. REAR AXLE INSTALLATION



ART_1001256367_B

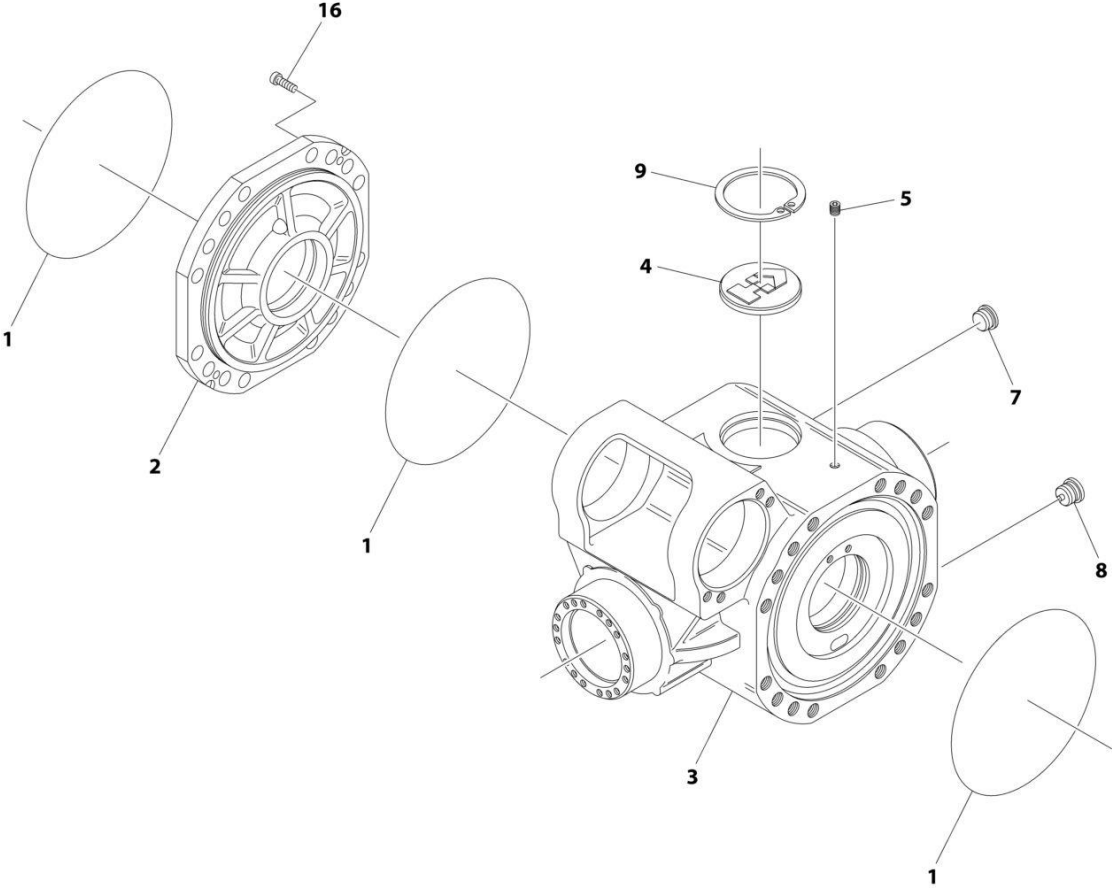
SECTION 5 - DRIVE TRAIN

FIGURE 5-4. REAR AXLE INSTALLATION

ITEM	PART NUMBER	QTY	DESCRIPTION	REV
	1001256367	Ref	Rear Axle Installation	B
1	0712030	4	Bolt, M20X130 Grade 10.9	
2	1001008462	AR	Grease	
3	1001270170	1	Installation, Rear Axle (See Separate Breakdown in this Section)	
4	1001197130	4	Washer	

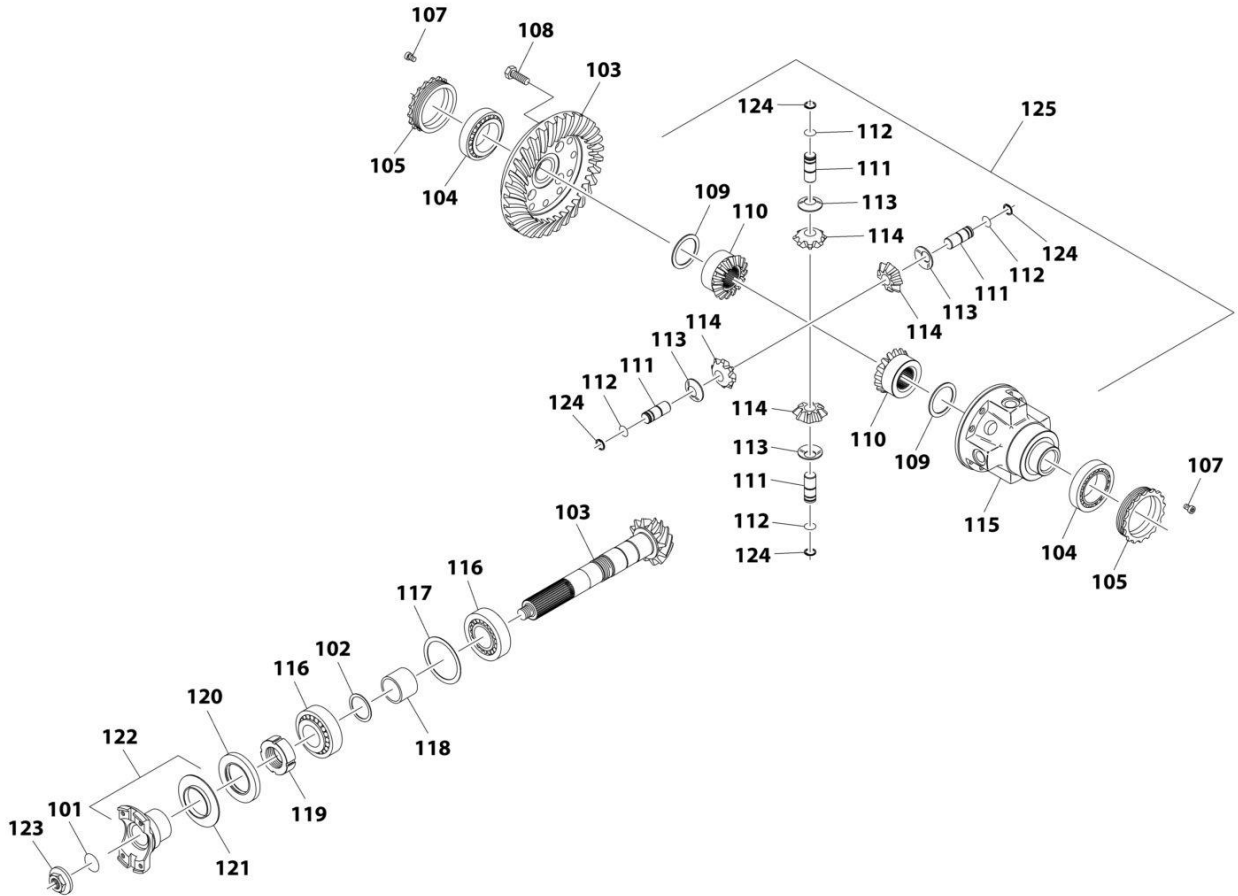
SECTION 5 - DRIVE TRAIN

FIGURE 5-5. REAR AXLE ASSEMBLY



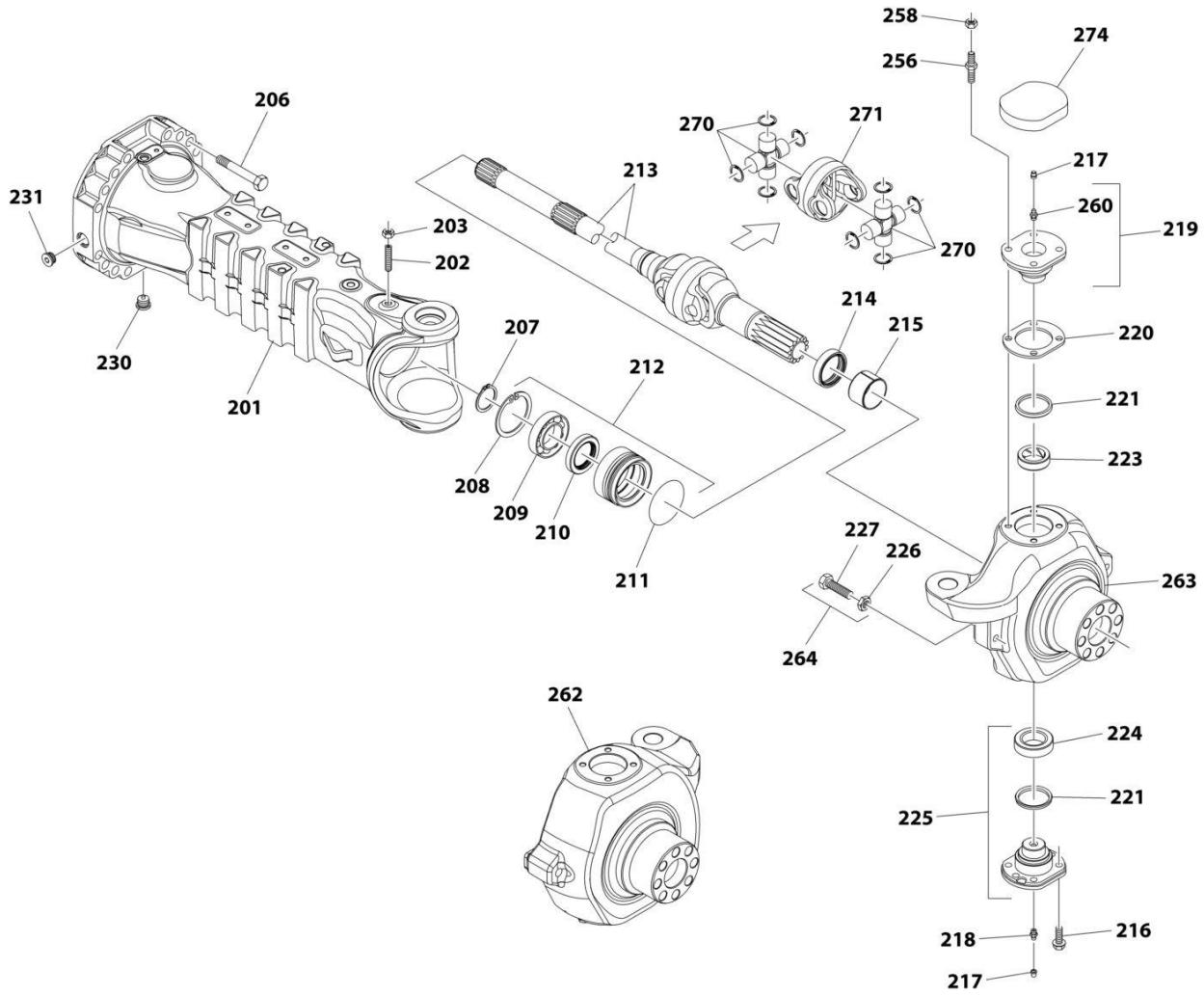
ART_1001270170_10F7

SECTION 5 - DRIVE TRAIN



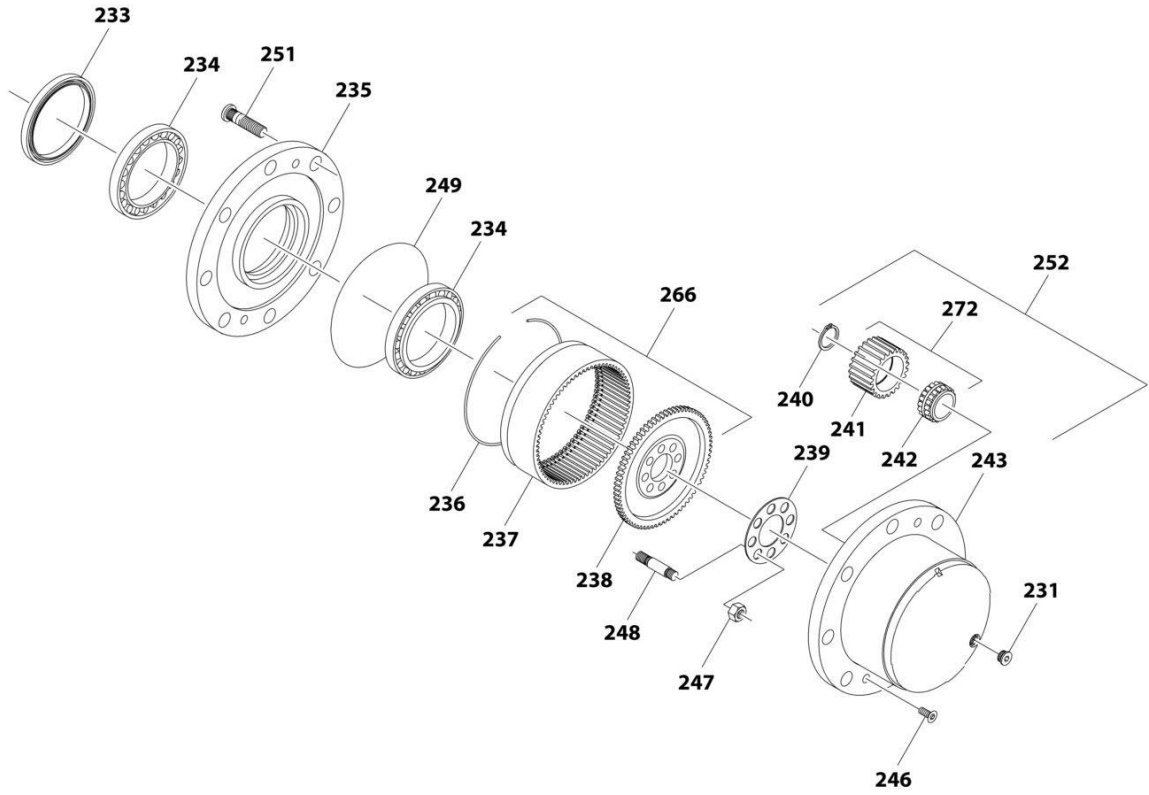
ART_1001270170_2OF7

SECTION 5 - DRIVE TRAIN



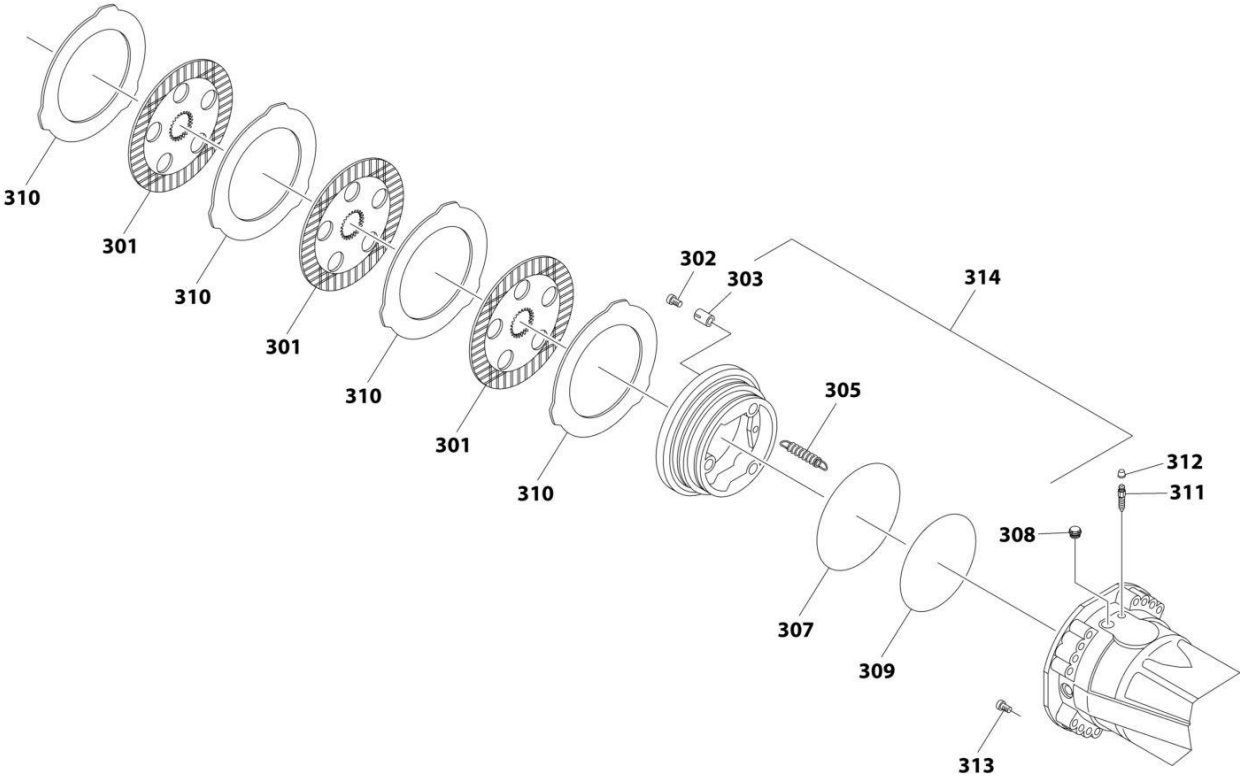
ART_1001270170_30F7

SECTION 5 - DRIVE TRAIN



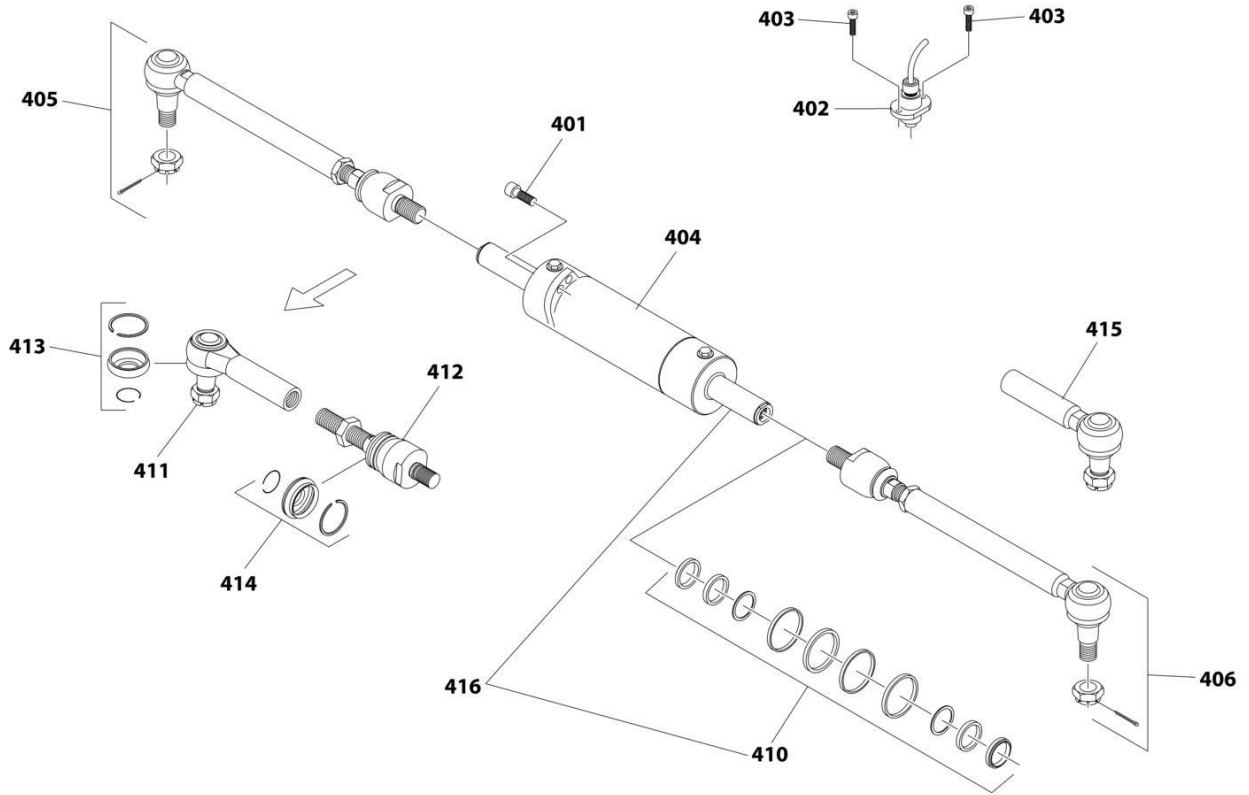
ART_1001270170_4OF7

SECTION 5 - DRIVE TRAIN



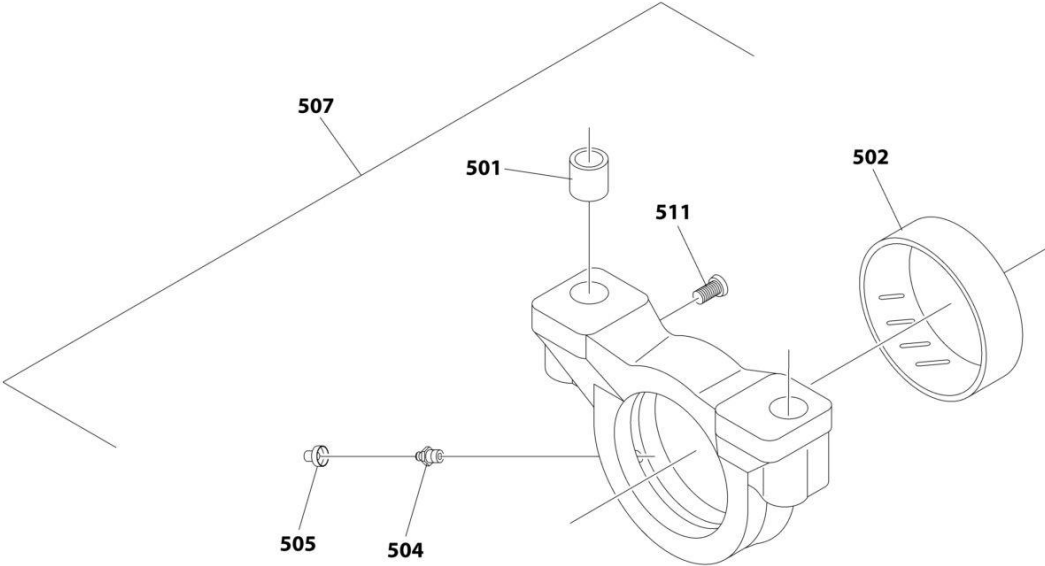
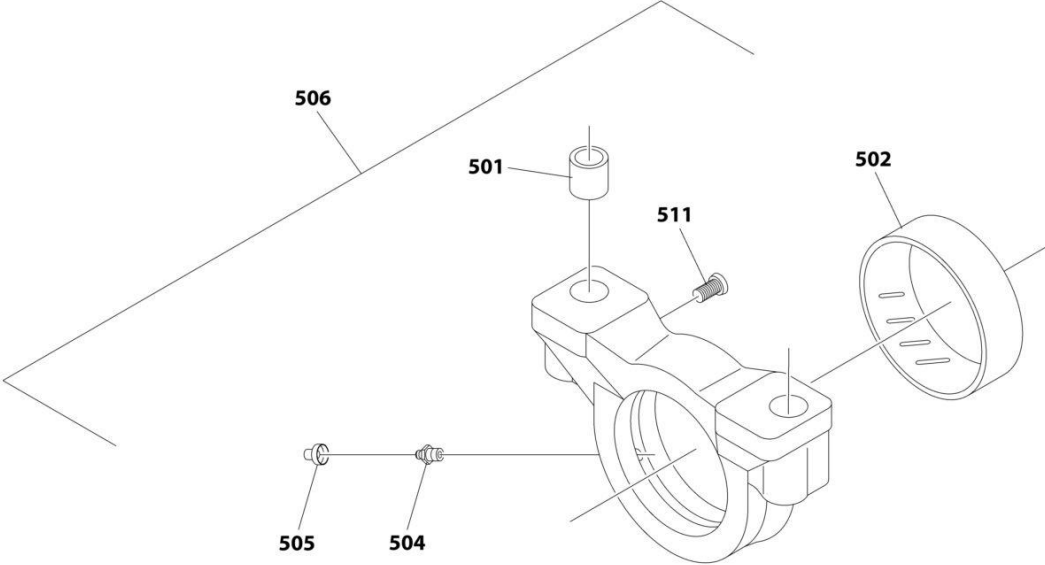
ART_1001270170_SOF7

SECTION 5 - DRIVE TRAIN



ART_1001270170_GOF7

SECTION 5 - DRIVE TRAIN



ART_1001270170_7OF7

SECTION 5 - DRIVE TRAIN

FIGURE 5-5. REAR AXLE ASSEMBLY

ITEM	PART NUMBER	QTY	DESCRIPTION	REV
	1001270170	Ref	AXLE ASSEMBLY	C
		Ref	Central Housing Assembly	
1	91474507	3	O-Ring	
2	70027107	1	Cover	
3	70026749	1	Housing	
4	91514098	1	Plug	
5	91474512	1	Plug	
7	91514188	1	Plug	
8	7028706	1	Plug	
9	80204005	1	Circlip	
16	91474591	4	Bolt	
		Ref	Differential Assembly	
101	91474529	1	O-Ring	
102	70025556	1	Shim Kit	
103	7028043	1	Gear Set	
104	70028471	2	Bearing	
105	91474547	2	Ring Nut	
107	91514134	2	Bolt	
108	70025562	12	Bolt	
109	91474593	2	Washer	
110	70025569	2	Gear, Side	
111	7029131	4	Pin	
112	91474551	4	Circlip	
113	91474553	4	Washer	
114	70025570	4	Gear, Pinion	
115	91474595	1	Carrier	
116	3968141	2	Bearing	
117	70025555	1	Shim Kit	
118	91474539	1	Spacer	
119	91474533	1	Ring Nut	
120	70024522	1	Seal	
121	91474531	1	Cover	
122	7029427	1	Flange	
123	70026631	1	Nut	
124	91474550	4	Circlip	
125	70021140	1	Differential Sub-Assembly (Includes Items 109-115 & 124)	
		Ref	Hub Reduction Assembly	
201	70027108	2	Case, Axle	
202	2400600	2	Bolt	
203	91514082	2	Nut	
206	7029428	28	Bolt	
207	80204071	2	Circlip	
208	80204005	2	Circlip	
209	91514146	2	Bearing	
210	91514147	2	Seal	
211	91514148	2	O-Ring	
212	70030992	2	Bushing Kit (Includes Bushing & Items 208-211)	
213	70029869	2	Joint, Universal	
214	8007771	2	Seal	
215	8004468	2	Bushing	

SECTION 5 - DRIVE TRAIN

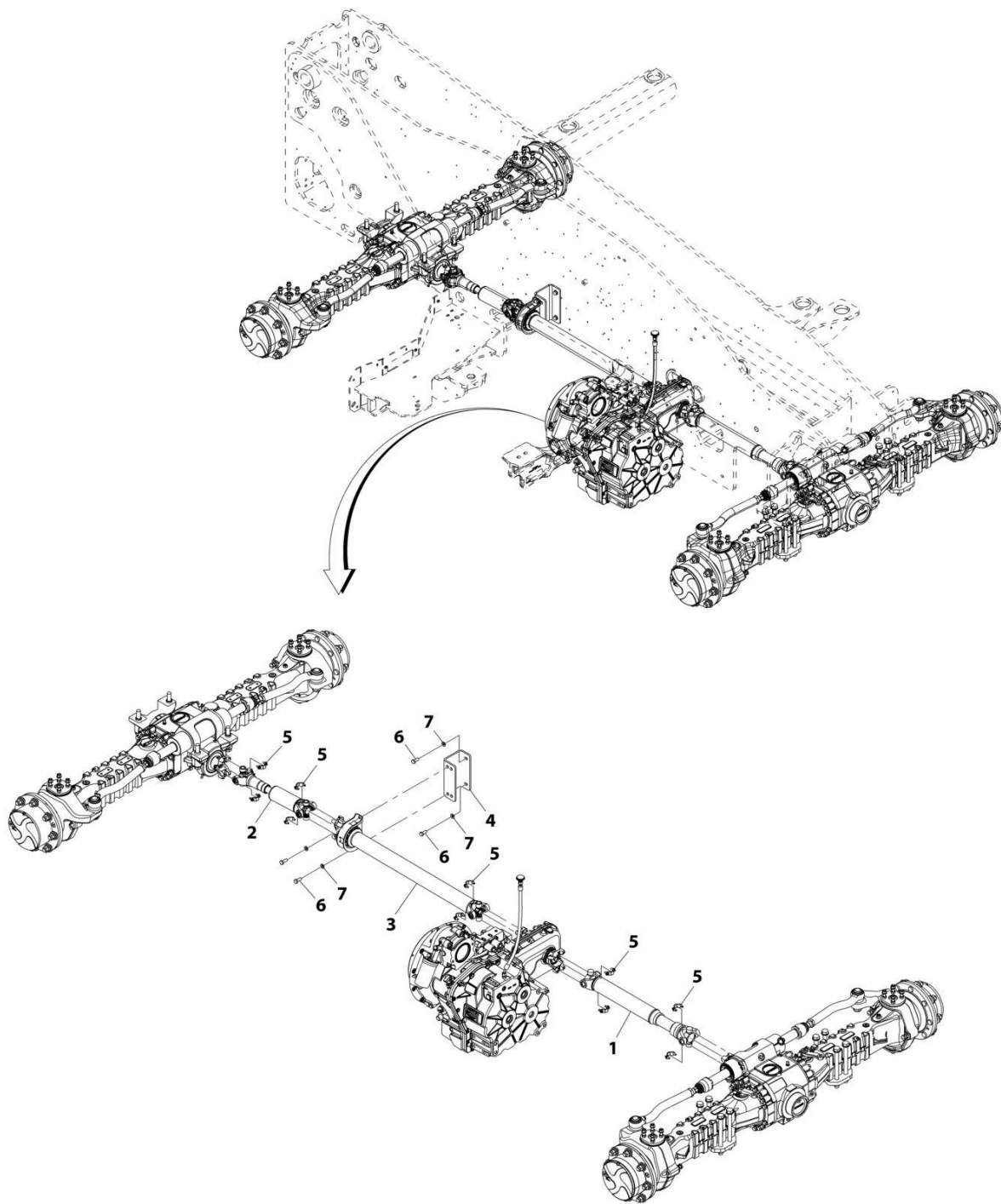
ITEM	PART NUMBER	QTY	DESCRIPTION	REV
216	70025562	12	Bolt	
217	80204117	4	Plug	
218	70024881	2	Grease Fitting	
219	70025567	2	Pivot (Includes Item 218)	
220	70028536	1	Shim Kit	
221	2401043	2	Seal	
223	70020173	2	Bushing	
224	2401258	2	Seal	
225	8006605	2	Pivot Kit (Includes Pivot and Items 221 & 224)	
226	80204065	4	Nut	
227	7028733	4	Bolt	
230	7028706	2	Plug	
231	91514188	4	Plug	
233	7029430	2	Seal	
234	70030251	4	Bearing	
235	70028537	2	Hub	
236	91474579	2	Circlip	
237	91474580	2	Ring Gear	
238	3983720	2	Support, Ring Gear	
239	3983731	2	Plate, Locking	
240	91474585	8	Circlip	
241	70028473	8	Gear, Planet	
242	70028474	8	Bearing	
243	70026821	2	Carrier, Planet Gear	
246	91514189	4	Bolt	
247	91474584	16	Nut	
248	70027315	16	Stud	
249	91474507	2	O-Ring	
251	70030365	16	Wheel Stud	
252	70026827	2	Planet Gear Carrier Kit (Includes Housing and Items 240-243)	
256	70025819	8	Stud	
258	70027320	8	Nut	
260	7028115	2	Grease Fitting	
262	70030274	1	Case, Steer (LH) (Includes Item 215)	
263	70030264	1	Case, Steer (RH) (Includes Item 215)	
264	70028733	4	Bolt Kit (Includes Items 226 & 227)	
266	7029432	2	Ring Gear Kit (Includes Items 236-238)	
270	70030933	2	Joint Cross	
271	70030994	1	Center, Joint	
272	70027114	8	Planet Gear Kit (Includes Items 241 & 242)	
274	70028392	2	Cover	
		Ref	Brake Assembly	
301	91474568	6	Disc	
302	7029786	6	Bolt, Adjusting	
303	70027317	6	Spring	
305	3984425	6	Spring	
307	70025821	2	O-Ring	
308	91514154	2	Plug	
309	70025822	2	O-Ring	
310	70025823	8	Disc, Intermediate Brake	
311	2960243	2	Bolt, Bleeding	

SECTION 5 - DRIVE TRAIN

ITEM	PART NUMBER	QTY	DESCRIPTION	REV
312	80204117	2	Plug	
313	70021613	2	Bolt	
314	70027316	2	Brakes Piston Kit (Includes Items 303-305, 307 & 309)	
		Ref	Steering Assembly	
401	91474522	4	Bolt	
402	70031002	1	Sensor	
403	8008175	2	Bolt	
404	70031000	1	Cylinder	
405	70026819	1	Tie Rod (RH)	
406	70026820	1	Tie Rod (LH)	
410	70031001	1	Seal Kit Less Rod (Includes Seals Only)	
411	70028907	1	Joint, 90 Degree (RH)	
412	70028476	2	Joint, Axial (1 Per Side)	
413	70028477	2	Rubber Boot & Locking Ring Kit (1 Per Side)	
414	70028468	2	Rubber Boot & Locking Ring Kit (1 Per Side)	
415	70028908	1	Joint, 90 Degree (LH)	
416	70031003	1	Seal & Rod Kit (Includes Seals & Rod)	
		Ref	Trunion Assembly	
501	91474516	4	Bushing	
502	7028082	2	Bushing	
504	91514099	2	Grease Fitting	
505	80204117	2	Plug	
506	70026630	1	Trunion Kit (Front) (Includes Trunion and Items 501,502,504,505 & 511)	
507	70026630	1	Trunion Kit (Rear) (Includes Trunion and Items 501,502,504,505 & 511)	
511	70025884	2	Bolt	

SECTION 5 - DRIVE TRAIN

FIGURE 5-6. DRIVE SHAFTS INSTALLATION



ART_1001177638-B

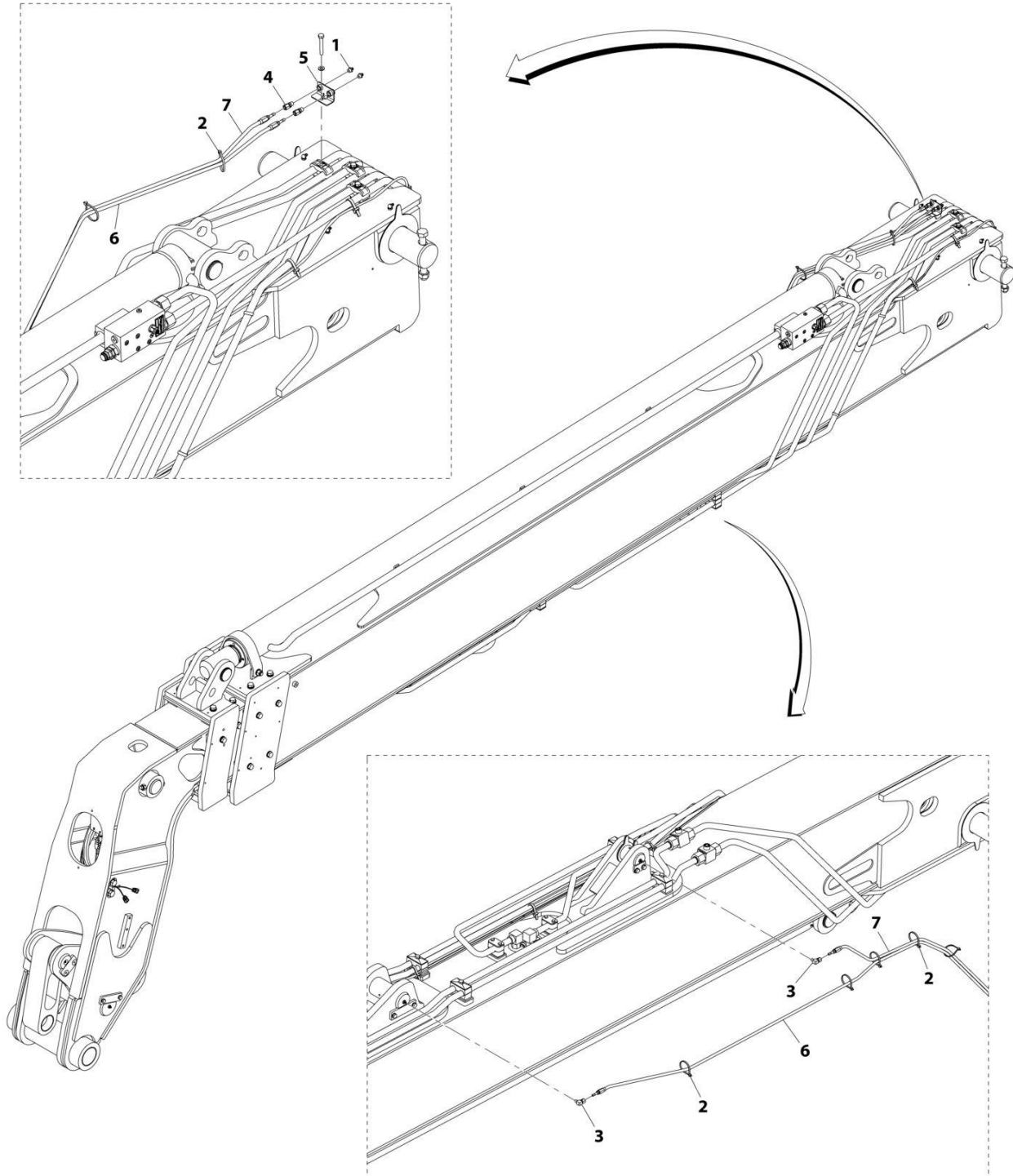
SECTION 5 - DRIVE TRAIN

FIGURE 5-6. DRIVE SHAFTS INSTALLATION

ITEM	PART NUMBER	QTY	DESCRIPTION	REV
	1001177638	Ref	Drive Shafts Installation	B
1	1001174879	1	Shaft, Drive	
2	1001174880	1	Shaft, Drive	
3	1001174881	1	Shaft, Drive	
4	1001177870	1	Support	
5	8005079	10	Clampset	
6	0761214	4	Bolt, M12X30	
7	4812100	4	Washer, M12	

SECTION 5 - DRIVE TRAIN

FIGURE 5-7. REMOTE GREASE SYSTEM INSTALLATION



ART_1001210417-B

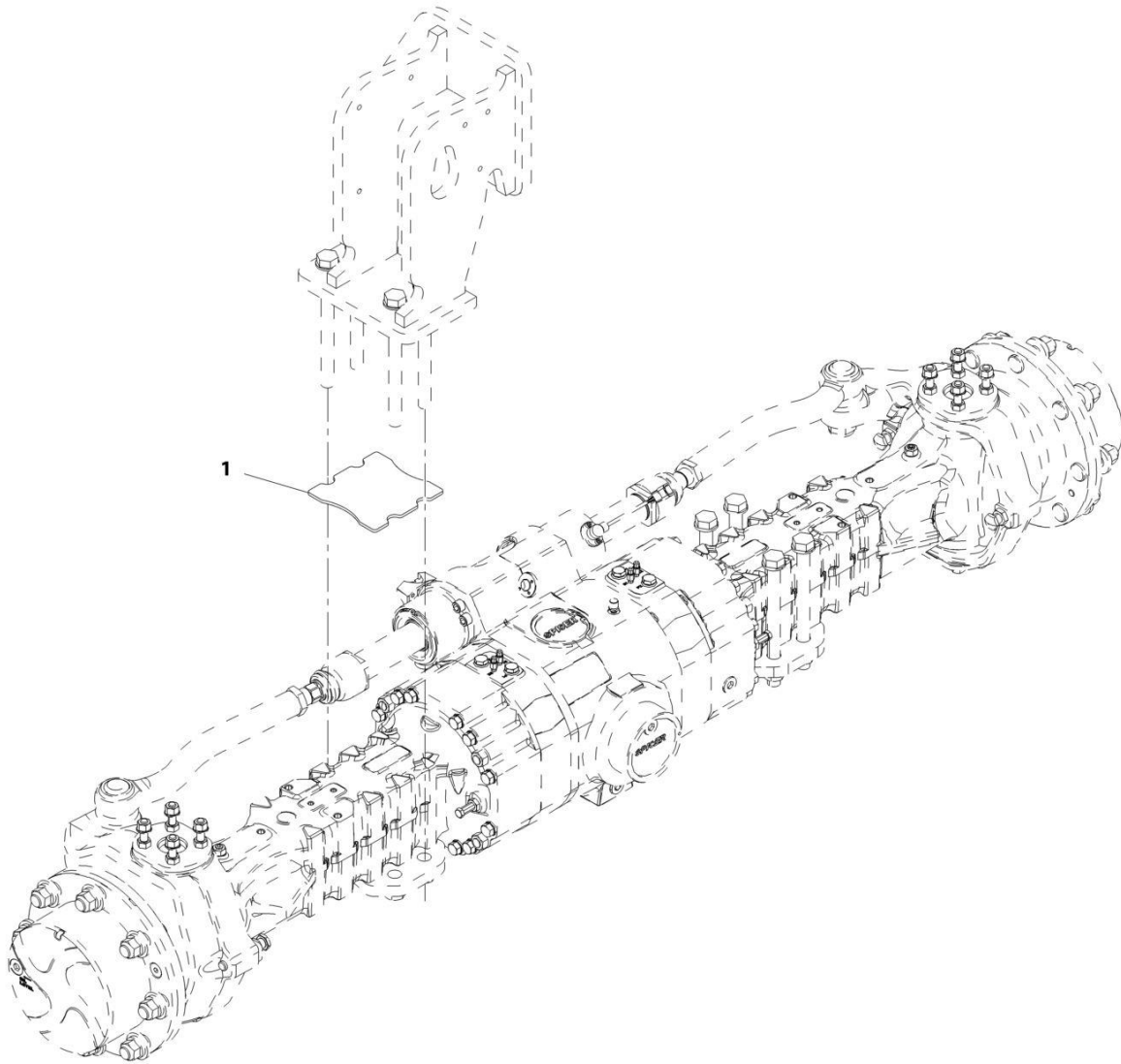
SECTION 5 - DRIVE TRAIN

FIGURE 5-7. REMOTE GREASE SYSTEM INSTALLATION

ITEM	PART NUMBER	QTY	DESCRIPTION	REV
	1001210417	Ref	REMOTE GREASE SYSTEM INSTALLATION	D
1	2160016	1	Fitting, Grease	
2	1001008559	7	Strap, Cable	
3	1001164053	2	Adapter, 90 Grease	
4	1001101563	2	Adapter, Straight Grease	
5	1001227653	1	Bracket	
6	1001210431	1	Hose, Grease	
7	1001210432	1	Hose, Grease	

SECTION 5 - DRIVE TRAIN

FIGURE 5-8. AXLE SHIM INSTALLATION



ART_1001186574-C

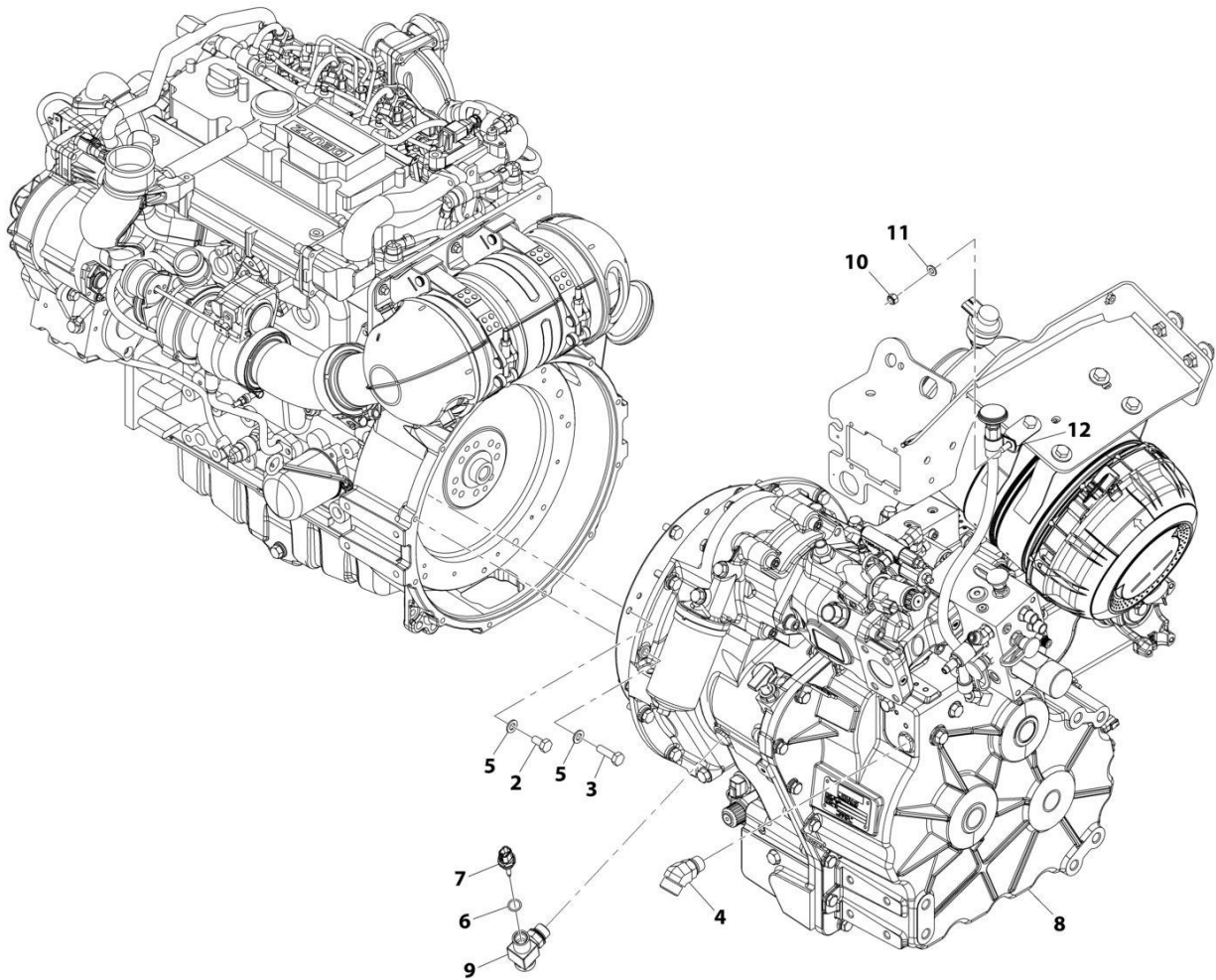
SECTION 5 - DRIVE TRAIN

FIGURE 5-8. AXLE SHIM INSTALLATION

ITEM	PART NUMBER	QTY	DESCRIPTION	REV
1	1001186574 1001190541	Ref 1	Axle Shim Installation (24IN Wheel) Plate, Axle Shim	C

SECTION 5 - DRIVE TRAIN

FIGURE 5-9. TRANSMISSION INSTALLATION (6 SPD - 90KW)



ART_1001178439-F

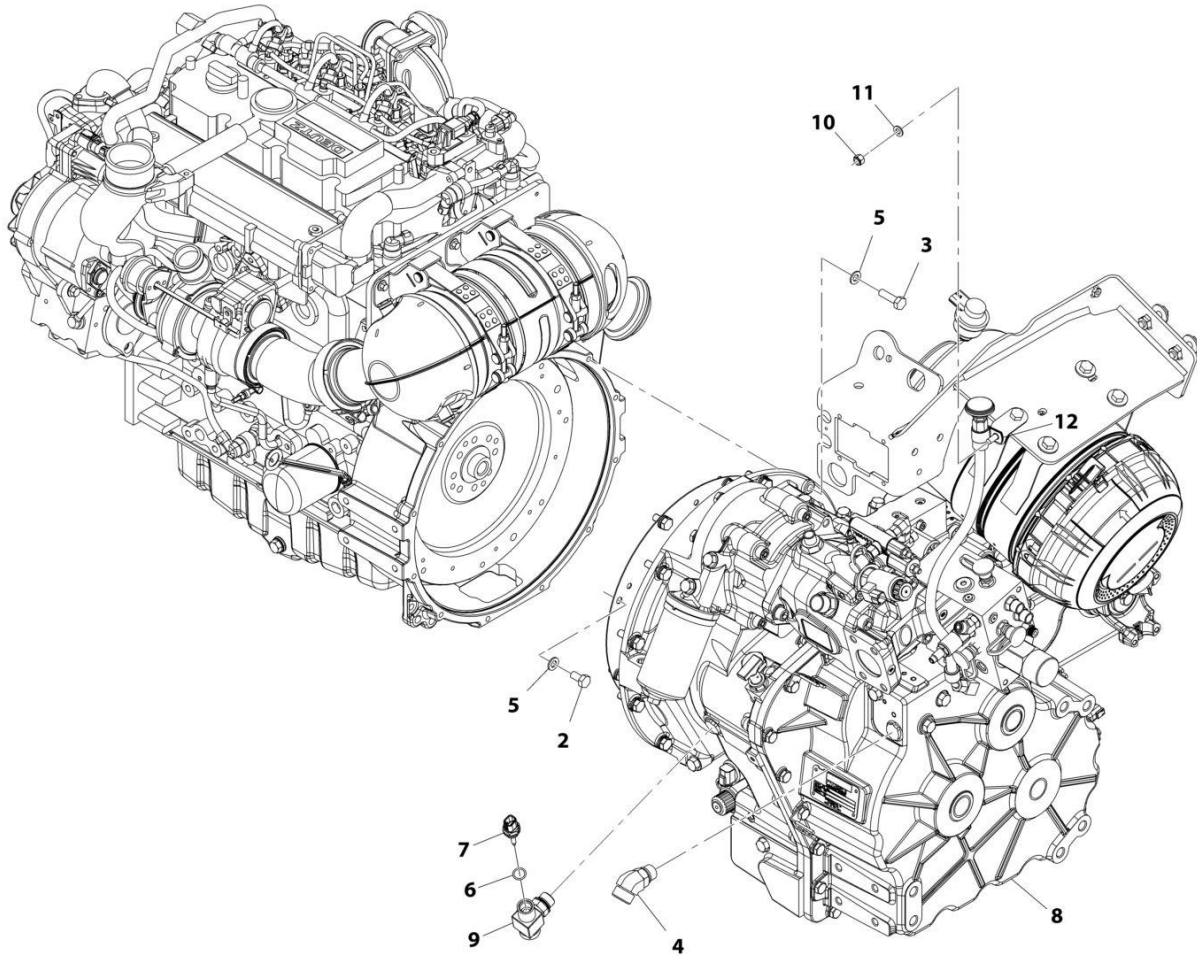
SECTION 5 - DRIVE TRAIN

FIGURE 5-9. TRANSMISSION INSTALLATION (6 SPD - 90KW)

ITEM	PART NUMBER	QTY	DESCRIPTION	REV
	1001178439	Ref	TRANSMISSION INSTALLATION (6 SPD)	F
2	0761010	8	Bolt M10 x 20	
3	0761015	10	Bolt M10 x 35	
4	2151210	1	Fitting, 45 ORFS	
5	4812000	18	Washer M10	
6	1001009163	1	O-Ring	
7	1001128478	1	Sensor, Temperature	
8	1001177851	1	Transmission (6 SPD - DTZ - 90KW) (See Separate Breakdown in this Section)	
9	1001219182	1	Adapter, ORFS	
10	3290805	1	Nut, Lock M8 x 1.25	
11	4811900	1	Washer M8	
12	91043147	1	Clamp	

SECTION 5 - DRIVE TRAIN

FIGURE 5-10. TRANSMISSION INSTALLATION (6 SPD - 97KW)



ART_1001182647-D

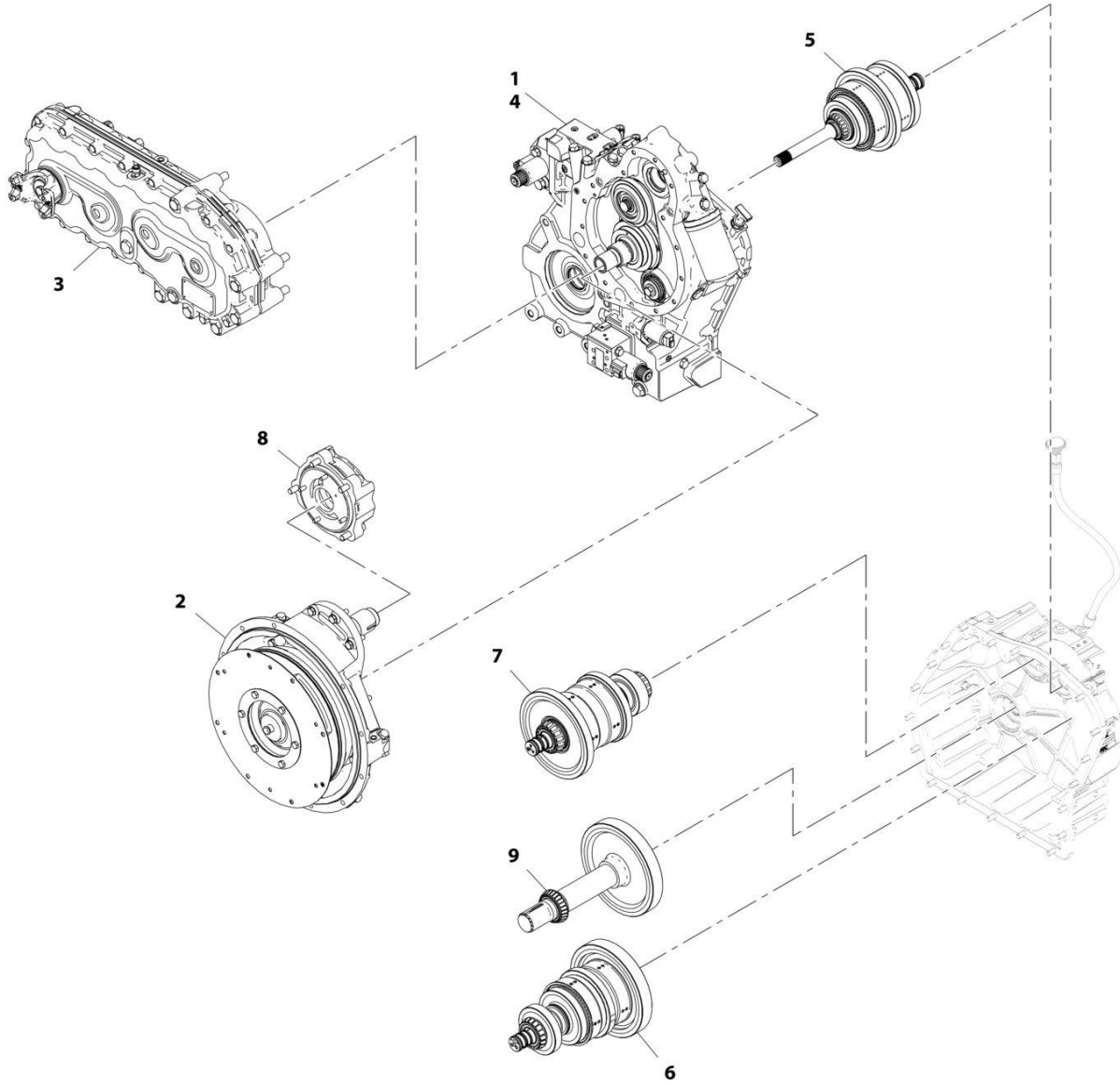
SECTION 5 - DRIVE TRAIN

FIGURE 5-10. TRANSMISSION INSTALLATION (6 SPD - 97KW)

ITEM	PART NUMBER	QTY	DESCRIPTION	REV
	1001182647	Ref	TRANSMISSION INSTALLATION (6 SPD - HHP)	D
2	0761010	8	Bolt M10 x 20	
3	0761015	10	Bolt M10 x 35	
4	2151210	1	Fitting, 45 ORFS	
5	4812000	18	Washer M10	
6	1001009163	1	O-Ring	
7	1001128478	1	Sensor, Temperature	
8	1001181559	1	Transmission (6 SPD - HHP - 97KW) (See Separate Breakdown in this Section)	
9	1001219182	1	Fitting, Tee ORFS	
10	3290805	1	Nut, Lock M8 x 1.25	
11	4811900	1	Washer M8	
12	91043147	1	Clamp	

SECTION 5 - DRIVE TRAIN

FIGURE 5-11. TRANSMISSION (6 SPD - 90KW)



ART_1001177851-E

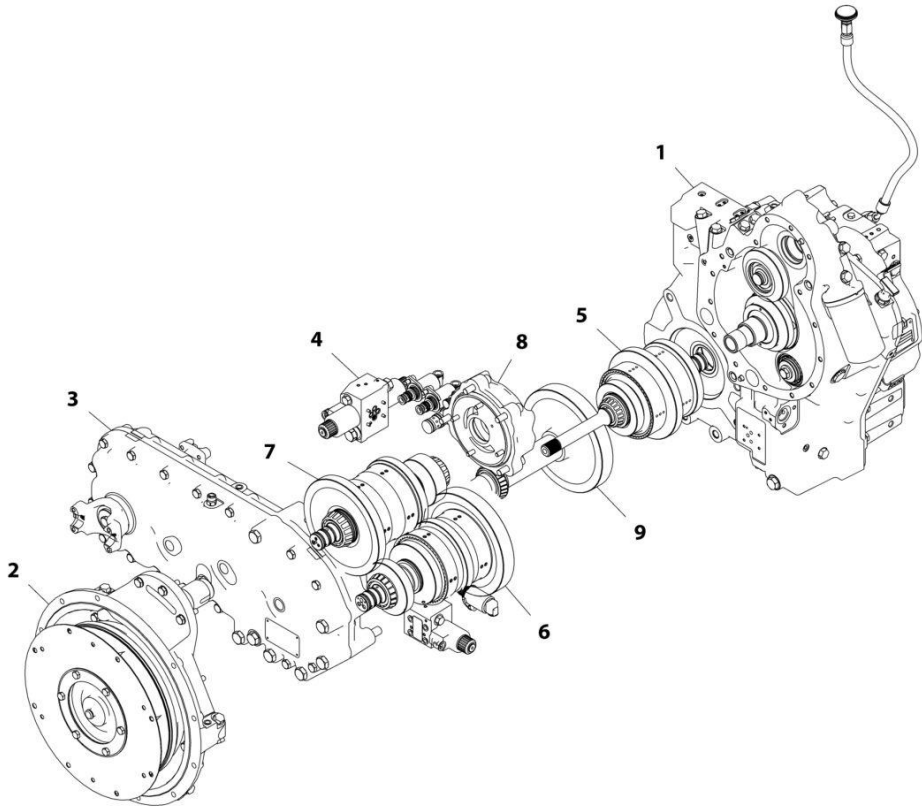
SECTION 5 - DRIVE TRAIN

FIGURE 5-11. TRANSMISSION (6 SPD - 90KW)

ITEM	PART NUMBER	QTY	DESCRIPTION	REV
	1001177851	Ref	Transmission (6 SPD - 90KW)	E
1	70027723	Ref	Group, Planetary Case and Parts (See Separate Breakdown in this Section)	
2	70027721	Ref	Group, Torque Converter (See Separate Breakdown in this Section)	
3	70027725	Ref	Group, Transfer Gear and Case (See Separate Breakdown in this Section)	
4	70027720	Ref	Group, Transmission Hydraulic Control (See Separate Breakdown in this Section)	
5	70027717	Ref	Group, Input Shaft (See Separate Breakdown in this Section)	
6	70027718	Ref	Group, Transmission Clutch (See Separate Breakdown in this Section)	
7	70027715	Ref	Group, Clutch and Gear (See Separate Breakdown in this Section)	
8	70027719	Ref	Group, Transmission Pump (See Separate Breakdown in this Section)	
9	70027716	Ref	Group, Output Shaft (See Separate Breakdown in this Section)	

SECTION 5 - DRIVE TRAIN

FIGURE 5-12. TRANSMISSION (6 SPD - HHP - 97KW)



ART_1001181559-D

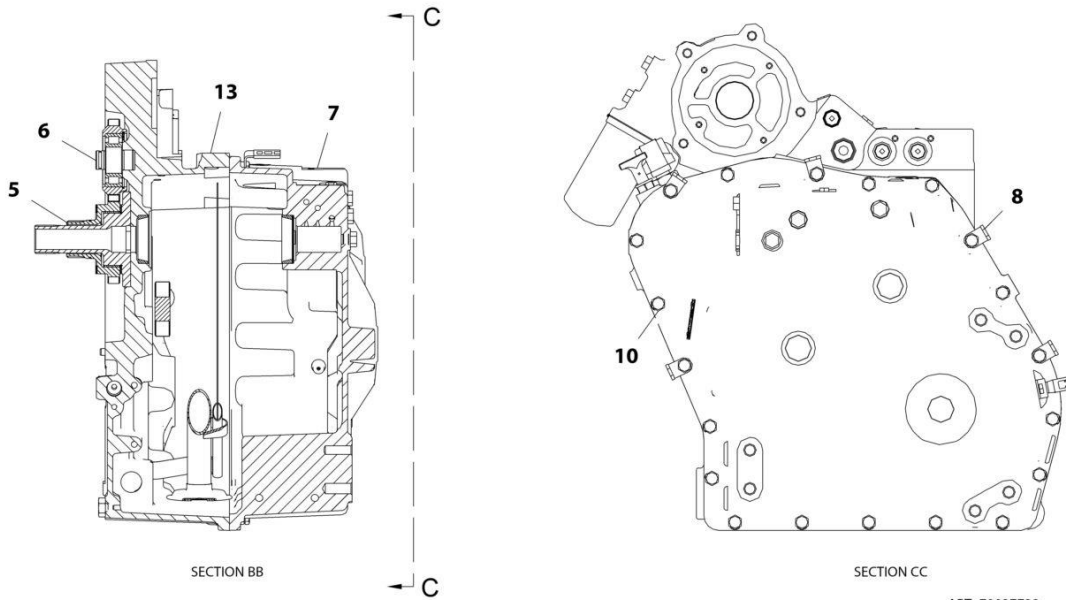
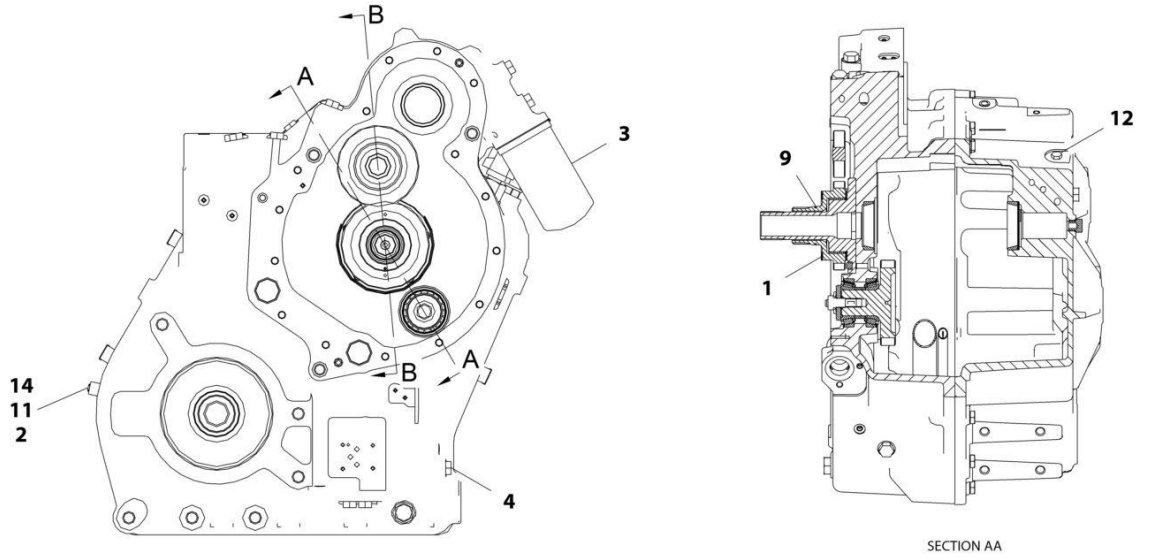
SECTION 5 - DRIVE TRAIN

FIGURE 5-12. TRANSMISSION (6 SPD - HHP - 97KW)

ITEM	PART NUMBER	QTY	DESCRIPTION	REV
	1001181559	Ref	Transmission (6 SPD - HHP - 97KW)	D
1	70027723	Ref	Group, Planetary Case and Parts (See Separate Breakdown in this Section)	
2	70027724	Ref	Group, Torque Converter (See Separate Breakdown in this Section)	
3	70027725	Ref	Group, Transfer Gear and Case (See Separate Breakdown in this Section)	
4	70027720	Ref	Group, Transmission Hydraulic Control (See Separate Breakdown in this Section)	
5	70027717	Ref	Group, Input Shaft (See Separate Breakdown in this Section)	
6	70027718	Ref	Group, Transmission Clutch (See Separate Breakdown in this Section)	
7	70027715	Ref	Group, Clutch and Gear (See Separate Breakdown in this Section)	
8	70027719	Ref	Group, Transmission Pump (See Separate Breakdown in this Section)	
9	70027716	Ref	Group, Output Shaft (See Separate Breakdown in this Section)	

SECTION 5 - DRIVE TRAIN

FIGURE 5-13. PLANETARY CASE AND PARTS GROUP



ART_70027723

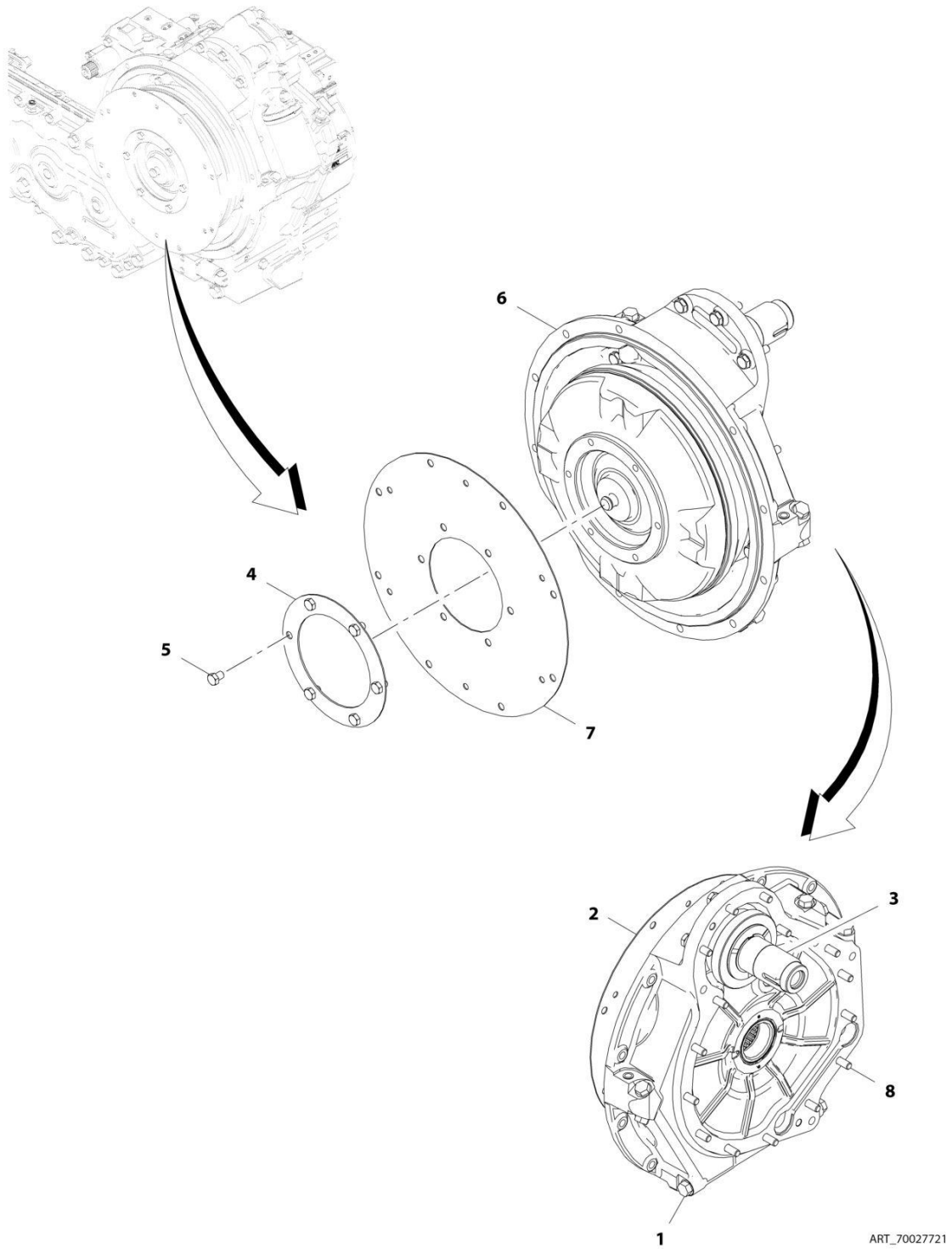
SECTION 5 - DRIVE TRAIN

FIGURE 5-13. PLANETARY CASE AND PARTS GROUP

ITEM	PART NUMBER	QTY	DESCRIPTION	REV
	70027723	Ref	Planetary Case and Parts Group	
1	70025511	2	Washer, Thrust	
2	70025526	1	Sensor, Speed (See Separate Breakdown in this Section)	
3	70025453	1	Filter, Transmission	
4	70027663	1	Assembly, Plug	
	70025525	1	O-Ring	
	70025524	1	Plug	
5	70027341	1	Assembly, Gear	
6	70027707	1	Gear, Idler (See Separate Breakdown in this Section)	
7	70027711	1	Case, Rear Transmission (See Separate Breakdown in this Section)	
8	70027331	5	Clip	
9	70025512	1	O-Ring	
10	70025514	20	Bolt	
11	70025528	1	Bolt	
12	70025529	1	Plug	
13	70027714	1	Case, Planetary (See Separate Breakdown in this Section)	
14	70025527	1	O-Ring	

SECTION 5 - DRIVE TRAIN

FIGURE 5-14. TORQUE CONVERTER GROUP



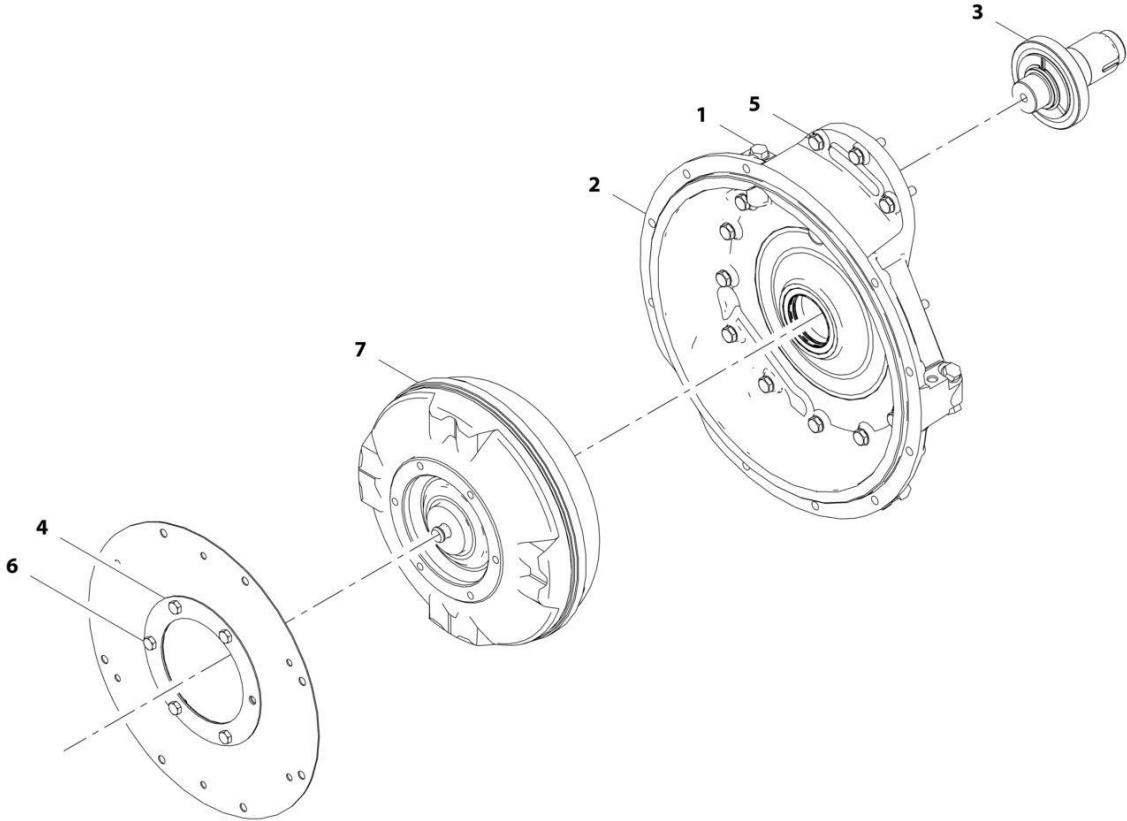
SECTION 5 - DRIVE TRAIN

FIGURE 5-14. TORQUE CONVERTER GROUP

ITEM	PART NUMBER	QTY	DESCRIPTION	REV
1	70027721	Ref	Torque Converter Group	
	70027663	7	Assembly, Plug	
	70025525	1	O-Ring	
	70025524	1	Plug	
2	70027666	1	Assembly, Torque Converter	
	70027676	1	Bearing	
	70025383	1	Seal	
	70025382	2	Pin	
	70027345	1	Converter	
3	70027667	1	Assembly, Shaft	
	70025510	2	Ring, Snap	
	70025393	2	Disc, Thrust	
	70025392	1	Pump, Gear	
4	70025397	1	Plate, Converter Drive	
5	70025398	6	Screw	
6	70027382	1	Converter, Torque	
7	70027670	1	Plate, Converter Drive	
8	70027682	15	Bolt	

SECTION 5 - DRIVE TRAIN

FIGURE 5-15. TORQUE CONVERTER GROUP



ART_70027724

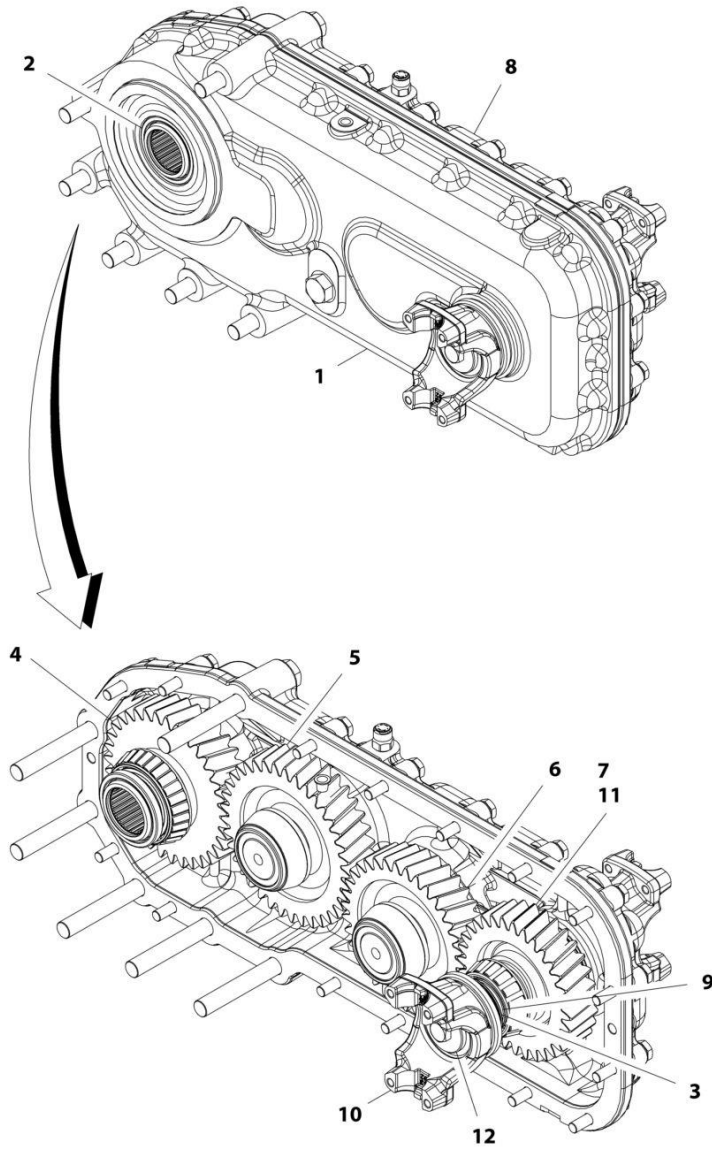
SECTION 5 - DRIVE TRAIN

FIGURE 5-15. TORQUE CONVERTER GROUP

ITEM	PART NUMBER	QTY	DESCRIPTION	REV
1	70027724	Ref	Torque Converter Group	
	70027663	7	Assembly, Plug	
	70025525	1	O-Ring	
	70025524	1	Plug	
2	70027666	1	Torque Converter	
	70027676	1	Bearing	
	70025383	1	Seal	
	70025382	2	Pin	
	70027345	1	Converter	
	70027667	1	Assembly, Shaft	
3	70025510	2	Ring, Snap	
	70025393	2	Disc, Thrust	
	70025392	1	Pump, Gear	
4	70025397	1	Plate, Converter	
5	70025514	15	Bolt	
6	70025398	6	Setscrew	
7	70027383	1	Converter, Torque	

SECTION 5 - DRIVE TRAIN

FIGURE 5-16. TRANSFER GEAR AND CASE GROUP



ART_70027725

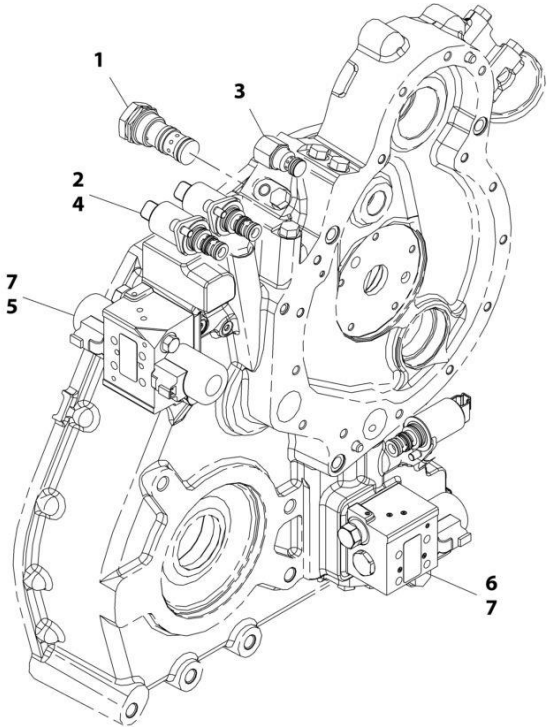
SECTION 5 - DRIVE TRAIN

FIGURE 5-16. TRANSFER GEAR AND CASE GROUP

ITEM	PART NUMBER	QTY	DESCRIPTION	REV
	70027725	Ref	Group, Transfer Gear and Case	
1	70027373	1	Case, Front Transfer (See Separate Breakdown in this Section)	
2	70024642	1	Seal, Lip	
3	70027376	2	Seal, Lip	
4	70027672	1	Gear Assembly	
	70025496	2	Cone, Roller Bearing	
	70024634	1	Cone, Roller Bearing	
	70027368	1	Gear, Input	
5	70027673	1	Assembly, Idler Gear	
	70025493	2	Bearing, Cone	
	70027369	1	Idler, Gear	
6	70027674	1	Assembly, Idler Gear	
	70025493	2	Bearing, Cone	
	70027370	1	Idler, Gear	
7	70027675	1	Assembly, Output Shaft	
	70025496	2	Cone, Roller Bearing	
	70025498	2	Ring, Retaining	
	70024639	1	Shaft, Output	
	70027371	1	Gear, Output	
8	70027375	1	Case, Rear Transfer (See Separate Breakdown in this Section)	
9	70024644	2	Spacer	
10	70024645	2	Yoke	
11	70025503	2	O-Ring	
12	70025504	2	Washer	

SECTION 5 - DRIVE TRAIN

FIGURE 5-17. TRANSMISSION HYDRAULIC CONTROL GROUP



ART_70027720

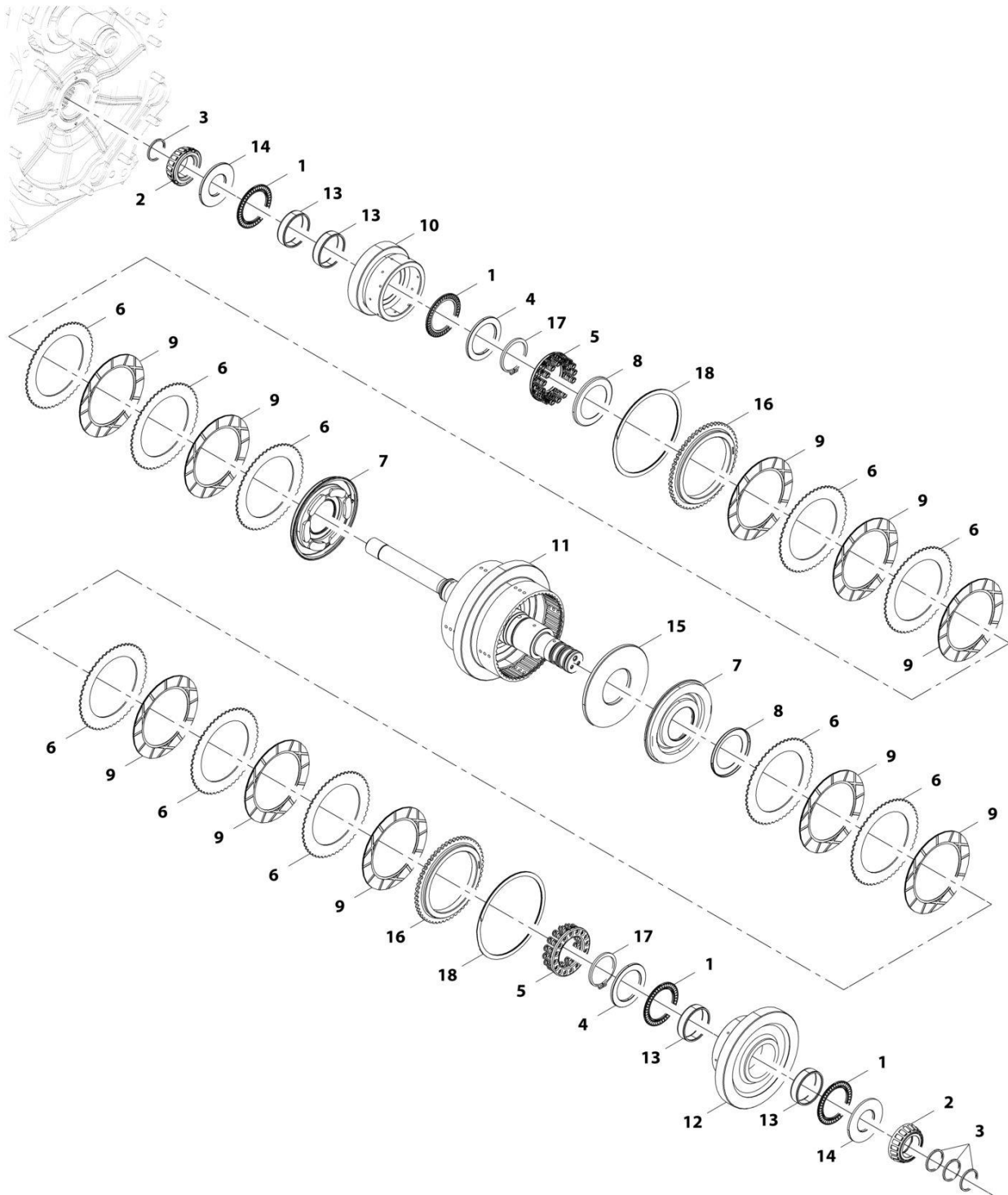
SECTION 5 - DRIVE TRAIN

FIGURE 5-17. TRANSMISSION HYDRAULIC CONTROL GROUP

ITEM	PART NUMBER	QTY	DESCRIPTION	REV
	70027720	Ref	Transmission Hydraulic Control Group	
1	70025469	1	Valve, Relief (See Separate Breakdown in this Section)	
2	70025520	3	Capscrew	
3	70025470	1	Valve, Relief	
	70027387	1	O-Ring	
	70027680	1	O-Ring	
4	70025451	3	Valve, Solenoid	
5	70027362	1	Valve, Solenoid (See Separate Breakdown in this Section)	
6	70027363	1	Valve, Solenoid (See Separate Breakdown in this Section)	
7	70027671	8	Bolt	

SECTION 5 - DRIVE TRAIN

FIGURE 5-18. INPUT SHAFT GROUP



ART_70027717

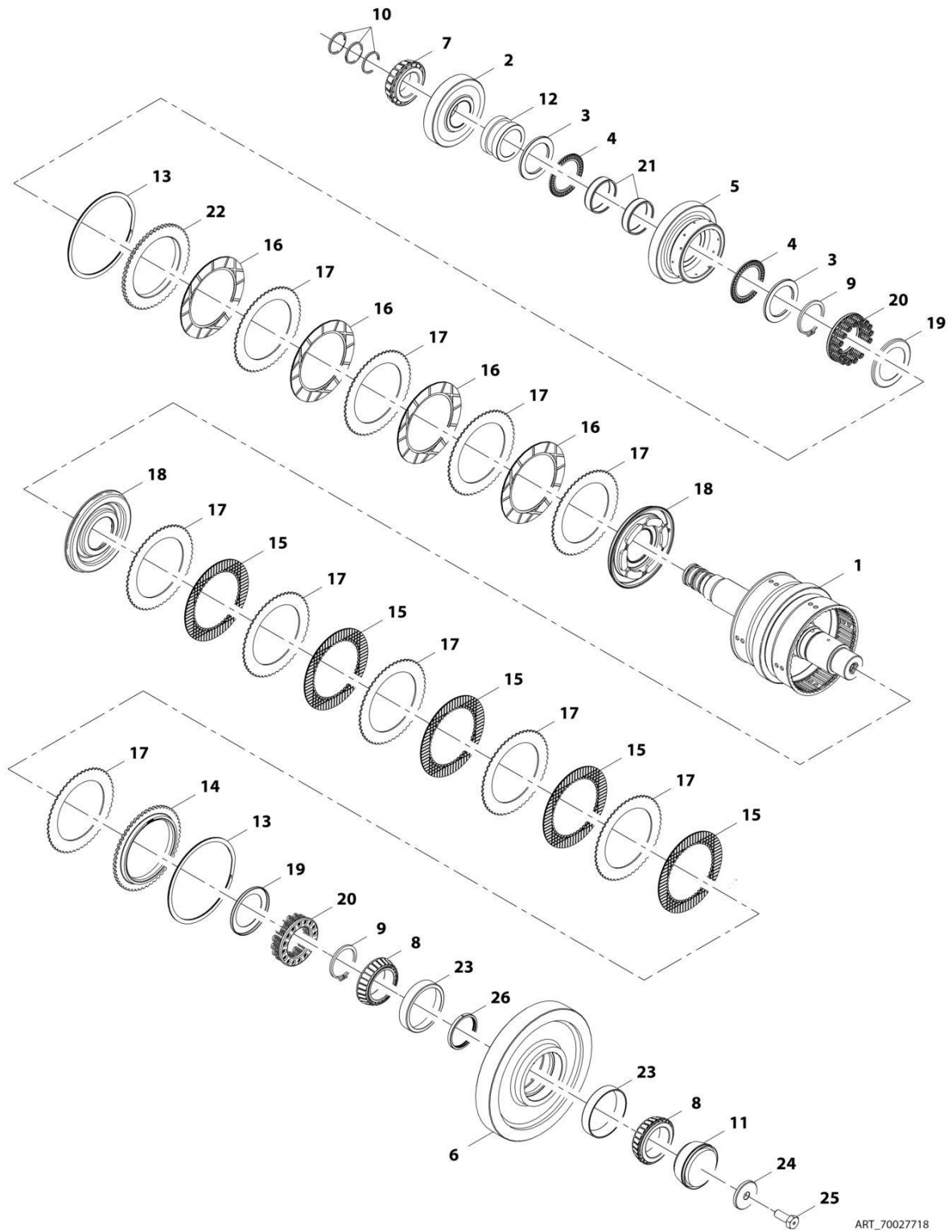
SECTION 5 - DRIVE TRAIN

FIGURE 5-18. INPUT SHAFT GROUP

ITEM	PART NUMBER	QTY	DESCRIPTION	REV
	70027717	Ref	Input Shaft Group	
1	70025432	4	Bearing, Thrust	
2	70025508	2	Bearing, Roller Cone	
3	70025433	4	Ring, Sealing	
4	70025429	2	Washer, Thrust	
5	70025440	2	Assembly, Spring and Retainer	
6	70025437	10	Plate, Clutch	
7	70025438	2	Piston, Clutch	
8	70025439	2	Retainer, Spring	
9	70025448	10	Disc, Friction	
10	70025400	1	Gear	
11	70025445	1	Assembly, Plug	
	70027328	2	Plug	
	70027348	1	Plug, Orifice	
12	70025401	1	Gear	
13	70025424	4	Bearing, Needle Roller	
14	70025446	2	Washer, Thrust	
15	70025449	1	Spacer, Piston	
16	70025447	2	Plate, Retainer	
17	70025498	2	Ring, Retaining	
18	70027681	2	Ring, Retaining	

SECTION 5 - DRIVE TRAIN

FIGURE 5-19. TRANSMISSION CLUTCH GROUP



ART_70027718

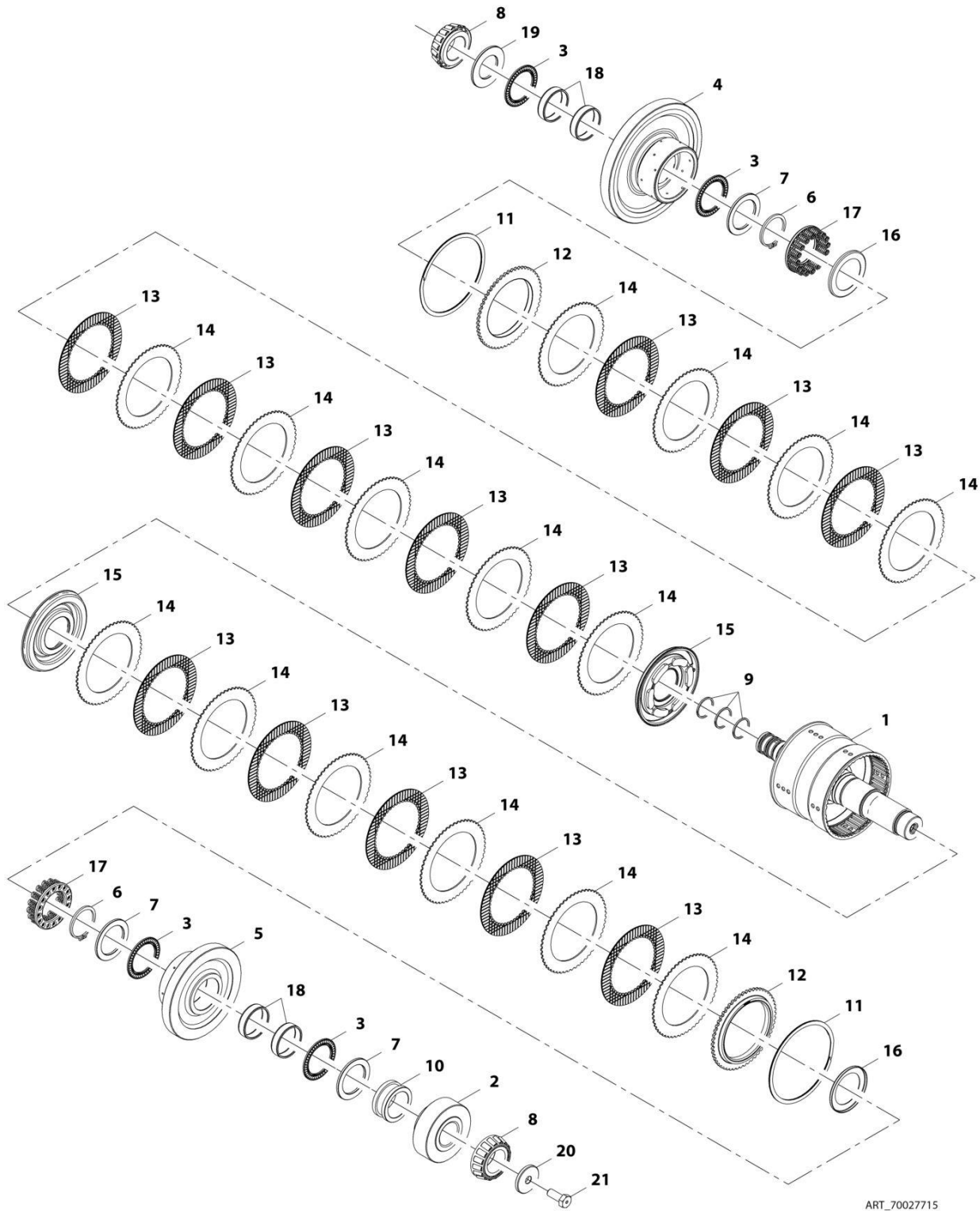
SECTION 5 - DRIVE TRAIN

FIGURE 5-19. TRANSMISSION CLUTCH GROUP

ITEM	PART NUMBER	QTY	DESCRIPTION	REV
	70027718	Ref	Transmission Clutch Group	
1	70025450	1	Shaft, Forward High/3rd	
	70027339	2	Plug	
	70027344	1	Plug-Orifice	
2	70025402	1	Gear	
3	70025429	2	Washer, Thrust	
4	70025432	2	Bearing, Thrust	
5	70025403	1	Gear	
6	70025404	1	Gear	
7	70025406	1	Bearing, Cone Roller	
8	70025407	2	Bearing, Cone Roller	
9	70025498	2	Ring, Retaining	
10	70025433	3	Ring, Sealing	
11	70025493	1	Bearing, Cone Roller	
12	70025409	1	Spacer	
13	70027681	2	Ring, Retaining	
14	70025435	1	Plate, Retainer	
15	70025436	5	Disc-Friction	
16	70025448	4	Disc-Friction	
17	70025437	10	Plate, Clutch	
18	70025438	2	Piston, Clutch	
19	70025439	2	Spring, Retainer	
20	70025440	2	Assembly, Spring and Retainer	
21	70025424	2	Bearing, Needle Roller	
22	70025447	1	Plate, Retaining	
23	70025408	2	Bearing, Cup	
24	70025504	1	Washer	
25	70025442	1	Bolt	
26	70025410	AR	Spacer, 5.88-5.90	
	70025411	AR	Spacer, 5.85-5.87	
	70025412	AR	Spacer, 5.82-5.84	
	70025413	AR	Spacer, 5.79-5.81	
	70025414	AR	Spacer, 6.00-6.02	
	70025415	AR	Spacer, 5.97-5.99	
	70025416	AR	Spacer, 5.94-5.96	
	70025417	AR	Spacer, 5.91-5.93	
	70025418	AR	Spacer, 6.09-6.11	
	70025419	AR	Spacer, 6.06-6.08	
	70027358	AR	Spacer, 6.12-6.14	
	70027359	AR	Spacer, 6.15-6.17	
	70025420	AR	Spacer, 6.03-6.05	
	70027364	AR	Spacer, 6.20-6.22	
	70027365	AR	Spacer, 6.25-6.27	

SECTION 5 - DRIVE TRAIN

FIGURE 5-20. CLUTCH AND GEAR GROUP



ART_70027715

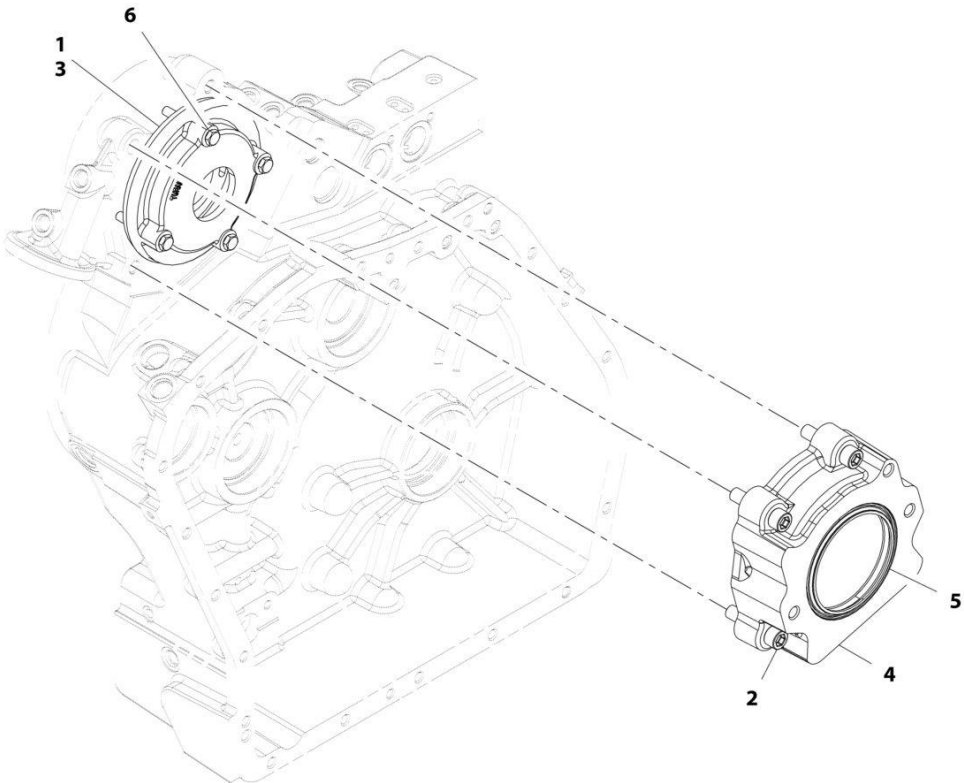
SECTION 5 - DRIVE TRAIN

FIGURE 5-20. CLUTCH AND GEAR GROUP

ITEM	PART NUMBER	QTY	DESCRIPTION	REV
	70027715	Ref	Clutch and Gear Group	
1	70025431	1	Assembly, Plug	
	70027328	2	Plug	
	70027344	1	Plug, Orifice	
	70027349	1	Plug, Orifice	
2	70025423	1	Gear	
3	70025432	4	Bearing, Thrust	
4	70025425	1	Gear	
5	70025401	1	Gear	
6	70025498	2	Ring, Retaining	
7	70025429	3	Washer, Thrust	
8	70025496	2	Cone, Roller Bearing	
9	70025433	3	Ring, Sealing	
10	70025426	1	Spacer	
11	70027681	2	Ring, Retaining	
12	70025435	2	Plate, Retainer	
13	70025436	13	Disc, Friction	
14	70025437	15	Plate, Clutch	
15	70025438	2	Piston, Clutch	
16	70025439	2	Retainer, Spring	
17	70025440	2	Assembly, Spring and Retainer	
18	70025424	4	Bearing, Needle Roller	
19	70025441	1	Washer, Thrust	
20	70025504	1	Washer	
21	70025442	1	Bolt	

SECTION 5 - DRIVE TRAIN

FIGURE 5-21. TRANSMISSION PUMP GROUP



ART_70027719

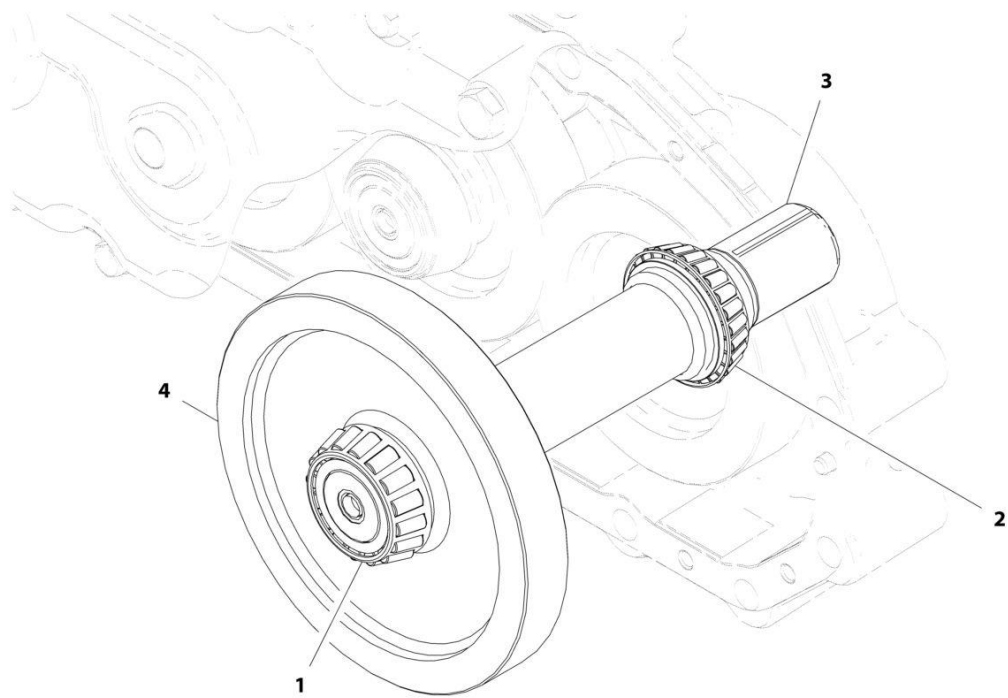
SECTION 5 - DRIVE TRAIN

FIGURE 5-21. TRANSMISSION PUMP GROUP

ITEM	PART NUMBER	QTY	DESCRIPTION	REV
	70027719	Ref	Transmission Pump Group	
1	70025464	1	O-Ring	
2	70025463	4	Capscrew	
3	70025459	1	Pump, Charge	
4	70025452	1	Housing, Pump	
5	70027347	1	Plug	
6	70025522	4	Bolt	

SECTION 5 - DRIVE TRAIN

FIGURE 5-22. OUTPUT SHAFT GROUP



ART_70027716

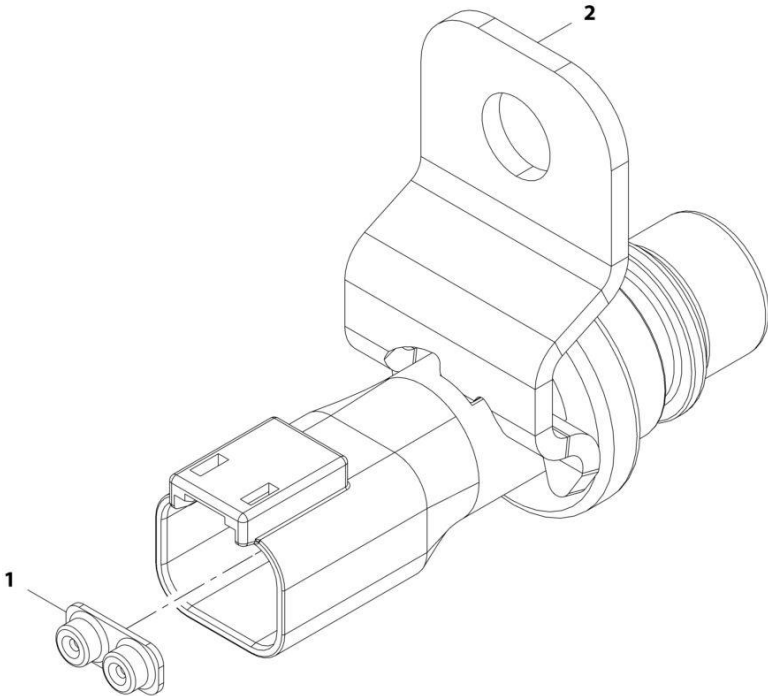
SECTION 5 - DRIVE TRAIN

FIGURE 5-22. OUTPUT SHAFT GROUP

ITEM	PART NUMBER	QTY	DESCRIPTION	REV
	70027716	Ref	Output Shaft Group	
1	70025496	1	Cone, Roller Bearing	
2	70025407	1	Cone, Roller Bearing	
3	70025428	1	Gear	
4	70025427	1	Shaft, Output	

SECTION 5 - DRIVE TRAIN

FIGURE 5-23. SPEED SENSOR



ART_70025526

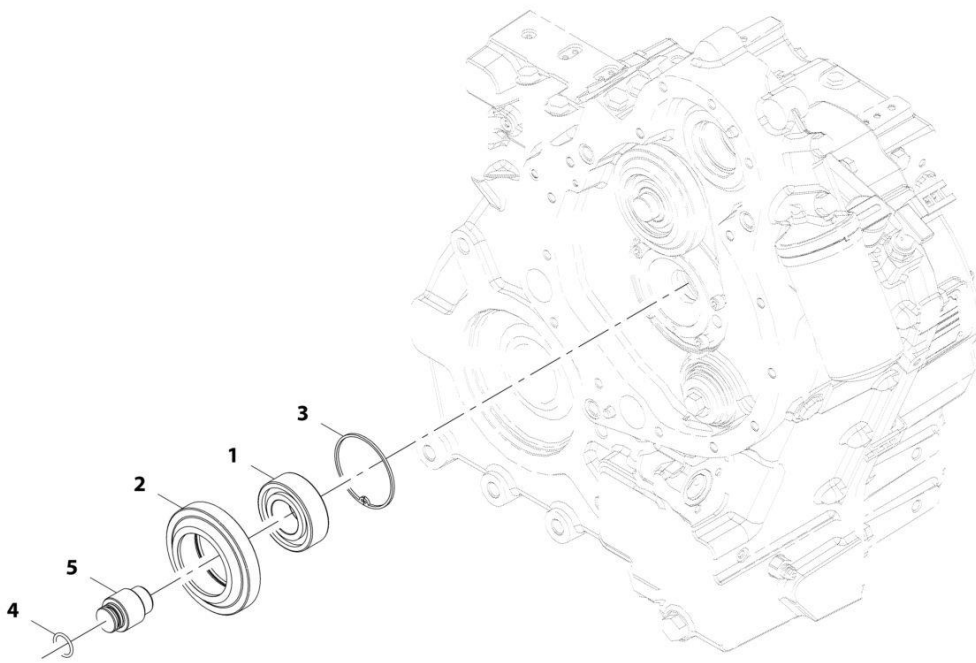
SECTION 5 - DRIVE TRAIN

FIGURE 5-23. SPEED SENSOR

ITEM	PART NUMBER	QTY	DESCRIPTION	REV
	70025526	Ref	Speed Sensor	
1	70027332	1	Connector	
2	70027661	1	Bracket	

SECTION 5 - DRIVE TRAIN

FIGURE 5-24. IDLER GEAR



ART_70027707

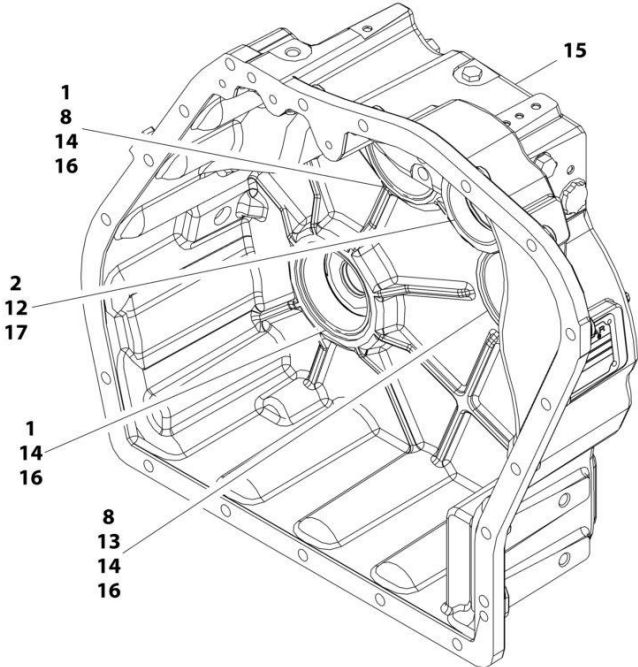
SECTION 5 - DRIVE TRAIN

FIGURE 5-24. IDLER GEAR

ITEM	PART NUMBER	QTY	DESCRIPTION	REV
	70027707	Ref	Idler Gear Group	
1	70025389	1	Bearing, Roller	
2	70025388	1	Pump, Idler Gear	
3	70025391	1	Circlip	
4	70025390	1	O-Ring	
5	70025387	1	Pump, Output Shaft	

SECTION 5 - DRIVE TRAIN

FIGURE 5-25. REAR TRANSMISSION CASE



ART_70027711

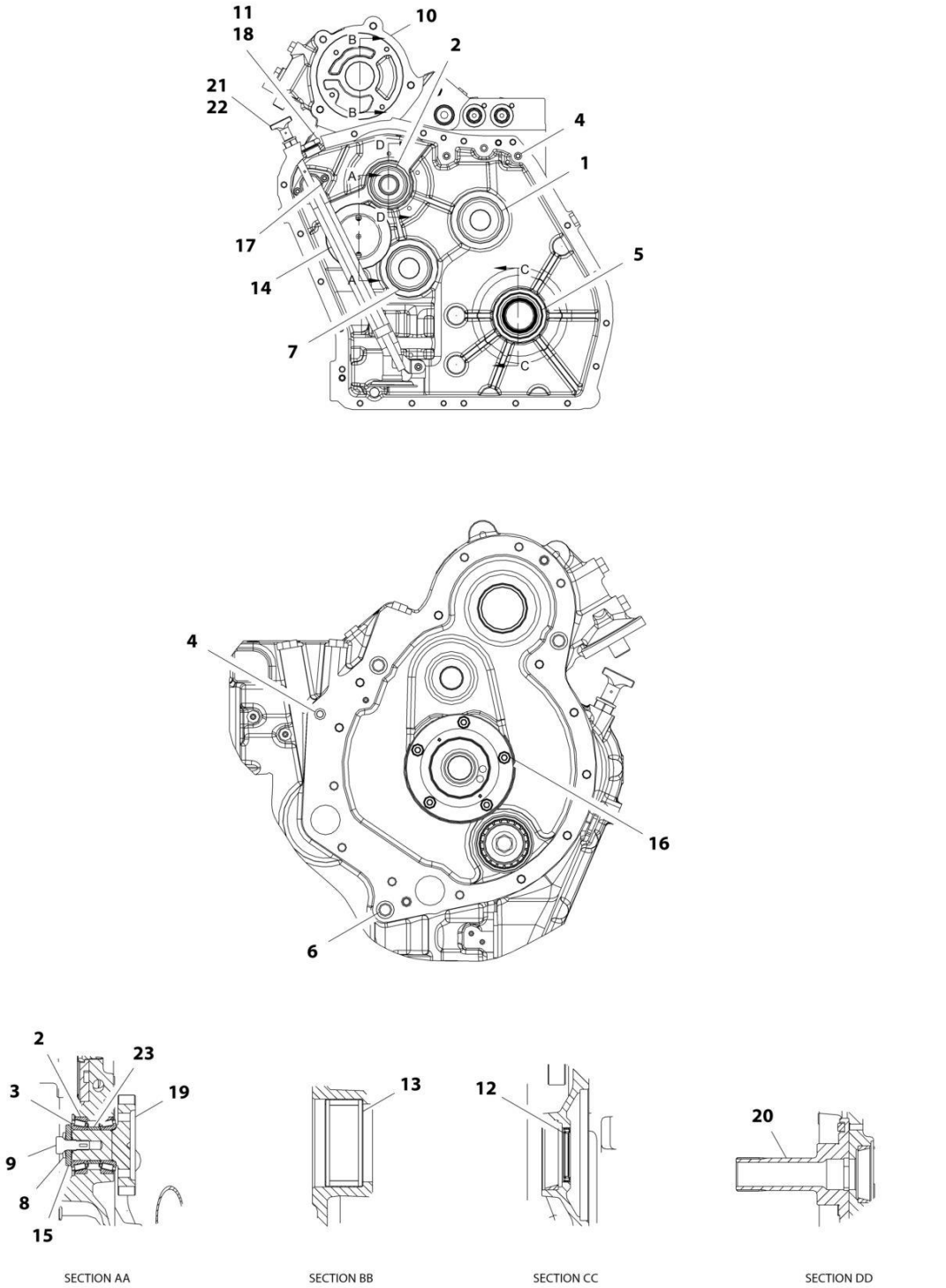
SECTION 5 - DRIVE TRAIN

FIGURE 5-25. REAR TRANSMISSION CASE

ITEM	PART NUMBER	QTY	DESCRIPTION	REV
	70027711	Ref	Rear Transmission Case	
1	70025497	2	Cup, Roller Bearing	
2	70025443	AR	Shim, 0.508	
	70025444	AR	Shim, 0.381	
	70025518	AR	Shim, 0.051	
	70025515	AR	Shim, 0.178	
	70025516	AR	Shim, 0.127	
	70025517	AR	Shim, 0.076	
8	70025502	AR	Shim, 0.599	
	70025501	AR	Shim, 0.178	
	70025500	AR	Shim, 0.076	
	70025499	AR	Shim, 0.051	
12	70025509	1	Cup, Roller Bearing	
13	70025494	1	Cup, Bearing	
14	70025476	3	Cap	
15	70025430	1	Assembly, Rear Transmission Case (See Separate Breakdown in this Section)	
16	70025421	3	Shim	
17	70027350	1	Spacer	

SECTION 5 - DRIVE TRAIN

FIGURE 5-26. PLANETARY CASE



ART_70027714

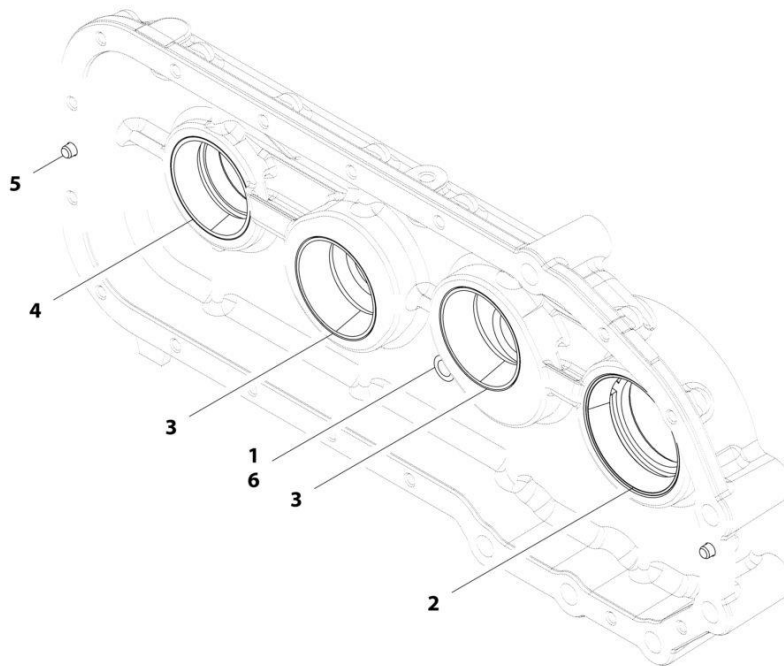
SECTION 5 - DRIVE TRAIN

FIGURE 5-26. PLANETARY CASE

ITEM	PART NUMBER	QTY	DESCRIPTION	REV
	70027714	Ref	Planetary Case	
1	70025497	1	Cup, Roller Bearing	
2	70025509	3	Cup, Roller Bearing	
3	70025508	1	Cone, Roller Bearing	
4	70025523	4	O-Ring	
5	70025408	1	Cup, Bearing	
6	70025468	3	O-Ring	
7	70027340	1	Bearing	
8	70025380	1	Washer, Bevel Spring	
9	70025505	1	Bolt	
10	70025467	1	Assembly, Front Transmission Case (See Separate Breakdown in this Section)	
11	70027664	1	Housing	
12	70027376	1	Seal, Lip	
13	70025360	1	Bearing, Needle Roller	
14	70027668	1	Assembly, Strainer	
	70025461	2	O-Ring	
	70025460	1	Strainer	
15	70025504	1	Washer	
16	70025513	5	Capscrew	
17	70025520	3	Capscrew	
18	70025472	1	Washer	
19	70027665	1	Shaft, Idler	
	70025508	1	Cone, Bearing	
	70025361	1	Gear, Reverse Idler	
20	70025394	1	Support	
	70025382	2	Pin	
21	70025465	1	Dipstick	
22	70025462	1	Assembly, Dipstick Tube	
	70027388	1	O-Ring	
	70027346	1	Tube	
23	70025370	AR	Spacer, 15.09-15.11	
	70025376	AR	Spacer, 15.27-15.29	
	70025362	AR	Spacer, 14.85-14.87	
	70025377	AR	Spacer, 15.30-15.32	
	70025371	AR	Spacer, 15.12-15.14	
	70025372	AR	Spacer, 15.15-15.17	
	70025373	AR	Spacer, 15.18-15.20	
	70025363	AR	Spacer, 14.88-14.90	
	70025364	AR	Spacer, 14.91-14.93	
	70025365	AR	Spacer, 14.94-14.96	
	70025366	AR	Spacer, 14.97-14.99	
	70025367	AR	Spacer, 15.00-15.02	
	70025368	AR	Spacer, 15.03-15.05	
	70025369	AR	Spacer, 15.06-15.08	
	70025374	AR	Spacer, 15.21-15.23	
	70025378	AR	Spacer, 15.33-15.35	
	70025379	AR	Spacer, 15.36-15.38	
	70025375	AR	Spacer, 15.24-15.26	

SECTION 5 - DRIVE TRAIN

FIGURE 5-27. FRONT TRANSFER CASE



ART_70027373

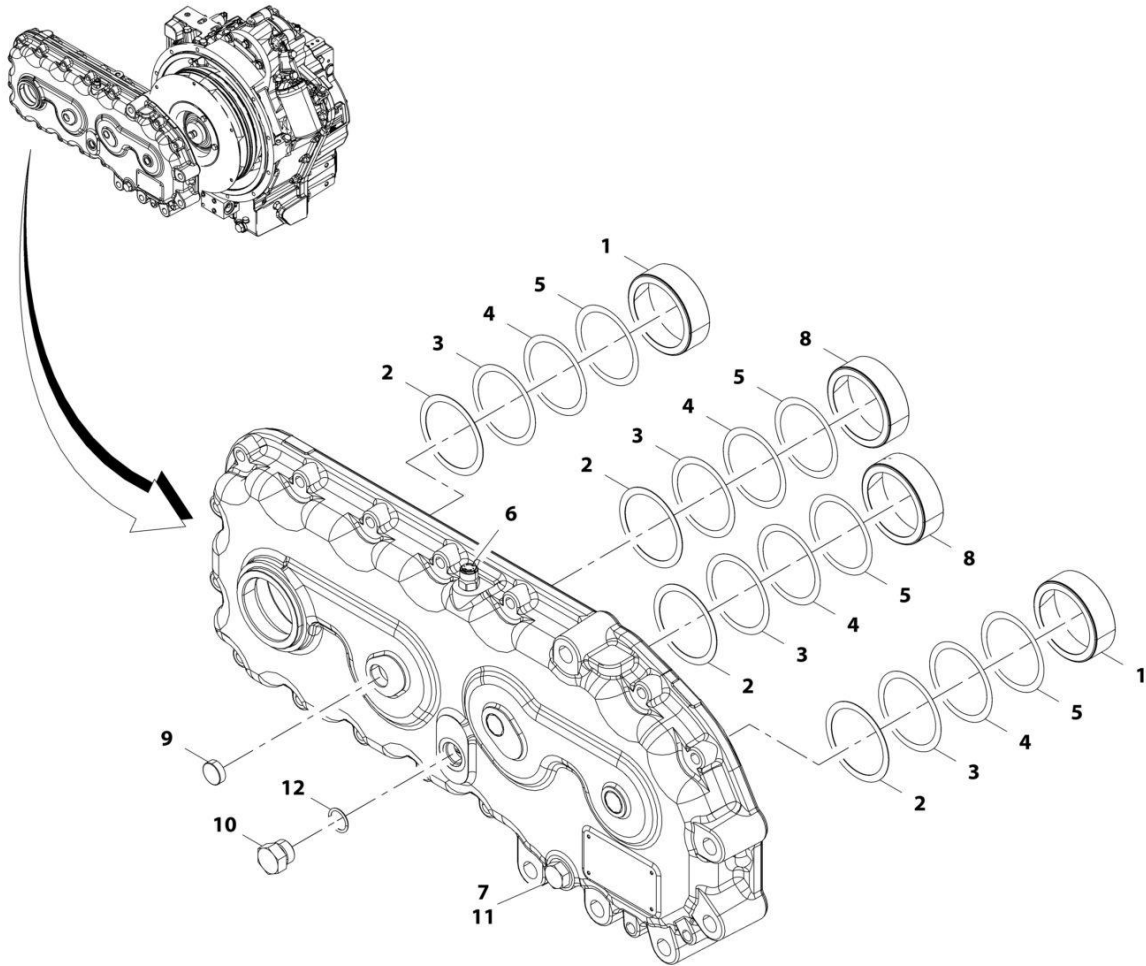
SECTION 5 - DRIVE TRAIN

FIGURE 5-27. FRONT TRANSFER CASE

ITEM	PART NUMBER	QTY	DESCRIPTION	REV
	70027373	Ref	Front Transfer Case	
1	70025506	1	Plug	
2	70024635	1	Cup, Roller Bearing	
3	70025494	2	Cup, Bearing	
4	70025497	1	Cup, Roller Bearing	
5	70025495	2	Dowel	
6	70027387	1	O-Ring	

SECTION 5 - DRIVE TRAIN

FIGURE 5-28. REAR TRANSFER CASE



ART_70027375

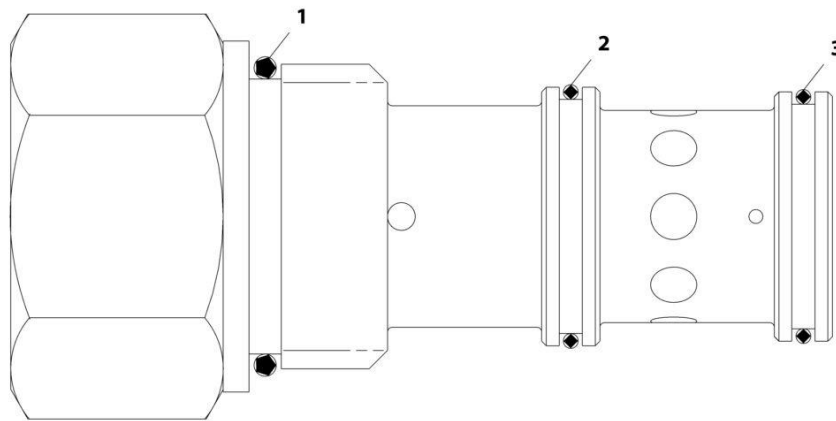
SECTION 5 - DRIVE TRAIN

FIGURE 5-28. REAR TRANSFER CASE

ITEM	PART NUMBER	QTY	DESCRIPTION	REV
	70027375	Ref	Rear Transfer Case	
1	70025497	2	Cup, Roller Bearing	
2	70025502	4	Shim, 0.236	
3	70025501	4	Shim, 0.007	
4	70025500	4	Shim, 0.003	
5	70025499	4	Shim, 0.002	
6	70027374	1	Breather	
7	70024646	1	Plug	
8	70025494	2	Cup, Bearing	
9	70024641	3	Cap	
10	70025506	1	Plug	
11	7022730	1	O-Ring	
12	70027387	1	O-Ring	

SECTION 5 - DRIVE TRAIN

FIGURE 5-29. RELIEF VALVE



ART_70025469

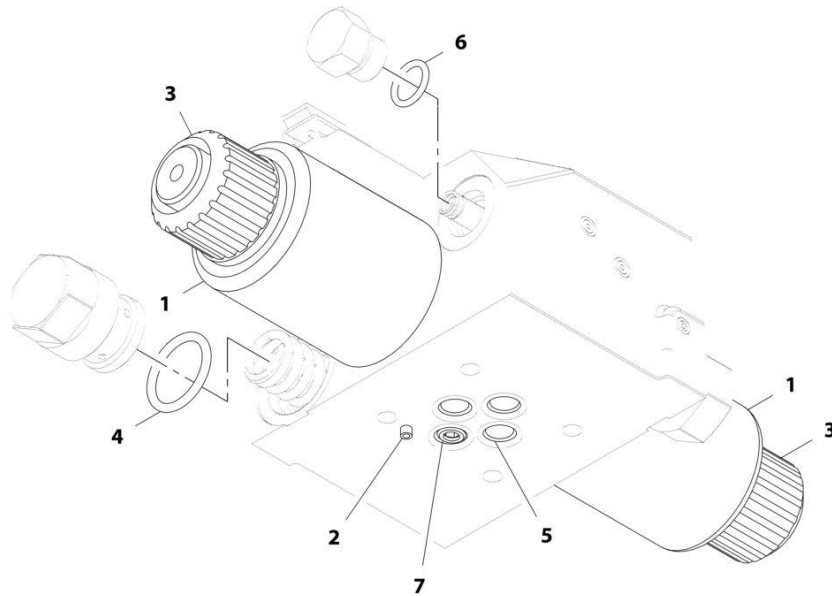
SECTION 5 - DRIVE TRAIN

FIGURE 5-29. RELIEF VALVE

ITEM	PART NUMBER	QTY	DESCRIPTION	REV
	70025469	Ref	Valve, Relief	
1	70027679	1	O-Ring	
2	70027678	1	O-Ring	
3	70027660	1	O-Ring	

SECTION 5 - DRIVE TRAIN

FIGURE 5-30. SOLENOID VALVE



ART_70027362

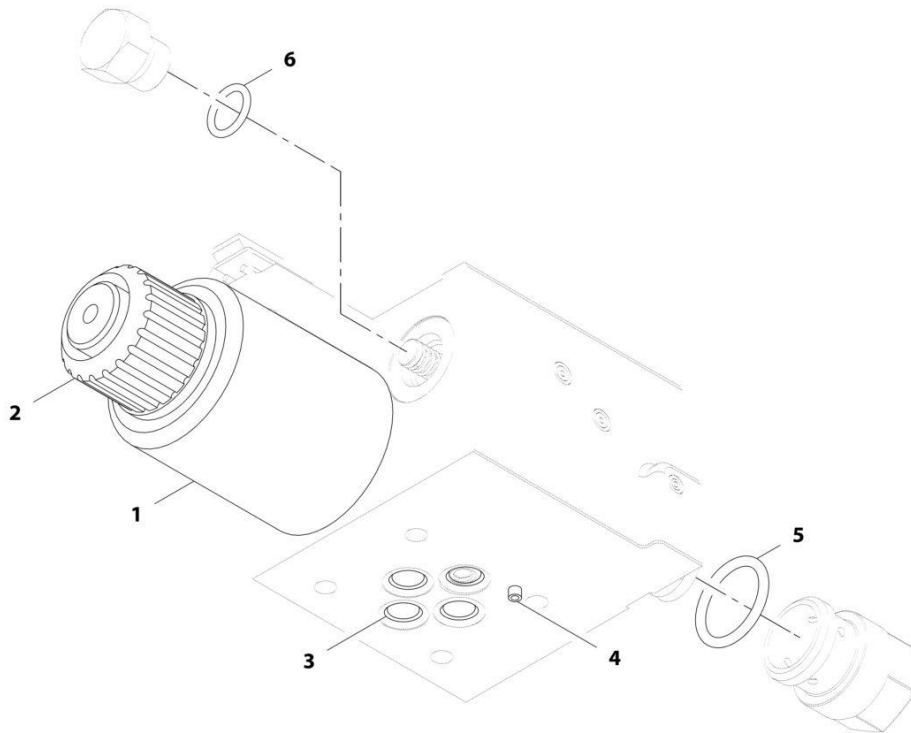
SECTION 5 - DRIVE TRAIN

FIGURE 5-30. SOLENOID VALVE

ITEM	PART NUMBER	QTY	DESCRIPTION	REV
	70027362	Ref	Solenoid Valve	
1	70025456	2	Coil, Solenoid	
2	70027389	1	Pin	
3	70025457	2	Assembly, Solenoid	
	70027677	1	O-Ring	
	70025455	1	Nut, Self Locking	
4	70027352	2	O-Ring	
5	70025466	4	O-Ring	
6	70027353	2	O-Ring	
7	70027361	1	Plug	

SECTION 5 - DRIVE TRAIN

FIGURE 5-31. SOLENOID VALVE



ART_70027363

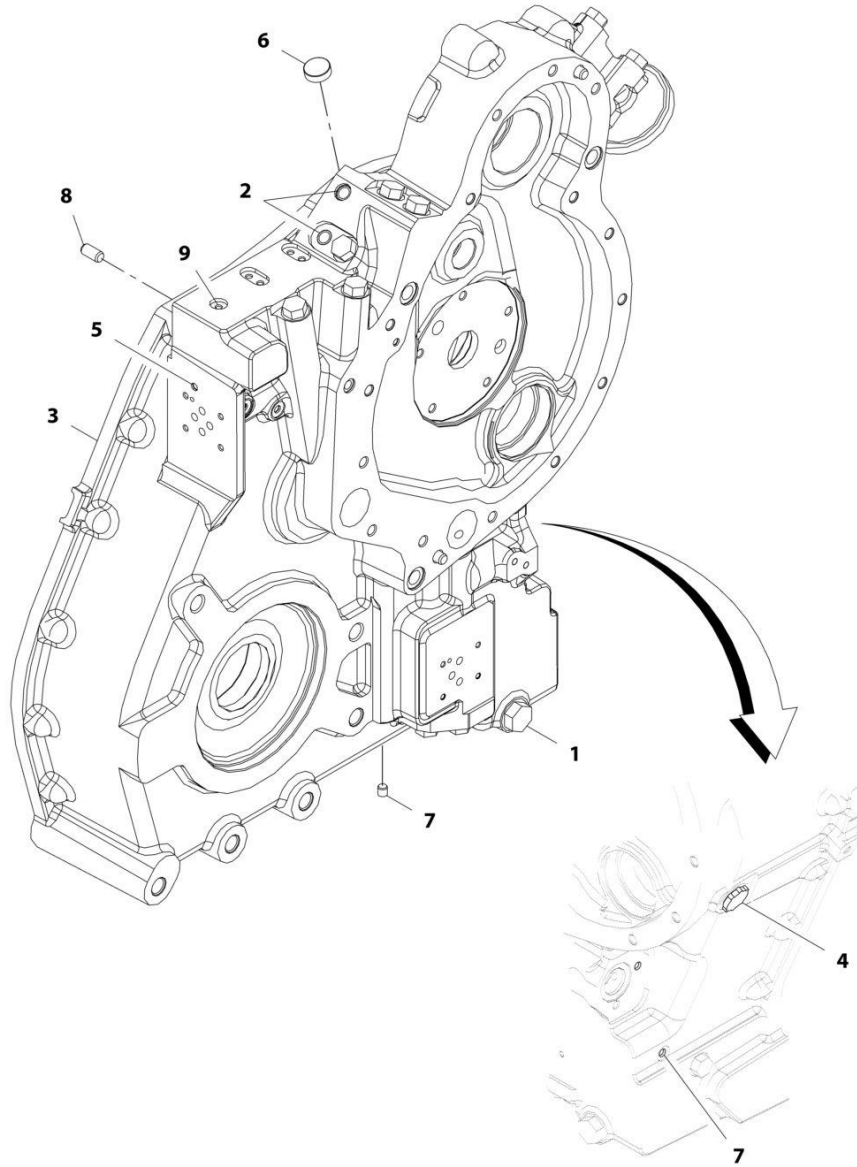
SECTION 5 - DRIVE TRAIN

FIGURE 5-31. SOLENOID VALVE

ITEM	PART NUMBER	QTY	DESCRIPTION	REV
	70027363	Ref	Solenoid Valve	
1	70025456	1	Coil, Solenoid	
2	70025457	1	Tube	
	70027677	1	O-Ring	
	70025455	1	Nut, Self Locking	
3	70025466	4	O-Ring	
4	70027389	1	Pin	
5	70027352	1	O-Ring	
6	70027353	1	O-Ring	

SECTION 5 - DRIVE TRAIN

FIGURE 5-32. FRONT TRANSMISSION CASE ASSEMBLY



ART_70025467

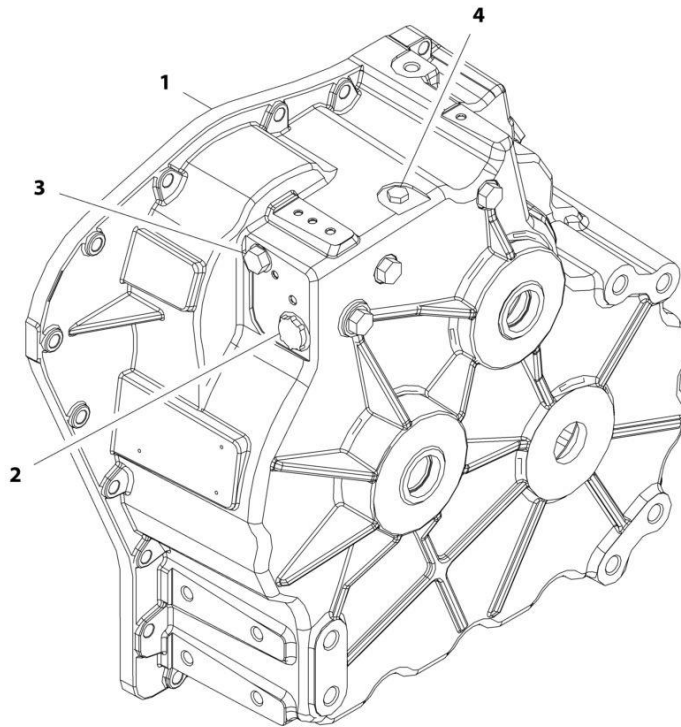
SECTION 5 - DRIVE TRAIN

FIGURE 5-32. FRONT TRANSMISSION CASE ASSEMBLY

ITEM	PART NUMBER	QTY	DESCRIPTION	REV
	70025467	Ref	Front Transmission Case Assembly	
1	70024646	1	Plug	
2	70025471	2	Plug	
3	70027669	1	Case, Front Transmission	
	70027354	1	Adapter	
4	70027337	1	Plug	
5	70027338	4	Plug	
6	70024641	1	Cap	
7	70027339	3	Plug	
8	70025495	4	Dowel	
9	70027328	7	Plug	

SECTION 5 - DRIVE TRAIN

FIGURE 5-33. REAR TRANSMISSION CASE ASSEMBLY



ART_70025430

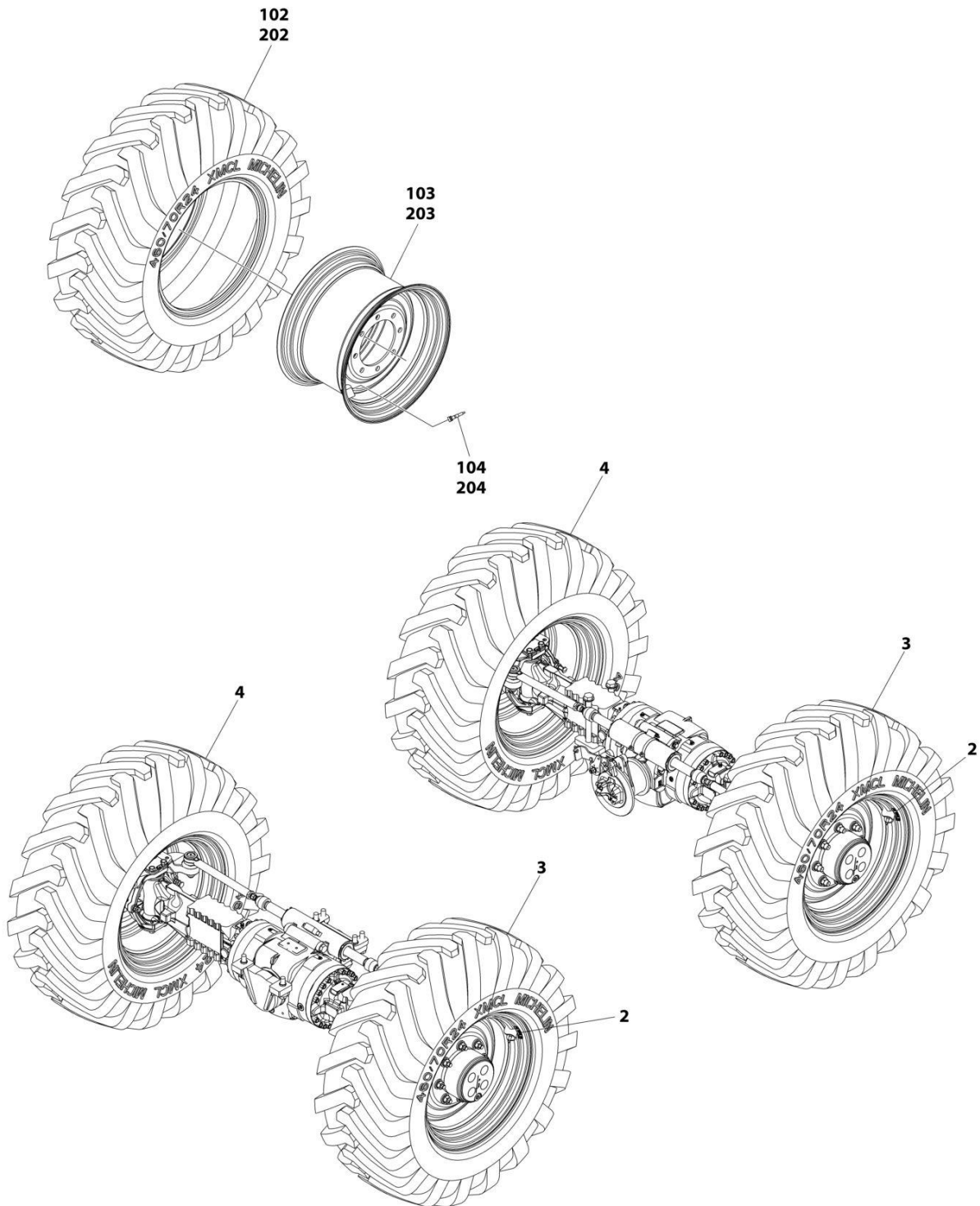
SECTION 5 - DRIVE TRAIN

FIGURE 5-33. REAR TRANSMISSION CASE ASSEMBLY

ITEM	PART NUMBER	QTY	DESCRIPTION	REV
1	70025430	Ref	Rear Transmission Case Assembly	
	70027366	1	Case, Rear Transmission	
	70027338	4	Plug	
	70027339	4	Plug	
2	70027337	1	Plug	
3	70027663	4	Assembly, Plug	
	70025525	1	O-Ring	
4	70025524	1	Plug	
	70025529	1	Plug	

SECTION 5 - DRIVE TRAIN

FIGURE 5-34. TIRE/WHEEL SET (AIR - 460/70 R24 XMCL)



ART_1001142285_D

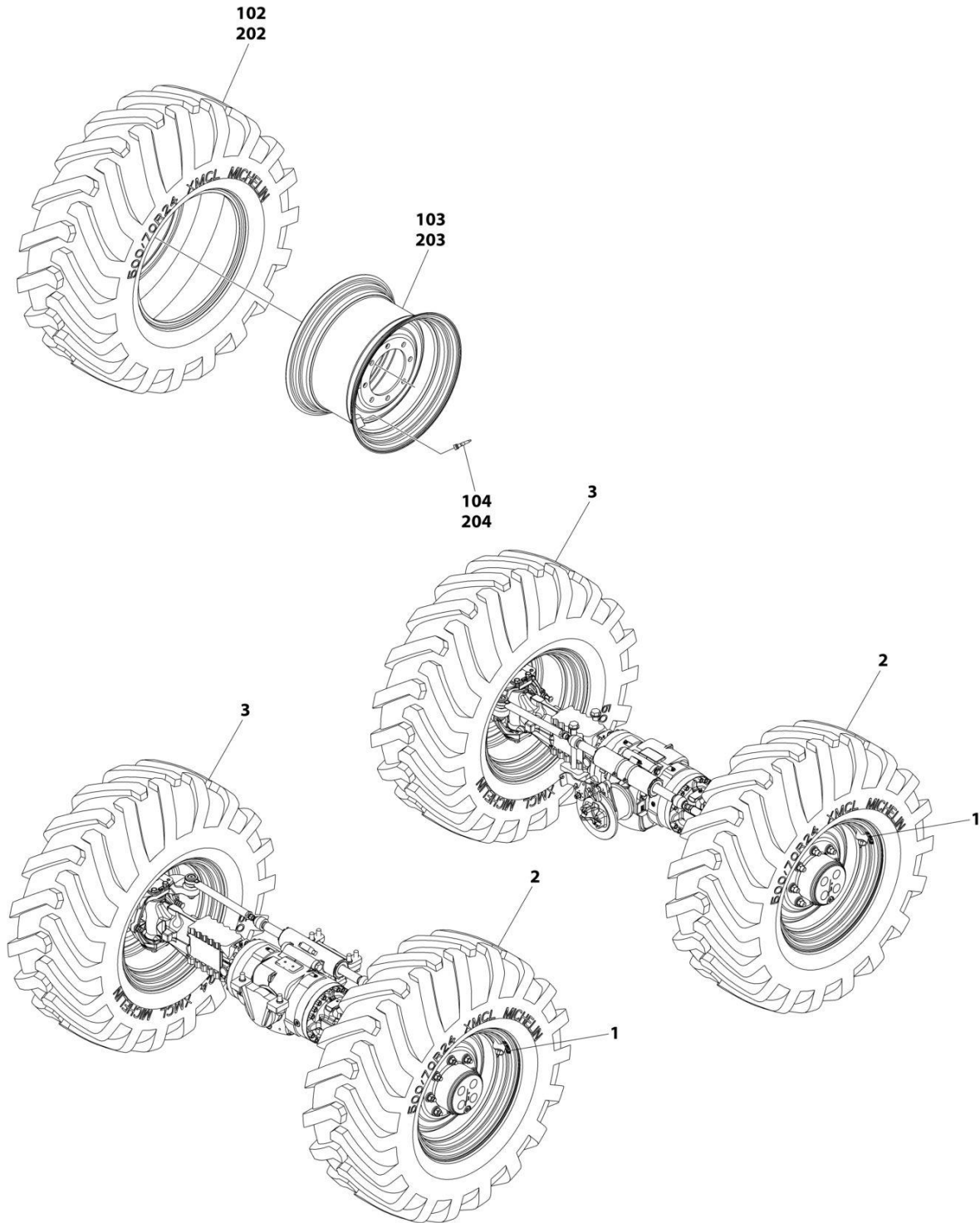
SECTION 5 - DRIVE TRAIN

FIGURE 5-34. TIRE/WHEEL SET (AIR - 460/70 R24 XMCL)

ITEM	PART NUMBER	QTY	DESCRIPTION	REV
	1001142285	Ref	TIRE/WHEEL SET (AIR - 460/70 R24 XMCL)	D
2	8005827	4	Label	
3	1001142286	2	Assembly, Tire/Wheel (RH) (Air - 460/70 R24) (Includes Items 102-104)	
4	1001142287	2	Assembly, Tire/Wheel (LH) (Air - 460/70 R24) (Includes Items 202-204)	
	1001142286	Ref	TIRE/WHEEL ASSEMBLY (RH)	C
102	1001092008	2	Tire 460/70 R24 XMCL (1 Per Assembly)	
103	1001212590	2	Wheel, Rim (RH) (1 Per Assembly)	
104	1001008719	2	Valve, Air (1 Per Assembly)	
	1001142287	Ref	TIRE/WHEEL ASSEMBLY (LH)	C
202	1001092008	2	Tire 460/70 R24 XMCL (1 Per Assembly)	
203	1001212591	2	Wheel, Rim (LH) (1 Per Assembly)	
204	1001008719	2	Valve, Air (1 Per Assembly)	

SECTION 5 - DRIVE TRAIN

FIGURE 5-35. TIRE/WHEEL SET (AIR - 500/70 R24 XMCL)



ART_1001142288_D

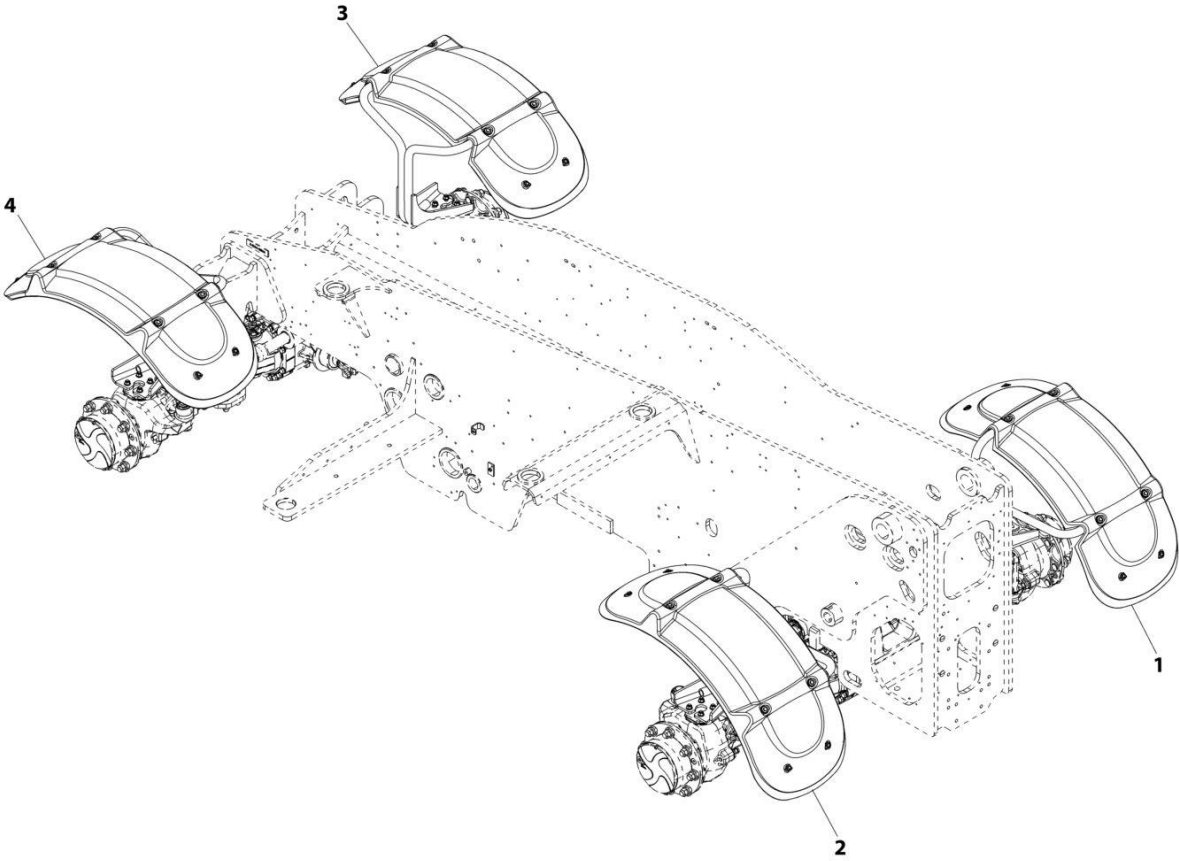
SECTION 5 - DRIVE TRAIN

FIGURE 5-35. TIRE/WHEEL SET (AIR - 500/70 R24 XMCL)

ITEM	PART NUMBER	QTY	DESCRIPTION	REV
	1001142288	Ref	TIRE/WHEEL SET (AIR - 500/70 R24 XMCL)	D
1	1001127728	4	Decal	
2	1001142289	2	Assembly, Tire/Wheel (RH) (Air - 500/70 R24) (Includes Items 102-104)	
3	1001142290	2	Assembly, Tire/Wheel (LH) (Air - 500/70 R24) (Includes Items 202-204)	
	1001142289	Ref	TIRE/WHEEL ASSEMBLY (RH)	B
102	1001092009	2	Tire 500/70 R24 XMCL (1 Per Assembly)	
103	1001212598	2	Wheel, Rim (RH) (1 Per Assembly)	
104	1001008719	2	Valve, Air (1 Per Assembly)	
	1001142290	Ref	TIRE/WHEEL ASSEMBLY (LH)	B
202	1001092009	2	Tire 500/70 R24 XMCL (1 Per Assembly)	
203	1001212599	2	Wheel, Rim (LH) (1 Per Assembly)	
204	1001008719	2	Valve, Air (1 Per Assembly)	

SECTION 5 - DRIVE TRAIN

FIGURE 5-36. FENDER INSTALLATION



ART_1001248161-A

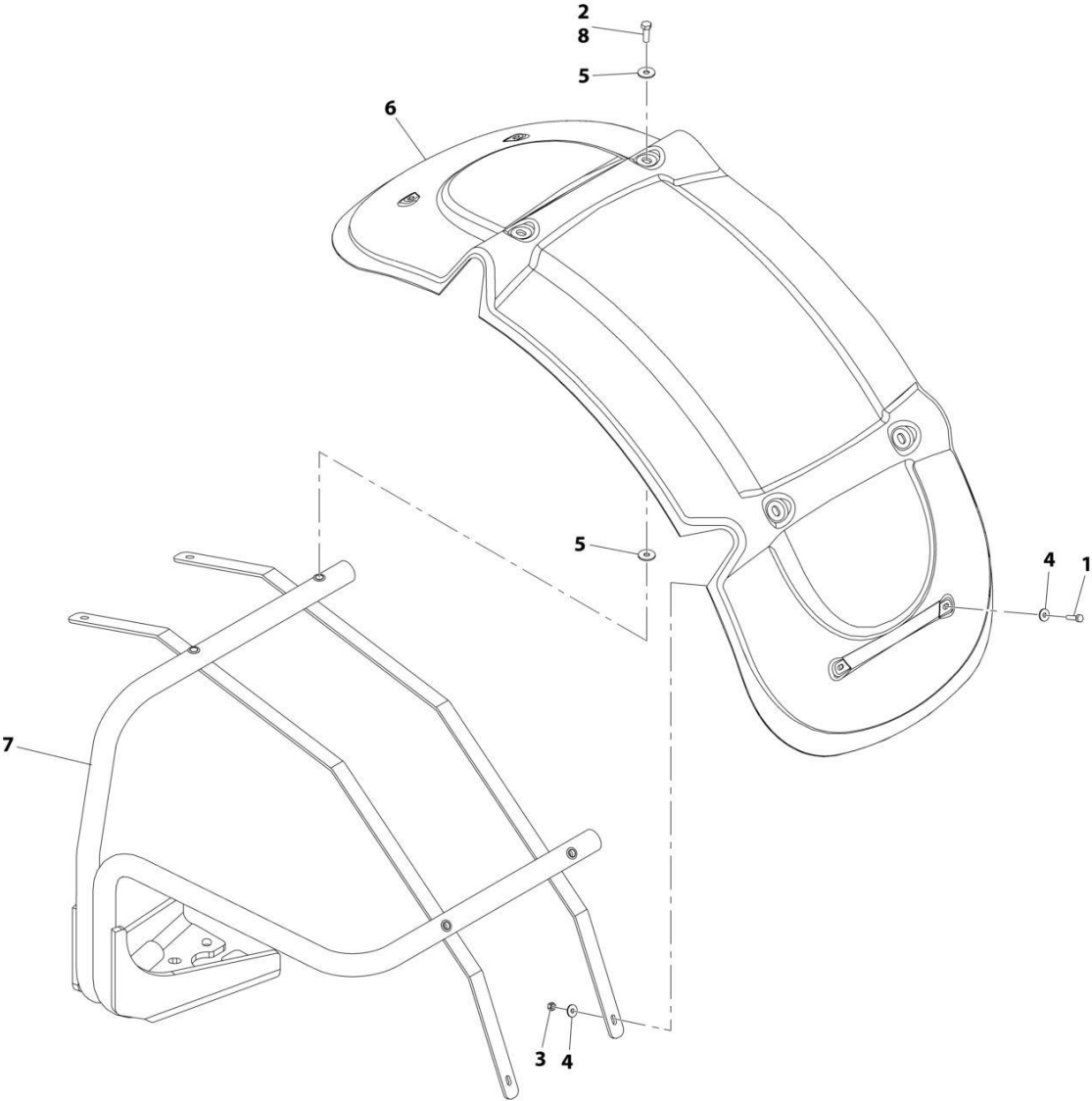
SECTION 5 - DRIVE TRAIN

FIGURE 5-36. FENDER INSTALLATION

ITEM	PART NUMBER	QTY	DESCRIPTION	REV
	1001248161	Ref	Fender Installation	A
1	1001243433	1	Assembly, Fender (RR-RH) (See Separate Breakdown in this Section)	
2	1001243435	1	Assembly, Fender (RR-LH) (See Separate Breakdown in this Section)	
3	1001250416	1	Assembly, Fender (FRT-RH) (See Separate Breakdown in this Section)	
4	1001250417	1	Assembly, Fender (FRT-LH) (See Separate Breakdown in this Section)	

SECTION 5 - DRIVE TRAIN

FIGURE 5-37. FENDER ASSEMBLY (RR-RH)



ART_1001243433-A

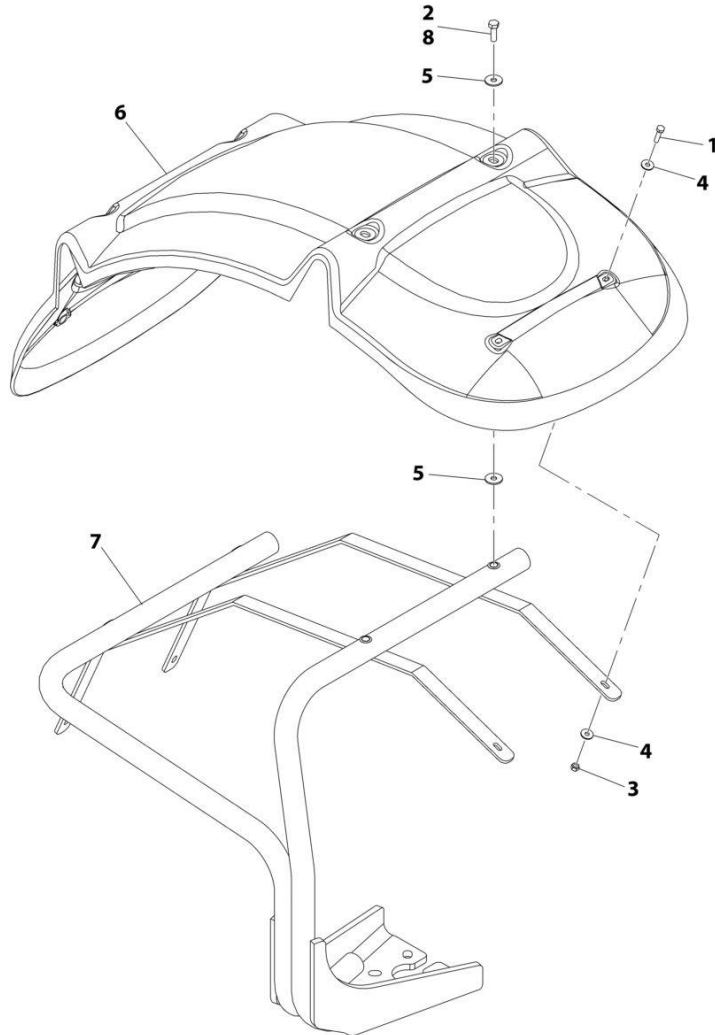
SECTION 5 - DRIVE TRAIN

FIGURE 5-37. FENDER ASSEMBLY (RR-RH)

ITEM	PART NUMBER	QTY	DESCRIPTION	REV
	1001243433	Ref	Fender Assembly (Standard)	A
1	0700612	4	Bolt, M6X25	
2	0760812	4	Bolt, M8X25	
3	3290605	4	Nut M6	
4	4811702	8	Washer, M6	
5	4811902	8	Washer, M8	
6	1001100845	1	Fender	
7	1001243434	1	Fender assembly	
8	1001095650	AR	Adhesive	

SECTION 5 - DRIVE TRAIN

FIGURE 5-38. FENDER ASSEMBLY (RR-LH)



ART_1001243435-A

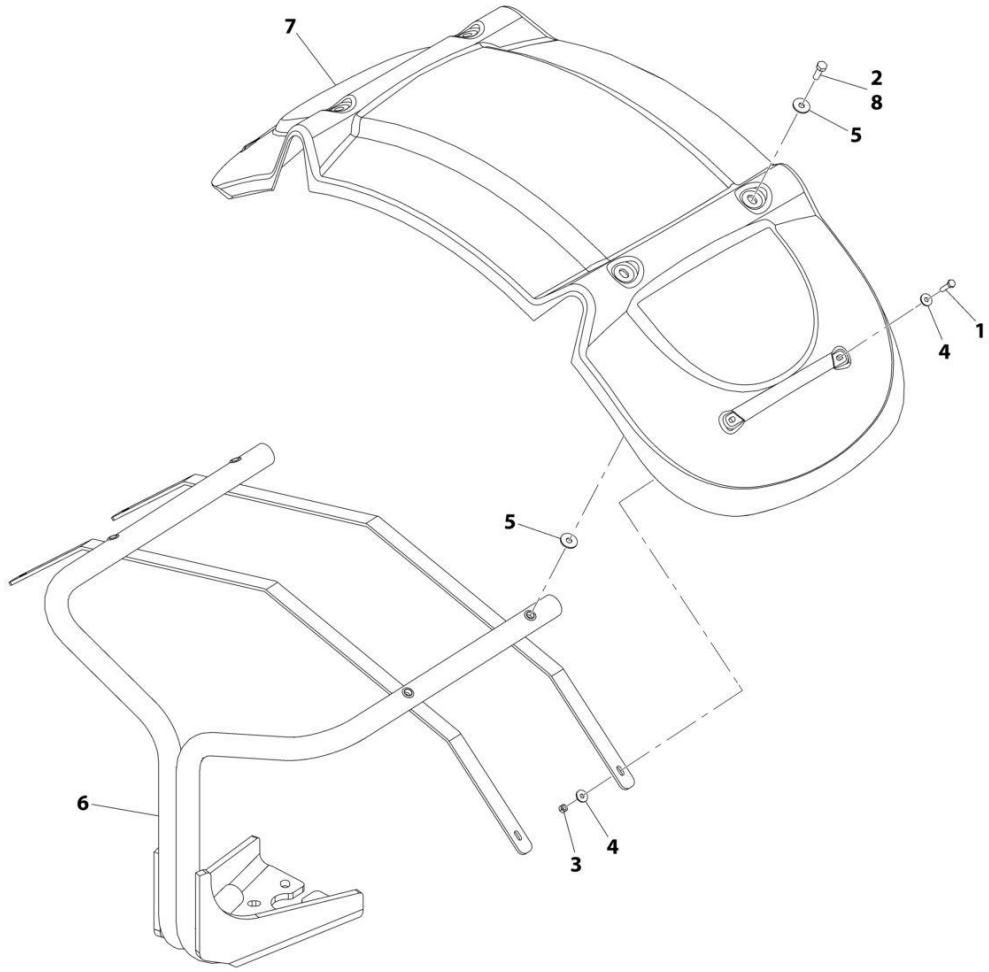
SECTION 5 - DRIVE TRAIN

FIGURE 5-38. FENDER ASSEMBLY (RR-LH)

ITEM	PART NUMBER	QTY	DESCRIPTION	REV
	1001243435	Ref	Fender Assembly (Standard)	A
1	0700612	4	Bolt, M6X25	
2	0760812	4	Bolt, M8X25	
3	3290605	4	Nut M6	
4	4811702	8	Washer, M6	
5	4811902	8	Washer, M8	
6	1001100845	1	Fender	
7	1001243436	1	Fender Assembly	
8	1001095650	AR	Adhesive	

SECTION 5 - DRIVE TRAIN

FIGURE 5-39. FENDER ASSEMBLY (FRT-RH)



ART_1001250416-A

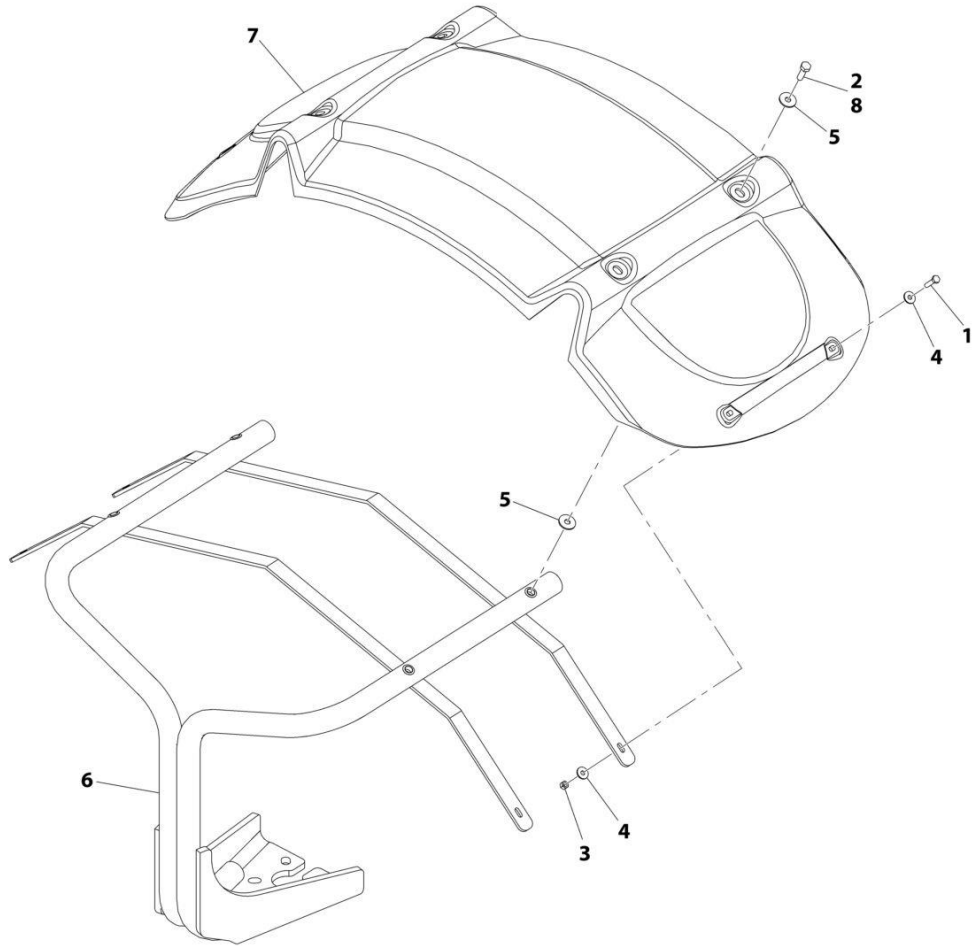
SECTION 5 - DRIVE TRAIN

FIGURE 5-39. FENDER ASSEMBLY (FRT-RH)

ITEM	PART NUMBER	QTY	DESCRIPTION	REV
	1001250416	Ref	Fender Assembly (Standard)	A
1	0700612	4	Bolt, M6X25	
2	0760812	4	Bolt, M8X25	
3	3290605	4	Nut M6	
4	4811702	8	Washer, M6	
5	4811902	8	Washer, M8	
6	1001248760	1	Fender Assembly	
7	1001250421	1	Fender	
8	1001095650	AR	Adhesive	

SECTION 5 - DRIVE TRAIN

FIGURE 5-40. FENDER ASSEMBLY (FRT-LH)



ART_1001250417-A

SECTION 5 - DRIVE TRAIN

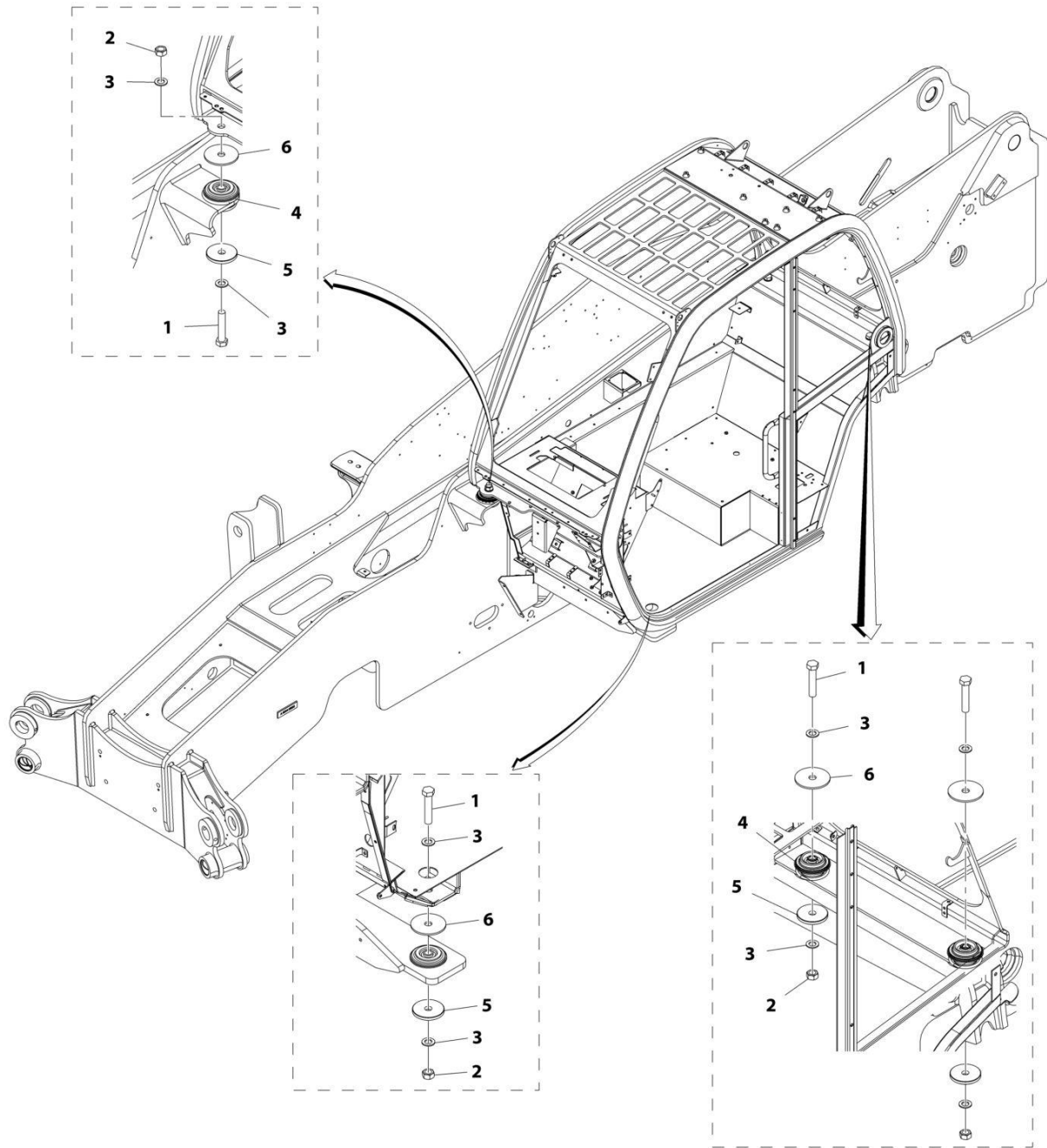
FIGURE 5-40. FENDER ASSEMBLY (FRT-LH)

ITEM	PART NUMBER	QTY	DESCRIPTION	REV
	1001250417	Ref	Fender Assembly (Standard)	A
1	0700612	4	Bolt, M6X25	
2	0760812	4	Bolt, M8X25	
3	3290605	4	Nut M6	
4	4811702	8	Washer, M6	
5	4811902	8	Washer, M8	
6	1001248760	1	Fender Assembly	
7	1001250420	1	Fender	
8	1001095650	AR	Adhesive	

SECTION 6 - CAB

SECTION 6 - CAB

FIGURE 6-1. CAB MOUNTS INSTALLATION



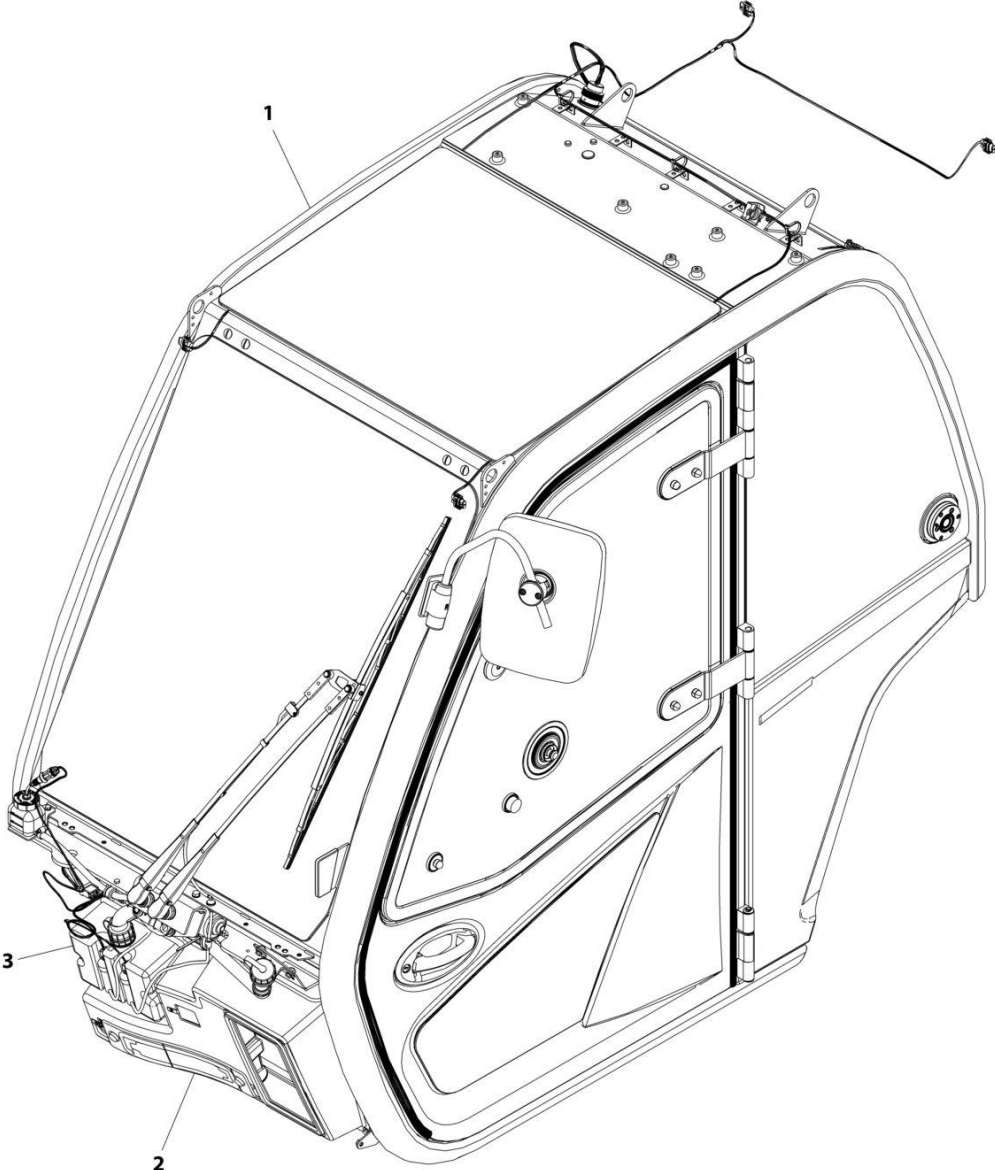
ART_1001155446-E

FIGURE 6-1. CAB MOUNTS INSTALLATION

ITEM	PART NUMBER	QTY	DESCRIPTION	REV
	1001155446	Ref	Cab Mounts Installation	E
1	0712027	4	Bolt, M20X100	
2	3332011	4	Nut, M20X2.5	
3	4812500	8	Washer, M20	
4	1001166754	4	Mount, Cab Isolation	
5	1001166755	4	Washer, Cab Rebound	
6	1001220540	4	Washer, Cab Mount	

SECTION 6 - CAB

FIGURE 6-2. ENCLOSED CAB INSTALLATION



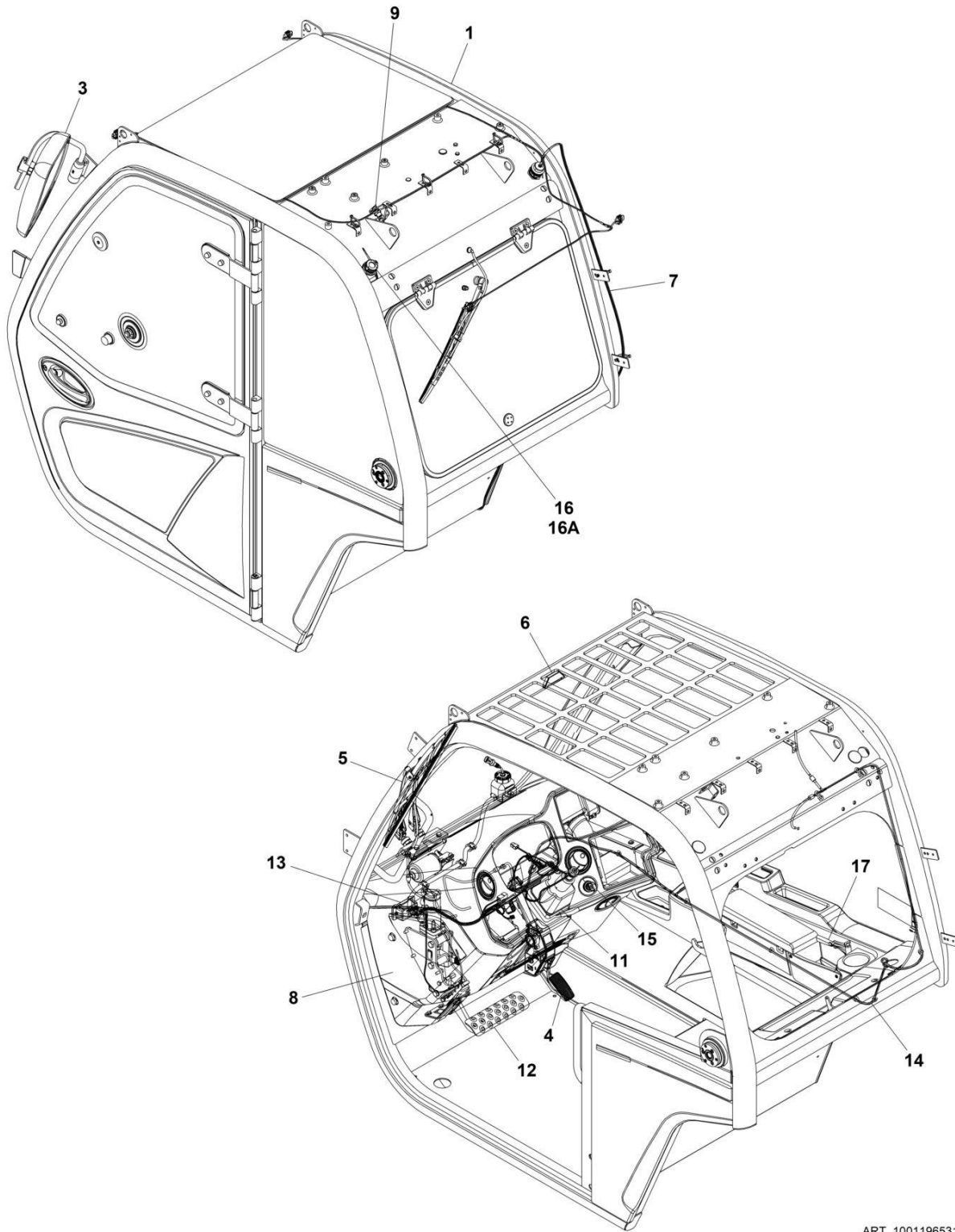
ART_1001202086-D

FIGURE 6-2. ENCLOSED CAB INSTALLATION

ITEM	PART NUMBER	QTY	DESCRIPTION	REV
1	1001202086	Ref	Enclosed Cab Installation	D
	1001196531	Ref	Assembly, Enclosed Cab (JLG) (See Separate Breakdown in this Section)	
2	1001170366	Ref	Installation, Front Cover (See Separate Breakdown in this Section)	
3	1001201027	Ref	Installation, Washer Tank (See Separate Breakdown in this Section)	

SECTION 6 - CAB

FIGURE 6-3. ENCLOSED CAB ASSEMBLY



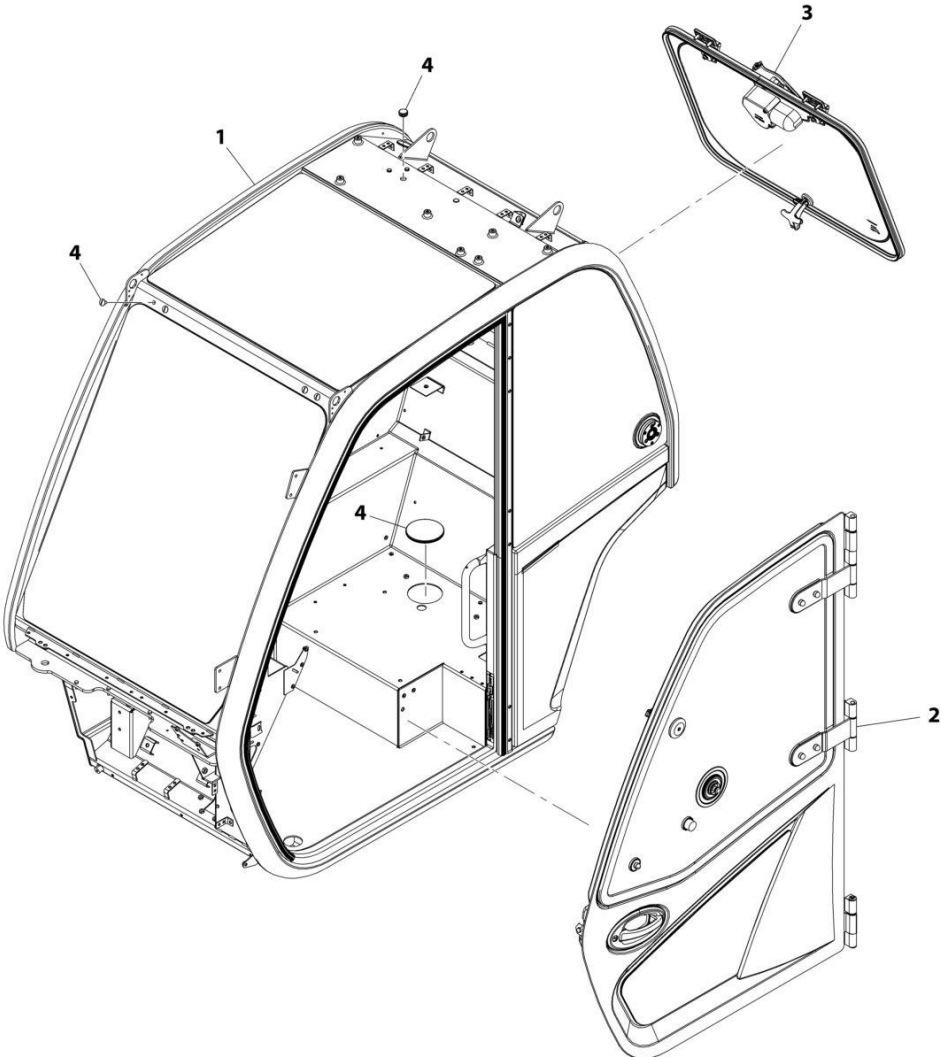
ART_1001196531_AA

FIGURE 6-3. ENCLOSED CAB ASSEMBLY

ITEM	PART NUMBER	QTY	DESCRIPTION	REV
	1001196531	Ref	ENCLOSED CAB ASSEMBLY	AA
1	1001168152	Ref	Group, Enclosed Cab (JLG) (See Separate Breakdown in this Section)	
3	1001230435	Ref	Installation, Interior Mirror (See Separate Breakdown in this Section)	
4	1001161499	Ref	Installation, Accelerator Pedal (See Separate Breakdown in CONTROLS Section)	
5	1001155447	Ref	Installation, Front Wiper (See Separate Breakdown in this Section)	
6	1001172401	Ref	Installation, Level Indicator (See Separate Breakdown in this Section)	
7	1001271363	Ref	Installation, Cab Electrical (See Separate Breakdown in ELECTRICAL Section)	
8	1001167981	Ref	Installation, Enclosed Cab Trim (See Separate Breakdown in this Section)	
9	1001218856	Ref	Installation, Beacon Bracket (See Separate Breakdown in this Section)	
11	1001229534	Ref	Installation, Steering Column Tilt (See Separate Breakdown in CONTROLS Section)	
12	1001188262	Ref	Installation, Brake Pedal (See Separate Breakdown in this Section)	
13	1001201340	Ref	Installation, Cab Heater Harness (See Separate Breakdown in ELECTRICAL Section)	
14	1001201520	Ref	Installation, Washer Hoses (See Separate Breakdown in this Section)	
15	1001208518	Ref	Installation, Ignition Switch (JLG) (See Separate Breakdown in ELECTRICAL Section)	
16	1001201161	Ref	Installation, Telematics Cap	
16A	1001201162	1	Cap	
17	1001210628	Ref	Installation, Hammer (See Separate Breakdown in this Section)	

SECTION 6 - CAB

FIGURE 6-4. ENCLOSED CAB GROUP



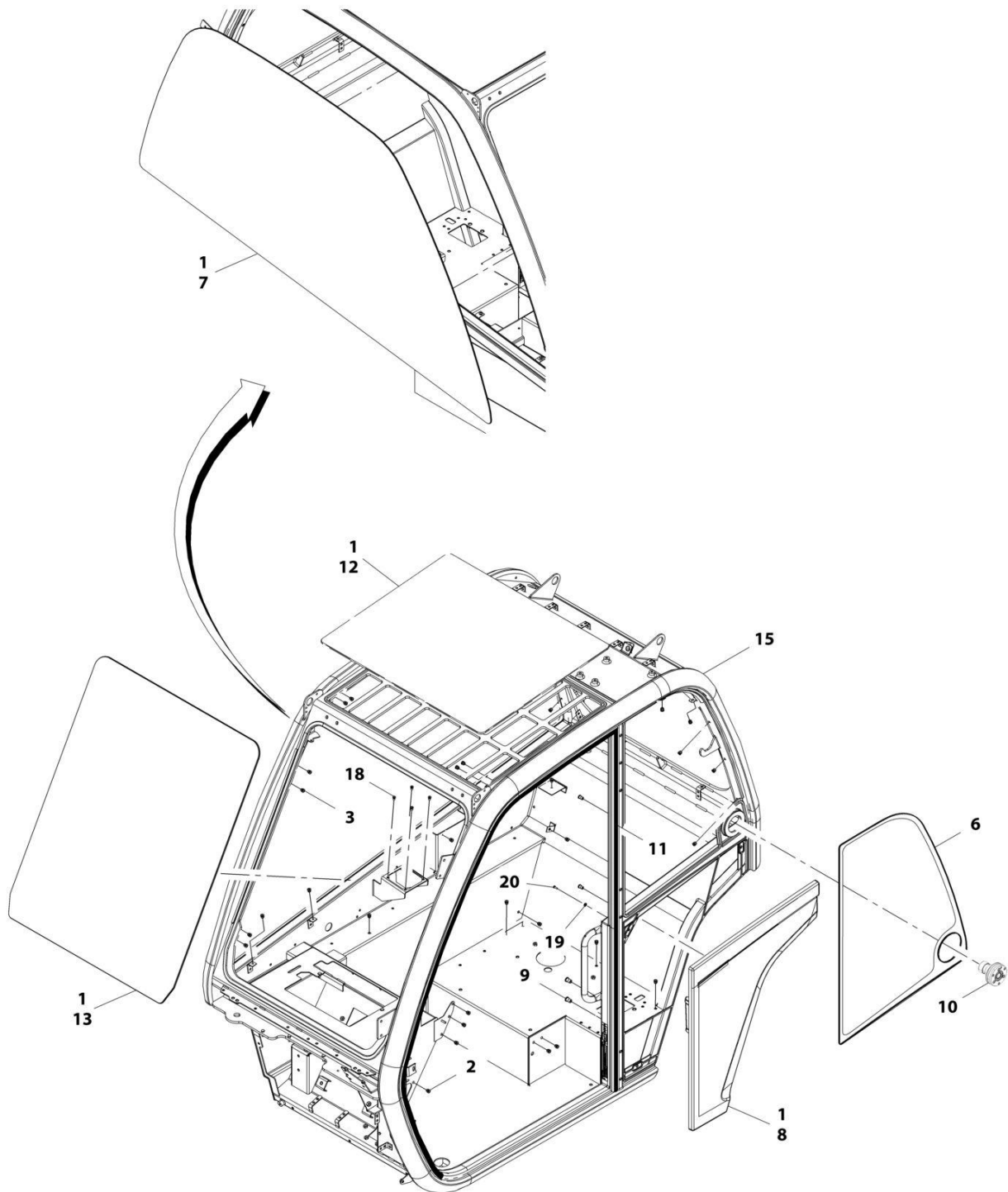
ART_1001168152

FIGURE 6-4. ENCLOSED CAB GROUP

ITEM	PART NUMBER	QTY	DESCRIPTION	REV
	1001168152	Ref	Enclosed Cab Group	1
1	1001173641	Ref	Cab, Enclosed (JLG) (See Separate Breakdown in this Section)	
2	1001155228	Ref	Installation, Door (JLG) (See Separate Breakdown in this Section)	
3	1001178678	Ref	Installation, Rear Window (See Separate Breakdown in this Section)	
4	1001170603	Ref	Group, Enclosed Cab Plug (See Separate Breakdown in this Section)	

SECTION 6 - CAB

FIGURE 6-5. ENCLOSED CAB



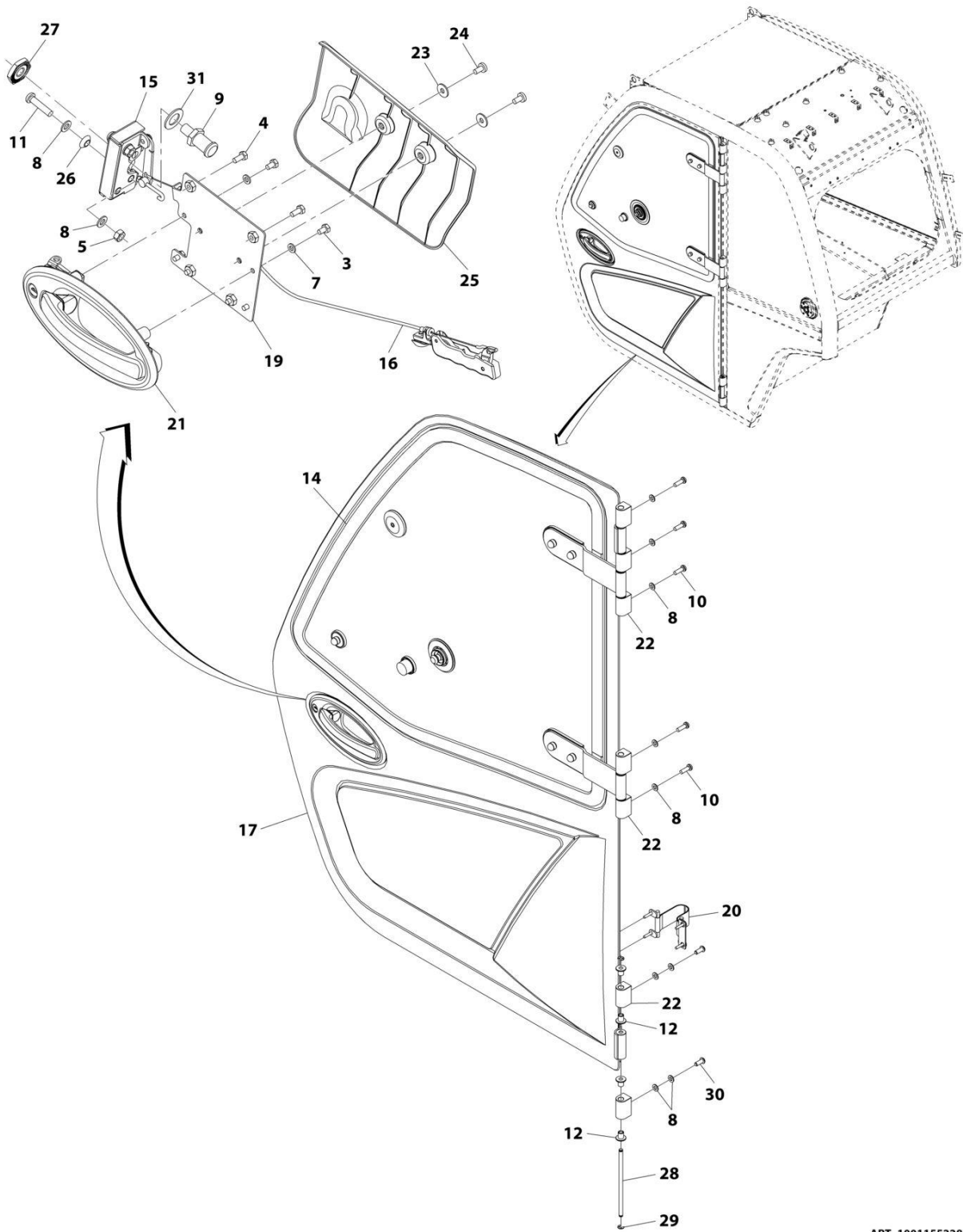
ART_1001173641_I

FIGURE 6-5. ENCLOSED CAB

ITEM	PART NUMBER	QTY	DESCRIPTION	REV
	1001173641	Ref	Enclosed Cab	I
1	1001111317	AR	Compound, Locking	
2	2080086	27	Rivnut, M6X1	
3	2080087	16	Rivnut, M8X1.25	
6	1001152915	1	Glass, LH Screen	
7	1001152947	1	Glass, RH Screen	
8	1001229319	1	Panel, Cab Quarter	
9	1001172193	2	Rivnut, M5X0.8	
10	1001174320	1	Latch, Top Window	
11	1001227186	1	Seal, Cab Door	
12	1001178159	1	Glass, Roof Laminated	
13	1001178160	1	Glass, Front Laminated	
	1001225177	1	Weldment, Cab	
18	1001195878	7	Rivnut, M5X0.8	
19	4811700	3	Washer, M6	
20	0750804	3	Screw	

SECTION 6 - CAB

FIGURE 6-6. DOOR INSTALLATION



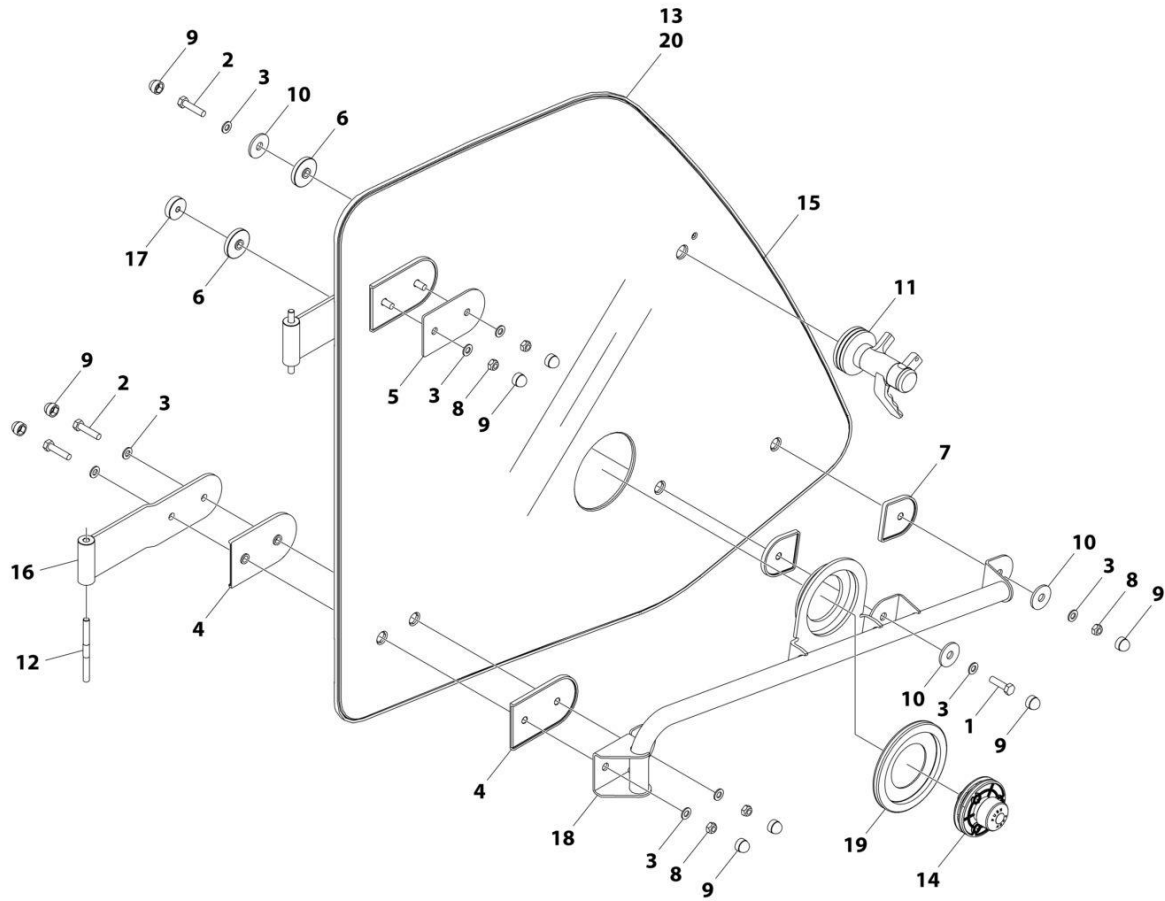
ART_1001155228

FIGURE 6-6. DOOR INSTALLATION

ITEM	PART NUMBER	QTY	DESCRIPTION	REV
	1001155228	Ref	Door Installation	Q
3	0760605	4	Bolt, M6X10	
4	0760607	4	Bolt, M6X14	
5	3290801	2	Nut, M8X1.25 Grade 8	
7	4811700	4	Washer, M6	
8	4811900	13	Washer, M8	
9	8000803	1	Pin, Door Striker	
10	1001008988	5	Screw M8X25	
11	1001047062	2	Screw, M8X35	
12	1001107192	10	Sleeve, Hinge	
14	1001205532	1	Assembly, Door Upper Glass (See Separate Breakdown in this Section)	
15	1001192766	1	Assembly, Cab Latch (See Separate Breakdown in this Section)	
16	1001167958	1	Assembly, Cab Door Trigger (See Separate Breakdown in this Section)	
17	1001170114	1	Assembly, Door (See Separate Breakdown in this Section)	
19	1001173298	1	Bracket	
20	1001174295	1	Installation, Door Strap (See Separate Breakdown in this Section)	
21	1001192646	1	Handle, Exterior Door	
22	1001229543	7	Block, Hinge (Rounded Top/Bottom Edge)	
22	1001170601J	7	Block, Hinge (Square Top/Bottom Edge)	
23	4811702001	2	Washer, M6	
24	4010608002	2	Screw, Posi-Drive, M6X16	
25	1001175477	1	Cover, Cab Door Interior	
26	1001184439	2	Bushing	
27	1001192309	1	Nut, M12X1	
28	1001213791	1	Pin	
29	0498748	2	Washer, Lock M7	
30	1001164726	2	Bolt, M8X20	
31	1001227802	1	Washer	

SECTION 6 - CAB

FIGURE 6-7. DOOR UPPER GLASS ASSEMBLY



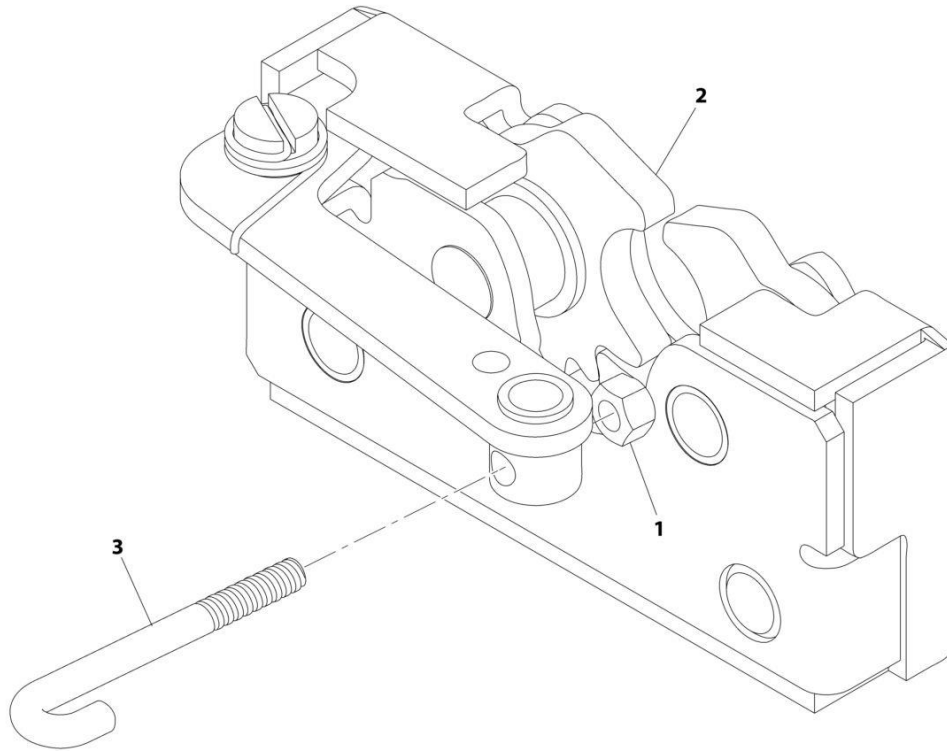
ART_1001205532

FIGURE 6-7. DOOR UPPER GLASS ASSEMBLY

ITEM	PART NUMBER	QTY	DESCRIPTION	REV
	1001205532	Ref	Door Upper Glass Assembly	G
1	0760812	1	Bolt, M8X25	
2	0760815	5	Bolt, M8X35	
3	4811900	11	Washer, 8MM	
4	1001002946	4	Mount, Hinge	
5	1001002947	1	Mount, Hinge	
6	1001002953	2	Mount, Rubber	
7	1001002957	2	Mount, Latch	
8	1001008857	5	Nut, Lock	
9	1001096365	11	Cap, M8	
10	1001141246	3	Mount, Rubber	
11	1001165275	1	Latch, Window	
12	1001166634	2	Pin, Hinge	
13	1001170944	1	Panel, Window Surround	
14	1001174321	1	Striker, Top Window	
15	1001204066	1	Glass, Window	
16	1001204115	2	Hinge	
17	1001222741	1	Buffer, Cab	
18	1001204120	1	Handle	
19	1001213331	1	Gasket	
20	1001215531	AR	Adhesive	

SECTION 6 - CAB

FIGURE 6-8. CAB LATCH ASSEMBLY



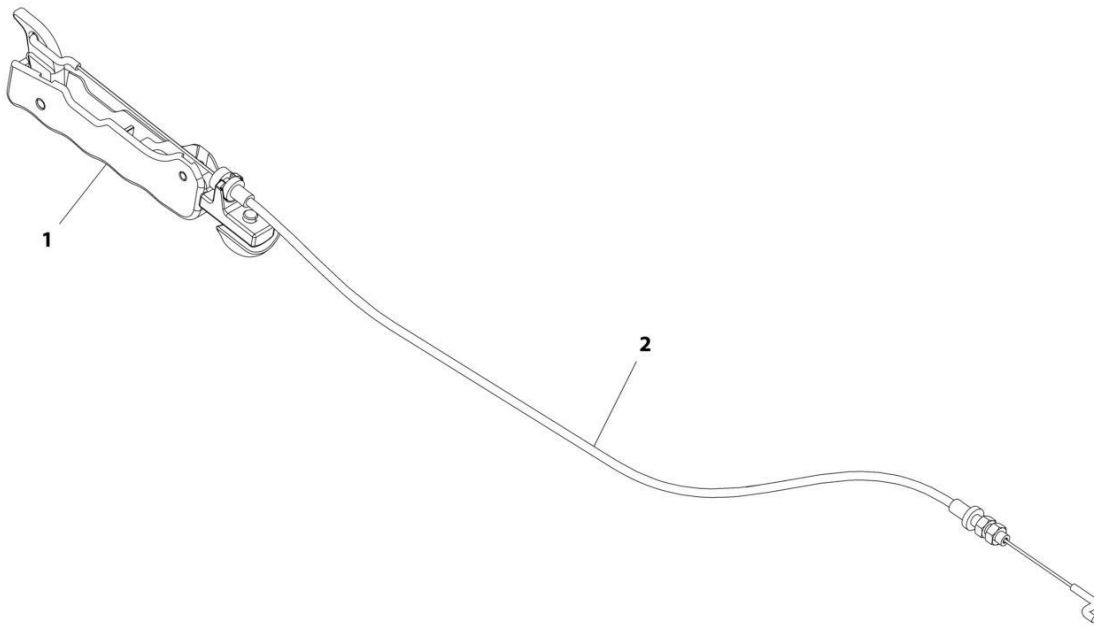
ART_1001192766-B

FIGURE 6-8. CAB LATCH ASSEMBLY

ITEM	PART NUMBER	QTY	DESCRIPTION	REV
	1001192766	Ref	Cab Latch Assembly	B
1	3290405	1	Nut, M4X0.7 Grade 8	
2	1001192643	1	Latch	
3	1001241308	1	Link, Door Handle	

SECTION 6 - CAB

FIGURE 6-9. CAB DOOR TRIGGER ASSEMBLY



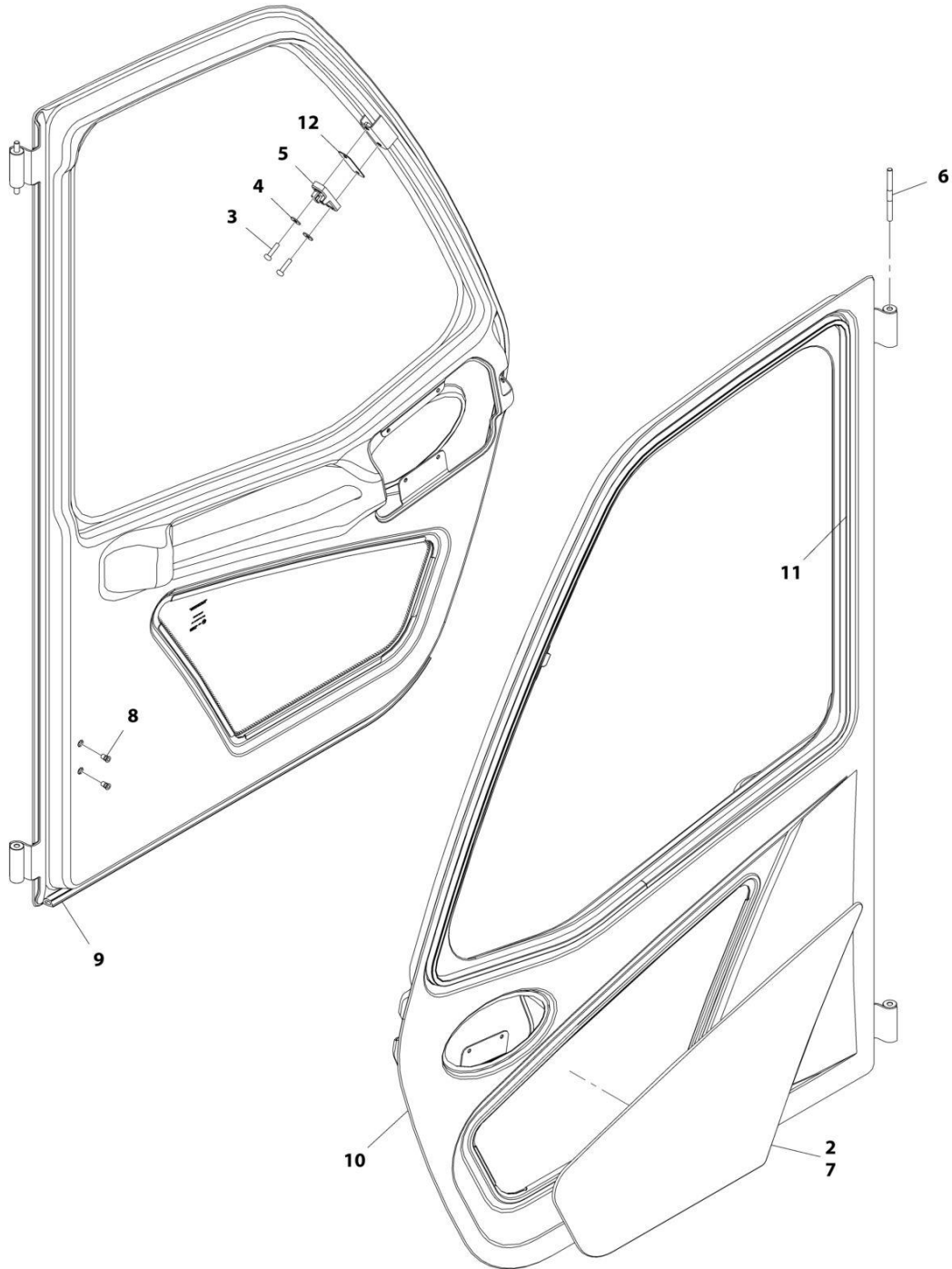
ART_1001167958-E

FIGURE 6-9. CAB DOOR TRIGGER ASSEMBLY

ITEM	PART NUMBER	QTY	DESCRIPTION	REV
	1001167958	Ref	Cab Door Trigger Assembly	E
1	1001167937	1	Trigger, Cab Interior Release	
2	1001192644	1	Cable, Cab Latch Release	

SECTION 6 - CAB

FIGURE 6-10. DOOR ASSEMBLY (AG)



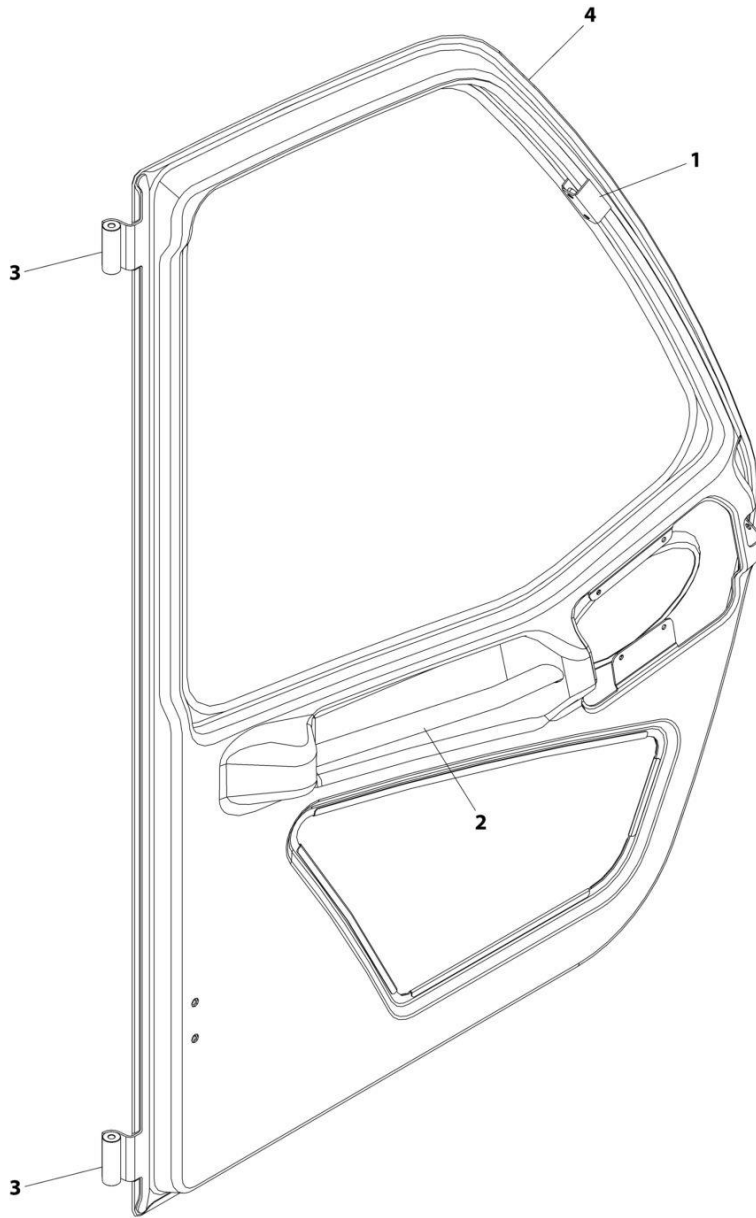
ART_1001170114

FIGURE 6-10. DOOR ASSEMBLY (AG)

ITEM	PART NUMBER	QTY	DESCRIPTION	REV
	1001170114	Ref	Door Assembly	K
2	1001111317	AR	Compound, Locking	
3	4010612002	2	Screw, M6X25	
4	4811702001	2	Washer, M6	
5	1001165276	1	Plate, Window Latch Striker	
6	1001166634	1	Pin, Hinge	
7	1001169880	1	Window, Lower Glass	
8	1001172193	2	Rivnut, M5X0.8	
9	1001227188	1	Seal, Cab Door	
10	1001170113J	1	Door, Cab (See Separate Breakdown in this Section)	
11	1001227187	1	Seal, Cab Door Window	
12	1001193210	AR	Shim, Window Latch	

SECTION 6 - CAB

FIGURE 6-11. CAB DOOR



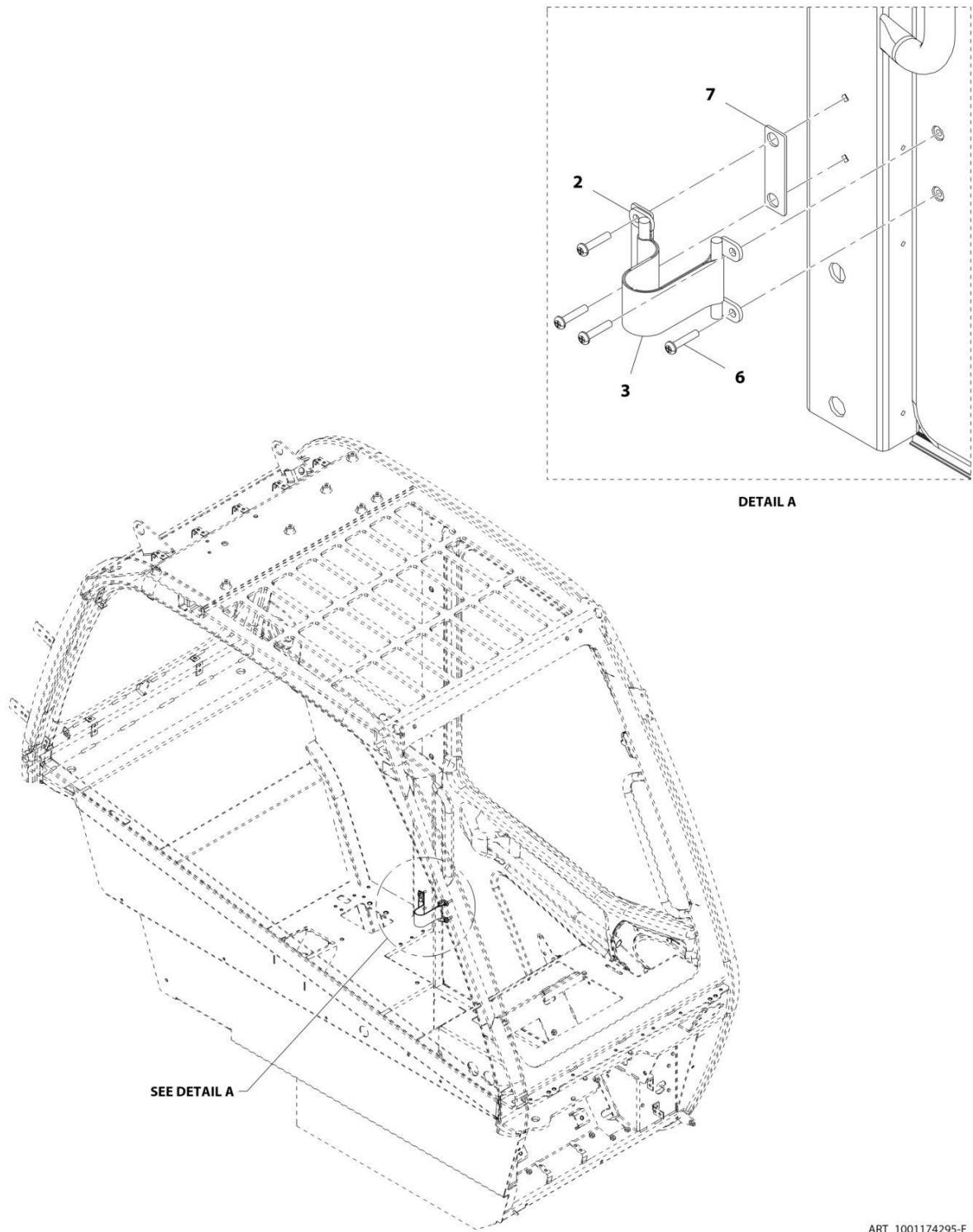
ART_1001170113-E

FIGURE 6-11. CAB DOOR

ITEM	PART NUMBER	QTY	DESCRIPTION	REV
	1001170113	Ref	Cab Door	E
1	1001169883	1	Bracket, Window Latch	
2	1001169885	1	Handle, Interior Door	
3	1001171037	1	Plate, Hinge	
4	1001171635	1	Frame, Door	

SECTION 6 - CAB

FIGURE 6-12. DOOR STRAP INSTALLATION



SEE DETAIL A

DETAIL A

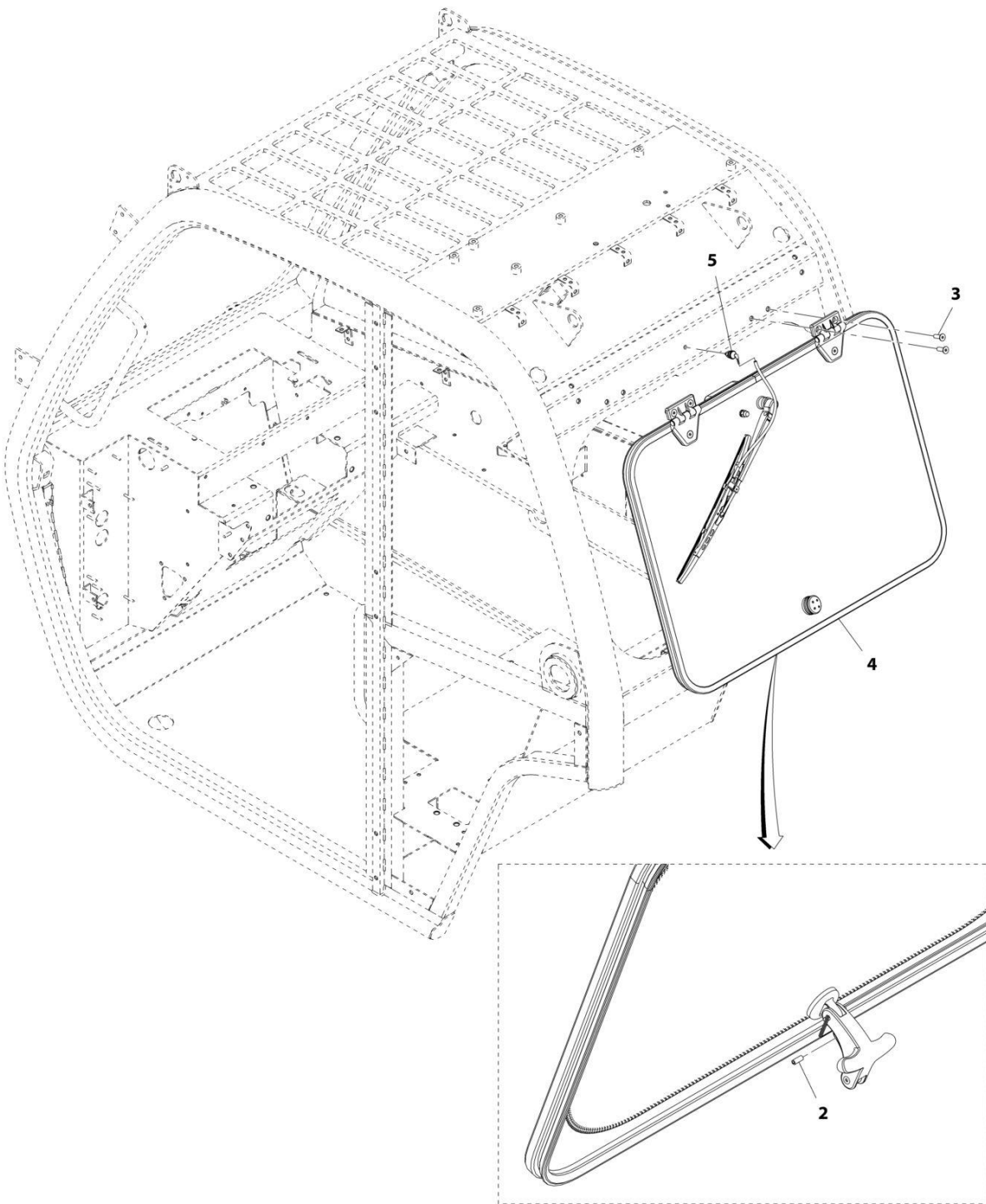
ART_1001174295-F

FIGURE 6-12. DOOR STRAP INSTALLATION

ITEM	PART NUMBER	QTY	DESCRIPTION	REV
	1001174295	Ref	Door Strap Installation	F
2	1001230163	2	Bracket, Strap Holder	
3	1001212011	1	Strap, Door Hold Open	
6	8310559	4	Screw	
7	1001191091	1	Plate, Cab Door Strap	

SECTION 6 - CAB

FIGURE 6-13. REAR WINDOW INSTALLATION



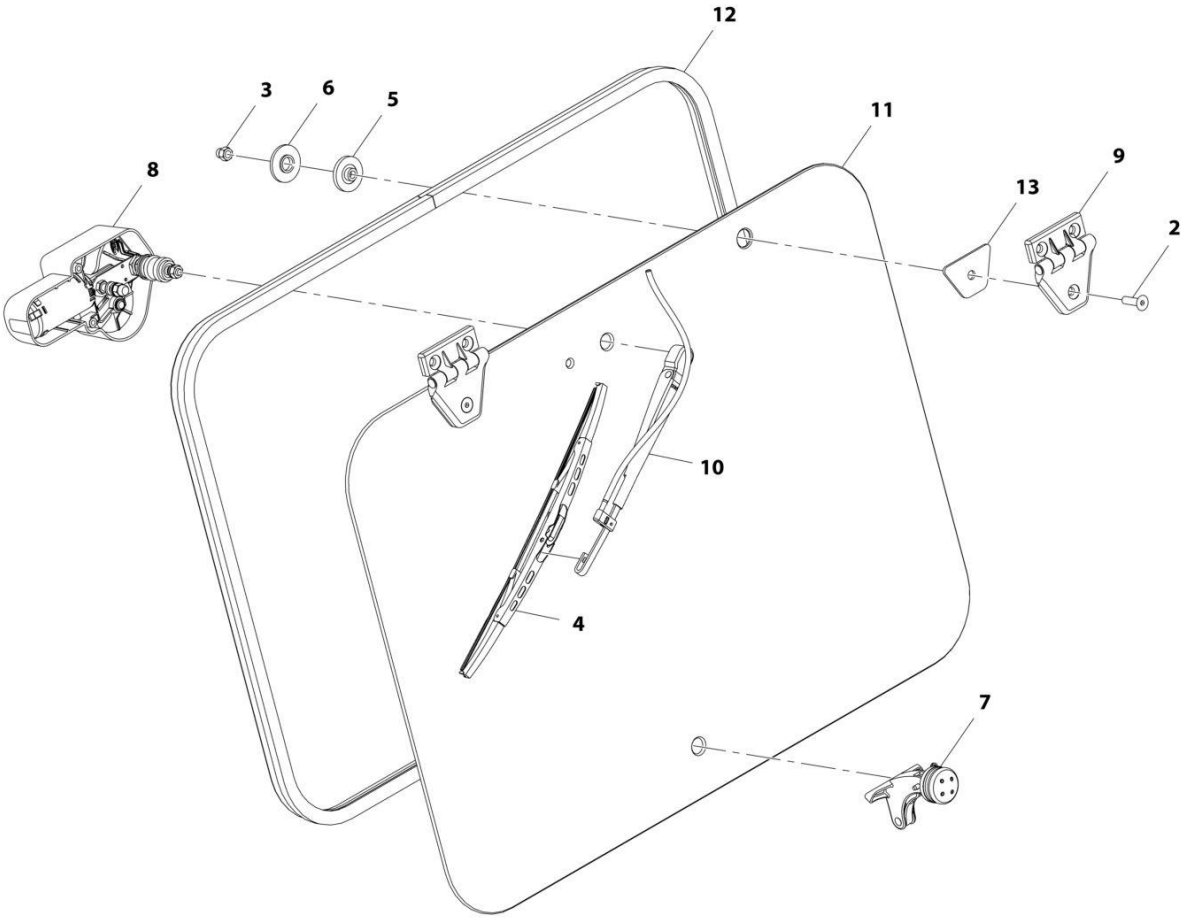
ART_1001178678-C

FIGURE 6-13. REAR WINDOW INSTALLATION

ITEM	PART NUMBER	QTY	DESCRIPTION	REV
	1001178678	Ref	Rear Window Installation	C
2	1001003043	1	Pin, Spring	
3	1001097586	4	Screw, M8X1.25	
4	1001178679	1	Assembly, Rear Window (See Separate Breakdown in this Section)	
5	1001090343	1	Connector	

SECTION 6 - CAB

FIGURE 6-14. REAR WINDOW ASSEMBLY



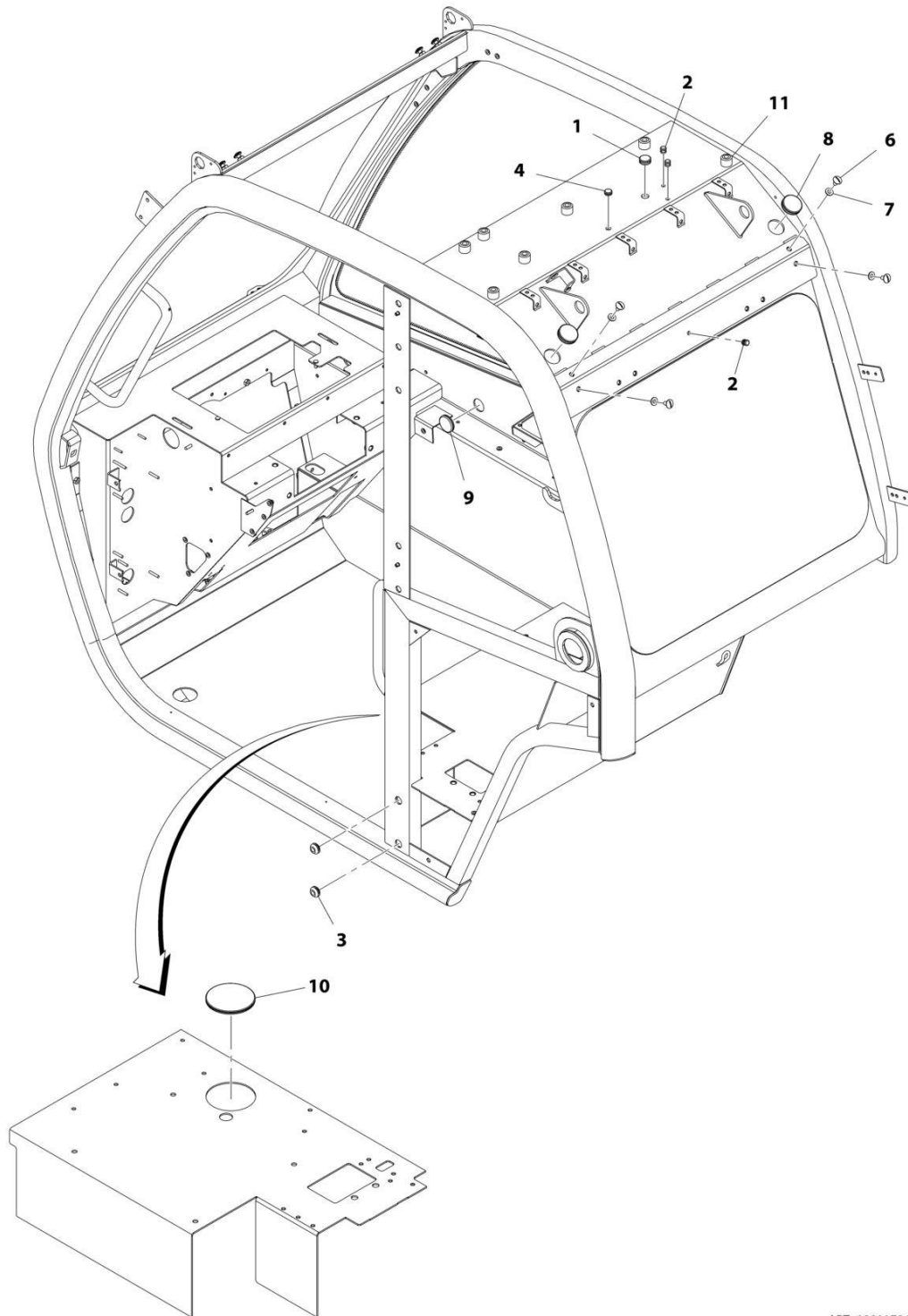
ART_1001178679-C

FIGURE 6-14. REAR WINDOW ASSEMBLY

ITEM	PART NUMBER	QTY	DESCRIPTION	REV
	1001178679	Ref	Rear Window Assembly	C
2	2080078	2	Fastener, M8X30	
3	3290806	2	Nut, M8X1.25 Grade 8	
4	4807718	1	Blade, Wiper	
5	8000759	2	Spacer	
6	8004398	2	Spacer	
7	1001005368	1	Latch, Window	
8	1001139552	1	Motor, Rear Wiper	
9	1001139568	2	Hinge	
10	1001141312	1	Arm, Rear Window Wiper	
11	1001178680	1	Glass, Rear Window	
12	1001178681	1	Seal	
13	1001181411	2	Gasket, Rear Window Hinge	

SECTION 6 - CAB

FIGURE 6-15. ENCLOSED CAB PLUG GROUP



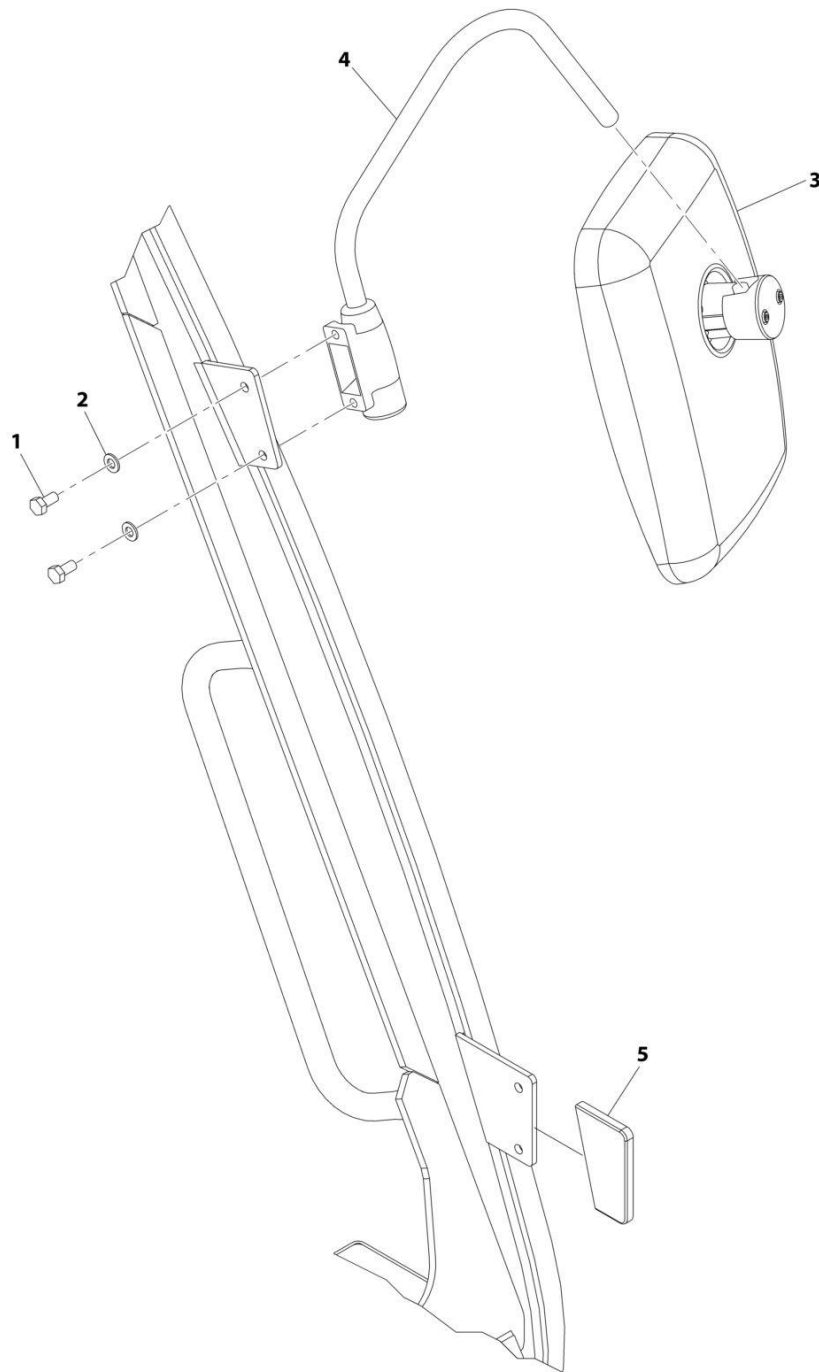
ART_1001170603-E

FIGURE 6-15. ENCLOSED CAB PLUG GROUP

ITEM	PART NUMBER	QTY	DESCRIPTION	REV
	1001170603	Ref	Enclosed Cab Plug Group	E
1	1001176273	1	Plug	
2	1001176272	3	Plug	
3	1001143200	2	Plug	
4	1001176626	1	Plug	
6	1001181920	8	Screw, M8X16	
7	1001181921	8	Washer, Rubber M8	
8	1001182123	2	Plug	
9	1001182139	1	Plug	
10	1001209899	1	Plug	
11	1001219220	7	Cap, Vinyl Round	

SECTION 6 - CAB

FIGURE 6-16. INTERIOR MIRROR INSTALLATION



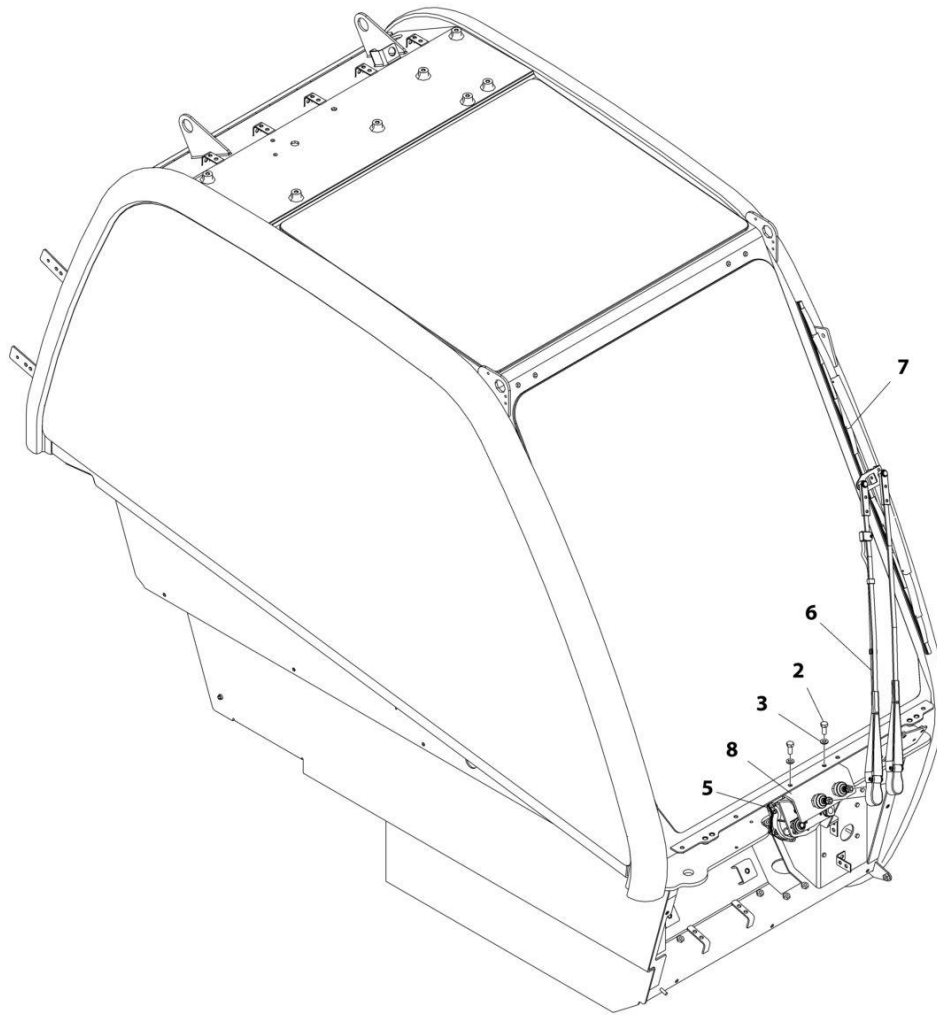
ART_1001230435-A

FIGURE 6-16. INTERIOR MIRROR INSTALLATION

ITEM	PART NUMBER	QTY	DESCRIPTION	REV
	1001230435	Ref	Basic Mirror Installation	A
1	0760808	2	Bolt, M8X16	
2	4811900	2	Washer, M8	
3	80363195	1	Mirror	
4	1001164655	1	Bracket	
5	1001227357	1	Cover, Mirror Bracket	

SECTION 6 - CAB

FIGURE 6-17. FRONT WIPER INSTALLATION



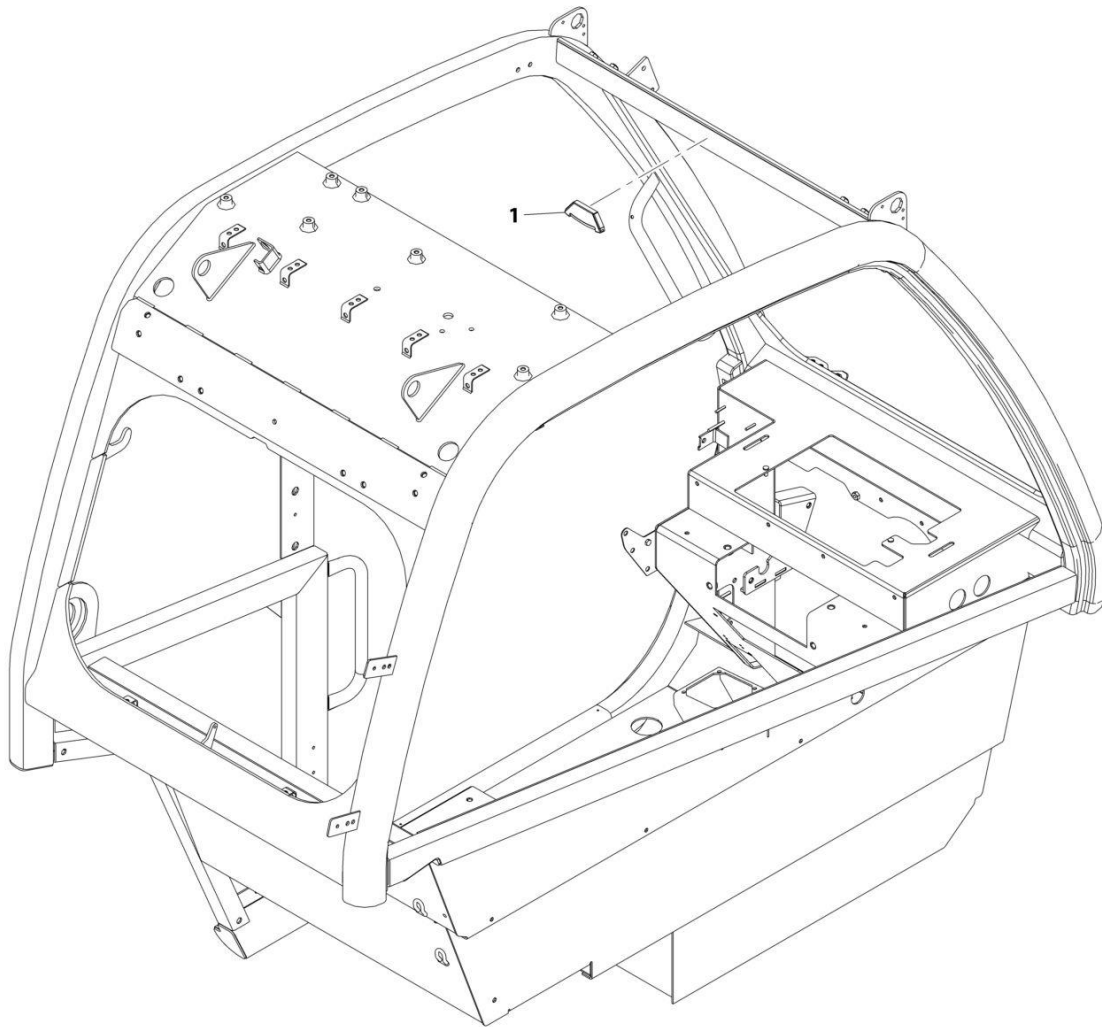
ART_1001155447-G

FIGURE 6-17. FRONT WIPER INSTALLATION

ITEM	PART NUMBER	QTY	DESCRIPTION	REV
	1001155447	Ref	Front Wiper Installation	G
2	0760810	2	Bolt, M8X20	
3	4811900	2	Washer, M8	
5	1001214092	1	Motor, Front Wiper	
6	1001212369	1	Arm, Front Wiper	
7	1001141281	1	Blade, Wiper	
8	1001165637	1	Bracket	

SECTION 6 - CAB

FIGURE 6-18. LEVEL INDICATOR INSTALLATION



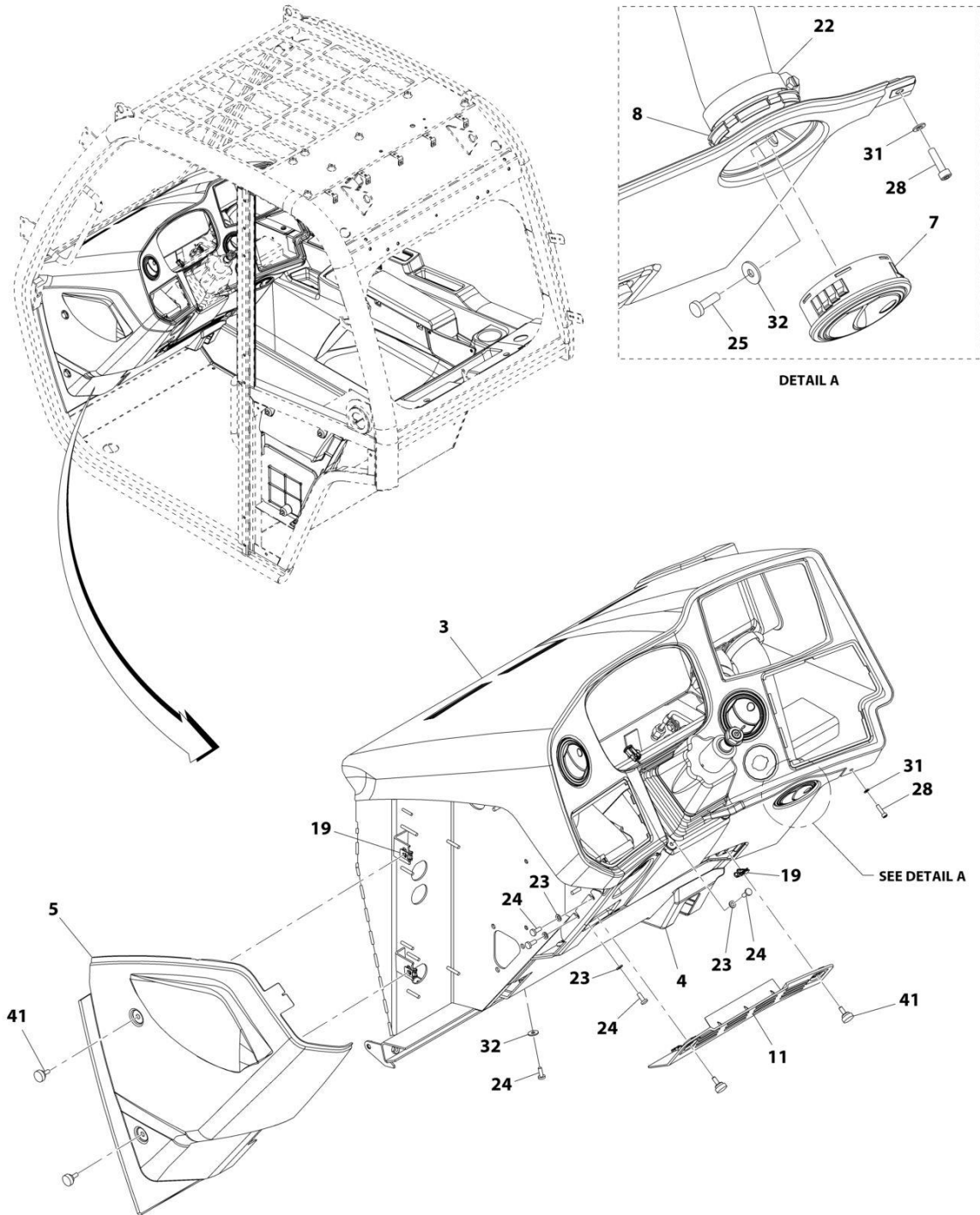
ART_1001172401-C

FIGURE 6-18. LEVEL INDICATOR INSTALLATION

ITEM	PART NUMBER	QTY	DESCRIPTION	REV
1	1001172401 8466306	Ref 1	Level Indicator Installation Gauge, Tilt Angle	C

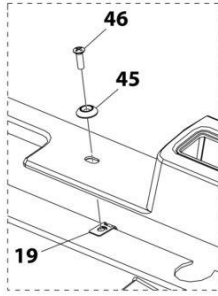
SECTION 6 - CAB

FIGURE 6-19. ENCLOSED CAB TRIM INSTALLATION

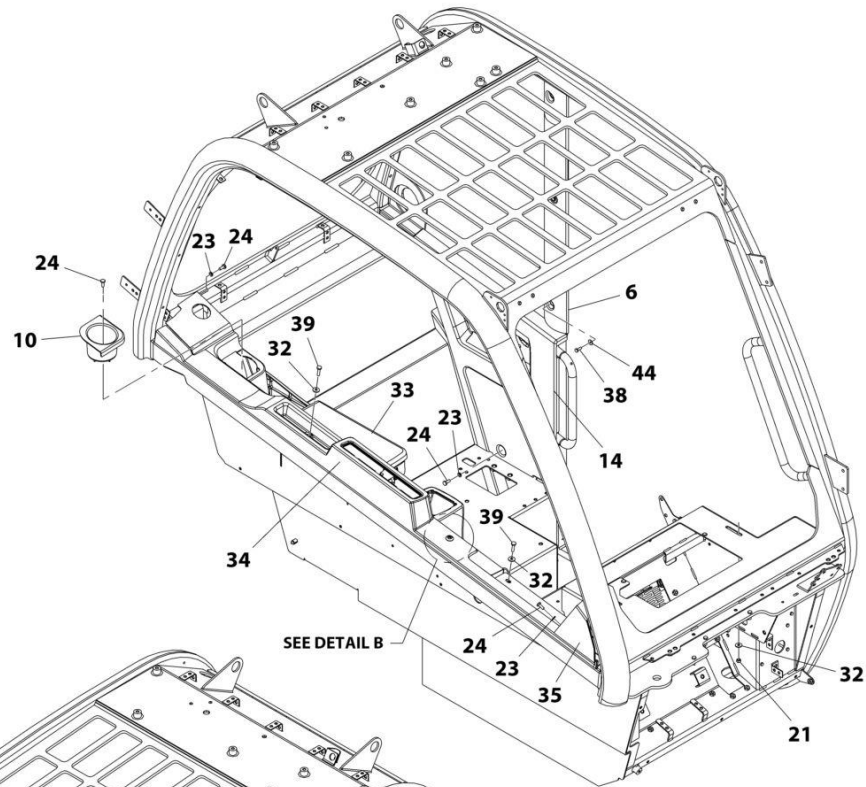


ART_1001167981_1-N

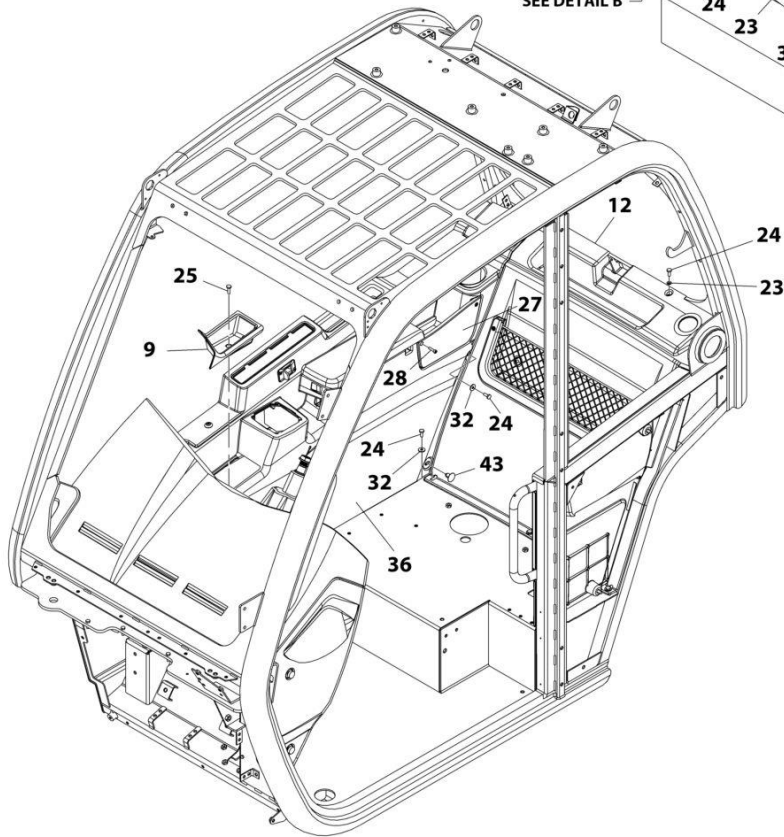
SECTION 6 - CAB



DETAIL B



SEE DETAIL B



ART_1001167981_2-N

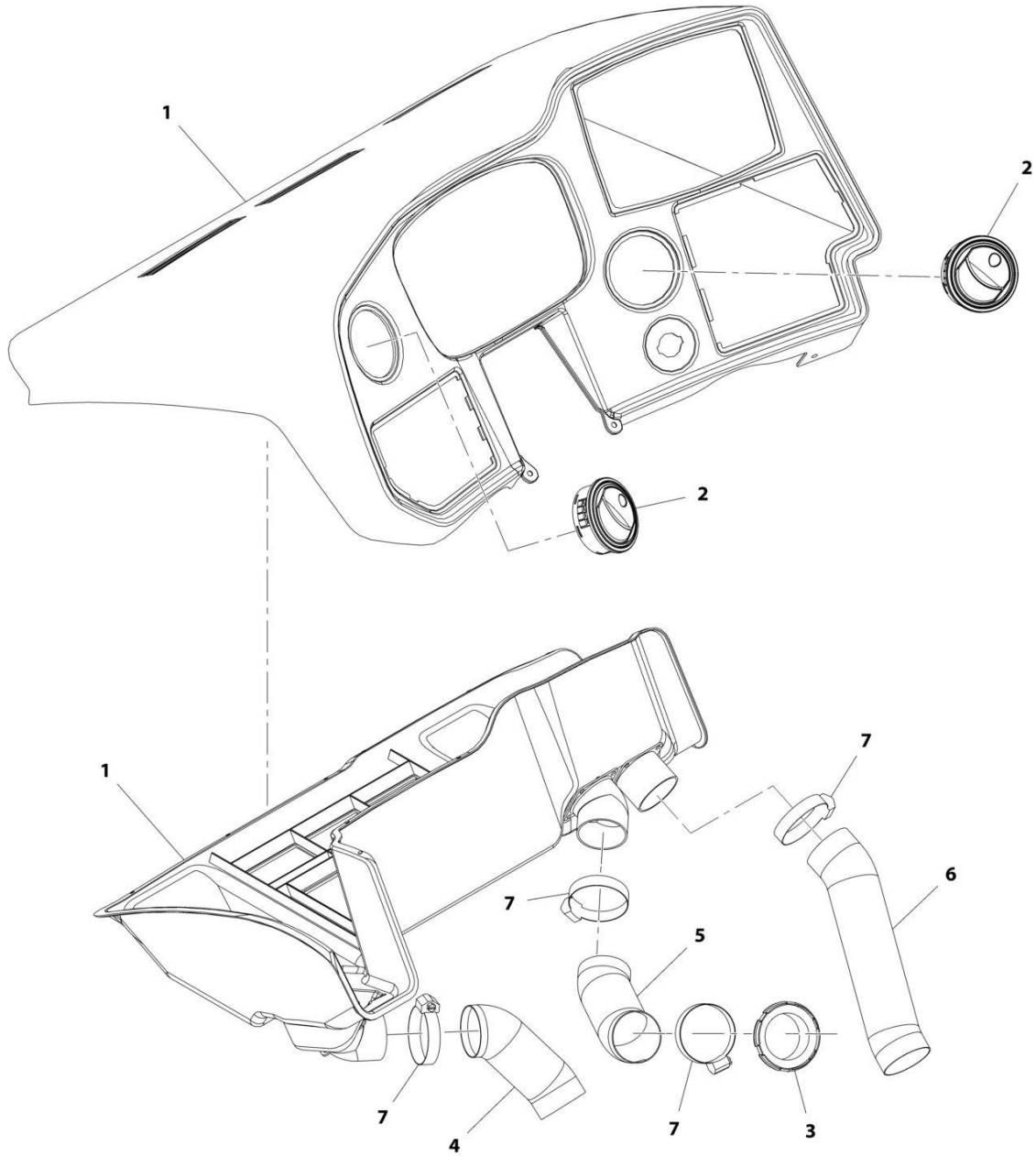
SECTION 6 - CAB

FIGURE 6-19. ENCLOSED CAB TRIM INSTALLATION

ITEM	PART NUMBER	QTY	DESCRIPTION	REV
	1001167981	Ref	Enclosed Cab Trim Installation	P
3	1001169604	1	Assembly, Dash Cover (See Separate Breakdown in this Section)	
4	1001175903	1	Panel, Lower Dash	
5	1001161855	1	Panel, LH Dash	
6	1001219076	1	Panel, Cover	
7	1001147449	2	Vent, Air	
8	1001149278	2	Vent, Connector	
9	1001169603	1	Panel, Trinket Tray	
10	1001170518	1	Holder, Cup	
11	1001170504	1	Panel, Recirculation Grille Cover	
12	1001170519	1	Assembly, Rear Panel Cover (See Separate Breakdown in this Section)	
14	1001161068	1	Panel, Cover	
19	8305919	5	Nut, M6	
21	3290605	2	Nut, Lock M6X1 Grade 8	
22	8405201	2	Clamp, Gear	
23	4811700001	13	Washer, M6	
24	4010608002	20	Screw, M6X16	
25	4010610002	2	Screw, M6X20	
27	1001173965	1	Bezel, RH	
28	4031608001	3	Bolt, M5X20	
31	4811600	1	Washer, M5	
32	4811702001	12	Washer, M6	
33	1001181726	Ref	Installation, Adjustable Armrest (See Separate Breakdown in this Section)	
34	1001182834	1	Panel, Cover	
35	1001185870	1	Panel, Cover	
36	1001189182	1	Panel, Cover	
38	4010508002	3	Bolt, M5-.8X16	
39	4010612002	3	Screw, M6X25	
41	1001208308	4	Bolt, M6X15	
43	1001211907	1	Screw, Retainer	
44	4811602001	3	Washer, 5M	
45	1001098150	1	Washer, M6	
46	1001132564	1	Screw M6X20	

SECTION 6 - CAB

FIGURE 6-20. DASH COVER ASSEMBLY



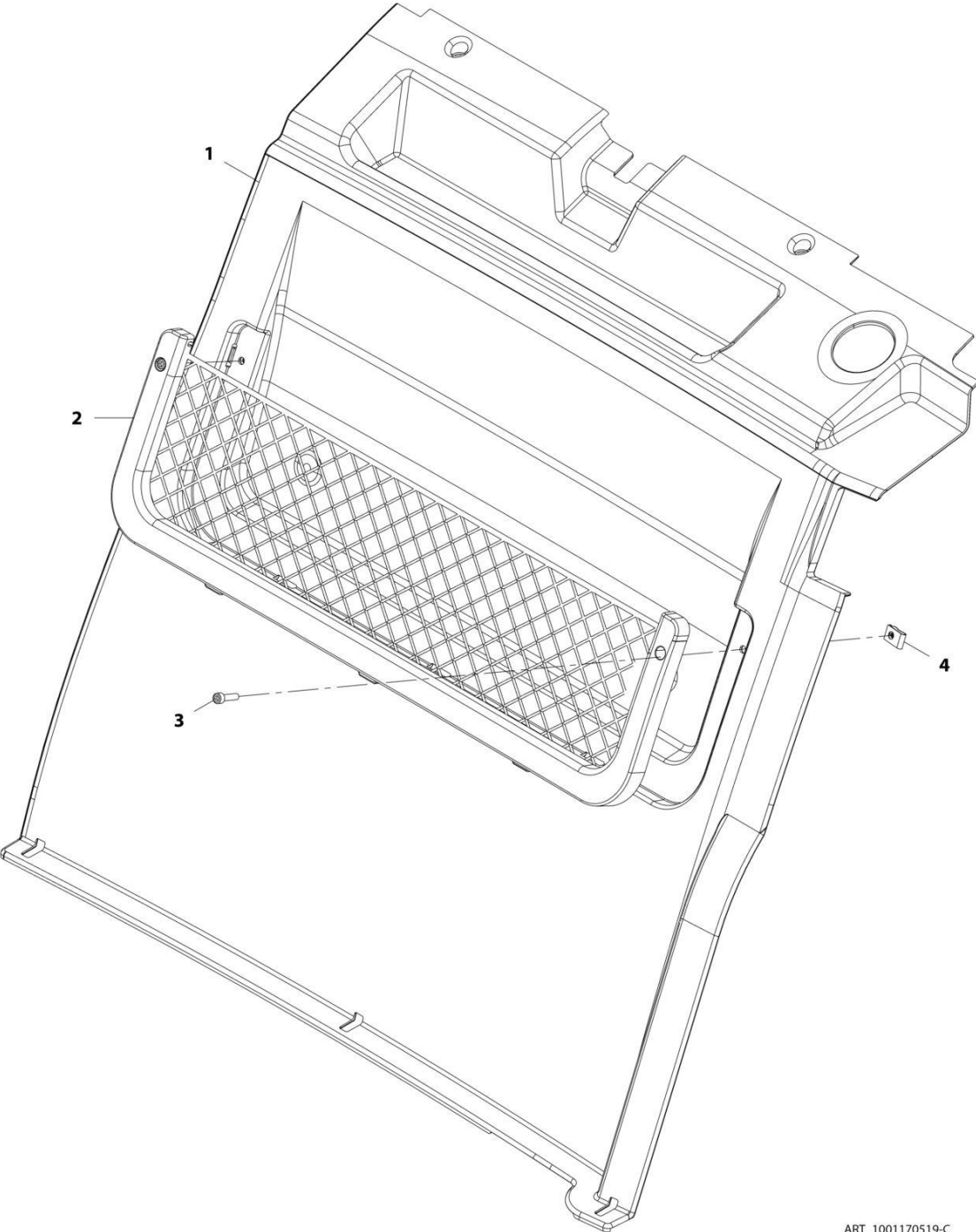
ART_1001169604-B

FIGURE 6-20. DASH COVER ASSEMBLY

ITEM	PART NUMBER	QTY	DESCRIPTION	REV
	1001169604	Ref	Dash Cover Assembly (Construction)	B
1	1001161851	1	Panel, Top Dash	
2	1001147449	2	Vent, Air	
3	1001149278	1	Vent, Connector	
4	1001174652	1	Hose	
5	1001174653	1	Hose	
6	1001174655	1	Hose	
7	8405201	4	Clamp, Gear	

SECTION 6 - CAB

FIGURE 6-21. REAR PANEL COVER ASSEMBLY



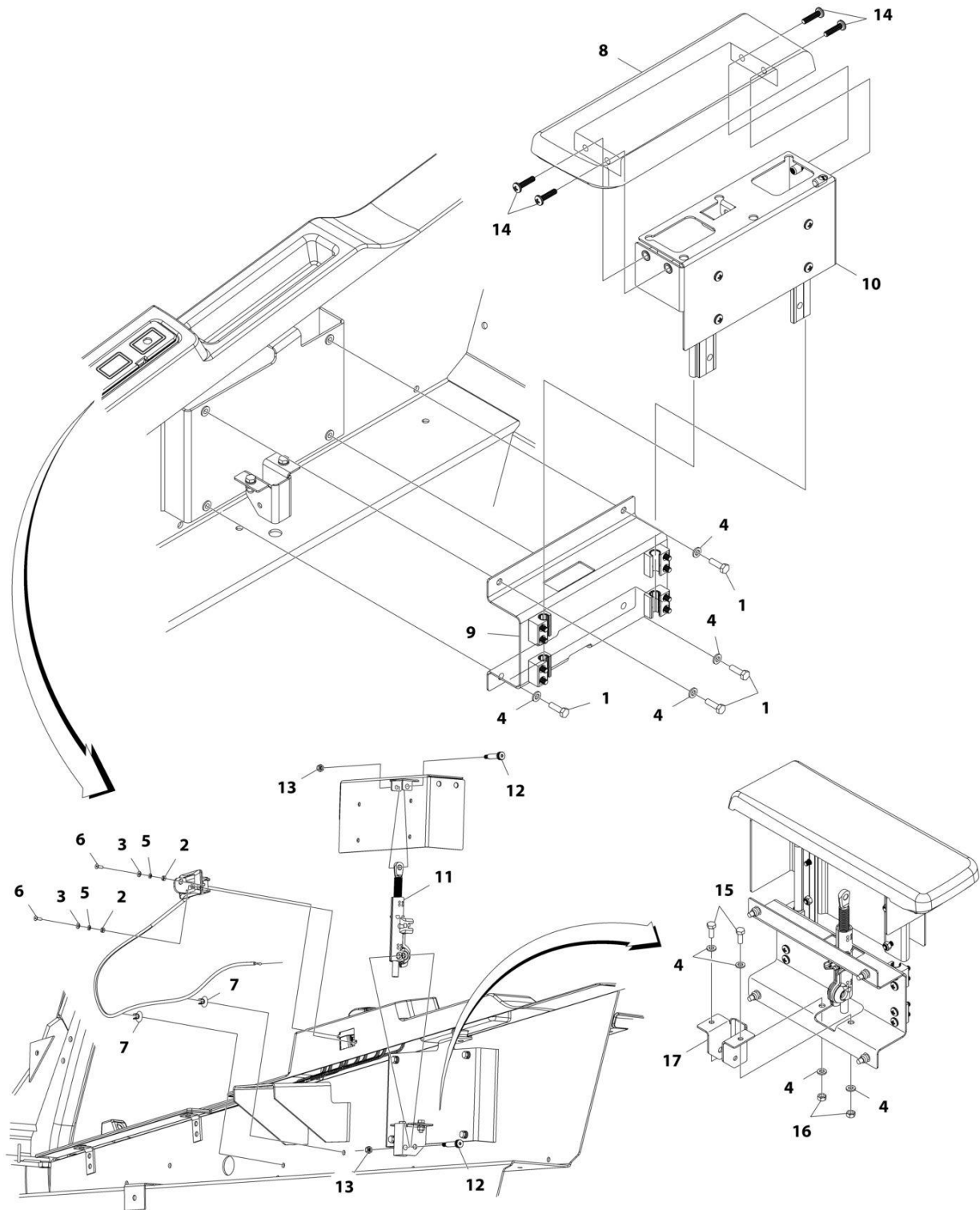
ART_1001170519-C

FIGURE 6-21. REAR PANEL COVER ASSEMBLY

ITEM	PART NUMBER	QTY	DESCRIPTION	REV
	1001170519	Ref	Rear Panel Cover Assembly	C
1	1001161067	1	Panel, Rear	
2	1001170514	1	Storage Net, Rear Panel	
3	4031608	2	Bolt, M5X20	
4	1001183550	2	Nut, Cage M5	

SECTION 6 - CAB

FIGURE 6-22. ADJUSTABLE ARMREST INSTALLTION



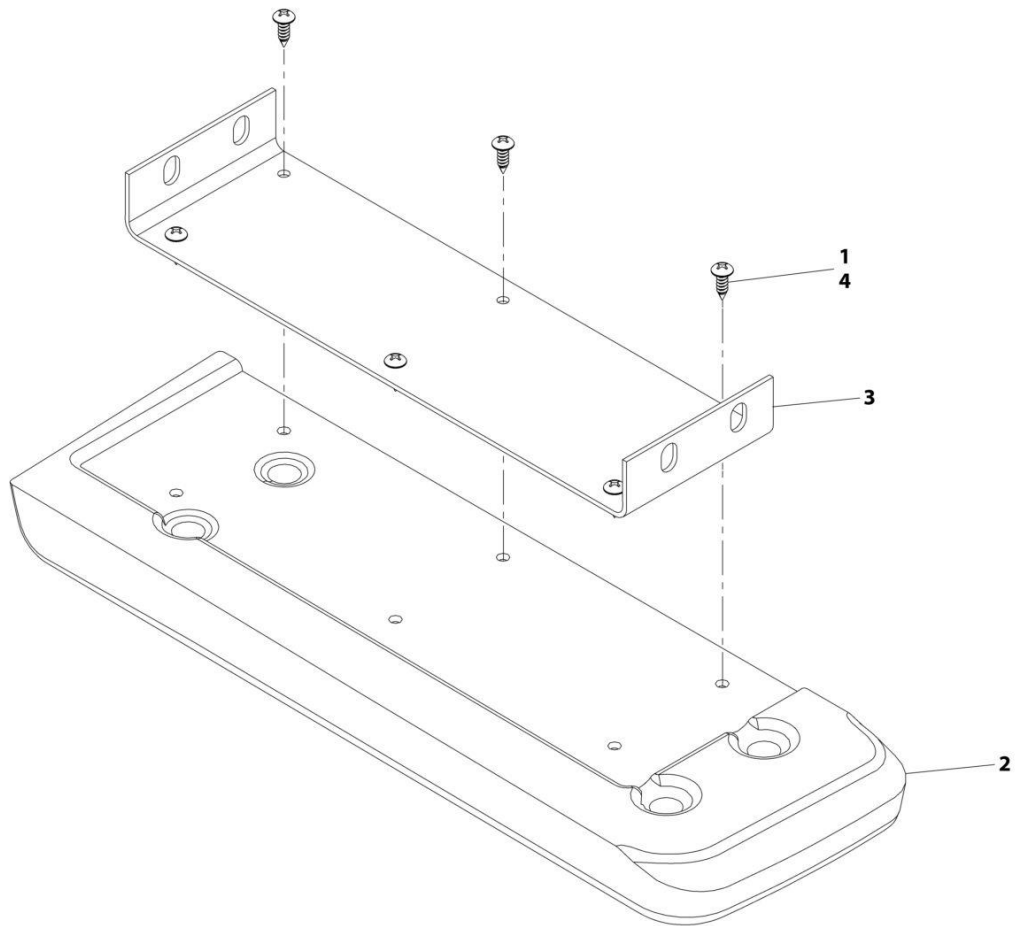
ART_1001181726_G

FIGURE 6-22. ADJUSTABLE ARMREST INSTALLTION

ITEM	PART NUMBER	QTY	DESCRIPTION	REV
	1001181726	Ref	ADJUSTABLE ARMREST INSTALLTION	G
1	0700610	4	Bolt, M6X20	
2	3290401	2	Nut, M4X0.7	
3	4811400	2	Washer, M4	
4	4811700	8	Washer, M6	
5	4831400	2	Washer, Lock M4	
6	1001097244	2	Screw, M4X12	
7	1001165458	2	Hose	
8	1001191281	1	Armrest (See Separate Breakdown in this Section)	
9	1001191283	1	Bracket, Fixed Armrest (See Separate Breakdown in this Section)	
10	1001191284	1	Bracket, Moving Armrest (See Separate Breakdown in this Section)	
11	1001283175	1	Spring	
12	1001191370	2	Screw, M6	
13	3290605	2	Nut, M6X1 Grade 8	
14	4010612002	4	Screw, M6X25	
15	0760608	2	Bolt, M6X16	
16	3290601	2	Nut, M6X1	
17	1001212468	1	Bracket, Locking Spring Mount	

SECTION 6 - CAB

FIGURE 6-23. ARMREST



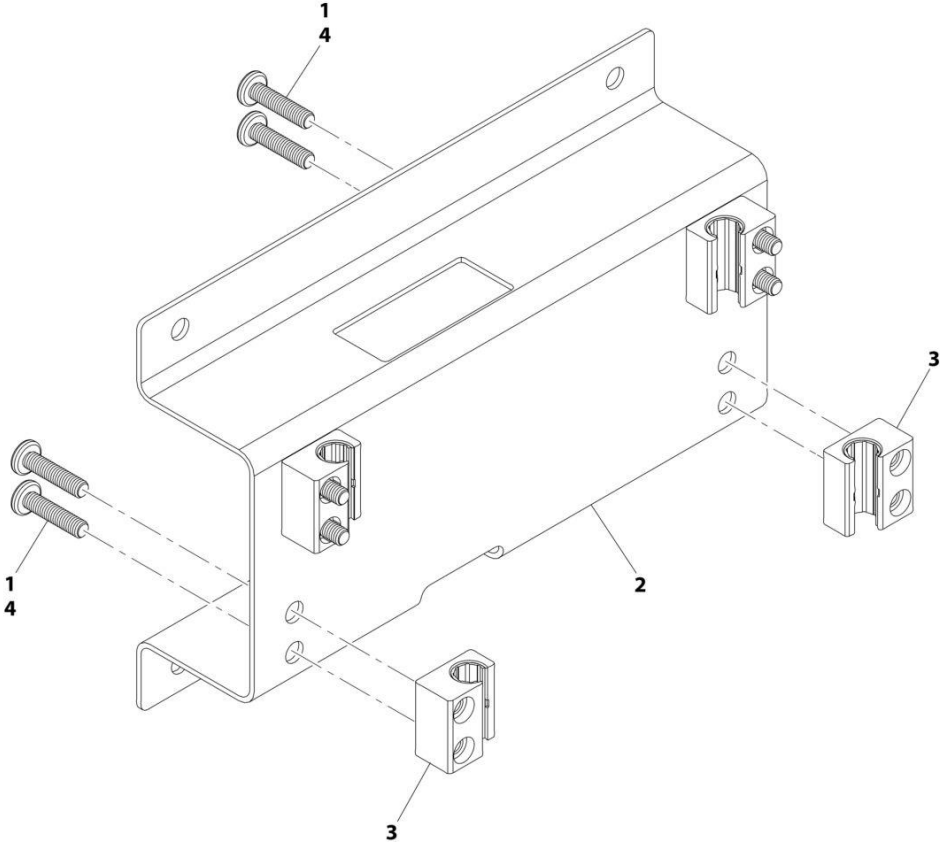
ART_1001191281

FIGURE 6-23. ARMREST

ITEM	PART NUMBER	QTY	DESCRIPTION	REV
	1001191281	Ref	Armrest	E
1	1001095650	AR	Adhesive	
2	1001179484	1	Armrest, Cab	
3	1001191282	1	Bracket, Armrest Pad	
4	1001192240	6	Screw	

SECTION 6 - CAB

FIGURE 6-24. FIXED ARMREST BRACKET



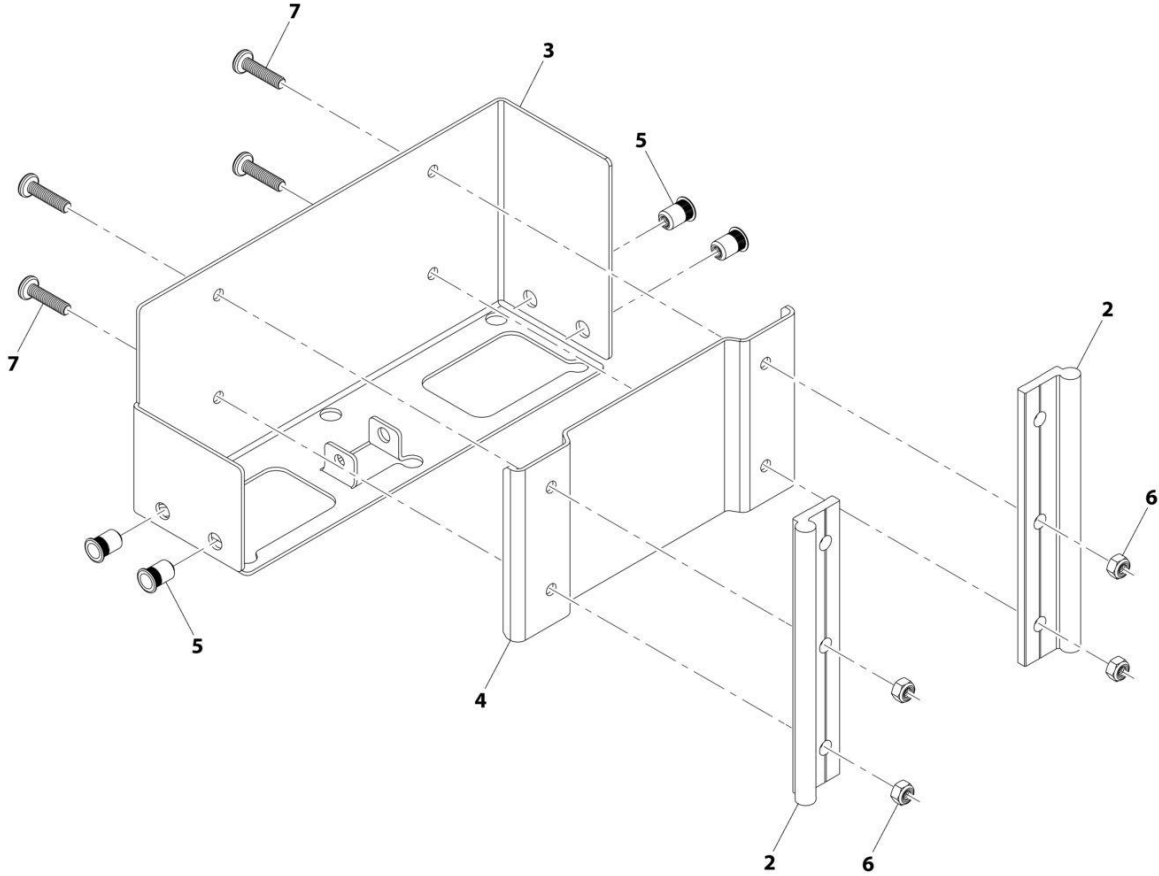
ART_1001191283-B

FIGURE 6-24. FIXED ARMREST BRACKET

ITEM	PART NUMBER	QTY	DESCRIPTION	REV
	1001191283	Ref	Fixed Armrest Bracket	B
1	1001095650	AR	Adhesive	
2	1001183597	1	Armrest Bracket	
3	1001191310	4	Slide Block	
4	4010612002	8	Screw	

SECTION 6 - CAB

FIGURE 6-25. MOVING ARMREST BRACKET



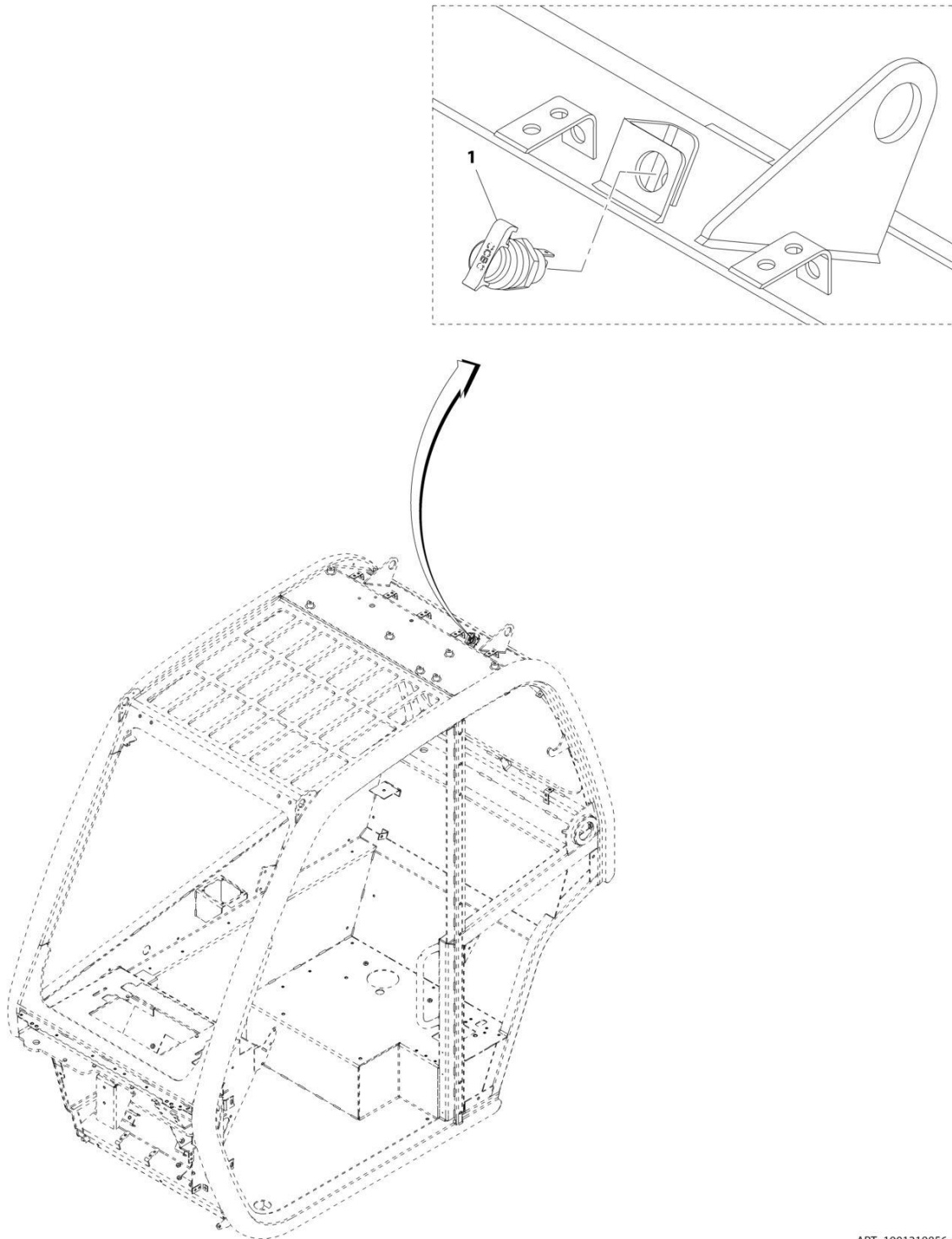
ART_1001191284-B

FIGURE 6-25. MOVING ARMREST BRACKET

ITEM	PART NUMBER	QTY	DESCRIPTION	REV
	1001191284	Ref	Moving Armrest Bracket	B
2	1001191311	2	Side Rail	
3	1001191312	1	Armrest Mount Bracket	
4	1001191313	1	Spacer Block Plate	
5	1001191959	4	Rivenut M6 X 1	
6	3290605	4	Nut, Lock M6X1	
7	4010612002	4	Screw, M6X25	

SECTION 6 - CAB

FIGURE 6-26. BEACON TERMINAL INSTALLATION



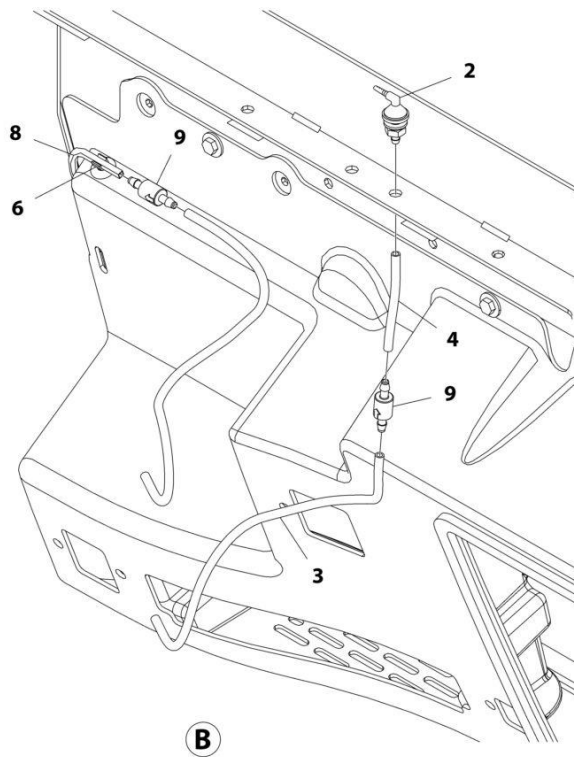
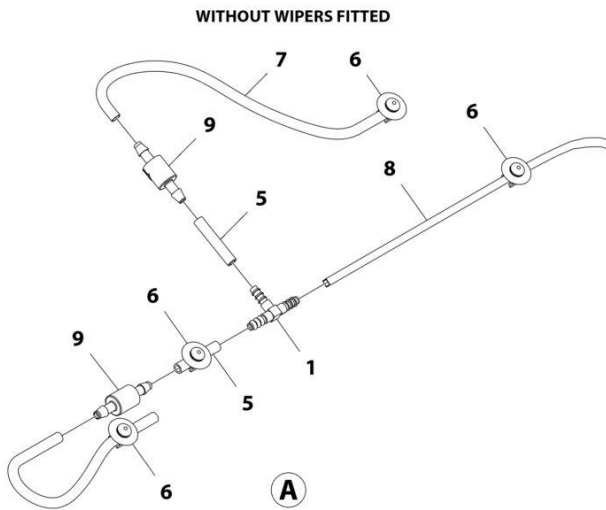
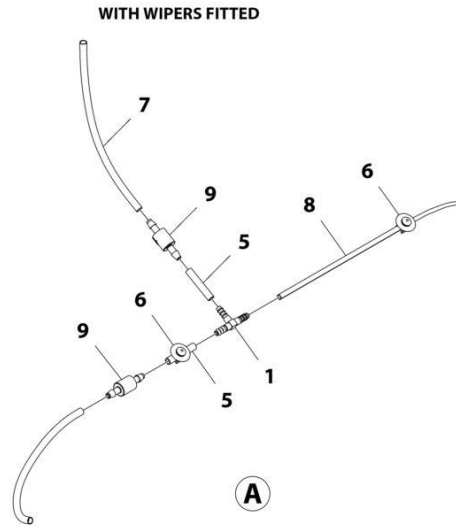
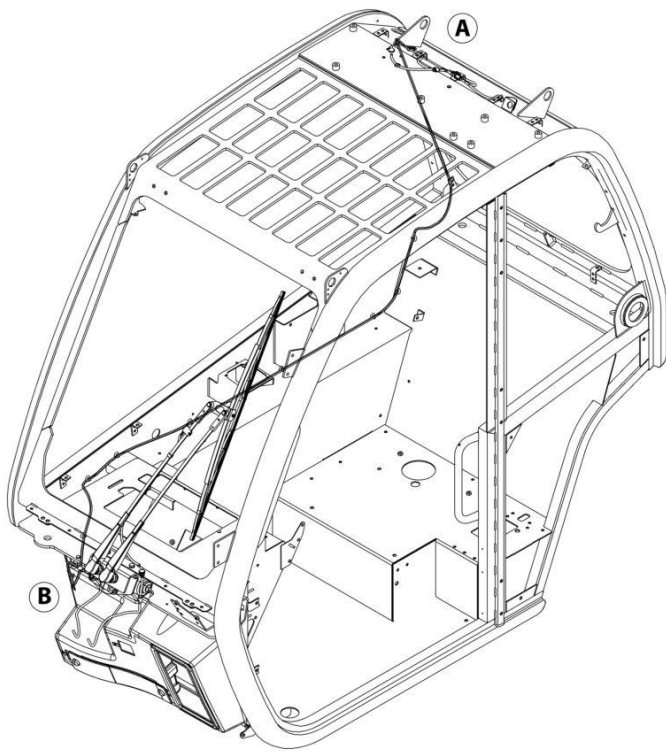
ART_1001218856-A

FIGURE 6-26. BEACON TERMINAL INSTALLATION

ITEM	PART NUMBER	QTY	DESCRIPTION	REV
1	1001218856 4461174	Ref 1	Beacon Bracket Installation Plug, 12V Power	A

SECTION 6 - CAB

FIGURE 6-27. WASHER HOSES INSTALLATION



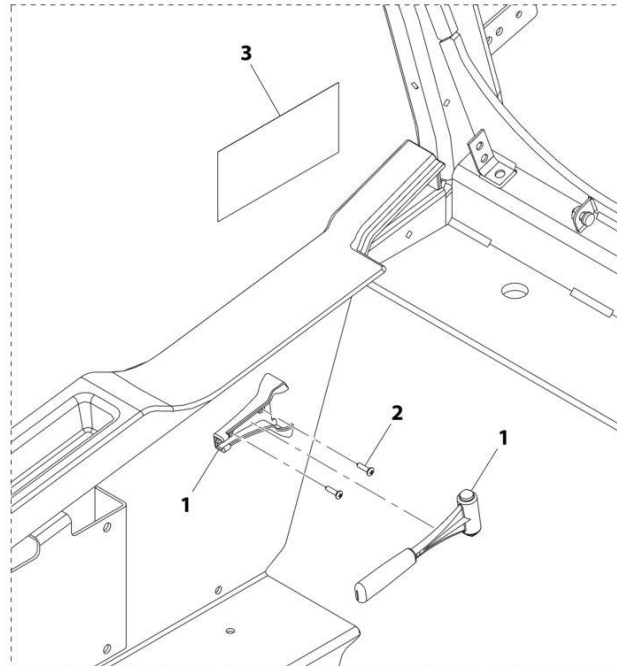
ART_1001201520

FIGURE 6-27. WASHER HOSES INSTALLATION

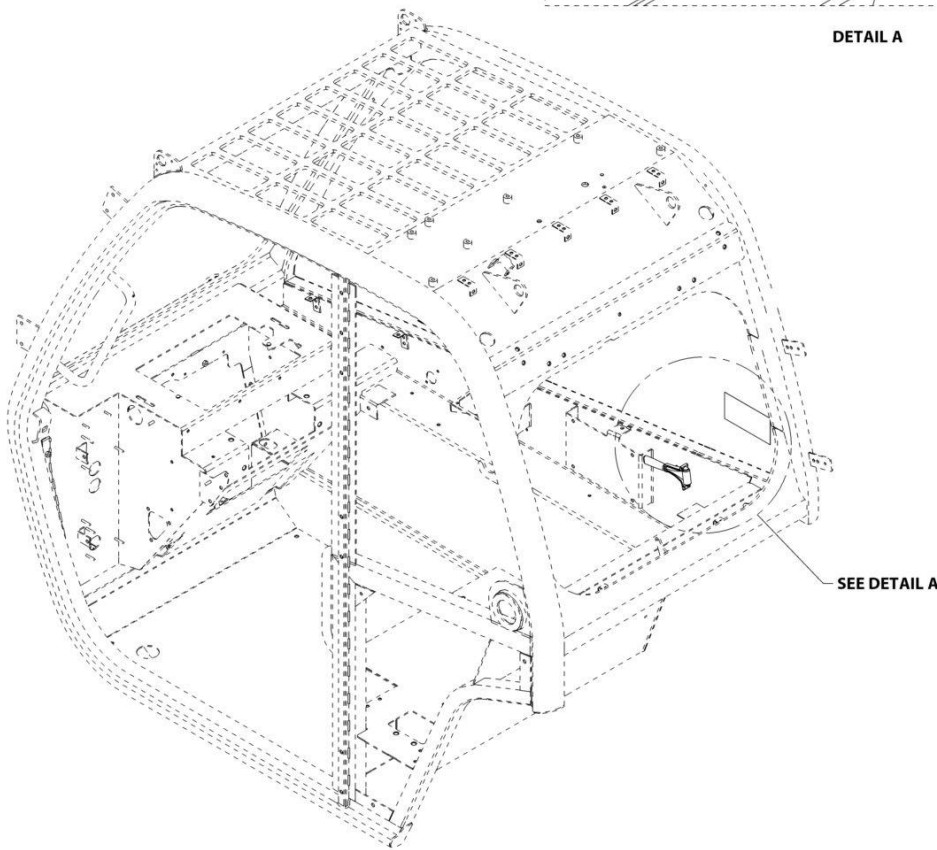
ITEM	PART NUMBER	QTY	DESCRIPTION	REV
	1001201520	Ref	WASHER HOSES INSTALLATION	C
1	1001008742	1	Coupling, Tee	
2	1001090343	1	Connector	
3	1001165351	2	Hose	
4	1001165416	1	Hose	
5	1001165455	2	Hose	
6	1001165458	16	Mount, Hose	
7	1001178123	2	Hose	
8	1001180045	1	Hose	
9	1001201331	4	Valve, Check	

SECTION 6 - CAB

FIGURE 6-28. HAMMER INSTALLATION



DETAIL A



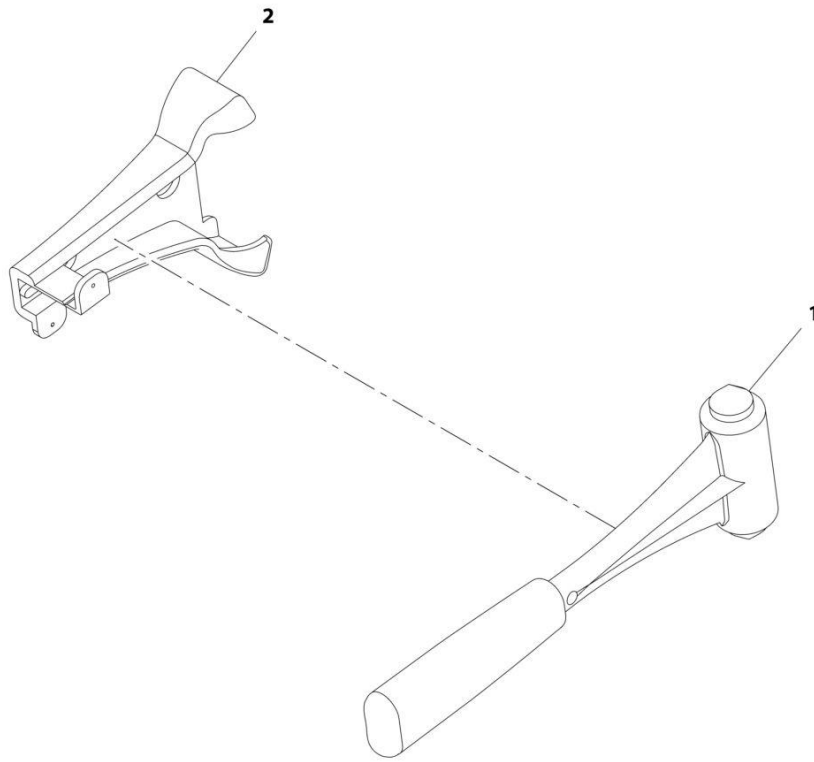
ART_1001210628-B

FIGURE 6-28. HAMMER INSTALLATION

ITEM	PART NUMBER	QTY	DESCRIPTION	REV
1	1001210628	Ref	Hammer Installation	B
	1001005038	1	Assembly, Hammer Attachment (See Separate Breakdown in this Section)	
2	1001005193	2	Screw	
3	1001215804	1	Decal, Emergency Exit	

SECTION 6 - CAB

FIGURE 6-29. HAMMER ATTACHMENT ASSEMBLY



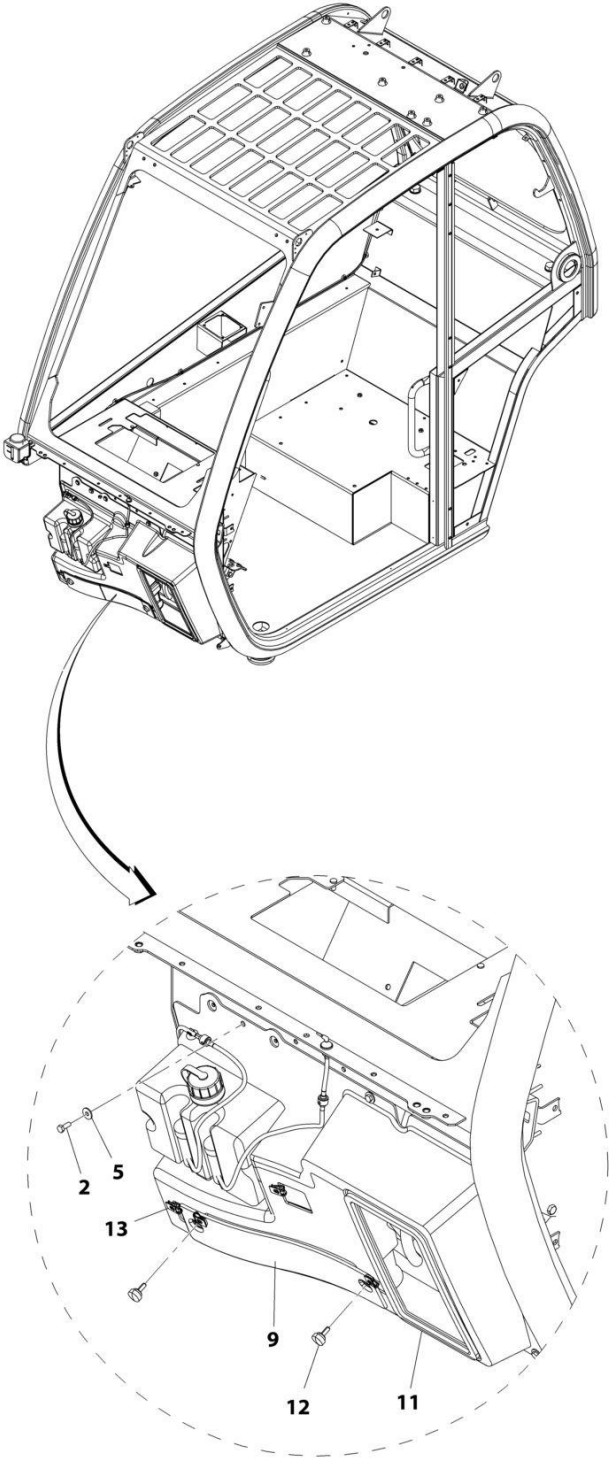
ART_1001005038-B

FIGURE 6-29. HAMMER ATTACHMENT ASSEMBLY

ITEM	PART NUMBER	QTY	DESCRIPTION	REV
	1001005038	Ref	Hammer Attachment Assembly	B
1	1001006954	1	Hammer	
2	1001006955	1	Bracket, Hammer	

SECTION 6 - CAB

FIGURE 6-30. FRONT COVER INSTALLATION



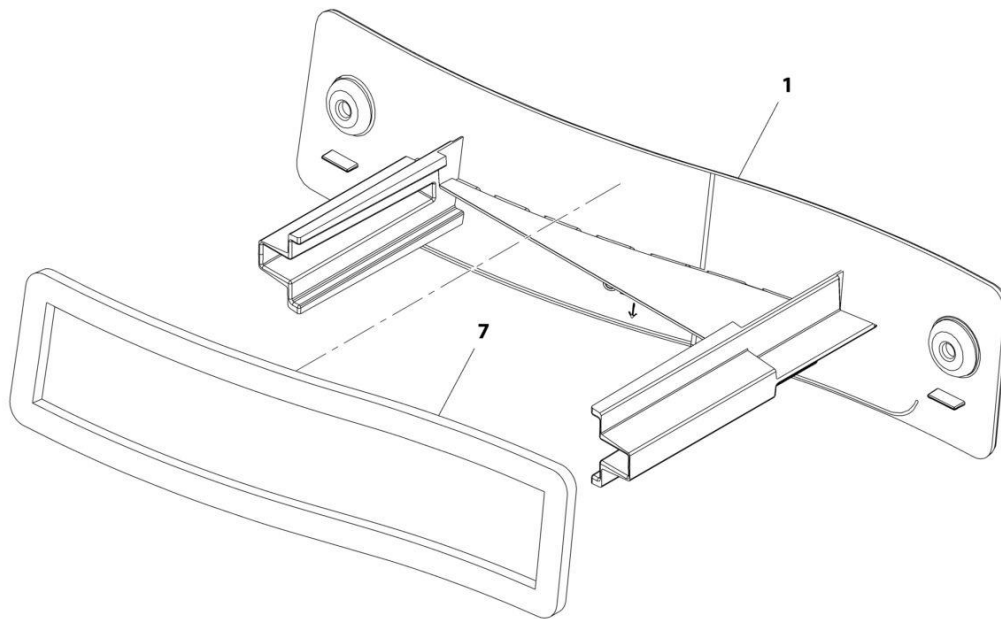
ART_1001170366-G

FIGURE 6-30. FRONT COVER INSTALLATION

ITEM	PART NUMBER	QTY	DESCRIPTION	REV
	1001170366	Ref	Front Cover Installation	G
2	0760608	7	Bolt, M6X16	
5	4811702	7	Washer, M6	
9	1001175471	1	Panel, Filter Tray (See Separate Breakdown in this Section)	
11	1001176121	1	Cover, Front Duct (See Separate Breakdown in this Section)	
12	2080092	2	Thumb Screw, M6X16	
13	8305919	4	Nut, M6	

SECTION 6 - CAB

FIGURE 6-31. FILTER TRAY PANEL



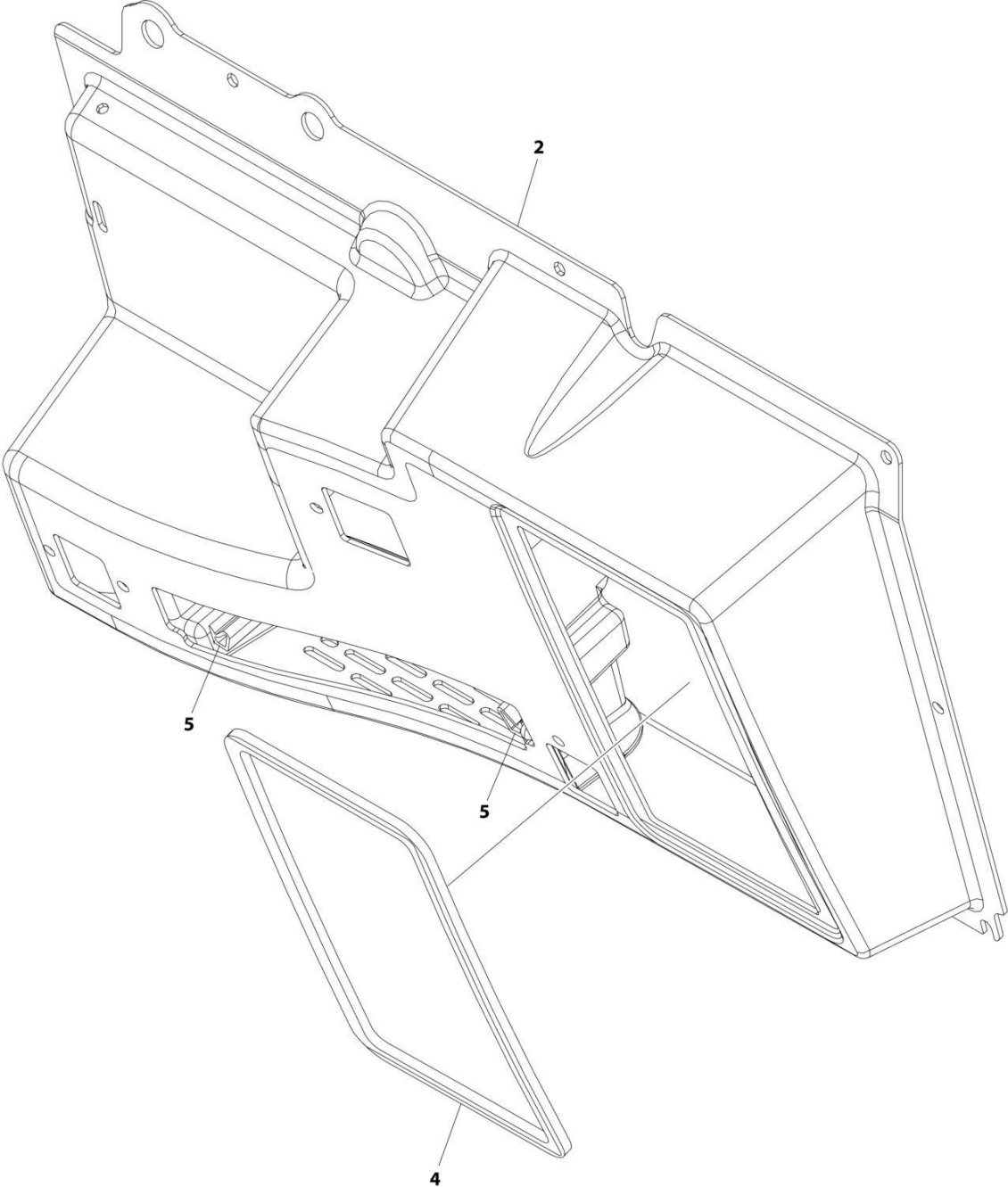
ART_1001175471-D

FIGURE 6-31. FILTER TRAY PANEL

ITEM	PART NUMBER	QTY	DESCRIPTION	REV
	1001175471	Ref	Filter Tray Panel	D
1	1001170993	1	Panel, Front Inlet	
7	1001171767	1	Cab, Front Panel Seal	

SECTION 6 - CAB

FIGURE 6-32. FRONT DUCT COVER



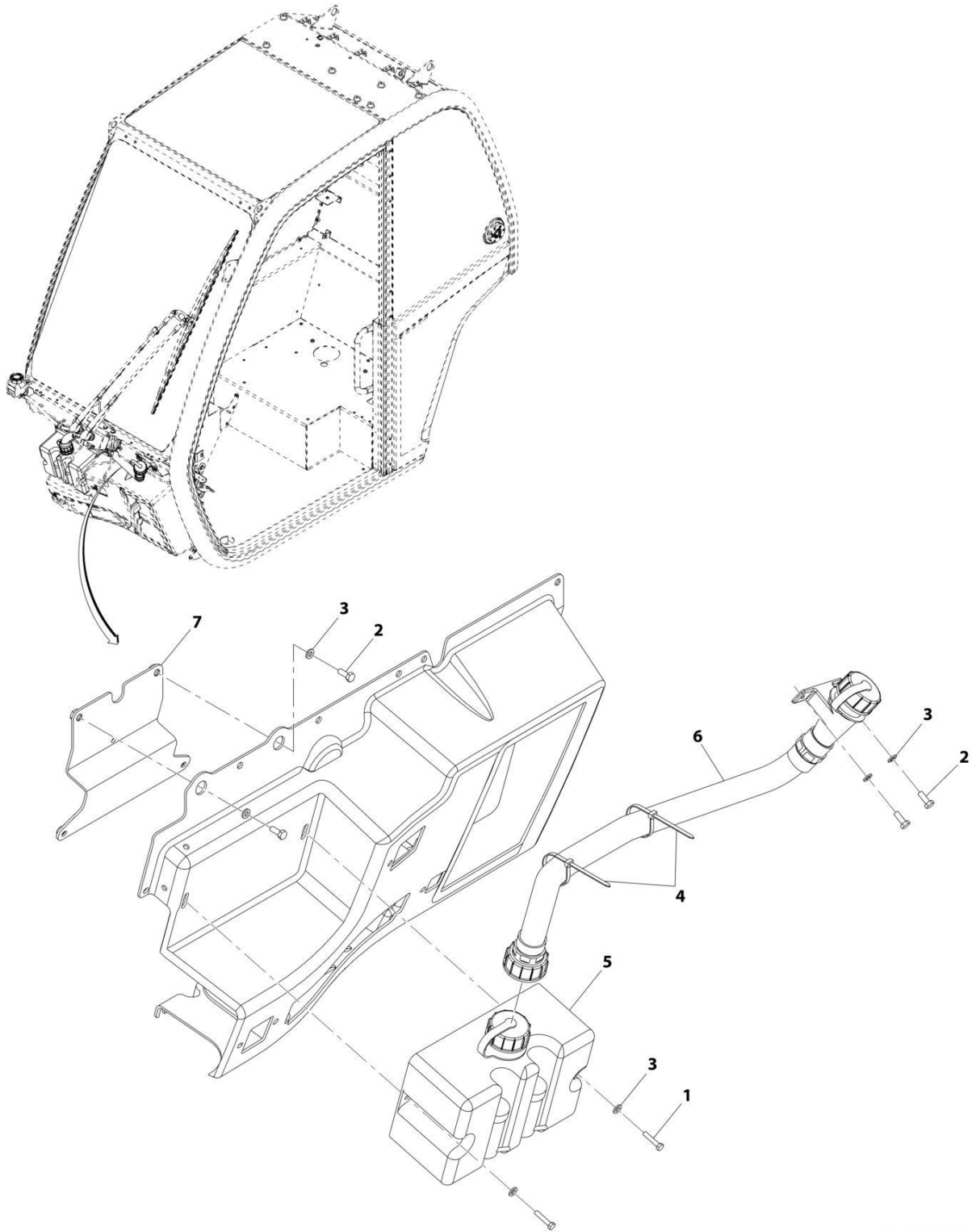
ART_1001176121

FIGURE 6-32. FRONT DUCT COVER

ITEM	PART NUMBER	QTY	DESCRIPTION	REV
	1001176121	Ref	FRONT DUCT COVER	H
2	1001170326	1	Cover, Front	
4	1001175470	1	Seal, Front Cab Panel	
5	1001270117	AR	Seal, Bulb	

SECTION 6 - CAB

FIGURE 6-33. WASHER TANK INSTALLATION



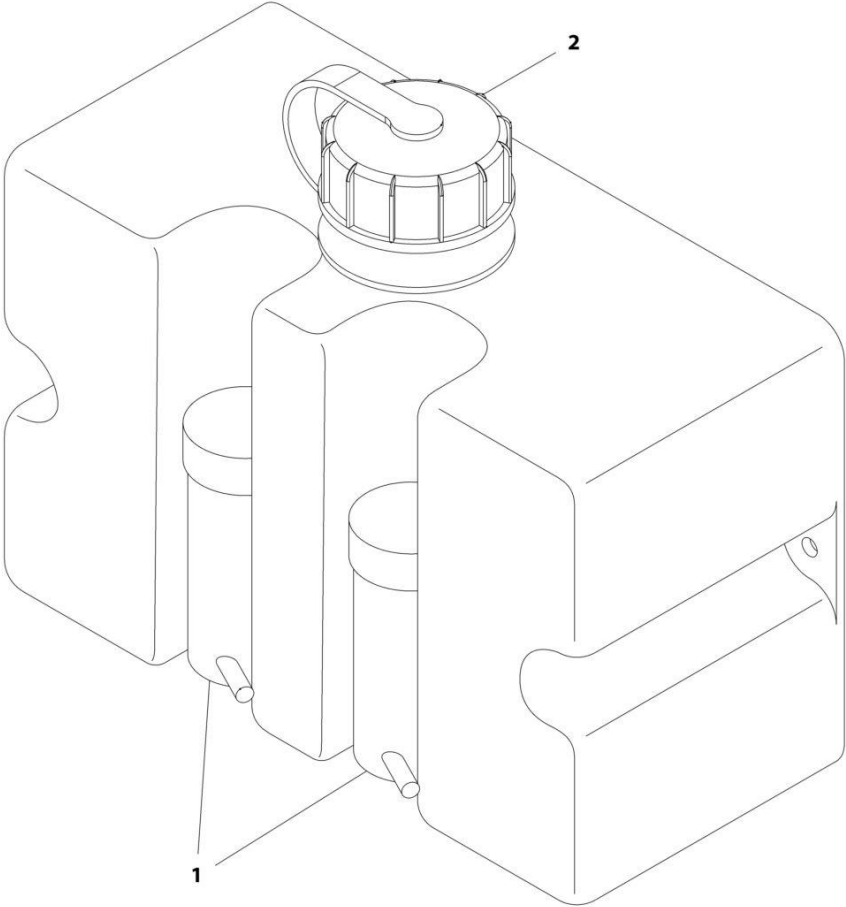
ART_1001201027-C

FIGURE 6-33. WASHER TANK INSTALLATION

ITEM	PART NUMBER	QTY	DESCRIPTION	REV
	1001201027	Ref	Washer Tank Installation	C
1	0760512	2	Bolt M5X25	
2	0760608	4	Bolt, M6X16	
3	4811700	6	Washer, M6	
4	471678	2	Band, Cable	
5	1001165269	1	Bottle, Washer (See Separate Breakdown in this Section)	
6	1001165270	1	Hose, Washer Filler	
7	1001171756	1	Bracket	

SECTION 6 - CAB

FIGURE 6-34. WASHER BOTTLE



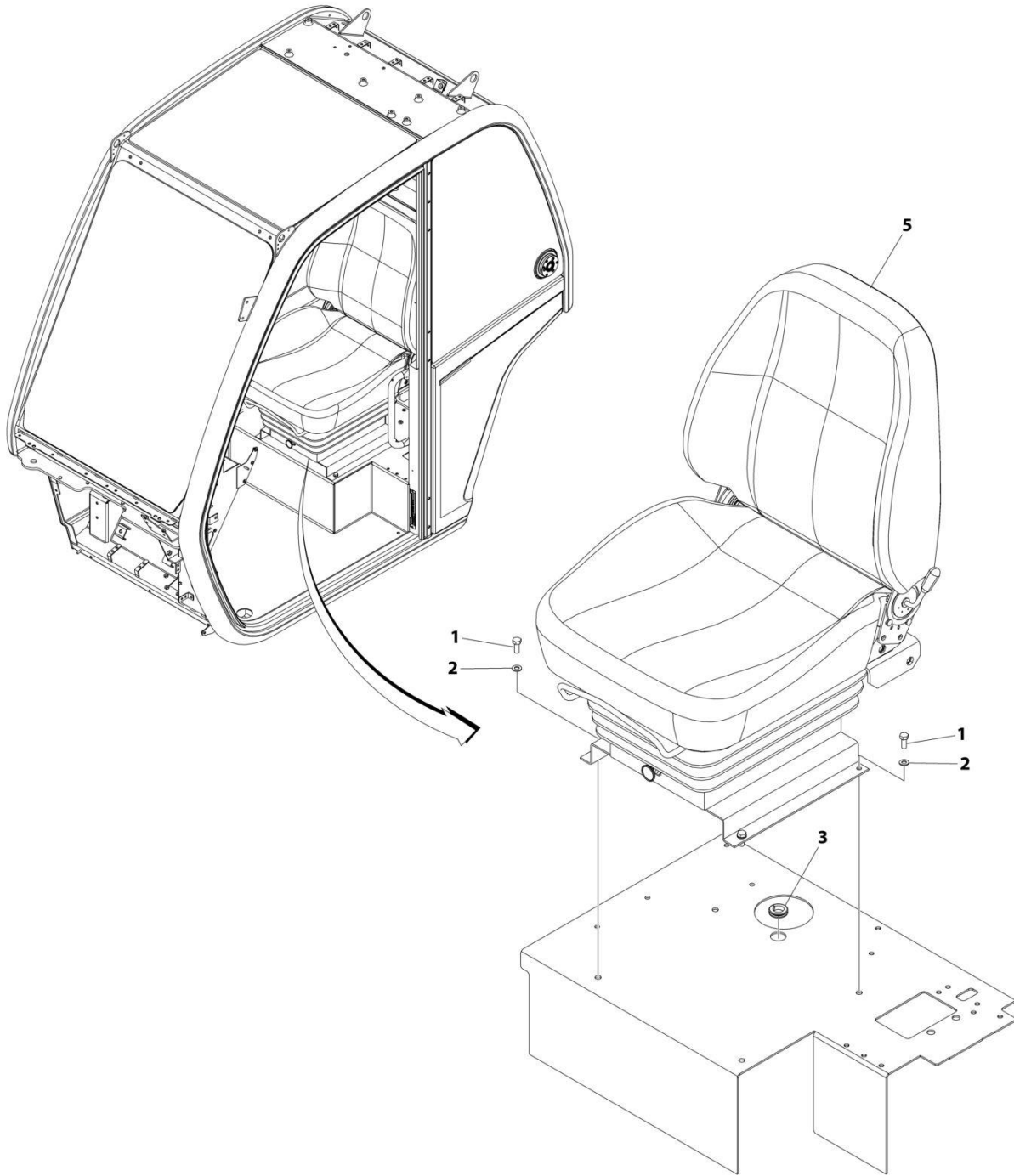
ART_1001165269-B

FIGURE 6-34. WASHER BOTTLE

ITEM	PART NUMBER	QTY	DESCRIPTION	REV
	1001165269	Ref	Washer Bottle	B
1	1001165327	2	Pump, Washer	
2	1001165273	1	Cap, Washer	

SECTION 6 - CAB

FIGURE 6-35. SEAT INSTALLATION (AIR SUSPENSION - STANDARD)



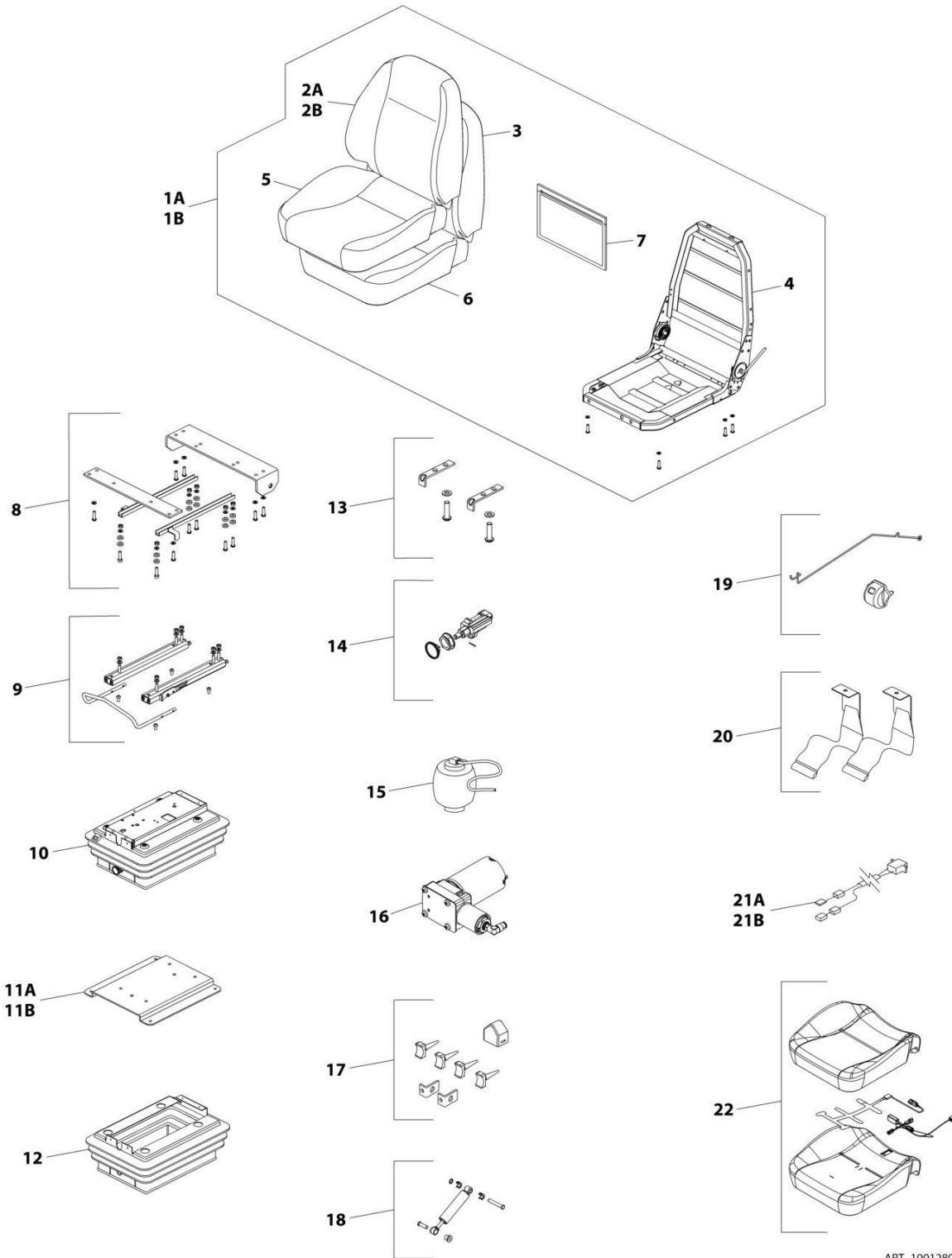
ART_1001158596_E

FIGURE 6-35. SEAT INSTALLATION (AIR SUSPENSION - STANDARD)

ITEM	PART NUMBER	QTY	DESCRIPTION	REV
	1001158596	Ref	SEAT INSTALLATION (AIR SUSPENSION - STANDARD)	E
1	0760810	4	Bolt, M8X20	
2	4811900	4	Washer, M8	
3	1001216974	1	Grommet	
5	1001280471	1	Seat Assembly (See Separate Breakdown in this Section)	

SECTION 6 - CAB

FIGURE 6-36. SEAT ASSEMBLY (AIR SUSPENSION - STANDARD)



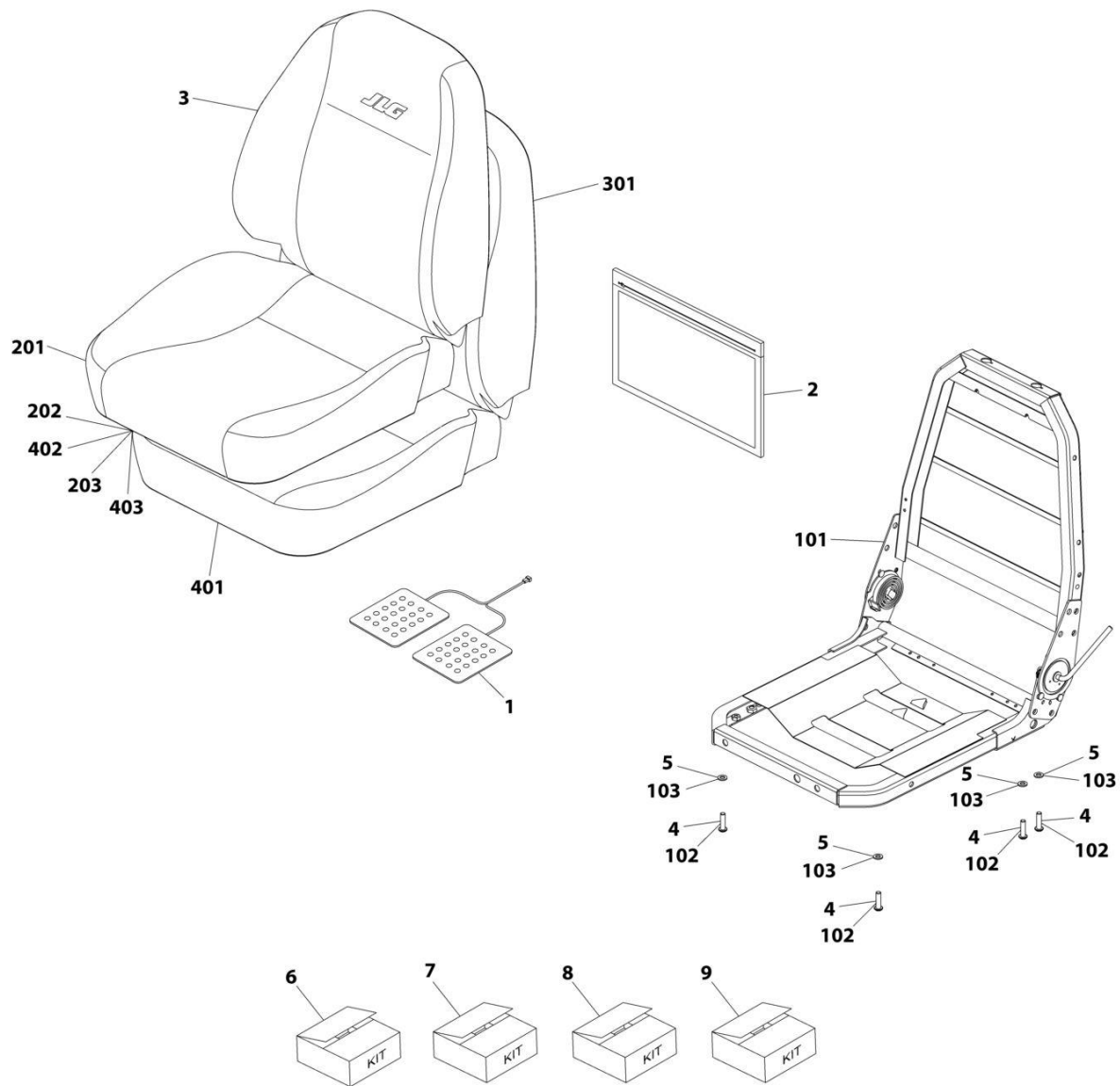
ART_1001280471

FIGURE 6-36. SEAT ASSEMBLY (AIR SUSPENSION - STANDARD)

ITEM	PART NUMBER	QTY	DESCRIPTION	REV
	1001280471	Ref	SEAT ASSEMBLY (AIR SUSPENSION - STANDARD)	A
1A	70031050	1	Cushion and Frame Assembly (Without Sensor) (Includes Items 2-7)	
1B	70031051	1	Cushion and Frame Assembly (With Sensor) (Includes Items 2-7)	
2A	70027399	1	Fabric, Seat Back (Without Sensor)	
2B	70031052	1	Fabric, Seat Back (With Sensor)	
3	80264002	1	Foam, Seat Back	
4	70021314	1	Frame, Seat Bottom and Back	
5	70027394	1	Fabric, Seat Bottom	
6	80264004	1	Foam, Seat Bottom	
7	70021316	1	Document Bag Kit	
8	70021317	1	Frame Mount Kit	
9	70021318	1	Fore/Aft Side Adjustment Kit	
10	70021319	1	Suspension Kit	
11A	70021320	1	Mounting Plate Kit (16.5mm Height)	
11B	70027395	1	Mounting Plate Kit (44.5mm Height)	
12	70021321	1	Cover, Suspension	
13	70021322	1	Side Rail Stop Kit	
14	70021323	1	Air Valve Kit	
15	70021324	1	Air Spring Kit	
16	70021325	1	Compressor Kit	
17	70021326	1	Limit Switches Kit	
18	70021327	1	Damper Kit	
19	70021328	1	Ride Indicator Kit	
20	70021329	1	Seatbelts Kit	
21A	70021330	1	Seat Adapter Harness (Without Sensor)	
21B	70031053	1	Seat Adapter Harness (With Sensor)	
22	70031054	1	Cover/Foam/Sensor Kit (Includes Items 5 & 6)	

SECTION 6 - CAB

FIGURE 6-37. UPPER SEAT ASSEMBLY



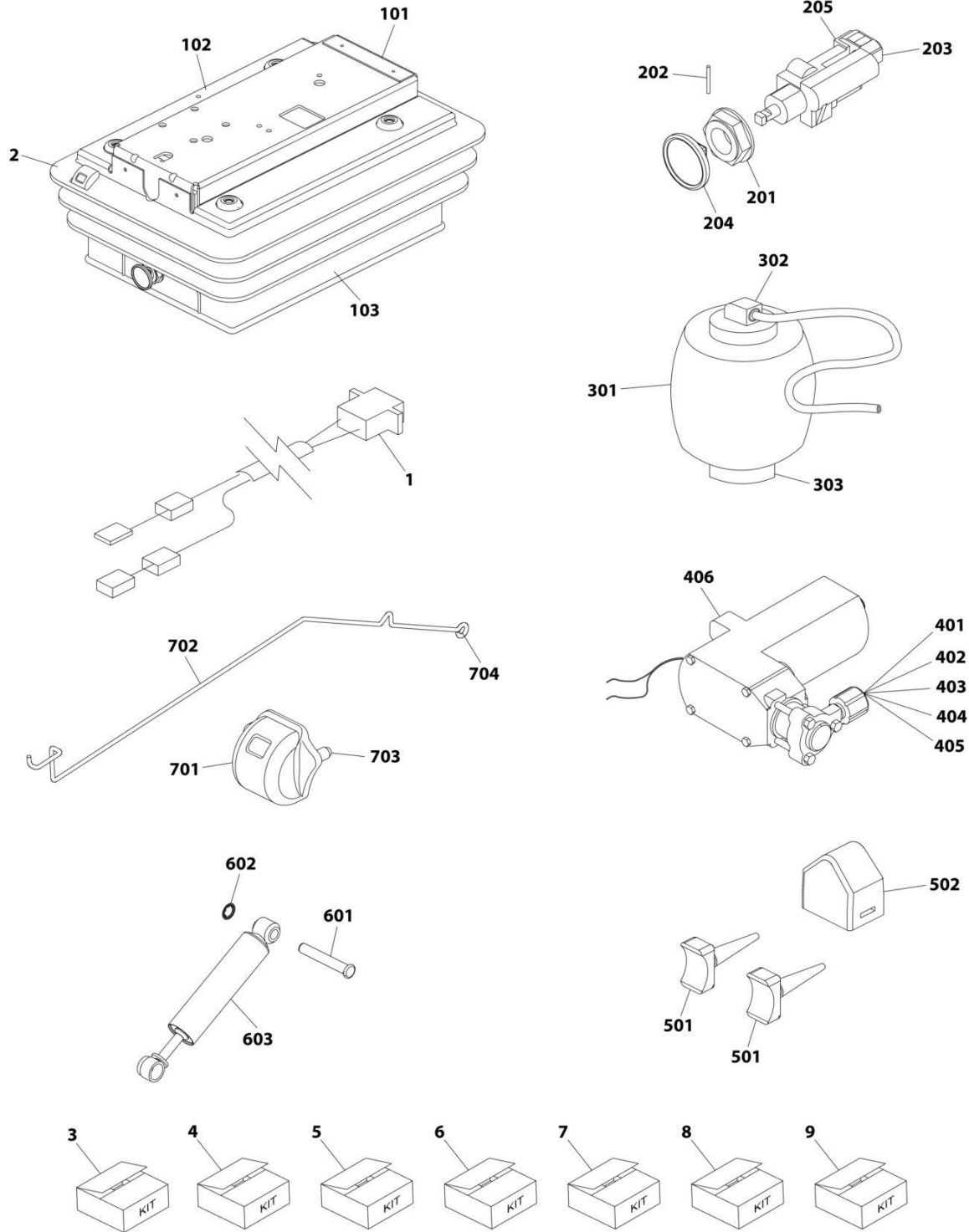
ART_70027392

FIGURE 6-37. UPPER SEAT ASSEMBLY

ITEM	PART NUMBER	QTY	DESCRIPTION	REV
	70027392	Ref	Upper Seat Assembly	
1	70025539	1	Pad, Sensor	
2	70021316	1	Bag	
3	70027393	1	Cover, Back	
4	N.S.S.	4	Bolt, M8X25	
5	N.S.S.	4	Washer	
6	70021314	1	Kit, Frame (includes items 101 thru 103)	
7	70027394	1	Kit, Bottom Seat Cover (includes items 201 thru 203)	
8	80264002	1	Kit, Back Foam (includes items 301 thru 303)	
9	80264004	1	Kit, Seat Foam (includes items 401 thru 403)	
101	N.S.S.	1	Frame, Seat	
102	N.S.S.	4	Bolt, M8X25	
103	N.S.S.	4	Washer	
201	N.S.S.	1	Cover, Seat	
202	N.S.S.	2	Clip	
203	N.S.S.	17	Clip	
301	N.S.S.	1	Foam, Back	
302	N.S.S.	3	Bar, Trim	
303	N.S.S.	4	Ring	
401	N.S.S.	1	Foam, Seat	
402	N.S.S.	2	Clip	
403	N.S.S.	17	Clip	

SECTION 6 - CAB

FIGURE 6-38. SUSPENSION KIT



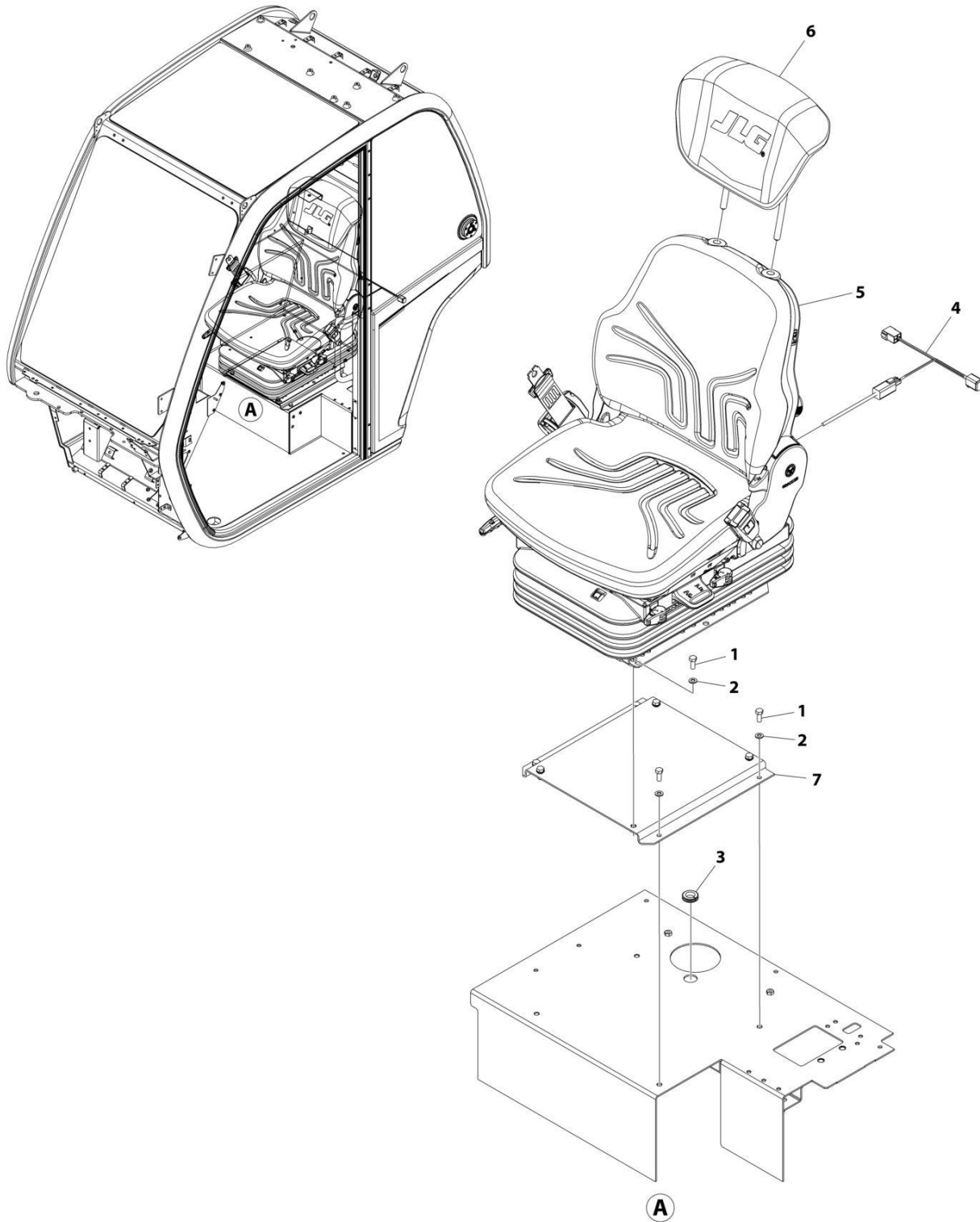
ART_70021319

FIGURE 6-38. SUSPENSION KIT

ITEM	PART NUMBER	QTY	DESCRIPTION	REV
	70021319	Ref	Suspension Kit	
1	70021330	1	Lead, Fly	
2	N.S.S.	1	Suspension	
3	70021321	1	Kit, Suspension Cover (includes items 101 thru 103)	
4	70021323	1	Kit, Air Valve (includes items 201 thru 205)	
5	70021324	1	Kit, Air Spring (includes items 301 thru 303)	
6	70021325	1	Kit, Compressor (includes items 401 thru 406)	
7	70021326	1	Kit, Upstop/Bumpstop (includes items 501 & 502)	
8	70021327	1	Kit, Damper (includes items 601 thru 603)	
9	70021328	1	Kit, Ride Indicator (includes items 701 thru 704)	
101	N.S.S.	6	Clip, Cover	
102	N.S.S.	1	Cover, Suspension	
103	N.S.S.	5	Clip, Cover	
201	N.S.S.	1	Nut, Air Valve	
202	N.S.S.	1	Pin, Retaining	
203	N.S.S.	1	Valve, Combination	
204	N.S.S.	1	Knob	
205	N.S.S.	2	Tie, Plastic	
301	N.S.S.	1	Spring, Air	
302	N.S.S.	1	Clip	
303	N.S.S.	1	Screw, Countersunk Self Tapping	
401	N.S.S.	1	Clip	
402	N.S.S.	1	Pad	
403	N.S.S.	1	Loom	
404	N.S.S.	2	Tie, Cable	
405	N.S.S.	3	Tie, Plastic	
406	N.S.S.	1	Compressor (with Elbow)	
501	N.S.S.	2	Upstop	
502	N.S.S.	1	Bumpstop	
601	N.S.S.	2	Pin	
602	N.S.S.	2	Washer, Starlock	
603	N.S.S.	1	Damper	
701	N.S.S.	1	Indicator, Ride	
702	N.S.S.	1	Wire, Ride Indicator	
703	N.S.S.	2	Washer, Starlock	
704	N.S.S.	1	Washer, Grip M4	

SECTION 6 - CAB

FIGURE 6-39. SEAT INSTALLATION (PREMIUM)



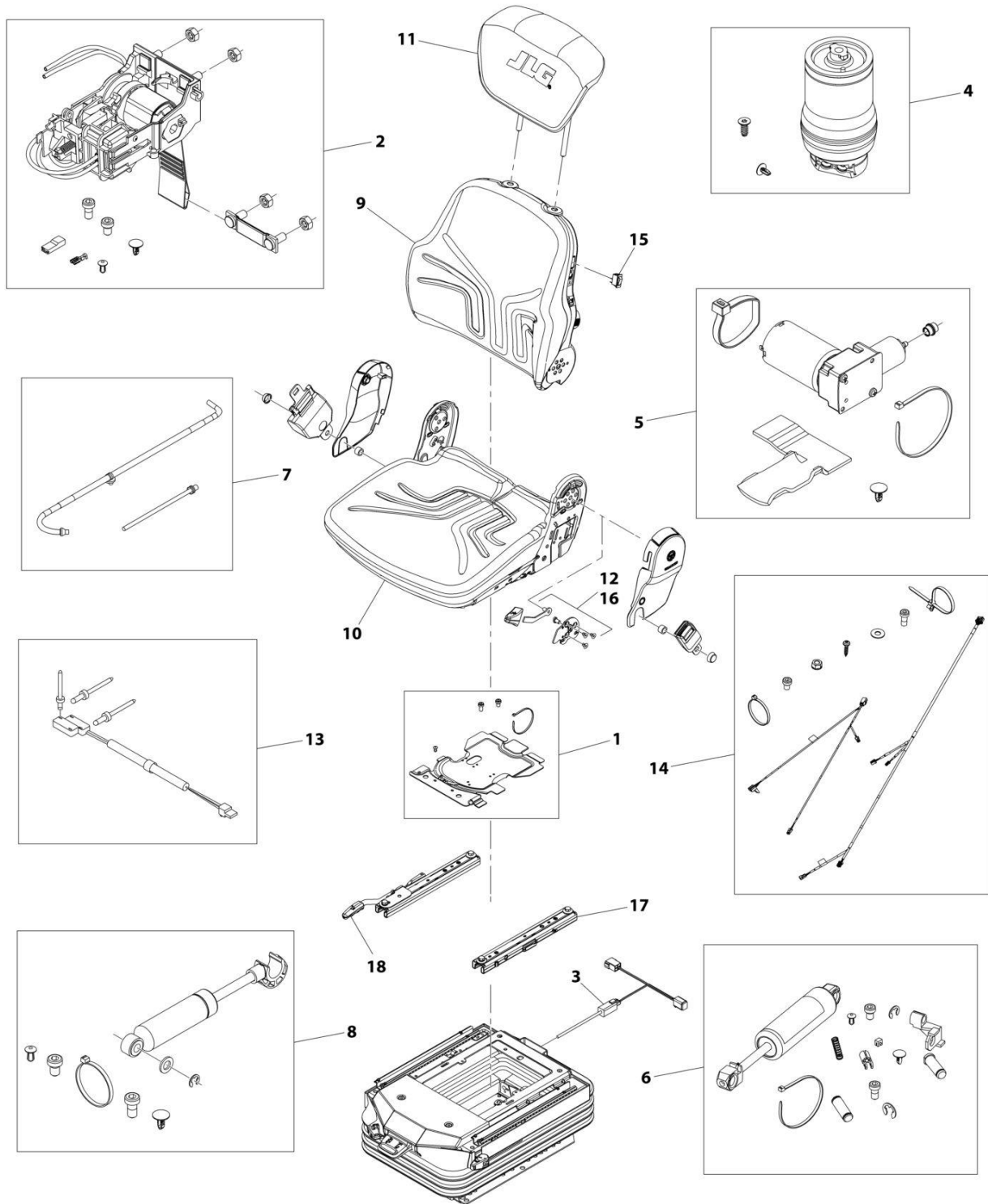
ART_1001205648_C

FIGURE 6-39. SEAT INSTALLATION (PREMIUM)

ITEM	PART NUMBER	QTY	DESCRIPTION	REV
	1001205648	Ref	SEAT INSTALLATION (PREMIUM)	C
1	0760810	8	Bolt M8 x 20	
2	4811900	8	Washer M8	
3	1001216974	1	Grommet	
4	1001168531	1	Harness, Seat Adaptor (See Separate Breakdown in this Section)	
5	1001281613	1	Assembly, Seat (See Separate Breakdown in this Section)	
6	1001182529	1	Headrest	
7	1001158736C	1	Plinth, Seat	

SECTION 6 - CAB

FIGURE 6-40. SEAT ASSEMBLY (AIR SUSPENSION - PREMIUM)



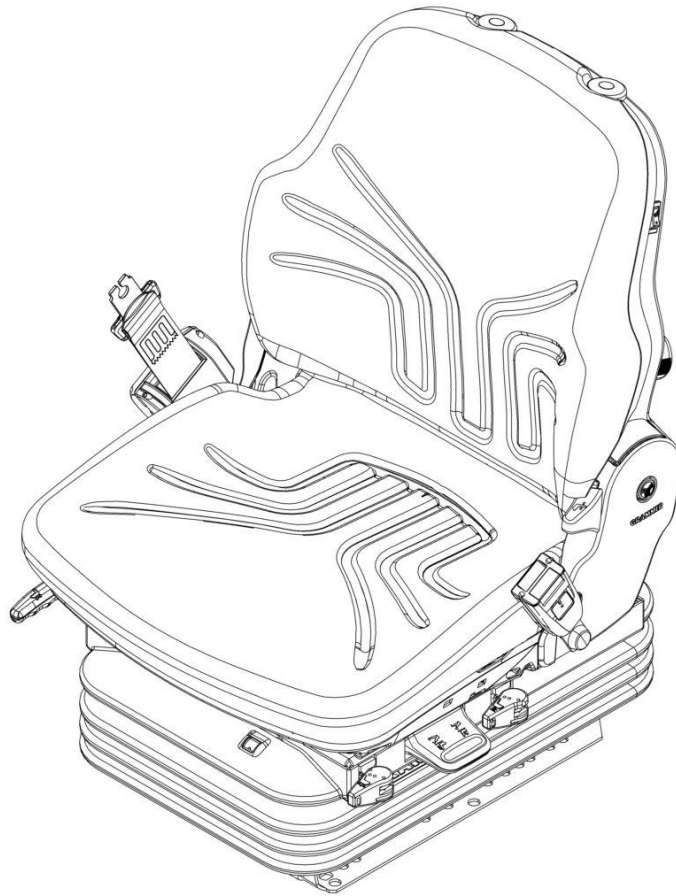
ART_1001169135-B

FIGURE 6-40. SEAT ASSEMBLY (AIR SUSPENSION - PREMIUM)

ITEM	PART NUMBER	QTY	DESCRIPTION	REV
	1001169135	Ref	Seat Assembly (Air Suspension - Premium)	B
1	70024856	1	Cover	
2	70023182	1	Control Level Kit	
3	70023186	1	Wiring Harness, Air/Safeswitch	
4	70023184	1	Air Spring Kit	
5	70024857	1	Compressor, 12V	
6	70023181	1	Shock Absorber Kit	
7	70024459	1	Air Tubes Kit	
8	70023189	2	Shock Absorber Kit	
9	70023179	1	Back Cushion Kit	
10	70024858	1	Seat Cushion Kit	
11	1001182529	1	Headrest, Cloth	
12	70024859	1	Backrest Actuator	
13	70028326	1	Switch	
14	70024861	1	Wiring Harness	
15	70024107	1	Switch, Heater	
16	7028621	1	Handle, Backrest Angle Adjust	
17	3986643	1	Adjust Slide Kit	
18	3986610	1	Handle	

SECTION 6 - CAB

FIGURE 6-41. SEAT AIR SUSPENSION ASSEMBLY (CLOTH)



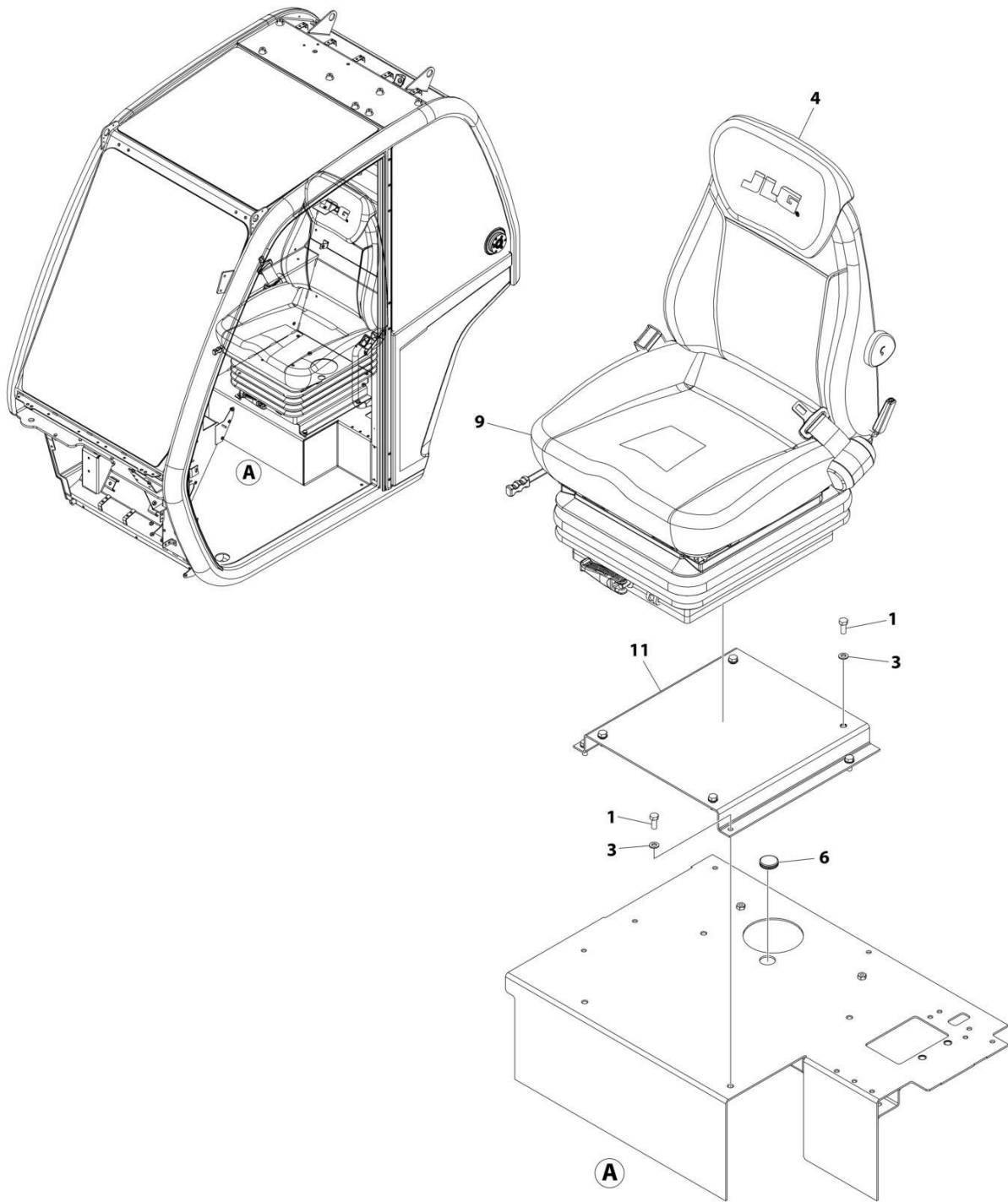
ART_1001281613

FIGURE 6-41. SEAT AIR SUSPENSION ASSEMBLY (CLOTH)

ITEM	PART NUMBER	QTY	DESCRIPTION	REV
	1001281613 See Note	Ref NSS	SEAT AIR SUSPENSION ASSEMBLY (CLOTH) Note: No Service Parts Available at Time of Printing	A

SECTION 6 - CAB

FIGURE 6-42. SEAT INSTALLATION (CLOTH)(SEAOP)



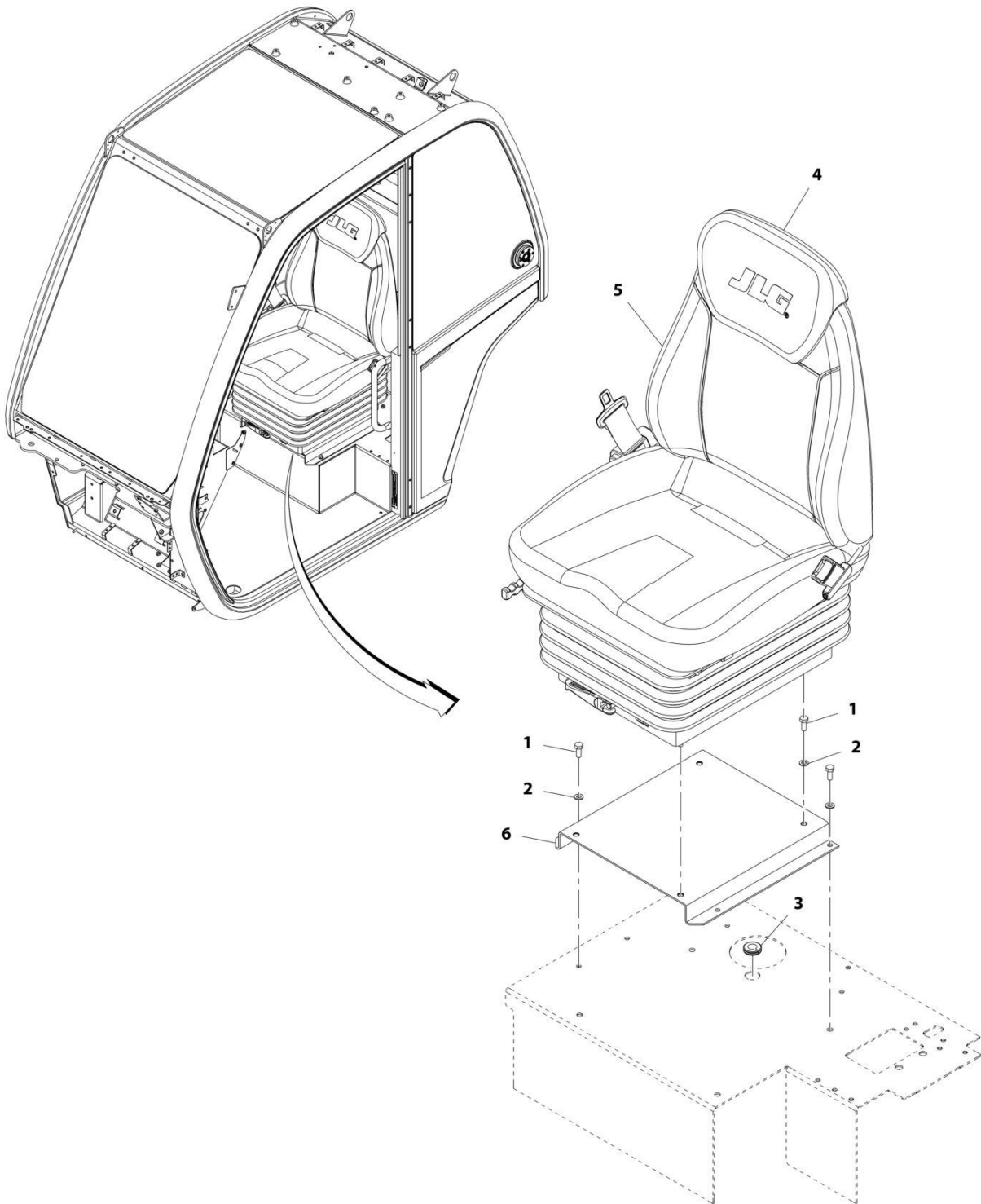
ART_1001288098

FIGURE 6-42. SEAT INSTALLATION (CLOTH)(SEAOP)

ITEM	PART NUMBER	QTY	DESCRIPTION	REV
	1001288098	Ref	SEAT INSTALLATION (CLOTH) (SEAOP)	A
1	0760810	8	Bolt M8 x 20	
3	4811900	8	Washer M8	
4	1001119467	1	Headrest, Cloth	
6	1001196076	1	Cap	
7	1001266488	1	Lamp, LED (Red) (Not Shown)	
8	1001268744	1	Seat Belt Alarm Harness (See Separate Breakdown in ELECTRICAL Section) (Not Shown)	
9	1001288070	1	Seat Assembly (See Separate Breakdown in this Section)	
11	1001158738C	1	Plinth, Seat	

SECTION 6 - CAB

FIGURE 6-43. SEAT INSTALLATION (MECHANICAL)



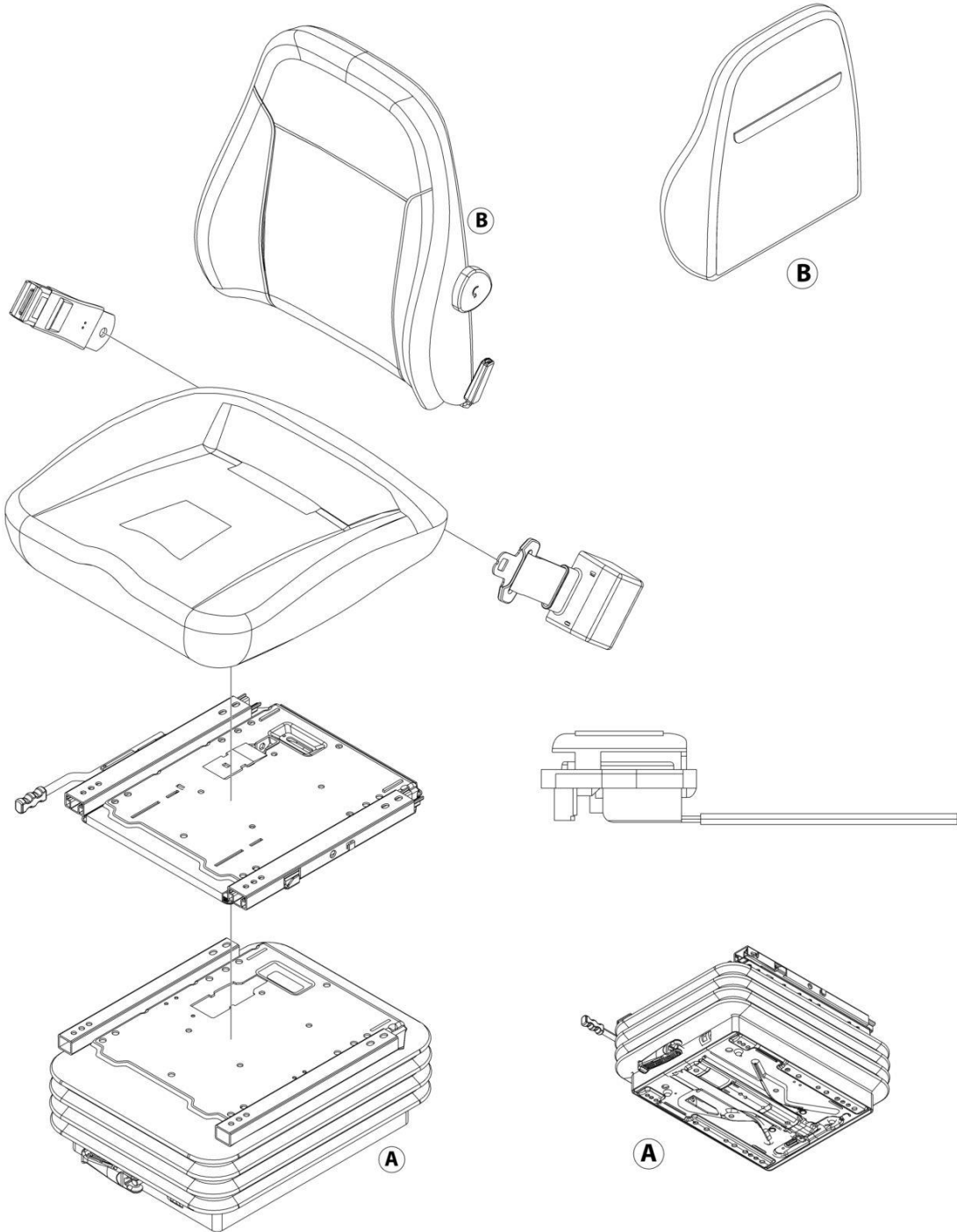
ART_1001205782-B

FIGURE 6-43. SEAT INSTALLATION (MECHANICAL)

ITEM	PART NUMBER	QTY	DESCRIPTION	REV
	1001205782	Ref	Seat Installation (Mechanical - JLG)	C
1	0760810	8	Bolt, M8X20	
2	4811900	8	Washer, M8	
3	1001216974	1	Grommet	
4	1001119467	1	Headrest, Cloth	
5	1001288070	1	Seat, Assembly (See Separate Breakdown in this Section)	
6	1001205514	1	Plinth, Seat	

SECTION 6 - CAB

FIGURE 6-44. SEAT ASSEMBLY



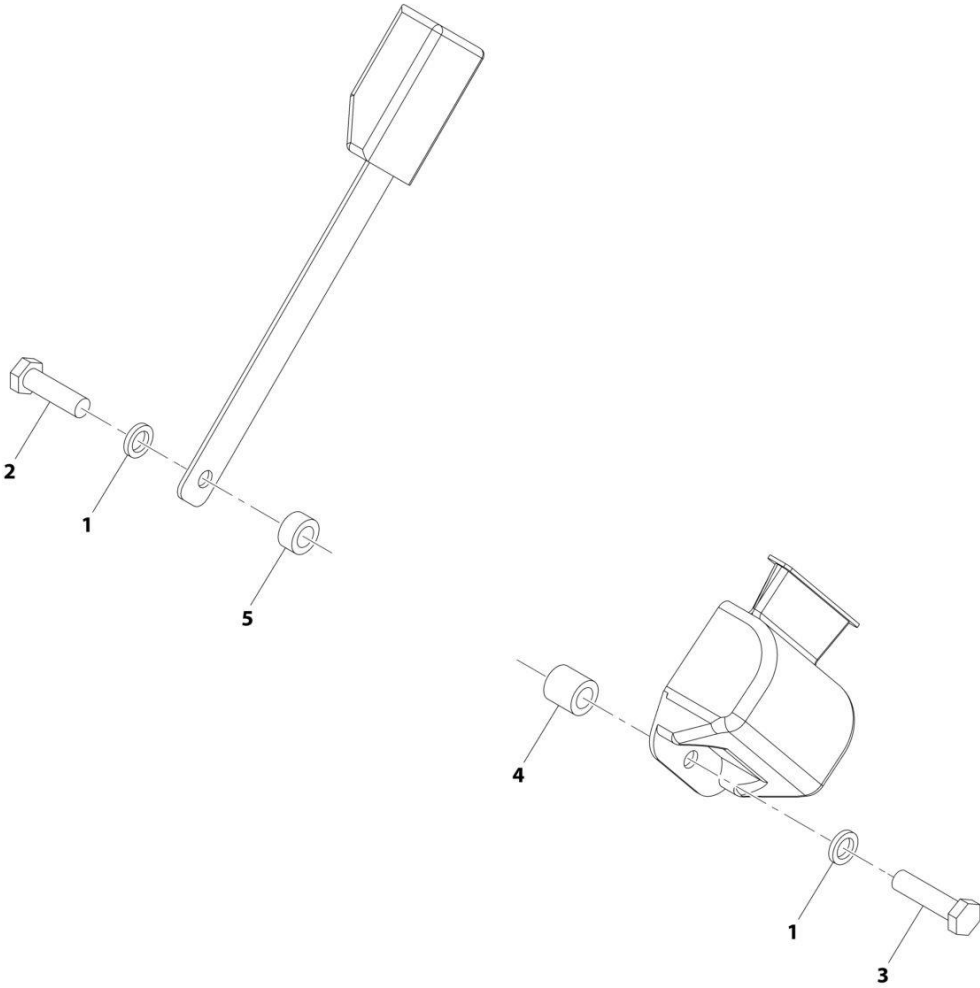
ART_1001288070

FIGURE 6-44. SEAT ASSEMBLY

ITEM	PART NUMBER	QTY	DESCRIPTION	REV
	1001288070 See Note	Ref NSS	SEAT ASSEMBLY Note: No Available Parts at time of Printing	B

SECTION 6 - CAB

FIGURE 6-45. SEAT BELT INSTALLATION (2IN)



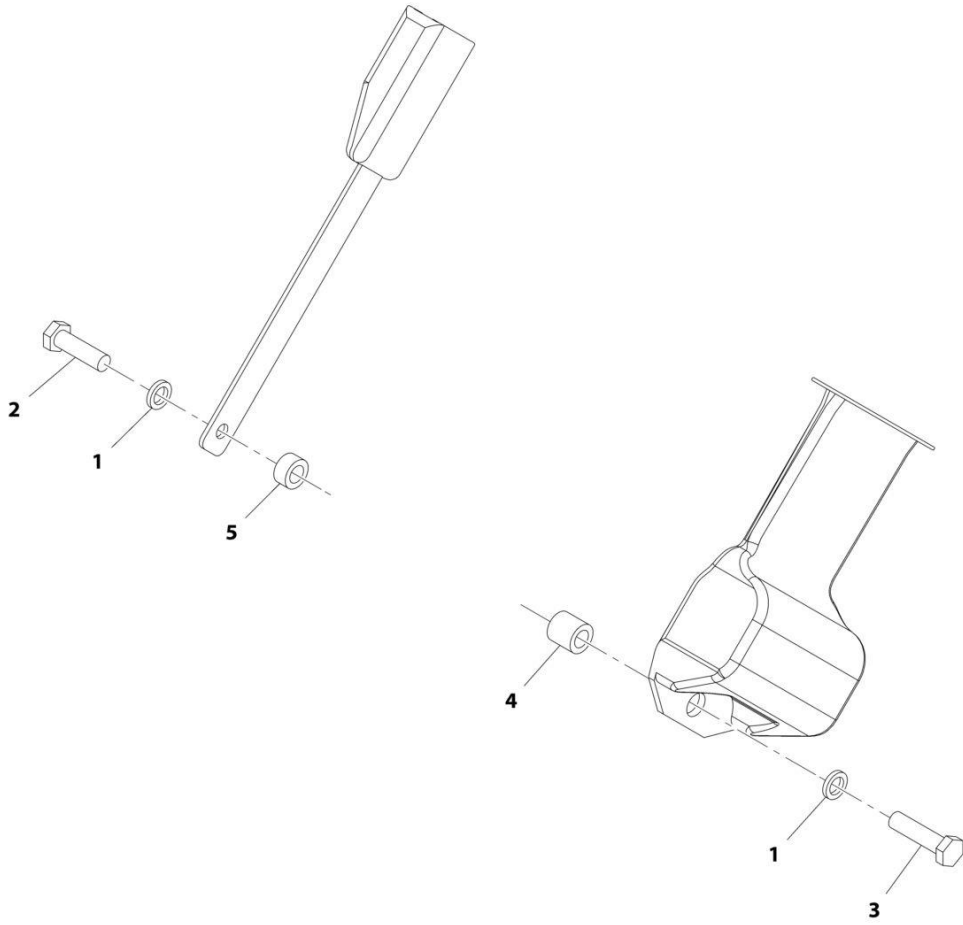
ART_1001006730

FIGURE 6-45. SEAT BELT INSTALLATION (2IN)

ITEM	PART NUMBER	QTY	DESCRIPTION	REV
	1001006730	Ref	Seat Belt Installation (2IN)	H
1	1001010646	2	Washer	
2	1001010647	1	Bolt	
3	1001010648	1	Bolt	
4	1001010649	1	Spacer, Shim	
5	1001010650	1	Spacer, Shim	

SECTION 6 - CAB

FIGURE 6-46. SEAT BELT INSTALLATION (3IN)



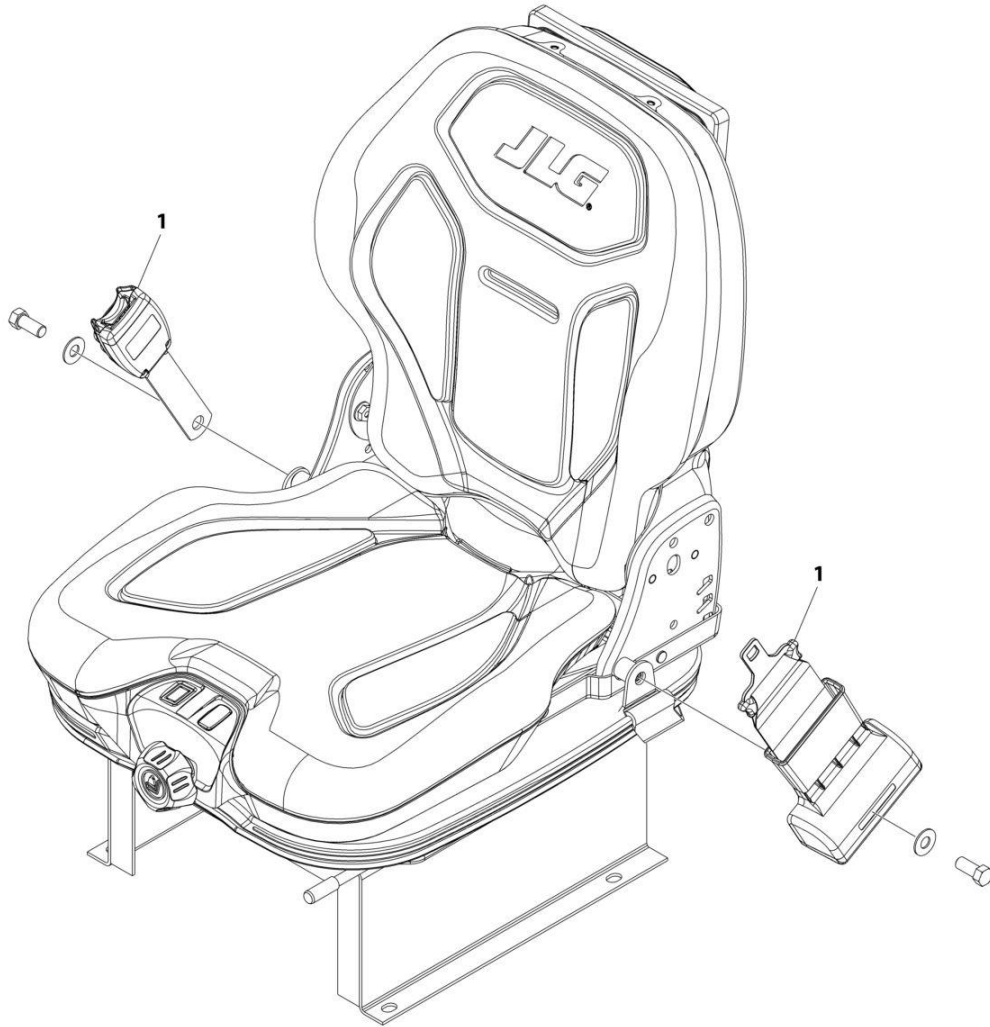
ART_1001006731-B

FIGURE 6-46. SEAT BELT INSTALLATION (3IN)

ITEM	PART NUMBER	QTY	DESCRIPTION	REV
	1001006731	Ref	Seat Belt Installation (3IN)	B
1	1001010646	2	Washer	
2	1001010647	1	Bolt	
3	1001010648	1	Bolt	
4	1001010649	1	Spacer	
5	1001010650	1	Spacer	

SECTION 6 - CAB

FIGURE 6-47. SEAT BELT INSTALLATION (3 INCH)



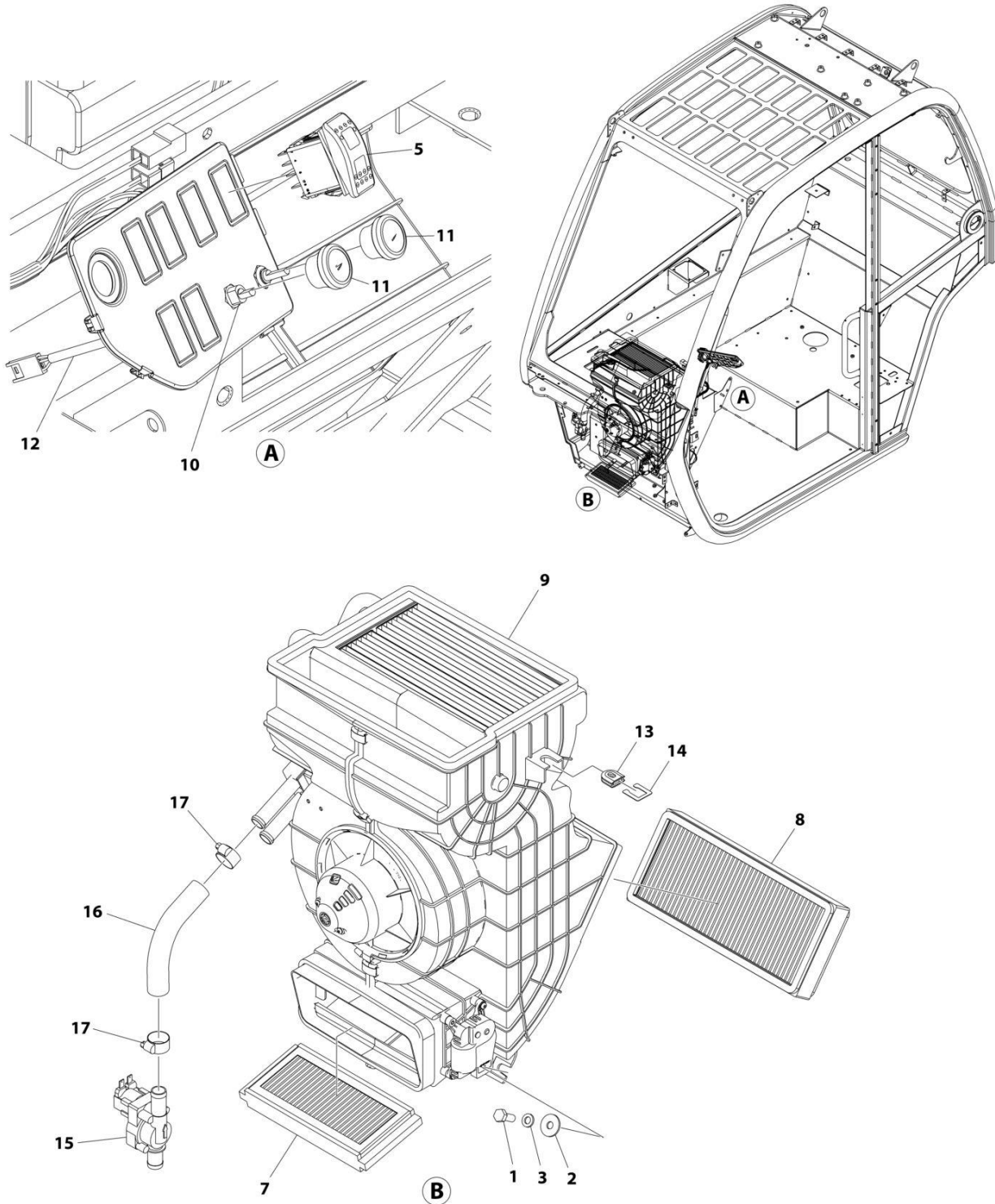
ART_1001258245

FIGURE 6-47. SEAT BELT INSTALLATION (3 INCH)

ITEM	PART NUMBER	QTY	DESCRIPTION	REV
	1001258245	Ref	Seat Belt Installation (3in Width)	B
1	1001258244	1	Seat Belt (3in) (Black Strap)	
1	1001275933	1	Seat Belt (3in) (Orange Strap)	

SECTION 6 - CAB

FIGURE 6-48. HEATER INSTALLATION



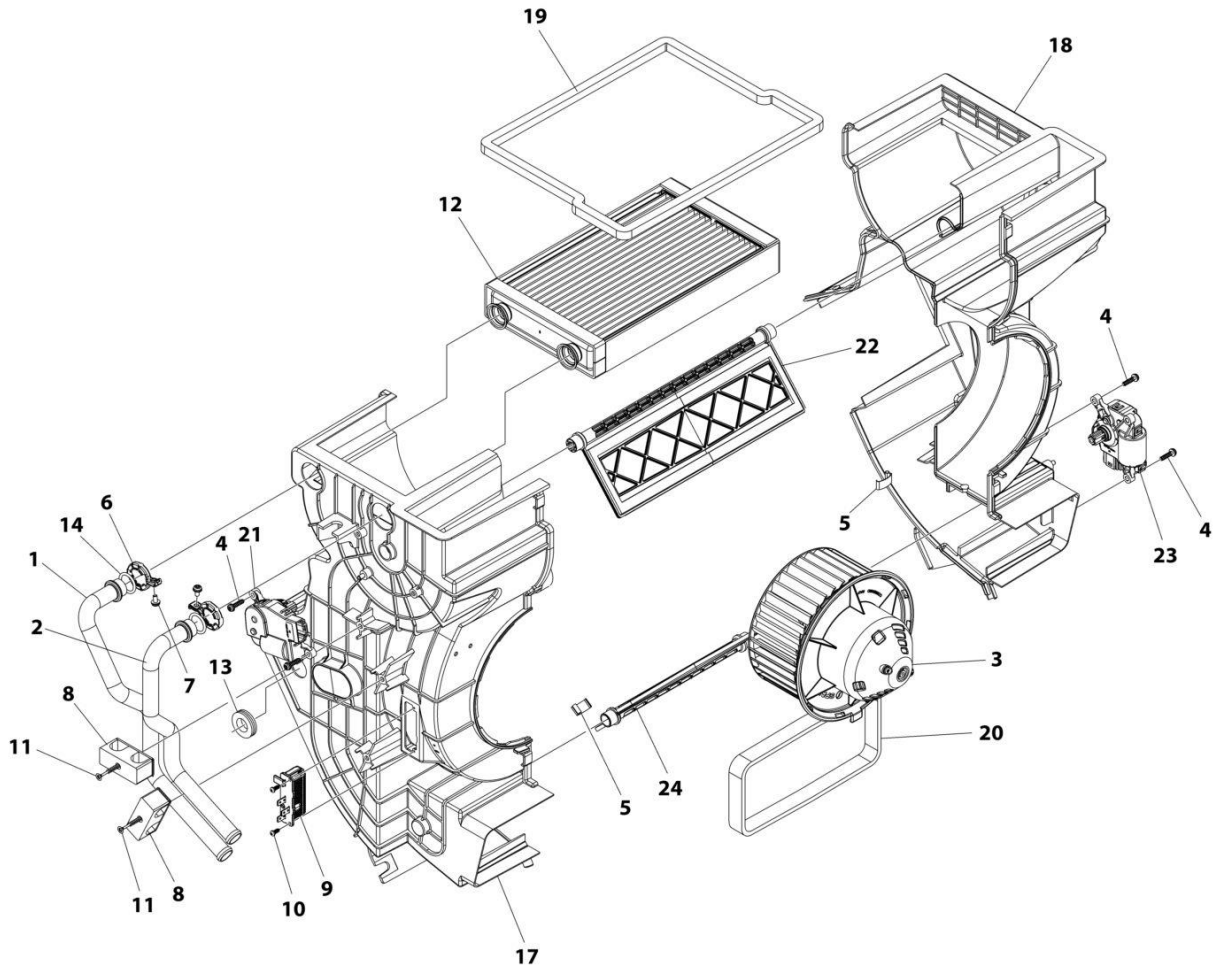
ART_1001201336_G

FIGURE 6-48. HEATER INSTALLATION

ITEM	PART NUMBER	QTY	DESCRIPTION	REV
	1001201336	Ref	HEATER INSTALLATION	G
1	0760810	2	Bolt M8 x 20	
2	4811902	2	Washer M8	
3	4831900	2	Washer M8	
5	1001159925	1	Switch, HVAC Recycle	
7	1001218996	1	Filter, HVAC Air	
8	1001172553	1	Filter, HVAC Recirculation Air	
9	1001268828	1	Assembly, Heater (See Separate Breakdown in this Section)	
10	1001172547	1	Switch	
11	1001172550	2	Knob, HVAC	
12	1001270976	1	Control, HVAC	
13	1001188590	2	Grommet	
14	1001218542	2	Shim	
15	1001221059	1	Valve, HVAC	
16	1001221295	1	Hose	
17	8410009	2	Clamp	

SECTION 6 - CAB

FIGURE 6-49. HEATER ASSEMBLY



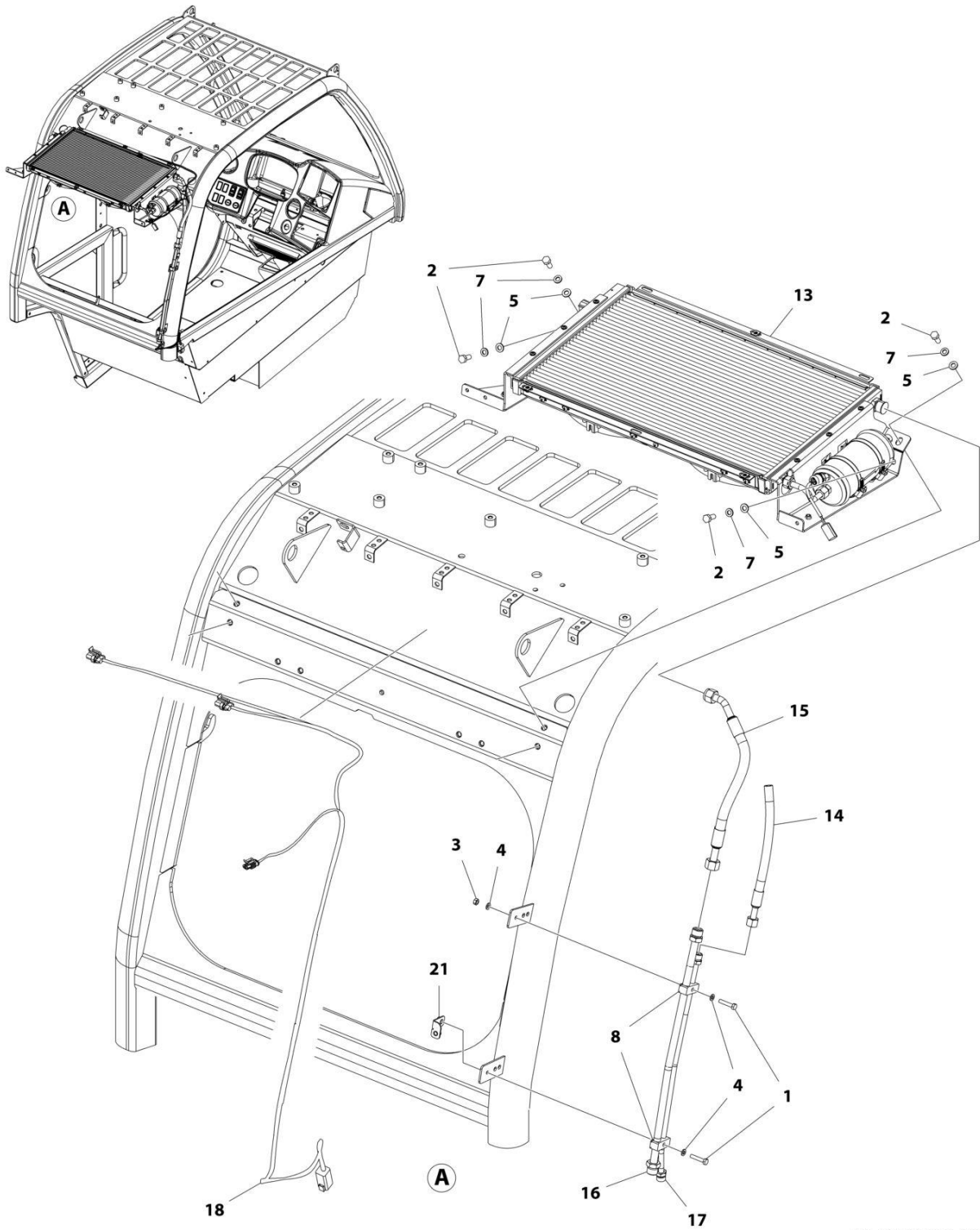
ART_1001268828

FIGURE 6-49. HEATER ASSEMBLY

ITEM	PART NUMBER	QTY	DESCRIPTION	REV
	1001268828	Ref	HEATER	B
1	1001184296	1	Pipe, Water	
2	1001184297	1	Pipe, Water	
3	1001188594	1	Fan, 12V	
4	1001188602	4	Screw	
5	1001188603	9	Clamp	
6	1001188604	2	Clamp	
7	1001188610	2	Screw	
8	1001188612	2	Clamp	
9	1001188614	1	Resistor	
10	1001188720	2	Screw	
11	1001188725	2	Screw	
12	1001188729	1	Radiator, Heater Core	
13	1001188733	1	Grommet	
14	1001189025	2	O-Ring	
17	1001269555	1	Housing, RH	
18	1001269556	1	Housing, LH	
19	1001269558	1	Foam, Air Outlet	
20	1001269559	1	Foam, Air Inlet	
21	1001269560	1	Actuator, Fresh/Recirculation Air	
22	1001269561	1	Flap, Mixing	
23	1001269563	1	Actuator, Fresh/Recirculation Air	
24	1001269564	1	Flap, HVAC Fresh	

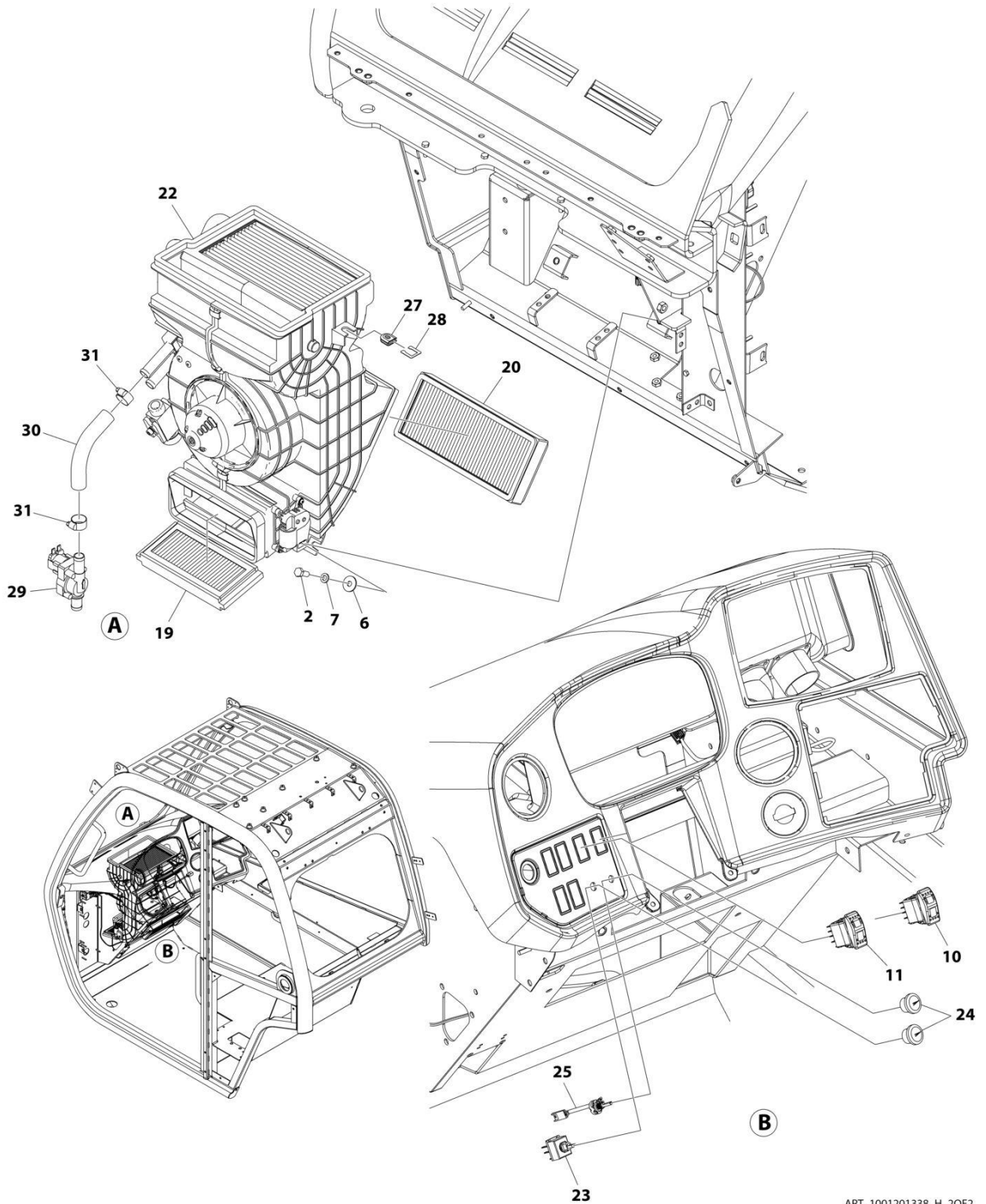
SECTION 6 - CAB

FIGURE 6-50. HEATER AND A/C INSTALLATION



ART_1001201338_H_1OF2

SECTION 6 - CAB



ART_1001201338_H_2OF2

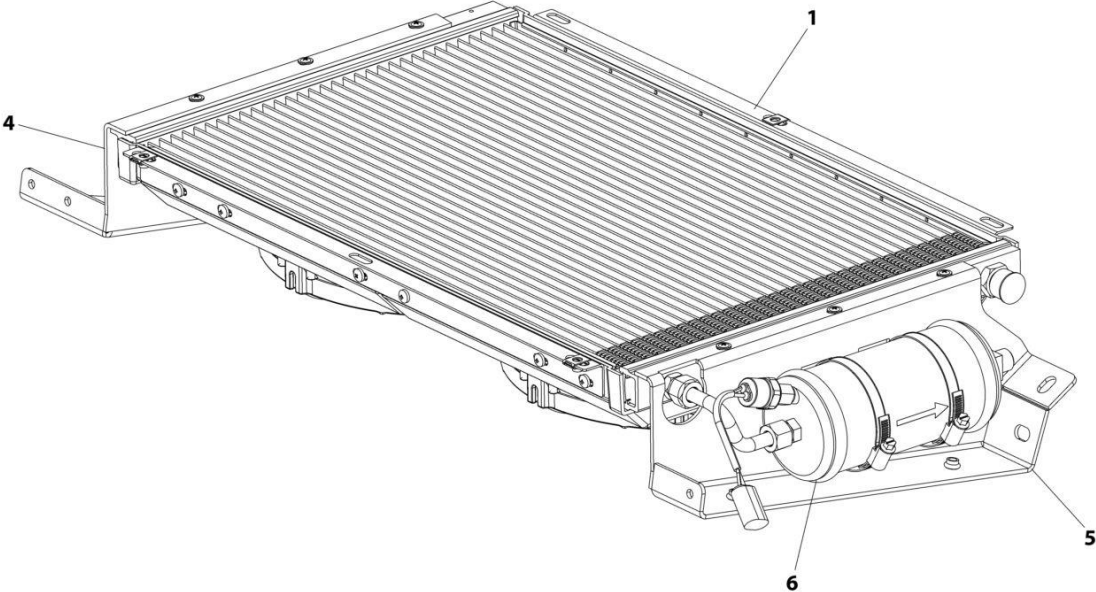
SECTION 6 - CAB

FIGURE 6-50. HEATER AND A/C INSTALLATION

ITEM	PART NUMBER	QTY	DESCRIPTION	REV
	1001201338	Ref	HEATER AND A/C INSTALLATION	H
1	0700614	2	Bolt M6 x 30	
2	0760810	6	Bolt M8 x 20	
3	3290601	1	Nut M6 x 1	
4	4811700	3	Washer M6	
5	4811900	4	Washer M8	
6	4811902	2	Washer M8	
7	4831900	6	Washer M8	
8	1001145539	2	Support, Pipe	
10	1001159925	1	Switch, HVAC Recycle	
11	1001160326	1	Switch, HVAC On/Off	
13	1001162953	1	Assembly, Cab Condenser (See Separate Breakdown in this Section)	
14	1001168327	1	Hose	
15	1001168330	1	Hose	
16	1001168331	1	Tube	
17	1001168456	1	Tube	
18	1001169151	1	Harness, A/C Option (See Separate Breakdown in ELECTRICAL Section)	
19	1001218996	1	Filter, HVAC Fresh Air	
20	1001172553	1	Filter, HVAC Air Recirculation	
21	1001178170	1	Bracket	
22	1001268832	1	Assembly, Heater and A/C (See Separate Breakdown in this Section)	
23	1001172547	1	Switch, HVAC Rotary 3 Speed	
24	1001172550	2	Knob, HVAC Control	
25	1001270976	1	Cable, HVAC	
27	1001188590	2	Grommet	
28	1001218542	2	Shim	
29	1001221059	1	Valve, HVAC	
30	1001221259	1	Hose	
31	8410009	2	Clamp	

SECTION 6 - CAB

FIGURE 6-51. CAB CONDENSER ASSEMBLY



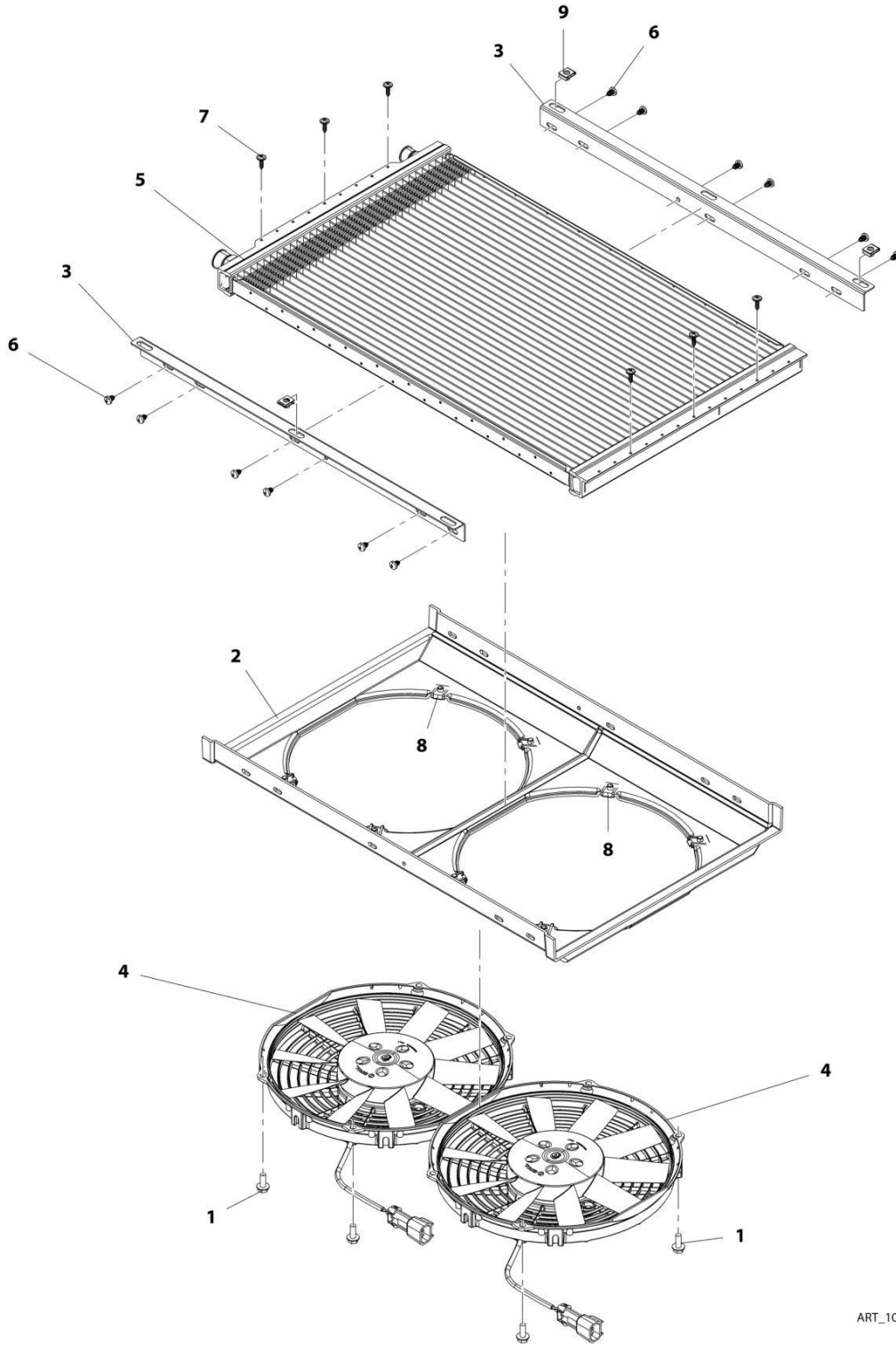
ART_1001162953

FIGURE 6-51. CAB CONDENSER ASSEMBLY

ITEM	PART NUMBER	QTY	DESCRIPTION	REV
	1001162953	Ref	Cab Condenser Assembly	G
1	1001167266	1	Condenser (See Separate Breakdown in this Section)	
4	1001179080	1	Bracket	
5	1001179081	1	Bracket	
6	1001179130	1	Drier, A/C Receiver (See Separate Breakdown in this Section)	

SECTION 6 - CAB

FIGURE 6-52. CONDENSER



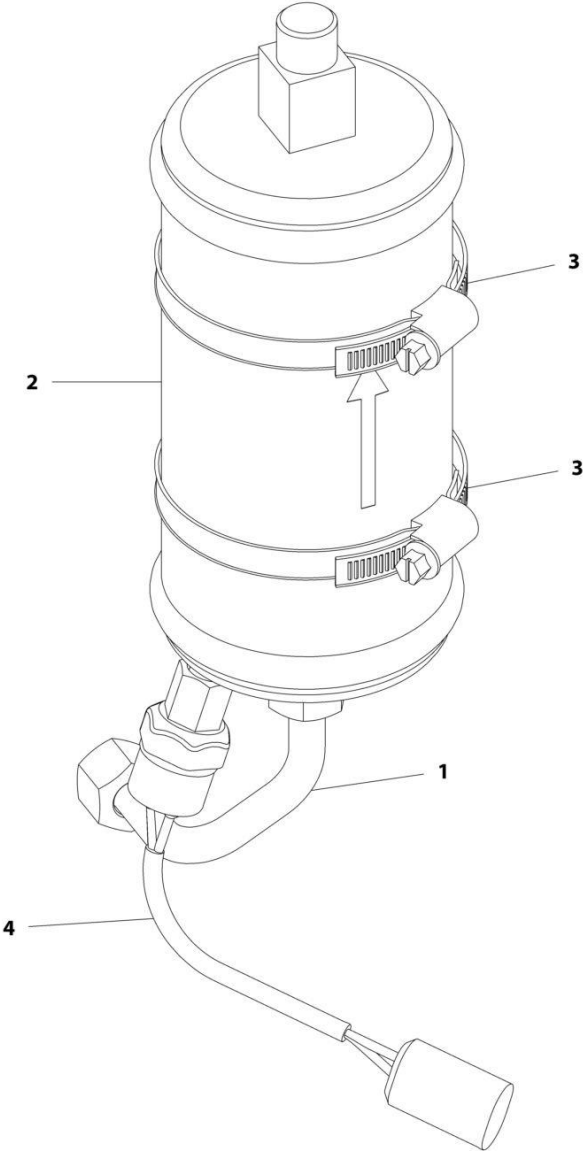
ART_1001167266-C

FIGURE 6-52. CONDENSER

ITEM	PART NUMBER	QTY	DESCRIPTION	REV
	1001167266	Ref	Condenser	C
1	5250608	8	Bolt, M6X16	
2	1001195342	1	Bracket, Condenser Fan Mount	
3	1001195343	2	Support, Condenser	
4	1001195345	2	Fan, Condenser	
5	1001195346	1	Condenser	
6	1001195385	12	Screw, M3.9X9.5	
7	1001195386	6	Screw, M4.2X16	
8	1001195437	8	Clip, M6X1	
9	1001195438	3	Clip, M6X1	

SECTION 6 - CAB

FIGURE 6-53. A/C RECEIVER DRIER



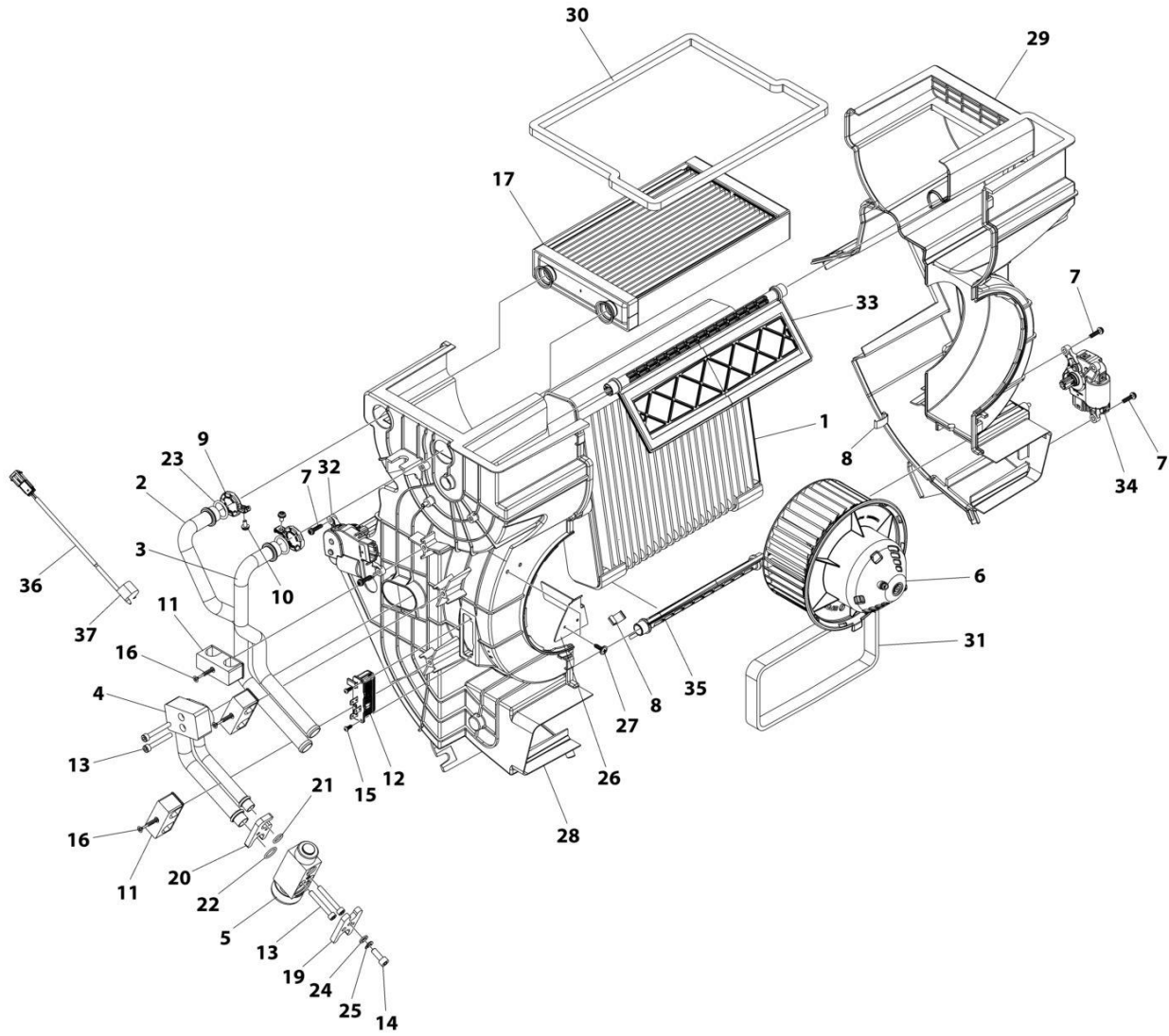
ART_1001179130-B

FIGURE 6-53. A/C RECEIVER DRIER

ITEM	PART NUMBER	QTY	DESCRIPTION	REV
	1001179130	Ref	A/C Receiver Drier	B
1	1001184403	1	Tube, Heater	
2	1001184404	1	Receiver, Heater Drier	
3	1001184405	2	Clamp	
4	1001184406	1	Connector, Heater	

SECTION 6 - CAB

FIGURE 6-54. HEATER AND A/C ASSEMBLY



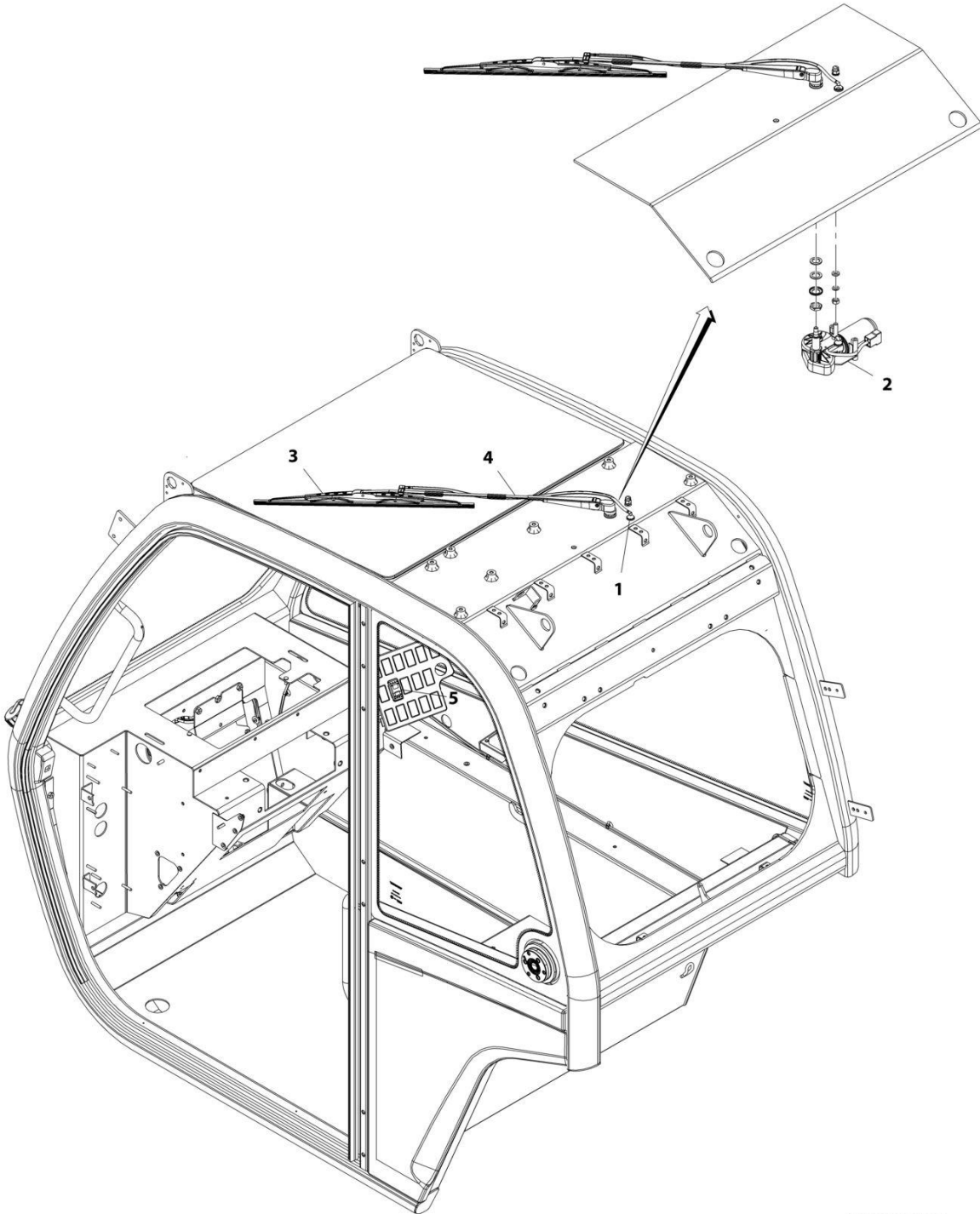
ART_1001268832

FIGURE 6-54. HEATER AND A/C ASSEMBLY

ITEM	PART NUMBER	QTY	DESCRIPTION	REV
	1001268832	Ref	HEATER AND A/C	B
1	1001184280	1	Evaporator, Heater	
2	1001184296	1	Pipe, Heater Water	
3	1001184297	1	Pipe, Heater Water	
4	1001184427	1	Pipe, Heater	
5	1001188592	1	Valve, HVAC Expansion	
6	1001188594	1	Fan, HVAC Centrifugal 12V	
7	1001188602	4	Screw M4	
8	1001188603	9	Clamp, HVAC Case	
9	1001188604	2	Clamp, HVAC Pipe	
10	1001188610	2	Screw M4	
11	1001188612	3	Clamp, Pipe	
12	1001188614	1	Resistor	
13	1001188618	4	Screw M5	
14	1001188619	1	Screw M6	
15	1001188720	2	Screw M2.9 x 9.5	
16	1001188725	3	Screw M4 x 35	
17	1001188729	1	Radiator, Heater Core	
19	1001188817	1	Clamp, Hose	
20	1001188818	1	Clamp, HVAC EVAP/Valve	
21	1001189023	1	O-Ring	
22	1001189024	1	O-Ring	
23	1001189025	2	O-Ring	
24	1001189048	1	Washer	
25	1001189054	1	Washer, Spring	
26	1001221057	1	Plate	
27	1001221058	2	Screw	
28	1001269555	1	Housing, HVAC RH	
29	1001269556	1	Housing, HVAC LH	
30	1001269558	1	Seal, Heater Outlet Foam	
31	1001269559	1	Seal, Air Inlet Foam	
32	1001269560	1	Actuator, Hot/Cold Mixing	
33	1001269561	1	Foam, Heater Mixing Flap	
34	1001269563	1	Actuator, Fresh/Recirculation Air	
35	1001269564	1	Foam, Heater Mixing Flap	
36	1001269578	1	Temperature Sensor	
37	1001269579	1	Clamp, Temperature Sensor	

SECTION 6 - CAB

FIGURE 6-55. ROOF WIPER INSTALLATION



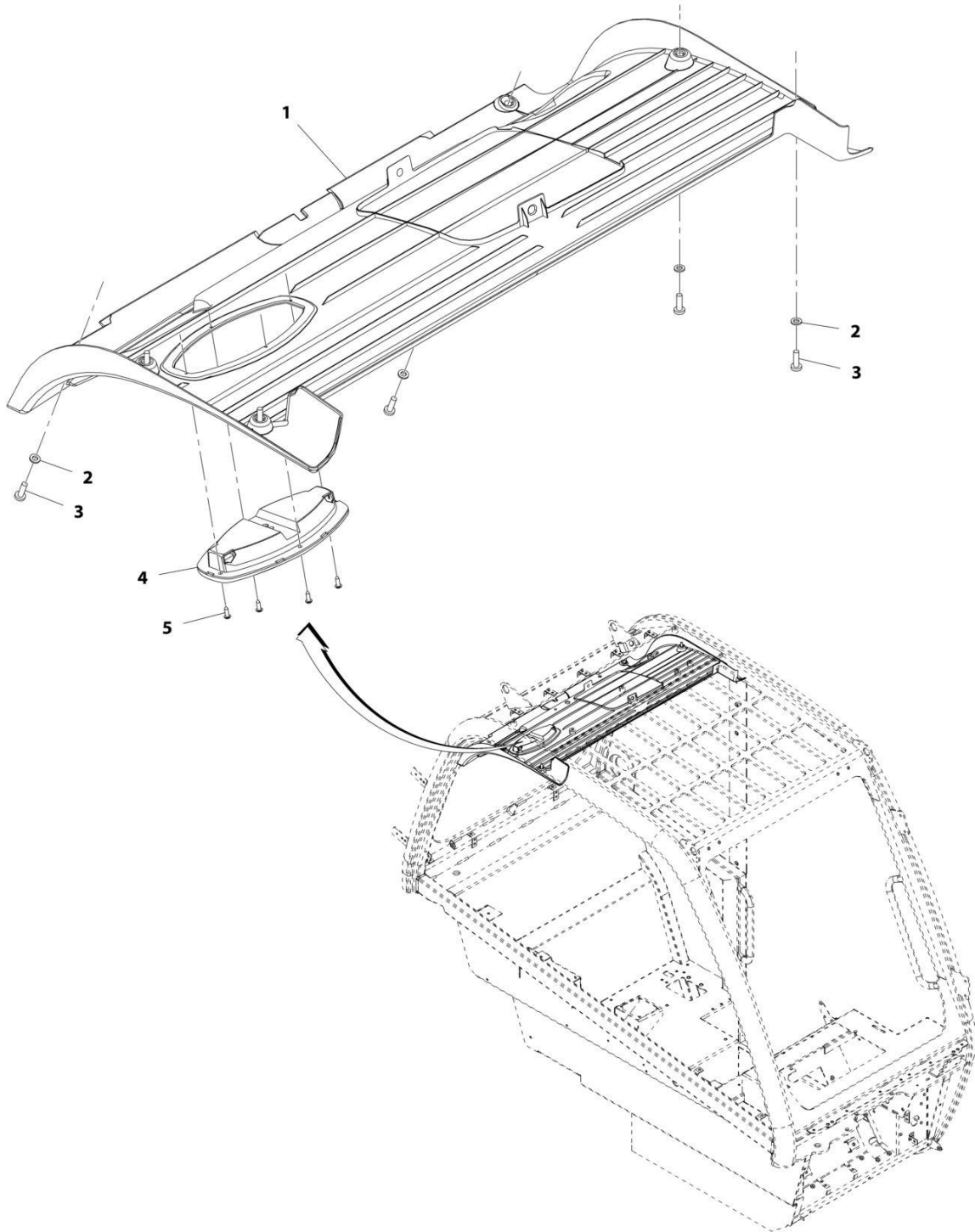
ART_1001155486-B

FIGURE 6-55. ROOF WIPER INSTALLATION

ITEM	PART NUMBER	QTY	DESCRIPTION	REV
	1001155486	Ref	Roof Wiper Installation	B
1	1001090343	1	Connector	
2	1001139551	1	Motor, Roof Wiper	
3	1001141313	1	Blade, Roof Wiper	
4	1001141311	1	Arm, Roof Wiper Blade	
5	1001159736	1	Switch, Roof Wiper	

SECTION 6 - CAB

FIGURE 6-56. HEADLINER INSTALLATION



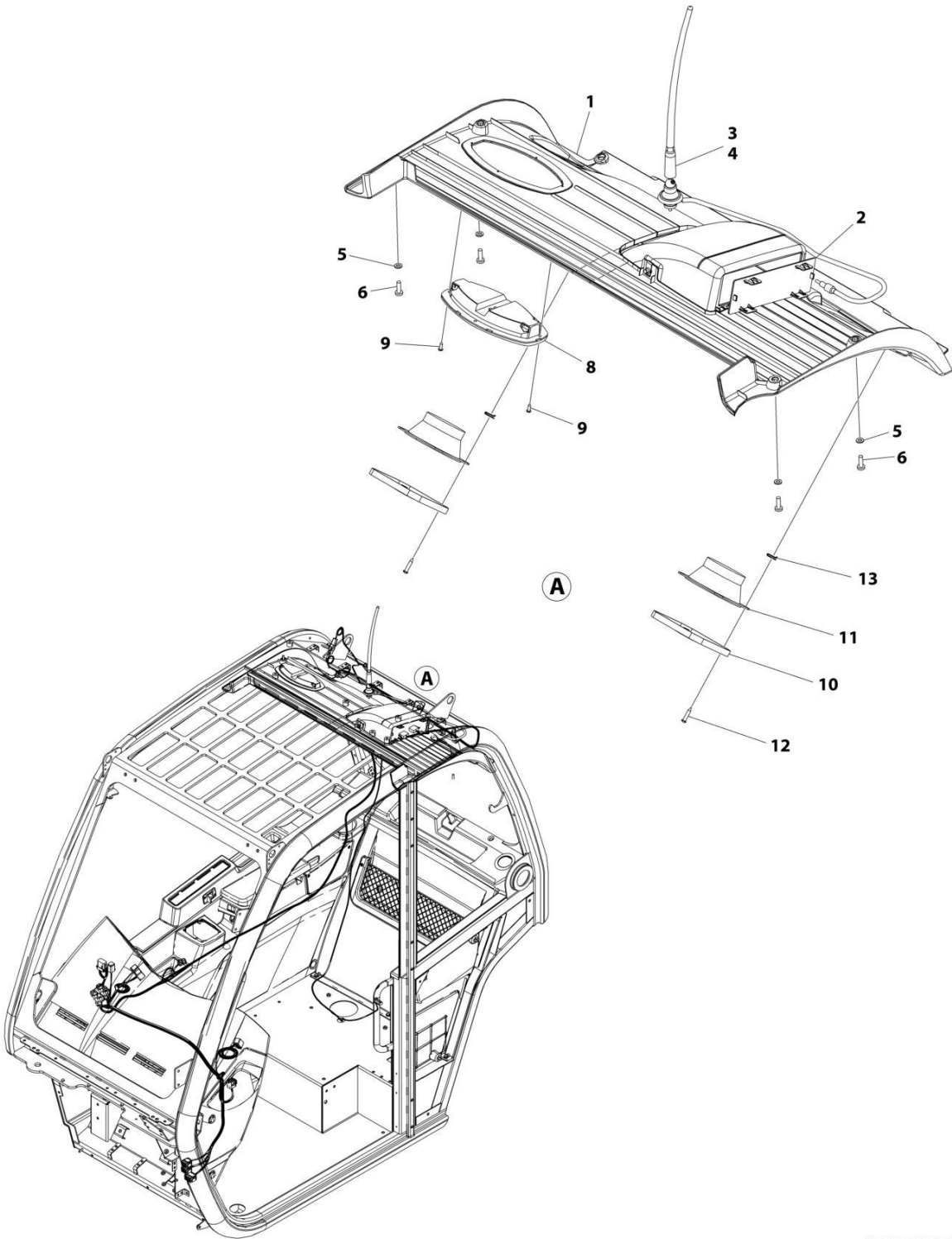
ART_1001170718-C

FIGURE 6-56. HEADLINER INSTALLATION

ITEM	PART NUMBER	QTY	DESCRIPTION	REV
	1001170718	Ref	Headliner Installation	D
1	1001170716	1	Panel, Headliner	
2	4811700	6	Washer, M6	
3	4031708001	6	Capscrew M6 x 20	
4	1001167015	1	Lamp, Dome	
5	7029486	4	Screw	

SECTION 6 - CAB

FIGURE 6-57. HEADLINER/ RADIO READY INSTALLATION



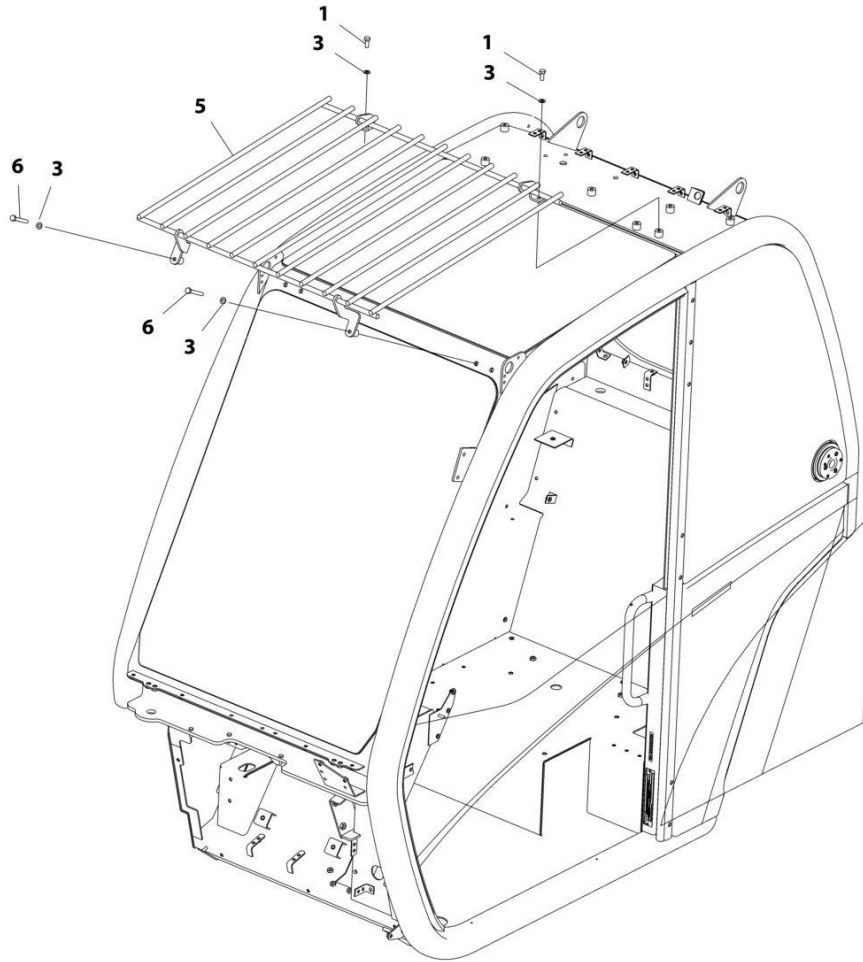
ART_1001173425

FIGURE 6-57. HEADLINER/ RADIO READY INSTALLATION

ITEM	PART NUMBER	QTY	DESCRIPTION	REV
	1001173425	Ref	HEADLINER/ RADIO READY INSTALLATION	F
1	1001243343	1	Cover, Headliner	
2	1001200968	1	Plate	
3	8005901	1	Antenna	
4	1001116128	AR	Sealant, Polysiloxane	
5	4811700	6	Washer, 6M	
6	4031708001	6	Screw, M6 x 20	
8	1001167015	1	Lamp	
9	7029486	4	Screw	
10	1671326	2	Cover, Speaker	
11	1001146901	1	Radio, Speaker	
12	1001111147	8	Screw, Spire	
13	1001258342	8	Nut, Spire	

SECTION 6 - CAB

FIGURE 6-58. CAB GUARD INSTALLATION (TOP)



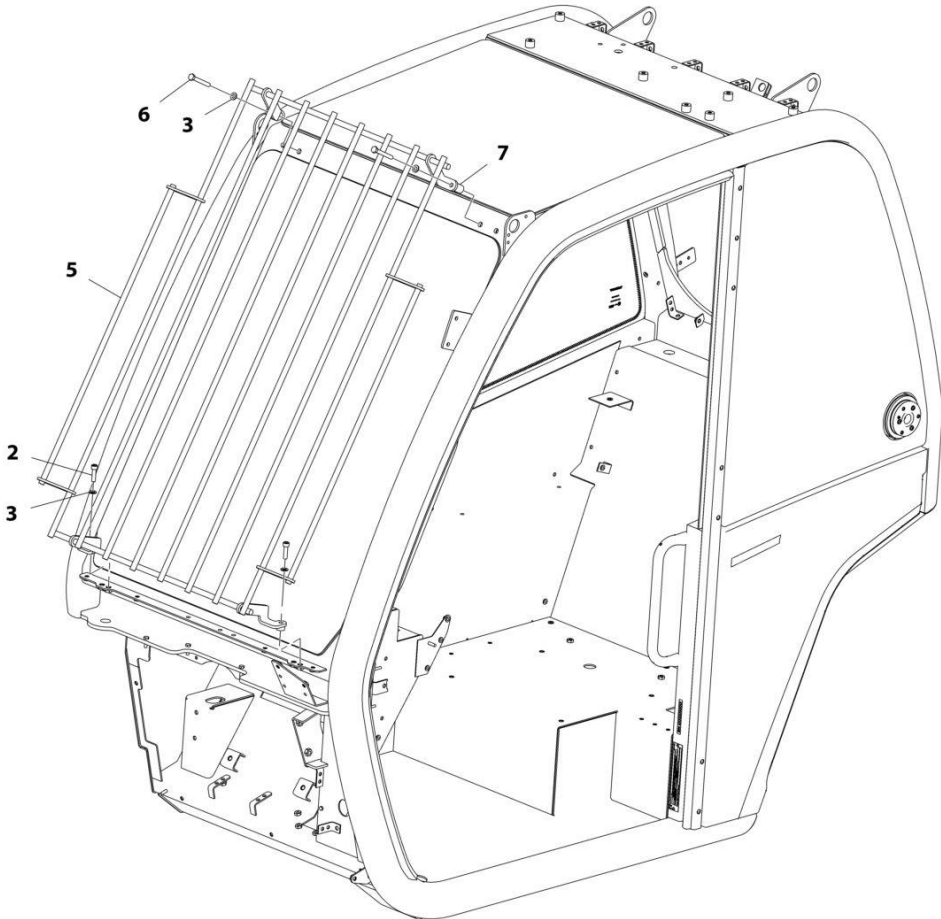
ART_1001160496

FIGURE 6-58. CAB GUARD INSTALLATION (TOP)

ITEM	PART NUMBER	QTY	DESCRIPTION	REV
	1001160496	Ref	Cab Guard Installation (Top)	G
1	0760810	2	Bolt, M8X20	
3	4811900	4	Washer, M8	
5	1001160503	1	Guard, Top Screen	
6	0700820	2	Bolt, M8X60	

SECTION 6 - CAB

FIGURE 6-59. CAB GUARD INSTALLATION (FRONT)



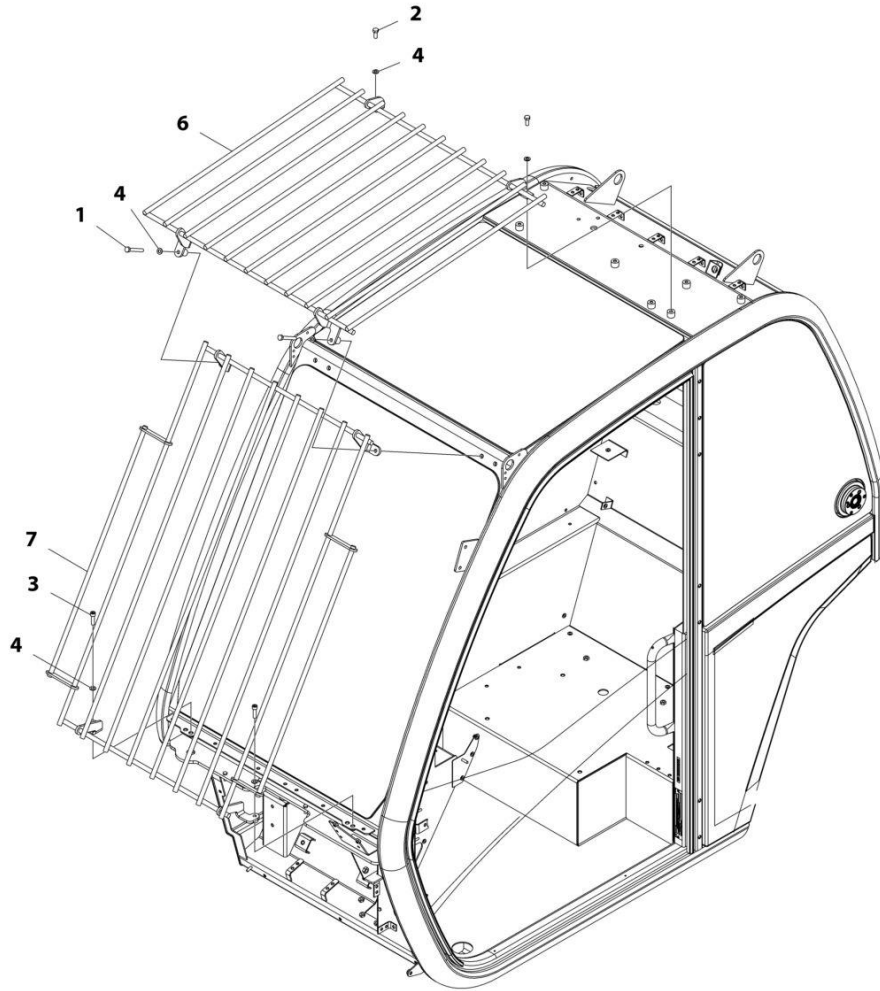
ART_1001160506-G

FIGURE 6-59. CAB GUARD INSTALLATION (FRONT)

ITEM	PART NUMBER	QTY	DESCRIPTION	REV
	1001160506	Ref	Cab Guard Installation (Front)	G
2	4031910	2	Bolt, M8X30	
3	4811900	4	Washer, M8	
5	1001180263	1	Guard, Front Screen	
6	0700820	2	Bolt, M8X60	
7	1001173257	2	Spacer	

SECTION 6 - CAB

FIGURE 6-60. CAB GUARD INSTALLATION (TOP AND FRONT)



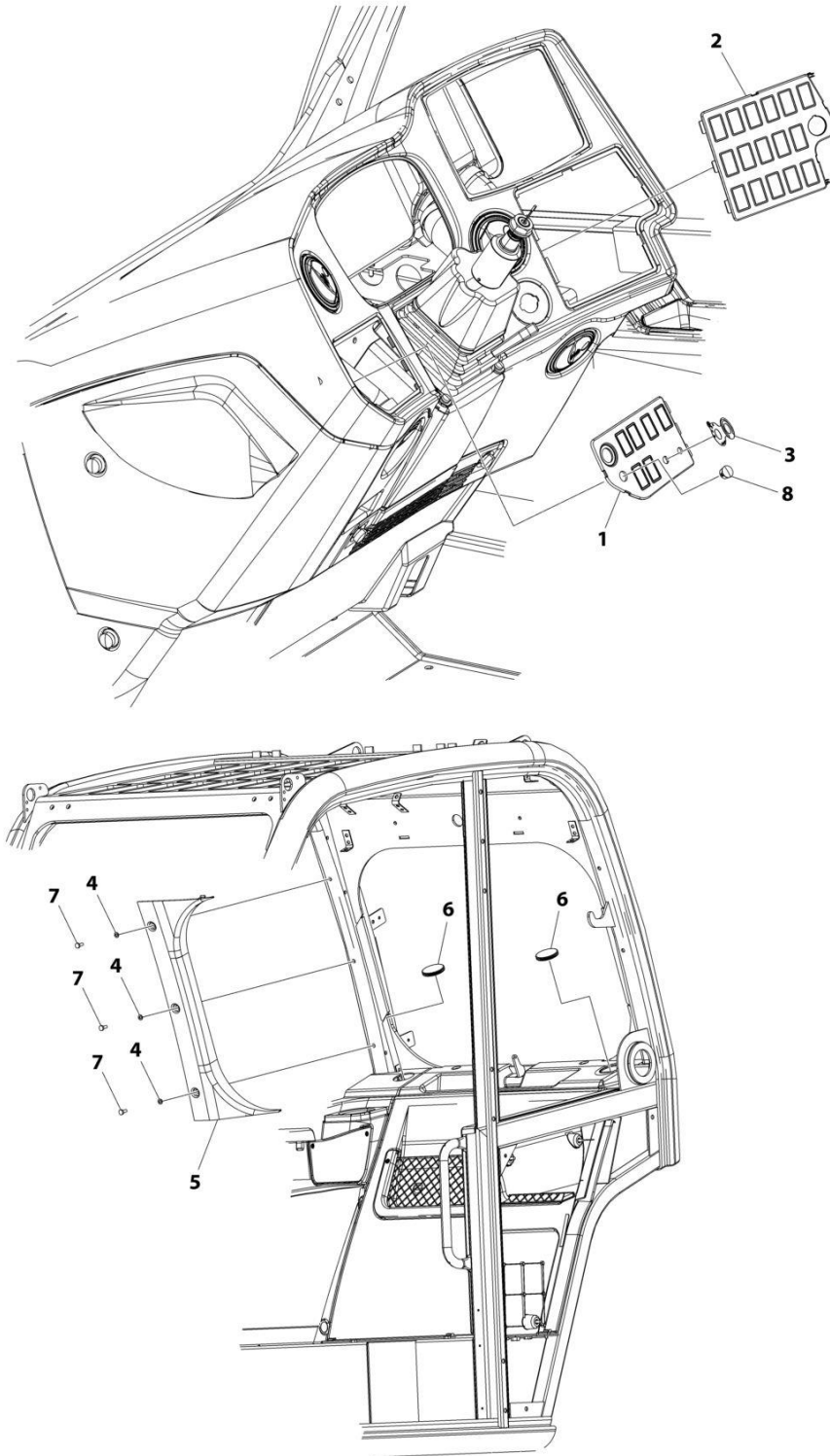
ART_1001172774

FIGURE 6-60. CAB GUARD INSTALLATION (TOP AND FRONT)

ITEM	PART NUMBER	QTY	DESCRIPTION	REV
	1001172774	Ref	CAB GUARD INSTALLATION (TOP AND FRONT)	G
1	0700820	2	Bolt M8 x 60	
2	0760810	2	Bolt M8 x 20	
3	4031910	2	Bolt M8 x 30	
4	4811900	6	Washer M8	
6	1001160503	1	Guard, Top Screen	
7	1001180263	1	Guard, Front Screen	

SECTION 6 - CAB

FIGURE 6-61. COMMON CAB TRIM INSTALLATION



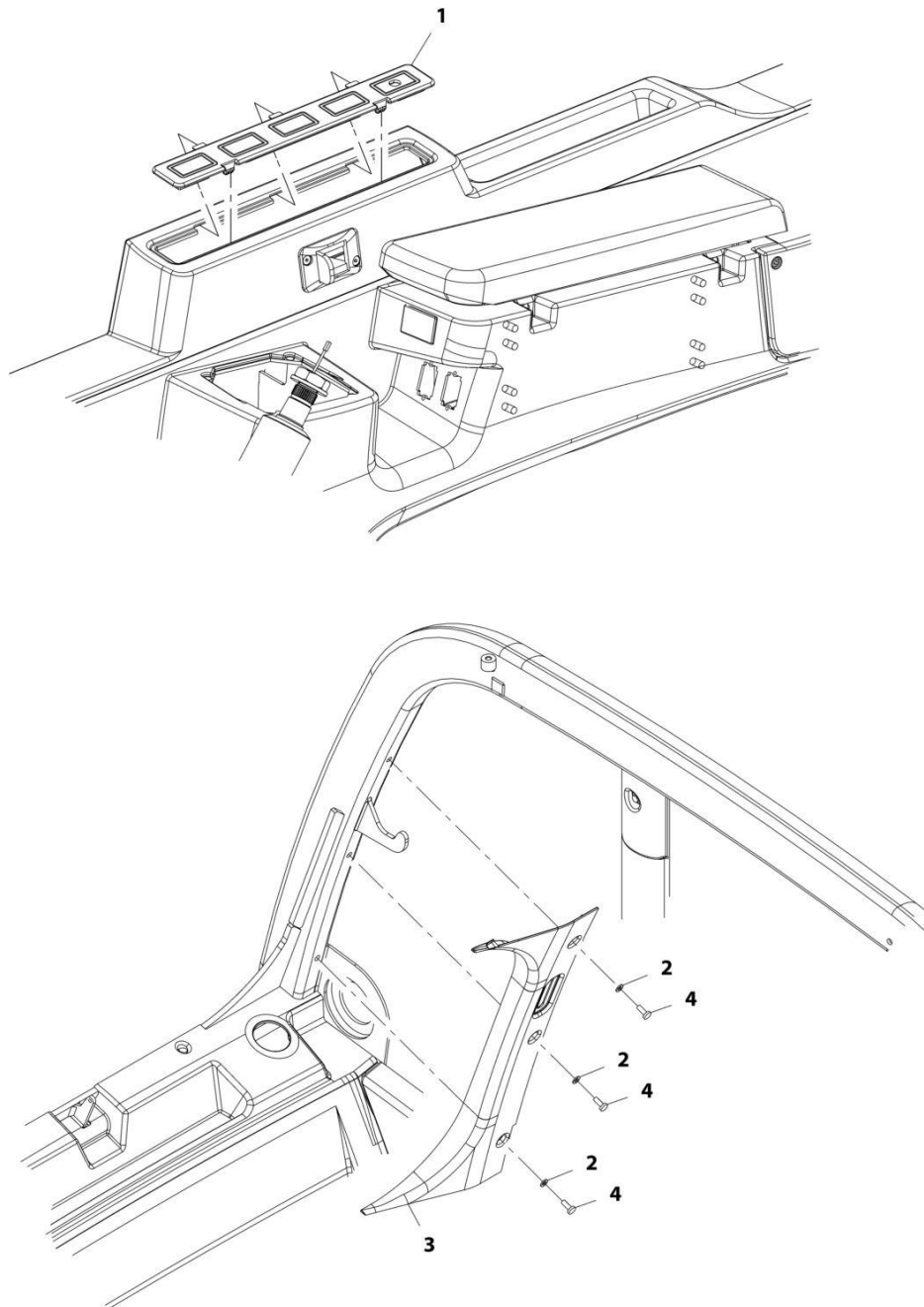
ART_1001200694_E

FIGURE 6-61. COMMON CAB TRIM INSTALLATION

ITEM	PART NUMBER	QTY	DESCRIPTION	REV
	1001200694	Ref	COMMON CAB TRIM INSTALLATION	E
1	1001268846	1	Panel, LH Switch	
2	1001219865	1	Panel, RH Switch	
3	1001184975	1	Decal, HVAC	
4	4811700001	3	Washer M6	
5	1001161253	1	Panel, Cover	
6	1001223265	2	Grommet	
7	4010608002	3	Screw M6 x 16	
8	1001207963	1	Plug	

SECTION 6 - CAB

FIGURE 6-62. CAB TRIM INSTALLATION



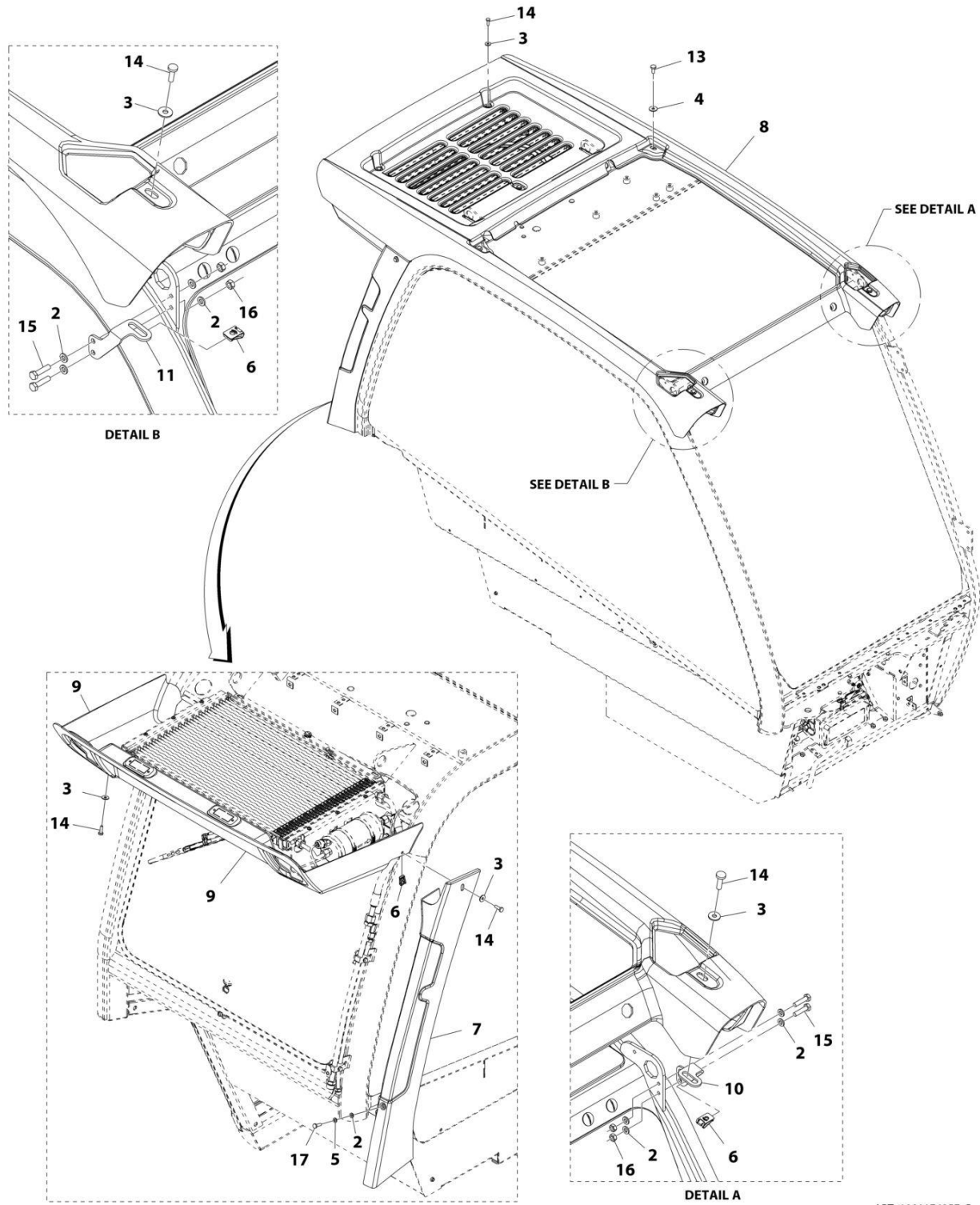
ART_1001201207-B

FIGURE 6-62. CAB TRIM INSTALLATION

ITEM	PART NUMBER	QTY	DESCRIPTION	REV
	1001201207	Ref	Cab Trim Installation	B
1	1001177464	1	Plate, Switch	
2	4811700	1	Washer, M6	
3	1001161252	1	Panel, Cover	
4	4010608002	3	Screw, M6X16	

SECTION 6 - CAB

FIGURE 6-63. ROOF CAP INSTALLATION (A/C)



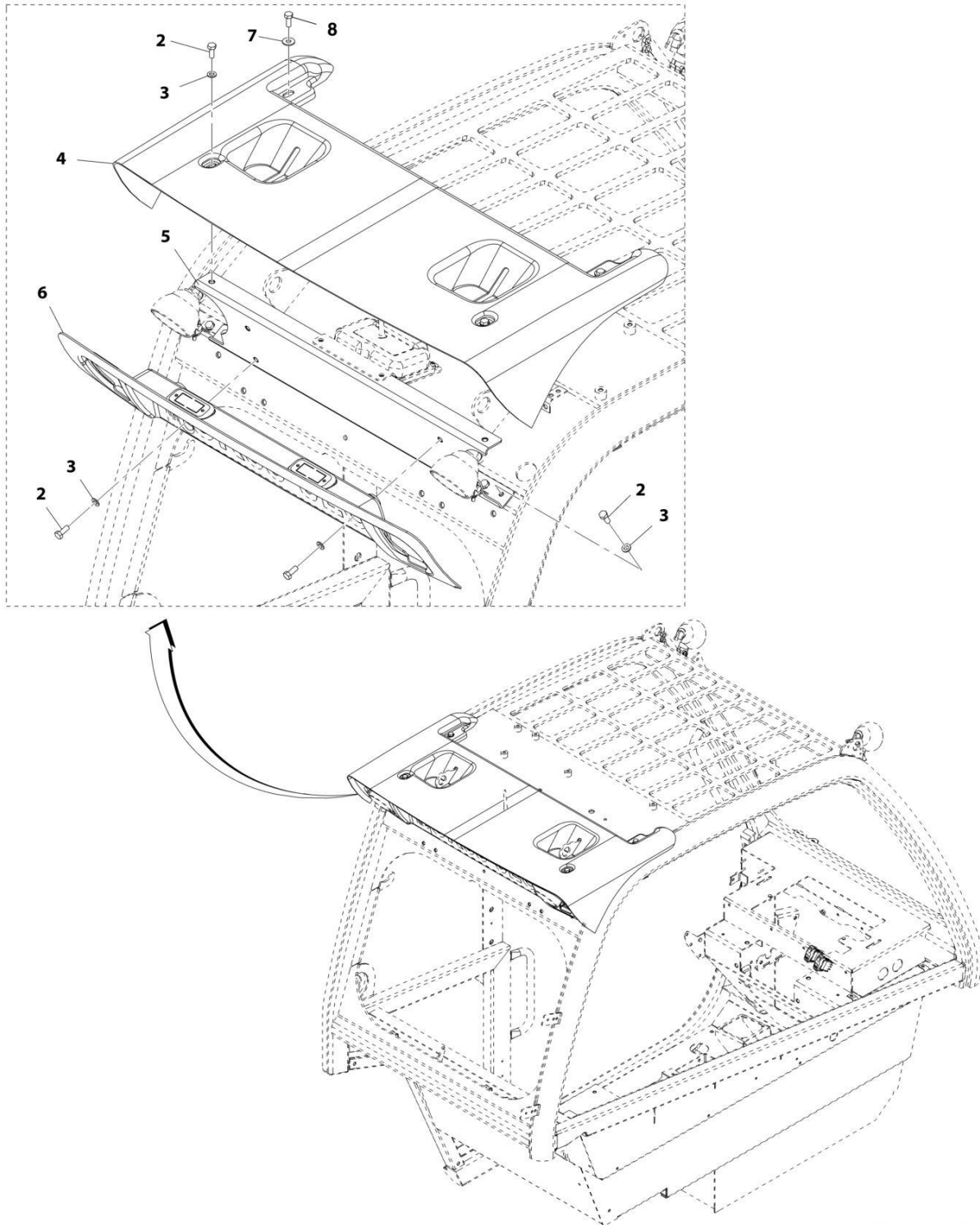
ART_1001176257-G

FIGURE 6-63. ROOF CAP INSTALLATION (A/C)

ITEM	PART NUMBER	QTY	DESCRIPTION	REV
	1001176257	Ref	Roof Cap Installation (A/C)	G
2	4811700	9	Washer, M6	
3	4811702	10	Washer, M6	
4	4811902	2	Washer, M8	
5	4831700	1	Washer, Lock M6	
6	8305919	3	Nut, M6	
7	1001174741	1	Cover	
8	1001176140	1	Cover	
9	1001176318	1	Cover	
10	1001174800	1	Bracket	
11	1001174801	1	Bracket	
13	0760608	2	Bolt, M6X16	
14	4010610002	10	Screw, Posi-Drive M6X20	
15	0700612	4	Bolt, M6X25	
16	3290601	4	Nut, M6X1	
17	4010608002	1	Screw, Posi-Drive, M6X16	

SECTION 6 - CAB

FIGURE 6-64. ROOF CAP INSTALLATION (NO A/C)



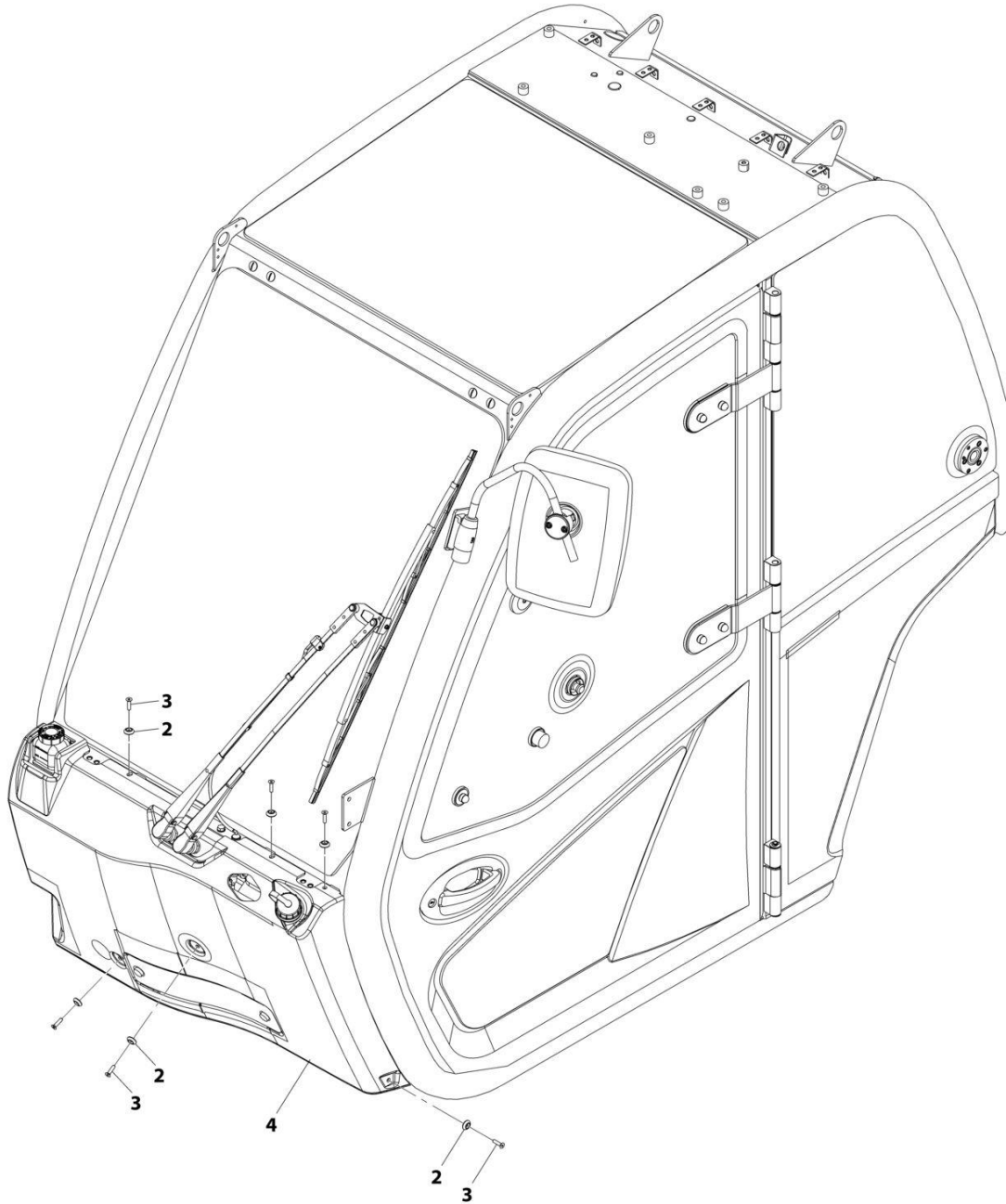
ART_1001185848-D

FIGURE 6-64. ROOF CAP INSTALLATION (NO A/C)

ITEM	PART NUMBER	QTY	DESCRIPTION	REV
	1001185848	Ref	Roof Cap Installation (No A/C - AG)	D
2	0760810	8	Bolt, M8X20	
3	4811900	8	Washer, M8	
4	1001182330	1	Cover, Short Upper Roof Cap	
5	1001185633	1	Bracket, Roof Cap Mount	
6	1001185845	1	Cover, Short Lower Roof Cap	
7	4811902	2	Washer, M8	
8	0760808	2	Bolt, M8X16	

SECTION 6 - CAB

FIGURE 6-65. FRONT NOSE CONE INSTALLATION (SIDELIGHT)



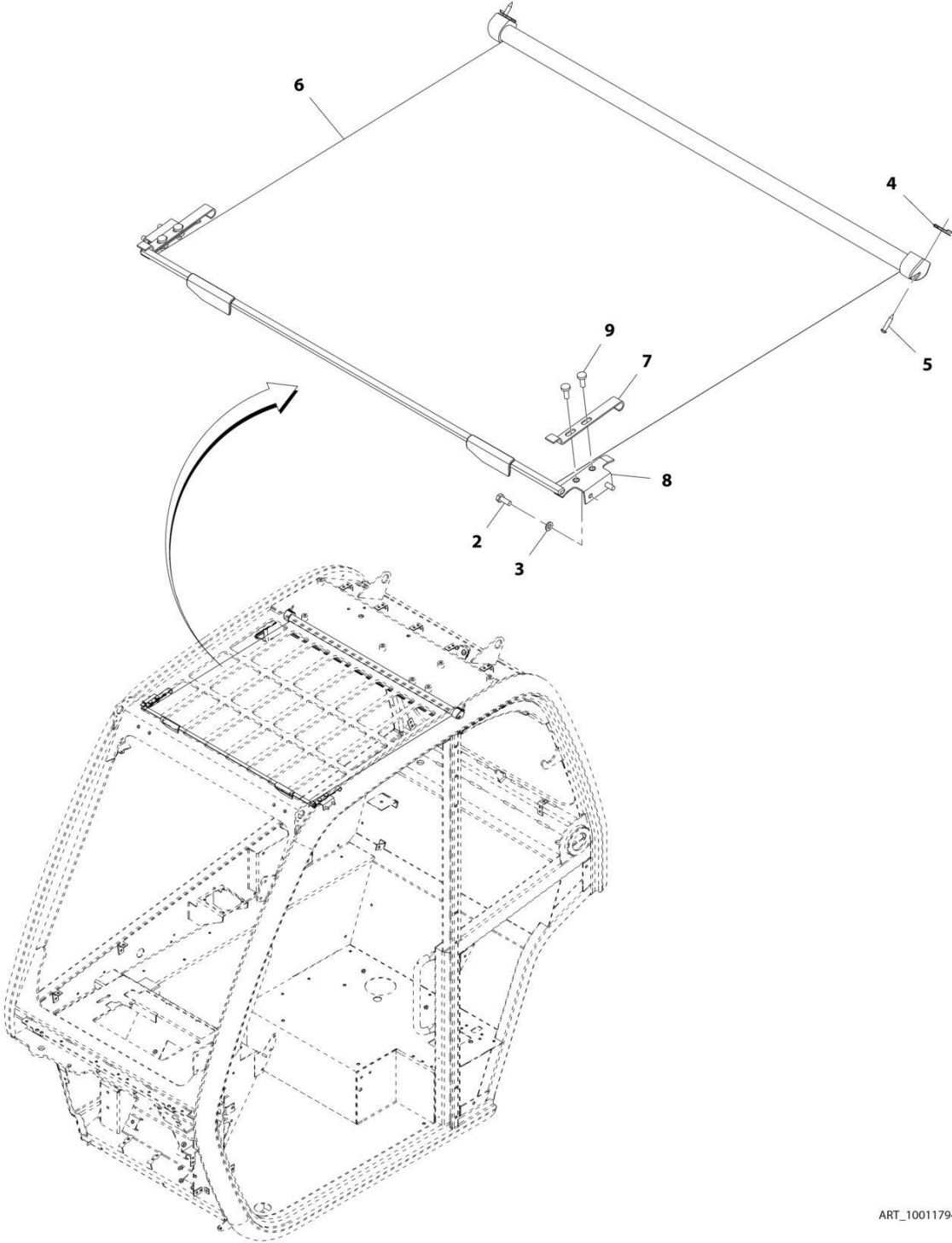
ART_1001179895-G

FIGURE 6-65. FRONT NOSE CONE INSTALLATION (SIDELIGHT)

ITEM	PART NUMBER	QTY	DESCRIPTION	REV
	1001179895	Ref	Front Nose Cone Installation (Sidelight)	G
2	1001097540	6	Washer, M6	
3	3900379	6	Screw, M6X25MM	
4	1001179898	1	Cover	

SECTION 6 - CAB

FIGURE 6-66. RETRACTABLE SUNSCREEN INSTALLATION



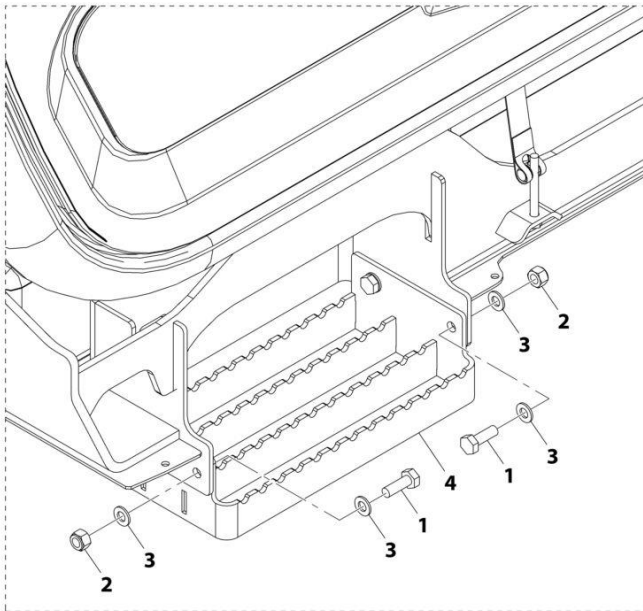
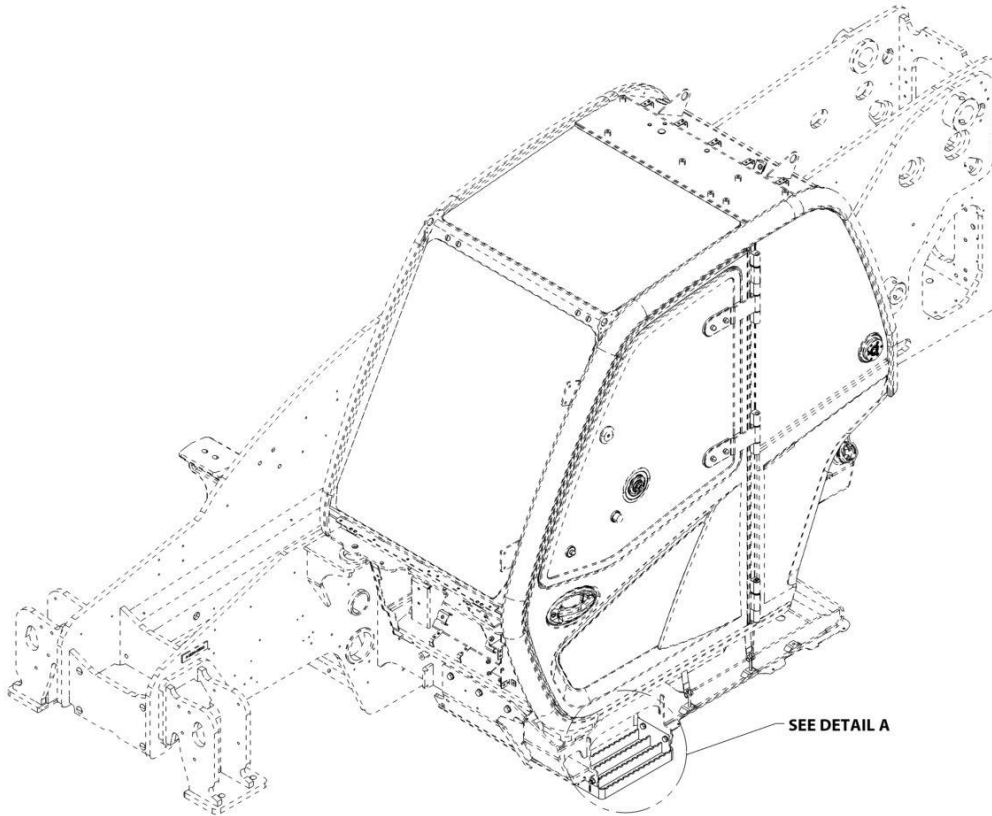
ART_1001179482-D

FIGURE 6-66. RETRACTABLE SUNSCREEN INSTALLATION

ITEM	PART NUMBER	QTY	DESCRIPTION	REV
	1001179482	Ref	Retractable Sunscreen Installation	D
2	0760608	4	Bolt, M6X16	
3	4811700	4	Washer, M6	
4	1001111076	2	Nut, Spire	
5	1001111147	2	Screw, Self Tapping	
6	1001179483	1	Cab, Sun Blind	
7	1001209463	2	Bracket	
8	1001166385	2	Bracket	
9	4010608002	4	Screw, Posi-Drive M6X16	

SECTION 6 - CAB

FIGURE 6-67. CAB STEP INSTALLATION



DETAIL A

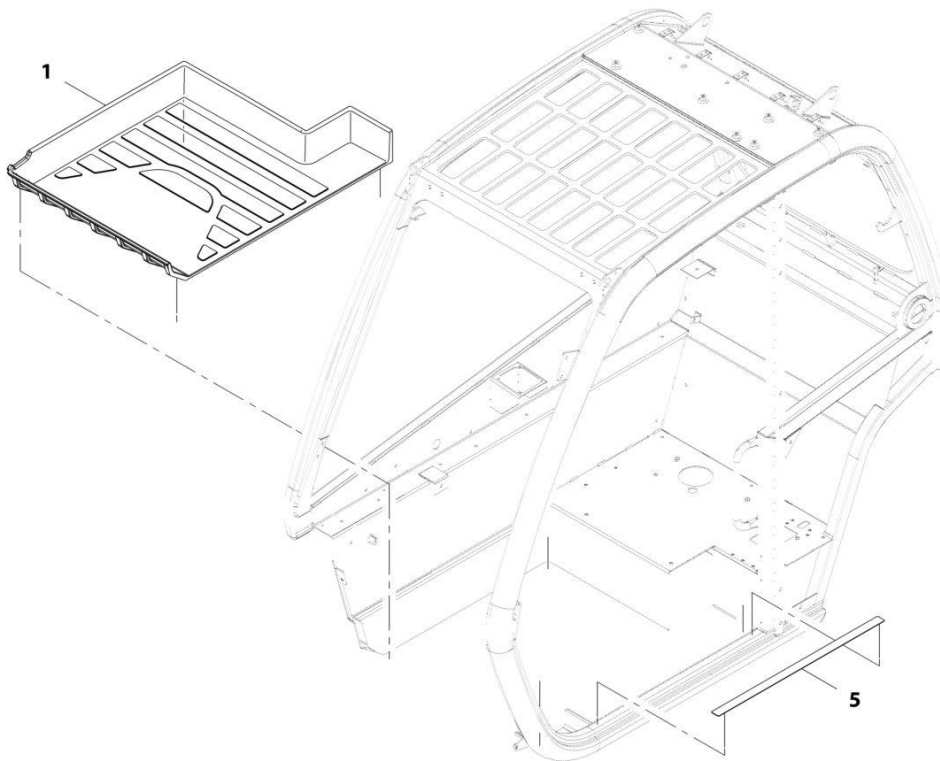
ART_1001198958-B

FIGURE 6-67. CAB STEP INSTALLATION

ITEM	PART NUMBER	QTY	DESCRIPTION	REV
	1001198958	Ref	Cab Step Installation	B
1	0701014	4	Bolt, M10X30	
2	3291005	4	Nut, Lock M10X1.5 Grade 8	
3	4812000	8	Washer, M10	
4	1001198924	1	Bracket, Step	

SECTION 6 - CAB

FIGURE 6-68. FLOOR MAT INSTALLATION



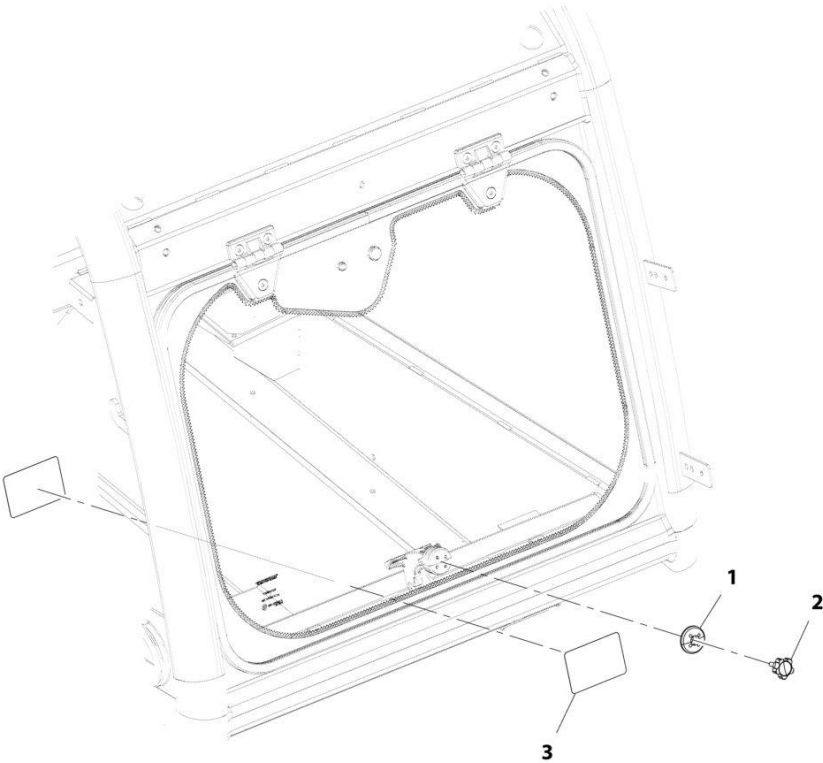
ART_1001161080-E

FIGURE 6-68. FLOOR MAT INSTALLATION

ITEM	PART NUMBER	QTY	DESCRIPTION	REV
	1001161080	Ref	Floor Mat Installation	E
1	1001161078	1	Cab, Floor Mat	
5	1001197259	1	Tape, Frame Non Skid	

SECTION 6 - CAB

FIGURE 6-69. EXTERNAL WINDOW RELEASE INSTALLATION (ANSI)



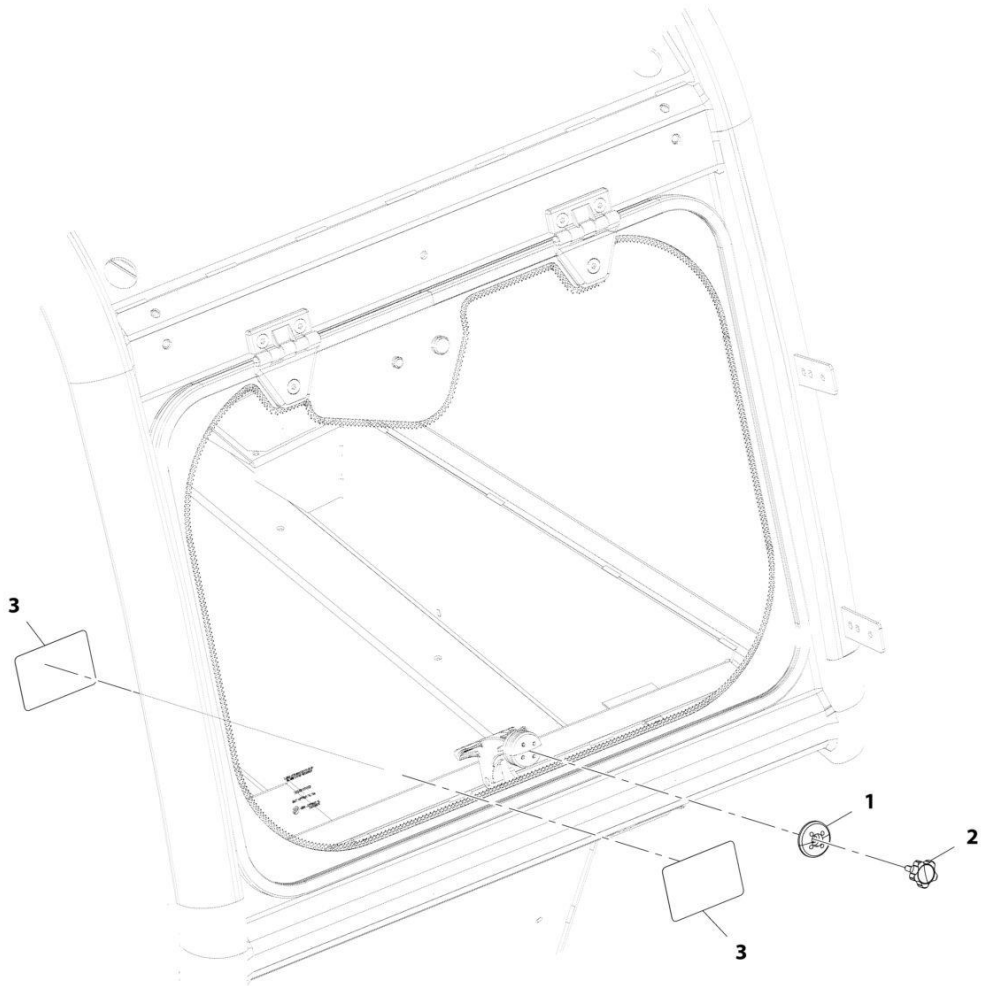
ART_1001212047-A

FIGURE 6-69. EXTERNAL WINDOW RELEASE INSTALLATION (ANSI)

ITEM	PART NUMBER	QTY	DESCRIPTION	REV
	1001212047	Ref	External Window Release Installation (ANSI)	A
1	1001179008	1	Cap, Latch Window	
2	1001179009	1	Cap, Knob M6	
3	1001212049	2	Decal, Emergency Exit	

SECTION 6 - CAB

FIGURE 6-70. EXTERNAL WINDOW RELEASE INSTALLATION (CAN)



ART_1001178826-C

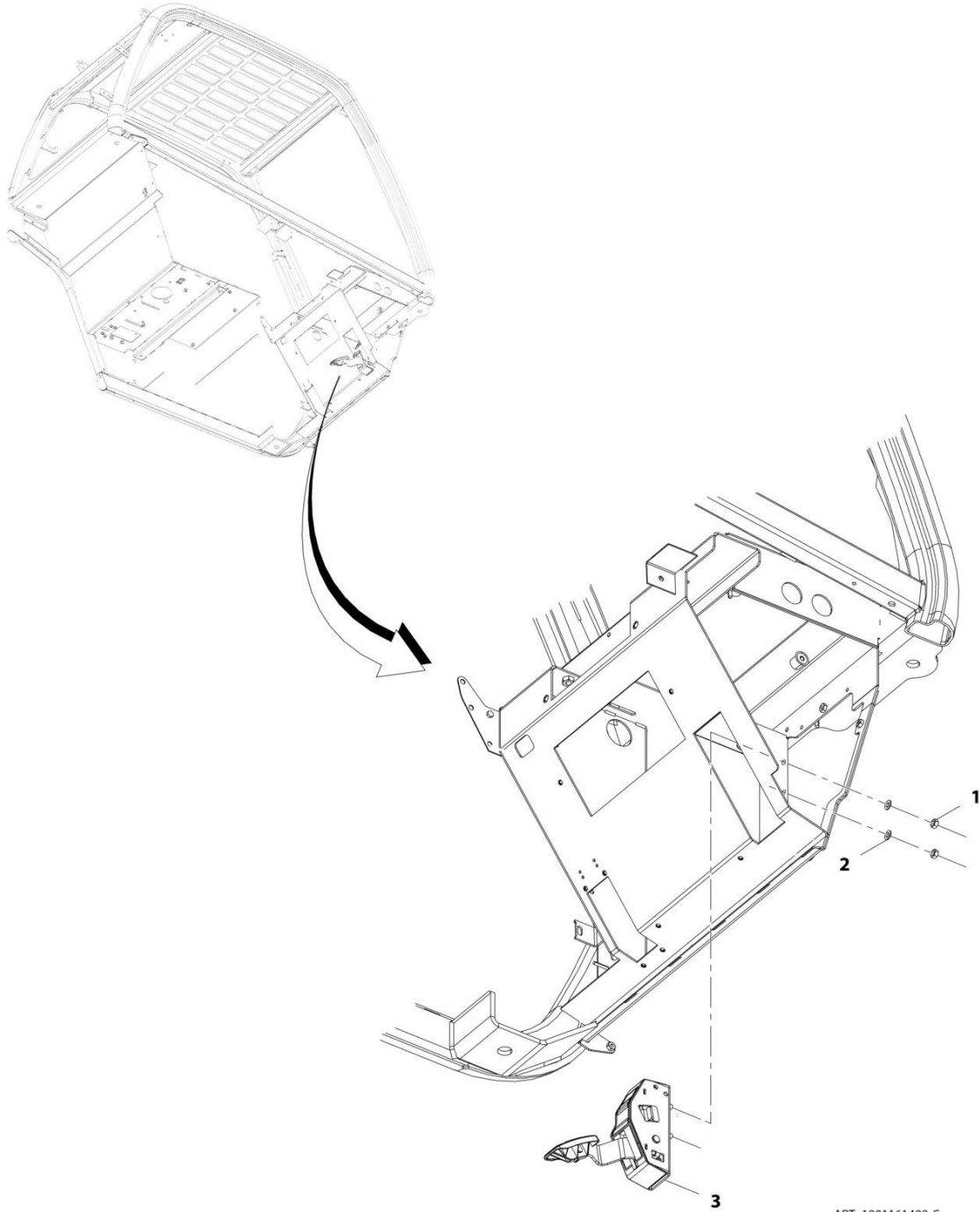
FIGURE 6-70. EXTERNAL WINDOW RELEASE INSTALLATION (CAN)

ITEM	PART NUMBER	QTY	DESCRIPTION	REV
	1001178826	Ref	External Window Release Installation (English/French)	C
1	1001179008	1	Cap, Latch Window	
2	1001179009	1	Knob	
3	1001204709	2	Decal, Emergency Exit (English/French)	

SECTION 7 - CONTROLS

SECTION 7 - CONTROLS

FIGURE 7-1. ACCELERATOR PEDAL INSTALLATION



ART_1001161499-C

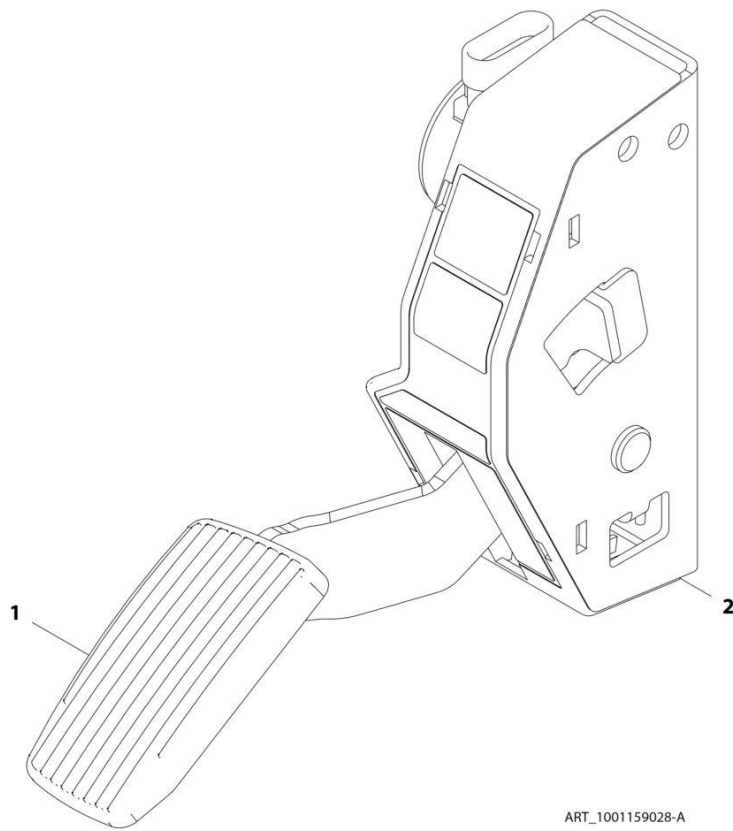
SECTION 7 - CONTROLS

FIGURE 7-1. ACCELERATOR PEDAL INSTALLATION

ITEM	PART NUMBER	QTY	DESCRIPTION	REV
	1001161499	Ref	Accelerator Pedal Installation	C
1	3290801	2	Nut, M8X1.25	
2	4811900	2	Washer, M8	
3	1001159028	1	Pedal, Accelerator (See Separate Breakdown in this Section)	

SECTION 7 - CONTROLS

FIGURE 7-2. ACCELERATOR PEDAL



ART_1001159028-A

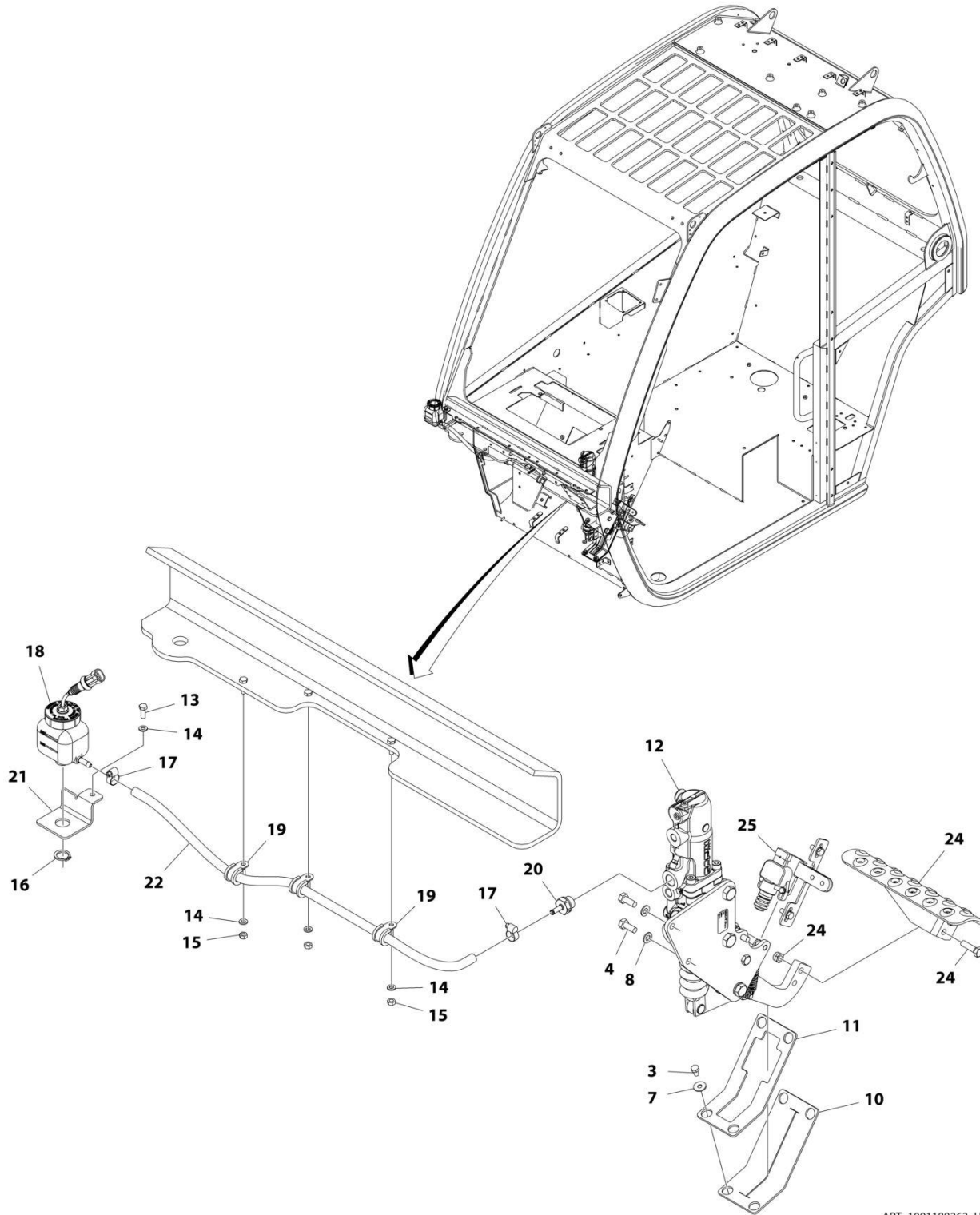
SECTION 7 - CONTROLS

FIGURE 7-2. ACCELERATOR PEDAL

ITEM	PART NUMBER	QTY	DESCRIPTION	REV
	1001159028	Ref	Accelerator Pedal	A
1	70025816	1	Pad, Rubber	
2	70025817	1	Cover, Rubber	

SECTION 7 - CONTROLS

FIGURE 7-3. BRAKE PEDAL INSTALLATION



ART_1001188262_H

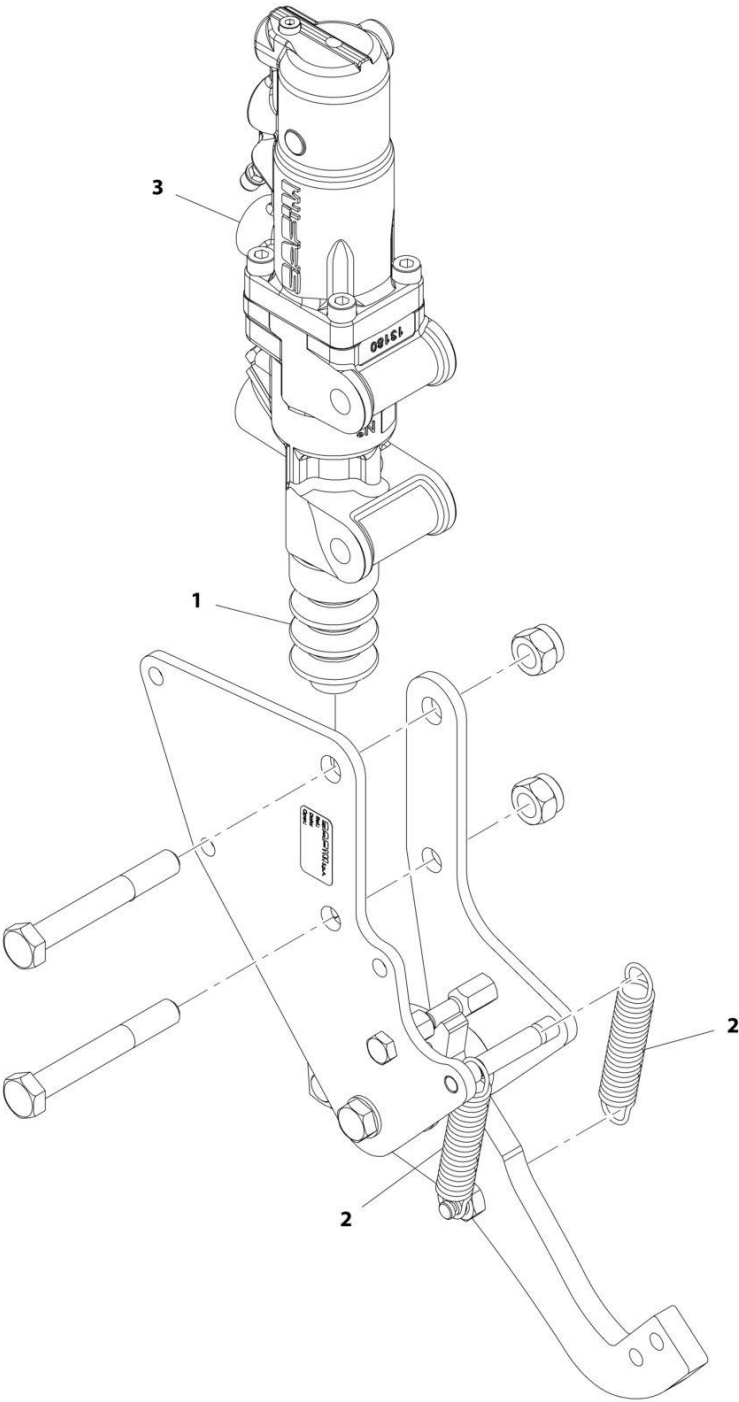
SECTION 7 - CONTROLS

FIGURE 7-3. BRAKE PEDAL INSTALLATION

ITEM	PART NUMBER	QTY	DESCRIPTION	REV
	1001188262	Ref	BRAKE PEDAL INSTALLATION	H
3	0760605	4	Bolt M6 x 10	
4	0760810	3	Bolt M8 x 20	
7	4811702	4	Washer M6	
8	4811900	3	Washer M8	
10	1001162920	1	Gasket, Brake Pedal	
11	1001162922	1	Plate	
12	1001187413	1	Pedal, Brake (See Separate Breakdown in this Section)	
13	0760608	1	Bolt M6 x 16	
14	4811700	4	Washer M6	
15	3290601	3	Nut M6	
16	3760348	1	Ring, Retaining	
17	8405009	2	Clamp, Gear	
18	1001269248	1	Reservoir, Brake	
19	1001170231	3	Clip	
20	1001171874	1	Fitting, Hose Barb	
21	1001172088	1	Bracket	
22	1001172094	1	Hose	
24	1001197139	1	Plate, Brake Pedal (See Separate Breakdown in this Section)	
25	1001205061	Ref	Installation, Brake Sensor (See Separate Breakdown in this Section)	

SECTION 7 - CONTROLS

FIGURE 7-4. BRAKE PEDAL



ART_1001187413-D

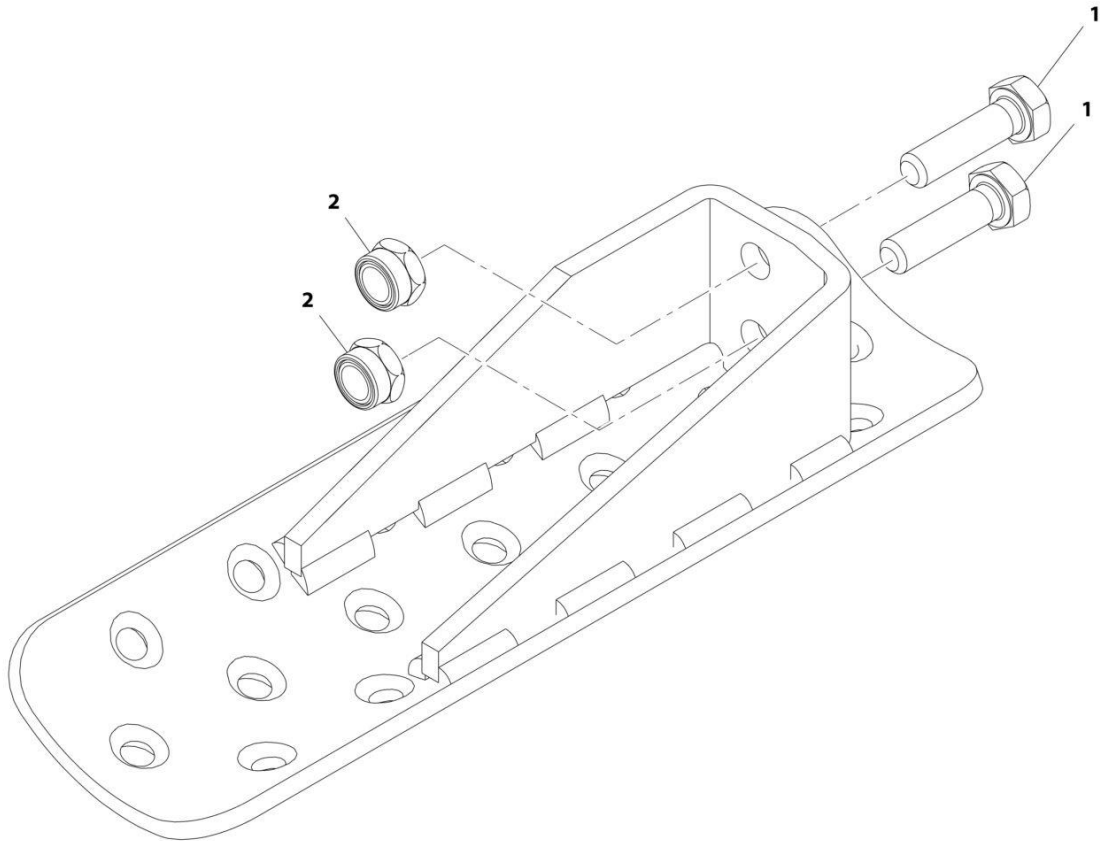
SECTION 7 - CONTROLS

FIGURE 7-4. BRAKE PEDAL

ITEM	PART NUMBER	QTY	DESCRIPTION	REV
	1001187413	Ref	Brake Pedal	D
1	70025859	1	Cover, Dust	
2	70025860	1	Spring, Return	
3	70026537	1	Cylinder, Master	

SECTION 7 - CONTROLS

FIGURE 7-5. BRAKE PEDAL PLATE



ART_1001197139-A

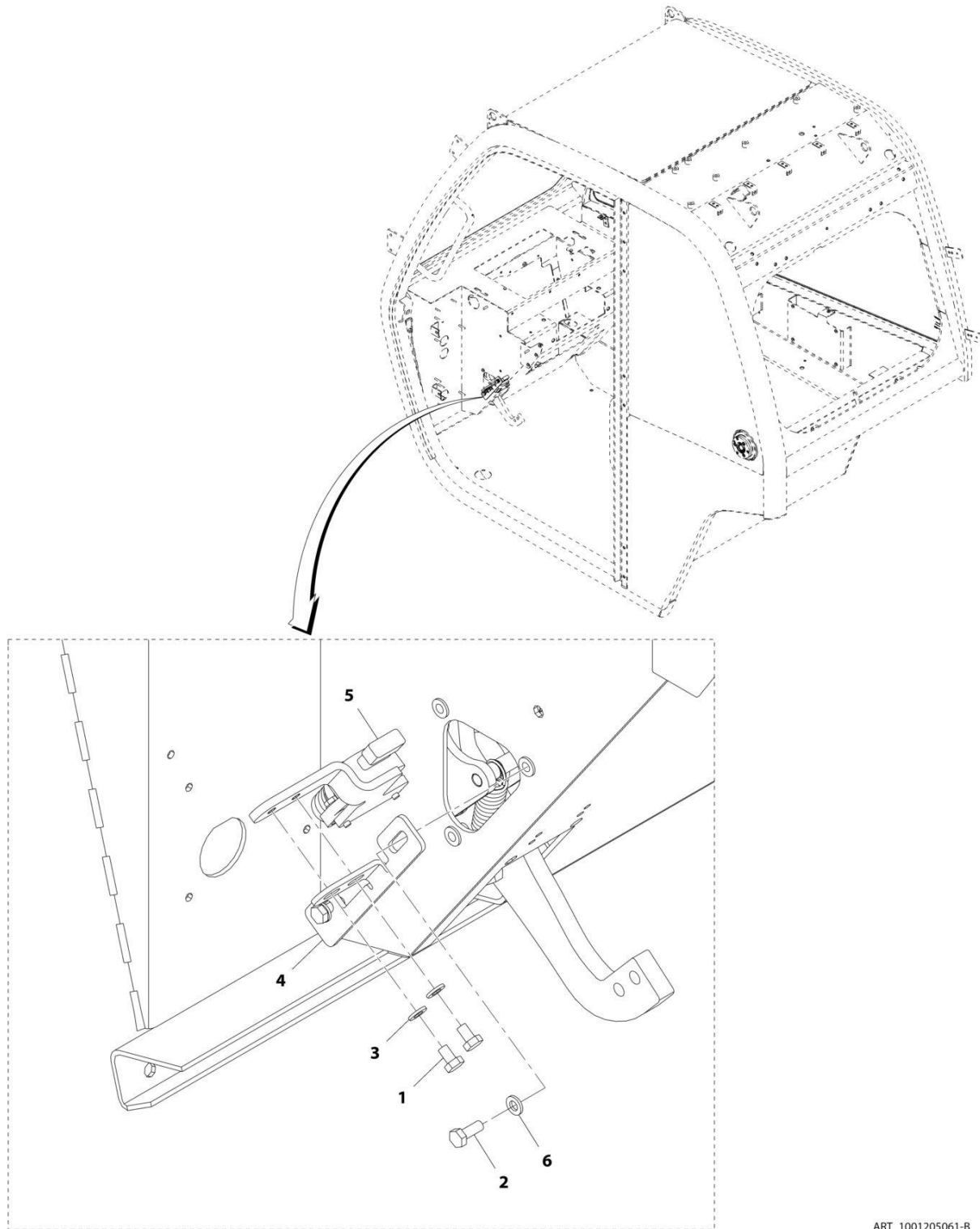
SECTION 7 - CONTROLS

FIGURE 7-5. BRAKE PEDAL PLATE

ITEM	PART NUMBER	QTY	DESCRIPTION	REV
	1001197139	Ref	Brake Pedal Plate	A
1	0770814	1	Bolt, M8X30 Grade 10.9	
2	3290805	1	Nut, Lock M8X1.25 Grade 8	

SECTION 7 - CONTROLS

FIGURE 7-6. BRAKE SENSOR INSTALLATION



ART_1001205061-B

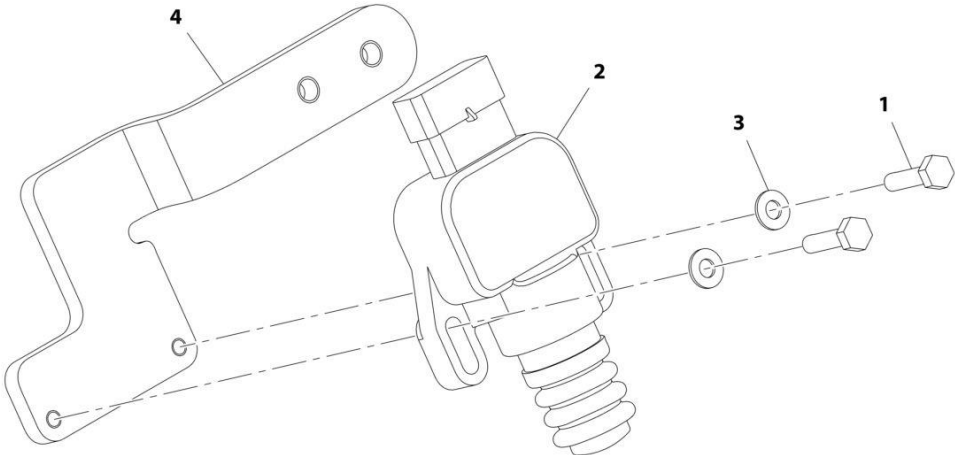
SECTION 7 - CONTROLS

FIGURE 7-6. BRAKE SENSOR INSTALLATION

ITEM	PART NUMBER	QTY	DESCRIPTION	REV
	1001205061	Ref	Brake Sensor Installation	B
1	0760605	2	Bolt, M6X10	
2	0760608	2	Bolt, M6X16	
3	4811700	2	Washer, M6	
4	1001201499	1	Plate, Switch Adjustment	
5	1001201501	1	Assembly, Switch Plate (See Separate Breakdown in this Section)	
6	4811702	2	Washer, M6	

SECTION 7 - CONTROLS

FIGURE 7-7. SWITCH PLATE ASSEMBLY



ART_1001201501-A

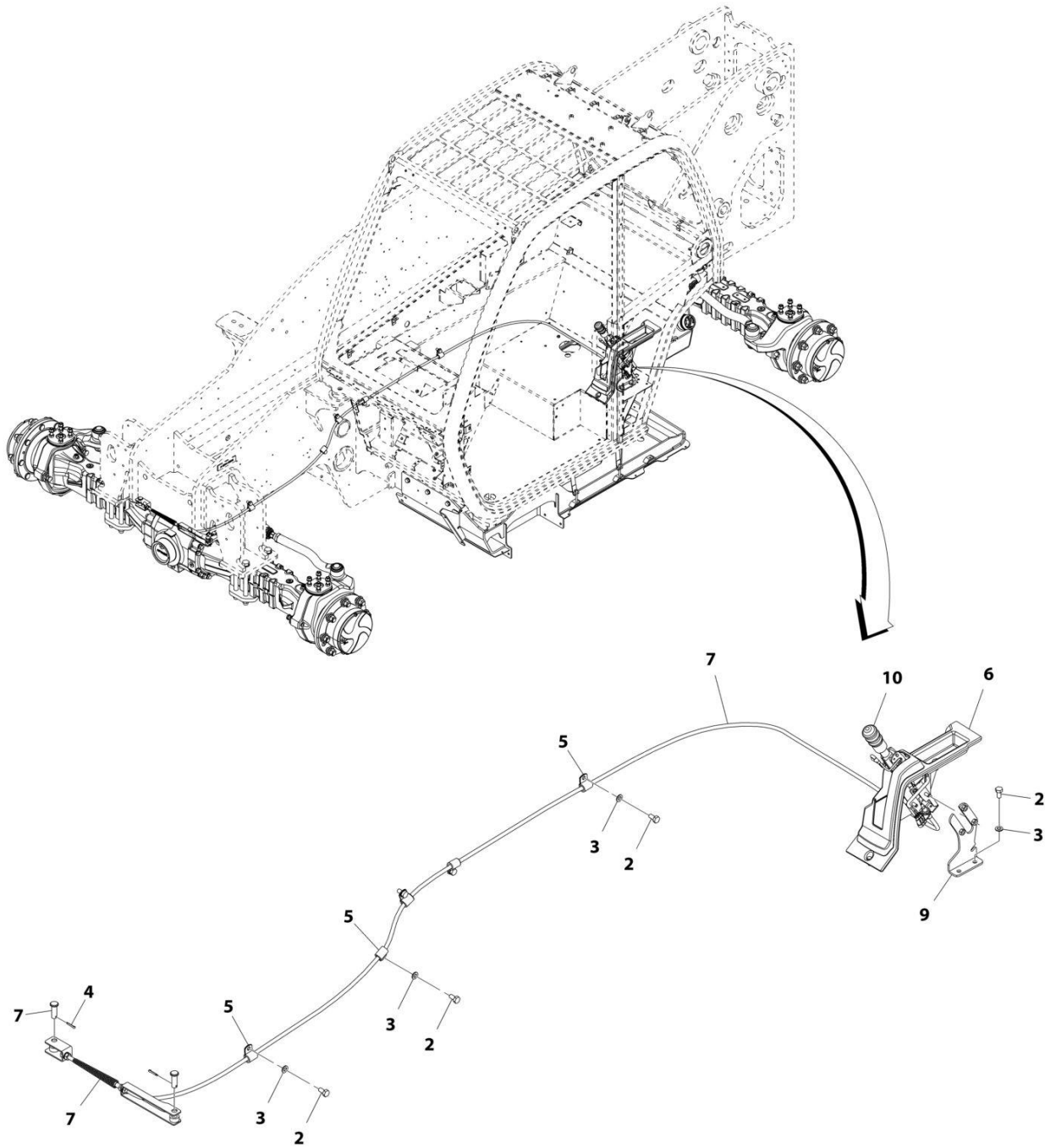
SECTION 7 - CONTROLS

FIGURE 7-7. SWITCH PLATE ASSEMBLY

ITEM	PART NUMBER	QTY	DESCRIPTION	REV
	1001201501	Ref	Switch Plate Assembly	A
1	0700408	2	Bolt, M4X16	
2	4360658	1	Sensor, Brake	
3	4811400	2	Washer, M4	
4	1001201500	1	Plate	

SECTION 7 - CONTROLS

FIGURE 7-8. PARKING BRAKE INSTALLATION (CABLE - STANDARD)



ART_1001180472-E

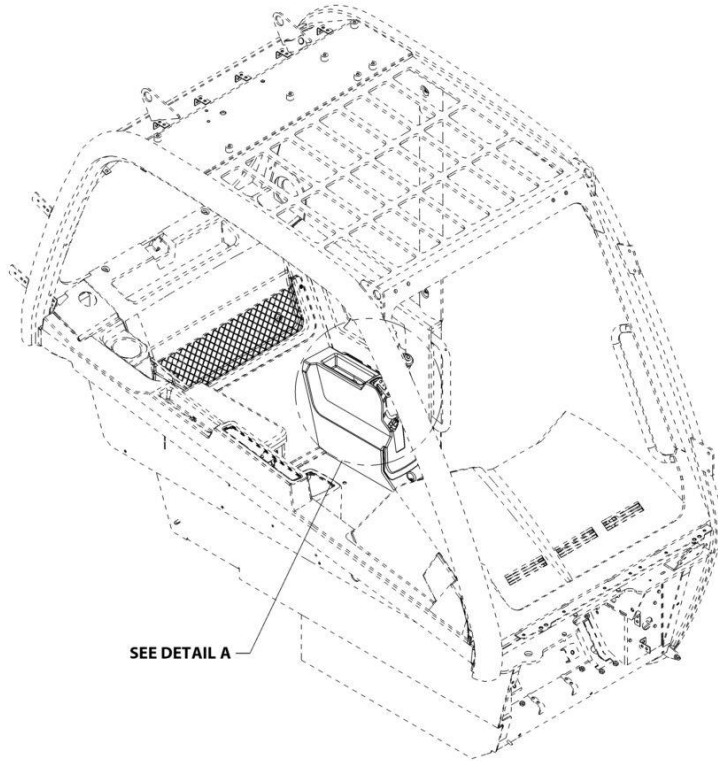
SECTION 7 - CONTROLS

FIGURE 7-8. PARKING BRAKE INSTALLATION (CABLE - STANDARD)

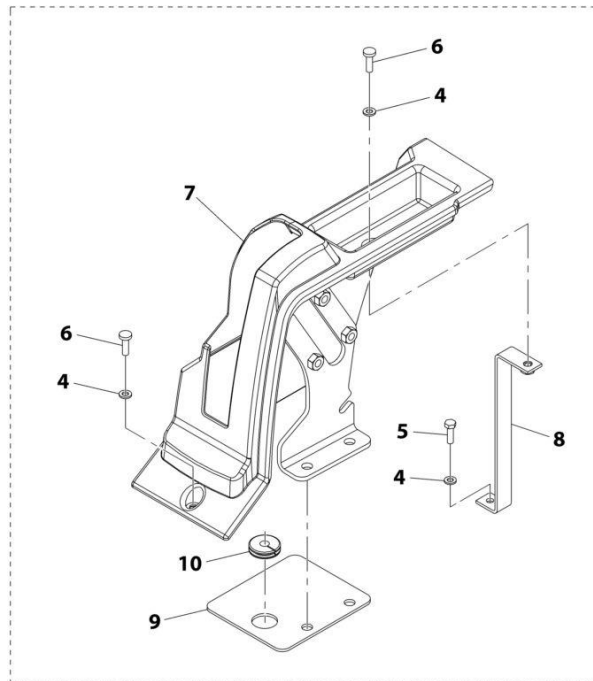
ITEM	PART NUMBER	QTY	DESCRIPTION	REV
	1001180472	Ref	Parking Brake Installation (Cable)	E
2	0761010	7	Bolt, M10X20	
3	4812000	7	Washer, M10	
4	3391408	2	Pin	
5	1001003809	5	Clamp	
6	1001174567	1	Cover, Parking Brake (Mechanical) (See Separate Breakdown in this Section)	
7	1001177053	1	Assembly, Parking Cable (Mechanical) (See Separate Breakdown in this Section)	
9	1001195207	1	Bracket	
10	1001201951	1	Lever, Parking Brake (Mechanical)	

SECTION 7 - CONTROLS

FIGURE 7-9. PARKING BRAKE COVER (MECHANICAL)



SEE DETAIL A



DETAIL A

ART_1001174567-C

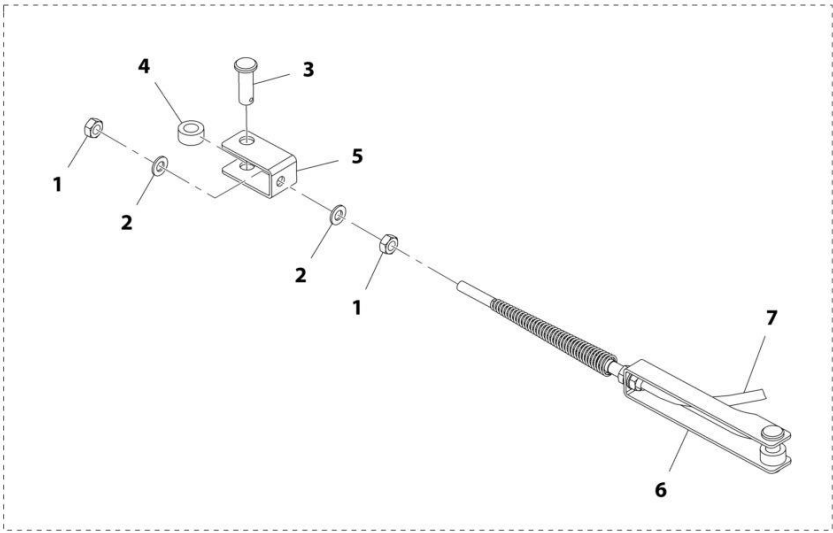
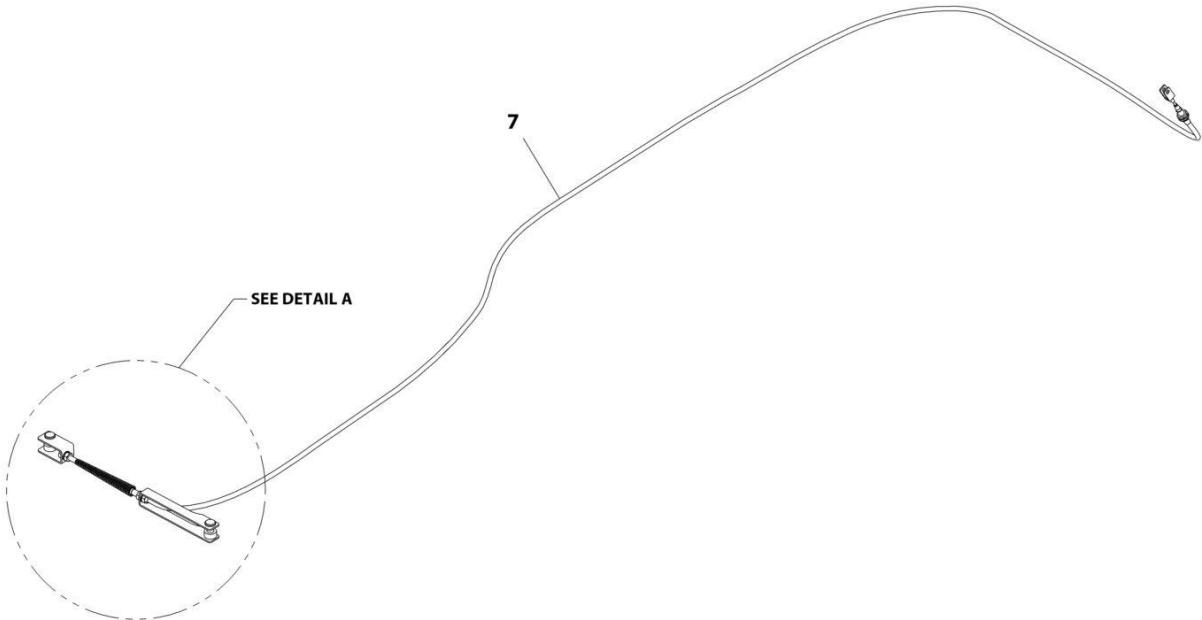
SECTION 7 - CONTROLS

FIGURE 7-9. PARKING BRAKE COVER (MECHANICAL)

ITEM	PART NUMBER	QTY	DESCRIPTION	REV
	1001174567	Ref	Parking Brake Cover (Mechanical)	D
4	4811700	3	Washer, M6	
5	0700610	1	Bolt, M6X20	
6	4010610002	2	Screw, M6X20	
7	1001195004	1	Panel, Brake Cover	
8	1001195254	1	Bracket	
9	1001221255	1	Plate, Cover	
10	1001008469	1	Grommet	
11	3520028	1	Plug (Not Shown)	

SECTION 7 - CONTROLS

FIGURE 7-10. PARKING CABLE ASSEMBLY (MECHANICAL)



DETAIL A

ART_1001177053-A

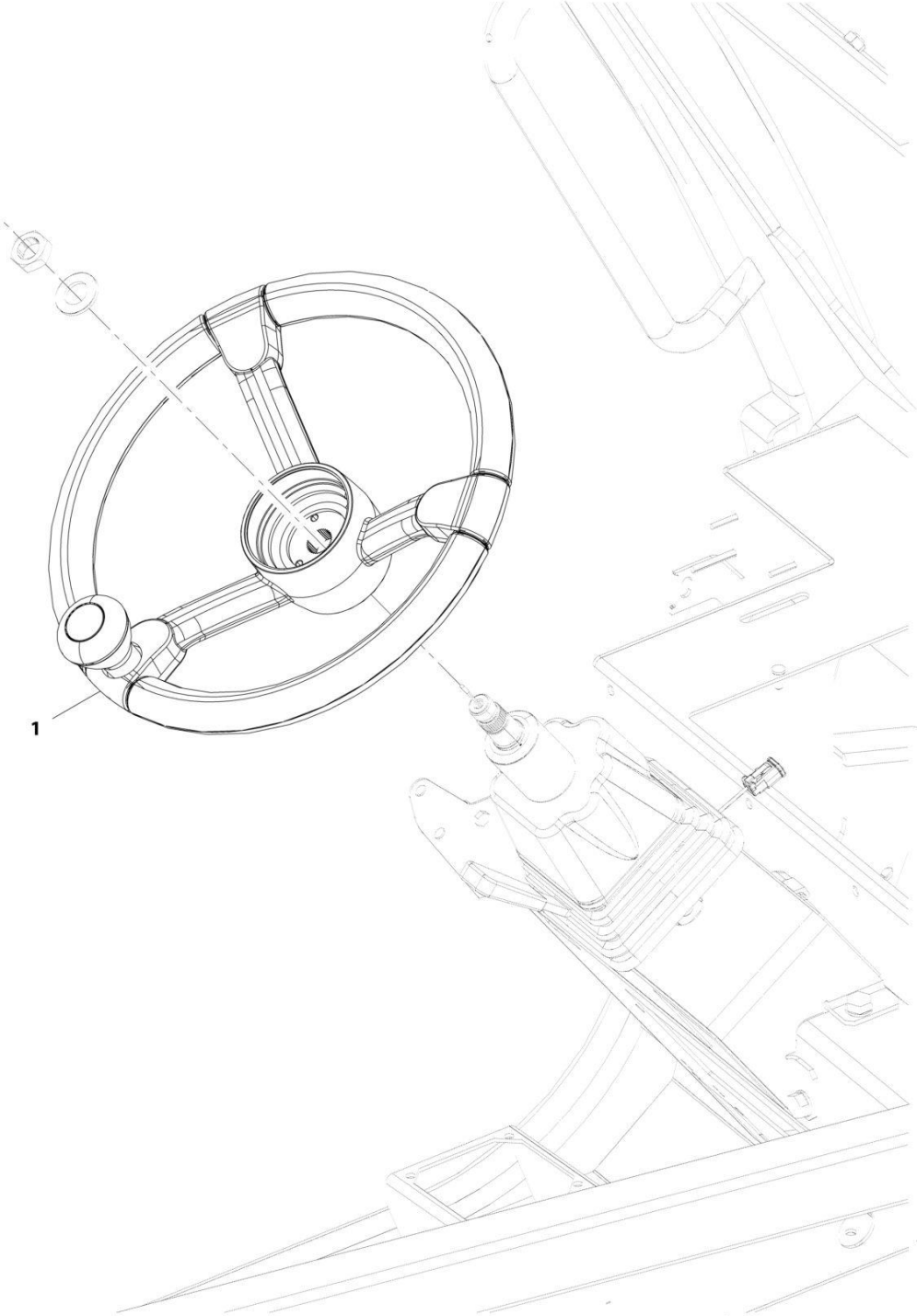
SECTION 7 - CONTROLS

FIGURE 7-10. PARKING CABLE ASSEMBLY (MECHANICAL)

ITEM	PART NUMBER	QTY	DESCRIPTION	REV
	1001177053	Ref	Parking Cable Assembly (Mechanical)	A
1	3291001	4	Nut, M10X1.5 Grade 8	
2	4812000	4	Washer, M10	
3	1001177048	2	Pin	
4	1001177049	2	Spacer	
5	1001177050	1	Clevis, Park Brake Small	
6	1001177051	1	Clevis, Park Brake Large	
7	1001177052	1	Cable, Hand Brake	

SECTION 7 - CONTROLS

FIGURE 7-11. STEERING WHEEL INSTALLATION



ART_1001169751-C

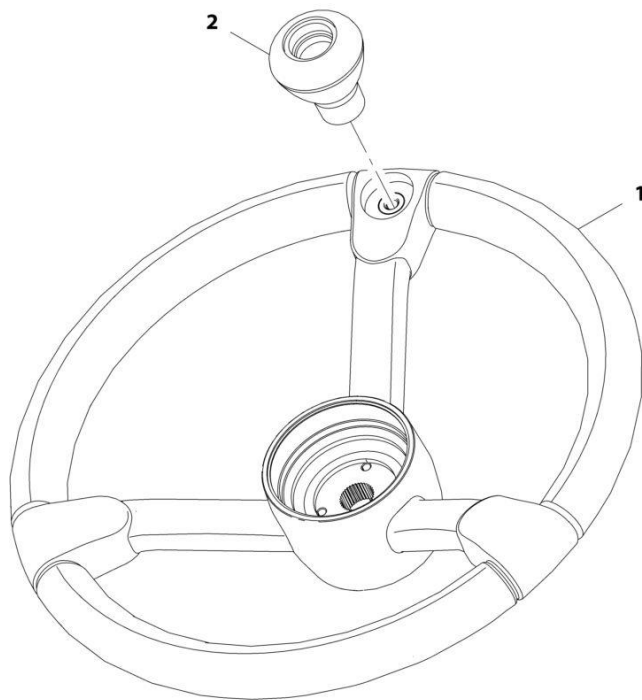
SECTION 7 - CONTROLS

FIGURE 7-11. STEERING WHEEL INSTALLATION

ITEM	PART NUMBER	QTY	DESCRIPTION	REV
1	1001169751 1001169354	Ref 1	Steering Wheel Installation Wheel, Steering (See Separate Breakdown in this Section)	C

SECTION 7 - CONTROLS

FIGURE 7-12. STEERING WHEEL



ART_1001169354-D

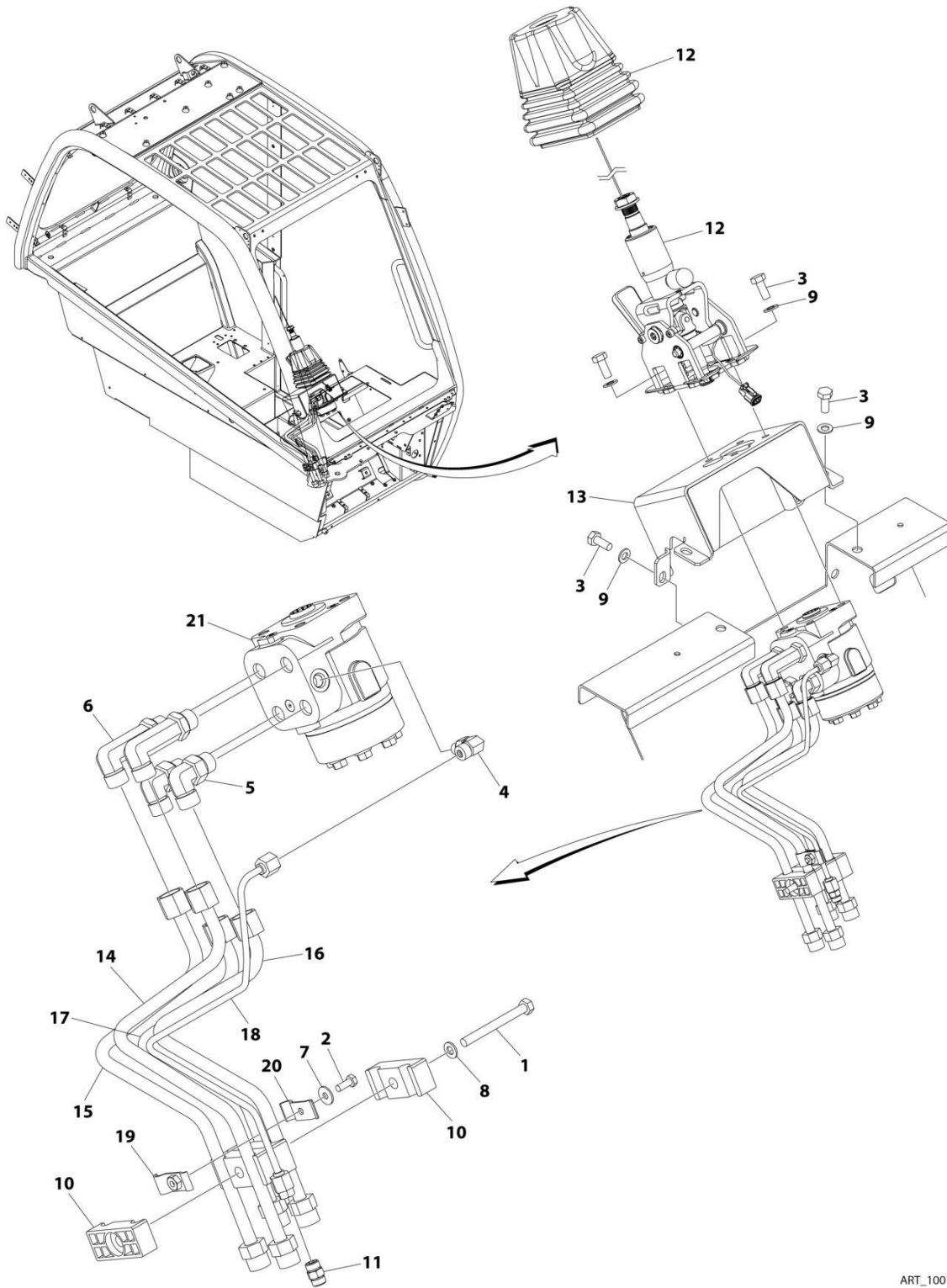
SECTION 7 - CONTROLS

FIGURE 7-12. STEERING WHEEL

ITEM	PART NUMBER	QTY	DESCRIPTION	REV
	1001169354	Ref	Steering Wheel	D
1	1001169367	1	Wheel, Steering	
2	1001169355	1	Handle, Steer Spinner	

SECTION 7 - CONTROLS

FIGURE 7-13. STEERING COLUMN INSTALLATION



ART_1001229534_D

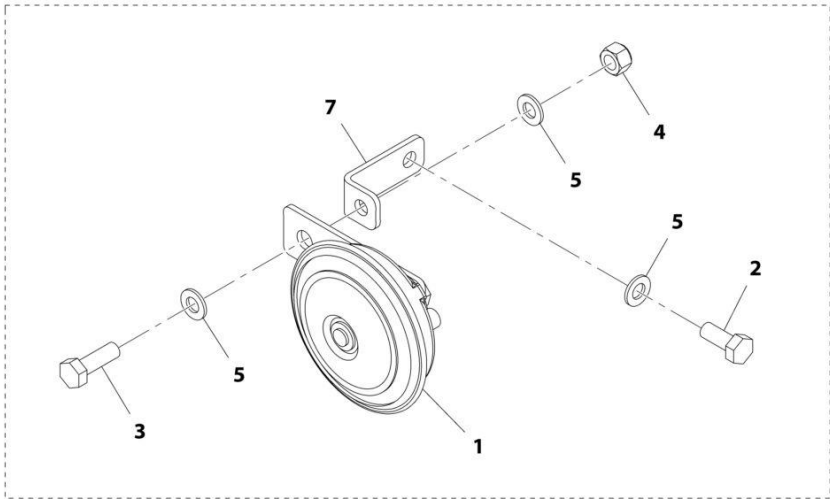
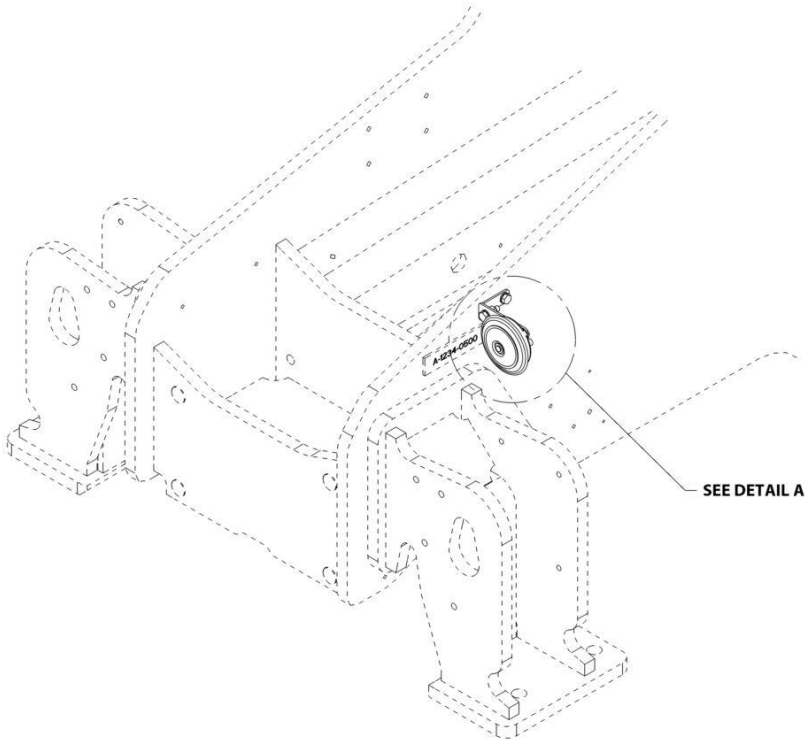
SECTION 7 - CONTROLS

FIGURE 7-13. STEERING COLUMN INSTALLATION

ITEM	PART NUMBER	QTY	DESCRIPTION	REV
	1001229534	Ref	Steering Column Installation	D
1	0700824	1	Bolt, M8X80	
2	0760608	1	Bolt, M6X16	
3	0761012	8	Bolt, M10X25	
4	2130404	1	Fitting, 90 ORFS	
5	2130808	2	Fitting, 90 ORFS	
6	2170208	2	Fitting, 90 ORFS	
7	4811702	1	Washer, M6	
8	4811900	1	Washer, M8	
9	4812000	8	Washer, M10	
10	1001004640	4	Clamp	
11	1001143857	1	Fitting, Straight ORFS	
12	1001257330	1	Column Assembly - Tilt Steering (No Service Parts Available - Purchase Complete Assembly))	
13	1001156265	1	Bracket, Support	
14	1001161672	1	Pipe	
15	1001161896	1	Pipe	
16	1001161897	1	Pipe	
17	1001161898	1	Pipe	
18	1001162979	1	Pipe	
19	1001168142	1	Bracket	
20	1001168151	1	Bracket	
21	1001229087	1	Valve, Steering Unit	

SECTION 7 - CONTROLS

FIGURE 7-14. HORN INSTALLATION



DETAIL A

ART_1001180418-C

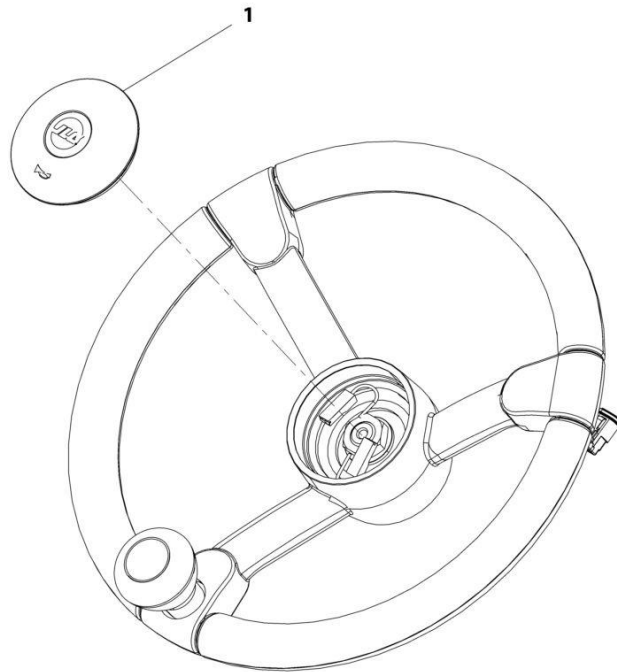
SECTION 7 - CONTROLS

FIGURE 7-14. HORN INSTALLATION

ITEM	PART NUMBER	QTY	DESCRIPTION	REV
	1001180418	Ref	Horn Installation	C
1	1001003596	1	Horn	
2	0760810	1	Bolt, M8X20	
3	0760812	1	Bolt, M8X25	
4	3290805	1	Nut, Lock M8X1.25 Grade 8	
5	4811900	3	Washer, M8	
7	1001104437	1	Bracket, Horn Mount	

SECTION 7 - CONTROLS

FIGURE 7-15. HORN BUTTON INSTALLATION



ART_1001169763-A

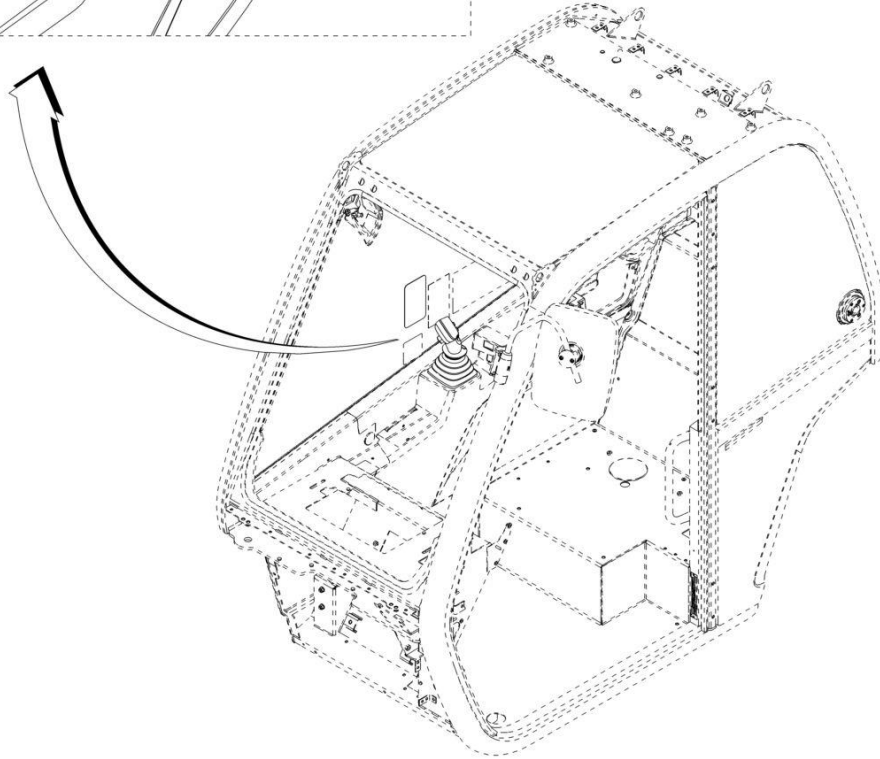
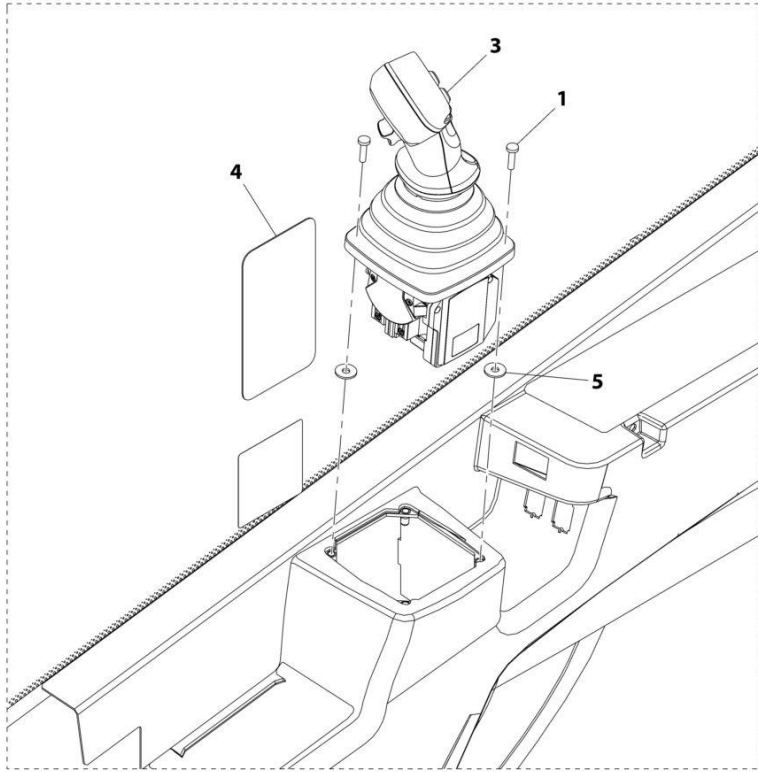
SECTION 7 - CONTROLS

FIGURE 7-15. HORN BUTTON INSTALLATION

ITEM	PART NUMBER	QTY	DESCRIPTION	REV
1	1001169763 1001169268	Ref 1	Horn Button Installation Button, Horn	A

SECTION 7 - CONTROLS

FIGURE 7-16. JOYSTICK INSTALLATION



ART_1001167004-G

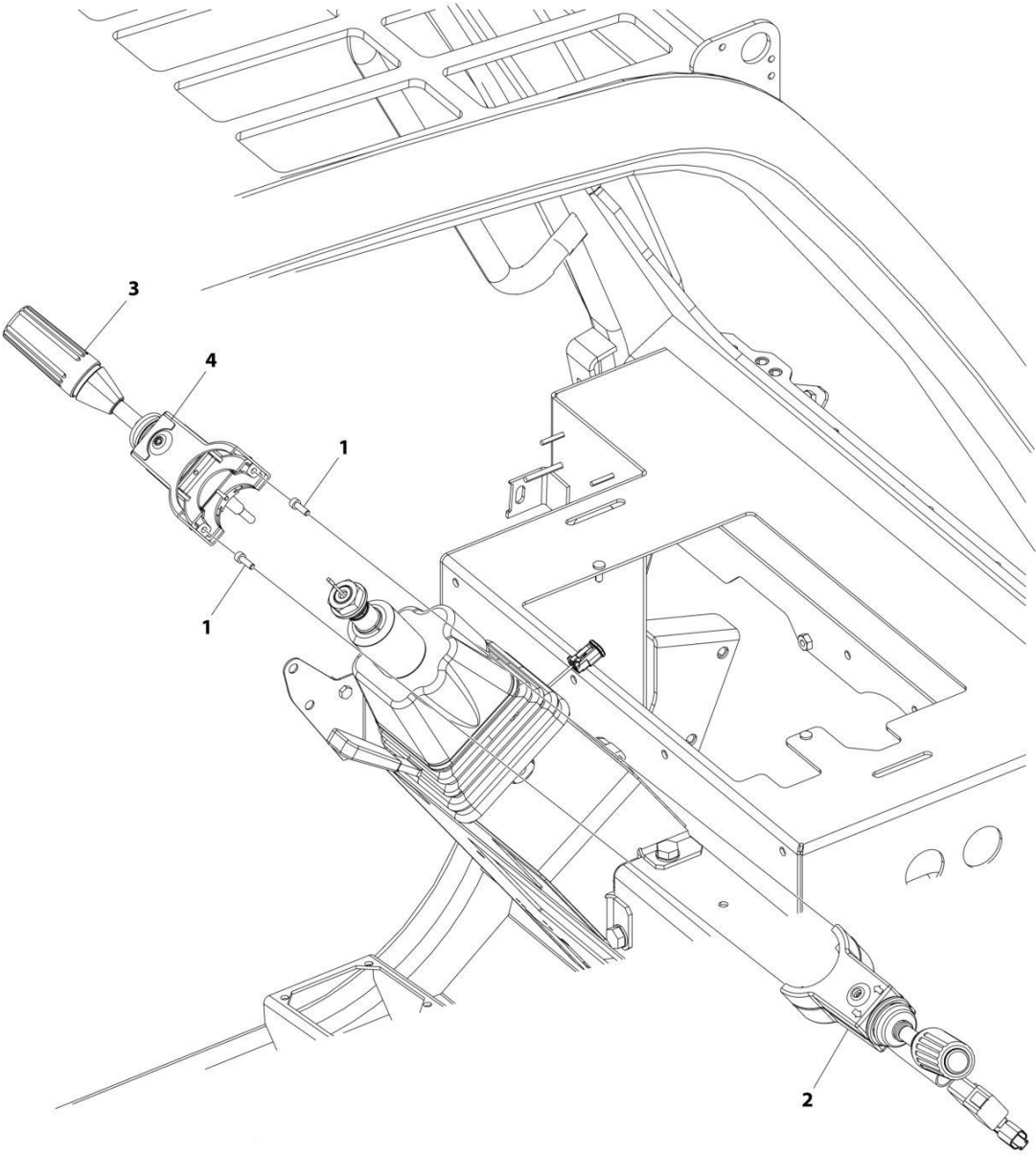
SECTION 7 - CONTROLS

FIGURE 7-16. JOYSTICK INSTALLATION

ITEM	PART NUMBER	QTY	DESCRIPTION	REV
	1001167004	Ref	Joystick Installation	H
1	4010510	4	Screw, M5X20	
3	1001222603	1	Joystick	
4	1001236404	NLA	Decal, Joystick (no longer available, use 1001241950 for replacement)	
4	1001241950	1	Decal, Joystick	
5	4811702001	AR	Washer, M6	

SECTION 7 - CONTROLS

FIGURE 7-17. WIPER-TURN SWITCH (0 SPEED - FNR)



ART_1001181927

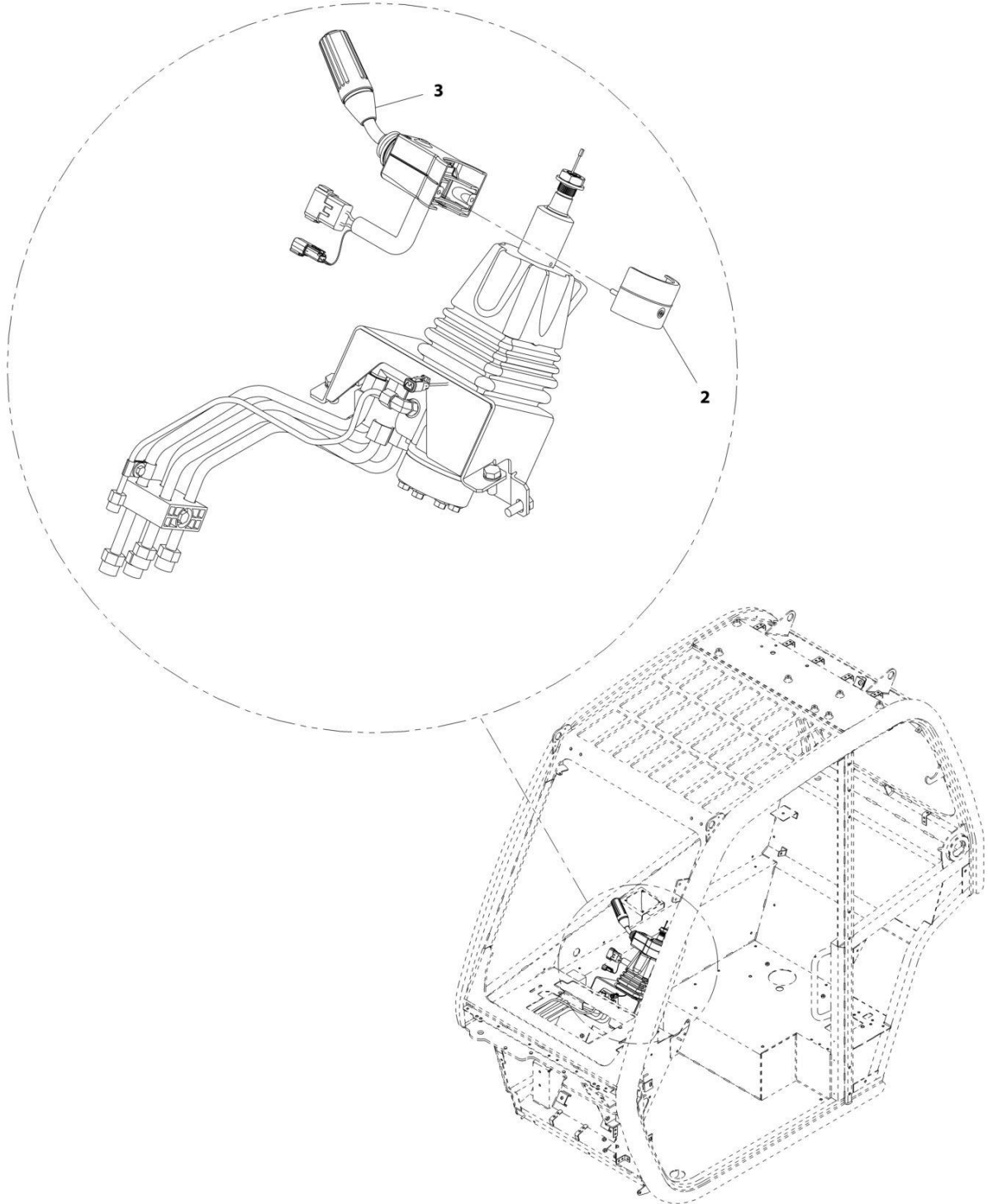
SECTION 7 - CONTROLS

FIGURE 7-17. WIPER-TURN SWITCH (0 SPEED - FNR)

ITEM	PART NUMBER	QTY	DESCRIPTION	REV
	1001181927	Ref	Wiper-Turn Switch (0 Speed - FNR)	F
1	4031607	2	Bolt, M5X16	
2	1001214280	1	Switch, Turn-Wiper	
3	1001257348	1	Switch, Zero Speed	
4	1001236402	1	Decal	

SECTION 7 - CONTROLS

FIGURE 7-18. WIPER-TURN SWITCH (NO SPEED)



ART_1001181928-D

SECTION 7 - CONTROLS

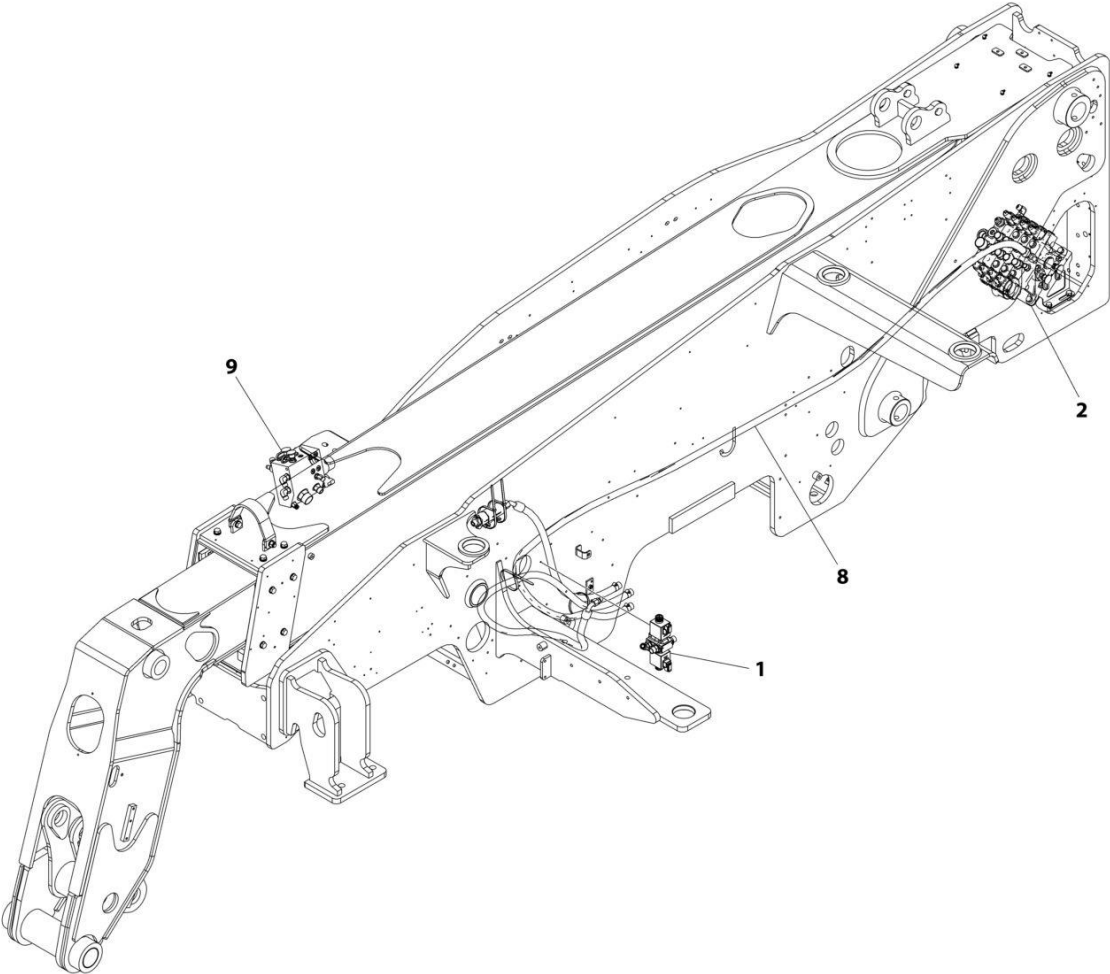
FIGURE 7-18. WIPER-TURN SWITCH (NO SPEED)

ITEM	PART NUMBER	QTY	DESCRIPTION	REV
	1001181928	Ref	Wiper-Turn Switch (No Speed)	D
2	1001146949	1	Clamp	
3	1001214280	1	Switch, Turn-Wiper	

SECTION 8 - HYDRAULIC CIRCUITS

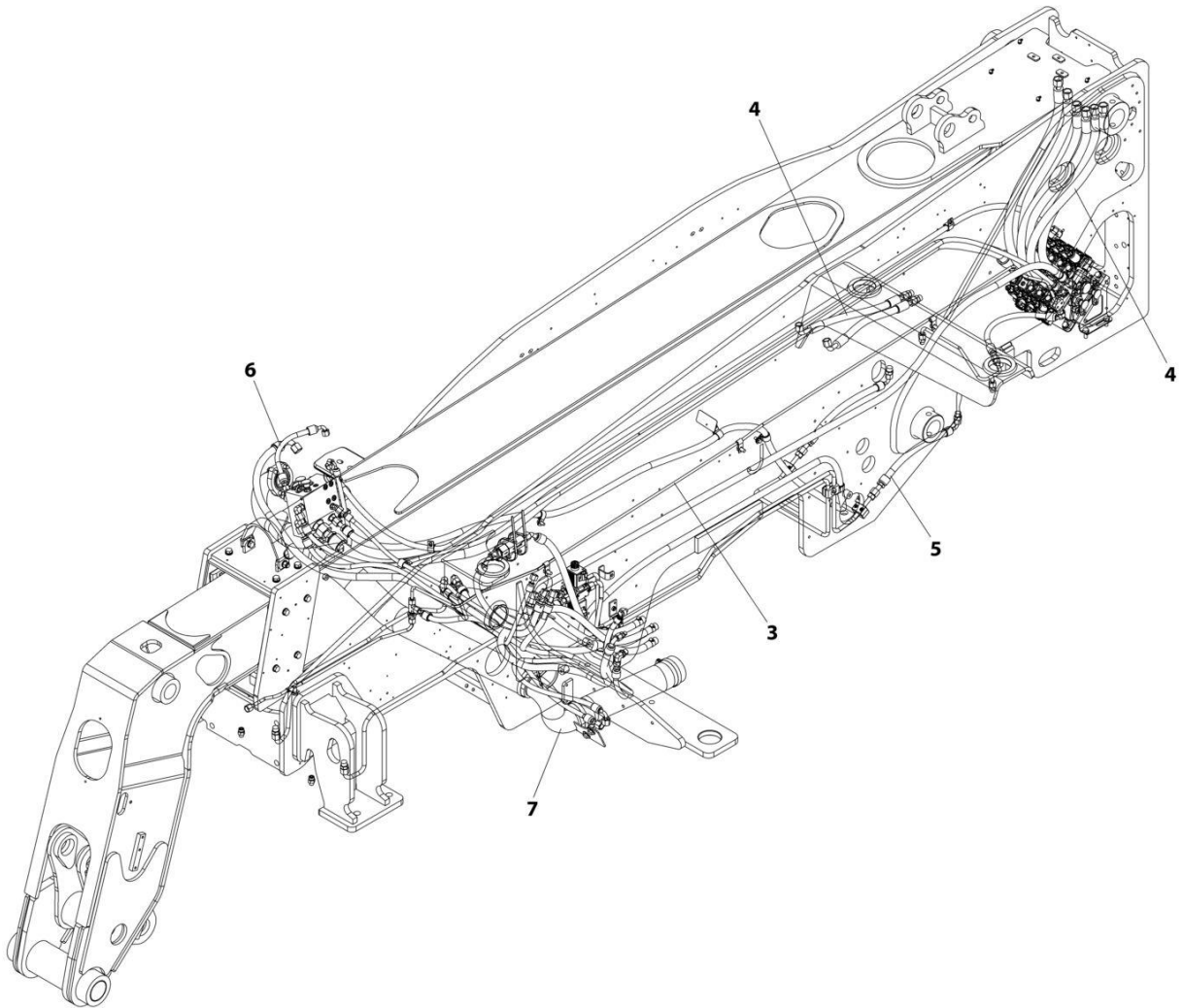
SECTION 8 - HYDRAULIC CIRCUITS

FIGURE 8-1. COMMON HYDRAULICS INSTALLATION



ART_1001258627_10F2

SECTION 8 - HYDRAULIC CIRCUITS



ART_1001258627_20F2

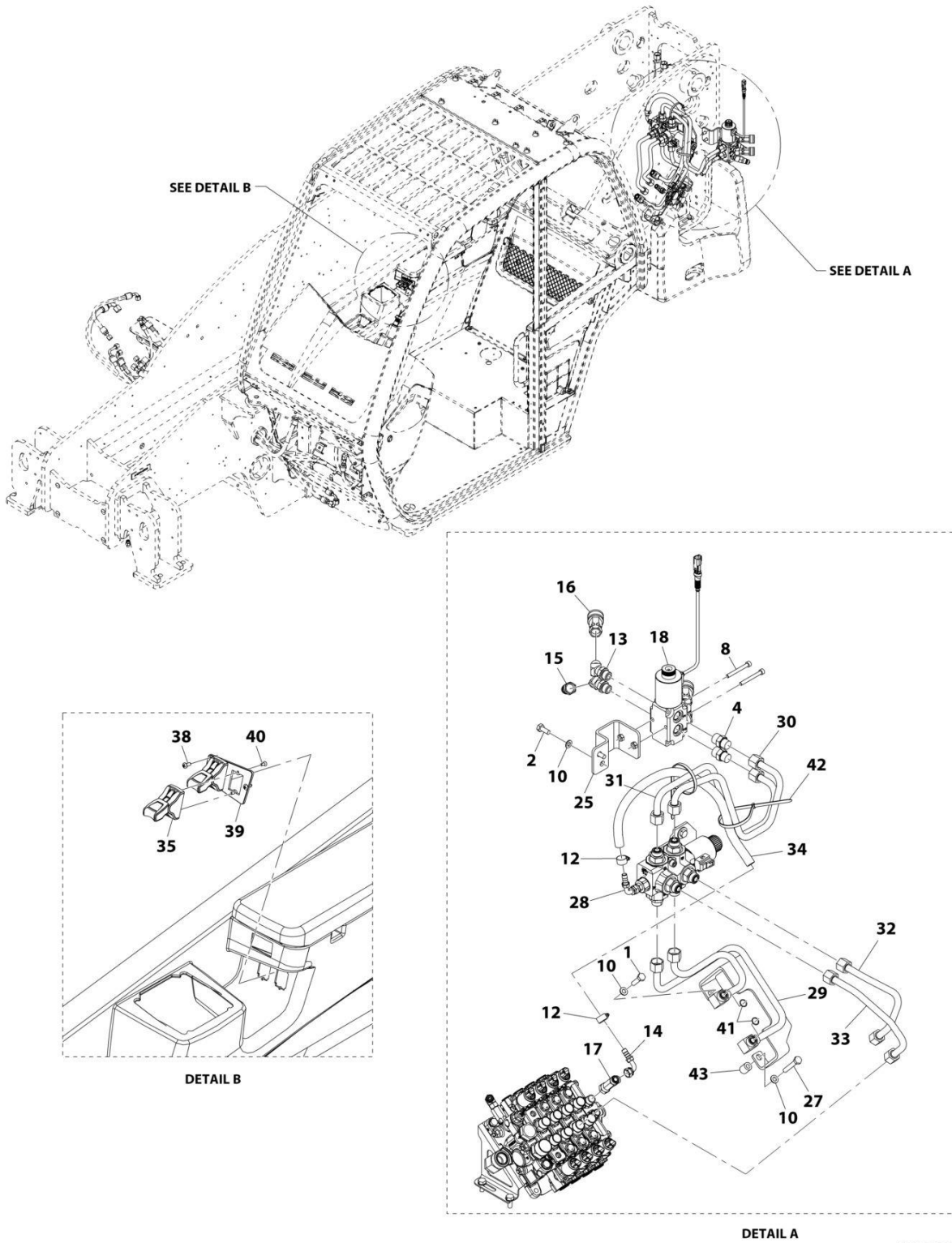
SECTION 8 - HYDRAULIC CIRCUITS

FIGURE 8-1. COMMON HYDRAULICS INSTALLATION

ITEM	PART NUMBER	QTY	DESCRIPTION	REV
	1001258627	Ref	HYDRAULICS INSTALLATION	D
1	1001172894	1	Installation, Steer Valve (See Separate Breakdown in this Section)	
2	1001172900	1	Installation, Main Control Valve (See Separate Breakdown in this Section)	
3	1001172909	1	Installation, Brake Lines (See Separate Breakdown in this Section)	
4	1001173023	1	Installation, Boom Lines (See Separate Breakdown in this Section)	
5	1001180134	1	Installation, Steering Lines (See Separate Breakdown in this Section)	
6	1001269407	1	Installation, Priority Lines (See Separate Breakdown in this Section)	
7	1001184531	1	Installation, Suction Lines (See Separate Breakdown in this Section)	
8	1001185351	1	Installation, Return Lines (See Separate Breakdown in this Section)	
9	1001269021	1	Installation, Priority Valve (See Separate Breakdown in this Section)	

SECTION 8 - HYDRAULIC CIRCUITS

FIGURE 8-2. AUXILIARY HYDRAULICS INSTALLATION - REAR (TWIN)



ART_1001197090-1

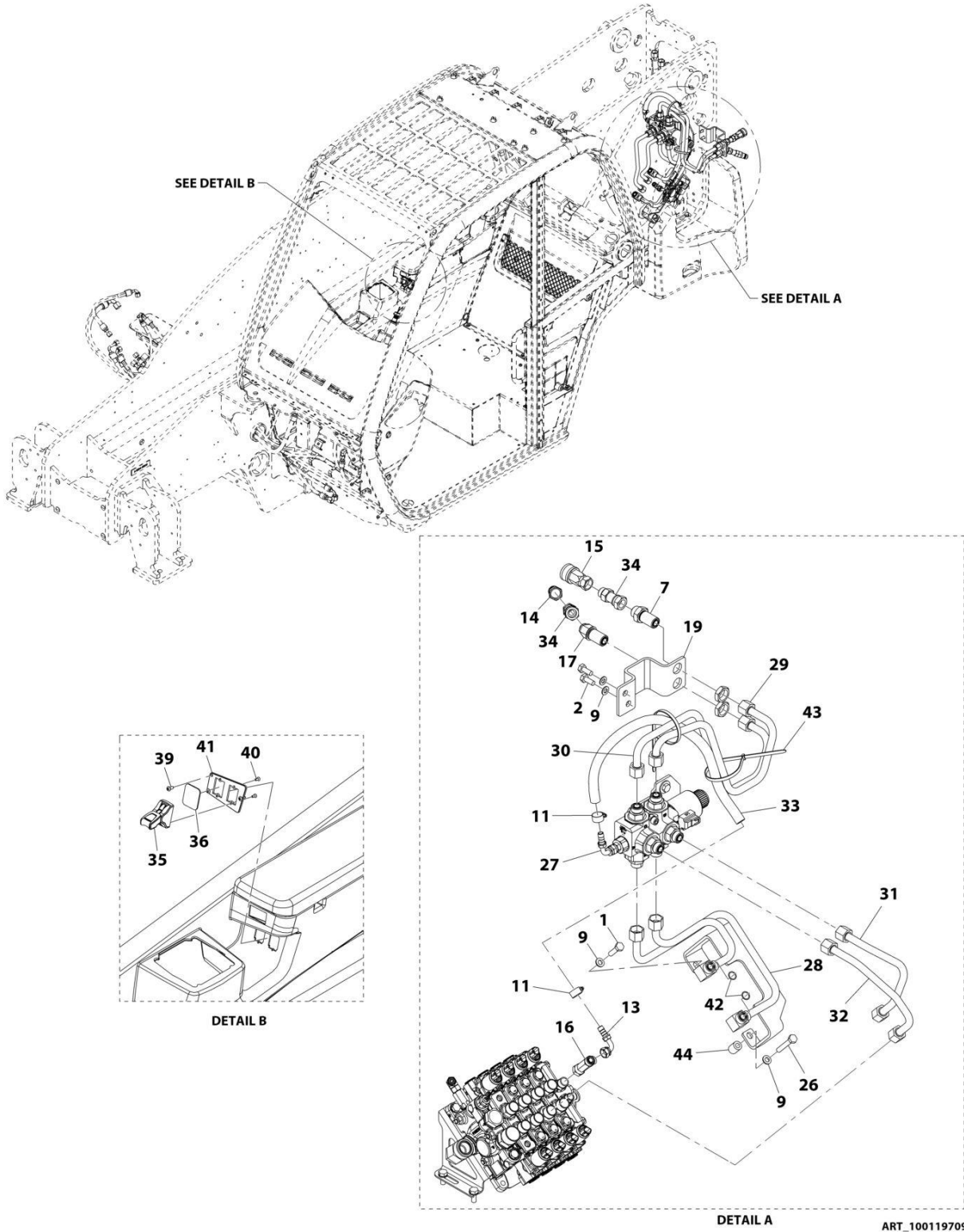
SECTION 8 - HYDRAULIC CIRCUITS

FIGURE 8-2. AUXILIARY HYDRAULICS INSTALLATION - REAR (TWIN)

ITEM	PART NUMBER	QTY	DESCRIPTION	REV
	1001197090	Ref	Rear Aux Hydraulics Installation (Twin)	I
1	0701016	1	Bolt, M10X40	
2	0761012	2	Bolt, M10X25	
4	2111010	2	Fitting, Straight ORFS	
8	4031918	2	Bolt, M8X70	
10	4812000	4	Washer, M10	
12	8405006	2	Clamp	
13	1001005904	4	Fitting, 45	
14	1001095301	1	Fitting, 90 ORFS	
15	1001101041	2	Coupling, Male Quick Disconnect	
16	1001101042	2	Coupling, Female Quick Disconnect	
17	1001104646	1	Fitting, Tee ORFS	
18	1001110023	1	Valve, Divertor (See Separate Breakdown in HYDRAULIC COMPONENTS Section)	
25	1001213871	1	Bracket	
27	0701021	1	Bolt, M10X65	
28	1001204420	1	Assembly, Divertor Valve (Hi Flow) (See Separate Breakdown in HYDRAULIC COMPONENTS Section)	
29	1001204421	NLA	Pipe (no longer available, use 1001226776 for replacement)	
29	1001226776	1	Pipe	
30	1001213771	NLA	Pipe, ORFS (no longer available, use 1001226101 for replacement)	
30	1001226101	1	Pipe, ORFS	
31	1001213772	1	Pipe, ORFS	
32	1001204427	NLA	Pipe, ORFS (no longer available, use 1001226777 for replacement)	
32	1001226777	1	Pipe, ORFS	
33	1001204428	NLA	Pipe, ORFS (no longer available, use 1001226778 for replacement)	
33	1001226778	1	Pipe, ORFS	
34	1001204437	NLA	Hose (no longer available, use 1001226779 for replacement)	
34	1001226779	1	Hose	
35	1001242098	2	Joystick, Fingertip Control	
38	7029486	1	Screw	
39	1001216163	1	Plate	
40	1001216232	4	Screw	
41	1001008922	2	Seal	
42	1062255	2	Strap, Tie	
43	1001188548	1	Boss	

SECTION 8 - HYDRAULIC CIRCUITS

FIGURE 8-3. AUXILIARY HYDRAULICS INSTALLATION - REAR (SINGLE)



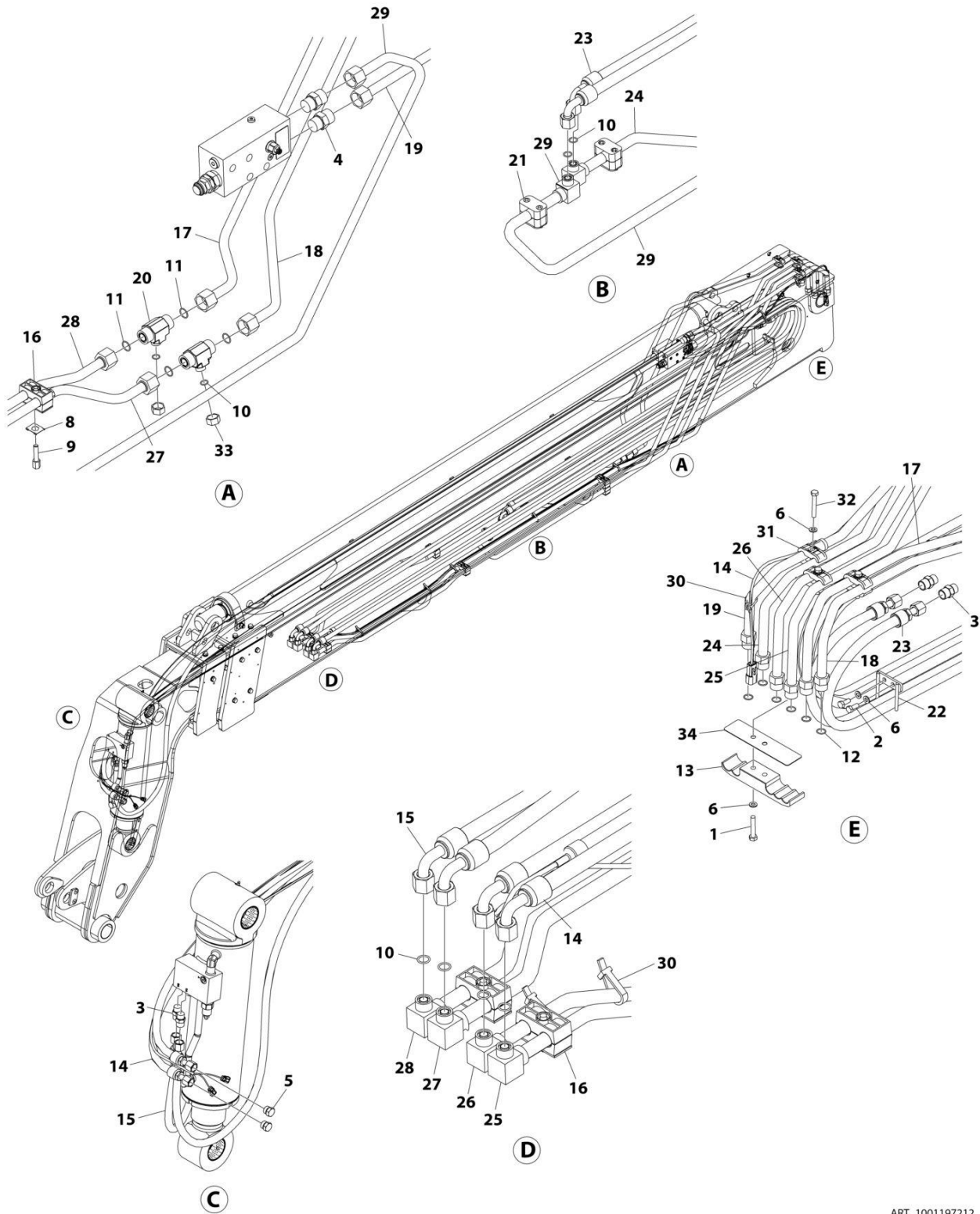
SECTION 8 - HYDRAULIC CIRCUITS

FIGURE 8-3. AUXILIARY HYDRAULICS INSTALLATION - REAR (SINGLE)

ITEM	PART NUMBER	QTY	DESCRIPTION	REV
	1001197093	Ref	Rear Aux Hydraulics Installation (Single)	I
1	0701016	1	Bolt, M10X40	
2	0761012	2	Bolt, M10X25	
7	2171110	1	Fitting, Straight ORFS	
9	4812000	4	Washer, M10	
11	8405006	2	Clamp	
13	1001095301	1	Fitting, 90 ORFS	
14	1001101041	1	Coupling, Male Quick Disconnect	
15	1001101042	1	Coupling, Female Quick Disconnect	
16	1001104646	1	Fitting, Tee ORFS	
17	2171310	1	Fitting, 45 ORFS	
19	1001213829	1	Bracket	
26	0701021	1	Bolt, M10X65	
27	1001204420	1	Assembly, Divertor Valve (Hi Flow) (See Separate Breakdown in HYDRAULIC COMPONENTS Section)	
28	1001204421	NLA	Pipe (no longer available, use 1001226776 for replacement)	
28	1001226776	1	Pipe	
29	1001213771	NLA	Pipe, ORFS (no longer available, use 1001226101 for replacement)	
29	1001226101	1	Pipe, ORFS	
30	1001213772	1	Pipe, ORFS	
31	1001204427	NLA	Pipe, ORFS (no longer available, use 1001226777 for replacement)	
31	1001226777	1	Pipe, ORFS	
32	1001204428	NLA	Pipe, ORFS (no longer available, use 1001226778 for replacement)	
32	1001226778	1	Pipe, ORFS	
33	1001204437	NLA	Hose (no longer available, use 1001226779 for replacement)	
33	1001226779	1	Hose	
34	1001001556	2	Fitting, Straight ORFS	
35	1001242098	1	Joystick, Fingertip Control	
36	1001214399	1	Cover	
39	7029486	3	Screw	
40	1001216232	2	Screw	
41	1001216163	1	Plate	
42	1001008922	2	Seal	
43	1062255	2	Strap, Tie	
44	1001188548	1	Boss	

SECTION 8 - HYDRAULIC CIRCUITS

FIGURE 8-4. BOOM HYDRAULIC INSTALLATION



ART_1001197212

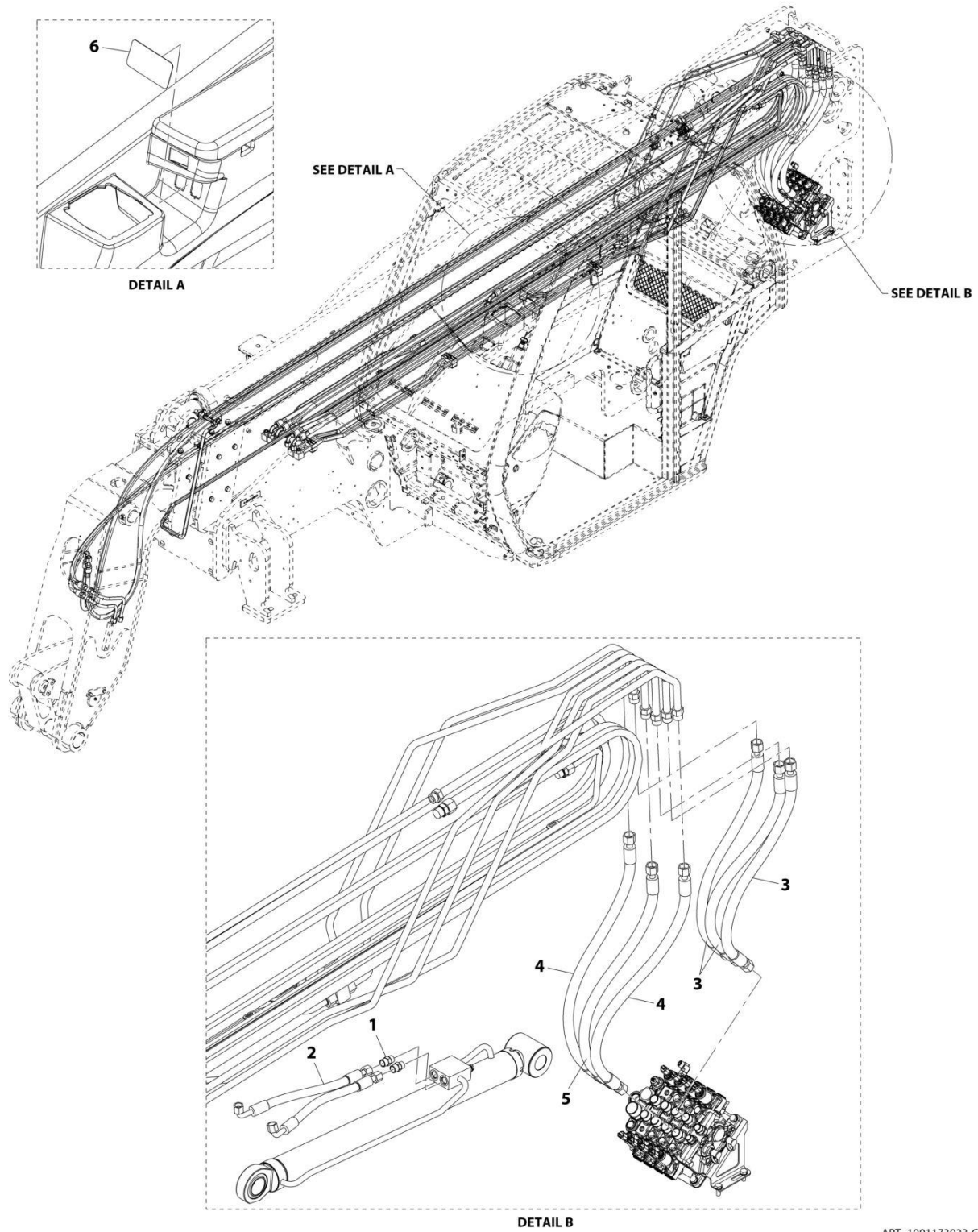
SECTION 8 - HYDRAULIC CIRCUITS

FIGURE 8-4. BOOM HYDRAULIC INSTALLATION

ITEM	PART NUMBER	QTY	DESCRIPTION	REV
	1001197212	Ref	BOOM HYDRAULIC INSTALLATION	G
1	0760815	2	Bolt, M8 x 35	
1	0760817	2	Bolt M8 x 45	
2	0760810	2	Bolt, M8 x 20	
3	2110808	4	Fitting, Straight ORFS	
4	2111212	2	Fitting, Straight ORFS	
5	2171008	2	Fitting, Straight ORFS	
6	4811900	7	Washer, M8	
8	8750017	1	Plate	
9	8750038	1	Clamp	
10	1001008805	8	Seal	
11	1001008863	4	Seal	
12	1001008922	6	Seal	
13	1001213020	1	Clamp (Used without Item 24 Clamping Plate)	
13	1001276011	1	Clamp (Used with Item 24 Clamping Plate)	
14	1001186170	1	Assembly, Boom Cable (See Separate Breakdown in HYDRAULIC COMPONENTS Section)	
15	1001270599	1	Hose, Twin	
16	1001181455	7	Clamp, Twin	
17	1001181945	1	Tube	
18	1001181946	1	Tube	
19	1001182066	1	Tube	
20	1001182793	2	Adapter, ORFS	
21	1001183580	2	Clamp	
22	1001196268	1	Bracket	
23	1001196442	1	Hose, Twin	
24	1001197281	1	Pipe	
25	1001197300	1	Pipe	
26	1001197301	1	Pipe	
27	1001197302	1	Pipe	
28	1001197303	1	Pipe	
29	1001197500	1	Pipe	
30	1001008923	AR	Strap, Tie	
31	1001213883	3	Clamp	
32	0700819	3	Bolt, M8 x 55	
33	2170908	2	Cap, Fitting	
34	1001277894	1	Plate, Clamping	

SECTION 8 - HYDRAULIC CIRCUITS

FIGURE 8-5. BOOM LINES INSTALLATION



ART_1001173023-C

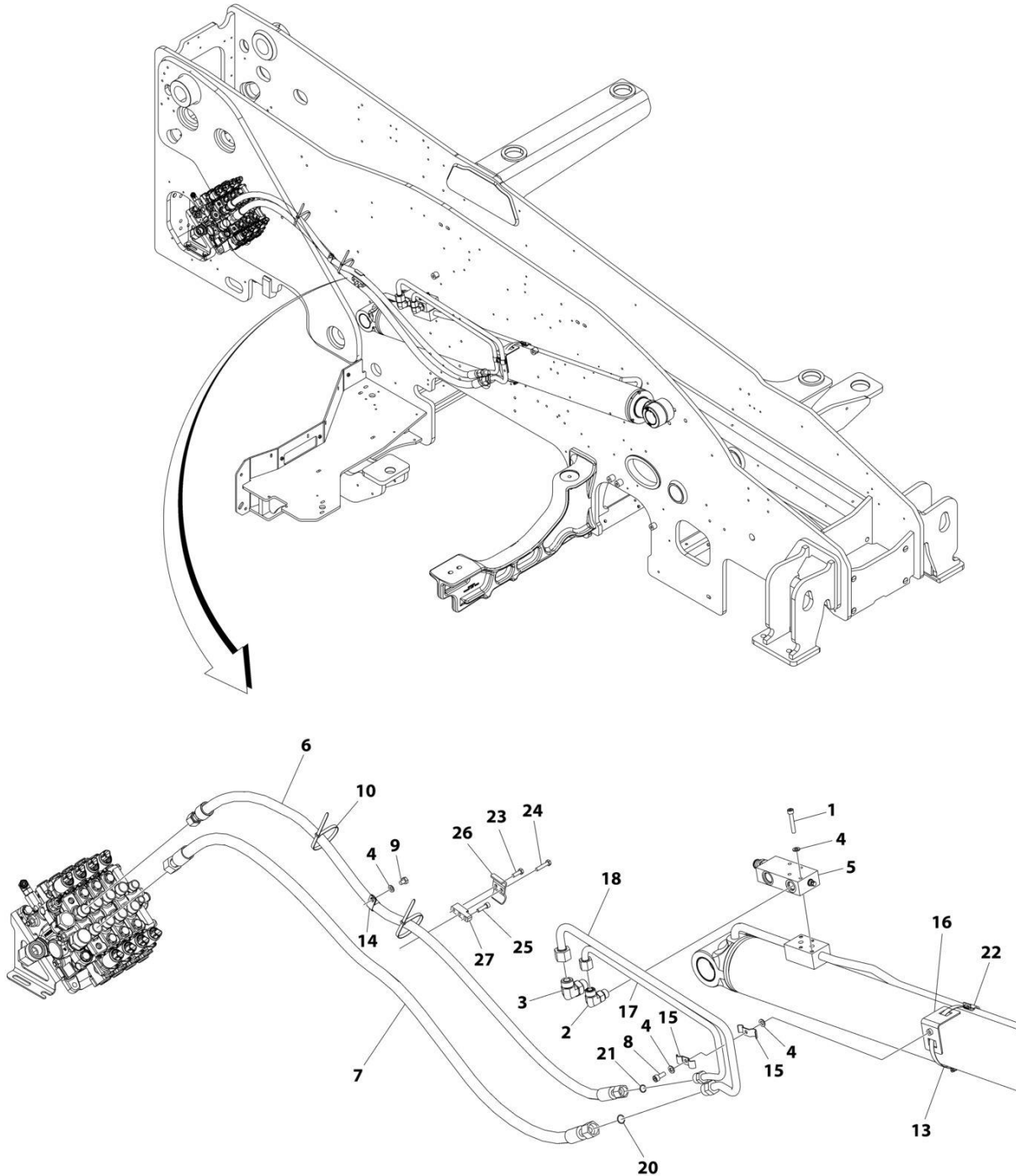
SECTION 8 - HYDRAULIC CIRCUITS

FIGURE 8-5. BOOM LINES INSTALLATION

ITEM	PART NUMBER	QTY	DESCRIPTION	REV
	1001173023	Ref	Boom Lines Installation	D
1	2110808	2	Fitting, Straight ORFS	
2	1001181784	2	Hose	
3	1001183990	3	Hose	
4	1001183959	2	Hose	
5	1001184482	1	Hose	
6	1670836	1	Cover	

SECTION 8 - HYDRAULIC CIRCUITS

FIGURE 8-6. BOOM RAISE HOSES INSTALLATION (NO RIDE CONTROL)



ART_1001179041_I

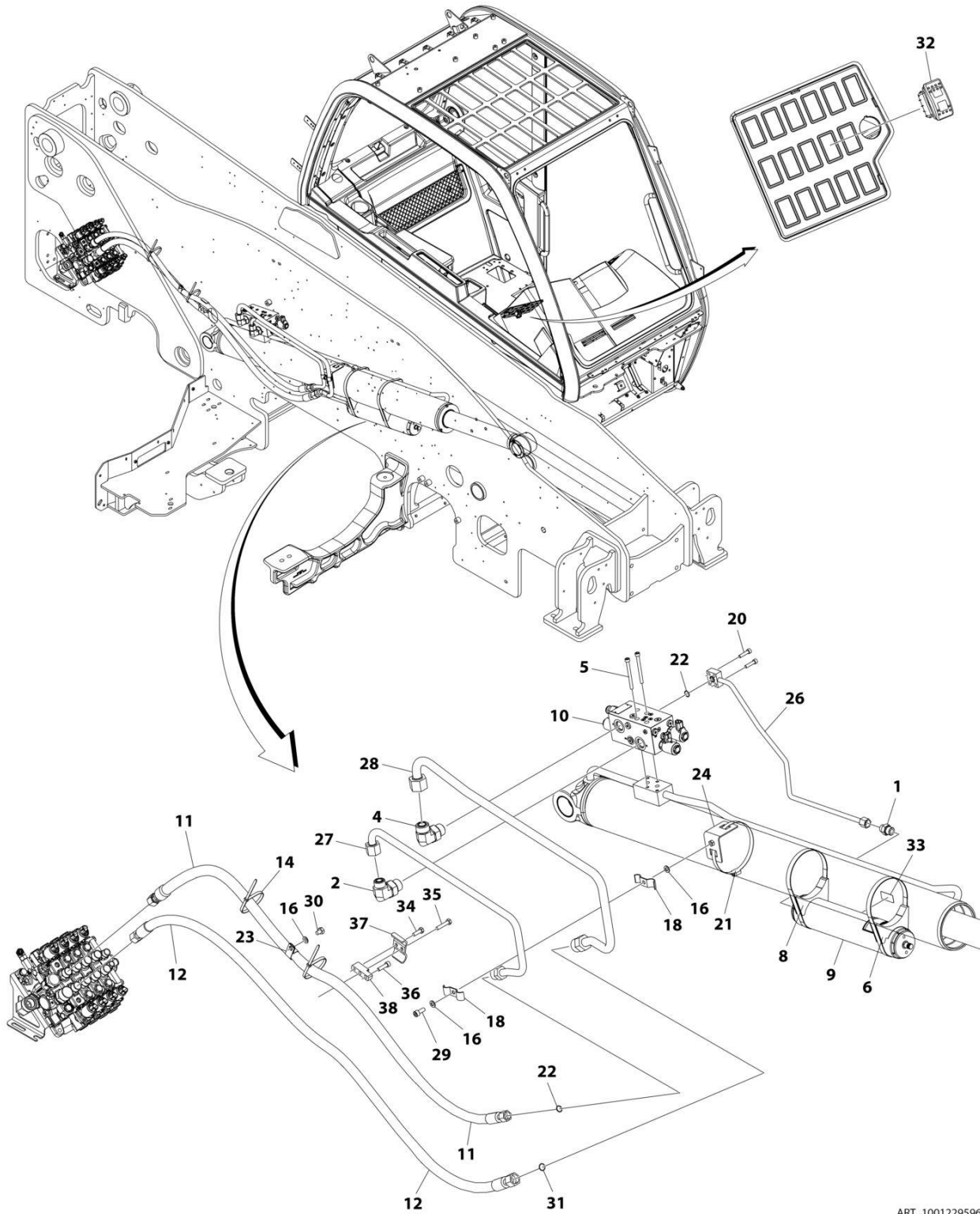
SECTION 8 - HYDRAULIC CIRCUITS

FIGURE 8-6. BOOM RAISE HOSES INSTALLATION (NO RIDE CONTROL)

ITEM	PART NUMBER	QTY	DESCRIPTION	REV
	1001179041	Ref	BOOM RAISE HOSES INSTALLATION (NO RIDE CONTROL)	I
1	5271814	4	Bolt M8 x 50	
2	2131010	1	Fitting, 90 ORFS	
3	2131212	1	Fitting, 90 ORFS	
4	4811900	7	Washer M8	
5	1001201245	1	Valve, Counterbalance (Sold as Assembly - No Service Parts Available)	
5	70027600	1	Seal Kit - Mounting (Includes Seals Between Valve & Cylinder)	
6	1001229223	1	Hose, ORFS	
7	1001203922	1	Hose, ORFS	
8	4031908	1	Bolt M8 x 20	
9	0760807	1	Bolt M8 x 14	
10	1062255	2	Strap, Tie	
13	8405502	1	Clamp	
14	8406201	1	Clamp	
15	1001198331	2	Clamp, Twin	
16	1001221665	1	Bracket	
17	1001221659	1	Pipe, ORFS	
18	1001221660	1	Pipe, ORFS	
20	1001008863	1	Seal	
21	1001008922	1	Seal	
22	1001101064	AR	Clip	
23	0760812	1	Bolt M8 x 25	
24	0760816	1	Bolt M8 x 40	
25	4031910	1	Bolt M8 x 30	
26	1001271129	1	Bracket	
27	1001270857	1	Mount, Block	

SECTION 8 - HYDRAULIC CIRCUITS

FIGURE 8-7. BOOM RAISE HOSES INSTALLATION (WITH RIDE CONTROL)



ART_1001229596

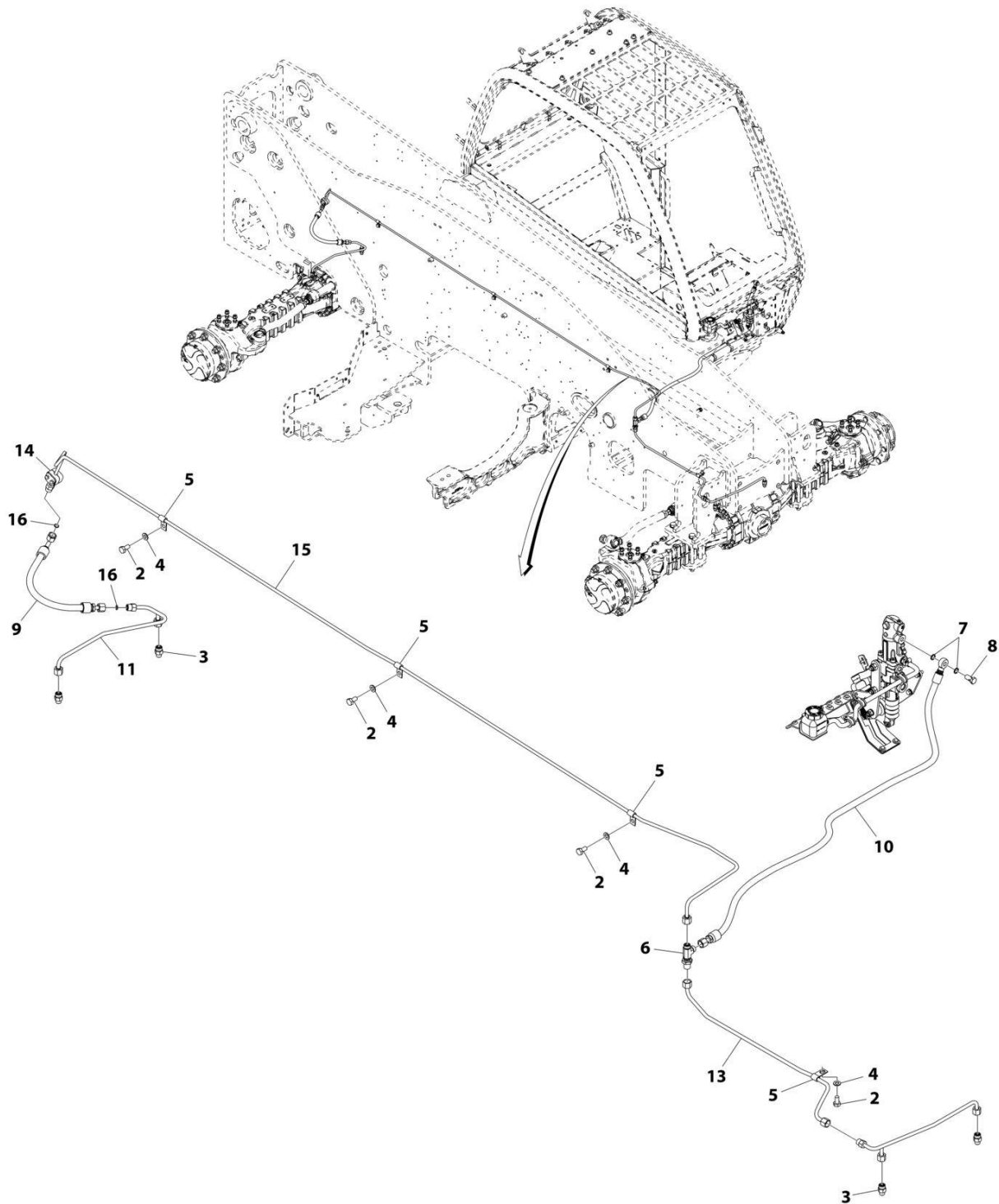
SECTION 8 - HYDRAULIC CIRCUITS

FIGURE 8-7. BOOM RAISE HOSES INSTALLATION (WITH RIDE CONTROL)

ITEM	PART NUMBER	QTY	DESCRIPTION	REV
	1001229596	Ref	BOOM RAISE HOSES INSTALLATION (RIDE CONTROL)	F
1	2110810	1	Fitting, Straight ORFS	
2	2131012	1	Fitting, 90 ORFS	
4	2131212	1	Fitting, 90 ORFS	
5	5271922	4	Bolt M8 x 90	
6	1001101063	2	Clamp	
8	1001208035	2	Bumper	
9	1001229084	1	Cylinder, Piston Accumulator	
10	1001263039	1	Valve, Ride Control (See Separate Breakdown in HYDRAULIC COMPONENTS Section)	
11	1001229223	1	Hose, ORFS	
12	1001203922	1	Hose, ORFS	
14	1062255	2	Strap, Tie	
16	4811900	3	Washer M8	
18	1001198331	2	Clamp, Twin	
20	5271808	4	Screw M8 x 20	
21	8405502	1	Clamp	
22	1001008922	2	Seal	
23	8406201	1	Clamp	
24	1001221665	1	Bracket	
26	1001211452	1	Pipe, ORFS	
27	1001221659	1	Pipe, ORFS	
28	1001229314	1	Pipe	
29	4031908	1	Bolt M8 x 20	
30	0760807	1	Bolt M8 x 14	
31	1001008863	1	Seal	
32	1001159745	1	Switch	
33	1001247708	1	Decal, Stored Energy	
34	0760812	1	Bolt M8 x 25	
35	0760816	1	Bolt M8 x 40	
36	4031910	1	Bolt M8 x 30	
37	1001271129	1	Bracket	
38	1001270857	1	Mount, Block	

SECTION 8 - HYDRAULIC CIRCUITS

FIGURE 8-8. BRAKE LINES INSTALLATION



ART_1001172909-E

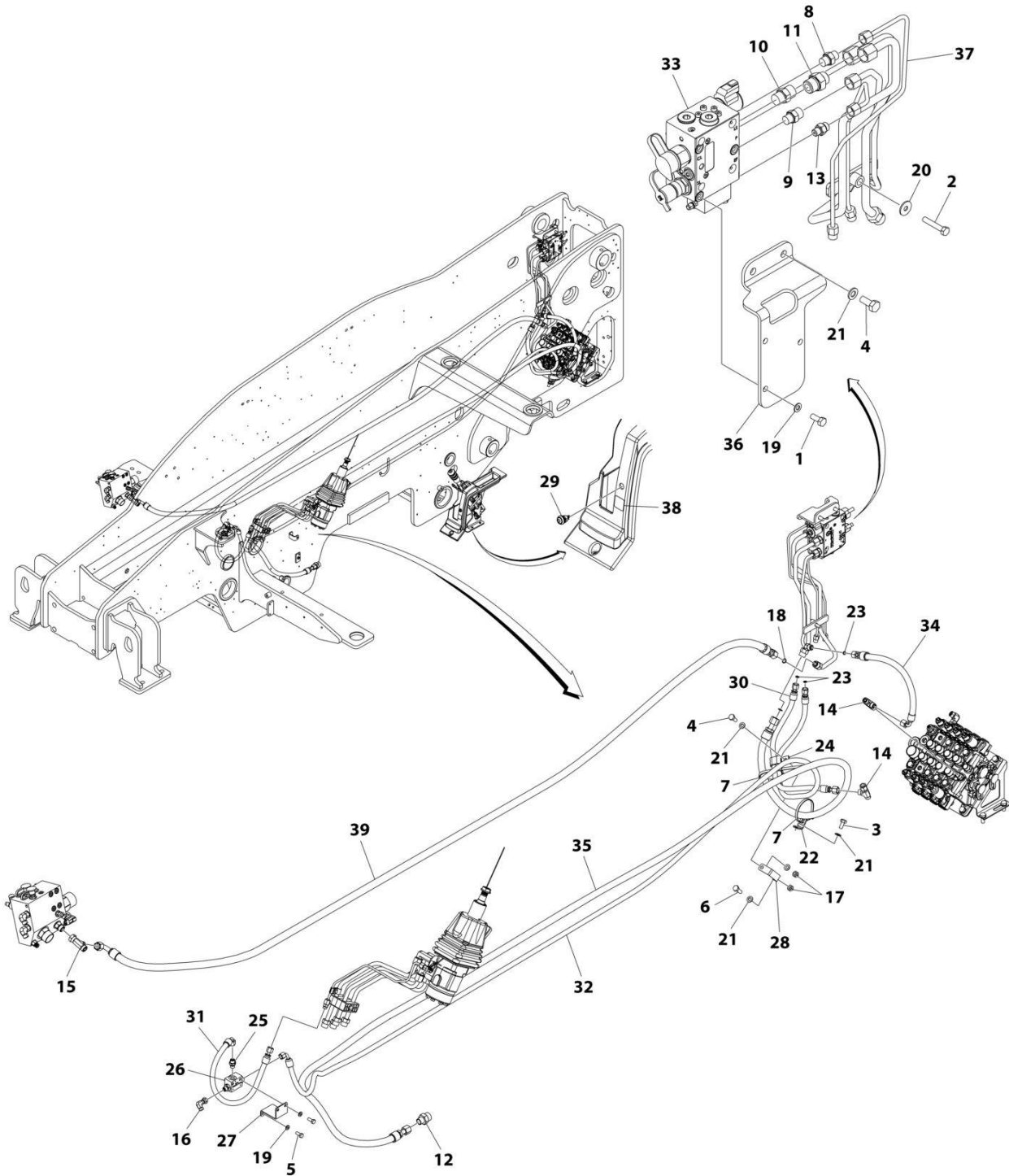
SECTION 8 - HYDRAULIC CIRCUITS

FIGURE 8-8. BRAKE LINES INSTALLATION

ITEM	PART NUMBER	QTY	DESCRIPTION	REV
	1001172909	Ref	Brake Lines Installation	E
2	0761010	4	Bolt, M10X20	
3	2144605	4	Fitting, Straight ORFS	
4	4812000	4	Washer, M10	
5	1001008773	4	Clip	
6	88662434	1	Fitting, Tee ORFS	
7	1001105639	2	Washer	
8	1001105643	1	Bolt	
9	1001181008	1	Hose, Rear Brake	
10	1001221952	1	Hose, ORFS	
11	1001181016	1	Pipe, ORFS	
13	1001181019	1	Pipe, ORFS	
14	1001181170	1	Clamp	
15	1001221953	1	Pipe, ORFS	
16	1001008804	2	Seal	

SECTION 8 - HYDRAULIC CIRCUITS

FIGURE 8-9. BRAKE INSTALLATION – TRAILER



ART_1001269410

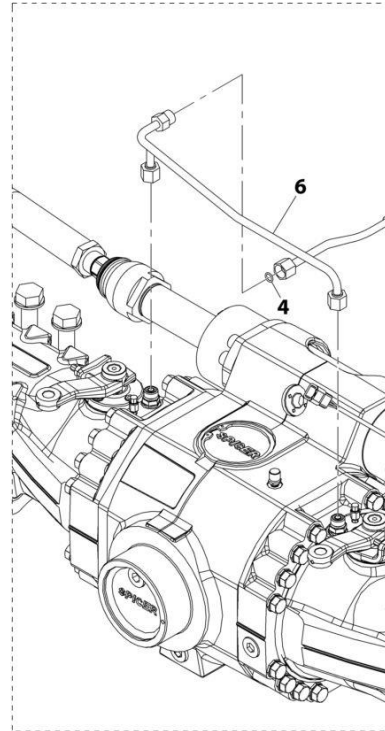
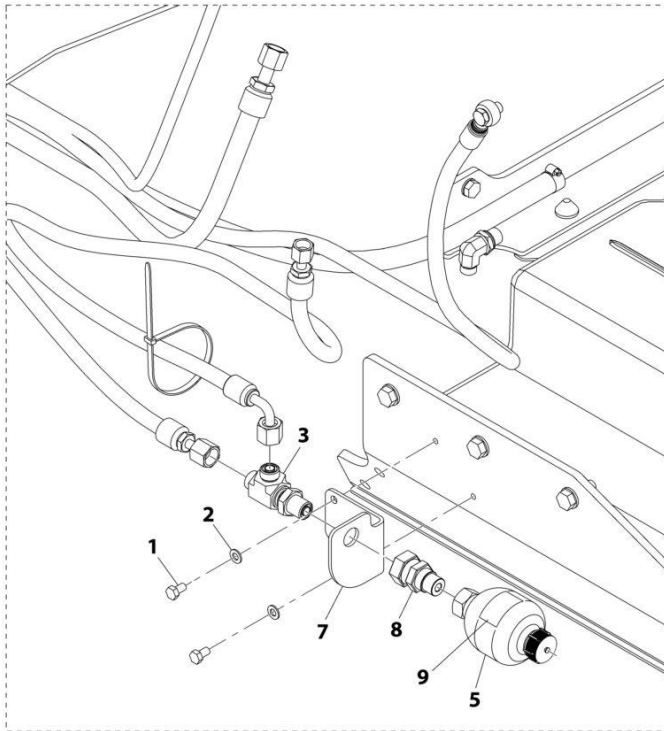
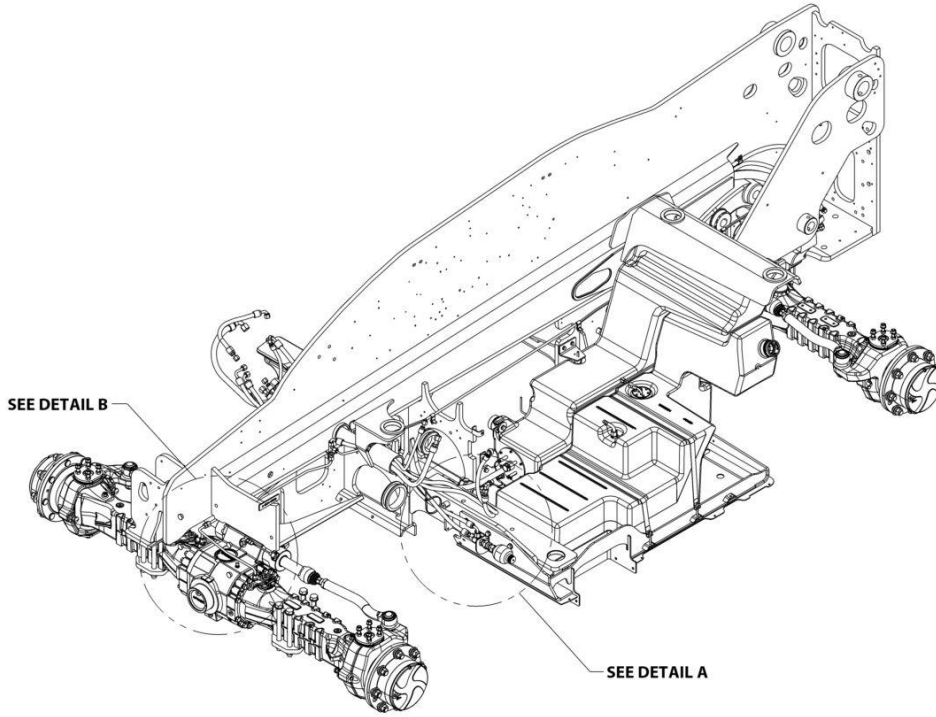
SECTION 8 - HYDRAULIC CIRCUITS

FIGURE 8-9. BRAKE INSTALLATION – TRAILER

ITEM	PART NUMBER	QTY	DESCRIPTION	REV
	1001269410	Ref	TRAILER BRAKE INSTALLATION	C
1	0700810	3	Bolt M8 x 20	
2	0700817	1	Bolt M8 x 45	
3	0701011	1	Bolt M10 x 22	
4	0701012	3	Bolt M10 x 25	
5	0760810	4	Bolt M8 x 20	
6	0761014	1	Bolt M10 x 30	
7	1062255	2	Strap, Tie	
8	2110406	1	Fitting, Straight ORFS/ORB	
9	2110606	1	Fitting, Straight ORFS/ORB	
10	2110808	1	Fitting, Straight ORFS/ORB	
11	2110810	1	Fitting, Straight ORFS/ORB	
12	2110812	1	Fitting, Straight ORFS/ORB	
13	2144602	1	Fitting, Straight ORFS/ORB	
14	2170706	2	Fitting, Tee ORFS	
15	2170708	1	Fitting, Tee ORFS	
16	2172104	1	Fitting, 90 ORFS	
17	3291001	2	Nut M10 x 1.5, Grade 8	
18	3790013	2	O-Ring	
19	4811900	7	Washer M8	
20	4811902	1	Washer M8	
21	4812000	6	Washer M10	
22	1001003305	1	Clip	
23	1001008586	3	O-Ring	
24	1001008626	1	Clip	
25	1001120501	1	Fitting, Straight ORFS/BSPP	
26	1001151257	1	Valve, Dynamic Select	
27	1001184517	1	Bracket	
28	1001184518	1	Bracket	
29	1001200633	1	Switch, Trailer Brake	
30	1001269720	1	Hose	
31	1001269721	1	Hose	
32	1001269722	1	Hose	
33	1001230194	1	Valve, Trailer Brake (See Separate Breakdown in HYDRAULIC COMPONENTS Section)	
34	1001269723	1	Hose	
35	1001269724	1	Hose	
36	1001293727	1	Bracket	
37	1001232651	1	Pipe	
38	1001235451	1	Decal - Trailer Brake	
39	1001204731	1	Hose, ORFS	

SECTION 8 - HYDRAULIC CIRCUITS

FIGURE 8-10. BRAKE ACCUMULATOR LINES INSTALLATION (WITHOUT SAHR)



ART_1001213031-B

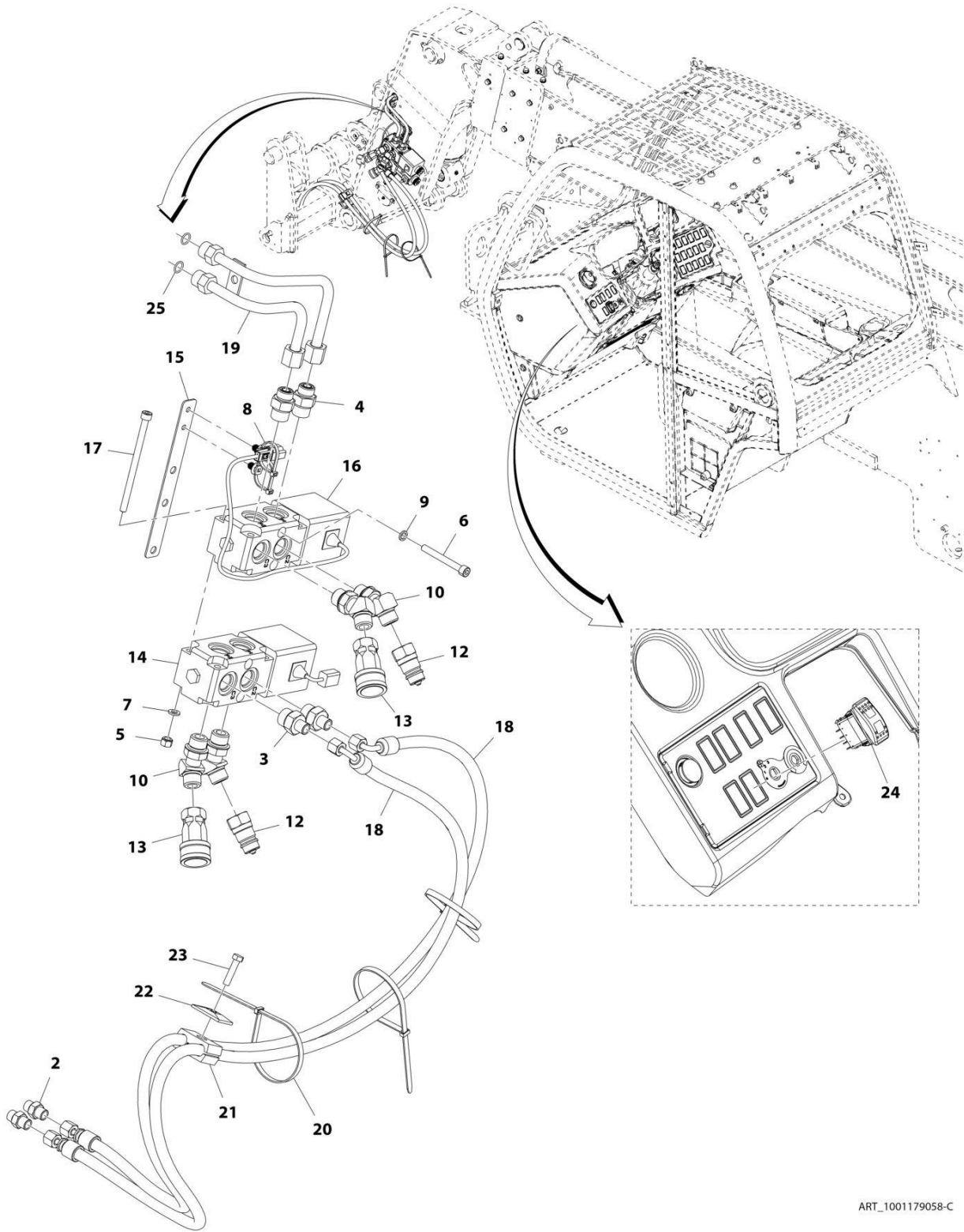
SECTION 8 - HYDRAULIC CIRCUITS

FIGURE 8-10. BRAKE ACCUMULATOR LINES INSTALLATION (WITHOUT SAHR)

ITEM	PART NUMBER	QTY	DESCRIPTION	REV
	1001213031	Ref	Brake Accumulator	C
1	0760807	2	Bolt, M8X14	
2	4811900	2	Washer, M8	
3	8770167	1	Fitting, Tee ORFS	
4	1001008804	1	Seal	
5	1001173418	1	Brake, Damper	
5	1001310831	1	Brake, Damper	
6	1001181017	1	Pipe, ORFS	
7	1001207522	1	Bracket, Accumulator	
8	1001207523	1	Fitting, Straight ORFS	
9	1001237054	1	Decal, Stored Energy	

SECTION 8 - HYDRAULIC CIRCUITS

FIGURE 8-11. COUPLER (HYDRAULIC) LINES INSTALLATION (FRONT BOOM - TWIN)



ART_1001179058-C

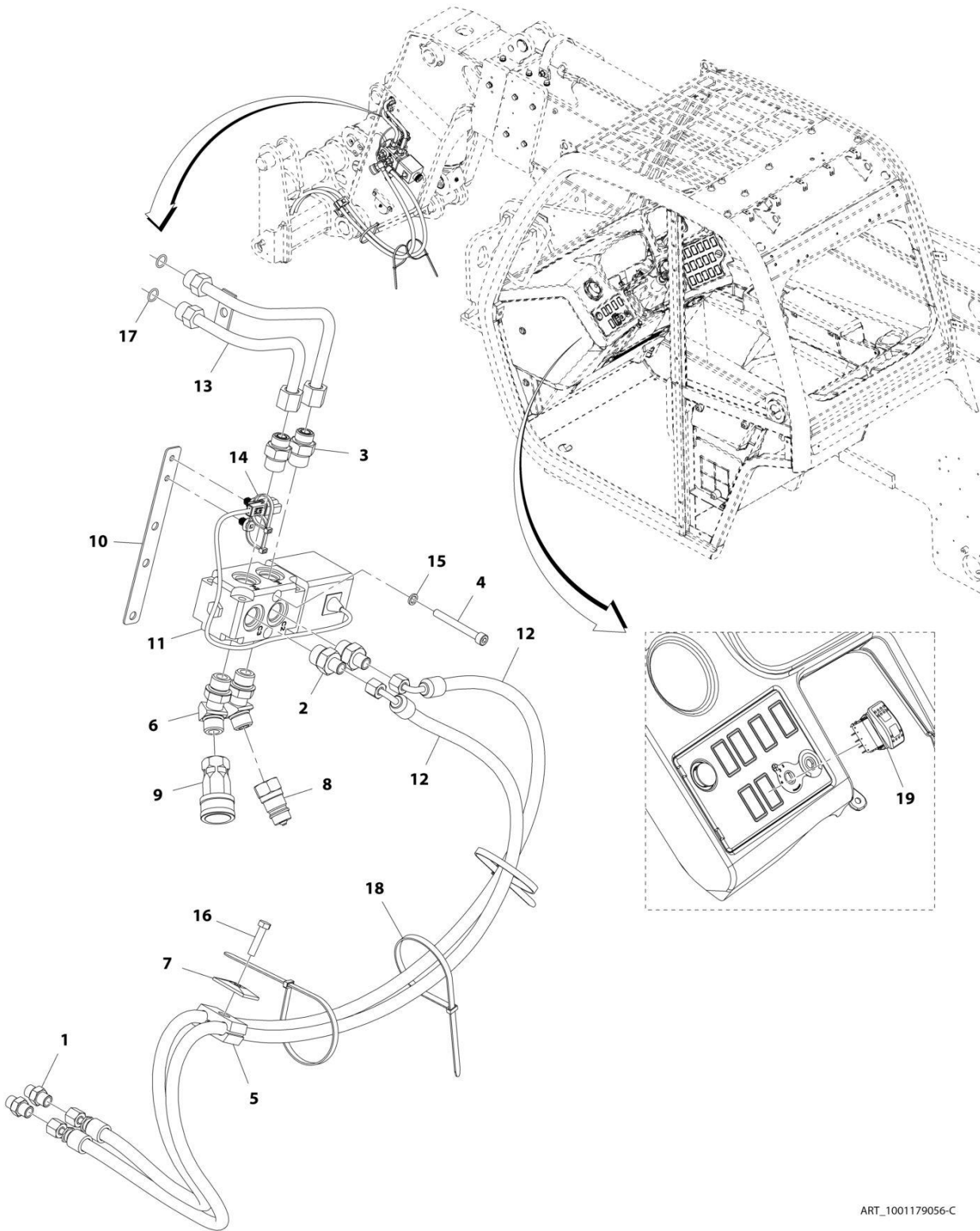
SECTION 8 - HYDRAULIC CIRCUITS

FIGURE 8-11. COUPLER (HYDRAULIC) LINES INSTALLATION (FRONT BOOM - TWIN)

ITEM	PART NUMBER	QTY	DESCRIPTION	REV
	1001179058	Ref	Hydraulic Coupler Lines Installation (Front Boom - Twin)	C
2	2110406	2	Fitting, Straight ORFS	
3	2110410	2	Fitting, Straight ORFS	
4	2110810	2	Fitting, Straight ORFS	
5	3290805	4	Nut, Lock M8X1.25 Grade 8	
6	4031918	2	Bolt, M8X70	
7	4831900	4	Washer, Lock M8	
8	1001146588	2	Strap, Fir Tree Cable Tie	
9	1001005262	2	Washer	
10	1001005904	4	Elbow	
12	1001101041	2	Coupling, Male Quick Disconnect	
13	1001101042	2	Coupling, Female Quick Disconnect	
14	1001104477	1	Valve, Divertor (See Separate Breakdown in HYDRAULIC COMPONENTS Section)	
15	1001108918	1	Plate	
16	1001110023	1	Valve, Divertor (See Separate Breakdown in HYDRAULIC COMPONENTS Section)	
17	1001110115	4	Bolt, M8X100	
18	1001200218	2	Hose, ORFS	
19	1001181161	1	Tube	
20	1062255	3	Strap, Tie	
21	8769124	1	Clamp	
22	77133140	1	Plate, Cover	
23	77133177	1	Bolt, M5/16X1-3/8	
24	1001080375	1	Switch, Quick Switch	
25	1001008805	2	Seal	

SECTION 8 - HYDRAULIC CIRCUITS

FIGURE 8-12. COUPLER (HYDRAULIC) LINES INSTALLATION (FRONT BOOM - SINGLE)



ART_1001179056-C

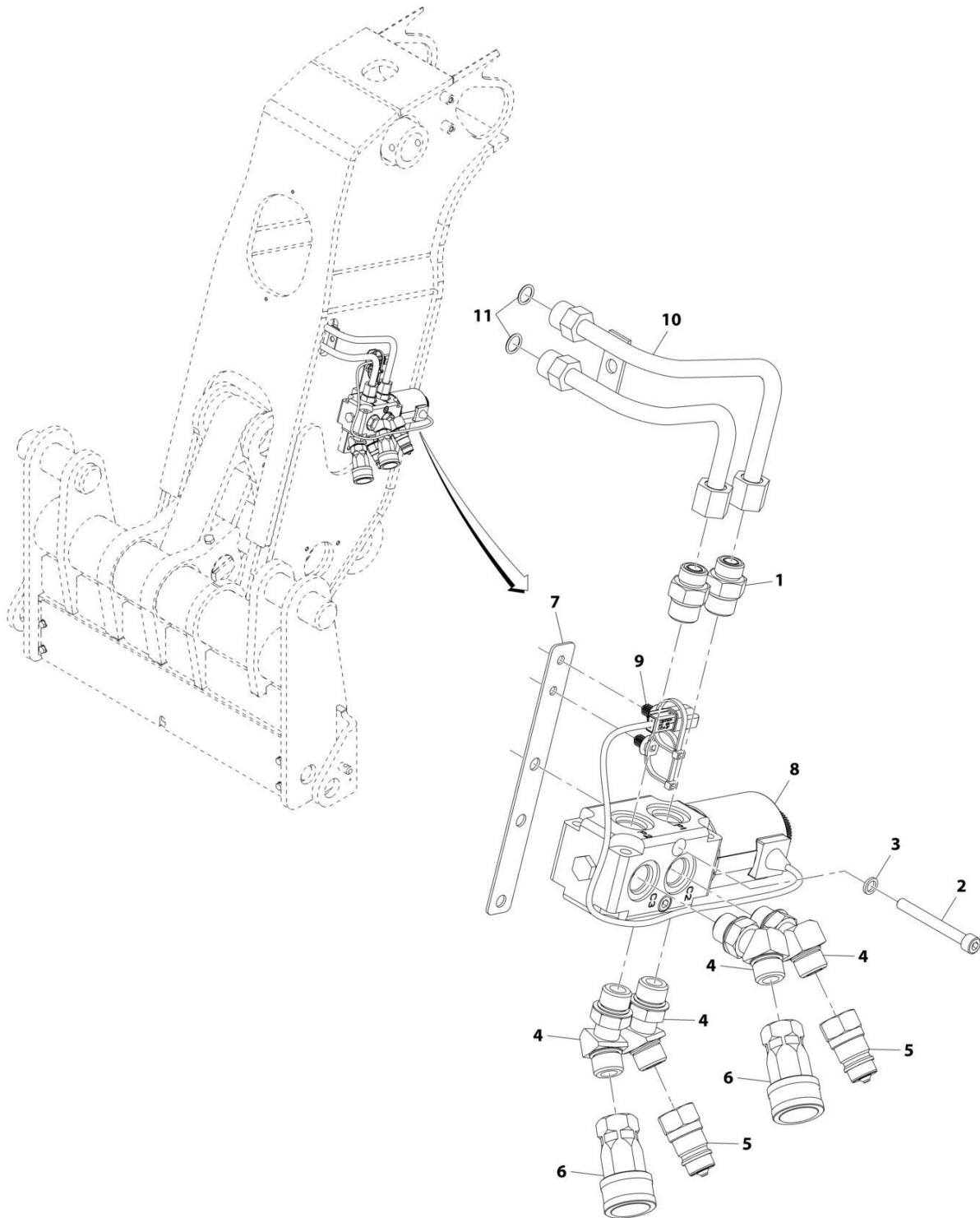
SECTION 8 - HYDRAULIC CIRCUITS

FIGURE 8-12. COUPLER (HYDRAULIC) LINES INSTALLATION (FRONT BOOM - SINGLE)

ITEM	PART NUMBER	QTY	DESCRIPTION	REV
	1001179056	Ref	Hydraulic Coupler Lines Installation (Front Boom - Single)	C
1	2110406	2	Fitting, Straight ORFS	
2	2110410	2	Fitting, Straight ORFS	
3	2110810	2	Fitting, Straight ORFS	
4	4031918	2	Bolt, M8X70	
5	8769124	1	Clamp	
6	1001005904	2	Elbow	
7	77133140	1	Plate, Cover	
8	1001101041	1	Coupling, Male Quick Disconnect	
9	1001101042	1	Coupling, Female Quick Disconnect	
10	1001108918	1	Plate	
11	1001110023	1	Valve, Divertor (See Separate Breakdown in HYDRAULIC COMPONENTS Section)	
12	1001200218	2	Hose, ORFS	
13	1001181161	1	Tube	
14	1001146588	2	Strap, Fir Tree Cable Tie	
15	1001005262	2	Washer	
16	77133177	1	Bolt, M5/16X1-3/8	
17	1001008805	2	Seal	
18	1062255	3	Strap, Tie	
19	1001080375	1	Switch, Quick Switch	

SECTION 8 - HYDRAULIC CIRCUITS

FIGURE 8-13. COUPLER (MANUAL) LINES INSTALLATION (FRONT BOOM - TWIN)



ART_1001201205-B

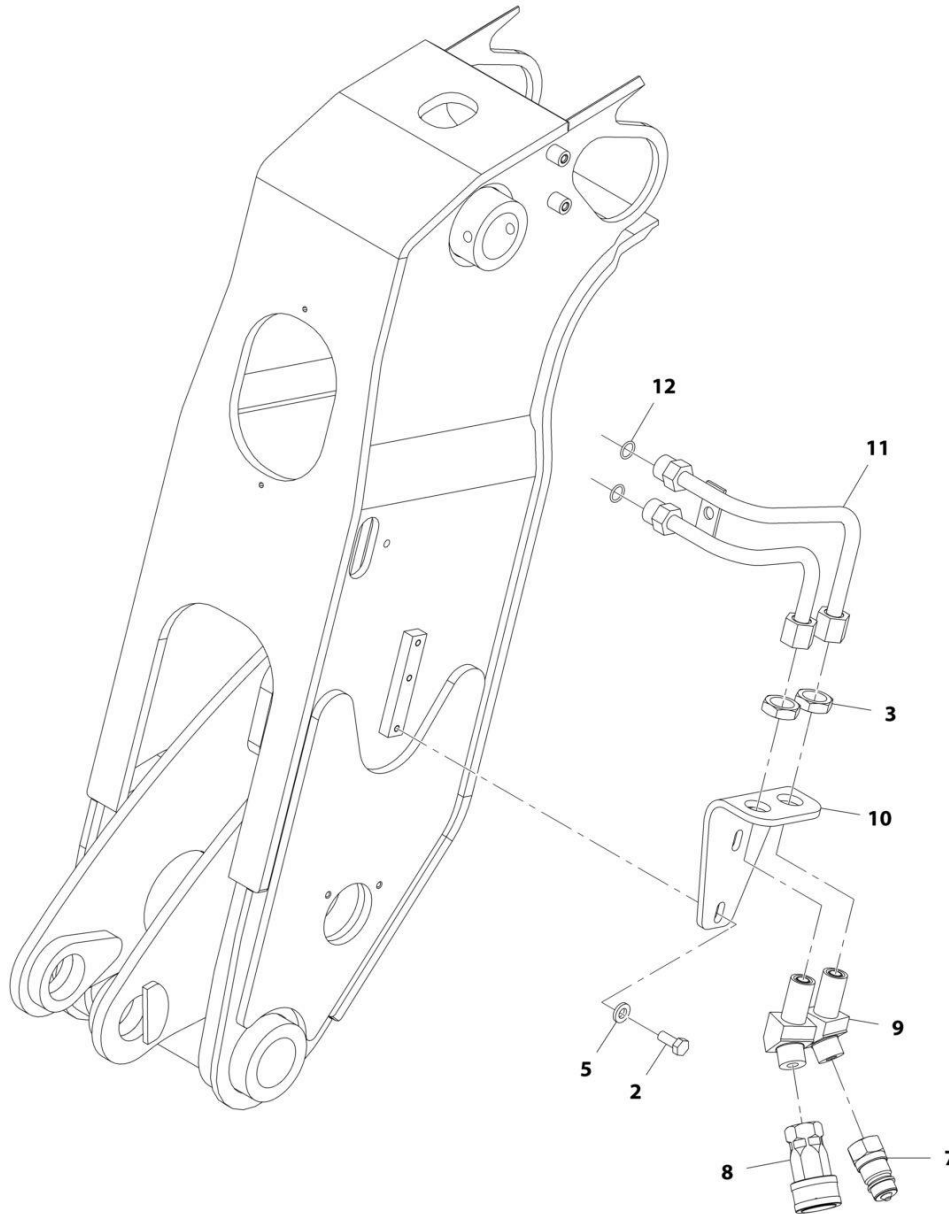
SECTION 8 - HYDRAULIC CIRCUITS

FIGURE 8-13. COUPLER (MANUAL) LINES INSTALLATION (FRONT BOOM - TWIN)

ITEM	PART NUMBER	QTY	DESCRIPTION	REV
	1001201205	Ref	Manual Coupler Lines Installation (Front Boom - Twin)	B
1	2110810	2	Fitting, Straight ORFS	
2	4031918	2	Bolt, M8X70	
3	1001005262	2	Washer	
4	1001005904	4	Fitting, 45	
5	1001101041	2	Adapter, Male Quick Disconnect	
6	1001101042	2	Adapter, Female Quick Disconnect	
7	1001108918	1	Plate	
8	1001110023	1	Valve, Divertor (See Separate Breakdown in HYDRAULIC COMPONENTS Section)	
9	1001146588	2	Strap, Cable	
10	1001181161	1	Tube	
11	1001008805	2	Seal	

SECTION 8 - HYDRAULIC CIRCUITS

FIGURE 8-14. COUPLER (MANUAL) LINES INSTALLATION (FRONT BOOM - SINGLE)



ART_1001179054-C

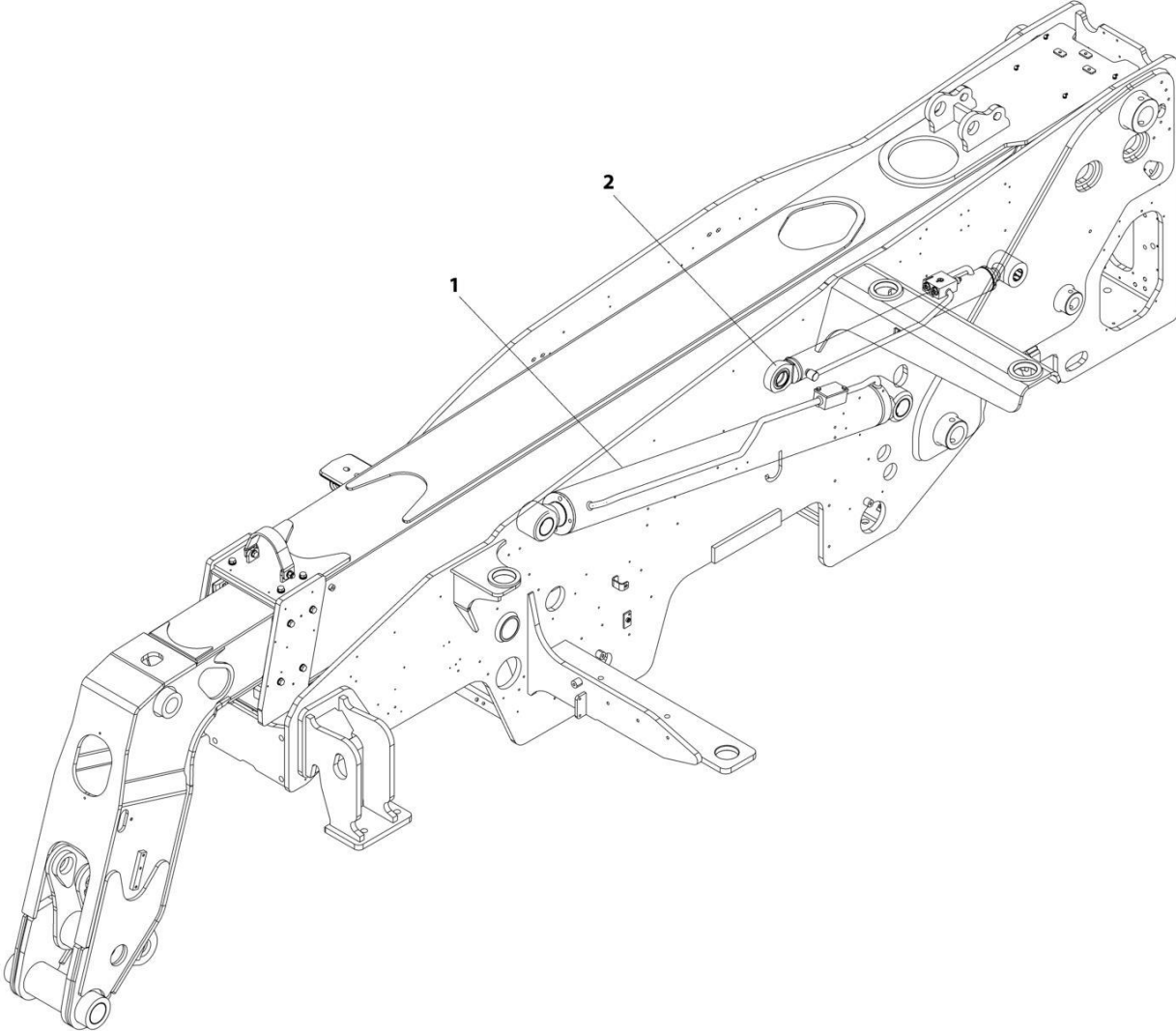
SECTION 8 - HYDRAULIC CIRCUITS

FIGURE 8-14. COUPLER (MANUAL) LINES INSTALLATION (FRONT BOOM - SINGLE)

ITEM	PART NUMBER	QTY	DESCRIPTION	REV
	1001179054	Ref	Manual Coupler Lines Installation (Front Boom - Single)	C
2	0760810	2	Bolt, M8X20	
3	2172208	2	Nut	
5	5240800	2	Washer, M8	
7	1001101041	1	Adapter, Male Quick Disconnect	
8	1001101042	1	Adapter, Female Quick Disconnect	
9	1001103640	2	Adapter, 45 ORFS	
10	1001202177	1	Plate	
11	1001181161	1	Tube	
12	1001008805	2	Seal	

SECTION 8 - HYDRAULIC CIRCUITS

FIGURE 8-15. LIFT CYLINDER INSTALLATION



ART_1001277385

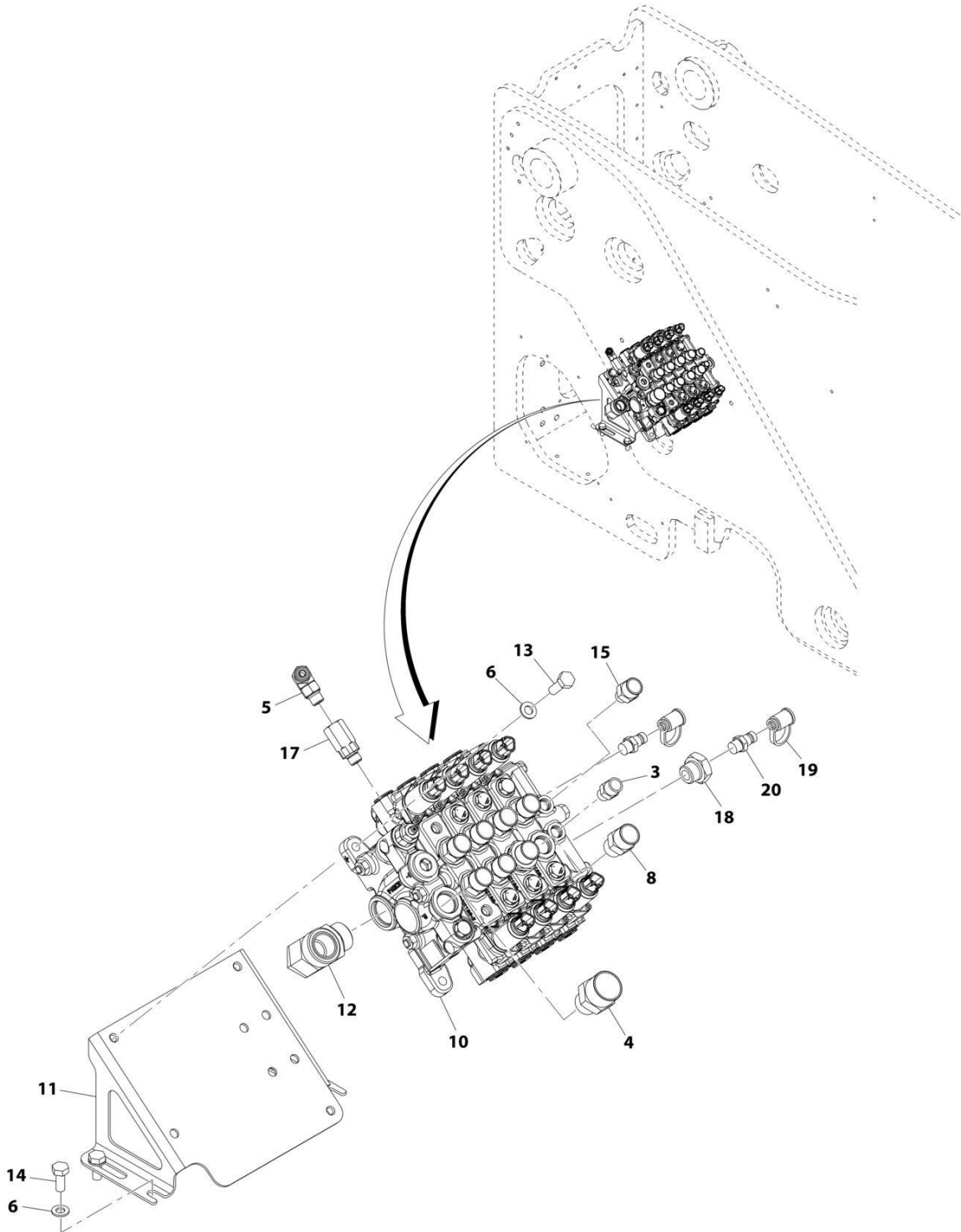
SECTION 8 - HYDRAULIC CIRCUITS

FIGURE 8-15. LIFT CYLINDER INSTALLATION

ITEM	PART NUMBER	QTY	DESCRIPTION	REV
1	1001277385	Ref	LIFT CYLINDER INSTALLATION	A
	1001267963	1	Cylinder, Lift (See Separate Breakdown in HYDRAULIC COMPONENTS Section)	
2	1001274914	1	Compensation Cylinder (See Separate Breakdown in HYDRAULIC COMPONENTS Section)	

SECTION 8 - HYDRAULIC CIRCUITS

FIGURE 8-16. MAIN CONTROL VALVE INSTALLATION



ART_1001172900-J

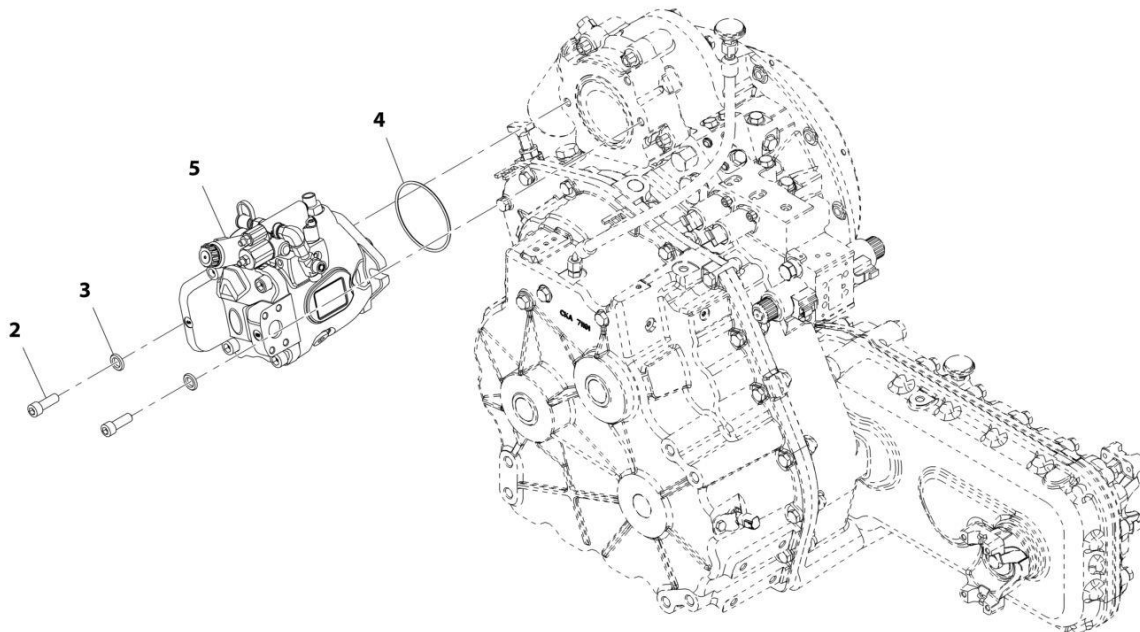
SECTION 8 - HYDRAULIC CIRCUITS

FIGURE 8-16. MAIN CONTROL VALVE INSTALLATION

ITEM	PART NUMBER	QTY	DESCRIPTION	REV
	1001172900	Ref	Main Control Valve Installation	J
3	2110606	1	Fitting, Straight ORFS	
4	2111612	1	Fitting, Straight ORFS	
5	2130606	1	Fitting, 90 ORFS	
6	4812000	7	Washer, M10	
8	2111010	8	Fitting, Straight ORFS	
10	1001241883	1	Valve, Main Control (See Separate Breakdown in HYDRAULIC COMPONENTS Section)	
11	1001182231	1	Bracket	
12	2132016	1	Fitting, 90 ORFS	
13	0701014	3	Bolt, M10X30	
14	0701012	4	Bolt, M10X25	
15	2110806	1	Fitting, Straight ORFS	
17	1001187355	1	Valve, Check	
18	2220221	1	Fitting, Reducer	
19	1001008761	2	Cap	
20	1001003590	2	Fitting, Straight	

SECTION 8 - HYDRAULIC CIRCUITS

FIGURE 8-17. MAIN HYDRAULIC PUMP INSTALLATION



ART_1001177863-B

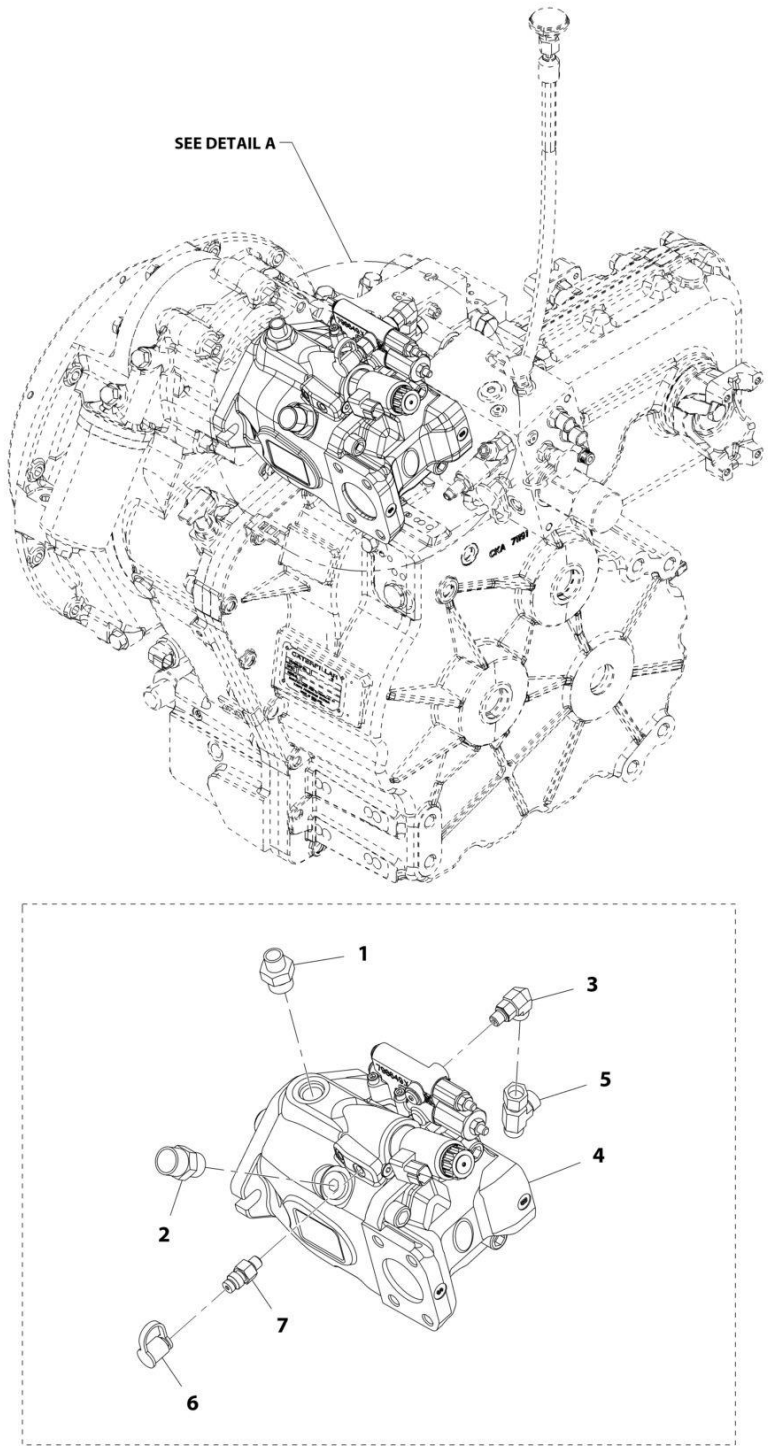
SECTION 8 - HYDRAULIC CIRCUITS

FIGURE 8-17. MAIN HYDRAULIC PUMP INSTALLATION

ITEM	PART NUMBER	QTY	DESCRIPTION	REV
	1001177863	Ref	Main Hydraulic Pump Installation	C
2	0761215	1	Bolt M12X35	
3	4740532	2	Washer M12	
4	1001008450	1	O-Ring	
5	1001183983	Ref	Implement Pump Installation (See Separate Breakdown in this Section)	

SECTION 8 - HYDRAULIC CIRCUITS

FIGURE 8-18. IMPLEMENT PUMP INSTALLATION



ART_1001183983-B

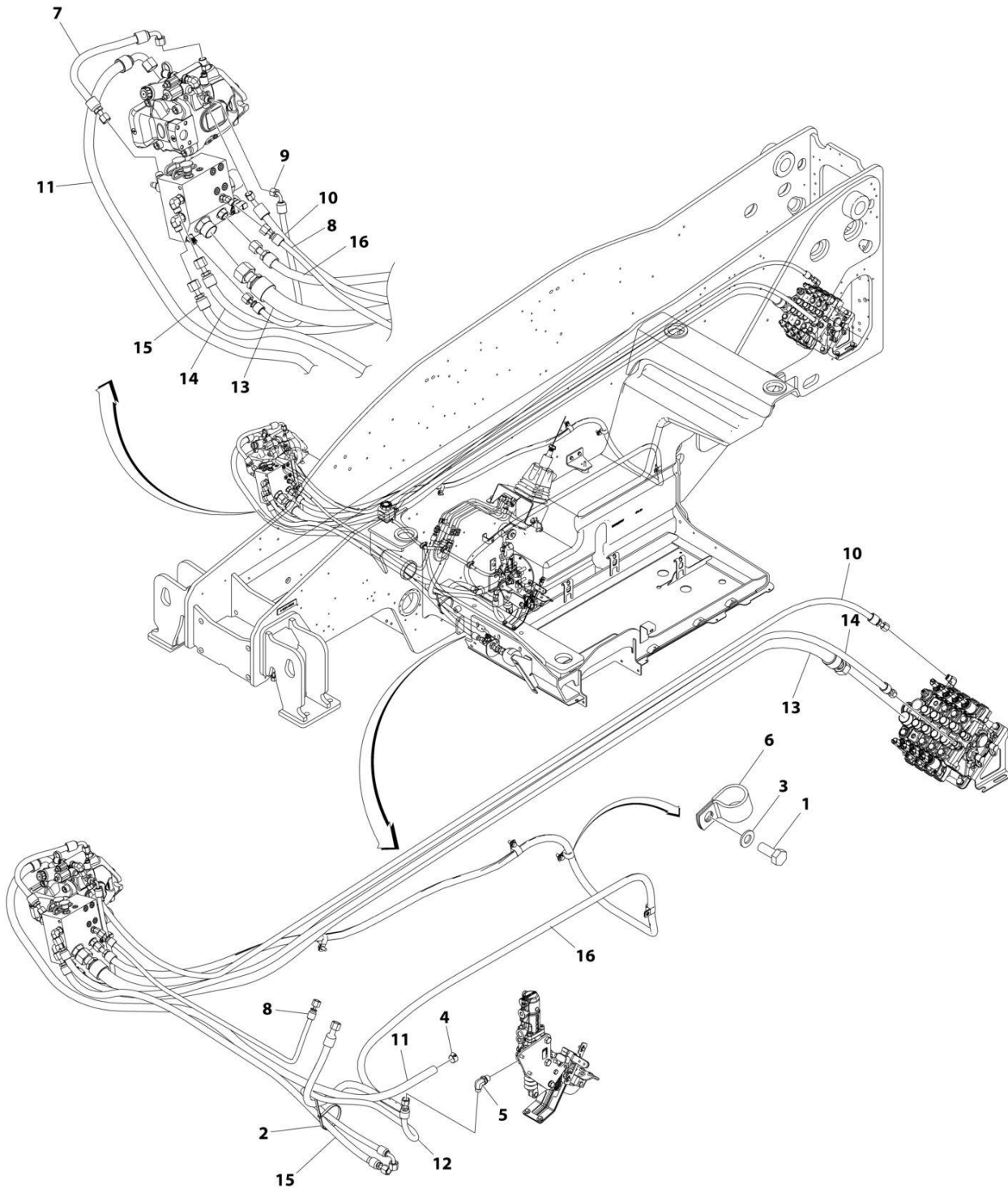
SECTION 8 - HYDRAULIC CIRCUITS

FIGURE 8-18. IMPLEMENT PUMP INSTALLATION

ITEM	PART NUMBER	QTY	DESCRIPTION	REV
	1001183983	Ref	Implement Pump Installation	B
1	2110610	1	Fitting, Straight ORFS	
2	2111010	1	Fitting, Straight ORFS	
3	2130604	1	Fitting, 90 ORFS	
4	1001200815	1	Pump, Implement (See Separate Breakdown in HYDRAULIC COMPONENTS Section)	
5	2170706	1	Fitting, Tee ORFS	
6	8430032	1	Plug	
7	8430033	1	Adapter	

SECTION 8 - HYDRAULIC CIRCUITS

FIGURE 8-19. PRIORITY LINES INSTALLATION



ART_1001269407

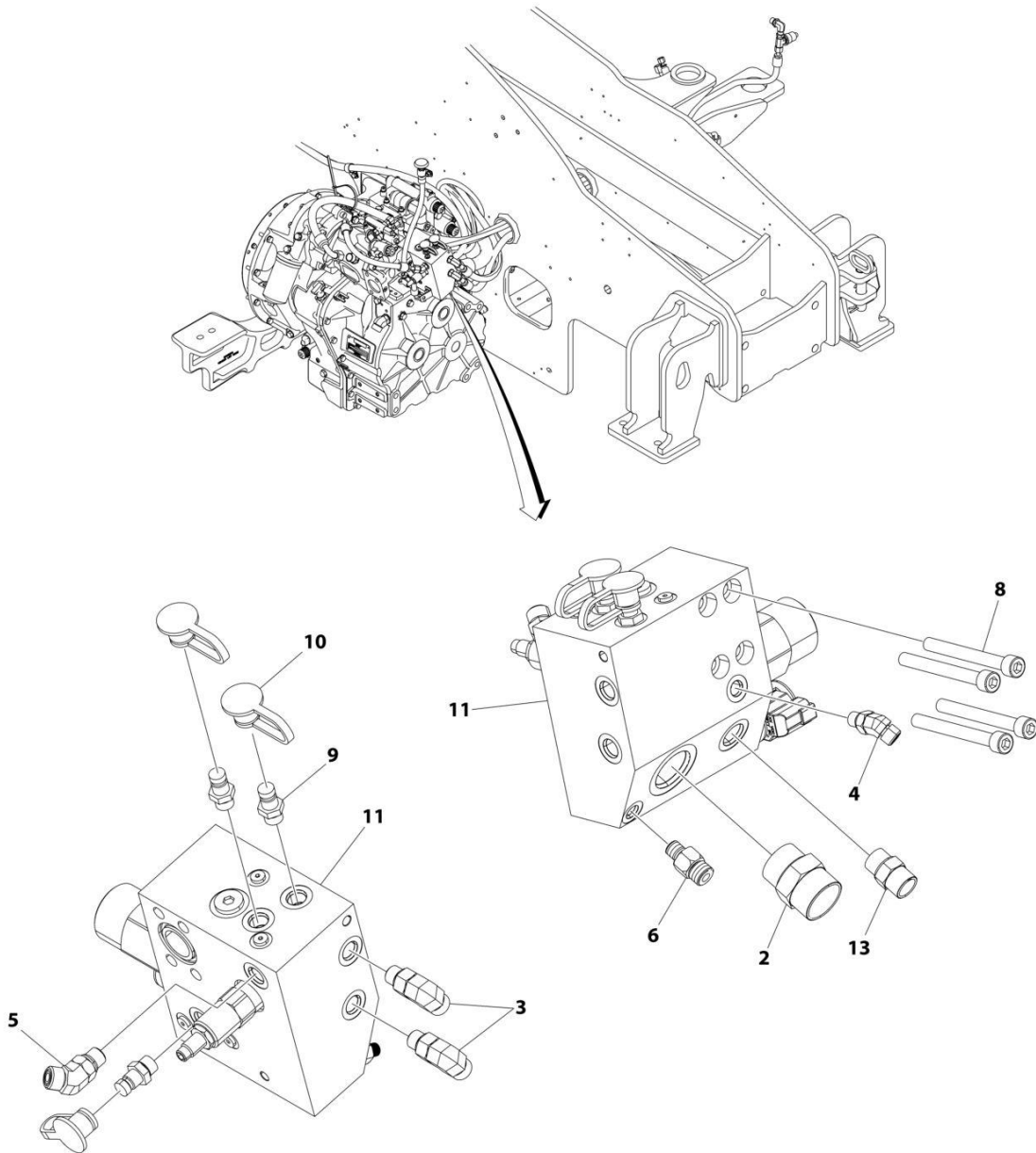
SECTION 8 - HYDRAULIC CIRCUITS

FIGURE 8-19. PRIORITY LINES INSTALLATION

ITEM	PART NUMBER	QTY	DESCRIPTION	REV
	1001269407	Ref	PRIORITY LINES INSTALLATION	B
1	0760810	3	Bolt M8 x 20	
2	1062255	1	Tie-strap	
3	4811900	3	Washer M8	
4	8405006	1	Clamp	
5	80333151	1	Fitting, 90 ORFS	
6	8406202	4	Clip	
7	1001180850	1	Hose	
8	1001180855	1	Hose	
9	1001221027	1	Hose, ORFS	
10	1001196002	1	Hose, ORFS	
11	1001196723	1	Hose, ORFS	
12	1001207525	1	Hose, ORFS	
13	1001221020	1	Hose, ORFS	
14	1001261091	1	Hose, ORFS	
15	1001261092	1	Hose, ORFS	
16	1001269411	1	Hose	

SECTION 8 - HYDRAULIC CIRCUITS

FIGURE 8-20. PRIORITY VALVE INSTALLATION



ART_1001269021

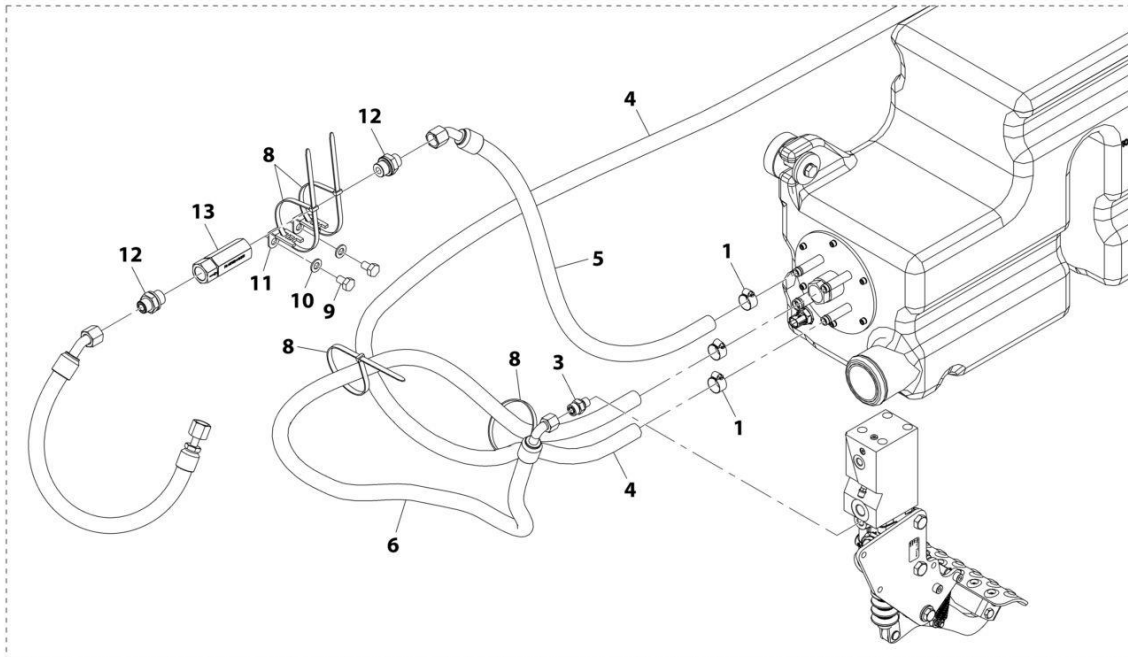
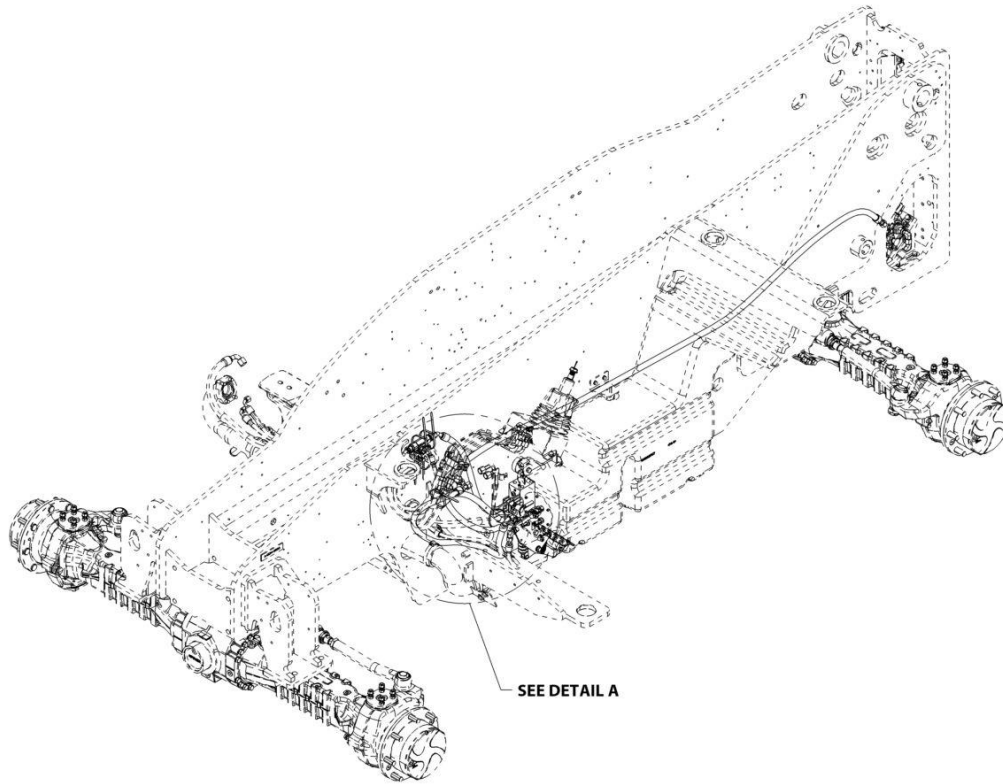
SECTION 8 - HYDRAULIC CIRCUITS

FIGURE 8-20. PRIORITY VALVE INSTALLATION

ITEM	PART NUMBER	QTY	DESCRIPTION	REV
	1001269021	Ref	PRIORITY VALVE INSTALLATION	B
2	2111616	1	Fitting, Straight ORFS	
3	2130606	2	Fitting, 90 ORFS	
4	2150404	1	Fitting, 45 ORFS	
5	2150606	1	Fitting, 45 ORFS	
6	4641237	1	Valve, Check	
8	5272022	4	Screw M10 x 90	
9	1001003590	3	Fitting, Straight	
10	1001008761	3	Cap	
11	1001220639	1	Manifold, Priority Flow (See Separate Breakdown in Hydraulic Components Section)	
13	1001265815	1	Valve, Moms Check	

SECTION 8 - HYDRAULIC CIRCUITS

FIGURE 8-21. RETURN LINES INSTALLATION



DETAIL A

ART_1001185351-D

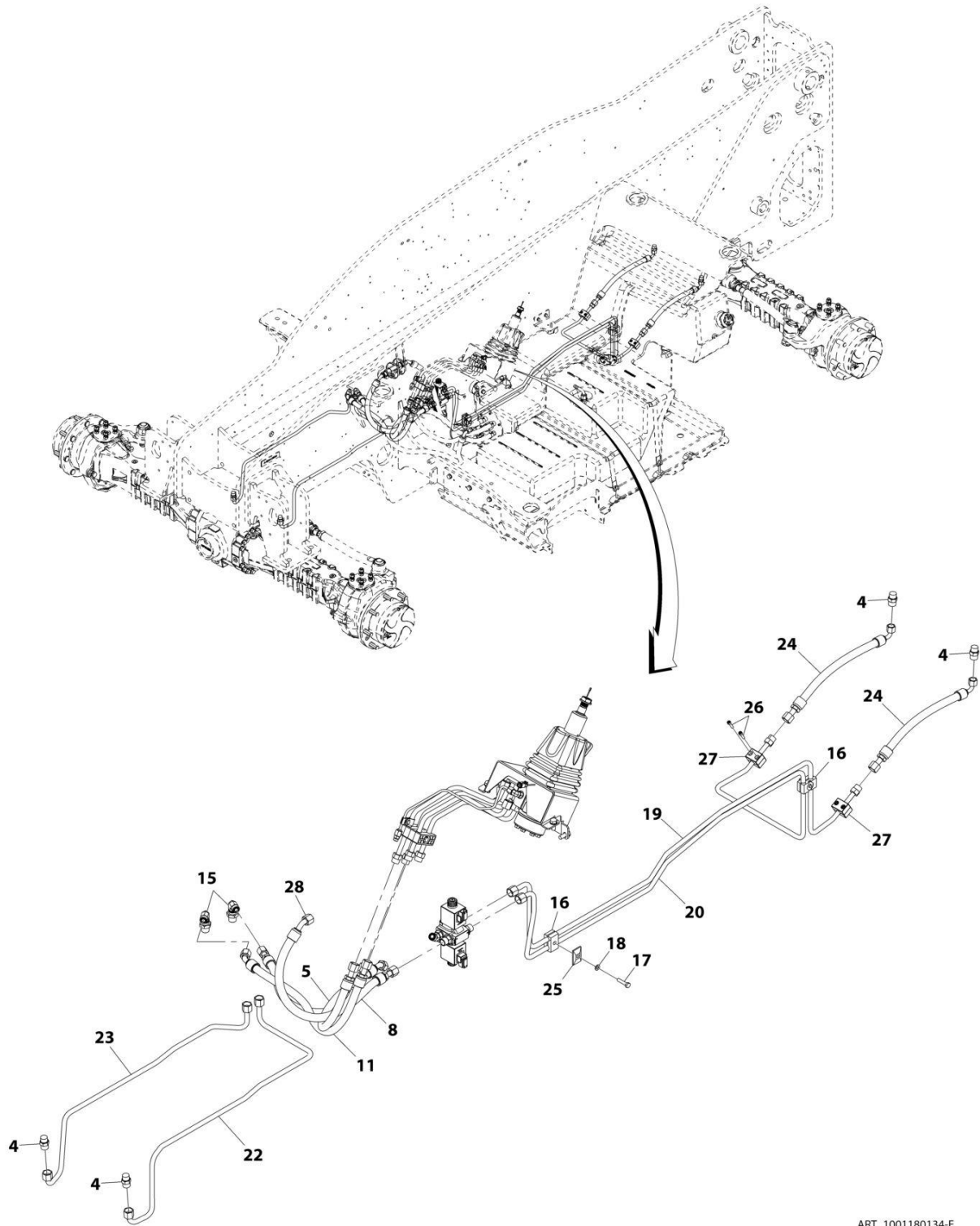
SECTION 8 - HYDRAULIC CIRCUITS

FIGURE 8-21. RETURN LINES INSTALLATION

ITEM	PART NUMBER	QTY	DESCRIPTION	REV
	1001185351	Ref	Return Lines Installation	D
1	8410009	3	Clamp, Gear	
3	80233218	1	Adapter, Straight ORFS	
4	1001196787	NLA	Hose, ORFS (no longer available, use 1001224143 for replacement)	
4	1001224143	1	Hose, ORFS	
5	1001201943	NLA	Hose, ORFS (no longer available, use 1001224144 for replacement)	
5	1001224144	1	Hose, ORFS	
6	1001196661	1	Hose, ORFS	
8	1062255	4	Strap, Tie	
9	0761008	2	Bolt, M10X16	
10	4812000	2	Washer, M10	
11	1001003305	2	Clip	
12	1001121127	2	Adapter, Straight ORFS	
13	1001224447	NLA	Check Valve (no longer available, use 1001227974 for replacement)	
13	1001227974	1	Check Valve	

SECTION 8 - HYDRAULIC CIRCUITS

FIGURE 8-22. STEERING LINES INSTALLATION



ART_1001180134-E

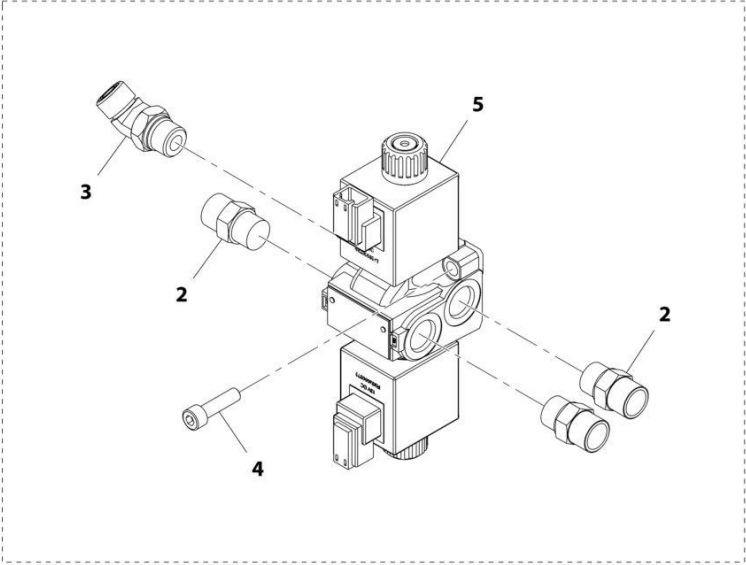
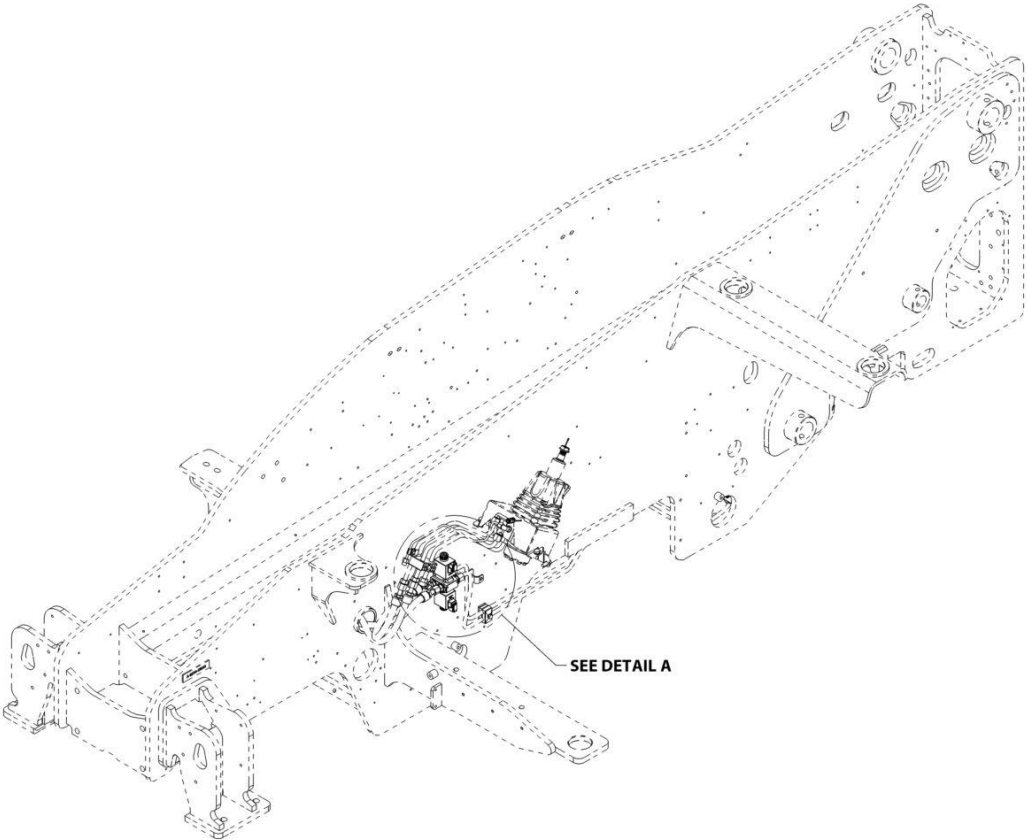
SECTION 8 - HYDRAULIC CIRCUITS

FIGURE 8-22. STEERING LINES INSTALLATION

ITEM	PART NUMBER	QTY	DESCRIPTION	REV
	1001180134	Ref	Steering Lines Installation	E
4	2110808	4	Fitting, Straight ORFS	
5	1001180810	1	Hose, Steering	
8	1001180809	1	Hose, Steering	
11	1001180811	1	Hose, Steering	
15	2171208	2	Adapter, ORFS	
16	77133168	2	Clamp	
17	0700815	2	Bolt, M8X35	
18	4811900	2	Washer, M8	
19	1001195741	1	Pipe, ORFS	
20	1001195742	1	Pipe, ORFS	
22	1001193515	1	Pipe, ORFS	
23	1001193514	NLA	Pipe, ORFS (no longer available, use 1001225423 for replacement)	
23	1001225423	1	Pipe, ORFS	
24	1001193513	2	Hose, ORFS	
25	77133140	2	Plate, Cover	
26	4031709	4	Bolt, M6X25	
27	1001104934	2	Clamp	
28	1001224476	1	Hose Assy, ORFS	

SECTION 8 - HYDRAULIC CIRCUITS

FIGURE 8-23. STEER SELECT VALVE INSTALLATION



ART_1001172894-B

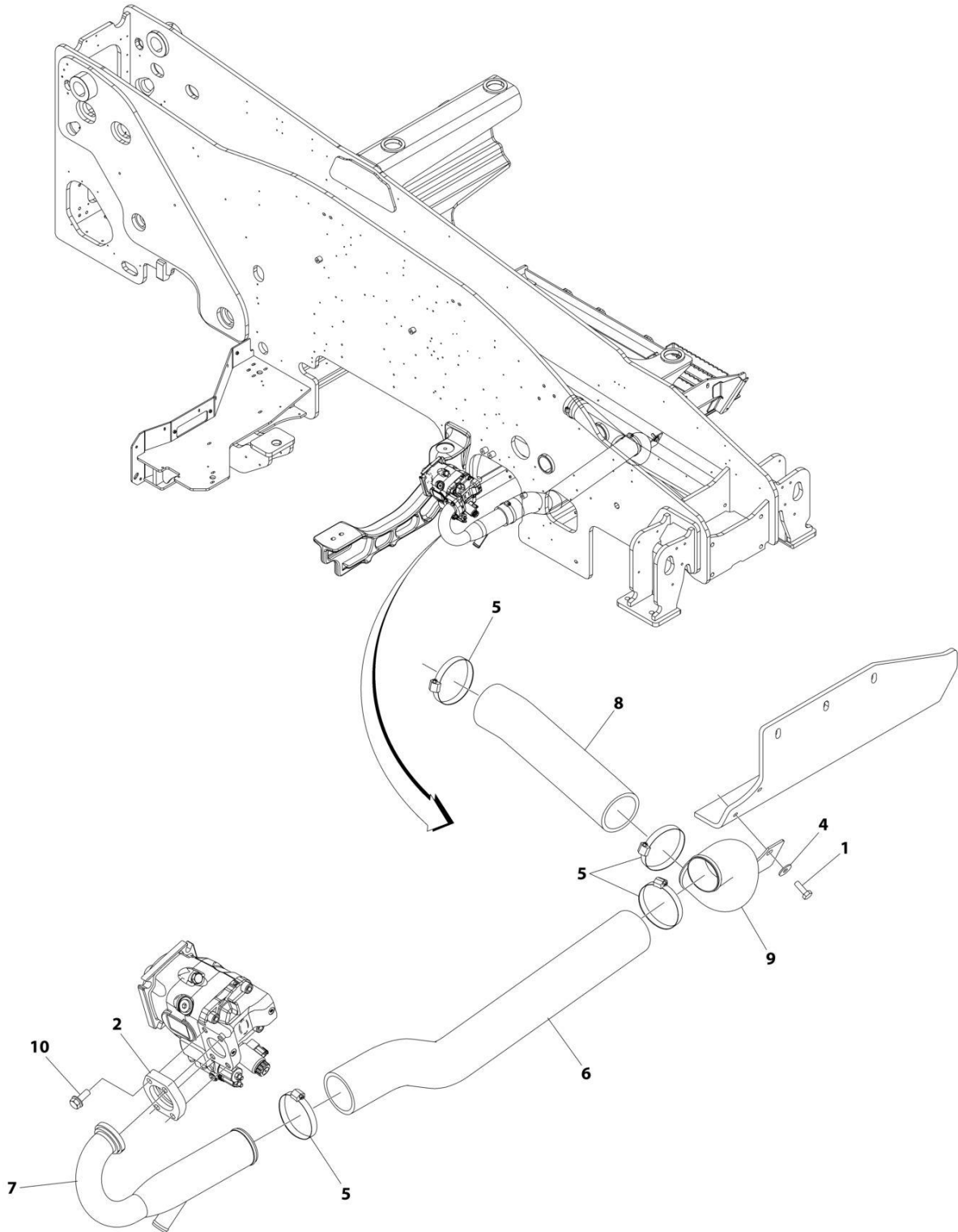
SECTION 8 - HYDRAULIC CIRCUITS

FIGURE 8-23. STEER SELECT VALVE INSTALLATION

ITEM	PART NUMBER	QTY	DESCRIPTION	REV
	1001172894	Ref	Steer Select Valve Installation	B
2	2110808	3	Fitting, Straight ORFS	
3	2150808	1	Fitting, 45 ORFS	
4	4031910	2	Screw, M8X30	
5	1001153748	1	Valve, Steering Select (See Separate Breakdown in HYDRAULIC COMPONENTS Section)	

SECTION 8 - HYDRAULIC CIRCUITS

FIGURE 8-24. SUCTION LINES INSTALLATION



ART_1001184531

SECTION 8 - HYDRAULIC CIRCUITS

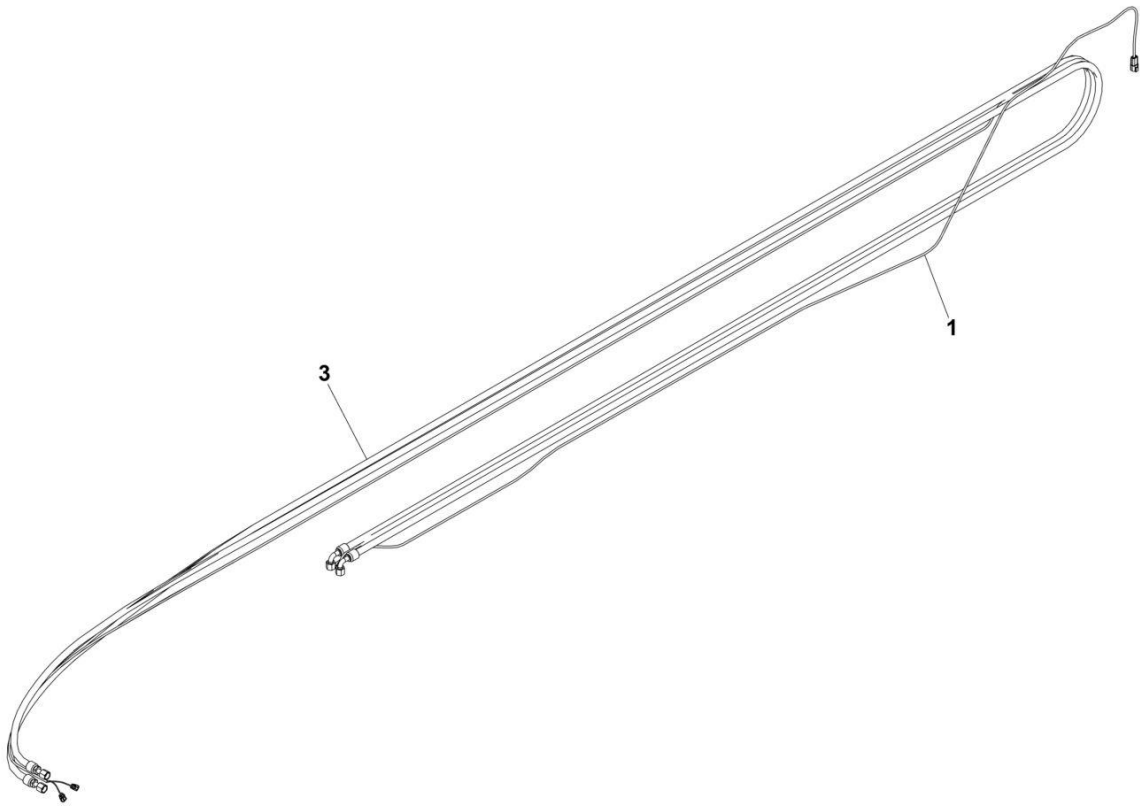
FIGURE 8-24. SUCTION LINES INSTALLATION

ITEM	PART NUMBER	QTY	DESCRIPTION	REV
	1001184531	Ref	SUCTION LINES INSTALLATION	F
1	0761014	2	Bolt M10 x 30	
2	2171832	1	Fitting, Straight	
4	4812002	2	Washer M10	
5	8405301	4	Clamp	
6	1001176313	1	Hose	
7	1001202135	1	Pipe	
8	1001193421	1	Hose	
9	1001184530	1	Pipe	
10	5201215	4	Bolt M12 x 35	

SECTION 9 - HYDRAULIC COMPONENTS

SECTION 9 - HYDRAULIC COMPONENTS

FIGURE 9-1. BOOM HOSE AND HARNESS ASSEMBLY



ART_1001186170

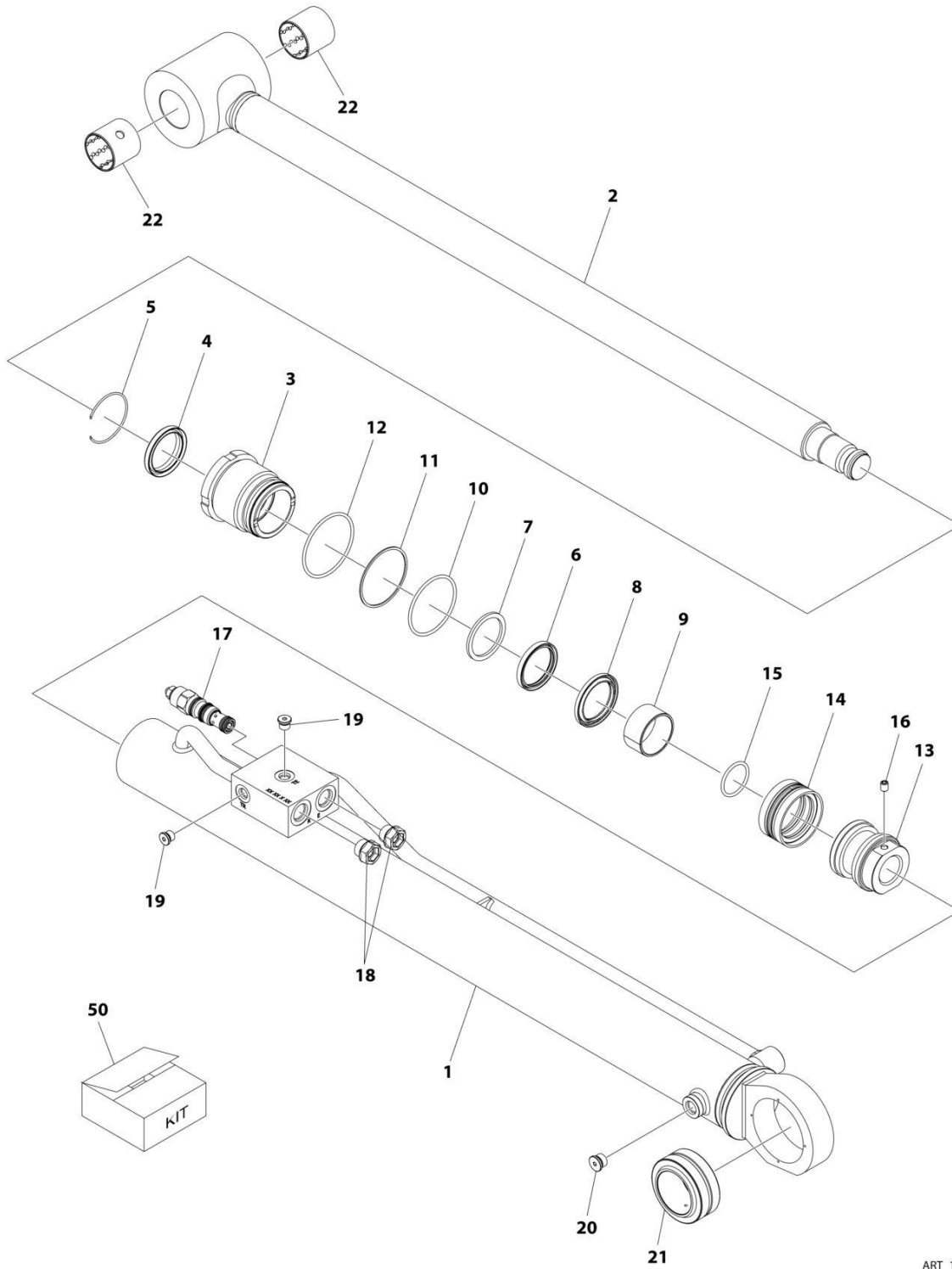
SECTION 9 - HYDRAULIC COMPONENTS

FIGURE 9-1. BOOM HOSE AND HARNESS ASSEMBLY

ITEM	PART NUMBER	QTY	DESCRIPTION	REV
1	1001186170	Ref	Boom Cable Assembly	D
	1001184422	1	Harness, Boom (See Separate Breakdown in ELECTRICAL Section)	
3	1001204124	1	Hose	

SECTION 9 - HYDRAULIC COMPONENTS

FIGURE 9-2. CYLINDER ASSEMBLY - COMPENSATION



ART_1001274914

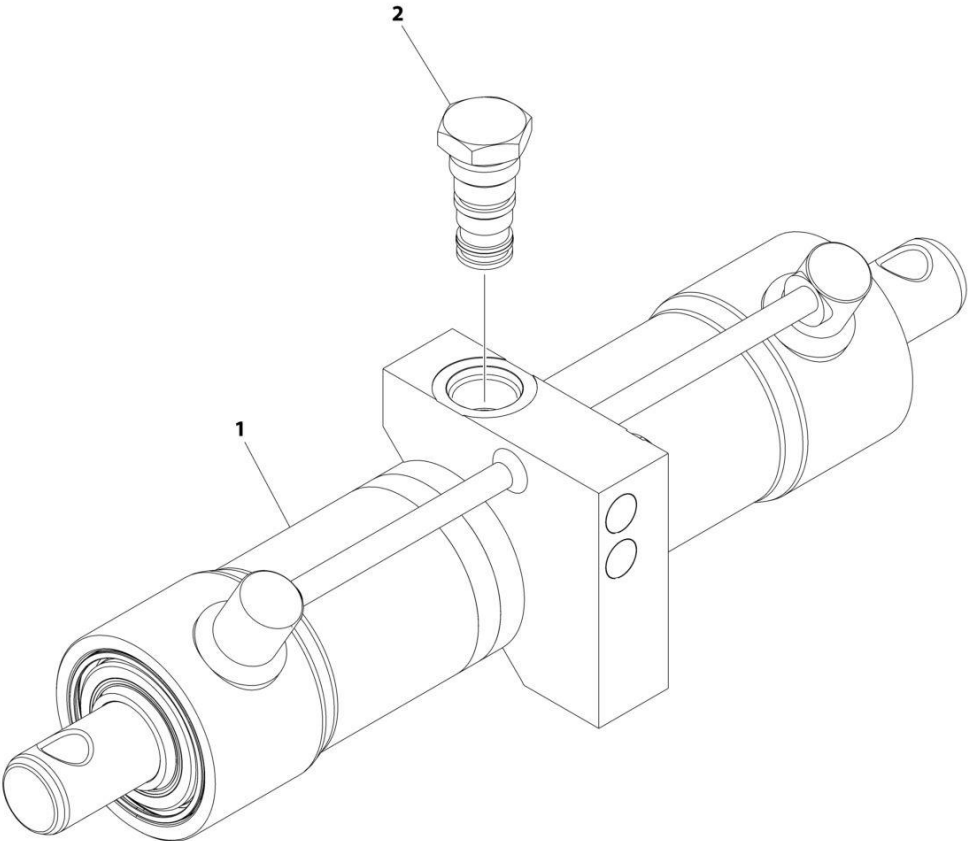
SECTION 9 - HYDRAULIC COMPONENTS

FIGURE 9-2. CYLINDER ASSEMBLY - COMPENSATION

ITEM	PART NUMBER	QTY	DESCRIPTION	REV
	1001274914	Ref	CYLINDER ASSEMBLY - COMPENSATION	A
		Ref	Note: Original Cylinder May Have Been Replaced with Service Replacement. Identify PN Stamped on Cylinder Before Ordering Parts.	
1	See Note	NSS	Barrel (Note: Use PN 1001274914)	
2	70030953	1	Rod	
3	70030959	1	Head	
4	See Note	NSS	Wiper (Note: Use Item 50)	
5	70002410	1	Ring, Retaining	
6	See Note	NSS	Seal (Note: Use Item 50)	
7	See Note	NSS	Ring, Back-up (Note: Use Item 50)	
8	See Note	NSS	Ring (Note: Use Item 50)	
9	70005793	1	Bearing	
10	See Note	NSS	O-Ring (Note: Use Item 50)	
11	See Note	NSS	Ring, Back-up (Note: Use Item 50)	
12	See Note	NSS	O-Ring (Note: Use Item 50)	
13	70030960	1	Piston	
14	See Note	NSS	Seal (Note: Use Item 50)	
15	See Note	NSS	O-Ring (Note: Use Item 50)	
16	70023369	1	Set Screw	
17	70028384	1	Cartridge, Valve	
18	See Note	Ref	Dust Plug (Note: Shipping Use Only)	
19	2220883	2	Plug	
20	2220885	1	Plug	
21	70030956	1	Bearing	
22	70030957	2	Bearing	
50	70030961	1	Seal Kit - 1001274914 Cylinder (Includes Items 4, 6-8, 10-12 & 14-15)	

SECTION 9 - HYDRAULIC COMPONENTS

FIGURE 9-3. CYLINDER SUB-ASSEMBLY - COUPLER LOCKING



ART_100114787_C

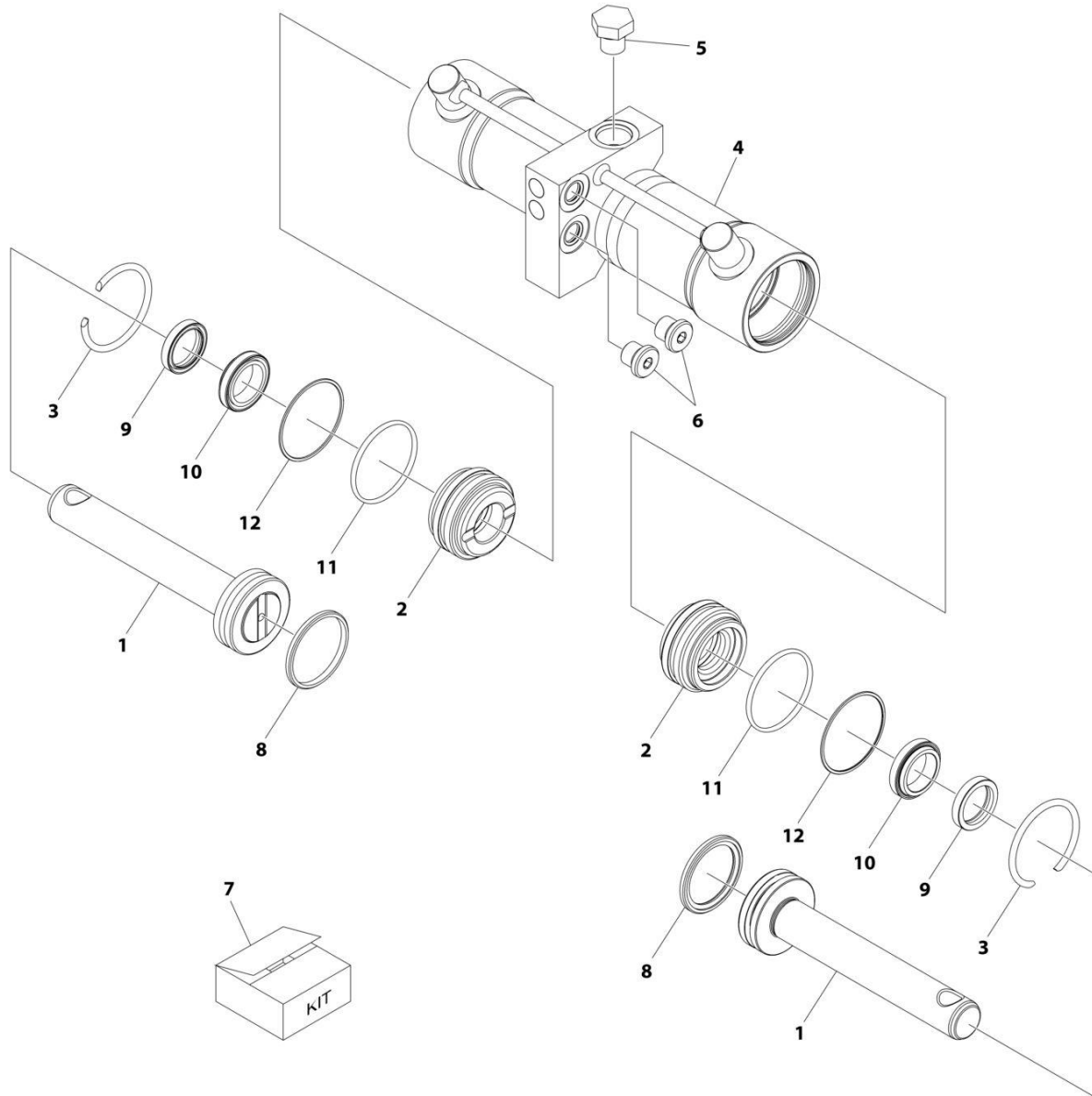
SECTION 9 - HYDRAULIC COMPONENTS

FIGURE 9-3. CYLINDER SUB-ASSEMBLY - COUPLER LOCKING

ITEM	PART NUMBER	QTY	DESCRIPTION	REV
1	1001114787	Ref	COUPLER LOCKING CYLINDER ASSEMBLY	C
	1001267977	1	Cylinder, Coupler Locking (See Separate Breakdown in this Section)	
2	1001145444	1	Valve, P.O. Check	

SECTION 9 - HYDRAULIC COMPONENTS

FIGURE 9-4. CYLINDER ASSEMBLY - COUPLER LOCKING



ART_1001267977

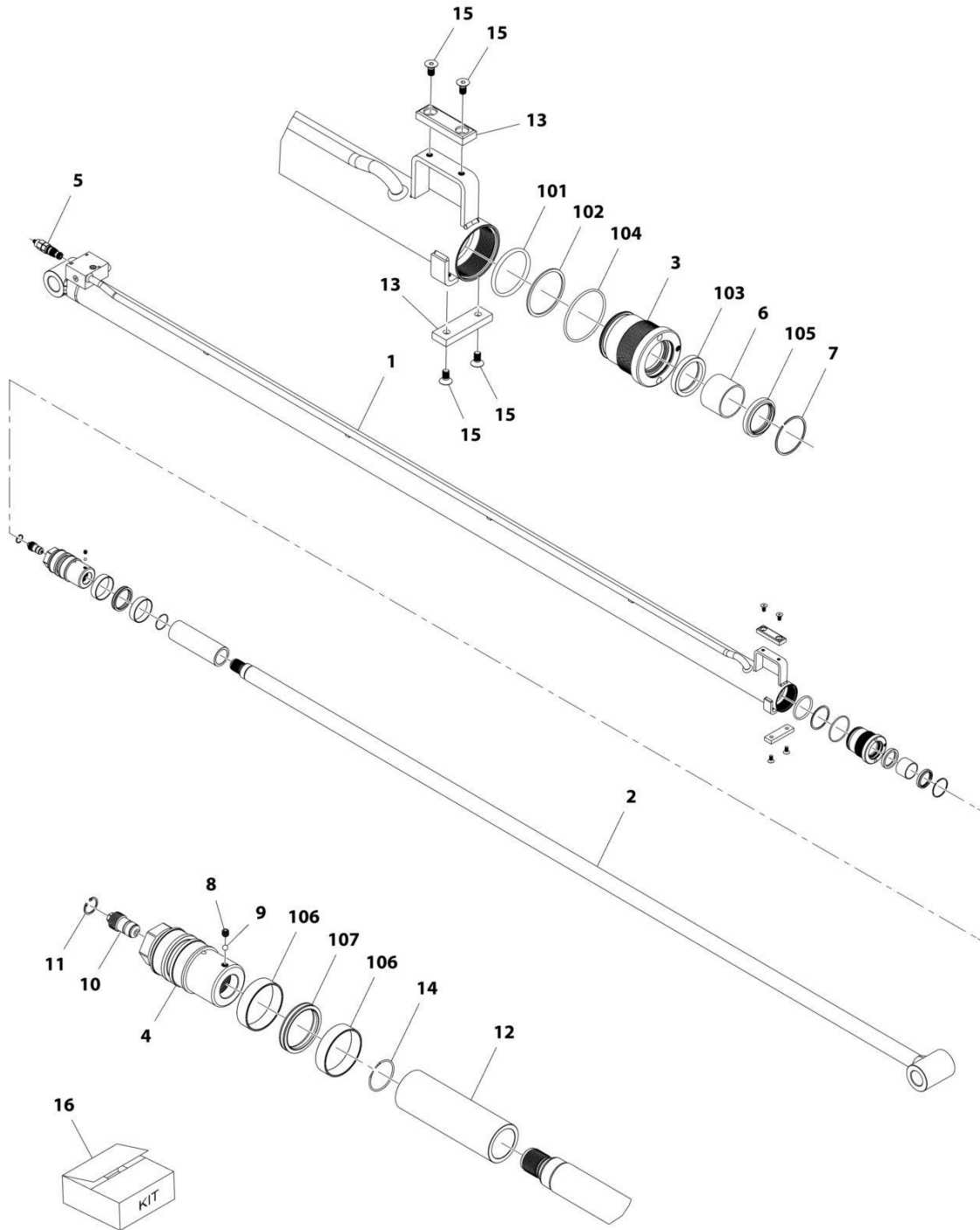
SECTION 9 - HYDRAULIC COMPONENTS

FIGURE 9-4. CYLINDER ASSEMBLY - COUPLER LOCKING

ITEM	PART NUMBER	QTY	DESCRIPTION	REV
	1001267977	Ref	COUPLER LOCKING CYLINDER	B
		Ref	Note: Original Cylinder May Have Been Replaced with Service Replacement. Identify PN Stamped on Cylinder Before Ordering Parts.	
1	70031293	2	Rod	
2	70031294	2	Bushing	
3	70031295	2	Ring, Snap	
4	See Note	NSS	Barrel (Note: Not Sold Separately, Purchase 1001267977)	
5	70031296	1	Plug	
6	2220885	2	Plug	
7	70031297	1	Seal Kit (Includes Items 8-12)	
8	See Note	2	Seal, Piston (Note: Use Item 7)	
9	See Note	2	Seal, Rod (Note: Use Item 7)	
10	See Note	2	Ring, Wiper (Note: Use Item 7)	
11	See Note	2	O-Ring (Note: Use Item 7)	
12	See Note	2	Ring, Backup (Note: Use Item 7)	

SECTION 9 - HYDRAULIC COMPONENTS

FIGURE 9-5. CYLINDER ASSEMBLY - EXTEND/RETRACT (TELESCOPE) (INNER)



ART_1001175020-E

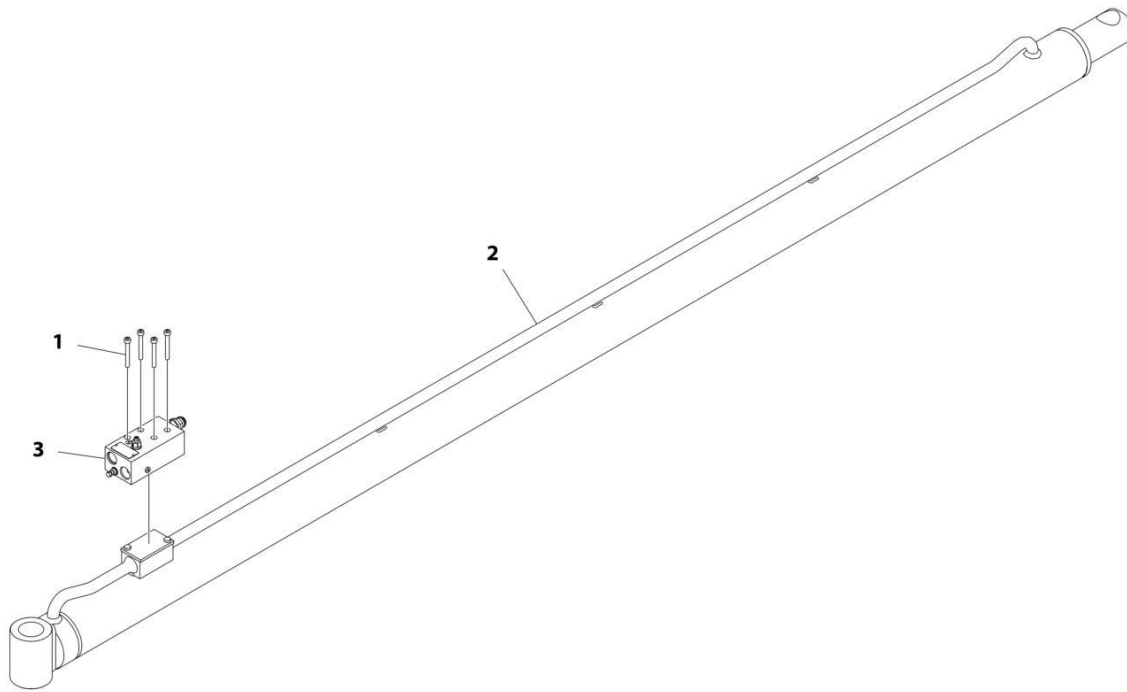
SECTION 9 - HYDRAULIC COMPONENTS

FIGURE 9-5. CYLINDER ASSEMBLY - EXTEND/RETRACT (TELESCOPE) (INNER)

ITEM	PART NUMBER	QTY	DESCRIPTION	REV
	1001175020	Ref	Extend/Retract Cylinder Assembly	E
		Ref	Note: Original Cylinder May Have Been Replaced with Service Replacement. Identify PN Stamped on Cylinder Before Ordering Parts.	
1	70027077	1	Barrel	
2	70027078	1	Rod	
3	70027079	1	Gland	
4	70027080	1	Piston Head	
5	1001162974	1	Valve, Counterbalance	
6	70027081	1	Bushing, Spare	
7	70023101	1	Ring, Snap	
8	70025956	1	Screw, Lock	
9	70025614	1	Bearing, Ball	
10	70027087	1	Valve, Check	
11	70027074	1	Circlip	
12	70027082	1	Spacer	
13	70027083	1	Guide, Plate	
14	70027084	1	Wire Ring	
15	70027085	1	Screw	
16	70027086	1	Kit, Seal	
101	Kit	1	O-Ring	
102	Kit	1	Ring, Backup	
103	Kit	1	Seal, Rod	
104	Kit	1	O-Ring	
105	Kit	1	Wiper	
106	Kit	1	Bearing, Piston Ring	
107	Kit	1	Seal, Piston	

SECTION 9 - HYDRAULIC COMPONENTS

FIGURE 9-6. CYLINDER SUB-ASSEMBLY - EXTEND/RETRACT (TELESCOPE) (OUTER)



ART_1001203313

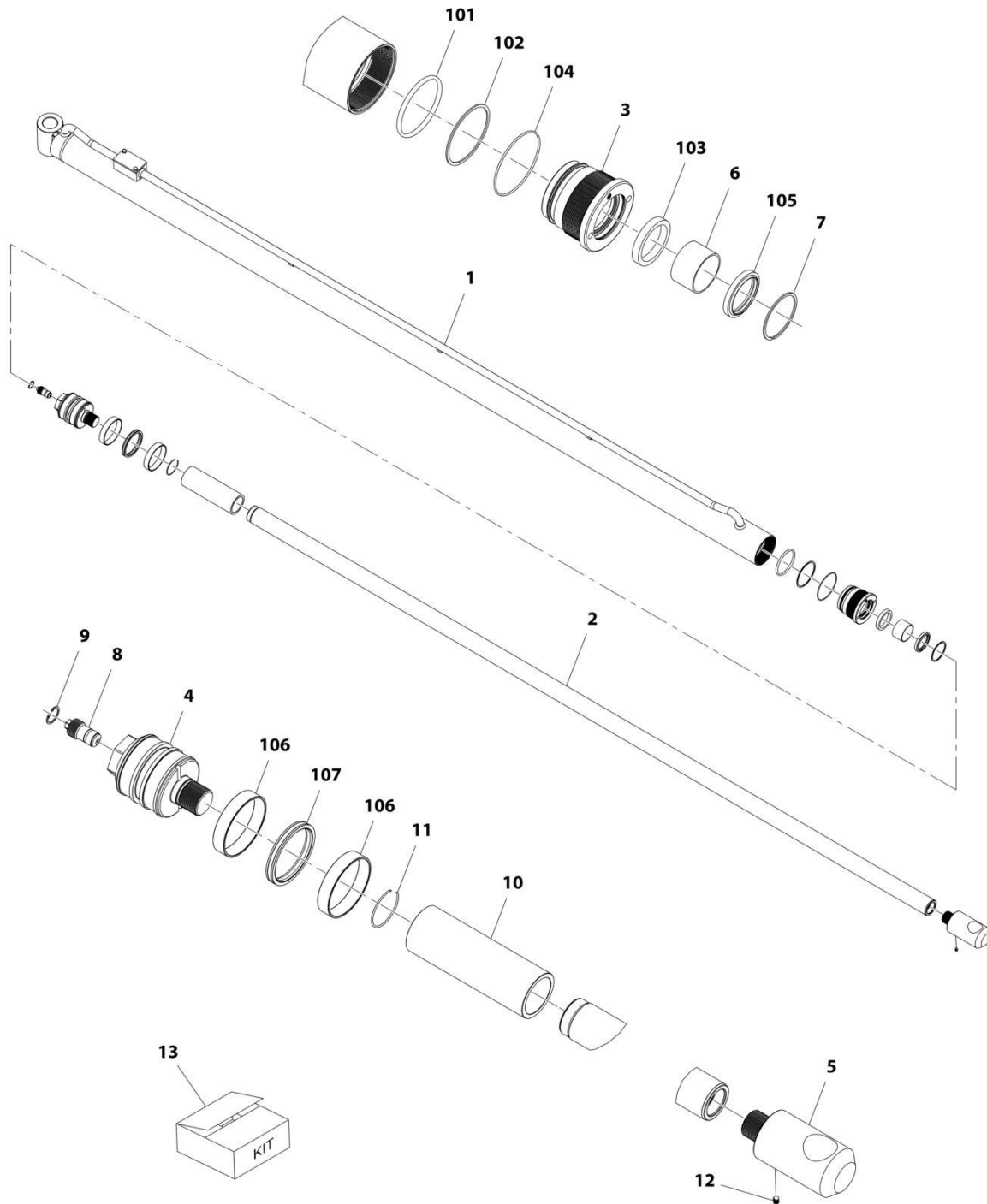
SECTION 9 - HYDRAULIC COMPONENTS

FIGURE 9-6. CYLINDER SUB-ASSEMBLY - EXTEND/RETRACT (TELESCOPE) (OUTER)

ITEM	PART NUMBER	QTY	DESCRIPTION	REV
	1001203313	Ref	EXTEND/RETRACT CYLINDER ASSEMBLY	B
1	5271917	4	Screw M8 x 65	
2	1001175019	1	Cylinder, Extend/Retract (See Separate Breakdown in this Section)	
3	1001192946	1	Valve, Counterbalance	

SECTION 9 - HYDRAULIC COMPONENTS

FIGURE 9-7. CYLINDER ASSEMBLY - EXTEND/RETRACT (TELESCOPE) (OUTER)



ART_1001175019-G

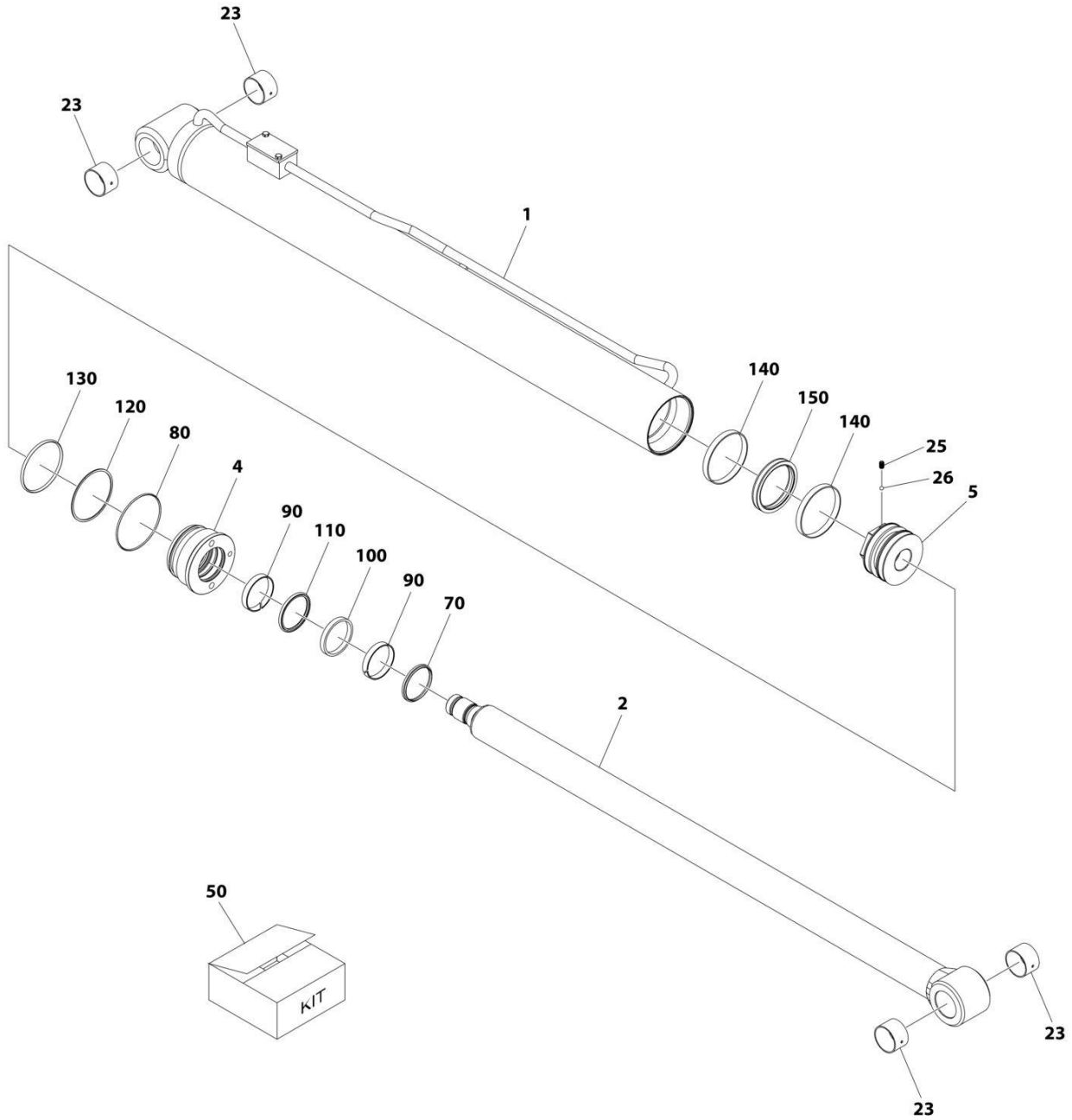
SECTION 9 - HYDRAULIC COMPONENTS

FIGURE 9-7. CYLINDER ASSEMBLY - EXTEND/RETRACT (TELESCOPE) (OUTER)

ITEM	PART NUMBER	QTY	DESCRIPTION	REV
	1001175019	Ref	Extend/Retract Cylinder	G
		Ref	Note: Original Cylinder May Have Been Replaced with Service Replacement. Identify PN Stamped on Cylinder Before Ordering Parts.	
1	70027068	1	Barrel	
2	70027069	1	Rod	
3	70027070	1	Head	
4	70027071	1	Piston	
5	70027072	1	Screw	
6	70027073	1	Bushing, Spare	
7	70002222	1	Ring, Retaining	
8	70027087	1	Valve, Check	
9	70027074	1	Circlip	
10	70027075	1	Spacer	
11	70027076	1	Wire Ring	
12	70027088	1	Screw, Lock	
13	70027067	1	Kit, Seal	
101	Kit	1	O-Ring	
102	Kit	1	Ring, Backup	
103	Kit	1	Seal, Rod	
104	Kit	1	O-Ring	
105	Kit	1	Wiper	
106	Kit	1	Bearing, Piston Ring	
107	Kit	1	Seal, Piston	

SECTION 9 - HYDRAULIC COMPONENTS

FIGURE 9-8. CYLINDER ASSEMBLY - LIFT



ART_1001267963

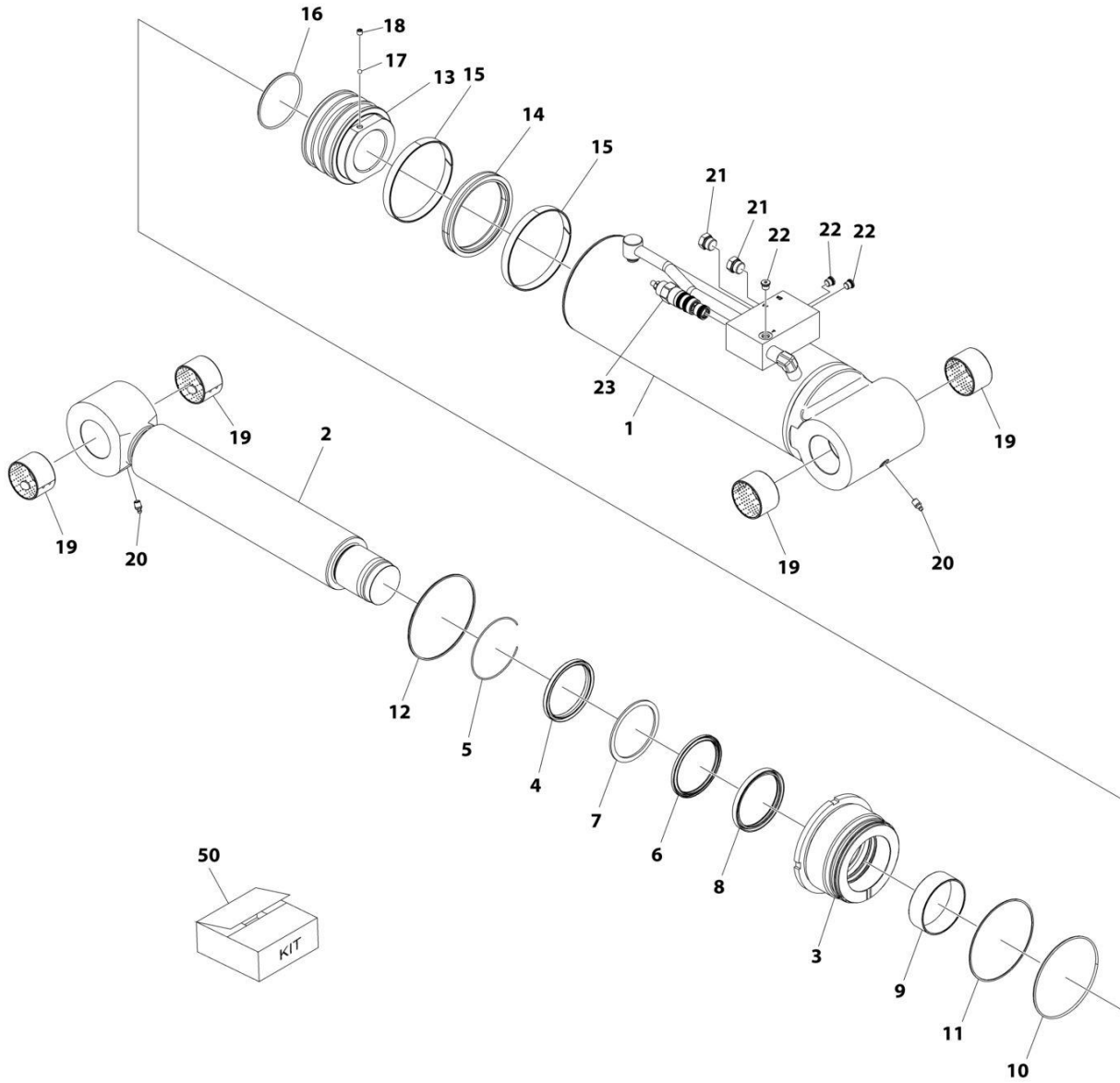
SECTION 9 - HYDRAULIC COMPONENTS

FIGURE 9-8. CYLINDER ASSEMBLY - LIFT

ITEM	PART NUMBER	QTY	DESCRIPTION	REV
	1001267963	Ref	CYLINDER ASSEMBLY - LIFT	B
		Ref	Note: Original Cylinder May Have Been Replaced with Service Replacement. Identify PN Stamped on Cylinder Before Ordering Parts.	
1	See Note	NSS	Barrel (Note: Use PN 1001267963)	
2	See Note	NSS	Rod (Note: Use PN 1001267963)	
4	70030997	1	Head	
5	70030998	1	Piston	
23	70025602	4	Bushing	
25	70025613	1	Set Screw M10 x 16	
26	70025614	1	Ball	
50	70030999	1	Seal Kit - 1001267963 Cylinder	
70	See Note	NSS	Seal (Note: Use Item 50)	
80	See Note	NSS	O-Ring (Note: Use Item 50)	
90	See Note	NSS	Ring Wear (Note: Use Item 50)	
100	See Note	NSS	Seal (Note: Use Item 50)	
110	See Note	NSS	Seal (Note: Use Item 50)	
120	See Note	NSS	Ring (Note: Use Item 50)	
130	See Note	NSS	Ring (Note: Use Item 50)	
140	See Note	NSS	Ring (Note: Use Item 50)	
150	See Note	NSS	Seal (Note: Use Item 50)	

SECTION 9 - HYDRAULIC COMPONENTS

FIGURE 9-9. CYLINDER ASSEMBLY - TILT



ART_1001276694

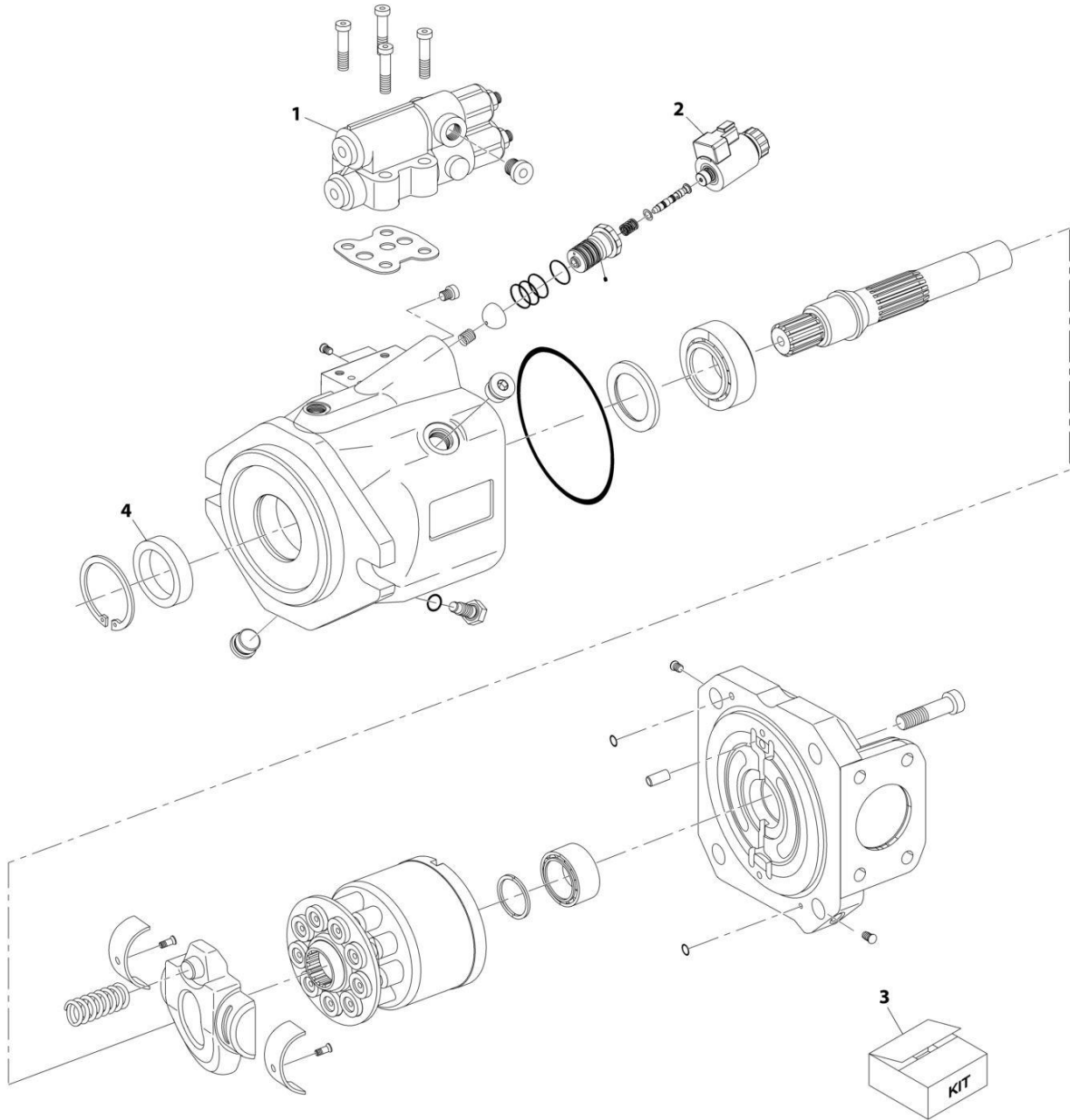
SECTION 9 - HYDRAULIC COMPONENTS

FIGURE 9-9. CYLINDER ASSEMBLY - TILT

ITEM	PART NUMBER	QTY	DESCRIPTION	REV
	1001276694	Ref	CYLINDER ASSEMBLY	C
		Ref	Note: Original Cylinder May Have Been Replaced with Service Replacement. Identify PN Stamped on Cylinder Before Ordering Parts.	
1	See Note	NSS	Barrel (Note: Use PN 1001276694)	
2	70027744	1	Rod	
3	70027223	1	Head	
4	See Note	NSS	Wiper (Note: Use Item 50)	
5	70023380	1	Ring, Retaining	
6	See Note	NSS	Seal, Rod (Note: Use Item 50)	
7	See Note	NSS	Ring, Back Up (Note: Use Item 50)	
8	See Note	NSS	Ring, Buffer (Note: Use Item 50)	
9	70027225	1	Bearing, Dry	
10	See Note	NSS	O-Ring (Note: Use Item 50)	
11	See Note	NSS	Ring, Back Up (Note: Use Item 50)	
12	See Note	NSS	O-Ring (Note: Use Item 50)	
13	70031042	1	Piston	
14	See Note	NSS	Seal, Piston (Note: Use Item 50)	
15	See Note	NSS	Ring, Wear (Note: Use Item 50)	
16	See Note	NSS	O-Ring (Note: Use Item 50)	
17	70022564	1	Ball	
18	70023369	1	Setscrew M8 x 10	
19	70026543	4	Bearing, Dry	
20	70026308	2	Fitting, Grease	
21	70023372	2	Plug, 3/4	
22	2220883	3	Plug, 7/16	
23	1001189888	1	Cartridge, Valve	
50	70031043	1	Seal Kit (Includes Items 4, 6-8, 10-12 & 14-16)	

SECTION 9 - HYDRAULIC COMPONENTS

FIGURE 9-10. IMPLEMENT PUMP



ART_1001200815-B

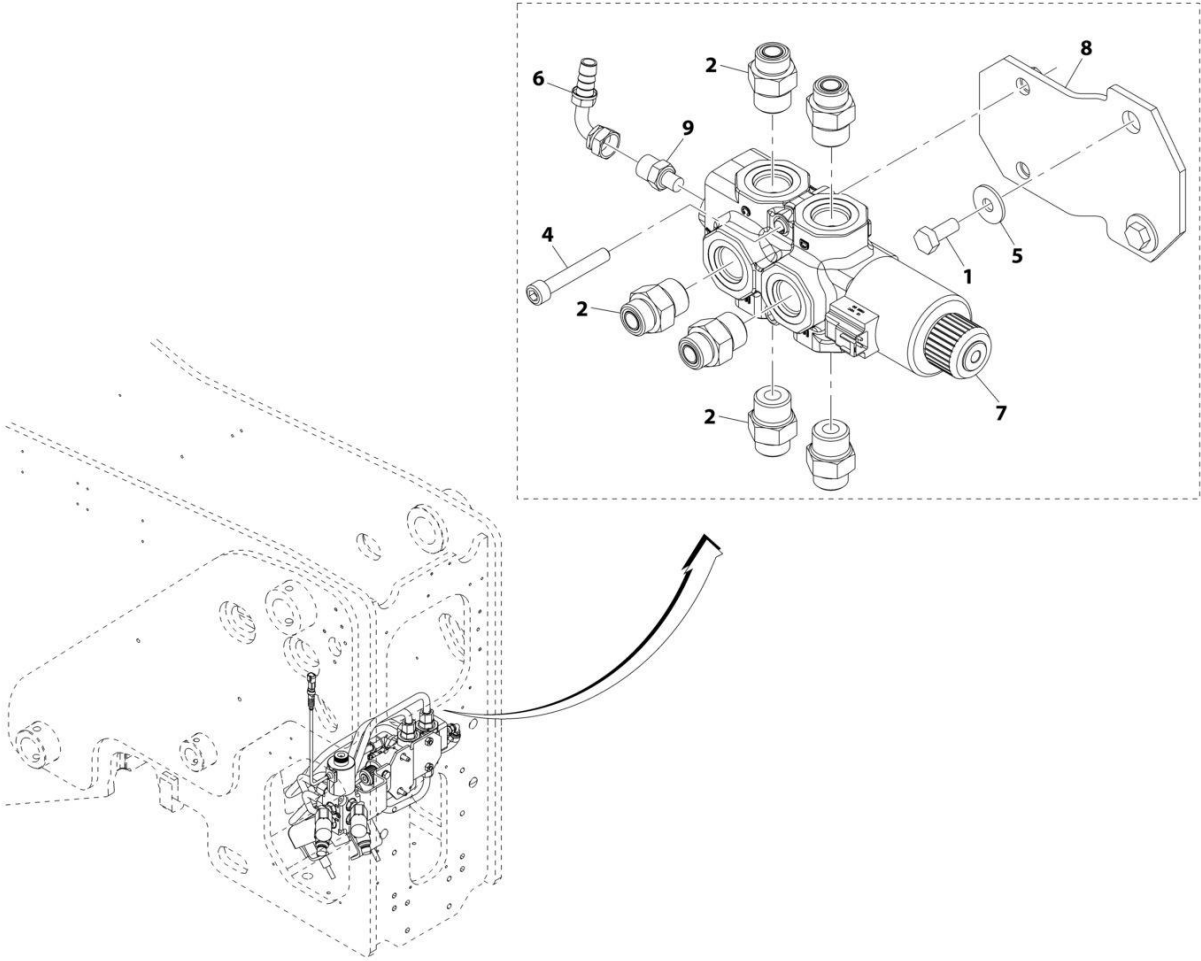
SECTION 9 - HYDRAULIC COMPONENTS

FIGURE 9-10. IMPLEMENT PUMP

ITEM	PART NUMBER	QTY	DESCRIPTION	REV
	1001200815	Ref	Implement Pump	B
1	70027595	1	Controller, DSR	
2	70024186	1	Controller, EK	
3	70024189	1	Kit, Seal	
4	7024947	1	SHAFT SEAL	
	Kit	1	O-Ring	
	Kit	2	O-Ring	
	Kit	2	O-Ring	
	Kit	4	O-Ring	
	Kit	2	O-Ring	
	Kit	1	Seal	
	Kit	1	Ring, Retaining	
	Kit	1	O-Ring	
	Kit	1	Seal	
	Kit	1	O-Ring	
	Kit	6	Seal	
	Kit	1	O-Ring	
	Kit	1	O-Ring	
	Kit	2	O-Ring	
	Kit	2	Ring, Thrust	
	Kit	1	O-Ring	
	Kit	1	O-Ring	
	Kit	1	Ring, Backup	
	Kit	1	O-Ring	
	Kit	1	Ring, Backup	

SECTION 9 - HYDRAULIC COMPONENTS

FIGURE 9-11. VALVE SUB-ASSEMBLY - DIVERTOR (HI-FLOW)



ART_1001204420-C

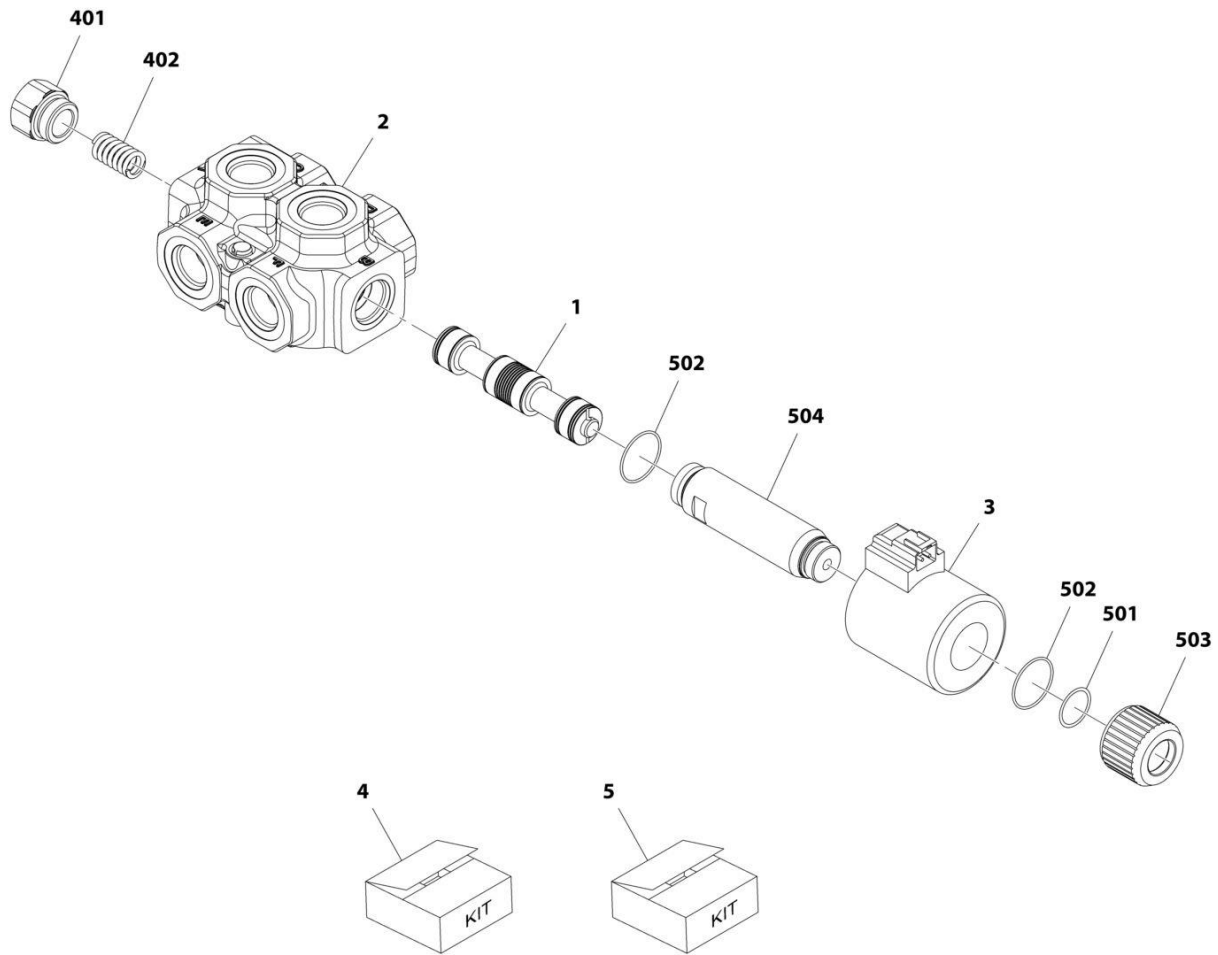
SECTION 9 - HYDRAULIC COMPONENTS

FIGURE 9-11. VALVE SUB-ASSEMBLY - DIVERTOR (HI-FLOW)

ITEM	PART NUMBER	QTY	DESCRIPTION	REV
	1001204420	Ref	Divertor Valve Assembly (Hi Flow)	C
1	0761012	2	Bolt, M10X25	
2	2111012	6	Fitting, Straight ORFS	
4	4032017	2	Bolt	
5	4812002	2	Washer, M10	
6	1001095301	1	Fitting, 90 ORFS	
7	1001173771	1	Valve, Divertor (Hi Flow) (See Separate Breakdown in this Section)	
8	1001213748	1	Bracket	
9	2110604	1	Fitting, Straight ORFS	

SECTION 9 - HYDRAULIC COMPONENTS

FIGURE 9-12. VALVE ASSEMBLY - DIVERTOR



ART_1001173771-D

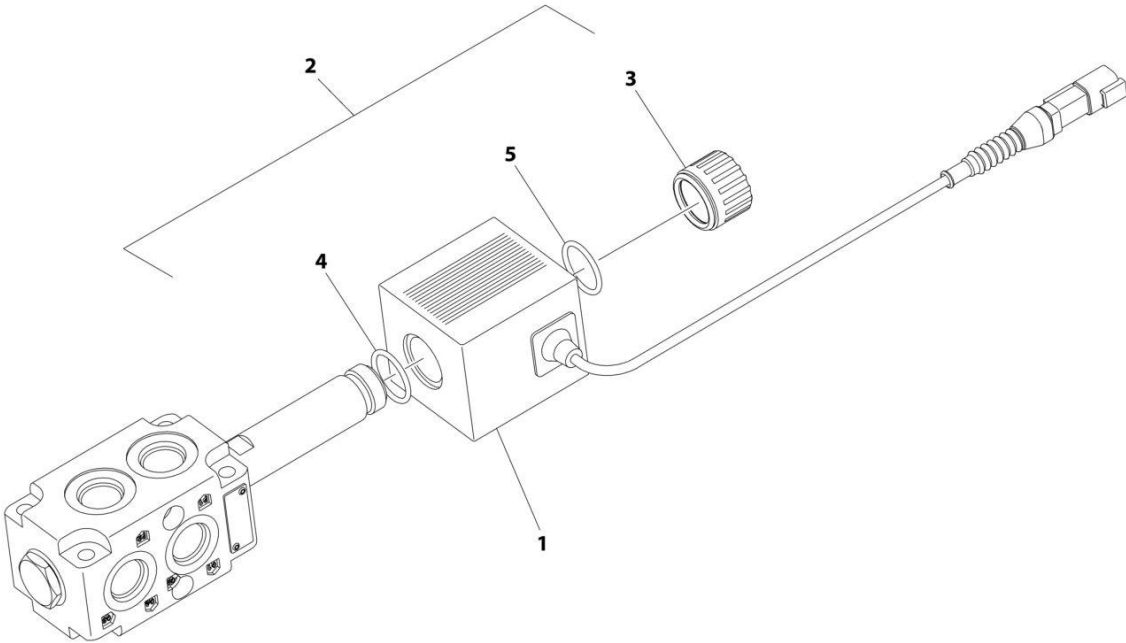
SECTION 9 - HYDRAULIC COMPONENTS

FIGURE 9-12. VALVE ASSEMBLY - DIVERTOR

ITEM	PART NUMBER	QTY	DESCRIPTION	REV
	1001173771	Ref	Divertor Valve	D
1	70027267	1	Spool, Divertor	
2	70027268	1	Body, Divertor	
3	70027269	1	Coil	
4	70027270	1	Kit, Drain Plug	
401	Kit	1	Plug	
402	Kit	1	Spring	
5	70027271	1	Kit, Tube	
501	Kit	1	O-Ring	
502	Kit	2	O-Ring	
503	Kit	1	Plug	
504	Kit	1	Tube	

SECTION 9 - HYDRAULIC COMPONENTS

FIGURE 9-13. VALVE ASSEMBLY - DIVERTOR



ART_1001104477

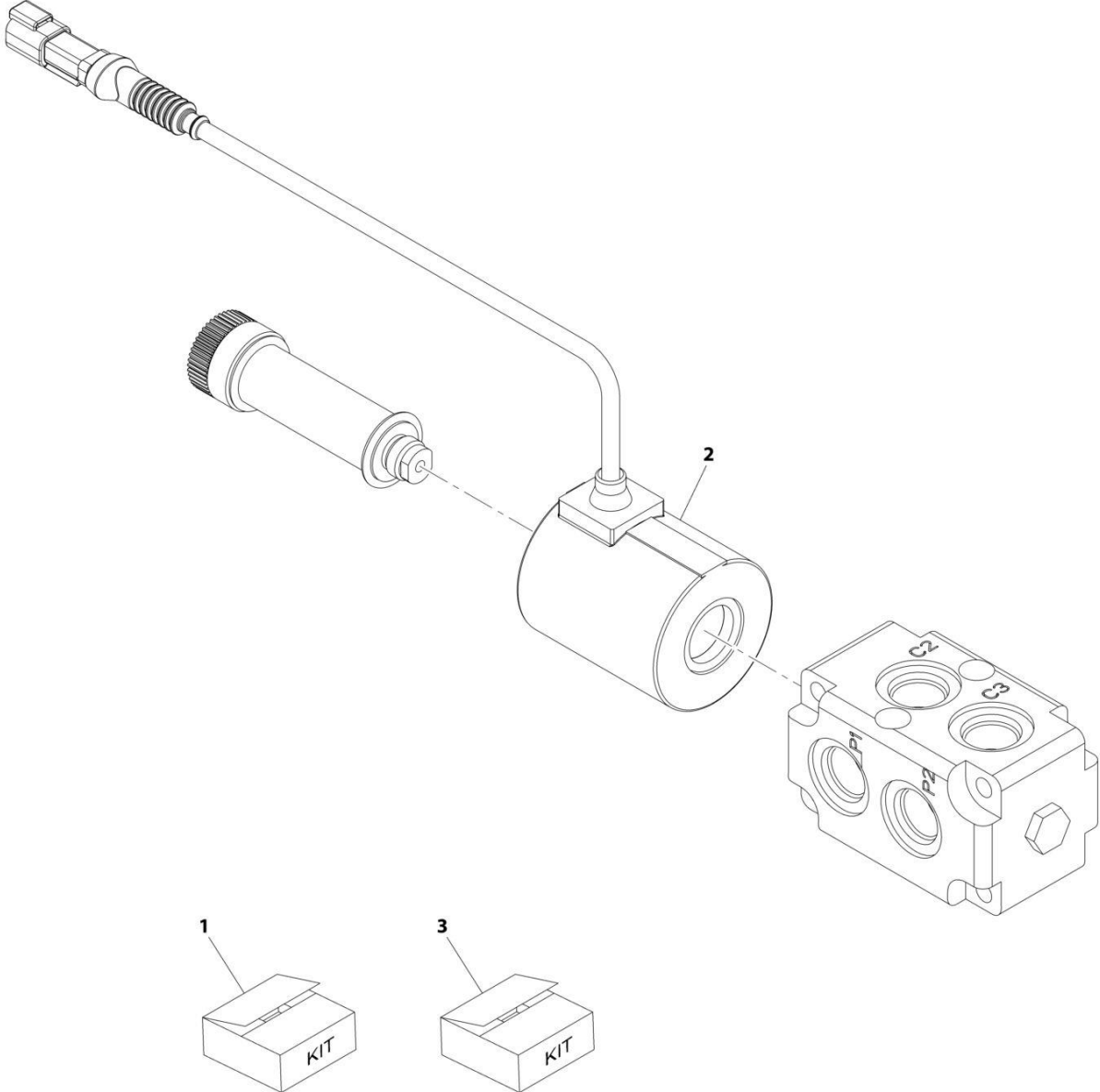
SECTION 9 - HYDRAULIC COMPONENTS

FIGURE 9-13. VALVE ASSEMBLY - DIVERTOR

ITEM	PART NUMBER	QTY	DESCRIPTION	REV
	1001104477	Ref	DIVERTOR VALVE	D
1	70020764	1	Coil	
2	70021531	1	Retainer Kit (Includes Items 3-5)	
3	Kit	1	Nut	
4	Kit	1	O-Ring	
5	Kit	1	O-Ring	

SECTION 9 - HYDRAULIC COMPONENTS

FIGURE 9-14. VALVE ASSEMBLY - DIVERTOR



ART_100110023-B

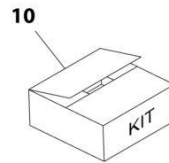
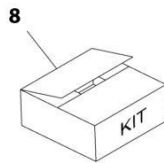
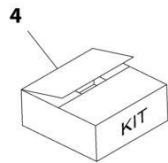
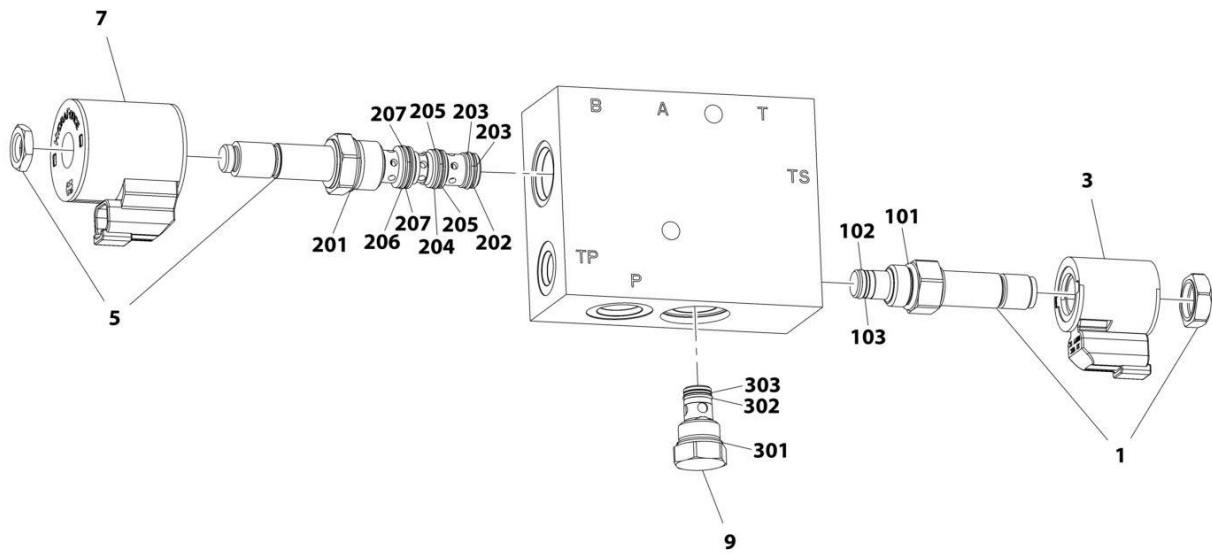
SECTION 9 - HYDRAULIC COMPONENTS

FIGURE 9-14. VALVE ASSEMBLY - DIVERTOR

ITEM	PART NUMBER	QTY	DESCRIPTION	REV
	1001110023	Ref	Divertor Valve	B
1	70027596	1	Kit, Seal	
	Kit	2	O-Ring	
2	70020764	1	Coil	
3	70021531	1	Kit, Coil Nut	
	N.S.S.	1	O-Ring	
	N.S.S.	1	O-Ring	
	N.S.S.	1	Nut	

SECTION 9 - HYDRAULIC COMPONENTS

FIGURE 9-15. VALVE ASSEMBLY - FAN MOTOR CONTROL



ART_1001182213-C

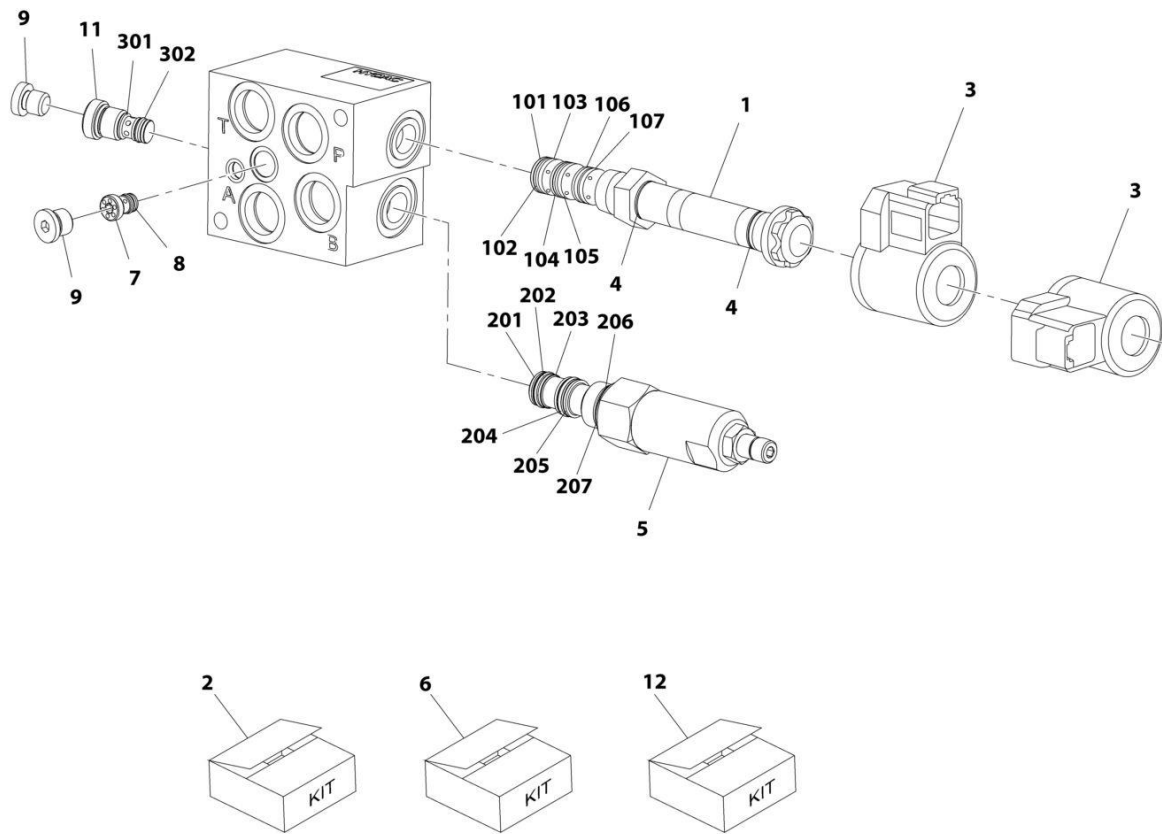
SECTION 9 - HYDRAULIC COMPONENTS

FIGURE 9-15. VALVE ASSEMBLY - FAN MOTOR CONTROL

ITEM	PART NUMBER	QTY	DESCRIPTION	REV
	1001182213	Ref	Fan Motor Control Valve	C
1	70027004	1	Valve, Proportional	
3	70002971	1	Coil	
4	7012998	1	Kit, Seal (includes items 101 thru 103)	
5	8036580	1	Valve, Solenoid	
7	70003788	1	Coil	
8	7012903	1	Kit, Seal (includes items 201 thru 207)	
9	7022391	1	Valve, Check	
10	7012998	1	Kit, Seal (includes items 301 thru 303)	
101	N.S.S.	1	O-Ring	
102	N.S.S.	1	O-Ring	
103	N.S.S.	1	O-Ring, Back-up	
201	N.S.S.	1	O-Ring	
202	N.S.S.	1	O-Ring	
203	N.S.S.	2	O-Ring, Back-up	
204	N.S.S.	1	O-Ring	
205	N.S.S.	2	O-Ring, Back-up	
206	N.S.S.	1	O-Ring	
207	N.S.S.	2	O-Ring, Back-up	
301	N.S.S.	1	O-Ring	
302	N.S.S.	1	O-Ring	
303	N.S.S.	1	O-Ring, Back-up	

SECTION 9 - HYDRAULIC COMPONENTS

FIGURE 9-16. VALVE ASSEMBLY - HYDRAULIC HITCH CONTROL VALVE



ART_1001226722-A

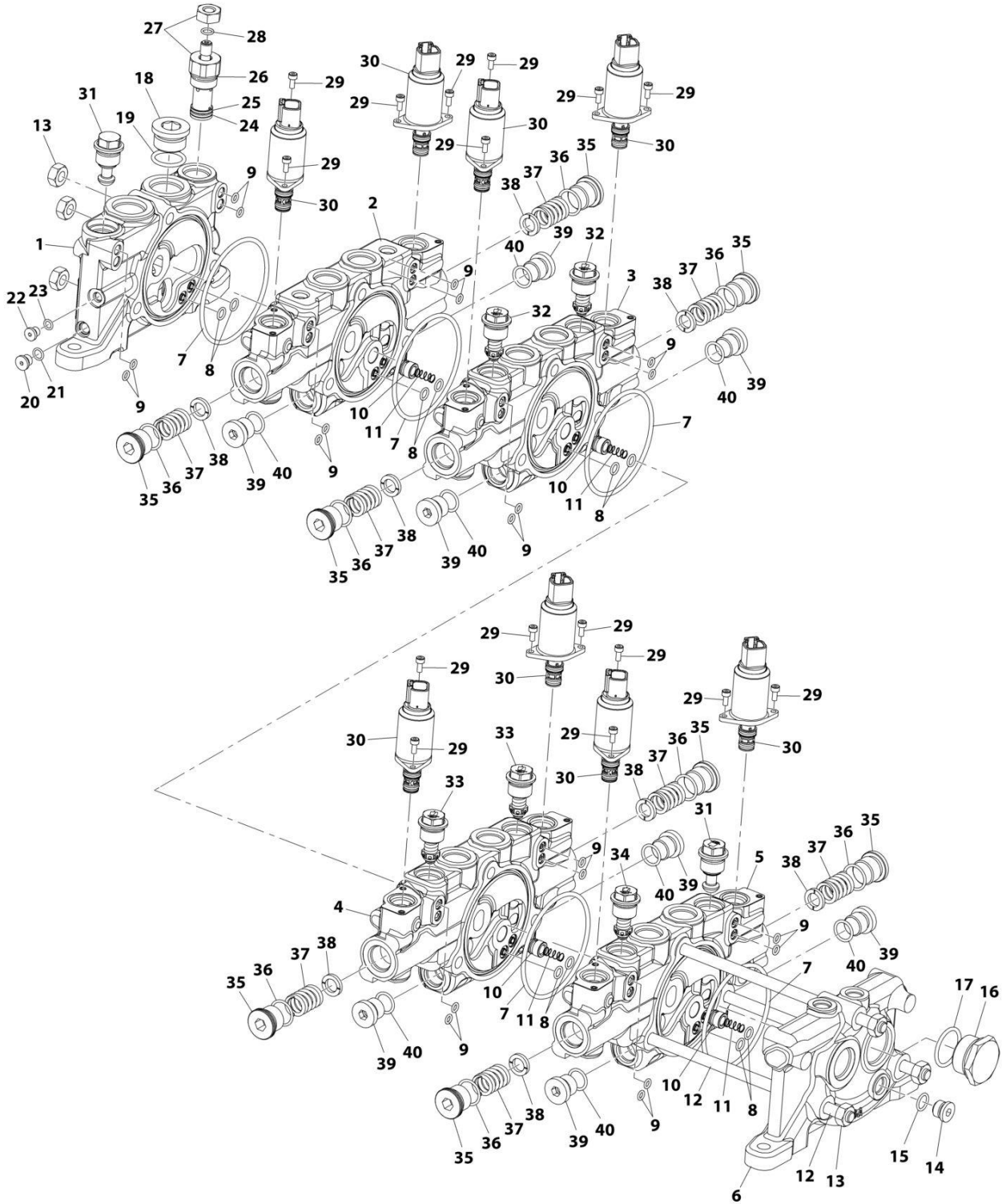
SECTION 9 - HYDRAULIC COMPONENTS

FIGURE 9-16. VALVE ASSEMBLY - HYDRAULIC HITCH CONTROL VALVE

ITEM	PART NUMBER	QTY	DESCRIPTION	REV
	1001226722	Ref	Hydraulic Hitch Control Valve	B
1	70026965	1	Valve	
2	70026966	1	Kit, Seal	
101	Kit	1	O-Ring	
102	Kit	1	O-Ring	
103	Kit	2	Support Ring	
104	Kit	1	O-Ring	
105	Kit	2	Support Ring	
106	Kit	1	O-Ring	
107	Kit	2	Support Ring	
3	70026967	2	Coil	
4	70026968	1	Nut	
5	70026969	1	Valve	
6	70026970	1	Kit, Seal	
201	Kit	1	O-Ring	
202	Kit	1	O-Ring	
203	Kit	2	Support Ring	
204	Kit	1	O-Ring	
205	Kit	2	Support Ring	
206	Kit	1	O-Ring	
207	Kit	2	Support Ring	
7	70026971	1	Valve	
8	70026972	1	Seal	
9	70026973	2	Plug	
11	70026975	1	Valve	
12	70026976	1	Kit, Seal	
301	Kit	1	O-Ring	
302	Kit	1	O-Ring	

SECTION 9 - HYDRAULIC COMPONENTS

FIGURE 9-17. VALVE ASSEMBLY - MAIN CONTROL



ART_1001241883-A

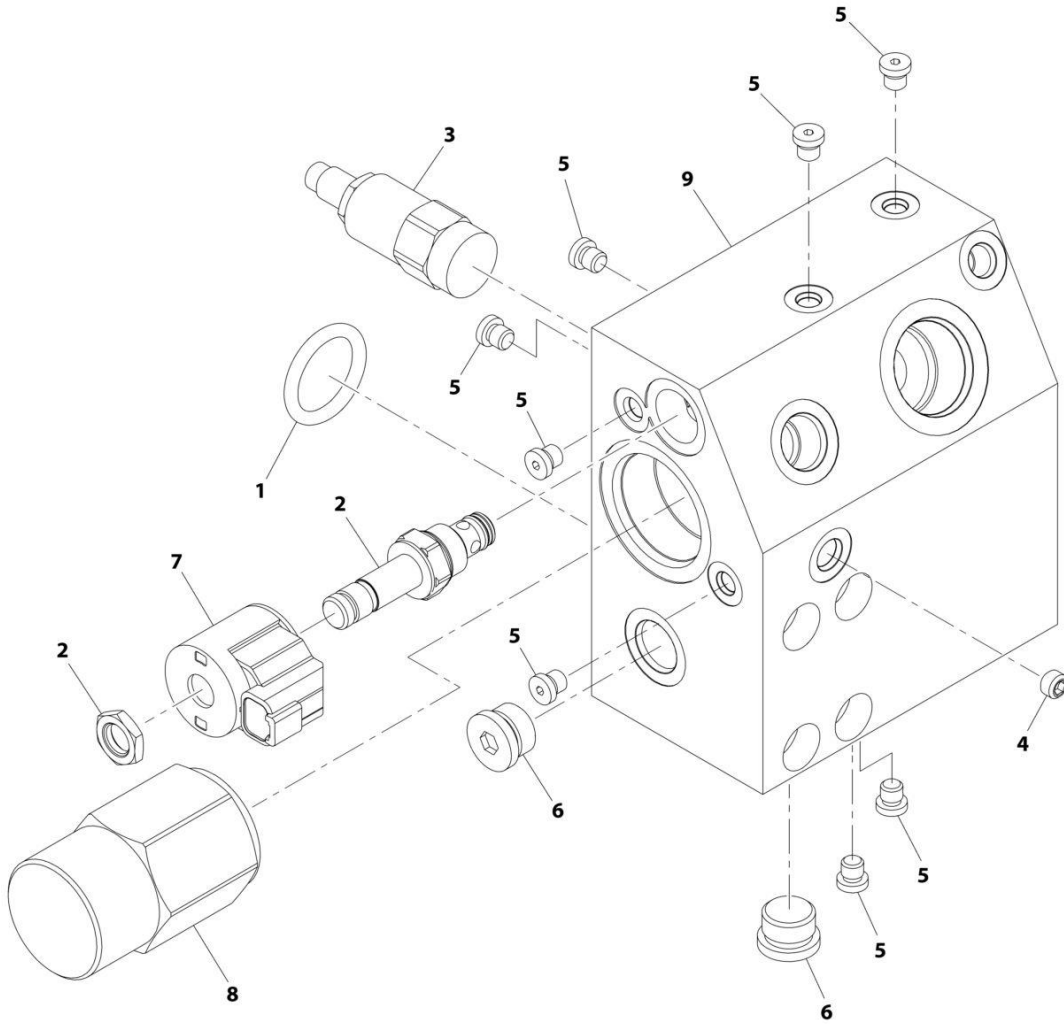
SECTION 9 - HYDRAULIC COMPONENTS

FIGURE 9-17. VALVE ASSEMBLY - MAIN CONTROL

ITEM	PART NUMBER	QTY	DESCRIPTION	REV
	1001241883	Ref	Main Control Valve	A
1	70027136	1	Section, Inlet	
2	70029992	1	Lift Section Assembly	
3	70029993	1	Tilt Section Assembly	
4	70029994	1	Aux Section Assembly	
5	70029995	1	Extend/Retract Section Assembly	
6	70027141	1	Outlet Section Assembly	
7	8034697	5	O-Ring	
8	10837926	10	O-Ring	
9	70027128	20	O-Ring	
10	10837929	4	Poppet	
11	10837937	4	Spring	
12	70026375	3	Tie Rod	
13	70050481	6	Nut-Metric	
14	70050475	1	Plug Assy	
15	70024201	1	O-Ring	
16	70029030	1	Plug Assy W/O-Ring	
17	10732931	1	O-Ring	
18	70050472	1	Plug Assy, W/O-Ring	
19	70026374	1	O-Ring	
20	70026368	1	Plug Assy W/O-Ring	
21	70026371	1	O-Ring	
22	70026379	1	Plug Assy W/O-Ring	
23	70026372	1	O-Ring	
24	70026370	1	O-Ring	
25	70026376	1	Back-Up Ring	
26	10837928	1	O-Ring	
27	70027132	1	Drain Regulator Assembly	
28	70026373	1	O-Ring	
29	70027135	16	Screw	
30	70029820	8	Solenoid, Cartridge Valve	
31	70026382	2	Shut-Off Plug Assembly	
32	70022010	2	Relief Valve Assembly	
33	70027133	2	Relief Valve Assembly	
34	70027134	1	Relief Valve Assembly	
35	70024847	8	Plug Assembly W/O-Ring	
36	70026777	8	O-Ring	
37	70026377	8	Spring	
38	70027129	8	Spring Seat	
39	70027131	8	Plug Assembly W/O-Ring	
40	70027130	8	O-Ring	

SECTION 9 - HYDRAULIC COMPONENTS

FIGURE 9-18. VALVE ASSEMBLY - PRIORITY FLOW MANIFOLD



ART_1001220639-B

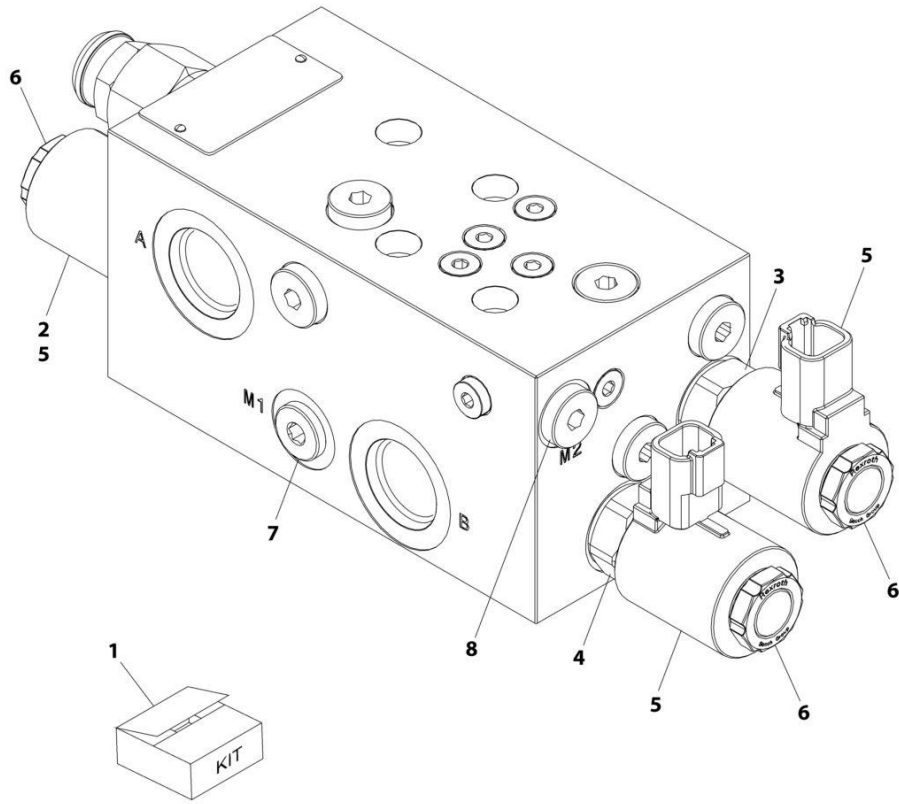
SECTION 9 - HYDRAULIC COMPONENTS

FIGURE 9-18. VALVE ASSEMBLY - PRIORITY FLOW MANIFOLD

ITEM	PART NUMBER	QTY	DESCRIPTION	REV
	1001220639	Ref	Priority Flow Valve	B
1	70027000	1	O-Ring	
2	70027001	1	Valve, Solenoid	
3	70027002	1	Reducer, Pressure	
4	70026313	1	Plug	
5	2220881	8	Plug	
6	2220886	2	Plug	
7	70002386	1	Coil	
8	70028900	1	Direction Control Valve	
9	N.S.S.	1	Body	

SECTION 9 - HYDRAULIC COMPONENTS

FIGURE 9-19. VALVE ASSEMBLY - RIDE CONTROL



ART_1001263039

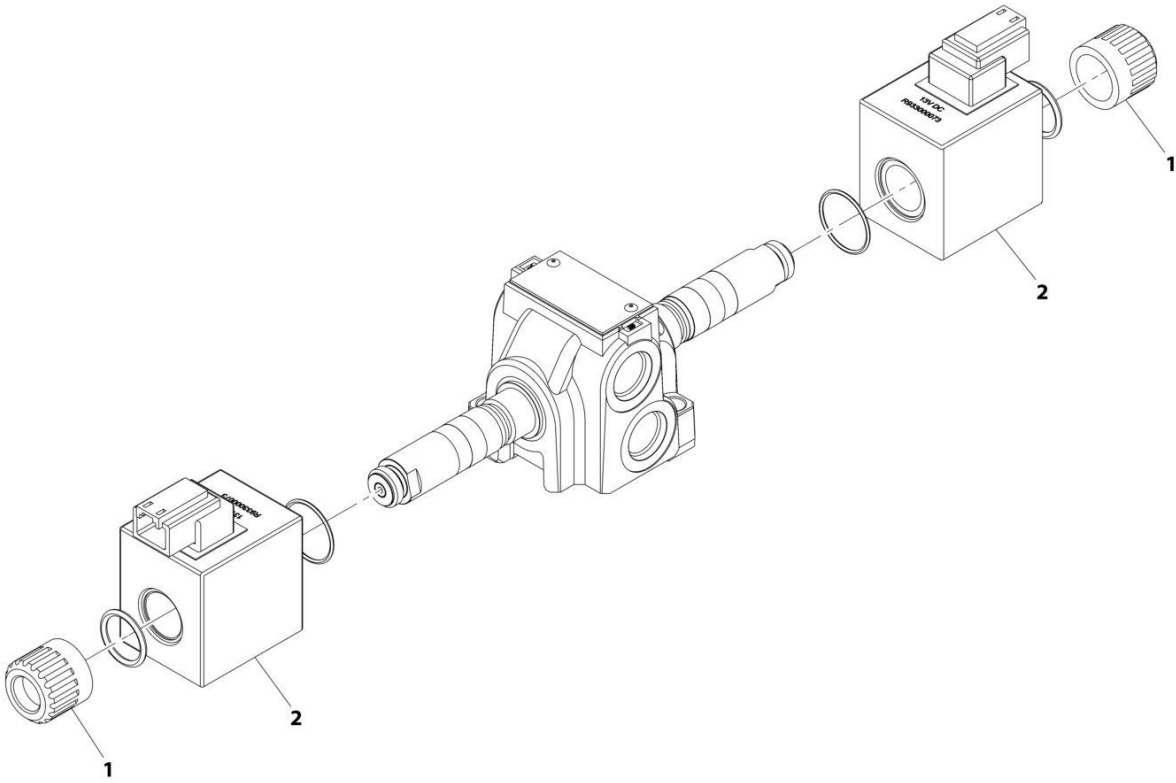
SECTION 9 - HYDRAULIC COMPONENTS

FIGURE 9-19. VALVE ASSEMBLY - RIDE CONTROL

ITEM	PART NUMBER	QTY	DESCRIPTION	REV
	1001263039	Ref	VALVE ASSEMBLY - RIDE CONTROL	A
1	70027600	1	Seal Kit - Mounting (Includes to Mount Valve Assembly)	
2	70030943	1	Valve, Solenoid Cartridge (Less Coil)	
3	70030944	1	Valve, Solenoid Cartridge (Less Coil)	
4	70030945	1	Valve, Solenoid Cartridge (Less Coil)	
5	70030946	3	Coil	
6	70007604	3	Coil Nut	
7	70030947	1	Plug Kit	
8	70030948	1	Plug Kit	

SECTION 9 - HYDRAULIC COMPONENTS

FIGURE 9-20. VALVE ASSEMBLY - STEERING SELECT VALVE



ART_1001153748-C

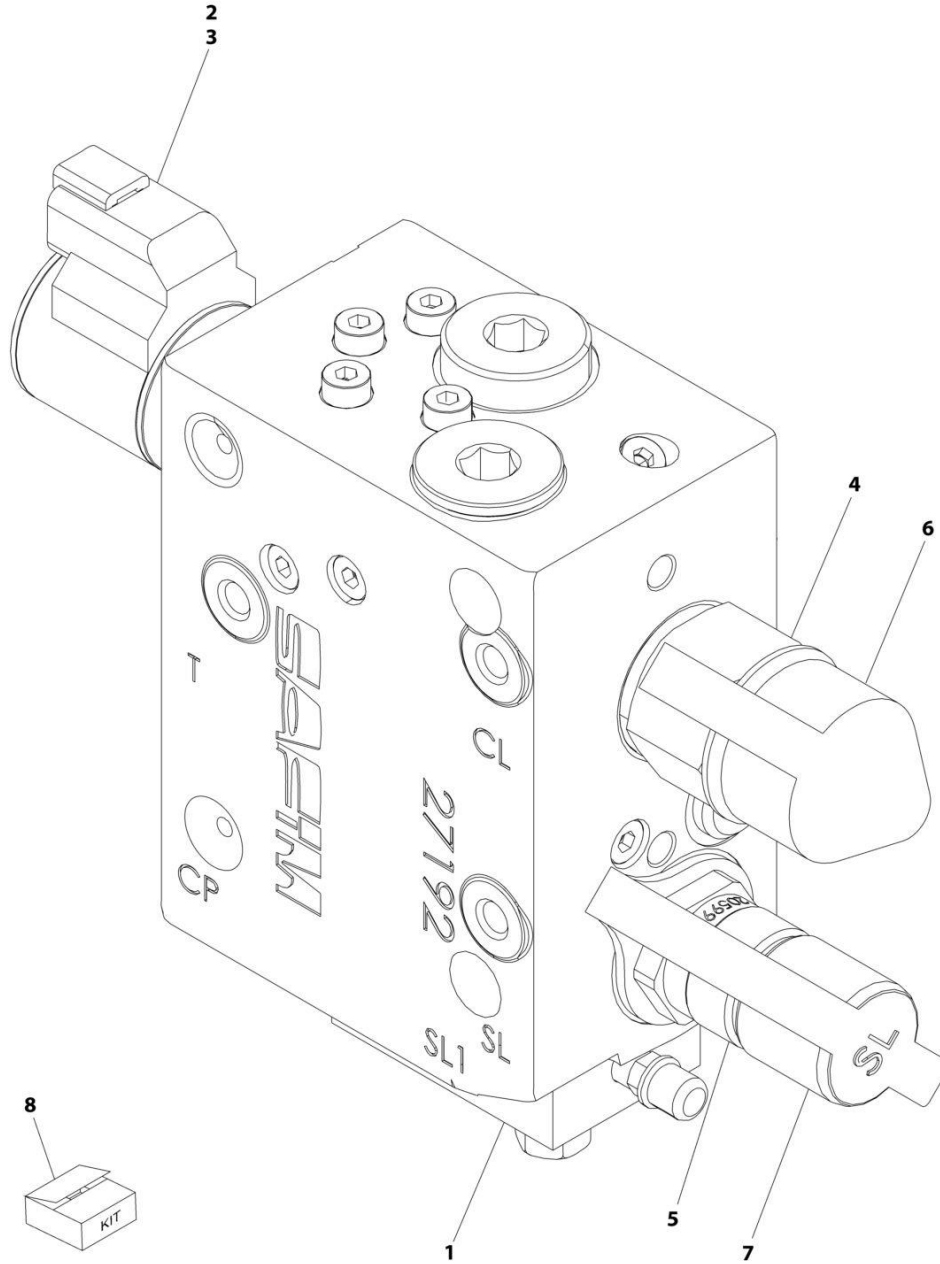
SECTION 9 - HYDRAULIC COMPONENTS

FIGURE 9-20. VALVE ASSEMBLY - STEERING SELECT VALVE

ITEM	PART NUMBER	QTY	DESCRIPTION	REV
	1001153748	Ref	Steering Select Valve	C
1	70020867	2	Nut, Coil	
2	70026582	2	Coil	

SECTION 9 - HYDRAULIC COMPONENTS

FIGURE 9-21. VALVE ASSEMBLY - TRAILER BRAKE



ART_1001230194

SECTION 9 - HYDRAULIC COMPONENTS

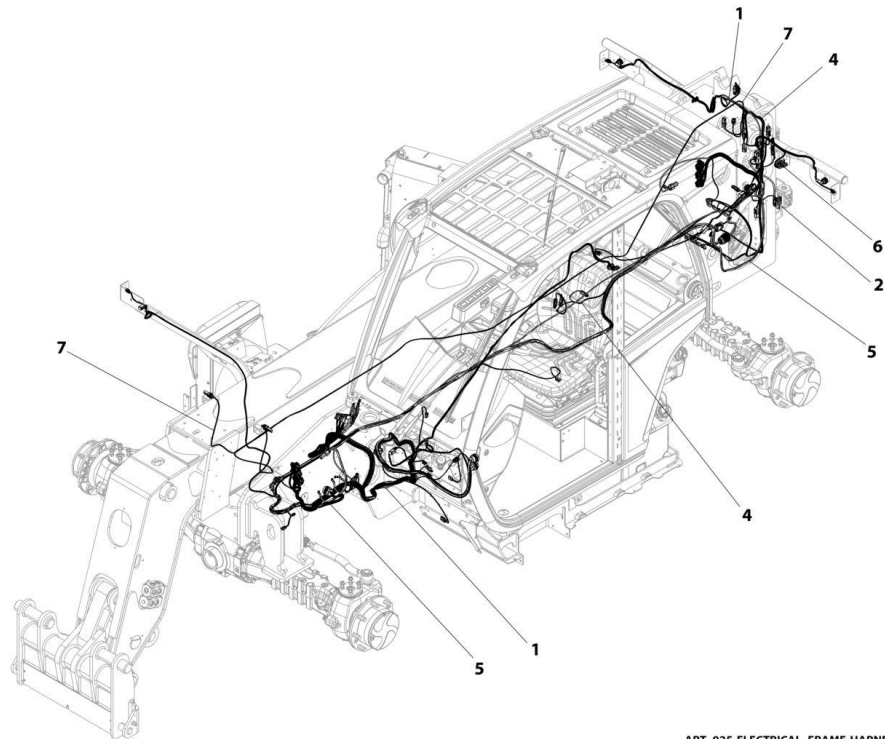
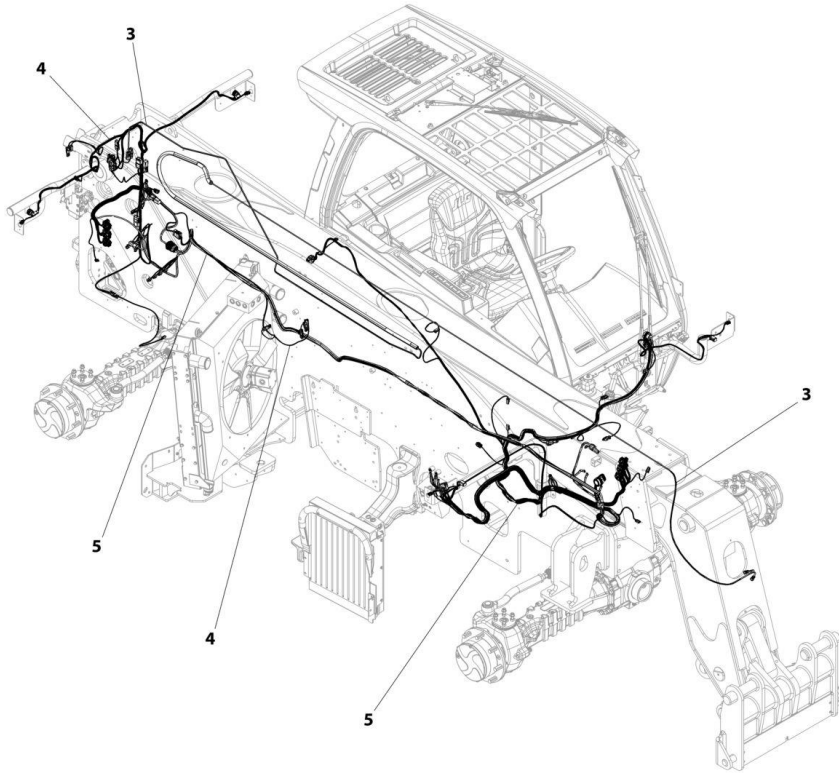
FIGURE 9-21. VALVE ASSEMBLY - TRAILER BRAKE

ITEM	PART NUMBER	QTY	DESCRIPTION	REV
	1001230194	Ref	TRAILER BRAKE VALVE	A
1	70028868	1	Pilot Group	
2	70028869	1	Solenoid Valve with Coil	
3	70028870	1	Coil	
4	70028871	1	Coupling, CL	
5	70028872	1	Coupling, SL	
6	70028873	1	Cap, CL	
7	70028874	1	Cap, SL	
8	70028875	1	Seal Kit (Includes Items 101-112)	
101	Kit	1	Cap Bleeding Screw	
102	Kit	1	Quadrant Pilot Block	
103	Kit	10	Seal	
104	Kit	1	Seal	
105	Kit	1	Seal	
106	Kit	1	Seal	
107	Kit	1	Seal	
108	Kit	1	Seal	
109	Kit	1	Seal	
110	Kit	1	Seal	
111	Kit	1	Anti Extrusion	
112	Kit	1	Anti Extrusion	

SECTION 10 - ELECTRICAL

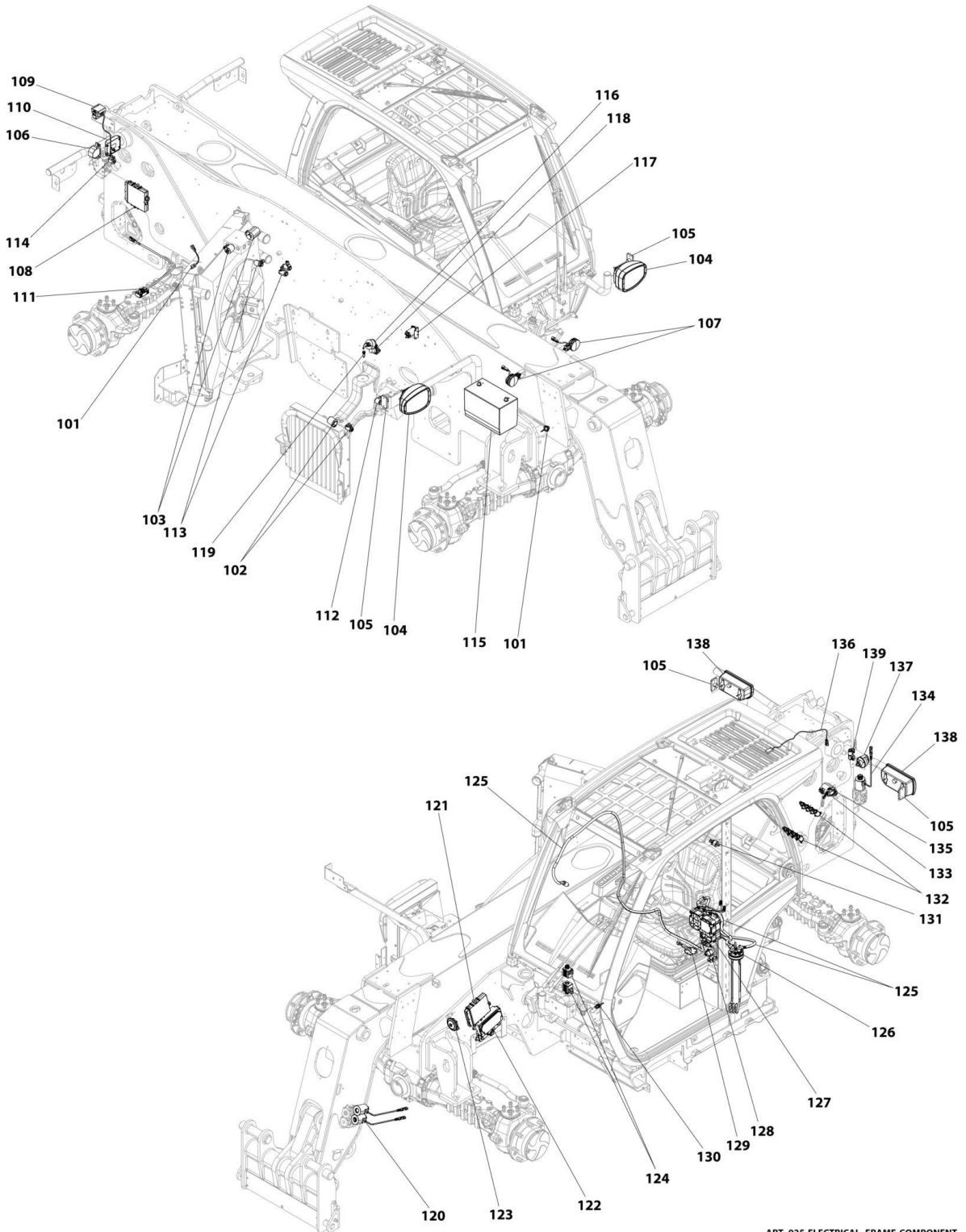
SECTION 10 - ELECTRICAL

FIGURE 10-1. 832 ELECTRICAL LAYOUT



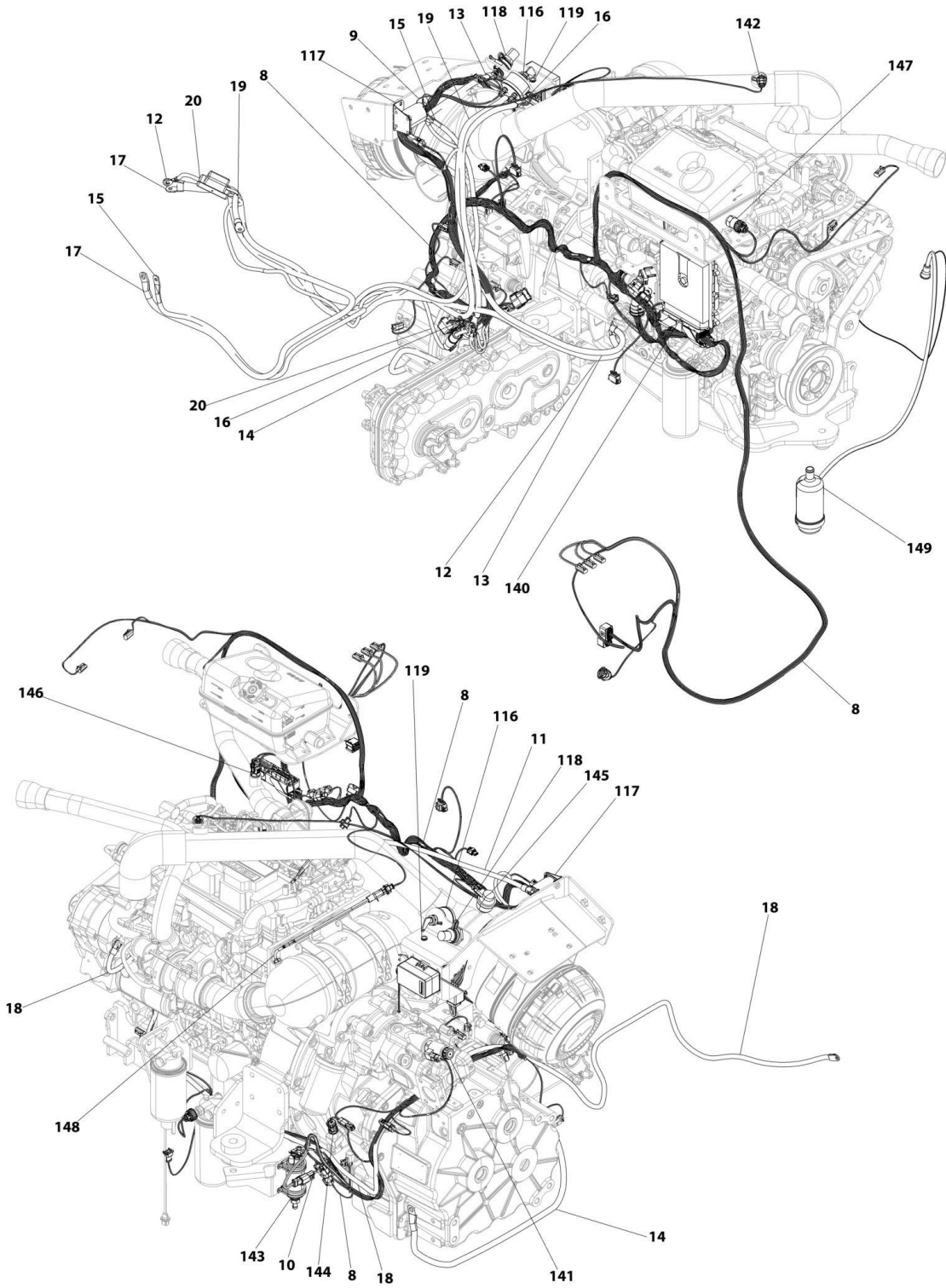
ART_925-ELECTRICAL_FRAME-HARNESS

SECTION 10 - ELECTRICAL



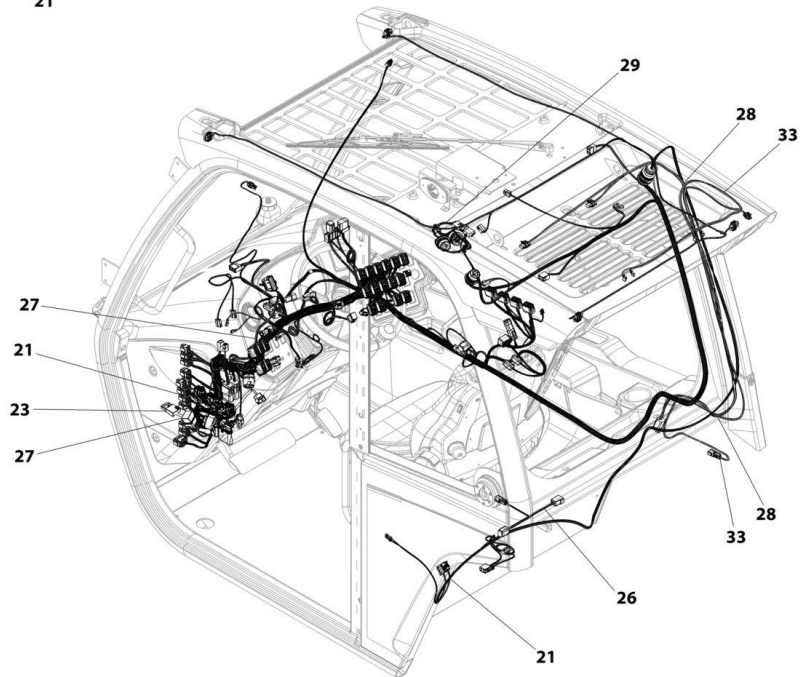
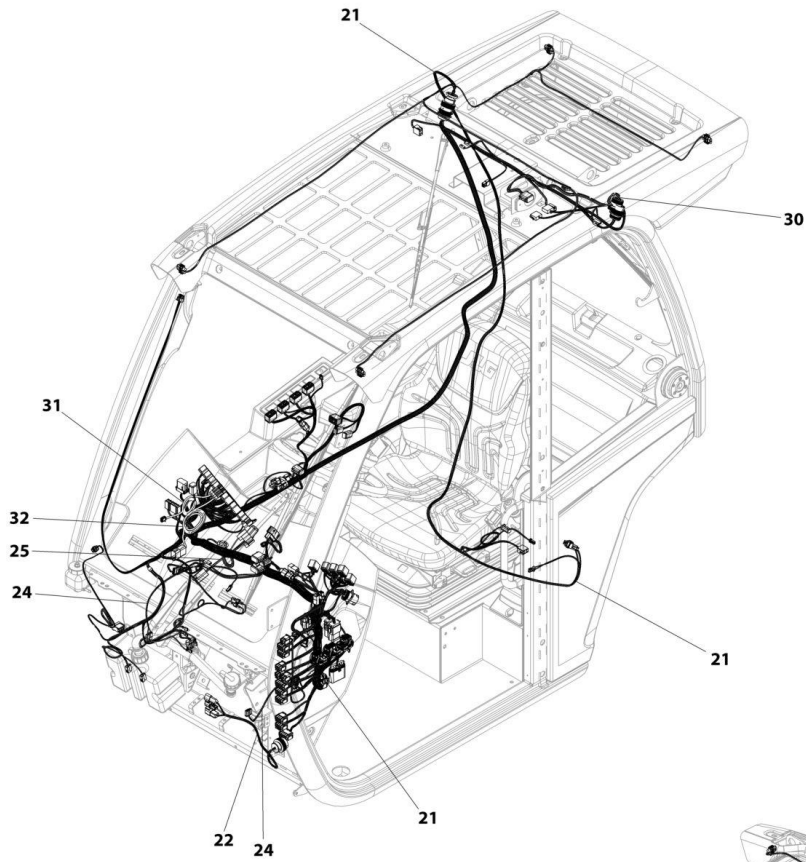
ART_925-ELECTRICAL_FRAME-COMPONENT

SECTION 10 - ELECTRICAL



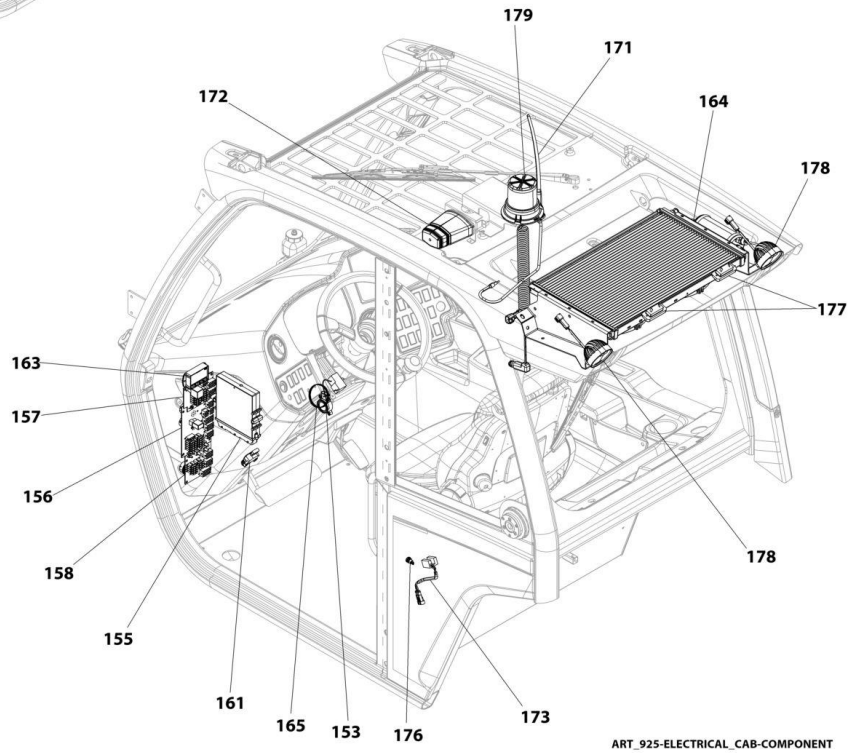
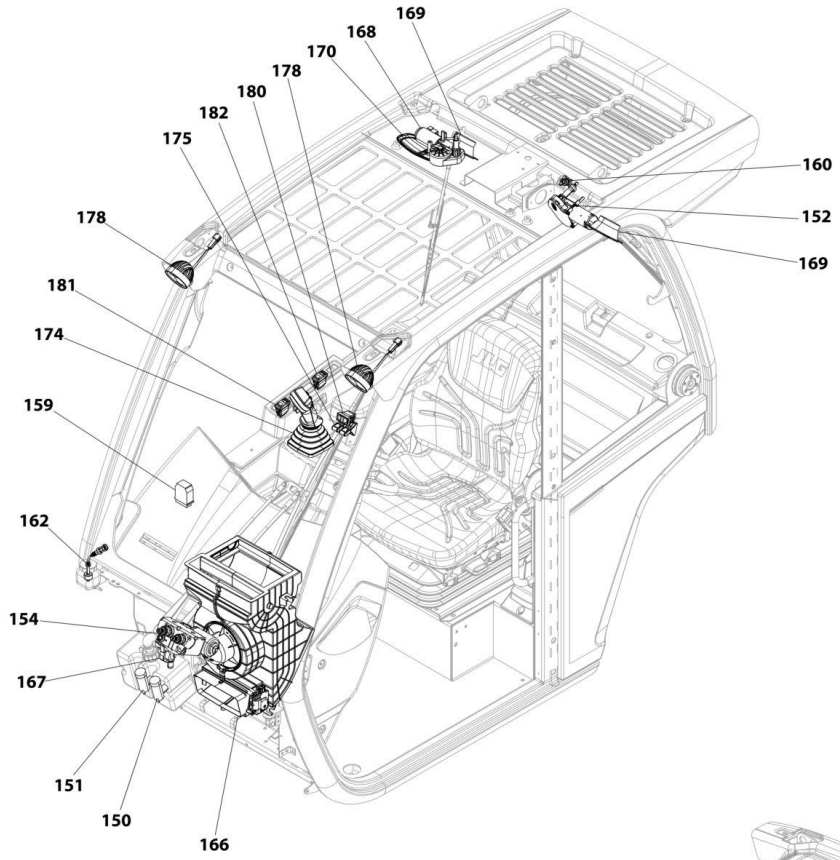
ART_925-ELECTRICAL_ENGINE_DEUTZ3-6-90KW

SECTION 10 - ELECTRICAL



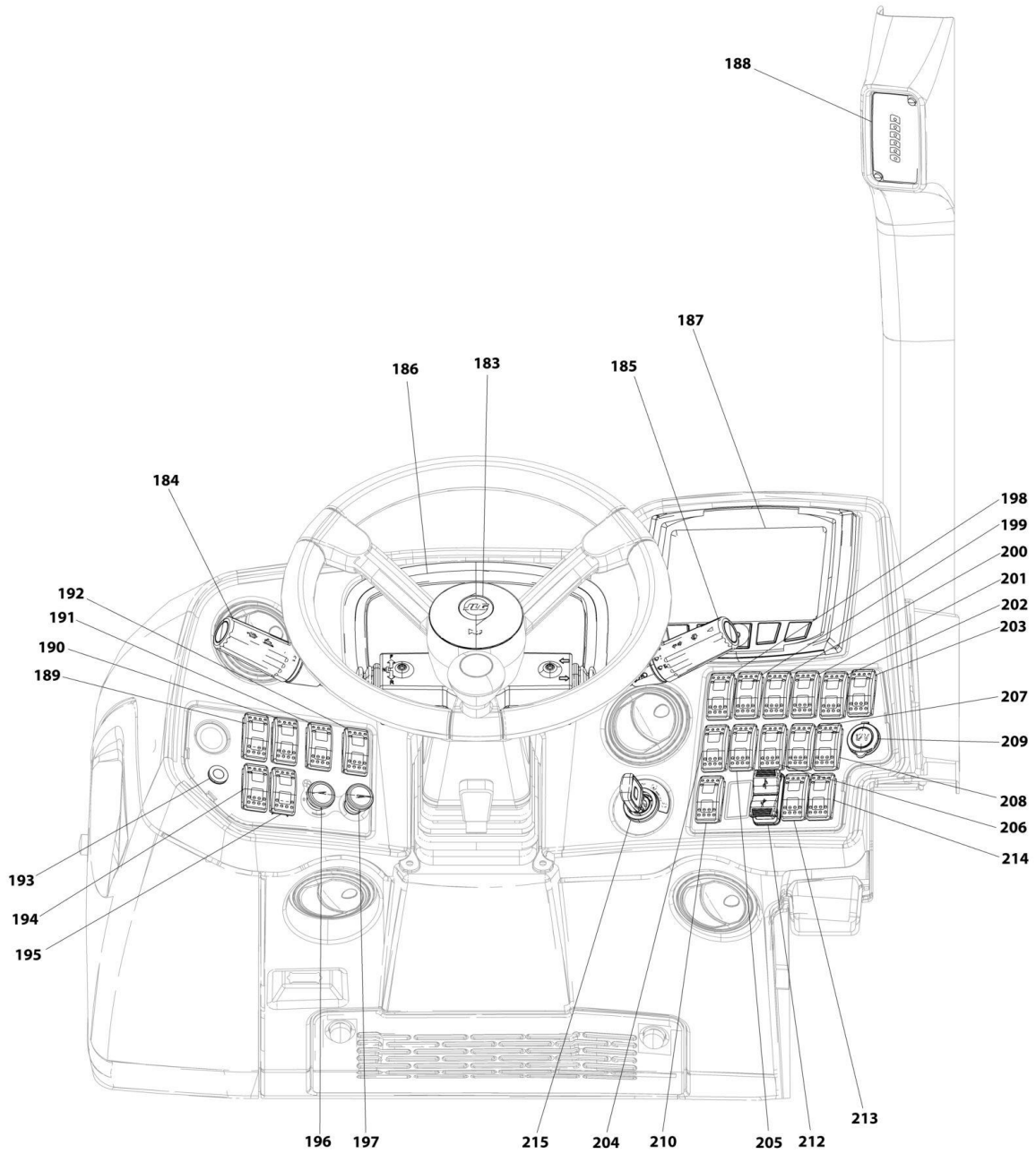
ART_925-ELECTRICAL_CAB-HARNESS

SECTION 10 - ELECTRICAL



ART_925-ELECTRICAL_CAB-COMPONENT

SECTION 10 - ELECTRICAL



ART_832-ELECTRICAL_CONTROLS

SECTION 10 - ELECTRICAL

FIGURE 10-1. 832 ELECTRICAL LAYOUT

ITEM	PART NUMBER	QTY	DESCRIPTION	REV
		Ref	Note: This figure is for identifying part location only.	
		Ref	HARNESS LIST	
1		Ref	Cable, Reverse Camera	
2		Ref	Harness, Reverse Sensor	
3		Ref	Harness, Boom	
4		Ref	Harness, Rear Frame	
5		Ref	Harness, Front Frame	
6		Ref	Harness, Trailer Connector	
7		Ref	Harness, Boom Worklights	
8		Ref	Harness, Engine	
9		Ref	Harness, Glow Plug Relay to Engine Harness	
10		Ref	Harness, Fuel Pump	
11		Ref	Cable, Glow Plug to Relay	
12		Ref	Cable, Battery (+) to Starter	
13		Ref	Cable, Starter to Jump Start Stud	
14		Ref	Cable, Ground Buss to Engine Ground	
15		Ref	Cable, PDM to Glow Plug Relay	
16		Ref	Cable, Disconnect to Ground Buss	
17		Ref	Cable, Battery (+) to PDM	
18		Ref	Cable, Alternator Power	
19		Ref	Cable, Battery (-) to Disconnect	
20		Ref	Cable, ECM Power	
21		Ref	Harness, Cab	
22		Ref	Harness, Cab Option	
23		Ref	Cable, Communication Analyzer	
24		Ref	Harness, HVAC Actuator	
25		Ref	Harness, Ignition Switch	
26		Ref	Harness, Seat Adaptor	
27		Ref	Harness, Seat Belt Alarm	
28		Ref	Harness, A/C Option	
29		Ref	Harness, Telematics Ready	
30		Ref	Harness, Telematics	
31		Ref	Cable, Display Programming	
32		Ref	Cable, Display Video	
33		Ref	Harness, License Plate Light	
		Ref	COMPONENT LIST	
101		Ref	Sensor, Steer	
102		Ref	Solenoids, Hydraulic Cooling Fan	
103		Ref	Solenoids, Engine Cooling Fan	
104		Ref	Headlight	
105		Ref	Light, Side Marker	
106		Ref	Alarm, Backup	
107		Ref	Worklights	
108		Ref	Module, Rear Frame	
109		Ref	Camera, Reverse	
110		Ref	Sensor, Reverse	
111		Ref	Sensor, Rear Axle	
112		Ref	Solenoids, Priority Valve	
113		Ref	Solenoids, Ride Control Valve	
114		Ref	Solenoid, Trailer Brake Valve	

SECTION 10 - ELECTRICAL

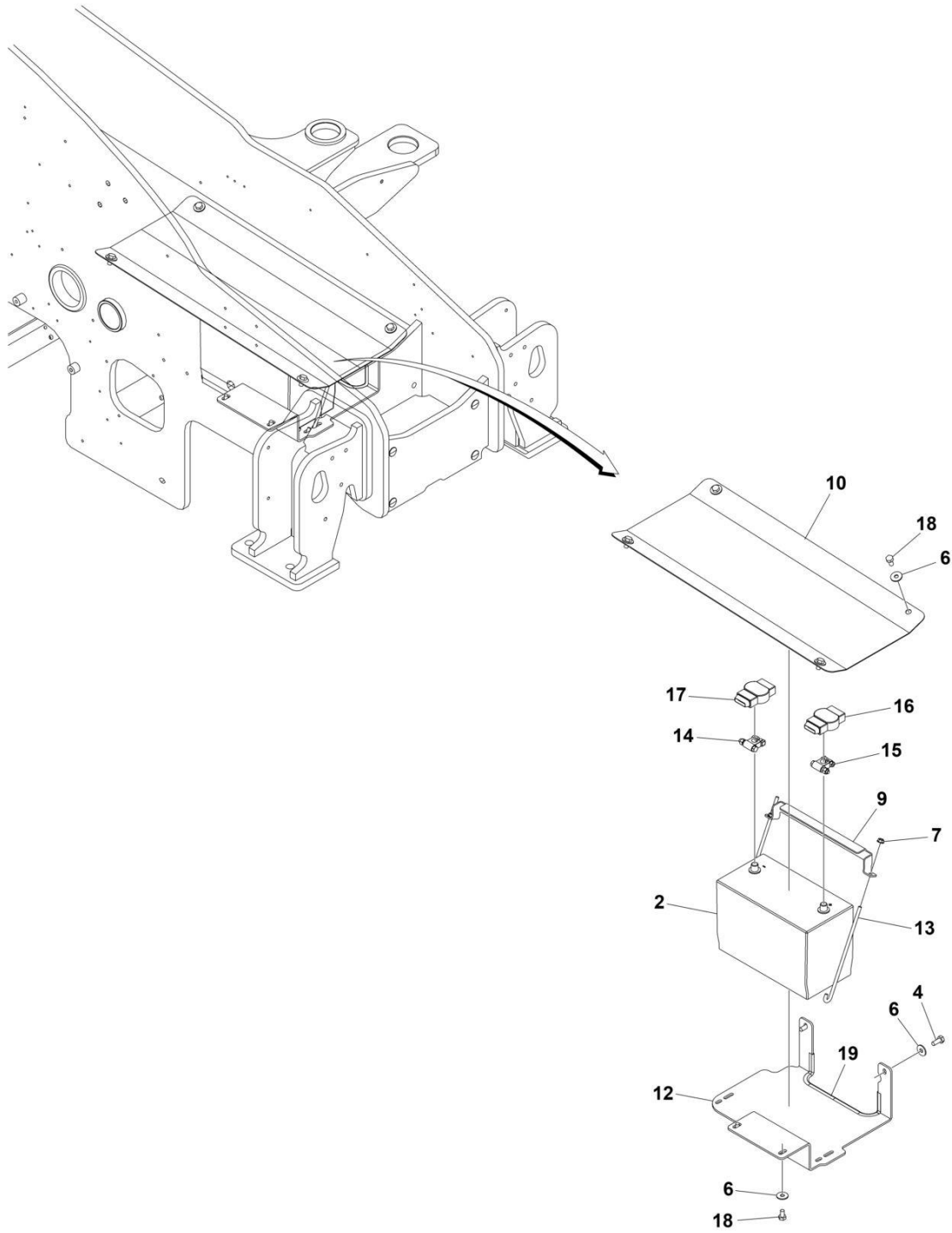
ITEM	PART NUMBER	QTY	DESCRIPTION	REV
115		Ref	Battery	
116		Ref	Switch, Battery Disconnect	
117		Ref	Relay	
118		Ref	Battery Jump Start Stud	
119		Ref	Light, DEF Purge Indicator	
120		Ref	Solenoids, Boom Quick Switch Valve	
121		Ref	Module, Front Frame	
122		Ref	Box, Power Distribution Electrical	
123		Ref	Horn	
124		Ref	Solenoids, Steer Select Valve	
125		Ref	Hose, Heated (DEF)	
126		Ref	Module, DEF Tank	
127		Ref	Pump, DEF Module	
128		Ref	Solenoids, Def Tank	
129		Ref	Fuel Pump	
130		Ref	Sensor, Hydraulic Oil Temperature	
131		Ref	Switch, Hydraulic Oil Pressure	
132		Ref	Solenoids, Main Control Valve	
133		Ref	Sensor, Boom Angle	
134		Ref	Solenoid, Rear Aux Divertor Valve	
135		Ref	Solenoids, Hi-Flow Divertor Valve	
136		Ref	Sensor, Proximity	
137		Ref	Connector, Electrical (Trailer)	
138		Ref	Taillight	
139		Ref	Solenoids, Hitch Control Valve	
140		Ref	Module, Engine Control	
141		Ref	Solenoid, Implement Pump	
142		Ref	Sensor, Ambient Air Temperature	
143		Ref	Fuel Pump	
144		Ref	Sensor, Temperature	
145		Ref	Sensor, Air Restriction	
146		Ref	Sensor, Engine Coolant Temperature	
147		Ref	Sensor, Coolant Level	
148		Ref	Sensor, Temperature	
149		Ref	Heater, Engine Block	
150		Ref	Pump, Windshield Washer	
151		Ref	Pump, Rear Window Washer	
152		Ref	Motor, Rear Wiper	
153		Ref	Sensor, Throttle	
154		Ref	Motor, Front Wiper	
155		Ref	Module, Cab	
156		Ref	Electrical Board, Standard	
157		Ref	Electrical Board, Option 1	
158		Ref	Electrical Board, Option 2	
159		Ref	Module, Wipers	
160		Ref	Plug, 12V Power	
161		Ref	Sensor, Brake	
162		Ref	Sensor, Brake Fluid Level	
163		Ref	HVAC Actuator	
164		Ref	Assembly, Cab Condenser	
165		Ref	Sensor, HVAC Thermostat	

SECTION 10 - ELECTRICAL

ITEM	PART NUMBER	QTY	DESCRIPTION	REV
166		Ref	Assembly, Heater & A/C	
167		Ref	Valve, HVAC	
168		Ref	Motor, Roof Wiper	
169		Ref	Speakers	
170		Ref	Lamp, Dome	
171		Ref	Antenna, Radio	
172		Ref	Module, ClearSky Telematics	
173		Ref	Sensor, Parking Brake	
174		Ref	Joystick	
175		Ref	Control, Fingertip Joystick	
176		Ref	Switch, Trailer Brake	
177		Ref	Light, License Plate	
178		Ref	Worklights	
179		Ref	Beacon	
180		Ref	Switch, Hitch Up/Down	
181		Ref	Switch, Transmission Disconnect	
182		Ref	Switch, Engine Speed Set	
183		Ref	Horn	
184		Ref	Lever, Transmission Control	
185		Ref	Lever, Accessory Control	
186		Ref	Instrument Panel	
187		Ref	Multifunction Display	
188		Ref	Display, LSI	
189		Ref	Switch, Lift/Loader	
190		Ref	Switch, Continuous Auxiliary Hydraulic	
191		Ref	Switch, Air Conditioning	
192		Ref	Switch, HVAC Recirculation	
193		Ref	Light, Seat Belt Indicator	
194		Ref	Switch, LSI Override	
195		Ref	Switch, Coupler	
196		Ref	HVAC Fan Speed	
197		Ref	Switch, HVAC Temperature Control	
198		Ref	Switch, Fog Lights	
199		Ref	Switch, Front Work Lights	
200		Ref	Switch, Boom Work Lights	
201		Ref	Switch, Rear Work Lights	
202		Ref	Switch, Beacon Light	
203		Ref	Switch, Hazard Lights	
204		Ref	Switch, Rear Wiper	
205		Ref	Switch, Roof Wiper	
206		Ref	Switch, Bucket Mode	
207		Ref	Switch, Boom Ride Control	
208		Ref	Switch, Auxiliary Decompression	
209		Ref	Power Outlet	
210		Ref	Switch, Steer Select	
212		Ref	USB Port	
213		Ref	Switch, Reversing Fan	
214		Ref	Switch, Master Light and Road Lights	
215		Ref	Switch, Ignition	

SECTION 10 - ELECTRICAL

FIGURE 10-2. BATTERY INSTALLATION (STANDARD)



ART_1001180267_J

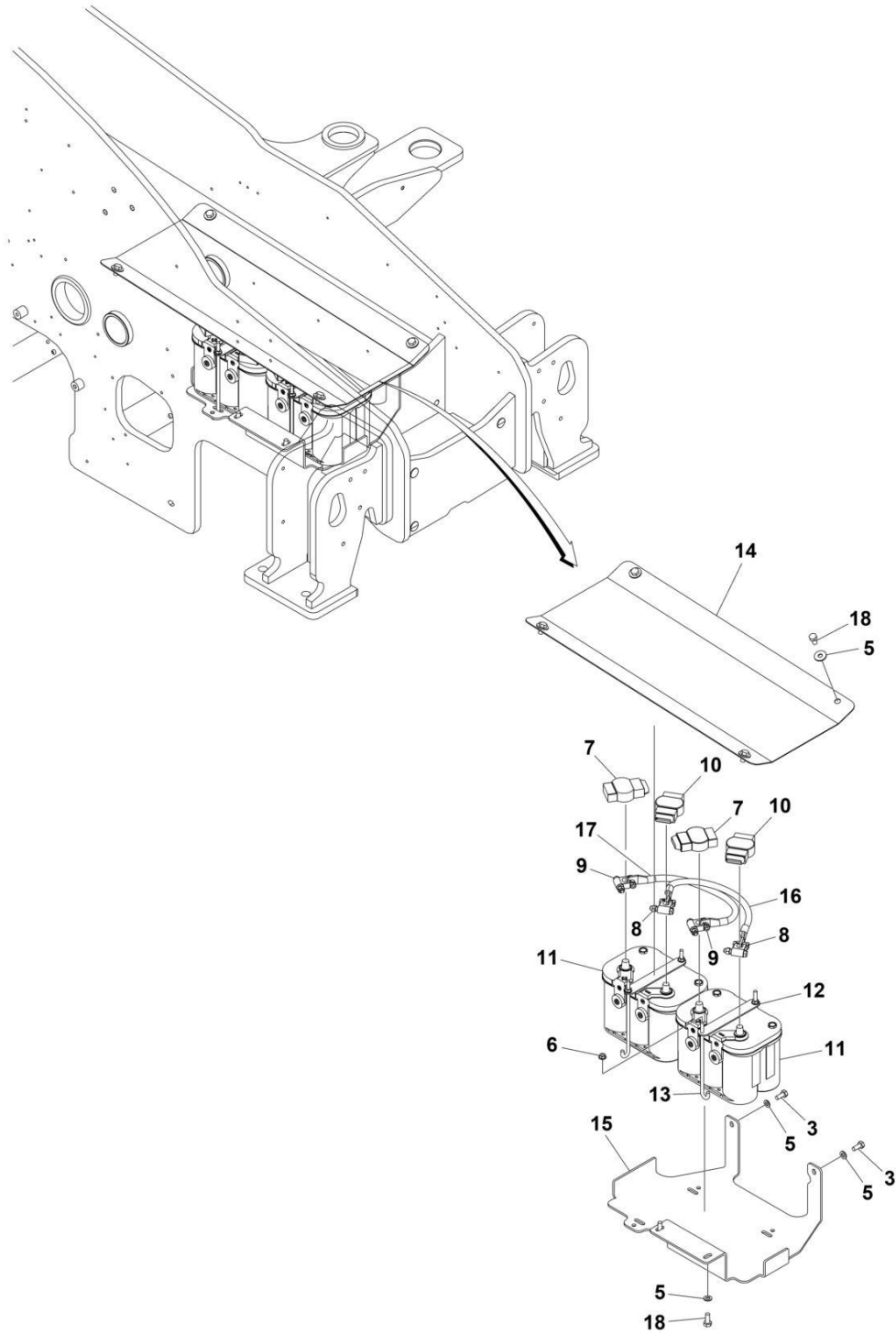
SECTION 10 - ELECTRICAL

FIGURE 10-2. BATTERY INSTALLATION (STANDARD)

ITEM	PART NUMBER	QTY	DESCRIPTION	REV
	1001180267	Ref	BATTERY INSTALLATION (STANDARD)	J
2	0400075	1	Battery, 12V	
4	0761012	2	Bolt M10 x 25	
6	4812002	8	Washer M10	
7	5220800	2	Nut M8	
9	1001141596	1	Plate	
10	1001179221J	1	Cover	
12	1001217179	1	Tray	
13	1001179586	2	J-Bolt	
14	8270147	1	Clamp	
15	8270148	1	Clamp	
16	7301893	1	Insulator, Battery Terminal	
17	1001145300	1	Insulator, Battery Terminal	
18	0761009	6	Bolt M10 x 18	
19	1001208037	1	Seal	

SECTION 10 - ELECTRICAL

FIGURE 10-3. BATTERY INSTALLATION (DUAL)



ART_1001179197_E

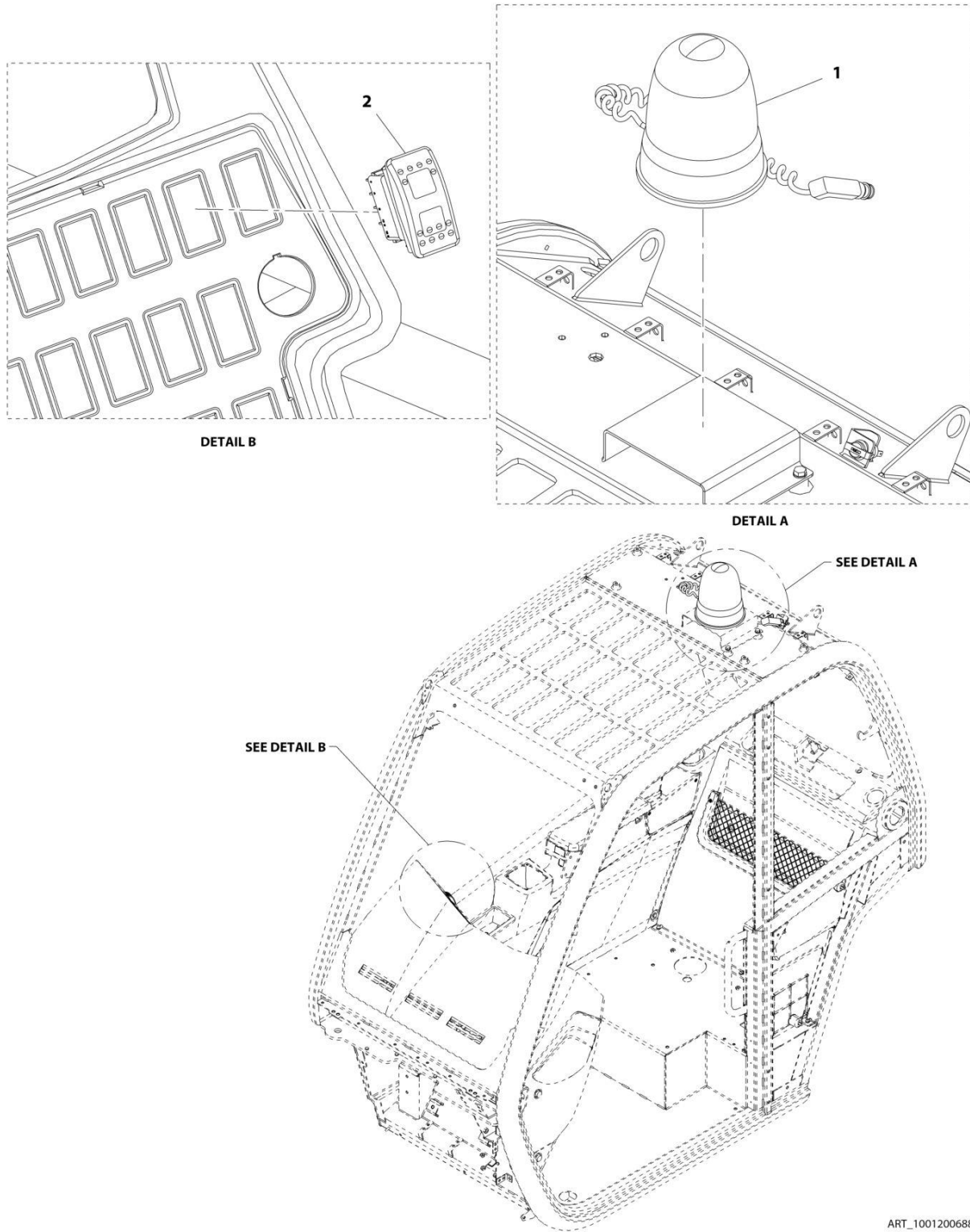
SECTION 10 - ELECTRICAL

FIGURE 10-3. BATTERY INSTALLATION (DUAL)

ITEM	PART NUMBER	QTY	DESCRIPTION	REV
	1001179197	Ref	BATTERY INSTALLATION (DUAL)	E
3	0761012	2	Bolt M10 x 25	
5	4812002	8	Washer M10	
6	5220800	4	Nut M8	
7	7301893	2	Insulator, Battery Terminal	
8	8270147	2	Clamp	
9	8270148	2	Clamp	
10	1001145300	2	Insulator, Battery Terminal	
11	1001167212	2	Battery	
12	1001179585	2	Bracket	
13	1001179586	4	Bolt	
14	1001179221J	1	Cover	
15	1001230622	1	Tray	
16	1001189339	1	Cable	
17	1001189338	1	Cable	
18	0761009	6	Bolt M10 x 18	
19	1001208037	1	Seal (Not Shown)	

SECTION 10 - ELECTRICAL

FIGURE 10-4. BEACON/STROBE INSTALLATION



ART_1001200688-B

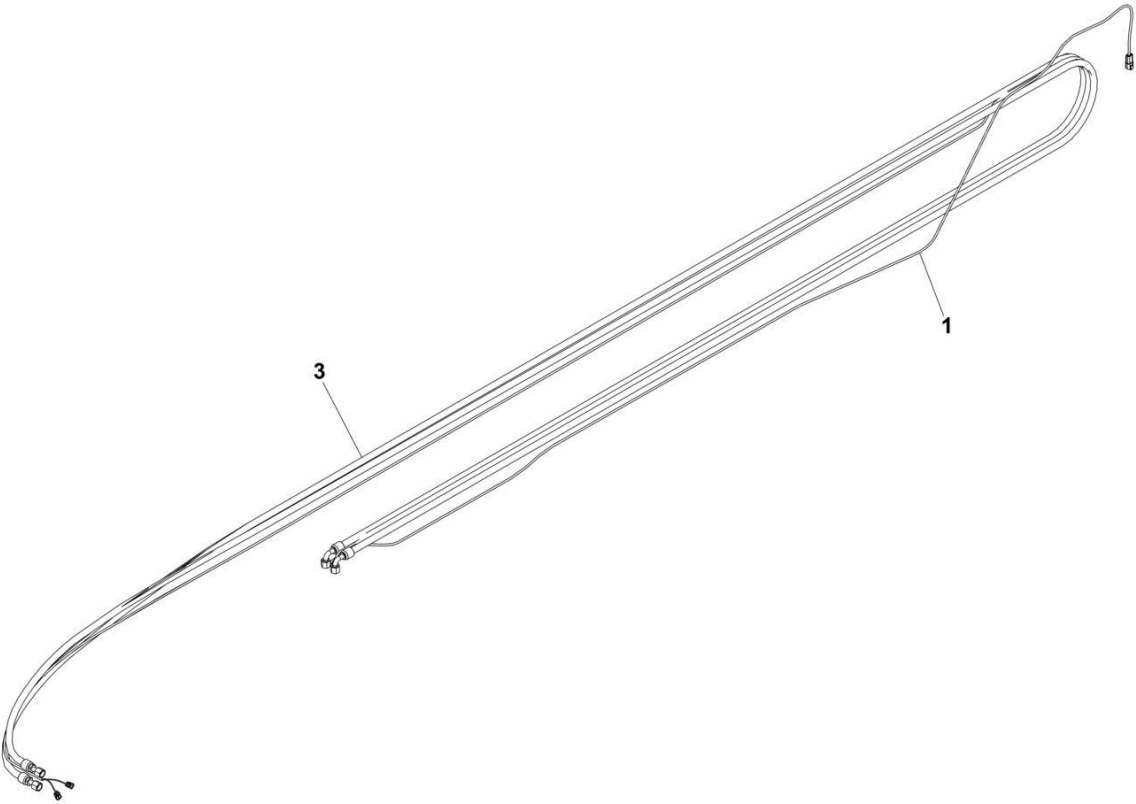
SECTION 10 - ELECTRICAL

FIGURE 10-4. BEACON/STROBE INSTALLATION

ITEM	PART NUMBER	QTY	DESCRIPTION	REV
	1001200688	Ref	BEACON LIGHT INSTALLATION	B
1	1001217623	1	Light, Warning	
2	1001159738	1	Switch, Beacon	

SECTION 10 - ELECTRICAL

FIGURE 10-5. BOOM HARNESS INSTALLATION



ART_1001186170

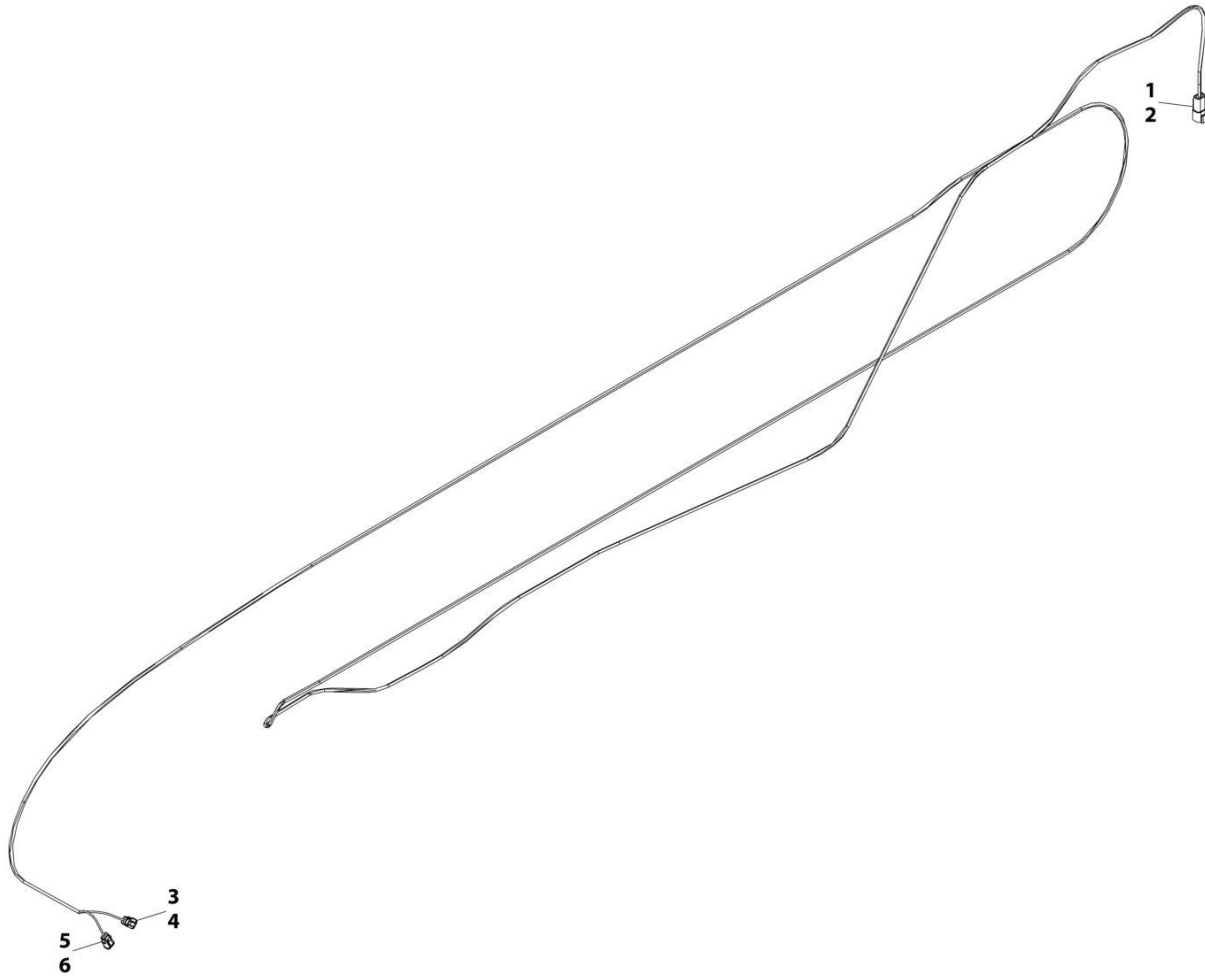
SECTION 10 - ELECTRICAL

FIGURE 10-5. BOOM HARNESS INSTALLATION

ITEM	PART NUMBER	QTY	DESCRIPTION	REV
1	1001186170	Ref	Boom Cable Assembly	D
	1001184422	1	Harness, Boom (See Separate Breakdown in ELECTRICAL Section)	
3	1001204124	1	Hose	

SECTION 10 - ELECTRICAL

FIGURE 10-6. BOOM HARNESS



ART_1001184422-D

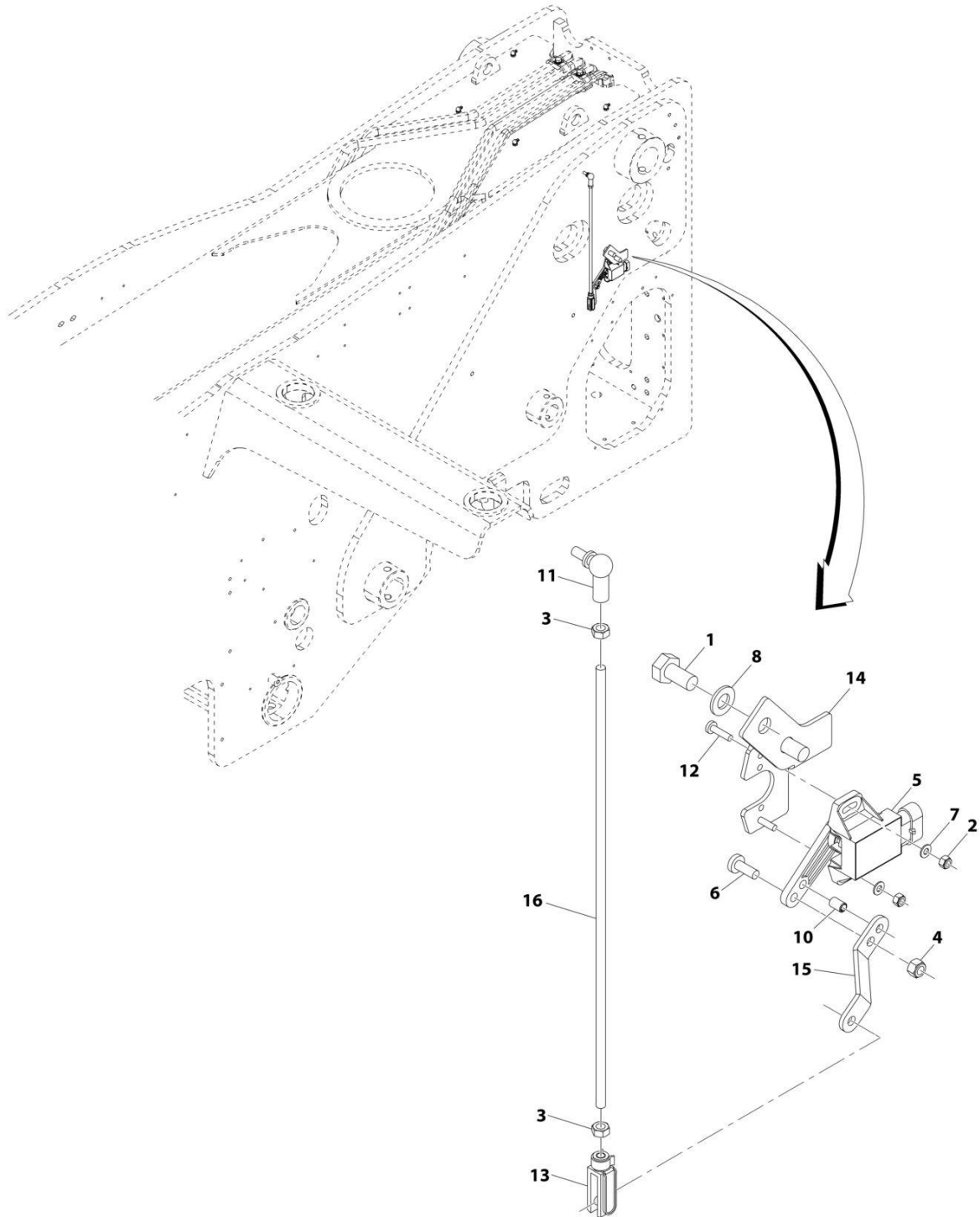
SECTION 10 - ELECTRICAL

FIGURE 10-6. BOOM HARNESS

ITEM	PART NUMBER	QTY	DESCRIPTION	REV
	1001184422	Ref	Boom Harness	D
1	4460932	1	Connector	
2	4460464	4	Terminal	
3	4460891	1	Connector	
4	4460465	2	Terminal	
5	4460891	1	Connector	
6	4460465	2	Terminal	

SECTION 10 - ELECTRICAL

FIGURE 10-7. BOOM ANGLE SENSOR INSTALLATION



ART_1001179937-C

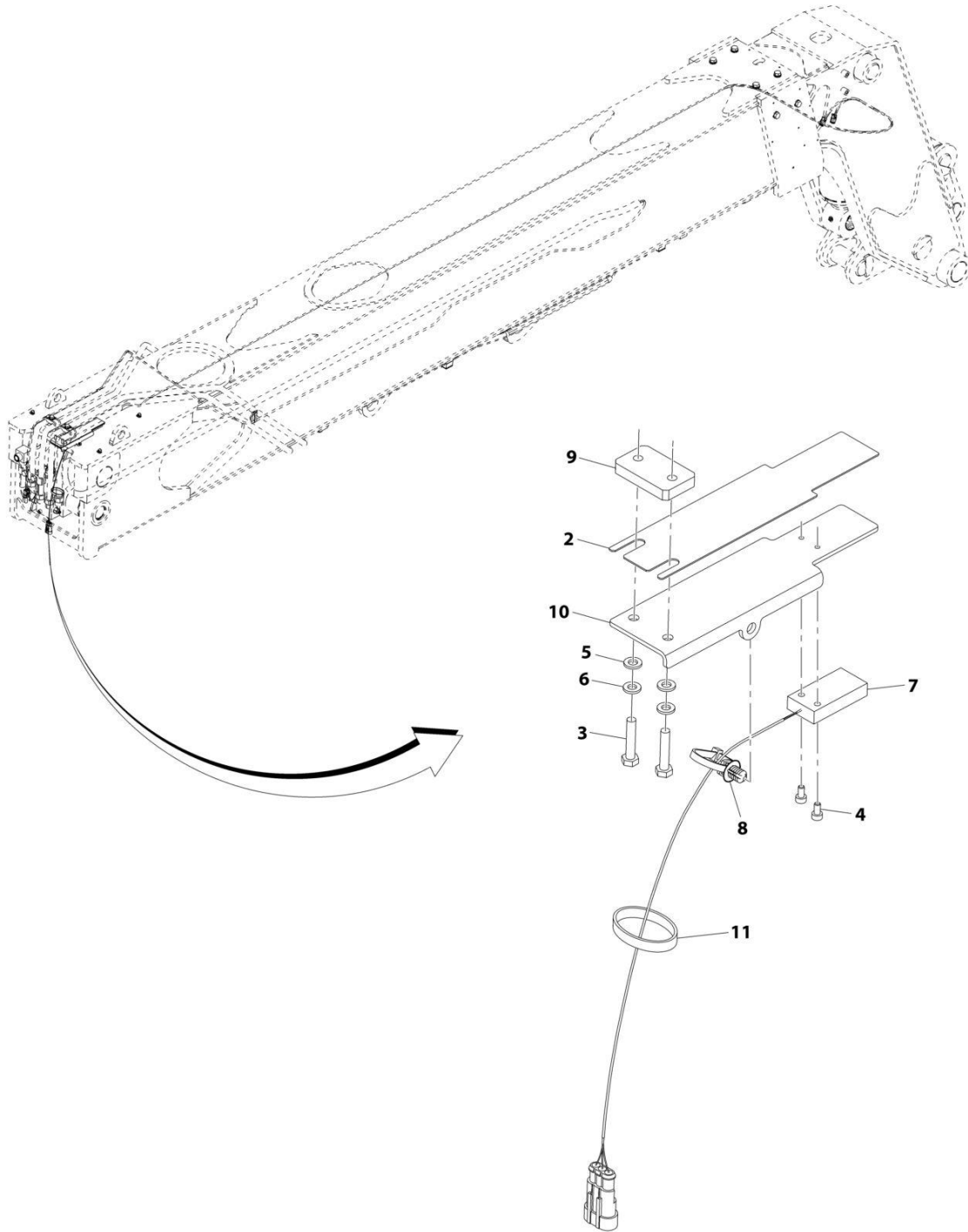
SECTION 10 - ELECTRICAL

FIGURE 10-7. BOOM ANGLE SENSOR INSTALLATION

ITEM	PART NUMBER	QTY	DESCRIPTION	REV
	1001179937	Ref	BOOM ANGLE SENSOR INSTALLATION	D
1	0761010	2	Bolt M10 x 20	
2	3290405	2	Nut, Lock M4 x 0.7	
3	3290601	2	Nut M6 x 1	
4	3290605	1	Nut, Lock M6 x 1	
	1001278028	1	Sensor, Boom Angle	
6	4010608	1	Screw M6 x 16	
7	4811400	2	Washer M4	
8	4812000	2	Washer M10	
10	1001103156	1	Pin	
11	1001103300	1	Ball, Joint	
12	1001126837	2	Screw M4 x 16	
13	1001134274	1	Clevis	
14	1001187851	1	Bracket	
15	1001187852	1	Link	
16	1001187853	1	Rod	

SECTION 10 - ELECTRICAL

FIGURE 10-8. BOOM RETRACT SENSOR INSTALLATION



ART_1001184856-D

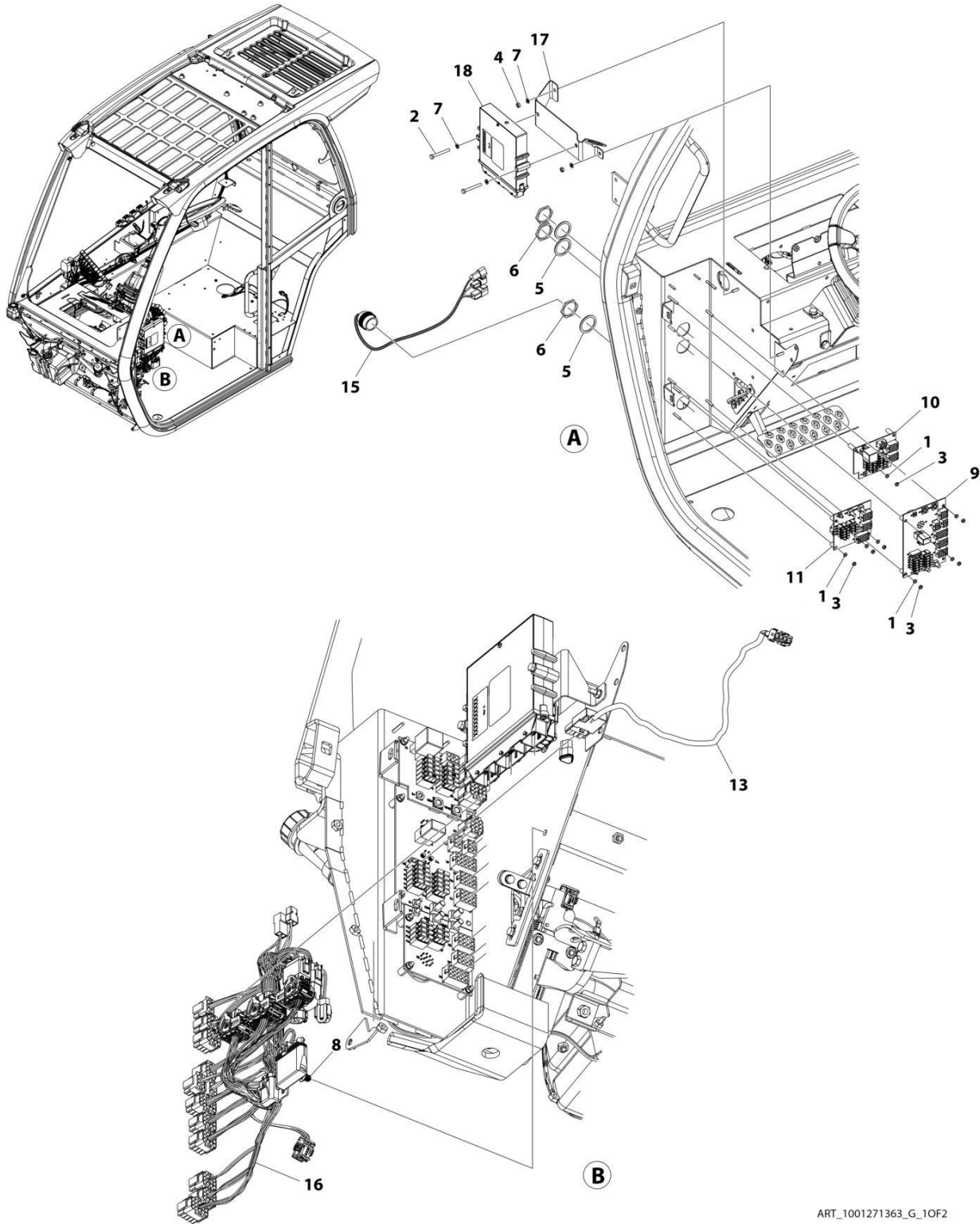
SECTION 10 - ELECTRICAL

FIGURE 10-8. BOOM RETRACT SENSOR INSTALLATION

ITEM	PART NUMBER	QTY	DESCRIPTION	REV
	1001184856	Ref	Boom Retract Sensor Installation	D
2	1001199299	AR	Shim, Retract Sensor	
3	0760614	2	Bolt, M6X30	
4	4031504	2	Screw, M4X8	
5	4811700	2	Washer, M6	
6	4831700	2	Washer, Lock M6	
7	1001121021	1	Sensor, Proximity	
8	1001146588	1	Strap, Cable	
9	1001182049	1	Plate	
10	1001218495	1	Bracket	
11	1001008923	1	Strap, Cable	

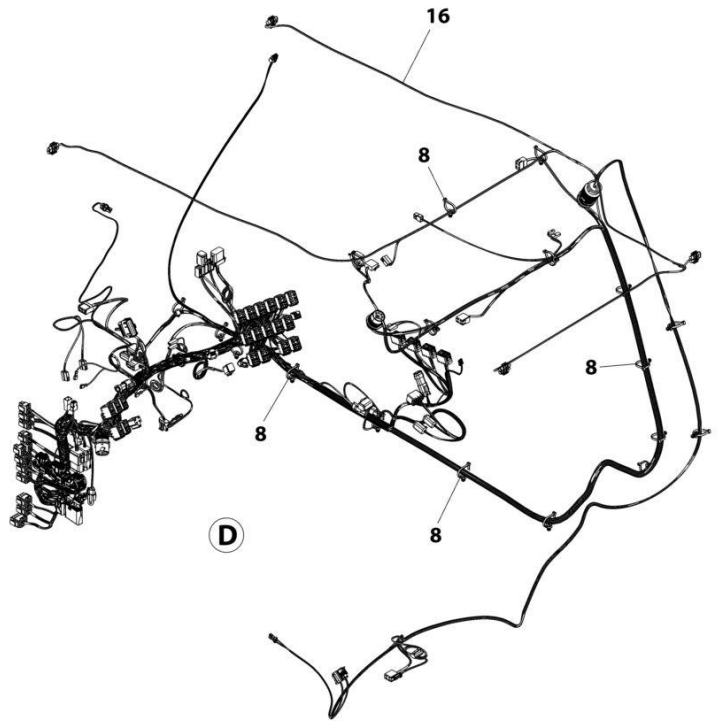
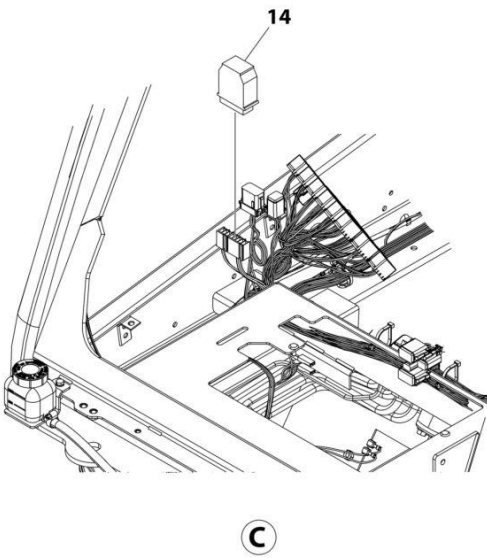
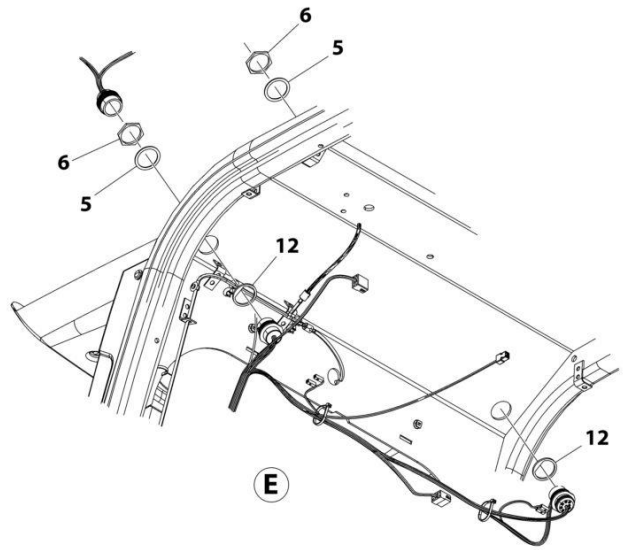
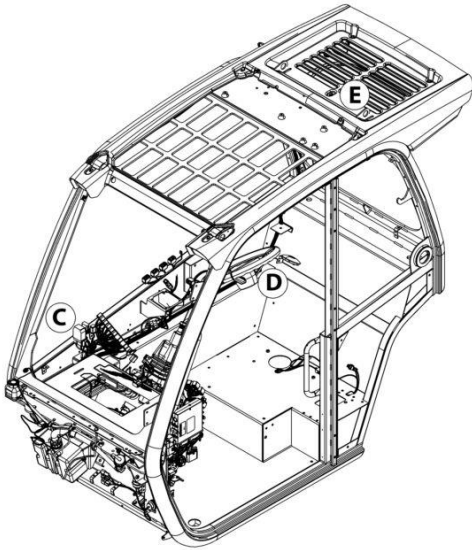
SECTION 10 - ELECTRICAL

FIGURE 10-9. CAB ELECTRICAL INSTALLATION



ART_1001271363_G_10F2

SECTION 10 - ELECTRICAL



ART_1001271363_G_20F2

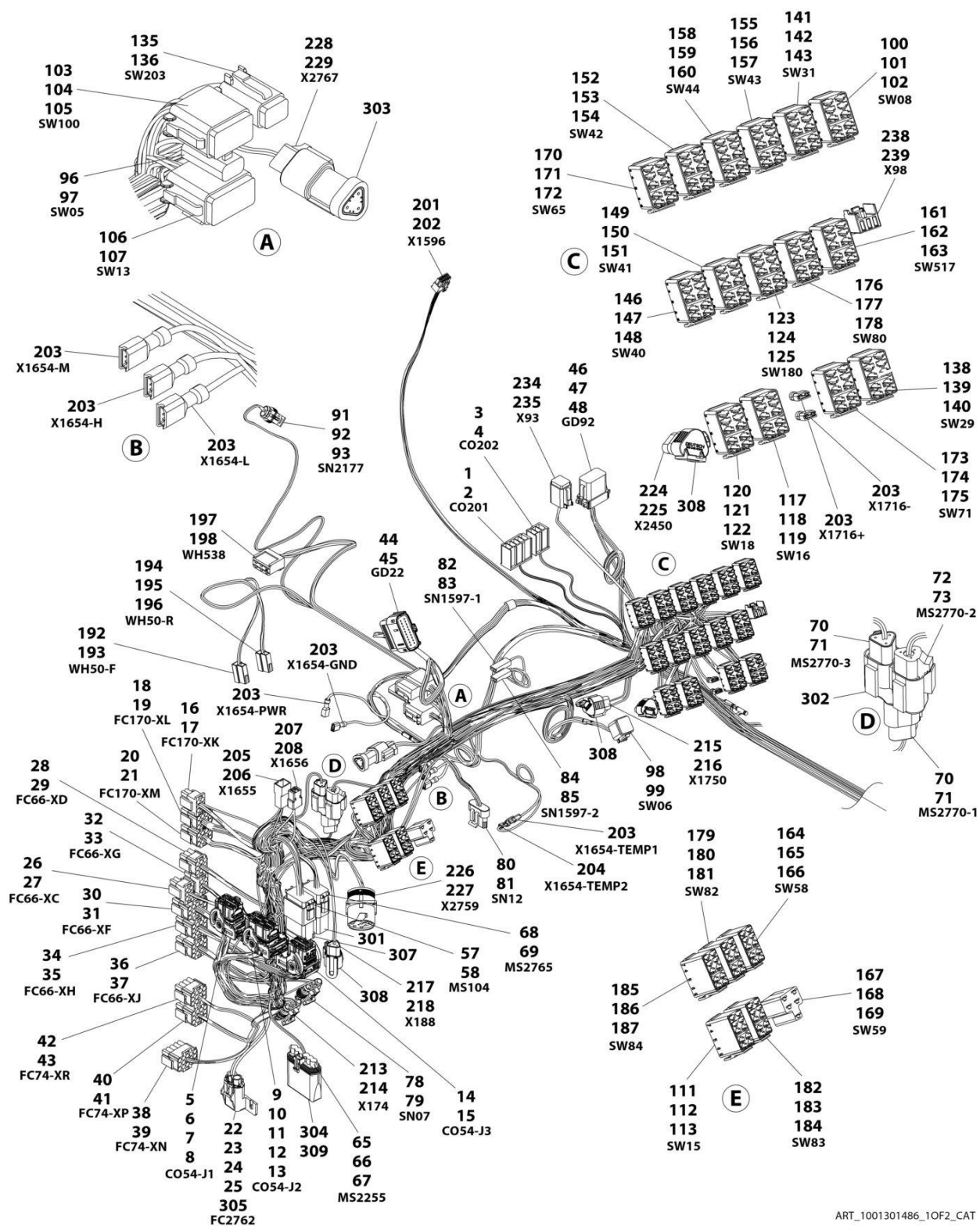
SECTION 10 - ELECTRICAL

FIGURE 10-9. CAB ELECTRICAL INSTALLATION

ITEM	PART NUMBER	QTY	DESCRIPTION	REV
	1001271363	Ref	CAB ELECTRICAL INSTALLATION	G
1	120034	7	Washer, Plastic	
2	0700618	2	Bolt M6 x 50	
3	3290501	7	Nut M5	
4	3290601	2	Nut M6	
5	4460496	5	Washer, Terminal Lock	
6	4460497	5	Nut, Terminal	
7	4811700	4	Washer M6	
8	1001146588	23	Strap, Cable Tie	
9	1001161769	1	Assembly, Standard Electrical Board (See Separate Breakdown in this Section)	
10	1001161770	1	Assembly, Option 1 Electrical Board (See Separate Breakdown in this Section)	
11	1001161771	1	Assembly, Option 2 Electrical Board (See Separate Breakdown in this Section)	
12	1001211693	2	Seal	
13	1001213988	1	Cable, Communication Analyzer	
14	1001214281	1	Module, Wipers	
15	1001265358	1	Harness, Cab Option LBP (See Separate Breakdown in this Section)	
16	1001301486	1	Harness, Cab (See Separate Breakdown in this Section)	
17	1001270180	1	Bracket	
18	1001270466	1	Module, Cab Control	

SECTION 10 - ELECTRICAL

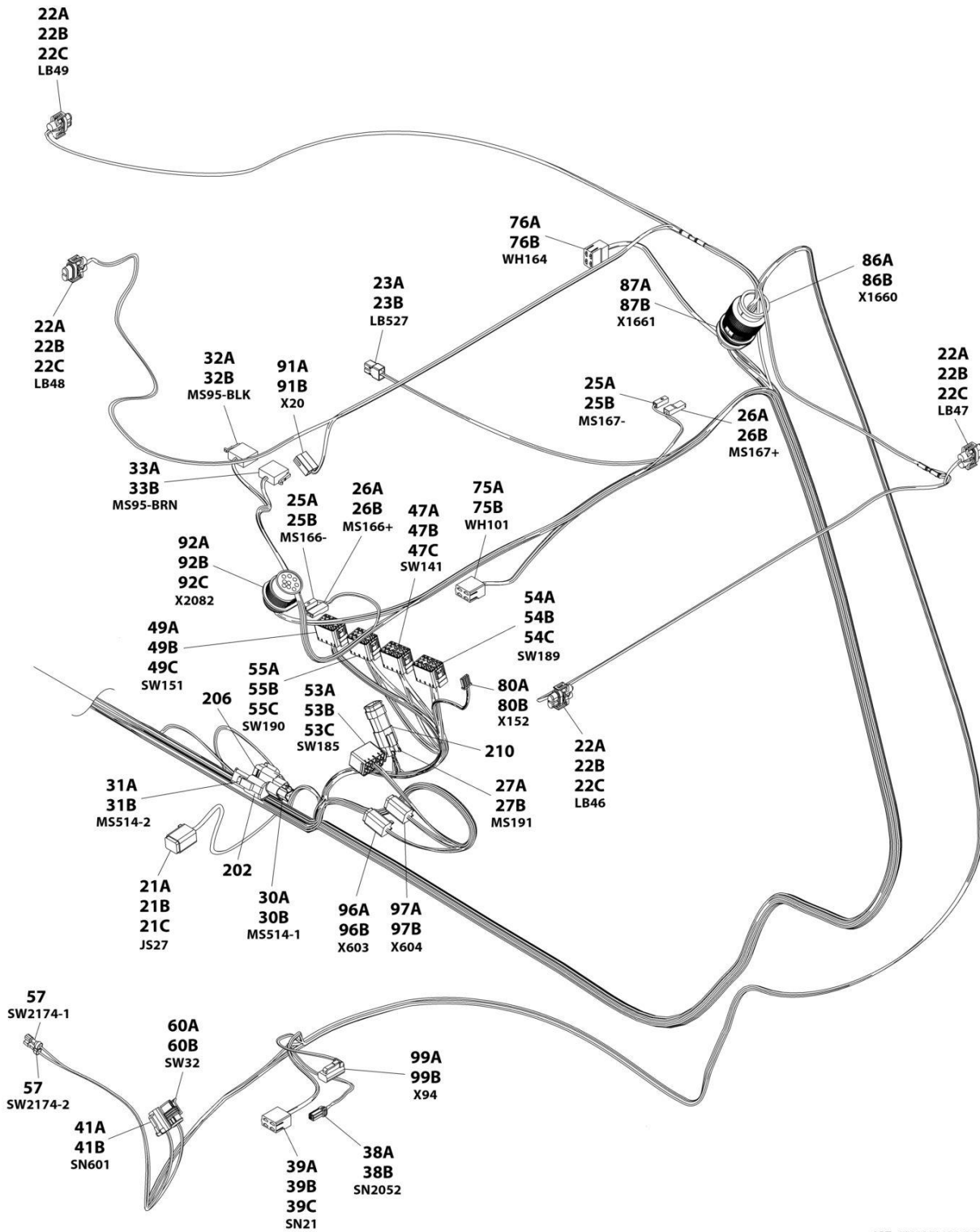
FIGURE 10-10. CAB HARNESS



ART_1001301486_10F2_CAT

SECTION 10 - ELECTRICAL

FIGURE 10-11. CAB HARNESS



ART_1001301486_20F2

SECTION 10 - ELECTRICAL

FIGURE 10-11. CAB HARNESS

ITEM	PART NUMBER	QTY	DESCRIPTION	REV
	1001301486	Ref	CAB HARNESS	A
1A	1001214686	1	Connector 5 Position	
1B	1001116753	4	Terminal	
2A	1001214687	1	Connector 3 Position	
2B	1001116753	3	Terminal	
3A	1001160498	1	Connector 32 Position	
3B	1001161095	24	Terminal	
3C	1001161098	6	Terminal	
3D	1001161099	1	Terminal	
4A	1001160502	1	Connector 48 Position	
4B	1001161095	23	Terminal	
4C	1001161098	5	Terminal	
4D	1001161099	1	Terminal	
4E	1001161097	1	Terminal	
5A	1001161959	1	Connector 32 Position	
5B	1001161095	30	Terminal	
6A	4460225	1	Connector 6 Position	
6B	4460267	6	Terminal	
7A	4460343	1	Connector 12 Position	
7B	4460268	10	Terminal	
8A	4460343	1	Connector 12 Position	
8B	4460267	7	Terminal	
9A	1001231397	1	Connector 2 Position	
9B	1001231399	1	Terminal	
9C	1001231400	1	Terminal	
9D	1001231404	2	Seal	
10A	4460225	1	Connector 6 Position	
10B	4460267	3	Terminal	
11A	4460265	1	Connector 9 Position	
11B	4460268	6	Terminal	
12A	4460434	1	Connector 15 Position	
12B	4460268	15	Terminal	
13A	4460225	1	Connector 6 Position	
13B	4460268	5	Terminal	
14A	4460343	1	Connector 12 Position	
14B	4460268	9	Terminal	
15A	4460343	1	Connector 12 Position	
15B	4460267	10	Terminal	
16A	4460434	1	Connector 15 Position	
16B	4460268	7	Terminal	
17A	4460343	1	Connector 12 Position	
17B	4460268	6	Terminal	
18A	4460343	1	Connector 12 Position	
18B	4460267	4	Terminal	
19A	1001162886	1	Connector 20 Position	
19B	1001162887	7	Terminal	
20A	1001176333	1	Connector 18 Position	
20B	4460944	4	Terminal	
20C	4460465	3	Terminal	
21A	4460894	1	Connector 6 Position	

SECTION 10 - ELECTRICAL

ITEM	PART NUMBER	QTY	DESCRIPTION	REV
21B	4460944	2	Terminal	
21C	4460465	3	Terminal	
22A	4461115	4	Connector 2 Position	
22B	1001116728	8	Terminal	
22C	4460458	8	Seal	
23A	1001116991	1	Connector 2 Position	
23B	1001118384	1	Terminal	
24A	4460933	1	Connector 12 Position	
24B	4460465	12	Terminal	
25A	1001116998	2	Connector 1 Position	
25B	1001118387	2	Terminal	
26A	1001116995	2	Connector 1 Position	
26B	1001118387	2	Terminal	
27A	4460884	1	Connector 4 Position	
27B	4460465	4	Terminal	
28A	4460744	1	Connector 4 Position	
28B	4460746	4	Terminal	
28C	4460458	4	Seal	
29A	4460930	1	Connector 8 Position	
29B	4460465	8	Terminal	
30A	1001116812	3	Connector 3 Position	
30B	4460944	6	Terminal	
31A	4460539	2	Connector 3 Position	
31B	4460944	4	Terminal	
32A	1001116985	1	Connector 8 Position	
32B	1001118386	3	Terminal	
33A	1001116984	1	Connector 8 Position	
33B	1001118386	4	Terminal	
34A	1001103012	1	Connector 4 Position	
34B	1001116697	2	Terminal	
35A	1001117064	1	Connector 6 Position	
35B	1001116748	6	Terminal	
36A	1001116995	1	Connector 1 Position	
36B	1001236622	1	Terminal	
37A	1001116995	1	Connector 1 Position	
37B	1001118379	2	Terminal	
38A	1001264844	1	Connector 2 Position	
38B	1001264861	1	Terminal	
39A	1001116986	1	Connector 4 Position	
39B	1001118384	2	Terminal	
39C	1001116723	2	Terminal	
40A	4461118	1	Connector 2 Position	
40B	1001107854	2	Terminal	
40C	1001104498	2	Seal	
41A	4460891	1	Connector 2 Position	
41B	4460465	2	Terminal	
42A	4460897	1	Connector	
42B	4460464	1	Terminal	
43A	4460894	1	Connector 6 Position	
43B	4460465	3	Terminal	
44A	1001117079	1	Connector 10 Position	

SECTION 10 - ELECTRICAL

ITEM	PART NUMBER	QTY	DESCRIPTION	REV
44B	1001116723	6	Terminal	
44C	1001118384	2	Terminal	
45A	4460836	1	Connector 12 Position	
45B	4460465	8	Terminal	
45C	4460942	3	Terminal	
46A	4460933	1	Connector 12 Position	
46B	4460465	9	Terminal	
47A	1001117081	1	Connector 10 Position	
47B	1001118384	1	Terminal	
47C	1001116723	6	Terminal	
48A	1001117081	1	Connector 10 Position	
48B	1001118384	1	Terminal	
48C	1001116723	6	Terminal	
49A	1001117081	1	Connector 10 Position	
49B	1001118384	1	Terminal	
49C	1001116723	10	Terminal	
50A	1001117081	1	Connector 10 Position	
50B	1001118384	1	Terminal	
50C	1001116723	6	Terminal	
51A	1001117081	1	Connector 10 Position	
51B	1001118384	5	Terminal	
51C	1001116723	6	Terminal	
52A	1001117081	1	Connector 10 Position	
52B	1001118384	3	Terminal	
52C	1001116723	4	Terminal	
53A	1001117081	1	Connector 10 Position	
53B	1001118384	4	Terminal	
53C	1001116723	2	Terminal	
54A	1001117081	1	Connector 10 Position	
54B	1001118384	1	Terminal	
54C	1001116723	6	Terminal	
55A	1001117081	1	Connector 10 Position	
55B	1001118384	1	Terminal	
55C	1001116723	6	Terminal	
56A	4460884	1	Connector 4 Position	
56B	4460942	2	Terminal	
57	8220108	2	Terminal	
58A	1001117081	1	Connector 10 Position	
58B	1001118384	1	Terminal	
58C	1001116723	10	Terminal	
59A	1001117081	1	Connector 10 Position	
59B	1001118384	7	Terminal	
59C	1001223455	1	Terminal	
60A	4461262	1	Connector 3 Position	
60B	1001107854	2	Terminal	
61A	1001117081	1	Connector 10 Position	
61B	1001118384	4	Terminal	
61C	1001116723	6	Terminal	
62A	1001117081	1	Connector 10 Position	
62B	1001118384	3	Terminal	
62C	1001116723	4	Terminal	

SECTION 10 - ELECTRICAL

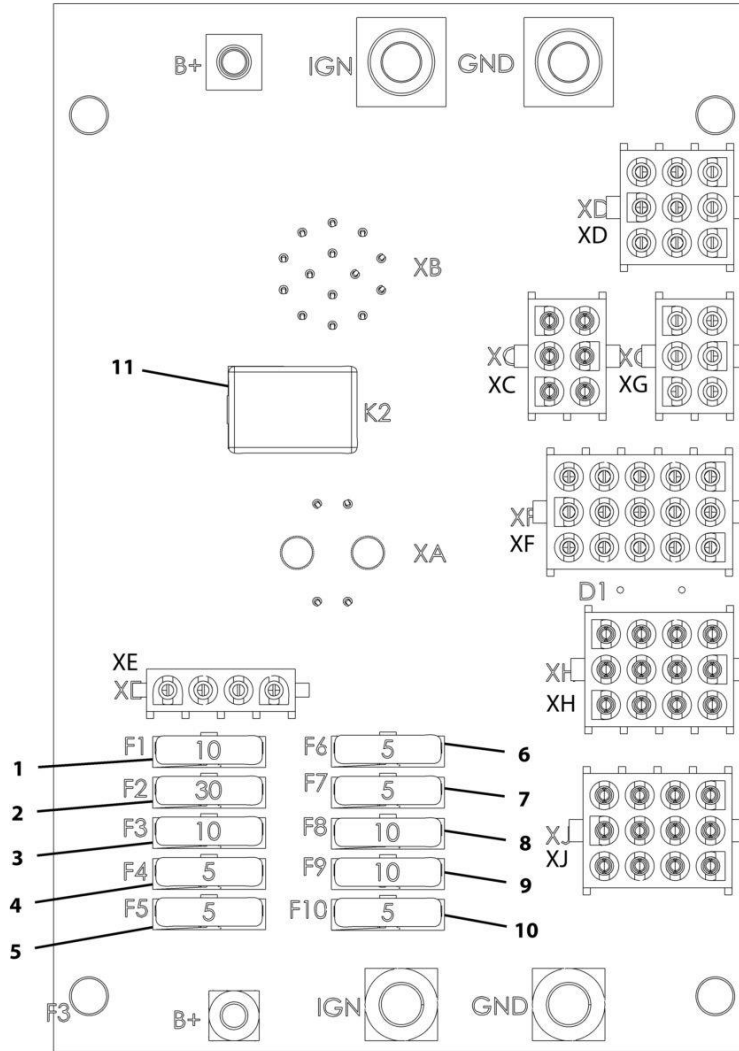
ITEM	PART NUMBER	QTY	DESCRIPTION	REV
63A	1001117081	1	Connector 10 Position	
63B	1001118384	2	Terminal	
63C	1001116723	4	Terminal	
64A	1001117081	1	Connector 10 Position	
64B	1001118384	2	Terminal	
64C	1001116723	4	Terminal	
65A	1001117081	1	Connector 10 Position	
65B	1001118384	2	Terminal	
65C	1001116723	4	Terminal	
66A	1001117081	1	Connector 10 Position	
66B	1001118384	1	Terminal	
66C	1001116723	6	Terminal	
67A	1001117081	1	Connector 10 Position	
67B	1001118384	2	Terminal	
67C	1001116723	4	Terminal	
68A	1001173411	1	Connector 5 Position	
68B	1001104519	5	Terminal	
68C	1001116716	2	Terminal	
69A	1001117081	1	Connector 10 Position	
69B	1001118384	1	Terminal	
69C	1001116723	6	Terminal	
70A	1001117081	1	Connector 10 Position	
70B	1001118384	2	Terminal	
70C	1001116723	8	Terminal	
71A	1001117081	1	Connector 10 Position	
71B	1001118384	1	Terminal	
71C	1001116723	6	Terminal	
72A	1001117081	1	Connector 10 Position	
72B	1001118384	1	Terminal	
72C	1001116723	6	Terminal	
73A	1001117081	1	Connector 10 Position	
73B	1001118384	1	Terminal	
73C	1001116723	6	Terminal	
74A	1001117081	1	Connector 10 Position	
74B	1001118384	1	Terminal	
74C	1001116723	6	Terminal	
75A	1001116986	1	Connector 4 Position	
75B	1001118384	4	Terminal	
76A	1001116986	1	Connector 4 Position	
76B	1001118384	4	Terminal	
77A	4460994	1	Connector 2 Position	
77B	1001118384	2	Terminal	
78A	4460994	1	Connector 2 Position	
78B	1001118384	1	Terminal	
78C	1001116723	2	Terminal	
79A	1001116997	1	Connector 6 Position	
79B	1001118384	5	Terminal	
80A	1001184473	1	Connector 4 Position	
80B	1001184479	3	Terminal	
81A	1001150735	1	Connector 10 Position	
81B	1001150737	7	Terminal	

SECTION 10 - ELECTRICAL

ITEM	PART NUMBER	QTY	DESCRIPTION	REV
82	8220051	8	Terminal	
83	1001194421	1	Terminal	
84A	1001116999	1	Connector 1 Position	
84B	1001116700	4	Terminal	
85A	1001116991	1	Connector 2 Position	
85B	1001118384	2	Terminal	
86A	1001136999	1	Connector 1 Position	
86B	1001126011	16	Terminal	
87A	1001137000	1	Connector 21 Position	
87B	1001126008	16	Terminal	
88A	4461262	1	Connector 3 Position	
88B	1001107854	3	Terminal	
89A	4460539	1	Connector 3 Position	
89B	4460465	3	Terminal	
90A	1001116812	1	Connector 3 Position	
90B	4460944	2	Terminal	
91A	4460994	1	Connector 2 Position	
91B	1001118384	2	Terminal	
92A	1001112612	1	Connector 9 Position	
92B	4460943	2	Terminal	
92C	4460464	7	Terminal	
93A	4460539	1	Connector 3 Position	
93B	4460465	3	Terminal	
94A	1001112612	1	Connector 9 Position	
94B	4460464	6	Terminal	
95A	4461095	1	Connector 3 Position	
95B	4460465	2	Terminal	
96A	4460884	1	Connector 4 Position	
96B	4460465	4	Terminal	
97A	4460884	1	Connector 4 Position	
97B	4460465	4	Terminal	
98A	4460930	1	Connector 8 Position	
98B	4460465	2	Terminal	
99A	4460891	1	Connector 2 Position	
99B	4460465	2	Terminal	
100A	1001118684	1	Connector 3 Position	
100B	1001116754	2	Terminal	
201	4460984	1	Connector 8 Position	
202	4460945	2	Connector Tee	
203	4461070	1	Connector 3 Position Resistor	
204	8220375	1	Cap	
205	8229234	1	Fuse 10A	
206	1001116815	1	Connector 3 Position	
207	1001125677	1	Bussbar	
208	1001144296	3	Cap	
209	1001177597	2	Diode Assembly	
210	1001201070	1	Connector 2 Position Resistor	

SECTION 10 - ELECTRICAL

FIGURE 10-12. CAB STANDARD ELECTRICAL BOARD ASSEMBLY



ART_1001161769-C

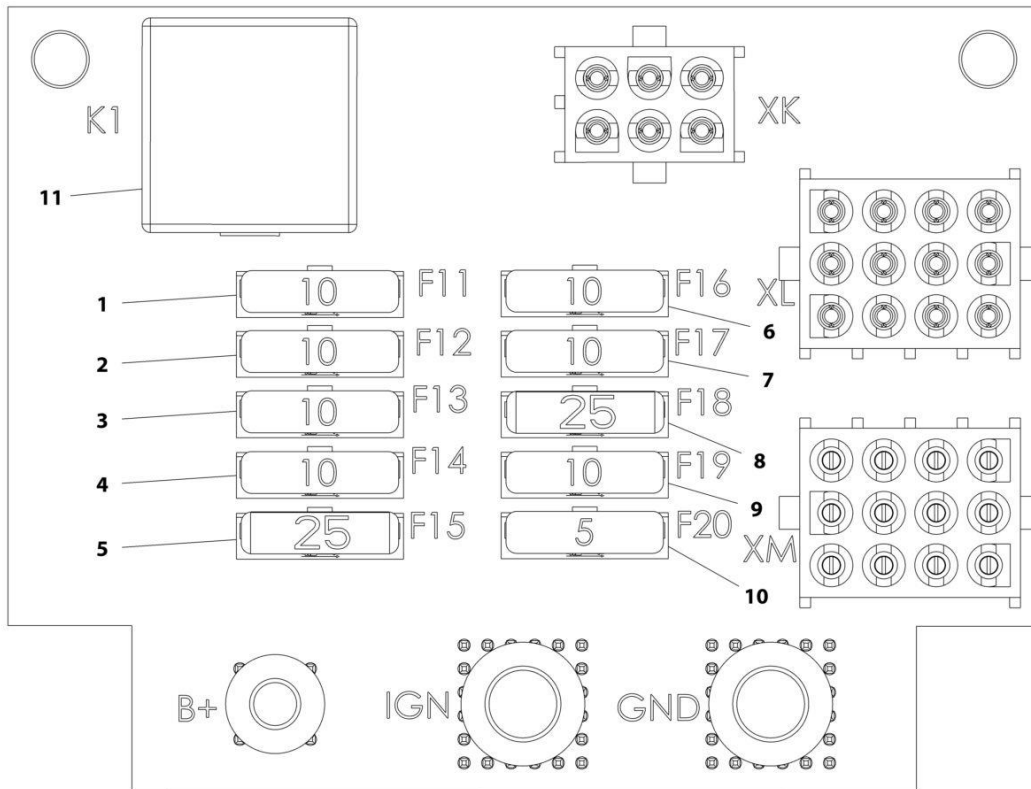
SECTION 10 - ELECTRICAL

FIGURE 10-12. CAB STANDARD ELECTRICAL BOARD ASSEMBLY

ITEM	PART NUMBER	QTY	DESCRIPTION	REV
	1001161769	Ref	Standard Electrical Board Assembly	C
1	80983191	1	Fuse, 10AMP	
2	8229245	1	Fuse, 30AMP	
3	80983191	1	Fuse, 10AMP	
4	8229242	1	Fuse, 5AMP	
5	8229242	1	Fuse, 5AMP	
6	8229242	1	Fuse, 5AMP	
7	8229242	1	Fuse, 5AMP	
8	80983191	1	Fuse, 10AMP	
9	80983191	1	Fuse, 10AMP	
10	8229242	1	Fuse, 5AMP	
11	70026292	1	Fuse, 35AMP	

SECTION 10 - ELECTRICAL

FIGURE 10-13. CAB OPTION 1 ELECTRICAL BOARD ASSEMBLY



ART_1001161770-C

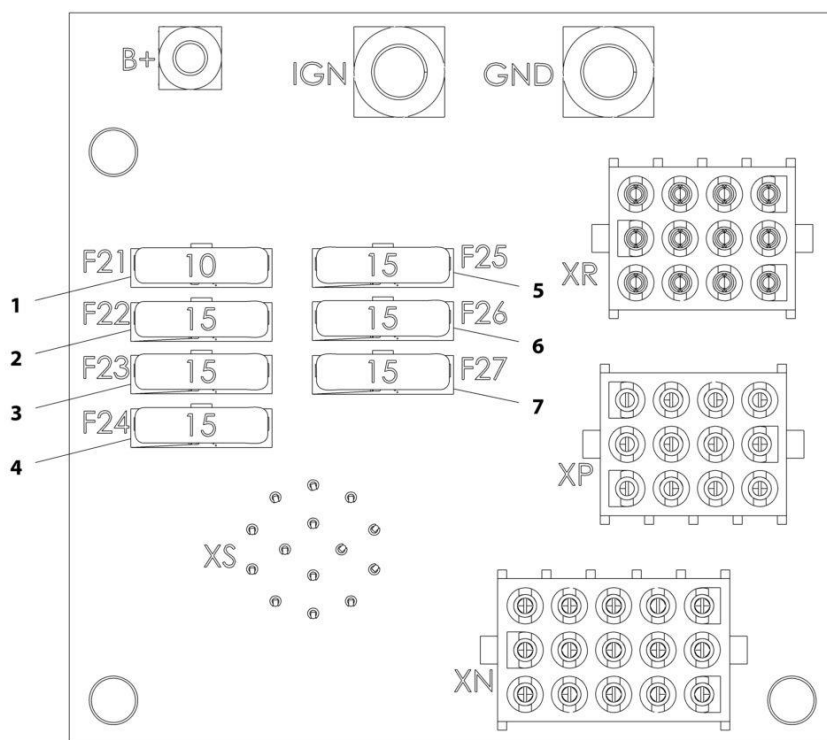
SECTION 10 - ELECTRICAL

FIGURE 10-13. CAB OPTION 1 ELECTRICAL BOARD ASSEMBLY

ITEM	PART NUMBER	QTY	DESCRIPTION	REV
	1001161770	Ref	Option 1 Electrical Board Assembly	C
1	80983191	1	Fuse, 10AMP	
2	80983191	1	Fuse, 10AMP	
3	80983191	1	Fuse, 10AMP	
4	80983191	1	Fuse, 10AMP	
5	8229247	1	Fuse, 25AMP	
6	80983191	1	Fuse, 10AMP	
7	80983191	1	Fuse, 10AMP	
8	8229247	1	Fuse, 25AMP	
9	80983191	1	Fuse, 10AMP	
10	8229242	1	Fuse, 5AMP	
11	70026293	1	Fuse, 50AMP	

SECTION 10 - ELECTRICAL

FIGURE 10-14. CAB OPTION 2 ELECTRICAL BOARD ASSEMBLY



ART_1001161771-B

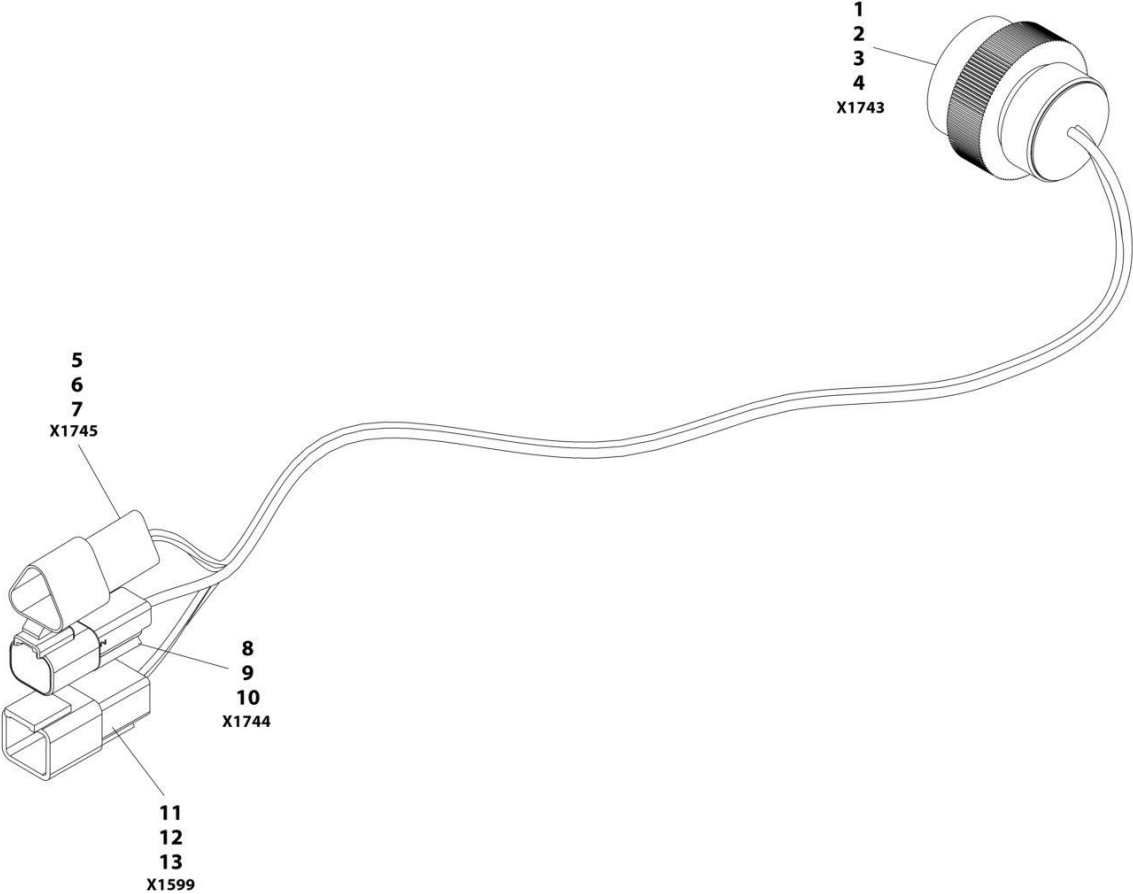
SECTION 10 - ELECTRICAL

FIGURE 10-14. CAB OPTION 2 ELECTRICAL BOARD ASSEMBLY

ITEM	PART NUMBER	QTY	DESCRIPTION	REV
	1001161771	Ref	Option 2 Electrical Board Assembly	B
1	80983191	1	Fuse, 10AMP	
2	8229244	1	Fuse, 15AMP	
3	8229244	1	Fuse, 15AMP	
4	8229244	1	Fuse, 15AMP	
5	8229244	1	Fuse, 15AMP	
6	8229244	1	Fuse, 15AMP	
7	8229244	1	Fuse, 15AMP	

SECTION 10 - ELECTRICAL

FIGURE 10-15. CAB OPTION HARNESS



ART_1001265358

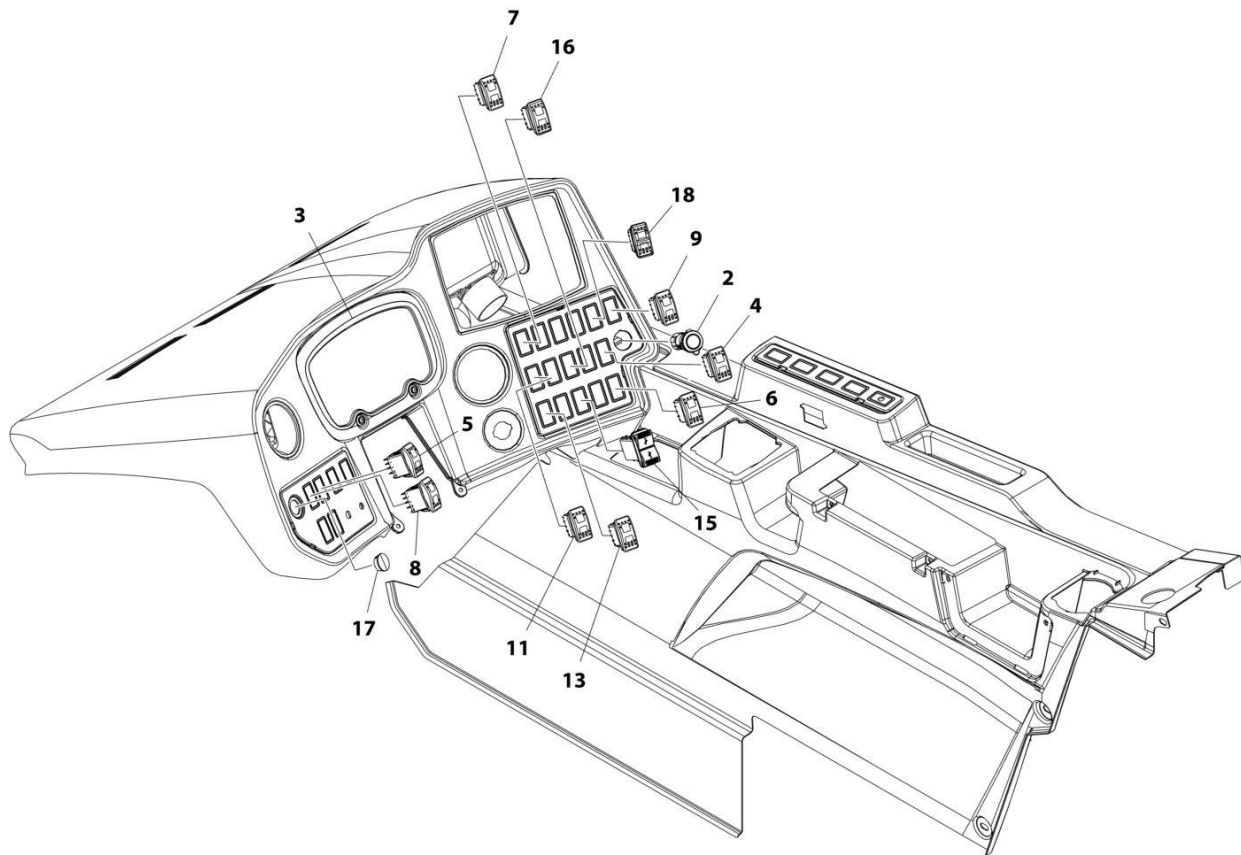
SECTION 10 - ELECTRICAL

FIGURE 10-15. CAB OPTION HARNESS

ITEM	PART NUMBER	QTY	DESCRIPTION	REV
	1001265358	Ref	CAB OPTION HARNESS	A
1	4461015	1	Connector	
2	4460465	5	Terminal	
3	4460942	1	Terminal	
4	4460466	8	Plug	
5	1001144147	1	Connector	
6	4460943	2	Terminal	
7	4460466	1	Plug	
8	4460897	1	Connector	
9	4460941	1	Terminal	
10	4460466	1	Plug	
11	1001097051	1	Connector	
12	4460929	3	Terminal	
13	4460466	1	Plug	

SECTION 10 - ELECTRICAL

FIGURE 10-16. DASH ELECTRICS INSTALLATION (ULS)



ART_1001185809_G

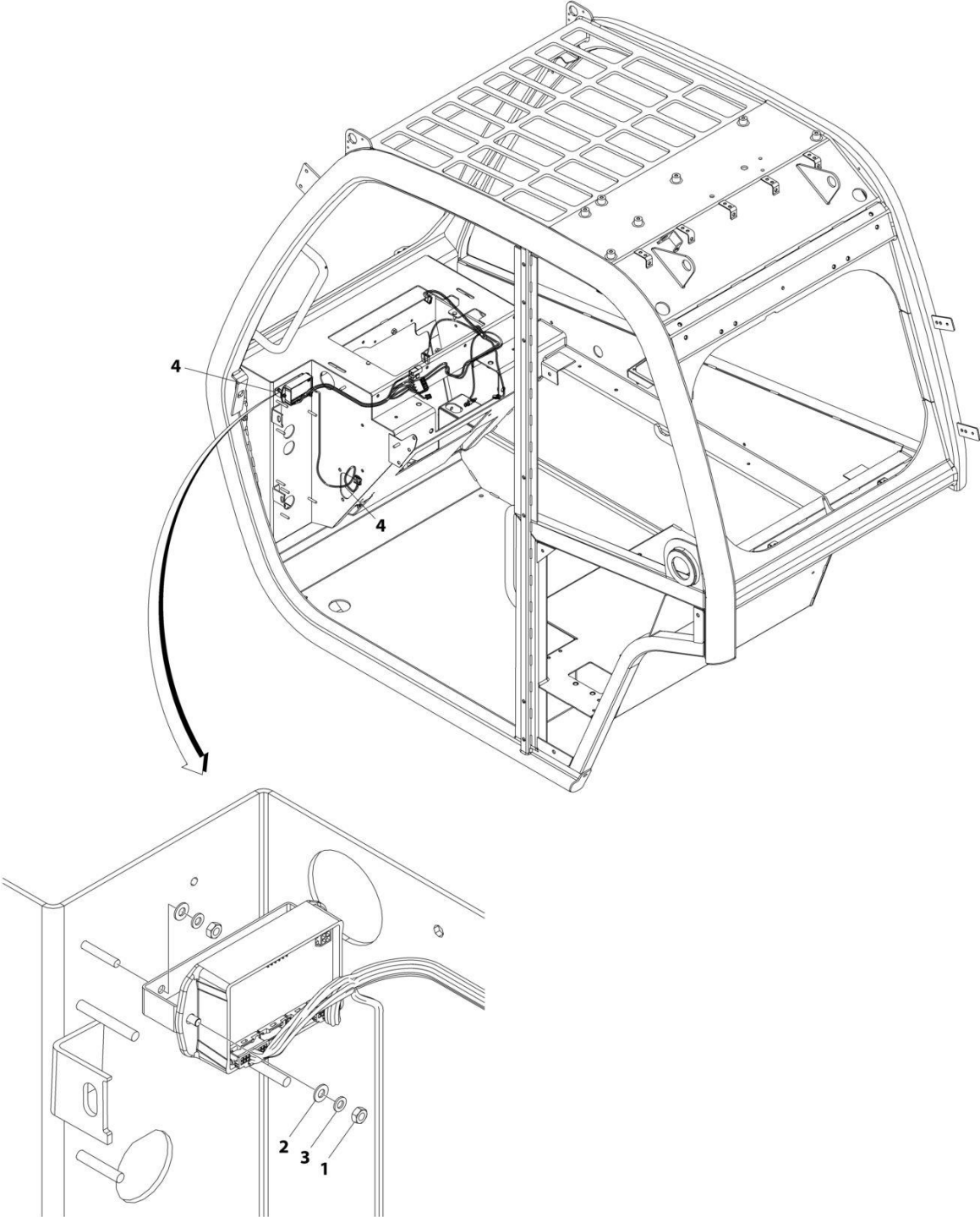
SECTION 10 - ELECTRICAL

FIGURE 10-16. DASH ELECTRICS INSTALLATION (ULS)

ITEM	PART NUMBER	QTY	DESCRIPTION	REV
	1001185809	Ref	DASH ELECTRICS INSTALLATION (ULS)	G
2	1001095804	1	Connector, 12V Power Socket	
3	1001158146	1	Cluster, Electrical Gauge	
4	1001104654	1	Switch, AUX Decomp	
5	1001159741	1	Switch, Constanst AUX	
6	1001163639	1	Switch, Driving Lights	
7	1001159737	1	Switch, Fog Lights	
8	1001189898	1	Switch, Framer/Loader	
9	1001159734	1	Switch, Hazard	
11	1001159735	1	Switch, Rear Wiper	
13	1001159849	1	Switch, Steer Mode	
15	1001174712	1	Switch, USB Charger	
16	1001159748	1	Switch, Bucket Mode	
17	1001190589	1	Plug, Blanking	
18	1001285715	1	Switch, Beacon	

SECTION 10 - ELECTRICAL

FIGURE 10-17. CAB HEATER HARNESS INSTALLATION



ART_1001201340_E

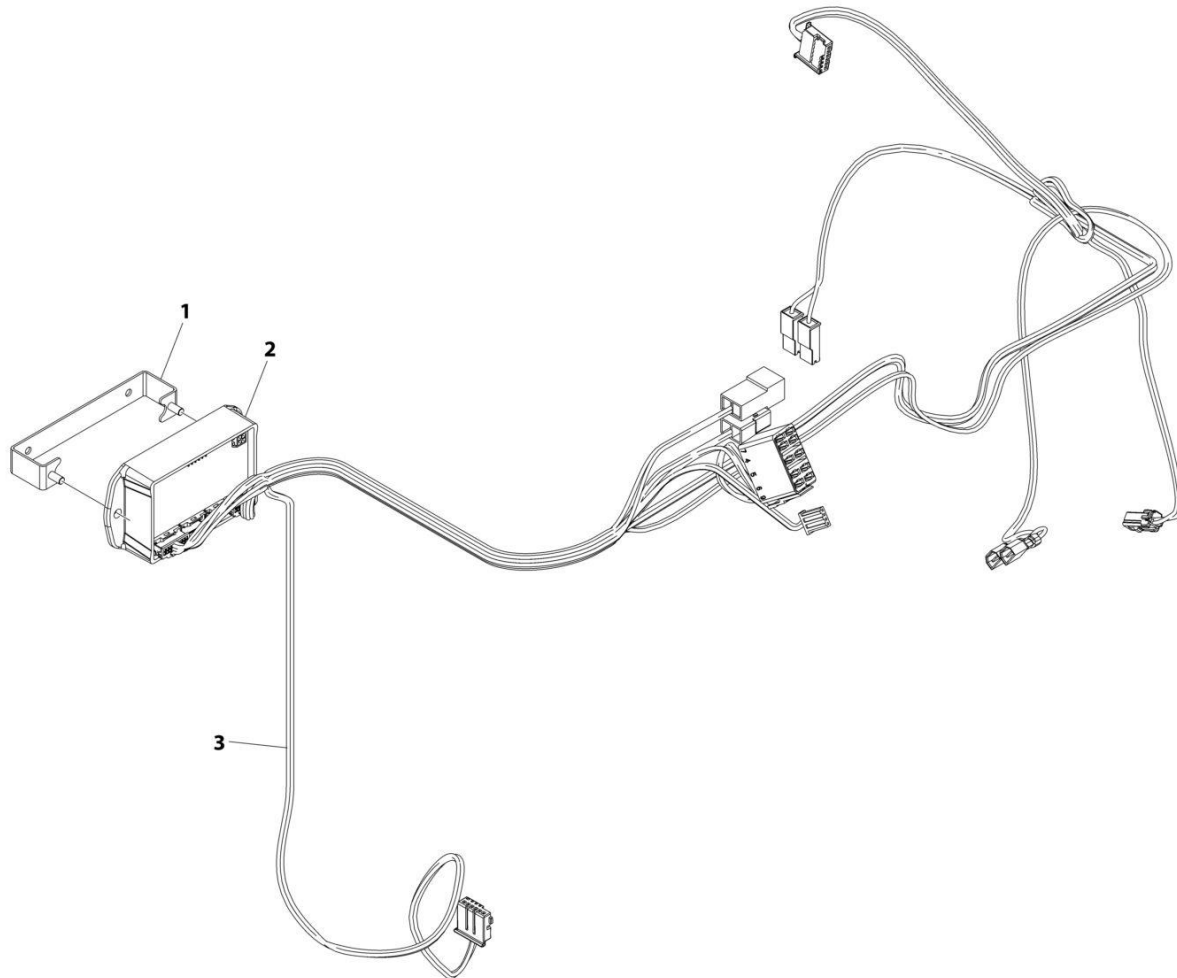
SECTION 10 - ELECTRICAL

FIGURE 10-17. CAB HEATER HARNESS INSTALLATION

ITEM	PART NUMBER	QTY	DESCRIPTION	REV
	1001201340	Ref	CAB HEATER HARNESS INSTALLATION	E
1	3290401	4	Nut M4	
2	4811400	4	Washer M4	
3	4831400	4	Washer, Lock M4	
4	1001271803	1	Harness, Cab Heater (See Separate Breakdown in this Section)	

SECTION 10 - ELECTRICAL

FIGURE 10-18. CAB HEATER HARNESS



ART_1001271803

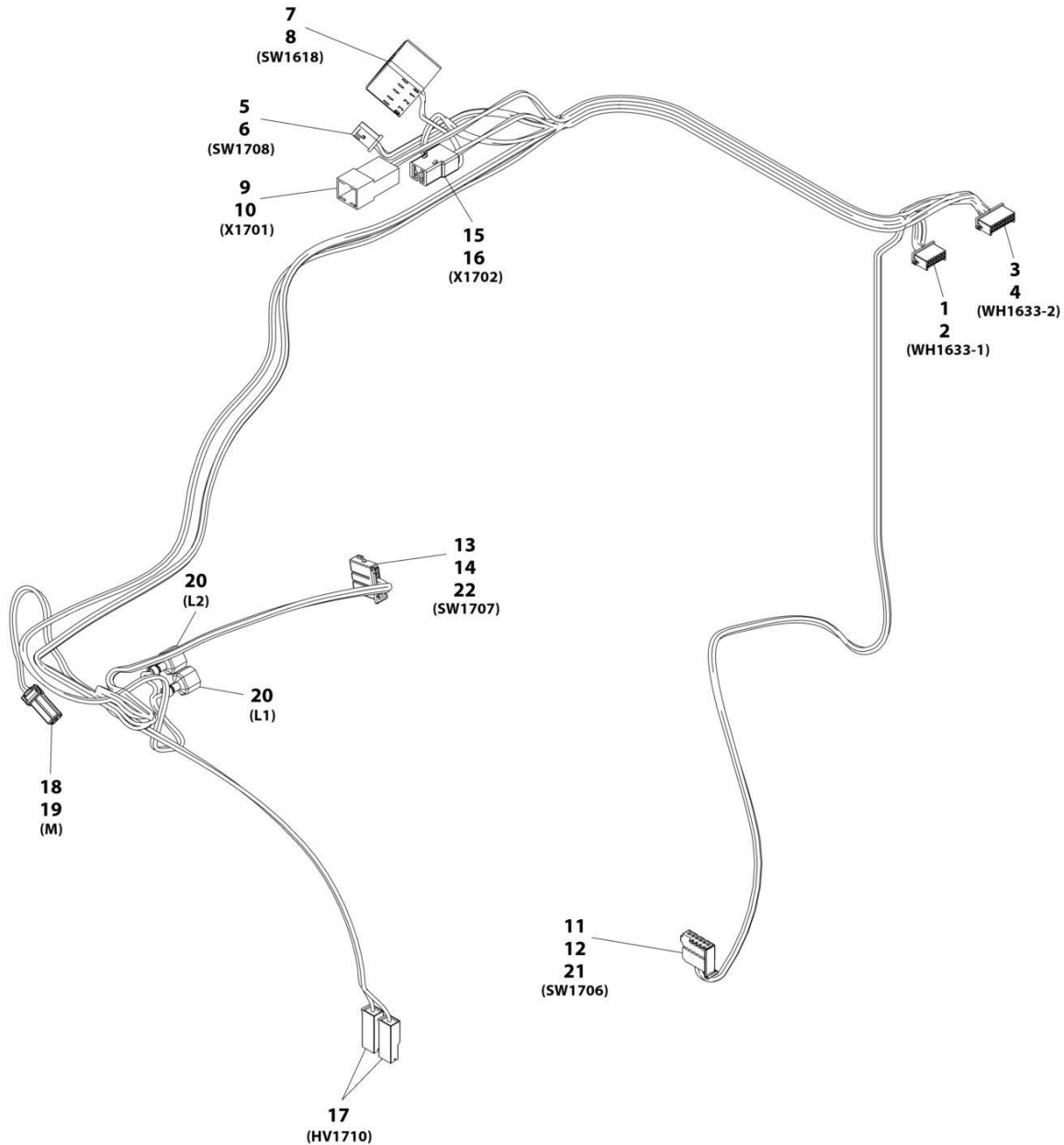
SECTION 10 - ELECTRICAL

FIGURE 10-18. CAB HEATER HARNESS

ITEM	PART NUMBER	QTY	DESCRIPTION	REV
	1001271803	Ref	CAB HEATER HARNESS	B
1	1001264976	1	Bracket	
2	1001268829	1	Actuator, HVAC (Sold as Assembly Only)	
3	1001268830	1	Harness, HVAC Cab Actuator (See Separate Breakdown in this Section)	

SECTION 10 - ELECTRICAL

FIGURE 10-19. CAB HVAC ACTUATOR HARNESS



ART_1001268830

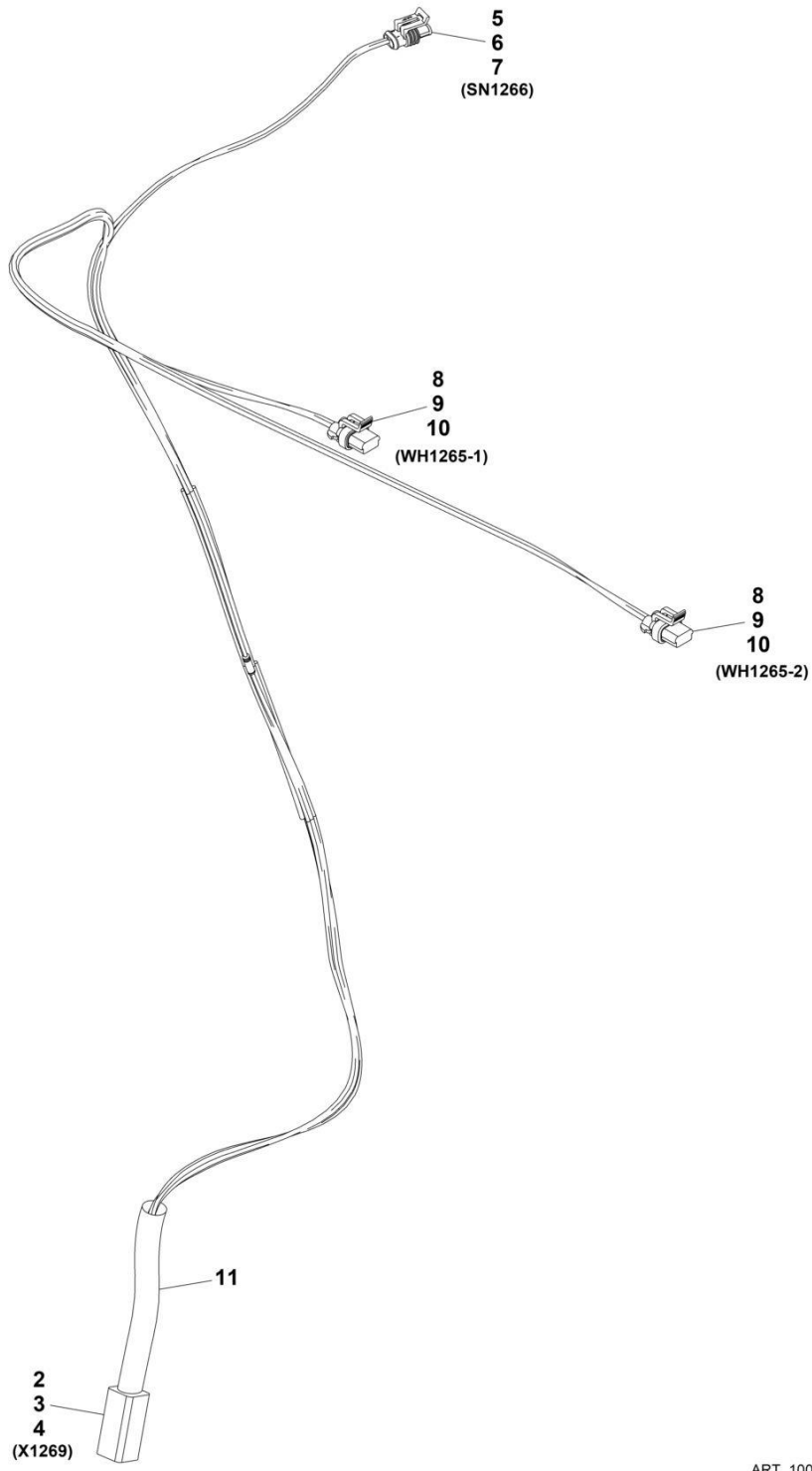
SECTION 10 - ELECTRICAL

FIGURE 10-19. CAB HVAC ACTUATOR HARNESS

ITEM	PART NUMBER	QTY	DESCRIPTION	REV
	1001268830	Ref	CAB HVAC ACTUATOR HARNESS	B
1	1001274536	1	Connector	
2	1001274543	10	Terminal	
3	1001274537	1	Connector	
4	1001274543	8	Terminal	
5	1001184473	1	Connector	
6	1001184479	3	Terminal	
7	1001274533	1	Connector	
8	1001274539	4	Terminal	
9	1001116999	1	Connector	
10	1001274540	2	Terminal	
11	1001274534	1	Connector	
12	1001274541	2	Terminal	
13	1001274534	1	Connector	
14	1001274541	5	Terminal	
15	1001116991	1	Connector	
16	1001116720	2	Terminal	
17	1001274535	2	Connector	
18	1001274538	1	Connector	
19	1001274544	2	Terminal	
20	8220050	2	Terminal	
21	1001274553	1	Retainer	
22	1001274553	1	Retainer	

SECTION 10 - ELECTRICAL

FIGURE 10-20. CAB HVAC ACTUATOR HARNESS



ART_1001169151

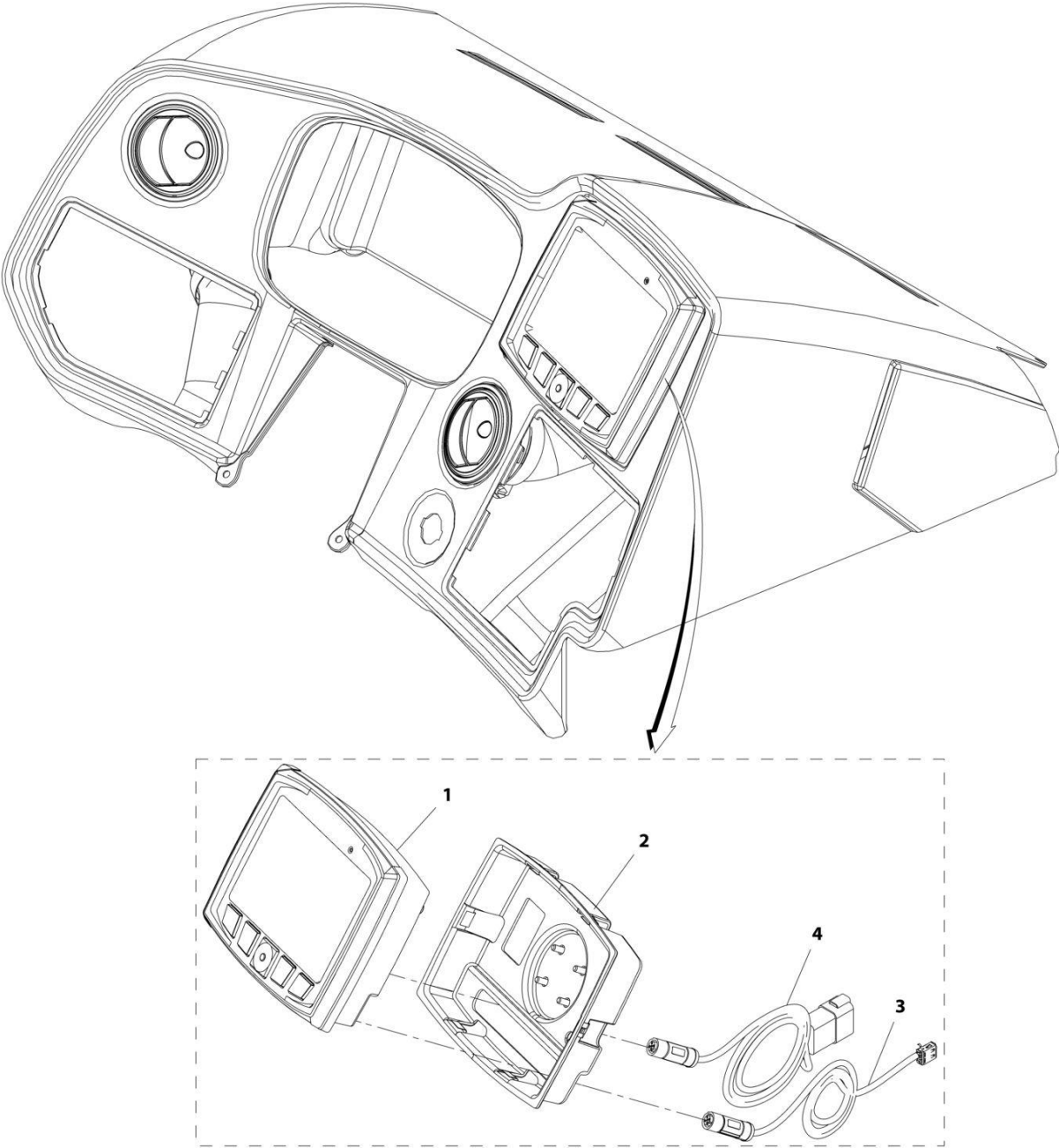
SECTION 10 - ELECTRICAL

FIGURE 10-20. CAB HVAC ACTUATOR HARNESS

ITEM	PART NUMBER	QTY	DESCRIPTION	REV
	1001169151	Ref	A/C Option Harness	G
2	4460899	1	Connector	
3	4460941	4	Terminal	
4	4460464	2	Terminal	
5	4461118	1	Connector	
6	1001107854	2	Terminal	
7	1001116763	2	Seal	
8	1001117021	2	Connector	
9	1001116747	4	Terminal	
10	4460789	4	Seal	
11	70028546	1	Backshell	

SECTION 10 - ELECTRICAL

FIGURE 10-21. CAB - MULTIFUNCTION DISPLAY INSTALLATION



ART_1001176338-B

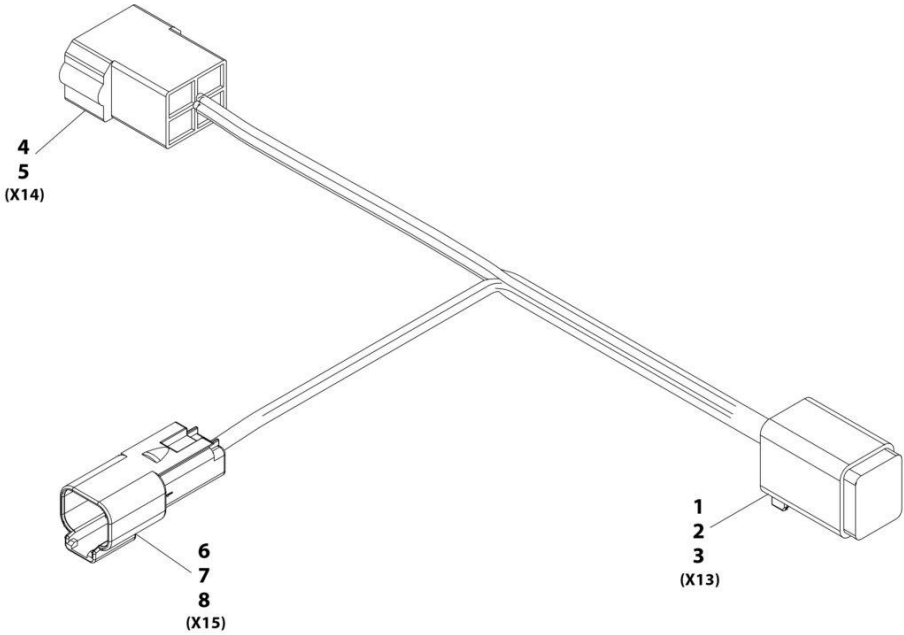
SECTION 10 - ELECTRICAL

FIGURE 10-21. CAB - MULTIFUNCTION DISPLAY INSTALLATION

ITEM	PART NUMBER	QTY	DESCRIPTION	REV
	1001176338	Ref	Multifunction Display Installation	B
1	1001211357	1	Display	
2	1001178783	1	Bezel	
3	1001180682	1	Cable, Display Programming	
4	1001180683	1	Cable, Display Video	

SECTION 10 - ELECTRICAL

FIGURE 10-22. CAB SEAT ADAPTOR HARNESS (PREMIUM SEAT)



ART_1001168531-A

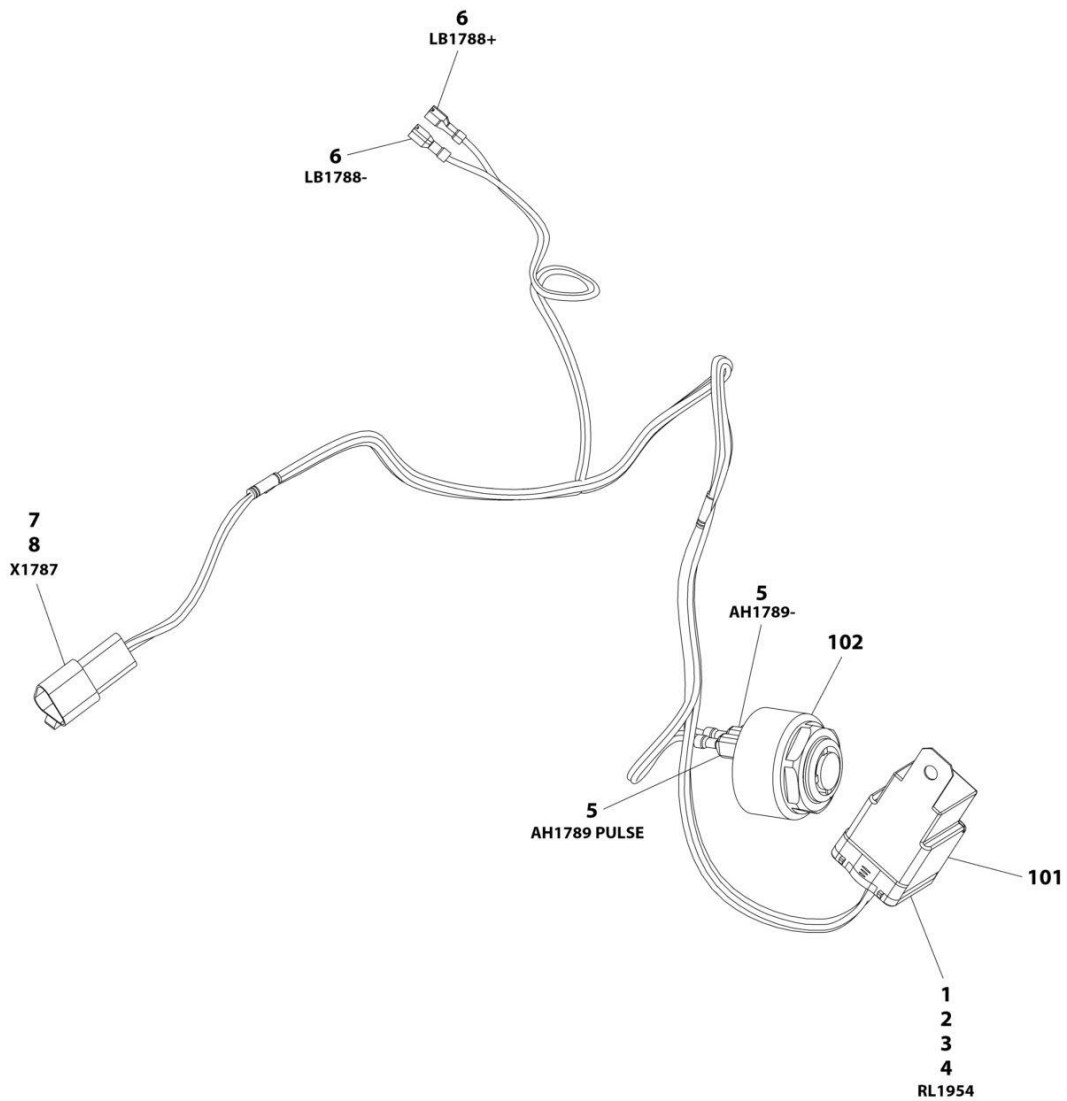
SECTION 10 - ELECTRICAL

FIGURE 10-22. CAB SEAT ADAPTOR HARNESS (PREMIUM SEAT)

ITEM	PART NUMBER	QTY	DESCRIPTION	REV
	1001168531	Ref	Seat Adaptor Harness	A
1	4460894	1	Connector	
2	91504107	1	Lock, Connector	
3	4460465	6	Terminal	
4	1001117011	1	Connector	
5	1001116700	3	Terminal	
6	4460897	1	Connector	
7	80604017	1	Lock, Connector	
8	4460943	2	Terminal	

SECTION 10 - ELECTRICAL

FIGURE 10-23. CAB SEAT BELT ALARM HARNESS



ART_1001268744

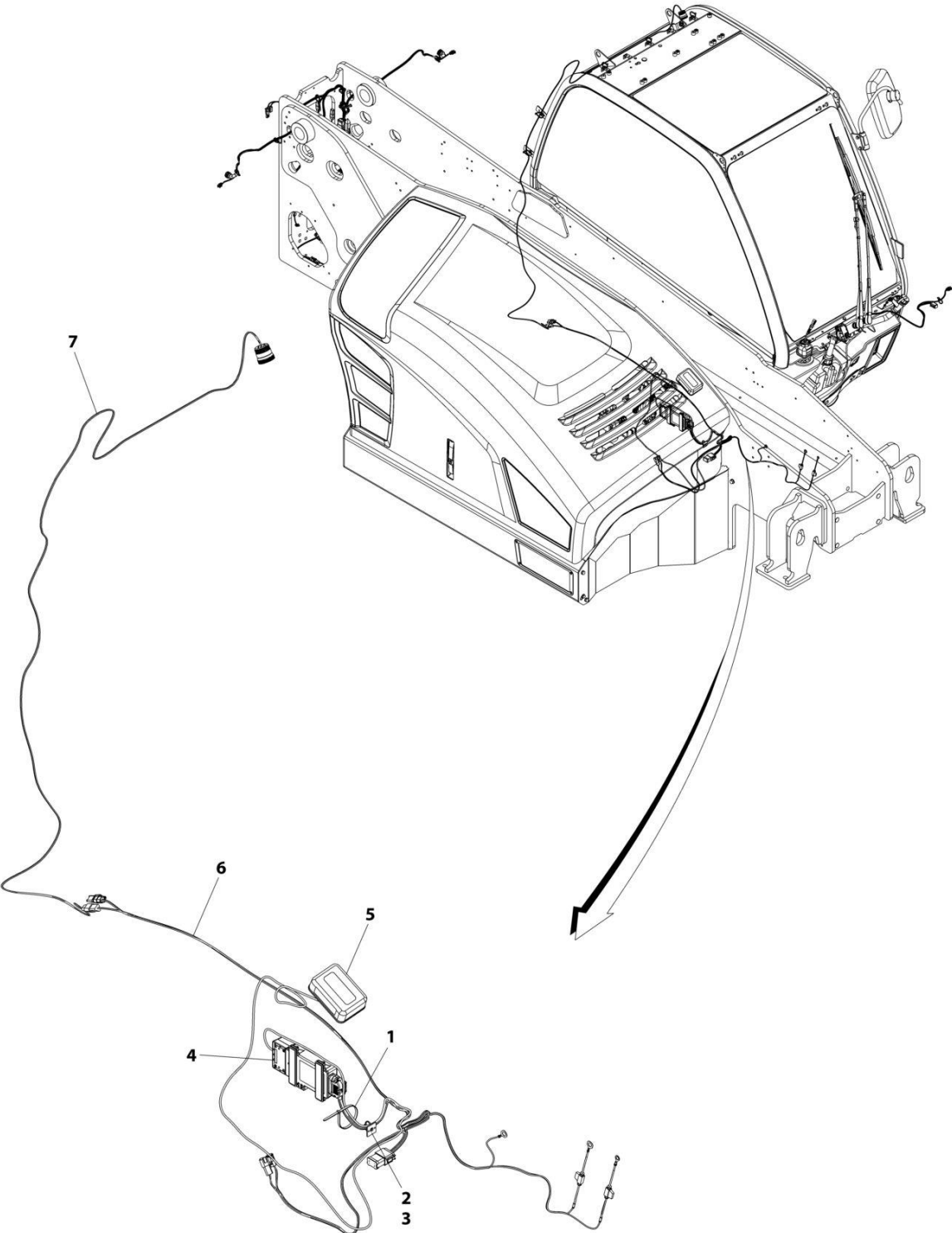
SECTION 10 - ELECTRICAL

FIGURE 10-23. CAB SEAT BELT ALARM HARNESS

ITEM	PART NUMBER	QTY	DESCRIPTION	REV
	1001268744	Ref	SEAT BELT ALARAM HARNESS	B
1	1001231398	1	Connector	
2	1001231400	4	Terminal	
3	1001231406	1	Terminal	
4	1001231404	4	Plug	
5	1001194421	2	Terminal	
6	1001201885	2	Terminal	
7	4460536	1	Connector	
8	4460464	3	Terminal	
101	3740080	1	Relay, Weather Proof	
102	1001091751	1	Buzzer Alarm	

SECTION 10 - ELECTRICAL

FIGURE 10-24. CLEARSKY 4G CANBUS INSTALLATION



ART_1001268384

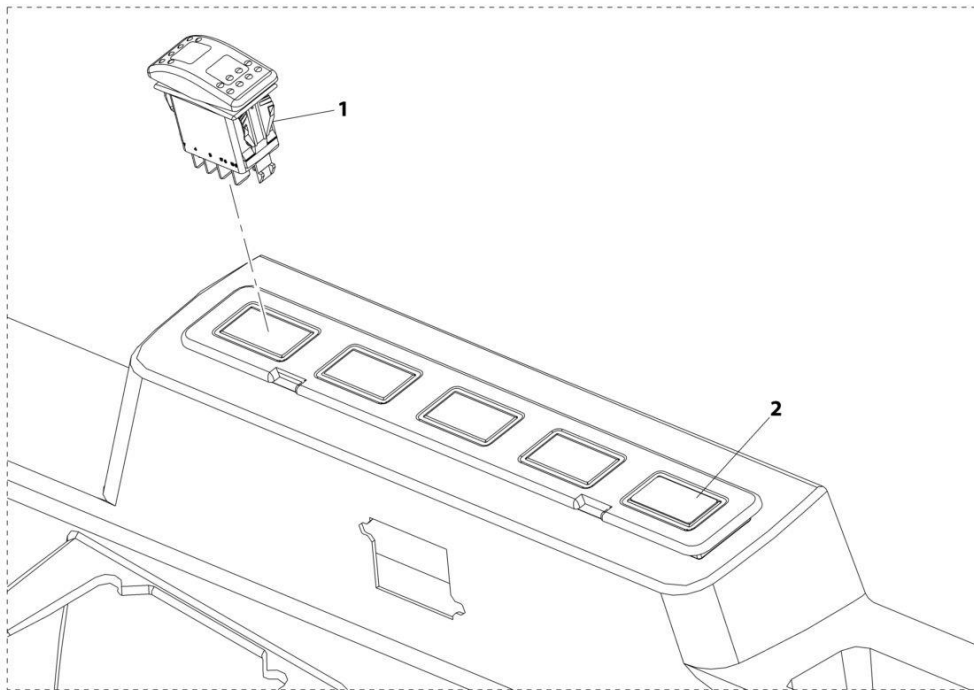
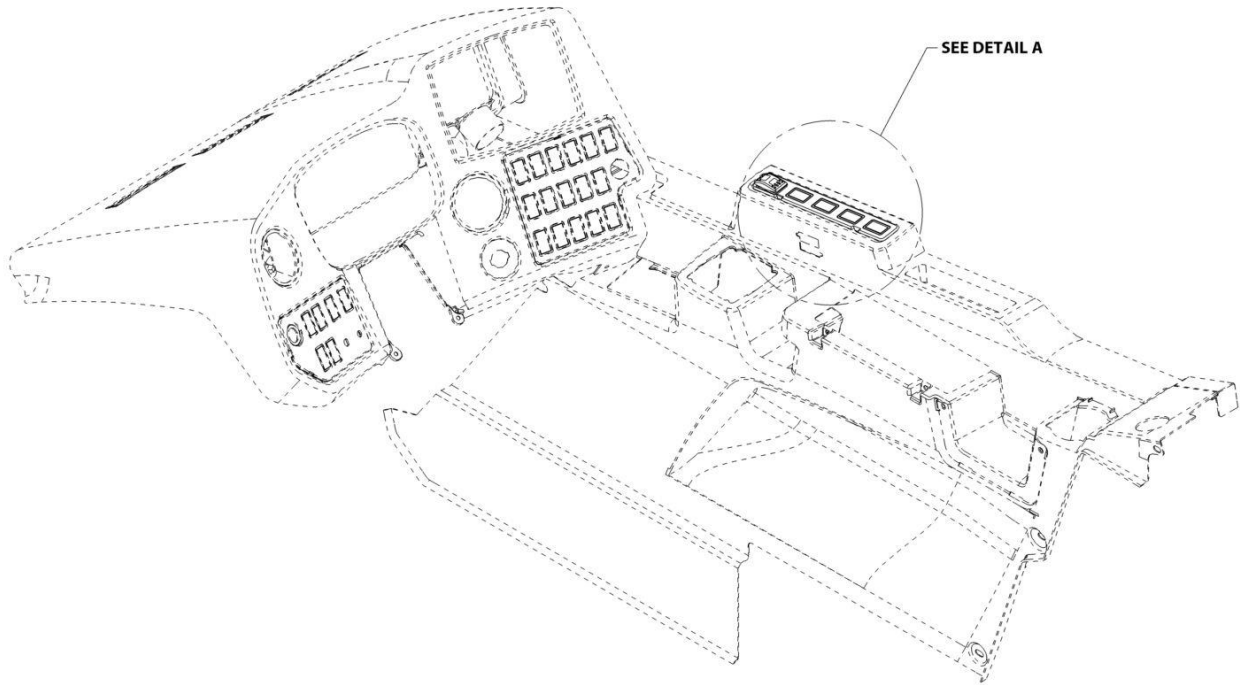
SECTION 10 - ELECTRICAL

FIGURE 10-24. CLEARSKY 4G CANBUS INSTALLATION

ITEM	PART NUMBER	QTY	DESCRIPTION	REV
	1001268384	Ref	CLEARSKY 4G CANBUS INSTALLATION	B
1	1062255	AR	Tie-Strap	
2	4240032	AR	Tie-Strap	
3	4460234	AR	Terminal Mount	
4	1001262322	1	Module, ClearSky Telematics Canbus	
5	1001262326	1	Antenna	
6	1001268553	1	Harness, 4Ward Telematics Clearsky Can (See Separate Breakdown in this Section)	
7	1001254185	1	Harness, Adapter (See Separate Breakdown in this Section)	

SECTION 10 - ELECTRICAL

FIGURE 10-25. DECLUTCH SWITCH INSTALLATION



DETAIL A

ART_1001202430-B

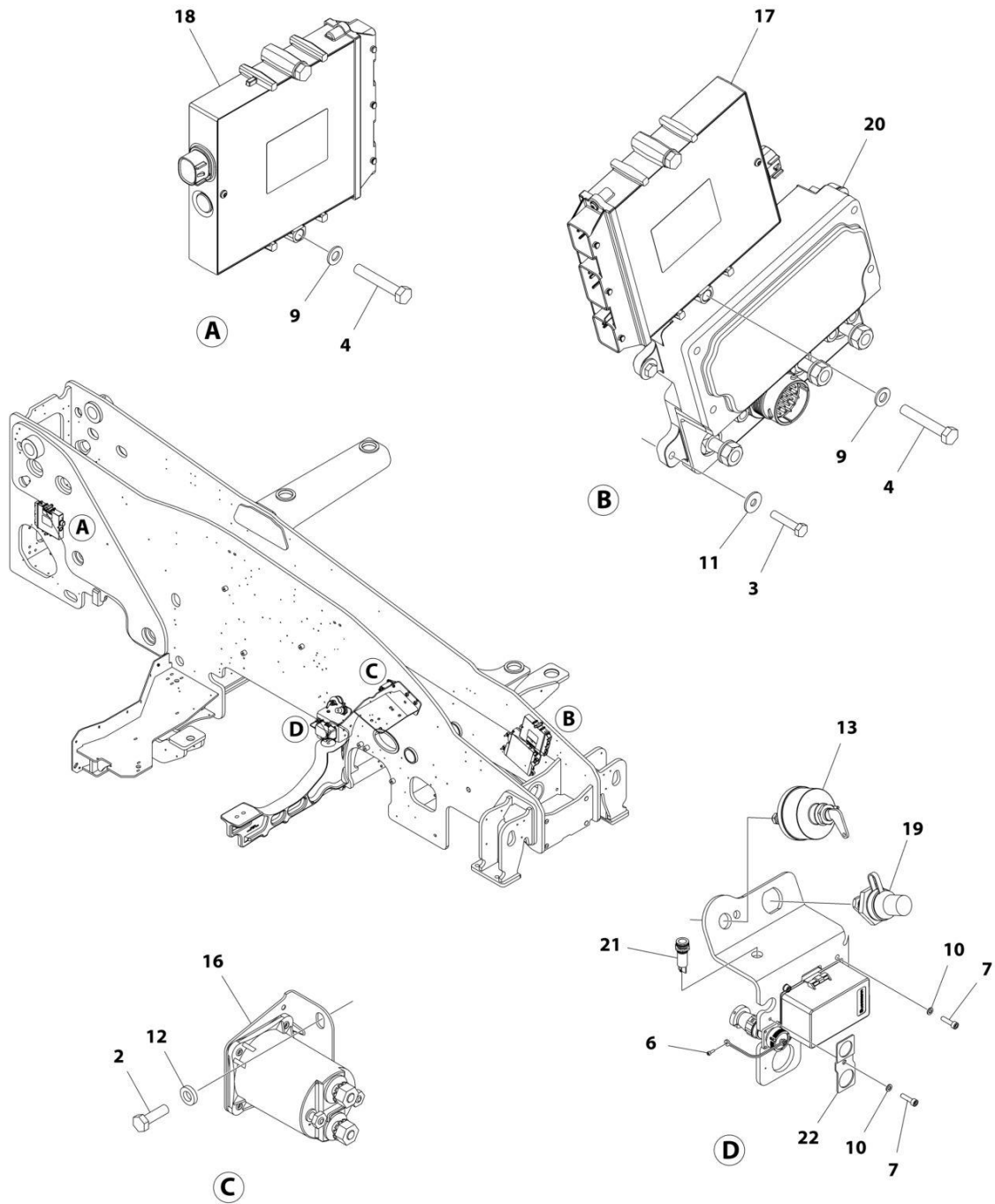
SECTION 10 - ELECTRICAL

FIGURE 10-25. DECLUTCH SWITCH INSTALLATION

ITEM	PART NUMBER	QTY	DESCRIPTION	REV
	1001202430	Ref	Declutch Switch Installation	B
1	1001202421	1	Switch, Transmission Disconnect	
2	1001226481	1	Decal, Blank	

SECTION 10 - ELECTRICAL

FIGURE 10-26. ELECTRICAL COMPONENTS INSTALLATION



ART_1001183838_E

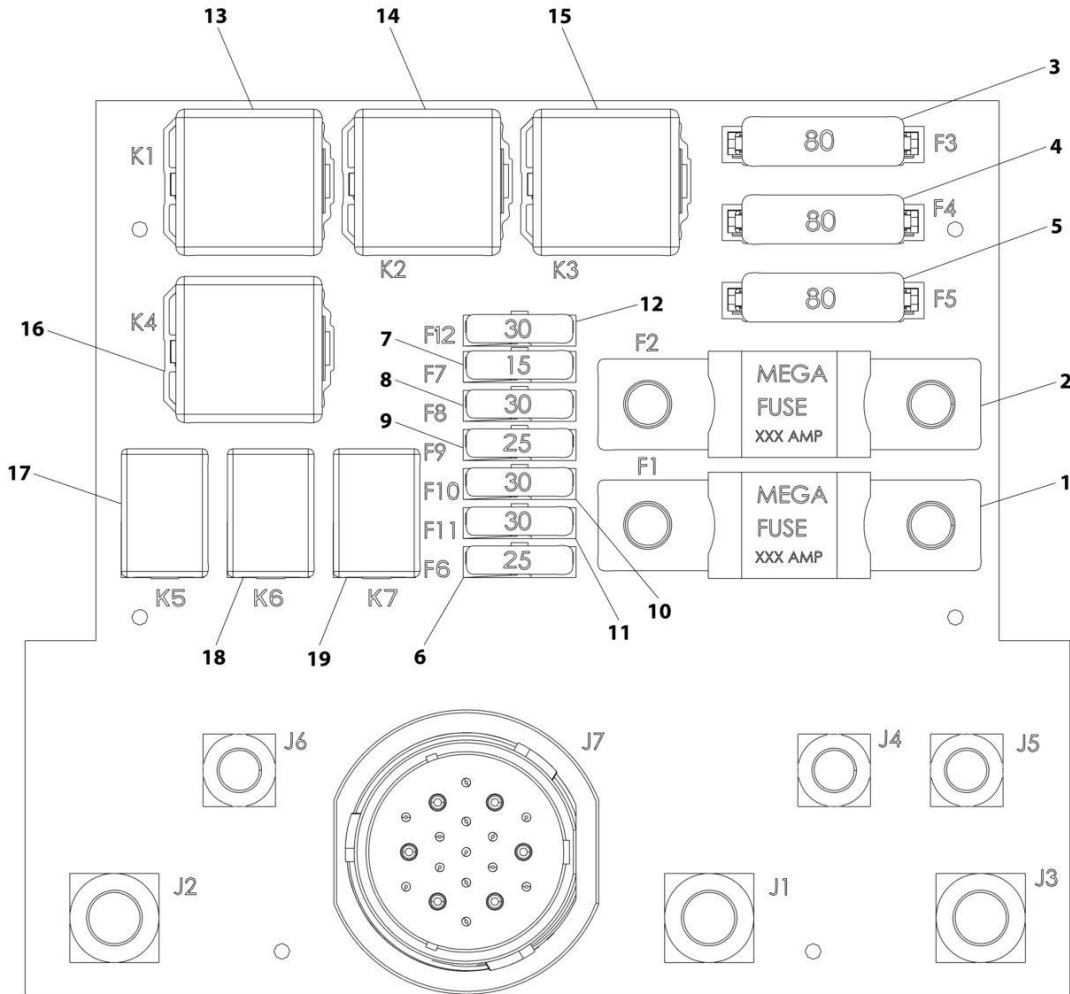
SECTION 10 - ELECTRICAL

FIGURE 10-26. ELECTRICAL COMPONENTS INSTALLATION

ITEM	PART NUMBER	QTY	DESCRIPTION	REV
	1001183838	Ref	ELECTRICAL COMPONENTS INSTALLATION	E
2	0700610	2	Bolt M6 x 20	
3	0700614	4	Bolt M6 x 30	
4	0700818	4	Bolt M8 x 50	
6	3900349	1	Screw M2.5 x 0.45	
7	4031608	5	Screw M5 x 20	
9	4811900	4	Washer M8	
10	4831600	5	Washer M5	
11	4811702	4	Washer M6	
12	5240600	2	Washer M6	
13	1001008926	NLA	Switch, Disconnect (no longer available, use 1001192142 for replacement)	
13	1001192142	1	Switch, Battery Disconnect	
16	1001117308	1	Relay, 200 AMP (See Separate Breakdown in this Section)	
17	1001270467	1	Module, Rear Frame (Note: Re-calibration required when replaced)	
18	1001270468	1	Module, Front Frame (Note: Re-calibration required when replaced)	
19	1001193993	1	Stud, Battery Jump Start	
20	1001164402	1	Box, Power Distribution Electrical (See Separate Breakdown in this Section)	
21	1001169825	1	Light, DEF Purge Indicator	
22	1001186693	1	Plate	

SECTION 10 - ELECTRICAL

FIGURE 10-27. ELECTRICAL POWER DISTRIBUTION ELECTRICAL BOX



ART_1001164402-G

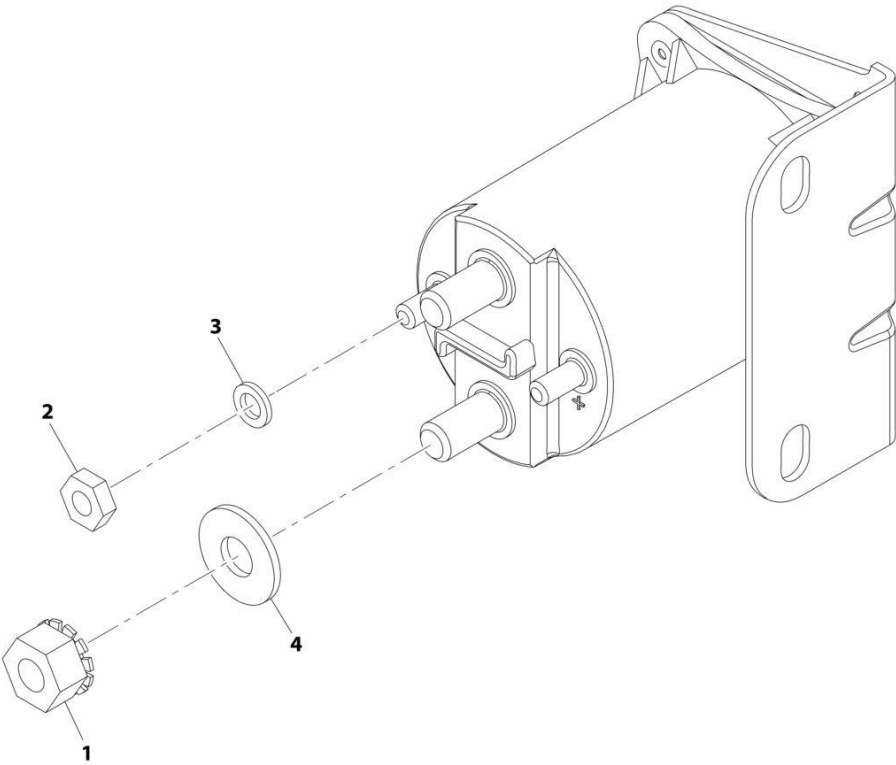
SECTION 10 - ELECTRICAL

FIGURE 10-27. ELECTRICAL POWER DISTRIBUTION ELECTRICAL BOX

ITEM	PART NUMBER	QTY	DESCRIPTION	REV
	1001164402	Ref	Power Distribution Electrical Box	G
1	1001095336	1	Fuse, 150AMP	
2	70026296	1	Fuse, 200AMP	
3	70026297	1	Fuse, 80AMP	
4	70026297	1	Fuse, 80AMP	
5	70026297	1	Fuse, 80AMP	
6	8229247	1	Fuse, 25AMP	
7	8229244	1	Fuse, 15AMP	
8	8229245	1	Fuse, 30AMP	
9	8229247	1	Fuse, 25AMP	
10	8229245	1	Fuse, 30AMP	
11	8229245	1	Fuse, 30AMP	
12	8229245	1	Fuse, 30AMP	
13	70026294	1	Fuse, 70AMP	
14	70026294	1	Fuse, 70AMP	
15	70026294	1	Fuse, 70AMP	
16	70026294	1	Fuse, 70AMP	
17	70026295	1	Fuse, 35AMP	
18	70026295	1	Fuse, 35AMP	
19	70026295	1	Fuse, 35AMP	

SECTION 10 - ELECTRICAL

FIGURE 10-28. ELECTRICAL RELAY INSTALLATION - 200 AMP



ART_1001117308-C

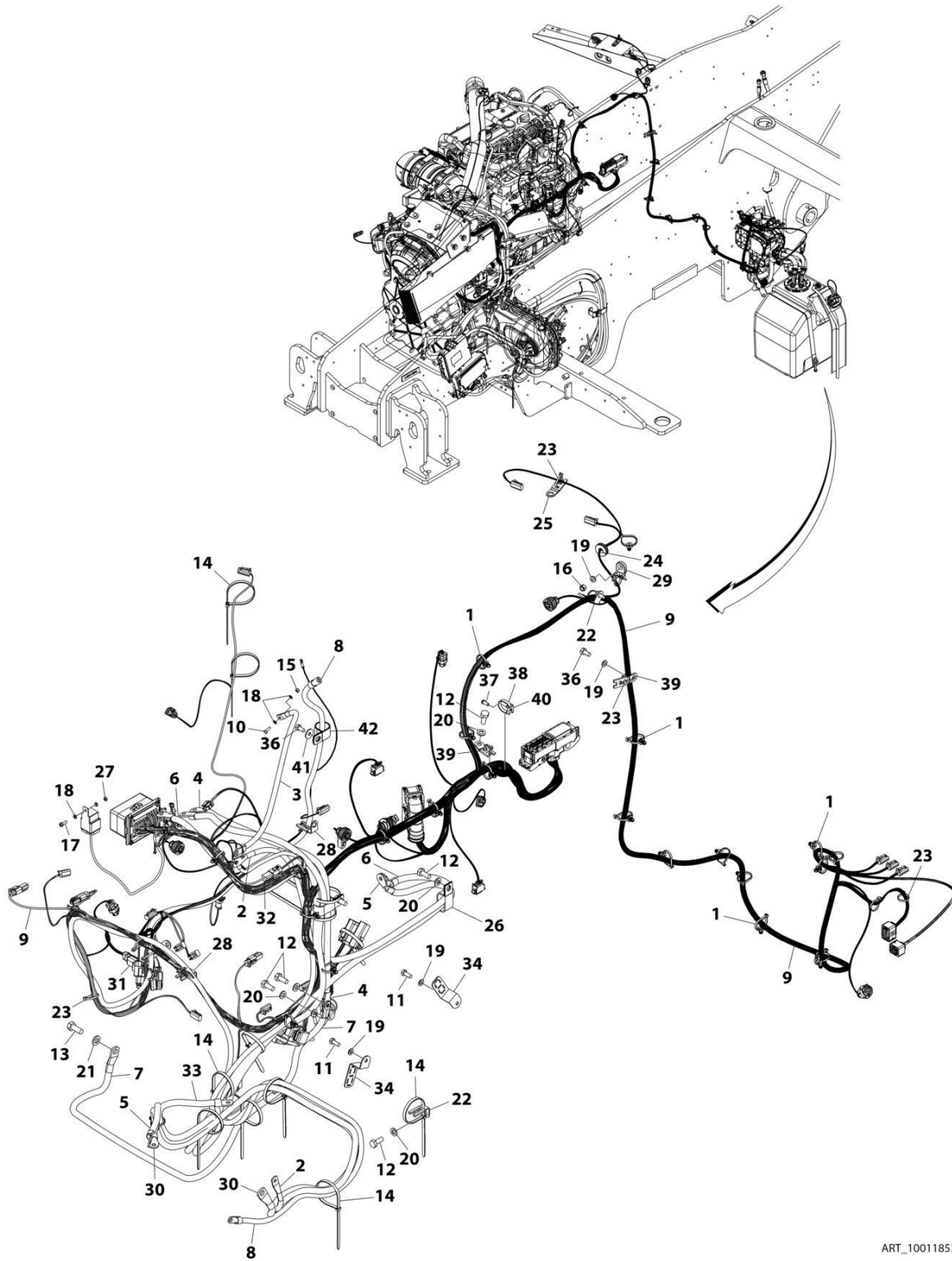
SECTION 10 - ELECTRICAL

FIGURE 10-28. ELECTRICAL RELAY INSTALLATION - 200 AMP

ITEM	PART NUMBER	QTY	DESCRIPTION	REV
	1001117308	Ref	200 AMP Relay Installation	C
1	3300220	2	Nut, Washer	
2	3321001	2	Nut	
3	4761000	2	Washer, Lock	
4	1001111424	2	Washer	

SECTION 10 - ELECTRICAL

FIGURE 10-29. ENGINE WIRING INSTALLATION (ULS)



ART_1001185375_G

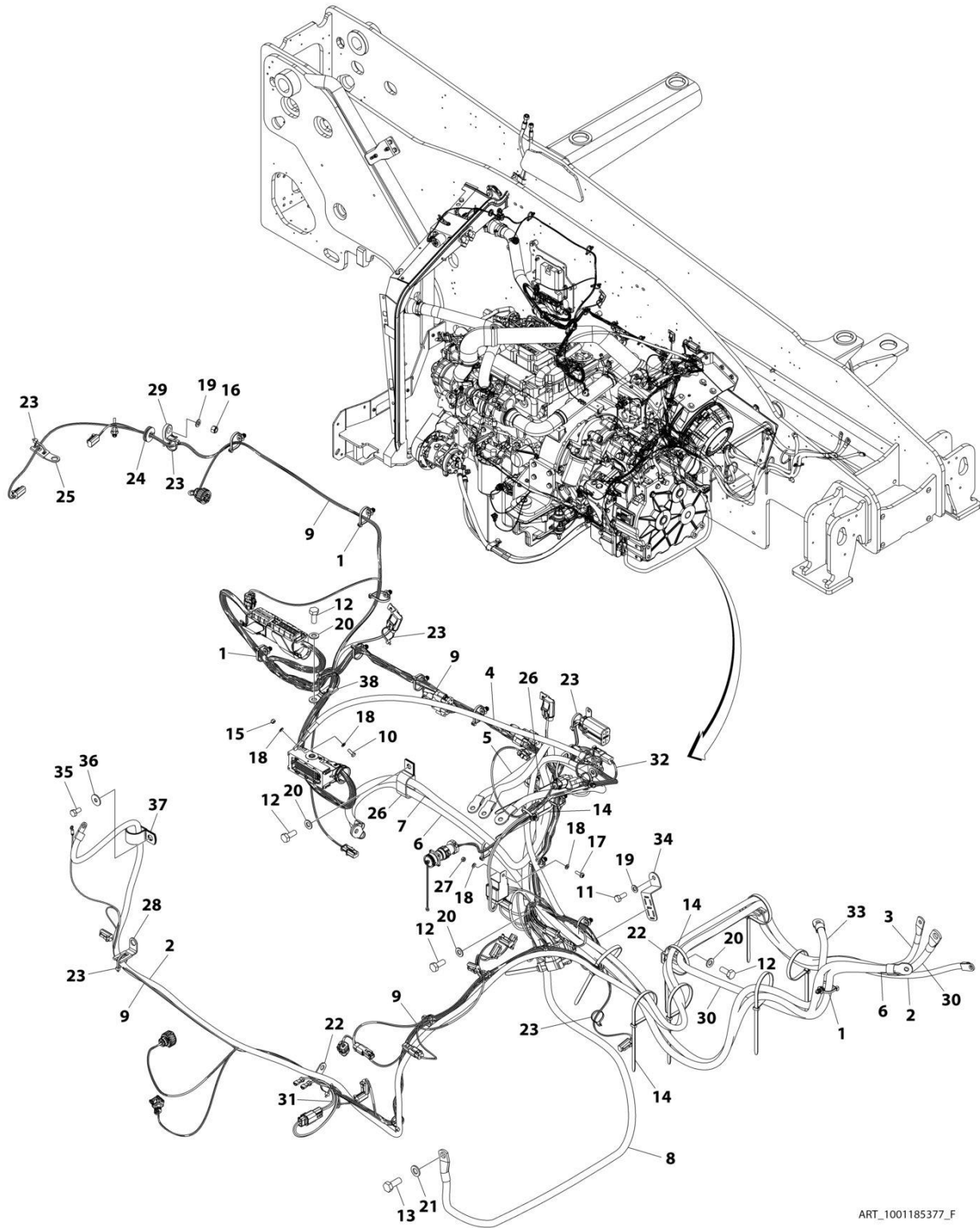
SECTION 10 - ELECTRICAL

FIGURE 10-29. ENGINE WIRING INSTALLATION (ULS)

ITEM	PART NUMBER	QTY	DESCRIPTION	REV
	1001185375	Ref	ENGINE WIRING INSTALLATION (ULS)	G
1	1001146588	24	Strap, Tie	
2	1001182218	1	Cable, PDM to Glow Plug Relay	
3	1001182219	1	Cable, Glow Plug to Relay	
4	1001182654	1	Cable, Disconnect to Ground Buss	
5	1001182650	1	Cable, Starter to Battery +	
6	1001182651	1	Cable, Starter to Jump Start Stud	
7	1001182652	1	Cable, Ground Buss to Engine Ground	
8	1001283711	1	Cable, Alternator	
9	1001256834	1	Harness, Engine (ULS) (See Separate Breakdown in this Section)	
10	0760507	1	Bolt M5 x 14	
11	0760810	2	Bolt M8 x 20	
12	0761012	7	Bolt M10 x 25	
13	0761214	1	Bolt M12 x 30	
14	1062255	13	Strap, Tie	
15	3290505	1	Nut, Lock M5 x 0.8 Grade 8	
16	3290805	1	Nut, Lock M8 x 1.25 Grade 8	
17	3900381	1	Screw M5 x 16	
18	4811600	4	Washer M5	
19	4811900	5	Washer M8	
20	4812000	7	Washer M10	
21	4812100	1	Washer M12	
22	1001003305	4	Clip	
23	1001008559	14	Strap, Tie	
24	1001009375	1	Grommet	
25	1001025750	1	Clip, Ladder	
26	1001008720	2	Clip	
27	3290501	1	Nut M5 x 0.8	
28	1001130198	3	Clip, Ladder	
29	1001169146	1	Mount	
30	1001182217	1	Cable, Batt + to PDM	
31	1001182929	1	Harness, Fuel Pump (See Separate Breakdown in this Section)	
32	1001182930	1	Harness, Glow Plug Relay to Engine Harness (See Separate Breakdown in this Section)	
33	1001203015	1	Cable, Batt (-) to Batt Disc	
34	1001203882	2	Bracket, Harness Tie Wrap	
36	0760808	3	Bolt M8 x 16	
37	3900357	1	Screw M6 x 16	
38	8881800	1	Strap, Tie	
39	1001008593	2	Clip	
40	1001138645	1	Mount, Cable Tie	
41	4811902	1	Washer M8	
42	8406302	1	Clamp	

SECTION 10 - ELECTRICAL

FIGURE 10-30. ENGINE WIRING INSTALLATION (LS)



ART_1001185377_F

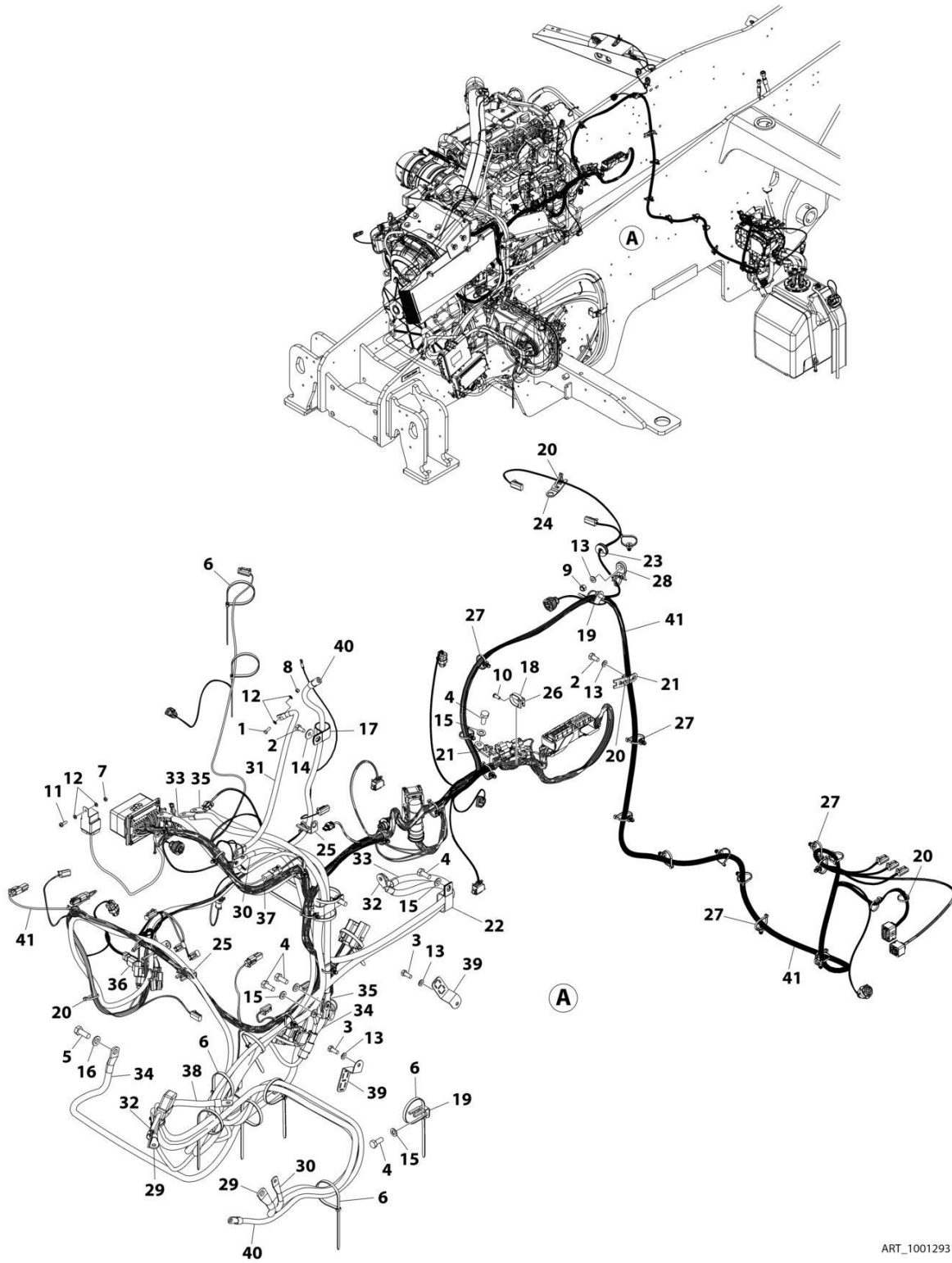
SECTION 10 - ELECTRICAL

FIGURE 10-30. ENGINE WIRING INSTALLATION (LS)

ITEM	PART NUMBER	QTY	DESCRIPTION	REV
	1001185377	Ref	ENGINE WIRING INSTALLATION (LS)	F
1	1001146588	16	Strap, Cable Tie	
2	1001283711	1	Cable	
3	1001182218	1	Cable	
4	1001182219	1	Cable	
5	1001182654	1	Cable	
6	1001182650	1	Cable	
7	1001182651	1	Cable	
8	1001182652	1	Cable	
9	1001184503	1	Harness, Engine (LS) (See Separate Breakdown in this Section)	
10	0760507	1	Bolt M5 x 14	
11	0760810	1	Bolt M8 x 20	
12	0761012	7	Bolt M10 x 25	
13	0761214	1	Bolt M12 x 30	
14	1062255	10	Strap, Tie	
15	3290505	1	Nut, Lock M5 x 0.8	
16	3290805	1	Nut, Lock M8 x 1.25	
17	3900381	1	Screw M5 x 16	
18	4811600	4	Washer M5	
19	4811900	2	Washer M8	
20	4812000	7	Washer M10	
21	4812100	1	Washer M12	
22	1001003305	3	Clip	
23	1001008559	13	Strap, Cable	
24	1001009375	1	Grommet	
25	1001025750	1	Clip	
26	1001008720	2	Clip	
27	1001128972	1	Nut M5 x 0.8	
28	1001130198	2	Clip	
29	1001169146	1	Mount	
30	1001182217	1	Cable	
31	1001182929	1	Harness, Fuel Pump (See Separate Breakdown in this Section)	
32	1001182930	1	Harness, Glow Plug Relay (See Separate Breakdown in this Section)	
33	1001203015	1	Cable	
34	1001203882	1	Bracket	
35	0760808	1	Bolt M8 x 16	
36	4811902	1	Washer M8	
37	8406302	1	Clamp	
38	1001008593	1	Clip	

SECTION 10 - ELECTRICAL

FIGURE 10-31. ENGINE WIRING INSTALLATION (LRC)



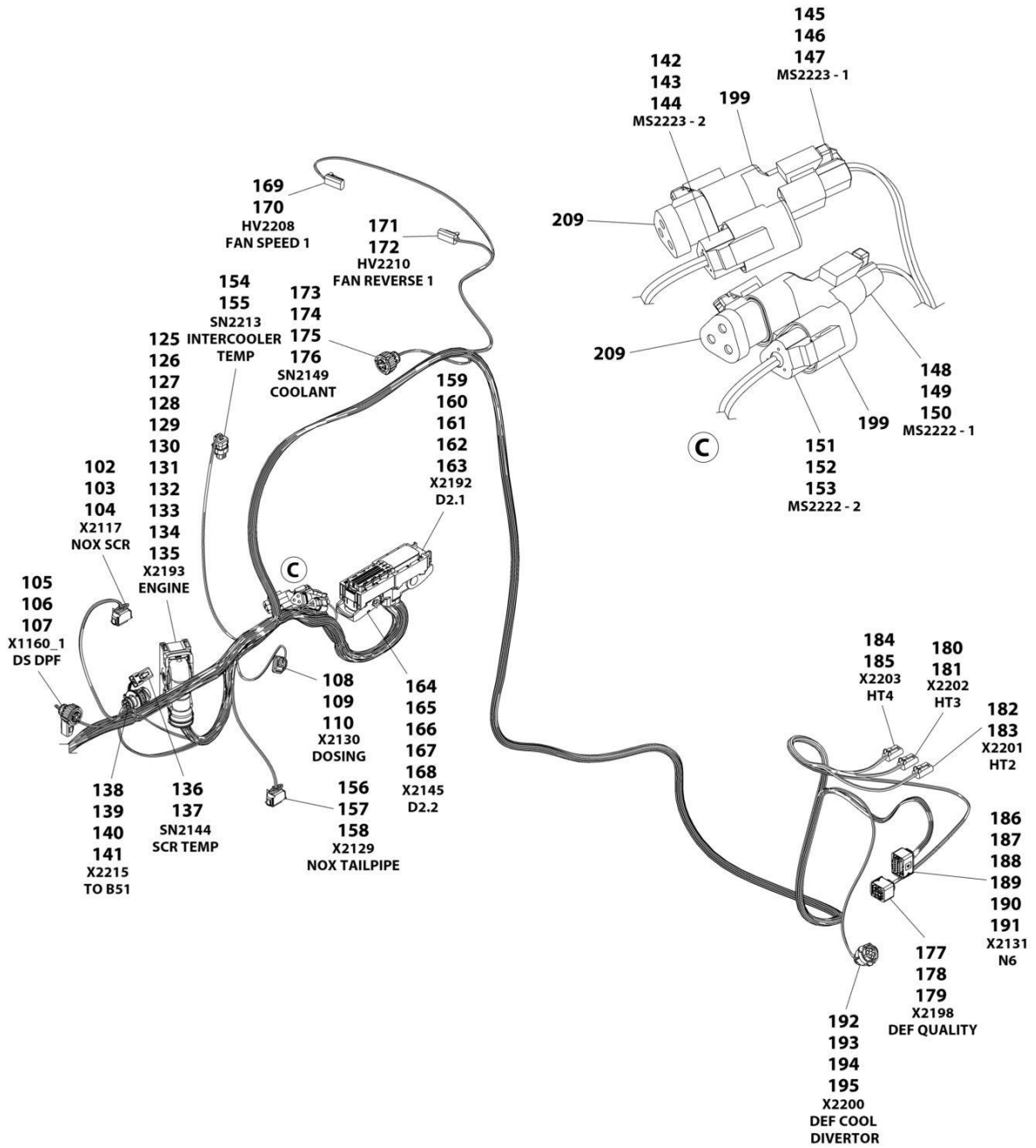
ART_1001293131

SECTION 10 - ELECTRICAL

FIGURE 10-31. ENGINE WIRING INSTALLATION (LRC)

ITEM	PART NUMBER	QTY	DESCRIPTION	REV
	1001293131	Ref	ENGINE WIRING INSTALLATION	A
1	0760507	1	Bolt M5 x 14	
2	0760808	3	Bolt M8 x 16	
3	0760810	2	Bolt M8 x 20	
4	0761012	7	Bolt M10 x 25	
5	0761214	1	Bolt M12 x 30	
6	1062255	13	Tie-Strap	
7	3290501	1	Nut M5	
8	3290505	1	Nut, Lock M5	
9	3290805	1	Nut, Lock M8	
10	3900357	1	Capscrew M6 x 16	
11	3900381	1	Capscrew M5 x 16	
12	4811600	4	Washer M5	
13	4811900	5	Washer M8	
14	4811902	1	Washer M8	
15	4812000	7	Washer M10	
16	4812100	1	Washer M12	
17	8406302	1	Clamp	
18	8881800	1	Tie-Strap	
19	1001003305	4	Clip	
20	1001008559	14	Cable	
21	1001008593	2	Clip	
22	1001008720	2	Clip-Loop	
23	1001009375	1	Grommet	
24	1001025750	1	Clip	
25	1001130198	3	Clip	
26	1001138645	1	Cable Tie	
27	1001146588	24	Fir Tree Cable Tie	
28	1001169146	1	Mount	
29	1001182217	1	Cable	
30	1001182218	1	Cable	
31	1001182219	1	Cable	
32	1001182650	1	Cable	
33	1001182651	1	Cable	
34	1001182652	1	Cable	
35	1001182654	1	Cable	
36	1001182929	1	Harness, Fuel Pump (See Separate Breakdown in this Section)	
37	1001182930	1	Harness, Glow Plug (See Separate Breakdown in this Section)	
38	1001203015	1	Cable	
39	1001203882	2	Bracket	
40	1001283711	1	Cable	
41	1001292201	1	Harness, Engine (See Separate Breakdown in this Section)	
42	1001294690	1	Cable, ECM Power (Not Shown)	

SECTION 10 - ELECTRICAL



ART_1001256834_B_20F2

SECTION 10 - ELECTRICAL

FIGURE 10-32. ENGINE HARNESS (ULS)

ITEM	PART NUMBER	QTY	DESCRIPTION	REV
	1001256834	Ref	Engine Harness (ULS)	B
1	4460247	1	Terminal, Ring	
2	1001167636	1	Connector	
3	1001166707	2	Terminal	
4	4461006	2	Seal	
5	1001133714	1	Connector	
6	1001133715	3	Terminal	
7	1001135650	3	Seal	
8	1001135651	1	Plug	
9	4460891	1	Connector	
10	4460465	1	Terminal	
11	4460466	1	Plug	
12	4461095	1	Connector	
13	4460465	2	Terminal	
14	4460466	1	Plug	
15	4460539	1	Connector	
16	4460944	2	Terminal	
17	4460466	1	Plug	
18	4461018	1	Connector	
19	4460509	2	Terminal	
20	1001116812	1	Connector	
21	4460944	2	Terminal	
22	4460466	1	Plug	
23	4461095	1	Connector	
24	4460465	2	Terminal	
25	4460466	1	Plug	
26	4460891	1	Connector	
27	4460465	2	Terminal	
28	1001116812	1	Connector	
29	4460944	2	Terminal	
30	4460466	1	Plug	
31	4460891	1	Connector	
32	4460465	2	Terminal	
33	1001116950	1	Connector	
34	4460465	2	Terminal	
35	4460891	1	Connector	
36	4460465	2	Terminal	
37	4460891	1	Connector	
38	4460465	2	Terminal	
39	4460891	1	Connector	
40	4460465	2	Terminal	
41	4460891	1	Connector	
42	4460465	2	Terminal	
43	4460891	1	Connector	
44	4460465	2	Terminal	
45	4460891	1	Connector	
46	4460465	2	Terminal	
47	4460891	1	Connector	
48	4460465	2	Terminal	
49	4460891	1	Connector	

SECTION 10 - ELECTRICAL

ITEM	PART NUMBER	QTY	DESCRIPTION	REV
50	4460465	2	Terminal	
51	4460891	1	Connector	
52	4460465	2	Terminal	
53	4460891	1	Connector	
54	4460465	2	Terminal	
55	1001209097	1	Connector	
56	8220124	2	Terminal	
57	4460608	2	Seal	
58	1001126487	1	Connector	
59	1001167634	2	Terminal	
60	1001126485	2	Seal	
61	1001126487	1	Connector	
62	1001167634	2	Terminal	
63	1001126485	2	Seal	
64	1001117110	1	Terminal, Ring	
65	1001117110	1	Terminal, Ring	
66	4460256	1	Terminal, Ring	
67	1001117109	1	Terminal, Ring	
68	1001117110	1	Terminal, Ring	
69	4460933	1	Connector	
70	4460465	7	Terminal	
71	4460466	5	Plug	
72	1001144147	1	Connector	
73	4460464	2	Terminal	
74	4460466	1	Plug	
75	4460950	1	Connector	
76	4460464	8	Terminal	
77	4460466	4	Plug	
78	1001116811	1	Connector	
79	4460508	3	Plug	
80	4460466	1	Plug	
81	4460970	1	Connector	
82	4460464	8	Terminal	
83	4460466	4	Plug	
84	4460539	1	Connector	
85	4460944	2	Terminal	
86	4460466	1	Plug	
87	1001116812	1	Connector	
88	4460944	2	Terminal	
89	4460466	1	Plug	
90	1001118282	1	Connector	
91	1001116734	2	Terminal	
92	1001116732	2	Terminal	
93	1001128128	1	Plug	
94	4460894	1	Connector	
95	4460465	5	Terminal	
96	4460466	1	Plug	
97	4460933	1	Connector	
98	4460944	12	Terminal	
99	8220115	1	Terminal, Ring	
100	4460539	1	Connector	

SECTION 10 - ELECTRICAL

ITEM	PART NUMBER	QTY	DESCRIPTION	REV
101	4460465	2	Terminal	
102	1001167631	1	Connector	
103	1001167630	4	Terminal	
104	1001126485	4	Seal	
105	1001138116	1	Connector	
106	1001133715	3	Terminal	
107	1001135650	4	Seal	
108	1001126487	1	Connector	
109	1001167635	2	Terminal	
110	1001126485	2	Seal	
111	1001167616	1	Box, Fuse	
112	8220097	19	Terminal	
113	8220098	9	Terminal	
114	1001116725	3	Terminal	
115	1001116726	9	Terminal	
116	1001175265	19	Seal	
117	4460458	9	Seal	
118	4460789	6	Seal	
119	80963067	4	Seal	
120	4460748	5	Plug	
121	2902443	1	Kit, Receptacle	
122	4461071	6	Terminal	
123	8220108	1	Terminal, Blade	
124	8220108	1	Terminal, Blade	
125	1001126362	1	Connector	
126	1001166556	26	Terminal	
127	1001166701	26	Seal	
128	1001166774	10	Terminal	
129	1001126393	10	Seal	
130	1001166543	2	Terminal	
131	4461054	2	Seal	
132	1001166541	2	Terminal	
133	4461006	2	Seal	
134	1001126391	20	Plug	
135	4461008	2	Plug	
136	1001126245	1	Connector	
137	1001126008	2	Terminal	
138	1001148842	1	Connector	
139	1001148841	3	Terminal	
140	1001135650	3	Seal	
141	1001135651	1	Plug	
142	4460539	1	Connector	
143	4460944	2	Terminal	
144	4460466	1	Plug	
145	1001116812	1	Connector	
146	4460944	2	Terminal	
147	4460466	1	Plug	
148	1001116812	1	Connector	
149	4460944	2	Terminal	
150	4460466	1	Plug	
151	4460539	1	Connector	

SECTION 10 - ELECTRICAL

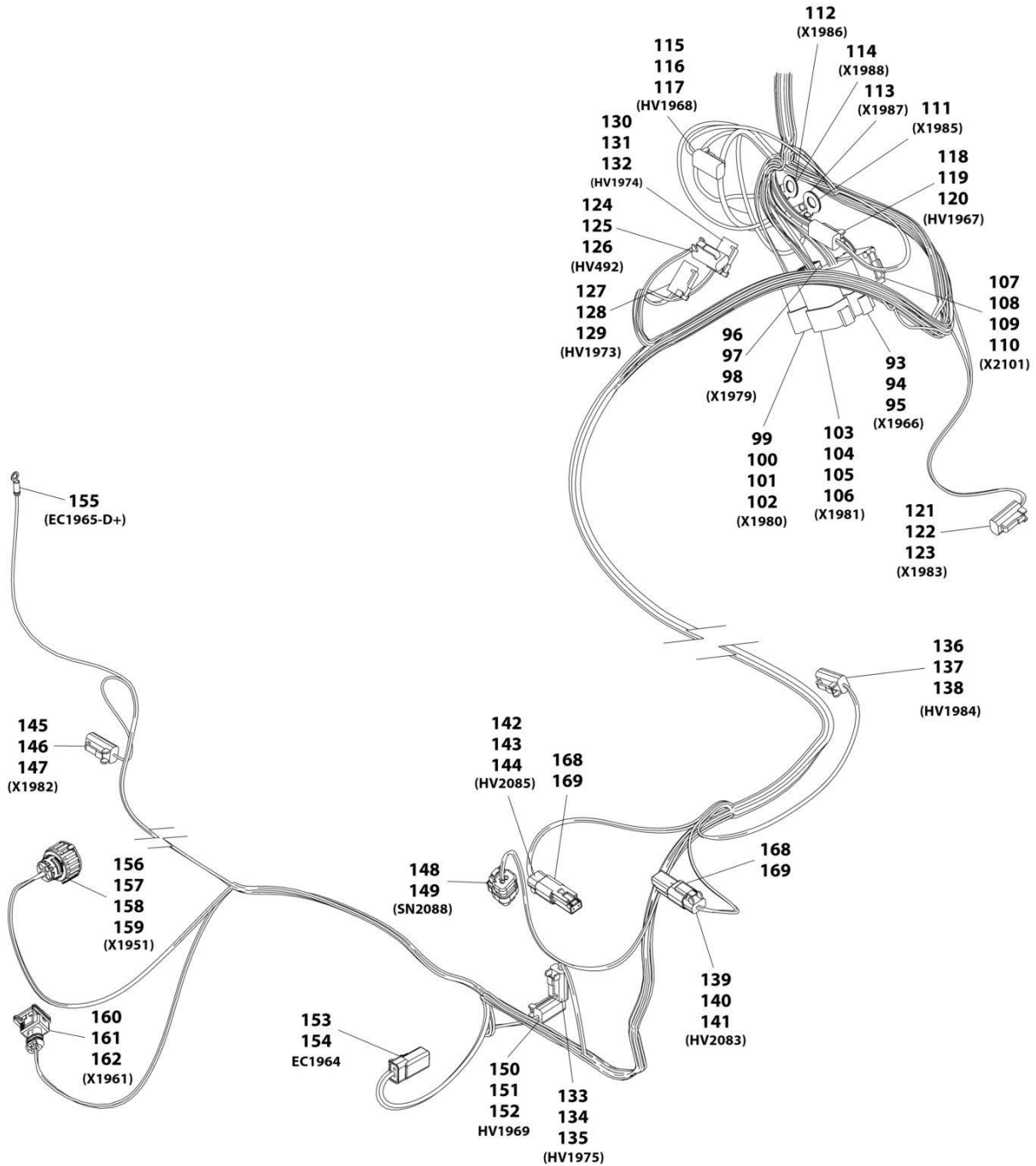
ITEM	PART NUMBER	QTY	DESCRIPTION	REV
152	4460944	2	Terminal	
153	4460466	1	Plug	
154	1001116950	1	Connector	
155	4460465	2	Terminal	
156	1001167629	1	Connector	
157	1001167630	4	Terminal	
158	1001126485	4	Seal	
159	1001167625	1	Connector	
160	1001166555	13	Terminal	
161	1001167621	50	Terminal	
162	1001167623	5	Plug	
163	1001167622	37	Terminal	
164	1001167615	1	Connector	
165	1001166551	6	Terminal	
166	1001126353	6	Seal	
167	1001167621	21	Terminal	
168	1001167622	64	Plug	
169	4460891	1	Connector	
170	4460465	2	Terminal	
171	4460891	1	Connector	
172	4460465	2	Terminal	
173	1001133714	1	Connector	
174	1001133715	3	Terminal	
175	1001135650	3	Seal	
176	1001135651	1	Plug	
177	1001167528	1	Connector	
178	1001166704	4	Terminal	
179	1001137578	4	Seal	
180	4460891	1	Connector	
181	4460942	2	Terminal	
182	4460891	1	Connector	
183	4460942	2	Terminal	
184	4460891	1	Connector	
185	4460942	2	Terminal	
186	1001165194	1	Connector	
187	1001166556	8	Terminal	
188	1001116701	8	Seal	
189	1001166774	2	Terminal	
190	1001126393	2	Seal	
191	1001126391	2	Plug	
192	1001167620	1	Connector	
193	1001176004	2	Terminal	
194	1001176002	2	Seal	
195	1001167624	2	Plug	
196	4460466	6	Seal	
197	4460892	1	Terminal	
198	4460897	3	Connector	
199	4460945	4	Receptacle, 3-Way	
200	4461070	2	Connector	
201	8229242	5	Fuse, 5A	
202	8229244	1	Fuse, 15A	

SECTION 10 - ELECTRICAL

ITEM	PART NUMBER	QTY	DESCRIPTION	REV
203	8229245	1	Fuse, 30A	
204	8229247	1	Fuse, 25A	
205	1001125677	1	Connector	
206	1001177597	1	Fuse, 6A	
207	1001190921	1	Seal, Fuse Box	
208	1001205172	5	Fuse, 35A	
209	1001116815	3	Connector	

SECTION 10 - ELECTRICAL

FIGURE 10-34. ENGINE HARNESS (LS)



ART_1001184503_2-D

SECTION 10 - ELECTRICAL

FIGURE 10-34. ENGINE HARNESS (LS)

ITEM	PART NUMBER	QTY	DESCRIPTION	REV
	1001184503	Ref	Engine Harness (LS)	D
1	4460891	1	Connector	
2	80604018	1	Lock, Connector	
3	4460465	2	Terminal	
4	4460891	1	Connector	
5	80604018	1	Lock, Connector	
6	4460465	2	Terminal	
10	1001126360	1	Connector	
11	1001126351	13	Terminal	
12	1001126384	17	Terminal	
13	1001126357	11	Plug	
14	1001126356	19	Plug	
15	1001126362	1	Connector	
16	1001166556	24	Terminal	
17	1001166701	24	Seal	
18	1001166774	10	Terminal	
19	1001126393	10	Seal	
20	1001166543	2	Terminal	
21	4461054	2	Seal	
22	1001126391	22	Plug	
23	1001116696	4	Plug	
24	1001116950	1	Connector	
25	4460465	2	Terminal	
26	1001133714	1	Connector	
27	1001133715	3	Terminal	
28	1001135650	3	Seal	
29	1001135651	1	Plug	
30	1001117018	1	Connector (includes 25 amp auto fuse)	
31	1001116734	1	Terminal	
32	1001116735	1	Terminal	
33	1001126349	1	Connector	
34	1001126352	6	Terminal	
35	1001126353	6	Seal	
36	1001126384	19	Terminal	
37	1001126351	2	Terminal	
38	1001126356	65	Terminal	
39	1001126357	2	Plug	
42	1001116812	1	Connector	
43	91554019	1	Lock, Connector	
44	4460944	2	Terminal	
45	4460466	1	Plug	
46	4460539	1	Connector	
47	4460944	2	Terminal	
48	4460466	1	Plug	
49	1001116812	1	Connector	
50	91554019	1	Lock, Connector	
51	4460944	2	Terminal	
52	4460466	1	Plug	
53	1001116812	1	Connector	
54	91554019	1	Lock, Connector	

SECTION 10 - ELECTRICAL

ITEM	PART NUMBER	QTY	DESCRIPTION	REV
55	4460944	2	Terminal	
56	4460466	1	Plug	
57	4460539	1	Connector	
58	4460944	2	Terminal	
59	4460466	1	Plug	
60	100117110	1	Ring, Terminal	
61	1001116812	1	Connector	
62	91554019	1	Lock, Connector	
63	4460944	2	Terminal	
64	4460466	1	Plug	
65	4460539	1	Connector	
66	4460944	2	Terminal	
67	4460466	1	Plug	
68	1001116812	1	Connector	
69	91554019	1	Lock, Connector	
70	4460944	2	Terminal	
71	4460466	1	Plug	
72	4460539	1	Connector	
73	4460944	2	Terminal	
74	4460466	1	Plug	
75	1001117018	1	Connector (includes 25 amp auto fuse)	
76	1001116734	2	Terminal	
77	1001118282	1	Connector	
78	1001116734	3	Terminal	
79	1001116732	1	Terminal	
80	1001128128	1	Plug	
81	2902443	1	Kit, Receptacle	
82	4461071	6	Terminal	
83	4461072	1	Housing, Flange Mount Receptacle Inner	
84	4461073	1	Cap, Dust	
85	4461074	1	Housing, Receptacle Outer	
86	4460539	1	Connector	
87	4460465	2	Terminal	
88	4460942	1	Terminal	
89	1001184551	1	Connector	
90	1001116728	7	Terminal	
91	1001116747	1	Terminal	
92	1001175265	8	Seal	
93	4460970	1	Connector	
94	4460464	7	Terminal	
95	4460466	5	Plug	
96	1001116811	1	Connector	
97	4460508	3	Terminal	
98	4460466	1	Plug	
99	1001144147	1	Connector	
100	91554022	1	Lock, Connector	
101	4460464	2	Terminal	
102	4460466	1	Plug	
103	4460950	1	Connector Housing	
104	80363179	1	Lock, Connector	
105	4460464	9	Terminal	

SECTION 10 - ELECTRICAL

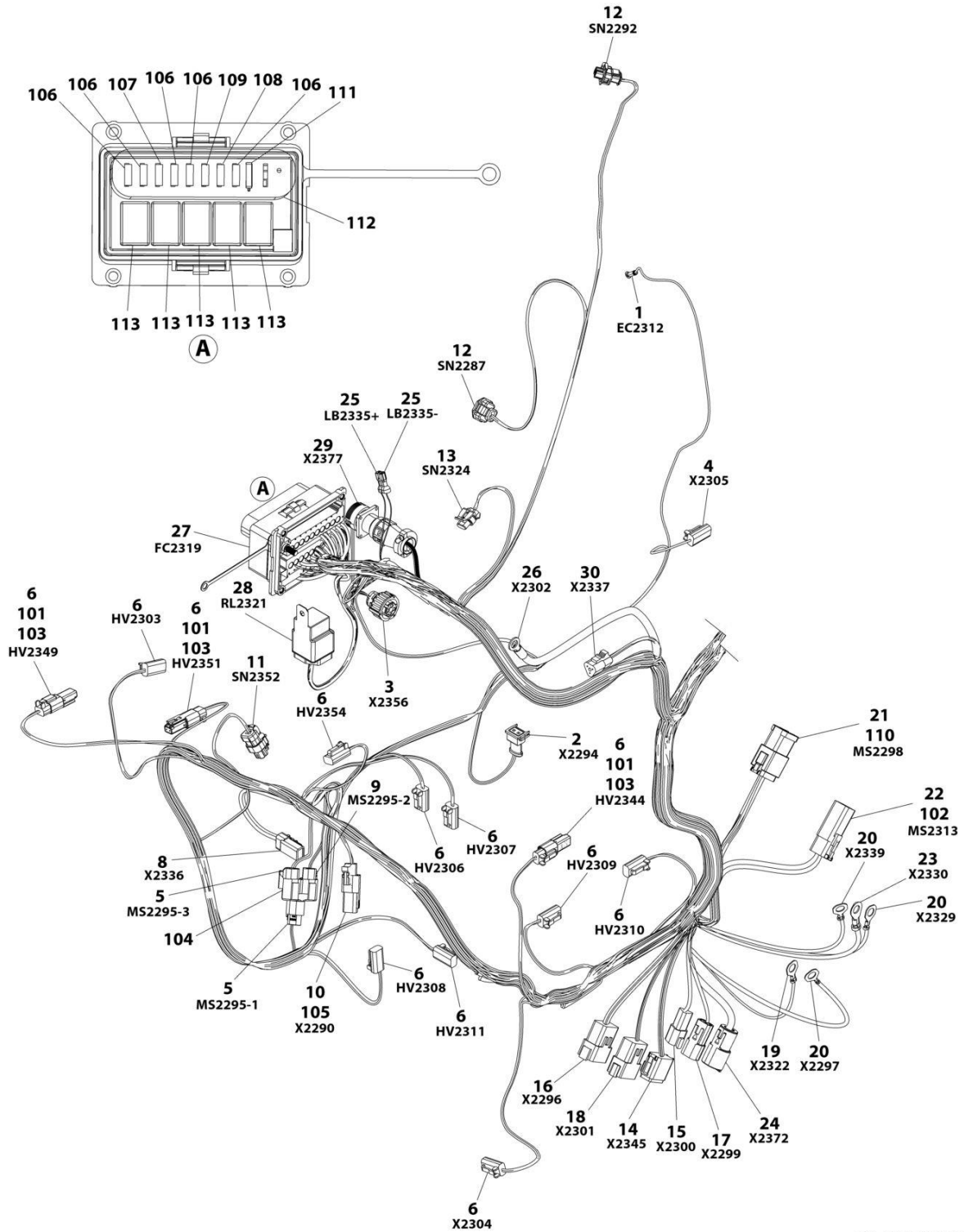
ITEM	PART NUMBER	QTY	DESCRIPTION	REV
106	4460466	3	Plug	
107	4460933	1	Connector	
108	80604016	1	Lock, Connector	
109	4460465	7	Terminal	
110	4460466	5	Plug	
111	1001117110	1	Ring, Terminal	
112	1001117109	1	Ring, Terminal	
113	1001117110	1	Ring, Terminal	
114	1001117110	1	Ring, Terminal	
115	4460891	1	Connector	
116	80604018	1	Lock, Connector	
117	4460465	2	Terminal	
118	4460891	1	Connector	
119	80604018	1	Lock, Connector	
120	4460465	2	Terminal	
121	4460891	1	Connector	
122	80604018	1	Lock, Connector	
123	4460465	2	Terminal	
124	4460891	1	Connector	
125	80604018	1	Lock, Connector	
126	4460465	2	Terminal	
127	4460891	1	Connector	
128	80604018	1	Lock, Connector	
129	4460465	2	Terminal	
130	4460891	1	Connector	
131	80604018	1	Lock, Connector	
132	4460465	2	Terminal	
133	4460891	1	Connector	
134	80604018	1	Lock, Connector	
135	4460465	2	Terminal	
136	4460891	1	Connector	
137	80604018	1	Lock, Connector	
138	4460465	2	Terminal	
139	4460891	1	Connector	
140	80604018	1	Lock, Connector	
141	4460465	2	Terminal	
142	4460891	1	Connector	
143	80604018	1	Lock, Connector	
144	4460465	2	Terminal	
145	4460891	1	Connector	
146	80604018	1	Lock, Connector	
147	4460465	2	Terminal	
148	1001116950	1	Connector	
149	4460465	2	Terminal	
150	4460891	1	Connector	
151	80604018	1	Lock, Connector	
152	4460465	2	Terminal	
153	4461018	1	Connector	
154	4460509	2	Belgium Built Machines - Use Terminal	
155	4460247	1	Terminal, Ring	
156	1001133714	1	Connector	

SECTION 10 - ELECTRICAL

ITEM	PART NUMBER	QTY	DESCRIPTION	REV
157	1001133715	3	Terminal	
158	1001135650	3	Seal	
159	1001135651	1	Plug	
160	1001116983	1	Connector	
161	1001116710	2	Terminal	
162	4461006	2	Seal	
163	4460945	4	Connector	
164	8229242	1	Fuse, 5A	
165	1001116815	3	Connector	
166	1001177597	1	Diode, 6A	
167	1001197719	2	Resistor	
168	4460466	4	Plug	
169	4460897	2	Connector	
170	4461118	1	Connector	
171	8220124	2	Terminal	
172	1001189877	2	Seal	

SECTION 10 - ELECTRICAL

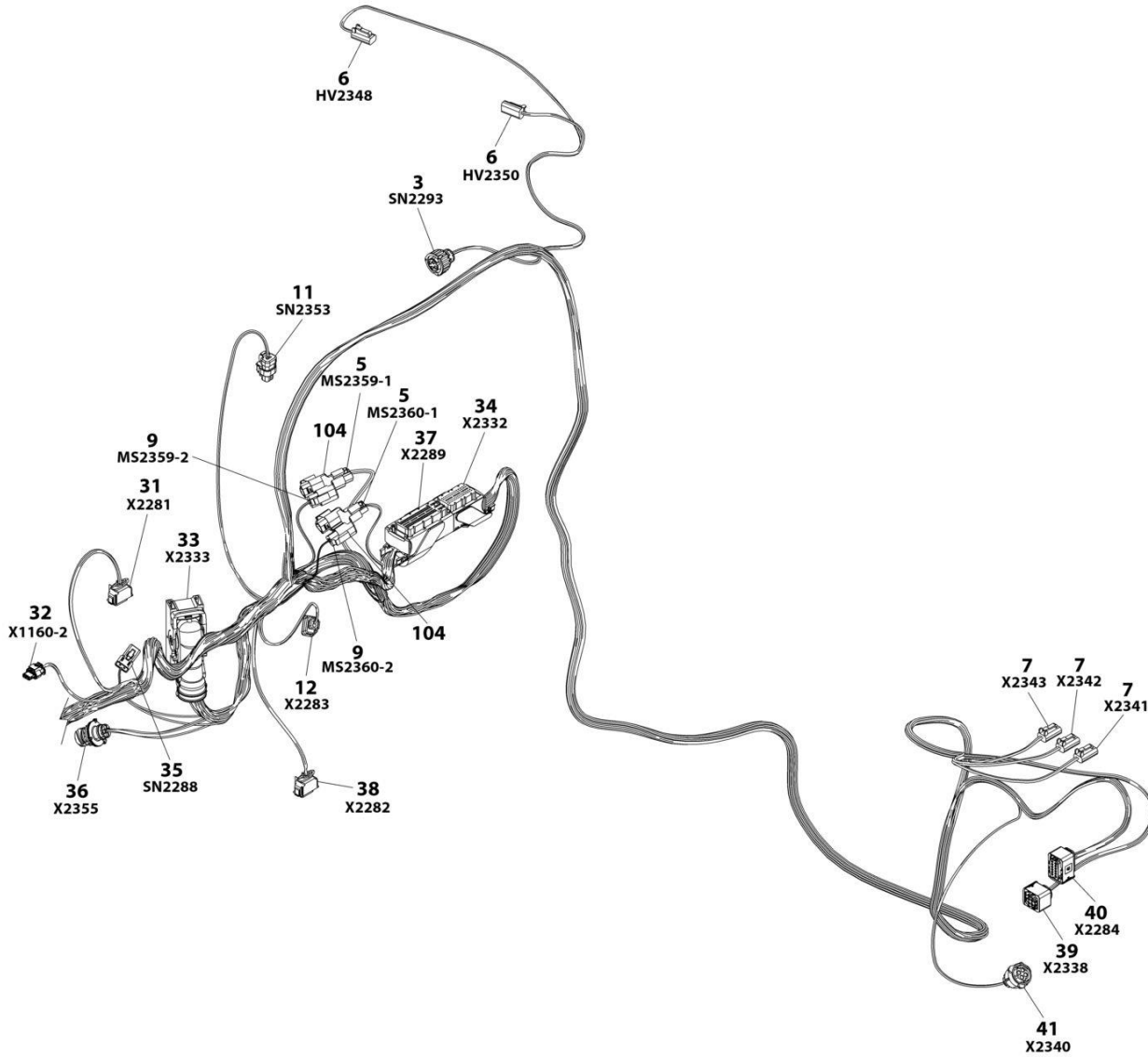
FIGURE 10-35. ENGINE HARNESS (HRC)



ART_1001292201_1OF2

SECTION 10 - ELECTRICAL

FIGURE 10-36. ENGINE HARNESS (HRC)



ART_1001292201_20F2

SECTION 10 - ELECTRICAL

FIGURE 10-36. ENGINE HARNESS (HRC)

ITEM	PART NUMBER	QTY	DESCRIPTION	REV
	1001292201	Ref	ENGINE DEUTZ HRC HARNESS	A
1	4460247	1	Terminal, Ring	
2	1001167636	1	Connector	
2	1001166707	2	Socket	
2	4461006	2	Seal	
3	1001133714	2	Connector	
3	1001133715	6	Socket	
	1001135250	6	Seal	
4	4460891	1	Connector	
4	4460465	1	Socket	
5	1001116812	4	Connector	
5	4460944	8	Socket	
6	4460891	14	Connector	
6	4460465	28	Socket	
7	4460891	3	Connector	
7	4460942	6	Socket	
8	4461018	1	Connector	
8	4460509	2	Socket	
9	4460539	3	Connector	
9	4460944	6	Socket	
10	4461095	1	Connector	
10	4460944	2	Socket	
11	1001116950	2	Connector	
11	1001118390	4	Socket	
12	1001126487	3	Connector	
12	1001167635	6	Socket	
12	1001126485	6	Seal	
13	1001209097	1	Connector	
13	8220124	2	Socket	
13	4460608	2	Seal	
14	4460933	1	Connector	
14	4460465	7	Socket	
15	1001144147	1	Connector	
15	4460464	2	Pin	
16	4460950	1	Connector	
16	4460464	8	Pin	
17	1001116811	1	Connector	
17	4460508	1	Pin	
18	4460970	1	Connector	
18	4460464	8	Pin	
19	1001187078	1	Terminal, Ring	
20	1001187080	3	Terminal, Ring	
21	4460933	1	Connector	
21	4460465	12	Socket	
22	4460894	1	Connector	
22	4460465	6	Socket	
23	1001187076	1	Terminal, Ring	
24	1001293903	1	Connector	
24	91013191	1	Pin	
25	8220108	2	Socket	

SECTION 10 - ELECTRICAL

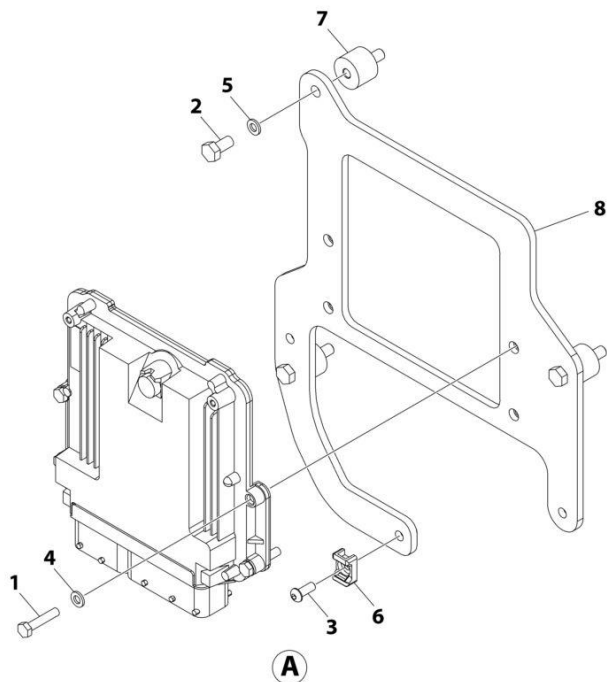
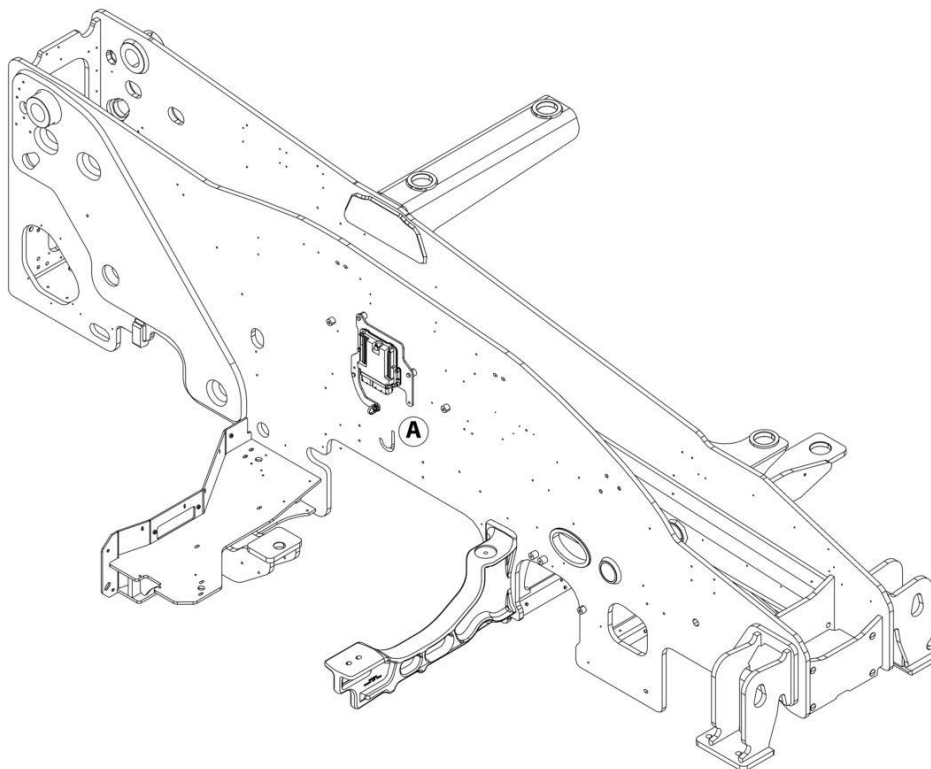
ITEM	PART NUMBER	QTY	DESCRIPTION	REV
26	8220115	1	Terminal, Ring	
27	1001167616	1	Connector	
27	8220097	19	Socket (18AWG)	
27	1001116726	9	Socket (16AWG)	
27	8220098	9	Socket (14AWG)	
27	1001116725	3	Socket (10-12AWG)	
27	1001175265	19	Seal	
27	4460458	18	Seal	
27	80963067	3	Seal	
28	1001118282	1	Connector	
28	1001116732	2	Socket (18-20AWG)	
28	1001116734	2	Socket (12AWG)	
29	2902443	1	Connector	
29	4461071	6	Socket	
30	4460539	1	Connector	
30	4460465	3	Socket	
31	1001167631	1	Connector	
31	1001167630	4	Socket	
31	1001126485	4	Seal	
32	1001247948	1	Connector	
32	1001247955	3	Socket	
32	1001247969	3	Seal	
33	1001126362	1	Connector	
33	1001166556	36	Socket (18-22AWG)	
33	1001166774	12	Socket (16-18AWG)	
33	1001166543	2	Socket (14-16AWG)	
33	1001126393	48	Seal	
33	4461054	2	Seal	
34	1001126360	1	Connector	
34	1001126351	13	Socket (15-18AWG)	
34	1001126384	27	Socket (18-20AWG)	
35	1001126245	1	Connector	
35	1001126008	2	Socket	
36	1001148842	1	Connector	
36	1001148841	3	Socket	
37	1001126349	1	Connector	
37	1001126352	6	Socket (13-17AWG)	
37	1001126351	3	Socket (15-18AWG)	
37	1001126384	45	Socket (18-20AWG)	
37	1001126353	6	Seal	
38	1001167629	1	Connector	
38	1001167630	4	Socket	
38	1001126485	4	Seal	
39	1001167528	1	Connector	
39	1001166704	4	Socket	
39	1001137548	4	Seal	
40	1001165194	1	Connector	
40	1001166556	8	Socket (18-22AWG)	
40	1001166774	1	Socket (16-18AWG)	
40	1001126393	9	Seal	
41	1001167620	1	Connector	

SECTION 10 - ELECTRICAL

ITEM	PART NUMBER	QTY	DESCRIPTION	REV
41	1001176004	2	Socket	
41	1001176002	2	Seal	
101	4460466	6	Plug	
102	4460892	1	Terminal	
103	4460897	3	Connector	
104	4460945	3	Receptacle, 3-Way	
105	4461070	1	Connector	
106	8229242	5	Fuse, 5A	
107	8229244	1	Fuse, 15A	
108	8229245	1	Fuse, 30A	
109	8229247	1	Fuse, 25A	
110	1001125677	1	Connector	
111	1001177597	1	Model, Diode	
112	1001190921	1	Seal, Fuse Box	
113	1001205172	5	Fuse, 35A	
114	1001293903	1	Connector (Not Shown)	

SECTION 10 - ELECTRICAL

FIGURE 10-37. ENGINE ECU INSTALLATION (HRC)



ART_1001286009

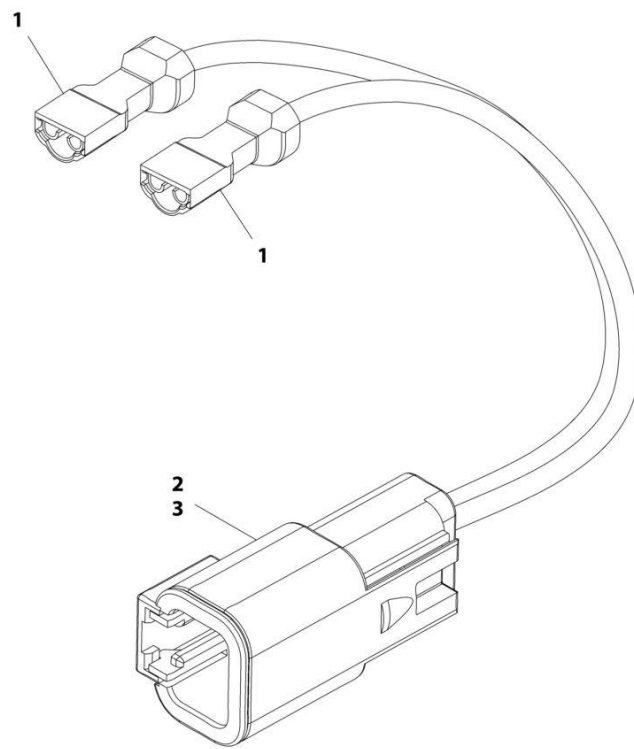
SECTION 10 - ELECTRICAL

FIGURE 10-37. ENGINE ECU INSTALLATION (HRC)

ITEM	PART NUMBER	QTY	DESCRIPTION	REV
	1001286009	Ref	ENGINE EUC INSTALLATION	A
1	0760614	4	Bolt M6 x 30	
2	0760808	3	Bolt, M8X16	
3	3900357	1	Capscrew, M6X16	
4	4811700	4	Washer, M6	
5	4811900	3	Washer, M8	
6	1001138645	1	Mount, Cable Tie	
7	1001179907	3	Mount, Isolator	
8	1001286598	1	Bracket	

SECTION 10 - ELECTRICAL

FIGURE 10-38. ENGINE FUEL PUMP HARNESS



ART_1001182929-E

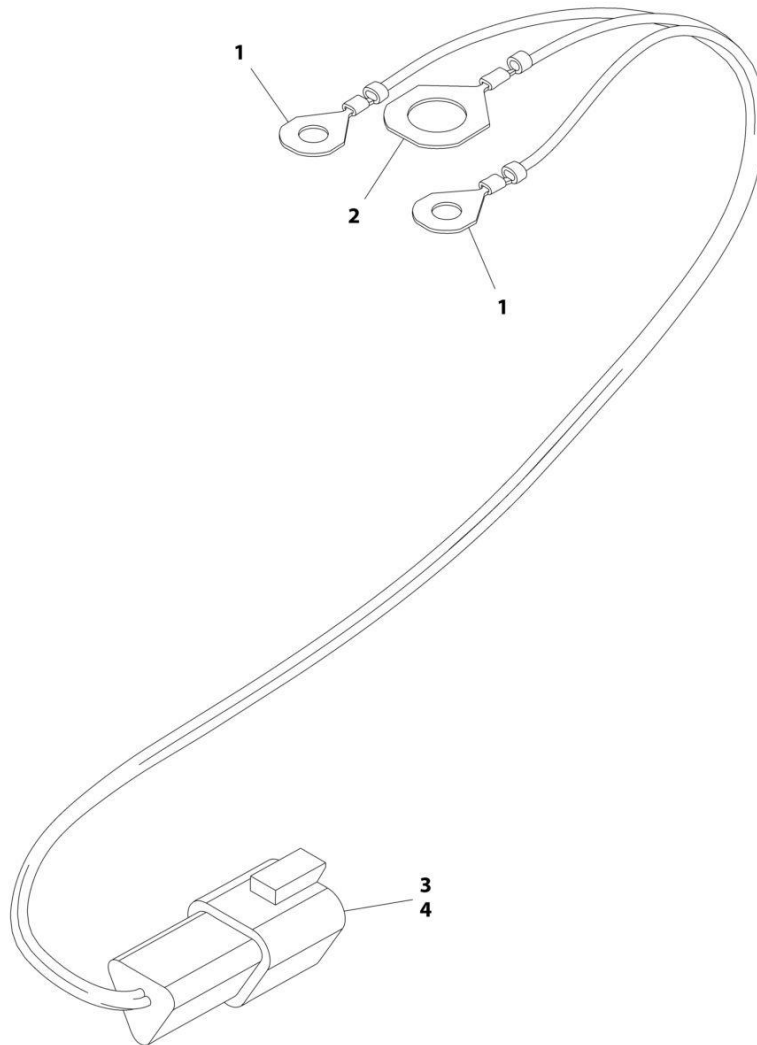
SECTION 10 - ELECTRICAL

FIGURE 10-38. ENGINE FUEL PUMP HARNESS

ITEM	PART NUMBER	QTY	DESCRIPTION	REV
	1001182929	Ref	Fuel Pump Harness	E
1	8220043	2	Connector	
2	4461017	1	Connector	
3	4460508	2	Terminal	

SECTION 10 - ELECTRICAL

FIGURE 10-39. ENGINE GLOW PLUG RELAY HARNESS



ART_1001182930-C

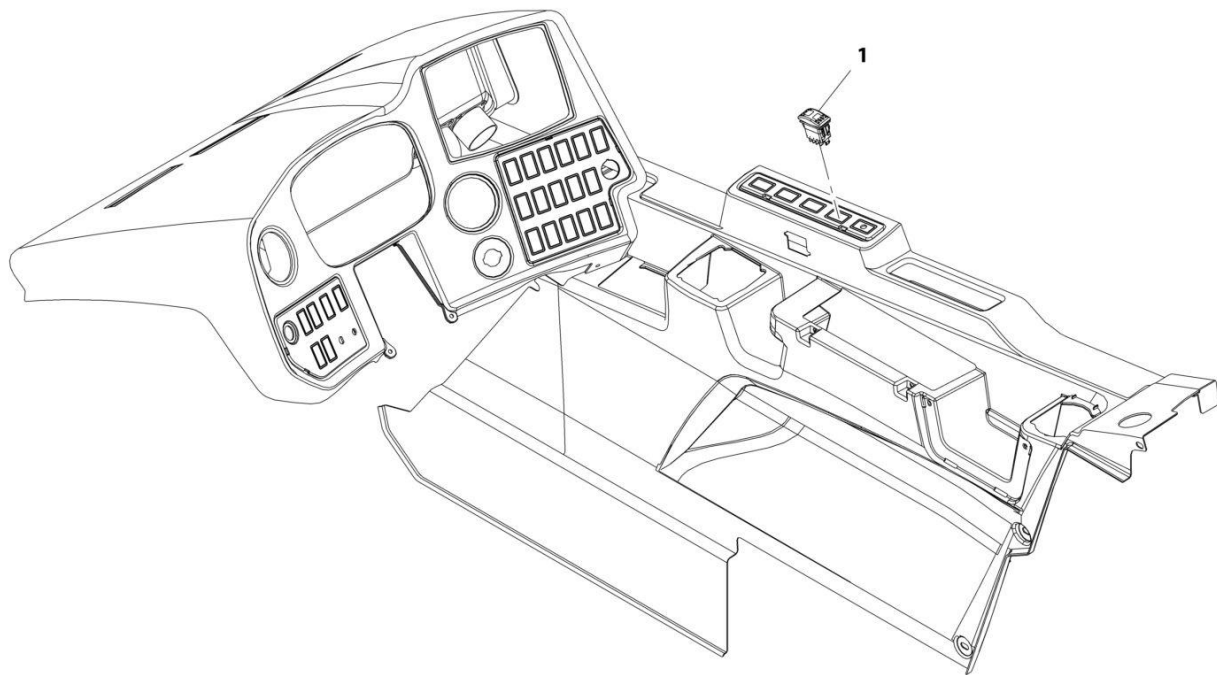
SECTION 10 - ELECTRICAL

FIGURE 10-39. ENGINE GLOW PLUG RELAY HARNESS

ITEM	PART NUMBER	QTY	DESCRIPTION	REV
	1001182930	Ref	Glow Plug Relay Harness	C
1	1001187070	2	Ring, Terminal	
2	1001187077	1	Ring, Terminal	
3	4460536	1	Connector	
4	4460464	3	Terminal	

SECTION 10 - ELECTRICAL

FIGURE 10-40. ENGINE SPEED SET SWITCH INSTALLATION



ART_1001197639-B

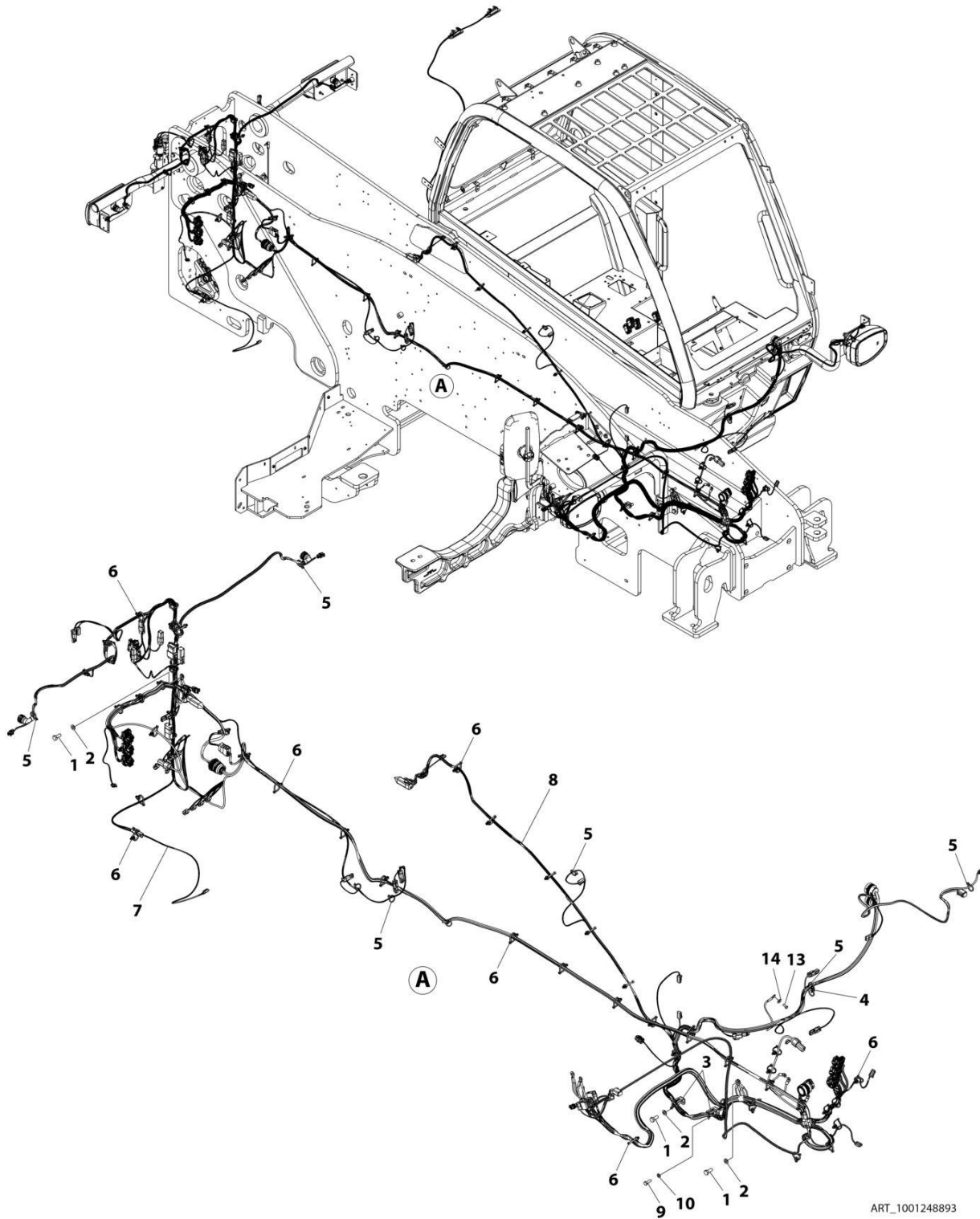
SECTION 10 - ELECTRICAL

FIGURE 10-40. ENGINE SPEED SET SWITCH INSTALLATION

ITEM	PART NUMBER	QTY	DESCRIPTION	REV
1	1001197639	1	Engine Speed Set Switch Installation	B
	1001198932	1	Switch, Engine Speed Set	

SECTION 10 - ELECTRICAL

FIGURE 10-41. FRAME MAIN ELECTRICAL INSTALLATION



ART_1001248893

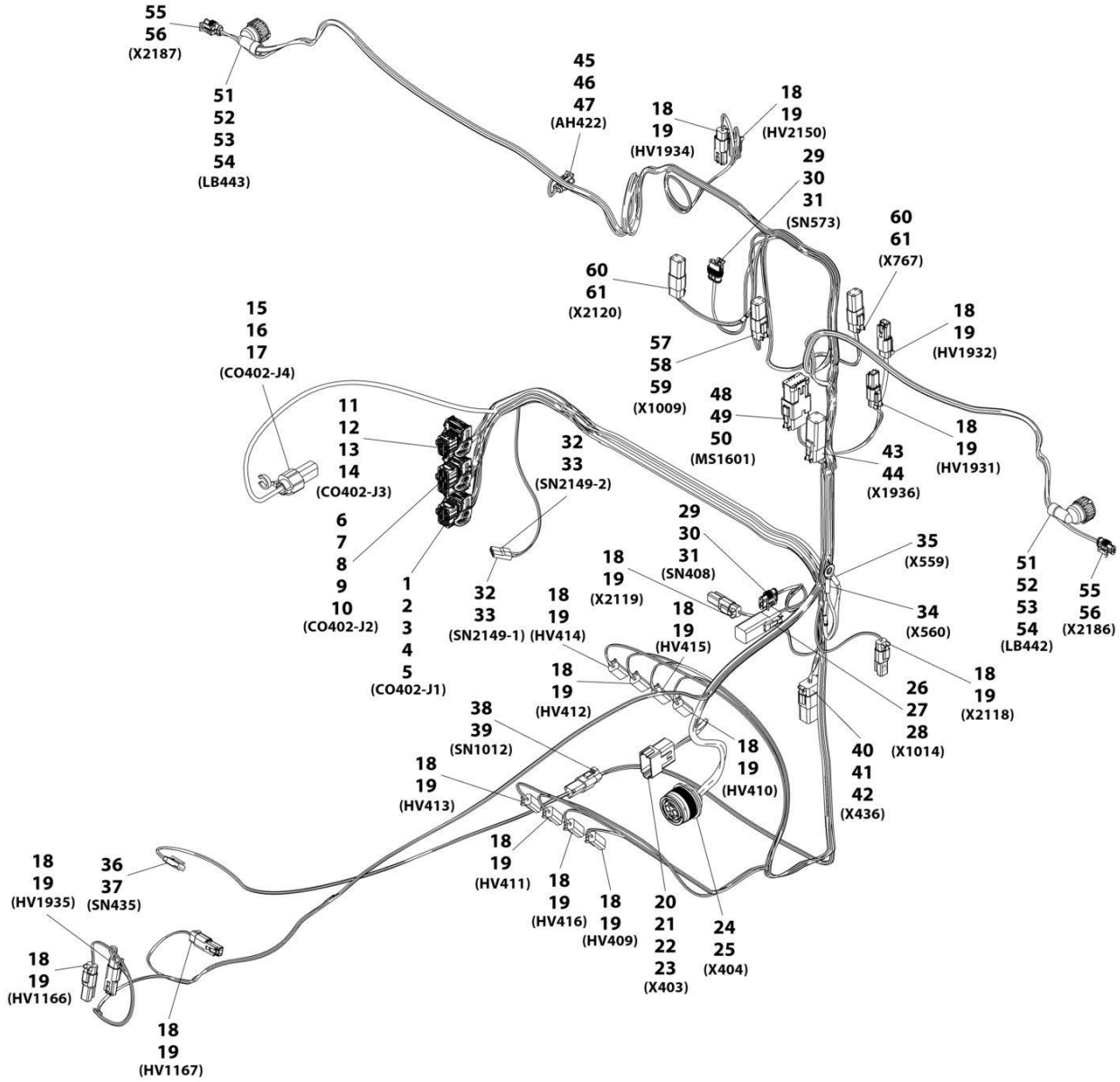
SECTION 10 - ELECTRICAL

FIGURE 10-41. FRAME MAIN ELECTRICAL INSTALLATION

ITEM	PART NUMBER	QTY	DESCRIPTION	REV
	1001248893	Ref	MAIN ELECTRICAL INSTALLATION	D
1	0761012	3	Bolt, M10 x 25	
2	4812000	3	Washer, M10	
3	1001003305	2	Clip	
4	1001004723	1	Saddle	
5	1001008559	14	Strap, Cable	
6	1001146588	50	Strap, Cable Tie	
7	1001248891	1	Harness, Rear Frame (See Separate Breakdown in this Section)	
8	1001268851	1	Harness, Front Frame (See Separate Breakdown in this Section)	
9	0700812	1	Capscrew M8 x 25	
10	4811900	1	Washer M8	
13	0760608	1	Capscrew M6 x 16	
14	4811702	1	Washer M6	

SECTION 10 - ELECTRICAL

FIGURE 10-42. FRAME HARNESS - REAR



ART_1001248891-B

SECTION 10 - ELECTRICAL

FIGURE 10-42. FRAME HARNESS - REAR

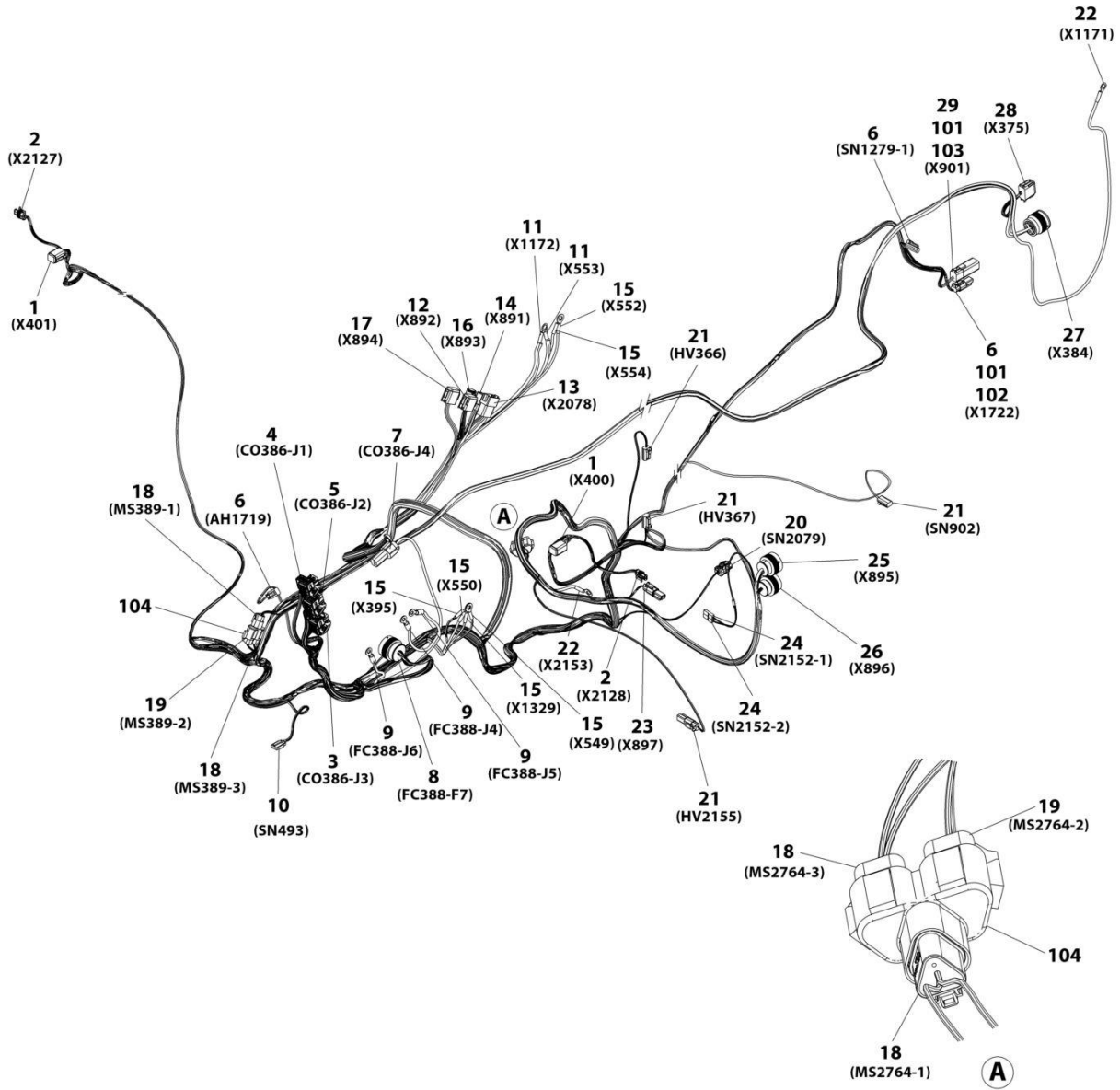
ITEM	PART NUMBER	QTY	DESCRIPTION	REV
	1001248891	Ref	Rear Frame Harness	B
1	1001161958	1	Connector	
2	1001161095	11	Terminal	
3	1001161100	13	Terminal	
4	1001161101	4	Terminal	
5	1001161099	4	Terminal	
6	1001161964	1	Connector	
7	1001161095	29	Terminal	
8	1001161100	11	Plug	
9	1001161099	7	Terminal	
10	1001161101	1	Plug	
11	1001160499	1	Connector	
12	1001161100	20	Plug	
13	1001161095	5	Terminal	
14	1001161099	7	Terminal	
15	1001160509	1	Connector	
16	1001160510	1	Terminal	
17	1001175266	1	Seal	
18	4460891	1	Connector	
19	4460465	2	Terminal	
20	4460970	1	Connector	
21	4460464	4	Terminal	
22	1001157891	1	Terminal	
23	4460466	7	Plug	
24	1001165311	1	Connector	
25	91013191	2	Terminal	
26	4460894	1	Connector	
27	4460465	2	Terminal	
28	4460466	4	Plug	
29	4461262	1	Connector	
30	1001107854	3	Terminal	
31	1001104498	3	Seal	
32	1001116995	1	Connector	
33	1001118379	1	Terminal	
34	1001117110	1	Connector	
35	1001117108	1	Connector	
36	4460911	1	Connector	
37	1001126008	3	Terminal	
38	4460539	1	Connector	
39	4460465	3	Terminal	
40	4460931	1	Connector	
41	4460465	6	Terminal	
42	4460466	2	Plug	
43	4460894	1	Connector	
44	4460942	6	Terminal	
45	4461118	1	Connector	
46	1001107854	2	Terminal	
47	1001104498	2	Seal	
48	4460933	1	Connector	
49	4460465	10	Terminal	

SECTION 10 - ELECTRICAL

ITEM	PART NUMBER	QTY	DESCRIPTION	REV
50	4460466	2	Plug	
51	1001116996	1	Connector	
52	1001118392	6	Terminal	
53	4461054	6	Seal	
54	1001116696	1	Plug	
55	4461118	1	Connector	
56	1001107854	2	Terminal	
57	4460884	1	Connector	
58	4460465	2	Terminal	
59	4460466	2	Plug	
60	4460884	1	Connector	
61	4460465	4	Plug	

SECTION 10 - ELECTRICAL

FIGURE 10-43. FRAME HARNESS - FRONT



ART_1001268851

SECTION 10 - ELECTRICAL

FIGURE 10-43. FRAME HARNESS - FRONT

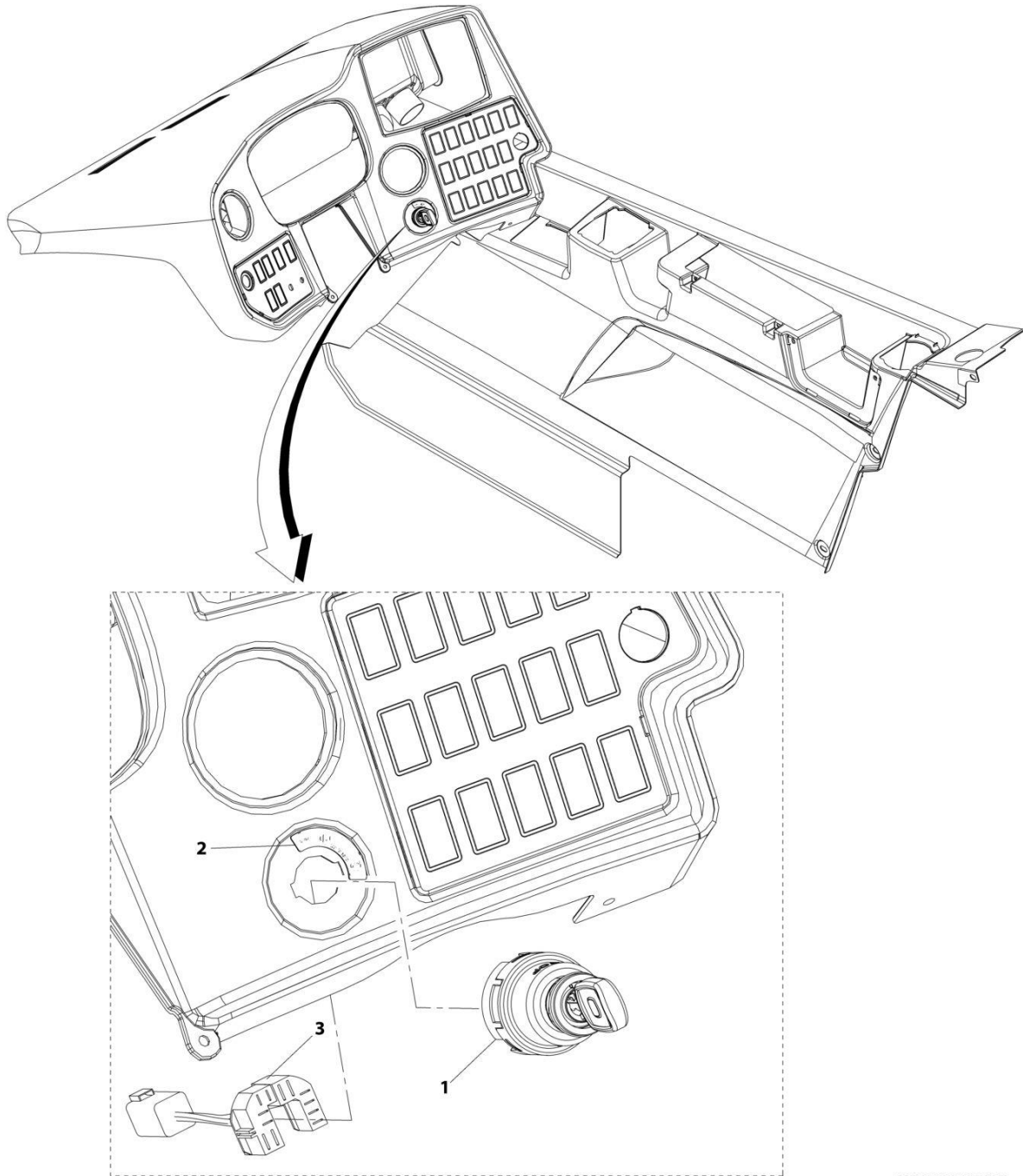
ITEM	PART NUMBER	QTY	DESCRIPTION	REV
	1001268851	Ref	FRONT FRAME HARNESS	A
1	4460894	2	Connector	
1	4460942	10	Socket	
1	4460466	2	Plug	
2	4461118	2	Connector	
2	1001107854	4	Socket	
3	1001160500	1	Connector	
3	1001161095	11	Socket (18AWG)	
3	1001161099	7	Socket (16-14AWG)	
3	1001161100	14	Plug	
4	1001161957	1	Connector	
4	1001161095	11	Socket (18AWG)	
4	1001161098	3	Socket (20-16AWG)	
4	1001161100	17	Plug	
5	1001161963	1	Connector	
5	1001161095	18	Socket (18AWG)	
5	1001161099	6	Socket (16-14AWG)	
5	1001161101	23	Plug	
6	4460891	3	Connector	
6	4460742	6	Socket	
7	1001160509	1	Connector	
7	1001160510	1	Socket	
7	1001175266	1	Seal	
8	1001165309	1	Connector	
8	4460465	7	Socket (16-20AWG)	
8	1001150611	4	Socket (10-12AWG)	
8	4460509	6	Socket (12-14AWG)	
8	4460466	2	Plug	
9	8220114	3	Terminal, Ring	
10	4460911	1	Connector	
10	1001126008	3	Socket	
11	1001128127	2	Terminal, Ring	
12	4460933	1	Connector	
12	4460465	9	Socket	
12	4460466	3	Plug	
13	4460970	1	Connector	
13	4460464	7	Socket	
13	4460466	5	Plug	
14	1001116810	1	Connector	
14	4460509	4	Socket	
15	1001117110	6	Terminal, Ring	
16	1001116812	1	Connector	
16	4460465	2	Socket	
16	4460466	1	Plug	
17	4460836	1	Connector	
17	4460942	1	Socket (14-16AWG)	
17	4460465	9	Socket (16-20AWG)	
17	4460466	2	Plug	
18	1001116812	4	Connector	
18	4460944	8	Socket	

SECTION 10 - ELECTRICAL

ITEM	PART NUMBER	QTY	DESCRIPTION	REV
18	4460466	4	Plug	
19	4460539	2	Connector	
19	4460944	4	Socket	
19	4460466	2	Plug	
20	1001116950	1	Connector	
20	4460465	2	Socket	
21	4460891	4	Connector	
21	4460465	8	Socket	
22	1001119109	2	Terminal, Ring	
23	4460891	1	Connector	
23	1001157890	1	Socket	
23	4460466	1	Plug	
24	1001116995	2	Connector	
24	1001118379	2	Socket	
25	1001118323	1	Connector	
25	4460942	4	Socket (14-16AWG)	
25	91013192	2	Socket (6AWG)	
26	4461015	1	Connector	
26	4460465	9	Socket	
26	4460466	5	Plug	
27	1001165310	1	Connector	
27	91013192	2	Socket	
27	1001116686	4	Plug	
28	4460933	1	Connector	
28	4460465	3	Socket (16-20AWG)	
28	4460942	1	Socket (14-16AWG)	
28	1001157890	2	Socket (12-16AWG)	
28	4460466	6	Plug	
29	4460894	1	Connector	
29	4460942	4	Socket (14-16AWG)	
29	4460465	2	Socket (16-20AWG)	

SECTION 10 - ELECTRICAL

FIGURE 10-44. IGNITION SWITCH INSTALLATION



ART_1001208518-B

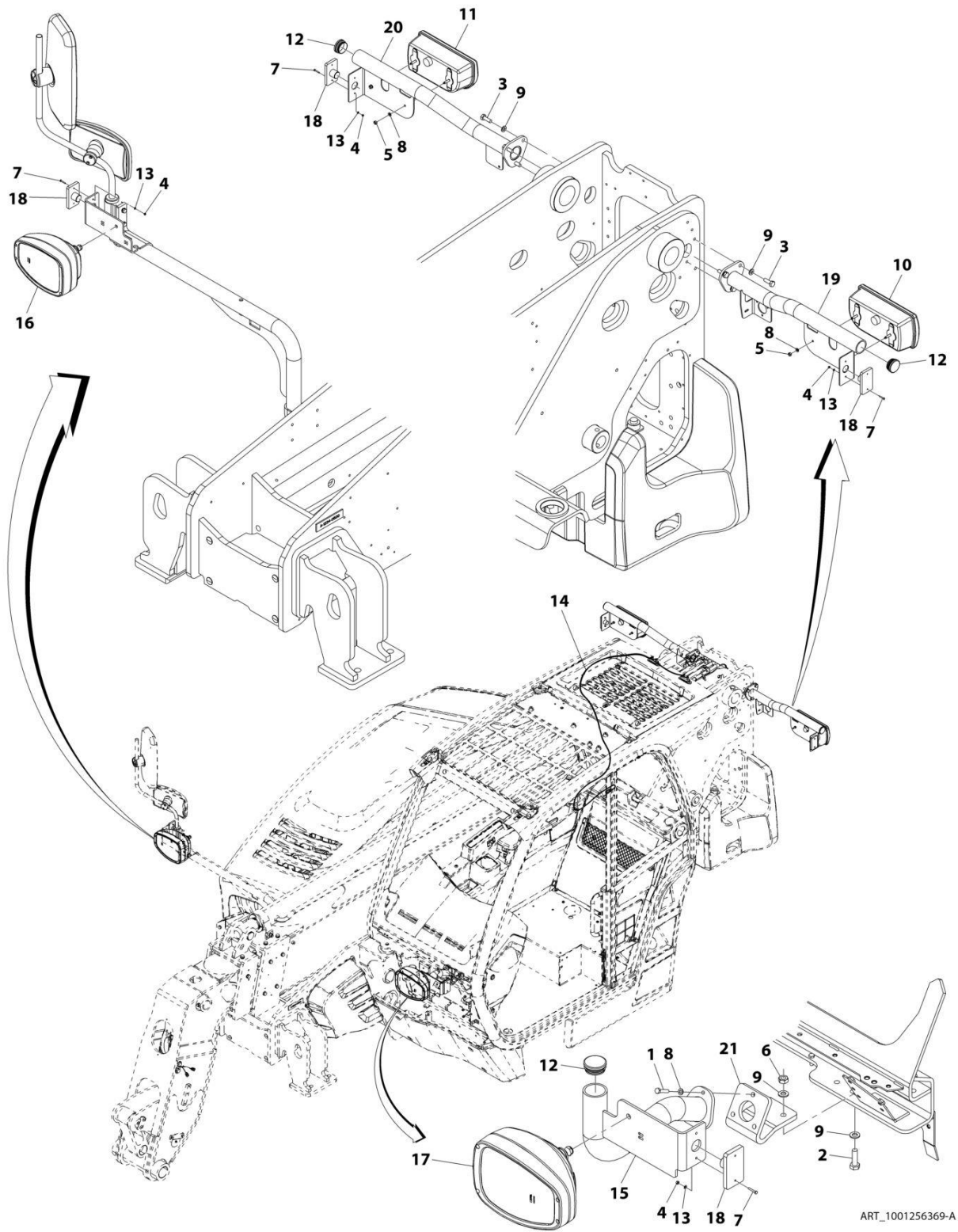
SECTION 10 - ELECTRICAL

FIGURE 10-44. IGNITION SWITCH INSTALLATION

ITEM	PART NUMBER	QTY	DESCRIPTION	REV
	1001208518	Ref	Ignition Switch Installation	B
1	1001102502	1	Switch, 4 Position Key	
1	70022765	1	Key, Ignition	
2	1001181531	1	Decal, Ignition Switch	
3	1001223968	1	Harness, Ignition Switch	

SECTION 10 - ELECTRICAL

FIGURE 10-45. LIGHTS - DIP LIGHTS INSTALLATION (RH)



ART_1001256369-A

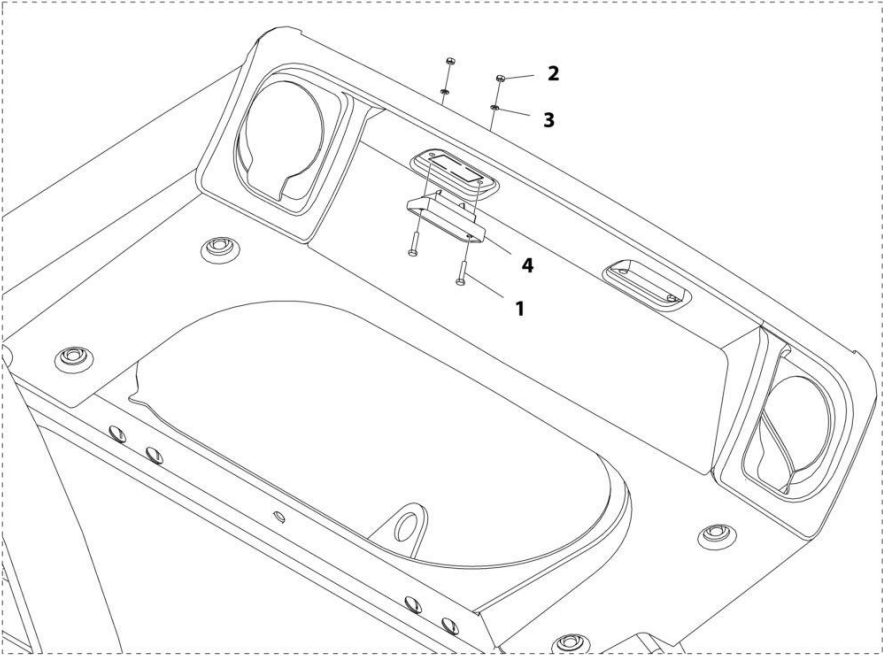
SECTION 10 - ELECTRICAL

FIGURE 10-45. LIGHTS - DIP LIGHTS INSTALLATION (RH)

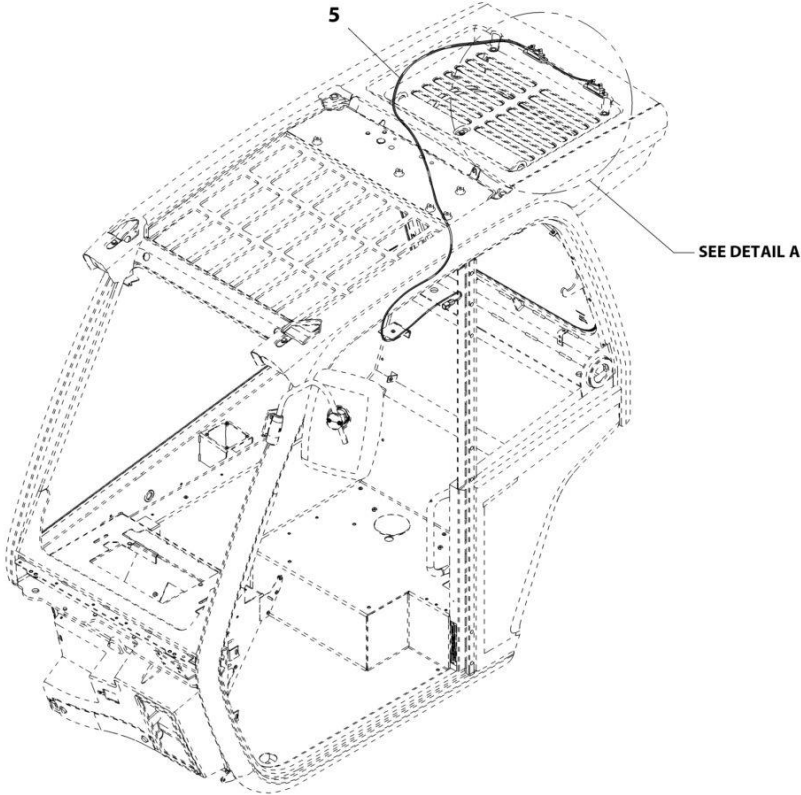
ITEM	PART NUMBER	QTY	DESCRIPTION	REV
	1001256369	Ref	Dip Lights Installation (RHD - No Outriggers)	B
1	0700614	3	Bolt M6 X 30	
2	0701015	2	Bolt M10 X 35	
3	0761012	1	Bolt M10 X 25	
4	3290305	8	Nut, Lock M3 X 0.5	
5	3290601	4	Nut M6 X 1	
6	3291001	2	Nut M10 X 1.5	
7	4010310	8	Screw M3 X 20	
8	4811700	7	Washer M6	
9	4812000	10	Washer M10	
10	1001091715	1	Taillight (LH)	
11	1001091716	1	Taillight (RH)	
12	1001096913	3	Bracket	
13	1001110544	8	Washer	
14	1001189569	1	Installation, License Plate Lamp (See Separate Breakdown in this Section)	
15	1001242650	1	Bracket	
16	1001244593	1	Headlight (RH)	
17	1001244594	1	Headlight (LH)	
18	1001248416	4	Light, Side Marker	
19	1001248899	1	Bracket	
20	1001248901	1	Bracket	
21	1001248902	1	Mount	

SECTION 10 - ELECTRICAL

FIGURE 10-46. LIGHTS - LICENSE PLATE LAMP INSTALLATION



DETAIL A



ART_1001189569-A

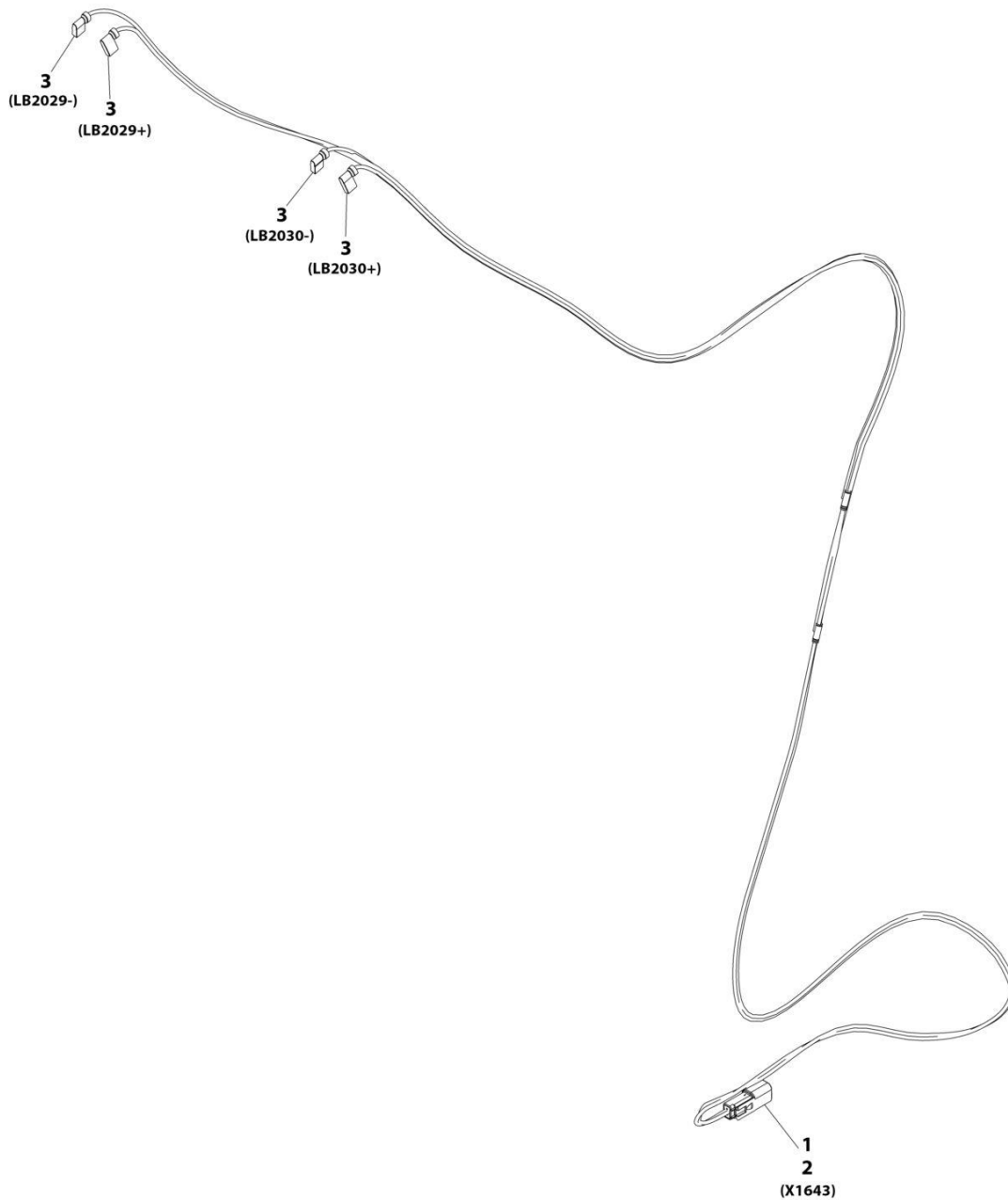
SECTION 10 - ELECTRICAL

FIGURE 10-46. LIGHTS - LICENSE PLATE LAMP INSTALLATION

ITEM	PART NUMBER	QTY	DESCRIPTION	REV
	1001189569	Ref	License Plate Lamp Installation	A
1	0760410	4	Bolt, M4X20	
2	3290401	4	Nut, M4X0.7 Grade 8	
3	4831400	4	Washer, Lock M4	
4	1001173829	2	Lamp, License Plate	
5	1001178053	1	Harness, License Light (See Separate Breakdown in this Section)	

SECTION 10 - ELECTRICAL

FIGURE 10-47. LIGHTS - LICENSE PLATE LAMP HARNESS



ART_1001178053-C

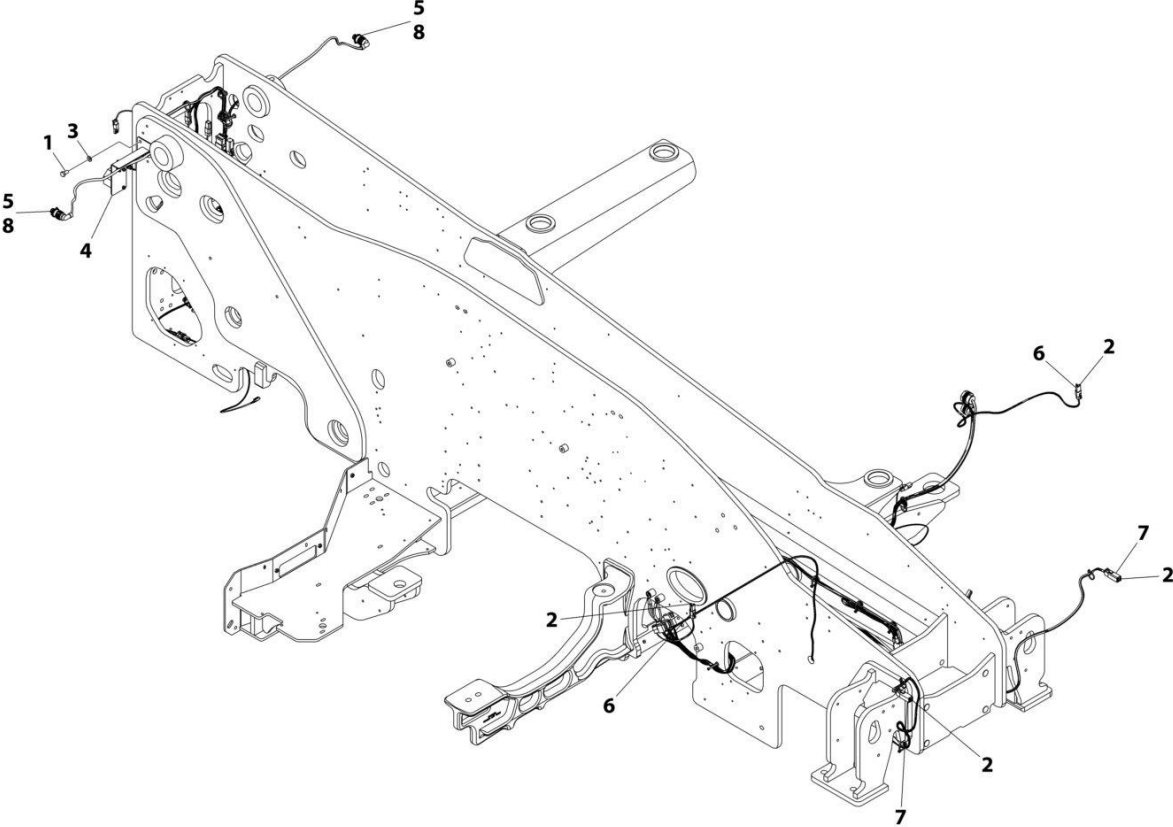
SECTION 10 - ELECTRICAL

FIGURE 10-47. LIGHTS - LICENSE PLATE LAMP HARNESS

ITEM	PART NUMBER	QTY	DESCRIPTION	REV
	1001178053	Ref	License Light Harness	C
1	4460897	1	Connector	
2	4460941	2	Terminal	
3	1001190396	4	Connector	

SECTION 10 - ELECTRICAL

FIGURE 10-48. LIGHTS - NO ROADLIGHTS INSTALLATION



ART_1001225382-A

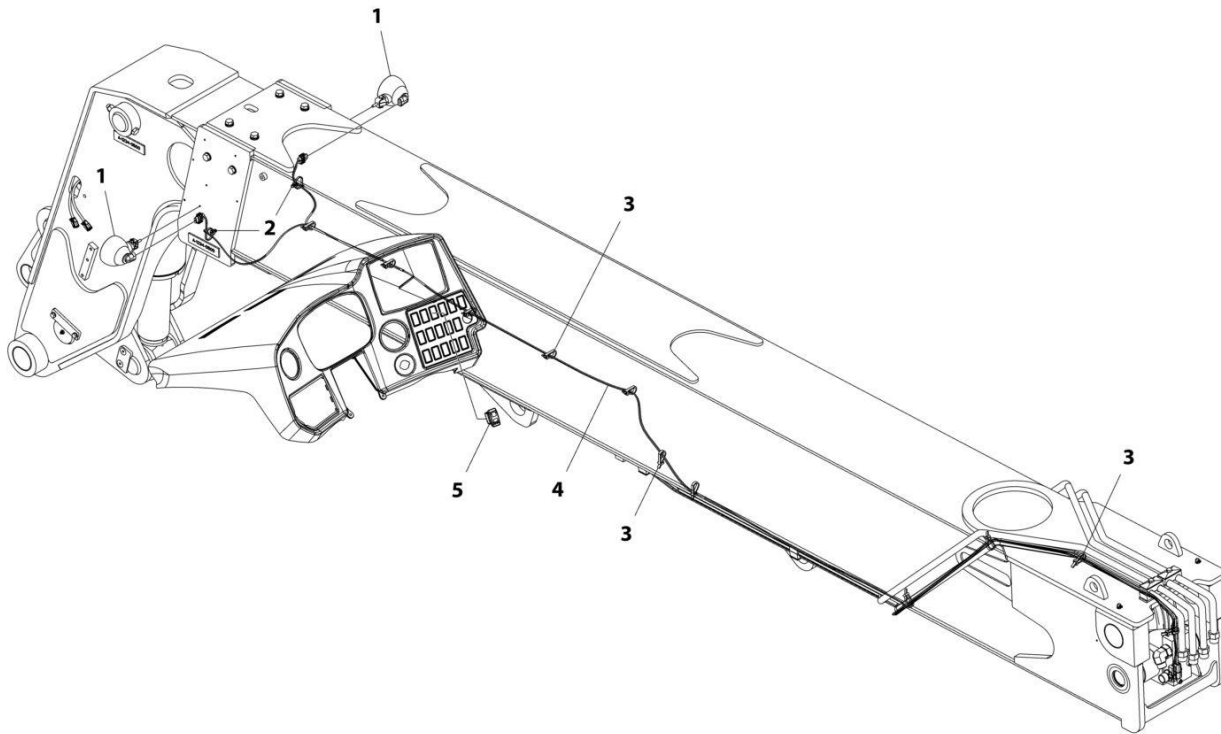
SECTION 10 - ELECTRICAL

FIGURE 10-48. LIGHTS - NO ROADLIGHTS INSTALLATION

ITEM	PART NUMBER	QTY	DESCRIPTION	REV
	1001225382	Ref	No Road Lights Installation	A
1	0761010	2	Bolt, M10X20	
2	4460466	18	Plug	
3	4812000	2	Washer, M10	
4	1001225386	1	Mount, Reverse Alarm	
5	1001225658	2	Connector	
6	4460536	2	Connector	
7	4460899	2	Connector	
8	4461008	14	Plug	

SECTION 10 - ELECTRICAL

FIGURE 10-49. LIGHTS - WORKLIGHTS INSTALLATION (BOOM MOUNTED)



ART_1001180529

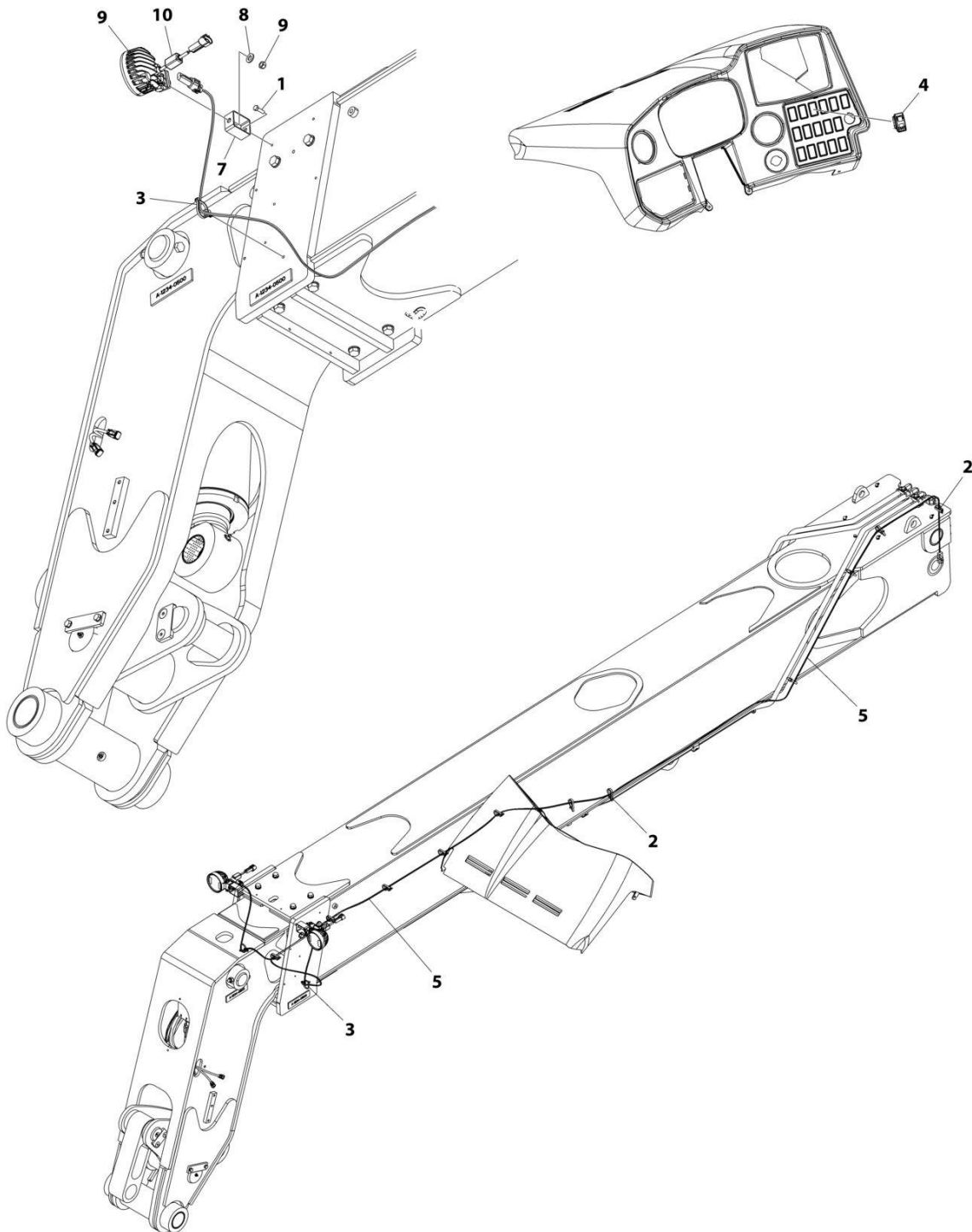
SECTION 10 - ELECTRICAL

FIGURE 10-49. LIGHTS - WORKLIGHTS INSTALLATION (BOOM MOUNTED)

ITEM	PART NUMBER	QTY	DESCRIPTION	REV
	1001180529	Ref	Boom Worklights Installation	D
1	2920206	2	Worklight	
2	1001146588	2	Strap, Cable	
3	1001008923	11	Strap, Cable	
4	1001183297	1	Harness, Boom Worklights (See Separate Breakdown in this Section)	
5	1001159739	1	Switch, Boom Worklights	

SECTION 10 - ELECTRICAL

FIGURE 10-50. LIGHTS - WORKLIGHTS INSTALLATION - LED (BOOM MOUNTED)



ART_1001210961_F

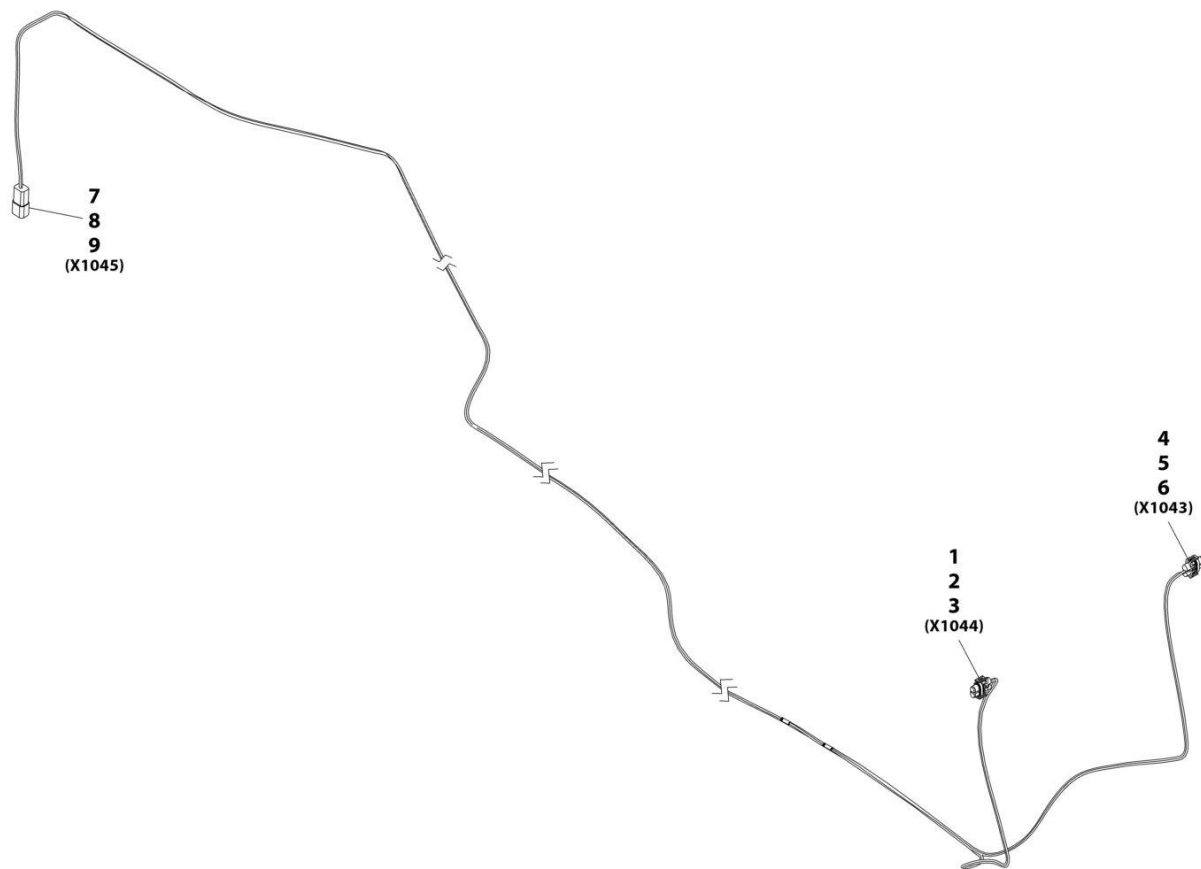
SECTION 10 - ELECTRICAL

FIGURE 10-50. LIGHTS - WORKLIGHTS INSTALLATION - LED (BOOM MOUNTED)

ITEM	PART NUMBER	QTY	DESCRIPTION	REV
	1001210961	Ref	BOOM LED WORKLIGHTS INSTALLATION	F
1	0760610	2	Bolt M6 x 20	
2	1001008923	11	Strap, Cable	
3	1001146588	2	Strap, Tie	
4	1001159739	1	Switch, Boom Worklights	
5	1001183297	1	Harness, Boom Worklights (See Separate Breakdown in this Section)	
7	1001210962	2	Bracket	
8	4812000	2	Washer M10	
9	1001273635	2	Worklights	
10	1001228989	2	Ferrite	

SECTION 10 - ELECTRICAL

FIGURE 10-51. LIGHTS - WORKLIGHTS HARNESS (BOOM MOUNTED LIGHTS)



ART_1001183297-C

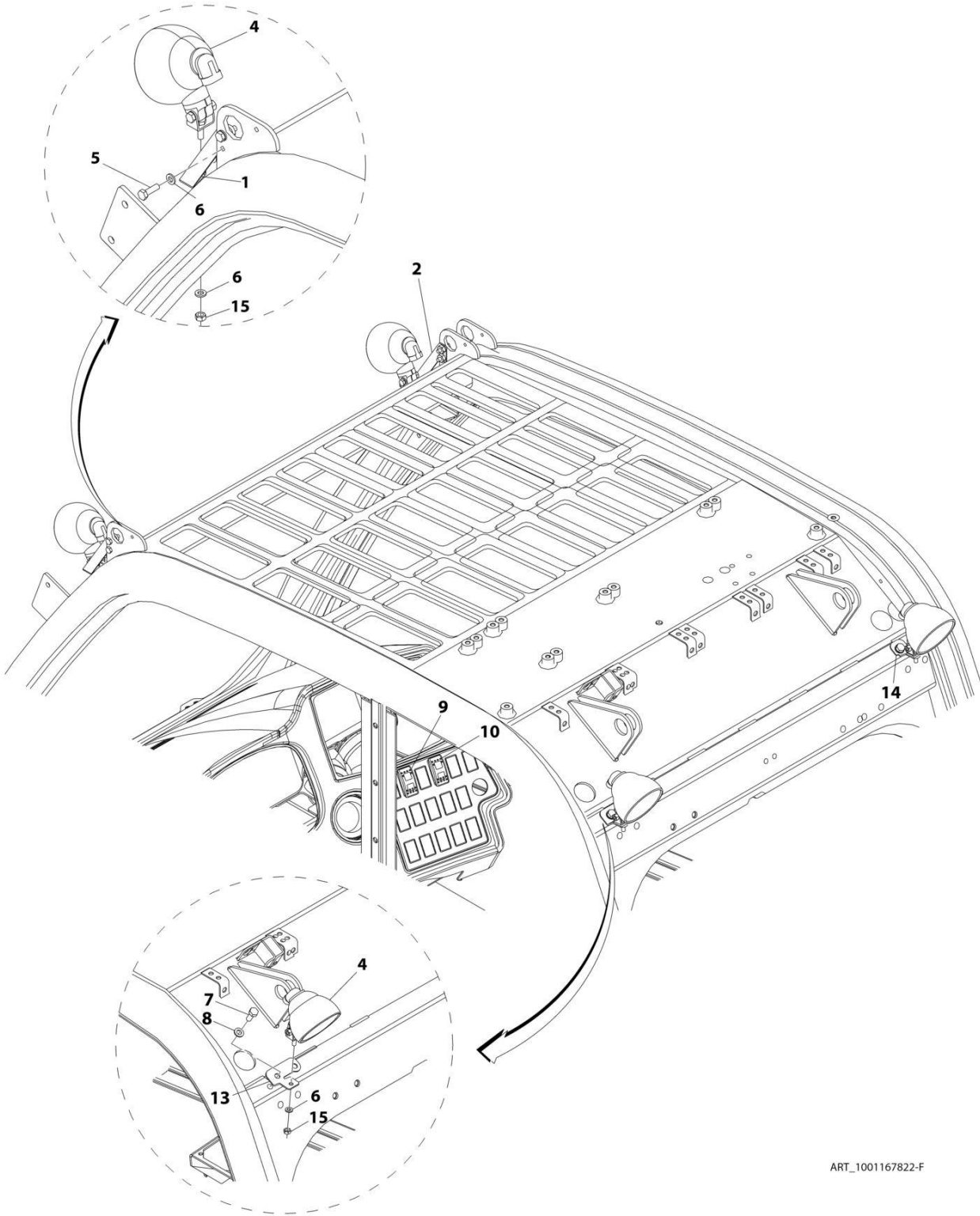
SECTION 10 - ELECTRICAL

FIGURE 10-51. LIGHTS - WORKLIGHTS HARNESS (BOOM MOUNTED LIGHTS)

ITEM	PART NUMBER	QTY	DESCRIPTION	REV
	1001183297	Ref	Boom Worklights Harness	C
1	4461115	1	Connector	
2	1001116728	2	Terminal	
3	4460458	2	Seal	
4	4461115	1	Connector	
5	1001116728	2	Terminal	
6	4460458	2	Seal	
7	4460932	1	Connector	
8	4460464	2	Terminal	
9	4460466	2	Plug	

SECTION 10 - ELECTRICAL

FIGURE 10-52. LIGHTS - WORKLIGHTS INSTALLATION (CAB MOUNTED) (NO A/C)



ART_1001167822-F

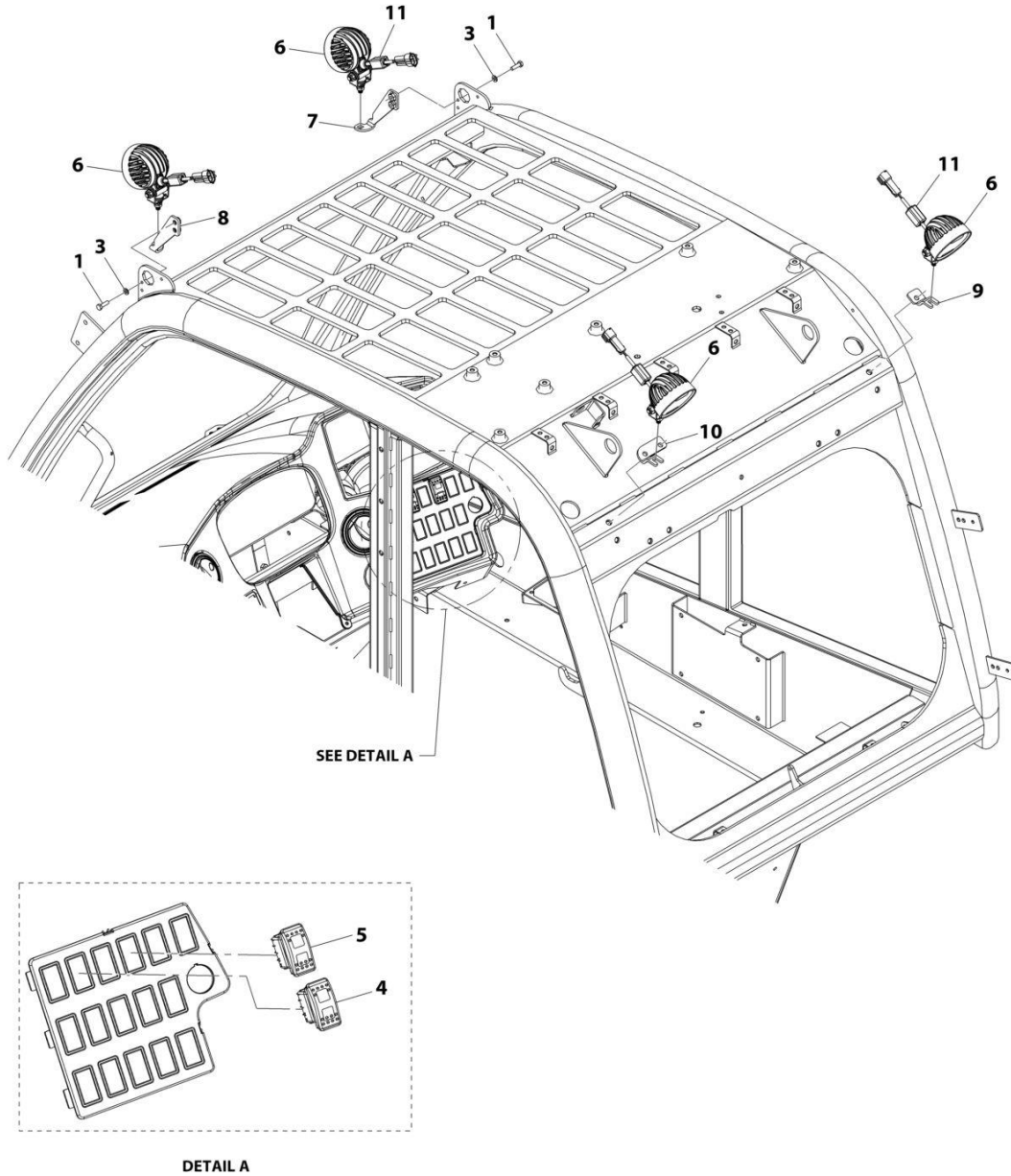
SECTION 10 - ELECTRICAL

FIGURE 10-52. LIGHTS - WORKLIGHTS INSTALLATION (CAB MOUNTED) (NO A/C)

ITEM	PART NUMBER	QTY	DESCRIPTION	REV
	1001167822	Ref	Cab Worklights Installation (No A/C)	F
1	1001186567	1	Bracket, Work Light LH	
2	1001186565	1	Bracket, Work Light RH	
4	2920206	4	Worklight	
5	0700610	4	Bolt, M6X20	
6	4811700	8	Washer, M6	
7	0760810	2	Bolt, M8X20	
8	4811900	2	Washer, M8	
9	1001159845	1	Switch, Front Worklights	
10	1001159846	1	Switch, Rear Worklights	
13	1001183888	1	Bracket, Work Light LH	
14	1001183890	1	Bracket, Work Light RH	
15	3290601	4	Nut, M6X1 Grade 8	

SECTION 10 - ELECTRICAL

FIGURE 10-53. LIGHTS - WORKLIGHTS INSTALLATION - LED (CAB MOUNTED) (NO A/C)



ART_1001200538-D

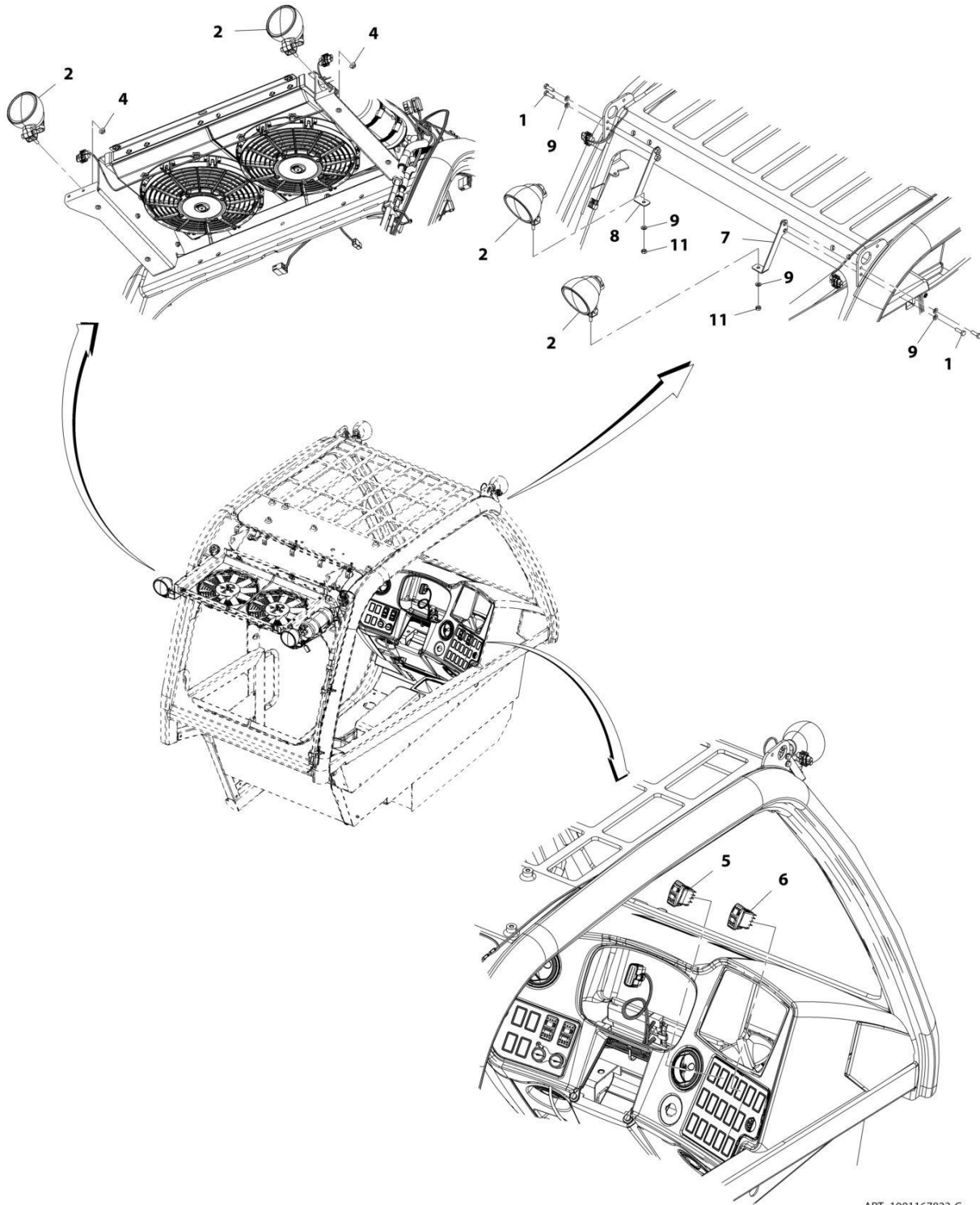
SECTION 10 - ELECTRICAL

FIGURE 10-53. LIGHTS - WORKLIGHTS INSTALLATION - LED (CAB MOUNTED) (NO A/C)

ITEM	PART NUMBER	QTY	DESCRIPTION	REV
	1001200538	Ref	Cab Worklights Installation (No A/C - LED)	D
1	0700610	4	Bolt, M6X20	
3	4811700	4	Washer, M6	
4	1001159845	1	Switch, Front Worklights	
5	1001159846	1	Switch, Rear Worklights	
6	1001203640	4	Lamp, LED Work Light	
7	1001244193	1	Support, LED Work Light RH	
8	1001244192	1	Support, LED Work Light LH	
9	1001204528	1	Support, LED Work Light RH	
10	1001204530	1	Support, LED Work Light LH	
11	1001228989	4	Harness, Ferrite	

SECTION 10 - ELECTRICAL

FIGURE 10-54. LIGHTS - WORKLIGHTS INSTALLATION (CAB MOUNTED) (WITH A/C)



ART_1001167823-G

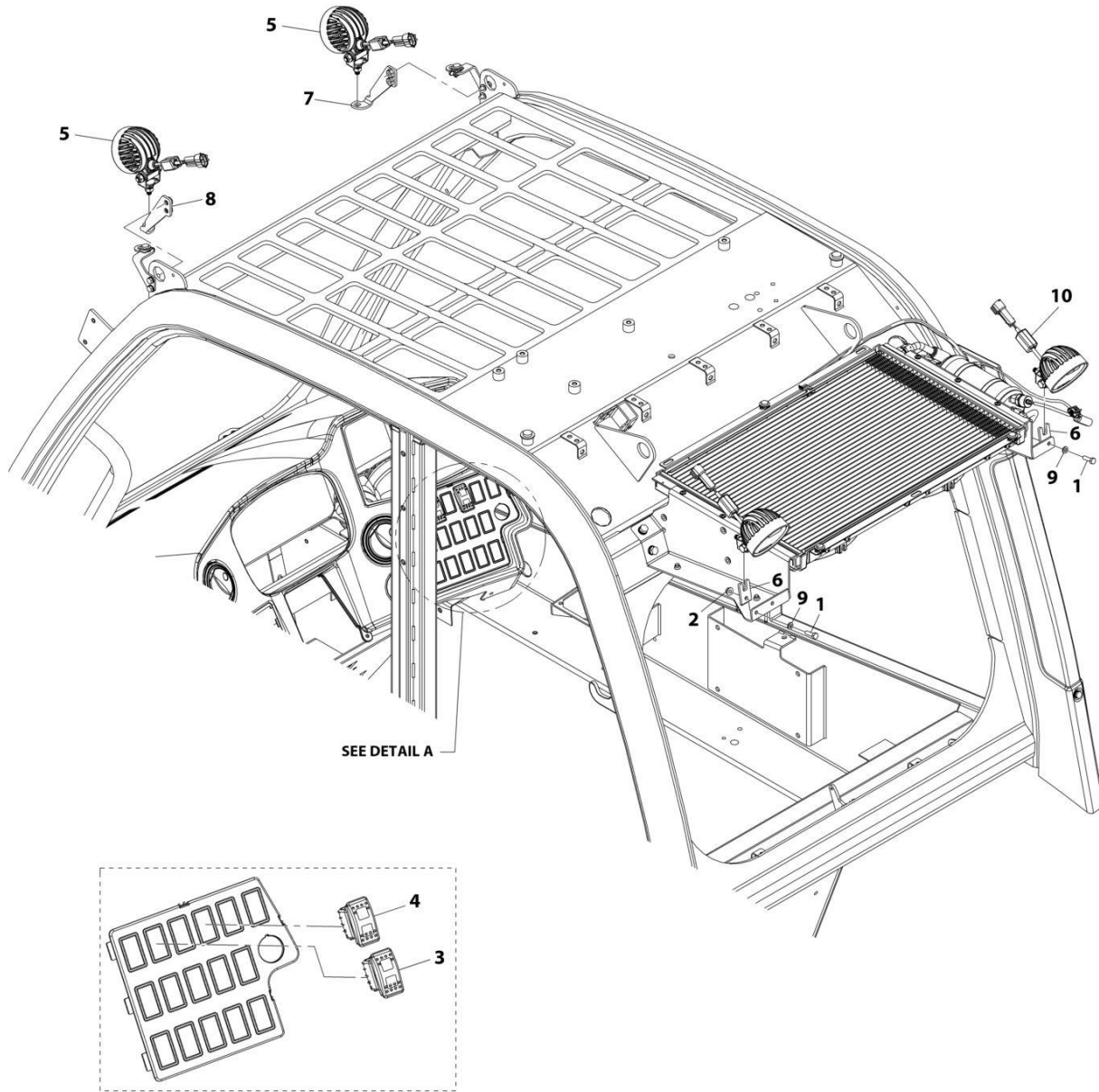
SECTION 10 - ELECTRICAL

FIGURE 10-54. LIGHTS - WORKLIGHTS INSTALLATION (CAB MOUNTED) (WITH A/C)

ITEM	PART NUMBER	QTY	DESCRIPTION	REV
	1001167823	Ref	Cab Worklights Installation (A/C)	G
1	0700610	4	Bolt, M6X20	
2	2920206	4	Worklight	
4	5220600	2	Nut, M6	
5	1001159845	1	Switch, Front Worklights	
6	1001159846	1	Switch, Rear Worklights	
7	1001186567	1	Bracket, Work Light LH	
8	1001186565	1	Bracket, Work Light RH	
9	4811700	6	Washer, M6	
11	3290601	2	Nut, M6X1 Grade 8	

SECTION 10 - ELECTRICAL

FIGURE 10-55. LIGHTS - WORKLIGHTS INSTALLATION -LED (CAB MOUNTED) (WITH A/C)



ART_1001200539-D

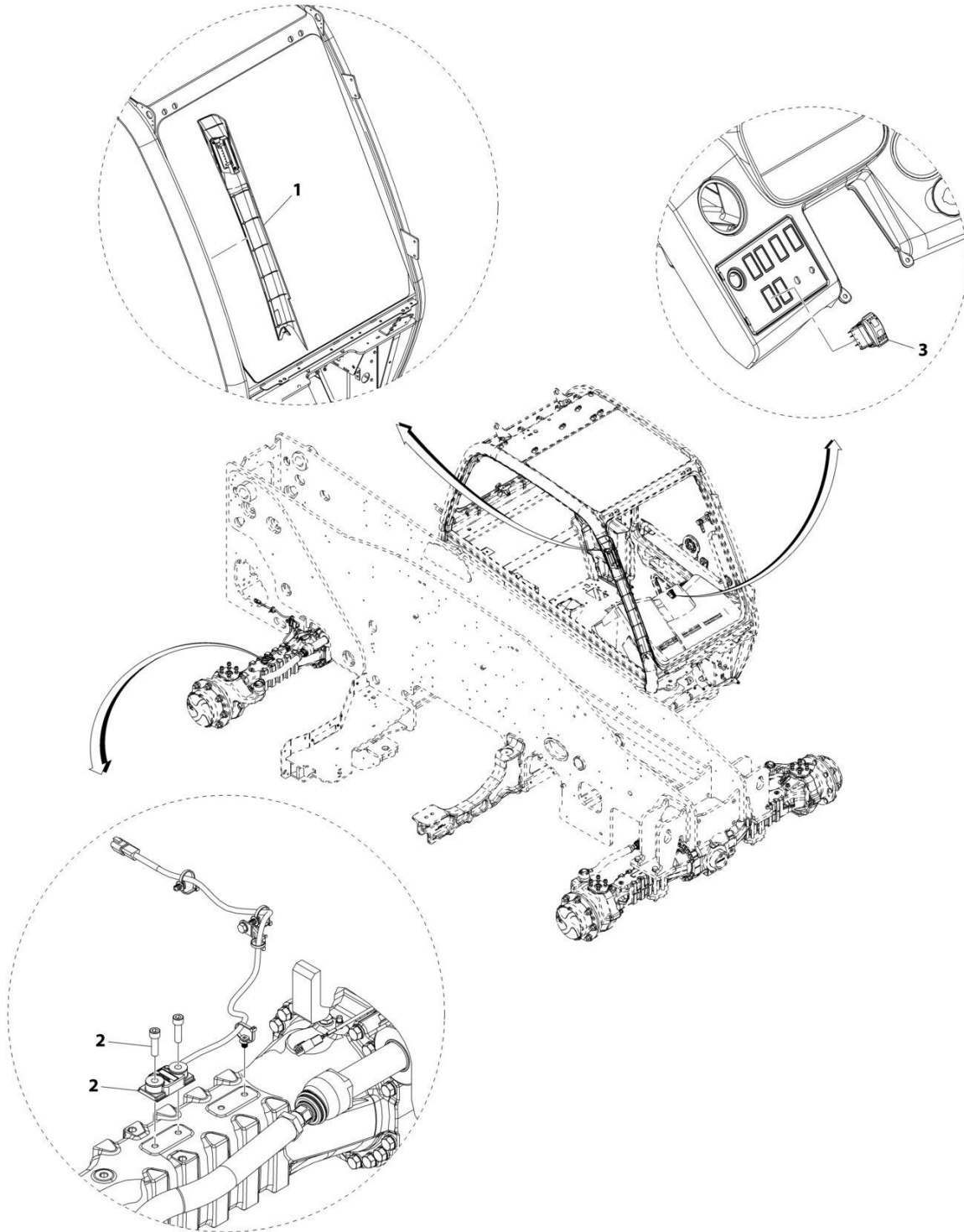
SECTION 10 - ELECTRICAL

FIGURE 10-55. LIGHTS - WORKLIGHTS INSTALLATION -LED (CAB MOUNTED) (WITH A/C)

ITEM	PART NUMBER	QTY	DESCRIPTION	REV
	1001200539	Ref	Cab Worklights Installation (A/C - LED)	D
1	0700610	2	Bolt, M6X20	
2	5220600	2	Nut, M6	
3	1001159845	1	Switch, Front Worklights	
4	1001159846	1	Switch, Rear Worklights	
5	1001203640	4	Lamp, LED Work Light	
6	1001204060	2	Bracket	
7	1001244193	1	Support, LED Work Light RH	
8	1001244192	1	Support, LED Work Light LH	
9	4811700	2	Washer, M6	
10	1001228989	4	Harness, Ferrite	

SECTION 10 - ELECTRICAL

FIGURE 10-56. LSI SENSOR INSTALLATION



ART_1001257425-A

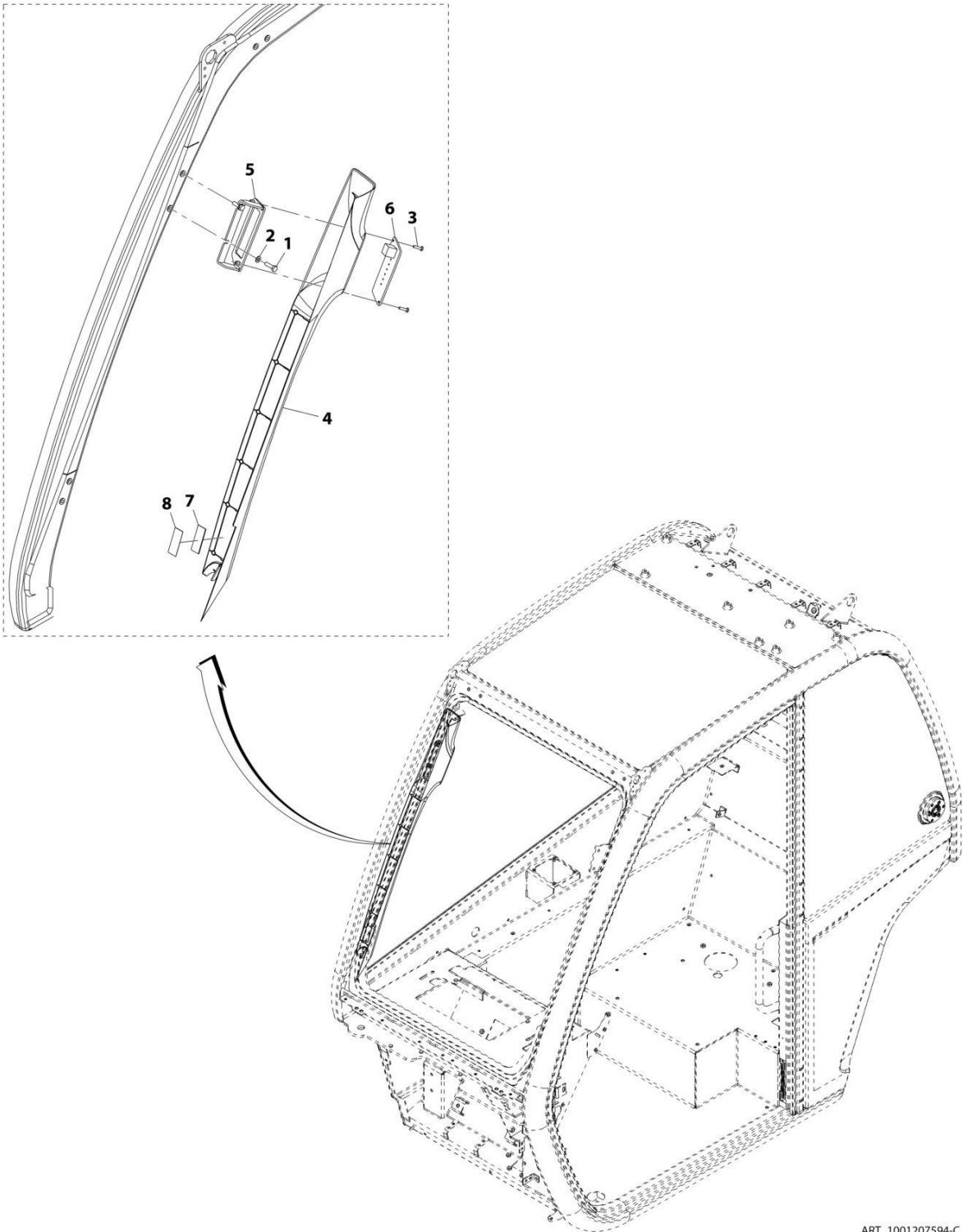
SECTION 10 - ELECTRICAL

FIGURE 10-56. LSI SENSOR INSTALLATION

ITEM	PART NUMBER	QTY	DESCRIPTION	REV
1	1001257425	Ref	LSI Sensor Installation (24IN Wheel)	A
	1001207594	1	Installation, LSI Assembly (See Separate Breakdown in this Section)	
2	1001199935	1	Installation, LSI Sensor (24IN Wheel) (See Separate Breakdown in this Section)	
3	1001257426	1	Installation, LSI Switch (See Separate Breakdown in this Section)	

SECTION 10 - ELECTRICAL

FIGURE 10-57. LSI DISPLAY INSTALLATION



ART_1001207594-C

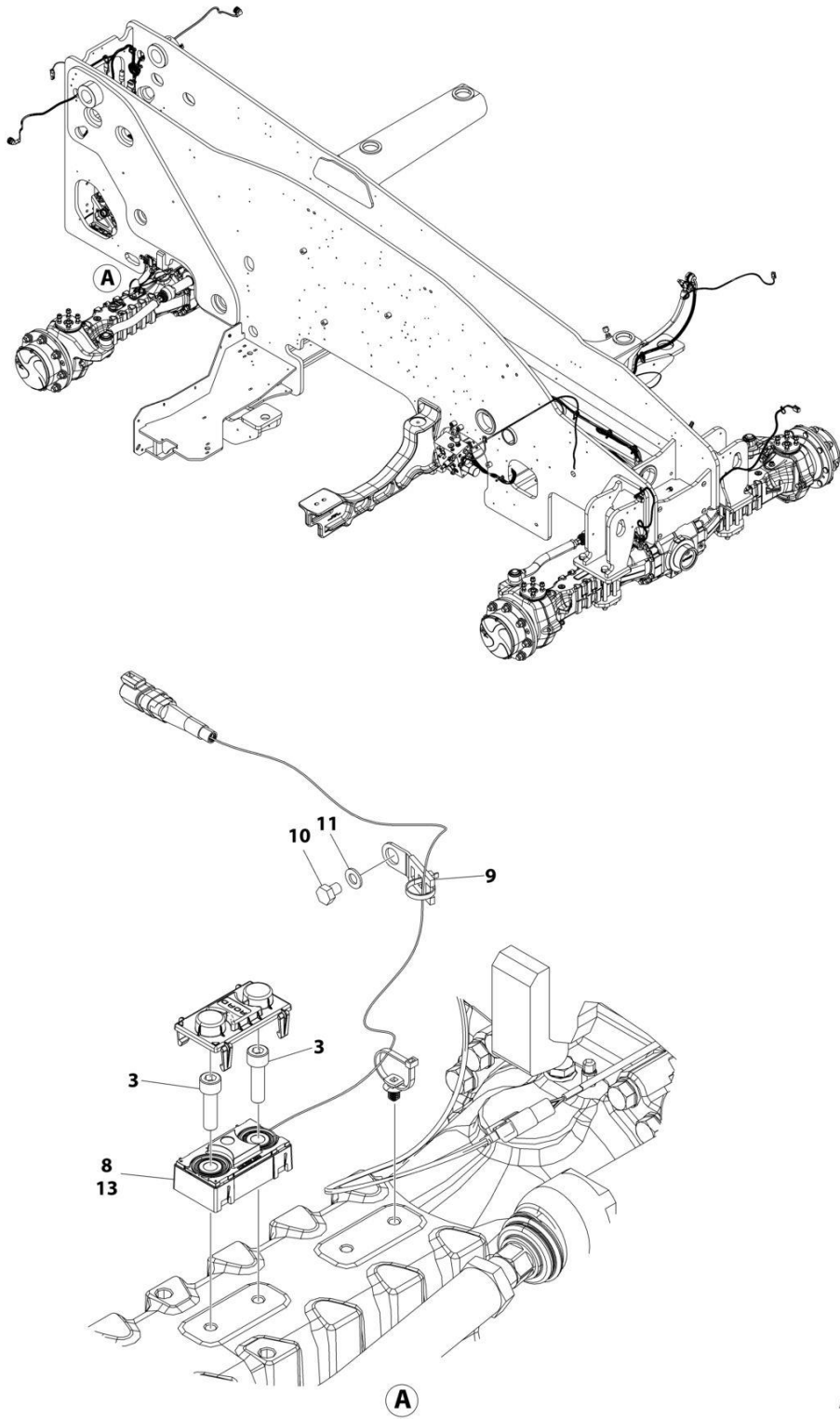
SECTION 10 - ELECTRICAL

FIGURE 10-57. LSI DISPLAY INSTALLATION

ITEM	PART NUMBER	QTY	DESCRIPTION	REV
	1001207594	Ref	LSI Display Installation	C
1	0760610	2	Bolt, M6X20	
2	4811700	2	Washer, M6	
3	1001126837	2	Screw, M4X16	
4	1001182839	1	Cover	
5	1001214401	1	Bracket	
6	1001213752	1	Display, LSI	
7	1001221318	1	Tape, Hook Fastener	
8	1001221319	1	Tape, Hook Fastener	

SECTION 10 - ELECTRICAL

FIGURE 10-58. LSI SENSOR INSTALLATION



ART_1001199935_F

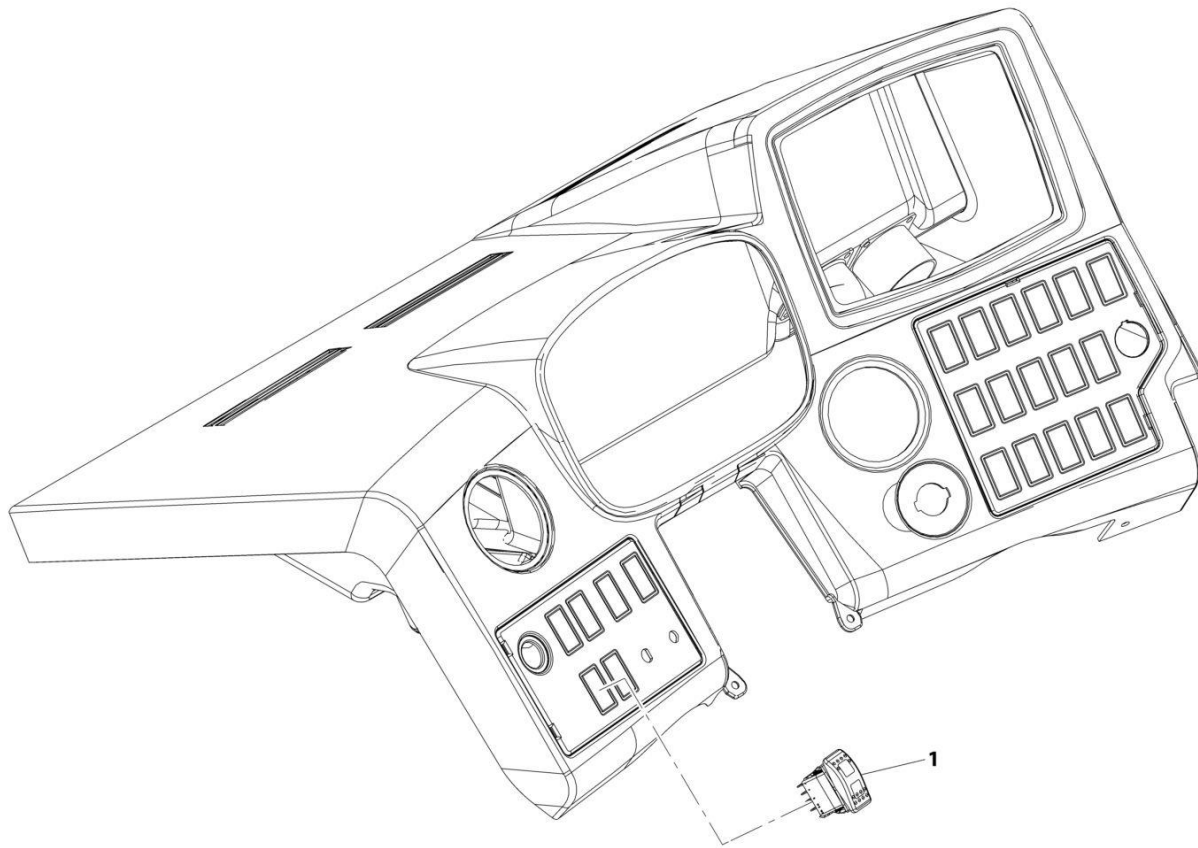
SECTION 10 - ELECTRICAL

FIGURE 10-58. LSI SENSOR INSTALLATION

ITEM	PART NUMBER	QTY	DESCRIPTION	REV
	1001199935	Ref	LSI SENSOR	F
3	5272011	2	Capscrew M10 x 35	
4	1001116128	1	Sealant, Polysiloxane	
5	1001146588	AR	Tie-Strap with Anchor (Not Shown)	
8	1001289105	1	Sensor, Rear Axle LSI	
9	1001025750	AR	Clip	
10	0760805	1	Bolt M8 x 10	
11	4811900	1	Washer M8	
12	1001008559	AR	Tie-Strap (Not Shown)	
13	1001289296	AR	Compound, Locking	

SECTION 10 - ELECTRICAL

FIGURE 10-59. LSI SWITCH INSTALLATION



ART_1001257426-A

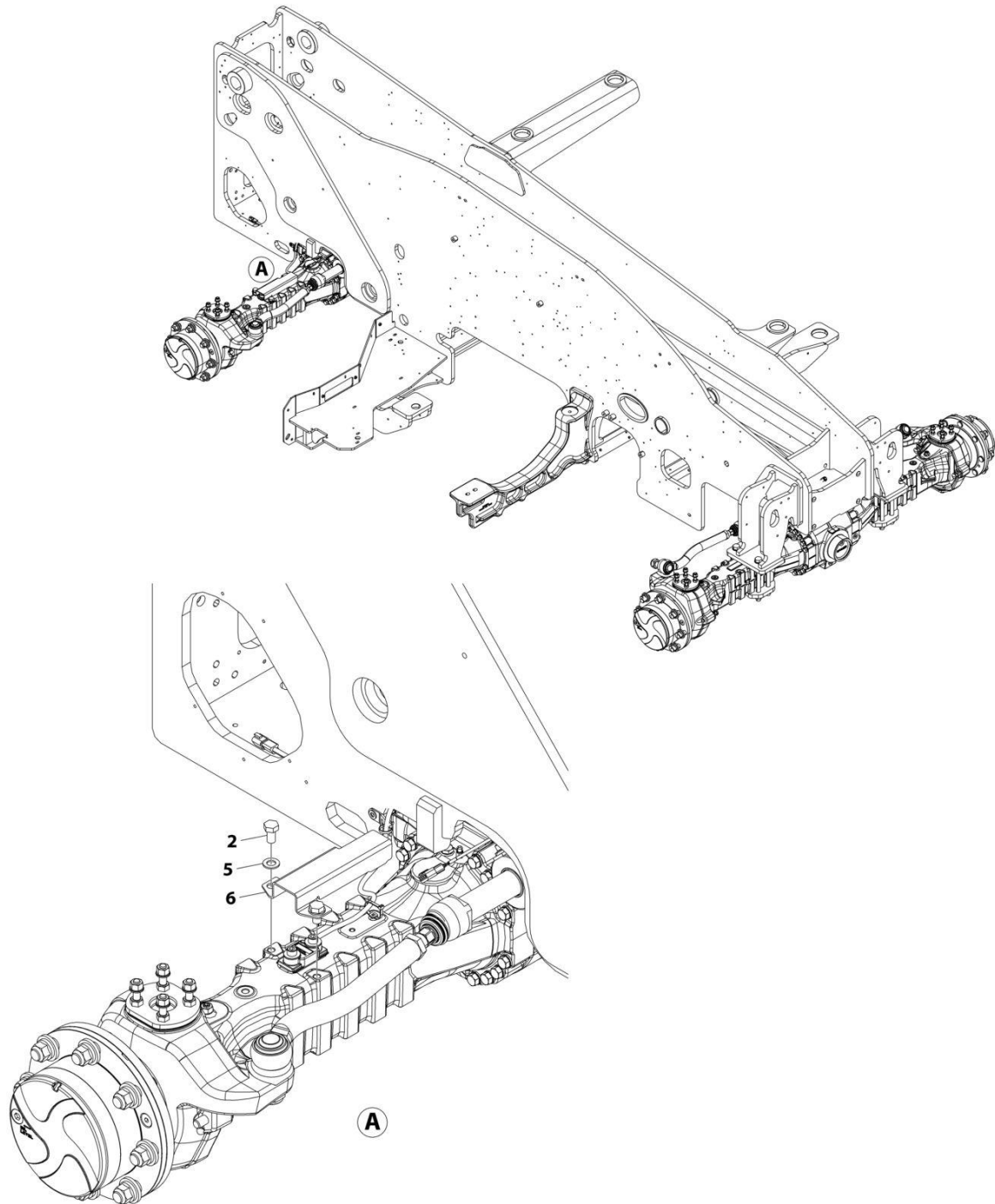
SECTION 10 - ELECTRICAL

FIGURE 10-59. LSI SWITCH INSTALLATION

ITEM	PART NUMBER	QTY	DESCRIPTION	REV
1	1001257426 1001159742	Ref 1	LSI Switch Installation Switch, LSI Override	A

SECTION 10 - ELECTRICAL

FIGURE 10-60. LSI SENSOR COVER INSTALLATION



ART_1001225414

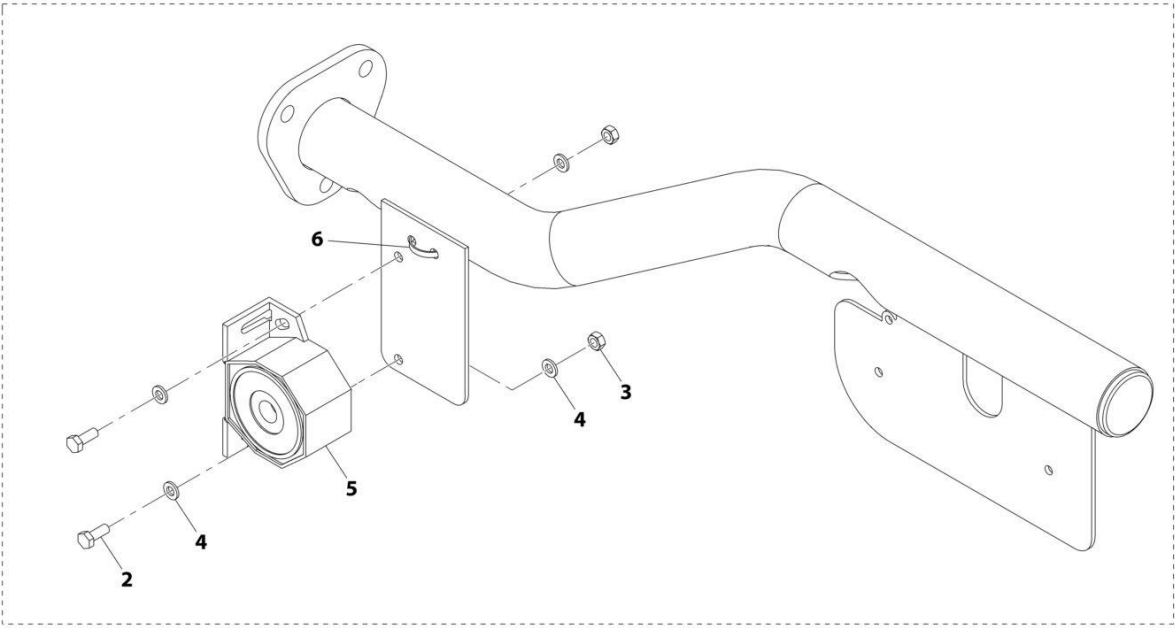
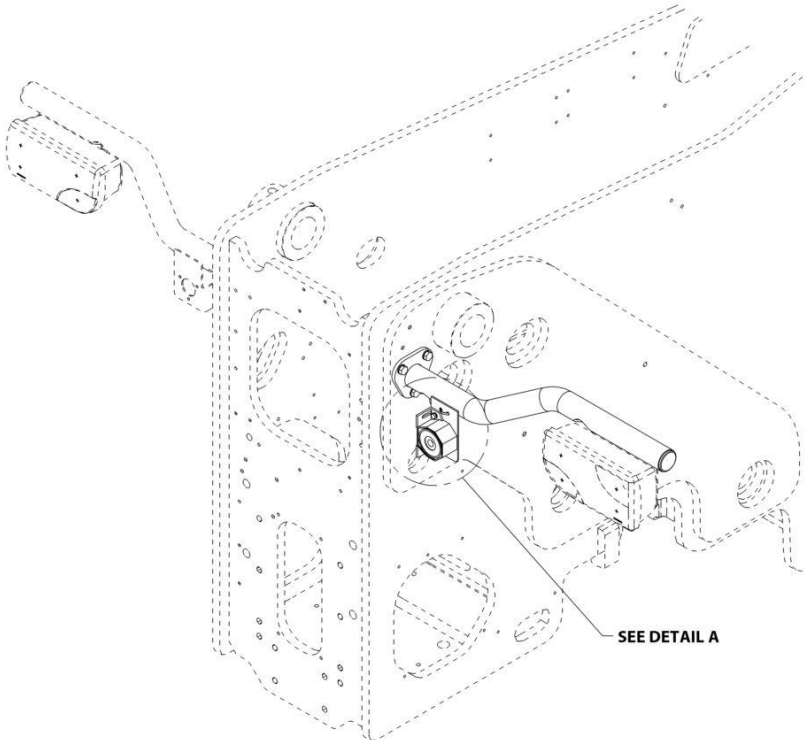
SECTION 10 - ELECTRICAL

FIGURE 10-60. LSI SENSOR COVER INSTALLATION

ITEM	PART NUMBER	QTY	DESCRIPTION	REV
	1001225414	Ref	LSI SENSOR COVER INSTALLATION	D
2	0761412	2	Bolt M14 x 25	
5	4812200	2	Washer M14	
6	1001290666	1	Shield, LSI Sensor	

SECTION 10 - ELECTRICAL

FIGURE 10-61. REVERSE ALARM INSTALLATION



DETAIL A

ART_1001183596-D

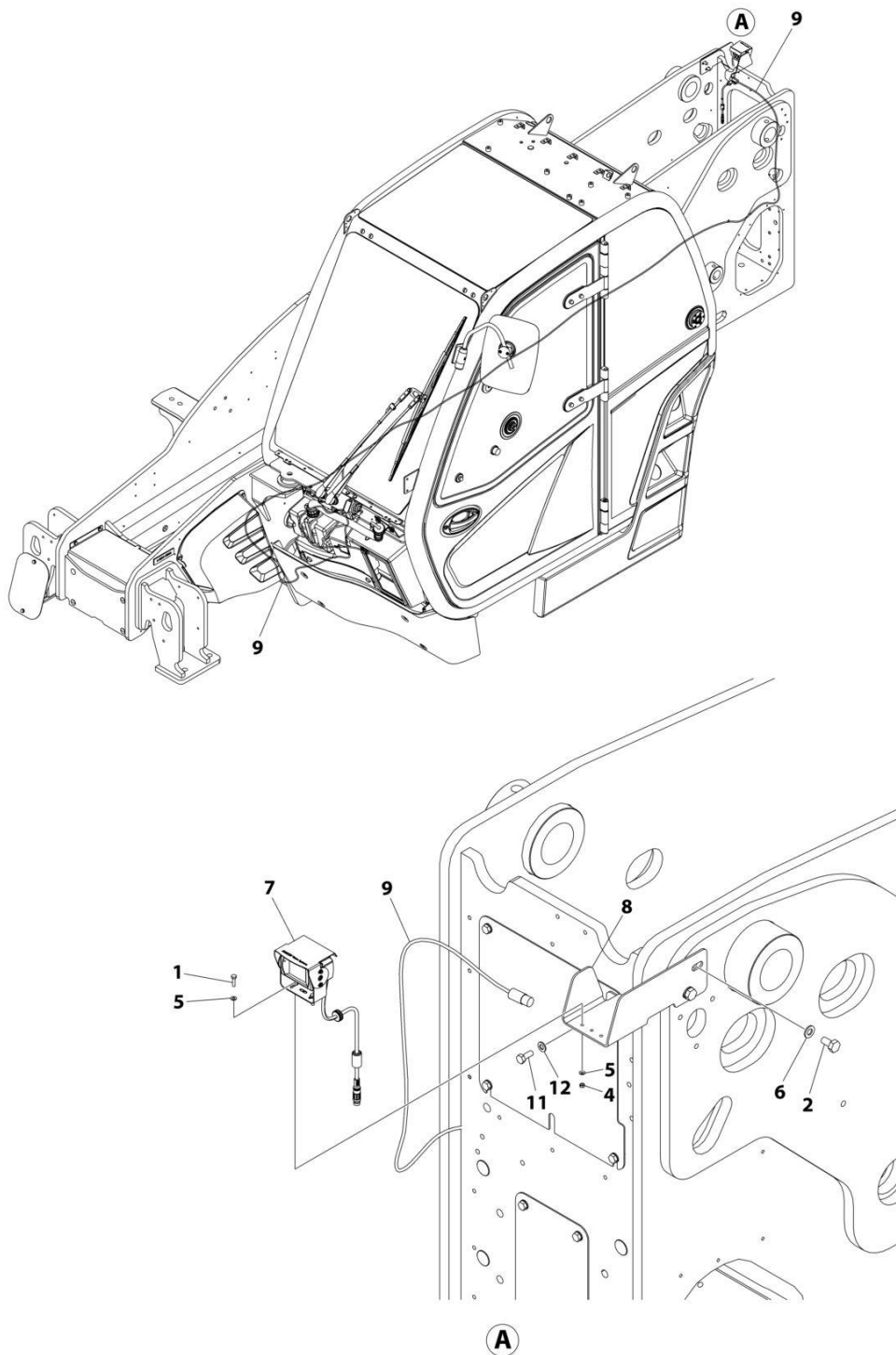
SECTION 10 - ELECTRICAL

FIGURE 10-61. REVERSE ALARM INSTALLATION

ITEM	PART NUMBER	QTY	DESCRIPTION	REV
	1001183596	Ref	Reverse Alarm Installation	D
2	0760608	2	Bolt, M6X16	
3	3290601	2	Nut, M6X1	
4	4811700	4	Washer, M6	
5	1001147060	1	Alarm, Reverse	
6	1001008559	1	Strap, Cable	

SECTION 10 - ELECTRICAL

FIGURE 10-62. REVERSE CAMERA INSTALLATION



ART_1001190225_D

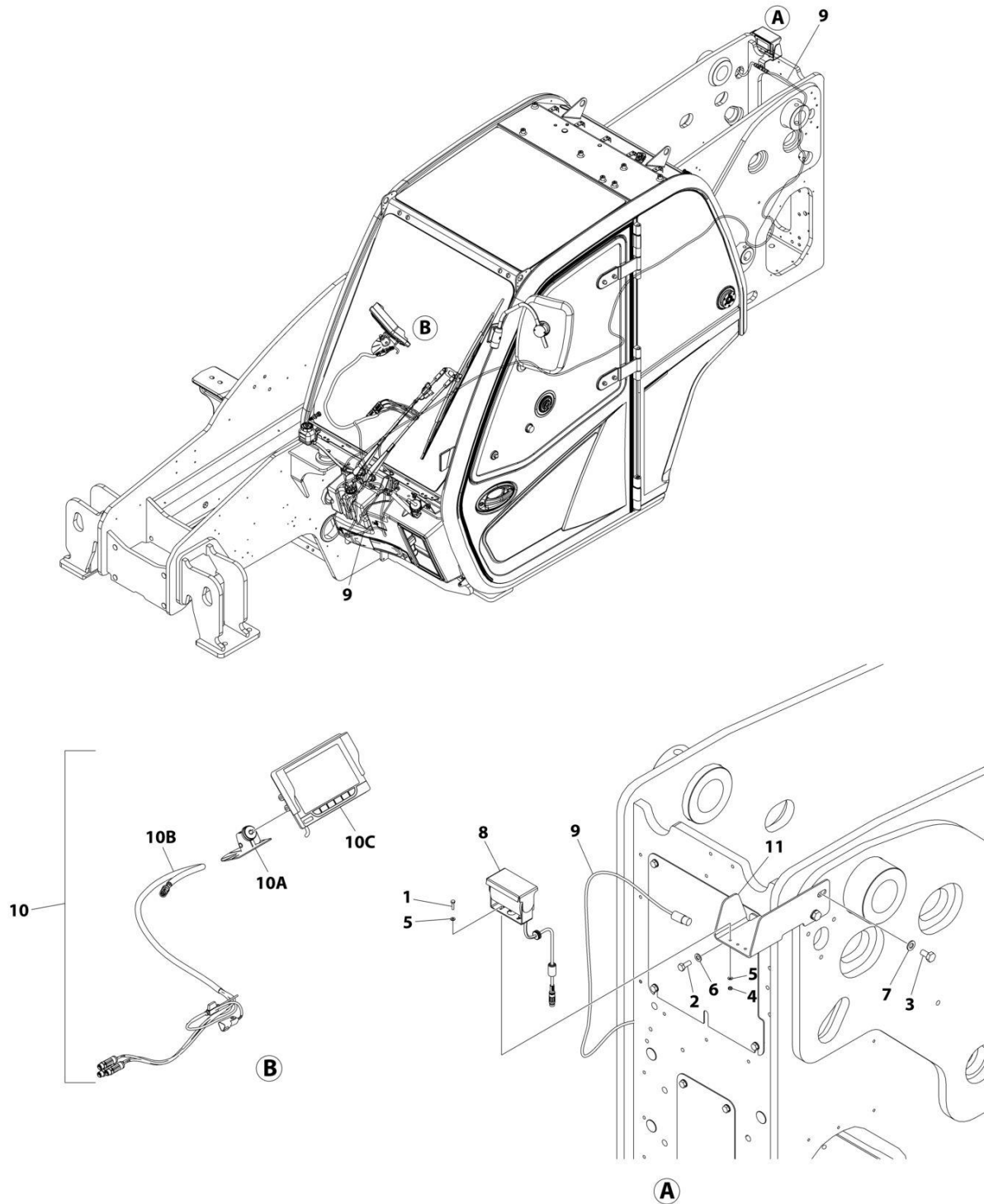
SECTION 10 - ELECTRICAL

FIGURE 10-62. REVERSE CAMERA INSTALLATION

ITEM	PART NUMBER	QTY	DESCRIPTION	REV
	1001190225	Ref	REVERSE CAMERA INSTALLATION (TRAILER BRAKES)	D
1	0700408	2	Bolt M4 x 16	
2	0761010	2	Bolt M10 x 20	
4	3290401	2	Nut M4 x 0.7	
5	4811400	4	Washer M4	
6	4812000	2	Washer M10	
7	1001167017	1	Camera	
8	1001202293	1	Bracket	
9	1001265375	1	Cable, Reverse Camera	
11	0760810	1	Bolt M8 x 20	
12	4811900	1	Washer M8	

SECTION 10 - ELECTRICAL

FIGURE 10-63. REVERSE CAMERA INSTALATION (WITHOUT HED)



ART_1001299940

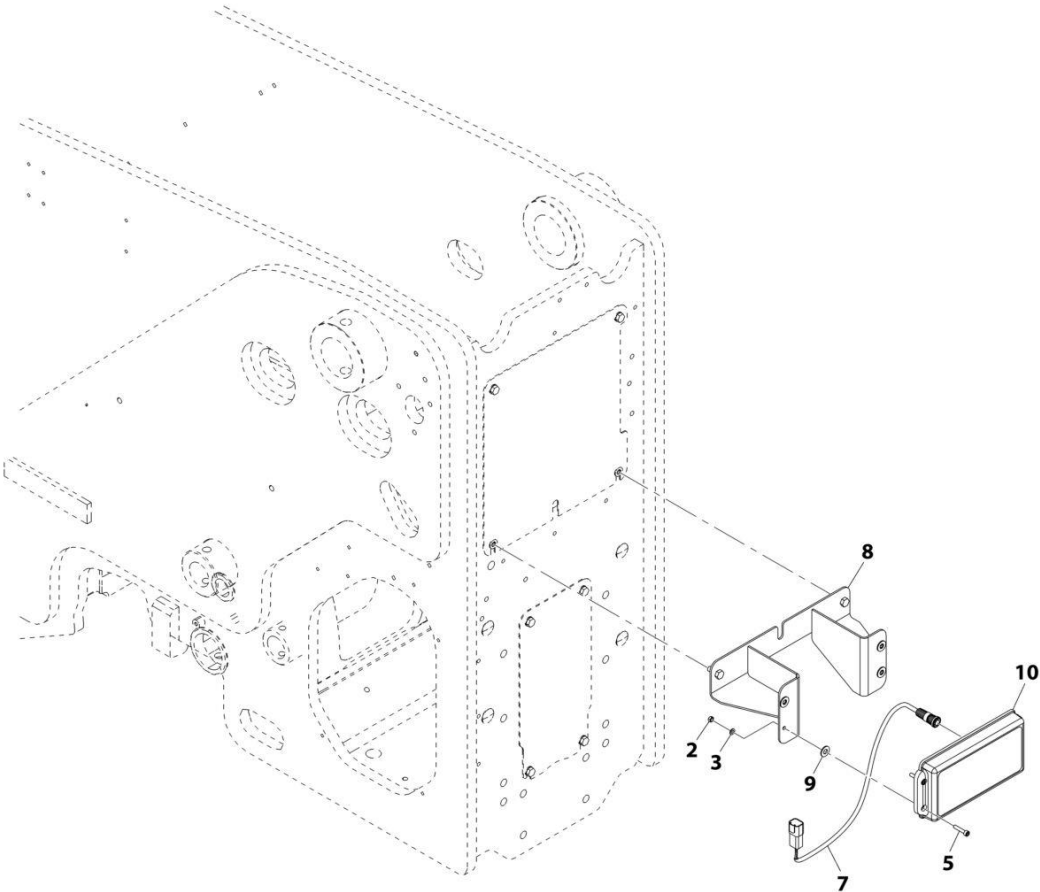
SECTION 10 - ELECTRICAL

FIGURE 10-63. REVERSE CAMERA INSTALATION (WITHOUT HED)

ITEM	PART NUMBER	QTY	DESCRIPTION	REV
	1001299940	Ref	REVERSE CAMERA INSTALLATION	A
1	0700408	2	Bolt M4 x 16	
2	0760810	1	Bolt M8 x 20	
3	0761010	2	Bolt M10 x 20	
4	3290401	2	Nut M4	
5	4811400	4	Washer M4	
6	4811900	1	Washer M8	
7	4812000	2	Washer M10	
8	1001233174	1	Camera, Rear View	
9	1001233434	1	Extension Cable Camera Harness	
10	1001289479	1	Quad View Monitor Assembly	
10A	1001233217	1	Bracket	
10B	1001294608	1	Quad View Monitor Harness	
10C	1001302410	1	Monitor, LED Display	
11	1001300078	1	Bracket	

SECTION 10 - ELECTRICAL

FIGURE 10-64. REVERSE SENSING INSTALLATION



ART_1001190227-C

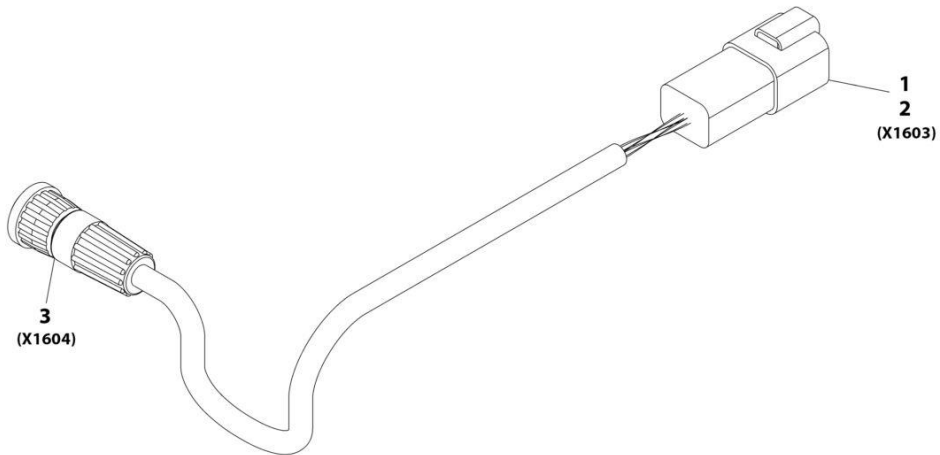
SECTION 10 - ELECTRICAL

FIGURE 10-64. REVERSE SENSING INSTALLATION

ITEM	PART NUMBER	QTY	DESCRIPTION	REV
	1001190227	Ref	Reverse Sensor Installation (No Hydraulic Hitch)	C
2	3290501	4	Nut, M5X0.8	
3	4811600	4	Washer, M5	
5	5271609	4	Screw, M5X25	
7	1001175776	1	Harness, Reverse Sensor (See Separate Breakdown in this Section)	
8	1001202288	1	Bracket	
9	1001181921	4	Washer, Rubber M8	
10	1001189997	1	Sensor, Reverse	

SECTION 10 - ELECTRICAL

FIGURE 10-65. REVERSE SENSING HARNESS



ART_1001175776-C

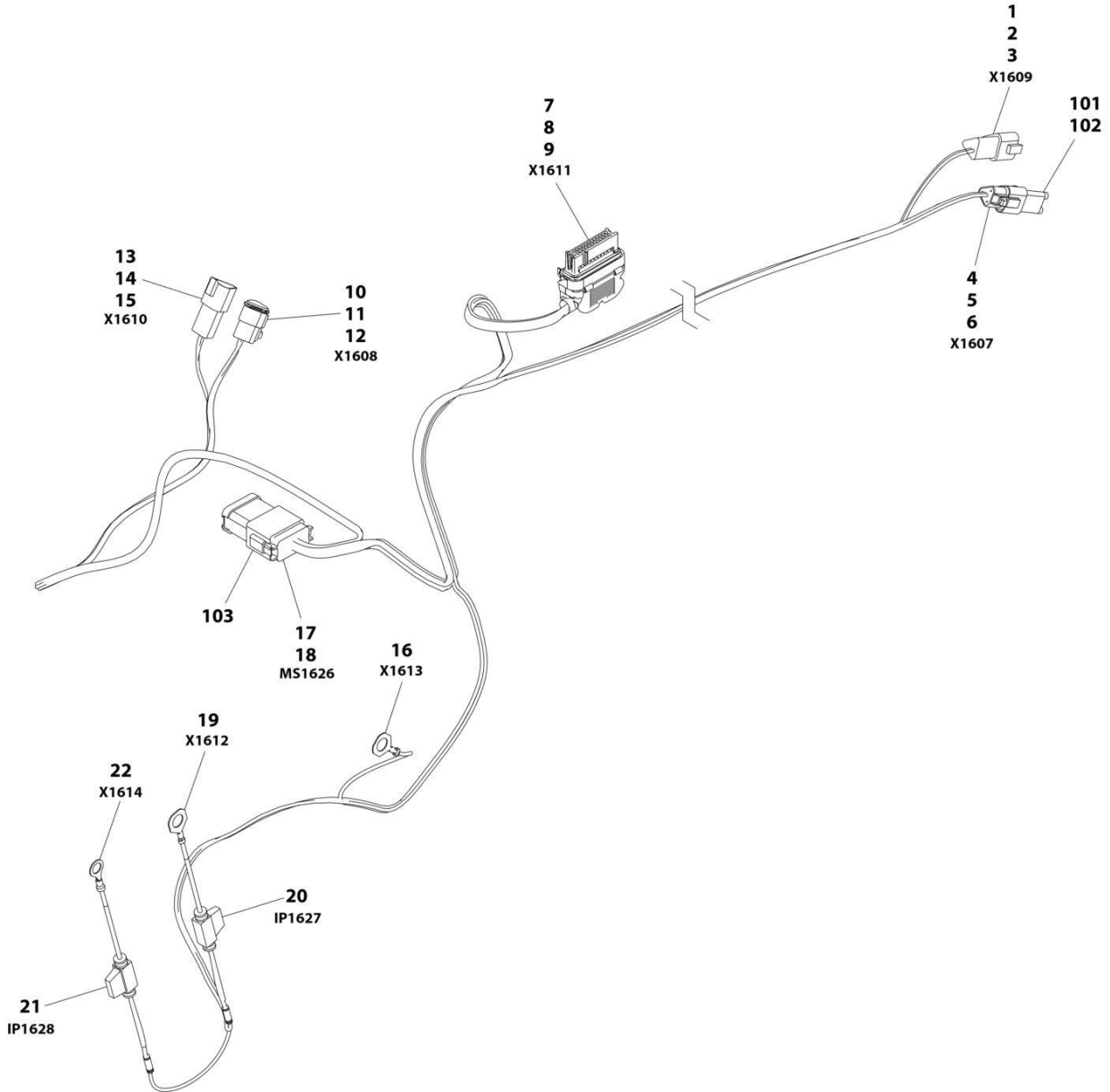
SECTION 10 - ELECTRICAL

FIGURE 10-65. REVERSE SENSING HARNESS

ITEM	PART NUMBER	QTY	DESCRIPTION	REV
	1001175776	Ref	Reverse Sensor Harness	C
1	4460932	1	Connector	
2	4460464	4	Terminal	
3	1001175733	1	Connector	

SECTION 10 - ELECTRICAL

FIGURE 10-66. TELEMATICS CLEARSKY CAN 4WARD HARNESS



ART_1001268553

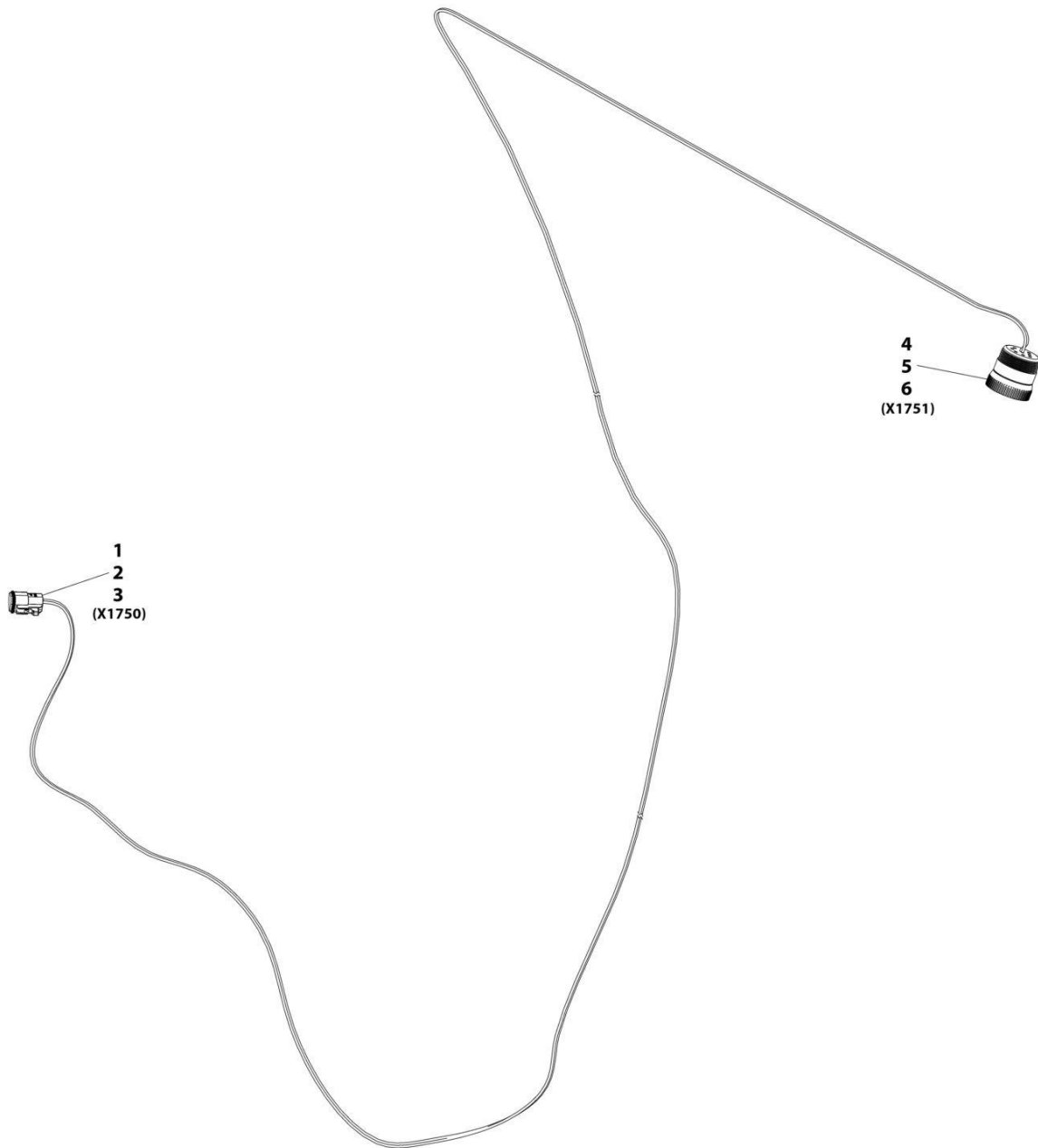
SECTION 10 - ELECTRICAL

FIGURE 10-66. TELEMATICS CLEARSKY CAN 4WARD HARNESS

ITEM	PART NUMBER	QTY	DESCRIPTION	REV
	1001268553	Ref	TELEMATICS CLEARSKY CAN 4WARD HARNESS	A
1	1001144147	1	Connector	
2	4460464	2	Terminal	
3	4460466	1	Plug	
4	1001116812	1	Connector	
5	4460465	2	Terminal	
6	4460466	1	Plug	
7	1001226636	1	Connector	
8	1001226637	7	Terminal	
9	1001116731	17	Plug	
10	1001116812	1	Connector	
11	4460465	2	Terminal	
12	4460466	1	Plug	
13	1001144147	1	Connector	
14	4460464	2	Terminal	
15	4460466	1	Plug	
16	1001187081	1	Ring, Terminal	
17	4460933	1	Connector	
18	4460465	12	Terminal	
19	1001187078	1	Ring, Terminal	
20	2400060	1	Fuse, Holder	
21	2400060	1	Fuse, Holder	
22	4460670	1	Ring, Terminal	
101	4460466	3	Plug	
102	1001144147	1	Connector	
103	1001200206	1	Connector	

SECTION 10 - ELECTRICAL

FIGURE 10-67. TELEMATICS ADAPTER HARNESS



ART_1001254185-A

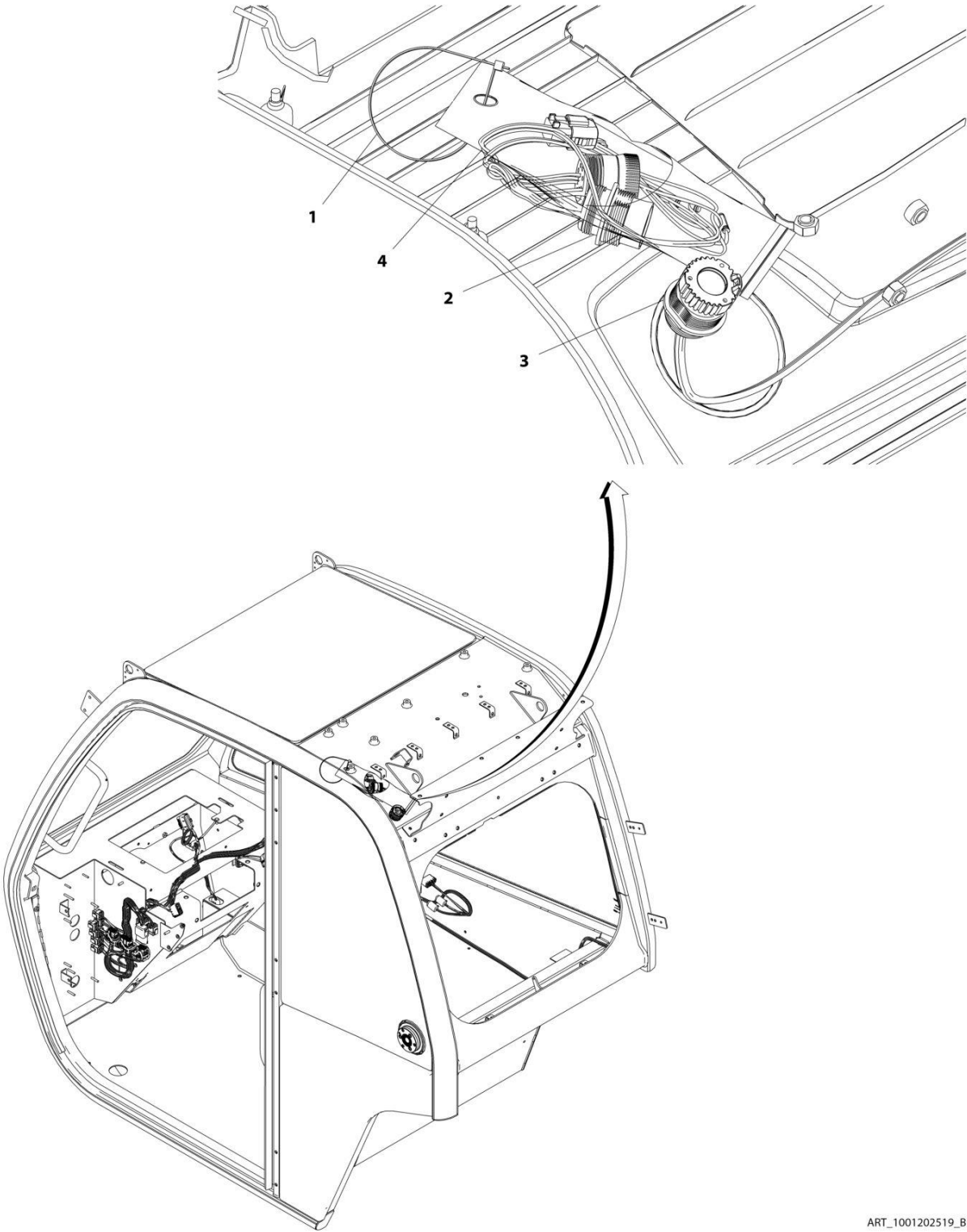
SECTION 10 - ELECTRICAL

FIGURE 10-67. TELEMATICS ADAPTER HARNESS

ITEM	PART NUMBER	QTY	DESCRIPTION	REV
	1001254185	Ref	TELEMATICS ADAPTER HARNESS	A
1	1001116812	1	Connector	
2	4460465	2	Terminal	
3	4460466	1	Plug	
4	1001112796	1	Connector	
5	4460944	2	Terminal	
6	4460466	7	Plug	

SECTION 10 - ELECTRICAL

FIGURE 10-68. TELEMATICS READY INSTALLATION



ART_1001202519_B

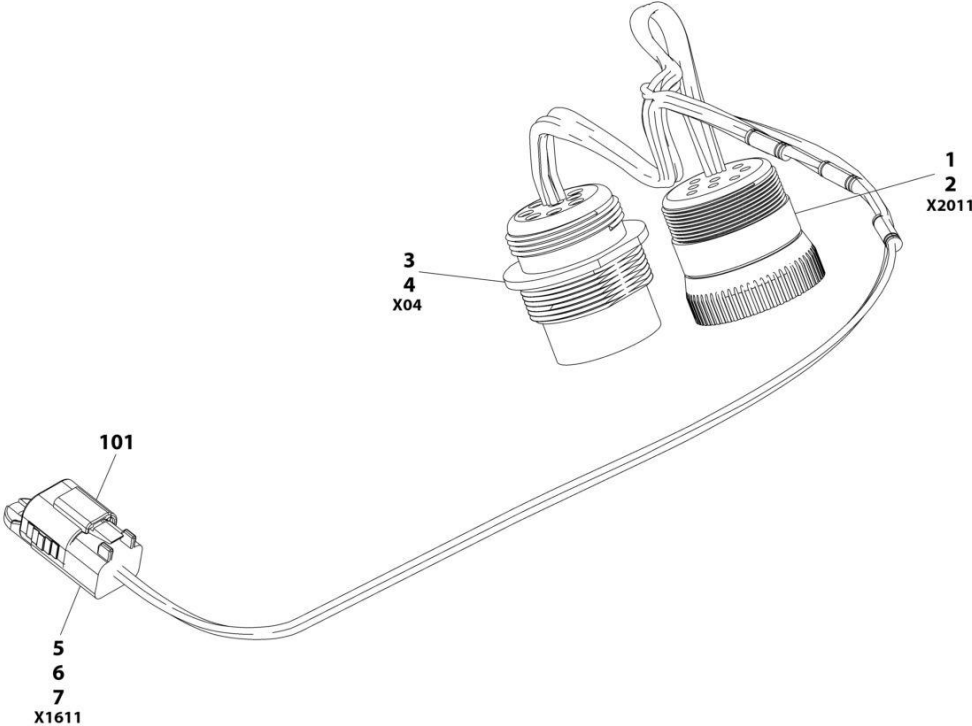
SECTION 10 - ELECTRICAL

FIGURE 10-68. TELEMATICS READY INSTALLATION

ITEM	PART NUMBER	QTY	DESCRIPTION	REV
	1001202519	Ref	TELEMATICS READY INSTALLATION	B
1	8584003	1	Strap, Tie	
2	1001291182	1	Harness, Telematics Ready (See Separate Breakdown in ELECTRICAL Section)	
3	1001201162	1	Cap	
4	1001202617	1	Bag	

SECTION 10 - ELECTRICAL

FIGURE 10-69. TELEMATICS READY HARNESS



ART_1001291182

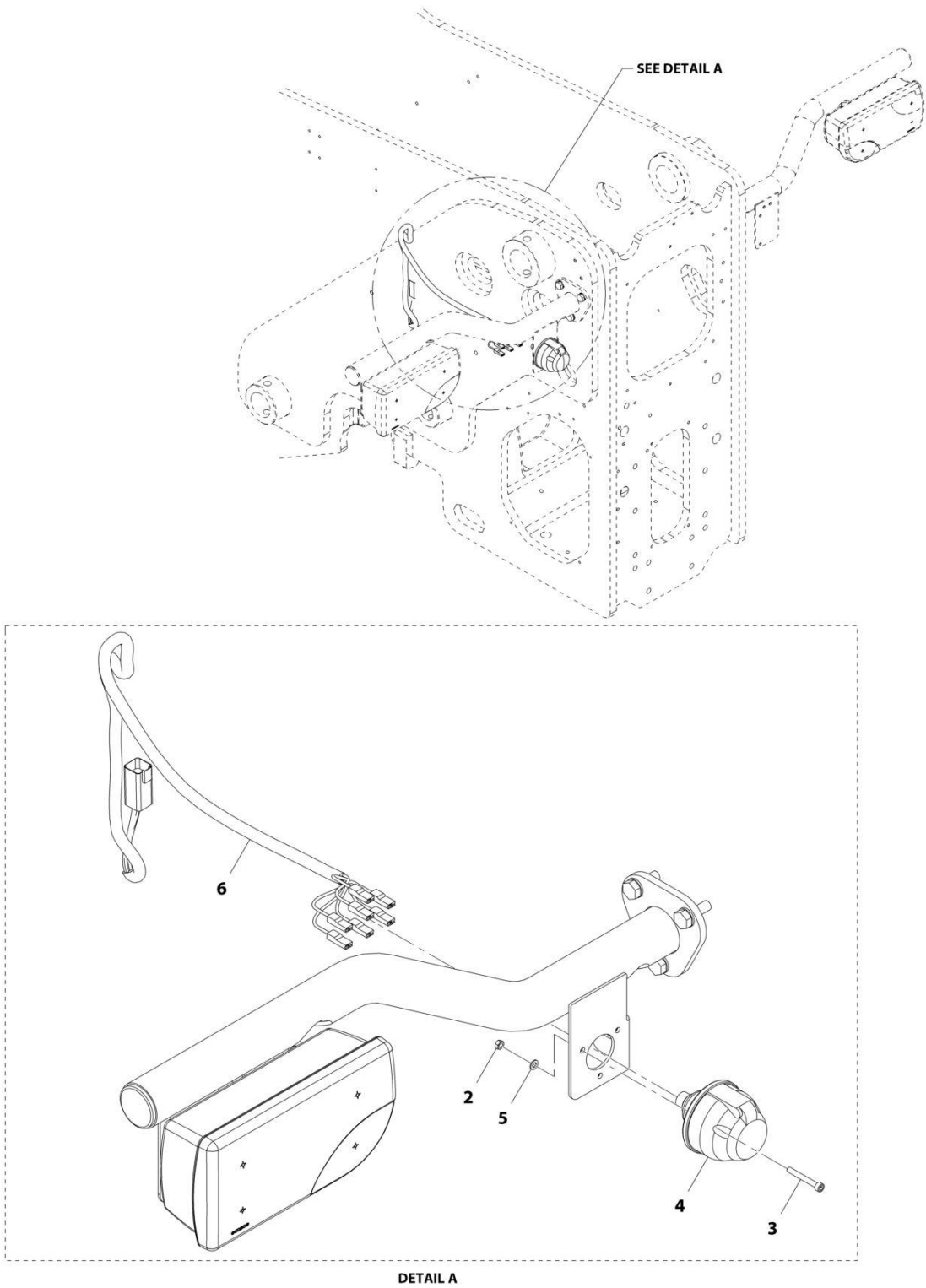
SECTION 10 - ELECTRICAL

FIGURE 10-69. TELEMATICS READY HARNESS

ITEM	PART NUMBER	QTY	DESCRIPTION	REV
	1001291182	Ref	TELEMATICS READY HARNESS	A
1	1001112796	1	Connector	
2	4460465	9	Terminal	
3	1001112612	1	Connector	
4	4460464	9	Terminal	
5	4460884	1	Connector	
6	4460465	3	Terminal	
7	4460466	1	Plug	
101	1001192401	1	Dust Cap	

SECTION 10 - ELECTRICAL

FIGURE 10-70. TRAILER ELECTRICS INSTALLATION



ART_1001179059-B

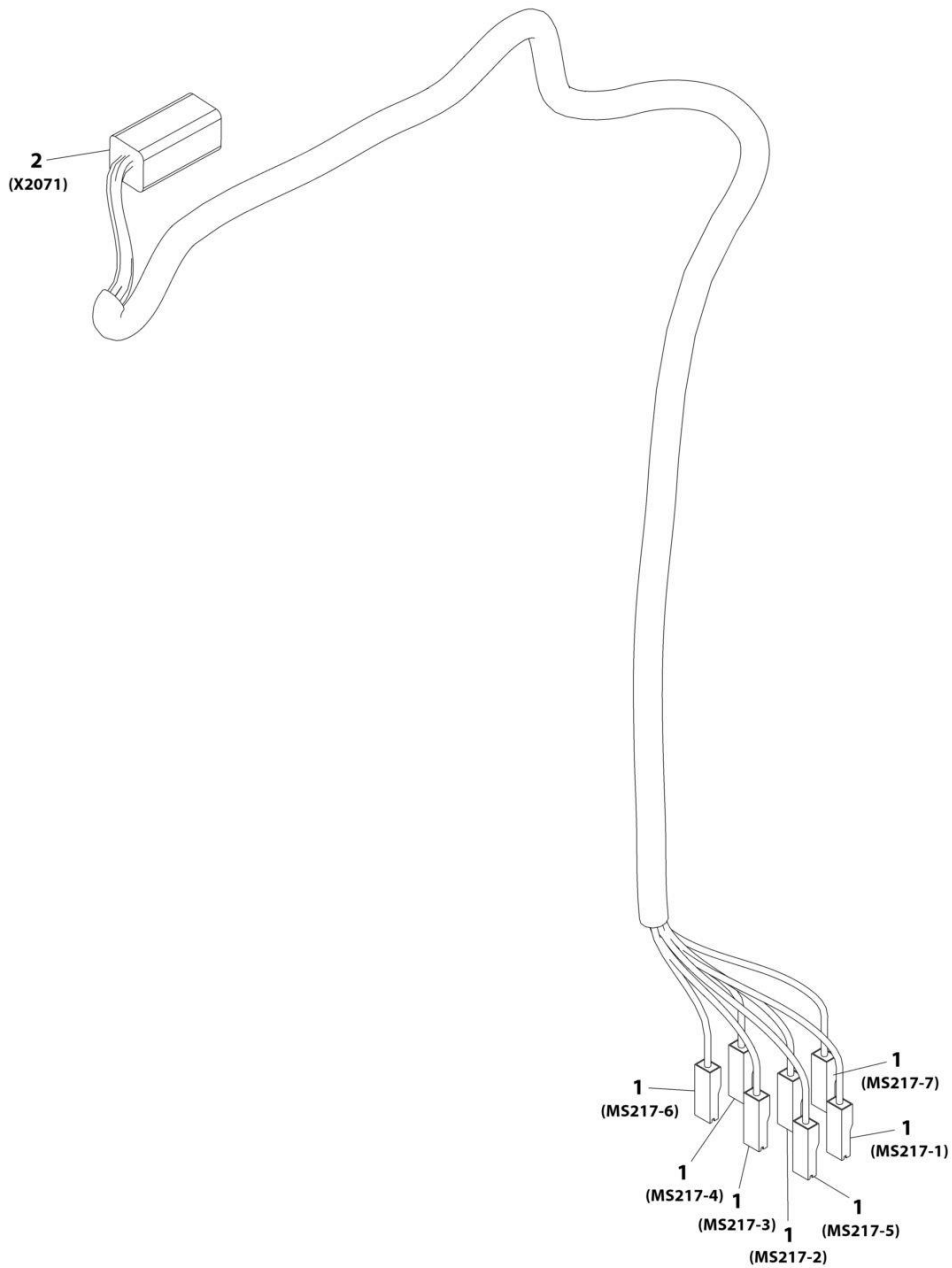
SECTION 10 - ELECTRICAL

FIGURE 10-70. TRAILER ELECTRICS INSTALLATION

ITEM	PART NUMBER	QTY	DESCRIPTION	REV
	1001179059	Ref	TRAILER ELECTRICS INSTALLATION	B
2	3290501	3	Nut M5	
3	4031612	3	Bolt M5 X 40	
4	4461170	1	Connector	
5	4811600	3	Washer M5	
6	1001184839	1	Harness,Trailer Connector (See Separate Breakdown in this Section)	

SECTION 10 - ELECTRICAL

FIGURE 10-71. TRAILER CONNECTOR HARNESS



ART_1001184839-C

SECTION 10 - ELECTRICAL

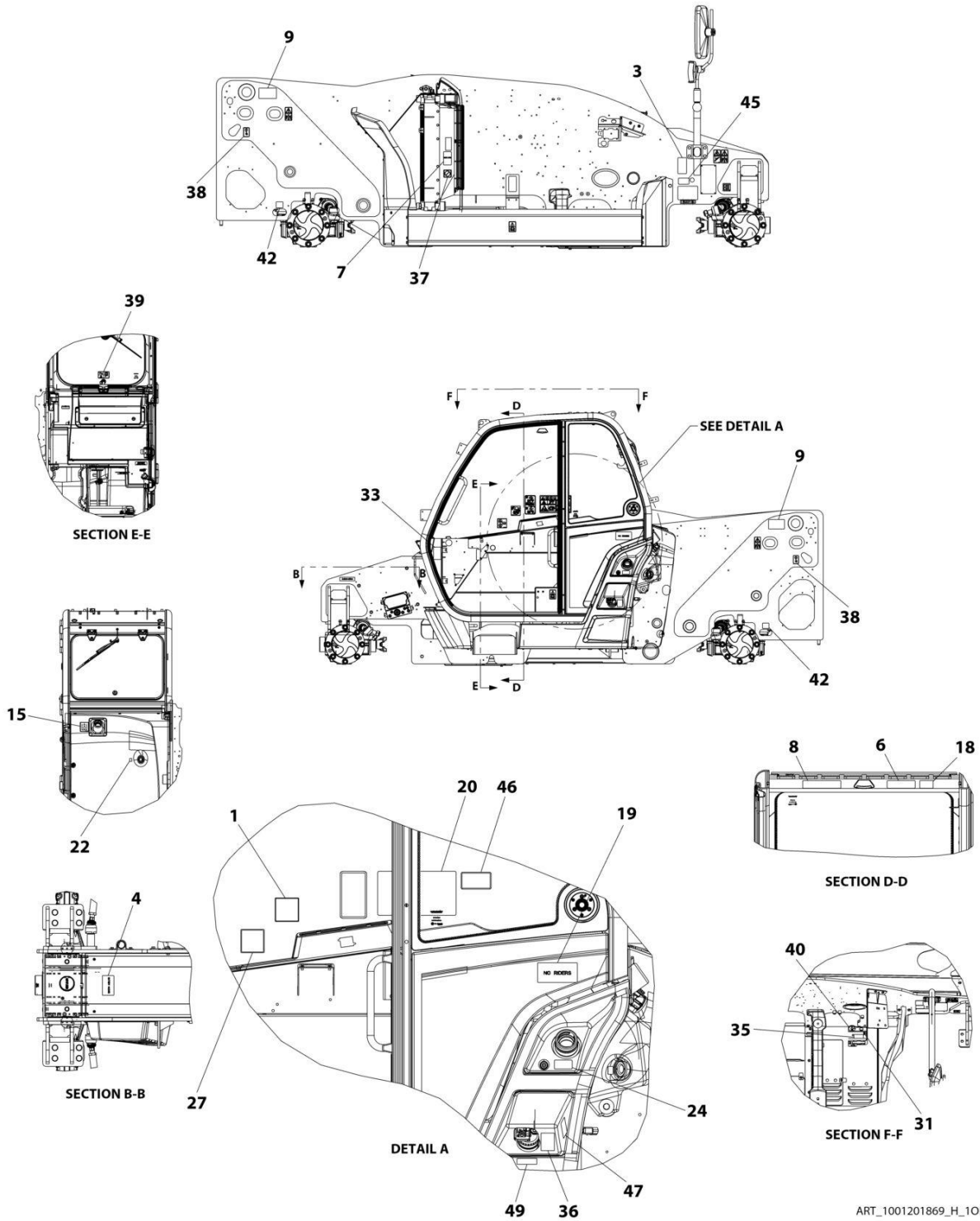
FIGURE 10-71. TRAILER CONNECTOR HARNESS

ITEM	PART NUMBER	QTY	DESCRIPTION	REV
	1001184839	Ref	TRAILER CONNECTOR HARNESS	C
1	1001116995	7	Connector	
2	4460899	1	Connector	
2	4460941	6	Pin	

SECTION 11 - DECALS

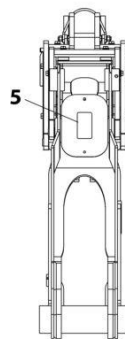
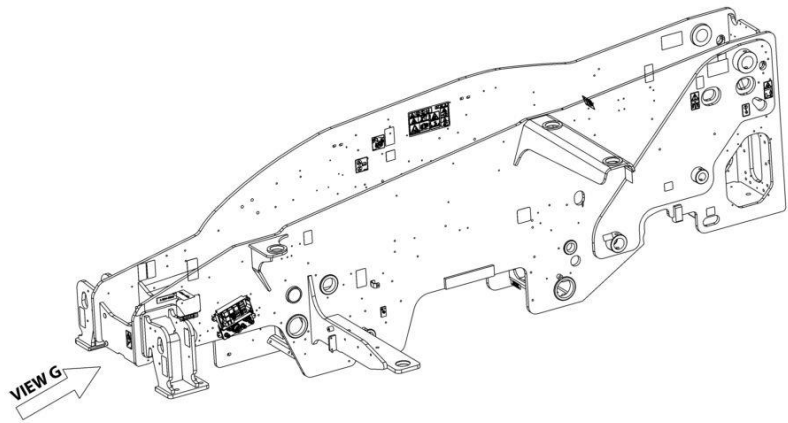
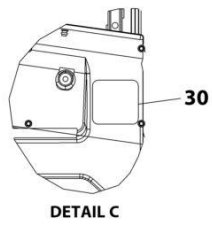
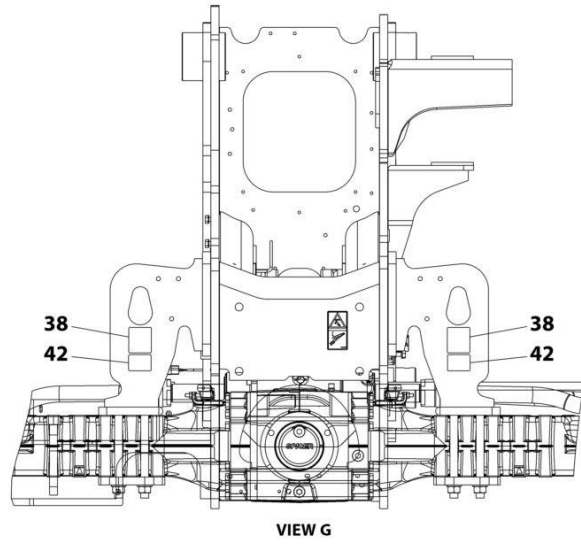
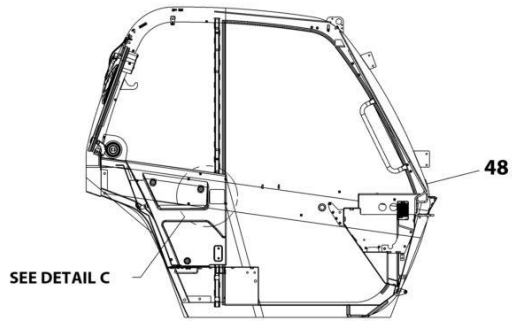
SECTION 11 - DECALS

FIGURE 11-1. DECALS INSTALLATION (ANSI)



ART_1001201869_H_10F2

SECTION 11 - DECALS



ART_1001201869_H_20F2

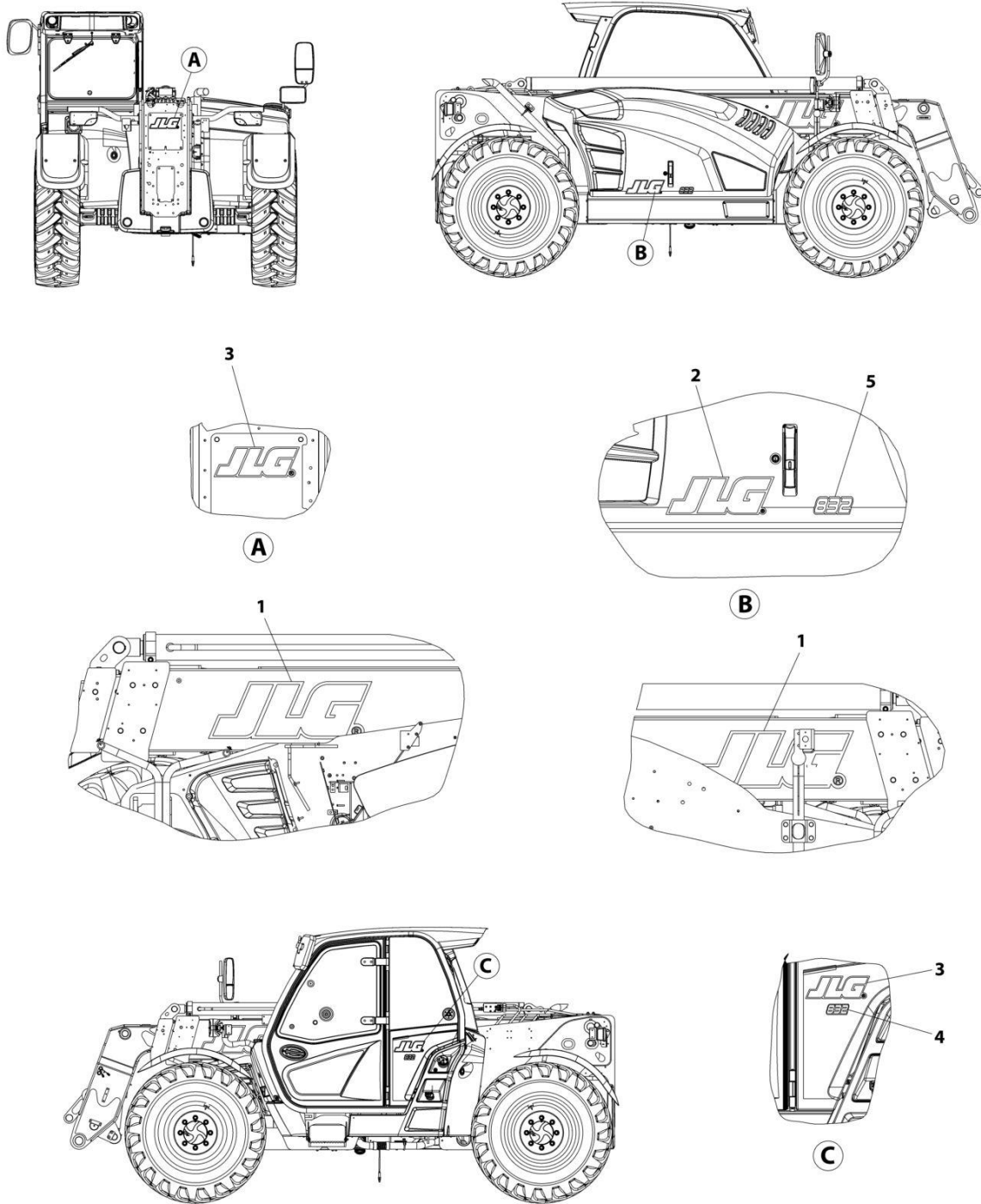
SECTION 11 - DECALS

FIGURE 11-1. DECALS INSTALLATION (ANSI)

ITEM	PART NUMBER	QTY	DESCRIPTION	REV
	1001201869	Ref	Decals Installation (ULS)	H
1	1001227287	1	Decal, Manual Location	
3	1706300	1	Decal, Ether Warning	
4	1706296	1	Decal, Battery Warning (ANSI)	
5	1001102750	1	Decal, No Standing On Forks	
6	1706299	1	Decal, Contacting Power Lines Warning	
7	1706301	1	Decal, Keep Clear Of Rotating Parts Warning	
8	1706306	1	Decal, Tip Over Warning	
9	1706302	2	Decal, Pinch Point Boom Holes	
15	1001094708	1	Decal, Hydraulic Oil	
18	1706850	1	Decal, Crush Hazard Warning	
19	1706768	1	Decal, Vehicle Roll Away	
20	1707078	1	Decal, Warning/Danger	
22	1001130323	1	Decal, Oil Level	
24	1001125387	1	Decal, Ultra Low Sulfur Diesel	
27	1001172035	1	Decal, No Weld or Drill	
30	1001214206	1	Decal, Park Brake	
31	1001184632	1	Decal, Battery Positive	
33	1001191229	1	Decal, Fuse Panel	
35	1001195855	1	Decal, Battery Disconnect	
36	1001196806	1	Decal, Diesel Exhaust Fluid	
37	AU2105	1	Decal, No Karcher	
38	1701500	1	Decal, Lift	
39	8005870	1	Decal, Emergency Exit	
40	1001008540	1	Plate, Battery	
42	4109801	4	Decal, Tie Down Point	
45	1001223453	1	Decal, ICES	
46	1001231801	1	Decal, Warning Prop 65	
47	1001247646	1	Decal, Def Min Refill Volume	
48	1001218659	1	Decal, Brake Fluid Spec	
49	1001219212	1	Decal, Def Fluid Only	

SECTION 11 - DECALS

FIGURE 11-2. DECALS INSTALLATION - JLG



ART_1001258737

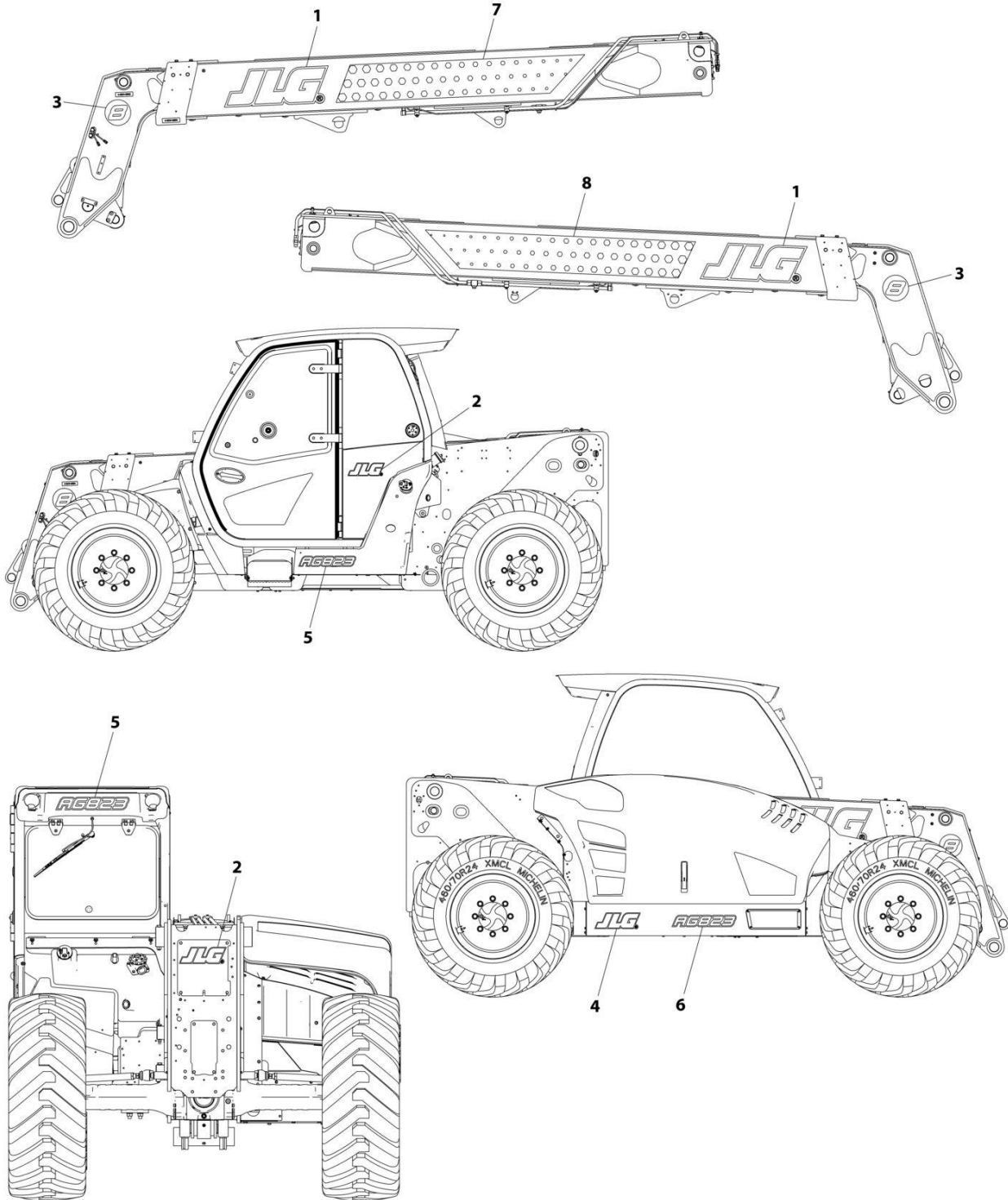
SECTION 11 - DECALS

FIGURE 11-2. DECALS INSTALLATION - JLG

ITEM	PART NUMBER	QTY	DESCRIPTION	REV
	1001258737	Ref	DECALS INSTALLATION	B
1	1001159728	2	Decal, JLG Logo	
2	1001160775	1	Decal, JLG - 5" Black	
3	1001169674	2	Decal, JLG M100X285	
4	1001276753	1	Decal, JLG 832 Cab	
5	1001276754	1	Decal, JLG 832 Hood	

SECTION 11 - DECALS

FIGURE 11-3. DECALS INSTALLATION - JLG AG



ART_1001289379

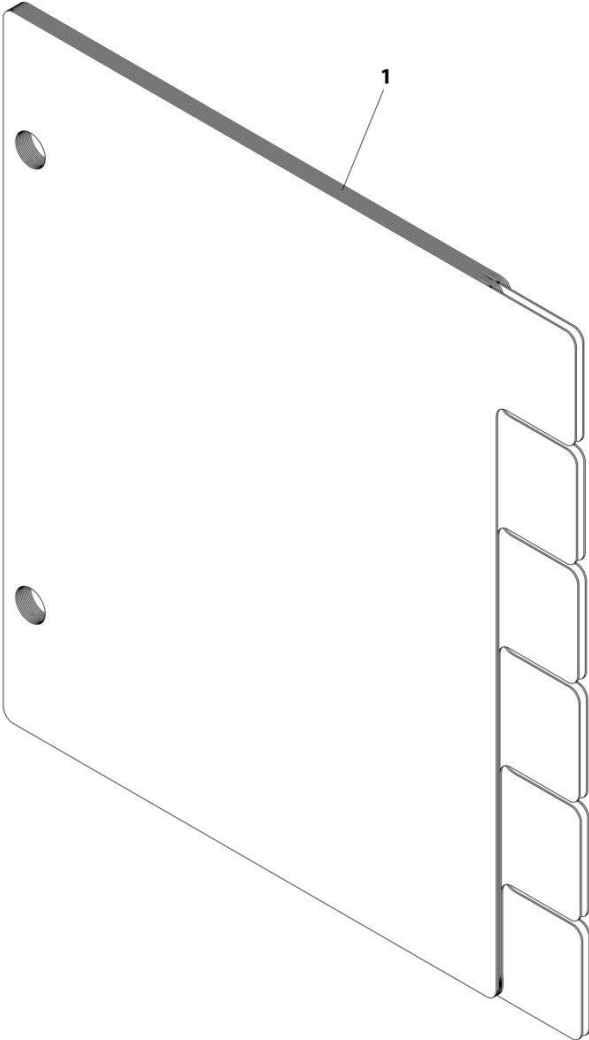
SECTION 11 - DECALS

FIGURE 11-3. DECALS INSTALLATION - JLG AG

ITEM	PART NUMBER	QTY	DESCRIPTION	REV
	1001289379	Ref	DECALS INSTALLATION - JLG AG	A
1	1001159728	2	Decal, JLG Logo	
2	1001169674	2	Decal, JLG M100 x 285	
3	1001279165	2	Decal, Boom Head	
4	1001288631	1	Decal, JLG	
5	1001289380	2	Decal, AG823 18"	
6	1001289381	1	Decal, AG823 20"	
7	1001289382	1	Decal, AG823 Boom - Cab Side	
8	1001289383	1	Decal, AG823 Boom - Eng Side	

SECTION 11 - DECALS

FIGURE 11-4. CAPACITY CHART (ANSI)



ART_1001263702

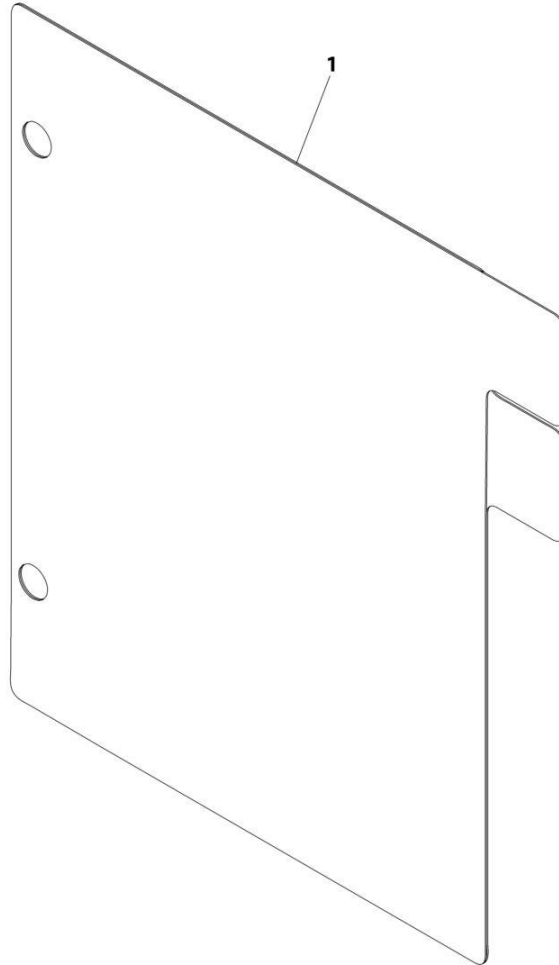
SECTION 11 - DECALS

FIGURE 11-4. CAPACITY CHART (ANSI)

ITEM	PART NUMBER	QTY	DESCRIPTION	REV
1	1001263702	Ref	CAPACITY CHART (ANSI)	

SECTION 11 - DECALS

FIGURE 11-5. CAPACITY CHARTS (CAT COUPLER) (ANSI)



ART_1001296279

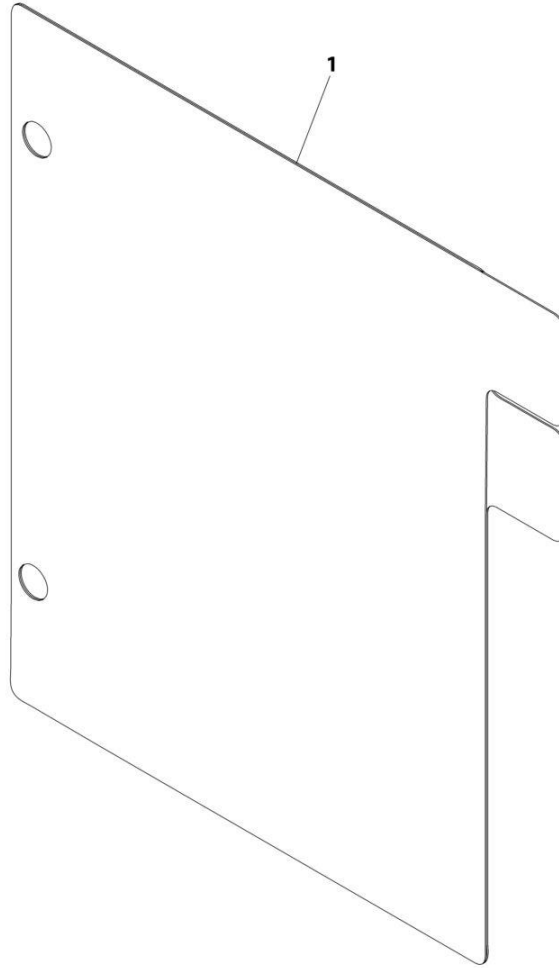
SECTION 11 - DECALS

FIGURE 11-5. CAPACITY CHARTS (CAT COUPLER) (ANSI)

ITEM	PART NUMBER	QTY	DESCRIPTION	REV
1	1001296279	Ref	CAPACITY CHARTS - COMPETITOR COUPLERS	B

SECTION 11 - DECALS

FIGURE 11-6. CAPACITY CHARTS (CAT COUPLER) (METRIC)



ART_1001306293

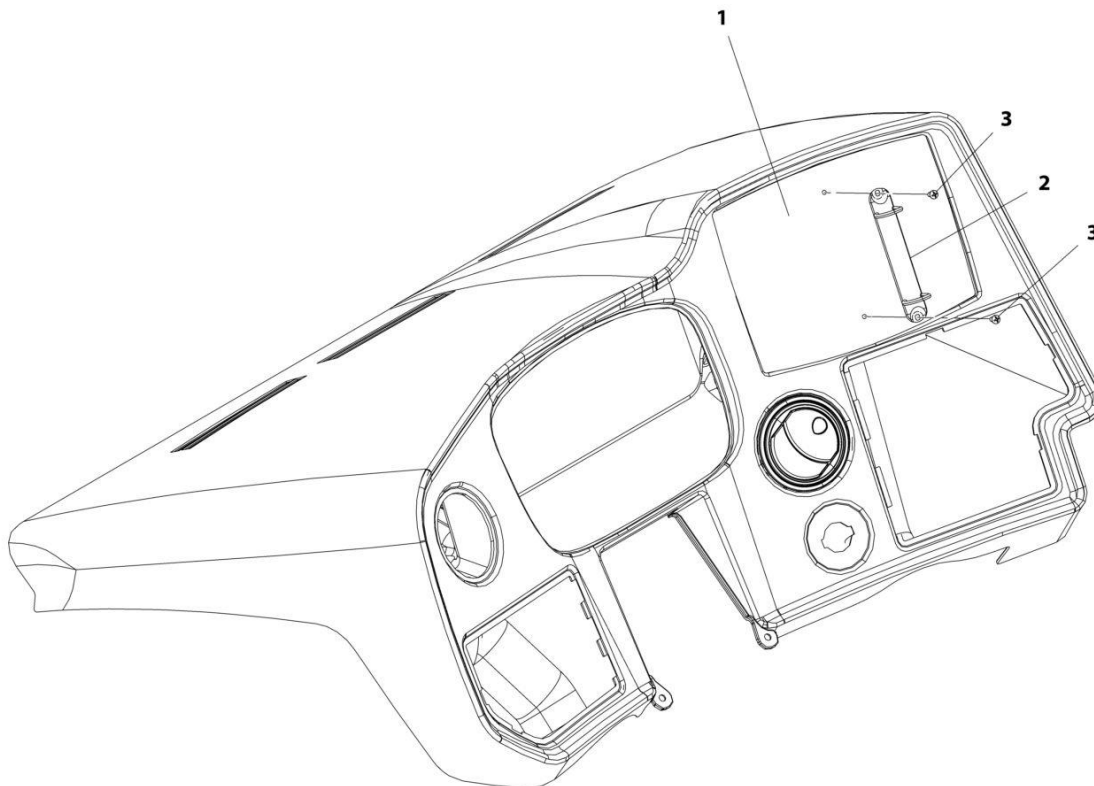
SECTION 11 - DECALS

FIGURE 11-6. CAPACITY CHARTS (CAT COUPLER) (METRIC)

ITEM	PART NUMBER	QTY	DESCRIPTION	REV
1	1001306293	Ref	CAPACITY CHARTS - COMPETITOR COUPLERS	B

SECTION 11 - DECALS

FIGURE 11-7. CAPACITY CHART HOLDER INSTALLATION



ART_1001178706-A

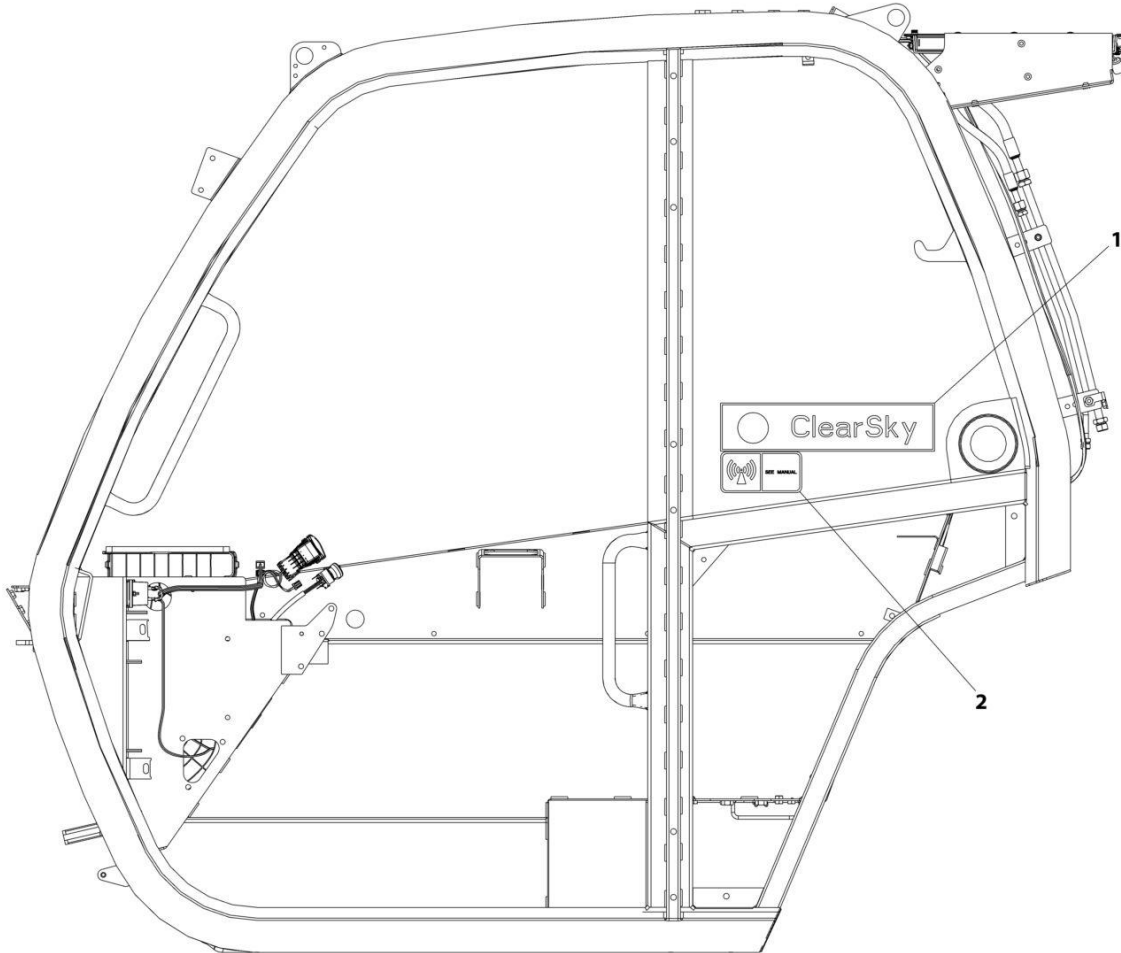
SECTION 11 - DECALS

FIGURE 11-7. CAPACITY CHART HOLDER INSTALLATION

ITEM	PART NUMBER	QTY	DESCRIPTION	REV
	1001178706	Ref	Capacity Chart Holder Installation	A
1	1001179297	1	Load Chart, Bezel	
2	1001005960	1	Holder	
3	7029486	2	Screw	

SECTION 11 - DECALS

FIGURE 11-8. CLEARSKY DECAL INSTALLATION



ART_1001229707

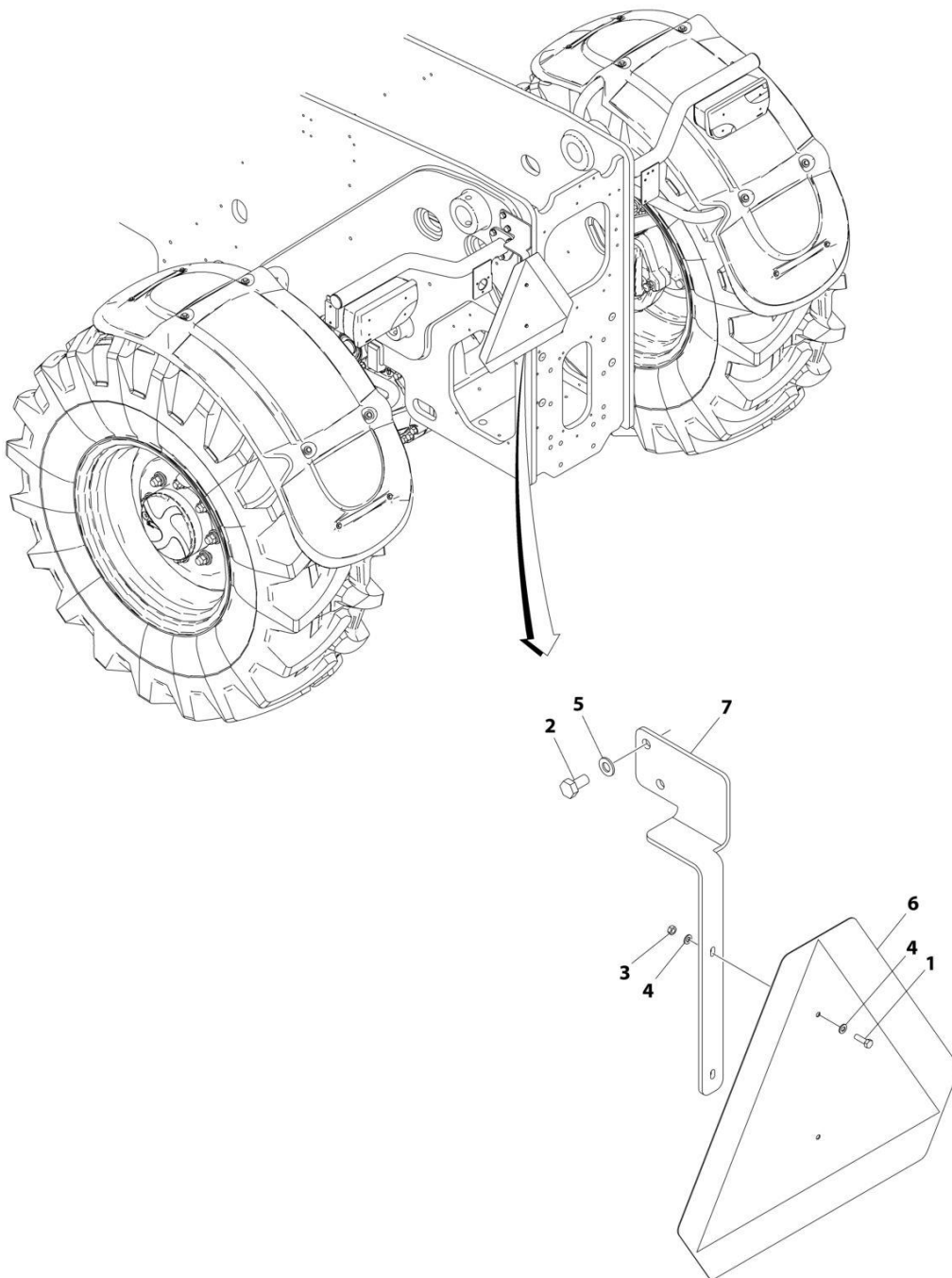
SECTION 11 - DECALS

FIGURE 11-8. CLEARSKY DECAL INSTALLATION

ITEM	PART NUMBER	QTY	DESCRIPTION	REV
	1001229707	Ref	Clearsky Decal Installation	C
1	1001294815	1	Decal - ClearSky	
2	1001120989	1	Radio Frequency Decal	

SECTION 11 - DECALS

FIGURE 11-9. TRIANGLE INSTALLATION - SLOW MOVING VEHICLE



ART_1001273005

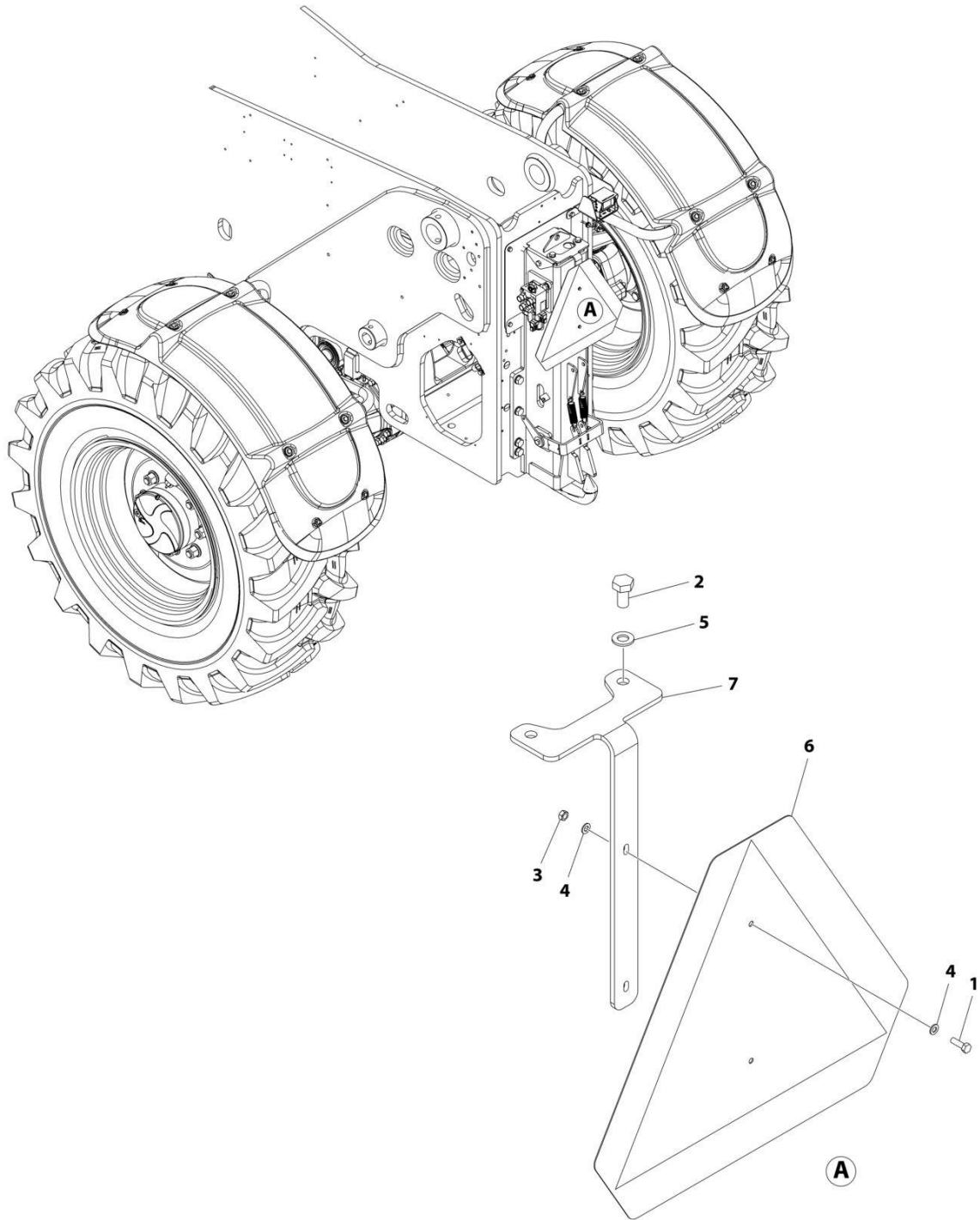
SECTION 11 - DECALS

FIGURE 11-9. TRIANGLE INSTALLATION - SLOW MOVING VEHICLE

ITEM	PART NUMBER	QTY	DESCRIPTION	REV
	1001273005	Ref	TRIANGLE INSTALLATION - SLOW MOVING VEHICLE	A
1	0760508	2	Bolt M5 x 16	
2	0761010	2	Bolt M10 x 20	
3	3290501	2	Nut M5	
4	4811600	4	Washer M5	
5	4812000	2	Washer M10	
6	1001272882	1	Reflector, Red Triangle	
7	1001273004	1	Bracket	

SECTION 11 - DECALS

FIGURE 11-10. TRIANGLE INSTALLATION - SLOW MOVING VEHICLE (WITH HITCH)



ART_1001296155

SECTION 11 - DECALS

FIGURE 11-10. TRIANGLE INSTALLATION - SLOW MOVING VEHICLE (WITH HITCH)

ITEM	PART NUMBER	QTY	DESCRIPTION	REV
	1001296155	Ref	TRIANGLE INSTALLATION - SLOW MOVING VEHICLE (WITH HITCH)	A
1	0760508	2	Bolt M5 x 16	
2	0761010	2	Bolt M10 x 20	
3	3290501	2	Nut M5	
4	4811600	4	Washer M5	
5	4812000	2	Washer M10	
6	1001272882	1	Reflector, Red Triangle	
7	1001296156	1	Bracket	

SECTION 12 - RECOMMENDED SERVICE PARTS STOCK

SECTION 12 - RECOMMENDED SERVICE PARTS STOCK

SECTION 12 - RECOMMENDED SERVICE PARTS STOCK

FIGURE 12-1. RECOMMENDED SERVICE PARTS STOCK

ITEM	PART NUMBER	QTY	DESCRIPTION	REV
		Ref	Note: The following list will service one machine (built to current production per date on the front cover) with emergency repair parts which can be installed in the field. Parts from the list should be replaced when inventory is depleted to keep service parts stock supplied. For further information, contact your JLG dealer or the JLG Industries Parts Department.	
	70024455	1	Coil (Concrete Bucket)	
	70027269	1	Coil (Divertor Valve)	
	70020764	1	Coil (Divertor Valve)	
	70002971	1	Coil (Fan Motor Control)	
	70003788	1	Coil (Fan Motor Control)	
	70026967	1	Coil (Hydraulic Hitch Control)	
	70002386	1	Coil (Priority Flow Manifold)	
	70026582	1	Coil (Steering Select Valve)	
	70028870	1	Coil (Trailer Brake Valve)	
	70025456	1	Coil, Solenoid (Solenoid Valve)	
	1001270467	1	Control, TMH Front Frame Module LBP	
	1001270468	1	Control, TMH Rear Frame Module LBP	
	1001159028	1	Controller, Accelerator Pedal	
	70024859	1	Controller, Backrest Actuator (Seat Assembly Air Suspension - Premium)	
	1001187413	1	Controller, Brake Pedal	
	1001222603	1	Controller, Joystick 3R4B	
	1001242098	1	Controller, Joystick Fingertip Control	
	1001201951	1	Controller, Parking Brake (Mechanical)	
		Ref	Engine (90KW ULS)	
	70004511	12	Filter, Fuel	
	70025153	12	Filter, Fuel Prefilter	
	7016331	12	Filter, Oil	
	70025850	12	Filter, Primary Air	
	70025851	12	Filter, Secondary Air	
		Ref	Engine (100KW ULS)	
	70027417	12	Filter, Fuel	
	70025153	12	Filter, Fuel Prefilter	
	7016331	12	Filter, Oil	
	70025850	12	Filter, Primary Air	
	70025851	12	Filter, Secondary Air	
	1001162662	12	Filter, Breather Hydraulic (Hydraulic Tank)	
	1001162659	12	Filter, Hydraulic (Hydraulic Tank)	
	8229242	2	Fuse, 5A (Electrical & OPT 1 Board, Engine Harness)	
	80983191	2	Fuse, 10A (Electrical, OPT 1 & OPT 2 Board)	
	8229234	2	Fuse, 10A (Cab Harness)	
	8229244	2	Fuse, 15A (OPT 2 Board, Power Distribution Box & Engine Harness)	
	8229247	2	Fuse, 25A (OPT 1 Board, Power Distribution Box & Engine Harness)	
	8229245	2	Fuse, 30A (Electrical Board, Power Distribution Box & Engine Harness)	
	1001205172	2	Fuse, 35A (Engine Harness)	
	70026297	2	Fuse, 80A (Power Distribution Box)	

SECTION 12 - RECOMMENDED SERVICE PARTS STOCK

ITEM	PART NUMBER	QTY	DESCRIPTION	REV
	1001095336	2	Fuse, 150A (Power Distribution Box)	
	70026296	2	Fuse, 200A (Power Distribution Box)	
	1001177597	2	Fuse, Mini Diode 6A (Engine Harness)	
	70022765	1	Key, Ignition	
	2940074	1	Latch (Fork Mounted Platform)	
	1001270466	1	Module, Cab Control	
	1001262322	1	Module, ClearSky Telematics CANBUS	
	70026292	1	Relay, 35Amp (Electrical Board)	
	70026295	1	Relay, 35Amp (Power Distribution Box)	
	70026293	1	Relay, 50Amp (OPT 1 Board)	
	70026294	1	Relay, 70Amp (Power Distribution Box)	
	1001117308	1	Relay, 200Amp (Electrical Relay Installation)	
	4000015	1	Sensor, Angle (Boom Angle Sensor)	
	1001149376	1	Sensor, Coolant Level (Expansion Tank)	
	70025539	1	Sensor, Pad (Upper Seat Assembly)	
	1001160730	1	Sensor, Rear Axle LSI	
	1001189997	1	Sensor, Reverse	
	70026808	1	Sensor, Steering (Rear Axle)	
	1001128478	1	Sensor, Temperature (CAC & Hydraulic Tank)	
	1001269578	1	Sensor, Temperature (Heat & A/C)	
	1001102502	1	Switch, 4 Position Key (Ignition Switch)	
	1001104654	1	Switch, AUX Decomp (Dash Electrical)	
	1001159738	1	Switch, Beacon (Beacon Install)	
	1001159745	1	Switch, Boom Ride (Boom Raise Hoses Install (With Ride Control)	
	1001159739	1	Switch, Boom Worklights	
	4360658	1	Switch, Brake Light (Switch Plate)	
	1001159748	1	Switch, Bucket Mode (Dash Electrical)	
	1001159741	1	Switch, Constant AUX (Dash Electrical)	
	1001202421	1	Switch, Declutch (Declutch Switch Installation)	
	1001192142	1	Switch, Disconnect (Electrical Components)	
	1001163639	1	Switch, Driving Lights (Dash Electrical)	
	1001198932	1	Switch, Engine Speed Set (Engine Speed Set Installation)	
	1001159737	1	Switch, Fog Lights (Dash Electrical)	
	1001189898	1	Switch, Framer/Loader (Dash Electrical)	
	1001159845	1	Switch, Front Worklights (Cab Worklights)	
	1001159734	1	Switch, Hazard (Dash Electrical)	
	70024107	1	Switch, Heater (Premium Air Suspension Seat)	
	1001198836	1	Switch, Hitch (Hitch Installation)	
	1001169268	1	Switch, Horn (Horn Button Installation)	
	1001160326	1	Switch, HVAC On/Off (Heater & AC)	
	1001159925	1	Switch, HVAC Recycle (Heater & AC)	
	1001172547	1	Switch, HVAC Rotary 3 Speed (Heater & AC)	
	1001159742	1	Switch, LSI Override	
	1001200633	1	Switch, Pushbutton (Brake Installation - Trailer)	
	1001080375	1	Switch, Quick Switch (Hydraulic Coupler)	
	1001159735	1	Switch, Rear Wiper (Dash Electrical)	
	1001159846	1	Switch, Rear Worklights (Cab Worklights)	
	1001145204	1	Switch, Reversing Fan (Cooling Package)	
	1001159736	1	Switch, Roof Wiper	
	1001159849	1	Switch, Steer Mode (Dash Electrical)	
	1001214280	1	Switch, Turn-Wiper (Wiper - Turn Switch (0 Speed -FNR) & (No Speed)	

SECTION 12 - RECOMMENDED SERVICE PARTS STOCK

ITEM	PART NUMBER	QTY	DESCRIPTION	REV
	1001174712	1	Switch, USB Charger (Dash Electrical)	
	1001257348	1	Switch, Zero Speed (Wiper - Turn Switch (0 Speed -FNR)	

SECTION 13 - SPECIAL OPTIONS/ACCESSORIES/KITS

SECTION 13 - SPECIAL OPTIONS/ACCESSORIES/KITS

SECTION 13 - SPECIAL OPTIONS/ACCESSORIES/KITS

FIGURE 13-1. SPECIAL OPTIONS/ACCESSORIES/KITS

ITEM	PART NUMBER	QTY	DESCRIPTION	REV
	See Note	Ref	Note: This list is to accommodate machines ordered with special equipment. Options may not be applicable to all models. For more specific parts information contact JLG Parts Department.	
		Ref	MISCELLANEOUS SPECIAL OPTIONS/ACCESSORIES/KITS	
	1001264937	Ref	Boom Assembly Kit	
	1001264916	Ref	Boom Brush Kit	
	1001264918	Ref	Boom Kit	
	1001199382	Ref	Cab Guard Front & Top Kit	
	1001199381	Ref	Cab Guard Front Kit	
	1001199380	Ref	Cab Guard Top Kit	
	1001268341	Ref	Camera (Rear View) Add-on Kit(Dealer Installed)	
	1001264727	Ref	ClearSky Kit	
	70024168	Ref	Coupler Locking Cylinder Seal Kit	
	1001264873	Ref	Filter Kit - Without HVAC (Level 1)	
	1001264874	Ref	Filter Kit - With HVAC (Level 2)	
	1001274892	1	Forward/Reverse Lever Kit - 0 Speed	
	1001265291	Ref	Service Kits	E
	1001293558	Ref	Seat (SEAOP) Kit	
	1001264921	Ref	Wear Pad Kit	

SECTION 13 - SPECIAL OPTIONS/ACCESSORIES/KITS

PART NUMBER INDEX

SECTION 13 - SPECIAL OPTIONS/ACCESSORIES/KITS

0240063.....243	0712040.....363	0761412.....887	1001008593.....291, 357, 809, 811, 813
0240117.....139	0750804.....467	0761619.....261	1001008626.....311, 661
0240118.....143	0760410.....859	0770810.....309, 325	1001008657.....311
0400075.....749	0760507... 109, 111, 317, 809, 811, 813	0770814.....613	1001008665.....195
0498748.....469	0760508.....931, 933	0771212.....101, 103	1001008719.....443, 445
0630576.....27, 325	0760512.....525	0771618.....53	100100872071, 311, 343, 345, 347, 349, 809, 811, 813
0641405.....153	0760605... 303, 469, 609, 615	0860520.....153	1001008742.....513
0641510.....239	0760607... 285, 291, 339, 469	0930003.....171	100100876171, 325, 339, 675, 683
0642032.....201	0760608.... 85, 119, 321, 503, 519, 525, 587, 593, 609, 615, 629, 845, 889	0930004.....161	1001008773.....659
0700408....617, 891, 893	0760610.....867, 881	1001001556.....649	1001008804.....331, 659, 663
0700510.....351	0760612.....27	1001002946.....471	100100880571, 651, 665, 667, 669, 671
0700608.....293	0760614.... 275, 761, 837	1001002947.....471	1001008857.....471
070061023, 27, 325, 329, 335, 355, 503, 621, 803, 871, 873, 875, 877	0760619.....273	1001002953.....471	1001008863.....651, 655, 657
0700612....325, 449, 451, 453, 455, 587	0760805.....883	1001002957.....471	1001008922.....331, 647, 649, 651, 655, 657
070061477, 79, 239, 285, 329, 560, 803, 857	0760807... 655, 657, 663	1001003043.....483	1001008923.....651, 761, 865, 867
0700618.....764	0760808... 109, 111, 113, 115, 273, 275, 489, 589, 809, 811, 813, 837	1001003044.....195	1001008926.....803
0700620.....71	0760810... 25, 27, 29, 31, 33, 35, 37, 39, 71, 75, 97, 283, 285, 291, 293, 335, 339, 491, 529, 537, 543, 545, 555, 560, 577, 581, 589, 609, 631, 651, 661, 671, 681, 809, 811, 813, 871, 891, 893	1001003301.....49	1001008988.....469
0700810.....661	0760812. 47, 91, 93, 103, 309, 311, 321, 325, 329, 339, 345, 347, 449, 451, 453, 455, 471, 631, 655, 657	1001003305 279, 281, 291, 661, 685, 809, 811, 813, 845	1001009038.....85
0700812.....845	0760814.....339	1001003427.....45	1001009062.....81
0700814.....49	0760815... 285, 471, 651	1001003439.....19	1001009105.....195
0700815.....687	0760816... 351, 655, 657	1001003474.....247	100100916349, 333, 393, 395
0700816.....315, 319	0760817.....651	1001003475.....247	1001009207.....71
0700817.....341, 661	0760823.....43, 287	100100359071, 325, 339, 675, 683	1001009375.....809, 811, 813
0700818.....803	0761008.....685	1001003596.....631	1001009384.....311
0700819.....651	0761009.....749, 751	1001003809.....619	1001010240.....331
0700820....331, 577, 579, 581	0761010... 23, 25, 71, 83, 85, 283, 295, 329, 351, 393, 395, 619, 659, 759, 863, 891, 893, 931, 933	1001003934.....311	1001010246.....549, 551
0700821.....325	0761011.....339	1001004143.....311	1001010647.....549, 551
0700823.....339	0761012... 23, 27, 43, 75, 279, 281, 283, 285, 291, 343, 345, 347, 349, 357, 629, 647, 649, 715, 749, 751, 809, 811, 813, 845, 857	1001004617.....195	1001010648.....549, 551
0700824.....629	0761014... 283, 285, 661, 691	1001004618.....195	1001010649.....549, 551
0700826.....293	0761015.....393, 395	1001004619.....195	1001010650.....549, 551
0701011.....661	0761210.....329	1001004620.....195	1001010838.....81
0701012....311, 331, 661, 675	0761214.... 23, 387, 809, 811, 813	1001004640.....629	1001010938.....331
0701014....23, 283, 355, 595, 675	0761215.... 43, 261, 677	1001004642.....195	1001025750.....809, 811, 813, 883
0701015.....857	0761216.....261	1001004646.....629	1001026104....279, 281, 357
0701016....295, 315, 319, 357, 647, 649	0761217.....23	1001004720.....285	1001028291.....19
0701018.....331, 355	0761228.....93	1001004723.....845	1001028308.....19
0701020.....345, 347		1001005038.....515, 517	1001032853.....71
0701021.....647, 649		1001005193.....515	1001033119.....71
0701024.....47		1001005262 665, 667, 669	1001033120.....311
0701029.....213		1001005368.....485	1001047062.....469
0701030.....355		1001005904 647, 665, 667, 669	1001080375.....665, 667, 937
0701214....283, 285, 311		1001005960.....927	1001090150.....99, 103
0701229.... 109, 111, 113, 115		1001005980.....77, 79	1001090343.....483, 513, 571
0701232.... 109, 111, 113, 115		1001005981.....77	1001091126.....19
0701616.....55, 57, 63		1001006730.....549	1001091313.....215
0701617.....67		1001006731.....551	1001091715.....857
0701626.....261		1001006954.....517	1001091716.....857
0701628.....261		1001008436.....79, 81	1001091751.....797
0701630.....91, 261		1001008450.....677	1001092008.....443
0711215.....101		1001008462.....363, 375	1001092009.....445
0711216.....99		1001008469.....621	1001092122.....345, 347
0711217.....101		1001008475.....81	1001092298.....107
0711228.....97		1001008540.....914	
0711616.....71		100100855983, 343, 345, 347, 349, 351, 357, 389, 809, 811, 813, 845, 883, 889	
0711631.....95		1001008573.....345, 347	
0712027.....459		1001008574.....291	
0712030.....375		1001008575.....47	
		1001008580.....329	
		1001008586.....661	

SECTION 13 - SPECIAL OPTIONS/ACCESSORIES/KITS

1001092481 147	1001103533.....215	1001116810.....851	1001126356 825
1001092482 147	1001103640.....671	1001116811817, 826, 833	1001126357 825
1001092771 299	1001104435.....201	1001116812.....770, 773, 816, 817, 818, 825, 826, 833, 851, 899, 901	1001126360 825, 834
1001093171 237	1001104437.....631	1001116815.....773, 820, 828	1001126362 818, 825, 834
1001093277 325	1001104477.....665, 719	1001116950.....816, 819, 825, 827, 833, 852	1001126384 825, 834
1001093401 309, 325	1001104498.....770, 847	1001116983.....828	1001126391 818, 819, 825
1001093826 123, 165, 215, 241	1001104519.....772	1001116984.....770	1001126393 818, 819, 825, 834
1001093827 123, 165, 215, 241	1001104646.....647, 649	1001116985.....770	1001126485 817, 818, 819, 833, 834
1001094555 161, 165, 171, 207, 209, 211, 215	1001104654.....783, 937	1001116986.....770, 772	1001126487 817, 818, 833
1001094556 161, 165, 171, 207, 209, 211, 215	1001104685.....343, 345, 347, 349	1001116991.....770, 773, 789	1001126837 759, 881
1001094708 914	1001104934.....687	1001116995.....770, 847, 852, 909	1001127728 445
1001095301 647, 649, 715	1001104958.....155	1001116996.....848	1001128127 851
1001095336 805, 937	1001105260.....101	1001116997.....772	1001128128 817, 826
1001095401 357	1001105639.....659	1001116998.....770	1001128478, 49, 333, 393, 395, 937
1001095650 449, 451, 453, 455, 505, 507	1001105643.....659	1001116999.....773, 789	1001128972 811
1001095804 783	1001106570.....53	1001117011.....795	1001130198 279, 281, 809, 811, 813
1001095810 153	1001106930.....155	1001117018.....825, 826	1001130323 914
1001096019 149	1001107192.....469	1001117021.....791	1001132564 496
1001096020 149	1001107336.....199	1001117064.....770	1001133690 315, 319
1001096021 151	1001107338.....199, 203, 205	1001117079.....770	1001133714 816, 819, 825, 827, 833
1001096023 151	1001107581.....199	1001117081.....771, 772	1001133715 816, 818, 819, 825, 828, 833
1001096024 149	1001107854.....770, 771, 773, 791, 847, 848, 851	1001117108.....847	1001133793 315, 319
1001096025 151	1001108918.....665, 667, 669	1001117110.....817, 826, 827, 847, 851	1001134274 759
1001096365 471	1001110023.....647, 665, 667, 669, 721	1001117308.....803, 807, 937	1001135245 341
1001096726 105	1001110115.....665	1001118282.....817, 826, 834	1001135250 833
1001096870 97, 105	1001110544.....857	1001118323.....852	1001135650 816, 818, 819, 825, 828
1001096913 857	1001110849.....67, 69	1001118379.....770, 847, 852	1001135651 816, 818, 819, 825, 828
1001097051 781	1001111076.....593	1001118384.....770, 771, 772, 773	1001136999 773
1001097205 237	1001111147.....575, 593	1001118386.....770	1001137000 773
1001097244 503	1001111317.....467, 477	1001118387.....770	1001137512 235
1001097287 165, 171	1001111424.....807	1001118390.....833	1001137548 834
1001097540 27, 591	1001112612.....773, 905	1001118392.....848	1001137578 819
1001097586 483	1001112796.....901, 905	1001118684.....773	1001138116 818
1001098146 109, 111, 113, 115	1001114787.....113, 115, 699	1001119109.....852	1001138645 273, 275, 809, 813, 837
1001098147 109, 111, 113, 115	1001114802.....361	1001119220.....355	1001139034 309, 325
1001098150 496	1001116128.....575, 883	1001119467543, 545	1001139551 571
1001098457, 97, 109, 111, 113, 115	1001116686.....852	1001120501.....661	1001139552 485
1001098629 55, 57, 59	1001116696.....825, 848	1001120989.....929	1001139568 485
1001098630 63, 65	1001116697.....770	1001121021.....761	1001140296 329
1001100442 105	1001116700.....773, 795	1001121127.....685	1001141246 471
1001100845 449, 451	1001116701.....819	1001125117, 99, 101, 103	1001141281 491
1001101041 123, 155, 241, 647, 649, 665, 667, 669, 671	1001116710.....828	1001125387.....914	1001141311 571
1001101042 123, 155, 241, 647, 649, 665, 667, 669, 671	1001116716.....772	1001125466.....309, 325	1001141312 485
1001101063 657	1001116720.....789	1001125677773, 820, 835	1001141313 571
1001101064 655	1001116723.....770, 771, 772	1001126008.....773, 818, 834, 847, 851	1001141596 749
1001101563 389	1001116725.....818, 834	1001126245.....818, 834	1001142285 443
1001102502 855, 937	1001116726.....818, 834	1001126349.....825, 834	1001142286 443
1001102750 914	1001116728.....770, 826, 869	1001126351.....825, 834	1001142287 443
1001103012 770	1001116731.....899	1001126352.....825, 834	1001142288 445
1001103156 759	1001116732.....817, 826, 834	1001126353.....819, 825, 834	1001142289 445
1001103201 156	1001116734.....817, 825, 826, 834		1001142290 445
1001103300 759	1001116735.....825		1001142658 51
1001103530 215	1001116747.....791, 826		1001142659 51
1001103531 155	1001116748.....770		1001143200 487
	1001116753.....769		1001143857 629
	1001116754.....773		
	1001116763.....791		

SECTION 13 - SPECIAL OPTIONS/ACCESSORIES/KITS

1001144147.....781, 817, 826, 833, 899	1001159737..... 783, 937	1001163103..... 101, 103	1001167823.....875
1001144296.....773	1001159738..... 753, 937	1001163387..... 261	1001167937.....475
1001144629J..... 153	1001159739..... 865, 867, 937	1001163639..... 783, 937	1001167958..... 469, 475
1001145204.....307, 937	1001159741..... 783, 937	1001164053..... 389	1001167981..... 463, 496
1001145300.....749, 751	1001159742..... 885, 937	1001164402..... 803, 805	1001168030..... 311
1001145444..... 115, 699	1001159745..... 657, 937	1001164655..... 489	1001168142..... 629
1001145539.....560	1001159748..... 783, 937	1001164726..... 469	1001168151..... 629
100114658871, 279, 281, 329, 341, 665, 667, 669, 761, 764, 809, 811, 813, 845, 865, 867, 883	1001159845..... 871, 873, 875, 877, 937	1001165194..... 819, 834	1001168152..... 463, 465
1001146901.....575	1001159846..... 871, 873, 875, 877, 937	1001165269..... 525, 527	1001168272..... 287
1001146949.....639	1001159849..... 783, 937	1001165270..... 525	1001168327.....560
1001147060.....889	1001159925..... 555, 560, 937	1001165273..... 527	1001168330..... 560
1001147449.....496, 499	1001160326..... 560, 937	1001165275..... 471	1001168331..... 560
1001147657.99, 101, 103	1001160496..... 577	1001165276..... 477	1001168456..... 560
1001147731.99, 101, 103	1001160498..... 769	1001165309..... 851	1001168531..... 537, 795
1001148103..... 101, 103	1001160499..... 847	1001165310..... 852	1001168727..... 329
1001148147..... 101, 103	1001160500..... 851	1001165311..... 847	1001168758..... 27
1001148841..... 818, 834	1001160502..... 769	1001165327..... 527	1001169048..... 95
1001148842..... 818, 834	1001160503..... 577, 581	1001165351..... 513	1001169049..... 95
1001149278.....496, 499	1001160506..... 579	1001165416..... 513	1001169135..... 539
1001149308.....337	1001160509..... 847, 851	1001165455..... 513	1001169146.....291, 809, 811, 813
1001149375.....335, 337	1001160510..... 847, 851	1001165458..... 503, 513	1001169151..... 560, 791
1001149376.....337, 937	1001160730..... 937	1001165637..... 491	1001169216..... 261
1001149923..... 109, 111	1001160775..... 917	1001165789..... 315, 317, 319	1001169268..... 633, 937
1001150611.....851	1001161067..... 501	1001166385..... 593	1001169354..... 625, 627
1001150735.....772	1001161068..... 496	1001166541..... 818	1001169355..... 627
1001150737.....772	1001161078..... 597	1001166543..... 818, 825, 834	1001169367..... 627
1001151257.....661	1001161080..... 597	1001166551..... 819	1001169424..... 261
1001152378.....277	1001161095..... 769, 847, 851	1001166555..... 819	1001169454..... 43
1001152729.....311	1001161097..... 769	1001166556..... 818, 819, 825, 834	1001169603..... 496
1001152915.....467	1001161098..... 769, 851	1001166565..... 295, 297	1001169604..... 496, 499
1001152940.....309, 325	1001161099..... 769, 847, 851	1001166634..... 471, 477	1001169674..... 917, 919
1001152947.....467	1001161100..... 847, 851	1001166701..... 818, 825	1001169751..... 625
1001153748.....689, 733	1001161101..... 847, 851	1001166704..... 819, 834	1001169763..... 633
1001153862.....97, 99	1001161252..... 585	1001166707..... 816, 833	1001169825..... 803
1001153863.....97, 101	1001161253..... 583	1001166715..... 295	1001169880..... 477
1001153864.....97, 103	1001161499..... 463, 605	1001166754..... 459	1001169883..... 479
1001154174.....99, 101	1001161672..... 629	1001166755..... 459	1001169885..... 479
1001154176..... 101, 103	1001161679..... 764, 775	1001166774..... 818, 819, 825, 834	1001169918..... 285
1001154688.....23	1001161770..... 764, 777	1001167004..... 635	1001170106..... 45
1001155228..... 465, 469	1001161771..... 764, 779	1001167015..... 573, 575	1001170113..... 479
1001155410.....97	1001161851..... 499	1001167017..... 891	1001170113J..... 477
1001155441..... 107	1001161855..... 496	1001167212..... 751	1001170114..... 469, 477
1001155446.....459	1001161896..... 629	1001167266..... 563, 565	1001170231..... 609
1001155447..... 463, 491	1001161897..... 629	1001167356..... 355	1001170326..... 523
1001155486.....571	1001161898..... 629	1001167408..... 351	1001170366..... 461, 519
1001155823.....345, 347	1001161957..... 851	1001167528..... 819, 834	1001170504..... 496
1001155958.....97	1001161958..... 847	1001167615..... 819	1001170514..... 501
1001155959.....97	1001161959..... 769	1001167616..... 818, 834	1001170518..... 496
1001155960.....97	1001161963..... 851	1001167620..... 819, 834	1001170519..... 496, 501
1001156265.....629	1001161964..... 847	1001167621..... 819	1001170601J..... 469
1001157890.....852	1001162636..... 109	1001167622..... 819	1001170603..... 465, 487
1001157891.....847	1001162659..... 49, 936	1001167623..... 819	1001170716..... 573
1001158146.....783	1001162662..... 49, 936	1001167624..... 819	1001170718..... 573
1001158596.....529	1001162767..... 49	1001167625..... 819	1001170944..... 471
1001158736C.....537	1001162886..... 769	1001167629..... 819, 834	1001170984..... 113
1001158738C.....543	1001162887..... 769	1001167630..... 818, 819, 834	1001170985..... 111, 115
1001159028.....605, 607, 936	1001162920..... 609	1001167631..... 818, 834	1001170993..... 521
1001159728.....917, 919	1001162922..... 609	1001167633..... 818, 833	1001171000..... 355
1001159734..... 783, 937	1001162953..... 560, 563	1001167635..... 816, 833	1001171037..... 479
1001159735..... 783, 937	1001162974..... 703	1001167773..... 351	1001171390..... 109, 113
1001159736.....571, 937	1001162979..... 629	1001167822..... 871	1001171392..... 113
			1001171393..... 115
			1001171635..... 479
			1001171756..... 525
			1001171767..... 521
			1001171782..... 27

SECTION 13 - SPECIAL OPTIONS/ACCESSORIES/KITS

1001171874 609	1001175749..... 97	1001178749..... 355, 357	1001181784 653
1001172035 914	1001175751..... 97	1001178783..... 793	1001181920 487
1001172088 609	1001175753..... 97	1001178791..... 287	1001181921 487, 895
1001172094 609	1001175754..... 93	1001178826..... 601	1001181927 637
1001172146 47	1001175776..... 895, 897	1001179008..... 599, 601	1001181928 639
1001172147 47	1001175853..... 99	1001179009..... 599, 601	1001181945 651
1001172193 467, 477	1001175898..... 91	1001179041..... 655	1001181946 651
1001172321J 99	1001175903..... 496	1001179054..... 671	1001181951 257, 259, 315
1001172401 463, 493	1001175911..... 101	1001179056..... 667	1001181952 271, 319
1001172402 101	1001176002..... 819, 835	1001179058..... 665	1001182037 257, 259, 303
1001172547 555, 560, 937	1001176004..... 819, 835	1001179059..... 907	1001182039 271, 305
1001172550 555, 560	1001176121..... 519, 523	1001179080..... 563	1001182049 761
1001172553 555, 560	1001176140..... 587	1001179081..... 563	1001182066 651
1001172693 45	1001176257..... 587	1001179130..... 563, 567	1001182111 309
1001172774 581	1001176272..... 487	1001179197..... 751	1001182112 307, 309
1001172886 109, 111, 113, 115	1001176273..... 487	1001179221J 749, 751	1001182123 487
1001172894 644, 689	1001176313..... 691	1001179297..... 927	1001182139 487
1001172900 644, 675	1001176318..... 587	1001179482..... 593	1001182193 309
1001172909 644, 659	1001176323..... 73	1001179483..... 593	1001182210 27
1001173023 644, 653	1001176333..... 769	1001179484..... 505	1001182213 325, 723
1001173257 579	1001176338..... 793	1001179585..... 751	1001182217 809, 811, 813
1001173298 469	1001176407..... 97, 107	1001179586..... 749, 751	1001182218 809, 811, 813
1001173411 772	1001176426..... 97	1001179861..... 307, 335	1001182219 809, 811, 813
1001173418 663	1001176437..... 97	1001179895..... 591	1001182231 675
1001173425 575	1001176439..... 97	1001179898..... 591	1001182235 257, 259, 271, 277
1001173641 465, 467	1001176626..... 487	1001179907..... 273, 275, 837	1001182330 589
1001173771 715, 717	1001176882..... 107	1001179910..... 351, 353	1001182362 115
1001173829 859	1001176942..... 93	1001179937..... 759	1001182450 307
1001173965 496	1001176964..... 41	1001180045..... 513	1001182452 339
1001174295 469, 481	1001176965..... 41, 43	1001180134..... 644, 687	1001182453 339
1001174320 467	1001176966..... 41, 47	1001180196..... 55	1001182529 537, 539
1001174321 471	1001177048..... 623	1001180198..... 63	1001182582 257, 259, 261, 271
1001174328 27	1001177049..... 623	1001180202..... 57	1001182647 259, 271, 395
1001174557 103	1001177050..... 623	1001180206..... 67	1001182650 809, 811, 813
1001174567 619, 621	1001177051..... 623	1001180207..... 53	1001182651 809, 811, 813
1001174652 499	1001177052..... 623	1001180226..... 283	1001182652 809, 811, 813
1001174653 499	1001177053..... 619, 623	1001180227..... 283	1001182654 809, 811, 813
1001174655 499	1001177060..... 47	1001180263..... 579, 581	1001182735 257, 273
1001174712 783, 938	1001177062..... 47	1001180267..... 749	1001182763 71
1001174741 587	1001177082..... 47	1001180328..... 291	1001182793 651
1001174795 289	1001177464..... 585	1001180418..... 631	1001182824 283, 285
1001174800 587	1001177597..... 773, 820, 828, 835, 937	1001180472..... 619	1001182834 496
1001174801 587	1001177638..... 361, 387	1001180529..... 865	1001182839 881
1001174879 387	1001177670..... 97	1001180574J 29	1001182881 303, 305
1001174880 387	1001177851..... 393, 397	1001180593..... 357	1001182885 303, 305
1001174881 387	1001177863..... 257, 259, 271, 677	1001180682..... 793	1001182886 303
1001175019 705, 707	1001177870..... 387	1001180683..... 793	1001182888 305
1001175020 97, 703	1001177870..... 387	1001180809..... 687	1001182929 809, 811, 813, 839
1001175201 287	1001178053..... 859, 861	1001180810..... 687	1001182930 809, 811, 813, 841
1001175225 95	1001178123..... 513	1001180811..... 687	1001182935 341
1001175265 818, 826, 834	1001178159..... 467	1001180850..... 681	1001182949 309, 313
1001175266 847, 851	1001178160..... 467	1001180855..... 681	1001182950 325, 327
1001175309 257	1001178170..... 560	1001181008..... 659	1001182994 321
1001175315 271	1001178439..... 257, 393	1001181016..... 659	
1001175320 321, 323	1001178474..... 43	1001181017..... 663	
1001175325 283	1001178526..... 109	1001181019..... 659	
1001175470 523	1001178527..... 111	1001181161 665, 667, 669, 671	
1001175471 519, 521	1001178622..... 259	1001181170..... 659	
1001175477 469	1001178678..... 465, 483	1001181411..... 485	
1001175553 257, 263	1001178679..... 483, 485	1001181413..... 349	
1001175661 103	1001178680..... 485	1001181455..... 651	
1001175733 897	1001178681..... 485	1001181531..... 855	
1001175746 97	1001178693..... 43	1001181559..... 395, 399	
1001175747 97	1001178706..... 927	1001181726..... 496, 503	
	1001178725..... 355		
	1001178729..... 83		

SECTION 13 - SPECIAL OPTIONS/ACCESSORIES/KITS

1001182995.....321	1001184800..... 339	1001188610..... 557, 569	1001192411..... 341
1001183004.....111	1001184839..... 907, 909	1001188612..... 557, 569	1001192643.....473
1001183076.....307, 331	1001184856..... 97, 761	1001188614..... 557, 569	1001192644.....475
1001183125.....345, 347	1001184955..... 307, 339	1001188618..... 569	1001192646.....469
1001183149.....345, 347	1001184975..... 583	1001188619..... 569	1001192711.....239
1001183274.....55, 57, 63	1001185023J..... 23	1001188720..... 557, 569	1001192720.....239
1001183297.....865, 867, 869	1001185061..... 23	1001188722..... 71	1001192766.....469, 473
1001183347.....273	1001185189..... 271, 281	1001188725..... 557, 569	1001192836..... 83
1001183357.....345, 347	1001185210..... 325	1001188729..... 557, 569	1001192875.....239
1001183460.....91	1001185248..... 57, 61	1001188733..... 557	1001192876.....239
1001183461.....93	1001185282..... 325	1001188817..... 569	1001192877.....239
1001183550.....501	1001185337..... 307, 325	1001188818..... 569	1001192946.....705
1001183580.....651	1001185351..... 644, 685	1001188855..... 355	1001193210.....477
1001183590.....27	1001185375..... 257, 259, 809	1001188856..... 355	1001193421.....691
1001183596.....889	1001185377..... 811	1001189023..... 569	1001193513.....687
1001183597.....507	1001185633..... 589	1001189024..... 569	1001193514.....687
1001183676.....119	1001185809..... 783	1001189025..... 557, 569	1001193515.....687
1001183745.....261	1001185845..... 589	1001189048..... 569	1001193540.....239
1001183831.....295	1001185848..... 589	1001189054..... 569	1001193551.....285
1001183838.....803	1001185864..... 307, 341	1001189099..... 109, 113	1001193729.....239
1001183888.....871	1001185870..... 496	1001189182..... 496	1001193735.....355
1001183890.....871	1001185871..... 331	1001189338..... 751	1001193993.....803
1001183908J.....33	1001185936..... 27	1001189339..... 751	1001194421.....773, 797
1001183909J.....39	1001186170..... 651, 695, 755	1001189475..... 117	1001195004.....621
1001183910J.....39	1001186359..... 71	1001189476..... 117	1001195207.....619
1001183956.....325	1001186370..... 339	1001189480..... 107	1001195210J.....23
1001183958.....339	1001186392..... 71	1001189569..... 857, 859	1001195240J.....23
1001183959.....653	1001186395..... 77	1001189586..... 261	1001195252J.....23
1001183983.....677, 679	1001186439..... 79	1001189877..... 828	1001195254.....621
1001183990.....653	1001186565..... 871, 875	1001189884..... 329	1001195342.....565
1001184041.....207	1001186567..... 871, 875	1001189888..... 711	1001195343.....565
1001184043.....209	1001186574..... 391	1001189898..... 783, 937	1001195345.....565
1001184045.....211	1001186646..... 85	1001189984J..... 27	1001195346.....565
1001184062.....307, 321	1001186693..... 803	1001189997..... 895, 937	1001195385.....565
1001184099.....329	1001186699..... 119	1001190225..... 891	1001195386.....565
1001184120.....307, 329	1001186849..... 307, 333	1001190227..... 895	1001195437.....565
1001184128.....329	1001186895..... 119	1001190396..... 861	1001195438.....565
1001184129.....329	1001186896..... 119	1001190408..... 27	1001195443.....329
1001184280.....569	1001187070..... 841	1001190541..... 391	1001195518.....261
1001184296.....557, 569	1001187076..... 833	1001190542..... 363	1001195559.....249
1001184297.....557, 569	1001187077..... 841	1001190589..... 783	1001195587.....25
1001184403.....567	1001187078..... 833, 899	1001190921..... 820, 835	1001195741.....687
1001184404.....567	1001187080..... 833	1001191091..... 481	1001195742.....687
1001184406.....567	1001187081..... 899	1001191229..... 914	1001195829.....21, 23
1001184422.....695, 755, 757	1001187276..... 307, 311	1001191281..... 503, 505	1001195855.....914
1001184423.....119	1001187277..... 311	1001191282..... 505	1001195878.....467
1001184427.....569	1001187355..... 675	1001191283..... 503, 507	1001196002.....681
1001184439.....469	1001187413..... 609, 611, 936	1001191284..... 503, 509	1001196076.....543
1001184445.....339	1001187712..... 311	1001191310..... 507	1001196268.....651
1001184473.....772, 789	1001187717..... 27	1001191311..... 509	1001196442.....651
1001184479.....772, 789	1001187851..... 759	1001191312..... 509	1001196531.....461, 463
1001184482.....653	1001187852..... 759	1001191313..... 509	1001196587.....273
1001184503.....811, 825	1001187853..... 759	1001191370..... 503	1001196661.....685
1001184507.....119	1001188204..... 261	1001191508..... 309, 325	1001196723.....681
1001184517.....661	1001188262..... 463, 609	1001191521..... 47, 49	1001196751.....197
1001184518.....661	1001188407..... 335	1001191533..... 49	1001196787.....685
1001184524.....23	1001188413..... 71	1001191621..... 91, 97	1001196806.....914
1001184530.....691	1001188548..... 647, 649	1001191635..... 75	1001196876J.....23
1001184531.....644, 691	1001188590..... 555, 560	1001191808..... 27	1001197065.....111, 115
1001184551.....826	1001188592..... 569	1001191959..... 509	1001197090.....647
1001184609.....323, 339	1001188594..... 557, 569	1001192124..... 45	1001197093.....649
1001184610.....113, 115	1001188602..... 557, 569	1001192125..... 43, 45	1001197130.....363, 375
1001184632.....914	1001188603..... 557, 569	1001192142..... 803, 937	1001197135.....23
1001184710.....283	1001188604..... 557, 569	1001192240..... 505	1001197139.....609, 613
		1001192309..... 469	1001197212.....97, 651
		1001192392..... 45	1001197259.....597
		1001192401..... 905	1001197266.....23

SECTION 13 - SPECIAL OPTIONS/ACCESSORIES/KITS

1001197275 51	1001201885..... 797	1001204128..... 125	1001211907 496
1001197281 651	1001201929..... 285	1001204129..... 127	1001212011 481
1001197300 651	1001201930..... 285	1001204130..... 129	1001212047 599
1001197301 651	1001201933..... 285	1001204131..... 131	1001212049 599
1001197302 651	1001201943..... 685	1001204132..... 133	1001212369 491
1001197303 651	1001201951..... 619, 936	1001204133..... 135	1001212468 503
1001197360 43	1001202086..... 461	1001204134..... 137	1001212590 443
1001197430 325	1001202120..... 321	1001204301..... 351	1001212591 443
1001197479 109, 111, 113, 115	1001202135..... 691	1001204302..... 351	1001212598 445
1001197500 651	1001202177..... 671	1001204373..... 351	1001212599 445
1001197598 219	1001202249..... 331	1001204374..... 71	1001212906 295
1001197638 333	1001202288..... 895	1001204375..... 71	1001212948 329
1001197639 843	1001202293..... 891	1001204420..... 647, 649, 715	1001212949 329
1001197641 333	1001202316..... 119	1001204421..... 647, 649	1001212956 345, 347
1001197653 333	1001202328..... 331	1001204427..... 647, 649	1001213006 277
1001197654 333	1001202329..... 331	1001204428..... 647, 649	1001213020 651
1001197719 828	1001202376..... 331	1001204437..... 647, 649	1001213031 663
1001197821 257, 259, 279	1001202421..... 801, 937	1001204518..... 71	1001213331 471
1001197945 159	1001202430..... 801	1001204528..... 873	1001213748 715
1001198331 655, 657	1001202445..... 331	1001204528..... 873	1001213752 881
1001198355 239	1001202473..... 345, 347	1001204530..... 873	1001213771 647, 649
1001198836 71, 937	1001202474..... 345, 347	1001204535..... 117	1001213772 647, 649
1001198924 595	1001202476..... 345	1001204709..... 601	1001213791 469
1001198932 843, 937	1001202477..... 345, 347	1001204731..... 661	1001213829 649
1001198958 595	1001202478..... 345, 347	1001204841..... 279, 281	1001213871 647
1001199299 761	1001202480..... 345, 347	1001204842..... 281	1001213883 651
1001199380 940	1001202519..... 903	1001205041..... 279, 281	1001213988 764
1001199381 940	1001202617..... 903	1001205061..... 609, 615	1001214036J 37
1001199382 940	1001202643..... 341	1001205080..... 25	1001214092 491
1001199403 311	1001202653..... 331	1001205172..... 820, 835, 936	1001214206 914
1001199670 293	1001202654..... 331	1001205514..... 545	1001214280 637, 639, 937
1001199935 879, 883	1001202772..... 349	1001205532..... 469, 471	1001214281 764
1001200206 899	1001202921..... 345, 347, 349	1001205551..... 329	1001214399 649
1001200218 665, 667	1001202922..... 311	1001205648..... 537	1001214401 881
1001200538 873	1001202922..... 311	1001205782..... 545	1001214492 37
1001200539 877	1001203005..... 343, 349	1001206120..... 273	1001214572 73
1001200633 661, 937	1001203009..... 329	1001206173..... 123	1001214686 769
1001200688 753	1001203012..... 341	1001206557..... 71	1001214687 769
1001200694 583	1001203014..... 331	1001206558..... 71	1001214868 119
1001200696 99	1001203015..... 809, 811, 813	1001206669..... 247	1001214881 119
1001200815 679, 713	1001203025..... 311	1001206671..... 241	1001214882 119
1001200908 339	1001203027..... 329	1001207486..... 291	1001215022 333
1001200968 575	1001203028..... 329	1001207522..... 663	1001215023 333
1001201027 461, 525	1001203039..... 331	1001207523..... 663	1001215024 333
1001201070 773	1001203173..... 331	1001207525..... 681	1001215319 289
1001201161 463	1001203178..... 311	1001207594..... 879, 881	1001215531 471
1001201162 463, 903	1001203291..... 39	1001207963..... 583	1001215804 515
1001201205 669	1001203313..... 97, 705	1001208035..... 657	1001215988 167
1001201207 585	1001203374..... 33	1001208037..... 749, 751	1001215990 173
1001201245 655	1001203386..... 29	1001208308..... 496	1001215992 177
1001201296 349	1001203402..... 35	1001208518..... 463, 855	1001215994 181
1001201331 513	1001203406..... 31	1001209097..... 817, 833	1001215996 185
1001201336 555	1001203408J..... 35	1001209463..... 593	1001216001 163
1001201338 560	1001203410..... 31	1001209899..... 487	1001216003 231
1001201340 463, 785	1001203503..... 239	1001210022..... 283, 285	1001216163 647, 649
1001201499 615	1001203640..... 873, 877	1001210417..... 389	1001216232 647, 649
1001201500 617	1001203825..... 357	1001210431..... 389	1001216813 295
1001201501 615, 617	1001203826..... 357	1001210432..... 389	1001216854 279, 281
1001201504J 27	1001203882..... 809, 811, 813	1001210628..... 463, 515	1001216855 279, 281
1001201520 463, 513	1001203922..... 655, 657	1001210961..... 867	1001216867 339
1001201766 285	1001204060..... 877	1001210962..... 867	1001216923J 27
1001201805J 23	1001204066..... 471	1001211357..... 793	1001216974 529, 537, 545
1001201811 283, 285	1001204115..... 471	1001211452..... 657	1001217179 749
1001201823 283, 285	1001204120..... 471	1001211556..... 265	1001217333 329
1001201869 914	1001204124..... 695, 755	1001211693..... 764	1001217550 19
		1001211897 233	

SECTION 13 - SPECIAL OPTIONS/ACCESSORIES/KITS

1001217623.....753	1001227229.....101	1001242098.....647, 649, 936	1001258342.....575
1001218495.....761	1001227287.....914	1001242218.....103	1001258627.....644
1001218542.....555, 560	1001227357.....489	1001242650.....857	1001258737.....917
1001218659.....914	1001227653.....389	1001243343.....575	1001259144.....203
1001218856.....463, 511	1001227802.....469	1001243433.....447, 449	1001259146.....205
1001218996.....555, 560	1001227974.....685	1001243434.....449	1001260972.....343
1001219076.....496	1001228929.....311	1001243435.....447, 451	1001260974.....347
1001219182.....393, 395	1001228930.....311	1001243436.....451	1001261091.....681
1001219212.....914	1001228931.....311	1001244192.....873, 877	1001261092.....681
1001219220.....487	1001228989.....867, 873, 877	1001244193.....873, 877	1001262322.....799, 937
1001219810.....325	1001229063.....311	1001244593.....857	1001262326.....799
1001219865.....583	1001229068.....311	1001244594.....857	1001263039.....657, 731
1001220540.....459	1001229084.....657	1001247646.....914	1001263702.....921
1001220639.....683, 729	1001229087.....629	1001247708.....657	1001263830.....295
1001221020.....681	1001229093.....331	1001247948.....834	1001264727.....940
1001221027.....681	1001229223.....655, 657	1001247955.....834	1001264844.....770
1001221057.....569	1001229314.....657	1001247969.....834	1001264861.....770
1001221058.....569	1001229319.....467	1001248161.....447	1001264873.....940
1001221059.....555, 560	1001229534.....463, 629	1001248416.....857	1001264874.....940
1001221255.....621	1001229543.....469	1001248760.....453, 455	1001264916.....940
1001221259.....560	1001229596.....657	1001248891.....845, 847	1001264918.....940
1001221295.....555	1001229707.....929	1001248893.....845	1001264921.....940
1001221318.....881	1001230163.....481	1001248899.....857	1001264937.....940
1001221319.....881	1001230194.....661, 735	1001248901.....857	1001264976.....787
1001221659.....655, 657	1001230411.....339	1001248902.....857	1001265061.....331
1001221660.....655	1001230435.....463, 489	1001250416.....447, 453	1001265218.....217
1001221665.....655, 657	1001230622.....751	1001250417.....447, 455	1001265291.....940
1001221952.....659	1001231388.....295	1001250420.....455	1001265358.....764, 781
1001221953.....659	1001231389.....295	1001250421.....453	1001265375.....891
1001222187.....283, 285	1001231390.....295	1001254185.....799, 901	1001265395.....75
1001222188.....45	1001231397.....769	1001254357.....345, 347	1001265815.....683
1001222190.....45	1001231398.....797	1001256274.....285	1001266488.....543
1001222573.....309, 325	1001231399.....769	1001256335.....89	1001267963.....673, 709
1001222603.....635, 936	1001231400.....769, 797	1001256336.....89, 91	1001267977.....115, 699, 701
1001222741.....471	1001231404.....769, 797	1001256337.....89, 93	1001268341.....940
1001223265.....583	1001231406.....797	1001256338.....89, 95	1001268384.....799
1001223453.....914	1001231731.....299	1001256360.....361	1001268553.....799, 899
1001223455.....771	1001231732.....301	1001256366.....361, 363	1001268744.....543, 797
1001223968.....855	1001231750.....301	1001256367.....361, 375	1001268828.....555, 557
1001224143.....685	1001231801.....914	1001256369.....857	1001268829.....787
1001224144.....685	1001232651.....661	1001256381.....345, 347	1001268830.....787, 789
1001224447.....685	1001233174.....893	1001256382.....345, 347	1001268832.....560, 569
1001224476.....687	1001233217.....893	1001256383.....345, 347	1001268846.....583
1001225177.....467	1001233434.....893	1001256384.....345, 347	1001268851.....845, 851
1001225213.....285	1001235451.....661	1001256410.....293	1001268889.....279, 311, 331, 343, 349
1001225382.....863	1001236402.....637	1001256433.....19	1001269021.....644, 683
1001225386.....863	1001236404.....635	1001256434.....19	1001269248.....609
1001225414.....887	1001236622.....770	1001256563.....285, 293	1001269407.....644, 681
1001225423.....687	1001237054.....663	1001256644.....279	1001269410.....661
1001225430.....265	1001238460.....53	1001256834.....809, 816	1001269411.....681
1001225432.....263, 265	1001238470.....345, 347	1001257142.....257, 259, 271, 295	1001269555.....557, 569
1001225619.....83	1001238560.....153, 239	1001257263.....223	1001269556.....557, 569
1001225658.....863	1001238565.....147, 149, 151, 153	1001257265.....225	1001269558.....557, 569
1001226096.....333	1001238566.....239	1001257317.....221	1001269559.....557, 569
1001226101.....647, 649	1001238570.....239	1001257318.....229	1001269560.....557, 569
1001226481.....801	1001238653.....147	1001257327.....227	1001269561.....557, 569
1001226636.....899	1001238654.....151	1001257330.....629	1001269563.....557, 569
1001226637.....899	1001238655.....149	1001257348.....637, 938	1001269564.....557, 569
1001226722.....71, 725	1001239878.....291	1001257413.....25	1001269578.....569, 937
1001226776.....647, 649	1001239879.....291	1001257414.....21, 25	1001269579.....569
1001226777.....647, 649	1001241308.....473	1001257415.....21	1001269627.....75
1001226778.....647, 649	1001241674.....53, 55, 57, 63, 67	1001257425.....879	1001269628.....75
1001226779.....647, 649	1001241883.....675, 727	1001257426.....879, 885	1001269720.....661
1001227090.....355	1001241950.....635	1001258244.....553	1001269721.....661
1001227186.....467		1001258245.....553	1001269722.....661

SECTION 13 - SPECIAL OPTIONS/ACCESSORIES/KITS

1001269723	661	1001289381.....	919	1706302.....	239, 914	2172208	671
1001269724	661	1001289382.....	919	1706306.....	914	2220221	675
1001270117	523	1001289383.....	919	1706768.....	914	2220239	49
1001270167	363, 370	1001289479.....	893	1706850.....	914	2220240	49
1001270170	375, 383	1001289562.....	289	1706892.....	147	2220881	729
1001270180	764	1001289563.....	287, 289	1707078.....	914	2220883	697, 711
1001270466	764, 937	1001290109.....	169	1784861.....	117	2220885	697, 701
1001270467	803, 936	1001290111.....	175	2080040.....	153	2220886	729
1001270468	803, 936	1001290113.....	179	2080078.....	485	2221257	349
1001270599	651	1001290115.....	183	2080086.....	467	2400060	899
1001270857	655, 657	1001290122.....	187	2080087.....	467	2400600	370, 383
1001270976	555, 560	1001290440.....	193	2080092.....	27, 519	2401043	371, 384
1001271129	655, 657	1001290441.....	191	2110406.....	661, 665, 667	2401258	371, 384
1001271338	25	1001290442.....	189	2110410.....	665, 667	2401736	371
1001271363	463, 764	1001290666.....	887	2110604.....	715	24921332.....	283, 285
1001271803	785, 787	1001291182.....	903, 905	2110606.....	661, 675	2600281	153
1001272548	253	1001292201.....	813, 833	2110608.....	325	2902440	139, 141
1001272882	931, 933	1001292995.....	245	2110610.....	71, 679	2902441	143, 145
1001273004	931	1001292996.....	251	2110806.....	71, 675	2902443	818, 826, 834
1001273005	931	1001293066.....	265	2110808.....	651, 653, 661,	2903197	372
1001273635	867	1001293131.....	271, 813	687, 689		2920206	865, 871, 875
1001273847	25	1001293558.....	940	2110810.....	339, 657, 661,	2940074	153, 937
1001274533	789	1001293727.....	661	665, 667, 669		2960243	371, 384
1001274534	789	1001293903.....	833, 835	2110812.....	661	3020040	97
1001274535	789	1001294203.....	285, 287	2111010.....	647, 675, 679	31010978.....	269
1001274536	789	1001294204.....	285, 291	2111012.....	715	31020305.....	269
1001274537	789	1001294205.....	345	2111212.....	651	31020740.....	269
1001274538	789	1001294206.....	347	2111612.....	675	31022030.....	269
1001274539	789	1001294608.....	893	2111616.....	331, 683	31022047.....	269
1001274540	789	1001294690.....	813	2112016.....	331	31023448.....	269
1001274541	789	1001294815.....	929	2130404.....	629	31200160.....	147
1001274543	789	1001296155.....	933	2130604.....	71, 679	31200386.....	149
1001274544	789	1001296156.....	933	2130606.....	325, 675, 683	31200387.....	151
1001274553	789	1001296279.....	923	2130608.....	325	31200388.....	151
1001274892	940	1001298301.....	283	2130610.....	341	314689	97
1001274914	673, 697	1001299940.....	893	2130808.....	629	3290305	857
1001275933	553	1001300078.....	893	2130810.....	309, 339	3290401	503, 785, 859,
1001276011	651	1001301486.....	764, 769	2131010.....	339, 655	891, 893	
1001276694	97, 711	1001302410.....	893	2131012.....	657	3290405	473, 759
1001276753	917	1001306293.....	925	2131212.....	331, 655, 657	3290501	764, 809, 813,
1001276754	917	1001310831.....	663	2132016.....	675	895, 907, 931, 933	
1001277385	673	1060379	153	2144602.....	661	3290505	351, 809, 811,
1001277894	651	1062255	279, 281, 291,	2144605.....	659	813	
1001278028	759	311, 329, 331, 351,		2144606.....	315, 319	3290601	119, 239, 321,
1001279165	919	357, 647, 649, 655,		2150404.....	683	325, 503, 560, 587,	
1001280471	529, 531	657, 661, 665, 667,		2150606.....	71, 683	609, 759, 764, 857,	
1001281613	537, 541	681, 685, 799, 809,		2150808.....	689	871, 875, 889	
1001283175	503	811, 813		2150810.....	339	3290605	27, 355, 449,
1001283711	809, 811,	10732931	727	2151012.....	71	451, 453, 455, 496,	
813		10837926	727	2151210.....	393, 395	503, 509, 759	
1001284540	259, 265	10837928	727	2160016.....	91, 93, 97, 103,	3290801	321, 331, 469,
1001284544	343, 349	10837929	727	109, 111, 113, 115, 389		605	
1001284581	343, 349	10837937	727	2160018.....	99	3290805	25, 285, 311,
1001285715	783	1170002	213	2170116.....	331	315, 319, 351, 393,	
1001286009	259, 271,	120034	764	2170208.....	629	395, 613, 631, 665,	
275, 837		1320239	311	2170212.....	331	809, 811, 813	
1001286598	275, 837	1670836	653	2170406.....	71	3290806	485
1001288070	543, 545,	1671326	575	2170706.....	661, 679	3291001	25, 277, 295,
547		1701500	914	2170708.....	661	331, 343, 345, 347,	
1001288098	543	1701509	153	2170908.....	651	349, 355, 623, 661, 857	
1001288376	283	1702773	147, 149, 151	2171008.....	651	3291005	213, 355, 595
1001288631	919	1704277	153	2171110.....	649	3291007	283
1001288945	269, 271	1704885	147, 149, 151	2171208.....	687	3291201	329
1001289105	883	1706296	914	2171310.....	649	3291205	93, 97, 99, 109,
1001289296	883	1706299	914	2171832.....	691	111, 113, 115	
1001289379	919	1706300	914	2172104.....	661	3291605	91, 95, 261
1001289380	919	1706301	914	2172106.....	71, 311	3300220	807

SECTION 13 - SPECIAL OPTIONS/ACCESSORIES/KITS

3300240.....201	4460234 351, 799	4460944 ... 769, 770, 773,	319, 321, 329, 331,
3300479.....361	4460247 816, 827, 833	816, 817, 818, 819,	339, 341, 345, 347,
3311405.....153	4460256 817	825, 826, 833, 851,	351, 393, 395, 469,
3311502.....239	4460265 769	852, 901	471, 489, 491, 529,
3321001.....807	4460267 769	4460945 ... 773, 819, 828,	537, 543, 545, 560,
3332011.....363, 459	4460268 769	835	577, 579, 581, 589,
3391408.....619	4460343 769	4460950 817, 826, 833	605, 609, 629, 631,
3391410.....239	4460434 769	4460970 ... 817, 826, 833,	651, 655, 657, 661,
3421453.....153	4460458 ... 770, 818, 834,	847, 851	663, 681, 687, 803,
3423275.....201	869	4460984 773	809, 811, 813, 837,
3520028.....621	4460464 ... 757, 770, 773,	4460994 772, 773	845, 871, 883, 891, 893
3520072.....153	791, 797, 817, 826,	4461006 ... 816, 818, 828,	4811902.....27, 103, 321,
3520198.....153	833, 841, 847, 851,	833	331, 335, 449, 451,
3740080.....797	869, 897, 899, 905	4461008 818, 863	453, 455, 555, 560,
3760170.....153	4460465 ... 757, 769, 770,	4461015 781, 852	587, 589, 661, 809,
3760348.....609	771, 773, 781, 795,	4461017 839	811, 813
3760493.....97	816, 817, 818, 819,	4461018 816, 827, 833	4812000....23, 25, 27, 43,
3790013.....661	825, 826, 827, 833,	4461054 ... 818, 825, 834,	47, 71, 75, 83, 85, 277,
3820020.....153	834, 847, 848, 851,	848	279, 281, 283, 285,
3900224.....23	852, 899, 901, 905	4461070 773, 819, 835	291, 295, 311, 315,
3900349.....803	4460466 ... 781, 816, 817,	4461071 818, 826, 834	319, 325, 329, 339,
3900357 273, 275, 809,	818, 819, 825, 826,	4461072 826	341, 343, 345, 347,
813, 837	827, 828, 835, 847,	4461073 826	349, 351, 355, 357,
3900379.....27, 591	848, 851, 852, 863,	4461074 826	393, 395, 595, 619,
3900381 809, 811, 813	869, 899, 901, 905	4461095 773, 816, 833	623, 629, 647, 649,
3968141 370, 383	4460496 764	4461115 770, 869	659, 661, 675, 685,
3983720 371, 384	4460497 764	4461118 ... 770, 791, 828,	759, 809, 811, 813,
3983731 371, 384	4460508 ... 817, 826, 833,	847, 848, 851	845, 857, 863, 867,
3984425.....372, 384	839	4461170 907	891, 893, 931, 933
3986405.....371	4460509 ... 816, 827, 833,	4461174 511	4812002....283, 285, 295,
3986610.....539	851	4461262 771, 773, 847	309, 311, 325, 331,
3986643.....539	4460536 797, 841, 863	4641237 683	691, 715, 749, 751
4000015.....937	4460539 ... 770, 773, 816,	4711400 153	4812100..23, 43, 93, 261,
4010310.....857	817, 818, 825, 826,	471678 291, 525	283, 285, 311, 329,
4010508002.....496	833, 834, 847, 852	4740532 677	387, 809, 811, 813
4010510.....635	4460608 817, 833	4740572 321, 339	4812102.....117
4010608.....759	4460670 899	4761000 807	4812200.....887
4010608002....469, 496,	4460742 851	4807718 485	4812300....55, 57, 63, 67,
583, 585, 587, 593	4460744 770	4811400 ... 503, 617, 759,	71, 91, 261
4010610002....496, 587,	4460746 770	785, 891, 893	4812500.....459
621	4460748 818	4811600 ... 317, 496, 809,	4831400....503, 785, 859
4010612002....477, 496,	4460789 791, 818	811, 813, 895, 907,	4831600.....49, 803
503, 507, 509	4460836 771, 851	931, 933	4831700....291, 587, 761
4031504.....761	4460884 ... 770, 771, 773,	4811602001 496	4831900....97, 555, 560,
4031607.....45, 49, 637	848, 905	4811700 ... 27, 71, 77, 79,	665
4031608.....501, 803	4460891 ... 757, 770, 773,	119, 239, 273, 275,	4872000.....85
4031608001496	816, 817, 819, 825,	285, 293, 303, 321,	5201215.....691
4031612.....907	827, 833, 847, 851, 852	329, 335, 339, 351,	5220600.....875, 877
4031708001573, 575	4460892 819, 835	355, 467, 469, 503,	5220800.....749, 751
4031709.....687	4460894 ... 769, 770, 795,	525, 560, 573, 575,	5240600.....803
4031908.....655, 657	817, 833, 847, 851, 852	585, 587, 593, 609,	5240800....309, 325, 671
4031910....579, 581, 655,	4460897 ... 770, 781, 795,	615, 621, 761, 764,	5241000.....355
657, 689	819, 828, 835, 861	837, 857, 871, 873,	5241600.....53
4031918....647, 665, 667,	4460899 791, 863, 909	875, 877, 881, 889	5242400.....239
669	4460911 847, 851	4811700001 496, 583	5250608.....565
4031927 309	4460929 781	481170223, 85, 321, 325,	5251010.....23
4032010.....341	4460930 770, 773	449, 451, 453, 455,	5260800.....309, 325
4032017 715	4460931 847	519, 587, 609, 615,	5271609.....895
4032109.....199	4460932 757, 869, 897	629, 803, 845	5271808.....657
4109801.....914	4460933 ... 770, 771, 817,	4811702001 469, 477,	5271814.....655
4110422.....247	827, 833, 847, 851,	496, 635	5271917.....705
4240032.....799	852, 899	4811900 ... 25, 27, 29, 31,	5271922.....657
4240127 279, 281	4460941 ... 781, 791, 861,	33, 35, 37, 39, 43, 47,	5272011.....883
4360658.....617, 937	909	49, 71, 75, 91, 93, 109,	5272022.....683
4360669.....73	4460942 ... 771, 781, 819,	111, 113, 115, 273,	70002222.....707
443630.....117	826, 833, 847, 851, 852	275, 283, 285, 287,	70002386.....729, 936
4460225.....769	4460943 773, 781, 795	291, 293, 311, 315,	70002410.....697

SECTION 13 - SPECIAL OPTIONS/ACCESSORIES/KITS

70002971	723, 936	70021318	531	70023182	539	70024881	384
70003788	723, 936	70021319	531, 535	70023184	539	70024918	263
70004280	263, 266	70021320	531	70023186	539	70024920	263, 265
70004505	265	70021321	531, 535	70023189	539	70024965	266, 341
70004506	265	70021322	531	70023276	215	70025140	265
70004507	265	70021323	531, 535	70023277	215	70025144	265
70004508	265	70021324	531, 535	70023278	215	70025145	265
70004509	265	70021325	531, 535	70023369	697, 711	70025152	265
70004510	265	70021326	531, 535	70023372	711	70025153	263, 936
70004511	936	70021327	531, 535	70023380	711	70025205	263
70005191	263	70021328	531, 535	70023484	161	70025235	266
70005492	265	70021329	531	70024059	241, 247	70025239	265
70005497	265	70021330	531, 535	70024107	539, 937	70025360	427
70005504	263	70021342	247	70024168	940	70025361	427
70005505	263	70021349	241, 247	70024186	713	70025362	427
70005507	263	70021387	241, 247	70024189	713	70025363	427
70005515	263	70021415	241, 247	70024201	727	70025364	427
70005522	265	70021504	203, 205	70024306	235	70025365	427
70005524	265	70021531	719, 721	70024307	235	70025366	427
70005549	266	70021558	213	70024436	155, 156	70025367	427
70005550	266	70021559	213	70024437	155	70025368	427
70005556	263, 265	70021560	213	70024438	155	70025369	427
70005559	263	70021561	213	70024439	155	70025370	427
70005793	697	70021562	213	70024440	155	70025371	427
70005941	266	70021563	213	70024441	155	70025372	427
70007083	265	70021613	372, 385	70024442	155	70025373	427
70007604	731	70021835	215	70024443	155	70025374	427
70008422	265	70021836	215	70024444	155	70025375	427
70008425	265	70021838	215	70024445	155	70025376	427
70008426	265	70021839	215	70024446	155	70025377	427
70008430	265	70021840	215	70024447	155	70025378	427
70008431	265	70021841	215	70024448	155	70025379	427
70011901	263	70021842	215	70024449	155	70025380	427
70020173	371, 384	70021843	215	70024450	155	70025382	403, 405, 427
70020421	243	70021921	241, 247	70024452	155	70025383	403, 405
70020422	243	70021935	241, 247	70024453	155	70025387	423
70020506	207, 209, 211	70021977	247	70024454	155	70025388	423
70020507	207, 209, 211	70021978	241, 247	70024455	155, 936	70025389	423
70020508	207, 209, 211	70021979	241, 247	70024456	155	70025390	423
70020555	237	70022010	727	70024459	539	70025391	423
70020724	155	70022028	241, 247	70024475	266	70025392	403, 405
70020725	155	70022527	247	70024480	263	70025393	403, 405
70020726	155	70022528	241, 247	70024481	266	70025394	427
70020728	155, 156	70022529	241, 247	70024483	266	70025397	403, 405
70020730	207, 209, 211, 215	70022564	711	70024485	263, 265	70025398	403, 405
70020731	207, 209, 211, 215	70022697	207, 209, 211	70024494	263	70025400	411
70020764	719, 721, 936	70022765	855, 937	70024495	263, 266	70025401	411, 415
70020867	733	70022821	59, 65	70024504	263, 265	70025402	413
70021140	383	70022822	59	70024505	263, 265	70025403	413
70021238	207, 209, 211	70022823	59, 65	70024507	265	70025404	413
70021239	207, 209, 211	70022824	59	70024509	263	70025406	413
70021240	207, 209, 211	70022825	59	70024513	265	70025407	413, 419
70021241	207, 209, 211, 215	70022826	65	70024522	370, 383	70025408	413, 427
70021242	156, 157, 207, 209, 211	70022906	215	70024634	407	70025409	413
70021243	207, 209, 211	70022907	215	70024635	429	70025410	413
70021244	207, 209, 211	70022912	215	70024639	407	70025411	413
70021245	207, 209, 211	70022922	215	70024641	431, 439	70025412	413
70021246	207, 209, 211	70022923	215	70024642	407	70025413	413
70021247	207, 209, 211	70022924	215	70024644	407	70025414	413
70021248	207, 209	70022925	215	70024645	407	70025415	413
70021314	531, 533	70022927	155, 215	70024646	431, 439	70025416	413
70021316	531, 533	70022928	215	70024847	727	70025417	413
70021317	531	70022929	215	70024856	539	70025418	413
		70022930	215	70024857	539	70025419	413
		70023101	703	70024858	539	70025420	413
		70023179	539	70024859	539, 936	70025421	425
		70023181	539	70024861	539	70025423	415

SECTION 13 - SPECIAL OPTIONS/ACCESSORIES/KITS

70025424...411, 413, 415	70025511 401	70026375 727	70027086.....703
70025425.....415	70025512 401	70026376 727	70027087.....703, 707
70025426.....415	70025513 427	70026377 727	70027088.....707
70025427.....419	70025514 401, 405	70026379 727	70027107.....370, 383
70025428.....419	70025515 425	70026382 727	70027108.....383
70025429...411, 413, 415	70025516 425	70026395 297	70027114.....371, 384
70025430.....425, 441	70025517 425	70026396 297	70027128.....727
70025431.....415	70025518 425	70026537 611	70027129.....727
70025432...411, 413, 415	70025520 409, 427	70026543 711	70027130.....727
70025433...411, 413, 415	70025522 417	70026582 733, 936	70027131.....727
70025435.....413, 415	70025523 427	70026630 385	70027132.....727
70025436.....413, 415	70025524 . 401, 403, 405, 441	70026631 370, 383	70027133.....727
70025437...411, 413, 415	70025525 . 401, 403, 405, 441	70026698 241, 247	70027134.....727
70025438...411, 413, 415	70025526 401, 421	70026702 241	70027135.....727
70025439...411, 413, 415	70025527 401	70026719 353	70027136.....727
70025440...411, 413, 415	70025528 401	70026720 353	70027141.....727
70025441.....415	70025529 401, 441	70026721 353	70027174.....61
70025442.....413, 415	70025535 263, 265	70026722 353	70027175.....61
70025443.....425	70025539 533, 937	70026723 353	70027176.....69
70025444.....425	70025555 370, 383	70026724 353	70027177.....69
70025445.....411	70025556 370, 383	70026725 353	70027178.....69
70025446.....411	70025562 . 370, 371, 383, 384	70026726 353	70027180.....219
70025447.....411, 413	70025567 371, 384	70026749 370, 383	70027199.....323
70025448.....411, 413	70025569 383	70026777 727	70027200.....323
70025449.....411	70025570 383	70026808 937	70027201.....323
70025450.....413	70025602 709	70026819 372, 385	70027202.....323
70025451.....409	70025613 709	70026820 372, 385	70027203.....323
70025452.....417	70025614 703, 709	70026821 371, 384	70027204.....323
70025453.....401	70025644 323	70026827 371, 384	70027223.....711
70025455.....435, 437	70025707 266	70026965 725	70027225.....711
70025456...435, 437, 936	70025737 266	70026966 725	70027267.....717
70025457.....435, 437	70025743 266	70026967 725, 936	70027268.....717
70025459.....417	70025755 266	70026968 725	70027269.....717, 936
70025460.....427	70025775 266	70026969 725	70027270.....717
70025461.....427	70025780 265	70026970 725	70027271.....717
70025462.....427	70025816 607	70026971 725	70027291.....171, 213
70025463.....417	70025817 607	70026972 725	70027293.....163, 231
70025464.....417	70025819 371, 384	70026973 725	70027294.....163, 231
70025465.....427	70025821 372, 384	70026975 725	70027295.....231
70025466.....435, 437	70025822 372, 384	70026976 725	70027296.....163, 231
70025467.....427, 439	70025823 372, 384	70026997 337	70027297.....163, 231
70025468.....427	70025828 372, 384	70027000 729	70027298.....163, 231
70025469.....409, 433	70025850 297, 936	70027001 729	70027302.....163, 231
70025470.....409	70025851 297, 936	70027002 729	70027315.....371, 384
70025471.....439	70025859 611	70027004 723	70027316.....385
70025472.....427	70025860 611	70027008 313	70027317.....372, 384
70025476.....425	70025884 385	70027009 241, 247	70027318.....372
70025493.....407, 413	70025956 703	70027037 327	70027319.....372
70025494...425, 429, 431	70026011 263	70027067 707	70027320.....371, 384
70025495.....429, 439	70026018 215	70027068 707	70027324.....231
70025496...407, 415, 419	70026210 263, 265	70027069 707	70027325.....163
70025497..425, 427, 429, 431	70026292 775, 937	70027070 707	70027326.....163
70025498..407, 411, 413, 415	70026293 777, 937	70027071 707	70027328...411, 415, 439
70025499.....425, 431	70026294 805, 937	70027072 707	70027331.....401
70025500.....425, 431	70026295 805, 937	70027073 707	70027332.....421
70025501.....425, 431	70026296 805, 937	70027074 703, 707	70027337.....439, 441
70025502.....425, 431	70026297 805, 936	70027075 707	70027338.....439, 441
70025503.....407	70026308 711	70027076 707	70027339...413, 439, 441
70025504..407, 413, 415, 427	70026313 729	70027077 703	70027340.....427
70025505.....427	70026368 727	70027078 703	70027341.....401
70025506.....429, 431	70026370 727	70027079 703	70027344.....413, 415
70025508.....411, 427	70026371 727	70027080 703	70027345.....403, 405
70025509.....425, 427	70026372 727	70027081 703	70027346.....427
70025510.....403, 405	70026373 727	70027082 703	70027347.....417
	70026374 727	70027083 703	70027348.....411
		70027084 703	70027349.....415
		70027085 703	70027350.....425

SECTION 13 - SPECIAL OPTIONS/ACCESSORIES/KITS

70027352	435, 437	70027680	409	70028018.....	156	70029386.....	266
70027353	435, 437	70027681 ..	411, 413, 415	70028019.....	156	70029399.....	265
70027354	439	70027682	403	70028020.....	156	70029820.....	727
70027358	413	70027707	401, 423	70028021.....	156	70029869.....	370, 383
70027359	413	70027711	401, 425	70028022.....	156	70029879.....	265
70027361	435	70027714	401, 427	70028023.....	156	70029992.....	727
70027362	409, 435	70027715 ..	397, 399, 415	70028024.....	156	70029993.....	727
70027363	409, 437	70027716 ..	397, 399, 419	70028025.....	156	70029994.....	727
70027364	413	70027717 ..	397, 399, 411	70028026.....	156	70029995.....	727
70027365	413	70027718 ..	397, 399, 413	70028027.....	156	70030247.....	372
70027366	441	70027719 ..	397, 399, 417	70028028.....	156, 215	70030248.....	372
70027368	407	70027720 ..	397, 399, 409	70028029.....	156	70030249.....	372
70027369	407	70027721	397, 403	70028030.....	156	70030250.....	371
70027370	407	70027723 ..	397, 399, 401	70028031.....	156, 215	70030251.....	371, 384
70027371	407	70027724	399, 405	70028032.....	156	70030264.....	371, 384
70027373	407, 429	70027725 ..	397, 399, 407	70028033.....	156	70030273.....	265
70027374	431	70027744	711	70028034.....	156	70030274.....	371, 384
70027375	407, 431	70027773	123	70028035.....	156	70030282.....	205
70027376	407, 427	70027774	123	70028036.....	156	70030283.....	203
70027382	403	70027775	123	70028037.....	156	70030365.....	371, 384
70027383	405	70027776	123	70028038.....	156	70030933.....	371, 384
70027387 ..	409, 429, 431	70027777	123	70028039.....	156	70030943.....	731
70027388	427	70027778	123	70028040.....	156	70030944.....	731
70027389	435, 437	70027779	123	70028041.....	156	70030945.....	731
70027392	533	70027780	123	70028042.....	156	70030946.....	731
70027393	533	70027781	123	70028043.....	156	70030947.....	731
70027394	531, 533	70027782	123	70028044.....	156	70030948.....	731
70027395	531	70027783	123	70028045.....	156	70030953.....	697
70027399	531	70027784	123	70028046.....	156	70030956.....	697
70027403	263, 266	70027785	123	70028047.....	156	70030957.....	697
70027404	263	70027786	123	70028087.....	156	70030959.....	697
70027405	263	70027787	123	70028326.....	539	70030960.....	697
70027410	266	70027788	123	70028384.....	697	70030961.....	697
70027417	263, 936	70027789	123	70028392.....	371, 384	70030992.....	370, 383
70027431	266	70027790	241	70028436.....	231	70030994.....	371, 384
70027468	266	70027791	123	70028468.....	372, 385	70030997.....	709
70027595	713	70027792	123	70028471.....	370, 383	70030998.....	709
70027596	721	70027793	123	70028473.....	371, 384	70030999.....	709
70027600	655, 731	70027794	123	70028474.....	371, 384	70031000.....	372, 385
70027604	207, 209	70027990	155	70028476.....	372, 385	70031001.....	372, 385
70027605	207, 209	70027991	155	70028477.....	372, 385	70031002.....	372, 385
70027606 ..	207, 209, 211	70027992	155	70028536.....	371, 384	70031003.....	372, 385
70027607 ..	207, 209, 211	70027993	155	70028537.....	371, 384	70031031 ..	167, 173, 177, 181
70027608	211	70027994	155	70028542.....	265	70031032.....	185
70027631	233	70027995	155, 156	70028546.....	791	70031042.....	711
70027657	263, 266	70027996	155	70028733.....	371, 384	70031043.....	711
70027658	211	70027997	155, 156	70028764.....	266	70031050.....	531
70027660	433	70027998	155	70028868.....	735	70031051.....	531
70027661	421	70027999	155	70028869.....	735	70031052.....	531
70027663 ..	401, 403, 405, 441	70028000	155	70028870.....	735, 936	70031053.....	531
70027664	427	70028001	155	70028871.....	735	70031054.....	531
70027665	427	70028002	155, 156	70028872.....	735	70031087.....	265
70027666	403, 405	70028003	155	70028873.....	735	70031215.....	266
70027667	403, 405	70028004	155	70028874.....	735	70031293.....	701
70027668	427	70028005	155	70028875.....	735	70031294.....	701
70027669	439	70028006	155, 156	70028900.....	729	70031295.....	701
70027670	403	70028007	155, 156	70028906.....	370	70031296.....	701
70027671	409	70028008	155	70028907.....	372, 385	70031297.....	701
70027672	407	70028009	156	70028908.....	372, 385	70031297.....	701
70027673	407	70028010	156	70028940.....	370	70031385.....	265
70027674	407	70028011	156	70028978.....	215	70031474.....	266
70027675	407	70028012	156	70028979.....	215	70031697.....	265
70027676	403, 405	70028013	156	70028980.....	215	70031706.....	265
70027677	435, 437	70028014	156	70029011.....	171, 213	70031712.....	265
70027678	433	70028015	156	70029012.....	213	70031714.....	265
70027679	433	70028016	156	70029013.....	213	70050472.....	727
		70028017	156	70029030.....	727	70050475.....	727

SECTION 13 - SPECIAL OPTIONS/ACCESSORIES/KITS

70050481.....	727	7029344	139, 143	8036580	723	8770143.....	71
7012903.....	723	7029345	139, 141	80604016	827	8770167.....	663
7012998.....	723	7029346	139, 141	80604017	795	88662434.....	659
7016331.....	263, 266, 936	7029347	139, 141	80604018	825, 827	8881800.....	809, 813
7020208.....	266	7029348	139, 141	80963067	818, 834	90200003.....	201
7020404.....	266	7029349	139, 141	80983191	775, 777, 779, 936	90554016.....	241, 247
7020442.....	263, 266	7029350	139, 141	8220043	839	90554019.....	123
7020465.....	263, 266	7029351	139, 141	8220050	789	90554020... 123, 241, 247	
7022391.....	723	7029352	139, 141	8220051	773	90554042... 123, 241, 247	
7022730.....	431	7029353	139, 143	8220097	818, 834	90554054... 123, 241, 247	
7024947.....	713	7029354	139, 143	8220098	818, 834	90554067.....	123
7028038.....	372	7029355	139, 143	8220108	771, 818, 833	90554070.....	123
7028039.....	372	7029356	139, 143, 161	8220114	851	90554080.....	237
7028043.....	383	7029357	143	8220115	817, 834	91013191.....	833, 847
7028082.....	385	7029427	370, 383	8220124	817, 828, 833	91013192.....	852
7028115.....	371, 384	7029428	370, 383	8220375	773	91043147.....	393, 395
7028125.....	161	7029430	371, 384	8229234	773, 936	91403193.....	361
7028126.....	161	7029432	371, 384	8229242 ...	775, 777, 819, 828, 835, 936	91474507..	370, 371, 383, 384
7028127.....	161, 163, 231	7029486 ...	573, 575, 647, 649, 927	8229244 ...	779, 805, 819, 835, 936	91474512.....	370, 383
7028128.....	161	7029520	237	8229245 ...	775, 805, 820, 835, 936	91474516.....	385
7028129.....	161	7029521	237	8229247 ...	777, 805, 820, 835, 936	91474522.....	372, 385
7028130.....	161	7029692	247	8270147	749, 751	91474529.....	370, 383
7028131....	161, 163, 165, 171, 231	7029749	161	8270148	749, 751	91474531.....	370, 383
7028132.....	161	7029786	372, 384	8275212	283, 285	91474533.....	370, 383
7028133.....	161	7300435	261	8305919 23, 27, 496, 519, 587		91474539.....	370, 383
7028134.....	161	7301893	749, 751	8310559	481	91474547.....	370, 383
7028135.....	161	77133140 ..	665, 667, 687	8405006 ...	279, 281, 647, 649, 681	91474549.....	370
7028136.....	213	77133168	687	8405007	351	91474550.....	370, 383
7028137.....	213	77133177	665, 667	8405009	287, 609	91474551.....	370, 383
7028621.....	539	8000759	485	8405104	329	91474553.....	370, 383
7028706....	370, 371, 383, 384	8000803	469	8405201	329	91474554.....	370
7028733.....	384	8002798	371	8405301	691	91474555.....	370
7028910....	161, 165, 171	8004398	485	8405402	303, 305	91474568.....	372, 384
7028911.....	165, 171	8004468	371, 383	8405502	655, 657	91474579.....	371, 384
7028912.....	165, 171	8005079	387	8406201	655, 657	91474580.....	371, 384
7028913.....	165, 171	8005827	443	8406202	681	91474584.....	371, 384
7028914.....	165	8005870	914	8406302 ...	329, 331, 351, 809, 811, 813	91474585.....	371, 384
7028915.....	165, 171	8005901	575	8410009 ...	343, 345, 347, 349, 555, 560, 685	91474591.....	370, 383
7028916.....	165, 171	8006605	371, 384	8410011	303, 305	91474593.....	383
7028917.....	165, 171	8007749	370	8410013 ...	279, 281, 311, 345, 347	91474595.....	383
7028918....	163, 165, 171, 231	8007755	370	8420231	329	91504107.....	795
7028919.....	165, 171	8007771	370, 383	8430032	679	91514082.....	370, 383
7028920.....	165, 171	8007785	371	8430033	679	91514098.....	370, 383
7028923.....	165, 171	8007786	372	8466306	493	91514099.....	371, 385
7028982.....	165, 171	8007802	372	8584003	903	91514117.....	371
7028983.....	165, 171	8008168	371	8750017	651	91514134.....	370, 383
7028984....	161, 165, 171	8008169	372	8750038	651	91514146.....	370, 383
7028985.....	165	8008175	372, 385	8760550	71	91514147.....	370, 383
7028986.....	161, 163	80204005	370, 383	8769124	665, 667	91514148.....	370, 383
7028987.....	161	80204065	371, 384			91514154.....	372, 384
7028988.....	161, 163	80204071	370, 383			91514188..	370, 371, 383, 384
7028989.....	161	80204117 ..	371, 384, 385			91514189.....	371, 384
7028990.....	165, 171	80233218	685			91554019.....	825, 826
7028991.....	165, 171	80264002	531, 533			91554022.....	826
7028995.....	171	80264004	531, 533			AU2105.....	914
7029124.....	161	80333151	681			TP_REF.....	266
7029131.....	370, 383	8034697	727				
		80363179	826				
		80363195	489				



**Corporate Office
JLG Industries, Inc.
1 JLG Drive
McConnellsburg, PA 17233-9533 USA
☎ (717) 485-5161 (Corporate)
☎ (833) 554-3276 (Customer Support)
farm@jlg.com (Customer Support)**

**Visit our website for JLG Worldwide Locations.
www.jlgagriculture.com**



OSHKOSH™