



Illustrated Parts Manual

Model Nano 25

P/N
3122335300

March 30, 2024 - Rev A

CE

UK
CA

AS/NZS



An Oshkosh Corporation Company

REVISION LOG

March 30, 2024 - A - Original Issue of Manual (Edited to B/M 1001351230 Revision E)

GENERAL INFORMATION



1) MACHINE IDENTIFICATION

Machines are identified by model and in some cases a combination of models, serial number (SN) or regional standard (i.e ANSI, CE, CSA). Components may also be identified by SN or manufacturer. Common components that may be identified by these characteristics are engines and hydraulic components.

2) PARTS MANUAL ORGANIZATION

Product information in this manual is organized under section titles. Frame, Cylinder, Hydraulic and Electrical are a few examples. Each section is organized by figure and page number. The information within the Figure is then organized by item number, part number, description and corresponding illustration (s).

3) TABLE OF CONTENTS (NOT SHOWN)

A table of contents is found toward the beginning of the manual. Figure number, description and page number are provided for quick reference to the page containing the related information.

4) RECOMMENDED SPARE PARTS (NOT SHOWN)

The Recommended Spare Parts List, located near the end of the manual, reference most frequently used maintenance parts.

5) PART NUMBER INDEX (NOT SHOWN)

A numerical index listing all part numbers and the corresponding page number(s) appears at the back of the manual.

GENERAL INFORMATION

6) NON-SERVICED PARTS

In some instances, it is necessary to display non-serviced parts, assemblies or installations. In the case of assemblies and installations there will be a Ref in the Qty. column. In case of parts that are not available for service within assemblies or components, there will be a NSS (Not Sold Separately) or NLA (No Longer Available) listed in the Qty. column of the manual.

7) PARTS LIST ITEM NUMBERS

Numbers shown in the item# column correspond to numbers used in the associated illustration (s). Item numbers which are missing from the sequence in the parts list are not used on that page.

8) INDENTED PARTS DESCRIPTION

An indented part description is included in the item under which it is indented.

9) ABBREVIATION AND SYMBOLS

AC.....	Alternating Current	L.....	Liter
ADE.....	Advanced Design Electronics	LB(LBS).....	Pounds
AG.....	Agricultural	LCD.....	Liquid Crystal Display
ANSI.....	American National Standards Institute	LED.....	Light Emitting Diodes
AR.....	As Required	LH.....	Left Hand
ASSY.....	Assembly	LRC.....	Low Rated Countries
AUS.....	Australia	LSS.....	Load Sensing System
AUX.....	Auxiliary	M(m).....	Metric/Meter
AWG.....	American Wire Gauge	MM(mm).....	Milimeter
B/M.....	Bill of Material	mA.....	Miliamps
CAC.....	Charge Air Cooler	NLA.....	No Longer Available
CE.....	European Conformity	NPT.....	National Pipe Threads
CCW.....	Counter Clockwise	NSS.....	Not Sold Separately
CM.....	Centimeter	OD.....	Outside Diameter
CW.....	Clockwise	ORB.....	O-Ring Boss
CSA.....	Canadian Standards Association	ORFS.....	O-Ring Face Seal
CYL.....	Cylinder	OZ (oz).....	Ounces
DIA.....	Diameter	PG.....	Page
DC.....	Direct Current	PN.....	Part Number
DEF.....	Diesel Exhaust Fluid	QT(qt.).....	Quarts
EMS.....	Emergency Stop	QTY.....	Quantity
ENG.....	Engine	REF.....	Reference
FT(ft).....	Feet	REV.....	Revision Level
GA(Ga).....	Gauge	RH.....	Right Hand
HRC.....	High Rated Countries	SAE.....	Society of Automotive Engineers
HVAC.....	Heating, Ventilating, and Air Conditioning	SN.....	Serial Number
HYD.....	Hydraulic	SPEC(S).....	Specifications
Hz.....	Hertz	T/T.....	Turntable
ID.....	Inside Diameter	UGM.....	Universal Ground Module
IN.....	inches	V.....	Volts
ISO.....	International Organization for Standards	W.....	Watts
JIC.....	Joint Industry Council	#.....	Number
KG.....	Kilogram		

10) ILLUSTRATION REFERENCE LETTERS

When necessary, illustrations may contain reference letters that are intended to track information (i. e. hoses, harnesses) from one point to another or to track visual enlargement of components to show details that may be located in another area on the illustration.

Note: Due to continuous product improvements, JLG Industries, Inc. reserves the right to make specification changes without prior notification. Contact JLG Industries, Inc. for updated information.

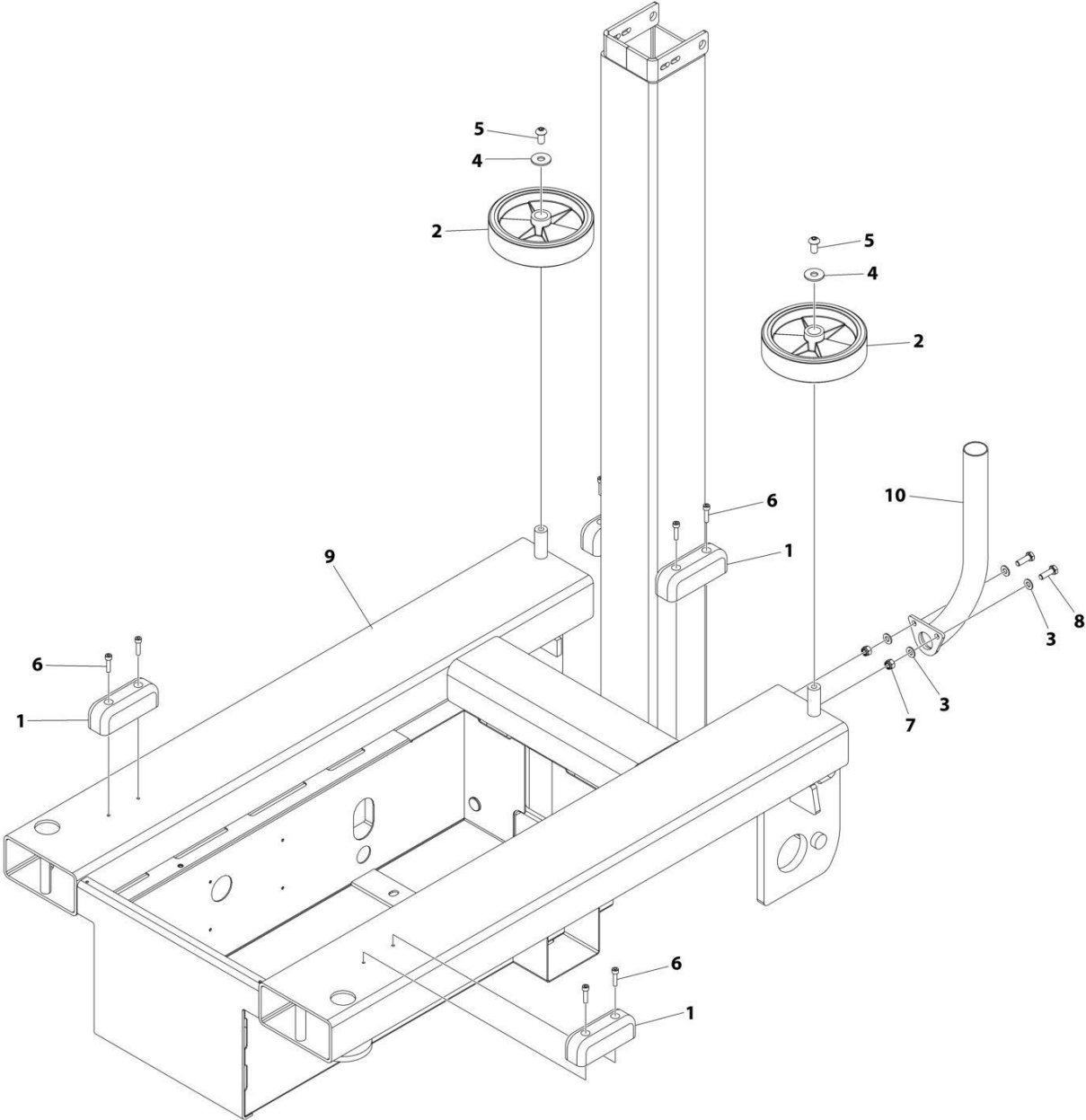
TABLE OF CONTENTS

SECTION 1 - FRAME.....	9
FIGURE 1-1. FRAME INSTALLATION.....	10
FIGURE 1-2. COVERS INSTALLATION.....	12
FIGURE 1-3. WHEEL INSTALLATION.....	14
SECTION 2 - CONTROLS.....	17
FIGURE 2-1. CONTROLS INSTALLATION.....	18
SECTION 3 - MAST.....	21
FIGURE 3-1. MAST INSTALLATION.....	22
FIGURE 3-2. MAST ASSEMBLY - MIDDLE.....	24
FIGURE 3-3. MAST ASSEMBLY - OUTER.....	26
FIGURE 3-4. TRAY INSTALLATION - PLASTIC.....	28
FIGURE 3-5. TRAY INSTALLATION - STOCK PICKING.....	30
SECTION 4 - PLATFORM.....	33
FIGURE 4-1. PLATFORM INSTALLATION.....	34
SECTION 5 - HYDRAULIC.....	37
FIGURE 5-1. HYDRAULIC COMPONENTS INSTALLATION.....	38
FIGURE 5-2. MOTOR/PUMP/TANK ASSEMBLY.....	40
SECTION 6 - ELECTRICAL.....	43
FIGURE 6-1. BATTERY INSTALLATION.....	44
FIGURE 6-2. BATTERY CHARGER INSTALLATION - 110V 2 PIN EURO PLUG.....	46
FIGURE 6-3. BATTERY CHARGER INSTALLATION - 110V 3 PIN EURO PLUG.....	48
FIGURE 6-4. BATTERY CHARGER INSTALLATION - 110V 3 PRONG US STD.....	50
FIGURE 6-5. BATTERY CHARGER INSTALLATION - 230V 3 PIN.....	52
SECTION 7 - DECALS.....	55
FIGURE 7-1. DECALS INSTALLATION.....	56
SECTION 8 - RECOMMENDED SERVICE PARTS STOCK.....	59
FIGURE 8-1. RECOMMENDED SERVICE PARTS STOCK.....	60
SECTION 9 - SPECIAL OPTIONS/ACCESSORIES/KITS.....	61
FIGURE 9-1. SPECIAL OPTIONS/ACCESSORIES/KITS.....	62
PART NUMBER INDEX.....	63

SECTION 1 - FRAME

SECTION 1 - FRAME

FIGURE 1-1. FRAME INSTALLATION



ART_1001299932

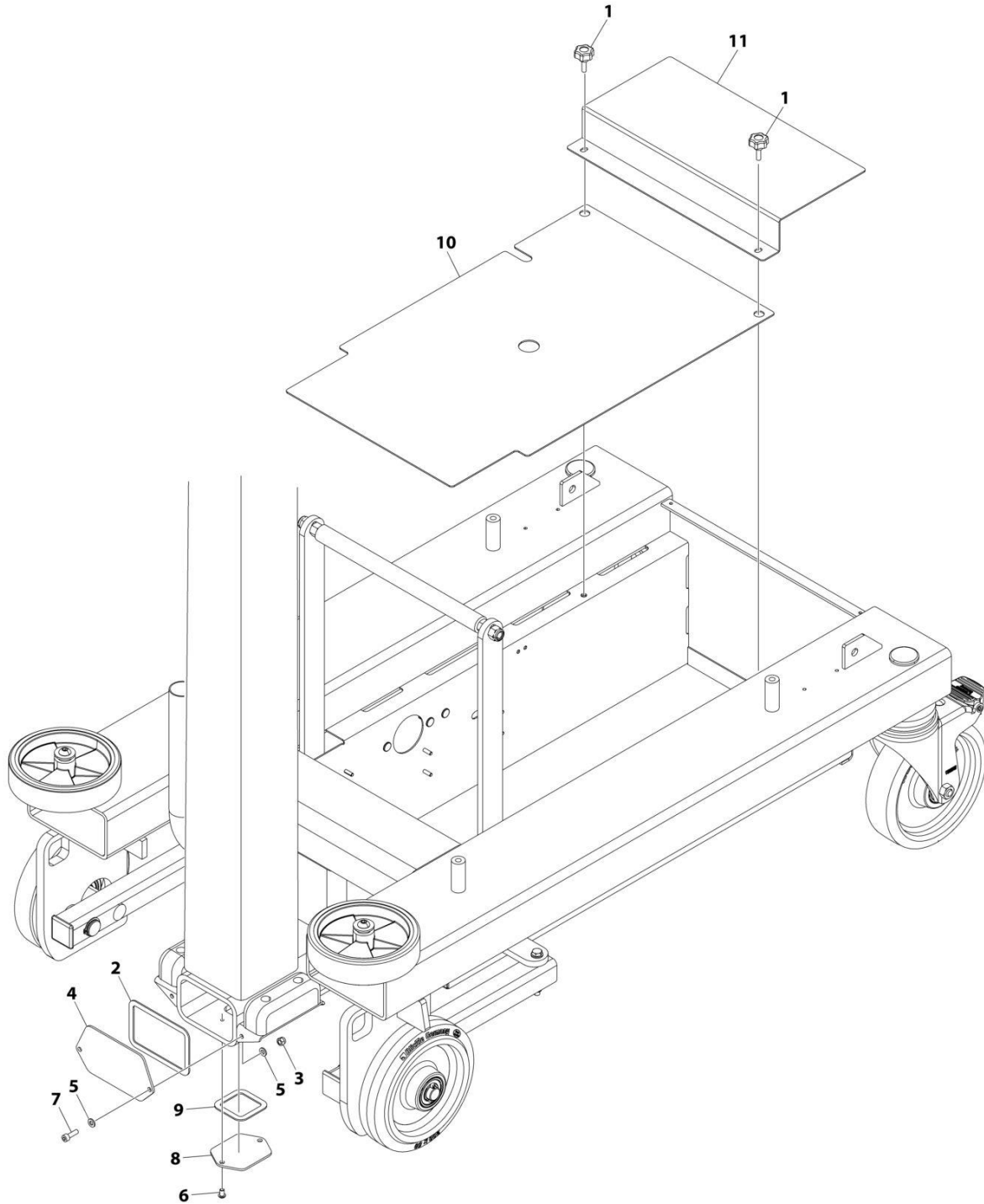
SECTION 1 - FRAME

FIGURE 1-1. FRAME INSTALLATION

ITEM	PART NUMBER	QTY	DESCRIPTION	REV
	1001299932	Ref	FRAME ASSEMBLY	A
1	PTM126	4	Pad, Rest	
2	PTNM302	2	Wheel, Buffer	
3	1001265113	4	Washer M8	
4	1001265116	2	Washer M10	
5	1001265122	2	Capscrew M10 x 20	
6	1001265128	8	Capscrew M6 x 25	
7	1001265135	2	Nut M8	
8	1001265203	2	Bolt M8 x 25	
9	See Note	NSS	Frame (Note: Not Available for Purchase)	
10	1001302164	1	Tube, Guide	

SECTION 1 - FRAME

FIGURE 1-2. COVERS INSTALLATION



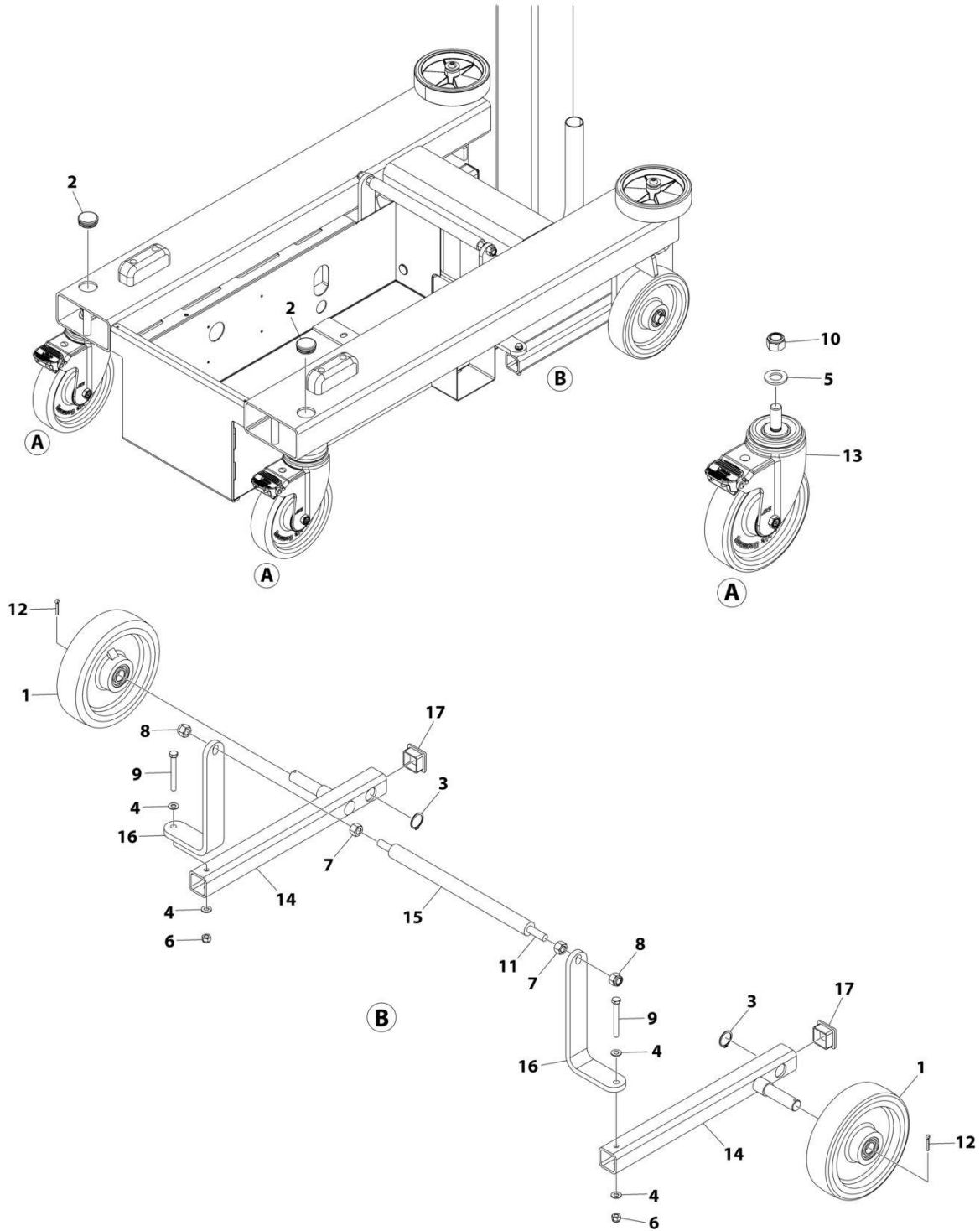
ART_1001277359

FIGURE 1-2. COVERS INSTALLATION

ITEM	PART NUMBER	QTY	DESCRIPTION	REV
	1001277359	Ref	COVERS INSTALLATION	C
1	PTM107	1	Knob	
2	1001302190	1	Gasket, Spine End Cover	
3	1001264557	1	Nut M6	
4	1001302203	1	Cover, Spine End	
5	1001265112	1	Washer M6	
6	1001265119	1	Capscrew M6 x 10	
7	1001265127	1	Capscrew M6 x 20	
8	1001302204	1	Cover, Spine Bottom	
9	1001302210	1	Gasket, Spine Bottom Cover	
10	1001285722	1	Cover, Chassis	
11	1001291148	1	Panel, Chassis Cover	

SECTION 1 - FRAME

FIGURE 1-3. WHEEL INSTALLATION



ART_1001299937

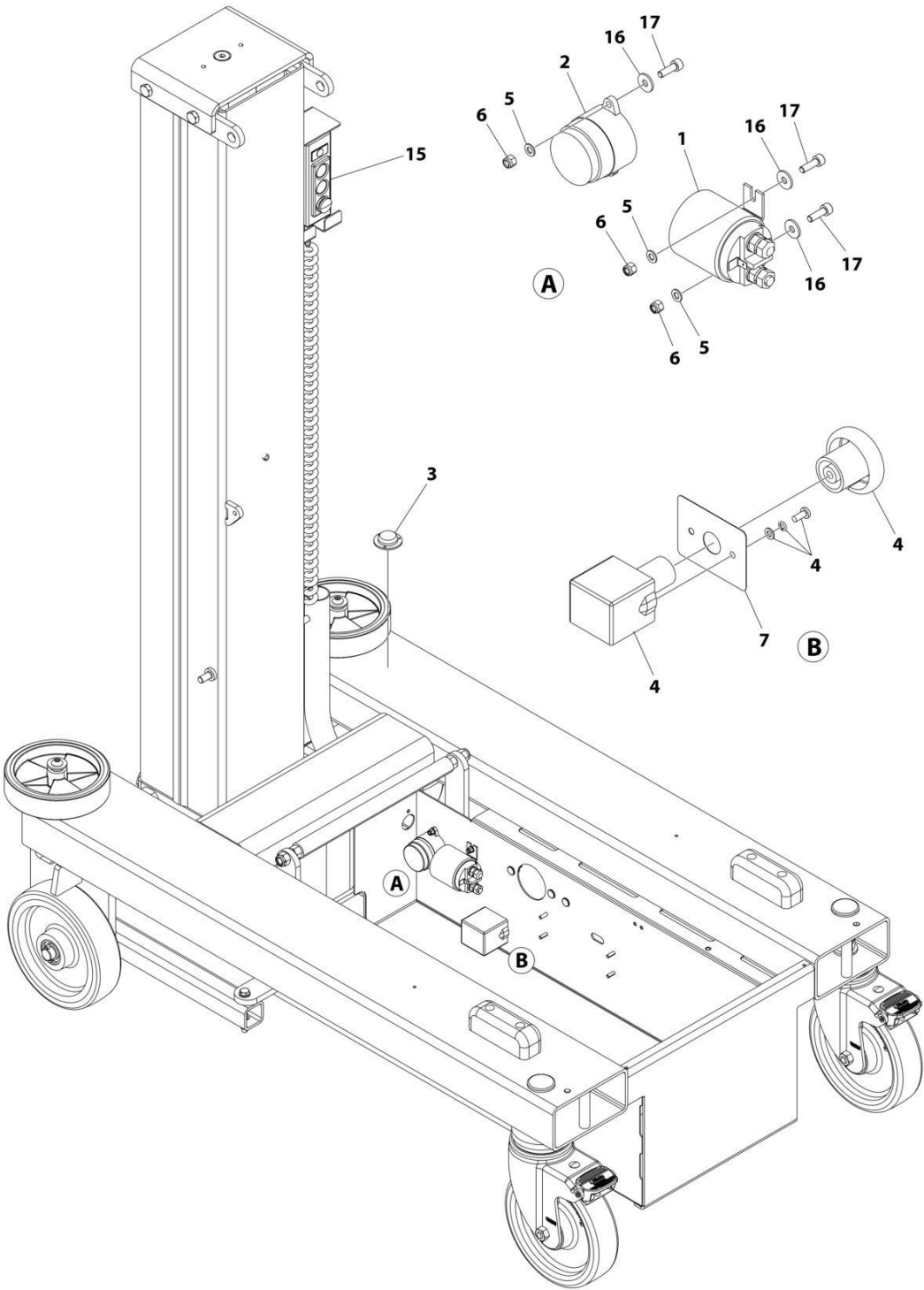
FIGURE 1-3. WHEEL INSTALLATION

ITEM	PART NUMBER	QTY	DESCRIPTION	REV
	1001299937	Ref	WHEEL INSTALLATION	A
1	PTM103	2	Castor - Fixed	
2	PTM163	2	Insert, Chassis	
3	1001265108	2	Circlip	
4	1001265113	4	Washer M8	
5	1001265118	2	Washer 3/4	
6	1001265135	2	Nut M8	
7	1001265137	2	Nut M12	
8	1001265138	2	Nut M12	
9	1001265141	2	Bolt M8 x 70	
10	1001265147	2	Nut 3/4	
11	1001265148	1	Bar, Threaded M12	
12	1001266108	2	Cotterpin	
13	1001277964	2	Castor - Swivel	
14	1001299234	2	Arm, Axle	
15	1001302166	1	Roller, Brake	
16	1001302174	2	Bracket, Autobrake	
17	1001302186	2	Cap, End	

SECTION 2 - CONTROLS

SECTION 2 - CONTROLS

FIGURE 2-1. CONTROLS INSTALLATION



ART_1001296130

SECTION 2 - CONTROLS

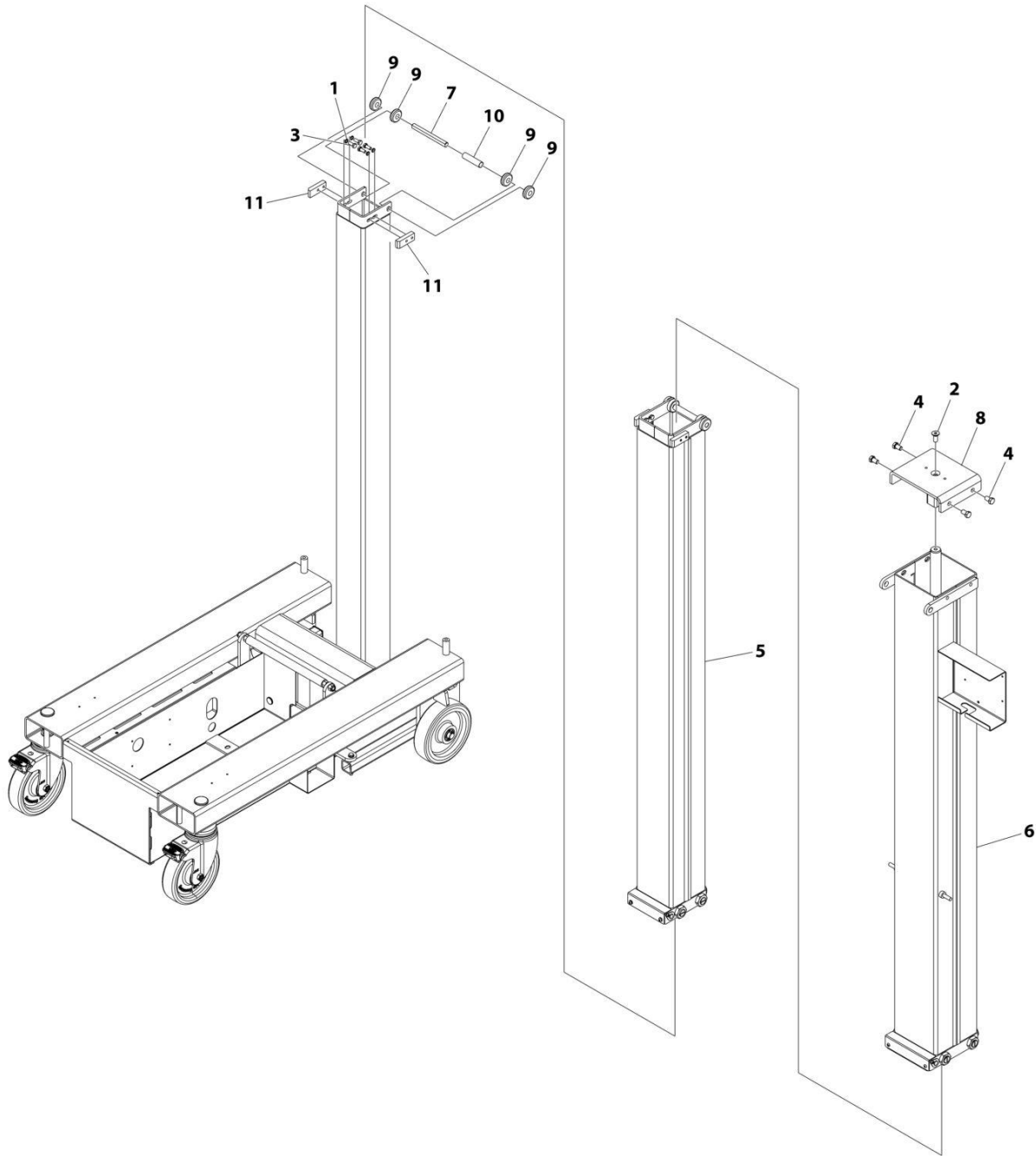
FIGURE 2-1. CONTROLS INSTALLATION

ITEM	PART NUMBER	QTY	DESCRIPTION	REV
100	PTNM341	1 pr	Key, Spare (2 Keys) (Not Shown)	
	1001296130	Ref	CONTROLS INSTALLATION	B
1	PPE612	1	Relay, Start	
2	PTE215	1	Alarm	
3	PTM106	1	Level	
4	PTNE200	1	Switch, Emergency Stop	
5	1001265110	3	Washer M5	
6	1001265134	3	Nut M5	
7	1001265232	1	Decal - Ground Label	
8	1001265521	12	Tie-Strap (Not Shown)	
9	1001277875	2	Cable, Positive - Isolator to Chassis Mounted Solenoid & Chassis Mounted Solenoid to Powerpack Mounted Solenoid - 230MM (Not Shown)	
10	1001277876	1	Cable, Positive Battery Terminal to Isolator - 910MM (Not Shown)	
11	1001277877	1	Cable, Negative Battery Terminal to Powerpack Stud - 830MM (Not Shown)	
12	1001277878	1	Harness, Chassis (Not Shown)	
13	1001295213	AR	Tape, Hook (Not Shown)	
14	1001295214	AR	Tape, Loop (Not Shown)	
15	1001304630	1	Controls, Pendant	
16	1001265111	3	Washer M5	
17	1001265125	3	Capscrew M5 x 16	

SECTION 3 - MAST

SECTION 3 - MAST

FIGURE 3-1. MAST INSTALLATION



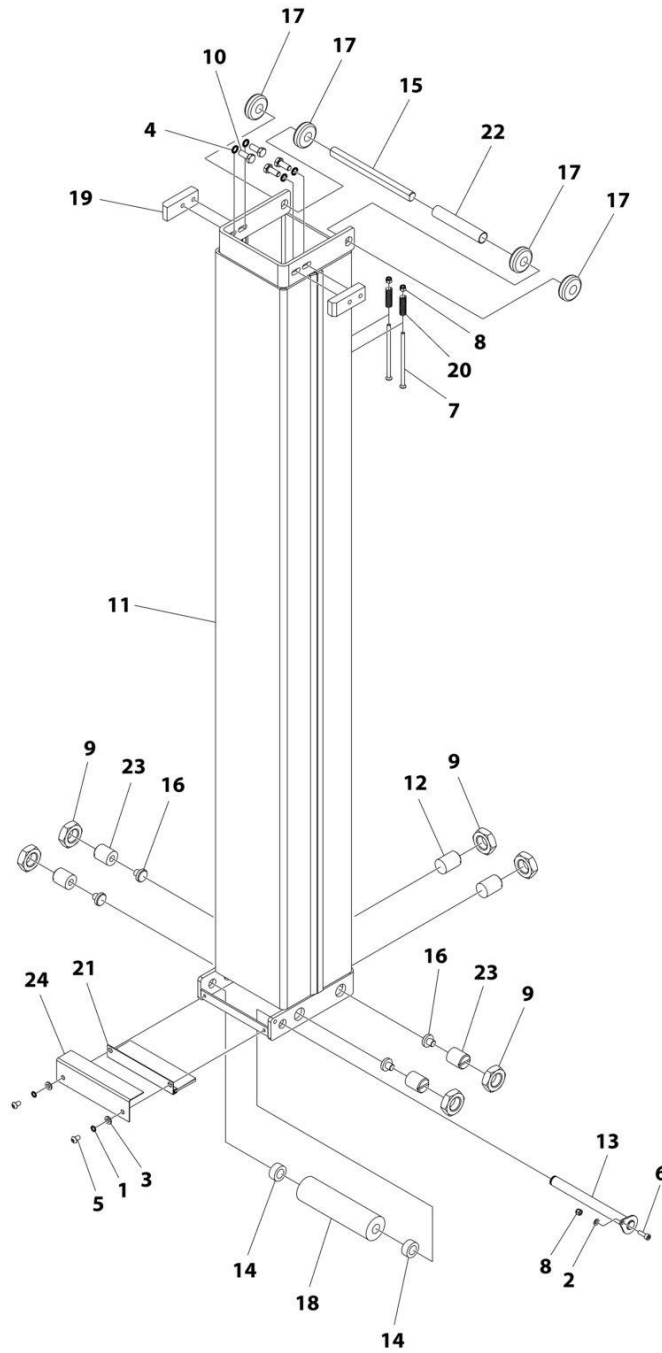
ART_1001299934

FIGURE 3-1. MAST INSTALLATION

ITEM	PART NUMBER	QTY	DESCRIPTION	REV
	1001299934	Ref	MAST INSTALLATION	A
1	1001265114	4	Washer M8	
2	1001265132	1	Capscrew M12 x 25	
3	1001265202	4	Bolt M8 x 20	
4	1001265205	4	Bolt M12 x 20	
5	1001300943	1	Mast Assembly - Middle (See Separate Breakdown in this Section)	
6	1001300944	1	Mast Assembly - Outer (See Separate Breakdown in this Section)	
7	1001302168	1	Axle	
8	1001302175	1	Cap, Mast	
9	1001302182	4	Roller, Mast	
10	1001302191	1	Spacer	
11	1001302205	2	Pad, Wear	

SECTION 3 - MAST

FIGURE 3-2. MAST ASSEMBLY - MIDDLE.



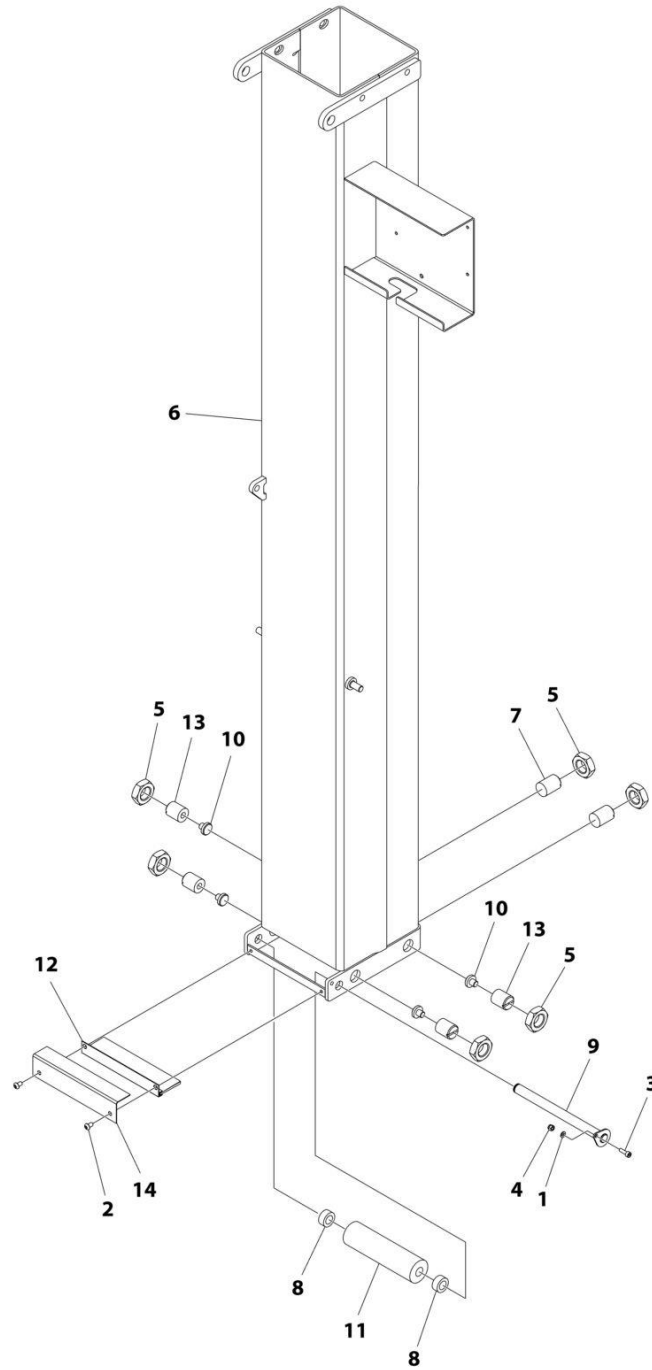
ART_1001300943

FIGURE 3-2. MAST ASSEMBLY - MIDDLE.

ITEM	PART NUMBER	QTY	DESCRIPTION	REV
	1001300943	Ref	MAST ASSEMBLY - MIDDLE	A
1	1001264555	2	Washer M6	
2	1001265110	1	Washer M5	
3	1001265112	2	Washer M6	
4	1001265114	4	Washer M8	
5	1001265119	2	Capscrew M6 x 10	
6	1001265125	1	Capscrew M5 x 16	
7	1001265130	2	Bolt M5 x 100	
8	1001265134	3	Nut M5	
9	1001265146	6	Nut M24	
10	1001265202	4	Bolt M8 x 20	
11	1001299930	1	Mast, Middle	
12	1001302167	2	Screw, Plastic Wear	
13	1001302169	1	Axle	
14	1001302170	2	Spacer	
15	1001302171	1	Axle	
16	1001302176	4	Insert, Wear Screw	
17	1001302182	4	Roller, Mast	
18	1001302183	1	Roller, Mid Mast	
19	1001302184	2	Pad, Wear	
20	1001302187	2	Spring	
21	1001302188	1	Brush	
22	1001302192	1	Spacer	
23	1001302193	4	Screw, Plastic Wear	
24	1001302200	1	Cover, Roller	

SECTION 3 - MAST

FIGURE 3-3. MAST ASSEMBLY - OUTER



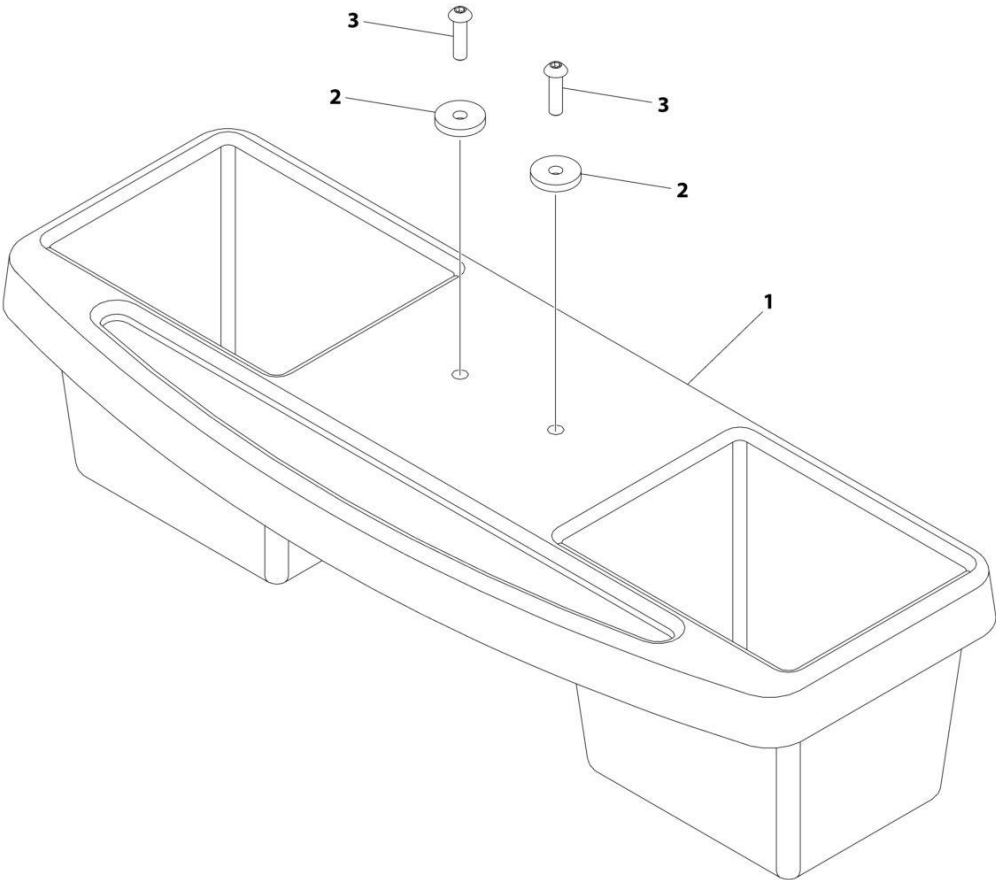
ART_1001300944

FIGURE 3-3. MAST ASSEMBLY - OUTER

ITEM	PART NUMBER	QTY	DESCRIPTION	REV
	1001300944	Ref	MAST ASSEMBLY - OUTER	A
1	1001265110	1	Washer M5	
2	1001265119	2	Capscrew M6 x 10	
3	1001265125	1	Capscrew M5 x 16	
4	1001265134	1	Nut M5	
5	1001265146	6	Nut M24	
6	1001299929	1	Mast, Outer	
7	1001302167	2	Screw, Plastic Wear	
8	1001302170	2	Spacer	
9	1001302172	1	Axle	
10	1001302176	4	Insert, Wear Screw	
11	1001302185	1	Roller, Outer Mast	
12	1001302189	1	Brush	
13	1001302193	4	Screw, Plastic Wear	
14	1001302199	1	Cover, Roller	

SECTION 3 - MAST

FIGURE 3-4. TRAY INSTALLATION - PLASTIC



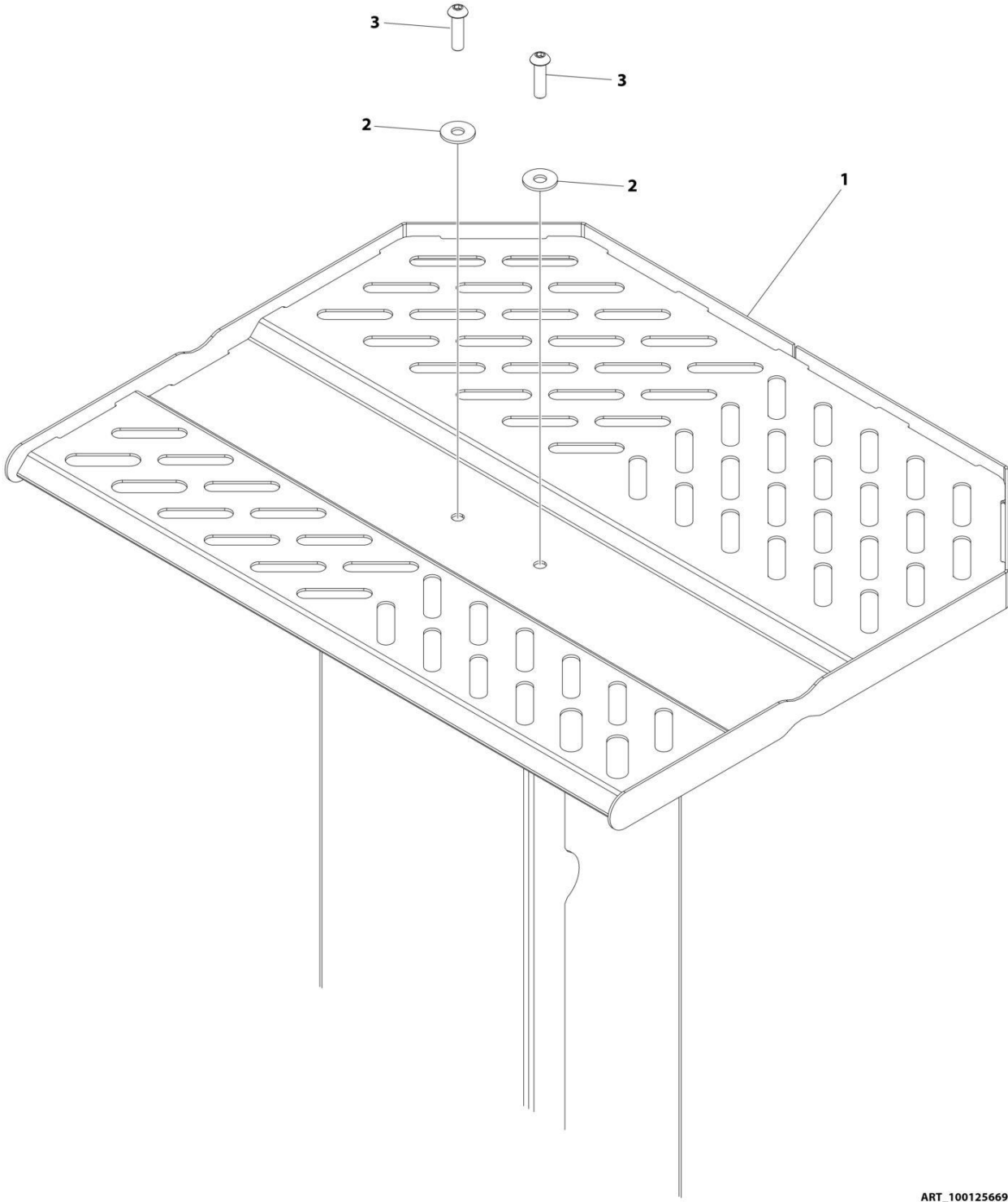
ART_1001277370

FIGURE 3-4. TRAY INSTALLATION - PLASTIC

ITEM	PART NUMBER	QTY	DESCRIPTION	REV
	1001277370	Ref	TRAY INSTALLATION - PLASTIC	B
1	PELM405	1	Tool Tray	
2	1001264558	2	Washer	
3	1001265121	2	Capscrew M8 x 30	

SECTION 3 - MAST

FIGURE 3-5. TRAY INSTALLATION - STOCK PICKING



ART_1001256698

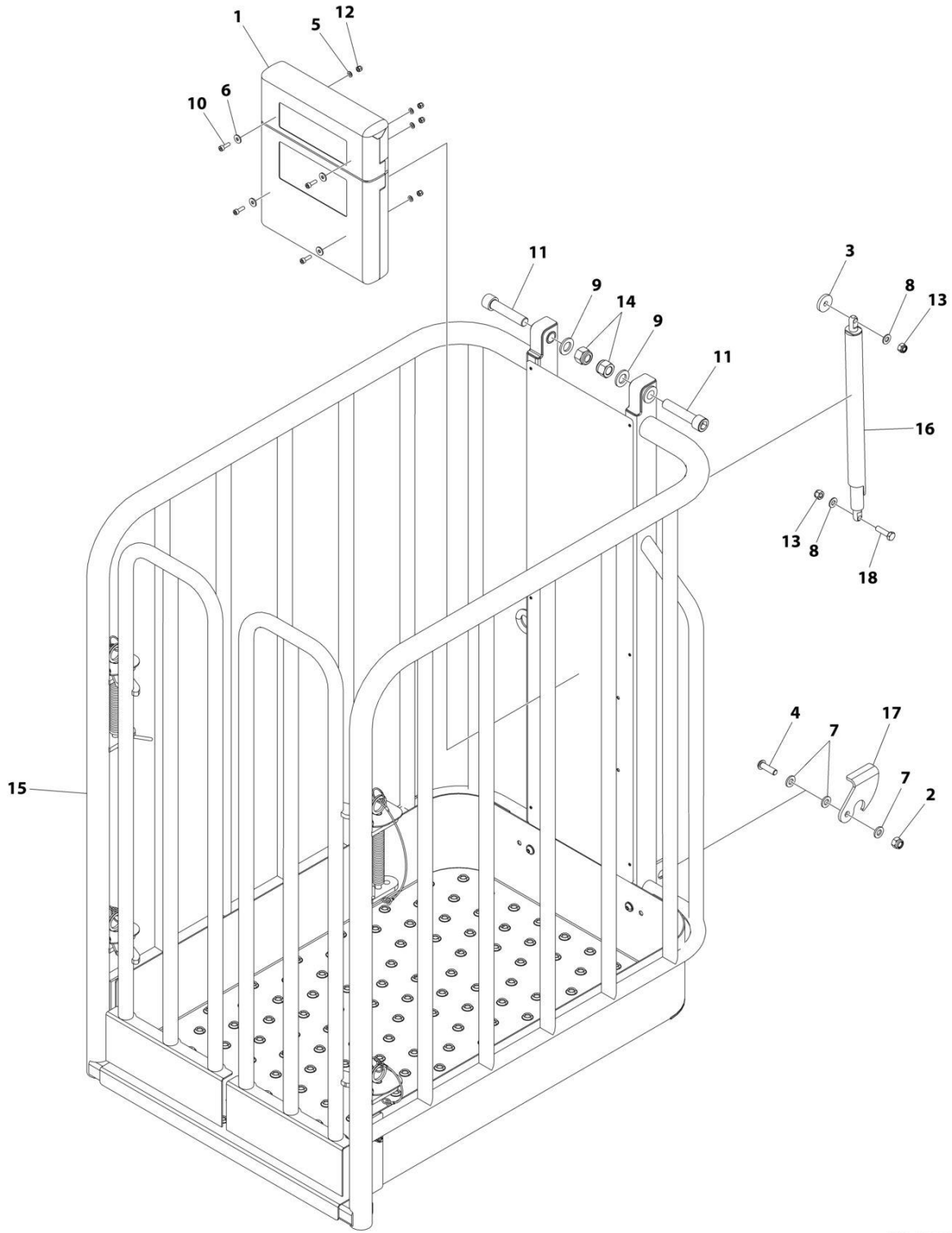
FIGURE 3-5. TRAY INSTALLATION - STOCK PICKING

ITEM	PART NUMBER	QTY	DESCRIPTION	REV
	1001256698	Ref	TOOL TRAY INSTALLATION	B
1	1001249314	1	Tool Tray	
2	1001264558	2	Washer M8	
3	1001265121	2	Bolt M8 x 30	

SECTION 4 - PLATFORM

SECTION 4 - PLATFORM

FIGURE 4-1. PLATFORM INSTALLATION



ART_1001299935

SECTION 4 - PLATFORM

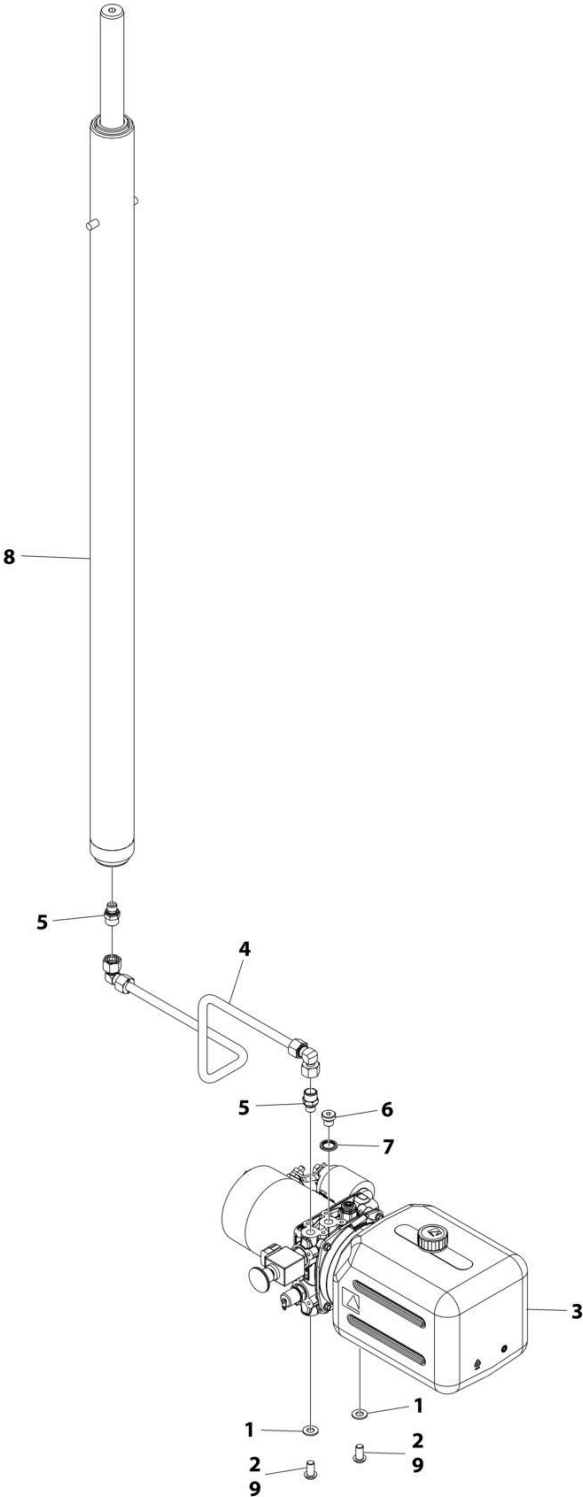
FIGURE 4-1. PLATFORM INSTALLATION

ITEM	PART NUMBER	QTY	DESCRIPTION	REV
	1001299935	Ref	PLATFORM INSTALLATION	B
1	PTNM342	1	Document Holder	
2	1001264557	1	Nut M6	
3	1001264558	1	Washer M8	
4	1001264707	1	Bolt M6 x 20	
5	1001265110	4	Washer M5	
6	1001265111	4	Washer M5	
7	1001265112	3	Washer M6	
8	1001265113	2	Washer M8	
9	1001265117	2	Washer M16	
10	1001265125	4	Capscrew M5 x 16	
11	1001265129	2	Capscrew M16 x 75	
12	1001265134	4	Nut M5	
13	1001265135	2	Nut M8	
14	1001265139	2	Nut M16	
15	1001288897	1	Platform	
16	1001302165	1	Strut	
17	1001302173	1	Latch, Platform	
18	1001265233	1	Bolt M8 x 30	

SECTION 5 - HYDRAULIC

SECTION 5 - HYDRAULIC

FIGURE 5-1. HYDRAULIC COMPONENTS INSTALLATION



ART_1001296126

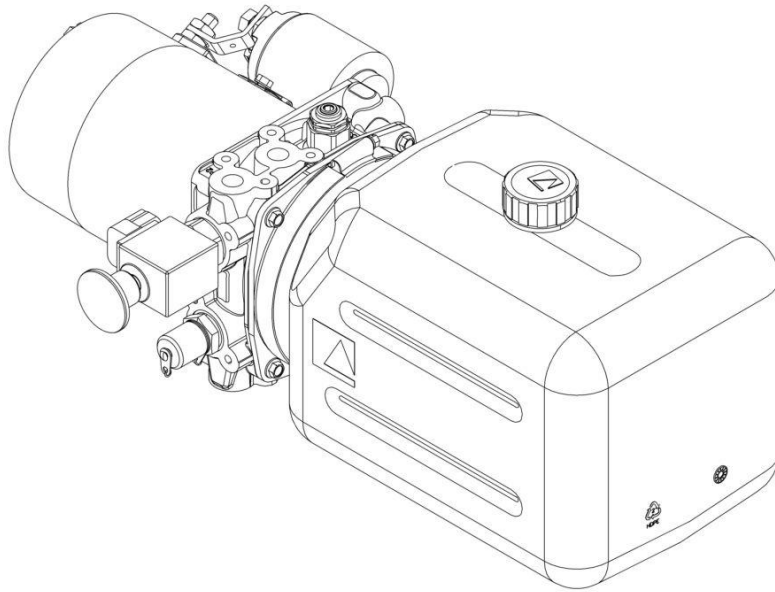
SECTION 5 - HYDRAULIC

FIGURE 5-1. HYDRAULIC COMPONENTS INSTALLATION

ITEM	PART NUMBER	QTY	DESCRIPTION	REV
	1001296126	Ref	HYDRAULIC COMPONENTS INSTALLATION	B
1	1001265115	2	Washer M10	
2	1001265122	2	Capscrew M10 x 20	
3	1001277869	1	Motor/Pump/Tank Assembly (See Separate Breakdown in this Section)	
4	1001277871	1	Tube	
5	1001277922	2	Fitting, Male Connector	
6	1001277924	1	Plug	
7	1001284155	1	Washer	
8	1001300032	1	Cylinder Assembly - Lift	
8	PTNH277	1	KIT,CYLINDER SEAL	
9	0100035	AR	Compound, Locking	

SECTION 5 - HYDRAULIC

FIGURE 5-2. MOTOR/PUMP/TANK ASSEMBLY



ART_1001277869

SECTION 5 - HYDRAULIC

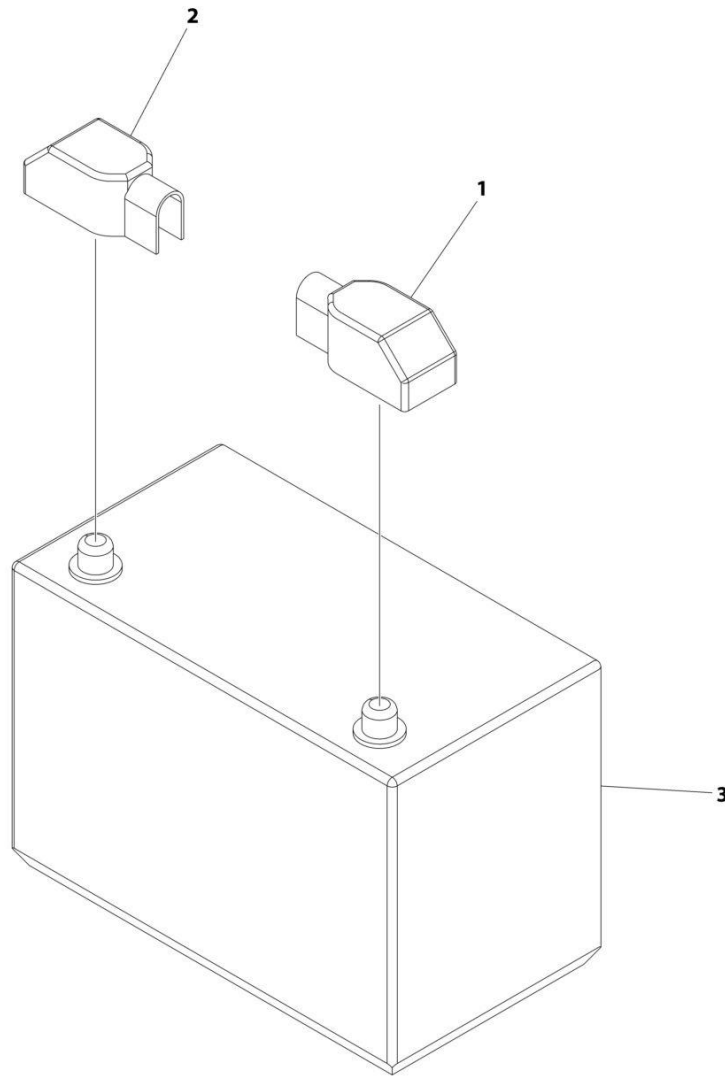
FIGURE 5-2. MOTOR/PUMP/TANK ASSEMBLY

ITEM	PART NUMBER	QTY	DESCRIPTION	REV
	1001277869	Ref	MOTOR/PUMP/TANK ASSEMBLY	B
		Ref	Note: No Other Service Parts Available	
	1001266750	Ref	Solenoid Coil, Powerpack	
	1001266751	Ref	Valve, Powerpack	
	PPE612	Ref	Start Solenoid, Powerpack	

SECTION 6 - ELECTRICAL

SECTION 6 - ELECTRICAL

FIGURE 6-1. BATTERY INSTALLATION



ART_1001277363

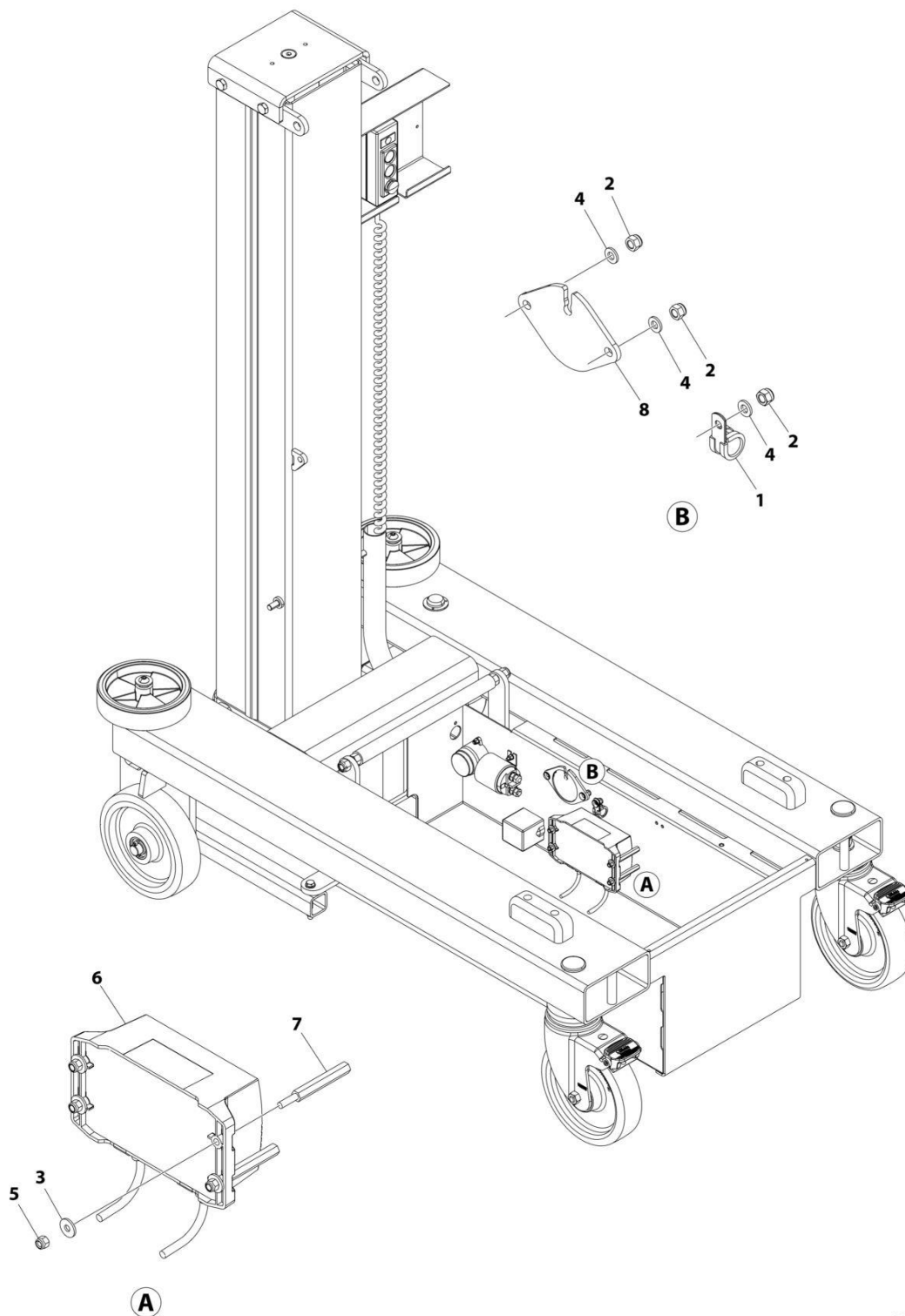
SECTION 6 - ELECTRICAL

FIGURE 6-1. BATTERY INSTALLATION

ITEM	PART NUMBER	QTY	DESCRIPTION	REV
	1001277363	Ref	BATTERY INSTALLATION	C
1	PTNE213	1	Cover, Battery Terminal - Blue/Black	
2	PTNE214	1	Cover, Battery Terminal - Red	
3	1001277683	1	Battery - Standard	

SECTION 6 - ELECTRICAL

FIGURE 6-2. BATTERY CHARGER INSTALLATION - 110V 2 PIN EURO PLUG



ART_1001300038

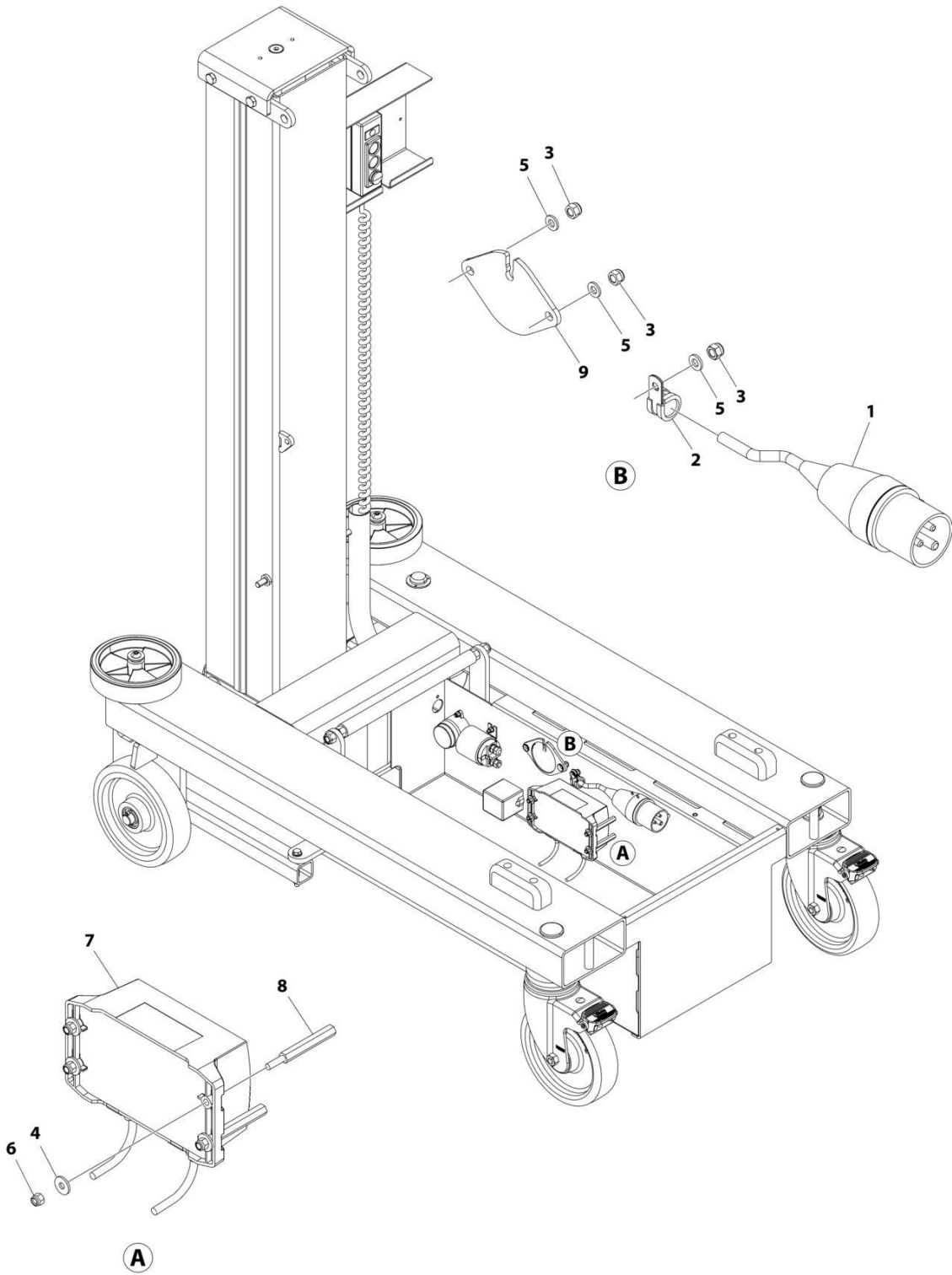
SECTION 6 - ELECTRICAL

FIGURE 6-2. BATTERY CHARGER INSTALLATION - 110V 2 PIN EURO PLUG

ITEM	PART NUMBER	QTY	DESCRIPTION	REV
	1001300038	Ref	BATTERY CHARGER INSTALLATION	B
1	PTM172	1	Clip	
2	1001264557	3	Nut	
3	1001265111	4	Washer M5	
4	1001265112	3	Washer M6	
5	1001265134	4	Nut M5	
6	1001276409	1	Charger, Battery	
7	1001299945	4	Stud	
8	1001302206	1	Cover	

SECTION 6 - ELECTRICAL

FIGURE 6-3. BATTERY CHARGER INSTALLATION - 110V 3 PIN EURO PLUG



ART_1001300039

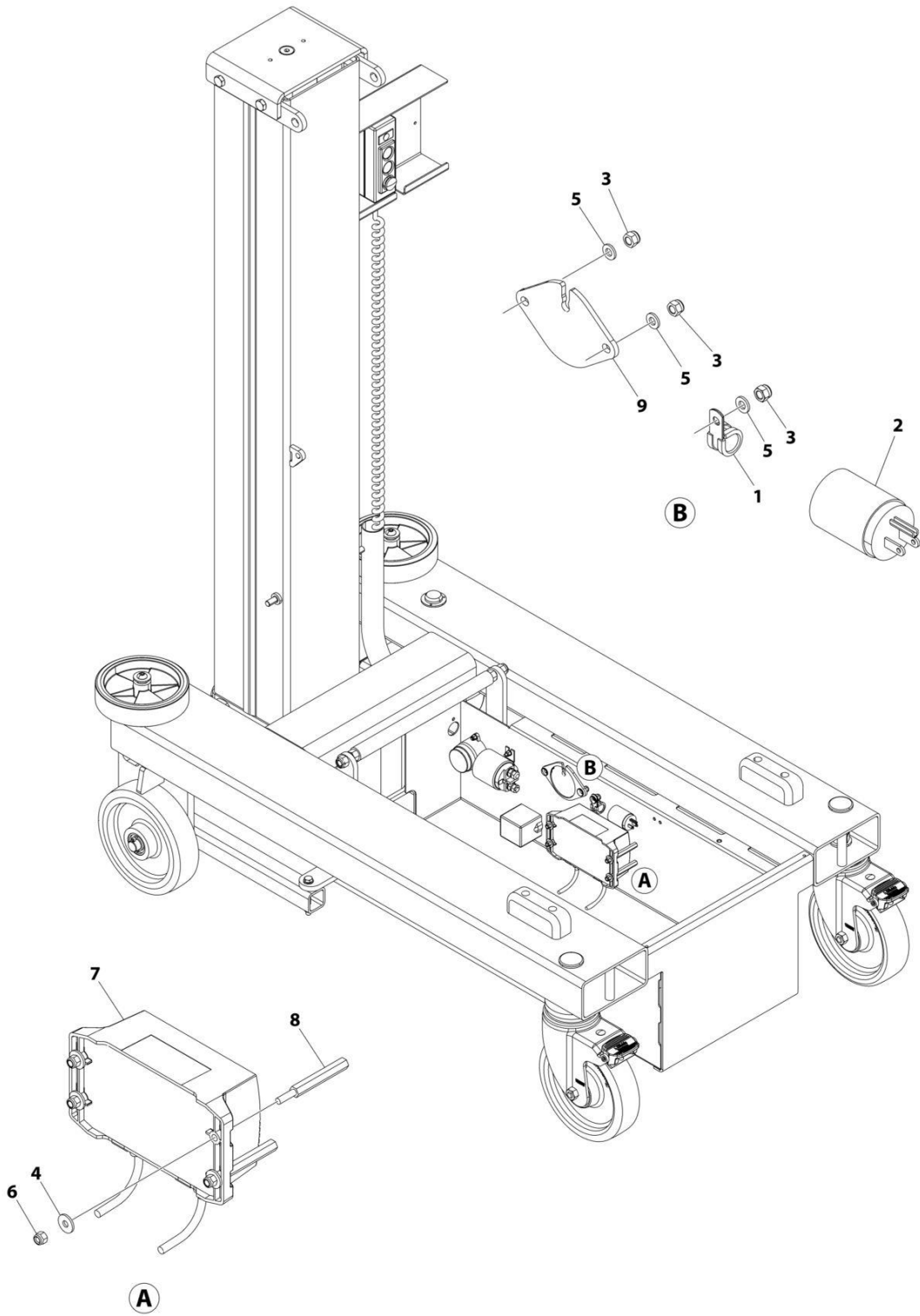
SECTION 6 - ELECTRICAL

FIGURE 6-3. BATTERY CHARGER INSTALLATION - 110V 3 PIN EURO PLUG

ITEM	PART NUMBER	QTY	DESCRIPTION	REV
	1001300039	Ref	BATTERY CHARGER INSTALLATION	A
1	PTE010	1	Plug	
2	PTM172	1	Clip	
3	1001264557	3	Nut	
4	1001265111	4	Washer M5	
5	1001265112	3	Washer M6	
6	1001265134	4	Nut M5	
7	1001276409	1	Charger, Battery	
8	1001299945	4	Stud	
9	1001302206	1	Cover	

SECTION 6 - ELECTRICAL

FIGURE 6-4. BATTERY CHARGER INSTALLATION - 110V 3 PRONG US STD



ART_1001302083

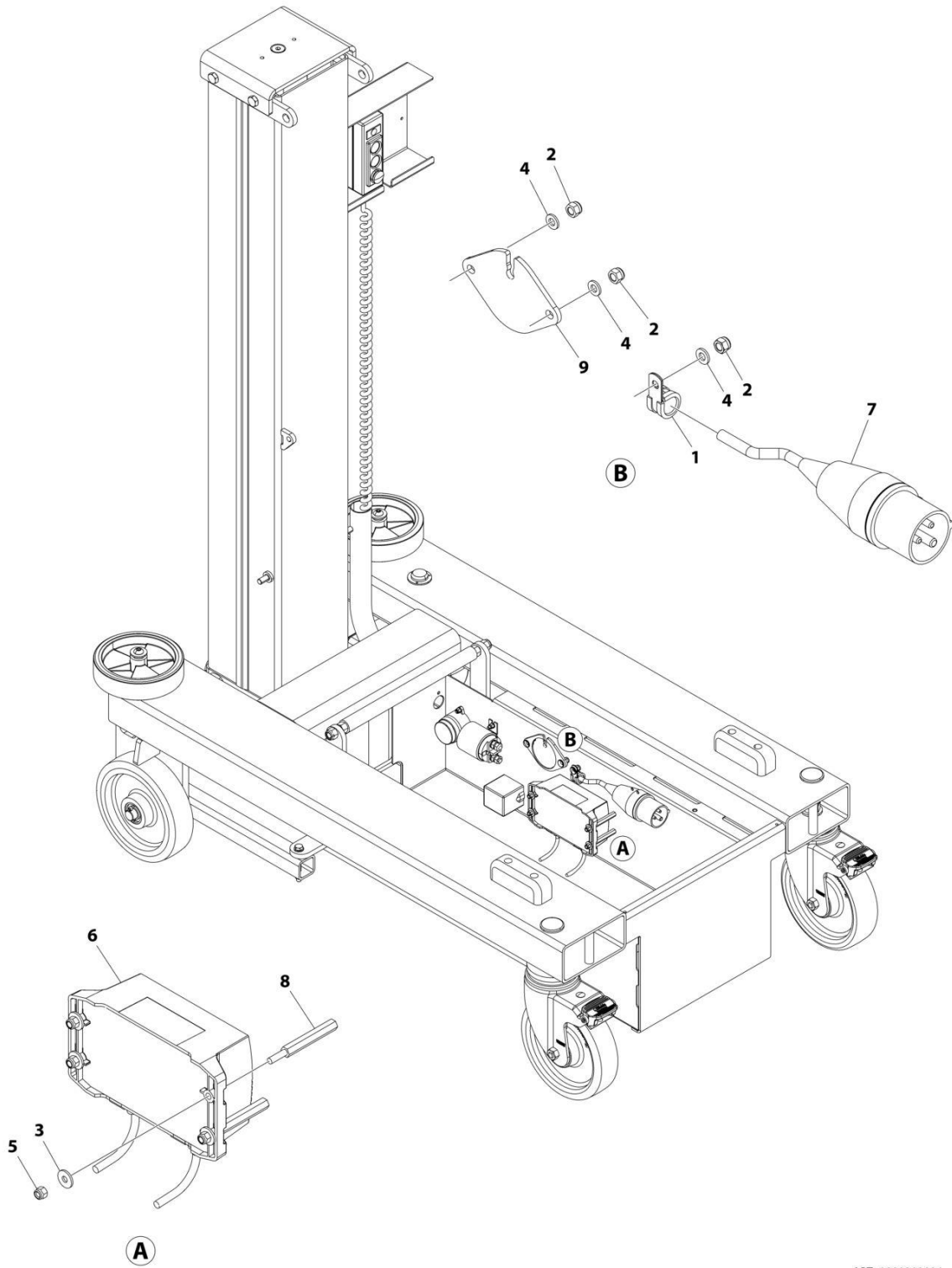
SECTION 6 - ELECTRICAL

FIGURE 6-4. BATTERY CHARGER INSTALLATION - 110V 3 PRONG US STD

ITEM	PART NUMBER	QTY	DESCRIPTION	REV
	1001302083	Ref	BATTERY CHARGER INSTALLATION	A
1	PTM172	1	Clip	
2	4460138	1	Plug	
3	1001264557	3	Nut	
4	1001265111	4	Washer M5	
5	1001265112	3	Washer M6	
6	1001265134	4	Nut M5	
7	1001276409	1	Charger, Battery	
8	1001299945	4	Stud	
9	1001302206	1	Cover	

SECTION 6 - ELECTRICAL

FIGURE 6-5. BATTERY CHARGER INSTALLATION - 230V 3 PIN



ART_1001302084

SECTION 6 - ELECTRICAL

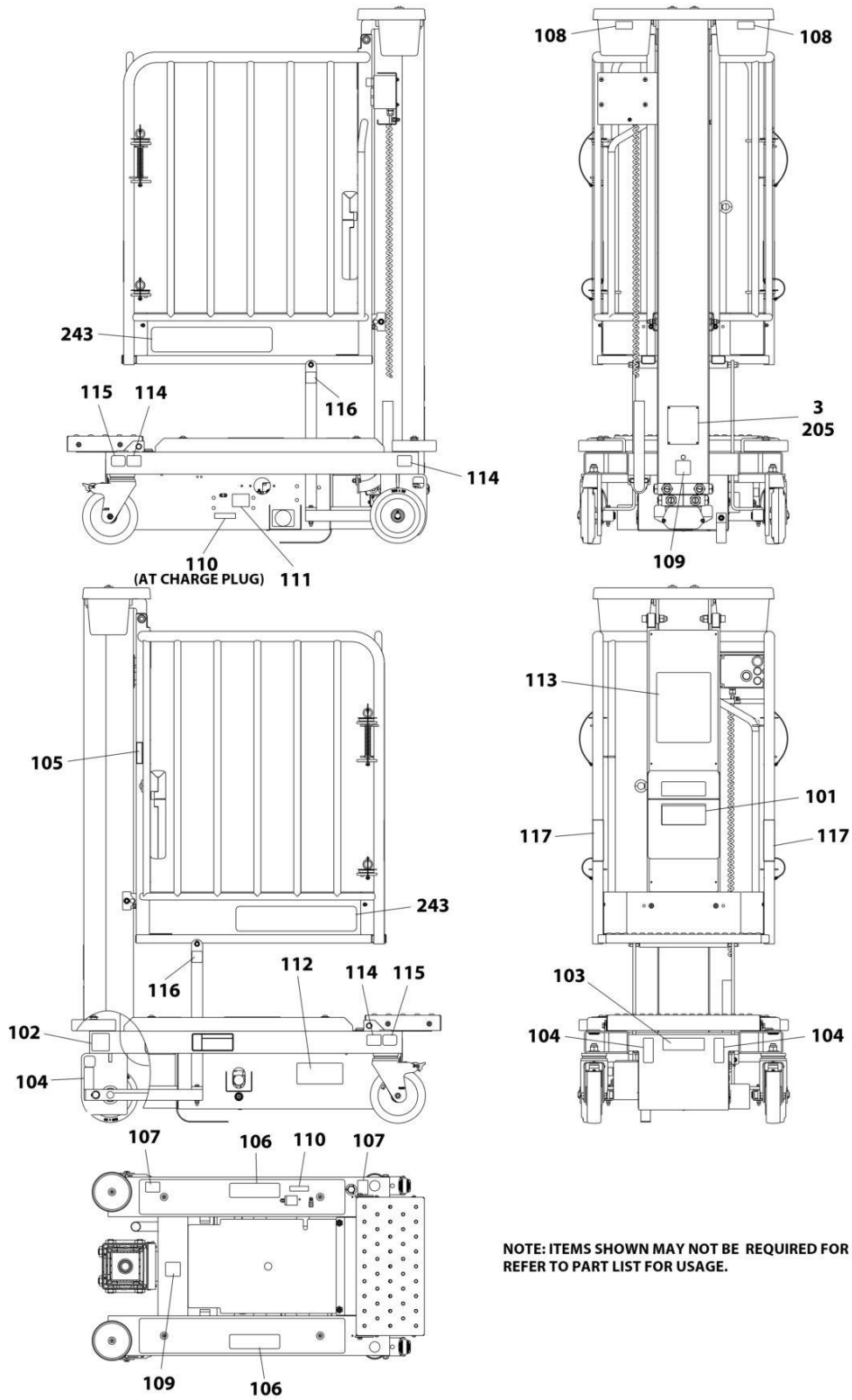
FIGURE 6-5. BATTERY CHARGER INSTALLATION - 230V 3 PIN

ITEM	PART NUMBER	QTY	DESCRIPTION	REV
	1001302084	Ref	BATTERY CHARGER INSTALLATION	A
1	PTM172	1	Clip	
2	1001264557	3	Nut	
3	1001265111	4	Washer M5	
4	1001265112	3	Washer M6	
5	1001265134	4	Nut M5	
6	1001276409	1	Charger, Battery	
7	1001278107	1	Plug	
8	1001299945	4	Stud	
9	1001302206	1	Cover	

SECTION 7 - DECALS

SECTION 7 - DECALS

FIGURE 7-1. DECALS INSTALLATION



ART_1001260849

SECTION 7 - DECALS

FIGURE 7-1. DECALS INSTALLATION

ITEM	PART NUMBER	QTY	DESCRIPTION	REV
	1001260849	Ref	DECALS INSTALLATION	A
	1001279646	Ref	DECALS CHART	C
3	1001265149	4	Rivet	
100	1001287532	Ref	Decal - Kit Nano 25	A
101	1701509	1	Decal - Manual	
102	1704016	2	Decal - Fork Lift	
103	1705670	1	Decal - Fire Hazard	
104	1001213442	4	Decal - Lifting and Tie Down	
105	1001260837	1	Decal - Lanyard Attach	
106	1001260845	2	Decal - Crushing	
107	1001261089	1	Decal - Spirit Level	
108	1001271167	2	Decal - Max Tray Load	
110	1001276627	1	Decal - 110V/230V	
111	1001276654	1	Decal - Charger LED	
112	1001260834	1	Decal - Manual Descent	
113	1001260847	1	Decal - Warning	
114	1001260838	4	Decal - Wheel Load	
115	1001289252	2	Decal - Locking Castor	
117	1001297095	2	Decal - Gate Removal	
205	See Note	NSS	Nameplate - Serial Number (Note: Not Available for Purchase)	
243	1001293105	2	Decal - Nano 25	

SECTION 8 - RECOMMENDED SERVICE PARTS STOCK

SECTION 8 - RECOMMENDED SERVICE PARTS STOCK

SECTION 8 - RECOMMENDED SERVICE PARTS STOCK

FIGURE 8-1. RECOMMENDED SERVICE PARTS STOCK

ITEM	PART NUMBER	QTY	DESCRIPTION	REV
		Ref	Note: The following list will service one machine (built to current production per date on the front cover) with emergency repair parts which can be installed in the field. Parts from the list should be replaced when inventory is depleted to keep service parts stock supplied. For further information, contact your JLG dealer or the JLG Industries Parts Department.	
	PTNM341	Ref	Key, Spare (2 Keys)	
	PPE612	Ref	RELAY, START SOLENOID PP	
	PTNE200	Ref	Switch, Emergency Stop	
	1001299162	Ref	WHEEL, CASTOR	

SECTION 9 - SPECIAL OPTIONS/ACCESSORIES/KITS

SECTION 9 - SPECIAL OPTIONS/ACCESSORIES/KITS

SECTION 9 - SPECIAL OPTIONS/ACCESSORIES/KITS

FIGURE 9-1. SPECIAL OPTIONS/ACCESSORIES/KITS

ITEM	PART NUMBER	QTY	DESCRIPTION	REV
		Ref	Note: This list is to accomodate machines ordered with special equipment. Options may not be applicable to all models. For more specific parts information contact JLG Parts Department.	
	1001256697	Ref	Service Tools/Kits	H
	1001302745	Ref	Static Strap Kit	
	1001288487	Ref	TETHER PLATE ASSEMBLY	

SECTION 9 - SPECIAL OPTIONS/ACCESSORIES/KITS

PART NUMBER INDEX

SECTION 9 - SPECIAL OPTIONS/ACCESSORIES/KITS

0100035.....39	1001265135 11, 15, 35	1001288897 35	1001302185.....27
1001213442.....57	1001265137 15	1001289252 57	1001302186.....15
1001249314.....31	1001265138 15	1001291148 13	1001302187.....25
1001256697.....62	1001265139 35	1001293105 57	1001302188.....25
1001256698.....31	1001265141 15	1001295213 19	1001302189.....27
1001260834.....57	1001265146 25, 27	1001295214 19	1001302190.....13
1001260837.....57	1001265147 15	1001296126 39	1001302191.....23
1001260838.....57	1001265148 15	1001296130 19	1001302192.....25
1001260845.....57	1001265149 57	1001297095 57	1001302193.....25, 27
1001260847.....57	1001265202 23, 25	1001299162 60	1001302199.....27
1001260849.....57	1001265203 11	1001299234 15	1001302200.....25
1001261089.....57	1001265205 23	1001299929 27	1001302203.....13
1001264555.....25	1001265232 19	1001299930 25	1001302204.....13
1001264557 13, 35, 47, 49, 51, 53	1001265233 35	1001299932 11	1001302205.....23
1001264558.....29, 31, 35	1001265521 19	1001299934 23	1001302206.... 47, 49, 51, 53
1001264707.....35	1001266108 15	1001299935 35	1001302210.....13
1001265108.....15	1001266750 41	1001299937 15	1001302745.....62
1001265110 19, 25, 27, 35	1001266751 41	1001299945 ... 47, 49, 51, 53	1001304630.....19
1001265111 19, 35, 47, 49, 51, 53	1001271167 57	1001300032 39	1701509.....57
1001265112 13, 25, 35, 47, 49, 51, 53	1001276409 ... 47, 49, 51, 53	1001300038 47	1704016.....57
1001265113 11, 15, 35	1001276627 57	1001300039 49	1705670.....57
1001265114 23, 25	1001276654 57	1001300943 23, 25	4460138.....51
1001265115.....39	1001277359 13	1001300944 23, 27	PELM405 29
1001265116.....11	1001277363 45	1001302083 51	PPE612 19, 41, 60
1001265117 35	1001277370 29	1001302084 53	PTE010.....49
1001265118 15	1001277683 45	1001302164 11	PTE215.....19
1001265119 13, 25, 27	1001277869 39, 41	1001302165 35	PTM103.....15
1001265121 29, 31	1001277871 39	1001302166 15	PTM106.....19
1001265122 11, 39	1001277875 19	1001302167 25, 27	PTM107 13
1001265125 19, 25, 27, 35	1001277876 19	1001302168 23	PTM126 11
1001265127 13	1001277877 19	1001302169 25	PTM163 15
1001265128 11	1001277878 19	1001302170 25, 27	PTM172 47, 49, 51, 53
1001265129 35	1001277922 39	1001302171 25	PTNE200 19, 60
1001265130.....25	1001277924 39	1001302172 27	PTNE213 45
1001265132.....23	1001277964 15	1001302173 35	PTNE214 45
1001265134 19, 25, 27, 35, 47, 49, 51, 53	1001278107 53	1001302174 15	PTNH277 39
	1001279646 57	1001302175 23	PTNM302 11
	1001284155 39	1001302176 25, 27	PTNM341 19, 60
	1001285722 13	1001302182 23, 25	PTNM342 35
	1001287532 57	1001302183 25	
	1001288487 62	1001302184 25	



**Corporate Office
JLG Industries, Inc.
1 JLG Drive
McConnellsburg, PA 17233-9533 USA**

☎ (717) 485-5161 (Corporate)
☎ (877) 554-5438 (Customer Support)
📠 (717) 485-6417

**Visit our website for JLG Worldwide Locations.
www.jlg.com**



OSHKOSH™