



---

# Illustrated Parts Manual

## 340AJ

PVC 2407

3122317700

July 1, 2024 - Rev A

**ANSI**  **CE**   
**AS/NZS**

English (en-US)

---





# REVISION LOG

July 1, 2024 - A - Original Issue of Manual (Edited to B/M 1001247170 Rev U)

# GENERAL INFORMATION

**SECTION 6 CYLINDER**

**FIGURE 6-3. LIFT CYLINDER ASSEMBLY**

PG#                      Model Designation                      Manual #

**SECTION 6 CYLINDER**

**FIGURE 6-3. LIFT CYLINDER ASSEMBLY**

| ITEM # | PART NUMBER | QTY | DESCRIPTION                                 | REV |
|--------|-------------|-----|---|-----|
|        | 1001140104  | Ref | LIFT CYLINDER ASSEMBLY                      | B   |
| 1      | 0100011     | AR  | Compound, Locking                           |     |
| 2      | 0630305     | 3   | Capscrew 1/4-20 x 1-1/8                     |     |
| 3      | 0791003     | 1   | Screw #10-24 x 3/8                          |     |
| 4      | 0961897     | 1   | Bushing, Tapered                            |     |
| 5      | 1320136     | 1   | Clamp, Cable                                |     |
| 6      | 1683063     | 1   | Head  |     |
| 7      | 2220683     | 1   | Plug, O-Ring                                |     |
| 8      | 2220685     | 2   | Plug, O-Ring                                |     |
| 9      | 2220686     | 1   | Plug, O-Ring                                |     |
| 10     | 3020039     | AR  | Lubricant                                   |     |
| 11     | 3480282     | 1   | Piston                                      |     |
| 12     | 3760371     | 1   | Ring, Washer                                |     |
| 13     | 3931420     | 8   | Capscrew 1/4-20 x 1-1/4                     |     |
| 14     | 3931824     | 8   | Capscrew 1/2-13 x 1-1/2                     |     |
| 15     | 3951003     | 1   | Setscrew #10-24 x 3/8                       |     |
| 16     | 4100099     | 1   | Spacer                                      |     |
| 17     | 4640999     | 1   | Cartridge, Holding Valve (Non Vented)       |     |
| 18     | 4641248     | 1   | Cartridge, Countbalance Valve (Non Vented)  |     |
| 19     | 70004186    | 1   | Kit, Seal - 4641248 Cartridge Valve         |     |
| 20     | 1001117991  | 1   | Sensor, Cylinder Length                     |     |
| 21     | 1001118070  | 1   | Cap, Retainer                               |     |
| 22     | 1001118084  | 1   | Barrel                                      |     |
| 21A    | 0961950     | 2   | Bushing                                     |     |
| 22A    | 1001118086  | 1   | Rod   |     |
| 22A    | 0961950     | 2   | Bushing                                     |     |
| 100    | 1001139996  | 1   | Kit, Seal (Includes Items 101-109)          |     |
| 101    | See Note    | 2   | Ring, Wear (Note: Use p/n 1001139996)       |     |
| 102    | See Note    | 1   | Ring, Back-Up (Note: Use p/n 1001139996)    |     |
| 103    | See Note    | 2   | Ring, Lock (Note: Use p/n 1001139996)       |     |
| 104    | See Note    | 2   | Ring, Back-Up (Note: Use p/n 1001139996)    |     |
| 105    | See Note    | 2   | O-Ring (Note: Use p/n 1001139996)           |     |
| 106    | See Note    | 1   | O-Ring (Note: Use p/n 1001139996)           |     |
| 107    | See Note    | 1   | Seal (Note: Use p/n 1001139996)             |     |
| 108    | See Note    | 1   | Wiper, Rod (Note: Use p/n 1001139996)       |     |
| 109    | See Note    | 2   | Seal (Note: Use p/n 1001139996)             |     |
| 200    | 1001119105  | 1   | Kit, Sensor Magnet (Includes Items 201-203) |     |
| 201    | See Note    |     | Sleeve, Spacer (Note: Use p/n 1001119105)   |     |
| 202    | 1001118066  |     | Magnet, Sensor                              |     |
| 203    | 1001118069  | 1   | Ring, Internal Retaining                    |     |

Manual #                      Model Designation                      PG#

## 1) MACHINE IDENTIFICATION

Machines are identified by model and in some cases a combination of models, serial number (SN) or regional standard (i.e ANSI, CE, CSA). Components may also be identified by SN or manufacturer. Common components that may be identified by these characteristics are engines and hydraulic components.

## 2) PARTS MANUAL ORGANIZATION

Product information in this manual is organized under section titles. Frame, Cylinder, Hydraulic and Electrical are a few examples. Each section is organized by figure and page number. The information within the Figure is then organized by item number, part number, description and corresponding illustration (s).

## 3) TABLE OF CONTENTS (NOT SHOWN)

A table of contents is found toward the beginning of the manual. Figure number, description and page number are provided for quick reference to the page containing the related information.

## 4) RECOMMENDED SPARE PARTS (NOT SHOWN)

The Recommended Spare Parts List, located near the end of the manual, reference most frequently used maintenance parts.

## 5) PART NUMBER INDEX (NOT SHOWN)

A numerical index listing all part numbers and the corresponding page number(s) appears at the back of the manual.

# GENERAL INFORMATION

## 6) NON-SERVICED PARTS

In some instances, it is necessary to display non-serviced parts, assemblies or installations. In the case of assemblies and installations there will be a Ref in the Qty. column. In case of parts that are not available for service within assemblies or components, there will be a NSS (Not Sold Separately) or NLA (No Longer Available) listed in the Qty. column of the manual.

## 7) PARTS LIST ITEM NUMBERS

Numbers shown in the item# column correspond to numbers used in the associated illustration (s). Item numbers which are missing from the sequence in the parts list are not used on that page.

## 8) INDENTED PARTS DESCRIPTION

An indented part description is included in the item under which it is indented.

## 9) ABBREVIATION AND SYMBOLS

|             |  |              |                                 |
|-------------|--|--------------|---------------------------------|
| AC.....     | Alternating Current                        | L.....       | Liter                           |
| ADE.....    | Advanced Design Electronics                | LB(LBS)..... | Pounds                          |
| AG.....     | Agricultural                               | LCD.....     | Liquid Crystal Display          |
| ANSI.....   | American National Standards Institute      | LED.....     | Light Emitting Diodes           |
| AR.....     | As Required                                | LH.....      | Left Hand                       |
| ASSY.....   | Assembly                                   | LRC.....     | Low Rated Countries             |
| AUS.....    | Australia                                  | LSS.....     | Load Sensing System             |
| AUX.....    | Auxiliary                                  | M(m).....    | Metric/Meter                    |
| AWG.....    | American Wire Gauge                        | MM(mm).....  | Milimeter                       |
| B/M.....    | Bill of Material                           | mA.....      | Miliamps                        |
| CAC.....    | Charge Air Cooler                          | NLA.....     | No Longer Available             |
| CE.....     | European Conformity                        | NPT.....     | National Pipe Threads           |
| CCW.....    | Counter Clockwise                          | NSS.....     | Not Sold Separately             |
| CM.....     | Centimeter                                 | OD.....      | Outside Diameter                |
| CW.....     | Clockwise                                  | ORB.....     | O-Ring Boss                     |
| CSA.....    | Canadian Standards Association             | ORFS.....    | O-Ring Face Seal                |
| CYL.....    | Cylinder                                   | OZ (oz)..... | Ounces                          |
| DIA.....    | Diameter                                   | PG.....      | Page                            |
| DC.....     | Direct Current                             | PN.....      | Part Number                     |
| DEF.....    | Diesel Exhaust Fluid                       | QT(qt.)..... | Quarts                          |
| EMS.....    | Emergency Stop                             | QTY.....     | Quantity                        |
| ENG.....    | Engine                                     | REF.....     | Reference                       |
| FT(ft)..... | Feet                                       | REV.....     | Revision Level                  |
| GA(Ga)..... | Gauge                                      | RH.....      | Right Hand                      |
| HRC.....    | High Rated Countries                       | SAE.....     | Society of Automotive Engineers |
| HVAC.....   | Heating, Ventilating, and Air Conditioning | SN.....      | Serial Number                   |
| HYD.....    | Hydraulic                                  | SPEC(S)..... | Specifications                  |
| Hz.....     | Hertz                                      | T/T.....     | Turntable                       |
| ID.....     | Inside Diameter                            | UGM.....     | Universal Ground Module         |
| IN.....     | inches                                     | V.....       | Volts                           |
| ISO.....    | International Organization for Standards   | W.....       | Watts                           |
| JIC.....    | Joint Industry Council                     | #.....       | Number                          |
| KG.....     | Kilogram                                   |              |                                 |

## 10) ILLUSTRATION REFERENCE LETTERS

When necessary, illustrations may contain reference letters that are intended to track information (i. e. hoses, harnesses) from one point to another or to track visual enlargement of components to show details that may be located in another area on the illustration.

*Note: Due to continuous product improvements, JLG Industries, Inc. reserves the right to make specification changes without prior notification. Contact JLG Industries, Inc. for updated information.*



# TABLE OF CONTENTS

|  |    |
|--|----|
| SECTION 1 - FRAME.....   | 13 |
| FIGURE 1-1. STEERING INSTALLATION .....  | 14 |
| FIGURE 1-2. OSCILLATING AXLE INSTALLATION.....   | 16 |
| FIGURE 1-3. DRIVE VALVES INSTALLATION.....   | 18 |
| FIGURE 1-4. FLOW DIVIDER VALVE ASSEMBLY .....  | 20 |
| FIGURE 1-5. DRIVE INSTALLATION.....  | 22 |
| FIGURE 1-6. DRIVE MOTOR ASSEMBLY .....   | 24 |
| FIGURE 1-7. DRIVE HUB/BRAKE ASSEMBLY .....   | 26 |
| FIGURE 1-8. TIRE AND WHEEL INSTALLATION - 7X18 SOLID CUSHION .....   | 30 |
| FIGURE 1-9. TIRE AND WHEEL INSTALLATION - 7X18 SOLID CUSHION NON-MARKING.....                                | 32 |
| FIGURE 1-10. TIRE AND WHEEL INSTALLATION - 9X20 FOAM-FILLED .....  | 34 |
| FIGURE 1-11. TIRE AND WHEEL INSTALLATION - 9X20 FOAM-FILLED NON-MARKING .....                                | 36 |
| FIGURE 1-12. TIRE AND WHEEL INSTALLATION - 33 X 12LL500 TURF/SAND FOAM FILLED.....                           | 38 |
| FIGURE 1-13. FRAME SHIELDS INSTALLATION.....   | 40 |
| FIGURE 1-14. LP TANK ASSEMBLY.....   | 42 |
| SECTION 2 - TURNTABLE.....   | 45 |
| FIGURE 2-1. CONTROL VALVE AND CHARGE FILTER INSTALLATION .....   | 46 |
| FIGURE 2-2. MAIN CONTROL VALVE ASSEMBLY.....   | 48 |
| FIGURE 2-3. SWING DRIVE INSTALLATION .....   | 50 |
| FIGURE 2-4. SWING MOTOR ASSEMBLY .....   | 52 |
| FIGURE 2-5. SWING BEARING ASSEMBLY .....   | 54 |
| FIGURE 2-6. TANK INSTALLATION (DIESEL MACHINES).....   | 56 |
| FIGURE 2-7. TANK INSTALLATION (GAS MACHINES) .....   | 58 |
| FIGURE 2-8. HYDRAULIC TANK ASSEMBLY.....   | 60 |
| FIGURE 2-9. FUEL TANK ASSEMBLY (DIESEL MACHINES).....  | 62 |
| FIGURE 2-10. FUEL TANK ASSEMBLY (GAS MACHINES) .....   | 64 |
| FIGURE 2-11. ELECTRICAL COMPONENTS INSTALLATION (ALL SPECS EXCEPT CE & UK CA).....                           | 66 |
| FIGURE 2-12. ELECTRICAL COMPONENTS INSTALLATION (CE & UK CA SPEC).....                                       | 68 |
| FIGURE 2-13. GROUND CONTROL BOX ASSEMBLY - DISPLAY WITHOUT BUTTONS (ALL SPECS EXCEPT CE & UK CA SPECS) ..... | 70 |
| FIGURE 2-14. GROUND CONTROL BOX ASSEMBLY - DISPLAY WITHOUT BUTTONS (CE & UK CA SPECS) .....                  | 72 |
| FIGURE 2-15. LIGHT PANEL INSTALLATION .....  | 74 |
| FIGURE 2-16. KEY SWITCH INSTALLATION .....   | 76 |
| FIGURE 2-17. BATTERY INSTALLATION.....   | 78 |
| FIGURE 2-18. WHITE NOISE ALARM INSTALLATION (AMBIENT) .....  | 80 |
| FIGURE 2-19. WHITE NOISE ALARM INSTALLATION (CONSTANT).....  | 82 |
| FIGURE 2-20. STROBE LIGHT INSTALLATION (AMBER) .....   | 84 |
| FIGURE 2-21. STROBE LIGHT INSTALLATION (BLUE) (OPTIONAL) .....   | 86 |
| FIGURE 2-22. STROBE LIGHT INSTALLATION (RED) (OPTIONAL) .....  | 88 |
| FIGURE 2-23. GATEWAY INSTALLATION.....   | 90 |
| FIGURE 2-24. NO BEACON INSTALLATION .....  | 92 |
| FIGURE 2-25. TELEMATICS GATEWAY HARNESS .....  | 94 |
| FIGURE 2-26. TURNTABLE FLOODLIGHT INSTALLATION (OPTIONAL) .....  | 96 |
| FIGURE 2-27. HEAD AND TAIL LIGHT INSTALLATION (OPTIONAL).....  | 98 |

# TABLE OF CONTENTS

|   |     |
|---|-----|
| FIGURE 2-28. HOODS INSTALLATION .....   | 100 |
| FIGURE 2-29. HOOD INSTALLATION (GAS ENGINE) .....   | 104 |
| FIGURE 2-30. ENGINE SIDE HOOD ASSEMBLY .....  | 108 |
| FIGURE 2-31. TANK SIDE HOOD ASSEMBLY .....  | 110 |
| FIGURE 2-32. HOOD COMPONENTS - KUBOTA ENGINE (WITHOUT ARCTIC PACKAGE) .....   | 112 |
| FIGURE 2-33. HOOD COMPONENTS - KUBOTA ENGINE (WITH ARCTIC PACKAGE) .....  | 114 |
| FIGURE 2-34. HOOD COMPONENTS - KUBOTA ENGINE WITH 4000W GENERATOR (WITHOUT ARCTIC PACKAGE) .....  | 116 |
| FIGURE 2-35. HOOD COMPONENTS - KUBOTA ENGINE WITH 4000W GENERATOR (WITH ARCTIC PACKAGE) .....   | 118 |
| FIGURE 2-36. GM ENGINE INSTALLATION (WITHOUT ARCTIC PACKAGE) .....  | 120 |
| FIGURE 2-37. GM ENGINE INSTALLATION (WITH ARCTIC PACKAGE) .....   | 122 |
| SECTION 3 - ENGINE .....  | 125 |
| FIGURE 3-1. GM ENGINE INSTALLATION (WITHOUT ARCTIC PACKAGE) .....   | 126 |
| FIGURE 3-2. GM ENGINE INSTALLATION (WITH ARCTIC PACKAGE) .....  | 128 |
| FIGURE 3-3. GM ENGINE AND PUMP SUB-ASSEMBLY .....   | 130 |
| FIGURE 3-4. GM ENGINE ASSEMBLY .....  | 132 |
| FIGURE 3-5. KUBOTA ENGINE INSTALLATION (WITHOUT ARCTIC PACKAGE) .....   | 136 |
| FIGURE 3-6. KUBOTA ENGINE INSTALLATION WITH 4000W GENERATOR (WITHOUT ARCTIC PACKAGE) .....  | 140 |
| FIGURE 3-7. KUBOTA ENGINE INSTALLATION (WITH ARCTIC PACKAGE) .....  | 144 |
| FIGURE 3-8. KUBOTA ENGINE INSTALLATION WITH 4000W GENERATOR (WITH ARCTIC PACKAGE) .....   | 148 |
| FIGURE 3-9. KUBOTA ENGINE AND PUMP SUB-ASSEMBLY .....   | 152 |
| FIGURE 3-10. KUBOTA ENGINE WITH 4000W GENERATOR AND PUMP SUB-ASSEMBLY .....   | 154 |
| FIGURE 3-11. KUBOTA ENGINE ASSEMBLY .....   | 156 |
| FIGURE 3-12. KUBOTA ENGINE ASSEMBLY WITH 4000W GENERATOR .....  | 160 |
| FIGURE 3-13. KUBOTA ENGINE COMPONENTS .....   | 166 |
| FIGURE 3-14. QUICKFIT OIL DRAIN INSTALLATION (KUBOTA 2.5L DF) .....   | 170 |
| FIGURE 3-15. CATALYTIC MUFFLER INSTALLATION - KUBOTA ENGINE (OPTIONAL) .....  | 172 |
| FIGURE 3-16. FUEL/WATER SEPARATOR ASSEMBLY (KUBOTAT ENGNIES) (PVC2007) .....  | 174 |
| FIGURE 3-17. AXIAL PUMP ASSEMBLY .....  | 176 |
| FIGURE 3-18. GEAR PUMP ASSEMBLY .....   | 180 |
| FIGURE 3-19. 2800W GENERATOR INSTALLATION - GM ENGINE MACHINES 220V/50HZ GENERATOR (ANSI EXPORT AND CHINA SPECS) .....                                    | 182 |
| FIGURE 3-20. 2800W GENERATOR INSTALLATION - KUBOTA ENGINE MACHINES 120V/50HZ GENERATOR .....  | 186 |
| FIGURE 3-21. 2800W GENERATOR INSTALLATION - KUBOTA ENGINE MACHINES 220V/50HZ GENERATOR (ANSI EXPORT, AUSTRALIAN, CHINA, CE & UK CA SPECS) .....           | 190 |
| FIGURE 3-22. 3500W GENERATOR INSTALLATION - GM ENGINE MACHINES 120V/60HZ GENERATOR (ANSI, ANSI EXPORT, CHINA, CSA AND JAPANESE SPECS) .....               | 194 |
| FIGURE 3-23. 3500W GENERATOR INSTALLATION - GM ENGINE MACHINES 220V/60HZ GENERATOR (ANSI EXPORT, CHINA AND CSA SPECS) .....                               | 198 |
| FIGURE 3-24. 3500W GENERATOR INSTALLATION - KUBOTA ENGINE MACHINES 120V/60HZ GENERATOR (ANSI, ANSI EXPORT, CHINA, CSA AND JAPANESE SPECS) .....           | 202 |
| FIGURE 3-25. 3500W GENERATOR INSTALLATION - KUBOTA ENGINE MACHINES 220V/60HZ GENERATOR (ANSI EXPORT, CHINA AND CSA SPECS) .....                           | 206 |
| FIGURE 3-26. 4000W GENERATOR INSTALLATION - KUBOTA ENGINE MACHINES 220V/50HZ GENERATOR (ANSI EXPORT, AUSTRALIAN, CHINA, JAPANESE, CE & UK CA SPECS) ..... | 210 |
| FIGURE 3-27. 4000W GENERATOR INSTALLATION - KUBOTA ENGINE MACHINES 110V/60HZ GENERATOR (ANSI, ANSI EXPORT, CHINA, CSA AND JAPANESE SPECS) .....           | 214 |
| SECTION 4 - BOOM .....  | 217 |

# TABLE OF CONTENTS

|  |     |
|--|-----|
| FIGURE 4-1. BOOM AND CYLINDERS INSTALLATION - WITHOUT ARCTIC PACKAGE .....       | 218 |
| FIGURE 4-2. BOOM AND CYLINDERS INSTALLATION - WITH ARCTIC PACKAGE .....          | 220 |
| FIGURE 4-3. TOWER BOOM ASSEMBLY .....  | 222 |
| FIGURE 4-4. MAIN BOOM ASSEMBLY .....   | 224 |
| FIGURE 4-5. JIB ASSEMBLY - WITHOUT ARCTIC PACKAGE .....                          | 226 |
| FIGURE 4-6. JIB ASSEMBLY - WITH ARCTIC PACKAGE .....                             | 228 |
| FIGURE 4-7. PLATFORM ROTATOR ASSEMBLY - WITHOUT ARCTIC PACKAGE .....             | 230 |
| FIGURE 4-8. PLATFORM ROTATOR ASSEMBLY - WITH ARCTIC PACKAGE .....                | 232 |
| FIGURE 4-9. PLATFORM SUPPORT INSTALLATION - WITH 1 CELL LSS (PVC 2007) .....     | 234 |
| FIGURE 4-10. POWER TRACK INSTALLATION .....                                      | 236 |
| FIGURE 4-11. CONTROL VALVES INSTALLATION - BOOM .....                            | 238 |
| FIGURE 4-12. FLY BOOM VALVE ASSEMBLY .....                                       | 240 |
| FIGURE 4-13. BOOM UPRIGHT VALVE ASSEMBLY .....                                   | 242 |
| SECTION 5 - PLATFORM .....   | 245 |
| FIGURE 5-1. PLATFORM ASSEMBLY - 30IN X 4FT (76CM X 1.22M) - GATE ENTRY .....     | 246 |
| FIGURE 5-2. PLATFORM ASSEMBLY - 30IN X 5FT (76CM X 1.52M) - GATE ENTRY .....     | 248 |
| FIGURE 5-3. PLATFORM ASSEMBLY - 30IN X 4FT (76CM X 1.22M) - DROP BAR ENTRY ..... | 250 |
| FIGURE 5-4. PLATFORM ASSEMBLY - 30IN X 5FT (76CM X 1.52M) - DROP BAR ENTRY ..... | 252 |
| FIGURE 5-5. PLATFORM ASSEMBLY - 30IN X 3FT (76CM X .91M) - DROP BAR ENTRY .....  | 254 |
| FIGURE 5-6. TRAY INSTALLATION .....  | 256 |
| FIGURE 5-7. CONSOLE AND FOOTSWITCH INSTALLATION - DIESEL MACHINES .....          | 258 |
| FIGURE 5-8. CONSOLE AND FOOTSWITCH INSTALLATION - GAS MACHINES .....             | 260 |
| FIGURE 5-9. CONSOLE ASSEMBLY .....   | 262 |
| FIGURE 5-10. LIGHT PANEL INSTALLATION .....                                      | 266 |
| FIGURE 5-11. FOOTSWITCH ASSEMBLY .....   | 268 |
| FIGURE 5-12. USB CHARGER INSTALLATION .....                                      | 270 |
| FIGURE 5-13. SKYEYE INSTALLATION .....   | 272 |
| FIGURE 5-14. SKYLINE INSTALLATION .....  | 274 |
| FIGURE 5-15. WORKLIGHTS INSTALLATION (OPTIONAL) .....                            | 276 |
| SECTION 6 - CYLINDER .....   | 279 |
| FIGURE 6-1. AXLE LOCKOUT CYLINDER ASSEMBLY .....                                 | 280 |
| FIGURE 6-2. LEVEL (PLATFORM SLAVE) CYLINDER ASSEMBLY .....                       | 282 |
| FIGURE 6-3. LIFT (JIB) CYLINDER ASSEMBLY .....                                   | 284 |
| FIGURE 6-4. LIFT (MAIN BOOM) CYLINDER ASSEMBLY .....                             | 286 |
| FIGURE 6-5. LIFT (TOWER BOOM) CYLINDER ASSEMBLY .....                            | 288 |
| FIGURE 6-6. MASTER CYLINDER ASSEMBLY .....                                       | 290 |
| FIGURE 6-7. STEER CYLINDER ASSEMBLY .....  | 292 |
| FIGURE 6-8. TELESCOPE CYLINDER ASSEMBLY .....                                    | 294 |
| SECTION 7 - HYDRAULIC .....  | 297 |
| FIGURE 7-1. HYDRAULIC INSTALLATION - WITHOUT ARCTIC PACKAGE .....                | 298 |
| FIGURE 7-2. HYDRAULIC INSTALLATION - WITH ARCTIC PACKAGE .....                   | 308 |
| SECTION 8 - ELECTRICAL .....   | 319 |

# TABLE OF CONTENTS

|  |     |
|--|-----|
| FIGURE 8-1. AC BOX AT PLATFORM INSTALLATION - LOCALLY SUPPLIED COMPONENTS (ANSI EXPORT, AUSTRALIAN AND CHINA SPECS) .....                    | 320 |
| FIGURE 8-2. AC BOX AT PLATFORM INSTALLATION - LOCALLY SUPPLIED (CE & UK CA SPEC) .....   | 322 |
| FIGURE 8-3. AC BOX AT PLATFORM INSTALLATION - 110V (ANSI, ANSI EXPORT, CHINA, CSA AND JAPANESE SPECS) .....                                  | 324 |
| FIGURE 8-4. AC BOX AT PLATFORM INSTALLATION - 110V IEC YELLOW WITHOUT 4000W GENERATOR (CE & UK CA SPEC) .....                                | 326 |
| FIGURE 8-5. AC BOX AT PLATFORM INSTALLATION - 110V IEC YELLOW WITH 4000W GENERATOR (CE & UK CA SPECS) .....                                  | 328 |
| FIGURE 8-6. AC BOX AT PLATFORM INSTALLATION - 220V (CSA SPEC).....   | 330 |
| FIGURE 8-7. AC BOX AT PLATFORM INSTALLATION - 220V IEC BLUE WITHOUT 4000W GENERATOR (CE & UK CA SPEC) .....                                  | 332 |
| FIGURE 8-8. AC BOX AT PLATFORM INSTALLATION - 220V IEC BLUE WITH 4000W GENERATOR (CE & UK CA SPECS) .....                                    | 334 |
| FIGURE 8-9. AC BOX AT PLATFORM INSTALLATION - 220V CEE7 POST GROUND 2 X 4 BOX WITHOUT 4000W GENERATOR (CE & UK CA SPEC) .....                | 336 |
| FIGURE 8-10. AC BOX AT PLATFORM INSTALLATION - 220V CEE7 POST GROUND 2 X 4 BOX WITH 4000W GENERATOR (CE & UK CA SPECS) .....                 | 338 |
| FIGURE 8-11. AC BOX AT PLATFORM INSTALLATION - 220V CEE7 SIDE GROUND 2 X 4 BOX WITHOUT 4000W GENERATOR (CE & UK CA SPEC) .....               | 340 |
| FIGURE 8-12. AC BOX AT PLATFORM INSTALLATION - 220V CEE7 SIDE GROUND 2 X 4 BOX WITH 4000W GENERATOR (CE & UK CA SPECS) .....                 | 342 |
| FIGURE 8-13. AC BOX AT PLATFORM INSTALLATION - 220V AFSINT 107 KEYED GROUND WITHOUT 4000W GENERATOR (CE & UK CA SPEC) .....                  | 344 |
| FIGURE 8-14. AC BOX AT PLATFORM INSTALLATION - 220V AFSINT 107 KEYED GROUND WITH 4000W GENERATOR (CE & UK CA SPECS).....                     | 346 |
| FIGURE 8-15. AC BOX AT PLATFORM INSTALLATION - BOX WITH COVER WITH 4000W GENERATOR (ANSI EXPORT, AUSTRALIAN, CHINA AND JAPANESE SPECS) ..... | 348 |
| FIGURE 8-16. AC POWER TO PLATFORM CABLE - MAIN BOOM (WITHOUT ARCTIC PACKAGE) (50HZ) .....  | 350 |
| FIGURE 8-17. AC POWER TO PLATFORM CABLE - MAIN BOOM (WITH ARCTIC PACKAGE) (50HZ).....  | 352 |
| FIGURE 8-18. AC POWER TO PLATFORM CABLE - MAIN BOOM (60HZ).....  | 354 |
| FIGURE 8-19. AC POWER TO PLATFORM CABLE - TOWER BOOM (WITHOUT ARCTIC PACKAGE) (50HZ) .....   | 356 |
| FIGURE 8-20. AC POWER TO PLATFORM CABLE - TOWER BOOM (WITH ARCTIC PACKAGE) (50HZ) .....  | 358 |
| FIGURE 8-21. AC POWER TO PLATFORM CABLE - TOWER BOOM (60HZ) .....  | 360 |
| FIGURE 8-22. BATTERY DISCONNECT SWITCH .....   | 362 |
| FIGURE 8-23. BOOM CABLES, HARNESSES AND CLAMPS INSTALLATION - WITHOUT ARCTIC PACKAGE .....   | 364 |
| FIGURE 8-24. BOOM CABLES, HARNESSES AND CLAMPS INSTALLATION - WITH ARCTIC PACKAGE .....  | 368 |
| FIGURE 8-25. BOOM CABLES AND CLAMPS INSTALLATION - 4000W, 50HZ - WITHOUT ARCTIC PACKAGE .....  | 372 |
| FIGURE 8-26. BOOM CABLES AND CLAMPS INSTALLATION - 4000W, 50HZ - WITH ARCTIC PACKAGE .....   | 376 |
| FIGURE 8-27. BOOM CABLES AND CLAMPS INSTALLATION - 4000W, 60HZ - WITHOUT ARCTIC PACKAGE .....  | 380 |
| FIGURE 8-28. BOOM CABLES AND CLAMPS INSTALLATION - 4000W, 60HZ - WITH ARCTIC PACKAGE .....   | 384 |
| FIGURE 8-29. BOOM HARNESS - LIMIT SWITCHES AND UPRIGHT VALVE .....   | 388 |
| FIGURE 8-30. BOOM HARNESS - MAIN .....   | 390 |
| FIGURE 8-31. BREAKER BOX INSTALLATION .....  | 392 |
| FIGURE 8-32. BREAKER BOX KIT (CE & UK CA SPEC) .....   | 394 |
| FIGURE 8-33. CHASSIS HARNESS ASSEMBLY .....  | 396 |
| FIGURE 8-34. CHASSIS LIGHT HARNESS .....   | 400 |
| FIGURE 8-35. CLEARSKY INSTALLATION .....   | 402 |
| FIGURE 8-36. ENGINE HARNESS - KUBOTA ENGINE .....  | 404 |
| FIGURE 8-37. FUEL PUMP HARNESS - GM ENGINES.....   | 406 |



# TABLE OF CONTENTS

|  |     |
|--|-----|
| FIGURE 8-38. GENERATOR HARNESS - 2500W.....  | 408 |
| FIGURE 8-39. GENERATOR HARNESS - 4000W.....  | 410 |
| FIGURE 8-40. GENERATOR CONTROL HARNESS - 4000W.....  | 412 |
| FIGURE 8-41. GENERATOR TO AC PLUG HARNESS - 2800W GENERATOR 220/50HZ (ANSI EXPORT, AUSTRALIAN, CHINA, CE & UK CA SPECS)..... | 414 |
| FIGURE 8-42. GENERATOR TO AC PLUG HARNESS - 2800W GENERATOR 110/50HZ (CE & UK CA SPECS ONLY) .....                           | 416 |
| FIGURE 8-43. GENERATOR TO AC PLUG HARNESS - 2800W GENERATOR 220/50HZ (ANSI EXPORT, AUSTRALIAN, CHINA, CE & UK CA SPECS)..... | 418 |
| FIGURE 8-44. GENERATOR TO AC PLUG HARNESS - 3500W GENERATOR 220/60HZ (ANSI EXPORT, CHINA AND CSA SPECS) .....                | 420 |
| FIGURE 8-45. GENERATOR TO AC PLUG HARNESS - 3500W GENERATOR 110/60HZ (ANSI, ANSI EXPORT, CHINA, CSA AND JAPANESE SPECS)..... | 422 |
| FIGURE 8-46. GENERATOR TO AC PLUG HARNESS - 3500W GENERATOR 220/60HZ (ANSI EXPORT, CHINA AND CSA SPECS) .....                | 424 |
| FIGURE 8-47. GROUND TO PLATFORM CABLE - MAIN BOOM (WITHOUT ARCTIC PACKAGE) .....   | 426 |
| FIGURE 8-48. GROUND TO PLATFORM CABLE - MAIN BOOM (WITH ARCTIC PACKAGE).....   | 428 |
| FIGURE 8-49. GROUND TO PLATFORM CABLE - TOWER BOOM (WITHOUT ARCTIC PACKAGE).....   | 430 |
| FIGURE 8-50. GROUND TO PLATFORM CABLE - TOWER BOOM (WITH ARCTIC PACKAGE).....  | 432 |
| FIGURE 8-51. GROUND CONTROL HARNESS .....  | 434 |
| FIGURE 8-52. GENERATOR TO PLATFORM HARNESS.....  | 438 |
| FIGURE 8-53. LIMIT SWITCH HARNESS .....  | 440 |
| FIGURE 8-54. LSS HARNESS.....  | 442 |
| FIGURE 8-55. MID ENGINE HARNESS .....  | 444 |
| FIGURE 8-56. PLATFORM BOX HARNESS.....   | 448 |
| FIGURE 8-57. RECEPTACLE BOX KIT - 110V IEC YELLOW (CE & UK CA SPEC) .....  | 450 |
| FIGURE 8-58. RECEPTACLE BOX KIT - 220V IEC BLUE (CE & UK CA SPEC).....   | 452 |
| FIGURE 8-59. RECEPTACLE BOX KIT - 220V CEE7 POST GROUND 70MM X 70MM BOX (CE & UK CA SPEC).....                               | 454 |
| FIGURE 8-60. RECEPTACLE BOX KIT - 220V CEE7 SIDE GROUND 70MM X 70MM BOX (CE & UK CA SPEC).....                               | 456 |
| FIGURE 8-61. RECEPTACLE BOX KIT - 220V CEE7 POST GROUND 2IN X 4IN BOX (CE & UK CA SPEC) .....                                | 458 |
| FIGURE 8-62. RECEPTACLE BOX KIT - 220V CEE7 SIDE GROUND 2IN X 4IN BOX (CE & UK CA SPEC).....                                 | 460 |
| FIGURE 8-63. RECEPTACLE BOX KIT - 220V AFSINT 107 (CE & UK CA SPEC).....   | 462 |
| FIGURE 8-64. RECEPTACLE INSTALLATION - 12V .....   | 464 |
| FIGURE 8-65. SKYEYE EMITTER HARNESS.....   | 466 |
| FIGURE 8-66. SKYEYE INTERMEDIATE HARNESS.....  | 468 |
| FIGURE 8-67. SKYEYE RECEIVER HARNESS .....   | 470 |
| FIGURE 8-68. SKYLINE HARNESS.....  | 472 |
| FIGURE 8-69. STOBE LIGHT JUMPER HARNESS .....  | 474 |
| FIGURE 8-70. STROBE LIGHT CONTROL (BLUE STROBE LIGHT) .....  | 476 |
| FIGURE 8-71. STROBE LIGHT EXTENSION HARNESS (BLUE STROBE LIGHT ONLY) .....   | 478 |
| FIGURE 8-72. VALVE HARNESS - BOOM VALVE.....   | 480 |
| FIGURE 8-73. VALVE HARNESS .....   | 482 |
| FIGURE 8-74. TILT SENSOR HARNESS .....   | 484 |
| SECTION 9 - DECALS.....  | 487 |
| FIGURE 9-1. DECALS INSTALLATION - ANSI AND ANSI EXPORT SPECS (ENGLISH).....  | 488 |
| FIGURE 9-2. DECALS INSTALLATION - AUSTRALIAN SPEC (ENGLISH).....   | 490 |
| FIGURE 9-3. DECALS INSTALLATION - BRAZIL SPEC (PORTUGUESE/SPANISH).....  | 492 |

# TABLE OF CONTENTS

|   |     |
|---|-----|
| FIGURE 9-4. DECALS INSTALLATION - CE & UK CA SPECS (ENGLISH) .....          | 494 |
| FIGURE 9-5. DECALS INSTALLATION - CHINESE SPEC (CHINESE/ENGLISH) .....      | 496 |
| FIGURE 9-6. DECALS INSTALLATION - CSA SPEC (FRENCH/ENGLISH).....            | 498 |
| FIGURE 9-7. DECALS INSTALLATION - JAPANESE SPEC (JAPANESE) .....            | 500 |
| FIGURE 9-8. DECALS INSTALLATION - KOREAN SPEC (KOREAN/ENGLISH).....         | 502 |
| FIGURE 9-9. DECALS INSTALLATION - LATIN AMERICA SPEC (SPANISH/ENGLISH)..... | 504 |
| FIGURE 9-10. OPTIONAL DECALS INSTALLATION.....                              | 506 |
| SECTION 10 - RECOMMENDED SERVICE PARTS STOCK.....                           | 509 |
| FIGURE 10-1. RECOMMENDED SERVICE PARTS STOCK .....                          | 510 |
| SECTION 11 - SPECIAL OPTIONS/ACCESSORIES/KITS.....                          | 513 |
| FIGURE 11-1. SPECIAL OPTIONS/ACCESSORIES/KITS.....                          | 514 |
| PART NUMBER INDEX.....  | 517 |

**SECTION 1 - FRAME**



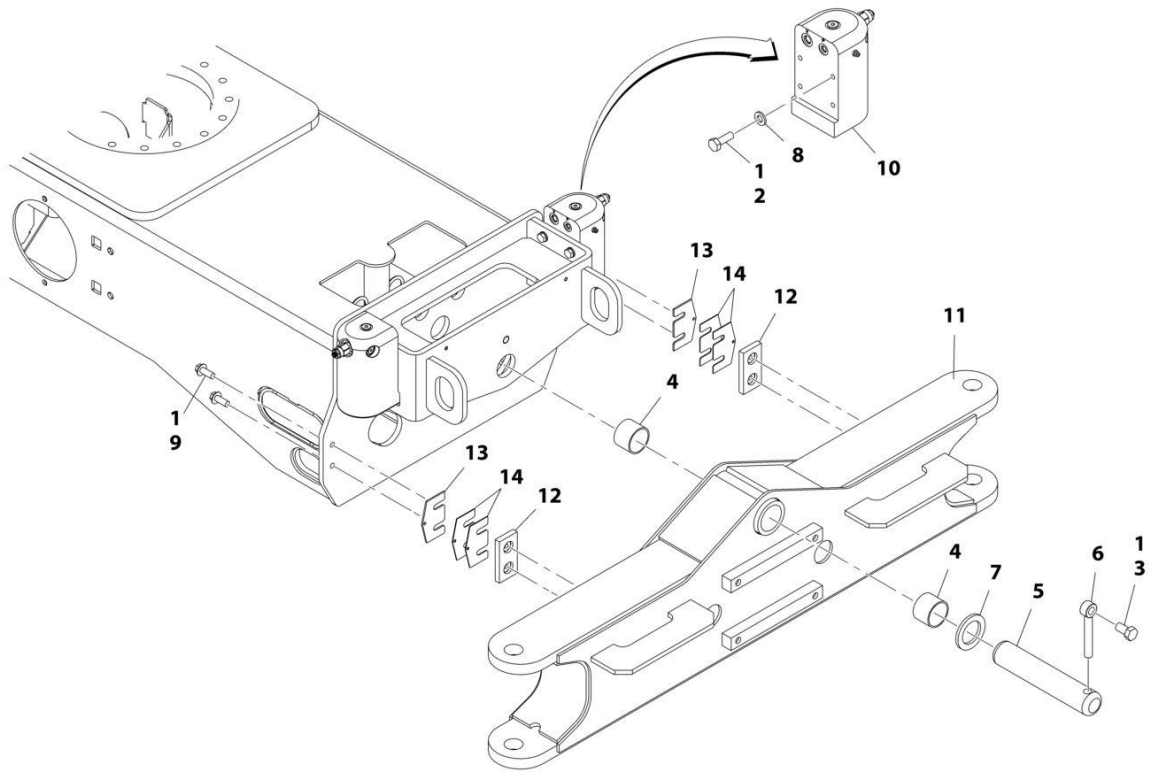
# SECTION 1 - FRAME

## FIGURE 1-1. STEERING INSTALLATION

| ITEM | PART NUMBER | QTY | DESCRIPTION  | REV |
|------|-------------|-----|--|-----|
|      | 1001115771  | Ref | STEERING INSTALLATION  | C   |
| 1    | 0100011     | AR  | Compound, Locking  |     |
| 2    | 0440271     | 2   | Thrustwasher .250  |     |
| 3    | 0440274     | 2   | Bearing  |     |
| 4    | 0440291     | 2   | Bearing  |     |
| 5    | 0701220     | 4   | Bolt M12 x 60  |     |
| 6    | 0761010     | 20  | Bolt M16 x 20  |     |
| 7    | 0962140     | 2   | Bushing  |     |
| 9    | 3423081     | 4   | Kingpin  |     |
| 10   | 3780182     | 2   | O-Ring   |     |
| 11   | 3841520     | 4   | Keeper, Pin  |     |
| 12   | 4740086     | 4   | Thrustwasher .0625   |     |
| 13   | 4740537     | 2   | Thrustwasher .625  |     |
| 14   | 4740538     | 2   | Thrustwasher .125  |     |
| 15   | 4740539     | 2   | Thrustwasher .188  |     |
| 16   | 4740540     | 2   | Thrustwasher .250  |     |
| 17   | 4812100     | 4   | Washer M12   |     |
| 18   | 1001116788  | 1   | Steer Cylinder Assembly (See Separate Breakdown in CYLINDER SECTION) |     |
| 19   | 1001116867  | 4   | Pin, Pivot   |     |
| 20   | 1001116871  | 2   | Link, Tie-Rod  |     |
| 21   | 1001117142  | 2   | Spindle  |     |

# SECTION 1 - FRAME

## FIGURE 1-2. OSCILLATING AXLE INSTALLATION



ART\_1001115772

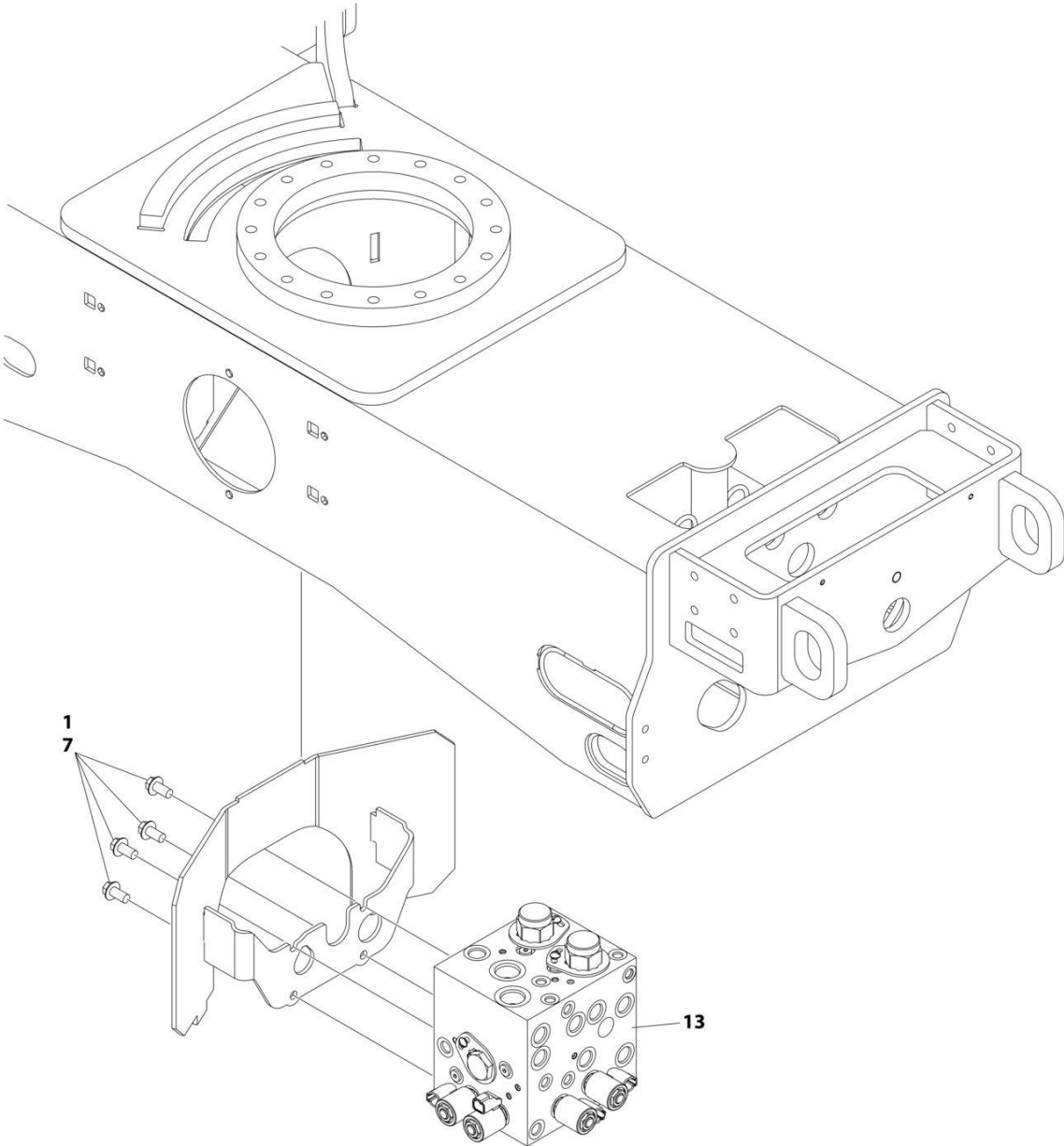
## SECTION 1 - FRAME

**FIGURE 1-2. OSCILLATING AXLE INSTALLATION**

| ITEM | PART NUMBER | QTY | DESCRIPTION  | REV |
|------|-------------|-----|--|-----|
|      | 1001115772  | Ref | OSCILLATING AXLE INSTALLATION  | C   |
| 1    | 0100011     | AR  | Compound, Locking  |     |
| 2    | 0761014     | 8   | Bolt M10 x 30  |     |
| 3    | 0761614     | 1   | Bolt M16 x 30  |     |
| 4    | 0961950     | 2   | Bushing  |     |
| 5    | 1001185030  | 1   | Pin, Axle Pivot  |     |
| 6    | 3841258     | 1   | Keeper, Pin  |     |
| 7    | 4740158     | 1   | Thrustwasher   |     |
| 8    | 5241000     | 8   | Washer M10   |     |
| 9    | 5251012     | 4   | Bolt M10 x 25  |     |
| 10   | 1001116361  | 2   | Lockout Cylinder Assembly (See Separate Breakdown in CYLINDER SECTION) |     |
| 11   | 1001117869  | 1   | Axle Weldment  |     |
| 12   | 1001118511  | 2   | Pad, Wear  |     |
| 13   | 1001118518  | 2   | Shim 11Ga  |     |
| 14   | 1001118519  | 4   | Shim 16Ga  |     |

**SECTION 1 - FRAME**

**FIGURE 1-3. DRIVE VALVES INSTALLATION**



ART\_1001115780\_10F3

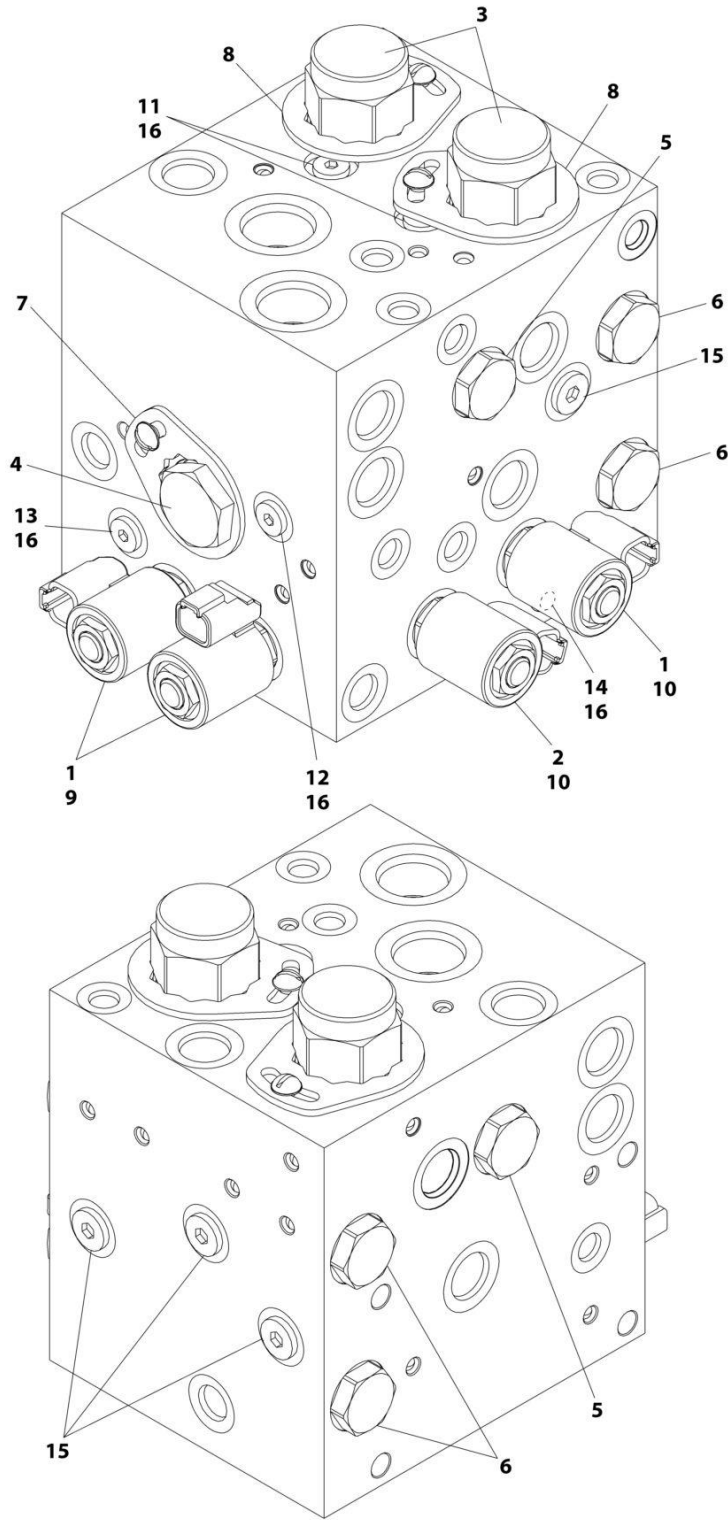


**FIGURE 1-3. DRIVE VALVES INSTALLATION**

| <b>ITEM</b> | <b>PART NUMBER</b> | <b>QTY</b> | <b>DESCRIPTION</b>   | <b>REV</b> |
|-------------|--------------------|------------|--|------------|
|             | 1001115780         | Ref        | DRIVE VALVES INSTALLATION  | G          |
| 1           | 0100011            | AR         | Compound, Locking  |            |
| 7           | 5251010            | 4          | Bolt M10 x 20  |            |
| 13          | 1001118029         | 1          | Flow Divider Valve Assembly (See Separate Breakdown in this Section) |            |

# SECTION 1 - FRAME

## FIGURE 1-4. FLOW DIVIDER VALVE ASSEMBLY



ART\_1001118029

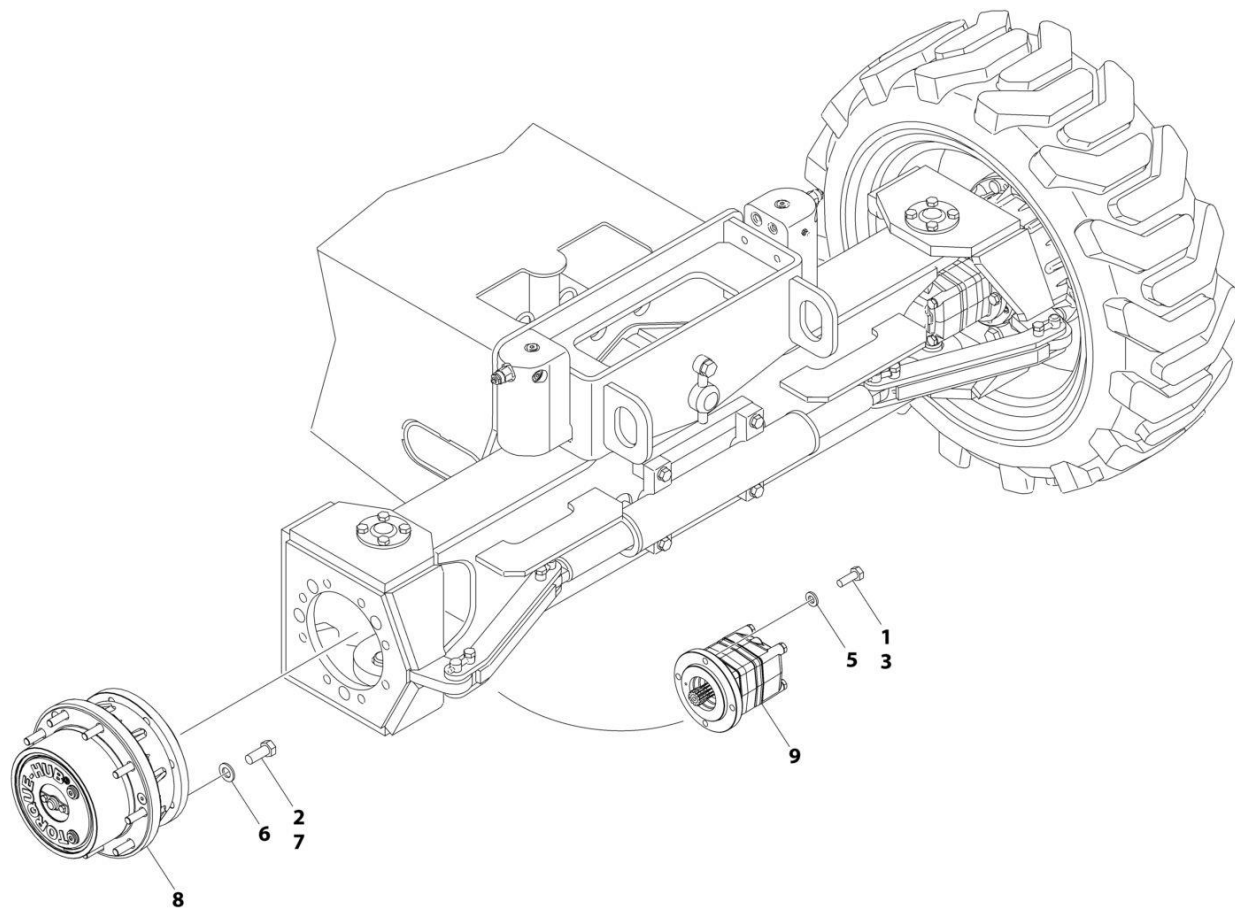
## SECTION 1 - FRAME

**FIGURE 1-4. FLOW DIVIDER VALVE ASSEMBLY**

| ITEM | PART NUMBER | QTY | DESCRIPTION  | REV |
|------|-------------|-----|--|-----|
|      | 1001118029  | Ref | FLOW DIVIDER VALVE ASSEMBLY  | D   |
| 1    | 7012941     | 3   | Valve, Solenoid Cartridge (Without Coil) (Traction, Brake and Secondary Oscillating) |     |
| 1    | 7010543     | 3   | Seal Kit - 7012941 Cartridge   |     |
| 2    | 70002955    | 1   | Valve, Solenoid Cartridge (Without Coil) (Primary Oscillating)                       |     |
| 2    | 7012953     | 1   | Seal Kit - 70002955 Cartridge  |     |
| 3    | 70002956    | 2   | Valve, Solenoid Cartridge  |     |
| 3    | 70002957    | 2   | Seal Kit - 70002956 Cartridge  |     |
| 4    | 70002958    | 1   | Valve, Flow Divider Cartridge  |     |
| 4    | 70002959    | 1   | Seal Kit - 70002958 Cartridge  |     |
| 5    | 70002960    | 1   | Valve, Flow Divider Cartridge  |     |
| 5    | 70002978    | 1   | Seal Kit - 70002960 Cartridge  |     |
| 6    | 70002961    | 4   | Valve, Check Cartridge   |     |
| 6    | 7017496     | 4   | Seal Kit - 70002961 Check Cartridge  |     |
| 7    | 70002962    | 1   | Lock Kit   |     |
| 8    | 70000781    | 2   | Lock Kit   |     |
| 9    | 70002386    | 2   | Coil   |     |
| 10   | 70002963    | 2   | Coil   |     |
| 11   | See Note    | 2   | Orifice .031 (Note: Not Available for Purchase)                                      |     |
| 12   | See Note    | 1   | Orifice .025 (Note: Not Available for Purchase)                                      |     |
| 13   | See Note    | 1   | Orifice .040 (Note: Not Available for Purchase)                                      |     |
| 14   | 70002063    | 1   | Orifice .062   |     |
| 15   | 7024844     | 4   | Plug   |     |
| 16   | 7017406     | 5   | Plug   |     |

# SECTION 1 - FRAME

## FIGURE 1-5. DRIVE INSTALLATION



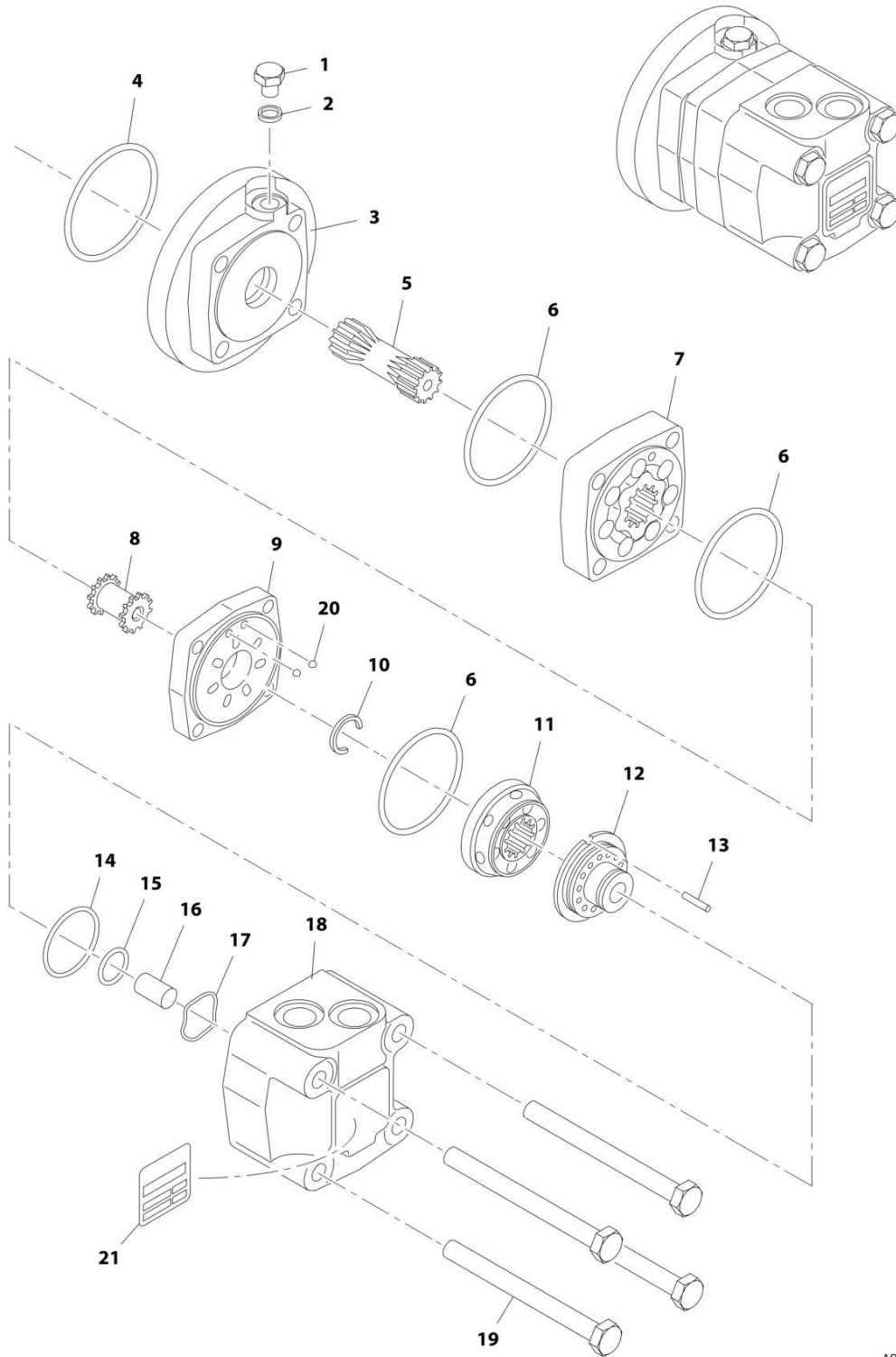
ART\_1001115770

FIGURE 1-5. DRIVE INSTALLATION

| ITEM | PART NUMBER | QTY | DESCRIPTION   | REV |
|------|-------------|-----|---|-----|
|      | 1001115770  | Ref | WHEEL DRIVE INSTALLATION  | D   |
| 1    | 0100011     | AR  | Compound, Locking   |     |
| 2    | 0100019     | AR  | Compound, Locking   |     |
| 3    | 0761015     | 16  | Bolt M10 x 35   |     |
| 3    | 0761014     | 16  | Bolt M10 x 30   |     |
| 5    | 5241000     | 16  | Washer M10  |     |
| 6    | 5241600     | 32  | Washer M16  |     |
| 7    | 1001110922  | 32  | Bolt M16 x 40 Grade 10.9  |     |
| 8    | 1001116793  | 4   | Drive Hub/Brake Assembly (See Separate Breakdown in this Section) |     |
| 9    | 1001117030  | 4   | Drive Motor Assembly (See Separate Breakdown in this Section)     |     |

# SECTION 1 - FRAME

## FIGURE 1-6. DRIVE MOTOR ASSEMBLY



ART\_1001117030

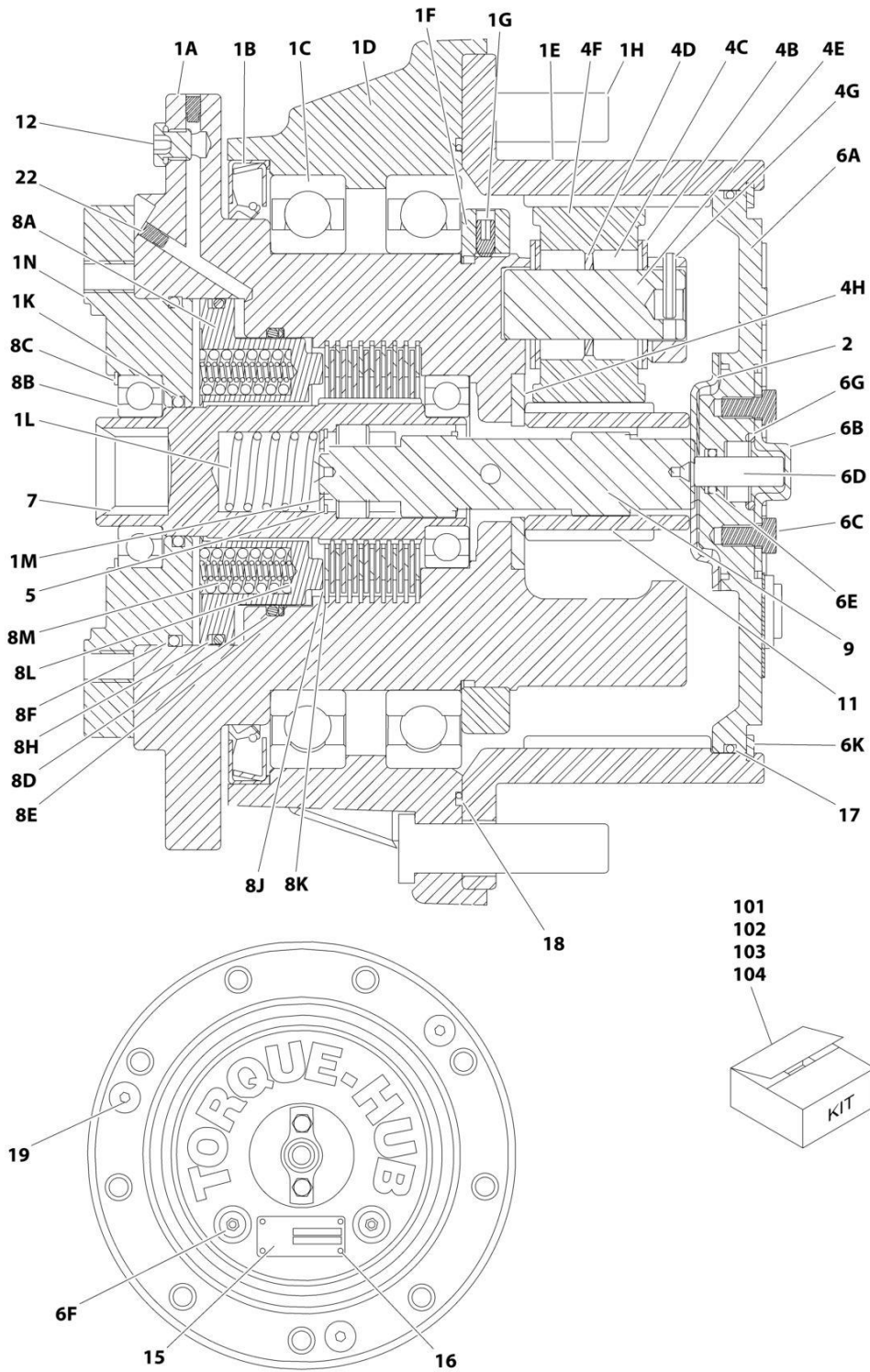
# SECTION 1 - FRAME

## FIGURE 1-6. DRIVE MOTOR ASSEMBLY

| ITEM | PART NUMBER | QTY | DESCRIPTION  | REV |
|------|-------------|-----|--|-----|
|      | 1001117030  | Ref | DRIVE MOTOR ASSEMBLY                                       | B   |
| 1    | 70003005    | 1   | Plug   |     |
| 2    | 8007941     | 1   | Washer   |     |
| 3    | See Note    | NSS | Flange (Note: Not Available - Purchase p/n 1001117030)     |     |
| 4    | 70003006    | 1   | O-Ring   |     |
| 5    | 70003007    | 1   | Shaft  |     |
| 6    | 70003008    | 3   | O-Ring   |     |
| 7    | 70003009    | 1   | Gear Set   |     |
| 8    | 70003010    | 1   | Shaft, Coupling  |     |
| 9    | 70003011    | 1   | Plate, Port  |     |
| 10   | 70003012    | 1   | Ring, Stop   |     |
| 11   | 7027955     | 1   | Disc, Valve  |     |
| 12   | 7027956     | 1   | Plate, Pressure  |     |
| 13   | 7027957     | 1   | Pin, Spring  |     |
| 14   | 70003013    | 1   | O-Ring   |     |
| 15   | 70003014    | 1   | O-Ring   |     |
| 16   | 7027958     | 1   | Spacer   |     |
| 17   | 7027959     | 1   | Washer, Crinkle  |     |
| 18   | See Note    | NSS | Cover, End (Note: Not Available - Purchase p/n 1001117030) |     |
| 19   | 70003016    | 4   | Screw  |     |
| 20   | 80334555    | 2   | Ball   |     |
| 21   | See Note    | NSS | Nameplate (Note: Not Available for Purchase)               |     |

# SECTION 1 - FRAME

## FIGURE 1-7. DRIVE HUB/BRAKE ASSEMBLY



ART\_1001116793



# SECTION 1 - FRAME

## FIGURE 1-7. DRIVE HUB/BRAKE ASSEMBLY

| ITEM | PART NUMBER | QTY | DESCRIPTION  | REV |
|------|-------------|-----|--|-----|
|      | 1001116793  | Ref | DRIVE HUB/BRAKE ASSEMBLY   | C   |
| 1    | See Note    | NLA | Spindle/Housing Assembly (Note: Not Available - Purchase Individual Components)              |     |
| 1A   | 70002987    | 1   | Spindle  |     |
| 1B   | 70001119    | 1   | Seal, Lip (Part of Item 104)   |     |
| 1C   | 70002991    | 2   | Bearing, Ball  |     |
| 1D   | See Note    | NSS | Housing (Note: Use p/n 1001116793)   |     |
| 1E   | 70002989    | 1   | Ring Gear  |     |
| 1F   | 70003000    | 1   | Nut, Bearing (Part of Item 104)  |     |
| 1G   | 70002996    | 2   | Setscrew 1/4-28 x 1/2 (Part of Item 104)   |     |
| 1H   | 7007640     | 9   | Bolt, Mounting   |     |
| 1K   | See Note    | NSS | Seal (Note: Use Item 102 or 103)   |     |
| 1L   | 70002992    | 1   | Spring   |     |
| 1M   | 70002999    | 1   | Thrustwasher   |     |
| 1N   | 70002988    | 1   | Adapter  |     |
| 2    | 7024741     | 1   | Spacer, Thrust   |     |
| 4    | 70002983    | 1   | Planet Gear Assembly (Includes Items 4B-4G)  |     |
| 4B   | See Note    | NSS | Spacer, Washer (Note: Use Item 4)  |     |
| 4C   | See Note    | NSS | Bearing (Note: Use Item 4)   |     |
| 4D   | See Note    | NSS | Spacer (Note: Use Item 4)  |     |
| 4E   | See Note    | NSS | Shaft, Planet (Note: Use Item 4)   |     |
| 4F   | See Note    | NSS | Gear, Planet (Note: Use Item 4)  |     |
| 4G   | 7001913     | 3   | Rollpin  |     |
| 4H   | 7024742     | 1   | Spacer, Thrust   |     |
| 5    | 70002995    | 1   | Ring, Retaining  |     |
| 6    | 70001368    | 1   | Cover Assembly (Includes Items 6A-6G)  |     |
| 6A   | See Note    | NSS | Cover (Note: Use Item 6)   |     |
| 6B   | See Note    | NSS | Cap (Note: Use Item 6)   |     |
| 6C   | See Note    | NSS | Bolt (Note: Use Item 6)  |     |
| 6D   | See Note    | NSS | Pin (Note: Use Item 6)   |     |
| 6E   | See Note    | NSS | Washer Seal (Note: Use Item 6)   |     |
| 6F   | See Note    | NSS | Plug (Note: Not Available for Purchase)  |     |
| 6G   | See Note    | NSS | Retainer (Note: Use Item 6)  |     |
| 6K   | 7024738     | 1   | Ring, Retaining  |     |
| 7    | 70002985    | 1   | Coupling   |     |
| 8    | See Note    | NLA | Brake Assembly (Includes Items 8A-8M) (Note: Not Available - Purchase Individual Components) |     |
| 8A   | 70002993    | 1   | Piston, Brake  |     |
| 8B   | 70002990    | 2   | Bearing, Ball  |     |
| 8C   | 70002994    | 1   | Ring, Retaining  |     |
| 8D   | See Note    | NSS | O-Ring (Note: Use Item 103)  |     |
| 8E   | See Note    | NSS | Ring, Back-up (Note: Use Item 103)   |     |
| 8F   | See Note    | NSS | O-Ring (Note: Use Item 102 or 103)   |     |
| 8H   | See Note    | NSS | Ring, Back-up (Note: Use Item 103)   |     |
| 8J   | See Note    | NSS | Disc, Brake Reaction (Note: Use Item 101)  |     |
| 8K   | See Note    | NSS | Disc, Brake Friction (Note: Use Item 101)  |     |
| 8L   | See Note    | NSS | Spring (Note: Use Item 102)  |     |
| 8M   | See Note    | NSS | Spring (Note: Use Item 102)  |     |
| 9    | 70002984    | 1   | Shaft, Input   |     |
| 11   | 70002986    | 1   | Gear, Sun  |     |

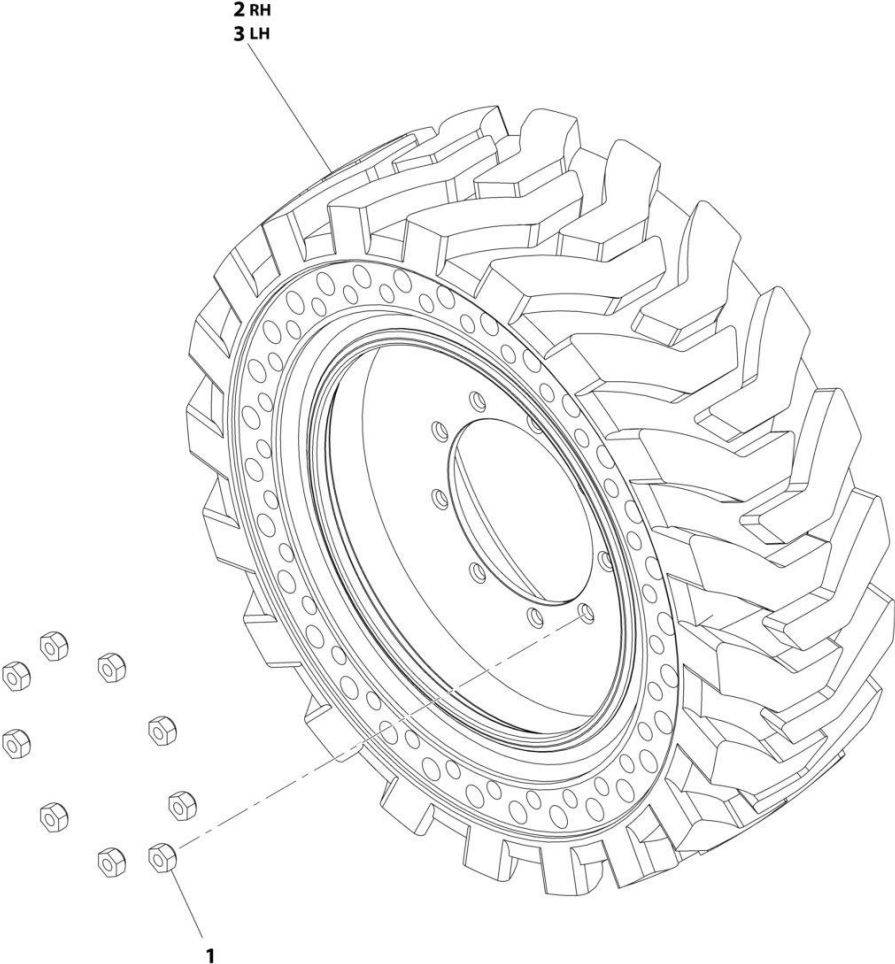
## SECTION 1 - FRAME

| ITEM | PART NUMBER | QTY | DESCRIPTION   | REV |
|------|-------------|-----|---|-----|
| 12   | 70002998    | 1   | Plug, Pipe  |     |
| 15   | See Note    | NSS | Nameplate (Note: Not Available for Purchase)              |     |
| 16   | 7000281     | 2   | Drivescrew  |     |
| 17   | 7024134     | 1   | O-Ring (Part of Item 104)                                 |     |
| 18   | 70002997    | 1   | O-Ring (Part of Item 104)                                 |     |
| 19   | 7017022     | NSS | Capscrew 3/8-16 (Part of Item 104)                        |     |
| 21   | See Note    | 8   | Capscrew 3/8-16 x 7/8 Grade 8 (Note: Use Item 102 or 103) |     |
| 22   | 7024108     | 2   | Plug, Pressure  |     |
| 101  | 70002980    | 1   | Brake Disc Kit (Includes Items 8J & 8K)                   |     |
| 102  | 70002982    | 1   | Brake Spring Kit (Includes Items 1K, 8F, 8L, 8M & 21)     |     |
| 103  | 70002981    | 1   | Brake Seal Kit (Includes Items 1K, 8D, 8E, 8F, 8H & 21)   |     |
| 104  | 7024744     | 1   | Hub Seal Kit (Includes Items 1B, 1F, 1G & 17-19)          |     |



**SECTION 1 - FRAME**

**FIGURE 1-8. TIRE AND WHEEL INSTALLATION - 7X18 SOLID CUSHION**



ART\_100118641

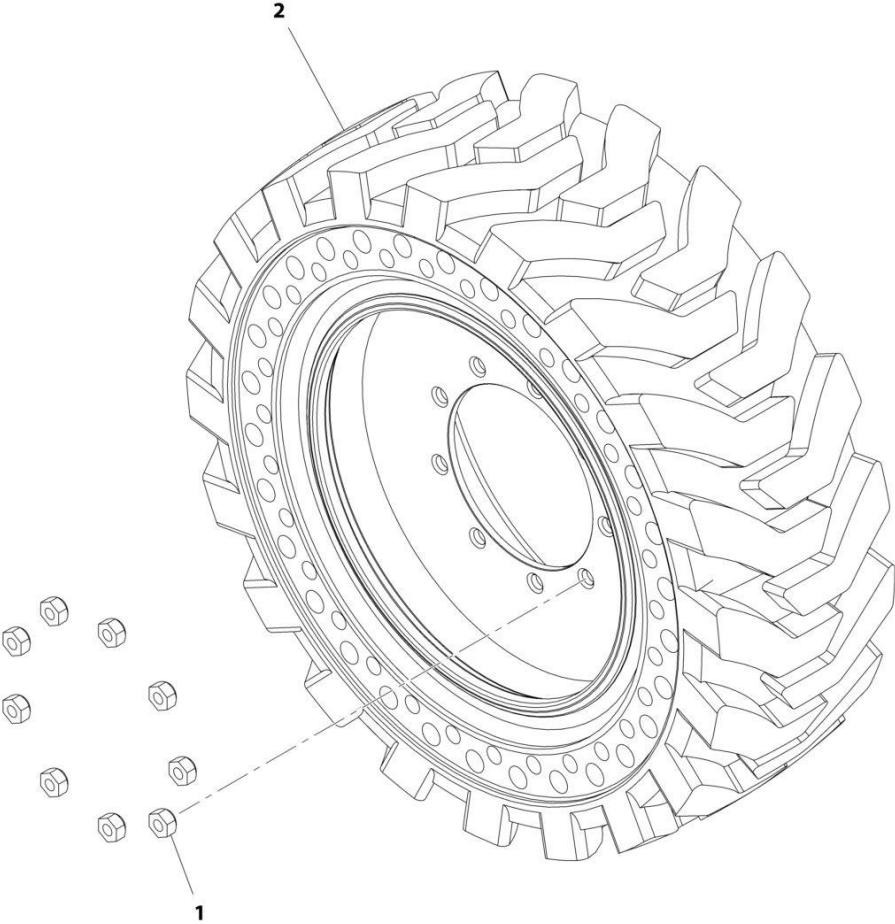
## SECTION 1 - FRAME

**FIGURE 1-8. TIRE AND WHEEL INSTALLATION - 7X18 SOLID CUSHION**

| ITEM | PART NUMBER | QTY | DESCRIPTION   | REV |
|------|-------------|-----|---|-----|
|      | 1001118641  | Ref | TIRE AND WHEEL INSTALLATION - 7X18 SOLID  | C   |
|      |             | Ref | Note: Due to critical stability weights, only replace tire and wheel assemblies with like components.           |     |
| 1    | 3300106     | 36  | Lugnut (9 per Wheel)  |     |
| 2    | 1001118649  | 2   | Tire and Wheel Assembly - 7 x 18 Solid Right Side (Note: No Serviceable Parts - Replace Complete Sets per Axle) |     |
| 3    | 1001121678  | 2   | Tire and Wheel Assembly - 7 x 18 Solid Left Side (Note: No Serviceable Parts - Replace Complete Sets per Axle)  |     |

**SECTION 1 - FRAME**

**FIGURE 1-9. TIRE AND WHEEL INSTALLATION - 7X18 SOLID CUSHION NON-MARKING**



ART\_100118644

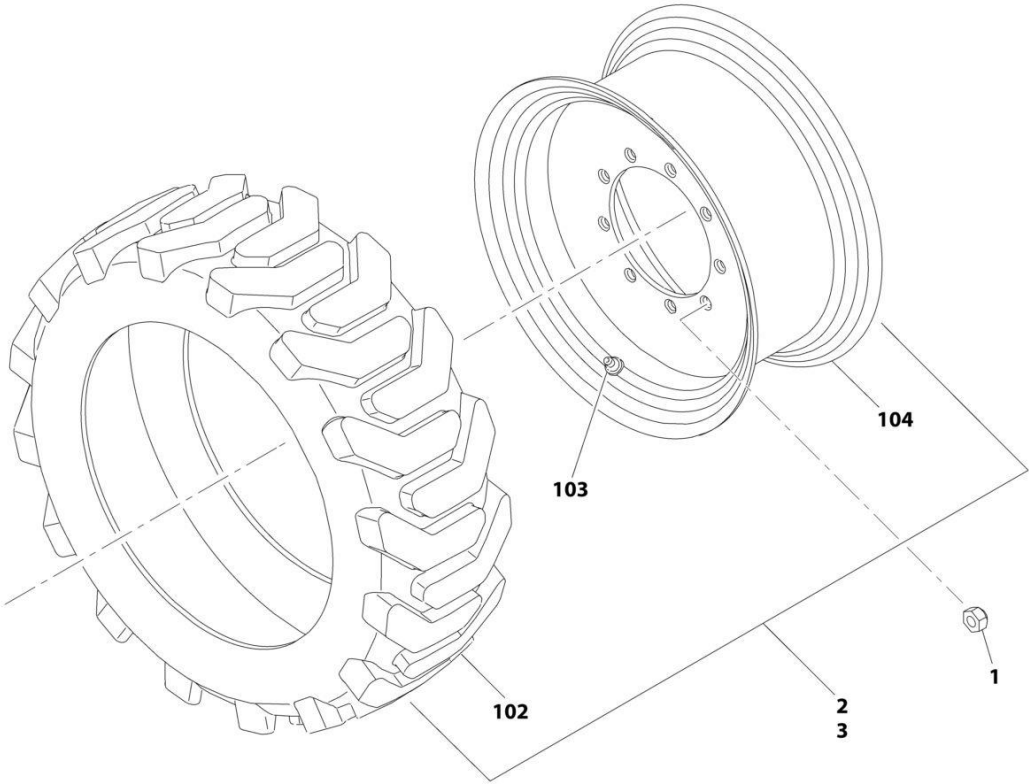
**SECTION 1 - FRAME**

**FIGURE 1-9. TIRE AND WHEEL INSTALLATION - 7X18 SOLID CUSHION NON-MARKING**

| ITEM | PART NUMBER | QTY | DESCRIPTION   | REV |
|------|-------------|-----|---|-----|
|      | 1001118644  | Ref | TIRE AND WHEEL INSTALLATION - 7X18 SOLID NON-MARKING  | C   |
|      |             | Ref | Note: Due to critical stability weights, only replace tire and wheel assemblies with like components.     |     |
| 1    | 3300106     | 36  | Lugnut (9 per Wheel)  |     |
| 2    | 1001118654  | 2   | Tire and Wheel Assembly - 7 x 18 Solid (RH) (Note: No Serviceable Parts - Replace Complete Sets per Axle) |     |
| 2    | 1001121672  | 2   | Tire and Wheel Assembly - 7 x 18 Solid (LH) (Note: No Serviceable Parts - Replace Complete Sets per Axle) |     |

**SECTION 1 - FRAME**

**FIGURE 1-10. TIRE AND WHEEL INSTALLATION - 9X20 FOAM-FILLED**



ART\_1001115773



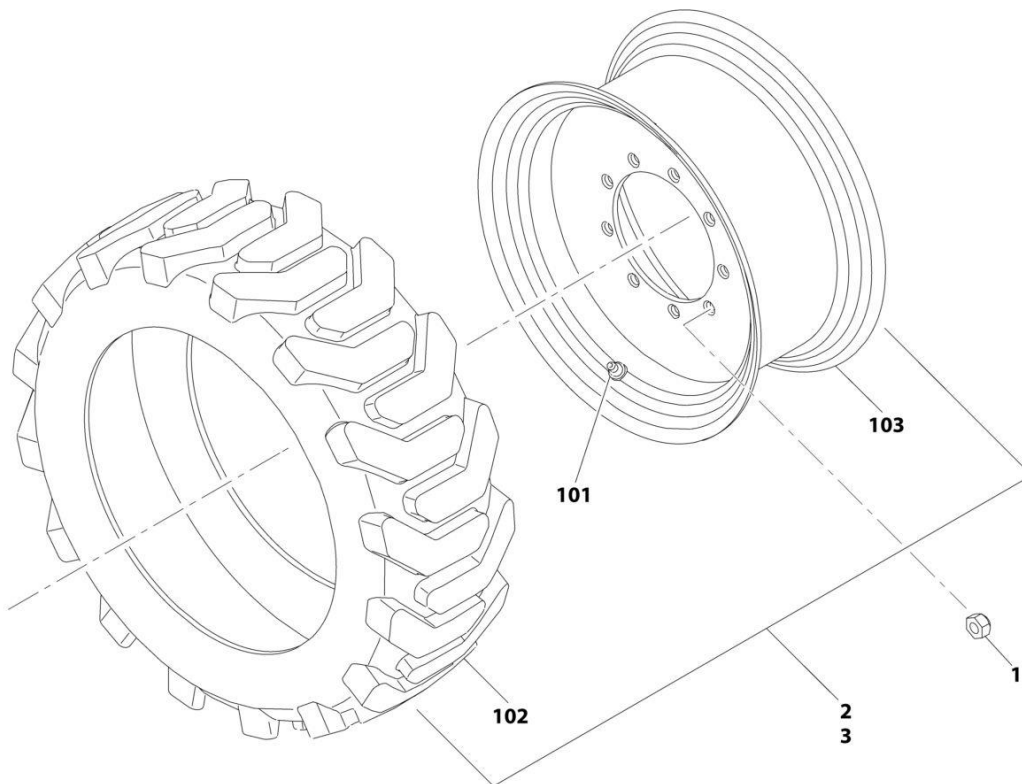
## SECTION 1 - FRAME

**FIGURE 1-10. TIRE AND WHEEL INSTALLATION - 9X20 FOAM-FILLED**

| ITEM | PART NUMBER | QTY | DESCRIPTION   | REV |
|------|-------------|-----|---|-----|
|      | 1001115773  | Ref | TIRE AND WHEEL INSTALLATION - 9X20 FOAM-FILLED  | B   |
|      |             | Ref | Note: Due to critical stability weights, only replace tire and wheel assemblies with like components.   |     |
| 1    | 3300106     | 36  | Lugnut (9 per Wheel)  |     |
| 2    | 1001117131  | 2   | Tire and Wheel Assembly - 9 x 20 Foam-Filled Left Side  | E   |
| 3    | 1001117132  | 2   | Tire and Wheel Assembly - 9 x 20 Foam-Filled Right Side   | D   |
|      |             | Ref | Note: Assemblies may require ballast/foam filling to manufacture's specifications prior to installing on a machine. Refer to Operation and Safety or Service and Maintenance Manuals. Purchase individual tire and/or rim only if able to foam fill tire and wheel assembly, otherwise, purchase complete assembly. |     |
| 102  | 4520605     | 4   | Tire - IN265/50D20  |     |
| 103  | 4640113     | 4   | Valve, Air  |     |
| 104  | 1001117129  | 4   | Rim for 20 x 9 (Use with IN265/50D20 Tires)   |     |

# SECTION 1 - FRAME

FIGURE 1-11. TIRE AND WHEEL INSTALLATION - 9X20 FOAM-FILLED NON-MARKING



ART\_100118642

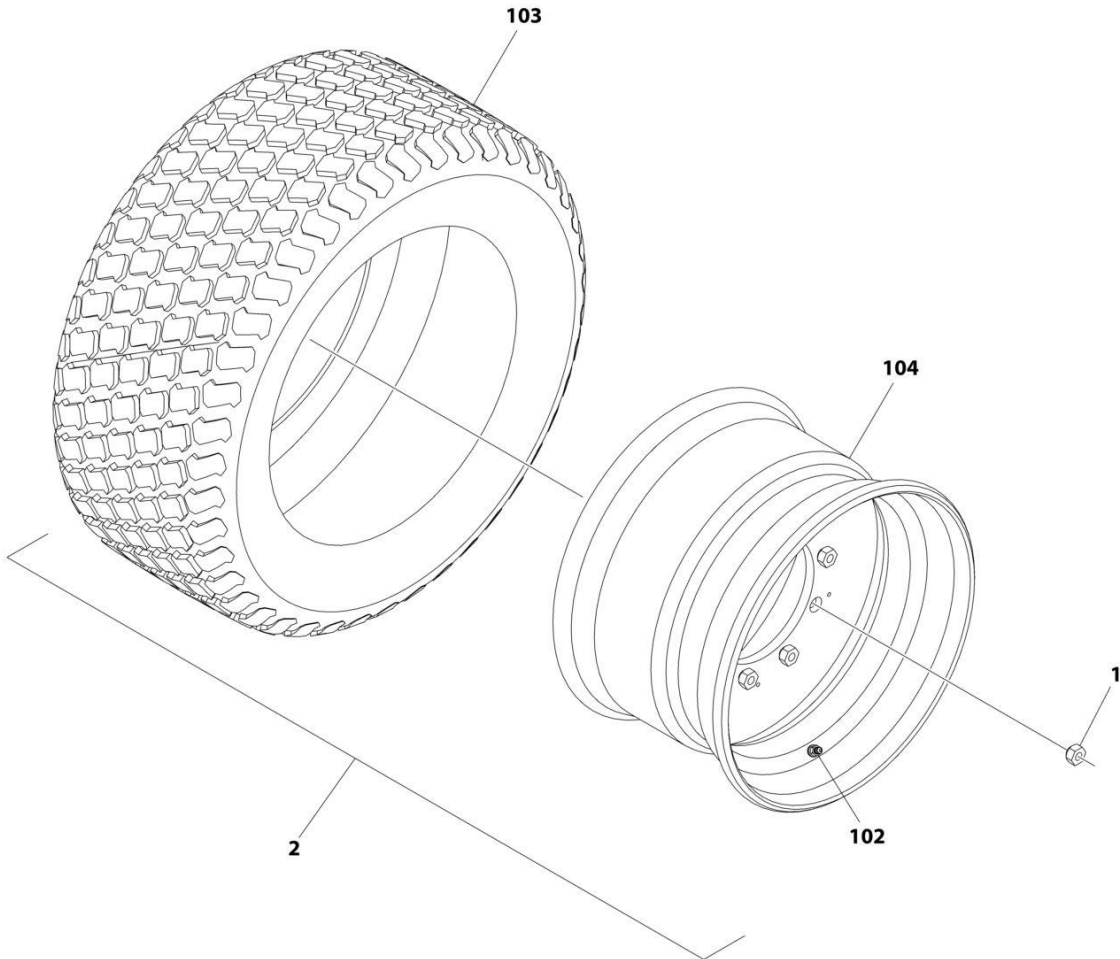
## SECTION 1 - FRAME

**FIGURE 1-11. TIRE AND WHEEL INSTALLATION - 9X20 FOAM-FILLED NON-MARKING**

| ITEM | PART NUMBER | QTY | DESCRIPTION  | REV |
|------|-------------|-----|--|-----|
|      | 1001118642  | Ref | TIRE AND WHEEL INSTALLATION - 9X20 FOAM-FILLED NON-MARKING   | B   |
|      |             | Ref | Note: Due to critical stability weights, only replace tire and wheel assemblies with like components.  |     |
| 1    | 3300106     | 36  | Lugnut (9 per Wheel)   |     |
| 2    | 1001118650  | 2   | Tire and Wheel Assembly - 9 x 20 Foam-Filled Non-Marking Right Side  | D   |
| 3    | 1001118651  | 2   | Tire and Wheel Assembly - 9 x 20 Foam-Filled Non-Marking Left Side   | D   |
|      |             | Ref | Note: Assemblies may require ballast/foam filling to manufacturer's specifications prior to installing on a machine. Refer to Operation and Safety or Service and Maintenance Manuals. Purchase individual tire and/or rim only if able to foam fill tire and wheel assembly, otherwise, purchase complete assembly. |     |
| 101  | 4640113     | 4   | Valve, Air   |     |
| 102  | 1001118660  | 4   | Tire - IN265/50D20 Non-Marking   |     |
| 103  | 1001117129  | 4   | Rim for 20 x 9 (Use with IN265/50D20 Tires)  |     |

# SECTION 1 - FRAME

FIGURE 1-12. TIRE AND WHEEL INSTALLATION - 33 X 12LL500 TURF/SAND FOAM FILLED



ART\_1001239804

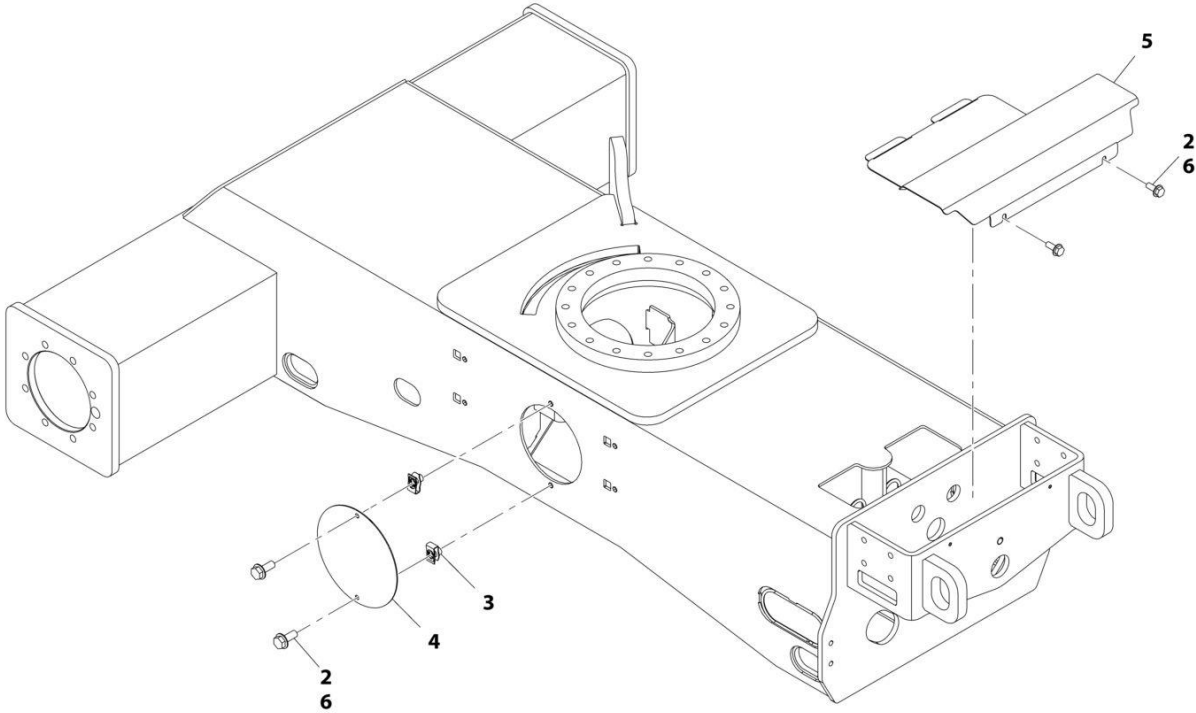
## SECTION 1 - FRAME

**FIGURE 1-12. TIRE AND WHEEL INSTALLATION - 33 X 12LL500 TURF/SAND FOAM FILLED**

| ITEM | PART NUMBER | QTY | DESCRIPTION  | REV |
|------|-------------|-----|--|-----|
|      | 1001239804  | Ref | TIRE AND WHEEL INSTALLATION - 33 x 12LL500 TURF/SAND<br>FOAM FILLED  | B   |
| 1    | 3300106     | 36  | Nut, Wheel   |     |
| 2    | 1001272533  | 4   | Tire & Wheel Assembly - 33 X 12LL500 TURF/SAND   |     |
|      |             | Ref | Note: Assemblies may require ballast/foam filling to<br>manufacture's specifications prior to installing on a machine.<br>Refer to Operation and Safety or Service and Maintenance<br>Manuals. Purchase individual tire and/or rim only if able to foam<br>fill tire and wheel assembly, otherwise, purchase complete<br>assembly. |     |
| 102  | 4640113     | 4   | Valve, Tire  |     |
| 103  | 1001231609  | 1   | Tire, 33 X 12LL500 TURF/SAND   |     |
| 104  | 1001231610  | 1   | Rim  |     |

**SECTION 1 - FRAME**

**FIGURE 1-13. FRAME SHIELDS INSTALLATION**



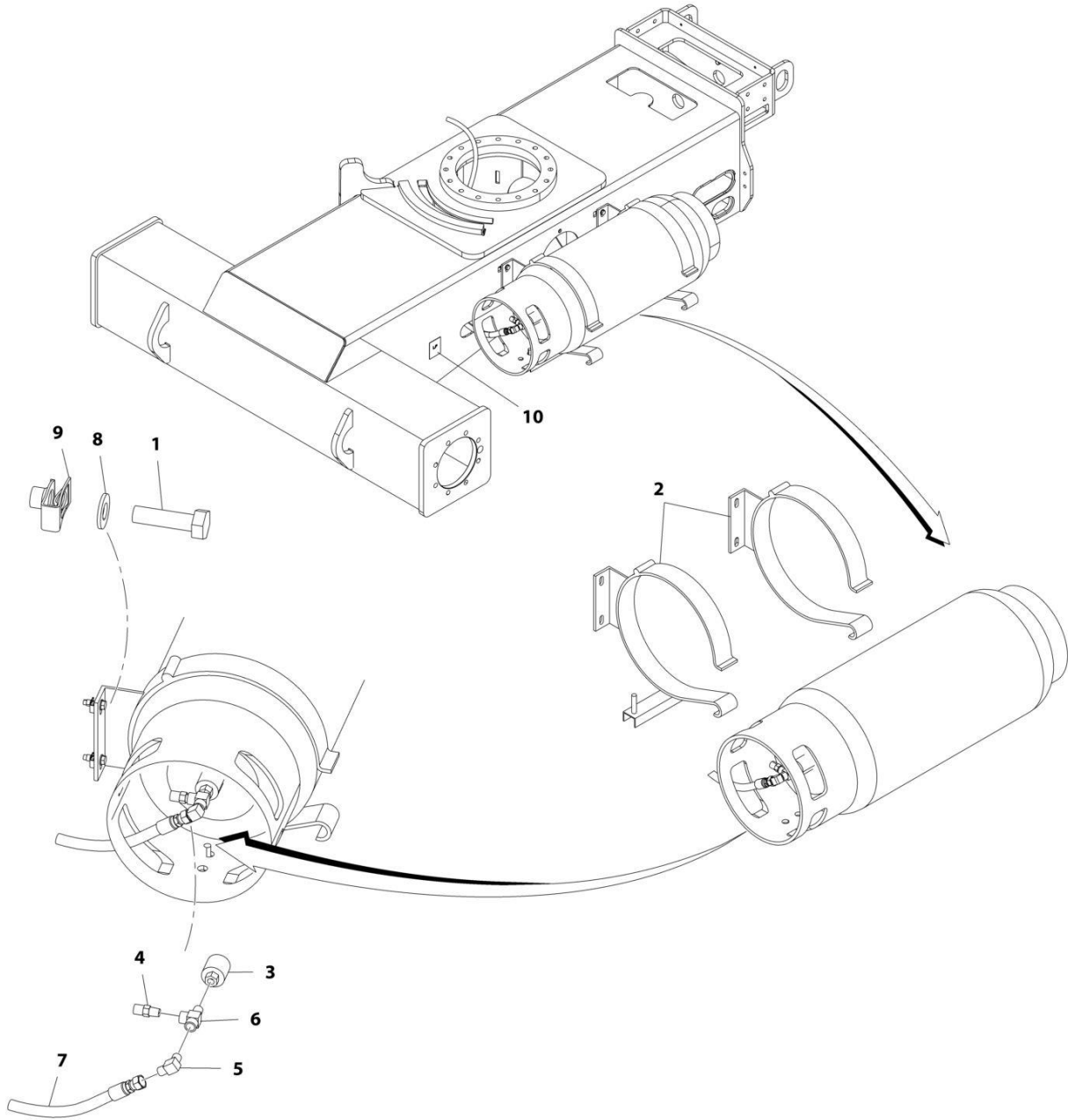
ART\_1001115781

**FIGURE 1-13. FRAME SHIELDS INSTALLATION**

| <b>ITEM</b> | <b>PART NUMBER</b> | <b>QTY</b> | <b>DESCRIPTION</b>         | <b>REV</b> |
|-------------|--------------------|------------|----------------------------|------------|
|             | 1001115781         | Ref        | FRAME SHIELDS INSTALLATION | C          |
| 2           | 5250810            | 6          | Bolt M8 x 20               |            |
| 3           | 1001118274         | 4          | Nut, Clip M8               |            |
| 4           | 1001118915         | 2          | Cover, Frame (Side)        |            |
| 5           | 1001118916         | 1          | Cover, Frame (Top)         |            |
| 6           | 0100011            | AR         | Compound, Locking          |            |

# SECTION 1 - FRAME

## FIGURE 1-14. LP TANK ASSEMBLY



ART\_1001118975



FIGURE 1-14. LP TANK ASSEMBLY

| ITEM | PART NUMBER | QTY | DESCRIPTION   | REV |
|------|-------------|-----|---|-----|
|      | 1001118975  | Ref | LP TANK ASSEMBLY (GAS MACHINES ONLY)  | C   |
| 1    | 0760814     | 4   | Bolt M8 x 30  |     |
| 2    | 1320220     | 1   | LP Tank Clamp Kit   |     |
| 3    | 2180387     | 1   | Fitting, LP   |     |
| 4    | 2180389     | 1   | Fitting, Relief Valve   |     |
| 5    | 2180504     | 1   | Fitting, Elbow  |     |
| 6    | 2220290     | 1   | Fitting, Adapter  |     |
| 7    | 2720175     | 1   | Hose  |     |
| 8    | 4811900     | 4   | Washer M8   |     |
| 9    | 1001118274  | 4   | Nut, Retainer   |     |
| 10   | 1701543     | 1   | Decal - LP  |     |
| 100  | 1001196242  | 1   | Bracket Kit for Shorter Tank (Not Shown - Includes Bracket & Hardware Only) |     |
| 200  | 4400275     | 1   | Tank, LP - Aluminum (Not Shown)   |     |



**SECTION 2 - TURNTABLE**



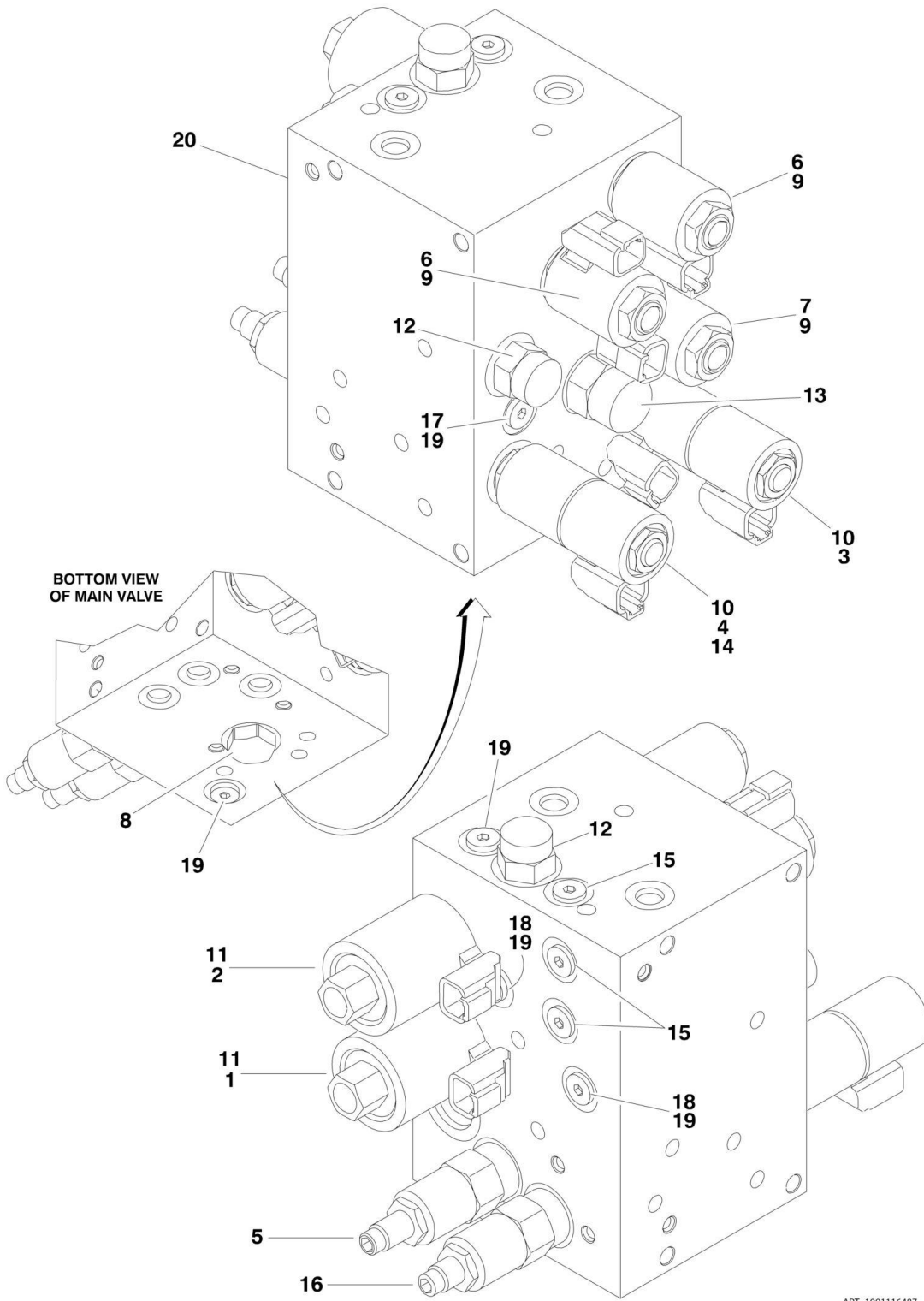
## SECTION 2 - TURNTABLE

**FIGURE 2-1. CONTROL VALVE AND CHARGE FILTER INSTALLATION**

| ITEM | PART NUMBER | QTY | DESCRIPTION  | REV |
|------|-------------|-----|--|-----|
|      | 1001115780  | Ref | CONTROL VALVE AND CHARGE FILTER INSTALLATION - TURNTABLE             | H   |
| 1    | 0100011     | AR  | Compound, Locking  |     |
| 2    | 0641605     | 4   | Bolt 3/8 x 5/8   |     |
| 3    | 4811902     | 4   | Washer M8  |     |
| 5    | 5250810     | 4   | Bolt M8 x 20   |     |
| 8    | 1001102987  | 1   | Charge Pump Filter Assembly  | C   |
| 8    | 1001208874  | 1   | Charge Pump Filter Assembly  |     |
| 8    | 70010383    | 1   | Element, Filter (Includes O-Ring)                                    |     |
| 8    | See Note    | 1   | Indicator (Note: Not Available for Purchase)                         |     |
| 11   | 1001116487  | 1   | Main Control Valve Assembly (See Separate Breakdown in this Section) |     |
| 15   | 0761014     | 2   | Bolt M10 x 30  |     |
| 16   | 3291005     | 2   | Nut M10  |     |
| 19   | 1001118751  | 1   | Bracket, Filter  |     |
| 20   | 0700620     | 2   | Bolt M6 x 60   |     |
| 21   | 1380136     | 2   | Clip   |     |
| 22   | 2560122     | 1   | Handle   |     |
| 23   | 3820019     | 2   | Rivet  |     |
| 24   | 4811700     | 6   | Washer M6  |     |
| 25   | 1001114761  | 1   | Grip, Handle   |     |
| 26   | 1001127115  | 1   | Manual Pump Assembly   | C   |
| 26   | 7017496     | 1   | Seal Kit - 1001127115 Pump   |     |
| 26   | 1001210829  | 1   | Manual Pump Assembly   |     |
| 26   | 70005722    | 1   | Cartridge, Hand Pump   |     |
| 26   | 7017496     | 1   | Seal Kit - Hand Pump   |     |
| 26   | 7017467     | 1   | Cartridge, Solenoid Valve Less Coil                                  |     |
| 26   | 7012967     | 1   | Seal Kit - Cartridge   |     |
| 26   | 70002386    | 1   | Coil   |     |
| 27   | 0700608     | 2   | Bolt M6 x 16   |     |
| 28   | 3290605     | 2   | Nut M6   |     |
| 29   | 1001200472  | 1   | Bracket  |     |
| 30   | 0761010     | AR  | Bolt M10 x 20  |     |
| 31   | 4812000     | AR  | Washer M10   |     |

# SECTION 2 - TURNTABLE

## FIGURE 2-2. MAIN CONTROL VALVE ASSEMBLY



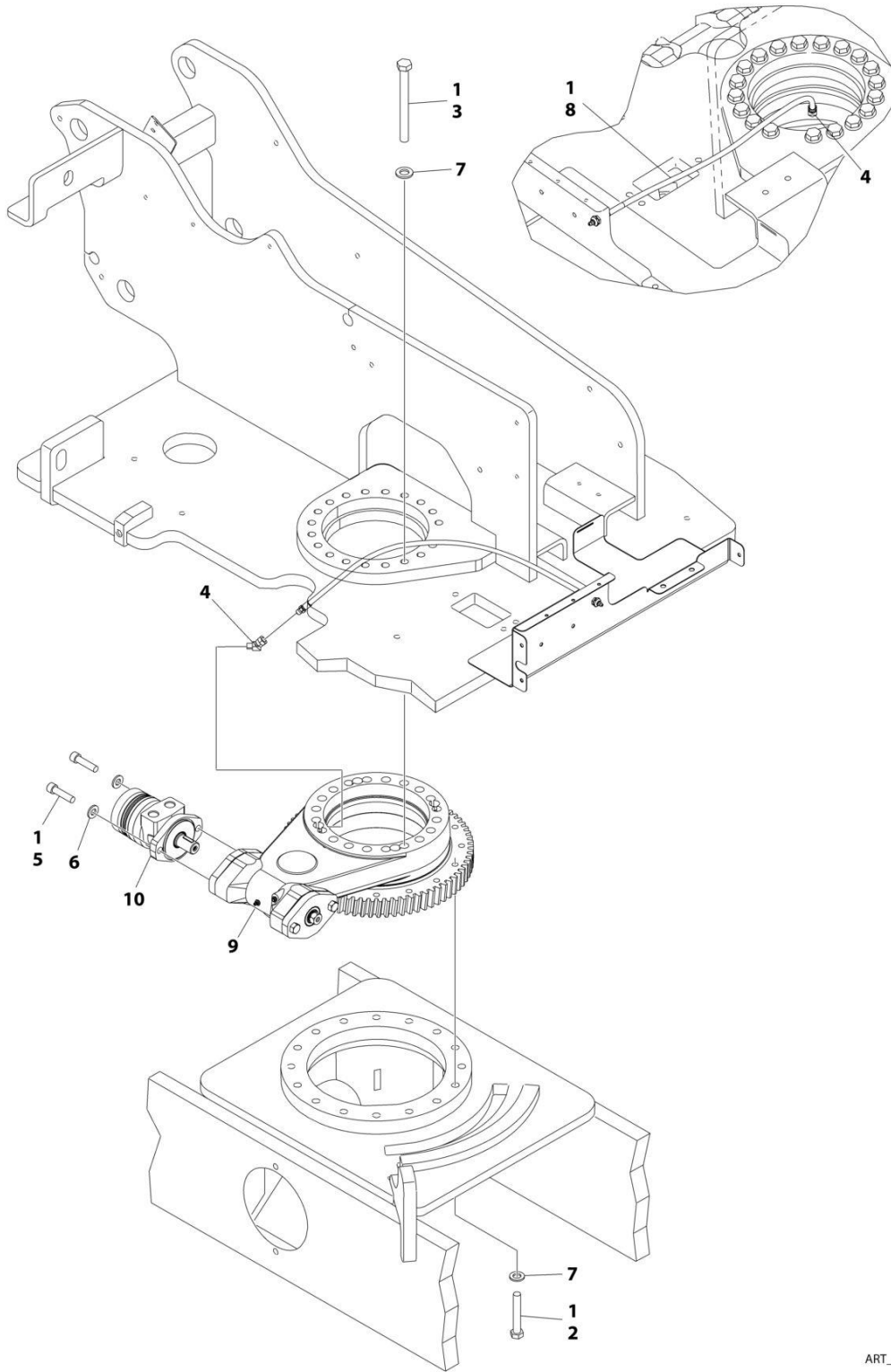
**SECTION 2 - TURNTABLE**

**FIGURE 2-2. MAIN CONTROL VALVE ASSEMBLY**

| ITEM | PART NUMBER | QTY | DESCRIPTION   | REV |
|------|-------------|-----|---|-----|
|      | 1001116487  | Ref | MAIN VALVE ASSEMBLY   | I   |
| 1    | 70002964    | 1   | Cartridge, Solenoid Valve with Relief (without Coil)            |     |
| 1    | 7017496     | 1   | Seal Kit - 70002964 Cartridge                                   |     |
| 2    | 70002965    | 1   | Cartridge, Solenoid Valve with Relief (without Coil)            |     |
| 2    | 7017496     | 1   | Seal Kit - 70002965 Cartridge                                   |     |
| 3    | 70002966    | 1   | Cartridge, Solenoid Valve (without Coil) (Swing)                |     |
| 3    | 70002967    | 1   | Seal Kit - 70002966 Cartridge                                   |     |
| 4    | 70002966    | 1   | Cartridge, Solenoid Valve (without Coil) (Steer)                |     |
| 4    | 70002967    | 1   | Seal Kit - 70002966 Cartridge                                   |     |
| 5    | 70002968    | 1   | Cartridge, Relief Valve   |     |
| 5    | 7012998     | 1   | Seal Kit - 70002968 Cartridge                                   |     |
| 6    | 70002969    | 2   | Cartridge, Solenoid Valve (without Coil) (Upper and Lower Lift) |     |
| 6    | 7010543     | 2   | Seal Kit - Cartridge  |     |
| 7    | 70002970    | 1   | Cartridge, Solenoid Valve (without Coil) (Flow Control)         |     |
| 7    | 7010543     | 1   | Seal Kit - 70002970 Cartridge                                   |     |
| 8    | 10837580    | 1   | Cartridge, Shuttle Valve  |     |
| 8    | 7010543     | 1   | Seal Kit - 108377580 Cartridge                                  |     |
| 9    | 70002971    | 3   | Coil  |     |
| 10   | 70002386    | 4   | Coil  |     |
| 11   | 70003788    | 2   | Coil  |     |
| 12   | 70002972    | 2   | Cartridge, Pressure Compensator Valve                           |     |
| 12   | 7010543     | 2   | Seal Kit - 70002972 Cartridge                                   |     |
| 13   | 70002973    | 1   | Cartridge, Pressure Compensator Valve                           |     |
| 13   | 7010543     | 1   | Seal Kit - 70002973 Cartridge                                   |     |
| 14   | 70002974    | 1   | Disc, Check Valve   |     |
| 15   | 70003757    | 3   | Cartridge, Check Valve  |     |
| 15   | 70002976    | 3   | Seal Kit - 70003757 Cartridges                                  |     |
| 16   | 70002977    | 1   | Cartridge, Crossover Relief                                     |     |
| 16   | 7021653     | 1   | Seal Kit - 70002977 Cartridge                                   |     |
| 17   | See Note    | 1   | Orifice .060 (Note: Not Available for Purchase)                 |     |
| 18   | See Note    | 2   | Orifice .100 (Note: Not Available for Purchase)                 |     |
| 19   | 7017406     | 5   | Plug  |     |
| 20   | See Note    | 1   | Block (Note: Not Available for Purchase)                        |     |

# SECTION 2 - TURNTABLE

## FIGURE 2-3. SWING DRIVE INSTALLATION



ART\_1001296395



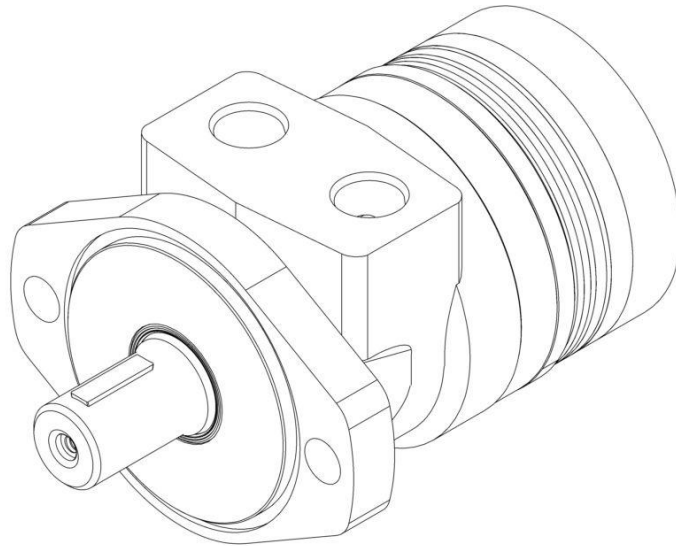
**SECTION 2 - TURNTABLE**

**FIGURE 2-3. SWING DRIVE INSTALLATION**

| ITEM | PART NUMBER | QTY | DESCRIPTION  | REV |
|------|-------------|-----|--|-----|
|      | 1001296395  | Ref | SWING DRIVE INSTALLATION   | A   |
| 1    | 0100019     | AR  | Compound, Locking  |     |
| 2    | 0711426     | 16  | Bolt M14 x 90  |     |
| 3    | 0711432     | 19  | Bolt M14 x 150   |     |
| 4    | 2220124     | 1   | Fitting, Adapter NPT   |     |
| 5    | 3931832     | 2   | Capscrew 1/2 x 2   |     |
| 6    | 4740171     | 2   | Washer 1/2   |     |
| 7    | 5241400     | 35  | Washer M14   |     |
| 8    | 1001118961  | 1   | Hose, Grease Line (Includes Grease Fitting)                                      |     |
| 9    | 1001153015  | 1   | Swing Bearing and Rotation Box Assembly (See Separate Breakdown in this Section) |     |
| 10   | 1001294632  | 1   | Swing Motor Assembly (See Separate Breakdown in this Section)                    |     |

## SECTION 2 - TURNTABLE

FIGURE 2-4. SWING MOTOR ASSEMBLY



ART\_1001294632

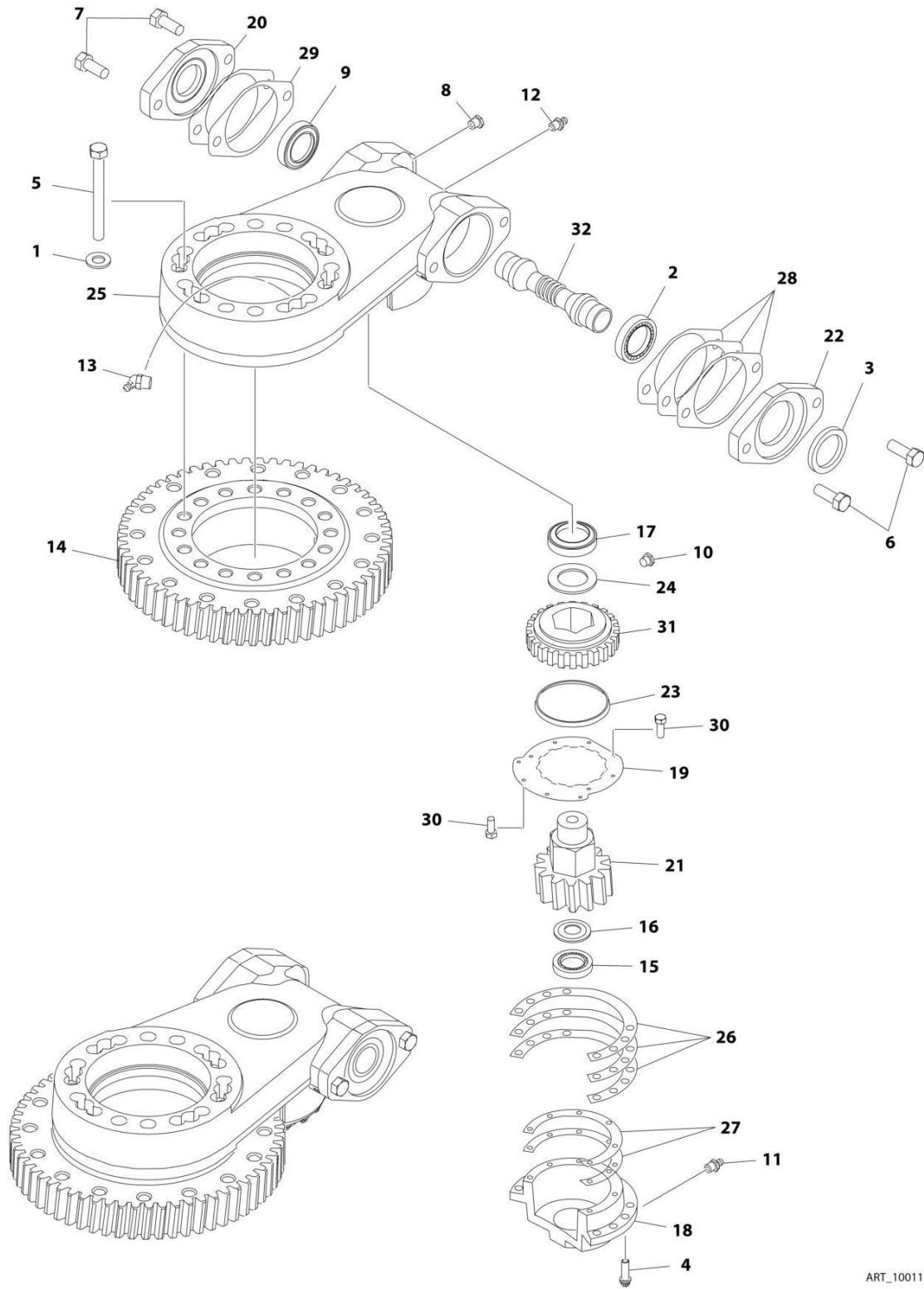
**SECTION 2 - TURNTABLE**

**FIGURE 2-4. SWING MOTOR ASSEMBLY**

| ITEM | PART NUMBER            | QTY        | DESCRIPTION  | REV |
|------|------------------------|------------|--|-----|
|      | 1001294632<br>See Note | Ref<br>Ref | SWING MOTOR ASSEMBLY (JING WEI/ZJ)<br>Note: No Service Parts Available at Time of Printing | C   |

# SECTION 2 - TURNTABLE

## FIGURE 2-5. SWING BEARING ASSEMBLY



ART\_1001153015

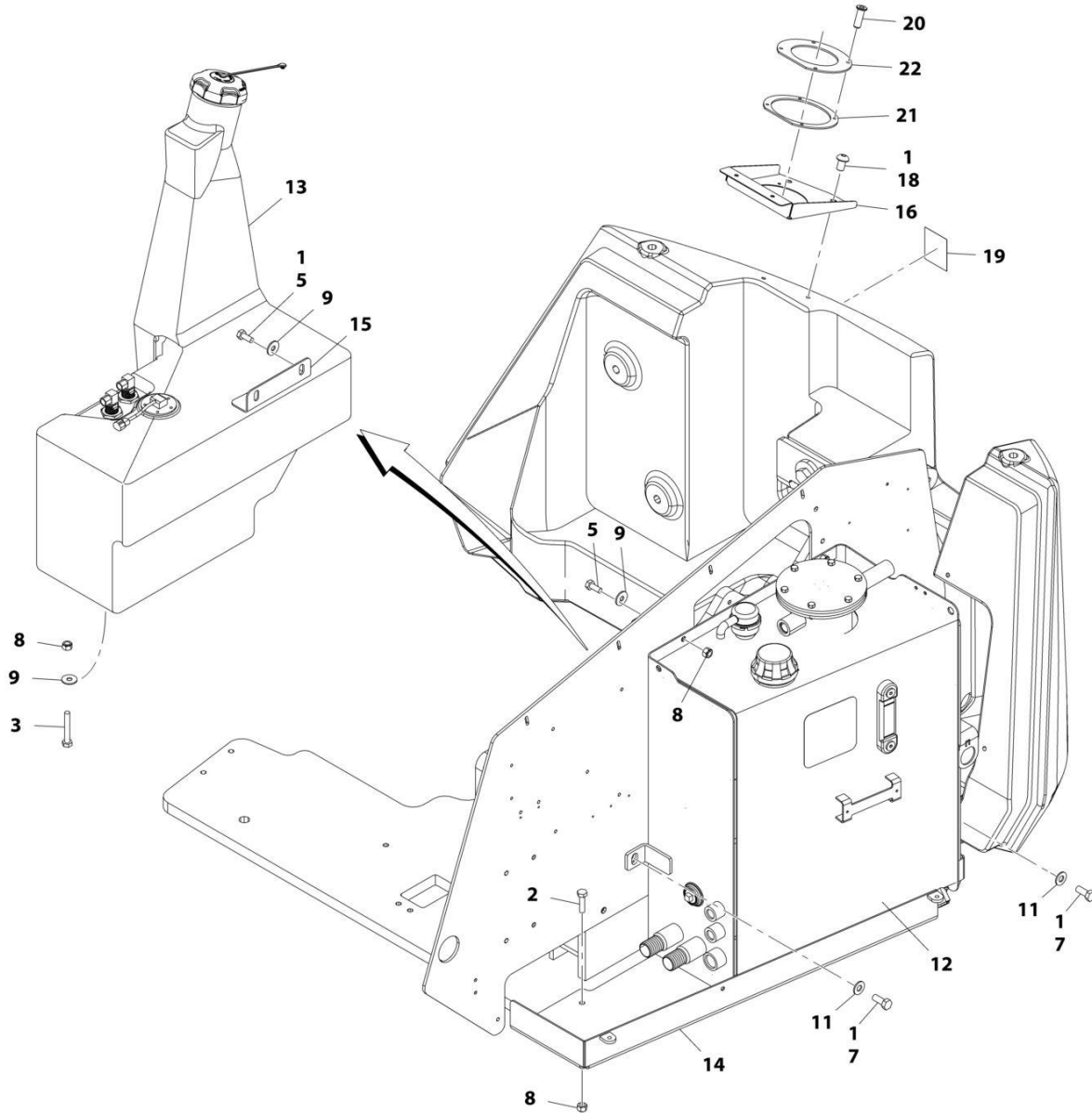
## SECTION 2 - TURNTABLE

### FIGURE 2-5. SWING BEARING ASSEMBLY

| ITEM | PART NUMBER | QTY | DESCRIPTION  | REV |
|------|-------------|-----|--|-----|
|      | 1001153015  | Ref | SWING BEARING ASSEMBLY   | B   |
| 1    | 7026041     | 2   | Washer 5/16  |     |
| 2    | 70002643    | 2   | Cup, Bearing   |     |
| 2    | 70002644    | 2   | Cone, Bearing  |     |
| 3    | 70002645    | 1   | Seal   |     |
| 4    | 70002646    | 8   | Bolt 5/16 x 7/8  |     |
| 5    | 70003138    | 2   | Bolt 5/16 x 2-1/2  |     |
| 6    | 70002647    | 2   | Bolt 1/2 x 1   |     |
| 7    | 70002648    | 2   | Bolt 1/2 x 1-1/4   |     |
| 8    | 70002649    | 1   | Vent, Pressure   |     |
| 9    | 70002650    | 1   | Seal   |     |
| 10   | 70003139    | 1   | Plug 1/4   |     |
| 11   | 70002651    | 1   | Fitting, Grease 1/4  |     |
| 12   | 70002652    | 1   | Fitting, Grease 1/8 Straight   |     |
| 13   | 7027359     | 1   | Fitting, Grease 1/8 90   |     |
| 14   | 1001160531  | 1   | Turntable Bearing Kit (Includes Bearing and Hardware (was p/n 1001143932 & 70003140) |     |
| 15   | 70002656    | 1   | Cup, Bearing   |     |
| 15   | 70002657    | 1   | Cone, Bearing  |     |
| 16   | 70002658    | 1   | Ring, Grease   |     |
| 17   | 7026048     | 1   | Cup, Bearing   |     |
| 17   | 7026049     | 1   | Cone, Bearing  |     |
| 18   | 70002659    | 1   | Cap, Gear  |     |
| 19   | 70003141    | 1   | Plate, Cover   |     |
| 20   | 70002661    | 1   | Cap, Worm  |     |
| 21   | 70003142    | 1   | Pinion, Output   |     |
| 22   | 70002663    | 1   | Adapter, Motor   |     |
| 23   | 70002664    | 1   | Seal, Face   |     |
| 24   | 7026052     | 1   | Spacer, Washer   |     |
| 25   | See Note    | 1   | Housing (Note: Not Available - Purchase Complete Assembly)                           |     |
| 26   | 70002665    | 1   | Shim .0075 Natural   |     |
| 26   | 70002666    | 1   | Shim .005 Blue   |     |
| 26   | 70002667    | 1   | Shim .003 Green  |     |
| 27   | 70002668    | 1   | Shim .005 Blue   |     |
| 27   | 70002669    | 1   | Shim .020 Yellow   |     |
| 28   | 7027352     | 1   | Gasket .010 Brown  |     |
| 28   | 7027351     | 1   | Gasket .0075 Clear   |     |
| 28   | 7027350     | 1   | Gasket .005 Blue   |     |
| 29   | 7027353     | 1   | Gasket .020 Yellow   |     |
| 30   | 70000681    | 10  | Bolt #6 x 3/8  |     |
| 31   | 70002670    | 1   | Gear, Worm   |     |
| 32   | 70002671    | 1   | Shaft, Worm  |     |

# SECTION 2 - TURNTABLE

## FIGURE 2-6. TANK INSTALLATION (DIESEL MACHINES)



ART\_1001115769

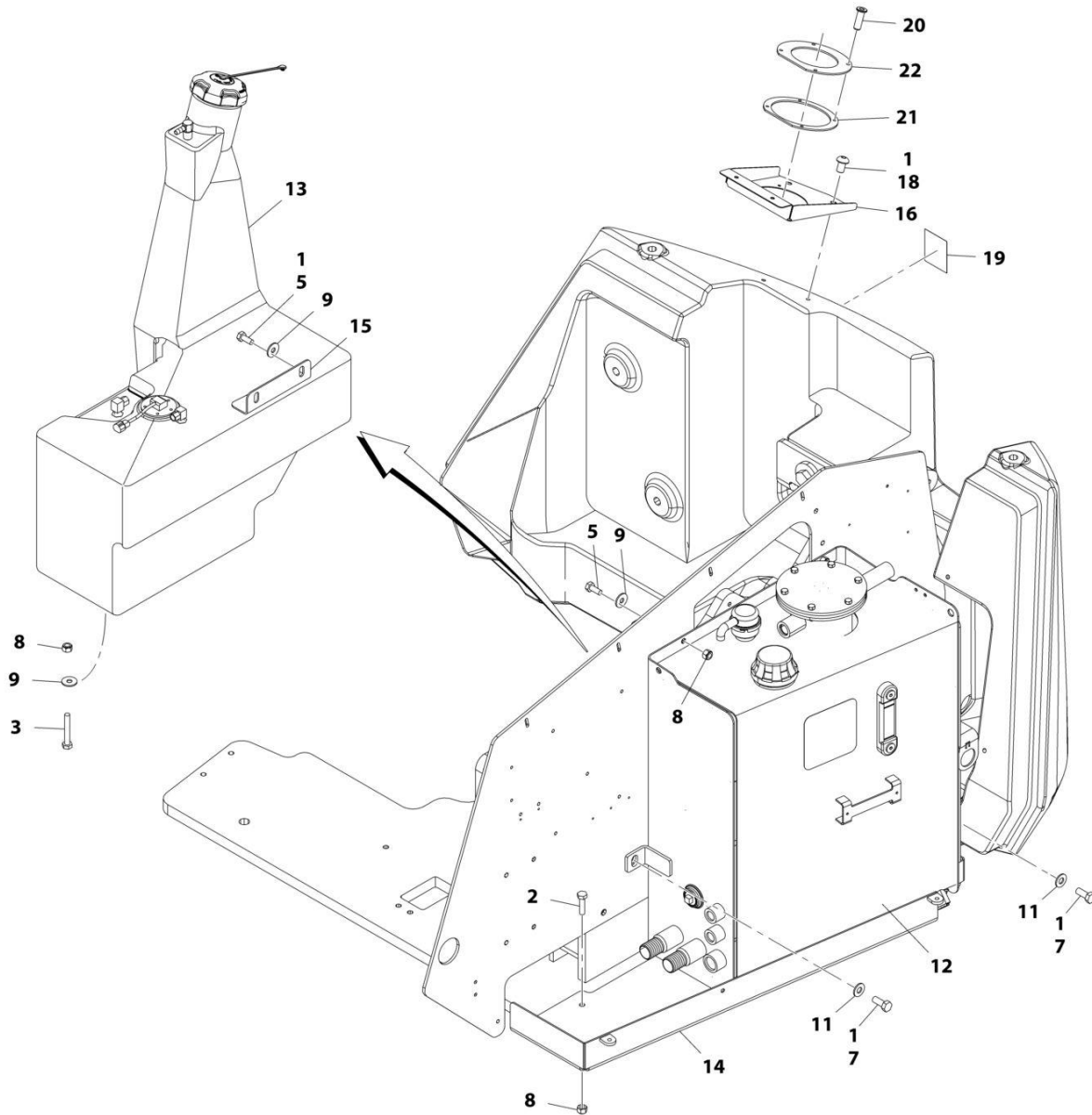
## SECTION 2 - TURNTABLE

**FIGURE 2-6. TANK INSTALLATION (DIESEL MACHINES)**

| ITEM | PART NUMBER | QTY | DESCRIPTION  | REV |
|------|-------------|-----|--|-----|
|      | 1001115769  | Ref | TANK INSTALLATION (DIESEL MACHINES)                              | E   |
| 1    | 0100011     | AR  | Compound, Locking  |     |
| 2    | 0701016     | 2   | Bolt M10 x 40  |     |
| 3    | 0701022     | 1   | Bolt M10 x 70  |     |
| 5    | 0761012     | 4   | Bolt M10 x 25  |     |
| 7    | 0761214     | 2   | Bolt M12 x 30  |     |
| 8    | 3291005     | 5   | Nut M10  |     |
| 9    | 4812002     | 5   | Washer M10   |     |
| 11   | 4812102     | 2   | Washer M12   |     |
| 12   | 1001116339  | 1   | Hydraulic Tank Assembly (See Separate Breakdown in this Section) |     |
| 13   | 1001117897  | 1   | Fuel Tank Assembly (See Separate Breakdown in this Section)      |     |
| 14   | 1001118502  | 1   | Shield, Bottom Tank  |     |
| 15   | 1001118509  | 1   | Support, Tank  |     |
| 16   | 1001118510  | 1   | Shield, Tank Neck  |     |
| 18   | 1001119527  | 2   | Screw M10 x 16   |     |
| 19   | 1701505     | 1   | Decal - Diesel Fuel  |     |
| 20   | 3820032     | 4   | Rivet  |     |
| 21   | 1001128781  | 1   | Seal, Neck   |     |
| 22   | 1001128782  | 1   | Ring, Neck   |     |

# SECTION 2 - TURNTABLE

## FIGURE 2-7. TANK INSTALLATION (GAS MACHINES)



ART\_1001119102



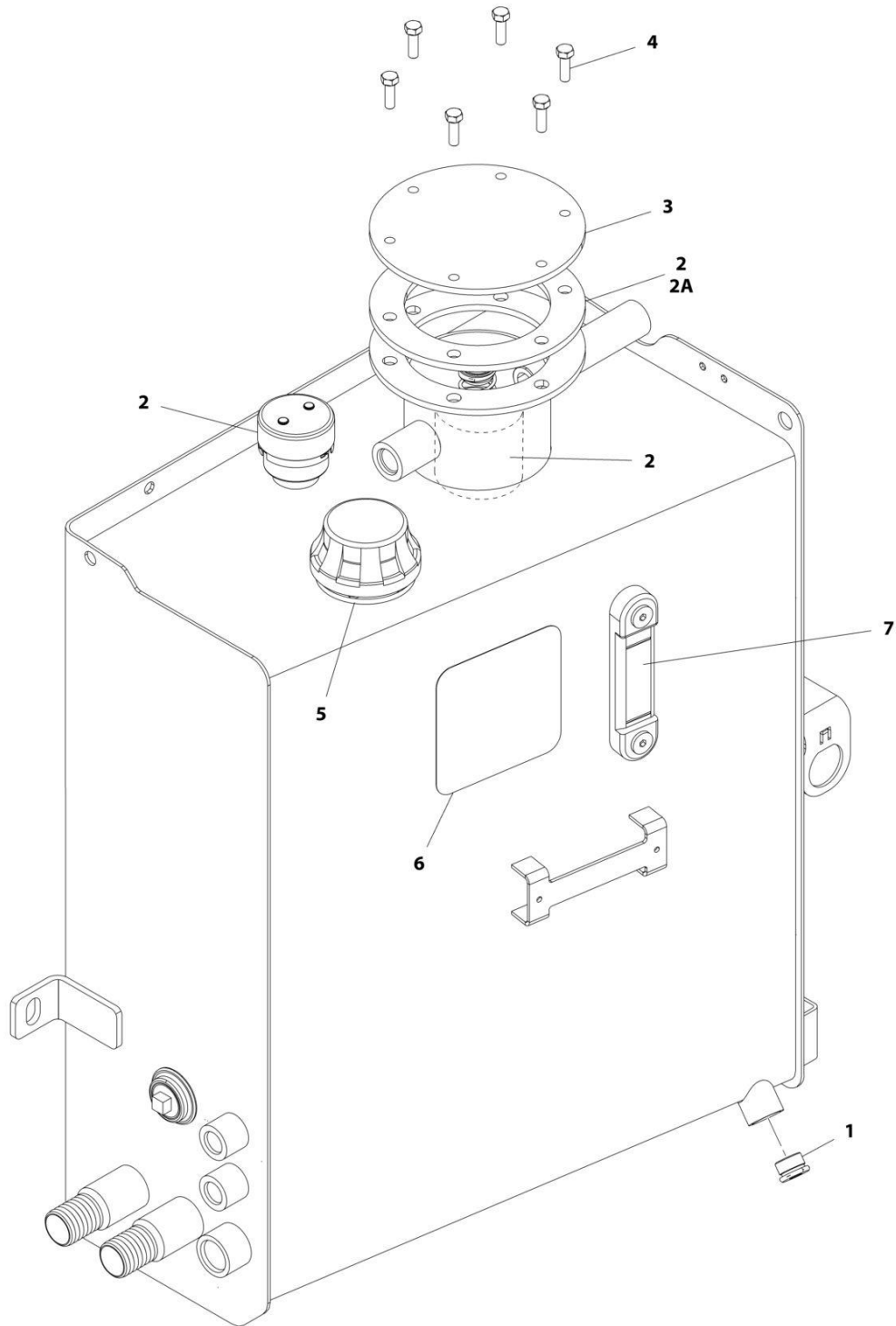
## SECTION 2 - TURNTABLE

**FIGURE 2-7. TANK INSTALLATION (GAS MACHINES)**

| ITEM | PART NUMBER | QTY | DESCRIPTION  | REV |
|------|-------------|-----|--|-----|
|      | 1001119102  | Ref | TANK INSTALLATION (GAS MACHINES)                                 | F   |
| 1    | 0100011     | AR  | Compound, Locking  |     |
| 2    | 0701016     | 2   | Bolt M10 x 40  |     |
| 3    | 0701022     | 1   | Bolt M10 x 70  |     |
| 5    | 0761012     | 4   | Bolt M10 x 25  |     |
| 7    | 0761214     | 2   | Bolt M12 x 30  |     |
| 8    | 3291005     | 5   | Nut M10  |     |
| 9    | 4812002     | 5   | Washer M10   |     |
| 11   | 4812102     | 2   | Washer M12   |     |
| 12   | 1001116339  | 1   | Hydraulic Tank Assembly (See Separate Breakdown in this Section) |     |
| 13   | 1001211509  | 1   | Fuel Tank Assembly (See Separate Breakdown in this Section)      |     |
| 14   | 1001118502  | 1   | Shield, Bottom Tank  |     |
| 15   | 1001118509  | 1   | Support, Tank  |     |
| 16   | 1001118510  | 1   | Shield, Tank Neck  |     |
| 18   | 1001119527  | 2   | Screw M10 x 16   |     |
| 19   | 1701542     | 1   | Decal - Gas Fuel   |     |
| 20   | 3820032     | 4   | Rivet  |     |
| 21   | 1001128781  | 1   | Seal, Neck   |     |
| 22   | 1001128782  | 1   | Ring, Neck   |     |

# SECTION 2 - TURNTABLE

## FIGURE 2-8. HYDRAULIC TANK ASSEMBLY



ART\_1001116339

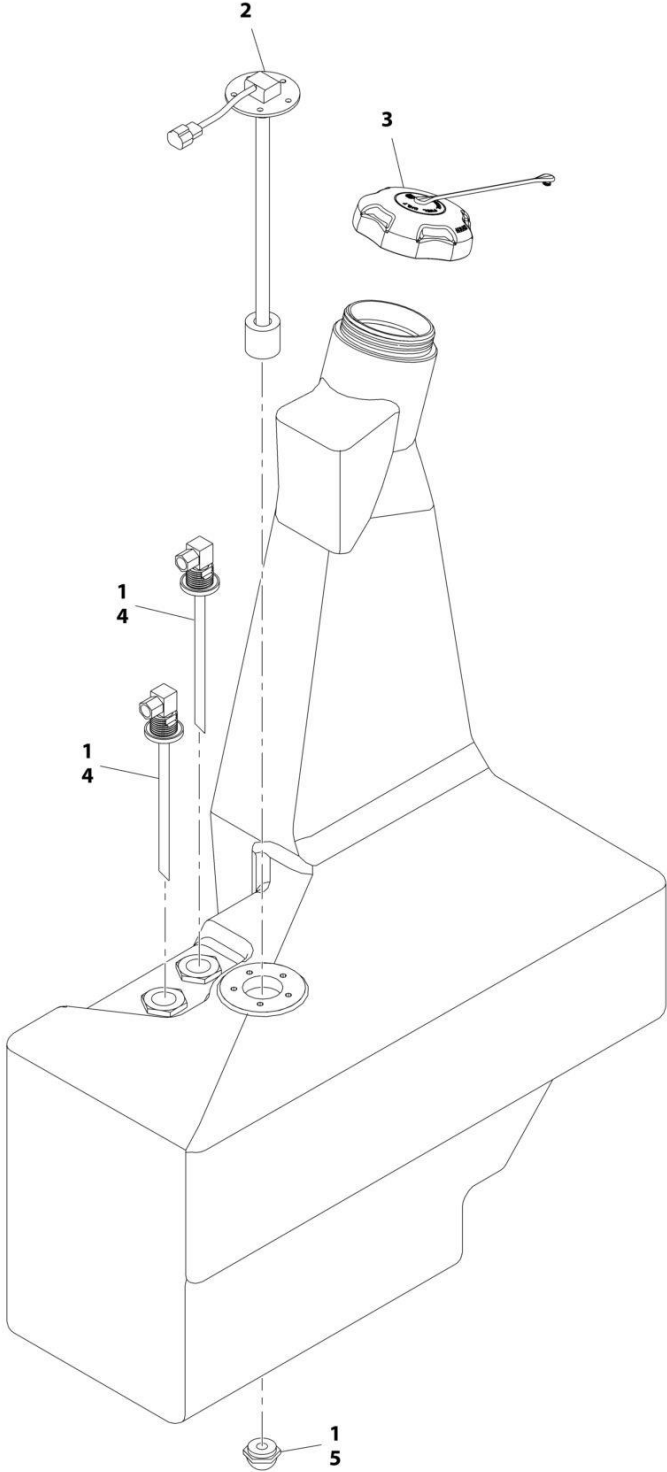
**SECTION 2 - TURNTABLE**

**FIGURE 2-8. HYDRAULIC TANK ASSEMBLY**

| <b>ITEM</b> | <b>PART NUMBER</b> | <b>QTY</b> | <b>DESCRIPTION</b>                            | <b>REV</b> |
|-------------|--------------------|------------|---|------------|
|             | 1001116339         | Ref        | HYDRAULIC TANK ASSEMBLY                       | F          |
| 1           | 70002112           | 1          | Plug, Magnetic                                |            |
| 2           | 70002812           | 1          | Hydraulic Breather/Filter Kit                 |            |
| 2A          | 70002839           | 1          | Gasket  |            |
| 3           | See Note           | NSS        | Cover (Note: Use p/n 1001116339)              |            |
| 4           | See Note           | NSS        | Bolt (Note: Not Available - Purchase Locally) |            |
| 5           | 70002838           | 1          | Cap, Fill                                     |            |
| 6           | 70002840           | 1          | Decal - Filter Replacement                    |            |
| 7           | 7024441            | 1          | Gauge, Sight                                  |            |

**SECTION 2 - TURNTABLE**

**FIGURE 2-9. FUEL TANK ASSEMBLY (DIESEL MACHINES)**



ART\_1001117897

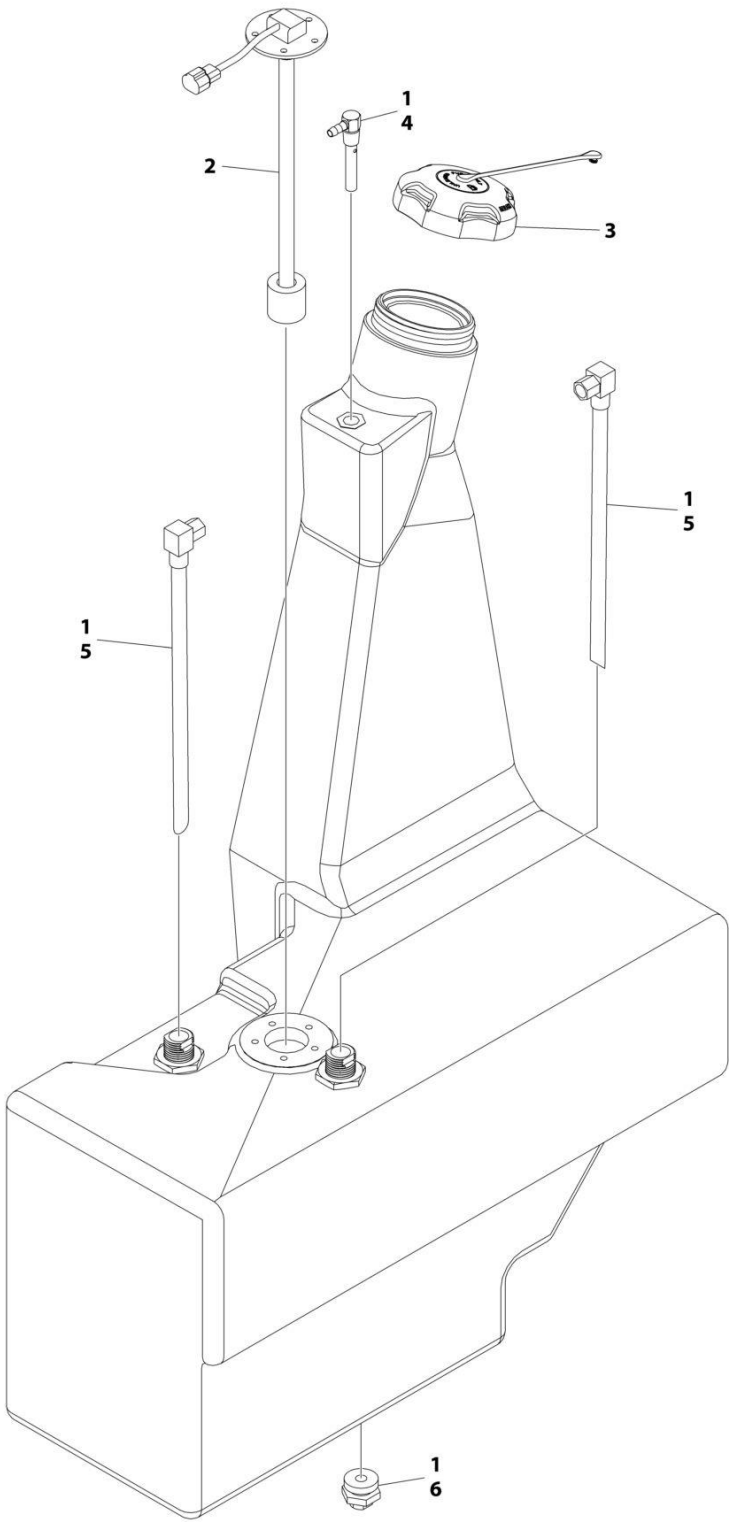
**SECTION 2 - TURNTABLE**

**FIGURE 2-9. FUEL TANK ASSEMBLY (DIESEL MACHINES)**

| ITEM | PART NUMBER | QTY | DESCRIPTION   | REV |
|------|-------------|-----|---|-----|
|      | 1001117897  | Ref | FUEL TANK ASSEMBLY (DIESEL MACHINES)                      | G   |
| 1    | 0100020     | AR  | Sealant   |     |
| 2    | 1001118262  | 1   | Sender  |     |
| 2    | See Note    | NSS | Seal, Sender (Note: Use p/n 1001118262)                   |     |
| 2    | 0721004     | 5   | Screw #10 x 1/2   |     |
| 3    | 1001128798  | 1   | Cap, Fuel - Diesel  |     |
| 4    | See Note    | NSS | Tube, Steel with Elbow Fitting (Note: Use p/n 1001117897) |     |
| 5    | See Note    | NSS | Plug (Note: Not Available - Purchase Locally)             |     |

**SECTION 2 - TURNTABLE**

**FIGURE 2-10. FUEL TANK ASSEMBLY (GAS MACHINES)**



ART\_1001211509

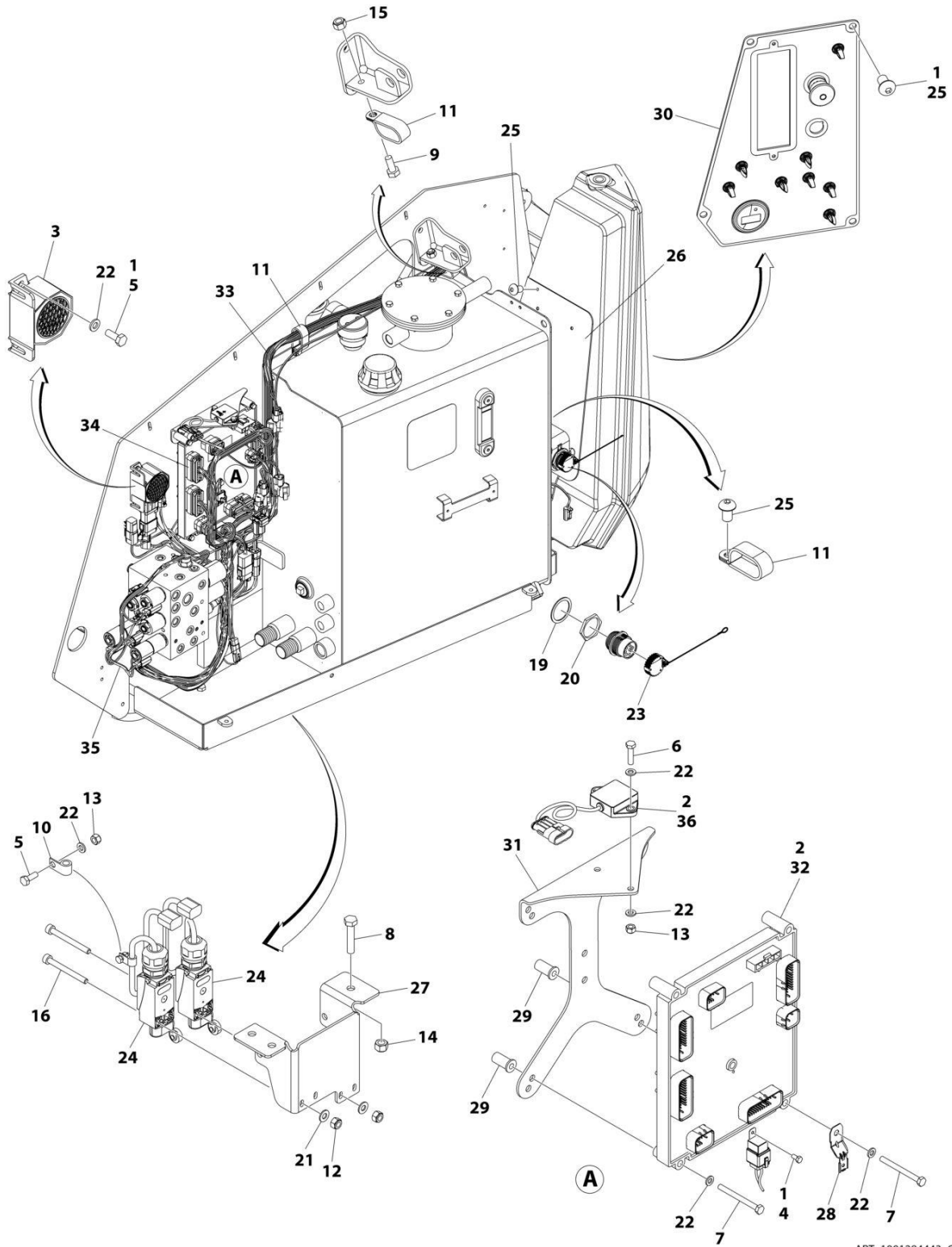
**SECTION 2 - TURNTABLE**

**FIGURE 2-10. FUEL TANK ASSEMBLY (GAS MACHINES)**

| <b>ITEM</b> | <b>PART NUMBER</b> | <b>QTY</b> | <b>DESCRIPTION</b>                | <b>REV</b> |
|-------------|--------------------|------------|-----------------------------------|------------|
|             | 1001211509         | Ref        | FUEL TANK ASSEMBLY (GAS MACHINES) | A          |
| 1           | 0100020            | AR         | Sealant                           |            |
| 2           | 1001118262         | 1          | Sender                            |            |
| 2           | 0721004            | 5          | Screw #10 x 1/2                   |            |
| 3           | 1001128799         | 1          | Cap, Fuel - Gas                   |            |
| 4           | 1001129043         | 1          | Valve, Fuel Vent                  |            |

# SECTION 2 - TURNTABLE

FIGURE 2-11. ELECTRICAL COMPONENTS INSTALLATION (ALL SPECS EXCEPT CE & UK CA)



ART\_1001284443\_C



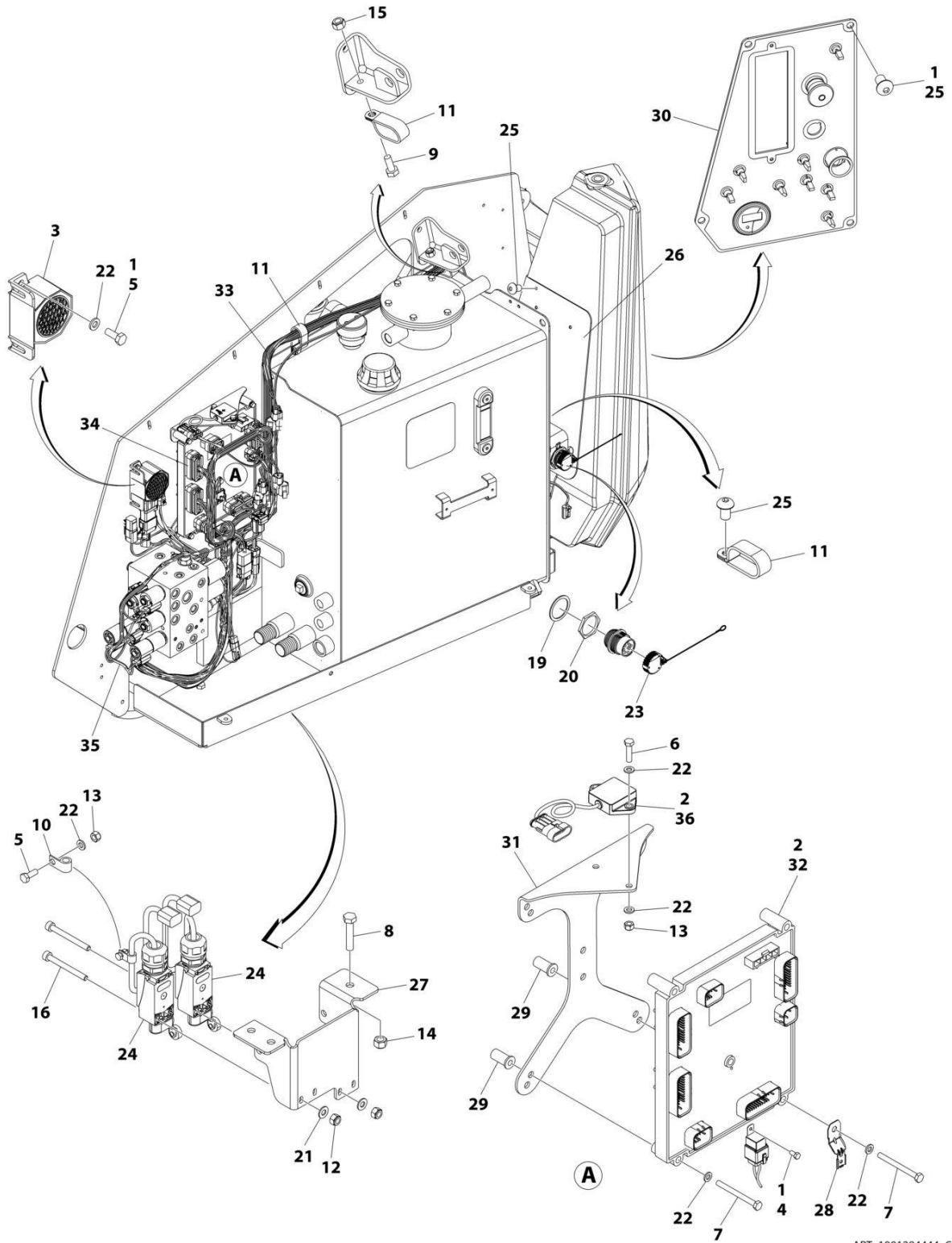
## SECTION 2 - TURNTABLE

**FIGURE 2-11. ELECTRICAL COMPONENTS INSTALLATION (ALL SPECS EXCEPT CE & UK CA)**

| ITEM | PART NUMBER | QTY | DESCRIPTION  | REV |
|------|-------------|-----|--|-----|
|      | 1001284443  | Ref | ELECTRICAL COMPONENTS INSTALLATION   | C   |
| 1    | 0100011     | AR  | Compound, Locking  |     |
| 2    | 0100048     | AR  | Sealant, Silicone  |     |
| 3    | 0140043     | 1   | Alarm  |     |
| 4    | 0760505     | 1   | Bolt M5 x 10   |     |
| 5    | 0760608     | 4   | Bolt M6 x 16   |     |
| 6    | 0760612     | 2   | Bolt M6 x 25   |     |
| 7    | 0760621     | 5   | Bolt M6 x 65   |     |
| 8    | 0760816     | 3   | Bolt M8 x 40   |     |
| 9    | 0761012     | 1   | Bolt M10 x 25  |     |
| 10   | 1321293     | 2   | Clamp  |     |
| 11   | 1321716     | 3   | P-Clamp  |     |
| 12   | 3290405     | 4   | Nut M4   |     |
| 13   | 3290605     | 4   | Nut M6   |     |
| 14   | 3290805     | 3   | Nut M8   |     |
| 15   | 3291005     | 1   | Nut M10  |     |
| 16   | 4031512     | 4   | Capscrew M4 x 40   |     |
| 17   | 4240032     | AR  | Tie-Strap (Not Shown)  |     |
| 18   | 4460234     | AR  | Mount, Tie-Strap (Not Shown)   |     |
| 19   | 4460496     | 1   | Washer   |     |
| 20   | 4460497     | 1   | Nut  |     |
| 21   | 4811400     | 4   | Washer M4  |     |
| 22   | 4811700     | 13  | Washer M6  |     |
| 23   | 1001106736  | 1   | Cap, Dust  |     |
| 24   | 1001119176  | 2   | Limit Switch and Harness Assembly (See Separate Breakdown in ELECTRICAL Section) |     |
| 24   | 1001119170  | 2   | Switch, Limit (1 per Assembly)   |     |
| 25   | 1001119527  | 7   | Screw, Button Head M10 x 16  |     |
| 26   | 1001125291  | 1   | Shield, Ground Controls  |     |
| 27   | 1001141710  | 1   | Bracket, Switch  |     |
| 28   | 1001155743  | 1   | Mount, Connector   |     |
| 29   | 1001203719  | 5   | Nut M6   |     |
| 30   | 1001266044  | 1   | Ground Control Assembly (See Separate Breakdown in this Section)                 |     |
| 31   | 1001271794  | 1   | Bracket, Tilt Sensor   |     |
| 32   | 1001280340  | 1   | Module, Ground Control (Note: Re-calibration Required when Replaced)             |     |
| 33   | 1001299513  | 1   | Harness, Ground Control (See Separate Breakdown in ELECTRICAL Section)           |     |
| 34   | 1001286171  | 1   | Mid-Engine Harness (See Separate Breakdown in ELECTRICAL Section)                |     |
| 35   | 1001291530  | 1   | Valve Harness (See Separate Breakdown in ELECTRICAL Section)                     |     |
| 36   | 1001219601  | 1   | Sensor, Tilt Dual Axis CAN   |     |

# SECTION 2 - TURNTABLE

## FIGURE 2-12. ELECTRICAL COMPONENTS INSTALLATION (CE & UK CA SPEC)



ART\_1001284444\_C

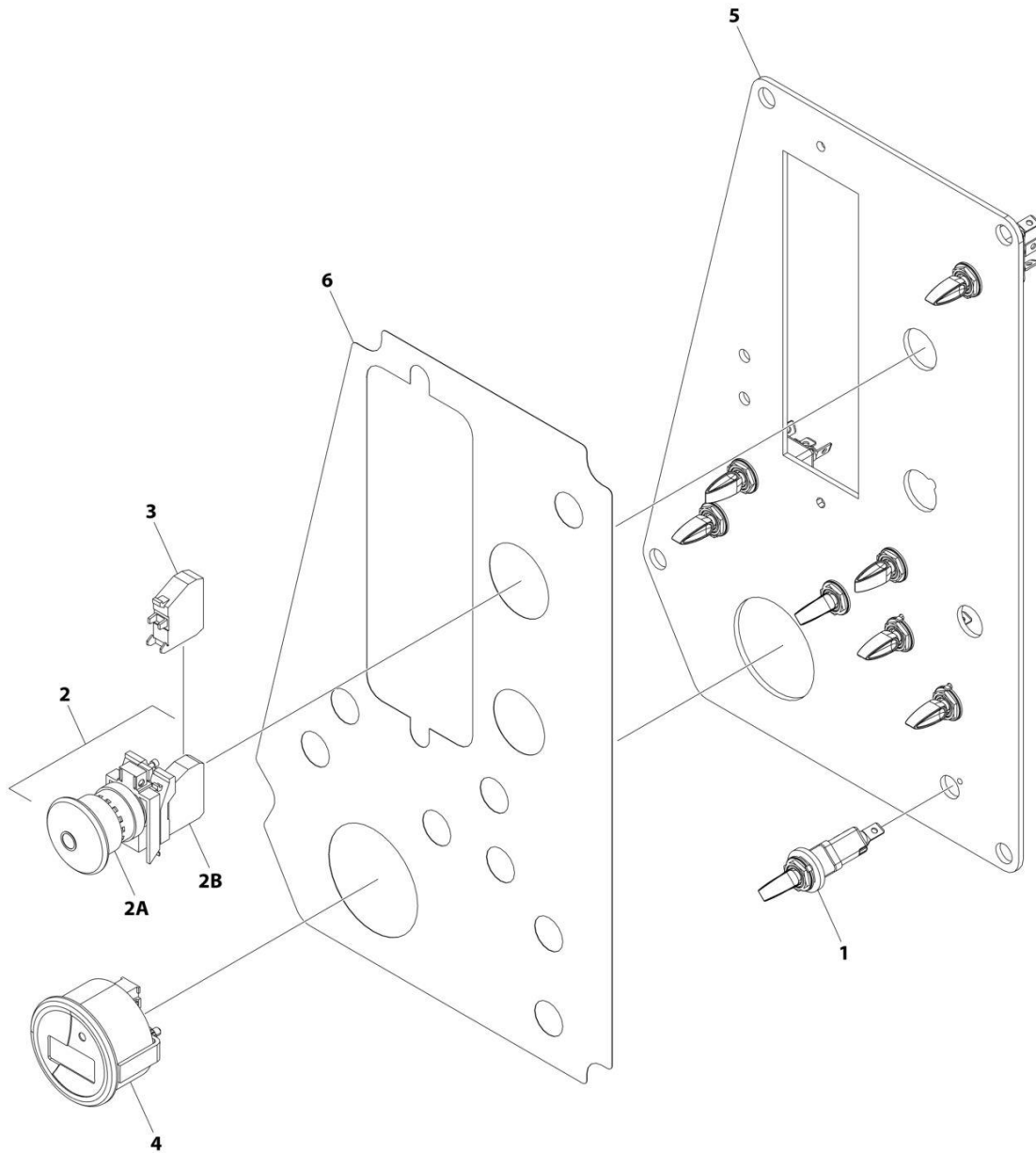
## SECTION 2 - TURNTABLE

**FIGURE 2-12. ELECTRICAL COMPONENTS INSTALLATION (CE & UK CA SPEC)**

| ITEM | PART NUMBER | QTY | DESCRIPTION  | REV |
|------|-------------|-----|--|-----|
|      | 1001284444  | Ref | ELECTRICAL COMPONENTS INSTALLATION   | C   |
| 1    | 0100011     | AR  | Compound, Locking  |     |
| 2    | 0100048     | AR  | Sealant, Silicone  |     |
| 3    | 0140043     | 1   | Alarm  |     |
| 4    | 0760505     | 1   | Bolt M5 x 10   |     |
| 5    | 0760608     | 4   | Bolt M6 x 16   |     |
| 6    | 0760612     | 2   | Bolt M6 x 25   |     |
| 7    | 0760621     | 5   | Bolt M6 x 65   |     |
| 8    | 0760816     | 3   | Bolt M8 x 40   |     |
| 9    | 0761012     | 1   | Bolt M10 x 25  |     |
| 10   | 1321293     | 2   | Clamp  |     |
| 11   | 1321716     | 3   | P-Clamp  |     |
| 12   | 3290405     | 4   | Nut M4   |     |
| 13   | 3290605     | 4   | Nut M6   |     |
| 14   | 3290805     | 3   | Nut M8   |     |
| 15   | 3291005     | 1   | Nut M10  |     |
| 16   | 4031512     | 4   | Capscrew M4 x 40   |     |
| 17   | 4240032     | AR  | Tie-Strap (Not Shown)  |     |
| 18   | 4460234     | AR  | Mount, Tie-Strap (Not Shown)   |     |
| 19   | 4460496     | 1   | Washer, Terminal   |     |
| 20   | 4460497     | 1   | Nut, Terminal  |     |
| 21   | 4811400     | 4   | Washer M4  |     |
| 22   | 4811700     | 13  | Washer M6  |     |
| 23   | 1001106736  | 1   | Cap, Dust  |     |
| 24   | 1001119176  | 2   | Limit Switch and Harness Assembly (See Separate Breakdown in ELECTRICAL Section) |     |
| 24   | 1001119170  | 2   | Switch, Limit (1 per Assembly)   |     |
| 25   | 1001119527  | 7   | Screw, Button Head M10 x 16  |     |
| 26   | 1001125291  | 1   | Shield, Ground Controls  |     |
| 27   | 1001141710  | 1   | Bracket, Switch  |     |
| 28   | 1001155743  | 1   | Mount, Connector   |     |
| 29   | 1001203719  | 5   | Nut M6   |     |
| 30   | 1001266045  | 1   | Ground Control Assembly (See Separate Breakdown in this Section)                 |     |
| 31   | 1001271794  | 1   | Bracket, Tilt Sensor   |     |
| 32   | 1001280340  | 1   | Module, Ground Control (Note: Re-calibration Required when Replaced)             |     |
| 33   | 1001299513  | 1   | Harness, Ground Control (See Separate Breakdown in ELECTRICAL Section)           |     |
| 34   | 1001286171  | 1   | Mid-Engine Harness Assembly (See Separate Breakdown in ELECTRICAL Section)       |     |
| 35   | 1001291530  | 1   | Valve Harness (See Separate Breakdown in ELECTRICAL Section)                     |     |
| 36   | 1001219601  | 1   | Sensor, Tilt Dual Axis CAN   |     |

## SECTION 2 - TURNTABLE

FIGURE 2-13. GROUND CONTROL BOX ASSEMBLY - DISPLAY WITHOUT BUTTONS (ALL SPECS EXCEPT CE & UK CA SPECS)



ART\_1001266044\_B

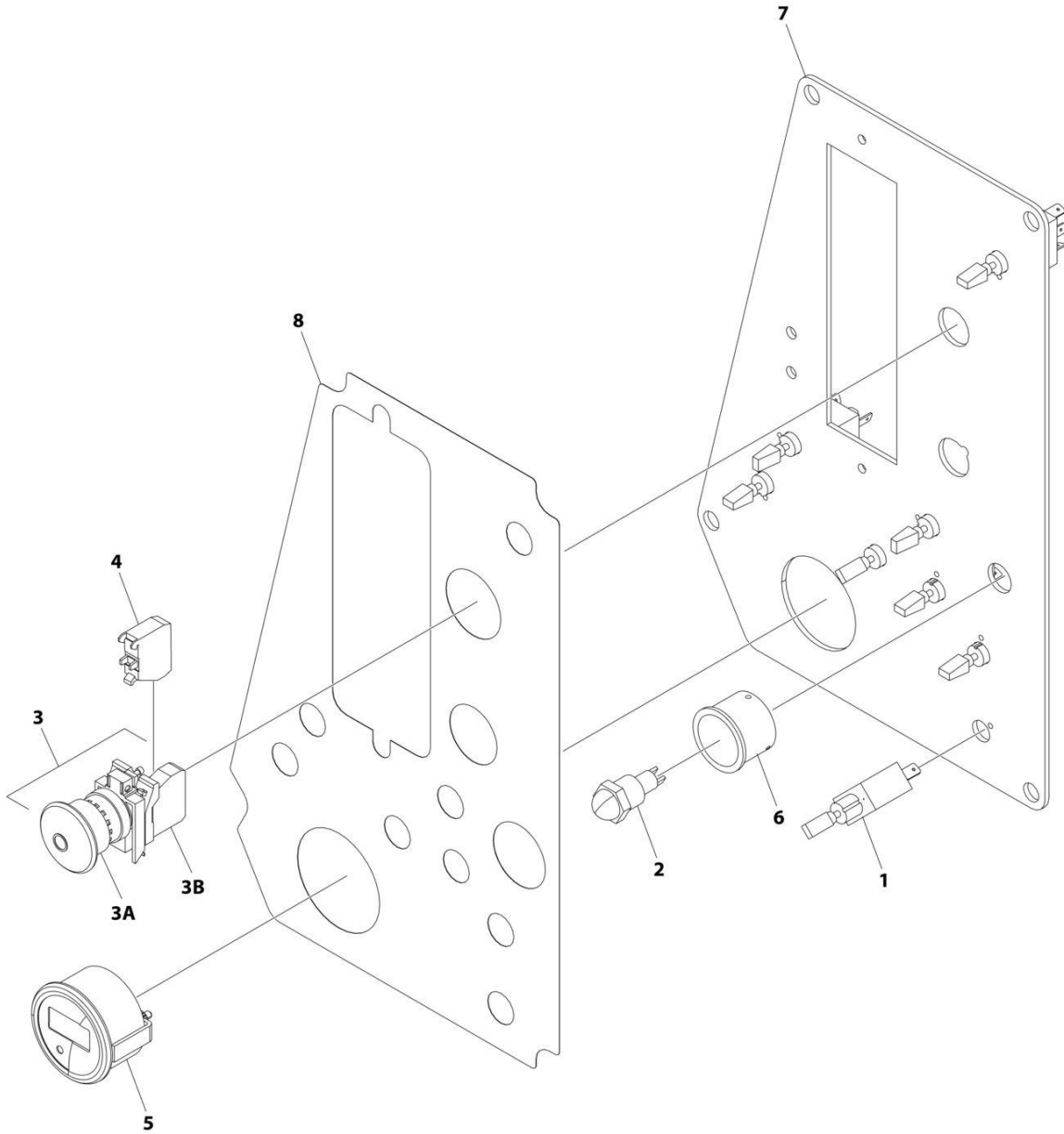
**SECTION 2 - TURNTABLE**

**FIGURE 2-13. GROUND CONTROL BOX ASSEMBLY - DISPLAY WITHOUT BUTTONS (ALL SPECS EXCEPT CE & UK CA SPECS)**

| ITEM | PART NUMBER | QTY | DESCRIPTION             | REV |
|------|-------------|-----|-------------------------|-----|
|      | 1001266044  | Ref | GROUND CONTROL ASSEMBLY | B   |
| 1    | 4360328     | 8   | Switch, Toggle          |     |
| 2    | 4360475     | 1   | Switch, Emergency Stop  |     |
| 2A   | 7020175     | 1   | Cap, Mushroom Head      |     |
| 2B   | 7020176     | 1   | Block, Contact          |     |
| 3    | 4360476     | 1   | Switch, Contact         |     |
| 4    | 1001109503  | 1   | Display                 |     |
| 5    | 1001280406  | 1   | Panel                   |     |
| 6    | 1001266041  | 1   | Decal - Ground Control  |     |

## SECTION 2 - TURNTABLE

FIGURE 2-14. GROUND CONTROL BOX ASSEMBLY - DISPLAY WITHOUT BUTTONS (CE & UK CA SPECS)



ART\_1001266045\_B

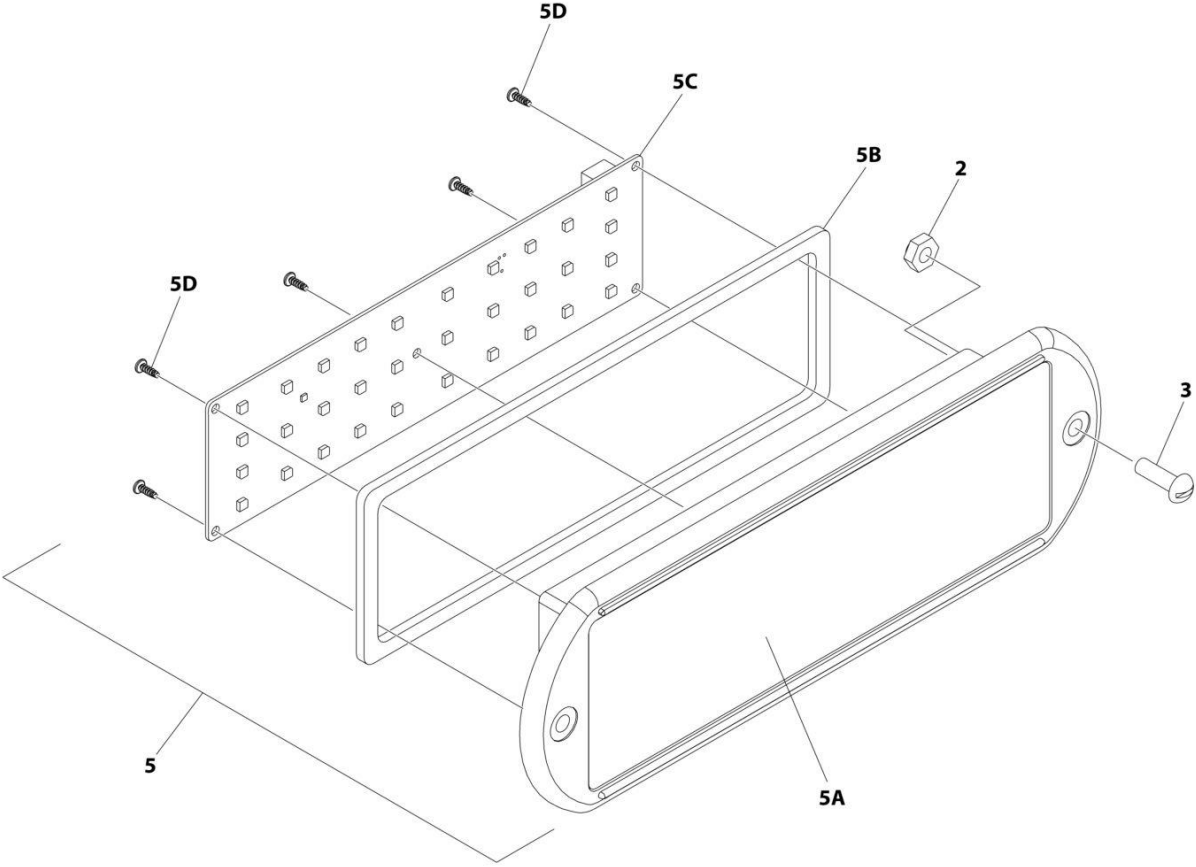
**SECTION 2 - TURNTABLE**

**FIGURE 2-14. GROUND CONTROL BOX ASSEMBLY - DISPLAY WITHOUT BUTTONS (CE & UK CA SPECS)**

| ITEM | PART NUMBER | QTY | DESCRIPTION             | REV |
|------|-------------|-----|-------------------------|-----|
|      | 1001266045  | Ref | GROUND CONTROL ASSEMBLY | B   |
| 1    | 4360328     | 8   | Switch, Toggle          |     |
| 2    | 4360387     | 1   | Switch, Push Button     |     |
| 3    | 4360475     | 1   | Switch, Emergency Stop  |     |
| 3A   | 7020175     | 1   | Cap, Mushroom Head      |     |
| 3B   | 7020176     | 1   | Block, Contact          |     |
| 4    | 4360476     | 1   | Switch, Contact         |     |
| 5    | 1001109503  | 1   | Display                 |     |
| 6    | 1001176469  | 1   | Shroud                  |     |
| 7    | 1001280406  | 1   | Panel                   |     |
| 8    | 1001266043  | 1   | Decal - Ground Control  |     |

**SECTION 2 - TURNTABLE**

**FIGURE 2-15. LIGHT PANEL INSTALLATION**



ART\_1001241400\_C\_10F2



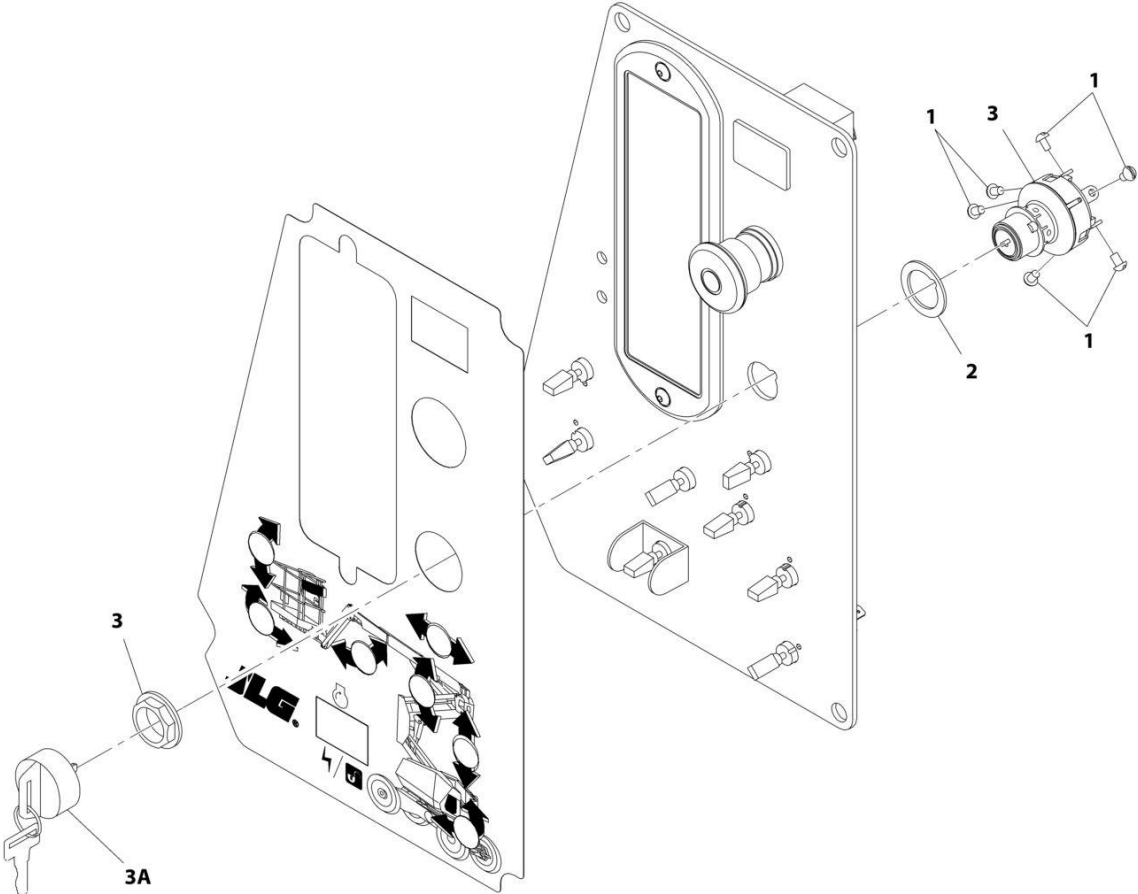
**SECTION 2 - TURNTABLE**

**FIGURE 2-15. LIGHT PANEL INSTALLATION**

| <b>ITEM</b> | <b>PART NUMBER</b> | <b>QTY</b> | <b>DESCRIPTION</b>       | <b>REV</b> |
|-------------|--------------------|------------|--------------------------|------------|
|             | 1001241400         | Ref        | LIGHT PANEL INSTALLATION | C          |
| 2           | 3300408            | 2          | Nut, Nylon Insert        |            |
| 3           | 0630518            | 2          | Screw #10 x 3/4          |            |
| 5           | 1001236433         | 1          | Light Panel Assembly     |            |
| 5A          | 1001236093         | 1          | Lens, I-Con              |            |
| 5B          | 1001238749         | 1          | Bezel (Includes Gasket)  |            |
| 5C          | 1001187807         | 1          | Panel, LED Light         |            |
| 5D          |                    | Ref        | Screw                    |            |

# SECTION 2 - TURNTABLE

## FIGURE 2-16. KEY SWITCH INSTALLATION



ART\_1001119399

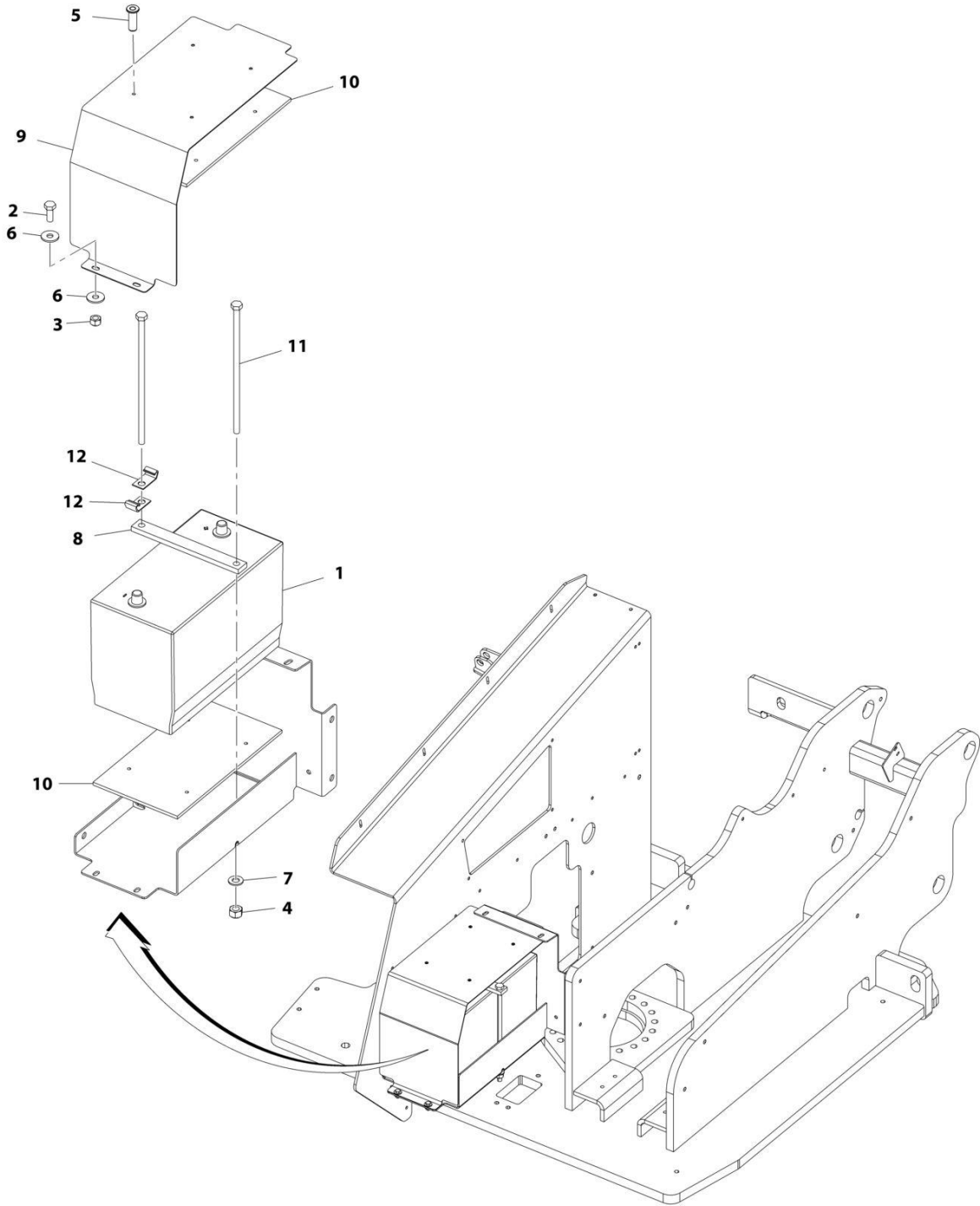
**SECTION 2 - TURNTABLE**

**FIGURE 2-16. KEY SWITCH INSTALLATION**

| <b>ITEM</b> | <b>PART NUMBER</b> | <b>QTY</b> | <b>DESCRIPTION</b>      | <b>REV</b> |
|-------------|--------------------|------------|-------------------------|------------|
|             | 1001119399         | Ref        | KEY SWITCH INSTALLATION | C          |
| 1           | 3910804            | 6          | Screw 8 x 1/4           |            |
| 2           | 1001151393         | 1          | Shim                    |            |
| 3           | 4360469            | 1          | Switch, Key             |            |
| 3A          | 2860030            | 1          | Key, Replacement        |            |

# SECTION 2 - TURNTABLE

## FIGURE 2-17. BATTERY INSTALLATION



ART\_1001119277

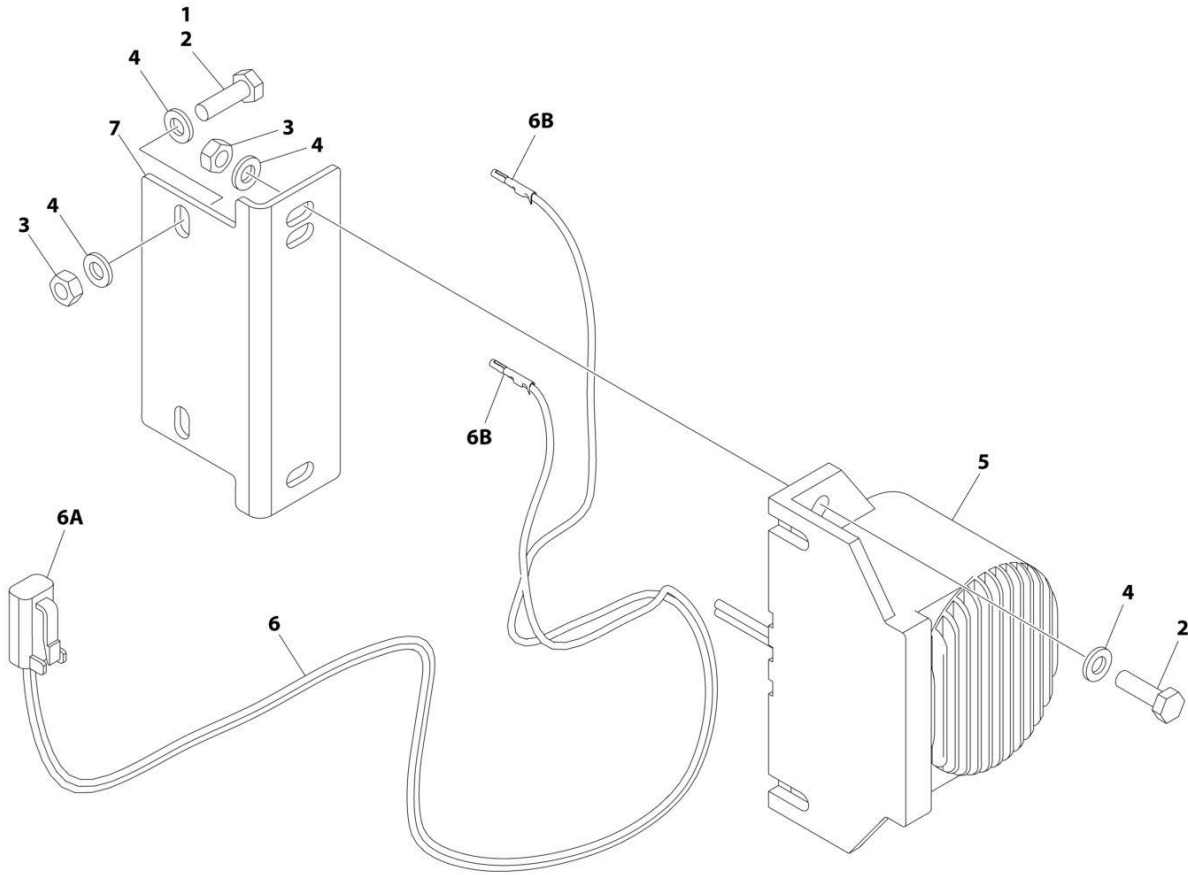
**SECTION 2 - TURNTABLE**

**FIGURE 2-17. BATTERY INSTALLATION**

| <b>ITEM</b> | <b>PART NUMBER</b> | <b>QTY</b> | <b>DESCRIPTION</b>   | <b>REV</b> |
|-------------|--------------------|------------|----------------------|------------|
|             | 1001119277         | Ref        | BATTERY INSTALLATION | D          |
| 1           | 0400075            | 1          | Battery              |            |
| 2           | 0760610            | 2          | Bolt M6 x 20         |            |
| 3           | 3290605            | 2          | Nut M6               |            |
| 4           | 3291005            | 2          | Nut M10              |            |
| 5           | 3820032            | 4          | Rivet                |            |
| 6           | 4811702            | 4          | Washer M6            |            |
| 7           | 4812000            | 2          | Washer M10           |            |
| 8           | 0361810            | 1          | Bar, Hold-down       |            |
| 9           | 1001117240         | 1          | Cover                |            |
| 10          | 1001119278         | 2          | Insulate             |            |
| 11          | 1001119280         | 2          | Bolt M10 x 260       |            |
| 12          | 1320223            | 2          | J-Clip               |            |

# SECTION 2 - TURNTABLE

## FIGURE 2-18. WHITE NOISE ALARM INSTALLATION (AMBIENT)



ART\_1001206737

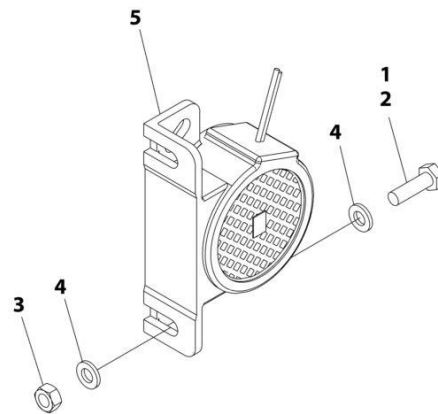
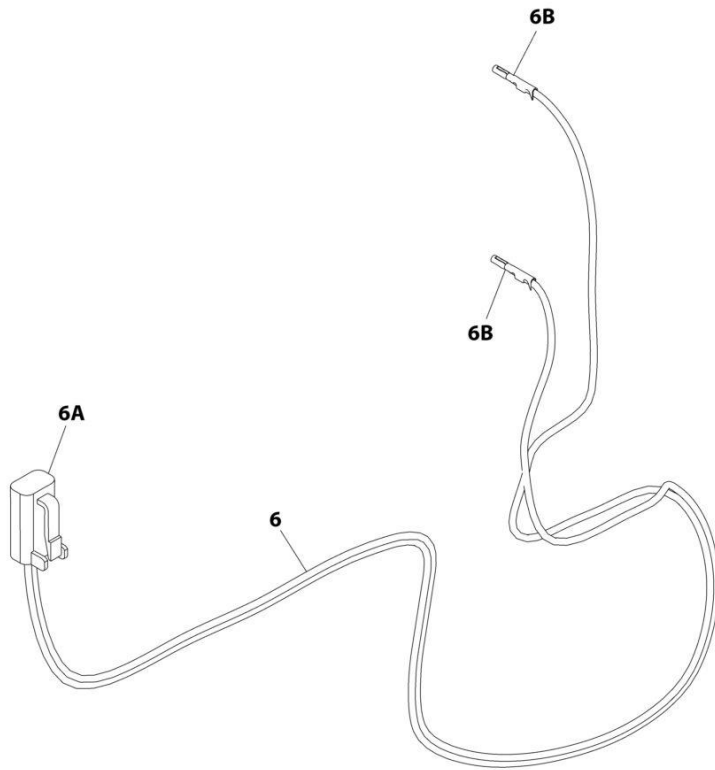
**SECTION 2 - TURNTABLE**

**FIGURE 2-18. WHITE NOISE ALARM INSTALLATION (AMBIENT)**

| <b>ITEM</b> | <b>PART NUMBER</b> | <b>QTY</b> | <b>DESCRIPTION</b>               | <b>REV</b> |
|-------------|--------------------|------------|----------------------------------|------------|
|             | 1001206737         | Ref        | WHITE NOISE ALARM INSTALLATION   | C          |
| 1           | 0100011            | AR         | Compound, Locking                |            |
| 2           | 0760610            | 4          | Bolt M6 x 20                     |            |
| 3           | 3290601            | 4          | Nut M6                           |            |
| 4           | 4811700            | 8          | Washer M6                        |            |
| 5           | 1001182806         | 1          | Alarm                            |            |
| 6           | 1001190663         | 1          | White Noise Motion Alarm Harness |            |
| 6A          | 4460891            | 1          | Plug, Male - 2 Position          |            |
| 6A          | 4460465            | 1          | Socket, Female                   |            |
| 6B          | 4460871            | 2          | Socket, Female                   |            |
| 7           | 1001231886         | 1          | Plate                            |            |

## SECTION 2 - TURNTABLE

FIGURE 2-19. WHITE NOISE ALARM INSTALLATION (CONSTANT)



ART\_1001263178



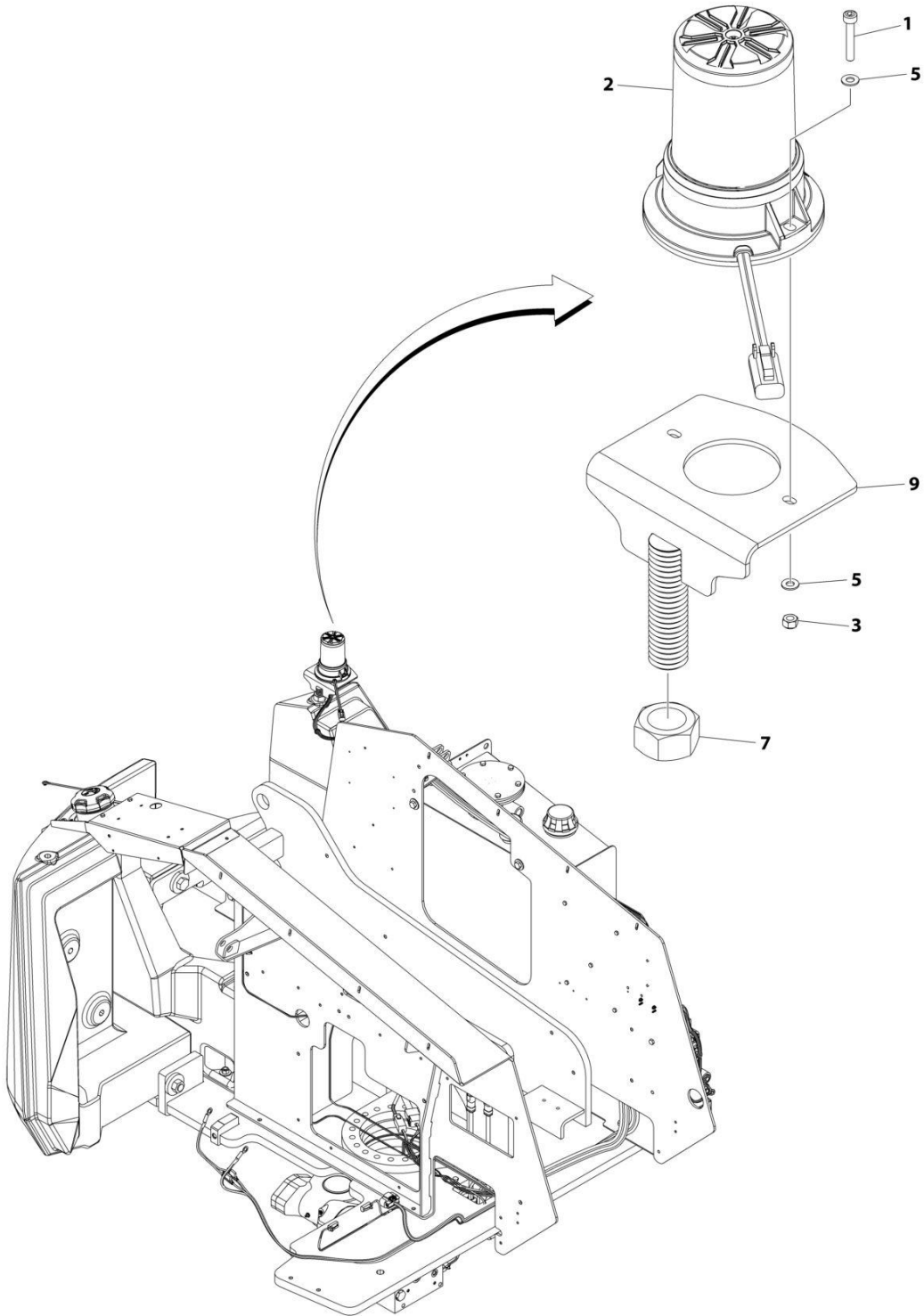
**SECTION 2 - TURNTABLE**

**FIGURE 2-19. WHITE NOISE ALARM INSTALLATION (CONSTANT)**

| <b>ITEM</b> | <b>PART NUMBER</b> | <b>QTY</b> | <b>DESCRIPTION</b>                        | <b>REV</b> |
|-------------|--------------------|------------|---|------------|
|             | 1001263178         | Ref        | WHITE NOISE ALARM INSTALLATION (CONSTANT) | A          |
| 1           | 0100011            | AR         | Compound, Locking                         |            |
| 2           | 0760610            | 2          | Bolt M6 x 20                              |            |
| 3           | 3290601            | 2          | Nut M6                                    |            |
| 4           | 4811700            | 4          | Washer M6                                 |            |
| 5           | 1001184682         | 1          | Alarm                                     |            |
| 6           | 1001190663         | 1          | White Noise Motion Alarm Harness          |            |
| 6A          | 4460891            | 1          | Plug, Male - 2 Position                   |            |
| 6A          | 4460465            | 1          | Socket, Female                            |            |
| 6B          | 4460871            | 2          | Socket, Female                            |            |

# SECTION 2 - TURNTABLE

## FIGURE 2-20. STROBE LIGHT INSTALLATION (AMBER)



ART\_1001119268\_E

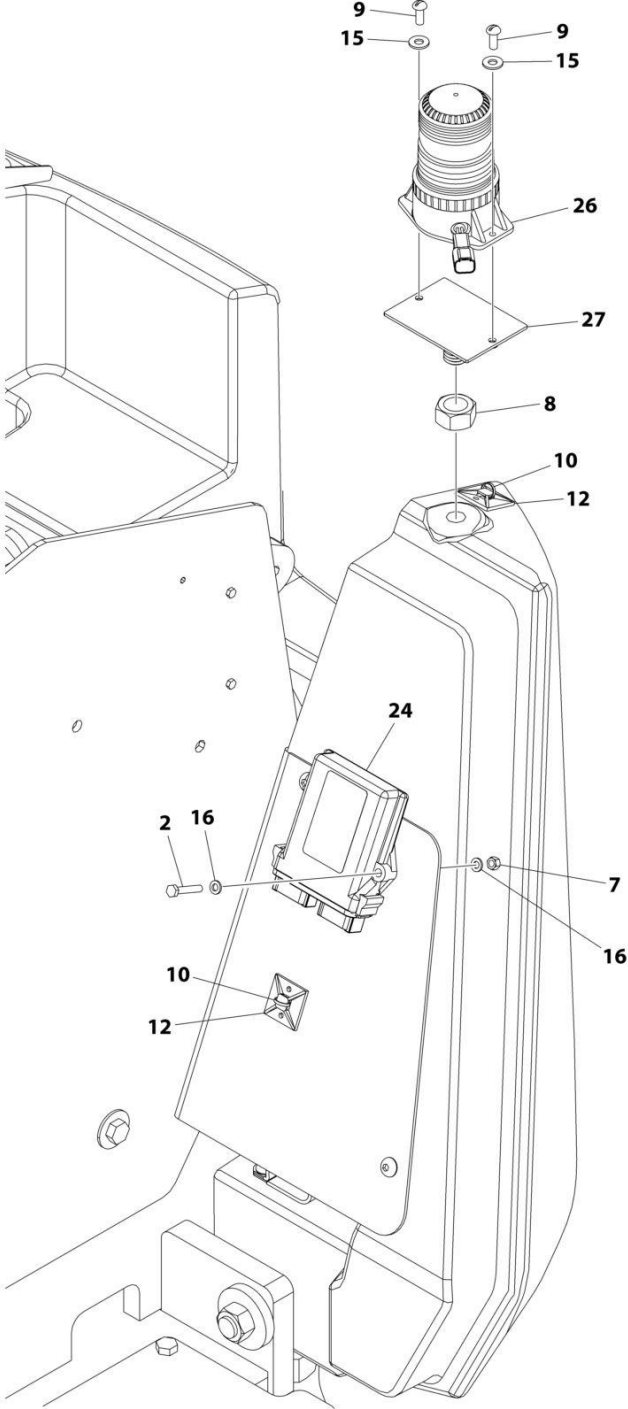
**SECTION 2 - TURNTABLE**

**FIGURE 2-20. STROBE LIGHT INSTALLATION (AMBER)**

| ITEM | PART NUMBER | QTY | DESCRIPTION   | REV |
|------|-------------|-----|---|-----|
|      | 1001119268  | Ref | STROBE LIGHT INSTALLATION (AMBER)   | E   |
| 1    | 4031509     | 2   | Bolt M4 x 25  |     |
| 2    | 1001270594  | 1   | Strobe Light Assembly   |     |
| 2    | 7016319     | 1   | Bulb  |     |
| 2    | 7016372     | 1   | Lens  |     |
| 2    | 4460891     | 1   | Plug, Male - 2 Position   |     |
| 2    | 4460465     | 1   | Socket, Female  |     |
| 3    | 3290405     | 2   | Nut M4  |     |
| 5    | 4811400     | 4   | Washer M4   |     |
| 6    | 4240032     | AR  | Tie-Strap (Not Shown)   |     |
| 7    | 3292001     | 1   | Nut M20   |     |
| 8    | 1001283776  | 1   | Harness, Strobe Light Jumper (Not Shown - See Separate Breakdown in ELECTRICAL Section) |     |
| 9    | 1001286584  | 1   | Mount   |     |

# SECTION 2 - TURNTABLE

## FIGURE 2-21. STROBE LIGHT INSTALLATION (BLUE) (OPTIONAL)



ART\_1001242849

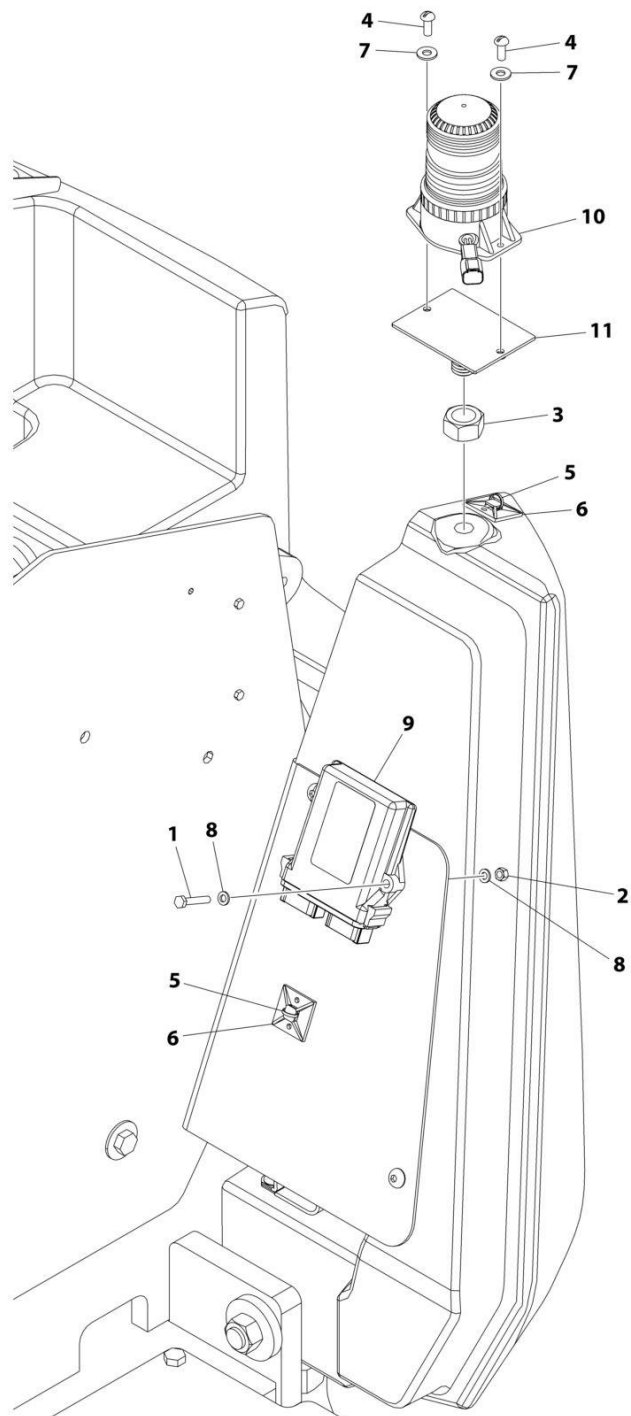
**SECTION 2 - TURNTABLE**

**FIGURE 2-21. STROBE LIGHT INSTALLATION (BLUE) (OPTIONAL)**

| ITEM | PART NUMBER | QTY | DESCRIPTION   | REV |
|------|-------------|-----|---|-----|
|      | 1001242849  | Ref | BEACON LIGHT INSTALLATION - BLUE  | D   |
| 2    | 0700615     | 2   | Bolt M6 x 35  |     |
| 7    | 3290607     | 2   | Nut M6  |     |
| 9    | 4031509     | 2   | Bolt M4 x 25  |     |
| 10   | 4240032     | 2   | Tie-Strap   |     |
| 12   | 4460488     | 2   | Base, Mounting  |     |
| 15   | 4811400     | 4   | Washer M4   |     |
| 16   | 4811700     | 4   | Washer M6   |     |
| 24   | 1001142683  | 1   | Module, Beacon Control  |     |
| 26   | 1001272681  | 1   | Light, Strobe   |     |
| 26   | 7028909     | 1   | Connector - 2 Position  |     |
| 26   | 4460943     | 2   | Pin, Male   |     |
| 28   | 1001142736  | 1   | Strobe Light Control Harness (Not Shown - See Separate Breakdown in ELECTRICAL Section) |     |
| 29   | 3290405     | 1   | Nut M4  |     |
| 30   | 1001285733  | 1   | Alert Beacon Jumper Harness   |     |
| 31   | 2540020     | 1   | Grommet   |     |

## SECTION 2 - TURNTABLE

FIGURE 2-22. STROBE LIGHT INSTALLATION (RED) (OPTIONAL)



ART\_1001242850

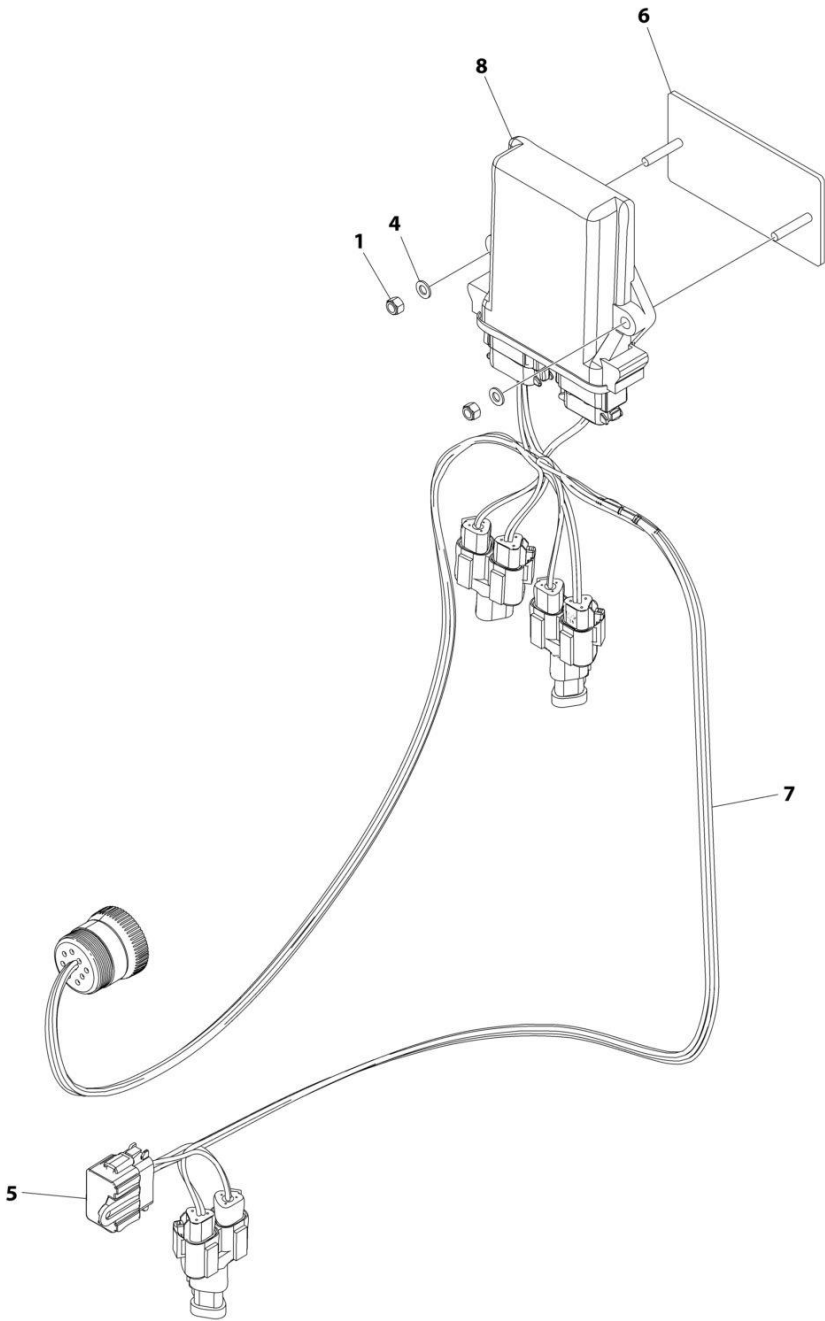
**SECTION 2 - TURNTABLE**

**FIGURE 2-22. STROBE LIGHT INSTALLATION (RED) (OPTIONAL)**

| ITEM | PART NUMBER | QTY | DESCRIPTION   | REV |
|------|-------------|-----|---|-----|
|      | 1001242850  | Ref | BEACON LIGHT INSTALLATION - RED   | B   |
| 1    | 0700615     | 2   | Bolt M6 x 35  |     |
| 2    | 3290607     | 2   | Nut M6  |     |
| 13   | 3290405     | 2   | Nut M4  |     |
| 4    | 4031509     | 1   | Screw #10 x 1/2   |     |
| 5    | 4240032     | 2   | Tie-Strap   |     |
| 6    | 4460488     | 2   | Base, Mounting  |     |
| 7    | 4811400     | 2   | Washer #10  |     |
| 8    | 4811700     | 4   | Washer M6   |     |
| 9    | 1001142683  | 1   | Module, Beacon Control  |     |
| 10   | 1001272682  | 1   | Light, Strobe   |     |
| 10   | 7028909     | 1   | Connector - 2 Position  |     |
| 10   | 4460943     | 2   | Pin, Male   |     |
| 12   | 1001142736  | 1   | Strobe Light Control Harness (Not Shown - See Separate Breakdown in ELECTRICAL Section) |     |
| 14   | 1001285733  | 1   | Beacon Jumper Harness   |     |
| 15   | 2540020     | 1   | Grommet   |     |

**SECTION 2 - TURNTABLE**

**FIGURE 2-23. GATEWAY INSTALLATION**



ART\_1001284514



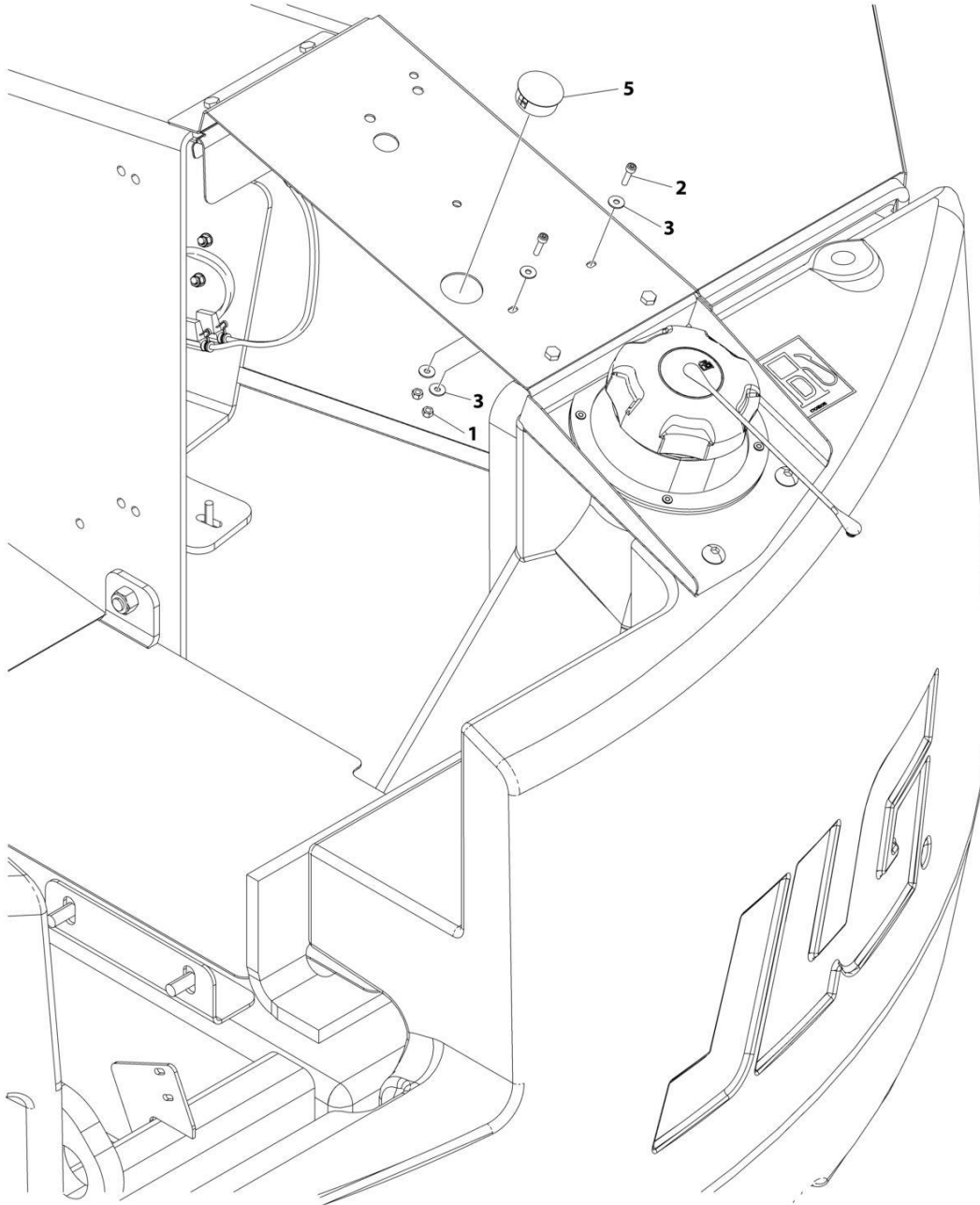
**SECTION 2 - TURNTABLE**

**FIGURE 2-23. GATEWAY INSTALLATION**

| <b>ITEM</b> | <b>PART NUMBER</b> | <b>QTY</b> | <b>DESCRIPTION</b>  | <b>REV</b> |
|-------------|--------------------|------------|---|------------|
|             | 1001284514         | Ref        | GATEWAY PLUS INSTALLATION   | A          |
| 1           | 3290505            | 2          | Nut M5  |            |
| 2           | 4240032            | AR         | Tie-Strap   |            |
| 3           | 4460234            | AR         | Mount, Tie-Strap  |            |
| 4           | 4811600            | 2          | Washer M5   |            |
| 5           | 1001215898         | 1          | Connector, Dust Cap   |            |
| 6           | 1001219082         | 1          | Bracket   |            |
| 7           | 1001226831         | 1          | Telematics Gateway Harness (See Separate Breakdown in this Section) |            |
| 8           | 1001282260         | 1          | Gateway Controller  |            |

## SECTION 2 - TURNTABLE

FIGURE 2-24. NO BEACON INSTALLATION



ART\_1001287192

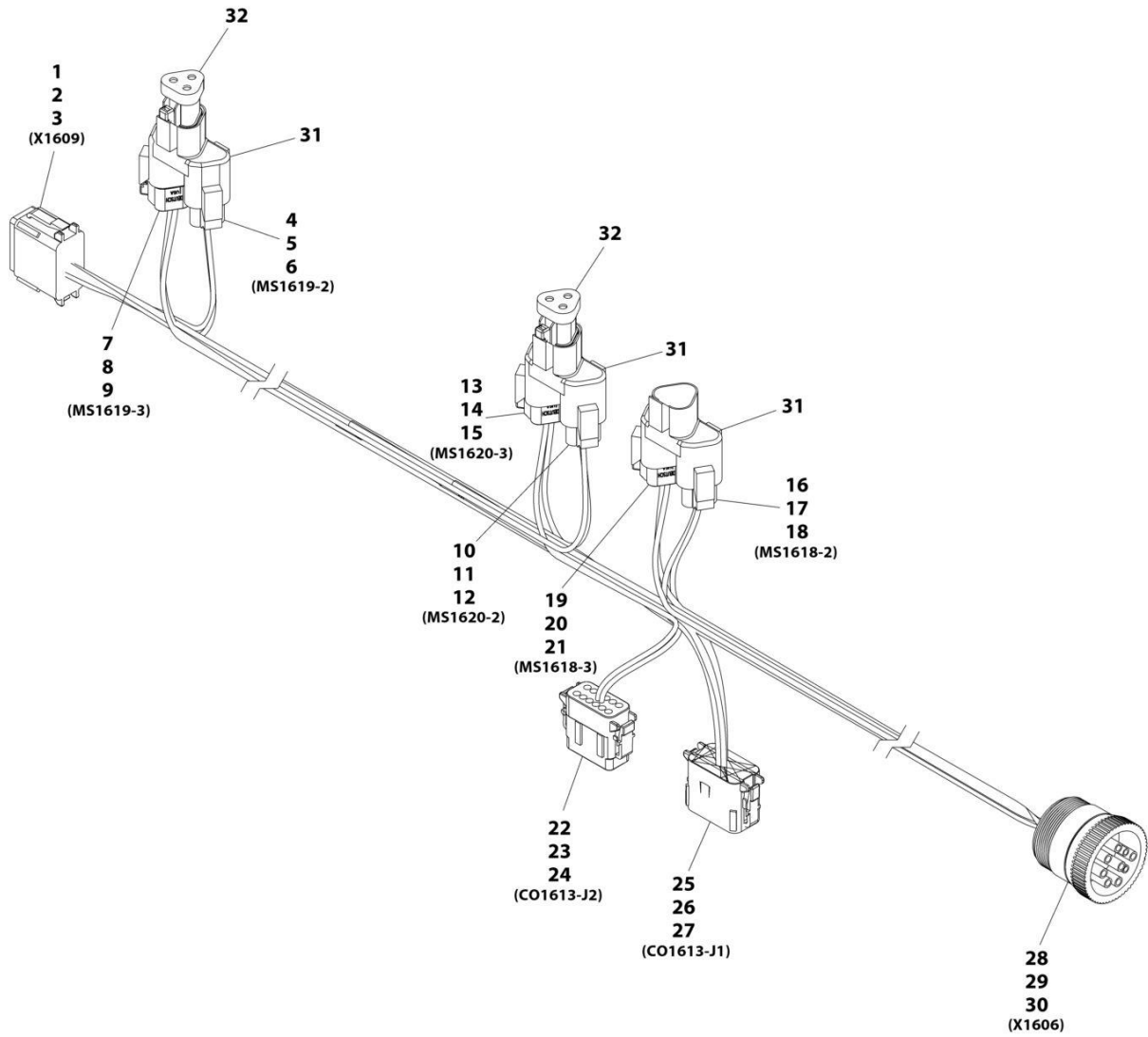
**SECTION 2 - TURNTABLE**

**FIGURE 2-24. NO BEACON INSTALLATION**

| <b>ITEM</b> | <b>PART NUMBER</b> | <b>QTY</b> | <b>DESCRIPTION</b>   | <b>REV</b> |
|-------------|--------------------|------------|--|------------|
|             | 1001287192         | Ref        | NO BECON INSTALLATION  | A          |
| 1           | 3290405            | 2          | Nut M4   |            |
| 2           | 4031507            | 2          | Bolt M4 x 16   |            |
| 3           | 1001091102         | 4          | Washer M4  |            |
| 4           | 1001244462         | 1          | Connector, Dust Cap (Not Shown) (Note: Use for Beacon Harness Connector) |            |
| 5           | 1001285892         | 1          | Plug   |            |

# SECTION 2 - TURNTABLE

## FIGURE 2-25. TELEMATICS GATEWAY HARNESS



ART\_1001226831-A

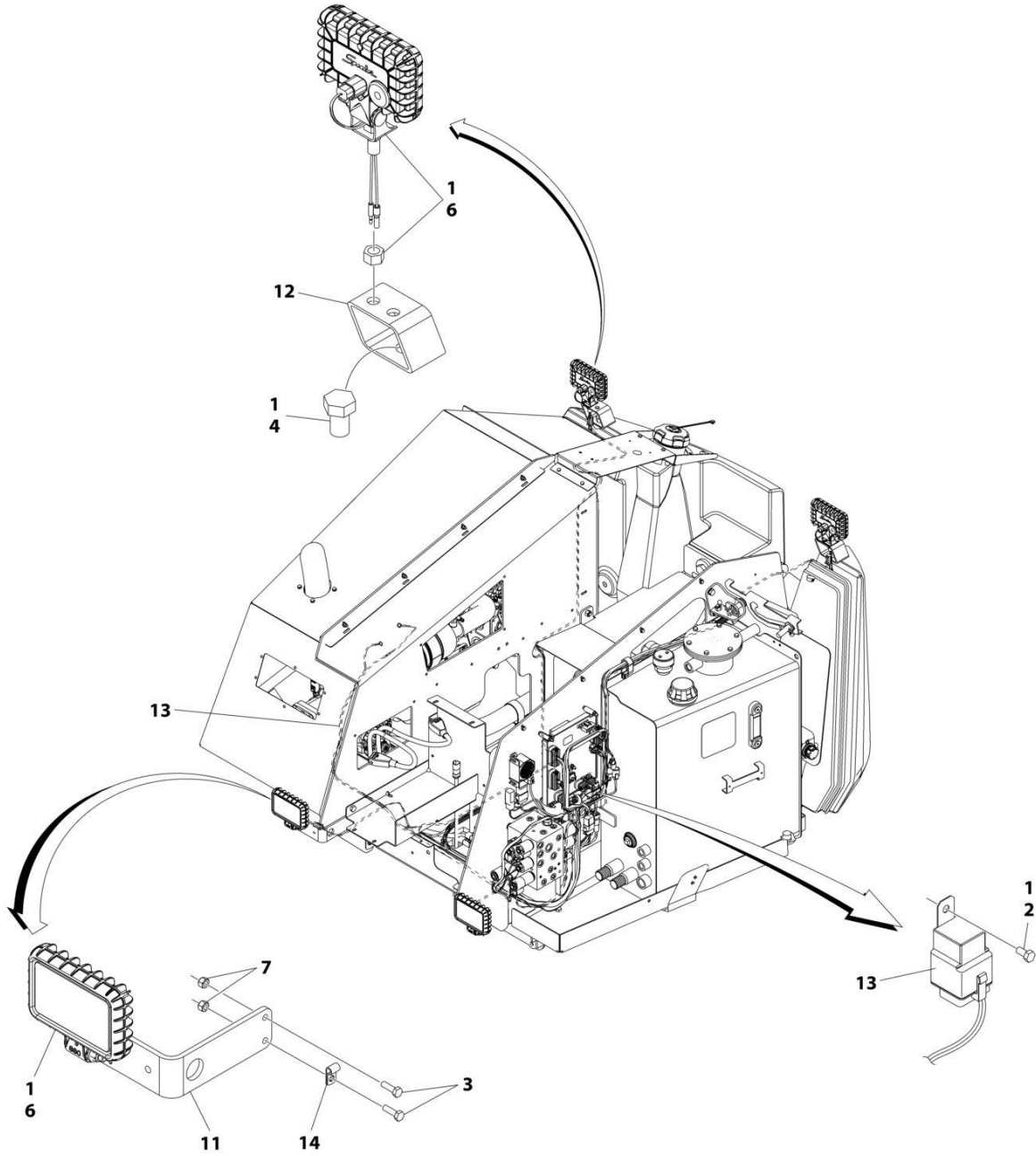
**SECTION 2 - TURNTABLE**

**FIGURE 2-25. TELEMATICS GATEWAY HARNESS**

| ITEM | PART NUMBER | QTY | DESCRIPTION                    | REV |
|------|-------------|-----|--------------------------------|-----|
|      | 1001226831  | Ref | Telematics Gateway Harness     | A   |
| 1    | 4460933     | 1   | Connector                      |     |
| 2    | 1001116692  | 5   | Terminal                       |     |
| 3    | 4460466     | 7   | Plug                           |     |
| 4    | 4460539     | 1   | Connector                      |     |
| 5    | 4460465     | 2   | Terminal                       |     |
| 6    | 4460466     | 1   | Plug                           |     |
| 7    | 1001116812  | 1   | Connector                      |     |
| 8    | 4460465     | 2   | Terminal                       |     |
| 9    | 4460466     | 1   | Plug                           |     |
| 10   | 4460539     | 1   | Connector                      |     |
| 11   | 4460465     | 2   | Terminal                       |     |
| 12   | 4460466     | 1   | Plug                           |     |
| 13   | 1001116812  | 1   | Connector                      |     |
| 14   | 4460465     | 2   | Terminal                       |     |
| 15   | 4460466     | 1   | Plug                           |     |
| 16   | 4460539     | 1   | Connector                      |     |
| 17   | 4460465     | 2   | Terminal                       |     |
| 18   | 4460466     | 1   | Plug                           |     |
| 19   | 1001116812  | 1   | Connector                      |     |
| 20   | 4460465     | 2   | Terminal                       |     |
| 21   | 4460466     | 1   | Plug                           |     |
| 22   | 1001116808  | 1   | Connector                      |     |
| 23   | 1001116694  | 2   | Terminal                       |     |
| 24   | 4460518     | 10  | Plug                           |     |
| 25   | 1001116774  | 1   | Connector                      |     |
| 26   | 1001116694  | 4   | Terminal                       |     |
| 27   | 4460518     | 8   | Plug                           |     |
| 28   | 1001112796  | 1   | Connector                      |     |
| 29   | 1001116692  | 5   | Terminal                       |     |
| 30   | 4460466     | 3   | Plug                           |     |
| 31   | 4460945     | 3   | Terminal, 3 Way "T" Receptacle |     |
| 32   | 1001116815  | 2   | Connector, Plug 3-Pin          |     |

# SECTION 2 - TURNTABLE

## FIGURE 2-26. TURNTABLE FLOODLIGHT INSTALLATION (OPTIONAL)



ART\_1001120232\_C

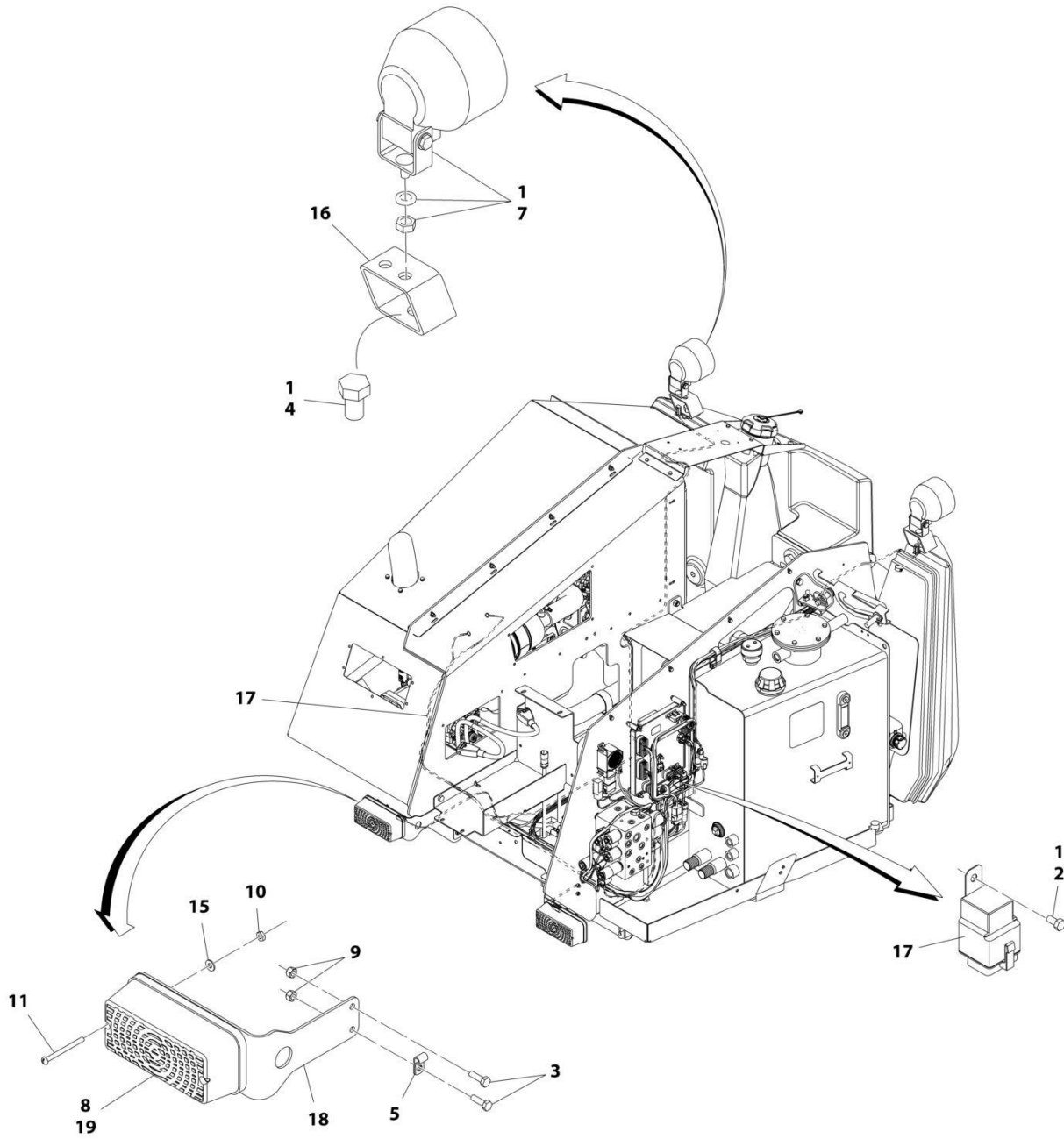
# SECTION 2 - TURNTABLE

**FIGURE 2-26. TURNTABLE FLOODLIGHT INSTALLATION (OPTIONAL)**

| ITEM | PART NUMBER | QTY | DESCRIPTION  | REV |
|------|-------------|-----|--|-----|
|      | 1001120232  | Ref | TURNTABLE FLOODLIGHT INSTALLATION (OPTIONAL)                         | C   |
| 1    | 0100011     | AR  | Compound, Locking  |     |
| 2    | 0760505     | 1   | Bolt M5 x 10   |     |
| 3    | 0760610     | 4   | Bolt M6 x 20   |     |
| 4    | 0762014     | 2   | Bolt M20 x 30  |     |
| 5    | 1705170     | 1   | Decal - Light (Not Shown - Located on Platform Console Box)          |     |
| 6    | 1001236816  | 4   | Floodlight   |     |
| 7    | 3290605     | 4   | Nut M6   |     |
| 8    | 4240032     | 2   | Tie-Strap (Not Shown)  |     |
| 9    | 4240033     | 4   | Tie-Strap (Not Shown)  |     |
| 10   | 4360522     | 1   | Switch, Push Button (Not Shown - Located on Platform Console Box)    |     |
| 11   | 1001120287  | 2   | Mount, Light   |     |
| 12   | 1001120288  | 2   | Mount, Light   |     |
| 13   | 1001120299  | 1   | Chassis Light Harness (See Separate Breakdown in ELECTRICAL Section) |     |
| 13   | 3740080     | 1   | Relay  |     |
| 14   | 1320136     | 2   | Clamp, Cable   |     |

# SECTION 2 - TURNTABLE

## FIGURE 2-27. HEAD AND TAIL LIGHT INSTALLATION (OPTIONAL)



ART\_1001149144



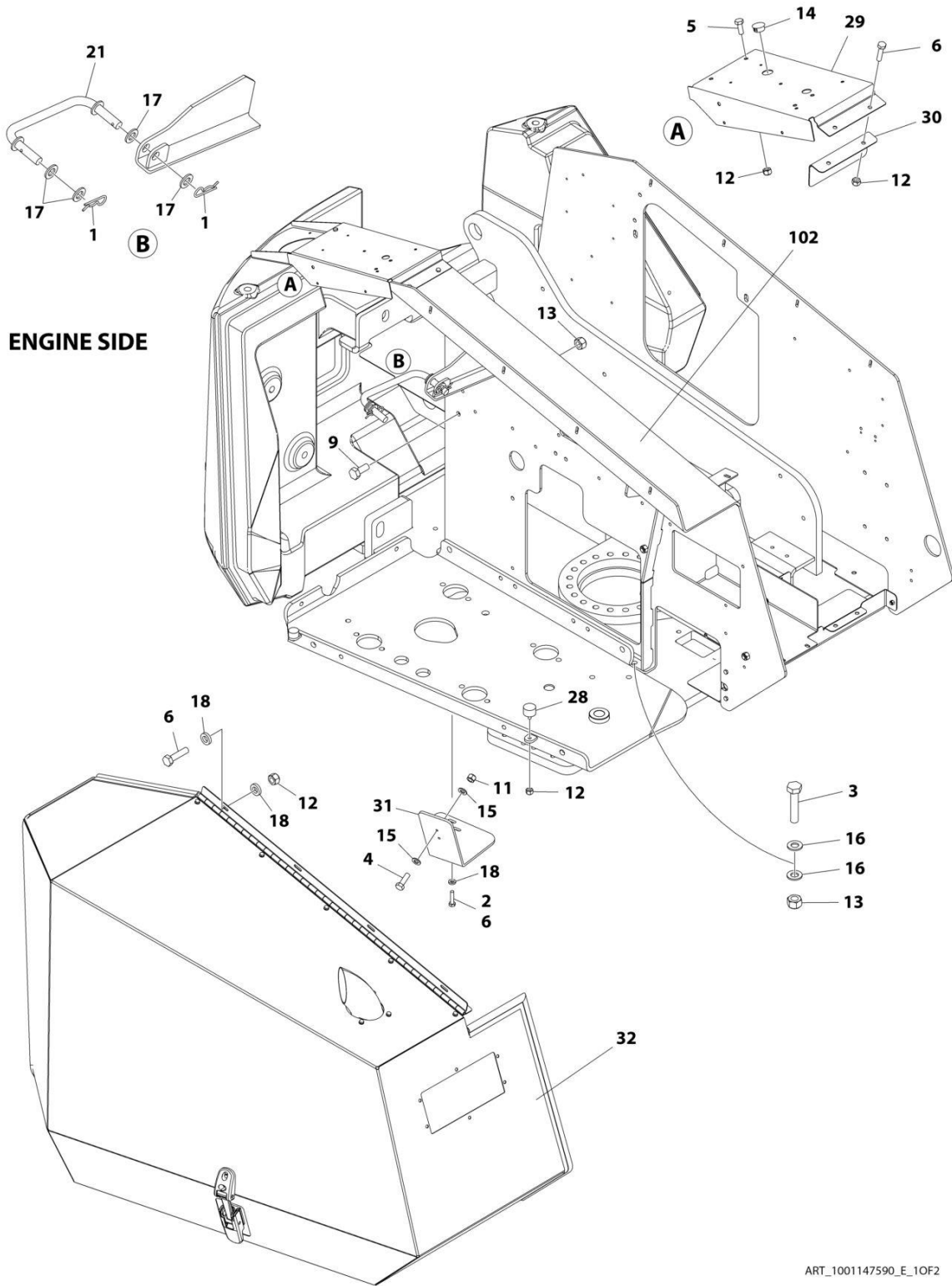
# SECTION 2 - TURNTABLE

**FIGURE 2-27. HEAD AND TAIL LIGHT INSTALLATION (OPTIONAL)**

| ITEM | PART NUMBER | QTY | DESCRIPTION  | REV |
|------|-------------|-----|--|-----|
|      | 1001149144  | Ref | HEAD AND TAIL LIGHT INSTALLATION (OPTIONAL)                          | A   |
| 1    | 0100011     | AR  | Compound, Locking  |     |
| 2    | 0760505     | 1   | Bolt M5 x 10   |     |
| 3    | 0760610     | 4   | Bolt M6 x 20   |     |
| 4    | 0762014     | 2   | Bolt M20 x 30  |     |
| 5    | 1320136     | 2   | Clamp, Cable   |     |
| 6    | 1705170     | 1   | Decal - Light (Not Shown - Located on Platform Console Box)          |     |
| 7    | 2920110     | 2   | Light, Head  |     |
| 7    | 7016628     | 2   | Bulb, Replacement (1 Per Assembly)                                   |     |
| 8    | 2920113     | 2   | Light, Tail  |     |
| 9    | 3290605     | 4   | Nut M6   |     |
| 10   | 3311005     | 4   | Nut M10  |     |
| 11   | 3911036     | 4   | Bolt M10 x 2-1/4   |     |
| 12   | 4240032     | 2   | Tie-Strap (Not Shown)  |     |
| 13   | 4240033     | 4   | Tie-Strap (Not Shown)  |     |
| 14   | 4360522     | 1   | Switch, Push Button (Not Shown - Located on Platform Console Box)    |     |
| 15   | 4751000     | 4   | Washer M10   |     |
| 16   | 1001120288  | 2   | Mount, Light   |     |
| 17   | 1001120299  | 1   | Chassis Light Harness (See Separate Breakdown in ELECTRICAL Section) |     |
| 17   | 3740080     | 1   | Relay  |     |
| 18   | 1001149147  | 2   | Mount, Light   |     |
| 19   | 4460121     | 2   | Cap, Wire  |     |

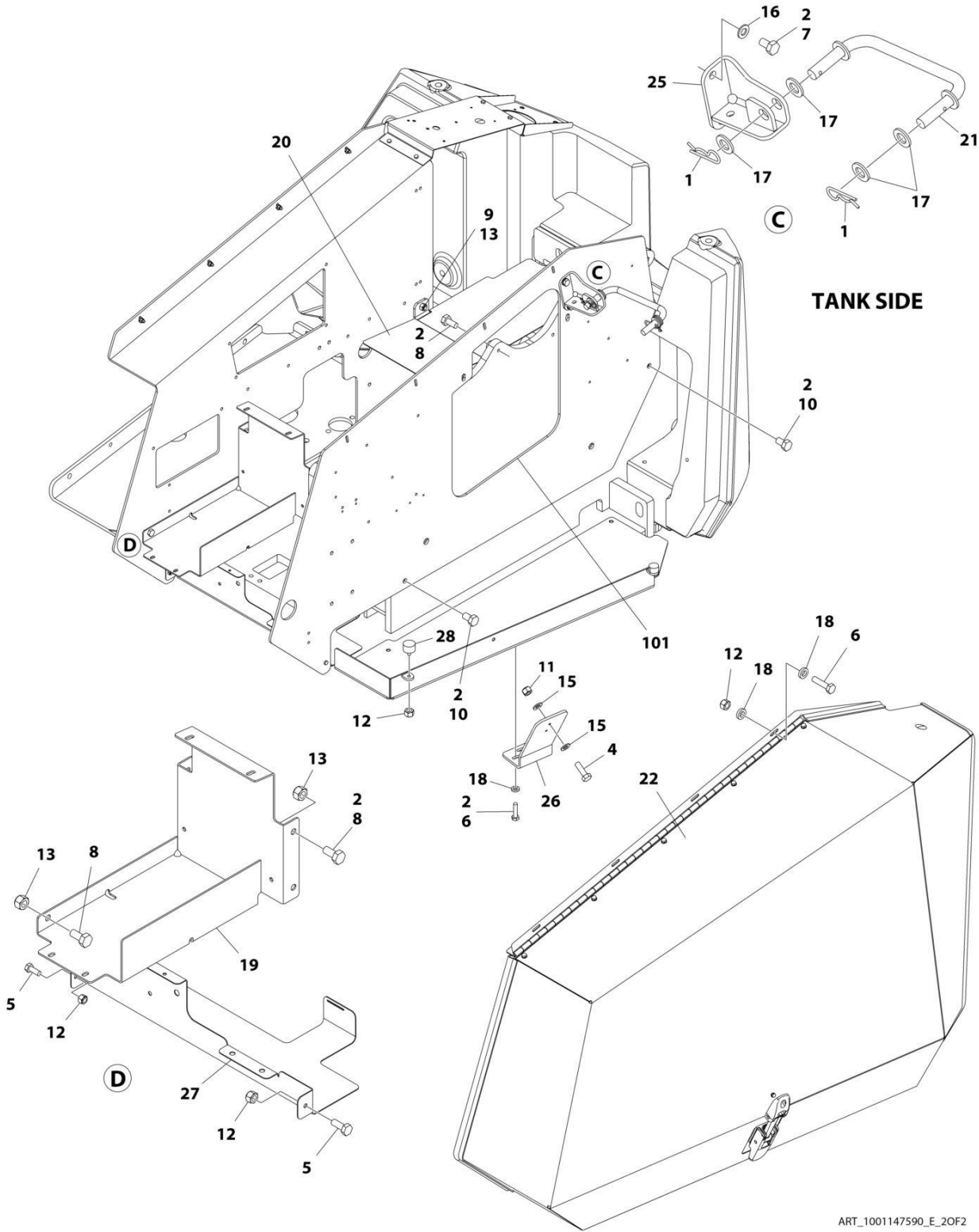
# SECTION 2 - TURNTABLE

## FIGURE 2-28. HOODS INSTALLATION



ART\_1001147590\_E\_10F2

SECTION 2 - TURNTABLE



ART\_1001147590\_E\_20F2

## SECTION 2 - TURNTABLE

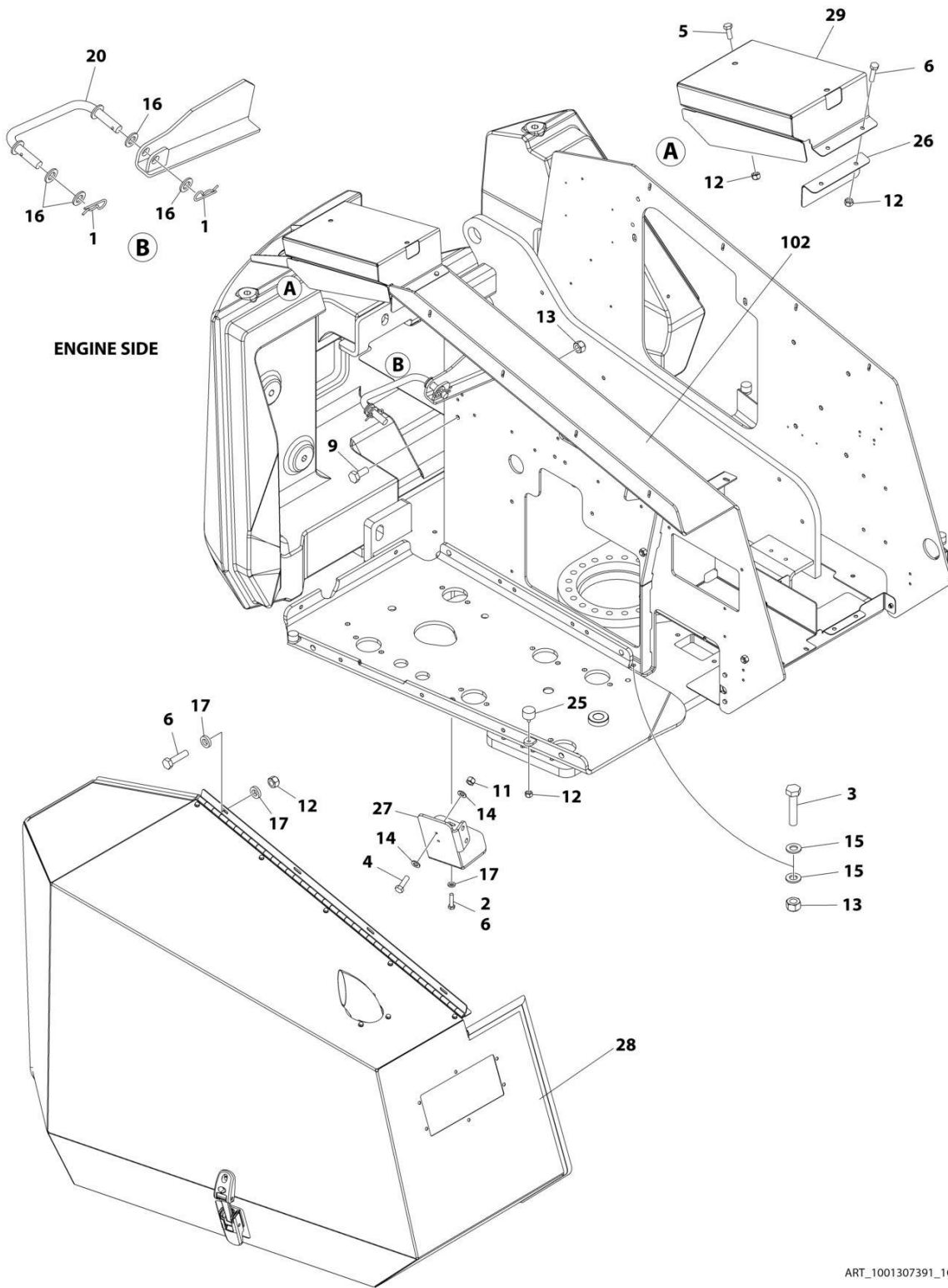
**FIGURE 2-28. HOODS INSTALLATION**

| ITEM | PART NUMBER | QTY | DESCRIPTION  | REV |
|------|-------------|-----|--|-----|
|      | 1001147590  | Ref | HOODS INSTALLATION   | E   |
| 1    | 80325       | 4   | Hairpin, Cotter  |     |
| 2    | 0100011     | AR  | Compound, Locking  |     |
| 3    | 0701018     | 2   | Bolt M10 x 50  |     |
| 4    | 0760508     | 4   | Bolt M5 x 16   |     |
| 5    | 0760608     | 5   | Bolt M6 x 16   |     |
| 6    | 0760612     | 16  | Bolt M6 x 25   |     |
| 7    | 0761009     | 2   | Bolt M10 x 18  |     |
| 8    | 0761011     | 6   | Bolt M10 x 22  |     |
| 9    | 0761012     | 1   | Bolt M10 x 25  |     |
| 10   | 0761210     | 2   | Bolt M12 x 20  |     |
| 11   | 3290505     | 4   | Nut M5   |     |
| 12   | 3290605     | 19  | Nut M6   |     |
| 13   | 3291005     | 6   | Nut M10  |     |
| 15   | 4811600     | 8   | Washer M5  |     |
| 16   | 4812000     | 6   | Washer M10   |     |
| 17   | 4812300     | 8   | Washer M16   |     |
| 18   | 5240600     | 22  | Washer M6  |     |
| 19   | 1001117239  | 1   | Box, Battery   |     |
| 20   | 1001117243  | 1   | Cover, Turntable Center  |     |
| 21   | 1001117282  | 2   | Rod, Prop  |     |
| 22   | 1001118361  | 1   | Tank Side Hood Assembly (See Separate Breakdown in this Section)   |     |
| 25   | 1001119080  | 1   | Bracket  |     |
| 26   | 1001119083  | 1   | Mount, Latch   |     |
| 27   | 1001119085  | 1   | Tray   |     |
| 28   | 1001119092  | 4   | Bumper   |     |
| 29   | 1001286749  | 1   | Panel, Filler  |     |
| 30   | 1001119104  | 1   | Panel, Filler  |     |
| 31   | 1001146824  | 1   | Mount, Latch   |     |
| 32   | 1001147441  | 1   | Engine Side Hood Assembly (See Separate Breakdown in this Section) |     |
| 100  | 1001220187  | 1   | Side Sheet Support Kit (Not Shown)                                 |     |
| 101  | 1001118459  | 1   | Plate, Hood Mount  |     |
| 102  | 1001119072  | 1   | Plate, Engine Side   |     |



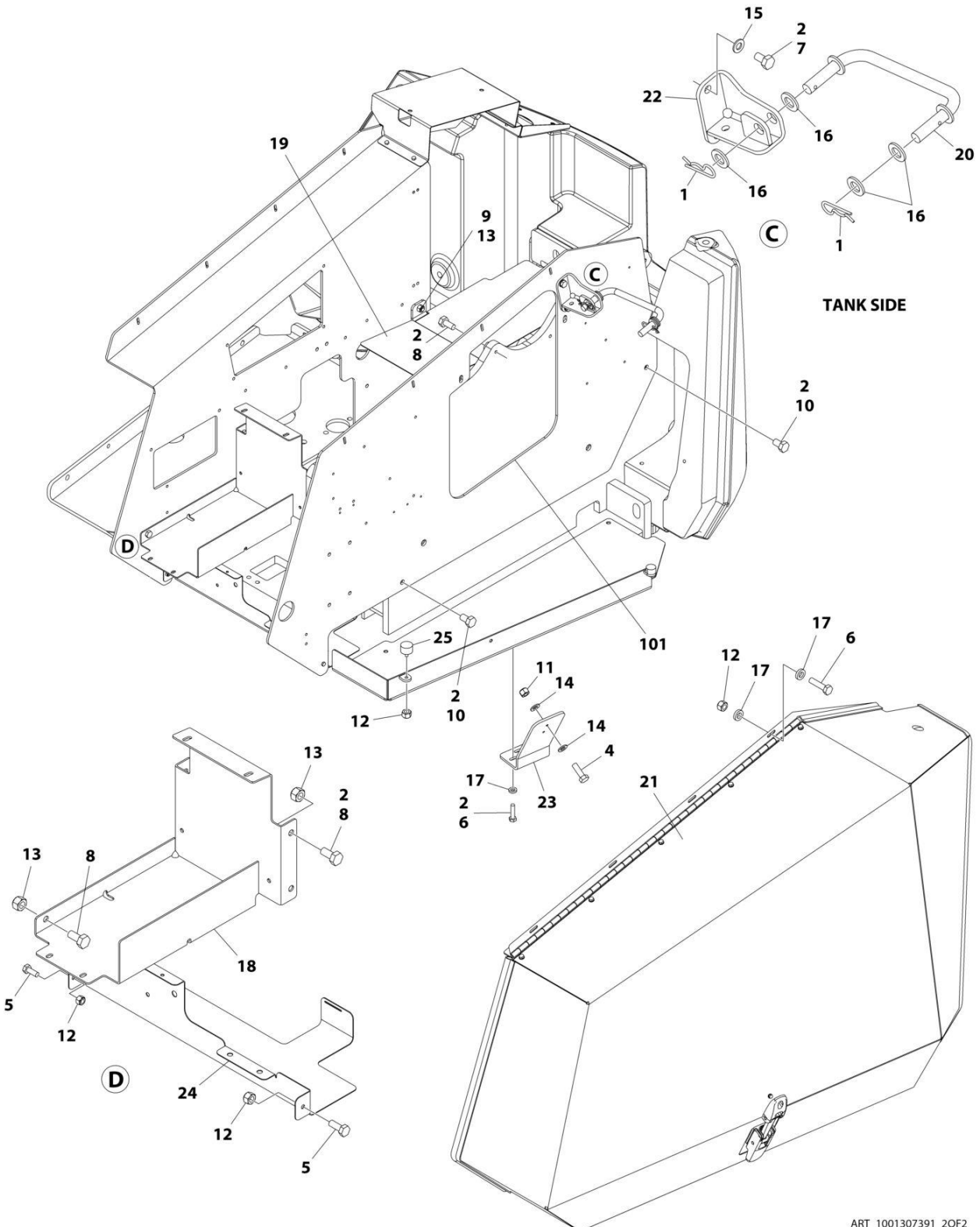
# SECTION 2 - TURNTABLE

## FIGURE 2-29. HOOD INSTALLATION (GAS ENGINE)



ART\_1001307391\_10F2

# SECTION 2 - TURNTABLE



ART\_1001307391\_2OF2

## SECTION 2 - TURNTABLE

**FIGURE 2-29. HOOD INSTALLATION (GAS ENGINE)**

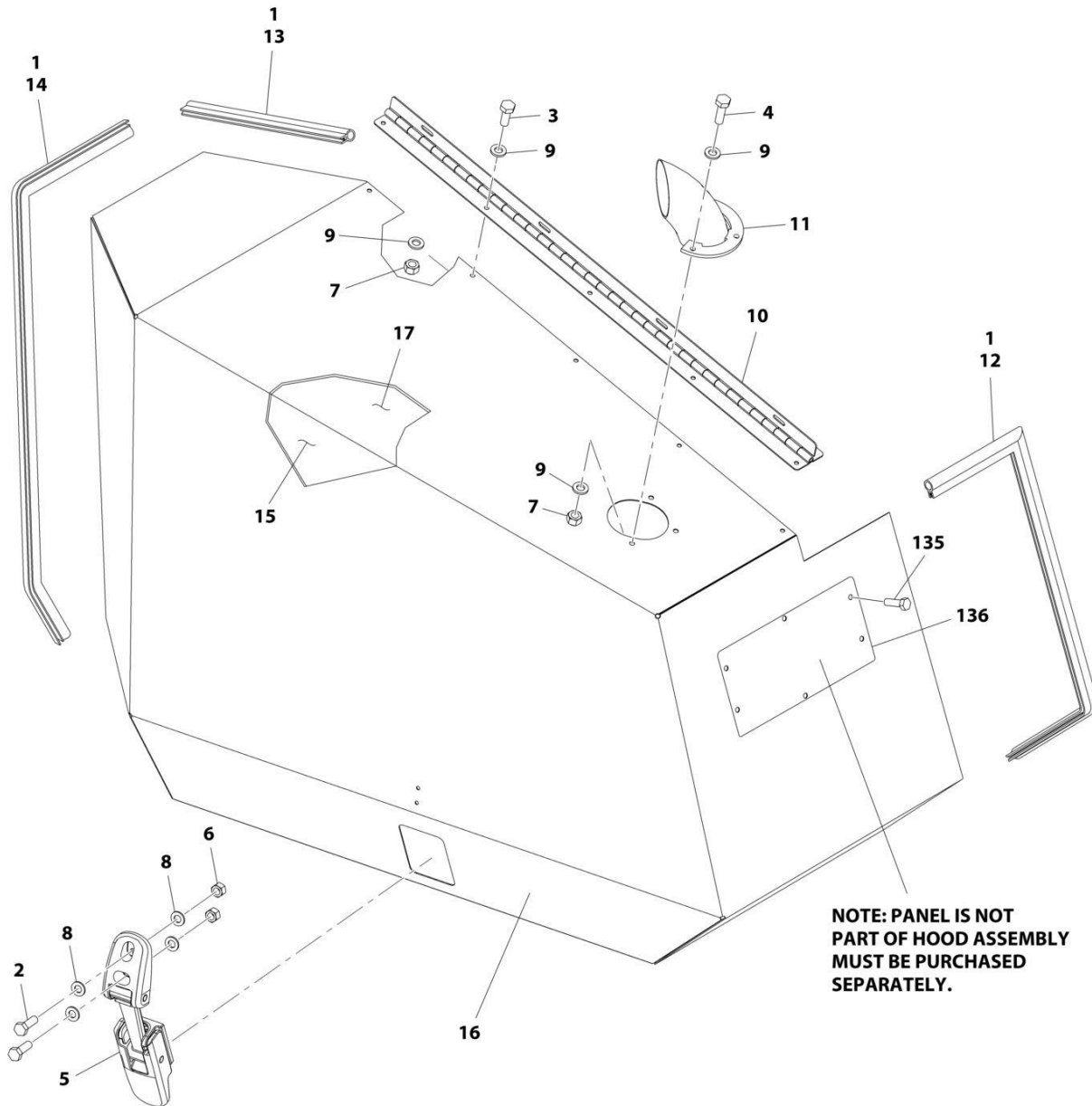
| ITEM | PART NUMBER | QTY | DESCRIPTION  | REV |
|------|-------------|-----|--|-----|
|      | 1001307391  | Ref | HOOD INSTALLATION (GAS ENGINE)                                     | A   |
| 1    | 80325       | 4   | Hairpin, Cotter  |     |
| 2    | 0100011     | AR  | Compound, Locking  |     |
| 3    | 0701018     | 2   | Bolt M10 x 50  |     |
| 4    | 0760508     | 4   | Bolt M5 x 16   |     |
| 5    | 0760608     | 5   | Bolt M6 x 16   |     |
| 6    | 0760612     | 16  | Bolt M6 x 25   |     |
| 7    | 0761009     | 2   | Bolt M10 x 18  |     |
| 8    | 0761011     | 6   | Bolt M10 x 22  |     |
| 9    | 0761012     | 1   | Bolt M10 x 25  |     |
| 10   | 0761210     | 2   | Bolt M12 x 20  |     |
| 11   | 3290505     | 4   | Nut M5   |     |
| 12   | 3290605     | 19  | Nut M6   |     |
| 13   | 3291005     | 6   | Nut M10  |     |
| 14   | 4811600     | 8   | Washer M5  |     |
| 15   | 4812000     | 6   | Washer M10   |     |
| 16   | 4812300     | 8   | Washer M16   |     |
| 17   | 5240600     | 22  | Washer M6  |     |
| 18   | 1001117239  | 1   | Box, Battery   |     |
| 19   | 1001117243  | 1   | Cover, Turntable Center  |     |
| 20   | 1001117282  | 2   | Rod, Prop  |     |
| 21   | 1001118361  | 1   | Tank Side Hood Assembly (See Separate Breakdown in this Section)   |     |
| 22   | 1001119080  | 1   | Bracket  |     |
| 23   | 1001119083  | 1   | Mount, Latch   |     |
| 24   | 1001119085  | 1   | Tray   |     |
| 25   | 1001119092  | 4   | Bumper   |     |
| 26   | 1001119104  | 1   | Panel, Filler  |     |
| 27   | 1001146824  | 1   | Mount, Latch   |     |
| 28   | 1001147441  | 1   | Engine Side Hood Assembly (See Separate Breakdown in this Section) |     |
| 29   | 1001306128  | 1   | Bracket  |     |
| 100  | 1001220187  | 1   | Side Sheet Support Kit (Not Shown)                                 |     |
| 101  | 1001118459  | 1   | Plate, Hood Mount  |     |
| 102  | 1001119072  | 1   | Plate, Engine Side   |     |





# SECTION 2 - TURNTABLE

## FIGURE 2-30. ENGINE SIDE HOOD ASSEMBLY



**NOTE: REPLACEMENT DECALS MUST BE ORDERED SEPERATELY - SEE DECALS SECTION FOR BREAKDOWN**

ART\_1001147441

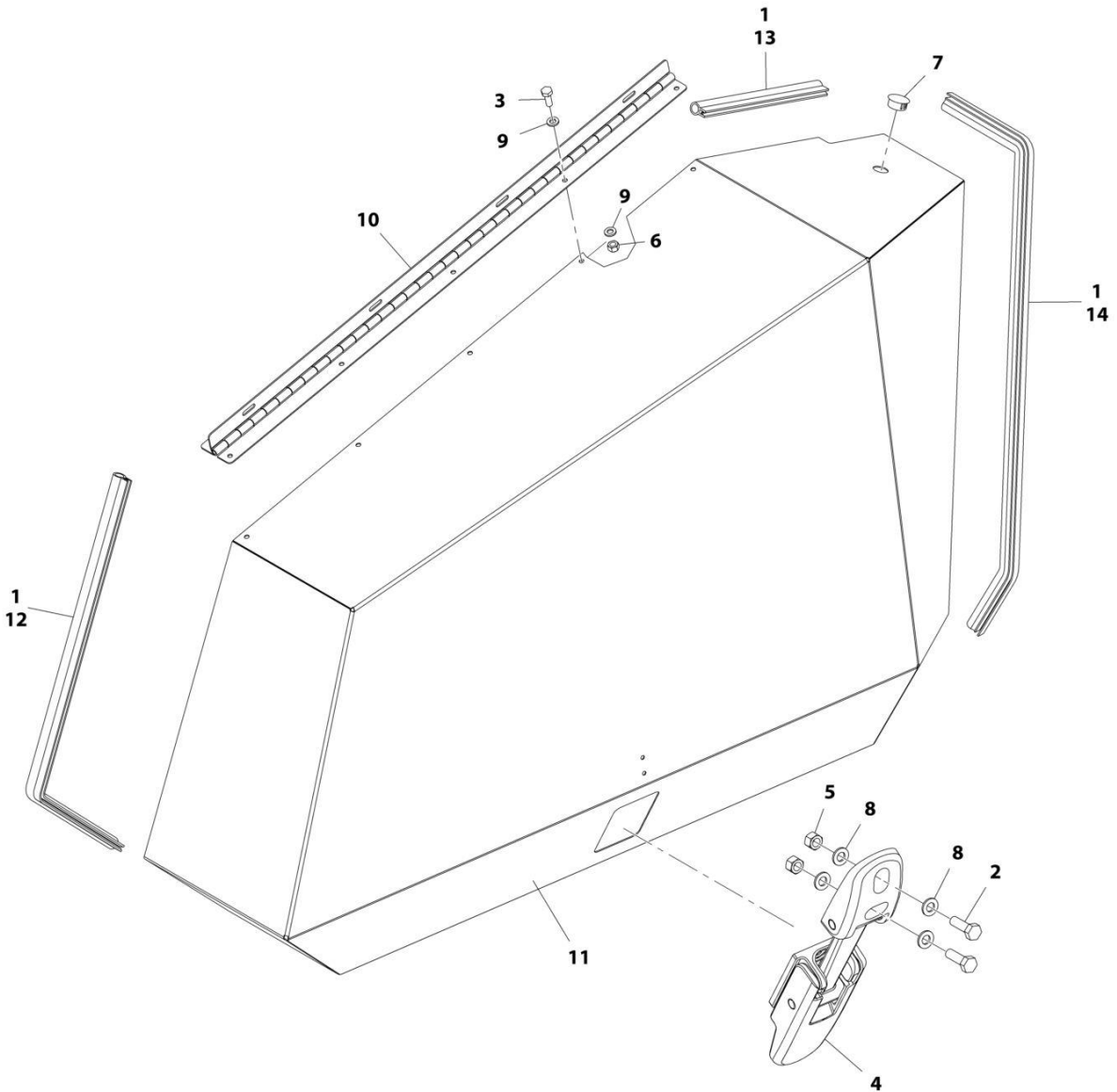
**SECTION 2 - TURNTABLE**

**FIGURE 2-30. ENGINE SIDE HOOD ASSEMBLY**

| ITEM | PART NUMBER | QTY | DESCRIPTION   | REV |
|------|-------------|-----|---|-----|
|      | 1001147441  | Ref | HOOD ASSEMBLY - ENGINE SIDE   | A   |
| 1    | 0100081     | AR  | Adhesive  |     |
| 2    | 0760508     | 2   | Bolt M5 x 16  |     |
| 3    | 0760608     | 5   | Bolt M6 x 16  |     |
| 4    | 0760610     | 3   | Bolt M6 x 20  |     |
| 5    | 2940109     | 1   | Latch   |     |
| 6    | 3290505     | 2   | Nut M5  |     |
| 7    | 3290605     | 8   | Nut M6  |     |
| 8    | 4811600     | 4   | Washer M5   |     |
| 9    | 4811700     | 16  | Washer M6   |     |
| 10   | 1001117281  | 1   | Hinge   |     |
| 11   | 1001119077  | 1   | Pipe, Exhaust   |     |
| 12   | 1001119086  | 1   | Seal  |     |
| 13   | 1001119087  | 1   | Seal  |     |
| 14   | 1001119088  | 1   | Seal  |     |
| 15   | 1001120749  | 1   | Insulate, Heat Shield   |     |
| 16   | See Note    | 1   | Hood, Replacement (Note: Use p/n 1001147441)                          |     |
| 17   | 1001147440  | 1   | Insulate, Heat Shield   |     |
| 135  | 2080040     | 10  | Fastener, Huck  |     |
| 136  | 1001137451  | 1   | Panel (Note: Not Part of Hood Assembly. Must be Purchased separately) |     |

# SECTION 2 - TURNTABLE

## FIGURE 2-31. TANK SIDE HOOD ASSEMBLY



**NOTE: REPLACEMENT DECALS MUST BE ORDERED SEPERATELY - SEE DECALS SECTION FOR BREAKDOWN**

ART\_1001118361

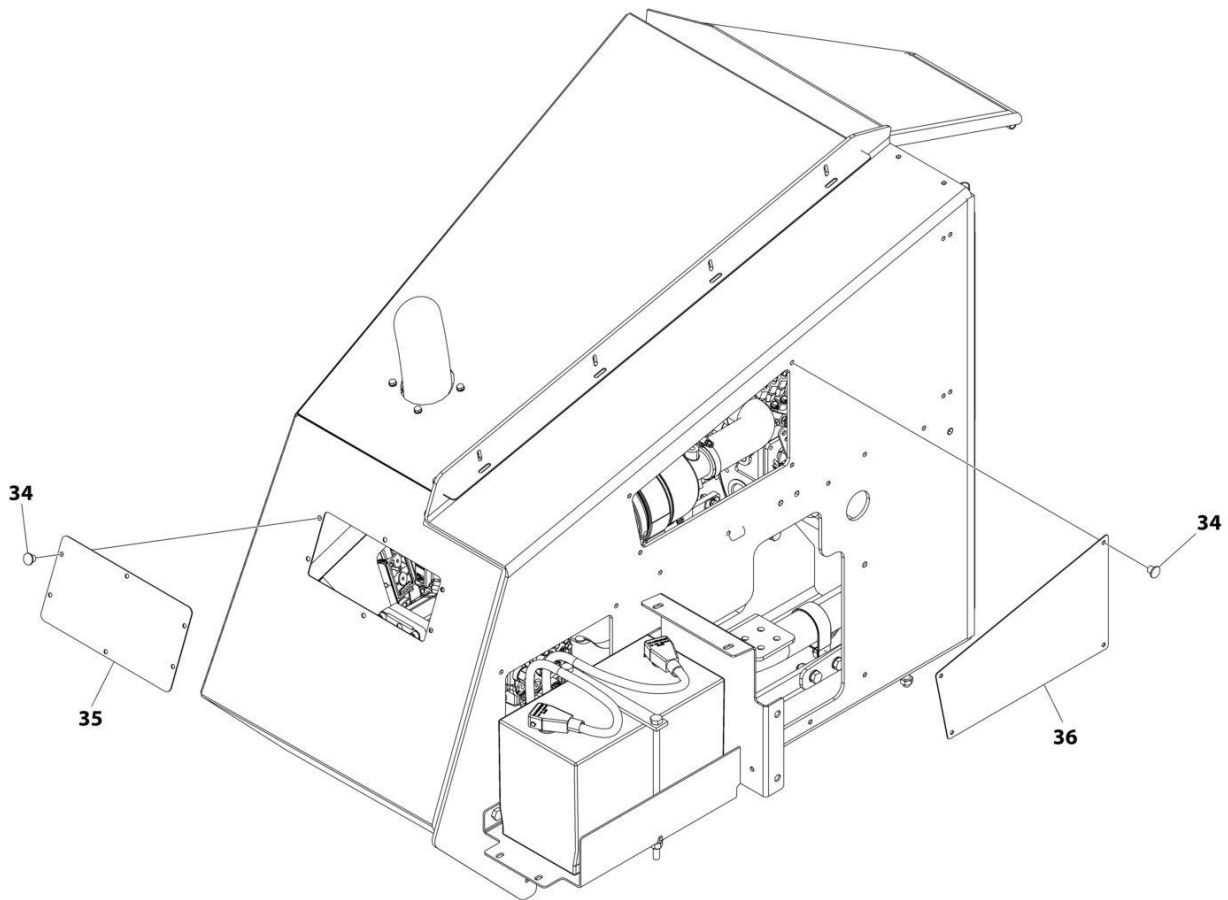
**SECTION 2 - TURNTABLE**

**FIGURE 2-31. TANK SIDE HOOD ASSEMBLY**

| ITEM | PART NUMBER | QTY | DESCRIPTION                                  | REV |
|------|-------------|-----|--|-----|
|      | 1001118361  | Ref | HOOD ASSEMBLY - TANK SIDE                    | B   |
| 1    | 0100081     | AR  | Adhesive                                     |     |
| 2    | 0760508     | 2   | Bolt M5 x 16                                 |     |
| 3    | 0760608     | 5   | Bolt M6 x 16                                 |     |
| 4    | 2940109     | 1   | Latch  |     |
| 5    | 3290505     | 2   | Nut M5                                       |     |
| 6    | 3290605     | 5   | Nut M6                                       |     |
| 7    | 3520030     | 1   | Plug, Hole                                   |     |
| 8    | 4811600     | 4   | Washer M5                                    |     |
| 9    | 4811700     | 10  | Washer M6                                    |     |
| 10   | 1001117281  | 1   | Hinge  |     |
| 11   | See Note    | NSS | Hood, Replacement (Note: Use p/n 1001118361) |     |
| 12   | 1001119089  | 1   | Seal   |     |
| 13   | 1001119090  | 1   | Seal   |     |
| 14   | 1001119091  | 1   | Seal   |     |

## SECTION 2 - TURNTABLE

FIGURE 2-32. HOOD COMPONENTS - KUBOTA ENGINE (WITHOUT ARCTIC PACKAGE)



ART\_1001161433\_I\_10F3

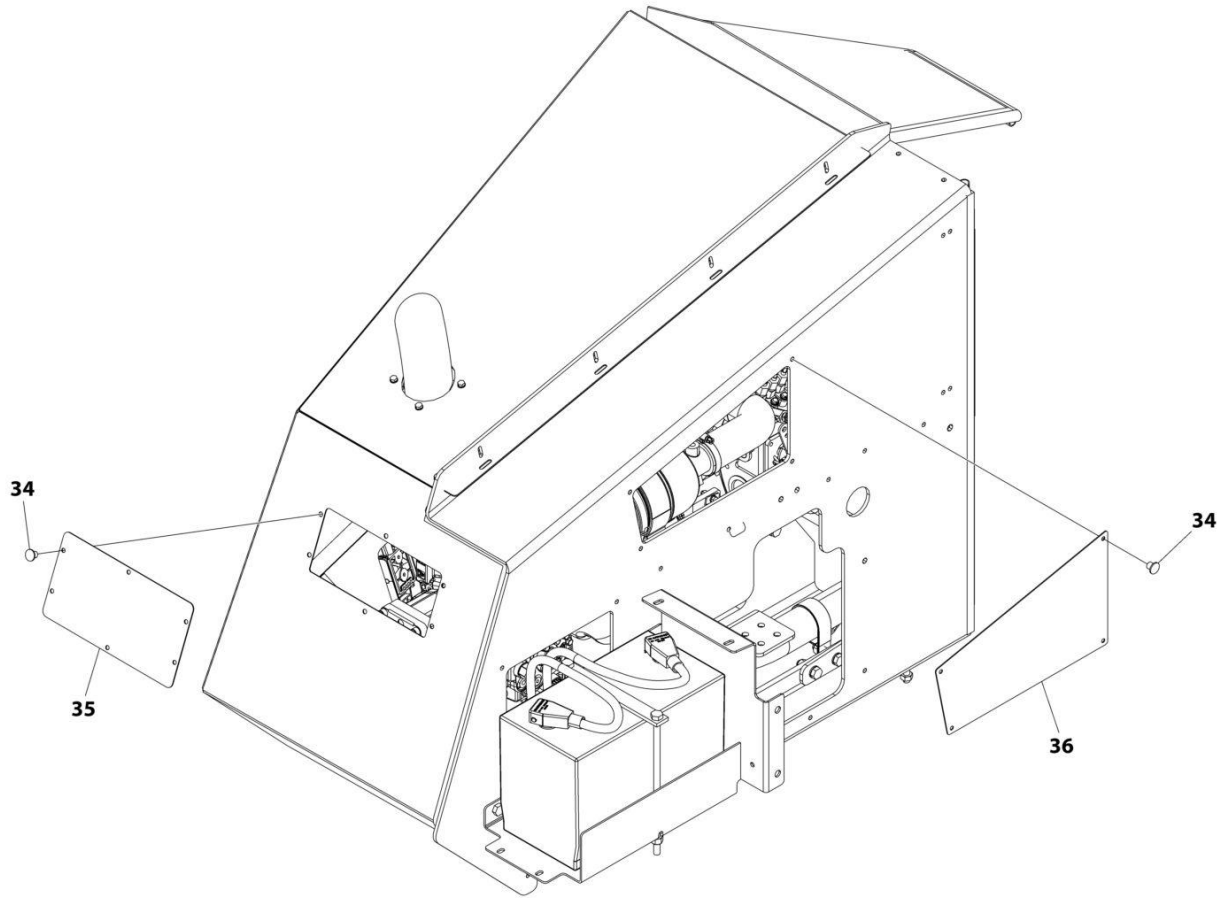
**SECTION 2 - TURNTABLE**

**FIGURE 2-32. HOOD COMPONENTS - KUBOTA ENGINE (WITHOUT ARCTIC PACKAGE)**

| <b>ITEM</b> | <b>PART NUMBER</b> | <b>QTY</b> | <b>DESCRIPTION</b>                                     | <b>REV</b> |
|-------------|--------------------|------------|--|------------|
|             | 1001161433         | Ref        | KUBOTA ENGINE HOOD COMPONENTS (WITHOUT ARCTIC PACKAGE) | I          |
| 34          | 2080040            | 10         | Blind Fastener   |            |
| 35          | 1001137451         | 1          | Panel, Engine Hood                                     |            |
| 36          | 1001137452         | 1          | Panel, Engine Hood Mount                               |            |

## SECTION 2 - TURNTABLE

FIGURE 2-33. HOOD COMPONENTS - KUBOTA ENGINE (WITH ARCTIC PACKAGE)



ART\_1001161434\_L\_10F3



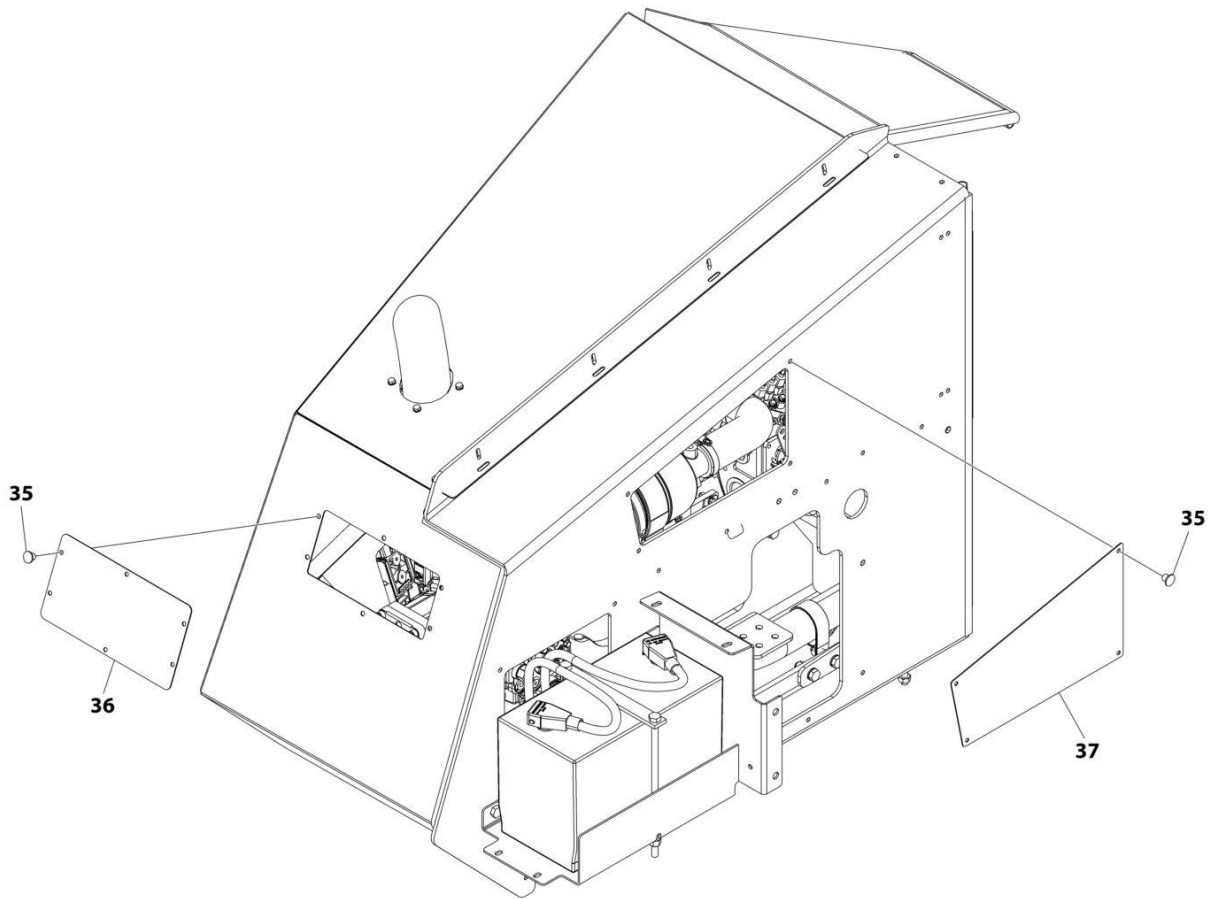
**SECTION 2 - TURNTABLE**

**FIGURE 2-33. HOOD COMPONENTS - KUBOTA ENGINE (WITH ARCTIC PACKAGE)**

| <b>ITEM</b> | <b>PART NUMBER</b> | <b>QTY</b> | <b>DESCRIPTION</b>                                  | <b>REV</b> |
|-------------|--------------------|------------|---|------------|
|             | 1001161434         | Ref        | KUBOTA ENGINE HOOD COMPONENTS (WITH ARCTIC PACKAGE) | I          |
| 34          | 2080040            | 10         | Blind Fastener                                      |            |
| 35          | 1001137451         | 1          | Panel, Engine Hood                                  |            |
| 36          | 1001137452         | 1          | Panel, Engine Hood Mount                            |            |

## SECTION 2 - TURNTABLE

FIGURE 2-34. HOOD COMPONENTS - KUBOTA ENGINE WITH 4000W GENERATOR (WITHOUT ARCTIC PACKAGE)



ART\_1001147470\_H\_10F3

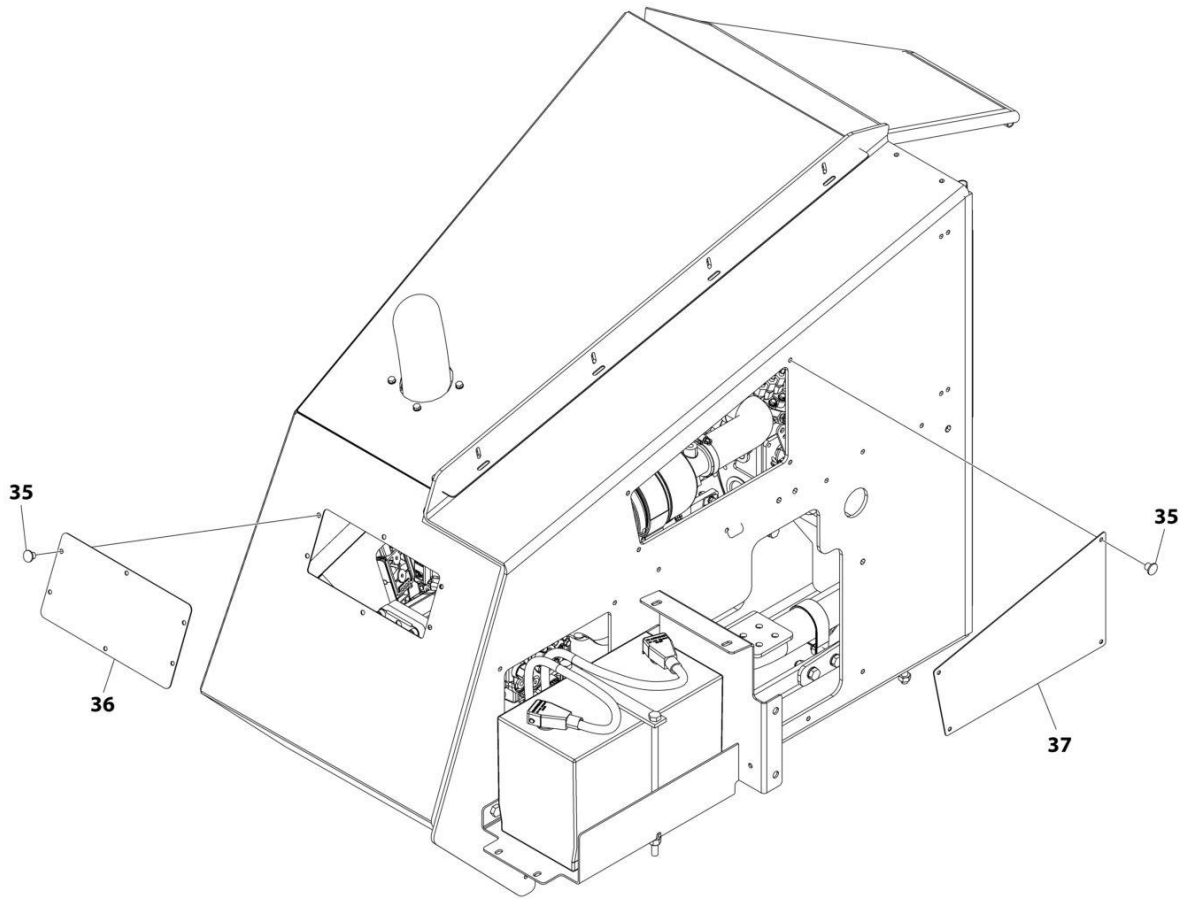
**SECTION 2 - TURNTABLE**

**FIGURE 2-34. HOOD COMPONENTS - KUBOTA ENGINE WITH 4000W GENERATOR (WITHOUT ARCTIC PACKAGE)**

| <b>ITEM</b> | <b>PART NUMBER</b> | <b>QTY</b> | <b>DESCRIPTION</b>  | <b>REV</b> |
|-------------|--------------------|------------|---|------------|
|             | 1001147470         | Ref        | KUBOTA ENGINE WITH 4000W GENERATOR HOOD COMPONENTS (WITHOUT ARCTIC PACKAGE) | H          |
| 35          | 2080040            | 10         | Blind Fastener  |            |
| 36          | 1001137451         | 1          | Panel, Engine Hood  |            |
| 37          | 1001137452         | 1          | Panel, Engine Hood Mount  |            |

## SECTION 2 - TURNTABLE

FIGURE 2-35. HOOD COMPONENTS - KUBOTA ENGINE WITH 4000W GENERATOR (WITH ARCTIC PACKAGE)



ART\_1001147471\_H\_10F3

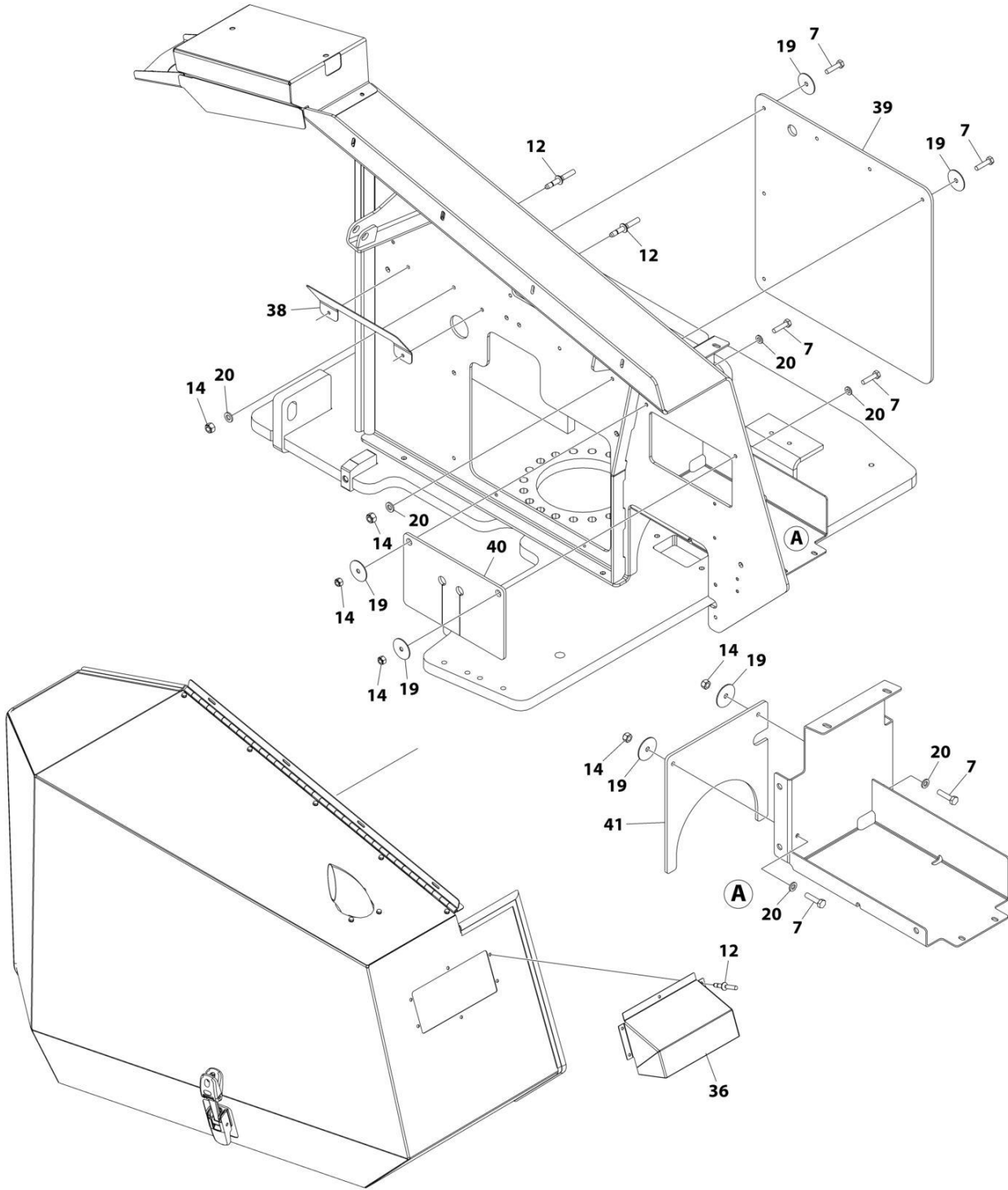
**SECTION 2 - TURNTABLE**

**FIGURE 2-35. HOOD COMPONENTS - KUBOTA ENGINE WITH 4000W GENERATOR (WITH ARCTIC PACKAGE)**

| <b>ITEM</b> | <b>PART NUMBER</b> | <b>QTY</b> | <b>DESCRIPTION</b>   | <b>REV</b> |
|-------------|--------------------|------------|--|------------|
|             | 1001147471         | Ref        | KUBOTA ENGINE WITH 4000W GENERATOR HOOD COMPONENTS (WITH ARCTIC PACKAGE) | H          |
| 35          | 2080040            | 10         | Blind Fastener   |            |
| 36          | 1001137451         | 1          | Panel, Engine Hood   |            |
| 37          | 1001137452         | 1          | Panel, Engine Hood Mount   |            |

# SECTION 2 - TURNTABLE

## FIGURE 2-36. GM ENGINE INSTALLATION (WITHOUT ARCTIC PACKAGE)



ART\_1001300764\_C\_10F2

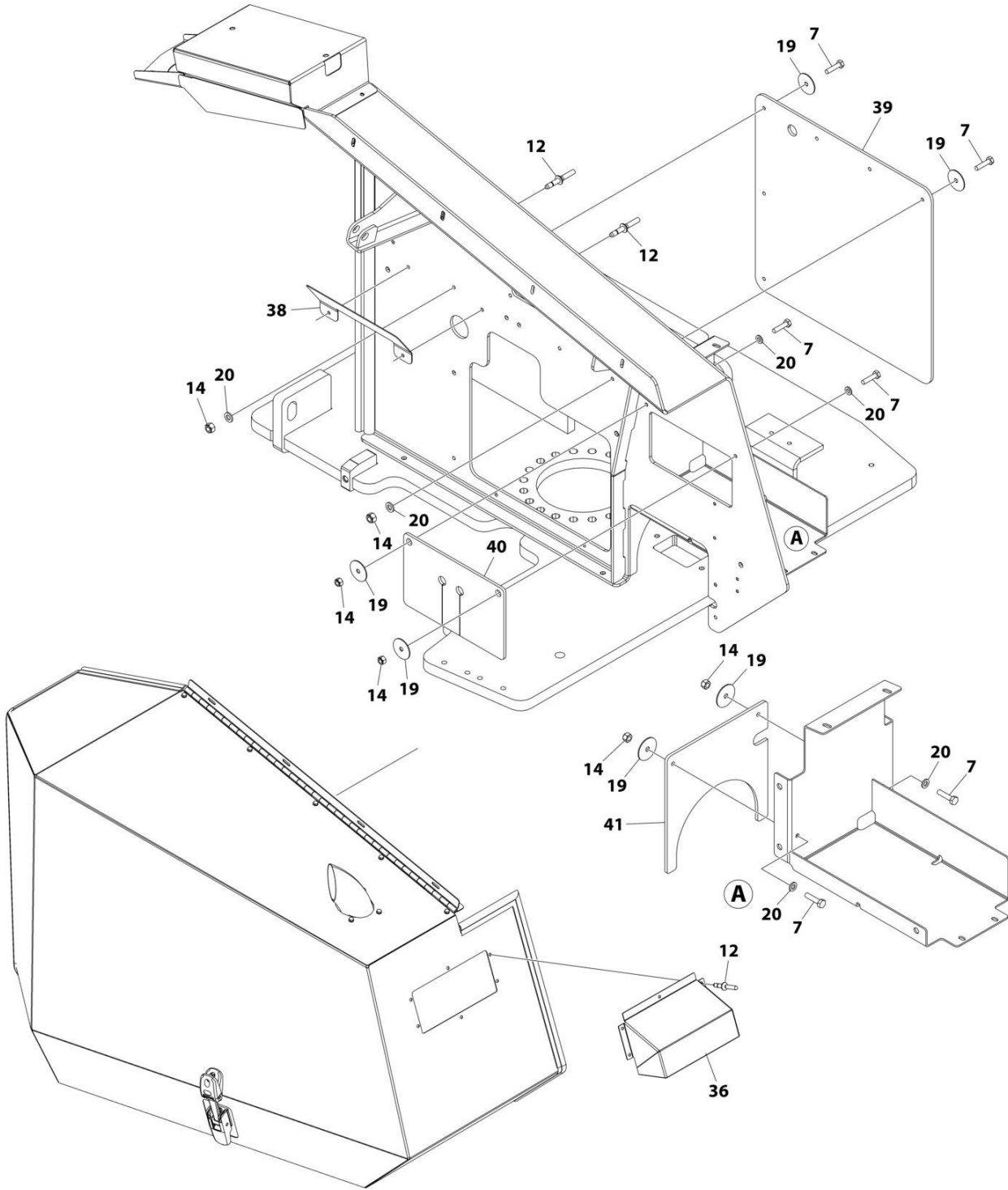
**SECTION 2 - TURNTABLE**

**FIGURE 2-36. GM ENGINE INSTALLATION (WITHOUT ARCTIC PACKAGE)**

| <b>ITEM</b> | <b>PART NUMBER</b> | <b>QTY</b> | <b>DESCRIPTION</b>                              | <b>REV</b> |
|-------------|--------------------|------------|---|------------|
|             | 1001300764         | Ref        | GM ENGINE INSTALLATION (WITHOUT ARCTIC PACKAGE) | C          |
| 7           | 0760612            | 10         | Bolt M6 x 25                                    |            |
| 12          | 2080040            | 7          | Fastener, Huck                                  |            |
| 14          | 3290605            | 10         | Nut M6  |            |
| 19          | 4740362            | 10         | Washer, Fender                                  |            |
| 20          | 4811700            | 10         | Washer M6                                       |            |
| 36          | 1001137337         | 1          | Vent  |            |
| 38          | 1001137369         | 1          | Plate   |            |
| 39          | 1001137397         | 1          | Shield, Rubber                                  |            |
| 40          | 1001137401         | 1          | Shield, Rubber                                  |            |
| 41          | 1001137402         | 1          | Shield, Rubber                                  |            |

# SECTION 2 - TURNTABLE

## FIGURE 2-37. GM ENGINE INSTALLATION (WITH ARCTIC PACKAGE)



ART\_1001301503\_C\_10F2



**SECTION 2 - TURNTABLE**

**FIGURE 2-37. GM ENGINE INSTALLATION (WITH ARCTIC PACKAGE)**

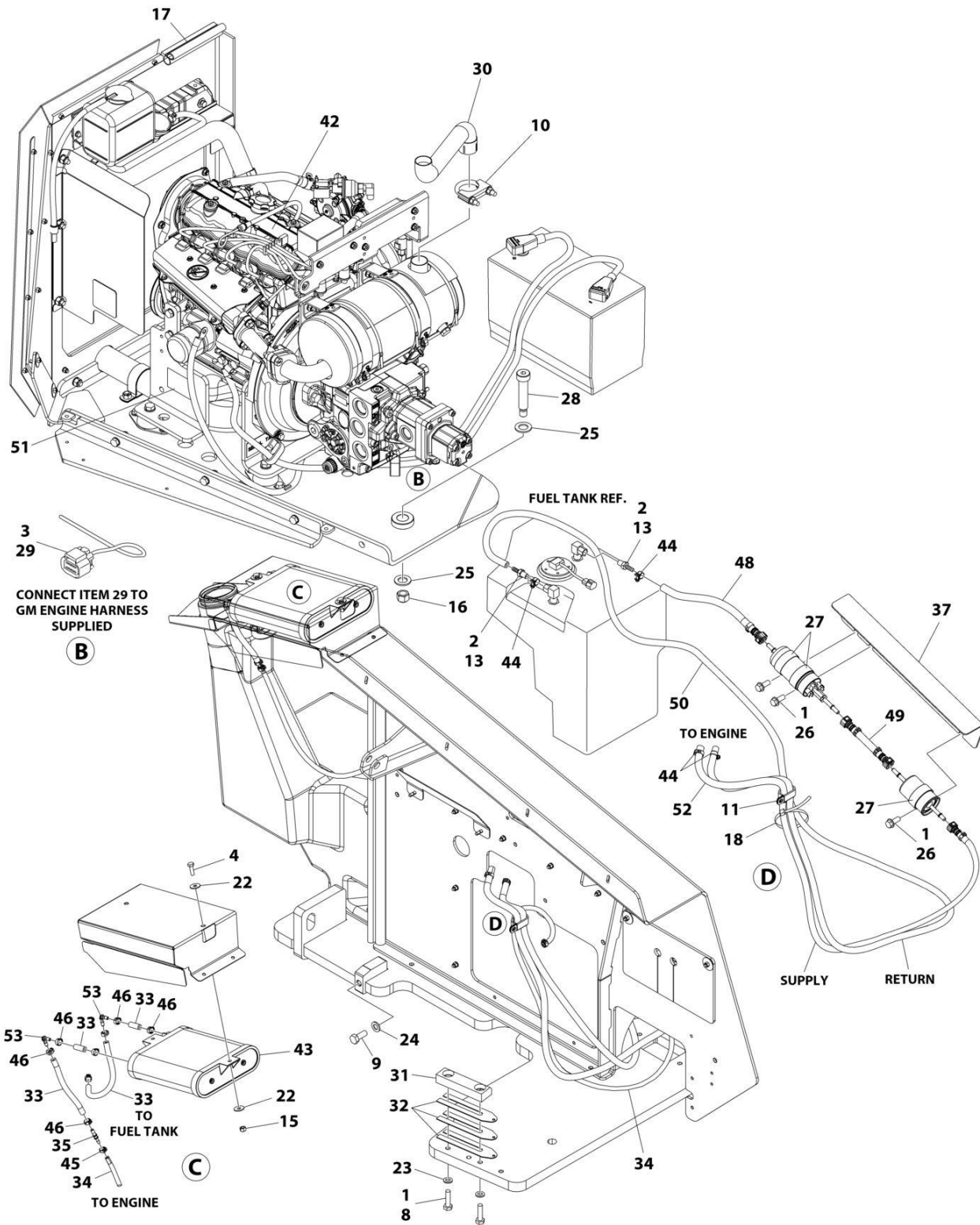
| <b>ITEM</b> | <b>PART NUMBER</b> | <b>QTY</b> | <b>DESCRIPTION</b>                           | <b>REV</b> |
|-------------|--------------------|------------|--|------------|
|             | 1001301503         | Ref        | GM ENGINE INSTALLATION (WITH ARCTIC PACKAGE) | C          |
| 7           | 0760612            | 10         | Bolt M6 x 25                                 |            |
| 12          | 2080040            | 7          | Fastener, Huck                               |            |
| 14          | 3290605            | 10         | Nut M6                                       |            |
| 19          | 4740362            | 10         | Washer, Fender                               |            |
| 20          | 4811700            | 10         | Washer M6                                    |            |
| 36          | 1001137337         | 1          | Vent   |            |
| 38          | 1001137369         | 1          | Plate  |            |
| 39          | 1001137397         | 1          | Shield, Rubber                               |            |
| 40          | 1001137401         | 1          | Shield, Rubber                               |            |
| 41          | 1001137402         | 1          | Shield, Rubber                               |            |



**SECTION 3 - ENGINE**

# SECTION 3 - ENGINE

## FIGURE 3-1. GM ENGINE INSTALLATION (WITHOUT ARCTIC PACKAGE)



ART\_1001300764\_C\_20F2

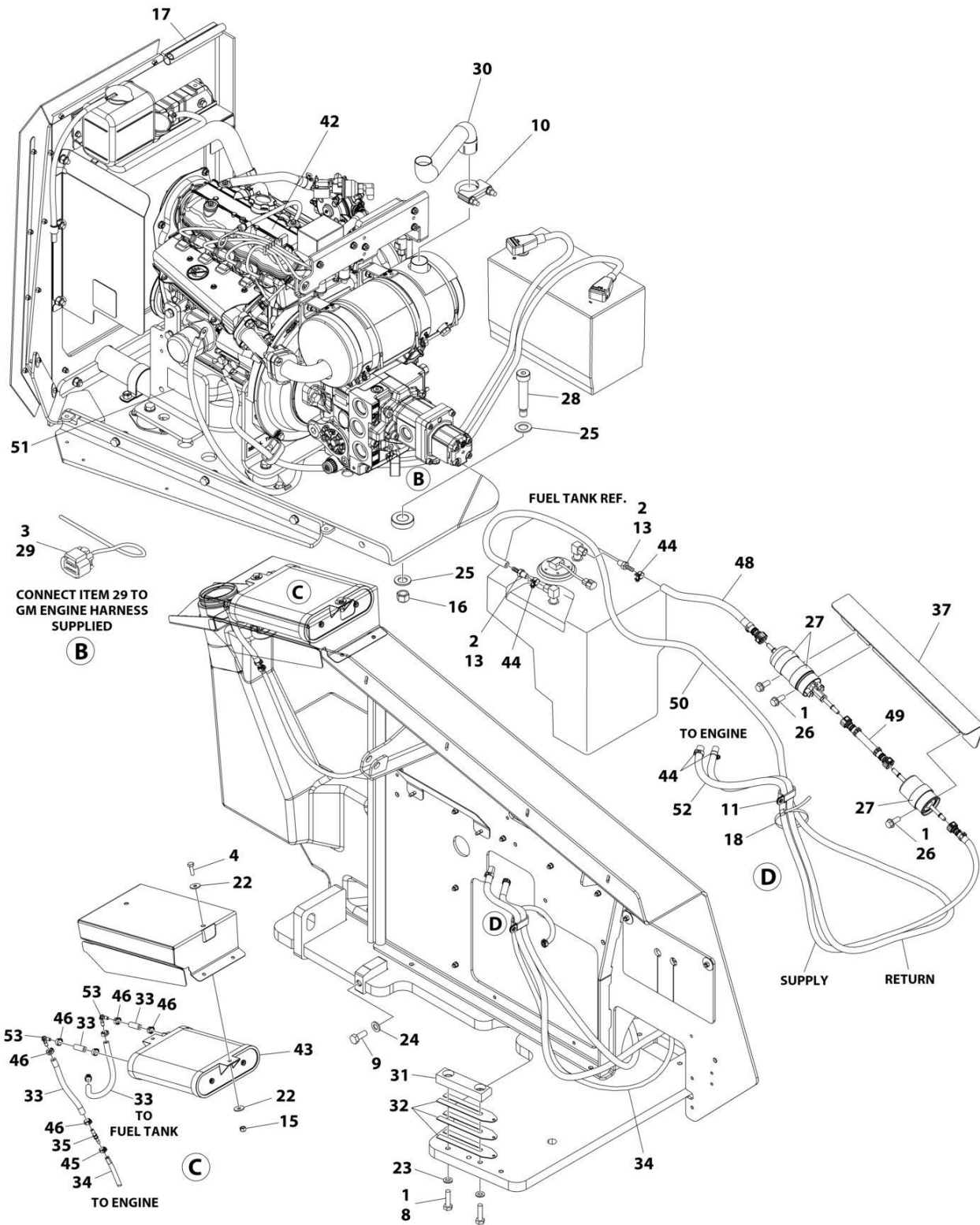
## SECTION 3 - ENGINE

**FIGURE 3-1. GM ENGINE INSTALLATION (WITHOUT ARCTIC PACKAGE)**

| ITEM | PART NUMBER | QTY          | DESCRIPTION   | REV |
|------|-------------|--------------|---|-----|
|      | 1001300764  | Ref          | GM ENGINE INSTALLATION (WITHOUT ARCTIC PACKAGE)                       | C   |
| 1    | 0100011     | AR           | Compound, Locking   |     |
| 2    | 0100020     | AR           | Sealant, Pipe   |     |
| 3    | 0100048     | AR           | Grease, Dielectric  |     |
| 4    | 0700812     | 2            | Bolt M8 x 25  |     |
| 8    | 0761016     | 2            | Bolt M10 x 40   |     |
| 9    | 0761217     | 1            | Bolt M12 x 45   |     |
| 10   | 1320026     | 1            | Clamp   |     |
| 11   | 1321283     | 1            | Clamp   |     |
| 13   | 2180348     | 2            | Fitting, NPT/Barbed   |     |
| 15   | 3290805     | 2            | Nut M8  |     |
| 16   | 3291605     | 1            | Nut M16   |     |
| 17   | 3960464     | 3 ft /0.9 m  | Seal  |     |
| 18   | 4240033     | AR           | Tie-Strap   |     |
| 22   | 4811902     | 4            | Washer M8   |     |
| 23   | 4812000     | 2            | Washer M10  |     |
| 24   | 4812102     | 1            | Washer M12  |     |
| 25   | 4812500     | 2            | Washer M20  |     |
| 26   | 5251012     | 3            | Bolt M10 x 25   |     |
| 27   | 1001097588  | 3            | Clip  |     |
| 28   | 1001118646  | 1            | Bolt M20 x 80   |     |
| 29   | 1001119778  | 1            | Harness, Fuel Pump (See Separate Breakdown in ELECTRICAL Section)     |     |
| 30   | 1001119902  | 1            | Pipe, Exhaust   |     |
| 31   | 1001120087  | 1            | Pad, Wear   |     |
| 32   | 1001120090  | 3            | Shim  |     |
| 33   | 1001129255  | 20 in /52 cm | Hose  |     |
| 34   | 1001129256  | 9 ft /2.75 m | Hose  |     |
| 35   | 1001131391  | 1            | Coupling  |     |
| 37   | 1001137367  | 1            | Shield, Fuel Line   |     |
| 42   | 1001148254  | 1            | Engine and Pump Sub-Assembly (See Separate Breakdown in this Section) |     |
| 43   | 1001225420  | 1            | Filter, Carbon Canister   |     |
| 44   | 1001263657  | 4            | Clamp   |     |
| 45   | 1001263658  | 2            | Clamp   |     |
| 46   | 1001263659  | 8            | Clamp   |     |
| 48   | 1001300355  | 1            | Hose  |     |
| 49   | 1001300356  | 1            | Hose  |     |
| 50   | 1001300357  | 5 ft /1.5 m  | Hose  |     |
| 51   | 1001312158  | 1            | Decal - EPA   |     |
| 52   | 1001301848  | 1            | Hose  |     |
| 53   | 1001306165  | 2            | Fitting, Carbon Canister  |     |

# SECTION 3 - ENGINE

## FIGURE 3-2. GM ENGINE INSTALLATION (WITH ARCTIC PACKAGE)



ART\_1001301503\_C\_20F2

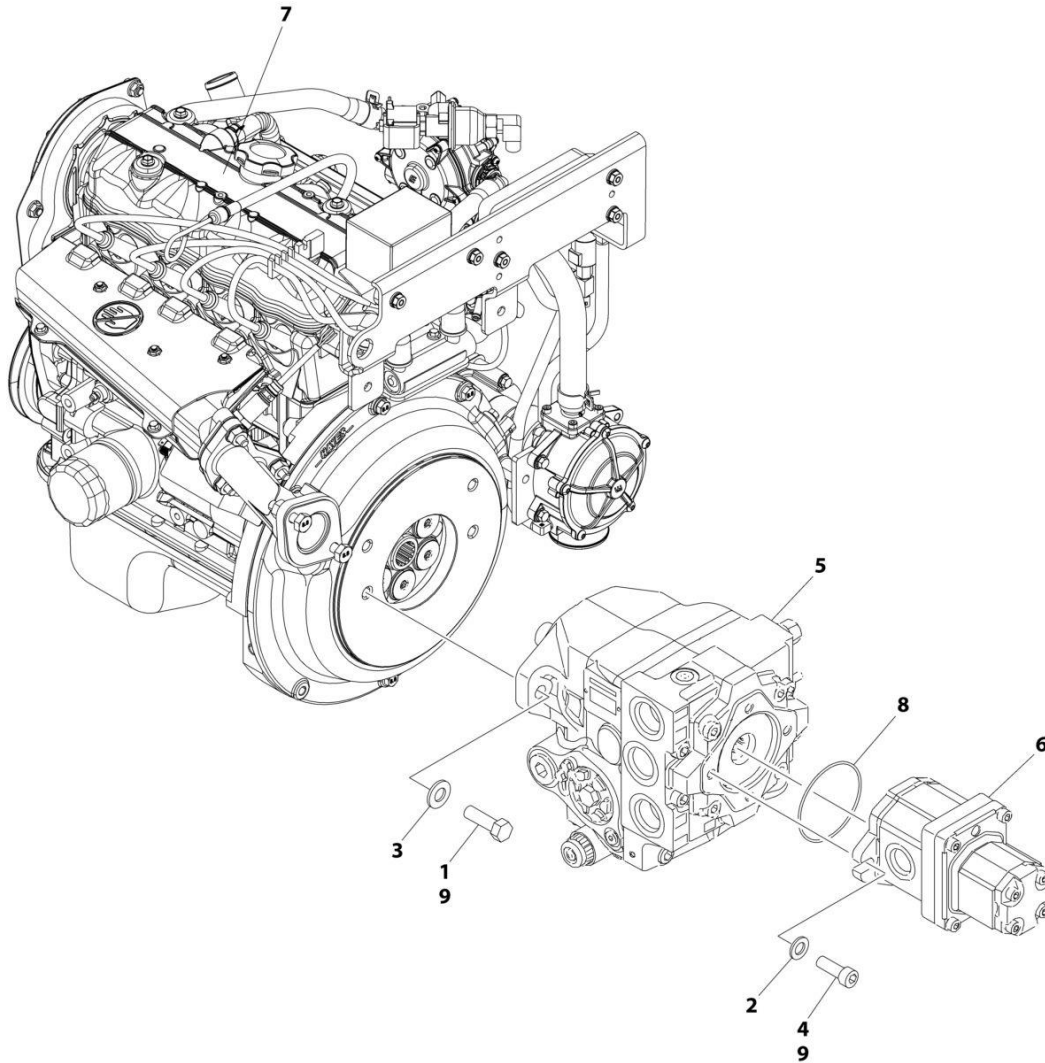
## SECTION 3 - ENGINE

**FIGURE 3-2. GM ENGINE INSTALLATION (WITH ARCTIC PACKAGE)**

| ITEM | PART NUMBER | QTY          | DESCRIPTION   | REV |
|------|-------------|--------------|---|-----|
|      | 1001301503  | Ref          | GM ENGINE INSTALLATION (WITH ARCTIC PACKAGE)                          | C   |
| 1    | 0100011     | AR           | Compound, Locking   |     |
| 2    | 0100020     | AR           | Sealant, Pipe   |     |
| 3    | 0100048     | AR           | Grease, Dielectric  |     |
| 4    | 0700812     | 2            | Bolt M8 x 25  |     |
| 8    | 0761016     | 2            | Bolt M10 x 40   |     |
| 9    | 0761217     | 1            | Bolt M12 x 45   |     |
| 10   | 1320026     | 1            | Clamp   |     |
| 11   | 1321283     | 1            | Clamp   |     |
| 13   | 2180348     | 2            | Fitting, NPT/Barbed   |     |
| 15   | 3290805     | 2            | Nut M8  |     |
| 16   | 3291605     | 1            | Nut M16   |     |
| 17   | 3960464     | 8 ft /3 m    | Seal  |     |
| 18   | 4240033     | AR           | Tie-Strap   |     |
| 22   | 4811902     | 4            | Washer M8   |     |
| 23   | 4812000     | 2            | Washer M10  |     |
| 24   | 4812102     | 1            | Washer M12  |     |
| 25   | 4812500     | 2            | Washer M20  |     |
| 26   | 5251012     | 3            | Bolt M10 x 25   |     |
| 27   | 1001097588  | 3            | Clip  |     |
| 28   | 1001118646  | 1            | Bolt M20 x 80   |     |
| 29   | 1001119778  | 1            | Harness, Fuel Pump (See Separate Breakdown in ELECTRICAL Section)     |     |
| 30   | 1001119902  | 1            | Pipe, Exhaust   |     |
| 31   | 1001120087  | 1            | Pad, Wear   |     |
| 32   | 1001120090  | 3            | Shim  |     |
| 33   | 1001129255  | 20 in /52 cm | Hose  |     |
| 34   | 1001129256  | 9 ft /2.75 m | Hose  |     |
| 35   | 1001131391  | 1            | Coupling  |     |
| 37   | 1001137367  | 1            | Shield, Fuel Line   |     |
| 42   | 1001148254  | 1            | Engine and Pump Sub-Assembly (See Separate Breakdown in this Section) |     |
| 43   | 1001225420  | 1            | Filter, Carbon Canister   |     |
| 44   | 1001263657  | 4            | Clamp   |     |
| 45   | 1001263658  | 2            | Clamp   |     |
| 46   | 1001263659  | 8            | Clamp   |     |
| 48   | 1001300355  | 1            | Hose  |     |
| 49   | 1001300356  | 1            | Hose  |     |
| 50   | 1001300357  | 5 ft /1.5 m  | Hose  |     |
| 51   | 1001312158  | 1            | Decal - EPA   |     |
| 52   | 1001301848  | 1            | Hose  |     |
| 53   | 1001306165  | 2            | Fitting, Carbon Canister  |     |

# SECTION 3 - ENGINE

## FIGURE 3-3. GM ENGINE AND PUMP SUB-ASSEMBLY



ART\_1001148254



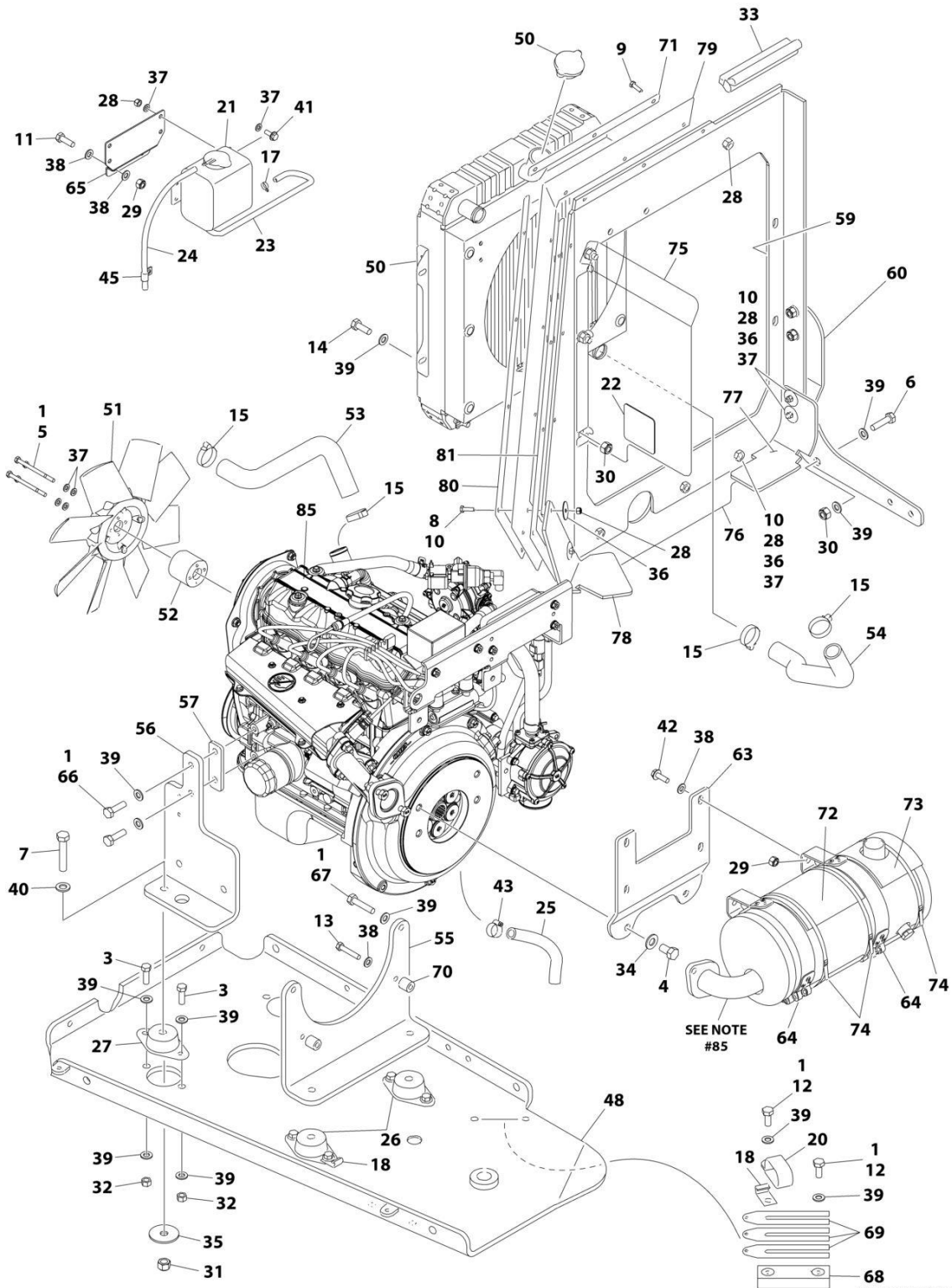
## SECTION 3 - ENGINE

### FIGURE 3-3. GM ENGINE AND PUMP SUB-ASSEMBLY

| ITEM | PART NUMBER | QTY | DESCRIPTION  | REV |
|------|-------------|-----|--|-----|
|      | 1001148254  | Ref | GM ENGINE AND PUMP SUB-ASSEMBLY                              | F   |
| 1    | 0641813     | 2   | Bolt 1/2 x 1-5/8   |     |
| 2    | 4891600     | 2   | Washer 3/8   |     |
| 3    | 4891800     | 2   | Washer 1/2   |     |
| 4    | 83191040    | 2   | Capscrew M10 x 30  |     |
| 5    | 1001117028  | 1   | Axial Pump Assembly (See Separate Breakdown in this Section) |     |
| 6    | 1001117029  | 1   | Gear Pump Assembly (See Separate Breakdown in this Section)  |     |
| 7    | 1001195234  | 1   | GM Engine Assembly (See Separate Breakdown in this Section)  |     |
| 8    | 3790152     | 1   | O-Ring   |     |
| 9    | 0100011     | AR  | Compound, Locking  |     |

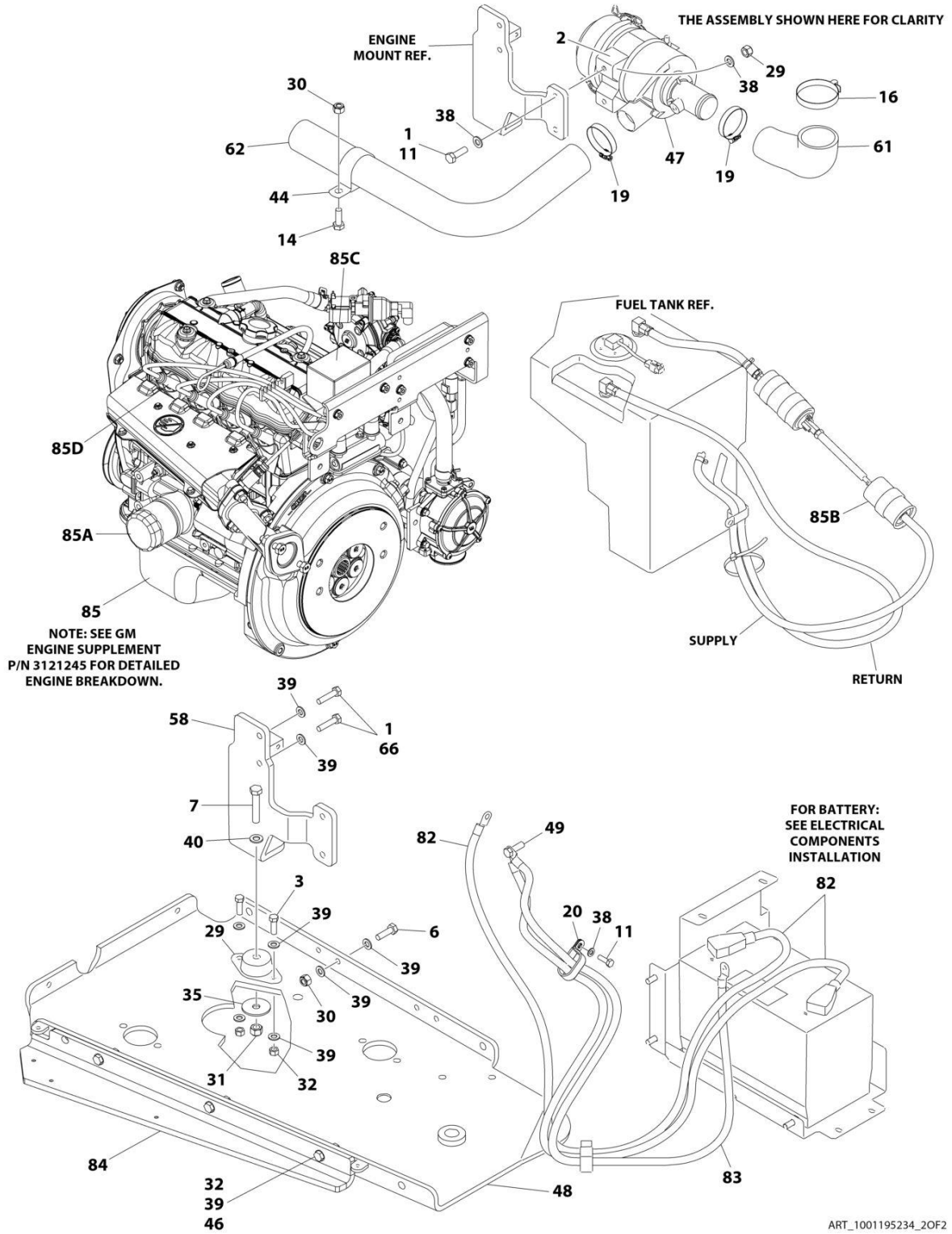
# SECTION 3 - ENGINE

## FIGURE 3-4. GM ENGINE ASSEMBLY



ART\_1001195234\_10F2

# SECTION 3 - ENGINE



ART\_1001195234\_20F2

## SECTION 3 - ENGINE

### FIGURE 3-4. GM ENGINE ASSEMBLY

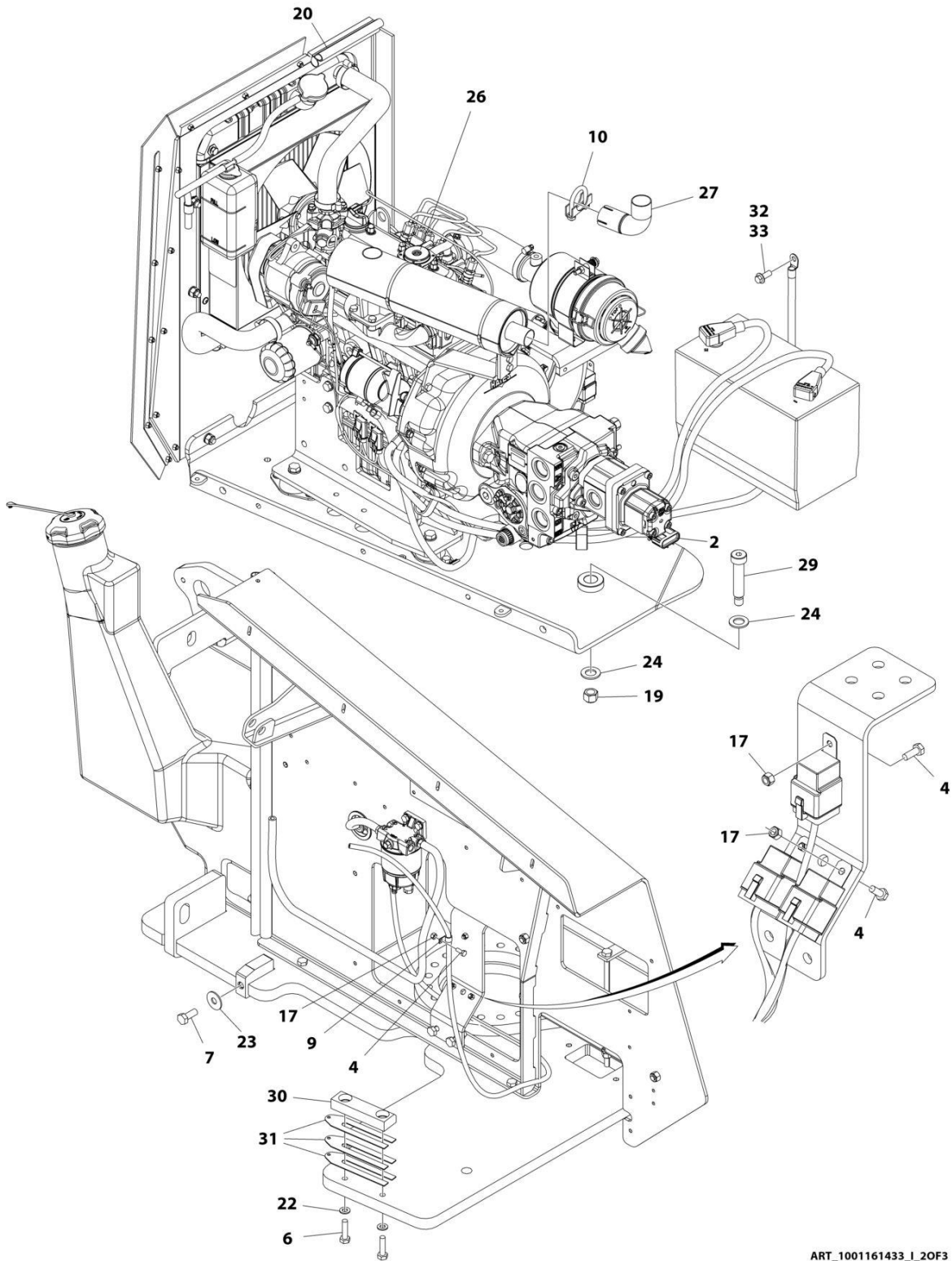
| ITEM | PART NUMBER | QTY             | DESCRIPTION                 | REV |
|------|-------------|-----------------|-----------------------------|-----|
|      | 1001195234  | Ref             | GM ENGINE ASSEMBLY          | E   |
| 1    | 0100011     | AR              | Compound, Locking           |     |
| 2    | 0340045     | 2               | Band, Mounting              |     |
| 3    | 0641609     | 8               | Bolt 3/8 x 1-1/8            |     |
| 4    | 0641807     | 2               | Bolt 1/2 x 7/8              |     |
| 5    | 0700621     | 4               | Bolt M6 x 65                |     |
| 6    | 0701015     | 7               | Bolt M10 x 35               |     |
| 7    | 0701221     | 4               | Bolt M12 x 65               |     |
| 8    | 0760608     | 5               | Bolt M6 x 16                |     |
| 9    | 0760610     | 6               | Bolt M6 x 20                |     |
| 10   | 0760612     | 7               | Bolt M6 x 25                |     |
| 11   | 0760812     | 6               | Bolt M8 x 25                |     |
| 12   | 0760814     | 2               | Bolt M8 x 30                |     |
| 13   | 0760817     | 2               | Bolt M8 x 45                |     |
| 14   | 0761014     | 8               | Bolt M10 x 30               |     |
| 15   | 1320012     | 4               | Clamp                       |     |
| 16   | 1320016     | 1               | Clamp                       |     |
| 17   | 1320022     | 3               | Clamp                       |     |
| 18   | 1320223     | 2               | J-Clip                      |     |
| 19   | 1321682     | 2               | Clamp                       |     |
| 20   | 1321716     | 2               | Clamp                       |     |
| 21   | 1580011     | 1               | Container, Coolant Overflow |     |
| 22   | 1703162     | 2               | Decal - Fan Blade           |     |
| 23   | 2720058     | 18 in<br>/46cm  | Hose                        |     |
| 24   | 2720271     | 19 in<br>/47cm  | Hose                        |     |
| 25   | 2720615     | 6.5 in<br>/17cm | Hose                        |     |
| 26   | 3200378     | 2               | Mount, Motor                |     |
| 27   | 3200425     | 2               | Mount, Engine               |     |
| 28   | 3290605     | 22              | Nut M6                      |     |
| 29   | 3290805     | 8               | Nut M8                      |     |
| 30   | 3291005     | 16              | Nut M10                     |     |
| 31   | 3291205     | 4               | Nut M12                     |     |
| 32   | 3311605     | 8               | Nut 3/8                     |     |
| 33   | 3960464     | 6.5 in<br>/17cm | Seal                        |     |
| 34   | 4711800     | 2               | Washer 1/2                  |     |
| 35   | 4740274     | 4               | Washer                      |     |
| 36   | 4740362     | 7               | Washer                      |     |
| 37   | 4811700     | 13              | Washer M6                   |     |
| 38   | 4811900     | 18              | Washer M8                   |     |
| 39   | 4812000     | 54              | Washer M10                  |     |
| 40   | 4812100     | 4               | Washer M12                  |     |
| 41   | 5250608     | 4               | Bolt M6 x 16                |     |
| 42   | 5250812     | 4               | Bolt M8 x 25                |     |
| 43   | 8405006     | 1               | Clamp                       |     |
| 44   | 80673025    | 1               | P-Clamp                     |     |
| 45   | 85941016    | 1               | Clamp                       |     |

## SECTION 3 - ENGINE

| ITEM | PART NUMBER | QTY | DESCRIPTION  | REV |
|------|-------------|-----|--|-----|
| 46   | 0761016     | 3   | Bolt M10 x 40  |     |
| 47   | 1001118280  | 1   | Air Filter Assembly  | A   |
| 47   | 7015004     | 1   | Element, Air Filter  |     |
| 47   | 1340069     | 1   | Valve, Vacuum  |     |
| 47   | 7015005     | 1   | Cover  |     |
| 48   | 1001118453  | 1   | Tray, Engine   |     |
| 49   | 1001118746  | 1   | Bolt M10 x 25  |     |
| 50   | 1001119494  | 1   | Radiator   |     |
| 50   | 70002899    | 1   | Cap, Radiator  |     |
| 51   | 1001119495  | 1   | Fan  |     |
| 52   | 1001119496  | 1   | Spacer, Fan  |     |
| 53   | 1001119635  | 1   | Hose, Upper Radiator   |     |
| 54   | 1001119636  | 1   | Hose, Lower Radiator   |     |
| 55   | 1001119640  | 1   | Plate, Rear Engine   |     |
| 56   | 1001119641  | 1   | Plate, LH Front Engine   |     |
| 57   | 1001119643  | 1   | Spacer, Mounting   |     |
| 58   | 1001119644  | 1   | Plate, RH Front Engine   |     |
| 59   | 1001119649  | 1   | Mount, Radiator  |     |
| 60   | 1001119698  | 1   | Gusset, Radiator   |     |
| 61   | 1001119699  | 1   | Elbow, Air Intake  |     |
| 62   | 1001119700  | 1   | Hose, Air Intake   |     |
| 63   | 1001119701  | 1   | Bracket, Muffler Mounting  |     |
| 64   | 1001119727  | 2   | Clamp, Muffler   |     |
| 65   | 1001119730  | 1   | Bracket, Coolant Overflow Tank   |     |
| 66   | 1001119929  | 4   | Bolt M10 x 35  |     |
| 67   | 1001119930  | 2   | Bolt M10 x 50  |     |
| 68   | 1001120087  | 1   | Pad, Wear  |     |
| 69   | 1001120090  | 3   | Shim   |     |
| 70   | 1001120454  | 2   | Housing, Spacer  |     |
| 71   | 1001123018  | 1   | Plate, Seal Support  |     |
| 72   | 1001137326  | 1   | Insulate, Muffler  |     |
| 73   | 1001137327  | 1   | Insulate, Muffler  |     |
| 74   | 1001137336  | 3   | Strap  |     |
| 75   | 1001137371  | 1   | Deflector  |     |
| 76   | 1001137398  | 1   | Shield, Rubber   |     |
| 77   | 1001137399  | 1   | Shield, Rubber   |     |
| 78   | 1001137400  | 1   | Shield, Rubber   |     |
| 79   | 1001147365  | 1   | Seal, Radiator Hood  |     |
| 80   | 1001147642  | 1   | Plate, Seal Support  |     |
| 81   | 1001147643  | 1   | Plate, Seal Support  |     |
| 82   | 1001118594  | 1   | Battery Cable Kit  | B   |
| 82   | 4461231     | 1   | Battery Terminal and Red Cover Only (No Cable)   |     |
| 82   | 4461232     | 1   | Battery Terminal and Black Cover Only (No Cable)   |     |
| 83   | 1001120450  | 1   | Cable, Ground  |     |
| 84   | 1001148975  | 1   | Plate, Engine Tray   |     |
| 85   | 1001194741  | 1   | Engine, GM (See GM Engine Supplement P/N 3121245 for Breakdown of Additional Components) |     |
| 85A  | 70002979    | 1   | Filter, Oil  |     |
| 85B  | 7027972     | 1   | Filter, Fuel   |     |
| 85C  | 70003178    | 1   | Module, Control  |     |
| 85D  | 70003179    | 4   | Plug, Spark  |     |

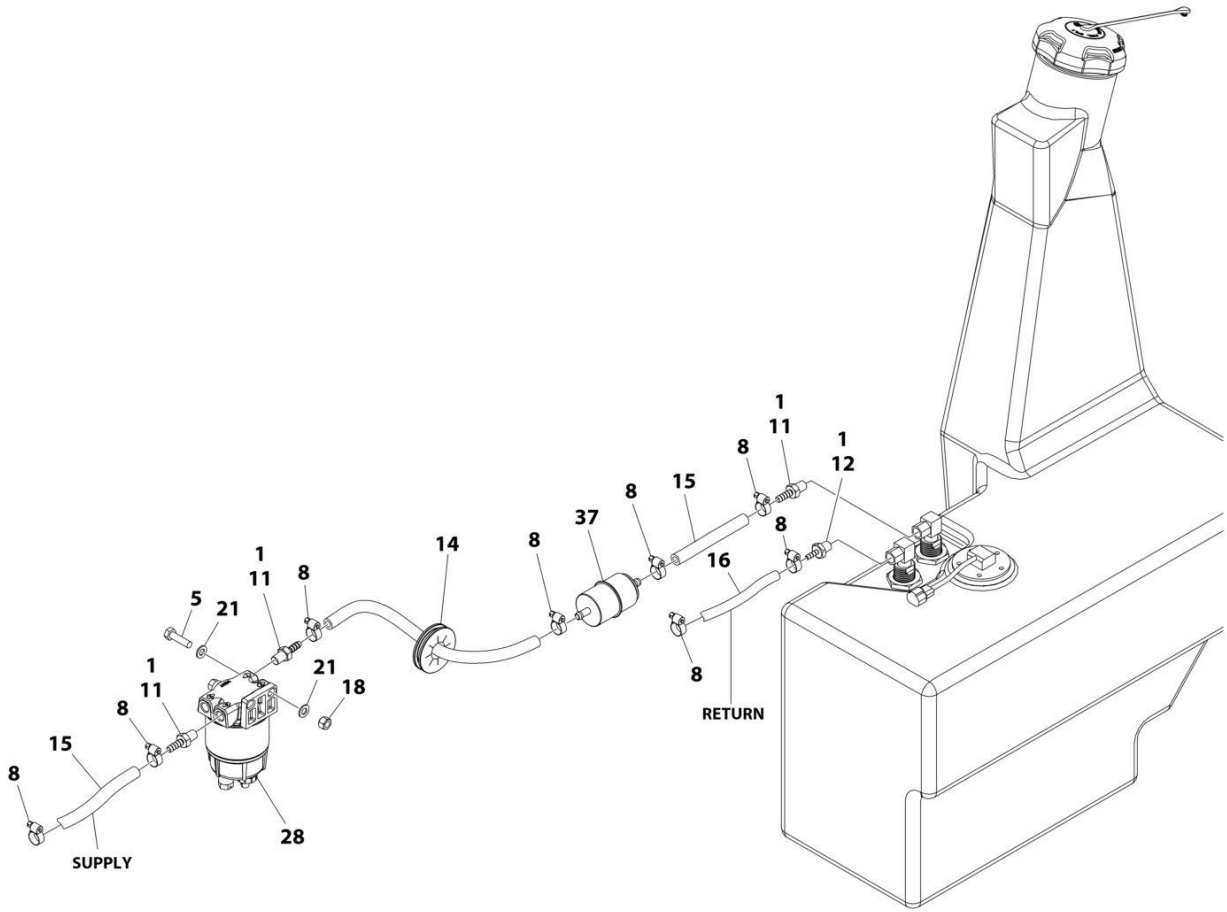
# SECTION 3 - ENGINE

## FIGURE 3-5. KUBOTA ENGINE INSTALLATION (WITHOUT ARCTIC PACKAGE)



ART\_1001161433\_I\_20F3

# SECTION 3 - ENGINE



ART\_1001161433\_I\_30F3

## SECTION 3 - ENGINE

**FIGURE 3-5. KUBOTA ENGINE INSTALLATION (WITHOUT ARCTIC PACKAGE)**

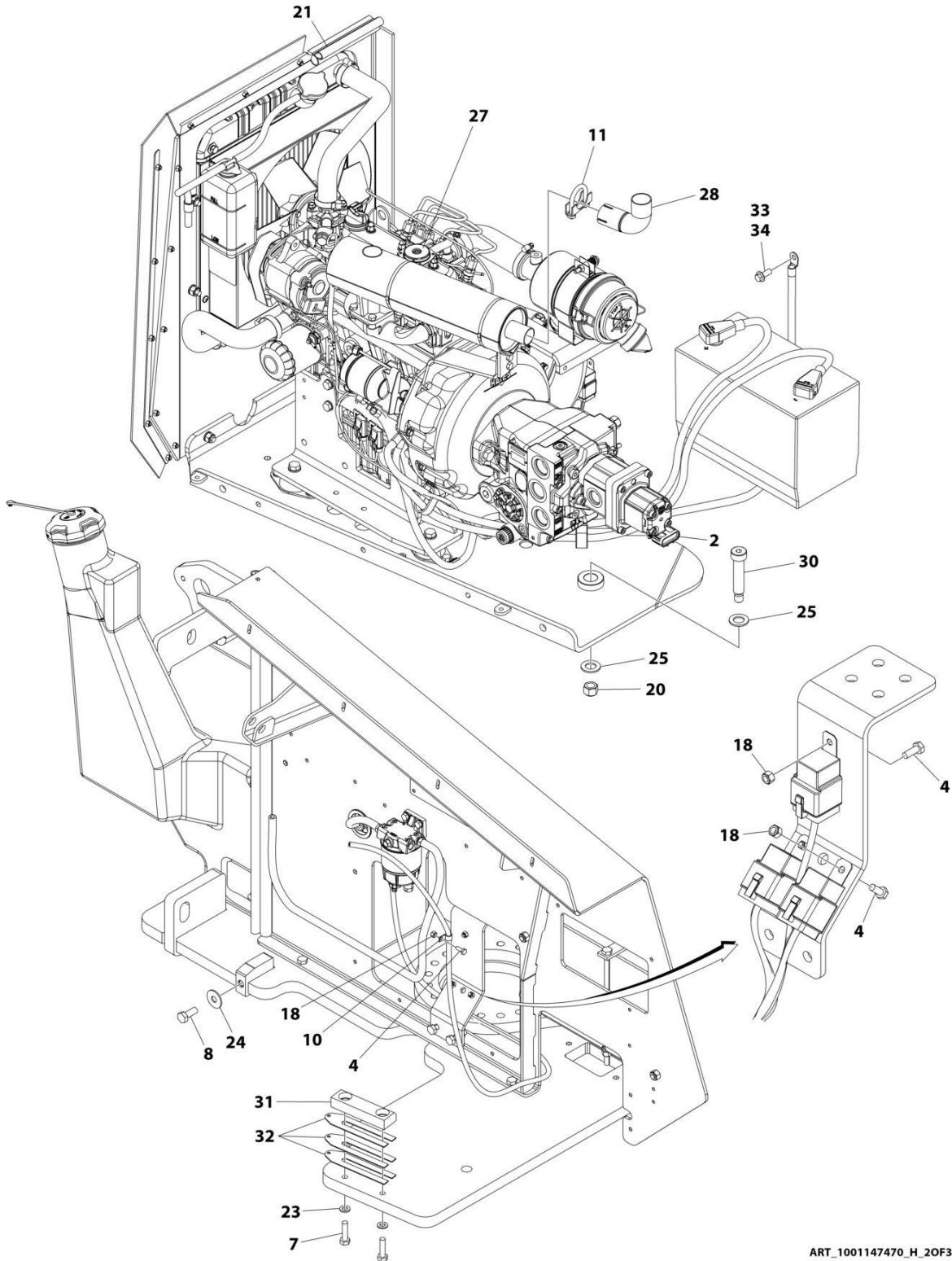
| ITEM | PART NUMBER | QTY            | DESCRIPTION   | REV |
|------|-------------|----------------|---|-----|
|      | 1001161433  | Ref            | KUBOTA ENGINE INSTALLATION (WITHOUT ARCTIC PACKAGE)                           | I   |
| 1    | 0100020     | AR             | Sealant, Pipe   |     |
| 2    | 0100048     | AR             | Grease, Dielectric  |     |
| 4    | 0760608     | 4              | Bolt M6 x 16  |     |
| 5    | 0760814     | 2              | Bolt M8 x 30  |     |
| 6    | 0761016     | 2              | Bolt M10 x 40   |     |
| 7    | 0761214     | 1              | Bolt M12 x 30   |     |
| 7    | 0761217     | 1              | Bolt M12 x 45   |     |
| 8    | 1320022     | 8              | Clamp, Fuel Line  |     |
| 9    | 1320043     | 1              | Clamp, Cable  |     |
| 10   | 1320274     | 1              | Clamp, Muffler  |     |
| 11   | 2180348     | 3              | Fitting, Barbed   |     |
| 12   | 2180666     | 1              | Fitting, Barbed   |     |
| 14   | 2540045     | 1              | Grommet   |     |
| 15   | 2720058     | 6.6<br>ft/2.0m | Hose  |     |
| 16   | 2720271     | 6.5 ft /2m     | Hose  |     |
| 17   | 3290605     | 4              | Nut M6  |     |
| 18   | 3290805     | 2              | Nut M8  |     |
| 19   | 3291605     | 1              | Nut M16   |     |
| 20   | 3960464     | 33 in<br>/84cm | Seal  |     |
| 21   | 4811900     | 4              | Washer M8   |     |
| 22   | 4812000     | 2              | Washer M10  |     |
| 23   | 4812102     | 1              | Washer M12  |     |
| 24   | 4812500     | 2              | Washer M20  |     |
| 26   | 1001238004  | 1              | Kubota Engine and Pump Sub-Assembly (See Separate Breakdown in this Section)  |     |
| 27   | 1001118548  | 1              | Tube, Exhaust   |     |
| 28   | 1001190609  | 1              | Fuel Filter/Water Separator Assembly (See Separate Breakdown in this Section) |     |
| 29   | 1001118646  | 1              | Bolt M20 x 80   |     |
| 30   | 1001120087  | 1              | Pad, Wear   |     |
| 31   | 1001120090  | 3              | Shim 1.5  |     |
| 32   | 0100011     | AR             | Compound, Locking   |     |
| 33   | 5251012     | 1              | Bolt M10 x 25   |     |
| 37   | 1001190545  | 1              | Filter, Fuel  |     |





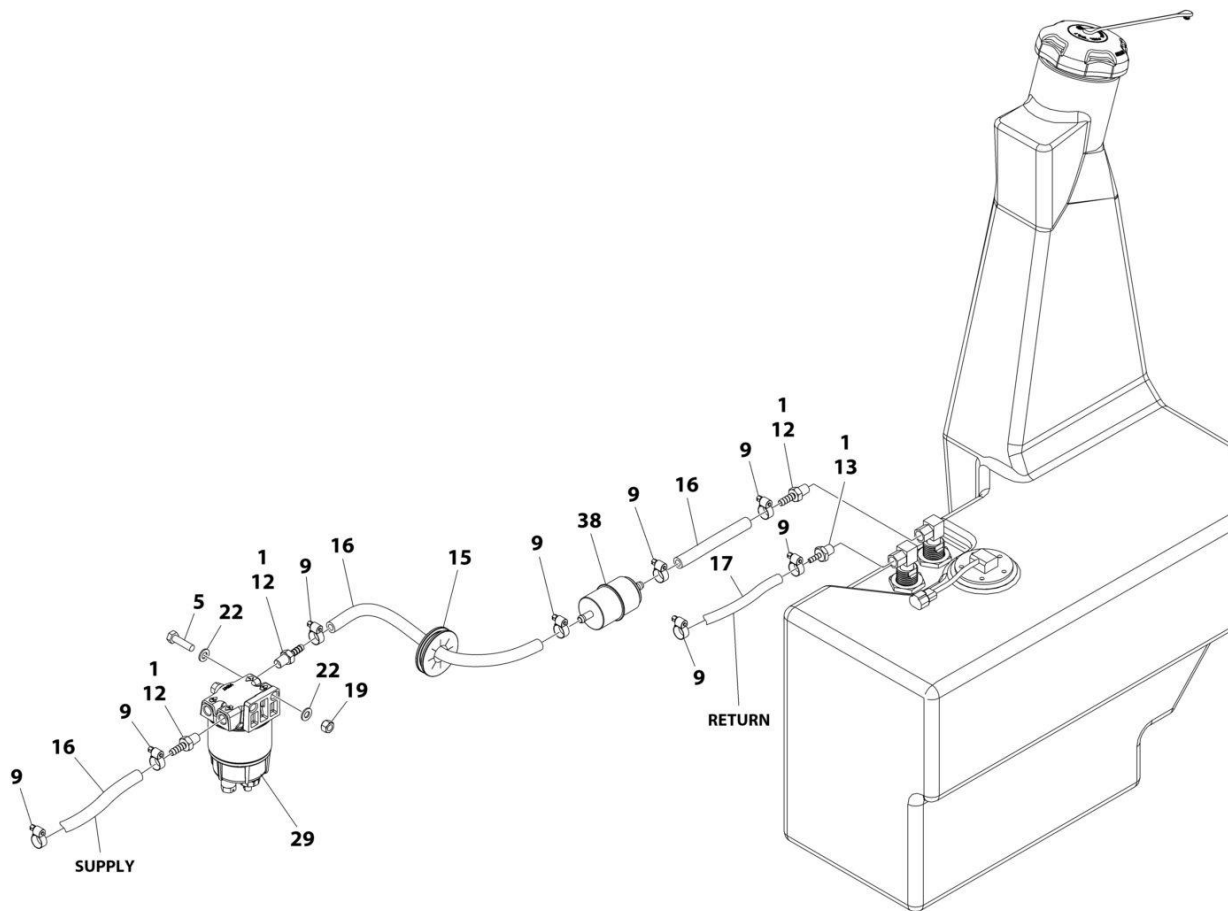
# SECTION 3 - ENGINE

## FIGURE 3-6. KUBOTA ENGINE INSTALLATION WITH 4000W GENERATOR (WITHOUT ARCTIC PACKAGE)



ART\_1001147470\_H\_20F3

# SECTION 3 - ENGINE



ART\_1001147470\_H\_30F3

## SECTION 3 - ENGINE

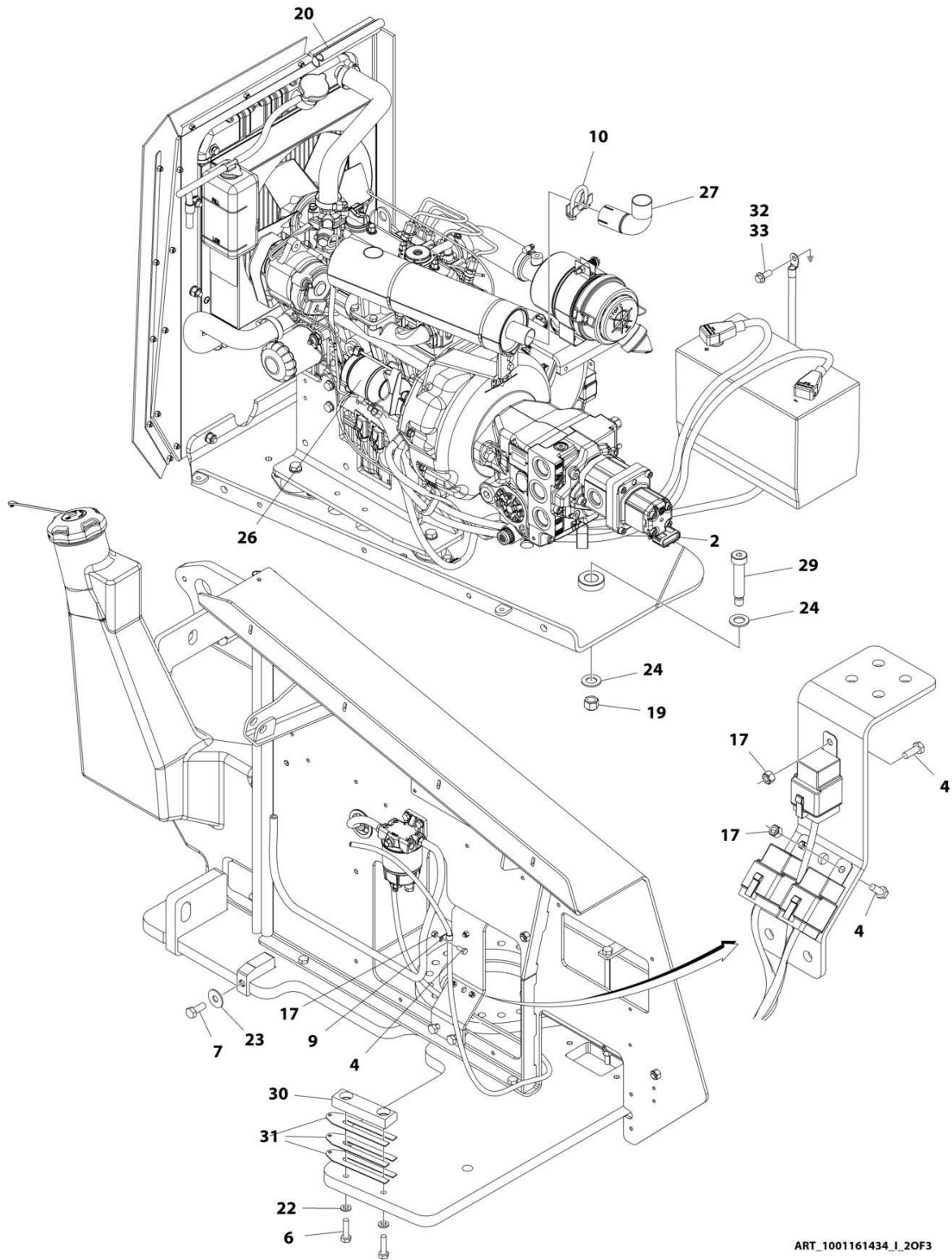
**FIGURE 3-6. KUBOTA ENGINE INSTALLATION WITH 4000W GENERATOR (WITHOUT ARCTIC PACKAGE)**

| ITEM | PART NUMBER | QTY            | DESCRIPTION   | REV |
|------|-------------|----------------|---|-----|
|      | 1001147470  | Ref            | KUBOTA ENGINE INSTALLATION WITH 4000W GENERATOR (WITHOUT ARCTIC PACKAGE)      | H   |
| 1    | 0100020     | AR             | Sealant, Pipe   |     |
| 2    | 0100048     | AR             | Grease, Dielectric  |     |
| 4    | 0760608     | 4              | Bolt M6 x 16  |     |
| 6    | 0760814     | 2              | Bolt M8 x 30  |     |
| 7    | 0761016     | 2              | Bolt M10 x 40   |     |
| 8    | 0761214     | 1              | Bolt M12 x 30   |     |
| 9    | 1320022     | 8              | Clamp, Fuel Line  |     |
| 10   | 1320043     | 1              | Clamp, Cable  |     |
| 11   | 1320274     | 1              | Clamp, Muffler  |     |
| 12   | 2180348     | 3              | Fitting, Barbed   |     |
| 13   | 2180666     | 1              | Fitting, Barbed   |     |
| 15   | 2540045     | 1              | Grommet   |     |
| 16   | 2720058     | 6.6<br>ft/2.0m | Hose  |     |
| 17   | 2720271     | 6.5 ft/2m      | Hose  |     |
| 18   | 3290605     | 4              | Nut M6  |     |
| 19   | 3290805     | 2              | Nut M8  |     |
| 20   | 3291605     | 1              | Nut M16   |     |
| 21   | 3960464     | 33 in<br>/84cm | Seal  |     |
| 22   | 4811900     | 4              | Washer M8   |     |
| 23   | 4812000     | 2              | Washer M10  |     |
| 24   | 4812102     | 1              | Washer M12  |     |
| 25   | 4812500     | 2              | Washer M20  |     |
| 27   | 1001238005  | 1              | Kubota Engine and Pump Sub-Assembly (See Separate Breakdown in this Section)  |     |
| 28   | 1001118548  | 1              | Tube, Exhaust   |     |
| 29   | 1001190609  | 1              | Fuel Filter/Water Separator Assembly (See Separate Breakdown in this Section) |     |
| 30   | 1001118646  | 1              | Bolt M20 x 80   |     |
| 31   | 1001120087  | 1              | Pad, Wear   |     |
| 32   | 1001120090  | 3              | Shim 1.5  |     |
| 33   | 0100011     | AR             | Compound, Locking   |     |
| 34   | 5251012     | 1              | Bolt M10 x 25   |     |
| 38   | 1001190545  | 1              | Filter, Fuel  |     |



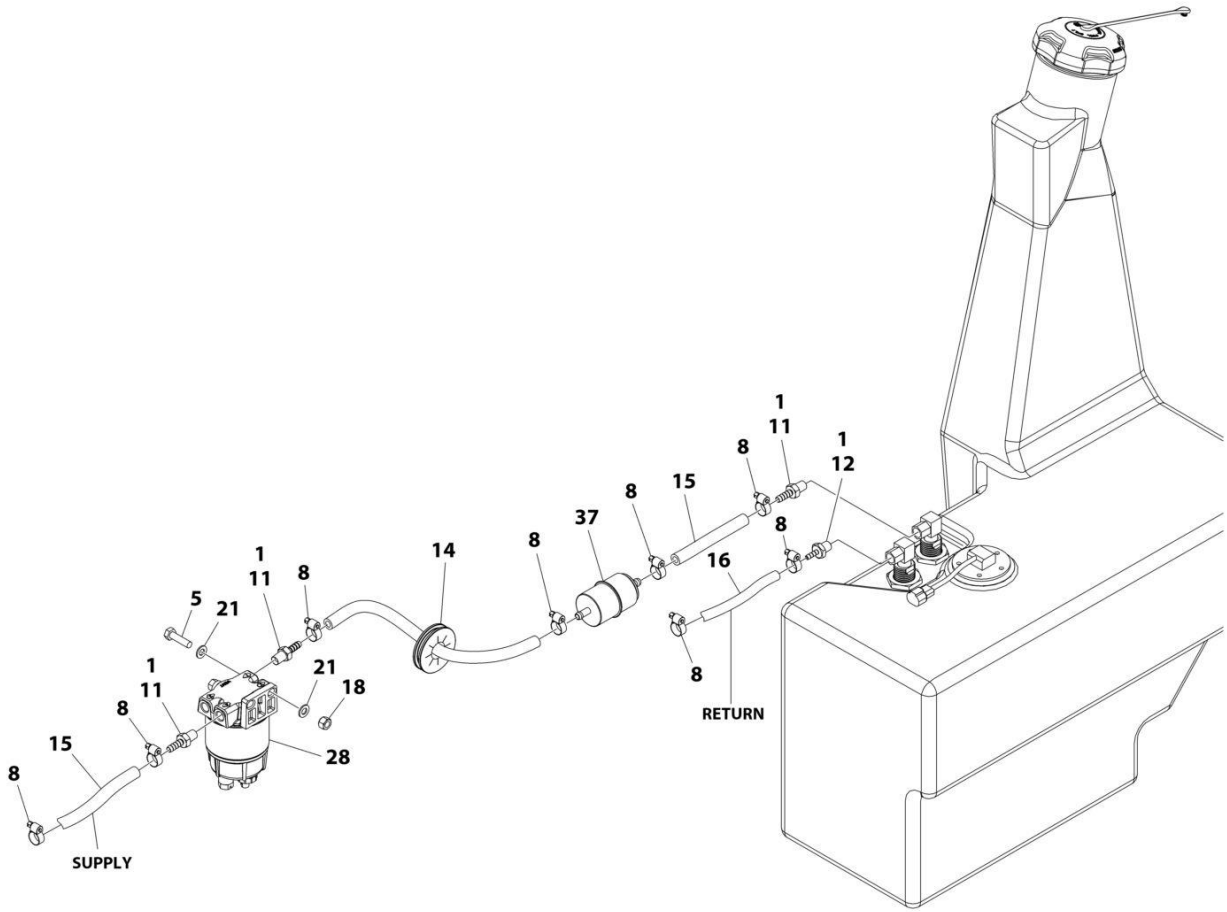
# SECTION 3 - ENGINE

## FIGURE 3-7. KUBOTA ENGINE INSTALLATION (WITH ARCTIC PACKAGE)



ART\_1001161434\_I\_20F3

# SECTION 3 - ENGINE



ART\_1001161434\_I\_30F3

## SECTION 3 - ENGINE

FIGURE 3-7. KUBOTA ENGINE INSTALLATION (WITH ARCTIC PACKAGE)

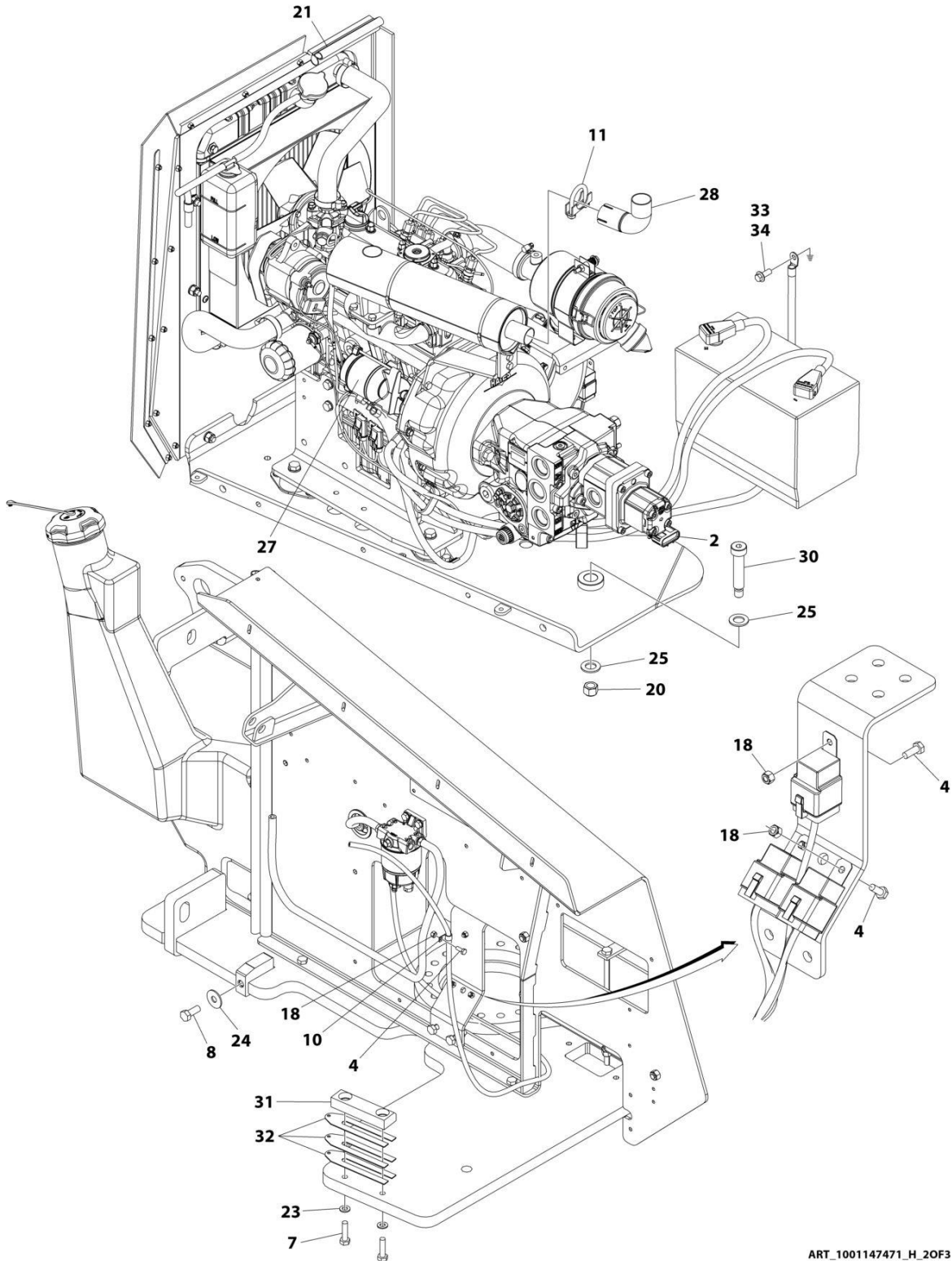
| ITEM | PART NUMBER | QTY            | DESCRIPTION   | REV |
|------|-------------|----------------|---|-----|
|      | 1001161434  | Ref            | KUBOTA ENGINE INSTALLATION (WITH ARCTIC PACKAGE)                              | I   |
| 1    | 0100020     | AR             | Sealant, Pipe   |     |
| 2    | 0100048     | AR             | Grease, Dielectric  |     |
| 4    | 0760608     | 4              | Bolt M6 x 16  |     |
| 5    | 0760814     | 2              | Bolt M8 x 30  |     |
| 6    | 0761016     | 2              | Bolt M10 x 40   |     |
| 7    | 0761214     | 1              | Bolt M12 x 30   |     |
| 7    | 0761217     | 1              | Bolt M12 x 45   |     |
| 8    | 1320022     | 8              | Clamp, Fuel Line  |     |
| 9    | 1320043     | 1              | Clamp, Cable  |     |
| 10   | 1320274     | 1              | Clamp, Muffler  |     |
| 11   | 2180348     | 3              | Fitting, Barbed   |     |
| 12   | 2180666     | 1              | Fitting, Barbed   |     |
| 14   | 2540045     | 1              | Grommet   |     |
| 15   | 2720058     | 6.6<br>ft/2.0m | Hose  |     |
| 16   | 2720271     | 6.5 ft/2m      | Hose  |     |
| 17   | 3290605     | 4              | Nut M6  |     |
| 18   | 3290805     | 2              | Nut M8  |     |
| 19   | 3291605     | 1              | Nut M16   |     |
| 20   | 3960464     | 33 in<br>/84cm | Seal  |     |
| 21   | 4811900     | 4              | Washer M8   |     |
| 22   | 4812000     | 2              | Washer M10  |     |
| 23   | 4812102     | 1              | Washer M12  |     |
| 24   | 4812500     | 2              | Washer M20  |     |
| 26   | 1001238004  | 1              | Kubota Engine and Pump Sub-Assembly (See Separate Breakdown in this Section)  |     |
| 27   | 1001118548  | 1              | Tube, Exhaust   |     |
| 28   | 1001190609  | 1              | Fuel Filter/Water Separator Assembly (See Separate Breakdown in this Section) |     |
| 29   | 1001118646  | 1              | Bolt M20 x 80   |     |
| 30   | 1001120087  | 1              | Pad, Wear   |     |
| 31   | 1001120090  | 3              | Shim 1.5  |     |
| 32   | 0100011     | AR             | Compound, Locking   |     |
| 33   | 5251012     | 1              | Bolt M10 x 25   |     |
| 37   | 1001190545  | 1              | Filter, Fuel  |     |





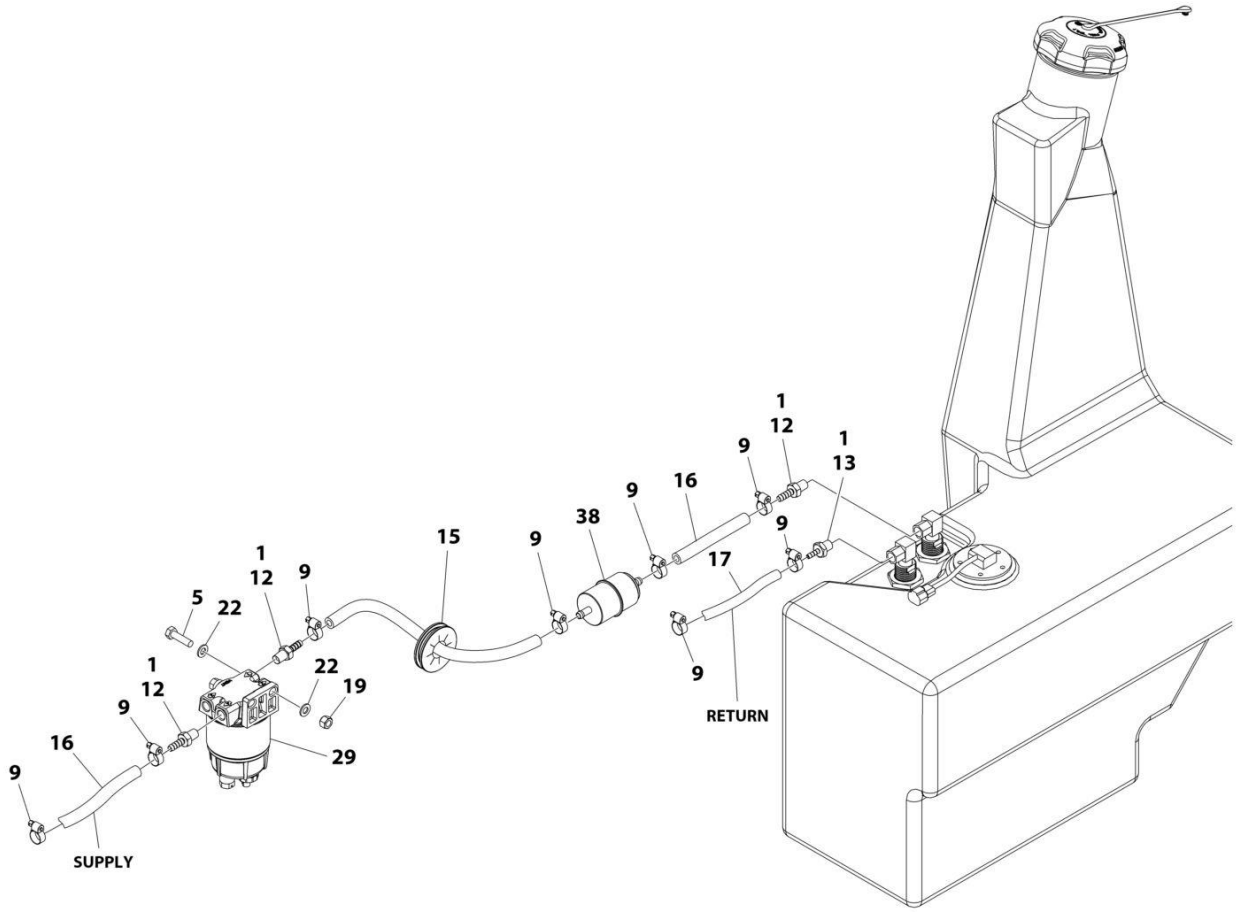
# SECTION 3 - ENGINE

## FIGURE 3-8. KUBOTA ENGINE INSTALLATION WITH 4000W GENERATOR (WITH ARCTIC PACKAGE)



ART\_1001147471\_H\_20F3

# SECTION 3 - ENGINE



ART\_1001147471\_H\_30F3

## SECTION 3 - ENGINE

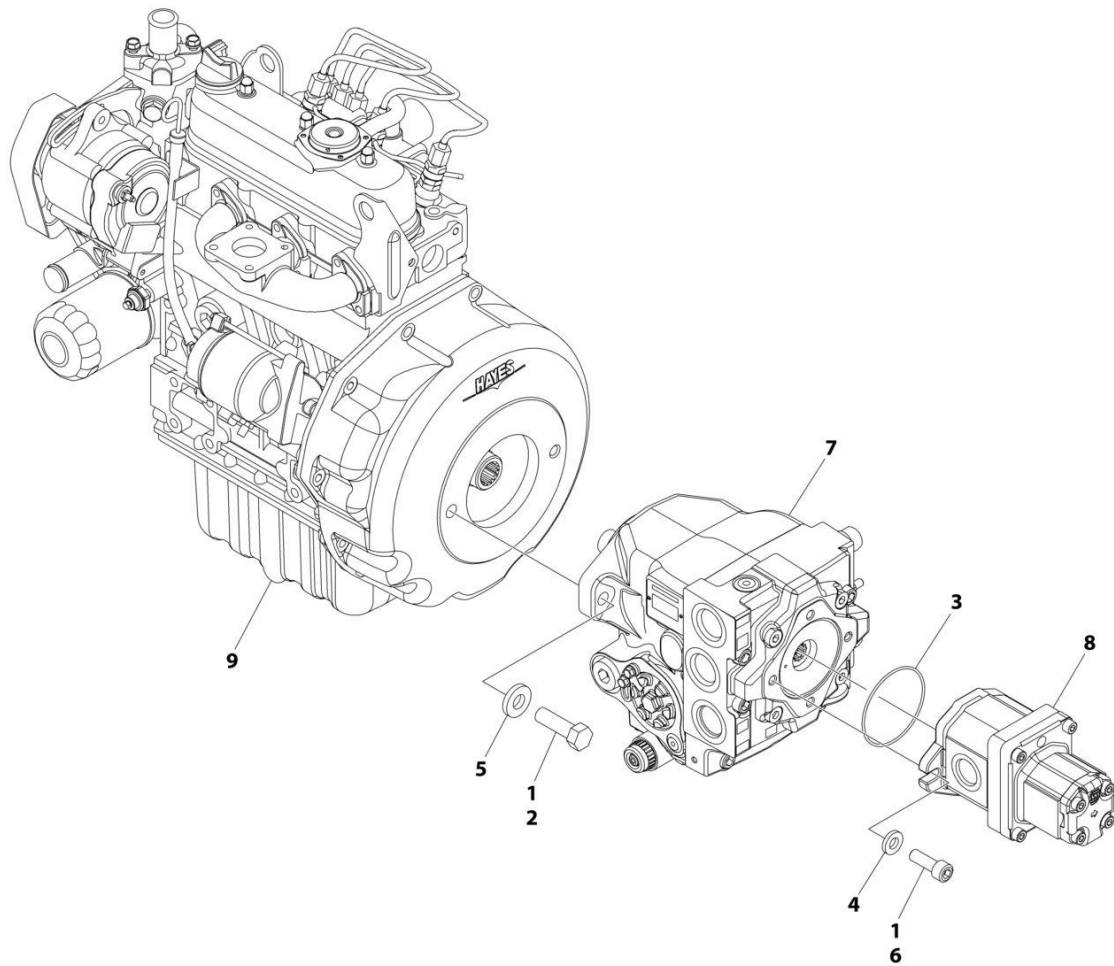
**FIGURE 3-8. KUBOTA ENGINE INSTALLATION WITH 4000W GENERATOR (WITH ARCTIC PACKAGE)**

| ITEM | PART NUMBER | QTY            | DESCRIPTION   | REV |
|------|-------------|----------------|---|-----|
|      | 1001147471  | Ref            | KUBOTA ENGINE INSTALLATION WITH 4000W GENERATOR (WITH ARCTIC PACKAGE)         | H   |
| 1    | 0100020     | AR             | Sealant, Pipe   |     |
| 2    | 0100048     | AR             | Grease, Dielectric  |     |
| 4    | 0760608     | 4              | Bolt M6 x 16  |     |
| 5    | 0760814     | 2              | Bolt M8 x 30  |     |
| 7    | 0761016     | 2              | Bolt M10 x 40   |     |
| 8    | 0761214     | 1              | Bolt M12 x 30   |     |
| 9    | 1320022     | 8              | Clamp, Fuel Line  |     |
| 10   | 1320043     | 1              | Clamp, Cable  |     |
| 11   | 1320274     | 1              | Clamp, Muffler  |     |
| 12   | 2180348     | 3              | Fitting, Barbed   |     |
| 13   | 2180666     | 1              | Fitting, Barbed   |     |
| 15   | 2540045     | 1              | Grommet   |     |
| 16   | 2720058     | 6.6<br>ft/2.0m | Hose  |     |
| 17   | 2720271     | 6.5 ft/2m      | Hose  |     |
| 18   | 3290605     | 4              | Nut M6  |     |
| 19   | 3290805     | 2              | Nut M8  |     |
| 20   | 3291605     | 1              | Nut M16   |     |
| 21   | 3960464     | 33 in<br>/84cm | Seal  |     |
| 22   | 4811900     | 4              | Washer M8   |     |
| 23   | 4812000     | 2              | Washer M10  |     |
| 24   | 4812102     | 1              | Washer M12  |     |
| 25   | 4812500     | 2              | Washer M20  |     |
| 27   | 1001238005  | 1              | Kubota Engine and Pump Sub-Assembly (See Separate Breakdown in this Section)  |     |
| 28   | 1001118548  | 1              | Tube, Exhaust   |     |
| 29   | 1001190609  | 1              | Fuel Filter/Water Separator Assembly (See Separate Breakdown in this Section) |     |
| 30   | 1001118646  | 1              | Bolt M20 x 80   |     |
| 31   | 1001120087  | 1              | Pad, Wear   |     |
| 32   | 1001120090  | 3              | Shim 1.5  |     |
| 33   | 0100011     | AR             | Compound, Locking   |     |
| 34   | 5251012     | 1              | Bolt M10 x 25   |     |
| 38   | 1001190545  | 1              | Filter, Fuel  |     |



# SECTION 3 - ENGINE

## FIGURE 3-9. KUBOTA ENGINE AND PUMP SUB-ASSEMBLY



ART\_1001238004

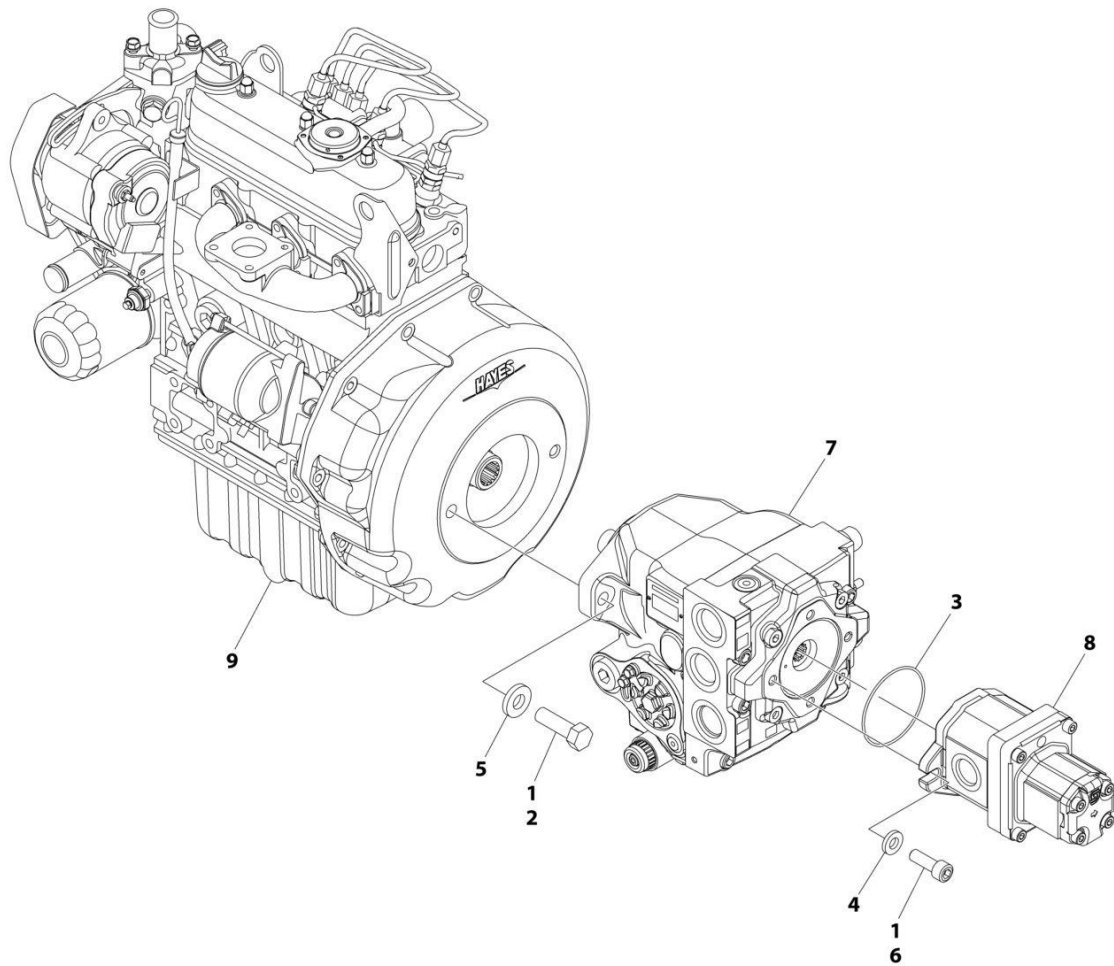
## SECTION 3 - ENGINE

### FIGURE 3-9. KUBOTA ENGINE AND PUMP SUB-ASSEMBLY

| ITEM | PART NUMBER | QTY | DESCRIPTION  | REV |
|------|-------------|-----|--|-----|
|      | 1001238004  | Ref | KUBOTA ENGINE AND PUMP SUB-ASSEMBLY  | B   |
| 1    | 0100011     | AR  | Compound, Locking  |     |
| 2    | 0641813     | 2   | Bolt 1/2 x 1-5/8   |     |
| 3    | 3790152     | 1   | O-Ring   |     |
| 4    | 4891600     | 2   | Washer 3/8   |     |
| 5    | 4891800     | 2   | Washer 1/2   |     |
| 6    | 83191040    | 2   | Capscrew M10 x 30  |     |
| 7    | 1001117028  | 1   | Axial Pump Assembly (See Separate Breakdown in this Section)                         |     |
| 8    | 1001117029  | 1   | Gear Pump Assembly (See Separate Breakdown in this Section)                          |     |
| 9    | 1001238001  | 1   | Kubota Engine Assembly (Use p/n 1001238001) (See Separate Breakdown in this Section) |     |

# SECTION 3 - ENGINE

## FIGURE 3-10. KUBOTA ENGINE WITH 4000W GENERATOR AND PUMP SUB-ASSEMBLY



ART\_1001238005



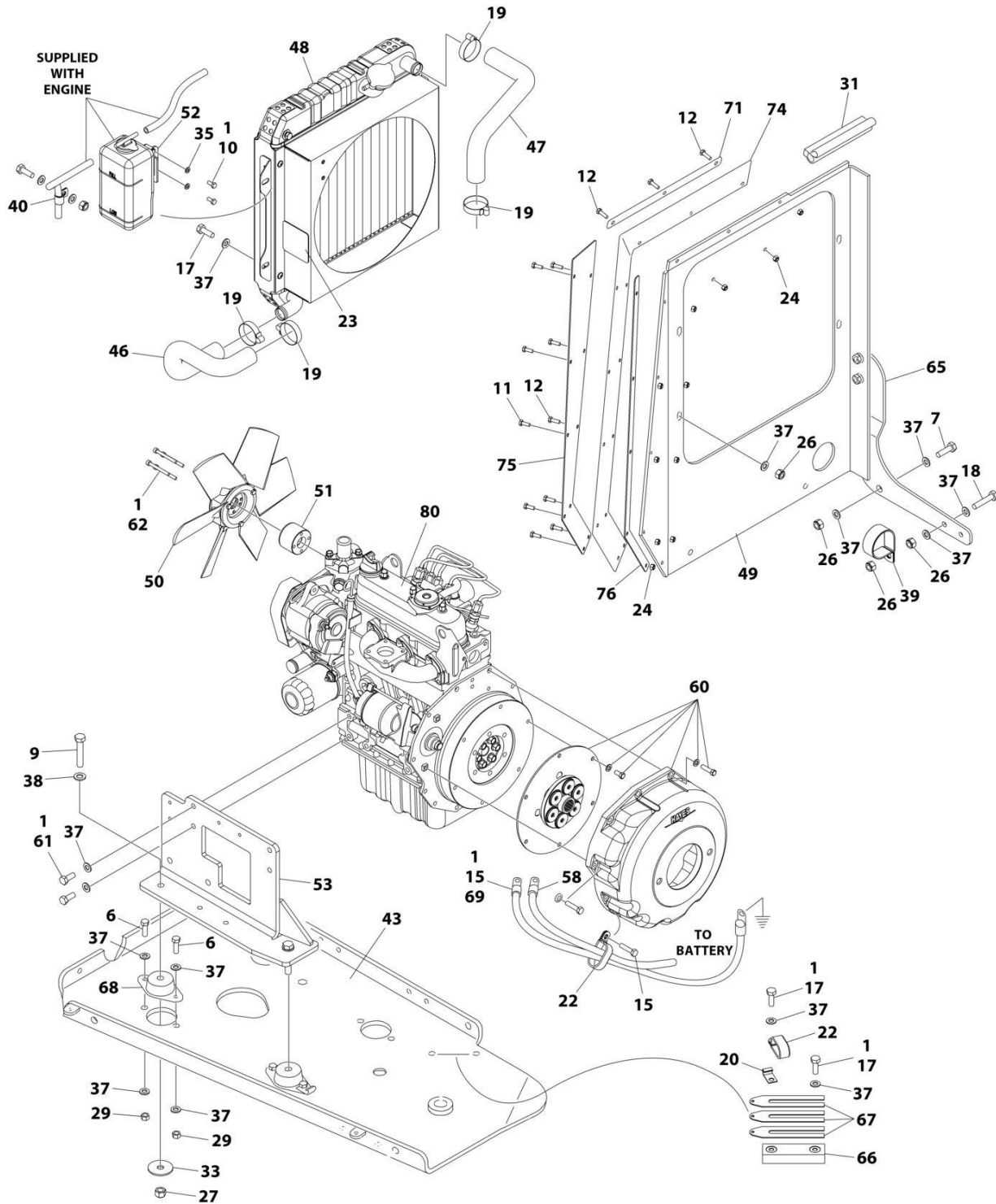
## SECTION 3 - ENGINE

**FIGURE 3-10. KUBOTA ENGINE WITH 4000W GENERATOR AND PUMP SUB-ASSEMBLY**

| ITEM | PART NUMBER | QTY | DESCRIPTION   | REV |
|------|-------------|-----|---|-----|
|      | 1001238005  | Ref | KUBOTA ENGINE WITH 4000W GENERATOR AND PUMP SUB-ASSEMBLY  | B   |
| 1    | 0100011     | AR  | Compound, Locking   |     |
| 2    | 0641813     | 2   | Bolt 1/2 x 1-5/8  |     |
| 3    | 3790152     | 1   | O-Ring  |     |
| 4    | 4891600     | 2   | Washer 3/8  |     |
| 5    | 4891800     | 2   | Washer 1/2  |     |
| 6    | 83191040    | 2   | Capscrew M10 x 30   |     |
| 7    | 1001117028  | 1   | Axial Pump Assembly (See Separate Breakdown in this Section)  |     |
| 8    | 1001117029  | 1   | Gear Pump Assembly (See Separate Breakdown in this Section)   |     |
| 9    | 1001238002  | 1   | Kubota Engine Assembly with 4000W Generator (Use p/n 1001238002) (See Separate Breakdown in this Section) |     |

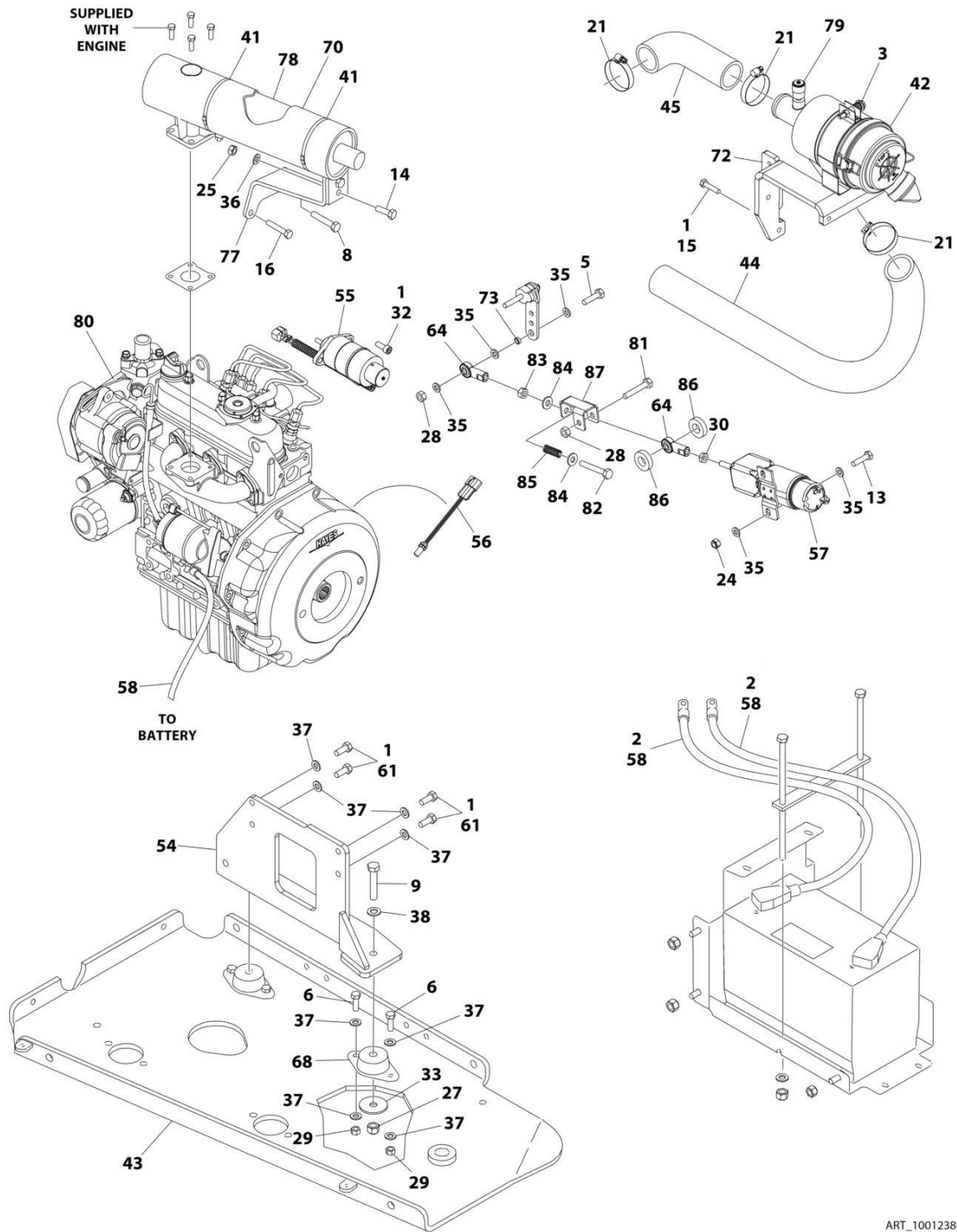
# SECTION 3 - ENGINE

## FIGURE 3-11. KUBOTA ENGINE ASSEMBLY



ART\_1001238001\_C\_10F2

# SECTION 3 - ENGINE



ART\_1001238001\_C\_20F2

# SECTION 3 - ENGINE

## FIGURE 3-11. KUBOTA ENGINE ASSEMBLY

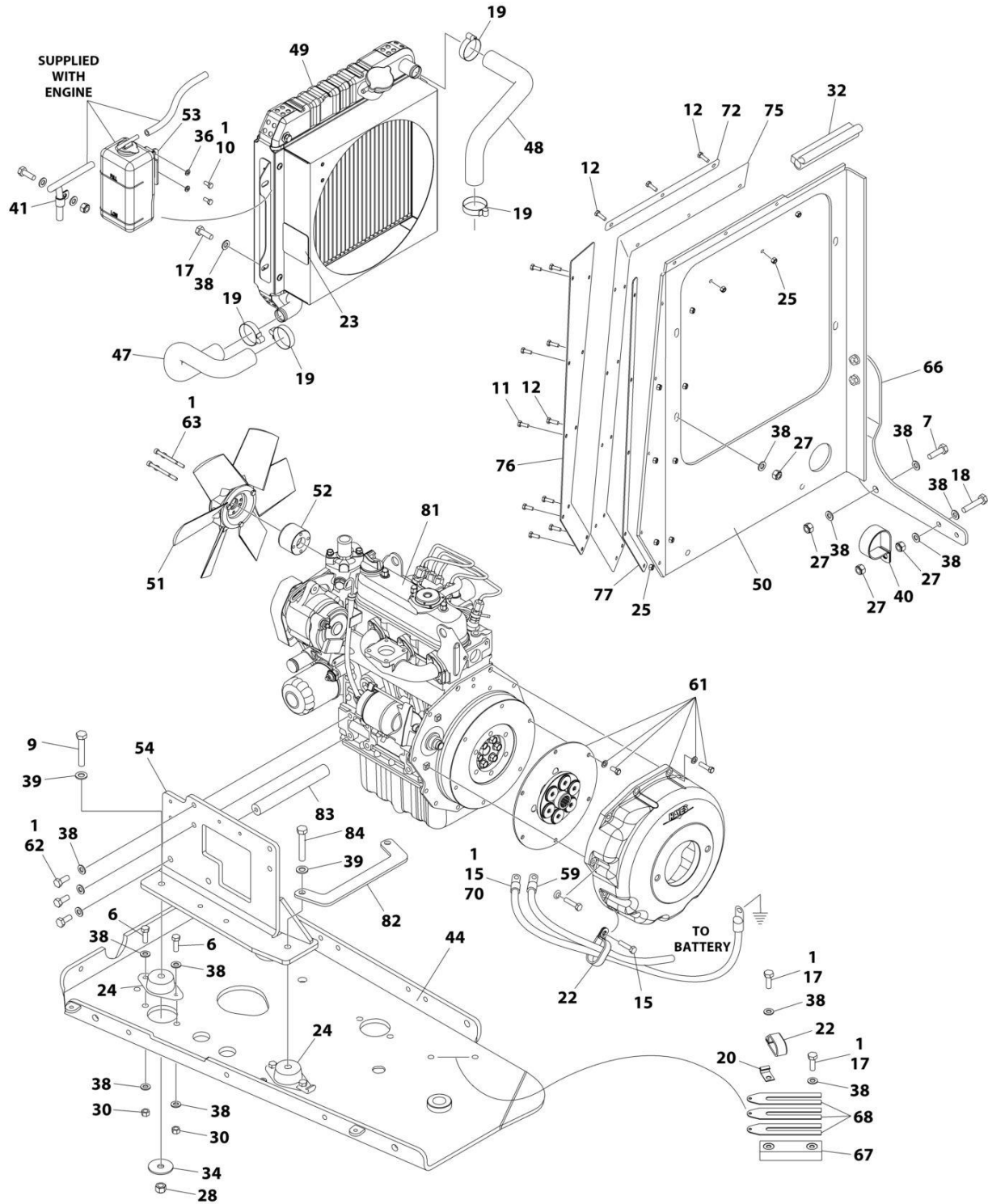
| ITEM | PART NUMBER | QTY             | DESCRIPTION            | REV |
|------|-------------|-----------------|------------------------|-----|
|      | 1001238001  | Ref             | KUBOTA ENGINE ASSEMBLY | C   |
| 1    | 0100011     | AR              | Compound, Locking      |     |
| 2    | 0100048     | AR              | Grease, Dielectric     |     |
| 3    | 0340045     | 1               | Band, Mounting         |     |
| 5    | 0641408     | 1               | Bolt 1/4 x 1           |     |
| 6    | 0641609     | 8               | Bolt 3/8 x 1-1/8       |     |
| 7    | 0701015     | 6               | Bolt M10 x 35          |     |
| 8    | 0701017     | 1               | Bolt M10 x 45          |     |
| 9    | 0701221     | 4               | Bolt M12 x 65          |     |
| 10   | 0760607     | 2               | Bolt M6 x 14           |     |
| 11   | 0760608     | 5               | Bolt M6 x 1.25         |     |
| 12   | 0760610     | 8               | Bolt M6 x 20           |     |
| 13   | 0760612     | 4               | Bolt M6 x 25           |     |
| 14   | 0760812     | 2               | Bolt M8 x 25           |     |
| 15   | 0760815     | 4               | Bolt M8 x 35           |     |
| 16   | 0760817     | 1               | Bolt M8 x 45           |     |
| 17   | 0761014     | 6               | Bolt M10 x 30          |     |
| 18   | 0761018     | 1               | Bolt M10 x 50          |     |
| 19   | 1320012     | 4               | Clamp                  |     |
| 20   | 1320223     | 2               | J-Clip                 |     |
| 21   | 1321682     | 3               | Clamp                  |     |
| 22   | 1321716     | 2               | Clamp                  |     |
| 23   | 1703162     | 2               | Decal - Fan Blade      |     |
| 24   | 3290605     | 17              | Nut M6                 |     |
| 25   | 3290807     | 2               | Nut M8 x 1.25          |     |
| 26   | 3291005     | 12              | Nut M10                |     |
| 27   | 3291205     | 4               | Nut M12                |     |
| 28   | 3311405     | 2               | Nut 1/4                |     |
| 29   | 3311605     | 8               | Nut 3/8                |     |
| 30   | 3321402     | 1               | Nut 1/4                |     |
| 31   | 3960464     | 6.5 in<br>/17cm | Seal                   |     |
| 32   | 4031707     | 2               | Capscrew M6 x 16       |     |
| 33   | 4740274     | 4               | Washer                 |     |
| 35   | 4811700     | 13              | Washer M6              |     |
| 36   | 4811900     | 2               | Washer M8              |     |
| 37   | 4812000     | 48              | Washer M10             |     |
| 38   | 4812100     | 4               | Washer M12             |     |
| 39   | 80673025    | 1               | P-Clamp                |     |
| 40   | 85941016    | 1               | Clamp                  |     |
| 41   | 1001100825  | 2               | Strap                  |     |
| 42   | 1001118280  | 1               | Air Filter Assembly    | A   |
| 42   | 7015004     | 1               | Element, Air Filter    |     |
| 42   | 1340069     | 1               | Valve, Vacuum          |     |
| 42   | 7015005     | 1               | Cover                  |     |
| 43   | 1001118453  | 1               | Tray, Engine           |     |
| 44   | 1001118527  | 1               | Hose, Air Intake       |     |
| 45   | 1001118528  | 1               | Hose, Air Intake       |     |
| 46   | 1001118529  | 1               | Hose, Lower Radiator   |     |
| 47   | 1001118530  | 1               | Hose, Upper Radiator   |     |

## SECTION 3 - ENGINE

| ITEM | PART NUMBER | QTY | DESCRIPTION  | REV |
|------|-------------|-----|--|-----|
| 48   | 1001118531  | 1   | Radiator   |     |
| 48   | 70002899    | 1   | Cap, Radiator  |     |
| 49   | 1001118532  | 1   | Mount, Radiator  |     |
| 50   | 1001118538  | 1   | Fan  |     |
| 51   | 1001118539  | 1   | Spacer, Fan  |     |
| 52   | 1001118540  | 1   | Bracket, Coolant Overflow Tank   |     |
| 53   | 1001118542  | 1   | Plate, LH Front Engine   |     |
| 54   | 1001118543  | 1   | Plate, RH Front Engine   |     |
| 55   | 1001118579  | 1   | Actuator, Kubota Governor  |     |
| 55   | 7023134     | 1   | Gasket, Mounting   |     |
| 56   | 1001118580  | 1   | Sensor, Speed  |     |
| 57   | 1001274140  | 1   | Actuator, Kubota Throttle  |     |
| 58   | 1001118594  | 1   | Battery Cable Kit  |     |
| 58   | 4461231     | 1   | Battery Terminal and Red Cover Only (No Cable)                             |     |
| 58   | 4461232     | 1   | Battery Terminal and Black Cover Only (No Cable)                           |     |
| 59   | 1001118638  | 1   | Harness, Engine (Not Shown - See Separate Breakdown in ELECTRICAL Section) |     |
| 60   | 1001118675  | 1   | Flywheel Housing/Coupling Kit  |     |
| 60   | See Note    | NSS | Coupling Assembly (Note: Use p/n 1001118675)                               |     |
| 60   | See Note    | NSS | Housing (Note: Use p/n 1001118675)   |     |
| 60   | See Note    | NSS | Bolt Kit (Note: Use p/n 1001118675)  |     |
| 61   | 1001118746  | 8   | Bolt M10 x 25  |     |
| 62   | 1001118878  | 4   | Bolt M6 x 55   |     |
| 64   | 1001118925  | 2   | End, Rod with Bearing  |     |
| 65   | 1001119698  | 1   | Gusset, Radiator   |     |
| 66   | 1001120087  | 1   | Pad, Wear  |     |
| 67   | 1001120090  | 3   | Shim   |     |
| 68   | 1001120307  | 4   | Mount, Motor   |     |
| 69   | 1001120450  | 1   | Cable, Ground  |     |
| 70   | 1001121531  | 1   | Insulation, Muffler  |     |
| 71   | 1001123018  | 1   | Plate, Seal Support  |     |
| 72   | 1001272666  | 1   | Bracket, Air Filter  |     |
| 73   | 1001128888  | 1   | Spacer   |     |
| 74   | 1001147365  | 1   | Seal, Radiator Hood  |     |
| 75   | 1001147642  | 1   | Plate, Seal Support  |     |
| 76   | 1001147643  | 1   | Plate, Seal Support  |     |
| 77   | 1001149379  | 1   | Bracket  |     |
| 78   |             | Ref | Muffler Options:   |     |
| 78   | 1001118547  | NLA | Standard (Use p/n 1001151187)  |     |
| 78   | 1001120007  | NLA | Catalytic (Use p/n 1001151188)   |     |
| 79   | 1001170981  | 1   | Indicator, Air Intake Restriction  |     |
| 80   | 1001237999  | 1   | Kubota Engine Components (See Separate Breakdown in this Section)          |     |
| 81   | 0641412     | 1   | Bolt 1/4 x 1-1/2   |     |
| 82   | 0651414     | 1   | Bolt 1/4 x 1-3/4   |     |
| 83   | 3321401     | 1   | Nut 1/4  |     |
| 84   | 4711400     | 2   | Washer 1/4   |     |
| 85   | 1001272948  | 1   | Spring   |     |
| 86   | 1001272950  | 2   | Washer   |     |
| 87   | 1001273101  | 1   | Link   |     |

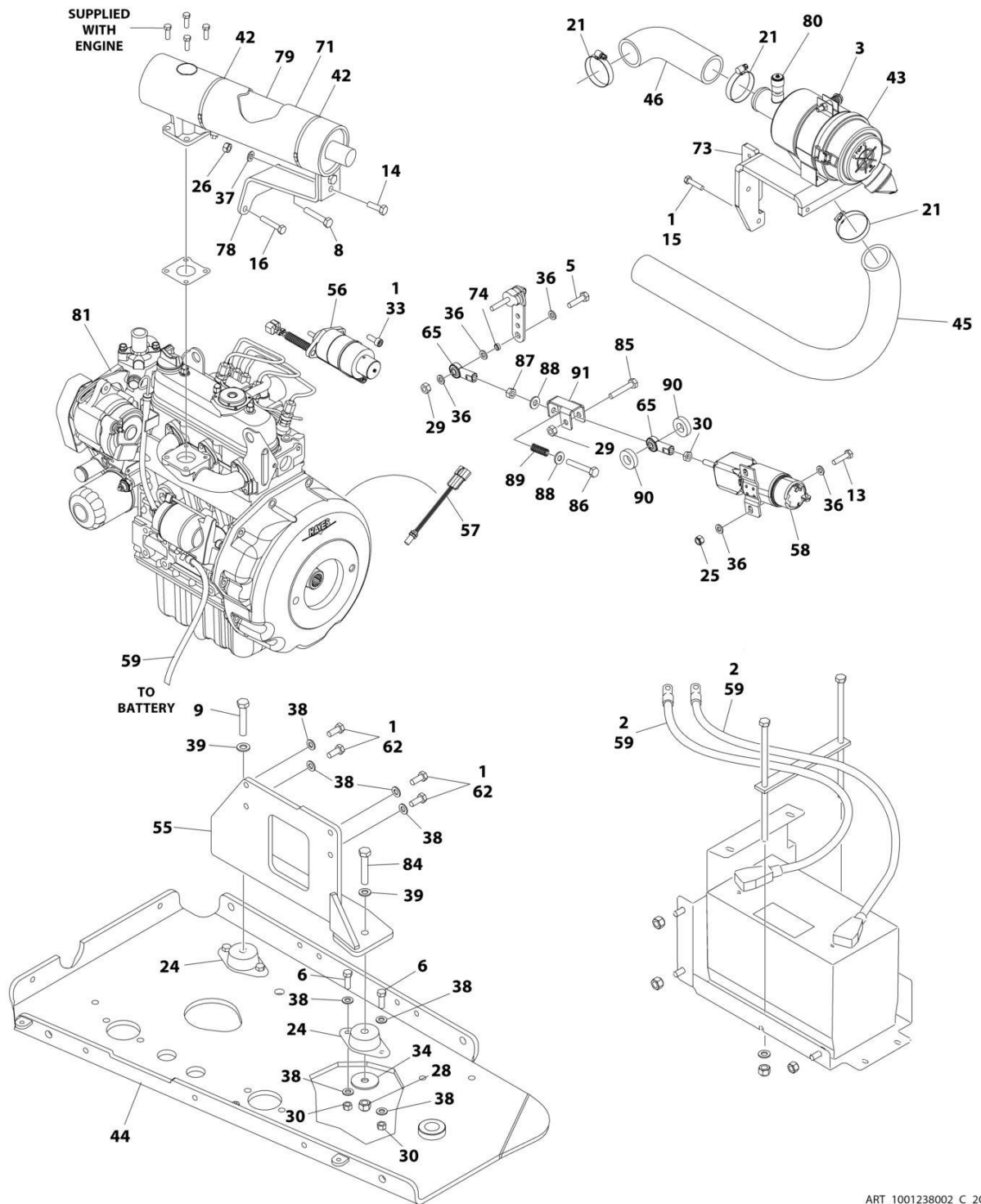
# SECTION 3 - ENGINE

## FIGURE 3-12. KUBOTA ENGINE ASSEMBLY WITH 4000W GENERATOR



ART\_1001238002\_C\_10F2

# SECTION 3 - ENGINE



ART\_1001238002\_C\_20F2

## SECTION 3 - ENGINE

FIGURE 3-12. KUBOTA ENGINE ASSEMBLY WITH 4000W GENERATOR

| ITEM | PART NUMBER | QTY             | DESCRIPTION                                 | REV |
|------|-------------|-----------------|---|-----|
|      | 1001238002  | Ref             | KUBOTA ENGINE ASSEMBLY WITH 4000W GENERATOR | C   |
| 1    | 0100011     | AR              | Compound, Locking                           |     |
| 2    | 0100048     | AR              | Grease, Dielectric                          |     |
| 3    | 0340045     | 1               | Band, Mounting                              |     |
| 5    | 0641408     | 1               | Bolt 1/4 x 1                                |     |
| 6    | 0641609     | 8               | Bolt 3/8 x 1-1/8                            |     |
| 7    | 0701015     | 6               | Bolt M10 x 35                               |     |
| 8    | 0701017     | 1               | Bolt M10 x 45                               |     |
| 9    | 0701221     | 2               | Bolt M12 x 65                               |     |
| 10   | 0760607     | 2               | Bolt M6 x 14                                |     |
| 11   | 0760608     | 5               | Bolt M6 x 1.25                              |     |
| 12   | 0760610     | 8               | Bolt M6 x 20                                |     |
| 13   | 0760612     | 4               | Bolt M6 x 25                                |     |
| 14   | 0760812     | 2               | Bolt M8 x 25                                |     |
| 15   | 0760815     | 4               | Bolt M8 x 35                                |     |
| 16   | 0760817     | 1               | Bolt M8 x 45                                |     |
| 17   | 0761014     | 6               | Bolt M10 x 30                               |     |
| 18   | 0761018     | 1               | Bolt M10 x 50                               |     |
| 19   | 1320012     | 4               | Clamp                                       |     |
| 20   | 1320223     | 2               | J-Clip                                      |     |
| 21   | 1321682     | 3               | Clamp                                       |     |
| 22   | 1321716     | 2               | Clamp                                       |     |
| 23   | 1703162     | 2               | Decal - Fan Blade                           |     |
| 24   | 3200378     | 4               | Mount, Motor                                |     |
| 25   | 3290605     | 17              | Nut M6                                      |     |
| 26   | 3290807     | 2               | Nut M8 x 1.25                               |     |
| 27   | 3291005     | 12              | Nut M10                                     |     |
| 28   | 3291205     | 4               | Nut M12                                     |     |
| 29   | 3311405     | 2               | Nut 1/4                                     |     |
| 30   | 3311605     | 8               | Nut 3/8                                     |     |
| 31   | 3321402     | 1               | Nut 1/4                                     |     |
| 32   | 3960464     | 6.5 in<br>/17cm | Seal  |     |
| 33   | 4031707     | 2               | Capscrew M6 x 16                            |     |
| 34   | 4740274     | 4               | Washer                                      |     |
| 36   | 4811700     | 13              | Washer M6                                   |     |
| 37   | 4811900     | 2               | Washer M8                                   |     |
| 38   | 4812000     | 50              | Washer M10                                  |     |
| 39   | 4812100     | 4               | Washer M12                                  |     |
| 40   | 80673025    | 1               | P-Clamp                                     |     |
| 41   | 85941016    | 1               | Clamp                                       |     |
| 42   | 1001100825  | 2               | Strap                                       |     |
| 43   | 1001118280  | 1               | Air Filter Assembly                         | A   |
| 43   | 7015004     | 1               | Element, Air Filter                         |     |
| 43   | 1340069     | 1               | Valve, Vacuum                               |     |
| 43   | 7015005     | 1               | Cover                                       |     |
| 44   | 1001118453  | 1               | Tray, Engine                                |     |
| 45   | 1001118527  | 1               | Hose, Air Intake                            |     |
| 46   | 1001118528  | 1               | Hose, Air Intake                            |     |
| 47   | 1001118529  | 1               | Hose, Lower Radiator                        |     |



## SECTION 3 - ENGINE

| ITEM | PART NUMBER | QTY | DESCRIPTION  | REV |
|------|-------------|-----|--|-----|
| 48   | 1001118530  | 1   | Hose, Upper Radiator   |     |
| 49   | 1001118531  | 1   | Radiator   |     |
| 49   | 70002899    | 1   | Cap, Radiator  |     |
| 50   | 1001118532  | 1   | Mount, Radiator  |     |
| 51   | 1001118538  | 1   | Fan  |     |
| 52   | 1001118539  | 1   | Spacer, Fan  |     |
| 53   | 1001118540  | 1   | Bracket, Coolant Overflow Tank   |     |
| 54   | 1001118542  | 1   | Plate, LH Front Engine   |     |
| 55   | 1001118543  | 1   | Plate, RH Front Engine   |     |
| 56   | 1001118579  | 1   | Actuator, Kubota Governor  |     |
| 56   | 7023134     | 1   | Gasket, Mounting   |     |
| 57   | 1001118580  | 1   | Sensor, Speed  |     |
| 58   | 1001274140  | 1   | Actuator, Kubota Throttle  |     |
| 59   | 1001118594  | 1   | Battery Cable Kit  |     |
| 59   | 4461231     | 1   | Battery Terminal and Red Cover Only (No Cable)                             |     |
| 59   | 4461232     | 1   | Battery Terminal and Black Cover Only (No Cable)                           |     |
| 60   | 1001118638  | 1   | Harness, Engine (Not Shown - See Separate Breakdown in ELECTRICAL Section) |     |
| 61   | 1001118675  | 1   | Flywheel Housing/Coupling Kit  |     |
| 61   | See Note    | NSS | Coupling Assembly (Note: Use p/n 1001118675)                               |     |
| 61   | See Note    | NSS | Housing (Note: Use p/n 1001118675)   |     |
| 61   | See Note    | NSS | Bolt Kit (Note: Use p/n 1001118675)  |     |
| 62   | 1001118746  | 10  | Bolt M10 x 25  |     |
| 63   | 1001118878  | 4   | Bolt M6 x 55   |     |
| 65   | 1001118925  | 2   | End, Rod with Bearing  |     |
| 66   | 1001119698  | 1   | Gusset, Radiator   |     |
| 67   | 1001120087  | 1   | Pad, Wear  |     |
| 68   | 1001120090  | 3   | Shim   |     |
| 70   | 1001120450  | 1   | Cable, Ground  |     |
| 71   | 1001121531  | 1   | Insulation, Muffler  |     |
| 72   | 1001123018  | 1   | Plate, Seal Support  |     |
| 73   | 1001272666  | 1   | Bracket, Air Filter  |     |
| 74   | 1001128888  | 1   | Spacer   |     |
| 75   | 1001147365  | 1   | Seal, Radiator Hood  |     |
| 76   | 1001147642  | 1   | Plate, Seal Support  |     |
| 77   | 1001147643  | 1   | Plate, Seal Support  |     |
| 78   | 1001149379  | 1   | Bracket  |     |
| 79   |             | Ref | Muffler Options:   |     |
| 79   | 1001118547  | NLA | Standard (Use p/n 1001151187)  |     |
| 79   | 1001120007  | NLA | Catalytic (Use p/n 1001151188)   |     |
| 80   | 1001170981  | 1   | Indicator, Air Intake Restriction  |     |
| 81   | 1001237999  | 1   | Kubota Engine Components (See Separate Breakdown in this Section)          |     |
| 82   | 1001243034  | 1   | Brace  |     |
| 83   | 1001243035  | 1   | Brace  |     |
| 84   | 0701222     | 2   | Bolt M12 x 70  |     |
| 85   | 0641412     | 1   | Bolt 1/4 x 1-1/2   |     |
| 86   | 0651414     | 1   | Bolt 1/4 x 1-3/4   |     |
| 87   | 3321401     | 1   | Nut 1/4  |     |
| 88   | 4711400     | 2   | Washer 1/4   |     |
| 89   | 1001272948  | 1   | Spring   |     |
| 90   | 1001272950  | 2   | Washer   |     |

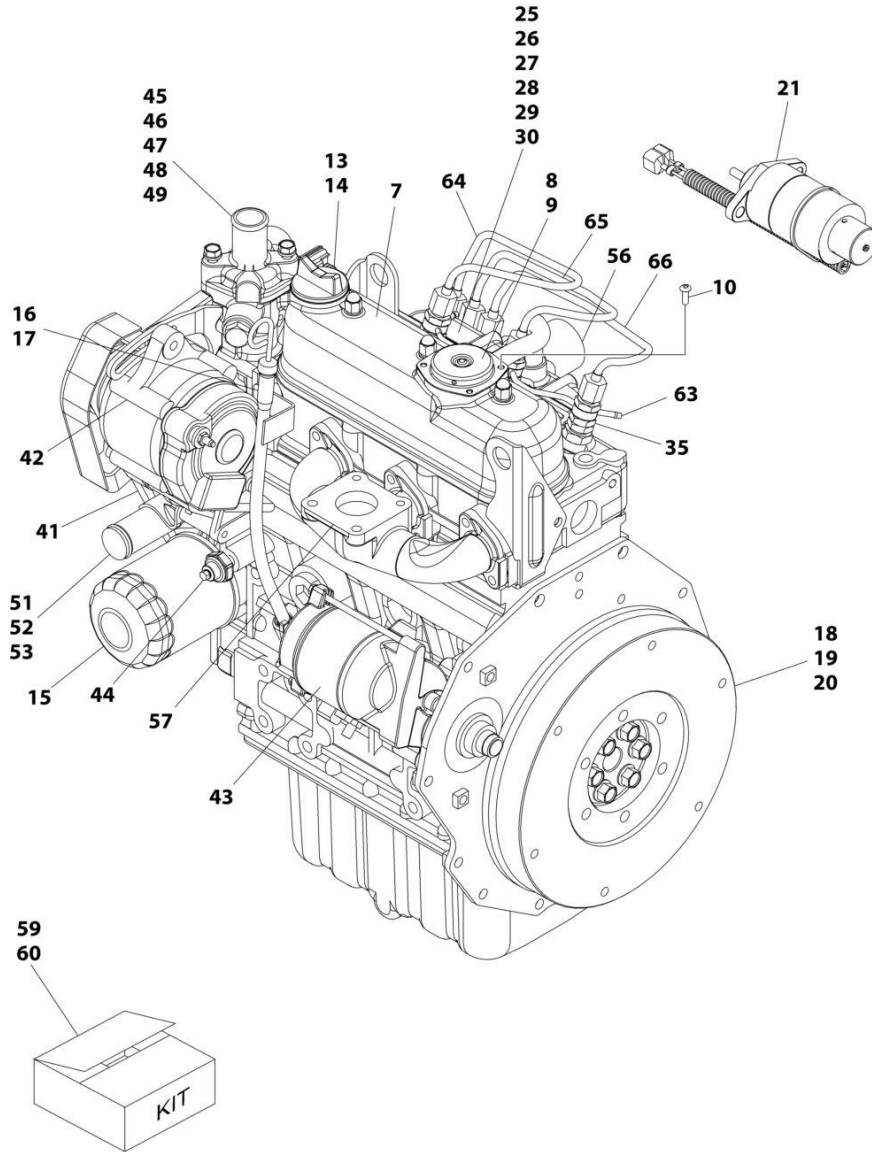
## SECTION 3 - ENGINE

| ITEM | PART NUMBER | QTY | DESCRIPTION | REV |
|------|-------------|-----|-------------|-----|
| 91   | 1001273101  | 1   | Link        |     |



# SECTION 3 - ENGINE

## FIGURE 3-13. KUBOTA ENGINE COMPONENTS



ART\_1001237999

## SECTION 3 - ENGINE

**FIGURE 3-13. KUBOTA ENGINE COMPONENTS**

| ITEM | PART NUMBER | QTY | DESCRIPTION                             | REV |
|------|-------------|-----|---|-----|
|      | 1001237999  | Ref | KUBOTA ENGINE COMPONENTS                | A   |
| 1    | 7017954     | 22  | Bolt, Oil Pan (Not Shown)               |     |
| 2    | 7023154     | 1   | Plug, Drain (Not Shown)                 |     |
| 3    | 70002315    | 1   | Gasket, Oil Pan (Not Shown)             |     |
| 4    | 7017911     | 14  | Bolt, Cylinder Head (Not Shown)         |     |
| 5    | 7023156     | 1   | Gasket, Gear Case (Not Shown)           |     |
| 6    | 7023157     | 1   | Seal, Oil (Not Shown)                   |     |
| 7    | 7023132     | 1   | Gasket, Valve Cover                     |     |
| 8    | 70003060    | 1   | Breather, Comp Valve                    |     |
| 9    | 70003061    | 1   | Cover, Breather                         |     |
| 10   | 7017934     | 4   | Screw, Pan Head                         |     |
| 11   | 70002316    | 1   | Pipe, Water Return (Not Shown)          |     |
| 12   | 70002317    | 1   | Tube, Breather (Not Shown)              |     |
| 13   | 70002318    | 1   | Plug, Oil Fill                          |     |
| 14   | 70004311    | 1   | O-Ring, Oil Fill Plug                   |     |
| 15   | 70004395    | 1   | Filter, Oil                             |     |
| 16   | 7023160     | 1   | Dipstick                                |     |
| 17   | 70003062    | 1   | Tube, Dipstick                          |     |
| 18   | 70001934    | 1   | Flywheel Assembly                       |     |
| 19   | 70001140    | 1   | Gear, Ring                              |     |
| 20   | 70001935    | 6   | Bolt, Flywheel                          |     |
| 21   | 7025479     | NLA | Solenoid, Stop (Use p/n 1001118579)     |     |
| 22   | 7017945     | 1   | Joint, Eye (Not Shown)                  |     |
| 23   | 7023162     | 1   | Tube, Fuel Assembly (Not Shown)         |     |
| 24   | 7023163     | 1   | Tube, Fuel (Not Shown)                  |     |
| 25   | 7023164     | 1   | Pump, Fuel Injection                    |     |
| 26   | 70002319    | 1   | Shim .175mm                             |     |
| 27   | 70002320    | 1   | Shim .200mm                             |     |
| 28   | 70002321    | 1   | Shim .250mm                             |     |
| 29   | 70002322    | 1   | Shim .300mm                             |     |
| 30   | 70002323    | 1   | Shim .350mm                             |     |
| 31   | 7023136     | 1   | Spring, Governor (Not Shown)            |     |
| 32   | 7023165     | 1   | Gasket, Governor (Not Shown)            |     |
| 33   | 70004396    | 1   | Plate Assembly, Control (Not Shown)     |     |
| 34   | 70004397    | 6   | Gasket, Speed Control Plate (Not Shown) |     |
| 35   | 70004399    | 3   | Nozzle Holder Kit                       |     |
| 35   | 7023167     | 3   | Gasket, Glow Plug                       |     |
| 35   | 7023168     | 3   | Seal                                    |     |
| 37   | 70004398    | 3   | Plug, Glow (Not Shown)                  |     |
| 37   | 70004544    | 3   | Cord, Glow Plug (Not Shown)             |     |
| 38   | 70004399    | 1   | Kit, Nozzle Holder                      |     |
| 39   | 7023139     | 1   | Fuel Pump Assembly                      |     |
| 40   | 70004400    | 1   | Gasket, Fuel Pump                       |     |
| 41   | 7023141     | 1   | V-Belt                                  |     |
| 42   | 7017955     | 1   | Alternator                              |     |
| 43   | 7023144     | 1   | Starter                                 |     |
| 44   | 7017901     | 1   | Switch, Oil                             |     |
| 45   | 70003064    | 1   | Sensor, Water Temperature               |     |
| 46   | 70003063    | 1   | Seal, Water Temperature Sensor          |     |
| 47   | 7023145     | 1   | Gasket, Water Flange                    |     |

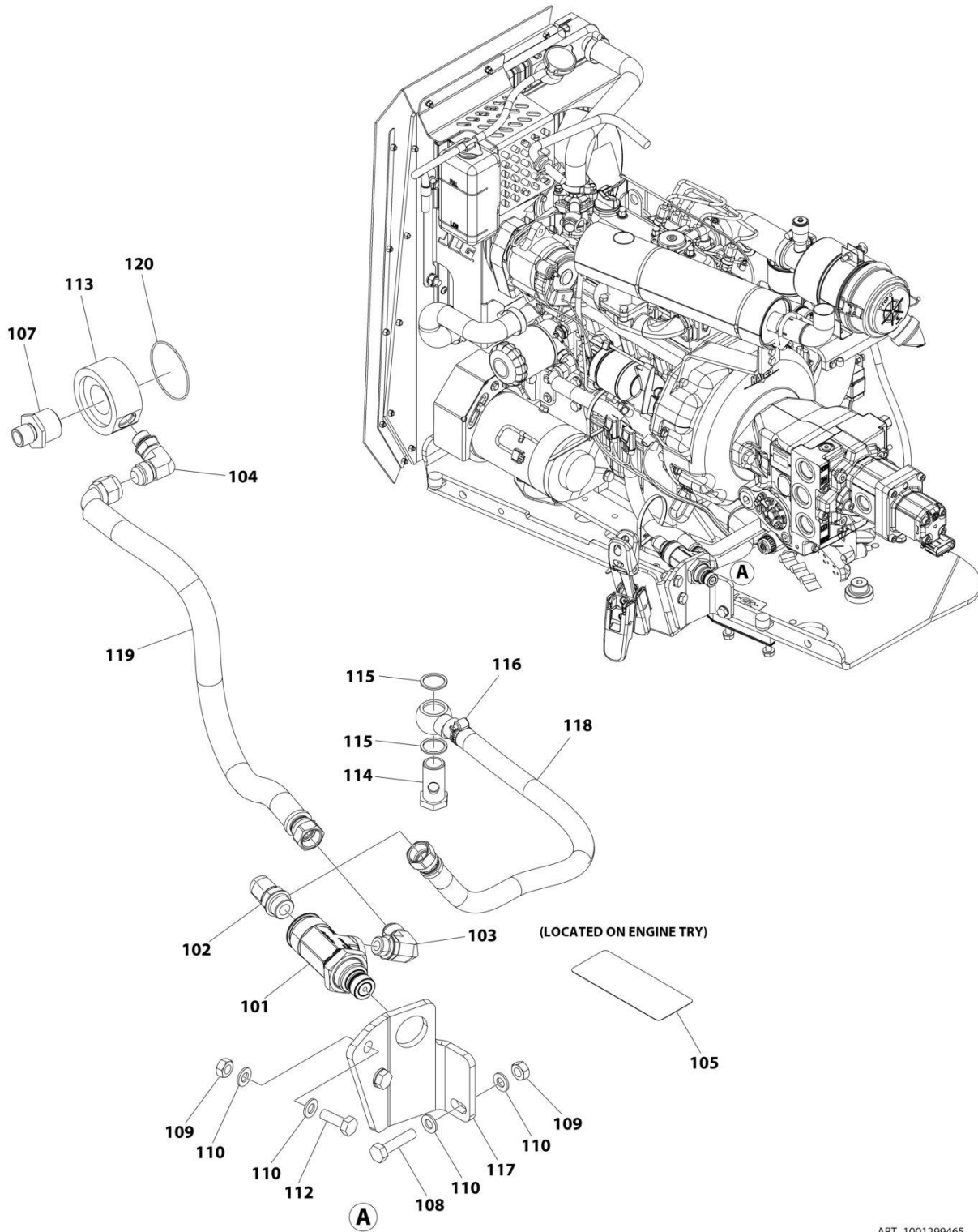
## SECTION 3 - ENGINE

| ITEM | PART NUMBER | QTY | DESCRIPTION  | REV |
|------|-------------|-----|--|-----|
| 48   | 7023170     | 1   | Thermostat   |     |
| 49   | 7022326     | 1   | Gasket, Thermostat Housing to Engine Block   |     |
| 50   | 70002327    | 1   | Pump, Water (Not Shown)  |     |
| 51   | 70002328    | 1   | Gasket, Water Pump   |     |
| 52   | 7017963     | 1   | Pipe, Water (Lower)  |     |
| 53   | 70002330    | 1   | Pipe, Water (Upper)  |     |
| 54   | 4400498     | 1   | Reserve Tank (Not Shown)   |     |
| 55   | 70004401    | 1   | Decal - Caution (Not Shown)  |     |
| 56   | 7023149     | 1   | Gasket, Air Intake Manifold  |     |
| 57   | 7023148     | 1   | Gasket, Exhaust Manifold to Engine Block   |     |
| 58   | 7023124     | 1   | Gasket, Exhaust Manifold to Muffler (Not Shown)  |     |
| 59   | 70003066    | 1   | Upper Gasket Kit (Includes Qty 1 Each of Cylinder Head, Valve Cover, Intake Manifold to Block, Exhaust Manifold to Block, Exhaust Manifold Gasket to Muffler, Thermostat Housing to Block, Thermostat Housing to Neck Gaskets and Fuel System Seals and O-Rings and Qty 6 Valve Stem Seals.) |     |
| 60   | 70003067    | 1   | Lower Gasket Kit (Includes Qty 1 Each of Gear Case, Brg. Case, Gasket, Fuel Pump Gasket, Water Pump Gasket, Oil Pan Gasket, Oil Seal, O-Rings and Qty 6 Valve Stem Seals.)   |     |
| 61   | 70004524    | 1   | Valve, Drain (Not Shown)   |     |
| 62   | 70005220    | 1   | Gasket, Cylinder Head (Not Shown)  |     |
| 63   | 70004536    | 1   | Pipe, Over Flow  |     |
| 63   | 70004537    | 1   | Screw (Air Bleeder)  |     |
| 63   | 70004538    | 1   | Seal   |     |
| 63   | 70004539    | 1   | Pipe, Over Flow (Injector to Rail)   |     |
| 64   | 70004541    | 1   | Pipe, Injection  |     |
| 65   | 70004542    | 1   | Pipe, Injection  |     |
| 66   | 70004543    | 1   | Pipe, Injection  |     |



# SECTION 3 - ENGINE

## FIGURE 3-14. QUICKFIT OIL DRAIN INSTALLATION (KUBOTA 2.5L DF)



ART\_1001299465



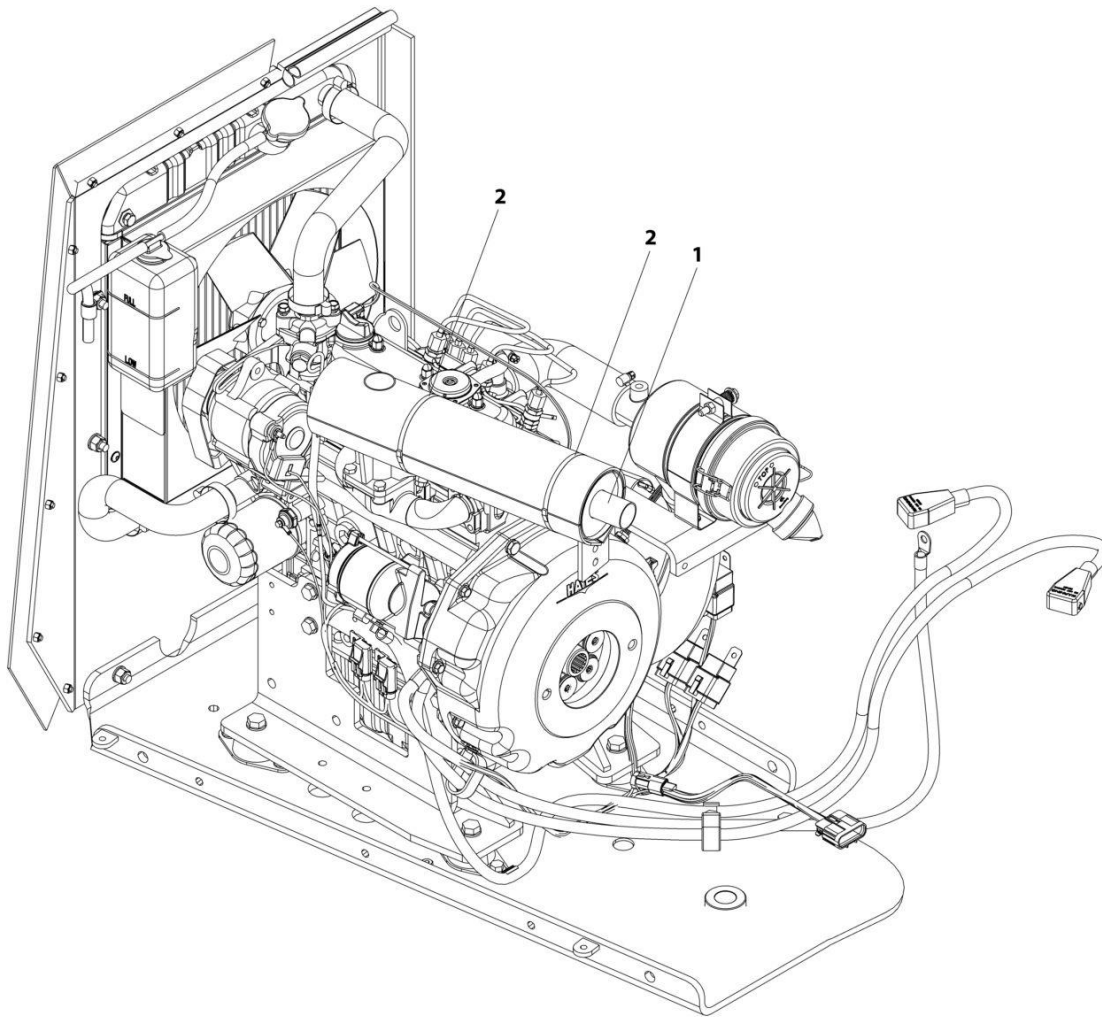
## SECTION 3 - ENGINE

**FIGURE 3-14. QUICKFIT OIL DRAIN INSTALLATION (KUBOTA 2.5L DF)**

| ITEM | PART NUMBER | QTY | DESCRIPTION                                  | REV |
|------|-------------|-----|--|-----|
|      | 1001299465  | Ref | QUICKFIT OIL DRAIN INSTALLATION (KUBOTA)     | B   |
| 1    | 1001299466  | 1   | Valve, Quickfit (Kubota 1.1L DL) (Not Shown) |     |
| 101  | 1001281298  | 1   | Valve, Small Quickfit                        |     |
| 102  | 1001281301  | 1   | Fitting, 90                                  |     |
| 103  | 1001281307  | 1   | Fitting, 90                                  |     |
| 104  | 1001281359  | 1   | Valve, Check Valve                           |     |
| 105  | 1001281360  | 1   | Decal - Quickfit                             |     |
| 106  | 1001281656  | AR  | Tie-Strap (Not Shown)                        |     |
| 107  | 1001290257  | 1   | Fitting, Nipple Filter                       |     |
| 108  | 1001290378  | 1   | Bolt M10 x 45                                |     |
| 109  | 1001290381  | 3   | Nut M10                                      |     |
| 110  | 1001290384  | 6   | Washer M10                                   |     |
| 111  | 1001290385  | 5   | Mount, Tie-Strap (Not Shown)                 |     |
| 112  | 1001291852  | 2   | Bolt M10 x 30                                |     |
| 113  | 1001295066  | 1   | Filter                                       |     |
| 114  | 1001297092  | 1   | Bolt M22 x 1.5                               |     |
| 115  | 1001297093  | 2   | Washer                                       |     |
| 116  | 1001297094  | 1   | Clamp  |     |
| 117  | 1001299467  | 1   | Bracket                                      |     |
| 118  | 1001299468  | 1   | Hose   |     |
| 119  | 1001299470  | 1   | Hose   |     |
| 120  | 1001299890  | 1   | O-Ring                                       |     |

## SECTION 3 - ENGINE

FIGURE 3-15. CATALYTIC MUFFLER INSTALLATION - KUBOTA ENGINE (OPTIONAL)



ART\_1001120013

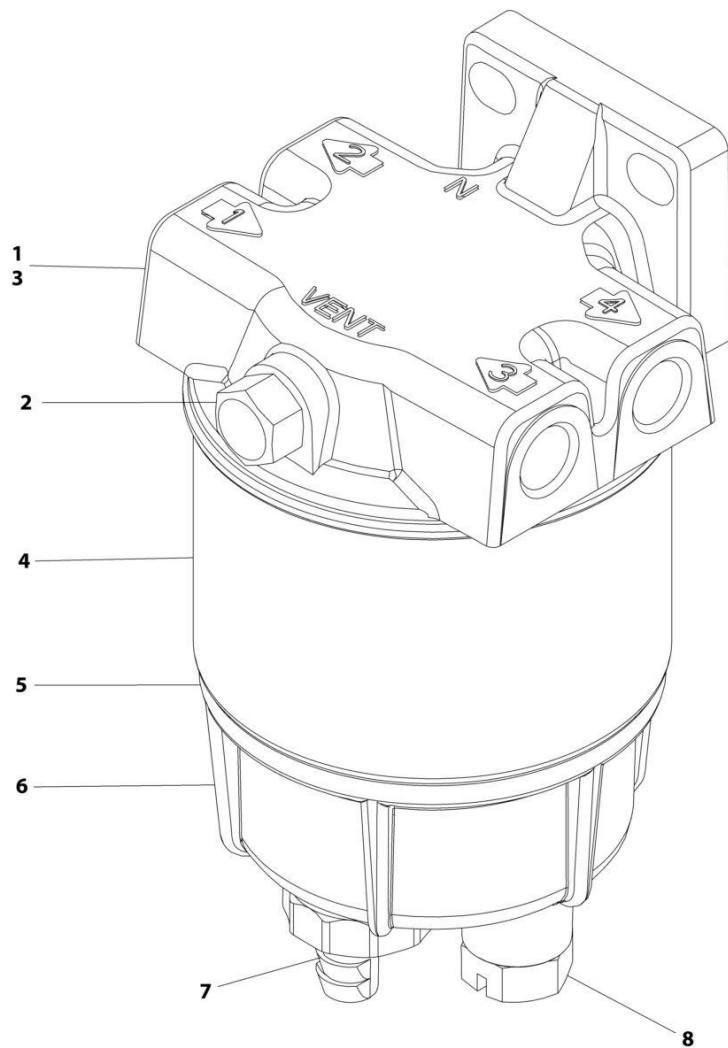
## SECTION 3 - ENGINE

**FIGURE 3-15. CATALYTIC MUFFLER INSTALLATION - KUBOTA ENGINE (OPTIONAL)**

| ITEM | PART NUMBER | QTY | DESCRIPTION  | REV |
|------|-------------|-----|--|-----|
|      | 1001120013  | Ref | CATALYTIC MUFFLER INSTALLATION - KUBOTA ENGINES (OPTIONAL) | C   |
| 1    | 1001151188  | 1   | Muffler, Catalytic   |     |
| 2    | 1001100825  | 2   | Strap, Ball-Lok Tie  |     |

## SECTION 3 - ENGINE

FIGURE 3-16. FUEL/WATER SEPARATOR ASSEMBLY (KUBOTA ENGINES) (PVC2007)



ART\_1001190609

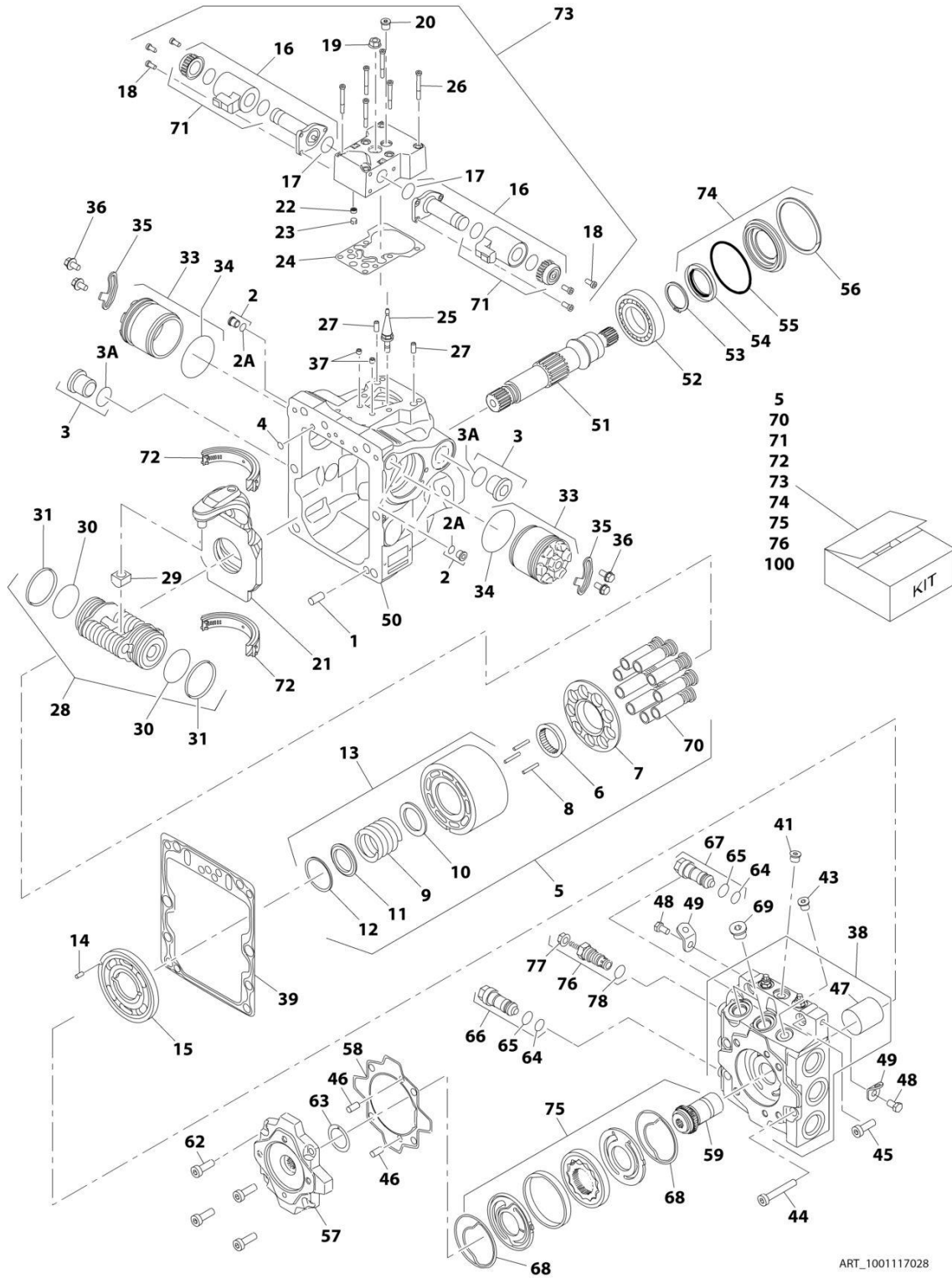
## SECTION 3 - ENGINE

**FIGURE 3-16. FUEL/WATER SEPARATOR ASSEMBLY (KUBOTAT ENGINES) (PVC2007)**

| ITEM | PART NUMBER | QTY | DESCRIPTION                                    | REV |
|------|-------------|-----|--|-----|
|      | 1001190609  | Ref | FUEL/WATER SEPARATOR ASSEMBLY - DIESEL ENGINES | B   |
| 1    | 70005293    | 1   | Head, Mounting                                 |     |
| 2    | 70005294    | 1   | Plug   |     |
| 3    | 70005295    | 1   | Gasket, Head                                   |     |
| 4    | 70005296    | 1   | Element  |     |
| 5    | 70005297    | 1   | O-Ring   |     |
| 6    | 70002901    | 1   | Bowl   |     |
| 7    | 70004070    | 1   | Drain, Self Venting                            |     |
| 8    | 70004069    | 1   | Plug   |     |

# SECTION 3 - ENGINE

## FIGURE 3-17. AXIAL PUMP ASSEMBLY



ART\_1001117028

## SECTION 3 - ENGINE

### FIGURE 3-17. AXIAL PUMP ASSEMBLY

| ITEM | PART NUMBER | QTY | DESCRIPTION   | REV |
|------|-------------|-----|---|-----|
|      | 1001117028  | Ref | AXIAL PUMP ASSEMBLY   | F   |
| 1    | 70002132    | 2   | Pin   |     |
| 2    | 70002133    | 2   | Plug  |     |
| 2A   | See Note    | NSS | O-Ring (Note: Use Item 2)   |     |
| 3    | 7007439     | 2   | Plug  |     |
| 3A   | See Note    | NSS | O-Ring (Note: Use Item 3)   |     |
| 4    | 70002134    | 2   | Screen  |     |
| 5    | 70002135    | 1   | Cylinder Block and Piston Kit (Includes Items 6-9 & 70)           |     |
| 6    | 70002137    | 1   | Guide   |     |
| 7    | 70002138    | 1   | Retainer  |     |
| 8    | 7021275     | 3   | Pin   |     |
| 9    | See Note    | NSS | Cylinder Block Assembly (Includes Items 10-13) (Note: Use Item 5) |     |
| 10   | 70002140    | 1   | Washer  |     |
| 11   | 70002141    | 1   | Washer  |     |
| 12   | 70002142    | 1   | Ring, Retaining   |     |
| 13   | 70002139    | 1   | Spring  |     |
| 14   | 7007446     | 1   | Pin   |     |
| 15   | 70002601    | 1   | Plate, Valve  |     |
| 16   | 70002147    | 2   | Solenoid Valve Assembly (Includes Items 17, 18 & 71)              |     |
| 17   | 70002148    | 2   | O-Ring (Part of Item 16)  |     |
| 18   | 70002150    | 6   | Screw (Part of Item 73)   |     |
| 19   | 7022301     | 1   | Nut, Seal (Part of Item 73)                                       |     |
| 20   | 70002151    | 1   | Plug (Part of Item 73)  |     |
| 21   | 70002152    | 1   | Swash Plate   |     |
| 22   | 70002134    | 1   | Screen (Part of Item 73)  |     |
| 23   | 70002153    | 1   | Ring, Locking (Part of Item 73)                                   |     |
| 24   | 70002154    | 1   | Gasket (Part of Item 73)  |     |
| 25   | 70002155    | 1   | Link  |     |
| 26   | 70002156    | 6   | Screw   |     |
| 27   | 70002157    | 2   | Pin   |     |
| 28   | 70002158    | 1   | Servo Piston Assembly (Includes Items 29-31)                      |     |
| 29   | 70002159    | 1   | Block, Slider (Part of Item 28)                                   |     |
| 30   | 70002160    | 2   | O-Ring (Part of Item 28)  |     |
| 31   | 70002161    | 2   | Ring, Piston (Part of Item 28)                                    |     |
| 33   | 70002603    | 2   | Servo Cylinder Assembly (Includes Item 34)                        |     |
| 34   | 70002163    | 2   | O-Ring (Part of Item 33)  |     |
| 35   | 70002164    | 2   | Plate, Locking  |     |
| 36   | 70002165    | 4   | Screw   |     |
| 37   | 70002166    | 2   | Orifice   |     |
| 38   | 70002863    | 1   | Cap, End (Includes Item 47)                                       |     |
| 39   | 70002168    | 1   | Gasket  |     |
| 40   | 70001958    | 1   | Plug (Not Shown)  |     |
| 41   | 70001958    | 1   | Plug  |     |
| 42   | 70001958    | 1   | Plug (Not Shown)  |     |
| 43   | 70001958    | 2   | Plug  |     |
| 44   | 70002169    | 4   | Screw   |     |
| 45   | 70002170    | 2   | Screw   |     |
| 46   | 70002132    | 2   | Pin   |     |
| 47   | 70002172    | 1   | Bearing, Journal (Part of Item 38)                                |     |

## SECTION 3 - ENGINE

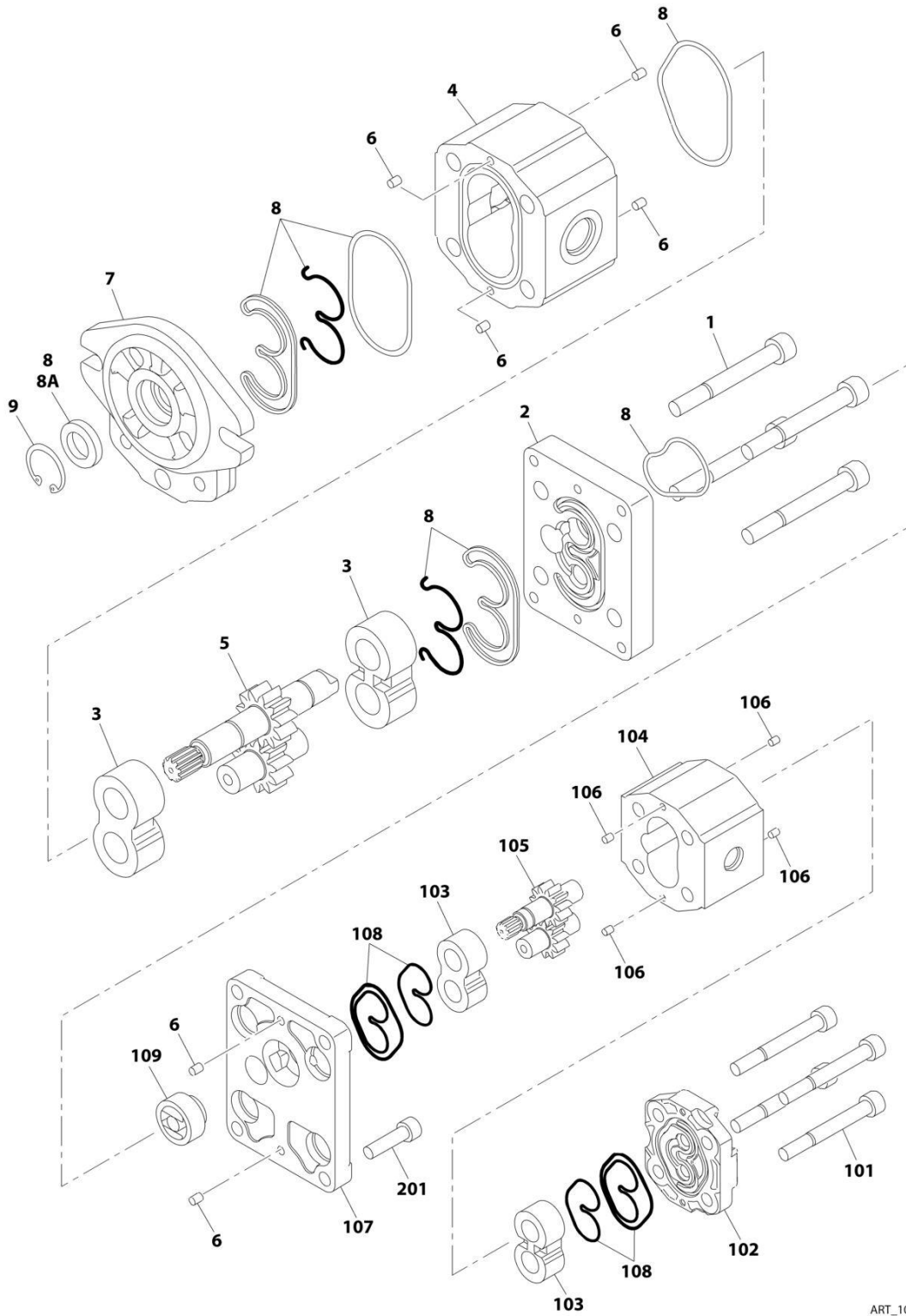
| ITEM | PART NUMBER | QTY | DESCRIPTION   | REV |
|------|-------------|-----|---|-----|
| 48   | 70002165    | 2   | Screw   |     |
| 49   | 7022340     | 2   | Bracket, Lifting  |     |
| 50   | See Note    | NSS | Housing (Note: Not Available - Purchase Complete Assembly)  |     |
| 51   | 70002175    | 1   | Shaft   |     |
| 52   | 70002176    | 1   | Bearing   |     |
| 53   | 7007439     | 1   | Ring, Retaining   |     |
| 54   | 70002177    | 1   | Seal, Lip (Part of Item 74)   |     |
| 55   | 70002178    | 1   | O-Ring (Part of Item 74)  |     |
| 56   | 70002179    | 1   | Ring, Retaining (Part of Item 74)   |     |
| 57   | 70002180    | 1   | Adapter, Pump   |     |
| 58   | 70002181    | 1   | Seal  |     |
| 59   | 70002864    | 1   | Coupling  |     |
| 62   | 70002185    | 4   | Screw   |     |
| 63   | 70002186    | 1   | Plate, Thrust   |     |
| 64   | 70002187    | 2   | O-Ring (Part of Items 66 & 67)  |     |
| 65   | 70002865    | 2   | O-Ring (Part of Items 66 & 67)  |     |
| 66   | 70002866    | 1   | Valve, Relief   |     |
| 67   | 70002866    | 1   | Valve, Relief   |     |
| 68   | 70002867    | 2   | Ring, Seal (Part of Item 68)  |     |
| 69   | 7023964     | 2   | Plug  |     |
| 70   | 70002136    | 1   | Piston Kit (Includes Qty 9 Pistons) (Part of Item 5)  |     |
| 71   | 70002149    | 2   | Coil Kit (Part of Items 16 & 73)  |     |
| 72   | 70002145    | 1   | Bearing Kit   |     |
| 73   | 70002146    | 1   | EDC Kit (Includes Items 16-20, 22-24, 26 & 71)  |     |
| 74   | 70002174    | 1   | Shaft Seal Kit (Includes Items 54, 55 & 56) (Note: This is a universal kit and will contain extra pieces that are not used on this pump assembly) |     |
| 75   | 70002868    | 1   | Charge Pump Kit (Includes Item 68)  |     |
| 76   | 70002191    | 1   | Charge Relief Valve Kit (Includes Items 77 & 78)  |     |
| 77   | 70222301    | 1   | Nut, Seal (Part of Item 76)   |     |
| 78   | 7007415     | 1   | O-Ring (Part of Item 76)  |     |
| 100  | 70002192    | 1   | Seal Kit (Includes Items 24, 30, 31, 34, 39, 54, 55, 58, 64, 65, 68, 77 & 78)   |     |





# SECTION 3 - ENGINE

## FIGURE 3-18. GEAR PUMP ASSEMBLY



ART\_1001117029

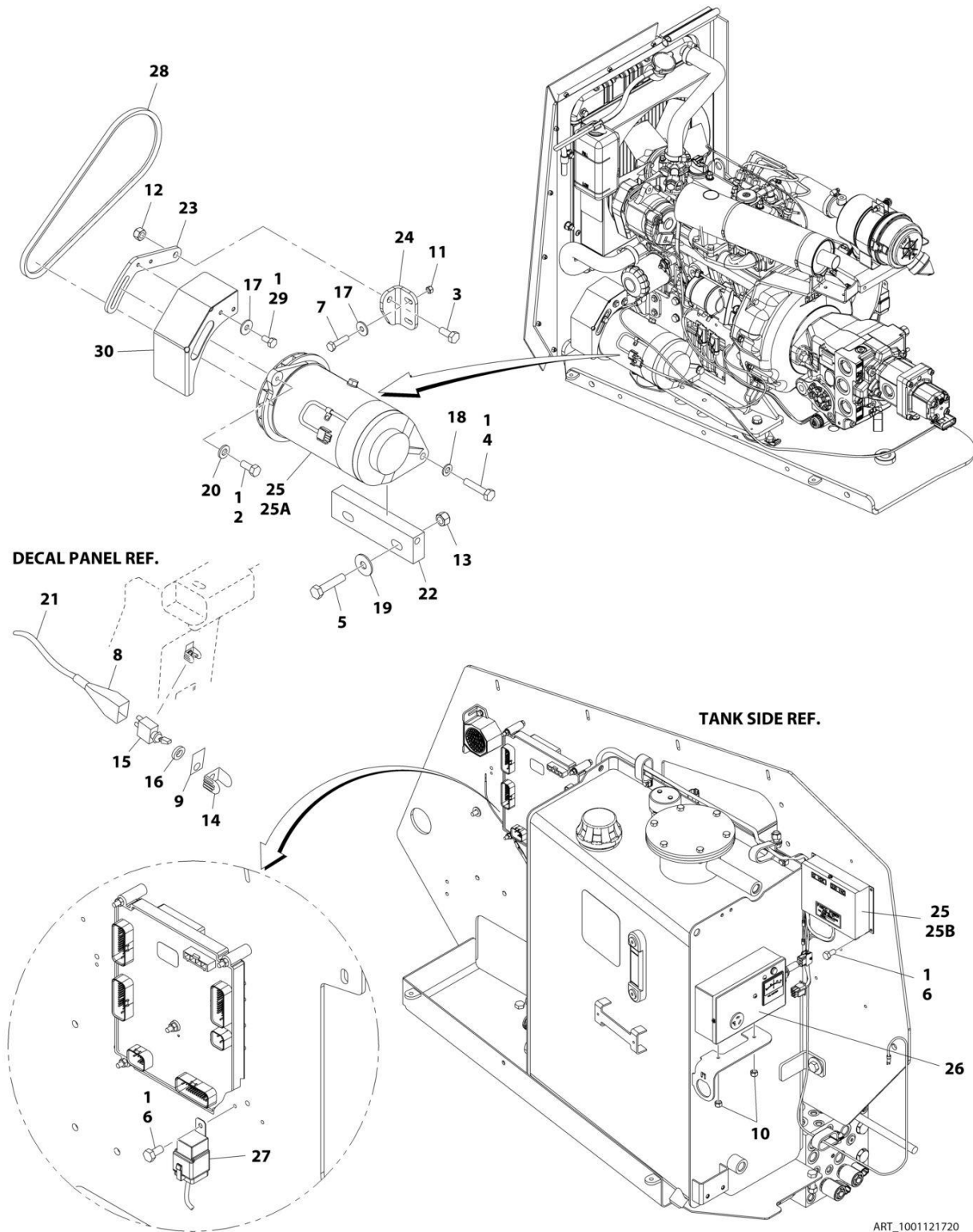
## SECTION 3 - ENGINE

### FIGURE 3-18. GEAR PUMP ASSEMBLY

| ITEM | PART NUMBER | QTY | DESCRIPTION  | REV |
|------|-------------|-----|--|-----|
|      | 1001117029  | Ref | GEAR PUMP ASSEMBLY                                   | A   |
|      |             | Ref | Note: For Items without P/Ns, replace complete pump. |     |
|      |             | Ref | Front Section Components                             |     |
| 1    | See Note    | 4   | Bolt   |     |
| 2    | See Note    | 1   | Plate, End   |     |
| 3    | See Note    | 2   | Bearing  |     |
| 4    | See Note    | 1   | Housing  |     |
| 5    | See Note    | 1   | Drive Shaft Set                                      |     |
| 6    | See Note    | 6   | Pin, Dowel   |     |
| 7    | See Note    | 1   | Plate, Front   |     |
| 8    | 70002860    | 1   | Seal Kit   |     |
| 8A   | 70002577    | NLA | Seal, Lip (Use Item 8)                               |     |
| 9    | 70002862    | 1   | Ring, Retaining                                      |     |
|      |             | Ref | Rear Section Components                              |     |
| 101  | See Note    | 4   | Bolt   |     |
| 102  | See Note    | 1   | Plate, End   |     |
| 103  | See Note    | 2   | Bearing  |     |
| 104  | See Note    | 1   | Housing  |     |
| 105  | See Note    | 1   | Drive Shaft Set                                      |     |
| 106  | See Note    | 4   | Pin, Dowel   |     |
| 107  | See Note    | 1   | Plate, Front   |     |
| 108  | 70002861    | 1   | Seal Kit   |     |
| 109  | See Note    | 1   | Coupling   |     |
| 201  | See Note    | 4   | Bolt   |     |

# SECTION 3 - ENGINE

## FIGURE 3-19. 2800W GENERATOR INSTALLATION - GM ENGINE MACHINES 220V/50HZ GENERATOR (ANSI EXPORT AND CHINA SPECS)



## SECTION 3 - ENGINE

**FIGURE 3-19. 2800W GENERATOR INSTALLATION - GM ENGINE MACHINES 220V/50HZ  
GENERATOR (ANSI EXPORT AND CHINA SPECS)**

| ITEM | PART NUMBER | QTY | DESCRIPTION  | REV |
|------|-------------|-----|--|-----|
|      | 1001121720  | Ref | 2800W GENERATOR INSTALLATION - GM ENGINE MACHINES<br>220V/50HZ GENERATOR | D   |
| 1    | 0100011     | AR  | Compound, Locking  |     |
| 2    | 0641506     | 1   | Bolt 5/16-18 x 3/4   |     |
| 3    | 0701012     | 1   | Bolt M10 x 25  |     |
| 4    | 0701018     | 2   | Bolt M10 x 50  |     |
| 5    | 0701219     | 2   | Bolt M12 x 55  |     |
| 6    | 0760505     | 5   | Bolt M5 x 10   |     |
| 7    | 0760612     | 2   | Bolt M6 x 25   |     |
| 8    | 2820031     | AR  | Heat Shrink  |     |
| 9    | 3251102     | 1   | Nameplate - Generator  |     |
| 10   | 3290505     | 2   | Nut M5   |     |
| 11   | 3290605     | 2   | Nut M6   |     |
| 12   | 3291005     | 1   | Nut M10  |     |
| 13   | 3291205     | 2   | Nut M12  |     |
| 14   | 4060802     | 1   | Guard, Switch  |     |
| 15   | 4360336     | 1   | Switch, Toggle   |     |
| 16   | 4740397     | 1   | Washer   |     |
| 17   | 4811702     | 4   | Washer M6  |     |
| 18   | 4812000     | 2   | Washer M10   |     |
| 19   | 4812102     | 2   | Washer M12   |     |
| 20   | 4891500     | 1   | Washer 5/16  |     |
| 21   | 4922641     | 1   | Harness, On/Off Switch   |     |
| 22   | 1001119551  | 1   | Mount, Generator   |     |
| 23   | 1001119553  | 1   | Arm, Adjustment  |     |
| 24   | 1001119554  | 1   | Support, Arm   |     |
| 25   | 1001119589  | 1   | Generator and Voltage Regulator Assembly                                 | C   |
| 25A  | 1001100321  | 1   | Generator  |     |
| 25A  | 70000123    | 1   | Armature with Slip Rings   |     |
| 25A  | 7020109     | 4   | Holder, Brush  |     |
| 25A  | 7020108     | 4   | Brush  |     |
| 25A  | 7012513     | 4   | Cap, Brush Holder  |     |
| 25A  | 7012514     | 1   | Fan  |     |
| 25A  | 7020190     | 2   | Bearing  |     |
| 25A  | 7020110     | 1   | End Bell, Front  |     |
| 25A  | 7020111     | 1   | End Bell, Rear   |     |
| 25A  | 70003069    | 1   | Cord, Power  |     |
| 25A  | 70003070    | 1   | Pulley   |     |
| 25A  | 7027887     | 1   | Key, Woodruff  |     |
| 25B  | 70002238    | 1   | Regulator, Voltage   |     |
| 26   | 1001119634  | 1   | Control Box Assembly   | B   |
| 26   | 70000126    | 1   | Circuit Breaker  |     |
| 26   | 7020192     | 1   | Voltmeter  |     |
| 26   | 70000124    | 1   | Receptacle, Double   |     |
| 26   | 70000125    | 1   | Receptacle, Single Twist Lock  |     |
| 26   | 2920162     | 1   | Lamp   |     |
| 26   | 70002237    | 1   | Diode  |     |
| 26   | 3520028     | 1   | Plug, Hole   |     |

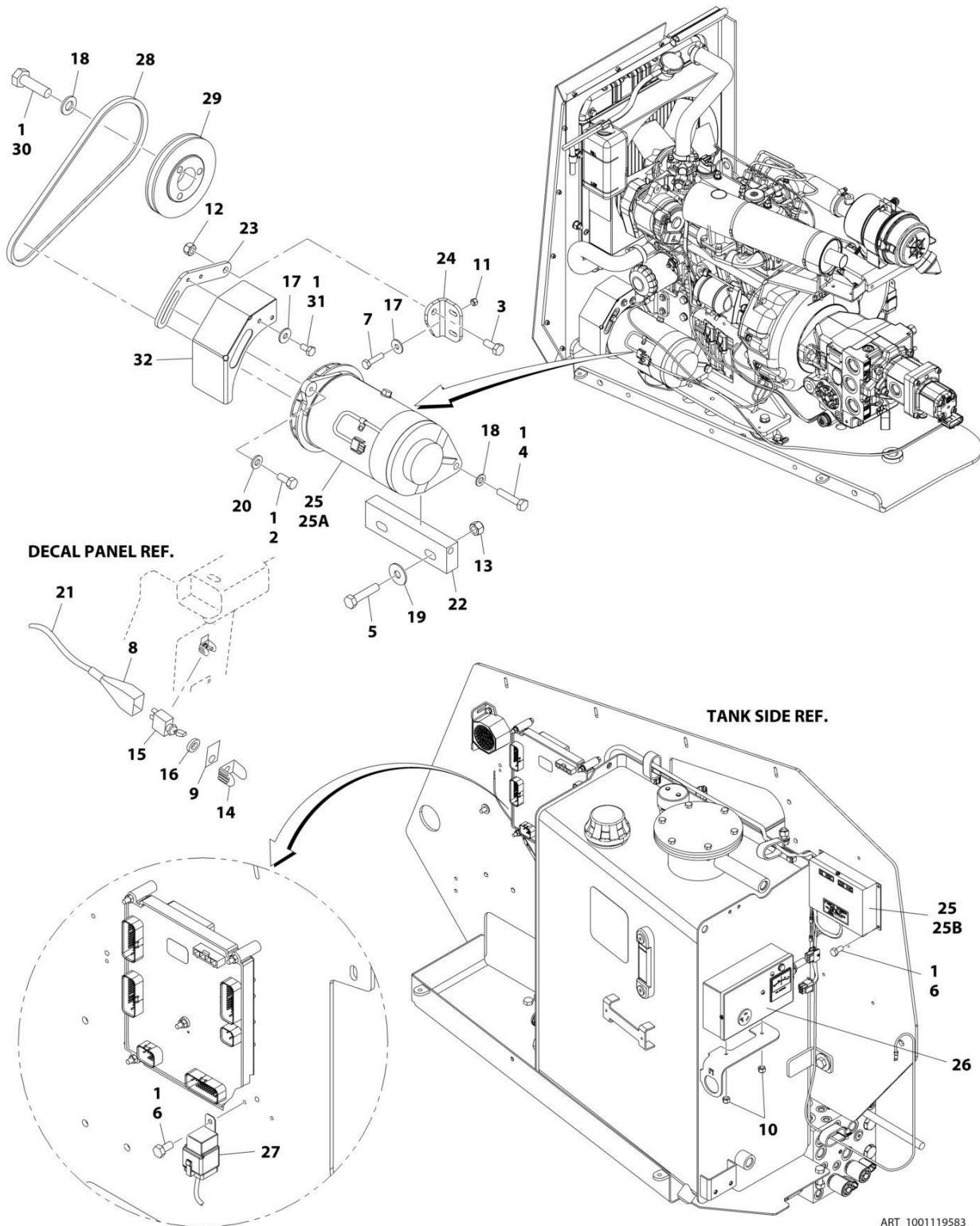
## SECTION 3 - ENGINE

| ITEM | PART NUMBER | QTY | DESCRIPTION   | REV |
|------|-------------|-----|---|-----|
| 27   | 1001119773  | 1   | Harness, Generator (See Separate Breakdown in ELECTRICAL SECTION) |     |
| 28   | 1001119882  | 1   | V-Belt  |     |
| 29   | 0760606     | 2   | Bolt M6 x 12  |     |
| 30   | 1001125118  | 1   | Shield, Pulley  |     |



# SECTION 3 - ENGINE

## FIGURE 3-20. 2800W GENERATOR INSTALLATION - KUBOTA ENGINE MACHINES 120V/50HZ GENERATOR





## SECTION 3 - ENGINE

**FIGURE 3-20. 2800W GENERATOR INSTALLATION - KUBOTA ENGINE MACHINES 120V/50HZ GENERATOR**

| ITEM | PART NUMBER | QTY | DESCRIPTION   | REV |
|------|-------------|-----|---|-----|
|      | 1001119583  | Ref | 2800W GENERATOR INSTALLATION - KUBOTA ENGINE MACHINES 120V/50HZ GENERATOR | E   |
| 1    | 0100011     | AR  | Compound, Locking   |     |
| 2    | 0641506     | 1   | Bolt 5/16-18 x 3/4  |     |
| 3    | 0701012     | 1   | Bolt M10 x 25   |     |
| 4    | 0701018     | 2   | Bolt M10 x 50   |     |
| 5    | 0701219     | 2   | Bolt M12 x 55   |     |
| 6    | 0760505     | 5   | Bolt M5 x 10  |     |
| 7    | 0760612     | 2   | Bolt M6 x 25  |     |
| 8    | 2820031     | AR  | Heat Shrink   |     |
| 9    | 3251102     | 1   | Nameplate - Generator   |     |
| 10   | 3290505     | 2   | Nut M5  |     |
| 11   | 3290605     | 2   | Nut M6  |     |
| 12   | 3291005     | 1   | Nut M10   |     |
| 13   | 3291205     | 2   | Nut M12   |     |
| 14   | 4060802     | 1   | Guard, Switch   |     |
| 15   | 4360336     | 1   | Switch, Toggle  |     |
| 16   | 4740397     | 1   | Washer  |     |
| 17   | 4811702     | 4   | Washer M6   |     |
| 18   | 4812000     | 5   | Washer M10  |     |
| 19   | 4812102     | 2   | Washer M12  |     |
| 20   | 4891500     | 1   | Washer 5/16   |     |
| 21   | 4922641     | 1   | Harness, On/Off Switch  |     |
| 22   | 1001119551  | 1   | Mount, Generator  |     |
| 23   | 1001119553  | 1   | Arm, Adjustment   |     |
| 24   | 1001119554  | 1   | Support, Arm  |     |
| 25   | 1001119587  | 1   | Generator Assembly  | C   |
| 25A  | 2460049     | 1   | Generator   |     |
| 25A  | 70000122    | 1   | Armature with Slip Rings  |     |
| 25A  | 7020109     | 4   | Holder, Brush   |     |
| 25A  | 7020108     | 4   | Brush   |     |
| 25A  | 7012513     | 4   | Cap, Brush Holder   |     |
| 25A  | 7012514     | 1   | Fan   |     |
| 25A  | 7020190     | 2   | Bearing   |     |
| 25A  | 7020110     | 1   | End Bell, Front   |     |
| 25A  | 7020111     | 1   | End Bell, Rear  |     |
| 25A  | 70003069    | 1   | Cord, Power   |     |
| 25A  | 70003070    | 1   | Pulley  |     |
| 25A  | 7027887     | 1   | Key, Woodruff   |     |
| 25B  | 7026525     | 1   | Regulator, Voltage  |     |
| 26   | 1001119633  | 1   | Control Box Assembly  | B   |
| 26   | 70002240    | 1   | Circuit Breaker   |     |
| 26   | 2420203     | 1   | Voltmeter   |     |
| 26   | 7020152     | 1   | Receptacle, Double  |     |
| 26   | 70003137    | 1   | Receptacle, Single Twist Lock   |     |
| 26   | 2920162     | 1   | Lamp  |     |
| 26   | 70002237    | 1   | Diode   |     |
| 26   | 3520028     | 1   | Plug, Hole  |     |

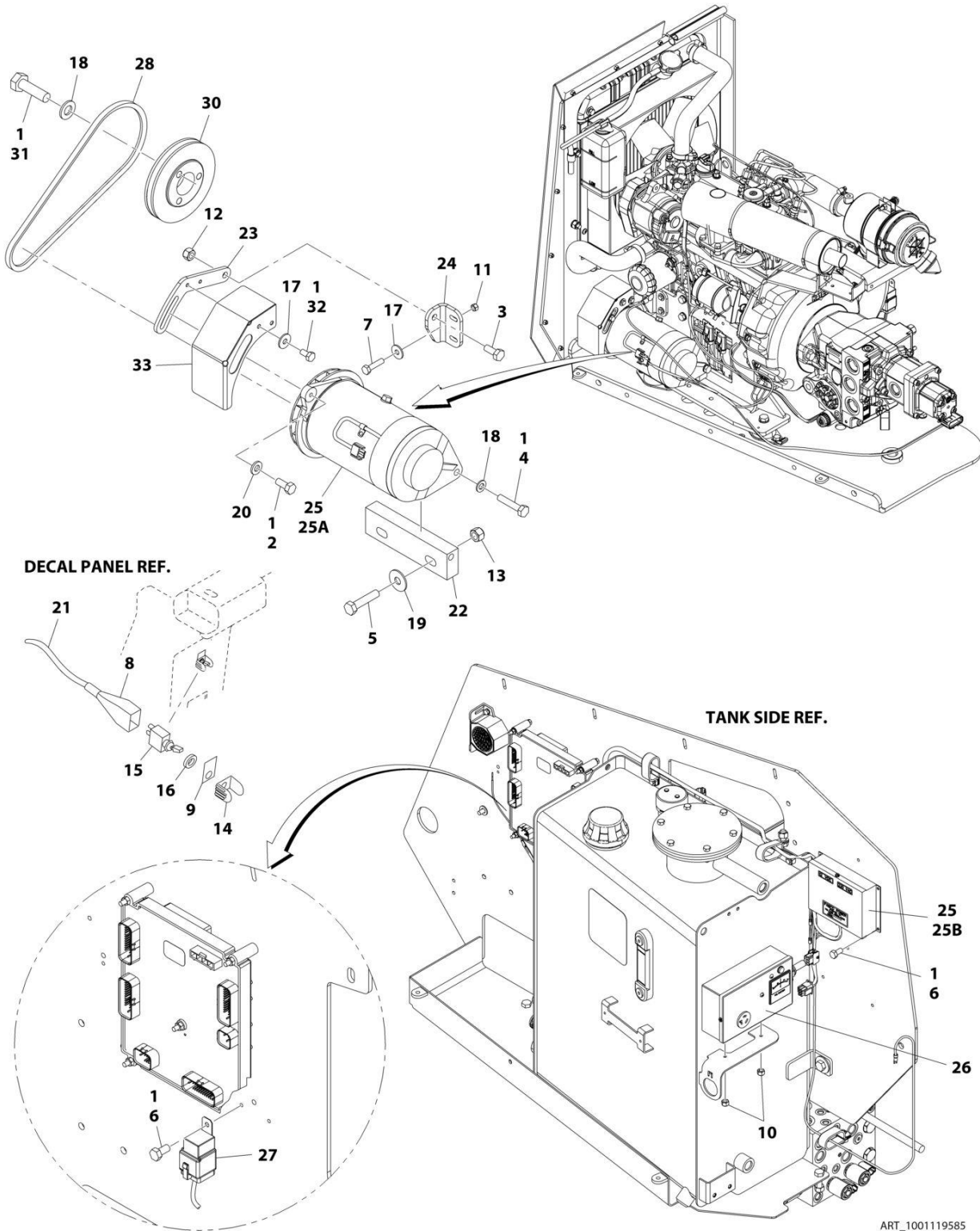
## SECTION 3 - ENGINE

| ITEM | PART NUMBER | QTY | DESCRIPTION   | REV |
|------|-------------|-----|---|-----|
| 27   | 1001119773  | 1   | Harness, Generator (See Separate Breakdown in ELECTRICAL SECTION) |     |
| 28   | 1001119882  | 1   | V-Belt  |     |
| 29   | 1001118720  | 1   | Pulley  |     |
| 30   | 1001119929  | 3   | Bolt M10 x 35   |     |
| 31   | 0760606     | 2   | Bolt M6 x 12  |     |
| 32   | 1001125118  | 1   | Shield, Pulley  |     |



# SECTION 3 - ENGINE

FIGURE 3-21. 2800W GENERATOR INSTALLATION - KUBOTA ENGINE MACHINES 220V/50HZ GENERATOR (ANSI EXPORT, AUSTRALIAN, CHINA, CE & UK CA SPECS)



## SECTION 3 - ENGINE

**FIGURE 3-21. 2800W GENERATOR INSTALLATION - KUBOTA ENGINE MACHINES 220V/50HZ GENERATOR (ANSI EXPORT, AUSTRALIAN, CHINA, CE & UK CA SPECS)**

| ITEM | PART NUMBER | QTY | DESCRIPTION   | REV |
|------|-------------|-----|---|-----|
|      | 1001119585  | Ref | 2800W GENERATOR INSTALLATION - KUBOTA ENGINE MACHINES 220V/50HZ GENERATOR | E   |
| 1    | 0100011     | AR  | Compound, Locking   |     |
| 2    | 0641506     | 1   | Bolt 5/16 x 3/4   |     |
| 3    | 0701012     | 1   | Bolt M10 x 25   |     |
| 4    | 0701018     | 2   | Bolt M10 x 50   |     |
| 5    | 0701219     | 2   | Bolt M12 x 55   |     |
| 6    | 0760505     | 5   | Bolt M5 x 10  |     |
| 7    | 0760612     | 2   | Bolt M6 x 25  |     |
| 8    | 2820031     | AR  | Heat Shrink   |     |
| 9    | 3251102     | 1   | Nameplate - Generator   |     |
| 10   | 3290505     | 2   | Nut M5  |     |
| 11   | 3290605     | 2   | Nut M6  |     |
| 12   | 3291005     | 1   | Nut M10   |     |
| 13   | 3291205     | 2   | Nut M12   |     |
| 14   | 4060802     | 1   | Guard, Switch   |     |
| 15   | 4360336     | 1   | Switch, Toggle  |     |
| 16   | 4740397     | 1   | Washer  |     |
| 17   | 4811702     | 4   | Washer M6   |     |
| 18   | 4812000     | 5   | Washer M10  |     |
| 19   | 4812102     | 2   | Washer M12  |     |
| 20   | 4891500     | 1   | Washer 5/16   |     |
| 21   | 4922641     | 1   | Harness, On/Off Switch  |     |
| 22   | 1001119551  | 1   | Mount, Generator  |     |
| 23   | 1001119553  | 1   | Arm, Adjustment   |     |
| 24   | 1001119554  | 1   | Support, Arm  |     |
| 25   | 1001119589  | 1   | Generator Assembly  | C   |
| 25A  | 1001100321  | 1   | Generator   |     |
| 25A  | 70000123    | 1   | Armature with Slip Rings  |     |
| 25A  | 7020109     | 4   | Holder, Brush   |     |
| 25A  | 7020108     | 4   | Brush   |     |
| 25A  | 7012513     | 4   | Cap, Brush Holder   |     |
| 25A  | 7012514     | 1   | Fan   |     |
| 25A  | 7020190     | 2   | Bearing   |     |
| 25A  | 7020110     | 1   | End Bell, Front   |     |
| 25A  | 7020111     | 1   | End Bell, Rear  |     |
| 25A  | 70003069    | 1   | Cord, Power   |     |
| 25A  | 70003070    | 1   | Pulley  |     |
| 25A  | 7027887     | 1   | Key, Woodruff   |     |
| 25B  | 70002238    | 1   | Regulator, Voltage  |     |
| 26   | 1001119634  | 1   | Control Box Assembly  | B   |
| 26   | 70000126    | 1   | Circuit Breaker   |     |
| 26   | 7020192     | 1   | Voltmeter   |     |
| 26   | 70000124    | 1   | Receptacle, Double  |     |
| 26   | 70000125    | 1   | Receptacle, Single Twist Lock   |     |
| 26   | 2920162     | 1   | Lamp  |     |
| 26   | 70002237    | 1   | Diode   |     |
| 26   | 3520028     | 1   | Plug, Hole  |     |

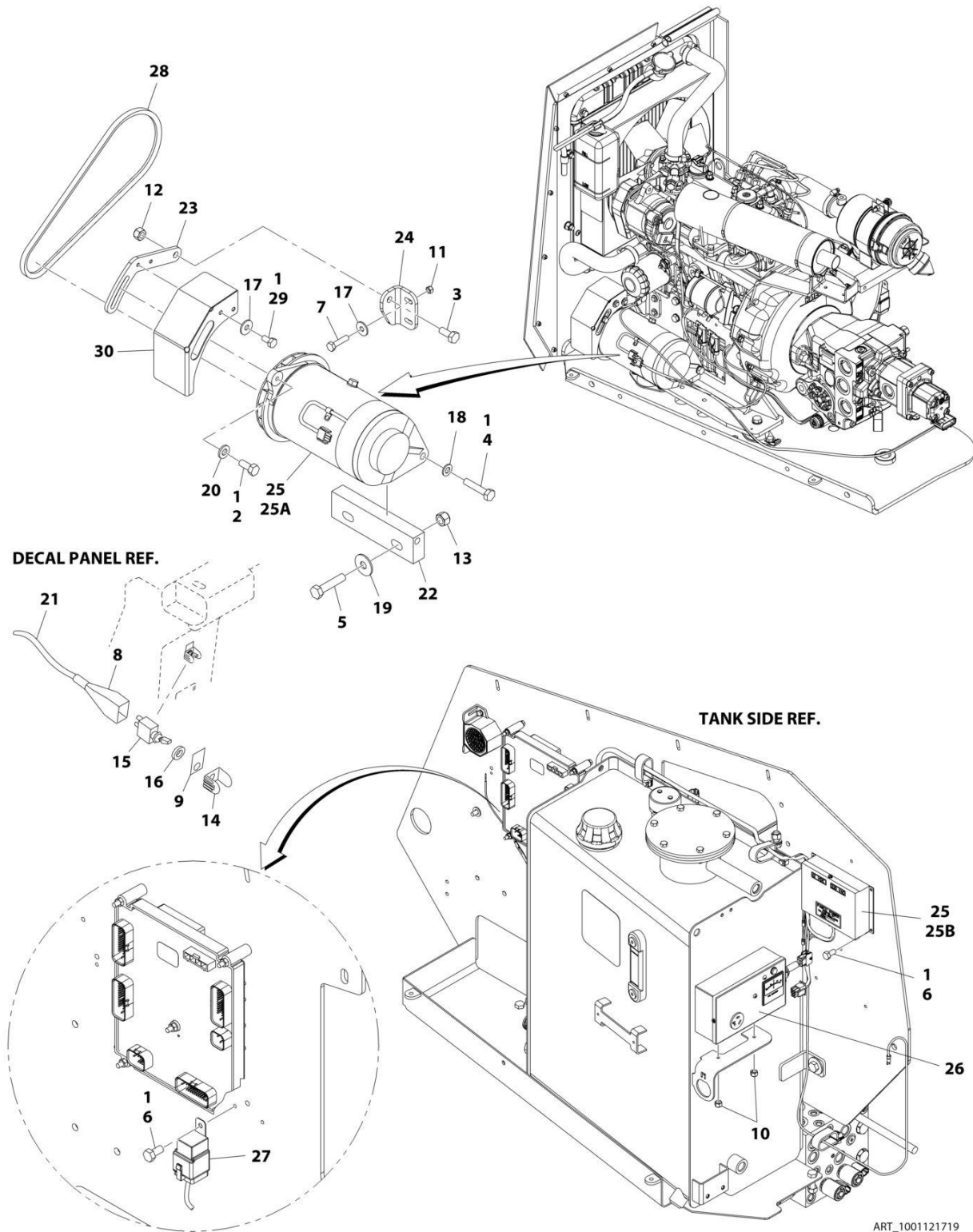
## SECTION 3 - ENGINE

| ITEM | PART NUMBER | QTY | DESCRIPTION   | REV |
|------|-------------|-----|---|-----|
| 27   | 1001119773  | 1   | Harness, Generator (See Separate Breakdown in ELECTRICAL SECTION) |     |
| 28   | 1001119882  | 1   | V-Belt  |     |
| 30   | 1001118720  | 1   | Pulley  |     |
| 31   | 1001119929  | 3   | Bolt M10 x 35   |     |
| 32   | 0760606     | 2   | Bolt M6 x 12  |     |
| 33   | 1001125118  | 1   | Shield, Pulley  |     |



# SECTION 3 - ENGINE

**FIGURE 3-22. 3500W GENERATOR INSTALLATION - GM ENGINE MACHINES 120V/60HZ GENERATOR (ANSI, ANSI EXPORT, CHINA, CSA AND JAPANESE SPECS)**





## SECTION 3 - ENGINE

**FIGURE 3-22. 3500W GENERATOR INSTALLATION - GM ENGINE MACHINES 120V/60HZ  
GENERATOR (ANSI, ANSI EXPORT, CHINA, CSA AND JAPANESE SPECS)**

| ITEM | PART NUMBER | QTY | DESCRIPTION  | REV |
|------|-------------|-----|--|-----|
|      | 1001121719  | Ref | 3500W GENERATOR INSTALLATION - GM ENGINE MACHINES<br>120V/60HZ GENERATOR | D   |
| 1    | 0100011     | AR  | Compound, Locking  |     |
| 2    | 0641506     | 1   | Bolt 5/16 x 3/4  |     |
| 3    | 0701012     | 1   | Bolt M10 x 25  |     |
| 4    | 0701018     | 2   | Bolt M10 x 50  |     |
| 5    | 0701219     | 2   | Bolt M12 x 55  |     |
| 6    | 0760505     | 5   | Bolt M5 x 10   |     |
| 7    | 0760612     | 2   | Bolt M6 x 25   |     |
| 8    | 2820031     | AR  | Heat Shrink  |     |
| 9    | 3251102     | 1   | Nameplate - Generator  |     |
| 10   | 3290505     | 2   | Nut M5   |     |
| 11   | 3290605     | 2   | Nut M6   |     |
| 12   | 3291005     | 1   | Nut M10  |     |
| 13   | 3291205     | 2   | Nut M12  |     |
| 14   | 4060802     | 1   | Guard, Switch  |     |
| 15   | 4360336     | 1   | Switch, Toggle   |     |
| 16   | 4740397     | 1   | Washer   |     |
| 17   | 4811702     | 4   | Washer M6  |     |
| 18   | 4812000     | 2   | Washer M10   |     |
| 19   | 4812102     | 2   | Washer M12   |     |
| 20   | 4891500     | 1   | Washer 5/16  |     |
| 21   | 4922641     | 1   | Harness, On/Off Switch   |     |
| 22   | 1001119551  | 1   | Mount, Generator   |     |
| 23   | 1001119553  | 1   | Arm, Adjustment  |     |
| 24   | 1001119554  | 1   | Support, Arm   |     |
| 25   | 1001119586  | 1   | Generator and Voltage Regulator Assembly                                 | C   |
| 25A  | 2460049     | 1   | Generator  |     |
| 25A  | 70000122    | 1   | Armature with Slip Rings   |     |
| 25A  | 7020109     | 4   | Holder, Brush  |     |
| 25A  | 7020108     | 4   | Brush  |     |
| 25A  | 7012513     | 4   | Cap, Brush Holder  |     |
| 25A  | 7012514     | 1   | Fan  |     |
| 25A  | 7020190     | 2   | Bearing  |     |
| 25A  | 7020110     | 1   | End Bell, Front  |     |
| 25A  | 7020111     | 1   | End Bell, Rear   |     |
| 25A  | 70003069    | 1   | Cord, Power  |     |
| 25A  | 70003068    | 1   | Pulley   |     |
| 25A  | 7027887     | 1   | Key, Woodruff  |     |
| 25B  | 7026525     | 1   | Regulator, Voltage   |     |
| 26   | 1001119633  | 1   | Control Box Assembly   | B   |
| 26   | 70002240    | 1   | Circuit Breaker  |     |
| 26   | 2420203     | 1   | Voltmeter  |     |
| 26   | 7020152     | 1   | Receptacle, Double   |     |
| 26   | 70003137    | 1   | Receptacle, Single Twist Lock  |     |
| 26   | 2920162     | 1   | Lamp   |     |
| 26   | 70002237    | 1   | Diode  |     |
| 26   | 3520028     | 1   | Plug, Hole   |     |

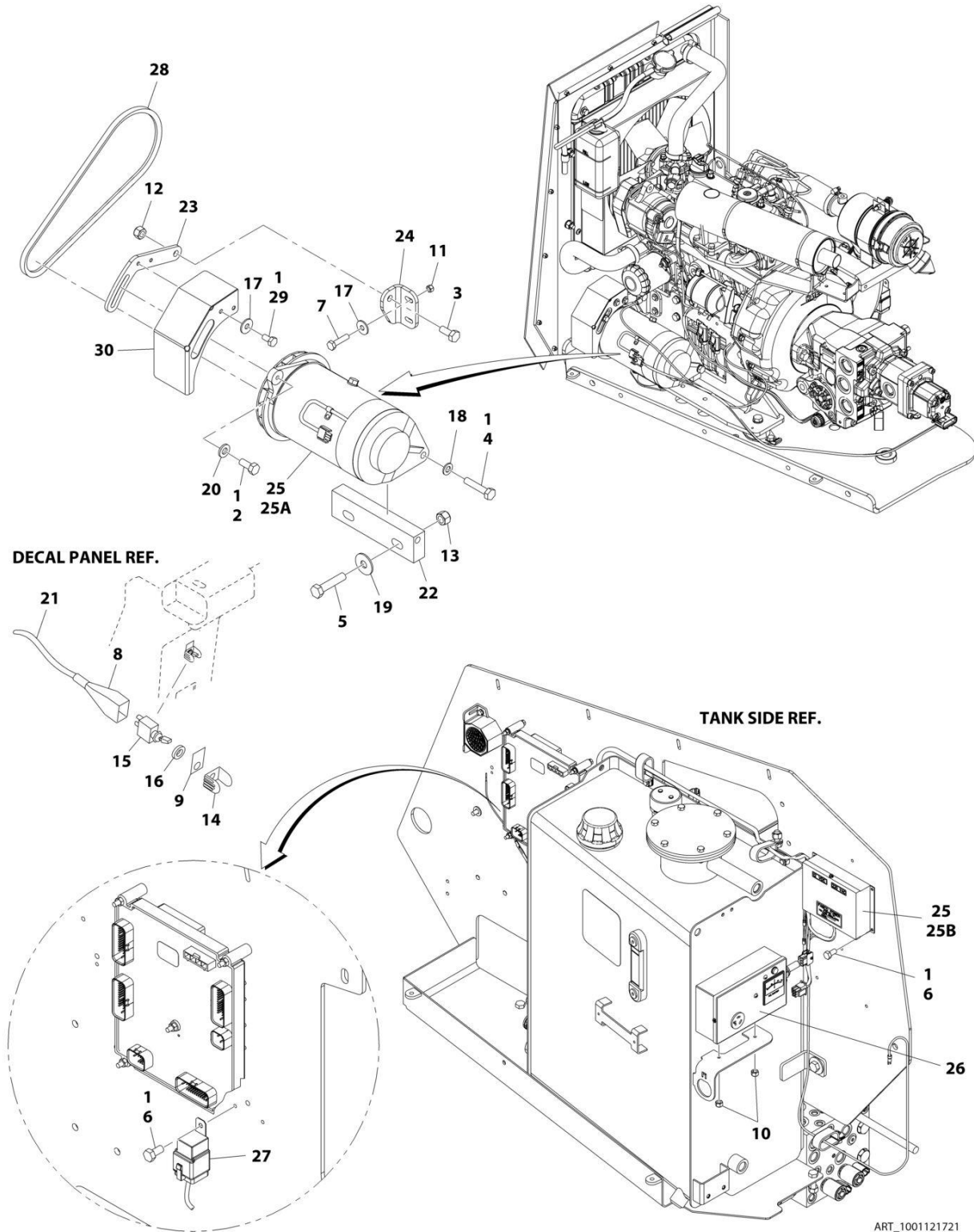
## SECTION 3 - ENGINE

| ITEM | PART NUMBER | QTY | DESCRIPTION   | REV |
|------|-------------|-----|---|-----|
| 27   | 1001119773  | 1   | Harness, Generator (See Separate Breakdown in ELECTRICAL SECTION) |     |
| 28   | 1001119881  | 1   | V-Belt  |     |
| 29   | 0760606     | 2   | Bolt M6 x 12  |     |
| 30   | 1001125118  | 1   | Shield, Pulley  |     |



# SECTION 3 - ENGINE

## FIGURE 3-23. 3500W GENERATOR INSTALLATION - GM ENGINE MACHINES 220V/60HZ GENERATOR (ANSI EXPORT, CHINA AND CSA SPECS)



## SECTION 3 - ENGINE

**FIGURE 3-23. 3500W GENERATOR INSTALLATION - GM ENGINE MACHINES 220V/60HZ  
GENERATOR (ANSI EXPORT, CHINA AND CSA SPECS)**

| ITEM | PART NUMBER | QTY | DESCRIPTION  | REV |
|------|-------------|-----|--|-----|
|      | 1001121721  | Ref | 3500W GENERATOR INSTALLATION - GM ENGINE MACHINES<br>220V/60HZ GENERATOR | D   |
| 1    | 0100011     | AR  | Compound, Locking  |     |
| 2    | 0641506     | 1   | Bolt 5/16 x 3/4  |     |
| 3    | 0701012     | 1   | Bolt M10 x 25  |     |
| 4    | 0701018     | 2   | Bolt M10 x 50  |     |
| 5    | 0701219     | 2   | Bolt M12 x 55  |     |
| 6    | 0760505     | 5   | Bolt M5 x 10   |     |
| 7    | 0760612     | 2   | Bolt M6 x 25   |     |
| 8    | 2820031     | AR  | Heat Shrink  |     |
| 9    | 3251102     | 1   | Nameplate - Generator  |     |
| 10   | 3290505     | 2   | Nut M5   |     |
| 11   | 3290605     | 2   | Nut M6   |     |
| 12   | 3291005     | 1   | Nut M10  |     |
| 13   | 3291205     | 2   | Nut M12  |     |
| 14   | 4060802     | 1   | Guard, Switch  |     |
| 15   | 4360336     | 1   | Switch, Toggle   |     |
| 16   | 4740397     | 1   | Washer   |     |
| 17   | 4811702     | 4   | Washer M6  |     |
| 18   | 4812000     | 2   | Washer M10   |     |
| 19   | 4812102     | 2   | Washer M12   |     |
| 20   | 4891500     | 1   | Washer 5/16  |     |
| 21   | 4922641     | 1   | Harness, On/Off Switch   |     |
| 22   | 1001119551  | 1   | Mount, Generator   |     |
| 23   | 1001119553  | 1   | Arm, Adjustment  |     |
| 24   | 1001119554  | 1   | Support, Arm   |     |
| 25   | 1001119588  | 1   | Generator and Voltage Regulator Assembly                                 | C   |
| 25A  | 1001100321  | 1   | Generator  |     |
| 25A  | 70000123    | 1   | Armature with Slip Rings   |     |
| 25A  | 7020109     | 4   | Holder, Brush  |     |
| 25A  | 7020108     | 4   | Brush  |     |
| 25A  | 7012513     | 4   | Cap, Brush Holder  |     |
| 25A  | 7012514     | 1   | Fan  |     |
| 25A  | 7020190     | 2   | Bearing  |     |
| 25A  | 7020110     | 1   | End Bell, Front  |     |
| 25A  | 7020111     | 1   | End Bell, Rear   |     |
| 25A  | 70003069    | 1   | Cord, Power  |     |
| 25A  | 70003068    | 1   | Pulley   |     |
| 25A  | 7027887     | 1   | Key, Woodruff  |     |
| 25B  | 70002238    | 1   | Regulator, Voltage   |     |
| 26   | 1001119634  | 1   | Control Box Assembly   | B   |
| 26   | 70000126    | 1   | Circuit Breaker  |     |
| 26   | 7020192     | 1   | Voltmeter  |     |
| 26   | 70000124    | 1   | Receptacle, Double   |     |
| 26   | 70000125    | 1   | Receptacle, Single Twist Lock  |     |
| 26   | 2920162     | 1   | Lamp   |     |
| 26   | 70002237    | 1   | Diode  |     |
| 26   | 3520028     | 1   | Plug, Hole   |     |

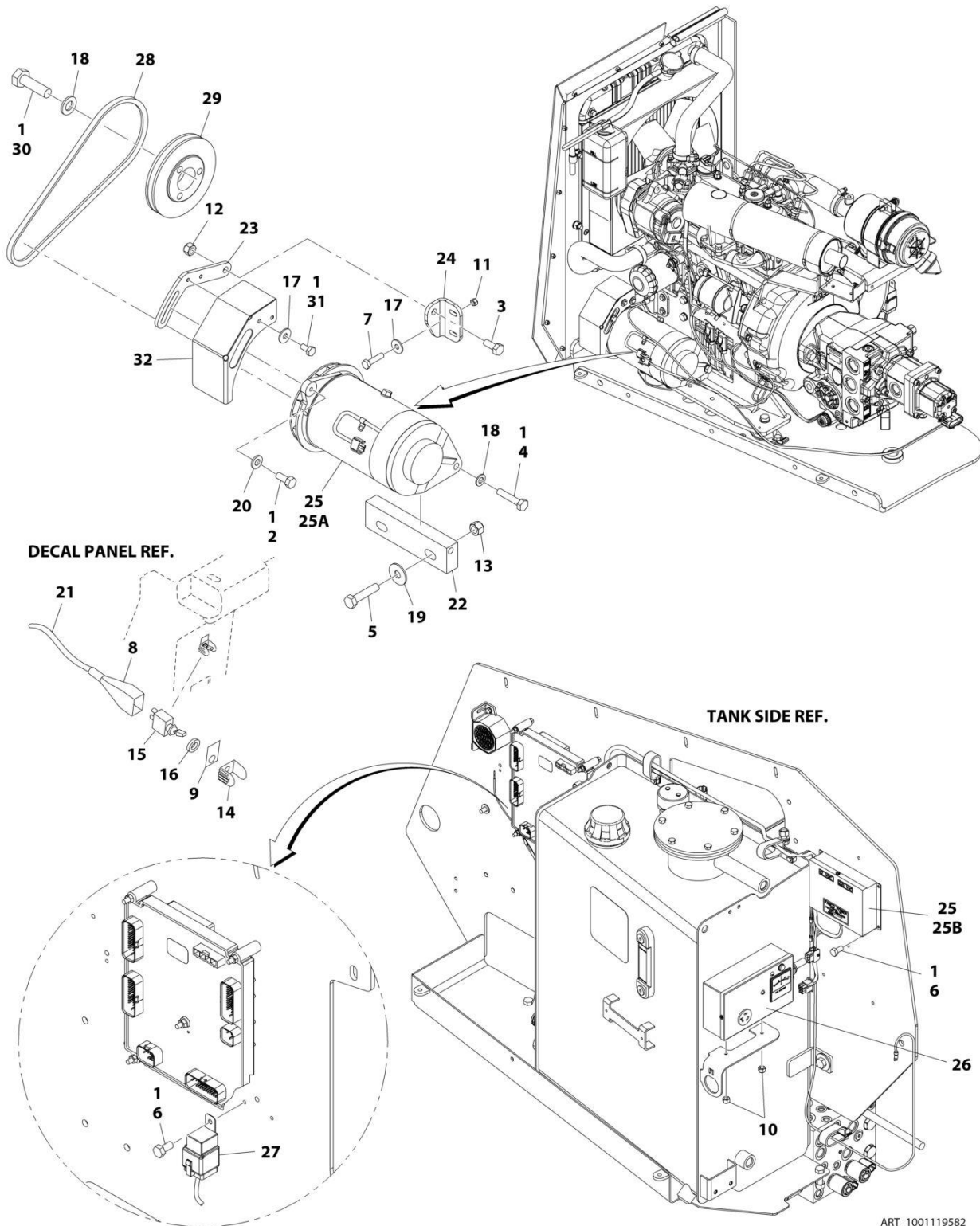
## SECTION 3 - ENGINE

| ITEM | PART NUMBER | QTY | DESCRIPTION   | REV |
|------|-------------|-----|---|-----|
| 27   | 1001119773  | 1   | Harness, Generator (See Separate Breakdown in ELECTRICAL SECTION) |     |
| 28   | 1001119881  | 1   | V-Belt  |     |
| 29   | 0760606     | 2   | Bolt M6 x 12  |     |
| 30   | 1001125118  | 1   | Shield, Pulley  |     |



# SECTION 3 - ENGINE

**FIGURE 3-24. 3500W GENERATOR INSTALLATION - KUBOTA ENGINE MACHINES 120V/60HZ GENERATOR (ANSI, ANSI EXPORT, CHINA, CSA AND JAPANESE SPECS)**



ART\_1001119582



## SECTION 3 - ENGINE

**FIGURE 3-24. 3500W GENERATOR INSTALLATION - KUBOTA ENGINE MACHINES 120V/60HZ GENERATOR (ANSI, ANSI EXPORT, CHINA, CSA AND JAPANESE SPECS)**

| ITEM | PART NUMBER | QTY | DESCRIPTION   | REV |
|------|-------------|-----|---|-----|
|      | 1001119582  | Ref | 3500W GENERATOR INSTALLATION - KUBOTA ENGINE MACHINES 120V/60HZ GENERATOR | E   |
| 1    | 0100011     | AR  | Compound, Locking   |     |
| 2    | 0641506     | 1   | Bolt 5/16 x 3/4   |     |
| 3    | 0701012     | 1   | Bolt M10 x 25   |     |
| 4    | 0701018     | 2   | Bolt M10 x 50   |     |
| 5    | 0701219     | 2   | Bolt M12 x 55   |     |
| 6    | 0760505     | 5   | Bolt M5 x 10  |     |
| 7    | 0760612     | 2   | Bolt M6 x 25  |     |
| 8    | 2820031     | AR  | Heat Shrink   |     |
| 9    | 3251102     | 1   | Nameplate - Generator   |     |
| 10   | 3290505     | 2   | Nut M5  |     |
| 11   | 3290605     | 2   | Nut M6  |     |
| 12   | 3291005     | 1   | Nut M10   |     |
| 13   | 3291205     | 2   | Nut M12   |     |
| 14   | 4060802     | 1   | Guard, Switch   |     |
| 15   | 4360336     | 1   | Switch, Toggle  |     |
| 16   | 4740397     | 1   | Washer  |     |
| 17   | 4811702     | 4   | Washer M6   |     |
| 18   | 4812000     | 5   | Washer M10  |     |
| 19   | 4812102     | 2   | Washer M12  |     |
| 20   | 4891500     | 1   | Washer 5/16   |     |
| 21   | 4922641     | 1   | Harness, On/Off Switch  |     |
| 22   | 1001119551  | 1   | Mount, Generator  |     |
| 23   | 1001119553  | 1   | Arm, Adjustment   |     |
| 24   | 1001119554  | 1   | Support, Arm  |     |
| 25   | 1001119586  | 1   | Generator Assembly  | C   |
| 25A  | 2460049     | 1   | Generator   |     |
| 25A  | 70000122    | 1   | Armature with Slip Rings  |     |
| 25A  | 7020109     | 4   | Holder, Brush   |     |
| 25A  | 7020108     | 4   | Brush   |     |
| 25A  | 7012513     | 4   | Cap, Brush Holder   |     |
| 25A  | 7012514     | 1   | Fan   |     |
| 25A  | 7020190     | 2   | Bearing   |     |
| 25A  | 7020110     | 1   | End Bell, Front   |     |
| 25A  | 7020111     | 1   | End Bell, Rear  |     |
| 25A  | 70003069    | 1   | Cord, Power   |     |
| 25A  | 70003068    | 1   | Pulley  |     |
| 25A  | 7027887     | 1   | Key, Woodruff   |     |
| 25B  | 7026525     | 1   | Regulator, Voltage  |     |
| 26   | 1001119633  | 1   | Control Box Assembly  | B   |
| 26   | 70002240    | 1   | Circuit Breaker   |     |
| 26   | 2420203     | 1   | Voltmeter   |     |
| 26   | 7020152     | 1   | Receptacle, Double  |     |
| 26   | 70003137    | 1   | Receptacle, Single Twist Lock   |     |
| 26   | 2920162     | 1   | Lamp  |     |
| 26   | 70002237    | 1   | Diode   |     |
| 26   | 3520028     | 1   | Plug, Hole  |     |

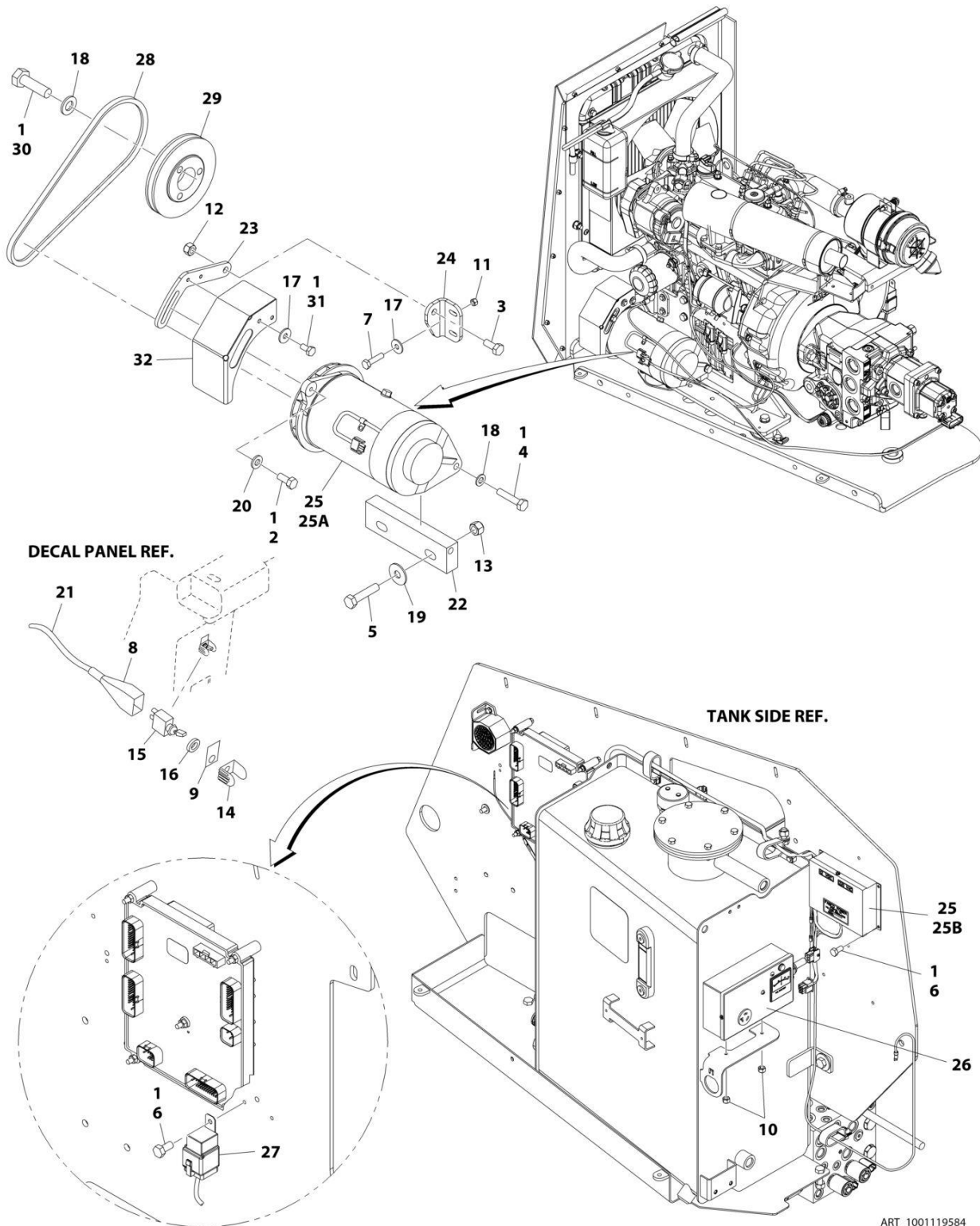
## SECTION 3 - ENGINE

| ITEM | PART NUMBER | QTY | DESCRIPTION   | REV |
|------|-------------|-----|---|-----|
| 27   | 1001119773  | 1   | Harness, Generator (See Separate Breakdown in ELECTRICAL SECTION) |     |
| 28   | 1001119881  | 1   | V-Belt  |     |
| 29   | 1001118720  | 1   | Pulley  |     |
| 30   | 1001119929  | 3   | Bolt M10 x 35   |     |
| 31   | 0760606     | 2   | Bolt M6 x 12  |     |
| 32   | 1001125118  | 1   | Shield, Pulley  |     |



# SECTION 3 - ENGINE

## FIGURE 3-25. 3500W GENERATOR INSTALLATION - KUBOTA ENGINE MACHINES 220V/60HZ GENERATOR (ANSI EXPORT, CHINA AND CSA SPECS)



ART\_1001119584

## SECTION 3 - ENGINE

**FIGURE 3-25. 3500W GENERATOR INSTALLATION - KUBOTA ENGINE MACHINES 220V/60HZ  
GENERATOR (ANSI EXPORT, CHINA AND CSA SPECS)**

| ITEM | PART NUMBER | QTY | DESCRIPTION   | REV |
|------|-------------|-----|---|-----|
|      | 1001119584  | Ref | 3500W GENERATOR INSTALLATION - KUBOTA ENGINE MACHINES 220V/60HZ GENERATOR | E   |
| 1    | 0100011     | AR  | Compound, Locking   |     |
| 2    | 0641506     | 1   | Bolt 5/16 x 3/4   |     |
| 3    | 0701012     | 1   | Bolt M10 x 25   |     |
| 4    | 0701018     | 2   | Bolt M10 x 50   |     |
| 5    | 0701219     | 2   | Bolt M12 x 55   |     |
| 6    | 0760505     | 5   | Bolt M5 x 10  |     |
| 7    | 0760612     | 2   | Bolt M6 x 25  |     |
| 8    | 2820031     | AR  | Heat Shrink   |     |
| 9    | 3251102     | 1   | Nameplate - Generator   |     |
| 10   | 3290505     | 2   | Nut M5  |     |
| 11   | 3290605     | 2   | Nut M6  |     |
| 12   | 3291005     | 1   | Nut M10   |     |
| 13   | 3291205     | 2   | Nut M12   |     |
| 14   | 4060802     | 1   | Guard, Switch   |     |
| 15   | 4360336     | 1   | Switch, Toggle  |     |
| 16   | 4740397     | 1   | Washer  |     |
| 17   | 4811702     | 4   | Washer M6   |     |
| 18   | 4812000     | 5   | Washer M10  |     |
| 19   | 4812102     | 2   | Washer M12  |     |
| 20   | 4891500     | 1   | Washer 5/16   |     |
| 21   | 4922641     | 1   | Harness, On/Off Switch  |     |
| 22   | 1001119551  | 1   | Mount, Generator  |     |
| 23   | 1001119553  | 1   | Arm, Adjustment   |     |
| 24   | 1001119554  | 1   | Support, Arm  |     |
| 25   | 1001119588  | 1   | Generator Assembly  | C   |
| 25A  | 1001100321  | 1   | Generator   |     |
| 25A  | 70000123    | 1   | Armature with Slip Rings  |     |
| 25A  | 7020109     | 4   | Holder, Brush   |     |
| 25A  | 7020108     | 4   | Brush   |     |
| 25A  | 7012513     | 4   | Cap, Brush Holder   |     |
| 25A  | 7012514     | 1   | Fan   |     |
| 25A  | 7020190     | 2   | Bearing   |     |
| 25A  | 7020110     | 1   | End Bell, Front   |     |
| 25A  | 7020111     | 1   | End Bell, Rear  |     |
| 25A  | 70003069    | 1   | Cord, Power   |     |
| 25A  | 70003068    | 1   | Pulley  |     |
| 25A  | 7027887     | 1   | Key, Woodruff   |     |
| 25B  | 70002238    | 1   | Regulator, Voltage  |     |
| 26   | 1001119634  | 1   | Control Box Assembly  | B   |
| 26   | 70000126    | 1   | Circuit Breaker   |     |
| 26   | 7020192     | 1   | Voltmeter   |     |
| 26   | 70000124    | 1   | Receptacle, Double  |     |
| 26   | 70000125    | 1   | Receptacle, Single Twist Lock   |     |
| 26   | 2920162     | 1   | Lamp  |     |
| 26   | 70002237    | 1   | Diode   |     |
| 26   | 3520028     | 1   | Plug, Hole  |     |

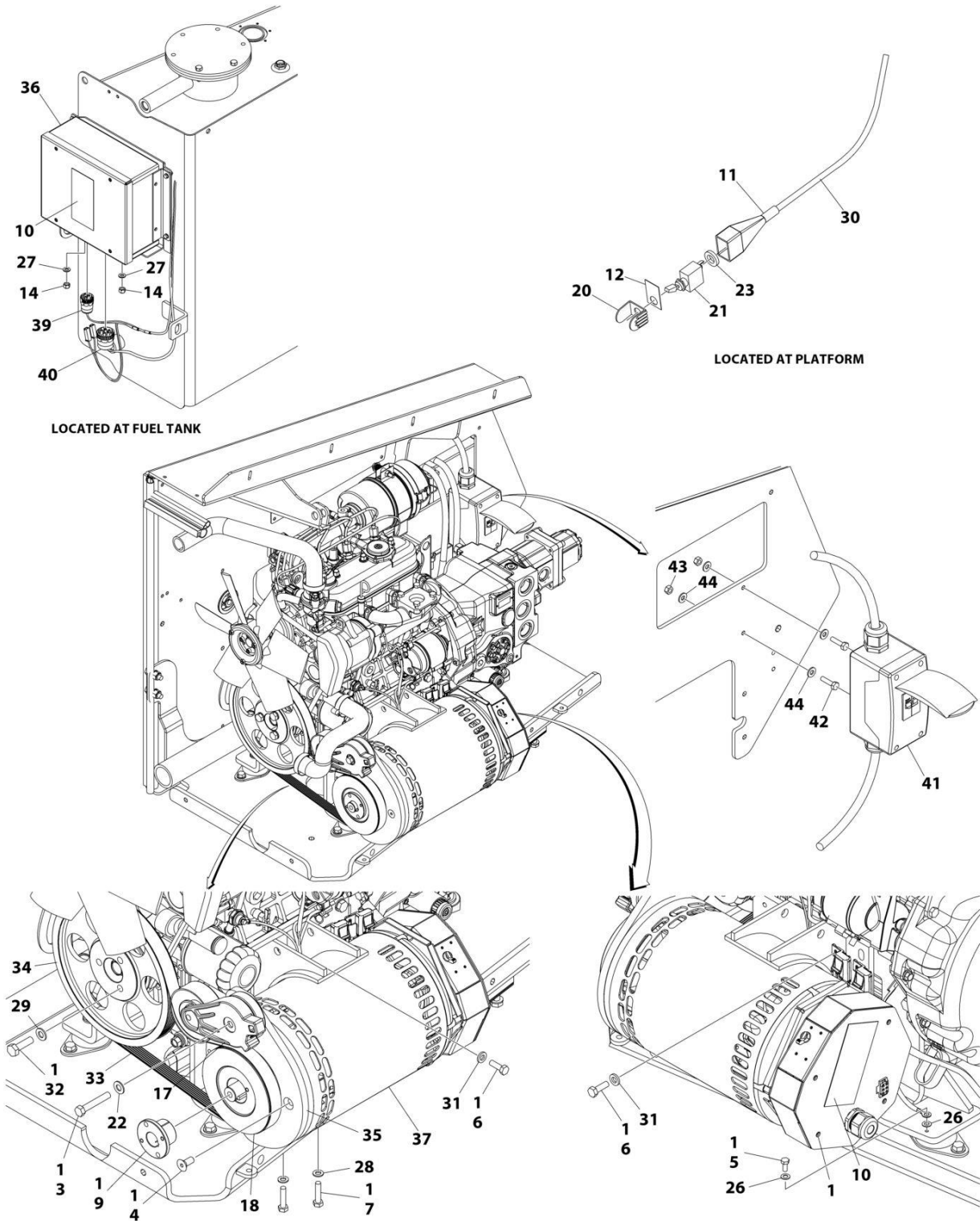
## SECTION 3 - ENGINE

| ITEM | PART NUMBER | QTY | DESCRIPTION   | REV |
|------|-------------|-----|---|-----|
| 27   | 1001119773  | 1   | Harness, Generator (See Separate Breakdown in ELECTRICAL SECTION) |     |
| 28   | 1001119881  | 1   | V-Belt  |     |
| 29   | 1001118720  | 1   | Pulley  |     |
| 30   | 1001119929  | 3   | Bolt M10 x 35   |     |
| 31   | 0760606     | 2   | Bolt M6 x 12  |     |
| 32   | 1001125118  | 1   | Shield, Pulley  |     |



# SECTION 3 - ENGINE

**FIGURE 3-26. 4000W GENERATOR INSTALLATION - KUBOTA ENGINE MACHINES 220V/50HZ GENERATOR (ANSI EXPORT, AUSTRALIAN, CHINA, JAPANESE, CE & UK CA SPECS)**



ART\_1001148660



## SECTION 3 - ENGINE

**FIGURE 3-26. 4000W GENERATOR INSTALLATION - KUBOTA ENGINE MACHINES 220V/50HZ  
GENERATOR (ANSI EXPORT, AUSTRALIAN, CHINA, JAPANESE, CE & UK CA SPECS)**

| ITEM | PART NUMBER | QTY | DESCRIPTION   | REV |
|------|-------------|-----|---|-----|
|      | 1001148660  | Ref | 4000W GENERATOR INSTALLATION - KUBOTA ENGINE MACHINES 220V/50HZ GENERATOR       | D   |
| 1    | 0100011     | AR  | Compound, Locking   |     |
| 3    | 0641618     | 1   | Bolt 3/8 x 2-1/4  |     |
| 4    | 0741607     | 3   | Bolt 3/8 x 0.88   |     |
| 5    | 0760607     | 1   | Bolt M6 x 14  |     |
| 6    | 0760812     | 2   | Bolt M8 x 25  |     |
| 7    | 0760815     | 2   | Bolt M8 x 35  |     |
| 9    | 0962520     | 1   | Bushing, Split Taper  |     |
| 10   | 1705489     | AR  | Decal - Hazardous Voltage   |     |
| 11   | 2820031     | AR  | Heat Shrink   |     |
| 12   | 3251102     | 1   | Nameplate, Generator  |     |
| 14   | 3290505     | 2   | Nut M5  |     |
| 17   | 3580317     | 1   | Pulley, Belt Tensioner  |     |
| 18   | 3580319     | 1   | Pulley, Generator - 50Hz  |     |
| 20   | 4060802     | 1   | Guard, Switch   |     |
| 21   | 4360336     | 1   | Switch, Toggle  |     |
| 22   | 4711600     | 1   | Washer 3/8  |     |
| 23   | 4740397     | 1   | Washer  |     |
| 26   | 4791400     | 2   | Washer 1/4  |     |
| 27   | 4811600     | 2   | Washer M5   |     |
| 28   | 4811900     | 2   | Washer M8   |     |
| 29   | 4812000     | 3   | Washer M10  |     |
| 30   | 4922641     | 1   | Harness, On/Off Switch  |     |
| 31   | 5240800     | 2   | Washer M8   |     |
| 32   | 1001119929  | 3   | Bolt M10 x 35   |     |
| 33   | 1001147141  | 1   | Belt, 4000W - 50Hz  |     |
| 34   | 1001147233  | 1   | Pulley  |     |
| 35   | 1001147234  | 1   | Mount, Generator Tensioner  |     |
| 36   | 1001147431  | 1   | 4000W Control Box Installation  |     |
| 37   | 1001150619  | 1   | Generator, 4000W - 50Hz   |     |
| 37   | 70003709    | 1   | Ring, Retaining - External (Shaft End)  |     |
| 37   | 70003708    | 1   | Ring, Retaining - Internal (Shaft End)  |     |
| 37   | 70001966    | 1   | Bearing (Shaft End)   |     |
| 37   | 70004092    | 1   | Endbell (Shaft End)   |     |
| 37   | 70004099    | 1   | Key, Shaft  |     |
| 37   | 70004676    | 1   | Rottor/Shaft Assembly   |     |
| 37   | 70004688    | 1   | Stator  |     |
| 37   | 70004678    | 1   | Endbell (Enclosure End)   |     |
| 37   | 70004679    | 1   | Cover, Endbell (Enclosure End)  |     |
| 37   | 70004689    | 1   | Enclosure, Wiring   |     |
| 37   | 70004690    | 1   | Cover, Enclosure  |     |
| 37   | 70004682    | 1   | Switch, On/Off/Reset  |     |
| 37   | 70004683    | 1   | Connector, Strain Relief  |     |
| 39   | 1001157915  | 1   | Harness, 4000W Generator Control (See Separate Breakdown in ELECTRICAL Section) |     |
| 40   | 1001157916  | 1   | Harness, Generator (See Separate Breakdown in ELECTRICAL SECTION)               |     |
| 41   | 1001096070  | 1   | Kit, Box and Bracket  |     |

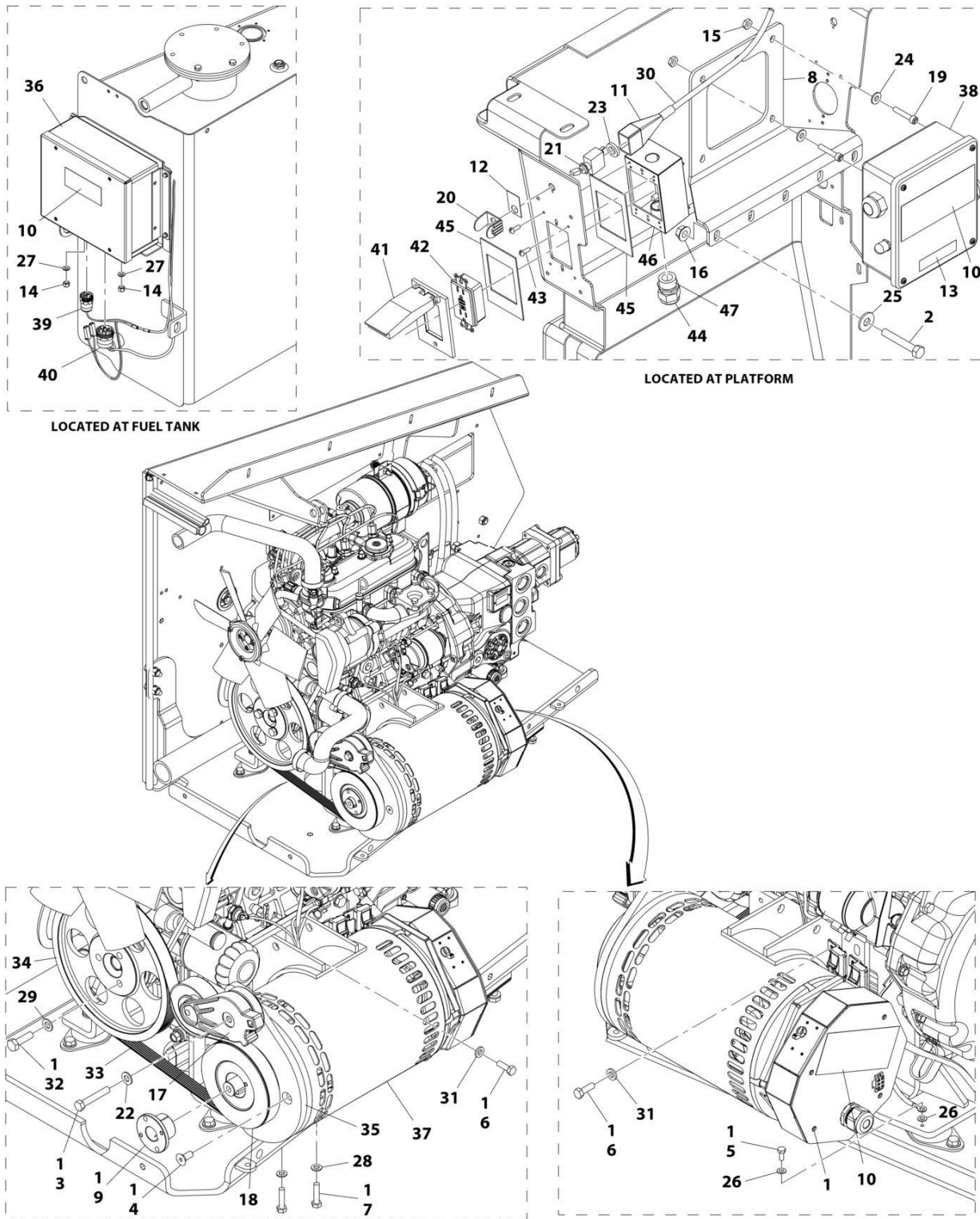
## SECTION 3 - ENGINE

| ITEM | PART NUMBER | QTY | DESCRIPTION  | REV |
|------|-------------|-----|--------------|-----|
| 42   | 0641408     | 2   | Bolt 1/4 x 1 |     |
| 43   | 3311405     | 2   | Nut 1/4      |     |
| 44   | 4711400     | 4   | Washer 1/4   |     |



# SECTION 3 - ENGINE

**FIGURE 3-27. 4000W GENERATOR INSTALLATION - KUBOTA ENGINE MACHINES 110V/60HZ GENERATOR (ANSI, ANSI EXPORT, CHINA, CSA AND JAPANESE SPECS)**



ART\_1001148663

## SECTION 3 - ENGINE

**FIGURE 3-27. 4000W GENERATOR INSTALLATION - KUBOTA ENGINE MACHINES 110V/60HZ  
GENERATOR (ANSI, ANSI EXPORT, CHINA, CSA AND JAPANESE SPECS)**

| ITEM | PART NUMBER | QTY | DESCRIPTION   | REV |
|------|-------------|-----|---|-----|
|      | 1001148663  | Ref | 4000W GENERATOR INSTALLATION - KUBOTA ENGINE MACHINES 110V/60HZ GENERATOR | C   |
| 1    | 0100011     | AR  | Compound, Locking   |     |
| 2    | 0641516     | 3   | Bolt 5/16 x 2   |     |
| 3    | 0641618     | 1   | Bolt 3/8 x 2-1/4  |     |
| 4    | 0741607     | 3   | Bolt 3/8 x 0.88   |     |
| 5    | 0760607     | 1   | Bolt M6 x 14  |     |
| 6    | 0760812     | 2   | Bolt M8 x 25  |     |
| 7    | 0760815     | 2   | Bolt M8 x 35  |     |
| 8    | 0902888     | 1   | Bracket, Generator Junction Box   |     |
| 9    | 0962520     | 1   | Bushing, Split Taper  |     |
| 10   | 1705387     | 3   | Decal - Hazardous Voltage   |     |
| 11   | 2820031     | AR  | Heat Shrink   |     |
| 12   | 3251102     | 1   | Nameplate, Generator  |     |
| 13   | 3251243     | 1   | Decal - 120V/60Hz   |     |
| 14   | 3290505     | 2   | Nut M5  |     |
| 15   | 3311005     | 4   | Nut #10   |     |
| 16   | 3311508     | 3   | Nut #5/16   |     |
| 17   | 3580317     | 1   | Pulley, Belt Tensioner  |     |
| 18   | 3580318     | 1   | Pulley, Generator - 60Hz  |     |
| 19   | 3931016     | 4   | Bolt #10 x 1  |     |
| 20   | 4060802     | 1   | Guard, Switch   |     |
| 21   | 4360336     | 1   | Switch, Toggle  |     |
| 22   | 4711600     | 1   | Washer 3/8  |     |
| 23   | 4740397     | 1   | Washer  |     |
| 24   | 4751000     | 4   | Washer #10  |     |
| 25   | 4751500     | 3   | Washer #5/16  |     |
| 26   | 4791400     | 2   | Washer 1/4  |     |
| 27   | 4811600     | 2   | Washer M5   |     |
| 28   | 4811900     | 2   | Washer M8   |     |
| 29   | 4812000     | 3   | Washer M10  |     |
| 30   | 4922641     | 1   | Harness, On/Off Switch  |     |
| 31   | 5240800     | 2   | Washer M8   |     |
| 32   | 1001119929  | 3   | Bolt M10 x 35   |     |
| 33   | 1001153814  | 1   | Belt, 4000W - 60Hz  |     |
| 34   | 1001147233  | 1   | Pulley  |     |
| 35   | 1001147234  | 1   | Mount, Generator Tensioner  |     |
| 36   | 1001147431  | 1   | 4000W Control Box Installation  |     |
| 37   | 1001147436  | 1   | Generator 4000W - 60Hz  |     |
| 37   | 70003709    | 1   | Ring, Retaining - External (Shaft End)                                    |     |
| 37   | 70003708    | 1   | Ring, Retaining - Internal (Shaft End)                                    |     |
| 37   | 70001966    | 1   | Bearing (Shaft End)   |     |
| 37   | 70004092    | 1   | Endbell (Shaft End)   |     |
| 37   | 70004099    | 1   | Key, Shaft  |     |
| 37   | 70004676    | 1   | Rottor/Shaft Assembly   |     |
| 37   | 70004691    | 1   | Stator  |     |
| 37   | 70004678    | 1   | Endbell (Enclosure End)   |     |
| 37   | 70004679    | 1   | Cover, Endbell (Enclosure End)  |     |
| 37   | 70004689    | 1   | Enclosure, Wiring   |     |

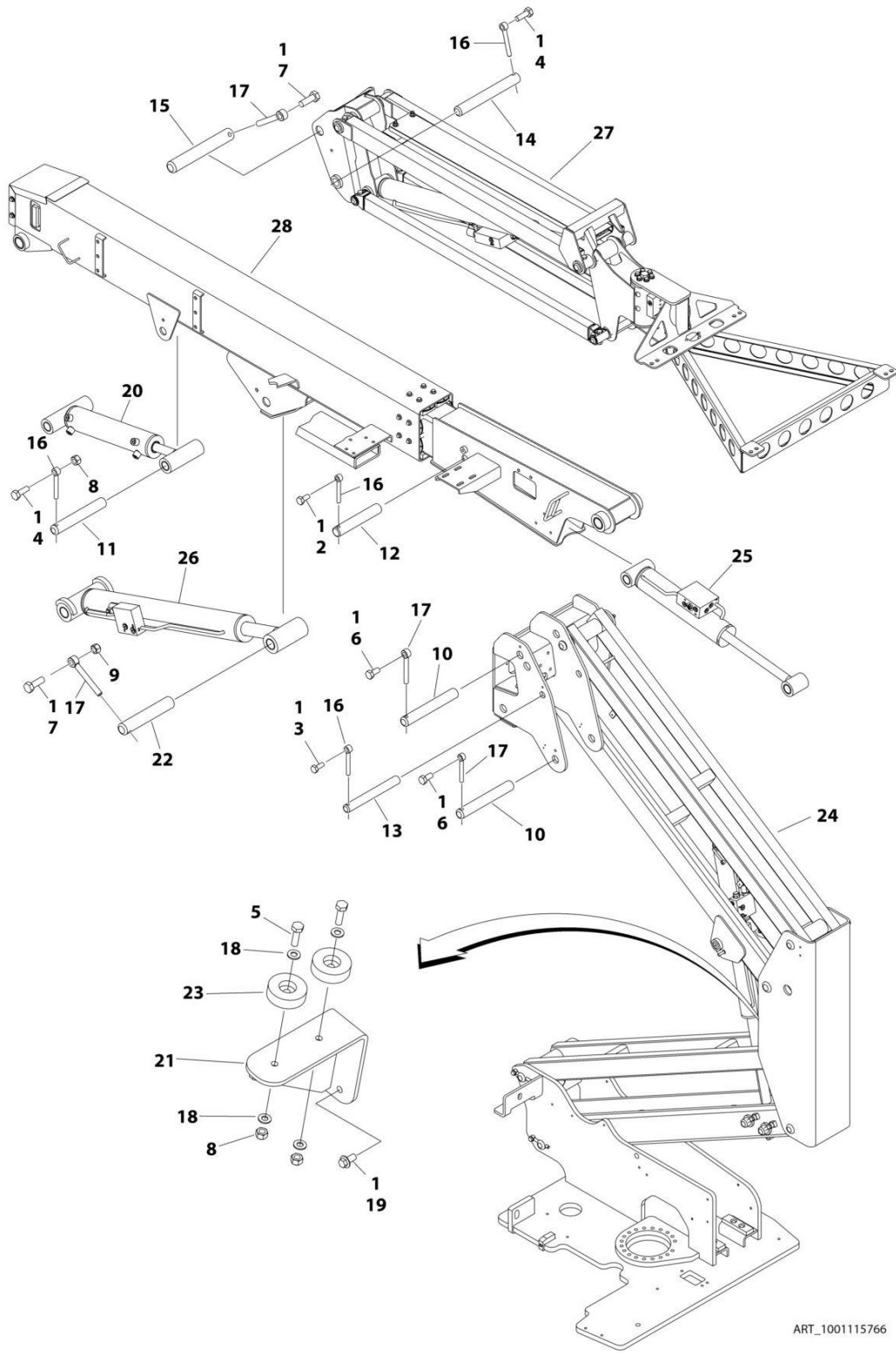
## SECTION 3 - ENGINE

| ITEM | PART NUMBER | QTY | DESCRIPTION   | REV |
|------|-------------|-----|---|-----|
| 37   | 70004692    | 1   | Cover, Enclosure  |     |
| 37   | 70004682    | 1   | Switch, On/Off/Reset  |     |
| 37   | 70004098    | 1   | Connector, Strain Relief  |     |
| 38   | 1001152457  | 1   | Box, Junction Assembly  |     |
| 39   | 1001157915  | 1   | Harness, 4000W Generator Control (See Separate Breakdown in ELECTRICAL Section) |     |
| 40   | 1001157916  | 1   | Harness, Generator (See Separate Breakdown in ELECTRICAL Section)               |     |
| 41   | 1001110873  | 1   | Cover   |     |
| 42   | 4460346     | 1   | Receptacle  |     |
| 43   | 3910606     | 4   | Bolt 6 x 3/8  |     |
| 44   | 4460071     | 1   | Connector   |     |
| 45   | 3960422     | 1   | Gasket  |     |
| 46   | 0860038     | 1   | Box, Switch-Weatherhead   |     |
| 47   | 0100020     | AR  | Sealant, Pipe   |     |

**SECTION 4 - BOOM**

# SECTION 4 - BOOM

## FIGURE 4-1. BOOM AND CYLINDERS INSTALLATION - WITHOUT ARCTIC PACKAGE



ART\_1001115766



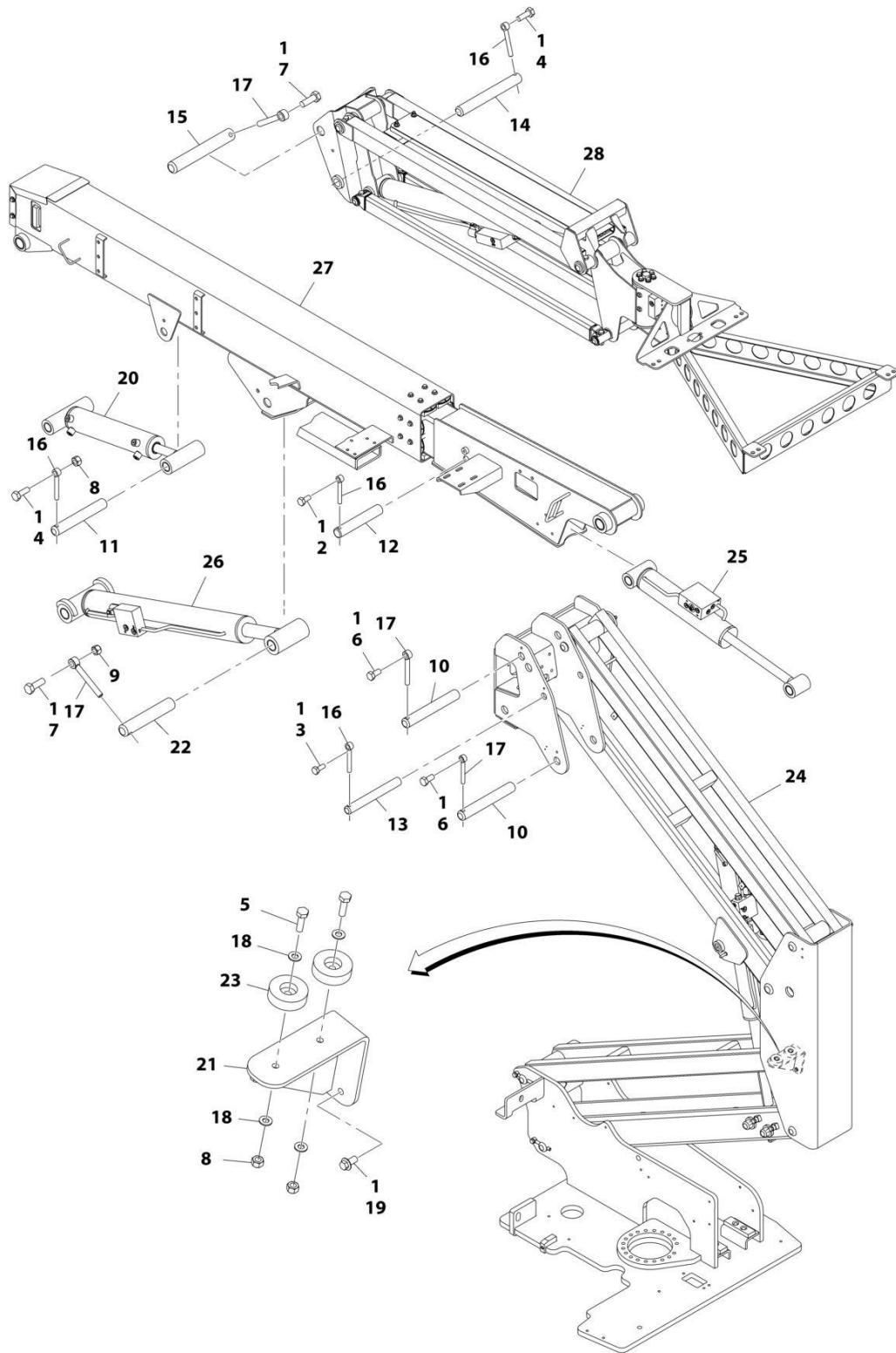
## SECTION 4 - BOOM

**FIGURE 4-1. BOOM AND CYLINDERS INSTALLATION - WITHOUT ARCTIC PACKAGE**

| ITEM | PART NUMBER | QTY | DESCRIPTION   | REV |
|------|-------------|-----|---|-----|
|      | 1001115766  | Ref | BOOM AND CYLINDERS INSTALLATION - WITHOUT ARCTIC PACKAGE                                | D   |
| 1    | 0100011     | AR  | Compound, Locking   |     |
| 2    | 0761011     | 1   | Bolt M10 x 22   |     |
| 3    | 0761012     | 1   | Bolt M10 x 25   |     |
| 4    | 0761014     | 2   | Bolt M10 x 30   |     |
| 5    | 0761015     | 2   | Bolt M10 x 35   |     |
| 6    | 0761212     | 2   | Bolt M12 x 25   |     |
| 7    | 0761215     | 2   | Bolt M12 x 35   |     |
| 8    | 3291005     | 3   | Nut M10   |     |
| 9    | 3291205     | 1   | Nut M12   |     |
| 10   | 3422576     | 2   | Pin   |     |
| 11   | 3422582     | 1   | Pin   |     |
| 12   | 3422709     | 1   | Pin   |     |
| 13   | 3422790     | 1   | Pin   |     |
| 14   | 3422792     | 1   | Pin   |     |
| 15   | 3422814     | 1   | Pin   |     |
| 16   | 3841143     | 4   | Keeper, Pin   |     |
| 17   | 3841203     | 4   | Keeper, Pin   |     |
| 18   | 4812000     | 4   | Washer M10  |     |
| 19   | 5251010     | 3   | Bolt M10 x 20   |     |
| 20   | 1001120976  | 1   | Master Cylinder Assembly (See Separate Breakdown in CYLINDER Section)                   |     |
| 21   | 1001125235  | 1   | Rest, Boom  |     |
| 22   | 1001109528  | 1   | Pin   |     |
| 23   | 1001112607  | 2   | Pad, Boom Rest  |     |
| 24   | 1001115672  | 1   | Tower Boom Assembly (See Separate Breakdown in this Section)                            |     |
| 25   | 1001225990  | 1   | Level Cylinder Assembly - Platform (Slave) (See Separate Breakdown in CYLINDER Section) |     |
| 26   | 1001117640  | 1   | Lift Cylinder Assembly - Main Boom (See Separate Breakdown in CYLINDER Section)         |     |
| 27   | 1001117884  | 1   | Jib Assembly (See Separate Breakdown in this Section)                                   |     |
| 28   | 1001117885  | 1   | Main Boom Assembly (See Separate Breakdown in this Section)                             |     |

# SECTION 4 - BOOM

## FIGURE 4-2. BOOM AND CYLINDERS INSTALLATION - WITH ARCTIC PACKAGE



ART\_1001119371

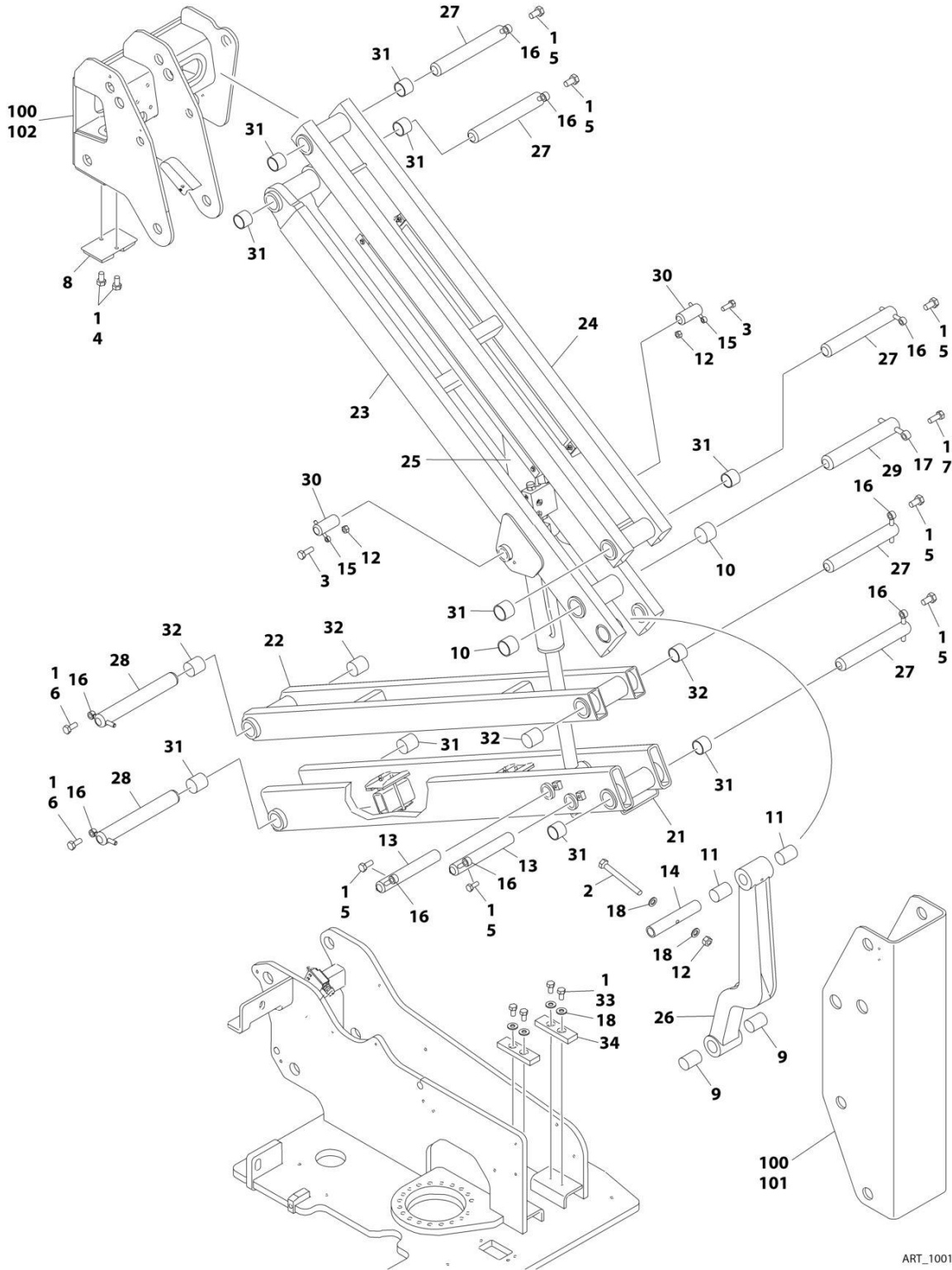
## SECTION 4 - BOOM

**FIGURE 4-2. BOOM AND CYLINDERS INSTALLATION - WITH ARCTIC PACKAGE**

| ITEM | PART NUMBER | QTY | DESCRIPTION   | REV |
|------|-------------|-----|---|-----|
|      | 1001119371  | Ref | BOOM AND CYLINDERS INSTALLATION - WITH ARCTIC PACKAGE                                   | D   |
| 1    | 0100011     | AR  | Compound, Locking   |     |
| 2    | 0761011     | 1   | Bolt M10 x 22   |     |
| 3    | 0761012     | 1   | Bolt M10 x 25   |     |
| 4    | 0761014     | 2   | Bolt M10 x 30   |     |
| 5    | 0761015     | 2   | Bolt M10 x 35   |     |
| 6    | 0761212     | 2   | Bolt M12 x 25   |     |
| 7    | 0761215     | 2   | Bolt M12 x 35   |     |
| 8    | 3291005     | 3   | Nut M10   |     |
| 9    | 3291205     | 1   | Nut M12   |     |
| 10   | 3422576     | 2   | Pin   |     |
| 11   | 3422582     | 1   | Pin   |     |
| 12   | 3422709     | 1   | Pin   |     |
| 13   | 3422790     | 1   | Pin   |     |
| 14   | 3422792     | 1   | Pin   |     |
| 15   | 3422814     | 1   | Pin   |     |
| 16   | 3841143     | 4   | Keeper, Pin   |     |
| 17   | 3841203     | 4   | Keeper, Pin   |     |
| 18   | 4812000     | 4   | Washer M10  |     |
| 19   | 5251010     | 3   | Bolt M10 x 20   |     |
| 20   | 1001120976  | 1   | Master Cylinder Assembly (See Separate Breakdown in CYLINDER Section)                   |     |
| 21   | 1001125235  | 1   | Rest, Boom  |     |
| 22   | 1001109528  | 1   | Pin   |     |
| 23   | 1001112607  | 2   | Pad, Boom Rest  |     |
| 24   | 1001115672  | 1   | Tower Boom Assembly (See Separate Breakdown in this Section)                            |     |
| 25   | 1001225990  | 1   | Level Cylinder Assembly - Platform (Slave) (See Separate Breakdown in CYLINDER Section) |     |
| 26   | 1001117640  | 1   | Lift Cylinder Assembly - Main Boom (See Separate Breakdown in CYLINDER Section)         |     |
| 27   | 1001117885  | 1   | Main Boom Assembly Options (See Separate Breakdown in this Section)                     |     |
| 28   | 1001119370  | 1   | Jib Assembly (See Separate Breakdown in this Section)                                   |     |

# SECTION 4 - BOOM

## FIGURE 4-3. TOWER BOOM ASSEMBLY



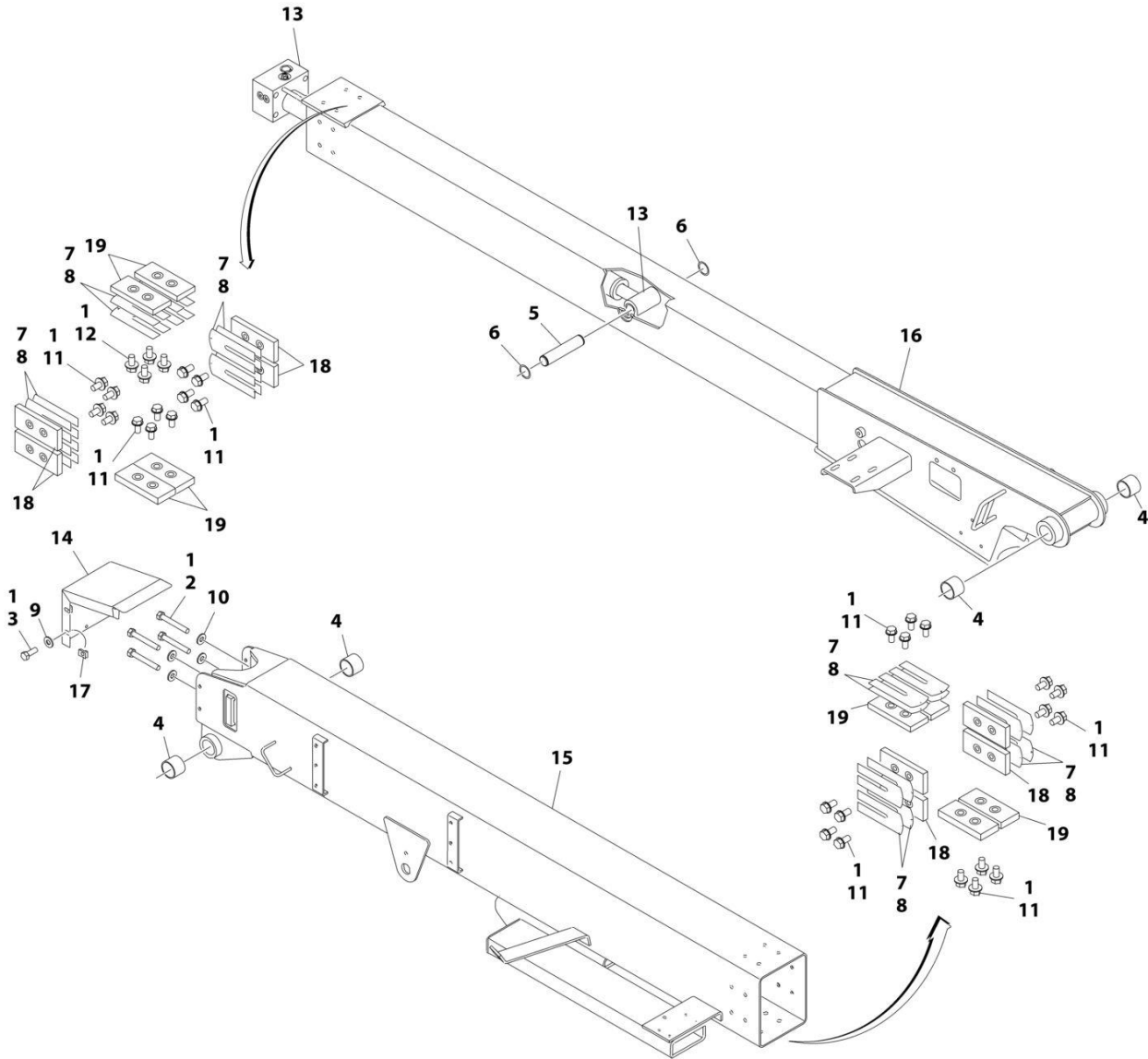
ART\_1001115672

FIGURE 4-3. TOWER BOOM ASSEMBLY

| ITEM | PART NUMBER | QTY | DESCRIPTION  | REV |
|------|-------------|-----|--|-----|
|      | 1001115672  | Ref | TOWER BOOM ASSEMBLY  | D   |
| 1    | 0100011     | AR  | Compound, Locking  |     |
| 2    | 0701027     | 1   | Bolt M10 x 100   |     |
| 3    | 0761015     | 2   | Bolt M10 x 35  |     |
| 4    | 0761210     | 2   | Bolt M12 x 20  |     |
| 5    | 0761212     | 7   | Bolt M12 x 25  |     |
| 6    | 0761214     | 2   | Bolt M12 x 30  |     |
| 7    | 0761615     | 2   | Bolt M16 x 35  |     |
| 8    | 0940048     | 1   | Bumper   |     |
| 9    | 0961948     | 2   | Bearing  |     |
| 10   | 0962224     | 2   | Bearing  |     |
| 11   | 0962259     | 2   | Bearing  |     |
| 12   | 3291005     | 3   | Nut M10  |     |
| 13   | 3422787     | 2   | Pin  |     |
| 14   | 3422788     | 1   | Pin  |     |
| 15   | 3841143     | 2   | Keeper, Pin  |     |
| 16   | 3841203     | 9   | Keeper, Pin  |     |
| 17   | 3841258     | 1   | Keeper, Pin  |     |
| 18   | 4812000     | 6   | Washer M10   |     |
| 21   | 1001115657  | 1   | Link, Lower Boom (Bottom)  |     |
| 22   | 1001115661  | 1   | Link, Lower Boom (Top)   |     |
| 23   | 1001115663  | 1   | Link, Mid Boom (Bottom)  |     |
| 24   | 1001115669  | 1   | Link, Mid Boom (Top)   |     |
| 25   | 1001122527  | 1   | Lift Cylinder Assembly - Tower Boom (See Separate Breakdown in CYLINDER Section) |     |
| 26   | 1001115870  | 1   | Link, Timing   |     |
| 27   | 1001116546  | 5   | Pin  |     |
| 28   | 1001116547  | 2   | Pin  |     |
| 29   | 1001116548  | 1   | Pin  |     |
| 30   | 1001116549  | 2   | Pin  |     |
| 31   | 1001118665  | 10  | Bearing  |     |
| 32   | 1001118666  | 4   | Bearing  |     |
| 33   | 0761010     | 4   | Bolt M10 x 20  |     |
| 34   | 3340758     | 2   | Pad, Wear  |     |
| 100  | 1001231153  | 1   | Lower Upright Boom Kit   |     |
| 101  | 1001115649  | 1   | Upright, Lower   |     |
| 102  | 1001115650  | 1   | Upright, Upper   |     |

# SECTION 4 - BOOM

## FIGURE 4-4. MAIN BOOM ASSEMBLY



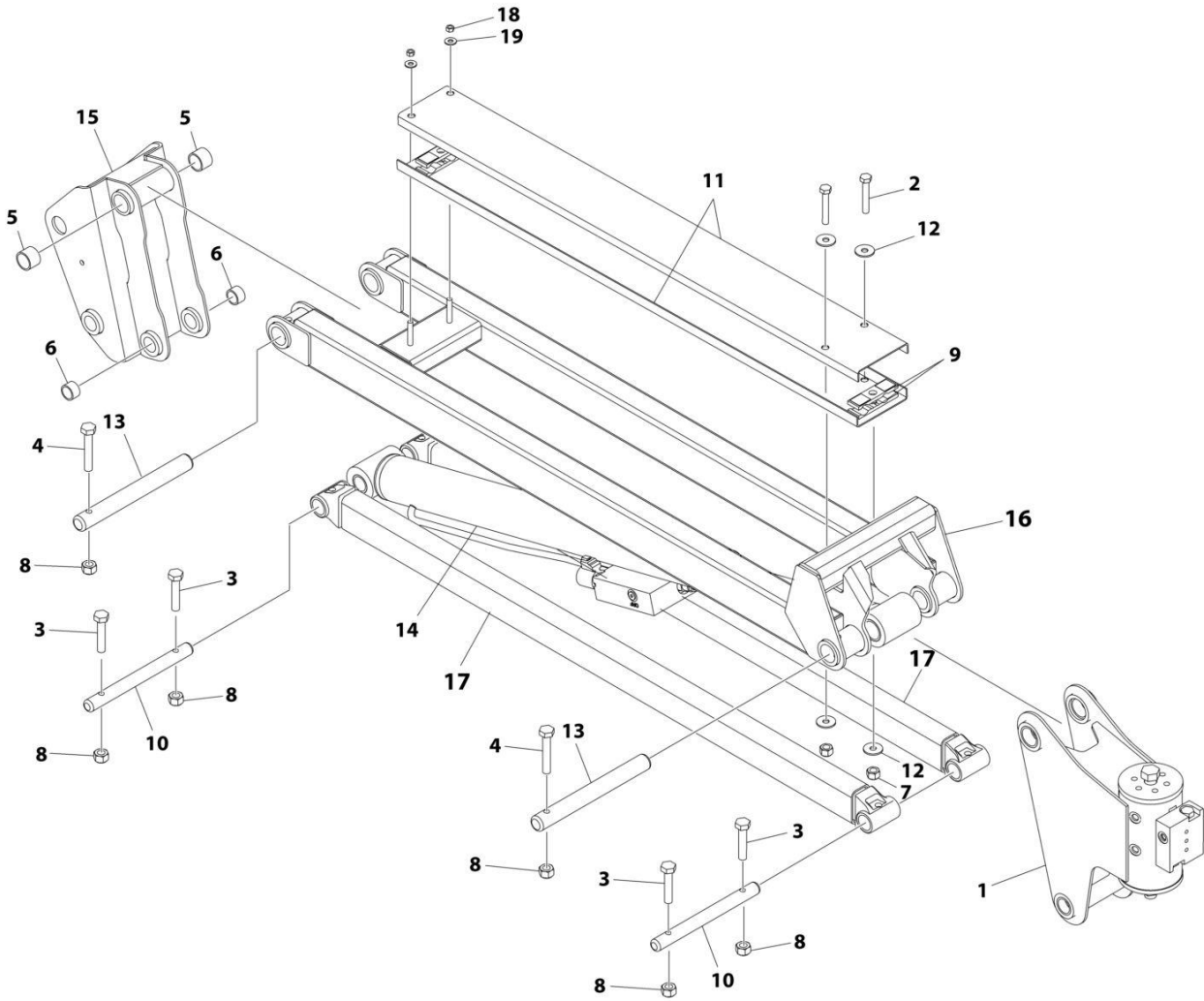
ART\_1001117885\_D

FIGURE 4-4. MAIN BOOM ASSEMBLY

| ITEM | PART NUMBER | QTY | DESCRIPTION  | REV |
|------|-------------|-----|--|-----|
|      | 1001117885  | Ref | MAIN BOOM ASSEMBLY   | D   |
| 1    | 0100011     | AR  | Compound, Locking  |     |
| 2    | 0711227     | 4   | Bolt M12 x 100 Grade 10.9  |     |
| 3    | 0760812     | 4   | Bolt M8 x 25   |     |
| 4    | 0961948     | 4   | Bushing  |     |
| 5    | 3422745     | 1   | Pin  |     |
| 6    | 3760115     | 2   | Ring, Retaining  |     |
| 7    | 4070897     | 16  | Shim 18Ga  |     |
| 8    | 4070898     | 12  | Shim 11Ga  |     |
| 9    | 4811902     | 4   | Washer M8  |     |
| 10   | 5241200     | 4   | Washer M12   |     |
| 11   | 5251010     | 28  | Bolt M10 x 20  |     |
| 12   | 5251012     | 4   | Bolt M10 x 25  |     |
| 13   | 1001120974  | 1   | Telescope Cylinder Assembly (See Separate Breakdown in CYLINDER Section) |     |
| 14   | 1001108290  | 1   | Cover, Boom End  |     |
| 15   | 1001271212  | 1   | Boom, Base   |     |
| 16   | 1001271234  | 1   | Boom, Fly  |     |
| 17   | 1001118274  | 4   | Nut, Retainer M8   |     |
| 18   | 1001118287  | 8   | Pad, Wear  |     |
| 19   | 1001118288  | 8   | Pad, Wear  |     |

# SECTION 4 - BOOM

## FIGURE 4-5. JIB ASSEMBLY - WITHOUT ARCTIC PACKAGE



ART\_1001117884\_D



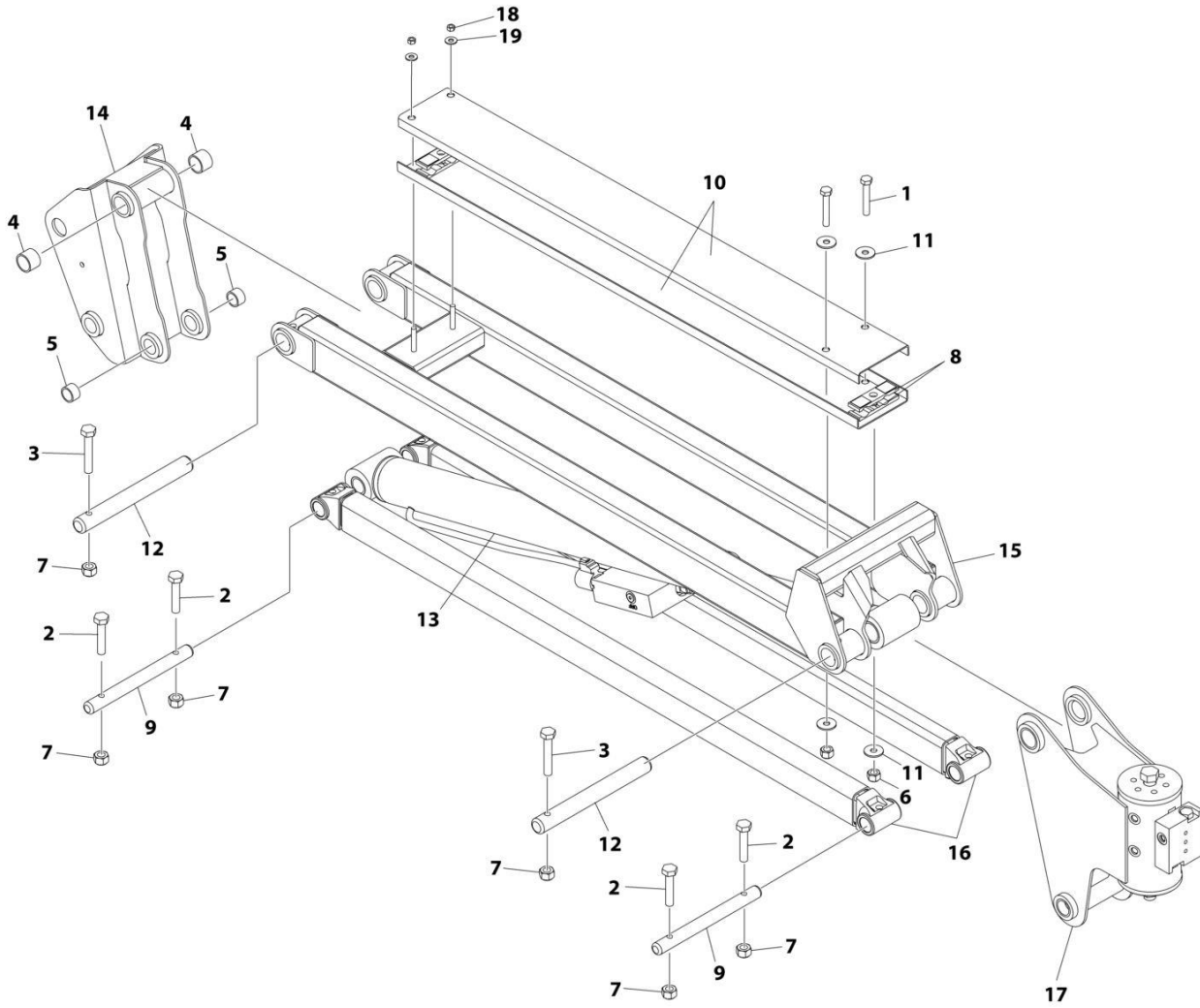
## SECTION 4 - BOOM

**FIGURE 4-5. JIB ASSEMBLY - WITHOUT ARCTIC PACKAGE**

| ITEM | PART NUMBER | QTY | DESCRIPTION   | REV |
|------|-------------|-----|---|-----|
|      | 1001117884  | Ref | JIB ASSEMBLY - WITHOUT ARCTIC PACKAGE                                     | D   |
| 1    | 0060044     | 1   | Platform Rotator Assembly (See Separate Breakdown in this Section)        |     |
| 2    | 0700818     | 2   | Bolt M8 x 50  |     |
| 3    | 0701018     | 4   | Bolt M10 x 50   |     |
| 4    | 0701020     | 2   | Bolt M10 x 60   |     |
| 5    | 0961951     | 2   | Bushing   |     |
| 6    | 0962292     | 2   | Bushing   |     |
| 7    | 3290805     | 2   | Nut M8  |     |
| 8    | 3291005     | 6   | Nut M10   |     |
| 9    | 3340860     | 4   | Pad, Rubber   |     |
| 10   | 3422791     | 2   | Pin   |     |
| 11   | 3572551     | 2   | Channel, Hose Carrier   |     |
| 12   | 4811902     | 4   | Washer M8   |     |
| 13   | 3422794     | 2   | Pin   |     |
| 14   | 1001123004  | 1   | Lift Cylinder Assembly - Jib (See Separate Breakdown in CYLINDER Section) |     |
| 15   | 1001118394  | 1   | Pivot, Jib  |     |
| 16   | 4846278     | 1   | Link, Jib (Top)   |     |
| 17   | 1001094670  | 2   | Link, Jib (Bottom)  |     |
| 18   | 3311501     | 2   | Nut 5/16  |     |
| 19   | 4751500     | 2   | Washer 5/16   |     |

# SECTION 4 - BOOM

## FIGURE 4-6. JIB ASSEMBLY - WITH ARCTIC PACKAGE



ART\_1001119370\_D

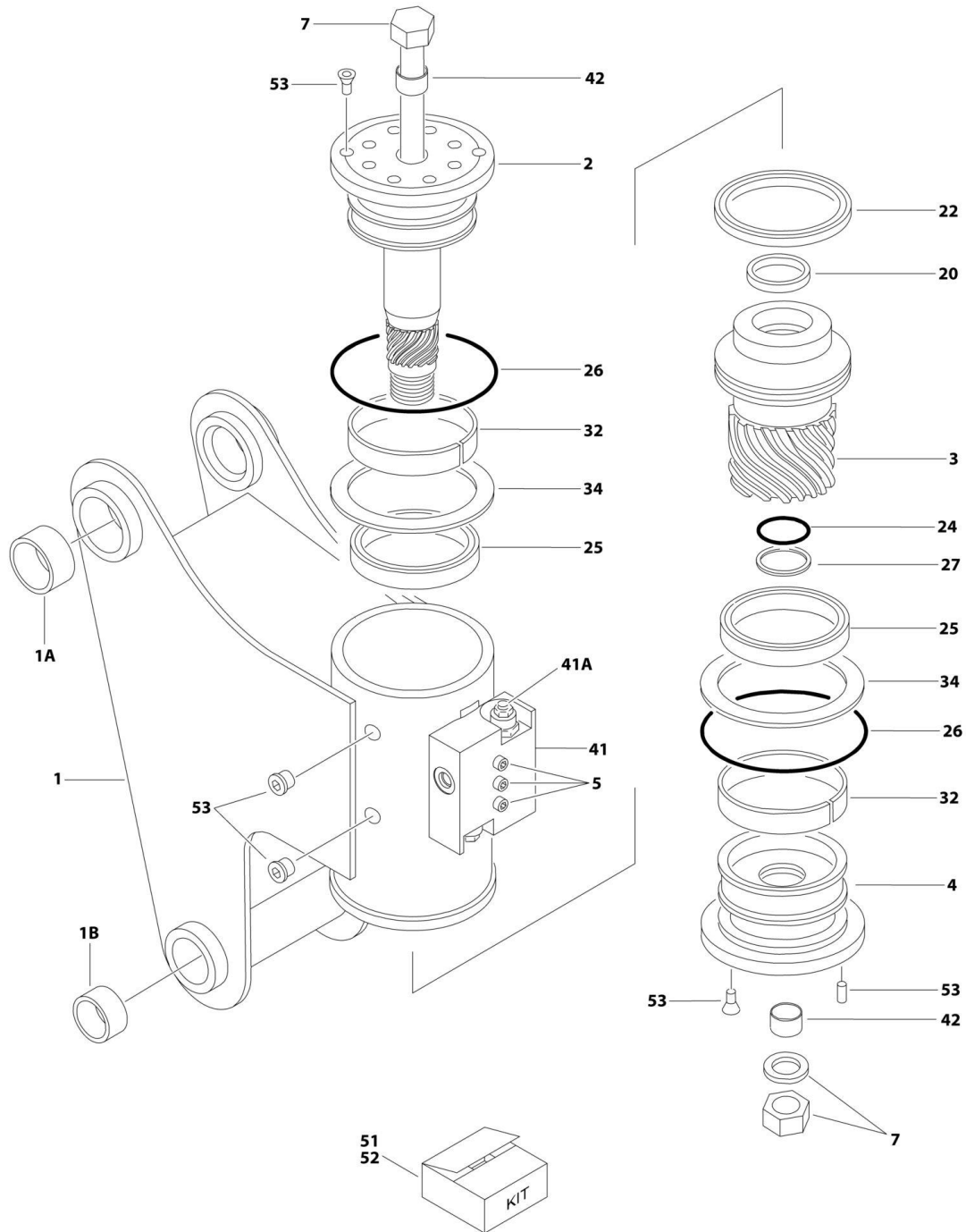
## SECTION 4 - BOOM

**FIGURE 4-6. JIB ASSEMBLY - WITH ARCTIC PACKAGE**

| ITEM | PART NUMBER | QTY | DESCRIPTION   | REV |
|------|-------------|-----|---|-----|
|      | 1001119370  | Ref | JIB ASSEMBLY - WITH ARCTIC PACKAGE  | D   |
| 1    | 0700818     | 2   | Bolt M8 x 50  |     |
| 2    | 0701018     | 4   | Bolt M10 x 50   |     |
| 3    | 0701020     | 2   | Bolt M10 x 60   |     |
| 4    | 0961951     | 2   | Bushing   |     |
| 5    | 0962292     | 2   | Bushing   |     |
| 6    | 3290805     | 2   | Nut M8  |     |
| 7    | 3291005     | 6   | Nut M10   |     |
| 8    | 3340860     | 4   | Pad, Rubber   |     |
| 9    | 3422791     | 2   | Pin   |     |
| 10   | 3572551     | 2   | Channel, Hose Carrier   |     |
| 11   | 4811902     | 4   | Washer M8   |     |
| 12   | 3422794     | 2   | Pin   |     |
| 13   | 1001123004  | 1   | Lift Cylinder Assembly - Jib (See Separate Breakdown in CYLINDER Section) |     |
| 14   | 1001118394  | 1   | Pivot, Jib  |     |
| 15   | 4846278     | 1   | Link, Jib (Top)   |     |
| 16   | 1001094670  | 2   | Link, Jib (Bottom)  |     |
| 17   | 1001119369  | 1   | Platform Rotator Assembly (See Separate Breakdown in this Section)        |     |
| 18   | 3311501     | 2   | Nut 5/16  |     |
| 19   | 4751500     | 2   | Washer 5/16   |     |

# SECTION 4 - BOOM

## FIGURE 4-7. PLATFORM ROTATOR ASSEMBLY - WITHOUT ARCTIC PACKAGE



ART\_0060044

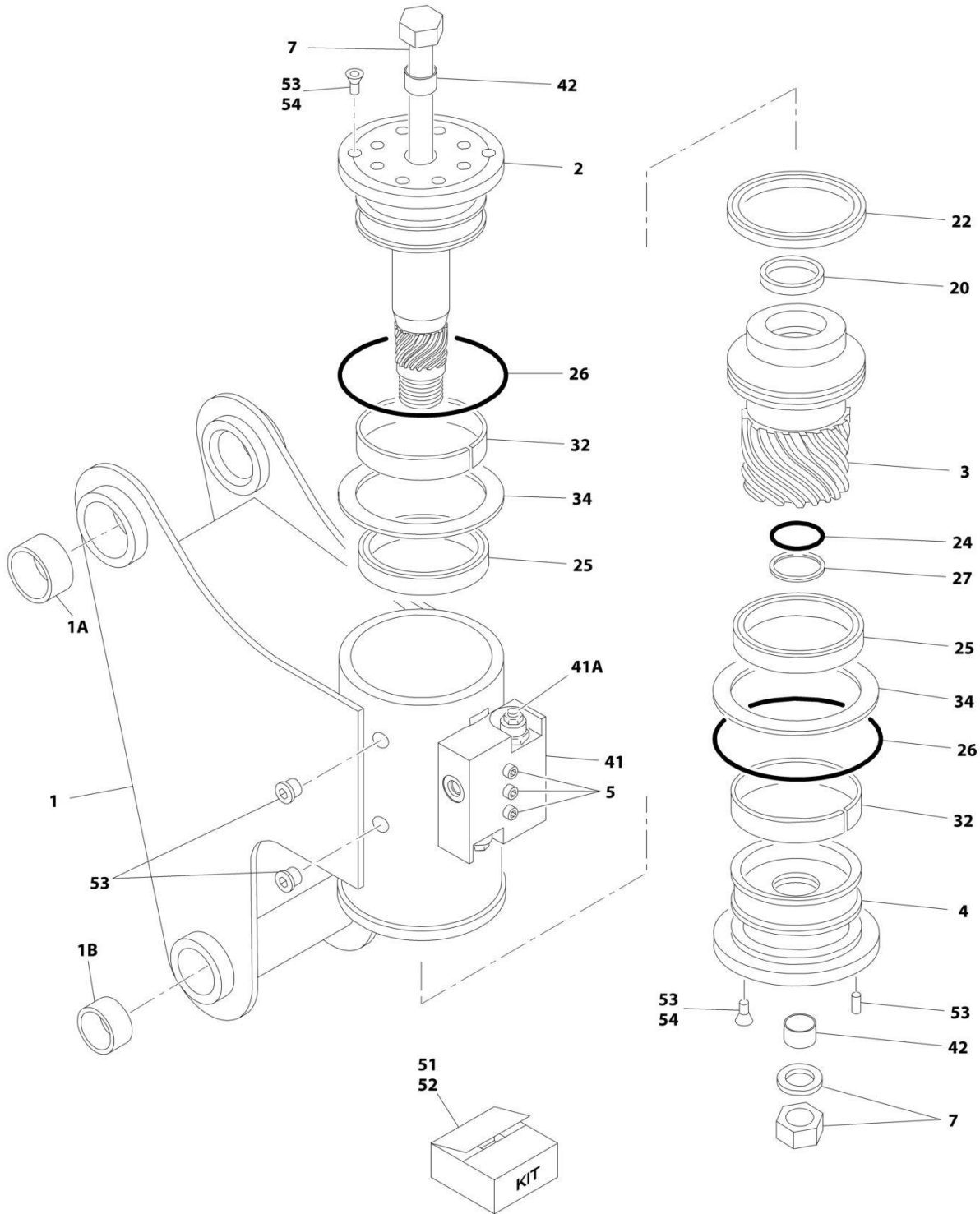
## SECTION 4 - BOOM

### FIGURE 4-7. PLATFORM ROTATOR ASSEMBLY - WITHOUT ARCTIC PACKAGE

| ITEM | PART NUMBER | QTY | DESCRIPTION  | REV |
|------|-------------|-----|--|-----|
|      | 0060044     | Ref | ROTATOR ASSEMBLY   | D   |
| 1    | See Note    | 1   | Case/Bracket Weldment (Note: Not Available - Purchase Complete Assembly)                       |     |
| 1A   | 0962257     | 2   | Bushing  |     |
| 1B   | 0961947     | 2   | Bushing  |     |
| 2    | 7017120     | 1   | Shaft (Rotator with Helac Control #25928)  |     |
| 2    | 7017196     | 1   | Shaft (Rotator with Helac Control #26962)  |     |
| 3    | 7017121     | 1   | Piston Sleeve (Rotator with Helac Control #25928)  |     |
| 3    | 7027900     | 1   | Piston Sleeve (Rotator with Helac Control #26962)  |     |
| 4    | See Note    | 1   | Cap, End (Rotator with Helac Control #25928) (Note: Use p/n 0060044)                           |     |
| 4    | 7027901     | 1   | Cap, End (Rotator with Helac Control #26962)   |     |
| 5    | See Note    | 3   | Capscrew 1/4 x 1-1/2, Grade 8 (Note: Not Available - Purchase Locally)                         |     |
| 7    | 7017126     | 1   | Tie Rod Assembly   |     |
| 20   | See Note    | NSS | Seal, Rod (Note: Use Item 52)  |     |
| 22   | See Note    | NSS | Seal, Piston (Note: Use Item 52)   |     |
| 24   | See Note    | NSS | Seal, Cap (Note: Use Item 52)  |     |
| 25   | See Note    | NSS | Packing, Bearing (Note: Use Item 52)   |     |
| 26   | See Note    | NSS | Seal (Note: Use Item 52)   |     |
| 27   | See Note    | NSS | Ring, Back-Up Cap (Note: Use Item 52)  |     |
| 32   | See Note    | NSS | Bearing, Shaft (Note: Use Item 51)   |     |
| 34   | See Note    | 2   | Washer, Thrust (Note: Use Item 51)   |     |
| 41   | 7017172     | 1   | Counterbalance Valve Assembly (Helac p/n 24327, 26553 or 26554 Stamped Beside Mounting Screws) |     |
| 41A  | 7011323     | 2   | Valve, Cartridge (Helac p/n 24327 Valve)   |     |
| 41A  | 2900770     | 2   | Seal Kit - 7011323 Cartridge (1 Per Assembly)  |     |
| 41A  | 7017192     | 2   | Valve Cartridge (Helac p/n 26553 or 26554) (No Seal Kit Available)                             |     |
| 42   | 70004323    | 1   | Bushing, Shaft   |     |
| 51   | 7017122     | 1   | Bearing Kit (Includes Items 32-34)   |     |
| 52   | 7017127     | 1   | Seal Kit - Standard (Includes Items 20,22,24,25,26 & 27)                                       |     |
| 52   | 70000341    | 1   | Seal Kit - Low Temperature (Includes Items 20,22,24,25,26 & 27)                                |     |
| 53   | 7017123     | 1   | Hardware Kit   |     |

# SECTION 4 - BOOM

## FIGURE 4-8. PLATFORM ROTATOR ASSEMBLY - WITH ARCTIC PACKAGE



ART\_1001119369

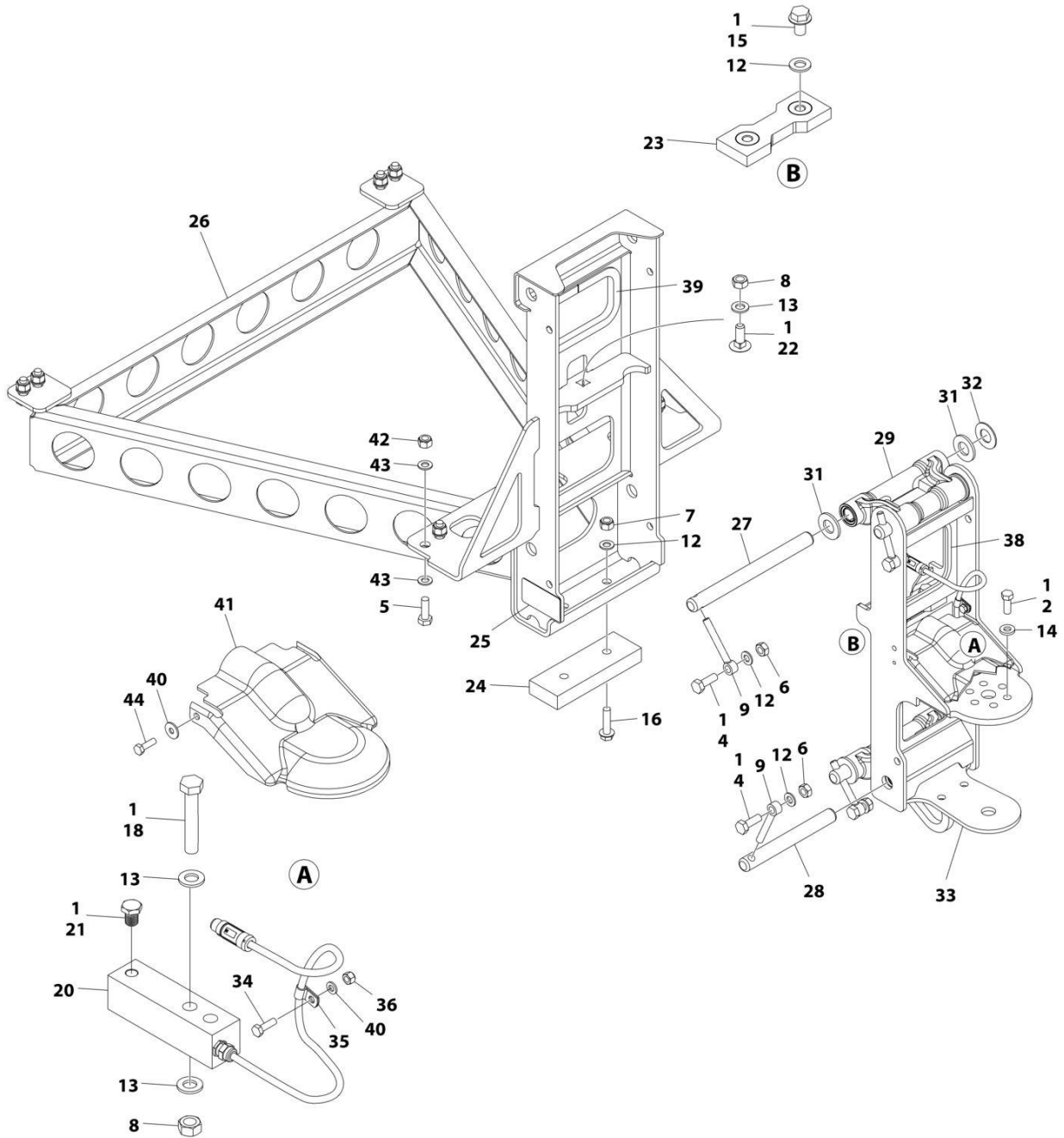
## SECTION 4 - BOOM

**FIGURE 4-8. PLATFORM ROTATOR ASSEMBLY - WITH ARCTIC PACKAGE**

| ITEM | PART NUMBER | QTY | DESCRIPTION  | REV |
|------|-------------|-----|--|-----|
|      | 1001119369  | Ref | PLATFORM ROTATOR ASSEMBLY - WITH ARCTIC PACKAGE                          | B   |
| 1    | See Note    | 1   | Case/Bracket Weldment (Note: Not Available - Purchase Complete Assembly) |     |
| 1A   | 0962257     | 2   | Bushing  |     |
| 1B   | 0961947     | 2   | Bushing  |     |
| 2    | 7017196     | 1   | Shaft  |     |
| 3    | 7027900     | 1   | Piston Sleeve  |     |
| 4    | 7027901     | 1   | Cap, End   |     |
| 5    | See Note    | 3   | Capscrew, 1/4 x 1-1/2 Grade 8 (Note: Not Available - Purchase Locally)   |     |
| 7    | 7017126     | 1   | Tie Rod Assembly   |     |
| 20   | See Note    | 1   | Seal, Rod (Note: Use Item 52)  |     |
| 22   | See Note    | 1   | Seal, Piston (Note: Use Item 52)   |     |
| 24   | See Note    | 1   | Seal, Cap (Note: Use Item 52)  |     |
| 25   | See Note    | 2   | Packing, Bearing (Note: Use Item 52)                                     |     |
| 26   | See Note    | 2   | Seal (Note: Use Item 52)   |     |
| 27   | See Note    | 1   | Ring, Back-up Cap (Note: Use Item 52)                                    |     |
| 32   | See Note    | 2   | Bearing, Shaft (Note: Use Item 51)                                       |     |
| 34   | See Note    | 2   | Washer, Thrust (Note: Use Item 51)                                       |     |
| 41   | 7017172     | 1   | Counterbalance Valve Assembly  |     |
| 41A  | 7017192     | 2   | Valve Cartridge (No Seal Kit Available)                                  |     |
| 42   | 70004323    | 2   | Bushing, Shaft   |     |
| 51   | 7017122     | 1   | Bearing Kit (Includes Items 32-34)                                       |     |
| 52   | 70004322    | 1   | Seal Kit (Includes Items 20, 22, 24, 25, 26 & 27)                        |     |
| 53   | 7017123     | 1   | Hardware Kit   |     |
| 54   | 70001697    | 4   | Screw 1/4 x 3/8 Grade 8  |     |

# SECTION 4 - BOOM

## FIGURE 4-9. PLATFORM SUPPORT INSTALLATION - WITH 1 CELL LSS (PVC 2007)



ART\_1001217227\_F



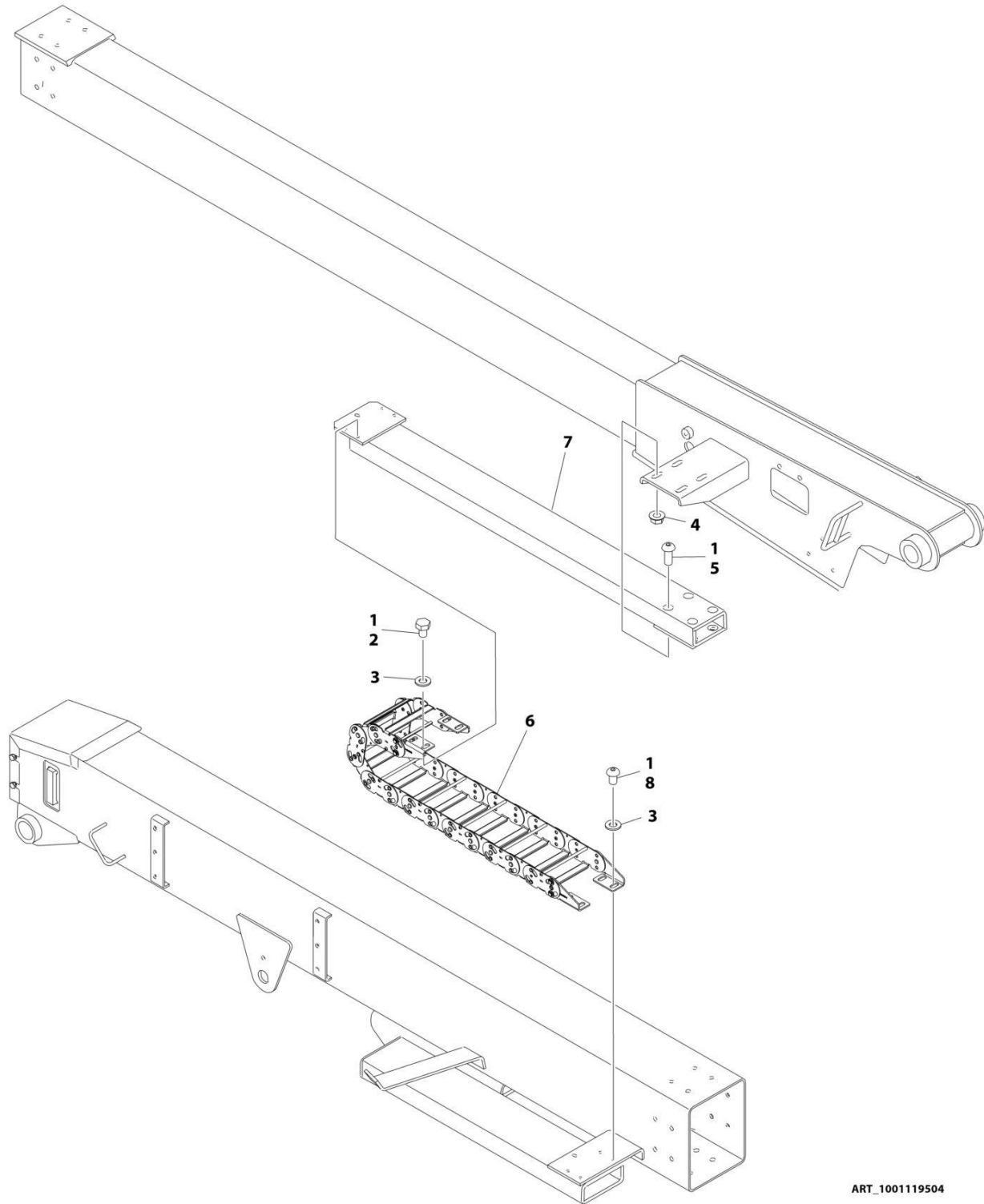
## SECTION 4 - BOOM

**FIGURE 4-9. PLATFORM SUPPORT INSTALLATION - WITH 1 CELL LSS (PVC 2007)**

| ITEM | PART NUMBER | QTY                 | DESCRIPTION                                     | REV |
|------|-------------|---------------------|---|-----|
|      | 1001217227  | Ref                 | PLATFORM SUPPORT INSTALLATION - WITH 1 CELL LSS | F   |
| 1    | 0100011     | AR                  | Compound, Locking                               |     |
| 2    | 0681608     | 6                   | Bolt 3/8 x 1                                    |     |
| 4    | 0761014     | 4                   | Bolt M10 x 30                                   |     |
| 5    | 0761215     | 8                   | Bolt M12 x 35                                   |     |
| 6    | 3291001     | 4                   | Nut M10   |     |
| 7    | 3291005     | 2                   | Nut M10   |     |
| 8    | 3291201     | 3                   | Nut M12   |     |
| 9    | 3841143     | 4                   | Keeper, Pin                                     |     |
| 12   | 4812000     | 8                   | Washer M10                                      |     |
| 13   | 4812100     | 5                   | Washer M12                                      |     |
| 14   | 4891600     | 6                   | Washer 3/8                                      |     |
| 15   | 5251008     | 2                   | Bolt M10 x 16                                   |     |
| 16   | 5251016     | 2                   | Bolt M10 x 40                                   |     |
| 18   | 1001098828  | 2                   | Bolt M12 x 70 Grade 10.9                        |     |
| 20   | 1001247468  | 1                   | Gauge, Load Sensing                             |     |
| 21   | 1001188622  | 1                   | Screw   |     |
| 22   | 1001188844  | 1                   | Bolt M12 x 35                                   |     |
| 23   | 1001190985  | 1                   | Pad, Wear                                       |     |
| 24   | 1001200491  | 1                   | Pad, Wear                                       |     |
| 25   | 1001216630  | 2                   | Decal - Tie Down/No Lift                        |     |
| 26   | 1001217228  | 1                   | Platform Support                                |     |
| 27   | 1001217242  | 2                   | Pin   |     |
| 28   | 1001217243  | 2                   | Pin   |     |
| 29   | 1001217244  | 2                   | Link  |     |
| 31   | 1001217253  | 8                   | Bearing, Thrust                                 |     |
| 32   | 1001217254  | 4                   | Bearing, Thrust                                 |     |
| 33   | 1001217267  | 1                   | Support   |     |
| 34   | 0760610     | 1                   | Bolt M6 x 20                                    |     |
| 35   | 1320136     | 1                   | Clamp   |     |
| 36   | 3290605     | 1                   | Nut M6  |     |
| 38   | 4060804     | 14.4 in/<br>36.5cm  | Shield  |     |
| 39   | 4060805     | 15.9 in/<br>40.5 cm | Shield  |     |
| 40   | 4811702     | 3                   | Washer M6                                       |     |
| 41   | 1001228627  | 1                   | Cover   |     |
| 42   | 3291205     | 8                   | Nut M12   |     |
| 43   | 5241200     | 16                  | Washer M12                                      |     |
| 44   | 0760606     | 2                   | Bolt M6 x 12                                    |     |

# SECTION 4 - BOOM

## FIGURE 4-10. POWER TRACK INSTALLATION



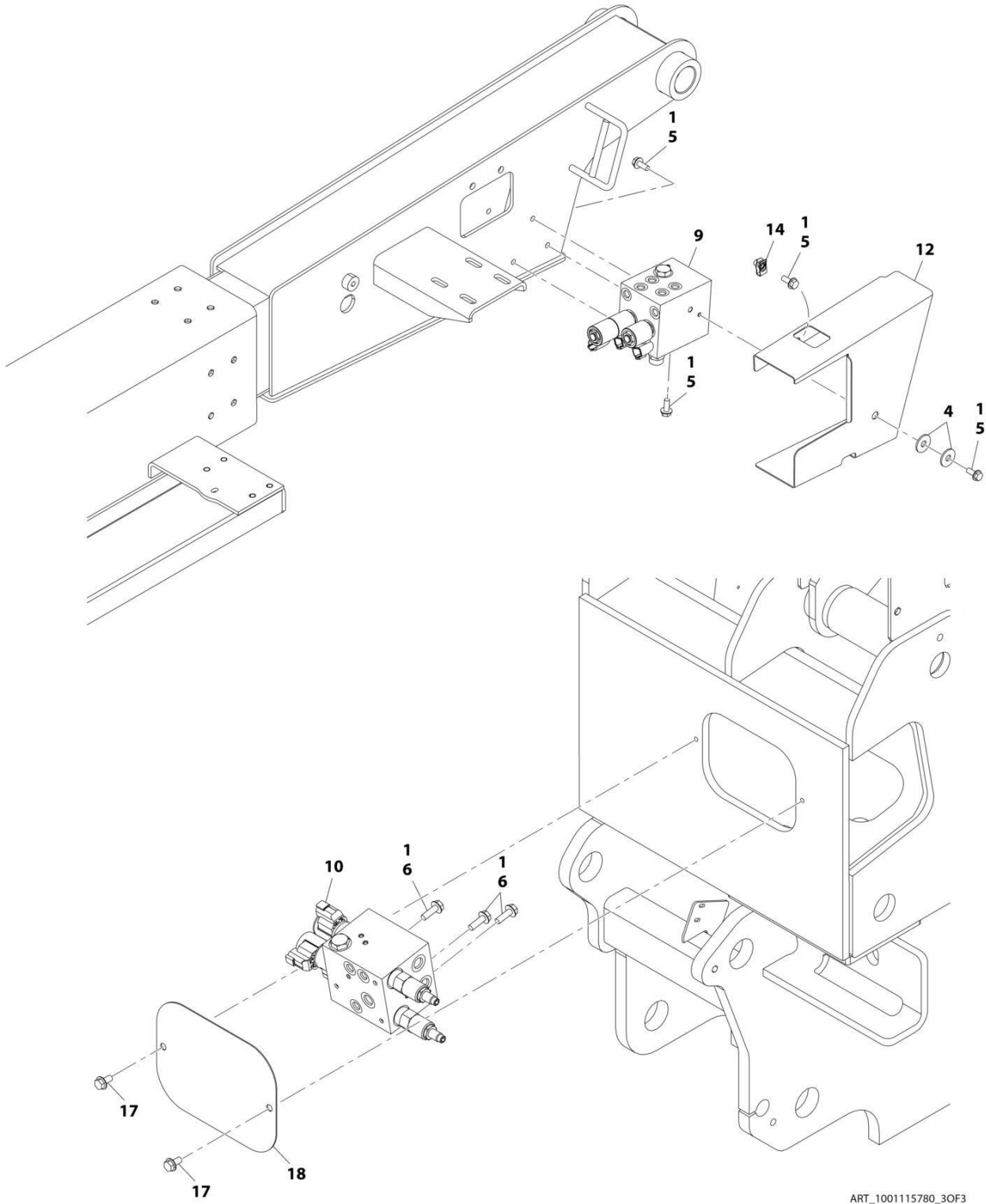
ART\_1001119504

FIGURE 4-10. POWER TRACK INSTALLATION

| ITEM | PART NUMBER | QTY | DESCRIPTION  | REV |
|------|-------------|-----|--|-----|
|      | 1001119504  | Ref | POWER TRACK INSTALLATION   | C   |
| 1    | 0100011     | AR  | Compound, Locking  |     |
| 2    | 0761007     | 4   | Bolt M10 x 14  |     |
| 3    | 4812000     | 8   | Washer M10   |     |
| 4    | 5221000     | 4   | Nut M10 Grade 10.9   |     |
| 5    | 8310668     | 4   | Screw M10 x 25 Grade 10.9  |     |
| 6    | 1001224891  | 1   | Carrier, Power Track   |     |
| 6    | 70006269    | 1   | Repair Kit (Includes 10 Link Section of Track)                         |     |
| 6    | 70006280    | 1   | Bracket Kit (Includes 4 Mounting Feet and Hardware to Attach to Track) |     |
| 7    | 1001119513  | 1   | Tube, Support  |     |
| 8    | 1001119527  | 4   | Screw M10 x 16   |     |

# SECTION 4 - BOOM

## FIGURE 4-11. CONTROL VALVES INSTALLATION - BOOM



ART\_1001115780\_30F3

## SECTION 4 - BOOM

### FIGURE 4-11. CONTROL VALVES INSTALLATION - BOOM

| ITEM | PART NUMBER | QTY | DESCRIPTION  | REV |
|------|-------------|-----|--|-----|
|      | 1001115780  | Ref | CONTROL VALVES INSTALLATION - BOOM                                   | G   |
| 1    | 0100011     | AR  | Compound, Locking  |     |
| 4    | 4812002     | 2   | Washer M10   |     |
| 5    | 5250810     | 10  | Bolt M8 x 20   |     |
| 6    | 5250812     | 3   | Bolt M8 x 25   |     |
| 9    | 1001116228  | 1   | Fly Boom Valve Assembly (See Separate Breakdown in this Section)     |     |
| 10   | 1001136244  | 1   | Boom Upright Valve Assembly (See Separate Breakdown in this Section) |     |
| 12   | 1001116835  | 1   | Shield   |     |
| 14   | 1001118274  | 1   | Nut M8   |     |
| 17   | 5250808     | 2   | Bolt M8 x 16   |     |
| 18   | 1001118595  | 1   | Cover  |     |

# SECTION 4 - BOOM

## FIGURE 4-12. FLY BOOM VALVE ASSEMBLY

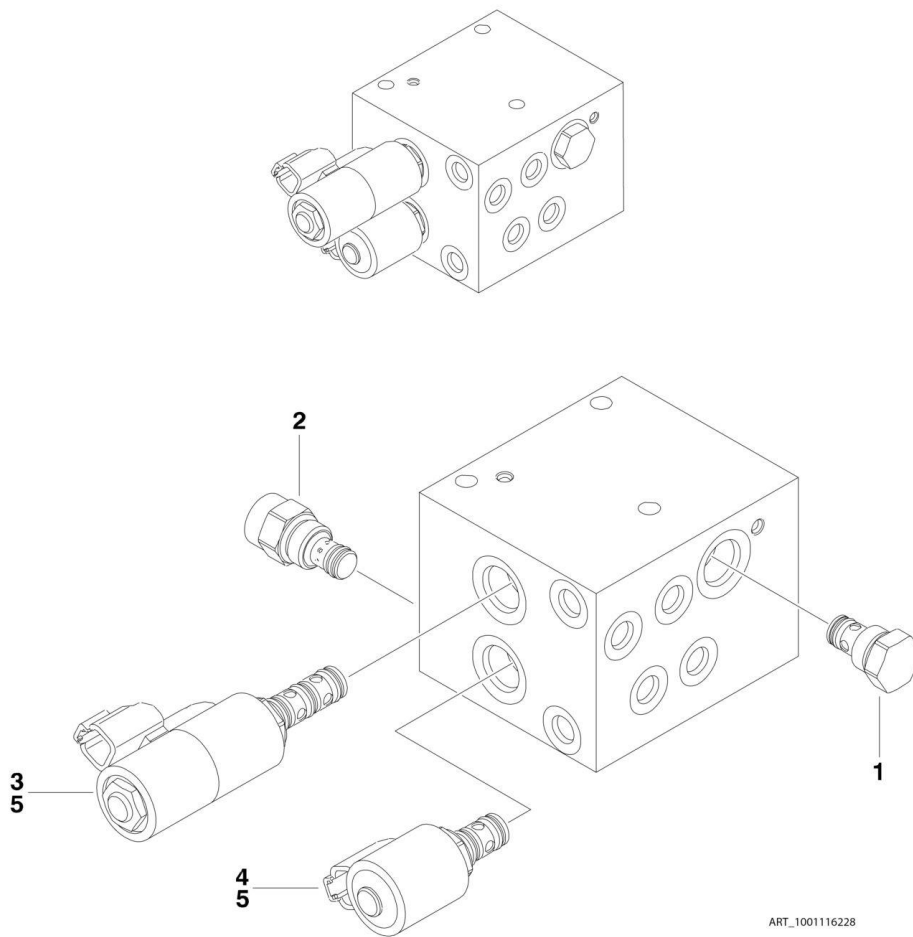
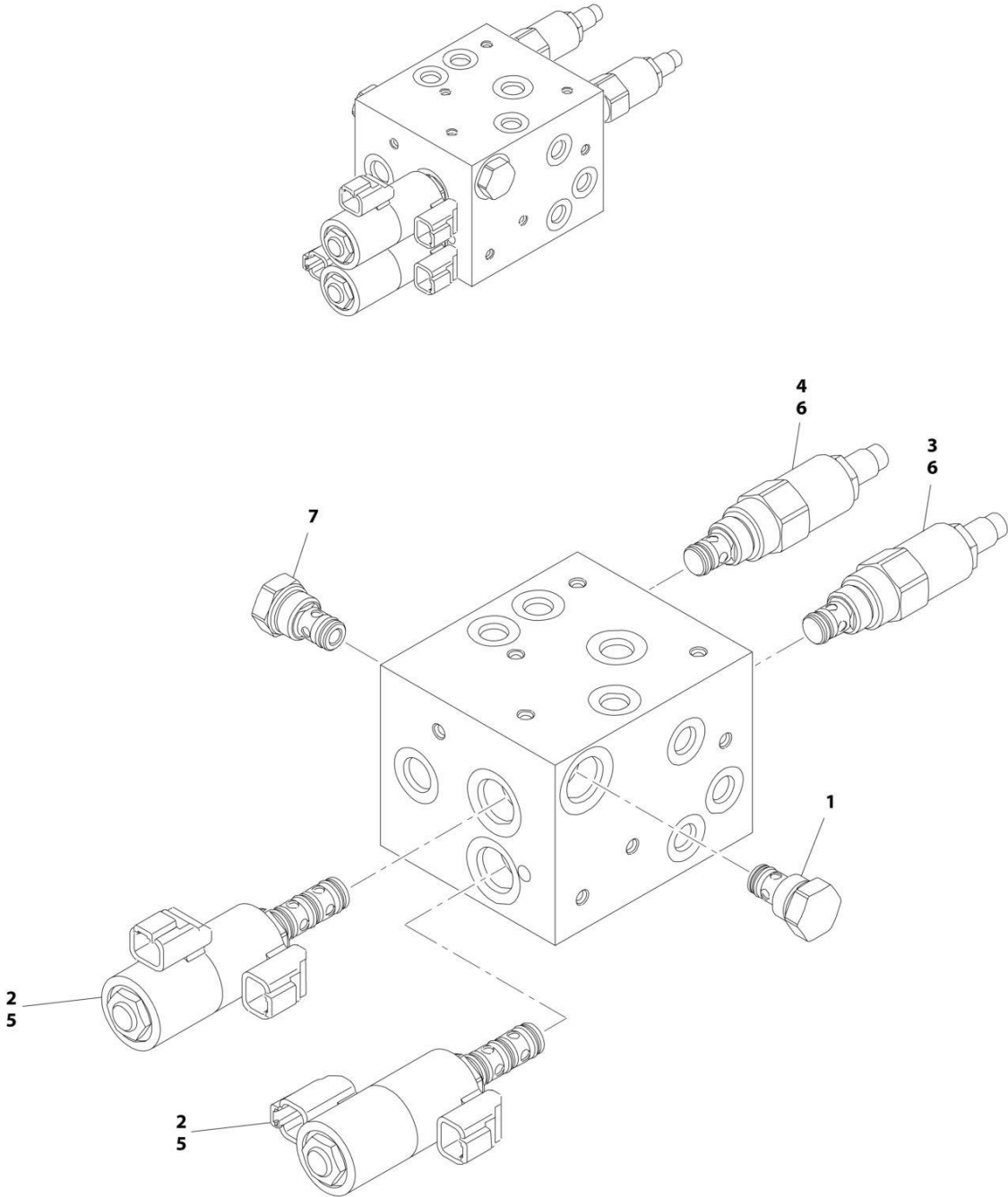


FIGURE 4-12. FLY BOOM VALVE ASSEMBLY

| ITEM | PART NUMBER | QTY | DESCRIPTION                                       | REV |
|------|-------------|-----|---|-----|
|      | 1001116228  | Ref | FLY BOOM VALVE ASSEMBLY                           | D   |
| 1    | 7012955     | 1   | Cartridge, Check Valve                            |     |
| 1    | 7012967     | 1   | Seal Kit - 7012955 Cartridge                      |     |
| 2    | 7023970     | 1   | Cartridge, Flow Regulator                         |     |
| 2    | 7012953     | 1   | Seal Kit - 7023970 Cartridge                      |     |
| 3    | 7017452     | 1   | Cartridge, Solenoid Valve (without Coil) (Rotate) |     |
| 3    | 7017402     | 1   | Seal Kit - 7017452 Cartridge                      |     |
| 4    | 7012941     | 1   | Cartridge, Solenoid Valve (without Coil) (Jib)    |     |
| 4    | 7010543     | 1   | Seal Kit - 7012941 Cartridge                      |     |
| 5    | 70002386    | 3   | Coil  |     |

**SECTION 4 - BOOM**

**FIGURE 4-13. BOOM UPRIGHT VALVE ASSEMBLY**



ART\_1001136244



**FIGURE 4-13. BOOM UPRIGHT VALVE ASSEMBLY**

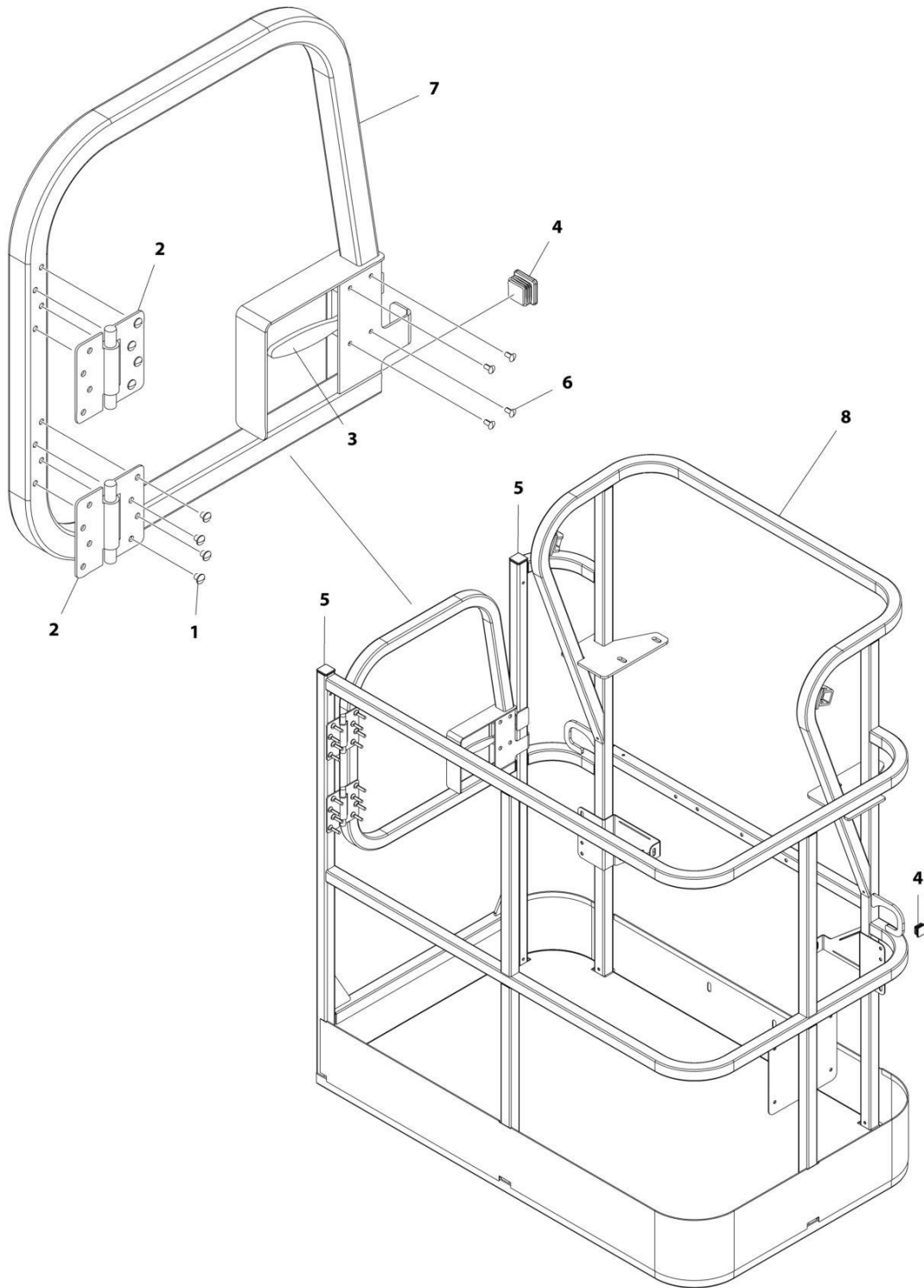
| ITEM | PART NUMBER | QTY | DESCRIPTION   | REV |
|------|-------------|-----|---|-----|
|      | 1001136244  | Ref | BOOM UPRIGHT VALVE ASSEMBLY   | C   |
| 1    | 7012955     | 2   | Cartridge, Check Valve  |     |
| 1    | 7012967     | 2   | Seal Kit - 7012955 Cartridge  |     |
| 2    | 7017452     | 2   | Cartridge, Solenoid Valve (without Coil) (Telescope/Platform Level) |     |
| 2    | 7017402     | 2   | Seal Kit - 7017452 Cartridge  |     |
| 3    | 7017427     | 1   | Cartridge, Relief   |     |
| 3    | 7012998     | 1   | Seal Kit - 7017427 Cartridge  |     |
| 4    | 70002954    | 1   | Cartridge, Relief   |     |
| 4    | 7012998     | 1   | Seal Kit - 70002954 Cartridge                                       |     |
| 5    | 70002963    | 4   | Coil  |     |
| 6    | See Note    | 2   | Orifice (Note: Not Available for Purchase)                          |     |
| 7    | 7017498     | 1   | Piston, Pilot   |     |



**SECTION 5 - PLATFORM**

# SECTION 5 - PLATFORM

FIGURE 5-1. PLATFORM ASSEMBLY - 30IN X 4FT (76CM X 1.22M) - GATE ENTRY



ART\_1001186387

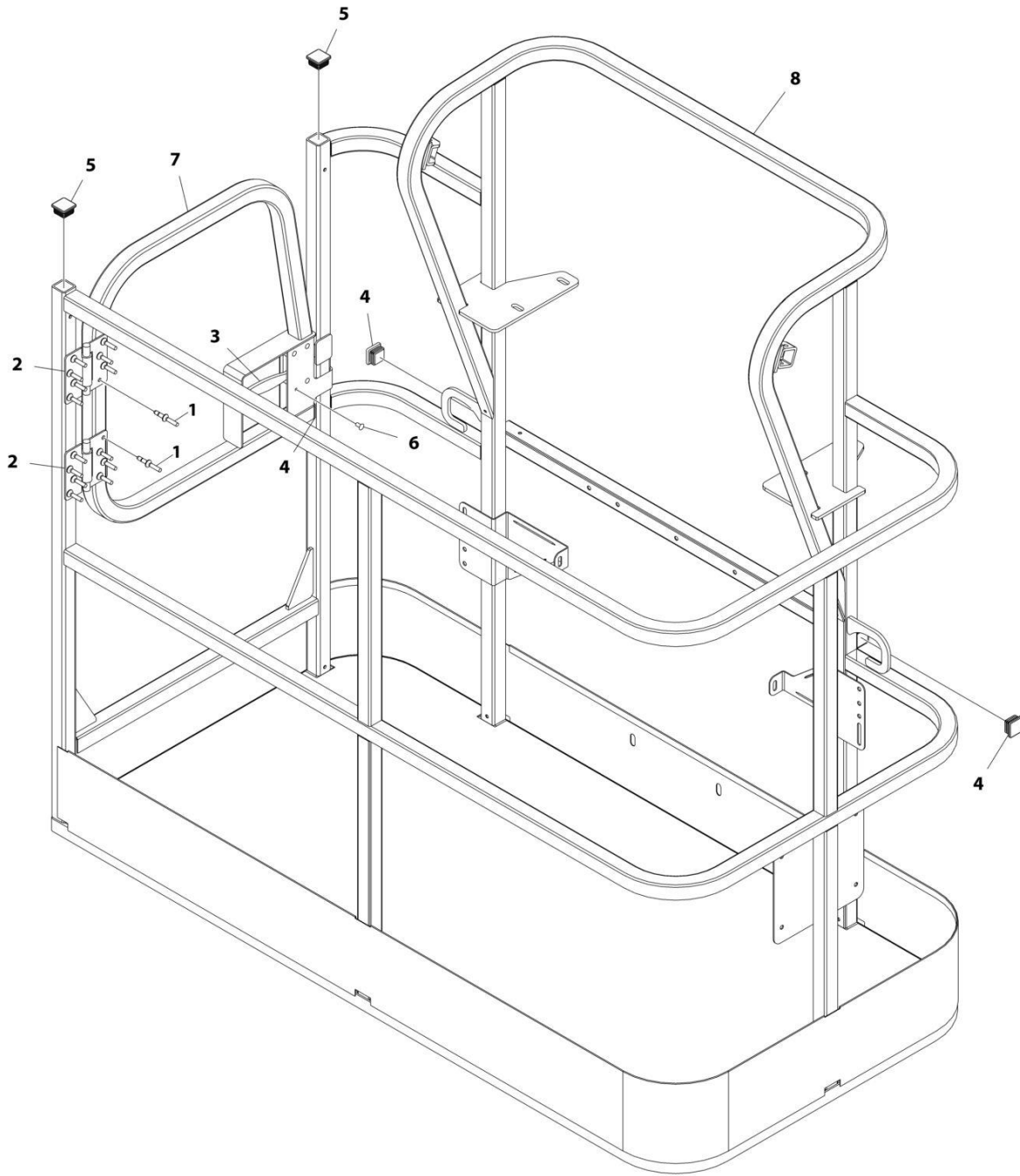
## SECTION 5 - PLATFORM

**FIGURE 5-1. PLATFORM ASSEMBLY - 30IN X 4FT (76CM X 1.22M) - GATE ENTRY**

| ITEM | PART NUMBER | QTY | DESCRIPTION   | REV |
|------|-------------|-----|---|-----|
|      | 1001186387  | Ref | PLATFORM ASSEMBLY   | C   |
|      |             | Ref | Note: Platform and Mesh must be ordered separately for Platforms with Mesh. See SPECIAL OPTIONS SECTION for Mesh Installations. |     |
|      |             | Ref | Note: Replacement Decals Must be Ordered Separately - See DECALS SECTION.   |     |
| 1    | 2080040     | 16  | Fastener, Huck  |     |
| 2    | 2600281     | 2   | Hinge, Self-Closing   |     |
| 3    | 2940074     | 1   | Latch   |     |
| 4    | 3520072     | 3   | Plug  |     |
| 5    | 3520198     | 2   | Plug  |     |
| 6    | 3820020     | 4   | Rivet   |     |
| 7    | 1001144629  | 1   | Gate  |     |
| 8    | See Note    | 1   | Platform (Note: Not Available - Purchase Platform Assembly)   |     |

# SECTION 5 - PLATFORM

FIGURE 5-2. PLATFORM ASSEMBLY - 30IN X 5FT (76CM X 1.52M) - GATE ENTRY



ART\_1001186386

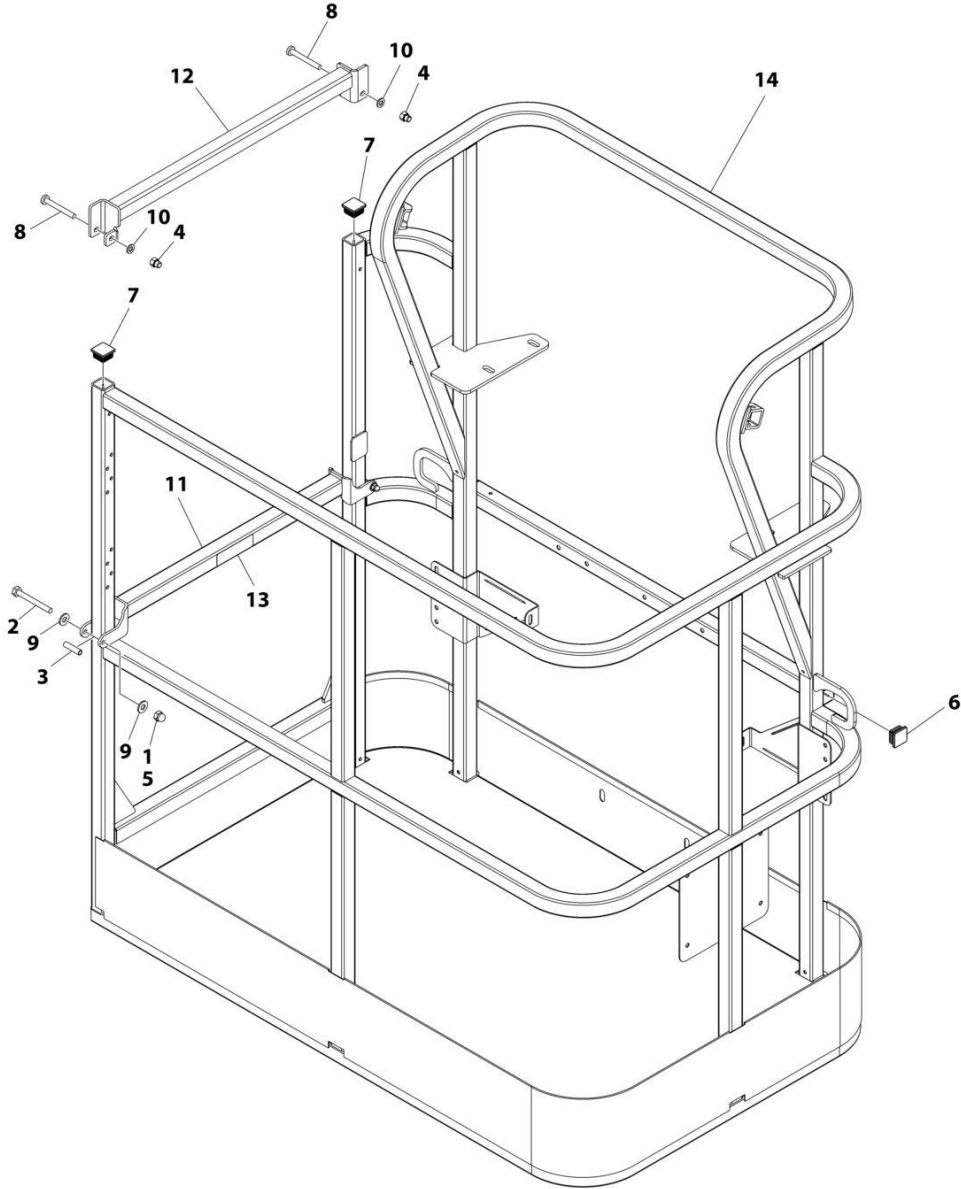
## SECTION 5 - PLATFORM

**FIGURE 5-2. PLATFORM ASSEMBLY - 30IN X 5FT (76CM X 1.52M) - GATE ENTRY**

| ITEM | PART NUMBER | QTY | DESCRIPTION   | REV |
|------|-------------|-----|---|-----|
|      | 1001186386  | Ref | PLATFORM ASSEMBLY   | C   |
|      |             | Ref | Note: Platform and Mesh must be ordered separately for Platforms with Mesh. See SPECIAL OPTIONS SECTION for Mesh Installations. |     |
|      |             | Ref | Note: Replacement Decals Must be Ordered Separately - See DECALS SECTION.   |     |
| 1    | 2080040     | 16  | Fastener, Huck  |     |
| 2    | 2600281     | 2   | Hinge, Self-Closing   |     |
| 3    | 2940074     | 1   | Latch   |     |
| 4    | 3520072     | 3   | Plug  |     |
| 5    | 3520198     | 2   | Plug  |     |
| 6    | 3820020     | 4   | Rivet   |     |
| 7    | 1001144629  | 1   | Gate  |     |
| 8    | See Note    | NSS | Platform (Note: Not Available - Purchase Platform Assembly)   |     |

# SECTION 5 - PLATFORM

FIGURE 5-3. PLATFORM ASSEMBLY - 30IN X 4FT (76CM X 1.22M) - DROP BAR ENTRY



ART\_1001186375



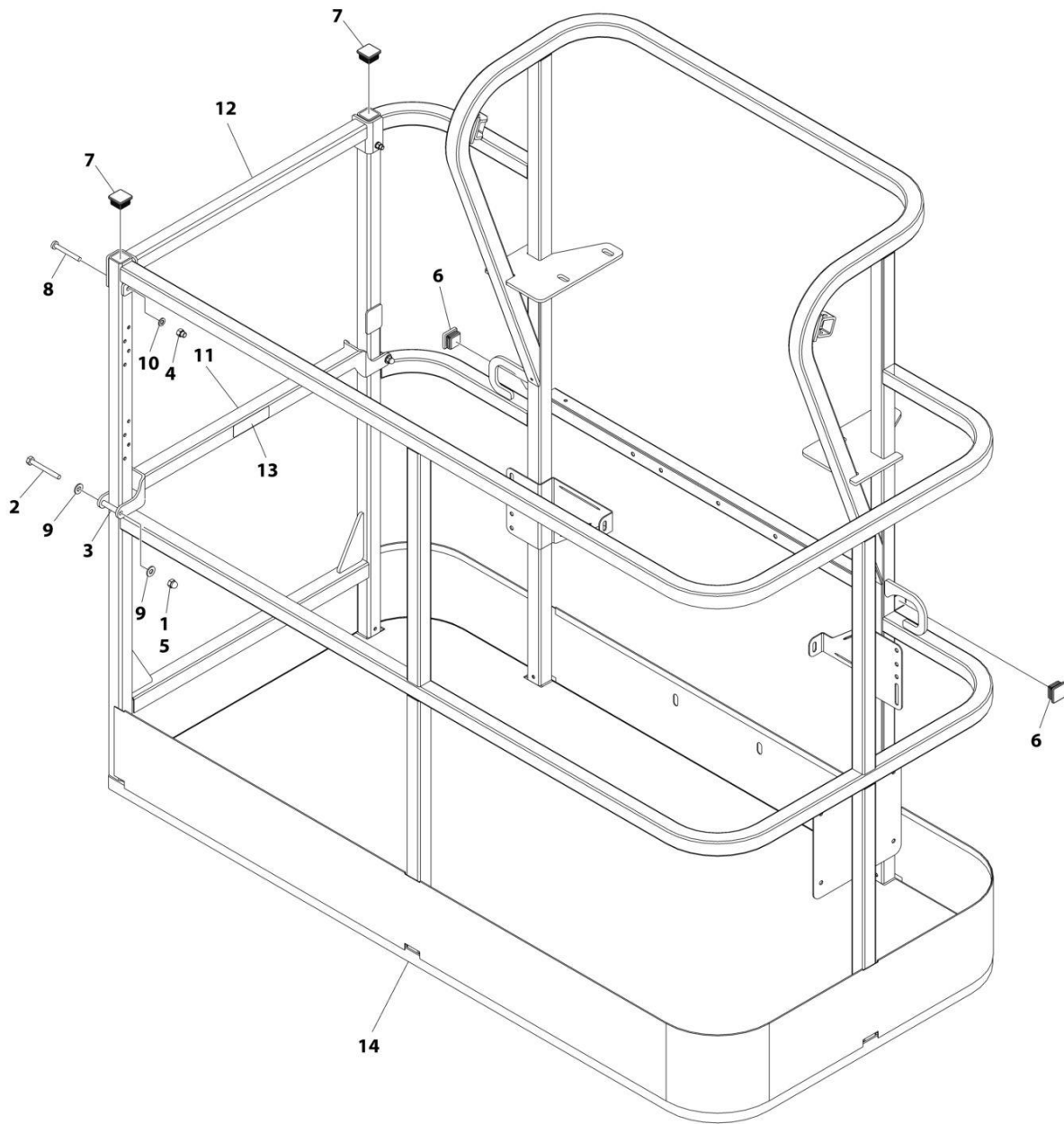
## SECTION 5 - PLATFORM

**FIGURE 5-3. PLATFORM ASSEMBLY - 30IN X 4FT (76CM X 1.22M) - DROP BAR ENTRY**

| ITEM | PART NUMBER | QTY | DESCRIPTION   | REV |
|------|-------------|-----|---|-----|
|      | 1001186375  | Ref | PLATFORM ASSEMBLY   | B   |
|      |             | Ref | Note: Platform and Mesh must be ordered separately for Platforms with Mesh. See SPECIAL OPTIONS SECTION for Mesh Installations. |     |
|      |             | Ref | Note: Replacement Decals Must be Ordered Separately - See DECALS SECTION.   |     |
| 1    | 0100011     | AR  | Compound, Locking   |     |
| 2    | 0641418     | 2   | Bolt 1/4 x 2-1/4  |     |
| 3    | 0961845     | 2   | Bushing   |     |
| 4    | 3290606     | 2   | Nut M6  |     |
| 5    | 3300151     | 2   | Nut 1/4   |     |
| 6    | 3520072     | 2   | Plug  |     |
| 7    | 3520198     | 2   | Plug  |     |
| 8    | 4010618     | 2   | Screw M6 x 50   |     |
| 9    | 4711400     | 4   | Washer 1/4  |     |
| 10   | 4811700     | 2   | Washer M6   |     |
| 11   | 1001138494  | 1   | Bar, Drop   |     |
| 12   | 1001138514  | 1   | Rail - Top  |     |
| 13   | 1001140429  | 1   | Decal - Drop Bar  |     |
| 14   | See Note    | 1   | Platform (Note: Not Available - Purchase Platform Assembly)   |     |

# SECTION 5 - PLATFORM

FIGURE 5-4. PLATFORM ASSEMBLY - 30IN X 5FT (76CM X 1.52M) - DROP BAR ENTRY



ART\_1001186377

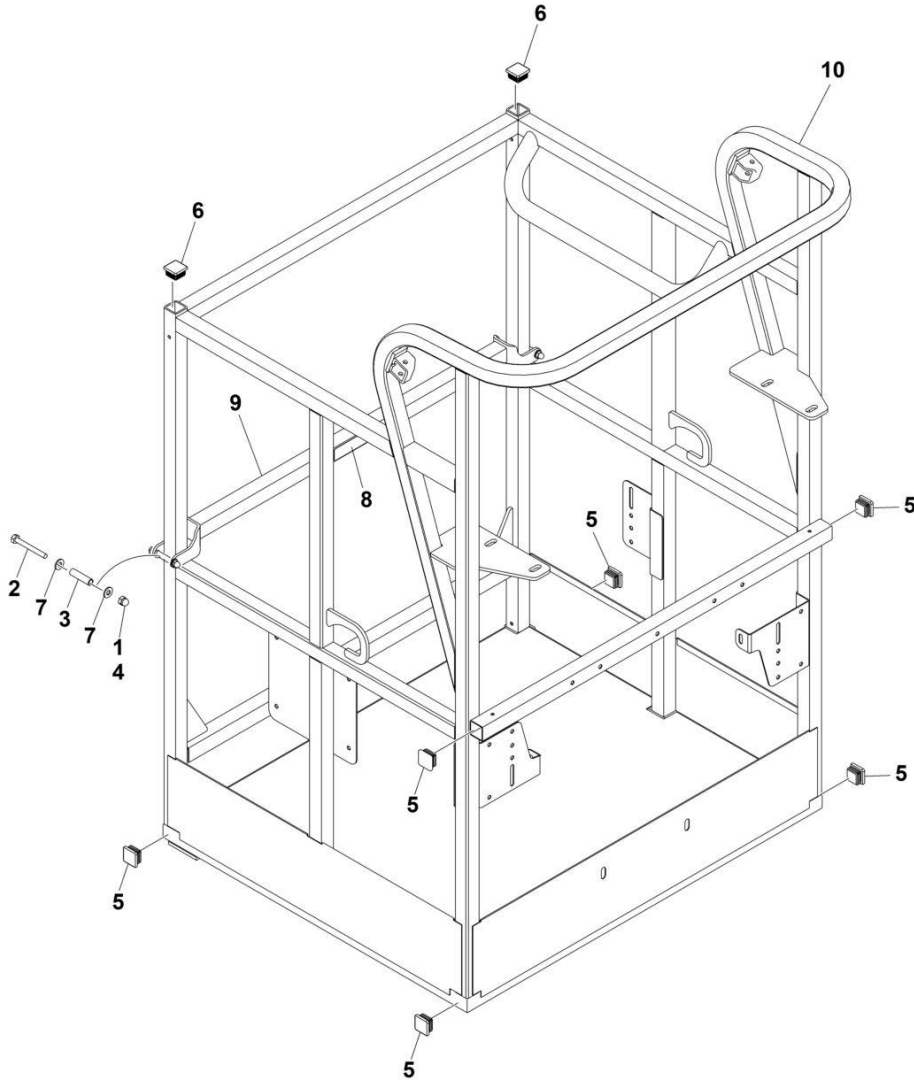
## SECTION 5 - PLATFORM

**FIGURE 5-4. PLATFORM ASSEMBLY - 30IN X 5FT (76CM X 1.52M) - DROP BAR ENTRY**

| ITEM | PART NUMBER | QTY | DESCRIPTION   | REV |
|------|-------------|-----|---|-----|
|      | 1001186377  | Ref | PLATFORM ASSEMBLY   | C   |
|      |             | Ref | Note: Platform and Mesh must be ordered separately for Platforms with Mesh. See SPECIAL OPTIONS SECTION for Mesh Installations. |     |
|      |             | Ref | Note: Replacement Decals Must be Ordered Separately - See DECALS SECTION.   |     |
| 1    | 0100011     | AR  | Compound, Locking   |     |
| 2    | 0641420     | 2   | Bolt 1/4 x 2-1/2  |     |
| 3    | 0961845     | 2   | Bushing   |     |
| 4    | 3290606     | 2   | Nut M6  |     |
| 5    | 3300151     | 2   | Nut 1/4   |     |
| 6    | 3520072     | 2   | Plug  |     |
| 7    | 3520198     | 2   | Plug  |     |
| 8    | 4010618     | 2   | Screw M6 x 50   |     |
| 9    | 4711400     | 4   | Washer 1/4  |     |
| 10   | 4811700     | 2   | Washer M6   |     |
| 11   | 1001138494  | 1   | Bar, Drop   |     |
| 12   | 1001138514  | 1   | Rail (Top)  |     |
| 13   | 1001140429  | 1   | Decal - Drop Bar  |     |
| 14   | See Note    | NSS | Platform (Note: Not Available - Purchase Platform Assembly)   |     |

# SECTION 5 - PLATFORM

FIGURE 5-5. PLATFORM ASSEMBLY - 30IN X 3FT (76CM X .91M) - DROP BAR ENTRY



ART\_1001228215

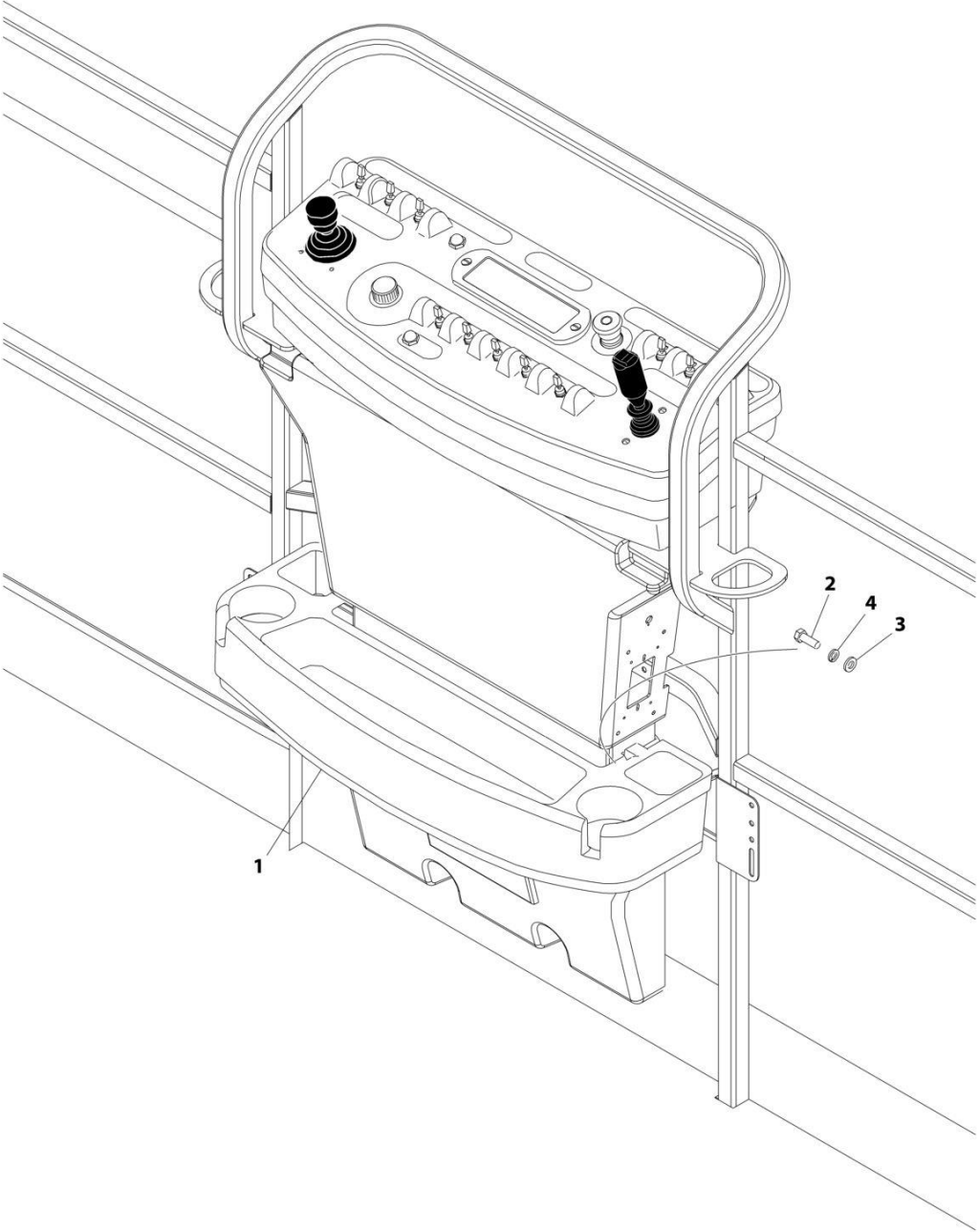
## SECTION 5 - PLATFORM

**FIGURE 5-5. PLATFORM ASSEMBLY - 30IN X 3FT (76CM X .91M) - DROP BAR ENTRY**

| ITEM | PART NUMBER | QTY | DESCRIPTION   | REV |
|------|-------------|-----|---|-----|
|      | 1001228215  | Ref | PLATFORM ASSEMBLY   | A   |
|      | See Note    | Ref | Note: Platform and Mesh must be ordered separately for Platforms with Mesh. See SPECIAL OPTIONS SECTION for Mesh Installations. |     |
|      | See Note    | Ref | Note: Replacement Decals Must be Ordered Separately - See DECAL SECTION.  |     |
| 1    | 0100011     | AR  | Compound, Locking   |     |
| 2    | 0641418     | 2   | Bolt 1/4 x 2-1/4  |     |
| 3    | 0961845     | 2   | Bushing   |     |
| 4    | 3300151     | 2   | Nut 1/4   |     |
| 5    | 3520072     | 6   | Cap, Plug   |     |
| 6    | 3520198     | 2   | Cap, Plug   |     |
| 7    | 4711400     | 4   | Washer 1/4  |     |
| 8    | 1001140429  | 1   | Decal - Drop Bar  |     |
| 9    | 1001226872  | 1   | Bar, Drop   |     |
| 10   | See Note    | NSS | Platform (Note: Not Available - Purchase Platform Assembly)   |     |

**SECTION 5 - PLATFORM**

**FIGURE 5-6. TRAY INSTALLATION**



ART\_1580012

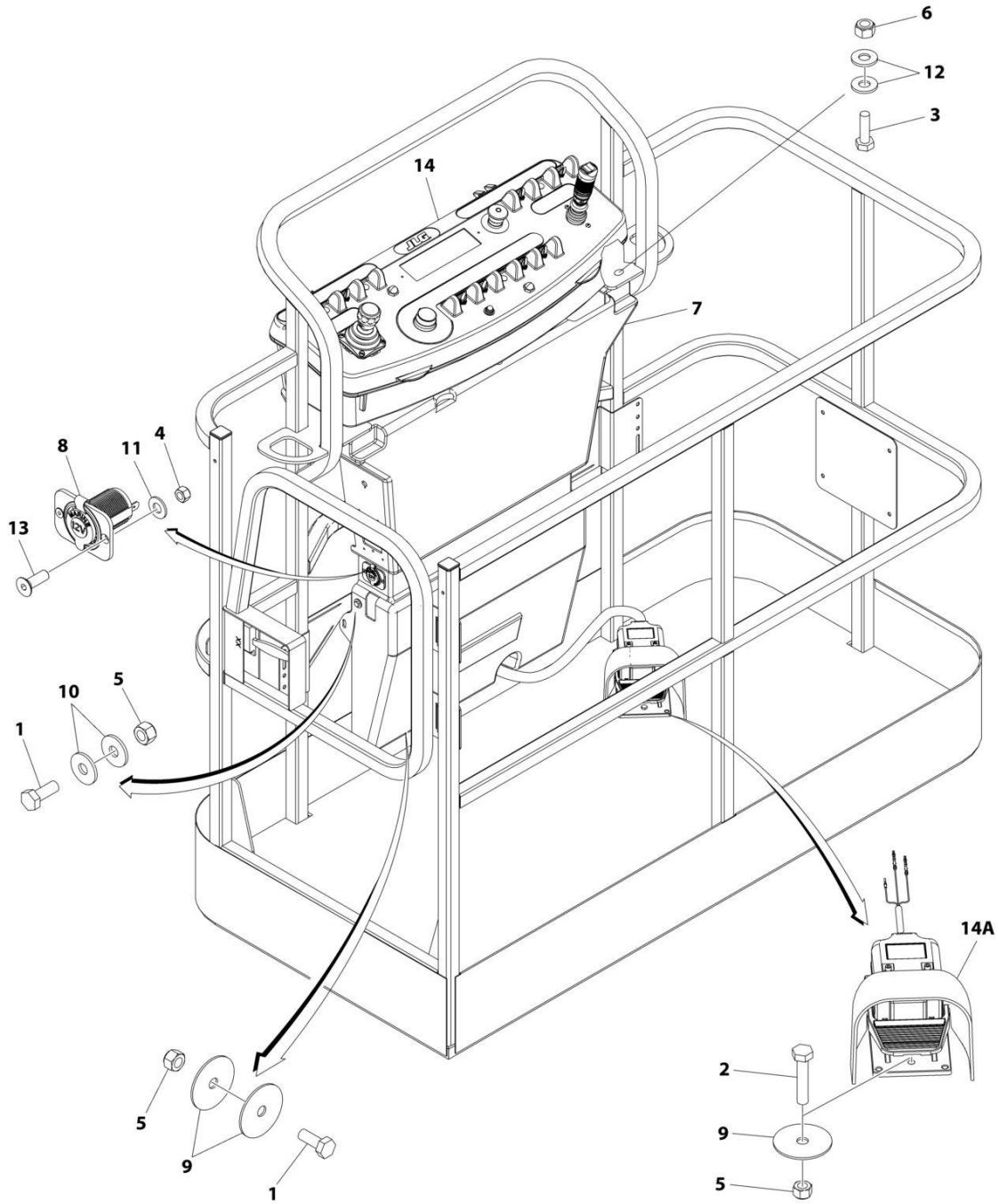
## SECTION 5 - PLATFORM

### FIGURE 5-6. TRAY INSTALLATION

| ITEM | PART NUMBER | QTY | DESCRIPTION   | REV |
|------|-------------|-----|---|-----|
|      | 1580012     | Ref | TRAY ASSEMBLY                                       | C   |
| 1    | See Note    | NSS | Tray, Storage (Center) (Note: Purchase p/n 1580012) |     |
| 2    | 0641406     | 2   | Bolt 1/4 x 3/4                                      |     |
| 3    | 4751400     | 2   | Washer 1/4  |     |
| 4    | 4761400     | 2   | Washer 1/4  |     |

# SECTION 5 - PLATFORM

## FIGURE 5-7. CONSOLE AND FOOTSWITCH INSTALLATION - DIESEL MACHINES



ART\_1001245407



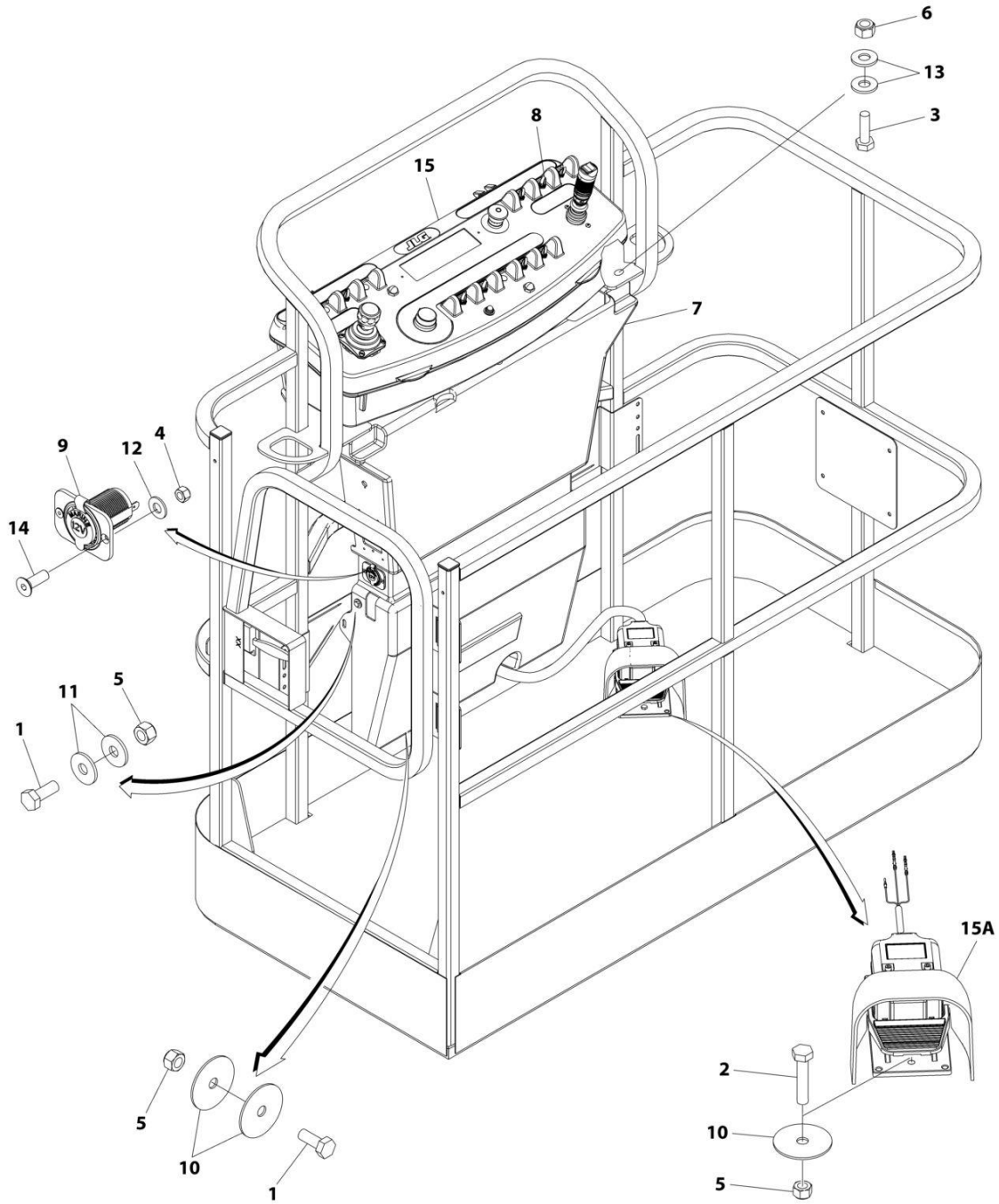
## SECTION 5 - PLATFORM

**FIGURE 5-7. CONSOLE AND FOOTSWITCH INSTALLATION - DIESEL MACHINES**

| ITEM | PART NUMBER | QTY             | DESCRIPTION  | REV |
|------|-------------|-----------------|--|-----|
|      | 1001245407  | Ref             | CONSOLE AND FOOTSWITCH INSTALLATION - DIESEL MACHINES WITHOUT SKYGUARD | C   |
| 1    | 0760610     | 4               | Bolt M6 x 16   |     |
| 2    | 0760614     | 3               | Bolt M6 x 30   |     |
| 3    | 0761015     | 4               | Bolt M10 x 35  |     |
| 4    | 3290405     | AR              | Nut M4   |     |
| 5    | 3290605     | 7               | Nut M6   |     |
| 6    | 3291005     | 4               | Nut M10  |     |
| 7    | 3380434     | 1               | Panel, Pedestal  |     |
| 8    | 4461012     | AR              | Receptacle, 12V  |     |
| 9    | 4740362     | 7               | Washer 1/4   |     |
| 10   | 4751400     | 2               | Washer M4  |     |
| 11   | 4811400     | AR              | Washer M4  |     |
| 12   | 4812000     | 8               | Washer M10   |     |
| 13   | 1001097244  | AR              | Capscrew M4 x 12   |     |
| 14   | 1001245389  | 2               | Console Box Assembly (See Separate Breakdown in this Section)          |     |
| 14A  | 1001117174  | 1               | Footswitch Assembly  | B   |
| 14A  | 1001117172  | 1               | Footswitch Less Cable  |     |
| 14A  | 70002902    | 1               | Block, Contact   |     |
| 14A  | 70002903    | 1               | Gasket   |     |
| 14A  | 70002905    | 1               | Cover  |     |
| 14A  | 70002904    | 1               | Bolt Replacement Kit   |     |
| 14A  | 1060918     | 7.5 ft<br>/2.3m | Cable, Electrical - 18/3   |     |
| 14A  | 4460071     | 1               | Connector, Strain Relief   |     |
| 14A  | 4460226     | 2               | Socket, Female   |     |
| 14A  | 4460464     | 1               | Pin, Male  |     |

# SECTION 5 - PLATFORM

## FIGURE 5-8. CONSOLE AND FOOTSWITCH INSTALLATION - GAS MACHINES



ART\_1001245427

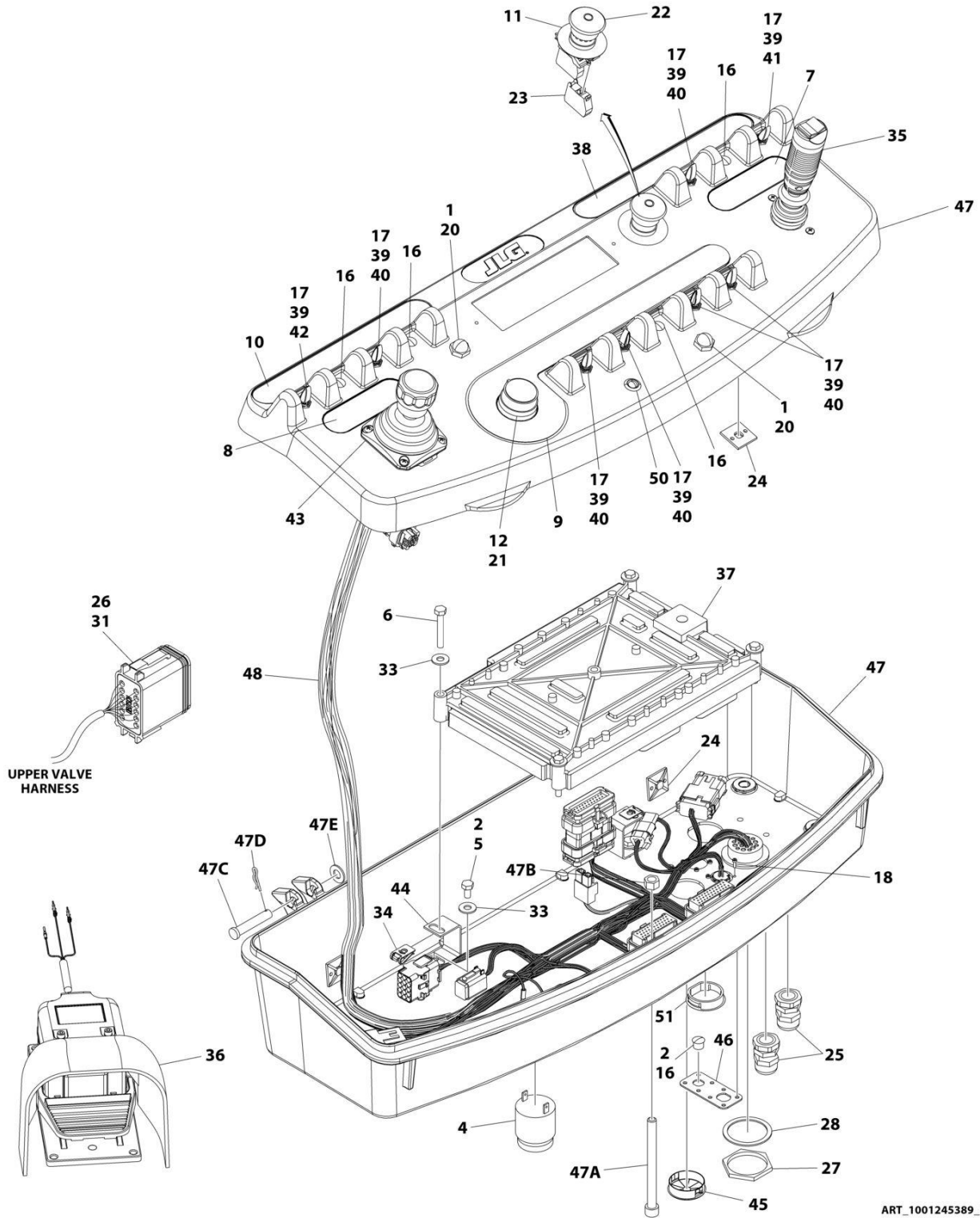
## SECTION 5 - PLATFORM

**FIGURE 5-8. CONSOLE AND FOOTSWITCH INSTALLATION - GAS MACHINES**

| ITEM | PART NUMBER | QTY             | DESCRIPTION   | REV |
|------|-------------|-----------------|---|-----|
|      | 1001245427  | Ref             | CONSOLE AND FOOTSWITCH INSTALLATION - GAS MACHINES WITHOUT SKYGUARD | B   |
| 1    | 0700610     | 4               | Bolt M6 x 16  |     |
| 2    | 0760614     | 3               | Bolt M6 x 30  |     |
| 3    | 0761015     | 4               | Bolt M10 x 35   |     |
| 4    | 3290405     | 2               | Nut M4  |     |
| 5    | 3290605     | 7               | Nut M6  |     |
| 6    | 3291005     | 4               | Nut M10   |     |
| 7    | 3380434     | 1               | Panel, Pedestal   |     |
| 8    | 4360336     | 1               | Switch, Toggle  |     |
| 9    | 4461012     | 1               | Receptacle, 12V   |     |
| 10   | 4740362     | 7               | Washer 1/4  |     |
| 11   | 4751400     | 2               | Washer M4   |     |
| 12   | 4811400     | 4               | Washer M4   |     |
| 13   | 4812000     | 8               | Washer M10  |     |
| 14   | 1001097244  | 1               | Capscrew M4 x 12  |     |
| 15   | 1001245389  | 2               | Console Box Assembly (See Separate Breakdown in this Section)       |     |
| 15A  | 1001117174  | 1               | Footswitch Assembly   | B   |
| 15A  | 1001117172  | 1               | Footswitch Less Cable   |     |
| 15A  | 70002902    | 1               | Block, Contact  |     |
| 15A  | 70002903    | 1               | Gasket  |     |
| 15A  | 70002905    | 1               | Cover   |     |
| 15A  | 70002904    | 1               | Bolt Replacement Kit  |     |
| 15A  | 1060918     | 7.5 ft<br>/2.3m | Cable, Electrical - 18/3  |     |
| 15A  | 4460071     | 1               | Connector, Strain Relief  |     |
| 15A  | 4460226     | 2               | Socket, Female  |     |
| 15A  | 4460464     | 1               | Pin, Male   |     |

# SECTION 5 - PLATFORM

## FIGURE 5-9. CONSOLE ASSEMBLY



ART\_1001245389\_E

## SECTION 5 - PLATFORM

### FIGURE 5-9. CONSOLE ASSEMBLY

| ITEM | PART NUMBER | QTY | DESCRIPTION  | REV |
|------|-------------|-----|--|-----|
|      | 1001245389  | Ref | CONSOLE ASSEMBLY - WITHOUT SKYGUARD  | D   |
| 1    | 0100009     | AR  | Sealant  |     |
| 2    | 0100035     | AR  | Compound, Locking  |     |
| 4    | 0140011     | 1   | Alarm  |     |
| 5    | 0641405     | 4   | Bolt 1/4 x 5/8   |     |
| 6    | 0641414     | 4   | Bolt 1/4 x 3/4   |     |
| 7    | 1702565     | 1   | Decal - Drive and Steer  |     |
| 8    | 1702566     | 1   | Decal - Lift and Swing   |     |
| 9    | 1702567     | 1   | Decal - Function Speed   |     |
| 10   | 1001184626  | 1   | Decal - Horn   |     |
| 11   | 1704260     | 1   | Decal - EMS  |     |
| 12   | 2560136     | 1   | Handle, Knob   |     |
| 16   | 3520054     | 5   | Plug, Hole   |     |
| 17   | 3790012     | 8   | O-Ring   |     |
| 18   | 3900349     | 8   | Capscrew M2.5  |     |
| 19   | 4240099     | AR  | Tie-Strap (Not-Shown)  |     |
| 20   | 4360387     | 2   | Switch, Push-button  |     |
| 21   | 4360407     | 1   | Switch, Potentiometer  |     |
| 22   | 1001274559  | 1   | Switch, Emergency  |     |
| 23   | 4360476     | 1   | Block, Contact   |     |
| 24   | 4460234     | 6   | Mount, Tie-strap   |     |
| 25   | 4460428     | 2   | Connector, Strain Relief   |     |
| 26   | 4460466     | 7   | Plug, Terminal   |     |
| 27   | 4460470     | 1   | Nut, Terminal  |     |
| 28   | 4460471     | 1   | Washer, Terminal   |     |
| 31   | 4460933     | 1   | Plug, Male - 12 Position   |     |
| 33   | 4751400     | 8   | Washer 1/4   |     |
| 34   | 3300353     | 4   | Nut Tinnerman  |     |
| 35   | 1001275628  | 1   | Drive/Steer Controller Assembly  |     |
| 36   | 1001117174  | 1   | Footswitch Assembly (See Separate Breakdown in this Section)                                       |     |
| 37   | 1001118412  | 1   | Module, Platform (Note: Re-calibration Required when Replaced)                                     |     |
| 38   | 1001184618  | 1   | Decal - Stop   |     |
| 39   | 1001155044  | 8   | Nut 15/32  |     |
| 40   | 1001155045  | 6   | Switch, Toggle   |     |
| 41   | 1001159256  | 1   | Switch, Toggle   |     |
| 42   | 1001161709  | 1   | Switch, Toggle   |     |
| 43   | 1001275629  | 1   | Lift/Swing Controller Assembly   |     |
| 44   | 1001172760  | 4   | Bracket  |     |
| 45   | 1001185281  | 1   | Plug   |     |
| 46   | 1001213882  | 1   | Mount, Connector   |     |
| 47   | 1001215228  | 1   | Platform Console Box   |     |
| 47A  | 0630568     | 1   | Capscrew 3/8 x 4-1/2   |     |
| 47B  | 3311601     | 1   | Nut 3/8  |     |
| 47C  | 3430616     | 2   | Pin  |     |
| 47D  | 3470003     | 2   | Hairpin  |     |
| 47E  | 4711600     | 2   | Washer 3/8   |     |
| 48   | 1001244528  | 1   | Platform Console Harness (See Separate Breakdown in ELECTRICAL Section)                            |     |
| 49   | 1001140525  | 1   | Valve Harness - Platform to Boom Valves (Not Shown - See Separate Breakdown in ELECTRICAL Section) |     |

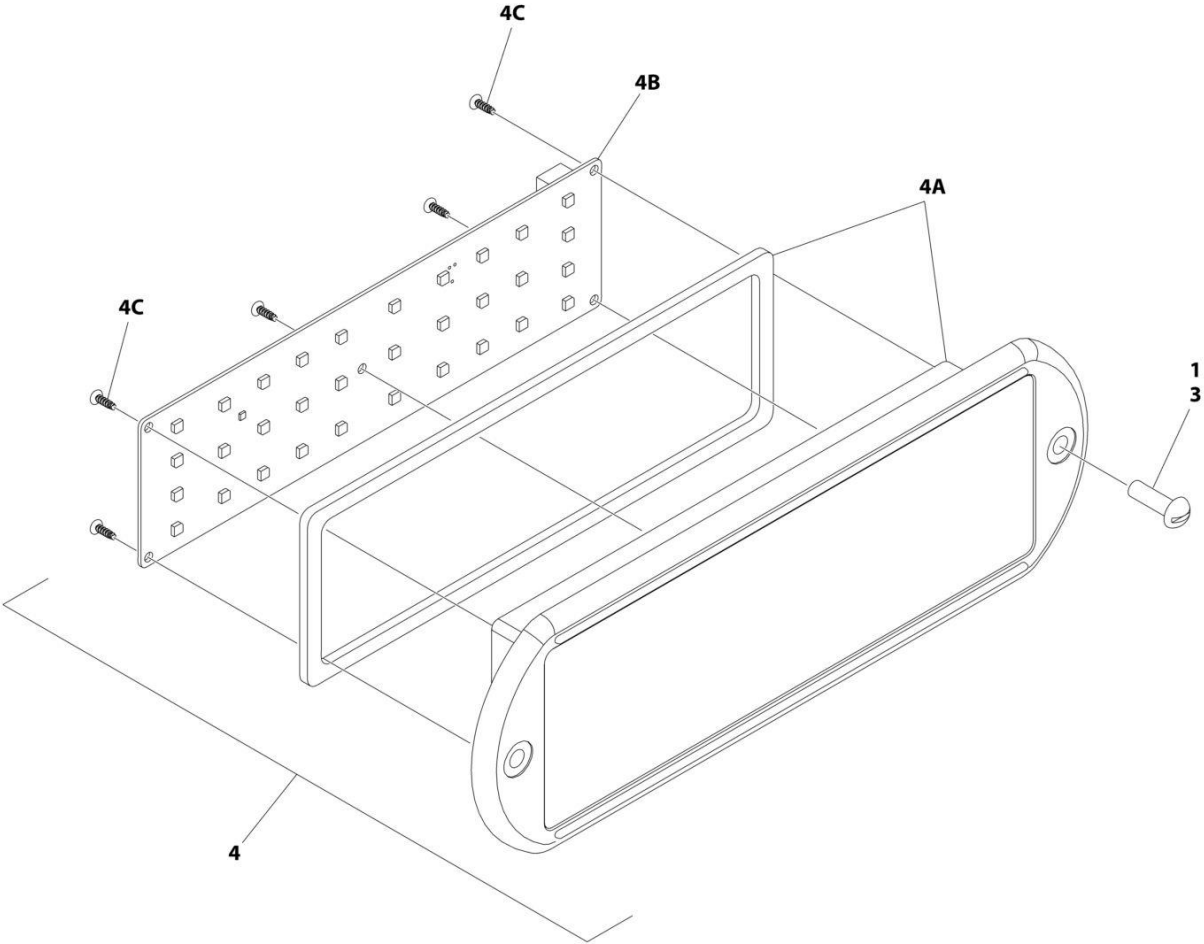
## SECTION 5 - PLATFORM

| ITEM | PART NUMBER | QTY | DESCRIPTION                | REV |
|------|-------------|-----|----------------------------|-----|
| 50   | 1001110434  | 1   | Plug                       |     |
| 51   | 1001206532  | 1   | Lamp, LED Indicator Yellow |     |



**SECTION 5 - PLATFORM**

**FIGURE 5-10. LIGHT PANEL INSTALLATION**



ART\_1001241400\_C\_2OF2



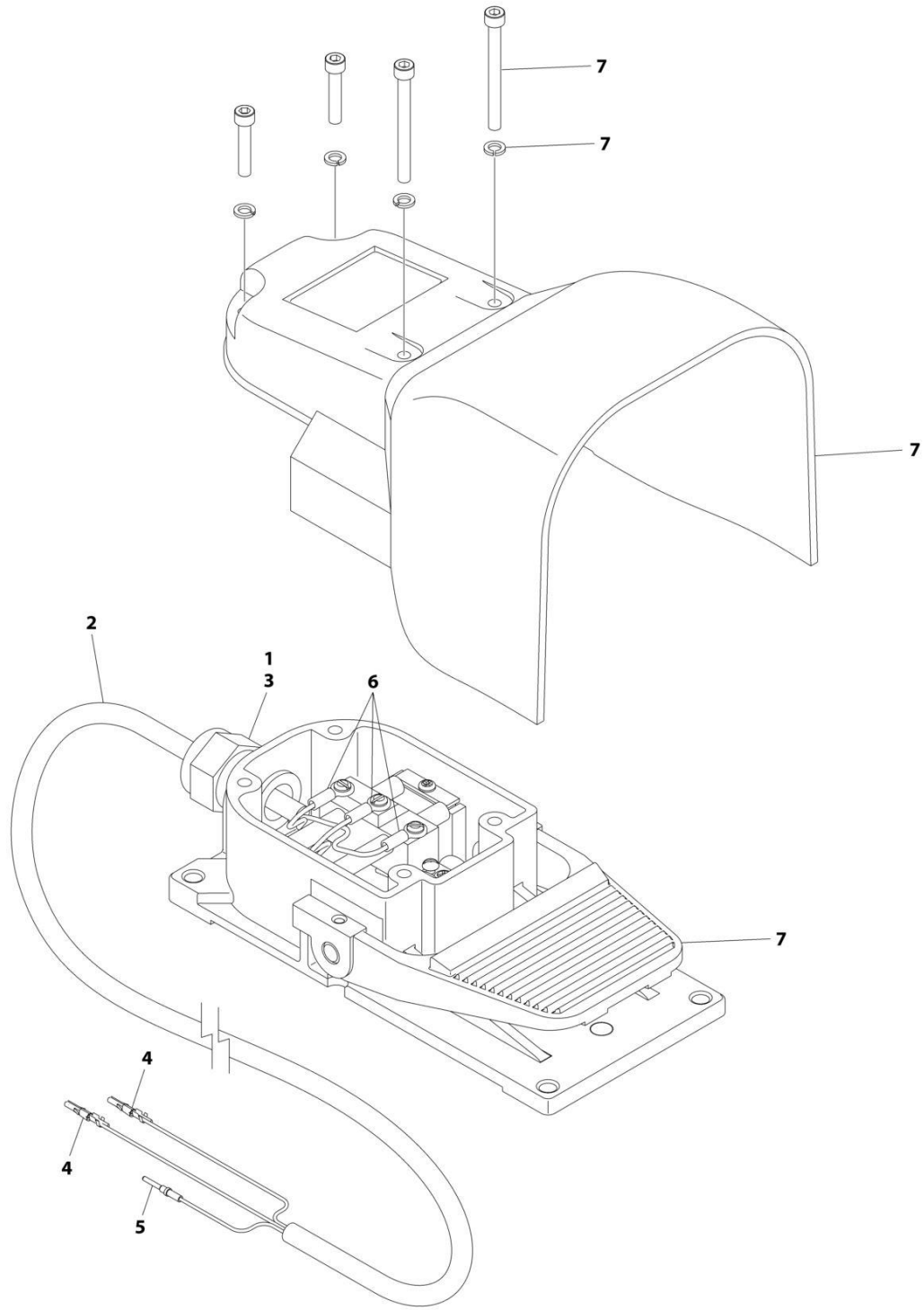
## SECTION 5 - PLATFORM

### FIGURE 5-10. LIGHT PANEL INSTALLATION

| ITEM | PART NUMBER | QTY | DESCRIPTION                                 | REV |
|------|-------------|-----|---|-----|
|      | 1001241400  | Ref | LIGHT PANEL INSTALLATION - PLATFORM CONSOLE | C   |
| 1    | 0100035     | AR  | Compound, Locking                           |     |
| 3    | 0630518     | 2   | Screw #10 x 3/4                             |     |
| 4    | 1001284583  | 1   | Light Panel Assembly                        |     |
| 4A   | 1001284582  | 1   | Lens, I-Con (Includes Gasket)               |     |
| 4B   | 1001187807  | 1   | Panel, LED Light                            |     |
| 4C   |             | Ref | Screw #10 x 3/4                             |     |

# SECTION 5 - PLATFORM

## FIGURE 5-11. FOOTSWITCH ASSEMBLY



ART\_1001117174

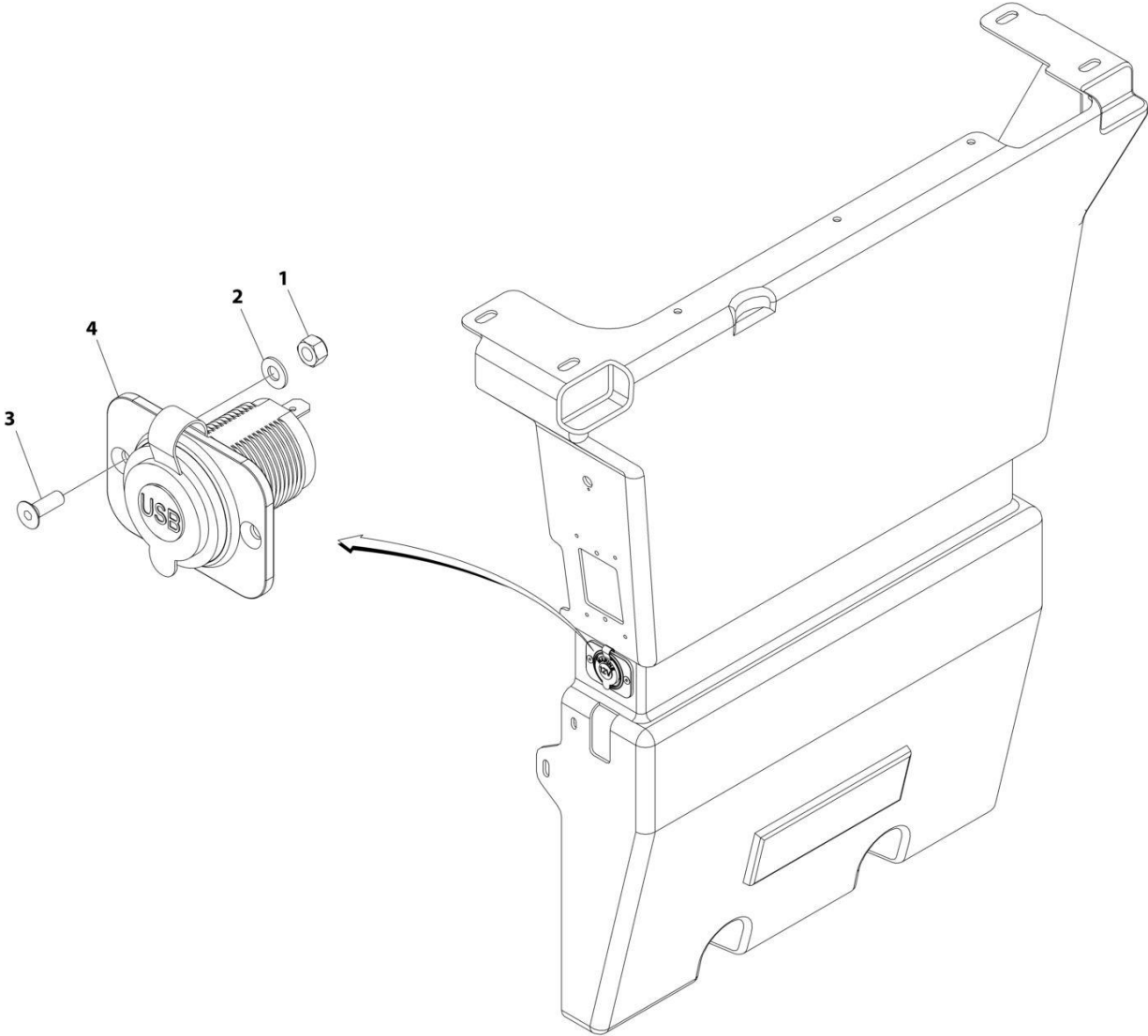
## SECTION 5 - PLATFORM

**FIGURE 5-11. FOOTSWITCH ASSEMBLY**

| ITEM | PART NUMBER | QTY             | DESCRIPTION              | REV |
|------|-------------|-----------------|--------------------------|-----|
|      | 1001117174  | Ref             | FOOTSWITCH ASSEMBLY      | C   |
| 1    | 0100020     | AR              | Sealant                  |     |
| 2    | 1060918     | 7.5 ft/<br>2.3m | Cable, Electrical - 18/3 |     |
| 3    | 4460071     | 1               | Connector, Strain Relief |     |
| 4    | 4460226     | 2               | Socket, Female           |     |
| 5    | 4460464     | 1               | Pin, Male                |     |
| 6    | 1001098122  | 3               | Terminal                 |     |
| 7    | 1001117172  | 1               | Footswitch               |     |
| 7    | 70002902    | 1               | Switch, 20Amp            |     |
| 7    | 70002903    | 1               | Gasket                   |     |
| 7    | 70002905    | 1               | Cover                    |     |
| 7    | 70002904    | 1               | Kit, Replacement Bolt    |     |

**SECTION 5 - PLATFORM**

**FIGURE 5-12. USB CHARGER INSTALLATION**



ART\_1001274828

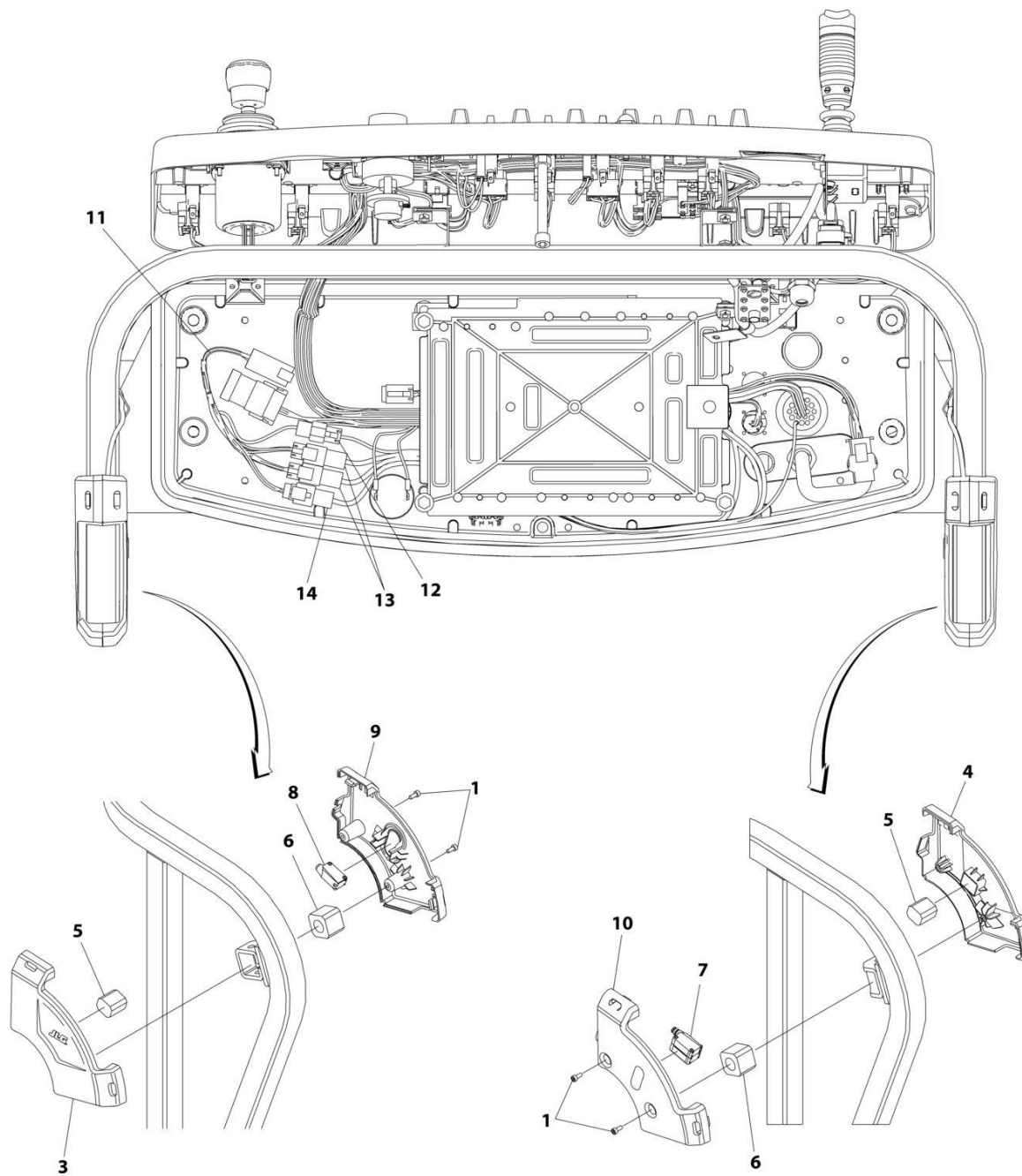
## SECTION 5 - PLATFORM

### FIGURE 5-12. USB CHARGER INSTALLATION

| ITEM | PART NUMBER | QTY | DESCRIPTION              | REV |
|------|-------------|-----|--------------------------|-----|
|      | 1001274828  | Ref | USB CHARGER INSTALLATION | B   |
| 1    | 3290405     | 2   | Nut M4                   |     |
| 2    | 4811400     | 2   | Washer M4                |     |
| 3    | 1001097244  | 2   | Screw M4 x 12            |     |
| 4    | 1001210636  | 1   | Receptacle, USB          |     |

# SECTION 5 - PLATFORM

## FIGURE 5-13. SKYEYE INSTALLATION



ART\_1001229341

## SECTION 5 - PLATFORM

### FIGURE 5-13. SKYEYE INSTALLATION

| ITEM | PART NUMBER | QTY | DESCRIPTION  | REV |
|------|-------------|-----|--|-----|
|      | 1001229341  | Ref | SKYEYE INSTALLATION  | B   |
| 1    | 4031505     | 4   | Bolt M4 x 10   |     |
| 2    | 4240033     | AR  | Tie-Strap (Not Shown)  |     |
| 3    | 1001227633  | 1   | Housing, LH Outer  |     |
| 4    | 1001227634  | 1   | Housing, RH Outer  |     |
| 5    | 1001227985  | 2   | Shim   |     |
| 6    | 1001227987  | 2   | Shim   |     |
| 7    | 1001228224  | 2   | Sensor, Receiver   |     |
| 8    | 1001228225  | 1   | Sensor, Emitter  |     |
| 9    | 1001232164  | 1   | Housing, LH Inner  |     |
| 10   | 1001232165  | 1   | Housing, RH Inner  |     |
| 11   | 1001237865  | 1   | Harness, Skyeeye Intermediate (See Separate Breakdown in ELECTRICAL Section) |     |
| 12   | 1001238319  | NLA | Harness, Skyeeye Drain Jumper  |     |
| 12   | 1001187674  | 1   | Plug, Male - 2 Position  |     |
| 12   | 4460942     | 1   | Terminal   |     |
| 12   | 4460466     | 1   | Plug, Terminal   |     |
| 12   | 4460508     | 1   | Pin, Male  |     |
| 13   | 1001237863  | 2   | Harness, Skyeeye Receiver (See Separate Breakdown in ELECTRICAL Section)     |     |
| 14   | 1001237864  | 1   | Harness, Skyeeye Emitter (See Separate Breakdown in ELECTRICAL Section)      |     |





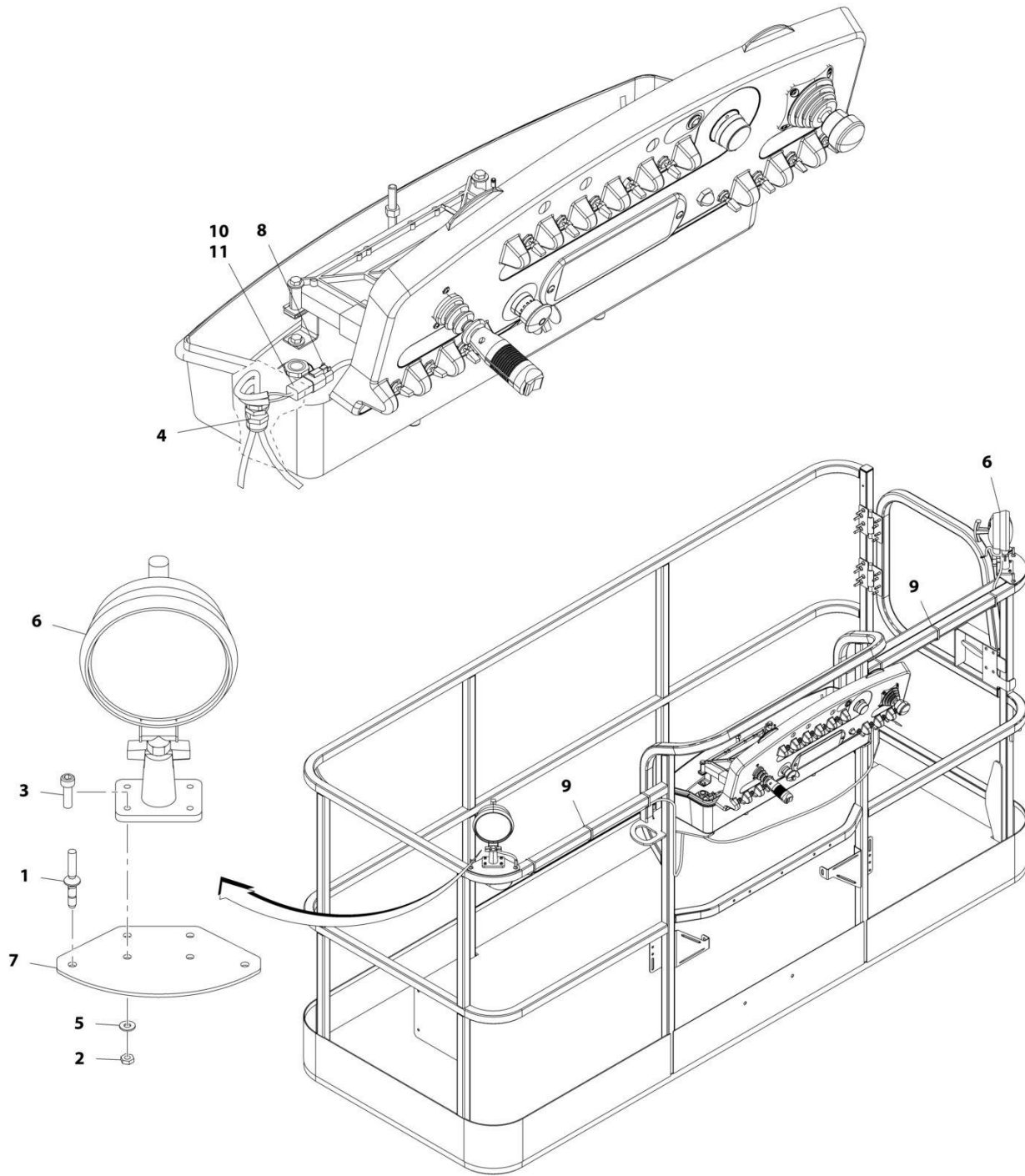
## SECTION 5 - PLATFORM

### FIGURE 5-14. SKYLINE INSTALLATION

| ITEM | PART NUMBER | QTY | DESCRIPTION   | REV |
|------|-------------|-----|---|-----|
|      | 1001238559  | Ref | SKYLINE INSTALLATION  | D   |
| 1    | 0641404     | 2   | Bolt 1/4 x 1/2  |     |
| 2    | 0641405     | 2   | Bolt 1/4 x 5/8  |     |
| 3    | 3311405     | 2   | Nut 1/4   |     |
| 4    | 3311601     | 2   | Nut 3/8   |     |
| 5    | 4031516     | 2   | Capscrew M4 x 60  |     |
| 6    | 4240033     | AR  | Tie-Strap (Not Shown)   |     |
| 7    | 4711400     | 4   | Washer 1/4  |     |
| 8    | 1001120328  | 1   | Mount   |     |
| 9    | 1001232642  | 1   | Bracket   |     |
| 11   | 1001232667  | 1   | Sensor, Proximity   |     |
| 11   | 1001311034  | 1   | Sensor, Proximity   |     |
| 14   | 1001236552  | 1   | Block   |     |
| 15   | 1001238418  | 1   | Harness, Skyline (See Separate Breakdown in ELECTRICAL Section) |     |
| 16   | 1001238472  | 1   | Mount   |     |
| 17   | 1001254473  | 1   | Housing, LH   |     |
| 18   | 1001241965  | 1   | Housing, RH   |     |
| 19   | 1001254472  | 1   | Rod   |     |
| 20   | 0100011     | AR  | Compound, Locking   |     |

# SECTION 5 - PLATFORM

## FIGURE 5-15. WORKLIGHTS INSTALLATION (OPTIONAL)



ART\_1001120466

## SECTION 5 - PLATFORM

### FIGURE 5-15. WORKLIGHTS INSTALLATION (OPTIONAL)

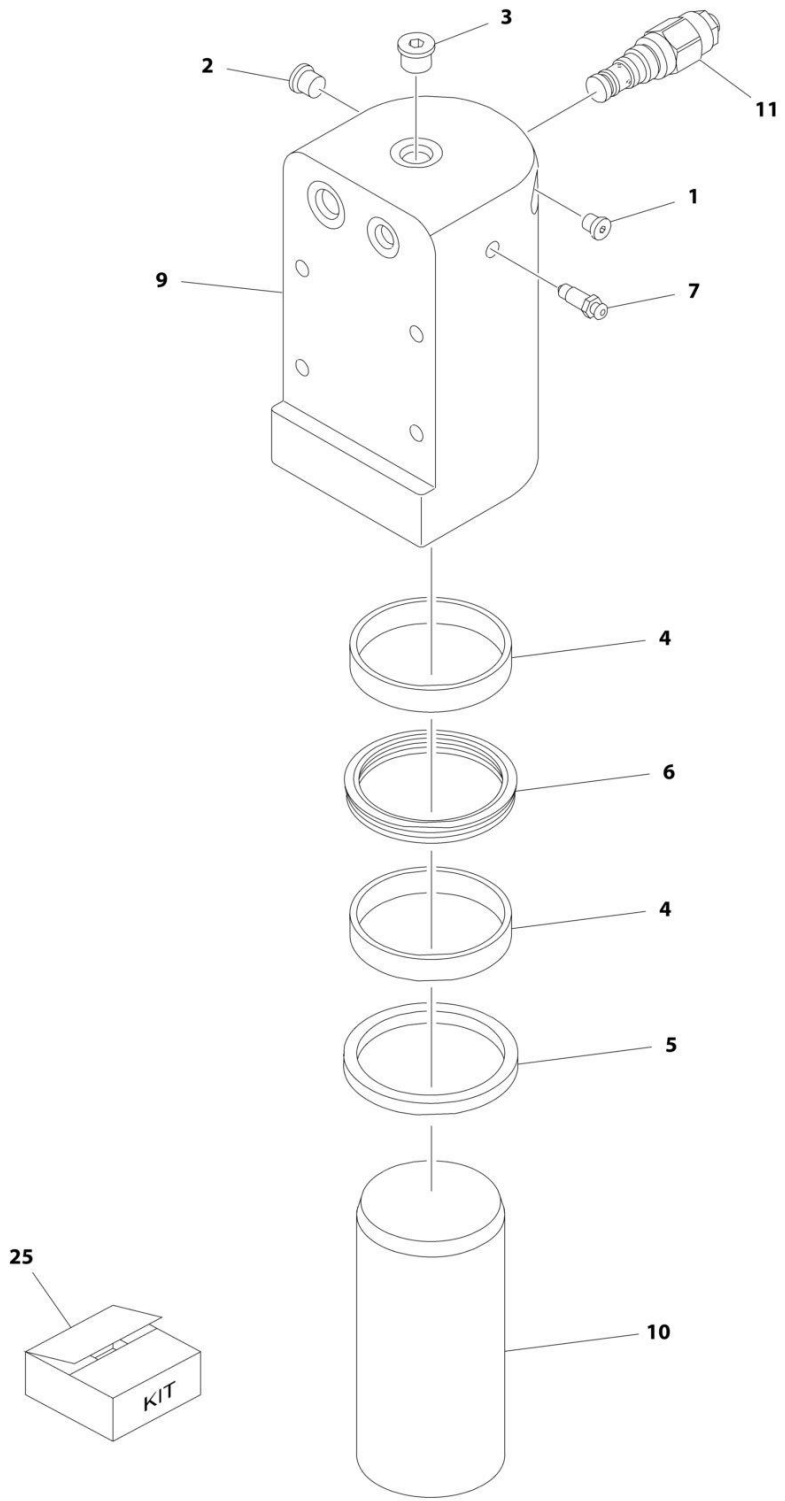
| ITEM | PART NUMBER | QTY | DESCRIPTION                        | REV |
|------|-------------|-----|------------------------------------|-----|
|      | 1001120466  | Ref | WORKLIGHTS INSTALLATION (OPTIONAL) | A   |
| 1    | 2080040     | 4   | Fastener, Huck                     |     |
| 2    | 3311005     | 8   | Nut #10                            |     |
| 3    | 3931010     | 8   | Capscrew #10 x 5/8                 |     |
| 4    | 4460428     | 1   | Connector, Strain Relief           |     |
| 5    | 4751000     | 8   | Washer #10                         |     |
| 6    | 1001120474  | 2   | Worklight Assembly                 |     |
| 7    | 1001120476  | 2   | Plate, Mounting                    |     |
| 8    | 1001120484  | 1   | Harness, Worklight                 |     |
| 9    | 4240099     | AR  | Tie-Strap                          |     |
| 10   | 4460464     | 4   | Pin, Male Deutsch 16Ga             |     |
| 11   | 4460932     | 1   | Receptacle, Female - 4 Position    |     |



**SECTION 6 - CYLINDER**

# SECTION 6 - CYLINDER

## FIGURE 6-1. AXLE LOCKOUT CYLINDER ASSEMBLY



ART\_1001116361

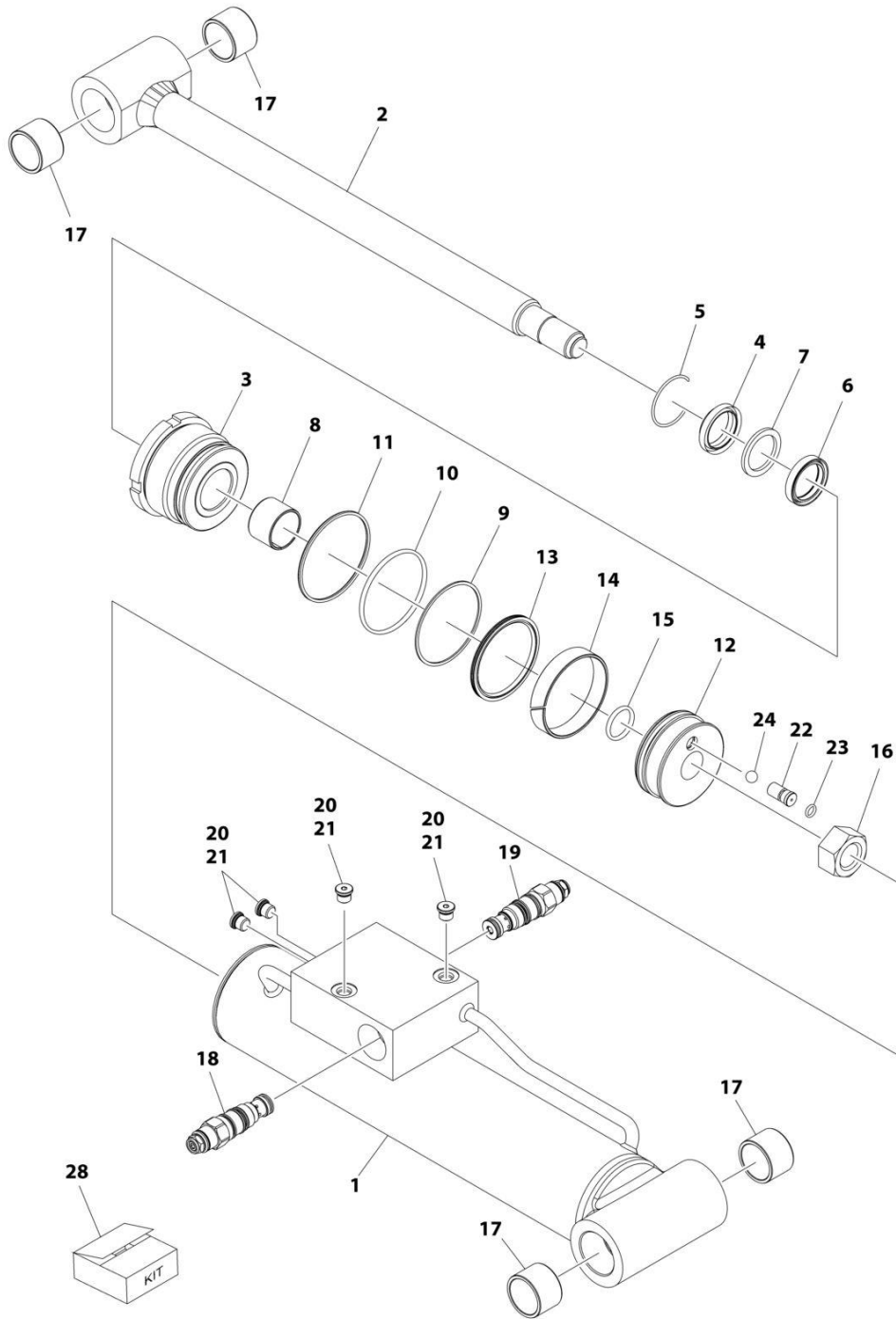
## SECTION 6 - CYLINDER

**FIGURE 6-1. AXLE LOCKOUT CYLINDER ASSEMBLY**

| ITEM | PART NUMBER | QTY | DESCRIPTION   | REV |
|------|-------------|-----|---|-----|
|      | 1001116361  | Ref | AXLE LOCKOUT CYLINDER ASSEMBLY  | G   |
|      |             | Ref | Note: Original Cylinder May Have Been Replaced with Service Replacement. Identify PN Stamped on Cylinder Before Ordering Parts. |     |
| 1    | 2220881     | 1   | Plug, O-Ring  |     |
| 2    | 2220883     | 1   | Plug, O-Ring  |     |
| 3    | 2220885     | 1   | Plug, O-Ring  |     |
| 4    | See Note    | NSS | Ring, Wear (Note: Use Item 25)  |     |
| 5    | See Note    | NSS | Wiper (Note: Use Item 25)   |     |
| 6    | See Note    | NSS | Seal, Rod (Note: Use Item 25)   |     |
| 7    | 4640858     | 1   | Bleeder   |     |
| 9    | 1001117365  | 1   | Barrel  |     |
| 10   | 1001117366  | 1   | Rod   |     |
| 11   | 1001117372  | 1   | Cartridge, Valve  |     |
| 11   | 70002842    | 1   | Seal Kit - 1001117372 Valve   |     |
| 25   | 1001116378  | 1   | Seal Kit (Includes Items 4-6)   |     |

# SECTION 6 - CYLINDER

## FIGURE 6-2. LEVEL (PLATFORM SLAVE) CYLINDER ASSEMBLY



ART\_1001225990



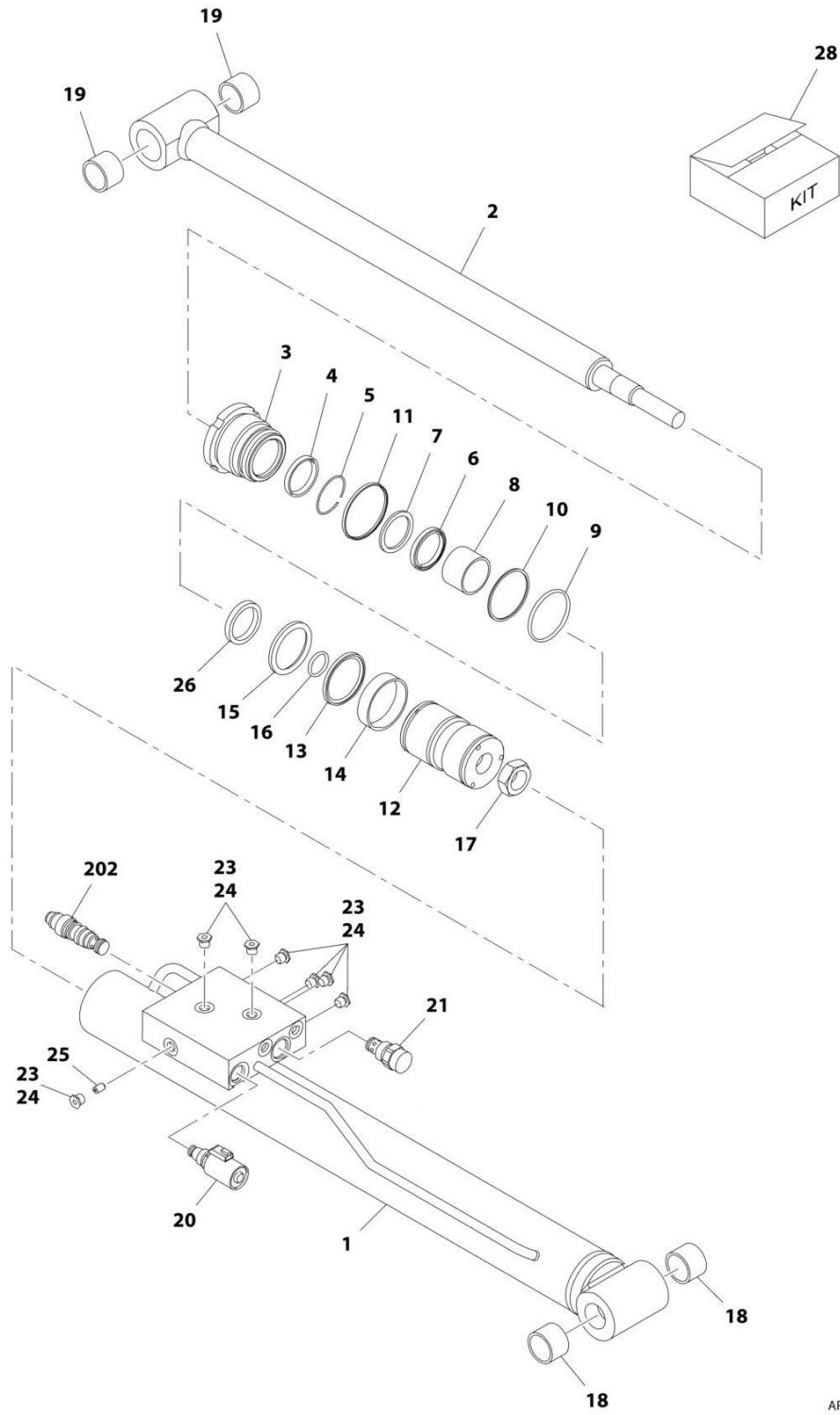
## SECTION 6 - CYLINDER

**FIGURE 6-2. LEVEL (PLATFORM SLAVE) CYLINDER ASSEMBLY**

| ITEM | PART NUMBER | QTY | DESCRIPTION   | REV |
|------|-------------|-----|---|-----|
|      | 1001225990  | Ref | LEVEL (PLATFORM SLAVE) CYLINDER ASSEMBLY  | B   |
|      |             | Ref | Note: Original Cylinder may have been replaced with Service Replacement. Identify PN Stamped on Cylinder Before Ordering Parts. |     |
| 1    | 70003131    | 1   | Barrel  |     |
| 2    | 70003132    | 1   | Rod   |     |
| 3    | 70003085    | 1   | Head  |     |
| 4    | See Note    | NSS | Wiper (Note: Use Item 28)   |     |
| 5    | 70002366    | 1   | Ring, Retaining   |     |
| 6    | See Note    | NSS | Seal, Rod (Note: Use Item 28)   |     |
| 7    | See Note    | NSS | Ring, Back-up (Note: Use Item 28)   |     |
| 8    | 70005695    | 1   | Bearing   |     |
| 9    | See Note    | NSS | O-Ring (Note: Use Item 28)  |     |
| 10   | See Note    | NSS | Ring, Back-up (Note: Use Item 28)   |     |
| 11   | See Note    | NSS | O-Ring (Note: Use Item 28)  |     |
| 12   | 70003133    | 1   | Piston  |     |
| 13   | See Note    | NSS | Seal, Piston (Note: Use Item 28)  |     |
| 14   | See Note    | NSS | Ring, Wear (Note: Use Item 28)  |     |
| 15   | See Note    | NSS | Ring, Wear (Note: Use Item 28)  |     |
| 16   | 70002335    | 1   | Nut   |     |
| 17   | 0961951     | 4   | Bushing, Garmax   |     |
| 18   | 70002413    | 1   | Cartridge, Valve  |     |
| 18   | 2900770     | 1   | Seal Kit - 70002413 Valve   |     |
| 19   | 1001168210  | 1   | Cartridge, Valve  |     |
| 19   | 2900770     | 1   | Seal Kit - 1001168210 Valve   |     |
| 20   | 2220883     | 4   | Plug  |     |
| 21   | See Note    | NSS | O-Ring (Note: Not Available - Purchase Locally)   |     |
| 22   | 70005973    | 1   | Valve Seat  |     |
| 23   | 70005974    | 1   | O-Ring  |     |
| 24   | 70006353    | 1   | Steel Ball  |     |
| 28   | 70003134    | 1   | Seal Kit (Includes Items 4, 6, 7, 9, 10, 11, 13, 14 & 15)   |     |
| 100  |             | Ref | REPAIR TOOLS (NOT SHOWN)  |     |
| 100  | 70003089    | 1   | Press, Wiper  |     |
| 100  | 70003090    | 1   | Press, Bushing (Use with Rod Bearing)   |     |
| 100  | 70003091    | 1   | Tool, Bushing Removal (Use with Rod Bearing)  |     |
| 100  | 70003092    | 1   | Tool, Head Seal Protection  |     |
| 100  | 70003081    | 1   | Tool, Piston Seal Protection  |     |
| 100  | 70003093    | 1   | Press, Bushing (Use with Pin Mounting Bushings)   |     |
| 100  | 70003094    | 1   | Tool, Bushing Removal (Use with Pin Mounting Bushings)  |     |

# SECTION 6 - CYLINDER

## FIGURE 6-3. LIFT (JIB) CYLINDER ASSEMBLY



ART\_1001123004

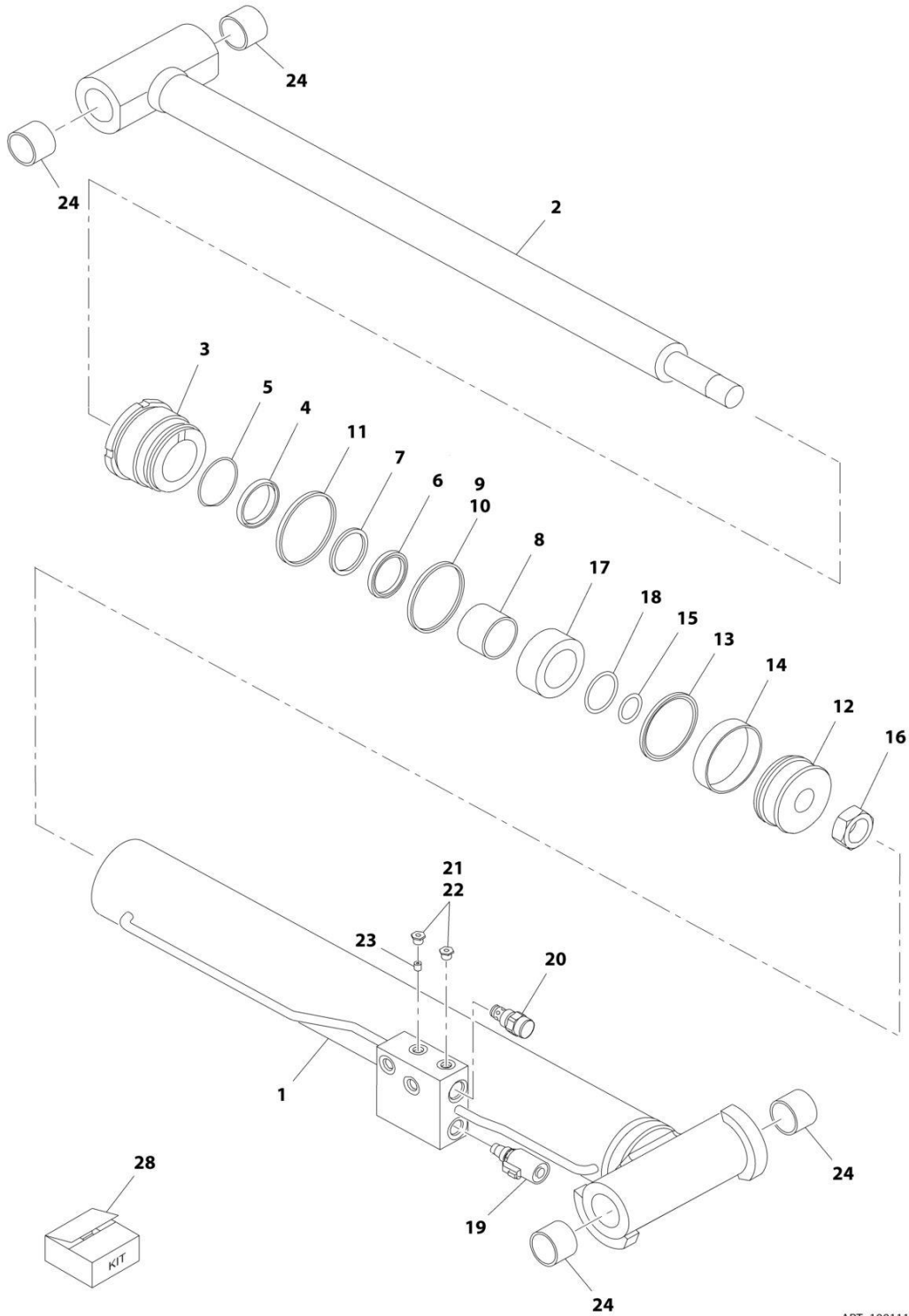
## SECTION 6 - CYLINDER

### FIGURE 6-3. LIFT (JIB) CYLINDER ASSEMBLY

| ITEM | PART NUMBER | QTY | DESCRIPTION   | REV |
|------|-------------|-----|---|-----|
|      | 1001123004  | Ref | LIFT (JIB) CYLINDER ASSEMBLY  | D   |
|      |             | Ref | Note: Original Cylinder may have been replaced with Service Replacement. Identify PN Stamped on Cylinder Before Ordering Parts. |     |
| 1    | 70003122    | 1   | Barrel  |     |
| 2    | 70002375    | 1   | Rod   |     |
| 3    | 70003123    | 1   | Head  |     |
| 4    | See Note    | NSS | Wiper (Note: Use Item 28)   |     |
| 5    | 70002373    | 1   | Ring, Retaining   |     |
| 6    | See Note    | NSS | Seal, Rod (Note: Use Item 28)   |     |
| 7    | See Note    | NSS | Ring, Back-up (Note: Use Item 28)   |     |
| 8    | 70002372    | 1   | Bearing   |     |
| 9    | See Note    | NSS | O-Ring (Note: Use Item 28)  |     |
| 10   | See Note    | NSS | Ring, Back-up (Note: Use Item 28)   |     |
| 11   | See Note    | NSS | O-Ring (Note: Use Item 28)  |     |
| 12   | 70003124    | 1   | Piston  |     |
| 13   | 70003125    | 1   | Seal, Piston  |     |
| 14   | See Note    | NSS | Ring, Wear (Note: Use Item 28)  |     |
| 15   | See Note    | NSS | O-Ring (Note: Use Item 28)  |     |
| 16   | See Note    | NSS | Ring, Piston (Note: Use Item 28)  |     |
| 17   | 70002335    | 1   | Nut   |     |
| 18   | 70003118    | 2   | Bushing   |     |
| 19   | 0961951     | 2   | Bushing, Garmax (was p/n 70003087)  |     |
| 20   | 7024884     | 1   | Cartridge, Solenoid Valve   |     |
| 20   | 7012967     | 1   | Seal Kit - 7024884 Valve  |     |
| 20   | 70002386    | 1   | Coil  |     |
| 21   | 70003076    | 1   | Cartridge, Check Valve  |     |
| 21   | 7017496     | 1   | Seal Kit - 70003076 Valve   |     |
| 23   | 70023370    | 7   | Plug  |     |
| 24   | See Note    | 7   | O-Ring (Note: Not Available - Purchase Locally)   |     |
| 25   | 70002334    | 1   | Orifice   |     |
| 26   | 70003453    | 1   | Spacer  |     |
| 28   | 70003125    | 1   | Seal Kit (Includes Items 4, 6, 7, 9, 10, 11, 13, 14, 15 & 16)   |     |
| 100  |             | Ref | REPAIR TOOLS (NOT SHOWN)  |     |
| 100  | 70003126    | 1   | Press, Wiper  |     |
| 100  | 70003127    | 1   | Press, Bushing (Use with Rod Bearing)   |     |
| 100  | 70003128    | 1   | Tool, Bushing Removal (Use with Rod Bearing)  |     |
| 100  | 70003129    | 1   | Tool, Head Seal Protection  |     |
| 100  | 70003130    | 1   | Tool, Piston Seal Protection  |     |
| 100  | 70003093    | 1   | Press, Bushing (Use with Pin Mounting Bushings)   |     |
| 100  | 70003094    | 1   | Tool, Bushing Removal (Use with Pin Mounting Bushings)  |     |
|      | 1001199460  | Ref | JIB LIFT CYLINDER ASSEMBLY  | A   |
| 202  | 1001199306  | 1   | Cartridge, Counter Balance Valve  |     |
| 202  | 2900770     | 1   | Seal Kit - 1001199306 Valve   |     |

# SECTION 6 - CYLINDER

## FIGURE 6-4. LIFT (MAIN BOOM) CYLINDER ASSEMBLY



ART\_1001117640

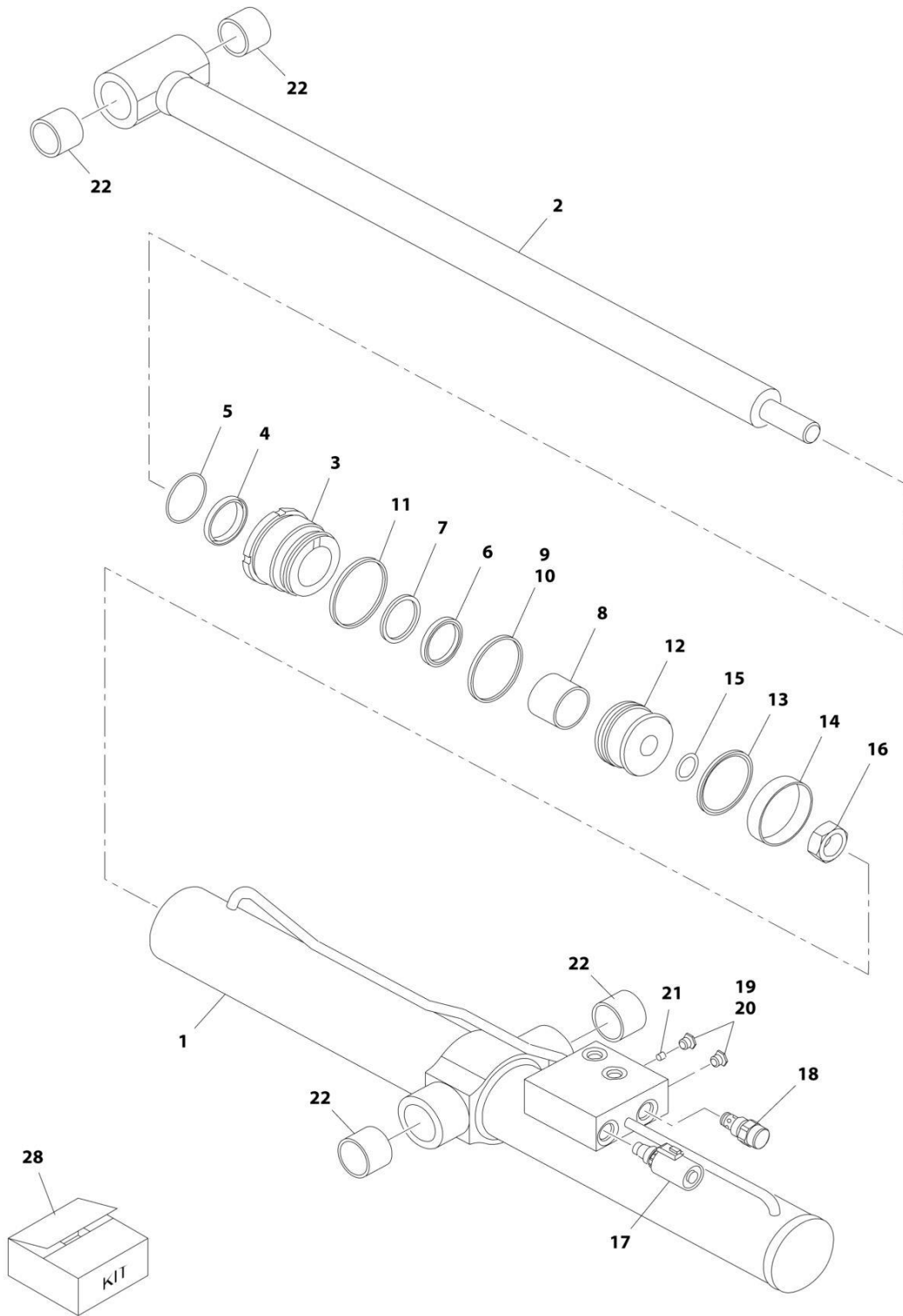
## SECTION 6 - CYLINDER

**FIGURE 6-4. LIFT (MAIN BOOM) CYLINDER ASSEMBLY**

| ITEM | PART NUMBER | QTY | DESCRIPTION   | REV |
|------|-------------|-----|---|-----|
|      | 1001117640  | Ref | MAIN BOOM LIFT CYLINDER ASSEMBLY  | H   |
|      |             | Ref | Note: Original Cylinder May Have Been Replaced with Service Replacement. Identify PN Stamped on Cylinder Before Ordering Parts. |     |
| 1    | 70003103    | 1   | Barrel  |     |
| 2    | 70003104    | 1   | Rod   |     |
| 3    | 70003105    | 1   | Head  |     |
| 4    | See Note    | NSS | Wiper (Note: Use Item 28)   |     |
| 5    | 70002412    | 1   | Ring, Retaining   |     |
| 6    | See Note    | NSS | Seal, Rod (Note: Use Item 28)   |     |
| 7    | See Note    | NSS | Ring, Back-up (Note: Use Item 28)   |     |
| 8    | 70022565    | 1   | Bearing   |     |
| 9    | See Note    | NSS | O-Ring (Note: Use Item 28)  |     |
| 10   | See Note    | NSS | Ring, Back-up (Note: Use Item 28)   |     |
| 11   | See Note    | NSS | O-Ring (Note: Use Item 28)  |     |
| 12   | 70003106    | 1   | Piston  |     |
| 13   | See Note    | NSS | Seal, Piston (Note: Use Item 28)  |     |
| 14   | See Note    | NSS | Ring, Wear (Note: Use Item 28)  |     |
| 15   | See Note    | NSS | O-Ring (Note: Use Item 28)  |     |
| 16   | 70002335    | 1   | Nut   |     |
| 17   | 70002344    | 1   | Spacer  |     |
| 18   | See Note    | NSS | O-Ring (Note: Use Item 28)  |     |
| 19   | 7024884     | 1   | Cartridge, Solenoid Valve   |     |
| 19   | 7012967     | 1   | Seal Kit - 7024884 Valve  |     |
| 19   | 70002386    | 1   | Coil  |     |
| 20   | 70003076    | 1   | Cartridge, Check Valve  |     |
| 20   | 7017496     | 1   | Seal Kit - 70003076 Valve   |     |
| 21   | 70023370    | 7   | Plug  |     |
| 22   | See Note    | 7   | O-Ring (Note: Not Available - Purchase Locally)   |     |
| 23   | 70002334    | 1   | Orifice   |     |
| 24   | 0961948     | 2   | Bushing, Garmax (was p/n 70003107)  |     |
| 28   | 70003108    | 1   | Seal Kit (Includes Items 4, 6, 7, 9, 10, 11, 13, 14, 15 & 18)   |     |
| 100  |             | Ref | REPAIR TOOLS (NOT SHOWN)  |     |
| 100  | 70003109    | 1   | Press, Wiper  |     |
| 100  | 70003110    | 1   | Press, Bushing (Use with Rod Bearing)   |     |
| 100  | 70003111    | 1   | Tool, Bushing Removal (Use with Rod Bearing)  |     |
| 100  | 70003112    | 1   | Tool, Head Seal Protection  |     |
| 100  | 70003113    | 1   | Tool, Piston Seal Protection  |     |
| 100  | 70003082    | 1   | Press, Bushing (Use with Pin Mounting Bushings)   |     |
| 100  | 70003083    | 1   | Tool, Bushing Removal (Use with Pin Mounting Bushings)  |     |

# SECTION 6 - CYLINDER

## FIGURE 6-5. LIFT (TOWER BOOM) CYLINDER ASSEMBLY



ART\_1001122527

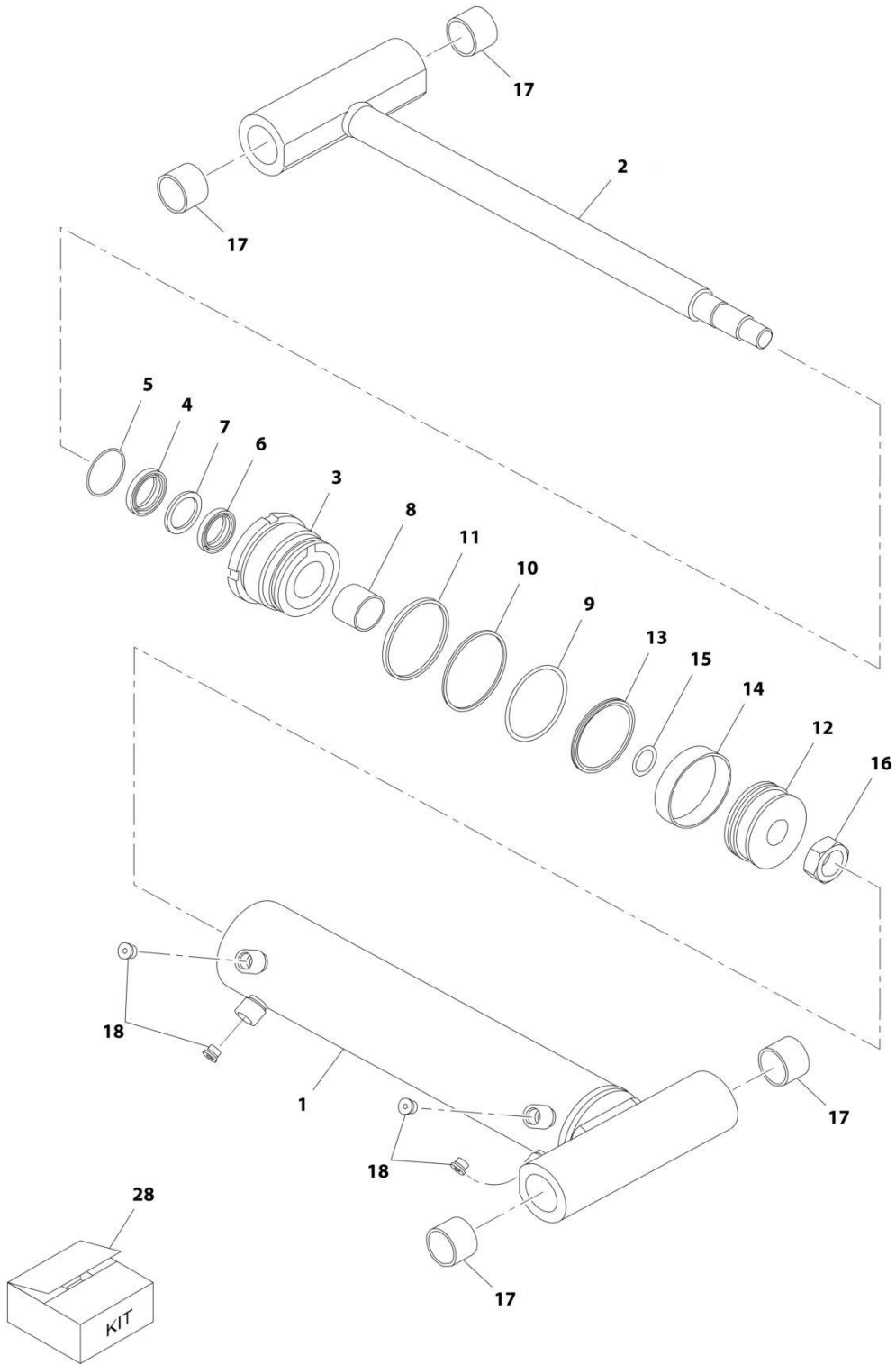
## SECTION 6 - CYLINDER

### FIGURE 6-5. LIFT (TOWER BOOM) CYLINDER ASSEMBLY

| ITEM | PART NUMBER | QTY | DESCRIPTION   | REV |
|------|-------------|-----|---|-----|
|      | 1001122527  | Ref | LIFT (TOWER BOOM) CYLINDER ASSEMBLY   | D   |
|      |             | Ref | Note: Original Cylinder may have been replaced with Service Replacement. Identify PN Stamped on Cylinder Before Ordering Parts. |     |
| 1    | 70003071    | 1   | Barrel  |     |
| 2    | 70003072    | 1   | Rod   |     |
| 3    | 70003073    | 1   | Head  |     |
| 4    | See Note    | NSS | Wiper (Note: Use Item 28)   |     |
| 5    | 70002410    | 1   | Ring, Retaining   |     |
| 6    | See Note    | NSS | Seal, Rod (Note: Use Item 28)   |     |
| 7    | See Note    | NSS | Ring, Back-up (Note: Use Item 28)   |     |
| 8    | 70002337    | 1   | Bearing   |     |
| 9    | See Note    | NSS | O-Ring (Note: Use Item 28)  |     |
| 10   | See Note    | NSS | Ring, Back-up (Note: Use Item 28)   |     |
| 11   | See Note    | NSS | O-Ring (Note: Use Item 28)  |     |
| 12   | 70003074    | 1   | Piston  |     |
| 13   | See Note    | NSS | Seal, Piston (Note: Use Item 28)  |     |
| 14   | See Note    | NSS | Ring, Wear (Note: Use Item 28)  |     |
| 15   | See Note    | NSS | O-Ring (Note: Use Item 28)  |     |
| 16   | 70002335    | 1   | Nut   |     |
| 17   | 7024884     | 1   | Cartridge, Solenoid Valve   |     |
| 17   | 7012967     | 1   | Seal Kit - 7024884 Valve  |     |
| 17   | 70002386    | 1   | Coil  |     |
| 18   | 70003076    | 1   | Cartridge, Check Valve  |     |
| 18   | 7017496     | 1   | Seal Kit - 70003076 Valve   |     |
| 19   | 70023370    | 2   | Plug  |     |
| 20   | See Note    | 2   | O-Ring (Note: Not Available - Purchase Locally)   |     |
| 21   | 70002334    | 1   | Orifice   |     |
| 22   | 0961948     | 4   | Bushing, Garmax (was p/n 70003107)  |     |
| 28   | 70003075    | 1   | Seal Kit (Includes Items 4, 6, 7, 9, 10, 11, 13, 14 & 15)   |     |
| 100  |             | Ref | REPAIR TOOLS (NOT SHOWN)  |     |
| 100  | 70003077    | 1   | Press, Wiper  |     |
| 100  | 70003078    | 1   | Press, Bushing (Use with Rod Bearing)   |     |
| 100  | 70003079    | 1   | Tool, Bushing Removal (Use with Rod Bearing)  |     |
| 100  | 70003080    | 1   | Tool, Head Seal Protection  |     |
| 100  | 70003081    | 1   | Tool, Piston Seal Protection  |     |
| 100  | 70003082    | 1   | Press, Bushing (Use with Pin Mounting Bushings)   |     |
| 100  | 70003083    | 1   | Tool, Bushing Removal (Use with Pin Mounting Bushings)  |     |

# SECTION 6 - CYLINDER

## FIGURE 6-6. MASTER CYLINDER ASSEMBLY



ART\_1001120976



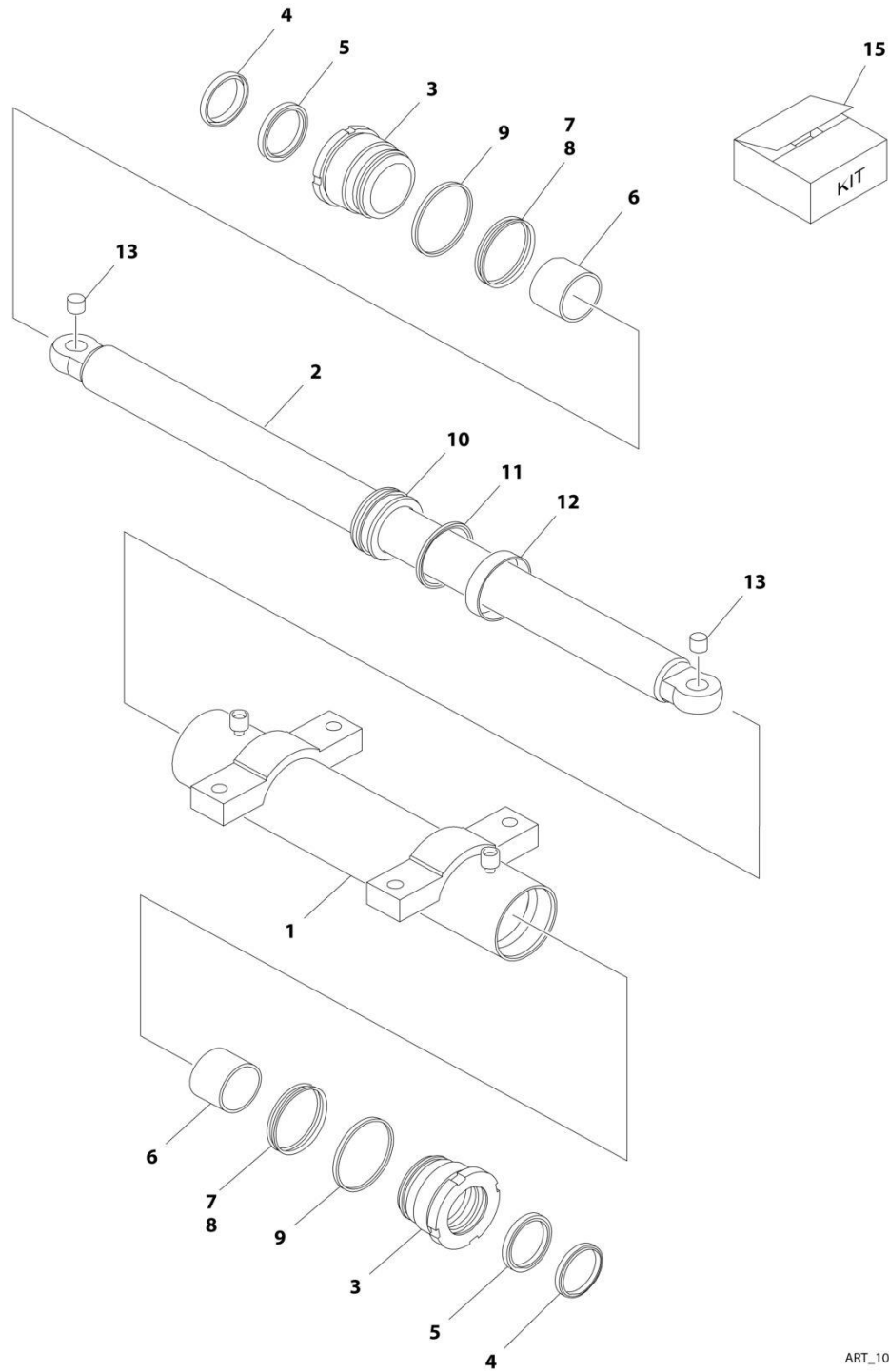
## SECTION 6 - CYLINDER

### FIGURE 6-6. MASTER CYLINDER ASSEMBLY

| ITEM | PART NUMBER | QTY | DESCRIPTION   | REV |
|------|-------------|-----|---|-----|
|      | 1001120976  | Ref | MASTER CYLINDER ASSEMBLY  | B   |
|      |             | Ref | Note: Original Cylinder may have been replaced with Service Replacement. Identify PN Stamped on Cylinder Before Ordering Parts. |     |
| 1    | 70003084    | 1   | Barrel  |     |
| 2    | 70002354    | 1   | Rod   |     |
| 3    | 70003085    | 1   | Head  |     |
| 4    | See Note    | NSS | Wiper (Note: Use Item 28)   |     |
| 5    | 70002366    | 1   | Ring, Retaining   |     |
| 6    | See Note    | NSS | Seal, Rod (Note: Use Item 28)   |     |
| 7    | See Note    | NSS | Ring, Back-up (Note: Use Item 28)   |     |
| 8    | 70002352    | 1   | Bearing   |     |
| 9    | See Note    | NSS | O-Ring (Note: Use Item 28)  |     |
| 10   | See Note    | NSS | Ring, Back-up (Note: Use Item 28)   |     |
| 11   | See Note    | NSS | O-Ring (Note: Use Item 28)  |     |
| 12   | 70003086    | 1   | Piston  |     |
| 13   | See Note    | NSS | Seal, Piston (Note: Use Item 28)  |     |
| 14   | See Note    | NSS | Ring, Wear (Note: Use Item 28)  |     |
| 15   | See Note    | NSS | O-Ring (Note: Use Item 28)  |     |
| 16   | 70002335    | 1   | Nut   |     |
| 17   | 0961951     | 4   | Bushing, Garmax (was p/n 70003087)  |     |
| 18   | 70023371    | 4   | Plug  |     |
| 28   | 70003088    | 1   | Seal Kit (Includes Items 4, 6, 7, 9, 10, 11, 13, 14 & 15)   |     |
| 100  |             | Ref | REPAIR TOOLS (NOT SHOWN)  |     |
| 100  | 70003089    | 1   | Press, Wiper  |     |
| 100  | 70003090    | 1   | Press, Bushing (Use with Rod Bearing)   |     |
| 100  | 70003091    | 1   | Tool, Bushing Removal (Use with Rod Bearing)  |     |
| 100  | 70003092    | 1   | Tool, Head Seal Protection  |     |
| 100  | 70003081    | 1   | Tool, Piston Seal Protection  |     |
| 100  | 70003093    | 1   | Press, Bushing (Use with Pin Mounting Bushings)   |     |
| 100  | 70003094    | 1   | Tool, Bushing Removal (Use with Pin Mounting Bushings)  |     |

# SECTION 6 - CYLINDER

## FIGURE 6-7. STEER CYLINDER ASSEMBLY



ART\_1001116788

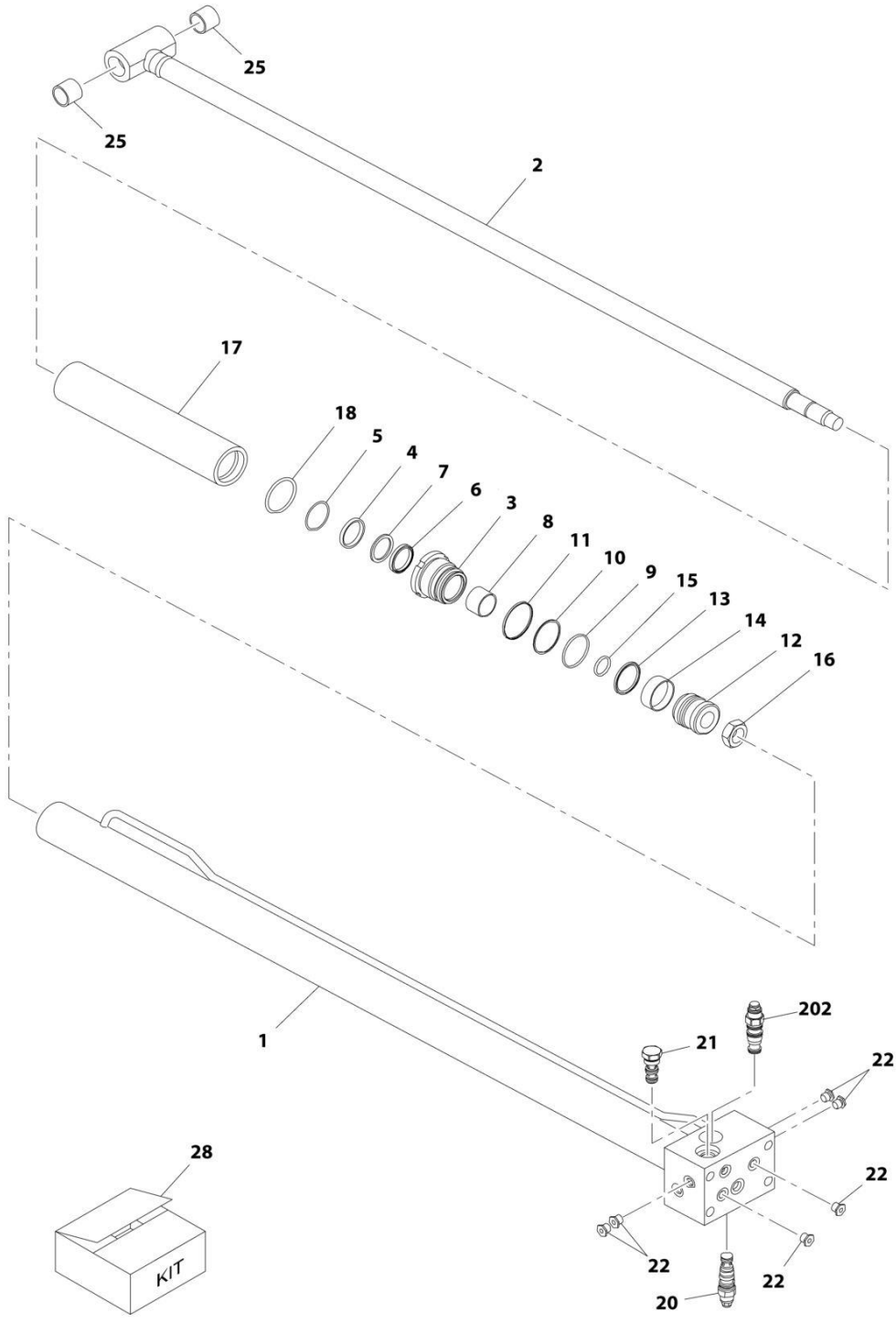
## SECTION 6 - CYLINDER

### FIGURE 6-7. STEER CYLINDER ASSEMBLY

| ITEM | PART NUMBER | QTY | DESCRIPTION   | REV |
|------|-------------|-----|---|-----|
|      | 1001116788  | Ref | STEER CYLINDER ASSEMBLY   | C   |
|      |             | Ref | Note: Original Cylinder may have been replaced with Service Replacement. Identify PN Stamped on Cylinder Before Ordering Parts. |     |
| 1    | 70003095    | 1   | Barrel  |     |
| 2    | 70003096    | 1   | Rod   |     |
| 3    | 70003098    | 2   | Head  |     |
| 4    | See Note    | NSS | Wiper (Note: Use Item 15)   |     |
| 5    | See Note    | NSS | Seal, Rod (Note: Use Item 15)   |     |
| 6    | 70002337    | 2   | Bearing   |     |
| 7    | See Note    | NSS | O-Ring (Note: Use Item 15)  |     |
| 8    | See Note    | NSS | Ring, Back-up (Note: Use Item 15)   |     |
| 9    | See Note    | NSS | O-Ring (Note: Use Item 15)  |     |
| 10   | 70003097    | 1   | Piston  |     |
| 11   | See Note    | NSS | Seal, Piston (Note: Use Item 15)  |     |
| 12   | See Note    | NSS | Ring, Wear (Note: Use Item 15)  |     |
| 13   | 70002380    | 4   | Bushing, Garmax   |     |
| 15   | 70003099    | 1   | Seal Kit (Includes Items 4, 5, 7, 8, 9, 11 & 12)  |     |
| 100  |             | Ref | REPAIR TOOLS (NOT SHOWN)  |     |
| 100  | 70003077    | 1   | Press, Wiper  |     |
| 100  | 70003078    | 1   | Press, Bushing (Use with Rod Bearing)   |     |
| 100  | 70003079    | 1   | Tool, Bushing Removal (Use with Rod Bearing)  |     |
| 100  | 70003080    | 1   | Tool, Head Seal Protection  |     |
| 100  | 70003100    | 1   | Tool, Piston Seal Protection  |     |
| 100  | 70003101    | 1   | Press, Bushing (Use with Pin Mounting Bushings)   |     |
| 100  | 70003102    | 1   | Tool, Bushing Removal (Use with Pin Mounting Bushings)  |     |

# SECTION 6 - CYLINDER

## FIGURE 6-8. TELESCOPE CYLINDER ASSEMBLY



ART\_1001120974

## SECTION 6 - CYLINDER

### FIGURE 6-8. TELESCOPE CYLINDER ASSEMBLY

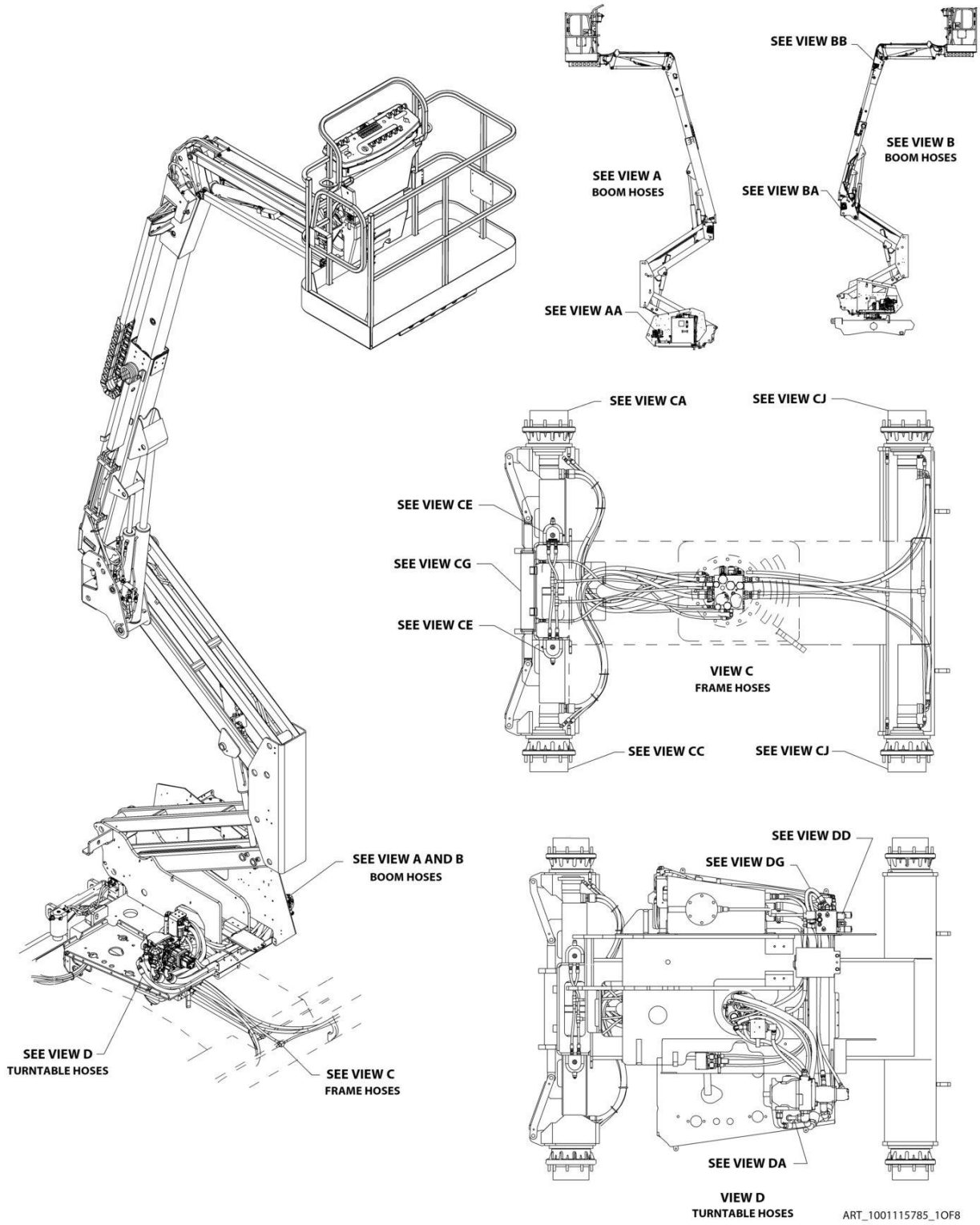
| ITEM | PART NUMBER | QTY | DESCRIPTION   | REV |
|------|-------------|-----|---|-----|
|      | 1001120974  | Ref | TELESCOPE CYLINDER ASSEMBLY   | C   |
|      |             | Ref | Note: Original Cylinder may have been replaced with Service Replacement. Identify PN Stamped on Cylinder Before Ordering Parts. |     |
| 1    | 70003114    | 1   | Barrel  |     |
| 2    | 70003115    | 1   | Rod   |     |
| 3    | 70003116    | 1   | Head  |     |
| 4    | See Note    | NSS | Wiper (Note: Use Item 28)   |     |
| 5    | 70002366    | 1   | Ring, Retaining   |     |
| 6    | See Note    | NSS | Seal, Rod (Note: Use Item 28)   |     |
| 7    | See Note    | NSS | Ring, Back-up (Note: Use Item 28)   |     |
| 8    | 70002352    | 1   | Bearing   |     |
| 9    | See Note    | NSS | O-Ring (Note: Use Item 28)  |     |
| 10   | See Note    | NSS | Ring, Back-up (Note: Use Item 28)   |     |
| 11   | See Note    | NSS | O-Ring (Note: Use Item 28)  |     |
| 12   | 70003117    | 1   | Piston  |     |
| 13   | See Note    | NSS | Seal, Piston (Note: Use Item 28)  |     |
| 14   | See Note    | NSS | Ring, Wear (Note: Use Item 28)  |     |
| 15   | See Note    | NSS | O-Ring (Note: Use Item 28)  |     |
| 16   | 70002335    | 1   | Nut   |     |
| 17   | 70002364    | 1   | Spacer  |     |
| 18   | See Note    | NSS | O-Ring (Note: Use Item 28)  |     |
| 20   | 70002389    | 1   | Cartridge, Counterbalance Valve   |     |
| 20   | 2900770     | 1   | Seal Kit - 70002389 Valve   |     |
| 21   | 10837580    | 1   | Cartridge, Load Shuttle Valve   |     |
| 21   | 7010543     | 1   | Seal Kit - 10837580 Valve   |     |
| 22   | 70023370    | 6   | Plug  |     |
| 25   | 70003118    | 2   | Bushing   |     |
| 28   | 70003119    | 1   | Seal Kit (Includes Items 4, 6, 7, 9, 10, 11, 13, 14, 15 & 18)   |     |
| 100  |             | Ref | REPAIR TOOLS (NOT SHOWN)  |     |
| 100  | 70003089    | 1   | Press, Wiper  |     |
| 100  | 70003090    | 1   | Press, Bushing (Use with Rod Bearing)   |     |
| 100  | 70003091    | 1   | Tool, Bushing Removal (Use with Rod Bearing)  |     |
| 100  | 70003092    | 1   | Tool, Head Seal Protection  |     |
| 100  | 70003120    | 1   | Press, Bushing (Use with Pin Mounting Bushings)   |     |
| 100  | 70003121    | 1   | Tool, Bushing Removal (Use with Pin Mounting Bushings)  |     |
|      | 1001199461  | Ref | TELESCOPE CYLINDER ASSEMBLY   | A   |
| 202  | 1001199306  | 1   | Cartridge, Counter Balance Valve  |     |
| 202  | 2900770     | 1   | Seal Kit - 1001199306 Valve   |     |



**SECTION 7 - HYDRAULIC**

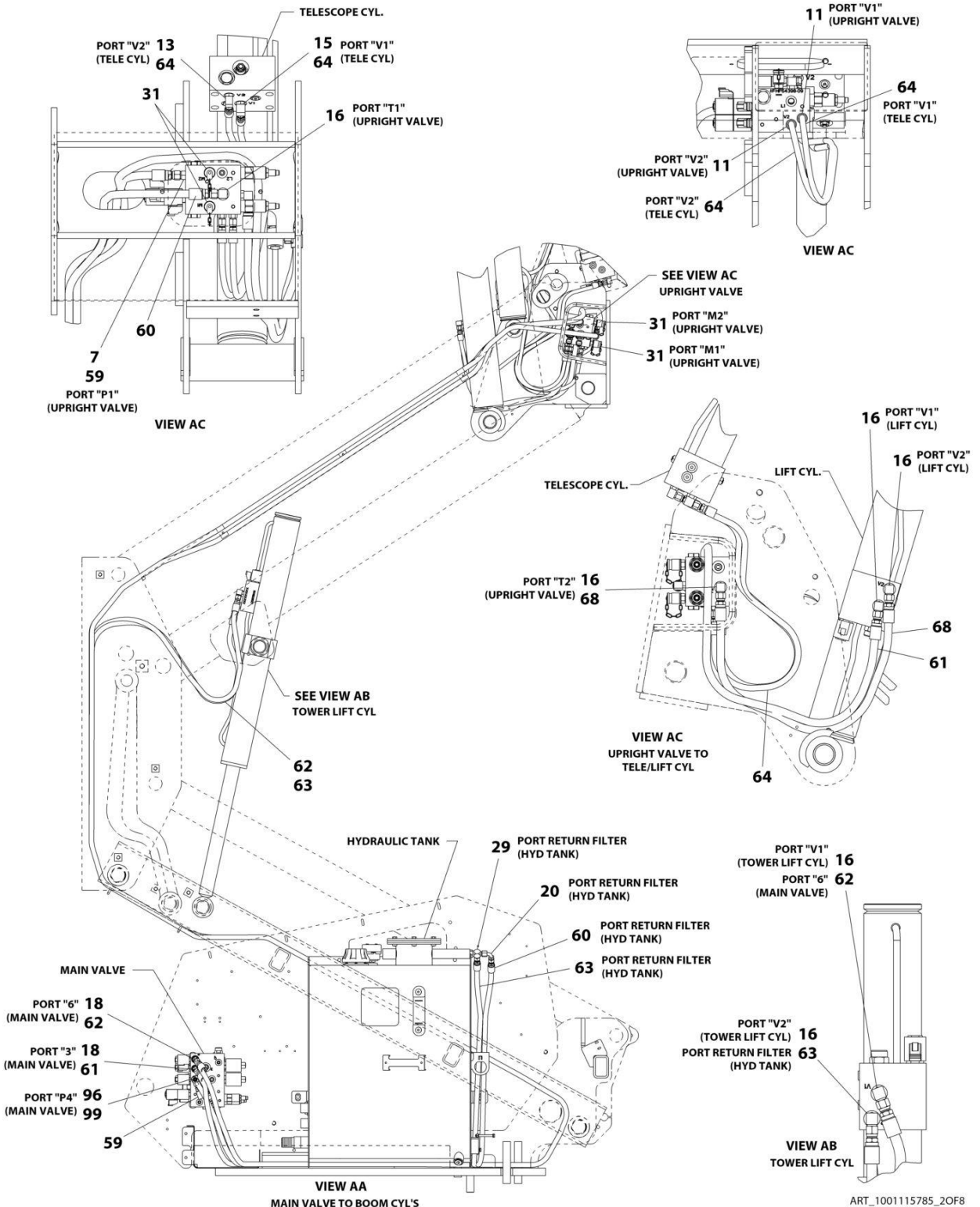
# SECTION 7 - HYDRAULIC

## FIGURE 7-1. HYDRAULIC INSTALLATION - WITHOUT ARCTIC PACKAGE



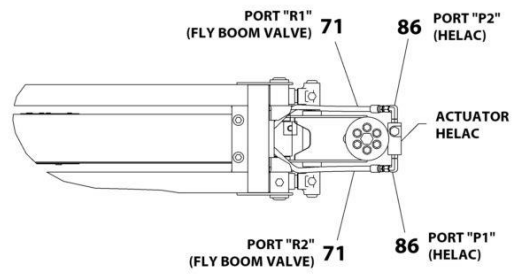
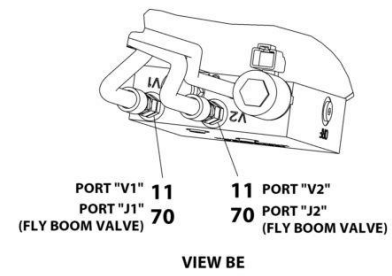
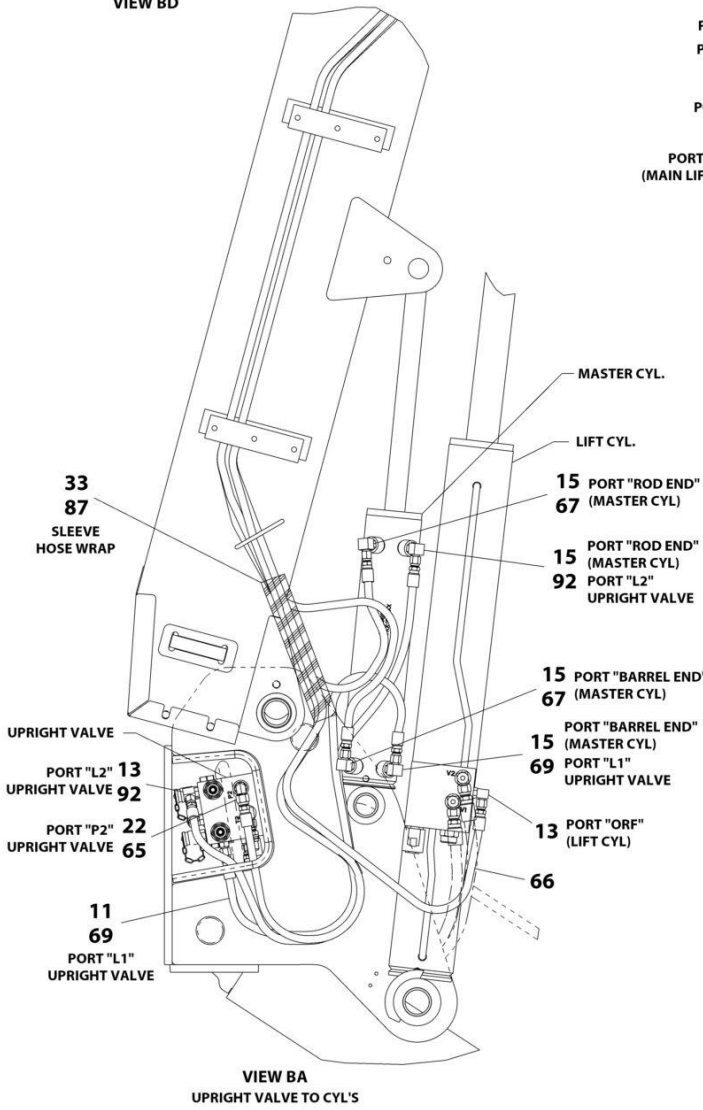
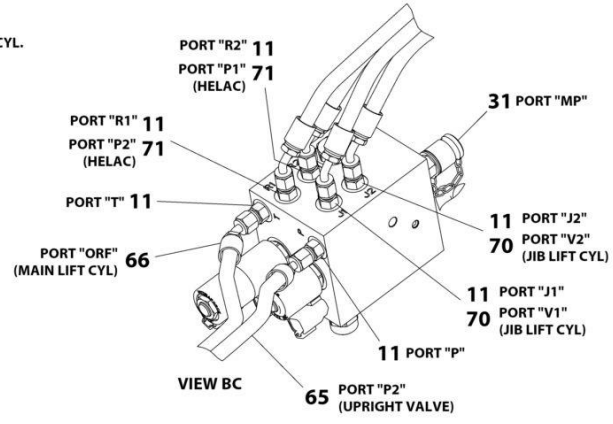
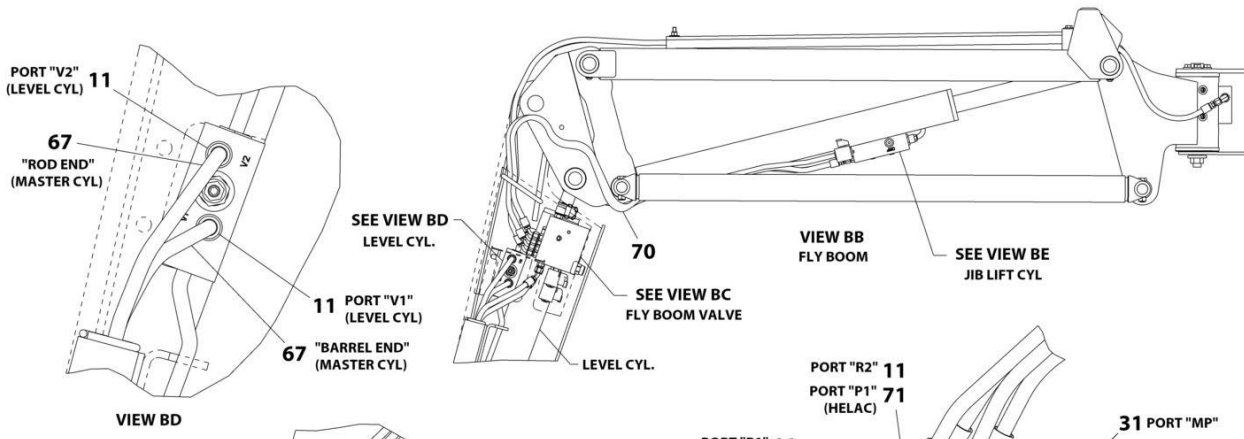


# SECTION 7 - HYDRAULIC



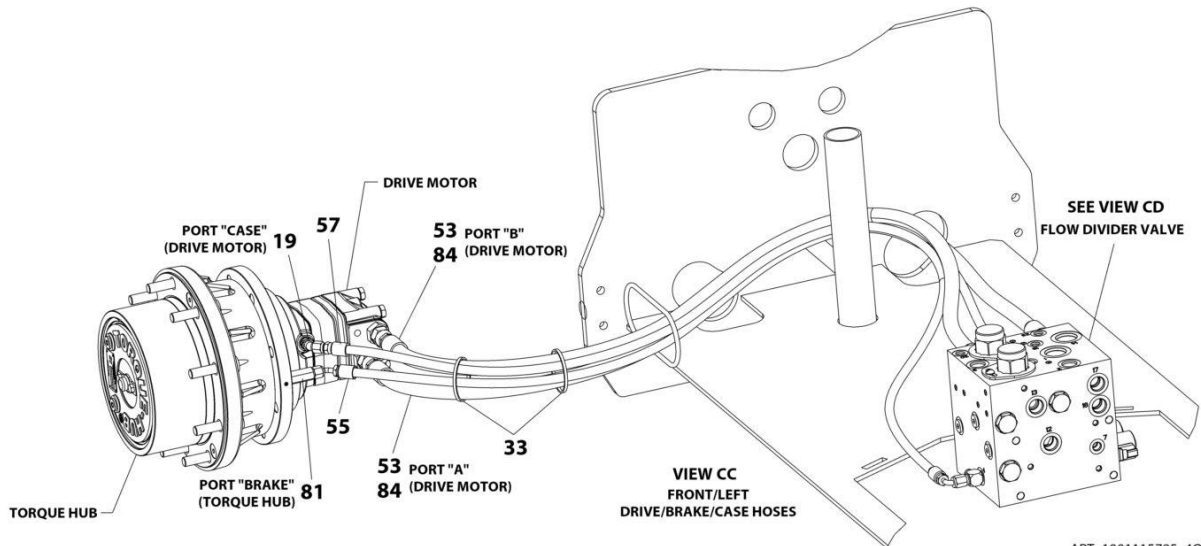
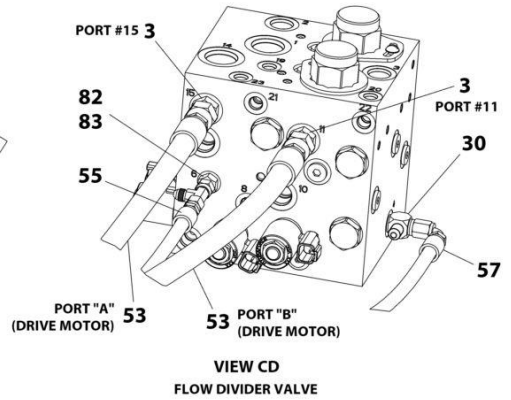
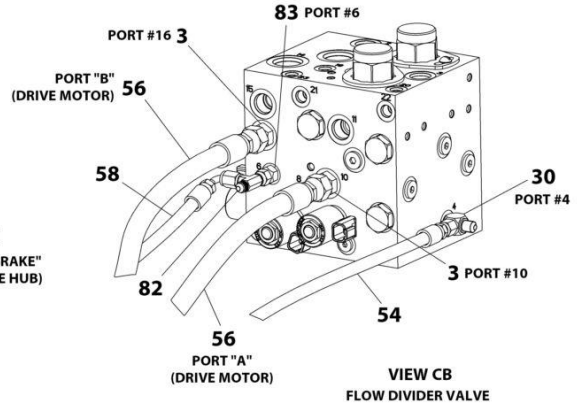
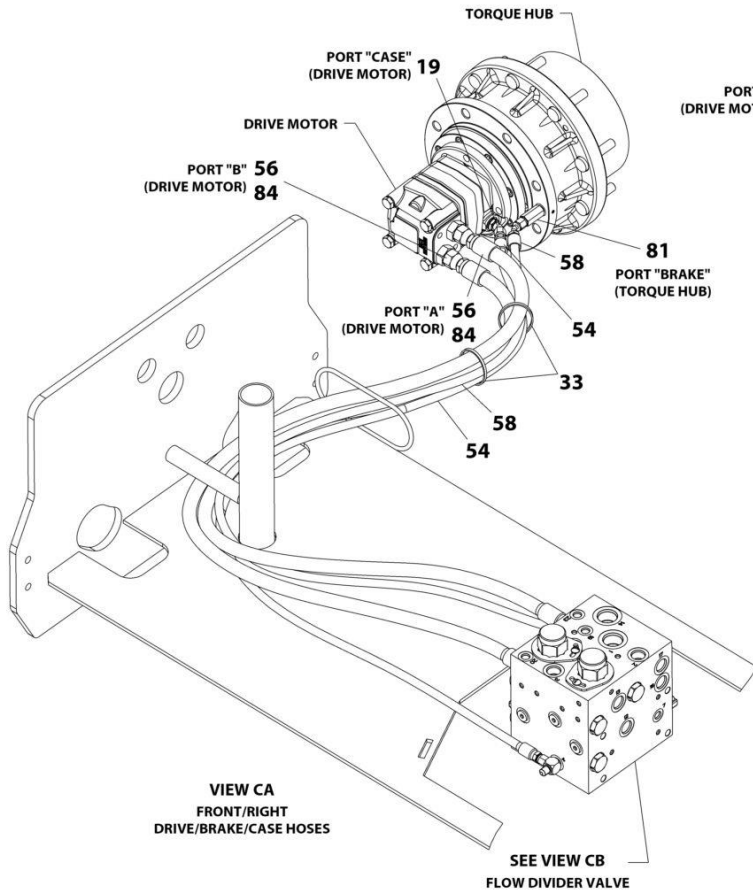
ART\_1001115785\_20F8

# SECTION 7 - HYDRAULIC



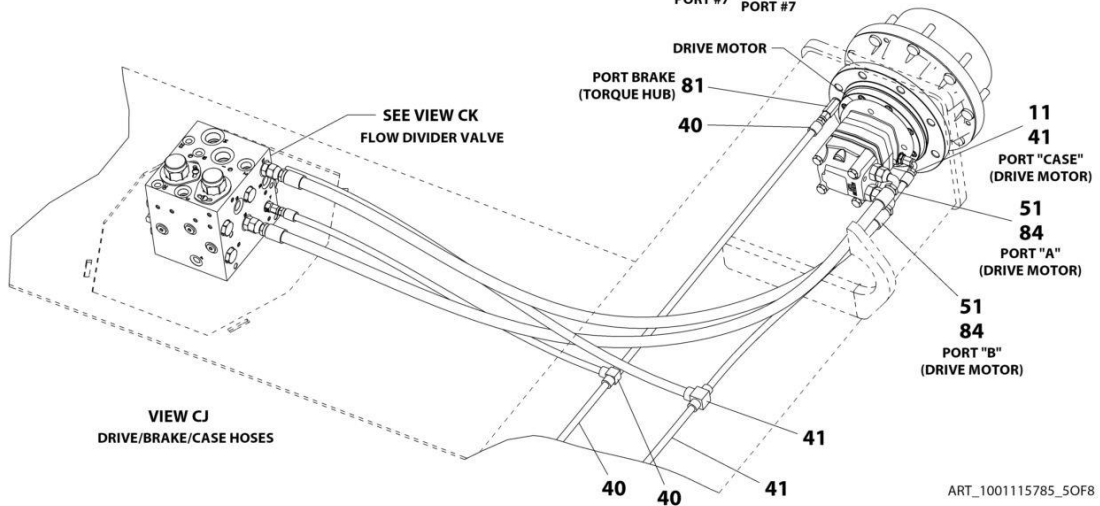
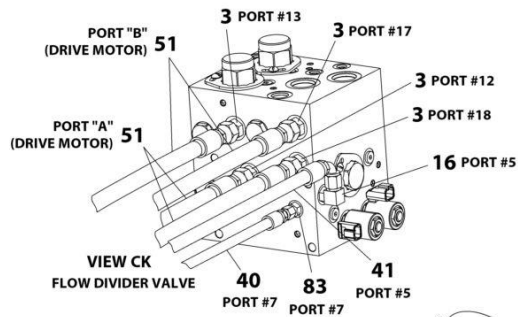
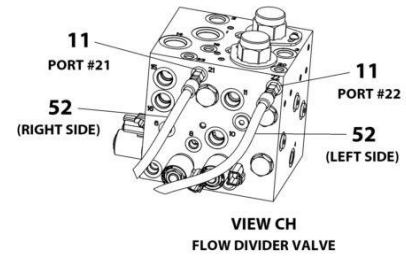
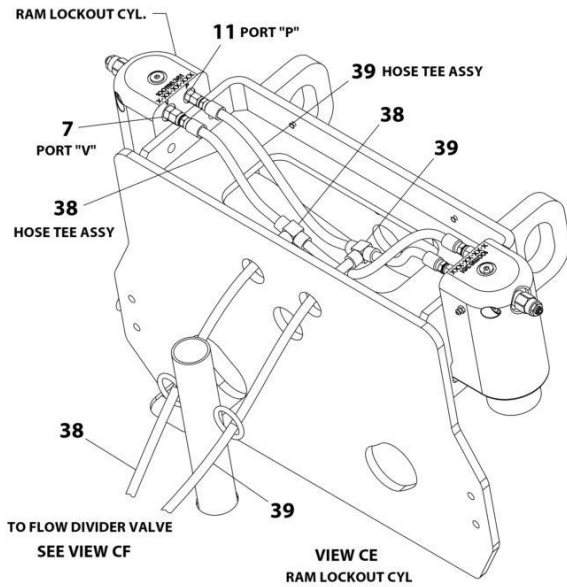
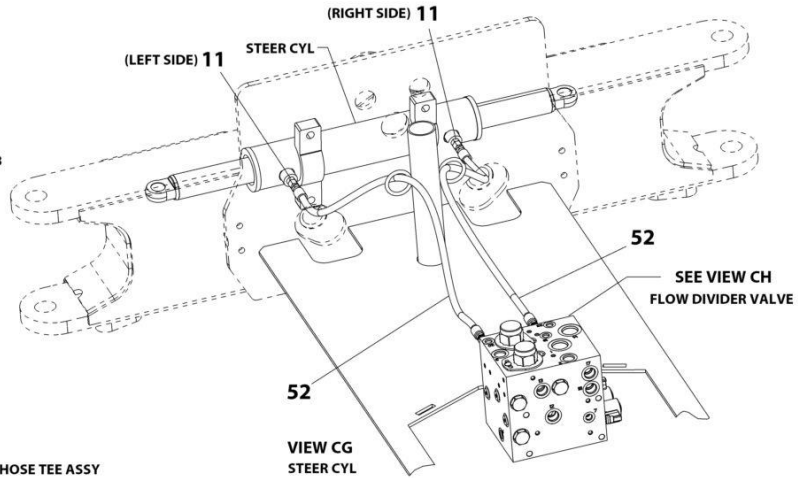
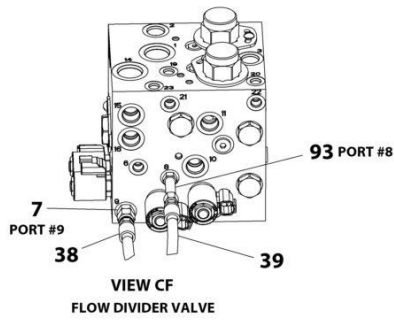
ART\_100115785\_30F8

# SECTION 7 - HYDRAULIC



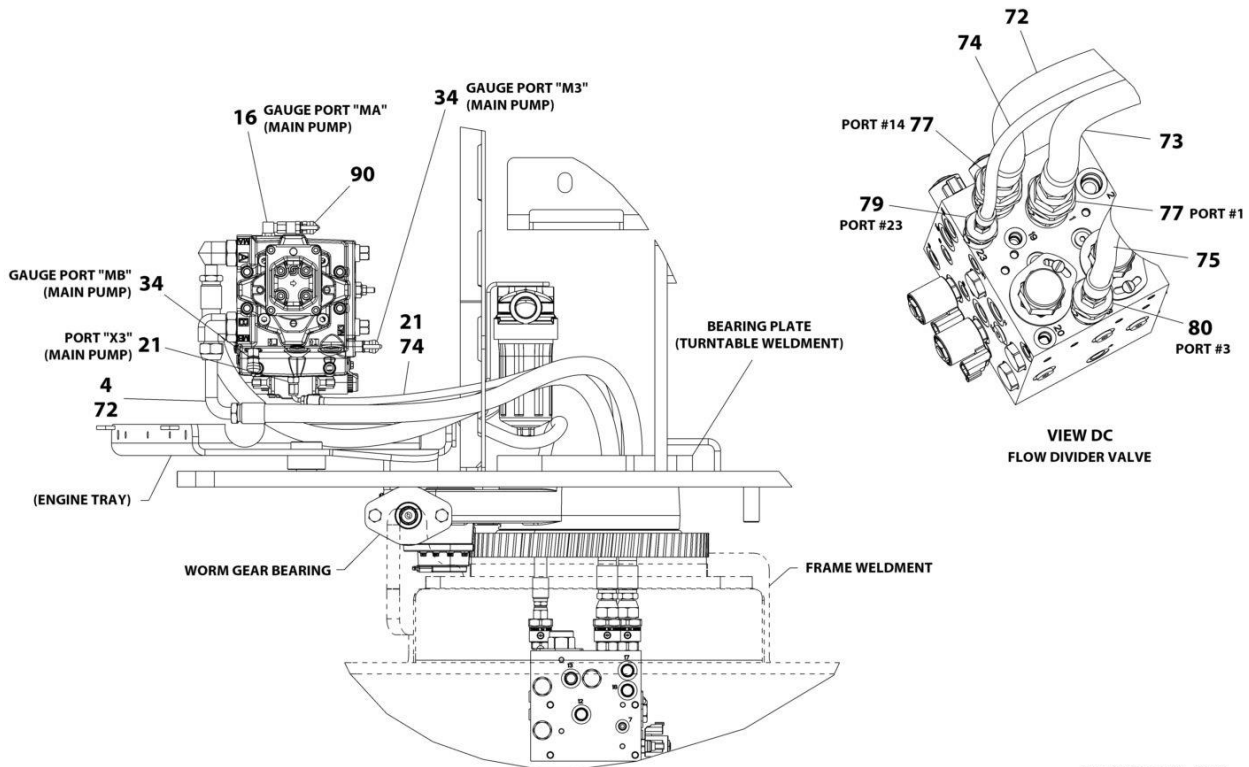
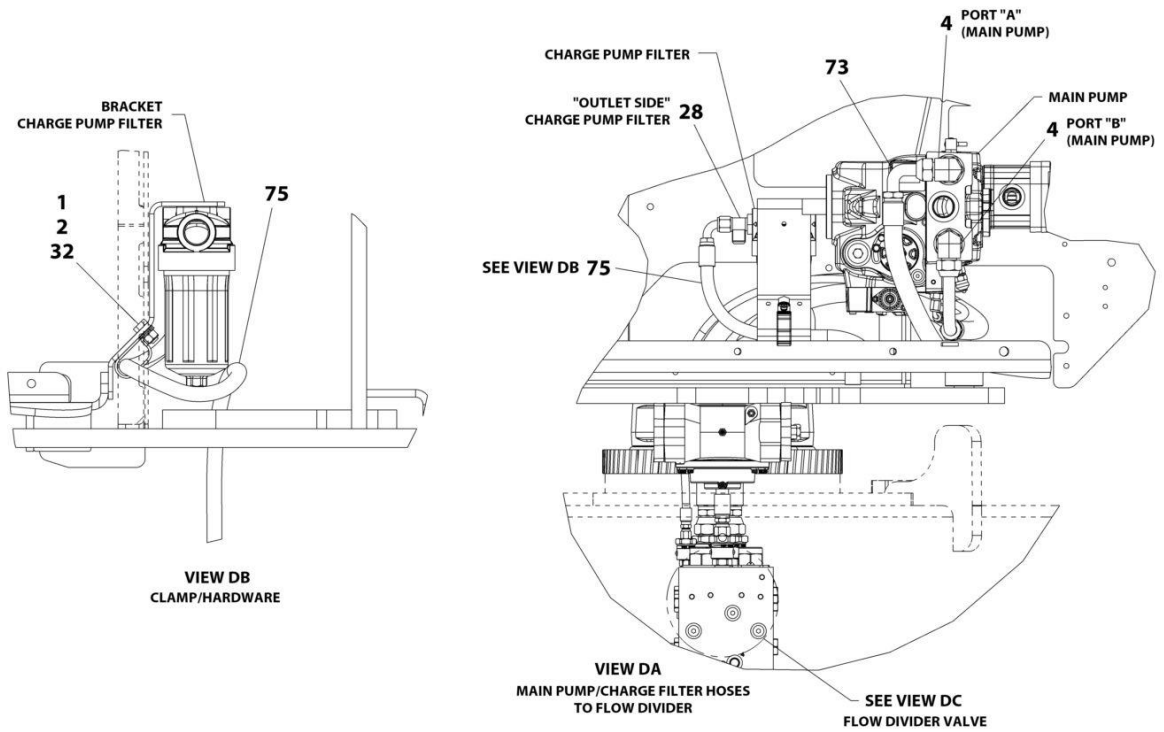
ART\_1001115785\_40F8

# SECTION 7 - HYDRAULIC



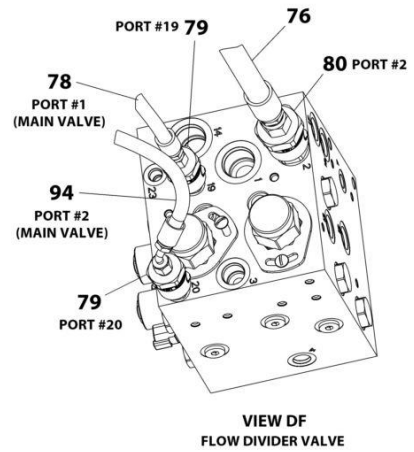
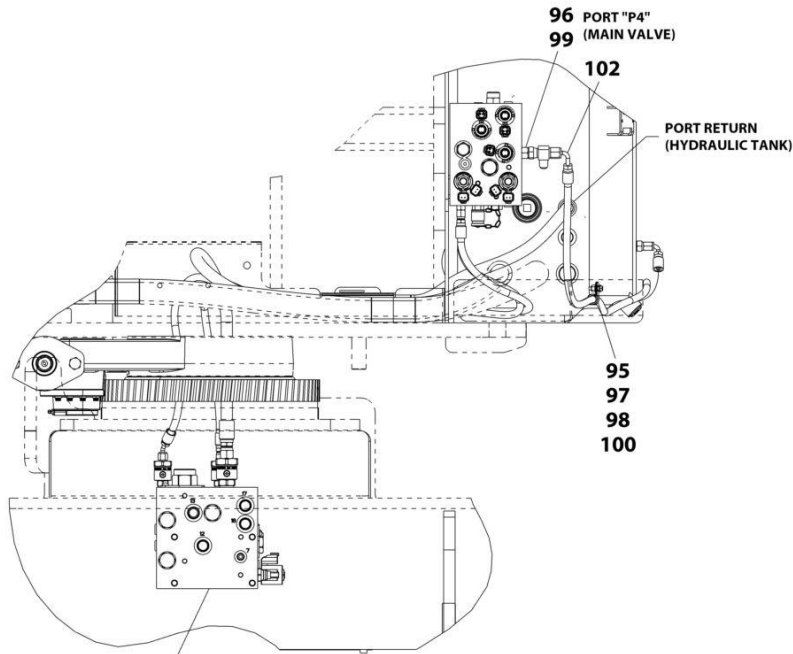
ART\_1001115785\_S0F8

# SECTION 7 - HYDRAULIC

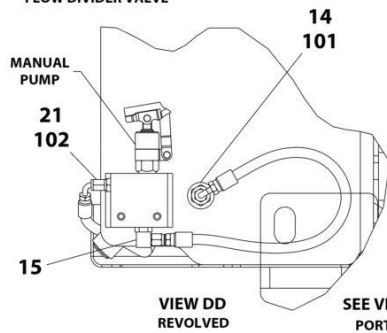


ART\_100115785\_60F8

# SECTION 7 - HYDRAULIC



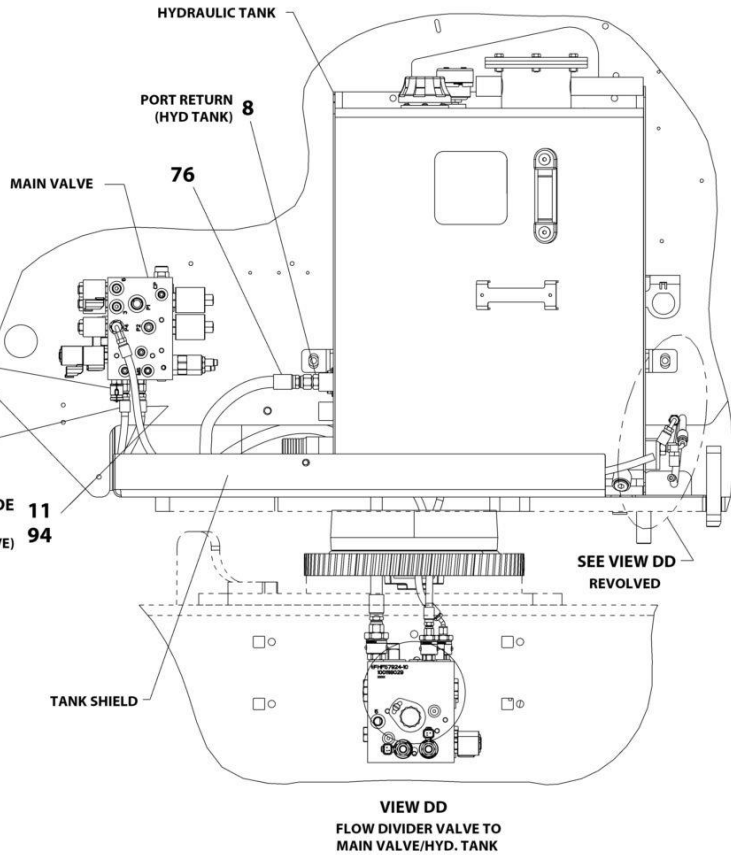
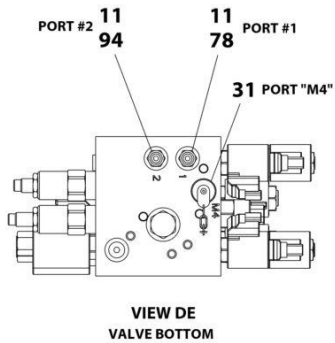
SEE VIEW DF  
FLOW DIVIDER VALVE



SEE VIEW DE  
PORT "M4"  
(MAIN VALVE)

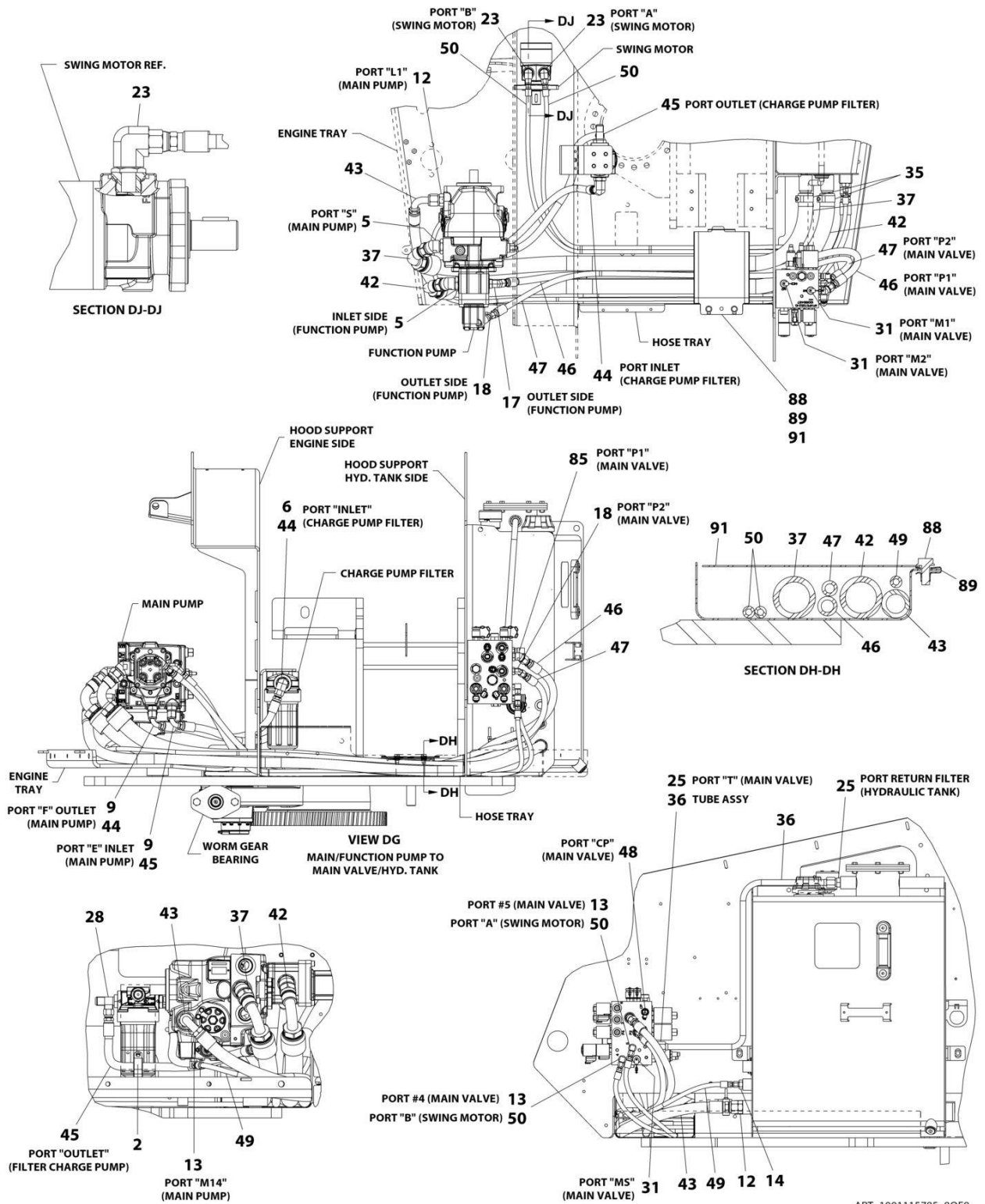
SEE VIEW DE  
PORT #1  
(MAIN VALVE)

SEE VIEW DE  
PORT #2  
(MAIN VALVE)



ART\_1001115785\_70F8

# SECTION 7 - HYDRAULIC



# SECTION 7 - HYDRAULIC

## FIGURE 7-1. HYDRAULIC INSTALLATION - WITHOUT ARCTIC PACKAGE

| ITEM | PART NUMBER | QTY | DESCRIPTION                                     | REV |
|------|-------------|-----|---|-----|
|      | 1001115785  | Ref | HYDRAULIC INSTALLATION - WITHOUT ARCTIC PACKAGE | I   |
| 1    | 0761012     | 1   | Bolt M10 x 25                                   |     |
| 2    | 1321716     | 1   | Clamp   |     |
| 3    | 2110808     | 8   | Fitting, Straight ORFS/ORB                      |     |
| 4    | 2131216     | 2   | Fitting, 90 ORFS/ORB                            |     |
| 5    | 2220365     | 2   | Fitting, 45 JIC/ORB                             |     |
| 6    | 2220366     | 1   | Fitting, 90 JIC/ORB                             |     |
| 7    | 2220371     | 4   | Fitting, Straight JIC/ORB                       |     |
| 8    | 2220373     | 1   | Fitting, Straight JIC/ORB                       |     |
| 9    | 2220374     | 2   | Fitting, Straight JIC/ORB                       |     |
| 11   | 2220415     | 23  | Fitting, Straight JIC/ORB                       |     |
| 12   | 2220451     | 2   | Fitting, Straight JIC/ORB                       |     |
| 13   | 2220466     | 6   | Fitting, 90 JIC/ORB                             |     |
| 14   | 2220468     | 2   | Fitting, Straight JIC/ORB                       |     |
| 15   | 2220472     | 6   | Fitting, 90 JIC/ORB                             |     |
| 16   | 2220473     | 8   | Fitting, 90 JIC/ORB                             |     |
| 17   | 2220499     | 1   | Fitting, 45 JIC/ORB                             |     |
| 18   | 2220501     | 4   | Fitting, 45 JIC/ORB                             |     |
| 19   | 2220502     | 2   | Fitting, 45 JIC/ORB                             |     |
| 20   | 2220507     | 1   | Fitting, 90 JIC/FSJIC                           |     |
| 21   | 2220582     | 2   | Fitting, Straight JIC/ORB                       |     |
| 22   | 2220819     | 1   | Fitting, 90 JIC/ORB                             |     |
| 23   | 2220828     | 2   | Fitting, 90 JIC/ORB                             |     |
| 25   | 2220947     | 2   | Fitting, Straight JIC/ORB                       |     |
| 28   | 2221041     | 1   | Fitting, Tee                                    |     |
| 29   | 2221053     | 1   | Fitting, Run Tee                                |     |
| 30   | 2221060     | 1   | Fitting, Run Tee JIC                            |     |
| 31   | 2221086     | 7   | Fitting, Test Port                              |     |
| 32   | 3291005     | 1   | Nut M10   |     |
| 33   | 4240018     | 7   | Tie-Strap                                       |     |
| 34   | 77133089    | 2   | Mini Check                                      |     |
| 35   | 80633030    | 2   | Clamp, Hose                                     |     |
| 36   | 1001116905  | 1   | Tube, Steel                                     |     |
| 37   | 1001119035  | 1   | Hose  |     |
| 38   | 1001119068  | 1   | Hose  |     |
| 39   | 1001119069  | 1   | Hose  |     |
| 40   | 1001119070  | 1   | Hose  |     |
| 41   | 1001119071  | 1   | Hose  |     |
| 42   | 1001119143  | 1   | Hose  |     |
| 43   | 1001119237  | 1   | Hose  |     |
| 44   | 1001119324  | 1   | Hose  |     |
| 45   | 1001119365  | 1   | Hose  |     |
| 46   | 1001119404  | 1   | Hose  |     |
| 47   | 1001119449  | 1   | Hose  |     |
| 48   | 1001119455  | 1   | Valve, Oil Sampling                             |     |
| 49   | 1001119489  | 1   | Hose  |     |
| 50   | 1001119525  | 2   | Hose  |     |
| 51   | 1001119546  | 4   | Hose  |     |
| 52   | 1001119547  | 2   | Hose  |     |
| 53   | 1001119548  | 2   | Hose  |     |

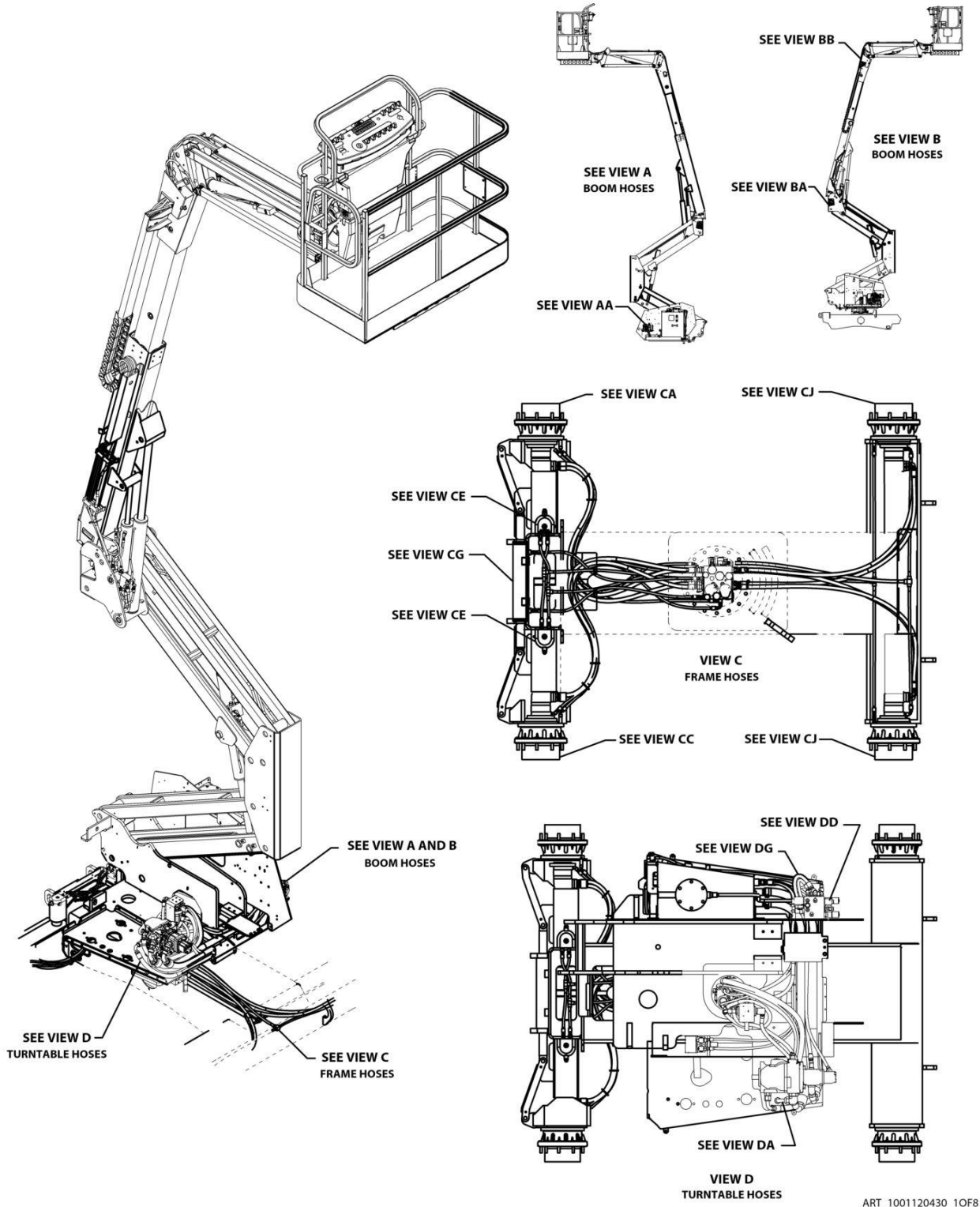


## SECTION 7 - HYDRAULIC

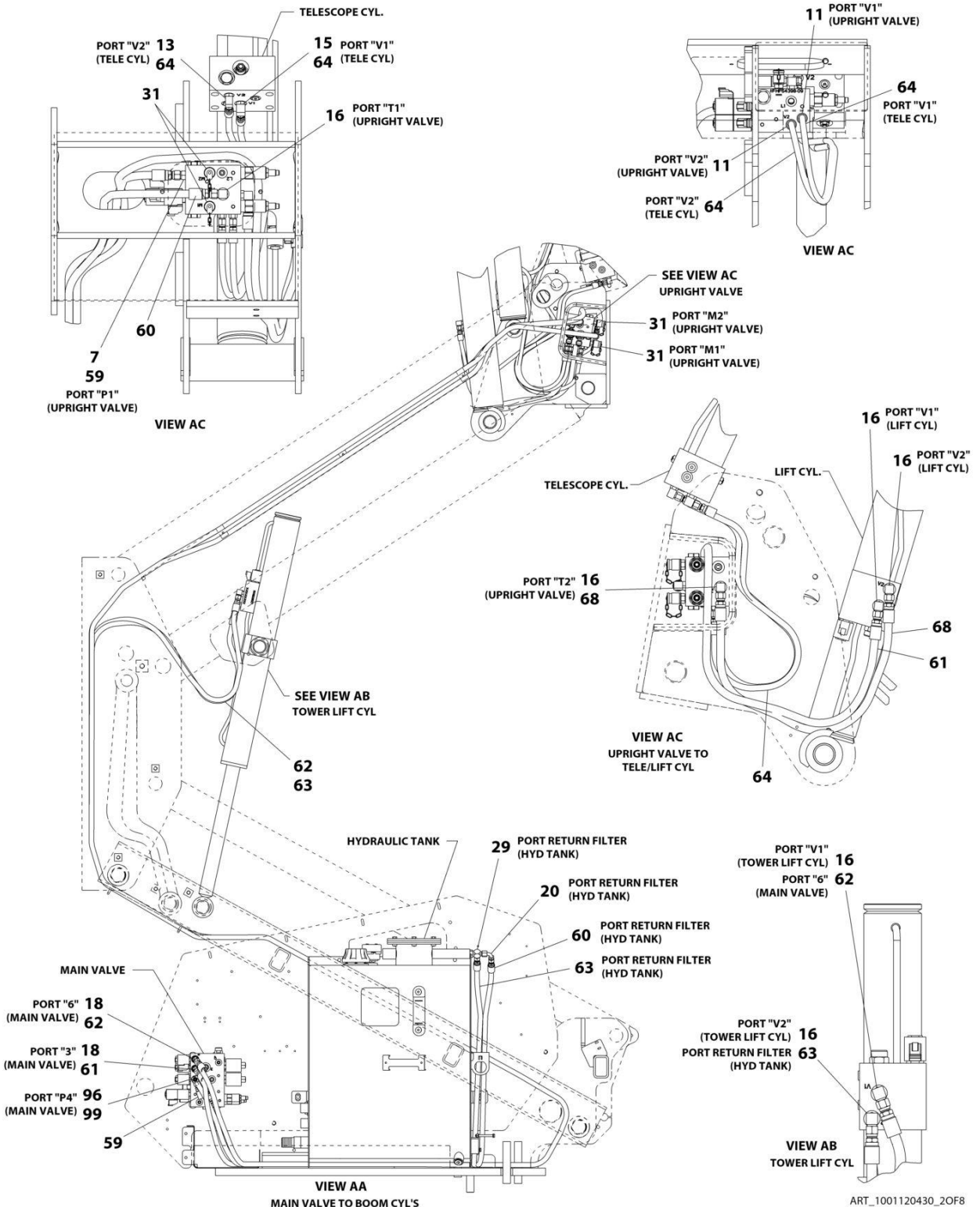
| ITEM | PART NUMBER | QTY | DESCRIPTION                | REV |
|------|-------------|-----|----------------------------|-----|
| 54   | 1001119550  | 1   | Hose                       |     |
| 55   | 1001119552  | 1   | Hose                       |     |
| 56   | 1001119568  | 2   | Hose                       |     |
| 57   | 1001119569  | 1   | Hose                       |     |
| 58   | 1001119570  | 1   | Hose                       |     |
| 59   | 1001119572  | 1   | Hose                       |     |
| 60   | 1001119577  | 1   | Hose                       |     |
| 61   | 1001119593  | 1   | Hose                       |     |
| 62   | 1001119594  | 1   | Hose                       |     |
| 63   | 1001119595  | 1   | Hose                       |     |
| 64   | 1001119596  | 2   | Hose                       |     |
| 65   | 1001119597  | 1   | Hose                       |     |
| 66   | 1001119598  | 1   | Hose                       |     |
| 67   | 1001119600  | 2   | Hose                       |     |
| 68   | 1001119602  | 1   | Hose                       |     |
| 69   | 1001119603  | 1   | Hose                       |     |
| 70   | 1001119604  | 2   | Hose                       |     |
| 71   | 1001119605  | 2   | Hose                       |     |
| 72   | 1001119606  | 1   | Hose                       |     |
| 73   | 1001119607  | 1   | Hose                       |     |
| 74   | 1001119608  | 1   | Hose                       |     |
| 75   | 1001119610  | 1   | Hose                       |     |
| 76   | 1001119611  | 1   | Hose                       |     |
| 77   | 1001119612  | 2   | Fitting, Straight ORB/ORFS |     |
| 78   | 1001119613  | 1   | Hose                       |     |
| 79   | 1001119626  | 3   | Fitting, Straight JIC/ORB  |     |
| 80   | 1001119627  | 2   | Fitting, Straight JIC/ORB  |     |
| 81   | 1001119630  | 4   | Fitting, Straight JIC/MPP  |     |
| 82   | 2220605     | 1   | Fitting, Tee JIC/FSJIC/JIC |     |
| 83   | 4641284     | 2   | Valve, Orifice Check       |     |
| 84   | 2110810     | 8   | Fitting, Straight ORFS/ORB |     |
| 85   | 2220500     | 1   | Fitting, 45 JIC/ORB        |     |
| 86   | 2220940     | 2   | Fitting, 90 JIC/ORB        |     |
| 87   | 4100066     | 1   | Sleeve, Hose Wrap          |     |
| 88   | 5250810     | 2   | Bolt M8 x 20               |     |
| 89   | 8310686     | 2   | Retainer M8                |     |
| 90   | 91143172    | 1   | Coupling                   |     |
| 91   | 1001121221  | 1   | Cover, Tray                |     |
| 92   | 1001121966  | 1   | Hose                       |     |
| 93   | 1001125108  | 1   | Fitting, Straight JIC/ORB  |     |
| 94   | 1001125249  | 1   | Hose                       |     |
| 95   | 0700510     | 1   | Bolt M5 x 20               |     |
| 95   | 0700610     | 1   | Bolt M6 x 20               |     |
| 96   | 2220635     | 1   | Fitting, Tee JIC/FSJIC/JIC |     |
| 97   | 3290605     | 1   | Nut M6                     |     |
| 98   | 4811700     | 2   | Washer M6                  |     |
| 99   | 80233041    | 1   | Fitting, Check             |     |
| 100  | 85941016    | 1   | Clamp                      |     |
| 101  | 1001127703  | 1   | Hose                       |     |
| 102  | 1001127705  | 1   | Hose                       |     |

# SECTION 7 - HYDRAULIC

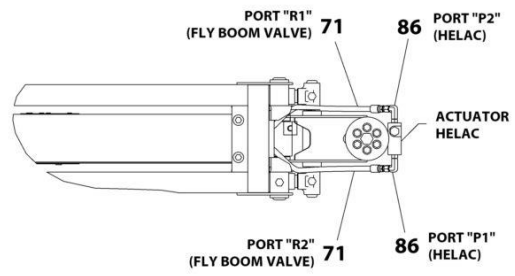
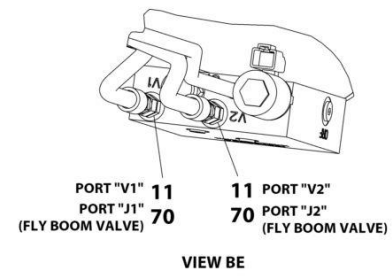
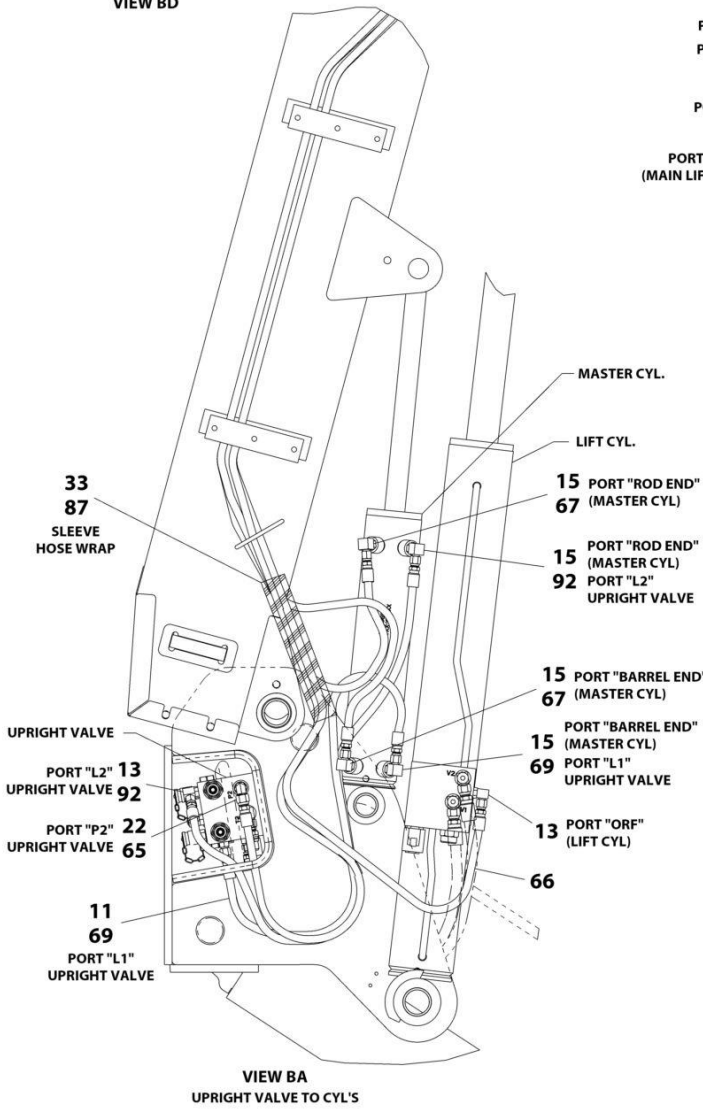
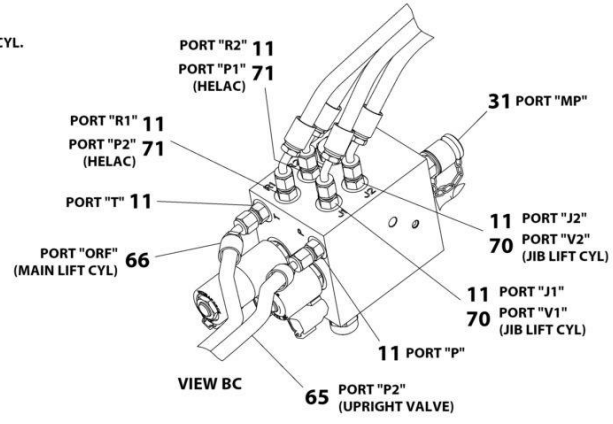
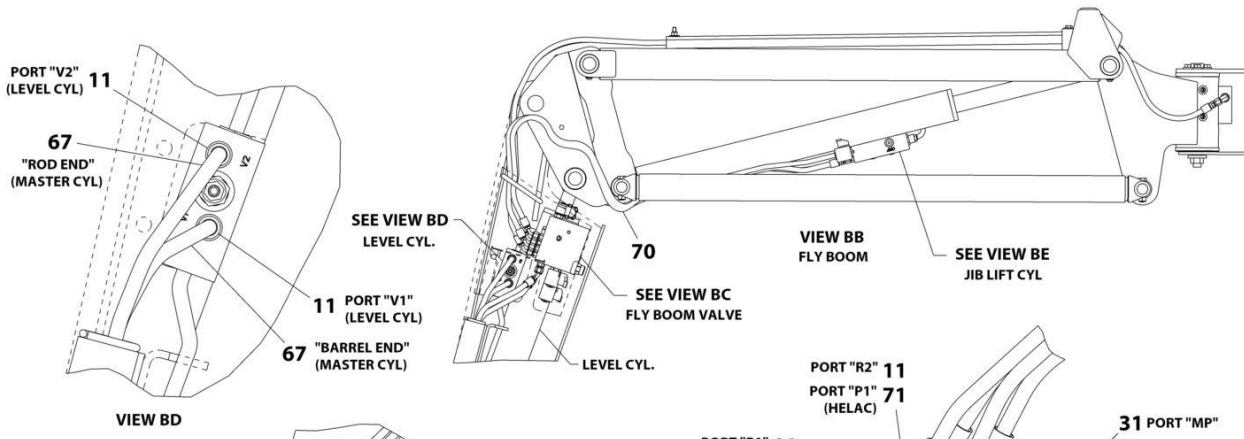
## FIGURE 7-2. HYDRAULIC INSTALLATION - WITH ARCTIC PACKAGE



# SECTION 7 - HYDRAULIC

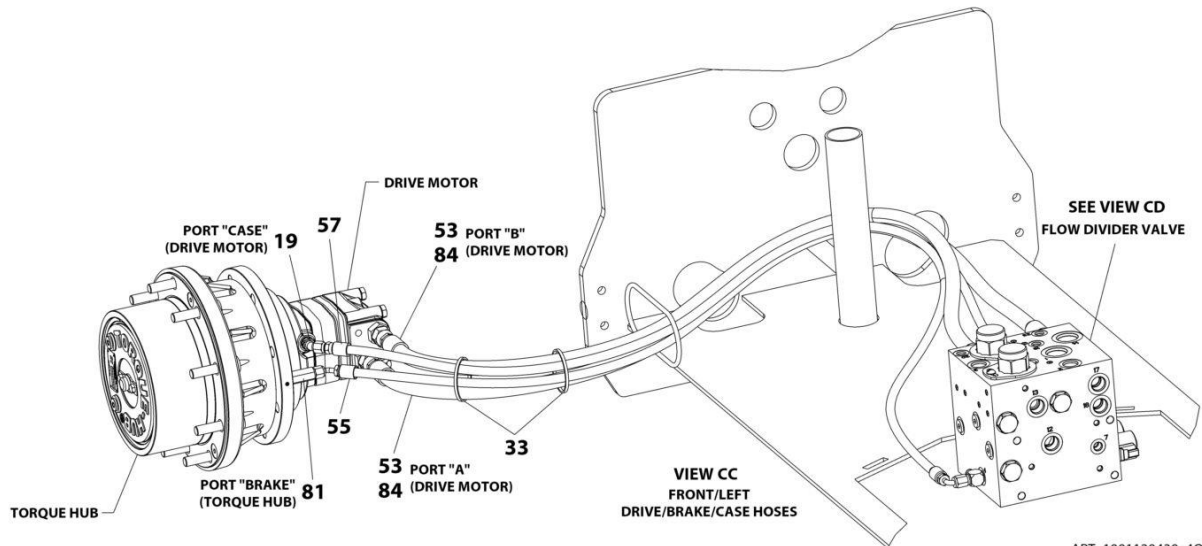
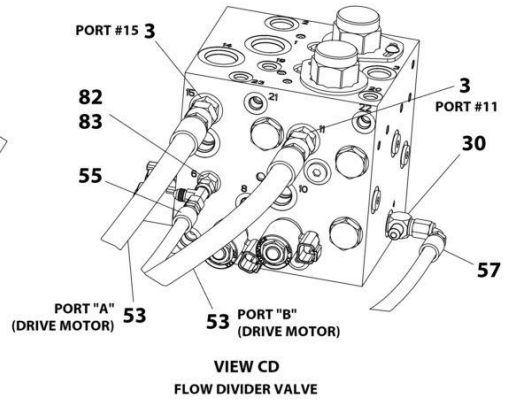
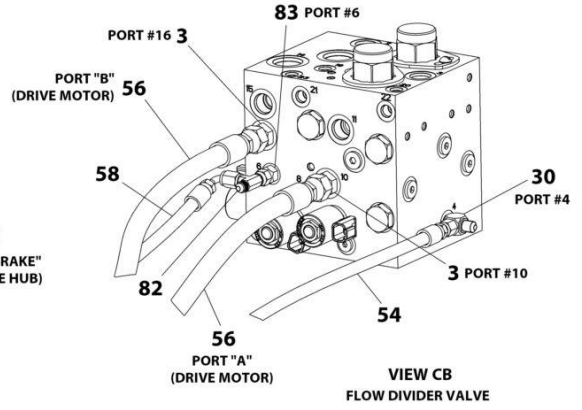
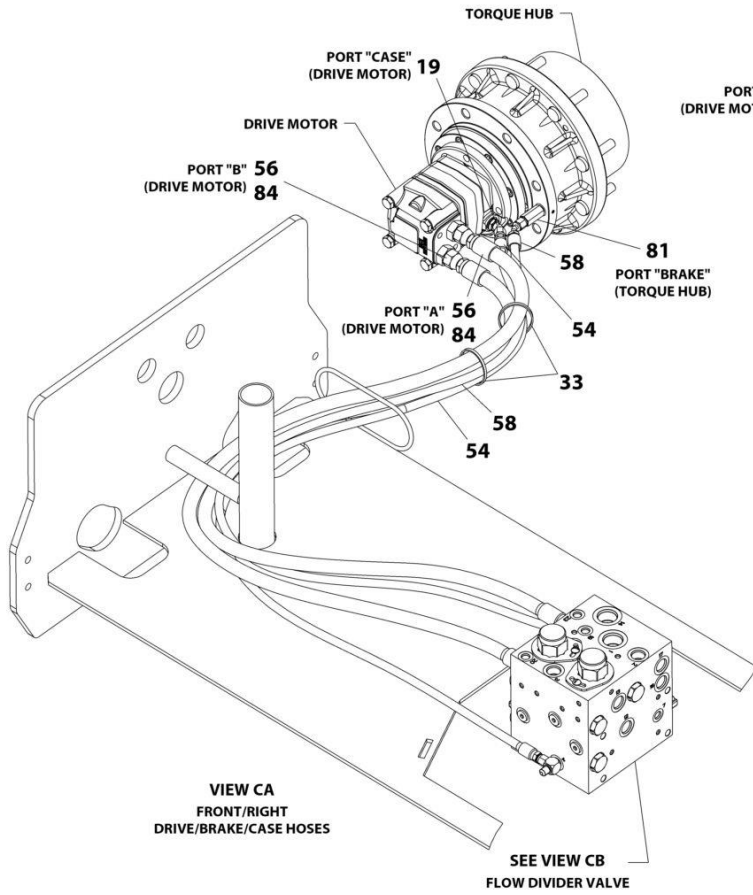


# SECTION 7 - HYDRAULIC



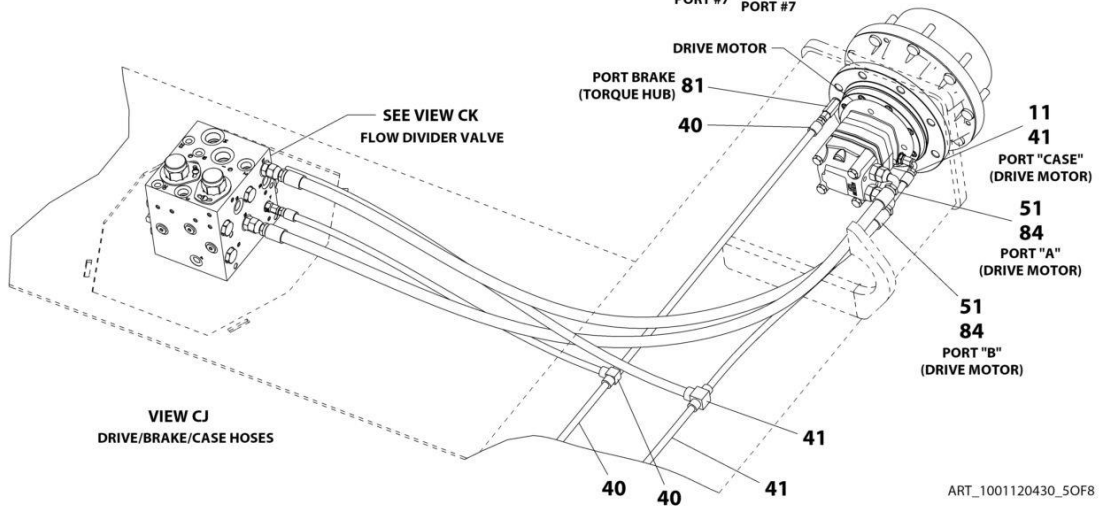
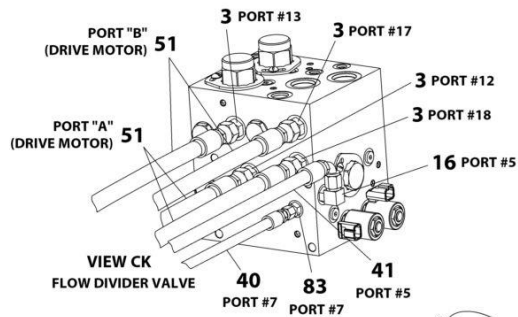
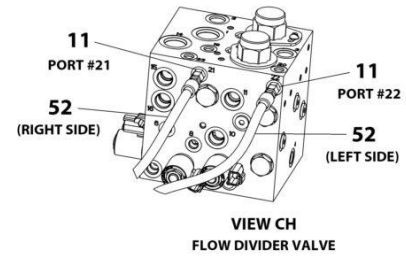
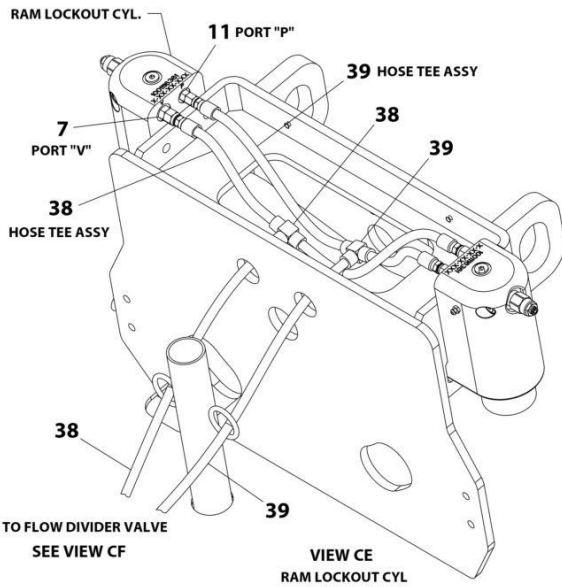
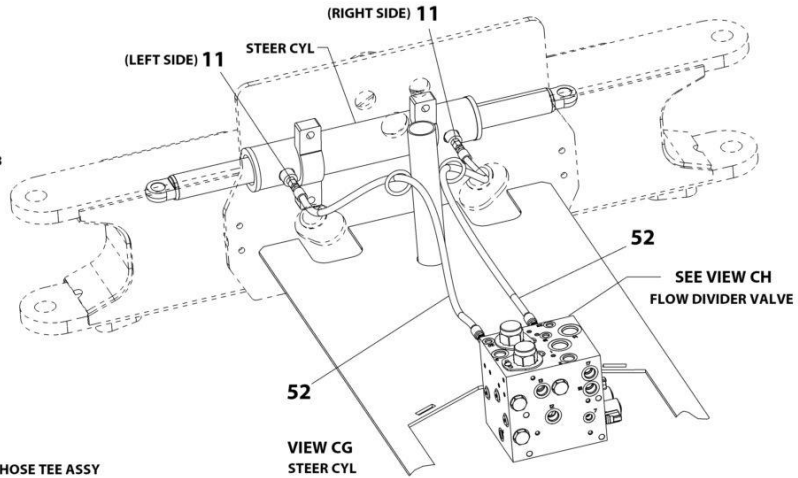
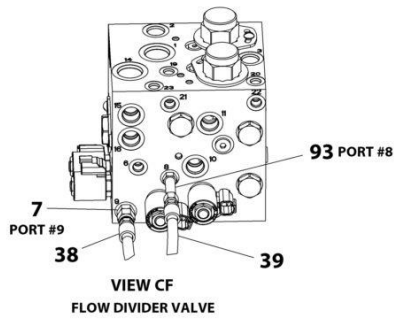
ART\_1001120430\_30F8

# SECTION 7 - HYDRAULIC



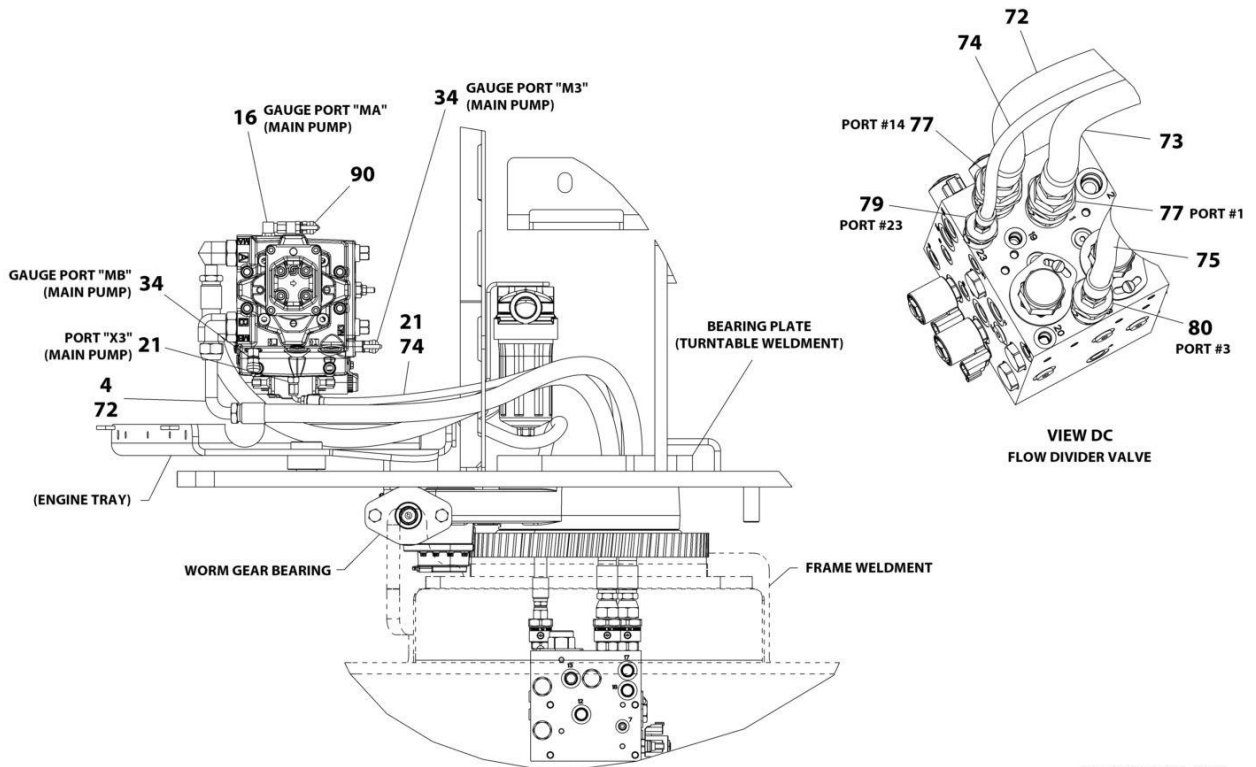
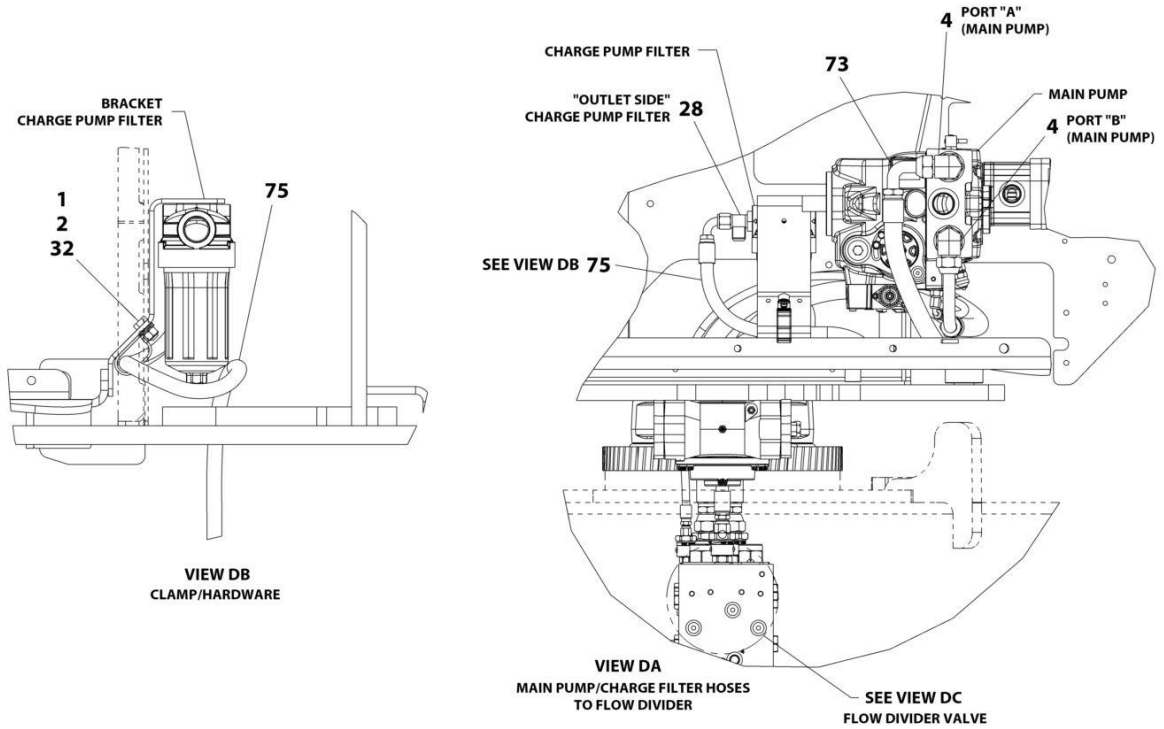
ART\_1001120430\_40F8

# SECTION 7 - HYDRAULIC



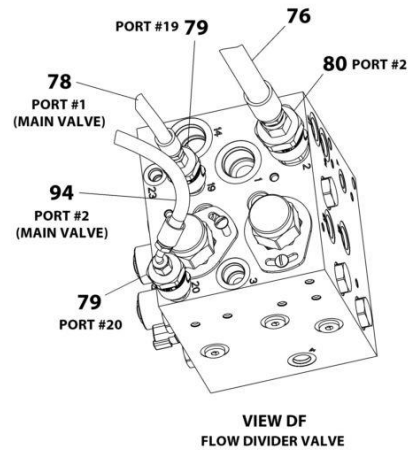
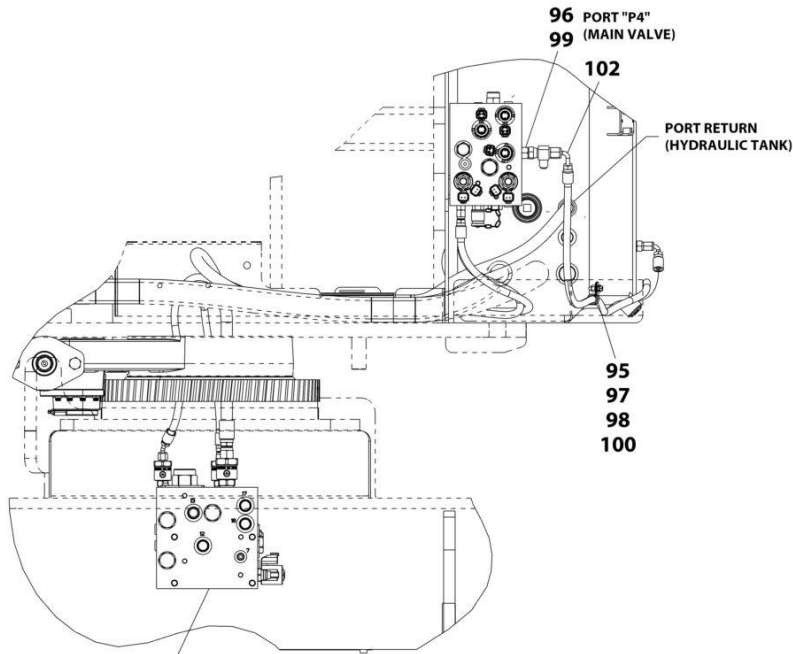
ART\_1001120430\_S0F8

# SECTION 7 - HYDRAULIC

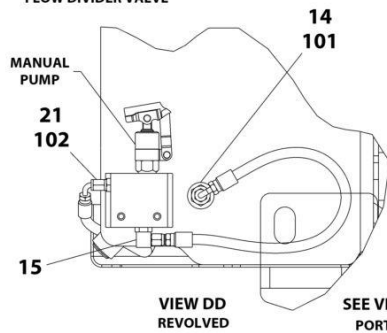


ART\_1001120430\_60F8

# SECTION 7 - HYDRAULIC



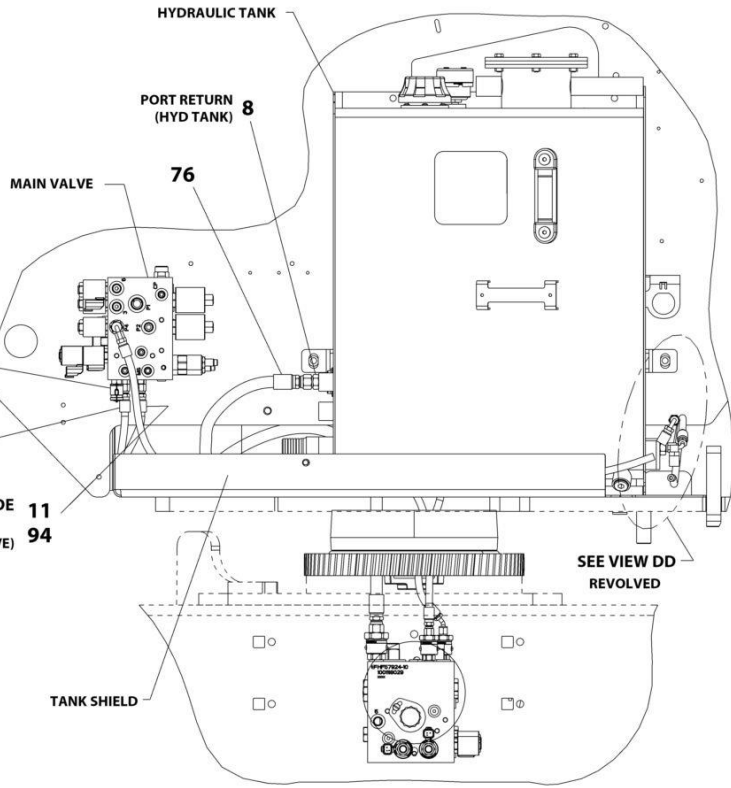
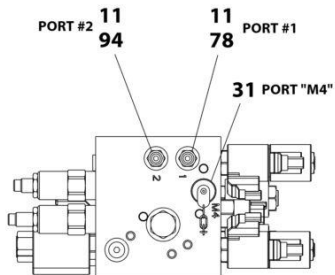
SEE VIEW DF  
FLOW DIVIDER VALVE



SEE VIEW DE  
PORT "M4"  
(MAIN VALVE)

SEE VIEW DE  
PORT #1  
(MAIN VALVE)

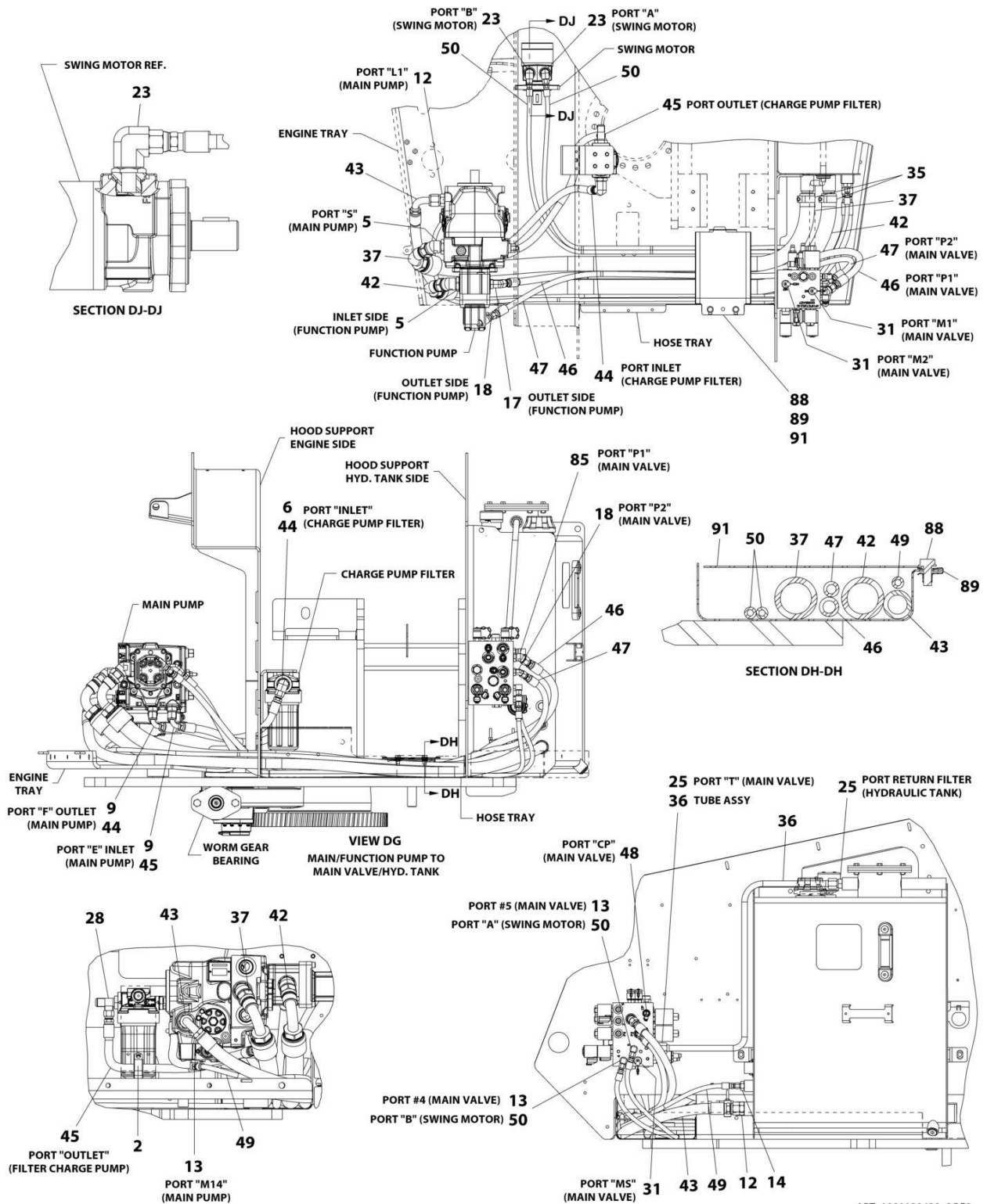
SEE VIEW DE  
PORT #2  
(MAIN VALVE)



ART\_1001120430\_70F8



# SECTION 7 - HYDRAULIC



## SECTION 7 - HYDRAULIC

FIGURE 7-2. HYDRAULIC INSTALLATION - WITH ARCTIC PACKAGE

| ITEM | PART NUMBER | QTY | DESCRIPTION                                  | REV |
|------|-------------|-----|--|-----|
|      | 1001120430  | Ref | HYDRAULIC INSTALLATION - WITH ARCTIC PACKAGE | G   |
| 1    | 0761012     | 1   | Bolt M10 x 25                                |     |
| 2    | 1321716     | 1   | P-Clamp                                      |     |
| 3    | 2110808     | 8   | Fitting, Straight ORFS/ORB                   |     |
| 4    | 2131216     | 2   | Fitting, 90 ORFS/ORB                         |     |
| 5    | 2220365     | 2   | Fitting, 45 JIC/ORB                          |     |
| 6    | 2220366     | 1   | Fitting, 90 JIC/ORB                          |     |
| 7    | 2220371     | 4   | Fitting, Straight JIC/ORB                    |     |
| 8    | 2220373     | 1   | Fitting, Straight JIC/ORB                    |     |
| 9    | 2220374     | 2   | Fitting, Straight JIC/ORB                    |     |
| 11   | 2220415     | 23  | Fitting, Straight JIC/ORB                    |     |
| 12   | 2220451     | 2   | Fitting, Straight JIC/ORB                    |     |
| 13   | 2220466     | 6   | Fitting, 90 JIC/ORB                          |     |
| 14   | 2220468     | 2   | Fitting, Straight JIC/ORB                    |     |
| 15   | 2220472     | 6   | Fitting, 90 JIC/ORB                          |     |
| 16   | 2220473     | 8   | Fitting, 90 JIC/ORB                          |     |
| 17   | 2220499     | 1   | Fitting, 45 JIC/ORB                          |     |
| 18   | 2220501     | 4   | Fitting, 45 JIC/ORB                          |     |
| 19   | 2220502     | 2   | Fitting, 45 JIC/ORB                          |     |
| 20   | 2220507     | 1   | Fitting, 90 JIC/FSJIC                        |     |
| 21   | 2220582     | 2   | Fitting, Straight JIC/ORB                    |     |
| 22   | 2220819     | 1   | Fitting, 90 JIC/ORB                          |     |
| 23   | 2220828     | 2   | Fitting, 90 JIC/ORB                          |     |
| 25   | 2220947     | 2   | Fitting, Straight JIC/ORB                    |     |
| 28   | 2221041     | 1   | Fitting, Tee                                 |     |
| 29   | 2221053     | 1   | Fitting, Run Tee                             |     |
| 30   | 2221060     | 1   | Fitting, Run Tee JIC                         |     |
| 31   | 2221086     | 7   | Fitting, Test Port                           |     |
| 32   | 3291005     | 1   | Nut M10                                      |     |
| 33   | 4240018     | 7   | Tie-Strap                                    |     |
| 34   | 77133089    | 2   | Mini Check                                   |     |
| 35   | 80633030    | 2   | Clamp, Hose                                  |     |
| 36   | 1001116905  | 1   | Tube, Steel                                  |     |
| 37   | 1001119035  | 1   | Hose   |     |
| 38   | 1001119068  | 1   | Hose   |     |
| 39   | 1001119069  | 1   | Hose   |     |
| 40   | 1001119070  | 1   | Hose   |     |
| 41   | 1001119071  | 1   | Hose   |     |
| 42   | 1001119143  | 1   | Hose   |     |
| 43   | 1001119237  | 1   | Hose   |     |
| 44   | 1001119324  | 1   | Hose   |     |
| 45   | 1001119365  | 1   | Hose   |     |
| 46   | 1001119404  | 1   | Hose   |     |
| 47   | 1001119449  | 1   | Hose   |     |
| 48   | 1001119455  | 1   | Valve, Oil Sampling                          |     |
| 49   | 1001119489  | 1   | Hose   |     |
| 50   | 1001119525  | 2   | Hose   |     |
| 51   | 1001119546  | 4   | Hose   |     |
| 52   | 1001119547  | 2   | Hose   |     |
| 53   | 1001120424  | 2   | Hose   |     |

## SECTION 7 - HYDRAULIC

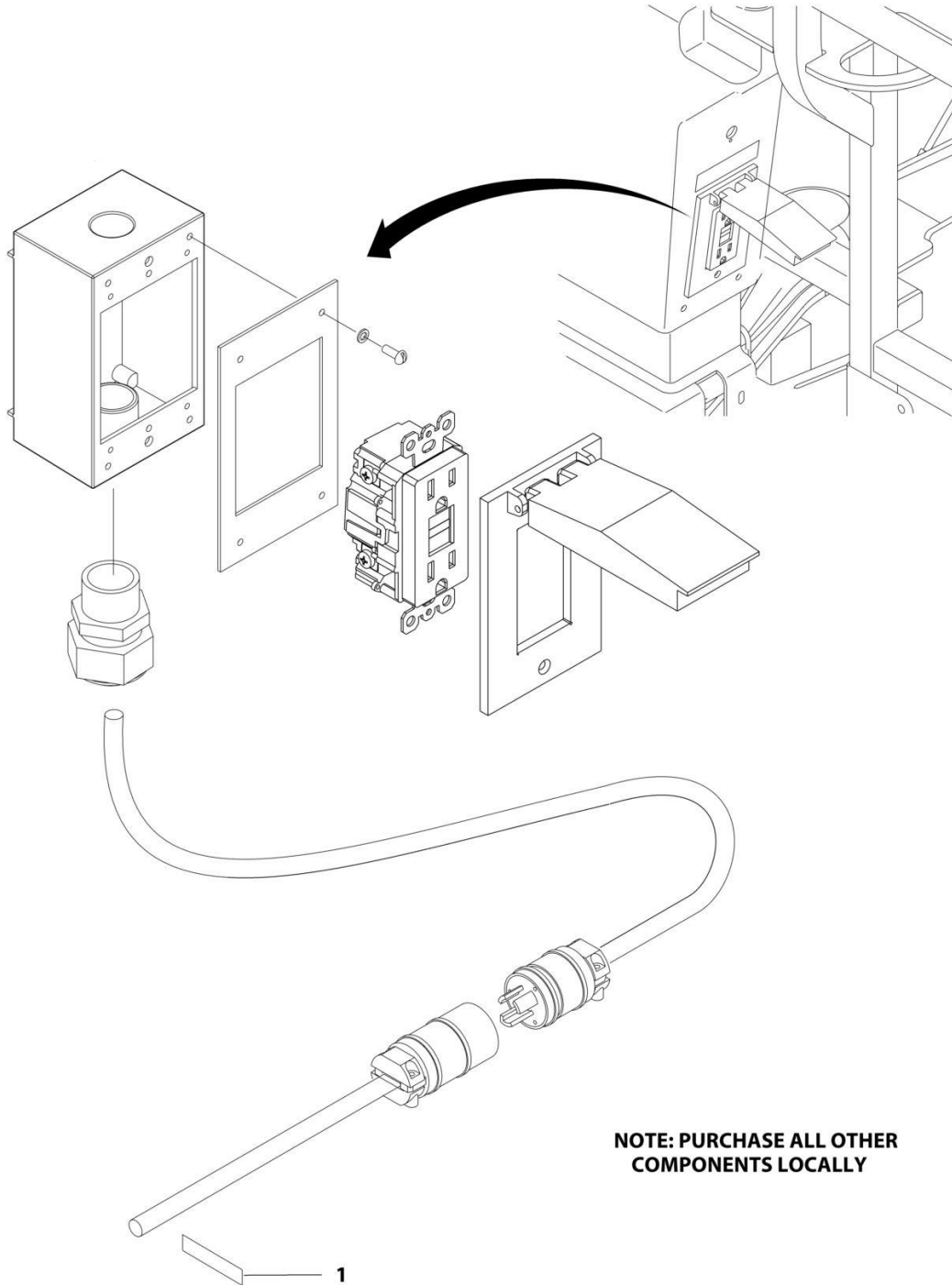
| ITEM | PART NUMBER | QTY | DESCRIPTION                | REV |
|------|-------------|-----|----------------------------|-----|
| 54   | 1001120425  | 1   | Hose                       |     |
| 55   | 1001120426  | 1   | Hose                       |     |
| 56   | 1001120427  | 2   | Hose                       |     |
| 57   | 1001120428  | 1   | Hose                       |     |
| 58   | 1001120429  | 1   | Hose                       |     |
| 59   | 1001119572  | 1   | Hose                       |     |
| 60   | 1001119577  | 1   | Hose                       |     |
| 61   | 1001119593  | 1   | Hose                       |     |
| 62   | 1001119594  | 1   | Hose                       |     |
| 63   | 1001119595  | 1   | Hose                       |     |
| 64   | 1001119596  | 2   | Hose                       |     |
| 65   | 1001119597  | 1   | Hose                       |     |
| 66   | 1001119598  | 1   | Hose                       |     |
| 67   | 1001119600  | 2   | Hose                       |     |
| 68   | 1001119602  | 1   | Hose                       |     |
| 69   | 1001119603  | 1   | Hose                       |     |
| 70   | 1001119604  | 2   | Hose                       |     |
| 71   | 1001119605  | 2   | Hose                       |     |
| 72   | 1001119606  | 1   | Hose                       |     |
| 73   | 1001119607  | 1   | Hose                       |     |
| 74   | 1001119608  | 1   | Hose                       |     |
| 75   | 1001119610  | 1   | Hose                       |     |
| 76   | 1001119611  | 1   | Hose                       |     |
| 77   | 1001119612  | 2   | Fitting, Straight ORB/ORFS |     |
| 78   | 1001119613  | 1   | Hose                       |     |
| 79   | 1001119626  | 3   | Fitting, Straight JIC/ORB  |     |
| 80   | 1001119627  | 2   | Fitting, Straight JIC/ORB  |     |
| 81   | 1001119630  | 4   | Fitting, Straight JIC/MPP  |     |
| 82   | 2220605     | 1   | Fitting, Tee JIC/FSJIC/JIC |     |
| 83   | 4641284     | 2   | Valve, Orifice Check       |     |
| 84   | 2110810     | 8   | Fitting, Straight ORFS/ORB |     |
| 85   | 2220500     | 1   | Fitting, 45 JIC/ORB        |     |
| 86   | 2220940     | 2   | Fitting, 90 JIC/ORB        |     |
| 87   | 4100066     | 1   | Sleeve, Hose Wrap          |     |
| 88   | 5250810     | 2   | Bolt M8 x 20               |     |
| 89   | 8310686     | 2   | Retainer M8                |     |
| 90   | 91143172    | 1   | Coupling                   |     |
| 91   | 1001121221  | 1   | Cover, Tray                |     |
| 92   | 1001121966  | 1   | Hose                       |     |
| 93   | 1001125108  | 1   | Fitting, Straight JIC/ORB  |     |
| 94   | 1001125249  | 1   | Hose                       |     |
| 95   | 0700510     | 1   | Bolt M5 x 20               |     |
| 95   | 0700610     | 1   | Bolt M6 x 20               |     |
| 96   | 2220635     | 1   | Fitting, Tee JIC/FSJIC/JIC |     |
| 97   | 3290605     | 1   | Nut M6                     |     |
| 98   | 4811700     | 2   | Washer M6                  |     |
| 99   | 80233041    | 1   | Fitting, Check             |     |
| 100  | 85941016    | 1   | Clamp                      |     |
| 101  | 1001127703  | 1   | Hose                       |     |
| 102  | 1001127705  | 1   | Hose                       |     |



**SECTION 8 - ELECTRICAL**

## SECTION 8 - ELECTRICAL

FIGURE 8-1. AC BOX AT PLATFORM INSTALLATION - LOCALLY SUPPLIED COMPONENTS (ANSI EXPORT, AUSTRALIAN AND CHINA SPECS)



**NOTE: PURCHASE ALL OTHER  
COMPONENTS LOCALLY**

ART\_1001119870

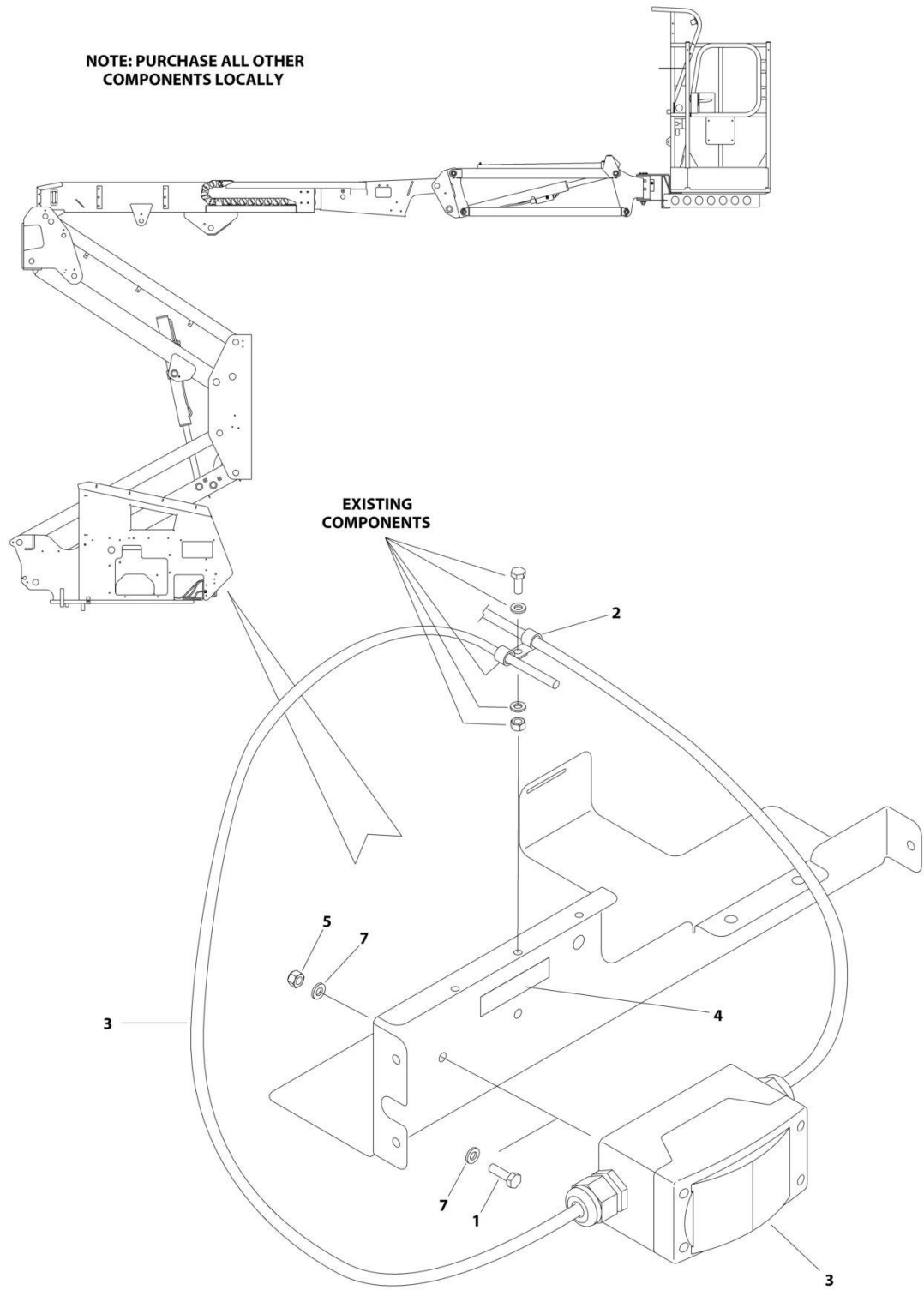
## SECTION 8 - ELECTRICAL

**FIGURE 8-1. AC BOX AT PLATFORM INSTALLATION - LOCALLY SUPPLIED COMPONENTS (ANSI EXPORT, AUSTRALIAN AND CHINA SPECS)**

| ITEM | PART NUMBER | QTY | DESCRIPTION   | REV |
|------|-------------|-----|---|-----|
|      | 1001119870  | Ref | AC BOX AT PLATFORM INSTALLATION - LOCALLY SUPPLIED COMPONENTS | A   |
| 1    | 3251243     | 1   | Decal - 120V-60Hz   |     |

# SECTION 8 - ELECTRICAL

## FIGURE 8-2. AC BOX AT PLATFORM INSTALLATION - LOCALLY SUPPLIED (CE & UK CA SPEC)



ART\_1001130588



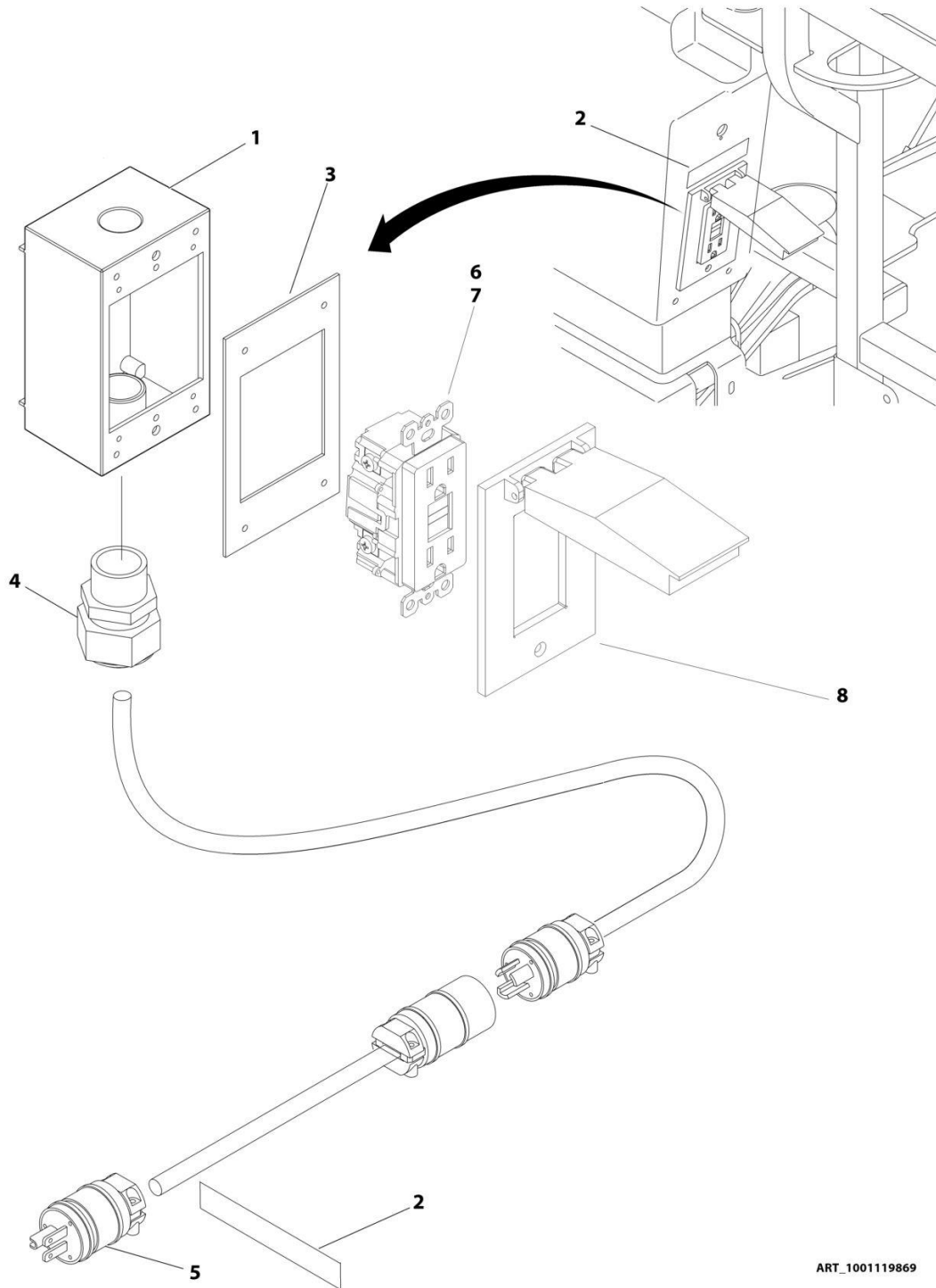
## SECTION 8 - ELECTRICAL

**FIGURE 8-2. AC BOX AT PLATFORM INSTALLATION - LOCALLY SUPPLIED (CE & UK CA SPEC)**

| ITEM | PART NUMBER | QTY | DESCRIPTION   | REV |
|------|-------------|-----|---|-----|
|      | 1001130588  | Ref | AC BOX AT PLATFORM INSTALLATION - LOCALLY SUPPLIED COMPONENTS | A   |
| 1    | 0760610     | 2   | Bolt M6 x 20  |     |
| 2    | 1320043     | 1   | Clamp   |     |
| 3    | 2902549     | 1   | Breaker Box Kit (See Separate Breakdown in this Section)      |     |
| 4    | 3252507     | 1   | Decal - 220V - 50/60Hz  |     |
| 5    | 3290605     | 2   | Nut M6  |     |
| 6    | 4460121     | 3   | Cap, Wire (Not Shown - Located inside Receptacle Box)         |     |
| 7    | 4811700     | 4   | Washer M6   |     |

# SECTION 8 - ELECTRICAL

FIGURE 8-3. AC BOX AT PLATFORM INSTALLATION - 110V (ANSI, ANSI EXPORT, CHINA, CSA AND JAPANESE SPECS)



ART\_100119869

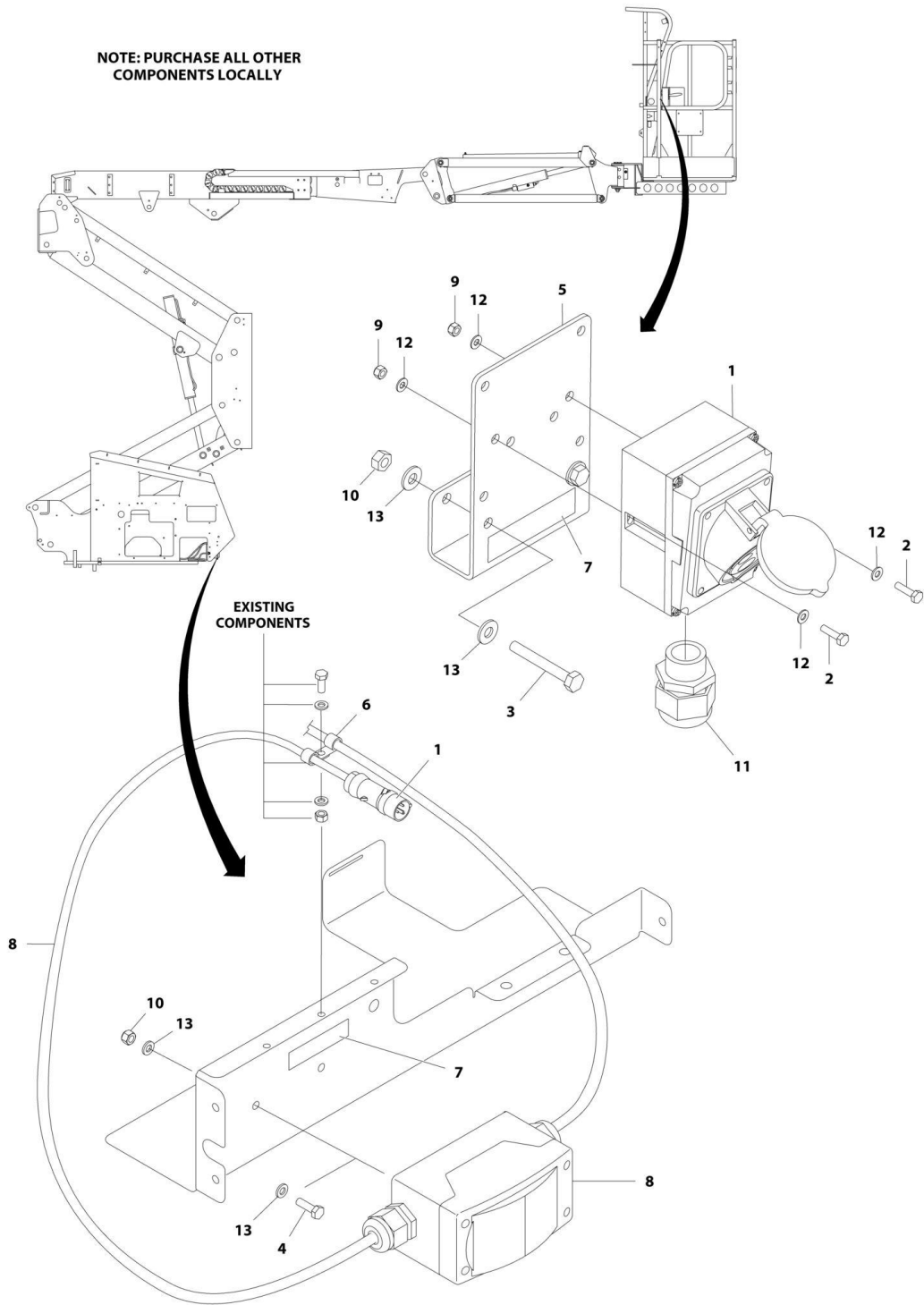
## SECTION 8 - ELECTRICAL

**FIGURE 8-3. AC BOX AT PLATFORM INSTALLATION - 110V (ANSI, ANSI EXPORT, CHINA, CSA AND JAPANESE SPECS)**

| ITEM | PART NUMBER | QTY | DESCRIPTION                            | REV |
|------|-------------|-----|--|-----|
|      | 1001119869  | Ref | AC BOX AT PLATFORM INSTALLATION - 110V | A   |
| 1    | 0860038     | 1   | Box, Switch                            |     |
| 2    | 3251243     | 2   | Decal - 120V - 60Hz                    |     |
| 3    | 3960422     | 1   | Gasket                                 |     |
| 4    | 4460071     | 1   | Connector, Strain Relief               |     |
| 5    | 4460205     | 1   | Plug, Male                             |     |
| 6    | 4460315     | 3   | Terminal, Spade                        |     |
| 7    | 4460346     | 1   | Receptacle                             |     |
| 8    | 1001110873  | 1   | Shield, Cover                          |     |

# SECTION 8 - ELECTRICAL

## FIGURE 8-4. AC BOX AT PLATFORM INSTALLATION - 110V IEC YELLOW WITHOUT 4000W GENERATOR (CE & UK CA SPEC)



ART\_1001119875

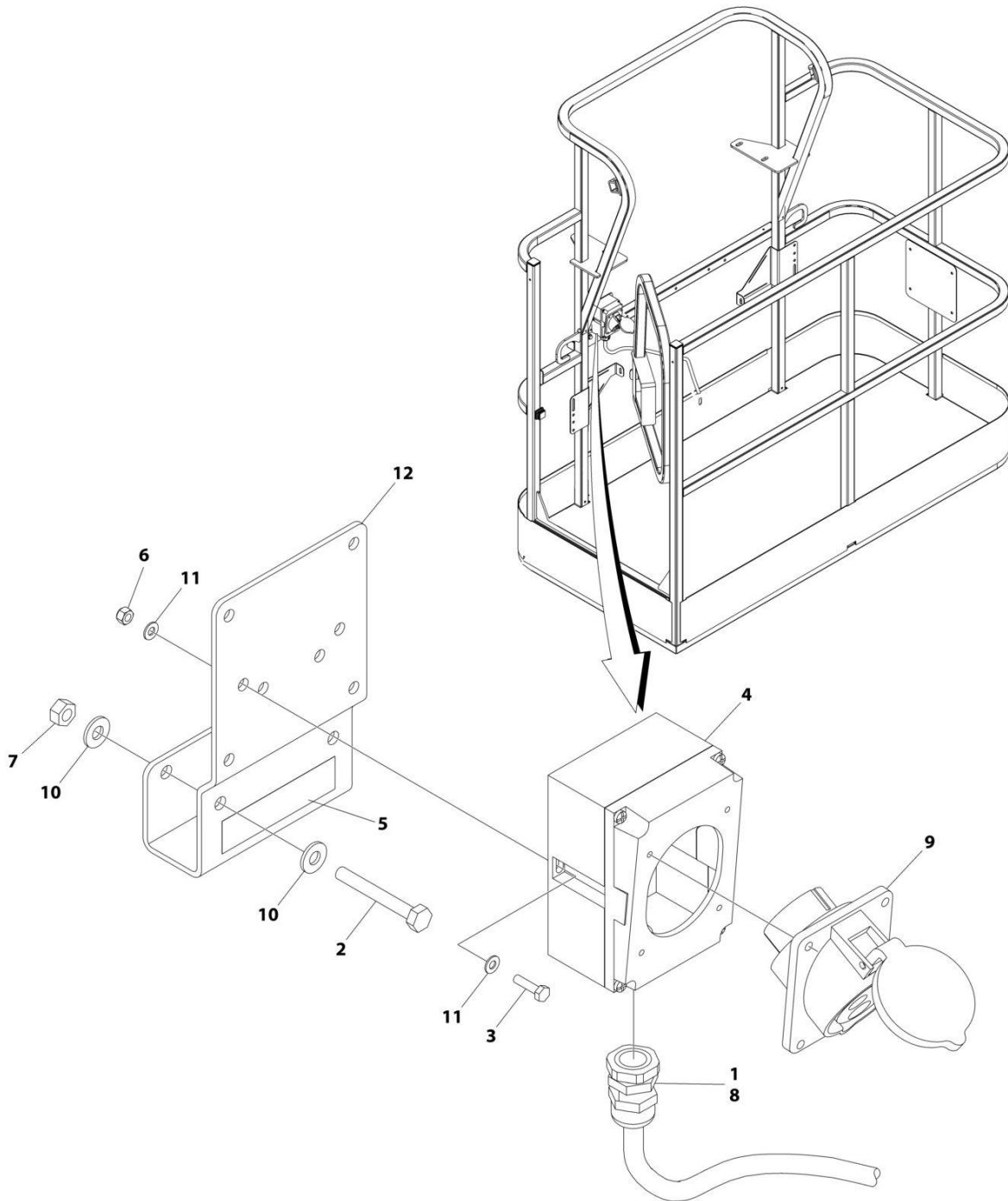
## SECTION 8 - ELECTRICAL

**FIGURE 8-4. AC BOX AT PLATFORM INSTALLATION - 110V IEC YELLOW WITHOUT 4000W GENERATOR (CE & UK CA SPEC)**

| ITEM | PART NUMBER | QTY | DESCRIPTION   | REV |
|------|-------------|-----|---|-----|
|      | 1001119875  | Ref | AC BOX AT PLATFORM INSTALLATION - 110V IEC YELLOW           | B   |
| 1    | 0275216     | 1   | Receptacle Box Kit (See Separate Breakdown in this Section) |     |
| 2    | 0700408     | 2   | Bolt M4 x 16  |     |
| 3    | 0700618     | 2   | Bolt M6 x 50  |     |
| 4    | 0760610     | 2   | Bolt M6 x 20  |     |
| 5    | 1001193018  | 1   | Bracket   |     |
| 6    | 1320043     | 1   | Clamp   |     |
| 7    | 1705325     | 2   | Decal - 120V - 50Hz   |     |
| 8    | 2902549     | 1   | Breaker Box Kit (See Separate Breakdown in this Section)    |     |
| 9    | 3290405     | 2   | Nut M4  |     |
| 10   | 3290605     | 4   | Nut M6  |     |
| 11   | 4460968     | 1   | Connector, Strain Relief                                    |     |
| 12   | 4811400     | 4   | Washer M4   |     |
| 13   | 4811700     | 8   | Washer M6   |     |

# SECTION 8 - ELECTRICAL

FIGURE 8-5. AC BOX AT PLATFORM INSTALLATION - 110V IEC YELLOW WITH 4000W GENERATOR  
(CE & UK CA SPECS)



ART\_1001194203

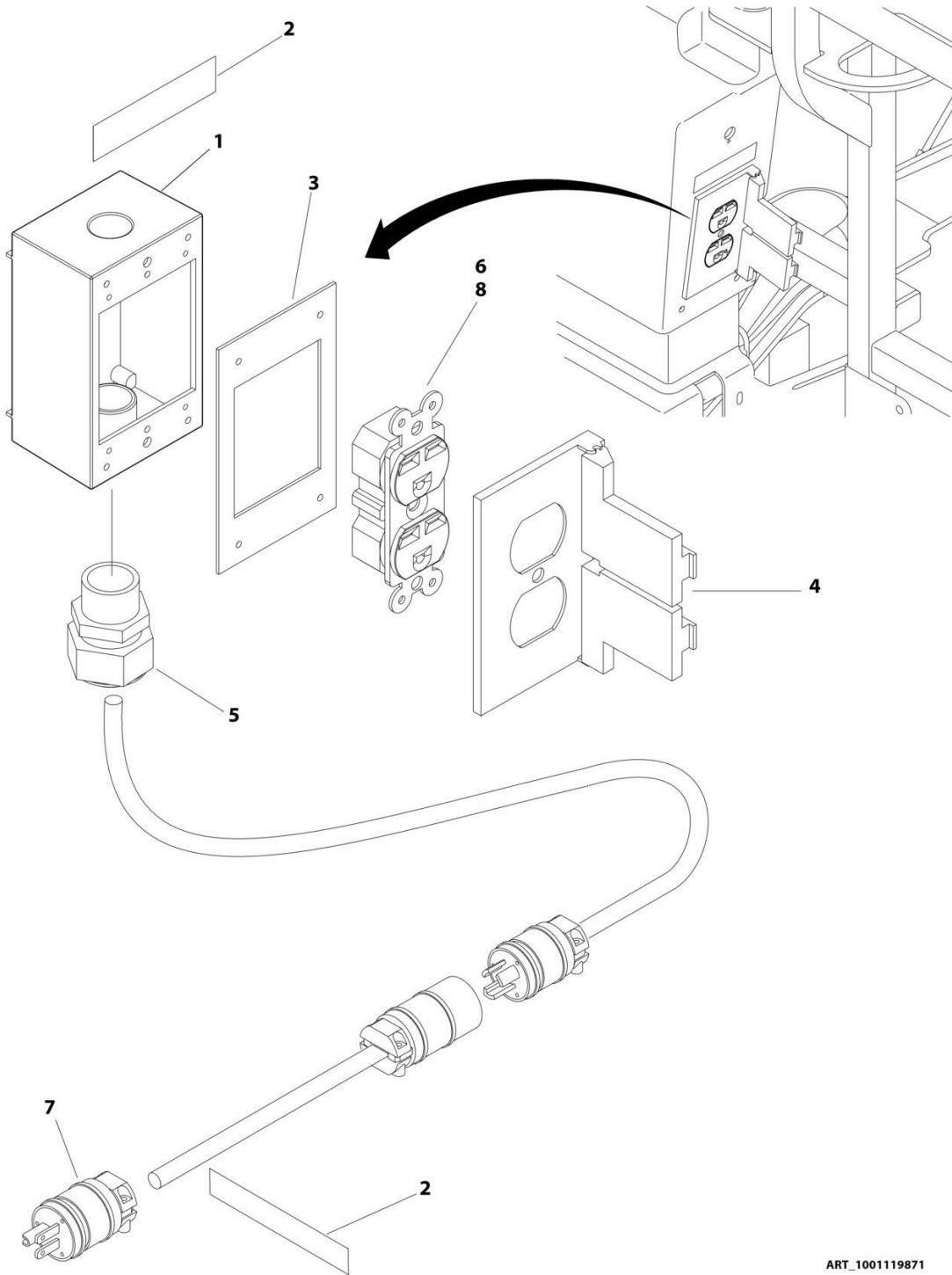
## SECTION 8 - ELECTRICAL

**FIGURE 8-5. AC BOX AT PLATFORM INSTALLATION - 110V IEC YELLOW WITH 4000W GENERATOR  
(CE & UK CA SPECS)**

| ITEM | PART NUMBER | QTY | DESCRIPTION                     | REV |
|------|-------------|-----|---------------------------------|-----|
|      | 1001194203  | Ref | AC BOX AT PLATFORM INSTALLATION | B   |
| 1    | 0100020     | AR  | Sealant, Pipe                   |     |
| 2    | 0641416     | 2   | Bolt 1/4 x 2                    |     |
| 3    | 0700408     | 2   | Bolt M4 x 16                    |     |
| 4    | 0861781     | 1   | Box, Switch                     |     |
| 5    | 1705325     | 1   | Decal - 110V                    |     |
| 6    | 3290405     | 2   | Nut M4                          |     |
| 7    | 3311405     | 2   | Nut 1/4                         |     |
| 8    | 4460968     | 1   | Connector, Strain Relief        |     |
| 9    | 4461198     | 1   | Receptacle                      |     |
| 10   | 4711400     | 4   | Washer 1/4                      |     |
| 11   | 4811400     | 4   | Washer M4                       |     |
| 12   | 1001193018  | 1   | Bracket, AC Receptacle          |     |

# SECTION 8 - ELECTRICAL

## FIGURE 8-6. AC BOX AT PLATFORM INSTALLATION - 220V (CSA SPEC)



ART\_100119871



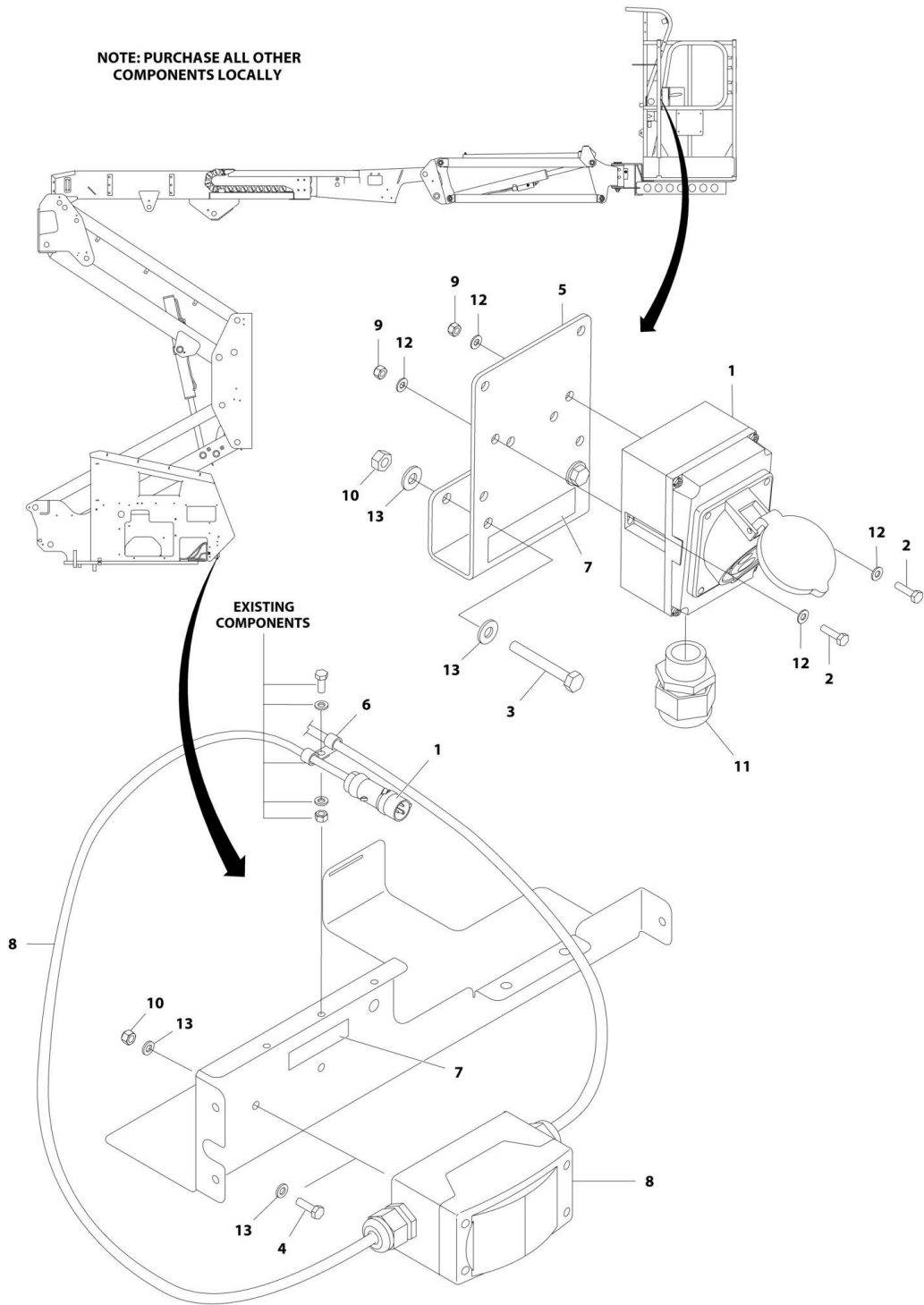
## SECTION 8 - ELECTRICAL

**FIGURE 8-6. AC BOX AT PLATFORM INSTALLATION - 220V (CSA SPEC)**

| ITEM | PART NUMBER | QTY | DESCRIPTION                            | REV |
|------|-------------|-----|--|-----|
|      | 1001119871  | Ref | AC BOX AT PLATFORM INSTALLATION - 220V | A   |
| 1    | 0860038     | 1   | Box, Switch                            |     |
| 2    | 3252507     | 2   | Decal - 220V - 50/60Hz                 |     |
| 3    | 3960422     | 1   | Gasket                                 |     |
| 4    | 4060092     | 1   | Shield, Weather                        |     |
| 5    | 4460071     | 1   | Connector, Strain Relief               |     |
| 6    | 4460125     | 1   | Receptacle                             |     |
| 7    | 4460233     | 1   | Plug, Male                             |     |
| 8    | 4460315     | 3   | Terminal, Spade                        |     |

# SECTION 8 - ELECTRICAL

## FIGURE 8-7. AC BOX AT PLATFORM INSTALLATION - 220V IEC BLUE WITHOUT 4000W GENERATOR (CE & UK CA SPEC)



ART\_100119876

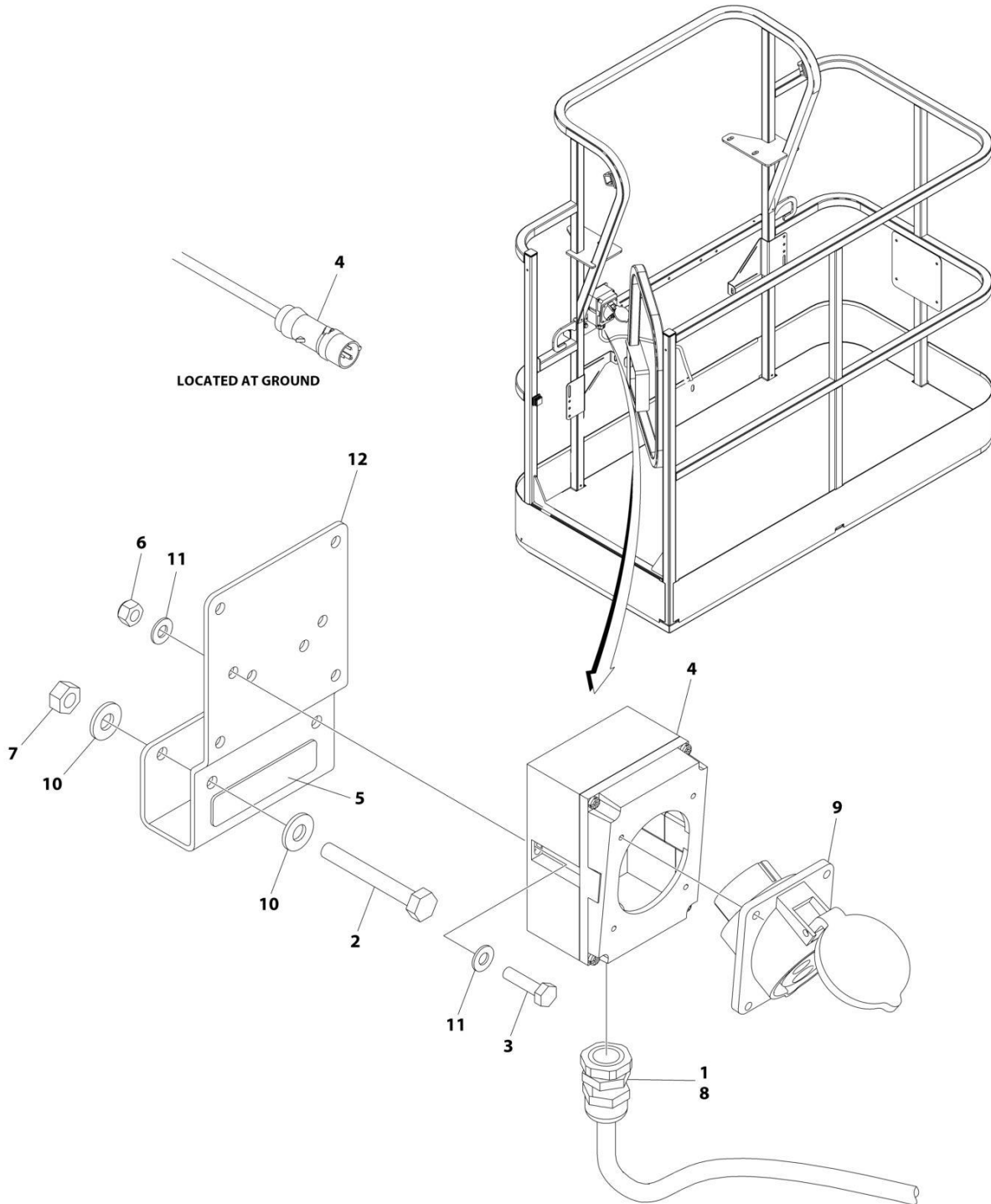
## SECTION 8 - ELECTRICAL

**FIGURE 8-7. AC BOX AT PLATFORM INSTALLATION - 220V IEC BLUE WITHOUT 4000W GENERATOR (CE & UK CA SPEC)**

| ITEM | PART NUMBER | QTY | DESCRIPTION   | REV |
|------|-------------|-----|---|-----|
|      | 1001119876  | Ref | AC BOX AT PLATFORM INSTALLATION - 220V IEC BLUE             | B   |
| 1    | 0275217     | 1   | Receptacle Box Kit (See Separate Breakdown in this Section) |     |
| 2    | 0700408     | 2   | Bolt M4 x 16  |     |
| 3    | 0700618     | 2   | Bolt M6 x 50  |     |
| 4    | 0760610     | 2   | Bolt M6 x 20  |     |
| 5    | 1001193018  | 1   | Bracket   |     |
| 6    | 1320043     | 1   | Clamp   |     |
| 7    | 3252507     | 2   | Decal - 220V - 50/60Hz                                      |     |
| 8    | 2902549     | 1   | Breaker Box Kit (See Separate Breakdown in this Section)    |     |
| 9    | 3290405     | 2   | Nut M4  |     |
| 10   | 3290605     | 4   | Nut M6  |     |
| 11   | 4460968     | 1   | Connector, Strain Relief                                    |     |
| 12   | 4811400     | 4   | Washer M4   |     |
| 13   | 4811700     | 8   | Washer M6   |     |

# SECTION 8 - ELECTRICAL

FIGURE 8-8. AC BOX AT PLATFORM INSTALLATION - 220V IEC BLUE WITH 4000W GENERATOR  
(CE & UK CA SPECS)



ART\_1001194204

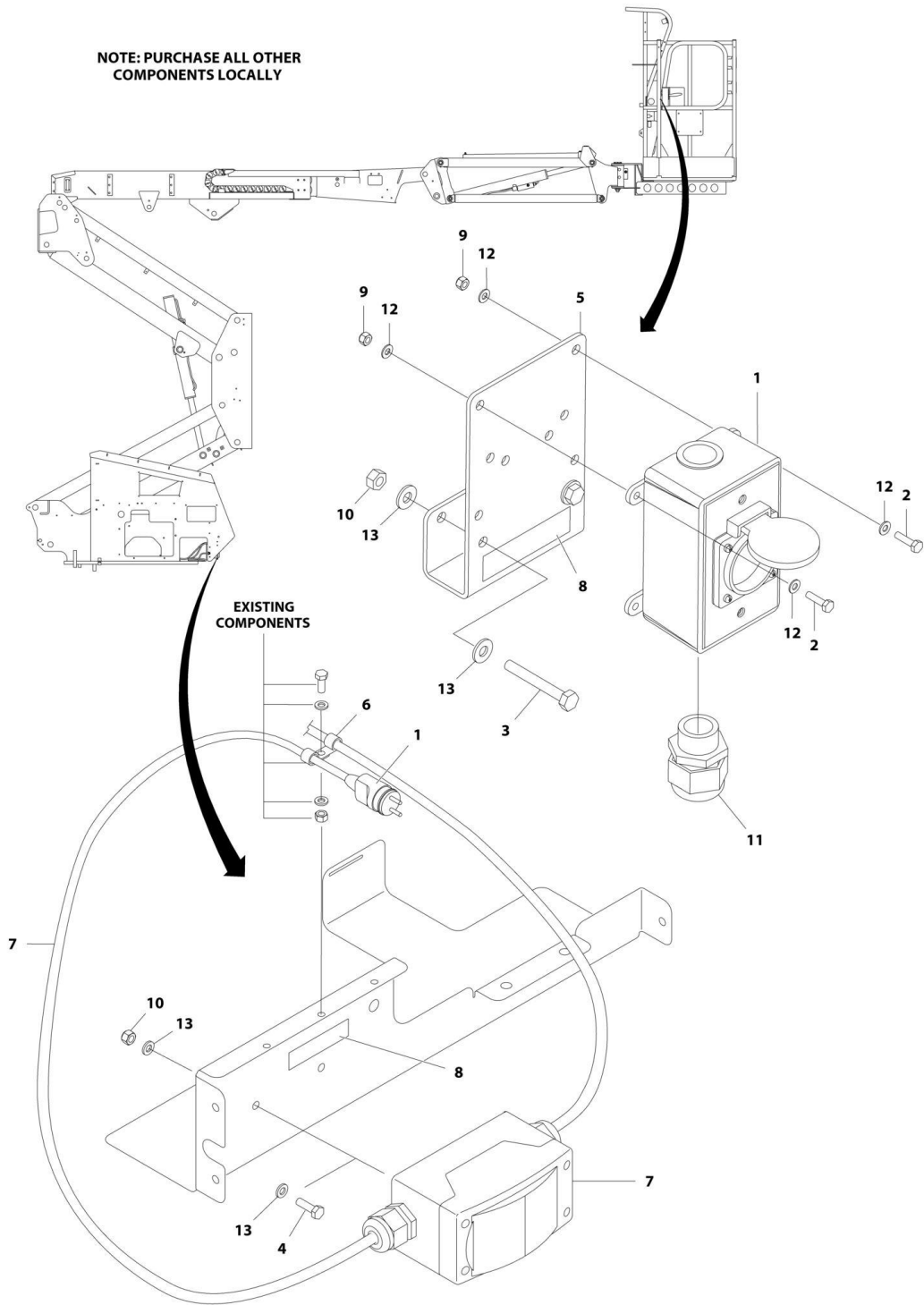
## SECTION 8 - ELECTRICAL

**FIGURE 8-8. AC BOX AT PLATFORM INSTALLATION - 220V IEC BLUE WITH 4000W GENERATOR  
(CE & UK CA SPECS)**

| ITEM | PART NUMBER | QTY | DESCRIPTION                     | REV |
|------|-------------|-----|---------------------------------|-----|
|      | 1001194204  | Ref | AC BOX AT PLATFORM INSTALLATION | B   |
| 1    | 0100020     | AR  | Sealant, Pipe                   |     |
| 2    | 0641416     | 2   | Bolt 1/4 x 2                    |     |
| 3    | 0700408     | 2   | Bolt M4 x 16                    |     |
| 4    | 0861781     | 1   | Box, Switch                     |     |
| 5    | 3251242     | 1   | Decal - 240V/50Hz               |     |
| 6    | 3290405     | 2   | Nut M4                          |     |
| 7    | 3311405     | 2   | Nut 1/4                         |     |
| 8    | 4460968     | 1   | Connector, Strain Relief        |     |
| 9    | 4461201     | 1   | Receptacle                      |     |
| 10   | 4711400     | 4   | Washer 1/4                      |     |
| 11   | 4811400     | 4   | Washer M4                       |     |
| 12   | 1001193018  | 1   | Bracket, AC Receptacle          |     |

# SECTION 8 - ELECTRICAL

## FIGURE 8-9. AC BOX AT PLATFORM INSTALLATION - 220V CEE7 POST GROUND 2 X 4 BOX WITHOUT 4000W GENERATOR (CE & UK CA SPEC)



ART\_100119872

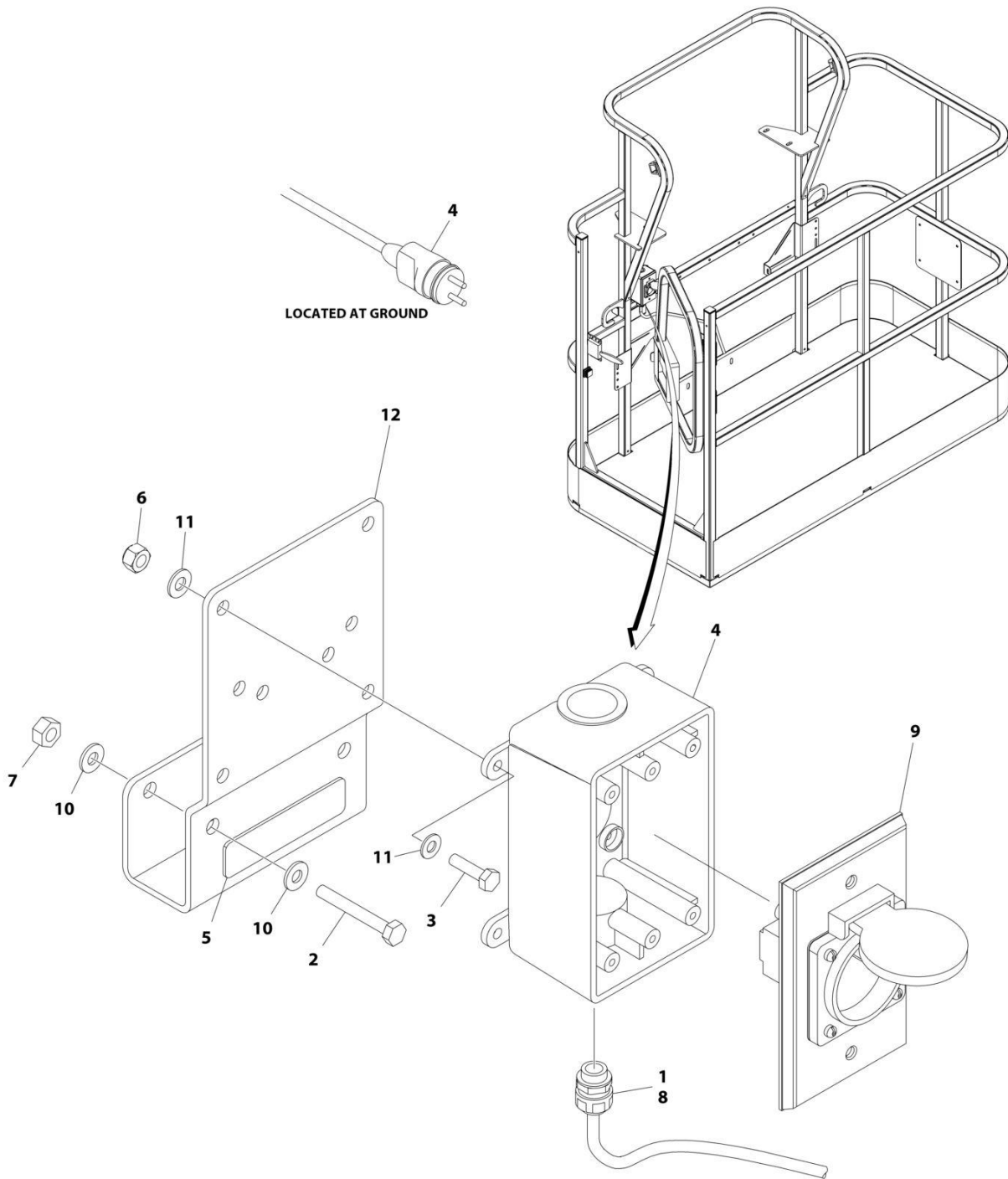
## SECTION 8 - ELECTRICAL

**FIGURE 8-9. AC BOX AT PLATFORM INSTALLATION - 220V CEE7 POST GROUND 2 X 4 BOX  
WITHOUT 4000W GENERATOR (CE & UK CA SPEC)**

| ITEM | PART NUMBER | QTY | DESCRIPTION  | REV |
|------|-------------|-----|--|-----|
|      | 1001119872  | Ref | AC BOX AT PLATFORM INSTALLATION - 220V CEE7 POST GROUND WITH 2IN X 4IN BOX | C   |
| 1    | 0275452     | 1   | Receptacle Box Kit (See Separate Breakdown in this Section)                |     |
| 2    | 0700408     | 4   | Bolt M4 x 16   |     |
| 3    | 0700618     | 2   | Bolt M6 x 50   |     |
| 4    | 0760610     | 2   | Bolt M6 x 20   |     |
| 5    | 1001193018  | 1   | Bracket  |     |
| 6    | 1320043     | 1   | Clamp  |     |
| 7    | 2902549     | 1   | Breaker Box Kit (See Separate Breakdown in this Section)                   |     |
| 8    | 3252507     | 2   | Decal - 220V - 50/60Hz   |     |
| 9    | 3290405     | 4   | Nut M4   |     |
| 10   | 3290605     | 4   | Nut M6   |     |
| 11   | 4460662     | 1   | Connector, Strain Relief   |     |
| 12   | 4811400     | 8   | Washer M4  |     |
| 13   | 4811700     | 8   | Washer M6  |     |

# SECTION 8 - ELECTRICAL

FIGURE 8-10. AC BOX AT PLATFORM INSTALLATION - 220V CEE7 POST GROUND 2 X 4 BOX WITH 4000W GENERATOR (CE & UK CA SPECS)



ART\_1001194197



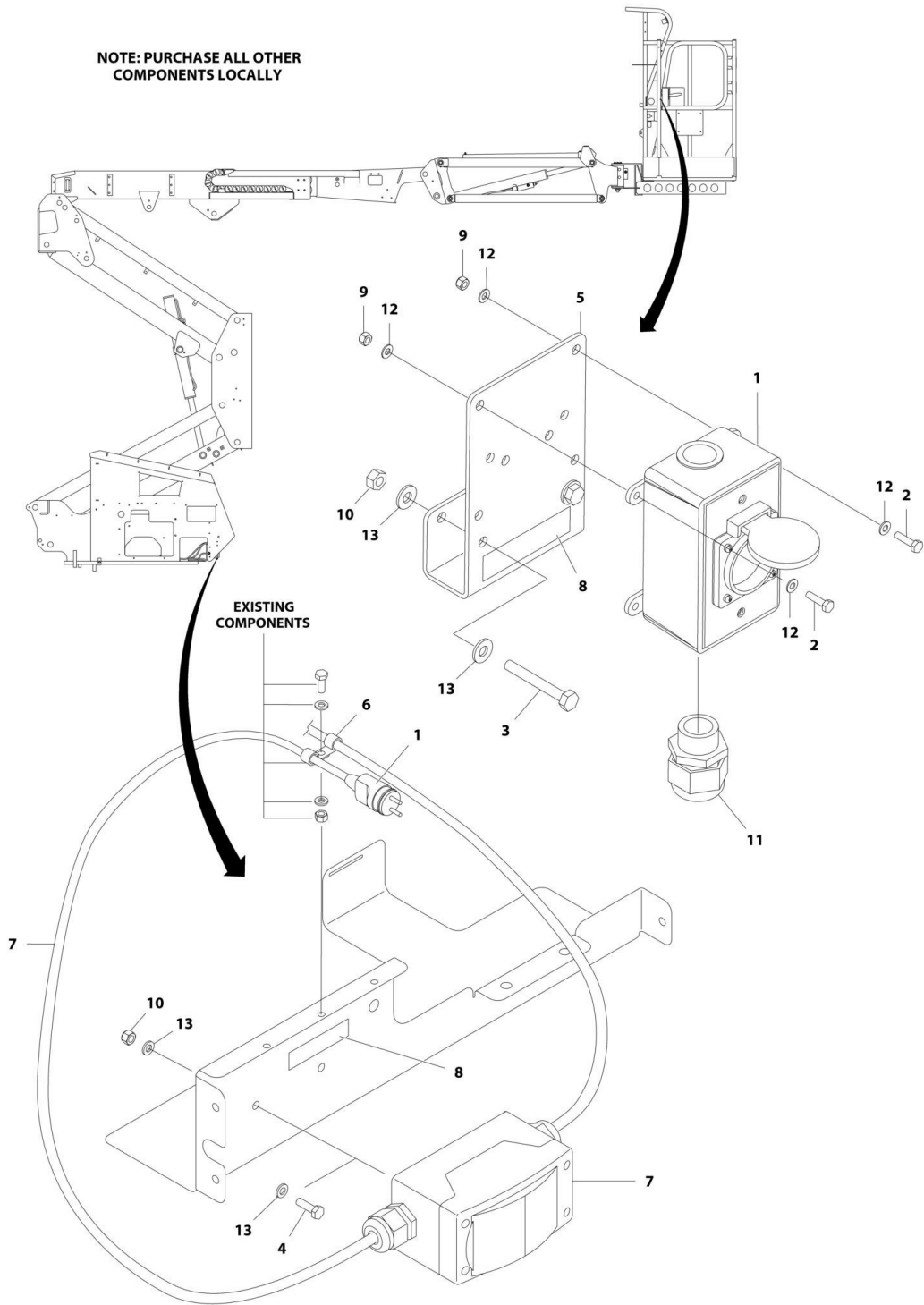
## SECTION 8 - ELECTRICAL

**FIGURE 8-10. AC BOX AT PLATFORM INSTALLATION - 220V CEE7 POST GROUND 2 X 4 BOX WITH 4000W GENERATOR (CE & UK CA SPECS)**

| ITEM | PART NUMBER | QTY | DESCRIPTION                     | REV |
|------|-------------|-----|---------------------------------|-----|
|      | 1001194197  | Ref | AC BOX AT PLATFORM INSTALLATION | B   |
| 1    | 0100020     | AR  | Sealant, Pipe                   |     |
| 2    | 0641416     | 2   | Bolt 1/4 x 2                    |     |
| 3    | 0700408     | 4   | Bolt M4 x 16                    |     |
| 4    | 0861731     | 1   | Box, Switch                     |     |
| 5    | 3251242     | 1   | Decal - 240V/50Hz               |     |
| 6    | 3290405     | 4   | Nut M4                          |     |
| 7    | 3311405     | 2   | Nut 1/4                         |     |
| 8    | 4460662     | 1   | Connector, Strain Relief        |     |
| 9    | 4461244     | 1   | Receptacle                      |     |
| 10   | 4711400     | 4   | Washer 1/4                      |     |
| 11   | 4811400     | 8   | Washer M4                       |     |
| 12   | 1001193018  | 1   | Bracket, AC Receptacle          |     |
| 13   | 4460806     | 2   | Terminal, Fork (Not Shown)      |     |
| 14   | 1001205958  | 1   | Terminal (Not Shown)            |     |

# SECTION 8 - ELECTRICAL

## FIGURE 8-11. AC BOX AT PLATFORM INSTALLATION - 220V CEE7 SIDE GROUND 2 X 4 BOX WITHOUT 4000W GENERATOR (CE & UK CA SPEC)



ART\_1001119873

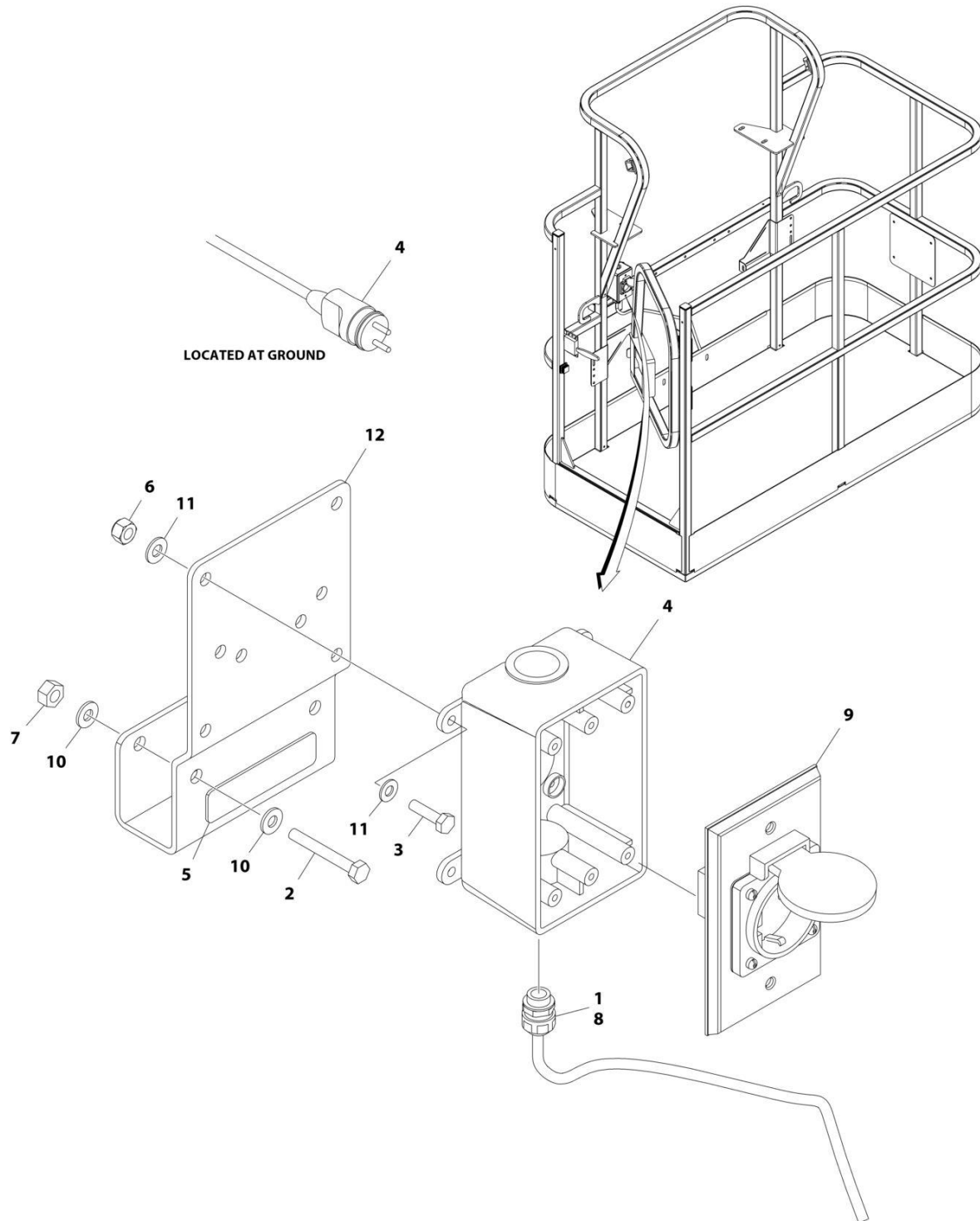
## SECTION 8 - ELECTRICAL

**FIGURE 8-11. AC BOX AT PLATFORM INSTALLATION - 220V CEE7 SIDE GROUND 2 X 4 BOX  
WITHOUT 4000W GENERATOR (CE & UK CA SPEC)**

| ITEM | PART NUMBER | QTY | DESCRIPTION  | REV |
|------|-------------|-----|--|-----|
|      | 1001119873  | Ref | AC BOX AT PLATFORM INSTALLATION - 220V CEE7 SIDE GROUND WITH 2IN X 4IN BOX | B   |
| 1    | 0275453     | 1   | Receptacle Box Kit (See Separate Breakdown in this Section)                |     |
| 2    | 0700408     | 4   | Bolt, M4 x 16  |     |
| 3    | 0700618     | 2   | Bolt M6 x 50   |     |
| 4    | 0760610     | 2   | Bolt M6 x 20   |     |
| 5    | 1001193018  | 1   | Bracket  |     |
| 6    | 1320043     | 1   | Clamp  |     |
| 7    | 2902549     | 1   | Breaker Box Kit (See Separate Breakdown in this Section)                   |     |
| 8    | 3252507     | 2   | Decal - 220V - 50/60Hz   |     |
| 9    | 3290405     | 4   | Nut M4   |     |
| 10   | 3290605     | 4   | Nut M6   |     |
| 11   | 4460968     | 1   | Connector, Strain Relief   |     |
| 12   | 4811400     | 8   | Washer M4  |     |
| 13   | 4811700     | 8   | Washer M6  |     |

# SECTION 8 - ELECTRICAL

FIGURE 8-12. AC BOX AT PLATFORM INSTALLATION - 220V CEE7 SIDE GROUND 2 X 4 BOX WITH 4000W GENERATOR (CE & UK CA SPECS)



ART\_1001194198

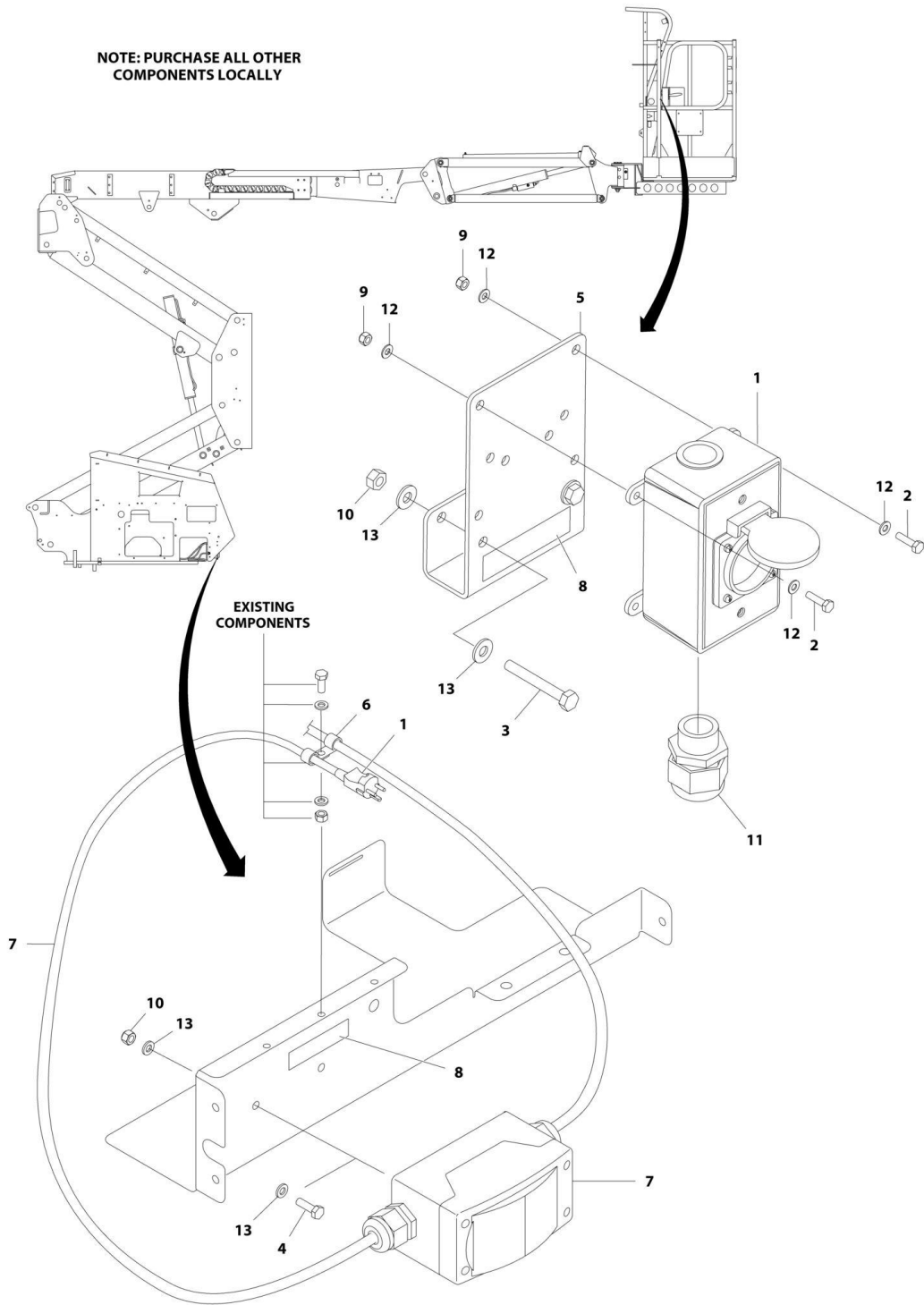
## SECTION 8 - ELECTRICAL

**FIGURE 8-12. AC BOX AT PLATFORM INSTALLATION - 220V CEE7 SIDE GROUND 2 X 4 BOX WITH 4000W GENERATOR (CE & UK CA SPECS)**

| ITEM | PART NUMBER | QTY | DESCRIPTION                     | REV |
|------|-------------|-----|---------------------------------|-----|
|      | 1001194198  | Ref | AC BOX AT PLATFORM INSTALLATION | B   |
| 1    | 0100020     | AR  | Sealant, Pipe                   |     |
| 2    | 0641416     | 2   | Bolt 1/4 x 2                    |     |
| 3    | 0700408     | 4   | Bolt M4 x 16                    |     |
| 4    | 0861731     | 1   | Box, Switch                     |     |
| 5    | 3251242     | 1   | Decal - 240V/50Hz               |     |
| 6    | 3290405     | 4   | Nut M4                          |     |
| 7    | 3311405     | 2   | Nut 1/4                         |     |
| 8    | 4460662     | 1   | Connector, Strain Relief        |     |
| 9    | 4461245     | 1   | Receptacle                      |     |
| 10   | 4711400     | 4   | Washer 1/4                      |     |
| 11   | 4811400     | 8   | Washer M4                       |     |
| 12   | 1001193018  | 1   | Bracket, AC Receptacle          |     |
| 13   | 4460806     | 2   | Terminal, Fork (Not Shown)      |     |
| 14   | 1001205958  | 1   | Terminal (Not Shown)            |     |

# SECTION 8 - ELECTRICAL

## FIGURE 8-13. AC BOX AT PLATFORM INSTALLATION - 220V AFSINT 107 KEYED GROUND WITHOUT 4000W GENERATOR (CE & UK CA SPEC)



ART\_100119874

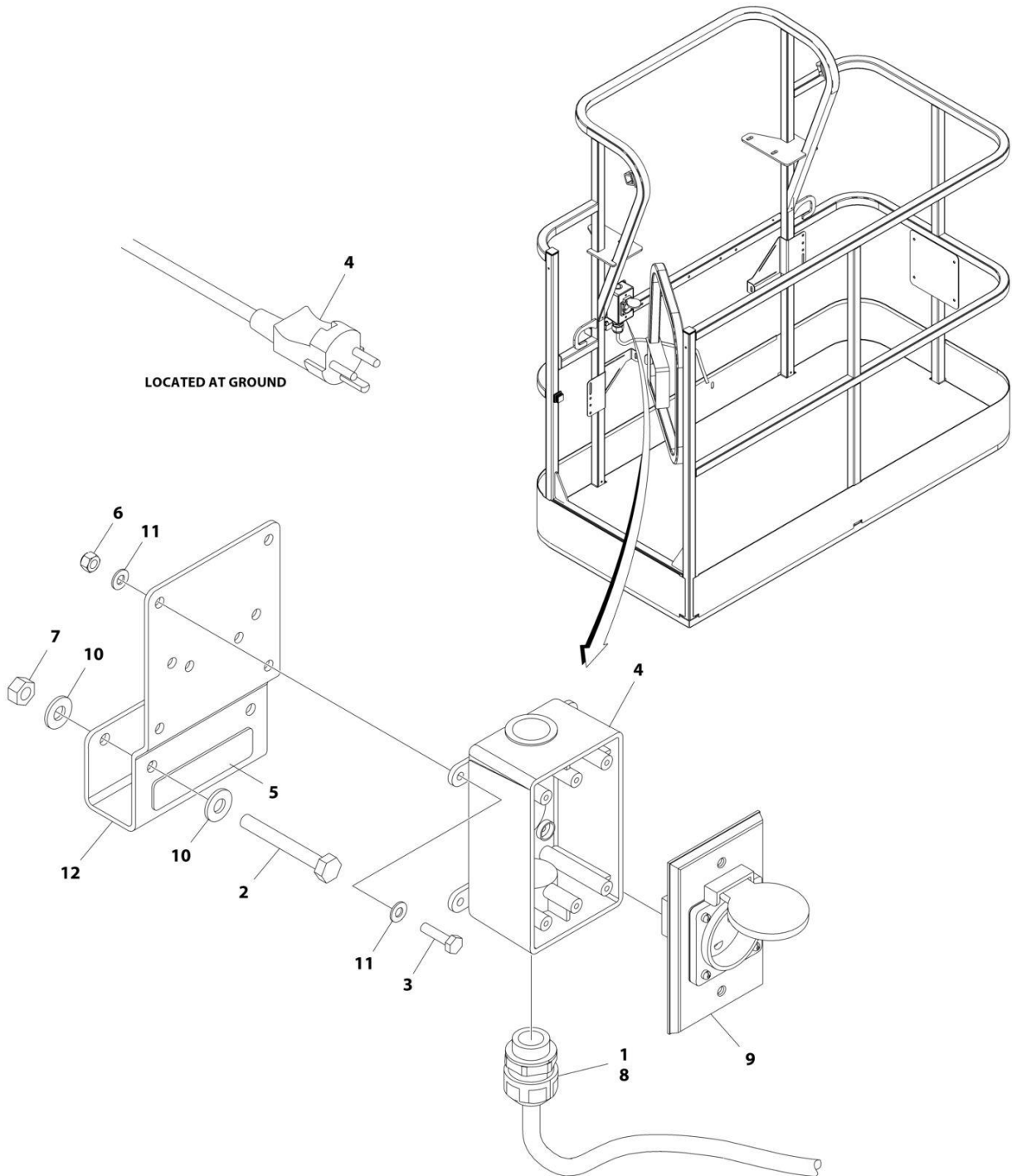
## SECTION 8 - ELECTRICAL

**FIGURE 8-13. AC BOX AT PLATFORM INSTALLATION - 220V AFSINT 107 KEYED GROUND  
WITHOUT 4000W GENERATOR (CE & UK CA SPEC)**

| ITEM | PART NUMBER | QTY | DESCRIPTION  | REV |
|------|-------------|-----|--|-----|
|      | 1001119874  | Ref | AC BOX AT PLATFORM INSTALLATION - 220V AFSINT 107<br>KEYED GROUND WITH 2IN X 4IN BOX | C   |
| 1    | 0275454     | 1   | Receptacle Box Kit (See Separate Breakdown in this Section)                          |     |
| 2    | 0700408     | 4   | Bolt M4 x 16   |     |
| 3    | 0700618     | 2   | Bolt M6 x 50   |     |
| 4    | 0760610     | 2   | Bolt M6 x 20   |     |
| 5    | 1001193018  | 1   | Bracket  |     |
| 6    | 1320043     | 1   | Clamp  |     |
| 7    | 2902549     | 1   | Breaker Box Kit (See Separate Breakdown in this Section)                             |     |
| 8    | 3252507     | 2   | Decal - 220V - 50/60Hz   |     |
| 9    | 3290405     | 4   | Nut M4   |     |
| 10   | 3290605     | 4   | Nut M6   |     |
| 11   | 4460662     | 1   | Connector, Strain Relief   |     |
| 12   | 4811400     | 8   | Washer M4  |     |
| 13   | 4811700     | 8   | Washer M6  |     |

# SECTION 8 - ELECTRICAL

**FIGURE 8-14. AC BOX AT PLATFORM INSTALLATION - 220V AFSINT 107 KEYED GROUND WITH 4000W GENERATOR (CE & UK CA SPECS)**



ART\_1001194200



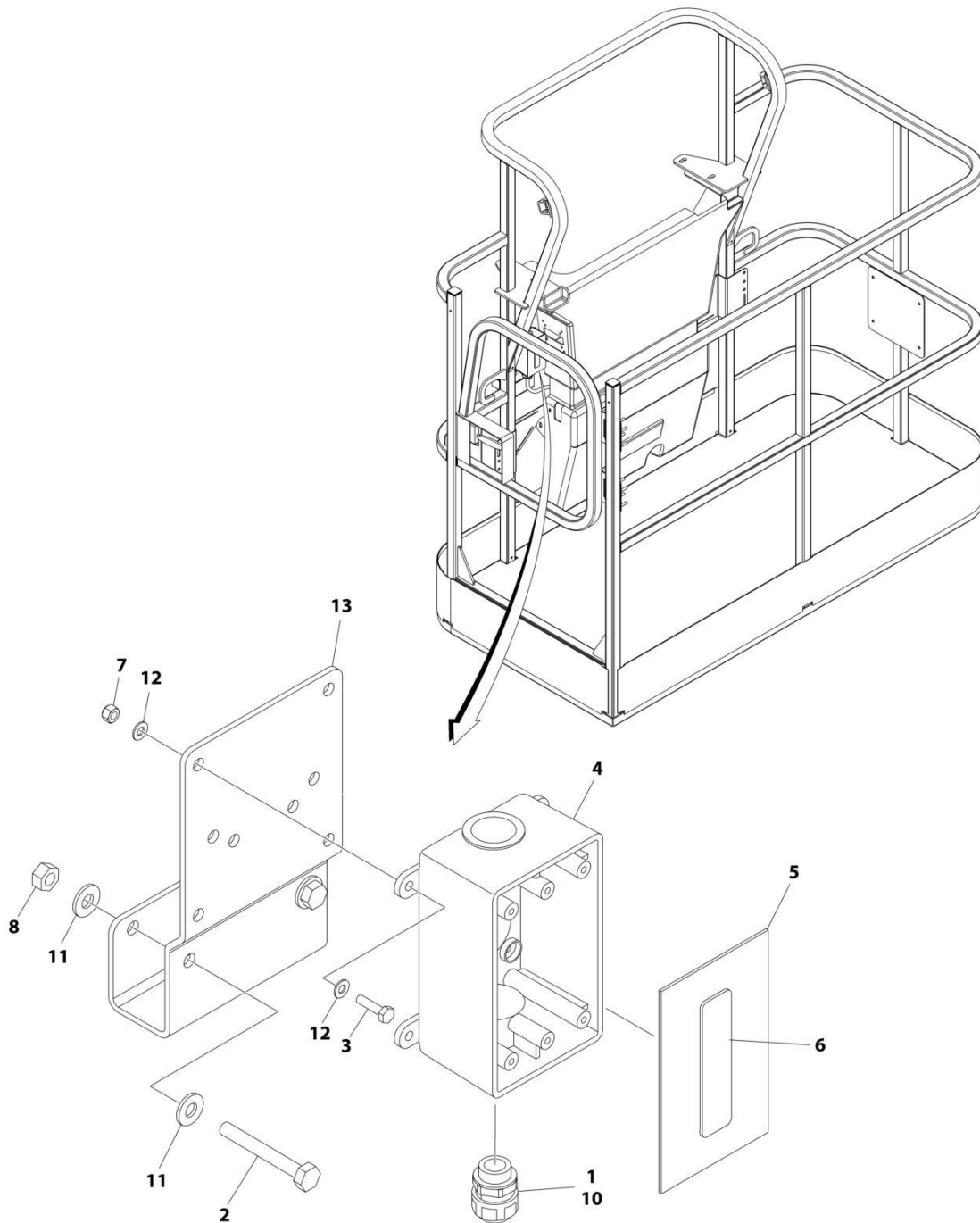
## SECTION 8 - ELECTRICAL

**FIGURE 8-14. AC BOX AT PLATFORM INSTALLATION - 220V AFSINT 107 KEYED GROUND WITH 4000W GENERATOR (CE & UK CA SPECS)**

| ITEM | PART NUMBER | QTY | DESCRIPTION                     | REV |
|------|-------------|-----|---------------------------------|-----|
|      | 1001194200  | Ref | AC BOX AT PLATFORM INSTALLATION | B   |
| 1    | 0100020     | AR  | Sealant, Pipe                   |     |
| 2    | 0641416     | 2   | Bolt 1/4 x 2                    |     |
| 3    | 0700408     | 4   | Bolt M4 x 16                    |     |
| 4    | 0861731     | 1   | Box, Switch                     |     |
| 5    | 3251242     | 1   | Decal - 240V/50Hz               |     |
| 6    | 3290405     | 4   | Nut M4                          |     |
| 7    | 3311405     | 2   | Nut 1/4                         |     |
| 8    | 4460662     | 1   | Connector, Strain Relief        |     |
| 9    | 4461246     | 1   | Receptacle                      |     |
| 10   | 4711400     | 4   | Washer 1/4                      |     |
| 11   | 4811400     | 8   | Washer M4                       |     |
| 12   | 1001193018  | 1   | Bracket, AC Receptacle          |     |
| 13   | 1001205958  | 1   | Terminal (Not Shown)            |     |

# SECTION 8 - ELECTRICAL

**FIGURE 8-15. AC BOX AT PLATFORM INSTALLATION - BOX WITH COVER WITH 4000W GENERATOR (ANSI EXPORT, AUSTRALIAN, CHINA AND JAPANESE SPECS)**



ART\_1001194365

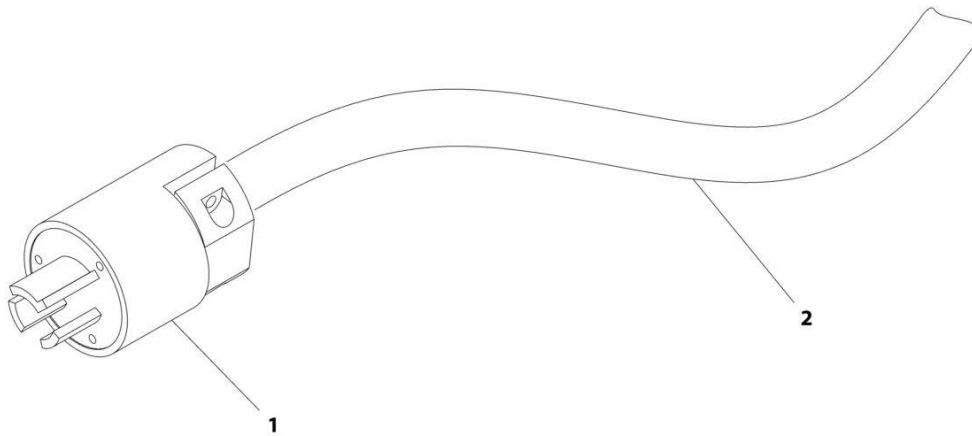
## SECTION 8 - ELECTRICAL

**FIGURE 8-15. AC BOX AT PLATFORM INSTALLATION - BOX WITH COVER WITH 4000W GENERATOR (ANSI EXPORT, AUSTRALIAN, CHINA AND JAPANESE SPECS)**

| ITEM | PART NUMBER | QTY | DESCRIPTION  | REV |
|------|-------------|-----|--|-----|
|      | 1001194365  | Ref | AC BOX AT PLATFORM INSTALLATION - BOX WITH COVER (2X4 BOX) | A   |
| 1    | 0100020     | AR  | Sealant  |     |
| 2    | 0641416     | 2   | Bolt 1/4 x 2   |     |
| 3    | 0700408     | 4   | Bolt M4 x 16   |     |
| 4    | 0861731     | 1   | Box, Switch  |     |
| 5    | 1670603     | 1   | Cover  |     |
| 6    | 3251242     | 1   | Decal - 240V/50Hz  |     |
| 7    | 3290405     | 4   | Nut M4   |     |
| 8    | 3311405     | 2   | Nut 1/4  |     |
| 9    | 4460384     | 3   | Terminal (Not Shown)                                       |     |
| 10   | 4460662     | 1   | Connector, Strain Relief                                   |     |
| 11   | 4711400     | 4   | Washer 1/4   |     |
| 12   | 4811400     | 8   | Washer M4  |     |
| 13   | 1001193018  | 1   | Bracket, AC Receptacle                                     |     |

## SECTION 8 - ELECTRICAL

FIGURE 8-16. AC POWER TO PLATFORM CABLE - MAIN BOOM (WITHOUT ARCTIC PACKAGE)  
(50HZ)



ART\_1001119140

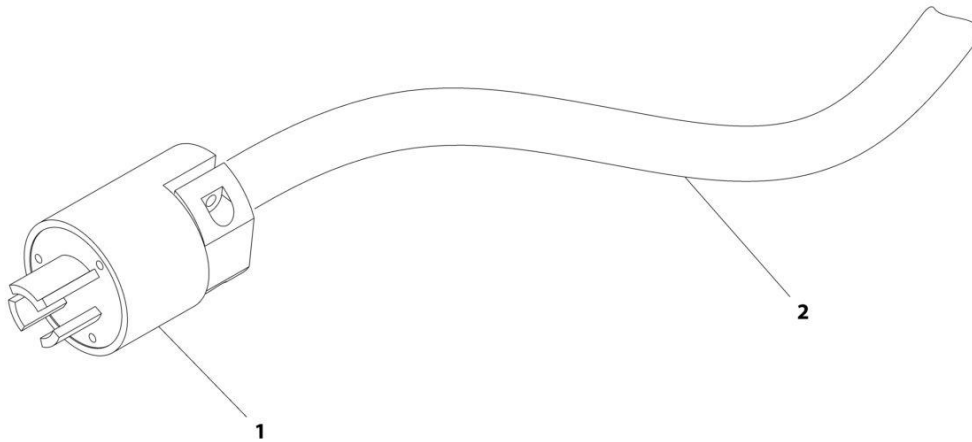
## SECTION 8 - ELECTRICAL

**FIGURE 8-16. AC POWER TO PLATFORM CABLE - MAIN BOOM (WITHOUT ARCTIC PACKAGE)  
(50HZ)**

| ITEM | PART NUMBER | QTY | DESCRIPTION   | REV |
|------|-------------|-----|---|-----|
|      | 1001119140  | Ref | AC POWER TO PLATFORM CABLE - MAIN BOOM (WITHOUT ARCTIC PACKAGE) | C   |
| 1    | 1001120204  | 1   | Plug, Male  |     |
| 2    | 4923505     | 1   | Cable, 14/3   |     |

## SECTION 8 - ELECTRICAL

FIGURE 8-17. AC POWER TO PLATFORM CABLE - MAIN BOOM (WITH ARCTIC PACKAGE) (50HZ)



ART\_1001119955

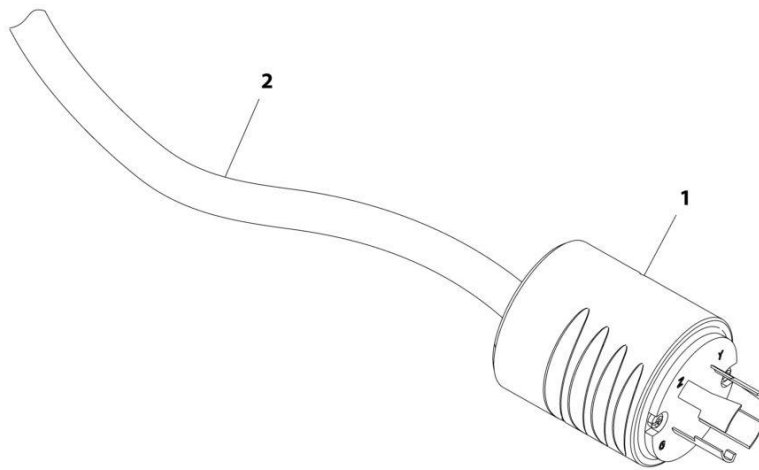
## SECTION 8 - ELECTRICAL

**FIGURE 8-17. AC POWER TO PLATFORM CABLE - MAIN BOOM (WITH ARCTIC PACKAGE) (50HZ)**

| ITEM | PART NUMBER | QTY | DESCRIPTION  | REV |
|------|-------------|-----|--|-----|
|      | 1001119955  | Ref | AC POWER TO PLATFORM CABLE - MAIN BOOM (WITH ARCTIC PACKAGE) | B   |
| 1    | 1001120204  | 1   | Plug, Male   |     |
| 2    | 4923463     | 1   | Cable, 12/3  |     |

## SECTION 8 - ELECTRICAL

FIGURE 8-18. AC POWER TO PLATFORM CABLE - MAIN BOOM (60HZ)



ART\_1001157311



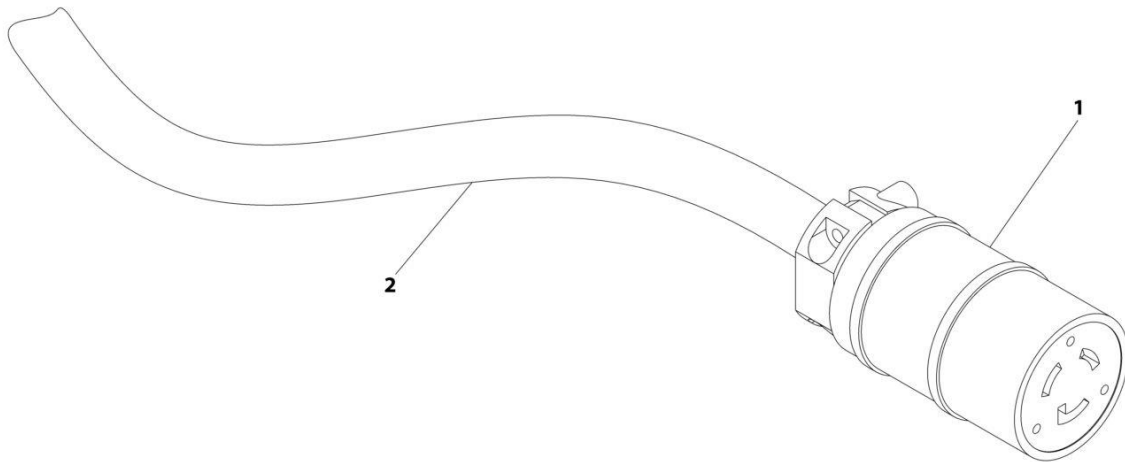
## SECTION 8 - ELECTRICAL

**FIGURE 8-18. AC POWER TO PLATFORM CABLE - MAIN BOOM (60HZ)**

| ITEM | PART NUMBER           | QTY              | DESCRIPTION   | REV |
|------|-----------------------|------------------|---|-----|
| 1    | 1001157311<br>4460962 | Ref<br>1         | AC POWER TO PLATFORM CABLE - MAIN BOOM (60Hz)<br>Terminal | A   |
| 2    | 1001131968            | 22.2 ft<br>/6.8m | Cable, 10/4   |     |

## SECTION 8 - ELECTRICAL

FIGURE 8-19. AC POWER TO PLATFORM CABLE - TOWER BOOM (WITHOUT ARCTIC PACKAGE)  
(50HZ)



ART\_1001119139

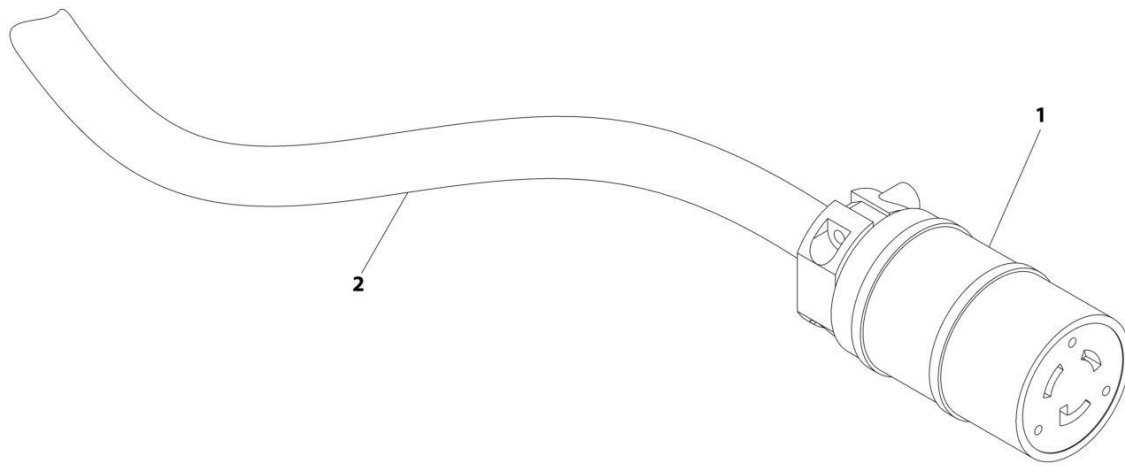
## SECTION 8 - ELECTRICAL

**FIGURE 8-19. AC POWER TO PLATFORM CABLE - TOWER BOOM (WITHOUT ARCTIC PACKAGE)  
(50HZ)**

| ITEM | PART NUMBER | QTY | DESCRIPTION  | REV |
|------|-------------|-----|--|-----|
|      | 1001119139  | Ref | AC POWER TO PLATFORM CABLE - TOWER BOOM (WITHOUT ARCTIC PACKAGE) | B   |
| 1    | 1001120205  | 1   | Connector, Female  |     |
| 2    | 4923505     | 1   | Cable, 14/3  |     |

## SECTION 8 - ELECTRICAL

FIGURE 8-20. AC POWER TO PLATFORM CABLE - TOWER BOOM (WITH ARCTIC PACKAGE) (50HZ)



ART\_1001119956

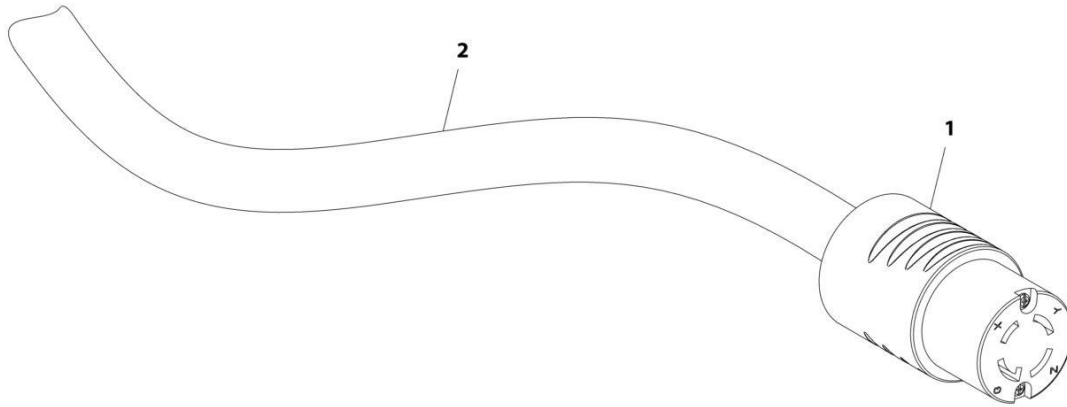
## SECTION 8 - ELECTRICAL

**FIGURE 8-20. AC POWER TO PLATFORM CABLE - TOWER BOOM (WITH ARCTIC PACKAGE) (50HZ)**

| ITEM | PART NUMBER | QTY | DESCRIPTION   | REV |
|------|-------------|-----|---|-----|
|      | 1001119956  | Ref | AC POWER TO PLATFORM CABLE - TOWER BOOM (WITH ARCTIC PACKAGE) | A   |
| 1    | 1001120205  | 1   | Connector, Female   |     |
| 2    | 4923463     | 1   | Cable, 12/3   |     |

# SECTION 8 - ELECTRICAL

## FIGURE 8-21. AC POWER TO PLATFORM CABLE - TOWER BOOM (60HZ)



ART\_1001157310

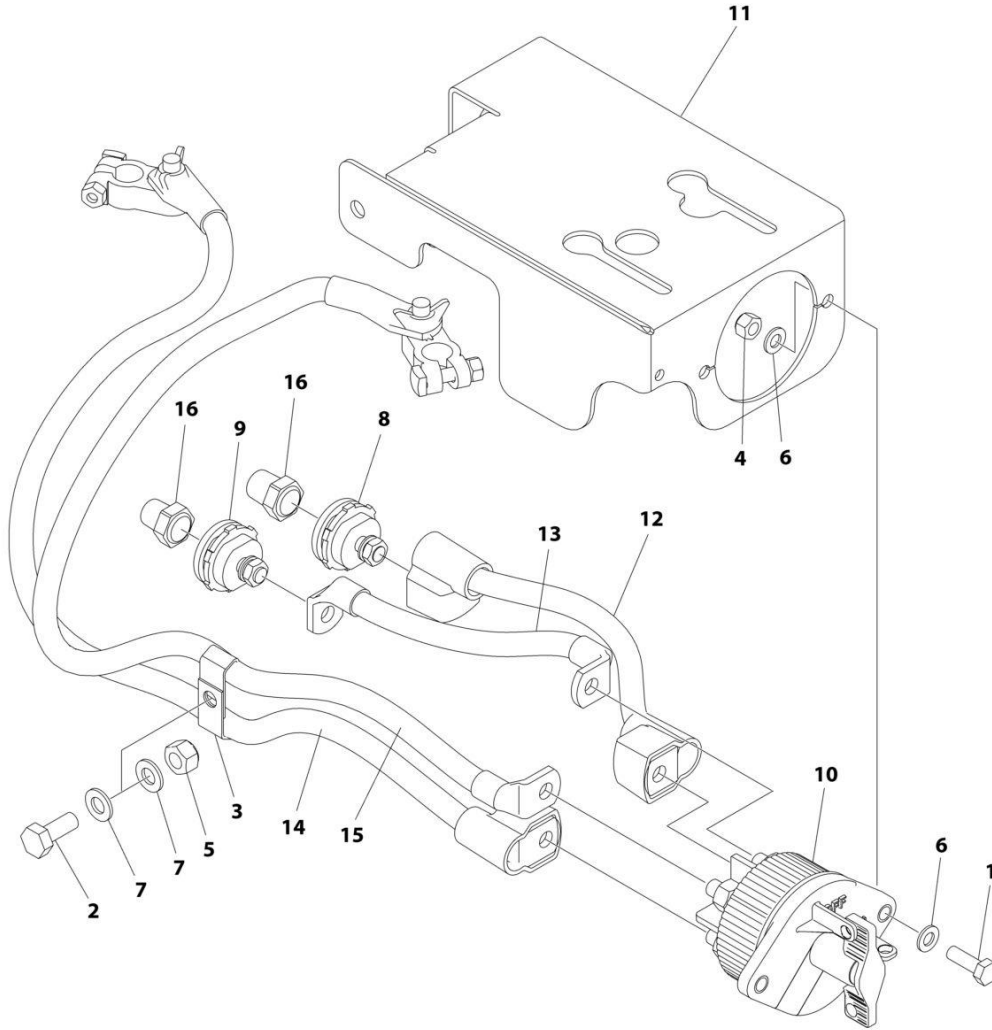
## SECTION 8 - ELECTRICAL

**FIGURE 8-21. AC POWER TO PLATFORM CABLE - TOWER BOOM (60HZ)**

| ITEM | PART NUMBER           | QTY              | DESCRIPTION  | REV |
|------|-----------------------|------------------|--|-----|
| 1    | 1001157310<br>4460963 | Ref<br>1         | AC POWER TO PLATFORM CABLE - TOWER BOOM (60Hz)<br>Terminal | A   |
| 2    | 1001131968            | 29.1 ft<br>/8.9m | Cable, 10/4  |     |

# SECTION 8 - ELECTRICAL

## FIGURE 8-22. BATTERY DISCONNECT SWITCH



ART\_1001214397



## SECTION 8 - ELECTRICAL

**FIGURE 8-22. BATTERY DISCONNECT SWITCH**

| ITEM | PART NUMBER | QTY | DESCRIPTION                          | REV |
|------|-------------|-----|--------------------------------------|-----|
|      | 1001214397  | Ref | BATTERY DISCONNECT SWITCH            | A   |
| 1    | 0760812     | 2   | Bolt M8 x 25                         |     |
| 2    | 0761012     | 1   | Bolt M10 x 25                        |     |
| 3    | 1320223     | 2   | Clamp                                |     |
| 4    | 3290805     | 2   | Nut M8                               |     |
| 5    | 3291005     | 1   | Nut M10                              |     |
| 6    | 4811900     | 4   | Washer M8                            |     |
| 7    | 4812000     | 2   | Washer M10                           |     |
| 8    | 1001214570  | 1   | Connector (Red)                      |     |
| 9    | 1001214571  | 1   | Connector (Black)                    |     |
| 10   | 1001225346  | 1   | Switch                               |     |
| 11   | 1001226530  | 1   | Mount                                |     |
| 12   | 1001237878  | 1   | Cable, Battery Disconnect (Positive) |     |
| 13   | 1001237879  | 1   | Cable, Battery Disconnect (Negative) |     |
| 14   | 1001237880  | 1   | Cable (Positive)                     |     |
| 15   | 1001237881  | 1   | Cable (Negative)                     |     |
| 16   | 1001206476  | 1   | Connector                            |     |



## SECTION 8 - ELECTRICAL

**FIGURE 8-23. BOOM CABLES, HARNESSSES AND CLAMPS INSTALLATION - WITHOUT ARCTIC PACKAGE**

| ITEM | PART NUMBER | QTY             | DESCRIPTION  | REV |
|------|-------------|-----------------|--|-----|
|      | 1001115784  | Ref             | BOOM CABLES, HARNESSSES AND CLAMPS INSTALLATION - WITHOUT ARCTIC PACKAGE                     | G   |
| 1    | 0100011     | AR              | Compound, Locking  |     |
| 2    | 0100081     | 1               | Adhesive   |     |
| 3    | 0760621     | 4               | Bolt M6 x 65   |     |
| 4    | 0700820     | 2               | Bolt M8 x 60   |     |
| 5    | 0700829     | 4               | Bolt M8 x 120  |     |
| 6    | 0760608     | 1               | Bolt M6 x 16 (Not Shown - Use with Item 8)   |     |
| 7    | 0761012     | 1               | Bolt M10 x 25  |     |
| 8    | 1320043     | 1               | Clamp (Not Shown - Located at Rear of T/T)   |     |
| 9    | 1320130     | 1               | Clamp  |     |
| 10   | 1670899     | 2               | Cover, Switch  |     |
| 11   | 3290405     | 6               | Nut M4   |     |
| 12   | 3290605     | 5               | Nut M6   |     |
| 13   | 3290805     | 6               | Nut M8   |     |
| 14   | 3291005     | 1               | Nut M10  |     |
| 15   | 3340939     | 4               | Pad, Rubber  |     |
| 17   | 4031510     | 2               | Capscrew M4 x 30   |     |
| 18   | 4031512     | 4               | Capscrew M4 x 40   |     |
| 19   | 4060808     | 1.8 ft<br>/55cm | Flex-Trim  |     |
| 20   | 4240018     | AR              | Tie-Strap (Not Shown)  |     |
| 21   | 4240156     | 1               | Strap, Cinch   |     |
| 22   | 4460865     | 1               | Connector - 19 Position  |     |
| 23   | 4460866     | 1               | Connector - 19 Position  |     |
| 24   | 4811400     | 2               | Washer M4  |     |
| 25   | 4811700     | 2               | Washer M6 (Not Shown - Use with Item 8)  |     |
| 26   | 4811900     | 8               | Washer M8  |     |
| 27   | 4812000     | 2               | Washer M10   |     |
| 28   | 5260800     | 6               | Nut M8   |     |
| 29   | 5281920     | 6               | Screw M8 x 80  |     |
| 31   | 1001106757  | 2               | Plate  |     |
| 32   | 1001107152  | 1               | Plate  |     |
| 33   | 1001116433  | 2               | Guard, Hose  |     |
| 34   | 1001118274  | 6               | Nut M8   |     |
| 35   | 1001118292  | 1               | Tower Boom Harness Assembly (Not Shown - See Separate Breakdown in this Section)             |     |
| 35A  | 4360548     | 3               | Switch, Limit  |     |
| 37   | 1001118592  | 2               | Plate, Hose Clamp  |     |
| 38   | 1001118593  | 2               | Plate, Hose Clamp  |     |
| 39   | 1001119018  | 1               | Ground to Platform Cable - Main (Not Shown - See Separate Breakdown in this Section)         |     |
| 40   | 1001119019  | 1               | Ground to Platform Cable - Tower (Not Shown - See Separate Breakdown in this Section)        |     |
| 41   | 1001119139  | 1               | AC Power to Platform Cable - Tower Boom (Not Shown - See Separate Breakdown in this Section) |     |
| 42   | 1001119140  | 1               | AC Power to Platform Cable - Main Boom (Not Shown - See Separate Breakdown in this Section)  |     |
| 43   | 1001119194  | 2               | Clamp  |     |
| 44   | 1001119197  | 4               | Clamp  |     |

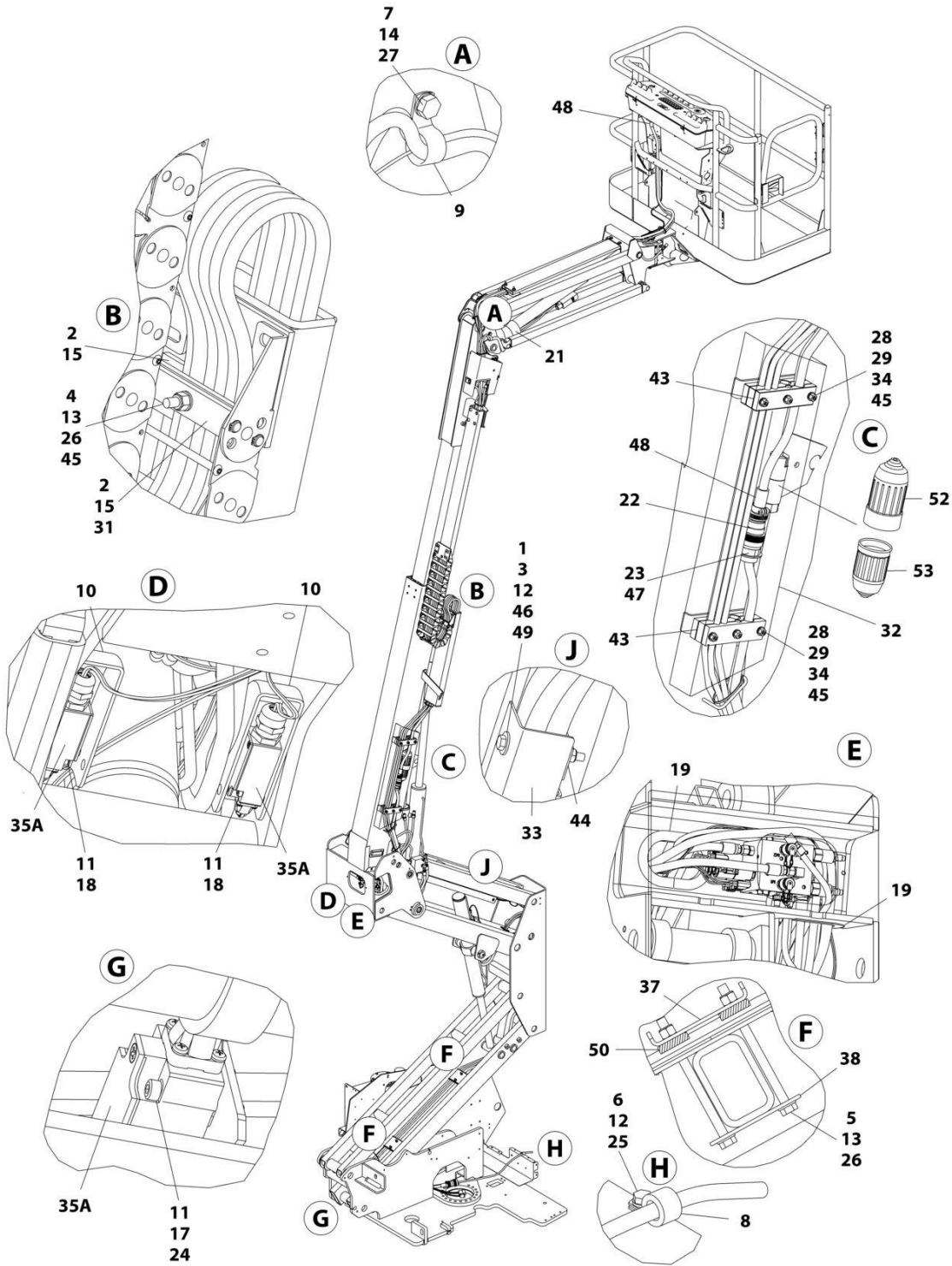
## SECTION 8 - ELECTRICAL

| ITEM | PART NUMBER | QTY | DESCRIPTION   | REV |
|------|-------------|-----|---|-----|
| 45   | 1001119228  | 8   | Nut M8  |     |
| 46   | 0760605     | 2   | Bolt M6 x 10  |     |
| 47   | 2820031     | AR  | Heat Shrink   |     |
| 48   | 4460473     | 1   | Clamp, Cable  |     |
| 49   | 4811702     | 10  | Washer M6   |     |
| 50   | 3340901     | 4   | Pad, Rubber   |     |
| 51   | 1001140524  | 1   | Main Boom Harness Assembly (Not Shown - See Separate Breakdown in this Section) |     |
| 52   | 1671092     | 1   | Cover, Connection   |     |
| 53   | 1671093     | 1   | Cover, Plug   |     |



# SECTION 8 - ELECTRICAL

## FIGURE 8-24. BOOM CABLES, HARNESSES AND CLAMPS INSTALLATION - WITH ARCTIC PACKAGE



ART\_1001119937

## SECTION 8 - ELECTRICAL

**FIGURE 8-24. BOOM CABLES, HARNESSSES AND CLAMPS INSTALLATION - WITH ARCTIC PACKAGE**

| ITEM | PART NUMBER | QTY             | DESCRIPTION  | REV |
|------|-------------|-----------------|--|-----|
|      | 1001119937  | Ref             | BOOM CABLES, HARNESSSES AND CLAMPS INSTALLATION - WITH ARCTIC PACKAGE                        | G   |
| 1    | 0100011     | AR              | Compound, Locking  |     |
| 2    | 0100081     | 1               | Adhesive   |     |
| 3    | 0760621     | 4               | Bolt M6 x 65   |     |
| 4    | 0700820     | 2               | Bolt M8 x 60   |     |
| 5    | 0700829     | 4               | Bolt M8 x 120  |     |
| 6    | 0760608     | 1               | Bolt M6 x 16 (Not Shown - Use with Item 8)   |     |
| 7    | 0761012     | 1               | Bolt M10 x 25  |     |
| 8    | 1320041     | 1               | Clamp  |     |
| 9    | 1320130     | 1               | Clamp  |     |
| 10   | 1670899     | 2               | Cover, Switch  |     |
| 11   | 3290405     | 6               | Nut M4   |     |
| 12   | 3290605     | 5               | Nut M6   |     |
| 13   | 3290805     | 6               | Nut M8   |     |
| 14   | 3291005     | 1               | Nut M10  |     |
| 15   | 3340939     | 4               | Pad, Rubber  |     |
| 17   | 4031510     | 2               | Capscrew M4 x 30   |     |
| 18   | 4031512     | 4               | Capscrew M4 x 40   |     |
| 19   | 4060808     | 1.8 ft<br>/55cm | Flex-Trim  |     |
| 20   | 4240018     | AR              | Tie-Strap (Not Shown)  |     |
| 21   | 4240156     | 1               | Strap, Cinch   |     |
| 22   | 4460865     | 1               | Connector - 19 Position  |     |
| 23   | 4460866     | 1               | Connector - 19 Position  |     |
| 24   | 4811400     | 2               | Washer M4  |     |
| 25   | 4811700     | 2               | Washer M6 (Not Shown - Use with Item 8)  |     |
| 26   | 4811900     | 8               | Washer M8  |     |
| 27   | 4812000     | 2               | Washer M10   |     |
| 28   | 5260800     | 6               | Nut M8   |     |
| 29   | 5281920     | 6               | Screw M8 x 80  |     |
| 31   | 1001106757  | 2               | Plate  |     |
| 32   | 1001107152  | 1               | Plate  |     |
| 33   | 1001116433  | 2               | Guard, Hose  |     |
| 34   | 1001118274  | 6               | Nut M8   |     |
| 35   | 1001118292  | 1               | Tower Boom Harness Assembly (Not Shown - See Separate Breakdown in this Section)             |     |
| 35A  | 4360548     | 3               | Switch, Limit  |     |
| 37   | 1001118592  | 2               | Plate, Hose Clamp  |     |
| 38   | 1001118593  | 2               | Plate, Hose Clamp  |     |
| 39   | 1001119953  | 1               | Ground to Platform Cable - Main (Not Shown - See Separate Breakdown in this Section)         |     |
| 40   | 1001119954  | 1               | Ground to Platform Cable - Tower (Not Shown - See Separate Breakdown in this Section)        |     |
| 41   | 1001119955  | 1               | AC Power to Platform Cable - Main Boom (Not Shown - See Separate Breakdown in this Section)  |     |
| 42   | 1001119956  | 1               | AC Power to Platform Cable - Tower Boom (Not Shown - See Separate Breakdown in this Section) |     |
| 43   | 1001119195  | 2               | Clamp  |     |
| 44   | 1001119197  | 4               | Clamp  |     |

## SECTION 8 - ELECTRICAL

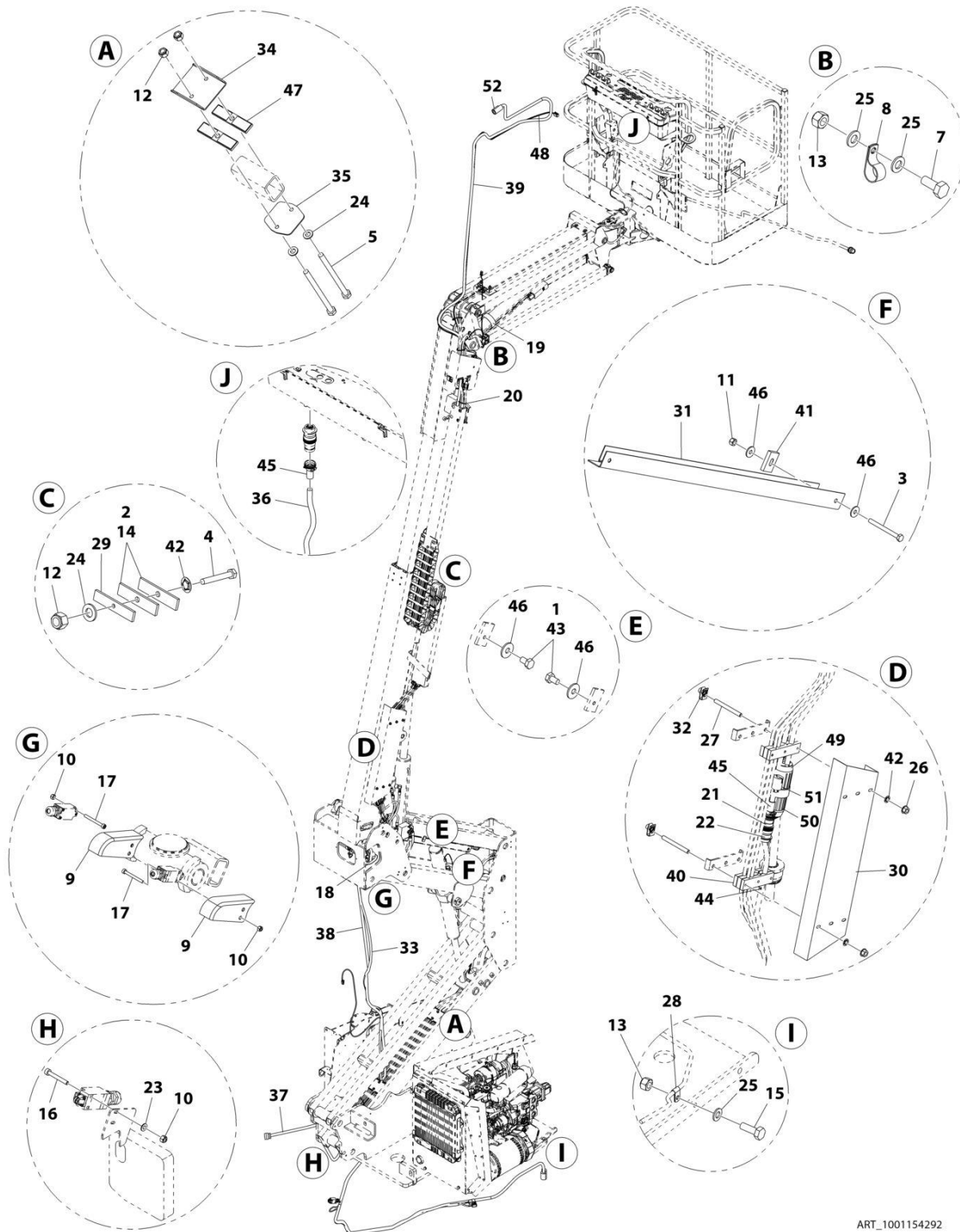
| ITEM | PART NUMBER | QTY | DESCRIPTION   | REV |
|------|-------------|-----|---|-----|
| 45   | 1001119228  | 8   | Nut M8  |     |
| 46   | 0760605     | 2   | Bolt M6 x 10  |     |
| 47   | 2820031     | AR  | Heat Shrink   |     |
| 48   | 4460473     | 1   | Clamp, Cable  |     |
| 49   | 4811702     | 10  | Washer M6   |     |
| 50   | 3340901     | 4   | Pad, Rubber   |     |
| 51   | 1001140524  | 1   | Main Boom Harness Assembly (Not Shown - See Separate Breakdown in this Section) |     |
| 52   | 1671092     | 1   | Cover, Connection   |     |
| 53   | 1671093     | 1   | Cover, Plug   |     |





# SECTION 8 - ELECTRICAL

## FIGURE 8-25. BOOM CABLES AND CLAMPS INSTALLATION - 4000W, 50HZ - WITHOUT ARCTIC PACKAGE



ART\_1001154292

## SECTION 8 - ELECTRICAL

**FIGURE 8-25. BOOM CABLES AND CLAMPS INSTALLATION - 4000W, 50HZ - WITHOUT ARCTIC PACKAGE**

| ITEM | PART NUMBER | QTY             | DESCRIPTION  | REV |
|------|-------------|-----------------|--|-----|
|      | 1001154292  | Ref             | BOOM CABLES AND CLAMPS INSTALLATION - 4000W, 50HZ - WITHOUT ARCTIC PACKAGE | B   |
| 1    | 0100011     | AR              | Compound, Locking  |     |
| 2    | 0100081     | AR              | Adhesive   |     |
| 3    | 0760621     | 4               | Bolt M6 x 65   |     |
| 4    | 0700820     | 2               | Bolt M8 x 60   |     |
| 5    | 0700829     | 4               | Bolt M8 x 120  |     |
| 7    | 0761012     | 1               | Bolt M10 x 25  |     |
| 8    | 1320130     | 1               | Clamp  |     |
| 9    | 1670899     | 2               | Cover, Switch  |     |
| 10   | 3290405     | 6               | Nut M4   |     |
| 11   | 3290605     | 4               | Nut M6   |     |
| 12   | 3290805     | 6               | Nut M8   |     |
| 13   | 3291005     | 2               | Nut M10  |     |
| 14   | 3340939     | 4               | Pad, Rubber  |     |
| 15   | 0761014     | 1               | Bolt M10 x 30  |     |
| 16   | 4031510     | 2               | Capscrew M4 x 30   |     |
| 17   | 4031512     | 4               | Capscrew M4 x 40   |     |
| 18   | 4060808     | 1.8 ft<br>/55cm | Flex-Trim  |     |
| 19   | 4240156     | 1               | Strap, Cinch   |     |
| 20   | 4240018     | AR              | Tie-Strap  |     |
| 21   | 4460865     | 1               | Connector - 19 Position  |     |
| 22   | 4460866     | 1               | Connector - 19 Position  |     |
| 23   | 4811400     | 2               | Washer M4  |     |
| 24   | 4811900     | 8               | Washer M8  |     |
| 25   | 4812000     | 4               | Washer M10   |     |
| 26   | 5260800     | 6               | Nut M8 Class 10  |     |
| 27   | 5281920     | 6               | Capscrew, Cup Point M8 x 80  |     |
| 28   | 1320263     | 1               | Clamp  |     |
| 29   | 1001106757  | 2               | Plate, Clamp   |     |
| 30   | 1001107152  | 1               | Plate, Shield  |     |
| 31   | 1001116433  | 2               | Guard, Hose  |     |
| 32   | 1001118274  | 6               | Nut M8   |     |
| 33   | 1001118292  | 1               | Harness, Tower Boom (See Separate Breakdown in this Section)               |     |
| 34   | 1001118592  | 2               | Plate, Hose Clamp  |     |
| 35   | 1001118593  | 2               | Plate, Hose Clamp  |     |
| 36   | 1001119018  | 1               | Harness Assembly - Main Boom (See Separate Breakdown in this Section)      |     |
| 37   | 1001119019  | 1               | Harness Assembly - Tower Boom (See Separate Breakdown in this Section)     |     |
| 38   | 1001119139  | 1               | Cable, AC Tower Boom (See Separate Breakdown in this Section)              |     |
| 39   | 1001119140  | 1               | Cable, AC Main Boom (See Separate Breakdown in this Section)               |     |
| 40   | 1001119194  | 2               | Plate, Hose Clamp  |     |
| 41   | 1001119197  | 4               | Clamp, Hose  |     |
| 42   | 1001119228  | 8               | Pushnut M8   |     |
| 43   | 0760605     | 2               | Bolt M6 x 10   |     |
| 44   | 2820031     | AR              | Heat Shrink  |     |
| 45   | 4460473     | 1               | Clamp, Cable   |     |
| 46   | 4811702     | 10              | Washer M6  |     |

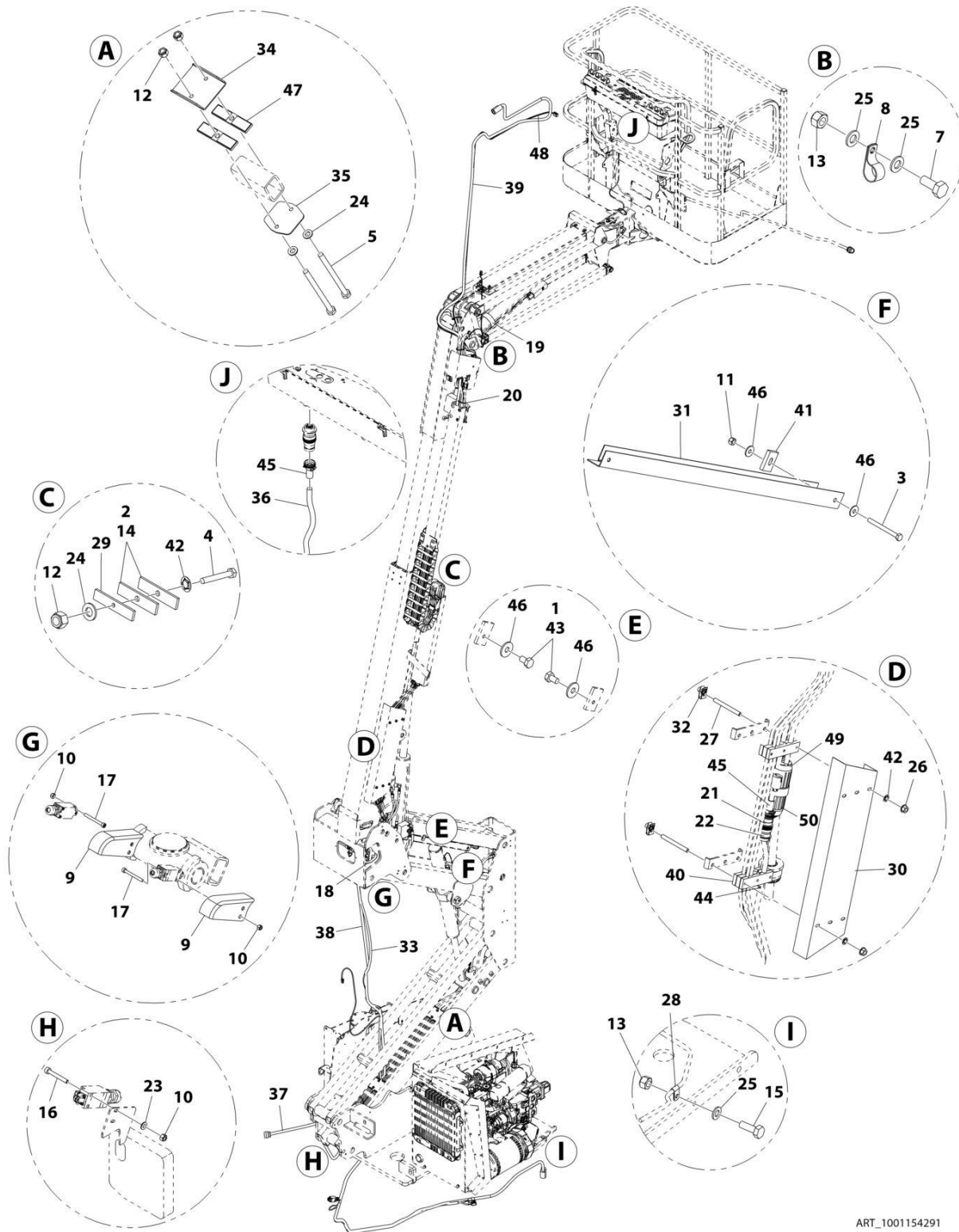
## SECTION 8 - ELECTRICAL

| ITEM | PART NUMBER | QTY | DESCRIPTION   | REV |
|------|-------------|-----|---|-----|
| 47   | 3340901     | 4   | Pad, Rubber   |     |
| 48   | 1001140524  | 1   | Main Boom Harness Assembly (Not Shown - See Separate Breakdown in this Section) |     |
| 49   | 1671092     | 1   | Cover, Connector  |     |
| 50   | 1671093     | 1   | Cover, Plug   |     |
| 51   | 4460709     | 1   | Plug, Male - 250V   |     |
| 52   | 4460710     | 1   | Receptacle, Female - 250V   |     |



# SECTION 8 - ELECTRICAL

## FIGURE 8-26. BOOM CABLES AND CLAMPS INSTALLATION - 4000W, 50HZ - WITH ARCTIC PACKAGE



ART\_1001154291

## SECTION 8 - ELECTRICAL

**FIGURE 8-26. BOOM CABLES AND CLAMPS INSTALLATION - 4000W, 50HZ - WITH ARCTIC PACKAGE**

| ITEM | PART NUMBER | QTY             | DESCRIPTION   | REV |
|------|-------------|-----------------|---|-----|
|      | 1001154291  | Ref             | BOOM CABLES AND CLAMPS INSTALLATION - 4000W, 50HZ - WITH ARCTIC PACKAGE | B   |
| 1    | 0100011     | AR              | Compound, Locking   |     |
| 2    | 0100081     | AR              | Adhesive  |     |
| 3    | 0760621     | 4               | Bolt M6 x 65  |     |
| 4    | 0700820     | 2               | Bolt M8 x 60  |     |
| 5    | 0700829     | 4               | Bolt M8 x 120   |     |
| 7    | 0761012     | 1               | Bolt M10 x 25   |     |
| 8    | 1320130     | 1               | Clamp   |     |
| 9    | 1670899     | 2               | Cover, Switch   |     |
| 10   | 3290405     | 6               | Nut M4  |     |
| 11   | 3290605     | 4               | Nut M6  |     |
| 12   | 3290805     | 6               | Nut M8  |     |
| 13   | 3291005     | 2               | Nut M10   |     |
| 14   | 3340939     | 4               | Pad, Rubber   |     |
| 15   | 0761014     | 1               | Bolt M10 x 30   |     |
| 16   | 4031510     | 2               | Capscrew M4 x 30  |     |
| 17   | 4031512     | 4               | Capscrew M4 x 40  |     |
| 18   | 4060808     | 1.8 ft<br>/55cm | Flex-Trim   |     |
| 19   | 4240156     | 1               | Strap, Cinch  |     |
| 20   | 4240018     | AR              | Tie-Strap   |     |
| 21   | 4460865     | 1               | Connector - 19 Position   |     |
| 22   | 4460866     | 1               | Connector - 19 Position   |     |
| 23   | 4811400     | 2               | Washer M4   |     |
| 24   | 4811900     | 8               | Washer M8   |     |
| 25   | 4812000     | 4               | Washer M10  |     |
| 26   | 5260800     | 6               | Nut M8 Class 10   |     |
| 27   | 5281920     | 6               | Capscrew, Cup Point M8 x 80   |     |
| 28   | 1320263     | 1               | Clamp   |     |
| 29   | 1001106757  | 2               | Plate, Clamp  |     |
| 30   | 1001107152  | 1               | Plate, Shield   |     |
| 31   | 1001116433  | 2               | Guard, Hose   |     |
| 32   | 1001118274  | 6               | Nut M8  |     |
| 33   | 1001118292  | 1               | Harness, Tower Boom (See Separate Breakdown in this Section)            |     |
| 34   | 1001118592  | 2               | Plate, Hose Clamp   |     |
| 35   | 1001118593  | 2               | Plate, Hose Clamp   |     |
| 36   | 1001119953  | 1               | Harness Assembly - Main Boom (See Separate Breakdown in this Section)   |     |
| 37   | 1001119954  | 1               | Harness Assembly - Tower Boom (See Separate Breakdown in this Section)  |     |
| 38   | 1001119956  | 1               | Cable, AC Tower Boom (See Separate Breakdown in this Section)           |     |
| 39   | 1001119955  | 1               | Cable, AC Main Boom (See Separate Breakdown in this Section)            |     |
| 40   | 1001119195  | 2               | Plate, Hose Clamp   |     |
| 41   | 1001119197  | 4               | Clamp, Hose   |     |
| 42   | 1001119228  | 8               | Pushnut M8  |     |
| 43   | 0760605     | 2               | Bolt M6 x 10  |     |
| 44   | 2820031     | AR              | Heat Shrink   |     |
| 45   | 4460473     | 1               | Clamp, Cable  |     |
| 46   | 4811702     | 10              | Washer M6   |     |

## SECTION 8 - ELECTRICAL

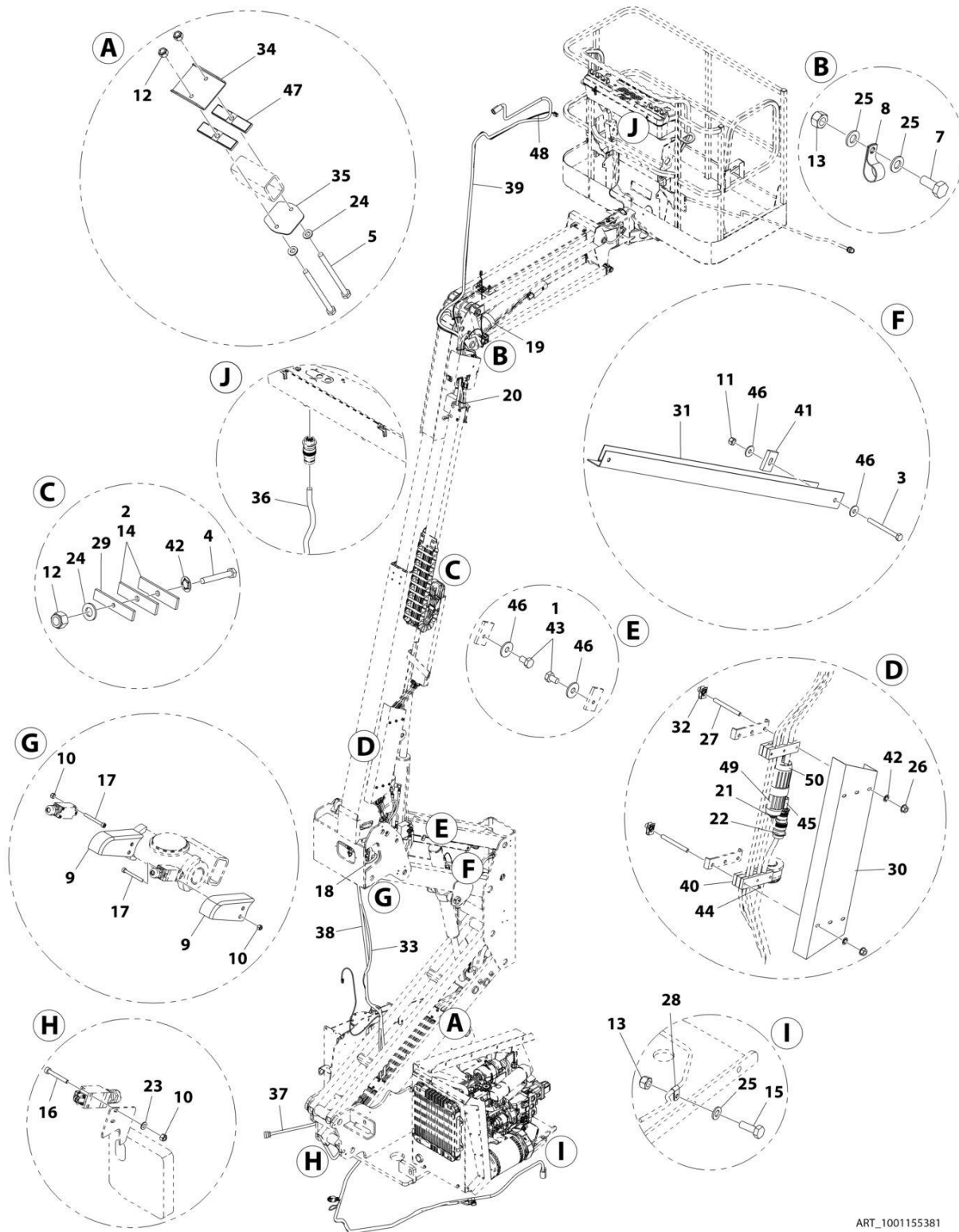
| ITEM | PART NUMBER | QTY | DESCRIPTION   | REV |
|------|-------------|-----|---|-----|
| 47   | 3340901     | 4   | Pad, Rubber   |     |
| 48   | 1001140524  | 1   | Main Boom Harness Assembly (Not Shown - See Separate Breakdown in this Section) |     |
| 49   | 1001156351  | 1   | Cover, Connector  |     |
| 50   | 1001156352  | 1   | Cover, Plug   |     |





# SECTION 8 - ELECTRICAL

## FIGURE 8-27. BOOM CABLES AND CLAMPS INSTALLATION - 4000W, 60HZ - WITHOUT ARCTIC PACKAGE



ART\_1001155381

## SECTION 8 - ELECTRICAL

**FIGURE 8-27. BOOM CABLES AND CLAMPS INSTALLATION - 4000W, 60HZ - WITHOUT ARCTIC PACKAGE**

| ITEM | PART NUMBER | QTY             | DESCRIPTION  | REV |
|------|-------------|-----------------|--|-----|
|      | 1001155381  | Ref             | BOOM CABLES AND CLAMPS INSTALLATION - 4000W, 60HZ - WITHOUT ARCTIC PACKAGE | B   |
| 1    | 0100011     | AR              | Compound, Locking  |     |
| 2    | 0100081     | AR              | Adhesive   |     |
| 3    | 0760621     | 4               | Bolt M6 x 65   |     |
| 4    | 0700820     | 2               | Bolt M8 x 60   |     |
| 5    | 0700829     | 4               | Bolt M8 x 120  |     |
| 7    | 0761012     | 1               | Bolt M10 x 25  |     |
| 8    | 1320130     | 1               | Clamp  |     |
| 9    | 1670899     | 2               | Cover, Switch  |     |
| 10   | 3290405     | 6               | Nut M4   |     |
| 11   | 3290605     | 4               | Nut M6   |     |
| 12   | 3290805     | 6               | Nut M8   |     |
| 13   | 3291005     | 2               | Nut M10  |     |
| 14   | 3340939     | 4               | Pad, Rubber  |     |
| 15   | 0761014     | 1               | Bolt M10 x 30  |     |
| 16   | 4031510     | 2               | Capscrew M4 x 30   |     |
| 17   | 4031512     | 4               | Capscrew M4 x 40   |     |
| 18   | 4060808     | 1.8 ft<br>/55cm | Flex-Trim  |     |
| 19   | 4240156     | 1               | Strap, Cinch   |     |
| 20   | 4240018     | AR              | Tie-Strap  |     |
| 21   | 4460865     | 1               | Connector - 19 Position  |     |
| 22   | 4460866     | 1               | Connector - 19 Position  |     |
| 23   | 4811400     | 2               | Washer M4  |     |
| 24   | 4811900     | 8               | Washer M8  |     |
| 25   | 4812000     | 4               | Washer M10   |     |
| 26   | 5260800     | 6               | Nut M8 Class 10  |     |
| 27   | 5281920     | 6               | Capscrew, Cup Point M8 x 80  |     |
| 28   | 8406110     | 1               | Clamp  |     |
| 29   | 1001106757  | 2               | Plate, Clamp   |     |
| 30   | 1001107152  | 1               | Plate, Shield  |     |
| 31   | 1001116433  | 2               | Guard, Hose  |     |
| 32   | 1001118274  | 6               | Nut M8   |     |
| 33   | 1001118292  | 1               | Harness, Tower Boom (See Separate Breakdown in this Section)               |     |
| 34   | 1001118592  | 2               | Plate, Hose Clamp  |     |
| 35   | 1001118593  | 2               | Plate, Hose Clamp  |     |
| 36   | 1001119018  | 1               | Harness Assembly - Main Boom (See Separate Breakdown in this Section)      |     |
| 37   | 1001119019  | 1               | Harness Assembly - Tower Boom (See Separate Breakdown in this Section)     |     |
| 38   | 1001157310  | 1               | Cable, AC Tower Boom   |     |
| 39   | 1001157311  | 1               | Cable, AC Main Boom  |     |
| 40   | 1001119194  | 2               | Plate, Hose Clamp  |     |
| 41   | 1001119197  | 4               | Clamp, Hose  |     |
| 42   | 1001119228  | 8               | Pushnut M8   |     |
| 43   | 0760605     | 2               | Bolt M6 x 10   |     |
| 44   | 2820031     | AR              | Heat Shrink  |     |
| 45   | 4460473     | 1               | Clamp, Cable   |     |
| 46   | 4811702     | 10              | Washer M6  |     |

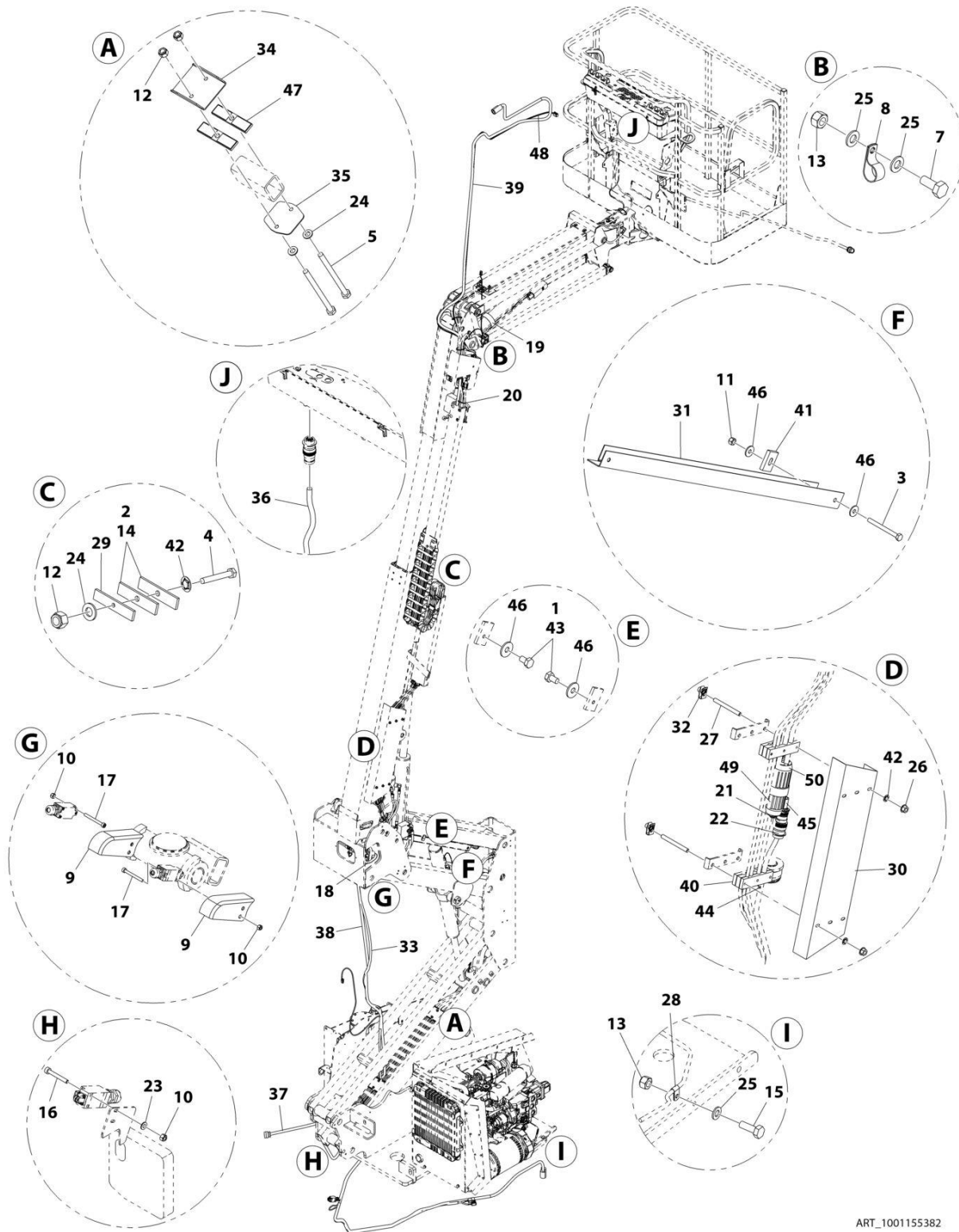
## SECTION 8 - ELECTRICAL

| ITEM | PART NUMBER | QTY | DESCRIPTION   | REV |
|------|-------------|-----|---|-----|
| 47   | 3340901     | 4   | Pad, Rubber   |     |
| 48   | 1001140524  | 1   | Main Boom Harness Assembly (Not Shown - See Separate Breakdown in this Section) |     |
| 49   | 1671092     | 1   | Cover, Connector  |     |
| 50   | 1671093     | 1   | Cover, Plug   |     |



# SECTION 8 - ELECTRICAL

## FIGURE 8-28. BOOM CABLES AND CLAMPS INSTALLATION - 4000W, 60HZ - WITH ARCTIC PACKAGE



ART\_1001155382

## SECTION 8 - ELECTRICAL

**FIGURE 8-28. BOOM CABLES AND CLAMPS INSTALLATION - 4000W, 60HZ - WITH ARCTIC PACKAGE**

| ITEM | PART NUMBER | QTY             | DESCRIPTION   | REV |
|------|-------------|-----------------|---|-----|
|      | 1001155382  | Ref             | BOOM CABLES AND CLAMPS INSTALLATION - 4000W, 60HZ - WITH ARCTIC PACKAGE | B   |
| 1    | 0100011     | AR              | Compound, Locking   |     |
| 2    | 0100081     | AR              | Adhesive  |     |
| 3    | 0760621     | 4               | Bolt M6 x 65  |     |
| 4    | 0700820     | 2               | Bolt M8 x 60  |     |
| 5    | 0700829     | 4               | Bolt M8 x 120   |     |
| 7    | 0761012     | 1               | Bolt M10 x 25   |     |
| 8    | 1320130     | 1               | Clamp   |     |
| 9    | 1670899     | 2               | Cover, Switch   |     |
| 10   | 3290405     | 6               | Nut M4  |     |
| 11   | 3290605     | 4               | Nut M6  |     |
| 12   | 3290805     | 6               | Nut M8  |     |
| 13   | 3291005     | 2               | Nut M10   |     |
| 14   | 3340939     | 4               | Pad, Rubber   |     |
| 15   | 0761014     | 1               | Bolt M10 x 30   |     |
| 16   | 4031510     | 2               | Capscrew M4 x 30  |     |
| 17   | 4031512     | 4               | Capscrew M4 x 40  |     |
| 18   | 4060808     | 1.8 ft<br>/55cm | Flex-Trim   |     |
| 19   | 4240156     | 1               | Strap, Cinch  |     |
| 20   | 4240018     | AR              | Tie-Strap   |     |
| 21   | 4460865     | 1               | Connector - 19 Position   |     |
| 22   | 4460866     | 1               | Connector - 19 Position   |     |
| 23   | 4811400     | 2               | Washer M4   |     |
| 24   | 4811900     | 8               | Washer M8   |     |
| 25   | 4812000     | 4               | Washer M10  |     |
| 26   | 5260800     | 6               | Nut M8 Class 10   |     |
| 27   | 5281920     | 6               | Capscrew, Cup Point M8 x 80   |     |
| 28   | 8406110     | 1               | Clamp   |     |
| 29   | 1001106757  | 2               | Plate, Clamp  |     |
| 30   | 1001107152  | 1               | Plate, Shield   |     |
| 31   | 1001116433  | 2               | Guard, Hose   |     |
| 32   | 1001118274  | 6               | Nut M8  |     |
| 33   | 1001118292  | 1               | Harness, Tower Boom (See Separate Breakdown in this Section)            |     |
| 34   | 1001118592  | 2               | Plate, Hose Clamp   |     |
| 35   | 1001118593  | 2               | Plate, Hose Clamp   |     |
| 36   | 1001119953  | 1               | Harness Assembly - Main Boom (See Separate Breakdown in this Section)   |     |
| 37   | 1001119954  | 1               | Harness Assembly - Tower Boom (See Separate Breakdown in this Section)  |     |
| 38   | 1001157310  | 1               | Cable, AC Tower Boom  |     |
| 39   | 1001157311  | 1               | Cable, AC Main Boom   |     |
| 40   | 1001119195  | 2               | Plate, Hose Clamp   |     |
| 41   | 1001119197  | 4               | Clamp, Hose   |     |
| 42   | 1001119228  | 8               | Pushnut M8  |     |
| 43   | 0760605     | 2               | Bolt M6 x 10  |     |
| 44   | 2820031     | AR              | Heat Shrink   |     |
| 45   | 4460473     | 1               | Clamp, Cable  |     |
| 46   | 4811702     | 10              | Washer M6   |     |

## SECTION 8 - ELECTRICAL

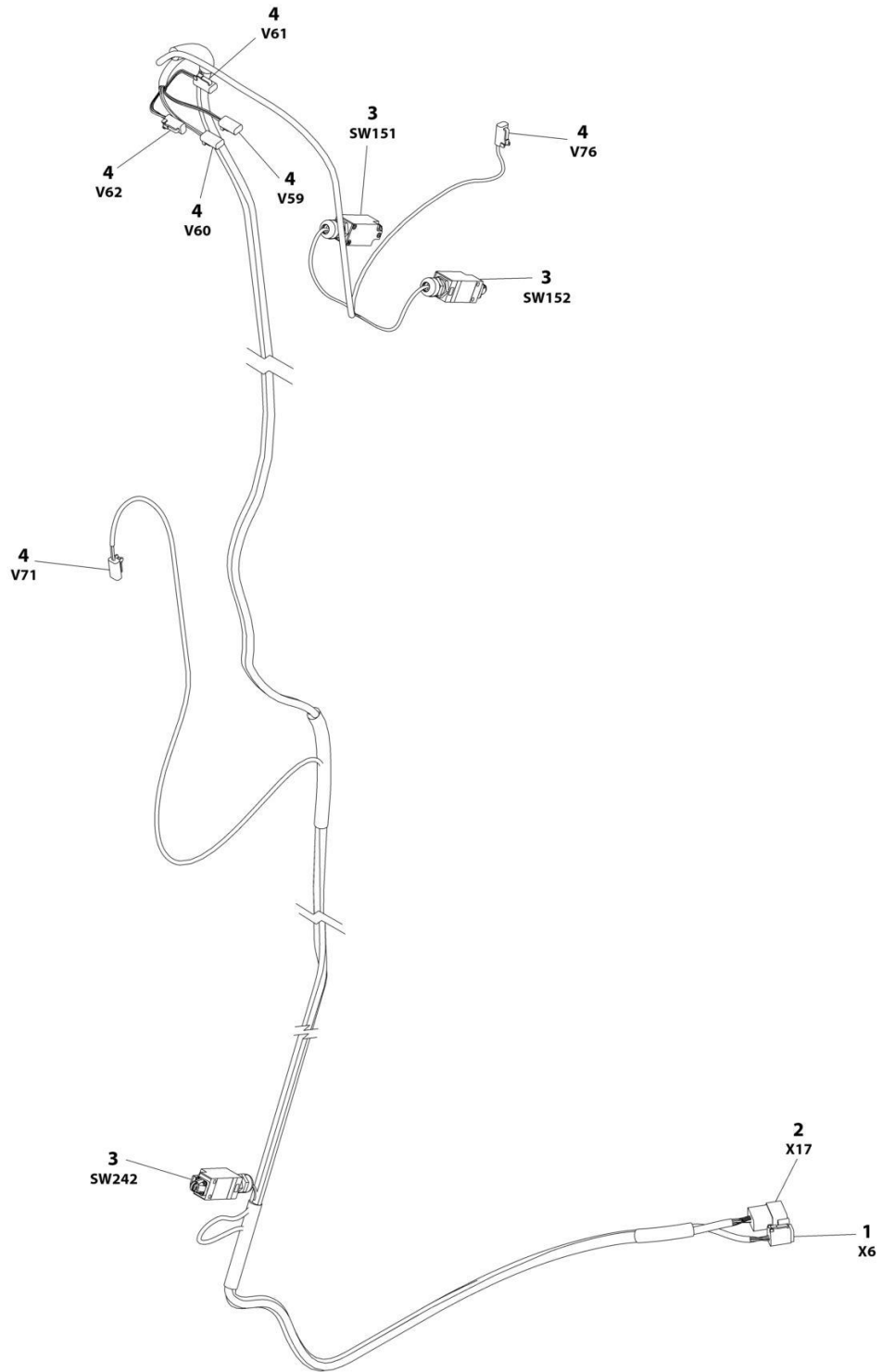
| ITEM | PART NUMBER | QTY | DESCRIPTION   | REV |
|------|-------------|-----|---|-----|
| 47   | 3340901     | 4   | Pad, Rubber   |     |
| 48   | 1001140524  | 1   | Main Boom Harness Assembly (See Separate Breakdown in this Section) |     |
| 49   | 1671092     | 1   | Cover, Connector  |     |
| 50   | 1671093     | 1   | Cover, Plug   |     |





# SECTION 8 - ELECTRICAL

## FIGURE 8-29. BOOM HARNESS - LIMIT SWITCHES AND UPRIGHT VALVE



ART\_1001118292

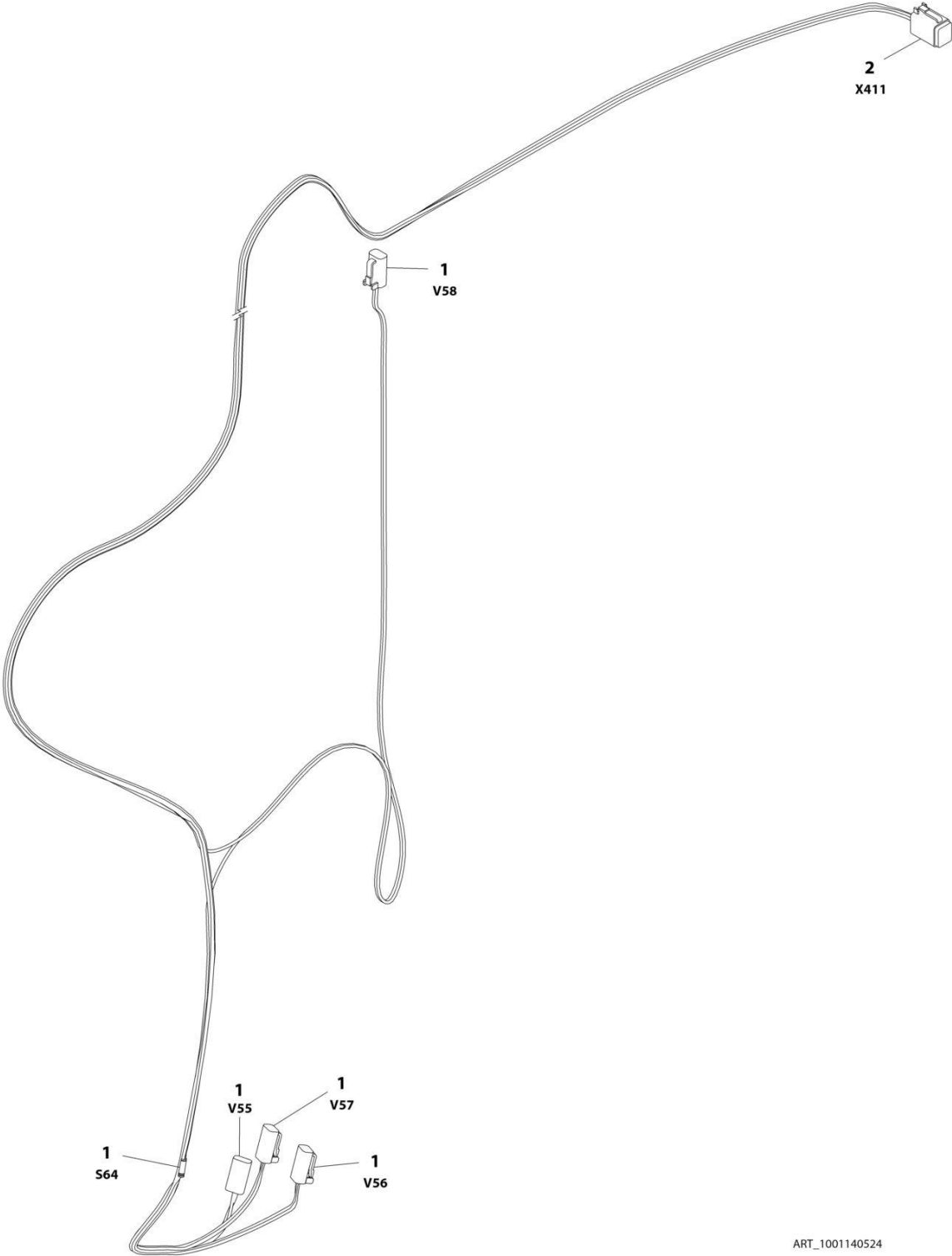
## SECTION 8 - ELECTRICAL

**FIGURE 8-29. BOOM HARNESS - LIMIT SWITCHES AND UPRIGHT VALVE**

| ITEM | PART NUMBER | QTY | DESCRIPTION                                     | REV |
|------|-------------|-----|---|-----|
|      | 1001118292  | Ref | BOOM HARNESS - LIMIT SWITCHES AND UPRIGHT VALVE | D   |
| 1    | 4460894     | 1   | Plug, Male - 6 Position                         |     |
| 1    | 4460465     | 6   | Socket, Female                                  |     |
| 2    | 4460970     | 1   | Receptacle, Female - 12 Position                |     |
| 2    | 4460464     | 9   | Pin, Male                                       |     |
| 2    | 4460466     | 3   | Plug, Terminal                                  |     |
| 3    | 4360548     | 3   | Switch, Limit                                   |     |
| 3    | 4460968     | 3   | Connector, Strain Relief                        |     |
| 3    | 0962449     | 3   | Bushing   |     |
| 4    | 4460891     | 6   | Plug, Male - 2 Position                         |     |
| 4    | 4460465     | 12  | Socket, Female                                  |     |
| 5    | 1001257690  | 1   | Connector, Strain Relief 90 (Not Shown)         |     |

**SECTION 8 - ELECTRICAL**

**FIGURE 8-30. BOOM HARNESS - MAIN**



ART\_1001140524

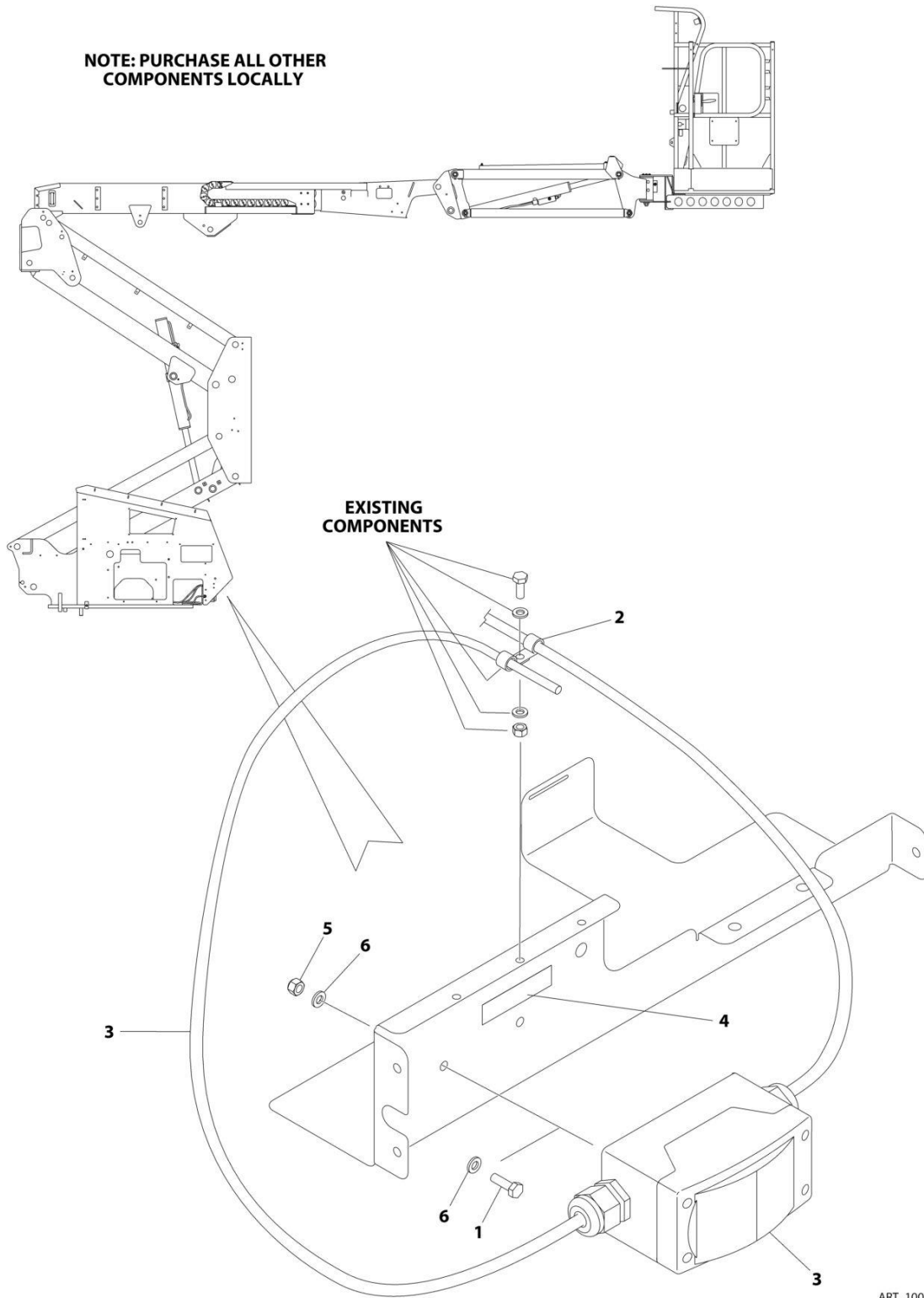
## SECTION 8 - ELECTRICAL

### FIGURE 8-30. BOOM HARNESS - MAIN

| ITEM | PART NUMBER | QTY | DESCRIPTION             | REV |
|------|-------------|-----|-------------------------|-----|
|      | 1001140524  | Ref | BOOM HARNESS - MAIN     | A   |
| 1    | 4460891     | 4   | Plug, Male - 2 Position |     |
| 1    | 4460465     | 8   | Socket, Female          |     |
| 2    | 4460894     | 1   | Plug, Male - 6 Position |     |
| 2    | 4460465     | 5   | Socket, Female          |     |
| 2    | 4460466     | 1   | Plug, Terminal          |     |

# SECTION 8 - ELECTRICAL

## FIGURE 8-31. BREAKER BOX INSTALLATION



ART\_1001188322

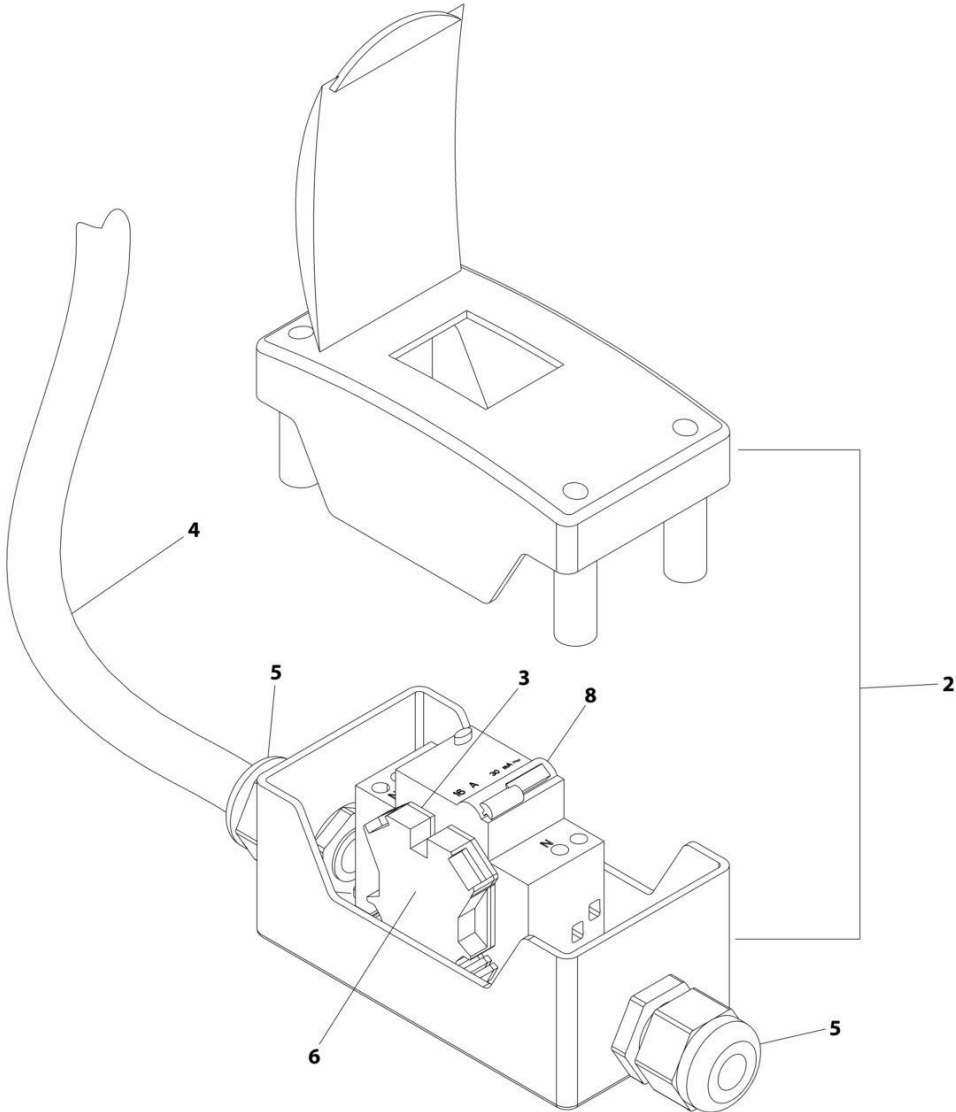
## SECTION 8 - ELECTRICAL

### FIGURE 8-31. BREAKER BOX INSTALLATION

| ITEM | PART NUMBER | QTY | DESCRIPTION  | REV |
|------|-------------|-----|--|-----|
|      | 1001188322  | Ref | AC CIRCUIT BREAKER INSTALLATION                          | A   |
| 1    | 0760610     | 2   | Bolt M6 x 20   |     |
| 2    | 1320043     | 1   | Clamp  |     |
| 3    | 2902549     | 1   | Breaker Box Kit (See Separate Breakdown in this Section) |     |
| 4    | 3252507     | 1   | Decal - 220V-50/60Hz                                     |     |
| 5    | 3290605     | 2   | Nut M6   |     |
| 6    | 4811700     | 4   | Washer M6  |     |

**SECTION 8 - ELECTRICAL**

**FIGURE 8-32. BREAKER BOX KIT (CE & UK CA SPEC)**



ART\_2902549



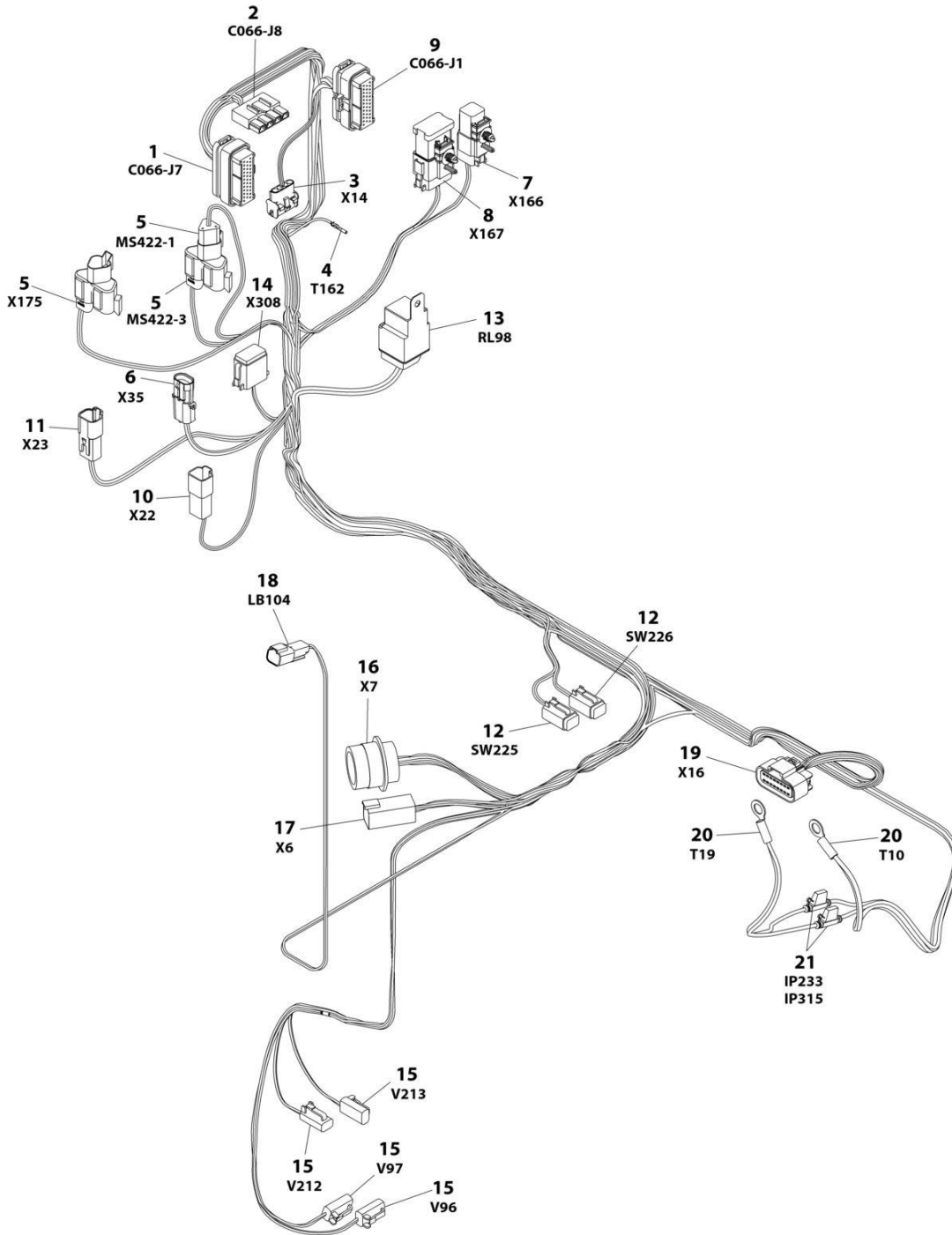
## SECTION 8 - ELECTRICAL

### FIGURE 8-32. BREAKER BOX KIT (CE & UK CA SPEC)

| ITEM | PART NUMBER | QTY       | DESCRIPTION                              | REV |
|------|-------------|-----------|--|-----|
|      | 2902549     | Ref       | BREAKER BOX KIT - 110/220V 16AMP BREAKER | F   |
| 2    | 0861880     | 1         | Box                                      |     |
| 3    | 4460956     | 1         | Barrier, Terminal                        |     |
| 4    | 1060908     | 6 ft/1.8m | Cable, 12/3                              |     |
| 5    | 1001097150  | 2         | Connector, Strain Relief                 |     |
| 6    | 4460957     | 1         | Block, Terminal                          |     |
| 8    | 1001181045  | 1         | Breaker, Combination 16Amp/30mAmp        |     |

# SECTION 8 - ELECTRICAL

## FIGURE 8-33. CHASSIS HARNESS ASSEMBLY



ART\_1001188093

## SECTION 8 - ELECTRICAL

### FIGURE 8-33. CHASSIS HARNESS ASSEMBLY

| ITEM | PART NUMBER | QTY | DESCRIPTION                     | REV |
|------|-------------|-----|---------------------------------|-----|
|      | 1001188093  | Ref | CHASSIS HARNESS ASSEMBLY        | D   |
| 1    | 4460873     | 1   | Connector - 35 Position         |     |
| 1    | 4460871     | 19  | Socket, Female                  |     |
| 1    | 4460905     | 16  | Seal, Plug                      |     |
| 2    | 4460878     | 1   | Connector - 4 Position          |     |
| 2    | 4460887     | 6   | Terminal                        |     |
| 3    | 4460761     | 1   | Connector - 4 Position          |     |
| 3    | 4460227     | 4   | Pin, Male                       |     |
| 4    | 4460871     | 1   | Socket, Female                  |     |
| 5    | 1001116812  | 3   | Plug, Male - 3 Position         |     |
| 5    | 4460944     | 9   | Socket, Female                  |     |
| 5    | 4460945     | 1   | Receptacle, 3 Way               |     |
| 6    | 4461157     | 1   | Receptacle, Female - 2 Position |     |
| 6    | 4460979     | 1   | Pin, Male                       |     |
| 6    | 1001116727  | 1   | Seal, Plug                      |     |
| 7    | 4460894     | 1   | Connector - 6 Position          |     |
| 7    | 4460465     | 2   | Socket, Female                  |     |
| 7    | 4460466     | 4   | Plug, Terminal                  |     |
| 7    | 4460892     | 1   | Connector - 6 Position Bussbar  |     |
| 7    | 1001121172  | 1   | Mount, Terminal                 |     |
| 8    | 4460836     | 1   | Connector - 12 Position         |     |
| 8    | 4460465     | 3   | Socket, Female                  |     |
| 8    | 4460466     | 7   | Plug, Terminal                  |     |
| 8    | 4460837     | 1   | Connector                       |     |
| 8    | 1001121172  | 1   | Mount, Terminal                 |     |
| 9    | 4460874     | 1   | Connector - 35 Position         |     |
| 9    | 4460871     | 21  | Socket, Female                  |     |
| 9    | 4460905     | 14  | Seal, Plug                      |     |
| 10   | 4460932     | 1   | Receptacle, Female - 4 Position |     |
| 10   | 4460464     | 3   | Pin, Female                     |     |
| 10   | 4460466     | 1   | Plug, Terminal                  |     |
| 11   | 1001116811  | 1   | Receptacle, Female - 4 Position |     |
| 11   | 4460508     | 3   | Pin, Male                       |     |
| 11   | 4460466     | 1   | Plug, Terminal                  |     |
| 12   | 4460884     | 2   | Plug, Male - 4 Position         |     |
| 12   | 4460465     | 6   | Socket, Female                  |     |
| 12   | 4460466     | 2   | Plug, Terminal                  |     |
| 13   | 1001117025  | 1   | Relay and Connector Assembly    |     |
| 13   | 1001116734  | 2   | Terminal                        |     |
| 13   | 1001116732  | 2   | Terminal                        |     |
| 14   | 4460930     | 1   | Plug, Male - 8 Position         |     |
| 14   | 4460465     | 2   | Socket, Female                  |     |
| 14   | 4460466     | 6   | Plug, Terminal                  |     |
| 15   | 4460891     | 4   | Connector - 2 Position          |     |
| 15   | 4460465     | 8   | Socket, Female                  |     |
| 16   | 4460866     | 1   | Connector - 19 Position         |     |
| 16   | 4460943     | 3   | Pin, Male                       |     |
| 16   | 4460464     | 6   | Pin, Male                       |     |
| 16   | 4460508     | 4   | Pin, Male                       |     |
| 16   | 4460466     | 6   | Plug, Terminal                  |     |

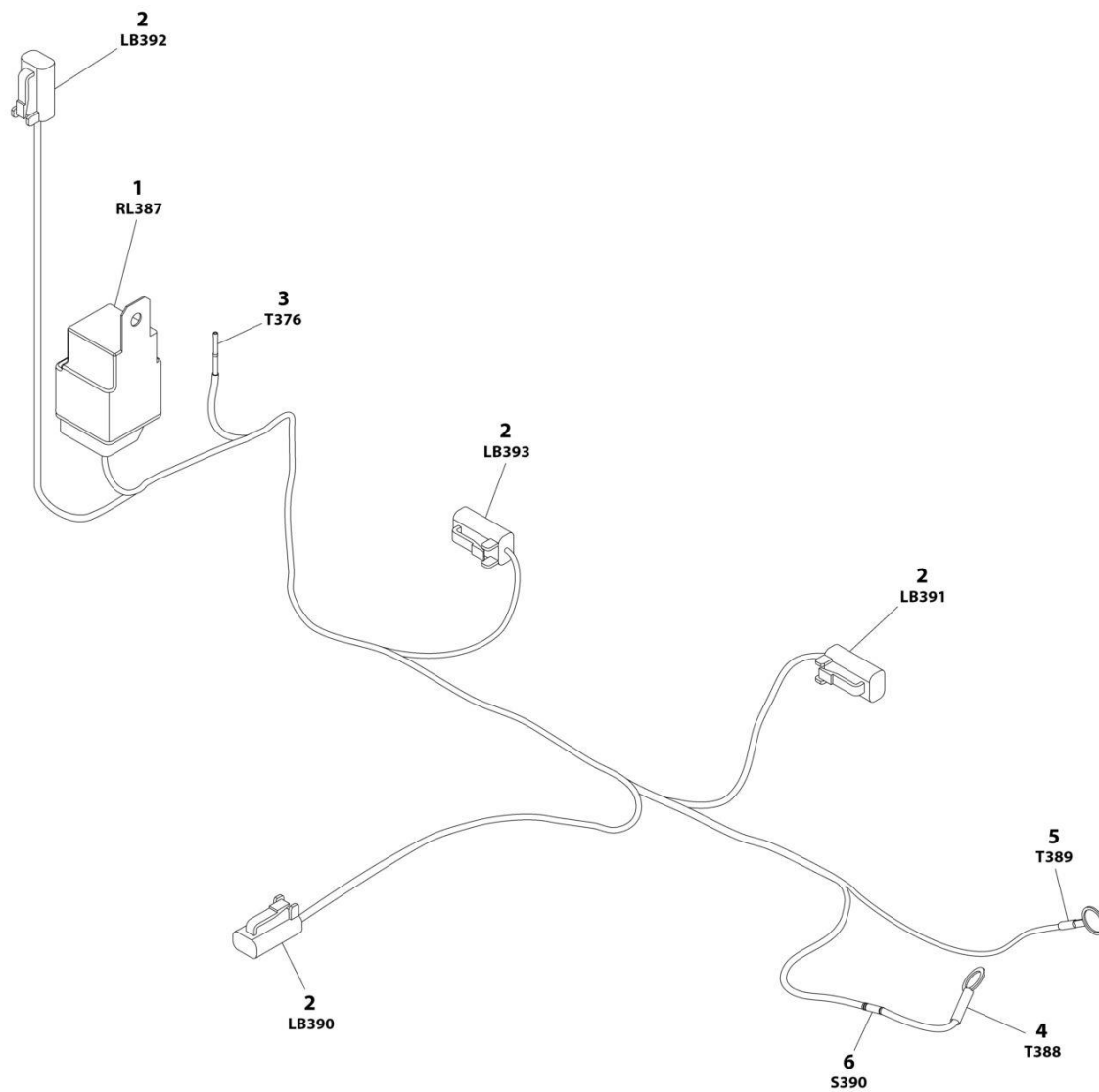
## SECTION 8 - ELECTRICAL

| ITEM | PART NUMBER | QTY | DESCRIPTION                     | REV |
|------|-------------|-----|---------------------------------|-----|
| 17   | 4460899     | 1   | Connector - 6 Position          |     |
| 17   | 4460464     | 6   | Pin, Male                       |     |
| 18   | 4460897     | 1   | Connector - 2 Position          |     |
| 18   | 4460464     | 2   | Pin, Male                       |     |
| 19   | 4461110     | 1   | Receptacle Female - 16 Position |     |
| 19   | 1001136231  | 1   | Lock, Connector                 |     |
| 19   | 1001136232  | 1   | Lock, Connector                 |     |
| 19   | 4461112     | 15  | Terminal, Female                |     |
| 19   | 4461113     | 15  | Seal                            |     |
| 19   | 4461222     | 1   | Plug                            |     |
| 20   | 8220164     | 2   | Ring, Terminal                  |     |
| 21   | 2400066     | 2   | Fuse Holder with Leads          |     |



# SECTION 8 - ELECTRICAL

## FIGURE 8-34. CHASSIS LIGHT HARNESS



ART\_1001120299

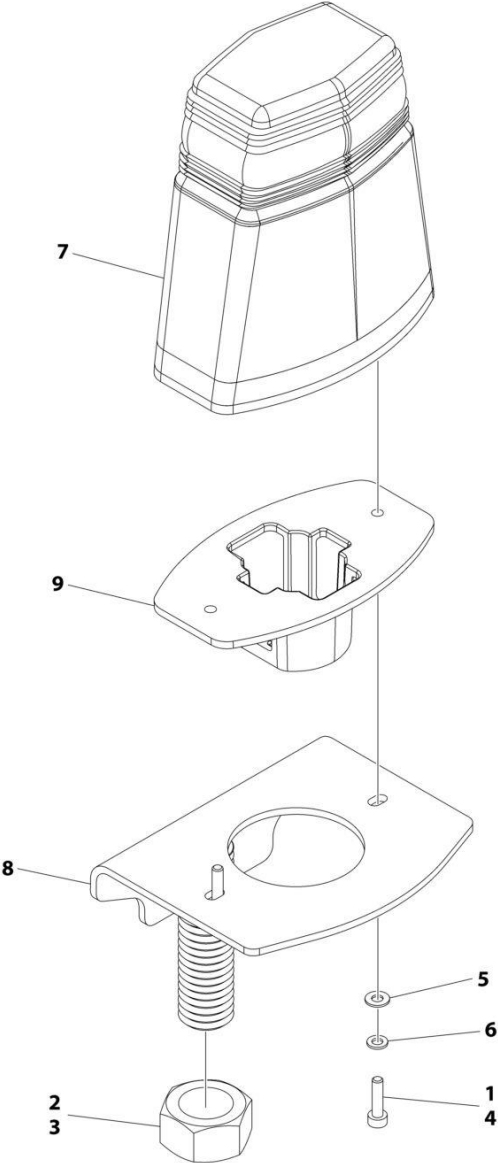
## SECTION 8 - ELECTRICAL

### FIGURE 8-34. CHASSIS LIGHT HARNESS

| ITEM | PART NUMBER | QTY | DESCRIPTION                  | REV |
|------|-------------|-----|------------------------------|-----|
|      | 1001120299  | Ref | CHASSIS LIGHT HARNESS        | B   |
| 1    | 1001117025  | 1   | Relay and Connector Assembly |     |
| 1    | 1001116734  | 2   | Terminal                     |     |
| 1    | 1001116732  | 2   | Terminal                     |     |
| 2    | 4460891     | 4   | Plug, Male - 2 Position      |     |
| 2    | 4460465     | 8   | Socket, Female               |     |
| 3    | 4460465     | 1   | Socket, Female               |     |
| 4    | 4460256     | 1   | Ring, Terminal               |     |
| 5    | 4460019     | 1   | Ring, Terminal               |     |
| 6    | 4460474     | 1   | Terminal                     |     |

**SECTION 8 - ELECTRICAL**

**FIGURE 8-35. CLEARSKY INSTALLATION**



ART\_1001289851



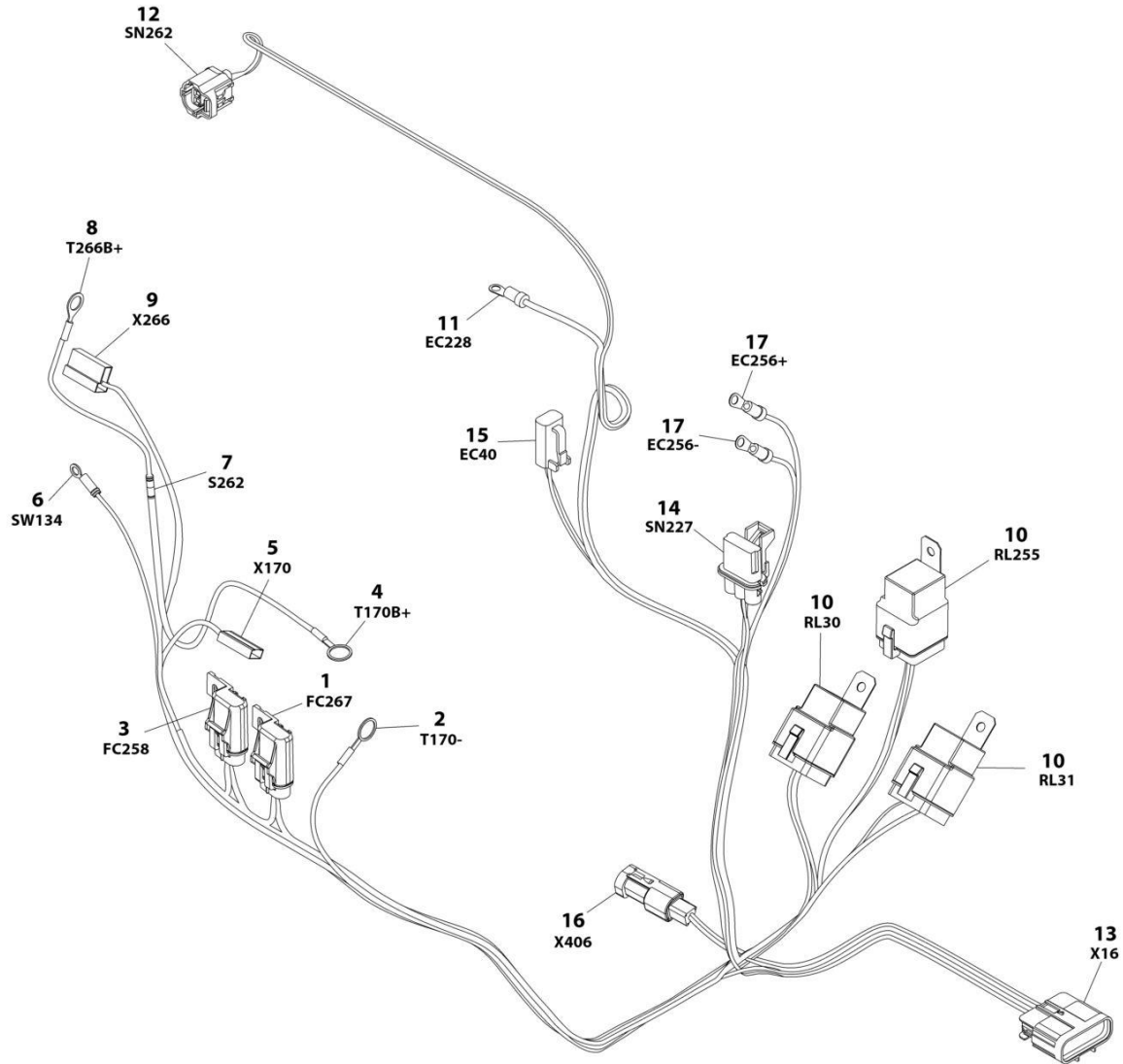
## SECTION 8 - ELECTRICAL

### FIGURE 8-35. CLEARSKY INSTALLATION

| ITEM | PART NUMBER | QTY | DESCRIPTION                | REV |
|------|-------------|-----|----------------------------|-----|
|      | 1001289851  | Ref | CLEARSKY INSTALLATION      | A   |
| 1    | 0100011     | AR  | Compound, Locking          |     |
| 2    | 3020043     | AR  | Lube, Anti-Seize           |     |
| 3    | 3292001     | 1   | Nut M20                    |     |
| 4    | 4031507     | 2   | Capscrew M4 x 16           |     |
| 5    | 4811400     | 2   | Washer M4                  |     |
| 6    | 4831400     | 2   | Washer M4                  |     |
| 7    | 1001280661  | 1   | Module, ClearSky           |     |
| 8    | 1001286584  | 1   | Bracket, ClearSky Mounting |     |
| 9    | 1001289648  | 1   | Plate, Anti-Tamper         |     |

# SECTION 8 - ELECTRICAL

## FIGURE 8-36. ENGINE HARNESS - KUBOTA ENGINE



ART\_1001118638

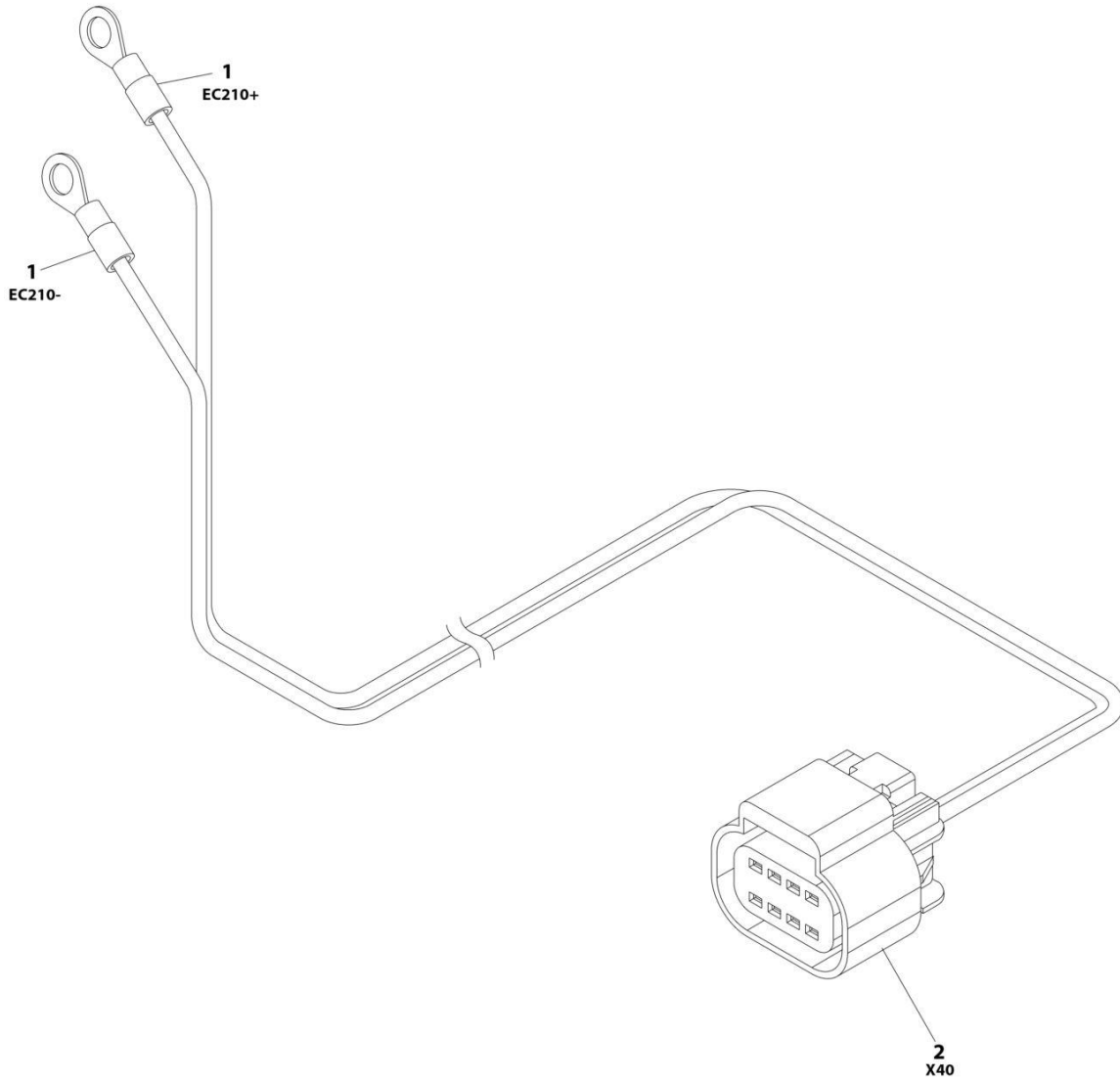
## SECTION 8 - ELECTRICAL

**FIGURE 8-36. ENGINE HARNESS - KUBOTA ENGINE**

| ITEM | PART NUMBER | QTY | DESCRIPTION                                   | REV |
|------|-------------|-----|---|-----|
|      | 1001118638  | Ref | KUBOTA ENGINE HARNESS                         | G   |
| 1    | 1001117070  | 1   | Connector, Fuseholder (Includes Fuse and Cap) |     |
| 1    | 1001116752  | 2   | Terminal, Female                              |     |
| 2    | 4460256     | 1   | Terminal                                      |     |
| 3    | 1001118938  | 1   | Connector, Fuseholder (Includes Fuse and Cap) |     |
| 3    | 1001116752  | 2   | Terminal, Female                              |     |
| 4    | 8220164     | 1   | Terminal                                      |     |
| 5    | 1001118743  | 1   | Connector, Receptacle                         |     |
| 5    | 1001118748  | 1   | Terminal                                      |     |
| 6    | 4460247     | 1   | Terminal, Ring                                |     |
| 7    | 4460474     | 1   | Terminal                                      |     |
| 8    | 4460043     | 1   | Terminal, Ring                                |     |
| 8    | 1001121574  | 1   | Lock, Connector                               |     |
| 9    | 1001118744  | 1   | Receptacle, Female - 2 Position               |     |
| 9    | 1001118745  | 1   | Terminal                                      |     |
| 10   | 1001117025  | 3   | Relay and Connector Assembly                  |     |
| 10   | 1001116734  | 6   | Terminal                                      |     |
| 10   | 1001116732  | 6   | Terminal                                      |     |
| 11   | 4460142     | 1   | Terminal, Ring                                |     |
| 12   | 1001118657  | 1   | Plug, Male - 2 Position (Green)               |     |
| 12   | 1001118658  | 2   | Socket, Female                                |     |
| 13   | 4461109     | 1   | Plug, Male - 16 Position                      |     |
| 13   | 1001136232  | 1   | Lock, Connector                               |     |
| 13   | 4461111     | 14  | Terminal, Male                                |     |
| 13   | 4461113     | 14  | Seal  |     |
| 13   | 4461222     | 2   | Plug  |     |
| 14   | 1001117055  | 1   | Plug, Male - 3 Position                       |     |
| 14   | 4460746     | 3   | Socket, Female                                |     |
| 15   | 4460891     | 1   | Plug, Male - 2 Position (Gray)                |     |
| 15   | 4460465     | 2   | Socket, Female                                |     |
| 16   | 4461095     | 1   | Plug, Male - 3 Position                       |     |
| 16   | 4460944     | 2   | Terminal , Gold                               |     |
| 16   | 4460466     | 1   | Plug, Terminal                                |     |
| 17   | 4460042     | 2   | Terminal, Ring                                |     |

# SECTION 8 - ELECTRICAL

## FIGURE 8-37. FUEL PUMP HARNESS - GM ENGINES



ART\_1001119778

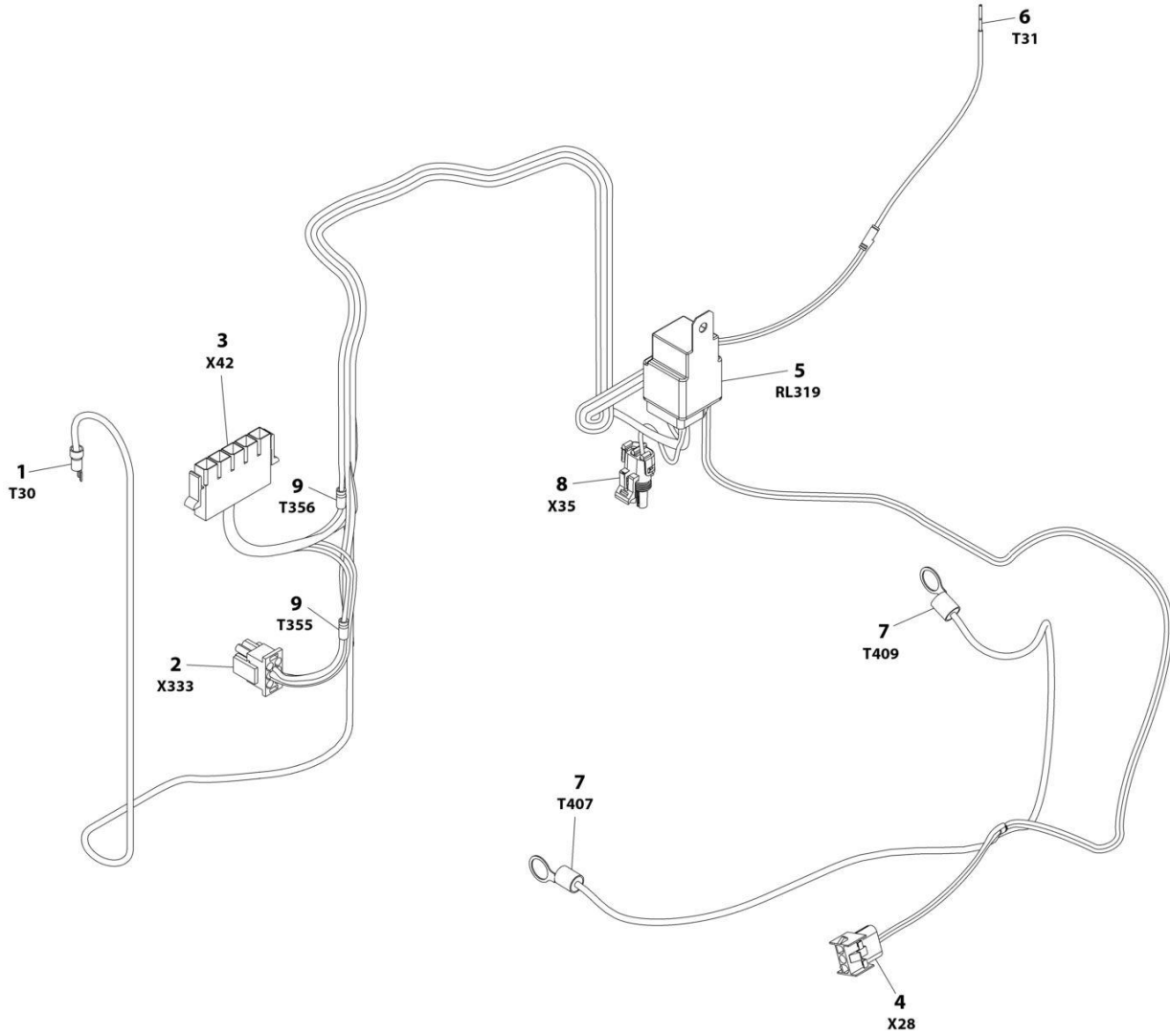
## SECTION 8 - ELECTRICAL

### FIGURE 8-37. FUEL PUMP HARNESS - GM ENGINES

| ITEM | PART NUMBER | QTY | DESCRIPTION                     | REV |
|------|-------------|-----|---------------------------------|-----|
|      | 1001119778  | Ref | GM FUEL PUMP HARNESS            | A   |
| 1    | 4460313     | 2   | Terminal, Ring                  |     |
| 2    | 1001119799  | 1   | Receptacle, Female - 8 Position |     |
| 2    | 4461112     | 2   | Terminal, Female                |     |
| 2    | 4461113     | 2   | Seal                            |     |
| 2    | 4461222     | 6   | Plug                            |     |

# SECTION 8 - ELECTRICAL

## FIGURE 8-38. GENERATOR HARNESS - 2500W



ART\_1001119773

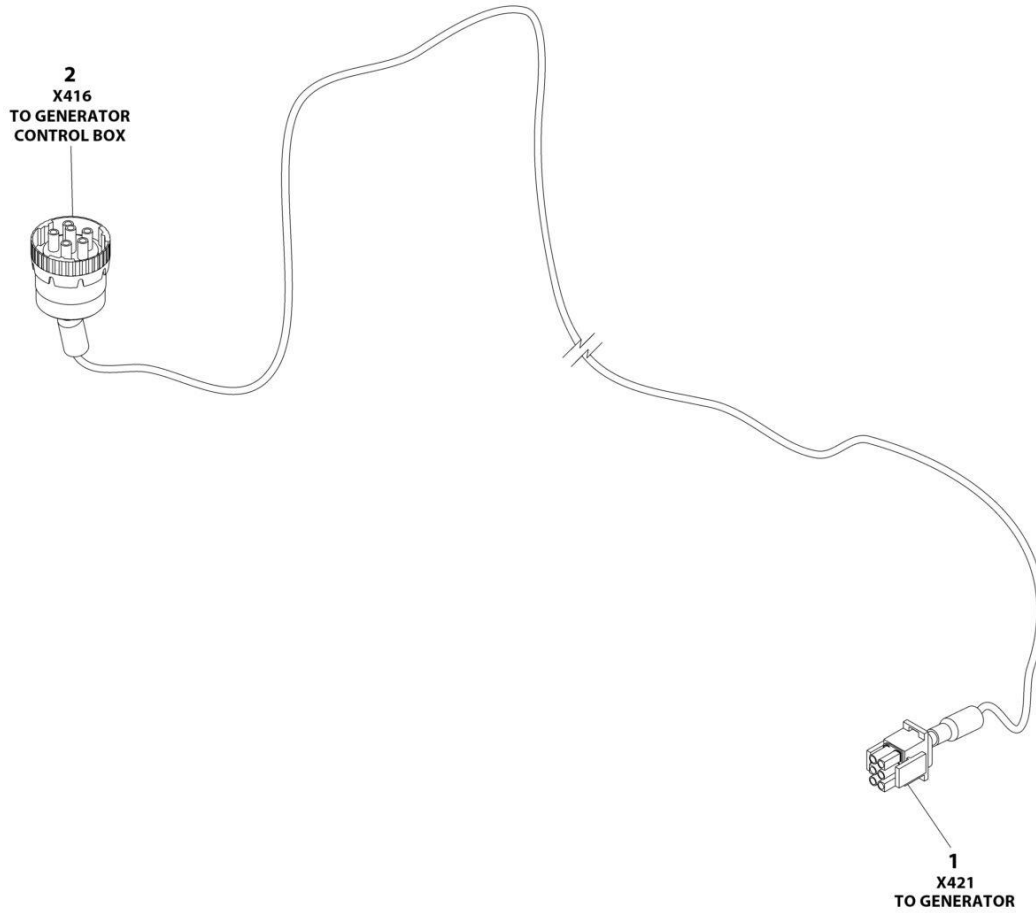
## SECTION 8 - ELECTRICAL

**FIGURE 8-38. GENERATOR HARNESS - 2500W**

| ITEM | PART NUMBER | QTY | DESCRIPTION                     | REV |
|------|-------------|-----|---------------------------------|-----|
|      | 1001119773  | Ref | GENERATOR HARNESS - 2500W       | C   |
| 1    | 4460806     | 1   | Terminal                        |     |
| 2    | 4460225     | 1   | Plug, Male - 6 Position         |     |
| 2    | 4460705     | 1   | Pin, Male                       |     |
| 2    | 4460267     | 3   | Pin, Male                       |     |
| 2    | 4460268     | 2   | Socket, Female                  |     |
| 3    | 4460972     | 1   | Plug, Male - 5 Position         |     |
| 3    | 4460973     | 1   | Terminal 12Ga                   |     |
| 3    | 4460974     | 4   | Terminal 16Ga                   |     |
| 4    | 4460445     | 1   | Receptacle, Female - 3 Position |     |
| 4    | 4460268     | 3   | Socket, Female                  |     |
| 5    | 1001117025  | 1   | Relay and Connector Assembly    |     |
| 5    | 1001116734  | 2   | Terminal                        |     |
| 5    | 1001116732  | 2   | Terminal                        |     |
| 6    | 4460465     | 1   | Socket, Female Deutsch 16Ga     |     |
| 7    | 8220029     | 2   | Terminal                        |     |
| 8    | 4460742     | 1   | Plug, Male - 2 Position         |     |
| 8    | 4460743     | 1   | Socket, Female                  |     |
| 8    | 1001116727  | 1   | Seal, Plug                      |     |
| 9    | 4460121     | 2   | Cap, Wire                       |     |

# SECTION 8 - ELECTRICAL

## FIGURE 8-39. GENERATOR HARNESS - 4000W



ART\_1001157916



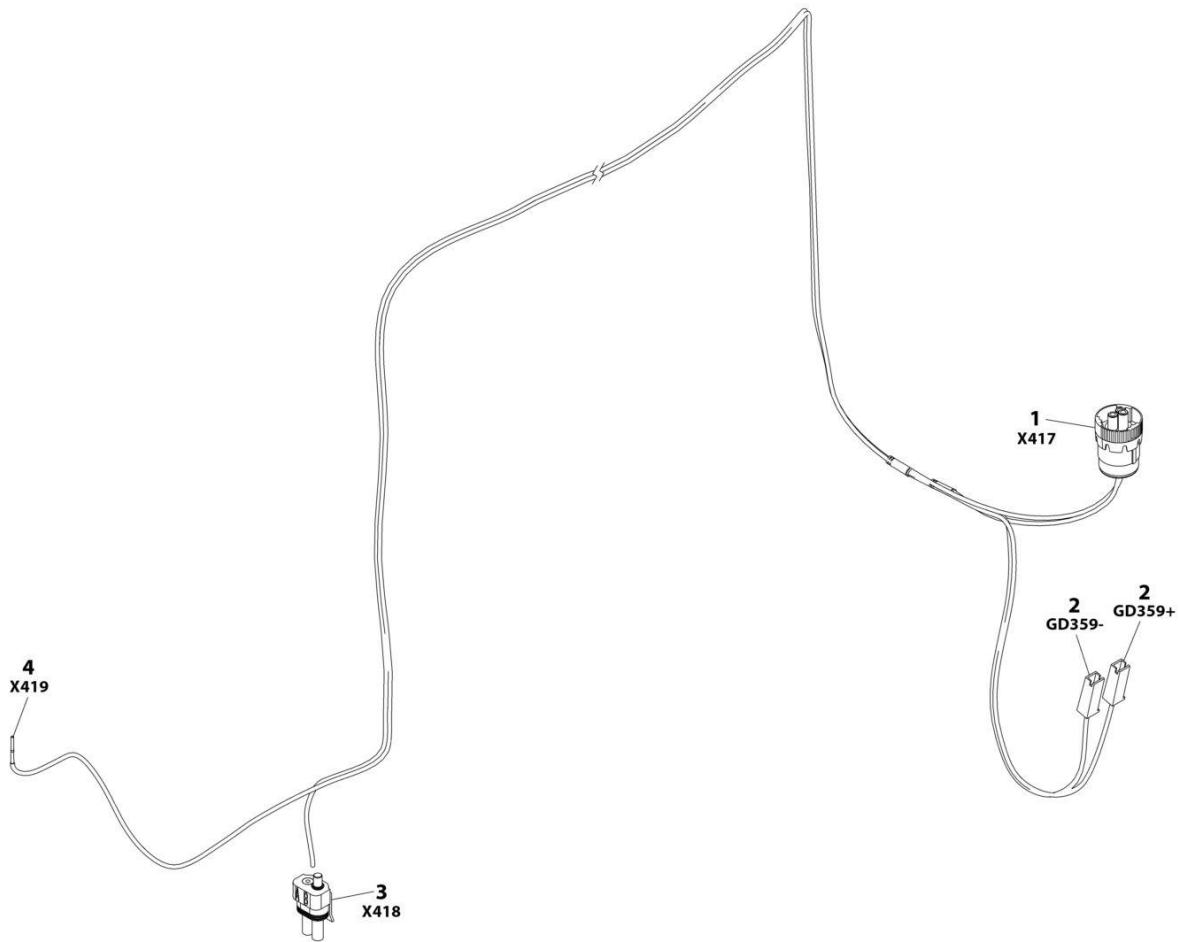
## SECTION 8 - ELECTRICAL

### FIGURE 8-39. GENERATOR HARNESS - 4000W

| ITEM | PART NUMBER | QTY | DESCRIPTION               | REV |
|------|-------------|-----|---------------------------|-----|
|      | 1001157916  | Ref | GENERATOR HARNESS - 4000W | B   |
| 1    | 4460225     | 1   | Plug, Male - 6 Position   |     |
| 1    | 4460268     | 2   | Socket, Female            |     |
| 2    | 77363233    | 1   | Connector                 |     |
| 2    | 4460465     | 2   | Socket, Female            |     |
| 2    | 4460466     | 4   | Plug, Terminal            |     |

# SECTION 8 - ELECTRICAL

## FIGURE 8-40. GENERATOR CONTROL HARNESS - 4000W



ART\_1001157915

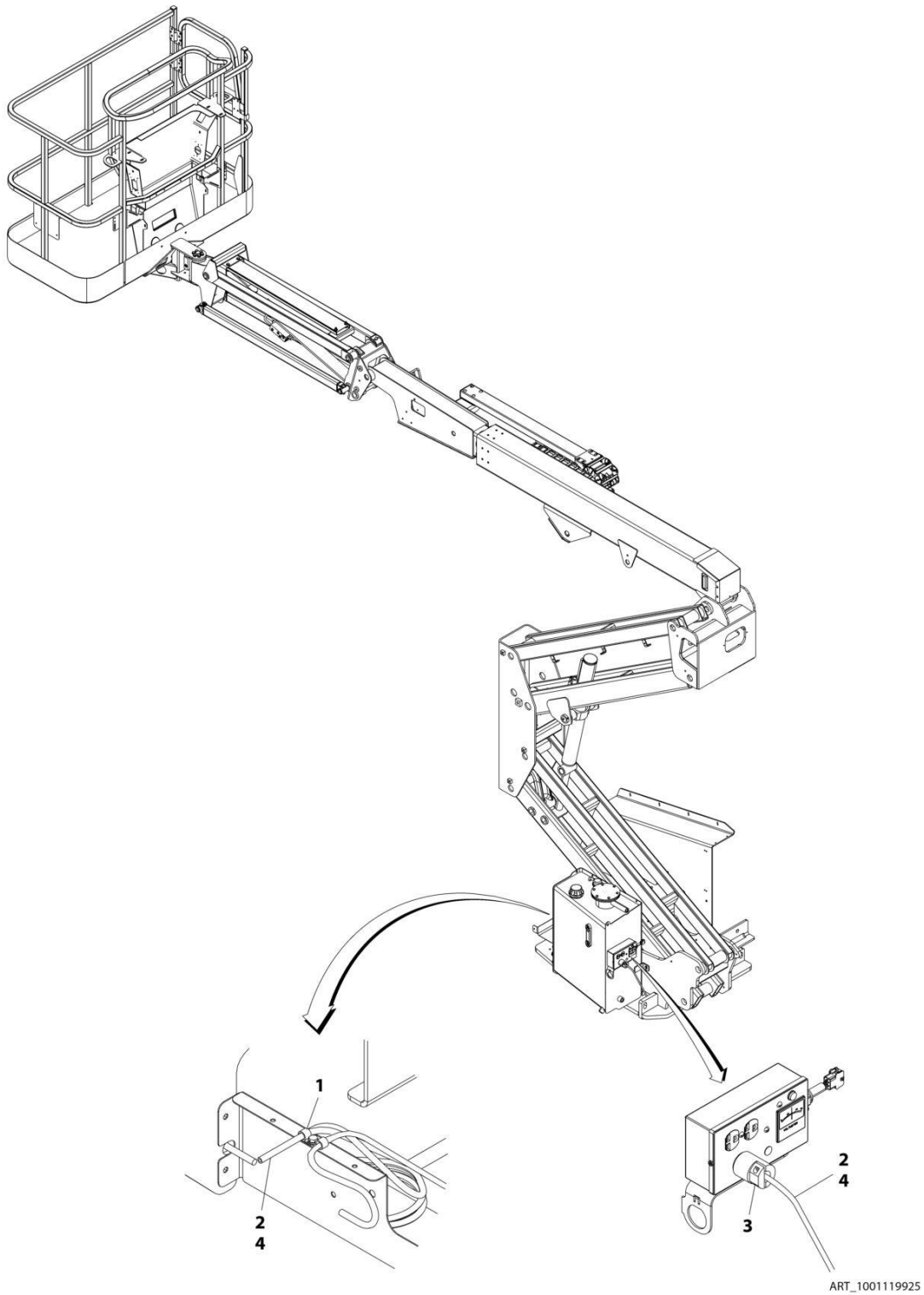
## SECTION 8 - ELECTRICAL

### FIGURE 8-40. GENERATOR CONTROL HARNESS - 4000W

| ITEM | PART NUMBER | QTY | DESCRIPTION                       | REV |
|------|-------------|-----|-----------------------------------|-----|
|      | 1001157915  | Ref | GENERATOR CONTROL HARNESS - 4000W | A   |
| 1    | 4460967     | 1   | Connector                         |     |
| 1    | 4460466     | 1   | Plug                              |     |
| 1    | 4460465     | 1   | Socket                            |     |
| 2    | 4460260     | 2   | Connector                         |     |
| 2    | 4460259     | 2   | Terminal                          |     |
| 3    | 4460742     | 1   | Connector                         |     |
| 3    | 4460457     | 1   | Terminal                          |     |
| 3    | 1001116727  | 1   | Plug                              |     |
| 4    | 4460465     | 1   | Socket                            |     |

## SECTION 8 - ELECTRICAL

FIGURE 8-41. GENERATOR TO AC PLUG HARNESS - 2800W GENERATOR 220/50HZ (ANSI EXPORT, AUSTRALIAN, CHINA, CE & UK CA SPECS)



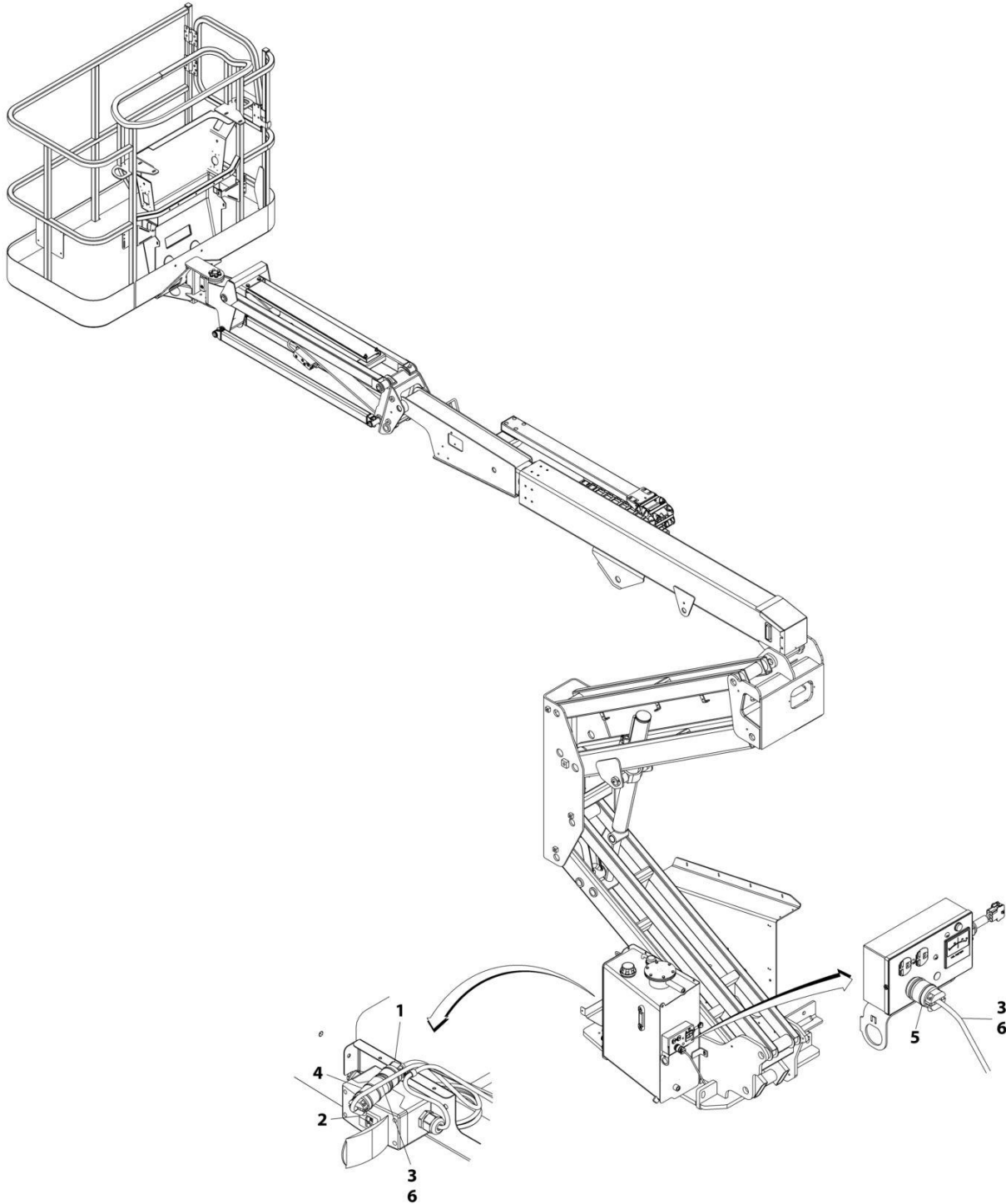
## SECTION 8 - ELECTRICAL

**FIGURE 8-41. GENERATOR TO AC PLUG HARNESS - 2800W GENERATOR 220/50HZ (ANSI EXPORT, AUSTRALIAN, CHINA, CE & UK CA SPECS)**

| ITEM | PART NUMBER | QTY        | DESCRIPTION  | REV |
|------|-------------|------------|--|-----|
|      | 1001119925  | Ref        | GENERATOR TO AC PLUG HARNESS - 2800W GENERATOR<br>220/50HZ | A   |
| 1    | 1320043     | 1          | Clamp  |     |
| 2    | 1001119922  | 1          | Harness, Generator to AC Plug                              | B   |
| 3    | 4460709     | 1          | Plug, Male   |     |
| 4    | 4923505     | 7 ft/2.13m | Cable, 14/3  |     |

# SECTION 8 - ELECTRICAL

FIGURE 8-42. GENERATOR TO AC PLUG HARNESS - 2800W GENERATOR 110/50HZ (CE & UK CA SPECS ONLY)



ART\_1001119927

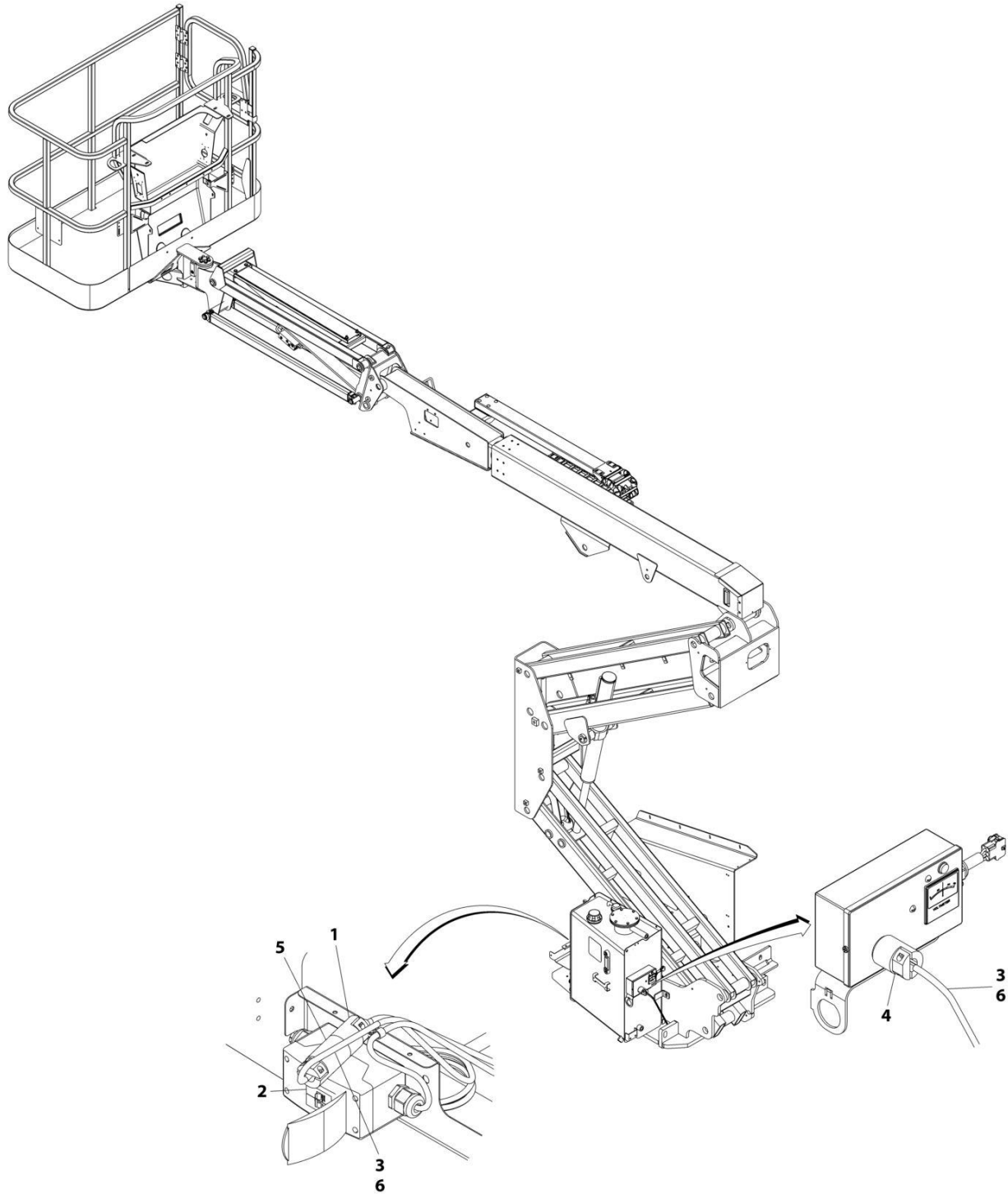
## SECTION 8 - ELECTRICAL

**FIGURE 8-42. GENERATOR TO AC PLUG HARNESS - 2800W GENERATOR 110/50HZ (CE & UK CA SPECS ONLY)**

| ITEM | PART NUMBER | QTY        | DESCRIPTION  | REV |
|------|-------------|------------|--|-----|
|      | 1001119927  | Ref        | GENERATOR TO AC PLUG HARNESS - 2800W GENERATOR<br>110/50HZ | A   |
| 1    | 4460205     | 1          | Plug, Male   |     |
| 2    | 1001109477  | 1          | Breaker 10Amp  |     |
| 3    | 1001119919  | 1          | Harness, Generator to AC Plug                              | B   |
| 4    | 4460134     | 1          | Plug, Female   |     |
| 5    | 4460205     | 1          | Plug, Male   |     |
| 6    | 4923505     | 7 ft/2.13m | Cable, 14/3  |     |

# SECTION 8 - ELECTRICAL

**FIGURE 8-43. GENERATOR TO AC PLUG HARNESS - 2800W GENERATOR 220/50HZ (ANSI EXPORT, AUSTRALIAN, CHINA, CE & UK CA SPECS)**



ART\_1001119928



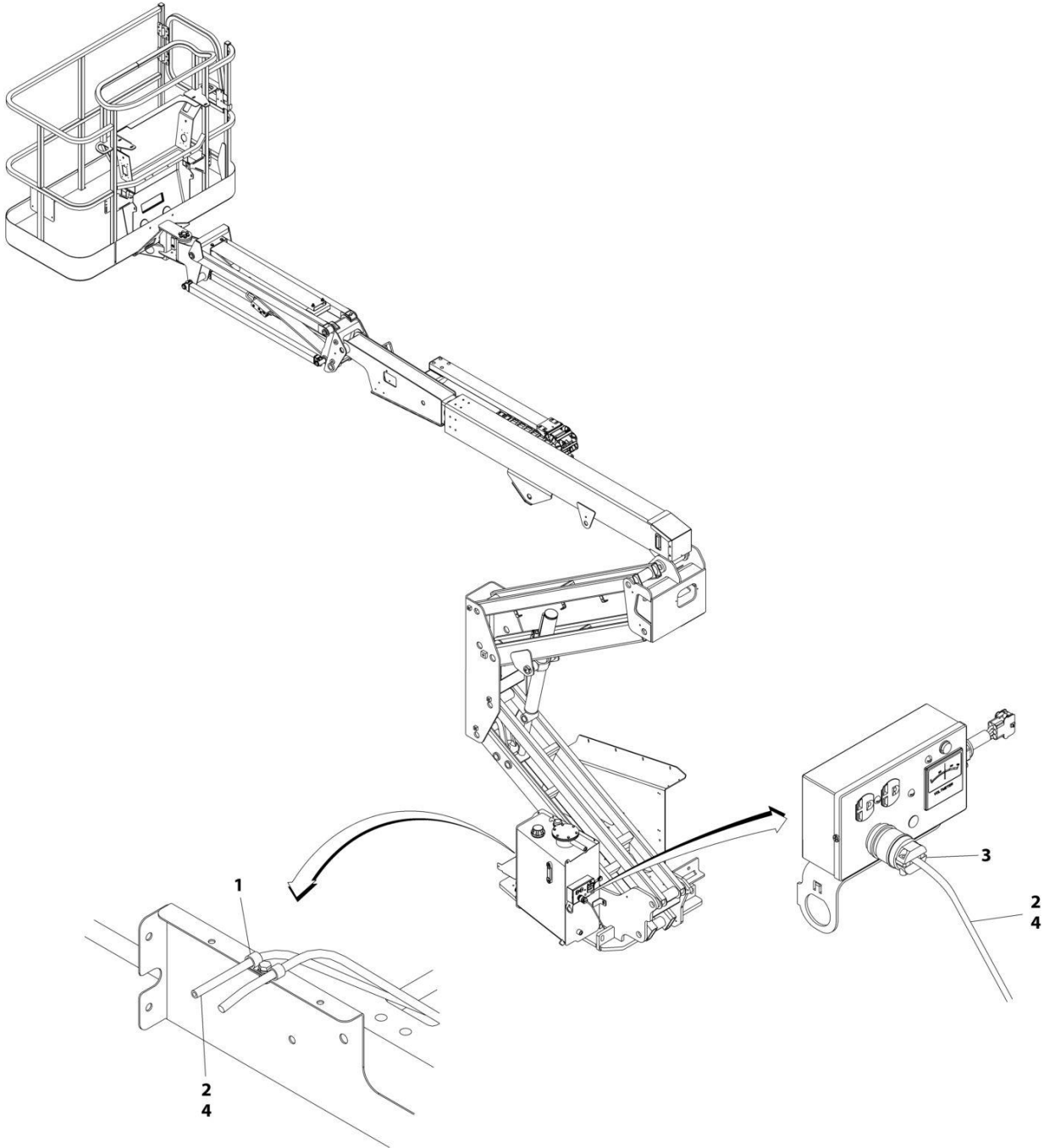
## SECTION 8 - ELECTRICAL

**FIGURE 8-43. GENERATOR TO AC PLUG HARNESS - 2800W GENERATOR 220/50HZ (ANSI EXPORT, AUSTRALIAN, CHINA, CE & UK CA SPECS)**

| ITEM | PART NUMBER | QTY             | DESCRIPTION   | REV |
|------|-------------|-----------------|---|-----|
|      | 1001119928  | Ref             | GENERATOR TO AC PLUG HARNESS - 2800W GENERATOR 220/50HZ | B   |
| 1    | 4460709     | 1               | Plug, Male  |     |
| 2    | 1001109477  | 1               | Breaker 10 Amp  |     |
| 3    | 1001119920  | 1               | Harness, Generator to AC Plug                           | A   |
| 4    | 4460709     | 1               | Plug, Male  |     |
| 5    | 4460710     | 1               | Plug, Female  |     |
| 6    | 4923505     | 6.8 ft/<br>2.0m | Cable, 14/3   |     |

# SECTION 8 - ELECTRICAL

FIGURE 8-44. GENERATOR TO AC PLUG HARNESS - 3500W GENERATOR 220/60HZ (ANSI EXPORT, CHINA AND CSA SPECS)



ART\_1001119924

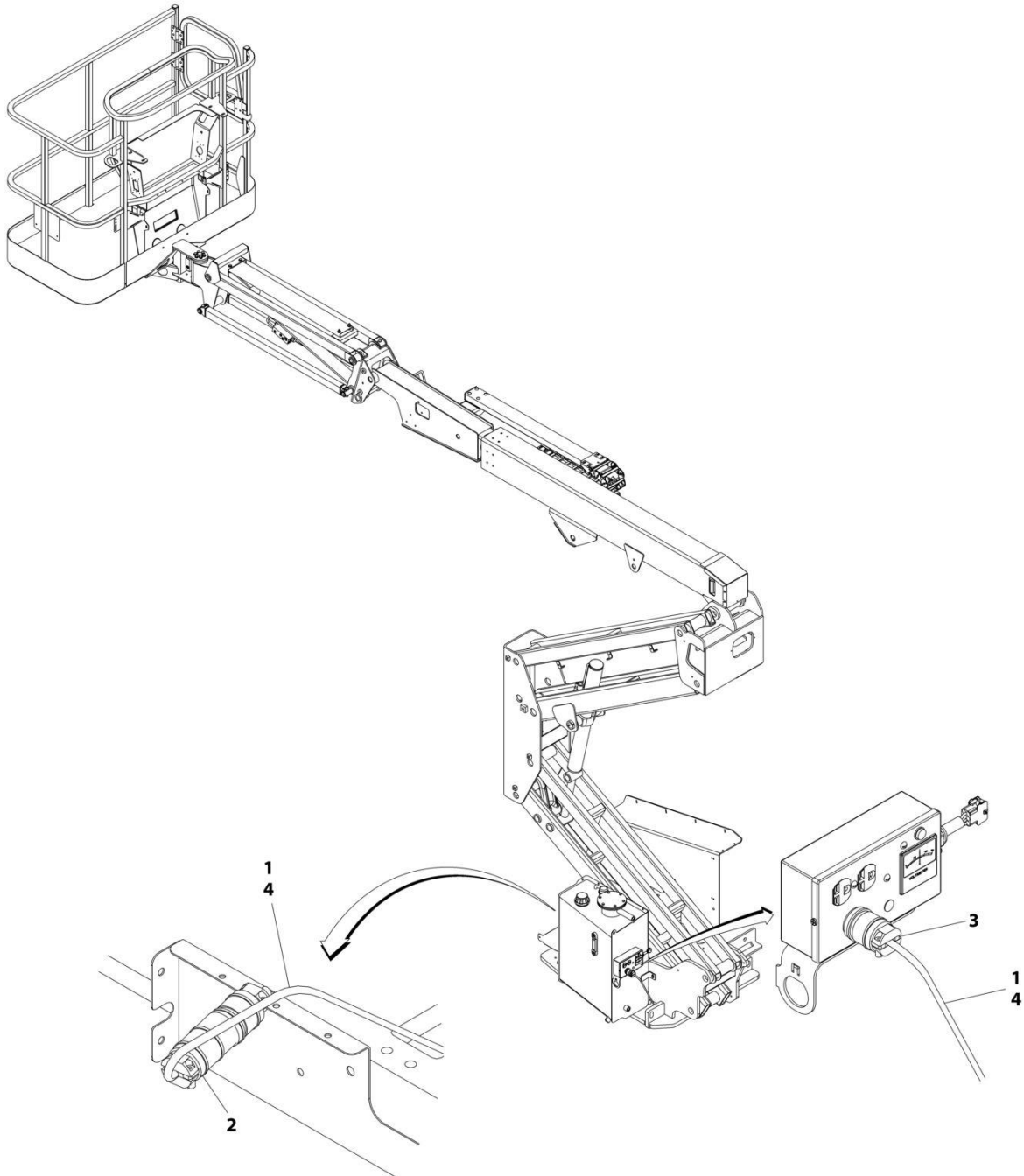
## SECTION 8 - ELECTRICAL

**FIGURE 8-44. GENERATOR TO AC PLUG HARNESS - 3500W GENERATOR 220/60HZ (ANSI EXPORT, CHINA AND CSA SPECS)**

| ITEM | PART NUMBER | QTY        | DESCRIPTION  | REV |
|------|-------------|------------|--|-----|
|      | 1001119924  | Ref        | GENERATOR TO AC PLUG HARNESS - 3500W GENERATOR<br>220/60HZ | A   |
| 1    | 1320043     | 1          | Clamp  |     |
| 2    | 1001119921  | 1          | Harness, Generator to AC Plug                              | A   |
| 3    | 4460205     | 1          | Plug, Male   |     |
| 4    | 4923505     | 7 ft/2.13m | Cable, 14/3  |     |

# SECTION 8 - ELECTRICAL

**FIGURE 8-45. GENERATOR TO AC PLUG HARNESS - 3500W GENERATOR 110/60HZ (ANSI, ANSI EXPORT, CHINA, CSA AND JAPANESE SPECS)**



ART\_1001119923

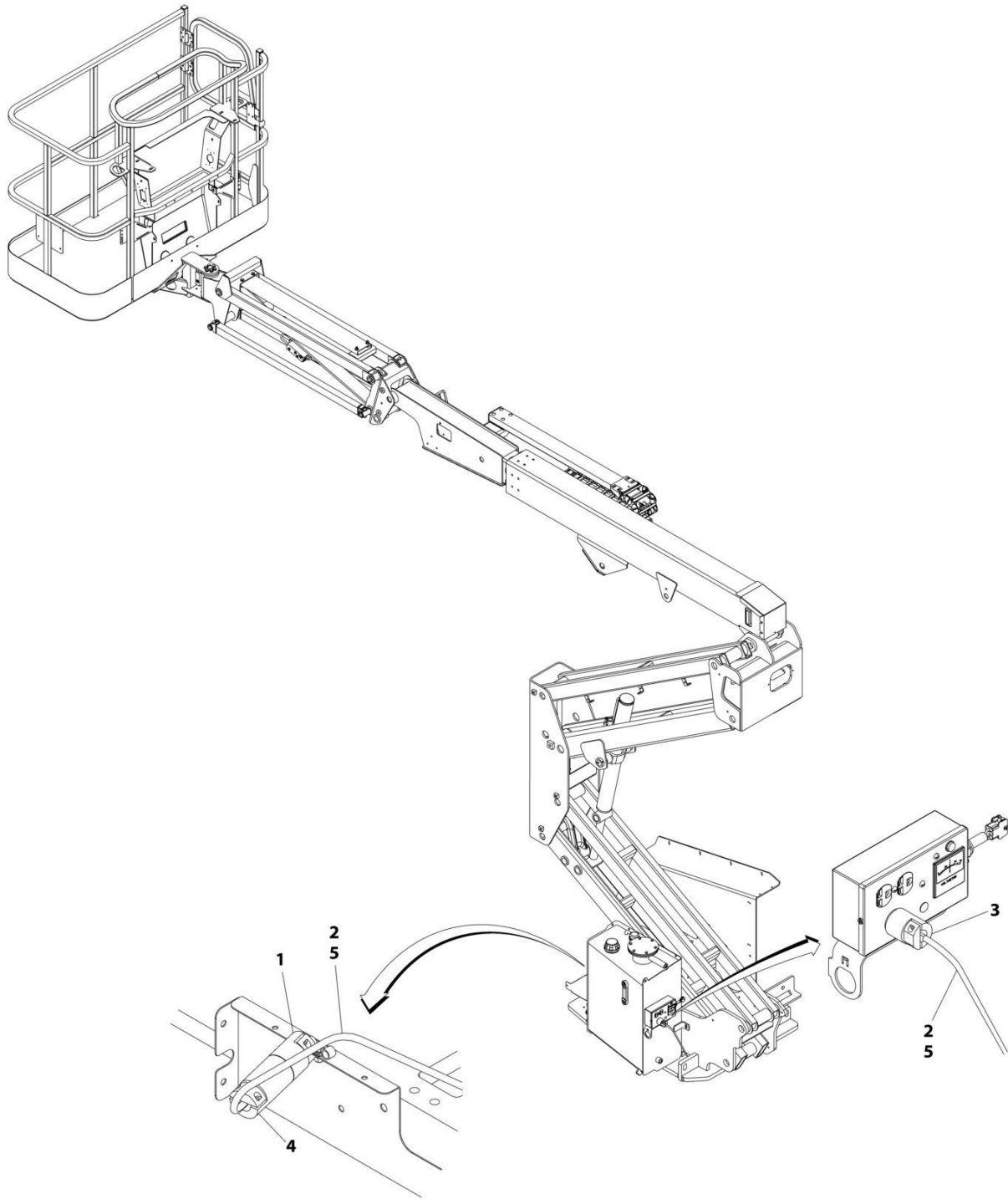
## SECTION 8 - ELECTRICAL

**FIGURE 8-45. GENERATOR TO AC PLUG HARNESS - 3500W GENERATOR 110/60HZ (ANSI, ANSI EXPORT, CHINA, CSA AND JAPANESE SPECS)**

| ITEM | PART NUMBER | QTY        | DESCRIPTION   | REV |
|------|-------------|------------|---|-----|
|      | 1001119923  | Ref        | GENERATOR TO AC PLUG HARNESS - 3500W GENERATOR 110/60HZ | A   |
| 1    | 1001119919  | 1          | Harness, Generator to AC Plug                           | B   |
| 2    | 4460134     | 1          | Plug, Female  |     |
| 3    | 4460205     | 1          | Plug, Male  |     |
| 4    | 4923505     | 7 ft/2.13m | Cable, 14/3   |     |

# SECTION 8 - ELECTRICAL

FIGURE 8-46. GENERATOR TO AC PLUG HARNESS - 3500W GENERATOR 220/60HZ (ANSI EXPORT, CHINA AND CSA SPECS)



ART\_100119926

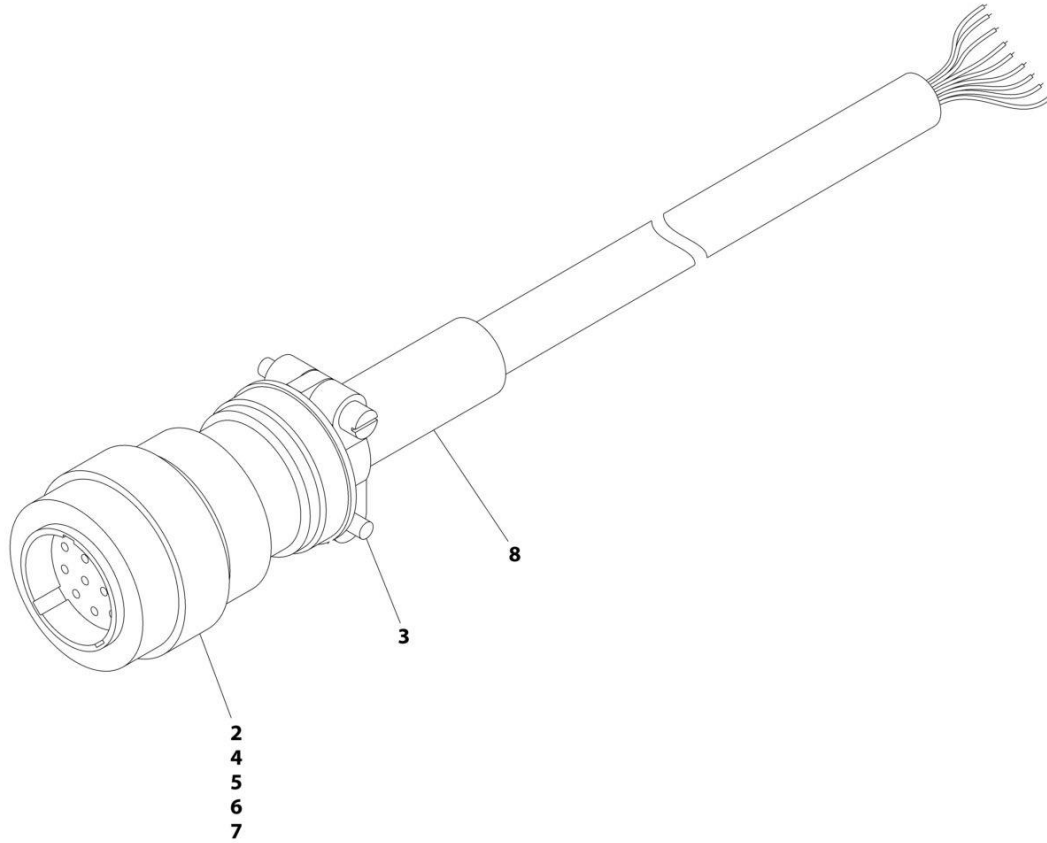
## SECTION 8 - ELECTRICAL

**FIGURE 8-46. GENERATOR TO AC PLUG HARNESS - 3500W GENERATOR 220/60HZ (ANSI EXPORT, CHINA AND CSA SPECS)**

| ITEM | PART NUMBER | QTY              | DESCRIPTION   | REV |
|------|-------------|------------------|---|-----|
|      | 1001119926  | Ref              | GENERATOR TO AC PLUG HARNESS - 3500W GENERATOR 220/60HZ | A   |
| 1    | 4460709     | 1                | Plug, Male  |     |
| 2    | 1001119920  | 1                | Harness, Generator to AC Plug                           | A   |
| 3    | 4460709     | 1                | Plug, Male  |     |
| 4    | 4460710     | 1                | Plug, Female  |     |
| 5    | 4923505     | 6.8 ft/<br>2.06m | Cable, 14/3   |     |

## SECTION 8 - ELECTRICAL

FIGURE 8-47. GROUND TO PLATFORM CABLE - MAIN BOOM (WITHOUT ARCTIC PACKAGE)



ART\_1001119018



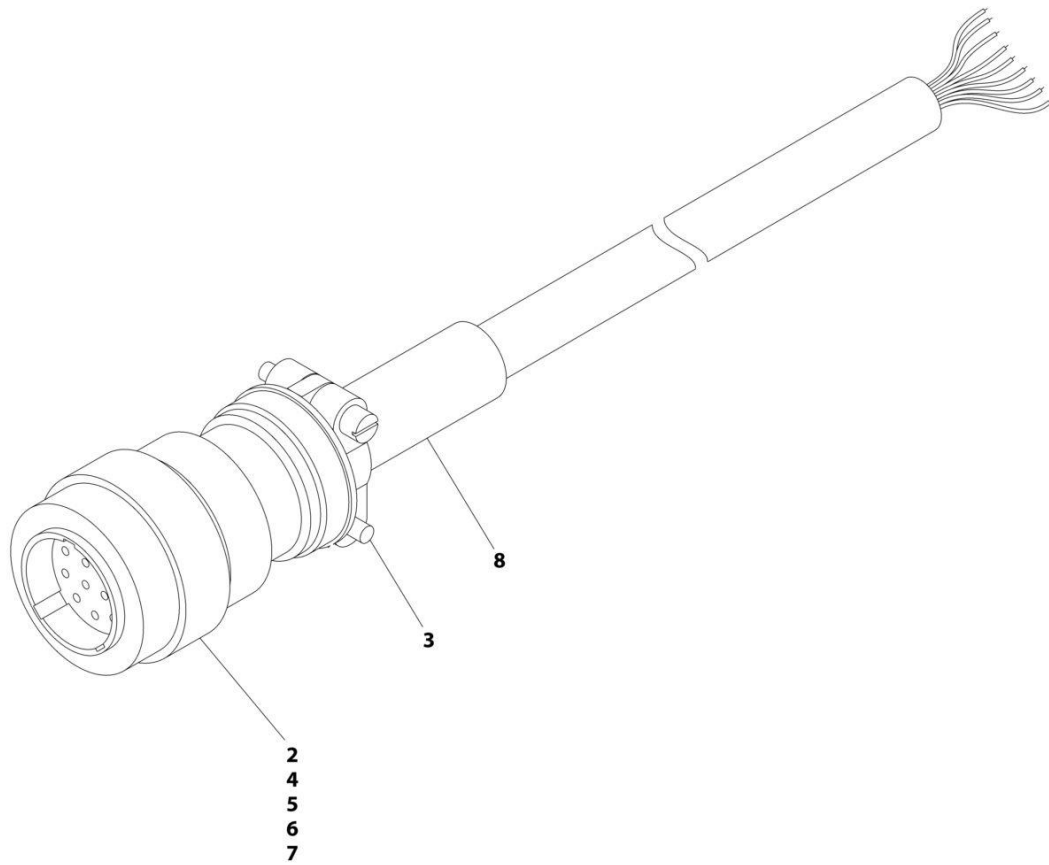
## SECTION 8 - ELECTRICAL

**FIGURE 8-47. GROUND TO PLATFORM CABLE - MAIN BOOM (WITHOUT ARCTIC PACKAGE)**

| ITEM | PART NUMBER | QTY | DESCRIPTION   | REV |
|------|-------------|-----|---|-----|
|      | 1001119018  | Ref | GROUND TO PLATFORM CABLE - MAIN BOOM (WITHOUT ARCTIC PACKAGE) | C   |
| 2    | 4460865     | 1   | Connector - 19 Position                                       |     |
| 3    | 4460473     | 1   | Clamp, Cable  |     |
| 4    | 4460465     | 22  | Socket, Female  |     |
| 5    | 4460509     | 8   | Socket, Female  |     |
| 6    | 4460466     | 4   | Plug, Terminal  |     |
| 7    | 2820118     | AR  | Heat Shrink   |     |
| 8    | 1001226400  | 1   | Heat Shrink   |     |

## SECTION 8 - ELECTRICAL

FIGURE 8-48. GROUND TO PLATFORM CABLE - MAIN BOOM (WITH ARCTIC PACKAGE)



ART\_100119953

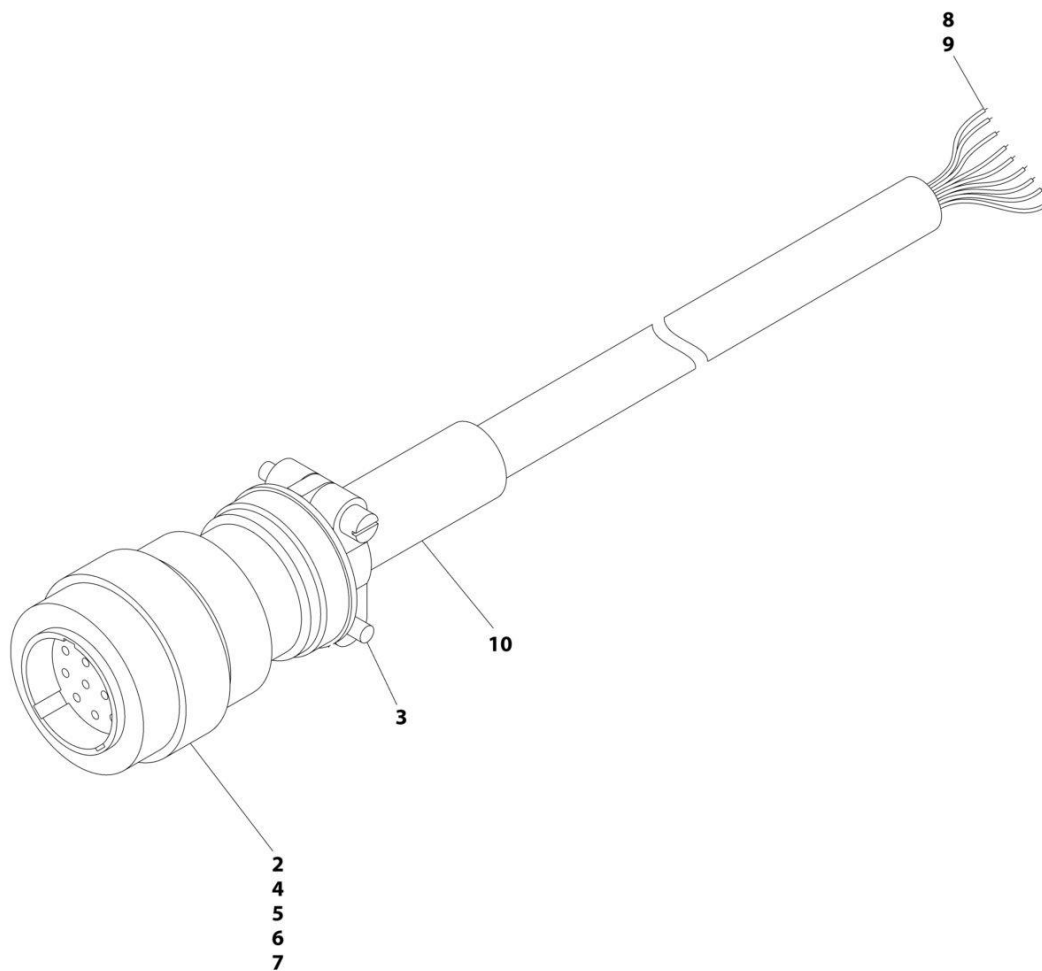
## SECTION 8 - ELECTRICAL

**FIGURE 8-48. GROUND TO PLATFORM CABLE - MAIN BOOM (WITH ARCTIC PACKAGE)**

| ITEM | PART NUMBER | QTY | DESCRIPTION  | REV |
|------|-------------|-----|--|-----|
|      | 1001119953  | Ref | GROUND TO PLATFORM CABLE - MAIN BOOM (WITH ARCTIC PACKAGE) | D   |
| 2    | 4460865     | 1   | Connector - 19 Position                                    |     |
| 3    | 4460473     | 1   | Clamp, Cable   |     |
| 4    | 4460465     | 22  | Socket, Female   |     |
| 5    | 4460509     | 8   | Socket, Female   |     |
| 6    | 4460466     | 4   | Plug, Terminal   |     |
| 7    | 2820118     | AR  | Heat Shrink  |     |
| 8    | 1001226400  | 1   | Heat Shrink  |     |

# SECTION 8 - ELECTRICAL

FIGURE 8-49. GROUND TO PLATFORM CABLE - TOWER BOOM (WITHOUT ARCTIC PACKAGE)



ART\_1001119019

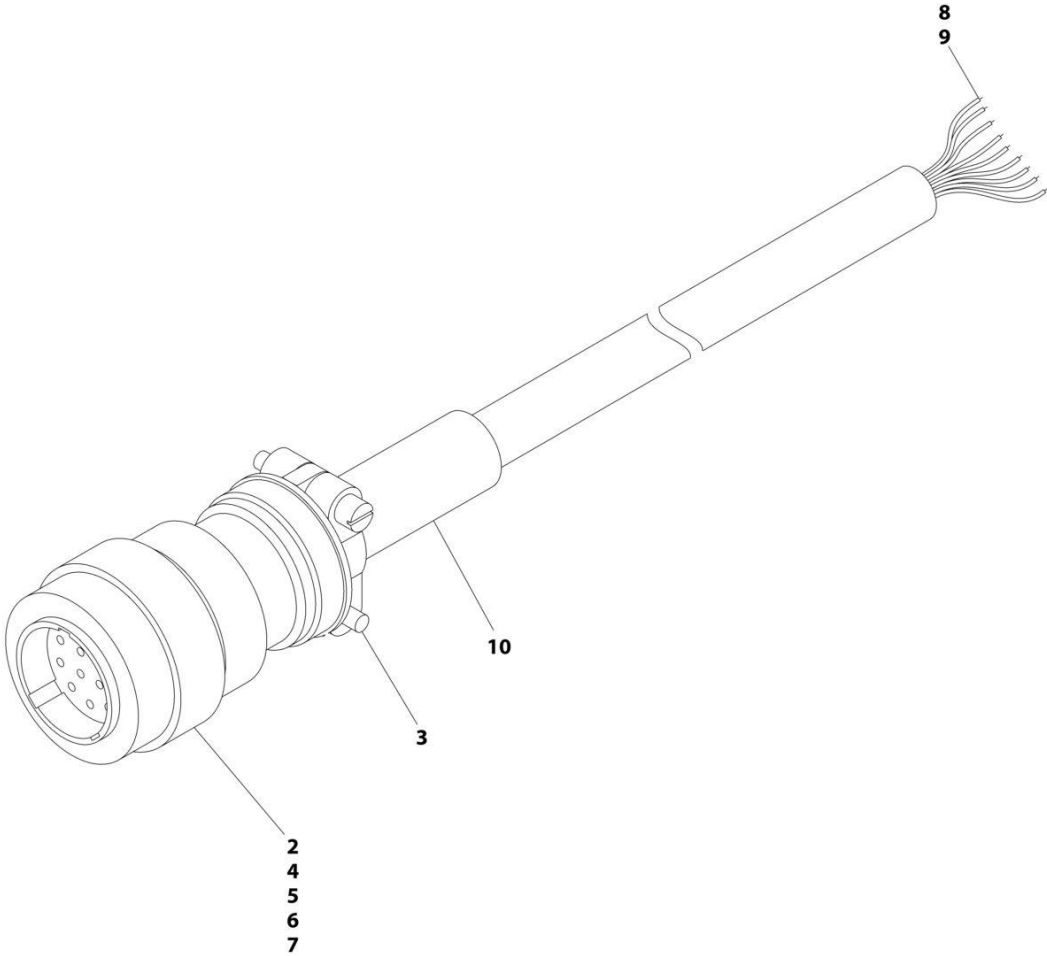
## SECTION 8 - ELECTRICAL

**FIGURE 8-49. GROUND TO PLATFORM CABLE - TOWER BOOM (WITHOUT ARCTIC PACKAGE)**

| ITEM | PART NUMBER | QTY | DESCRIPTION  | REV |
|------|-------------|-----|--|-----|
|      | 1001119019  | Ref | GROUND TO PLATFORM CABLE - TOWER BOOM (WITHOUT ARCTIC PACKAGE) | B   |
| 2    | 4460865     | 1   | Connector - 19 Position  |     |
| 3    | 4460473     | 1   | Clamp, Cable   |     |
| 4    | 4460465     | 11  | Socket, Female   |     |
| 5    | 4460509     | 4   | Socket, Female   |     |
| 6    | 4460466     | 4   | Plug, Terminal   |     |
| 7    | 2820118     | AR  | Heat Shrink  |     |
| 8    | 4460464     | 11  | Pin, Male  |     |
| 9    | 4460508     | 4   | Pin, Male  |     |
| 10   | 1001226400  | 1   | Heat Shrink  |     |

**SECTION 8 - ELECTRICAL**

**FIGURE 8-50. GROUND TO PLATFORM CABLE - TOWER BOOM (WITH ARCTIC PACKAGE)**



ART\_1001119954

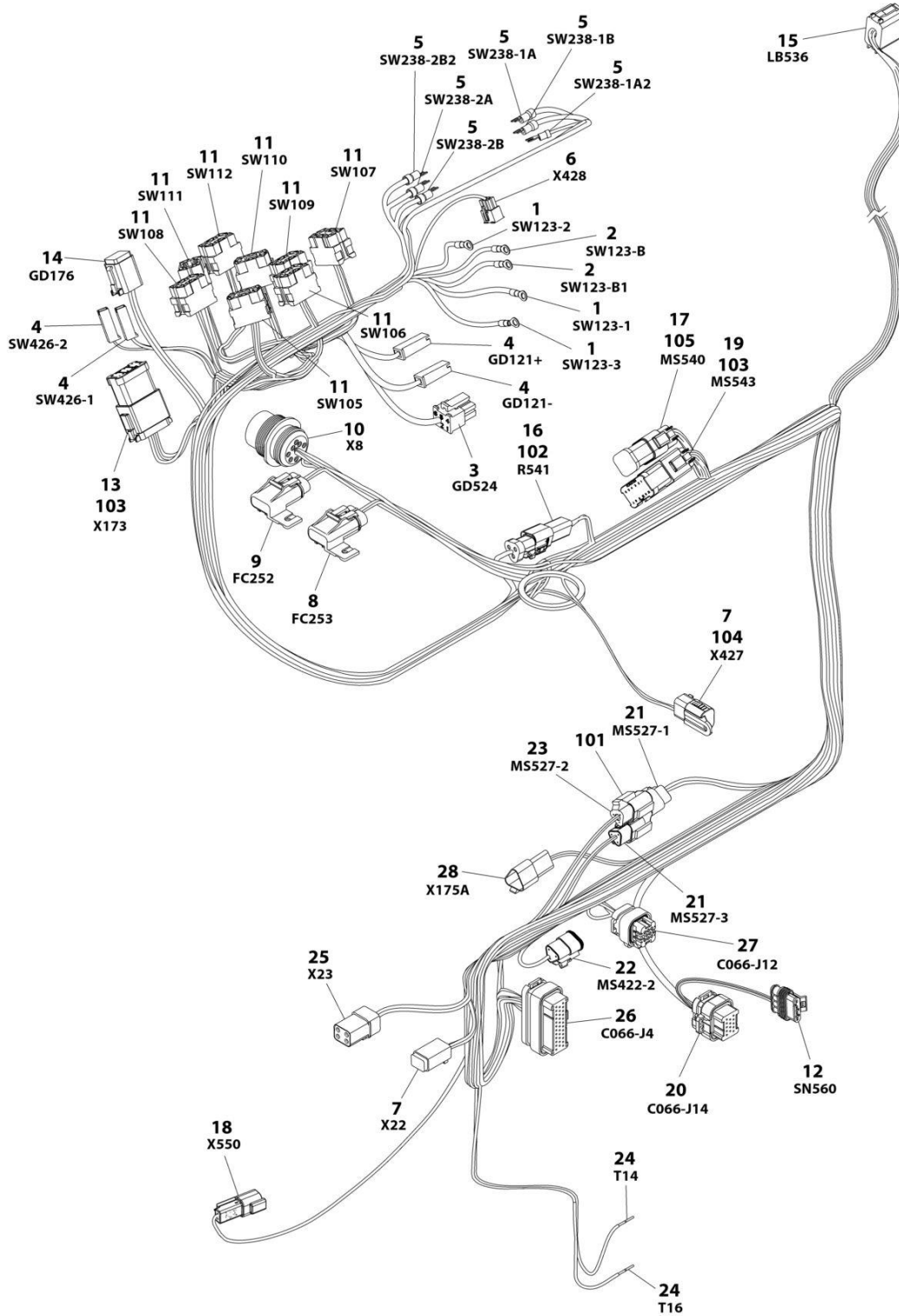
## SECTION 8 - ELECTRICAL

**FIGURE 8-50. GROUND TO PLATFORM CABLE - TOWER BOOM (WITH ARCTIC PACKAGE)**

| ITEM | PART NUMBER | QTY | DESCRIPTION   | REV |
|------|-------------|-----|---|-----|
|      | 1001119954  | Ref | GROUND TO PLATFORM CABLE - TOWER BOOM (WITH ARCTIC PACKAGE) | C   |
| 2    | 4460865     | 1   | Connector - 19 Position                                     |     |
| 3    | 4460473     | 1   | Clamp, Cable  |     |
| 4    | 4460465     | 11  | Socket, Female  |     |
| 5    | 4460509     | 4   | Socket, Female  |     |
| 6    | 4460466     | 4   | Plug, Terminal  |     |
| 7    | 2820118     | AR  | Heat Shrink   |     |
| 8    | 4460464     | 11  | Pin, Male   |     |
| 9    | 4460508     | 4   | Pin, Male   |     |
| 10   | 1001226400  | 1   | Heat Shrink   |     |

# SECTION 8 - ELECTRICAL

## FIGURE 8-51. GROUND CONTROL HARNESS



ART\_1001299513



## SECTION 8 - ELECTRICAL

### FIGURE 8-51. GROUND CONTROL HARNESS

| ITEM | PART NUMBER | QTY | DESCRIPTION              | REV |
|------|-------------|-----|--------------------------|-----|
|      | 1001299513  | Ref | GROUND CONTROL HARNESS   | B   |
| 1    | 4460313     | 3   | Terminal, Ring           |     |
| 2    | 4460142     | 2   | Terminal, Ring           |     |
| 3    | 1001237667  | 1   | Connector                |     |
| 3    | 1001237668  | 5   | Socket                   |     |
| 4    | 4460260     | 4   | Connector                |     |
| 4    | 4460259     | 4   | Socket                   |     |
| 5    | 4460806     | 6   | Terminal, Fork           |     |
| 6    | 4460868     | 1   | Connector                |     |
| 6    | 4460877     | 4   | Socket                   |     |
| 7    | 4460884     | 2   | Connector                |     |
| 7    | 4460465     | 8   | Socket                   |     |
| 8    | 1001117078  | 1   | Fuse Assembly with Cover |     |
| 8    | 1001116732  | 1   | Socket (18AWG)           |     |
| 8    | 1001116733  | 1   | Socket (16AWG)           |     |
| 9    | 1001117078  | 1   | Fuse Assembly with Cover |     |
| 9    | 1001116734  | 1   | Socket (12AWG)           |     |
| 9    | 1001116732  | 1   | Socket (18AWG)           |     |
| 10   | 1001112612  | 1   | Connector                |     |
| 10   | 4460464     | 6   | Pin                      |     |
| 10   | 4460466     | 3   | Plug                     |     |
| 11   | 4460418     | 8   | Connector                |     |
| 11   | 4460419     | 24  | Socket                   |     |
| 12   | 1001103012  | 1   | Connector                |     |
| 12   | 1001107854  | 4   | Socket                   |     |
| 12   | 1001104498  | 4   | Seal                     |     |
| 13   | 4460933     | 1   | Connector                |     |
| 13   | 4460465     | 9   | Socket                   |     |
| 14   | 4460894     | 1   | Connector                |     |
| 14   | 4460465     | 4   | Socket                   |     |
| 15   | 4460930     | 1   | Connector                |     |
| 15   | 4460465     | 9   | Socket                   |     |
| 16   | 1001144147  | 1   | Connector                |     |
| 16   | 4460943     | 2   | Pin                      |     |
| 16   | 4460466     | 1   | Plug                     |     |
| 17   | 4460894     | 1   | Connector                |     |
| 17   | 4460465     | 6   | Socket                   |     |
| 18   | 4460897     | 1   | Connector                |     |
| 18   | 4460464     | 1   | Pin                      |     |
| 18   | 4460466     | 1   | Plug                     |     |
| 19   | 4460933     | 1   | Connector                |     |
| 19   | 4460465     | 12  | Socket                   |     |
| 20   | 1001246859  | 1   | Connector                |     |
| 20   | 4460871     | 8   | Socket                   |     |
| 20   | 4460905     | 6   | Plug                     |     |
| 21   | 1001116812  | 2   | Connector                |     |
| 21   | 4460944     | 6   | Socket                   |     |
| 22   | 4460539     | 1   | Connector                |     |
| 22   | 4460944     | 3   | Socket                   |     |
| 23   | 4460539     | 1   | Connector                |     |

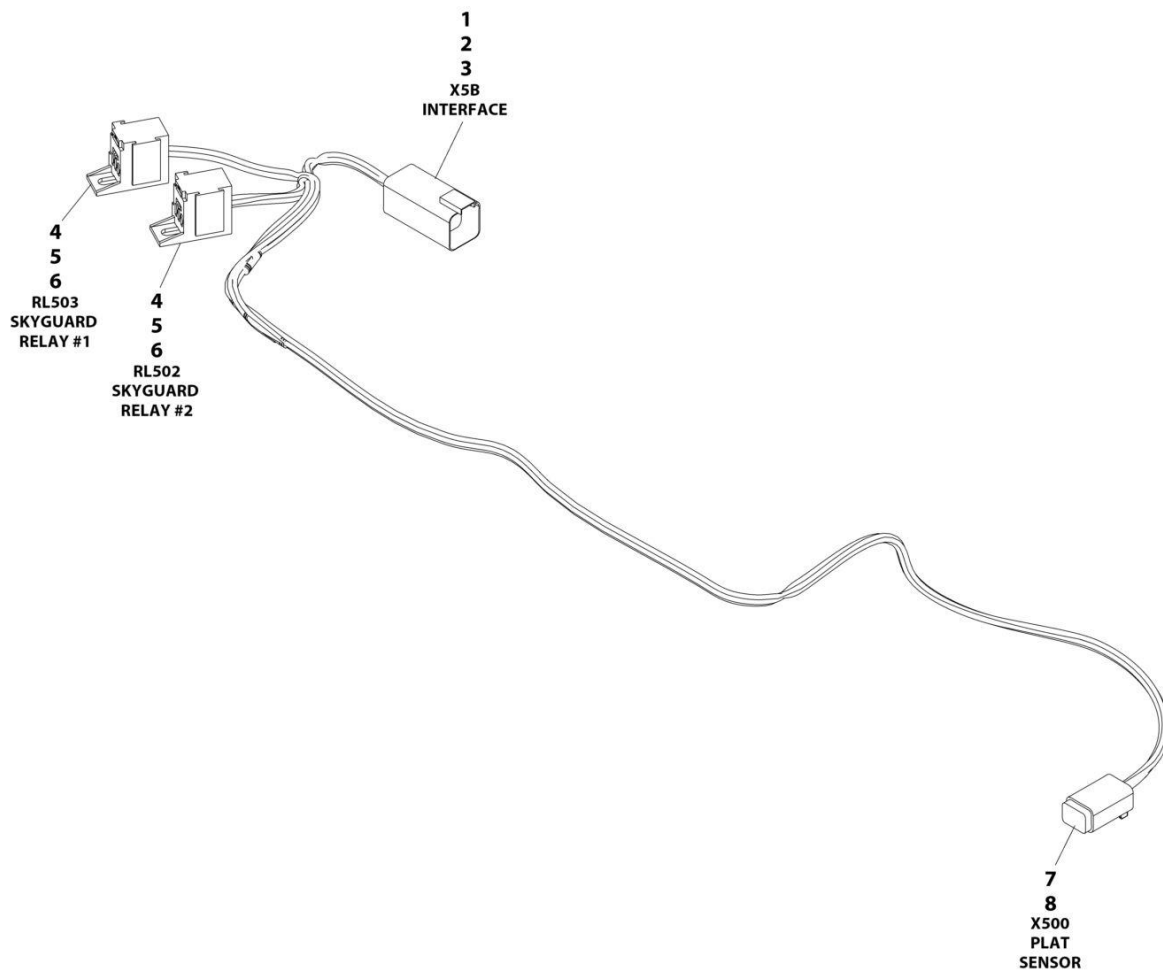
## SECTION 8 - ELECTRICAL

| ITEM | PART NUMBER | QTY | DESCRIPTION           | REV |
|------|-------------|-----|-----------------------|-----|
| 23   | 4460944     | 2   | Socket                |     |
| 23   | 4460466     | 1   | Plug                  |     |
| 24   | 4460465     | 2   | Socket                |     |
| 25   | 1001116810  | 1   | Connector             |     |
| 25   | 4460509     | 3   | Socket                |     |
| 25   | 4460466     | 1   | Plug                  |     |
| 26   | 4460876     | 1   | Connector             |     |
| 26   | 4460871     | 21  | Socket                |     |
| 26   | 4460905     | 14  | Plug                  |     |
| 27   | 1001113961  | 1   | Connector             |     |
| 27   | 4460871     | 6   | Socket                |     |
| 27   | 4460905     | 2   | Plug                  |     |
| 28   | 1001144147  | 1   | Connector             |     |
| 28   | 4460943     | 3   | Pin                   |     |
| 101  | 4460945     | 1   | Connector, Plug 3-Way |     |
| 102  | 1001116815  | 1   | Connector, Plug       |     |
| 103  | 1001119020  | 2   | Connector, Buss Bar   |     |
| 104  | 1001192401  | 1   | Cap, Dust             |     |
| 105  | 1001226541  | 1   | Connector, Buss Bar   |     |



# SECTION 8 - ELECTRICAL

## FIGURE 8-52. GENERATOR TO PLATFORM HARNESS



ART\_1001225580

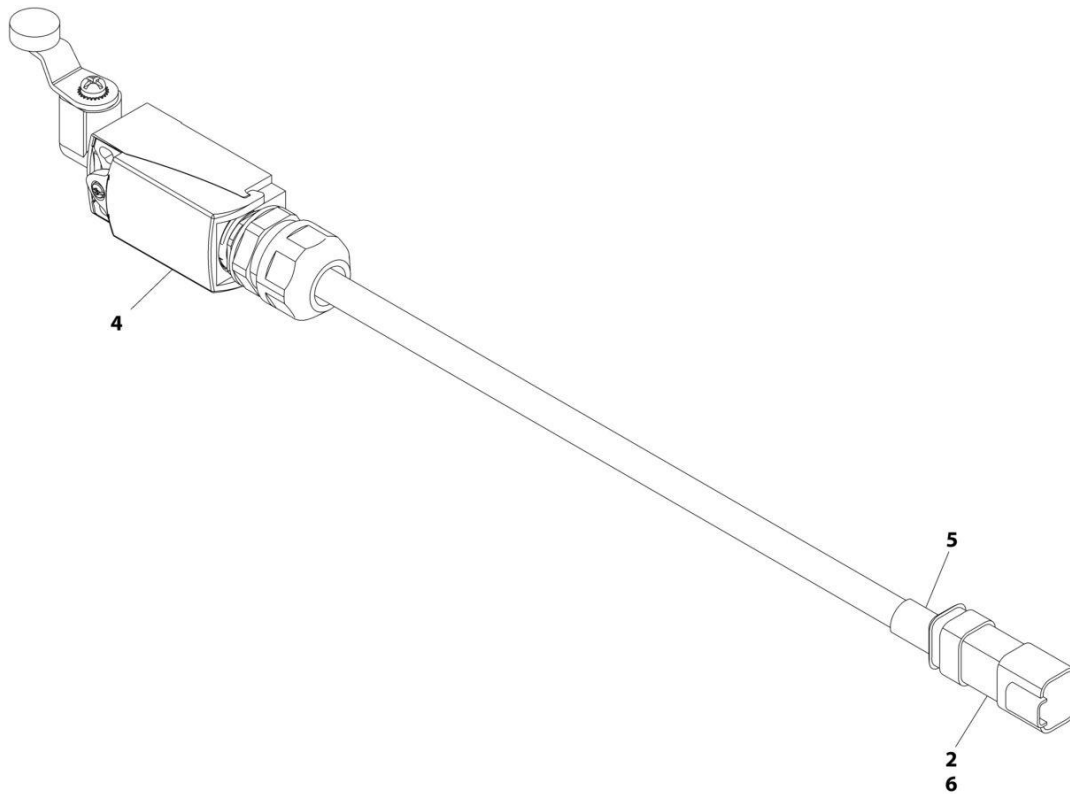
## SECTION 8 - ELECTRICAL

### FIGURE 8-52. GENERATOR TO PLATFORM HARNESS

| ITEM | PART NUMBER | QTY | DESCRIPTION                         | REV |
|------|-------------|-----|-------------------------------------|-----|
|      | 1001225580  | Ref | INTERFACE HARNESS - WITH 1 CELL LSS | D   |
| 1    | 4460899     | 1   | Connector                           |     |
| 2    | 4460464     | 4   | Terminal                            |     |
| 3    | 4460466     | 2   | Plug                                |     |
| 4    | 1001186432  | 2   | Connector                           |     |
| 5    | 1001116720  | 4   | Terminal                            |     |
| 6    | 1001118388  | 4   | Terminal                            |     |
| 7    | 4460884     | 1   | Connector                           |     |
| 8    | 4460465     | 4   | Terminal                            |     |

# SECTION 8 - ELECTRICAL

## FIGURE 8-53. LIMIT SWITCH HARNESS



ART\_1001119176

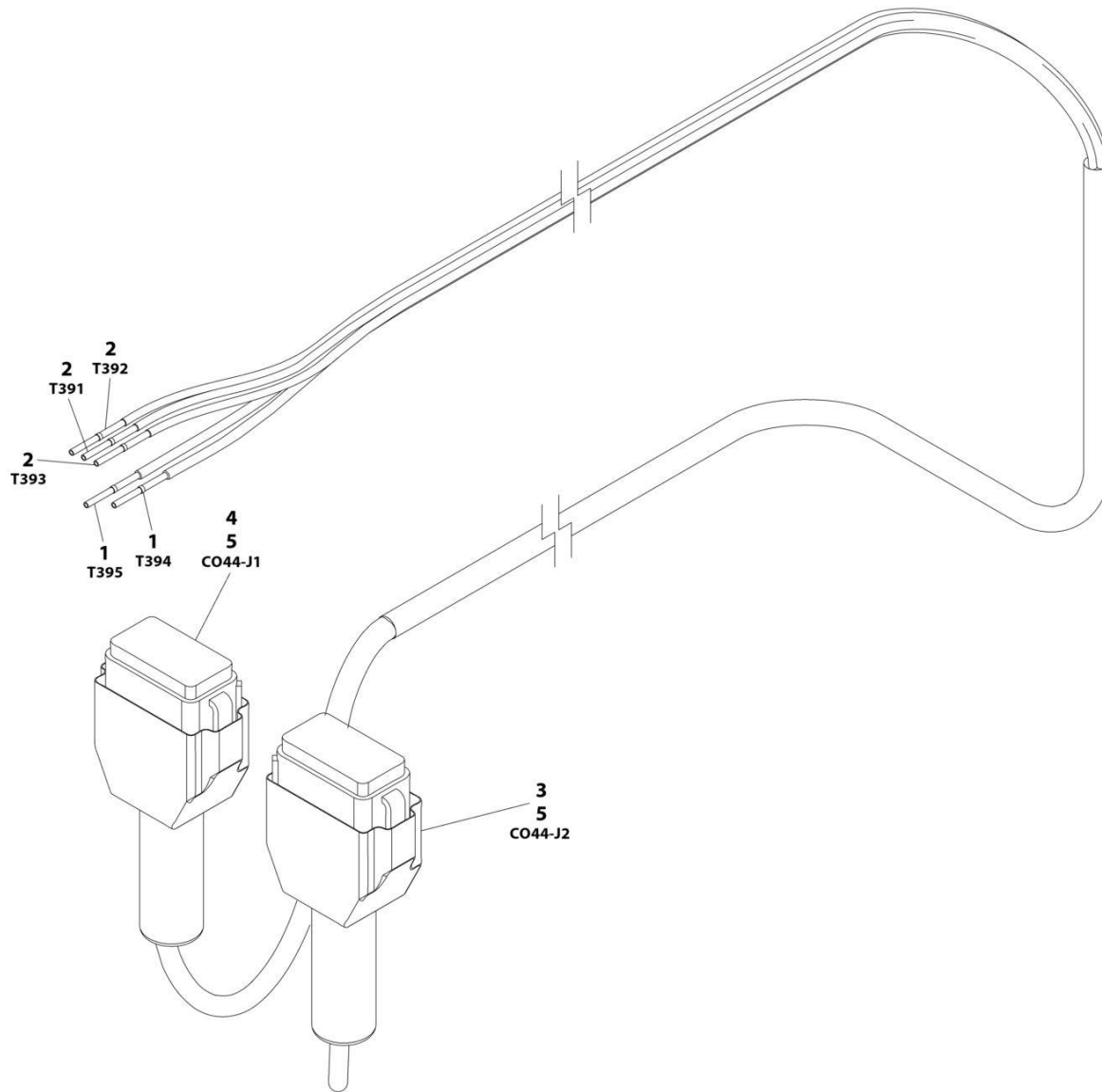
## SECTION 8 - ELECTRICAL

### FIGURE 8-53. LIMIT SWITCH HARNESS

| ITEM | PART NUMBER | QTY | DESCRIPTION                     | REV |
|------|-------------|-----|---------------------------------|-----|
|      | 1001119176  | Ref | LIMIT SWITCH HARNESS            | E   |
| 2    | 4460464     | 4   | Pin, Male Deutsch 16Ga          |     |
| 4    | 1001119170  | 1   | Switch, Limit                   |     |
| 5    | 2820030     | AR  | Heat Shrink                     |     |
| 6    | 1001129407  | 1   | Receptacle, Female - 4 Position |     |

# SECTION 8 - ELECTRICAL

## FIGURE 8-54. LSS HARNESS



ART\_1001120371



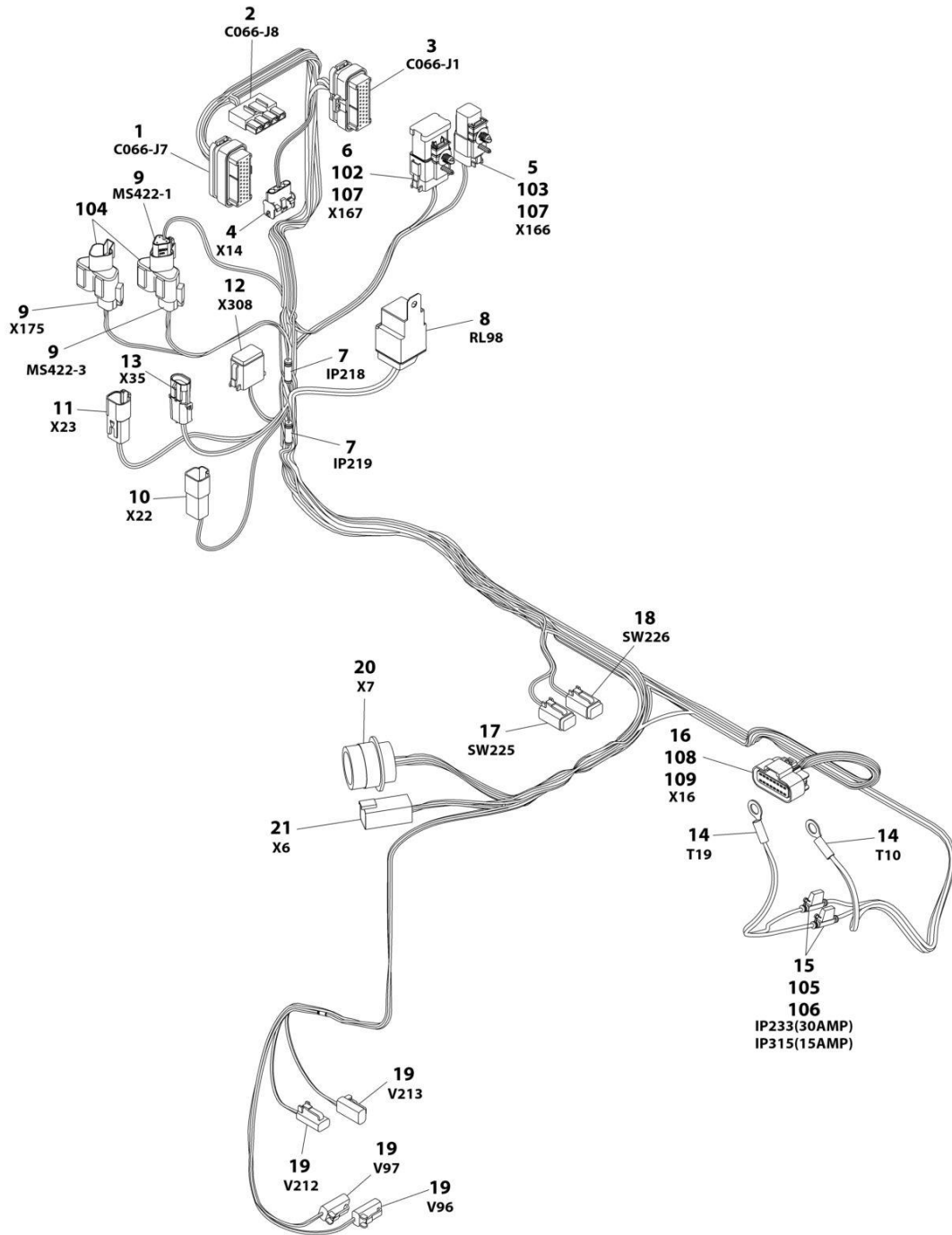
## SECTION 8 - ELECTRICAL

**FIGURE 8-54. LSS HARNESS**

| ITEM | PART NUMBER | QTY | DESCRIPTION             | REV |
|------|-------------|-----|-------------------------|-----|
|      | 1001120371  | Ref | LSS HARNESS             | B   |
| 1    | 4460465     | 2   | Socket, Female          |     |
| 2    | 4460944     | 3   | Socket, Female          |     |
| 3    | 4460836     | 1   | Connector - 12 Position |     |
| 3    | 4460944     | 3   | Socket, Female          |     |
| 3    | 4460466     | 9   | Plug, Terminal          |     |
| 3    | 0840055     | 1   | Boot                    |     |
| 4    | 4460933     | 1   | Connector - 12 Position |     |
| 4    | 4460465     | 2   | Socket, Female          |     |
| 4    | 4460466     | 10  | Plug, Terminal          |     |
| 4    | 0840055     | 1   | Boot                    |     |
| 5    | 2820030     | AR  | Heat Shrink             |     |

# SECTION 8 - ELECTRICAL

## FIGURE 8-55. MID ENGINE HARNESS



ART\_1001286171

## SECTION 8 - ELECTRICAL

### FIGURE 8-55. MID ENGINE HARNESS

| ITEM | PART NUMBER | QTY | DESCRIPTION          | REV |
|------|-------------|-----|----------------------|-----|
|      | 1001286171  | Ref | MID ENGINE HARNESS   | A   |
| 1    | 4460873     | 1   | Connector            |     |
| 1    | 4460871     | 19  | Socket               |     |
| 1    | 4460905     | 16  | Plug                 |     |
| 2    | 4460878     | 1   | Connector            |     |
| 2    | 4460887     | 4   | Socket               |     |
| 3    | 4460874     | 1   | Connector            |     |
| 3    | 4460871     | 22  | Socket               |     |
| 3    | 4460905     | 13  | Plug                 |     |
| 4    | 4460761     | 1   | Connector            |     |
| 4    | 4460227     | 4   | Pin                  |     |
| 5    | 4460894     | 1   | Connector            |     |
| 5    | 4460465     | 2   | Socket               |     |
| 5    | 4460466     | 4   | Plug                 |     |
| 6    | 4460836     | 1   | Connector            |     |
| 6    | 4460465     | 2   | Socket               |     |
| 6    | 4460466     | 10  | Plug                 |     |
| 7    | 3990010     | 2   | Diode                |     |
| 8    | 1001117025  | 1   | Connector            |     |
| 8    | 1001116734  | 2   | Socket (12AWG)       |     |
| 8    | 1001116732  | 2   | Socket (20-18AWG)    |     |
| 9    | 1001116812  | 3   | Connector            |     |
| 9    | 4460944     | 9   | Socket               |     |
| 10   | 4460932     | 1   | Connector            |     |
| 10   | 4460464     | 4   | Pin                  |     |
| 11   | 1001116811  | 1   | Connector            |     |
| 11   | 4460508     | 3   | Pin                  |     |
| 11   | 4460466     | 1   | Plug                 |     |
| 12   | 4460930     | 1   | Connector            |     |
| 12   | 4460465     | 3   | Socket               |     |
| 12   | 4460466     | 5   | Plug                 |     |
| 13   | 4461157     | 1   | Connector            |     |
| 13   | 4460979     | 1   | Pin                  |     |
| 13   | 4460458     | 1   | Seal                 |     |
| 13   | 1001116727  | 1   | Plug                 |     |
| 14   | 8220164     | 4   | Terminal, Ring       |     |
| 15   | 2400066     | 2   | Fuse Holder          |     |
| 16   | 4461110     | 1   | Connector            |     |
| 16   | 4461112     | 15  | Socket               |     |
| 16   | 4461113     | 15  | Seal                 |     |
| 16   | 4461222     | 1   | Plug                 |     |
| 17   | 4460884     | 1   | Connector            |     |
| 17   | 4460465     | 4   | Socket               |     |
| 18   | 4460884     | 1   | Connector            |     |
| 18   | 4460465     | 2   | Socket               |     |
| 18   | 4460466     | 2   | Plug                 |     |
| 19   | 4460891     | 4   | Connector            |     |
| 19   | 4460465     | 8   | Socket               |     |
| 20   | 4460866     | 1   | Connector            |     |
| 20   | 4460943     | 3   | Pin (20-16AWG, Gold) |     |

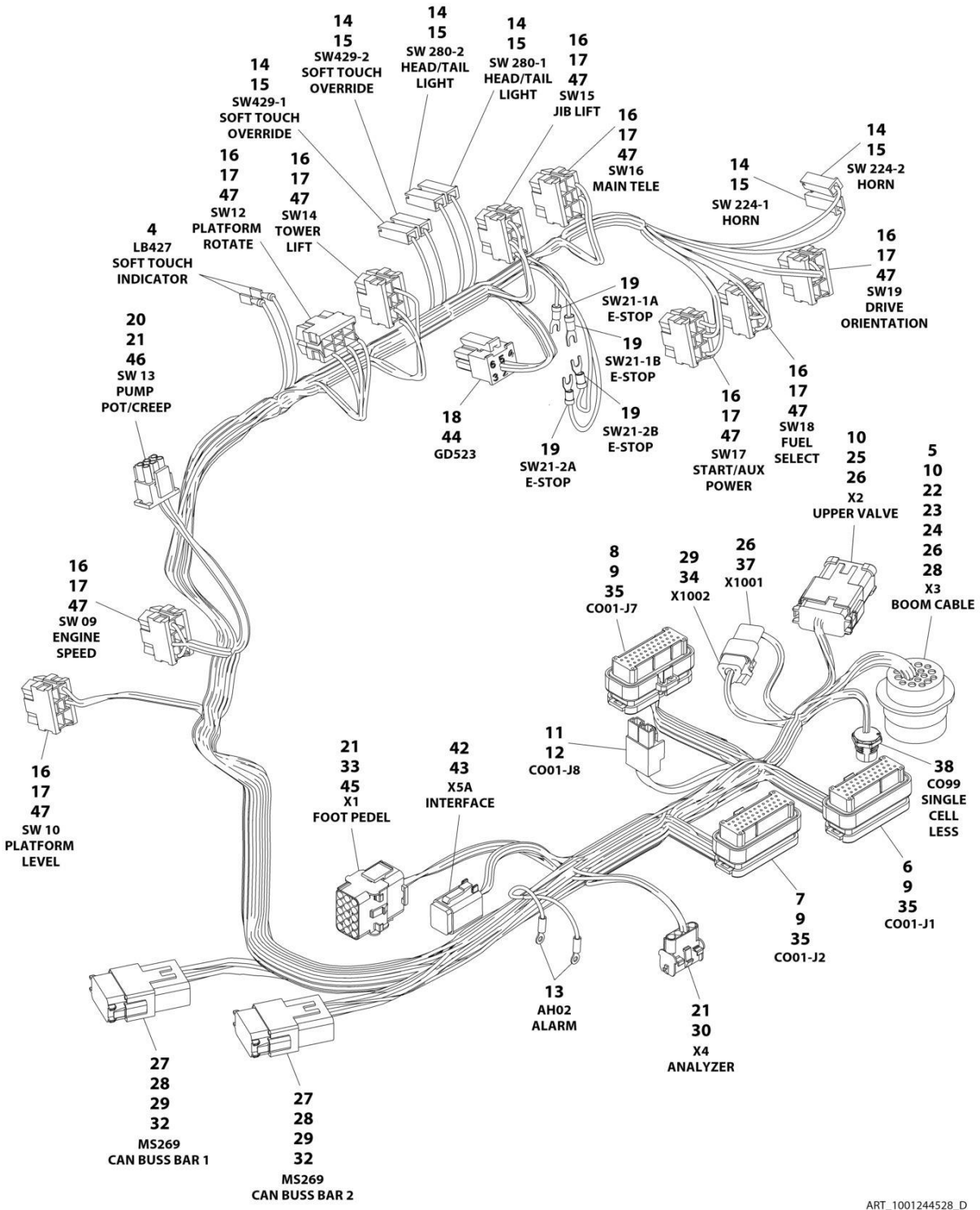
## SECTION 8 - ELECTRICAL

| ITEM | PART NUMBER | QTY | DESCRIPTION            | REV |
|------|-------------|-----|------------------------|-----|
| 20   | 4460464     | 5   | Pin (20-16AWG, Nickel) |     |
| 20   | 4460508     | 4   | Pin (14-12AWG, Nickel) |     |
| 20   | 4460466     | 7   | Plug                   |     |
| 21   | 4460899     | 1   | Connector              |     |
| 21   | 4460464     | 1   | Pin                    |     |
| 102  | 4460837     | 1   | Connector, Buss Bar    |     |
| 103  | 4460892     | 1   | Connector, Buss Bar    |     |
| 104  | 4460945     | 2   | Connector, 3 Way       |     |
| 105  | 8229244     | 1   | Fuse, 15AMP            |     |
| 106  | 8229245     | 1   | Fuse, 30AMP            |     |
| 107  | 1001121172  | 2   | Bracket, Mounting      |     |
| 108  | 1001136231  | 1   | Connector, Lock        |     |
| 109  | 1001136232  | 1   | Connector, Lock        |     |



# SECTION 8 - ELECTRICAL

## FIGURE 8-56. PLATFORM BOX HARNESS



ART\_1001244528\_D

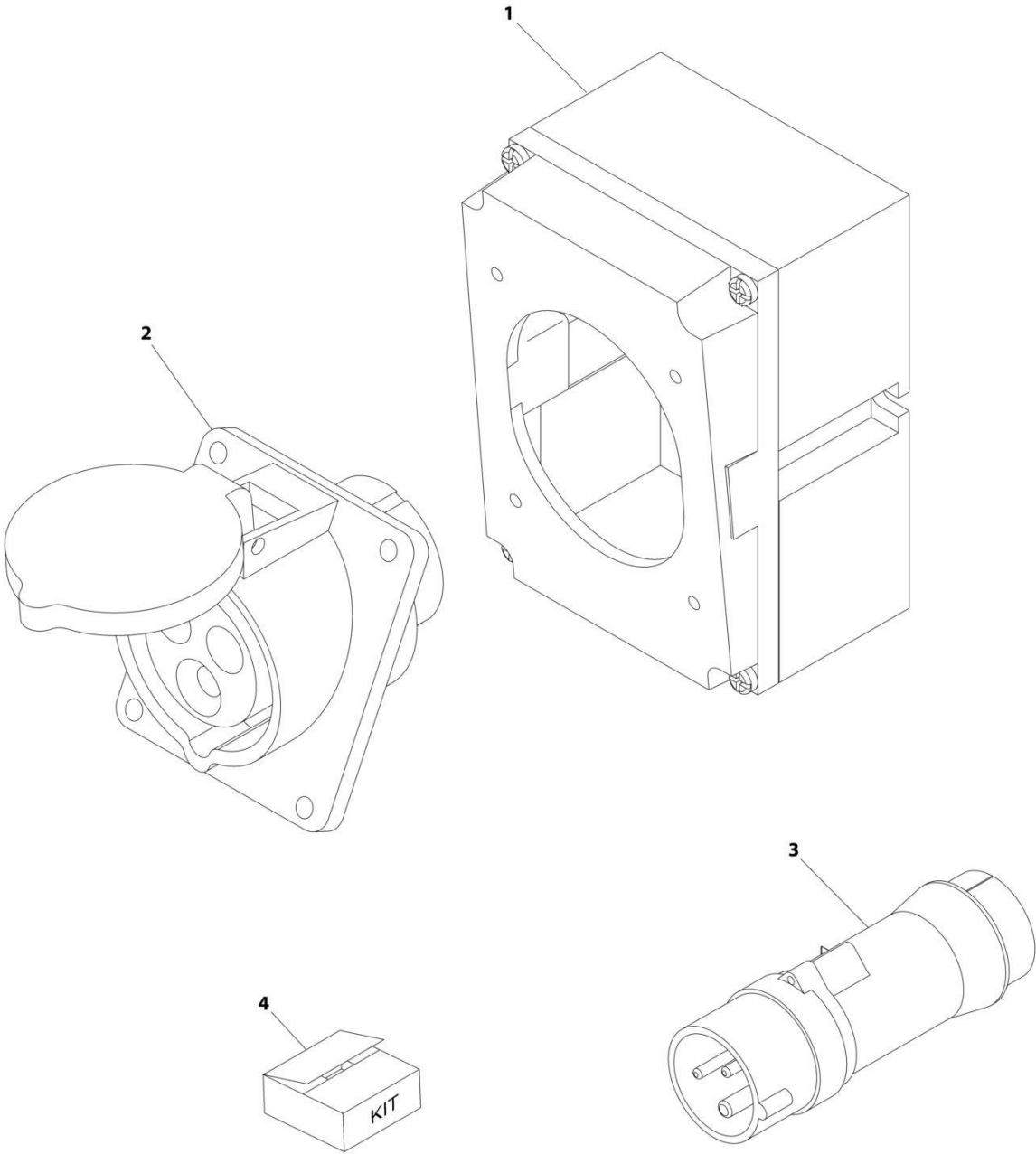
## SECTION 8 - ELECTRICAL

### FIGURE 8-56. PLATFORM BOX HARNESS

| ITEM | PART NUMBER | QTY | DESCRIPTION                       | REV |
|------|-------------|-----|-----------------------------------|-----|
|      | 1001244528  | Ref | PLATFORM BOX HARNESS              | D   |
| 4    | 1001271497  | 2   | Socket                            |     |
| 5    | 4460866     | 1   | Connector - 19 Position           |     |
| 6    | 4460874     | 1   | Connector - 35 Position (Natural) |     |
| 7    | 4460875     | 1   | Connector - 35 Position (Gray)    |     |
| 8    | 4460873     | 1   | Connector - 35 Position (Black)   |     |
| 9    | 4460871     | 58  | Socket, Female                    |     |
| 10   | 4460464     | 14  | Pin, Male                         |     |
| 11   | 4460879     | 1   | Connector - 2 Position            |     |
| 12   | 4460887     | 2   | Terminal                          |     |
| 13   | 1001098122  | 2   | Terminal                          |     |
| 14   | 4460260     | 6   | Connector - 1 Position            |     |
| 15   | 4460259     | 6   | Terminal                          |     |
| 16   | 4460418     | 9   | Connector - 6 Position            |     |
| 17   | 4460419     | 9   | Terminal                          |     |
| 18   | 1001237667  | 15  | Connector - 6 Position            |     |
| 19   | 4460888     | 4   | Terminal, Fork                    |     |
| 20   | 4460225     | 1   | Connector - 6 Position            |     |
| 21   | 4460227     | 14  | Pin, Male                         |     |
| 22   | 2820118     | AR  | Heat Shrink                       |     |
| 23   | 2820019     | AR  | Heat Shrink                       |     |
| 24   | 4460508     | 2   | Pin, Male                         |     |
| 25   | 4460970     | 1   | Connector - 12 Position           |     |
| 26   | 4460943     | 9   | Pin, Male                         |     |
| 27   | 4460933     | 2   | Connector - 12 Position           |     |
| 28   | 4460466     | 14  | Plug, Terminal                    |     |
| 29   | 4460944     | 22  | Socket, Female                    |     |
| 30   | 4460761     | 1   | Connector - 4 Position            |     |
| 32   | 1001119020  | 2   | Connector - 12 Position Bussbar   |     |
| 33   | 4460434     | 1   | Connector - 15 Position           |     |
| 34   | 4460539     | 1   | Plug, Male - 3 Position           |     |
| 35   | 4460905     | 49  | Plug, Terminal                    |     |
| 37   | 4460536     | 1   | Receptacle, Female - 3 Position   |     |
| 38   | 1001213447  | 1   | Receptacle, Female - 5 Position   |     |
| 42   | 4460894     | 1   | Receptacle, Female - 6 Position   |     |
| 43   | 4460465     | 6   | Socket, Female                    |     |
| 44   | 1001237668  | 4   | Socket, Female                    |     |
| 45   | 4460708     | 1   | Connector, Female                 |     |
| 46   | 4460294     | 1   | Pin                               |     |
| 47   | 1001159186  | 16  | Socket                            |     |

**SECTION 8 - ELECTRICAL**

**FIGURE 8-57. RECEPTACLE BOX KIT - 110V IEC YELLOW (CE & UK CA SPEC)**



ART\_0275216



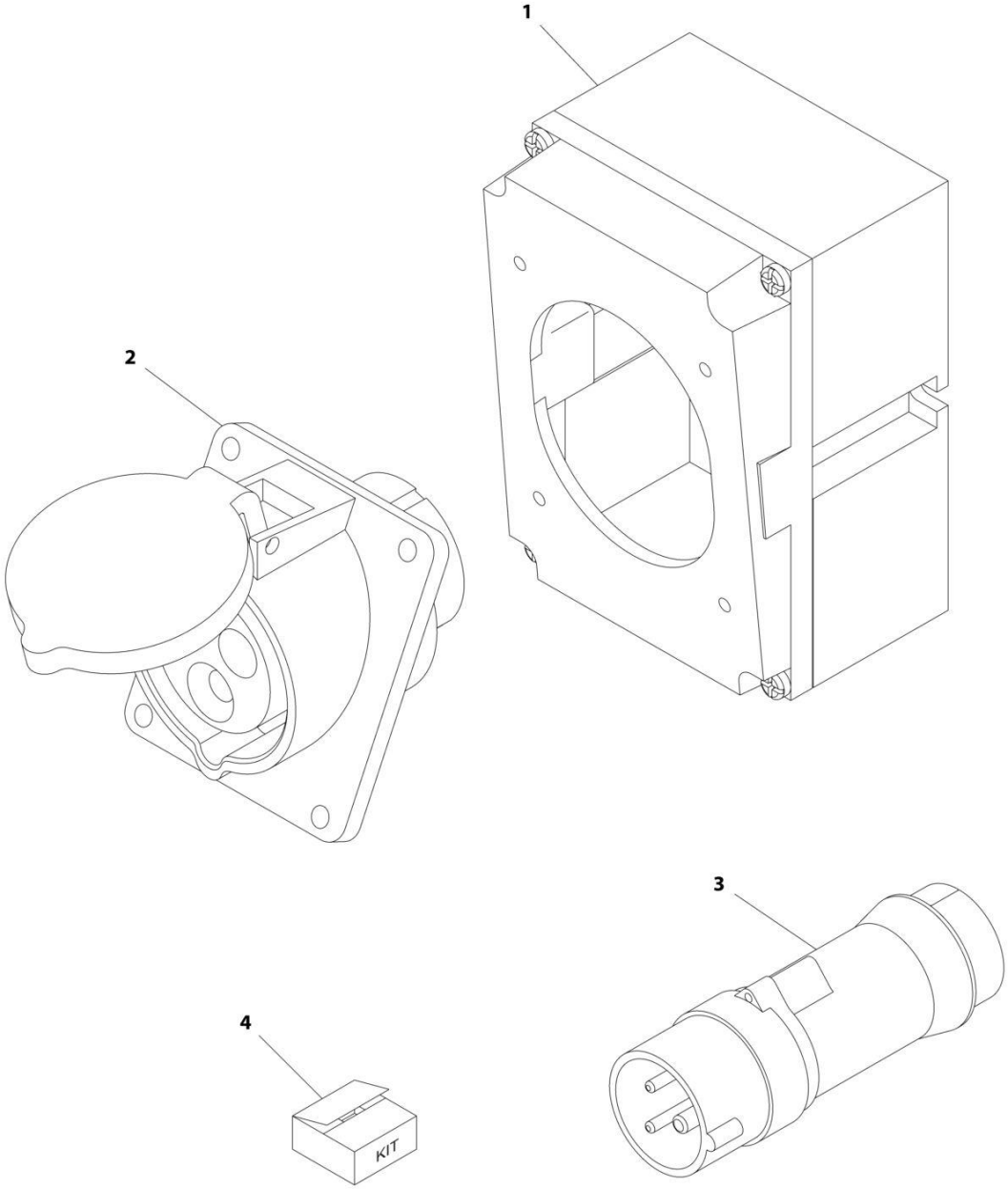
## SECTION 8 - ELECTRICAL

**FIGURE 8-57. RECEPTACLE BOX KIT - 110V IEC YELLOW (CE & UK CA SPEC)**

| ITEM | PART NUMBER | QTY | DESCRIPTION  | REV |
|------|-------------|-----|--|-----|
|      | 0275216     | Ref | RECEPTACLE BOX KIT - 110V IEC YELLOW                                 | B   |
| 1    | 0861781     | 1   | Box, Switch  |     |
| 2    | 4461198     | 1   | Receptacle   |     |
| 3    | 4461196     | 1   | Plug, Male   |     |
| 4    | 1001100341  | 1   | Plug and Socket Kit (Includes Items 1-3 and Female Plug p/n 4461197) |     |

**SECTION 8 - ELECTRICAL**

**FIGURE 8-58. RECEPTACLE BOX KIT - 220V IEC BLUE (CE & UK CA SPEC)**



ART\_0275217

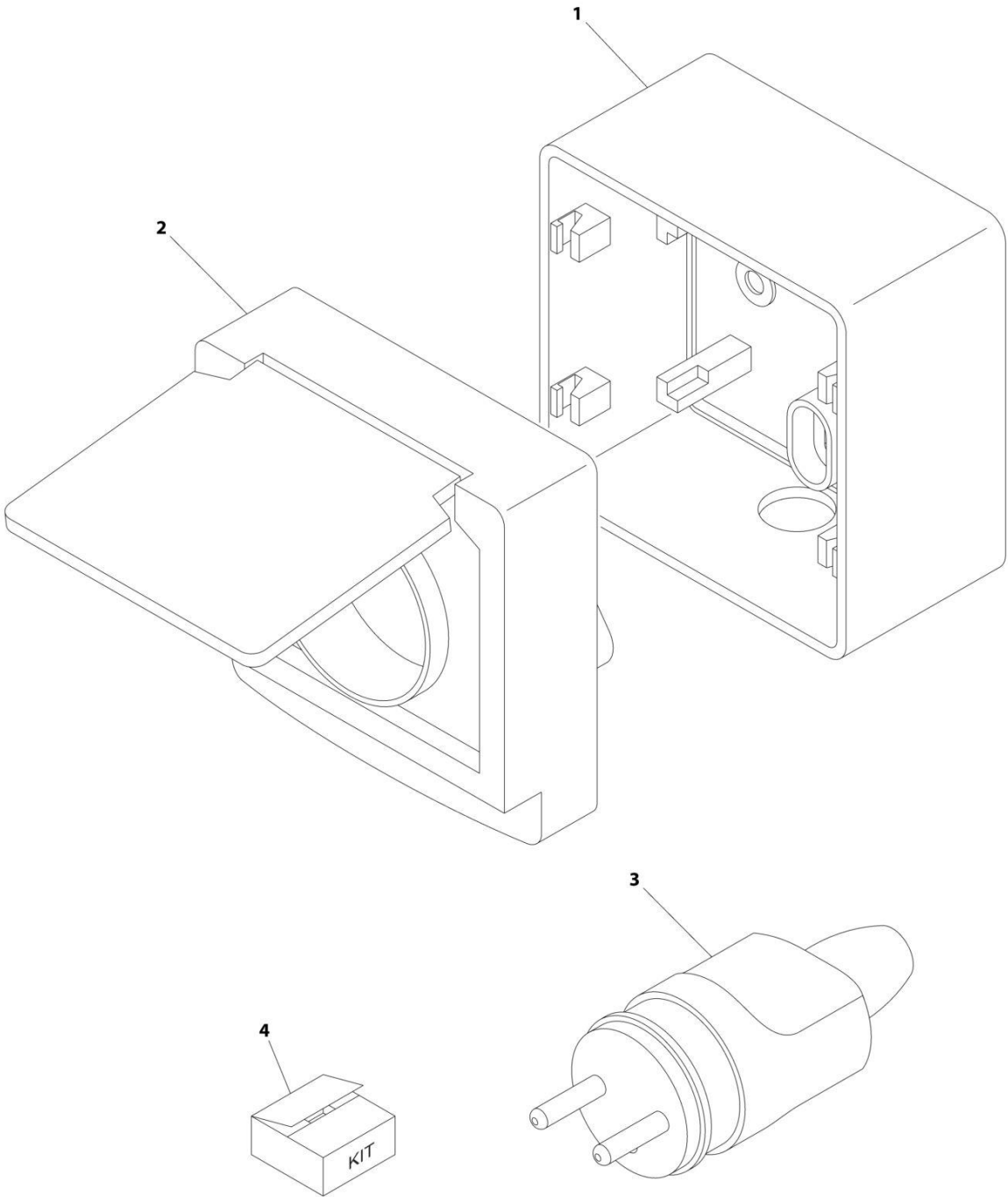
## SECTION 8 - ELECTRICAL

**FIGURE 8-58. RECEPTACLE BOX KIT - 220V IEC BLUE (CE & UK CA SPEC)**

| ITEM | PART NUMBER | QTY | DESCRIPTION  | REV |
|------|-------------|-----|--|-----|
|      | 0275217     | Ref | RECEPTACLE BOX KIT - 220V IEC BLUE                                   | B   |
| 1    | 0861781     | 1   | Box, Switch  |     |
| 2    | 4461201     | 1   | Receptacle   |     |
| 3    | 4461199     | 1   | Plug, Male   |     |
| 4    | 1001100342  | 1   | Plug and Socket Kit (Includes Items 1-3 and Female Plug p/n 4461200) |     |

**SECTION 8 - ELECTRICAL**

**FIGURE 8-59. RECEPTACLE BOX KIT - 220V CEE7 POST GROUND 70MM X 70MM BOX (CE & UK CA SPEC)**



ART\_0275218

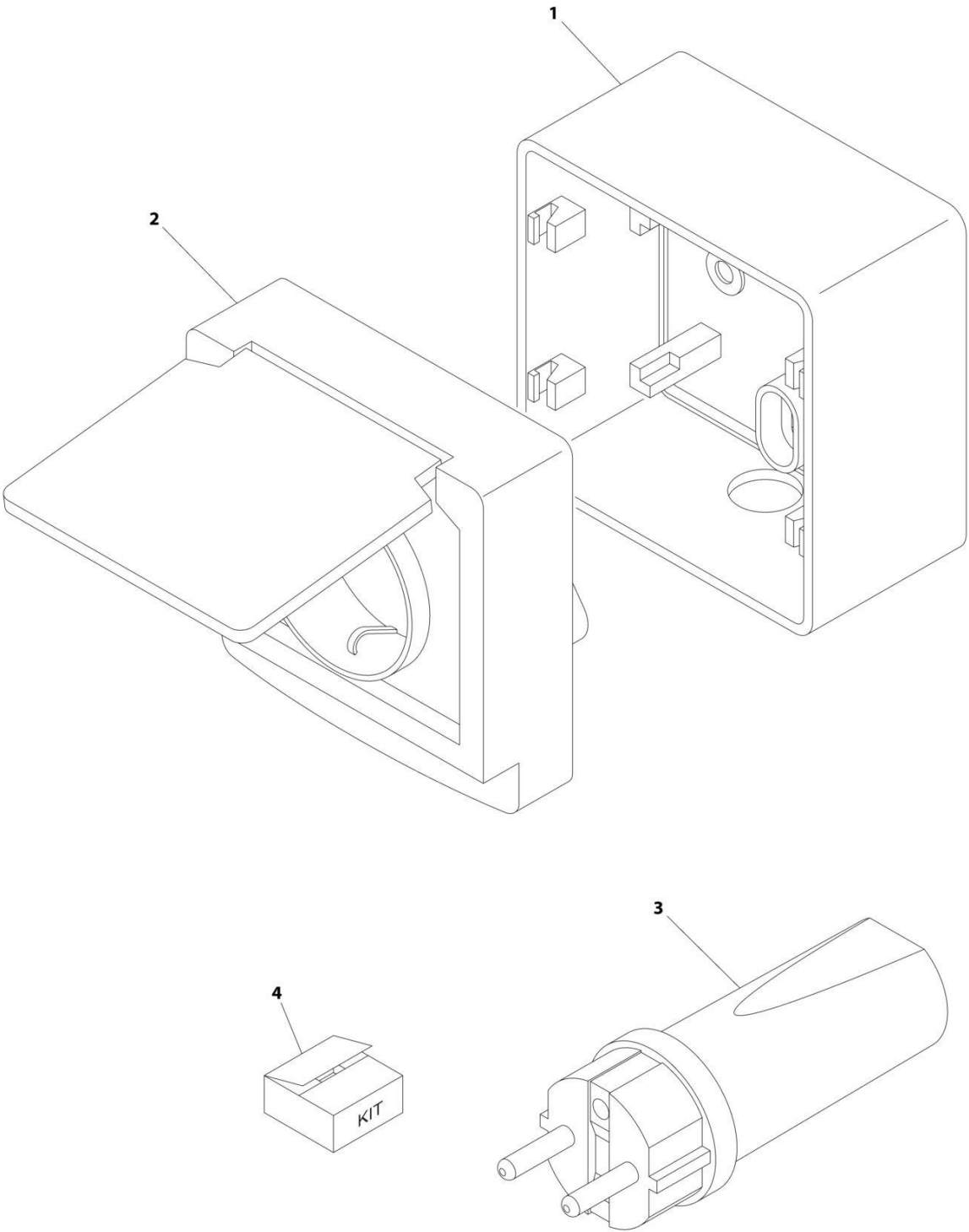
## SECTION 8 - ELECTRICAL

**FIGURE 8-59. RECEPTACLE BOX KIT - 220V CEE7 POST GROUND 70MM X 70MM BOX (CE & UK CA SPEC)**

| ITEM | PART NUMBER | QTY | DESCRIPTION  | REV |
|------|-------------|-----|--|-----|
|      | 0275218     | Ref | RECEPTACLE BOX KIT - 220V CEE7 POST GROUND 70X70 BOX                 | C   |
| 1    | 1001141967  | 1   | Box, Switch  |     |
| 2    | 1001141968  | 1   | Receptacle   |     |
| 3    | 4461205     | 1   | Plug, Male   |     |
| 4    | 1001141971  | 1   | Plug and Socket Kit (Includes Items 1-3 and Female Plug p/n 4461206) |     |

**SECTION 8 - ELECTRICAL**

**FIGURE 8-60. RECEPTACLE BOX KIT - 220V CEE7 SIDE GROUND 70MM X 70MM BOX (CE & UK CA SPEC)**



ART\_0275219

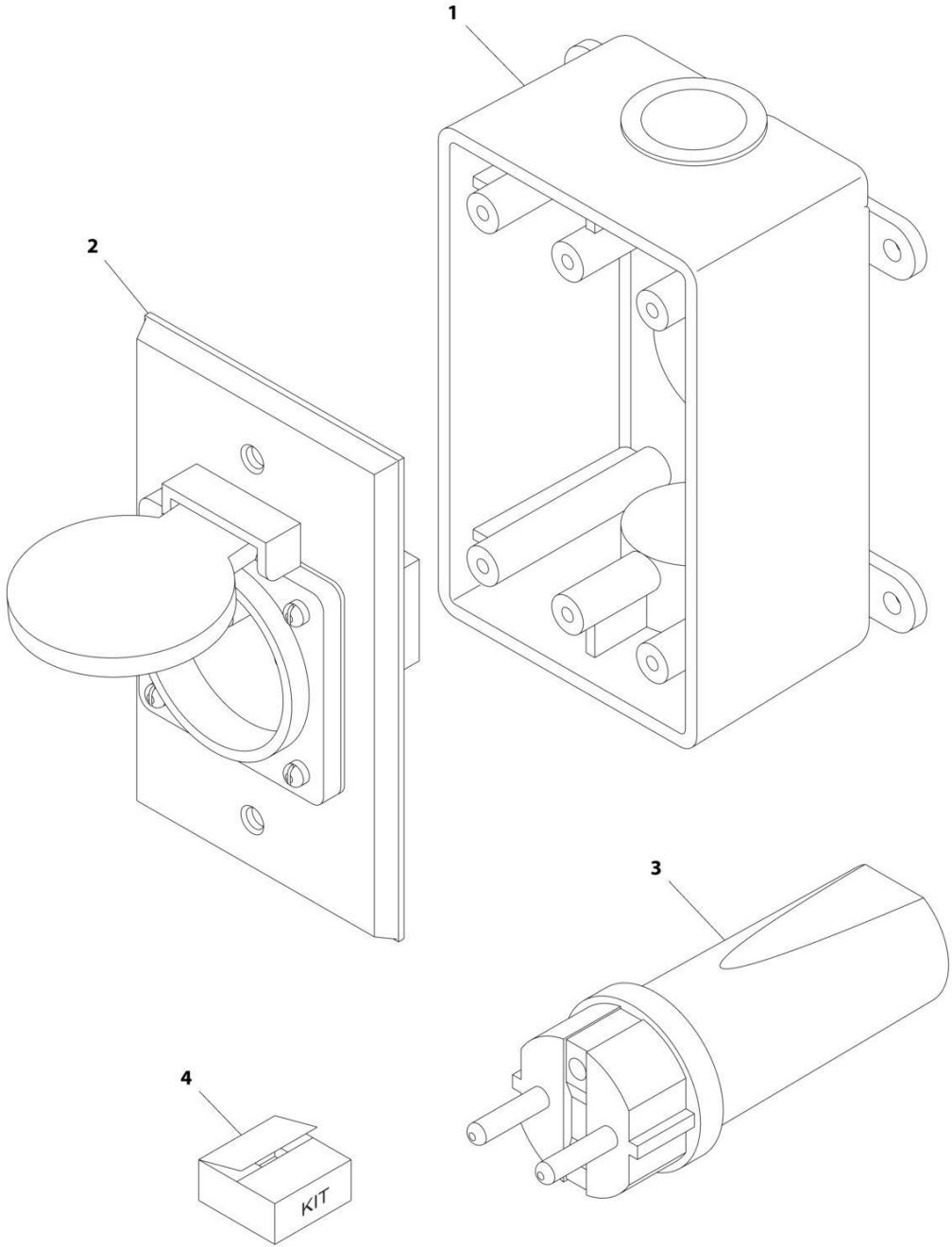
## SECTION 8 - ELECTRICAL

**FIGURE 8-60. RECEPTACLE BOX KIT - 220V CEE7 SIDE GROUND 70MM X 70MM BOX (CE & UK CA SPEC)**

| ITEM | PART NUMBER | QTY | DESCRIPTION  | REV |
|------|-------------|-----|--|-----|
|      | 0275219     | Ref | RECEPTACLE BOX KIT - 220V CEE7 SIDE GROUND 70MM X 70MM BOX           | B   |
| 1    | 1001141967  | 1   | Box, Switch  |     |
| 2    | 1001141969  | 1   | Receptacle   |     |
| 3    | 4461205     | 1   | Plug, Male   |     |
| 4    | 1001141970  | 1   | Plug and Socket Kit (Includes Items 1-3 and Female Plug p/n 4461206) |     |

**SECTION 8 - ELECTRICAL**

**FIGURE 8-61. RECEPTACLE BOX KIT - 220V CEE7 POST GROUND 2IN X 4IN BOX (CE & UK CA SPEC)**



ART\_0275452



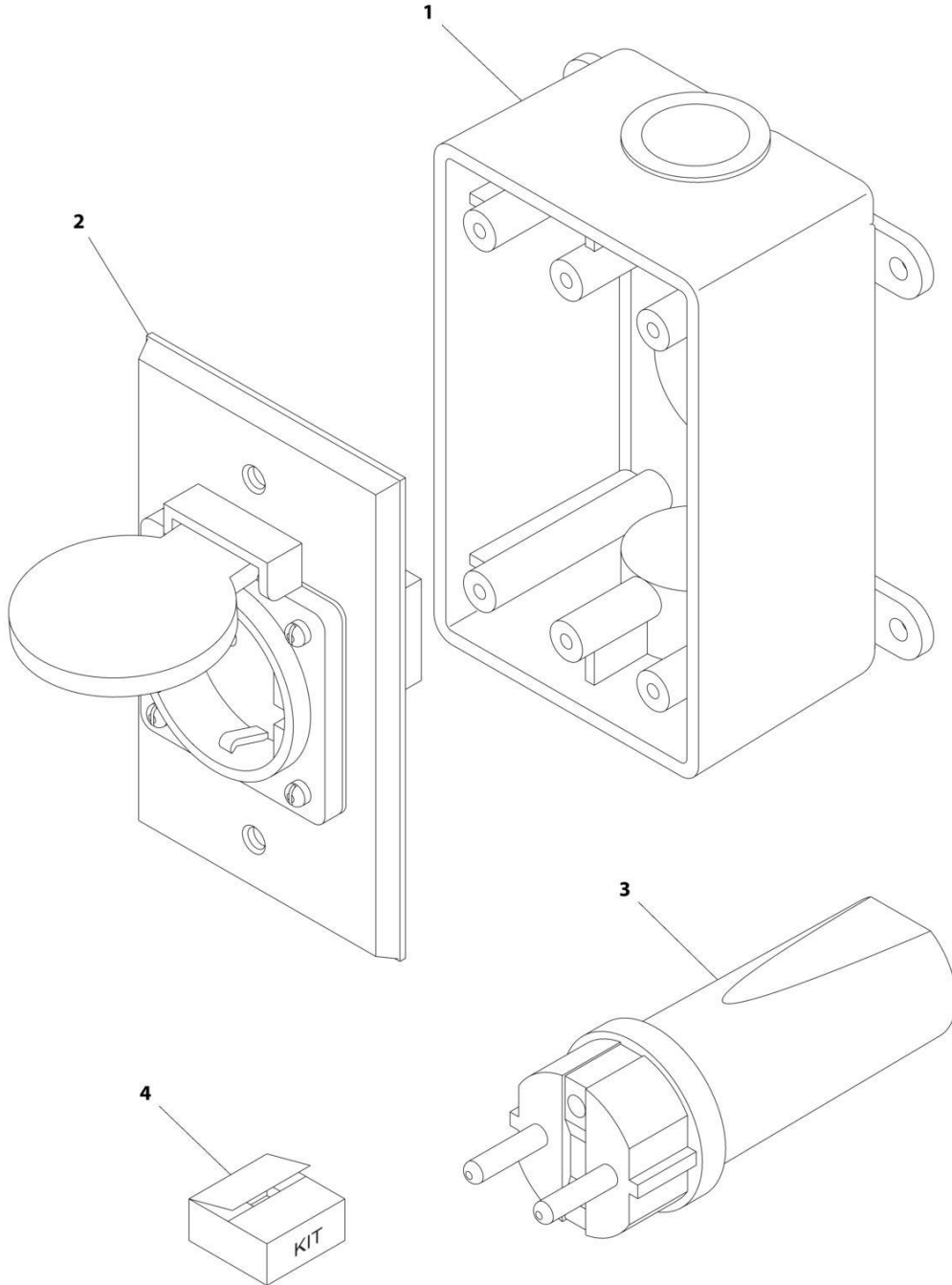
## SECTION 8 - ELECTRICAL

**FIGURE 8-61. RECEPTACLE BOX KIT - 220V CEE7 POST GROUND 2IN X 4IN BOX (CE & UK CA SPEC)**

| ITEM | PART NUMBER | QTY | DESCRIPTION  | REV |
|------|-------------|-----|--|-----|
|      | 0275452     | Ref | RECEPTACLE BOX KIT - 220V CEE7 POST GROUND                           | C   |
| 1    | 0861731     | 1   | Box, Switch  |     |
| 2    | 4461244     | 1   | Receptacle   |     |
| 3    | 4461205     | 1   | Plug, Male   |     |
| 4    | 1001100345  | 1   | Plug and Socket Kit (Includes Items 1-3 and Female Plug p/n 4461206) |     |

# SECTION 8 - ELECTRICAL

FIGURE 8-62. RECEPTACLE BOX KIT - 220V CEE7 SIDE GROUND 2IN X 4IN BOX (CE & UK CA SPEC)



ART\_0275453

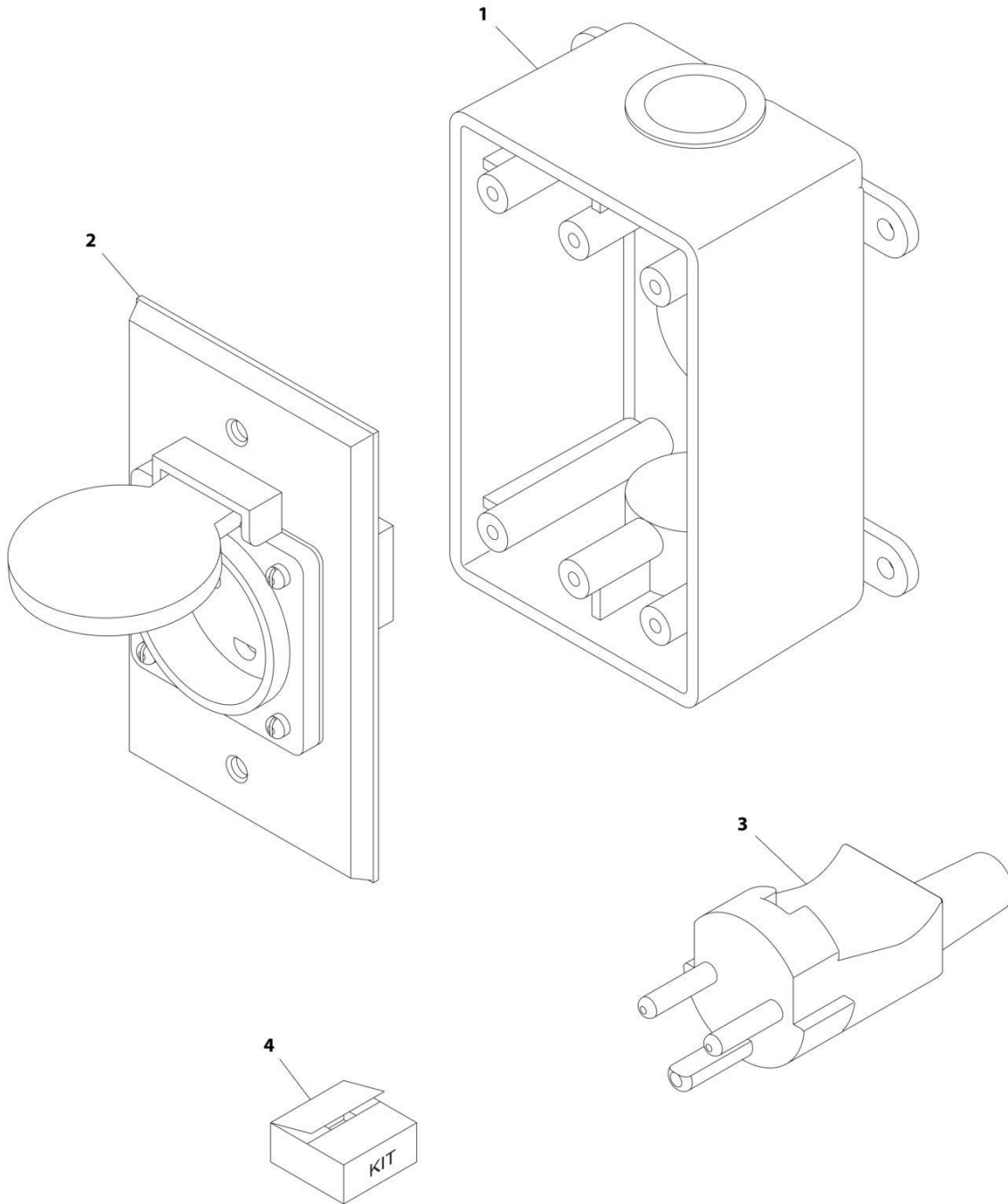
## SECTION 8 - ELECTRICAL

**FIGURE 8-62. RECEPTACLE BOX KIT - 220V CEE7 SIDE GROUND 2IN X 4IN BOX (CE & UK CA SPEC)**

| ITEM | PART NUMBER | QTY | DESCRIPTION  | REV |
|------|-------------|-----|--|-----|
|      | 0275453     | Ref | RECEPTACLE BOX KIT - 220V CEE7 SIDE GROUND                           | B   |
| 1    | 0861731     | 1   | Box, Switch  |     |
| 2    | 4461245     | 1   | Receptacle   |     |
| 3    | 4461205     | 1   | Plug, Male   |     |
| 4    | 1001100347  | 1   | Plug and Socket Kit (Includes Items 1-3 and Female Plug p/n 4461206) |     |

# SECTION 8 - ELECTRICAL

FIGURE 8-63. RECEPTACLE BOX KIT - 220V AFSINT 107 (CE & UK CA SPEC)



ART\_0275454

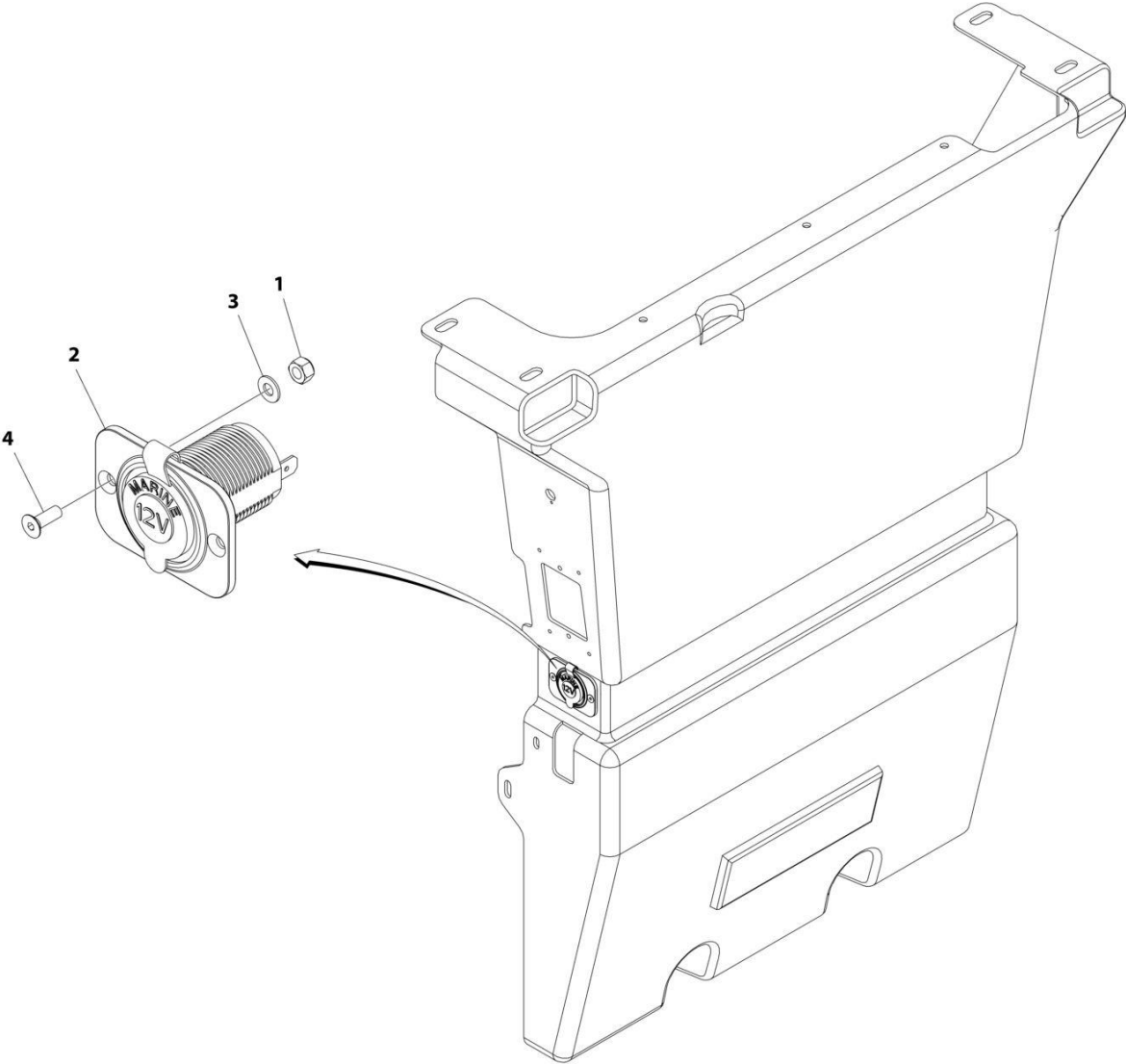
## SECTION 8 - ELECTRICAL

**FIGURE 8-63. RECEPTACLE BOX KIT - 220V AFSINT 107 (CE & UK CA SPEC)**

| ITEM | PART NUMBER | QTY | DESCRIPTION  | REV |
|------|-------------|-----|--|-----|
|      | 0275454     | Ref | RECEPTACLE BOX KIT - 220V AFSINT 107                                 | B   |
| 1    | 0861731     | 1   | Box, Switch  |     |
| 2    | 4461246     | 1   | Receptacle   |     |
| 3    | 4461249     | 1   | Plug, Male   |     |
| 4    | 1001100346  | 1   | Plug and Socket Kit (Includes Items 1-3 and Female Plug p/n 4461250) |     |

**SECTION 8 - ELECTRICAL**

**FIGURE 8-64. RECEPTACLE INSTALLATION - 12V**



ART\_1001274814

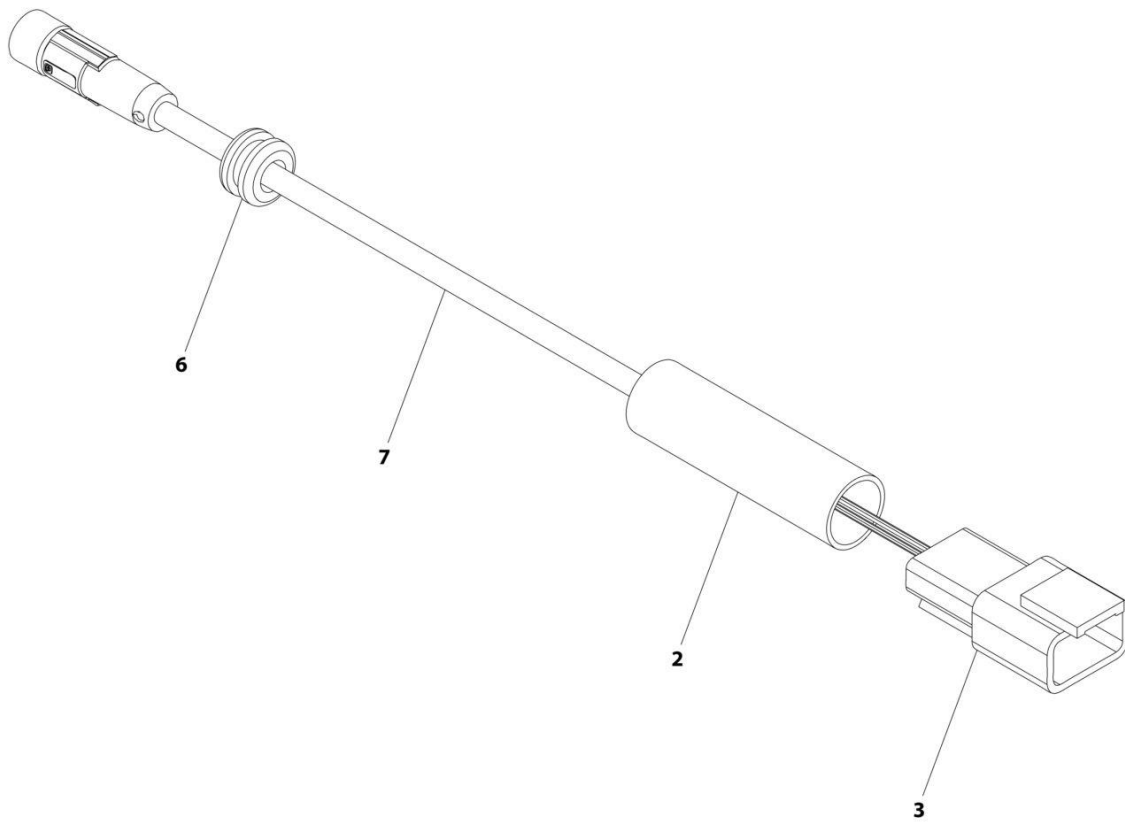
## SECTION 8 - ELECTRICAL

**FIGURE 8-64. RECEPTACLE INSTALLATION - 12V**

| ITEM | PART NUMBER | QTY | DESCRIPTION                   | REV |
|------|-------------|-----|-------------------------------|-----|
|      | 1001274814  | Ref | RECEPTACLE INSTALLATION - 12V | A   |
| 1    | 3290405     | 2   | Nut M4                        |     |
| 2    | 4461012     | 1   | Receptacle - 12V              |     |
| 3    | 4811400     | 2   | Washer M4                     |     |
| 4    | 1001097244  | 2   | Screw M4 x 12                 |     |

# SECTION 8 - ELECTRICAL

## FIGURE 8-65. SKYEYE EMITTER HARNESS



ART\_1001237864



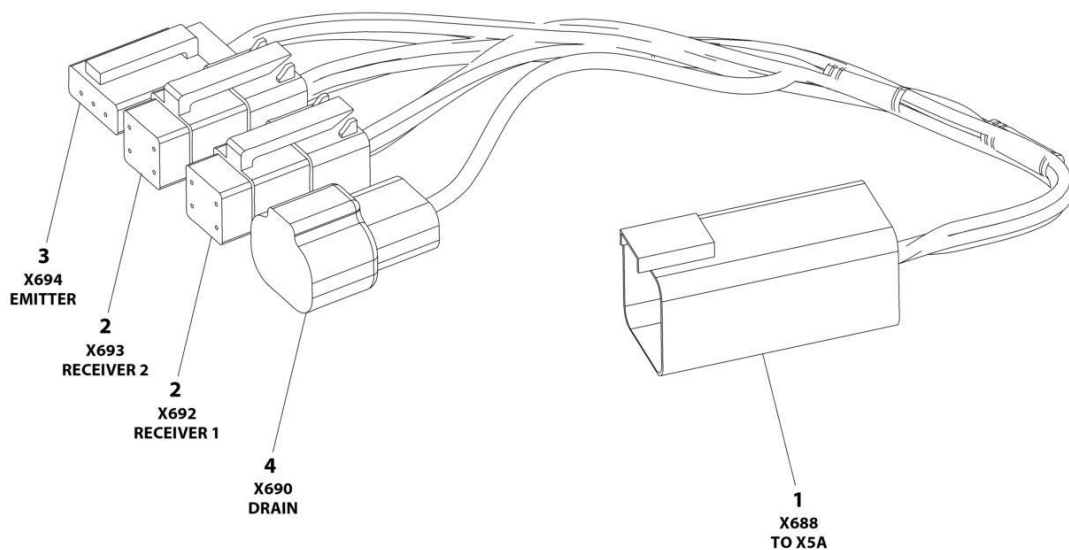
## SECTION 8 - ELECTRICAL

### FIGURE 8-65. SKYEYE EMITTER HARNESS

| ITEM | PART NUMBER | QTY | DESCRIPTION              | REV |
|------|-------------|-----|--------------------------|-----|
|      | 1001237864  | Ref | SKYEYE EMITTER HARNESS   | A   |
| 2    | 2820247     | AR  | Tubing, Heat Shrink      |     |
| 3    | 4460910     | 1   | Connector - 3 Position   |     |
| 3    | 1001119620  | 3   | Pin, Male                |     |
| 6    | 1001227996  | 1   | Grommet                  |     |
| 7    | 1001237862  | 1   | Cable, M8 Female Cordset |     |

# SECTION 8 - ELECTRICAL

## FIGURE 8-66. SKYEYE INTERMEDIATE HARNESS



ART\_1001237865

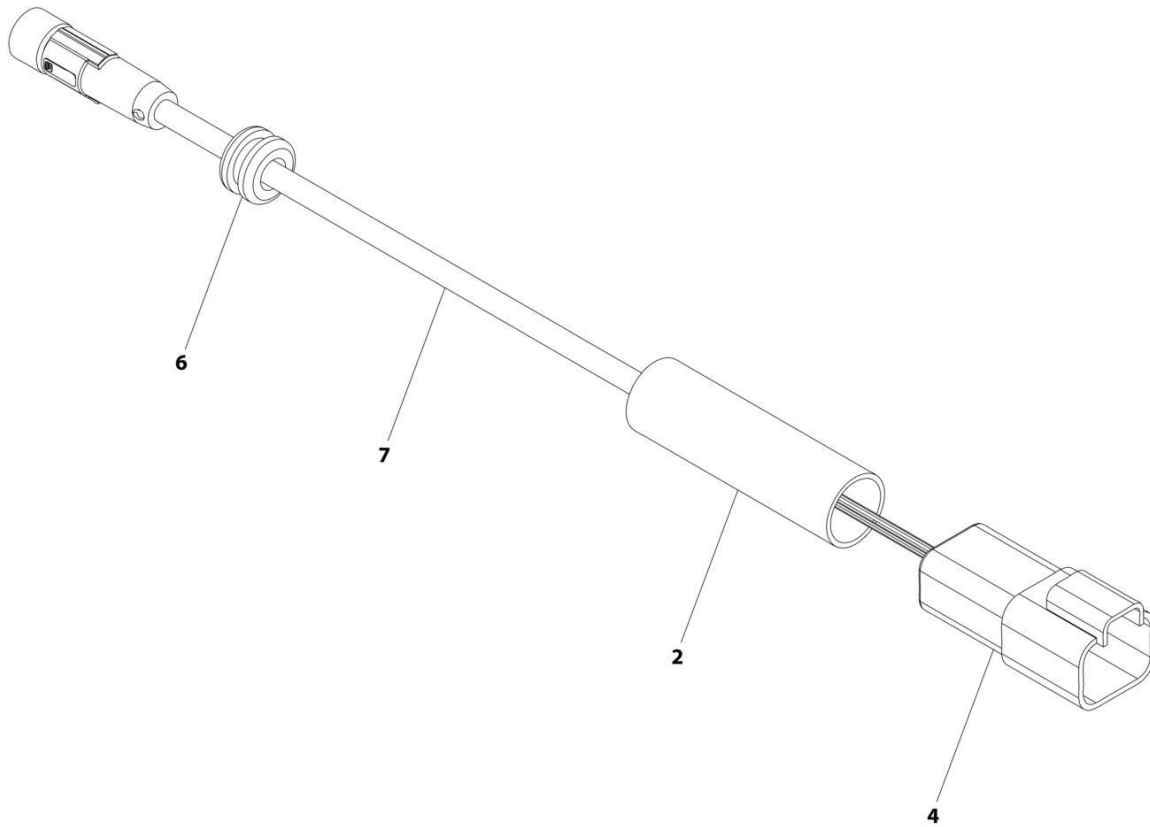
## SECTION 8 - ELECTRICAL

### FIGURE 8-66. SKYEYE INTERMEDIATE HARNESS

| ITEM | PART NUMBER | QTY | DESCRIPTION                 | REV |
|------|-------------|-----|-----------------------------|-----|
|      | 1001237865  | Ref | SKYEYE INTERMEDIATE HARNESS | A   |
| 1    | 4460899     | 1   | Connector - 6 Position      |     |
| 1    | 4460943     | 4   | Pin, Male                   |     |
| 1    | 4460466     | 2   | Plug, Terminal              |     |
| 2    | 4461077     | 2   | Connector - 4 Position      |     |
| 2    | 1001119619  | 8   | Socket, Female              |     |
| 3    | 4460911     | 1   | Connector - 3 Position      |     |
| 3    | 1001119619  | 3   | Socket, Female              |     |
| 4    | 1001187681  | 1   | Connector - 2 Position      |     |
| 4    | 4460941     | 1   | Pin, Male                   |     |
| 4    | 4460466     | 1   | Plug, Terminal              |     |

# SECTION 8 - ELECTRICAL

## FIGURE 8-67. SKYEYE RECEIVER HARNESS



ART\_1001237863

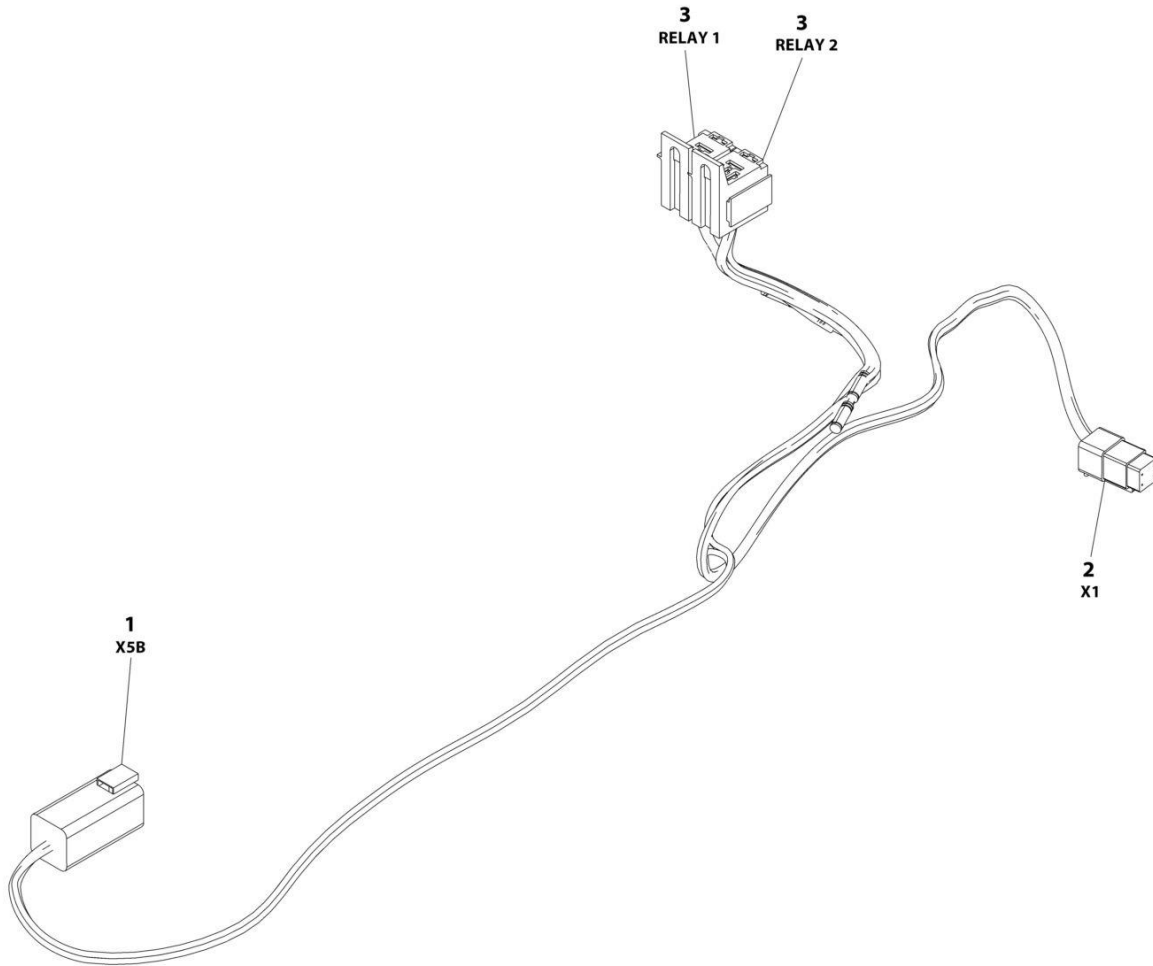
## SECTION 8 - ELECTRICAL

### FIGURE 8-67. SKYEYE RECEIVER HARNESS

| ITEM | PART NUMBER | QTY | DESCRIPTION              | REV |
|------|-------------|-----|--------------------------|-----|
|      | 1001237863  | Ref | SKYEYE RECEIVER HARNESS  | A   |
| 2    | 2820247     | AR  | Tubing, Heat Shrink      |     |
| 4    | 1001097051  | 1   | Connector - 4 Position   |     |
| 4    | 1001119620  | 4   | Pin, Male                |     |
| 6    | 1001227996  | 1   | Grommet                  |     |
| 7    | 1001237862  | 1   | Cable, M8 Female Cordset |     |

# SECTION 8 - ELECTRICAL

## FIGURE 8-68. SKYLINE HARNESS



ART\_1001238418

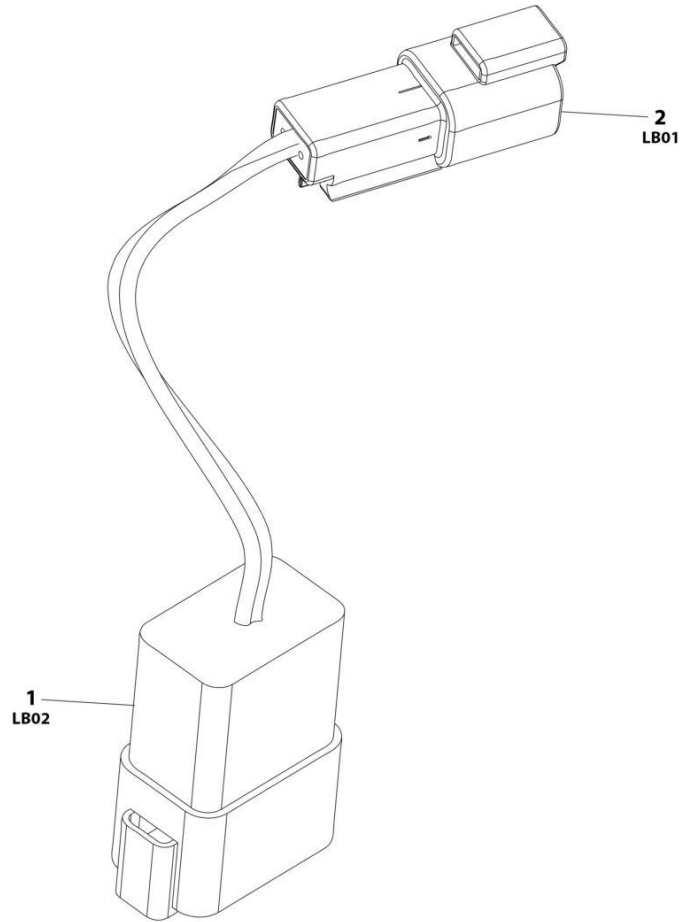
## SECTION 8 - ELECTRICAL

### FIGURE 8-68. SKYLINE HARNESS

| ITEM | PART NUMBER | QTY | DESCRIPTION            | REV |
|------|-------------|-----|------------------------|-----|
|      | 1001238418  | Ref | SKYLINE HARNESS        | B   |
| 1    | 4460899     | 1   | Connector - 6 Position |     |
| 1    | 4460464     | 4   | Pin, Male              |     |
| 1    | 4460466     | 2   | Plug, Terminal         |     |
| 2    | 4461077     | 1   | Connector - 4 Position |     |
| 2    | 1001126009  | 4   | Socket, Female         |     |
| 3    | 1001186432  | 2   | Plug, Relay            |     |
| 3    | 1001118388  | 5   | Terminal               |     |
| 3    | 1001118384  | 3   | Terminal               |     |
| 3    | 3740086     | 2   | Relay                  |     |

# SECTION 8 - ELECTRICAL

## FIGURE 8-69. STOBE LIGHT JUMPER HARNESS



ART\_1001283776



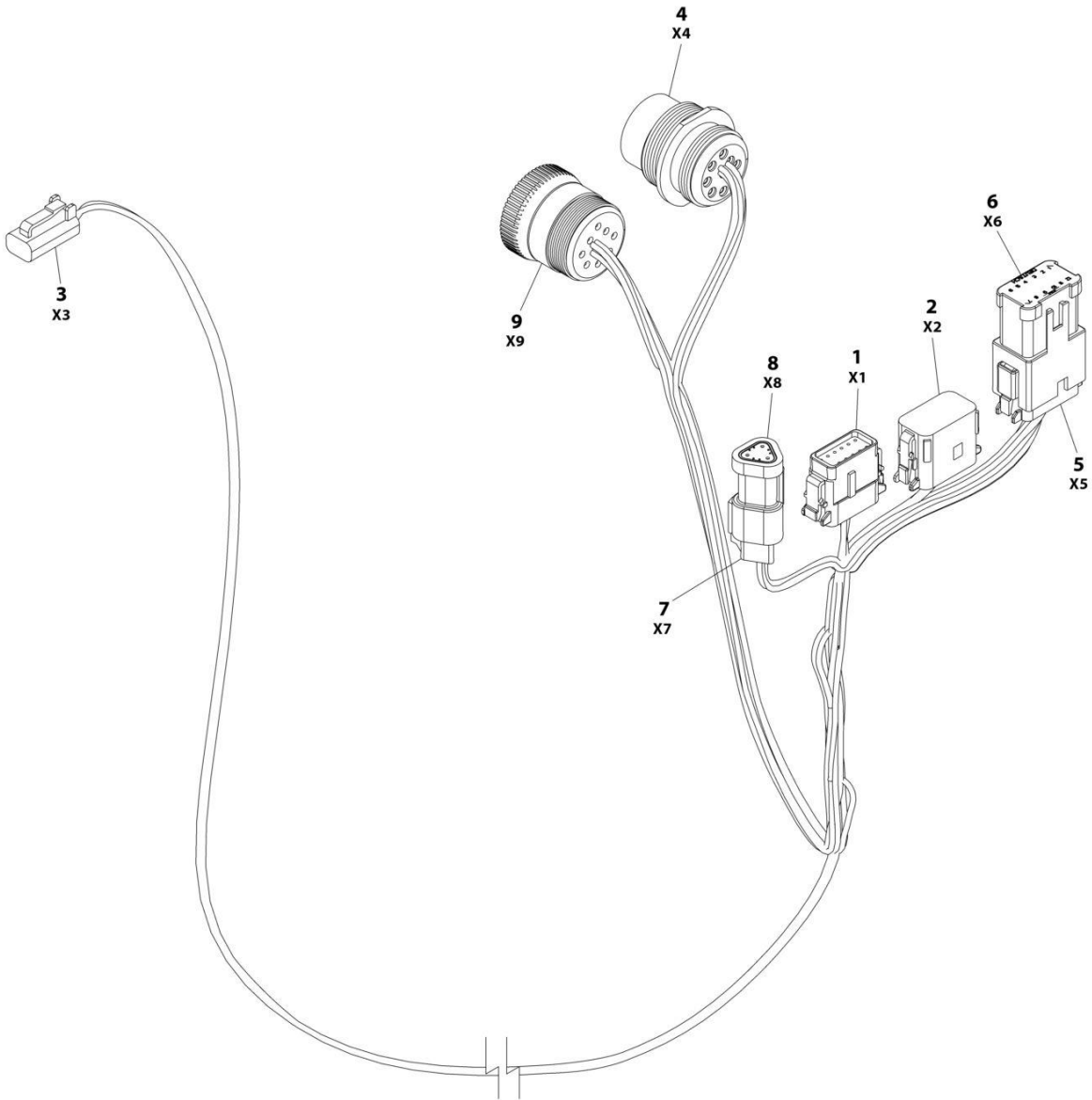
## SECTION 8 - ELECTRICAL

### FIGURE 8-69. STROBE LIGHT JUMPER HARNESS

| ITEM | PART NUMBER | QTY | DESCRIPTION                  | REV |
|------|-------------|-----|------------------------------|-----|
|      | 1001283776  | Ref | STROBE LIGHT HARNESS (AMBER) | A   |
| 1    | 4460931     | 1   | Connector                    |     |
| 1    | 4460464     | 2   | Pin                          |     |
| 1    | 4460466     | 6   | Plug                         |     |
| 2    | 4460897     | 1   | Connector                    |     |
| 2    | 4460464     | 2   | Pin                          |     |

# SECTION 8 - ELECTRICAL

## FIGURE 8-70. STROBE LIGHT CONTROL (BLUE STROBE LIGHT)



ART\_1001142736

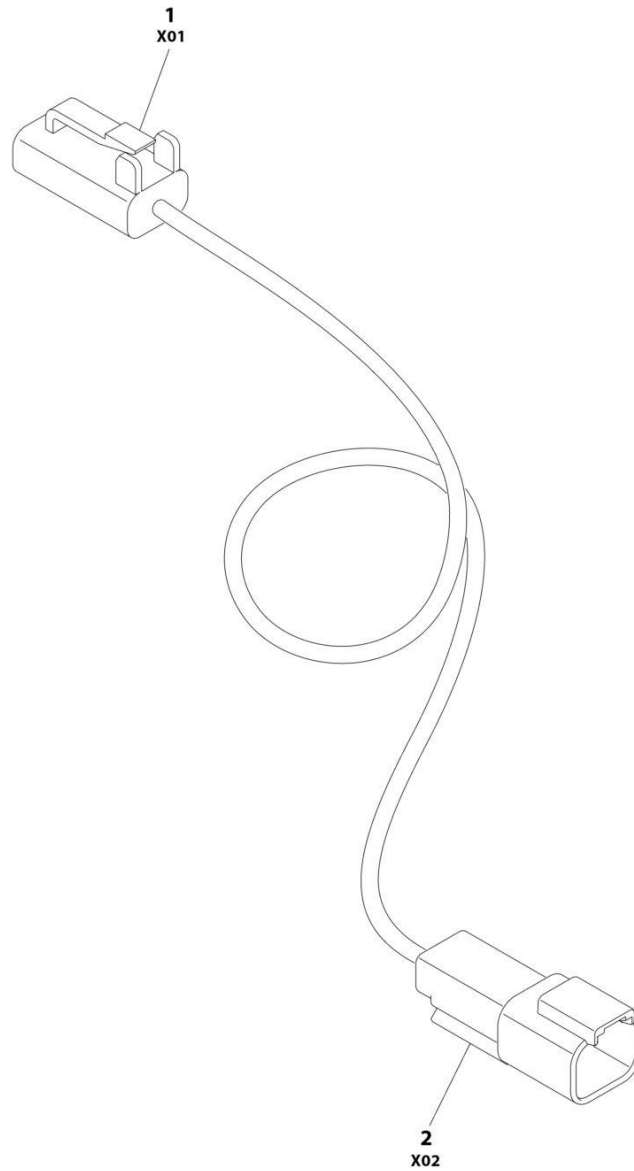
## SECTION 8 - ELECTRICAL

**FIGURE 8-70. STROBE LIGHT CONTROL (BLUE STROBE LIGHT)**

| ITEM | PART NUMBER | QTY | DESCRIPTION              | REV |
|------|-------------|-----|--------------------------|-----|
|      | 1001142736  | Ref | STROBE LIGHT HARNESS     | F   |
| 1    | 1001116808  | 1   | Plug, Male - 12 Position |     |
| 1    | 4460928     | 3   | Socket, Female           |     |
| 1    | 4460518     | 9   | Plug, Terminal           |     |
| 2    | 1001116774  | 1   | Plug, Male - 12 Position |     |
| 2    | 4460928     | 3   | Socket, Female           |     |
| 2    | 4460518     | 9   | Plug, Terminal           |     |
| 3    | 4460891     | 1   | Plug, Male - 2 Position  |     |
| 3    | 4460465     | 2   | Socket, Female           |     |
| 4    | 1001112612  | 1   | Connector - 9 Position   |     |
| 4    | 4460464     | 6   | Pin, Male                |     |
| 4    | 4460466     | 3   | Plug, Terminal           |     |
| 5    | 4460933     | 1   | Plug, Male - 12 Position |     |
| 5    | 4460465     | 12  | Socket, Female           |     |
| 6    | 1001119020  | 1   | Bussbar - 12 Position    |     |
| 7    | 4461095     | 1   | Plug, Male - 3 Position  |     |
| 7    | 4460465     | 3   | Socket, Female           |     |
| 8    | 4461070     | 1   | Bussbar - 3 Position     |     |
| 9    | 1001112796  | 1   | Connector - 9 Position   |     |
| 9    | 4460465     | 6   | Socket, Female           |     |
| 9    | 4460466     | 3   | Plug, Terminal           |     |

## SECTION 8 - ELECTRICAL

FIGURE 8-71. STROBE LIGHT EXTENSION HARNESS (BLUE STROBE LIGHT ONLY)



ART\_1001159027

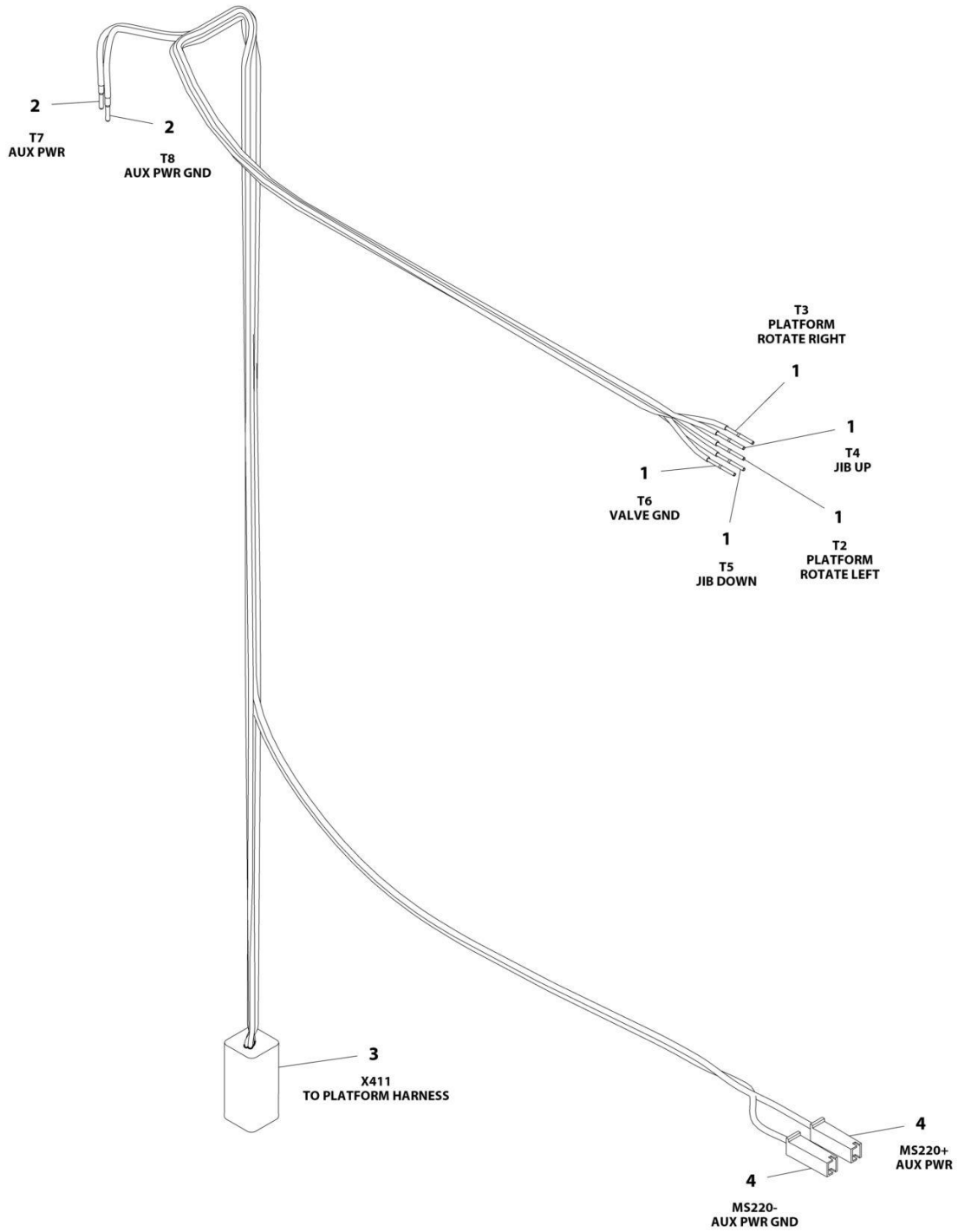
## SECTION 8 - ELECTRICAL

### FIGURE 8-71. STROBE LIGHT EXTENSION HARNESS (BLUE STROBE LIGHT ONLY)

| ITEM | PART NUMBER | QTY | DESCRIPTION   | REV |
|------|-------------|-----|---|-----|
|      | 1001159027  | Ref | STROBE LIGHT EXTENSION HARNESS (BLUE STROBE LIGHT ONLY) | B   |
| 1    | 4460891     | 1   | Plug, Male - 2 Position                                 |     |
| 1    | 4460465     | 2   | Socket, Female  |     |
| 2    | 4460897     | 1   | Receptacle, Female                                      |     |
| 2    | 4460464     | 2   | Pin, Male   |     |

# SECTION 8 - ELECTRICAL

## FIGURE 8-72. VALVE HARNESS - BOOM VALVE



ART\_1001140525

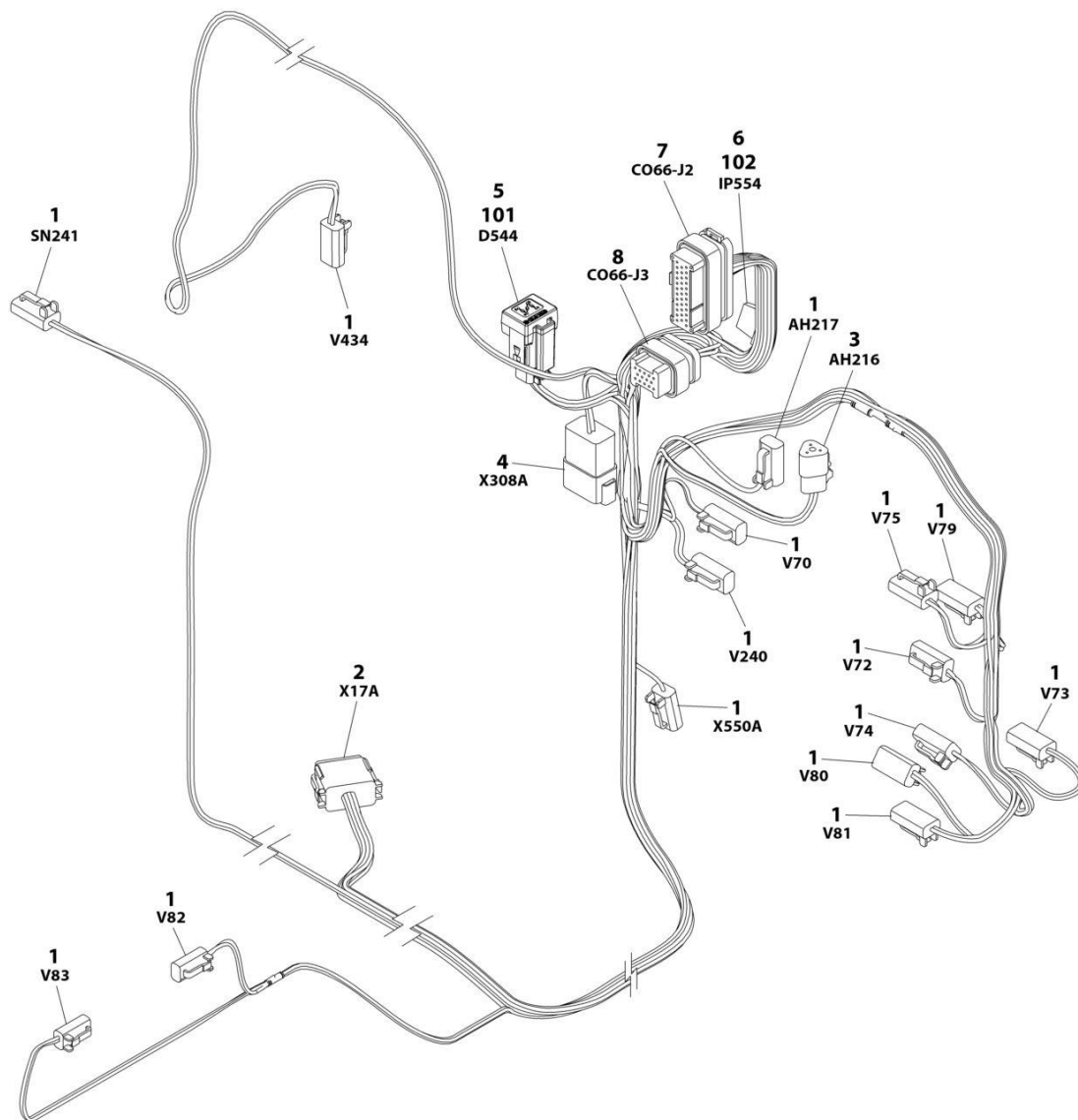
## SECTION 8 - ELECTRICAL

### FIGURE 8-72. VALVE HARNESS - BOOM VALVE

| ITEM | PART NUMBER | QTY | DESCRIPTION                     | REV |
|------|-------------|-----|---------------------------------|-----|
|      | 1001140525  | Ref | BOOM HARNESS - UPPER BOOM VALVE | A   |
| 1    | 4460465     | 5   | Socket, Female                  |     |
| 2    | 4460508     | 2   | Pin, Male                       |     |
| 3    | 4460899     | 1   | Connector - 6 Position          |     |
| 3    | 4460464     | 5   | Pin, Male                       |     |
| 3    | 4460466     | 1   | Plug, Terminal                  |     |
| 4    | 4460260     | 2   | Connector - 1 Position          |     |
| 4    | 4460259     | 2   | Terminal                        |     |

# SECTION 8 - ELECTRICAL

## FIGURE 8-73. VALVE HARNESS



ART\_1001291530



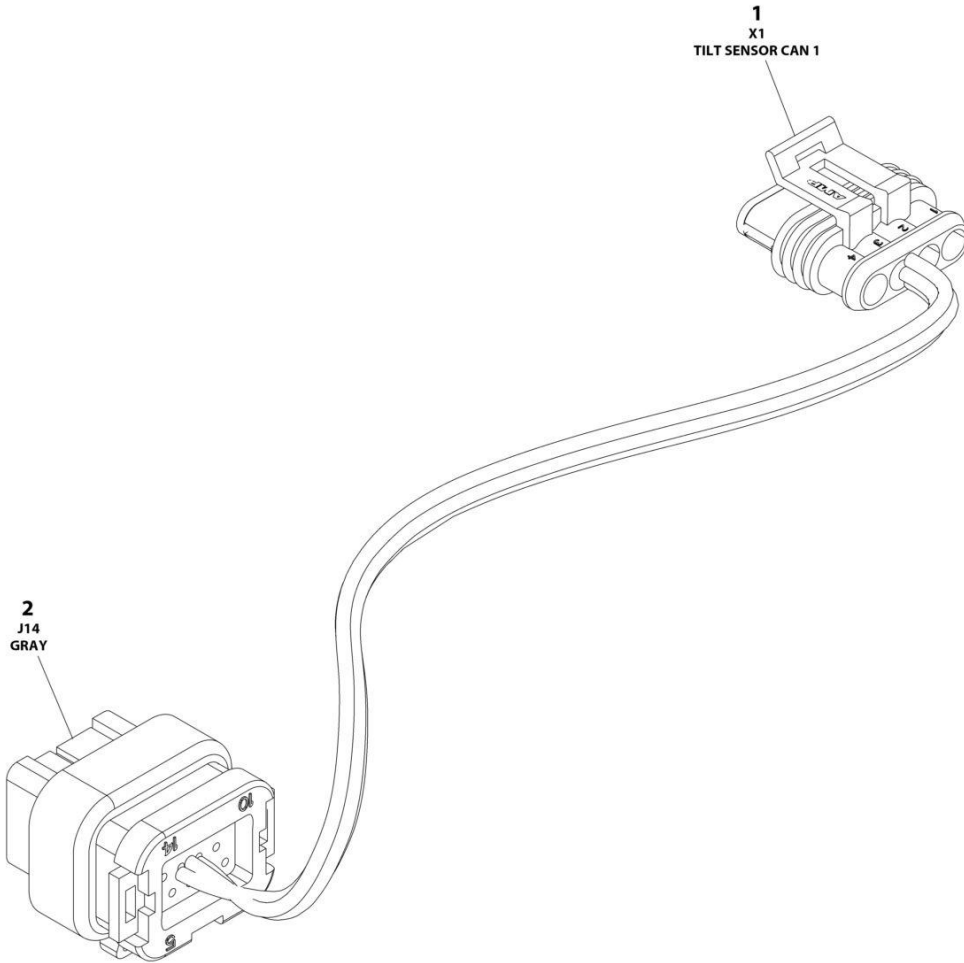
## SECTION 8 - ELECTRICAL

### FIGURE 8-73. VALVE HARNESS

| ITEM | PART NUMBER | QTY | DESCRIPTION            | REV |
|------|-------------|-----|------------------------|-----|
|      | 1001291530  | Ref | VALVE HARNESS          | A   |
| 1    | 4460891     | 15  | Connector              |     |
| 1    | 4460465     | 29  | Socket                 |     |
| 1    | 4460466     | 1   | Plug                   |     |
| 2    | 4460933     | 1   | Connector              |     |
| 2    | 4460465     | 9   | Socket                 |     |
| 2    | 4460466     | 3   | Plug                   |     |
| 3    | 4460539     | 1   | Connector              |     |
| 3    | 4460465     | 3   | Socket                 |     |
| 4    | 4460931     | 1   | Connector              |     |
| 4    | 4460464     | 5   | Pin                    |     |
| 4    | 4460466     | 3   | Plug                   |     |
| 5    | 4460884     | 1   | Connector              |     |
| 5    | 4460465     | 4   | Socket                 |     |
| 6    | 1001170764  | 1   | Holder, Fuse           |     |
| 7    | 4460875     | 1   | Connector              |     |
| 7    | 4460871     | 28  | Socket                 |     |
| 7    | 4460905     | 7   | Plug                   |     |
| 8    | 4460872     | 1   | Connector              |     |
| 8    | 4460871     | 9   | Socket                 |     |
| 8    | 4460905     | 5   | Plug                   |     |
| 101  | 1001152266  | 1   | Connector (with Diode) |     |
| 102  | 1001196636  | 1   | Fuse, 1AMP             |     |

# SECTION 8 - ELECTRICAL

## FIGURE 8-74. TILT SENSOR HARNESS



ART\_1001276143

## SECTION 8 - ELECTRICAL

### FIGURE 8-74. TILT SENSOR HARNESS

| ITEM | PART NUMBER | QTY | DESCRIPTION             | REV |
|------|-------------|-----|-------------------------|-----|
|      | 1001276143  | Ref | TILT SENSOR HARNESS     | B   |
| 1    | 1001103012  | 1   | Connector - 4 Position  |     |
| 1    | 1001107854  | 4   | Terminal, Male          |     |
| 1    | 1001104498  | 4   | Terminal, Seal          |     |
| 2    | 1001246859  | 1   | Connector - 14 Position |     |
| 2    | 4460871     | 4   | Socekt, Female          |     |
| 2    | 4460905     | 10  | Plug, Terminal          |     |

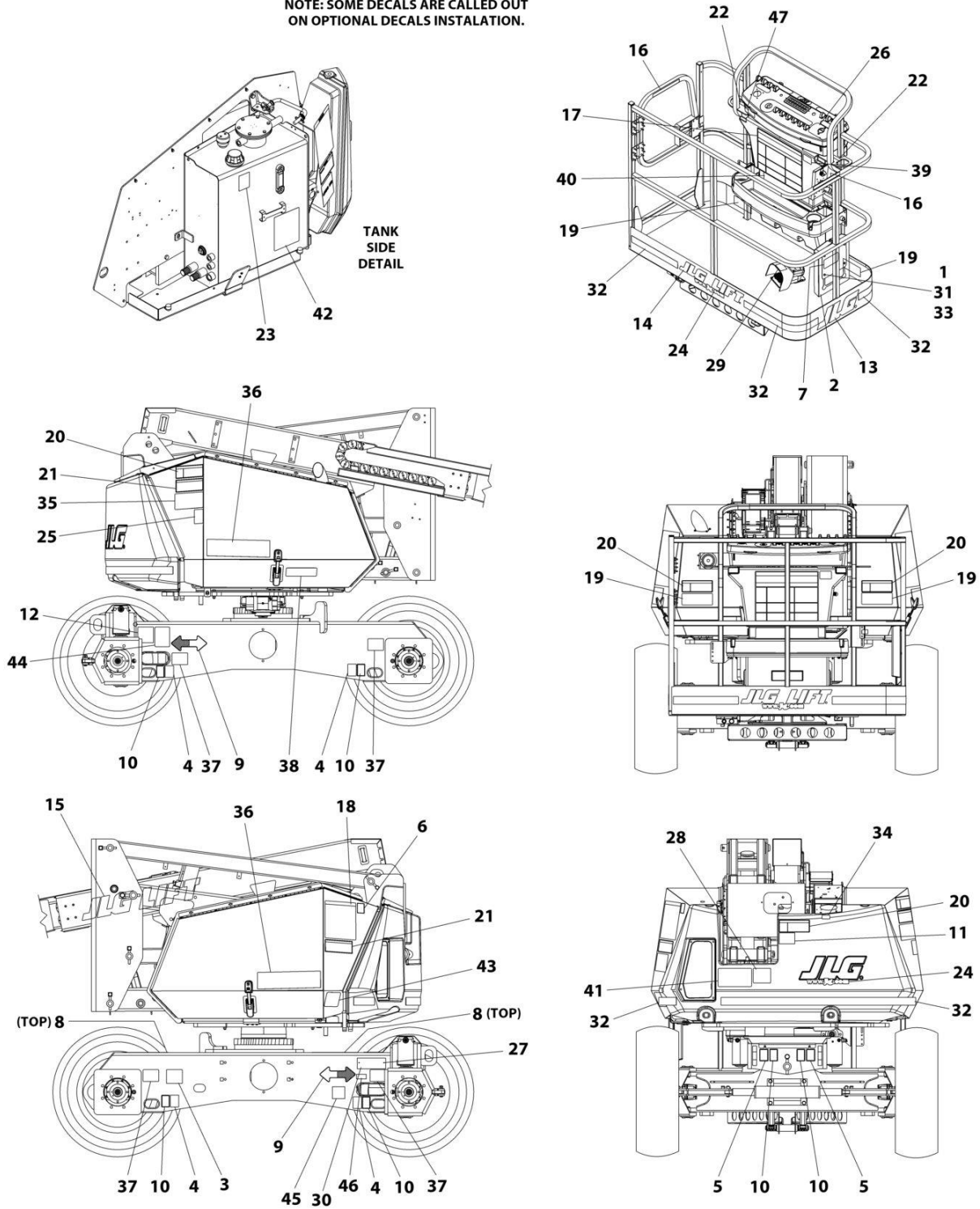


**SECTION 9 - DECALS**

# SECTION 9 - DECALS

## FIGURE 9-1. DECALS INSTALLATION - ANSI AND ANSI EXPORT SPECS (ENGLISH)

NOTE: SOME DECALS ARE CALLED OUT ON OPTIONAL DECALS INSTALLATION.



ART\_1001245868\_G

## SECTION 9 - DECALS

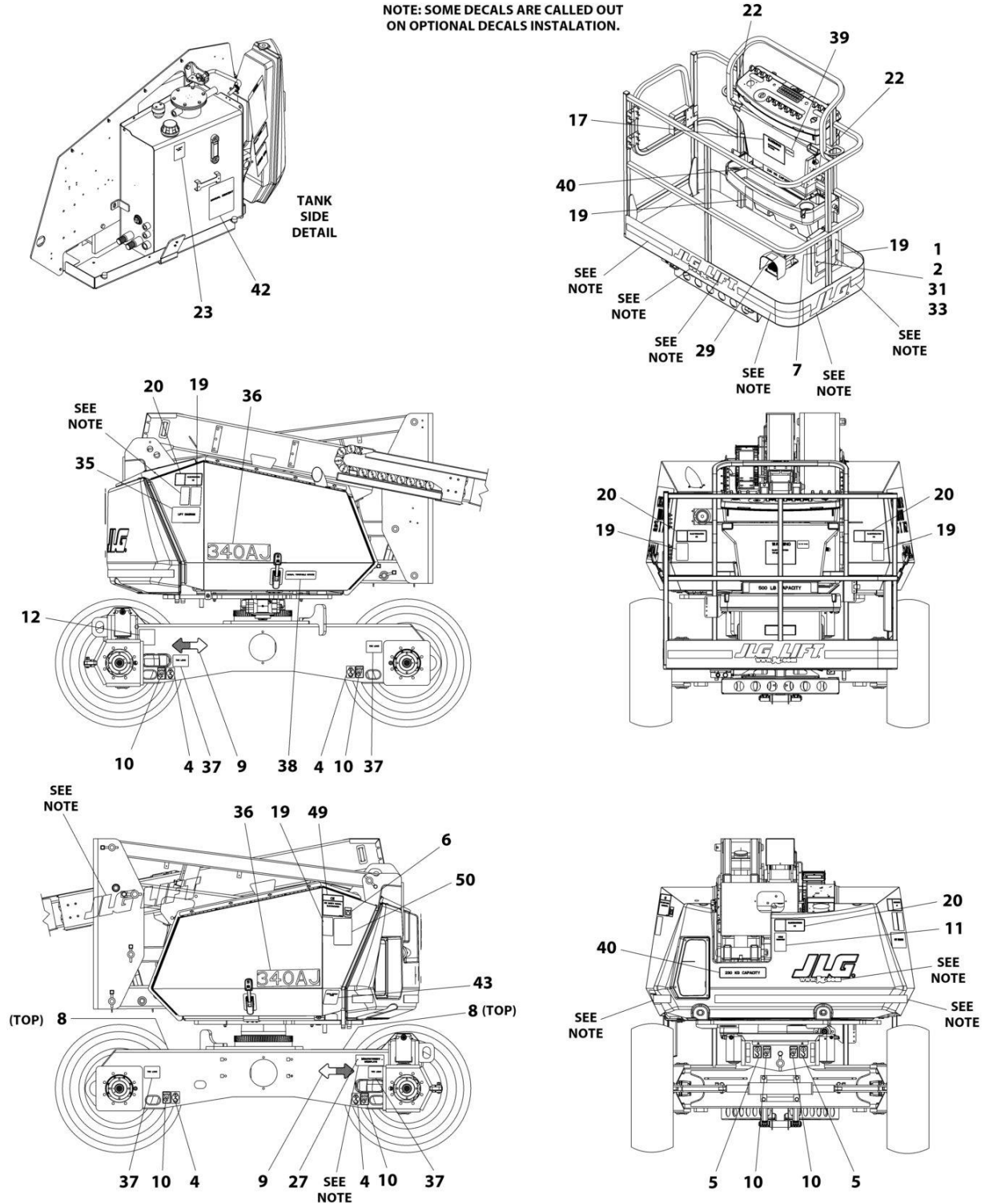
**FIGURE 9-1. DECALS INSTALLATION - ANSI AND ANSI EXPORT SPECS (ENGLISH)**

| ITEM | PART NUMBER | QTY | DESCRIPTION   | REV |
|------|-------------|-----|---|-----|
|      | 1001289742  | Ref | DECAL INSTALLATION - REFERENCE CHART                | A   |
|      | 1001245868  | Ref | DECALS INSTALLATION                                 | G   |
| 1    | 0760610     | 4   | Bolt M6 x 20  |     |
| 2    | 0860520     | 1   | Box, Manual Storage                                 |     |
| 4    | 1701499     | 4   | Decal - No Tie-Down/No Lift                         |     |
| 5    | 1701500     | 4   | Decal - Lift  |     |
| 6    | 1701504     | 1   | Decal - Hydraulic Oil                               |     |
| 7    | 1701509     | 1   | Decal - Manual                                      |     |
| 8    | 1701529     | 2   | Decal - Arrow                                       |     |
| 9    | 1701642     | 2   | Decal - Arrow                                       |     |
| 10   | 1702300     | 8   | Decal - Tie-Down                                    |     |
| 11   | 1702391     | 1   | Decal - Crushing                                    |     |
| 12   | See Note    | 1   | Decal - Bar Code (Note: Not Available for Purchase) |     |
| 16   | 1702868     | 2   | Decal - No Hands                                    |     |
| 17   | 1703797     | 1   | Decal - Danger/Warning                              |     |
| 18   | 1703798     | 1   | Decal - Danger/Warning                              |     |
| 19   | 1703804     | 4   | Decal - Warning Crushing                            |     |
| 20   | 1703805     | 4   | Decal - Electrocution                               |     |
| 21   | 1703953     | 2   | Decal - Warning Crushing                            |     |
| 22   | 1704277     | 2   | Decal - Lanyard Attach                              |     |
| 23   | 1704412     | 1   | Decal - Hydraulic Oil                               |     |
| 26   | 1705351     | 1   | Decal - Drive/Steer Instructions                    |     |
| 27   | 2080057     | 2   | Fastener  |     |
| 29   | 3252347     | 1   | Nameplate - Footswitch                              |     |
| 31   | 3290605     | 4   | Nut M6  |     |
| 33   | 4811700     | 8   | Washer M6   |     |
| 35   | 1001284677  | 1   | Decal - Lift Diagram                                |     |
| 36   | 1001119578  | 2   | Decal - 340AJ <b>(Prior to SN 0300280427)</b>       |     |
| 36   | 1001267323  | 2   | Decal - 340AJ <b>(SN 0300280427 to Present)</b>     |     |
| 37   | 1001307236  | 4   | Decal - Tire Load                                   |     |
| 38   | 1001119981  | 1   | Decal - Manual Turntable Rotate                     |     |
| 39   | 1001120002  | 1   | Decal - No Pipe Racks                               |     |
| 40   | 1001253920  | 1   | Decal - Warning Single Capacity                     |     |
| 41   | 1001253921  | 1   | Decal - Warning Single Capacity                     |     |
| 42   | 1001127549  | 1   | Decal - Manual Descent                              |     |
| 43   | 1001127588  | 1   | Decal - Manual Descent                              |     |
| 44   | 1001131269  | 1   | Decal - Patent                                      |     |
| 45   | 1001223055  | 1   | Decal - Yearly Inspection                           |     |
| 46   | 1001223453  | 1   | Decal - ICES  |     |

# SECTION 9 - DECALS

## FIGURE 9-2. DECALS INSTALLATION - AUSTRALIAN SPEC (ENGLISH)

NOTE: SOME DECALS ARE CALLED OUT ON OPTIONAL DECALS INSTALLATION.



ART\_1001119733\_K



## SECTION 9 - DECALS

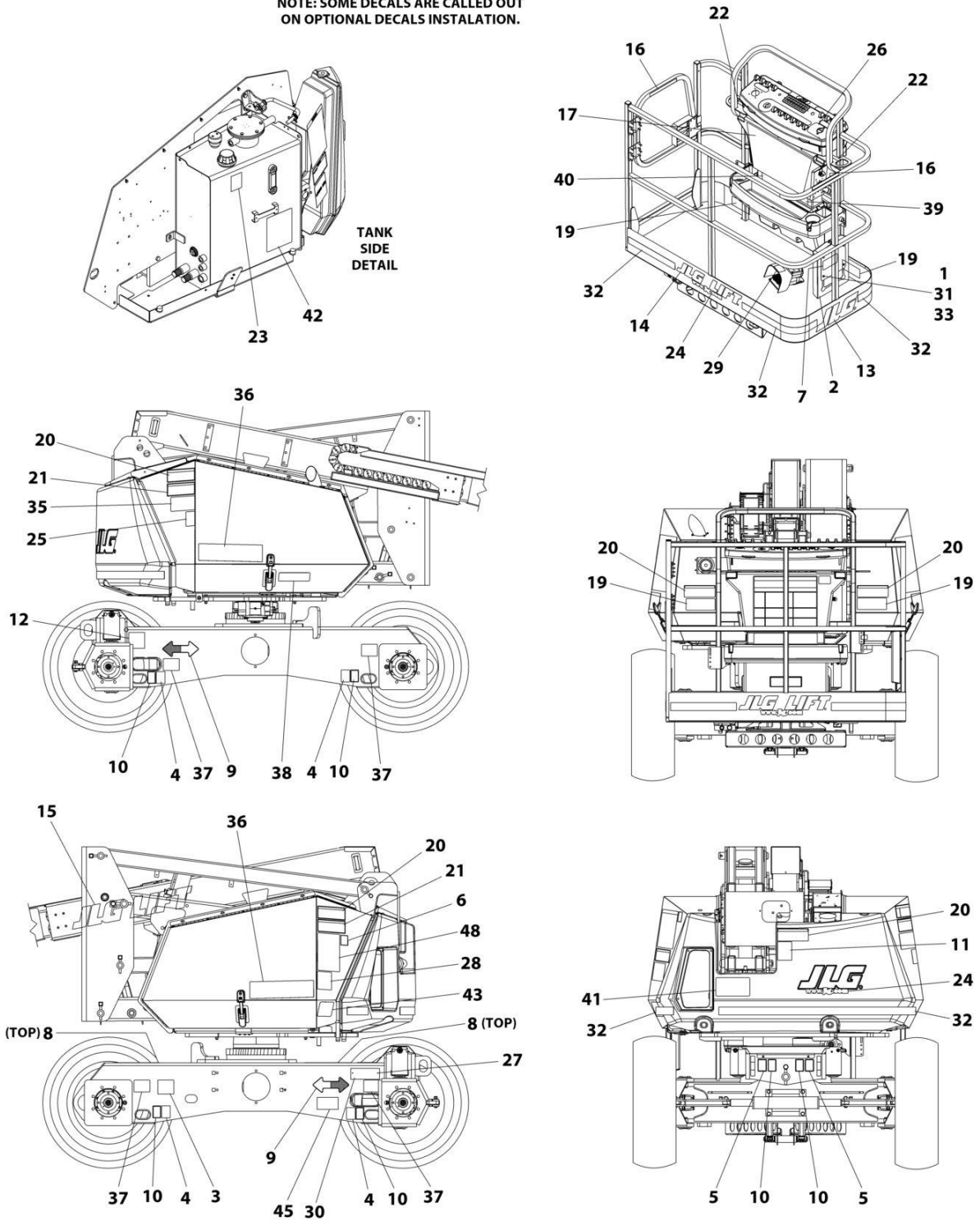
**FIGURE 9-2. DECALS INSTALLATION - AUSTRALIAN SPEC (ENGLISH)**

| ITEM | PART NUMBER | QTY | DESCRIPTION   | REV |
|------|-------------|-----|---|-----|
|      | 1001289742  | Ref | DECAL INSTALLATION - REFERENCE CHART                | A   |
|      | 1001119733  | Ref | DECALS INSTALLATION                                 | K   |
| 1    | 0760610     | 4   | Bolt M6 x 20  |     |
| 2    | 0860520     | 1   | Box, Manual Storage                                 |     |
| 4    | 1701499     | 4   | Decal - No Tie-Down/No Lift                         |     |
| 5    | 1701500     | 4   | Decal - Lift  |     |
| 6    | 1701504     | 1   | Decal - Hydraulic Oil                               |     |
| 7    | 1701509     | 1   | Decal - Manual                                      |     |
| 8    | 1701529     | 2   | Decal - Arrow                                       |     |
| 9    | 1701642     | 2   | Decal - Arrow                                       |     |
| 10   | 1702300     | 8   | Decal - Tie-Down                                    |     |
| 11   | 1701517     | 1   | Decal - Crushing                                    |     |
| 12   | See Note    | 1   | Decal - Bar Code (Note: Not Available for Purchase) |     |
| 17   | 1705921     | 1   | Decal - Tipping/Electrocution                       |     |
| 19   | 1701518     | 6   | Decal - Crushing                                    |     |
| 20   | 1705961     | 4   | Decal - Electrocution                               |     |
| 22   | 1704277     | 2   | Decal - Lanyard Attach                              |     |
| 23   | 1704412     | 1   | Decal - Hydraulic Oil                               |     |
| 27   | 2080057     | 2   | Fastener  |     |
| 29   | 1705828     | 1   | Decal - Footswitch                                  |     |
| 31   | 3290605     | 4   | Nut M6  |     |
| 33   | 4811700     | 8   | Washer M6   |     |
| 35   | 1001284677  | 1   | Decal - Lift Diagram                                |     |
| 36   | 1001119578  | 2   | Decal - 340AJ <b>(Prior to SN 0300280427)</b>       |     |
| 36   | 1001267323  | 2   | Decal - 340AJ <b>(SN 0300280427 to Present)</b>     |     |
| 37   | 1001307236  | 4   | Decal - Tire Load                                   |     |
| 38   | 1001119981  | 1   | Decal - Manual Turntable Rotate                     |     |
| 39   | 1001120003  | 1   | Decal - No Pipe Racks                               |     |
| 40   | 1705978     | 2   | Decal - Capacity 230KG                              |     |
| 42   | 1001127549  | 1   | Decal - Manual Descent                              |     |
| 43   | 1001127588  | 1   | Decal - Manual Descent                              |     |
| 49   | 1705822     | 1   | Decal - Electrocution/Safety Manual                 |     |
| 50   | 1001112551  | 1   | Decal - Emergency Controls                          |     |

# SECTION 9 - DECALS

## FIGURE 9-3. DECALS INSTALLATION - BRAZIL SPEC (PORTUGUESE/SPANISH)

NOTE: SOME DECALS ARE CALLED OUT ON OPTIONAL DECALS INSTALLATION.



ART\_1001246463\_H

## SECTION 9 - DECALS

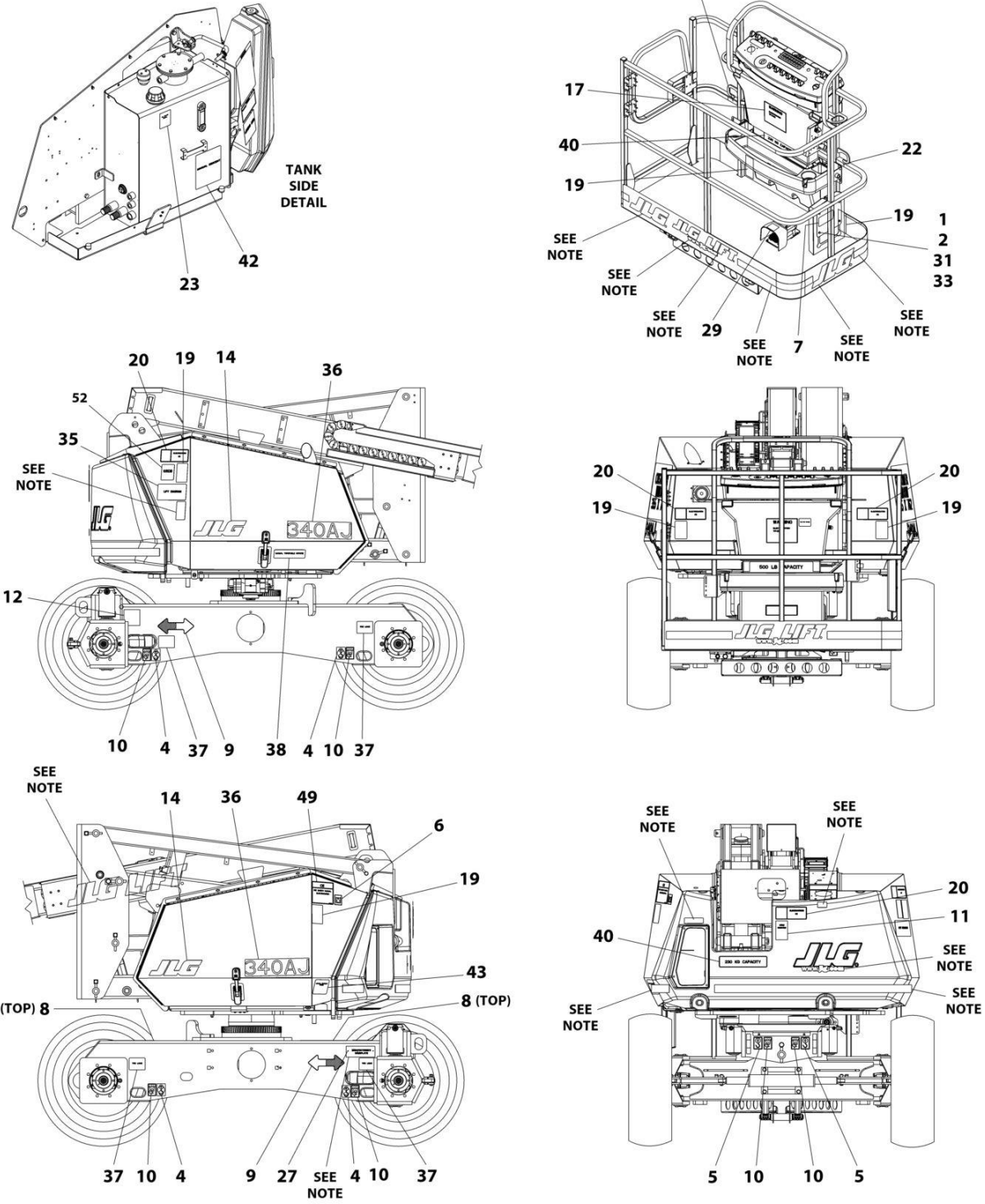
**FIGURE 9-3. DECALS INSTALLATION - BRAZIL SPEC (PORTUGUESE/SPANISH)**

| ITEM | PART NUMBER | QTY | DESCRIPTION   | REV |
|------|-------------|-----|---|-----|
|      | 1001289742  | Ref | DECAL INSTALLATION - REFERENCE CHART                | A   |
|      | 1001246463  | Ref | DECALS INSTALLATION                                 | H   |
| 1    | 0760610     | 4   | Bolt M6 x 20  |     |
| 2    | 0860520     | 1   | Box, Manual Storage                                 |     |
| 4    | 1701499     | 4   | Decal - No Tie-Down/No Lift                         |     |
| 5    | 1701500     | 4   | Decal - Lift  |     |
| 6    | 1701504     | 1   | Decal - Hydraulic Oil                               |     |
| 7    | 1701509     | 1   | Decal - Manual                                      |     |
| 8    | 1701529     | 2   | Decal - Arrow                                       |     |
| 9    | 1701642     | 2   | Decal - Arrow                                       |     |
| 10   | 1702300     | 8   | Decal - Tie-Down                                    |     |
| 11   | 1001113170  | 1   | Decal - Crushing                                    |     |
| 12   | See Note    | NSS | Decal - Bar Code (Note: Not Available for Purchase) |     |
| 16   | 1704002     | 2   | Decal - No Hands                                    |     |
| 17   | 1703928     | 1   | Decal - Danger/Warning                              |     |
| 19   | 1703952     | 4   | Decal - Warning Crushing                            |     |
| 20   | 1703940     | 5   | Decal - Electrocution                               |     |
| 21   | 1703946     | 2   | Decal - Warning Crushing (Portuguese/Spanish)       |     |
| 22   | 1704277     | 2   | Decal - Lanyard Attach                              |     |
| 23   | 1704412     | 1   | Decal - Hydraulic Oil                               |     |
| 26   | 1001113680  | 1   | Decal - Drive/Steer Instructions                    |     |
| 27   | 2080057     | 2   | Fastener  |     |
| 29   | 1703985     | 1   | Nameplate - Footswitch                              |     |
| 31   | 3290605     | 4   | Nut M6  |     |
| 33   | 4811700     | 8   | Washer M6   |     |
| 35   | 1001284677  | 1   | Decal - Lift Diagram                                |     |
| 36   | 1001119578  | 2   | Decal - 340AJ <b>(Prior to SN 0300280427)</b>       |     |
| 36   | 1001267323  | 2   | Decal - 340AJ <b>(SN 0300280427 to Present)</b>     |     |
| 37   | 1001307236  | 4   | Decal - Tire Load                                   |     |
| 38   | 1001119981  | 1   | Decal - Manual Turntable Rotate                     |     |
| 39   | 1001120282  | 1   | Decal - No Pipe Racks                               |     |
| 40   | 1001253928  | 1   | Decal - Warning Single Capacity                     |     |
| 41   | 1001253929  | 1   | Decal - Warning Single Capacity                     |     |
| 42   | 1001127549  | 1   | Decal - Manual Descent                              |     |
| 43   | 1001127588  | 1   | Decal - Manual Descent                              |     |
| 45   | 1001224052  | 1   | Decal - Yearly Inspection                           |     |
| 48   | 1705349     | 1   | Decal - Warning Inspection                          |     |

# SECTION 9 - DECALS

## FIGURE 9-4. DECALS INSTALLATION - CE & UK CA SPECS (ENGLISH)

NOTE: SOME DECALS ARE CALLED OUT ON OPTIONAL DECALS INSTALLATION.



ART\_1001115783\_P

## SECTION 9 - DECALS

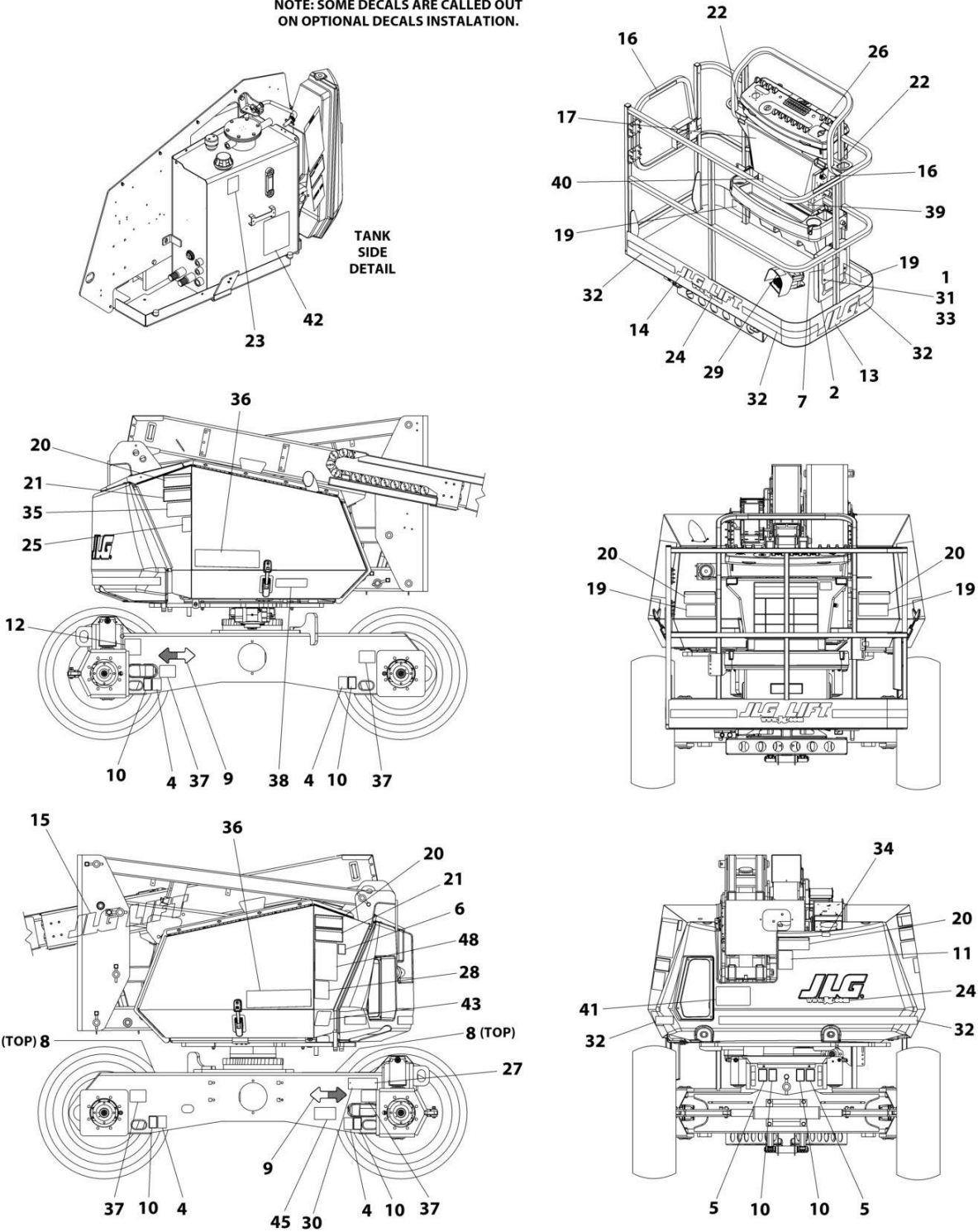
**FIGURE 9-4. DECALS INSTALLATION - CE & UK CA SPECS (ENGLISH)**

| ITEM | PART NUMBER | QTY | DESCRIPTION   | REV |
|------|-------------|-----|---|-----|
|      | 1001289742  | Ref | DECAL INSTALLATION - REFERENCE CHART                | A   |
|      | 1001115783  | Ref | DECALS INSTALLATION                                 | P   |
| 1    | 0760610     | 4   | Bolt M6 x 20  |     |
| 2    | 0860520     | 1   | Box, Manual Storage                                 |     |
| 4    | 1701499     | 4   | Decal - No Tie-Down/No Lift                         |     |
| 5    | 1701500     | 4   | Decal - Lift  |     |
| 6    | 1701504     | 1   | Decal - Hydraulic Oil                               |     |
| 7    | 1701509     | 1   | Decal - Manual                                      |     |
| 8    | 1701529     | 2   | Decal - Arrow                                       |     |
| 9    | 1701642     | 2   | Decal - Arrow                                       |     |
| 10   | 1702300     | 8   | Decal - Tie-Down                                    |     |
| 11   | 1701517     | 1   | Decal - Crushing                                    |     |
| 12   | See Note    | 1   | Decal - Bar Code (Note: Not Available for Purchase) |     |
| 17   | 1705921     | 1   | Decal - Tipping/Electrocution                       |     |
| 19   | 1701518     | 6   | Decal - Crushing                                    |     |
| 20   | 1705961     | 4   | Decal - Electrocution                               |     |
| 22   | 1704277     | 2   | Decal - Lanyard Attach                              |     |
| 23   | 1704412     | 1   | Decal - Hydraulic Oil                               |     |
| 27   | 2080057     | 2   | Fastener  |     |
| 29   | 1705828     | 1   | Decal - Footswitch                                  |     |
| 31   | 3290605     | 4   | Nut M6  |     |
| 33   | 4811700     | 8   | Washer M6   |     |
| 35   | 1001284677  | 1   | Decal - Lift Diagram                                |     |
| 36   | 1001119578  | 2   | Decal - 340AJ <b>(Prior to SN 0300280427)</b>       |     |
| 36   | 1001267323  | 2   | Decal - 340AJ <b>(SN 0300280427 to Present)</b>     |     |
| 37   | 1001307236  | 4   | Decal - Tire Load                                   |     |
| 38   | 1001119981  | 1   | Decal - Manual Turntable Rotate                     |     |
| 40   | 1705978     | 2   | Decal - Capacity 230KG                              |     |
| 42   | 1001127549  | 1   | Decal - Manual Descent                              |     |
| 43   | 1001127588  | 1   | Decal - Manual Descent                              |     |
| 49   | 1705822     | 1   | Decal - Electrocution/Safety Manual                 |     |

# SECTION 9 - DECALS

## FIGURE 9-5. DECALS INSTALLATION - CHINESE SPEC (CHINESE/ENGLISH)

NOTE: SOME DECALS ARE CALLED OUT ON OPTIONAL DECALS INSTALLATION.



ART\_1001246462\_G

## SECTION 9 - DECALS

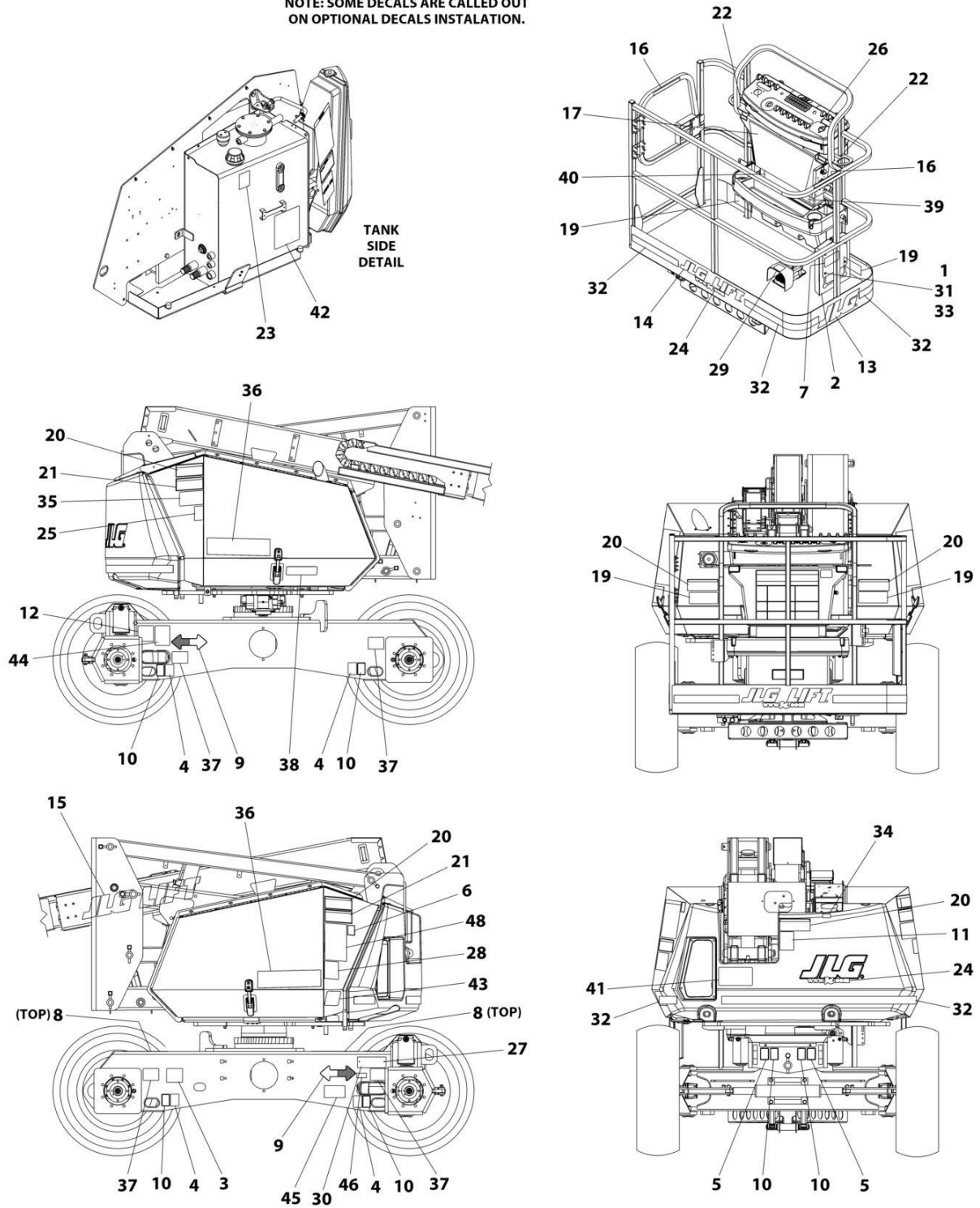
**FIGURE 9-5. DECALS INSTALLATION - CHINESE SPEC (CHINESE/ENGLISH)**

| ITEM | PART NUMBER | QTY | DESCRIPTION   | REV |
|------|-------------|-----|---|-----|
|      | 1001289742  | Ref | DECAL INSTALLATION - REFERENCE CHART                | A   |
|      | 1001246462  | Ref | DECALS INSTALLATION                                 | G   |
| 1    | 0760610     | 4   | Bolt M6 x 20  |     |
| 2    | 0860520     | 1   | Box, Manual Storage                                 |     |
| 4    | 1701499     | 4   | Decal - No Tie-Down/No Lift                         |     |
| 5    | 1701500     | 4   | Decal - Lift  |     |
| 6    | 1701504     | 1   | Decal - Hydraulic Oil                               |     |
| 7    | 1701509     | 1   | Decal - Manual                                      |     |
| 8    | 1701529     | 2   | Decal - Arrow                                       |     |
| 9    | 1701642     | 2   | Decal - Arrow                                       |     |
| 10   | 1702300     | 8   | Decal - Tie-Down                                    |     |
| 11   | 1001113168  | 1   | Decal - Crushing                                    |     |
| 12   | See Note    | NSS | Decal - Bar Code (Note: Not Available for Purchase) |     |
| 16   | 1705968     | 2   | Decal - No Hands                                    |     |
| 17   | 1703925     | 1   | Decal - Warning/Danger                              |     |
| 19   | 1703949     | 4   | Decal - Warning Crushing                            |     |
| 20   | 1703937     | 5   | Decal - Electrocution                               |     |
| 21   | 1703943     | 2   | Decal - Warning Crushing                            |     |
| 22   | 1704277     | 2   | Decal - Lanyard Attach                              |     |
| 23   | 1704412     | 1   | Decal - Hydraulic Oil                               |     |
| 26   | 1705430     | 1   | Decal - Drive/Steer Instructions                    |     |
| 27   | 2080057     | 2   | Fastener  |     |
| 29   | 1703982     | 1   | Nameplate - Footswitch                              |     |
| 31   | 3290605     | 4   | Nut M6  |     |
| 33   | 4811700     | 8   | Washer M6   |     |
| 35   | 1001284677  | 1   | Decal - Lift Diagram                                |     |
| 36   | 1001119578  | 2   | Decal - 340AJ <b>(Prior to SN 0300280427)</b>       |     |
| 36   | 1001267323  | 2   | Decal - 340AJ <b>(SN 0300280427 to Present)</b>     |     |
| 37   | 1001307236  | 4   | Decal - Tire Load                                   |     |
| 38   | 1001119981  | 1   | Decal - Manual Turntable Rotate                     |     |
| 39   | 1001120281  | 1   | Decal - No Pipe Racks                               |     |
| 40   | 1001253926  | 1   | Decal - Warning Single Capacity                     |     |
| 41   | 1001253927  | 1   | Decal - Warning Single Capacity                     |     |
| 42   | 1001127549  | 1   | Decal - Manual Descent                              |     |
| 43   | 1001127588  | 1   | Decal - Manual Descent                              |     |
| 45   | 1001224050  | 1   | Decal - Yearly Inspection                           |     |
| 48   | 1705348     | 1   | Decal - Warning Inspection                          |     |

# SECTION 9 - DECALS

## FIGURE 9-6. DECALS INSTALLATION - CSA SPEC (FRENCH/ENGLISH)

NOTE: SOME DECALS ARE CALLED OUT ON OPTIONAL DECALS INSTALLATION.



ART\_1001245869\_G



## SECTION 9 - DECALS

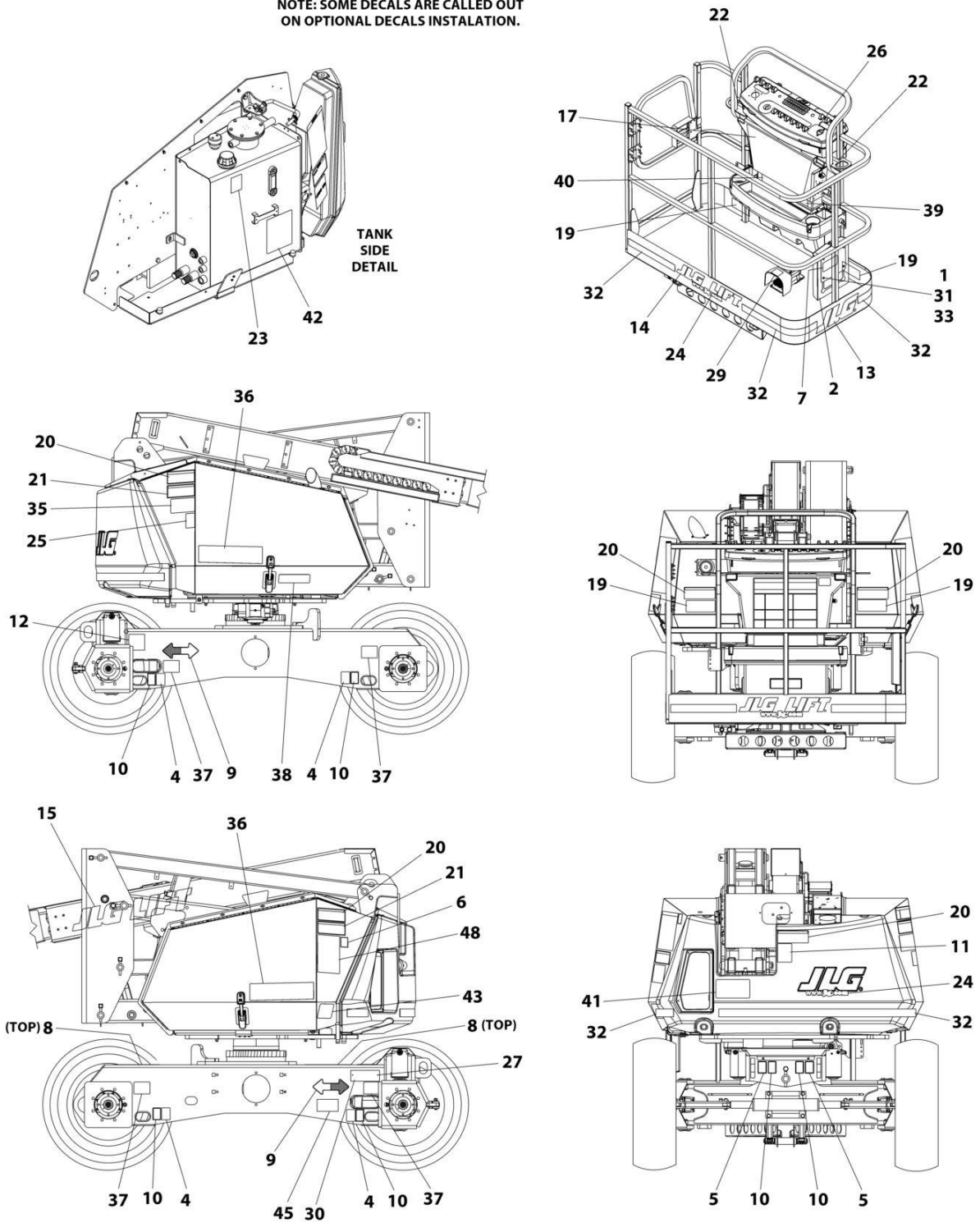
**FIGURE 9-6. DECALS INSTALLATION - CSA SPEC (FRENCH/ENGLISH)**

| ITEM | PART NUMBER | QTY | DESCRIPTION   | REV |
|------|-------------|-----|---|-----|
|      | 1001289742  | Ref | DECAL INSTALLATION - REFERENCE CHART                | A   |
|      | 1001245869  | Ref | DECALS INSTALLATION                                 | G   |
| 1    | 0760610     | 4   | Bolt M6 x 20  |     |
| 2    | 0860520     | 1   | Box, Manual Storage                                 |     |
| 4    | 1701499     | 4   | Decal - No Tie-Down/No Lift                         |     |
| 5    | 1701500     | 4   | Decal - Lift  |     |
| 6    | 1701504     | 1   | Decal - Hydraulic Oil                               |     |
| 7    | 1701509     | 1   | Decal - Manual                                      |     |
| 8    | 1701529     | 2   | Decal - Arrow                                       |     |
| 9    | 1701642     | 2   | Decal - Arrow                                       |     |
| 10   | 1702300     | 8   | Decal - Tie-Down                                    |     |
| 11   | 1001113169  | 1   | Decal - Crushing                                    |     |
| 12   | See Note    | NSS | Decal - Bar Code (Note: Not Available for Purchase) |     |
| 16   | 1704000     | 2   | Decal - No Hands                                    |     |
| 17   | 1703924     | 1   | Decal - Warning/Danger                              |     |
| 19   | 1703948     | 4   | Decal - Warning Crushing                            |     |
| 20   | 1703936     | 5   | Decal - Electrocution                               |     |
| 21   | 1703942     | 2   | Decal - Warning Crushing                            |     |
| 22   | 1704277     | 2   | Decal - Lanyard Attach                              |     |
| 23   | 1704412     | 1   | Decal - Hydraulic Oil                               |     |
| 26   | 1705429     | 1   | Decal - Drive/Steer Instructions                    |     |
| 27   | 2080057     | 2   | Fastener  |     |
| 29   | 1703984     | 1   | Nameplate - Footswitch                              |     |
| 31   | 3290605     | 4   | Nut M6  |     |
| 33   | 4811700     | 8   | Washer M6   |     |
| 35   | 1001284677  | 1   | Decal - Lift Diagram                                |     |
| 36   | 1001119578  | 2   | Decal - 340AJ <b>(Prior to SN 0300280427)</b>       |     |
| 36   | 1001267323  | 2   | Decal - 340AJ <b>(SN 0300280427 to Present)</b>     |     |
| 37   | 1001307236  | 4   | Decal - Tire Load                                   |     |
| 38   | 1001119981  | 1   | Decal - Manual Turntable Rotate                     |     |
| 39   | 1001120004  | 1   | Decal - No Pipe Racks                               |     |
| 40   | 1001253922  | 1   | Decal - Warning Single Capacity                     |     |
| 41   | 1001253923  | 1   | Decal - Warning Single Capacity                     |     |
| 42   | 1001127549  | 1   | Decal - Manual Descent                              |     |
| 43   | 1001127588  | 1   | Decal - Manual Descent                              |     |
| 44   | 1001131269  | 1   | Decal - Patent                                      |     |
| 45   | 1001223971  | 1   | Decal - Yearly Inspection                           |     |
| 46   | 1001223453  | 1   | Decal - ICES  |     |
| 48   | 1705347     | 1   | Decal - Warning Inspection                          |     |

# SECTION 9 - DECALS

## FIGURE 9-7. DECALS INSTALLATION - JAPANESE SPEC (JAPANESE)

NOTE: SOME DECALS ARE CALLED OUT ON OPTIONAL DECALS INSTALLATION.



ART\_1001246460\_H

## SECTION 9 - DECALS

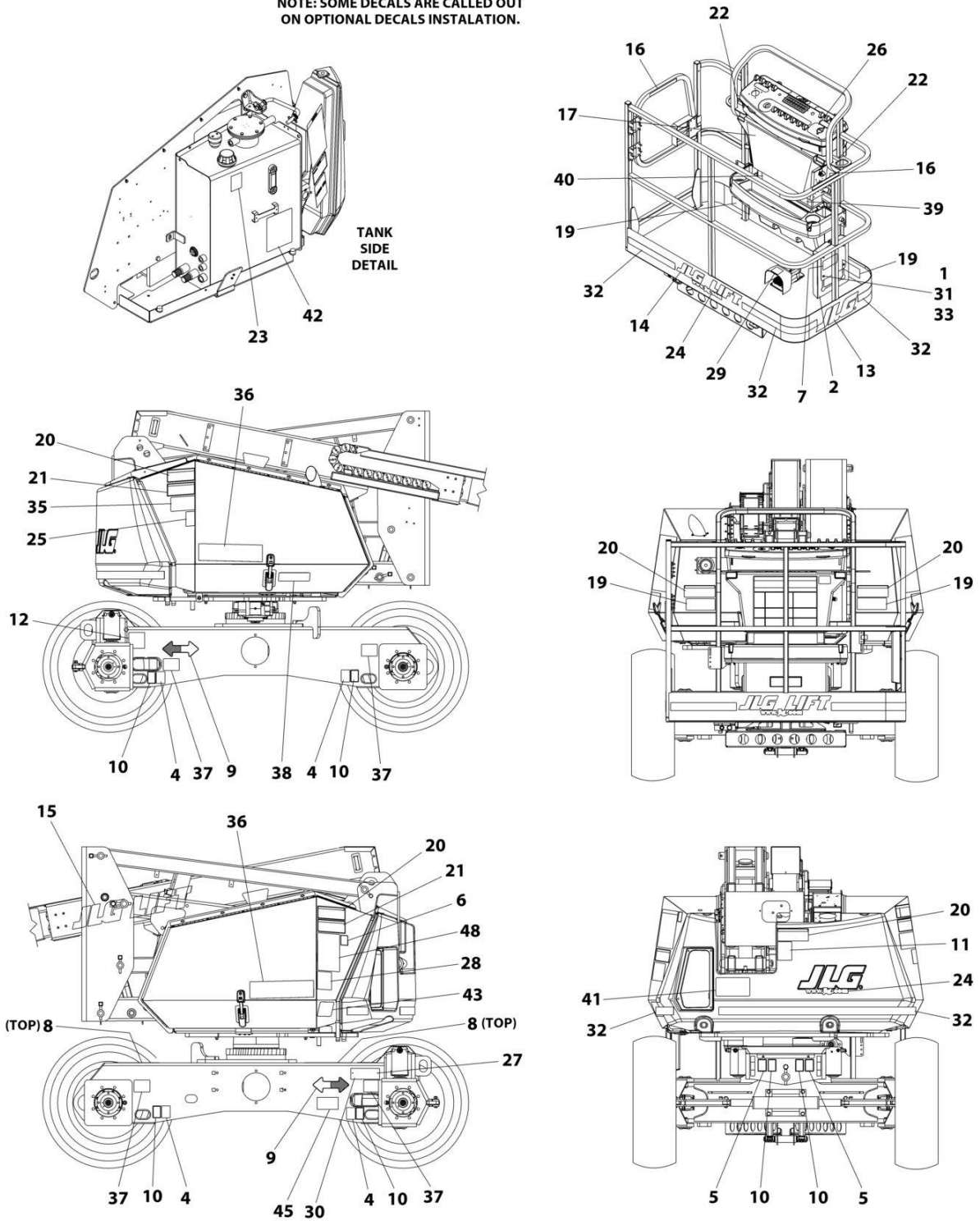
**FIGURE 9-7. DECALS INSTALLATION - JAPANESE SPEC (JAPANESE)**

| ITEM | PART NUMBER | QTY | DESCRIPTION   | REV |
|------|-------------|-----|---|-----|
|      | 1001289742  | Ref | DECAL INSTALLATION - REFERENCE CHART                | A   |
|      | 1001246460  | Ref | DECALS INSTALLATION                                 | H   |
| 1    | 0760610     | 4   | Bolt M6 x 20  |     |
| 2    | 0860520     | 1   | Box, Manual Storage                                 |     |
| 4    | 1701499     | 4   | Decal - No Tie-Down/No Lift                         |     |
| 5    | 1701500     | 4   | Decal - Lift  |     |
| 6    | 1701504     | 1   | Decal - Hydraulic Oil                               |     |
| 7    | 1701509     | 1   | Decal - Manual                                      |     |
| 8    | 1701529     | 2   | Decal - Arrow                                       |     |
| 9    | 1701642     | 2   | Decal - Arrow                                       |     |
| 10   | 1702300     | 8   | Decal - Tie-Down                                    |     |
| 11   | 1001113166  | 1   | Decal - Crushing                                    |     |
| 12   | See Note    | NSS | Decal - Bar Code (Note: Not Available for Purchase) |     |
| 17   | 1703926     | 1   | Decal - Danger/Warning                              |     |
| 19   | 1703950     | 4   | Decal - Warning Crushing                            |     |
| 20   | 1703938     | 5   | Decal - Electrocution                               |     |
| 21   | 1703944     | 2   | Decal - Warning Crushing                            |     |
| 22   | 1704277     | 2   | Decal - Lanyard Attach                              |     |
| 23   | 1704412     | 1   | Decal - Hydraulic Oil                               |     |
| 26   | 1705426     | 1   | Decal - Drive/Steer Instructions                    |     |
| 27   | 2080057     | 2   | Fastener  |     |
| 29   | 1703980     | 1   | Nameplate - Footswitch                              |     |
| 31   | 3290605     | 4   | Nut M6  |     |
| 33   | 4811700     | 8   | Washer M6   |     |
| 35   | 1001284677  | 1   | Decal - Lift Diagram                                |     |
| 36   | 1001119578  | 2   | Decal - 340AJ <b>(Prior to SN 0300280427)</b>       |     |
| 36   | 1001267323  | 2   | Decal - 340AJ <b>(SN 0300280427 to Present)</b>     |     |
| 37   | 1001307236  | 4   | Decal - Tire Load                                   |     |
| 38   | 1001119981  | 1   | Decal - Manual Turntable Rotate                     |     |
| 39   | 1001120279  | 1   | Decal - No Pipe Racks                               |     |
| 40   | 1001253932  | 1   | Decal - Warning Single Capacity                     |     |
| 41   | 1001253933  | 1   | Decal - Warning Single Capacity                     |     |
| 42   | 1001127549  | 1   | Decal - Manual Descent                              |     |
| 43   | 1001127588  | 1   | Decal - Manual Descent                              |     |
| 45   | 1001224053  | 1   | Decal - Yearly Inspection                           |     |
| 48   | 1705344     | 1   | Decal - Warning Inspection                          |     |

# SECTION 9 - DECALS

## FIGURE 9-8. DECALS INSTALLATION - KOREAN SPEC (KOREAN/ENGLISH)

NOTE: SOME DECALS ARE CALLED OUT ON OPTIONAL DECALS INSTALLATION.



ART\_1001246461\_H

## SECTION 9 - DECALS

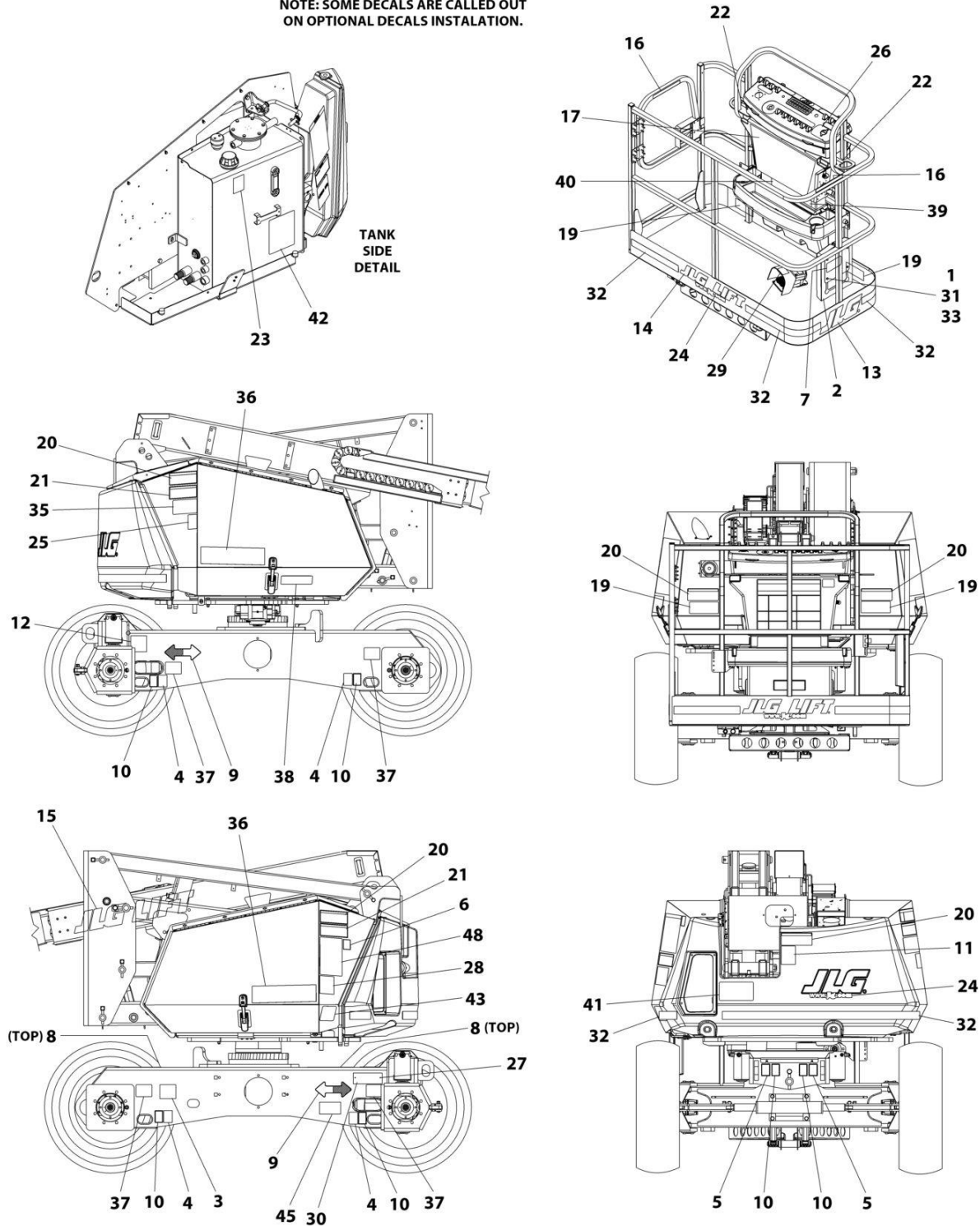
**FIGURE 9-8. DECALS INSTALLATION - KOREAN SPEC (KOREAN/ENGLISH)**

| ITEM | PART NUMBER | QTY | DESCRIPTION   | REV |
|------|-------------|-----|---|-----|
|      | 1001289742  | Ref | DECAL INSTALLATION - REFERENCE CHART                | A   |
|      | 1001246461  | Ref | DECALS INSTALLATION                                 | H   |
| 1    | 0760610     | 4   | Bolt M6 x 20  |     |
| 2    | 0860520     | 1   | Box, Manual Storage                                 |     |
| 4    | 1701499     | 4   | Decal - No Tie-Down/No Lift                         |     |
| 5    | 1701500     | 4   | Decal - Lift  |     |
| 6    | 1701504     | 1   | Decal - Hydraulic Oil                               |     |
| 7    | 1701509     | 1   | Decal - Manual                                      |     |
| 8    | 1701529     | 2   | Decal - Arrow                                       |     |
| 9    | 1701642     | 2   | Decal - Arrow                                       |     |
| 10   | 1702300     | 8   | Decal - Tie-Down                                    |     |
| 11   | 1001113509  | 1   | Decal - Crushing                                    |     |
| 12   | See Note    | NSS | Decal - Bar Code (Note: Not Available for Purchase) |     |
| 16   | 1705969     | 2   | Decal - No Hands                                    |     |
| 17   | 1703927     | 1   | Decal - Danger/Warning                              |     |
| 19   | 1703951     | 4   | Decal - Warning Crushing                            |     |
| 20   | 1703939     | 5   | Decal - Electrocution                               |     |
| 21   | 1703945     | 2   | Decal - Warning Crushing                            |     |
| 22   | 1704277     | 2   | Decal - Lanyard Attach                              |     |
| 23   | 1704412     | 1   | Decal - Hydraulic Oil                               |     |
| 26   | 1705427     | 1   | Decal - Drive/Steer Instructions                    |     |
| 27   | 2080057     | 2   | Fastener  |     |
| 29   | 1703981     | 1   | Nameplate - Footswitch                              |     |
| 31   | 3290605     | 4   | Nut M6  |     |
| 33   | 4811700     | 8   | Washer M6   |     |
| 35   | 1001284677  | 1   | Decal - Lift Diagram                                |     |
| 36   | 1001119578  | 2   | Decal - 340AJ (Prior to SN 0300280427)              |     |
| 36   | 1001267323  | 2   | Decal - 340AJ (SN 0300280427 to Present)            |     |
| 37   | 1001307236  | 4   | Decal - Tire Load                                   |     |
| 38   | 1001119981  | 1   | Decal - Manual Turntable Rotate                     |     |
| 39   | 1001120280  | 1   | Decal - No Pipe Racks                               |     |
| 40   | 1001253924  | 1   | Decal - Warning Single Capacity                     |     |
| 41   | 1001253925  | 1   | Decal - Warning Single Capacity                     |     |
| 42   | 1001127549  | 1   | Decal - Manual Descent                              |     |
| 43   | 1001127588  | 1   | Decal - Manual Descent                              |     |
| 45   | 1001224048  | 1   | Decal - Yearly Inspection                           |     |
| 48   | 1705345     | 1   | Decal - Warning Inspection                          |     |

# SECTION 9 - DECALS

## FIGURE 9-9. DECALS INSTALLATION - LATIN AMERICA SPEC (SPANISH/ENGLISH)

NOTE: SOME DECALS ARE CALLED OUT ON OPTIONAL DECALS INSTALLATION.



ART\_1001246464\_G

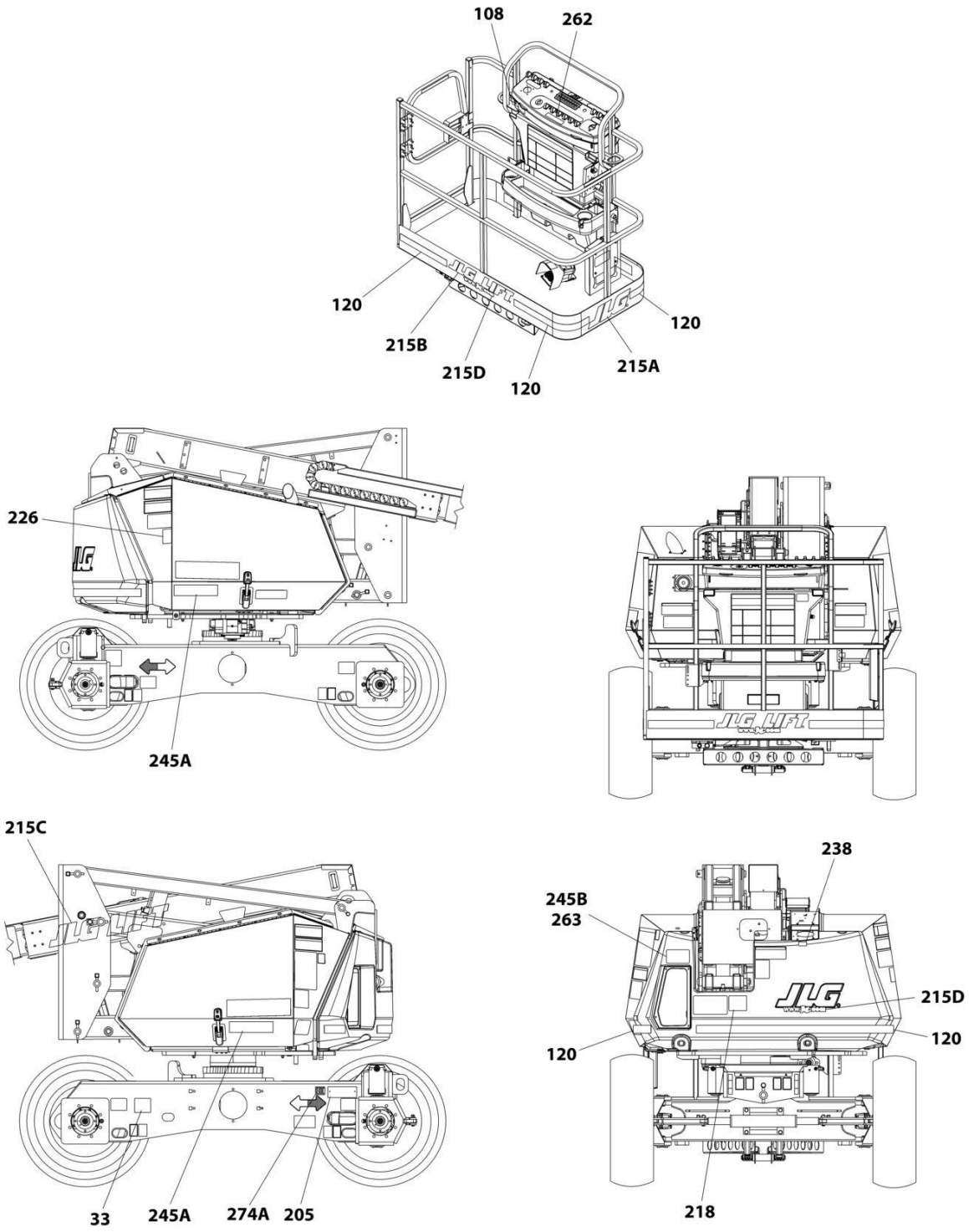
## SECTION 9 - DECALS

**FIGURE 9-9. DECALS INSTALLATION - LATIN AMERICA SPEC (SPANISH/ENGLISH)**

| ITEM | PART NUMBER | QTY | DESCRIPTION   | REV |
|------|-------------|-----|---|-----|
|      | 1001289742  | Ref | DECAL INSTALLATION - REFERENCE CHART                | A   |
|      | 1001246464  | Ref | DECALS INSTALLATION                                 | G   |
| 1    | 0760610     | 4   | Bolt M6 x 20  |     |
| 2    | 0860520     | 1   | Box, Manual Storage                                 |     |
| 4    | 1701499     | 4   | Decal - No Tie-Down/No Lift                         |     |
| 5    | 1701500     | 4   | Decal - Lift  |     |
| 6    | 1701504     | 1   | Decal - Hydraulic Oil                               |     |
| 7    | 1701509     | 1   | Decal - Manual                                      |     |
| 8    | 1701529     | 2   | Decal - Arrow                                       |     |
| 9    | 1701642     | 2   | Decal - Arrow                                       |     |
| 10   | 1702300     | 8   | Decal - Tie-Down                                    |     |
| 11   | 1001113171  | 1   | Decal - Crushing                                    |     |
| 12   | See Note    | NSS | Decal - Bar Code (Note: Not Available for Purchase) |     |
| 16   | 1704001     | 2   | Decal - No Hands                                    |     |
| 17   | 1703923     | 1   | Decal - Danger/Warning                              |     |
| 19   | 1703947     | 4   | Decal - Warning Crushing                            |     |
| 20   | 1703935     | 5   | Decal - Electrocution                               |     |
| 21   | 1703941     | 2   | Decal - Warning Crushing                            |     |
| 22   | 1704277     | 2   | Decal - Lanyard Attach                              |     |
| 23   | 1704412     | 1   | Decal - Hydraulic Oil                               |     |
| 26   | 1705910     | 1   | Decal - Drive/Steer Instructions                    |     |
| 27   | 2080057     | 2   | Fastener  |     |
| 29   | 1703983     | 1   | Nameplate - Footswitch                              |     |
| 31   | 3290605     | 4   | Nut M6  |     |
| 33   | 4811700     | 8   | Washer M6   |     |
| 35   | 1001284677  | 1   | Decal - Lift Diagram                                |     |
| 36   | 1001119578  | 2   | Decal - 340AJ <b>(Prior to SN 0300280427)</b>       |     |
| 36   | 1001267323  | 2   | Decal - 340AJ <b>(SN 0300280427 to Present)</b>     |     |
| 37   | 1001307236  | 4   | Decal - Tire Load                                   |     |
| 38   | 1001119981  | 1   | Decal - Manual Turntable Rotate                     |     |
| 39   | 1001120283  | 1   | Decal - No Pipe Racks                               |     |
| 40   | 1001253930  | 1   | Decal - Warning Single Capacity                     |     |
| 41   | 1001253931  | 1   | Decal - Warning Single Capacity                     |     |
| 42   | 1001127549  | 1   | Decal - Manual Descent                              |     |
| 43   | 1001127588  | 1   | Decal - Manual Descent                              |     |
| 45   | 1001224049  | 1   | Decal - Yearly Inspection                           |     |
| 48   | 1705917     | 1   | Decal - Warning Inspection                          |     |

# SECTION 9 - DECALS

## FIGURE 9-10. OPTIONAL DECALS INSTALLATION



ART\_DECAL\_OPTIONS



## SECTION 9 - DECALS

**FIGURE 9-10. OPTIONAL DECALS INSTALLATION**

| ITEM | PART NUMBER | QTY | DESCRIPTION  | REV |
|------|-------------|-----|--|-----|
|      |             | Ref | OPTIONAL DECALS INSTALLATION   |     |
| 33   | 1700818     | 2   | Decal - Fuel (LP Gas Machines) (English Language) (ANSI, ANSI Export and CSA Specs)      |     |
| 33   | 1704271     | 2   | Decal - Fuel (LP Gas Machines) (English/French Languages) (CSA Specs)                    |     |
|      | 1001119661  | 1   | Decal - Fuel (LP Gas Machines) (English/Spanish Languages) (ANSI Export and China Specs) |     |
| 52   | 1001130492  | 1   | Decal - Sound Power Level  |     |
| 108  | 1001231801  | 1   | Decal - Warning Proposition 65   |     |
| 120  | 4420051     | AR  | Tape, Safety   |     |
| 205  | See Note    | 1   | Nameplate - Manufacturers Serial Number (Note: Not Available for Purchase)               |     |
| 215  | 1001110613  | Ref | JLG Logo Installation  | B   |
| 215A | 1702773     | 1   | Decal - JLG  |     |
| 215B | 1702774     | 1   | Decal - JLG Lift   |     |
| 215C | 1702860     | 1   | Decal - JLG Lift   |     |
| 215D | 1704885     | 2   | Decal - Website  |     |
| 218  | 3251813     | 1   | Decal - USA (ANSI, ANSI Export and CSA Specs)  |     |
| 226  | 1704972     | 1   | Decal - Warning Explosion/Fire (ANSI Spec)   |     |
| 226  | 1706098     | 1   | Decal - Warning Explosion/Fire (Australian, CE & UK CA Spec)                             |     |
| 226  | 1706059     | 1   | Decal - Warning Explosion/Fire (Brazil Spec)   |     |
| 226  | 1706064     | 1   | Decal - Warning Explosion/Fire (CSA Spec)  |     |
| 226  | 1706060     | 1   | Decal - Warning Explosion/Fire (Chinese Spec)  |     |
| 226  | 1706062     | 1   | Decal - Warning Explosion/Fire (Japanese Spec)   |     |
| 226  | 1706061     | 1   | Decal - Warning Explosion/Fire (Korean Spec)   |     |
| 226  | 1706063     | 1   | Decal - Warning Explosion/Fire (Latin America Spec)                                      |     |
| 238  | 1001108923  | 1   | Decal - Low Sulfur Fuel Spec (ANSI and CSA Specs Only)                                   |     |
| 238  | 1001139654  | 1   | Decal - Ultra Low Sulfur Fuel Spec (Japanese, CE & UK CA Specs Only)                     |     |
| 245  | 1001119459  | Ref | Decal Installation - ClearSky (Machines with ClearSky Option)                            |     |
| 245A | 1001116208  | 2   | Decal - ClearSky   |     |
| 245B | 1001120989  | 1   | Decal - Radio Frequency  |     |
| 245  | 1001294762  | Ref | Clearsky Smart Fleet Decal Installation  |     |
| 245A | 1001120989  | 1   | Decal - Radio Frequency  |     |
| 245B | 1001294815  | 1   | Decal - ClearSky   |     |
| 262  | 1001141300  | 1   | Decal - SkyGuard Override  |     |
| 263  | 1001197408  | 1   | Decal - MSSO   |     |
| 274  | 1001214030  | 1   | Decal - EAC Installation (CIS and Russia Specs)  |     |
| 274A | 1001173703  | 1   | Decal - EAC  |     |



## **SECTION 10 - RECOMMENDED SERVICE PARTS STOCK**

## **SECTION 10 - RECOMMENDED SERVICE PARTS STOCK**

# SECTION 10 - RECOMMENDED SERVICE PARTS STOCK

## FIGURE 10-1. RECOMMEDED SERVICE PARTS STOCK

| ITEM | PART NUMBER | QTY | DESCRIPTION   | REV |
|------|-------------|-----|---|-----|
|      |             | Ref | Note: The following list will service one machine (built to current production per date on the front cover) with emergency repair parts which can be installed in the field. Parts from the list should be replaced when inventory is depleted to keep service parts stock supplied. For further information, contact your JLG dealer or the JLG Industries Parts Department. |     |
|      | 70000126    | 1   | Circuit Breaker (220V/50HZ Generators)  |     |
|      | 70002240    | 1   | Circuit Breaker (120V/50HZ Generators)  |     |
|      | 1001181045  | 1   | Breaker, Combination 16Amp/30mAmp (CE & UK CA Specs)  |     |
|      | 1001109477  | 1   | Breaker, 10Amp (100119927 and 100119928 Generator Harness)  |     |
|      | 70002386    | 1   | Coil (Boom, Flow Divider, Main Control & Manual Valves/Lift Cylinders)  |     |
|      | 70002963    | 1   | Coil (Boom & Main Control Valves)   |     |
|      | 70002971    | 1   | Coil (Flow Divider & Main Control Valves)   |     |
|      | 70002149    | 1   | Coil Kit (Pump Assembly)  |     |
|      | 70003788    | 1   | Coil (Main Control Valve)   |     |
|      | 1001212415  | 1   | Drive/Steer Controller Assembly   |     |
|      | 1001129555  | 1   | Lift/Swing Controller Assembly  |     |
|      | 70002237    | 2   | Diode (Generators)  |     |
|      | 3990010     | 2   | Diode 10 Amp (Mid Engine Harness)   |     |
|      | 70010383    | 1   | Element, Filter (Includes O-Ring) (Charge Pump)   |     |
|      |             | Ref | <b>ENGINE COMPONENTS - GM</b>   |     |
|      | 7015004     | 12  | Element, Air Cleaner (GM Engines)   |     |
|      | 7027972     | 12  | Filter, Fuel (GM Engines)   |     |
|      | 70002979    | 12  | Filter, Oil (GM Engines)  |     |
|      | 70003178    | 1   | Module, Control (GM Engines)  |     |
|      |             | Ref | <b>ENGINE COMPONENTS - KUBOTA</b>   |     |
|      | 70005296    | 12  | Element (Kubota Engines - Fuel/Water Separator)   |     |
|      | 7015004     | 12  | Element, Air Cleaner (Kubota Engines)   |     |
|      | 1001190545  | 12  | Filter, Fuel (Kubota Engines)   |     |
|      | 70004395    | 12  | Filter, Oil (Kubota Engines)  |     |
|      | 70002812    | 12  | Hydraulic Breather/Filter Kit   |     |
|      | 2860030     | 1   | Key, Replacement  |     |
|      | 2940074     | 1   | Latch (Machines with Platform Gate)   |     |
|      | 1001120431  | 1   | Module, Ground Control  |     |
|      | 1001142683  | 1   | Module, Beacon Control Blue & Red Beacons)  |     |
|      | 1001118412  | 1   | Module, Platform  |     |
|      | 3740080     | 1   | Relay (Head/Tail Lights and Turntable Floodlights)  |     |
|      | 1001186431  | 1   | Relay (SkyGuard)  |     |
|      | 1001117025  | 1   | Relay and Connector Assembly (Chassis & Engine & Generator Harnesses)   |     |
|      | 3740086     | 1   | Relay (SkyLine)   |     |
|      | 1001219601  | 1   | Sensor (Tilt Dual Axis CAN)   |     |
|      | 1001228225  | 1   | Sensor, Emitter (SkyEye)  |     |
|      | 1001228224  | 1   | Sensor, Receiver (SkyEye)   |     |
|      | 1001232667  | 1   | Sensor, Proximity (SkyLine)   |     |
|      | 1001311034  | 1   | Sensor, Proximity (SkyLine)   |     |
|      | 1001119170  | 1   | Switch, Limit (Ground Components)   |     |
|      | 4360548     | 1   | Switch, Limit (Boom)  |     |
|      | 4360328     | 1   | Switch, Toggle (Ground Controls)  |     |

## SECTION 10 - RECOMMENDED SERVICE PARTS STOCK

| ITEM | PART NUMBER | QTY | DESCRIPTION   | REV |
|------|-------------|-----|---|-----|
|      | 4360475     | 1   | Switch, Emergency Stop (Ground Controls)  |     |
|      | 1001274559  | 1   | Switch, Emergency Stop (Platform Controls)  |     |
|      | 4360476     | 1   | Switch, Contact Block, (Ground & Platform Controls)                                   |     |
|      | 4360387     | 1   | Switch, Push Button (Ground & Platform Controls)                                      |     |
|      | 4360469     | 1   | Switch, Key (Ground Controls)   |     |
|      | 4360522     | 1   | Switch, Push Button (Head/Tail Lights and Turntable Floodlights)<br>(Ground Controls) |     |
|      | 4360336     | 1   | Switch, Toggle (Machines with Generator & All Gas Powered<br>Machines)                |     |
|      | 1001117174  | 1   | Footswitch Assembly (Platform)  |     |
|      | 1001155045  | 1   | Switch, Toggle (Platform Controls)  |     |
|      | 1001159256  | 1   | Switch, Toggle (Platform Controls)  |     |
|      | 1001161709  | 1   | Switch, Toggle (Platform Controls)  |     |
|      | 4360407     | 1   | Switch, Potentiometer (Platform Controls)   |     |
|      | 1001137673  | 1   | Switch, SkyGuard Bar (Platform Controls)  |     |
|      | 70004682    | 1   | Switch, On/Off/Reset (4000W Generator)  |     |



**SECTION 11 - SPECIAL OPTIONS/ACCESSORIES/KITS**

**SECTION 11 - SPECIAL OPTIONS/ACCESSORIES/KITS**

# SECTION 11 - SPECIAL OPTIONS/ACCESSORIES/KITS

FIGURE 11-1. SPECIAL OPTIONS/ACCESSORIES/KITS

| ITEM | PART NUMBER | QTY | DESCRIPTION   | REV |
|------|-------------|-----|---|-----|
|      |             | Ref | Note: This list is to accommodate machines ordered with special equipment. Options may not be applicable to all models. For more specific parts information contact JLG Parts Department. |     |
|      |             | Ref | MISCELLANEOUS SPECIAL OPTIONS   |     |
|      |             | Ref | Air Line at Platform Installations  |     |
|      | 1001119028  | Ref | Machines without Arctic Package   |     |
|      | 1001119378  | Ref | Machines with Arctic Package  |     |
|      | 1001119803  | Ref | Bellows Installations   |     |
|      | 1001148971  | Ref | Bolt-on Lanyard Kit (Platform)  |     |
|      | 1001119962  | Ref | Boom Wiper Installation   |     |
|      | 1001172045  | Ref | Cable/Ladder Rack Installation  |     |
|      |             | Ref | ClearSky Telematic Add-on Kits (Dealer Installed)   |     |
|      | 1001144010  | Ref | ClearSky Add-on Kit - Gold (With UGM) (USA and Canada Specs Only)   |     |
|      | 1001118234  | Ref | ClearSky Add-on Kit - Bronze (Without Non-ADE/UGM) (USA Specs Only)   |     |
|      | 1001118235  | Ref | ClearSky Add-on Kit - Bronze (Without Non-ADE/UGM) (Canada Specs Only)  |     |
|      | 1001276923  | Ref | ClearSky GT1030 Add-on Kit (Dealer Installed)   |     |
|      | 1001242192  | Ref | ClearSky (Telematics) Access Control Add-on Kit (Dealer Installed) (ANSI, ANSI Export and CSA Specs)  |     |
|      | 1001243183  | Ref | ClearSky (Telematics) Added-on Kit (Dealer Installed) (ANSI, ANSI Export and CSA Specs)   |     |
|      | 1001243184  | Ref | ClearSky (Telematics) Added-on Kit (Dealer Installed) (CE & UK CA Specs)  |     |
|      | 1001246142  | Ref | ClearSky (Telematics) Added-on Kit (Dealer Installed) (Australian Specs)  |     |
|      |             | Ref | ClearSky Telematic Installation (Factory Installed)   |     |
|      | 1001227454  | Ref | ClearSky (Telematics) Installation (Factory Installed) - Canbus Connection (ANSI and CSA Specs)   |     |
|      | 1001228956  | Ref | ClearSky (Telematics) Installation (Factory Installed) - Canbus Connection (ANSI Export, CE & UK CA Specs)  |     |
|      | 1001276610  | Ref | ClearSky (Telematics) Installation (Factory Installed) - 3 Wire Connection (All Specs except Australian & China Specs)  |     |
|      | 1001246486  | Ref | ClearSky (Telematics) Installation (Factory Installed) - 3 Wire Connection (Australian Specs)   |     |
|      | 1001246487  | Ref | ClearSky (Telematics) Installation (Factory Installed) - 3 Wire Connection (China Specs)  |     |
|      | 1001294762  | 1   | Decal - ClearSky  |     |
|      | 1001262959  | Ref | ClearSky Voltage Regulator Installation Kit   |     |
|      |             | Ref | Cold Weather Start Kits (Not Available on Australian, CE & UK CA Spec Machines)   |     |
|      | 1001119989  | Ref | Diesel Engine Machines  |     |
|      | 1001119987  | Ref | Gas Engine Machines   |     |
|      | 1001276007  | Ref | Controller Service Kit - Drive/Steer  |     |
|      | 1001276008  | Ref | Controller Service Kit - Lift/Swing   |     |
|      | 1001309057  | Ref | Console Cover Kit   |     |
|      | 1001119397  | Ref | Cribbing Switch Installation  |     |
|      |             | Ref | Decal Kit Options:  |     |
|      | 1001270523  | Ref | Decal Kit - Machine   |     |
|      | 1001241332  | Ref | Decal Kit - (Service) Platform  |     |
|      | 1001241338  | Ref | Decal Kit - (Service) Platform Console Kit  |     |



## SECTION 11 - SPECIAL OPTIONS/ACCESSORIES/KITS

| ITEM | PART NUMBER | QTY | DESCRIPTION  | REV |
|------|-------------|-----|--|-----|
|      | 1001138005  | Ref | Engine Air Flow Improvement Kit - GM Engines   |     |
|      | 1001119988  | Ref | Engine Block Heater Installation (Gas Engine Machines)   |     |
|      | 1001186578  | Ref | Fan Guard (Kubota Engines)   |     |
|      |             | Ref | Filter Kits:   |     |
|      |             | Ref | Combined Filter Kit (Hydraulic/Air and Fuel/Engine Oil)  |     |
|      | 1001133070  | 1   | Kubota Engines   |     |
|      | 1001151649  | 1   | GM Engines   |     |
|      | 1001117294  | Ref | Foot Switch Shield   |     |
|      | 1001209659  | Ref | Fuel Cap Cover (Lockable) (Black)  |     |
|      | 1001209658  | Ref | Fuel Cap Cover (Lockable) (Green)  |     |
|      | 1001205441  | Ref | Fuel Cap Cover (Lockable) (Red)  |     |
|      | 1001120103  | Ref | Ground Control Cover Installation  |     |
|      | 1001120197  | Ref | Hourmeter for Generator Installation   |     |
|      | 1001157918  | Ref | Hourmeter for Generator Installation (Kubota Engines Only)   |     |
|      |             | Ref | Hose Kits  |     |
|      | 1001239566  | Ref | Hose Kits - Platform Valve   |     |
|      | 1001239565  | Ref | Hose Kits - Power-Track (Upper)  |     |
|      | 1001241392  | Ref | Hostile Environment Kit  |     |
|      | 1001236951  | Ref | Low Temperature Cutout Installation (Russian Specs)  |     |
|      | 1001272166  | Ref | Pipe Rack Add-on Kit (Dealer Installed)  |     |
|      | 1001195304  | Ref | Platform Console Cover Installation (Clear)  |     |
|      | 1001308593  | Ref | Platform Console Cover Installation (Fabric)   |     |
|      | 1580013     | Ref | Platform Corner Storage Tray   |     |
|      | 1001274833  | Ref | Platform Floor Matt Add-on Kit (30IN x 48IN Platform) (Dealer Installed)   |     |
|      | 1001274832  | Ref | Platform Floor Matt Add-on Kit (30IN x 60IN Platform) (Dealer Installed)   |     |
|      |             | Ref | Platform Mesh to Top Rail Installations (Side Entry Platforms) (ANSI, ANSI Export and China Specs)               |     |
|      | 0273147     | Ref | 30in x 4ft (76cm x 1.22m)  |     |
|      | 0273146     | Ref | 30in x 5ft (76cm x 1.52m)  |     |
|      |             | Ref | Platform Plastic Mesh to Top Rail Installations (Side Entry Platforms) (ANSI, ANSI Export and CSA Specs)         |     |
|      | 1001266807  | Ref | 30in x 4ft (76cm x 1.22m)  |     |
|      | 1001266801  | Ref | 30in x 5ft (76cm x 1.52m)  |     |
|      |             | Ref | Platform Mesh to Mid Rail Installations (Side Entry Platforms) (ANSI, ANSI Export, Australian and China Specs)   |     |
|      | 1001140318  | Ref | 30in x 4ft (76cm x 1.22m)  |     |
|      | 1001140315  | Ref | 30in x 5ft (76cm x 1.52m)  |     |
|      |             | Ref | Platform Plastic Mesh to Mid Rail Installations (Side Entry Platforms) (ANSI, ANSI Export, and Australian Specs) |     |
|      | 1001266969  | Ref | 30in x 4ft (76cm x 1.22m)  |     |
|      | 1001266799  | Ref | 30in x 5ft (76cm x 1.52m)  |     |
|      | 1001281456  | Ref | 30in X 4ft Mesh Top Rail Kit   |     |
|      | 1001281455  | Ref | 30in X 5ft Mesh Top Rail Kit   |     |
|      | 1001281461  | Ref | 30in X 4ft Mesh Mid Rail Kit   |     |
|      | 1001281460  | Ref | 30in X 5ft Mesh Mid Rail Kit   |     |
|      | 1001103558  | Ref | Platform Rail Extension Installation (30in x 60in Platforms)   |     |
|      | 1001103617  | Ref | Platform Rail Extension Installation (30in x 48in Platforms)   |     |
|      | 1001250035  | Ref | Platform Sensor Retrofit Kit   |     |
|      | 1001209059  | Ref | Platform Work Surface  |     |
|      | 1001282215  | Ref | Platform Worklight Kit   |     |
|      | 1001120176  | Ref | Security Lock (Programmable) (ANSI, CE & UK CA Specs)  |     |

## SECTION 11 - SPECIAL OPTIONS/ACCESSORIES/KITS

| ITEM | PART NUMBER | QTY | DESCRIPTION  | REV |
|------|-------------|-----|--|-----|
|      | 1001190900  | Ref | Service Kits/ Tools  | T   |
|      | 1001241547  | Ref | SkyEye Housing Kit (Left Side)                                       |     |
|      | 1001241548  | Ref | SkyEye Housing Kit (Right Side)                                      |     |
|      | 1001247073  | Ref | SkyEye Retrofit kit  |     |
|      |             | Ref | SkyGuard Components Options:   |     |
|      | 1001207138  | Ref | SkyGuard Complete Add-on Kit (Blue Strobe Light)                     |     |
|      | 1001210035  | Ref | SkyGuard Complete Add-on Kit (Red Strobe Light)                      |     |
|      | 1001219694  | Ref | SkyGuard Platform System Kit   |     |
|      | 1001149565  | Ref | SkyGuard Platform Sensor Kit   |     |
|      | 1001207140  | Ref | SkyGuard Strobe Light Kit (Blue)                                     |     |
|      | 1001294067  | Ref | Blue Beacon Kit  |     |
|      | 1001210034  | Ref | SkyGuard Strobe Light Kit (Red)                                      |     |
|      | 1001293863  | Ref | Red Beacon Kit   |     |
|      | 1001250595  | Ref | SkyGuard 6-Pin Retrofit Installation Kit                             |     |
|      | 1001292409  | Ref | Amber Beacon Kit   |     |
|      | 1001249052  | Ref | SkyGuard Retrofit Kit (Dealer Installed)                             |     |
|      | 1001232643  | Ref | SkyLine Add-on Kit (Dealer Installed)                                |     |
|      | 1001289831  | Ref | SkySense Level 1 Installation  |     |
|      | 1001289832  | Ref | SkySense Level 2 Installation  |     |
|      | 1001289905  | Ref | SkySense Level 1 Kit   |     |
|      | 1001289906  | Ref | SkySense Level 2 Kit   |     |
|      | 1001228588  | 1   | Telematics (Customer Supplied) Gateway                               |     |
|      | 1001284514  | 1   | Telematics (Customer Supplied) Gateway+                              |     |
|      | 1001283290  | Ref | Throttle Actuator Kit  |     |
|      |             | Ref | Tools for Service  |     |
|      |             | Ref | Note: For cylinder repair tools, see individual cylinder assemblies. |     |
|      | 1001249695  | Ref | Analyzer and Cable Kit   |     |
|      | 1001249941  | Ref | Analyzer and Cable Kit (Battery Powered)                             |     |
|      | 1001160531  | Ref | Turntable Bearing Kit  |     |
|      | 1001274249  | Ref | USB Charger Add-on Kit (Dealer Installed)                            |     |
|      | 1001188446  | Ref | Wear Pad kit - Boom  |     |
|      | 1001270755  | Ref | White Noise Alarm (Ambient) Add-on Kit (Dealer Installed)            |     |
|      | 1001270716  | Ref | White Noise Alarm (Constant) Add-on Kit (Dealer Installed)           |     |
|      | 1001277838  | Ref | UGM2 Retrofit Kit  |     |

## **SECTION 11 - SPECIAL OPTIONS/ACCESSORIES/KITS**

### **PART NUMBER INDEX**

## SECTION 11 - SPECIAL OPTIONS/ACCESSORIES/KITS

|                             |                             |                             |                          |
|-----------------------------|-----------------------------|-----------------------------|--------------------------|
| 0060044.....227, 231        | 0700408 ... 327, 329, 333,  | 0760812 ... 134, 158, 162,  | 1001097244.....259, 261, |
| 0100009.....263             | 335, 337, 339, 341,         | 211, 215, 225, 363          | 271, 465                 |
| 0100011....15, 17, 19, 23,  | 343, 345, 347, 349          | 0760814 ..... 43, 134, 138, | 1001097588..... 127, 129 |
| 41, 47, 57, 59, 67, 69,     | 0700510 ..... 307, 317      | 142, 146, 150               | 1001098122.....269, 449  |
| 81, 83, 97, 99, 102,        | 0700608 ..... 47            | 0760815 ... 158, 162, 211,  | 1001098828.....235       |
| 106, 127, 129, 131,         | 0700610.... 261, 307, 317   | 215                         | 1001100321.....183, 191, |
| 134, 138, 142, 146,         | 0700615 ..... 87, 89        | 0760816 ..... 67, 69        | 199, 207                 |
| 150, 153, 155, 158,         | 0700618 ... 327, 333, 337,  | 0760817 .... 134, 158, 162  | 1001100341.....451       |
| 162, 183, 187, 191,         | 341, 345                    | 0761007 .....237            | 1001100342.....453       |
| 195, 199, 203, 207,         | 0700620 ..... 47            | 0761009 ..... 102, 106      | 1001100345.....459       |
| 211, 215, 219, 221,         | 0700621 ..... 134           | 0761010 ..... 15, 47, 223   | 1001100346.....463       |
| 223, 225, 235, 237,         | 0700812 ..... 127, 129      | 0761011 ... 102, 106, 219,  | 1001100347.....461       |
| 239, 251, 253, 255,         | 0700818 ..... 227, 229      | 221                         | 1001100825.....158, 162, |
| 275, 365, 369, 373,         | 0700820... 365, 369, 373,   | 0761012 ... 57, 59, 67, 69, | 173                      |
| 377, 381, 385,403           | 377, 381, 385               | 102, 106, 219, 221,         | 1001102987.....47        |
| 0100019.....23, 51          | 0700829... 365, 369, 373,   | 306, 316, 363, 365,         | 1001103012.....435, 485  |
| 010002063, 65, 127, 129,    | 377, 381, 385               | 369, 373, 377, 381, 385     | 1001103558.....515       |
| 138, 142, 146, 150,         | 0701012... 183, 187, 191,   | 0761014 . 17, 23, 47, 134,  | 1001103617.....515       |
| 216, 269, 329, 335,         | 195, 199, 203, 207          | 158, 162, 219, 221,         | 1001104498.....435, 485  |
| 339, 343, 347, 349          | 0701015 .... 134, 158, 162  | 235, 373, 377, 381, 385     | 1001106736.....67, 69    |
| 0100035.....263, 267        | 0701016 ..... 57, 59        | 0761015 ..... 23, 219, 221, | 1001106757.....365, 369, |
| 010004867, 69, 127, 129,    | 0701017 ..... 158, 162      | 223, 259, 261               | 373, 377, 381, 385       |
| 138, 142, 146, 150,         | 0701018 ... 102, 106, 183,  | 0761016 ... 127, 129, 135,  | 1001107152.....365, 369, |
| 158, 162                    | 187, 191, 195, 199,         | 138, 142, 146, 150          | 373, 377, 381, 385       |
| 0100081 .... 109, 111, 365, | 203, 207, 227, 229          | 0761018 ..... 158, 162      | 1001107854.....435, 485  |
| 369, 373, 377, 381, 385     | 0701020 ..... 227, 229      | 0761210 .... 102, 106, 223  | 1001108290.....225       |
| 0140011 .....263            | 0701022 ..... 57, 59        | 0761212 .... 219, 221, 223  | 1001108923.....507       |
| 0140043.....67, 69          | 0701027 ..... 223           | 076121457, 59, 138, 142,    | 1001109477.....417, 419, |
| 0273146.....515             | 0701219... 183, 187, 191,   | 146, 150, 223               | 510                      |
| 0273147 .....515            | 195, 199, 203, 207          | 0761215 .... 219, 221, 235  | 1001109503.....71, 73    |
| 0275216 .....327, 451       | 0701220 ..... 15            | 0761217 ... 127, 129, 138,  | 1001109528.....219, 221  |
| 0275217 .....333, 453       | 0701221 .... 134, 158, 162  | 146                         | 1001110434.....264       |
| 0275218.....455             | 0701222 ..... 163           | 0761614 ..... 17            | 1001110613.....507       |
| 0275219.....457             | 0711227 ..... 225           | 0761615 ..... 223           | 1001110873.....216, 325  |
| 0275452 .....337, 459       | 0711426 ..... 51            | 0762014 ..... 97, 99        | 1001110922.....23        |
| 0275453 .....341, 461       | 0711432 ..... 51            | 0840055 ..... 443           | 1001112551.....491       |
| 0275454 .....345, 463       | 0721004 ..... 63, 65        | 0860038 .... 216, 325, 331  | 1001112607.....219, 221  |
| 0340045 .... 134, 158, 162  | 0741607 ..... 211, 215      | 0860520 ... 489, 491, 493,  | 1001112612.....435, 477  |
| 0361810.....79              | 0760505 ... 67, 69, 97, 99, | 495, 497, 499, 501,         | 1001112796.....95, 477   |
| 0400075.....79              | 183, 187, 191, 195,         | 503, 505                    | 1001113166.....501       |
| 0440271 .....15             | 199, 203, 207               | 0861731 ... 339, 343, 347,  | 1001113168.....497       |
| 0440274 .....15             | 0760508 ... 102, 106, 109,  | 349, 459, 461, 463          | 1001113169.....499       |
| 0440291 .....15             | 111                         | 0861781 ... 329, 335, 451,  | 1001113170.....493       |
| 0630518.....75, 267         | 0760605 ... 366, 370, 373,  | 453                         | 1001113171.....505       |
| 0630568.....263             | 377, 381, 385               | 0861880 ..... 395           | 1001113509.....503       |
| 0641404.....275             | 0760606 ... 184, 188, 192,  | 0902888 ..... 215           | 1001113680.....493       |
| 0641405.....263, 275        | 196, 200, 204, 208, 235     | 0940048 ..... 223           | 1001113961.....436       |
| 0641406.....257             | 0760607 ... 158, 162, 211,  | 0961845 .... 251, 253, 255  | 1001114761.....47        |
| 0641408.... 158, 162, 212   | 215                         | 0961947 ..... 231, 233      | 1001115649.....223       |
| 0641412.....159, 163        | 076060867, 69, 102, 106,    | 0961948 ... 223, 225, 287,  | 1001115650.....223       |
| 0641414.....263             | 109, 111, 134, 138,         | 289                         | 1001115657.....223       |
| 0641416....329, 335, 339,   | 142, 146, 150, 158,         | 0961950 ..... 17            | 1001115661.....223       |
| 343, 347, 349               | 162, 365, 369               | 0961951 ... 227, 229, 283,  | 1001115663.....223       |
| 0641418.....251, 255        | 0760610 ... 79, 81, 83, 97, | 285, 291                    | 1001115669.....223       |
| 0641420.....253             | 99, 109, 134, 158, 162,     | 0962140 ..... 15            | 1001115672.....219, 221, |
| 0641506.... 183, 187, 191,  | 235, 259, 323, 327,         | 0962224 ..... 223           | 223                      |
| 195, 199, 203, 207          | 333, 337, 341, 345,         | 0962257 ..... 231, 233      | 1001115766.....219       |
| 0641516.....215             | 393, 489, 491, 493,         | 0962259 ..... 223           | 1001115769.....57        |
| 0641605.....47              | 495, 497, 499, 501,         | 0962292 ..... 227, 229      | 1001115770.....23        |
| 0641609.... 134, 158, 162   | 503, 505                    | 0962449 ..... 389           | 1001115771.....15        |
| 0641618.....211, 215        | 076061267, 69, 102, 106,    | 0962520 ..... 211, 215      | 1001115772.....17        |
| 0641807.....134             | 121, 123, 134, 158,         | 1001091102 ..... 93         | 1001115773.....35        |
| 0641813.... 131, 153, 155   | 162, 183, 187, 191,         | 1001094670 ..... 227, 229   | 1001115780...19, 47, 239 |
| 0651414.....159, 163        | 195, 199, 203, 207          | 1001096070 ..... 211        | 1001115781.....41        |
| 0681608.....235             | 0760614 ..... 259, 261      | 1001097051 ..... 471        | 1001115783.....495       |
|                             | 076062167, 69, 365, 369,    | 1001097150 ..... 395        | 1001115784.....365       |
|                             | 373, 377, 381, 385          |                             | 1001115785.....306       |

## SECTION 11 - SPECIAL OPTIONS/ACCESSORIES/KITS

|  |  |  |   |
|--|--|--|---|
| 1001115870..... 223                          | 1001117884..... 219, 227                                       | 1001118658..... 405                          | 1001119280..... 79  |
| 1001116208..... 507                          | 1001117885..... 219, 221, 225                                  | 1001118660..... 37                           | 1001119324..... 306, 316                                    |
| 1001116228..... 239, 241                     | 1001117897..... 57, 63   | 1001118665..... 223                          | 1001119365..... 306, 316                                    |
| 1001116339..... 57, 59, 61                   | 1001118029..... 19, 21   | 1001118666..... 223                          | 1001119369..... 229, 233                                    |
| 1001116361..... 17, 281                      | 1001118234..... 514  | 1001118675..... 159, 163                     | 1001119370..... 221, 229                                    |
| 1001116378..... 281                          | 1001118235..... 514  | 1001118720..... 188, 192, 204, 208           | 1001119371..... 221   |
| 1001116433..... 365, 369, 373, 377, 381, 385 | 1001118262..... 63, 65   | 1001118743..... 405                          | 1001119378..... 514   |
| 1001116487..... 47, 49                       | 1001118274..... 41, 43, 225, 239, 365, 369, 373, 377, 381, 385 | 1001118744..... 405                          | 1001119399..... 77  |
| 1001116546..... 223                          | 1001118280..... 135, 158, 162                                  | 1001118745..... 405                          | 1001119404..... 306, 316                                    |
| 1001116547..... 223                          | 1001118287..... 225  | 1001118746..... 135, 159, 163                | 1001119449..... 306, 316                                    |
| 1001116548..... 223                          | 1001118288..... 225  | 1001118748..... 405                          | 1001119455..... 306, 316                                    |
| 1001116549..... 223                          | 1001118289..... 225  | 1001118751..... 47                           | 1001119459..... 507   |
| 1001116692..... 95                           | 1001118292..... 365, 369, 373, 377, 381, 385, 389              | 1001118755..... 159, 163                     | 1001119489..... 306, 316                                    |
| 1001116694..... 95                           | 1001118361..... 102, 106, 111                                  | 1001118878..... 159, 163                     | 1001119494..... 135   |
| 1001116720..... 439                          | 1001118384..... 473  | 1001118915..... 41                           | 1001119495..... 135   |
| 1001116727..... 397, 409, 413, 445           | 1001118388..... 439, 473                                       | 1001118916..... 41                           | 1001119496..... 135   |
| 1001116732..... 397, 401, 405, 409, 435, 445 | 1001118394..... 227, 229                                       | 1001118925..... 159, 163                     | 1001119504..... 237   |
| 1001116733..... 435                          | 1001118412..... 263, 510                                       | 1001118938..... 405                          | 1001119513..... 237   |
| 1001116734..... 397, 401, 405, 409, 435, 445 | 1001118453..... 135, 158, 162                                  | 1001118961..... 51                           | 1001119525..... 306, 316                                    |
| 1001116752..... 405                          | 1001118459..... 102, 106                                       | 1001118975..... 43                           | 1001119527..... 57, 59, 67, 69, 237                         |
| 1001116774..... 95, 477                      | 1001118502..... 57, 59   | 1001119018..... 365, 373, 381, 427           | 1001119546..... 306, 316                                    |
| 1001116788..... 15, 293                      | 1001118509..... 57, 59   | 1001119020..... 436, 449, 477                | 1001119547..... 306, 316                                    |
| 1001116793..... 23, 27                       | 1001118510..... 57, 59   | 1001119028..... 514                          | 1001119548..... 306   |
| 1001116808..... 95, 477                      | 1001118511..... 17   | 1001119035..... 306, 316                     | 1001119550..... 307   |
| 1001116810..... 436                          | 1001118518..... 17   | 1001119036..... 306, 316                     | 1001119551..... 183, 187, 191, 195, 199, 203, 207           |
| 1001116811..... 397, 445                     | 1001118519..... 17   | 1001119069..... 306, 316                     | 1001119552..... 307   |
| 1001116812..... 95, 397, 435, 445            | 1001118527..... 158, 162                                       | 1001119070..... 306, 316                     | 1001119553..... 183, 187, 191, 195, 199, 203, 207           |
| 1001116815..... 95, 436                      | 1001118528..... 158, 162                                       | 1001119071..... 306, 316                     | 1001119554..... 183, 187, 191, 195, 199, 203, 207           |
| 1001116835..... 239                          | 1001118529..... 158, 162                                       | 1001119072..... 102, 106                     | 1001119558..... 307   |
| 1001116867..... 15                           | 1001118530..... 158, 163                                       | 1001119077..... 109                          | 1001119569..... 307   |
| 1001116871..... 15                           | 1001118531..... 159, 163                                       | 1001119080..... 102, 106                     | 1001119570..... 307   |
| 1001116905..... 306, 316                     | 1001118532..... 159, 163                                       | 1001119083..... 102, 106                     | 1001119572..... 307, 317                                    |
| 1001117025..... 397, 401, 405, 409, 445, 510 | 1001118538..... 159, 163                                       | 1001119085..... 109                          | 1001119577..... 307, 317                                    |
| 1001117028..... 131, 153, 155, 177           | 1001118539..... 159, 163                                       | 1001119087..... 109                          | 1001119578..... 489, 491, 493, 495, 497, 499, 501, 503, 505 |
| 1001117029..... 131, 153, 155, 181           | 1001118540..... 159, 163                                       | 1001119088..... 109                          | 1001119582..... 203   |
| 1001117030..... 23, 25                       | 1001118542..... 159, 163                                       | 1001119089..... 111                          | 1001119583..... 187   |
| 1001117055..... 405                          | 1001118543..... 159, 163                                       | 1001119090..... 111                          | 1001119584..... 207   |
| 1001117070..... 405                          | 1001118547..... 159, 163                                       | 1001119091..... 111                          | 1001119585..... 191   |
| 1001117078..... 435                          | 1001118548..... 138, 142, 146, 150                             | 1001119092..... 102, 106                     | 1001119586..... 195, 203                                    |
| 1001117129..... 35, 37                       | 1001118579..... 159, 163                                       | 1001119102..... 59                           | 1001119587..... 187   |
| 1001117131..... 35                           | 1001118580..... 159, 163                                       | 1001119104..... 102, 106                     | 1001119588..... 199, 207                                    |
| 1001117132..... 35                           | 1001118592..... 365, 369, 373, 377, 381, 385                   | 1001119139..... 357, 365, 373                | 1001119589..... 183, 191                                    |
| 1001117142..... 15                           | 1001118593..... 365, 369, 373, 377, 381, 385                   | 1001119140..... 351, 365, 373                | 1001119593..... 307, 317                                    |
| 1001117172..... 259, 261, 269                | 1001118594..... 135, 159, 163                                  | 1001119143..... 306, 316                     | 1001119594..... 307, 317                                    |
| 1001117174..... 259, 261, 263, 269, 511      | 1001118595..... 239  | 1001119170..... 67, 69, 441, 510             | 1001119595..... 307, 317                                    |
| 1001117239..... 102, 106                     | 1001118638..... 159, 163, 405                                  | 1001119176..... 67, 69, 441                  | 1001119596..... 307, 317                                    |
| 1001117240..... 79                           | 1001118641..... 31   | 1001119194..... 365, 373, 381                | 1001119597..... 307, 317                                    |
| 1001117243..... 102, 106                     | 1001118642..... 37   | 1001119195..... 369, 377, 385                | 1001119598..... 307, 317                                    |
| 1001117281..... 109, 111                     | 1001118644..... 33   | 1001119197..... 365, 369, 373, 377, 381, 385 | 1001119600..... 307, 317                                    |
| 1001117282..... 102, 106                     | 1001118646..... 127, 129, 138, 142, 146, 150                   | 1001119228..... 366, 370, 373, 377, 381, 385 | 1001119602..... 307, 317                                    |
| 1001117294..... 515                          | 1001118649..... 31   | 1001119237..... 306, 316                     | 1001119603..... 307, 317                                    |
| 1001117365..... 281                          | 1001118650..... 37   | 1001119268..... 85                           | 1001119604..... 307, 317                                    |
| 1001117366..... 281                          | 1001118651..... 37   | 1001119277..... 79                           | 1001119605..... 307, 317                                    |
| 1001117372..... 281                          | 1001118654..... 33   | 1001119278..... 79                           | 1001119606..... 307, 317                                    |
| 1001117640..... 219, 221, 287                | 1001118657..... 405  |  | 1001119607..... 307, 317                                    |
| 1001117869..... 17                           |  |  | 1001119608..... 307, 317                                    |
|  |  |  | 1001119610..... 307, 317                                    |
|  |  |  | 1001119611..... 307, 317                                    |
|  |  |  | 1001119612..... 307, 317                                    |
|  |  |  | 1001119613..... 307, 317                                    |

## SECTION 11 - SPECIAL OPTIONS/ACCESSORIES/KITS

|   |  |  |  |
|---|--|--|--|
| 1001119619.....469  | 1001119962..... 514  | 1001123004 ..... 227, 229,<br>285                                  | 1001140524..... 366, 370,<br>374, 378, 382, 386, 391 |
| 1001119620.....467, 471                                     | 1001119981 ..... 489, 491,<br>493, 495, 497, 499,<br>501, 503, 505 | 1001123018 ..... 135, 159,<br>163                                  | 1001140525..... 263, 481                             |
| 1001119626.....307, 317                                     | 1001119987 ..... 514   | 1001125108 ..... 307, 317  | 1001141300.....507                                   |
| 1001119627.....307, 317                                     | 1001119988 ..... 515   | 1001125118 ..... 184, 188,<br>192, 196, 200, 204, 208              | 1001141710.....67, 69                                |
| 1001119630.....307, 317                                     | 1001119989 ..... 514   | 1001125235 ..... 219, 221  | 1001141967.....455, 457                              |
| 1001119633.....187, 195,<br>203                             | 1001120002 ..... 489   | 1001125249 ..... 307, 317  | 1001141968.....455                                   |
| 1001119634.....183, 191,<br>199, 207                        | 1001120003 ..... 491   | 1001125291 ..... 67, 69  | 1001141969.....457                                   |
| 1001119635..... 135   | 1001120004 ..... 499   | 1001126009 ..... 473   | 1001141970.....457                                   |
| 1001119636..... 135   | 1001120007 ..... 159, 163  | 1001127115 ..... 47  | 1001141971.....455                                   |
| 1001119640..... 135   | 1001120013 ..... 173   | 1001127549 ..... 489, 491,<br>493, 495, 497, 499,<br>501, 503, 505 | 1001142683...87, 89, 510                             |
| 1001119641..... 135   | 1001120087 ..... 127, 129,<br>135, 138, 142, 146,<br>150, 159, 163 | 1001127588 ..... 489, 491,<br>493, 495, 497, 499,<br>501, 503, 505 | 1001142736...87, 89, 477                             |
| 1001119643..... 135   | 1001120090 ..... 127, 129,<br>135, 138, 142, 146,<br>150, 159, 163 | 1001127703 ..... 307, 317  | 1001144010..... 514                                  |
| 1001119644..... 135   | 1001120103 ..... 515   | 1001127705 ..... 307, 317  | 1001144147.....435, 436                              |
| 1001119649..... 135   | 1001120176 ..... 515   | 1001128781 ..... 57, 59  | 1001144629.....247, 249                              |
| 1001119661.....507  | 1001120197 ..... 515   | 1001128782 ..... 57, 59  | 1001146824..... 102, 106                             |
| 1001119698.....135, 159,<br>163                             | 1001120204 ..... 351, 353  | 1001128798 ..... 63  | 1001147141.....211                                   |
| 1001119699..... 135   | 1001120205 ..... 357, 359  | 1001128799 ..... 65  | 1001147233.....211, 215                              |
| 1001119700..... 135   | 1001120232 ..... 97  | 1001128888 ..... 159, 163  | 1001147234.....211, 215                              |
| 1001119701..... 135   | 1001120279 ..... 501   | 1001129043 ..... 65  | 1001147365..... 135, 159,<br>163                     |
| 1001119727..... 135   | 1001120280 ..... 503   | 1001129255 ..... 127, 129  | 1001147431..... 211, 215                             |
| 1001119730..... 135   | 1001120281 ..... 497   | 1001129256 ..... 127, 129  | 1001147436.....215                                   |
| 1001119733.....491  | 1001120282 ..... 493   | 1001129407 ..... 441   | 1001147440..... 109                                  |
| 1001119773.....184, 188,<br>192, 196, 200, 204,<br>208, 409 | 1001120283 ..... 505   | 1001129555 ..... 510   | 1001147441..... 102, 106,<br>109                     |
| 1001119778.....127, 129,<br>407                             | 1001120287 ..... 97  | 1001130492 ..... 507   | 1001147470..... 117, 142                             |
| 1001119799.....407  | 1001120288 ..... 97, 99  | 1001130588 ..... 323   | 1001147471..... 119, 150                             |
| 1001119803.....514  | 1001120299 .. 97, 99, 401  | 1001131269 ..... 489, 499  | 1001147590..... 102                                  |
| 1001119869.....325  | 1001120307 ..... 159   | 1001131391 ..... 127, 129  | 1001147642..... 135, 159,<br>163                     |
| 1001119870.....321  | 1001120328 ..... 275   | 1001131968 ..... 355, 361  | 1001147643..... 135, 159,<br>163                     |
| 1001119871.....331  | 1001120371 ..... 443   | 1001133070 ..... 515   | 1001148254..... 127, 129,<br>131                     |
| 1001119872.....337  | 1001120424 ..... 316   | 1001136231 ..... 398, 446  | 1001148660.....211                                   |
| 1001119873.....341  | 1001120425 ..... 317   | 1001136232 ..... 398, 405,<br>446                                  | 1001148663.....215                                   |
| 1001119874.....345  | 1001120426 ..... 317   | 1001136244 ..... 239, 243  | 1001148971..... 514                                  |
| 1001119875.....327  | 1001120427 ..... 317   | 1001137326 ..... 135   | 1001148975..... 135                                  |
| 1001119876.....333  | 1001120428 ..... 317   | 1001137327 ..... 135   | 1001149144.....99                                    |
| 1001119881 .....196, 200,<br>204, 208                       | 1001120429 ..... 317   | 1001137336 ..... 135   | 1001149147.....99                                    |
| 1001119882.....184, 188,<br>192                             | 1001120430 ..... 316   | 1001137337 ..... 121, 123  | 1001149379..... 159, 163                             |
| 1001119902..... 127, 129                                    | 1001120431 ..... 510   | 1001137367 ..... 127, 129  | 1001149565.....516                                   |
| 1001119919.....417, 423                                     | 1001120450 ..... 135, 159,<br>163                                  | 1001137369 ..... 121, 123  | 1001150619.....211                                   |
| 1001119920.....419, 425                                     | 1001120454 ..... 135   | 1001137371 ..... 135   | 1001151188..... 173                                  |
| 1001119921 .....421   | 1001120466 ..... 277   | 1001137397 ..... 121, 123  | 1001151393.....77                                    |
| 1001119922 .....415   | 1001120474 ..... 277   | 1001137398 ..... 135   | 1001151649.....515                                   |
| 1001119923 .....423   | 1001120476 ..... 277   | 1001137399 ..... 135   | 1001152266.....483                                   |
| 1001119924.....421  | 1001120484 ..... 277   | 1001137400 ..... 135   | 1001152457.....216                                   |
| 1001119925.....415  | 1001120749 ..... 109   | 1001137401 ..... 121, 123  | 1001153015.....51, 55                                |
| 1001119926.....425  | 1001120974 ..... 225, 295  | 1001137402 ..... 121, 123  | 1001153814.....215                                   |
| 1001119927 .....417   | 1001120976 ..... 219, 221,<br>291                                  | 1001137451 ..... 109, 113,<br>115, 117, 119                        | 1001154291.....377                                   |
| 1001119928.....419  | 1001120989 ..... 507   | 1001137452 ..... 113, 115,<br>117, 119                             | 1001154292.....373                                   |
| 1001119929.....135, 188,<br>192, 204, 208, 211, 215         | 1001121172 ..... 397, 446  | 1001137673 ..... 511   | 1001155044.....263                                   |
| 1001119930..... 135   | 1001121221 ..... 307, 317  | 1001138005 ..... 515   | 1001155045.....263, 511                              |
| 1001119937 .....369   | 1001121531 ..... 159, 163  | 1001138494 ..... 251, 253  | 1001155381..... 381                                  |
| 1001119953.....369, 377,<br>385, 429                        | 1001121574 ..... 405   | 1001138514 ..... 251, 253  | 1001155382.....385                                   |
| 1001119954.....369, 377,<br>385, 433                        | 1001121672 ..... 33  | 1001139654 ..... 507   | 1001155743.....67, 69                                |
| 1001119955.....353, 369,<br>377                             | 1001121678 ..... 31  | 1001140315 ..... 515   | 1001156351.....378                                   |
| 1001119956.....359, 369,<br>377                             | 1001121719 ..... 195   | 1001140318 ..... 515   | 1001156352.....378                                   |
|   | 1001121720 ..... 183   | 1001140429 ..... 251, 253,<br>255                                  | 1001157310.....361, 381,<br>385                      |
|   | 1001121721 ..... 199   |  | 1001157311.....355, 381,<br>385                      |
|   | 1001121966 ..... 307, 317  |  | 1001157915.....211, 216,<br>413                      |
|   | 1001122527 ..... 223, 289  |  |  |

## SECTION 11 - SPECIAL OPTIONS/ACCESSORIES/KITS

|  |                                      |                                 |  |
|--|--------------------------------------|---------------------------------|--|
| 1001157916 ..... 211, 216,<br>411  | 1001203719..... 67, 69               | 1001228224.....273, 510         | 1001245868 ..... 489   |
| 1001157918 ..... 515   | 1001205441.....515                   | 1001228225.....273, 510         | 1001245869 ..... 499   |
| 1001159027 ..... 479   | 1001205958..... 339, 343,<br>347     | 1001228588.....516              | 1001246142 ..... 514   |
| 1001159186 ..... 449   | 1001206476.....363                   | 1001228627.....235              | 1001246460 ..... 501   |
| 1001159256 ..... 263, 511  | 1001206532.....264                   | 1001228956.....514              | 1001246461 ..... 503   |
| 1001160531 ..... 55, 516   | 1001206737..... 81                   | 1001229341.....273              | 1001246462 ..... 497   |
| 1001161433 ..... 113, 138  | 1001207138.....516                   | 1001231153.....223              | 1001246463 ..... 493   |
| 1001161434 ..... 115, 146  | 1001207140.....516                   | 1001231609.....39               | 1001246464 ..... 505   |
| 1001161709 ..... 263, 511  | 1001208874..... 47                   | 1001231610.....39               | 1001246486 ..... 514   |
| 1001168210 ..... 283   | 1001209059.....515                   | 1001231801.....507              | 1001246487 ..... 514   |
| 1001170764 ..... 483   | 1001209658.....515                   | 1001231886.....81               | 1001246859 ..... 435, 485  |
| 1001170981 ..... 159, 163  | 1001209659.....515                   | 1001232164.....273              | 1001247073 ..... 516   |
| 1001172045 ..... 514   | 1001210034.....516                   | 1001232165.....273              | 1001247468 ..... 235   |
| 1001172760 ..... 263   | 1001210035.....516                   | 1001232642.....275              | 1001249052 ..... 516   |
| 1001173703 ..... 507   | 1001210636.....271                   | 1001232643.....516              | 1001249695 ..... 516   |
| 1001176469 ..... 73  | 1001210829..... 47                   | 1001232667.....275, 510         | 1001249941 ..... 516   |
| 1001181045 ..... 395, 510  | 1001211509.....59, 65                | 1001236093.....75               | 1001250035 ..... 515   |
| 1001182806 ..... 81  | 1001212415.....510                   | 1001236433.....75               | 1001250595 ..... 516   |
| 1001184618 ..... 263   | 1001213447.....449                   | 1001236552.....275              | 1001253920 ..... 489   |
| 1001184626 ..... 263   | 1001213882.....263                   | 1001236816.....97               | 1001253921 ..... 489   |
| 1001184682 ..... 83  | 1001214030.....507                   | 1001236951.....515              | 1001253922 ..... 499   |
| 1001185030 ..... 17  | 1001214397.....363                   | 1001237667.....435, 449         | 1001253923 ..... 499   |
| 1001185281 ..... 263   | 1001214570.....363                   | 1001237668.....435, 449         | 1001253924 ..... 503   |
| 1001186375 ..... 251   | 1001214571.....363                   | 1001237862.....467, 471         | 1001253925 ..... 503   |
| 1001186377 ..... 253   | 1001215228.....263                   | 1001237863.....273, 471         | 1001253926 ..... 497   |
| 1001186386 ..... 249   | 1001215228.....263                   | 1001237864.....273, 467         | 1001253927 ..... 497   |
| 1001186387 ..... 247   | 1001215898..... 91                   | 1001237865.....273, 469         | 1001253928 ..... 493   |
| 1001186431 ..... 510   | 1001216630.....235                   | 1001237878.....363              | 1001253929 ..... 493   |
| 1001186432 ..... 439, 473  | 1001217227.....235                   | 1001237879.....363              | 1001253930 ..... 505   |
| 1001186578 ..... 515   | 1001217228.....235                   | 1001237880.....363              | 1001253931 ..... 505   |
| 1001187674 ..... 273   | 1001217242.....235                   | 1001237881.....363              | 1001253932 ..... 501   |
| 1001187681 ..... 469   | 1001217243.....235                   | 1001237999.....159, 163,<br>167 | 1001253933 ..... 501   |
| 1001187807 ..... 75, 267   | 1001217244.....235                   | 1001238001.....153, 158         | 1001254472 ..... 275   |
| 1001188093 ..... 397   | 1001217253.....235                   | 1001238002.....155, 162         | 1001254473 ..... 275   |
| 1001188322 ..... 393   | 1001217254.....235                   | 1001238004.....138, 146,<br>153 | 1001257690 ..... 389   |
| 1001188446 ..... 516   | 1001217267.....235                   | 1001238005.....142, 150,<br>155 | 1001262959 ..... 514   |
| 1001188622 ..... 235   | 1001219082..... 91                   | 1001238319.....273              | 1001263178 ..... 83  |
| 1001188844 ..... 235   | 1001219601... 67, 69, 510            | 1001238418.....275, 473         | 1001263657 ..... 127, 129  |
| 1001190545 ..... 138, 142,<br>146, 150, 510                                  | 1001219694.....516                   | 1001238472.....275              | 1001263658 ..... 127, 129  |
| 1001190609 ..... 138, 142,<br>146, 150, 175                                  | 1001220187.....102, 106              | 1001238559.....275              | 1001263659 ..... 127, 129  |
| 1001190663 ..... 81, 83  | 1001223055.....489                   | 1001238749.....75               | 1001266041 ..... 71  |
| 1001190900 ..... 516   | 1001223453.....489, 499              | 1001239565.....515              | 1001266043 ..... 73  |
| 1001190985 ..... 235   | 1001223971.....499                   | 1001239566.....515              | 1001266044 ..... 67, 71  |
| 1001192401 ..... 436   | 1001224048.....503                   | 1001239804.....39               | 1001266045 ..... 69, 73  |
| 1001193018 ..... 327, 329,<br>333, 335, 337, 339,<br>341, 343, 345, 347, 349 | 1001224049.....505                   | 1001241332.....514              | 1001266799 ..... 515   |
| 1001194197 ..... 339   | 1001224050.....497                   | 1001241338.....514              | 1001266801 ..... 515   |
| 1001194198 ..... 343   | 1001224052.....493                   | 1001241392.....515              | 1001266807 ..... 515   |
| 1001194200 ..... 347   | 1001224053.....501                   | 1001241400.....75, 267          | 1001266969 ..... 515   |
| 1001194203 ..... 329   | 1001224891.....237                   | 1001241547.....516              | 1001267323 ..... 489, 491,<br>493, 495, 497, 499,<br>501, 503, 505 |
| 1001194204 ..... 335   | 1001225346.....363                   | 1001241548.....516              | 1001270523 ..... 514   |
| 1001194365 ..... 349   | 1001225420.....127, 129              | 1001241965.....275              | 1001270594 ..... 85  |
| 1001194741 ..... 135   | 1001225580.....439                   | 1001242192.....514              | 1001270716 ..... 516   |
| 1001195234 ..... 131, 134  | 1001225990.....219, 221,<br>283      | 1001242849.....87               | 1001270755 ..... 516   |
| 1001195304 ..... 515   | 1001226400.....427, 429,<br>431, 433 | 1001242850.....89               | 1001271212 ..... 225   |
| 1001196242 ..... 43  | 1001226530.....363                   | 1001243034.....163              | 1001271234 ..... 225   |
| 1001196636 ..... 483   | 1001226541.....436                   | 1001243035.....163              | 1001271497 ..... 449   |
| 1001197408 ..... 507   | 1001226831.....91, 95                | 1001243183.....514              | 1001271794 ..... 67, 69  |
| 1001199306 ..... 285, 295  | 1001226872.....255                   | 1001243184.....514              | 1001272166 ..... 515   |
| 1001199460 ..... 285   | 1001227454.....514                   | 1001244462.....93               | 1001272533 ..... 39  |
| 1001199461 ..... 295   | 1001227633.....273                   | 1001244528.....263, 449         | 1001272666 ..... 159, 163  |
| 1001200472 ..... 47  | 1001227634.....273                   | 1001245389.....259, 261,<br>263 | 1001272681 ..... 87  |
| 1001200491 ..... 235   | 1001227985.....273                   | 1001245407.....259              | 1001272682 ..... 89  |
|  | 1001227987.....273                   | 1001245427 ..... 261            | 1001272948 ..... 159, 163  |
|  | 1001227996.....467, 471              |                                 | 1001272950 ..... 159, 163  |
|  | 1001228215.....255                   |                                 | 1001273101 ..... 159, 164  |

## SECTION 11 - SPECIAL OPTIONS/ACCESSORIES/KITS

|  |   |   |   |
|--|---|---|---|
| 1001274140.....159, 163  | 1001294815..... 507   | 1671093 ... 366, 370, 374,<br>382, 386                        | 1703980.....501   |
| 1001274249.....516   | 1001295066..... 171   | 1700818..... 507  | 1703981.....503   |
| 1001274559.....263, 511  | 1001296395..... 51  | 1701499 ... 489, 491, 493,<br>495, 497, 499, 501,<br>503, 505 | 1703982.....497   |
| 1001274814.....465   | 1001297092..... 171   | 1701500 ... 489, 491, 493,<br>495, 497, 499, 501,<br>503, 505 | 1703983.....505   |
| 1001274828.....271   | 1001297093..... 171   | 1701504 ... 489, 491, 493,<br>495, 497, 499, 501,<br>503, 505 | 1703984.....499   |
| 1001274832.....515   | 1001297094..... 171   | 1701505 ..... 57  | 1703985.....493   |
| 1001274833.....515   | 1001299465..... 171   | 1701509 ... 489, 491, 493,<br>495, 497, 499, 501,<br>503, 505 | 1704000.....499   |
| 1001275628.....263   | 1001299466..... 171   | 1701517 ..... 491, 495  | 1704001.....505   |
| 1001275629.....263   | 1001299467..... 171   | 1701518 ..... 491, 495  | 1704002.....493   |
| 1001276007.....514   | 1001299468..... 171   | 1701529 ... 489, 491, 493,<br>495, 497, 499, 501,<br>503, 505 | 1704260.....263   |
| 1001276008.....514   | 1001299470..... 171   | 1701542 ..... 59  | 1704271.....507   |
| 1001276143.....485   | 1001299513.. 67, 69, 435  | 1701543 ..... 43  | 1704277.... 489, 491, 493,<br>495, 497, 499, 501,<br>503, 505     |
| 1001276610.....514   | 1001299890..... 171   | 1701642 ... 489, 491, 493,<br>495, 497, 499, 501,<br>503, 505 | 1704412.... 489, 491, 493,<br>495, 497, 499, 501,<br>503, 505     |
| 1001276923.....514   | 1001300355..... 127, 129  | 1702300 ... 489, 491, 493,<br>495, 497, 499, 501,<br>503, 505 | 1704885.....507   |
| 1001277838.....516   | 1001300356..... 127, 129  | 1702391 ..... 489   | 1704972.....507   |
| 1001280340.....67, 69  | 1001300357..... 127, 129  | 1702565 ..... 263   | 1705170.....97, 99  |
| 1001280406.....71, 73  | 1001300764..... 121, 127  | 1702566 ..... 263   | 1705325.....327, 329  |
| 1001280661.....403   | 1001301503..... 123, 129  | 1702567 ..... 263   | 1705344.....501   |
| 1001281298.....171   | 1001301848..... 127, 129  | 1702773 ..... 507   | 1705345.....503   |
| 1001281301.....171   | 1001306128..... 106   | 1702774 ..... 507   | 1705347.....499   |
| 1001281307.....171   | 1001306165..... 127, 129  | 1702860 ..... 507   | 1705348.....497   |
| 1001281359.....171   | 1001307236.... 489, 491,<br>493, 495, 497, 499,<br>501, 503, 505                          | 1702868 ..... 489   | 1705349.....493   |
| 1001281360.....171   | 1001307391..... 106   | 1703162 ... 134, 158, 162                                     | 1705351.....489   |
| 1001281455.....515   | 1001308593..... 515   | 1703797 ..... 489   | 1705387.....215   |
| 1001281456.....515   | 1001309057..... 514   | 1703798 ..... 489   | 1705426.....501   |
| 1001281460.....515   | 100131034..... 275, 510   | 1703804 ..... 489   | 1705427.....503   |
| 1001281461.....515   | 1001312158..... 127, 129  | 1703805 ..... 489   | 1705429.....499   |
| 1001281656.....171   | 1060908 ..... 395   | 1703923 ..... 505   | 1705430.....497   |
| 1001282215.....515   | 1060918 ... 259, 261, 269   | 1703924 ..... 499   | 1705489.....211   |
| 1001282260.....91  | 10837580..... 49, 295   | 1703925 ..... 497   | 1705822.....491, 495  |
| 1001283290.....516   | 1320012 ... 134, 158, 162   | 1703926 ..... 501   | 1705828.....491, 495  |
| 1001283776.....85, 475   | 1320016 ..... 134   | 1703927 ..... 503   | 1705910.....505   |
| 1001284443.....67  | 1320022 ... 134, 138, 142,<br>146, 150  | 1703928 ..... 493   | 1705917.....505   |
| 1001284444.....69  | 1320026 ..... 127, 129  | 1703935 ..... 505   | 1705921.....491, 495  |
| 1001284514.....91, 516   | 1320041 ..... 369   | 1703936 ..... 499   | 1705961.....491, 495  |
| 1001284582.....267   | 1320043 ... 138, 142, 146,<br>150, 323, 327, 333,<br>337, 341, 345, 365,<br>393, 415, 421 | 1703937 ..... 497   | 1705968.....497   |
| 1001284583.....267   | 1320130 ... 365, 369, 373,<br>377, 381, 385   | 1703938 ..... 501   | 1705969.....503   |
| 1001284677.... 489, 491,<br>493, 495, 497, 499,<br>501, 503, 505 | 1320136 ..... 97, 99, 235   | 1703939 ..... 503   | 1705978.....491, 495  |
| 1001285733.....87, 89  | 1320220 ..... 43  | 1703940 ..... 493   | 1706059.....507   |
| 1001285892.....93  | 1320223 ... 79, 134, 158,<br>162, 363   | 1703941 ..... 505   | 1706060.....507   |
| 1001286171...67, 69, 445   | 1320263 ..... 373, 377  | 1703942 ..... 499   | 1706061.....507   |
| 1001286584.....85, 403   | 1320274 ... 138, 142, 146,<br>150   | 1703943 ..... 497   | 1706062.....507   |
| 1001286749.....102   | 1321283 ..... 127, 129  | 1703944 ..... 501   | 1706063.....507   |
| 1001287192.....93  | 1321293 ..... 67, 69  | 1703945 ..... 503   | 1706064.....507   |
| 1001289648.....403   | 1321682 ... 134, 158, 162   | 1703946 ..... 493   | 1706098.....507   |
| 1001289742.... 489, 491,<br>493, 495, 497, 499,<br>501, 503, 505 | 132171667, 69, 134, 158,<br>162, 306, 316   | 1703947 ..... 505   | 2080040... 109, 113, 115,<br>117, 119, 121, 123,<br>247, 249, 277 |
| 1001289831.....516   | 1340069.... 135, 158, 162   | 1703948 ..... 499   | 2080057.... 489, 491, 493,<br>495, 497, 499, 501,<br>503, 505     |
| 1001289832.....516   | 1380136 ..... 47  | 1703949 ..... 497   | 2110808.....306, 316  |
| 1001289851.....403   | 1580011 ..... 134   | 1703950 ..... 501   | 2110810.....307, 317  |
| 1001289905.....516   | 1580012 ..... 257   | 1703951 ..... 503   | 2131216.....306, 316  |
| 1001289906.....516   | 1580013 ..... 515   | 1703952 ..... 493   | 2180348.... 127, 129, 138,<br>142, 146, 150                       |
| 1001290257.....171   | 1670603 ..... 349   | 1703953 ..... 489   | 2180387.....43  |
| 1001290378.....171   | 1670899 ... 365, 369, 373,<br>377, 381, 385   |   | 2180389.....43  |
| 1001290381.....171   | 1671092... 366, 370, 374,<br>382, 386   |   | 2180504.....43  |
| 1001290384.....171   |   |   | 2180666.... 138, 142, 146,<br>150                                 |
| 1001290385.....171   |   |   | 2220124.....51  |
| 1001291530...67, 69, 483   |   |   | 2220290.....43  |
| 1001291852.....171   |   |   |   |
| 1001292409.....516   |   |   |   |
| 1001293863.....516   |   |   |   |
| 1001294067.....516   |   |   |   |
| 1001294632.....51, 53  |   |   |   |
| 1001294762.....507, 514  |   |   |   |



## SECTION 11 - SPECIAL OPTIONS/ACCESSORIES/KITS

|               |  |   |   |              |  |  |   |     |
|---------------|--|---|---|--------------|--|--|---|-----|
| 2220365 ..... | 306, 316   | 3200425 .....   | 134   | 3311005..... | 99, 215, 277   | 3960464 ...                                    | 127, 129, 134,<br>138, 142, 146, 150,<br>158, 162           |     |
| 2220366 ..... | 306, 316   | 3251102 ...   | 183, 187, 191,<br>195, 199, 203, 207,<br>211, 215   | 3311405....  | 158, 162, 212,<br>275, 329, 335, 339,<br>343, 347, 349 | 3990010 .....                                  | 445, 510  |     |
| 2220371 ..... | 306, 316   | 3251242 ...   | 335, 339, 343,<br>347, 349  | 3311501..... | 227, 229   | 4010618 .....                                  | 251, 253  |     |
| 2220373 ..... | 306, 316   | 3251243 ....  | 215, 321, 325   | 3311508..... | 215  | 4031505 .....                                  | 273   |     |
| 2220374 ..... | 306, 316   | 3251813 .....   | 507   | 3311601..... | 263, 275   | 4031507 .....                                  | 93, 403   |     |
| 2220415 ..... | 306, 316   | 3252347 .....   | 489   | 3311605....  | 134, 158, 162  | 4031509 .....                                  | 85, 87, 89  |     |
| 2220451 ..... | 306, 316   | 3252507 ...   | 323, 331, 333,<br>337, 341, 345, 393  | 3321401..... | 159, 163   | 4031510 ...                                    | 365, 369, 373,<br>377, 381, 385                             |     |
| 2220466 ..... | 306, 316   | 3290405 ...   | 67, 69, 85, 87,<br>89, 93, 259, 261, 271,<br>327, 329, 333, 335,<br>337, 339, 341, 343,<br>345, 347, 349, 365,<br>369, 373, 377, 381,<br>385, 465   | 3321402..... | 158, 162   | 403151267, 69, 365, 369,<br>373, 377, 381, 385 |   |     |
| 2220468 ..... | 306, 316   | 3290505 ....  | 91, 102, 106,<br>109, 111, 183, 187,<br>191, 195, 199, 203,<br>207, 211, 215  | 3340758..... | 223  | 4031516 .....                                  | 275   |     |
| 2220472 ..... | 306, 316   | 3290601 .....   | 81, 83  | 3340860..... | 227, 229   | 4031707 .....                                  | 158, 162  |     |
| 2220473 ..... | 306, 316   | 3290605 ...   | 47, 67, 69, 79,<br>97, 99, 102, 106, 109,<br>111, 121, 123, 134,<br>138, 142, 146, 150,<br>158, 162, 183, 187,<br>191, 195, 199, 203,<br>207, 235, 259, 261,<br>307, 317, 323, 327,<br>333, 337, 341, 345,<br>365, 369, 373, 377,<br>381, 385, 393, 489,<br>491, 493, 495, 497,<br>499, 501, 503, 505 | 3340901....  | 366, 370, 374,<br>378, 382, 386                        | 4060092 .....                                  | 331   |     |
| 2220499 ..... | 306, 316   | 3290606 .....   | 251, 253  | 3340939....  | 365, 369, 373,<br>377, 381, 385                        | 4060802 ...                                    | 183, 187, 191,<br>195, 199, 203, 207,<br>211, 215           |     |
| 2220500 ..... | 307, 317   | 3290607 .....   | 87, 89  | 3380434..... | 259, 261   | 4060804 .....                                  | 235   |     |
| 2220501 ..... | 306, 316   | 329080567, 69, 127, 129,<br>134, 138, 142, 146,<br>150, 227, 229, 363,<br>365, 369, 373, 377,<br>381, 385 | 3290607 .....   | 219, 221     | 3422576.....   | 219, 221                                       | 4060805 .....   | 235 |
| 2220502 ..... | 306, 316   | 3290807 .....   | 158, 162  | 3422709..... | 219, 221   | 4060808 ...                                    | 365, 369, 373,<br>377, 381, 385                             |     |
| 2220507 ..... | 306, 316   | 3291001 .....   | 235   | 3422745..... | 225  | 4070897 .....                                  | 225   |     |
| 2220582 ..... | 306, 316   | 3291005 ...   | 47, 57, 59, 67,<br>69, 79, 102, 106, 134,<br>158, 162, 183, 187,<br>191, 195, 199, 203,<br>207, 219, 221, 223,<br>227, 229, 235, 259,<br>261, 306, 316, 363,<br>365, 369, 373, 377,<br>381, 385   | 3422787..... | 223  | 4070898 .....                                  | 225   |     |
| 2220605 ..... | 307, 317   | 3291005 ...   | 47, 57, 59, 67,<br>69, 79, 102, 106, 134,<br>158, 162, 183, 187,<br>191, 195, 199, 203,<br>207, 219, 221, 223,<br>227, 229, 235, 259,<br>261, 306, 316, 363,<br>365, 369, 373, 377,<br>381, 385   | 3422788..... | 223  | 4100066 .....                                  | 307, 317  |     |
| 2220635 ..... | 307, 317   | 3291201 .....   | 235   | 3422790..... | 219, 221   | 4240018 ...                                    | 306, 316, 365,<br>369, 373, 377, 381, 385                   |     |
| 2220819 ..... | 306, 316   | 3291205 ...   | 134, 158, 162,<br>183, 187, 191, 195,<br>199, 203, 207, 219,<br>221, 235  | 3422791..... | 227, 229   | 4240032 ...                                    | 67, 69, 85, 87,<br>89, 91, 97, 99                           |     |
| 2220828 ..... | 306, 316   | 3291205 ...   | 134, 158, 162,<br>183, 187, 191, 195,<br>199, 203, 207, 219,<br>221, 235  | 3422792..... | 219, 221   | 424003397, 99, 127, 129,<br>273, 275           |   |     |
| 2220881 ..... | 281  | 3291205 ...   | 134, 158, 162,<br>183, 187, 191, 195,<br>199, 203, 207, 219,<br>221, 235  | 3422794..... | 227, 229   | 4240156 ...                                    | 365, 369, 373,<br>377, 381, 385                             |     |
| 2220883 ..... | 281, 283   | 3291605 ...   | 127, 129, 138,<br>142, 146, 150   | 3422814..... | 219, 221   | 4360328 .....                                  | 71, 73, 510   |     |
| 2220885 ..... | 281  | 3291605 ...   | 127, 129, 138,<br>142, 146, 150   | 3423081..... | 15   | 4360336 ...                                    | 183, 187, 191,<br>195, 199, 203, 207,<br>211, 215, 261, 511 |     |
| 2220940 ..... | 307, 317   | 3291605 ...   | 127, 129, 138,<br>142, 146, 150   | 3430616..... | 263  | 4360387 .....                                  | 73, 263, 511  |     |
| 2220947 ..... | 306, 316   | 3291605 ...   | 127, 129, 138,<br>142, 146, 150   | 3470003..... | 263  | 4360407 .....                                  | 263, 511  |     |
| 2221041 ..... | 306, 316   | 3291605 ...   | 127, 129, 138,<br>142, 146, 150   | 3520028....  | 183, 187, 191,<br>195, 199, 203, 207                   | 4360469 .....                                  | 77, 511   |     |
| 2221053 ..... | 306, 316   | 3291605 ...   | 127, 129, 138,<br>142, 146, 150   | 3520030..... | 111  | 4360475 .....                                  | 71, 73, 511   |     |
| 2221060 ..... | 306, 316   | 3291605 ...   | 127, 129, 138,<br>142, 146, 150   | 3520054..... | 263  | 4360476.71, 73, 263, 511                       |   |     |
| 2221086 ..... | 306, 316   | 3291605 ...   | 127, 129, 138,<br>142, 146, 150   | 3520072....  | 247, 249, 251,<br>253, 255                             | 4360522 .....                                  | 97, 99, 511   |     |
| 2400066 ..... | 398, 445   | 3291605 ...   | 127, 129, 138,<br>142, 146, 150   | 3520198....  | 247, 249, 251,<br>253, 255                             | 4360548 ...                                    | 365, 369, 389,<br>510                                       |     |
| 2420203 ....  | 187, 195, 203  | 3291605 ...   | 127, 129, 138,<br>142, 146, 150   | 3572551..... | 227, 229   | 4400275 .....                                  | 43  |     |
| 2460049 ....  | 187, 195, 203  | 3291605 ...   | 127, 129, 138,<br>142, 146, 150   | 3580317..... | 211, 215   | 4400498 .....                                  | 168   |     |
| 2540020 ..... | 87, 89   | 3291605 ...   | 127, 129, 138,<br>142, 146, 150   | 3580318..... | 215  | 4420051 .....                                  | 507   |     |
| 2540045 ...   | 138, 142, 146,<br>150  | 3291605 ...   | 127, 129, 138,<br>142, 146, 150   | 3580319..... | 211  | 4460019 .....                                  | 401   |     |
| 2560122 ..... | 47   | 3291605 ...   | 127, 129, 138,<br>142, 146, 150   | 3740080..... | 97, 99, 510  | 4460042 .....                                  | 405   |     |
| 2560136 ..... | 263  | 3291605 ...   | 127, 129, 138,<br>142, 146, 150   | 3740086..... | 473, 510   | 4460043 .....                                  | 405   |     |
| 2600281 ..... | 247, 249   | 3291605 ...   | 127, 129, 138,<br>142, 146, 150   | 3760115..... | 225  | 4460071 ...                                    | 216, 259, 261,<br>269, 325, 331                             |     |
| 2720058 ...   | 134, 138, 142,<br>146, 150   | 3291605 ...   | 127, 129, 138,<br>142, 146, 150   | 3780182..... | 15   | 4460121 .....                                  | 99, 323, 409  |     |
| 2720175 ..... | 43   | 3291605 ...   | 127, 129, 138,<br>142, 146, 150   | 3790012..... | 263  | 4460125 .....                                  | 331   |     |
| 2720271 ...   | 134, 138, 142,<br>146, 150   | 3291605 ...   | 127, 129, 138,<br>142, 146, 150   | 3790152....  | 131, 153, 155  | 4460134 .....                                  | 417, 423  |     |
| 2720615 ..... | 134  | 3291605 ...   | 127, 129, 138,<br>142, 146, 150   | 3820019..... | 47   | 4460142 .....                                  | 405, 435  |     |
| 2820019 ..... | 449  | 3291605 ...   | 127, 129, 138,<br>142, 146, 150   | 3820020..... | 247, 249   | 4460205 ...                                    | 325, 417, 421,<br>423                                       |     |
| 2820030 ..... | 441, 443   | 3291605 ...   | 127, 129, 138,<br>142, 146, 150   | 3820032..... | 57, 59, 79   | 4460225 ....                                   | 409, 411, 449   |     |
| 2820031 ...   | 183, 187, 191,<br>195, 199, 203, 207,<br>211, 215, 366, 370,<br>373, 377, 381, 385 | 3291605 ...   | 127, 129, 138,<br>142, 146, 150   | 3841143....  | 219, 221, 223,<br>235                                  | 4460226 ....                                   | 259, 261, 269   |     |
| 2820118 ...   | 427, 429, 431,<br>433, 449   | 3291605 ...   | 127, 129, 138,<br>142, 146, 150   | 3841203....  | 219, 221, 223  | 4460227 ....                                   | 397, 445, 449   |     |
| 2820247 ..... | 467, 471   | 3291605 ...   | 127, 129, 138,<br>142, 146, 150   | 3841258..... | 17, 223  | 4460233 .....                                  | 331   |     |
| 2860030 ..... | 77, 510  | 3291605 ...   | 127, 129, 138,<br>142, 146, 150   | 3841520..... | 15   | 4460234 ...                                    | 67, 69, 91, 263   |     |
| 2900770 ...   | 231, 283, 285,<br>295  | 3291605 ...   | 127, 129, 138,<br>142, 146, 150   | 3900349..... | 263  | 4460247 .....                                  | 405   |     |
| 2902549 ...   | 323, 327, 333,<br>337, 341, 345, 393, 395  | 3291605 ...   | 127, 129, 138,<br>142, 146, 150   | 3910606..... | 216  | 4460256 .....                                  | 401, 405  |     |
| 2920110 ..... | 99   | 3291605 ...   | 127, 129, 138,<br>142, 146, 150   | 3910804..... | 77   |  |   |     |
| 2920113 ..... | 99   | 3291605 ...   | 127, 129, 138,<br>142, 146, 150   | 3911036..... | 99   |  |   |     |
| 2920162 ...   | 183, 187, 191,<br>195, 199, 203, 207   | 3291605 ...   | 127, 129, 138,<br>142, 146, 150   | 3931010..... | 277  |  |   |     |
| 2940074 ....  | 247, 249, 510  | 3291605 ...   | 127, 129, 138,<br>142, 146, 150   | 3931016..... | 215  |  |   |     |
| 2940109 ..... | 109, 111   | 3291605 ...   | 127, 129, 138,<br>142, 146, 150   | 3931832..... | 51   |  |   |     |
| 3020043 ..... | 403  | 3291605 ...   | 127, 129, 138,<br>142, 146, 150   | 3960422....  | 216, 325, 331  |  |   |     |
| 3200378 ..... | 134, 162   | 3291605 ...   | 127, 129, 138,<br>142, 146, 150   |              |  |  |   |     |

## SECTION 11 - SPECIAL OPTIONS/ACCESSORIES/KITS

|   |   |  |  |
|---|---|--|--|
| 4460259.....413, 435, 449,<br>481   | 4460806 ... 339, 343, 409,<br>435                                       | 4461077 ..... 469, 473   | 369, 393, 489, 491,<br>493, 495, 497, 499,<br>501, 503, 505  |
| 4460260.....413, 435, 449,<br>481   | 4460836 .... 397, 443, 445  | 4461095 ..... 405, 477   | 4811702..... 79, 183, 187,<br>191, 195, 199, 203,<br>207, 235, 366, 370,<br>373, 377, 381, 385   |
| 4460267 ..... 409   | 4460837 ..... 397, 446  | 4461109 ..... 405  | 4811900..... 43, 134, 138,<br>142, 146, 150, 158,<br>162, 211, 215, 363,<br>365, 369, 373, 377,<br>381, 385  |
| 4460268 ..... 409, 411  | 4460865 ... 365, 369, 373,<br>377, 381, 385, 427,<br>429, 431, 433      | 4461110 ..... 398, 445   | 4811902..... 47, 127, 129,<br>225, 227, 229  |
| 4460294 ..... 449   | 4460866 ... 365, 369, 373,<br>377, 381, 385, 397,<br>445, 449           | 4461111 ..... 405  | 4812000 47, 79, 102, 106,<br>127, 129, 134, 138,<br>142, 146, 150, 158,<br>162, 183, 187, 191,<br>195, 199, 203, 207,<br>211, 215, 219, 221,<br>223, 235, 237, 259,<br>261, 363, 365, 369,<br>373, 377, 381, 385 |
| 4460313 ..... 407, 435  | 4460871 81, 83, 397, 435,<br>436, 445, 449, 483, 485                    | 4461112 ... 398, 407, 445  | 4812002..... 57, 59, 239   |
| 4460315 ..... 325, 331  | 4460872 ..... 483   | 4461113 ... 398, 405, 407,<br>445  | 4812100..... 15, 134, 158,<br>162, 235   |
| 4460346 ..... 216, 325  | 4460873 ... 397, 445, 449   | 4461157 ..... 397, 445   | 4812102 57, 59, 127, 129,<br>138, 142, 146, 150,<br>183, 187, 191, 195,<br>199, 203, 207   |
| 4460384 ..... 349   | 4460874 ... 397, 445, 449   | 4461196 ..... 451  | 4812300..... 102, 106  |
| 4460418 ..... 435, 449  | 4460875 ..... 449, 483  | 4461198 ..... 329, 451   | 4812500.... 127, 129, 138,<br>142, 146, 150  |
| 4460419 ..... 435, 449  | 4460876 ..... 436   | 4461199 ..... 453  | 4831400..... 403   |
| 4460428 ..... 263, 277  | 4460877 ..... 435   | 4461201 ..... 335, 453   | 4846278..... 227, 229  |
| 4460434 ..... 449   | 4460878 ..... 397, 445  | 4461205 ... 455, 457, 459,<br>461  | 4891500.... 183, 187, 191,<br>195, 199, 203, 207   |
| 4460445 ..... 409   | 4460879 ..... 449   | 4461222 ... 398, 405, 407,<br>445  | 4891600.... 131, 153, 155,<br>235  |
| 4460457 ..... 413   | 4460884 ... 397, 435, 439,<br>445, 483                                  | 4461231 .... 135, 159, 163   | 4891800.... 131, 153, 155  |
| 4460458 ..... 445   | 4460887 ... 397, 445, 449   | 4461232 .... 135, 159, 163   | 4922641.... 183, 187, 191,<br>195, 199, 203, 207,<br>211, 215  |
| 4460464 .... 259, 261, 269,<br>277, 389, 397, 398,<br>431, 433, 435, 439,<br>441, 445, 446, 449,<br>473, 475, 477, 479,<br>481, 483                             | 4460888 ..... 449   | 4461244 ..... 339, 459   | 4923463..... 353, 359  |
| 4460465 .... 81, 83, 85, 95,<br>389, 391, 397, 401,<br>405, 409, 411, 413,<br>427, 429, 431, 433,<br>435, 436, 439, 443,<br>445, 449, 477, 479,<br>481, 483     | 4460891 . 81, 83, 85, 389,<br>391, 397, 401, 405,<br>445, 477, 479, 483 | 4461245 ..... 343, 461   | 4923505.... 351, 357, 415,<br>417, 419, 421, 423, 425  |
| 4460466 ..... 95, 263, 273,<br>389, 391, 397, 405,<br>411, 413, 427, 429,<br>431, 433, 435, 436,<br>439, 443, 445, 446,<br>449, 469, 473, 475,<br>477, 481, 483 | 4460892 ..... 397, 446  | 4461246 ..... 347, 463   | 5221000..... 237   |
| 4460470 ..... 263   | 4460894 ... 389, 391, 397,<br>435, 445, 449                             | 4461249 ..... 463  | 5240600..... 102, 106  |
| 4460471 ..... 263   | 4460897 ... 398, 435, 475,<br>479                                       | 4520605 ..... 35   | 5240800..... 211, 215  |
| 4460473 .... 366, 370, 373,<br>377, 381, 385, 427,<br>429, 431, 433   | 4460899 ... 398, 439, 446,<br>469, 473, 481                             | 4640113 ..... 35, 37, 39   | 5241000..... 17, 23  |
| 4460474 ..... 401, 405  | 4460905 ... 397, 435, 436,<br>445, 449, 483, 485                        | 4640858 ..... 281  | 5241200..... 225, 235  |
| 4460488 ..... 87, 89  | 4460910 ..... 467   | 4641284 ..... 307, 317   | 5241400..... 51  |
| 4460496 ..... 67, 69  | 4460911 ..... 469   | 4711400 ... 159, 163, 212,<br>251, 253, 255, 275,<br>329, 335, 339, 343,<br>347, 349   | 5241600..... 23  |
| 4460497 ..... 67, 69  | 4460928 ..... 477   | 4711600 .... 211, 215, 263   | 5250608..... 134   |
| 4460508 .... 273, 397, 431,<br>433, 445, 446, 449, 481  | 4460930 .... 397, 435, 445  | 4711800 ..... 134  | 5250808..... 239   |
| 4460509 .... 427, 429, 431,<br>433, 436   | 4460931 ..... 475, 483  | 4740086 ..... 15   | 5250810 41, 47, 239, 307,<br>317   |
| 4460518 ..... 95, 477   | 4460932 ... 277, 397, 445   | 4740158 ..... 17   | 5250812..... 134, 239  |
| 4460536 ..... 449   | 4460933 .... 95, 263, 435,<br>443, 449, 477, 483                        | 4740171 ..... 51   | 5251008..... 235   |
| 4460539 ..... 95, 435, 449,<br>483  | 4460941 ..... 469   | 4740274 .... 134, 158, 162   | 5251010..... 19, 219, 221,<br>225  |
| 4460662 .... 337, 339, 343,<br>345, 347, 349  | 4460942 ..... 273   | 4740362 ... 121, 123, 134,<br>259, 261   | 5251012..... 17, 127, 129,<br>138, 142, 146, 150, 225  |
| 4460705 ..... 409   | 4460943 87, 89, 397, 435,<br>436, 445, 449, 469                         | 4740397 ... 183, 187, 191,<br>195, 199, 203, 207,<br>211, 215  | 5260800.... 365, 369, 373,<br>377, 381, 385  |
| 4460708 ..... 449   | 4460944 ... 397, 405, 435,<br>436, 443, 445, 449                        | 4740537 ..... 15   |  |
| 4460709 .... 374, 415, 419,<br>425  | 4460945 .... 95, 397, 436,<br>446                                       | 4740538 ..... 15   |  |
| 4460710 .... 374, 419, 425  | 4460956 ..... 395   | 4740539 ..... 15   |  |
| 4460742 ..... 409, 413  | 4460957 ..... 395   | 4740540 ..... 15   |  |
| 4460743 ..... 409   | 4460962 ..... 355   | 4751000 .... 99, 215, 277  |  |
| 4460746 ..... 405   | 4460963 ..... 361   | 4751400 ... 257, 259, 261,<br>263  |  |
| 4460761 .... 397, 445, 449  | 4460967 ..... 413   | 4751500 .... 215, 227, 229   |  |
|   | 4460968 ... 327, 329, 333,<br>335, 341, 389                             | 4761400 ..... 257  |  |
|   | 4460970 ..... 389, 449  | 4791400 ..... 211, 215   |  |
|   | 4460972 ..... 409   | 4811400 ... 67, 69, 85, 87,<br>89, 259, 261, 271, 327,<br>329, 333, 335, 337,<br>339, 341, 343, 345,<br>347, 349, 365, 369,<br>373, 377, 381, 385,<br>403, 465 |  |
|   | 4460973 ..... 409   | 4811600 .... 91, 102, 106,<br>109, 111, 211, 215   |  |
|   | 4460974 ..... 409   | 4811700 ... 47, 67, 69, 81,<br>83, 87, 89, 109, 111,<br>121, 123, 134, 158,<br>162, 251, 253, 307,<br>317, 323, 327, 333,<br>337, 341, 345, 365,               |  |
|   | 4460979 ..... 397, 445  |  |  |
|   | 4461012 ... 259, 261, 465   |  |  |
|   | 4461070 ..... 477   |  |  |

## SECTION 11 - SPECIAL OPTIONS/ACCESSORIES/KITS

|   |  |                           |   |
|---|--|---------------------------|---|
| 5281920 ... 365, 369, 373,<br>377, 381, 385 | 70002181 ..... 178                                   | 70002669.....55           | 70002998 ..... 28                               |
| 70000122 .. 187, 195, 203                   | 70002185 ..... 178                                   | 70002670.....55           | 70002999 ..... 27                               |
| 70000123 . 183, 191, 199,<br>207            | 70002186 ..... 178                                   | 70002671.....55           | 70003000 ..... 27                               |
| 70000124 . 183, 191, 199,<br>207            | 70002187 ..... 178                                   | 7000281.....28            | 70003005 ..... 25                               |
| 70000125 . 183, 191, 199,<br>207            | 70002191 ..... 178                                   | 70002812.....61, 510      | 70003006 ..... 25                               |
| 70000126 . 183, 191, 199,<br>207, 510       | 70002192 ..... 178                                   | 70002838.....61           | 70003007 ..... 25                               |
| 70000341 ..... 231                          | 70002237 . 183, 187, 191,<br>195, 199, 203, 207, 510 | 70002839.....61           | 70003008 ..... 25                               |
| 70000681 ..... 55                           | 70002238 . 183, 191, 199,<br>207                     | 70002840.....61           | 70003009 ..... 25                               |
| 70000781 ..... 21                           | 70002240 . 187, 195, 203,<br>510                     | 70002842.....281          | 70003010 ..... 25                               |
| 70001119 ..... 27                           | 70002315 ..... 167                                   | 70002860.....181          | 70003011 ..... 25                               |
| 70001140 ..... 167                          | 70002316 ..... 167                                   | 70002861.....181          | 70003012 ..... 25                               |
| 70001368 ..... 27                           | 70002317 ..... 167                                   | 70002862.....181          | 70003013 ..... 25                               |
| 70001697 ..... 233                          | 70002318 ..... 167                                   | 70002863.....177          | 70003014 ..... 25                               |
| 70001934 ..... 167                          | 70002319 ..... 167                                   | 70002864.....178          | 70003016 ..... 25                               |
| 70001935 ..... 167                          | 70002320 ..... 167                                   | 70002865.....178          | 70003060 ..... 167                              |
| 70001958 ..... 177                          | 70002321 ..... 167                                   | 70002866 ..... 178        | 70003061 ..... 167                              |
| 70001966 ..... 211, 215                     | 70002322 ..... 167                                   | 70002867.....178          | 70003062 ..... 167                              |
| 70002063 ..... 21                           | 70002323 ..... 167                                   | 70002868.....178          | 70003063 ..... 167                              |
| 70002112 ..... 61                           | 70002327 ..... 168                                   | 70002899... 135, 159, 163 | 70003064 ..... 167                              |
| 70002132 ..... 177                          | 70002328 ..... 168                                   | 70002901.....175          | 70003066 ..... 168                              |
| 70002133 ..... 177                          | 70002330 ..... 168                                   | 70002902... 259, 261, 269 | 70003067 ..... 168                              |
| 70002134 ..... 177                          | 70002334 .. 285, 287, 289                            | 70002903... 259, 261, 269 | 70003068 . 195, 199, 203,<br>207                |
| 70002135 ..... 177                          | 70002335 . 283, 285, 287,<br>289, 291, 295           | 70002904... 259, 261, 269 | 70003069 . 183, 187, 191,<br>195, 199, 203, 207 |
| 70002136 ..... 178                          | 70002337 ..... 289, 293                              | 70002905... 259, 261, 269 | 70003070 .. 183, 187, 191                       |
| 70002137 ..... 177                          | 70002344 ..... 287                                   | 70002954.....243          | 70003071 ..... 289                              |
| 70002138 ..... 177                          | 70002352 ..... 291, 295                              | 70002955.....21           | 70003072 ..... 289                              |
| 70002139 ..... 177                          | 70002354 ..... 291                                   | 70002956.....21           | 70003073 ..... 289                              |
| 70002140 ..... 177                          | 70002364 ..... 295                                   | 70002957.....21           | 70003074 ..... 289                              |
| 70002141 ..... 177                          | 70002366 .. 283, 291, 295                            | 70002958.....21           | 70003075 ..... 289                              |
| 70002142 ..... 177                          | 70002372 ..... 285                                   | 70002959.....21           | 70003076 .. 285, 287, 289                       |
| 70002145 ..... 178                          | 70002373 ..... 285                                   | 70002960.....21           | 70003077 ..... 289, 293                         |
| 70002146 ..... 178                          | 70002375 ..... 285                                   | 70002961.....21           | 70003078 ..... 289, 293                         |
| 70002147 ..... 177                          | 70002380 ..... 293                                   | 70002962.....21           | 70003079 ..... 289, 293                         |
| 70002148 ..... 177                          | 70002386 21, 47, 49, 241,<br>285, 287, 289, 510      | 70002963.....21, 243, 510 | 70003080 ..... 289, 293                         |
| 70002149 ..... 178, 510                     | 70002389 ..... 295                                   | 70002964.....49           | 70003081 .. 283, 289, 291                       |
| 70002150 ..... 177                          | 70002410 ..... 289                                   | 70002965.....49           | 70003082 ..... 287, 289                         |
| 70002151 ..... 177                          | 70002412 ..... 287                                   | 70002966.....49           | 70003083 ..... 287, 289                         |
| 70002152 ..... 177                          | 70002413 ..... 283                                   | 70002967.....49           | 70003084 ..... 291                              |
| 70002153 ..... 177                          | 70002577 ..... 181                                   | 70002968.....49           | 70003085 ..... 283, 291                         |
| 70002154 ..... 177                          | 70002601 ..... 177                                   | 70002969.....49           | 70003086 ..... 291                              |
| 70002155 ..... 177                          | 70002603 ..... 177                                   | 70002970.....49           | 70003088 ..... 291                              |
| 70002156 ..... 177                          | 70002643 ..... 55                                    | 70002971.....49, 510      | 70003089 .. 283, 291, 295                       |
| 70002157 ..... 177                          | 70002644 ..... 55                                    | 70002972.....49           | 70003090 .. 283, 291, 295                       |
| 70002158 ..... 177                          | 70002645 ..... 55                                    | 70002973.....49           | 70003091 .. 283, 291, 295                       |
| 70002159 ..... 177                          | 70002646 ..... 55                                    | 70002974.....49           | 70003092 .. 283, 291, 295                       |
| 70002160 ..... 177                          | 70002647 ..... 55                                    | 70002975.....49           | 70003093 .. 283, 285, 291                       |
| 70002161 ..... 177                          | 70002648 ..... 55                                    | 70002976.....49           | 70003094 .. 283, 285, 291                       |
| 70002163 ..... 177                          | 70002649 ..... 55                                    | 70002977.....49           | 70003095 ..... 293                              |
| 70002164 ..... 177                          | 70002650 ..... 55                                    | 70002978.....21           | 70003096 ..... 293                              |
| 70002165 ..... 177, 178                     | 70002651 ..... 55                                    | 70002979.....135, 510     | 70003097 ..... 293                              |
| 70002166 ..... 177                          | 70002652 ..... 55                                    | 70002980.....28           | 70003098 ..... 293                              |
| 70002168 ..... 177                          | 70002656 ..... 55                                    | 70002981.....28           | 70003099 ..... 293                              |
| 70002169 ..... 177                          | 70002657 ..... 55                                    | 70002982.....28           | 70003100 ..... 293                              |
| 70002170 ..... 177                          | 70002658 ..... 55                                    | 70002983.....27           | 70003101 ..... 293                              |
| 70002172 ..... 177                          | 70002659 ..... 55                                    | 70002984.....27           | 70003102 ..... 293                              |
| 70002174 ..... 178                          | 70002661 ..... 55                                    | 70002985.....27           | 70003103 ..... 287                              |
| 70002175 ..... 178                          | 70002663 ..... 55                                    | 70002986.....27           | 70003104 ..... 287                              |
| 70002176 ..... 178                          | 70002664 ..... 55                                    | 70002987.....27           | 70003105 ..... 287                              |
| 70002177 ..... 178                          | 70002665 ..... 55                                    | 70002988.....27           | 70003106 ..... 287                              |
| 70002178 ..... 178                          | 70002666 ..... 55                                    | 70002989.....27           | 70003108 ..... 287                              |
| 70002179 ..... 178                          | 70002667 ..... 55                                    | 70002990.....27           | 70003109 ..... 287                              |
| 70002180 ..... 178                          | 70002668 ..... 55                                    | 70002991.....27           | 70003110 ..... 287                              |
|   |  | 70002992.....27           | 70003111 ..... 287                              |
|   |  | 70002993.....27           | 70003112 ..... 287                              |
|   |  | 70002994.....27           | 70003113 ..... 287                              |
|   |  | 70002995.....27           |   |
|   |  | 70002996.....27           |   |
|   |  | 70002997.....28           |   |

## SECTION 11 - SPECIAL OPTIONS/ACCESSORIES/KITS

|                           |          |               |                                      |               |                                      |                           |                                      |
|---------------------------|----------|---------------|--------------------------------------|---------------|--------------------------------------|---------------------------|--------------------------------------|
| 70003114.....             | 295      | 70004676..... | 211, 215                             | 7017127.....  | 231                                  | 7023165.....              | 167                                  |
| 70003115.....             | 295      | 70004678..... | 211, 215                             | 7017172.....  | 231, 233                             | 7023167.....              | 167                                  |
| 70003116.....             | 295      | 70004679..... | 211, 215                             | 7017192.....  | 231, 233                             | 7023168.....              | 167                                  |
| 70003117.....             | 295      | 70004682..    | 211, 216, 511                        | 7017196.....  | 231, 233                             | 7023170.....              | 168                                  |
| 70003118.....             | 285, 295 | 70004683..... | 211                                  | 7017402.....  | 241, 243                             | 7023964.....              | 178                                  |
| 70003119.....             | 295      | 70004688..... | 211                                  | 7017406.....  | 21, 49                               | 7023970.....              | 241                                  |
| 70003120.....             | 295      | 70004689..... | 211, 215                             | 7017427.....  | 243                                  | 7024108.....              | 28                                   |
| 70003121.....             | 295      | 70004690..... | 211                                  | 7017452.....  | 241, 243                             | 7024134.....              | 28                                   |
| 70003122.....             | 285      | 70004691..... | 215                                  | 7017467.....  | 47                                   | 7024441.....              | 61                                   |
| 70003123.....             | 285      | 70004692..... | 216                                  | 7017496 .     | 21, 47, 49, 285,<br>287, 289         | 7024738.....              | 27                                   |
| 70003124.....             | 285      | 70005220..... | 168                                  | 7017498.....  | 243                                  | 7024741.....              | 27                                   |
| 70003125.....             | 285      | 70005293..... | 175                                  | 7017901.....  | 167                                  | 7024742.....              | 27                                   |
| 70003126.....             | 285      | 70005294..... | 175                                  | 7017911.....  | 167                                  | 7024744.....              | 28                                   |
| 70003127.....             | 285      | 70005295..... | 175                                  | 7017911.....  | 167                                  | 7024844.....              | 21                                   |
| 70003128.....             | 285      | 70005296..... | 175, 510                             | 7017934.....  | 167                                  | 7024884.....              | 285, 287, 289                        |
| 70003129.....             | 285      | 70005297..... | 175                                  | 7017945.....  | 167                                  | 7025479.....              | 167                                  |
| 70003130.....             | 285      | 70005695..... | 283                                  | 7017954.....  | 167                                  | 7026041.....              | 55                                   |
| 70003131.....             | 283      | 70005722..... | 47                                   | 7017955.....  | 167                                  | 7026048.....              | 55                                   |
| 70003132.....             | 283      | 70005973..... | 283                                  | 7017963.....  | 168                                  | 7026049.....              | 55                                   |
| 70003133.....             | 283      | 70005974..... | 283                                  | 7020108 ...   | 183, 187, 191,<br>195, 199, 203, 207 | 7026052.....              | 55                                   |
| 70003134.....             | 283      | 70006269..... | 237                                  | 7020109 ...   | 183, 187, 191,<br>195, 199, 203, 207 | 7026525.....              | 187, 195, 203                        |
| 70003137... 187, 195, 203 |          | 70006280..... | 237                                  | 7020110 ...   | 183, 187, 191,<br>195, 199, 203, 207 | 7027350.....              | 55                                   |
| 70003138.....             | 55       | 70006353..... | 283                                  | 7020111 ...   | 183, 187, 191,<br>195, 199, 203, 207 | 7027351.....              | 55                                   |
| 70003139.....             | 55       | 70010383..... | 47, 510                              | 7020112 ...   | 183, 187, 191,<br>195, 199, 203, 207 | 7027352.....              | 55                                   |
| 70003141.....             | 55       | 7001913.....  | 27                                   | 7020152 ....  | 187, 195, 203                        | 7027353.....              | 55                                   |
| 70003142.....             | 55       | 70022565..... | 287                                  | 7020175.....  | 71, 73                               | 7027359.....              | 55                                   |
| 70003178.....             | 135, 510 | 70023370 .    | 285, 287, 289,<br>295                | 7020176.....  | 71, 73                               | 7027887....               | 183, 187, 191,<br>195, 199, 203, 207 |
| 70003179.....             | 135      | 70023371..... | 291                                  | 7020190 ...   | 183, 187, 191,<br>195, 199, 203, 207 | 7027900.....              | 231, 233                             |
| 70003453.....             | 285      | 7007415.....  | 178                                  | 7020192 ...   | 183, 191, 199,<br>207                | 7027901.....              | 231, 233                             |
| 70003708.....             | 211, 215 | 7007439.....  | 177, 178                             | 7021275.....  | 177                                  | 7027955.....              | 25                                   |
| 70003709.....             | 211, 215 | 7007446.....  | 177                                  | 7021653.....  | 49                                   | 7027956.....              | 25                                   |
| 70003757.....             | 49       | 7007640.....  | 27                                   | 70222301..... | 178                                  | 7027957.....              | 25                                   |
| 70003788.....             | 49, 510  | 7010543 .     | 21, 49, 241, 295                     | 7022301.....  | 177                                  | 7027958.....              | 25                                   |
| 70004069.....             | 175      | 7011323.....  | 231                                  | 7022326.....  | 168                                  | 7027959.....              | 25                                   |
| 70004070.....             | 175      | 7012513 ...   | 183, 187, 191,<br>195, 199, 203, 207 | 7022340.....  | 178                                  | 7027972.....              | 135, 510                             |
| 70004092.....             | 211, 215 | 7012514 ...   | 183, 187, 191,<br>195, 199, 203, 207 | 7023124.....  | 168                                  | 7028909.....              | 87, 89                               |
| 70004098.....             | 216      | 7012941.....  | 21, 241                              | 7023132.....  | 167                                  | 77133089.....             | 306, 316                             |
| 70004099.....             | 211, 215 | 7012953.....  | 21, 241                              | 7023134.....  | 159, 163                             | 77363233.....             | 411                                  |
| 70004311.....             | 167      | 7012955.....  | 241, 243                             | 7023136.....  | 167                                  | 8007941.....              | 25                                   |
| 70004322.....             | 233      | 7012967 ....  | 47, 241, 243,<br>285, 287, 289       | 7023139.....  | 167                                  | 80233041.....             | 307, 317                             |
| 70004323.....             | 231, 233 | 7012998.....  | 49, 243                              | 7023141.....  | 167                                  | 80325.....                | 102, 106                             |
| 70004395.....             | 167, 510 | 7015004 ...   | 135, 158, 162,<br>510                | 7023144.....  | 167                                  | 80334555.....             | 25                                   |
| 70004396.....             | 167      | 7015005 ....  | 135, 158, 162                        | 7023145.....  | 167                                  | 80633030.....             | 306, 316                             |
| 70004397.....             | 167      | 7016319.....  | 85                                   | 7023148.....  | 168                                  | 80673025... 134, 158, 162 |                                      |
| 70004398.....             | 167      | 7016372.....  | 85                                   | 7023149.....  | 168                                  | 8220029.....              | 409                                  |
| 70004399.....             | 167      | 7016628.....  | 99                                   | 7023154.....  | 167                                  | 8220164....               | 398, 405, 445                        |
| 70004400.....             | 167      | 7017022.....  | 28                                   | 7023156.....  | 167                                  | 8229244.....              | 446                                  |
| 70004401.....             | 168      | 7017120.....  | 231                                  | 7023157.....  | 167                                  | 8229245.....              | 446                                  |
| 70004402.....             | 168      | 7017121.....  | 231                                  | 7023158.....  | 167                                  | 8310668.....              | 237                                  |
| 70004524.....             | 168      | 7017122.....  | 231, 233                             | 7023160.....  | 167                                  | 8310686.....              | 307, 317                             |
| 70004536.....             | 168      | 7017123.....  | 231, 233                             | 7023162.....  | 167                                  | 83191040... 131, 153, 155 |                                      |
| 70004537.....             | 168      | 7017126.....  | 231, 233                             | 7023163.....  | 167                                  | 8405006.....              | 134                                  |
| 70004538.....             | 168      |               |                                      | 7023164.....  | 167                                  | 8406110.....              | 381, 385                             |
| 70004539.....             | 168      |               |                                      |               |                                      | 85941016..                | 134, 158, 162,<br>307, 317           |
| 70004541.....             | 168      |               |                                      |               |                                      | 91143172.....             | 307, 317                             |
| 70004542.....             | 168      |               |                                      |               |                                      |                           |                                      |
| 70004543.....             | 168      |               |                                      |               |                                      |                           |                                      |
| 70004544.....             | 167      |               |                                      |               |                                      |                           |                                      |





**Corporate Office  
JLG Industries, Inc.  
1 JLG Drive  
McConnellsburg, PA 17233-9533 USA  
☎ (717) 485-5161 (Corporate)  
☎ (877) 554-5438 (Customer Support)  
📠 (717) 485-6417**

**Visit our website for JLG Worldwide Locations.  
[www.jlg.com](http://www.jlg.com)**



**OSHKOSH™**