



---

# Illustrated Parts Manual

## 520AJ

PVC 2407

3122318900

July 1, 2024 - Rev A

**ANSI**  **CE**   
**AS/NZS**

English (en-US)

---





## **REVISION LOG**

July 1, 2024 - A - Original Issue of Manual (Edited to B/M 1001247248 Revision AV)

# GENERAL INFORMATION

**SECTION 6 CYLINDER**

**FIGURE 6-3. LIFT CYLINDER ASSEMBLY**

PG#                      Model Designation                      Manual #

**SECTION 6 CYLINDER**

**FIGURE 6-3. LIFT CYLINDER ASSEMBLY**

ITEM #	PART NUMBER	QTY	DESCRIPTION	REV
	1001140104	Ref	LIFT CYLINDER ASSEMBLY	B
1	0100011	AR	Compound, Locking	
2	0630305	3	Capscrew 1/4-20 x 1-1/8	
3	0791003	1	Screw #10-24 x 3/8	
4	0961897	1	Bushing, Tapered	
5	1320136	1	Clamp, Cable	
6	1683063	1	Head	
7	2220683	1	Plug, O-Ring	
8	2220685	2	Plug, O-Ring	
9	2220686	1	Plug, O-Ring	
10	3020039	AR	Lubricant	
11	3480282	1	Piston	
12	3760371	1	Ring, Washer	
13	3931420	8	Capscrew 1/4-20 x 1-1/4	
14	3931824	8	Capscrew 1/2-13 x 1-1/2	
15	3951003	1	Setscrew #10-24 x 3/8	
16	4100099	1	Spacer	
17	4640999	1	Cartridge, Holding Valve (Non Vented)	
18	2900792	1	Kit, Seal - 4640999 Cartridge Valve	
19	4641248	1	Cartridge, Countbalance Valve (Non Vented)	
20	70004186	1	Kit, Seal - 4641248 Cartridge Valve	
21	1001117991	1	Sensor, Cylinder Length	
22	1001118070	1	Cap, Retainer	
23	1001118084	1	Barrel	
24	0961950	2	Bushing	
25	1001118086	1	Rod	
26	0961950	2	Bushing	
27	1001139996	1	Kit, Seal (Includes Items 101-109)	
28	See Note	2	Ring, Wear (Note: Use p/n 1001139996)	
29	See Note	1	Ring, Back-Up (Note: Use p/n 1001139996)	
30	See Note	2	Ring, Lock (Note: Use p/n 1001139996)	
31	See Note	2	Ring, Back-Up (Note: Use p/n 1001139996)	
32	See Note	2	O-Ring (Note: Use p/n 1001139996)	
33	See Note	1	O-Ring (Note: Use p/n 1001139996)	
34	See Note	1	Seal (Note: Use p/n 1001139996)	
35	See Note	1	Wiper, Rod (Note: Use p/n 1001139996)	
36	See Note	2	Seal (Note: Use p/n 1001139996)	
37	1001119105	1	Kit, Sensor Magnet (Includes Items 201-203)	
38	See Note		Sleeve, Spacer (Note: Use p/n 1001119105)	
39	1001118066		Magnet, Sensor	
40	1001118069	1	Ring, Internal Retaining	

Manual #                      Model Designation                      PG#

## 1) MACHINE IDENTIFICATION

Machines are identified by model and in some cases a combination of models, serial number (SN) or regional standard (i.e ANSI, CE, CSA). Components may also be identified by SN or manufacturer. Common components that may be identified by these characteristics are engines and hydraulic components.

## 2) PARTS MANUAL ORGANIZATION

Product information in this manual is organized under section titles. Frame, Cylinder, Hydraulic and Electrical are a few examples. Each section is organized by figure and page number. The information within the Figure is then organized by item number, part number, description and corresponding illustration (s).

## 3) TABLE OF CONTENTS (NOT SHOWN)

A table of contents is found toward the beginning of the manual. Figure number, description and page number are provided for quick reference to the page containing the related information.

## 4) RECOMMENDED SPARE PARTS (NOT SHOWN)

The Recommended Spare Parts List, located near the end of the manual, reference most frequently used maintenance parts.

## 5) PART NUMBER INDEX (NOT SHOWN)

A numerical index listing all part numbers and the corresponding page number(s) appears at the back of the manual.

# GENERAL INFORMATION

## 6) NON-SERVICED PARTS

In some instances, it is necessary to display non-serviced parts, assemblies or installations. In the case of assemblies and installations there will be a Ref in the Qty. column. In case of parts that are not available for service within assemblies or components, there will be a NSS (Not Sold Separately) or NLA (No Longer Available) listed in the Qty. column of the manual.

## 7) PARTS LIST ITEM NUMBERS

Numbers shown in the item# column correspond to numbers used in the associated illustration (s). Item numbers which are missing from the sequence in the parts list are not used on that page.

## 8) INDENTED PARTS DESCRIPTION

An indented part description is included in the item under which it is indented.

## 9) ABBREVIATION AND SYMBOLS

AC.....	Alternating Current	L.....	Liter
ADE.....	Advanced Design Electronics	LB(LBS).....	Pounds
AG.....	Agricultural	LCD.....	Liquid Crystal Display
ANSI.....	American National Standards Institute	LED.....	Light Emitting Diodes
AR.....	As Required	LH.....	Left Hand
ASSY.....	Assembly	LRC.....	Low Rated Countries
AUS.....	Australia	LSS.....	Load Sensing System
AUX.....	Auxiliary	M(m).....	Metric/Meter
AWG.....	American Wire Gauge	MM(mm).....	Milimeter
B/M.....	Bill of Material	mA.....	Miliamps
CAC.....	Charge Air Cooler	NLA.....	No Longer Available
CE.....	European Conformity	NPT.....	National Pipe Threads
CCW.....	Counter Clockwise	NSS.....	Not Sold Separately
CM.....	Centimeter	OD.....	Outside Diameter
CW.....	Clockwise	ORB.....	O-Ring Boss
CSA.....	Canadian Standards Association	ORFS.....	O-Ring Face Seal
CYL.....	Cylinder	OZ (oz).....	Ounces
DIA.....	Diameter	PG.....	Page
DC.....	Direct Current	PN.....	Part Number
DEF.....	Diesel Exhaust Fluid	QT(qt.).....	Quarts
EMS.....	Emergency Stop	QTY.....	Quantity
ENG.....	Engine	REF.....	Reference
FT(ft).....	Feet	REV.....	Revision Level
GA(Ga).....	Gauge	RH.....	Right Hand
HRC.....	High Rated Countries	SAE.....	Society of Automotive Engineers
HVAC.....	Heating, Ventilating, and Air Conditioning	SN.....	Serial Number
HYD.....	Hydraulic	SPEC(S).....	Specifications
Hz.....	Hertz	T/T.....	Turntable
ID.....	Inside Diameter	UGM.....	Universal Ground Module
IN.....	inches	V.....	Volts
ISO.....	International Organization for Standards	W.....	Watts
JIC.....	Joint Industry Council	#.....	Number
KG.....	Kilogram		

## 10) ILLUSTRATION REFERENCE LETTERS

When necessary, illustrations may contain reference letters that are intended to track information (i. e. hoses, harnesses) from one point to another or to track visual enlargement of components to show details that may be located in another area on the illustration.

*Note: Due to continuous product improvements, JLG Industries, Inc. reserves the right to make specification changes without prior notification. Contact JLG Industries, Inc. for updated information.*



# TABLE OF CONTENTS

SECTION 1 - FRAME.....	13
FIGURE 1-1. AXLE INSTALLATION .....	14
FIGURE 1-2. STEER INSTALLATION WITHOUT TOW PACKAGE .....	16
FIGURE 1-3. STEER INSTALLATION WITH TOW PACKAGE.....	18
FIGURE 1-4. WHEEL DRIVE INSTALLATION (4WD) (ALL SPECS EXCEPT CHINA SPEC).....	20
FIGURE 1-5. WHEEL DRIVE INSTALLATION (4WD) (CHINA SPEC) .....	22
FIGURE 1-6. DRIVE HUB AND BRAKE ASSEMBLY - REAR .....	24
FIGURE 1-7. DRIVE HUB ASSEMBLY - FRONT.....	28
FIGURE 1-8. DRIVE MOTOR ASSEMBLY (4WD) (ALL SPECS EXCEPT CHINA SPEC) .....	30
FIGURE 1-9. DRIVE MOTOR ASSEMBLY (4WD) (CHINA SPEC).....	32
FIGURE 1-10. FRAME SHIELD INSTALLATION .....	34
FIGURE 1-11. TIRE AND WHEEL INSTALLATION - 33 X 12-20 SOLID NON-MARKING .....	36
FIGURE 1-12. TIRE AND WHEEL INSTALLATION - 33/1550 X 16.5 FOAM-FILLED .....	38
FIGURE 1-13. TIRE AND WHEEL INSTALLATION - 315/55 D20 FOAM FILLED .....	40
FIGURE 1-14. TIRE AND WHEEL INSTALLATION - 315/55 D20 FOAM FILLED NON-MARKING .....	42
FIGURE 1-15. 4WD VALVES INSTALLATION - FRAME MOUNTED .....	44
FIGURE 1-16. TRACTION VALVE ASSEMBLY - 4WD.....	46
FIGURE 1-17. TOW PACKAGE INSTALLATION (OPTIONAL) .....	48
FIGURE 1-18. TOW BAR ASSEMBLY.....	50
SECTION 2 - TURNTABLE.....	53
FIGURE 2-1. 4WD VALVES INSTALLATION - TURNTABLE MOUNTED .....	54
FIGURE 2-2. MAIN VALVE ASSEMBLY .....	56
FIGURE 2-3. AUXILIARY PUMP ASSEMBLY.....	58
FIGURE 2-4. SWING DRIVE AND TURNTABLE BEARING INSTALLATION.....	60
FIGURE 2-5. SWING MOTOR ASSEMBLY .....	62
FIGURE 2-6. TURNTABLE BEARING ASSEMBLY .....	64
FIGURE 2-7. TURNTABLE COVERS INSTALLATION .....	66
FIGURE 2-8. TURNTABLE LOCK INSTALLATION.....	68
FIGURE 2-9. TANKS INSTALLATION.....	70
FIGURE 2-10. HYDRAULIC TANK ASSEMBLY.....	72
FIGURE 2-11. DRIVE ORIENTATION INSTALLATION .....	74
FIGURE 2-12. GROUND CONTROL ASSEMBLY (ANSI EXPORT, CHINA & AUSTRALIAN SPECS) .....	76
FIGURE 2-13. GROUND CONTROL ASSEMBLY (CE(LRC), CIS/EAC & UK CA SPECS).....	78
FIGURE 2-14. GROUND CONTROL ASSEMBLY (CE & UK CA SPECS).....	80
FIGURE 2-15. LIGHT PANEL INSTALLATION - GROUND CONTROL.....	82
FIGURE 2-16. ELECTRICAL SYSTEM INSTALLATION.....	84
FIGURE 2-17. BEACON LIGHT INSTALLATION - AMBER .....	88
FIGURE 2-18. BEACON LIGHT INSTALLATION - BLUE .....	90
FIGURE 2-19. BEACON LIGHT INSTALLATION - RED .....	92
FIGURE 2-20. BATTERY AND CABLE INSTALLATION.....	94
FIGURE 2-21. HOODS INSTALLATION (ABS).....	96
FIGURE 2-22. HOODS INSTALLATION (STEEL).....	100
FIGURE 2-23. HOOD ASSEMBLY (ABS) - ENGINE SIDE .....	104
FIGURE 2-24. HOOD ASSEMBLY (STEEL) - ENGINE SIDE .....	106

# TABLE OF CONTENTS

FIGURE 2-25. HOOD ASSEMBLY (ABS) - TANK SIDE .....	108
FIGURE 2-26. HOOD ASSEMBLY (STEEL) - TANK SIDE .....	110
FIGURE 2-27. WHITE NOISE ALARM INSTALLATION .....	112
FIGURE 2-28. WHITE NOISE AMBIENT ALARM INSTALLATION .....	114
SECTION 3 - ENGINE .....	117
FIGURE 3-1. ENGINE INSTALLATION - DEUTZ D2011 ENGINE (WITHOUT ARCTIC PACKAGE) (ANSI EXPORT, AUSTRALIAN, CE (LRC), CHINA, CIS/EAC & UK CA SPECS) .....	118
FIGURE 3-2. ENGINE AND PUMP SUB-ASSEMBLY - DEUTZ D2011 (WITHOUT ARCTIC PACKAGE) (ANSI EXPORT, AUSTRALIAN, CE (LRC), CIS/EAC & UK CA SPECS) .....	122
FIGURE 3-3. ENGINE ASSEMBLY - DEUTZ D2011 ENGINE (WITHOUT ARCTIC PACKAGE) (ANSI EXPORT, AUSTRALIAN, CE (LRC), CIS/EAC & UK CA SPECS).....	124
FIGURE 3-4. ENGINE INSTALLATION - DEUTZ D2011 ENGINE (WITHOUT ARCTIC PACKAGE) (WITH PMP PUMP) .....	128
FIGURE 3-5. ENGINE AND PUMP SUB-ASSEMBLY - DEUTZ D2011 ENGINE (WITHOUT ARCTIC PACKAGE) (WITH PMP PUMP).....	132
FIGURE 3-6. ENGINE INSTALLATION - DEUTZ D2.9L4 ERM5 ENGINE (WITHOUT ARCTIC PACKAGE) (ANSI, ANSI EXPORT, CSA AND JAPANESE SPECS) .....	134
FIGURE 3-7. ENGINE AND PUMP SUB-ASSEMBLY - DEUTZ D2.9L4 ERM5 ENGINE (WITHOUT ARCTIC PACKAGE) (ANSI, ANSI EXPORT AND CSA SPECS) .....	138
FIGURE 3-8. ENGINE ASSEMBLY - DEUTZ D2.9L4 ERM5 ENGINE (WITHOUT ARCTIC PACKAGE) (ANSI, ANSI EXPORT AND CSA SPECS).....	140
FIGURE 3-9. ENGINE INSTALLATION - DEUTZ D2.9L4 ERM5 ENGINE (WITH ARCTIC PACKAGE) (ANSI AND CSA SPECS) .....	146
FIGURE 3-10. ENGINE AND PUMP SUB-ASSEMBLY - DEUTZ D2.9L4 ERM5 ENGINE (WITHOUT ARCTIC PACKAGE) (ANSI AND CSA SPECS).....	152
FIGURE 3-11. ENGINE ASSEMBLY - DEUTZ D2.9L4 ERM5 ENGINE (WITH ARCTIC PACKAGE) (ANSI AND CSA SPECS).....	154
FIGURE 3-12. ENGINE COMPONENTS - DEUTZ D2011.....	160
FIGURE 3-13. ENGINE COMPONENTS - DEUTZ D2.9L4 ERM5 ENGINE (ANSI, ANSI EXPORT AND CSA SPECS) .....	164
FIGURE 3-14. ENGINE INSTALLATION - DEUTZ D2.9L4 ENGINE (STAGE V) (CE & UK CA SPECS).....	168
FIGURE 3-15. ENGINE AND PUMP SUB-ASSEMBLY - DEUTZ D2.9L4 ENGINE (STAGE V) (CE & UK CA SPECS) .....	174
FIGURE 3-16. ENGINE INSTALLATION - DEUTZ D2.9L4 ENGINE (STAGE V) (WITH PMP PUMP).....	176
FIGURE 3-17. ENGINE AND PUMP SUB-ASSEMBLY - DEUTZ D2011 ENGINE (STAGE V) .....	182
FIGURE 3-18. ENGINE ASSEMBLY - DEUTZ D2.9L4 ENGINE (STAGE V) (CE & UK CA SPECS).....	184
FIGURE 3-19. ENGINE COMPONENTS - DEUTZ D2.9L4 ENGINE (STAGE V) (CE & UK CA SPECS) .....	190
FIGURE 3-20. BRACKET ASSEMBLY - FUEL PUMP AND FILTER (DEUTZ D2.9L4 ENGINE) (STAGE V).....	194
FIGURE 3-21. BREATHER HEATER INSTALLATION - DEUTZ D2.9L4 ENGINES (STAGE V) (CE & UK CA SPECS) .....	196
FIGURE 3-22. MOTOR MOUNT INSTALLATION - (STAGE V & CHINA IV ENGINE WITHOUT GENERATOR).....	198
FIGURE 3-23. MOTOR MOUNT INSTALLATION - (STAGE V & CHINA IV ENGINE WITH GENERATOR) .....	200
FIGURE 3-24. ENGINE INSTALLATION - DEUTZ D2.9L4 ENGINE (CHINA IV) .....	202
FIGURE 3-25. ENGINE AND PUMP SUB-ASSEMBLY - DEUTZ D2.9L4 ENGINE (CHINA IV) .....	208
FIGURE 3-26. ENGINE INSTALLATION - DEUTZ D2.9L4 ENGINE (CHINA IV) (WITH PMP PUMP).....	210
FIGURE 3-27. ENGINE AND PUMP SUB-ASSEMBLY - DEUTZ D2.9L4 ENGINE (CHINA IV) .....	216
FIGURE 3-28. ENGINE ASSEMBLY - DEUTZ D2.9L4 ENGINE (CHINA IV) .....	218
FIGURE 3-29. ENGINE COMPONENTS - DEUTZ D2.9L4 (CHINA IV).....	224
FIGURE 3-30. BRACKET ASSEMBLY - FUEL PUMP AND FILTER (DEUTZ D2.9L4 CHINA IV ENGINE) .....	226
FIGURE 3-31. FUEL/WATER SEPARATOR ASSEMBLY (DEUTZ D2.9L4 CHINA IV ENGINE) .....	228
FIGURE 3-32. PUMP COUPLING KIT - DEUTZ ENGINES.....	230
FIGURE 3-33. PISTON PUMP ASSEMBLY.....	232
FIGURE 3-34. CLOSED PUMP LOOP ASSEMBLY.....	236

# TABLE OF CONTENTS

FIGURE 3-35. SPARK ARRESTOR INSTALLATION - DEUTZ D2011 ENGINE .....	238
FIGURE 3-36. ENGINE BAFFLE INSTALLATION - WITH DEUTZ ENGINES .....	240
FIGURE 3-37. GENERATOR INSTALLATION - 4000W/50HZ (DEUTZ D2011 ENGINE) .....	242
FIGURE 3-38. GENERATOR INSTALLATION - 4000W/50HZ (DEUTZ ENGINE) (STAGE V) .....	246
FIGURE 3-39. GENERATOR INSTALLATION - 7500W/50HZ (DEUTZ D2011 ENGINE) .....	250
SECTION 4 - BOOM .....	255
FIGURE 4-1. CYLINDERS INSTALLATION .....	256
FIGURE 4-2. BOOM INSTALLATION.....	258
FIGURE 4-3. JIB INSTALLATION .....	260
FIGURE 4-4. MAIN BOOM ASSEMBLY .....	262
FIGURE 4-5. TOWER BOOM ASSEMBLY .....	264
FIGURE 4-6. ROTATOR ASSEMBLY .....	266
FIGURE 4-7. PLATFORM ROTATE ACTUATOR .....	268
FIGURE 4-8. PLATFORM SUPPORT INSTALLATION.....	270
FIGURE 4-9. VALVES INSTALLATION - BOOM MOUNTED .....	272
FIGURE 4-10. UPRIGHT VALVE ASSEMBLY .....	274
FIGURE 4-11. BOOM VALVE ASSEMBLY .....	276
SECTION 5 - PLATFORM.....	279
FIGURE 5-1. PLATFORM ASSEMBLY - 30IN X 4FT (76CM X 1.22M) - SIDE DROP-BAR ENTRY .....	280
FIGURE 5-2. PLATFORM ASSEMBLY - 30IN X 5FT (76CM X 1.52M) - SIDE GATE ENTRY .....	282
FIGURE 5-3. PLATFORM ASSEMBLY - 30IN X 5FT (76CM X 1.52M) - SIDE DROP-BAR ENTRY .....	284
FIGURE 5-4. PLATFORM ASSEMBLY - 30IN X 6FT (76CM X 1.83M) - SIDE GATE ENTRY .....	286
FIGURE 5-5. PLATFORM ASSEMBLY - 30IN X 6FT (76CM X 1.83M) - SIDE DROP-BAR ENTRY .....	288
FIGURE 5-6. CONSOLE BOX INSTALLATION .....	290
FIGURE 5-7. PLATFORM CONSOLE BOX ASSEMBLY .....	292
FIGURE 5-8. LIGHT PANEL INSTALLATION - PLATFORM CONSOLE .....	294
FIGURE 5-9. FOOTSWITCH ASSEMBLY.....	296
FIGURE 5-10. TRAY ASSEMBLY .....	298
FIGURE 5-11. SKYEYE INSTALLATION .....	300
FIGURE 5-12. SKYGUARD BAR INSTALLATION .....	302
FIGURE 5-13. SKYLINE INSTALLATION .....	304
FIGURE 5-14. SKYGLAZIER INSTALLATION (AUSTRALIAN SPECS) .....	306
FIGURE 5-15. SKYSENSE MID TUBE SENSOR ASSEMBLY .....	308
FIGURE 5-16. SKYSENSE OVERHEAD SENSOR ASSEMBLY .....	310
FIGURE 5-17. FALL ARREST INSTALLATION (BOLT-ON) (4FT/1.22M PLATFORM) .....	312
FIGURE 5-18. FALL ARREST INSTALLATION (BOLT-ON) (5FT/1.52M PLATFORM) .....	314
FIGURE 5-19. USB CHARGER INSTALLATION .....	316
SECTION 6 - CYLINDER.....	319
FIGURE 6-1. AXLE LOCKOUT CYLINDER ASSEMBLY .....	320
FIGURE 6-2. LEVEL (PLATFORM SLAVE) CYLINDER ASSEMBLY .....	322
FIGURE 6-3. LIFT CYLINDER ASSEMBLY - JIB.....	324
FIGURE 6-4. LIFT CYLINDER ASSEMBLY - MAIN BOOM .....	326
FIGURE 6-5. LIFT CYLINDER ASSEMBLY - TOWER BOOM.....	328

# TABLE OF CONTENTS

FIGURE 6-6. MASTER CYLINDER ASSEMBLY .....	330
FIGURE 6-7. STEER CYLINDER ASSEMBLY .....	332
FIGURE 6-8. TELESCOPE CYLINDER ASSEMBLY .....	334
SECTION 7 - HYDRAULIC .....	337
FIGURE 7-1. HYDRAULIC SYSTEM INSTALLATION .....	338
SECTION 8 - ELECTRICAL .....	345
FIGURE 8-1. AC BOX AT PLATFORM INSTALLATION - 110V IEC YELLOW (CE, CIS/EAC & UK CA SPECS WITH 4000W/50HZ GENERATOR) .....	346
FIGURE 8-2. AC BOX AT PLATFORM INSTALLATION - 110V IEC 60309 YELLOW WITHOUT 2500W GENERATOR (CE, CIS/EAC & UK CA SPECS) .....	348
FIGURE 8-3. AC BOX AT PLATFORM INSTALLATION - 220V IEC BLUE (CE, CIS/EAC & UK CA SPECS WITH 4000W/50HZ GENERATOR) .....	350
FIGURE 8-4. AC BOX AT PLATFORM INSTALLATION - 220V IEC 60309 BLUE WITHOUT 2500W GENERATOR (CE, CIS/EAC & UK CA SPECS) .....	352
FIGURE 8-5. AC BOX AT PLATFORM INSTALLATION - 220V CEE7 POST GROUND (2X4 BOX) WITHOUT 2500W GENERATOR (CE, CIS/EAC & UK CA SPECS) .....	354
FIGURE 8-6. AC BOX AT PLATFORM INSTALLATION - 220V CEE7 SIDE GROUND (2X4 BOX) WITHOUT 2500W GENERATOR (CE, CIS/EAC & UK CA SPECS) .....	356
FIGURE 8-7. AC BOX AT PLATFORM INSTALLATION - 220V CEE7 2IN X 4IN POST GROUND (CE, CIS/EAC & UK CA SPECS WITH 4000W/50HZ GENERATOR) .....	358
FIGURE 8-8. AC BOX AT PLATFORM INSTALLATION - 220V CEE7 2IN X 4IN SIDE GROUND (CE, CIS/EAC & UK CA SPECS WITH 4000W/50HZ GENERATOR) .....	360
FIGURE 8-9. AC BOX AT PLATFORM INSTALLATION - 220V AFSINT107 (CE, CIS/EAC & UK CA SPECS WITH 4000W/50HZ GENERATOR) .....	362
FIGURE 8-10. AC BOX AT PLATFORM INSTALLATION - 220V AFSINT 107 KEYED GROUND (2X4 BOX) WITHOUT 2500W GENERATOR (CE AND RUSSIA SPECS) .....	364
FIGURE 8-11. AC BOX AT PLATFORM INSTALLATION - 220V CUSTOMER SUPPLIED COMPONENTS (ALL SPECS) .....	366
FIGURE 8-12. AC CABLE INSTALLATION - WITH TWO BREAKERS (CE, CIS/EAC & UK CA SPECS) .....	368
FIGURE 8-13. AC CABLE INSTALLATION - WITH THREE BREAKERS (CE, CIS/EAC & UK CA SPECS) .....	370
FIGURE 8-14. BATTERY DISCONNECT SWITCH .....	372
FIGURE 8-15. BEACON JUMPER HARNESS (AMBER LIGHT) .....	374
FIGURE 8-16. BEACON LIGHT HARNESS (BLUE AND RED BEACON LIGHT) .....	376
FIGURE 8-17. BOOM CABLES & CLAMPS INSTALLATION (4000W GENERATOR) .....	378
FIGURE 8-18. BOOM CABLES & CLAMPS INSTALLATION (7500W SKYPOWER GENERATOR) .....	382
FIGURE 8-19. BOOM HARNESS - MAIN BOOM .....	386
FIGURE 8-20. BOOM HARNESS - MAIN BOOM (8/5 4000W GENERATOR) .....	388
FIGURE 8-21. BOOM HARNESS - TOWER BOOM .....	390
FIGURE 8-22. BOOM HARNESS - TOWER BOOM (8/5 4000W GENERATOR) .....	392
FIGURE 8-23. BREAKER BOX KIT WITH SINGLE DOUBLE POLE BREAKER (CE & UK CA SPEC) .....	394
FIGURE 8-24. BREAKER BOX KIT WITH THREE BREAKERS (CE & UK CA SPEC) .....	396
FIGURE 8-25. BREAKER BOX KIT - 30MA/16 AMP .....	398
FIGURE 8-26. CHASSIS SOLENOID HARNESS .....	400
FIGURE 8-27. ENGINE HARNESS - DEUTZ D2011 .....	402
FIGURE 8-28. ENGINE HARNESS - DEUTZ D2.9L4 (STAGE V) .....	404
FIGURE 8-29. ENGINE HARNESS - DEUTZ D2.9L4 (CHINA IV) .....	408
FIGURE 8-30. FUEL HARNESS - DEUTZ D2.9L4 ENGINE .....	412
FIGURE 8-31. GENERATOR HARNESS - 2500W GENERATOR (50HZ) .....	414



# TABLE OF CONTENTS

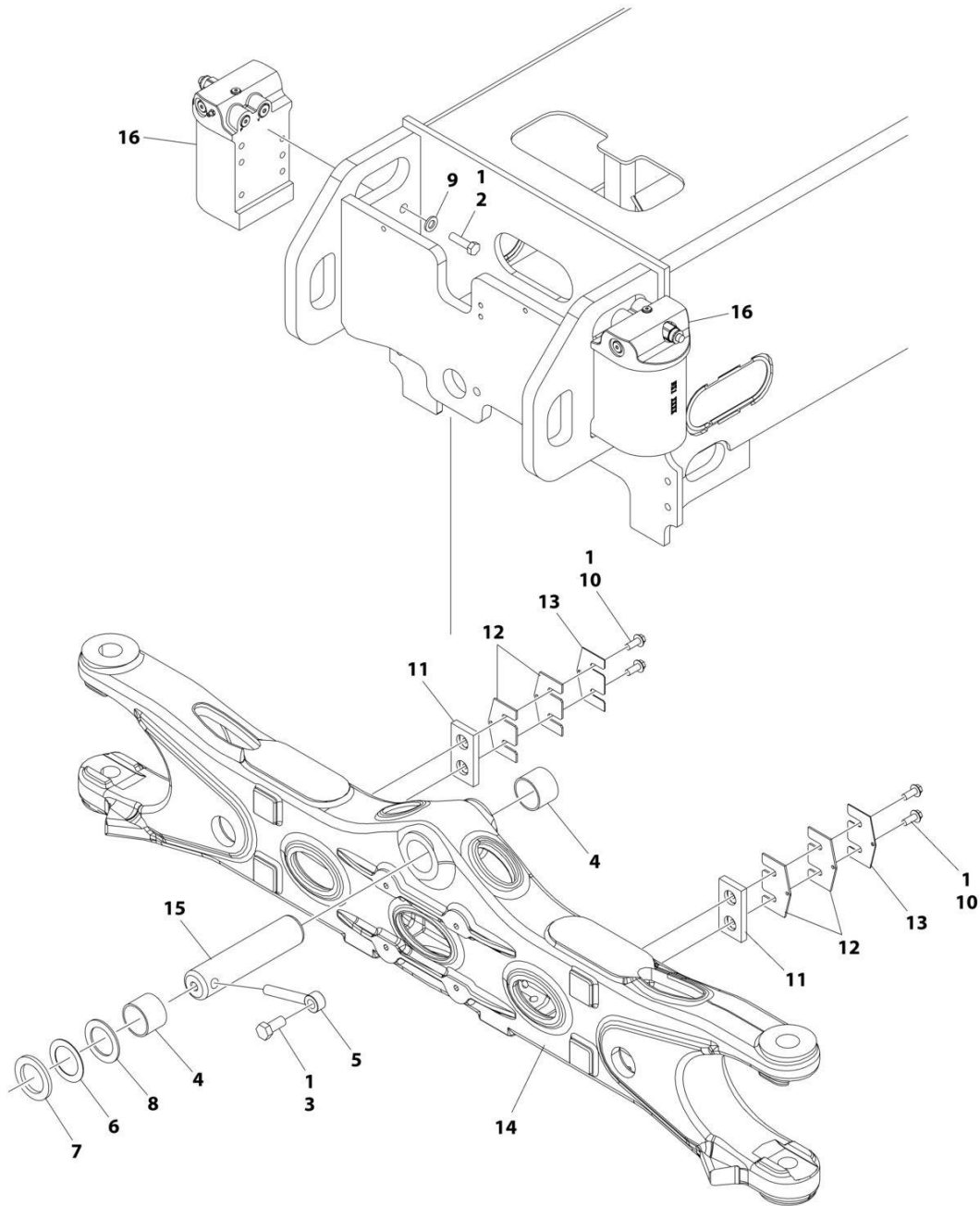
FIGURE 8-32. GENERATOR HARNESS - 4000W GENERATOR.....	416
FIGURE 8-33. GROUND CONTROL PANEL HARNESS.....	418
FIGURE 8-34. HOUR METER JUMPER HARNESS.....	420
FIGURE 8-35. PLATFORM CONSOLE BOX HARNESS.....	422
FIGURE 8-36. PLATFORM INTERFACE HARNESS.....	424
FIGURE 8-37. RECEPTACLE BOX KIT - 110V IEC YELLOW (CE, CIS/EAC & UK CA SPEC).....	426
FIGURE 8-38. RECEPTACLE BOX KIT - 220V IEC BLUE (CE, CIS/EAC & UK CA SPEC).....	428
FIGURE 8-39. RECEPTACLE BOX KIT - 220V CEE7 POST GROUND 2IN X 4IN BOX (CE, CIS/EAC & UK CA SPEC).....	430
FIGURE 8-40. RECEPTACLE BOX KIT - 220V CEE7 SIDE GROUND 2IN X 4IN BOX (CE, CIS/EAC & UK CA SPEC).....	432
FIGURE 8-41. RECEPTACLE BOX KIT - 220V AFSINT 107 (CE, CIS/EAC & UK CA SPEC).....	434
FIGURE 8-42. SKYEYE INTERMEDIATE HARNESS.....	436
FIGURE 8-43. SKYEYE RECEIVER HARNESS.....	438
FIGURE 8-44. SKYEYE EMITTER HARNESS.....	440
FIGURE 8-45. SKYLINE HARNESS.....	442
FIGURE 8-46. TURNTABLE HARNESS.....	444
FIGURE 8-47. VALVE HARNESS - BOOM VALVE.....	448
FIGURE 8-48. VALVE HARNESS - MAIN VALVE.....	450
FIGURE 8-49. VALVE HARNESS - PLATFORM VALVE.....	452
SECTION 9 - DECALS.....	455
FIGURE 9-1. DECAL INSTALLATION - ANSI, ANSI EXPORT AND CSA SPECS (ENGLISH).....	456
FIGURE 9-2. DECAL INSTALLATION - AUSTRALIAN SPEC (ENGLISH).....	458
FIGURE 9-3. DECAL INSTALLATION - BRAZIL SPEC (ENGLISH).....	460
FIGURE 9-4. DECAL INSTALLATION - CE & UK CA SPEC (ENGLISH).....	462
FIGURE 9-5. DECAL INSTALLATION - CHINESE SPEC (CHINESE/ENGLISH).....	464
FIGURE 9-6. DECAL INSTALLATION - LATIN AMERICA SPEC (SPANISH/ENGLISH).....	466
FIGURE 9-7. DECAL INSTALLATION - OPTIONS.....	468
FIGURE 9-8. TOW BAR DECAL INSTALLATION - ENGLISH LANGUAGE (ANSI EXPORT, CE, CIS/EAC & UK CA SPECS).....	470
FIGURE 9-9. TOW BAR DECAL INSTALLATION - SPANISH LANGUAGE (CE, CIS/EAC & UK CA SPECS).....	472
SECTION 10 - RECOMMENDED SERVICE PARTS STOCK.....	475
FIGURE 10-1. RECOMMENDED SERVICE PARTS STOCK.....	476
SECTION 11 - SPECIAL OPTIONS/ACCESSORIES/KITS.....	479
FIGURE 11-1. SPECIAL OPTIONS/ACCESSORIES/KITS.....	480
PART NUMBER INDEX.....	483



**SECTION 1 - FRAME**

# SECTION 1 - FRAME

## FIGURE 1-1. AXLE INSTALLATION



ART\_1001264981

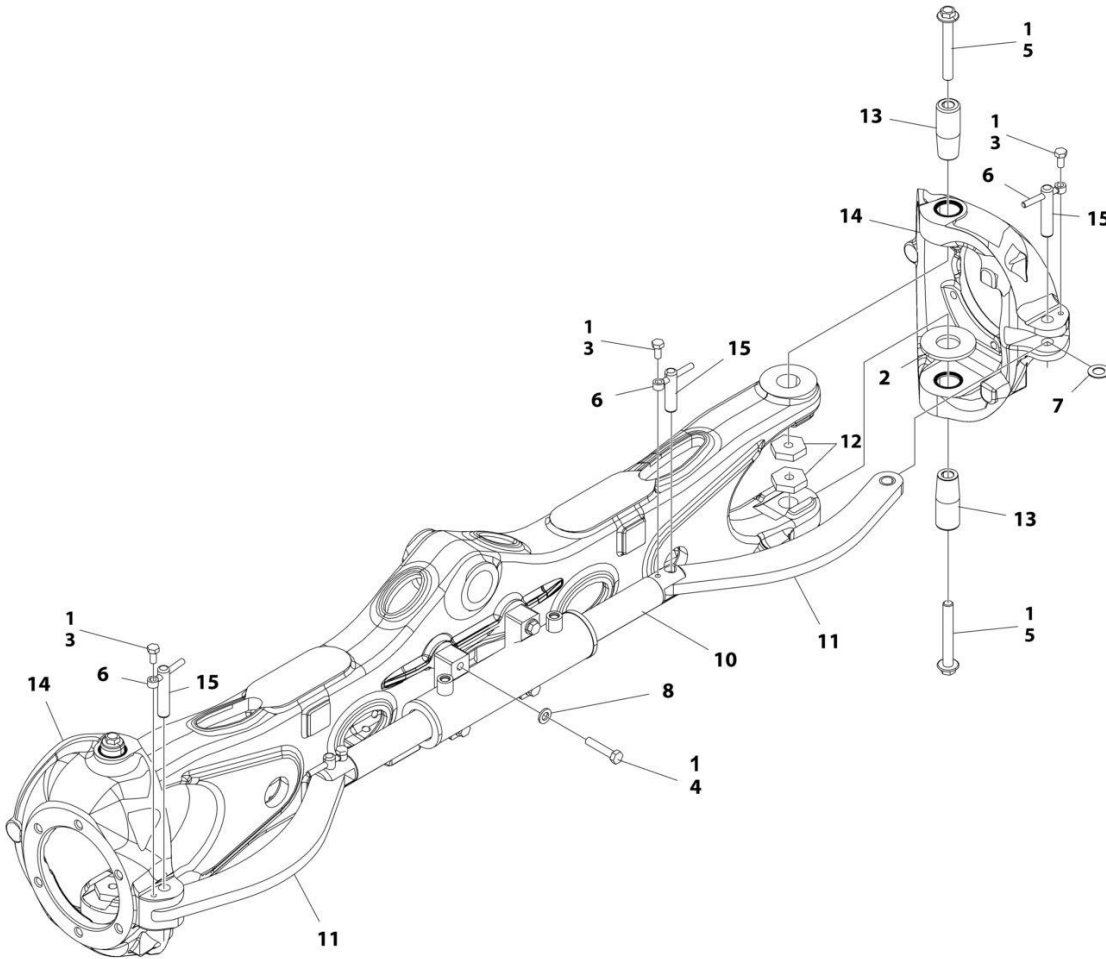
# SECTION 1 - FRAME

## FIGURE 1-1. AXLE INSTALLATION

ITEM	PART NUMBER	QTY	DESCRIPTION	REV
	1001264981	Ref	AXLE INSTALLATION	B
1	0100011	AR	Compound, Locking	
2	0701217	8	Bolt M12 x 45	
3	0761615	1	Bolt M16 x 35	
4	0961950	2	Bearing	
5	3841258	1	Keeper, Pin	
6	4071101	AR	Shim	
7	4740158	AR	Washer	
8	4740229	AR	Washer	
9	5241200	8	Washer M12	
10	5251012	4	Bolt M10 x 25	
11	1001118511	2	Pad, Wear	
12	1001118518	AR	Shim 11Ga	
13	1001118519	AR	Shim 16Ga	
14	1001162995	1	Axle	
15	1001185030	1	Pin	
16	1001256179	2	Axle Lockout Cylinder Assembly (See Separate Breakdown in CYLINDER Section)	

# SECTION 1 - FRAME

## FIGURE 1-2. STEER INSTALLATION WITHOUT TOW PACKAGE



ART\_1001164092

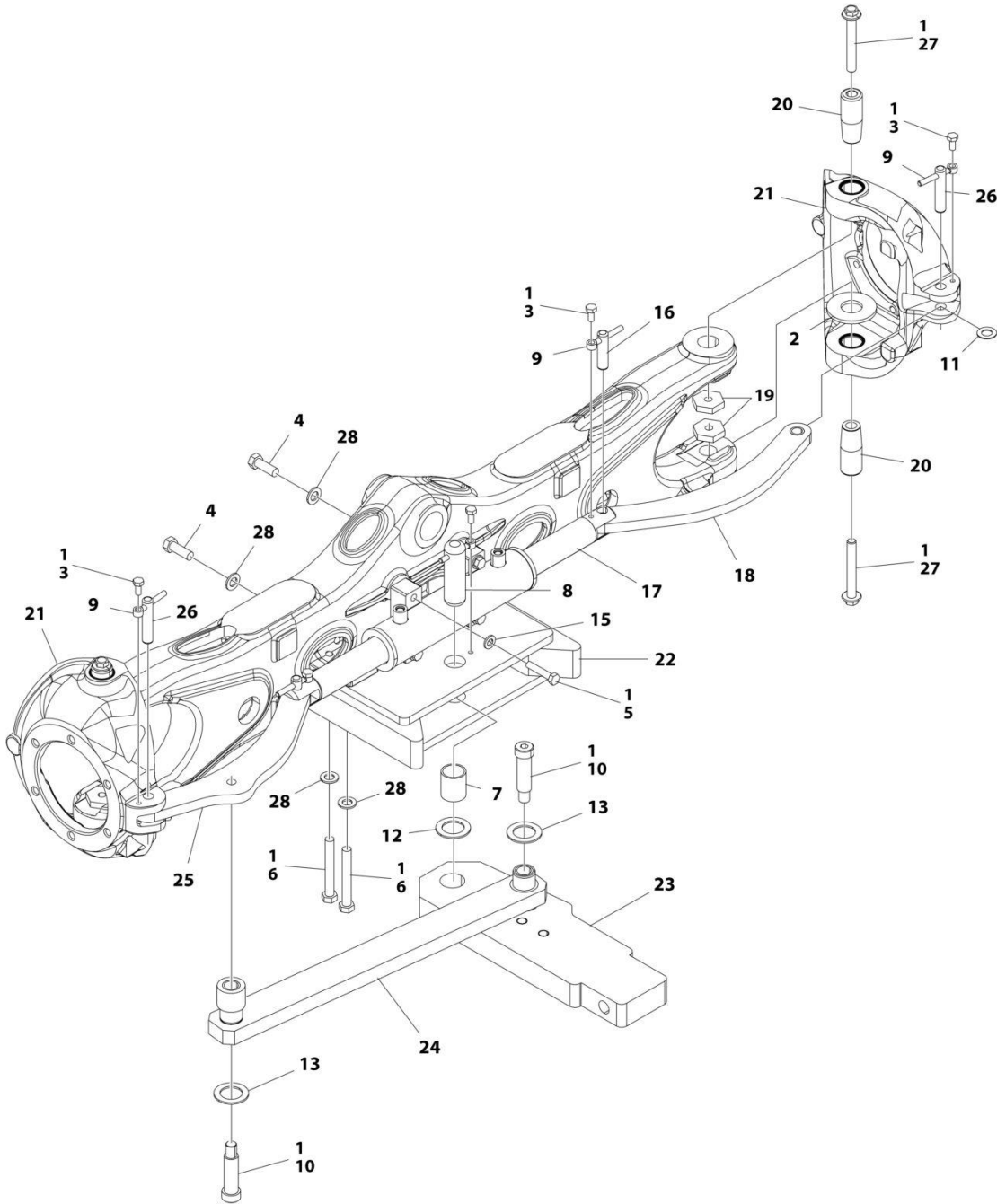
## SECTION 1 - FRAME

**FIGURE 1-2. STEER INSTALLATION WITHOUT TOW PACKAGE**

ITEM	PART NUMBER	QTY	DESCRIPTION	REV
	1001164092	Ref	STEER INSTALLATION WITHOUT TOW PACKAGE	F
1	0100011	AR	Compound, Locking	
2	1001233139	2	Bearing, Thrust	
3	0761011	4	Bolt M10 x 22	
4	0711220	4	Bolt M12 x 60 Grade 10.9	
5	1001190368	4	Bolt M16 x 120	
6	3841143	4	Keeper, Pin	
7	4740086	4	Washer	
8	5241200	4	Washer M12	
10	1001163178	1	Steer Cylinder Assembly (See Separate Breakdown in CYLINDER SECTION)	
11	1001163179	2	Link	
11	1001164209	4	Bearing (2 Per Link)	
12	1001176848	4	Nut M16	
13	1001163405	4	Kingpin	
14	1001163715	2	Spindle	
14	0961948	4	Bearing (2 Per Spindle)	
14	1001163716	8	Seal (4 Per Spindle)	
15	3423304	4	Pin	

# SECTION 1 - FRAME

## FIGURE 1-3. STEER INSTALLATION WITH TOW PACKAGE



ART\_1001164095



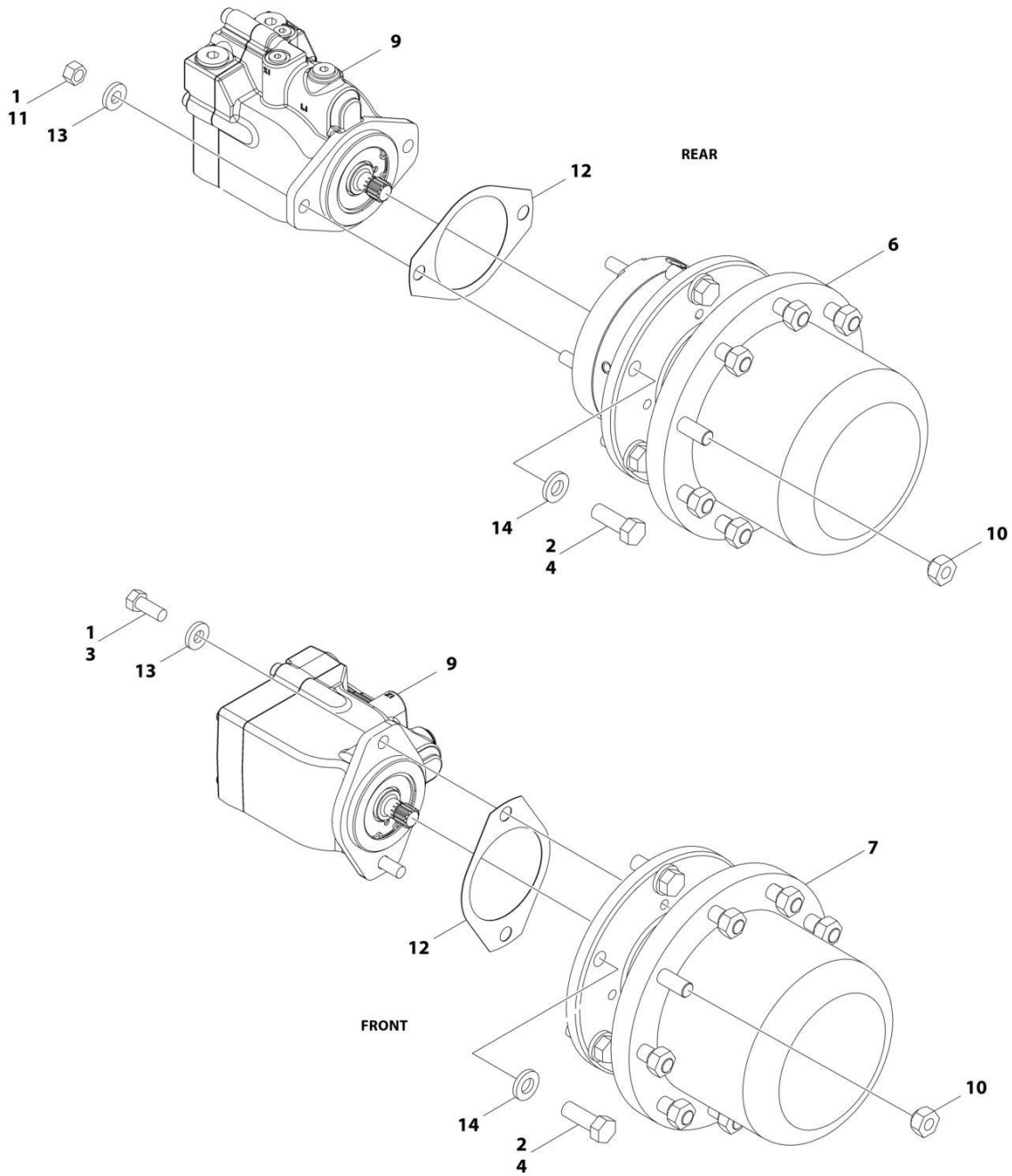
## SECTION 1 - FRAME

### FIGURE 1-3. STEER INSTALLATION WITH TOW PACKAGE

ITEM	PART NUMBER	QTY	DESCRIPTION	REV
	1001164095	Ref	STEER INSTALLATION WITH TOW PACKAGE	D
1	0100011	AR	Compound, Locking	
2	0440271	2	Bearing, Thrust	
3	0761011	5	Bolt M10 x 22	
4	0701617	2	Bolt M16 x 45	
5	0711220	4	Bolt M12 x 60 Grade 10.9	
6	0711629	4	Bolt M16 x 120	
7	0962348	1	Bearing	
8	3422848	1	Pin	
9	3841143	5	Keeper, Pin	
10	3900295	2	Bolt 1 X 3	
11	4740086	4	Washer	
12	4740155	1	Washer	
13	4740491	2	Washer	
15	5241200	4	Washer M12	
16	1001139586	2	Pin	
17	1001163178	1	Steer Cylinder Assembly (See Separate Breakdown in CYLINDER SECTION)	
18	1001163179	1	Link	
18	1001164209	2	Bearing	
19	1001176848	4	Nut M16	
20	1001163405	4	Kingpin	
21	1001163715	2	Spindle	
21	0961948	4	Bearing (2 per Spindle)	
21	1001163716	8	Seal (4 per Spindle)	
22	1001163717	1	Bracket, Tow	
23	1001163722	1	Plate	
24	1001163724	1	Link	
24	0962292	4	Bearing	
25	1001163726	1	Link	
25	1001164209	2	Bearing	
26	3423304	2	Pin	
27	1001190368	4	Bolt M16 x 120	
28	5241600	6	Washer M16	

# SECTION 1 - FRAME

## FIGURE 1-4. WHEEL DRIVE INSTALLATION (4WD) (ALL SPECS EXCEPT CHINA SPEC)



ART\_1001166239

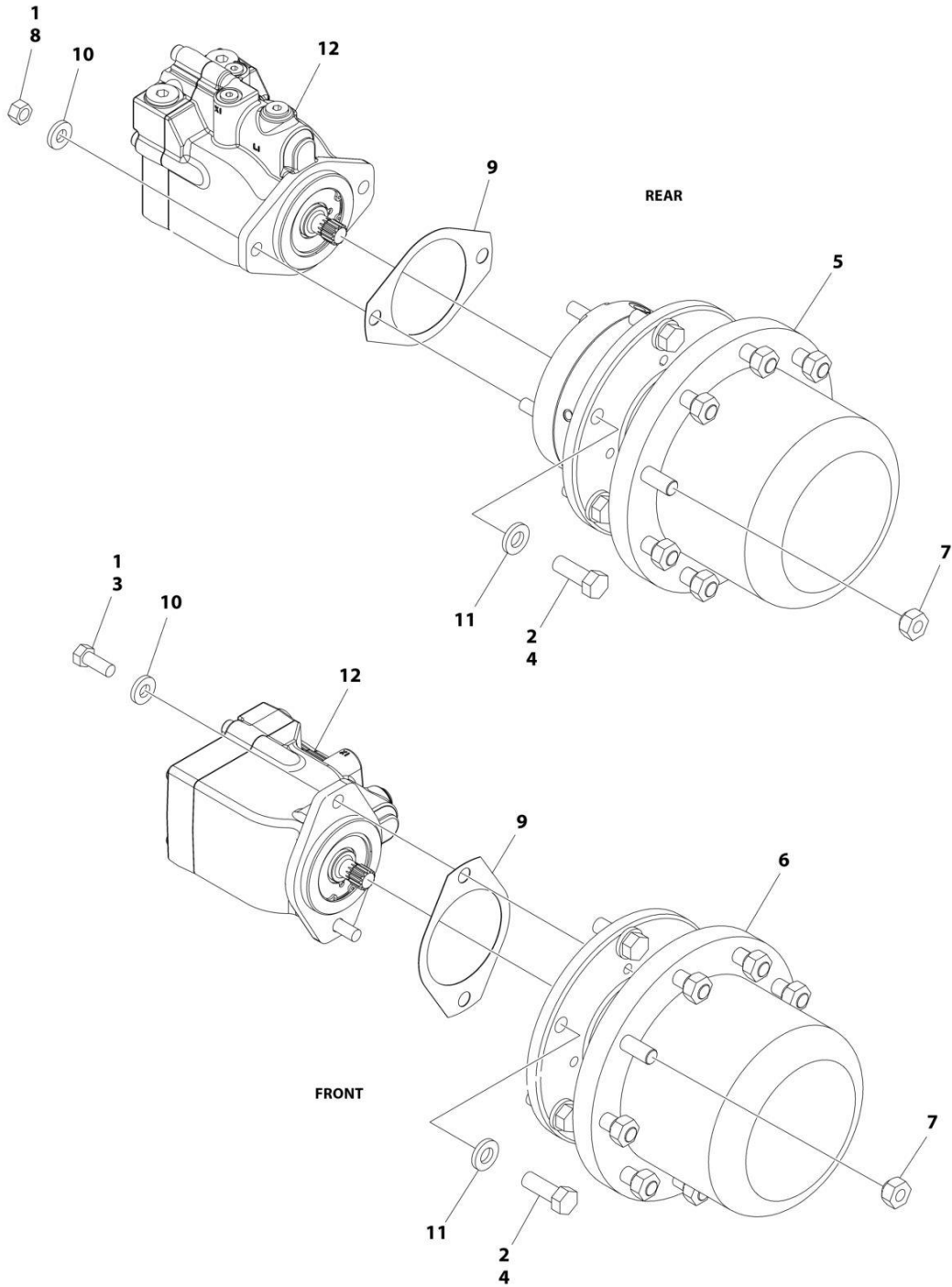
## SECTION 1 - FRAME

**FIGURE 1-4. WHEEL DRIVE INSTALLATION (4WD) (ALL SPECS EXCEPT CHINA SPEC)**

ITEM	PART NUMBER	QTY	DESCRIPTION	REV
	1001166239	Ref	WHEEL DRIVE INSTALLATION (4WD)	E
1	0100011	AR	Compound, Locking	
2	0100019	AR	Compound, Locking	
3	0681810	4	Bolt 1/2 x 1-1/4 Grade 8	
4	0682014	24	Bolt 5/8 x 1-3/4 Grade 8	
6	2780267	2	Drive Hub Assembly - Rear (See Separate Breakdown in this Section)	
7	2780268	2	Drive Hub Assembly - Front (See Separate Breakdown in this Section)	
9	3160348	4	Drive Motor Assembly (See Separate Breakdown in this Section)	
10	3300106	36	Lugnut	
11	3311801	4	Nut 1/2	
12	3960526	4	Gasket, Brake	
13	4891800	8	Washer 1/2	
14	4892000	24	Washer 5/8	

# SECTION 1 - FRAME

## FIGURE 1-5. WHEEL DRIVE INSTALLATION (4WD) (CHINA SPEC)



ART\_1001285012

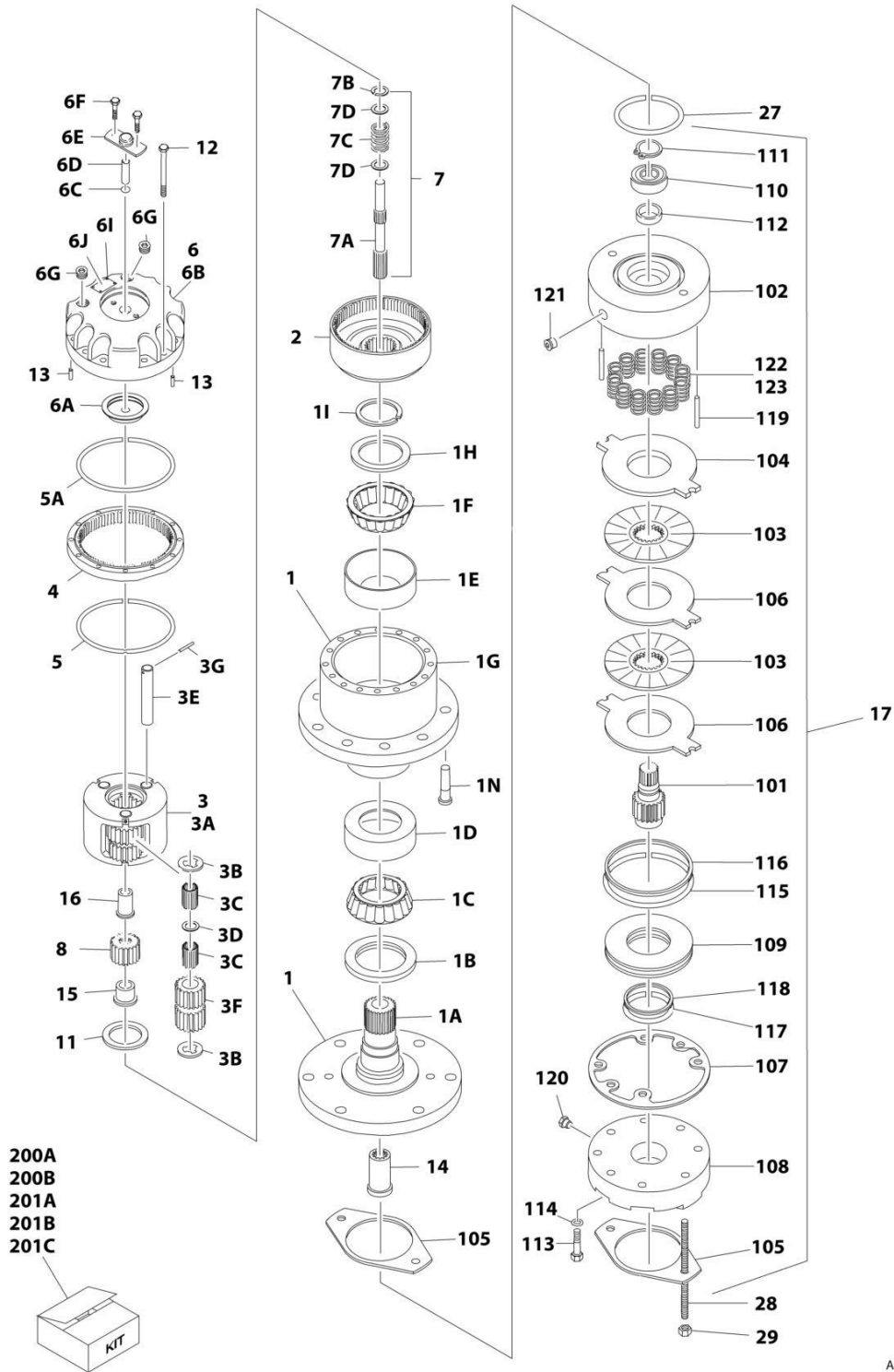
## SECTION 1 - FRAME

### FIGURE 1-5. WHEEL DRIVE INSTALLATION (4WD) (CHINA SPEC)

ITEM	PART NUMBER	QTY	DESCRIPTION	REV
	1001285012	Ref	WHEEL DRIVE INSTALLATION (4WD)	B
1	0100011	AR	Compound, Locking	
2	0100019	AR	Compound, Locking	
3	0681810	4	Bolt 1/2 x 1-1/4 Grade 8	
4	0682014	24	Bolt 5/8 x 1-3/4 Grade 8	
5	2780267	2	Drive Hub Assembly - Rear (See Separate Breakdown in this Section)	
6	2780268	2	Drive Hub Assembly - Front (See Separate Breakdown in this Section)	
7	3300106	36	Lugnut	
8	3311801	4	Nut 1/2	
9	3960526	4	Gasket, Brake	
10	4891800	8	Washer 1/2	
11	4892000	24	Washer 5/8	
12	1001278022	4	Drive Motor Assembly (See Separate Breakdown in this Section)	

# SECTION 1 - FRAME

## FIGURE 1-6. DRIVE HUB AND BRAKE ASSEMBLY - REAR



# SECTION 1 - FRAME

## FIGURE 1-6. DRIVE HUB AND BRAKE ASSEMBLY - REAR

ITEM	PART NUMBER	QTY	DESCRIPTION	REV
	2780267	Ref	DRIVE HUB AND BRAKE ASSEMBLY - REAR	I
1	See Note	1	Spindle/Housing Assembly (Note: Purchase Individual Components)	
1A	7017059	1	Spindle	
1B	7001998	1	Seal	
1C	7010429	1	Cone, Bearing (Includes Item 1D)	
1D	7010429	1	Cup, Bearing (Includes Item 1C)	
1E	7000257	1	Cup, Bearing	
1F	7000258	1	Cone, Bearing	
1G	7007601	1	Housing/Ring Gear	
1H	7000232	1	Washer, Thrust	
1I	7000229	1	Ring, Retaining	
1N	7007640	9	Stud, Wheel	
2	7000246	1	Gear, Internal	
3	7024712	1	Carrier Assembly	
3A	See Note	1	Carrier (Note: Use Item 3)	
3B	See Note	6	Ring, Retaining (Note: Use Item 3)	
3C	See Note	AR	Bearing, Needle (Note: Use Item 3)	
3D	See Note	3	Washer, Thrust (Note: Use Item 3)	
3E	See Note	3	Shaft, Planet (Note: Use Item 3)	
3F	See Note	3	Gear, Planet (Note: Use Item 3)	
3G	See Note	3	Roll Pin (Note: Use Item 3)	
4	7000248	1	Ring Gear	
5	7000230	1	O-Ring	
5A	7017070	1	O-Ring	
6	70001349	1	Cover Assembly Kit	
6A	See Note	1	Spacer, Thrust (Note: Use Item 6)	
6B	See Note	1	Plate, Cover (Note: Use Item 6)	
6C	See Note	1	O-Ring (Note: Use Item 6)	
6D	See Note	1	Rod, Disconnect (Note: Use Item 6)	
6E	See Note	1	Cap, Disengage (Note: Use Item 6)	
6F	See Note	2	Bolt (Note: Use Item 6)	
6G	See Note	1	Plug, Pipe (Note: Use Item 6)	
6I	See Note	4	Rivet (Note: Not Available for Purchase)	
6J	See Note	1	Plate, ID (Note: Not Available for Purchase)	
7		Ref	Input Shaft Assembly	
7A	7024714	1	Shaft	
7B	7000261	1	Ring, Retaining	
7C	7000262	1	Spring	
7D	7000263	2	Spacer, Thrust	
8	7024713	1	Gear, Sun	
11	7000253	1	Washer, Thrust	
12	7017067	12	Bolt	
13	7017080	4	Pin, Dowel	
14	7000206	1	Coupling	
15	7024715	1	Spacer, Input	
16	7024716	1	Spacer, Input	
17	7024182	1	Brake Assembly (See Items 101-123 for Breakdown)	
27	7024705	1	O-Ring	
28	7024717	2	Rod, Threaded	

## SECTION 1 - FRAME

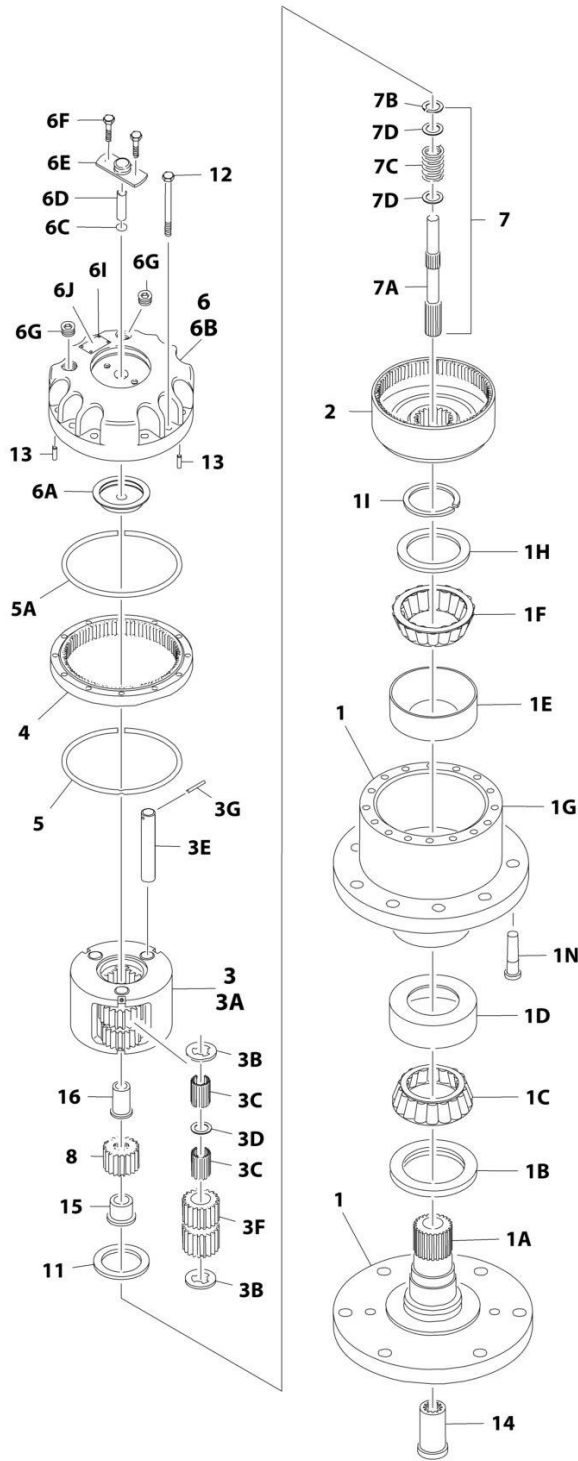
ITEM	PART NUMBER	QTY	DESCRIPTION	REV
29	7024718	2	Nut 1/2in-13NC	
	7024182	Ref	BRAKE ASSEMBLY	
101	7024189	1	Shaft	
102	See Note	1	Housing (Note: Use Item 17)	
103	See Note	2	Plate, Friction (Note: Use Item 201B)	
104	See Note	1	Plate, Pressure (Note: Use Item 201B)	
105	7000731	2	Gasket	
106	See Note	2	Plate, Outer (Note: Use Item 201B)	
107	See Note	1	Gasket (Note: Use Item 200A, 201B or 201C)	
108	7024191	1	Cylinder	
109	7024192	1	Piston	
110	See Note	1	Bearing, Ball (Note: Use Item 201C)	
111	See Note	1	Ring, Retaining (Note: Use Item 201C)	
112	See Note	1	Seal, Shaft (Note: Use Item 201C)	
113	See Note	6	Capscrew (Note: Use Item 17)	
114	See Note	6	Lockwasher (Note: Use Item 17)	
115	See Note	1	O-Ring (Note: Use Item 200B)	
116	See Note	1	Ring, Back-up (Note: Use Item 200B)	
117	See Note	1	O-Ring (Note: Use Item 200B)	
118	See Note	1	Ring, Back-up (Note: Use Item 200B)	
119	7024190	2	Pin, Dowel	
120	See Note	1	Plug (Note: Use Item 17)	
121	See Note	2	Plug (Note: Use Item 17)	
122	See Note	12	Spring Kit (Natural) (Note: Use Item 201A)	
123	See Note	2	Spring Kit (Blue) (Note: Use Item 201A)	
		Ref	Kit Options	
200		Ref	Seal Kit Options:	
200A	See Note	1	Hub Seal Kit (Note: Purchase Individual Components)	
200B	7024194	1	Brake Seal Kit (Includes Items 105, 107 & 115-118)	
201		Ref	Repair Kit Options:	
201A	7024196	1	Brake Spring Kit (Includes 12 Natural Colored and 2 Blue Colored Springs Items 122 & 123)	
201B	7024193	1	Brake Friction Disc Kit (Includes Items 103, 104, 106 & 107)	
201C	7024197	1	Brake Bearing Kit (Includes Items 107 & 110-112)	





# SECTION 1 - FRAME

## FIGURE 1-7. DRIVE HUB ASSEMBLY - FRONT



ART\_2780268

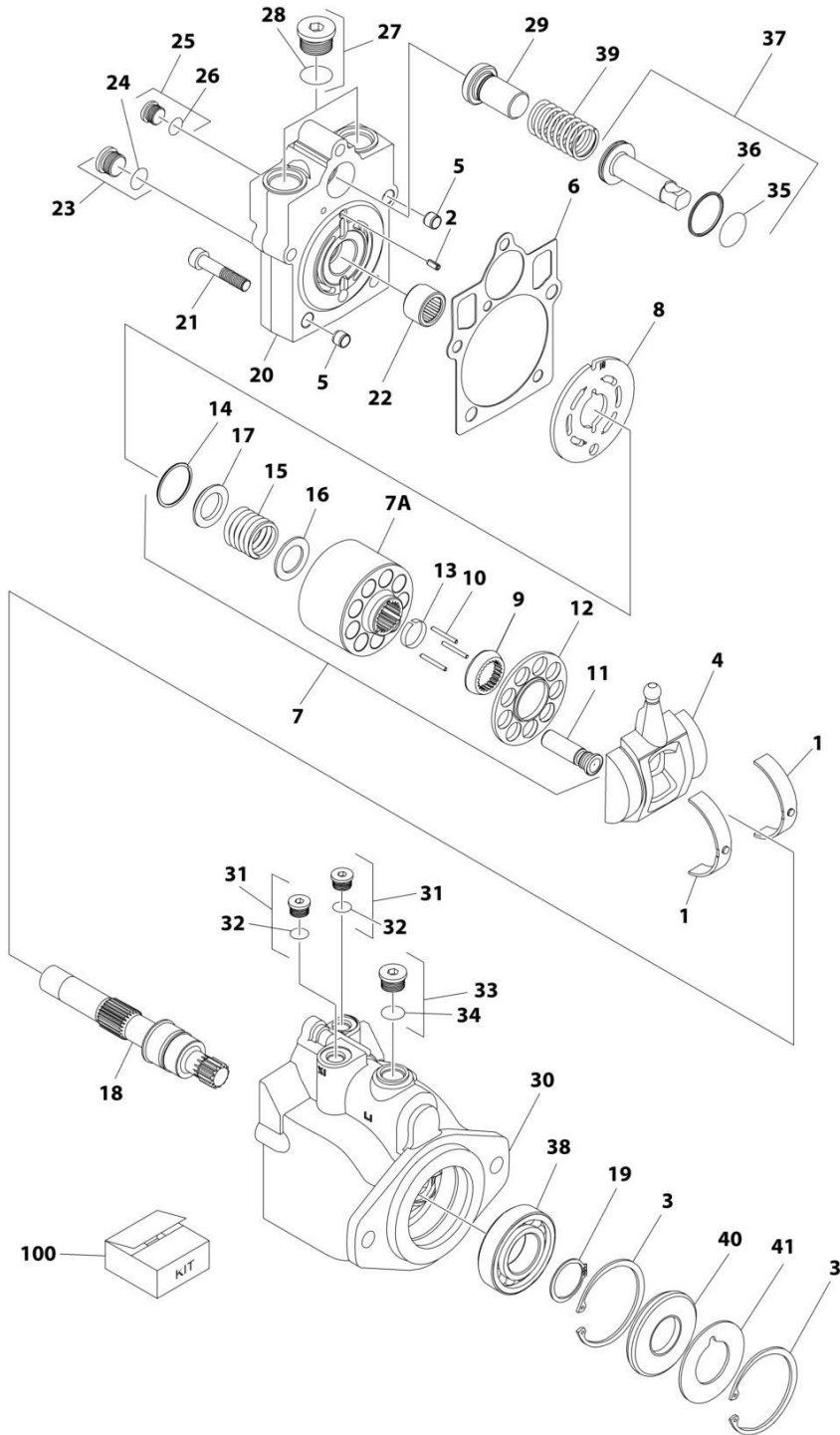
# SECTION 1 - FRAME

## FIGURE 1-7. DRIVE HUB ASSEMBLY - FRONT

ITEM	PART NUMBER	QTY	DESCRIPTION	REV
	2780268	Ref	DRIVE HUB ASSEMBLY - FRONT	F
1	See Note	1	Spindle/Housing Assembly (Note: Purchase Individual Components)	
1A	7017059	1	Spindle	
1B	7001998	1	Seal	
1C	7010429	1	Cone, Bearing (Includes Item 1D)	
1D	7010429	1	Cup, Bearing (Includes Item 1C)	
1E	7000257	1	Cup, Bearing	
1F	7000258	1	Cone, Bearing	
1G	7007601	1	Housing/Ring Gear	
1H	7000232	1	Washer, Thrust	
1I	7000229	1	Ring, Retaining	
1N	7007640	9	Stud, Wheel	
2	7000246	1	Gear, Internal	
3	7024712	1	Carrier Assembly	
3A	See Note	1	Carrier (Note: Use Item 3)	
3B	See Note	6	Ring, Retaining (Note: Use Item 3)	
3C	See Note	AR	Bearing, Needle (Note: Use Item 3)	
3D	See Note	3	Washer, Thrust (Note: Use Item 3)	
3E	See Note	3	Shaft, Planet (Note: Use Item 3)	
3F	See Note	3	Gear, Planet (Note: Use Item 3)	
3G	See Note	3	Roll Pin (Note: Use Item 3)	
4	7000248	1	Ring Gear	
5	7000230	1	O-Ring	
5A	7017070	1	O-Ring	
6	70001349	1	Cover Assembly Kit	
6A	See Note	1	Spacer, Thrust (Note: Use Item 6)	
6B	See Note	1	Plate, Cover (Note: Use Item 6)	
6C	See Note	1	O-Ring (Note: Use Item 6)	
6D	See Note	1	Rod, Disconnect (Note: Use Item 6)	
6E	See Note	1	Cap, Disengage (Note: Use Item 6)	
6F	See Note	2	Bolt (Note: Use Item 6)	
6G	See Note	1	Plug, Pipe (Note: Use Item 6)	
6I	See Note	4	Rivet (Note: Not Available for Purchase)	
6J	See Note	1	Plate, ID (Note: Not Available for Purchase)	
7		Ref	Input Shaft Assembly	
7A	7024714	1	Shaft	
7B	7000261	1	Ring, Retaining	
7C	7000262	1	Spring	
7D	7000263	2	Spacer, Thrust	
8	7024713	1	Gear, Sun	
11	7000253	1	Washer, Thrust	
12	7017067	12	Bolt	
13	7017080	4	Pin, Dowel	
14	7000206	1	Coupling	
15	7024715	1	Spacer, Input	
16	7024716	1	Spacer, Input	

# SECTION 1 - FRAME

## FIGURE 1-8. DRIVE MOTOR ASSEMBLY (4WD) (ALL SPECS EXCEPT CHINA SPEC)



ART\_3160348

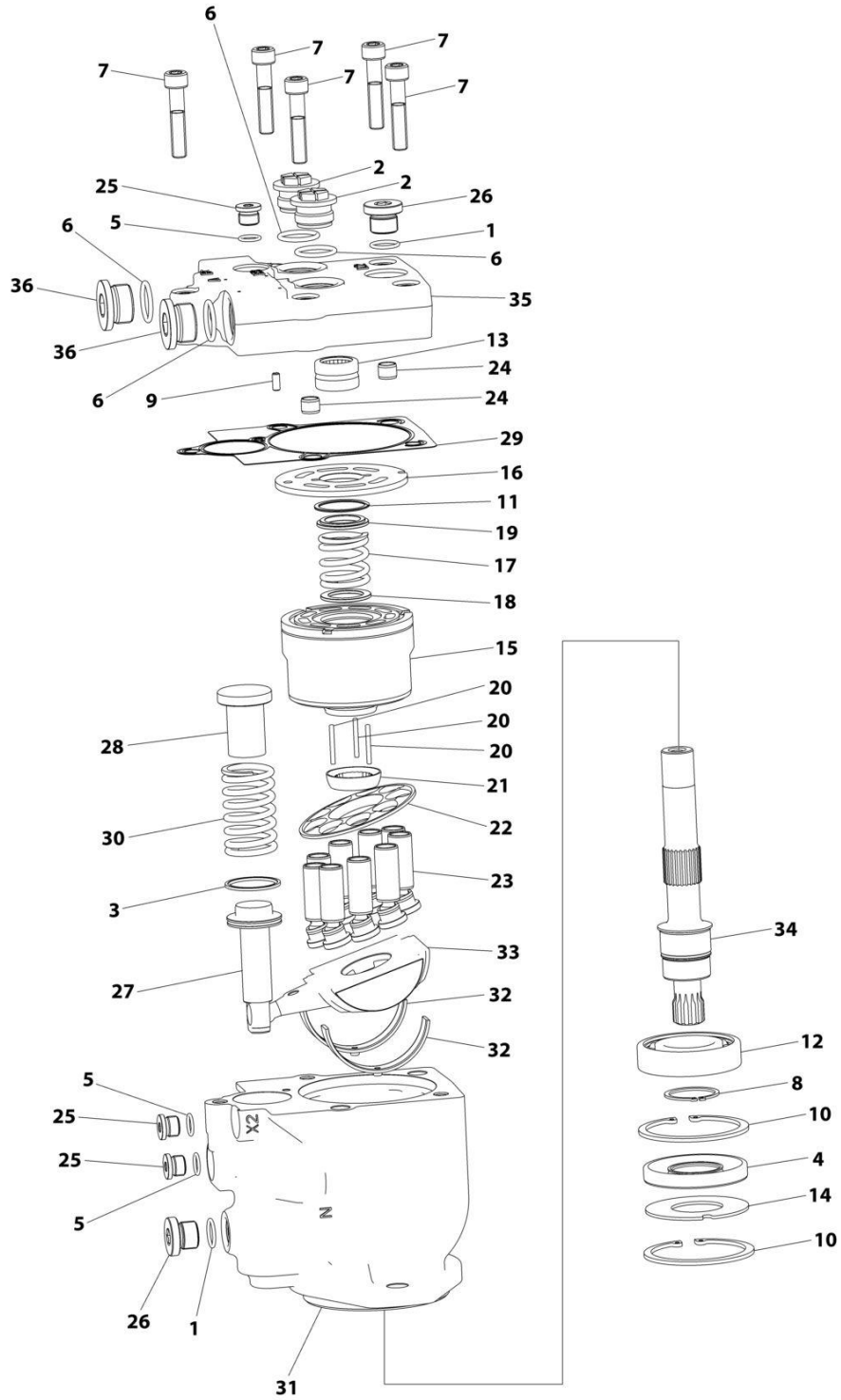
## SECTION 1 - FRAME

**FIGURE 1-8. DRIVE MOTOR ASSEMBLY (4WD) (ALL SPECS EXCEPT CHINA SPEC)**

ITEM	PART NUMBER	QTY	DESCRIPTION	REV
	3160348	Ref	DRIVE MOTOR ASSEMBLY	D
1	7022302	2	Bearing, Journal	
2	7007446	1	Pin	
3	7007438	2	Ring, Retaining	
4	7022305	1	Swash Plate	
5	See Note	2	Pin (Note: Not Available for Purchase)	
6	See Note	NSS	Gasket (Note: Use Item 100)	
7	7023907	1	Cylinder Block Kit (Includes Items 7A & 9-17)	
7A	See Note	NSS	Block, Cylinder (Note: Use Item 7)	
8	7023908	1	Plate, Valve	
9	7021277	1	Guide, Slipper Retainer	
10	7021275	3	Pin, Slipper Hold Down	
11	See Note	NSS	Piston Assembly (Note: Use Item 7)	
12	7022310	1	Retainer, Slipper	
13	7021276	1	Retainer, Hold Down Pin	
14	7022311	1	Ring, Retaining	
15	7022312	1	Spring	
16	7024868	1	Washer	
17	7022314	1	Retainer, Spring	
18	7023910	1	Shaft	
19	7007439	1	Ring, Retaining	
20	70000797	1	Cap, End - Axial	
21	7022368	5	Screw	
22	7021249	1	Bearing, Needle	
23	2220886	1	Plug (Includes Item 24)	
24	See Note	1	O-Ring (Note: Use Item 23 or 100)	
25	2220883	1	Plug (Includes Item 26)	
26	See Note	NSS	O-Ring (Note: Use Item 25 or 100)	
27	2220888	2	Plug (Includes Item 28)	
28	See Note	NSS	O-Ring (Note: Use Item 27 or 100)	
29	7022372	1	Seat, Spring	
30	See Note	NSS	Housing (Note: Not Available - Purchase Complete Assembly)	
31	2220883	2	Plug (Includes Item 32)	
32	See Note	NSS	O-Ring (Note: Use Item 31 or 100)	
33	2220886	1	Plug (Includes Item 34)	
34	See Note	NSS	O-Ring (Note: Use Item 33 or 100)	
35	See Note	NSS	O-Ring (Note: Use Item 100)	
36	See Note	NSS	Ring, Seal (Note: Use Item 100)	
37	7024854	1	Piston, Servo (Includes Items 35 & 36)	
38	7007437	1	Bearing	
39	7022326	1	Spring	
40	See Note	1	Seal, Lip (Note: Use Item 100)	
41	7022371	1	Washer, Support	
		Ref	KIT OPTIONS:	
100	7022328	1	Seal Kit (Includes Items 6, 24, 26, 28, 32, 34, 35, 36 & 40)	

# SECTION 1 - FRAME

## FIGURE 1-9. DRIVE MOTOR ASSEMBLY (4WD) (CHINA SPEC)



ART\_1001278022

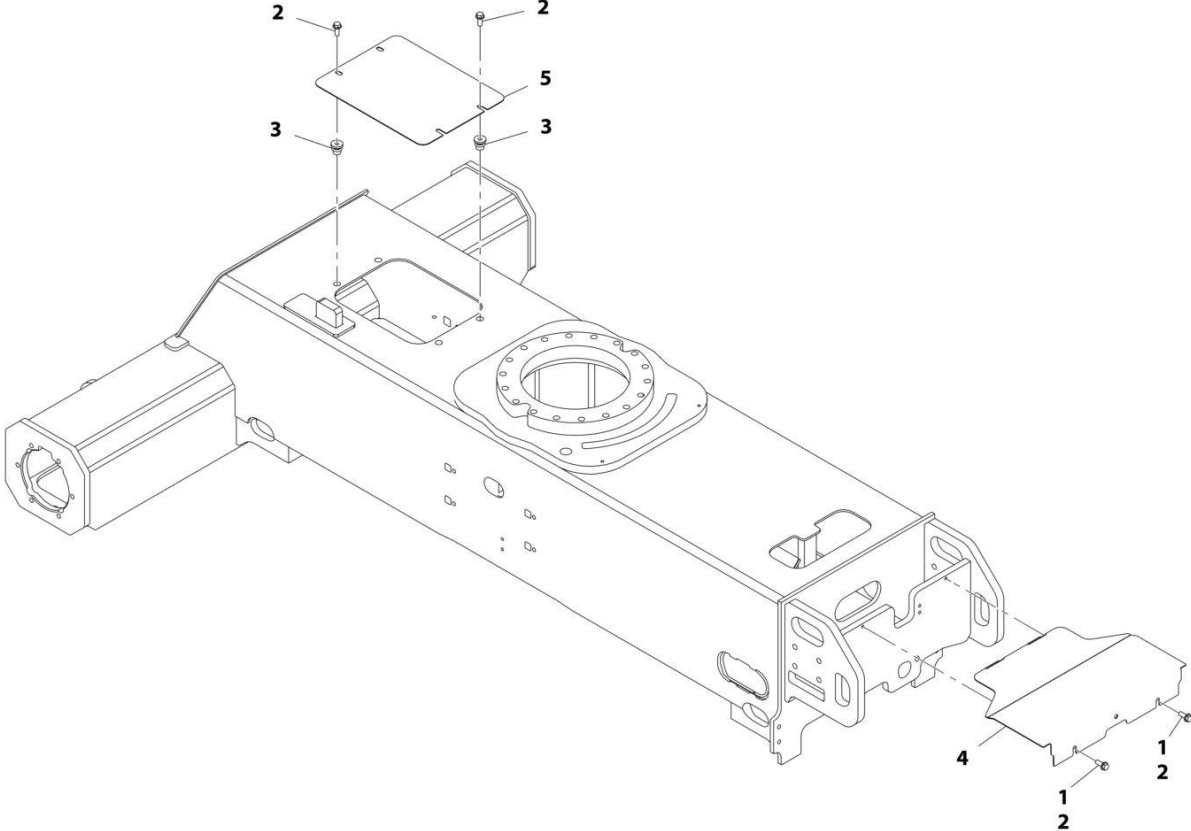
## SECTION 1 - FRAME

**FIGURE 1-9. DRIVE MOTOR ASSEMBLY (4WD) (CHINA SPEC)**

ITEM	PART NUMBER	QTY	DESCRIPTION	REV
	1001278022	Ref	DRIVE MOTOR ASSEMBLY	B
1	70007847	2	O-Ring	
2	70007848	2	Plug	
3	70007849	1	Ring, Sealing	
4	70007850	1	Bearing	
5	70007851	3	O-Ring	
6	70007852	4	O-Ring	
7	70007853	5	Capscrew M10 x 50	
8	70007854	1	Circlip	
9	70007855	1	Pin	
10		Ref	Circlip	
11	70007856	1	Ring, Retaining	
12	70007857	1	Bearing	
13	70007858	1	Bearing	
14	70007859	1	Gasket	
15	70007860	1	Cylinder	
16	70007861	1	Plate, Valve	
17	70007862	1	Spring	
18	70007863	1	Gasket	
19	70007864	1	Gasket	
20	70007865	3	Pin	
21	70007866	1	Bushing	
22	70007867	1	Retainer	
23	70007868	9	Piston	
24	70007869	2	Pin	
25	70007870	3	Plug	
26	70007871	2	Plug	
27	70007872	1	Piston	
28	70007873	1	Seat, Spring	
29	70007874	1	Gasket	
30	70007875	1	Spring	
31	See Note	NSS	Housing (Note: Purchase Complete Assembly)	
32	70007876	2	Bushing	
33	70007877	1	Plate, Swash	
34	70007878	1	Shaft	
35	See Note	NSS	Cover (Note: Purchase Complete Assembly)	
36	See Note	Ref	Plug (Note: Shipping Use Only)	

**SECTION 1 - FRAME**

**FIGURE 1-10. FRAME SHIELD INSTALLATION**



ART\_1001162105

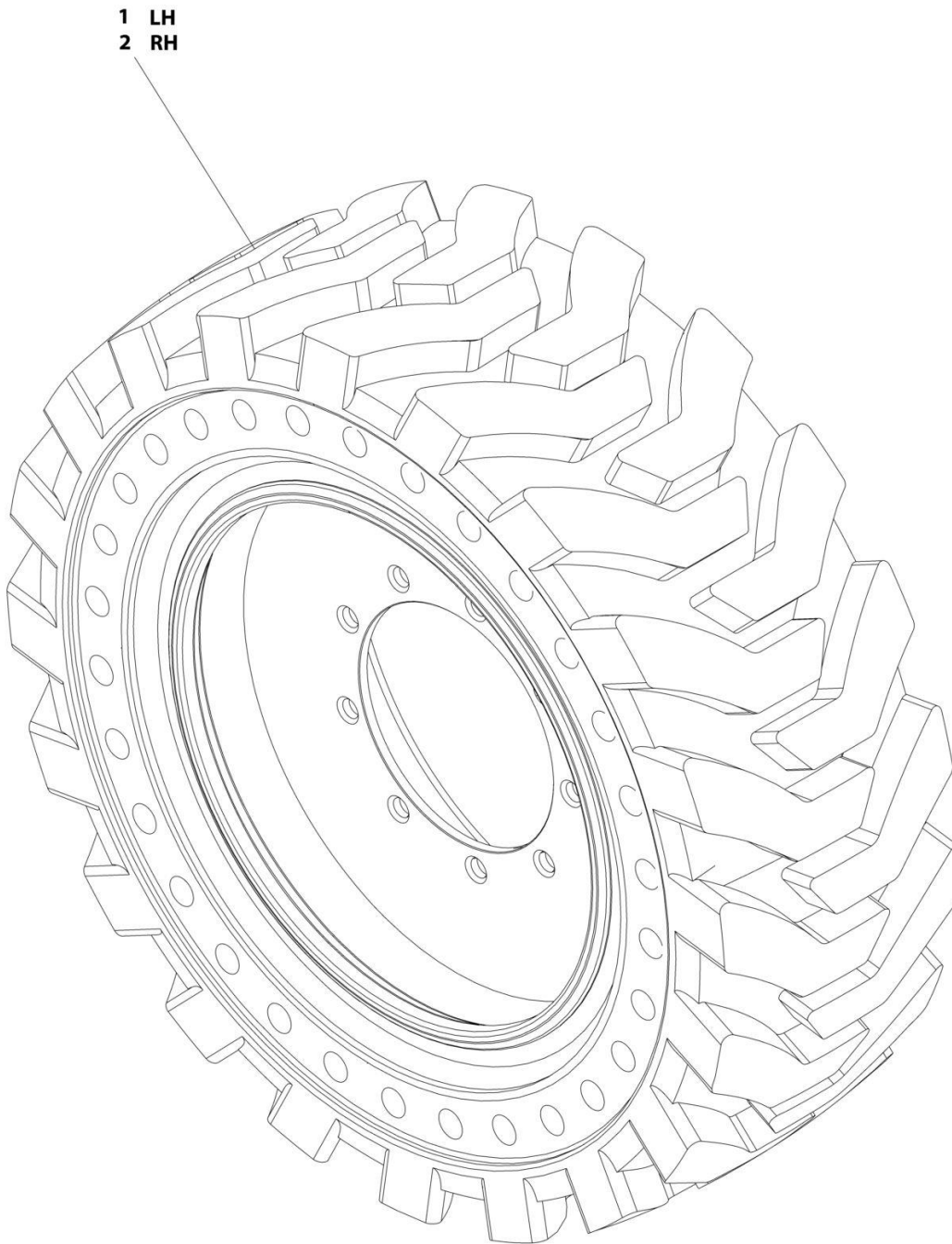


**FIGURE 1-10. FRAME SHIELD INSTALLATION**

<b>ITEM</b>	<b>PART NUMBER</b>	<b>QTY</b>	<b>DESCRIPTION</b>	<b>REV</b>
	1001162105	Ref	FRAME SHIELD INSTALLATION	B
1	0100011	AR	Compound, Locking	
2	5251012	6	Bolt, M10 x 25	
3	1001180916	4	Nut	
4	1001162107	1	Plate, Valve Cover	
5	1001165968	1	Plate, Cover	

# SECTION 1 - FRAME

FIGURE 1-11. TIRE AND WHEEL INSTALLATION - 33 X 12-20 SOLID NON-MARKING



ART\_1001169062

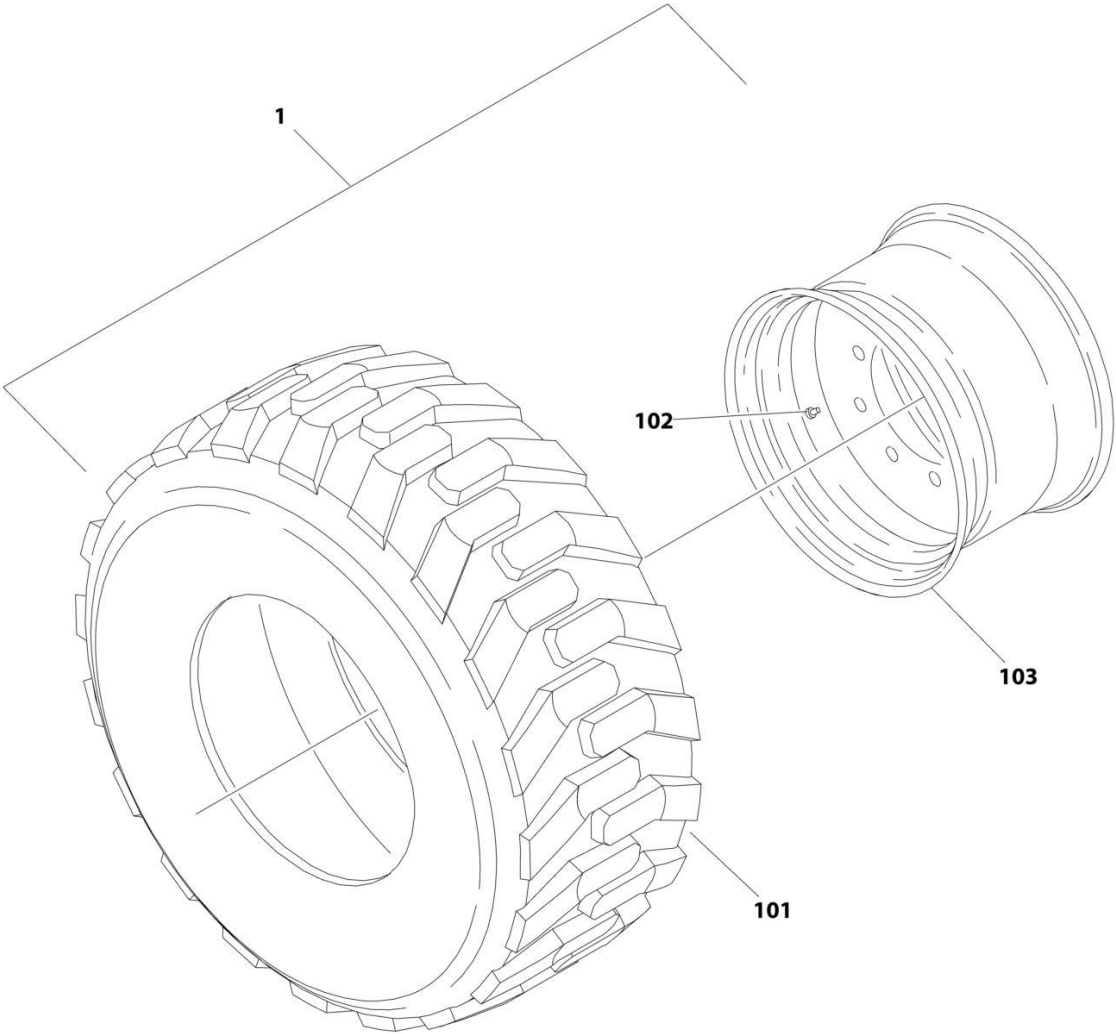
**SECTION 1 - FRAME**

**FIGURE 1-11. TIRE AND WHEEL INSTALLATION - 33 X 12-20 SOLID NON-MARKING**

<b>ITEM</b>	<b>PART NUMBER</b>	<b>QTY</b>	<b>DESCRIPTION</b>	<b>REV</b>
	1001169062	Ref	TIRE AND WHEEL INSTALLATION - 33 X 12-20 SOLID NON-MARKING	A
		Ref	Note: Due to critical stable weights, only replace tire and wheel assemblies with like components.	
1	1001170098	2	Tire and Wheel Assembly - 33 x 12-20 Solid Non-Marking (LH Side)	
2	1001170099	2	Tire and Wheel Assembly - 33 x 12-20 Solid Non-Marking (RH Side)	

**SECTION 1 - FRAME**

**FIGURE 1-12. TIRE AND WHEEL INSTALLATION - 33/1550 X 16.5 FOAM-FILLED**



ART\_1001169075

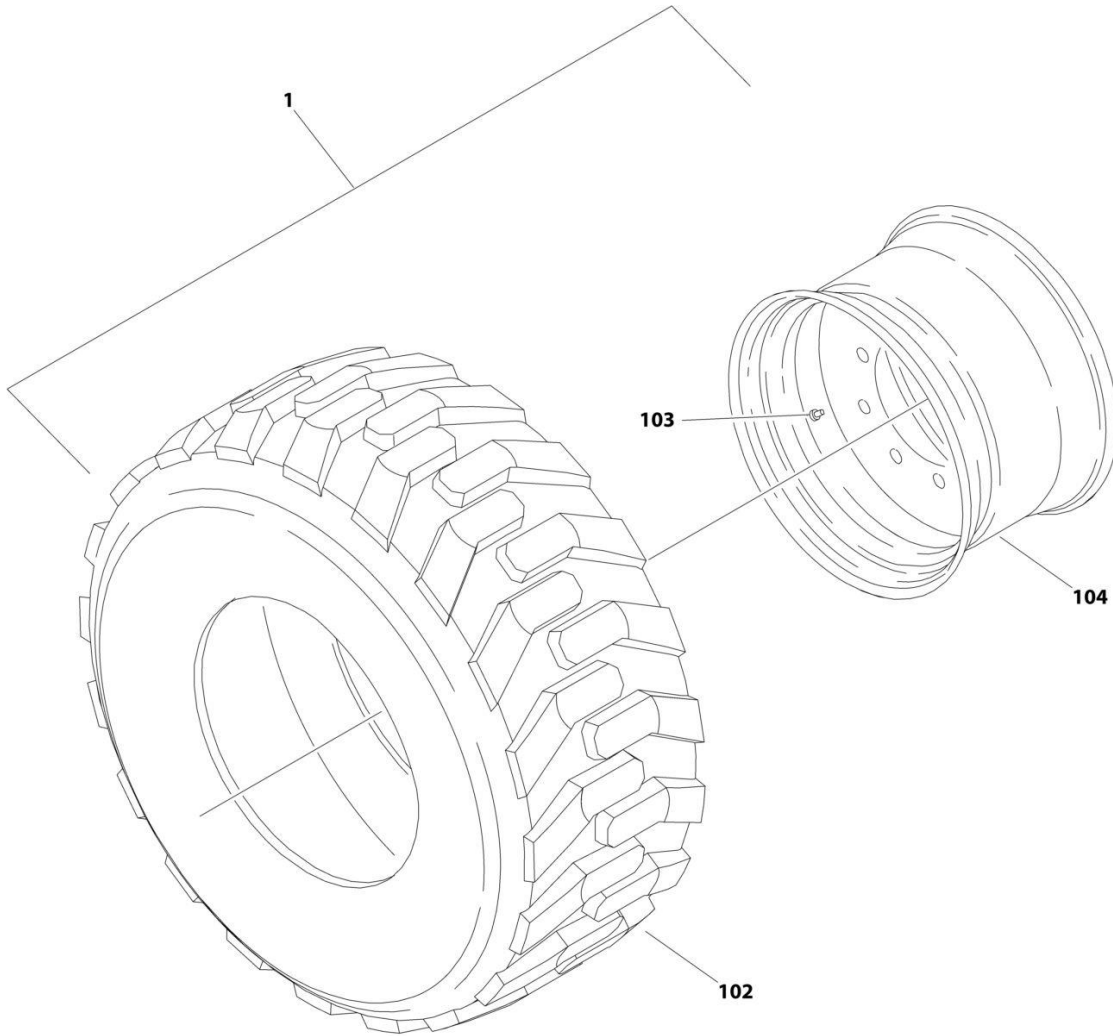
## SECTION 1 - FRAME

**FIGURE 1-12. TIRE AND WHEEL INSTALLATION - 33/1550 X 16.5 FOAM-FILLED**

ITEM	PART NUMBER	QTY	DESCRIPTION	REV
	1001169075	Ref	TIRE AND WHEEL INSTALLATION - 33/1550 X 16.5 FOAM-FILLED	A
		Ref	Note: Assemblies may require ballast/foam filling to manufacturer's specifications prior to installing on a machine. Refer to Operation and Safety or Service and Maintenance Manuals. Purchase individual tire and/or rim only if able to foam fill tire and wheel assembly, otherwise, purchase complete assembly.	
1	0258011	2	Tire and Wheel Assembly (RH Side)	I
1	0258012	2	Tire and Wheel Assembly (LH Side)	I
101	4520217	4	Tire, 33/1550 x 16.5	
102	8786514	4	Valve, Stem	
103	4860179	4	Rim, Wheel	

# SECTION 1 - FRAME

FIGURE 1-13. TIRE AND WHEEL INSTALLATION - 315/55 D20 FOAM FILLED



ART\_1001166157

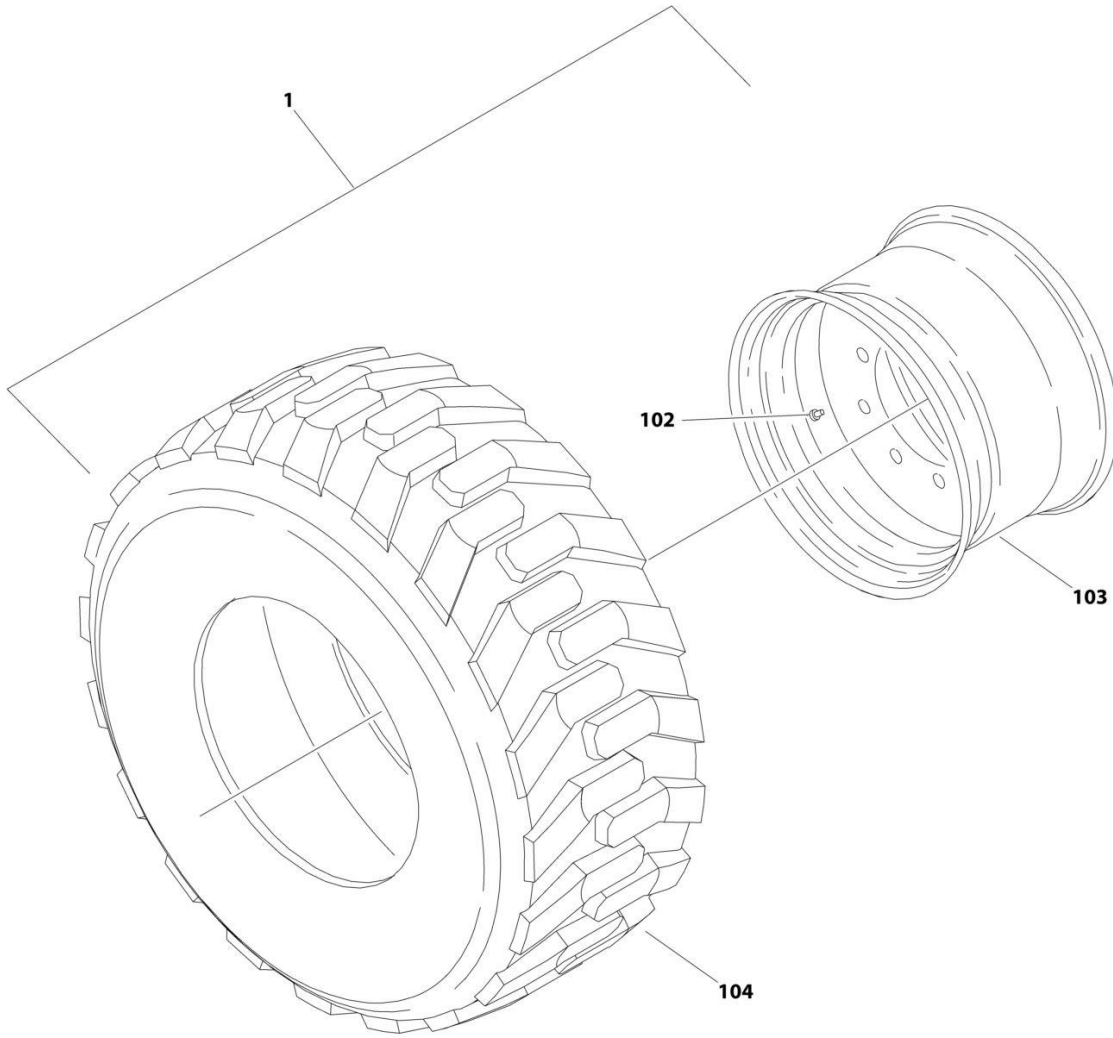
**SECTION 1 - FRAME**

**FIGURE 1-13. TIRE AND WHEEL INSTALLATION - 315/55 D20 FOAM FILLED**

ITEM	PART NUMBER	QTY	DESCRIPTION	REV
	1001166157	Ref Ref	TIRE AND WHEEL INSTALLATION - 315/55 D20 FOAM FILLED  Note: Assemblies may require ballast/foam filling to manufacturer's specifications prior to installing on a machine. Refer to Operation and Safety or Service and Maintenance Manuals. Purchase individual tire and/or rim only if able to foam fill tire and wheel assembly, otherwise, purchase complete assembly.	A
1	1001166155	2	Tire and Wheel Assembly (LH Side)	I
1	1001166156	2	Tire and Wheel Assembly (RH Side)	I
102	4520608	4	Tire IN315/55/D20	
103	4641122	4	Valve, Stem	
104	1001166153	4	Rim, Wheel	

# SECTION 1 - FRAME

FIGURE 1-14. TIRE AND WHEEL INSTALLATION - 315/55 D20 FOAM FILLED NON-MARKING



ART\_1001169058



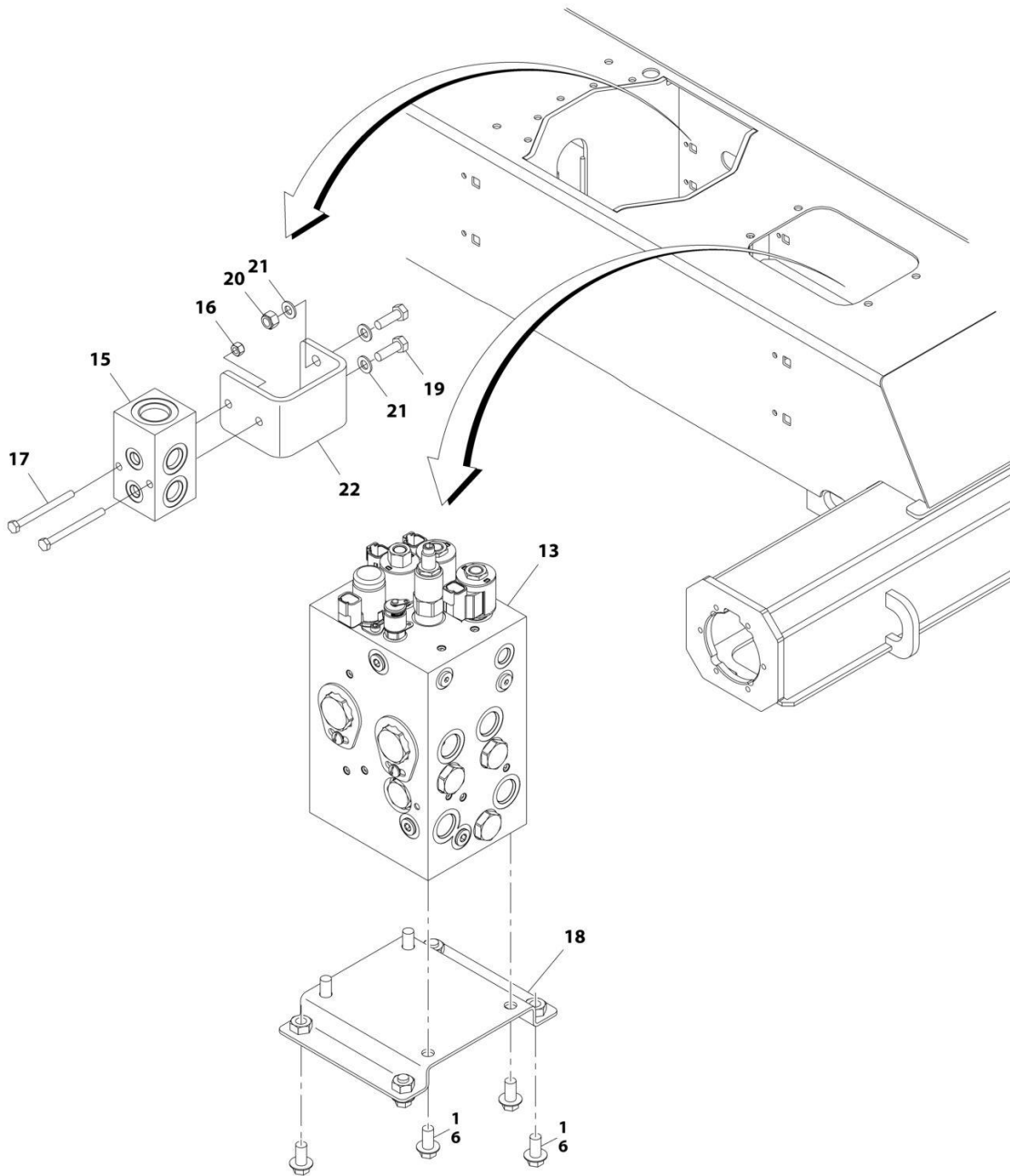
## SECTION 1 - FRAME

**FIGURE 1-14. TIRE AND WHEEL INSTALLATION - 315/55 D20 FOAM FILLED NON-MARKING**

ITEM	PART NUMBER	QTY	DESCRIPTION	REV
	1001169058	Ref	TIRE AND WHEEL INSTALLATION - 315/55 D20 FOAM FILLED NON-MARKING	A
		Ref	Note: Assemblies may require ballast/foam filling to manufacturer's specifications prior to installing on a machine. Refer to Operation and Safety or Service and Maintenance Manuals. Purchase individual tire and/or rim only if able to foam fill tire and wheel assembly, otherwise, purchase complete assembly.	
1	1001170459	2	Tire and Wheel Assembly (RH Side)	F
1	1001170460	2	Tire and Wheel Assembly (LH Side)	F
102	4641122	4	Valve, Stem	
103	1001166153	4	Rim, Wheel	
104	1001170458	4	Tire 315/55 D20 Non Marking	

# SECTION 1 - FRAME

## FIGURE 1-15. 4WD VALVES INSTALLATION - FRAME MOUNTED



ART\_1001165948\_10F3

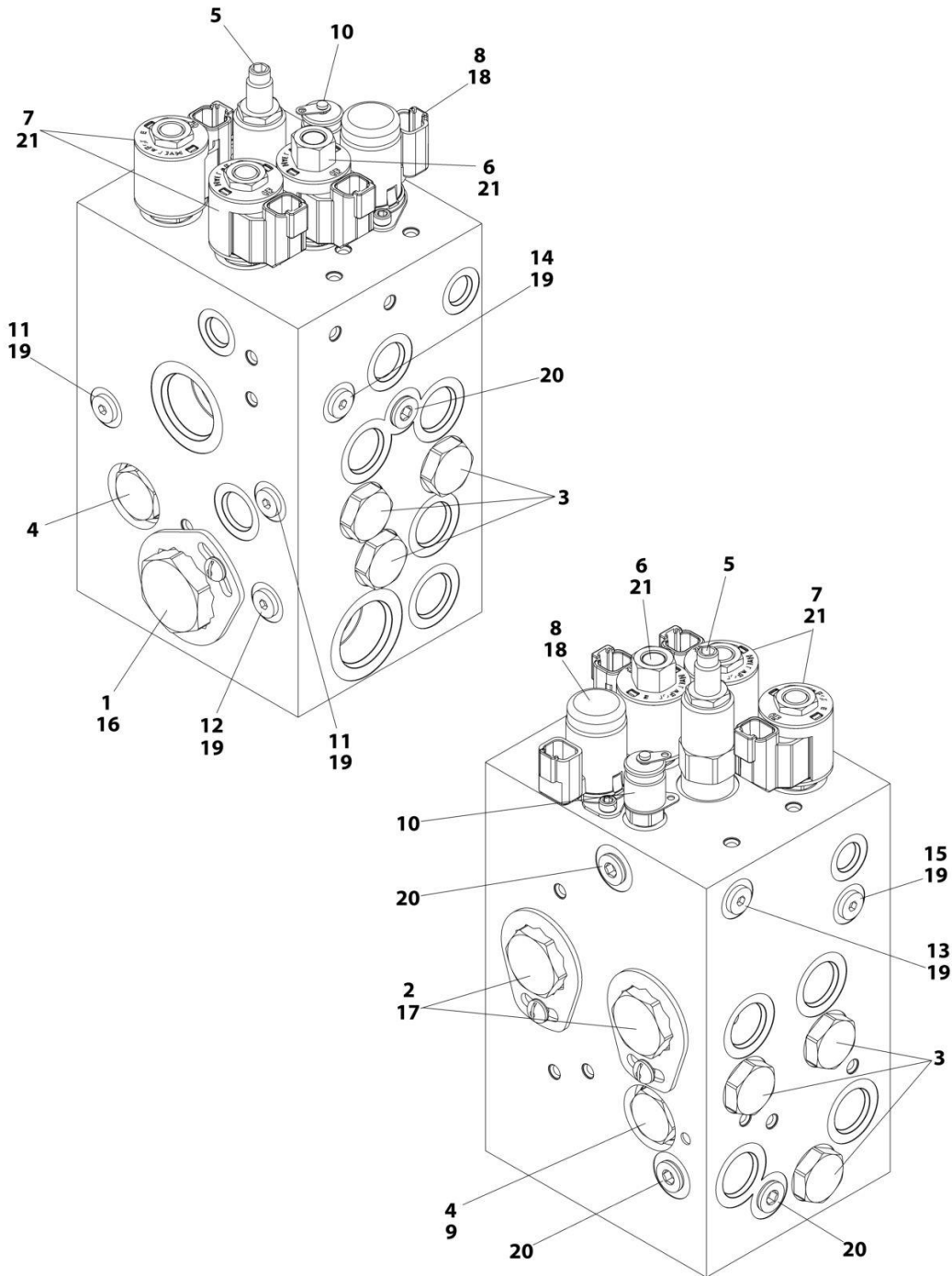
## SECTION 1 - FRAME

### FIGURE 1-15. 4WD VALVES INSTALLATION - FRAME MOUNTED

ITEM	PART NUMBER	QTY	DESCRIPTION	REV
	1001165948	Ref	4WD VALVES INSTALLATION - FRAME MOUNTED	J
1	0100011	AR	Compound, Locking	
3	0760812	1	Bolt M8 x 25	
6	5251010	4	Bolt M10 x 20 Class 10.9	
13	1001162539	1	Traction Valve Assembly (See Separate Breakdown in this Section)	
15	4641155	1	Junction Valve Assembly	
16	3290605	2	Nut, M6	
17	1001096653	2	Bolt M6 x 70	
18	1001179517	1	Bracket	
19	0760812	1	Bolt M8 x 25	
20	3290805	1	Nut M8	
21	4811900	1	Washer M8	
22	1001197221	1	Bracket	

# SECTION 1 - FRAME

## FIGURE 1-16. TRACTION VALVE ASSEMBLY - 4WD



ART\_1001162539

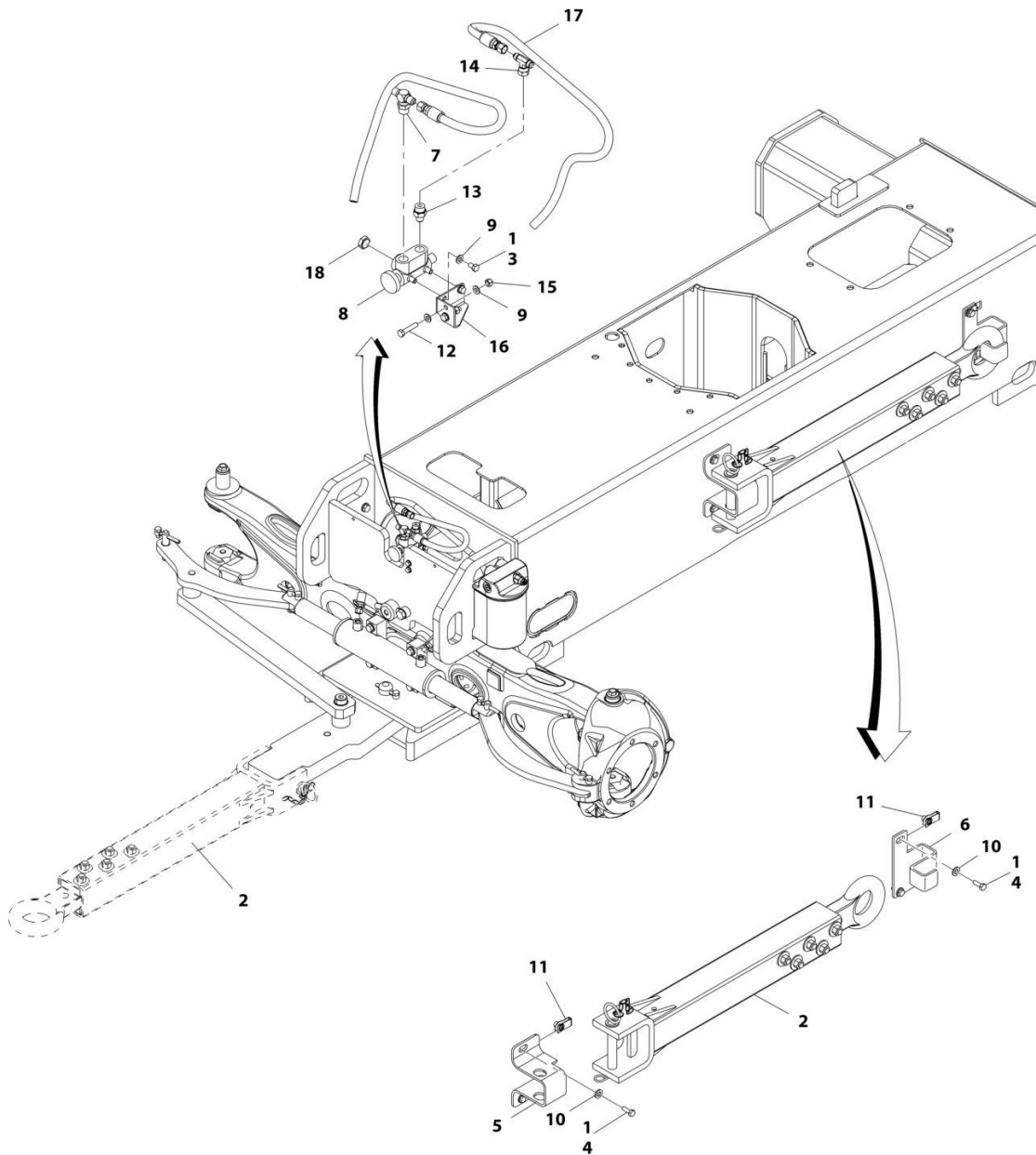
# SECTION 1 - FRAME

## FIGURE 1-16. TRACTION VALVE ASSEMBLY - 4WD

ITEM	PART NUMBER	QTY	DESCRIPTION	REV
	1001162539	Ref	TRACTION VALVE ASSEMBLY - 4WD	D
1	70004017	1	Cartridge, Flow Divider	
1	7021625	1	Seal Kit - 70004017 Valve	
2	70004885	2	Cartridge, Flow Divider	
2	70004577	2	Seal Kit - 70004885 Valve	
3	7022397	6	Cartridge, Check Valve	
3	7022399	6	Seal Kit - 7022397 Valve	
4	7021639	2	Cartridge, Check Valve	
4	2900756	2	Seal Kit - 7021639 Valve	
5	70004886	1	Cartridge, Relief Valve	
5	7017496	1	Seal Kit - 70004886 Valve	
6	7017410	1	Cartridge, Solenoid Less Coil	
6	7012967	1	Seal Kit - 7017410 Valve	
7	7012974	2	Cartridge, Solenoid Less Coil	
7	7010543	2	Seal Kit - 7012974 Valve	
8	70004887	1	Cartridge, Solenoid Less Coil	
8	70023606	1	Seal Kit - 70004887 Valve	
8	7024885	1	Coil	
9	7024881	1	Piston, Pilot	
10	2221086	1	Fitting, Diagnostic	
11	70003975	2	Orifice	
12	70002209	1	Orifice	
13	70002063	1	Orifice	
14	70004884	1	Orifice	
15	70004883	1	Orifice	
16	70000781	1	Locking Kit	
17	70002962	2	Locking Kit	
18	70004888	2	Screw	
19	2220883	6	Plug #4	
20	2220885	5	Plug #6	
21	70002386	3	Coil	

# SECTION 1 - FRAME

## FIGURE 1-17. TOW PACKAGE INSTALLATION (OPTIONAL)



ART\_1001166232

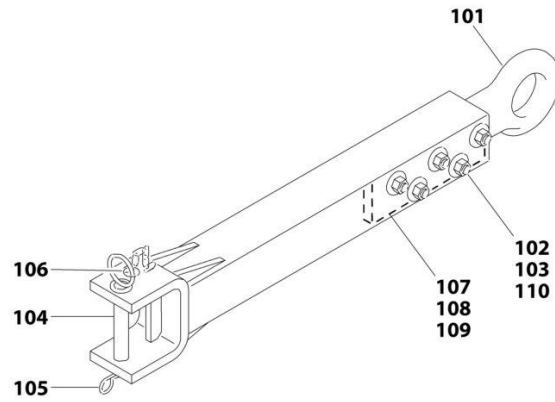
## SECTION 1 - FRAME

**FIGURE 1-17. TOW PACKAGE INSTALLATION (OPTIONAL)**

ITEM	PART NUMBER	QTY	DESCRIPTION	REV
	1001166232	Ref	TOW PACKAGE INSTALLATION (OPTIONAL)	D
1	0100011	AR	Compound, Locking	
2	0363019	1	Tow Bar Assembly (See Separate Breakdown in this Section)	
3	0641504	2	Bolt 5/16 x 1/2	
4	0701014	4	Bolt M10 x 30	
5	0902733	1	Bracket	
6	0902734	1	Bracket	
7	2221052	1	Fitting, Tee JIC/ORB/JIC	
8	4640261	1	Steer/Tow Select Valve Assembly	
9	4711500	6	Washer 5/16	
10	5241200	4	Washer M12	
11	1001118972	4	Nut M10	
12	0700816	2	Bolt M8 x 40	
13	2220372	1	Fitting, Straight JIC/ORB	
14	2220579	1	Fitting, Tee JIC/FSJIC/JIC	
15	3290805	2	Nut M8	
16	1001181527	1	Bracket	
17	1001181913	2	Hose	
18	2220238	1	Plug	

# SECTION 1 - FRAME

## FIGURE 1-18. TOW BAR ASSEMBLY



ART\_0363019



**SECTION 1 - FRAME**

**FIGURE 1-18. TOW BAR ASSEMBLY**

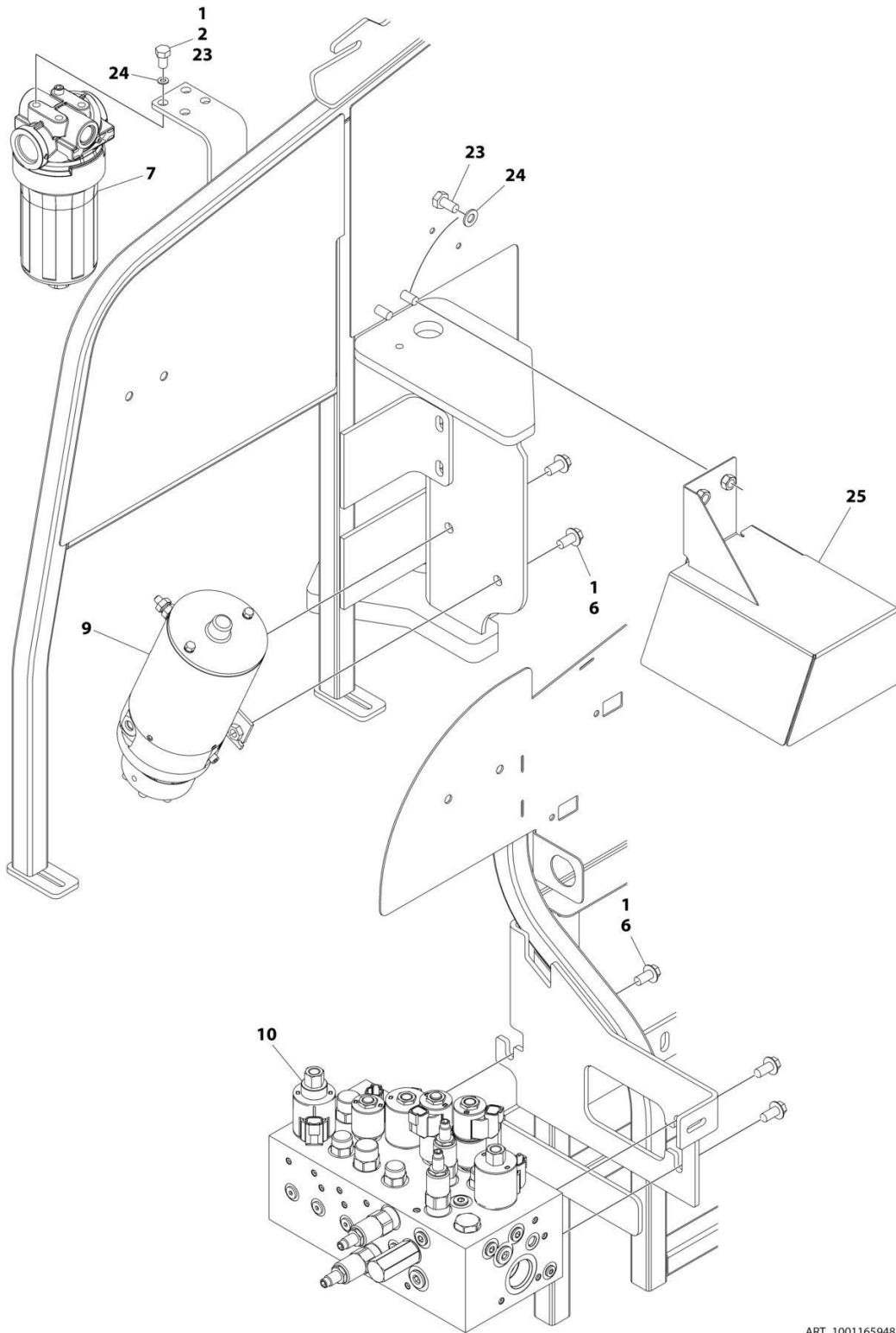
<b>ITEM</b>	<b>PART NUMBER</b>	<b>QTY</b>	<b>DESCRIPTION</b>	<b>REV</b>
	0363019	Ref	TOW BAR ASSEMBLY	B
101	0360406	1	Pintle, Draw Eye	
102	0682040	5	Bolt 5/8 x 5	
103	3312005	5	Nut 5/8	
104	3420352	1	Pin, Towing	
105	3420372	1	Hairpin	
106	3760170	1	Ring, Split	
107	4070450	2	Shim (.07)	
108	4070560	2	Shim (.88)	
109	4070561	2	Shim (.12)	
110	4752000	10	Washer 5/8	



**SECTION 2 - TURNTABLE**

# SECTION 2 - TURNTABLE

## FIGURE 2-1. 4WD VALVES INSTALLATION - TURNTABLE MOUNTED



ART\_1001165948\_20F3

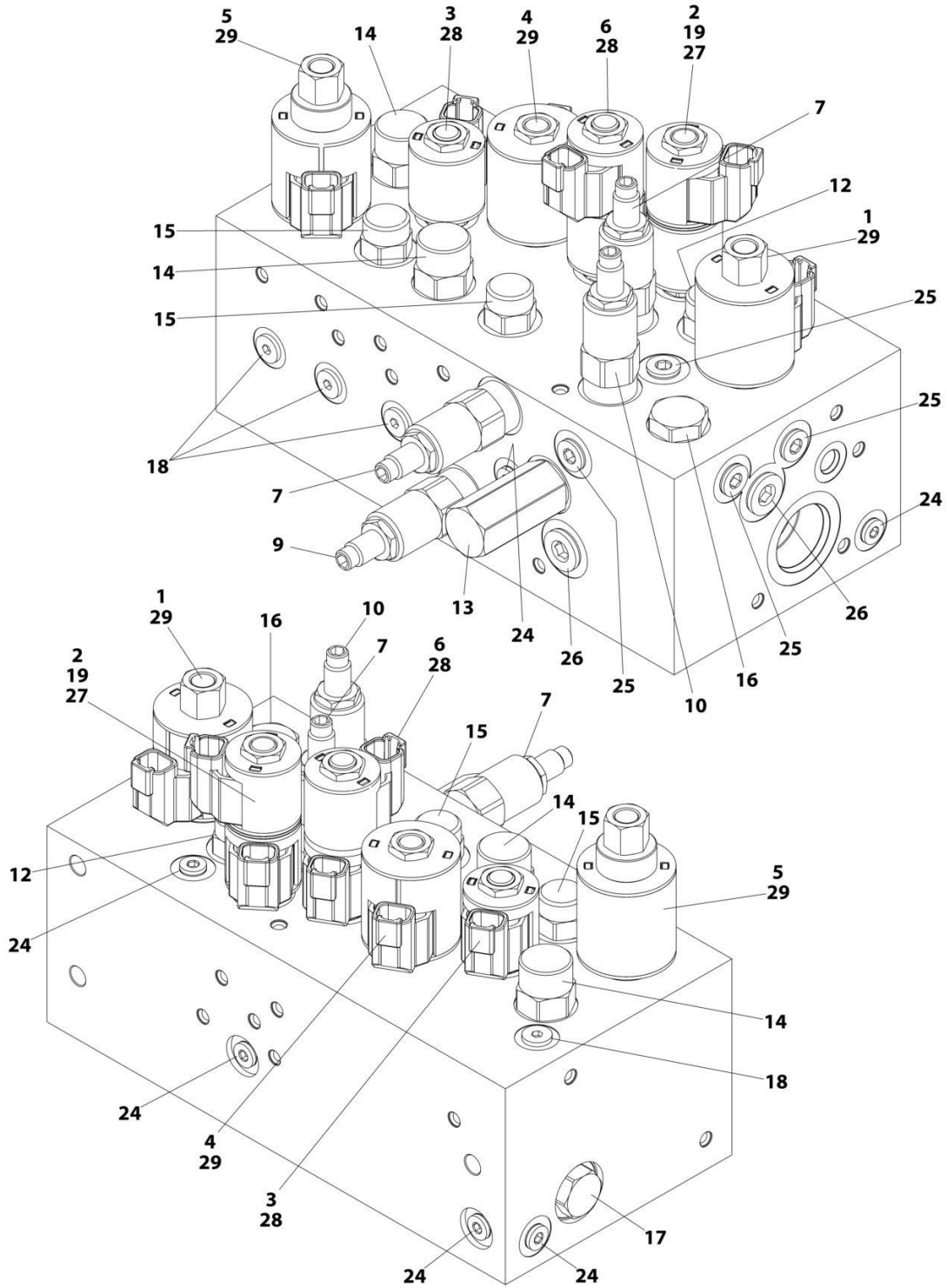
# SECTION 2 - TURNTABLE

**FIGURE 2-1. 4WD VALVES INSTALLATION - TURNTABLE MOUNTED**

ITEM	PART NUMBER	QTY	DESCRIPTION	REV
	1001165948	Ref	4WD VALVES INSTALLATION - TURNTABLE MOUNTED	J
1	0100011	AR	Compound, Locking	
2	0641605	AR	Bolt 3/8 x 5/8	
6	5251010	15	Bolt M10 x 20 Class 10.9	
7	1001208874	1	Filter, Charge Pump	
7	70010383	1	Element, Filter (Includes O-Ring)	
9	1001185821	1	Auxiliary Pump Assembly (See Separate Breakdown in this Section)	
10	1001162534	1	Main Valve Assembly (See Separate Breakdown in this Section)	
23	0761010	AR	Bolt M10 x 20	
24	4812000	AR	Washer M10	
25	1001234295	1	Cover	

# SECTION 2 - TURNTABLE

## FIGURE 2-2. MAIN VALVE ASSEMBLY



ART\_1001162534

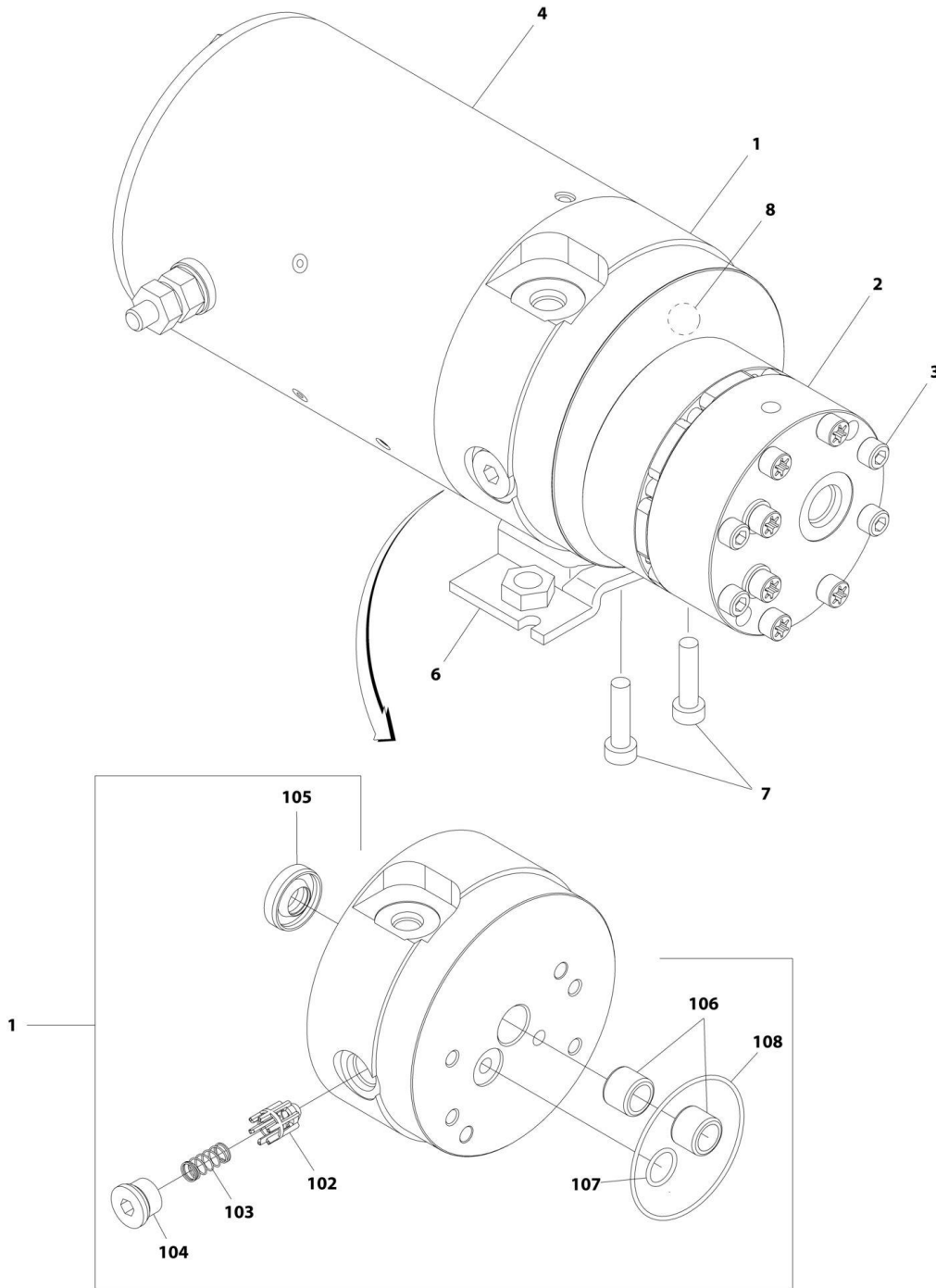
**SECTION 2 - TURNTABLE**

**FIGURE 2-2. MAIN VALVE ASSEMBLY**

ITEM	PART NUMBER	QTY	DESCRIPTION	REV
	1001162534	Ref	MAIN VALVE ASSEMBLY	F
1	70005069	1	Cartridge, Solenoid Less Coil (Main Dump)	
1	7022399	1	Seal Kit - 70005069 Valve	
1	70003977	1	Nut, Coil	
2	70005217	1	Cartridge, Solenoid Less Coil (Steer)	
2	70005071	1	Seal Kit - 70005217 Valve	
2	7022390	1	Nut, Coil	
3	70005094	1	Cartridge, Solenoid Less Coil (Main Lift Up)	
3	7023936	1	Seal Kit - 70005094 Valve	
3	7022390	1	Nut, Coil	
4	70005076	1	Cartridge, Solenoid Less Coil (Tower Lift Up)	
4	7022399	1	Seal Kit - 70005076 Valve	
4	7022390	1	Nut, Coil	
5	70005095	1	Cartridge, Solenoid Less Coil (Flow Control)	
5	7022399	1	Seal Kit - 70005095 Valve	
5	70003977	1	Nut, Coil	
6	70005096	1	Cartridge, Solenoid Less Coil (Swing)	
6	70005071	1	Seal Kit - 70005096 Valve	
7	70005097	1	Cartridge, Solenoid Less Coil	
7	70005082	2	Seal Kit - 70005097 Valve	
9	70005098	1	Cartridge, Relief Valve	
9	7023936	1	Seal Kit - 70005098 Valve	
10	70005080	1	Cartridge, Relief Valve	
10	7022399	1	Seal Kit - 70005080 Valve	
12	70005218	1	Cartridge, Valve	
12	70005082	1	Seal Kit - 70005218 Valve	
13	70005084	1	Cartridge, Valve	
13	70005085	1	Seal Kit - 70005084 Valve	
14	70005099	2	Cartridge, Valve	
14	70005087	2	Seal Kit - 70005099 Valve	
15	70005088	2	Cartridge, Valve	
15	7023900	2	Seal Kit - 70005088 Valve	
16	70005100	1	Cartridge, Check Valve	
16	7022399	1	Seal Kit - 70005100 Valve	
17	70005089	1	Cartridge, Check Valve	
17	7023936	1	Seal Kit - 70005089 Valve	
18	70005090	5	Cartridge, Check Valve	
18	70005092	5	Seal Kit - 70005092 Valve	
19	See Note	1	Disc, Check Valve (Note: Not Available for Purchase)	
24	91164059	7	Plug	
25	91164079	4	Plug	
26	91164057	2	Plug	
27	70005219	2	Coil	
28	70002386	3	Coil	
29	70003788	3	Coil	

# SECTION 2 - TURNTABLE

## FIGURE 2-3. AUXILIARY PUMP ASSEMBLY



ART\_1001185821



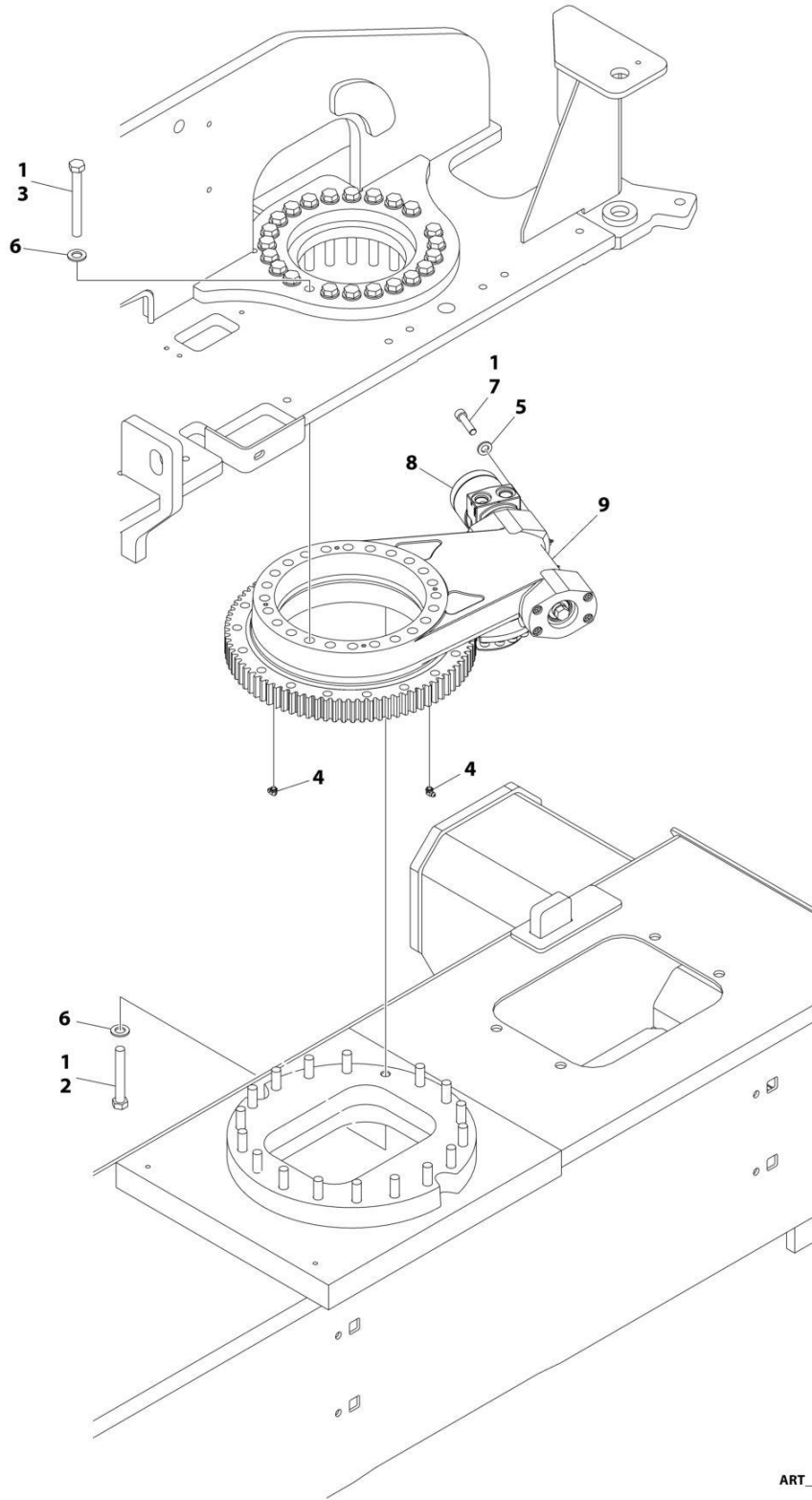
**SECTION 2 - TURNTABLE**

**FIGURE 2-3. AUXILIARY PUMP ASSEMBLY**

ITEM	PART NUMBER	QTY	DESCRIPTION	REV
	1001185821	Ref	AUXILIARY PUMP ASSEMBLY	B
1	70005065	1	Base Assembly (See Items 102-108 for Breakdown)	
2	70005066	1	Pump Assembly (Note: No Seal Kit or Internal Components are Available - Purchase Complete Pump Assembly)	
3	70005067	4	Capscrew 1/4 x 2-3/4	
4	70004013	1	Motor Assembly (Note: No Internal Components are Available - Purchase Complete Motor Assembly)	
6	70004014	1	Bracket	
7	70004000	2	Capscrew 3/8 x 1	
8	70005068	1	Relief Valve Assembly	
	70005065	Ref	BASE ASSEMBLY	
102	See Note	NSS	Poppet, Check (Note: Use p/n 70005065)	
103	See Note	NSS	Spring (Note: Use p/n 70005065)	
104	See Note	NSS	Plug (Note: Use p/n 70005065)	
105	7026330	1	Seal, Shaft	
106	70005139	2	Bearing	
107	70003612	1	O-Ring	
108	70004267	1	O-Ring	

# SECTION 2 - TURNTABLE

## FIGURE 2-4. SWING DRIVE AND TURNTABLE BEARING INSTALLATION



ART\_1001277273\_B

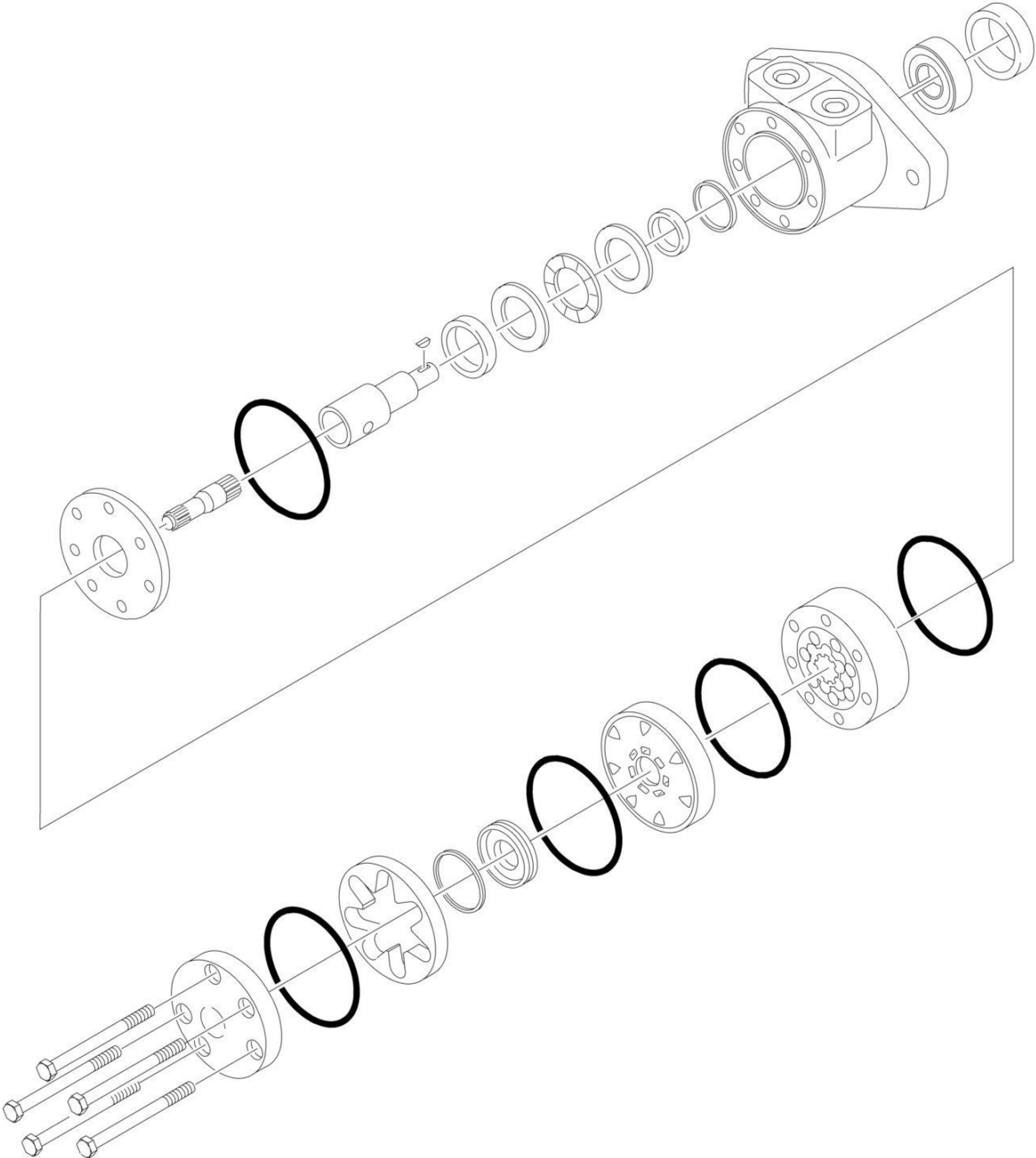
# SECTION 2 - TURNTABLE

## FIGURE 2-4. SWING DRIVE AND TURNTABLE BEARING INSTALLATION

ITEM	PART NUMBER	QTY	DESCRIPTION	REV
	1001277273	Ref	SWING DRIVE AND TURNTABLE BEARING INSTALLATION	B
1	0100019	AR	Compound, Locking	
2	0711628	18	Bolt M16 x 110 Grade 10.9	
3	0711631	23	Bolt M16 x 140	
4	2160001	2	Fitting, Grease 90	
5	5241200	2	Washer M12	
6	5241600	41	Washer M16	
7	5272114	2	Capscrew M12 x 50 Grade 12.9	
8	1001286019	1	Swing Motor Assembly (See Separate Breakdown in this Section)	
9	1001277009	1	Turntable Bearing Assembly (See Separate Breakdown in this Section)	

**SECTION 2 - TURNTABLE**

**FIGURE 2-5. SWING MOTOR ASSEMBLY**



ART\_1001286019

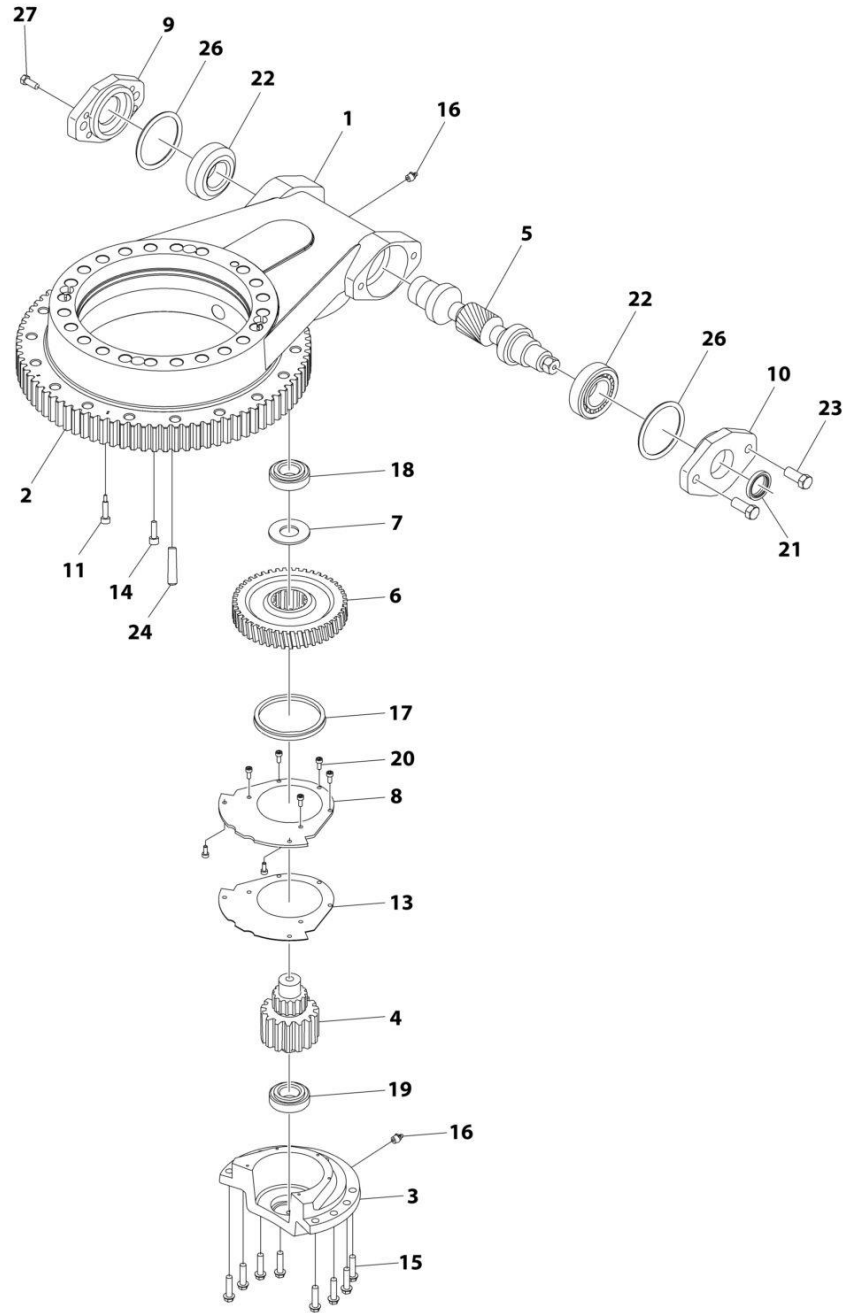
**SECTION 2 - TURNTABLE**

**FIGURE 2-5. SWING MOTOR ASSEMBLY**

ITEM	PART NUMBER	QTY	DESCRIPTION	REV
1	1001286019 See Note	Ref Ref	SWING MOTOR ASSEMBLY Note: No Service Parts Available at Time of Printing	B

# SECTION 2 - TURNTABLE

## FIGURE 2-6. TURNTABLE BEARING ASSEMBLY



ART\_1001277009

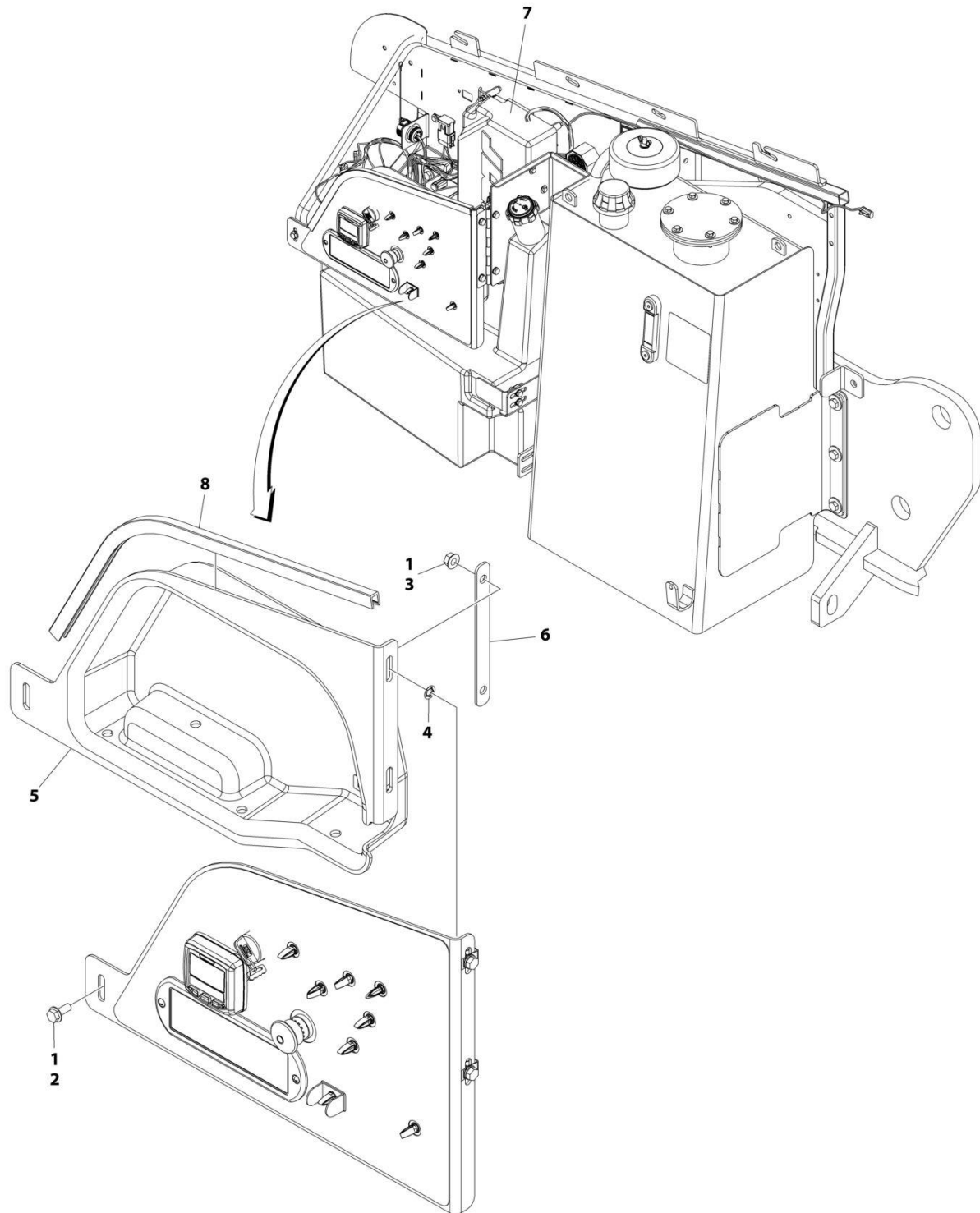
# SECTION 2 - TURNTABLE

**FIGURE 2-6. TURNTABLE BEARING ASSEMBLY**

ITEM	PART NUMBER	QTY	DESCRIPTION	REV
	1001277009	Ref	TURNTABLE BEARING ASSEMBLY	B
1	See Note	NSS	Housing (Note: Not Sold Separately)	
2	70008371	1	Ring, Slewing	
3	70008372	1	Cap, Gear	
4	70008373	1	Gear, Pinion	
5	70008374	1	Gear, Worm	
6	70008375	1	Gear, Worm Wheel	
7	70008376	1	Adapter, Worm Wheel Gear	
8	70008377	1	Cover, Gear	
9	70008378	1	Adapter, Motor	
10	70008379	1	Cover	
11	70008380	2	Bolt, Positioning	
12	See Note	NSS	Plate, Serial Number (Not Shown) (Note: Not Sold Separately)	
13	70008381	AR	Shim	
14	70008382	4	Bolt M8 x 40 Class 12.9	
15	70008383	8	Bolt M10 x 30 Class 12.9	
16	70008384	2	Fitting, Grease	
17	70008385	1	Seal	
18	70008386	1	Bearing	
19	70008387	1	Bearing	
20	70008388	7	Bolt M4 x 8	
21	70008389	1	Seal	
22	70008390	2	Bearing	
23	70008391	4	Bolt M12 x 35	
24	70008392	2	Cotter, Tapered	
25	See Note	NSS	Rivet (Not Shown) (Note: Not Sold Separately)	
26	70008393	AR	Shim	
27	4031707	4	Bolt M5 x 16	

# SECTION 2 - TURNTABLE

## FIGURE 2-7. TURNTABLE COVERS INSTALLATION



ART\_1001219129



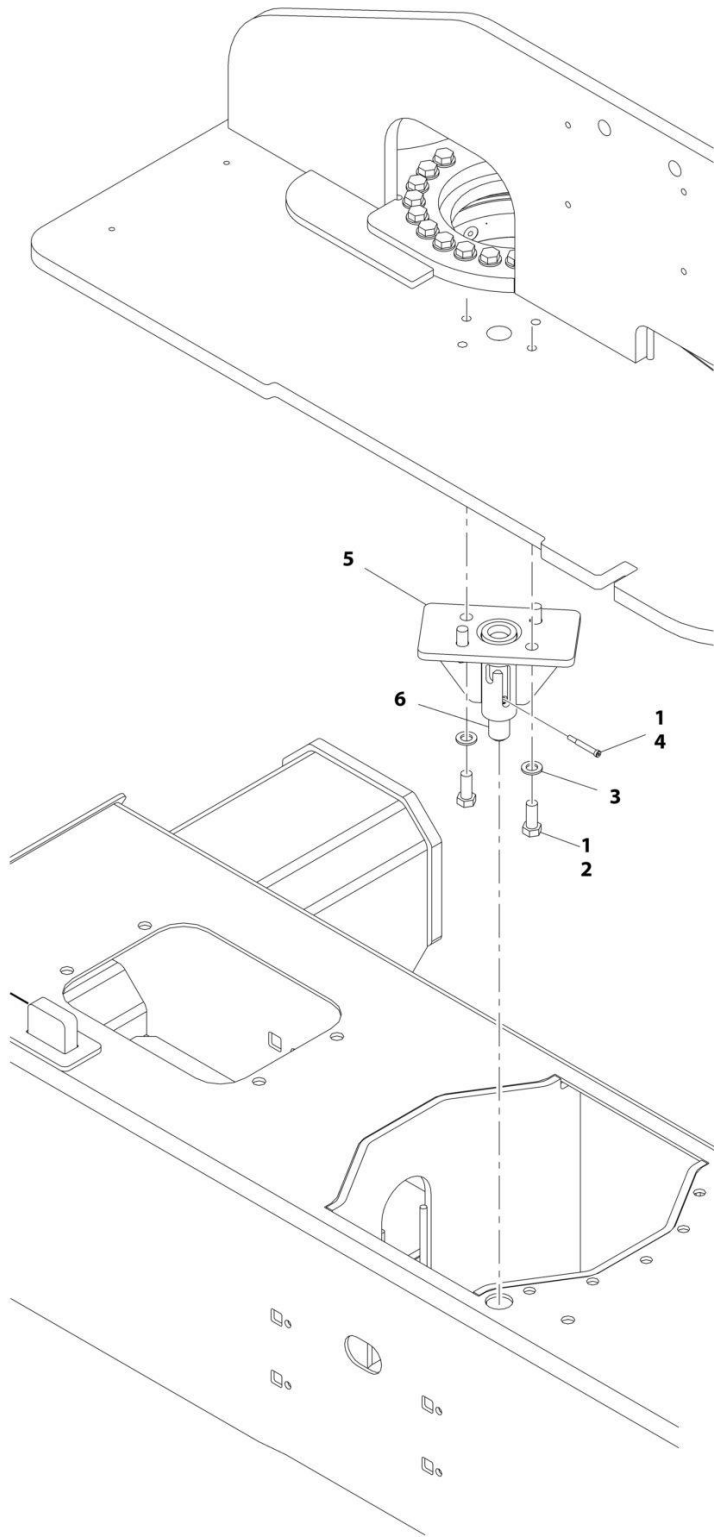
**SECTION 2 - TURNTABLE**

**FIGURE 2-7. TURNTABLE COVERS INSTALLATION**

<b>ITEM</b>	<b>PART NUMBER</b>	<b>QTY</b>	<b>DESCRIPTION</b>	<b>REV</b>
	1001219129	Ref	TURNTABLE COVERS INSTALLATION	A
1	0100011	AR	Compound, Locking	
2	5250812	1	Bolt M8 x 25	
3	5260800	2	Nut M8	
4	1001119228	2	Nut M8	
5	1001218533	1	Cover	
6	1001218535	1	Plate, Mounting	
7	1001218537	1	Cover	
8	4060806	2 ft/0.6m	Shield, Flex	

**SECTION 2 - TURNTABLE**

**FIGURE 2-8. TURNTABLE LOCK INSTALLATION**



ART\_1001177820

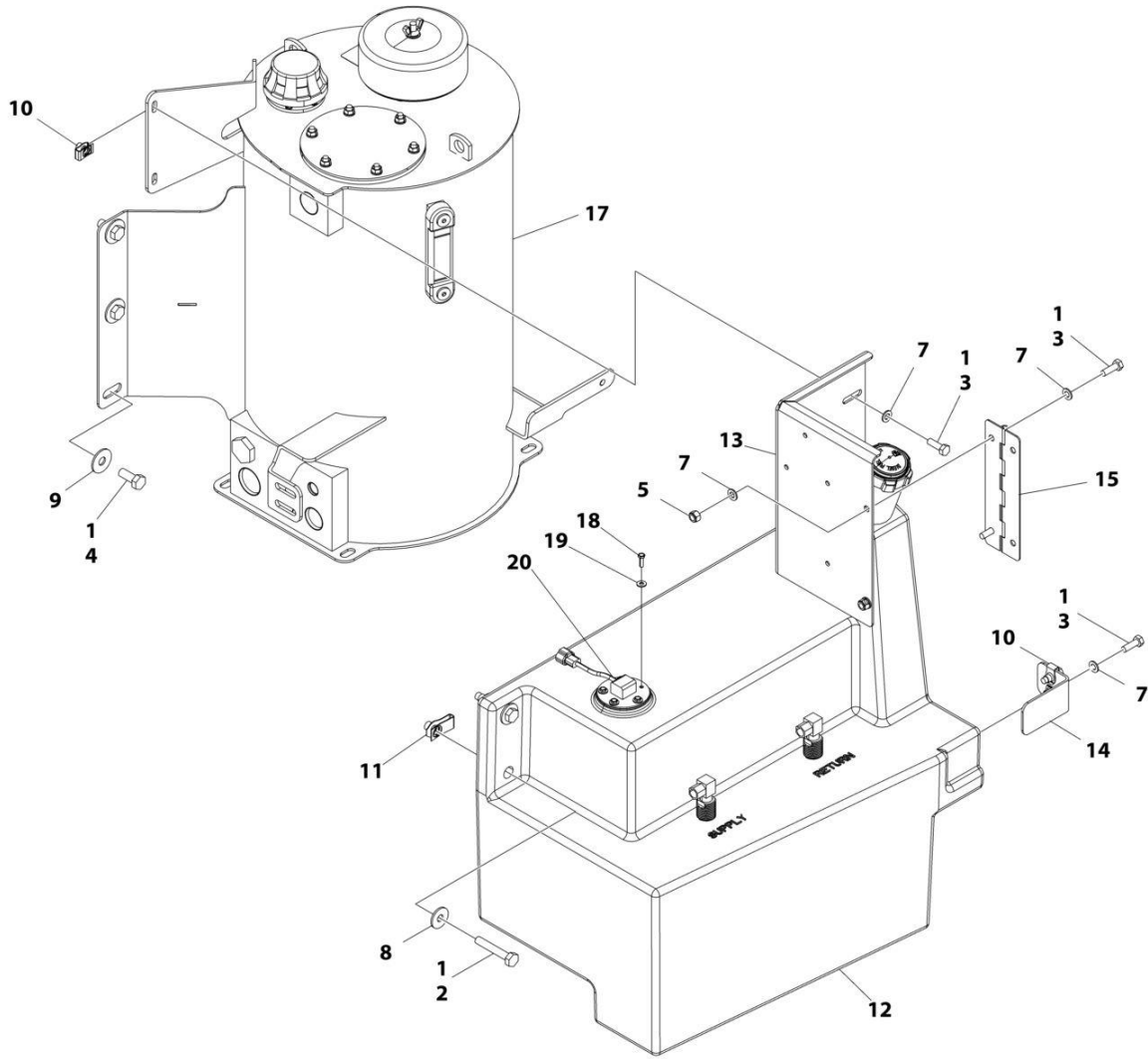
**SECTION 2 - TURNTABLE**

**FIGURE 2-8. TURNTABLE LOCK INSTALLATION**

<b>ITEM</b>	<b>PART NUMBER</b>	<b>QTY</b>	<b>DESCRIPTION</b>	<b>REV</b>
	1001177820	Ref	TURNTABLE LOCK INSTALLATION	B
1	0100011	AR	Compound, Locking	
2	0701616	4	Bolt M16 x 40	
3	4812300	4	Washer M16	
4	1001157466	1	Bolt M10 x 30	
5	1001177821	1	Support, Lock	
6	1001177834	1	Pin, Lock	
7	1001223118	1	Decal – Lift Diagram (Not Shown)	

# SECTION 2 - TURNTABLE

## FIGURE 2-9. TANKS INSTALLATION



ART\_1001282831\_B

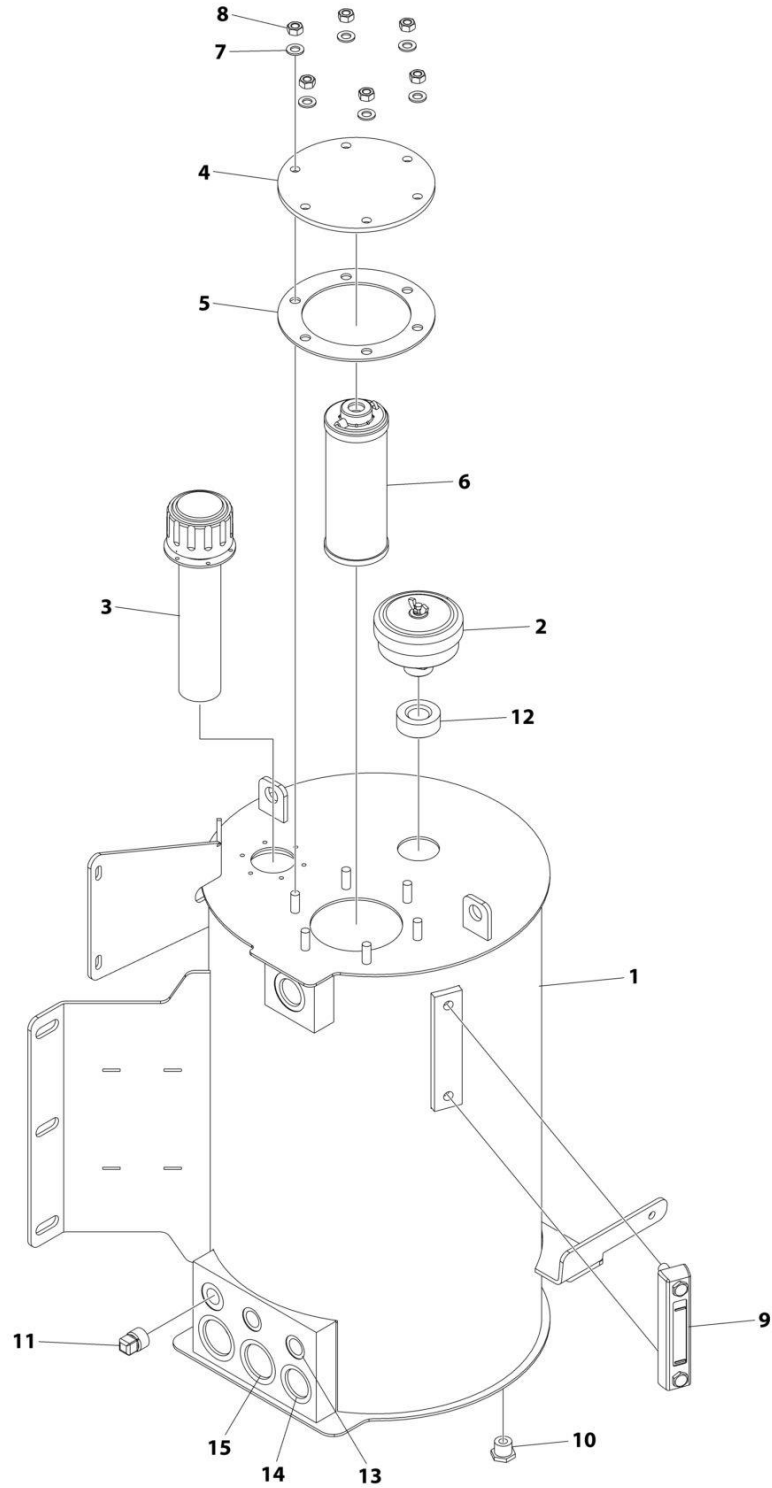
## SECTION 2 - TURNTABLE

### FIGURE 2-9. TANKS INSTALLATION

ITEM	PART NUMBER	QTY	DESCRIPTION	REV
	1001282831	Ref	TANKS INSTALLATION - DIESEL MACHINES	B
1	0100011	AR	Compound, Locking	
2	0701020	2	Bolt M10 x 60	
3	0760812	6	Bolt M8 x 25	
4	0761214	6	Bolt M12 x 30	
5	3290805	2	Nut, Lock M8	
7	4811900	8	Washer M8	
8	4812002	2	Washer M10	
9	4812102	6	Washer M12	
10	1001118274	4	Nut M8	
11	1001118972	2	Nut M10	
12	1001284957	1	Fuel Tank Assembly	
12	0100020	AR	Compound, Locking	
12	1001193336	1	Cap, Fuel	
13	1001169898	1	Support, Ground Control	
14	1001170480	1	Support, Tank	
15	1001179339	1	Hinge	
17	1001274525	1	Hydraulic Tank Assembly (See Separate Breakdown in this Section)	
18	0731005	5	Bolt #10 x 5/8	
19	4751000	5	Washer #10	
20	1001274217	1	Gauge, Fuel Level	
20	4460897	1	Connector	
20	1001116693	2	Pin	

# SECTION 2 - TURNTABLE

## FIGURE 2-10. HYDRAULIC TANK ASSEMBLY



ART\_1001274525

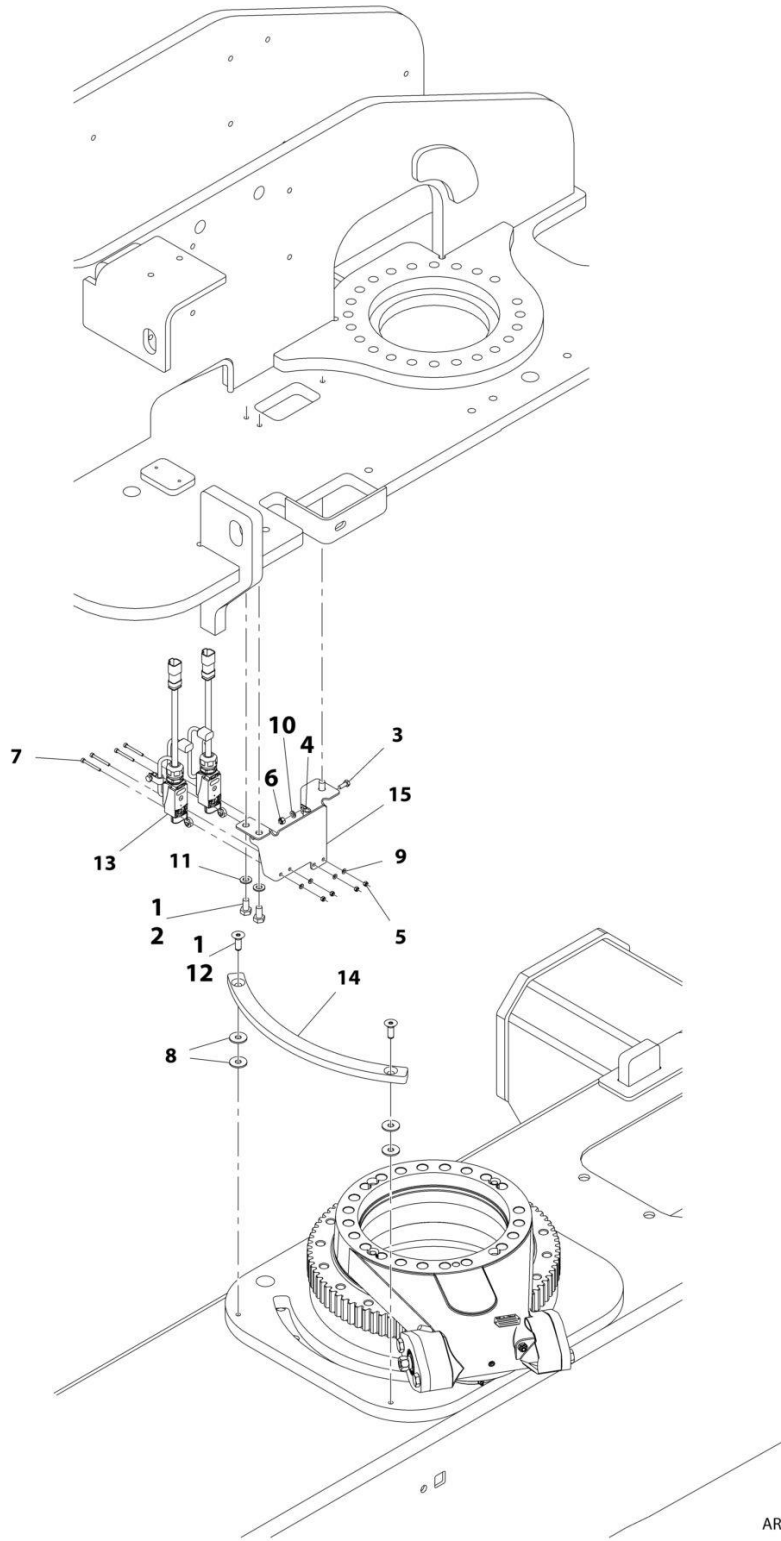
**SECTION 2 - TURNTABLE**

**FIGURE 2-10. HYDRAULIC TANK ASSEMBLY**

ITEM	PART NUMBER	QTY	DESCRIPTION	REV
	1001274525	Ref	HYDRAULIC TANK ASSEMBLY	A
1	See Note	NSS	Tank (Note: Not Available for Purchase)	
2	70008258	1	Breather	
3	70008253	1	Cap, Fill	
4	70008259	1	Cover	
5	70008260	1	Gasket	
6	70008261	1	Filter	
7	70008262	6	Washer	
8	70008263	6	Nut M10	
9	70008264	1	Gauge, Level	
10	70008254	1	Plug 7/8	
11	70008265	1	Plug	
12	70008266	1	O-Ring	
13	70008256	2	Cover 3/4	
14	70008267	2	Cover 1-5/16	
15	70008268	2	Cover 1-5/8	

# SECTION 2 - TURNTABLE

## FIGURE 2-11. DRIVE ORIENTATION INSTALLATION



ART\_1001166767



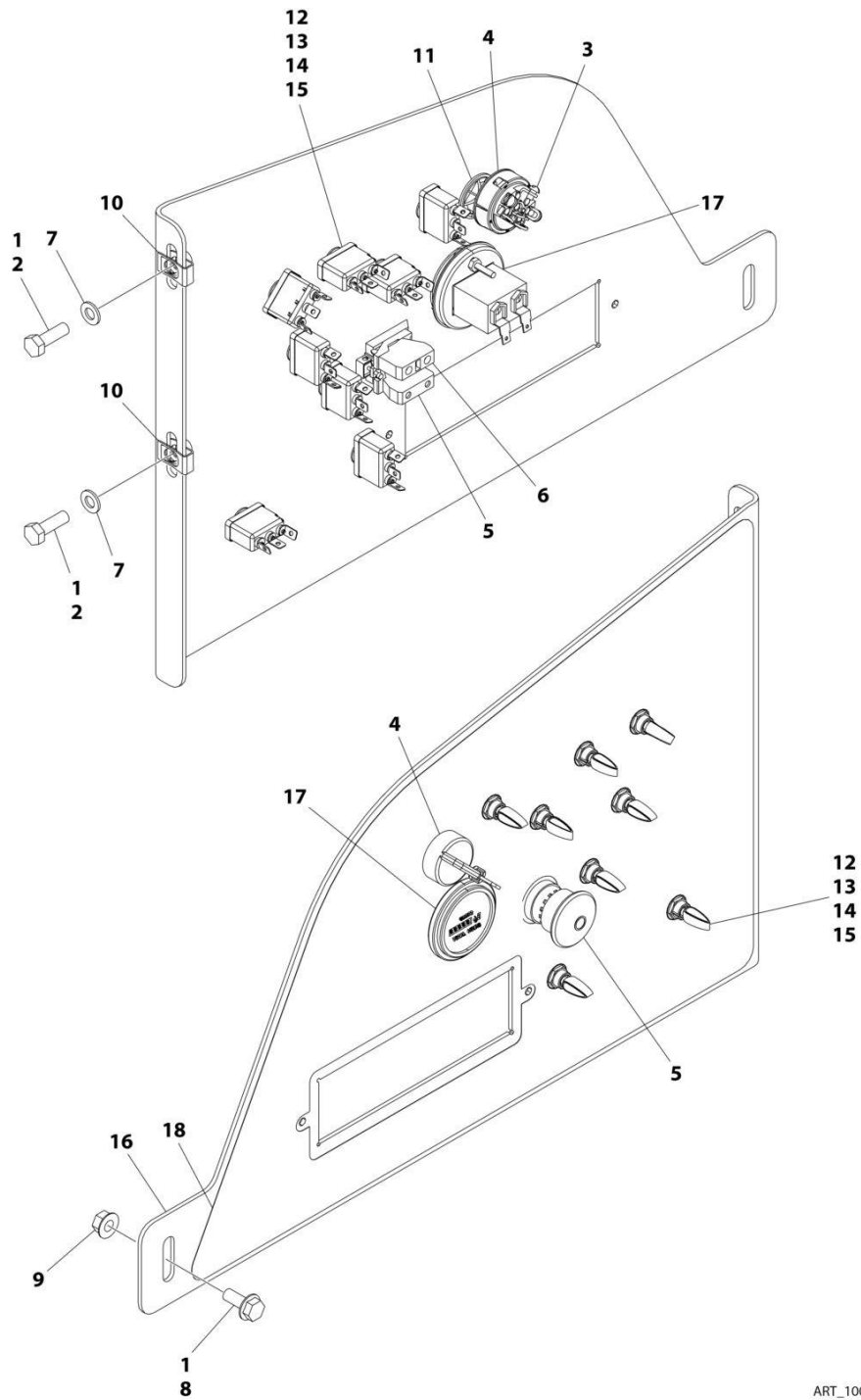
**SECTION 2 - TURNTABLE**

**FIGURE 2-11. DRIVE ORIENTATION INSTALLATION**

ITEM	PART NUMBER	QTY	DESCRIPTION	REV
	1001166767	Ref	DRIVE ORIENTATION INSTALLATION	F
1	0100011	AR	Compound, Locking	
2	0761010	3	Bolt M10 x 20	
3	0760608	2	Bolt M6 x 16	
4	1321293	2	Clamp, Cable	
5	3290405	4	Nut M4	
6	3290605	2	Nut M6	
7	4031512	4	Capscrew M4 x 40	
8	4812002	4	Washer M10	
9	4811400	4	Washer M4	
10	4811700	2	Washer M6	
11	4812000	3	Washer M10	
12	8310614	2	Screw M10 x 30	
13	1001119176	2	Switch, Limit	
13	1001129407	1	Receptacle, Female - 4 Position	
13	4460464	4	Pin, Male	
14	1001162106	1	Cam	
15	1001166768	1	Bracket	
16	8881800	AR	Tie-Strap (Not Shown)	

# SECTION 2 - TURNTABLE

FIGURE 2-12. GROUND CONTROL ASSEMBLY (ANSI EXPORT, CHINA & AUSTRALIAN SPECS)



ART\_1001246450\_D

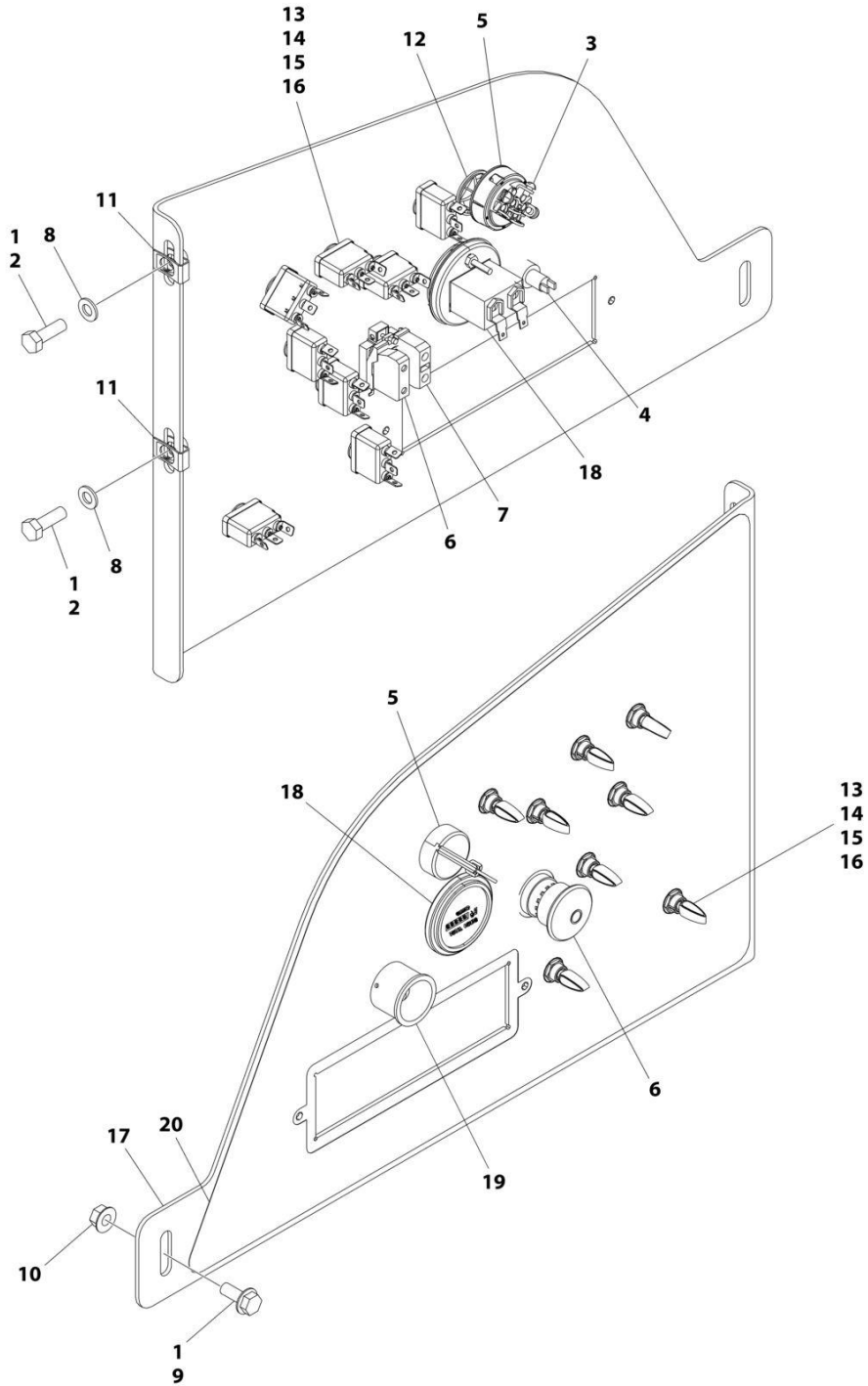
## SECTION 2 - TURNTABLE

**FIGURE 2-12. GROUND CONTROL ASSEMBLY (ANSI EXPORT, CHINA & AUSTRALIAN SPECS)**

ITEM	PART NUMBER	QTY	DESCRIPTION	REV
	1001246450	Ref	GROUND CONTROL ASSEMBLY	D
1	0100011	AR	Compound, Locking	
2	0760812	2	Bolt M8 x 25	
3	3910804	3	Screw M8 x 1/4	
4	4360469	1	Switch, Key	
4	2860030	1	Key, Replacement	
5	1001274559	1	Switch, Emergency	
6	4360476	1	Block, Contact	
7	4811900	2	Washer M8	
8	5250810	1	Bolt M8 x 20	
9	5260800	1	Nut M8	
10	1001118274	2	Nut M8	
11	1001151393	1	Shim .063	
12	1001155043	8	Washer	
13	1001155044	8	Nut, Special 15/32-32	
14	1001155045	8	Switch, Toggle	
15	1001162807	8	Washer	
16	1001297389	1	Panel, Ground Control	
17	10836804	1	Gauge, Display	
18	1001264733	1	Decal - Ground Control	

# SECTION 2 - TURNTABLE

FIGURE 2-13. GROUND CONTROL ASSEMBLY (CE(LRC), CIS/EAC & UK CA SPECS)



ART\_1001246451\_D

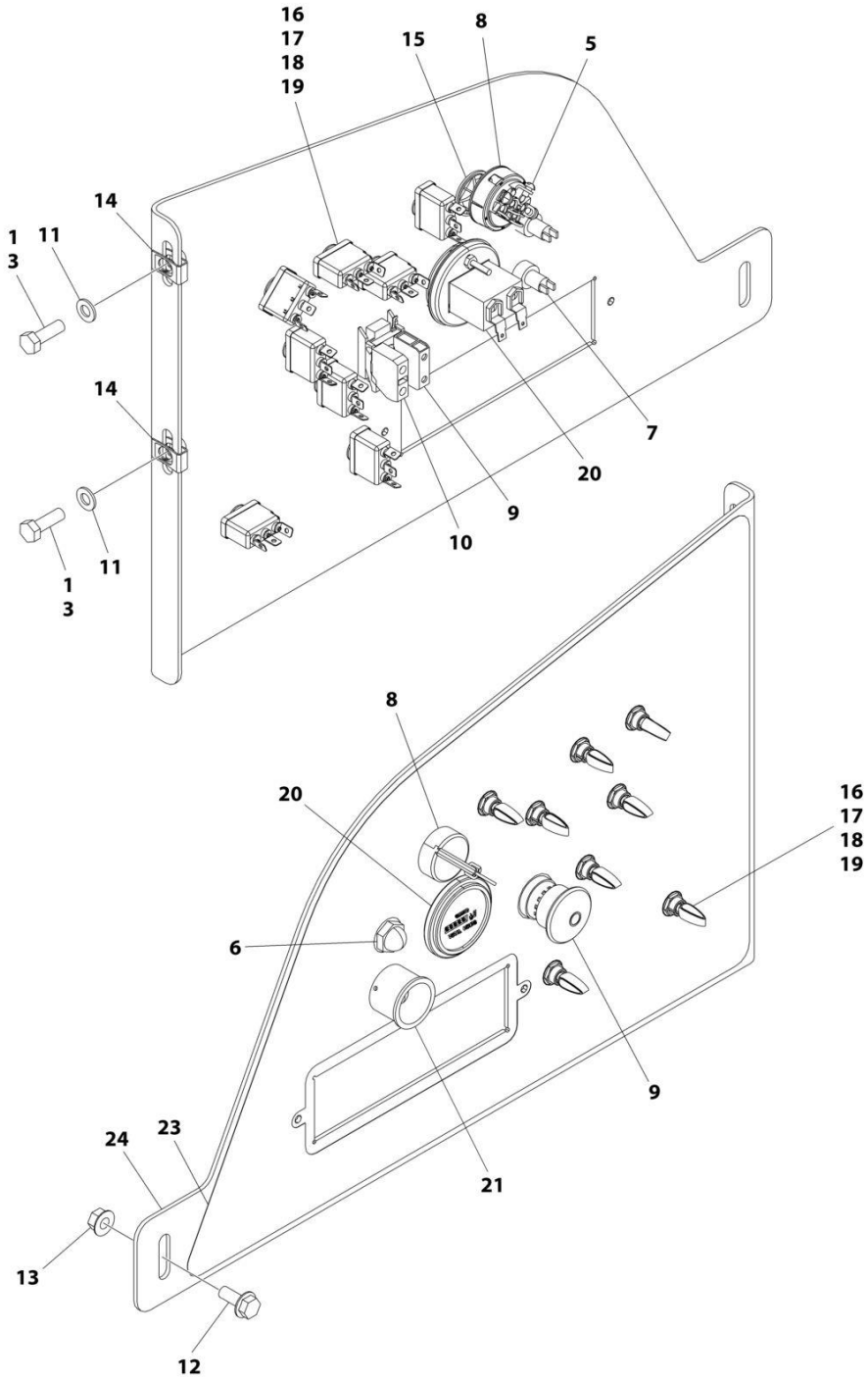
## SECTION 2 - TURNTABLE

**FIGURE 2-13. GROUND CONTROL ASSEMBLY (CE(LRC), CIS/EAC & UK CA SPECS)**

ITEM	PART NUMBER	QTY	DESCRIPTION	REV
	1001246451	Ref	GROUND CONTROL ASSEMBLY	D
1	0100011	AR	Compound, Locking	
2	0760812	2	Bolt M8 x 25	
3	3910804	3	Screw M8 x 1/4	
4	4360387	1	Switch, Push Button	
5	4360469	1	Switch, Key	
5	2860030	1	Key, Replacement	
6	1001274559	1	Switch, Emergency	
7	4360476	1	Block, Contact	
8	4811900	2	Washer M8	
9	5250810	1	Bolt M8 x 20	
10	5260800	1	Nut M8	
11	1001118274	2	Nut M8	
12	1001151393	1	Shim .063	
13	1001155043	8	Washer	
14	1001155044	8	Nut, Special 15/32-32	
15	1001155045	8	Switch, Toggle	
16	1001162807	8	Washer	
17	1001297389	1	Panel, Ground Control	
18	10836804	1	Gauge, Display	
19	1001176469	1	Shroud, Switch	
20	1001264732	1	Decal - Ground Control	

# SECTION 2 - TURNTABLE

## FIGURE 2-14. GROUND CONTROL ASSEMBLY (CE & UK CA SPECS)



ART\_1001245656\_E

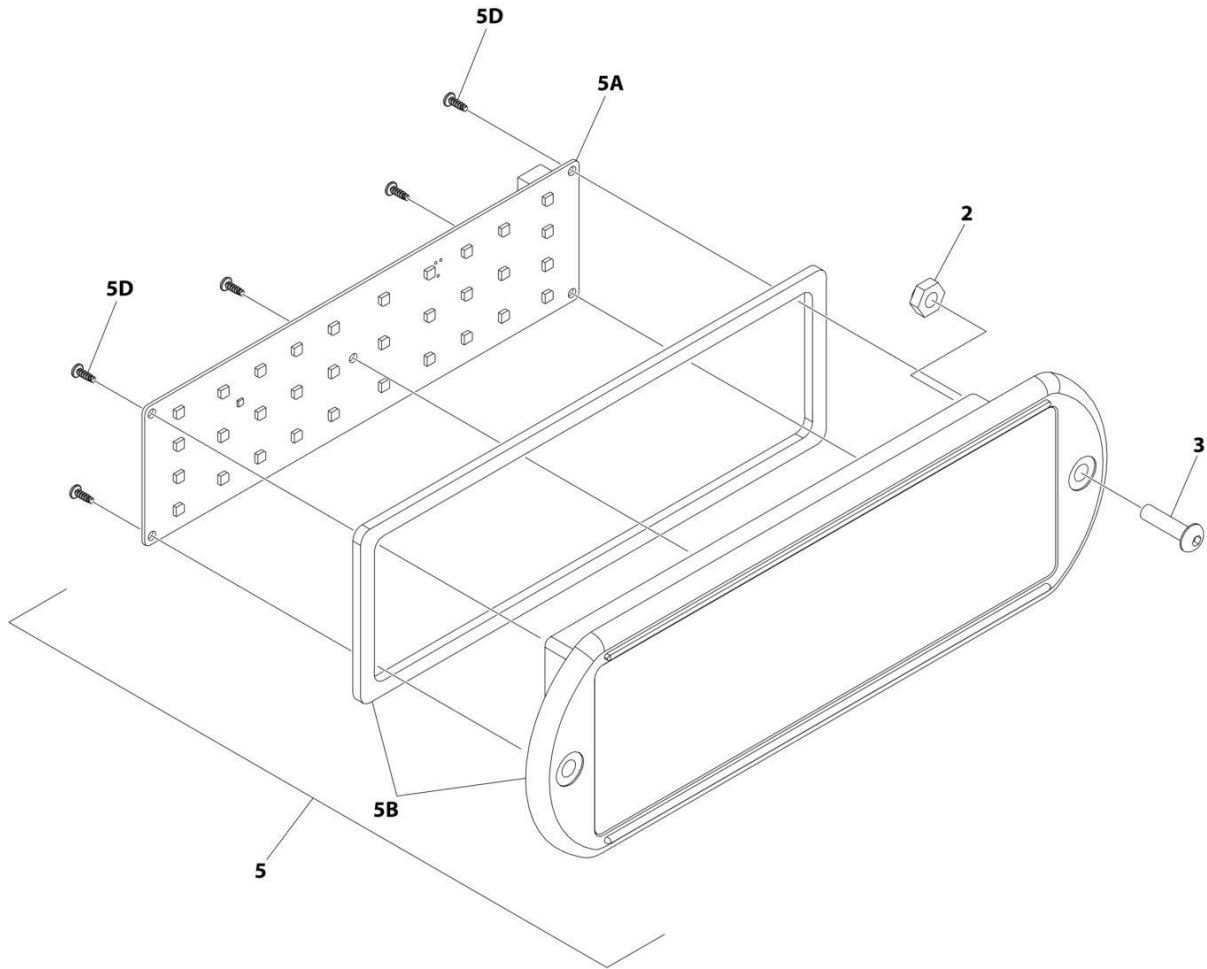
**SECTION 2 - TURNTABLE**

**FIGURE 2-14. GROUND CONTROL ASSEMBLY (CE & UK CA SPECS)**

ITEM	PART NUMBER	QTY	DESCRIPTION	REV
	1001245656	Ref	GROUND CONTROL ASSEMBLY	E
1	0100011	AR	Compound, Locking	
3	0760812	2	Bolt M8 x 25	
5	3910804	3	Screw M8 x 1/4	
6	4360274	1	Switch, Push Button	
7	4360387	1	Switch, Push Button	
8	4360469	1	Switch, Key	
9	1001274559	1	Switch, Emergency	
10	4360476	1	Block, Contact	
11	4811900	2	Washer M8	
12	5250810	1	Bolt M8 x 20	
13	5260800	1	Nut M8	
14	1001118274	2	Nut M8	
15	1001151393	1	Shim .063	
16	1001155043	8	Washer	
17	1001155044	8	Nut, Special 15/32-32	
18	1001155045	8	Switch, Toggle	
19	1001162807	8	Washer	
20	10836804	1	Gauge, Display	
21	1001176469	1	Shroud, Switch	
23	1001264731	1	Decal - Ground Control	
24	1001297389	1	Panel, Ground Control	

# SECTION 2 - TURNTABLE

## FIGURE 2-15. LIGHT PANEL INSTALLATION - GROUND CONTROL



ART\_1001241398\_D\_10F2



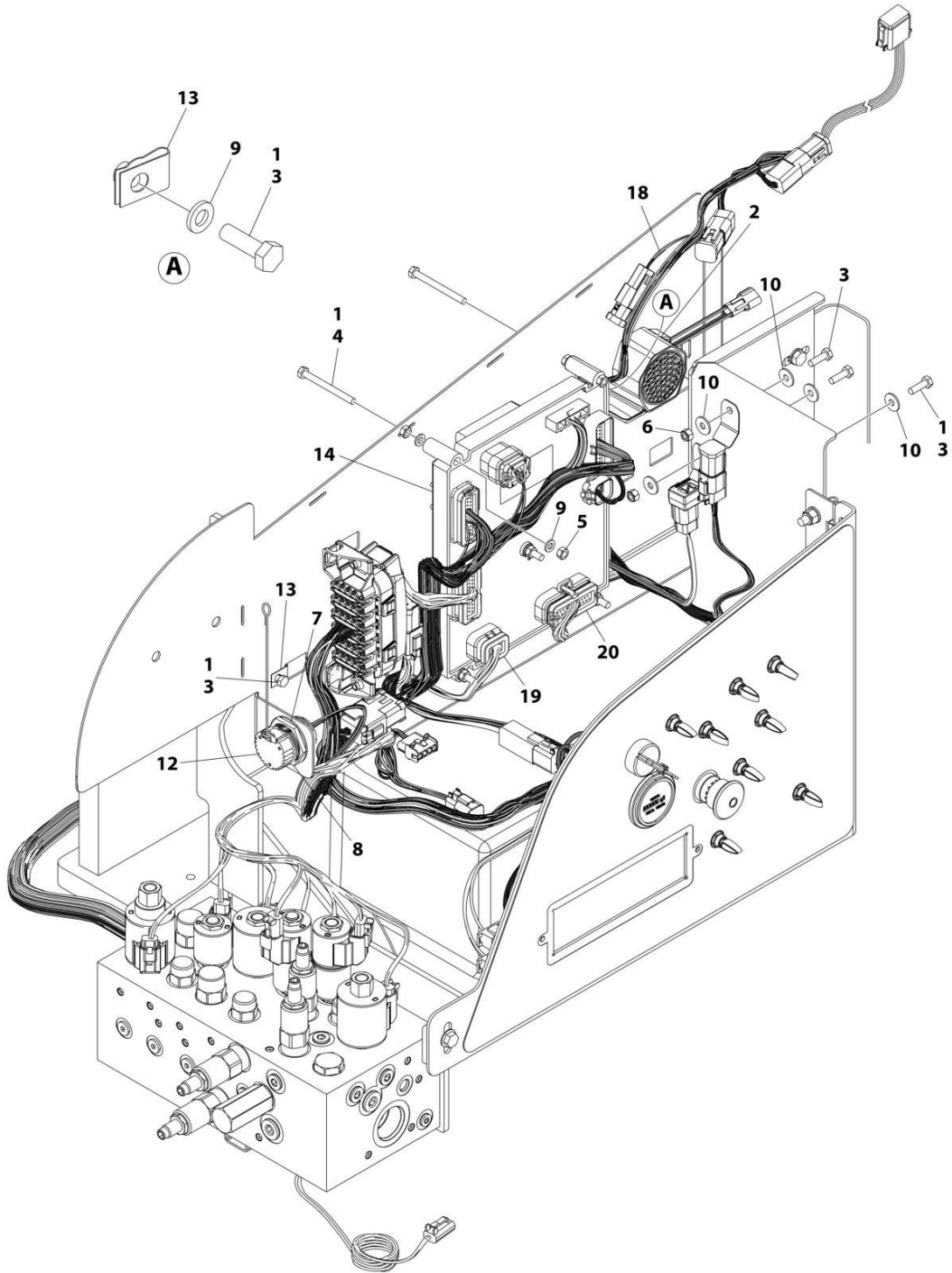
**SECTION 2 - TURNTABLE**

**FIGURE 2-15. LIGHT PANEL INSTALLATION - GROUND CONTROL**

<b>ITEM</b>	<b>PART NUMBER</b>	<b>QTY</b>	<b>DESCRIPTION</b>	<b>REV</b>
	1001241398	Ref	LIGHT PANEL INSTALLATION	D
2	3300408	2	Nut, Nylon Insert	
3	0630518	2	Screw #10 x 3/4	
5	1001237546	1	Light Panel Assembly	J
5A	1001282106	1	Panel, LED Light	
5B	1001236091	1	Lens, Icon (Includes Gasket)	
5D		Ref	Screw	

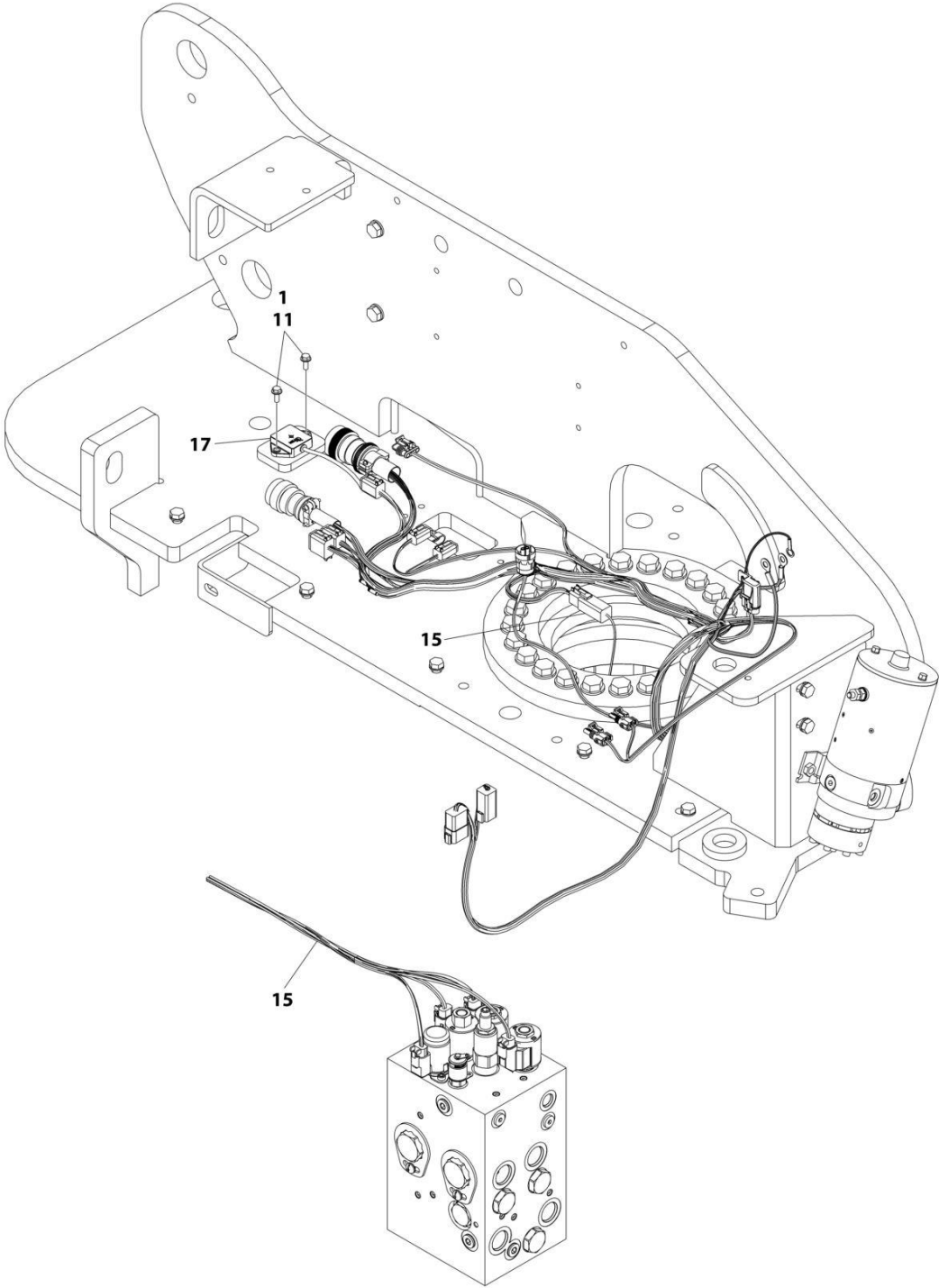
# SECTION 2 - TURNTABLE

## FIGURE 2-16. ELECTRICAL SYSTEM INSTALLATION



ART\_1001246369\_F\_10F2

**SECTION 2 - TURNTABLE**



**DETAIL OF TRACTION VALVE**

ART\_1001246369\_F\_2OF2

## SECTION 2 - TURNTABLE

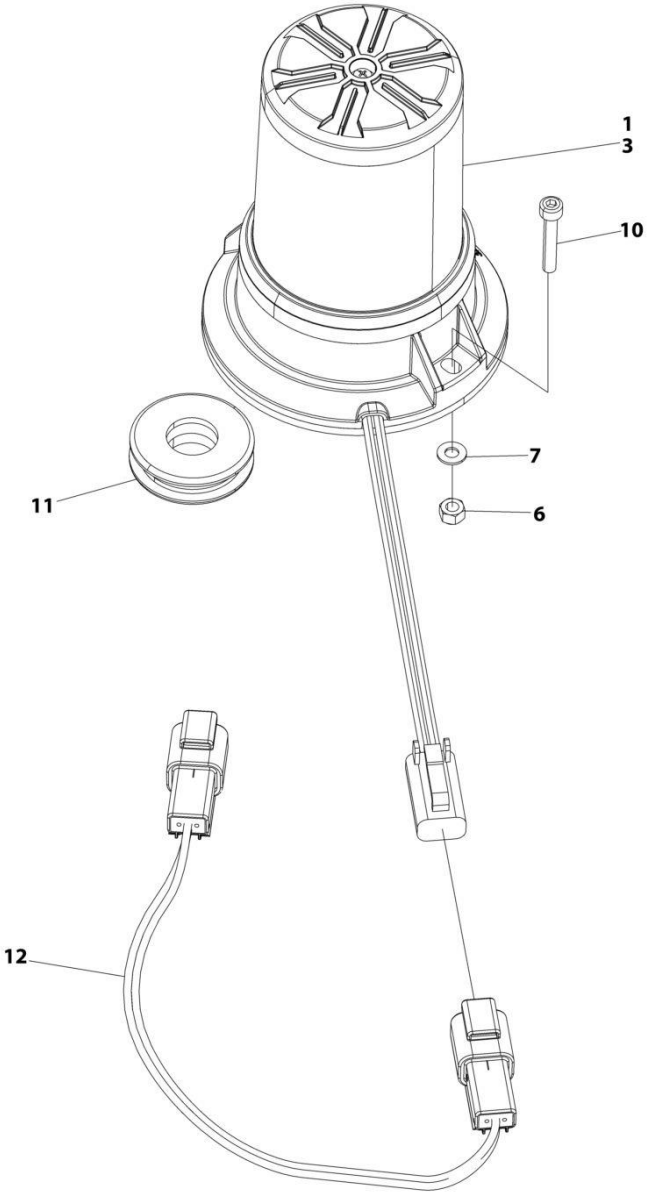
FIGURE 2-16. ELECTRICAL SYSTEM INSTALLATION

ITEM	PART NUMBER	QTY	DESCRIPTION	REV
	1001246369	Ref	ELECTRICAL SYSTEM INSTALLATION	F
1	0100011	AR	Compound, Locking	
2	0140043	1	Alarm	
3	0760610	7	Bolt M6 x 20	
4	0760621	5	Bolt M6 x 65	
5	3290601	10	Nut M6	
6	3290605	2	Nut M6	
7	4460496	1	Washer, Terminal	
8	4460497	1	Nut, Terminal	
9	4811700	12	Washer M6	
10	4811702	7	Washer M6	
11	5250608	2	Bolt M6 x 16	
12	1001106736	1	Cap, Dust	
13	1001130220	3	Nut, Tinnerman M6	
14	1001280340	1	Module, Ground Control (Note: Re-calibration Required when Replaced)	
15	1001179236	1	Chassis Solenoid Harness (See Separate Breakdown in ELECTRICAL Section)	
16	1001196637	1	Decal - Fuse Box (Not Shown)	
17	1001219601	1	Sensor	
17	1001103013	1	Connector	
18	1001311635	1	Turntable Harness (See Separate Breakdown in ELECTRICAL Section)	
19	1001282533	1	Valve Harness - Main Valve (See Separate Breakdown in ELECTRICAL Section)	
20	1001299782	1	Ground Control Panel Harness (See Separate Breakdown in ELECTRICAL Section)	
22	4240032	AR	Tie-Strap (Not Shown)	
23	4460234	AR	Mount, Tie-Strap (Not Shown)	
25	1001213448	1	Cap, Dust (Not Shown)	



**SECTION 2 - TURNTABLE**

**FIGURE 2-17. BEACON LIGHT INSTALLATION - AMBER**



ART\_1001174976\_F

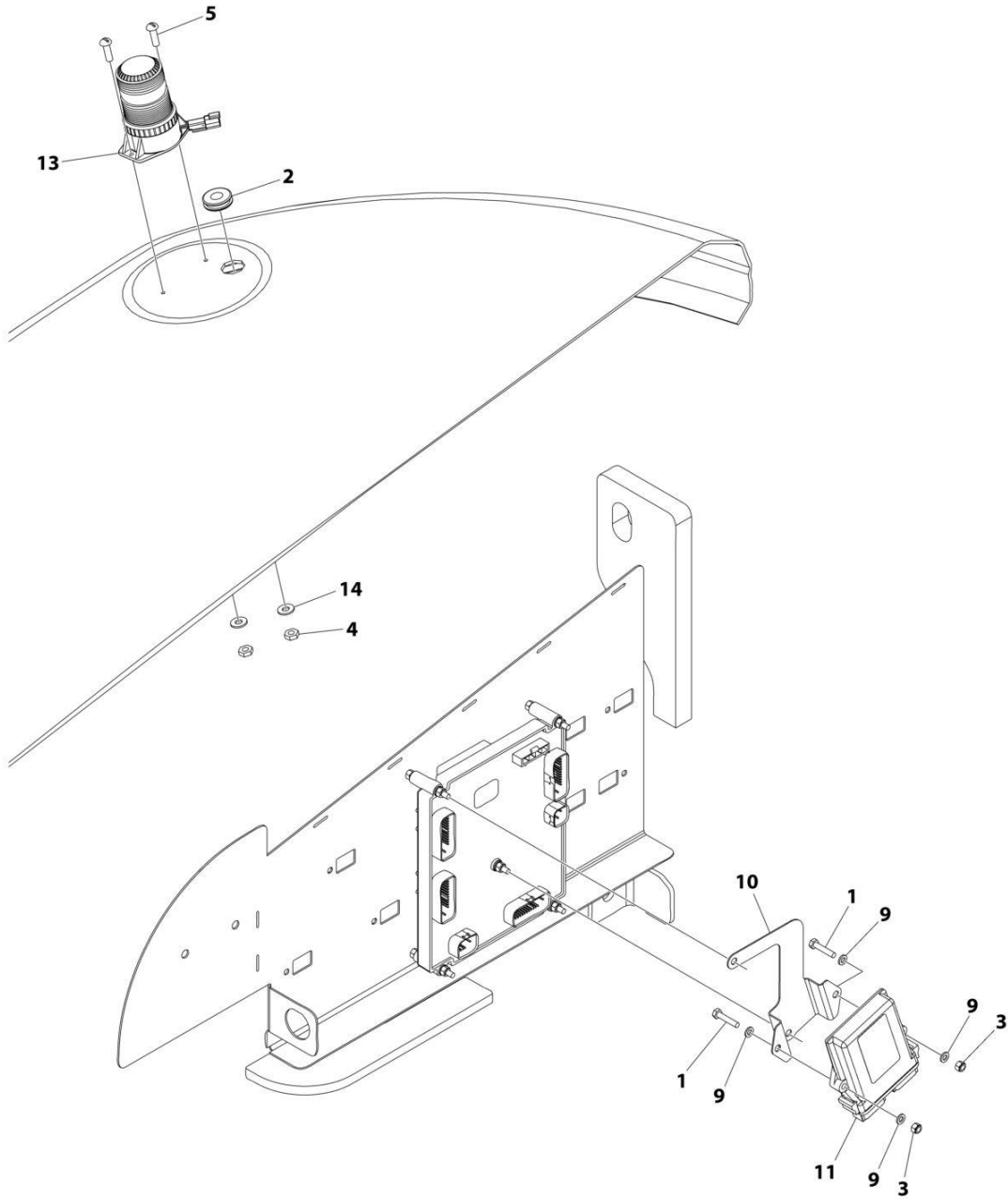
**SECTION 2 - TURNTABLE**

**FIGURE 2-17. BEACON LIGHT INSTALLATION - AMBER**

<b>ITEM</b>	<b>PART NUMBER</b>	<b>QTY</b>	<b>DESCRIPTION</b>	<b>REV</b>
	1001174976	Ref	BEACON LIGHT INSTALLATION - AMBER	F
1	0100048	AR	Compound, Silicone	
3	1001270594	1	Lamp, Strobe	
3	4460891	1	Connector	
3	4460465	2	Socket	
6	3290405	2	Nut, Lock M4	
7	4811400	2	Washer M4	
8	4240032	AR	Tie-Strap (Not Shown)	
9	4460234	AR	Mount, Tie-Strap (Noth Shown)	
10	4031509	1	Capscrew M4 x25	
11	2540020	1	Grommet	
12	1001283776	1	Harness, Beacon Jumper (See Separate Breakdown in ELECTRICAL Section)	

# SECTION 2 - TURNTABLE

## FIGURE 2-18. BEACON LIGHT INSTALLATION - BLUE



ART\_1001242855\_C



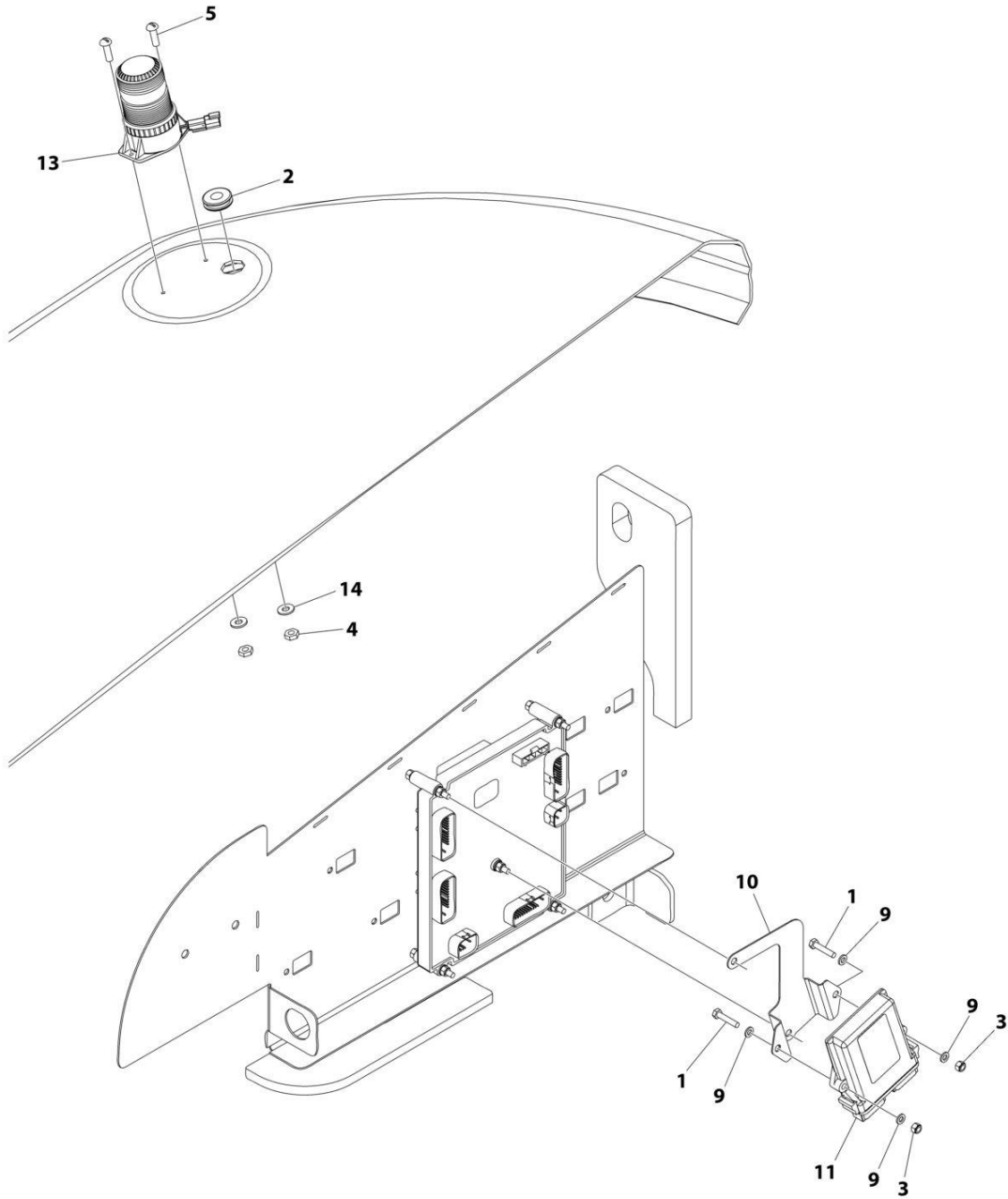
**SECTION 2 - TURNTABLE**

**FIGURE 2-18. BEACON LIGHT INSTALLATION - BLUE**

ITEM	PART NUMBER	QTY	DESCRIPTION	REV
	1001242855	Ref	BEACON LIGHT INSTALLATION - BLUE	C
1	0760614	2	Bolt M6 x 30	
2	2540020	1	Grommet	
3	3290605	2	Nut, Lock M6	
4	3290405	2	Nut, Lock M4	
5	4031509	2	Capscrew M4 x 25	
6	4240032	AR	Tie-Strap (Not Shown)	
7	4460488	AR	Mount, Tie-Strap (Not Shown)	
9	4811700	4	Washer M6	
10	1001276626	1	Mount, Module	
11	1001142683	1	Module, Control	
12	1001142736	1	Harness, Beacon (Not Shown - See Separate Breakdown in ELECTRICAL Section)	
13	1001272681	1	Lamp, Strobe	
13	4460897	1	Connector	
13	4460464	2	Pin	
14	4811400	2	Washer M4	

# SECTION 2 - TURNTABLE

## FIGURE 2-19. BEACON LIGHT INSTALLATION - RED



ART\_1001242856\_C

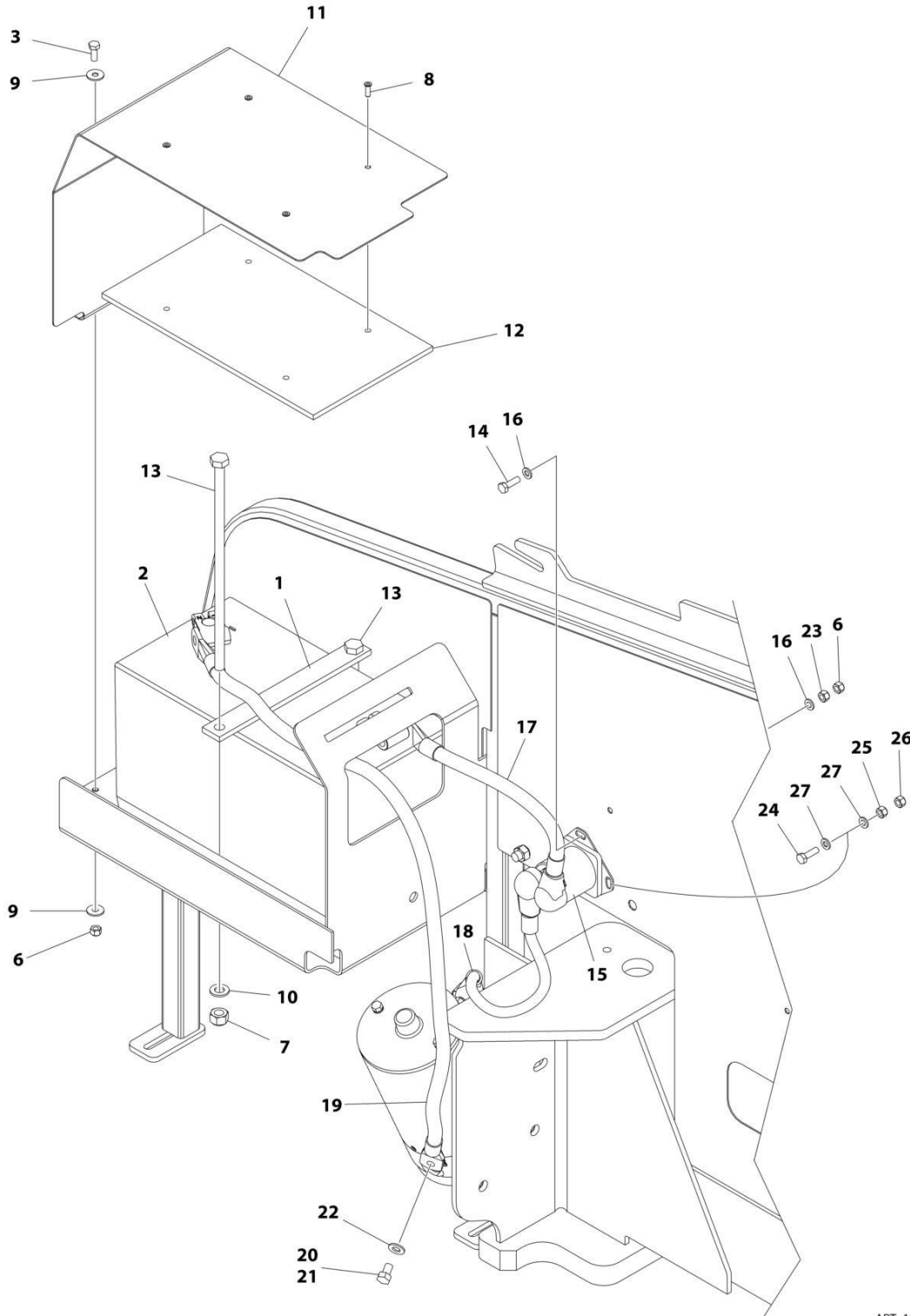
**SECTION 2 - TURNTABLE**

**FIGURE 2-19. BEACON LIGHT INSTALLATION - RED**

ITEM	PART NUMBER	QTY	DESCRIPTION	REV
	1001242856	Ref	BEACON LIGHT INSTALLATION - RED	C
1	0760614	2	Bolt M6 x 30	
2	2540020	1	Grommet	
3	3290605	2	Nut, Lock M6	
4	3290405	2	Nut, Lock M4	
5	4031509	2	Capscrew M4 x 25	
6	4240032	AR	Tie-Strap (Not Shown)	
7	4460488	AR	Mount, Tie-Strap (Not Shown)	
9	4811700	4	Washer M6	
10	1001276626	1	Mount, Module	
11	1001142683	1	Module, Control	
12	1001142736	1	Harness, Beacon (Not Shown - See Separate Breakdown in ELECTRICAL Section)	
13	1001272682	1	Lamp, Strobe	
13	4460897	1	Connector	
13	4460464	2	Pin	
14	4811400	2	Washer M4	

# SECTION 2 - TURNTABLE

## FIGURE 2-20. BATTERY AND CABLE INSTALLATION



ART\_1001166316\_H

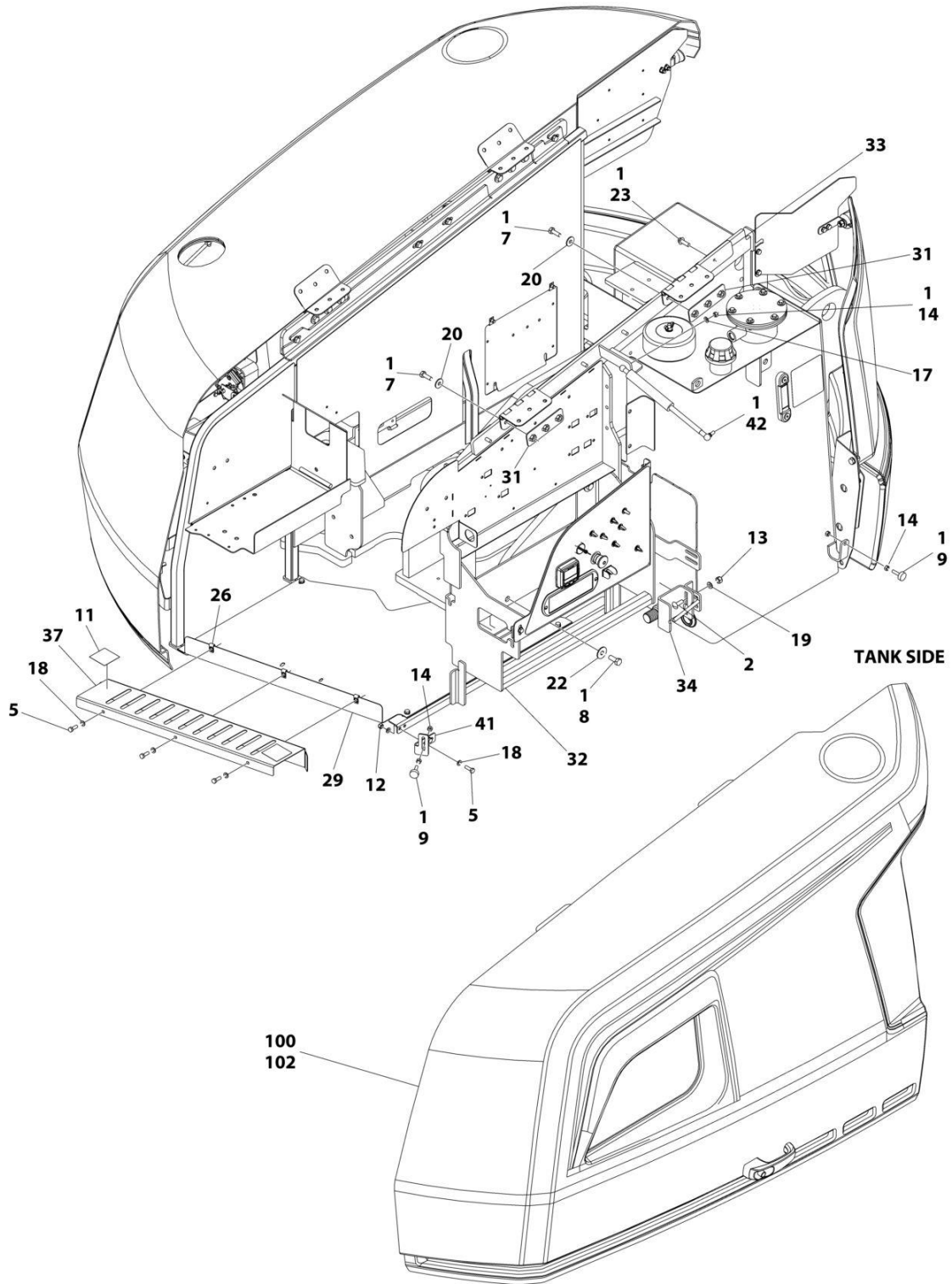
**SECTION 2 - TURNTABLE**

**FIGURE 2-20. BATTERY AND CABLE INSTALLATION**

ITEM	PART NUMBER	QTY	DESCRIPTION	REV
	1001166316	Ref	BATTERY AND CABLE INSTALLATION	H
1	0361810	1	Bar, Hold-down	
2	0400075	1	Battery	
3	0760610	2	Bolt M6 x 20	
6	3290605	3	Nut M6	
7	3291005	2	Nut M10	
8	3820032	4	Rivet	
9	4811702	4	Washer M6	
10	4812000	2	Washer M10	
11	1001117240	1	Cover	
12	1001119278	1	Insulation	
13	1001119280	2	Bolt M16 x 260	
14	0760612	1	Bolt M6 x 25	
15	3740067	1	Relay	
15	3300220	2	Nut 3/8	
15	1001111424	2	Washer 3/8	
15	3321001	1	Nut #10	
15	4761000	1	Washer #10	
16	4811700	2	Washer M6	
17	1001171678	1	Cable, Battery (Positive + to Aux Relay)	
18	1001171679	1	Cable, Battery (Aux Relay to Aux Pump)	
19	1001171680	1	Cable, Battery (Negative – to Aux Pump)	
20	0100011	AR	Compound, Locking	
21	0641504	1	Bolt 5/16 x 1/2	
22	4711500	1	Washer 5/16	
23	3290601	2	Nut M6	
24	0760512	1	Bolt M5 x 25	
25	3290501	1	Nut M5	
26	3290505	1	Nut M5	
27	4811600	2	Washer M5	

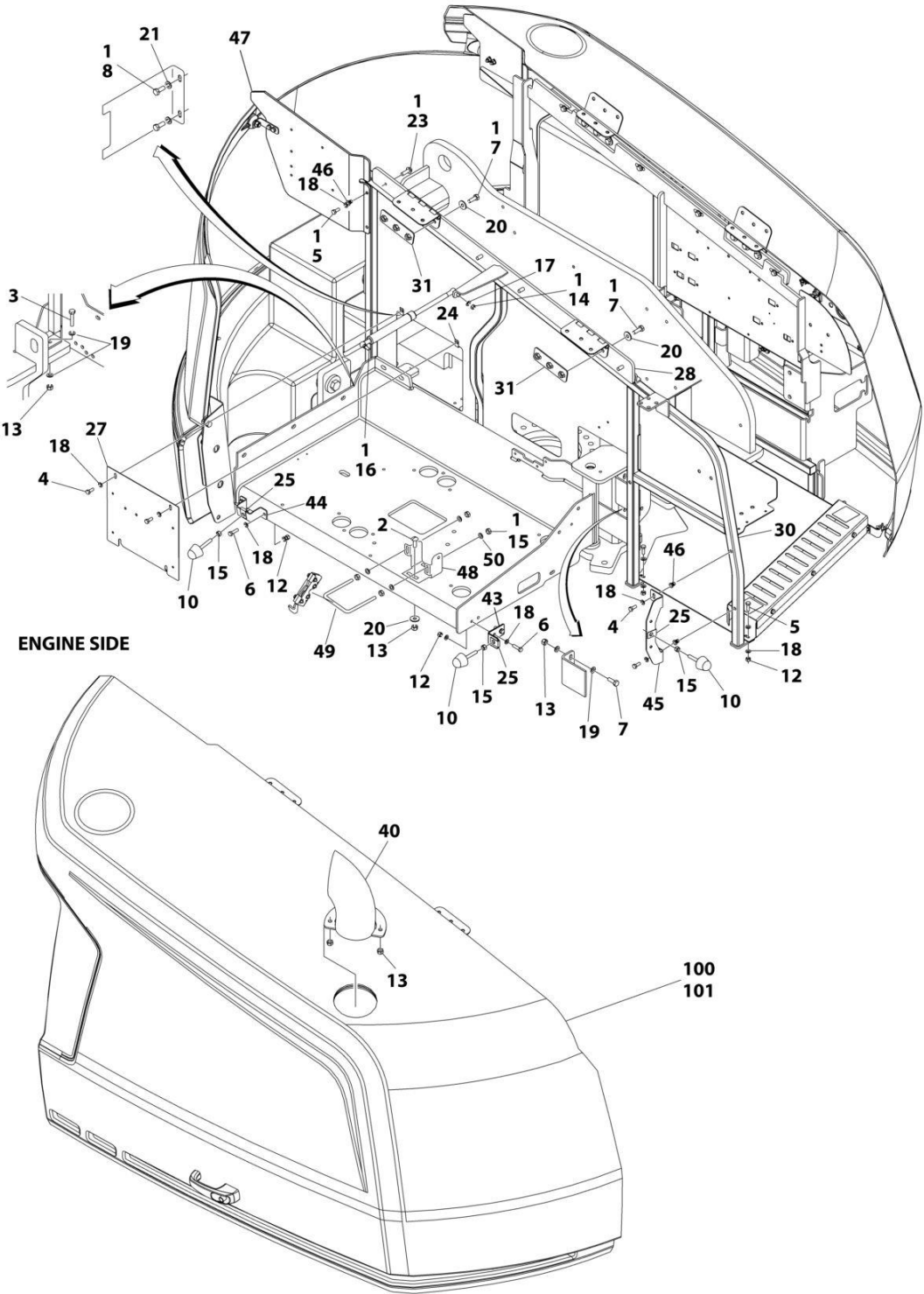
# SECTION 2 - TURNTABLE

## FIGURE 2-21. HOODS INSTALLATION (ABS)



ART\_1001241286\_D\_10F2

SECTION 2 - TURNTABLE



ART\_1001241286\_D\_20F2

## SECTION 2 - TURNTABLE

FIGURE 2-21. HOODS INSTALLATION (ABS)

ITEM	PART NUMBER	QTY	DESCRIPTION	REV
	1001241286	Ref	HOODS INSTALLATION	D
1	0100011	AR	Compound, Locking	
2	0630613	4	Bolt M10 x 30	
3	0701018	5	Bolt M10 x 50	
4	0760810	4	Bolt M8 x 20	
5	0760812	11	Bolt M8 x 25	
6	0760814	4	Bolt M8 x 30	
7	0761014	14	Bolt M10 x 30	
8	0761214	6	Bolt M12 x 30	
9	0940049	2	Bumper	
10	0940071	3	Bumper	
11	1701691	2	Decal - No Step	
12	3290805	10	Nut M8	
13	3291005	14	Nut M10	
14	3311501	6	Nut 5/16	
15	3311601	7	Nut 3/8	
16	4160182	1	Spring, Gas	
17	4711500	2	Washer 5/16	
18	4811900	29	Washer M8	
19	4812000	16	Washer M10	
20	4812002	14	Washer M10	
21	4812100	2	Washer M12	
22	4812102	4	Washer M12	
23	5251014	8	Bolt M10 x 30	
24	8310686	2	Nut, Retainer M8	
25	88662523	3	Nut, Tinnerman	
26	1001118274	3	Nut M8	
27	1001167149	1	Panel, Filler	
28	1001167159	1	Mount	
29	1001167163	1	Tray	
30	1001167169	1	Mount	
31	1001169046	4	Nut	
32	1001211716	1	Support, Hood	
33	1001170018	1	Mount	
34	1001170022	1	Mount	
37	1001171216	1	Cover	
40	1001233899	1	Pipe, Exhaust	
41	1001179904	1	Mount	
42	1001182169	1	Spring, Gas	
43	1001182875	1	Mount	
44	1001182877	1	Mount	
45	1001182879	1	Mount	
46	1001191832	4	Rivnut M8	
47	1001211717	1	Panel, Filler	
48	1001250291	1	Bracket	
49	1001243414	1	U-Bolt	
50	4891600	4	Washer 3/8	
100	1001285789	1	Hood Kit (Includes Items 101-102)	D
101	1001241295	1	Hood Assembly - Engine Side (See Separate Breakdown in this Section)	

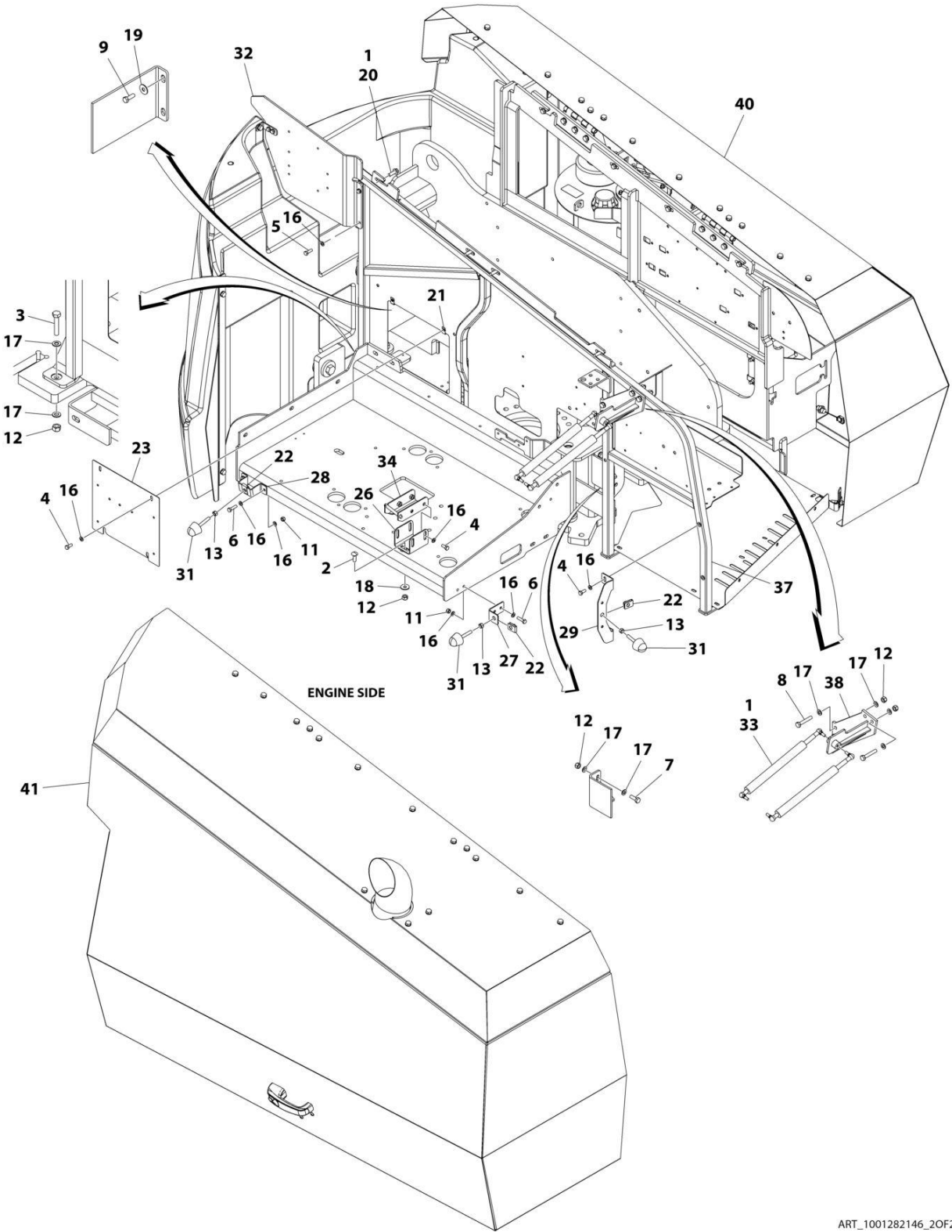


**SECTION 2 - TURNTABLE**

<b>ITEM</b>	<b>PART NUMBER</b>	<b>QTY</b>	<b>DESCRIPTION</b>	<b>REV</b>
102	1001285788	1	Hood Assembly - Tank Side (See Separate Breakdown in this Section)	



SECTION 2 - TURNTABLE



ART\_1001282146\_2OF2

## SECTION 2 - TURNTABLE

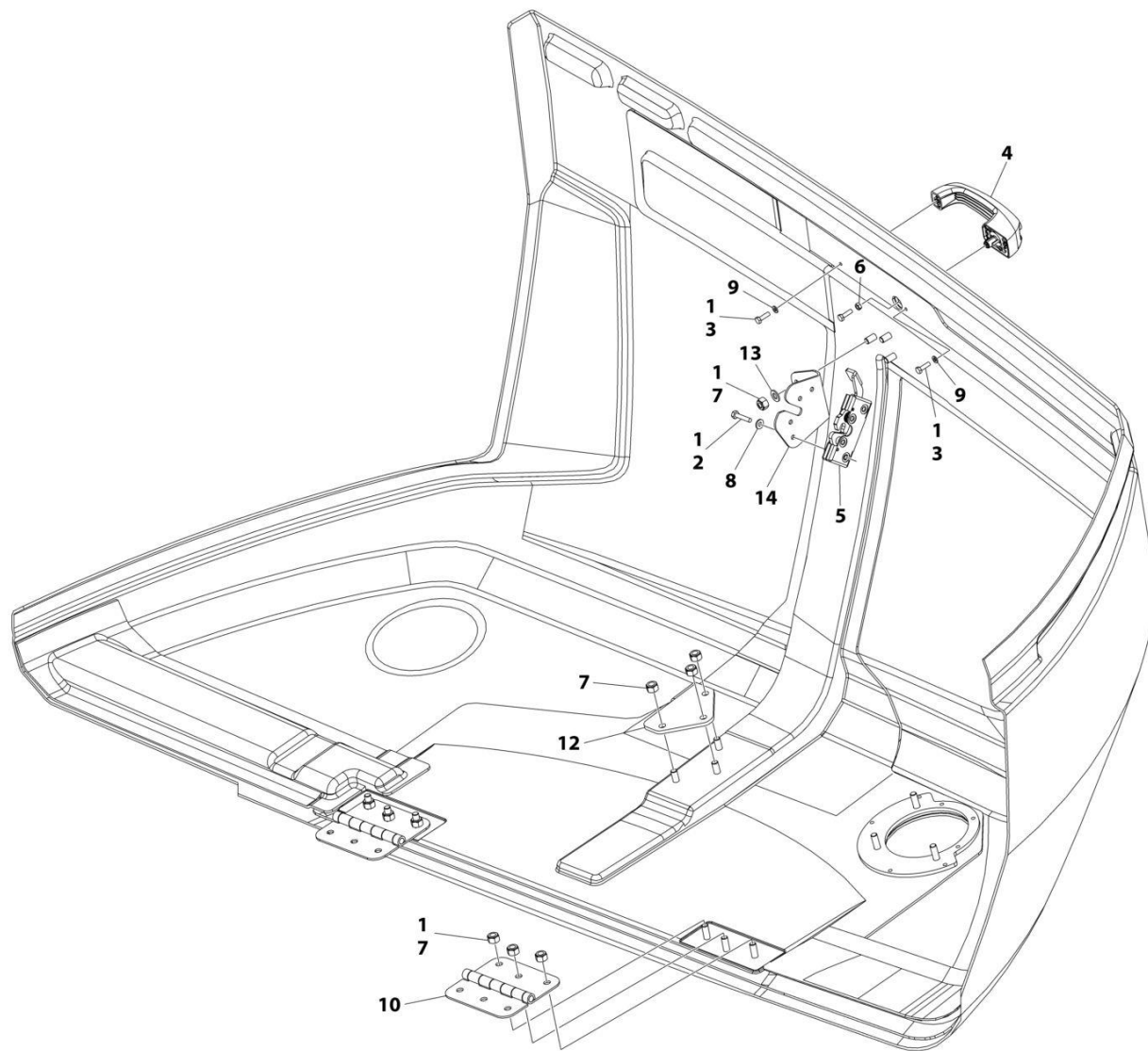
**FIGURE 2-22. HOODS INSTALLATION (STEEL)**

ITEM	PART NUMBER	QTY	DESCRIPTION	REV
	1001282146	Ref	HOODS INSTALLATION (STEEL)	D
1	0100011	AR	Compound, Locking	
2	0630613	4	Bolt M10 x 30	
3	0701018	5	Bolt M10 x 50	
4	0760810	8	Bolt M8 x 20	
5	0760812	4	Bolt M8 x 25	
6	0760814	4	Bolt M8 x 30	
7	0761014	2	Bolt M10 x 30	
8	0761020	4	Bolt M12 x 60	
9	0761215	6	Bolt M12 x 35	
10	0940088	1	Bumper	
11	3290805	6	Nut M8	
12	3291005	15	Nut M10	
13	3311601	4	Nut 3/8	
14	3321501	1	Nut 5/16	
15	3520072	1	Plug	
16	4811900	22	Washer M8	
17	4812000	24	Washer M10	
18	4812002	2	Washer M10	
19	4812102	6	Washer M12	
20	5251014	8	Bolt M10 x 30	
21	8310686	2	Nut, Retainer M8	
22	88662523	4	Nut, Tinnerman	
23	1001167149	1	Panel, Filler	
24	1001167163	1	Tray	
25	1001170022	1	Mount	
26	1001170859	1	Mount	
27	1001182875	1	Mount	
28	1001182877	1	Mount	
29	1001182879	1	Mount	
31	1001206314	4	Bumper	
32	1001211717	1	Panel, Filler	
33	1001213794	2	Spring, Gas	
34	1001223777	1	Support, Striker	
35	1001269476	1	Mount	
36	1001279651	1	Support, Hood	
37	1001280240	1	Mount	
38	1001280242	1	Mount	
39	1001280549	2	Spring, Gas	
40	1001285988	1	Hood Assembly - Tank Side (See Separate Breakdown in this Section)	
41	1001282143	1	Hood Assembly - Engine Side (See Separate Breakdown in this Section)	



## SECTION 2 - TURNTABLE

### FIGURE 2-23. HOOD ASSEMBLY (ABS) - ENGINE SIDE



**NOTE: REPLACEMENT DECALS MUST BE ORDERED SEPARATELY - SEE DECAL SECTION.**

ART\_1001241295\_E

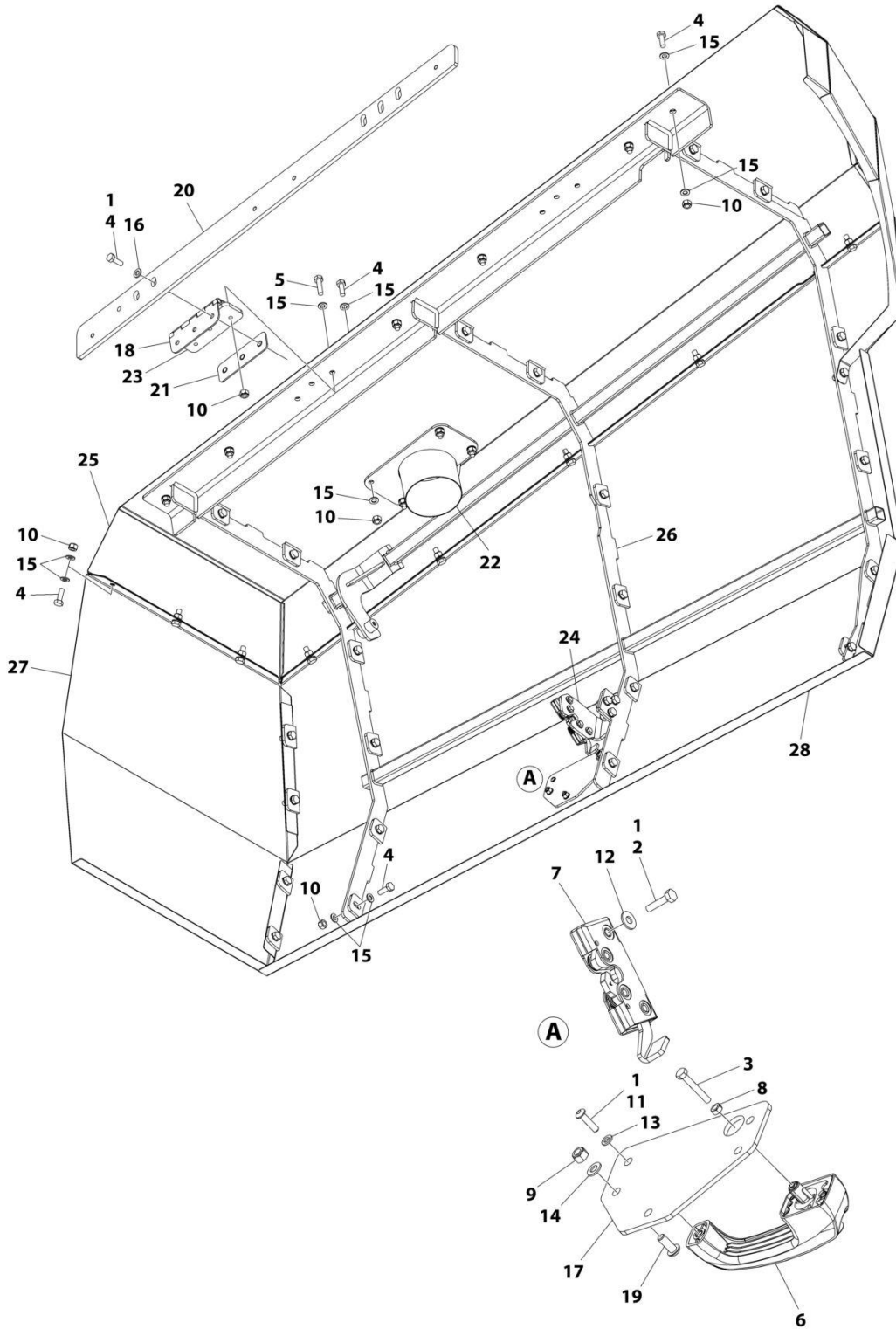
**SECTION 2 - TURNTABLE**

**FIGURE 2-23. HOOD ASSEMBLY (ABS) - ENGINE SIDE**

<b>ITEM</b>	<b>PART NUMBER</b>	<b>QTY</b>	<b>DESCRIPTION</b>	<b>REV</b>
	1001241295	Ref	HOOD ASSEMBLY - ENGINE SIDE	E
1	0100011	AR	Compound, Locking	
2	0641410	4	Bolt 1/4 x 1-1/4	
3	0760610	3	Bolt M6 x 20	
4	2560187	1	Handle	
5	2940173	1	Latch	
6	3290601	1	Nut M6	
7	3291005	12	Nut M10	
8	4711400	4	Washer 1/4	
9	4811700	2	Washer M6	
10	1001259230	2	Hinge	
12	1001178228	1	Bracket	
13	4812000	3	Washer M10	
14	1001308136	1	Support	

# SECTION 2 - TURNTABLE

## FIGURE 2-24. HOOD ASSEMBLY (STEEL) - ENGINE SIDE



ART\_1001282143



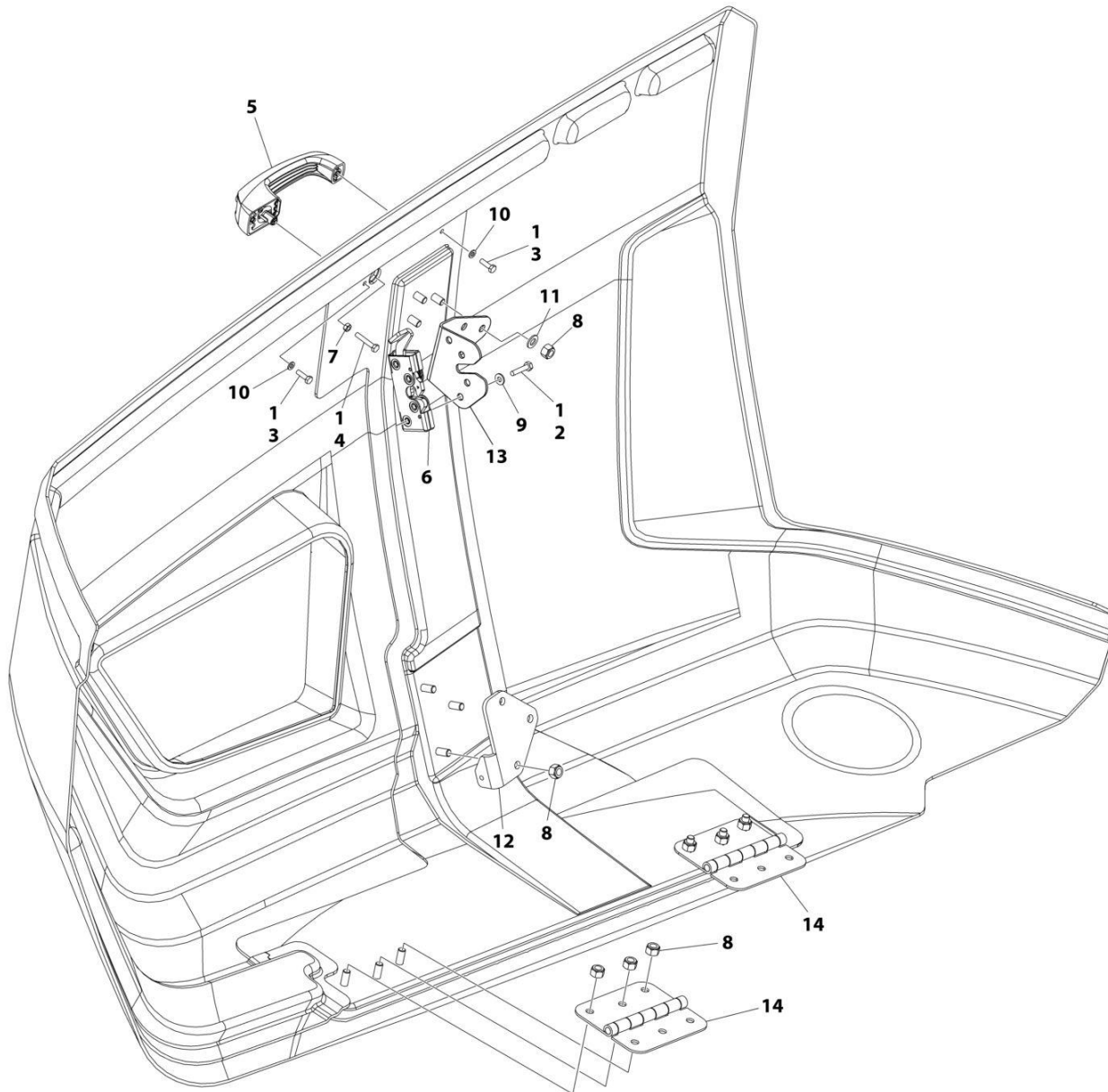
## SECTION 2 - TURNTABLE

**FIGURE 2-24. HOOD ASSEMBLY (STEEL) - ENGINE SIDE**

ITEM	PART NUMBER	QTY	DESCRIPTION	REV
	1001282143	Ref	HOOD ASSEMBLY (STEEL) - ENGINE SIDE	B
1	0100011	AR	Compound, Locking	
2	0641409	4	Bolt 1/4 x 1/8	
3	0700616	1	Bolt M6 x 40	
4	0761014	50	Bolt M10 x 30	
5	0761016	6	Bolt M10 x 40	
6	2560187	1	Handle	
7	2940173	1	Latch	
8	3290601	1	Nut M6	
9	3290805	3	Nut M8 x 1-1/4	
10	3291005	50	Nut M10 x 1-1/2	
11	3900363	2	Screw M6 x 25	
12	4751400	4	Washer 1/4	
13	4811700	2	Washer M6	
14	4811900	3	Washer M8	
15	4812000	94	Washer M10	
16	5241000	6	Washer M10	
17	1001116290	1	Plate	
18	1001139384	2	Hinge	
19	1001164726	3	Screw M8 x 20	
20	1001167157	1	Mount, Hood	
21	1001169046	2	Nut	
22	1001194888	1	Pipe, Exhaust	
23	1001202333	2	Plate, Nut	
24	1001263664	1	Bracket	
25	1001263669	1	Panel (Top)	
26	1001263677	1	Bracket	
27	1001263693	1	Panel (End)	
28	1001265389	1	Panel (Side)	

## SECTION 2 - TURNTABLE

FIGURE 2-25. HOOD ASSEMBLY (ABS) - TANK SIDE



NOTE: REPLACEMENT DECALS MUST BE ORDERED SEPARATELY - SEE DECAL SECTION.

ART\_1001285788

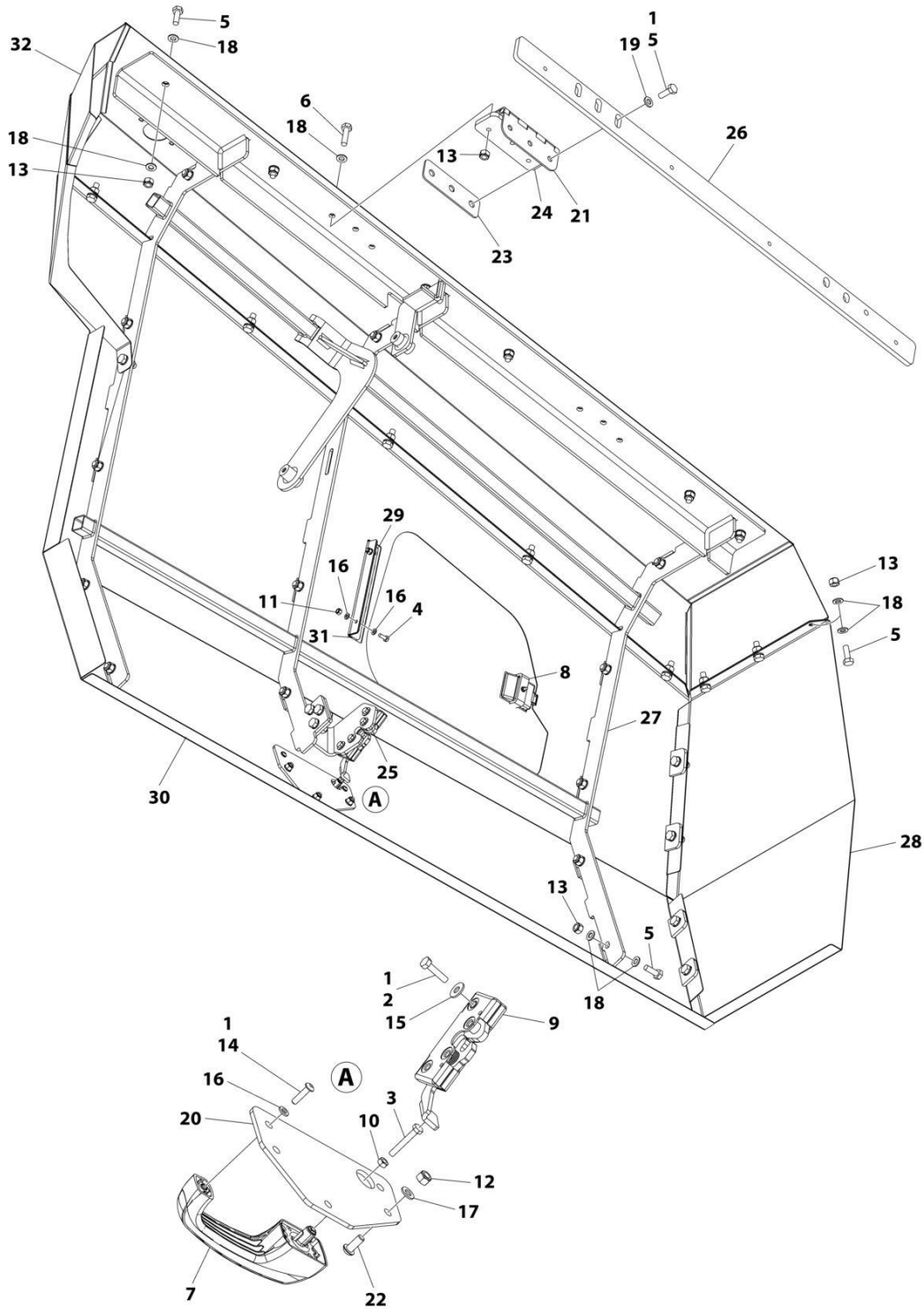
## SECTION 2 - TURNTABLE

**FIGURE 2-25. HOOD ASSEMBLY (ABS) - TANK SIDE**

ITEM	PART NUMBER	QTY	DESCRIPTION	REV
	1001285788	Ref	HOOD ASSEMBLY - TANK SIDE	D
1	0100011	AR	Compound, Locking	
2	0641410	4	Bolt 1/4 x 1-1/4	
3	0760610	2	Bolt M6 x 20	
4	0760615	1	Bolt M6 x 35	
5	2560187	1	Handle	
6	2940173	1	Latch	
7	3290601	1	Nut M6	
8	3291005	12	Nut, Lock M10	
9	4711400	4	Washer 1/4	
10	4811700	2	Washer M6	
11	4812000	3	Washer M10	
12	1001170475	1	Bracket	
13	1001203322	1	Support	
13	1001308137	1	SUPPORT,HOOD LATCH	
14	1001259230	2	Hinge	

# SECTION 2 - TURNTABLE

## FIGURE 2-26. HOOD ASSEMBLY (STEEL) - TANK SIDE



ART\_1001285988

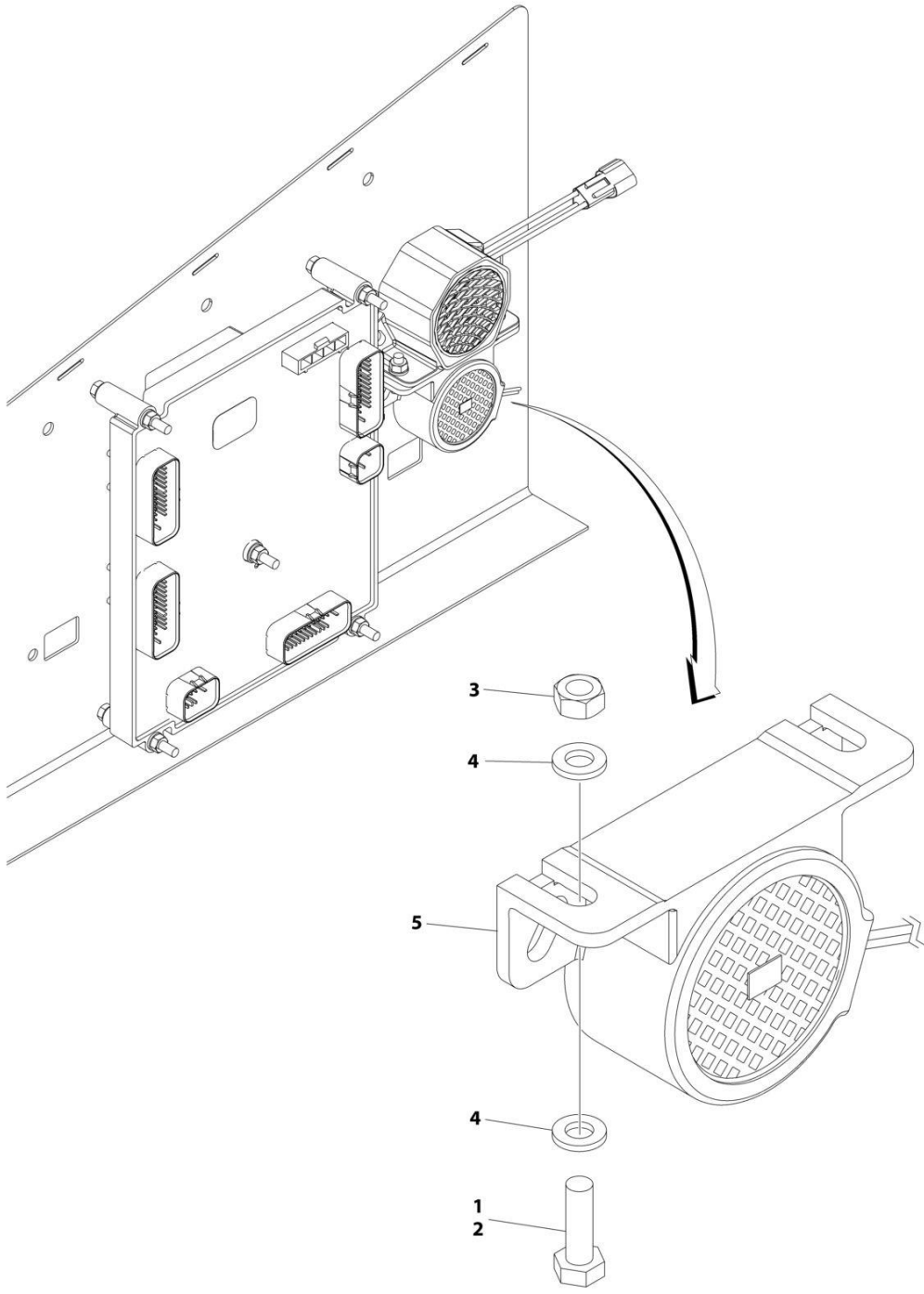
**SECTION 2 - TURNTABLE**

**FIGURE 2-26. HOOD ASSEMBLY (STEEL) - TANK SIDE**

ITEM	PART NUMBER	QTY	DESCRIPTION	REV
	1001285988	Ref	HOOD ASSEMBLY (STEEL) - TANK SIDE	B
1	0100011	AR	Compound, Locking	
2	0641409	4	Bolt 1/4 x 1/8	
3	0700616	1	Bolt M6 x 40	
4	0760608	2	Bolt M6 x 16	
5	0761014	42	Bolt M10 x 30	
6	0761016	6	Bolt M10 x 40	
7	2560187	1	Handle	
8	2940045	1	Latch	
9	2940173	1	Latch	
10	3290601	1	Nut M6	
11	3290605	2	Nut M6	
12	3290805	3	Nut M8 x 1-1/4	
13	3291005	42	Nut M10 x 1-1/2	
14	3900363	2	Screw M6 x 25	
15	4751400	4	Washer 1/4	
16	4811700	6	Washer M6	
17	4811900	3	Washer M8	
18	4812000	78	Washer M10	
19	5241000	6	Washer M10	
20	1001116290	1	Plate	
21	1001139384	2	Hinge	
22	1001164726	3	Screw M8 x 20	
23	1001169046	2	Nut	
24	1001202333	2	Plate, Nut	
25	1001263663	1	Bracket	
26	1001263668	1	Plate, Hinge	
27	1001263678	1	Bracket	
28	1001263694	1	Panel (End)	
29	1001263787	1	Door	
30	1001265390	1	Panel (Side)	
31	1001281623	4.88 ft/1.49m	Seal	
32	1001285640	1	Panel (Top)	

# SECTION 2 - TURNTABLE

## FIGURE 2-27. WHITE NOISE ALARM INSTALLATION



ART\_1001263174

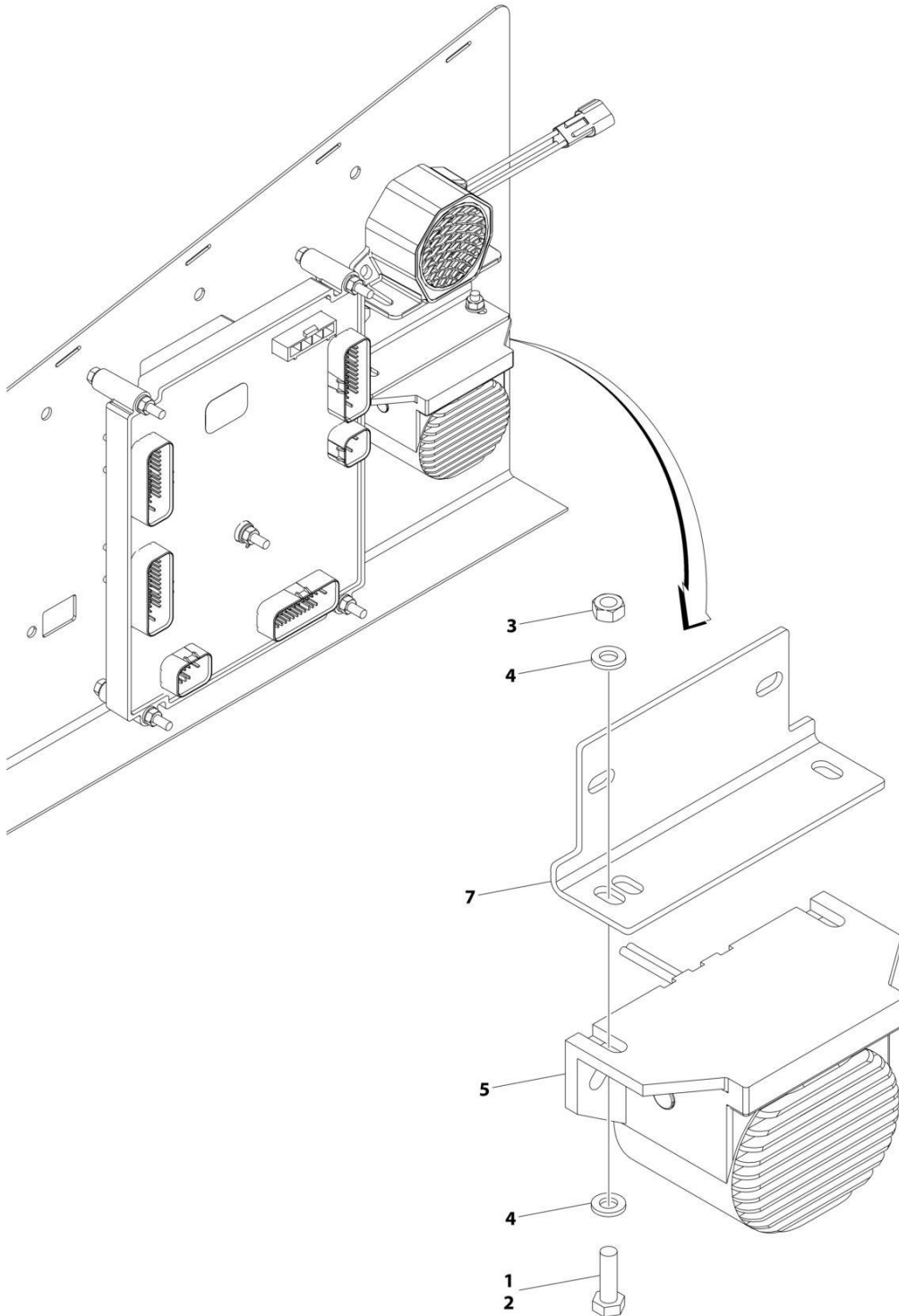
**SECTION 2 - TURNTABLE**

**FIGURE 2-27. WHITE NOISE ALARM INSTALLATION**

<b>ITEM</b>	<b>PART NUMBER</b>	<b>QTY</b>	<b>DESCRIPTION</b>	<b>REV</b>
	1001263174	Ref	WHITE NOISE ALARM INSTALLATION	A
1	0100011	AR	Compound, Locking	
2	0760610	2	Bolt M6 x 20	
3	3290601	2	Nut M6	
4	4811700	4	Washer M6	
5	1001184682	1	Alarm	
6	1001190663	1	Harness, Jumper (Not Shown)	
6	4460891	1	Connector – 2 Position	
6	4460465	2	Socket, Female	
6	4460871	2	Socket, Female	

## SECTION 2 - TURNTABLE

FIGURE 2-28. WHITE NOISE AMBIENT ALARM INSTALLATION



ART\_1001209617



**SECTION 2 - TURNTABLE**

**FIGURE 2-28. WHITE NOISE AMBIENT ALARM INSTALLATION**

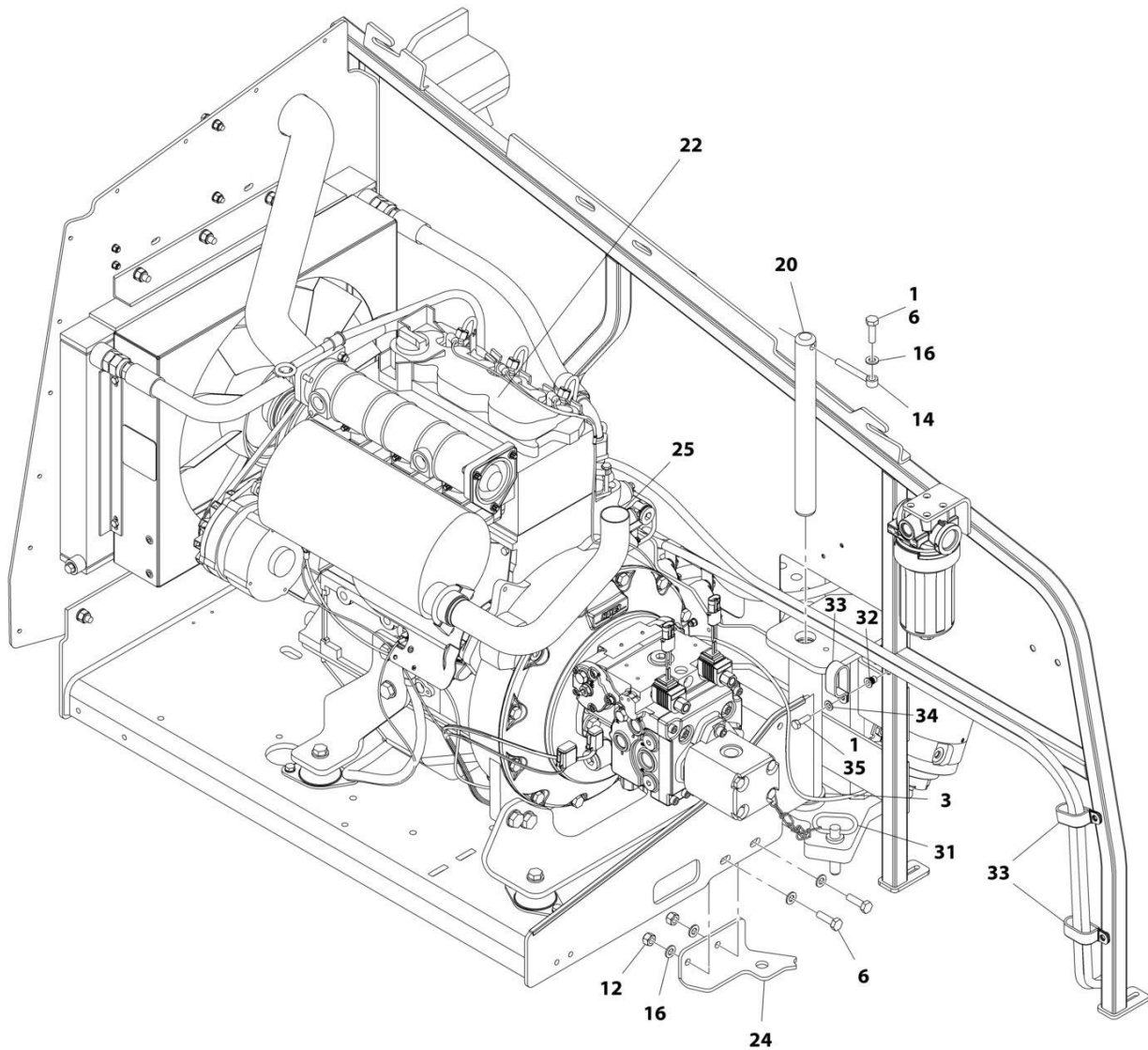
<b>ITEM</b>	<b>PART NUMBER</b>	<b>QTY</b>	<b>DESCRIPTION</b>	<b>REV</b>
	1001209617	Ref	WHITE NOISE AMBIENT ALARM INSTALLATION	C
1	0100011	AR	Compound, Locking	
2	0760610	2	Bolt M6 x 20	
3	3290601	2	Nut M6	
4	4811700	4	Washer M6	
5	1001182806	1	Alarm	
6	1001190663	1	Harness, Jumper (Not Shown)	
6	4460891	1	Connector – 2 Position	
6	4460465	2	Socket, Female	
6	4460871	2	Socket, Female	
7	1001231886	1	Plate	



**SECTION 3 - ENGINE**

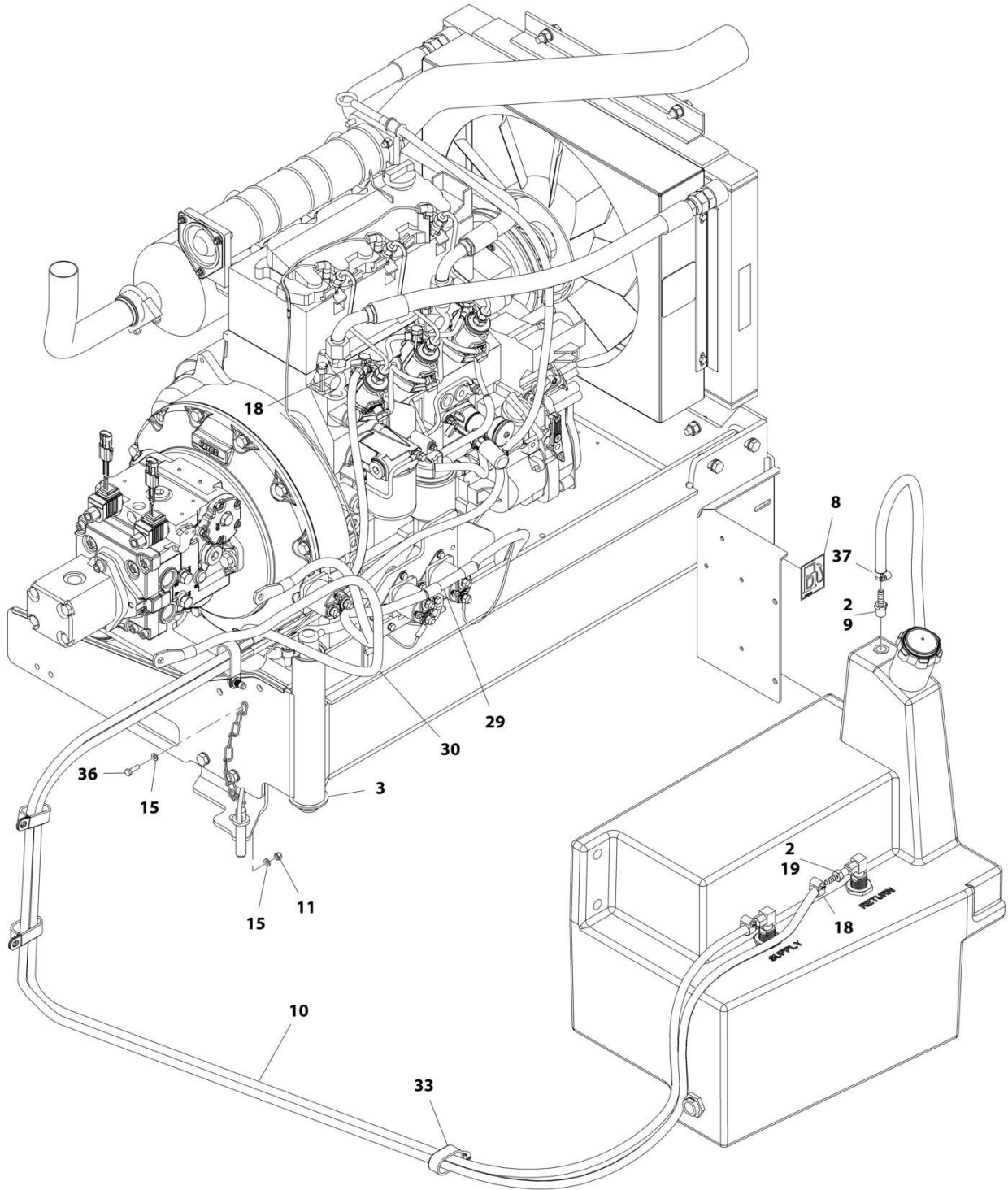
# SECTION 3 - ENGINE

FIGURE 3-1. ENGINE INSTALLATION - DEUTZ D2011 ENGINE (WITHOUT ARCTIC PACKAGE) (ANSI EXPORT, AUSTRALIAN, CE (LRC), CHINA, CIS/EAC & UK CA SPECS)



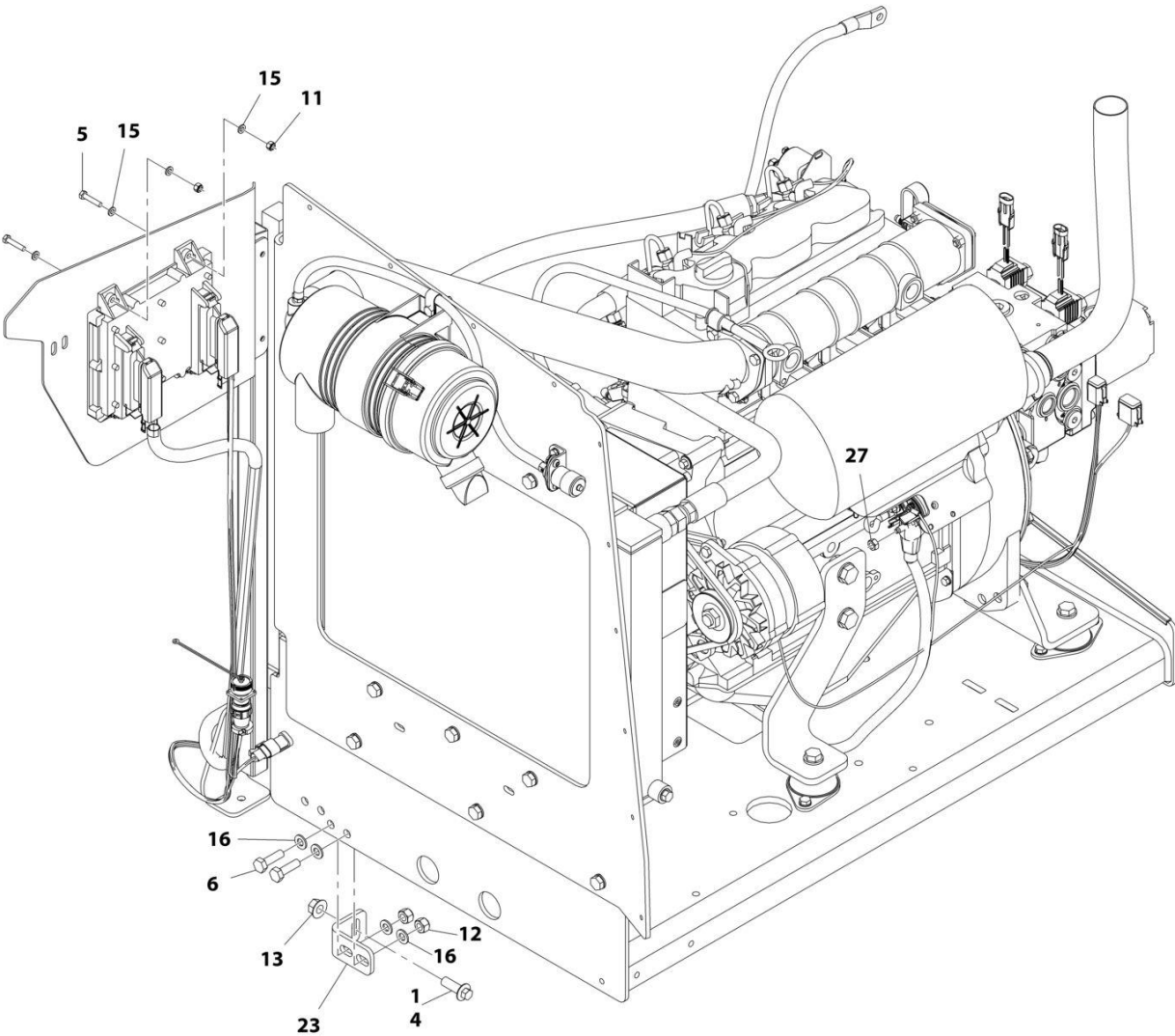
ART\_1001166305\_1OF3

# SECTION 3 - ENGINE



ART\_1001166305\_20F3

# SECTION 3 - ENGINE



ART\_1001166305\_3OF3

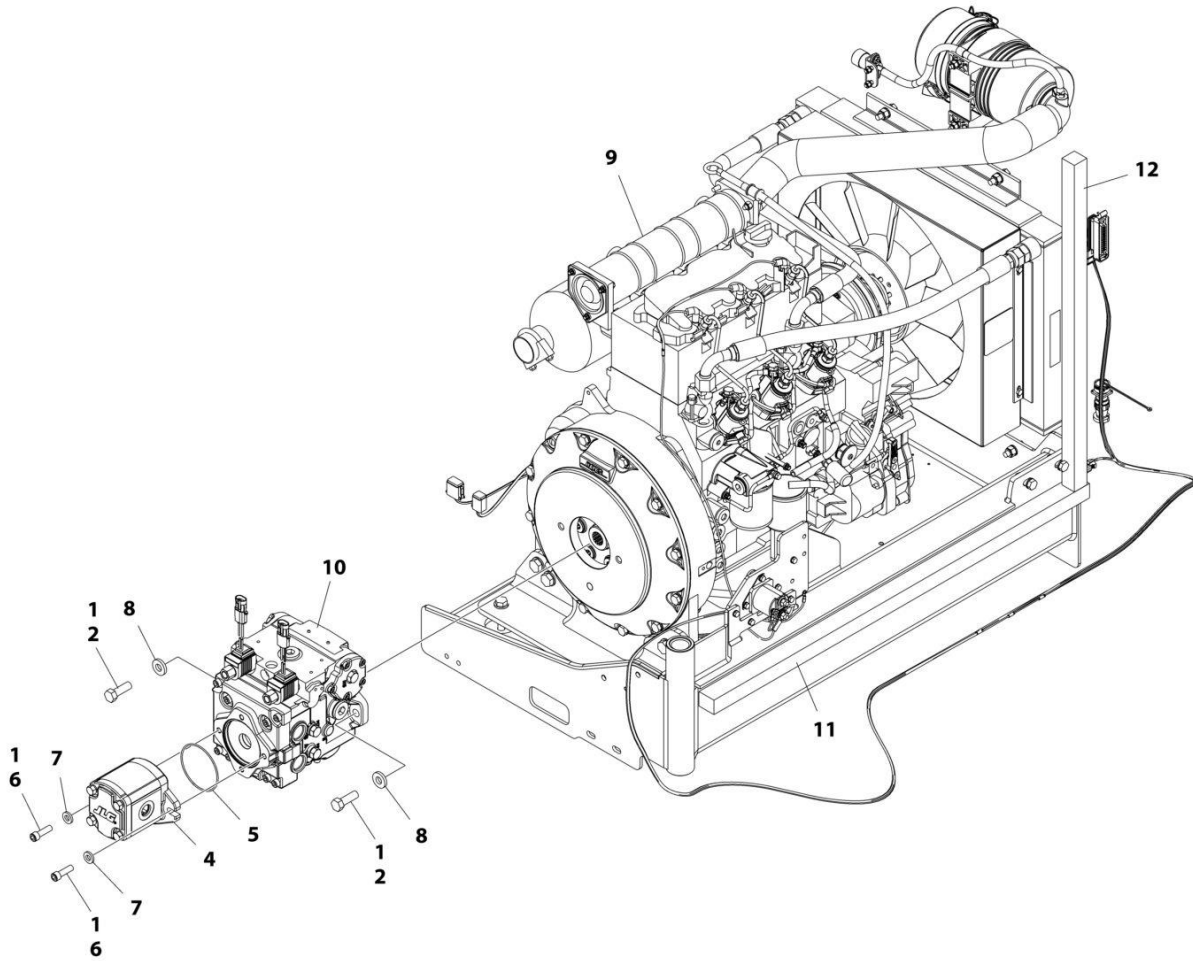
## SECTION 3 - ENGINE

**FIGURE 3-1. ENGINE INSTALLATION - DEUTZ D2011 ENGINE (WITHOUT ARCTIC PACKAGE) (ANSI EXPORT, AUSTRALIAN, CE (LRC), CHINA, CIS/EAC & UK CA SPECS)**

ITEM	PART NUMBER	QTY	DESCRIPTION	REV
	1001166305	Ref	ENGINE INSTALLATION - DEUTZ D2011 ENGINE (WITHOUT ARCTIC PACKAGE)	F
1	0100011	AR	Compound, Locking	
2	0100020	AR	Sealant, Pipe	
3	0440162	1	Bearing	
4	5251215	1	Bolt M12 x 35	
5	0760614	4	Bolt M6 x 30	
6	0761015	5	Bolt M10 x 35	
7	1704972	1	Decal - Warning Explosion/Fire	
8	1701505	1	Decal - Diesel Fuel	
9	2180876	1	Fitting, Barbed	
10	2720058	22 ft /6.7m	Hose	
11	3290605	5	Nut M6	
12	3291005	4	Nut M10	
13	5261200	1	Nut, Flange M12 Grade 10.9	
14	3841143	1	Keeper, Pin	
15	4811700	10	Washer M6	
16	4812000	9	Washer M10	
18	8410013	4	Clamp	
19	2180348	2	Fitting, Barbed	
20	1001135196	1	Pin	
22	1001166021	1	Engine and Pump Sub-Assembly - Deutz D2011 (Without Arctic Package) (See Separate Breakdown in this Section)	
23	1001167512	1	Bracket, Engine	
24	1001169823	1	Bracket, Engine	
25	1001172202	1	Pipe, Exhaust	
27	3290801	1	Nut M8	
29	1001171681	1	Cable, Battery (Red) (Battery Positive to Auxiliary Power Relay)	
30	1001171682	1	Cable, Battery (Black) (Battery Negative to Auxiliary Power Pump)	
31	3422532	1	Pin	
32	1001191832	1	Nut, Rivet, M8	
33	1321716	4	Clamp	
34	4811900	1	Washer M8	
35	0760812	1	Bolt M8 x 25	
36	0760610	1	Bolt M6 x 20	
37	1320022	1	Clamp	

# SECTION 3 - ENGINE

**FIGURE 3-2. ENGINE AND PUMP SUB-ASSEMBLY - DEUTZ D2011 (WITHOUT ARCTIC PACKAGE)  
(ANSI EXPORT, AUSTRALIAN, CE (LRC), CIS/EAC & UK CA SPECS)**



ART\_1001166021\_G



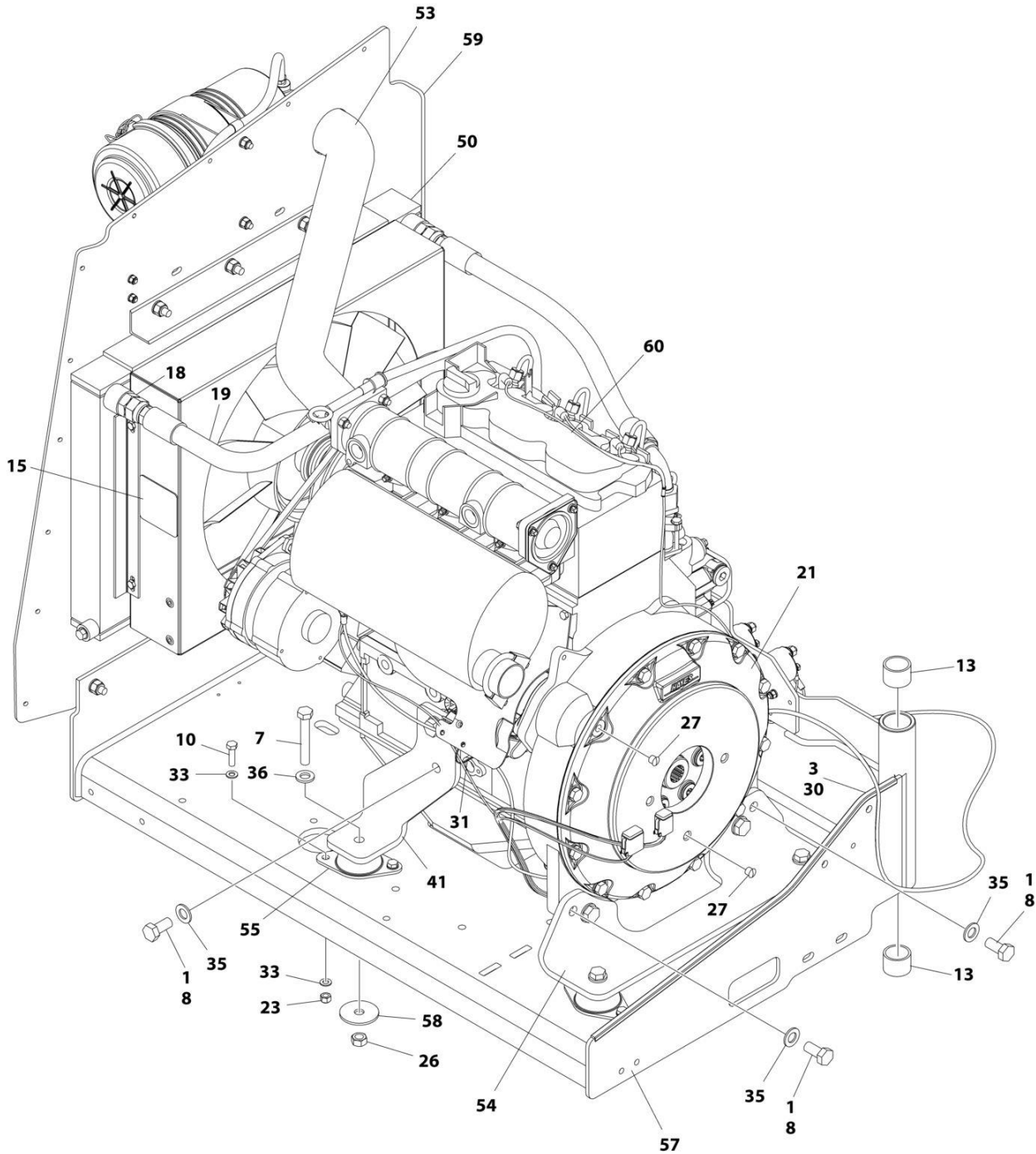
## SECTION 3 - ENGINE

**FIGURE 3-2. ENGINE AND PUMP SUB-ASSEMBLY - DEUTZ D2011 (WITHOUT ARCTIC PACKAGE)  
(ANSI EXPORT, AUSTRALIAN, CE (LRC), CIS/EAC & UK CA SPECS)**

ITEM	PART NUMBER	QTY	DESCRIPTION	REV
	1001166021	Ref	ENGINE AND PUMP SUB-ASSEMBLY - DEUTZ D2011 (WITHOUT ARCTIC PACKAGE)	G
1	0100011	AR	Compound, Locking	
2	0641812	2	Bolt 1/2 x 1-1/2	
4	1001214207	1	Gear Pump Assembly	
4	70006356	1	Seal Kit	
5	3790152	1	O-Ring	
6	3931618	2	Capscrew 3/8 x 1-1/8	
7	4891600	2	Washer 3/8 Hardened	
8	4891800	2	Washer 1/2 Hardened	
9	1001166020	1	Engine Assembly - Deutz D2011 Engine (Without Arctic Package) (See Separate Breakdown in this Section)	
10	1001167036	1	Piston Pump Assembly (See Separate Breakdown in this Section)	
11	1001171953	1	Seal	
12	1001171954	1	Seal	

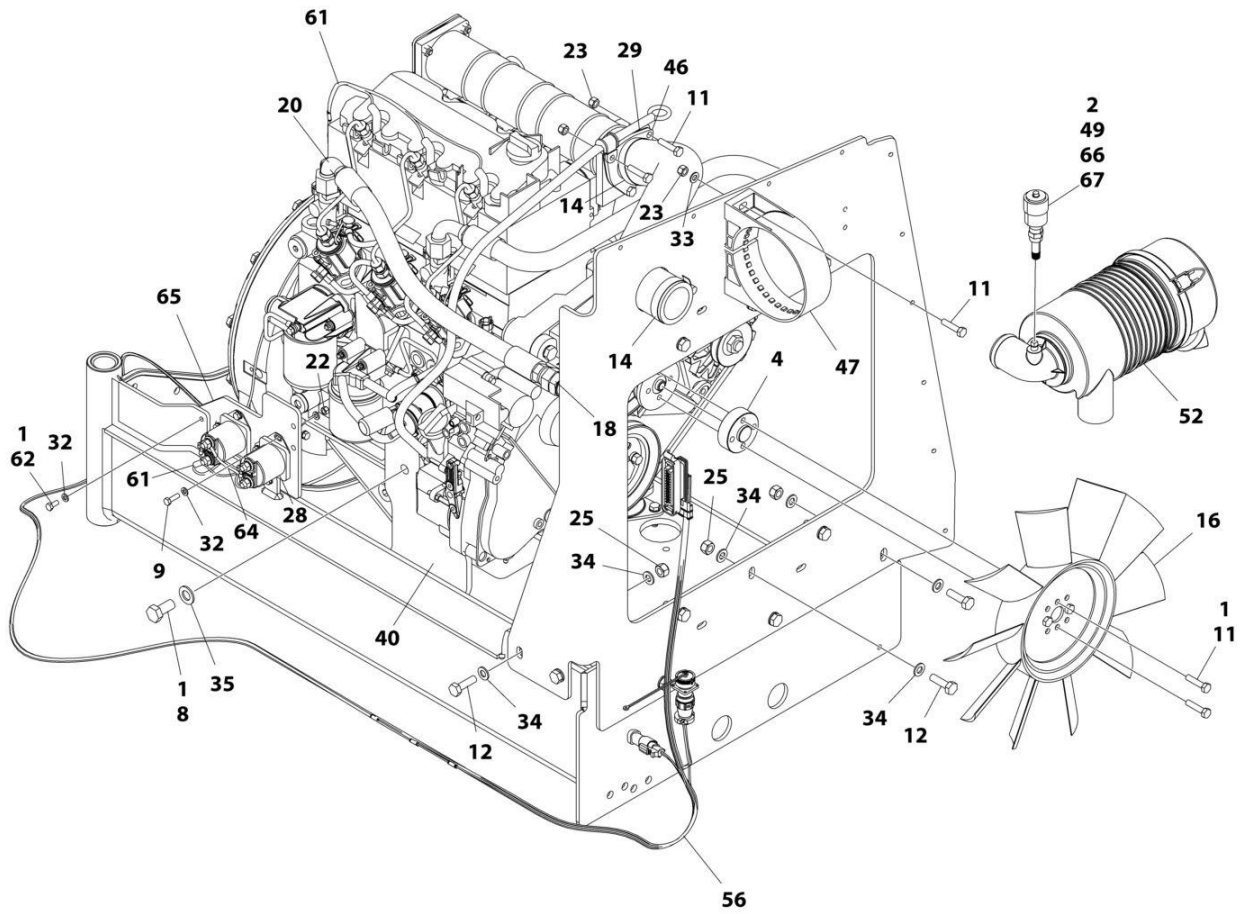
# SECTION 3 - ENGINE

FIGURE 3-3. ENGINE ASSEMBLY - DEUTZ D2011 ENGINE (WITHOUT ARCTIC PACKAGE) (ANSI EXPORT, AUSTRALIAN, CE (LRC), CIS/EAC & UK CA SPECS)



ART\_1001166020\_P\_10F2

# SECTION 3 - ENGINE



ART\_1001166020\_P\_20F2

## SECTION 3 - ENGINE

**FIGURE 3-3. ENGINE ASSEMBLY - DEUTZ D2011 ENGINE (WITHOUT ARCTIC PACKAGE) (ANSI EXPORT, AUSTRALIAN, CE (LRC), CIS/EAC & UK CA SPECS)**

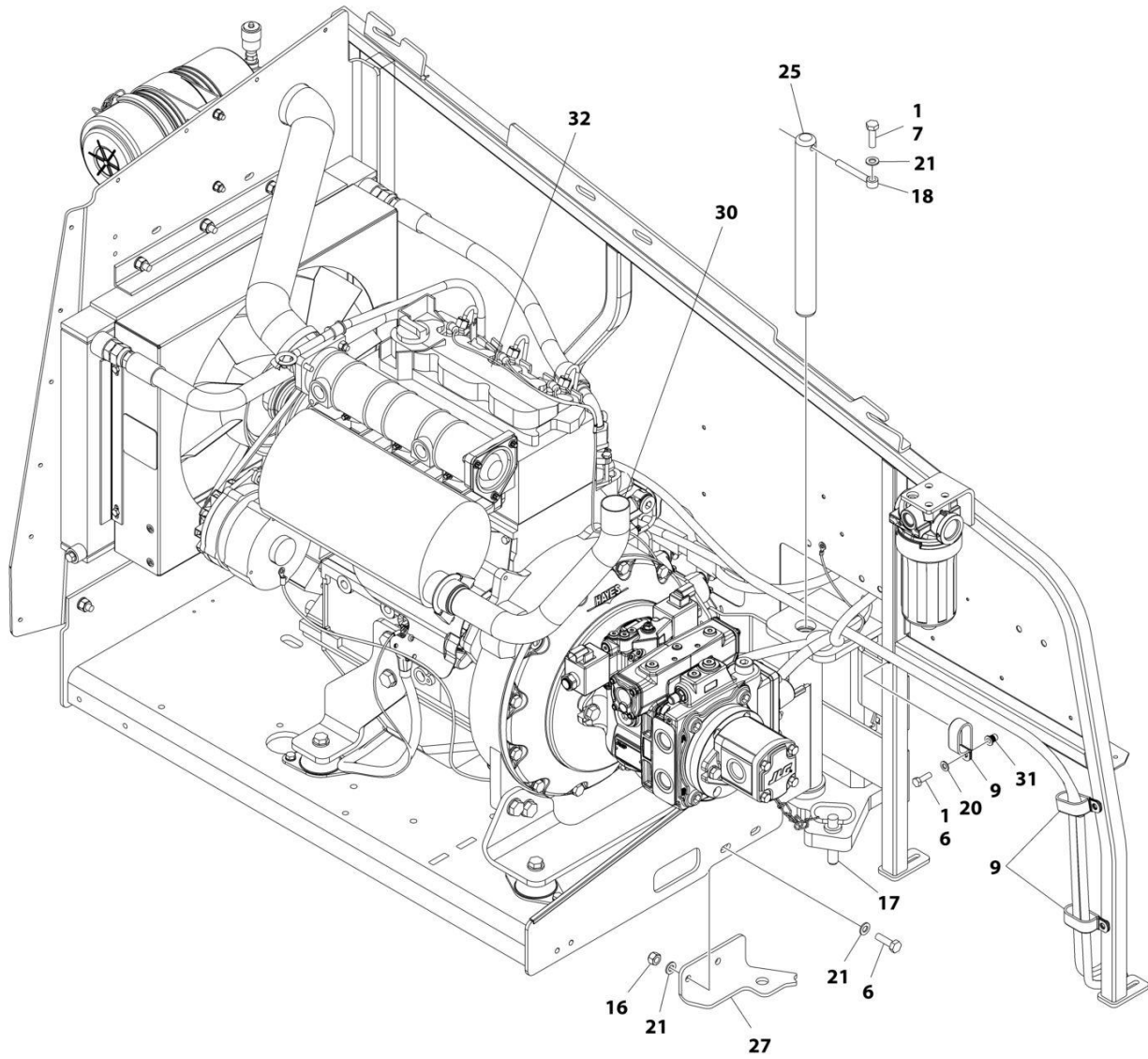
ITEM	PART NUMBER	QTY	DESCRIPTION	REV
	1001166020	Ref	ENGINE ASSEMBLY - DEUTZ D2011 ENGINE (WITHOUT ARCTIC PACKAGE)	P
1	0100011	AR	Compound, Locking	
2	0100020	AR	Sealant, Pipe	
3	0100081	AR	Adhesive	
4	0080231	1	Spacer, Fan	
7	0711224	4	Bolt M12 x 80 Class 10.9	
8	0771414	8	Bolt M14 x 30 Class 10.9	
9	0760610	4	Bolt M6 x 20	
10	0760814	8	Bolt M8 x 30	
11	0760815	9	Bolt M8 x 35	
12	0761015	11	Bolt M10 x 35	
13	0961951	2	Bushing	
14	1320016	2	Clamp	
15	1703162	2	Decal - Caution Fan	
16	2060025	1	Fan	
18	2220451	2	Fitting, Straight JIC/ORB	
19	2720398	1	Hose	
20	2720447	1	Hose	
21	2902065	1	Pump Coupling Kit (See Separate Breakdown in this Section)	
22	3290605	4	Nut M6 x 1	
23	3290805	13	Nut M8 x 1-1/4	
25	3291005	11	Nut M10 x 1-1/2	
26	3331215	4	Nut M12 x 1-3/4	
27	3520054	2	Plug	
28	3740067	2	Relay Assembly	
28	3300220	2	Nut	
28	3321001	1	Nut #10	
28	3740140	1	Relay	
28	4761000	1	Washer #10	
28	1001111424	2	Washer	
29	3960407	1	Gasket	
30	4060805	2.25 ft/ 0.69m	Trim-Flex	
31	4240099	AR	Tie-Strap	
32	4811700	11	Washer M6	
33	4811900	20	Washer M8	
34	4812000	22	Washer M10	
35	4812200	8	Washer M14	
36	5241200	4	Washer M12	
40	1001132195	1	Bracket, Engine Mount	
41	1001132196	1	Bracket, Engine Mount	
46	1001139819	1	Adapter, Air Intake	
47	1001141694	1	Clamp, Air Cleaner	
49	1001143390	1	Indicator	
50	1001150998	1	Radiator	
52	1001165388	1	Air Cleaner Assembly	
52	70003783	1	Element, Air Cleaner	
53	1001165389	1	Hose	

## SECTION 3 - ENGINE

ITEM	PART NUMBER	QTY	DESCRIPTION	REV
54	1001166717	1	Bracket, Engine Mount	
55	1001166718	4	Isolator, Engine Mount	
56	1001167111	1	Harness Engine - Deutz D2011 (See Separate Breakdown in ELECTRICAL Section)	
57	1001167520	1	Tray, Engine	
58	1001168018	4	Washer, Snubbing	
59	1001168059	1	Plate, Radiator Mounting	
60	1001170693	1	Engine, Deutz D2011 (See Separate Breakdown in this Section)	
61	4923451	1	Harness, Glow Plugs	
62	0760614	3	Bolt M6 x 30	
64	1001178859	1	Cable, Alternator	
65	1001214975	1	Bracket	
66	2200261	1	Fitting	
67	1001277432	1	Spacer	

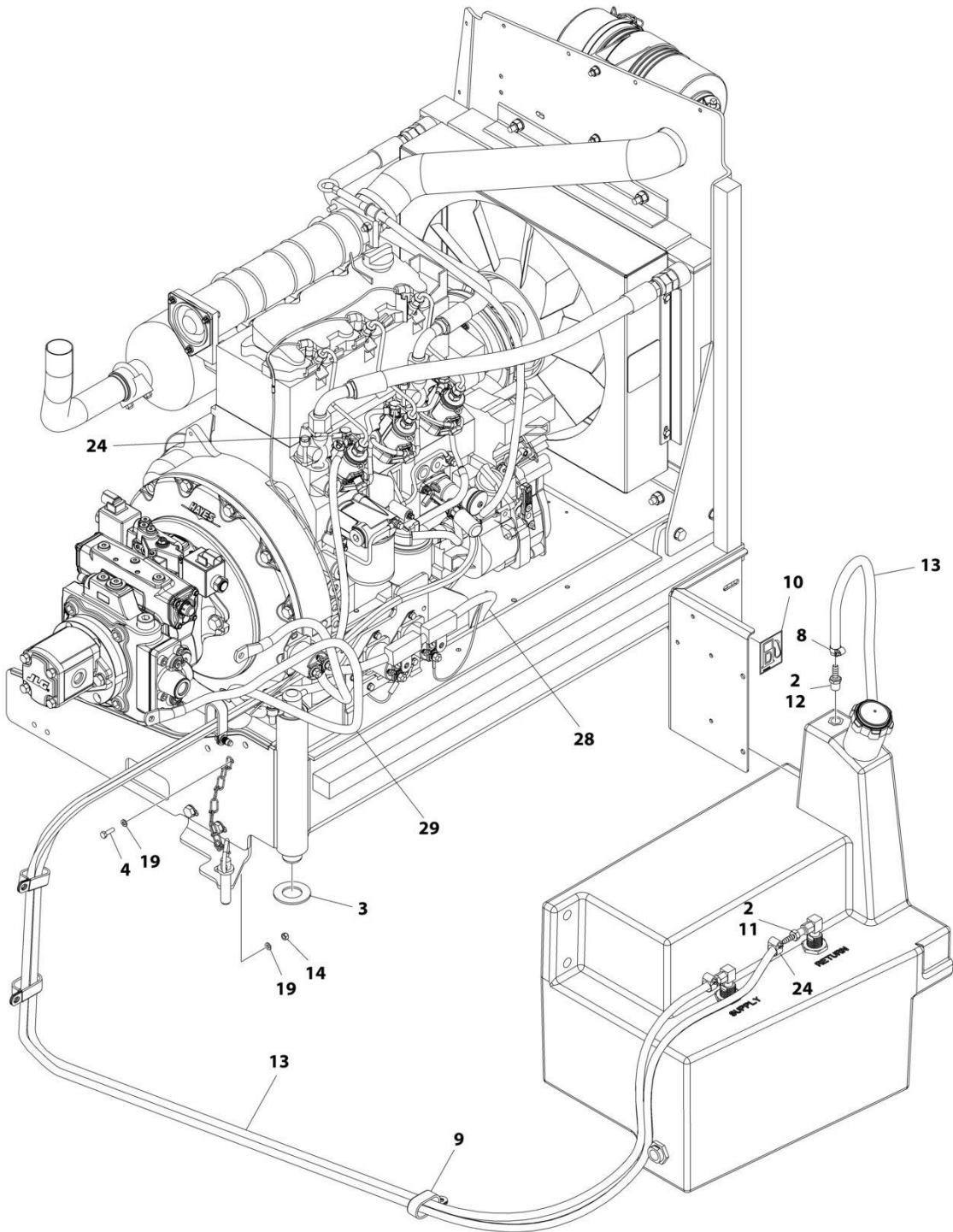
# SECTION 3 - ENGINE

FIGURE 3-4. ENGINE INSTALLATION - DEUTZ D2011 ENGINE (WITHOUT ARCTIC PACKAGE) (WITH PMP PUMP)



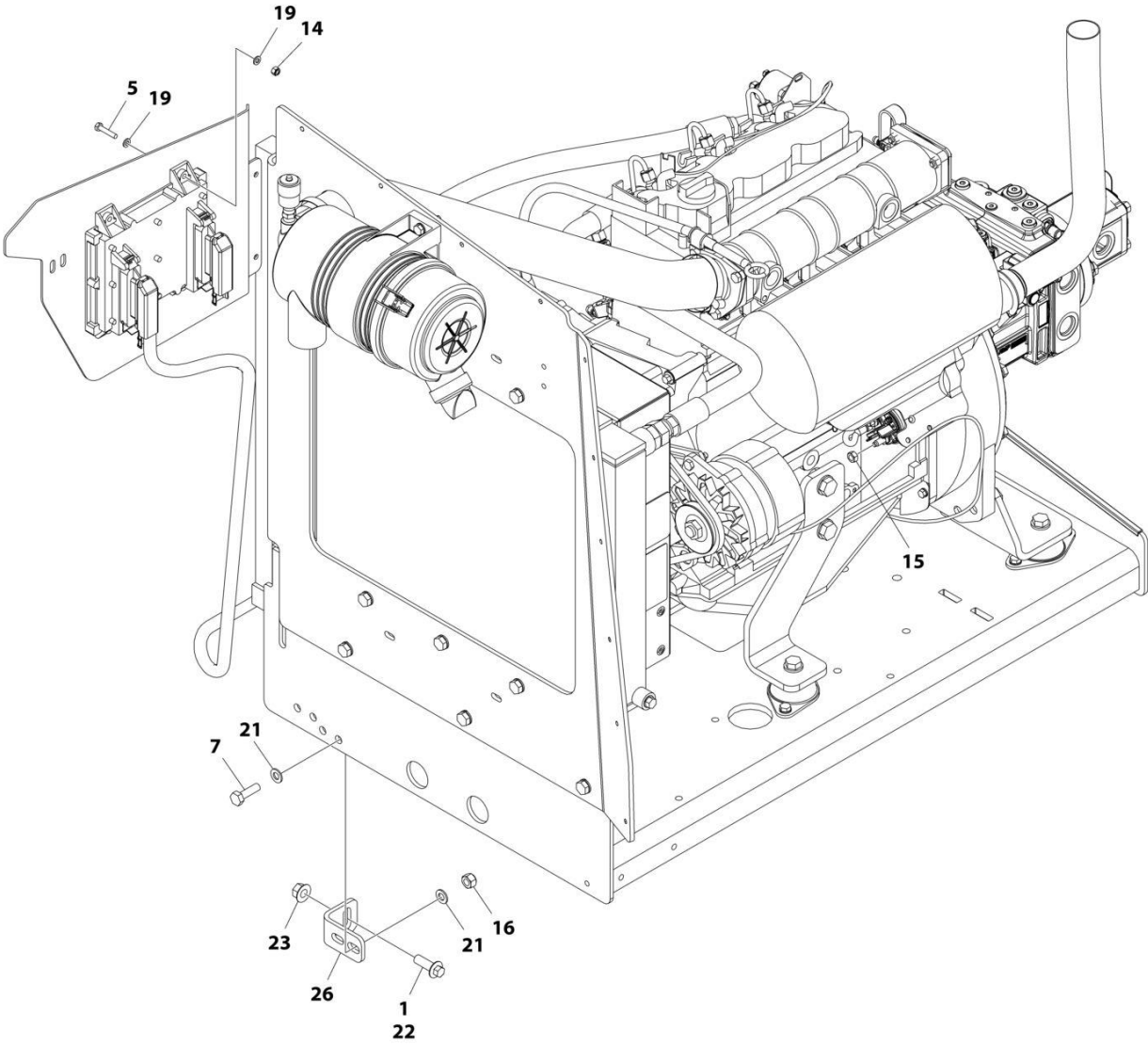
ART\_1001301505\_1OF3

# SECTION 3 - ENGINE



ART\_1001301505\_2OF3

**SECTION 3 - ENGINE**



ART\_1001301505\_30F3



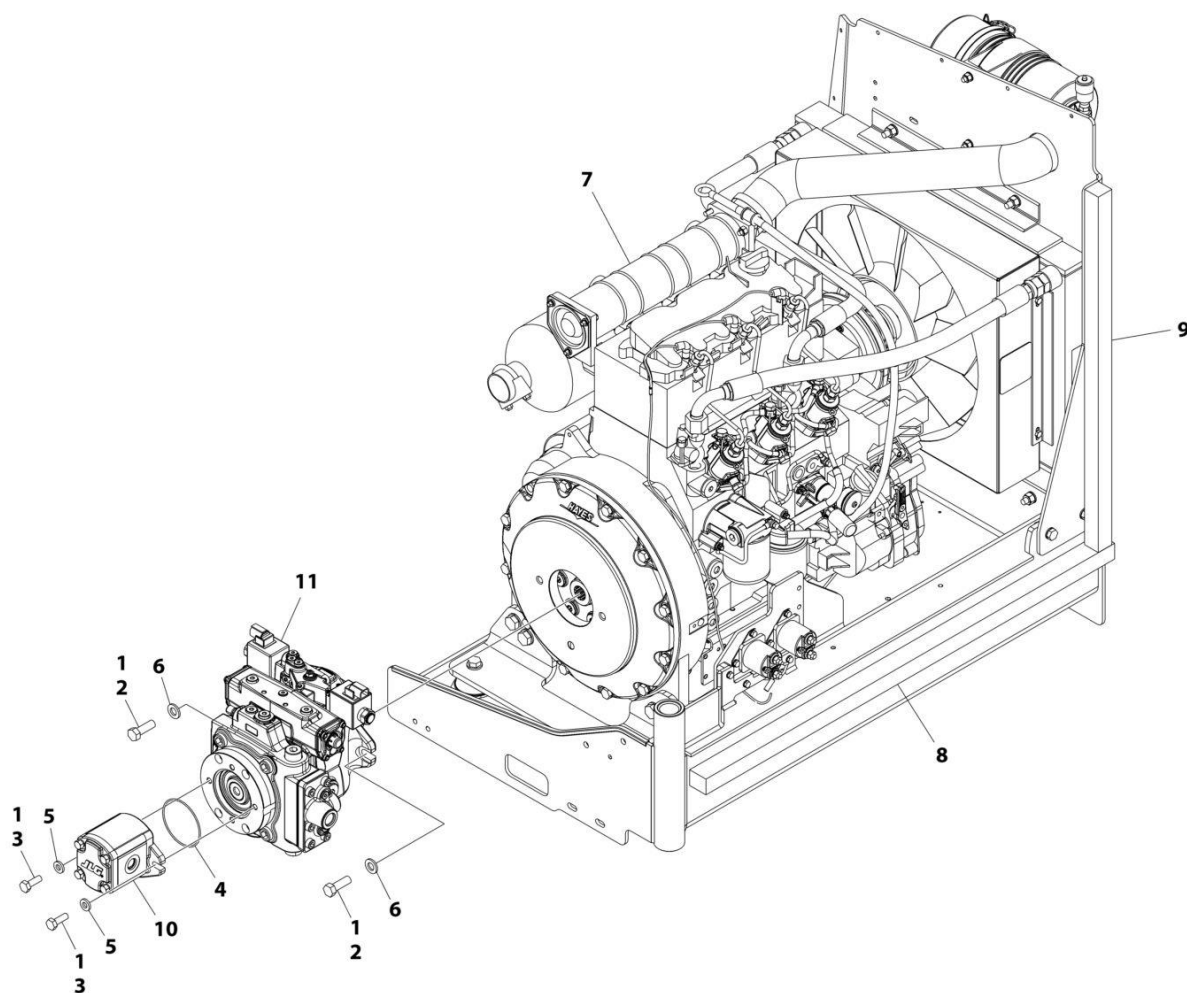
## SECTION 3 - ENGINE

**FIGURE 3-4. ENGINE INSTALLATION - DEUTZ D2011 ENGINE (WITHOUT ARCTIC PACKAGE) (WITH PMP PUMP)**

ITEM	PART NUMBER	QTY	DESCRIPTION	REV
	1001301505	Ref	ENGINE INSTALLATION - DEUTZ D2011 ENGINE (WITHOUT ARCTIC PACKAGE) (WITH PMP PUMP)	A
1	0100011	AR	Compound, Locking	
2	0100020	AR	Sealant, Pipe	
3	0440162	1	Bearing	
4	0760610	1	Bolt M6 x 20	
5	0760614	4	Bolt M6 x 30	
6	0760812	1	Bolt M8 x 25	
7	0761015	5	Bolt M10 x 35	
8	1320022	1	Clamp	
9	1321716	4	Clamp	
10	1701505	1	Decal - Diesel	
11	2180348	2	Fitting, Barbed	
12	2180876	1	Fitting, Barbed	
13	2720058	22 ft/ 6.7 m	Hose	
14	3290605	5	Nut M6	
15	3290801	1	Nut M8	
16	3291005	4	Nut M10	
17	3422532	1	Pin	
18	3841143	1	Keeper, Pin	
19	4811700	10	Washer M6	
20	4811900	1	Washer M8	
21	4812000	9	Washer M10	
22	5251215	1	Bolt M12 x 35	
23	5261200	1	Nut M12	
24	8410013	4	Clamp	
25	1001135196	1	Pin	
26	1001167512	1	Bracket, Engine	
27	1001169823	1	Plate	
28	1001171681	1	Cable, Battery (Red) (Battery Positive to Auxiliary Power Relay)	
29	1001171682	1	Cable, Battery (Black) (Battery Negative to Auxiliary Power Pump)	
30	1001172202	1	Pipe, Exhaust	
31	1001191832	1	Nut, Rivet M8	
32	1001301504	1	Engine and Pump Sub-Assembly (See Separate Breakdown in this Section)	

# SECTION 3 - ENGINE

FIGURE 3-5. ENGINE AND PUMP SUB-ASSEMBLY - DEUTZ D2011 ENGINE (WITHOUT ARCTIC PACKAGE) (WITH PMP PUMP)



ART\_1001301504

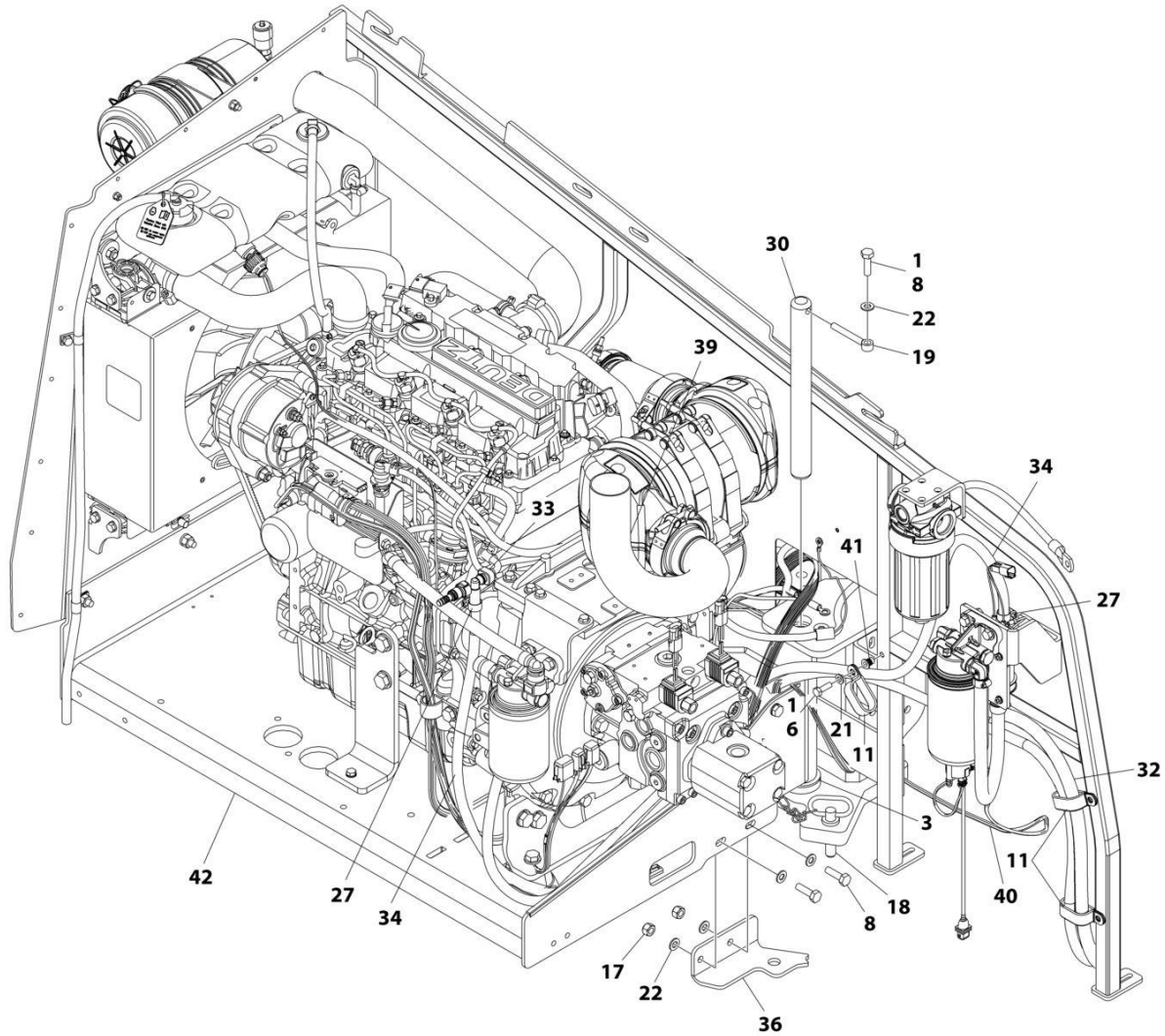
## SECTION 3 - ENGINE

**FIGURE 3-5. ENGINE AND PUMP SUB-ASSEMBLY - DEUTZ D2011 ENGINE (WITHOUT ARCTIC PACKAGE) (WITH PMP PUMP)**

ITEM	PART NUMBER	QTY	DESCRIPTION	REV
	1001301504	Ref	ENGINE AND PUMP SUB-ASSEMBLY - DEUTZ D2011 (WITHOUT ARCTIC PACKAGE) (WITH PMP PUMP)	A
1	0100011	AR	Compound, Locking	
2	0641812	2	Bolt 1/2 x 1-1/2	
3	0761014	2	Bolt M10 x 30	
4	3790152	1	O-Ring	
5	4891600	2	Washer 3/8	
6	5241200	2	Washer M12	
7	1001166020	1	Engine Assembly (See Separate Breakdown in this Section)	
8	1001171953	1	Seal	
9	1001171954	1	Seal	
10	1001214207	1	Gear Pump Assembly	
10	70006356	1	Seal Kit - 1001214207 Pump	
11	1001285632	1	Closed Pump Loop Assembly (See Separate Breakdown in this Section)	

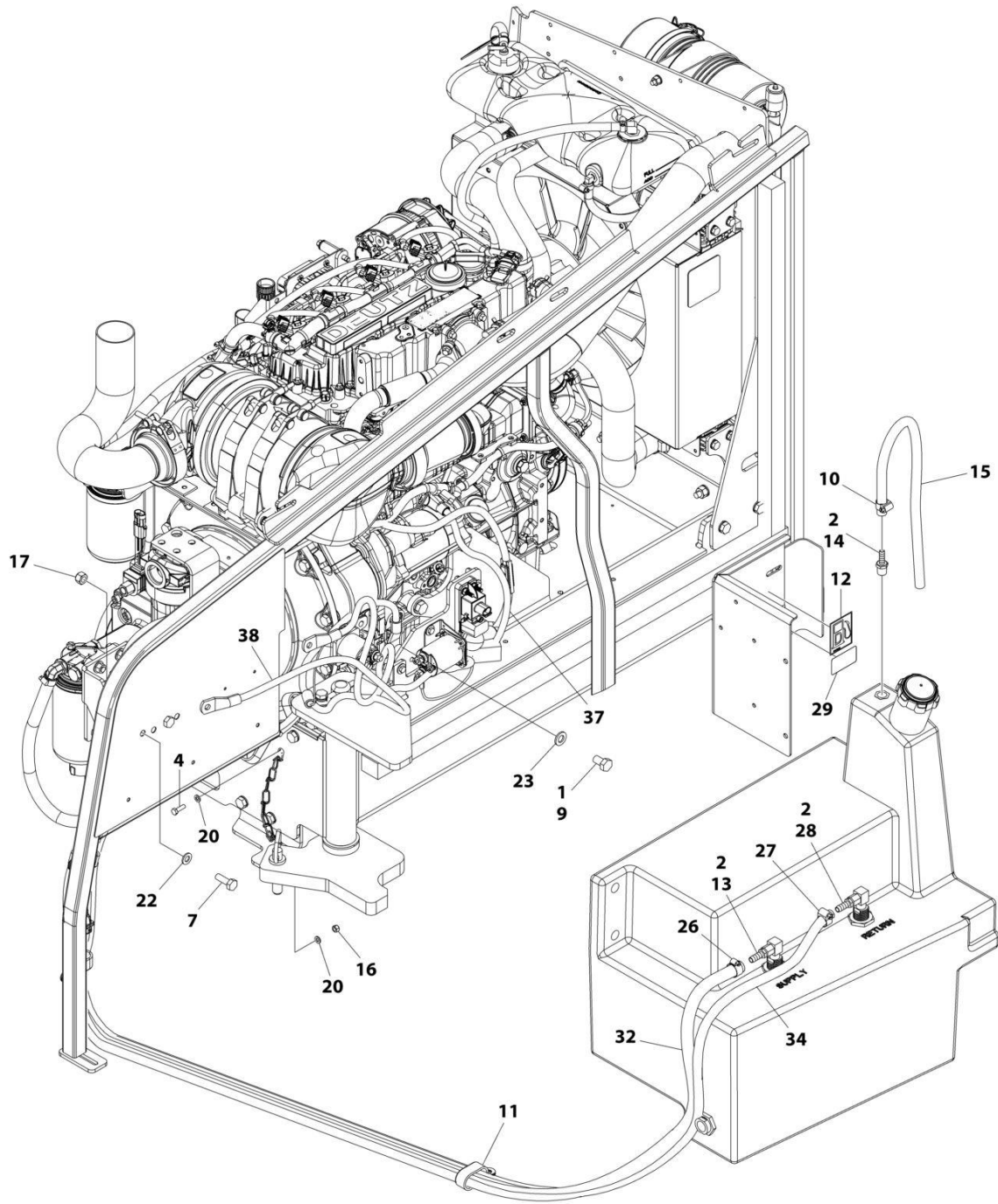
# SECTION 3 - ENGINE

FIGURE 3-6. ENGINE INSTALLATION - DEUTZ D2.9L4 ERM5 ENGINE (WITHOUT ARCTIC PACKAGE)  
(ANSI, ANSI EXPORT, CSA AND JAPANESE SPECS)



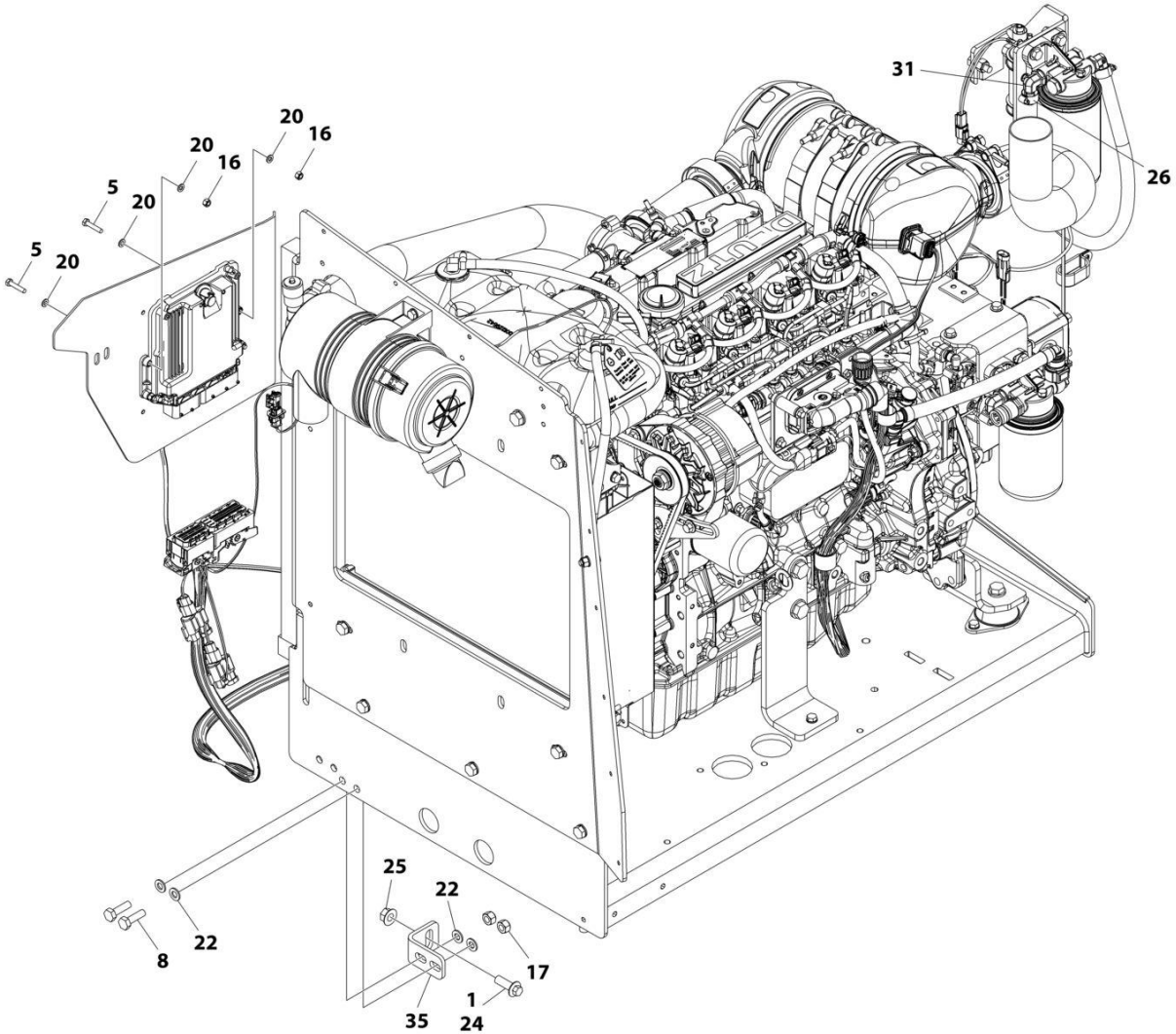
ART\_1001302970\_10F3

# SECTION 3 - ENGINE



ART\_1001302970\_20F3

**SECTION 3 - ENGINE**



ART\_1001302970\_3OF3

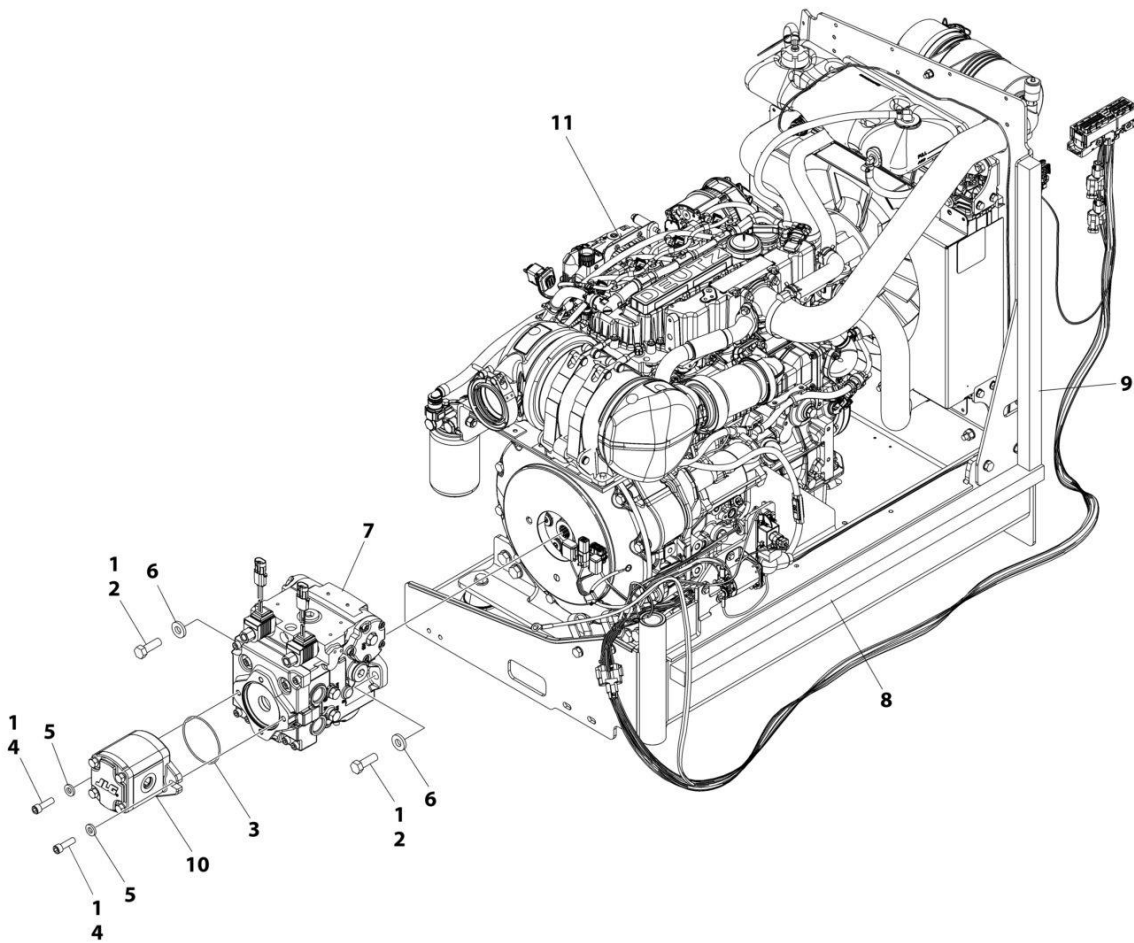
## SECTION 3 - ENGINE

**FIGURE 3-6. ENGINE INSTALLATION - DEUTZ D2.9L4 ERM5 ENGINE (WITHOUT ARCTIC PACKAGE)  
(ANSI, ANSI EXPORT, CSA AND JAPANESE SPECS)**

ITEM	PART NUMBER	QTY	DESCRIPTION	REV
	1001302970	Ref	ENGINE ASSEMBLY - DEUTZ D2.9L4 ERM5 ENGINE	A
1	0100011	AR	Compound, Locking	
2	0100020	AR	Sealant, Pipe	
3	0440162	1	Bearing	
4	0760610	1	Bolt M6 x 20	
5	0760614	4	Bolt M6 x 30	
6	0760812	1	Bolt M8 x 25	
7	0761014	2	Bolt M10 x 30	
8	0761015	5	Bolt M10 x 35	
9	0761210	1	Bolt M12 x 20	
10	1320022	1	Clamp	
11	1321716	4	Clamp	
12	1701505	1	Decal - Diesel	
13	2180832	1	Fitting, Barbed	
14	2180876	1	Fitting, Barbed	
15	2720058	2 ft/0.6 m	Hose	
16	3290605	5	Nut M6	
17	3291005	6	Nut M10	
18	3422532	1	Pin	
19	3841143	1	Keeper, Pin	
20	4811700	10	Washer M6	
21	4811900	1	Washer M8	
22	4812000	11	Washer M10	
23	4812100	1	Washer M12	
24	5251215	1	Bolt M12 x 35	
25	5261200	1	Nut M12	
26	8405006	2	Clamp	
27	8410013	4	Clamp	
28	8430007	1	Coupling	
29	1001125387	1	Decal - Ultra Low Sulfur Diesel	
30	1001135196	1	Pin	
31	1001142501	1	Fitting, Barbed 90	
32	1001154405	7 ft /2 m	Hose	
33	1001155823	1	Plate	
34	1001165035	17 ft /6 m	Hose	
35	1001167512	1	Bracket	
36	1001169823	1	Plate	
37	1001171683	1	Cable, Battery (Red) (Battery Positive to Auxiliary Power Relay)	
38	1001171684	1	Cable, Battery (Black) (Battery Negative to Auxiliary Power Pump)	
39	1001172736	1	Pipe, Exhaust	
40	1001181358	1	Harness, Fuel Pump (See Separate Breakdown in ELECTRICAL Section)	
41	1001191832	1	Rivet	
42	1001302961	1	Engine and Pump Assembly - Deutz D2.9L4 (Without Arctic Package) (See Separate Breakdown in this Section)	

# SECTION 3 - ENGINE

FIGURE 3-7. ENGINE AND PUMP SUB-ASSEMBLY - DEUTZ D2.9L4 ERM5 ENGINE (WITHOUT ARCTIC PACKAGE) (ANSI, ANSI EXPORT AND CSA SPECS)



ART\_1001302961



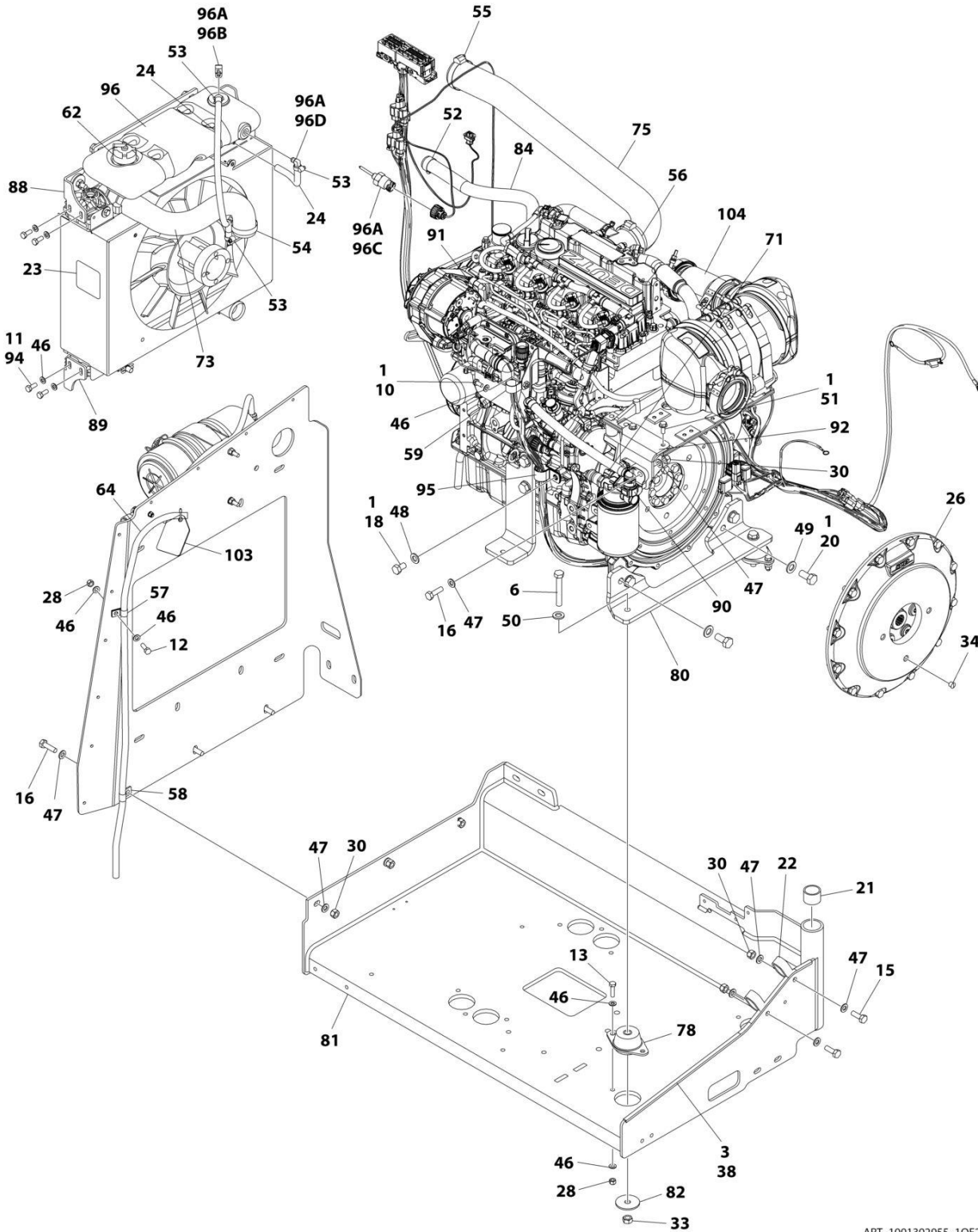
## SECTION 3 - ENGINE

**FIGURE 3-7. ENGINE AND PUMP SUB-ASSEMBLY - DEUTZ D2.9L4 ERM5 ENGINE (WITHOUT ARCTIC PACKAGE) (ANSI, ANSI EXPORT AND CSA SPECS)**

ITEM	PART NUMBER	QTY	DESCRIPTION	REV
	1001302961	Ref	ENGINE AND PUMP SUB-ASSEMBLY - DEUTZ D2.9L4 ERM5	A
1	0100011	AR	Compound, Locking	
2	0641812	2	Bolt 1/2 x 1-1/2	
3	3790152	1	O-Ring	
4	3931618	2	Capscrew 3/8 x 1-1/8	
5	4891600	2	Washer 3/8	
6	4891800	2	Washer 1/2	
7	1001167036	1	Piston Pump Assembly (See Separate Breakdow in this Section)	
8	1001171953	1	Seal	
9	1001171954	1	Seal	
10	1001214207	1	Gear Pump Assembly	
10	70006356	1	Seal Kit - 1001214207 Pump	
11	1001302955	1	Engine Assembly - Deutz D2.9L4 ERM5 Engine (Without Arctic Package) (See Separate Breakdown in this Section)	

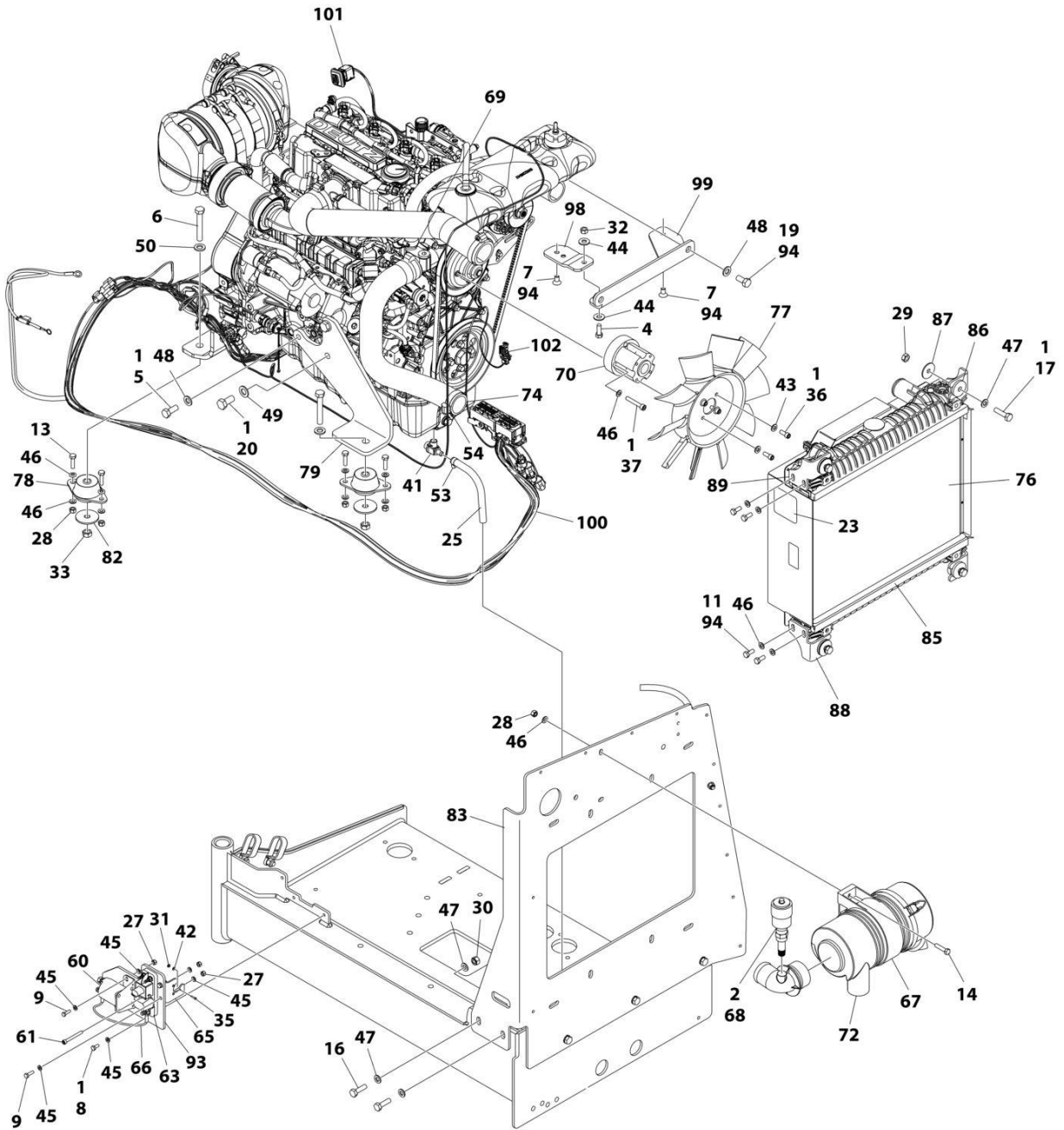
# SECTION 3 - ENGINE

## FIGURE 3-8. ENGINE ASSEMBLY - DEUTZ D2.9L4 ERM5 ENGINE (WITHOUT ARCTIC PACKAGE) (ANSI, ANSI EXPORT AND CSA SPECS)



ART\_1001302955\_10F2

# SECTION 3 - ENGINE



ART\_1001302955\_20F2

## SECTION 3 - ENGINE

**FIGURE 3-8. ENGINE ASSEMBLY - DEUTZ D2.9L4 ERM5 ENGINE (WITHOUT ARCTIC PACKAGE)  
(ANSI, ANSI EXPORT AND CSA SPECS)**

ITEM	PART NUMBER	QTY	DESCRIPTION	REV
	1001302955	Ref	ENGINE ASSEMBLY - DEUTZ D2.9L4 ERM5 ENGINE	A
1	0100011	AR	Compound, Locking	
2	0100020	AR	Sealant, Pipe	
3	0100081	AR	Adhesive	
4	0681608	1	Bolt 3/8 x 1	
5	0711214	1	Bolt M12 x 30	
6	0711224	3	Bolt M12 x 80	
7	0741606	2	Screw 3/8 x 3/4	
8	0760607	3	Bolt M6 x 14	
9	0760610	4	Bolt M6 x 20	
10	0760808	1	Bolt M8 x 16	
11	0760810	8	Bolt M8 x 20	
12	0760812	1	Bolt M8 x 25	
13	0760814	6	Bolt M8 x 30	
14	0760815	2	Bolt M8 x 35	
15	0761014	2	Bolt M10 x 30	
16	0761015	7	Bolt M10 x 35	
17	0761016	4	Bolt M10 x 40	
18	0761210	1	Bolt M12 x 20	
19	0761212	2	Bolt M12 x 25	
20	0771414	6	Bolt M14 x 30	
21	0961951	2	Bushing	
22	1321716	2	Clamp	
23	1703162	2	Decal - Caution Fan	
24	2720015	2 ft/1 m	Hose	
25	2720340	8 in/20 cm	Hose	
26	2902065	1	Pump Coupling Kit (See Separate Breakdown in this Section)	
27	3290605	5	Nut M6	
28	3290805	9	Nut M8	
29	3291001	4	Nut M10	
30	3291005	9	Nut M10	
31	3310401	3	Nut #4	
32	3311605	1	Nut 3/8	
33	3331215	3	Nut M12	
34	3520054	1	Plug	
35	3910408	3	Screw #4 x 1/2	
36	3931512	4	Capscrew 5/16 x 3/4	
37	4031914	4	Bolt M8 x 50	
38	4060805	2 ft/1 m	Flex-Trim	
39	4240032	AR	Tie-Strap (Not Shown)	
40	4240099	AR	Tie-Strap (Not Shown)	
41	4640751	1	Valve, Oil Drain	
42	4710400	3	Washer #4	
43	4711500	4	Washer 5/16	
44	4751600	2	Washer 3/8	
45	4811702	12	Washer M6	
46	4811900	31	Washer M8	
47	4812000	22	Washer M10	
48	4812100	4	Washer M12	

## SECTION 3 - ENGINE

ITEM	PART NUMBER	QTY	DESCRIPTION	REV
49	4812200	6	Washer M14	
50	5241200	3	Washer M12	
51	5250810	2	Bolt M8 x 20	
52	8405007	2	Clamp	
53	8405009	5	Clamp	
54	8405104	4	Clamp	
55	8405202	1	Clamp	
56	8405204	1	Clamp	
57	8406109	1	Clip	
58	8406110	1	Clip	
59	8406201	1	Clip	
60	1001117308	1	Relay, 200Amp	
60	3300220	2	Nut	
60	3321001	2	Nut #10	
60	4761000	2	Washer #10	
60	100111424	2	Washer	
61	1001118878	1	Bolt M6 x 55	
62	1001136834	1	Cap, Tank	
63	1001138228	1	Relay, Power Module	
63	70023592	1	Fuse 20AMP	
63	70023593	1	Fuse 30AMP	
64	1001138248	4 ft/1 m	Hose	
65	1001139240	1	Bracket	
66	1001141304	1	Harness, Glow Fuse	
67	1001141694	1	Clamp	
68	1001143390	1	Indicator	
69	1001143797	1	Fitting, Pipe Straight	
70	1001144116	1	Spacer, Fan	
71	1001152489	1	Fitting, Pipe 90	
72	1001165388	1	Filter, Air Cleaner	
73	1001165405	1	Hose	
74	1001165406	1	Hose	
75	1001165721	1	Hose	
76	1001165722	1	Radiator	
77	1001165849	1	Fan	
78	1001166718	3	Isolator	
79	1001166921	1	Plate	
80	1001166924	1	Plate	
81	1001167520	1	Support	
82	1001168018	3	Washer, Special	
83	1001168026	1	Plate	
84	1001168099	1	Hose	
85	1001168166	2	Seal	
86	1001169054	4	Isolator, Radiator	
87	1001169138	4	Pad	
88	1001169967	2	Bracket	
89	1001170035	2	Bracket	
90	1001177359	1	Hose	
91	1001178788	1	Cable, Alternator	
92	1001178876	1	Mount	
93	1001179903	1	Bracket	

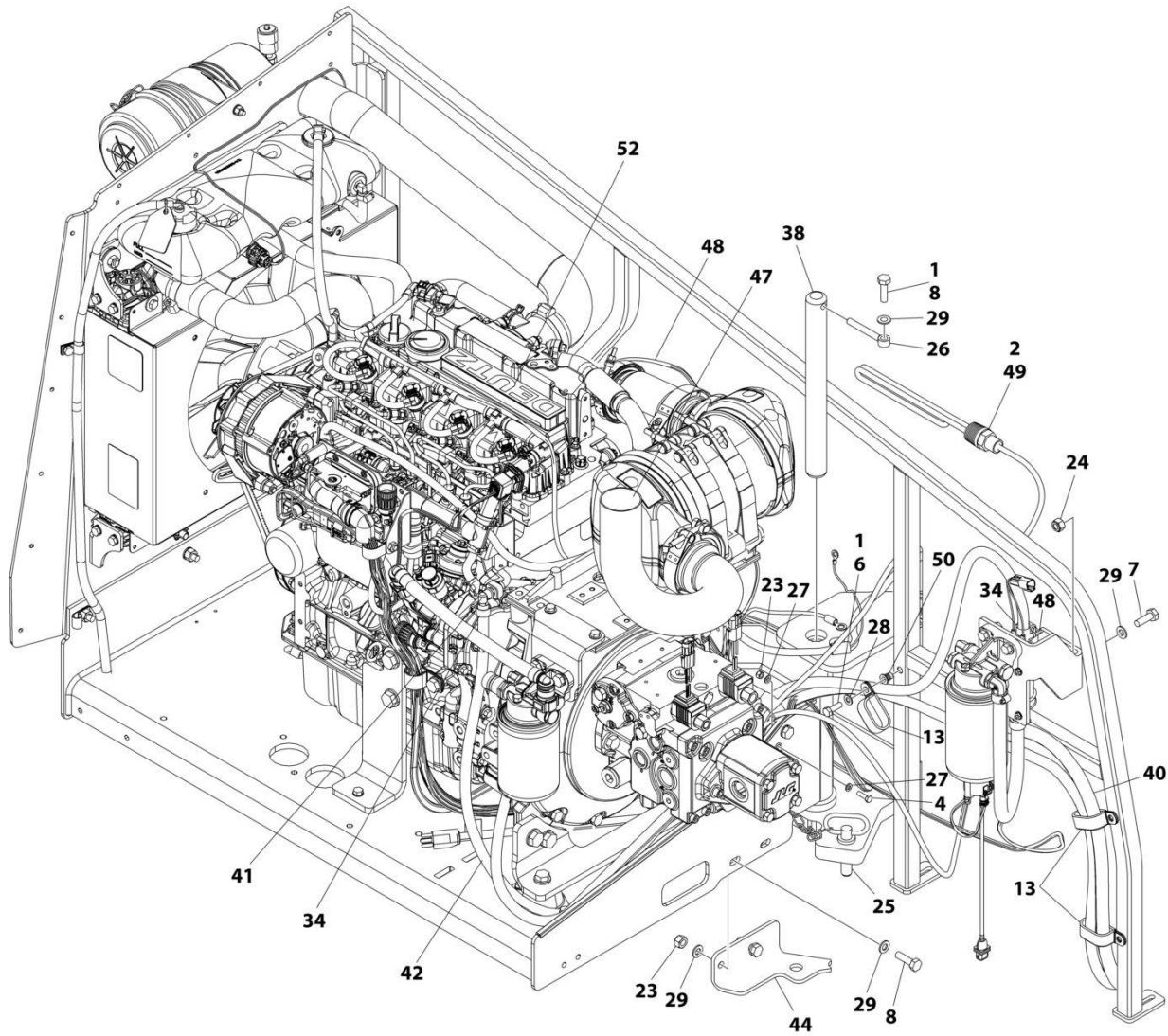
## SECTION 3 - ENGINE

ITEM	PART NUMBER	QTY	DESCRIPTION	REV
94	1001180620	AR	Adhesive	
95	1001191620	1	Clamp	
96	1001230635	1	Tank, Surge Assembly (Includes Items 96A-96D)	
96A	0100020	AR	Sealant, Pipe	
96B	1001134488	1	Fitting, Barbed	
96C	1001138827	1	Sensor, Coolant Level	
96D	1001140564	1	Fitting, Barbed 90	
97	1001235949	1	Bracket Assembly Fuel Pump/Filter (Not Shown - See Separate Breakdown in this Section)	
98	1001260412	1	Bracket	
99	1001260420	1	Bracket	
100	1001276643	1	Engine Harness (See Separate Breakdown in ELECTRICAL Section)	
101	1001281985	1	Connector	
102	1001281986	1	Connector	
103	1001291401	1	Tag, Coolant	
104	1001302954	1	Engine, Deutz D2.9L4 ERM5 (See Separate Breakdown in this Section)	



# SECTION 3 - ENGINE

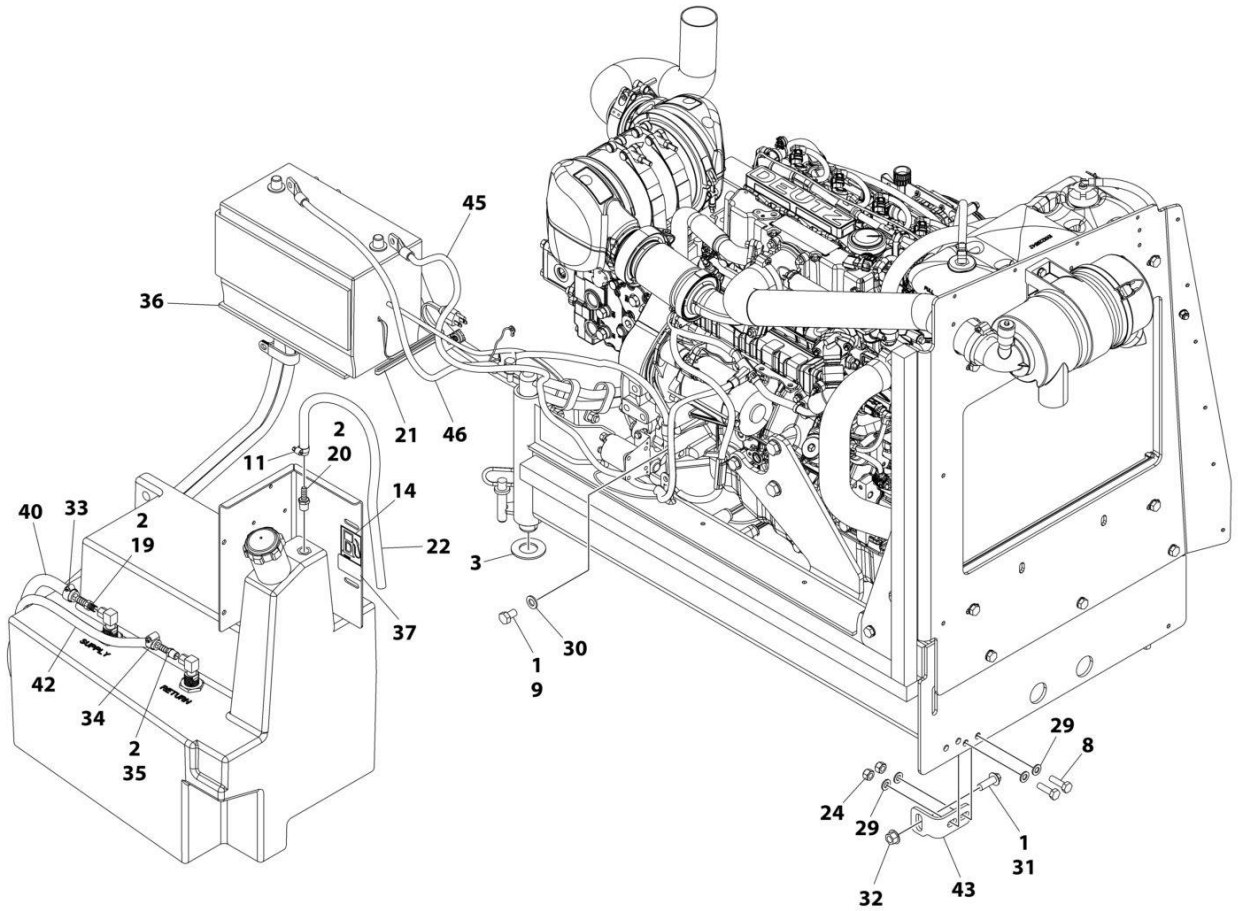
## FIGURE 3-9. ENGINE INSTALLATION - DEUTZ D2.9L4 ERM5 ENGINE (WITH ARCTIC PACKAGE) (ANSI AND CSA SPECS)



ART\_1001302972\_1OF3

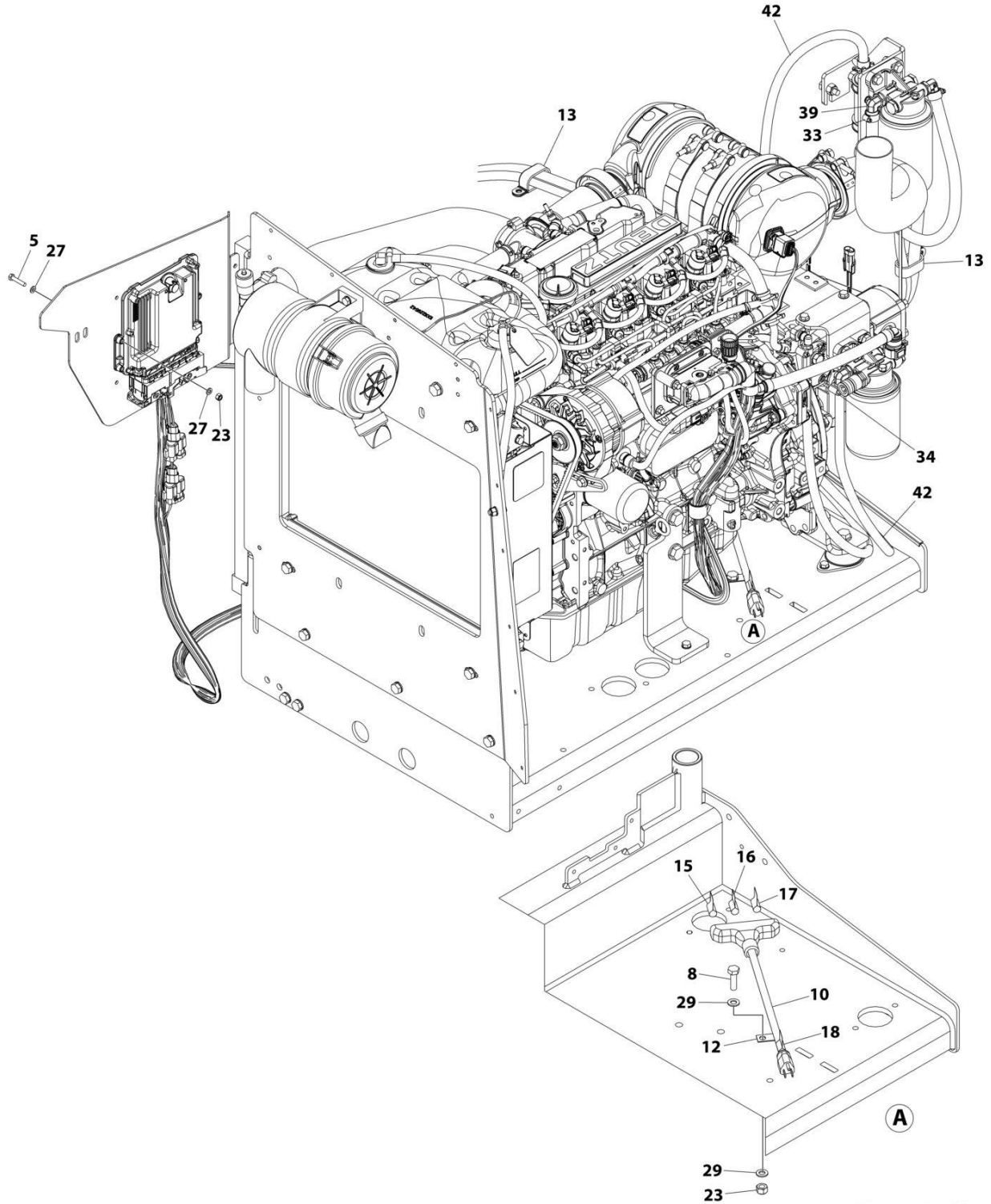


# SECTION 3 - ENGINE



ART\_1001302972\_2OF3

# SECTION 3 - ENGINE



ART\_1001302972\_30F3

## SECTION 3 - ENGINE

**FIGURE 3-9. ENGINE INSTALLATION - DEUTZ D2.9L4 ERM5 ENGINE (WITH ARCTIC PACKAGE)  
(ANSI AND CSA SPECS)**

ITEM	PART NUMBER	QTY	DESCRIPTION	REV
	1001302972	Ref	ENGINE ASSEMBLY - DEUTZ D2.9L4 ERM5 ENGINE	A
1	0100011	AR	Compound, Locking	
2	0100020	AR	Sealant, Pipe	
3	0440162	1	Bearing	
4	0760610	1	Bolt M6 x 20	
5	0760614	4	Bolt M6 x 30	
6	0760812	1	Bolt M8 x 25	
7	0761014	2	Bolt M10 x 30	
8	0761015	6	Bolt M10 x 35	
9	0761210	1	Bolt M12 x 20	
10	1060626	1	Plug, 3-Way	
11	1320022	1	Clamp	
12	1320223	1	Clamp	
13	1321716	4	Clamp	
14	1701505	1	Decal - Diesel	
15	1702941	1	Decal - Battery Heater	
16	1702942	1	Decal - Engine Block Heater	
17	1702943	1	Decal - Hydraulic Tank Heater	
18	1702944	1	Decal - Heater Cord	
19	2180832	1	Fitting, Barbed	
20	2180876	1	Fitting, Barbed	
21	2580024	1	Heater, Battery	
22	2720058	2 ft /0.6 m	Hose	
23	3290605	5	Nut M6	
24	3291005	7	Nut M10	
25	3422532	1	Pin	
26	3841143	1	Keeper, Pin	
27	4811700	10	Washer M6	
28	4811900	1	Washer M8	
29	4812000	13	Washer M10	
30	4812100	1	Washer M12	
31	5251215	1	Bolt M12 x 35	
32	5261200	1	Nut M12	
33	8405006	2	Clamp	
34	8410013	4	Clamp	
35	8430007	1	Coupling	
36	1001119278	1	Insulate	
37	1001125387	1	Decal - Ultra Low Sulfur Diesel	
38	1001135196	1	Pin	
39	1001142501	1	Fitting, Barbed 90	
40	1001154405	7 ft /2 m	Hose	
41	1001155823	1	Coupling, Quick Disconnect 90	
42	1001165035	17 ft /6 m	Hose	
43	1001167512	1	Bracket	
44	1001169823	1	Plate	
45	1001171683	1	Cable, Battery (Red) (Battery Positive to Auxiliary Power Relay)	
46	1001171684	1	Cable, Battery (Black) (Battery Negative to Auxiliary Power Pump)	
47	1001172736	1	Pipe, Exhaust	

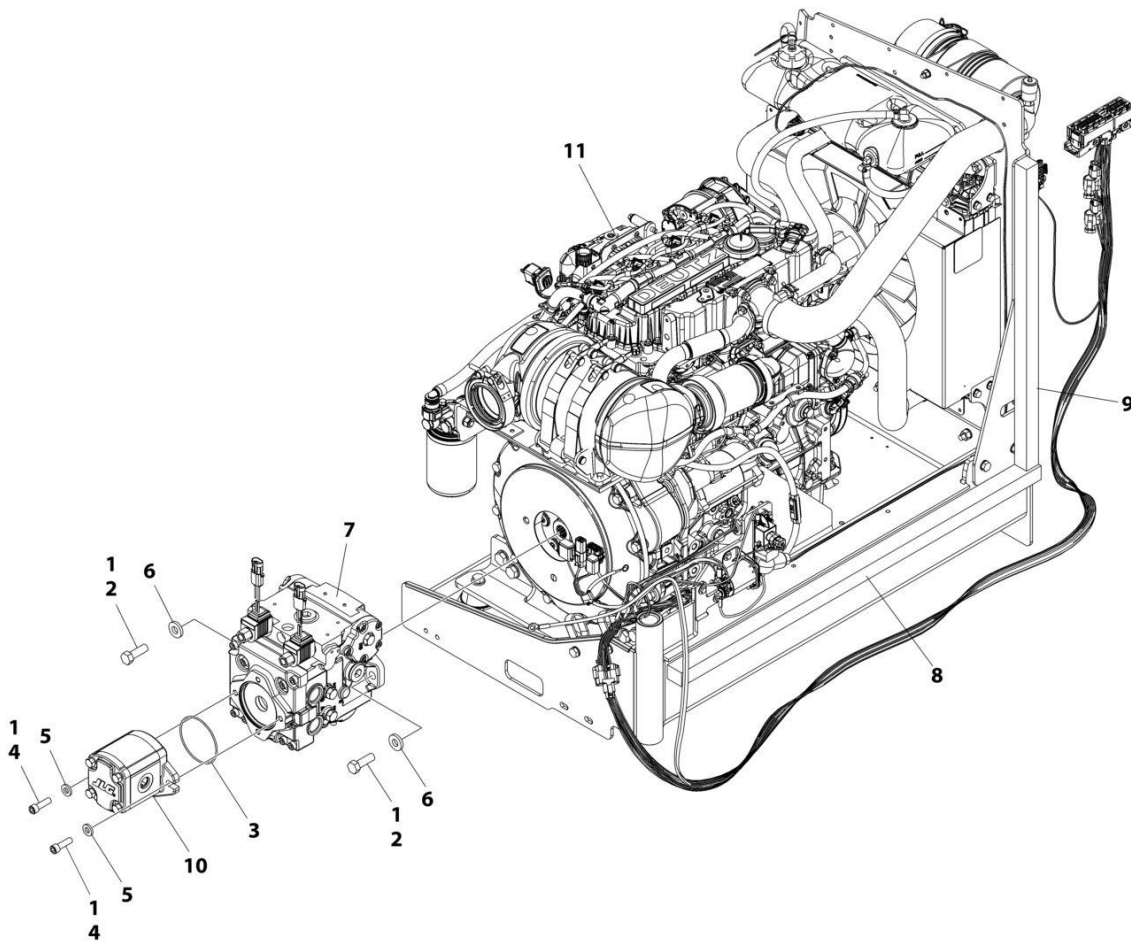
## SECTION 3 - ENGINE

ITEM	PART NUMBER	QTY	DESCRIPTION	REV
48	1001181358	1	Harness, Fuel Pump (See Separate Breakdown in ELECTRICAL Section)	
49	1001188972	1	Heater, Immersion	
50	1001191832	1	Rivet	
51	1001233763	1	Breather Heater Installation (Not Shown - See Separate Breakdown in this Section)	
52	1001302963	1	Engine and Pump Assembly - Deutz D2.9L4 (Without Arctic Package) (See Separate Breakdown in this Section)	



# SECTION 3 - ENGINE

FIGURE 3-10. ENGINE AND PUMP SUB-ASSEMBLY - DEUTZ D2.9L4 ERM5 ENGINE (WITHOUT ARCTIC PACKAGE) (ANSI AND CSA SPECS)



ART\_1001302963

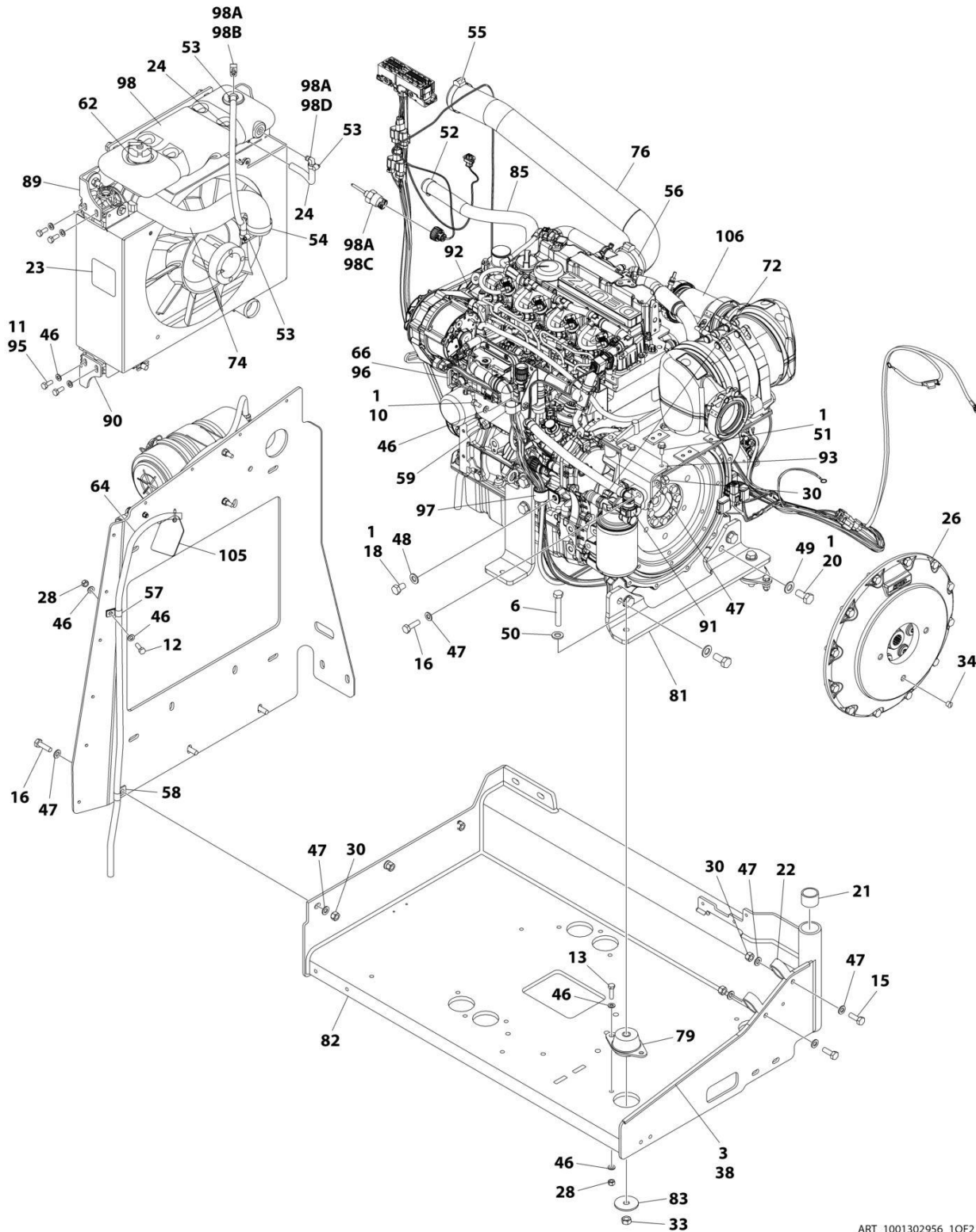
## SECTION 3 - ENGINE

**FIGURE 3-10. ENGINE AND PUMP SUB-ASSEMBLY - DEUTZ D2.9L4 ERM5 ENGINE (WITHOUT ARCTIC PACKAGE) (ANSI AND CSA SPECS)**

ITEM	PART NUMBER	QTY	DESCRIPTION	REV
	1001302963	Ref	ENGINE AND PUMP SUB-ASSEMBLY - DEUTZ D2.9L4 ERM5	A
1	0100011	AR	Compound, Locking	
2	0641812	2	Bolt 1/2 x 1-1/2	
3	3790152	1	O-Ring	
4	3931618	2	Capscrew 3/8 x 1-1/8	
5	4891600	2	Washer 3/8	
6	4891800	2	Washer 1/2	
7	1001167036	1	Piston Pump Assembly (See Separate Breakdown in this Section)	
8	1001171953	1	Seal	
9	1001171954	1	Seal	
10	1001214207	1	Gear Pump Assembly	
10	70006356	1	Seal Kit - 1001214207 Pump	
11	1001302956	1	Engine Assembly - Deutz D2.9L4 ERM5 Engine (With Arctic Package) (See Separate Breakdown in this Section)	

# SECTION 3 - ENGINE

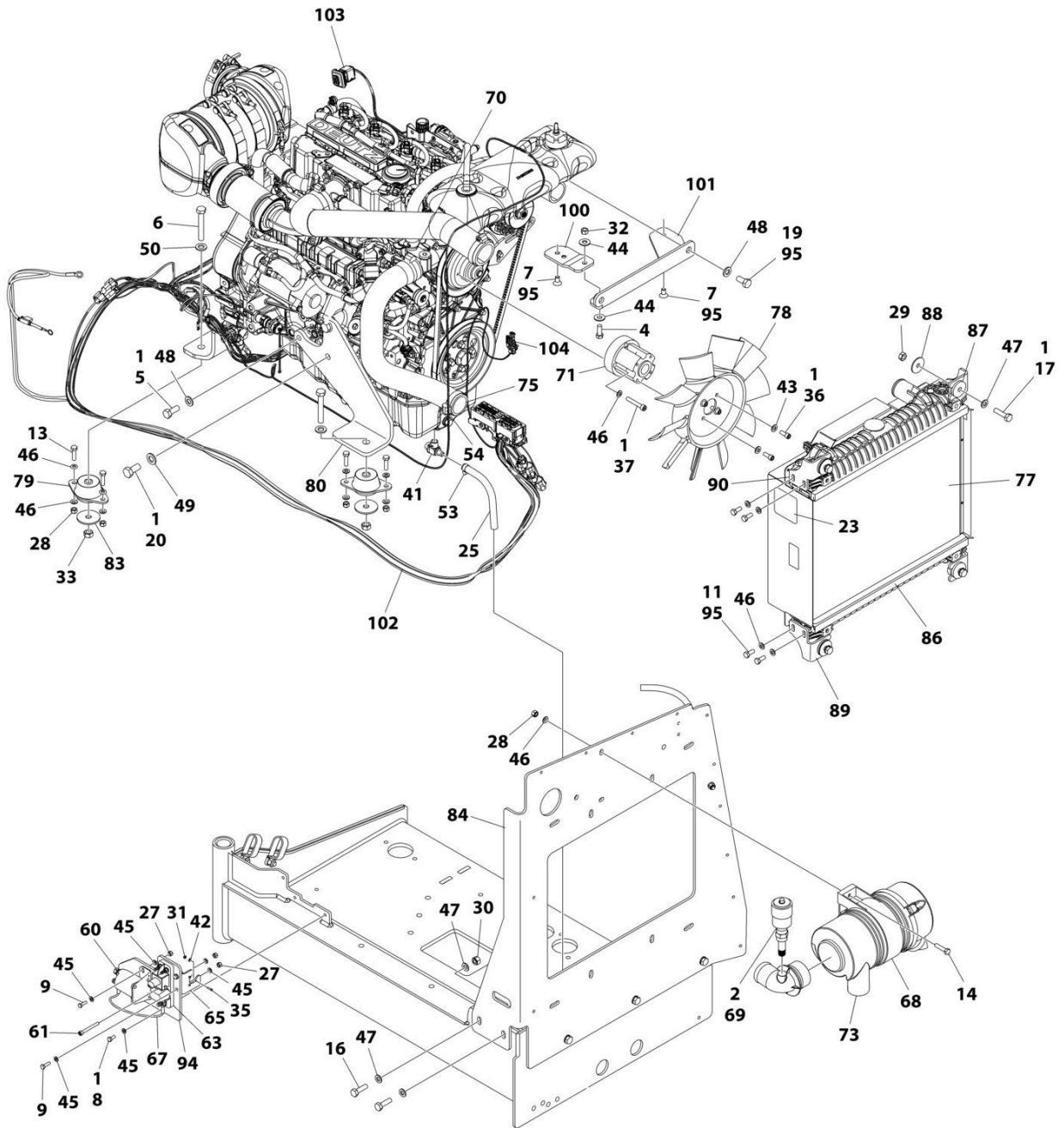
FIGURE 3-11. ENGINE ASSEMBLY - DEUTZ D2.9L4 ERM5 ENGINE (WITH ARCTIC PACKAGE) (ANSI AND CSA SPECS)



ART\_1001302956\_10F2



# SECTION 3 - ENGINE



ART\_1001302956\_20F2

## SECTION 3 - ENGINE

**FIGURE 3-11. ENGINE ASSEMBLY - DEUTZ D2.9L4 ERM5 ENGINE (WITH ARCTIC PACKAGE) (ANSI AND CSA SPECS)**

ITEM	PART NUMBER	QTY	DESCRIPTION	REV
	1001302956	Ref	ENGINE ASSEMBLY - DEUTZ D2.9L4 ERM5 ENGINE	A
1	0100011	AR	Compound, Locking	
2	0100020	AR	Sealant, Pipe	
3	0100081	AR	Adhesive	
4	0681608	1	Bolt 3/8 x 1	
5	0711214	1	Bolt M12 x 30	
6	0711224	3	Bolt M12 x 80	
7	0741606	2	Screw 3/8 x 3/4	
8	0760607	3	Bolt M6 x 14	
9	0760610	4	Bolt M6 x 20	
10	0760808	1	Bolt M8 x 16	
11	0760810	8	Bolt M8 x 20	
12	0760812	1	Bolt M8 x 25	
13	0760814	6	Bolt M8 x 30	
14	0760815	2	Bolt M8 x 35	
15	0761014	2	Bolt M10 x 30	
16	0761015	7	Bolt M10 x 35	
17	0761016	4	Bolt M10 x 40	
18	0761210	1	Bolt M12 x 20	
19	0761212	2	Bolt M12 x 25	
20	0771414	6	Bolt M14 x 30	
21	0961951	2	Bushing	
22	1321716	2	Clamp	
23	1703162	2	Decal - Caution Fan	
24	2720015	2 ft/1 m	Hose	
25	2720340	8 in/20 cm	Hose	
26	2902065	1	Pump Coupling Kit (See Separate Breakdown in this Section)	
27	3290605	5	Nut M6	
28	3290805	9	Nut M8	
29	3291001	4	Nut M10	
30	3291005	9	Nut M10	
31	3310401	3	Nut #4	
32	3311605	1	Nut 3/8	
33	3331215	3	Nut M12	
34	3520054	1	Plug	
35	3910408	3	Screw #4 x 1/2	
36	3931512	4	Capscrew 5/16 x 3/4	
37	4031914	4	Bolt M8 x 50	
38	4060805	3 ft/1 m	Flex-Trim	
39	4240032	AR	Tie-Strap (Not Shown)	
40	4240099	AR	Tie-Strap (Not Shown)	
41	4640751	1	Valve, Oil Drain	
42	4710400	3	Washer #4	
43	4711500	4	Washer 5/16	
44	4751600	2	Washer 3/8	
45	4811702	12	Washer M6	
46	4811900	31	Washer M8	
47	4812000	22	Washer M10	
48	4812100	4	Washer M12	

## SECTION 3 - ENGINE

ITEM	PART NUMBER	QTY	DESCRIPTION	REV
49	4812200	6	Washer M14	
50	5241200	3	Washer M12	
51	5250810	2	Bolt M8 x 20	
52	8405007	2	Clamp	
53	8405009	5	Clamp	
54	8405104	4	Clamp	
55	8405202	1	Clamp	
56	8405204	1	Clamp	
57	8406109	1	Clip	
58	8406110	1	Clip	
59	8406201	1	Clip	
60	1001117308	1	Relay, 200Amp	
60	3300220	2	Nut	
60	3321001	2	Nut #10	
60	4761000	2	Washer #10	
60	100111424	2	Washer	
61	1001118878	1	Bolt M6 x 55	
62	1001136834	1	Cap, Tank	
63	1001138228	1	Relay, Power Module	
63	70023592	1	Fuse 20AMP	
63	70023593	1	Fuse 30AMP	
64	1001138248	4 ft/1 m	Hose	
65	1001139240	1	Bracket	
66	1001140312	1	Heater, Engine Block	
67	1001141304	1	Wire, Glow Fuse	
68	1001141694	1	Clamp	
69	1001143390	1	Indicator	
70	1001143797	1	Fitting, Pipe Straight	
71	1001144116	1	Spacer, Fan	
72	1001152489	1	Fitting, Pipe 90	
73	1001165388	1	Filter, Air Cleaner	
74	1001165405	1	Hose	
75	1001165406	1	Hose	
76	1001165721	1	Hose	
77	1001165722	1	Radiator	
78	1001165849	1	Fan	
79	1001166718	3	Isolator	
80	1001166921	1	Plate	
81	1001166924	1	Plate	
82	1001167520	1	Support	
83	1001168018	3	Washer, Special	
84	1001168026	1	Plate	
85	1001168099	1	Hose	
86	1001168166	2	Seal	
87	1001169054	4	Isolator, Radiator	
88	1001169138	4	Pad	
89	1001169967	2	Bracket	
90	1001170035	2	Bracket	
91	1001177359	1	Hose	
92	1001178788	1	Cable, Alternator	
93	1001178876	1	Mount	

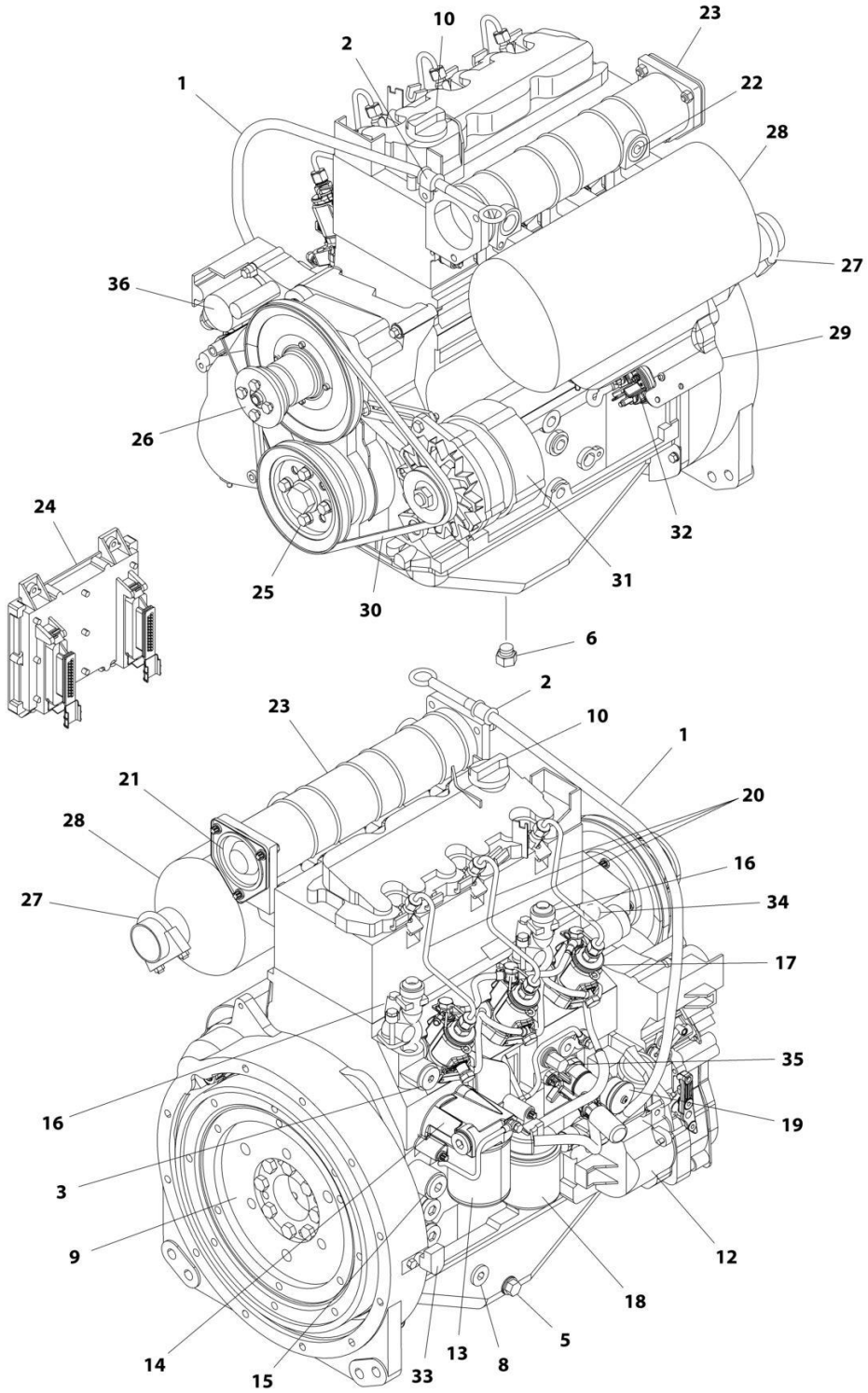
## SECTION 3 - ENGINE

ITEM	PART NUMBER	QTY	DESCRIPTION	REV
94	1001179903	1	Bracket	
95	1001180620	AR	Adhesive	
96	1001181895	AR	Adhesive	
97	1001191620	1	Clamp	
98	1001230635	1	Tank, Surge Assembly (Includes Items 96A-96D)	
98A	0100020	AR	Sealant, Pipe	
98B	1001134488	1	Fitting, Barbed	
98C	1001138827	1	Sensor, Coolant Level	
98D	1001140564	1	Fitting, Barbed 90	
99	1001235949	1	Bracket Assembly Fuel Pump/Filter (Not Shown - See Separate Breakdown in this Section)	
100	1001260412	1	Bracket	
101	1001260420	1	Bracket	
102	1001276643	1	Engine Harness (See Separate Breakdown in ELECTRICAL Section)	
103	1001281985	1	Connector	
104	1001281986	1	Connector	
105	1001291401	1	Tag, Coolant	
106	1001302954	1	Engine, Deutz D2.9L4 ERM5 (See Separate Breakdown in this Section)	



# SECTION 3 - ENGINE

## FIGURE 3-12. ENGINE COMPONENTS - DEUTZ D2011



ART\_1001170693

## SECTION 3 - ENGINE

**FIGURE 3-12. ENGINE COMPONENTS - DEUTZ D2011**

ITEM	PART NUMBER	QTY	DESCRIPTION	REV
	1001170693	Ref	ENGINE COMPONENTS - DEUTZ D2011	C
1	70001002	1	Tube, Dipstick	
1	7020403	1	Seal, Tube	
1	7020026	1	Dipstick	
2	70001654	1	Clamp	
2	70001655	1	Bolt	
3	70003475	1	Thermostat	
3	7020460	1	Spring	
4		Ref	Seal and Gasket Options (Not Shown):	
4	70002718	1	Seal, Rear Main	
4	7020430	1	Gasket, Valve Cover	
4	70003479	1	Gasket, Head - 1 Notch	
4	70003480	1	Gasket, Head - 2 Notch	
4	70003481	1	Gasket, Head - 3 Notch	
5	70025088	1	Plug	
6	70025667	1	Plug	
7	70025123	22	Bolt, Torx (Oil Pan Bolts) (Not Shown)	
8	7020492	1	Seal	
8	70025084	1	Plug	
9	70001870	1	Flywheel	
9	7024579	1	Ring Gear (Part of Flywheel)	
9	70025139	8	Bolt	
10	7020465	1	Cap, Oil Fill	
11	70000800	1	Timing Belt/Idler Kit (Includes Timing Belt, Tensioner and Tensioner Bolt) (Not Shown)	
12	70001850	1	Pump, Lubricating	
12	7020468	1	Seal, Pump to Engine Block (Not Shown)	
13	7016331	1	Filter, Oil	
14	70003472	1	Bracket, Oil Filter (Includes Plug with Seal, Temperature Sensor, Control Valve and Compression Spring)	
14	7027236	1	Sensor, Temperature	
14	70025082	1	Seal, Plug	
14	70025091	1	Plug	
14	70003473	1	Gasket, Bracket to Engine Block (Not Shown)	
15	70001181	1	Valve	
15	70025091	1	Plug	
15	70025082	1	Seal, Plug	
16	70004268	2	Connector, Radiator Neck	
16	70004269	2	Seal, Radiator Neck to Engine Block	
17	70000912	3	Pump, Fuel Injector - A Spec	
17	70000913	3	Pump, Fuel Injector - B Spec	
17	70000914	3	Pump, Fuel Injector - C Spec	
17	70000915	3	Pump, Fuel Injector - D Spec	
17	70003464	3	O-Ring, Pump to Engine Block	
18	7020023	1	Filter, Fuel	
18	70003463	1	Filter, Fuel - RME Resistant	
18	70001423	1	Bracket, Fuel Filter	
19	70000916	1	Pump Fuel Supply	
19	70000917	1	O-Seal Between Fuel Pump and Engine Block	
19	70000918	1	Sealing Ring Between Hand Pump and Supply Pump	

## SECTION 3 - ENGINE

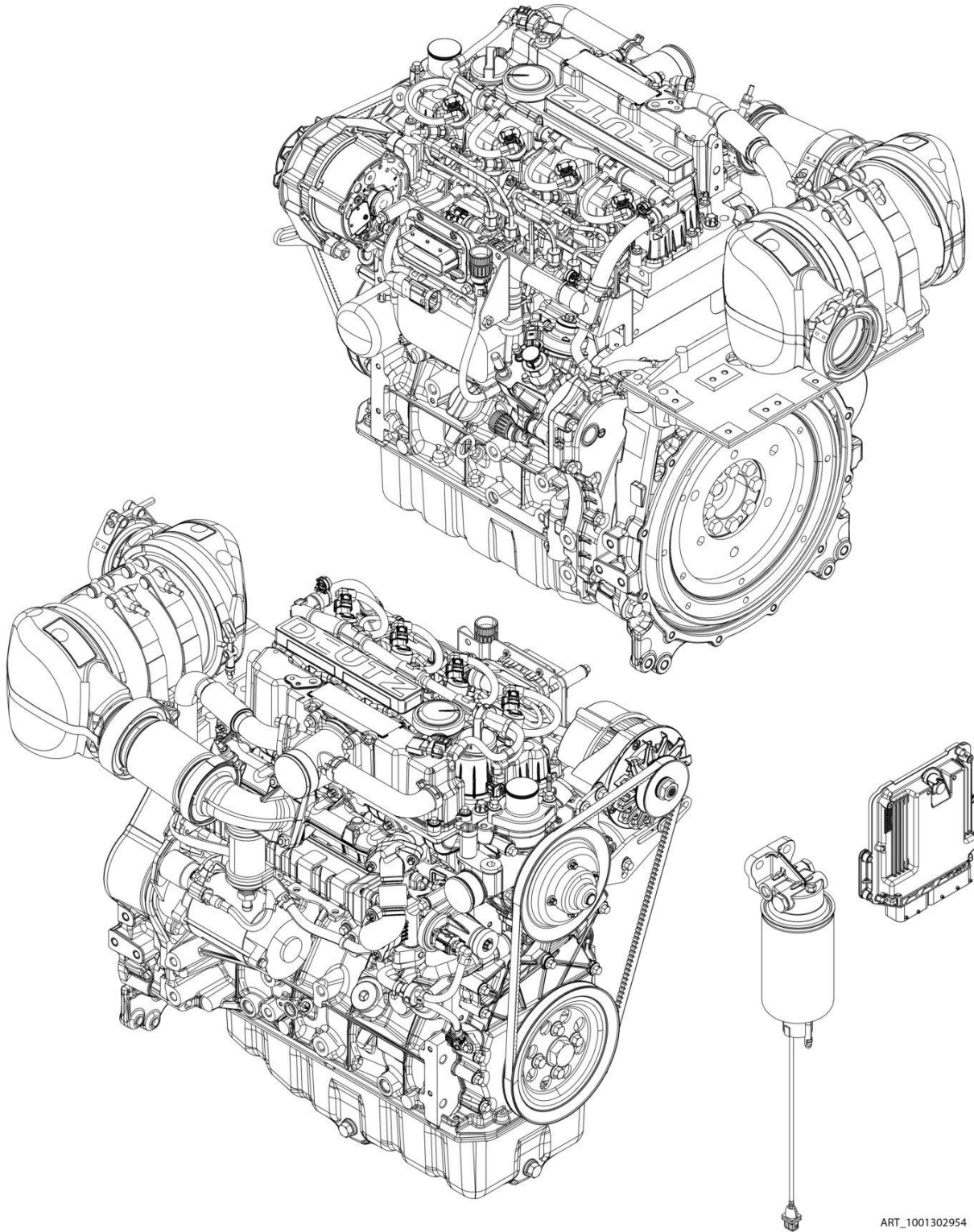
ITEM	PART NUMBER	QTY	DESCRIPTION	REV
19	70000919	1	Pump, Hand	
19	70001435	1	Repair Kit	
19	70025694	2	Bolt, Torx	
20	70000931	3	Pipe, High Pressure	
21	70003469	1	Flange, Intake	
21	70003468	1	Seal	
22	70025084	1	Plug	
22	7020492	1	Seal, Plug	
23	7027903	1	Manifold, Air Intake	
23	70001871	3	Gasket Between Manifold and Engine Block	
24	See Note	1	Module, Engine Control (Note: Not Currently Available)	
24	7027796	1	Cable, Electrical Between Module and Engine Harness (Not Shown)	
24	70001872	1	Harness, Engine (Connects to p/n 70004060) (Not Shown)	
24	70004060	1	Plug, Connector Located on Cable Near Module (Not Shown)	
24	70004059	1	Plug, Analyzer (Not Shown)	
25	70025123	4	Bolt, Torx	
26	70000787	1	Support, Fan (Includes Support, Internal Shaft, Bearings and Circlip)	
27	70001844	1	Clamp	
28	See Note	1	Muffler (Note: See Separate Breakdown in this Section)	
28	7020471	3	Gasket, Exhaust Between Muffler and Engine Block	
28	70004270	6	Stud, Muffler	
29	70001498	1	Shield, Starter	
29	70025693	3	Bolt	
30	70004102	1	V-Belt	
31	70004056	1	Alternator (Includes Voltage Regulator and Gaskets, Fan and Fan Mounting Hardware)	
31	70001868	1	Regulator, Voltage	
31	70001866	1	Gasket Set, Voltage Regulator	
31	70025131	1	Fan	
31	70025086	1	Nut, Fan	
31	70000851	1	Bracket, Alternator Mounting	
31	70002234	1	Bracket, Alternator Adjustment	
31	70004103	1	Harness, Alternator (Not Shown)	
32	7020479	1	Starter	
32	70025121	2	Bolt, Starter Mounting	
32	70004058	1	Relay	
32	70004062	1	Harness, Starter (Not Shown)	
33	7024565	1	Sensor, Speed	
33	70003931	1	Bolt	
33	70003932	1	Spacer, Sleeve	
34	7027791	1	Sensor, Temperature	
35	7027790	1	Sensor, Oil Pressure	
36	7027792	1	Actuator	
37	70000345	3	Plug, Glow (Not Shown)	





## SECTION 3 - ENGINE

FIGURE 3-13. ENGINE COMPONENTS - DEUTZ D2.9L4 ERM5 ENGINE (ANSI, ANSI EXPORT AND CSA SPECS)



ART\_1001302954

## SECTION 3 - ENGINE

**FIGURE 3-13. ENGINE COMPONENTS - DEUTZ D2.9L4 ERM5 ENGINE (ANSI, ANSI EXPORT AND CSA SPECS)**

ITEM	PART NUMBER	QTY	DESCRIPTION	REV
	1001302954	Ref	ENGINE COMPONENTS - DEUTZ D2.9L4 ERM5 ENGINE	A
	See Note	Ref	Note: Contact JLG Customer Service for availability for addition components.	
		Ref	AIR INTAKE SYSTEM	
	70005180	1	Breather Line	
	70005182	1	Charge Air Elbow	
		Ref	COOLING SYSTEM COMPONENTS	
	70030360	1	Pump, Coolant	
	70007603	1	Thermostat	
		Ref	ELECTRICAL COMPONENT	
	70031144	1	Starter	
	NPN	1	Generator	
	70024507	1	Sensor, Pressure (Air Intake)	
	70026210	1	Sensor, Speed	
	70025231	1	Harness, Glow Plug	
	70024919	1	Sensor, Fuel Filter	
	70024504	1	Sensor, Pressure	
	70028540	1	Transmitter, Temperature	
	70029512	1	Module, Engine Control	
	70031143	1	Regulator, Voltage	
		Ref	EXHAUST COMPONENT	
	70004282	1	Exhaust Manifold	
	70031136	1	Pipe, Exhaust	
	70012257	1	Valve, Exhaust	
	70004508	1	Valve, Volume Control	
		Ref	FUEL SYSTEM COMPONENT	
	70030381	1	Pump, High Pressure	
	70004281	1	Injector, Fuel	
	NPN	1	Pump, Fuel Supply (Includes qty 2 Clamps)	
	70024961	1	Filter, Fuel	
	1001225430	1	Filter, Fuel (Pre-Filter)	
	70024513	1	Cable, Sensor	
	70025239	1	Seal	
	70029451	1	Filter, Fuel	
	1001225431	1	Filter, Fuel (Spin-On)	
	70024502	1	Pipe, Fuel	
		Ref	GASKET AND SEAL COMPONENT	
	70024905	2	Seal, Dipstick	
	70005942	1	Seal, Oil Plug	
	70005171	1	Gasket, Valve Cover	
	70024906	1	Gasket, Head	
	70002718	1	Seal, Rear Main	
	70005177	1	Gasket, Charge Air Housing	
	70005184	1	O-Ring, Thermostat	
	70005931	1	Seal, Thermostat	
	70025164	1	Gasket, Exhaust Manifold to Head	
	70007326	1	Gasket, EGR Valve	
	70031095	1	Gasket, Exhaust Return Pipe	
	70007354	1	Gasket, Short Exhaust Pipe	

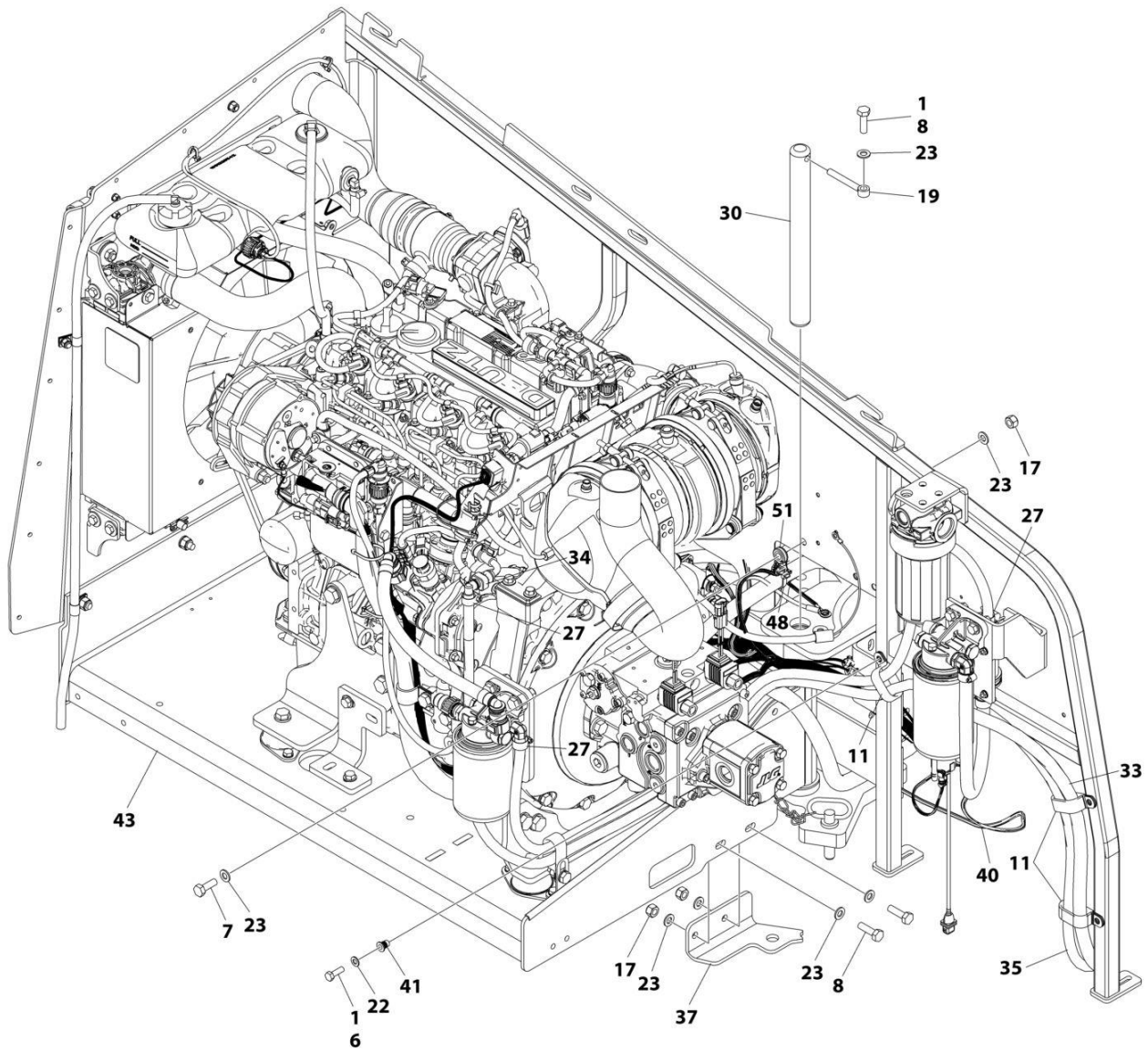
## SECTION 3 - ENGINE

ITEM	PART NUMBER	QTY	DESCRIPTION	REV
		Ref	OTHER COMPONENT	
	70001870	1	Flywheel (Includes Ring Gear)	
	7024579	1	Gear, Ring	
		Ref	OIL LUBE SYSTEM	
	70024904	1	Dipstick	
	70024905	1	Cap, Oil Fill	
	70005941	1	Plug, Oil	
	70005172	1	Pump, Oil Lube	
	7016331	1	Filter, Oil	
	70024494	1	Oil Cooler	



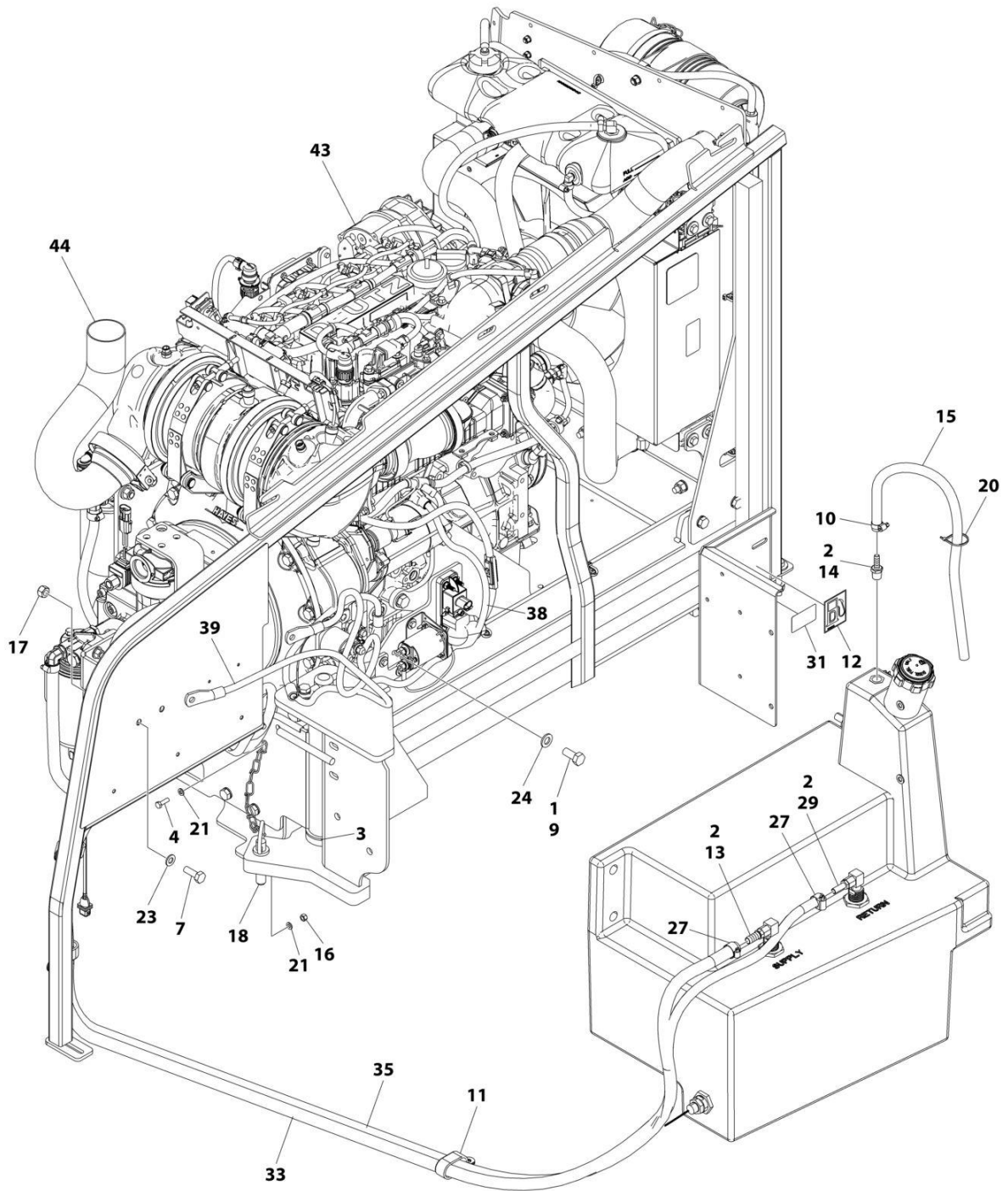
# SECTION 3 - ENGINE

FIGURE 3-14. ENGINE INSTALLATION - DEUTZ D2.9L4 ENGINE (STAGE V) (CE & UK CA SPECS)



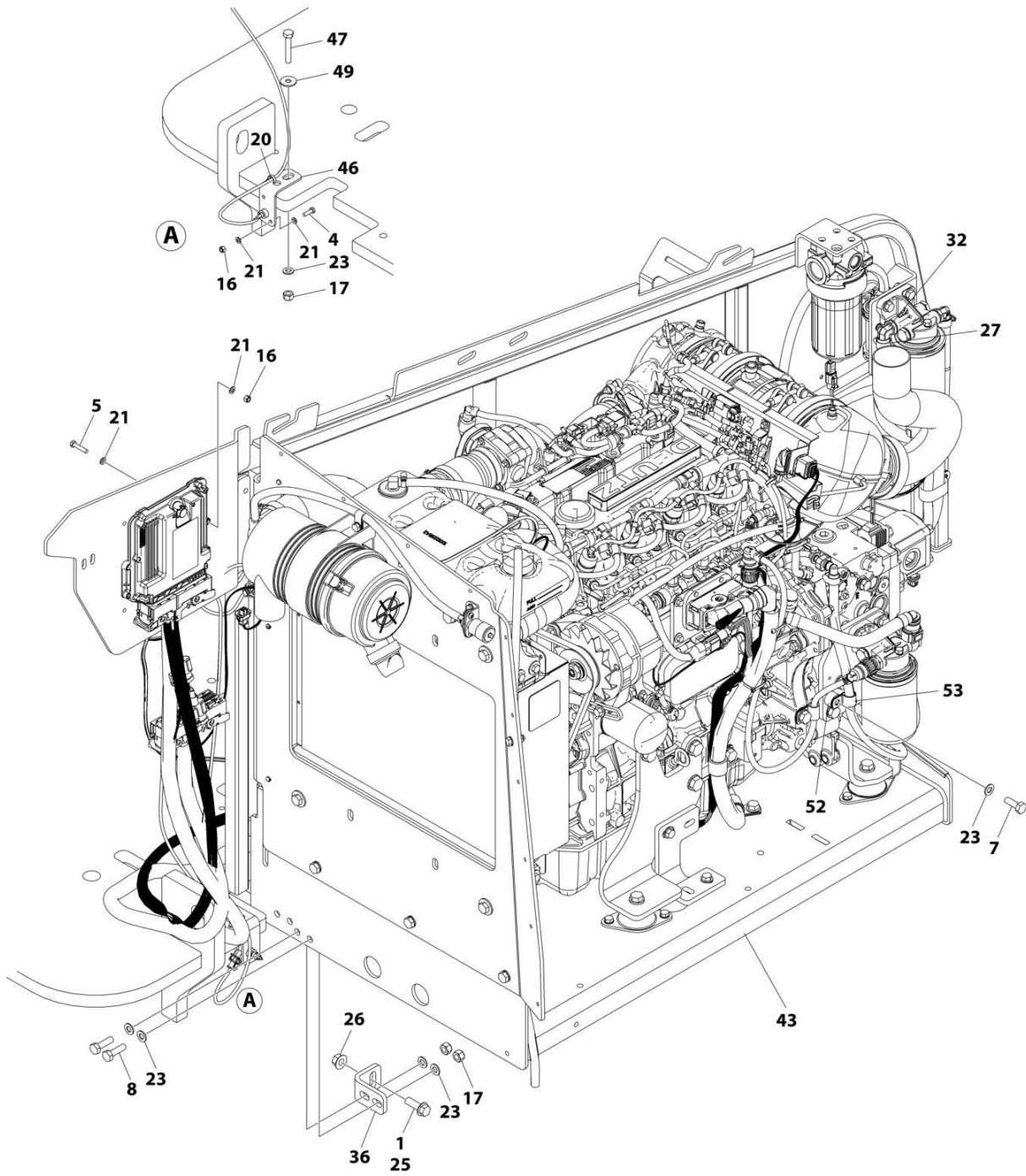
ART\_1001244287\_H\_10F3

# SECTION 3 - ENGINE



ART\_1001244287\_H\_20F3

# SECTION 3 - ENGINE



ART\_1001244287\_H\_30F3



## SECTION 3 - ENGINE

**FIGURE 3-14. ENGINE INSTALLATION - DEUTZ D2.9L4 ENGINE (STAGE V) (CE & UK CA SPECS)**

ITEM	PART NUMBER	QTY	DESCRIPTION	REV
	1001244287	Ref	ENGINE INSTALLATION - DEUTZ D2.9L4 ENGINE (STAGE V)	H
1	0100011	AR	Compound, Locking	
2	0100020	AR	Sealant, Pipe	
3	0440162	1	Bearing	
4	0760610	2	Bolt M6 x 20	
5	0760614	4	Bolt M6 x 30	
6	0760812	1	Bolt M8 x 25	
7	0761014	4	Bolt M10 x 30	
8	0761015	5	Bolt M10 x 35	
9	0771212	1	Bolt M12 x 25	
10	1320022	1	Clamp	
11	1321716	4	Clamp	
12	1701505	1	Decal - Diesel Fuel	
13	2180832	1	Fitting, Barbed	
14	2180876	1	Fitting, Barbed	
15	2720058	2 ft /0.6m	Hose	
16	3290605	6	Nut M6	
17	3291005	8	Nut M10	
18	3422532	1	Pin	
19	3841143	1	Keeper, Pin	
20	4240099	AR	Tie-Strap	
21	4811700	12	Washer M6	
22	4811900	1	Washer M8	
23	4812000	15	Washer M10	
24	4812100	1	Washer M12	
25	5251215	1	Bolt M12 x 35	
26	5261200	1	Nut, Flange M12 Grade 10.9	
27	8405006	6	Clamp	
29	2220767	AR	Fitting, Barbed 90	
29	8430007	AR	Fitting, Barbed	
30	1001135196	1	Pin	
31	1001139654	1	Decal - Ultra Low Sulfur Diesel	
32	1001142501	1	Fitting, Barbed 90	
33	1001154405	7.25 ft /2.21m	Hose	
34	1001155823	1	Coupling, Quick Disconnect 90	
35	1001165035	17.25 ft /5.26m	Hose	
36	1001167512	1	Bracket	
37	1001169823	1	Plate, Engine Lock	
38	1001171683	1	Cable, Battery (Red) (Battery Positive to Auxiliary Power Relay)	
39	1001171684	1	Cable, Battery (Black) (Battery Negative to Auxiliary Power Pump)	
40	1001181358	1	Harness, Fuel Pump (See Separate Breakdown in ELECTRICAL SECTION)	
41	1001191832	1	Nut, Rivet M8	
43	1001277600	1	Engine and Pump Sub-Assembly - Deutz D2.9L4 (Without Arctic Package) (See Separate Breakdown in this Section)	
44	1001247440	1	Pipe, Exhaust	
46	1001256879	1	Bracket	
47	0701020	1	Bolt M10 x 60	

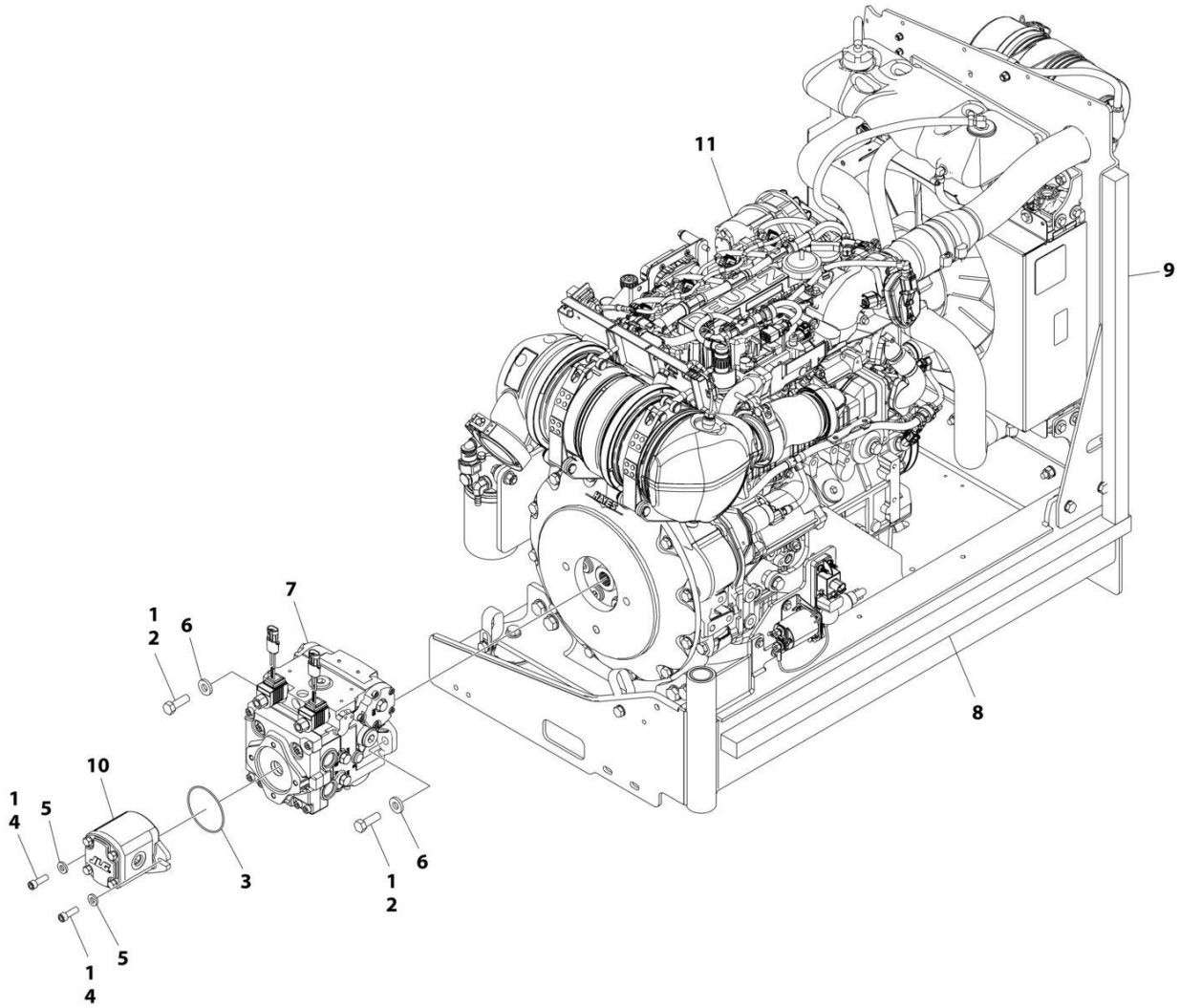
## SECTION 3 - ENGINE

ITEM	PART NUMBER	QTY	DESCRIPTION	REV
48	1062255	1	Tie-Strap	
49	4812002	1	Washer M10	
51	1001156107	1	Holder	
52	1001220266	1	Spacer	
53	1320061	1	Clamp	



# SECTION 3 - ENGINE

FIGURE 3-15. ENGINE AND PUMP SUB-ASSEMBLY - DEUTZ D2.9L4 ENGINE (STAGE V) (CE & UK CA SPECS)



ART\_1001277600

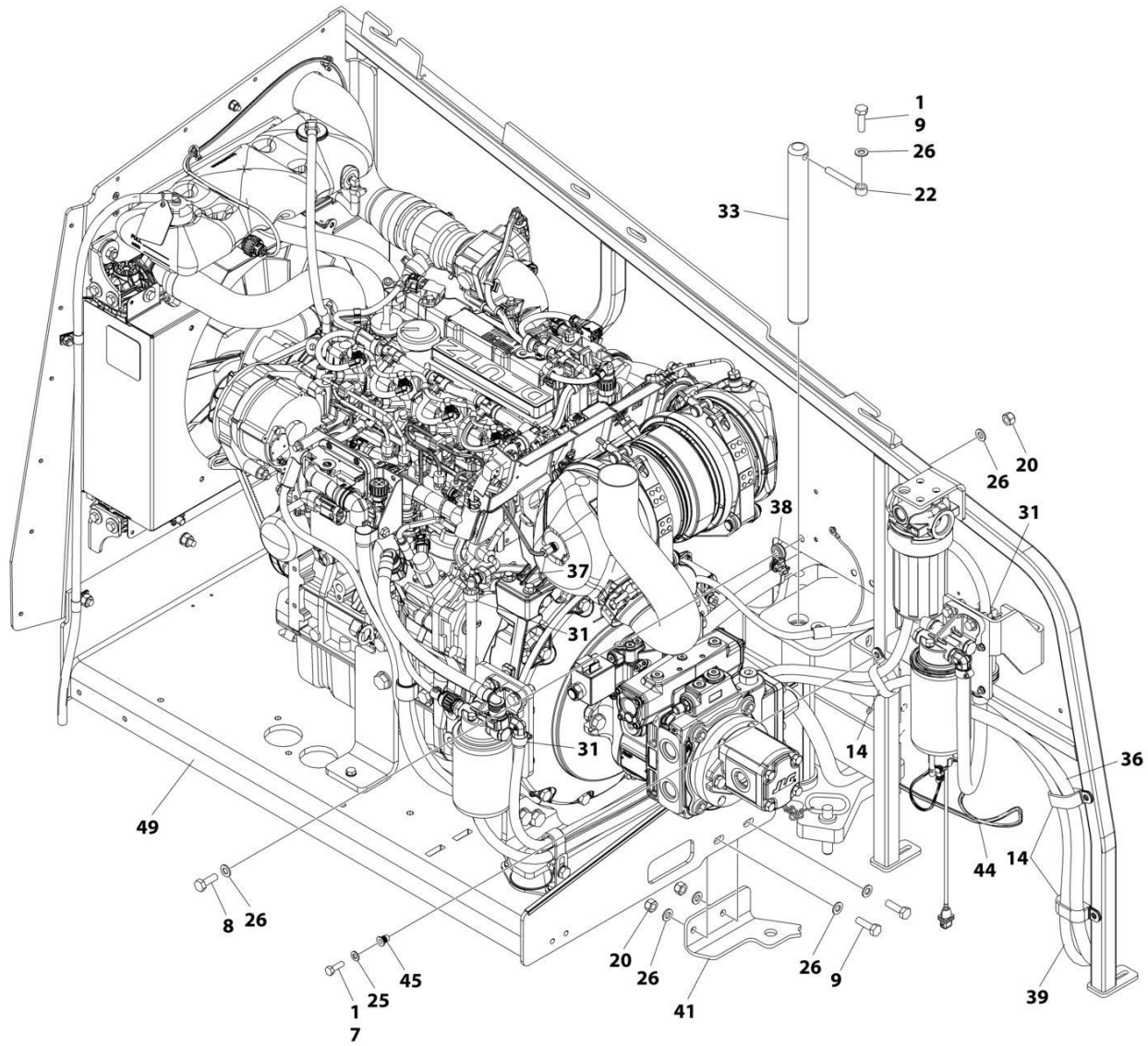
## SECTION 3 - ENGINE

**FIGURE 3-15. ENGINE AND PUMP SUB-ASSEMBLY - DEUTZ D2.9L4 ENGINE (STAGE V) (CE & UK CA SPECS)**

ITEM	PART NUMBER	QTY	DESCRIPTION	REV
	1001277600	Ref	ENGINE AND PUMP SUB-ASSEMBLY - DEUTZ (STAGE V) ENGINE	B
1	0100011	AR	Compound, Locking	
2	0641812	2	Bolt 1/2 x 1-1/2	
3	3790152	1	O-Ring	
4	3931618	2	Capscrew 3/8 x 1-1/8	
5	4891600	2	Washer 3/8 Hardened	
6	4891800	2	Washer 1/2 Hardened	
7	1001167036	1	Piston Pump Assembly (See Separate Breakdown in this Section)	
8	1001171953	1	Seal	
9	1001171954	1	Seal	
10	1001214207	1	Gear Pump Assembly	
10	70006356	1	Seal Kit - 1001214207 Pump	
11	1001277594	1	Engine Assembly, Deutz (Stage V) Engine (See Separate Breakdown in this Section)	

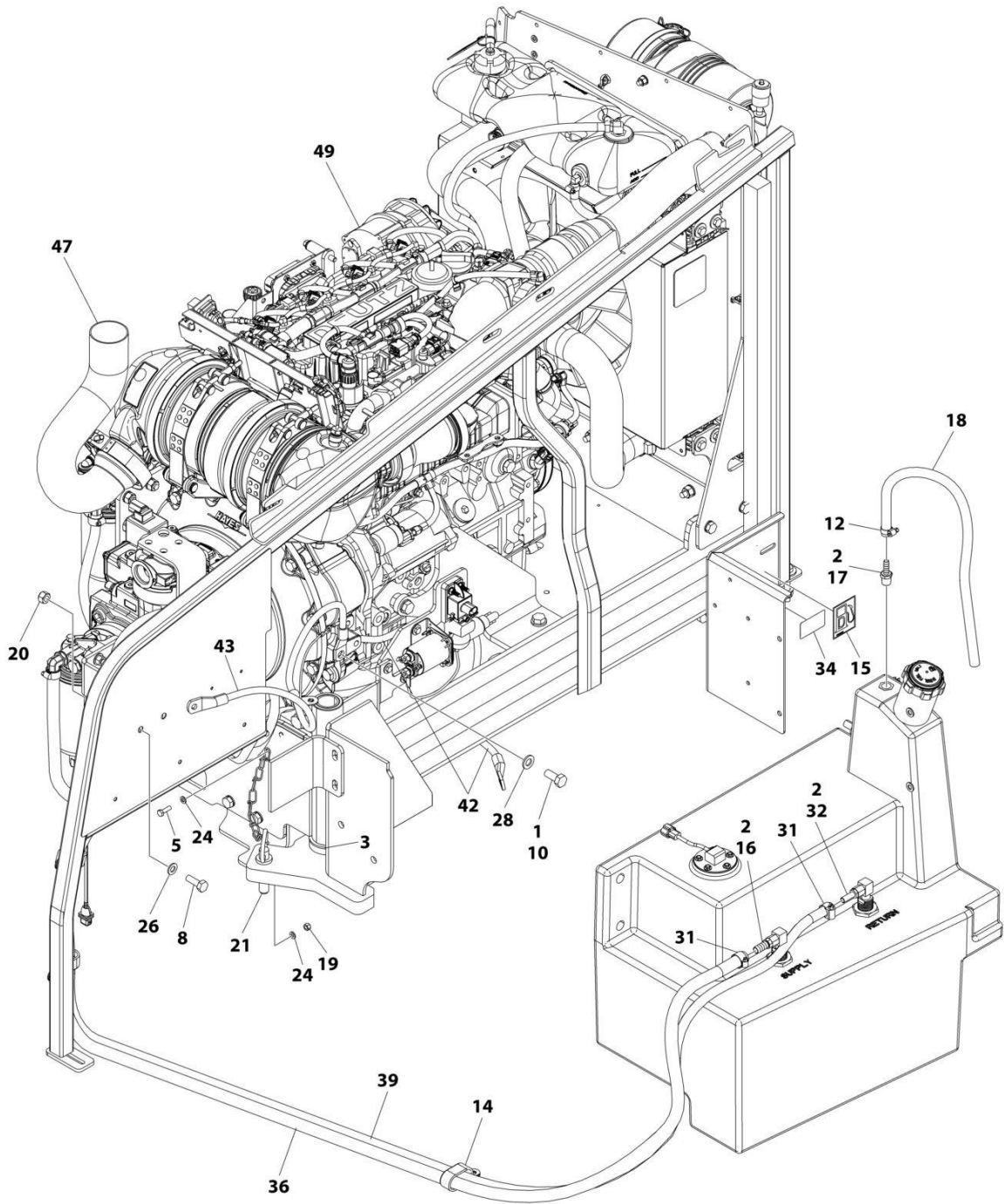
# SECTION 3 - ENGINE

## FIGURE 3-16. ENGINE INSTALLATION - DEUTZ D2.9L4 ENGINE (STAGE V) (WITH PMP PUMP)



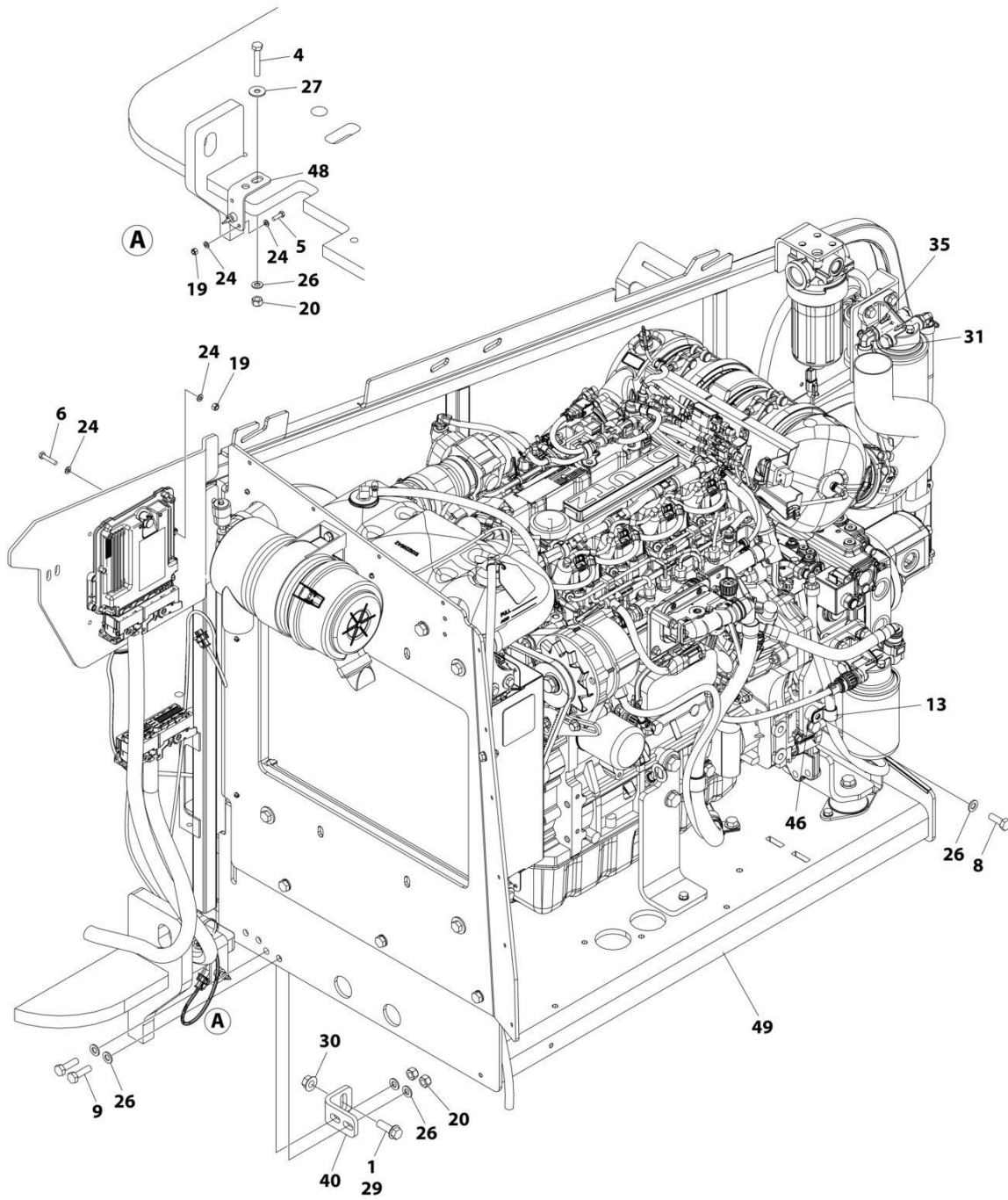
ART\_1001300787\_1OF3

# SECTION 3 - ENGINE



ART\_1001300787\_2OF3

# SECTION 3 - ENGINE



ART\_1001300787\_30F3



## SECTION 3 - ENGINE

**FIGURE 3-16. ENGINE INSTALLATION - DEUTZ D2.9L4 ENGINE (STAGE V) (WITH PMP PUMP)**

ITEM	PART NUMBER	QTY	DESCRIPTION	REV
	1001300787	Ref	ENGINE INSTALLATION - DEUTZ D2.9L4 ENGINE (STAGE V) (WITH PMP PUMP)	A
1	0100011	AR	Compound, Locking	
2	0100020	AR	Sealant, Pipe	
3	0440162	1	Bearing	
4	0701020	1	Bolt M10 x 60	
5	0760610	2	Bolt M6 x 20	
6	0760614	4	Bolt M6 x 30	
7	0760812	1	Bolt M8 x 25	
8	0761014	4	Bolt M10 x 30	
9	0761015	5	Bolt M10 x 35	
10	0771212	1	Bolt M12 x 25	
11	1062255	AR	Tie-Strap (Not Shown)	
12	1320022	1	Clamp	
13	1320061	1	Clamp	
14	1321716	4	Clamp	
15	1701505	1	Decal - Diesel	
16	2180832	1	Fitting, Barbed	
17	2180876	1	Fitting, NPT/Barbed	
18	2720058	22 in/ 56 cm	Hose	
19	3290605	6	Nut M6	
20	3291005	8	Nut M10	
21	3422532	1	Pin	
22	3841143	1	Keeper, Pin	
23	4240099	AR	Tie-Strap (Not Shown)	
24	4811700	12	Washer M6	
25	4811900	1	Washer M8	
26	4812000	15	Washer M10	
27	4812002	1	Washer M10	
28	4812100	1	Washer M12	
29	5251215	1	Bolt M12 x 35	
30	5261200	1	Nut M12	
31	8405006	6	Clamp	
32	8430007	AR	Fitting, Barbed	
33	1001135196	1	Pin	
34	1001139654	1	Decal - Ultra Low Sulfur Diesel	
35	1001142501	1	Fitting, 90 Barbed	
36	1001154405	7.2 ft/ 2.2 m	Hose	
37	1001155823	1	Coupling, Quick Disconnect 90	
38	1001156107	1	Holder	
39	1001165035	17 ft/ 5.2 m	Hose	
40	1001167512	1	Bracket	
41	1001169823	1	Plate	
42	1001171683	1	Cable, Battery (Red) (Battery Positive to Auxiliary Power Relay)	
43	1001171684	1	Cable, Battery (Black) (Battery Negative to Auxiliary Power Pump)	
44	1001181358	1	Harness, Fuel Pump (See Separate Breakdown in ELECTRICAL Section)	
45	1001191832	1	Nut, Rivet M8	

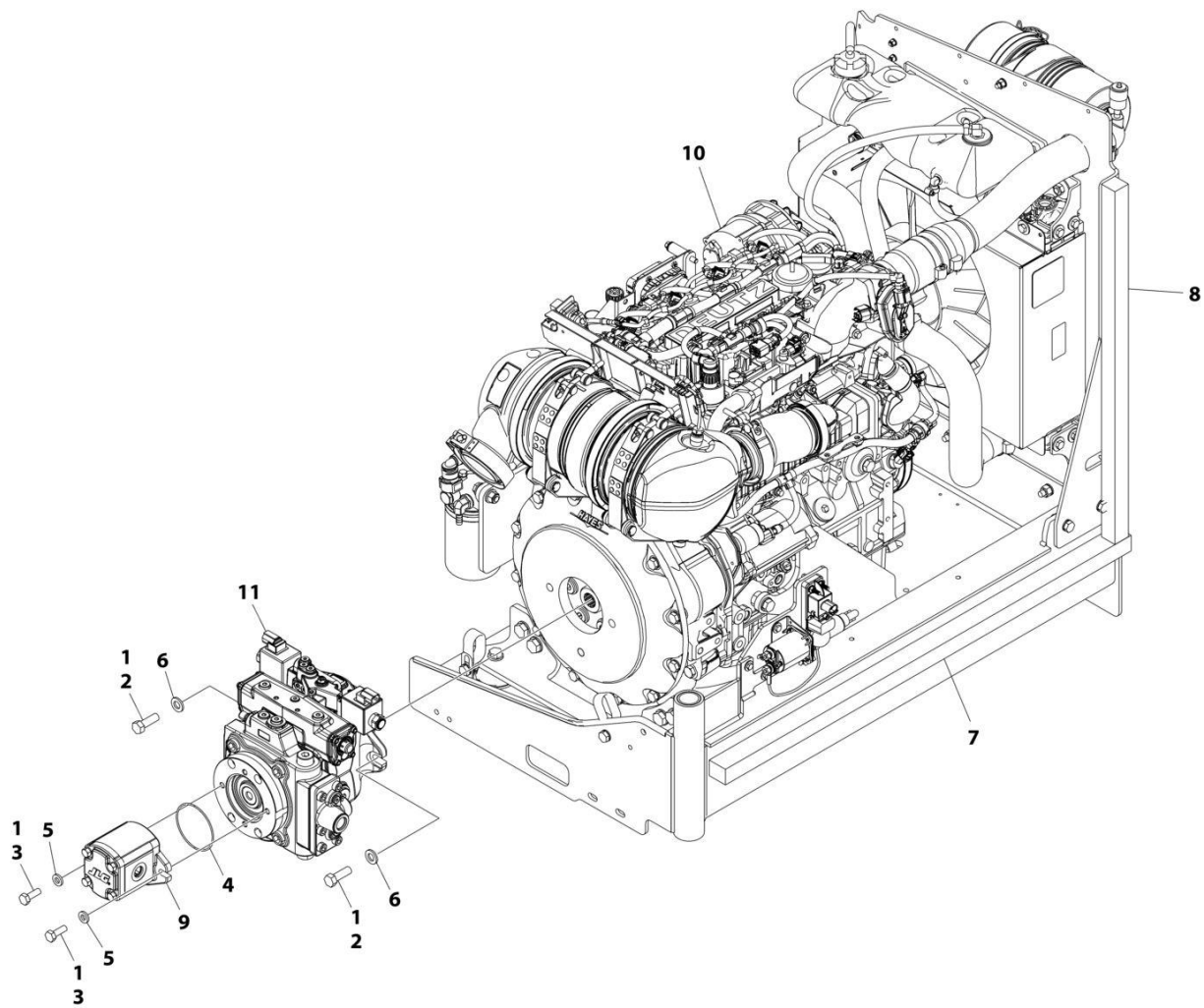
## SECTION 3 - ENGINE

ITEM	PART NUMBER	QTY	DESCRIPTION	REV
46	1001220266	1	Spacer	
47	1001247440	1	Pipe, Exhaust	
48	1001256879	1	Bracket	
49	1001300788	1	Engine and Pump Sub-Assembly (See Separate Breakdown in this Section)	



# SECTION 3 - ENGINE

## FIGURE 3-17. ENGINE AND PUMP SUB-ASSEMBLY - DEUTZ D2011 ENGINE (STAGE V)



ART\_1001300788

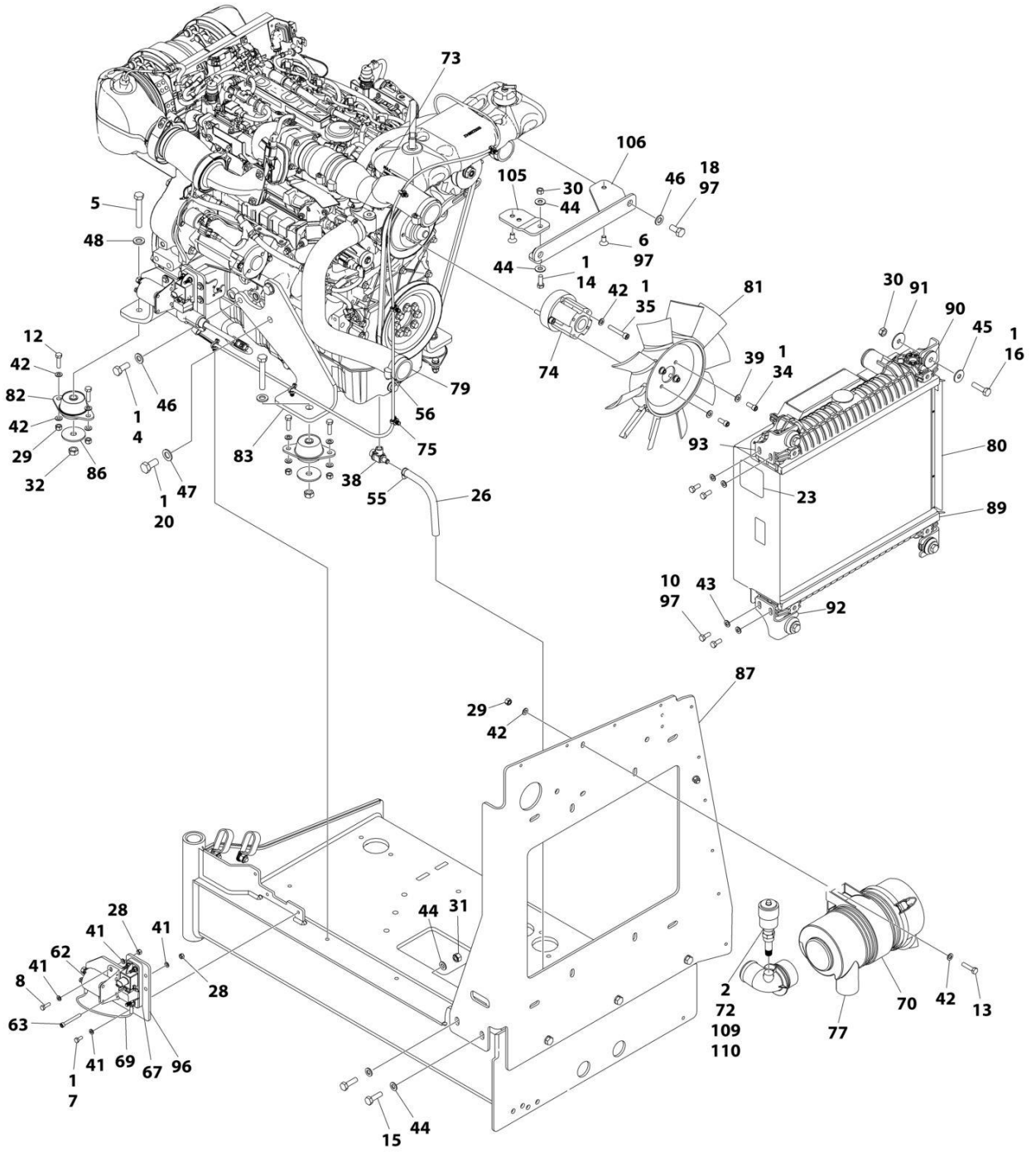
## SECTION 3 - ENGINE

**FIGURE 3-17. ENGINE AND PUMP SUB-ASSEMBLY - DEUTZ D2011 ENGINE (STAGE V)**

ITEM	PART NUMBER	QTY	DESCRIPTION	REV
	1001300788	Ref	ENGINE AND PUMP SUB-ASSEMBLY - DEUTZ D2011 ENGINE (STAGE V)	A
1	0100011	AR	Compound, Locking	
2	0641812	2	Bolt 1/2 x 1-1/2	
3	0761014	2	Bolt M10 x 30	
4	3790152	1	O-Ring	
5	4891600	2	Washer 3/8	
6	5241200	2	Washer M12	
7	1001171953	1	Seal	
8	1001171954	1	Seal	
9	1001214207	1	Gear Pump Assembly	
9	70006356	1	Seal Kit - 1001214207 Pump	
10	1001277594	1	Engine Assembly (STAGE V) Engine (See Separate Breakdown in this Section)	
11	1001285632	1	Closed Pump Loop Assembly (See Separate Breakdown in this Section)	



# SECTION 3 - ENGINE



ART\_1001277594\_E\_20F2

## SECTION 3 - ENGINE

**FIGURE 3-18. ENGINE ASSEMBLY - DEUTZ D2.9L4 ENGINE (STAGE V) (CE & UK CA SPECS)**

ITEM	PART NUMBER	QTY	DESCRIPTION	REV
	1001277594	Ref	ENGINE ASSEMBLY - DEUTZ D2.9L4 (STAGE V)	E
1	0100011	AR	Compound, Locking	
2	0100020	AR	Sealant, Pipe	
3	0100081	AR	Adhesive	
4	0711214	1	Bolt M12 x 30 Class 10.9	
5	0711224	3	Bolt M12 x 80 Class 10.9	
6	0741606	2	Screw 3/8 x 3/4	
7	0760607	3	Bolt M6 x 14	
8	0760610	2	Bolt M6 x 20	
9	0760808	1	Bolt M8 x 16	
10	0760810	8	Bolt M8 x 20	
11	0760812	1	Bolt M8 x 25	
12	0760814	6	Bolt M8 x 30	
13	0760815	2	Bolt M8 x 35	
14	0761014	3	Bolt M10 x 30	
15	0761015	5	Bolt M8 x 35	
16	0761016	6	Bolt M10 x 40	
17	0761210	1	Bolt M12 x 20	
18	0761212	2	Bolt M12 x 25	
19	0771212	3	Bolt M12 x 25	
20	0771414	6	Bolt M14 x 30 Class 10.9	
21	0961951	2	Bushing	
22	1321716	2	Clamp	
23	1703162	2	Decal - Caution Fan	
25	2720015	2 ft /1 m	Hose	
26	2720340	1 ft/1 m	Hose	
27	2902065	1	Pump Coupling Kit (See Separate Breakdown in this Section)	
28	3290605	3	Nut M6	
29	3290805	9	Nut M8	
30	3291001	5	Nut M10	
31	3291005	9	Nut M10	
32	3331215	3	Nut M12 x 1.75	
33	3520054	1	Plug	
34	3931512	4	Capscrew, 5/16 x 3/4	
35	4031914	4	Bolt M8 x 50	
36	4060805	3 ft /1 m	Flex-Trim	
37	4240099	AR	Tie-Strap (Not Shown)	
38	4640751	1	Valve, Oil Drain	
39	4711500	4	Washer 5/16	
40	4811700	2	Washer M6	
41	4811702	8	Washer M6	
42	4811900	23	Washer M8	
43	4811902	8	Washer M8	
44	4812000	20	Washer M10	
45	4812002	4	Washer M10	
46	4812100	7	Washer M12	
47	4812200	6	Washer M14	
48	5241200	3	Washer M12	
49	5251215	1	Bolt M12 x 35	
50	5261200	1	Nut, Flange M12 Class10	



## SECTION 3 - ENGINE

ITEM	PART NUMBER	QTY	DESCRIPTION	REV
54	8405007	2	Clamp	
55	8405009	5	Clamp	
56	8405104	4	Clamp	
57	8405202	1	Clamp	
58	8405204	2	Clamp	
59	8406109	1	Clip	
60	8406110	1	Clip	
61	8406201	1	Clip	
62	1001117308	1	Relay, 200Amp	
63	1001118878	1	Bolt M6 x 55	
64	1001136834	1	Cap, Tank	
67	1001138228	1	Relay, Power Module	
68	1001138248	4 ft/1 m	Tube	
69	1001141304	1	Harness, Glow Plug	
70	1001141694	1	Clamp, Air Cleaner	
72	1001143390	1	Indicator	
73	1001143797	1	Fitting, Barbed	
74	1001144116	1	Spacer, Fan	
75	1001146588	AR	Tie-Strap (Not Shown)	
76	1001152489	1	Fitting, Barbed 90	
77	1001165388	1	Air Cleaner Assembly	
78	1001165405	1	Hose, Upper Radiator	
79	1001165406	1	Hose, Lower Radiator	
80	1001165722	1	Radiator	
81	1001165849	1	Fan	
82	1001166718	3	Mount, Motor	
83	1001166921	1	Plate, Engine Mount	
84	1001166924	1	Plate, Engine Mount	
85	1001167520	1	Tray, Engine	
86	1001168018	3	Washer, Special	
87	1001168026	1	Plate, Radiator Mounting	
88	1001168099	1	Hose	
89	1001168166	2	Seal	
90	1001169054	4	Isolator	
91	1001169138	4	Washer, Snubbing	
92	1001169967	2	Bracket	
93	1001170035	2	Bracket	
94	1001177359	1	Hose	
95	1001178788	1	Cable, Alternator	
96	1001179903	1	Bracket	
97	1001180620	AR	Adhesive	
98	1001191620	2	Clamp	
99	1001223122	1	Support	
100	1001230635	1	Tank, Surge (Includes Items 62, 70, & 73)	
101	1001235949	1	Bracket (See Separate Breakdown in this Section)	
102	1001236780	1	Hose, Air Intake	
103	1001238911	1	Pipe, Air Intake	
104	1001258804	1	Mount, Fuel Filter	
105	1001260412	1	Bracket	
106	1001260420	1	Bracket (note: may require P/N 1001260412)	
107	1001276643	1	Harness, Engine (Not Shown - See Separate Breakdown in ELECTRICAL Section)	

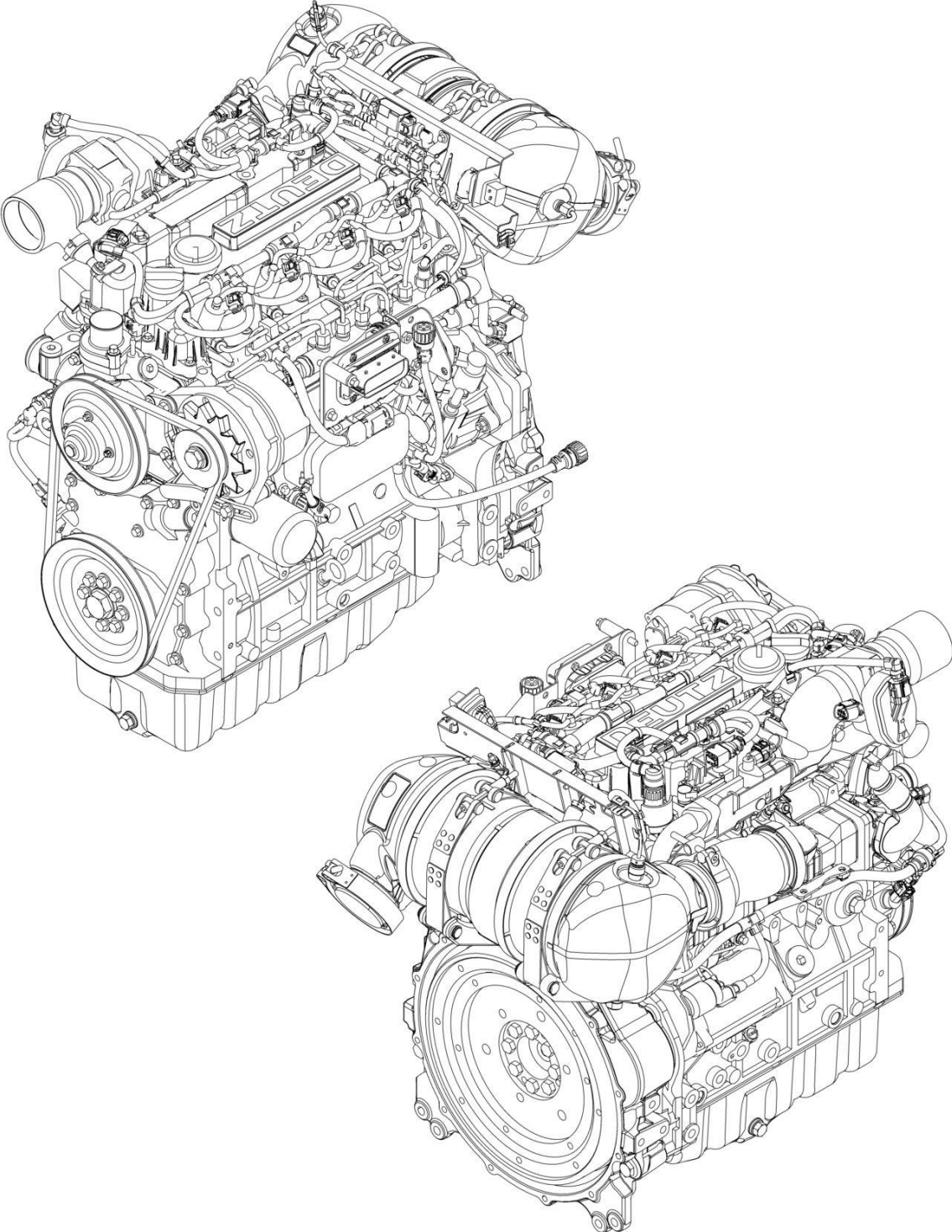
## SECTION 3 - ENGINE

ITEM	PART NUMBER	QTY	DESCRIPTION	REV
108	1001277589	1	Engine, Deutz 2.9L4 (Stage V) (See Separate Breakdown in this Section)	
109	2200261	1	Fitting	
110	1001277432	1	Spacer	
111	4240032	1	Tie-Strap (Not Shown)	
112	1001291401	1	Tag, Coolant	



**SECTION 3 - ENGINE**

**FIGURE 3-19. ENGINE COMPONENTS - DEUTZ D2.9L4 ENGINE (STAGE V) (CE & UK CA SPECS)**



ART\_1001277589

## SECTION 3 - ENGINE

**FIGURE 3-19. ENGINE COMPONENTS - DEUTZ D2.9L4 ENGINE (STAGE V) (CE & UK CA SPECS)**

ITEM	PART NUMBER	QTY	DESCRIPTION	REV
	1001277589	Ref	DEUTZ ENGINE COMPONENTS	B
	SEE NOTE	1	Note: Additional components may be available. Contact JLG Customer Service for more details.	
		Ref	<b>COOLING SYSTEM COMPONENTS</b>	
	70031474	1	Cooler, Oil	
	70031388	1	Seal, Oil Cooler	
	70030360	1	Pump, Coolant (Includes Gaskets & Seals)	
	70031055	1	O-Ring, Coolant Pump	
	70007325	1	Gasket	
	70007603	1	Thermostat	
	70005184	1	O-Ring, Thermostat	
	70005931	1	Gasket, Thermostat	
		Ref	<b>ELECTRICAL SYSTEM COMPONENTS</b>	
	70024513	1	Cable, Primary Fuel Filter Sensor (Includes Seal)	
	70025239	1	Seal	
	70028538	1	Sensor, Fuel Pressure (at Filter) (Includes Seal)	
	70024920	1	Seal	
	70029512	1	Module, ECU/ECM	
	70027405	1	Senor, Exhaust Temperature	
	70031144	1	Starter	
	70008435	1	Generator (includes Regulator)	
	70031143	1	Regulator	
	70000345	4	Plug, Glow	
	70025231	1	Harness, Glow Pug	
	70008553	1	Cable, Interconnect	
	70008558	1	Harness, Engine	
	1001211556	1	Sensor, Temperature (Includes O-Seal)	
	70005507	1	O-Seal	
	70028540	1	Sensor, Temperature (in Cylinder Head)	
	70024504	1	Sensor, Oil Pressure (Side of Block) (Includes Seal)	
	70024920	1	Seal	
	70026210	2	Sensor, Speed (Includes O-Ring/Seal)	
	70005191	1	O-Ring	
	70024917	1	Seal	
	70008559	1	Sensor, Air Pressure (Air Exchange Manifold) (Includes O-Ring)	
	70008561	1	Sensor, Air Pressure (Air Exchange Manifold) (Includes O-Ring)	
	70024505	1	Sender, Exhaust Temperature	
	70029409	1	Sender, Exhaust Temperature	
	70008431	1	Sensor, Exhaust Pressure	
		Ref	<b>EXHAUST SYSTEM COMPONENTS</b>	
	70025130	8	Bolt, Exhaust Manifold	
	70025164	1	Gasket, Exhaust Manifold to Head	
	70005505	2	O-Seal	
	70008543	1	Pipe, Exhaust	
	70008544	1	O-Seal, Exhaust (Venturi Tube to Exhaust Pipe)	
	70008545	1	Gasket, Square Exhaust	
	70005504	1	Sensor, Exhaust Pressure (Includes O-Seals)	
	70031136	1	Gasket, Exhaust (Upper)	
	70007354	1	Gasket, Exhaust (Lower)	
	70008547	1	Module, EGR (Includes Gasket)	

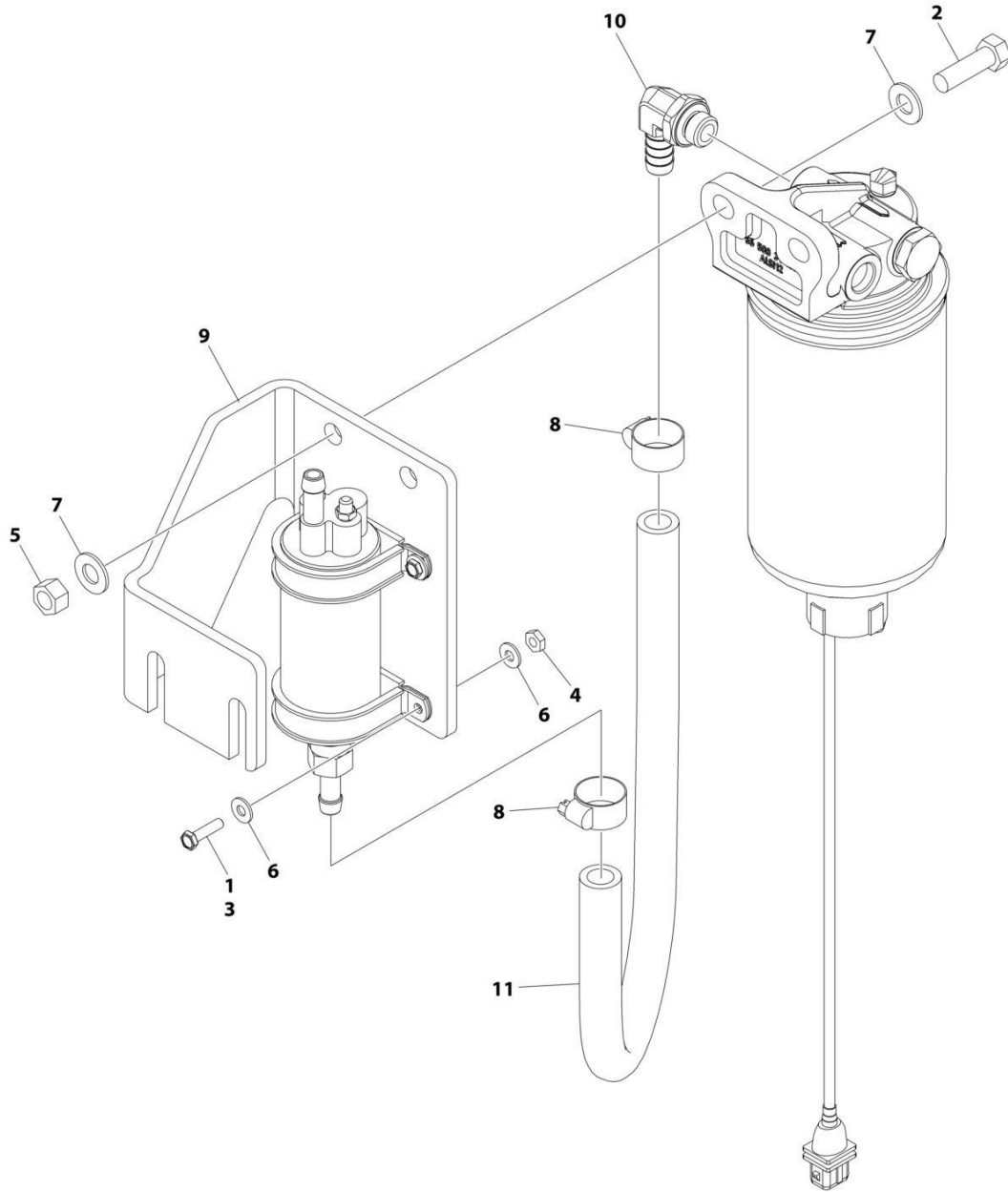
## SECTION 3 - ENGINE

ITEM	PART NUMBER	QTY	DESCRIPTION	REV
	70007326	1	Gasket	
	70025242	2	Gasket, Compensator	
	70004504	1	Compensator	
	70008564	1	Catalyst	
		Ref	<b>FUEL SYSTEM COMPONENTS</b>	
	1001225430	1	Filter, Primary Fuel	
	1001225431	1	Filter, Fuel	
	70030381	1	Pump, High Pressure	
	70025152	1	O-Ring (Between Pump AND Spacer)	
	70004505	1	Valve, Overflow (Includes O-Rings)	
	70004506	1	O-Ring	
	70004507	1	O-Ring	
	70004508	1	Valve, Volume Control (Includes O-Ring & Gasket)	
	70004509	1	O-Ring	
	70004510	1	Gasket	
	70004281	4	Injector, Fuel (Includes Sealing Washer & O-Ring)	
	70025140	1	Washer, Sealing	
	70025145	1	O-Rin	
	70008422	1	Pump, Fuel Supply (Includes Clamps)	
	70025144	2	Clamp	
	70008537	1	Valve, Throttle (Includes Gasket)	
	70008538	1	Gasket	
		Ref	<b>GASKETS &amp; SEAL &amp; KITS</b>	
	70024906	1	Gasket, Head	
	70005171	1	Gasket, Valve Cover	
	70002718	1	Seal, Rear Main	
	70028185	1	Gasket, Front Cover	
	70008296	1	Seal, Front Main	
	70025235	1	Kit, Repair - Fuel Rail	
	70005176	1	O-Ring, Charge Exchange Manifold	
	70005177	1	Gasket, Charge Exchange Manifold	
	70005938	1	Gasket Kit	
		Ref	<b>LUBRICATION SYSTEM COMPONENTS</b>	
	7016331	1	Filter, Oil	
	70024904	1	Dipstick (Includes O-Ring)	
	70024905	1	O-Ring, Dipstick	
	7020465	2	Cap, Oil Fill	
	70005941	1	Plug, Oil Drain	
	70005942	1	Washer, Oil Drain Plug	
	70005172	1	Pump, Oil Lube (Includes Gasket & O-Ring)	
		Ref	<b>MECHANICAL COMPONENTS</b>	
	70001870	1	Flywheel (Includes Ring Gear)	
	7024579	1	Gear, Ring	
	70024913	1	V-Belt	



# SECTION 3 - ENGINE

## FIGURE 3-20. BRACKET ASSEMBLY - FUEL PUMP AND FILTER (DEUTZ D2.9L4 ENGINE) (STAGE V)



ART\_1001235949



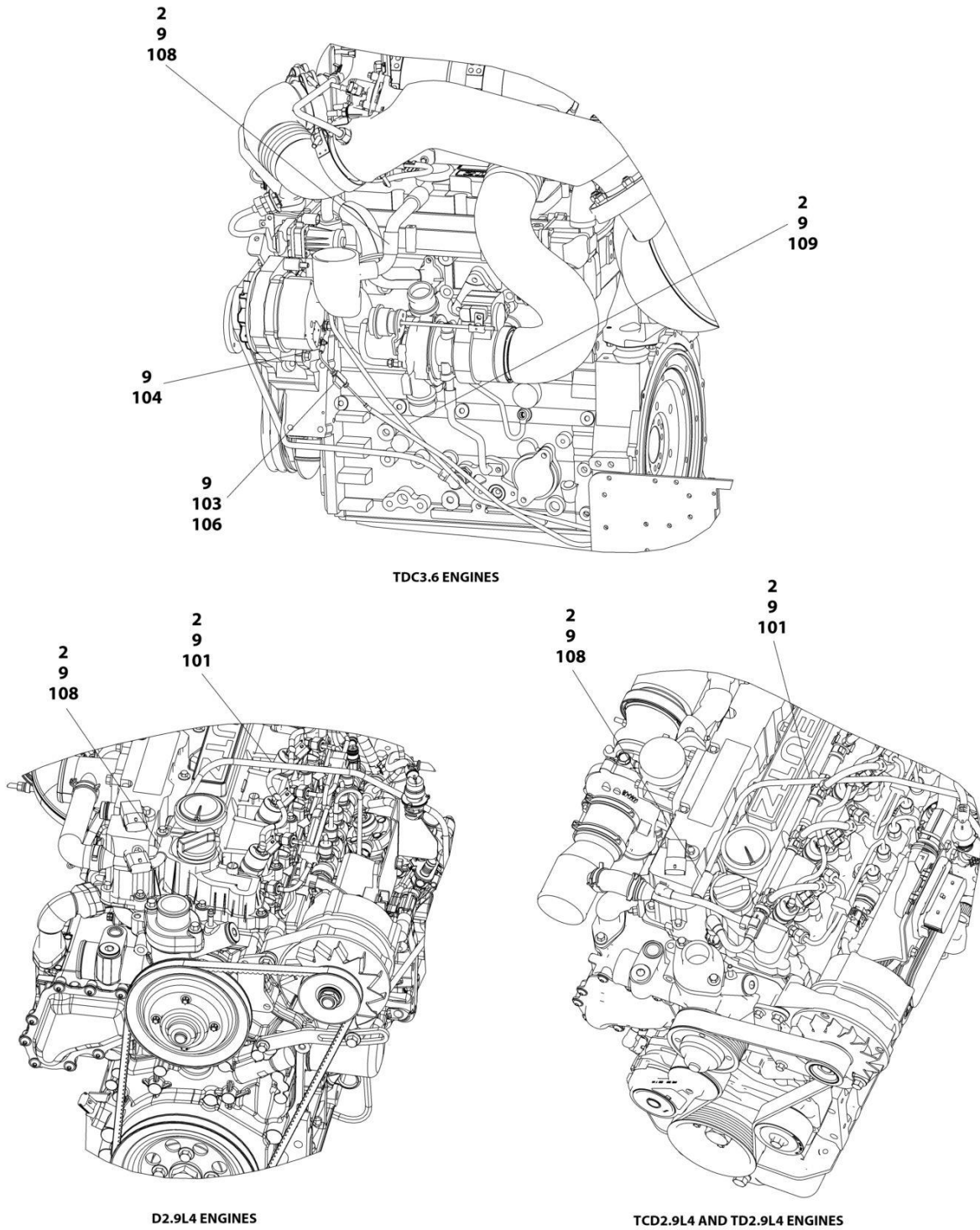
## SECTION 3 - ENGINE

**FIGURE 3-20. BRACKET ASSEMBLY - FUEL PUMP AND FILTER (DEUTZ D2.9L4 ENGINE) (STAGE V)**

ITEM	PART NUMBER	QTY	DESCRIPTION	REV
	1001235949	Ref	BRACKET ASSEMBLY - FUEL PUMP AND FILTER (DEUTZ D2.9L4 (STAGE V) ENGINE)	A
1	0100035	AR	Compound, Locking	
2	0641610	2	Bolt 3/8 x 1-1/4	
3	0721006	4	Bolt #10 x 3/4	
4	3311001	4	Nut #10	
5	3311605	2	Nut 3/8	
6	4711000	8	Washer #10	
7	4711600	4	Washer 3/8	
8	8405006	2	Clamp	
9	1001141870	1	Plate, Fuel Pump Mount	
10	1001142501	1	Fitting, Elbow Barbed	
11	1001154405	1.5 ft /0.4m	Hose	

# SECTION 3 - ENGINE

## FIGURE 3-21. BREATHER HEATER INSTALLATION - DEUTZ D2.9L4 ENGINES (STAGE V) (CE & UK CA SPECS)



TDC3.6 ENGINES

D2.9L4 ENGINES

TCD2.9L4 AND TD2.9L4 ENGINES

ART\_1001233763

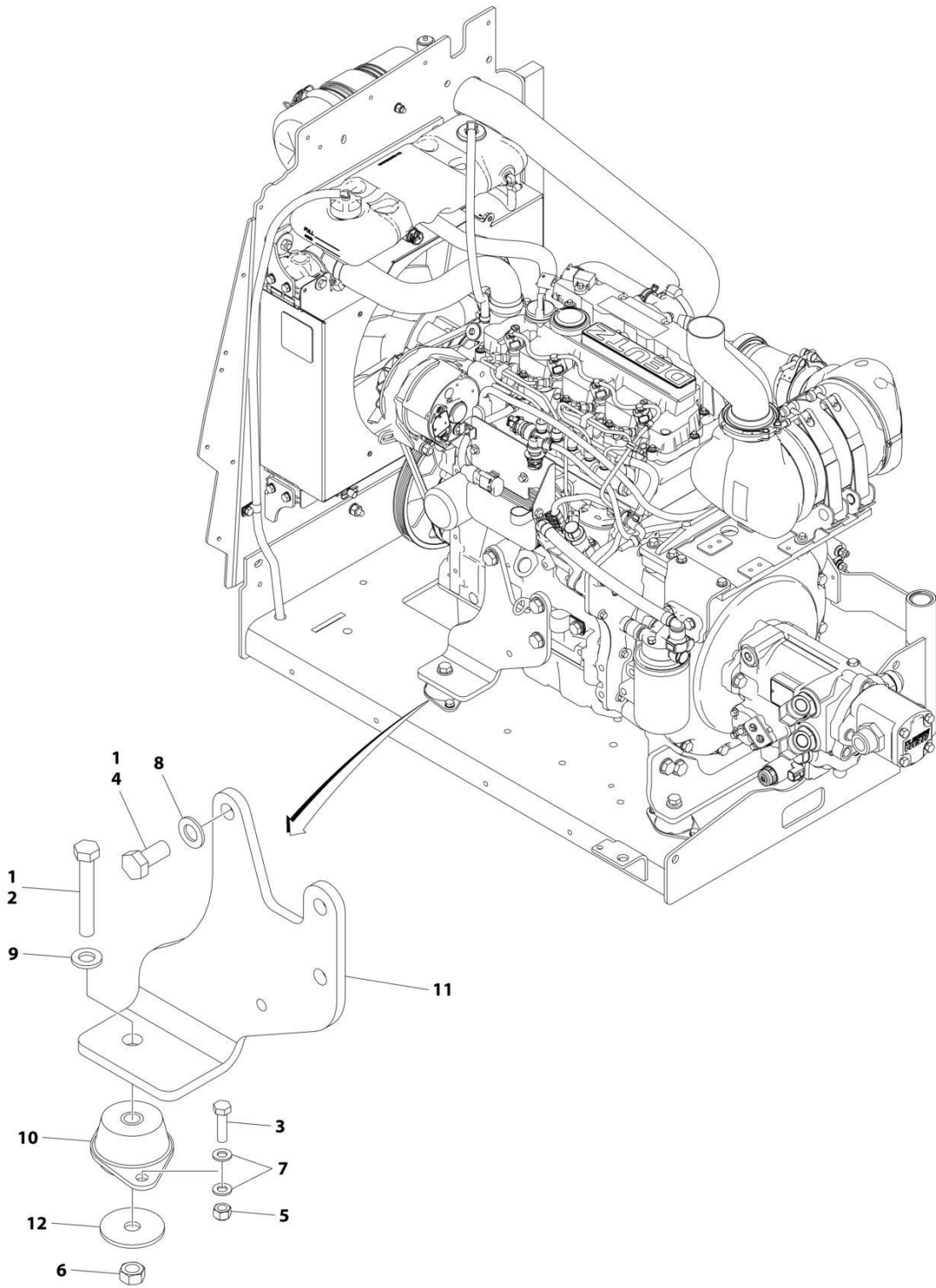
## SECTION 3 - ENGINE

**FIGURE 3-21. BREATHER HEATER INSTALLATION - DEUTZ D2.9L4 ENGINES (STAGE V) (CE & UK CA SPECS)**

ITEM	PART NUMBER	QTY	DESCRIPTION	REV
	1001233763	Ref	BREATHER HEATER INSTALLATION - DEUTZ ENGINES	D
2	4240099	AR	Tie-Strap	
9	1001243895	1	Breather Heater Harness	C
101	2820035	AR	Insulation	
103	2400060	1	Fuseholder with Cover	
104	4460043	1	Terminal, Ring	
105	4460722	1	Terminal, Ring (Not Shown)	
106	1001196634	1	Fuse - 2 Amp	
108	1001232842	1	Breather Heater Kit	

# SECTION 3 - ENGINE

## FIGURE 3-22. MOTOR MOUNT INSTALLATION - (STAGE V & CHINA IV ENGINE WITHOUT GENERATOR)



ART\_1001244024

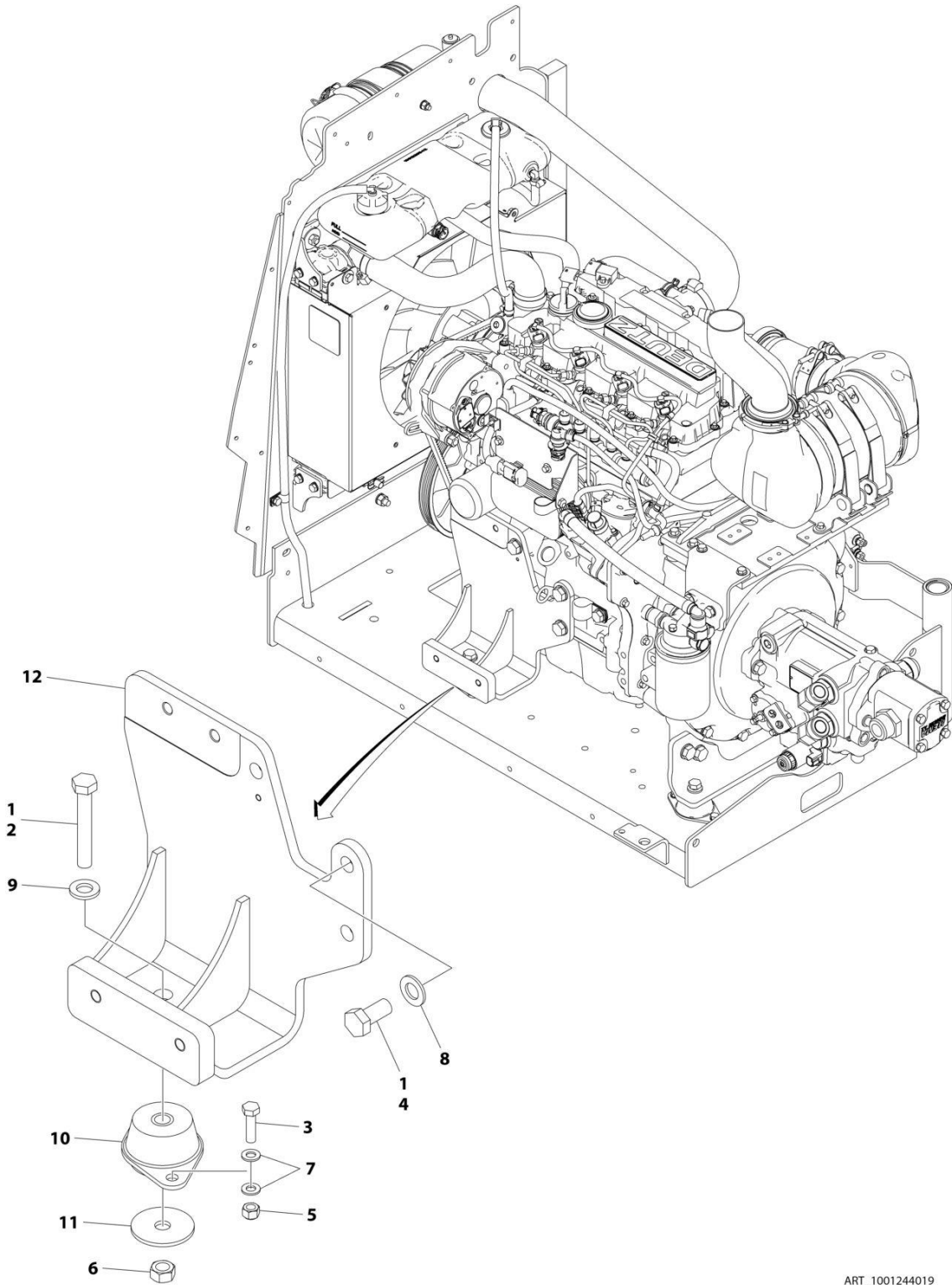
## SECTION 3 - ENGINE

**FIGURE 3-22. MOTOR MOUNT INSTALLATION - (STAGE V & CHINA IV ENGINE WITHOUT GENERATOR)**

ITEM	PART NUMBER	QTY	DESCRIPTION	REV
	1001244024	Ref	MOTOR MOUNT INSTALLATION	A
1	0100011	AR	Compound, Locking	
2	0711224	1	Bolt M12 x 80	
3	0760814	2	Bolt M8 x 30	
4	0771414	3	Bolt M14 x 30	
5	3290805	2	Nut M8	
6	3331211	1	Nut M12	
7	4811900	4	Washer M8	
8	4812200	3	Washer M14	
9	5241200	1	Washer M12	
10	1001166718	1	Mount, Motor	
11	1001166922	1	Mount	
12	1001168018	1	Washer	

# SECTION 3 - ENGINE

FIGURE 3-23. MOTOR MOUNT INSTALLATION - (STAGE V & CHINA IV ENGINE WITH GENERATOR)



ART\_1001244019

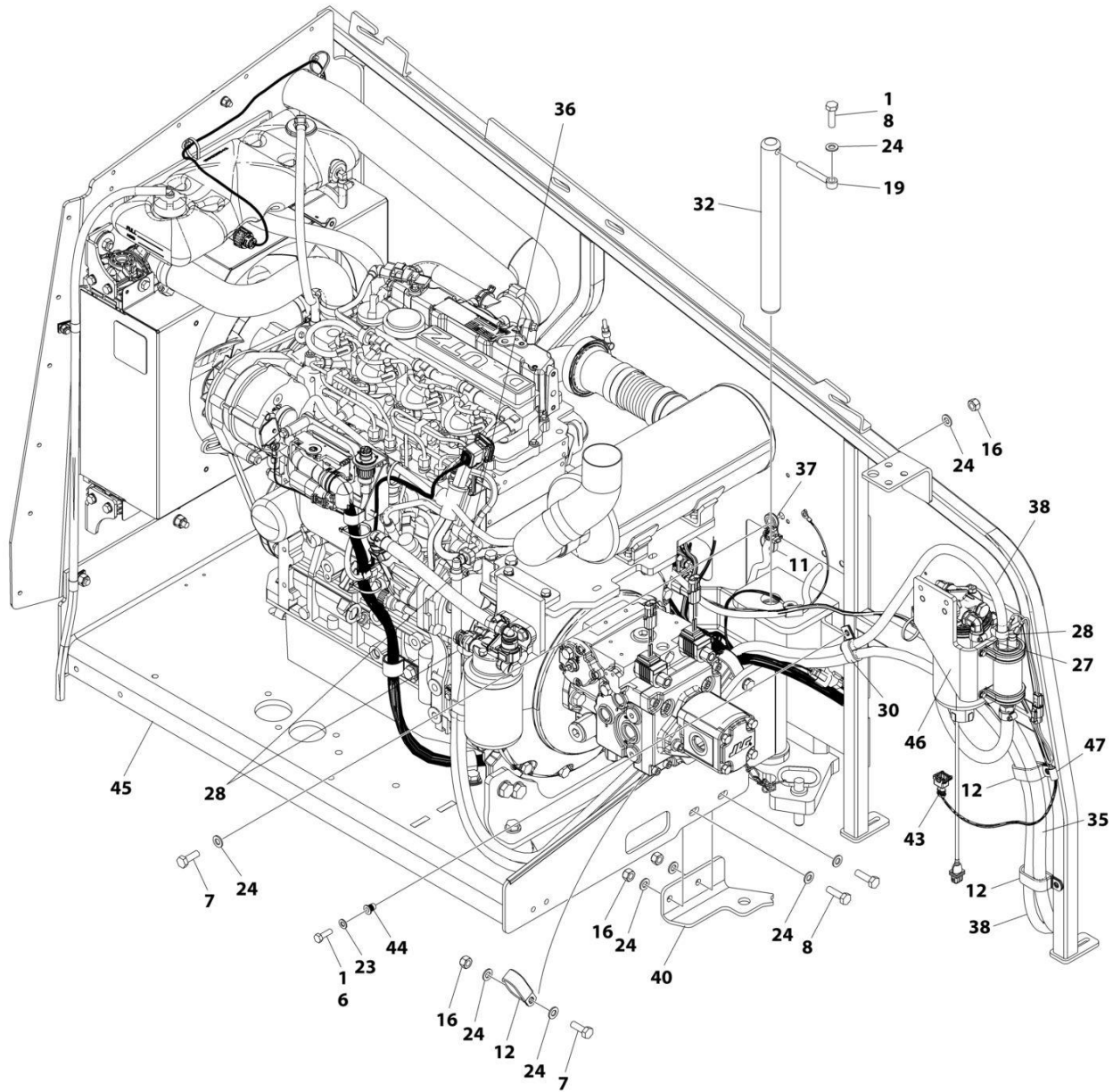
## SECTION 3 - ENGINE

**FIGURE 3-23. MOTOR MOUNT INSTALLATION - (STAGE V & CHINA IV ENGINE WITH GENERATOR)**

ITEM	PART NUMBER	QTY	DESCRIPTION	REV
	1001244019	Ref	MOTOR MOUNT INSTALLATION	A
1	0100011	AR	Compound, Locking	
2	0711224	1	Bolt M12 x 80	
3	0760814	2	Bolt M8 x 30	
4	0771414	3	Bolt M14 x 30	
5	3290805	2	Nut M8	
6	3331211	1	Nut M12	
7	4811900	4	Washer M8	
8	4812200	3	Washer M14	
9	5241200	1	Washer M12	
10	1001166718	1	Mount, Motor	
11	1001168018	1	Washer	
12	1001168207	1	Mount	

# SECTION 3 - ENGINE

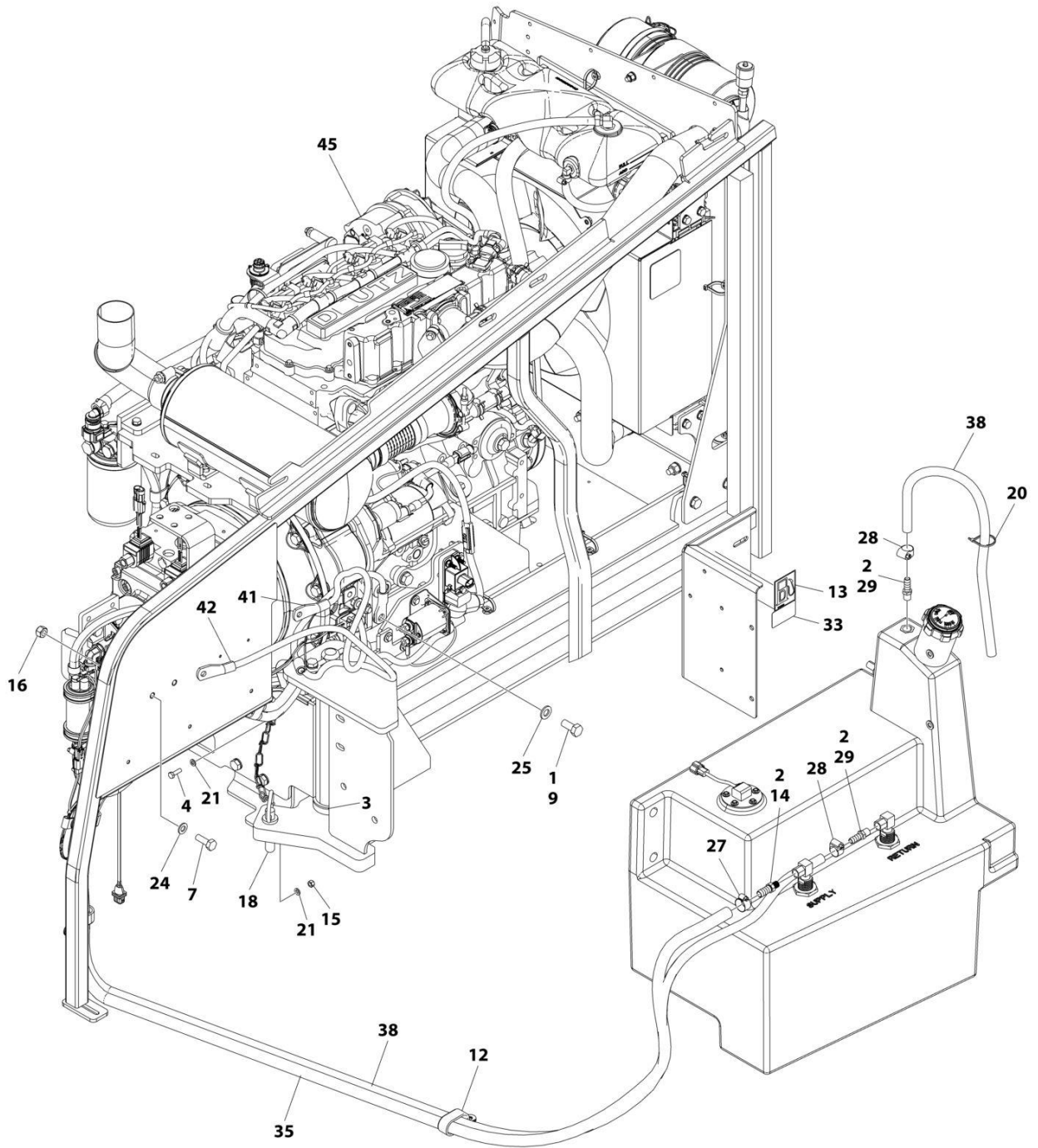
## FIGURE 3-24. ENGINE INSTALLATION - DEUTZ D2.9L4 ENGINE (CHINA IV)



ART\_1001258339\_10F3

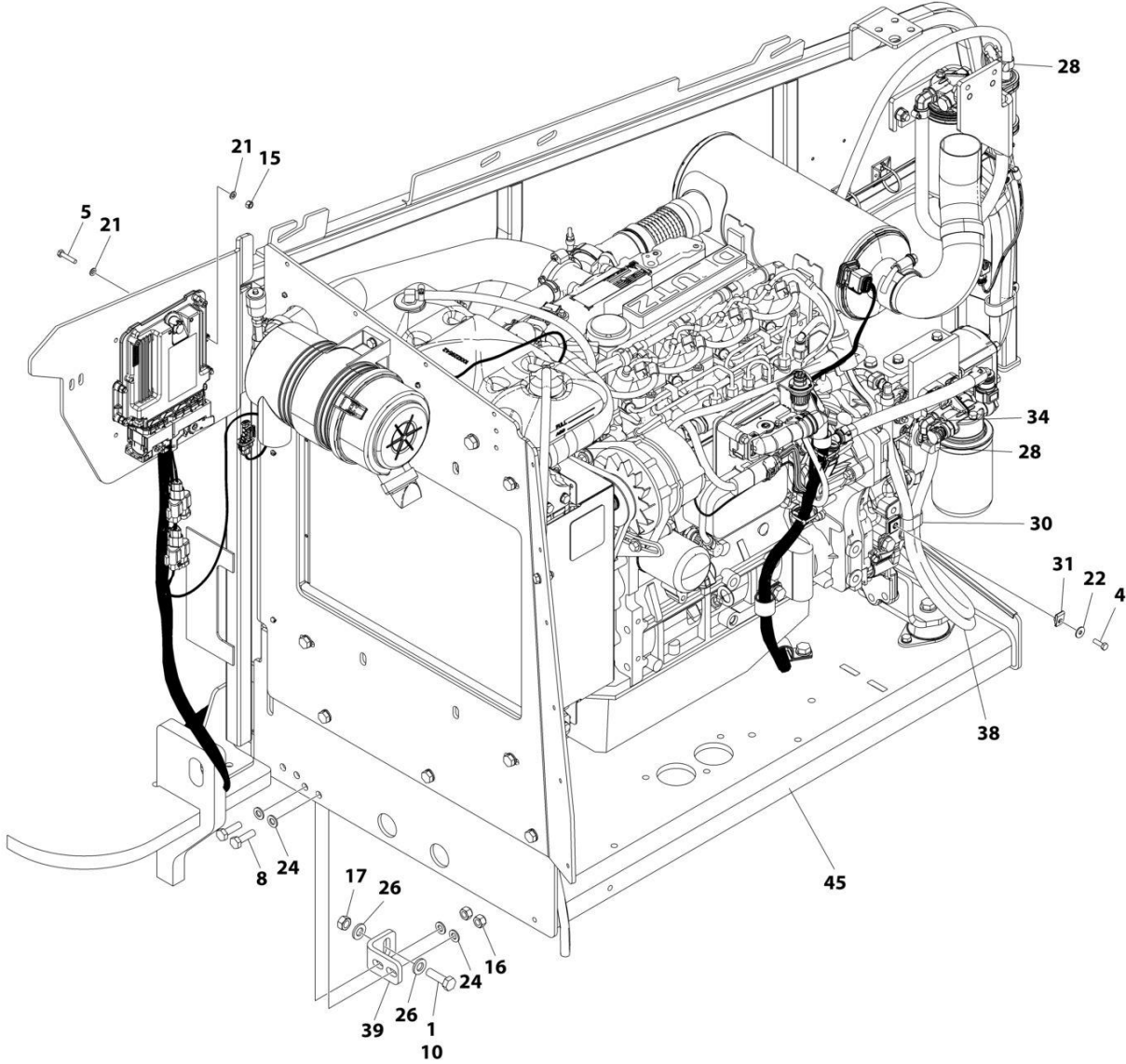


# SECTION 3 - ENGINE



ART\_1001258339\_2OF3

**SECTION 3 - ENGINE**



ART\_1001258339\_3OF3

## SECTION 3 - ENGINE

**FIGURE 3-24. ENGINE INSTALLATION - DEUTZ D2.9L4 ENGINE (CHINA IV)**

ITEM	PART NUMBER	QTY	DESCRIPTION	REV
	1001258339	Ref	ENGINE INSTALLATION - DEUTZ D2.9L4 ENGINE (CHINA IV)	A
1	0100011	AR	Compound, Locking	
2	0100020	AR	Sealant, Pipe	
3	0440162	1	Bearing	
4	0760610	2	Bolt M6 x 20	
5	0760614	4	Bolt M6 x 30	
6	0760812	1	Bolt M8 x 25	
7	0761014	5	Bolt M10 x 30	
8	0761015	5	Bolt M10 x 35	
9	0761210	1	Bolt M12 x 20	
10	0761216	1	Bolt M12 x 40	
11	1062255	AR	Tie-Strap	
12	1321716	5	Clamp	
13	1701505	1	Decal - Diesel Fuel	
14	2180832	1	Fitting, Barbed	
15	3290605	5	Nut M6	
16	3291005	9	Nut M10	
17	3331215	1	Nut M12	
18	3422532	1	Pin	
19	3841143	1	Keeper, Pin	
20	4240099	AR	Tie-Strap	
21	4811700	10	Washer M6	
22	4811702	1	Washer M6	
23	4811900	1	Washer M8	
24	4812000	19	Washer M10	
25	4812100	1	Washer M12	
26	5241200	2	Washer M12	
27	8405006	2	Clamp	
28	8410013	5	Clamp	
29	8430007	2	Fitting, Barbed	
30	1001026127	2	Clamp	
31	1001130220	1	Nut M6	
32	1001135196	1	Pin	
33	1001139654	1	Decal	
34	1001152489	1	Fitting, Barbed	
35	1001154405	7.25 ft /2.21m	Hose	
36	1001155823	1	Coupling, Quick Disconnect 90	
37	1001156107	1	Holder, Cable	
38	1001165035	17.25 ft /5.26m	Hose	
39	1001167512	1	Bracket	
40	1001169823	1	Plate, Engine Lock	
41	1001171683	1	Cable, Battery (Red) (Battery Positive to Auxiliary Power Relay)	
42	1001171684	1	Cable, Battery (Black) (Battery Negative to Auxiliary Power Pump)	
43	1001181358	1	Harness, Fuel Pump (See Separate Breakdown in ELECTRICAL Section)	
44	1001191832	1	Nut, Rivet M8	
45	1001258338	1	Engine and Pump Sub-Assembly - Deutz D2.9L4 China IV (See Separate Breakdown in this Section)	

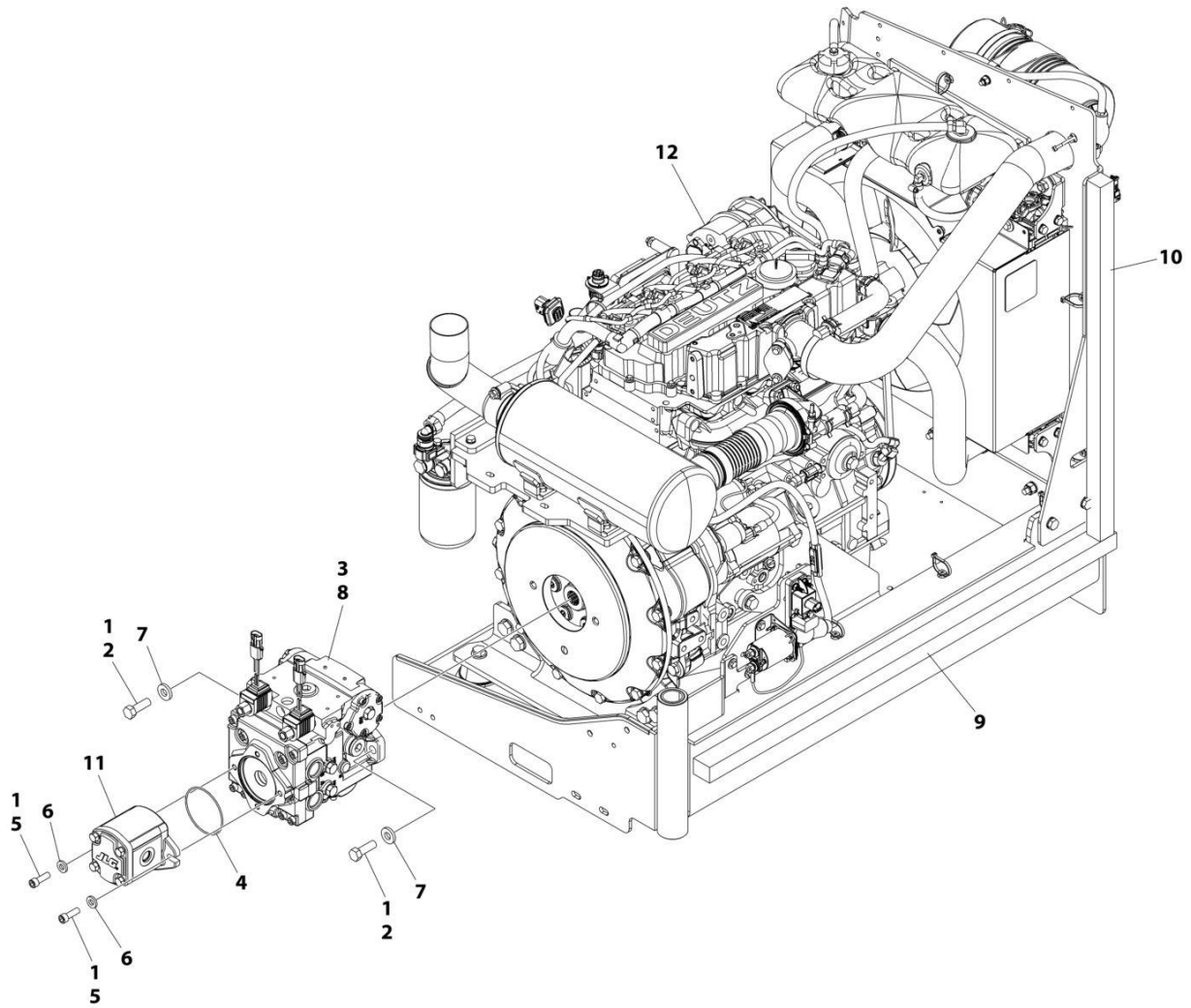
## SECTION 3 - ENGINE

ITEM	PART NUMBER	QTY	DESCRIPTION	REV
46	1001258385	1	Fuel Filter (See Separate Breakdown in this section)	
47	1320263	1	Clamp	
48	4460488	2	Terminal (Not shown)	



# SECTION 3 - ENGINE

FIGURE 3-25. ENGINE AND PUMP SUB-ASSEMBLY - DEUTZ D2.9L4 ENGINE (CHINA IV)



ART\_1001258338

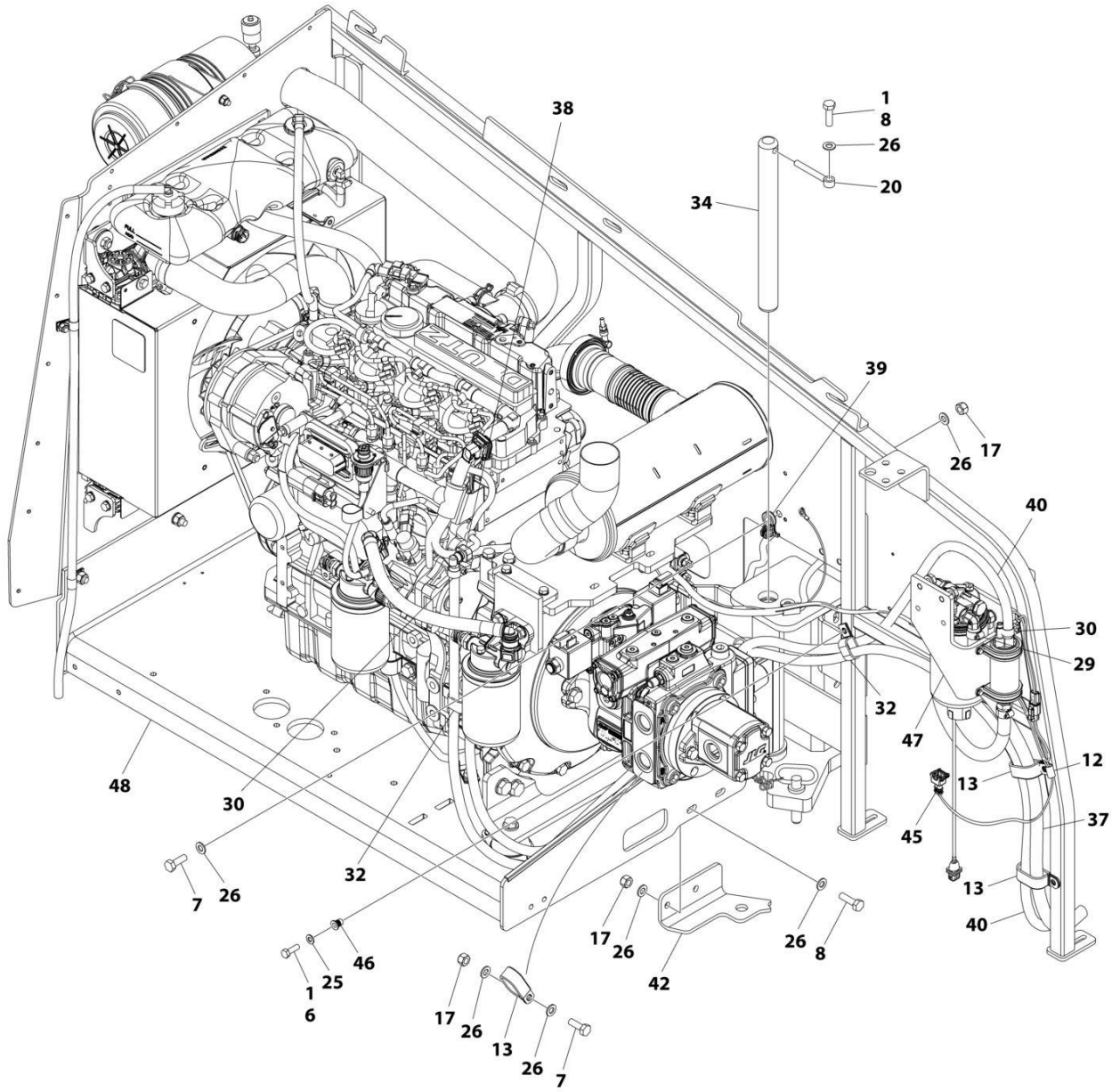
## SECTION 3 - ENGINE

**FIGURE 3-25. ENGINE AND PUMP SUB-ASSEMBLY - DEUTZ D2.9L4 ENGINE (CHINA IV)**

ITEM	PART NUMBER	QTY	DESCRIPTION	REV
	1001258338	Ref	ENGINE AND PUMP SUB-ASSEMBLY - DEUTZ D2.9L4 ENGINE (CHINA IV)	A
1	0100011	AR	Compound, Locking	
2	0641812	2	Bolt 1/2 x 1-1/2	
3	3020037	AR	Grease	
4	3790152	1	O-Ring	
5	3931618	2	Capscrew 3/8 x 1-1/8	
6	4891600	2	Washer 3/8 Hardened	
7	4891800	2	Washer 1/2 Hardened	
8	1001167036	1	Piston Pump Assembly (See Separate Breakdown in this Section)	
9	1001171953	1	Seal	
10	1001171954	1	Seal	
11	1001214207	1	Gear Pump Assembly	
11	70006356	1	Seal Kit - 1001214207 Pump	
13	1001258337	1	Engine Assembly, Deutz D2.9L4 (China IV) Engine (See Separate Breakdown in this Section)	

# SECTION 3 - ENGINE

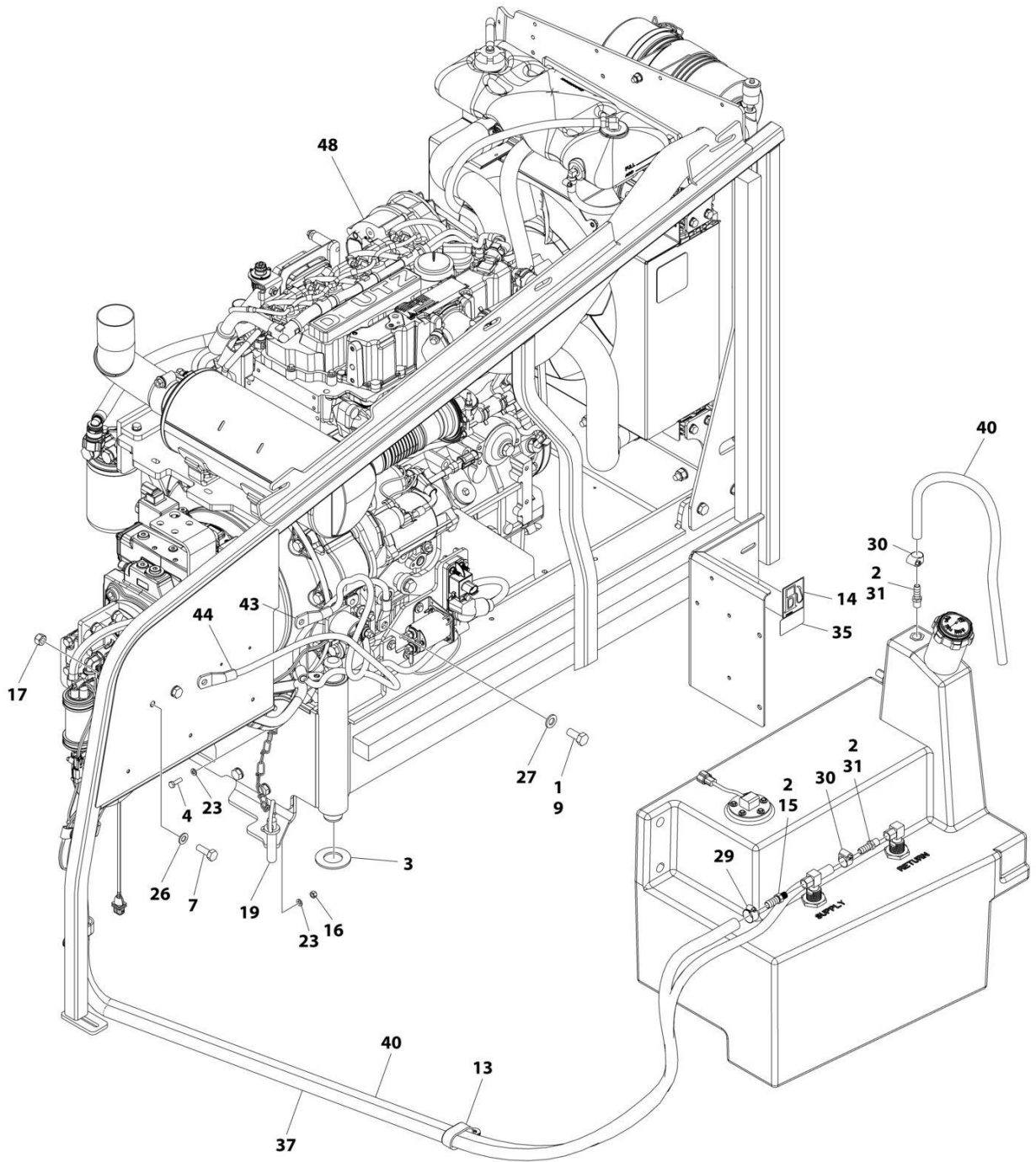
## FIGURE 3-26. ENGINE INSTALLATION - DEUTZ D2.9L4 ENGINE (CHINA IV) (WITH PMP PUMP)



ART\_1001300789\_10F3

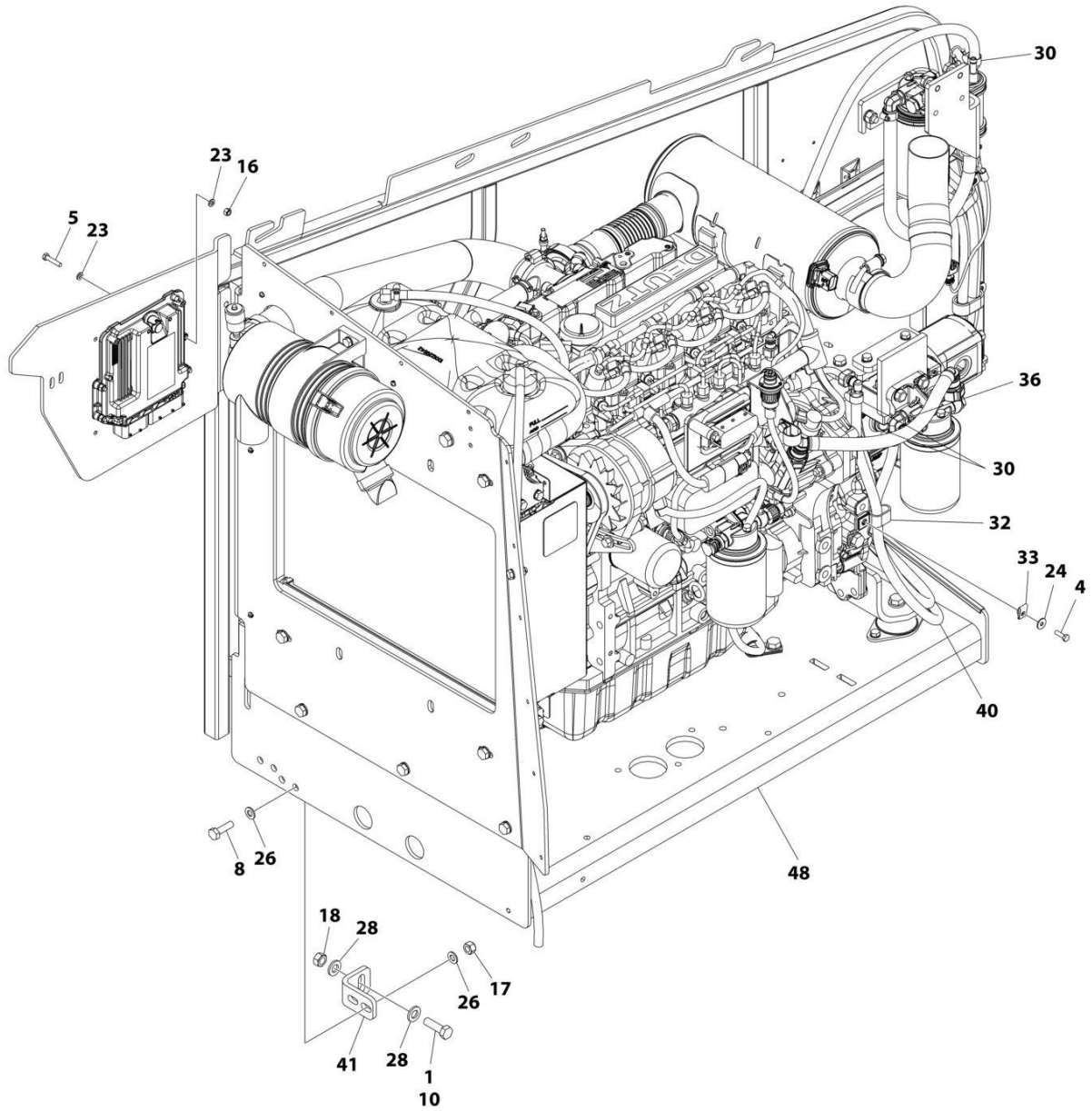


# SECTION 3 - ENGINE



ART\_1001300789\_2OF3

# SECTION 3 - ENGINE



ART\_1001300789\_3OF3

## SECTION 3 - ENGINE

**FIGURE 3-26. ENGINE INSTALLATION - DEUTZ D2.9L4 ENGINE (CHINA IV) (WITH PMP PUMP)**

ITEM	PART NUMBER	QTY	DESCRIPTION	REV
	1001300789	Ref	ENGINE INSTALLATION - DEUTZ D2.9L4 ENGINE (CHINA IV) (WITH PMP PUMP)	A
1	0100011	AR	Compound, Locking	
2	0100020	AR	Sealant, Pipe	
3	0440162	1	Bearing	
4	0760610	2	Bolt M6 x 20	
5	0760614	4	Bolt M6 x 30	
6	0760812	1	Bolt M8 x 25	
7	0761014	5	Bolt M10 x 30	
8	0761015	5	Bolt M10 x 35	
9	0761210	1	Bolt M12 x 20	
10	0761216	1	Bolt M12 x 40	
11	1062255	AR	Tie-Strap (Not Shown)	
12	1320263	1	Clamp	
13	1321716	5	Clamp	
14	1701505	1	Decal - Diesel	
15	2180832	1	Fitting, Barbed	
16	3290605	5	Nut M6	
17	3291005	9	Nut M10	
18	3331215	1	Nut M12	
19	3422532	1	Pin	
20	3841143	1	Keeper, Pin	
21	4240099	AR	Tie-Strap (Not Shown)	
22	4460488	2	Terminal (Not shown)	
23	4811700	10	Washer M6	
24	4811702	1	Washer M6	
25	4811900	1	Washer M8	
26	4812000	19	Washer M10	
27	4812100	1	Washer M12	
28	5241200	2	Washer M12	
29	8405006	2	Clamp	
30	8410013	5	Clamp	
31	8430007	2	Fitting, Barbed	
32	1001026127	2	Clamp	
33	1001130220	1	Nut, Tinnerman M6	
34	1001135196	1	Pin	
35	1001139654	1	Decal - Ultra Low Sulphur Fuel	
36	1001152489	1	Fitting, 90 Barbed	
37	1001154405	7.4 ft/ 2.3 m	Hose	
38	1001155823	1	Coupling, Quick Disconnect 90	
39	1001156107	1	Holder, Cable	
40	1001165035	20.5 ft/ 6.3 m	Hose	
41	1001167512	1	Bracket	
42	1001169823	1	Plate	
43	1001171683	1	Cable, Battery (Red) (Battery Positive to Auxiliary Power Relay)	
44	1001171684	1	Cable, Battery (Black) (Battery Negative to Auxiliary Power Pump)	
45	1001181358	1	Harness, Fuel Pump (See Separate Breakdown in ELECTRICAL Section)	

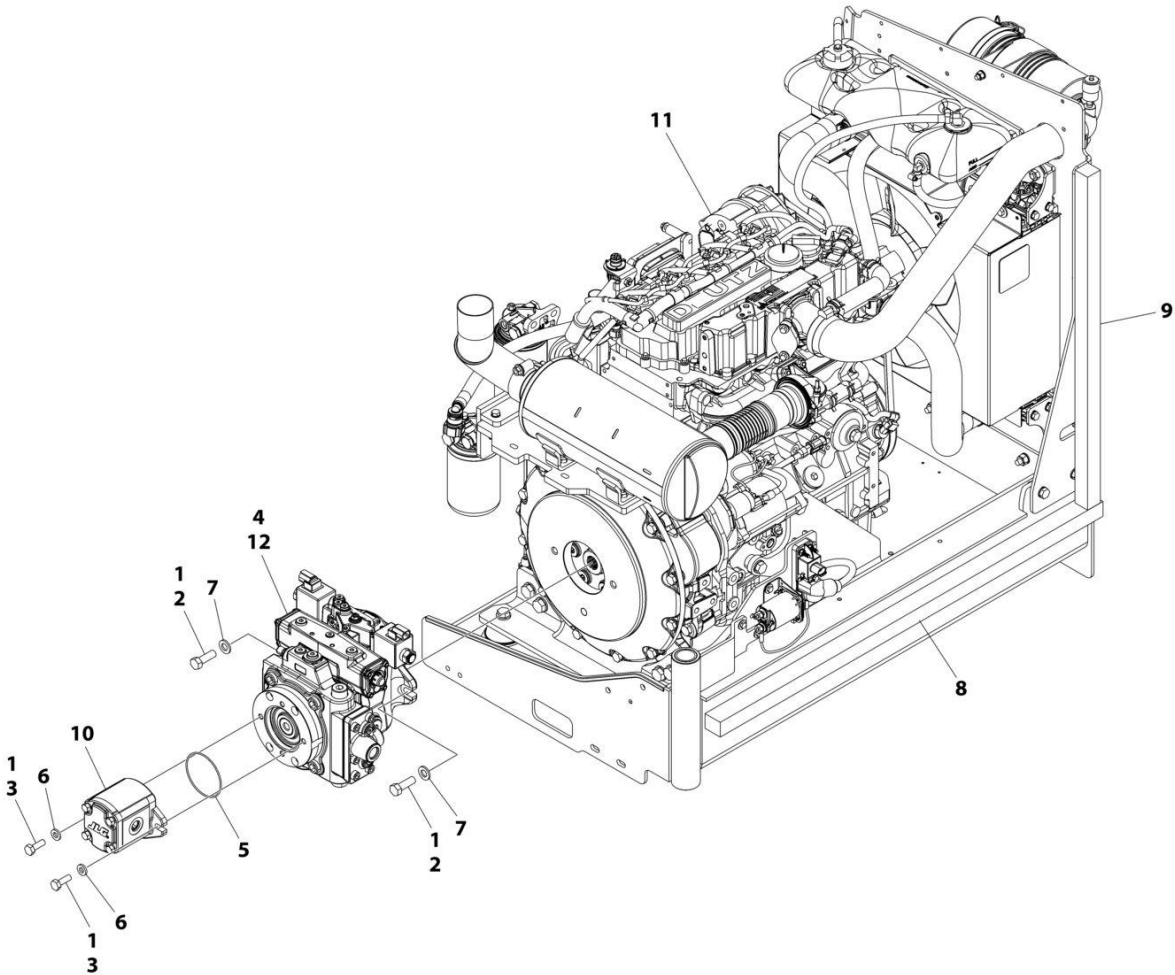
## SECTION 3 - ENGINE

ITEM	PART NUMBER	QTY	DESCRIPTION	REV
46	1001191832	1	Nut, Rivet M8	
47	1001258385	1	Fuel Filter (See Separate Breakdown in this section)	
48	1001300790	1	Engine and Pump Sub-Assembly (See Separate Breakdown in this Section)	



# SECTION 3 - ENGINE

FIGURE 3-27. ENGINE AND PUMP SUB-ASSEMBLY - DEUTZ D2.9L4 ENGINE (CHINA IV)



ART\_1001300790

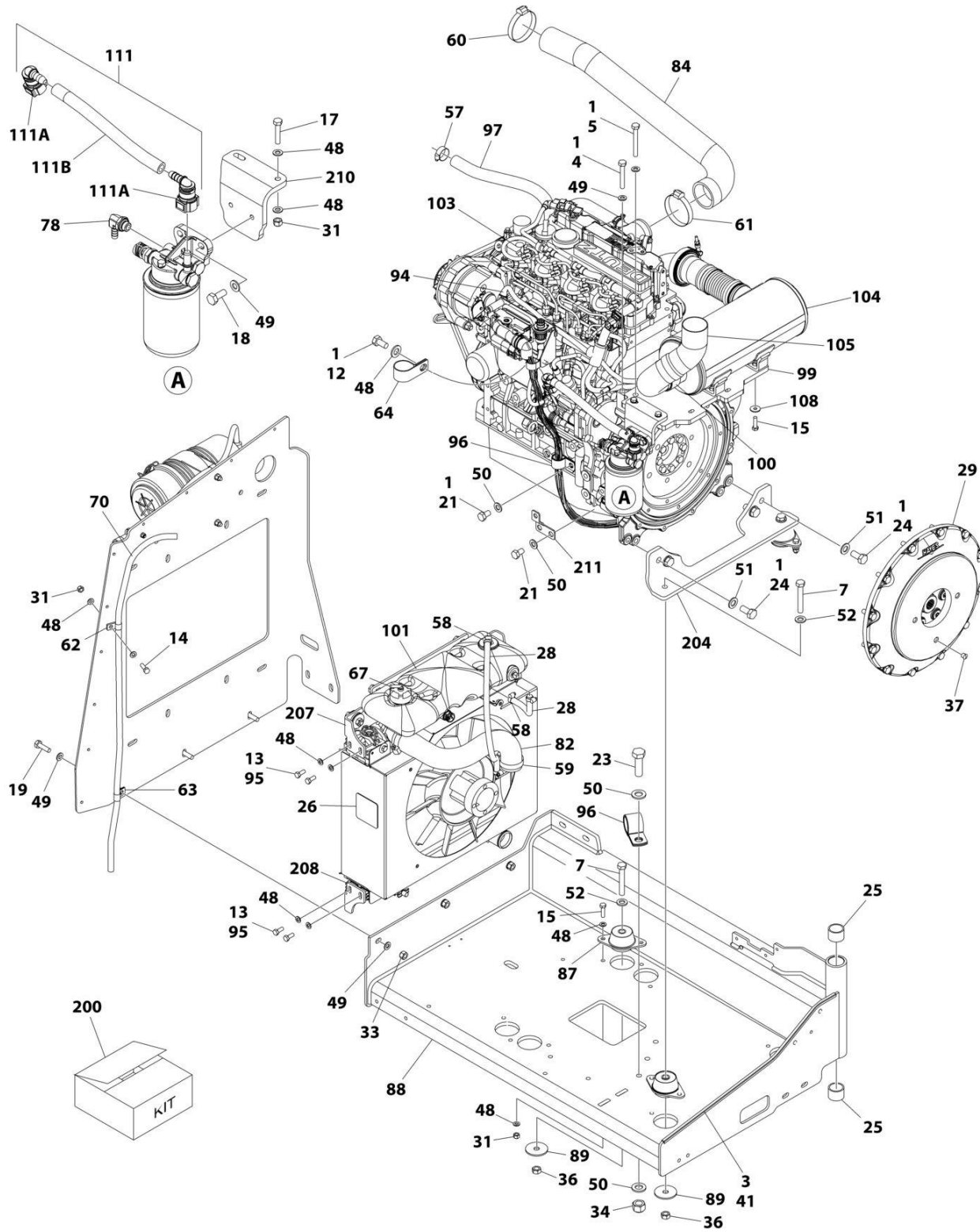
## SECTION 3 - ENGINE

**FIGURE 3-27. ENGINE AND PUMP SUB-ASSEMBLY - DEUTZ D2.9L4 ENGINE (CHINA IV)**

ITEM	PART NUMBER	QTY	DESCRIPTION	REV
	1001300790	Ref	ENGINE AND PUMP SUB-ASSEMBLY - DEUTZ D2.9L4 ENGINE (CHINA IV)	A
1	0100011	AR	Compound, Locking	
2	0641812	2	Bolt 1/2 x 1-1/2	
3	0761014	2	Bolt M10 x 30	
4	3020037	AR	Grease	
5	3790152	1	O-Ring	
6	4891600	2	Washer 3/8	
7	5241200	2	Washer M12	
8	1001171953	1	Seal	
9	1001171954	1	Seal	
10	1001214207	1	Gear Pump Assembly	
10	70006356	1	Seal Kit - 1001214207 Pump	
11	1001258337	1	Engine Assembly (China IV) Engine (See Separate Breakdown in this Section)	
12	1001285632	1	Closed Pump Loop Assembly (See Separate Breakdown in this Section)	

# SECTION 3 - ENGINE

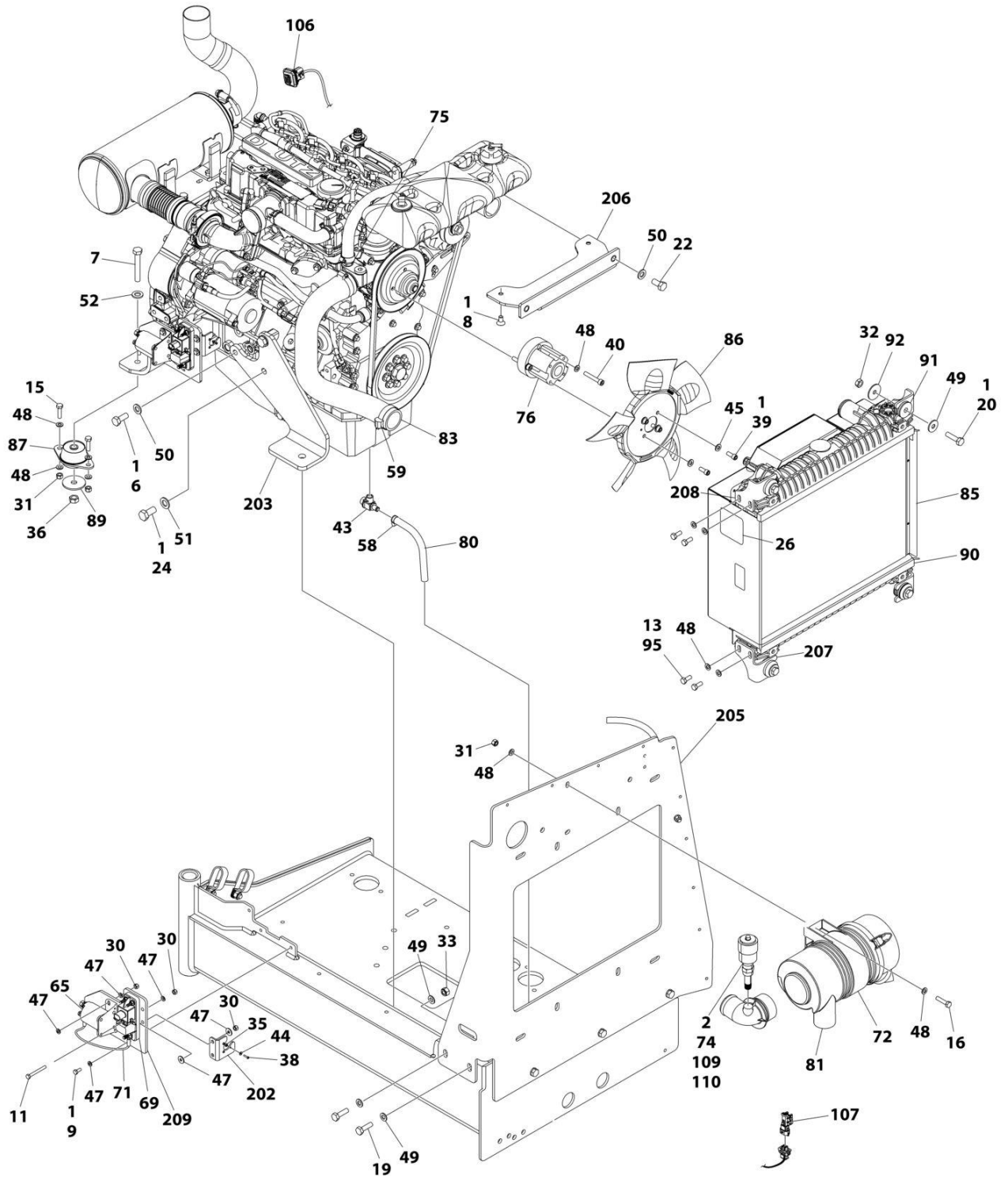
## FIGURE 3-28. ENGINE ASSEMBLY - DEUTZ D2.9L4 ENGINE (CHINA IV)



ART\_1001258337\_F\_10F2



# SECTION 3 - ENGINE



ART\_1001258337\_F\_20F2

## SECTION 3 - ENGINE

**FIGURE 3-28. ENGINE ASSEMBLY - DEUTZ D2.9L4 ENGINE (CHINA IV)**

ITEM	PART NUMBER	QTY	DESCRIPTION	REV
	1001258337	Ref	ENGINE ASSEMBLY - DEUTZ D2.9L4 (CHINA IV)	F
1	0100011	AR	Compound, Locking	
2	0100020	AR	Sealant, Pipe	
3	0100081	AR	Adhesive	
4	0701022	2	Bolt M10 x 70	
5	0701025	2	Bolt M10 x 85	
6	0711214	1	Bolt M12 x 30 Class 10.9	
7	0711224	3	Bolt M12 x 80 Class 10.9	
8	0741606	2	Screw 3/8 x 3/4	
9	0760607	3	Bolt M6 x 14	
10	0760610	4	Bolt M6 x 20	
11	0760619	1	Bolt M6 x 55	
12	0760808	1	Bolt M8 x 16	
13	0760810	8	Bolt M8 x 20	
14	0760812	1	Bolt M8 x 25	
15	0760814	10	Bolt M8 x 30	
16	0760815	2	Bolt M8 x 35	
17	0760816	2	Bolt M8 x 40	
18	0761012	2	Bolt M10 x 25	
19	0761015	5	Bolt M8 x 35	
20	0761016	4	Bolt M10 x 40	
21	0761210	3	Bolt M12 x 20	
22	0761212	2	Bolt M12 x 25	
23	0761216	1	Bolt M12 x 40	
24	0771414	6	Bolt M14 x 30 Class 10.9	
25	0961951	2	Bushing	
26	1703162	2	Decal - Caution Fan	
28	2720015	2.17 ft /0.64m	Hose	
29	2902065	1	Pump Coupling Kit (See Separate Breakdown in this Section)	
30	3290605	5	Nut, Lock M6	
31	3290805	11	Nut, Lock M8	
32	3291001	4	Nut M10	
33	3291005	5	Nut, Lock M10	
34	3291205	1	Nut, Lock M12	
35	3310401	4	Nut #4	
36	3331215	3	Nut M12 x 1.75	
37	3520054	1	Plug	
38	3910408	3	Screw #4 x 1/2	
39	3931512	4	Capscrew 5/16 x 3/4	
40	4031914	4	Bolt M8 x 50	
41	4060805	2.02 ft /0.62m	Flex-Trim	
42	4240099	AR	Tie-Strap (Not Shown)	
43	4640751	1	Valve, Oil Drain	
44	4710400	3	Washer #4	
45	4711500	4	Washer 5/16	
46	4811700	1	Washer M6	
47	4811702	12	Washer M6	
48	4811900	35	Washer M8	

## SECTION 3 - ENGINE

ITEM	PART NUMBER	QTY	DESCRIPTION	REV
49	4812000	20	Washer M10	
50	4812100	8	Washer M12	
51	4812200	6	Washer M14	
52	5241200	3	Washer M12	
57	8405007	2	Clamp	
58	8405009	5	Clamp	
59	8405104	4	Clamp	
60	8405202	1	Clamp	
61	8405204	1	Clamp	
62	8406109	1	Clip	
63	8406110	1	Clip	
64	8406201	1	Clip	
65	1001117308	1	Relay, 200Amp	
67	1001136834	1	Cap, Tank	
69	1001138228	1	Relay, Power Module	
70	1001138248	3.5 ft /1.1m	Tube	
71	1001141304	1	Harness, Glow Plug	
72	1001141694	1	Clamp, Air Cleaner	
74	1001143390	1	Indicator	
75	1001143797	1	Fitting, Barbed	
76	1001286568	1	Spacer Fan	
77	1001146588	AR	Tie-Strap (Not Shown)	
78	1001152489	1	Fitting, Barbed 90	
80	1001165035	7.09 in /18cm	Hose, Fuel	
81	1001165388	1	Air Cleaner Assembly	
81	70003783	1	Element, Air Cleaner	
82	1001165405	1	Hose, Upper Radiator	
83	1001165406	1	Hose, Lower Radiator	
84	1001165721	1	Hose, Air Intake	
85	1001287643	1	Radiator	
86	1001288266	1	Fan	
87	1001166718	3	Mount, Motor	
88	1001167520	1	Tray, Engine	
89	1001168018	3	Washer, Special	
90	1001168166	2	Seal	
91	1001169054	4	Isolator	
92	1001169138	4	Washer, Snubbing	
94	1001178788	1	Cable, Alternator	
95	1001180620	AR	Adhesive	
96	1001191620	2	Clamp	
97	1001193049	1.31 ft /.40m	Hose, Coolant	
99	1001221203	1	Bracket	
100	1001221212	1	Clamp	
101	1001230635	1	Tank, Surge	
102	1001290660	1	Harness, Engine (Not Shown - See Separate Breakdown in ELECTRICAL Section)	
103	1001258112	1	Engine, Deutz 2.9L4 (China IV) (See Separate Breakdown in this Section)	
104	1001280270	1	Muffler	

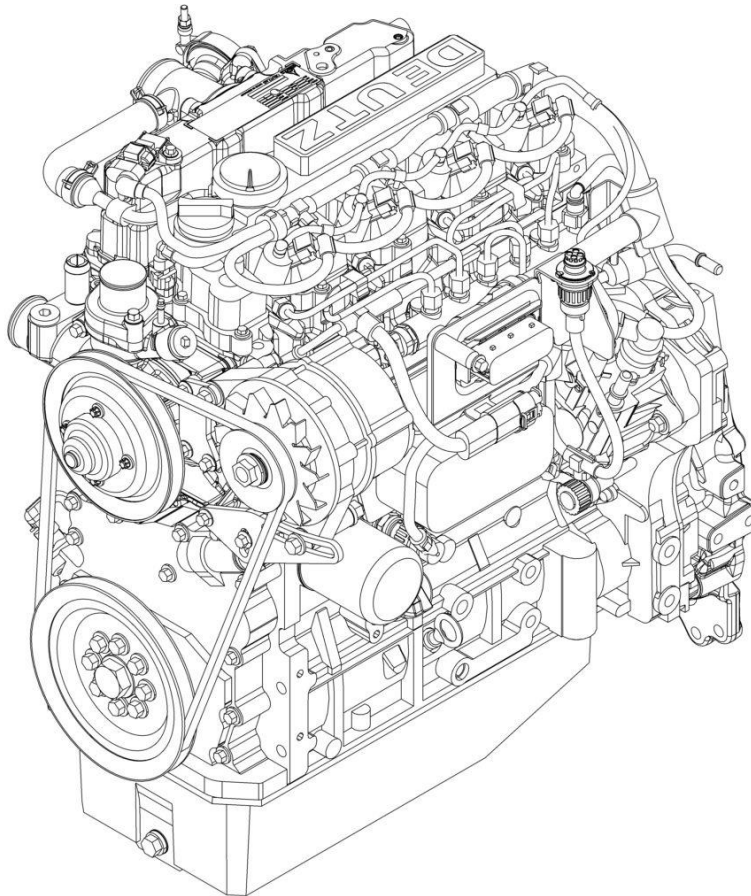
## SECTION 3 - ENGINE

ITEM	PART NUMBER	QTY	DESCRIPTION	REV
104	1001299212	1	Muffler	
105	1001260575	1	Pipe, Exhaust	
106	1001281985	1	Connector	
107	1001281986	1	Connector	
108	4811902	4	Washer M8	
109	2200261	1	Fitting	
110	1001277432	1	Spacer	
111	1001177359	1	Fuel Hose Assembly	
111A	1001170982	1	Adapter	
111B	1001192294	1	Hose, Fuel	
200	1001258629	1	Kit, Engine Parts	
202	1001139240	1	Bracket	
203	1001166921	1	Plate	
204	1001166924	1	Plate	
205	1001168026	1	Plate	
206	1001168950	1	Bracket	
207	1001169967	2	Bracket	
208	1001170035	2	Bracket	
209	1001179903	1	Bracket	
210	1001288366	1	Bracket	
211	1001258502	1	Bracket	



## SECTION 3 - ENGINE

FIGURE 3-29. ENGINE COMPONENTS - DEUTZ D2.9L4 (CHINA IV)



ART\_1001258112

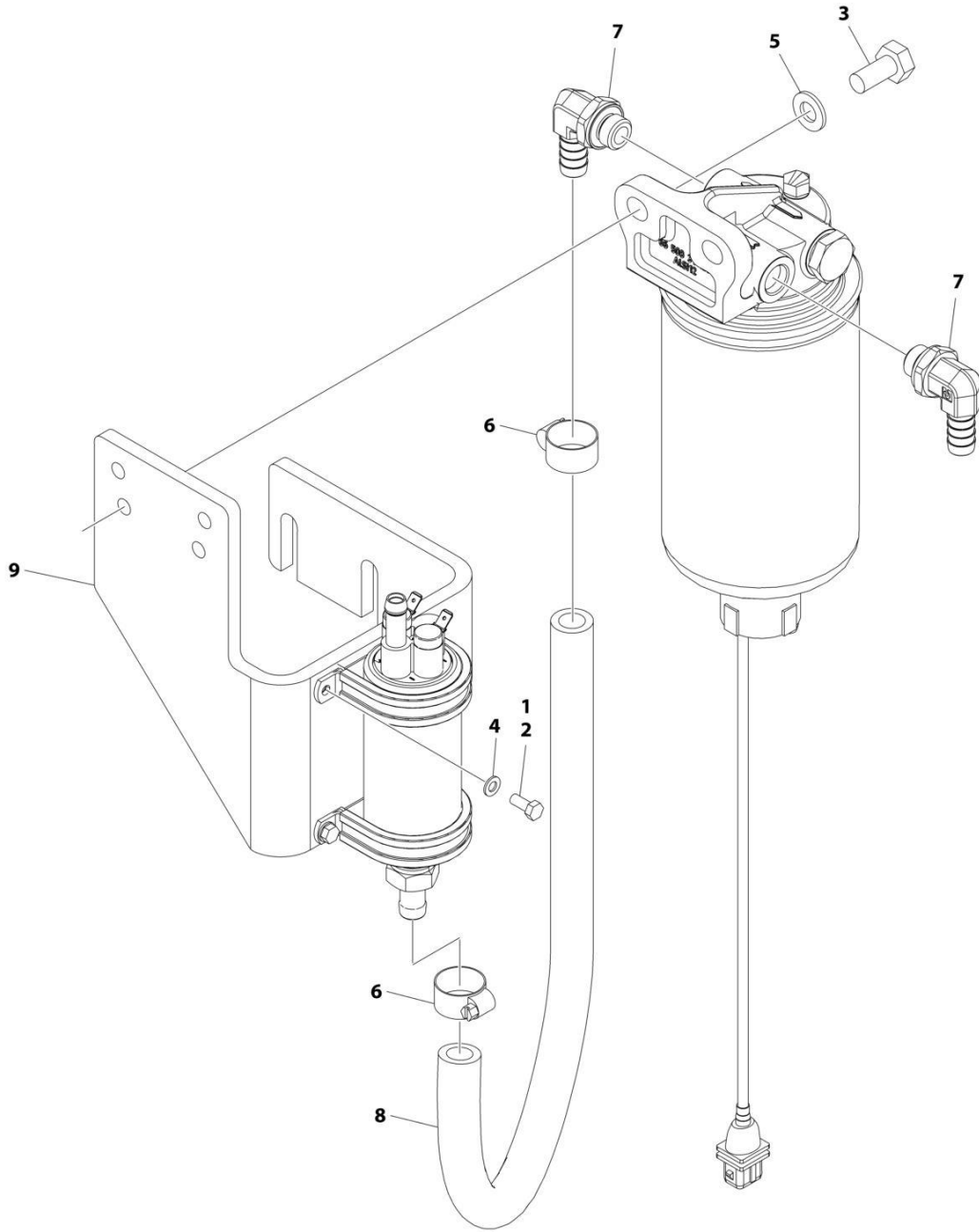
## SECTION 3 - ENGINE

**FIGURE 3-29. ENGINE COMPONENTS - DEUTZ D2.9L4 (CHINA IV)**

ITEM	PART NUMBER	QTY	DESCRIPTION	REV
	1001258112	Ref	DEUTZ D2.9L4 ENGINE COMPONENTS	B
	See Note	Ref	Note: No Service Parts Available at Time of Printing.	

# SECTION 3 - ENGINE

FIGURE 3-30. BRACKET ASSEMBLY - FUEL PUMP AND FILTER (DEUTZ D2.9L4 CHINA IV ENGINE)



ART\_1001258385



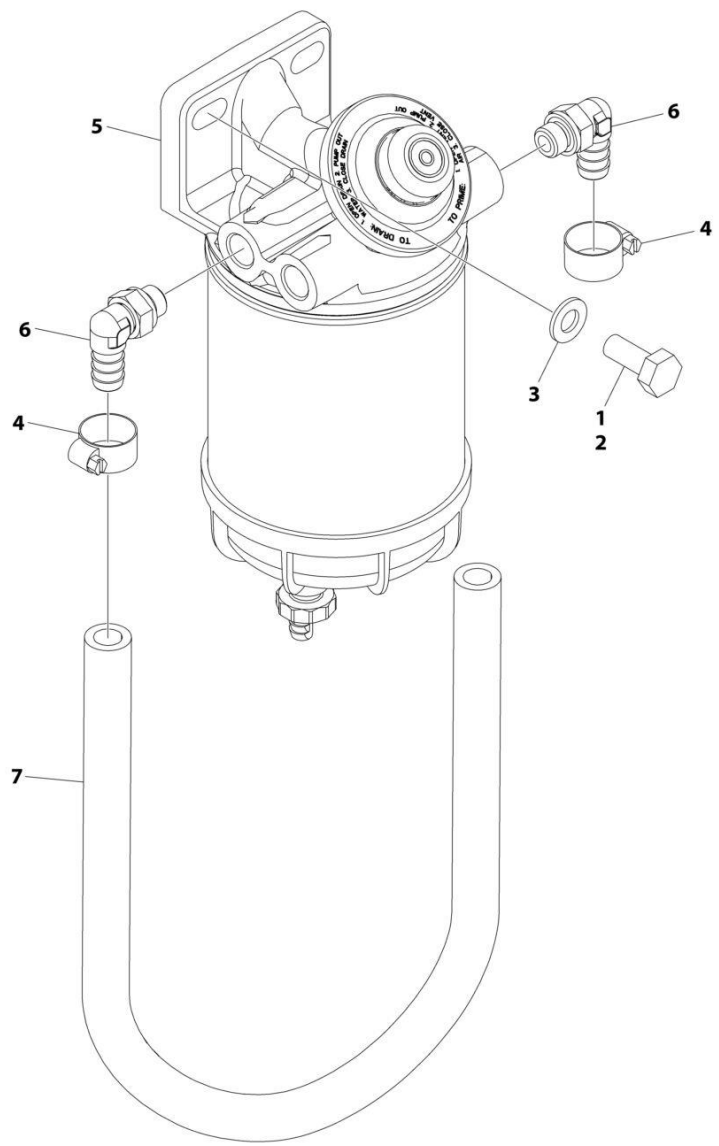
## SECTION 3 - ENGINE

**FIGURE 3-30. BRACKET ASSEMBLY - FUEL PUMP AND FILTER (DEUTZ D2.9L4 CHINA IV ENGINE)**

ITEM	PART NUMBER	QTY	DESCRIPTION	REV
	1001258385	Ref	BRACKET ASSEMBLY - FUEL PUMP AND FILTER (DEUTZ D2.9L4 CHINA IV ENGINE)	B
1	0100011	AR	Compound, Locking	
2	0760506	4	Bolt M5 x 12	
3	0761011	2	Bolt M10 x 22	
4	4811600	4	Washer M5	
5	4812000	2	Washer M10	
6	8405006	2	Clamp	
7	1001142501	2	Fitting, Elbow Barbed	
8	1001154405	1.64 ft /.50m	Hose	
9	1001298141	1	Bracket	

# SECTION 3 - ENGINE

## FIGURE 3-31. FUEL/WATER SEPARATOR ASSEMBLY (DEUTZ D2.9L4 CHINA IV ENGINE)



ART\_1001258406

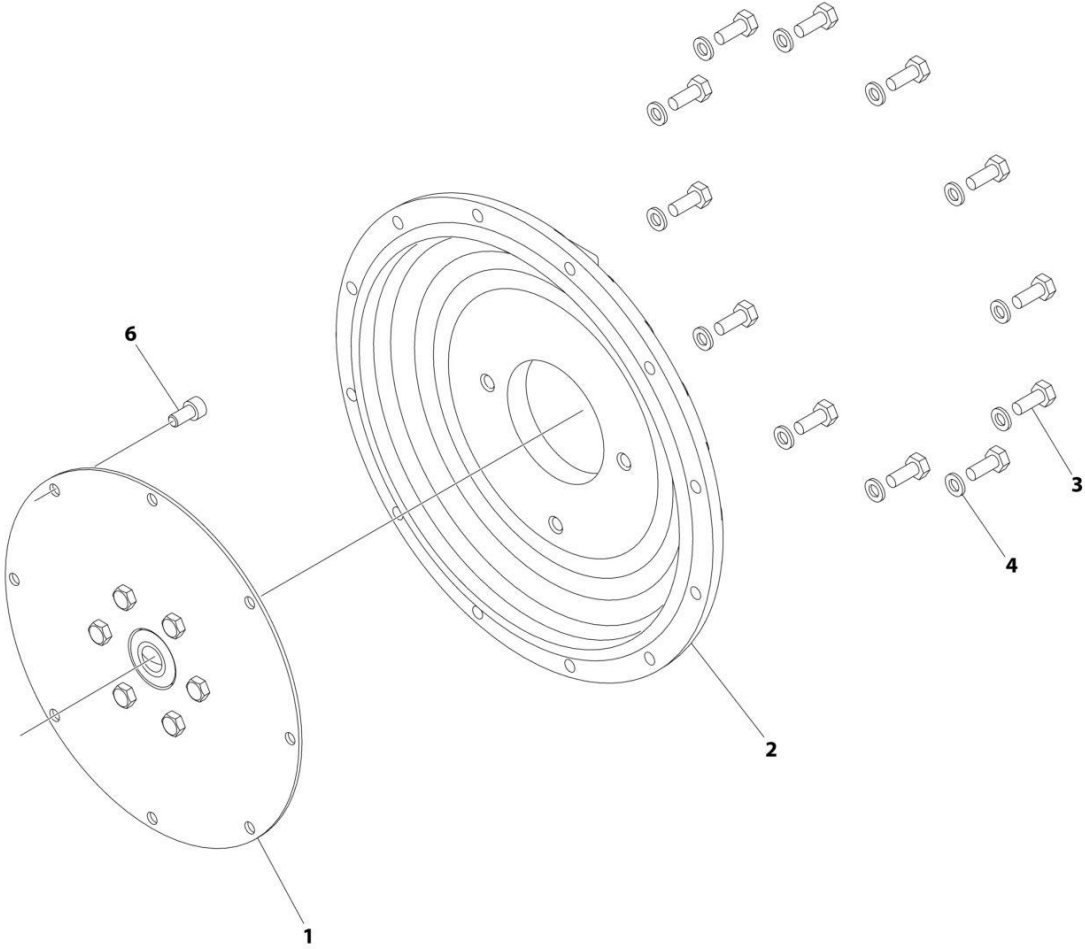
## SECTION 3 - ENGINE

**FIGURE 3-31. FUEL/WATER SEPARATOR ASSEMBLY (DEUTZ D2.9L4 CHINA IV ENGINE)**

ITEM	PART NUMBER	QTY	DESCRIPTION	REV
	1001258406	Ref	FUEL/WATER SEPARATOR ASSEMBLY	A
1	0100011	AR	Compound, Locking	
2	0761012	2	Bolt M10 x 25	
3	4812000	2	Washer M10	
4	8405006	2	Clamp	
5	1001149452	1	Filter, Water Separator	
6	1001258505	2	Fitting, Barbed	
7	1001154405	2.13 ft/.65m	Hose	

**SECTION 3 - ENGINE**

**FIGURE 3-32. PUMP COUPLING KIT - DEUTZ ENGINES**



ART\_2902065

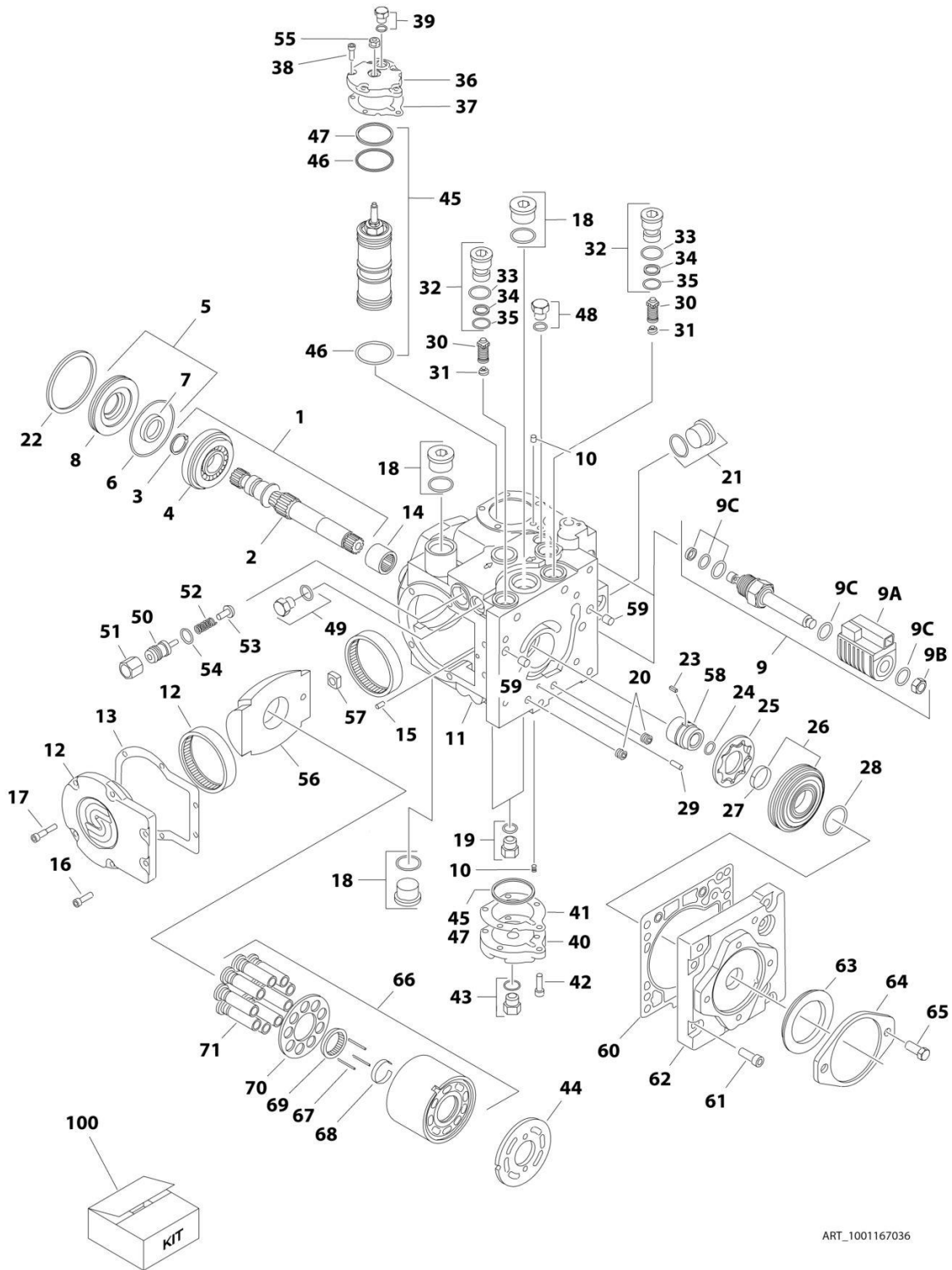
## SECTION 3 - ENGINE

### FIGURE 3-32. PUMP COUPLING KIT - DEUTZ ENGINES

ITEM	PART NUMBER	QTY	DESCRIPTION	REV
	2902065	Ref	PUMP COUPLING KIT	L
1	70000793	1	Coupling, Hayes	
2	See Note	NSS	Plate, Pump Adapter (Note: Use p/n 2902065)	
3	See Note	NSS	Bolt M10 x 30 Grade 10.9 (Note: Use p/n 2902065)	
4	See Note	NSS	Washer M10 (Note: Use p/n 2902065)	
6	See Note	NSS	Bolt M10 x 20 Grade 10.9 (Note: Use p/n 2902065)	

# SECTION 3 - ENGINE

## FIGURE 3-33. PISTON PUMP ASSEMBLY



ART\_1001167036

FIGURE 3-33. PISTON PUMP ASSEMBLY

ITEM	PART NUMBER	QTY	DESCRIPTION	REV
	1001167036	Ref	PISTON PUMP ASSEMBLY	B
1	7021240	1	Shaft Assembly (Includes Items 2-4)	
2	7021237	1	Shaft	
3	7021238	1	Ring, Retaining	
4	7021239	1	Bearing, Roller	
5	70004896	1	Shaft Seal Kit (Includes Items 6-8)	
6	7021241	1	O-Ring	
7	7021242	1	Seal, Lip	
8	7021243	1	Carrier, Seal Shaft	
9	7024855	2	Solenoid Assembly	
9A	70004897	2	Coil (1 Per Assembly)	
9B	7024857	2	Nut (1 Per Assembly)	
9C	7024858	2	Seal Kit - 7024855 Cartridge (1 Per Assembly)	
10	70004889	2	Orifice	
11	See Note	NSS	Housing Assembly (Note: Not Available for Purchase)	
12	7021248	1	Side Cover Assembly (Includes Item 13)	
13	70004891	1	Gasket	
14	7021249	1	Bearing, Needle	
15	See Note	NSS	Pin (Note: Not Available for Purchase)	
16	70004890	2	Screw	
17	70004892	4	Screw	
18	7007419	2	Plug Assembly (Includes O-Ring)	
19	7007420	2	Plug Assembly (Includes O-Ring)	
20	See Note	NSS	Plug (Note: Not Available for Purchase)	
21	7007419	1	Plug Assembly (Includes O-Ring)	
22	7021257	1	Ring, Retaining	
23	70004893	1	Key	
24	7022341	1	Ring, Retaining	
25	7021258	1	Gerotor	
26	70004894	1	Gerotor Cover Assembly (Includes Item 27)	
27	7021259	1	Bearing, Journal	
28	7021262	1	O-Ring	
29	See Note	NSS	Pin (Note: Not Available for Purchase)	
30	7021263	2	Bypass Valve Assembly	
31	7024800	2	Spring	
32	7021265	2	Bypass Valve Assembly (Includes Items 32-34)	
33	7007415	2	O-Ring	
34	7021293	2	Ring, Back-up	
35	7022300	2	O-Ring	
36	70004895	1	Cover, Servo	
37	7021253	1	Gasket	
38	70004892	5	Screw	
39	7007420	1	Plug Assembly (Includes O-Ring)	
40	7021268	1	Cover, Servo	
41	7021253	1	Gasket	
42	70004892	5	Screw	
43	7007420	1	Plug Assembly (Includes O-Ring)	
44	7021281	1	Plate, Valve	
45	70004898	1	Servo Piston Kit (Includes Items 46 & 47)	
46	7007495	2	O-Ring	

## SECTION 3 - ENGINE

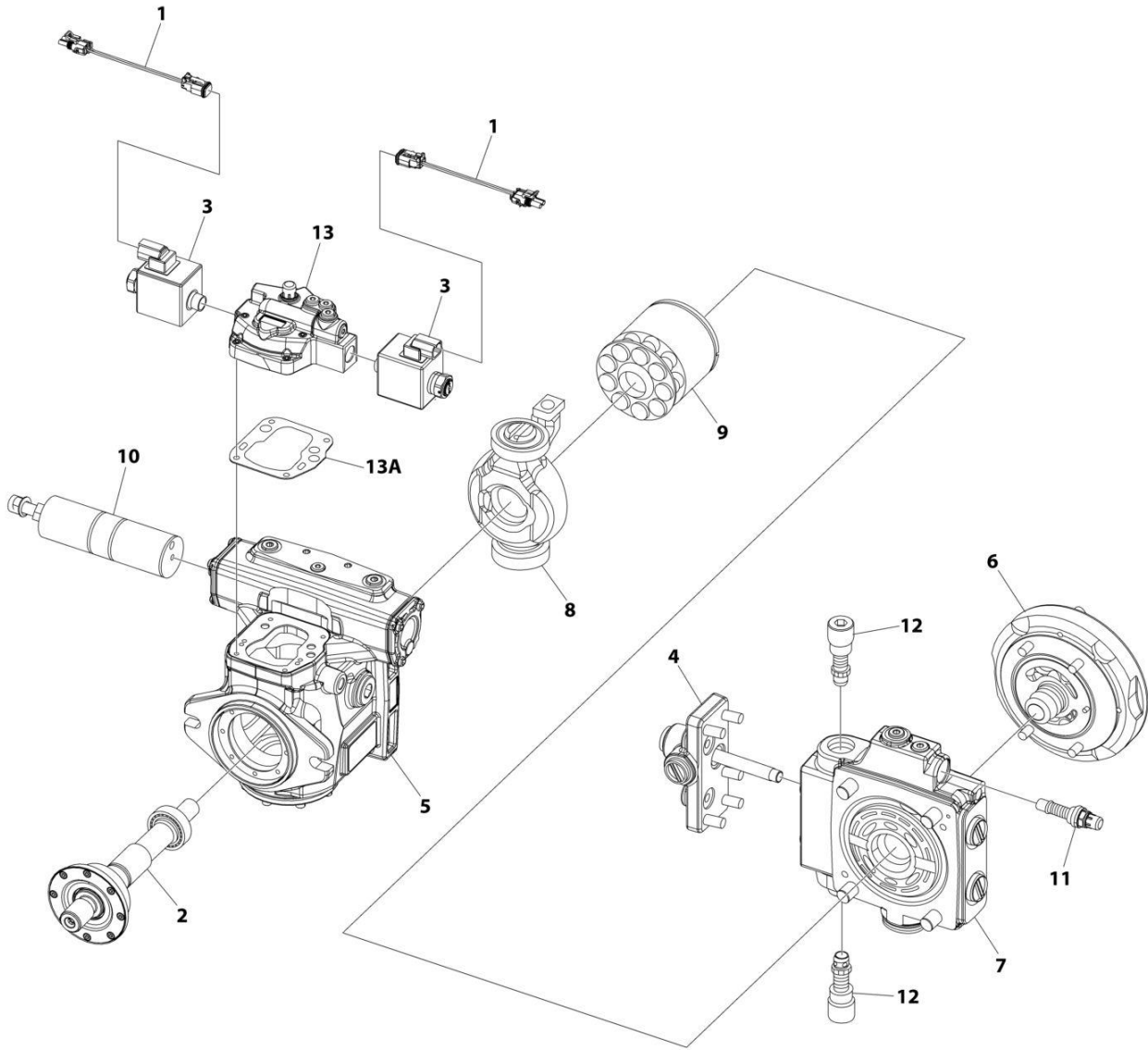
ITEM	PART NUMBER	QTY	DESCRIPTION	REV
47	7007493	2	O-Ring	
48	7007420	1	Plug Assembly (Includes O-Ring)	
49	70004900	1	Plug Assembly (Includes O-Ring)	
50	7022346	1	Adjuster	
51	7021290	1	Nut	
52	7022347	1	Spring	
53	70004901	1	Poppet	
54	7007415	1	O-Ring	
55	70004902	1	Nut, Seal	
56	70004903	1	Swash Plate	
57	70004904	1	Bearing Assembly	
58	70004905	1	Coupling	
59	7001481	2	Pin	
60	70002257	1	Gasket	
61	70004906	8	Screw	
62	70004907	1	Cover, Charge Pump	
63	70004908	1	Seal	
64	7021299	1	Plate, Cover	
65	7007289	2	Screw	
66	70004909	1	Cylinder Block Assembly (Includes Items 67-71)	
67	70004910	3	Pin, Slipper Hold Down	
68	7021276	1	Retainer, Hold Down Pin	
69	7021277	1	Guide, Slipper Retainer	
70	7021278	1	Retainer, Slipper	
71	70004911	1	Piston Assembly	
100	70004899	1	Seal Kit (Includes Items 5-8, 33-35, 37, 41, 46, 47 & 54)	





# SECTION 3 - ENGINE

## FIGURE 3-34. CLOSED PUMP LOOP ASSEMBLY



ART\_1001285632

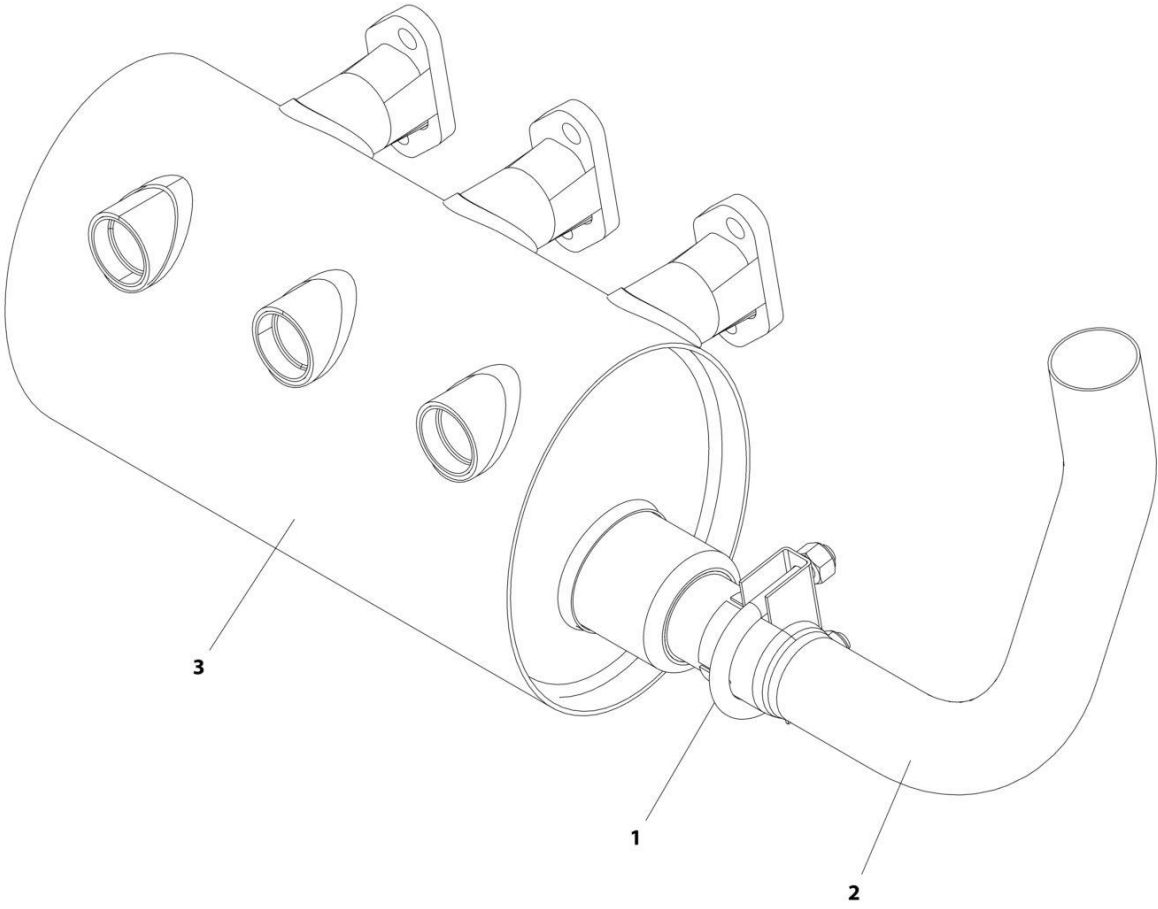
## SECTION 3 - ENGINE

**FIGURE 3-34. CLOSED PUMP LOOP ASSEMBLY**

ITEM	PART NUMBER	QTY	DESCRIPTION	REV
	1001285632	Ref	PUMP ASSEMBLY	A
1	70008628	2	Harness	
2	70008627	1	Shaft Assembly (Sold as assembly only)	
3	70008498	2	Coil	
4	See Note	NSS	Body, Fitting (Note: Use PN 1001285632)	
5	See Note	NSS	Body, Pump (Note: Use PN 1001285632)	
6	70008626	1	Gerolator Assembly (Sold as assembly only)	
7	70008625	1	Distributor Assembly (Sold as assembly only)	
8	70008624	1	Swashplate Assembly (Sold as assembly only)	
9	70008623	1	Rotor Assembly (Sold as assembly only)	
10	70008502	1	Servo Assembly (Sold as assembly only)	
11	70008622	1	Valve, Cartridge - Relief	
12	70008600	2	Valve, Cartridge - Relief	
13	70008504	1	Valve, Control (Sold as assembly only)	
13A	70008507	1	Gasket	

**SECTION 3 - ENGINE**

**FIGURE 3-35. SPARK ARRESTOR INSTALLATION - DEUTZ D2011 ENGINE**



ART\_1001174378

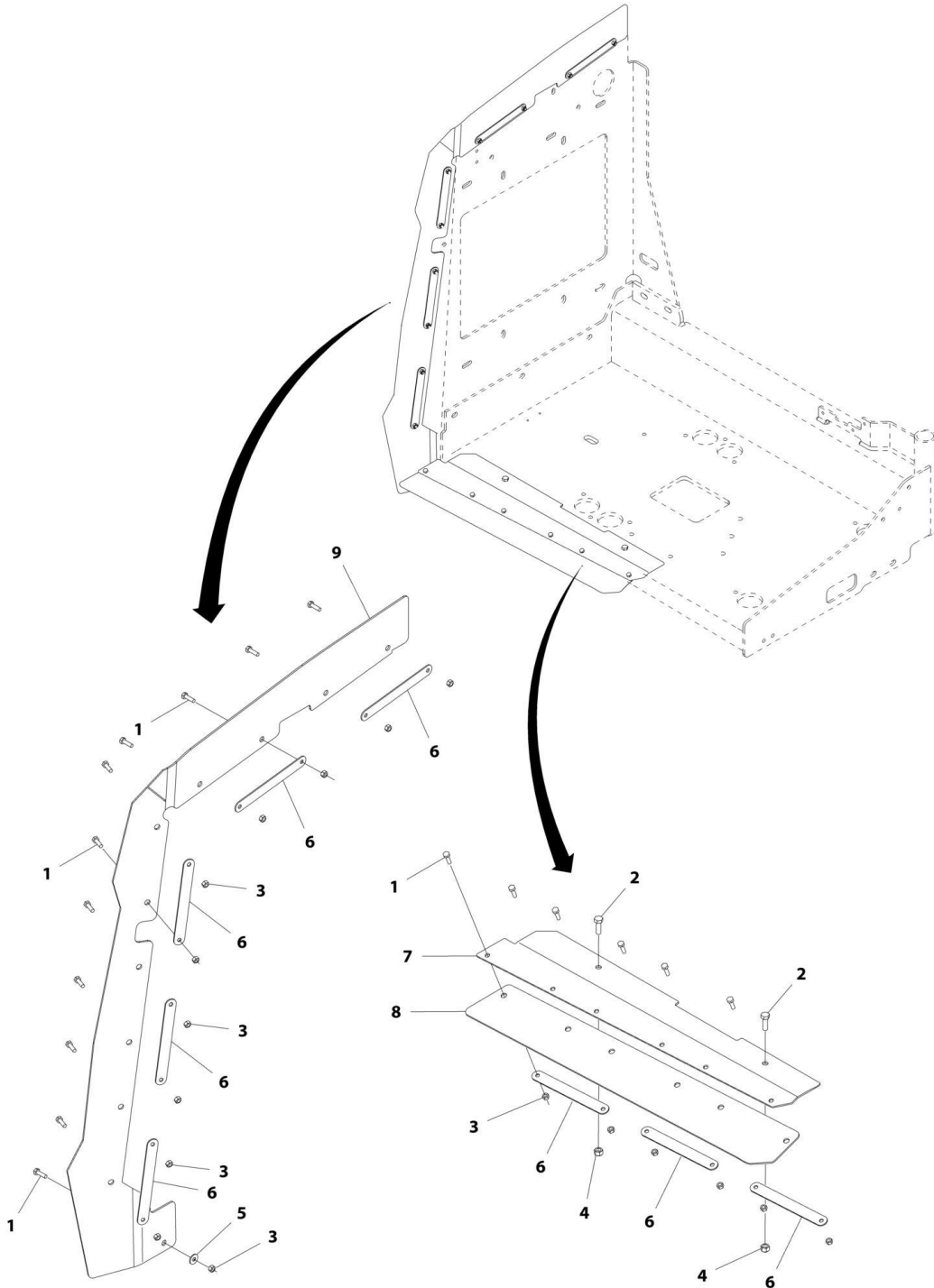
## SECTION 3 - ENGINE

**FIGURE 3-35. SPARK ARRESTOR INSTALLATION - DEUTZ D2011 ENGINE**

ITEM	PART NUMBER	QTY	DESCRIPTION	REV
	1001174378	Ref	SPARK ARRESTOR INSTALLATION - DEUTZ D2011 ENGINE	A
1	1320176	1	Clamp	
2	1001169525	1	Pipe, Exhaust	
3	1001170224	1	Muffler, Spark Arresting	

# SECTION 3 - ENGINE

## FIGURE 3-36. ENGINE Baffle INSTALLATION - WITH DEUTZ ENGINES



ART\_1001172265

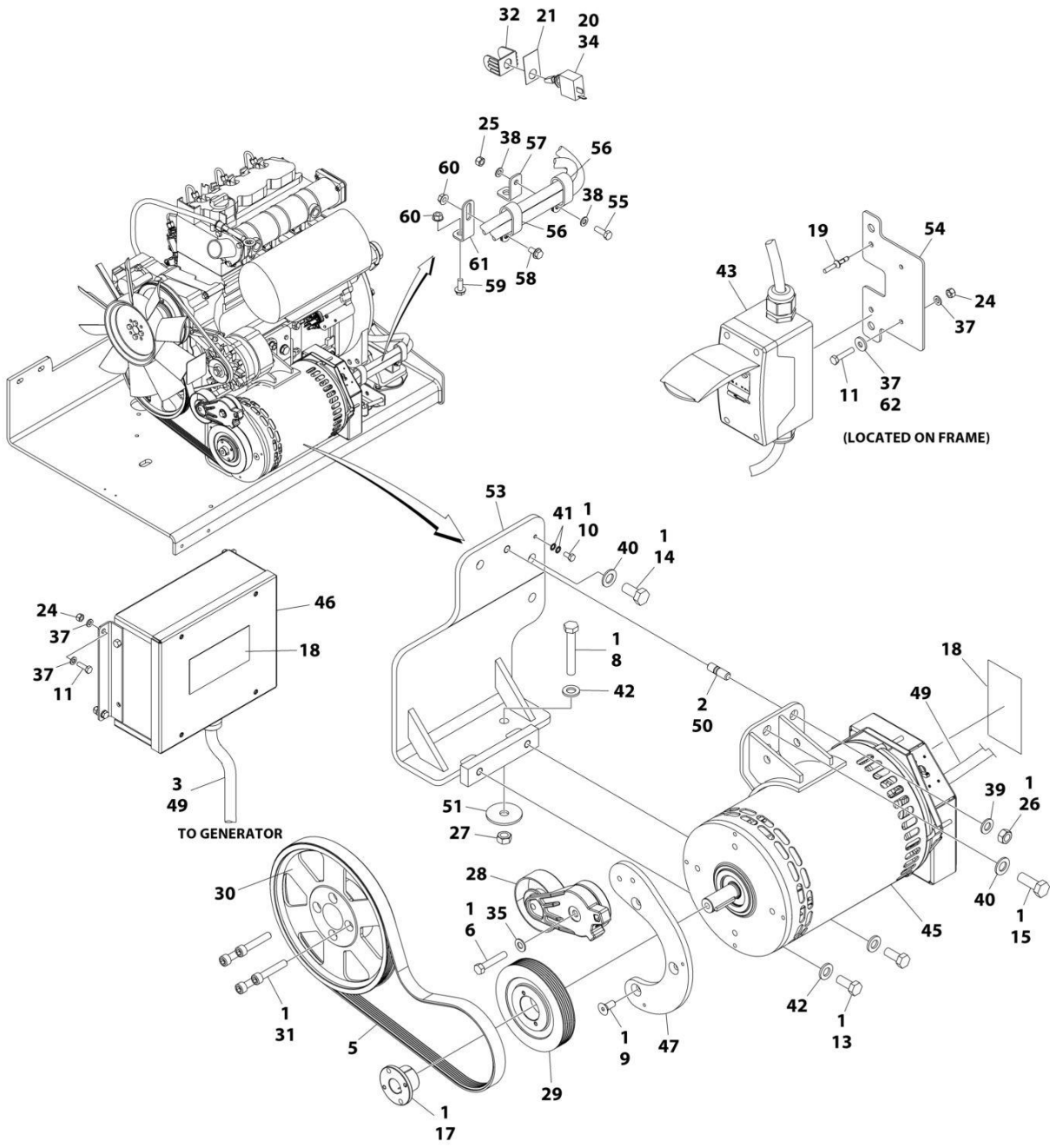
## SECTION 3 - ENGINE

**FIGURE 3-36. ENGINE BAFFLE INSTALLATION - WITH DEUTZ ENGINES**

ITEM	PART NUMBER	QTY	DESCRIPTION	REV
	1001172265	Ref	ENGINE BAFFLE INSTALLATION - WITH DEUTZ/GM ENGINES	B
1	0760610	17	Bolt M6 x 20	
2	0760812	2	Bolt M8 x 25	
3	3290605	17	Nut M6	
4	3290805	2	Nut M8	
5	4811702	1	Washer M6	
6	1001167164	8	Plate, Support	
7	1001170663	1	Bracket	
8	1001170664	1	Seal	
9	1001172264	1	Seal	

# SECTION 3 - ENGINE

## FIGURE 3-37. GENERATOR INSTALLATION - 4000W/50HZ (DEUTZ D2011 ENGINE)



ART\_1001173984



## SECTION 3 - ENGINE

**FIGURE 3-37. GENERATOR INSTALLATION - 4000W/50HZ (DEUTZ D2011 ENGINE)**

ITEM	PART NUMBER	QTY	DESCRIPTION	REV
	1001173984	Ref	GENERATOR INSTALLATION - 4000W/50HZ (DEUTZ D2011 ENGINE)	J
1	0100011	AR	Compound, Locking	
2	0100019	AR	Compound, Locking	
3	0100048	AR	Grease, Dielectric	
4	0100079	AR	Sealant (Not Shown)	
5	0480126	1	Belt	
6	0641616	1	Bolt 3/8 x 2	
8	0711224	1	Bolt M12 x 80 Grade 10.9	
9	0741607	3	Screw 3/8 x 7/8	
10	0760606	1	Bolt M6 x 12	
11	0760610	AR	Bolt M6 x 20	
11	0760614	AR	Bolt M6 x 30	
13	0761214	2	Bolt M12 x 30	
14	0771414	2	Bolt M14 x 30 Grade 10.9	
15	0771416	1	Bolt M14 x 40	
17	0962520	1	Bushing	
18	1705489	AR	Decal - Hazardous Voltage	
19	2080040	2	Fastener, Huck	
20	2820031	AR	Heat Shrink	
21	See Note	1	Nameplate (Note: Not Available for Purchase)	
24	3290605	6	Nut M6	
25	3290805	1	Nut M8	
26	3291201	1	Nut M12	
27	3331211	1	Nut M12	
28	3580317	1	Pulley	
29	3580319	1	Pulley	
30	3580320	1	Pulley	
31	4032015	4	Bolt M10 x 55	
32	4060802	1	Guard, Switch	
33	4240099	AR	Tie-Strap (Not Shown)	
34	4360336	1	Switch, Toggle	
35	4711600	1	Washer 3/8	
37	4811700	AR	Washer M6	
38	4811900	1	Washer M8	
39	4812100	1	Washer M12	
40	4812200	3	Washer M14	
41	4871700	2	Washer M6	
42	5241200	3	Washer M12 Hardened	
43	1001096070	1	Breaker Box Kit (50Hz) (See Separate Breakdown in ELECTRICAL Section)	
45	1001138565	1	Generator Assembly	
45	70003709	1	Ring, Retaining (External)	
45	70003708	1	Ring, Retaining (Internal)	
45	70001966	1	Bearing	
45	70004092	1	Endbell (Shaft End)	
45	70004171	1	Key	
45	70004676	1	Rotor	
45	70004677	1	Stator	
45	70004678	1	Endbell (Rear)	

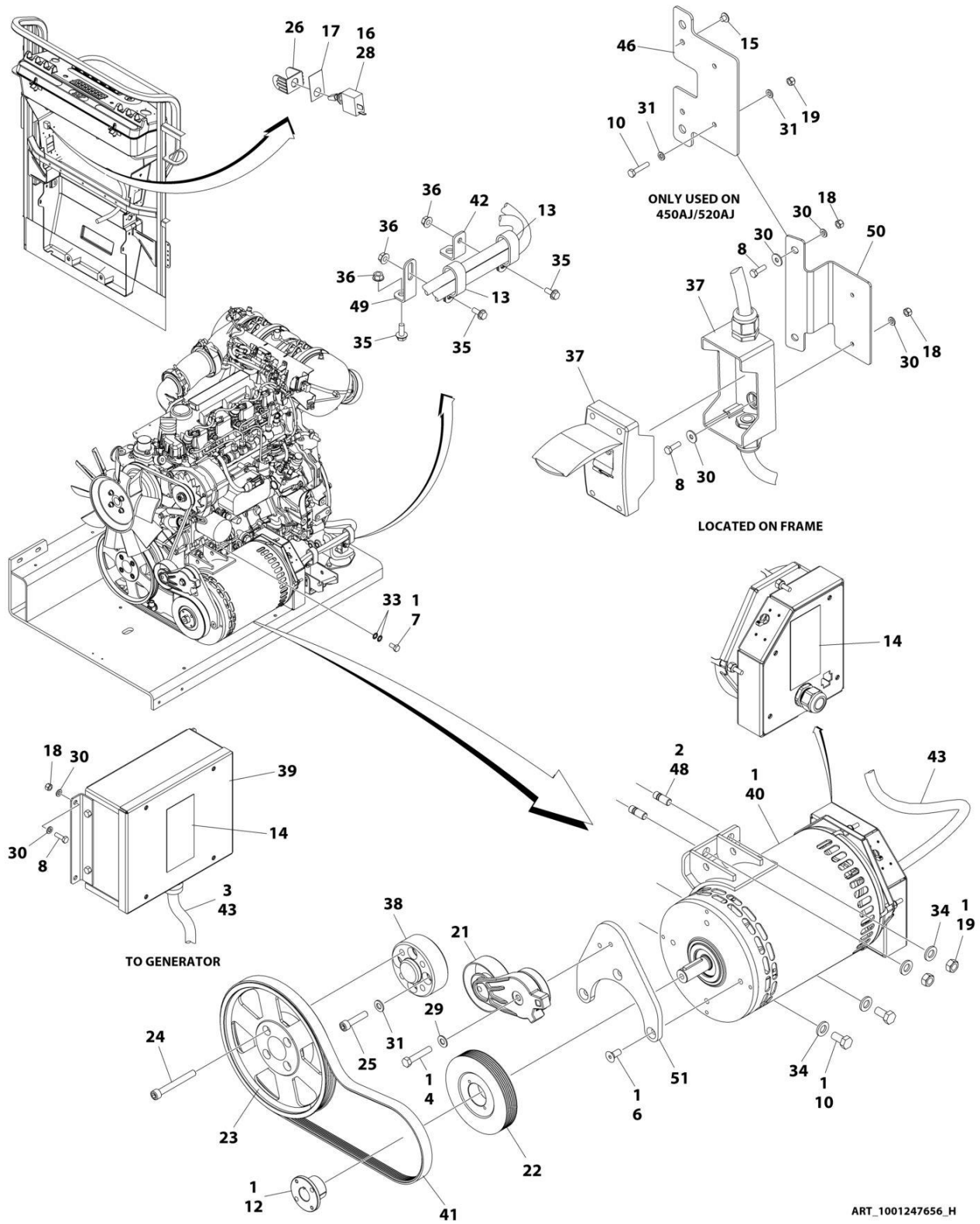
## SECTION 3 - ENGINE

ITEM	PART NUMBER	QTY	DESCRIPTION	REV
45	70004679	1	Cover, Endbell (Rear)	
45	70004680	1	Enclosure, Wiring	
45	70004681	1	Cover, Enclosure	
45	70004682	1	Switch, Reset (Located on Enclosure Cover)	
45	70004683	1	Connector, Strain Relief (Located on Enclosure Cover)	
46	1001138566	1	Box, Control	
46	70006552	1	Capacitor	
46	70006553	1	Relay	
47	1001139357	1	Mount, Tensioner	
49	1001152532	1	Harness, Generator (See Separate Breakdown in ELECTRICAL Section)	
50	1001196382	1	Stud	
51	1001168018	1	Washer, Snubbing	
53	1001173925	1	Mount	
54	1001174158	1	Mount	
55	0760812	1	Bolt M8 x 25	
56	1321716	2	Clamp	
57	1001148641	1	Bracket	
58	5250808	1	Bolt M8 x 16	
59	5250810	1	Bolt M8 x 20	
60	5260800	2	Nut M8	
61	1001223122	1	Support	
62	4811702	AR	Washer M6	



# SECTION 3 - ENGINE

## FIGURE 3-38. GENERATOR INSTALLATION - 4000W/50HZ (DEUTZ ENGINE) (STAGE V)



## SECTION 3 - ENGINE

**FIGURE 3-38. GENERATOR INSTALLATION - 4000W/50HZ (DEUTZ ENGINE) (STAGE V)**

ITEM	PART NUMBER	QTY	DESCRIPTION	REV
	1001247656	Ref	GENERATOR INSTALLATION - 4000W/50HZ	H
1	0100011	AR	Compound, Locking	
2	0100019	AR	Compound, Locking	
3	0100048	AR	Grease, Dielectric	
4	0641616	1	Bolt 3/8 x 2	
6	0741607	3	Screw 3/8 x 7/8	
7	0760606	1	Bolt M6 x 12	
8	0760610	10	Bolt M6 x 20	
10	0761212	2	Bolt M12 x 25	
12	0962520	1	Bushing	
13	1321716	2	Clamp	
14	1705489	2	Decal - Hazardous Voltage	
15	2080040	2	Fastener, Huck	
16	2820031	0.33 ft /0.10m	Heat Shrink	
17	3251102	1	Nameplate, Generator	
18	3290605	10	Nut M6	
19	3291201	2	Nut M12	
21	3580317	1	Pulley	
22	3580319	1	Pulley	
23	1001281192	1	Pulley	
24	1001261085	4	Capscrew M10 x 85	
25	1001261045	4	Capscrew M10 x 45	
26	4060802	1	Guard, Switch	
27	4240099	AR	Tie-Strap (Not Shown)	
28	4360336	1	Switch, Toggle	
29	4711600	1	Washer 3/8	
30	4811700	18	Washer M6	
31	4812000	4	Washer M14	
33	4871700	2	Washer M6	
34	5241200	4	Washer M12 Hardened	
35	5250810	3	Bolt M8 x 20	
36	5260800	3	Nut M8	
37	1001096070	1	Breaker Box Kit (50Hz) (See Separate Breakdown in ELECTRICAL Section)	
38	1001258800	1	Adapter	
39	1001138566	1	Box, Control	
40	1001140347	1	Generator, 4000W/ 50HZ - Deutz Engine	
40	70003709	1	Ring, Retaining (External)	
40	70003708	1	Ring, Retaining (Internal)	
40	70001966	1	Bearing	
40	70004092	1	Endbell (Shaft End)	
40	70004099	1	Key	
40	70004676	1	Rotor	
40	70004686	1	Stator	
40	70004678	1	Endbell (Rear)	
40	70004679	1	Cover, Endbell (Rear)	
40	70004680	1	Enclosure, Wiring	
40	70004681	1	Cover, Enclosure	
40	70004682	1	Switch, Reset (Located on Enclosure Cover)	

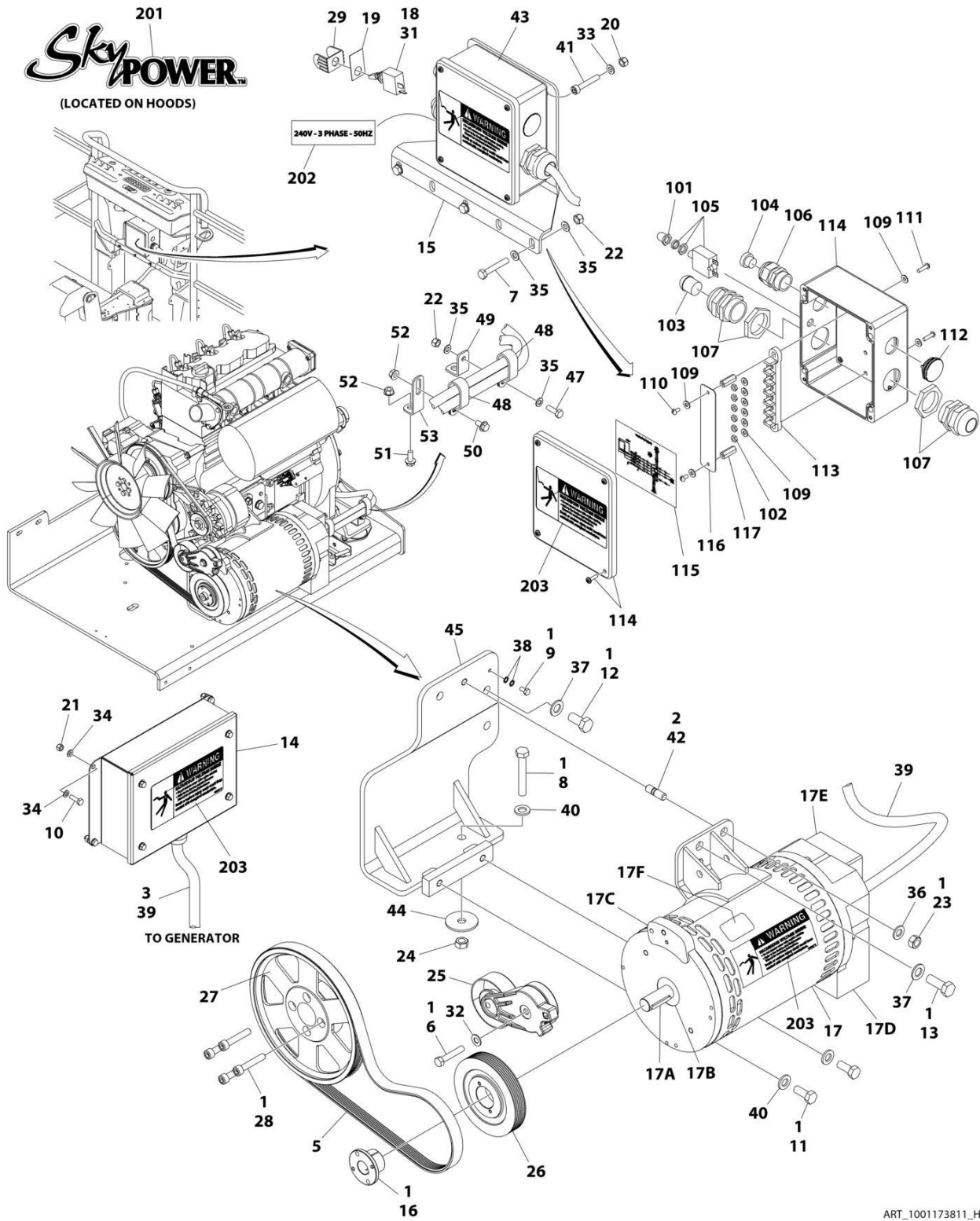
## SECTION 3 - ENGINE

ITEM	PART NUMBER	QTY	DESCRIPTION	REV
40	70004683	1	Connector, Strain Relief (Located on Enclosure Cover)	
41	1001148059	1	Belt, Generator	
42	1001148641	1	Bracket	
43	1001152532	1	Harness, Generator (See Separate Breakdown in ELECTRICAL Section)	
46	1001174158	1	Mount	
47	1001174675	1	Wiring Diagram (Not Shown)	
48	1001196382	2	Stud	
49	1001223122	1	Support	
50	1001293086	1	Bracket	
51	1001248190	1	Support	
52	4811702	2	Washer M6	
		Ref	ELECTRICAL DIAGRAM COMPONENTS	
101	4922641	1	Generator Switch Harness (Not Shown)	



# SECTION 3 - ENGINE

## FIGURE 3-39. GENERATOR INSTALLATION - 7500W/50HZ (DEUTZ D2011 ENGINE)



ART\_1001173811\_H



## SECTION 3 - ENGINE

**FIGURE 3-39. GENERATOR INSTALLATION - 7500W/50HZ (DEUTZ D2011 ENGINE)**

ITEM	PART NUMBER	QTY	DESCRIPTION	REV
	1001173811	Ref	GENERATOR INSTALLATION - 7500W/50HZ (DEUTZ D2011 ENGINE)	H
1	0100011	AR	Compound, Locking	
2	0100019	AR	Compound, Locking	
3	0100048	AR	Grease, Dielectric	
4	0100079	AR	Sealant (Not Shown)	
5	0480126	1	Belt	
6	0641616	1	Bolt 3/8 x 2	
7	0700818	3	Bolt M8 x 50	
8	0711224	1	Bolt M12 x 80 Grade 10.9	
9	0760606	1	Bolt M6 x 12	
10	0760610	4	Bolt M6 x 20	
11	0761214	2	Bolt M12 x 30	
12	0771414	2	Bolt M14 x 30 Grade 10.9	
13	0771416	1	Bolt M14 x 40	
14	0861572	1	Control Box Assembly	
14	7024488	1	Card, Circuit - Generator Power	
14	See Note	NSS	Fuse (Note: Not Available - Purchase Locally)	
14	7024489	1	Card, Circuit - Control	
14	70000619	1	Harness, Control Box (Internal)	
15	0902888	1	Bracket	
16	0962520	1	Bushing	
17	2460048	1	Generator Assembly	
17	70001100	1	Rotor (Includes p/n 70001384 & 70000863) (Not Shown)	
17	70001384	1	Bearing, Ball Radial (Not Shown)	
17	70000863	1	Fan (Not Shown)	
17	70002088	1	Stator (Not Shown)	
17	70002297	1	Stud	
17	70003631	1	Brushholder Assembly (Not Shown)	
17A	70004171	1	Key	
17B	70001966	1	Bearing, Ball Radial (Located in Belt Tensioner Endbell)	
17B	70003708	1	Ring, Internal Retaining (Located in Belt Tensioner Endbell)	
17B	70003709	1	Ring, External Retaining (Located in Belt Tensioner Endbell)	
17C	70001953	1	Endbell, Belt Tensioner	
17D	70004169	1	Endbell, Brush Block	
17E	70004169	1	Shroud	
17E	See Note	NSS	Insulator, Endbell (Note: Not Available for Purchase)	
17E	7027799	1	Block, Connector 6 Position (Not Shown)	
17E	70002460	1	Nut, Brass (Attaches p/n 7027799 to Cover) (Not Shown)	
17E	7024485	1	Breaker, Circuit 30Amp (Not Shown)	
17E	70001696	1	Boot, Breaker (Not Shown)	
17E	7026626	1	Connector, 6 Position (Includes Seal) (Not Shown - Plugs into Item 39)	
17E	7026597	1	Connector, with Leads (Not Shown)	
17E	7026188	1	Clamp, Cable Options (Not Shown)	
17E	70004169	1	Plate, End Panel	
17E	70001974	1	Decal - Terminal Connections	
17F	70001973	1	Decal - Warning Moving Parts	
18	2820031	AR	Heat Shrink	
19	3252764	1	Nameplate	

## SECTION 3 - ENGINE

ITEM	PART NUMBER	QTY	DESCRIPTION	REV
20	3290505	4	Nut M5	
21	3290605	4	Nut M6	
22	3290805	4	Nut M8	
23	3291201	1	Nut M12	
24	3331211	1	Nut M12	
25	3580317	1	Pulley	
26	3580319	1	Pulley	
27	3580320	1	Pulley	
28	4032015	4	Bolt M10 x 55	
29	4060802	1	Guard, Switch	
30	4240099	AR	Tie-Strap (Not Shown)	
31	4360336	1	Switch, Toggle	
32	4711600	1	Washer 3/8	
33	4811600	4	Washer M5	
34	4811700	8	Washer M6	
35	4811900	8	Washer M8	
36	4812100	1	Washer M12	
37	4812200	3	Washer M14	
38	4871700	2	Washer M6	
39	4922925	1	Harness, Generator	
39	4460225	1	Plug, Male 6 Position (Plugs into Generator)	
39	See Note	NSS	Socket, Female (Use with 4460225)	
39	See Note	NSS	Seal, Plug (Use with 4460225)	
39	See Note	NSS	Seal, Interface (Use with 4460225)	
40	5241200	3	Washer M12 Hardened	
41	1001104029	4	Screw M5 x 30	
42	1001196382	1	Stud	
43	1001157525	1	Junction Box Assembly (See Items 101-117 for Breakdown)	
44	1001168018	1	Washer, Snubbing	
45	1001173925	1	Mount	
46	1001174675	1	Wiring Diagram (Not Shown)	
46	4922641	1	Harness, On/Off Switch (Not Shown - Located at Platform)	
47	0760812	1	Bolt M8 x 25	
48	1321716	2	Clamp	
49	1001148641	1	Bracket	
50	5250808	1	Bolt M8 x 16	
51	5250810	1	Bolt M8 x 20	
52	5260800	2	Nut M8	
53	1001223122	1	Support	
	1001157525	Ref	JUNCTION BOX ASSEMBLY	B
101	3300396	1	Cover, Fuse	
102	3311001	6	Nut #10	
103	3520189	1	Plug	
104	3520192	1	Plug	
105	4360070	1	Circuit Breaker - 15Amp	
106	4460425	1	Connector, Strain Relief	
107	4460426	2	Connector, Strain Relief	
109	4711000	10	Flatwasher #10	
110	10702077	2	Screw #10 x 3/8	
111	10702082	2	Screw #10 x 3/4	
112	1001152525	1	Plug	

## SECTION 3 - ENGINE

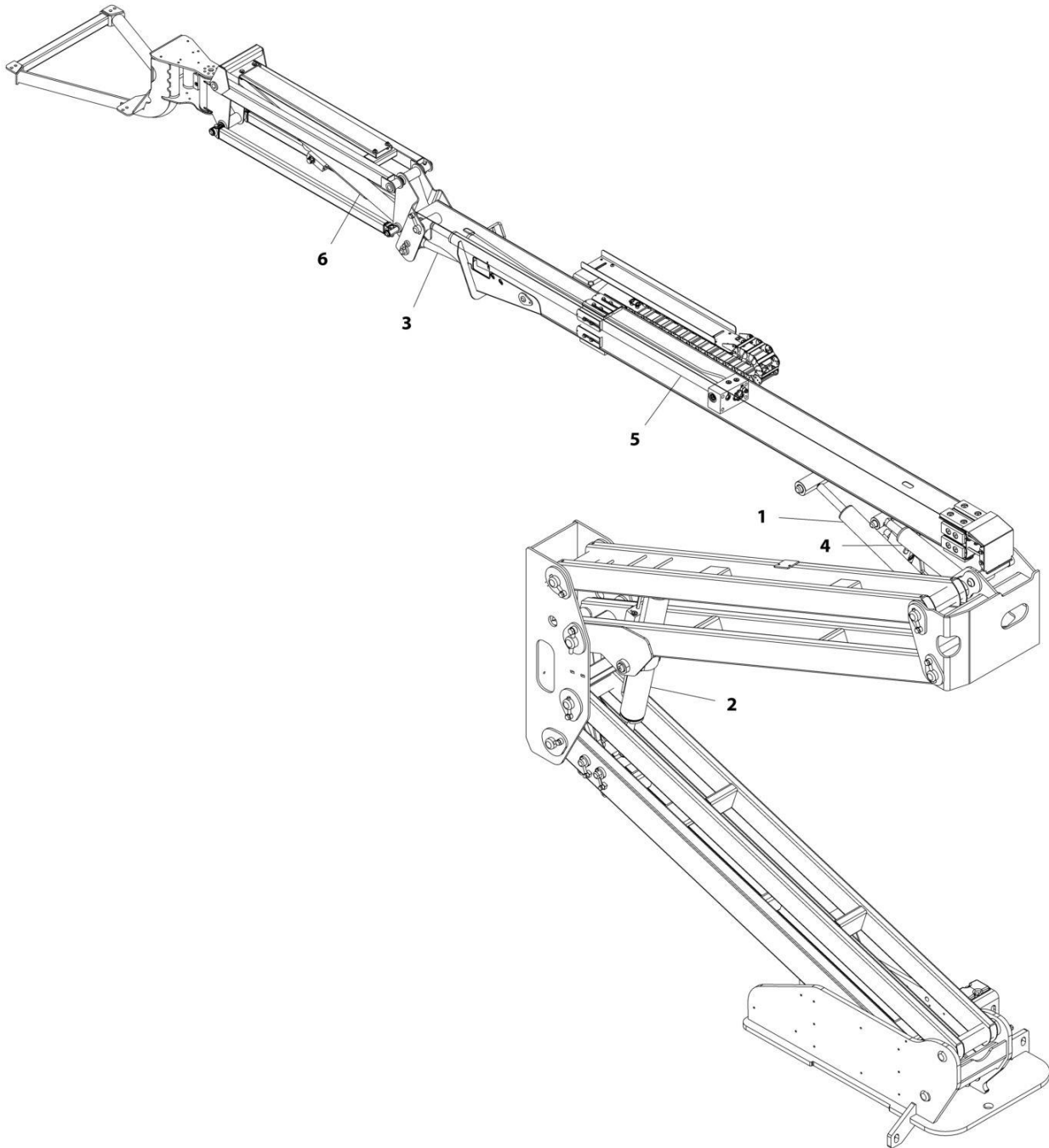
ITEM	PART NUMBER	QTY	DESCRIPTION	REV
113	1001157520	1	Block, Terminal	
114	1001157521	1	Box, Junction	
115	1001157528	1	Decal - Wiring Schematic	
116	1001158007	1	Cover, PVC	
117	1001158008	2	Stand-Off	
	0272589	Ref	DECAL INSTALLATION	A
201	1705460	2	Decal - SkyPower	
202	1705461	1	Decal - 240V - 3 Phase - 50Hz	
203	1705489	3	Decal - Hazardous Voltage	



**SECTION 4 - BOOM**

# SECTION 4 - BOOM

## FIGURE 4-1. CYLINDERS INSTALLATION



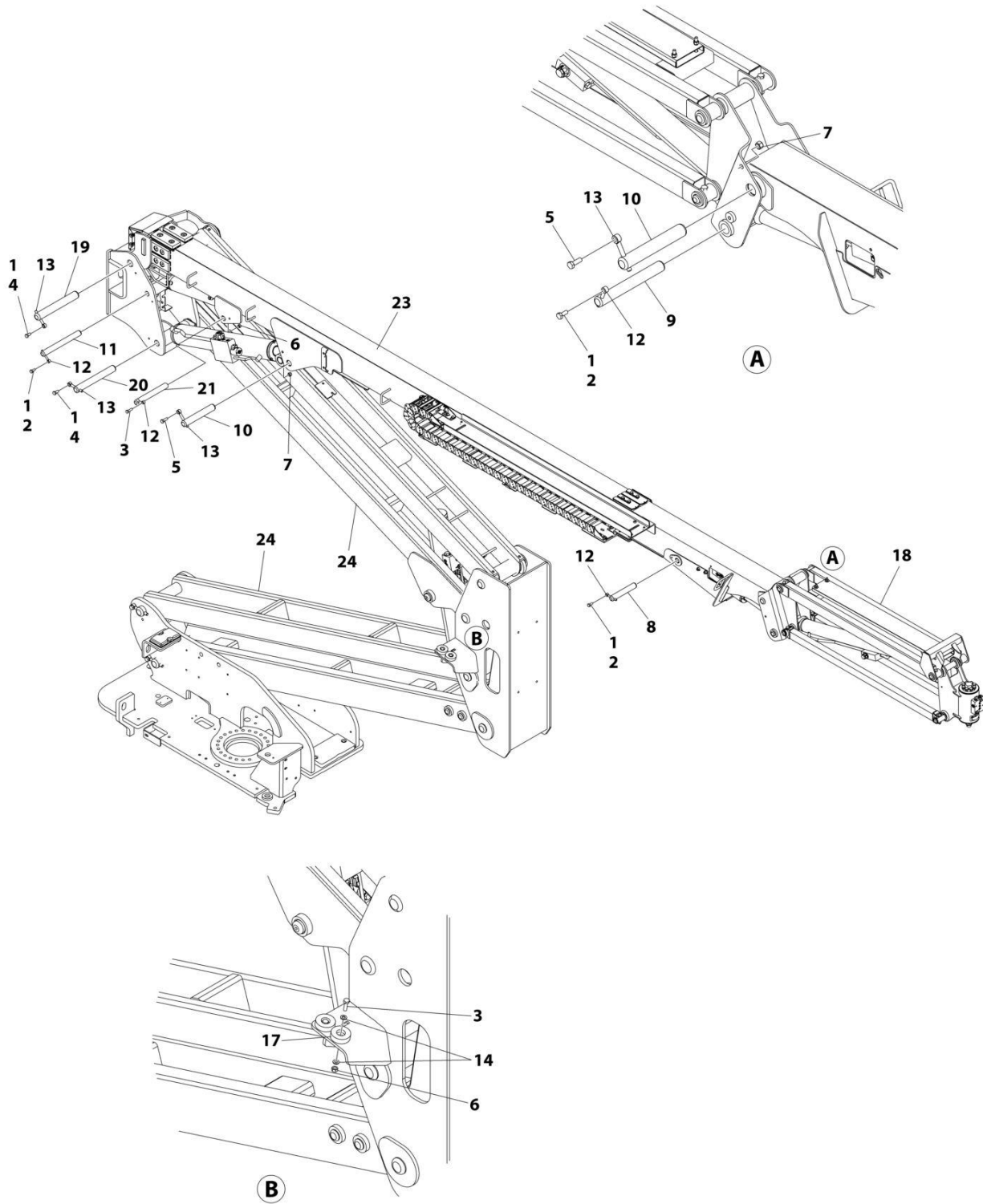
ART\_1001163863\_E

**FIGURE 4-1. CYLINDERS INSTALLATION**

<b>ITEM</b>	<b>PART NUMBER</b>	<b>QTY</b>	<b>DESCRIPTION</b>	<b>REV</b>
	1001163863	Ref	CYLINDERS INSTALLATION	E
1	1001266738	1	Lift Cylinder Assembly - Main Boom (See Separate Breakdown in CYLINDER Section)	
2	1001254716	1	Lift Cylinder Assembly - Tower Boom (See Separate Breakdown in CYLINDER Section)	
3	1001253629	1	Level (Platform Slave) Cylinder Assembly (See Separate Breakdown in CYLINDER Section)	
4	1001253628	1	Master Cylinder Assembly (See Separate Breakdown in CYLINDER Section)	
5	1001266711	1	Telescope Cylinder Assembly (See Separate Breakdown in CYLINDER Section)	
6	1001285271	1	Lift Cylinder Assembly - Jib (See Separate Breakdown in CYLINDER Section)	

# SECTION 4 - BOOM

## FIGURE 4-2. BOOM INSTALLATION



ART\_1001180874\_E

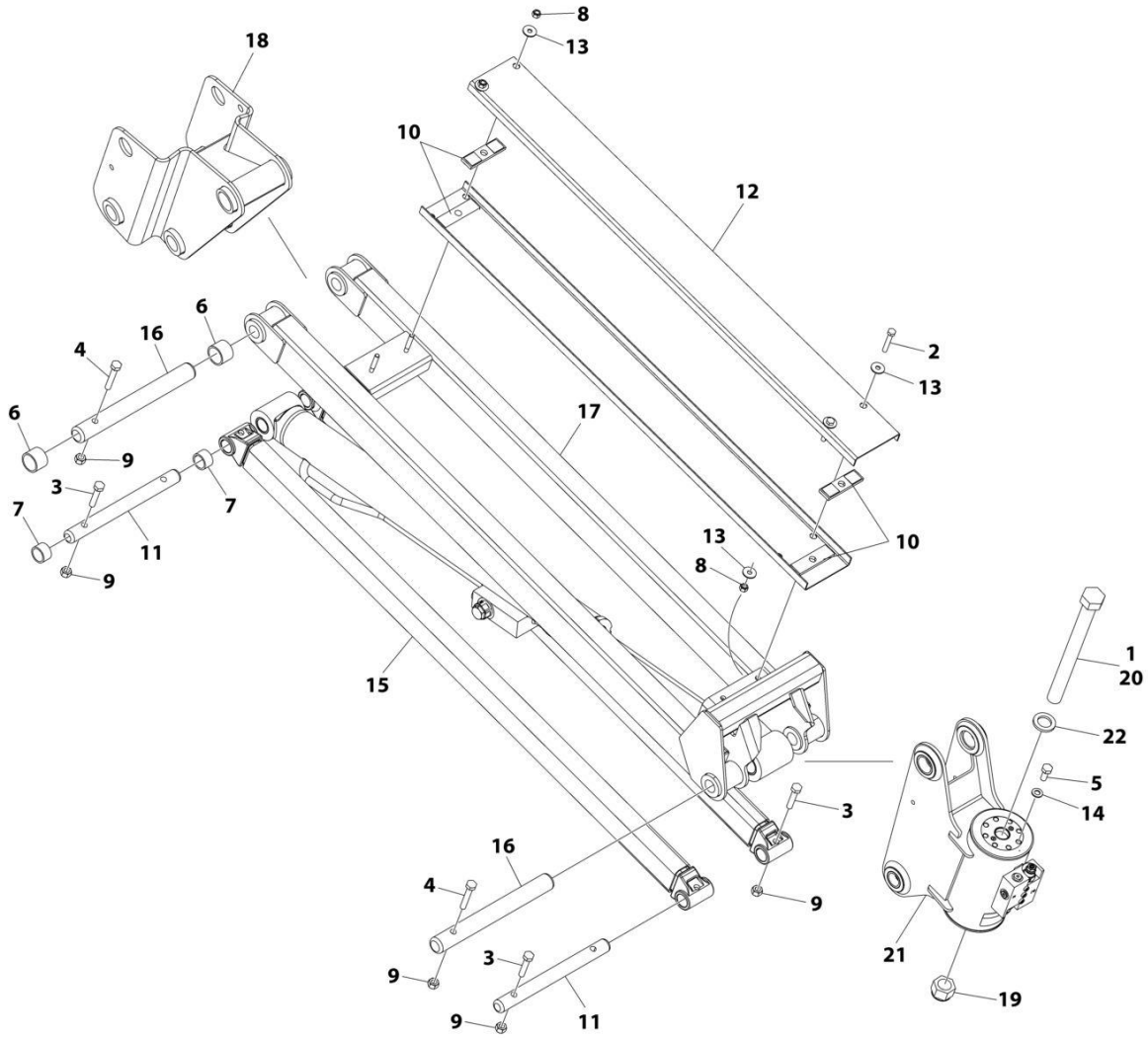


FIGURE 4-2. BOOM INSTALLATION

ITEM	PART NUMBER	QTY	DESCRIPTION	REV
	1001180874	Ref	BOOM INSTALLATION	E
1	0100011	AR	Compound, Locking	
2	0761012	3	Bolt M10 x 25	
3	0761015	3	Bolt M10 x 35	
4	0761212	2	Bolt M12 x 25	
5	0761215	2	Bolt M12 x 35	
6	3291005	3	Nut M10	
7	3291205	2	Nut M12	
8	3422755	1	Pin	
9	3422792	1	Pin	
10	3422793	2	Pin	
11	3422806	1	Pin	
12	3841143	4	Keeper, Pin	
13	3841203	4	Keeper, Pin	
14	4812000	4	Washer M10	
17	1001112607	2	Block, Boom Rest	
18	1001306174	1	Jib Installation (See Separate Breakdown in this Section)	
19	1001169246	1	Pin	
20	1001169247	1	Pin	
21	3423038	1	Pin	
23	1001179626	1	Main Boom Assembly (See Separate Breakdown in this Section)	
24	1001180006	1	Tower Boom Assembly (See Separate Breakdown in this Section)	

# SECTION 4 - BOOM

## FIGURE 4-3. JIB INSTALLATION



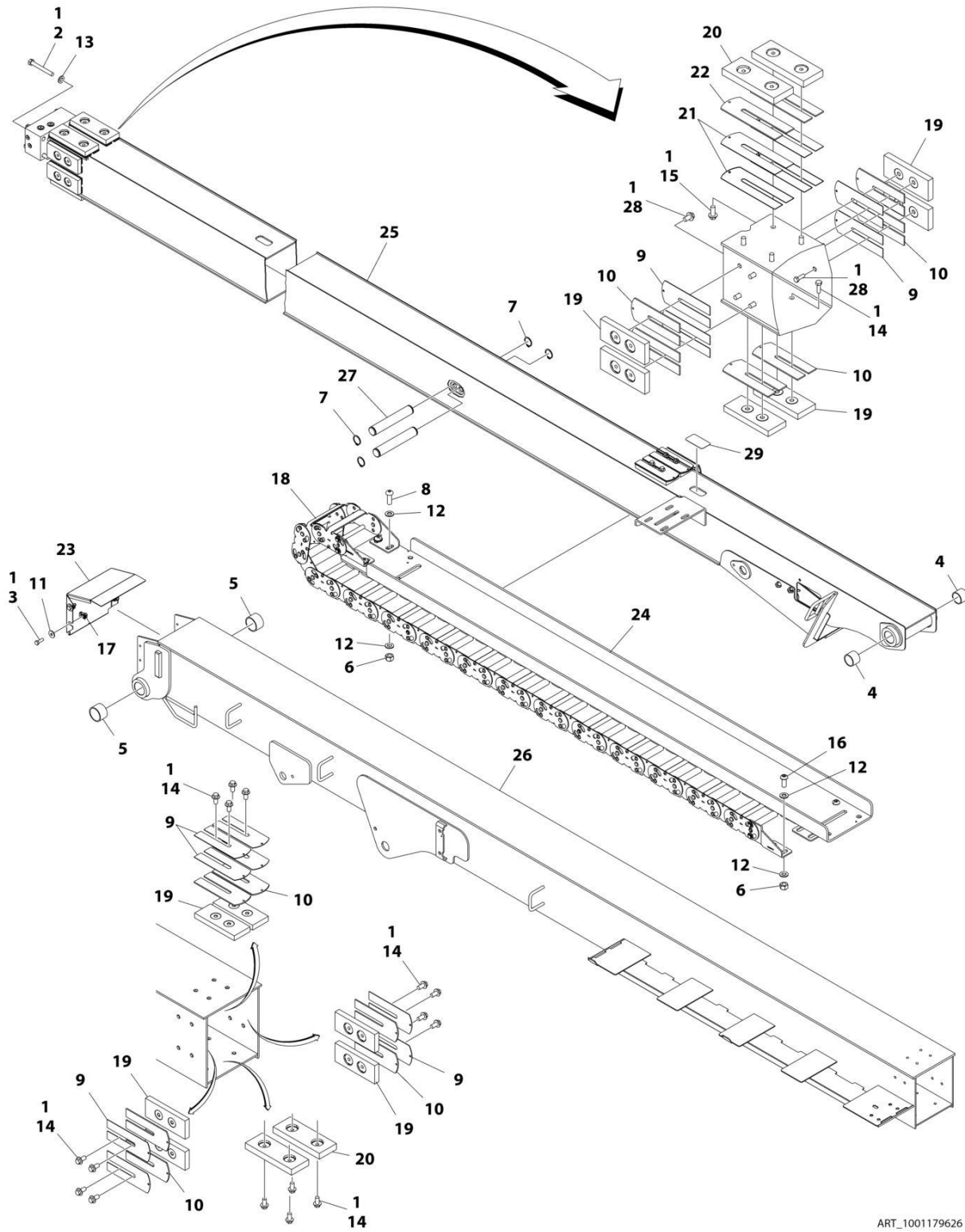
ART\_1001306174

FIGURE 4-3. JIB INSTALLATION

ITEM	PART NUMBER	QTY	DESCRIPTION	REV
	1001306174	Ref	JIB INSTALLATION	A
1	0100011	AR	Compound, Locking	
2	0700820	2	Bolt M8 x 60	
3	0701019	4	Bolt M10 x 55	
4	0701020	2	Bolt M10 x 60	
5	0771012	8	Bolt M10 x 25	
6	0961951	2	Bushing	
7	0962292	2	Bearing	
8	3290805	4	Nut M8	
9	3291005	6	Nut M10	
10	3340860	4	Pad	
11	3422791	2	Pin	
12	3572551	2	Channel	
13	4811902	6	Washer M8	
14	4812000	8	Washer M10	
15	1001094670	2	Link (Lower)	
16	1001116550	2	Pin	
17	1001118482	1	Link (Upper)	
18	1001163937	1	Pivot	
19	1001174040	1	Nut	
20	1001255133	1	Bolt	
21	1001289219	1	Actuator (See Separate Breakdown in this Section)	
22	4892600001	1	Washer	

# SECTION 4 - BOOM

## FIGURE 4-4. MAIN BOOM ASSEMBLY



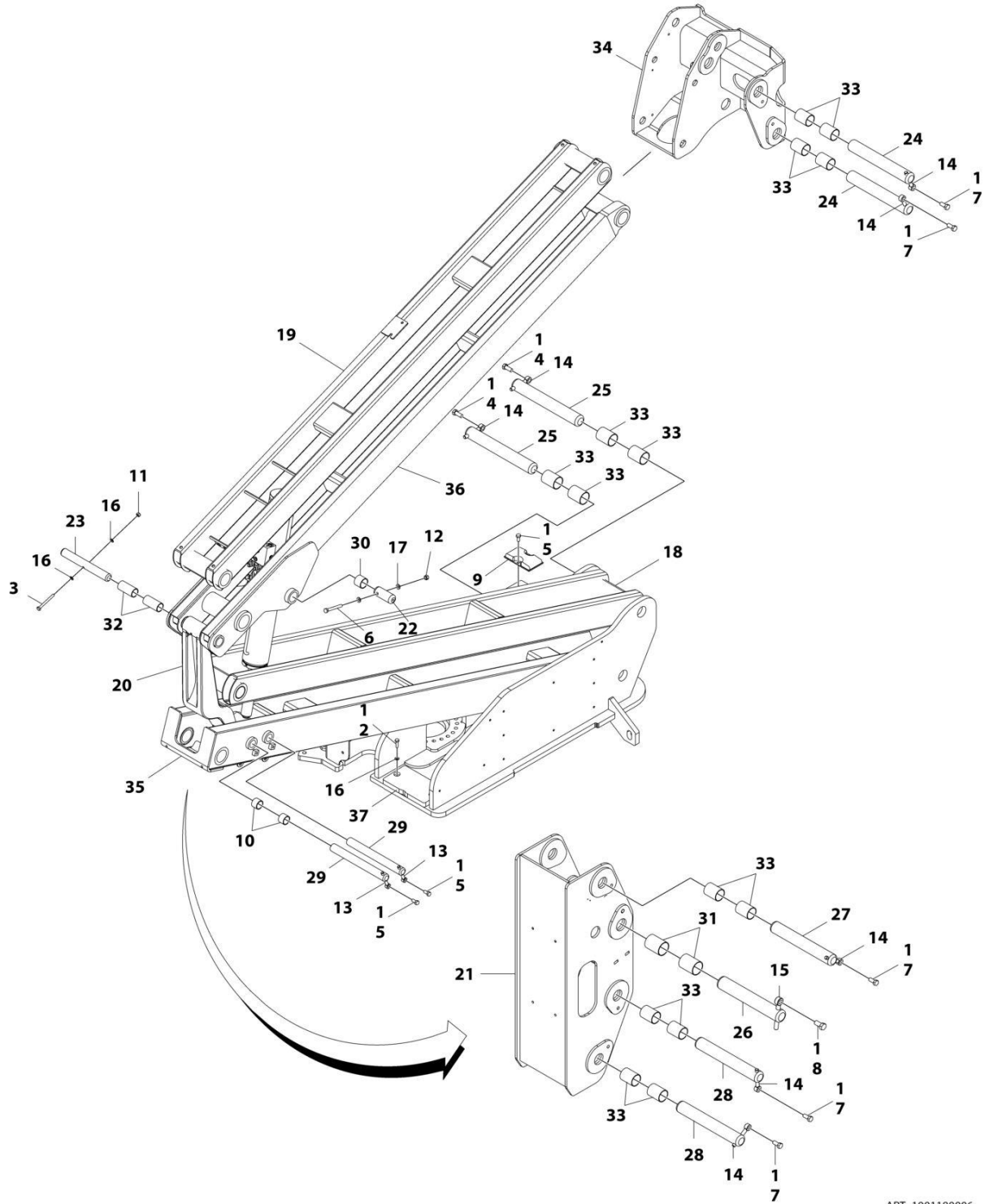
ART\_1001179626

FIGURE 4-4. MAIN BOOM ASSEMBLY

ITEM	PART NUMBER	QTY	DESCRIPTION	REV
	1001179626	Ref	MAIN BOOM ASSEMBLY	D
1	0100011	AR	Compound, Locking	
2	0711227	4	Bolt M12 x 100	
3	0760812	4	Bolt M8 x 25	
4	0961948	2	Bearing	
5	0961949	2	Bearing	
6	3291005	10	Nut M10	
7	3760351	4	Ring, Retaining	
8	3900351	4	Screw M10 x 30	
9	4070897	12	Shim	
10	4070898	12	Shim	
11	4811902	4	Washer M8	
12	4812000	18	Washer M10	
13	5241200	4	Washer M12 Hardened	
14	5251010	20	Bolt M10 x 20	
15	5251012	4	Bolt M10 x 25	
16	8310668	6	Screw M10 x 25 Grade 10.9	
17	1001118274	4	Nut M8	
18	1001224894	1	Powertrack Assembly	
18	70006256	1	Link, Repair	
18	70006272	1	Feet, Mounting	
19	1001169304	12	Pad, Wear	
20	1001169305	4	Pad, Wear	
21	1001169402	4	Shim	
22	1001169403	2	Shim	
23	1001170226	1	Cover, Boom End	
24	1001170334	1	Tube, Carrier	
25	1001178554	1	Fly, Boom	
26	1001178555	1	Base, Boom	
27	1001180541	2	Pin	
28	5251009	8	Bolt M10 x 18	
29	1670836	1	Cover	

# SECTION 4 - BOOM

## FIGURE 4-5. TOWER BOOM ASSEMBLY



ART\_1001180006

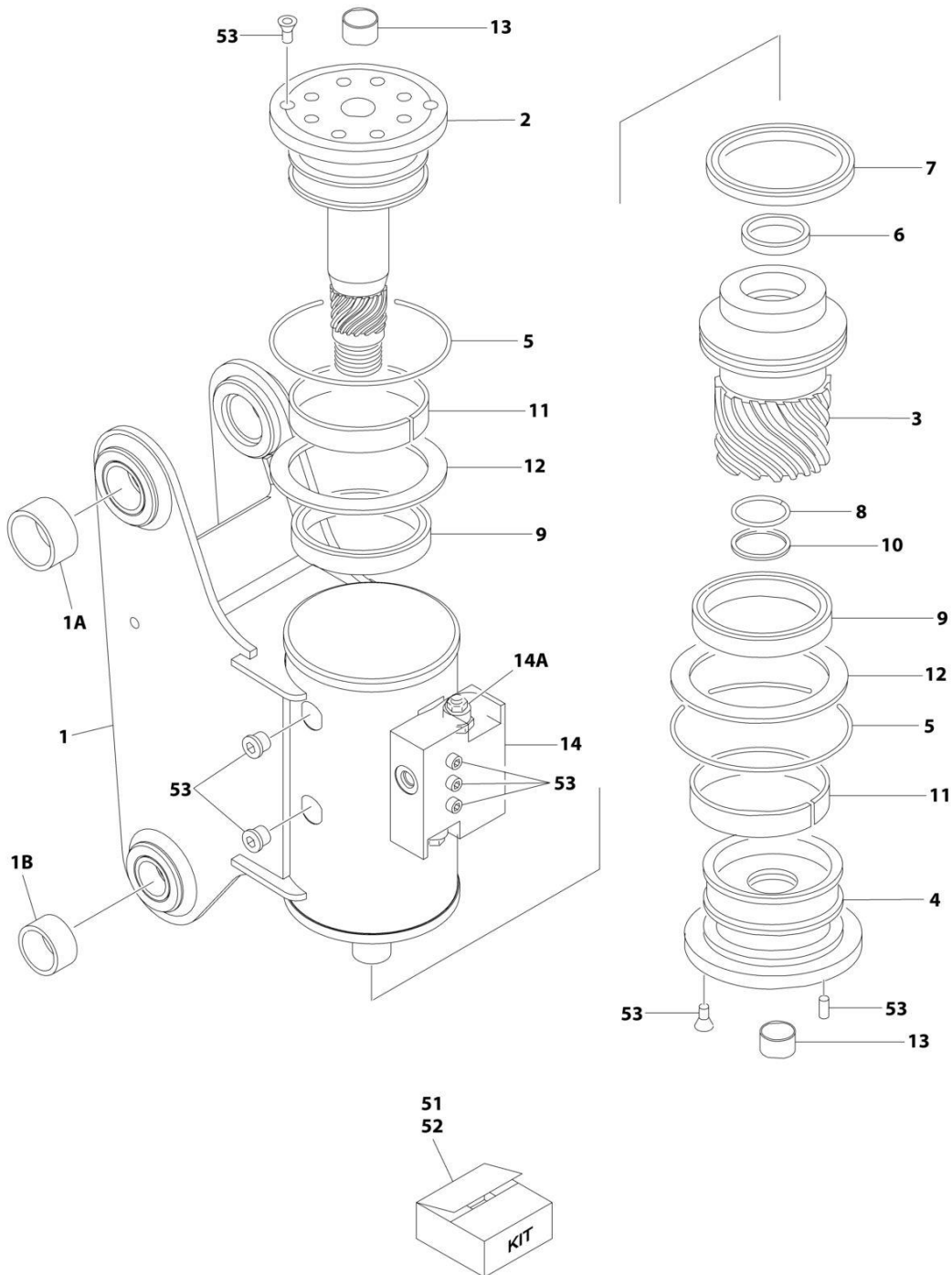
## SECTION 4 - BOOM

### FIGURE 4-5. TOWER BOOM ASSEMBLY

ITEM	PART NUMBER	QTY	DESCRIPTION	REV
	1001180006	Ref	TOWER BOOM ASSEMBLY - 450A	B
1	0100011	AR	Compound, Locking	
2	0701015	2	Bolt M10 x 35	
3	0701027	1	Bolt M10 x 100	
4	0701616	2	Bolt M16 x 40	
5	0761212	4	Bolt M12 x 25	
6	0761227	2	Bolt M12 x 100	
7	0761615	5	Bolt M16 x 35	
8	0762016	1	Bolt M20 x 40	
9	0940048	1	Bumper	
10	0961948	2	Bearing	
11	3291005	1	Nut M10	
12	3291205	2	Nut M12	
13	3841203	2	Keeper, Pin	
14	3841258	7	Keeper, Pin	
15	3841287	1	Keeper, Pin	
16	4812000	4	Washer M10	
17	4812100	4	Washer M12	
18	1001160859	1	Link, Lower Tower Boom	
19	1001160872	1	Link, Upper Tower Boom	
20	1001166096	1	Link, Timing	
21	1001166853	1	Upright, Lower	
22	1001169240	2	Pin	
23	1001169241	1	Pin	
24	1001169242	2	Pin	
25	1001169249	2	Pin	
26	1001169295	1	Pin	
27	1001169296	1	Pin	
28	1001169297	2	Pin	
29	1001169298	2	Pin	
30	1001169299	2	Bearing	
31	1001169300	2	Bearing	
32	1001169301	2	Bearing	
33	1001169302	14	Bearing	
34	1001174065	1	Upright, Upper	
35	1001178133	1	Tower Boom (Lower)	
36	1001178135	1	Tower, Boom (Upper)	
37	1001180056	1	Pad, Wear	
38	1001227993	1	Tower Boom Kit (Not Shown – Includes Items 18, 19, 35 & 36)	

# SECTION 4 - BOOM

## FIGURE 4-6. ROTATOR ASSEMBLY



ART\_1001217779

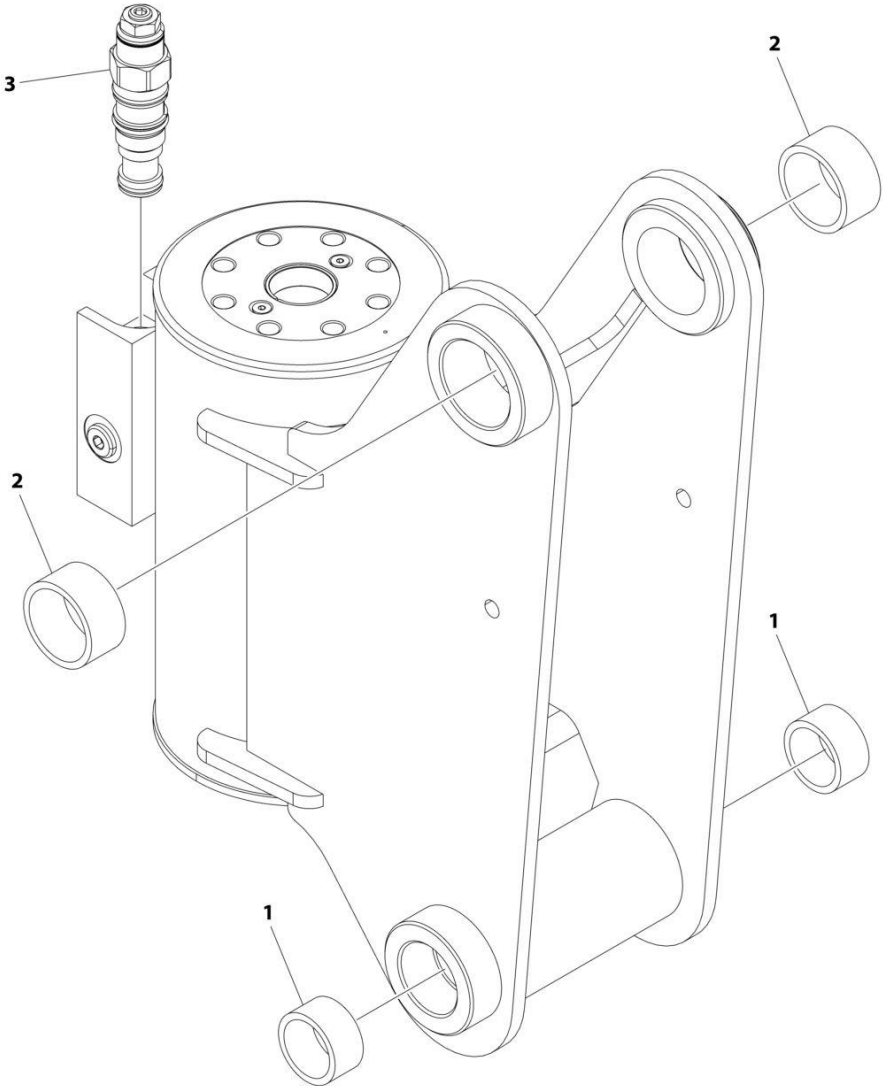


FIGURE 4-6. ROTATOR ASSEMBLY

ITEM	PART NUMBER	QTY	DESCRIPTION	REV
	1001217779	Ref	ROTATOR ASSEMBLY	B
1	See Note	NSS	Housing (Note: Purchase Complete Assembly)	
1A	0962257	2	Bushing	
1B	0961947	2	Bushing	
2	7017162	1	Shaft	
3	7017163	1	Piston	
4	7017164	1	Cap, End	
5	See Note	NSS	O-Ring (Note: Use p/n 70000342)	
6	See Note	NSS	Seal, Rod (Note: Purchase p/n 70000342)	
7	See Note	NSS	Seal, Piston (Note: Purchase p/n 70000342)	
8	See Note	NSS	Seal, Cap (Note: Purchase p/n 70000342)	
9	See Note	NSS	Packing, Bearing (Note: Purchase p/n 70000342)	
10	See Note	NSS	Ring, Back-up (Note: Purchase p/n 70000342)	
11	See Note	NSS	Bearing, Shaft (Note: Purchase p/n 7017159)	
12	See Note	NSS	Washer, Thrust (Note: Purchase p/n 7017159)	
13	7017195	2	Bushing	
14	7017172	1	Counterbalance Valve Assembly	
14A	7017192	2	Valve Cartridge (No Seal Kit Available)	
51	70000342	1	Seal Kit (Includes Items 5-10)	
52	7017159	1	Bearing Kit (Includes Items 11 & 12)	
53	7017142	1	Hardware Kit	

**SECTION 4 - BOOM**

**FIGURE 4-7. PLATFORM ROTATE ACTUATOR**



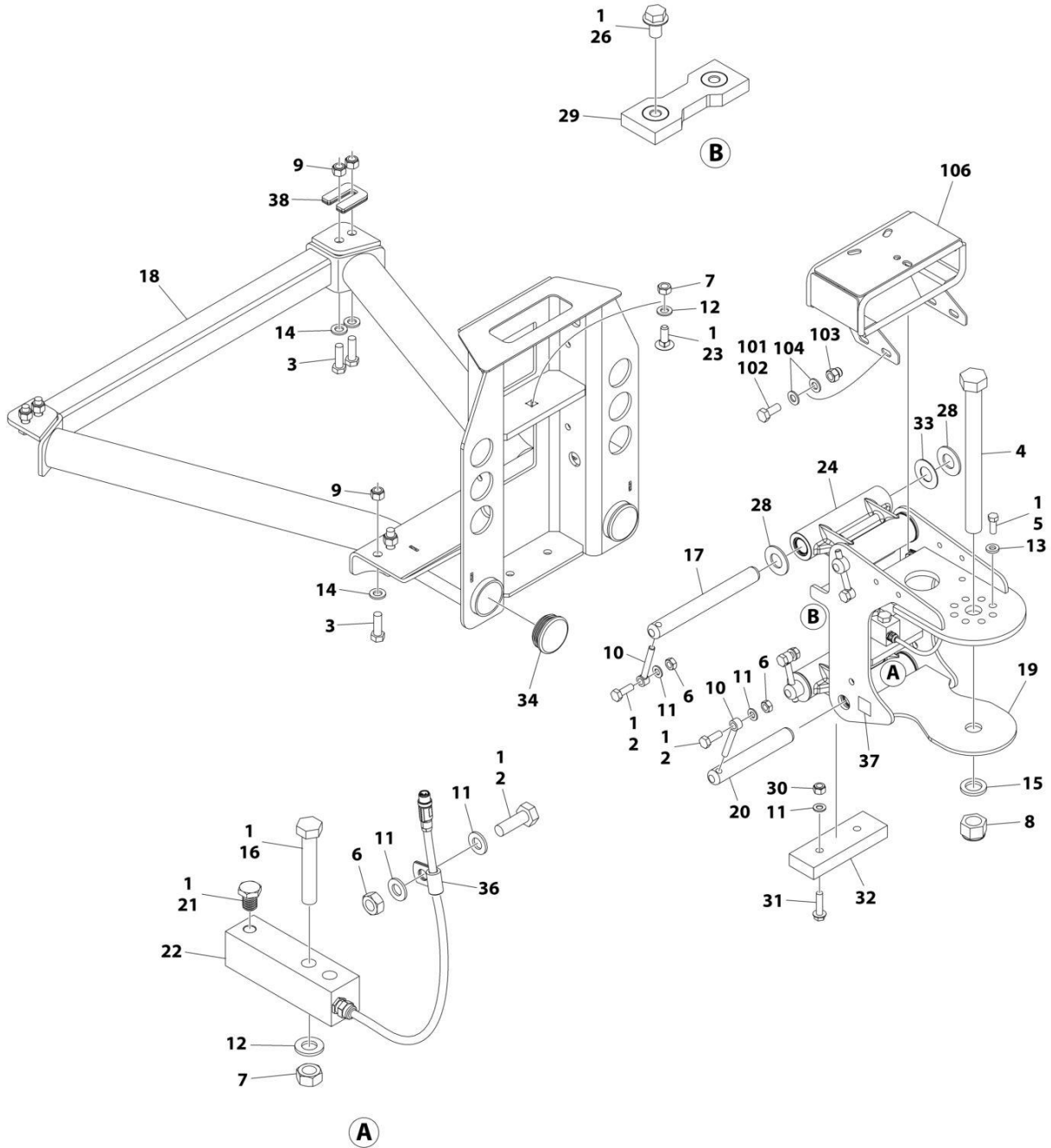
ART\_1001289219

FIGURE 4-7. PLATFORM ROTATE ACTUATOR

ITEM	PART NUMBER	QTY	DESCRIPTION	REV
	1001289219	Ref	PLATFORM ROTATE ACTUATOR	A
1	0961947	2	Bearing	
2	0962257	2	Bushing	
3	1001297748	2	Valve, Counterbalance	

# SECTION 4 - BOOM

## FIGURE 4-8. PLATFORM SUPPORT INSTALLATION



ART\_1001167596\_N

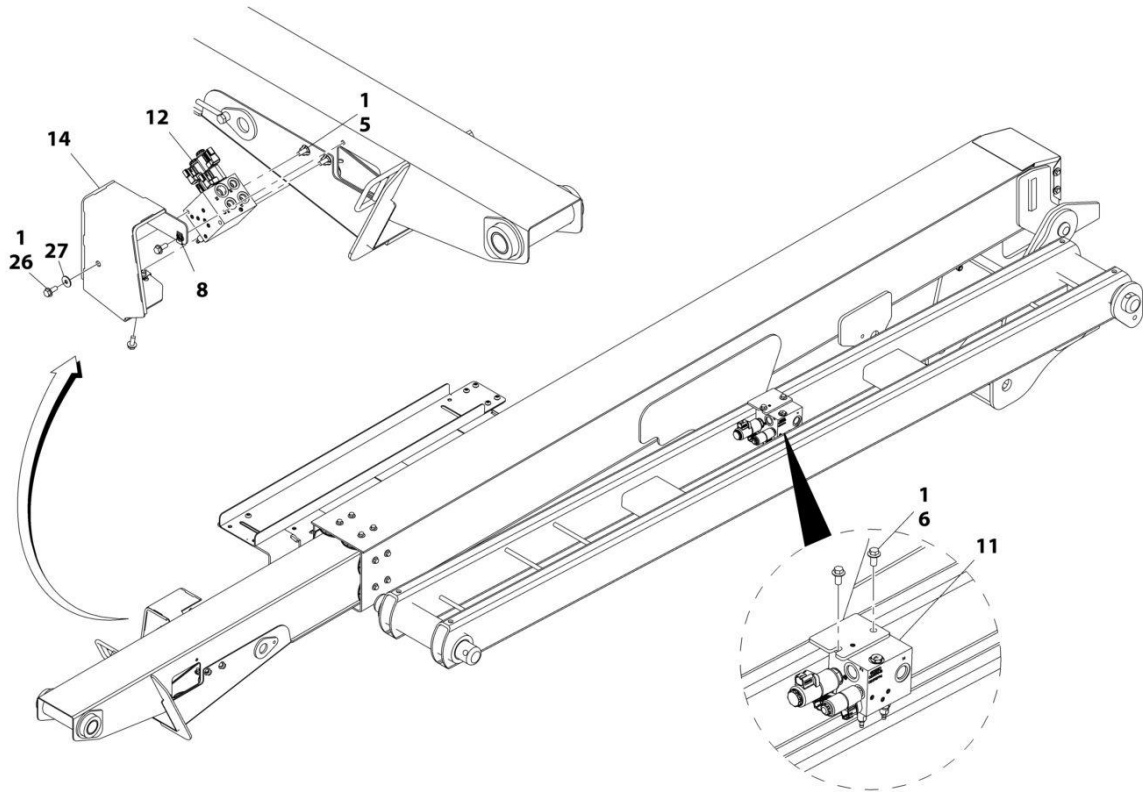
## SECTION 4 - BOOM

### FIGURE 4-8. PLATFORM SUPPORT INSTALLATION

ITEM	PART NUMBER	QTY	DESCRIPTION	REV
	1001167596	Ref	PLATFORM SUPPORT INSTALLATION	N
1	0100011	AR	Compound, Locking	
2	0761014	5	Bolt M10 x 30	
3	0761216	8	Bolt M12 x 40	
4	1001255133	1	Bolt 1 x 11 GRD8	
5	0681608	8	Bolt 3/8 x 1 GRD8	
6	3291001	5	Nut M10	
7	3291201	3	Nut M12	
8	1001174040	1	Nut 1	
9	3291205	8	Nut M12	
10	3841143	4	Keeper, Pin	
11	4812000	8	Washer M10	
12	4812100	3	Washer M12	
13	4891600	8	Washer 3/8	
14	5241200	8	Washer M12	
15	4892600001	1	Washer 1	
16	1001098828	2	Bolt M12 x 70 CL10.9	
17	1001167565	2	Pin	
18	1001200494	1	Support, Platform	
19	1001167567	1	Support, Rotator	
20	1001168402	2	Pin	
21	1001188622	1	Screw	
22	1001247468	1	Loadcell	
23	1001188844	1	Bolt M12 x 35	
24	1001201351	2	Link	
24	1001187382	4	Bearing	
24	1001187383	4	Seal	
26	5251008	2	Bolt M10 x 16 CL10.9	
28	1001189002	8	Bearing	
29	1001190985	1	Pad, Wear	
30	3291005	2	Nut M10	
31	5251016	2	Bolt M10 x 40 CL10.9	
32	1001200491	1	Pad, Wear	
33	1001189001	4	Bearing	
34	1001204725	2	Plug	
36	91203039	1	Clamp	
37	1001216630	2	Decal - Tie Down/No Lift	
38	1001238421	Ref	Kit, Platform Leveling (Not Shown)	
	1001202687	Ref	VALVE MOUNT INSTALLATION	B
101	0100011	AR	Compound, Locking	
102	0760810	4	Bolt M8 x 20	
103	3290806	4	Nut M8	
104	4811900	8	Washer M8	
106	1001208994	1	Mount, Valve	

# SECTION 4 - BOOM

## FIGURE 4-9. VALVES INSTALLATION - BOOM MOUNTED



ART\_1001165948\_30F3

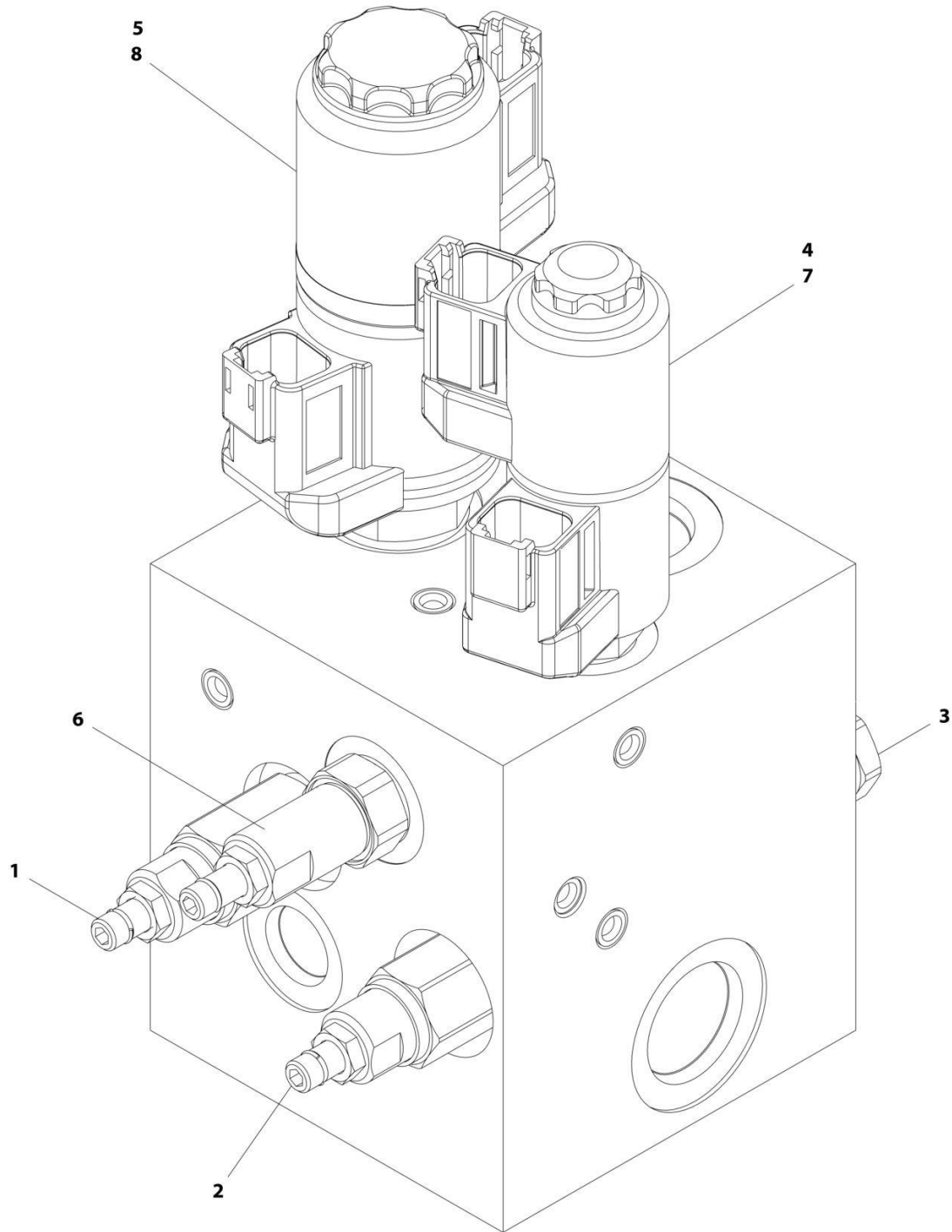
## SECTION 4 - BOOM

**FIGURE 4-9. VALVES INSTALLATION - BOOM MOUNTED**

ITEM	PART NUMBER	QTY	DESCRIPTION	REV
	1001165948	Ref	4WD VALVES INSTALLATION - 450AJ BOOM MOUNTED	J
1	0100011	AR	Compound, Locking	
5	5250810	4	Bolt M8 x 20 Class 10.9	
6	5251010	2	Bolt M10 x 20 Class 10.9	
8	1001118274	2	Nut, Tinnerman M8	
11	1001162535	1	Upright Valve Assembly (See Separate Breakdown in this Section)	
12	1001162536	1	Boom Valve Assembly (See Separate Breakdown in this Section)	
14	1001170375	1	Shield ( <b>Prior to SN 0300280962, Prior to SN B300011406, Prior to SN E300008862</b> )	
14	1001265186	1	Shield ( <b>SN 0300280962 to Present, SN E300008862 to Present, Including B300011406</b> )	
26	0770810	1	Bolt M8 x 20 Class 10.9	
27	4811902	1	Washer M8	

# SECTION 4 - BOOM

## FIGURE 4-10. UPRIGHT VALVE ASSEMBLY



ART\_1001162535

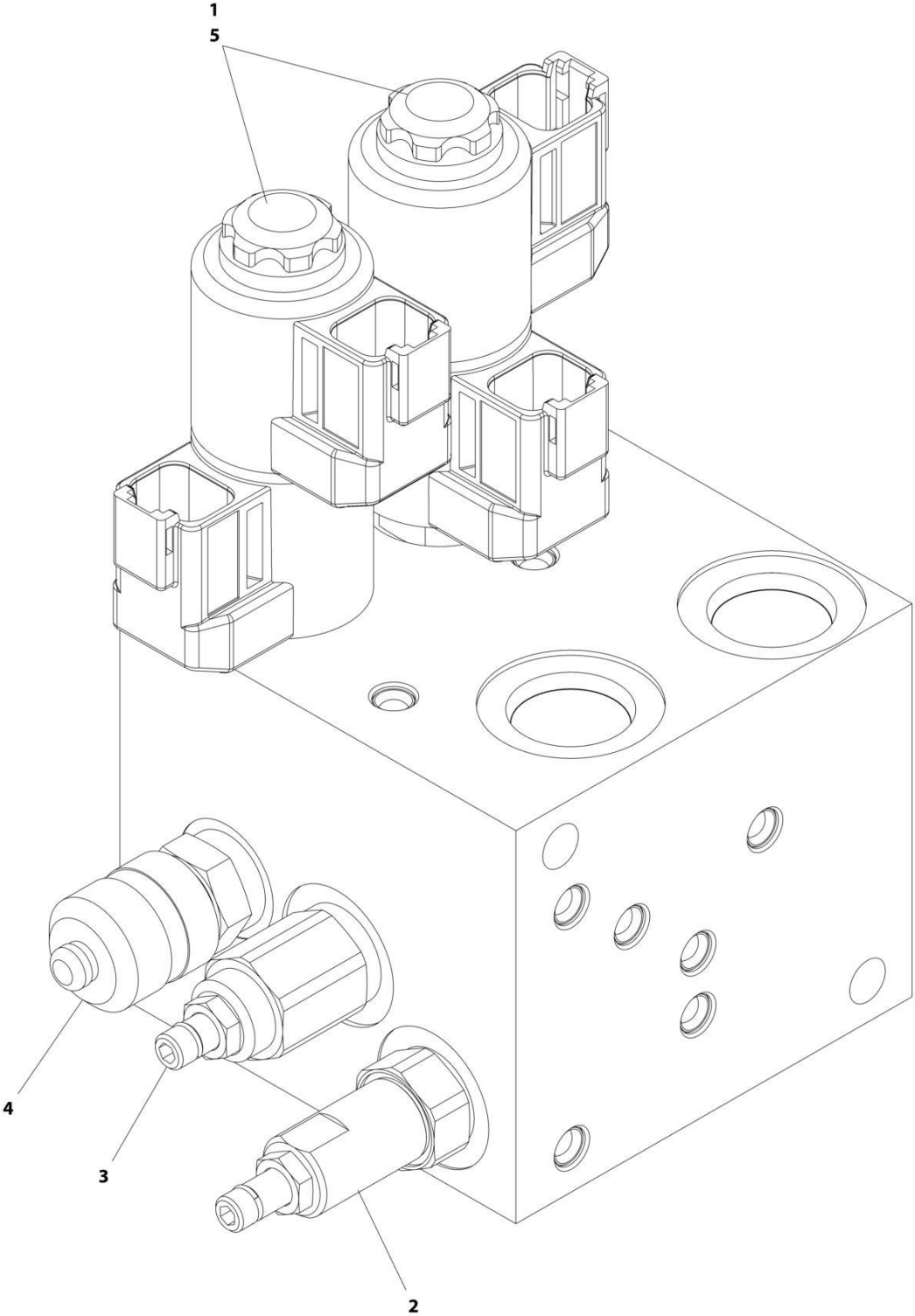


FIGURE 4-10. UPRIGHT VALVE ASSEMBLY

ITEM	PART NUMBER	QTY	DESCRIPTION	REV
	1001162535	Ref	UPRIGHT VALVE ASSEMBLY	D
1	70004864	1	Cartridge, Valve	
1	70004875	1	Seal Kit - 70004864 Valve	
2	70004865	1	Cartridge, Valve	
2	70004875	1	Seal Kit - 70004865 Valve	
3	70004866	1	Cartridge, Relief Valve	
3	70004867	1	Seal Kit - 70004866 Valve	
4	70004868	1	Cartridge, Solenoid Valve Less Coil	
4	70004869	1	Seal Kit - 70004868 Valve	
5	7027625	1	Cartridge, Solenoid Valve Less Coil	
5	70000100	1	Seal Kit - 7027625 Valve	
6	70006660	1	Cartridge, Valve	
6	70004867	1	Seal Kit - 70006660 Valve	
7	70004871	2	Coil	
8	7027628	2	Coil	

**SECTION 4 - BOOM**

**FIGURE 4-11. BOOM VALVE ASSEMBLY**



ART\_1001162536\_G

FIGURE 4-11. BOOM VALVE ASSEMBLY

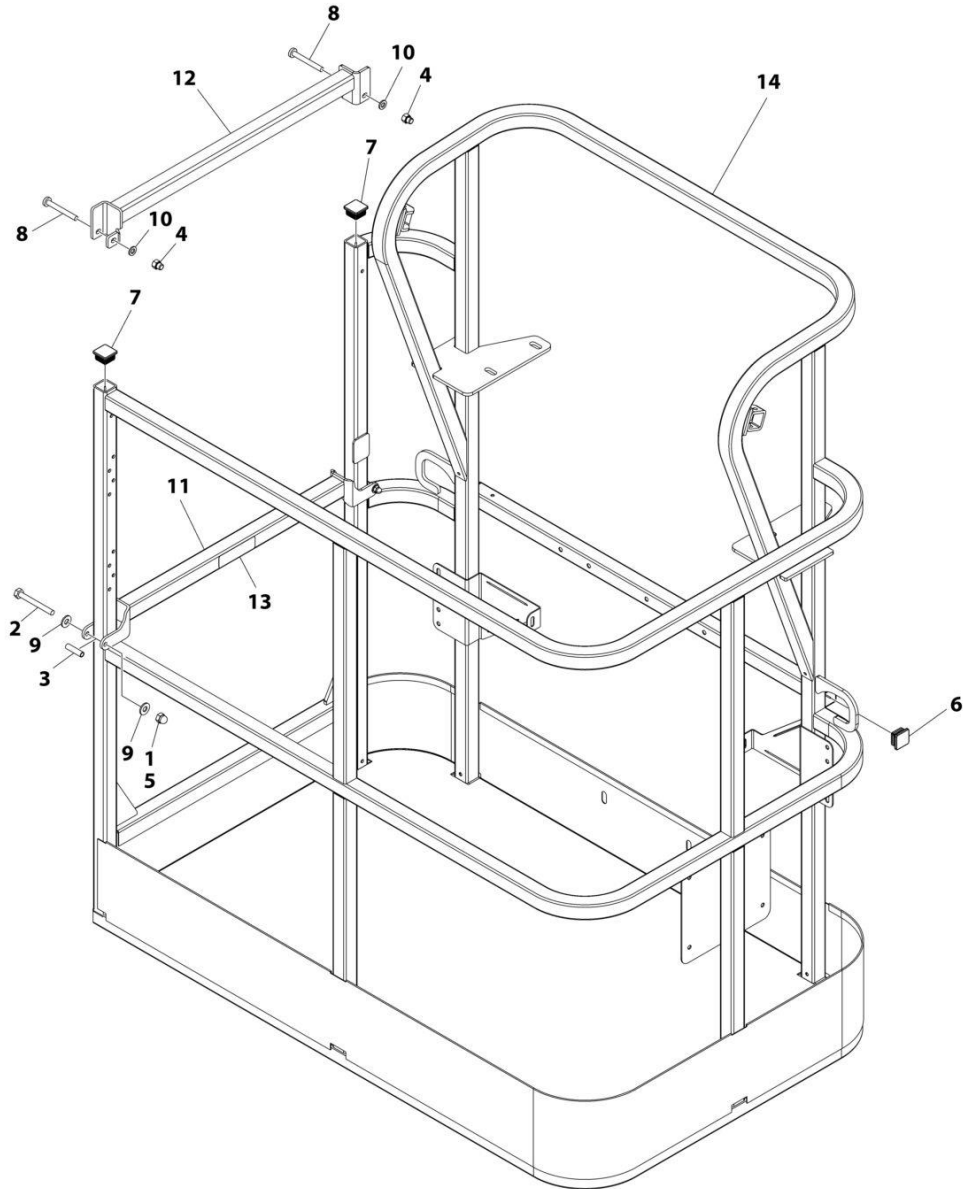
ITEM	PART NUMBER	QTY	DESCRIPTION	REV
	1001162536	Ref	BOOM VALVE ASSEMBLY	G
1	70005243	2	Cartridge, Solenoid Valve Less Coil	
1	70004869	2	Seal Kit - 70005243 Valve	
2	70004873	1	Cartridge, Valve	
2	70004867	1	Seal Kit - 70004873 Valve	
3	70007556	1	Cartridge, Valve	
3	70004867	1	Seal Kit - 70006970 Valve	
4	2221086	1	Fitting, Test	
5	70004871	4	Coil	



**SECTION 5 - PLATFORM**

# SECTION 5 - PLATFORM

FIGURE 5-1. PLATFORM ASSEMBLY - 30IN X 4FT (76CM X 1.22M) - SIDE DROP-BAR ENTRY



ART\_1001186375

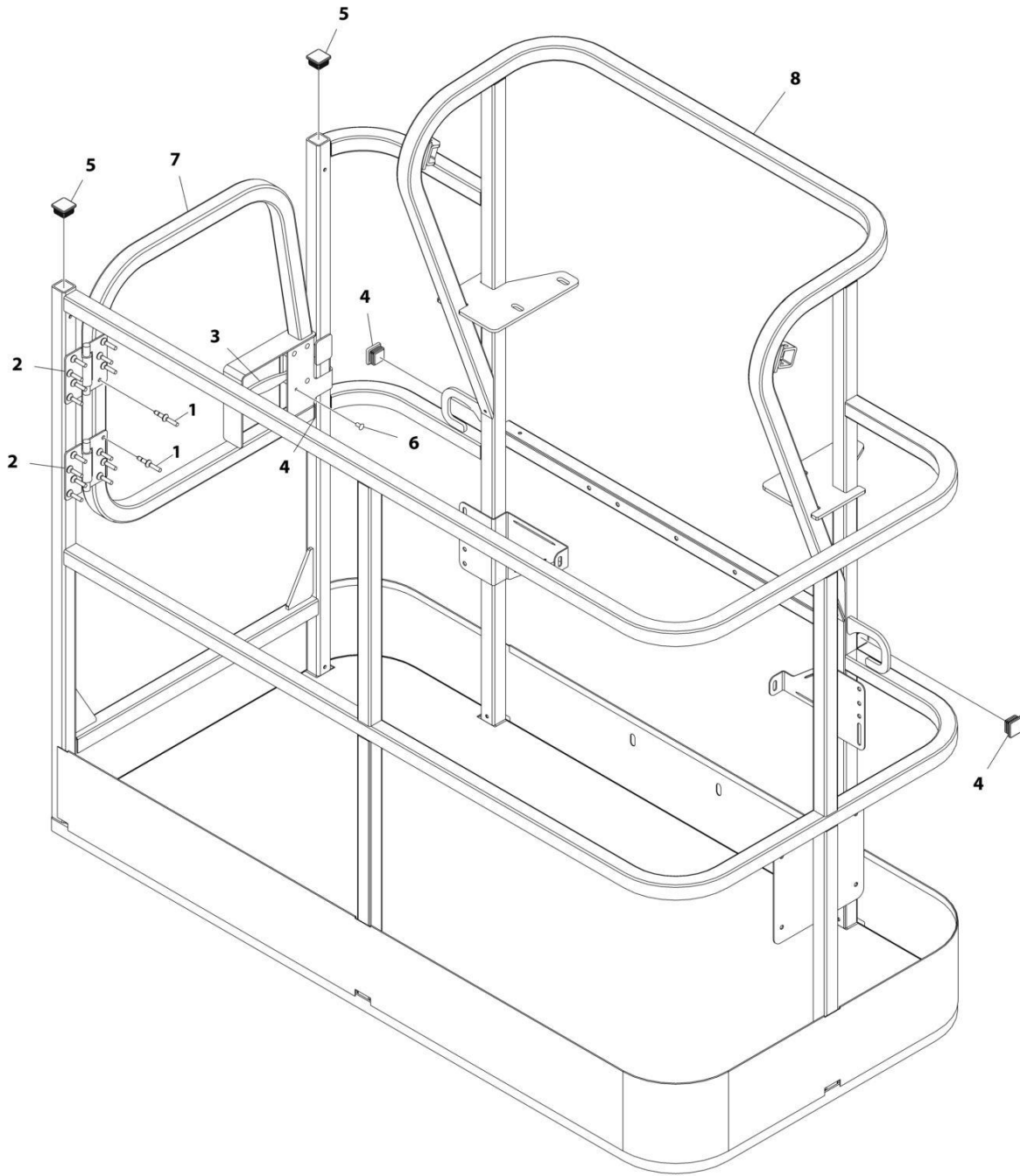
## SECTION 5 - PLATFORM

**FIGURE 5-1. PLATFORM ASSEMBLY - 30IN X 4FT (76CM X 1.22M) - SIDE DROP-BAR ENTRY**

ITEM	PART NUMBER	QTY	DESCRIPTION	REV
	1001186375	Ref	PLATFORM ASSEMBLY	B
		Ref	Note: Platform and Mesh must be ordered separately for Platforms with Mesh. See SPECIAL OPTIONS SECTION for Mesh Installations.	
		Ref	Note: Replacement Decals Must be Ordered Separately - See DECALS SECTION.	
1	0100011	AR	Compound, Locking	
2	0641418	2	Bolt 1/4 x 2-1/4	
3	0961845	2	Bushing	
4	3290606	2	Nut M6	
5	3300151	2	Nut 1/4	
6	3520072	2	Plug	
7	3520198	2	Plug	
8	4010618	2	Screw M6 x 50	
9	4711400	4	Washer 1/4	
10	4811700	2	Washer M6	
11	1001138494	1	Bar, Drop	
12	1001138514	1	Rail - Top	
13	1001140429	1	Decal - Drop Bar	
14	See Note	1	Platform (Note: Not Available - Purchase Platform Assembly)	

# SECTION 5 - PLATFORM

FIGURE 5-2. PLATFORM ASSEMBLY - 30IN X 5FT (76CM X 1.52M) - SIDE GATE ENTRY



ART\_1001186386



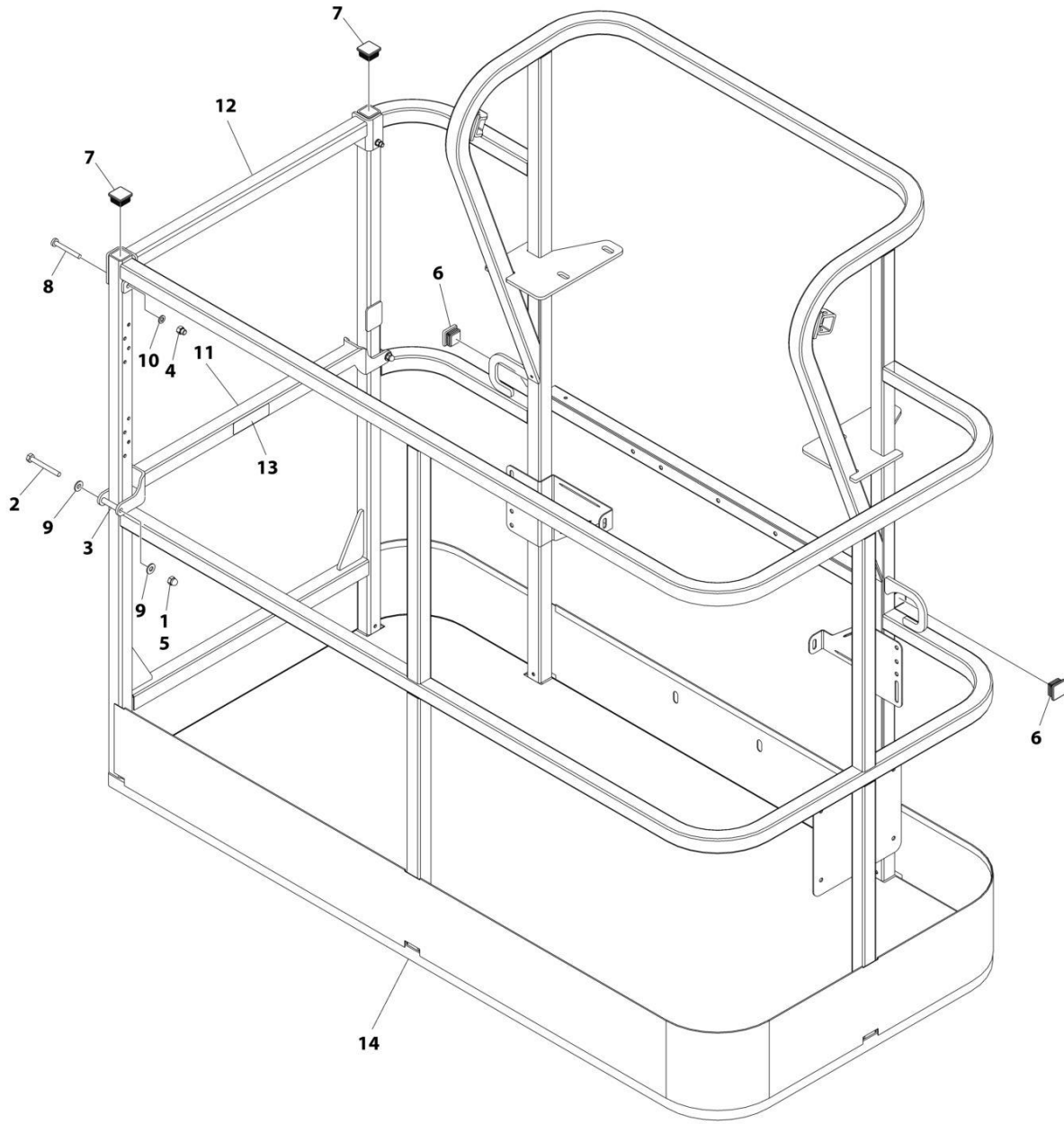
## SECTION 5 - PLATFORM

**FIGURE 5-2. PLATFORM ASSEMBLY - 30IN X 5FT (76CM X 1.52M) - SIDE GATE ENTRY**

ITEM	PART NUMBER	QTY	DESCRIPTION	REV
	1001186386	Ref	PLATFORM ASSEMBLY	C
		Ref	Note: Platform and Mesh must be ordered separately for Platforms with Mesh. See SPECIAL OPTIONS SECTION for Mesh Installations.	
		Ref	Note: Replacement Decals Must be Ordered Separately - See DECALS SECTION.	
1	2080040	16	Fastener, Huck	
2	2600281	2	Hinge, Self-Closing	
3	2940074	1	Latch	
4	3520072	3	Plug	
5	3520198	2	Plug	
6	3820020	4	Rivet	
7	1001144629	1	Gate	
8	See Note	NSS	Platform (Note: Not Available - Purchase Platform Assembly)	

# SECTION 5 - PLATFORM

FIGURE 5-3. PLATFORM ASSEMBLY - 30IN X 5FT (76CM X 1.52M) - SIDE DROP-BAR ENTRY



ART\_1001186377

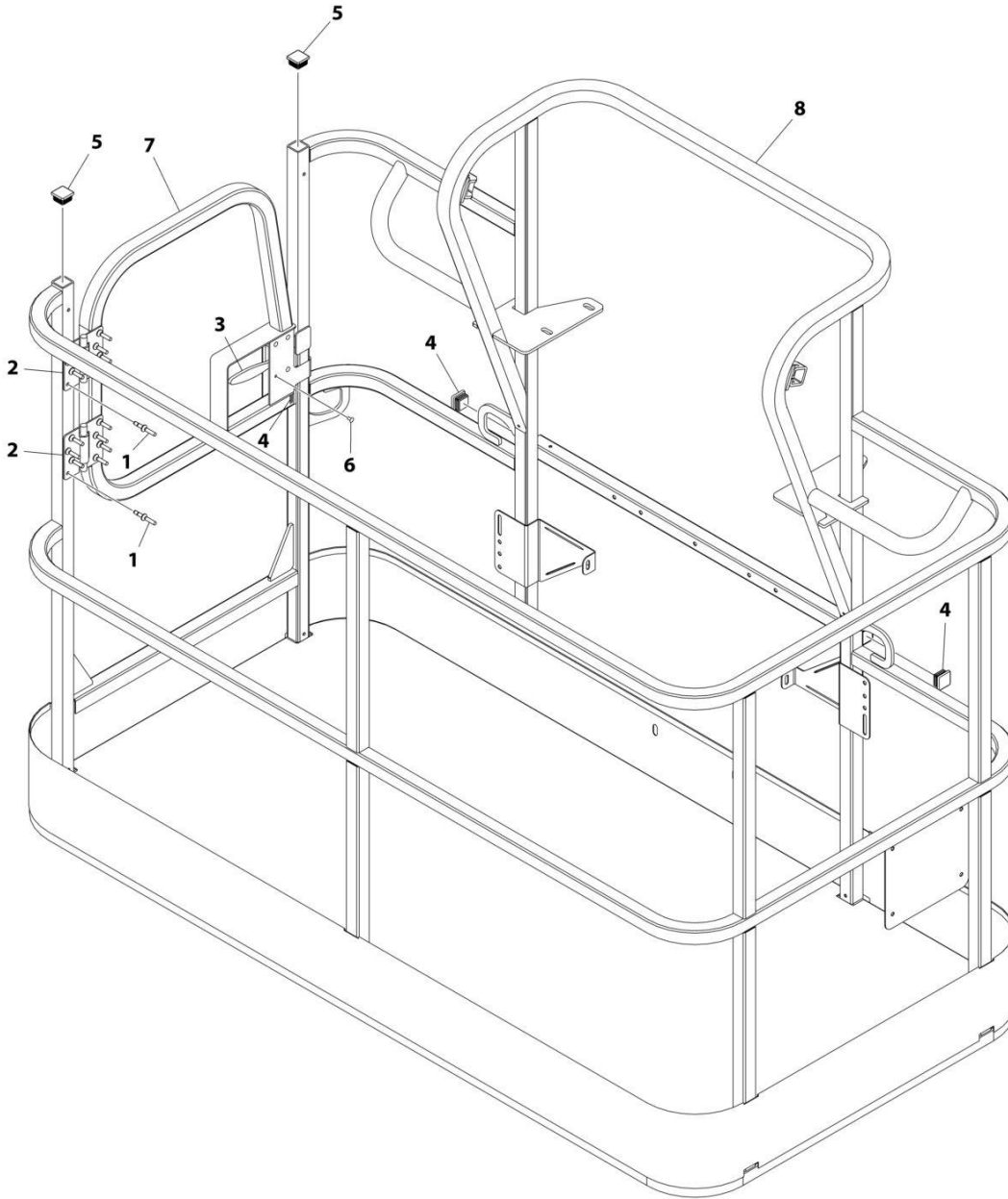
## SECTION 5 - PLATFORM

**FIGURE 5-3. PLATFORM ASSEMBLY - 30IN X 5FT (76CM X 1.52M) - SIDE DROP-BAR ENTRY**

ITEM	PART NUMBER	QTY	DESCRIPTION	REV
	1001186377	Ref	PLATFORM ASSEMBLY	C
		Ref	Note: Platform and Mesh must be ordered separately for Platforms with Mesh. See SPECIAL OPTIONS SECTION for Mesh Installations.	
		Ref	Note: Replacement Decals Must be Ordered Separately - See DECALS SECTION.	
1	0100011	AR	Compound, Locking	
2	0641420	2	Bolt 1/4 x 2-1/2	
3	0961845	2	Bushing	
4	3290606	2	Nut M6	
5	3300151	2	Nut 1/4	
6	3520072	2	Plug	
7	3520198	2	Plug	
8	4010618	2	Screw M6 x 50	
9	4711400	4	Washer 1/4	
10	4811700	2	Washer M6	
11	1001138494	1	Bar, Drop	
12	1001138514	1	Rail (Top)	
13	1001140429	1	Decal - Drop Bar	
14	See Note	NSS	Platform (Note: Not Available - Purchase Platform Assembly)	

# SECTION 5 - PLATFORM

FIGURE 5-4. PLATFORM ASSEMBLY - 30IN X 6FT (76CM X 1.83M) - SIDE GATE ENTRY



ART\_1001186385

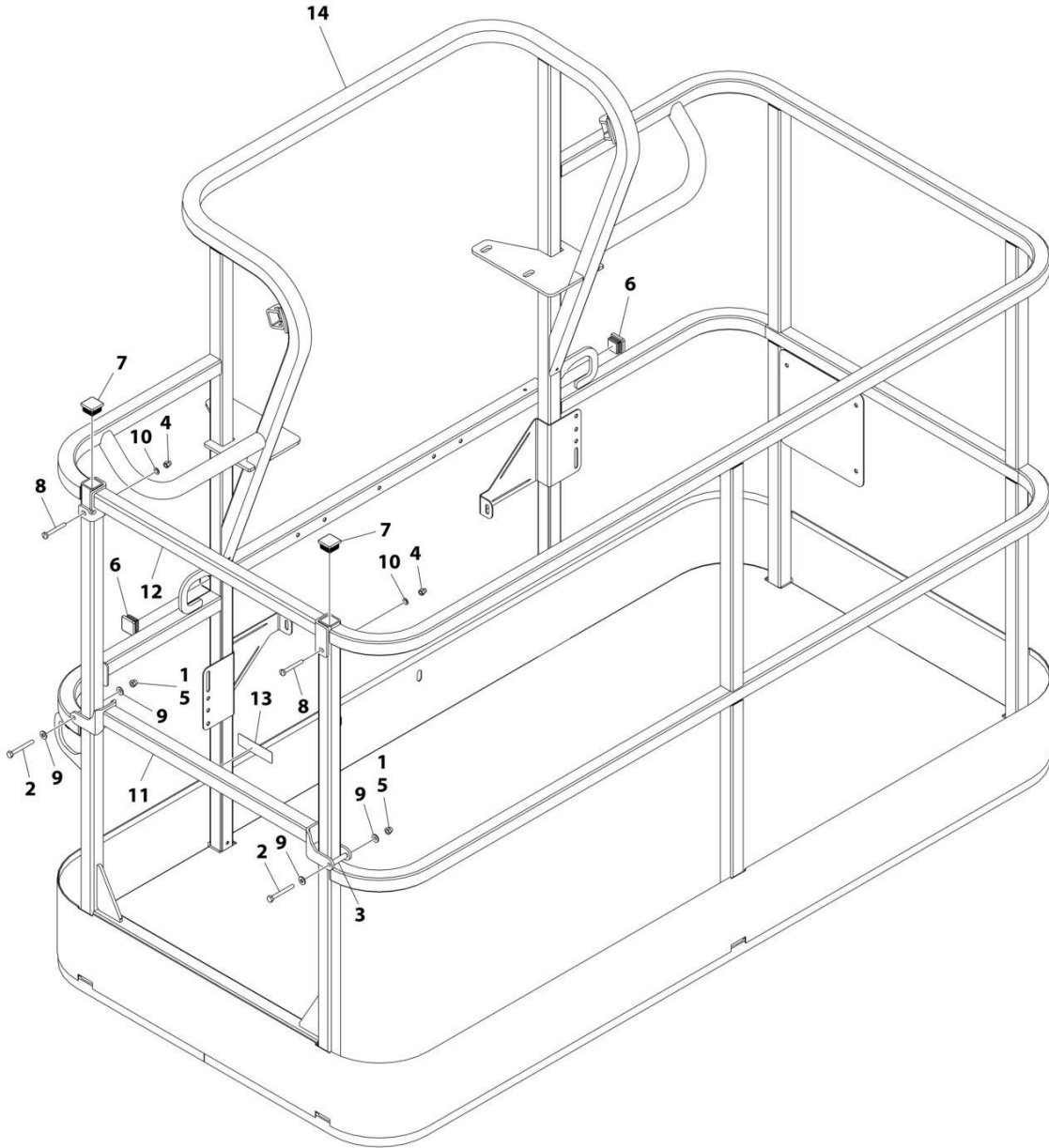
## SECTION 5 - PLATFORM

**FIGURE 5-4. PLATFORM ASSEMBLY - 30IN X 6FT (76CM X 1.83M) - SIDE GATE ENTRY**

ITEM	PART NUMBER	QTY	DESCRIPTION	REV
	1001186385	Ref	PLATFORM ASSEMBLY	D
		Ref	Note: Platform and Mesh must be ordered separately for Platforms with Mesh. See SPECIAL OPTIONS SECTION for Mesh Installations.	
		Ref	Note: Replacement Decals Must be Ordered Separately - See DECALS SECTION.	
1	2080040	16	Fastener, Huck	
2	2600281	2	Hinge	
3	2940074	1	Latch	
4	3520072	3	Plug	
5	3520198	2	Plug	
6	3820020	4	Rivet	
7	1001144629	1	Gate	
8	See Note	NSS	Platform (Note: Not Available - Purchase Platform Assembly)	

# SECTION 5 - PLATFORM

FIGURE 5-5. PLATFORM ASSEMBLY - 30IN X 6FT (76CM X 1.83M) - SIDE DROP-BAR ENTRY



ART\_1001186378

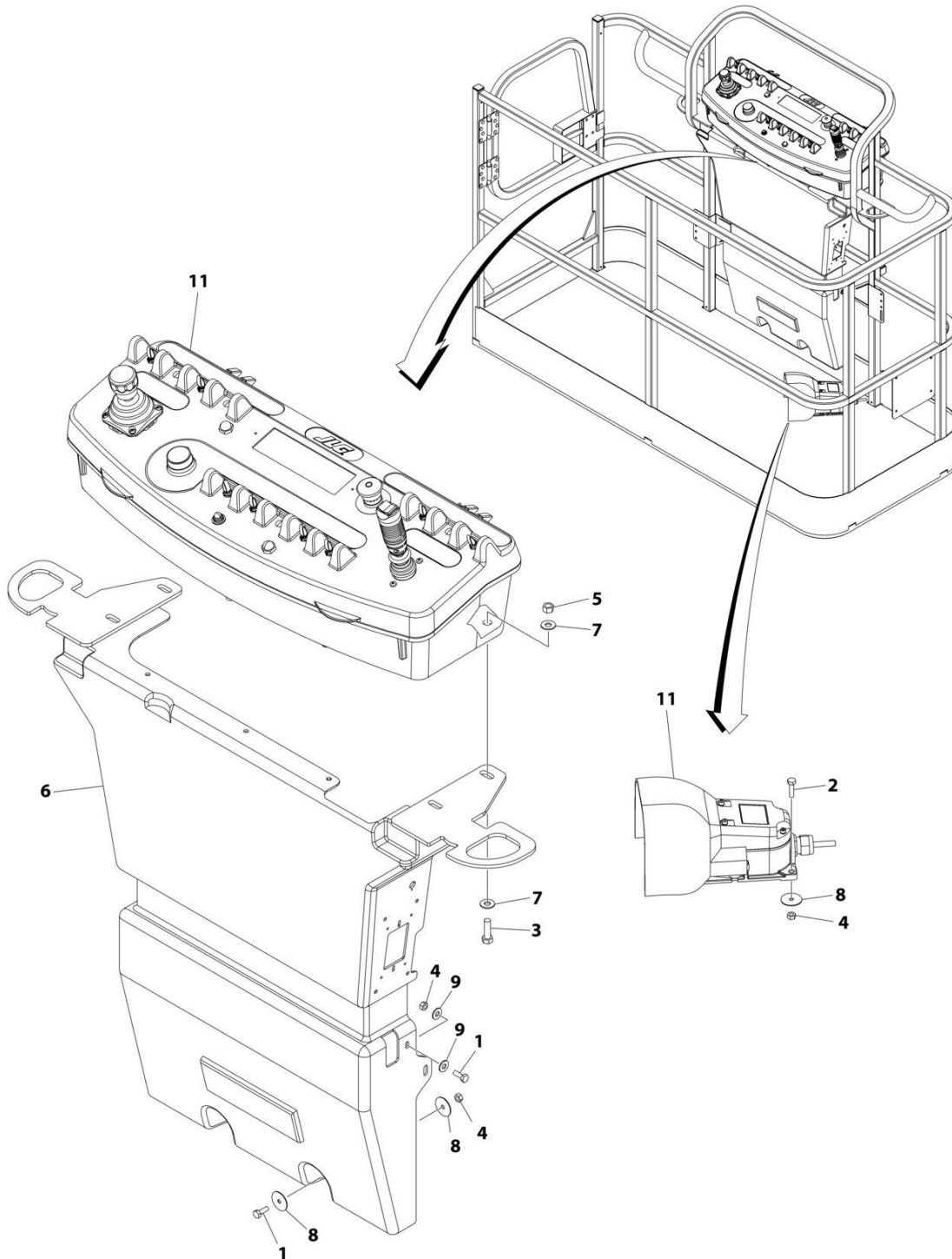
## SECTION 5 - PLATFORM

**FIGURE 5-5. PLATFORM ASSEMBLY - 30IN X 6FT (76CM X 1.83M) - SIDE DROP-BAR ENTRY**

ITEM	PART NUMBER	QTY	DESCRIPTION	REV
	1001186378	Ref	PLATFORM ASSEMBLY	C
		Ref	Note: Platform and Mesh must be ordered separately for Platforms with Mesh. See SPECIAL OPTIONS SECTION for Mesh Installations.	
		Ref	Note: Replacement Decals Must be Ordered Separately - See DECALS SECTION.	
1	0100011	AR	Compound, Locking	
2	0641418	2	Bolt 1/4 x 2-1/4	
3	0961845	2	Bushing	
4	3290606	2	Nut M6	
5	3300151	2	Nut 1/4	
6	3520072	2	Plug	
7	3520198	2	Plug	
8	4010618	2	Screw M6 x 50	
9	4711400	4	Washer 1/4	
10	4811700	2	Washer M6	
11	1001138494	1	Bar, Drop	
12	1001138514	1	Rail (Top)	
13	1001140429	1	Decal - Drop Bar	
14	See Note	NSS	Platform (Note: Not Available - Purchase Platform Assembly)	

# SECTION 5 - PLATFORM

## FIGURE 5-6. CONSOLE BOX INSTALLATION



ART\_1001246436



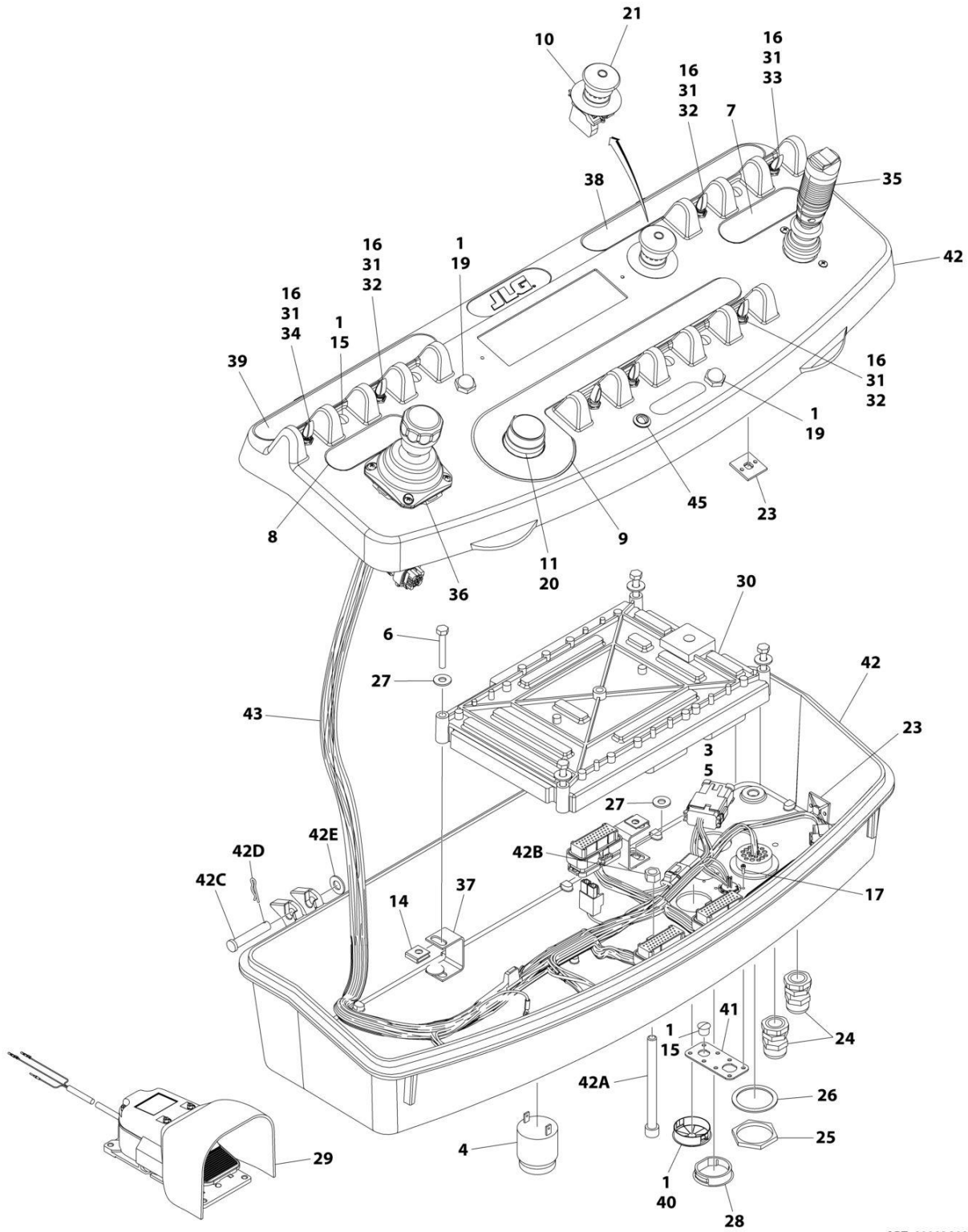
## SECTION 5 - PLATFORM

### FIGURE 5-6. CONSOLE BOX INSTALLATION

ITEM	PART NUMBER	QTY	DESCRIPTION	REV
	1001246436	Ref	CONSOLE BOX INSTALLATION	A
1	0641406	4	Bolt 1/4 x 3/4	
2	0641408	3	Bolt 1/4 x 1	
3	0641610	4	Bolt 3/8 x 1-1/4	
4	3311405	7	Nut Lock 1/4	
5	3311605	4	Nut Lock 3/8	
6	3380434	1	Panel, Decal Mount	
7	4751600	8	Washer 3/8	
8	4740362	7	Washer 1/4	
9	4751400	4	Washer 1/4	
10	1001164728	1	Harness, Platform Valve (Not Shown - See Separate Breakdown in ELECTRICAL SECTION)	
11	1001246435	1	Platform Console Box Assembly (See Separate Breakdown in this Section)	

# SECTION 5 - PLATFORM

## FIGURE 5-7. PLATFORM CONSOLE BOX ASSEMBLY



ART\_1001246435\_D

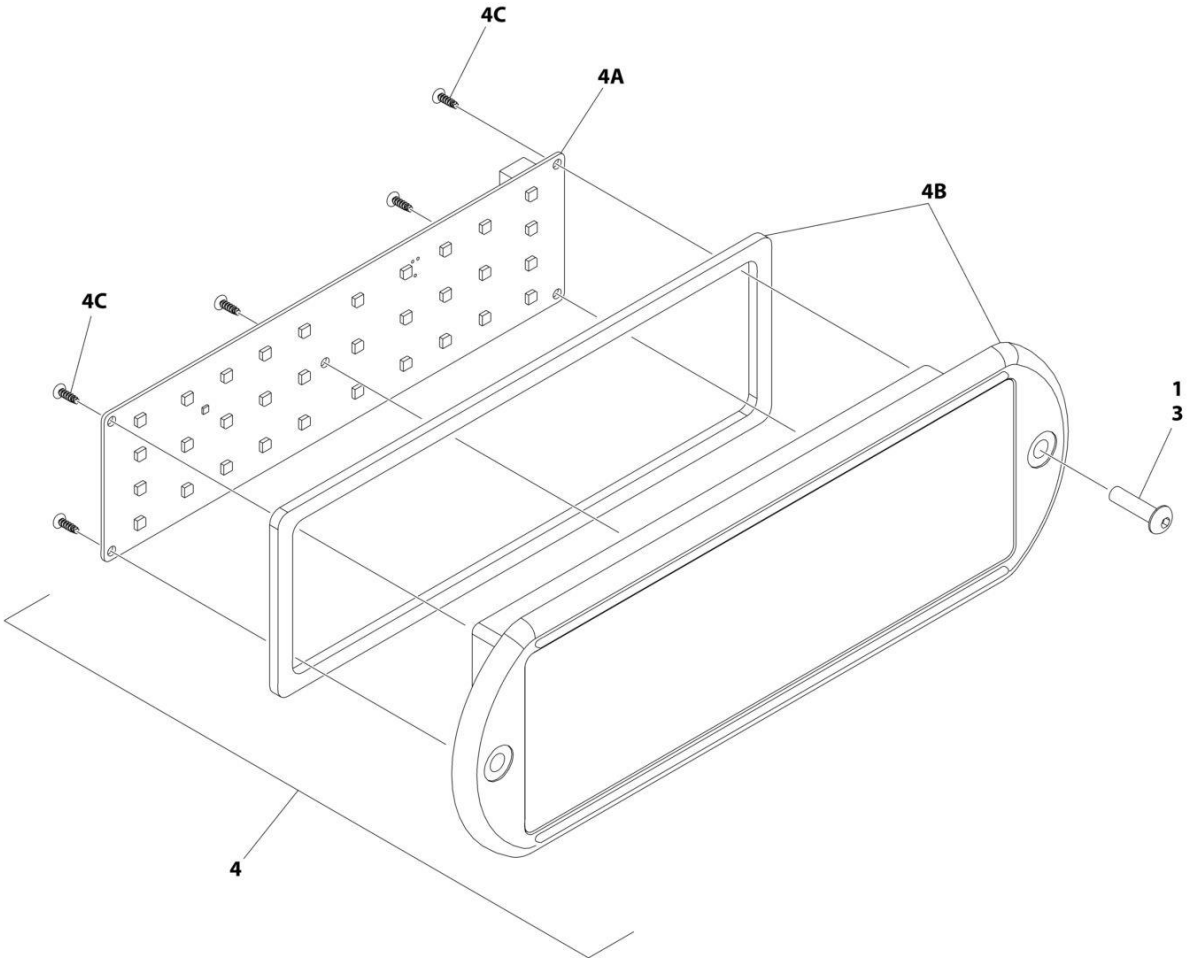
## SECTION 5 - PLATFORM

**FIGURE 5-7. PLATFORM CONSOLE BOX ASSEMBLY**

ITEM	PART NUMBER	QTY	DESCRIPTION	REV
	1001246435	Ref	PLATFORM CONSOLE BOX ASSEMBLY	D
1	0100009	AR	Sealant	
3	0100035	AR	Compound, Locking	
4	0140011	1	Alarm	
5	0641405	4	Bolt 1/4 x 5/8	
6	0641414	4	Bolt 1/4 x 1-3/4	
7	1702565	1	Decal - Drive and Steer	
8	1702566	1	Decal - Lift and Swing	
9	1702567	1	Decal - Function Speed	
10	1704260	1	Decal - EMS	
11	2560136	1	Handle, Knob	
14	3300353	4	Nut	
15	3520054	5	Plug	
16	3790012	8	O-Ring	
17	3900349	8	Screw	
18	4240099	AR	Tie-Strap (Not Shown)	
19	4360387	2	Switch, Pushbutton	
20	4360407	1	Switch, Potentiometer	
21	1001274559	1	Switch, Emergency	
23	4460234	6	Mount, Tie-Strap	
24	4460428	2	Connector, Strain Relief	
25	4460470	1	Nut	
26	4460471	1	Washer	
27	4751400	8	Washer 1/4	
28	1001110434	1	Plug	
29	1001117174	1	Footswitch Assembly (See Separate Breakdown in this Section)	
30	1001118412	1	Module, Control	
31	1001155044	8	Nut 15/32	
32	1001155045	6	Switch, Toggle	
33	1001159256	1	Switch, Toggle	
34	1001161709	1	Switch, Toggle	
35	1001275628	1	Controller Assembly (Drive and Steer)	
36	1001275629	1	Controller Assembly (Lift and Swing)	
37	1001172760	4	Bracket	
38	1001184618	1	Decal - Stop	
39	1001184626	1	Decal - Horn	
40	1001185281	1	Plug	
41	1001213882	1	Connector, Mounting	
42	1001215228	1	Platform Console Box	
42A	0630568	1	Capscrew 3/8 x 4-1/2	
42B	3311601	1	Nut 3/8	
42C	3430616	2	Pin, Clevis	
42D	3470003	2	Hairpin	
42E	4711600	2	Washer 3/8	
43	1001238254	1	Harness, Platform Console Box (See Separate Breakdown in ELECTRICAL Section)	
45	1001206532	1	Lamp, Indicator	

**SECTION 5 - PLATFORM**

**FIGURE 5-8. LIGHT PANEL INSTALLATION - PLATFORM CONSOLE**



ART\_1001241398\_D\_2OF2

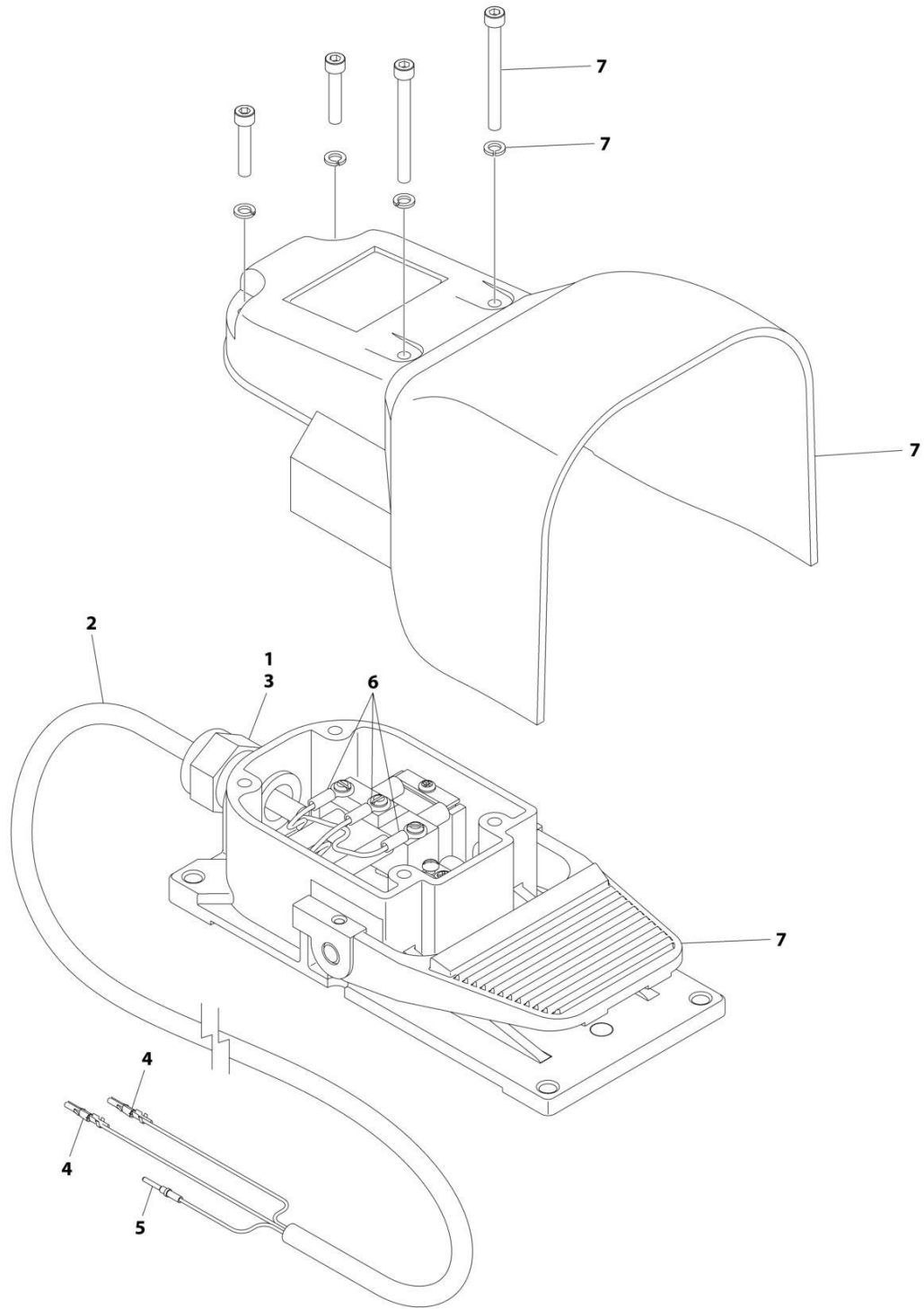
## SECTION 5 - PLATFORM

### FIGURE 5-8. LIGHT PANEL INSTALLATION - PLATFORM CONSOLE

ITEM	PART NUMBER	QTY	DESCRIPTION	REV
	1001241398	Ref	LIGHT PANEL INSTALLATION - PLATFORM CONSOLE	D
1	0100035	AR	Compound, Locking	
3	0630518	2	Screw #10 x 3/4	
4	1001284583	1	Light Panel Assembly	A
4A	1001282106	1	Panel, LED Light	
4B	1001284582	1	Lens, Icon (Includes Gasket)	
4C		Ref	Screw	

# SECTION 5 - PLATFORM

## FIGURE 5-9. FOOTSWITCH ASSEMBLY



ART\_1001117174

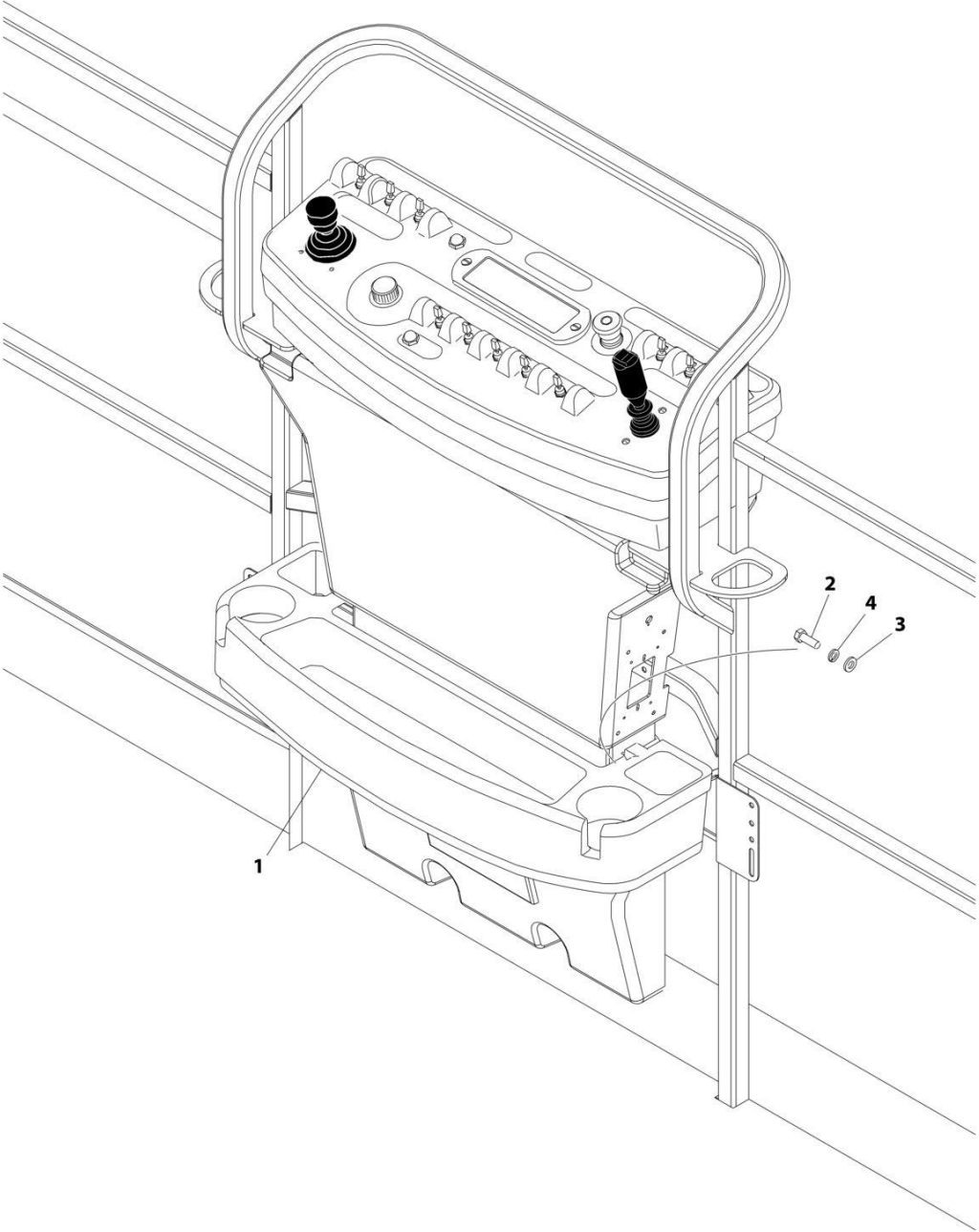
## SECTION 5 - PLATFORM

### FIGURE 5-9. FOOTSWITCH ASSEMBLY

ITEM	PART NUMBER	QTY	DESCRIPTION	REV
	1001117174	Ref	FOOTSWITCH ASSEMBLY	C
1	0100020	AR	Sealant	
2	1060918	7.5 ft/ 2.3m	Cable, Electrical - 18/3	
3	4460071	1	Connector, Strain Relief	
4	4460226	2	Socket, Female	
5	4460464	1	Pin, Male	
6	1001098122	3	Terminal	
7	1001117172	1	Footswitch	
7	70002902	1	Switch, 20Amp	
7	70002903	1	Gasket	
7	70002905	1	Cover	
7	70002904	1	Kit, Replacement Bolt	

**SECTION 5 - PLATFORM**

**FIGURE 5-10. TRAY ASSEMBLY**



ART\_1580012



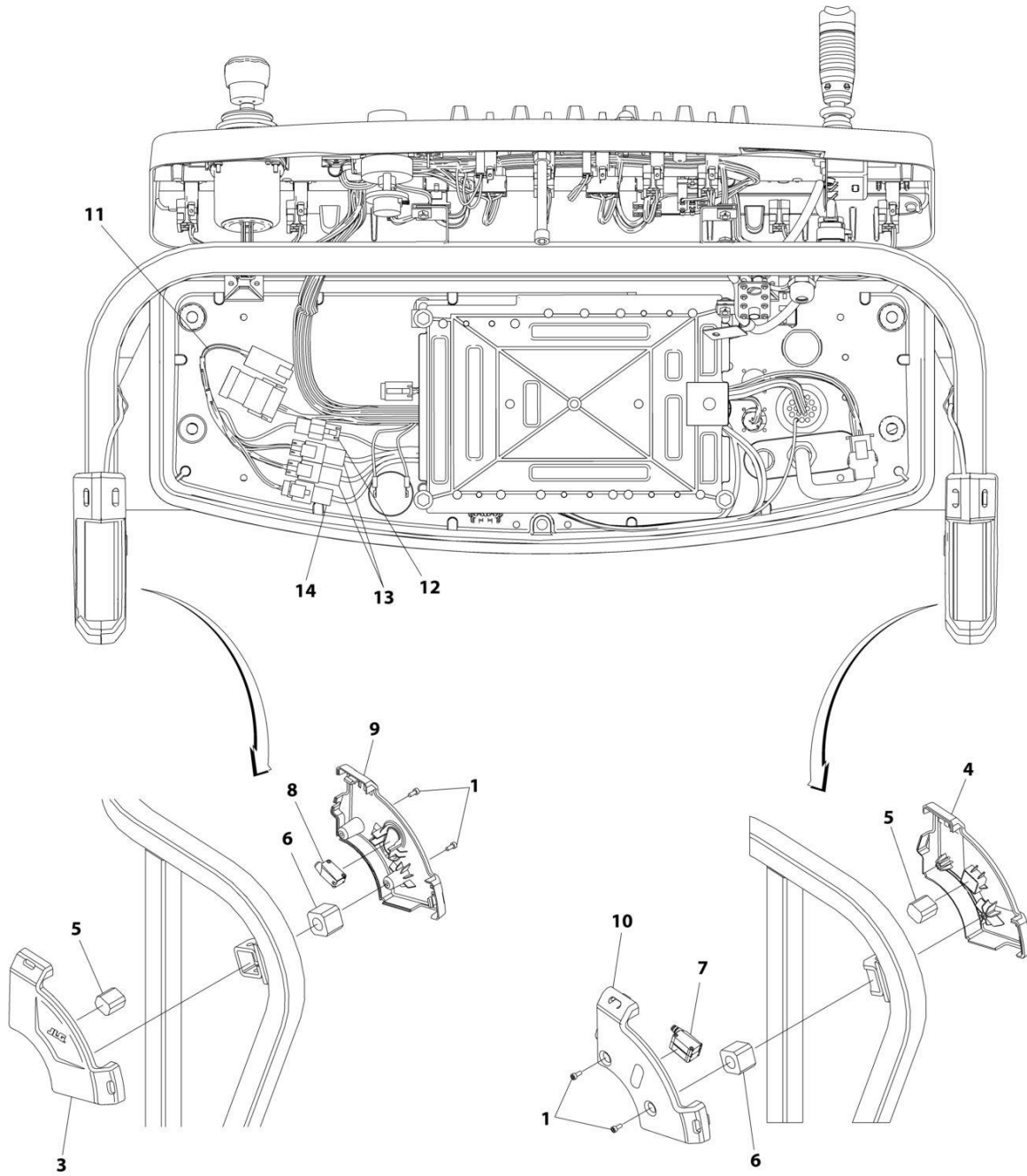
## SECTION 5 - PLATFORM

### FIGURE 5-10. TRAY ASSEMBLY

ITEM	PART NUMBER	QTY	DESCRIPTION	REV
	1580012	Ref	TRAY ASSEMBLY	C
1	See Note	NSS	Tray, Storage (Center) (Note: Purchase p/n 1580012)	
2	0641406	2	Bolt 1/4 x 3/4	
3	4751400	2	Washer 1/4	
4	4761400	2	Washer 1/4	

# SECTION 5 - PLATFORM

## FIGURE 5-11. SKYEYE INSTALLATION



ART\_1001229341

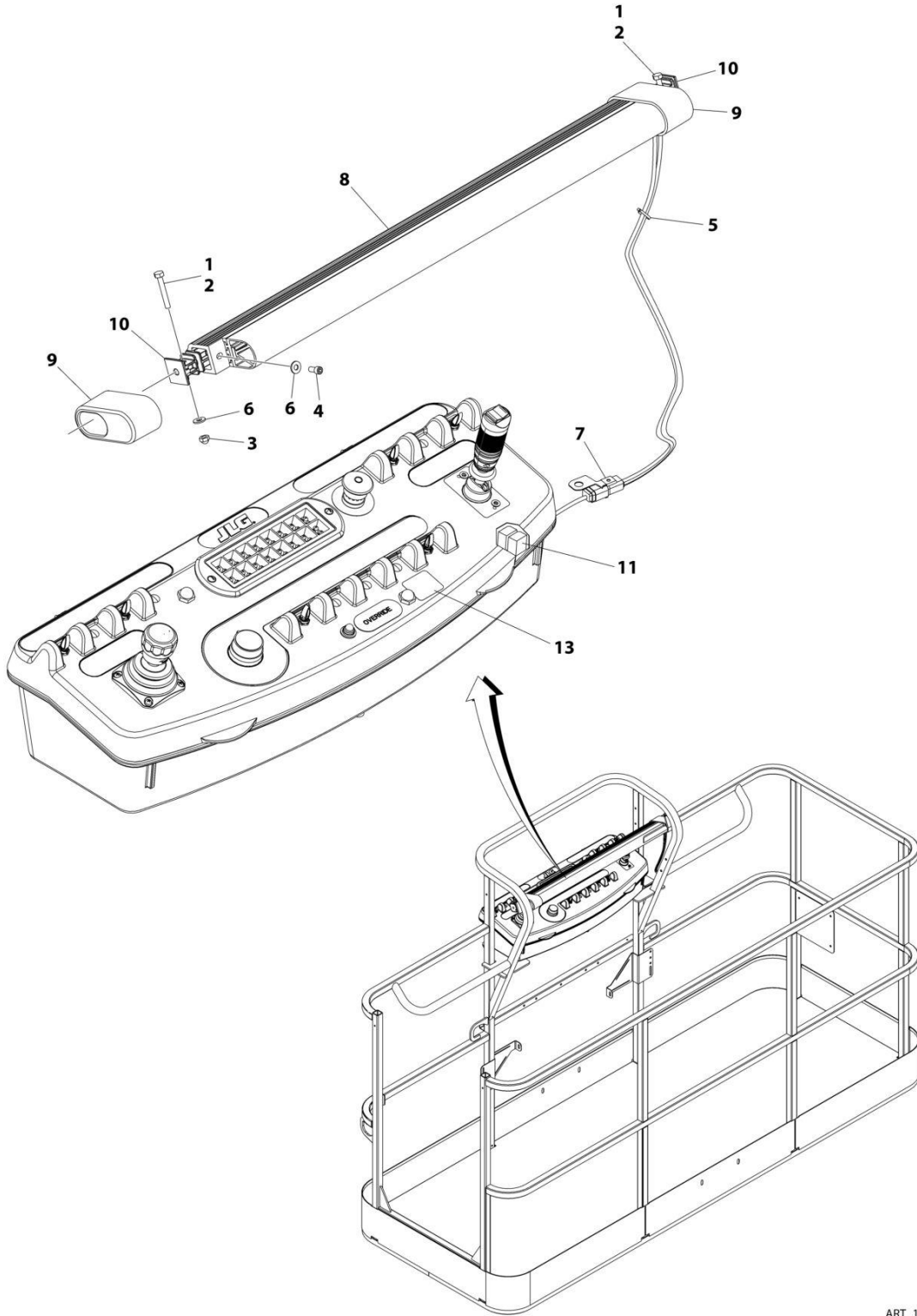
## SECTION 5 - PLATFORM

### FIGURE 5-11. SKYEYE INSTALLATION

ITEM	PART NUMBER	QTY	DESCRIPTION	REV
	1001229341	Ref	SKYEYE INSTALLATION	B
1	4031505	4	Bolt M4 x 10	
2	4240033	AR	Tie-Strap (Not Shown)	
3	1001227633	1	Housing, LH Outer	
4	1001227634	1	Housing, RH Outer	
5	1001227985	2	Shim	
6	1001227987	2	Shim	
7	1001228224	2	Sensor, Receiver	
8	1001228225	1	Sensor, Emitter	
9	1001232164	1	Housing, LH Inner	
10	1001232165	1	Housing, RH Inner	
11	1001237865	1	Harness, Skyeeye Intermediate (See Separate Breakdown in ELECTRICAL Section)	
12	1001238319	NLA	Harness, Skyeeye Drain Jumper	
12	1001187674	1	Plug, Male - 2 Position	
12	4460942	1	Terminal	
12	4460466	1	Plug, Terminal	
12	4460508	1	Pin, Male	
13	1001237863	2	Harness, Skyeeye Receiver (See Separate Breakdown in ELECTRICAL Section)	
14	1001237864	1	Harness, Skyeeye Emitter (See Separate Breakdown in ELECTRICAL Section)	

# SECTION 5 - PLATFORM

## FIGURE 5-12. SKYGUARD BAR INSTALLATION



ART\_1001238495

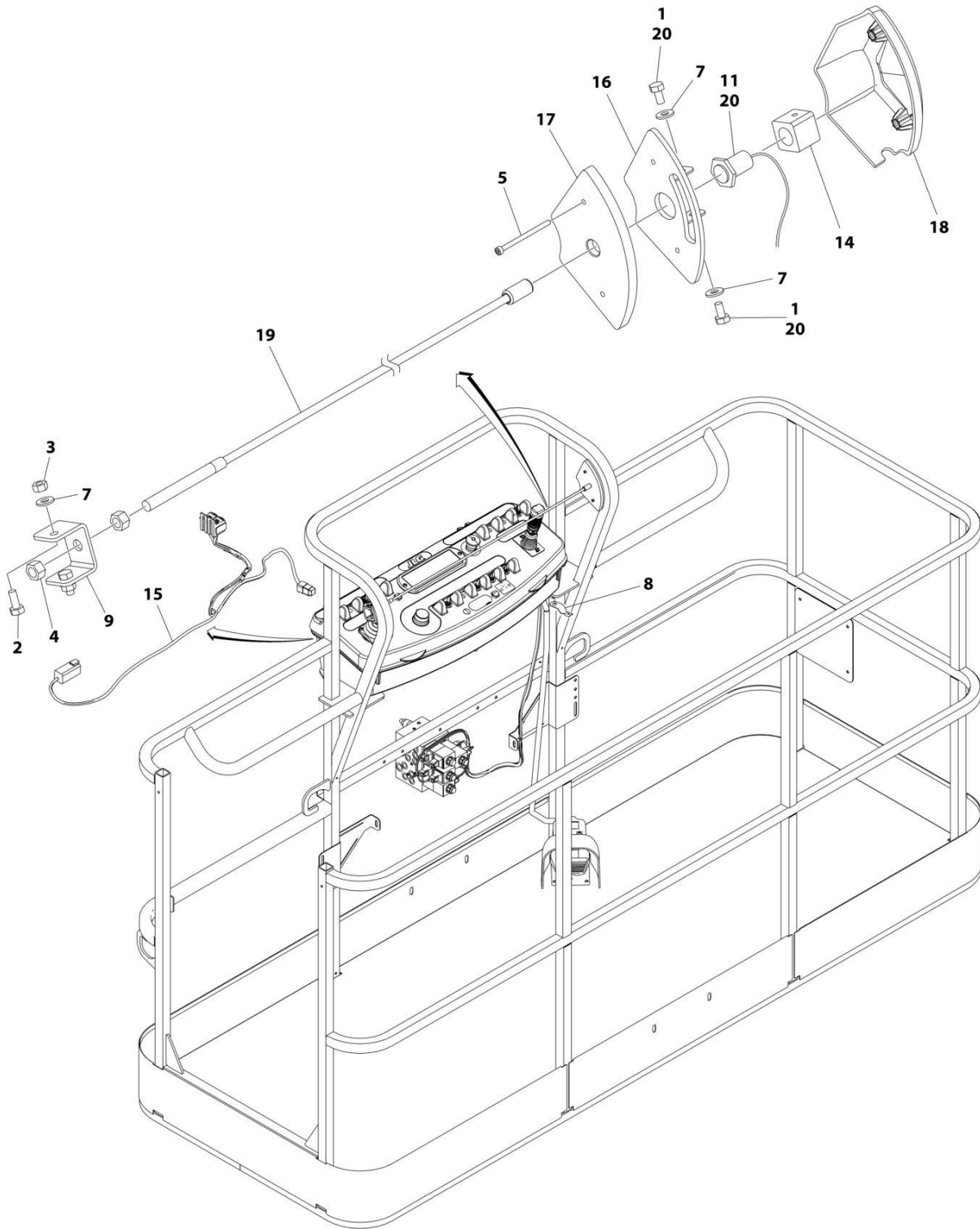
## SECTION 5 - PLATFORM

**FIGURE 5-12. SKYGUARD BAR INSTALLATION**

ITEM	PART NUMBER	QTY	DESCRIPTION	REV
	1001238495	Ref	SKYGUARD BAR INSTALLATION	A
1	0100011	AR	Compound, Locking	
2	0641414	2	Bolt 1/4 x 1-3/4	
3	3300430	2	Nut 1/4	
4	3931408	2	Capscrew 1/4 x 1/2	
5	4240033	8	Tie-Strap	
6	4711400	6	Washer 1/4	
7	1001120328	1	Mount	
8	1001137673	1	SkyGuard Switch Assembly	
9	1001186517	2	Cover, Platform Sensor	
10	1001209664	2	Support, Block	
11	1001186431	2	Relay	
12	1001225580	1	Interface Harness Assembly (Not Shown - Located Inside Console Box) (See Separate Breakdown in ELECTRICAL Section)	
13	1001144433	1	Decal - No Weight SkyGuard	

# SECTION 5 - PLATFORM

## FIGURE 5-13. SKYLINE INSTALLATION



ART\_1001238559\_D

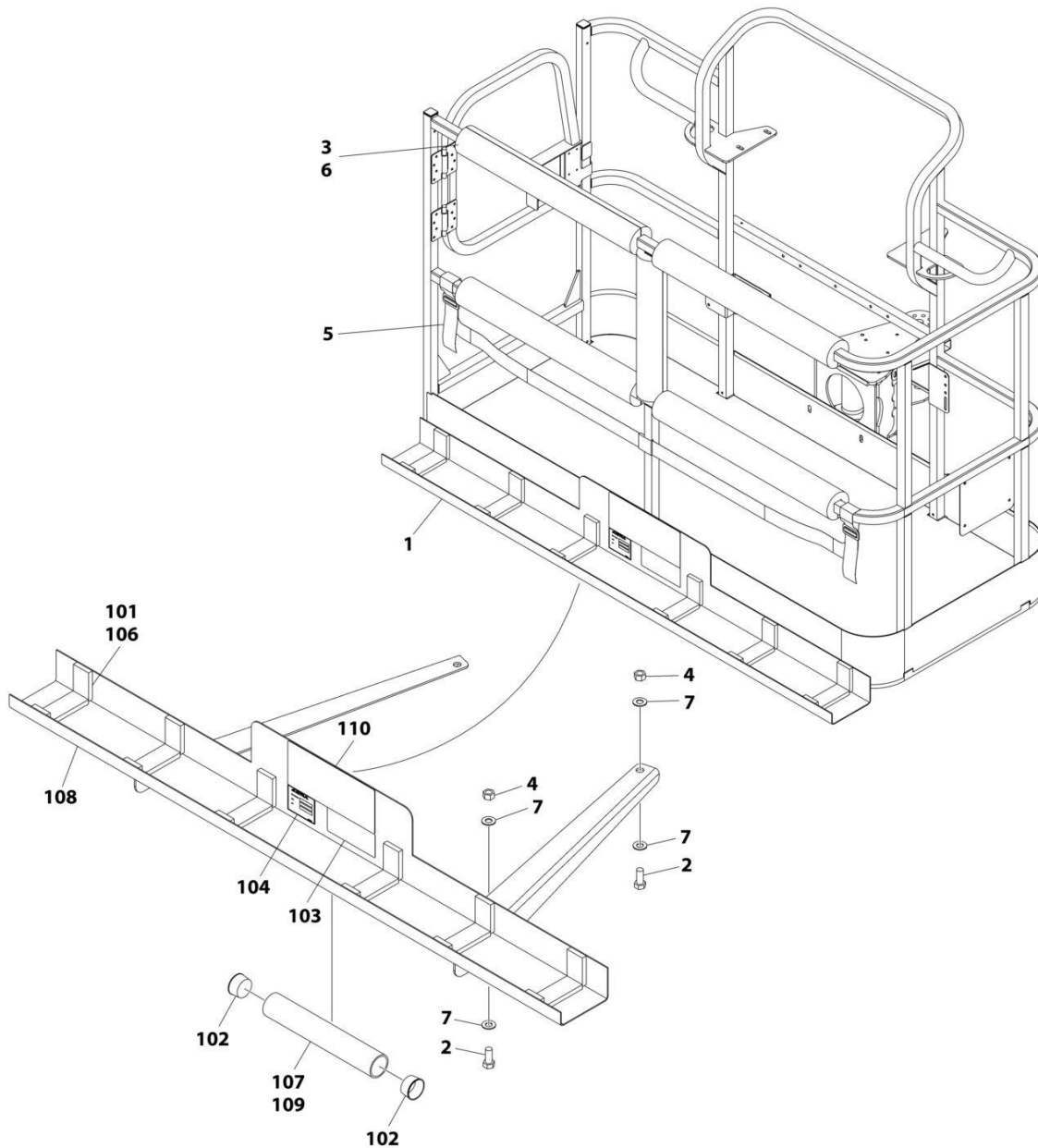
## SECTION 5 - PLATFORM

**FIGURE 5-13. SKYLINE INSTALLATION**

ITEM	PART NUMBER	QTY	DESCRIPTION	REV
	1001238559	Ref	SKYLINE INSTALLATION	D
1	0641404	2	Bolt 1/4 x 1/2	
2	0641405	2	Bolt 1/4 x 5/8	
3	3311405	2	Nut 1/4	
4	3311601	2	Nut 3/8	
5	4031516	2	Capscrew M4 x 60	
6	4240033	AR	Tie-Strap (Not Shown)	
7	4711400	4	Washer 1/4	
8	1001120328	1	Mount	
9	1001232642	1	Bracket	
11	1001232667	1	Sensor, Proximity	
11	1001311034	1	Sensor, Proximity	
14	1001236552	1	Block	
15	1001238418	1	Harness, Skyline (See Separate Breakdown in ELECTRICAL Section)	
16	1001238472	1	Mount	
17	1001254473	1	Housing, LH	
18	1001241965	1	Housing, RH	
19	1001254472	1	Rod	
20	0100011	AR	Compound, Locking	

# SECTION 5 - PLATFORM

## FIGURE 5-14. SKYGLAZIER INSTALLATION (AUSTRALIAN SPECS)



ART\_1001173975



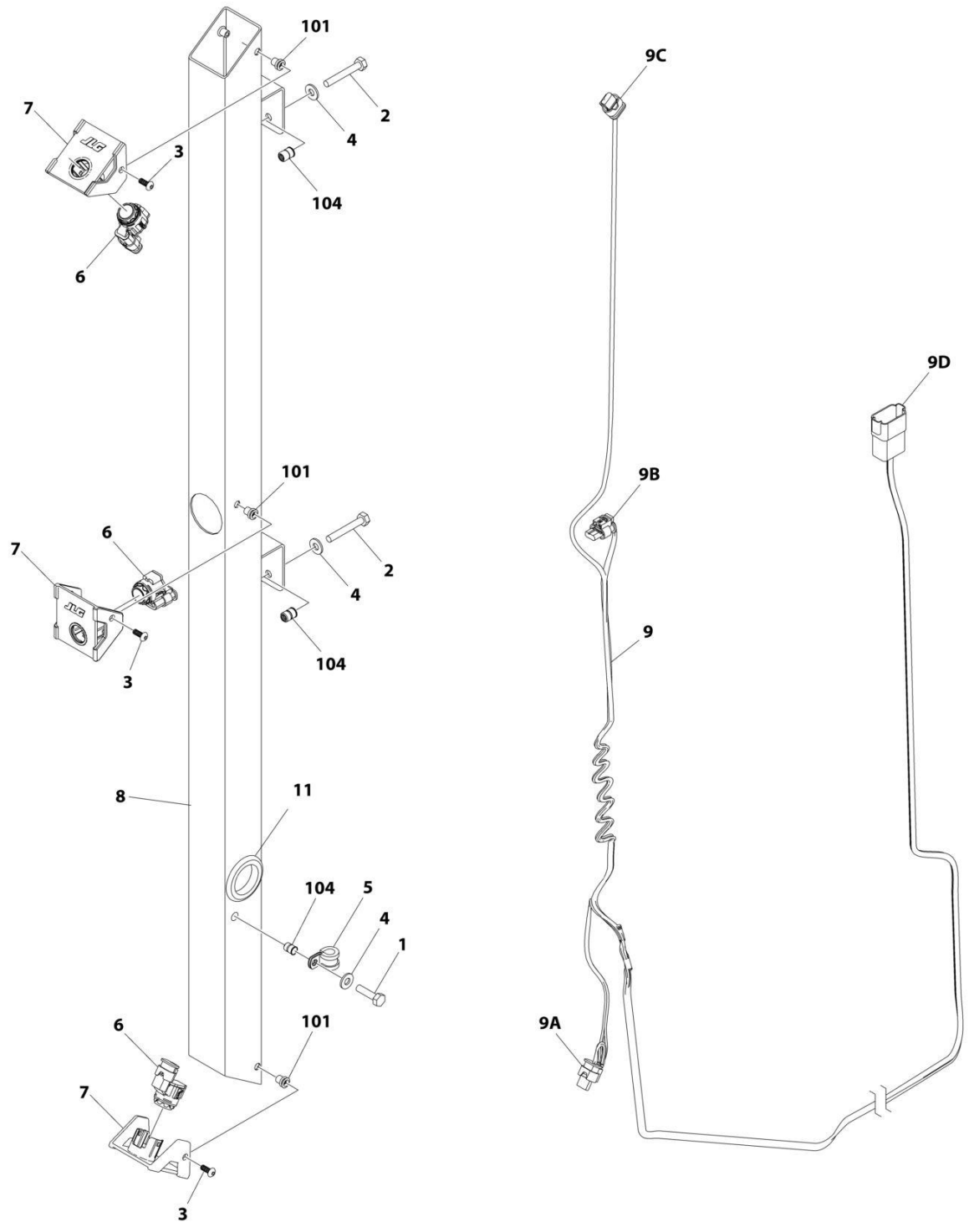
## SECTION 5 - PLATFORM

**FIGURE 5-14. SKYGLAZIER INSTALLATION (AUSTRALIAN SPECS)**

ITEM	PART NUMBER	QTY	DESCRIPTION	REV
	1001173975	Ref	SKYGLAZIER INSTALLATION	B
1	1001173973	1	Tray Assembly (See Items 101-110 for Breakdown)	
2	0642012	4	Bolt 5/8 x 1-1/2	
3	0940199	1	Bumper Kit	
4	3312005	4	Nut 5/8	
5	4240149	1	Strap Kit	
6	4420014	AR	Tape	
7	4712000	8	Washer 5/8	
	1001173973	Ref	TRAY ASSEMBLY	C
101	0100081	AR	Adhesive	
102	1120555	2	Cap, Tube	
103	1701509	1	Decal - Manual	
104	See Note	NSS	Nameplate - Serial Number (Note: Not Available for Purchase)	
106	3340956	1	Pad Kit	
107	3460334	1	Tube	
108	4341415	1	Support	
109	4420066	AR	Tape, Double Sided	
110	1001229138	1	Decal - Glazier Capacity	

# SECTION 5 - PLATFORM

## FIGURE 5-15. SKYSENSE MID TUBE SENSOR ASSEMBLY



ART\_1001243205

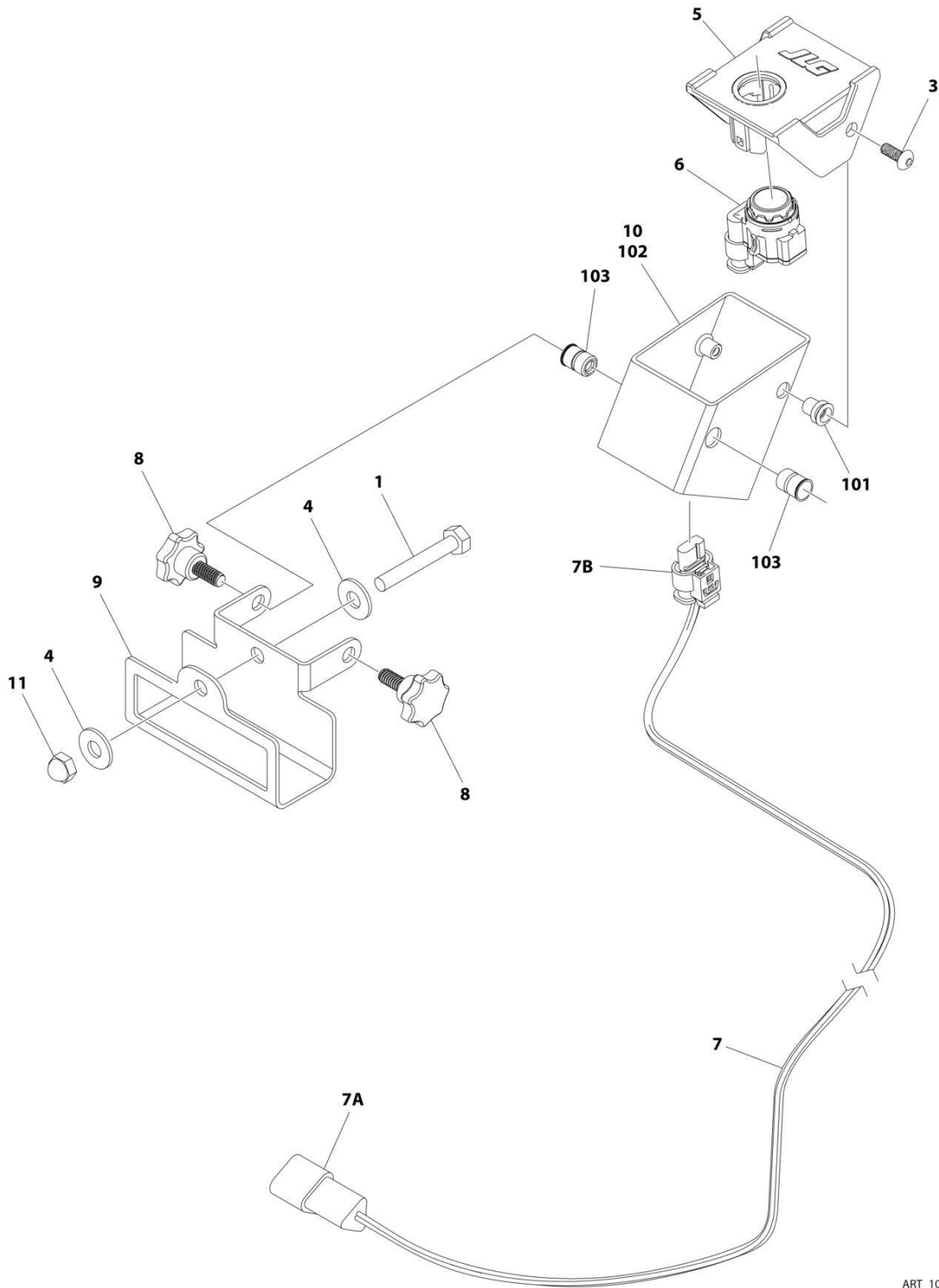
## SECTION 5 - PLATFORM

**FIGURE 5-15. SKYSENSE MID TUBE SENSOR ASSEMBLY**

ITEM	PART NUMBER	QTY	DESCRIPTION	REV
	1001243205	Ref	SKYSENSE MID TUBE SENSOR ASSEMBLY	C
1	0641408	1	Bolt 1/4 x 1	
2	0641414	2	Bolt 1/4 x 1-3/4	
3	1001260525	6	Screw #10 x 1/2	
4	4711400	3	Washer 1/4	
5	1001260524	1	Clamp	
6	1001237902	3	Sensor, SkySense	
7	1001241162	3	Mount, Sensor	
8	1001243092	1	Tube Assembly (Includes items 101 through 104)	C
9	1001244336	1	Harness, SkySense Mid Tube	D
9A	1001237898	1	Connector	
9A	1001237888	3	Terminal	
9B	1001237898	1	Connector	
9B	1001237888	3	Terminal	
9C	1001237898	1	Connector	
9C	1001237888	3	Terminal	
9D	4460931	1	Connector	
9D	4460943	7	Pin	
9D	4460466	1	Plug	
10	1001246389	1	Decal (Not Shown)	
11	1001247252	1	Grommet	
101	2080069	6	Fastener	
104	1001258730	3	Rivnut	

# SECTION 5 - PLATFORM

## FIGURE 5-16. SKYSENSE OVERHEAD SENSOR ASSEMBLY



ART\_1001244733

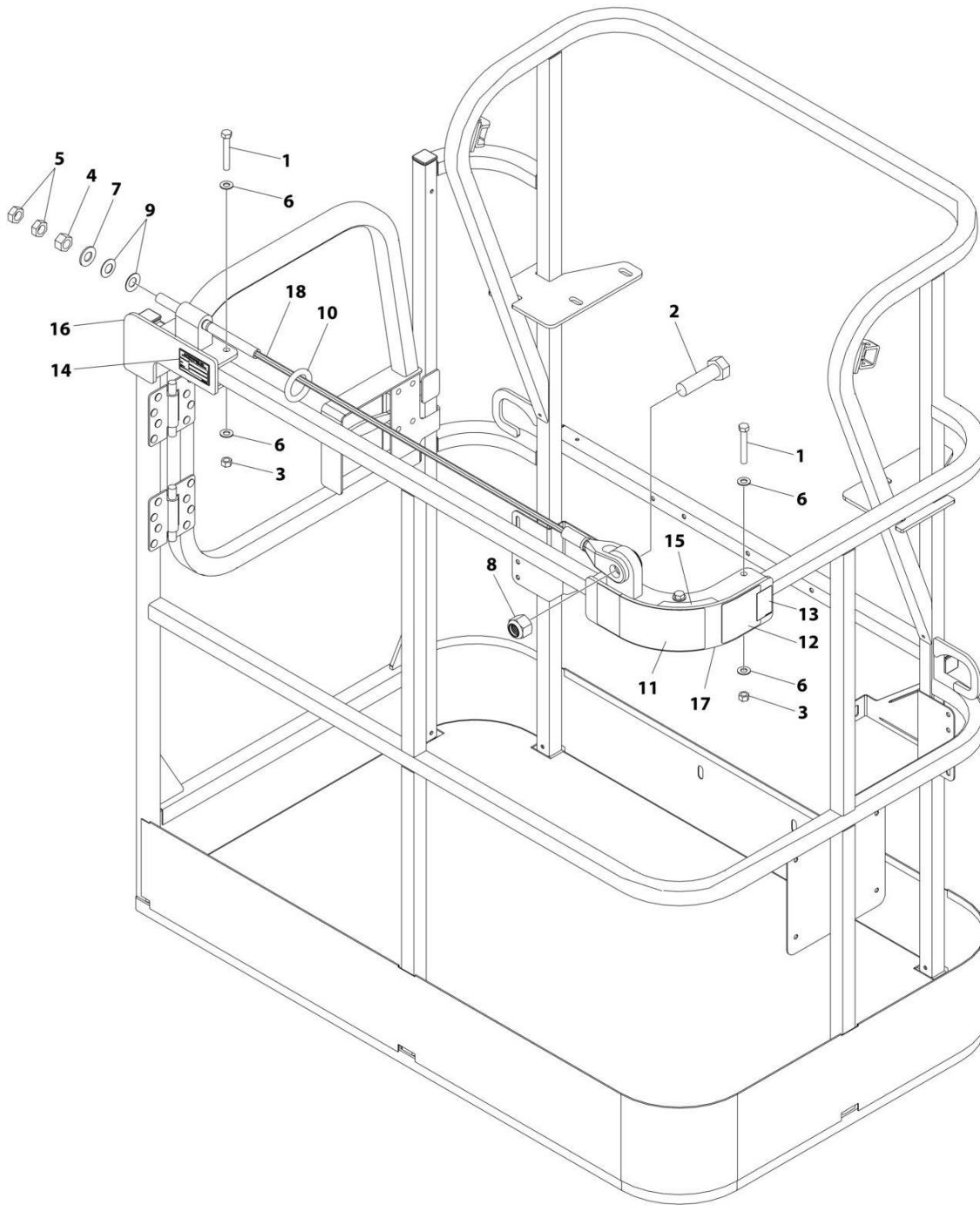
## SECTION 5 - PLATFORM

**FIGURE 5-16. SKYSENSE OVERHEAD SENSOR ASSEMBLY**

ITEM	PART NUMBER	QTY	DESCRIPTION	REV
	1001244733	Ref	SKYSENSE OVERHEAD SENSOR ASSEMBLY	D
1	0641414	1	Bolt 1/4 x 1-3/4	
3	1001260525	2	Screw #10 x 1/2	
4	4751400	2	Washer 1/4	
5	1001237891	1	Mount, Sensor	
6	1001237902	1	Sensor, SkySense	
7	1001244335	1	Harness, SkySense Overhead	D
7A	4460536	1	Connector	
7A	4460943	3	Pin	
7B	1001237898	1	Connector	
7B	1001237888	1	Terminal	
8	1001244671	2	Knob	
9	1001244709	1	Bracket, Mounting	
10	1001244732	1	Housing Assembly (Includes items 101 through 103)	B
11	3300430	1	Nut	
101	2080069	2	Fastener	
102	1001244710	1	Housing, Sensor	
103	1001258730	2	Rivnut	

# SECTION 5 - PLATFORM

## FIGURE 5-17. FALL ARREST INSTALLATION (BOLT-ON) (4FT/1.22M PLATFORM)



ART\_1001261338

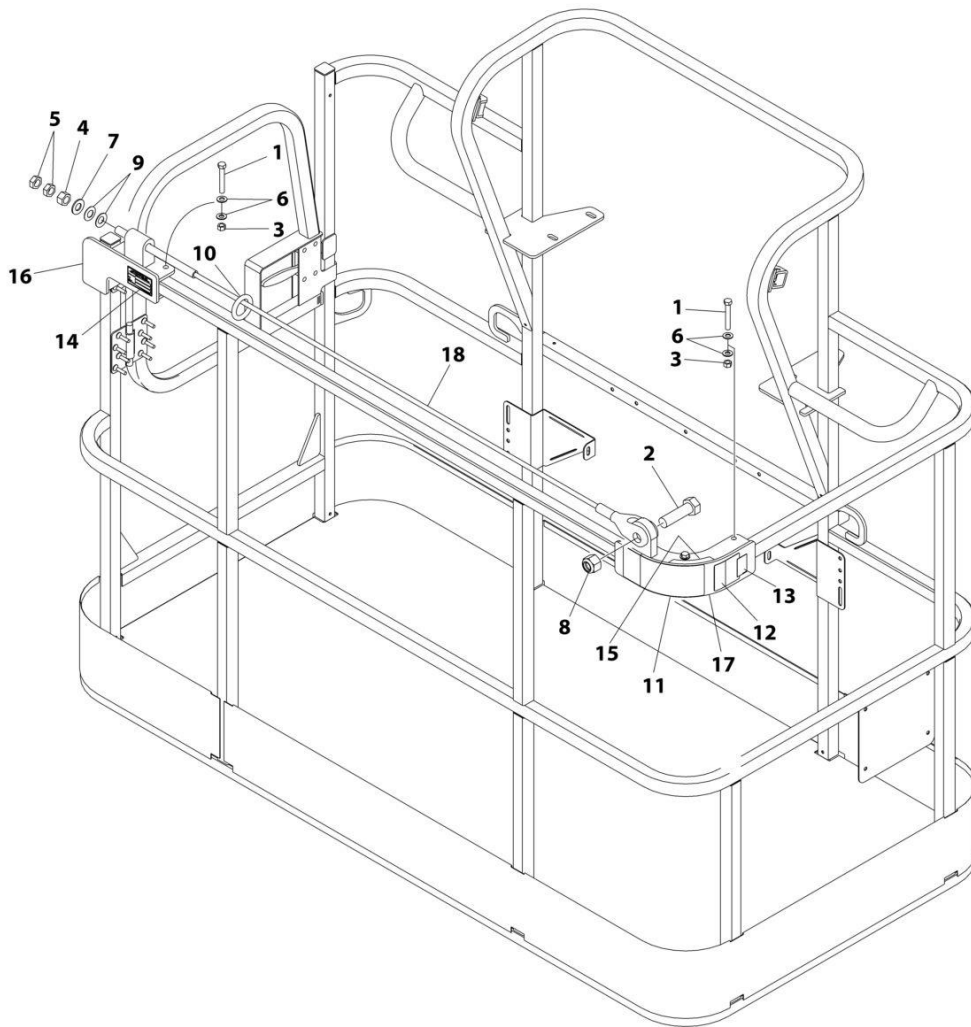
## SECTION 5 - PLATFORM

**FIGURE 5-17. FALL ARREST INSTALLATION (BOLT-ON) (4FT/1.22M PLATFORM)**

ITEM	PART NUMBER	QTY	DESCRIPTION	REV
	1001261338	Ref	FALL ARREST INSTALLATION	A
1	0681620	6	Bolt 3/8 x 2-1/2	
2	0682424	1	Bolt 7/8 x 3	
3	3271605	6	Nut 3/8	
4	3272001	1	Nut 5/8	
5	3312002	2	Nut 5/8	
6	4711600	12	Washer 3/8	
7	4712000	1	Washer 5/8	
8	88521214	1	Nut 7/8	
9	1001236891	2	Washer	
10	1001236895	1	Ring	
11	1001238263	1	Decal - Warning Falling Hazard	
12	1001248140	1	Decal - Bolt Fall Arrest Re-Cert	
13	1001248141	1	Decal - Incription	
14	See Note	NSS	Nameplate - Manufacturers Serial Number (Note: Not Available for Purchase)	
15	1001252629	1	Decal - Weight	
16	1001257271	1	Bracket (RH)	
17	1001257274	1	Bracket (LH)	
18	1001261335	1	Rope	

# SECTION 5 - PLATFORM

## FIGURE 5-18. FALL ARREST INSTALLATION (BOLT-ON) (5FT/1.52M PLATFORM)



ART\_1001257275



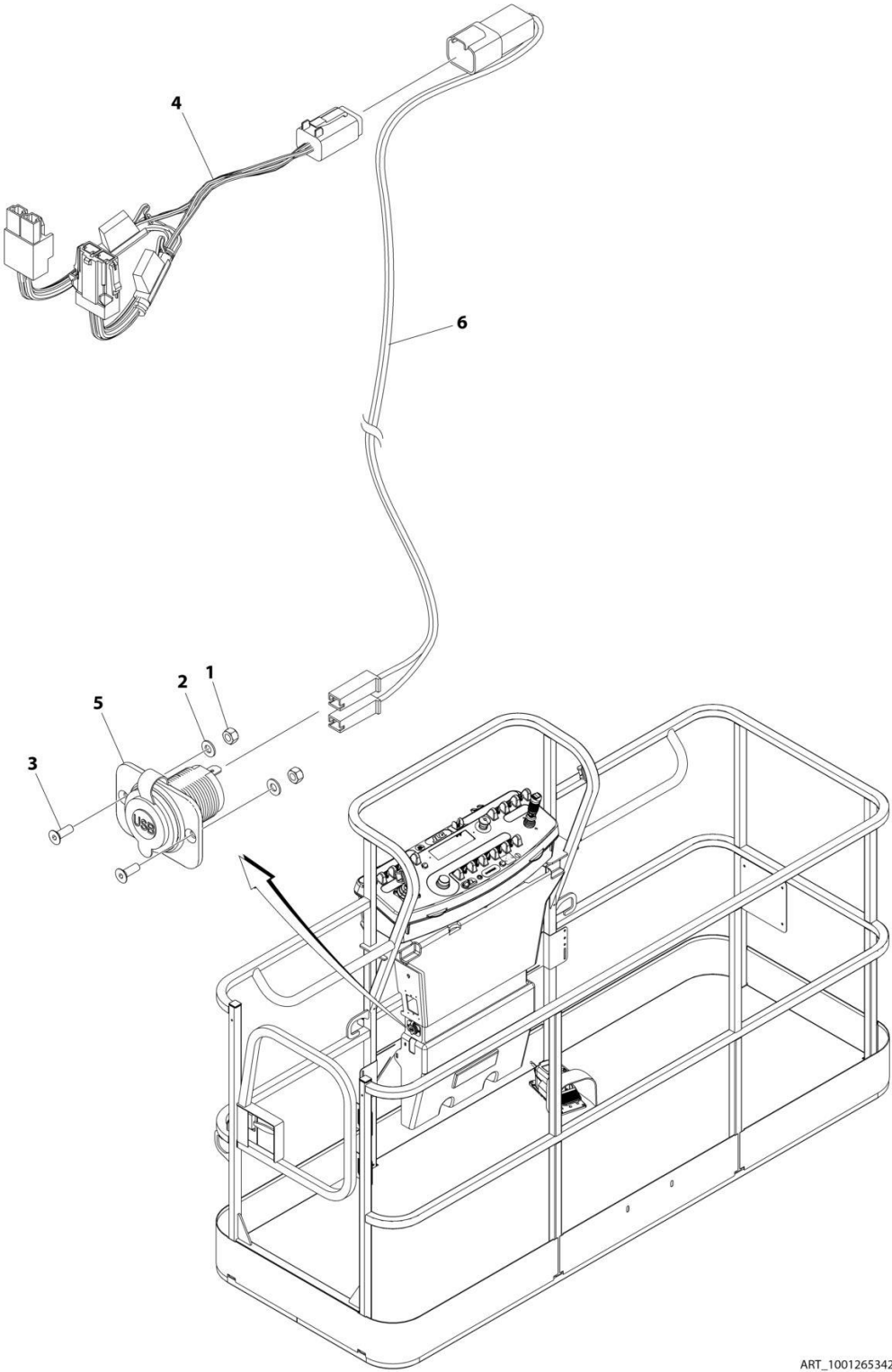
## SECTION 5 - PLATFORM

**FIGURE 5-18. FALL ARREST INSTALLATION (BOLT-ON) (5FT/1.52M PLATFORM)**

ITEM	PART NUMBER	QTY	DESCRIPTION	REV
	1001257275	Ref	FALL ARREST INSTALLATION (BOLT - ON) 6FT/1.82M PLATFORM	A
1	0681620	6	Bolt 3/8 x 2-1/2	
2	0682424	1	Bolt 7/8 x 3	
3	3271605	6	Nut 3/8	
4	3272001	1	Nut 5/8	
5	3312002	2	Nut 5/8	
6	4711600	12	Washer 3/8	
7	4712000	1	Washer 5/8	
8	88521214	1	Nut 7/8	
9	1001236891	2	Washer	
10	1001236895	1	Ring	
11	1001238263	1	Decal - Warning Falling Hazard	
12	1001248140	1	Decal - Bolt Fall Arrest Re-Cert	
13	1001248141	1	Decal - Incription	
14	See Note	NSS	Nameplate - Manufacturers Serial Number (Note: Not Available for Purchase)	
15	1001252629	1	Decal - Weight	
16	1001257271	1	Bracket (RH)	
17	1001257274	1	Bracket (LH)	
18	1001258005	1	Rope	

**SECTION 5 - PLATFORM**

**FIGURE 5-19. USB CHARGER INSTALLATION**



ART\_1001265342

## SECTION 5 - PLATFORM

**FIGURE 5-19. USB CHARGER INSTALLATION**

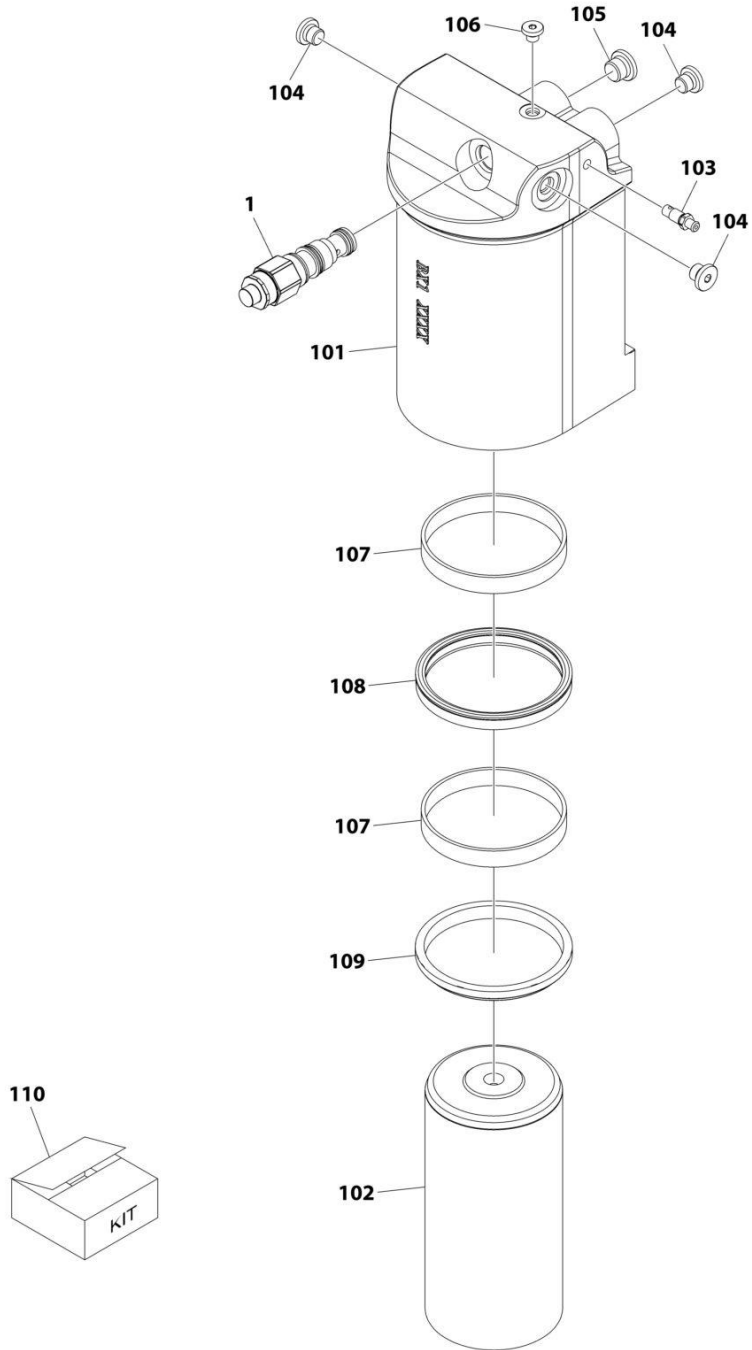
ITEM	PART NUMBER	QTY	DESCRIPTION	REV
	1001265342	Ref	USB CHARGER INSTALLATION	A
1	3290405	2	Nut M4	
2	4811400	2	Washer M4	
3	1001097244	2	Screw M4 x 12	
4	1001120484	1	Harness, Work Lights	
4	4460879	1	Plug, Male - 2 Position	
4	4460887	2	Terminal	
4	2400060	2	Fuseholder Includes Cover	
4	8229249	2	Fuse, 3 Amp	
4	4460884	1	Connector - 4 Position	
4	4460465	4	Socket, Female	
4	1001120471	1	Connector - 2 Position	
4	1001120477	2	Terminal	
5	1001210636	1	Receptacle, USB	
6	1001265163	1	Harness, USB	A
6	4460260	2	Cover, Terminal	
6	4460259	2	Terminal	
6	4460932	1	Receptacle, Bussbar - 4 Position	
6	4460464	2	Pin, Male	
6	4460466	2	Plug, Terminal	



**SECTION 6 - CYLINDER**

# SECTION 6 - CYLINDER

## FIGURE 6-1. AXLE LOCKOUT CYLINDER ASSEMBLY



ART\_1001256179

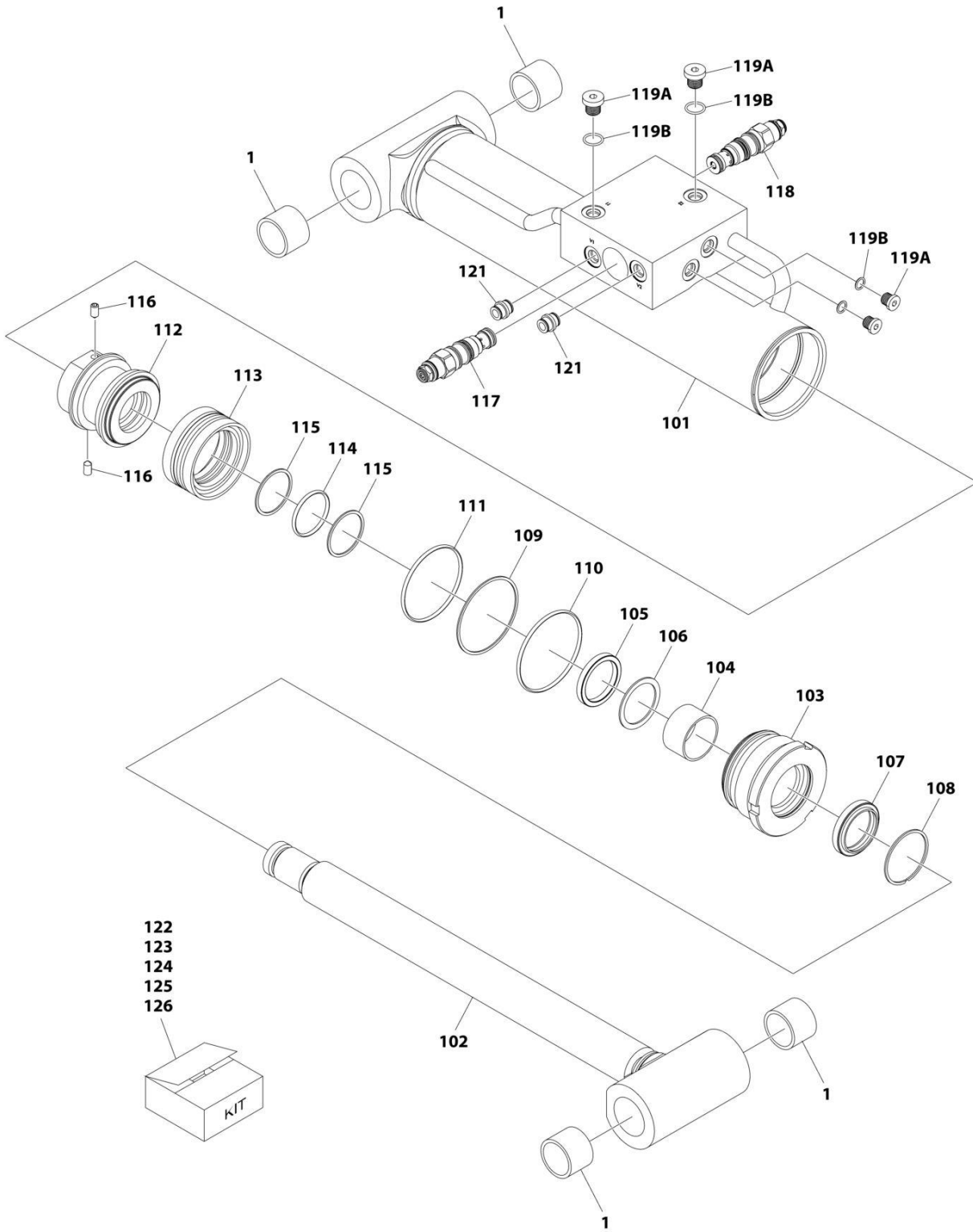
## SECTION 6 - CYLINDER

**FIGURE 6-1. AXLE LOCKOUT CYLINDER ASSEMBLY**

ITEM	PART NUMBER	QTY	DESCRIPTION	REV
	1001256179	Ref	MASTER CYLINDER ASSEMBLY	A
		Ref	Note: Original Cylinder May Have Been Replaced with Service Replacement. Identify PN Stamped on Cylinder Before Ordering Parts.	
1	1001117372	1	Cartridge, Valve	
1	70002842	1	Seal Kit - 1001117372	
101	See Note	NSS	Tube (Note: Not Available for Purchase)	
102	70008244	1	Rod	
103	70008246	1	Plug, Bleeder	
104	2220883	3	Plug 7/16	
105	2220885	1	Plug 9/16	
106	2220881	1	Plug 5/16	
107	See Note	NSS	Ring, Wear (Note: Use Item 110)	
108	See Note	NSS	Seal, Rod (Note: Use Item 110)	
109	See Note	NSS	Wiper, Rod (Note: Use Item 110)	
110	70008247	1	Seal Kit (Includes Items 107-109)	

# SECTION 6 - CYLINDER

## FIGURE 6-2. LEVEL (PLATFORM SLAVE) CYLINDER ASSEMBLY



ART\_1001253629



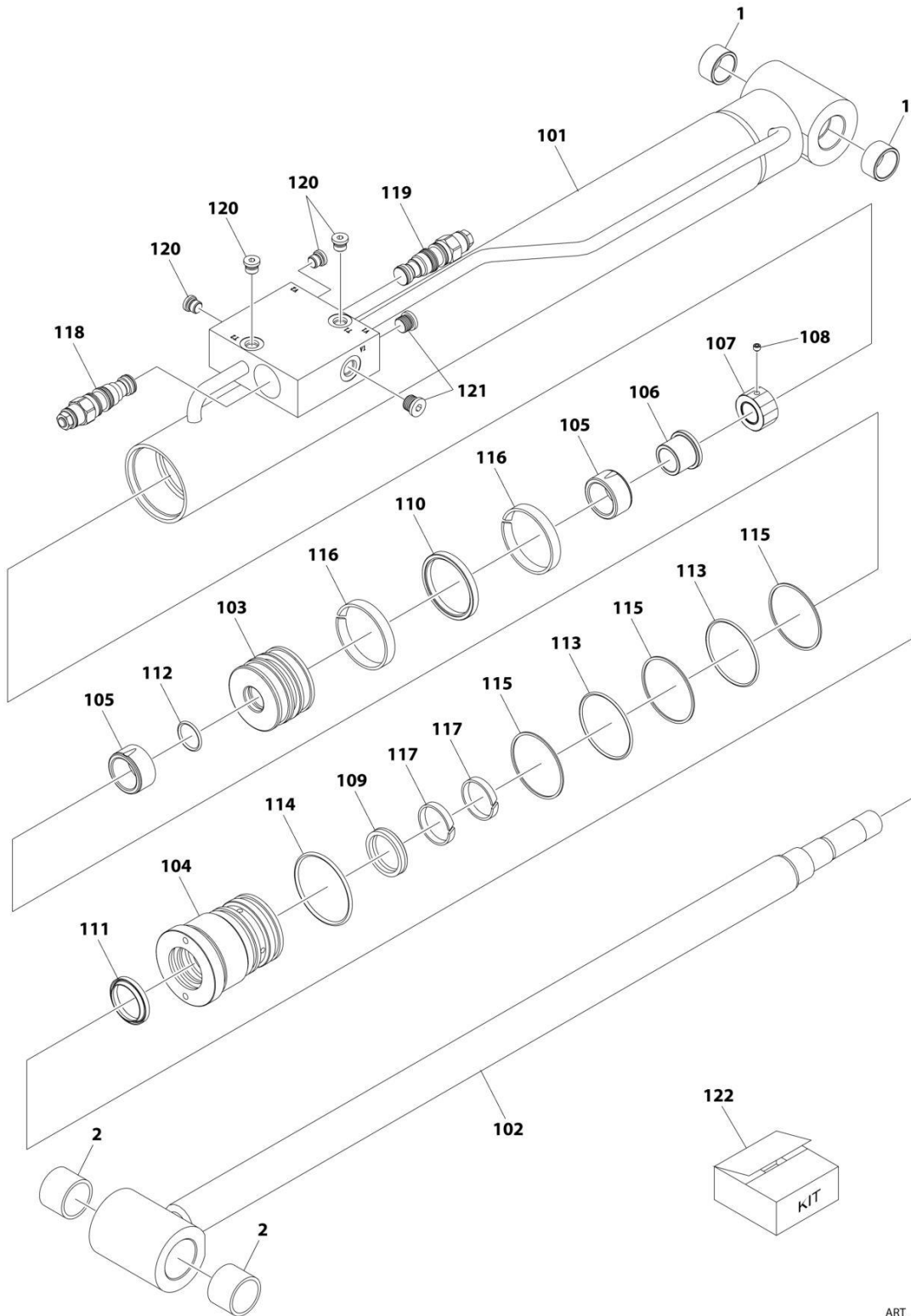
## SECTION 6 - CYLINDER

**FIGURE 6-2. LEVEL (PLATFORM SLAVE) CYLINDER ASSEMBLY**

ITEM	PART NUMBER	QTY	DESCRIPTION	REV
	1001253629	Ref	LEVEL (PLATFORM SLAVE) CYLINDER ASSEMBLY	A
		Ref	Note: Original Cylinder May Have Been Replaced with Service Replacement. Identify PN Stamped on Cylinder Before Ordering Parts.	
1	0961951	4	Bushing	
101	See Note	NSS	Tube (Note: Not Available for Purchase)	
102	See Note	NSS	Rod (Note: Use Item 122)	
103	See Note	NSS	Cover, Rod (Note: Use Item 123)	
104	See Note	NSS	Bushing, Rod (Note: Use Item 123)	
105	See Note	NSS	U-Packing (Note: Use Item 124)	
106	See Note	NSS	Ring, Backup (Note: Use Item 124)	
107	See Note	NSS	Wiper, Dust (Note: Use Item 124)	
108	See Note	NSS	Ring, Retaining (Note: Use Item 124)	
109	See Note	NSS	O-Ring (Note: Use Item 124)	
110	See Note	NSS	Ring, Backup (Note: Use Item 124)	
111	See Note	NSS	O-Ring (Note: Use Item 124)	
112	See Note	NSS	Piston (Note: Use Item 125)	
113	See Note	NSS	Seal, Compact (Note: Use Item 124)	
114	See Note	NSS	O-Ring (Note: Use Item 124)	
115	See Note	NSS	Ring, Backup (Note: Use Item 124)	
116	See Note	NSS	Setscrew (Note: Use Item 125)	
117	1001168210	1	Valve, Counterbalance (1500PSI)	
118	70002413	1	Valve, Counterbalance (3200PSI)	
119A	See Note	NSS	Plug (Note: Use Item 126)	
119B	See Note	NSS	O-Ring (Note: Use Item 126)	
120	See Note	NSS	Cap, Dust (Note: Not Available for Purchase) (Not Shown)	
121	See Note	NSS	Pin Bush (Note: Use Item 122)	
122	70008242	1	Rod Kit (Includes Items 102 & 121)	
123	70008238	1	Rod Cover Kit (Includes Items 103 & 104)	
124	70008239	1	Seal Kit (Includes Items 105-111 & 113-115)	
125	70008240	1	Piston Kit (Includes Items 112 & 116)	
126	70008243	1	Plug Kit (Includes Items 119A & 119B)	

# SECTION 6 - CYLINDER

## FIGURE 6-3. LIFT CYLINDER ASSEMBLY - JIB



ART\_1001285271

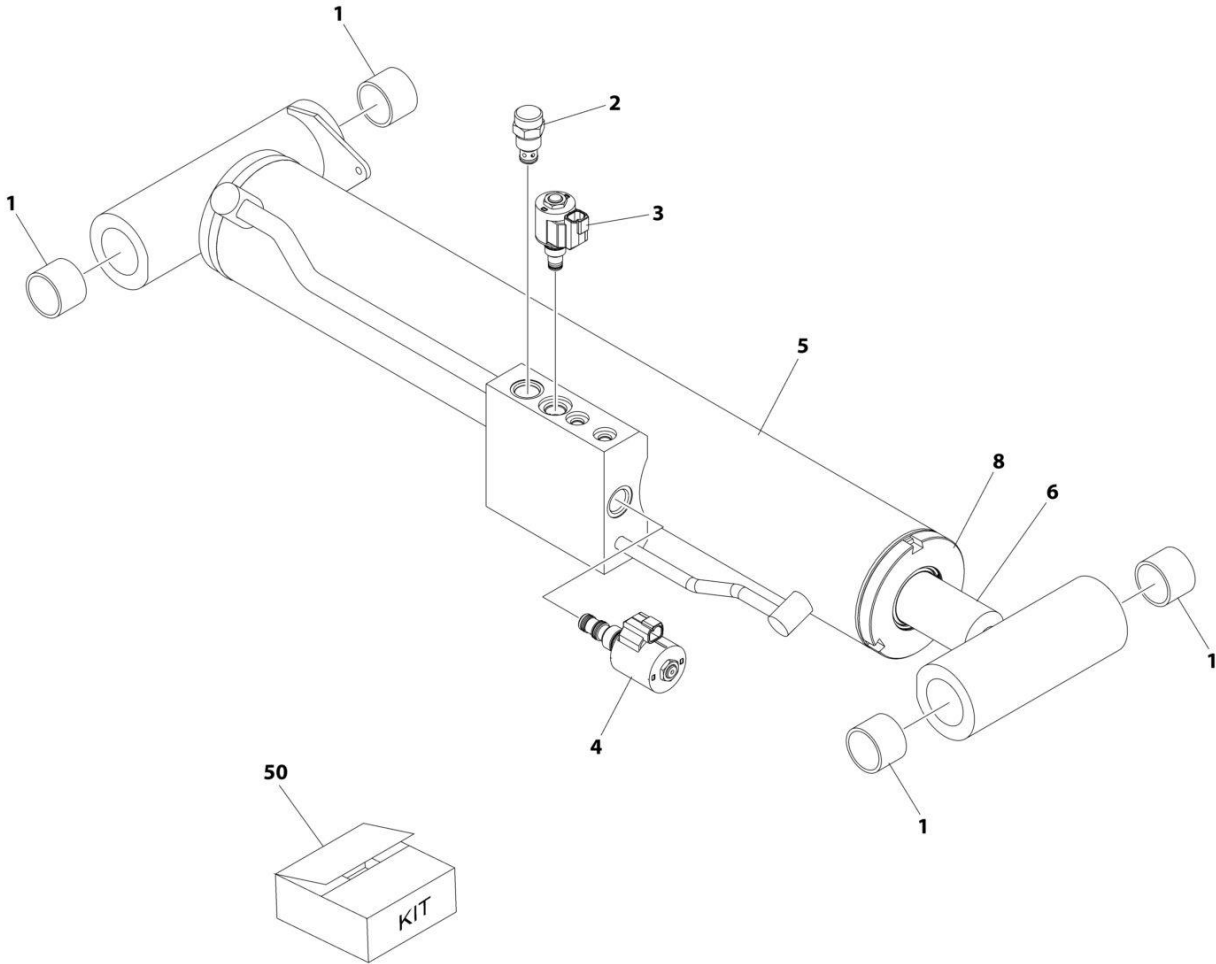
## SECTION 6 - CYLINDER

### FIGURE 6-3. LIFT CYLINDER ASSEMBLY - JIB

ITEM	PART NUMBER	QTY	DESCRIPTION	REV
	1001285271	Ref	LIFT CYLINDER ASSEMBLY - JIB	B
		Ref	Note: Original Cylinder May Have Been Replaced with Service Replacement. Identify PN Stamped on Cylinder Before Ordering Parts.	
1	0961947	2	Bushing	
2	0961951	2	Bushing	
101	See Note	NSS	Tube (Note: Not Available for Purchase)	
102	70006914	1	Rod	
103	70006915	1	Piston	
104	70006916	1	Head	
105	70006917	2	Bushing	
106	70006918	1	Tube, Guide	
107	70006919	1	Nut	
108	70008292	1	Setscrew	
109	See Note	NSS	Seal, Rod (Note: Use Item 122)	
110	See Note	NSS	Seal, Piston (Note: Use Item 122)	
111	See Note	NSS	Wiper (Note: Use Item 122)	
112	See Note	NSS	O-Ring (Note: Use Item 122)	
113	See Note	NSS	O-Ring (Note: Use Item 122)	
114	See Note	NSS	O-Ring (Note: Use Item 122)	
115	See Note	NSS	Ring, Backup (Note: Use Item 122)	
116	See Note	NSS	Ring, Wear (Note: Use Item 122)	
117	See Note	NSS	Ring, Wear (Note: Use Item 122)	
118	70026441	1	Valve, Counterbalance	
118	2900770	1	Seal Kit - 70026441 Valve	
119	70008294	1	Valve, Counterbalance	
119	2900770	1	Seal Kit - 70008294 Valve	
120	2220883	4	Plug 7/16	
121	2220885	2	Plug 9/16	
122	70008293	1	Seal Kit (Includes Items 109-117)	

**SECTION 6 - CYLINDER**

**FIGURE 6-4. LIFT CYLINDER ASSEMBLY - MAIN BOOM**



ART\_1001266738

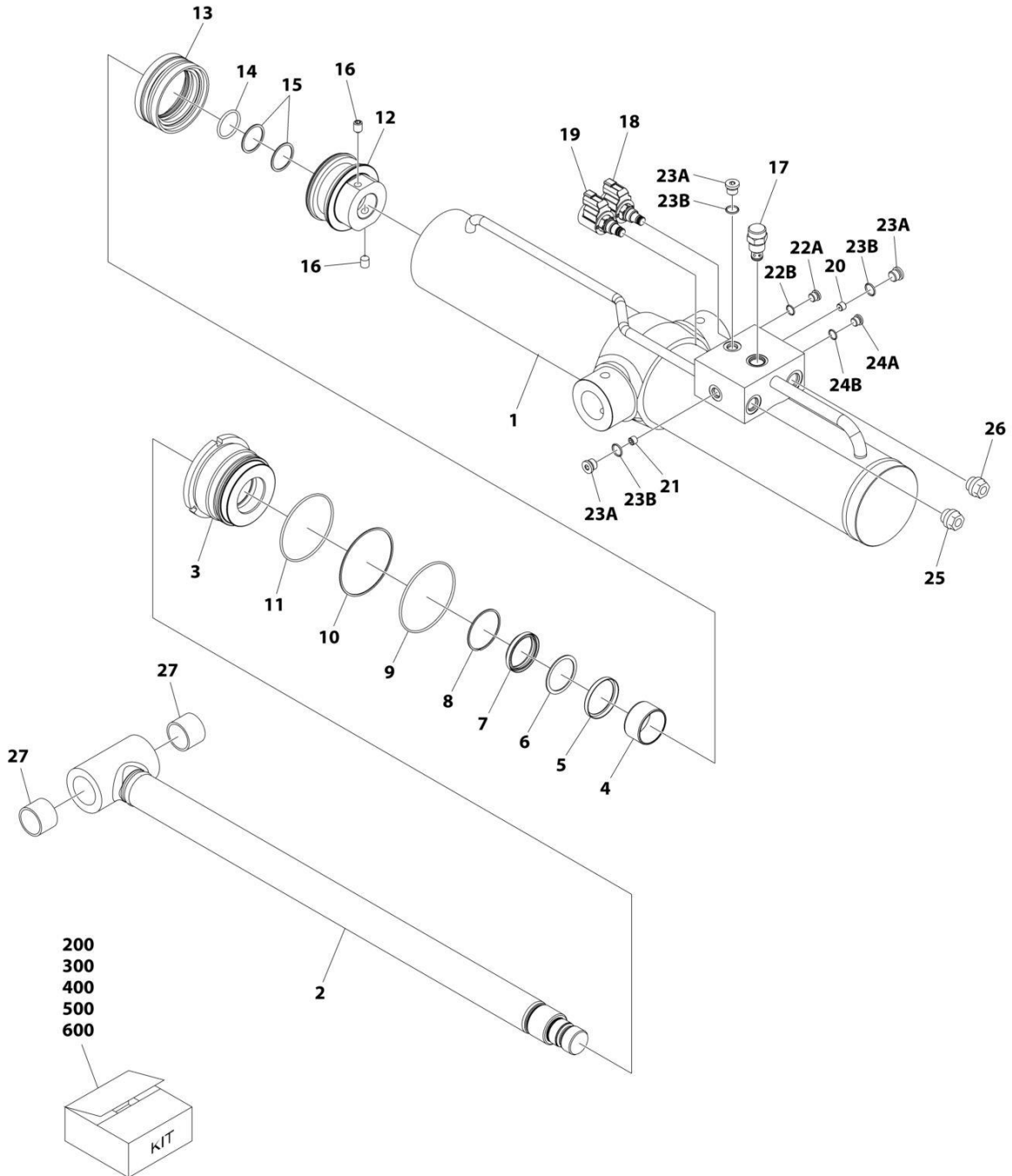
## SECTION 6 - CYLINDER

**FIGURE 6-4. LIFT CYLINDER ASSEMBLY - MAIN BOOM**

ITEM	PART NUMBER	QTY	DESCRIPTION	REV
	1001266738	Ref	LIFT CYLINDER ASSEMBLY - MAIN BOOM	B
		Ref	Note: Original Cylinder May Have Been Replaced with Service Replacement. Identify PN Stamped on Cylinder Before Ordering Parts.	
1	0961948	4	Bushing	
2	4641390	1	Cartridge, Valve - Check	
2	7017496	1	Seal Kit - 4641390 Valve	
3	1001164709	1	Cartridge, Valve - ON/OFF	
3	7017467	1	Cartridge, Valve Less Coil	
3	7012998	1	Seal Kit - 1001164709 & 7017467 Valves	
3	70002386	1	Coil	
4	1001206625	1	Cartridge, Valve - Proportional	
4	70006104	1	Cartridge, Valve Less Coil	
4	70006105	1	Seal Kit - 1001206625 & 70006104 Valves	
4	70003788	1	Coil	
4	7022390	1	Nut, Coil	
5	See Note	NSS	Barrel (Note: Use PN 1001266738)	
6	See Note	NSS	Rod (Note: Use PN 1001266738)	
7	See Note	NSS	Piston (Not Shown) (Note: Use PN 1001266738)	
8	See Note	NSS	Head (Note: Use PN 1001266738)	
50	70007901	1	Seal Kit - 1001266738 Cylinder	

# SECTION 6 - CYLINDER

## FIGURE 6-5. LIFT CYLINDER ASSEMBLY - TOWER BOOM



ART\_1001254716

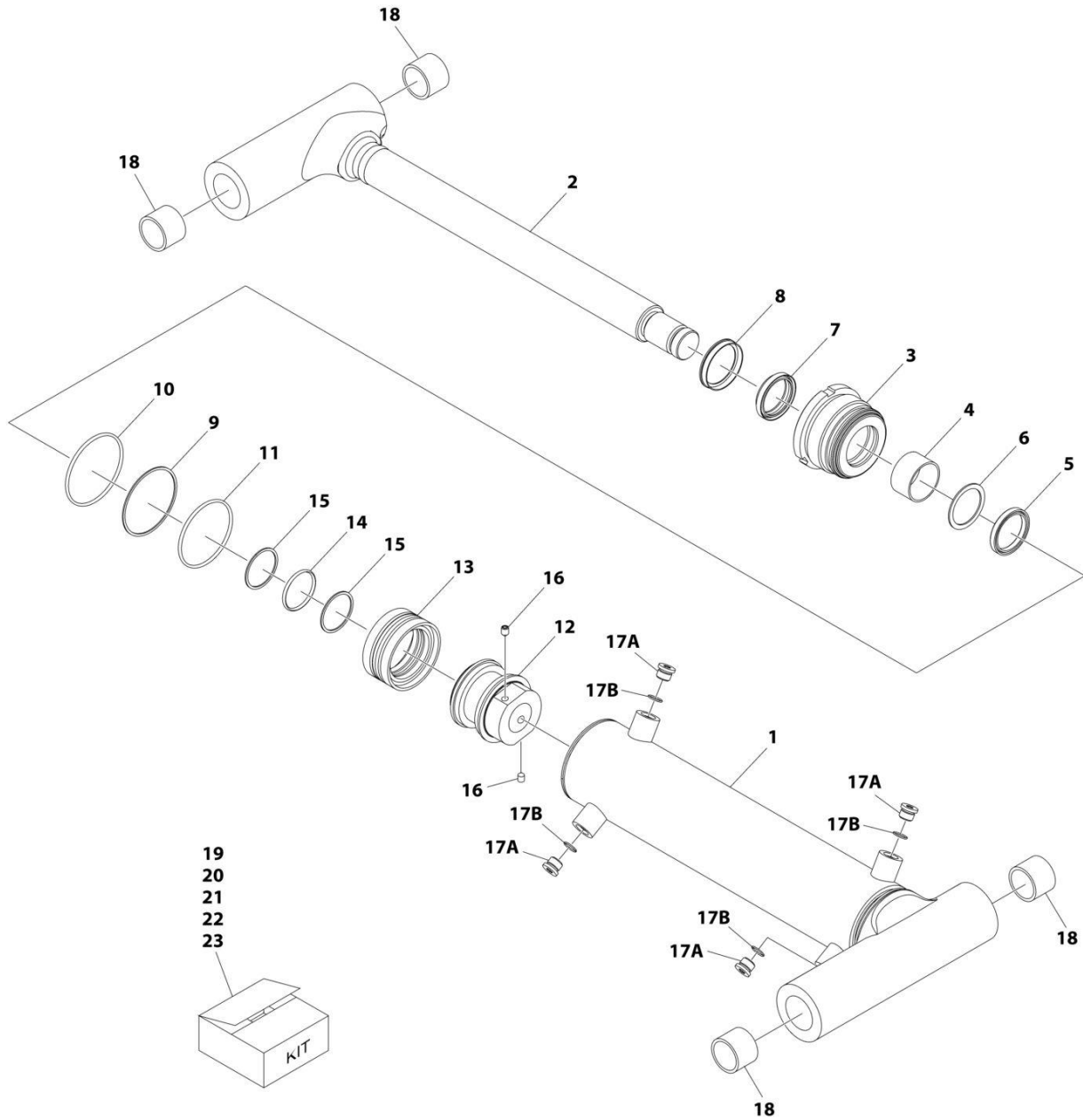
## SECTION 6 - CYLINDER

### FIGURE 6-5. LIFT CYLINDER ASSEMBLY - TOWER BOOM

ITEM	PART NUMBER	QTY	DESCRIPTION	REV
	1001254716	Ref	LIFT CYLINDER ASSEMBLY - TOWER BOOM	B
		Ref	<b>Note: Original Cylinder May Have Been Replaced with Service Replacement. Identify PN Stamped on Cylinder Before Ordering Parts.</b>	
1	See Note	NSS	Barrel (Note: Use PN 1001254716)	
2	See Note	NSS	Rod (Note: Use Item 200)	
3	See Note	NSS	Head (Note: Use Item 300)	
4	See Note	NSS	Ring, Wear (Note: Use Item 300)	
5	See Note	NSS	Seal (Note: Use Item 400)	
6	See Note	NSS	Ring, Back-up (Note: Use Item 400)	
7	See Note	NSS	Wiper (Note: Use Item 400)	
8	See Note	NSS	Ring, Retaining (Note: Use Item 400)	
9	See Note	NSS	O-Ring (Note: Use Item 400)	
10	See Note	NSS	Ring, Back-up (Note: Use Item 400)	
11	See Note	NSS	O-Ring (Note: Use Item 400)	
12	See Note	NSS	Piston (Note: Use Item 500)	
13	See Note	NSS	Seal (Note: Use Item 400)	
14	See Note	NSS	O-Ring (Note: Use Item 400)	
15	See Note	NSS	Ring, Back-up (Note: Use Item 400)	
16	See Note	NSS	Set Screw (Note: Use Item 500)	
17	4641390	1	Cartridge, Counterbalance Valve	
17	7017496	1	Seal Kit - 4641390 Valve	
18	1001164709	1	Cartridge, Solenoid Valve	
18	7012967	1	Seal Kit - 1001164709 Valve	
18	70002386	1	Coil	
19	1001166208	1	Cartridge, Solenoid Valve	
19	7012967	1	Seal Kit - 1001166208 Valve	
19	70002386	1	Coil	
20	See Note	NSS	Orifice (Note: Use PN 1001254716)	
21	See Note	NSS	Orifice (Note: Use PN 1001254716)	
22A	See Note	NSS	Plug (Note: Use Item 600)	
22B	See Note	NSS	O-Ring (Note: Use Item 600)	
23A	See Note	NSS	Plug (Note: Use Item 600)	
23B	See Note	NSS	O-Ring (Note: Use Item 600)	
24A	See Note	NSS	Plug (Note: Use Item 600)	
24B	See Note	NSS	O-Ring (Note: Use Item 600)	
25	See Note	NSS	Dust Cap (Note: Shipping Use Only)	
26	See Note	NSS	Dust Cap (Note: Shipping Use Only)	
27	0961948	2	Bushing (Note: Use Item 200)	
200	70007886	1	Rod Kit (Includes Items 2 & 27)	
300	70007887	1	Head Kit (Includes Items 3 & 4)	
400	70007888	1	Seal Kit (Includes Items 5-11 & 13-15)	
500	70007889	1	Piston Kit (Includes Items 12 & 16)	
600	70007890	1	Plug Kit (Includes Items 22A-24B)	

# SECTION 6 - CYLINDER

## FIGURE 6-6. MASTER CYLINDER ASSEMBLY



ART\_1001253628



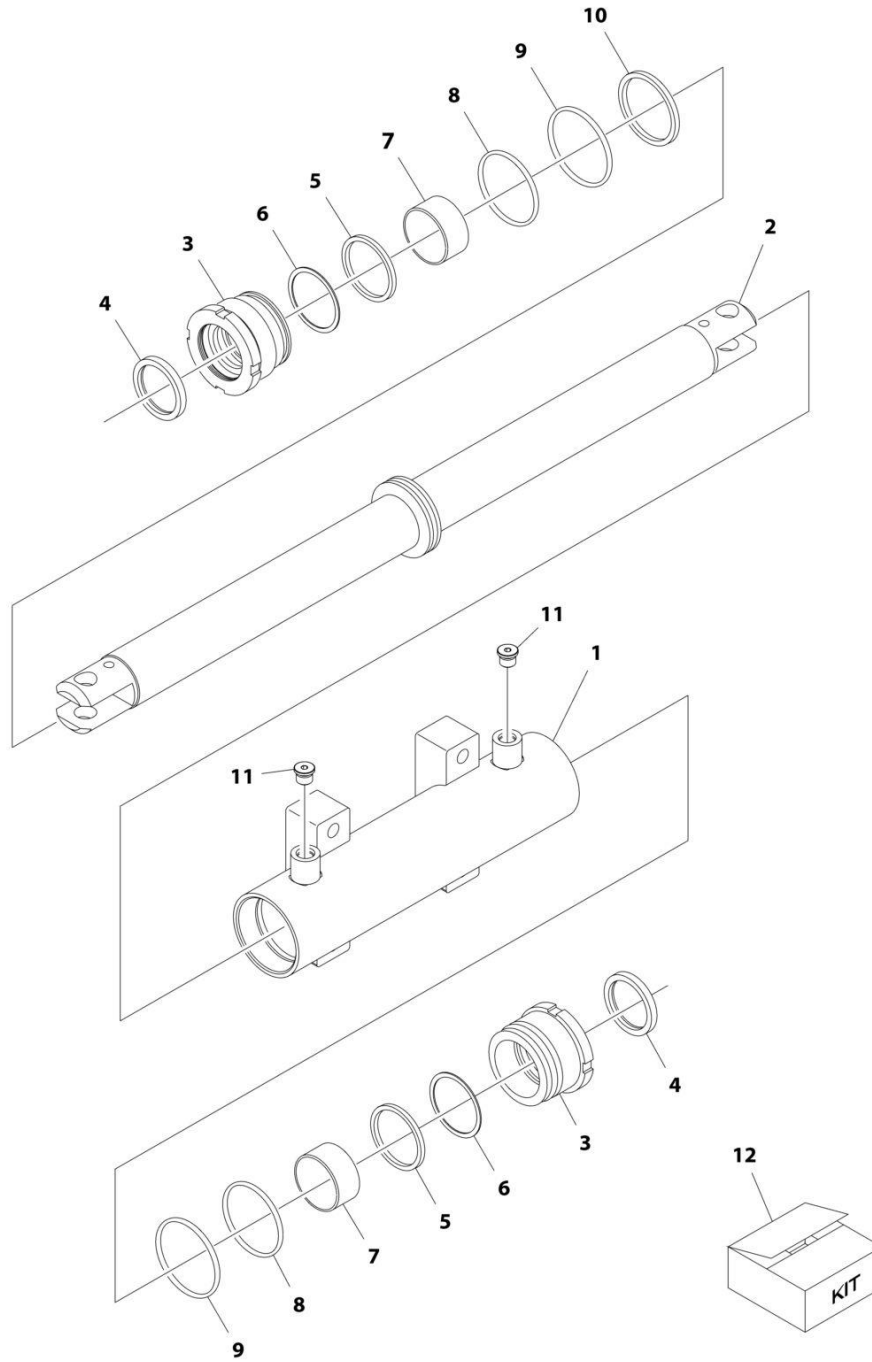
## SECTION 6 - CYLINDER

### FIGURE 6-6. MASTER CYLINDER ASSEMBLY

ITEM	PART NUMBER	QTY	DESCRIPTION	REV
	1001253628	Ref	MASTER CYLINDER ASSEMBLY	A
		Ref	Note: Original Cylinder May Have Been Replaced with Service Replacement. Identify PN Stamped on Cylinder Before Ordering Parts.	
1	See Note	NSS	Tube (Note: Not Available for Purchase)	
2	See Note	NSS	Rod (Note: Use Item 19)	
3	See Note	NSS	Cover, Rod (Note: Use Item 19)	
4	See Note	NSS	Bushing, Rod (Note: Use Item 20)	
5	See Note	NSS	U-Packing (Note: Use Item 21)	
6	See Note	NSS	Ring, Backup (Note: Use Item 21)	
7	See Note	NSS	Wiper, Dust (Note: Use Item 21)	
8	See Note	NSS	Ring, Retaining (Note: Use Item 21)	
9	See Note	NSS	O-Ring (Note: Use Item 21)	
10	See Note	NSS	Ring, Backup (Note: Use Item 21)	
11	See Note	NSS	O-Ring (Note: Use Item 21)	
12	See Note	NSS	Piston (Note: Use Item 22)	
13	See Note	NSS	Seal, Compact (Note: Use Item 21)	
14	See Note	NSS	O-Ring (Note: Use Item 21)	
15	See Note	NSS	Ring, Backup (Note: Use Item 21)	
16	See Note	NSS	Setscrew (Note: Use Item 22)	
17A	See Note	NSS	Plug (Note: Use Item 23)	
17B	See Note	NSS	O-Ring (Note: Use Item 23)	
18	See Note	NSS	Bushing (Note: Use Item 19)	
19	70008237	1	Rod Assembly Kit (Includes Items 2 & 18)	
20	70008238	1	Rod Cover Kit (Includes Items 3 & 4)	
21	70008239	1	Seal Kit (Includes Items 5-11 & 13-15)	
22	70008240	1	Piston Kit (Includes Items 12 & 16)	
23	70008241	1	Plug Kit (Includes Items 17A & 17B)	

# SECTION 6 - CYLINDER

## FIGURE 6-7. STEER CYLINDER ASSEMBLY



ART\_1001163178

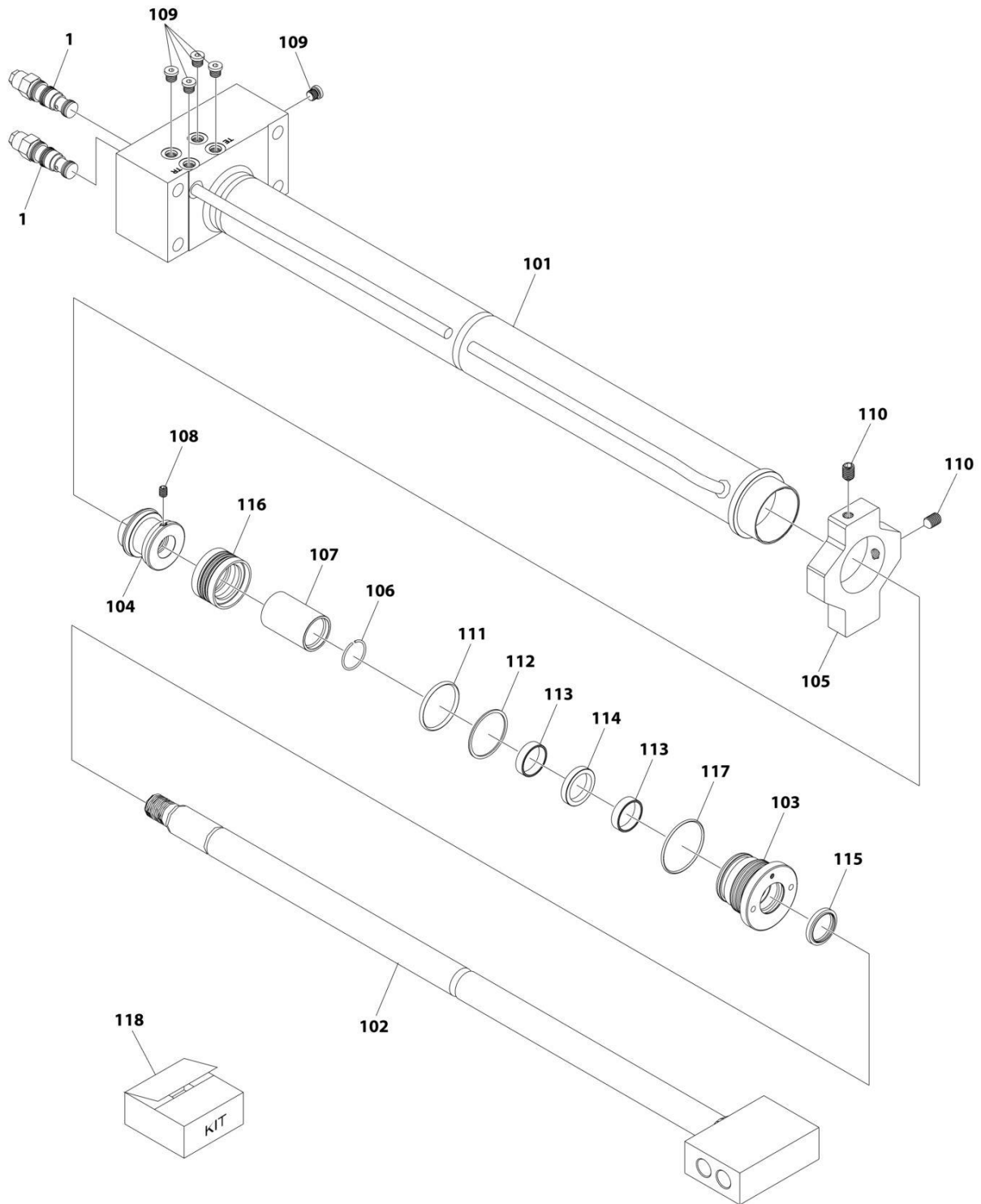
## SECTION 6 - CYLINDER

**FIGURE 6-7. STEER CYLINDER ASSEMBLY**

ITEM	PART NUMBER	QTY	DESCRIPTION	REV
	1001163178	Ref	STEER CYLINDER ASSEMBLY	E
		Ref	Note: Original Cylinder May Have Been Replaced with Service Replacement. Identify PN Stamped on Cylinder Before Ordering Parts.	
1	70005150	1	Barrel	
2	70005151	1	Rod	
3	70005152	2	Head	
4	See Note	NSS	Wiper (Note: Use Item 12)	
5	See Note	NSS	Seal, Rod (Note: Use Item 12)	
6	See Note	NSS	Ring, Back-up (Note: Use Item 12)	
7	70005153	2	Bearing, Dry	
8	See Note	NSS	O-Ring (Note: Use Item 12)	
9	See Note	NSS	O-Ring (Note: Use Item 12)	
10	See Note	NSS	Seal, Piston (Note: Use Item 12)	
11	See Note	2	Plug 9/16 (Note: Not Available for Purchase)	
12	70005154	1	Seal Kit - 1001163178 Cylinder (Includes Items 4-6 & 8-10)	

# SECTION 6 - CYLINDER

## FIGURE 6-8. TELESCOPE CYLINDER ASSEMBLY



ART\_1001266711

## SECTION 6 - CYLINDER

**FIGURE 6-8. TELESCOPE CYLINDER ASSEMBLY**

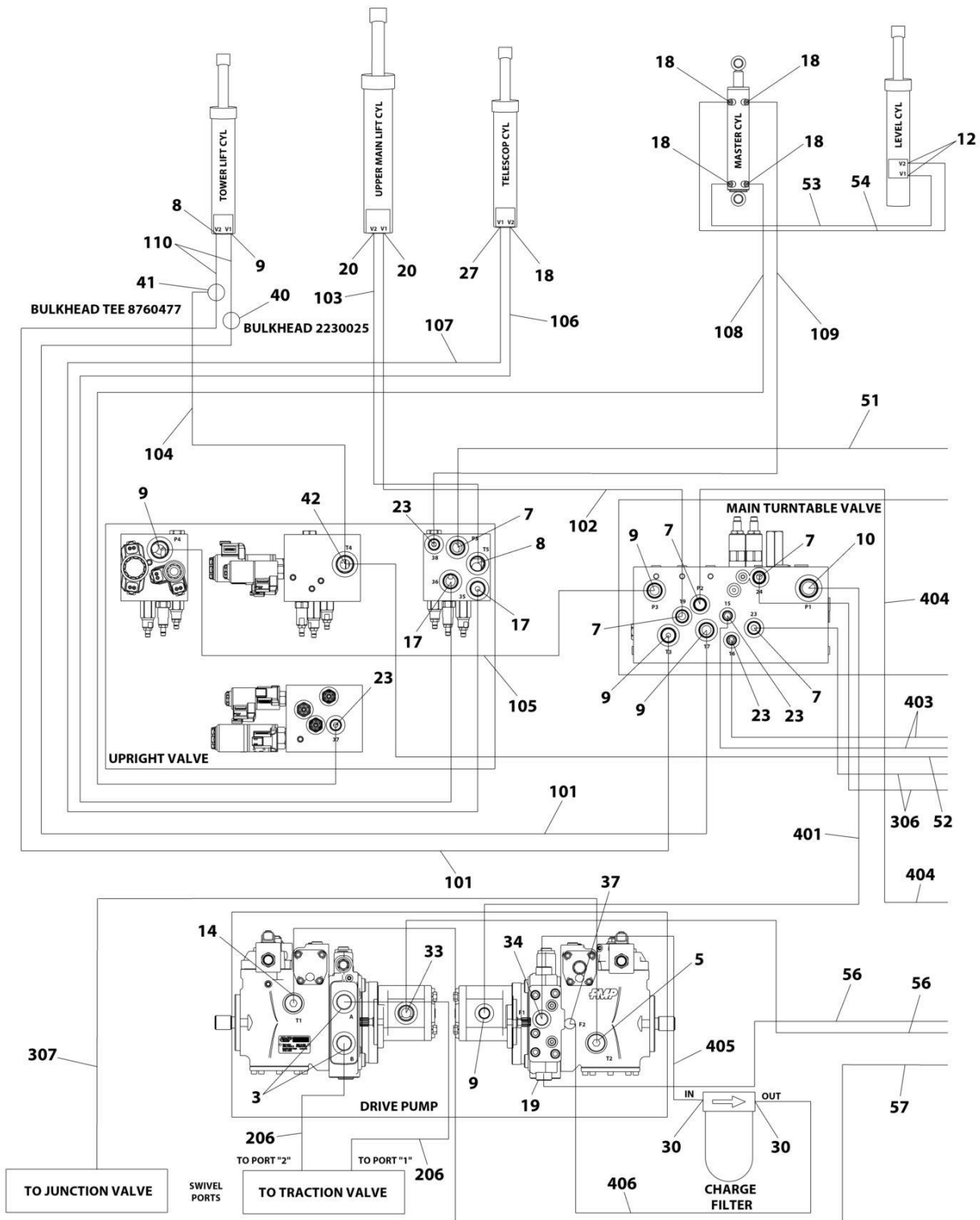
ITEM	PART NUMBER	QTY	DESCRIPTION	REV
	1001266711	Ref	TELESCOPE CYLINDER ASSEMBLY	B
		Ref	Note: Original Cylinder May Have Been Replaced with Service Replacement. Identify PN Stamped on Cylinder Before Ordering Parts.	
1	4640771	2	Valve, Motor Control	
1	2900770	2	Seal Kit - 4640771 Valve	
101	See Note	NSS	Barrel (Note: Not Available for Purchase)	
102	See Note	NSS	Rod (Note: Not Available for Purchase)	
103	70008135	1	Head	
104	70008136	1	Piston	
105	70008137	1	Mount	
106	70008138	1	Ring, Wire	
107	70008139	1	Spacer	
108	70027088	1	Setscrew	
109	70025619	5	Plug	
110	70008140	2	Setscrew	
111	See Note	NSS	O-Ring (Note: Use Item 118)	
112	See Note	NSS	Ring, Backup (Note: Use Item 118)	
113	See Note	NSS	Ring (Note: Use Item 118)	
114	See Note	NSS	Seal, Head (Note: Use Item 118)	
115	See Note	NSS	Seal, Wiper (Note: Use Item 118)	
116	See Note	NSS	Seal (Note: Use Item 118)	
117	See Note	NSS	O-Ring (Note: Use Item 118)	
118	70008141	1	Seal Kit (Includes Items 111-117)	



**SECTION 7 - HYDRAULIC**

# SECTION 7 - HYDRAULIC

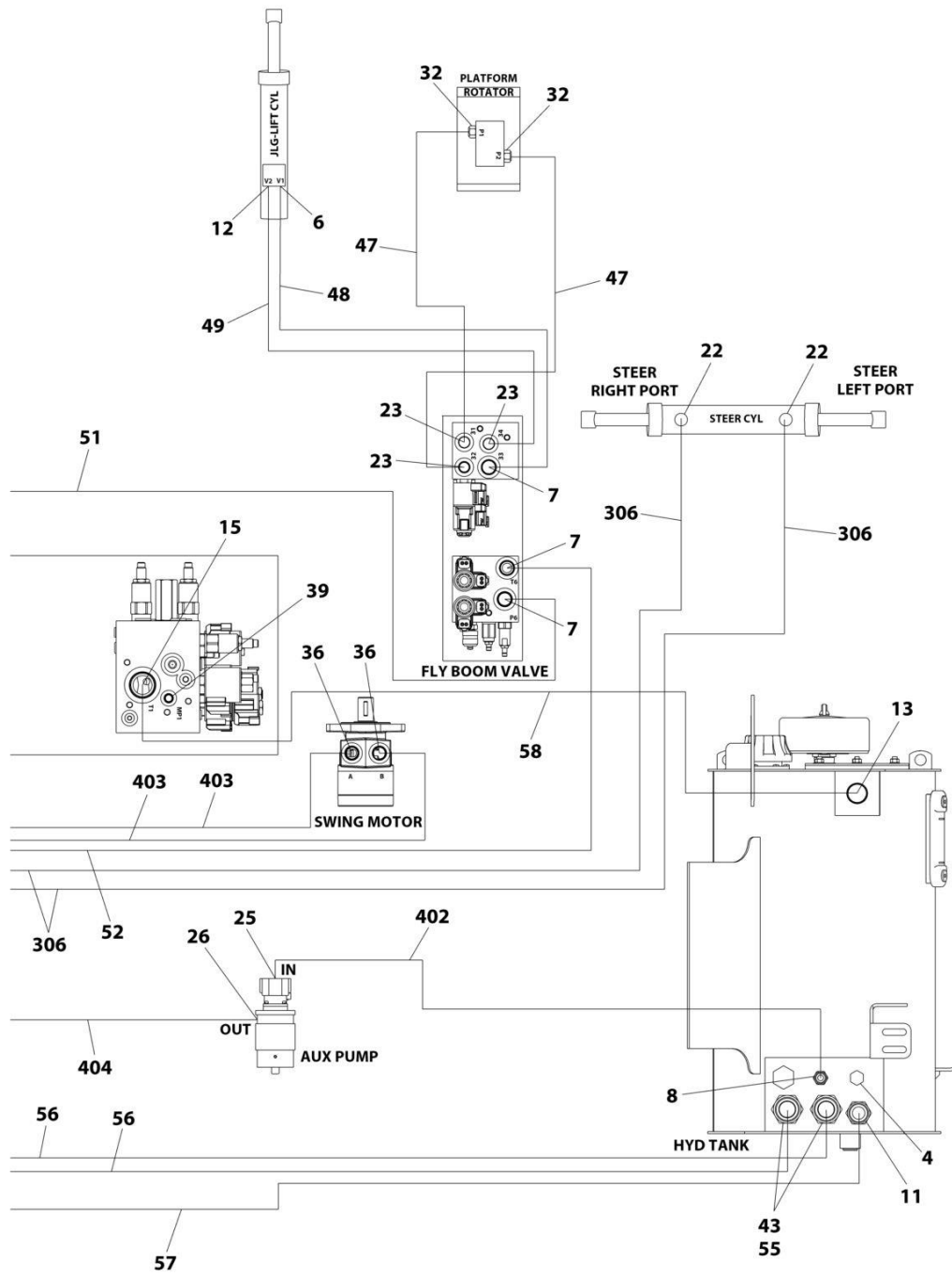
## FIGURE 7-1. HYDRAULIC SYSTEM INSTALLATION



ART\_1001301530\_10F4

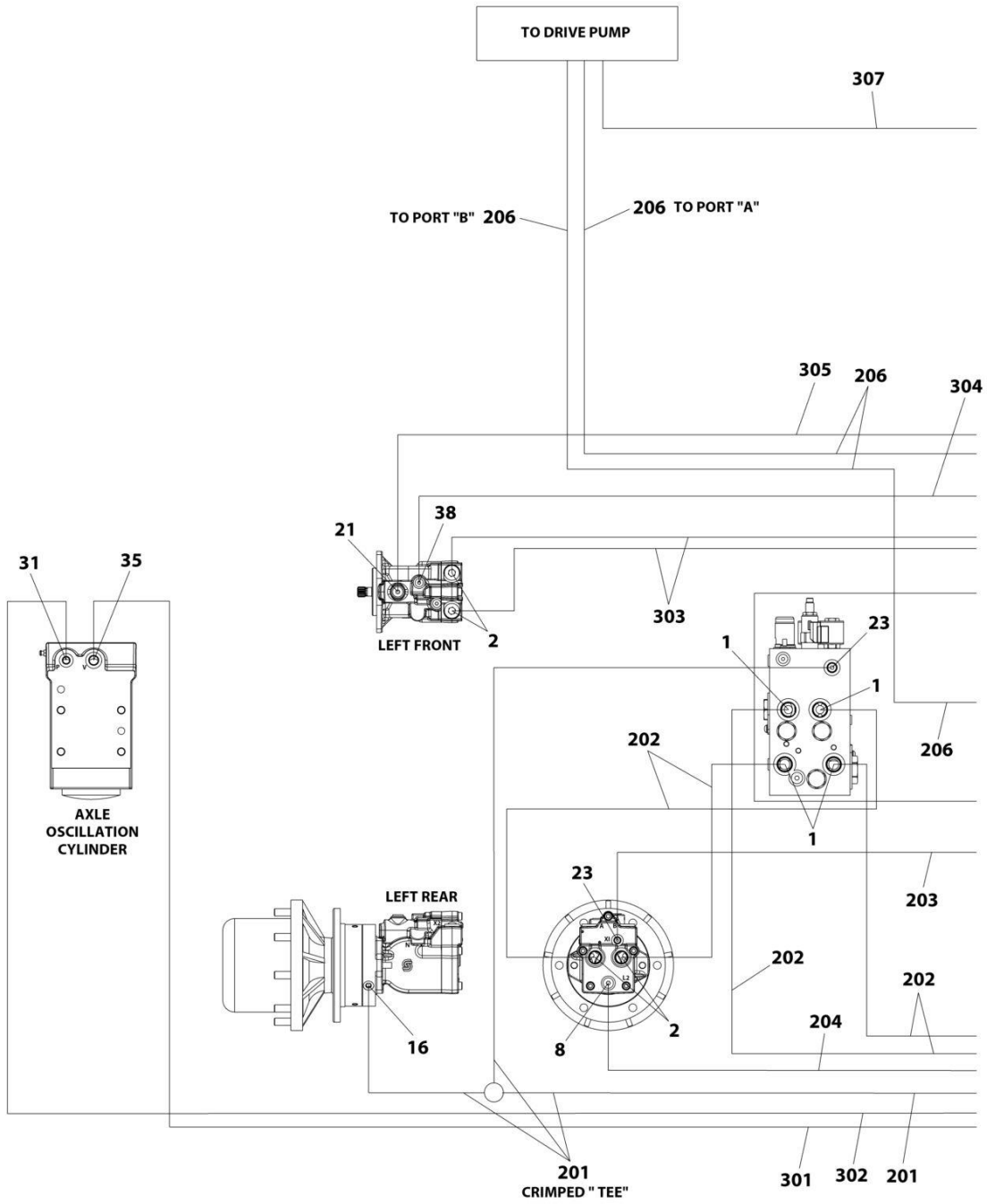


# SECTION 7 - HYDRAULIC



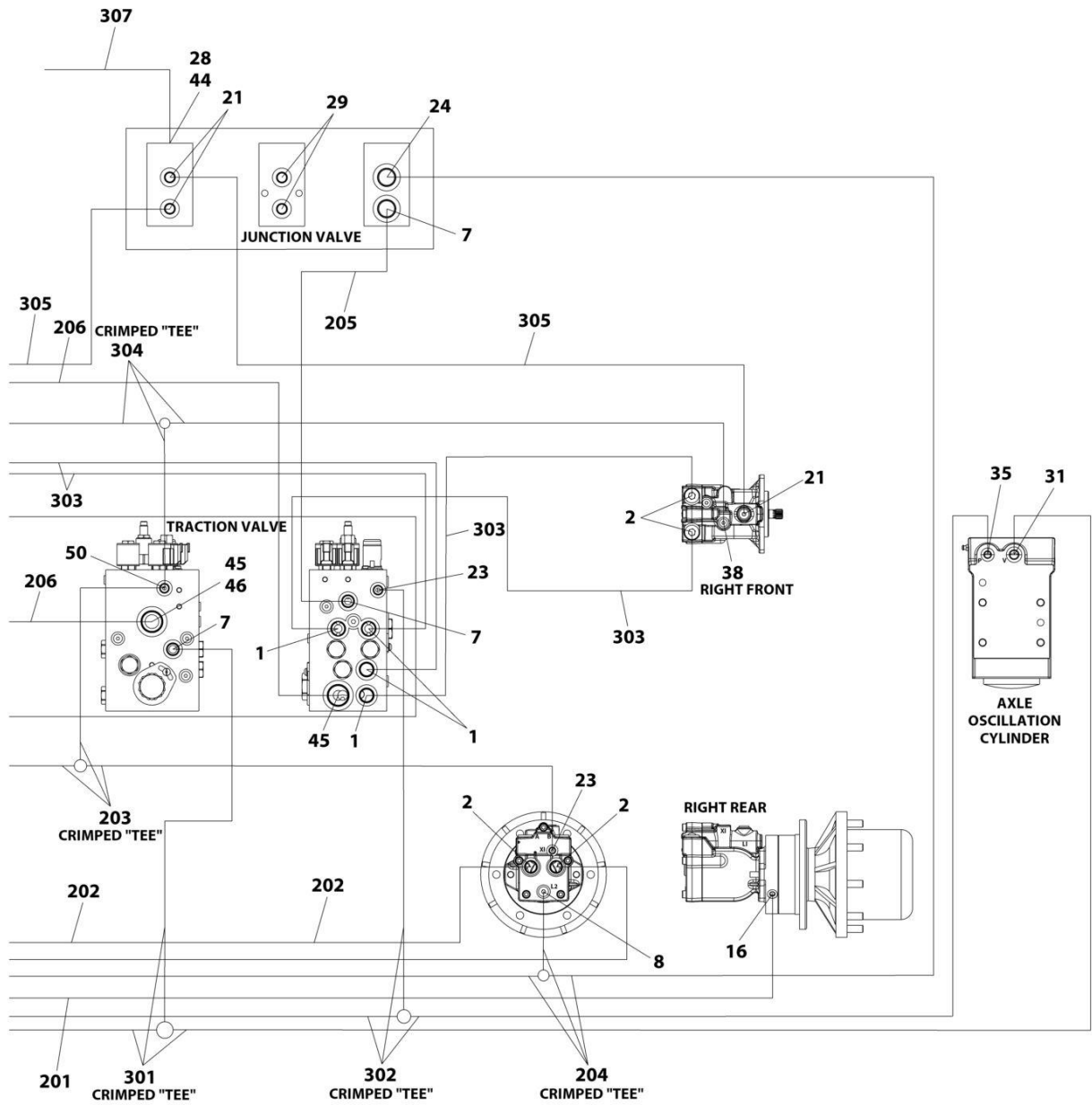
ART\_1001301530\_2OF4

# SECTION 7 - HYDRAULIC



ART\_1001301530\_30F4

# SECTION 7 - HYDRAULIC



ART\_1001301530\_40F4

# SECTION 7 - HYDRAULIC

## FIGURE 7-1. HYDRAULIC SYSTEM INSTALLATION

ITEM	PART NUMBER	QTY	DESCRIPTION	REV
	1001301530	Ref	HYDRAULIC SYSTEM INSTALLATION	A
1	2110810	8	Fitting, Straight ORFS/ORB	
2	2110812	8	Fitting, Straight ORFS/ORB	
3	2131212	2	Fitting, 90 ORFS/ORB	
4	2220238	1	Fitting, Plug ORB	
5	2220366	1	Fitting, 90 JIC/ORB	
6	2220371	1	Fitting, Straight JIC/ORB	
7	2220372	11	Fitting, Straight JIC/ORB	
8	2220373	5	Fitting, Straight JIC/ORB	
9	2220374	6	Fitting, Straight JIC/ORB	
10	2220375	1	Fitting, Straight JIC/ORB	
11	2220377	1	Fitting, Straight JIC/ORB	
12	2220415	3	Fitting, Straight JIC/ORB	
13	2220435	1	Fitting, Straight JIC/ORB	
14	2220451	1	Fitting, Straight JIC/ORB	
15	2220465	1	Fitting, 90 JIC/ORB	
16	2220466	2	Fitting, 90 JIC/ORB	
17	2220468	2	Fitting, Straight JIC/ORB	
18	2220472	5	Fitting, 90 JIC/ORB	
19	2220479	1	Fitting, Straight JIC/ORB	
20	2220497	2	Fitting, Straight JIC/ORB	
21	2220500	4	Fitting, 45 JIC/ORB	
22	2220501	2	Fitting, 45 JIC/ORB	
23	2220582	11	Fitting, Straight JIC/ORB	
24	2220596	1	Fitting, 90 JIC/ORB	
25	2220600	1	Fitting, Straight JIC/ORB	
26	2220603	1	Fitting, Straight JIC/ORB	
27	2220628	1	Fitting, 90 JIC/ORB	
28	2220811	1	Fitting, Straight FORB/ORB	
29	2220883	2	O-Ring	
30	2220906	2	Fitting, 90 JIC/ORB	
31	2220923	2	Fitting, Straight JIC/ORB	
32	2220940	2	Fitting, 90 JIC/ORB	
33	2220946	1	Fitting, Straight JIC/ORB	
34	2220947	1	Fitting, Straight JIC/ORB	
35	2220998	2	Fitting, Straight JIC/ORB	
36	2221033	2	Fitting, Straight JIC/ORB	
37	2221036	1	Fitting, 90 JIC/ORB	
38	2221040	2	Fitting, 45 JIC/ORB	
39	2221086	1	Fitting, Diagnostic	
40	2230025	1	Fitting, Straight JIC/JIC	
41	8760477	1	Fitting, Tee JIC/JIC/JIC	
42	8770289	1	Fitting, Tee JIC/ORB/JIC	
43	80633030	2	Clamp	
44	1001119627	1	Fitting, Straight JIC/ORB	
45	1001142679	2	Fitting, Straight ORFS/ORB	
46	1001143936	1	Fitting, 90 FORB/ORB	
47	1001173046	2	Hose	
48	1001173048	1	Hose	
49	1001173049	1	Hose	

## SECTION 7 - HYDRAULIC

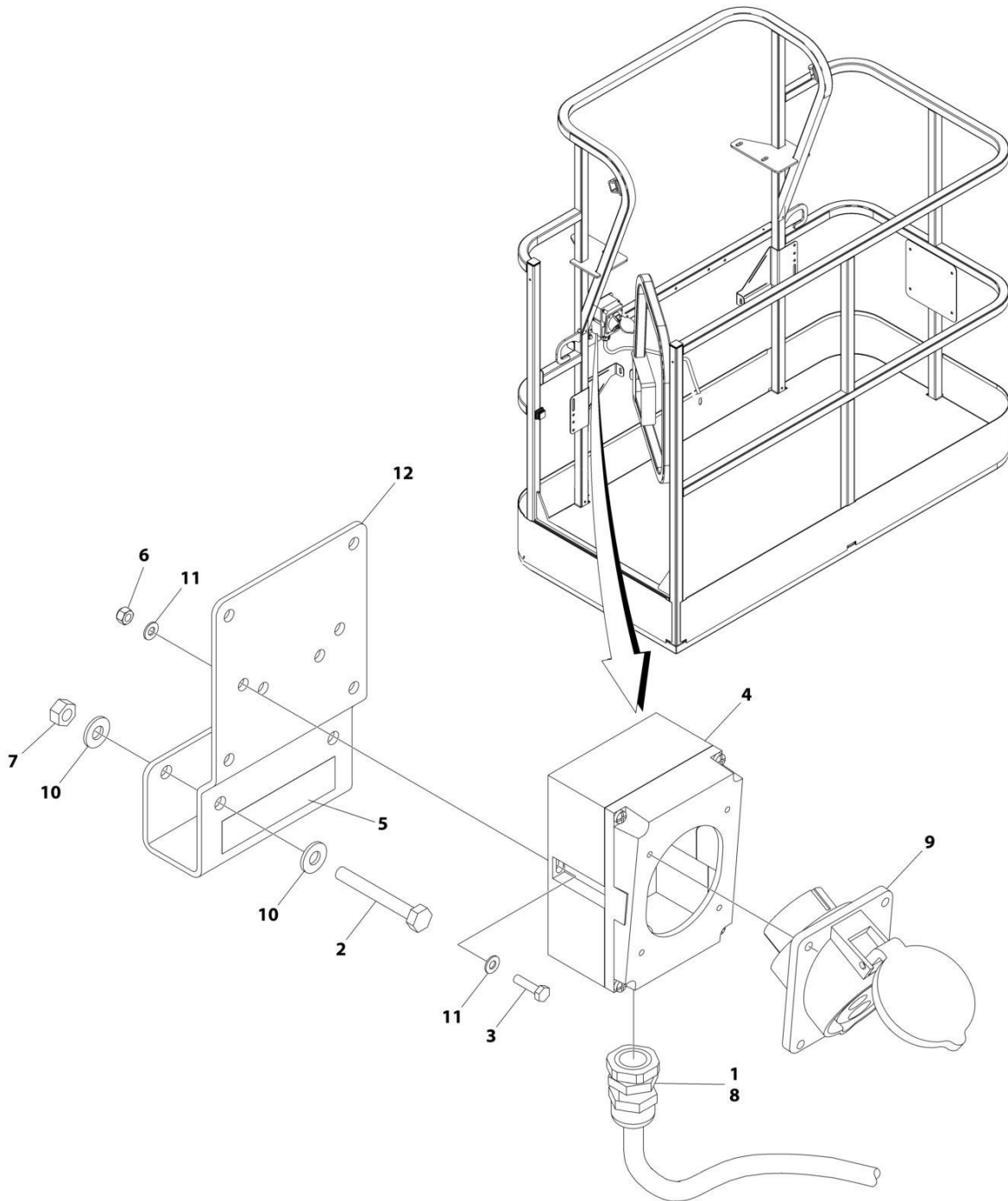
ITEM	PART NUMBER	QTY	DESCRIPTION	REV
50	1001175024	1	Fitting, Tee JIC/JIC/ORB	
51	1001176299	1	Hose	
52	1001176300	1	Hose	
53	1001176301	1	Hose	
54	1001176302	1	Hose	
55	1001202910	2	Fitting, Straight MORB	
56	1001207335	2	Hose	
57	1001207336	1	Hose	
58	1001210356	1	Tube	
100	1001194424	1	Hose Kit - Lower Boom (Not Shown)	
101	1001173006	2	Hose	
102	1001173034	1	Hose	
103	1001173035	1	Hose	
104	1001173036	1	Hose	
105	1001173037	1	Hose	
106	1001173038	1	Hose	
107	1001173039	1	Hose	
108	1001173042	1	Hose	
109	1001173043	1	Hose	
110	1001180035	2	Hose	
200	1001300961	1	Hose Kit - Rear (Not Shown)	
201	1001173052	1	Hose	
202	1001173059	4	Hose	
203	1001173061	1	Hose	
204	1001173063	1	Hose	
205	1001197039	1	Hose	
206	1001300956	2	Hose	
300	1001300962	1	Hose Kit - Front (Not Shown)	
301	1001173053	1	Hose	
302	1001173054	1	Hose	
303	1001173055	4	Hose	
304	1001173056	1	Hose	
305	1001173057	2	Hose	
306	1001173058	2	Hose	
307	1001300957	1	Hose	
400	1001300963	1	Hose Kit - Turntable (Not Shown)	
401	2752504	1	Hose	
402	2752519	1	Hose	
403	1001173027	2	Hose	
404	1001173028	1	Hose	
405	1001300958	1	Hose	
406	1001300959	1	Hose	



**SECTION 8 - ELECTRICAL**

# SECTION 8 - ELECTRICAL

FIGURE 8-1. AC BOX AT PLATFORM INSTALLATION - 110V IEC YELLOW (CE, CIS/EAC & UK CA SPECS WITH 4000W/50HZ GENERATOR)



ART\_1001194203



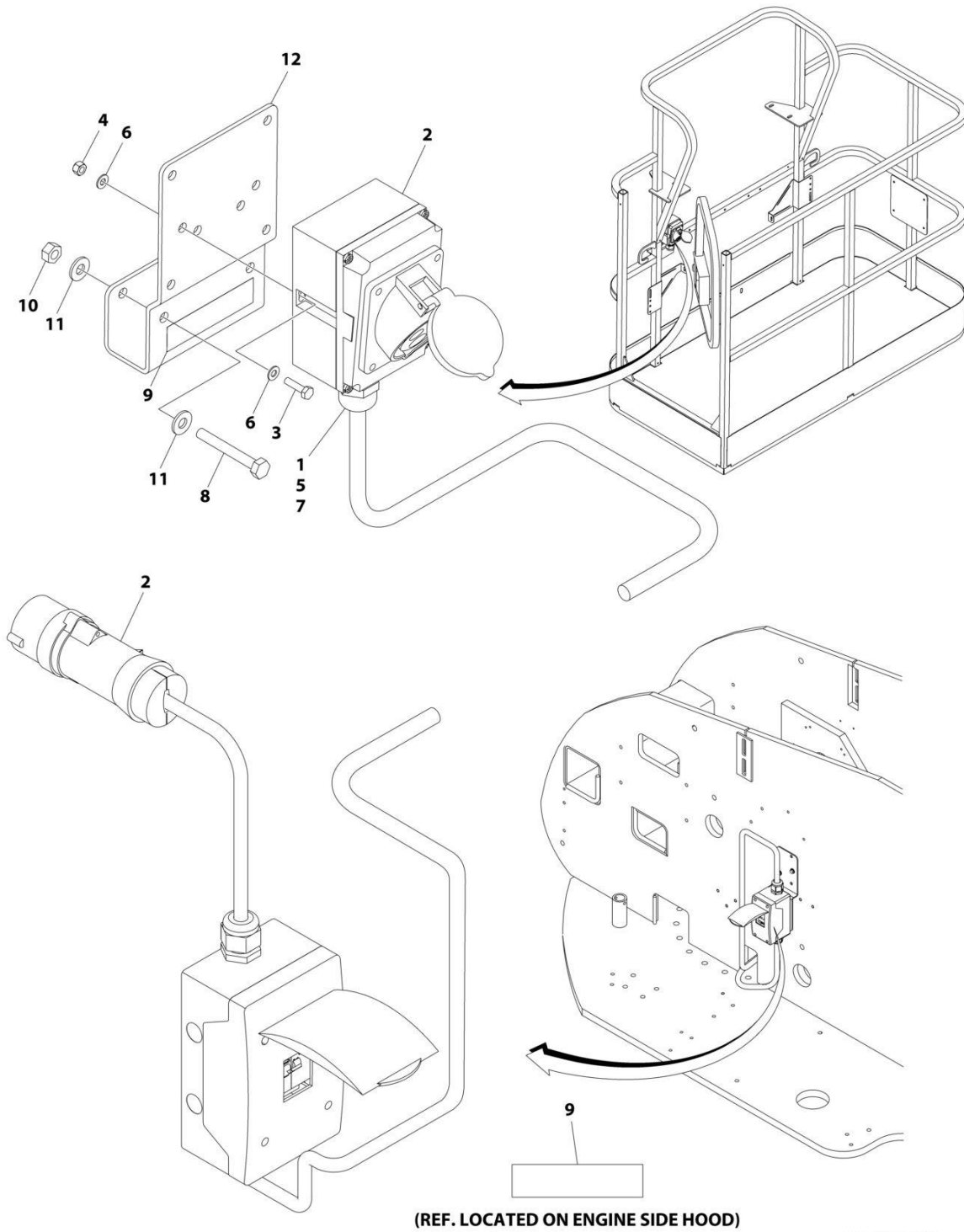
## SECTION 8 - ELECTRICAL

**FIGURE 8-1. AC BOX AT PLATFORM INSTALLATION - 110V IEC YELLOW (CE, CIS/EAC & UK CA SPECS WITH 4000W/50HZ GENERATOR)**

ITEM	PART NUMBER	QTY	DESCRIPTION	REV
	1001194203	Ref	AC BOX AT PLATFORM INSTALLATION	B
1	0100020	AR	Sealant, Pipe	
2	0641416	2	Bolt 1/4 x 2	
3	0700408	2	Bolt M4 x 16	
4	0861781	1	Box, Switch	
5	1705325	1	Decal - 110V	
6	3290405	2	Nut M4	
7	3311405	2	Nut 1/4	
8	4460968	1	Connector, Strain Relief	
9	4461198	1	Receptacle	
10	4711400	4	Washer 1/4	
11	4811400	4	Washer M4	
12	1001193018	1	Bracket, AC Receptacle	

# SECTION 8 - ELECTRICAL

FIGURE 8-2. AC BOX AT PLATFORM INSTALLATION - 110V IEC 60309 YELLOW WITHOUT 2500W GENERATOR (CE, CIS/EAC & UK CA SPECS)



ART\_1001091969

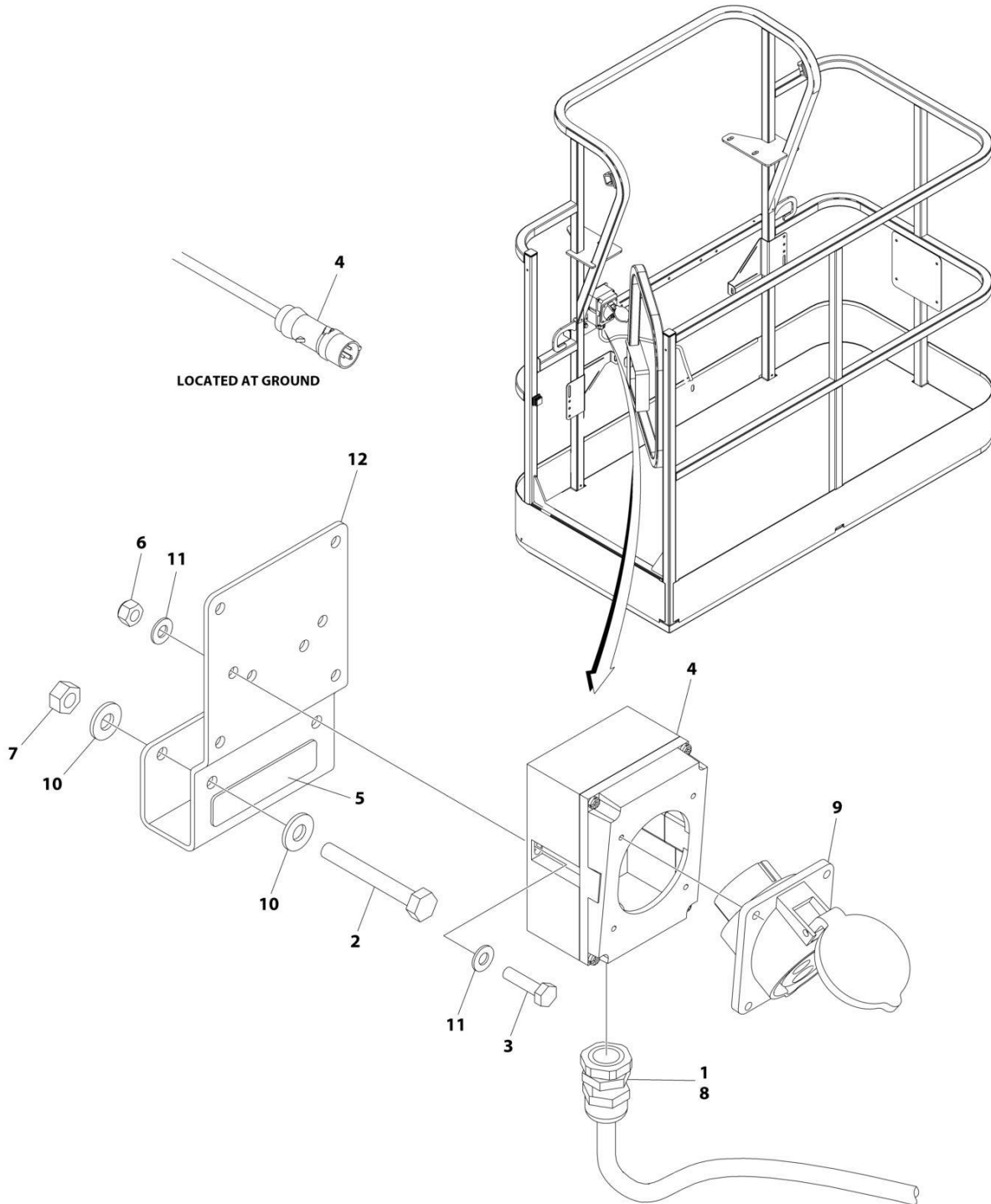
## SECTION 8 - ELECTRICAL

**FIGURE 8-2. AC BOX AT PLATFORM INSTALLATION - 110V IEC 60309 YELLOW WITHOUT 2500W GENERATOR (CE, CIS/EAC & UK CA SPECS)**

ITEM	PART NUMBER	QTY	DESCRIPTION	REV
	1001091969	Ref	AC BOX AT PLATFORM INSTALLATION - 110V IEC YELLOW	D
1	0100020	AR	Sealant, Pipe	
2	0275216	1	Receptacle Box Kit (See Separate Breakdown in this Section)	
3	0700408	2	Bolt M4 x 16	
4	3290405	2	Nut M4	
5	1001101196	1	Adapter	
6	4811400	4	Washer M4	
7	1001101191	1	Connector, Strain Relief	
8	0641416	2	Bolt 1/4 x 2	
9	1705325	2	Decal - 110V	
10	3311405	2	Nut 1/4	
11	4711400	4	Washer 1/4	
12	1001193018	1	Bracket	

# SECTION 8 - ELECTRICAL

FIGURE 8-3. AC BOX AT PLATFORM INSTALLATION - 220V IEC BLUE (CE, CIS/EAC & UK CA SPECS WITH 4000W/50HZ GENERATOR)



ART\_1001194204

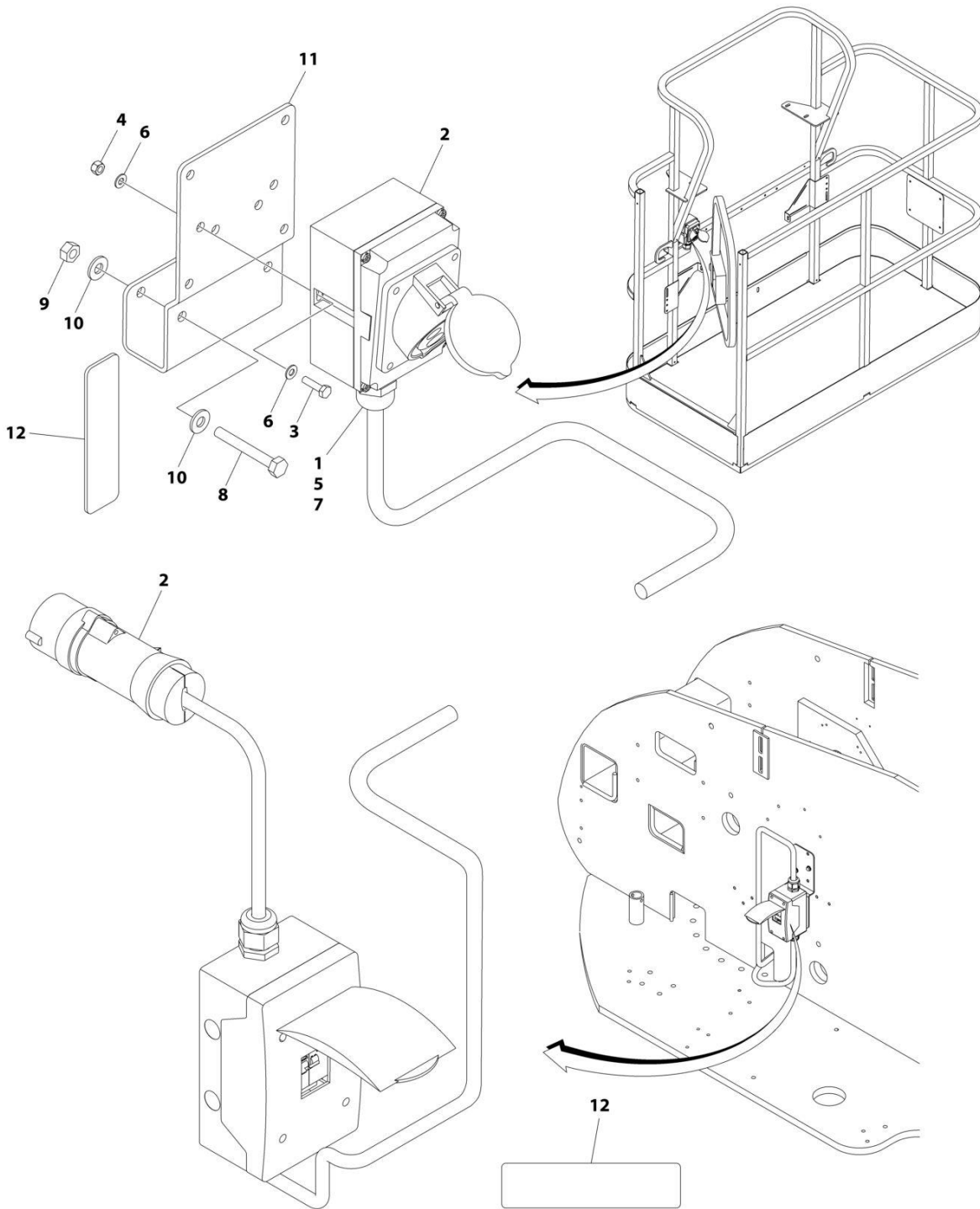
## SECTION 8 - ELECTRICAL

**FIGURE 8-3. AC BOX AT PLATFORM INSTALLATION - 220V IEC BLUE (CE, CIS/EAC & UK CA SPECS WITH 4000W/50HZ GENERATOR)**

ITEM	PART NUMBER	QTY	DESCRIPTION	REV
	1001194204	Ref	AC BOX AT PLATFORM INSTALLATION	B
1	0100020	AR	Sealant, Pipe	
2	0641416	2	Bolt 1/4 x 2	
3	0700408	2	Bolt M4 x 16	
4	0861781	1	Box, Switch	
5	3251242	1	Decal - 240V/50Hz	
6	3290405	2	Nut M4	
7	3311405	2	Nut 1/4	
8	4460968	1	Connector, Strain Relief	
9	4461201	1	Receptacle	
10	4711400	4	Washer 1/4	
11	4811400	4	Washer M4	
12	1001193018	1	Bracket, AC Receptacle	

# SECTION 8 - ELECTRICAL

**FIGURE 8-4. AC BOX AT PLATFORM INSTALLATION - 220V IEC 60309 BLUE WITHOUT 2500W GENERATOR (CE, CIS/EAC & UK CA SPECS)**



(REF. LOCATED ON ENGINE SIDE HOOD)

ART\_1001091970

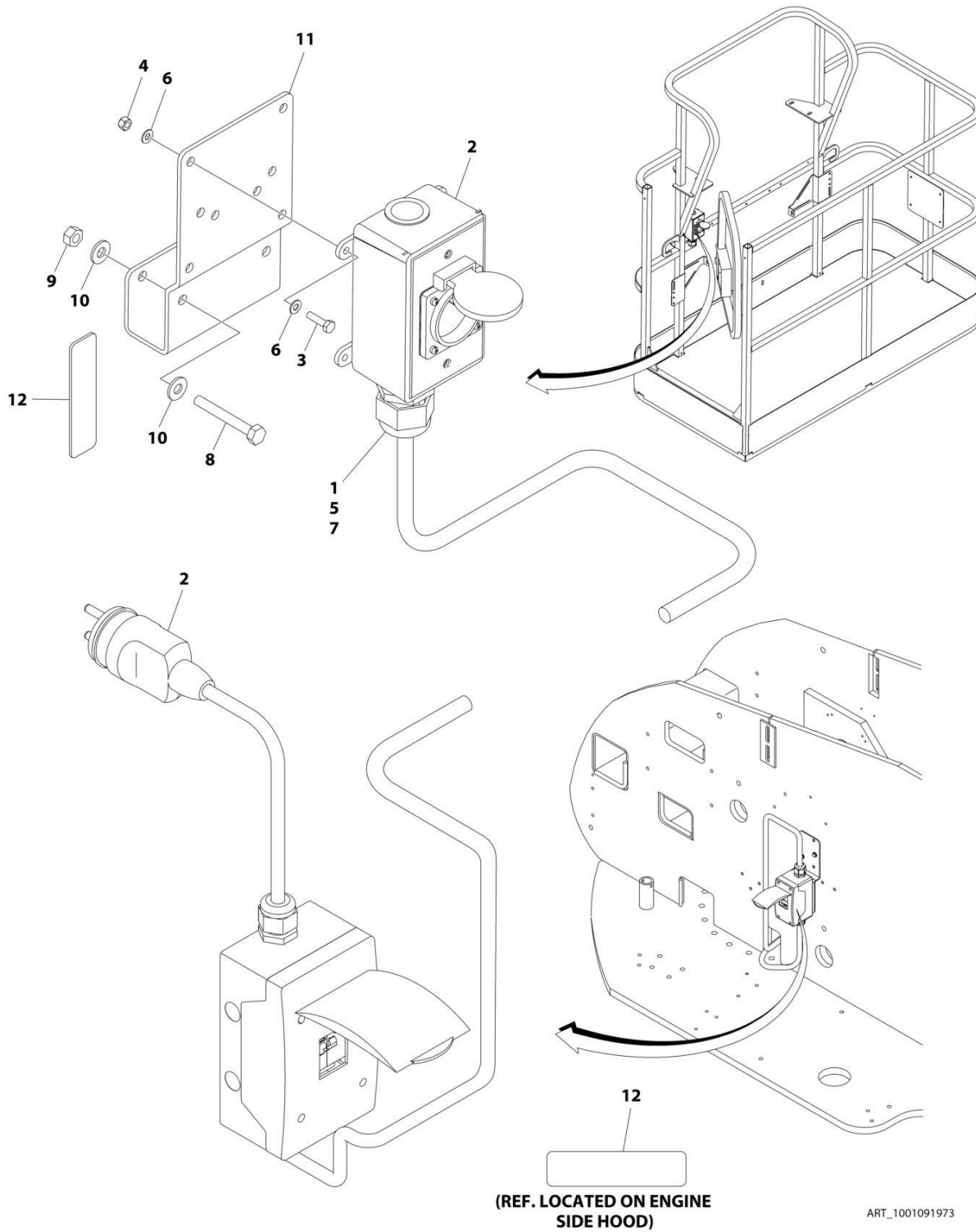
## SECTION 8 - ELECTRICAL

**FIGURE 8-4. AC BOX AT PLATFORM INSTALLATION - 220V IEC 60309 BLUE WITHOUT 2500W GENERATOR (CE, CIS/EAC & UK CA SPECS)**

ITEM	PART NUMBER	QTY	DESCRIPTION	REV
	1001091970	Ref	AC BOX AT PLATFORM INSTALLATION - 220V IEC BLUE	D
1	0100020	AR	Sealant, Pipe	
2	0275217	1	Receptacle Box Kit (See Separate Breakdown in this Section)	
3	0700408	2	Bolt M4 x 16	
4	3290405	2	Nut M4	
5	1001101196	1	Adapter	
6	4811400	4	Washer M4	
7	1001101191	1	Connector, Strain Relief	
8	0641416	2	Bolt 1/4 x 2	
9	3311405	2	Nut 1/4	
10	4711400	4	Washer 1/4	
11	1001193018	1	Bracket	
12	3251242	2	Decal - 240V/50Hz	

# SECTION 8 - ELECTRICAL

**FIGURE 8-5. AC BOX AT PLATFORM INSTALLATION - 220V CEE7 POST GROUND (2X4 BOX)  
WITHOUT 2500W GENERATOR (CE, CIS/EAC & UK CA SPECS)**





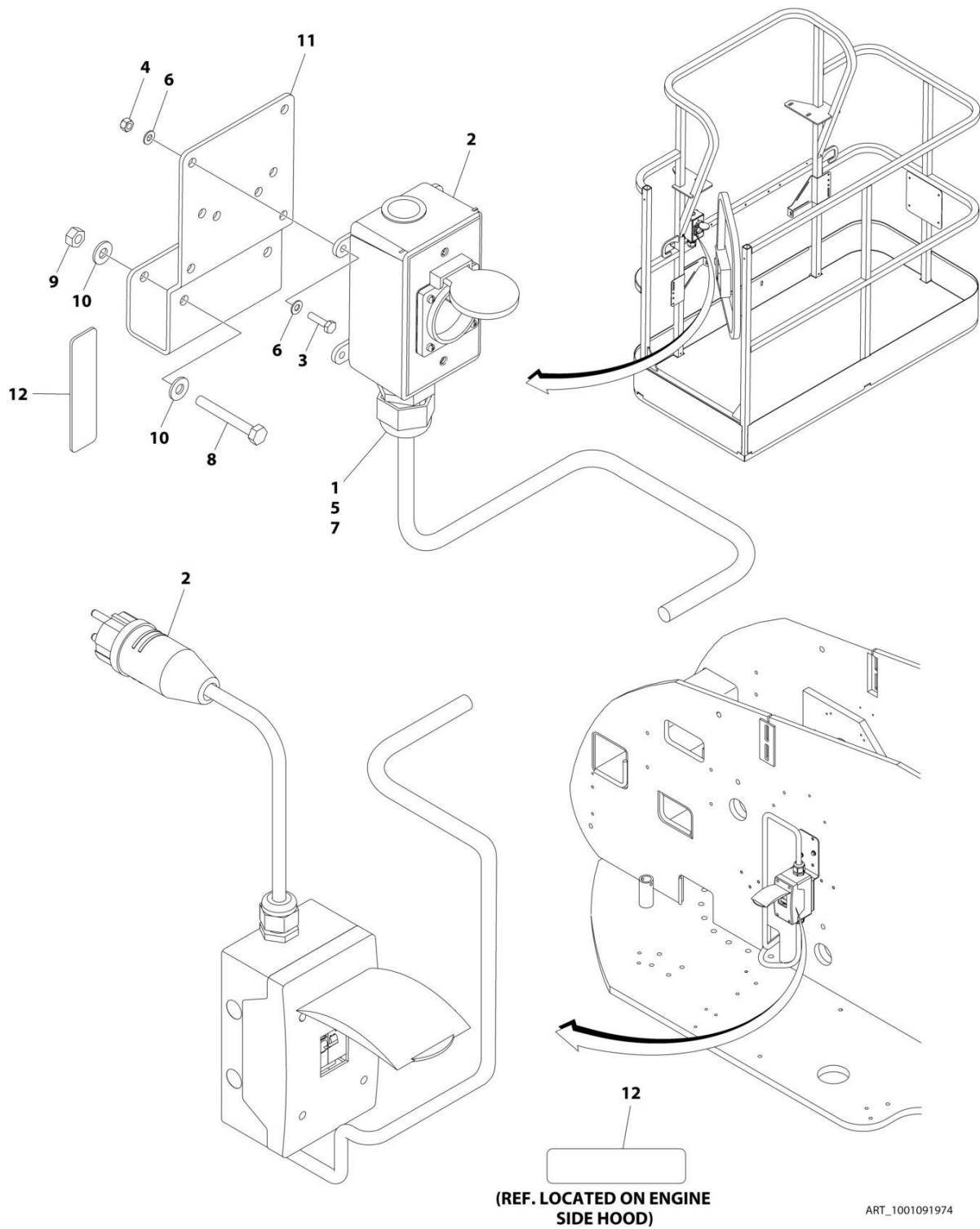
## SECTION 8 - ELECTRICAL

**FIGURE 8-5. AC BOX AT PLATFORM INSTALLATION - 220V CEE7 POST GROUND (2X4 BOX)  
WITHOUT 2500W GENERATOR (CE, CIS/EAC & UK CA SPECS)**

ITEM	PART NUMBER	QTY	DESCRIPTION	REV
	1001091973	Ref	AC BOX AT PLATFORM INSTALLATION - 220V CEE7 2X4 BOX POST GROUND	F
1	0100020	AR	Sealant, Pipe	
2	0275452	1	Receptacle Box Kit (See Separate Breakdown in this Section)	
3	0700408	4	Bolt M4 x 16	
4	3290405	4	Nut M4	
5	1001101197	1	Adapter	
6	4811400	8	Washer M4	
7	1001101191	1	Connector, Strain Relief	
8	0641416	2	Bolt 1/4 x 2	
9	3311405	2	Nut 1/4	
10	4711400	4	Washer 1/4	
11	1001193018	1	Bracket	
12	3251242	2	Decal - 240V/50Hz	
13	4460806	2	Terminal, Fork (Not Shown)	
14	1001205958	1	Terminal (Not Shown)	

# SECTION 8 - ELECTRICAL

**FIGURE 8-6. AC BOX AT PLATFORM INSTALLATION - 220V CEE7 SIDE GROUND (2X4 BOX)  
WITHOUT 2500W GENERATOR (CE, CIS/EAC & UK CA SPECS)**



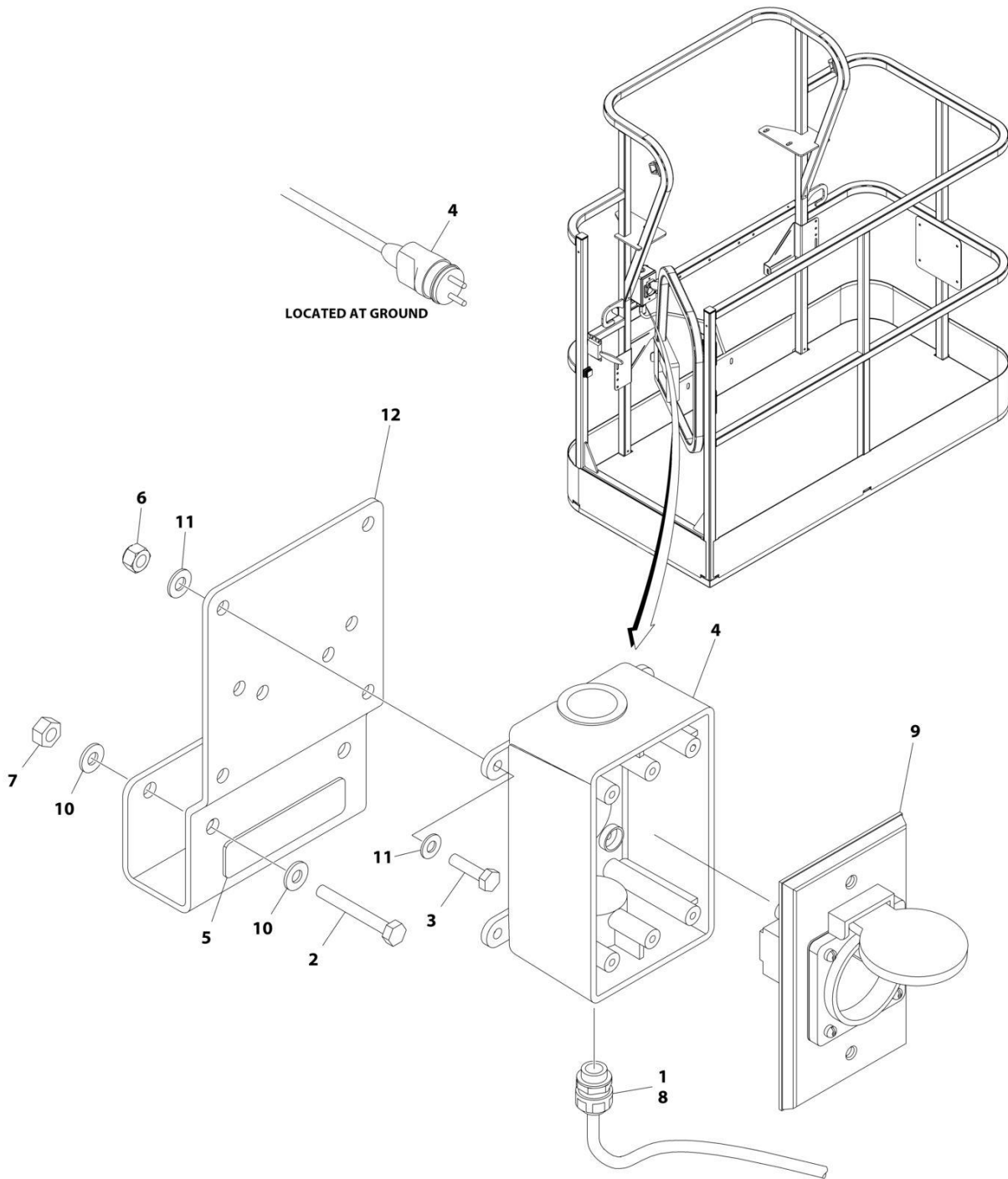
## SECTION 8 - ELECTRICAL

**FIGURE 8-6. AC BOX AT PLATFORM INSTALLATION - 220V CEE7 SIDE GROUND (2X4 BOX)  
WITHOUT 2500W GENERATOR (CE, CIS/EAC & UK CA SPECS)**

ITEM	PART NUMBER	QTY	DESCRIPTION	REV
	1001091974	Ref	AC BOX AT PLATFORM INSTALLATION - 220V CEE7 2X4 BOX SIDE GROUND	F
1	0100020	AR	Sealant, Pipe	
2	0275453	1	Receptacle Box Kit (See Separate Breakdown in this Section)	
3	0700408	4	Bolt M4 x 16	
4	3290405	4	Nut M4	
5	1001101197	1	Adapter	
6	4811400	8	Washer M4	
7	1001101191	1	Connector, Strain Relief	
8	0641416	2	Bolt 1/4 x 2	
9	3311405	2	Nut 1/4	
10	4711400	4	Washer 1/4	
11	1001193018	1	Bracket	
12	3251242	2	Decal - 240V/50Hz	
13	4460806	2	Terminal, Fork (Not Shown)	
14	1001205958	1	Terminal (Not Shown)	

# SECTION 8 - ELECTRICAL

FIGURE 8-7. AC BOX AT PLATFORM INSTALLATION - 220V CEE7 2IN X 4IN POST GROUND (CE, CIS/EAC & UK CA SPECS WITH 4000W/50HZ GENERATOR)



ART\_1001194197

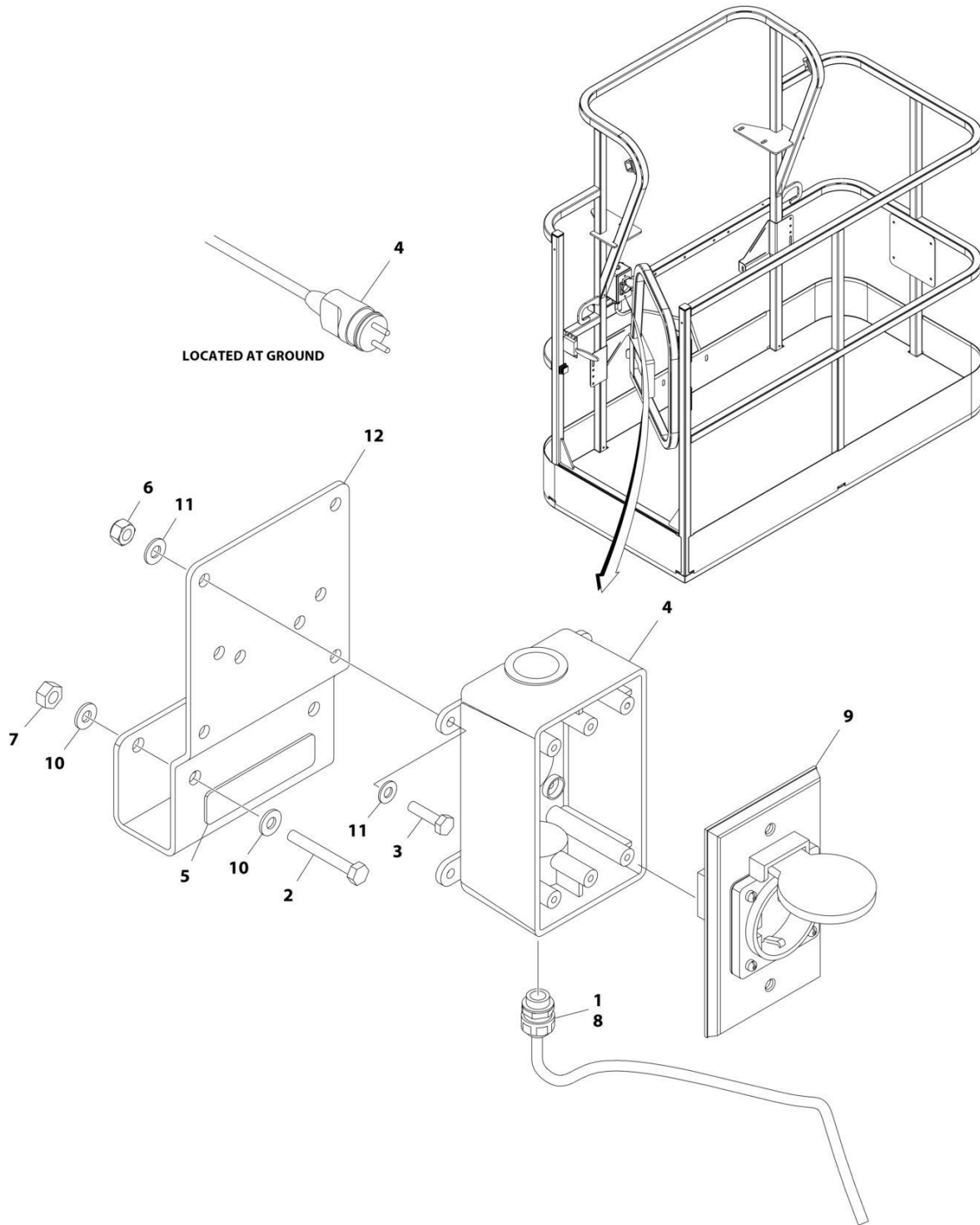
## SECTION 8 - ELECTRICAL

**FIGURE 8-7. AC BOX AT PLATFORM INSTALLATION - 220V CEE7 2IN X 4IN POST GROUND (CE, CIS/EAC & UK CA SPECS WITH 4000W/50HZ GENERATOR)**

ITEM	PART NUMBER	QTY	DESCRIPTION	REV
	1001194197	Ref	AC BOX AT PLATFORM INSTALLATION	B
1	0100020	AR	Sealant, Pipe	
2	0641416	2	Bolt 1/4 x 2	
3	0700408	4	Bolt M4 x 16	
4	0861731	1	Box, Switch	
5	3251242	1	Decal - 240V/50Hz	
6	3290405	4	Nut M4	
7	3311405	2	Nut 1/4	
8	4460662	1	Connector, Strain Relief	
9	4461244	1	Receptacle	
10	4711400	4	Washer 1/4	
11	4811400	8	Washer M4	
12	1001193018	1	Bracket, AC Receptacle	
13	4460806	2	Terminal, Fork (Not Shown)	
14	1001205958	1	Terminal (Not Shown)	

# SECTION 8 - ELECTRICAL

FIGURE 8-8. AC BOX AT PLATFORM INSTALLATION - 220V CEE7 2IN X 4IN SIDE GROUND (CE, CIS/EAC & UK CA SPECS WITH 4000W/50HZ GENERATOR)



ART\_1001194198

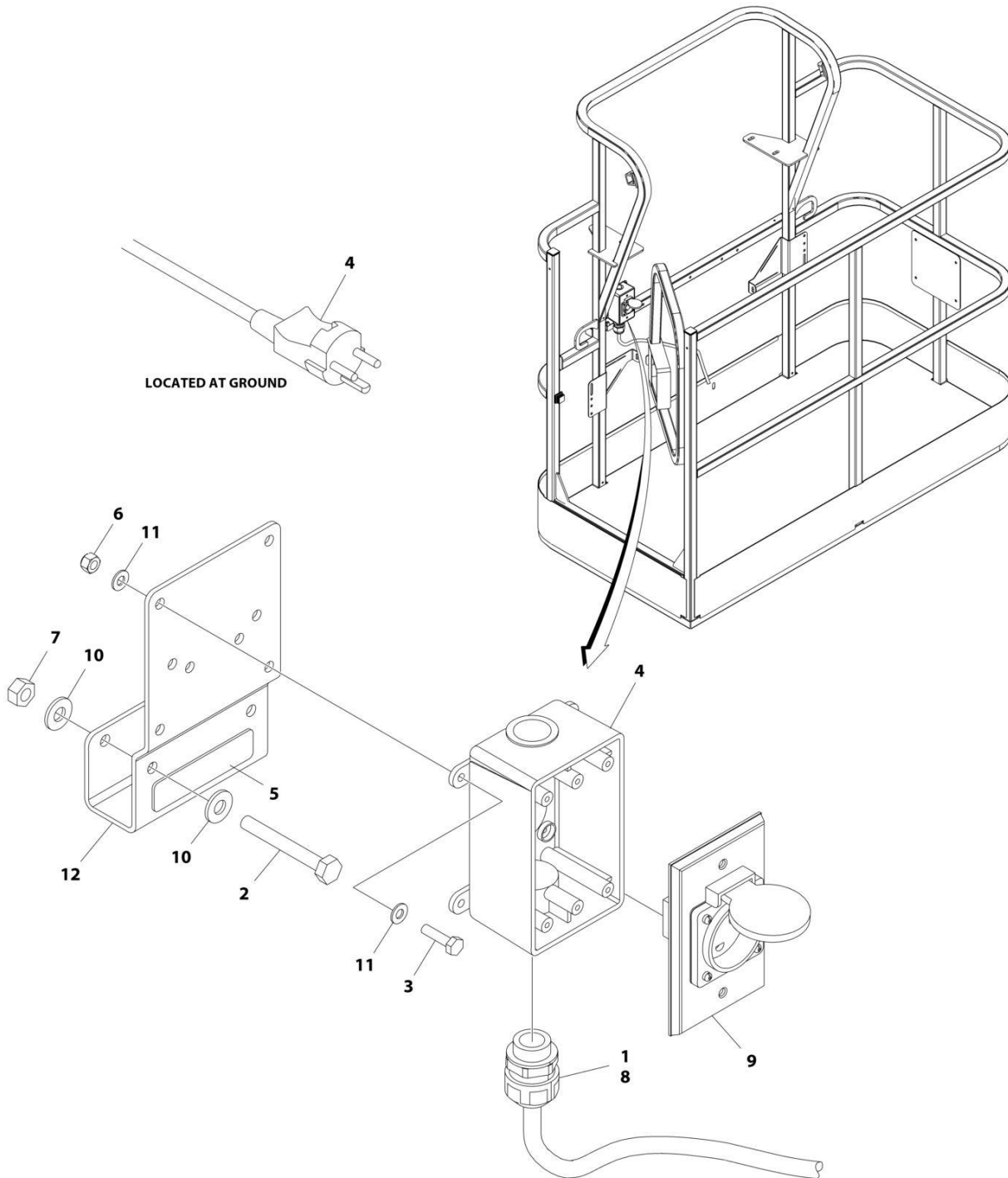
## SECTION 8 - ELECTRICAL

**FIGURE 8-8. AC BOX AT PLATFORM INSTALLATION - 220V CEE7 2IN X 4IN SIDE GROUND (CE, CIS/EAC & UK CA SPECS WITH 4000W/50HZ GENERATOR)**

ITEM	PART NUMBER	QTY	DESCRIPTION	REV
	1001194198	Ref	AC BOX AT PLATFORM INSTALLATION	B
1	0100020	AR	Sealant, Pipe	
2	0641416	2	Bolt 1/4 x 2	
3	0700408	4	Bolt M4 x 16	
4	0861731	1	Box, Switch	
5	3251242	1	Decal - 240V/50Hz	
6	3290405	4	Nut M4	
7	3311405	2	Nut 1/4	
8	4460662	1	Connector, Strain Relief	
9	4461245	1	Receptacle	
10	4711400	4	Washer 1/4	
11	4811400	8	Washer M4	
12	1001193018	1	Bracket, AC Receptacle	
13	4460806	2	Terminal, Fork (Not Shown)	
14	1001205958	1	Terminal (Not Shown)	

# SECTION 8 - ELECTRICAL

FIGURE 8-9. AC BOX AT PLATFORM INSTALLATION - 220V AFSINT107 (CE, CIS/EAC & UK CA SPECS WITH 4000W/50HZ GENERATOR)



ART\_1001194200



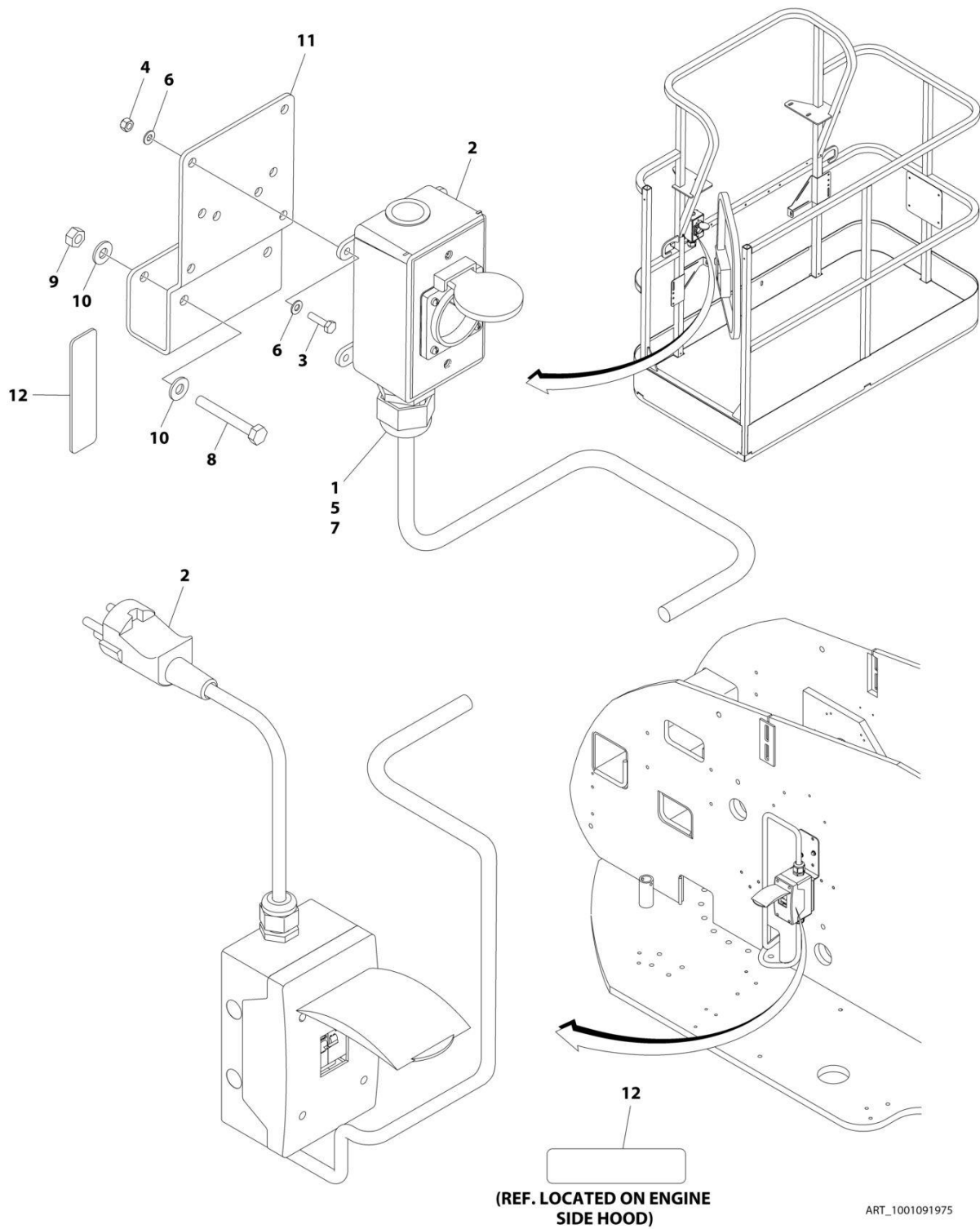
## SECTION 8 - ELECTRICAL

**FIGURE 8-9. AC BOX AT PLATFORM INSTALLATION - 220V AFSINT107 (CE, CIS/EAC & UK CA SPECS WITH 4000W/50HZ GENERATOR)**

ITEM	PART NUMBER	QTY	DESCRIPTION	REV
	1001194200	Ref	AC BOX AT PLATFORM INSTALLATION	B
1	0100020	AR	Sealant, Pipe	
2	0641416	2	Bolt 1/4 x 2	
3	0700408	4	Bolt M4 x 16	
4	0861731	1	Box, Switch	
5	3251242	1	Decal - 240V/50Hz	
6	3290405	4	Nut M4	
7	3311405	2	Nut 1/4	
8	4460662	1	Connector, Strain Relief	
9	4461246	1	Receptacle	
10	4711400	4	Washer 1/4	
11	4811400	8	Washer M4	
12	1001193018	1	Bracket, AC Receptacle	
13	1001205958	1	Terminal (Not Shown)	

# SECTION 8 - ELECTRICAL

**FIGURE 8-10. AC BOX AT PLATFORM INSTALLATION - 220V AFSINT 107 KEYED GROUND (2X4 BOX) WITHOUT 2500W GENERATOR (CE AND RUSSIA SPECS)**



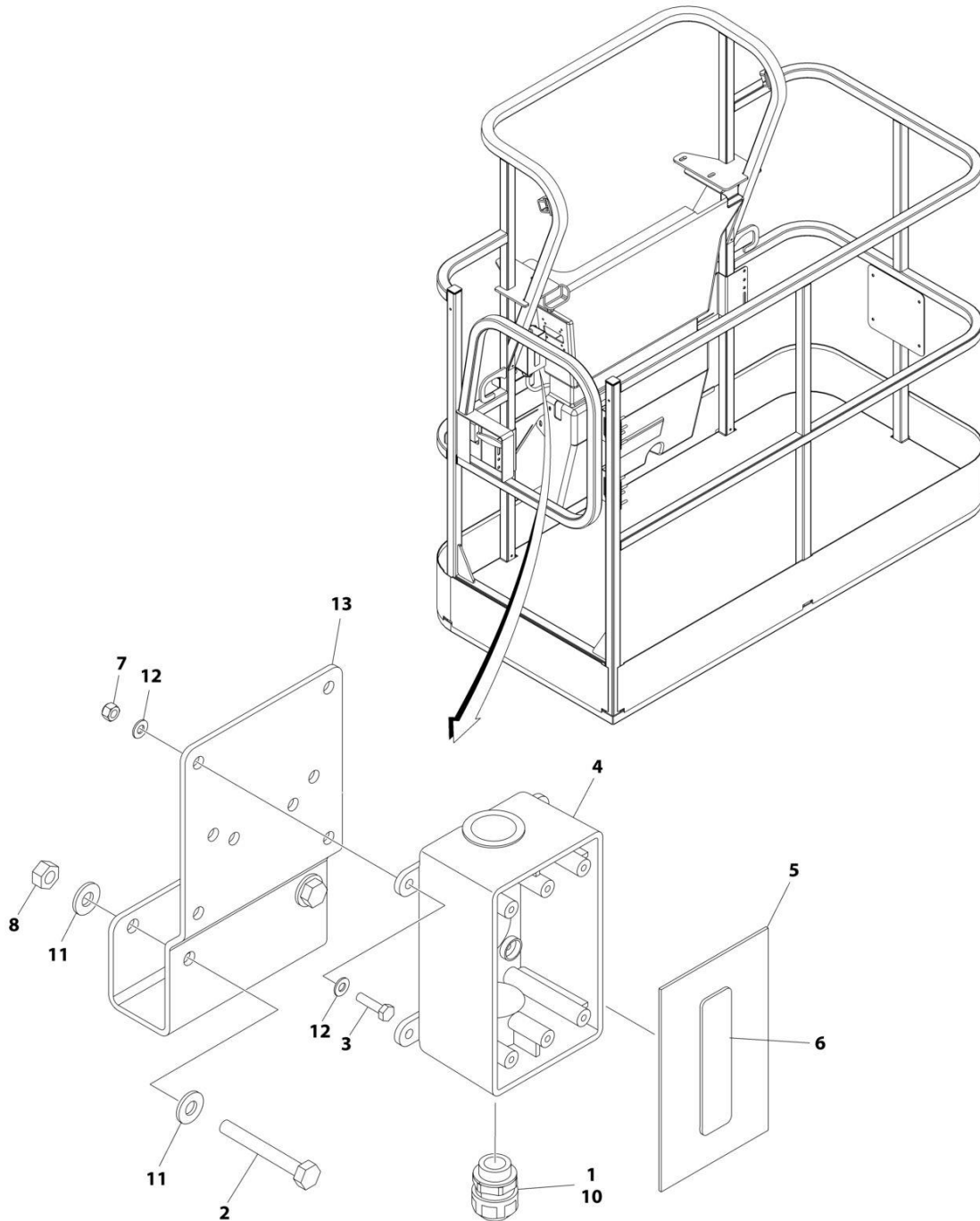
## SECTION 8 - ELECTRICAL

**FIGURE 8-10. AC BOX AT PLATFORM INSTALLATION - 220V AFSINT 107 KEYED GROUND (2X4 BOX) WITHOUT 2500W GENERATOR (CE AND RUSSIA SPECS)**

ITEM	PART NUMBER	QTY	DESCRIPTION	REV
	1001091975	Ref	AC BOX AT PLATFORM INSTALLATION - 220V AFSINT 107 2X4 BOX KEYED GROUND	F
1	0100020	AR	Sealant, Pipe	
2	0275454	1	Receptacle Box Kit (See Separate Breakdown in this Section)	
3	0700408	4	Bolt M4 x 16	
4	3290405	4	Nut M4	
5	1001101197	1	Adapter	
6	4811400	8	Washer M4	
7	1001101191	1	Connector, Strain Relief	
8	0641416	2	Bolt 1/4 x 2	
9	3311405	2	Nut 1/4	
10	4711400	4	Washer 1/4	
11	1001193018	1	Bracket	
12	3251242	2	Decal - 240V/50Hz	
13	1001205958	3	Terminal (Not Shown)	

# SECTION 8 - ELECTRICAL

## FIGURE 8-11. AC BOX AT PLATFORM INSTALLATION - 220V CUSTOMER SUPPLIED COMPONENTS (ALL SPECS)



ART\_1001194365

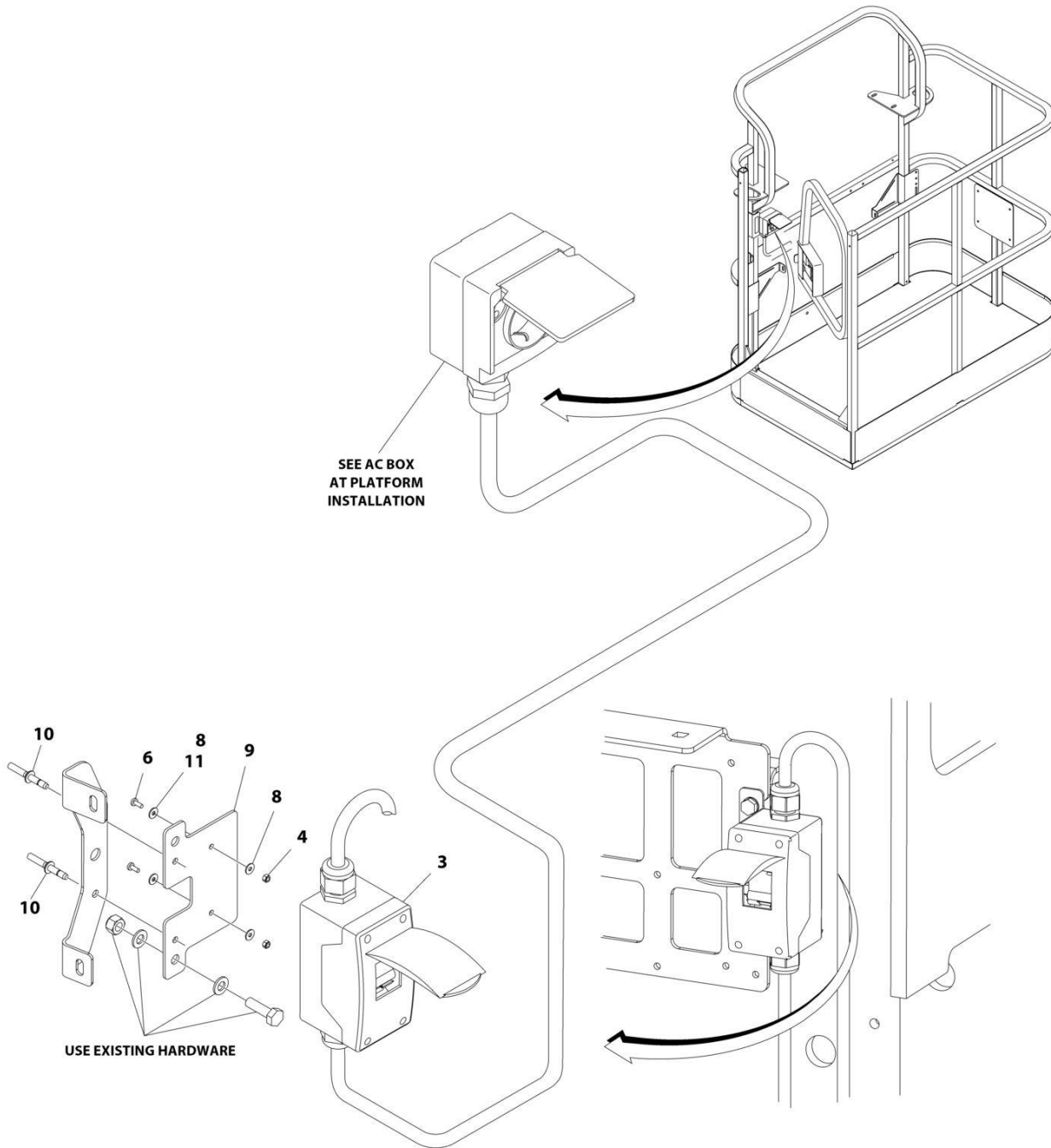
## SECTION 8 - ELECTRICAL

**FIGURE 8-11. AC BOX AT PLATFORM INSTALLATION - 220V CUSTOMER SUPPLIED COMPONENTS  
(ALL SPECS)**

ITEM	PART NUMBER	QTY	DESCRIPTION	REV
	1001194365	Ref	AC BOX AT PLATFORM INSTALLATION - BOX WITH COVER (2X4 BOX)	A
1	0100020	AR	Sealant	
2	0641416	2	Bolt 1/4 x 2	
3	0700408	4	Bolt M4 x 16	
4	0861731	1	Box, Switch	
5	1670603	1	Cover	
6	3251242	1	Decal - 240V/50Hz	
7	3290405	4	Nut M4	
8	3311405	2	Nut 1/4	
9	4460384	3	Terminal (Not Shown)	
10	4460662	1	Connector, Strain Relief	
11	4711400	4	Washer 1/4	
12	4811400	8	Washer M4	
13	1001193018	1	Bracket, AC Receptacle	

# SECTION 8 - ELECTRICAL

FIGURE 8-12. AC CABLE INSTALLATION - WITH TWO BREAKERS (CE, CIS/EAC & UK CA SPECS)



ART\_1001167312

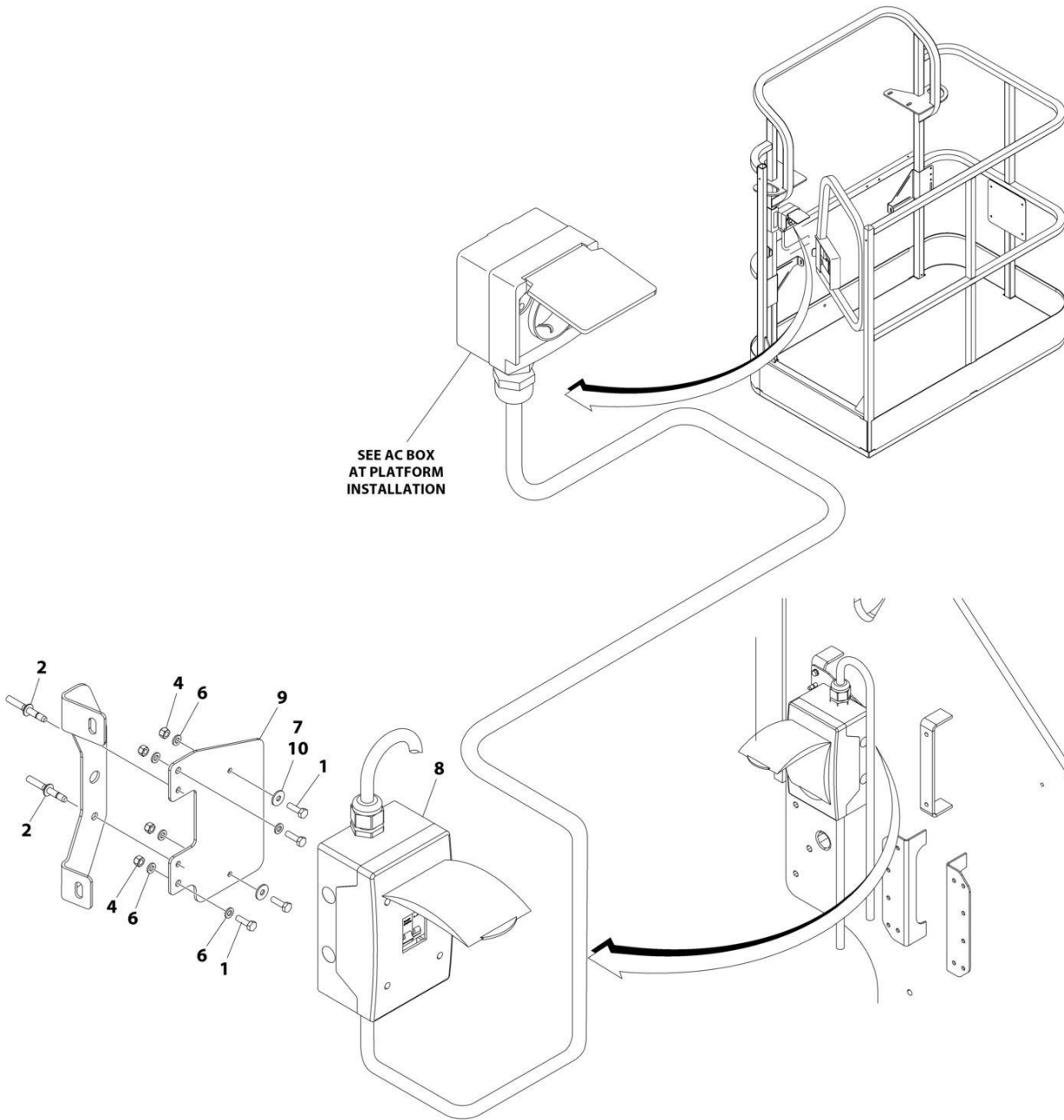
## SECTION 8 - ELECTRICAL

**FIGURE 8-12. AC CABLE INSTALLATION - WITH TWO BREAKERS (CE, CIS/EAC & UK CA SPECS)**

ITEM	PART NUMBER	QTY	DESCRIPTION	REV
	1001167312	Ref	AC CABLE INSTALLATION - WITH TWO BREAKERS	G
3	2902549	1	Breaker Box Kit - CE Spec (See Separate Breakdown in this Section)	
4	3290405	2	Nut M4	
4	3290605	2	Nut M6	
6	4010405	AR	Screw M4 x 10	
6	0760610	AR	Screw M6 x 20	
6	0760614	AR	Screw M6 x 30	
8	1001091102	2	Washer M4	
8	4811700	AR	Washer M6	
9	1001174158	1	Bracket	
10	2080040	2	Fastener, Huck	
11	4811702	2	Washer M6	

# SECTION 8 - ELECTRICAL

## FIGURE 8-13. AC CABLE INSTALLATION - WITH THREE BREAKERS (CE, CIS/EAC & UK CA SPECS)



ART\_1001209677



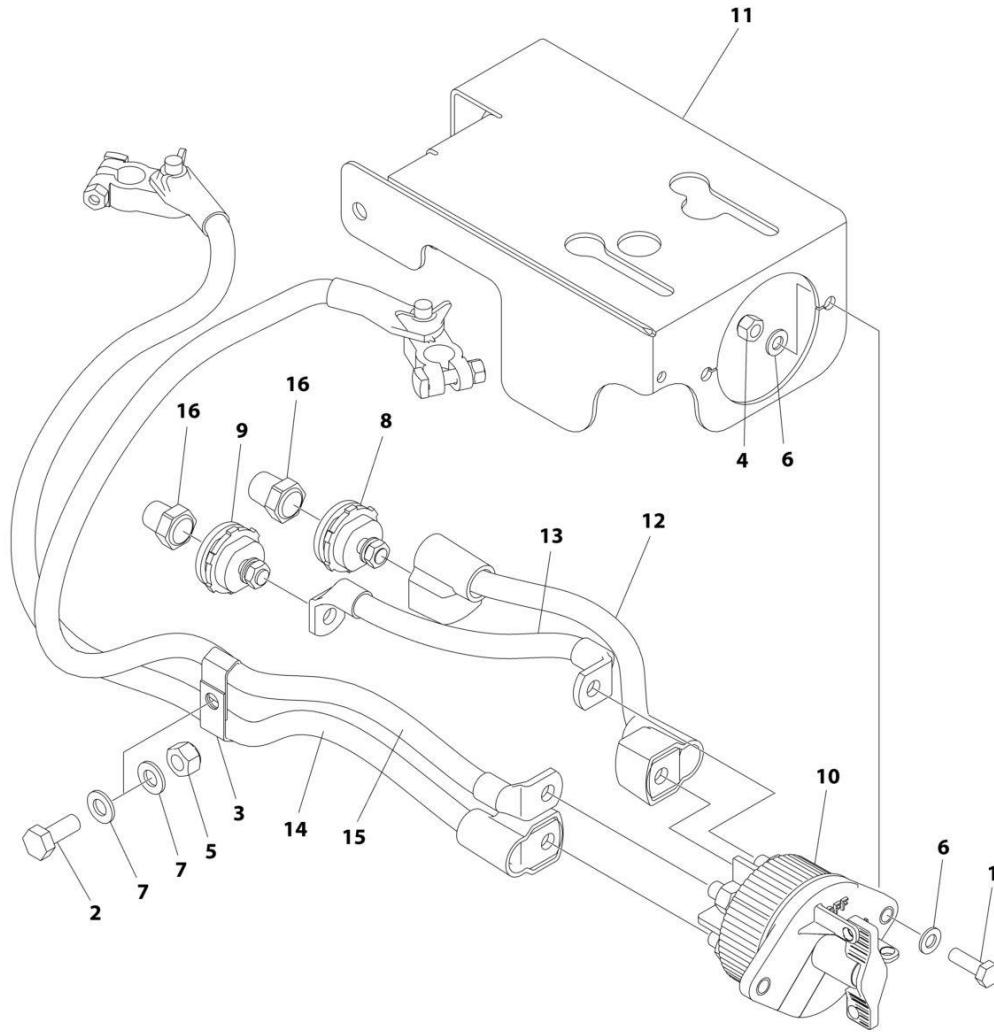
## SECTION 8 - ELECTRICAL

**FIGURE 8-13. AC CABLE INSTALLATION - WITH THREE BREAKERS (CE, CIS/EAC & UK CA SPECS)**

ITEM	PART NUMBER	QTY	DESCRIPTION	REV
	1001209677	Ref	AC CABLE INSTALLATION - WITH THREE BREAKERS	B
1	0760610	AR	Bolt M6 x 20	
1	4010405	AR	Bolt M4 x 10	
2	2080040	AR	Fastener, Huck	
4	3290605	AR	Nut M6	
6	4811700	4	Washer M6	
7	1001091102	AR	Washer M4	
8	1001152485	1	Breaker Box Kit (See Separate Breakdown in this Section)	
9	1001209832	1	Bracket	
10	4811702	AR	Washer M6	

# SECTION 8 - ELECTRICAL

## FIGURE 8-14. BATTERY DISCONNECT SWITCH



ART\_1001214397

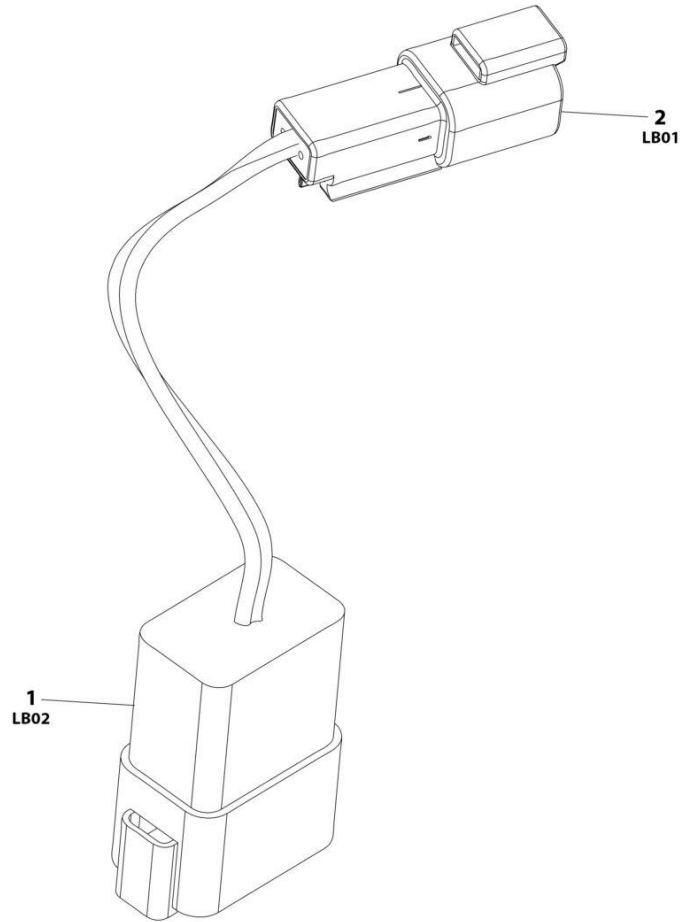
## SECTION 8 - ELECTRICAL

**FIGURE 8-14. BATTERY DISCONNECT SWITCH**

ITEM	PART NUMBER	QTY	DESCRIPTION	REV
	1001214397	Ref	BATTERY DISCONNECT SWITCH	A
1	0760812	2	Bolt M8 x 25	
2	0761012	1	Bolt M10 x 25	
3	1320223	2	Clamp	
4	3290805	2	Nut M8	
5	3291005	1	Nut M10	
6	4811900	4	Washer M8	
7	4812000	2	Washer M10	
8	1001214570	1	Connector (Red)	
9	1001214571	1	Connector (Black)	
10	1001225346	1	Switch	
11	1001226530	1	Mount	
12	1001237878	1	Cable, Battery Disconnect (Positive)	
13	1001237879	1	Cable, Battery Disconnect (Negative)	
14	1001237880	1	Cable (Positive)	
15	1001237881	1	Cable (Negative)	
16	1001206476	1	Connector	

# SECTION 8 - ELECTRICAL

## FIGURE 8-15. BEACON JUMPER HARNESS (AMBER LIGHT)



ART\_1001283776

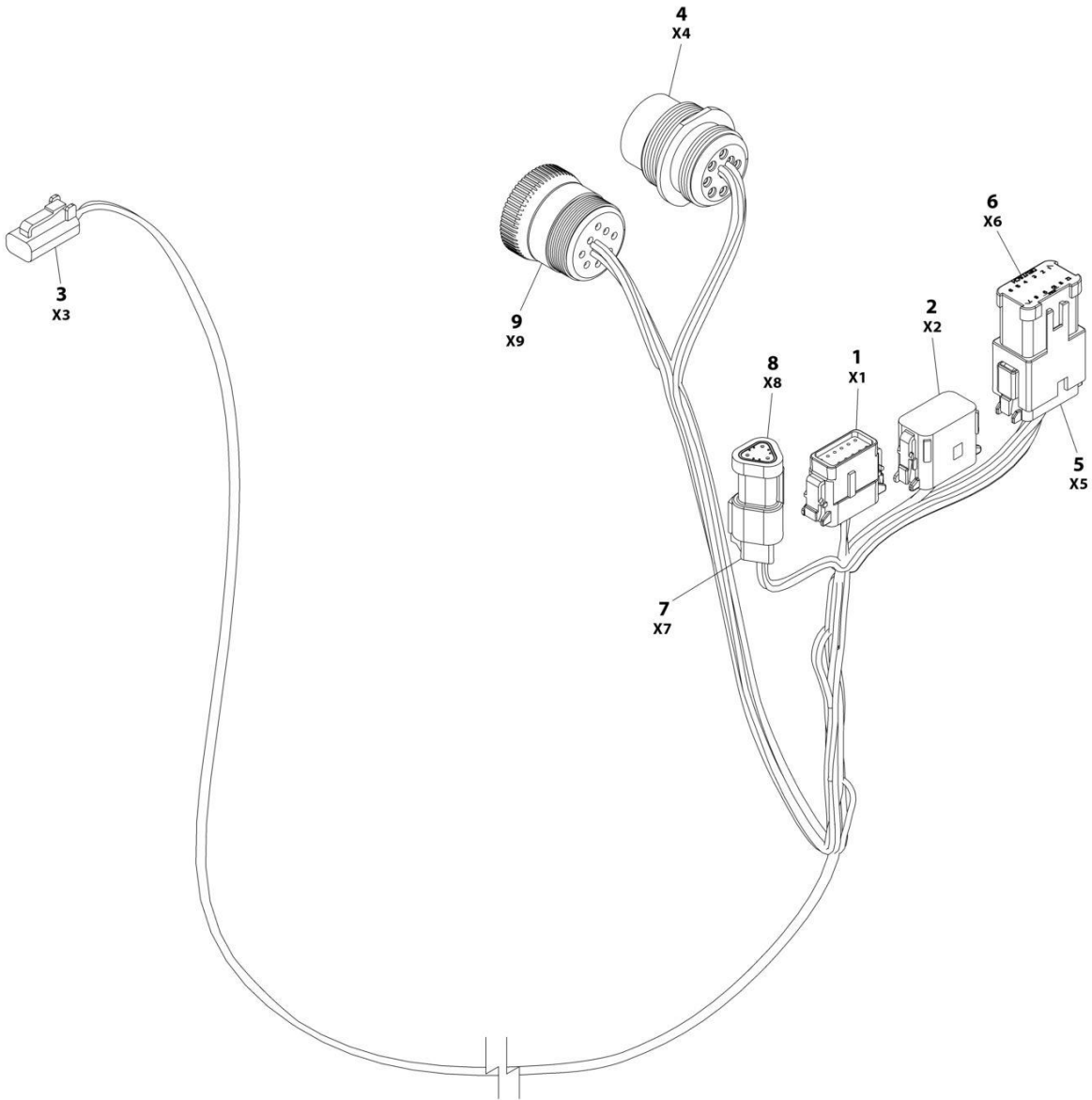
## SECTION 8 - ELECTRICAL

**FIGURE 8-15. BEACON JUMPER HARNESS (AMBER LIGHT)**

ITEM	PART NUMBER	QTY	DESCRIPTION	REV
	1001283776	Ref	STROBE LIGHT HARNESS (AMBER)	A
1	4460931	1	Connector	
1	4460464	2	Pin	
1	4460466	6	Plug	
2	4460897	1	Connector	
2	4460464	2	Pin	

# SECTION 8 - ELECTRICAL

## FIGURE 8-16. BEACON LIGHT HARNESS (BLUE AND RED BEACON LIGHT)



ART\_1001142736

## SECTION 8 - ELECTRICAL

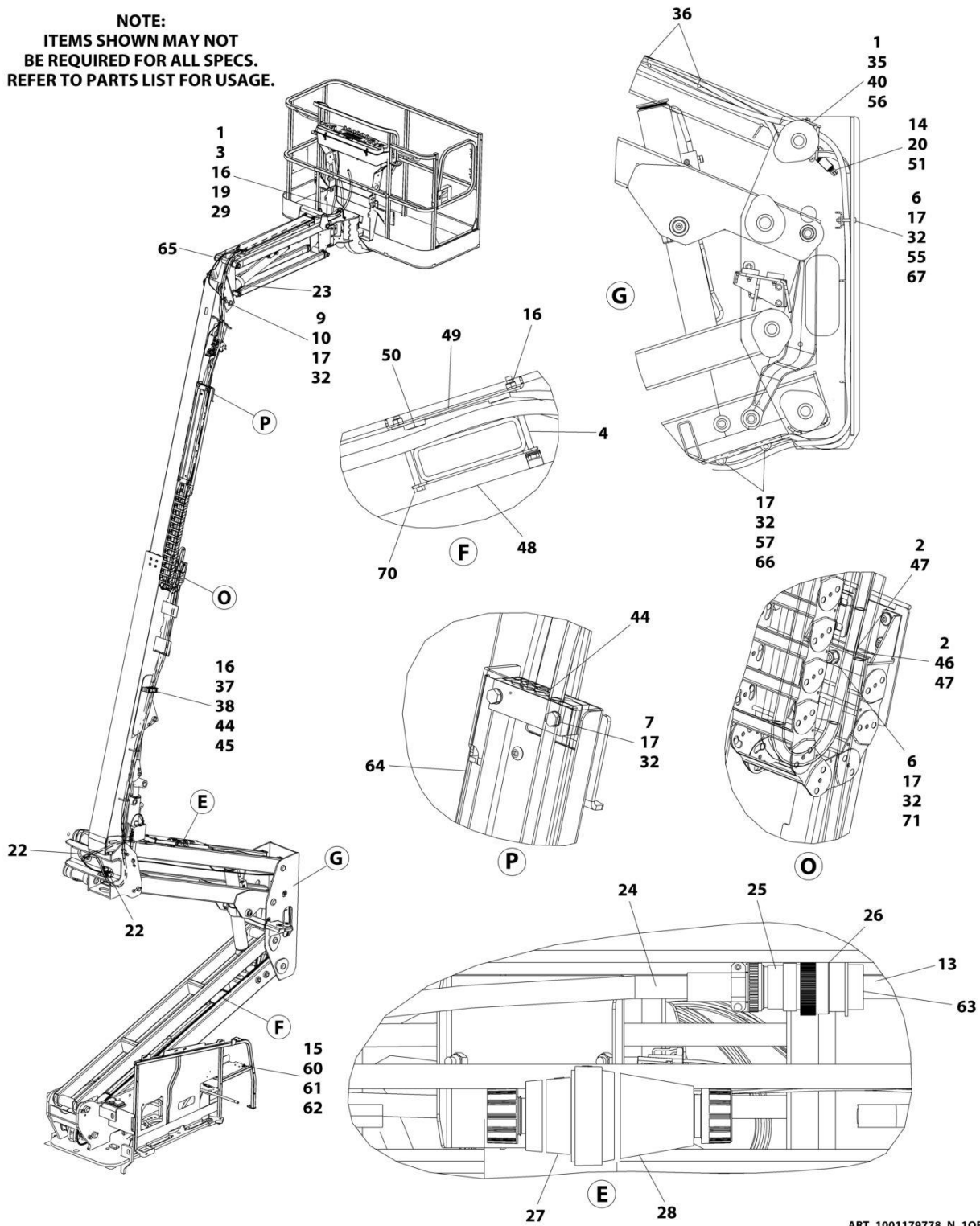
**FIGURE 8-16. BEACON LIGHT HARNESS (BLUE AND RED BEACON LIGHT)**

ITEM	PART NUMBER	QTY	DESCRIPTION	REV
	1001142736	Ref	STROBE LIGHT HARNESS	F
1	1001116808	1	Plug, Male - 12 Position	
1	4460928	3	Socket, Female	
1	4460518	9	Plug, Terminal	
2	1001116774	1	Plug, Male - 12 Position	
2	4460928	3	Socket, Female	
2	4460518	9	Plug, Terminal	
3	4460891	1	Plug, Male - 2 Position	
3	4460465	2	Socket, Female	
4	1001112612	1	Connector - 9 Position	
4	4460464	6	Pin, Male	
4	4460466	3	Plug, Terminal	
5	4460933	1	Plug, Male - 12 Position	
5	4460465	12	Socket, Female	
6	1001119020	1	Bussbar - 12 Position	
7	4461095	1	Plug, Male - 3 Position	
7	4460465	3	Socket, Female	
8	4461070	1	Bussbar - 3 Position	
9	1001112796	1	Connector - 9 Position	
9	4460465	6	Socket, Female	
9	4460466	3	Plug, Terminal	

# SECTION 8 - ELECTRICAL

## FIGURE 8-17. BOOM CABLES & CLAMPS INSTALLATION (4000W GENERATOR)

**NOTE:**  
 ITEMS SHOWN MAY NOT  
 BE REQUIRED FOR ALL SPECS.  
 REFER TO PARTS LIST FOR USAGE.



ART\_1001179778\_N\_10F2





## SECTION 8 - ELECTRICAL

**FIGURE 8-17. BOOM CABLES & CLAMPS INSTALLATION (4000W GENERATOR)**

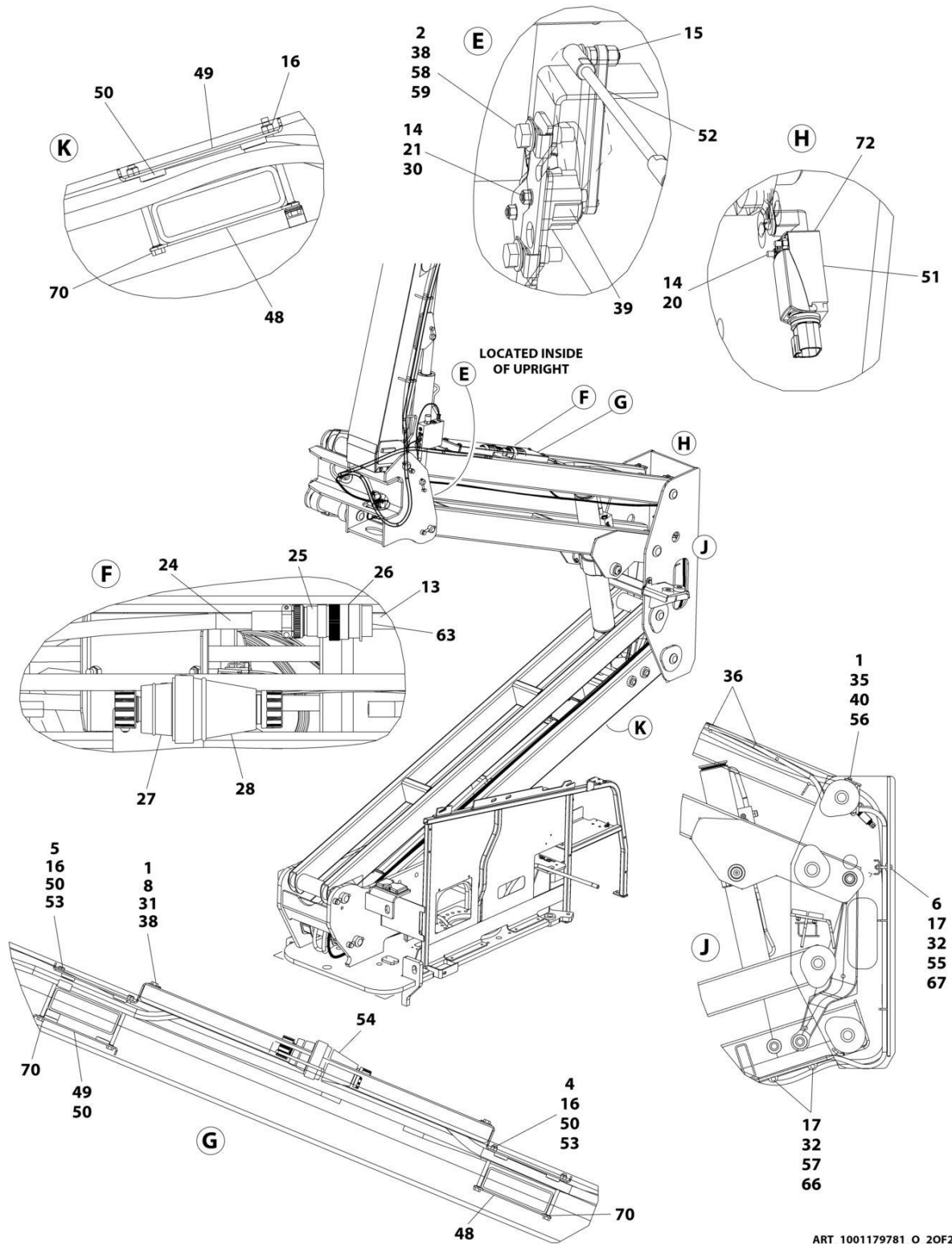
ITEM	PART NUMBER	QTY	DESCRIPTION	REV
	1001179778	Ref	BOOM CABLES AND CLAMPS INSTALLATION	N
1	0100011	AR	Compound, Locking	
2	0100081	AR	Adhesive	
3	0760814	2	Bolt M8 x 30	
4	0700827	6	Bolt M8 x 100	
5	0700828	2	Bolt M8 x 110	
6	0701021	3	Bolt M10 x 65	
7	0701024	4	Bolt M10 x 80	
8	0760812	4	Bolt M8 x 25	
9	0761012	1	Bolt M10 x 25	
10	1320130	1	Clamp	
13	2820031	AR	Heat Shrink	
14	3290405	4	Nut M4	
15	3290605	3	Nut M6	
16	3290805	12	Nut M8	
17	3291005	10	Nut M10	
19	3841340	1	Loop, Hose	
20	4010417	2	Screw M4 x 45	
20	4010418	2	Screw M4 x 50	
21	4031511	2	Capscrew M4 x 35	
22	4060808	27.5 in /8.4m	Flex-Trim	
23	4240156	2	Strap, Clinch	
24	4460473	AR	Clamp, Cable	
25	4460865	1	Connector - 19 Position	
26	4460866	1	Connector - 19 Position	
29	4811900	4	Washer M8	
30	4811400	2	Washer M4	
31	4811902	4	Washer M8	
32	4812000	13	Washer M10	
33	1001176951	1	Harness, Tower Boom (Not Shown - See Separate Breakdown in this Section)	
34	1001174749	1	Harness, Tower Boom AC Cable (Not Shown - See Separate Breakdown in this Section)	
35	5251014	2	Bolt M10 x 30	
36	8881800	AR	Tie-Strap	
37	5281918	2	Screw M8 x 70	
37	5281920	2	Screw M8 x 80	
38	1001118274	8	Nut M8	
39	1001118971	1	Sensor, Angle	
39	70005667	1	Arm	
40	1001118972	2	Nut M10	
41	1001172335	1	Harness, Main Boom (Not Shown - See Separate Breakdown in this Section) (520AJ)	
42	1001172336	1	Harness, Main Boom AC Cable (Not Shown - See Separate Breakdown in this Section) (520AJ)	
43	1001164738	1	Harness, Boom Valve (Not Shown - See Separate Breakdown in this Section)	
44	1001273302	3	Block, Clamping	
45	1001273303	1	Plate	
46	1001168472	1	Plate, Clamping	

## SECTION 8 - ELECTRICAL

ITEM	PART NUMBER	QTY	DESCRIPTION	REV
47	1001168473	2	Clamp, Rubber	
48	1001171553	3	Plate, Clamping	
49	1001171555	3	Plate, Clamping	
50	1001171559	10	Pad	
51	1001172271	1	Switch, Limit	
52	1001238466	1	Link, Sensor (Note: Sold as Assembly Only)	
53	1001178448	2	Plate, Clamping	
54	1001178449	1	Cover	
55	1001178644	1	Plate	
56	1001260306	1	Bracket	
57	1001182561	2	Roller	
58	5250812	2	Bolt M8 x 25	
59	1001179266	1	Plate, Mounting	
60	0760610	1	Bolt M6 x 20	
61	1320043	1	Clamp	
62	4811700	1	Washer M6	
63	4460466	AR	Plug, Terminal	
64	1001181875	1	Cover	
65	1001181923	1	Shield, Hose	
66	1001119280	2	Bolt M10 x 260	
67	1001185747	2	Pad	
70	1001119228	8	Nut M8	
71	8310070	1	Pushnut 3/8	
72	4750800	AR	Washer #8	



# SECTION 8 - ELECTRICAL



ART\_1001179781\_O\_20F2

## SECTION 8 - ELECTRICAL

**FIGURE 8-18. BOOM CABLES & CLAMPS INSTALLATION (7500W SKYPOWER GENERATOR)**

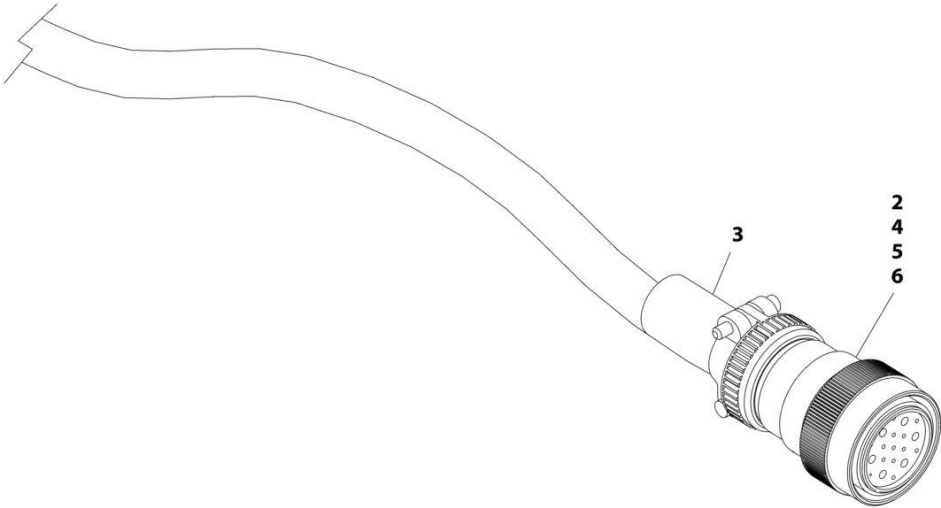
ITEM	PART NUMBER	QTY	DESCRIPTION	REV
	1001179228	Ref	BOOM CABLES AND CLAMPS INSTALLATION - REFERENCE CHART	P
	1001179781	Ref	BOOM CABLES AND CLAMPS INSTALLATION	P
1	0100011	AR	Compound, Locking	
2	0100081	AR	Adhesive	
3	0760814	2	Bolt M8 x 30	
4	0700827	6	Bolt M8 x 100	
5	0700828	2	Bolt M8 x 110	
6	0701021	3	Bolt M10 x 65	
7	0701024	4	Bolt M10 x 80	
8	0760812	4	Bolt M8 x 25	
9	0761012	1	Bolt M10 x 25	
10	1320130	1	Clamp	
13	2820031	AR	Heat Shrink	
14	3290405	4	Nut M4	
15	3290605	2	Nut M6	
16	3290805	12	Nut M8	
17	3291005	10	Nut M10	
19	3841340	1	Loop, Hose	
20	4010418	2	Screw M4 x 50	
21	4031511	2	Capscrew M4 x 35	
22	4060808	27.5 in/ 8.38m	Flex-Trim	
23	4240156	2	Strap, Clinch	
24	4460473	AR	Clamp, Cable	
25	4460865	1	Connector - 19 Position	
26	4460866	1	Connector - 19 Position	
27	1001218622	1	Terminal, Turnlock Plug	
28	1001218623	1	Terminal, Turnlock Connector	
29	4811900	4	Washer M8	
30	4811400	2	Washer M4	
31	4811902	4	Washer M8	
32	4812000	13	Washer M10	
33	1001176951	1	Harness, Tower Boom (Not Shown - See Separate Breakdown in this Section)	
34	4922929	1	Harness, Tower Boom - 8/5 - Lower Generator Cable (Not Shown)	
35	5251014	2	Bolt M10 x 30	
36	8881800	AR	Tie-Strap	
37	5281918	2	Screw M8 x 70	
37	5281920	2	Screw M8 x 80	
38	1001118274	8	Nut M8	
39	1001118971	1	Sensor, Angle	
39	70005667	1	Arm	
40	1001118972	2	Nut M10	
41	1001172335	1	Harness, Main Boom (Not Shown - See Separate Breakdown in this Section)	
42	1001172343	1	Harness, Main Boom - 8/5 - Upper Generator Cable (Not Shown)	
43	1001164738	1	Harness, Boom Valve (Not Shown - See Separate Breakdown in this Section)	
44	1001273302	3	Block, Clamping	

## SECTION 8 - ELECTRICAL

ITEM	PART NUMBER	QTY	DESCRIPTION	REV
45	1001273303	1	Plate	
46	1001168472	1	Plate, Clamping	
47	1001168473	2	Clamp, Rubber	
48	1001171553	3	Plate, Clamping	
49	1001171555	3	Plate, Clamping	
50	1001171559	10	Pad	
51	1001172271	1	Switch, Limit	
52	1001238466	1	Link, Sensor (Note: Sold as Assembly Only)	
53	1001178448	2	Plate, Clamping	
54	1001178449	1	Cover	
55	1001178644	1	Plate	
56	1001260306	1	Bracket	
57	1001182561	2	Roller	
58	5250812	2	Bolt M8 x 25	
59	1001179266	1	Plate, Mounting	
63	4460466	AR	Plug, Terminal	
64	1001181875	1	Cover	
65	1001181923	1	Shield, Hose	
66	1001119280	2	Bolt M10 x 260	
67	1001185747	2	Pad	
70	1001119228	8	Nut M8	
71	8310070	1	Pushnut 3/8	
72	4750800	AR	Washer #8	

**SECTION 8 - ELECTRICAL**

**FIGURE 8-19. BOOM HARNESS - MAIN BOOM**



ART\_1001172335



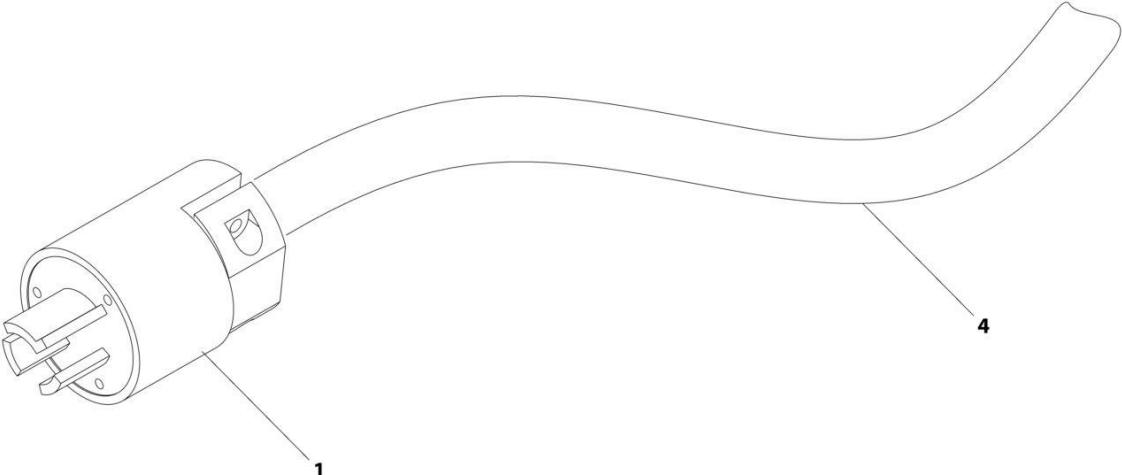
## SECTION 8 - ELECTRICAL

### FIGURE 8-19. BOOM HARNESS - MAIN BOOM

ITEM	PART NUMBER	QTY	DESCRIPTION	REV
	1001172335	Ref	BOOM HARNESS - 450A (MAIN BOOM)	E
2	4460865	1	Connector - 19 Position	
3	4460473	1	Clamp	
4	4460465	20	Socket, Female	
5	4460509	8	Socket, Female	
6	4460466	5	Plug, Socket	

**SECTION 8 - ELECTRICAL**

**FIGURE 8-20. BOOM HARNESS - MAIN BOOM (8/5 4000W GENERATOR)**



ART\_1001172336

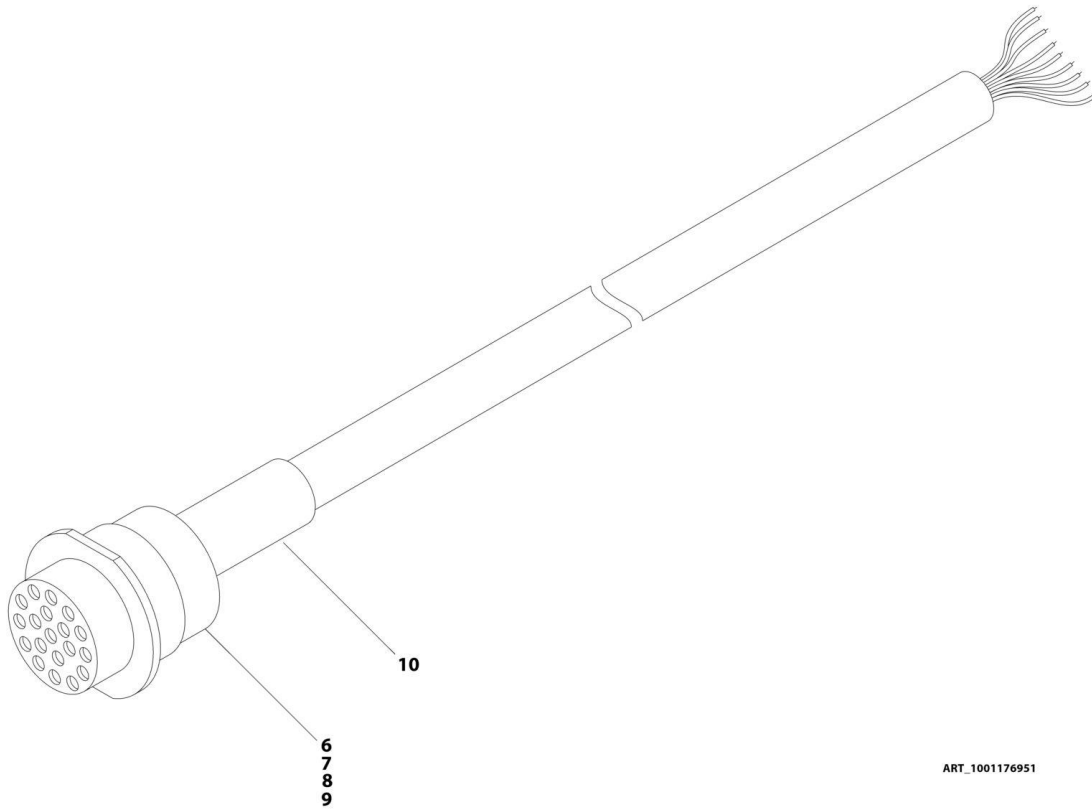
## SECTION 8 - ELECTRICAL

**FIGURE 8-20. BOOM HARNESS - MAIN BOOM (8/5 4000W GENERATOR)**

ITEM	PART NUMBER	QTY	DESCRIPTION	REV
1	1001172336	Ref	BOOM HARNESS - 450A (MAIN BOOM AC CABLE)	C
	1001120204	1	Plug, Male	
4	1060461	494 in /12.6m	Cable, Electrical - 12/3	

# SECTION 8 - ELECTRICAL

## FIGURE 8-21. BOOM HARNESS - TOWER BOOM



ART\_1001176951

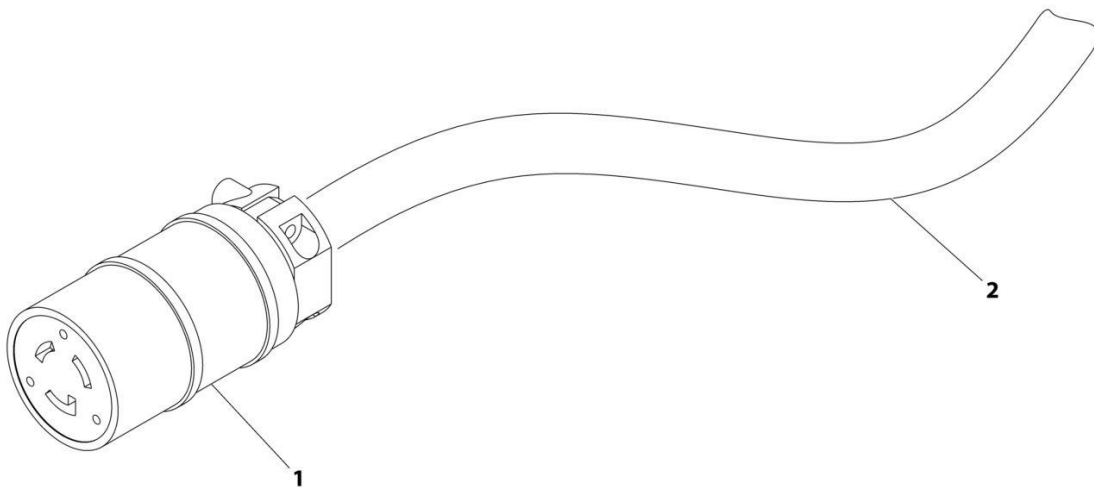
## SECTION 8 - ELECTRICAL

### FIGURE 8-21. BOOM HARNESS - TOWER BOOM

ITEM	PART NUMBER	QTY	DESCRIPTION	REV
	1001176951	Ref	BOOM HARNESS - TOWER BOOM	E
6	4460466	5	Plug, Terminal	
7	4460464	20	Pin, Male	
8	4460508	8	Pin, Male	
9	4460866	1	Connector - 19 Position	
10	2820031	AR	Heat Shrink	

## SECTION 8 - ELECTRICAL

FIGURE 8-22. BOOM HARNESS - TOWER BOOM (8/5 4000W GENERATOR)



ART\_1001174749

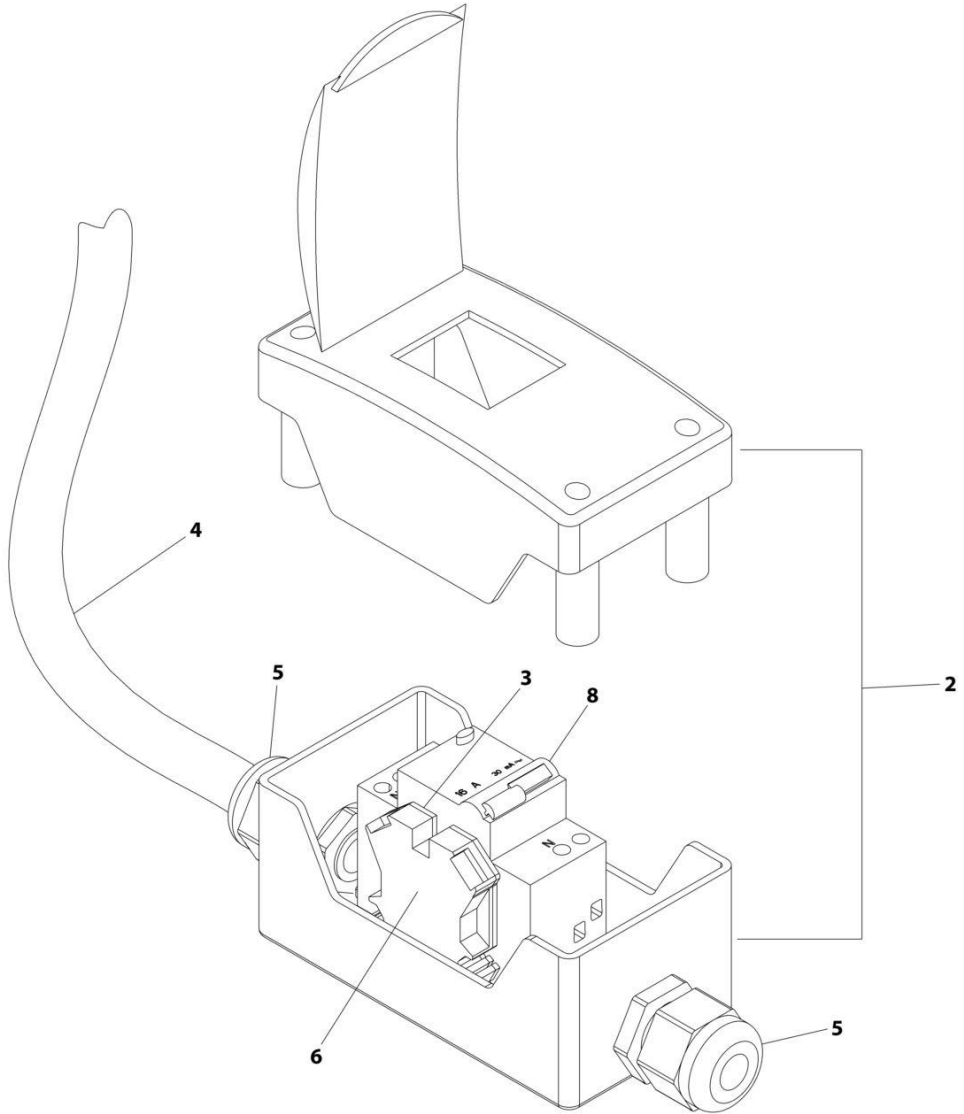
## SECTION 8 - ELECTRICAL

**FIGURE 8-22. BOOM HARNESS - TOWER BOOM (8/5 4000W GENERATOR)**

ITEM	PART NUMBER	QTY	DESCRIPTION	REV
	1001174749	Ref	BOOM HARNESS - TOWER BOOM AC CABLE	C
1	1001120205	1	Connector, Female	
2	1060461	28 ft/ 8.5m	Electrical Cable, 12/3	

**SECTION 8 - ELECTRICAL**

**FIGURE 8-23. BREAKER BOX KIT WITH SINGLE DOUBLE POLE BREAKER (CE & UK CA SPEC)**



ART\_2902549



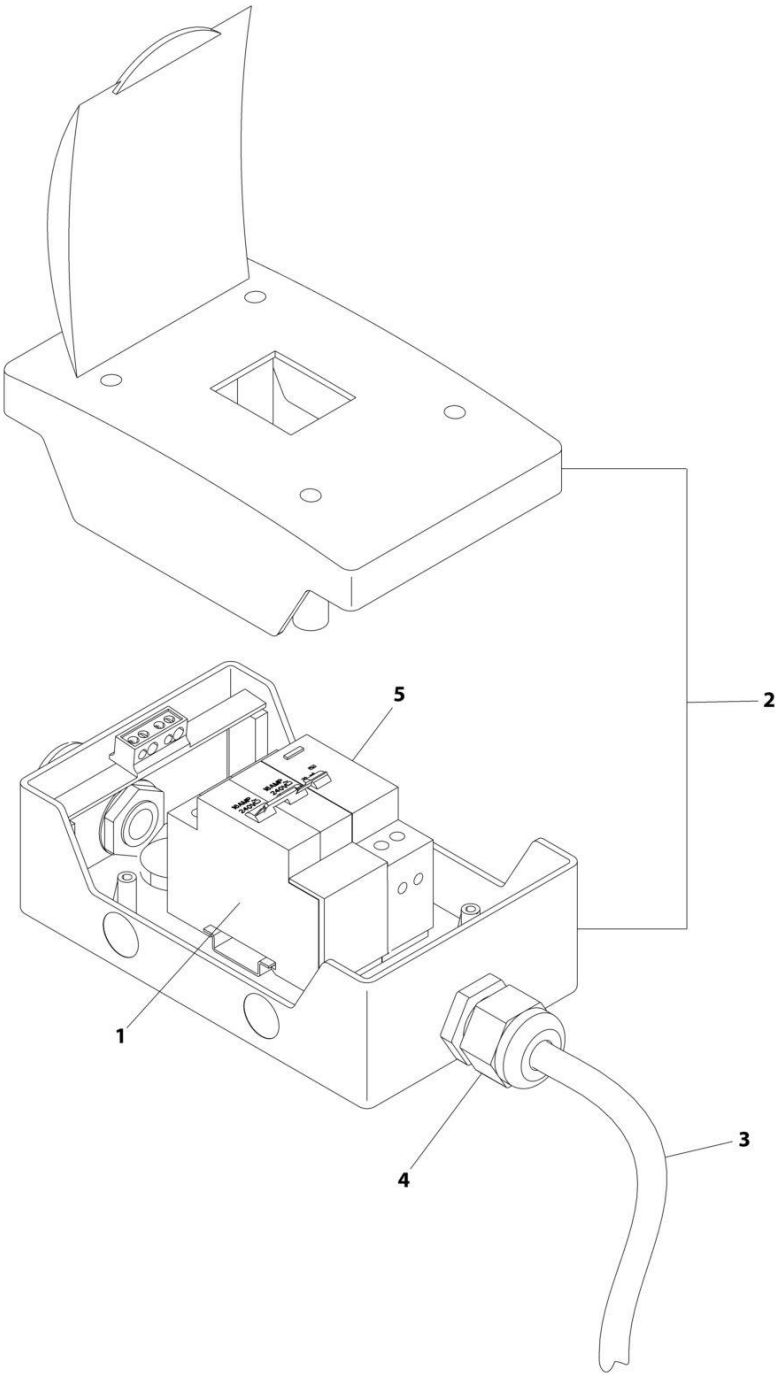
## SECTION 8 - ELECTRICAL

**FIGURE 8-23. BREAKER BOX KIT WITH SINGLE DOUBLE POLE BREAKER (CE & UK CA SPEC)**

ITEM	PART NUMBER	QTY	DESCRIPTION	REV
	2902549	Ref	BREAKER BOX KIT - 110/220V 16AMP BREAKER	F
2	0861880	1	Box	
3	4460956	1	Barrier, Terminal	
4	1060908	6 ft/1.8m	Cable, 12/3	
5	1001097150	2	Connector, Strain Relief	
6	4460957	1	Block, Terminal	
8	1001181045	1	Breaker, Combination 16Amp/30mAmp	

**SECTION 8 - ELECTRICAL**

**FIGURE 8-24. BREAKER BOX KIT WITH THREE BREAKERS (CE & UK CA SPEC)**



ART\_1001152485\_F

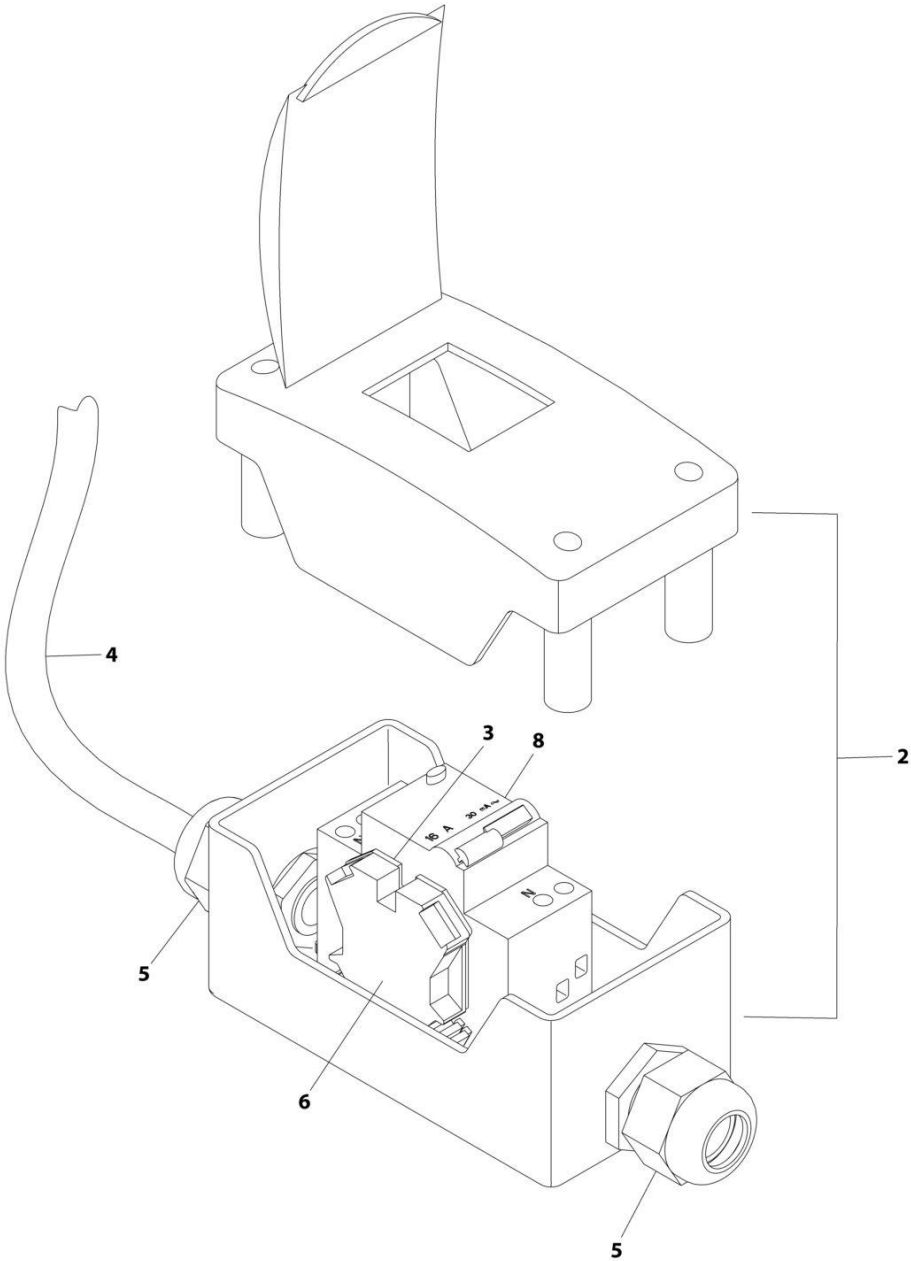
## SECTION 8 - ELECTRICAL

**FIGURE 8-24. BREAKER BOX KIT WITH THREE BREAKERS (CE & UK CA SPEC)**

ITEM	PART NUMBER	QTY	DESCRIPTION	REV
	1001152485	Ref	BREAKER BOX KIT WITH TWO BREAKERS	F
1	1001189172	1	Breaker 16Amp Double	
2	1001152483	1	Box	
3	1060908	6 ft/1.8m	Cable, 12/3	
4	1001097150	2	Connector, Strain Relief	
5	1001189171	1	Breaker, 30mA	

**SECTION 8 - ELECTRICAL**

**FIGURE 8-25. BREAKER BOX KIT - 30MA/16 AMP**



ART\_1001096070

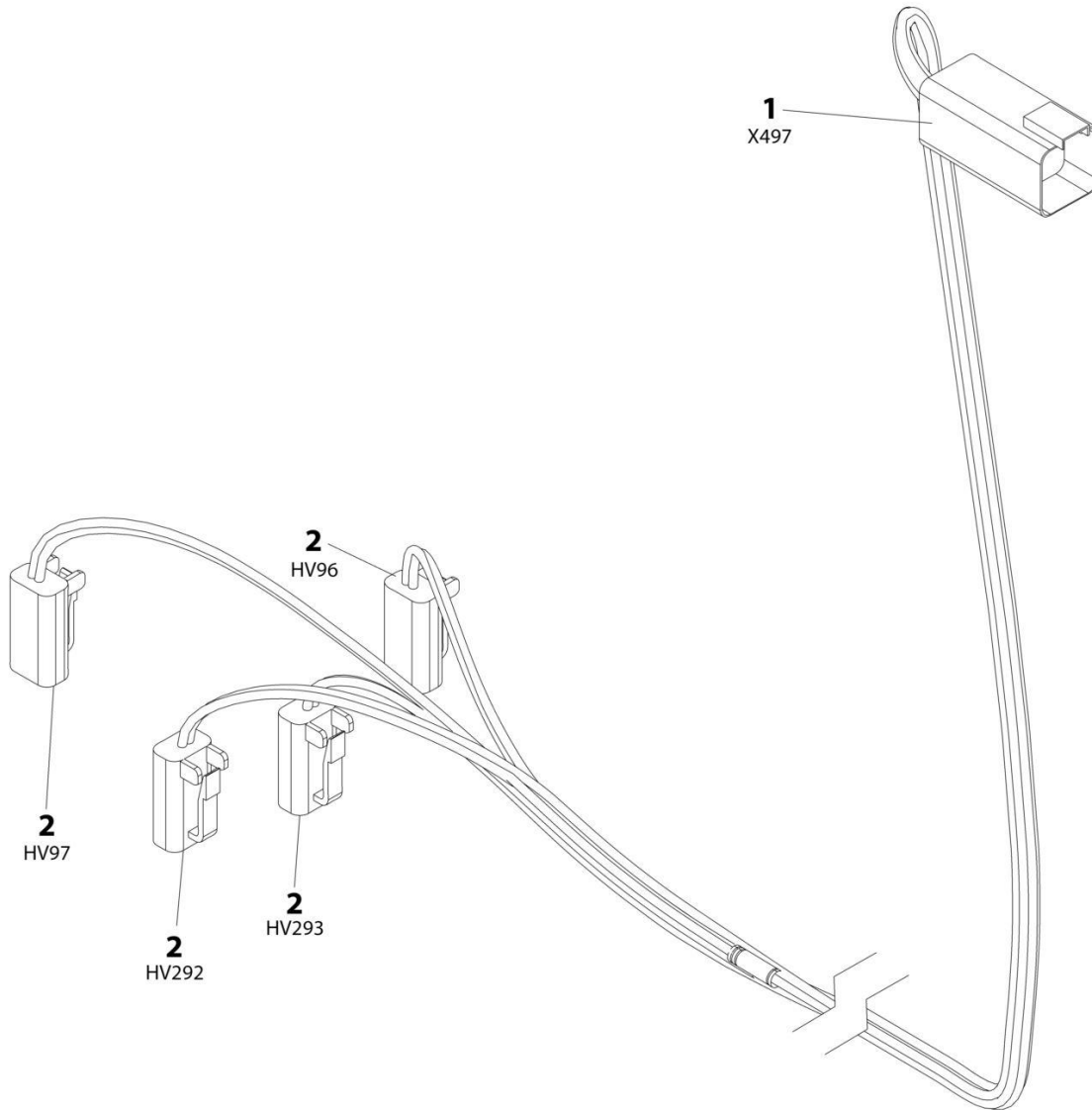
## SECTION 8 - ELECTRICAL

### FIGURE 8-25. BREAKER BOX KIT - 30MA/16 AMP

ITEM	PART NUMBER	QTY	DESCRIPTION	REV
	1001096070	Ref	BREAKER BOX KIT	E
2	0861880	1	Box	
3	4460956	1	Barrier, Terminal Block End	
4	1060908	12 ft/ 3.6m	Cable, 12/3	
5	1001097150	2	Connector, Strain Relief	
6	4460957	1	Block, Terminal	
8	1001181045	1	Breaker, 16Amp	

# SECTION 8 - ELECTRICAL

## FIGURE 8-26. CHASSIS SOLENOID HARNESS



ART\_1001179236

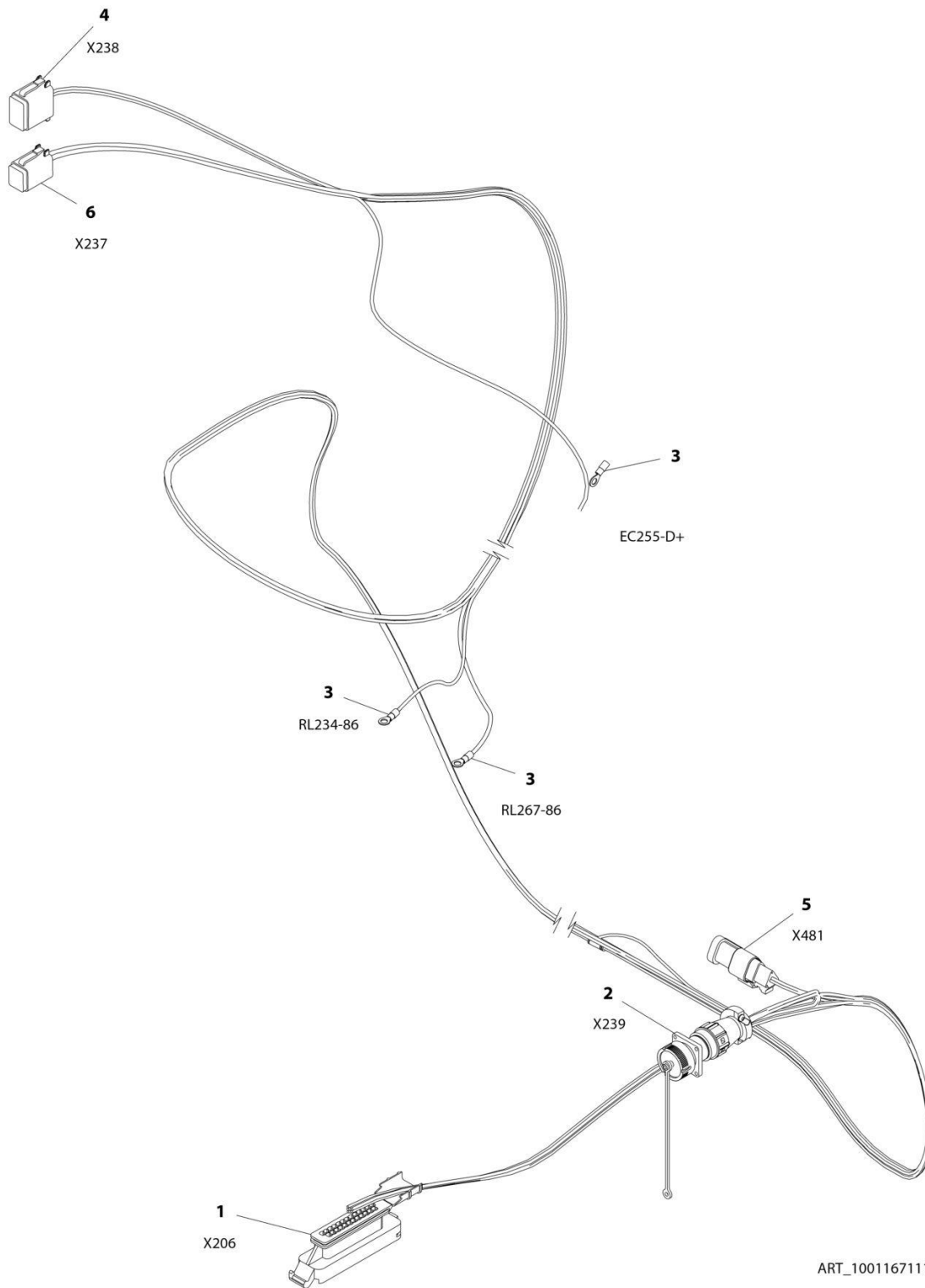
## SECTION 8 - ELECTRICAL

### FIGURE 8-26. CHASSIS SOLENOID HARNESS

ITEM	PART NUMBER	QTY	DESCRIPTION	REV
	1001179236	Ref	CHASSIS SOLENOID HARNESS	A
1	4460899	1	Receptacle, Female - 6 Position	
1	4460464	6	Pin, Male	
2	4460891	4	Plug, Male - 2 Position	
2	4460465	8	Socket, Female	

# SECTION 8 - ELECTRICAL

## FIGURE 8-27. ENGINE HARNESS - DEUTZ D2011





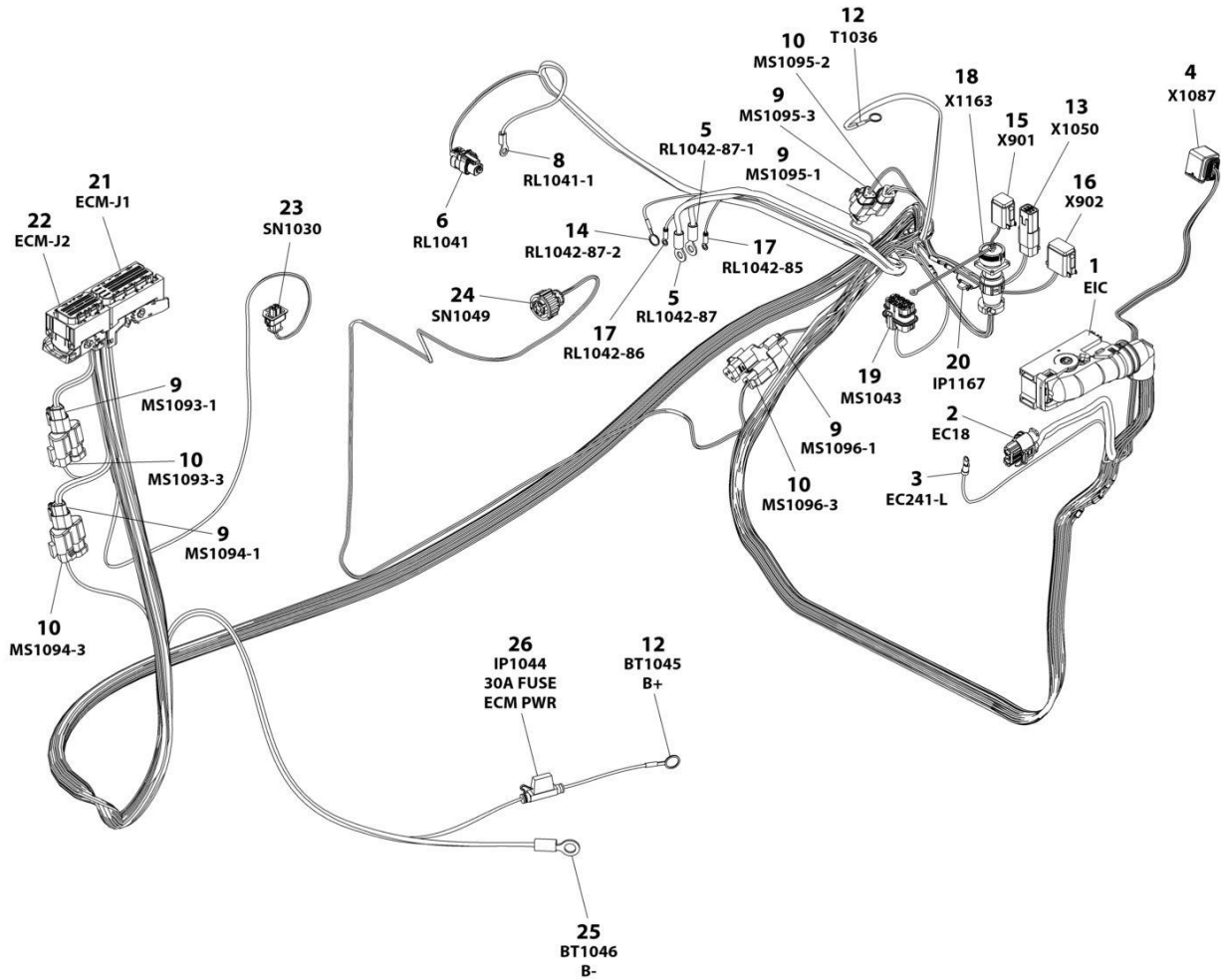
## SECTION 8 - ELECTRICAL

**FIGURE 8-27. ENGINE HARNESS - DEUTZ D2011**

ITEM	PART NUMBER	QTY	DESCRIPTION	REV
	1001167111	Ref	ENGINE HARNESS - DEUTZ D2011	B
1	4461052	1	Connector - 25 Position	
1	4461005	7	Terminal	
1	4461008	18	Plug, Terminal	
2	2902443	1	Receptacle Kit	
2	4461071	8	Socket, Female	
2	4461072	1	Receptacle with Flange - 8 Position	
2	4461073	1	Cap, Dust	
2	4461074	1	Shell, Black	
3	4460313	3	Terminal, Ring	
4	4460930	1	Plug, Male - 8 Position	
4	4460465	2	Socket, Female	
4	4460466	6	Seal, Terminal	
5	4461095	1	Plug, Male - 3 Position	
5	4460465	3	Socket, Female	
6	4460894	1	Plug, Male - 6 Position	
6	4460465	6	Socket, Female	

# SECTION 8 - ELECTRICAL

## FIGURE 8-28. ENGINE HARNESS - DEUTZ D2.9L4 (STAGE V)



ART\_1001276643

## SECTION 8 - ELECTRICAL

**FIGURE 8-28. ENGINE HARNESS - DEUTZ D2.9L4 (STAGE V)**

ITEM	PART NUMBER	QTY	DESCRIPTION	REV
	1001276643	Ref	ENGINE HARNESS - DEUTZ D2.9L4 (STAGE V) ENGINE	B
1	1001126362	1	Connector	
1	1001126363	37	Socket	
1	1001126391	7	Plug, Terminal	
1	1001126392	12	Socket	
1	4461008	4	Plug, Terminal	
1	1001167632	2	Socket	
1	1001126364	37	Plug, Terminal	
1	1001223459	12	Seal	
1	4461054	2	Seal	
2	1001142938	1	Connector	
2	1001142940	2	Socket	
2	1001142941	2	Seal	
3	4460042	1	Terminal, Ring	
4	1001239202	1	Connector	
4	1001126363	7	Socket	
4	1001126391	1	Plug, Terminal	
4	1001126364	7	Plug, Terminal	
5	1001117107	2	Terminal, Ring	
6	1001116952	1	Connector	
6	4460465	2	Socket	
8	4460043	1	Terminal, Ring	
9	1001116812	5	Connector	
9	4460944	10	Socket	
9	4460466	5	Plug, Terminal	
10	4460539	4	Connector	
10	4460944	8	Socket	
10	4460466	4	Plug, Terminal	
12	4460019	2	Terminal, Ring	
13	4460884	1	Connector	
13	4460465	2	Socket	
13	4460942	2	Socket	
14	4460703	1	Terminal, Ring	
15	4460894	1	Connector	
15	4460466	2	Plug, Terminal	
15	4460465	2	Socket	
15	4460944	2	Socket	
16	4460930	1	Connector	
16	4460465	1	Socket	
16	4460466	7	Plug, Terminal	
17	4460247	2	Terminal, Ring	
18	2902443	1	Receptacle Kit	
18	4461071	8	Socket	
18	4461072	1	Receptacle with Flange - 8 Position	
18	4461073	1	Cap, Dust	
18	4461074	1	Shell, Black	
19	80484084	1	Connector	
19	4460748	4	Plug, Socket	
19	4460746	3	Socket	
19	1001234800	1	Socket	

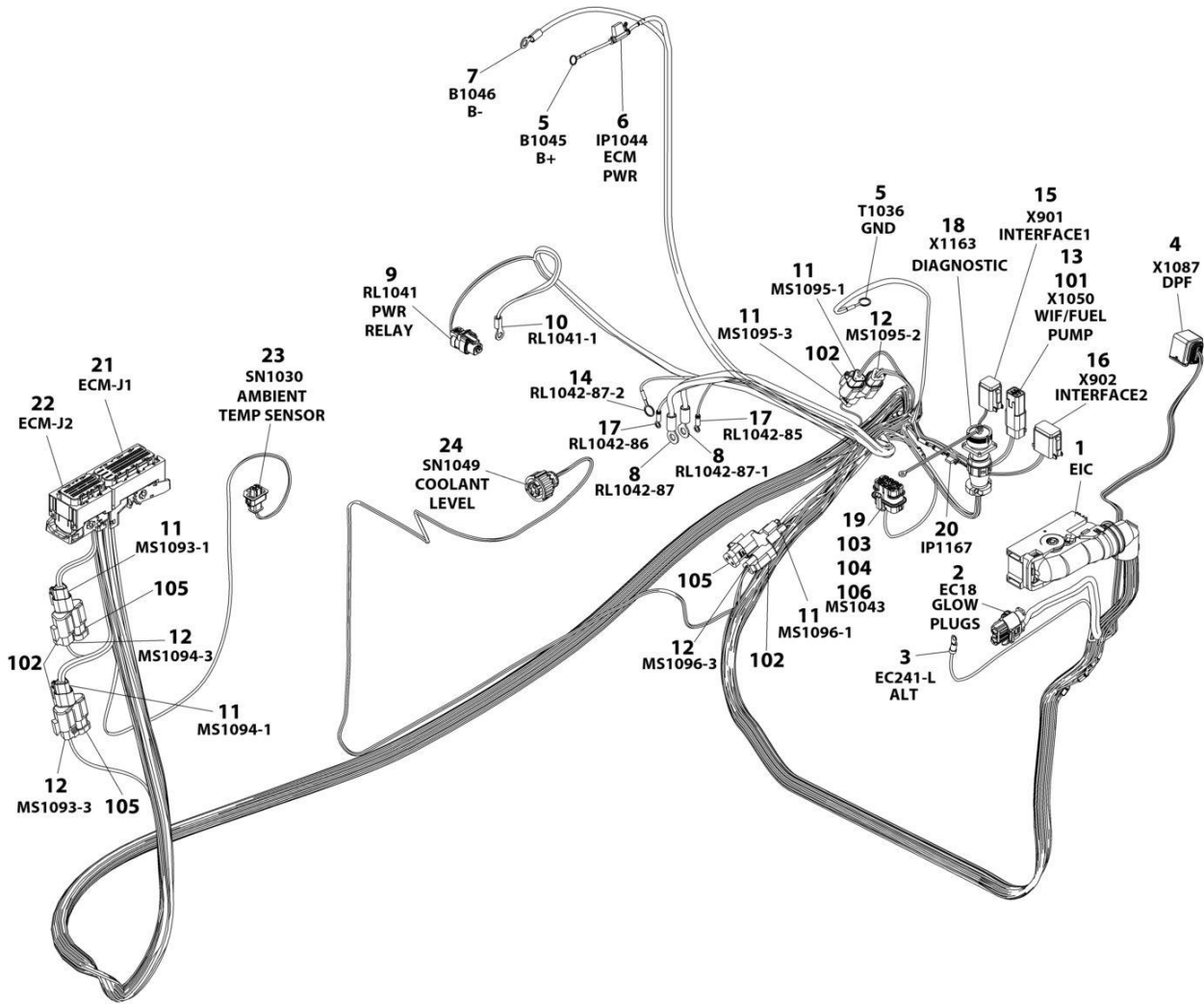
## SECTION 8 - ELECTRICAL

ITEM	PART NUMBER	QTY	DESCRIPTION	REV
19	4460458	4	Seal	
20	1001170764	1	Holder, Fuse	
20	1001197719	1	Fuse 0.5 Watt	
21	1001133956	1	Connector	
21	1001182361	6	Socket	
21	1001126351	3	Socket	
21	1001230934	23	Socket	
21	1001230935	57	Pin	
21	1001230936	1	Pin	
21	1001252527	4	Socket	
21	1001182365	6	Seal	
22	1001133957	1	Connector	
22	1001230936	11	Pin	
22	1001126351	13	Socket	
22	1001230935	10	Pin	
22	1001230934	26	Socket	
23	1001126487	1	Connector	
23	1001167635	2	Socket	
23	1001126485	2	Seal	
24	1001133714	1	Connector	
24	1001133715	3	Socket	
24	1001135651	1	Plug, Terminal	
24	1001135650	2	Seal	
25	4460115	1	Terminal, Ring	
26	1001172064	1	Fuse Holder (Includes Cover)	
26	1001172065	1	Fuse 30Amp	



# SECTION 8 - ELECTRICAL

## FIGURE 8-29. ENGINE HARNESS - DEUTZ D2.9L4 (CHINA IV)



ART\_1001290660

## SECTION 8 - ELECTRICAL

**FIGURE 8-29. ENGINE HARNESS - DEUTZ D2.9L4 (CHINA IV)**

ITEM	PART NUMBER	QTY	DESCRIPTION	REV
	1001290660	Ref	ENGINE HARNESS - DEUTZ D2.9L4 (CHINA IV)	A
1	1001126362	1	Connector	
1	1001126363	37	Socket (20-17Awg - Gold)	
1	1001126391	7	Plug (3.6mm)	
1	1001126392	12	Socket (16Awg - Tin)	
1	4461008	4	Plug (5.6mm)	
1	1001167632	2	Socket (0.5-1.0mm2 - Tin)	
1	1001126364	37	Seal, Terminal (Use with Socket 1001126363)	
1	1001223459	12	Seal, Terminal (Use with Socket 1001126392)	
1	4461054	2	Seal, Terminal (Use with Socket 1001167632)	
1	1001151856	1	Elbow, Connector	
2	1001142938	1	Connector	
2	1001142940	2	Socket	
2	1001142941	2	Seal, Terminal	
3	4460042	1	Terminal, Ring	
4	1001239202	1	Connector	
4	1001126363	7	Socket	
4	1001126391	1	Plug	
4	1001126364	7	Seal, Terminal	
5	4460019	2	Terminal, Ring	
6	1001172064	1	Fuseholder	
6	1001172065	1	Fuse 30Amp	
7	8220115	1	Terminal, Ring	
8	1001117107	2	Terminal, Ring	
9	1001116952	1	Connector	
9	4460465	2	Socket	
10	4460043	1	Terminal, Ring	
11	1001116812	5	Connector	
11	4460944	10	Socket	
11	4460466	5	Plug	
12	4460539	4	Connector	
12	4460944	8	Socket	
12	4460466	4	Plug	
13	4460884	1	Connector	
13	4460465	2	Socket (20-16Awg)	
13	4460942	2	Socket (16-14Awg)	
14	4460703	1	Terminal, Ring	
15	4460894	1	Connector	
15	4460465	2	Socket (Nickel)	
15	4460944	2	Socket (Gold)	
15	4460466	2	Plug	
16	4460930	1	Connector	
16	4460465	1	Socket	
16	4460466	7	Plug	
17	4460247	2	Terminal, Ring	
18	2902443	1	Receptacle Kit	
18	4461071	8	Socket	
18	4461072	1	Connector	
18	4461073	1	Cap, Dust	
18	4461074	1	Backshell	

## SECTION 8 - ELECTRICAL

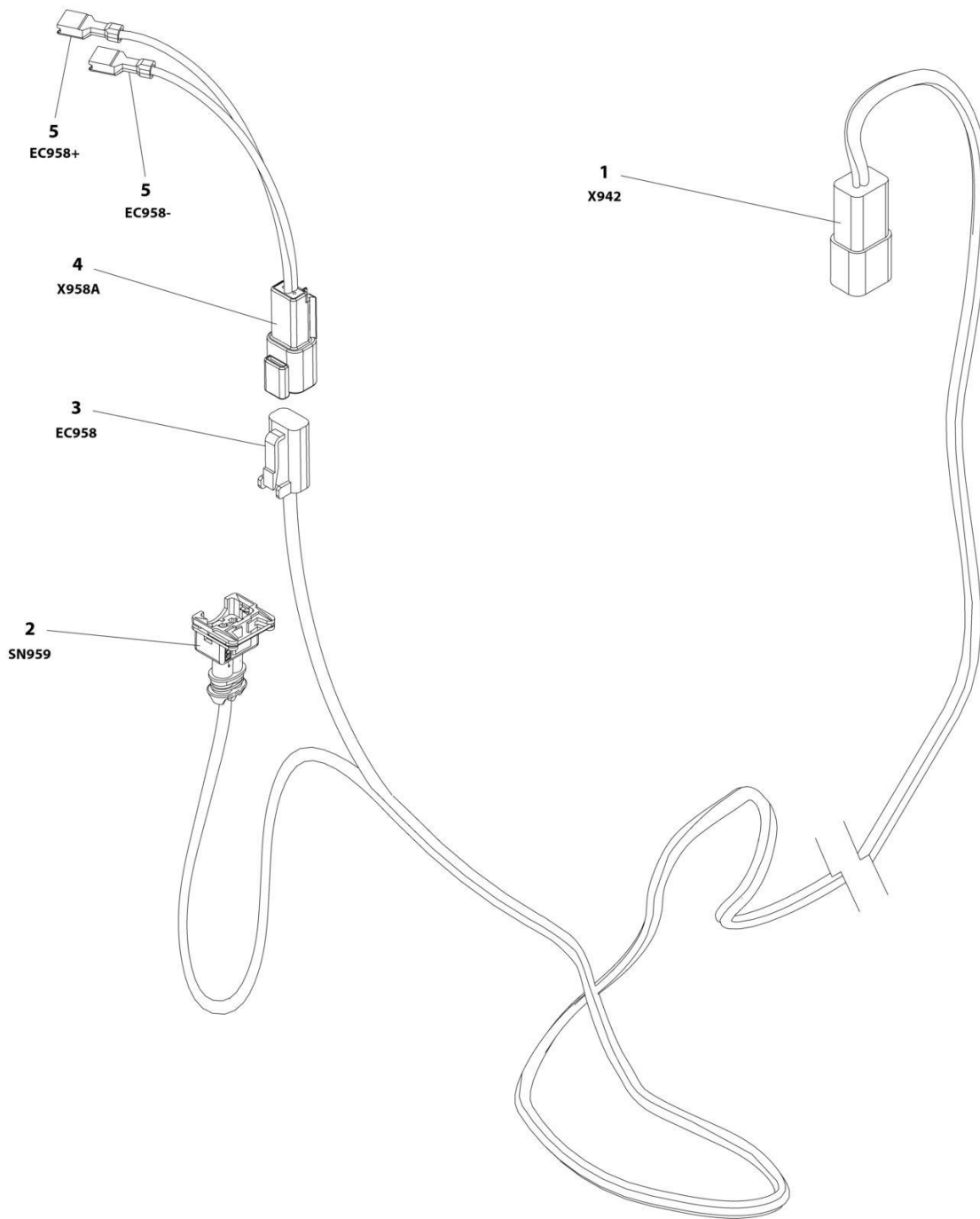
ITEM	PART NUMBER	QTY	DESCRIPTION	REV
19	80484084	1	Connector	
19	4460746	3	Socket (20-17Awg)	
19	1001234800	1	Socket (16Awg)	
19	4460748	4	Plug	
19	4460458	4	Seal, Terminal	
20	1001170764	1	Fuseholder	
20	1001197719	1	Resistor 1/2Watt	
21	1001133956	1	Connector	
21	1001182361	6	Socket (1.5-2.5mm2)	
21	1001126351	3	Socket (18-15Awg)	
21	1001230934	23	Socket (0.75mm2)	
21	1001230935	57	Plug (1.5mm)	
21	1001252527	4	Socket (0.85mm2)	
21	1001230936	1	Plug (1.85mm)	
21	1001182365	6	Seal, Terminal	
22	1001133957	1	Connector	
22	1001230936	11	Plug (1.85mm)	
22	1001126351	13	Socket (18-15Awg)	
22	1001230935	10	Plug (1.5mm)	
22	1001230934	26	Socket (0.75mm2)	
23	1001126487	1	Connector	
23	1001167635	2	Socket	
23	1001126485	2	Seal, Terminal	
24	1001133714	1	Connector	
24	1001133715	3	Socket	
24	1001135651	1	Plug	
24	1001135650	2	Seal, Terminal	
101	4460932	1	Connector, Female	
102	4460945	4	Connector, 3-Way	
103	8229242	1	Fuse 5Amp	
104	80983191	1	Fuse 10Amp	
105	1001116815	3	Connector	
106	1001147264	1	Cap	





# SECTION 8 - ELECTRICAL

## FIGURE 8-30. FUEL HARNESS - DEUTZ D2.9L4 ENGINE



ART\_1001181358

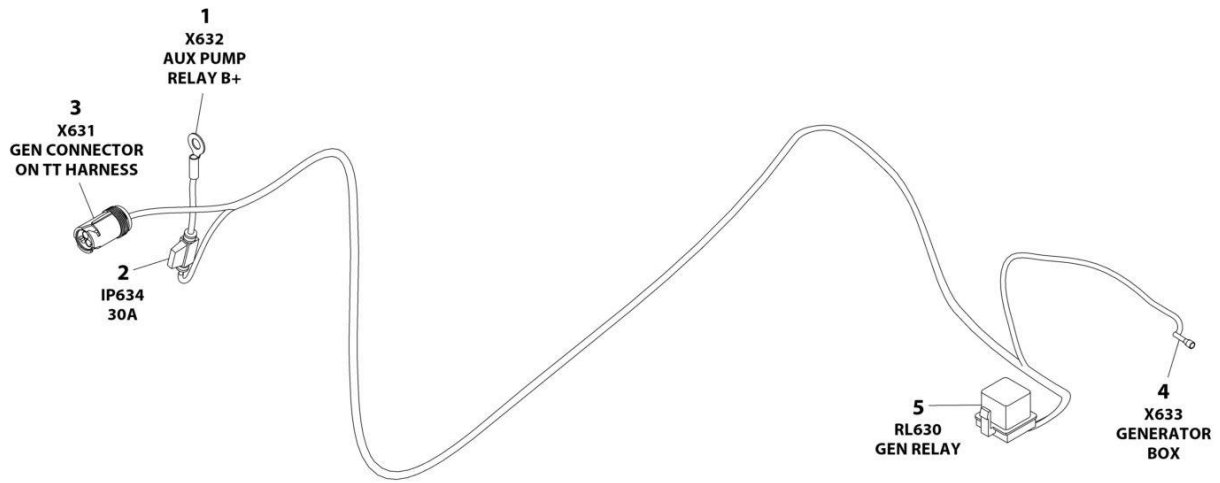
## SECTION 8 - ELECTRICAL

### FIGURE 8-30. FUEL HARNESS - DEUTZ D2.9L4 ENGINE

ITEM	PART NUMBER	QTY	DESCRIPTION	REV
	1001181358	Ref	FUEL HARNESS - DEUTZ D2.9L4 ENGINE	D
1	4460932	1	Receptacle, Female - 4 Position	
1	4460464	2	Pin, Male	
1	4460941	2	Pin, Male	
2	1001116983	1	Plug, Male - 2 Position	
2	4461060	2	Socket, Female	
2	4461054	2	Seal	
3	4460891	1	Plug, Male - 2 Position	
3	4460942	2	Socket, Female	
4	4460897	1	Receptacle, Female - 2 Position	
4	4460941	2	Pin, Male	
5	8220051	2	Coupler, Female	

# SECTION 8 - ELECTRICAL

## FIGURE 8-31. GENERATOR HARNESS - 2500W GENERATOR (50HZ)



ART\_1001187352

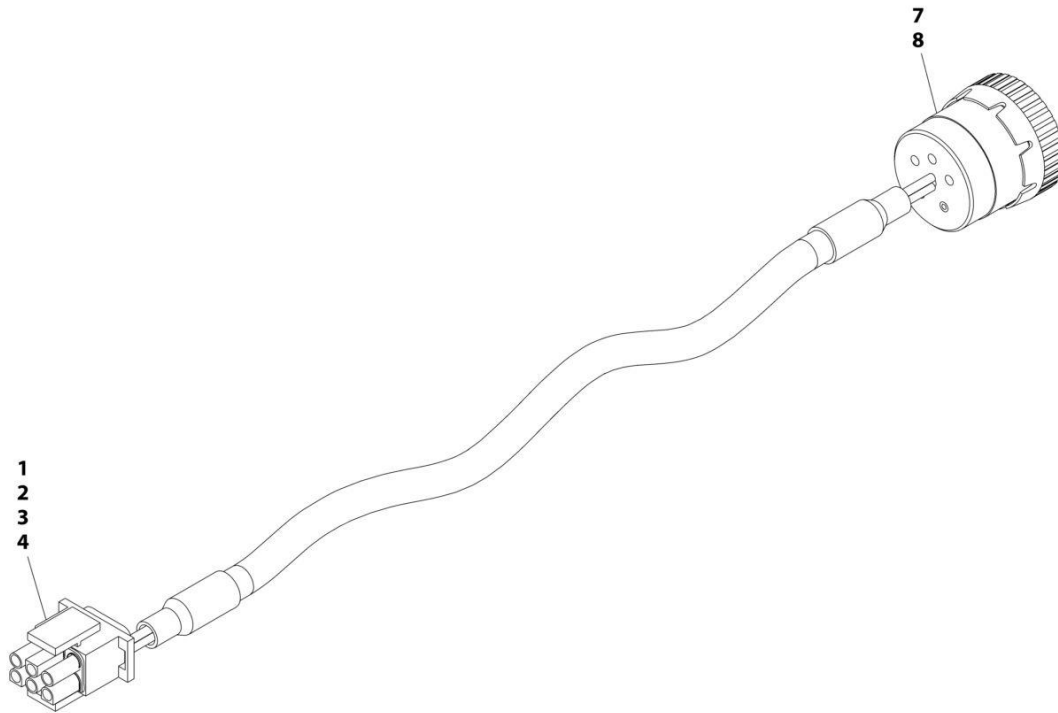
## SECTION 8 - ELECTRICAL

### FIGURE 8-31. GENERATOR HARNESS - 2500W GENERATOR (50HZ)

ITEM	PART NUMBER	QTY	DESCRIPTION	REV
	1001187352	Ref	GENERATOR HARNESS - 2500W GENERATOR (50HZ)	A
1	8220045	1	Terminal, Ring	
2	2400060	1	Holder, Fuse	
2	8229245	1	Fuse 30Amp	
3	1001154726	1	Connector - 3 Position	
3	4460464	2	Pin, Male	
3	4460466	1	Plug, Terminal	
4	1001100231	1	Terminal	
5	1001117057	1	Plug, Relay	
5	1001116734	2	Terminal	
5	1001116732	2	Terminal	

# SECTION 8 - ELECTRICAL

## FIGURE 8-32. GENERATOR HARNESS - 4000W GENERATOR



ART\_1001152532

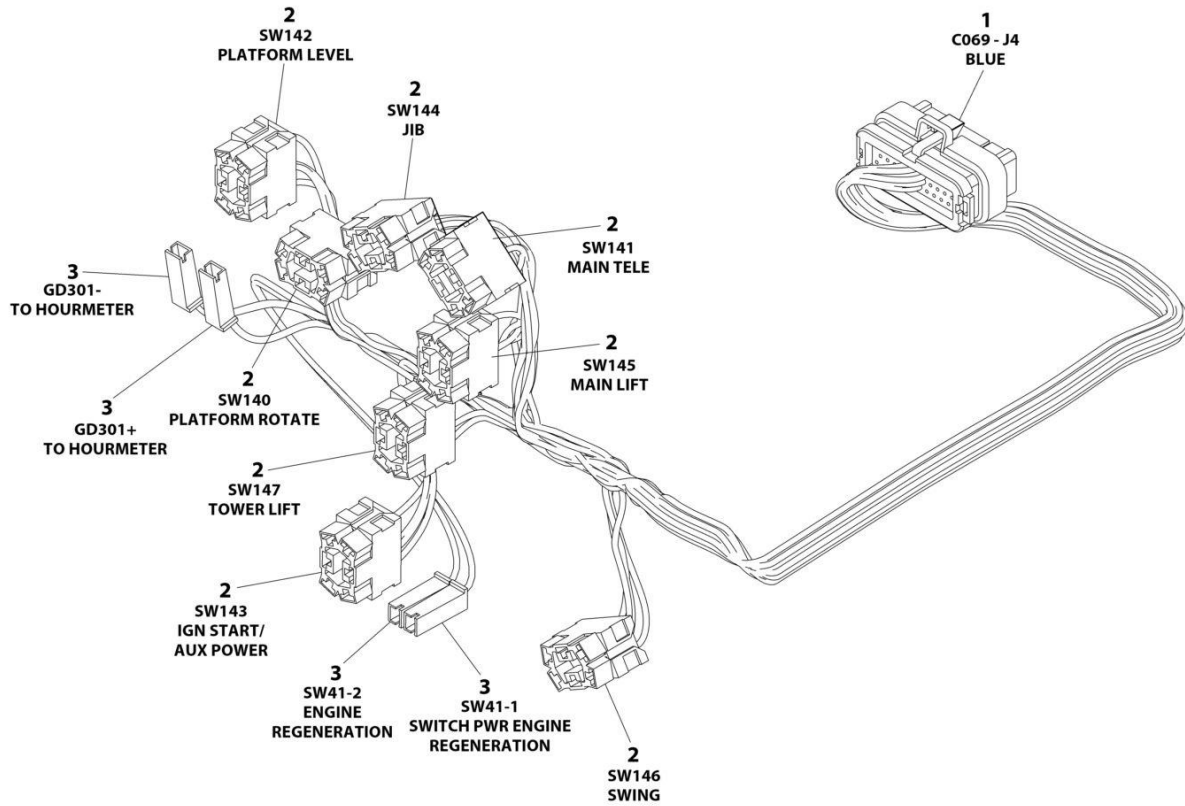
## SECTION 8 - ELECTRICAL

### FIGURE 8-32. GENERATOR HARNESS - 4000W GENERATOR

ITEM	PART NUMBER	QTY	DESCRIPTION	REV
	1001152532	Ref	GENERATOR HARNESS	A
1	4460225	1	Connector - 6 Position	
2	4460268	2	Socket, Female	
3	4460807	1	Seal	
4	4460808	1	Seal	
7	4460465	2	Socket, Female	
8	77363233	1	Connector - 6 Position	

# SECTION 8 - ELECTRICAL

## FIGURE 8-33. GROUND CONTROL PANEL HARNESS



ART\_1001299782



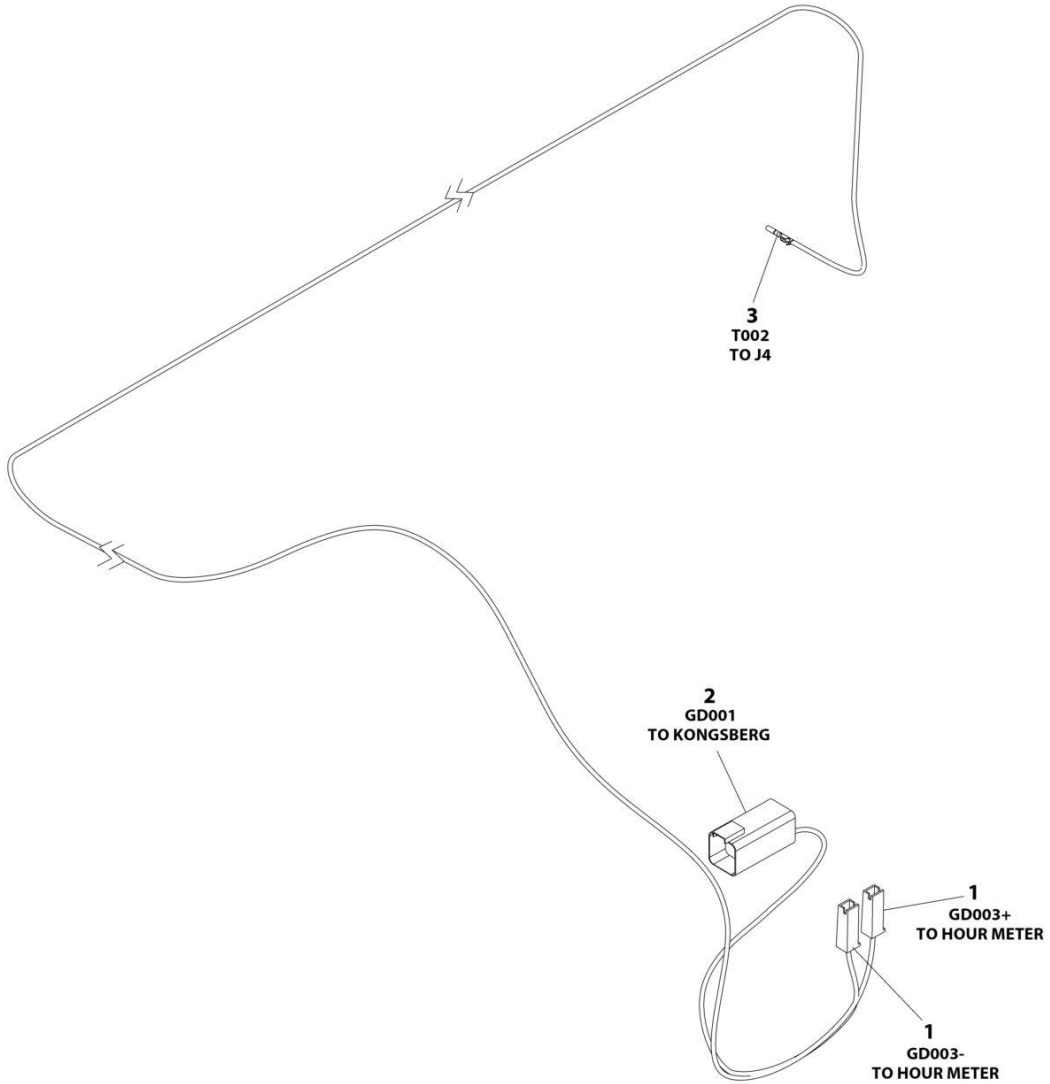
## SECTION 8 - ELECTRICAL

### FIGURE 8-33. GROUND CONTROL PANEL HARNESS

ITEM	PART NUMBER	QTY	DESCRIPTION	REV
	1001299782	Ref	GROUND CONTROL PANEL HARNESS	B
1	4460876	1	Connector	
1	4460871	20	Socket	
1	4460905	15	Plug	
2	4460418	8	Connector	
2	1001159186	16	Socket	
2	4460419	8	Socket	
3	4460260	4	Connector	
3	4460259	4	Socket	

# SECTION 8 - ELECTRICAL

## FIGURE 8-34. HOUR METER JUMPER HARNESS



ART\_1001296426

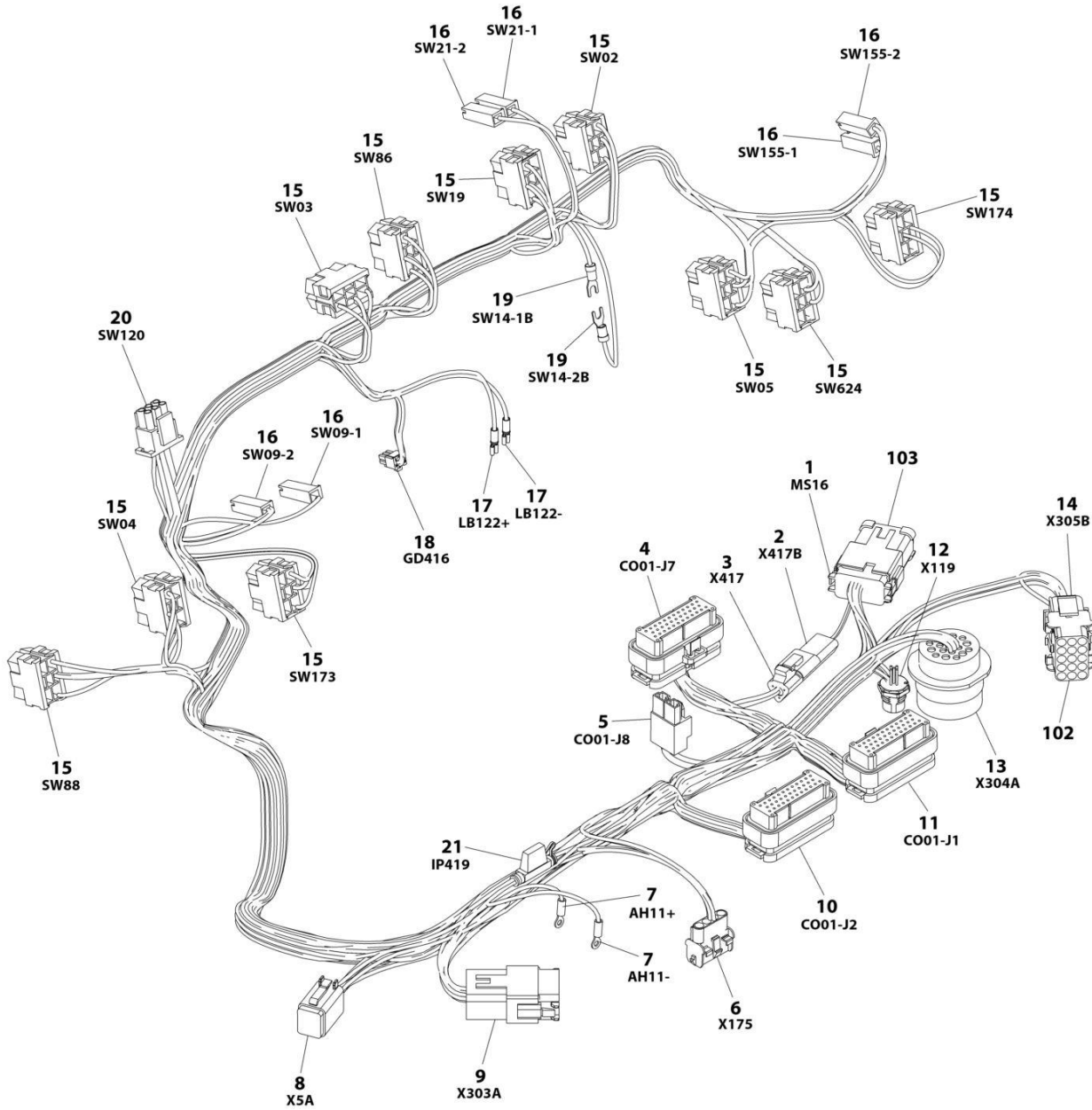
## SECTION 8 - ELECTRICAL

### FIGURE 8-34. HOUR METER JUMPER HARNESS

ITEM	PART NUMBER	QTY	DESCRIPTION	REV
	1001296426	Ref	HOUR METER JUMPER HARNESS	A
1	4460260	2	Connector	
2	4460899	1	Connector	
3	4460871	1	Socket	

# SECTION 8 - ELECTRICAL

## FIGURE 8-35. PLATFORM CONSOLE BOX HARNESS



ART\_1001238254

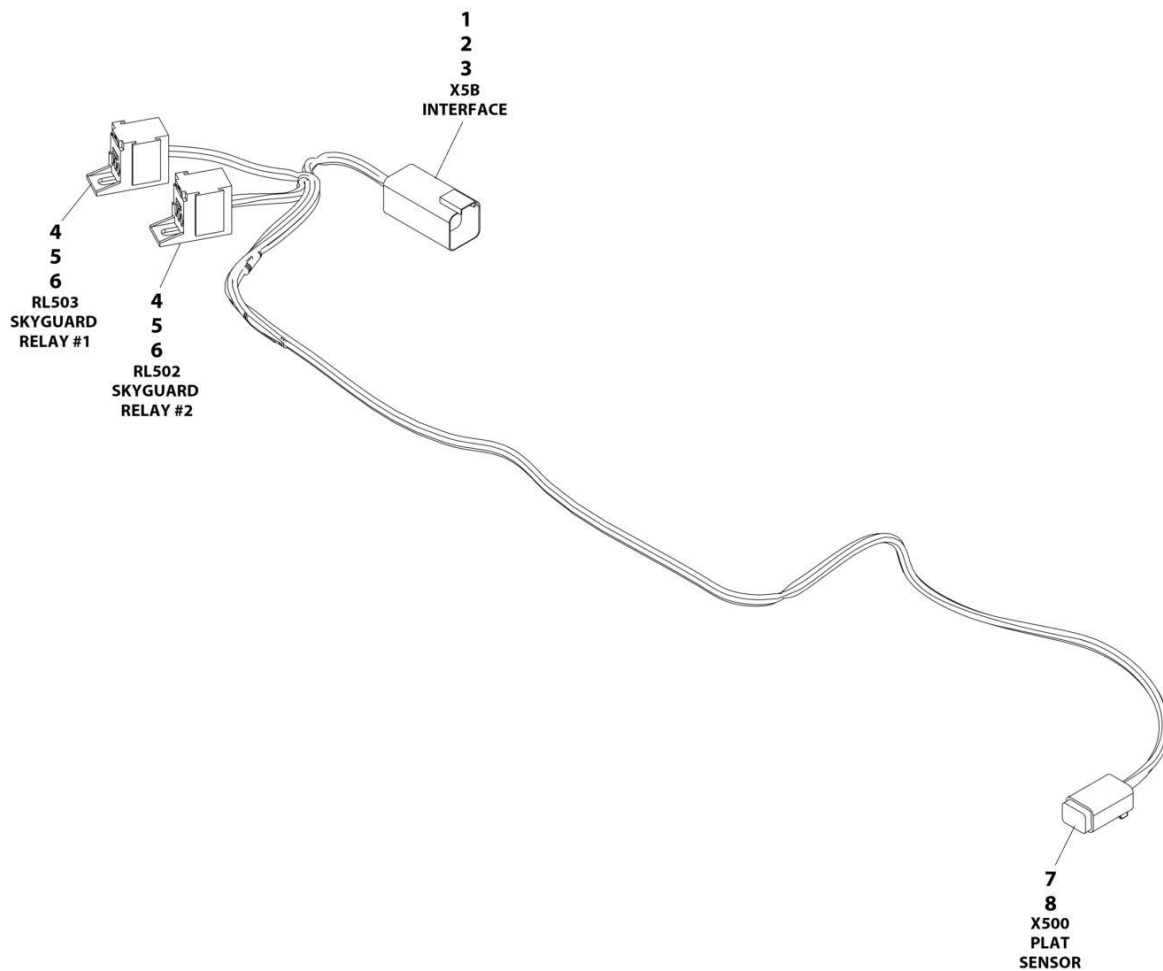
## SECTION 8 - ELECTRICAL

### FIGURE 8-35. PLATFORM CONSOLE BOX HARNESS

ITEM	PART NUMBER	QTY	DESCRIPTION	REV
	1001238254	Ref	PLATFORM CONSOLE BOX HARNESS	I
1	4460933	1	Plug, Male - 12 Position	
1	4460465	10	Socket, Female	
1	4460466	2	Plug, Terminal	
2	4460536	1	Receptacle, Female - 3 Position	
2	4460464	2	Pin, Male	
2	4460466	1	Plug, Terminal	
3	4460539	1	Plug, Male - 3 Position	
3	4460465	2	Socket, Female	
3	4460466	1	Plug, Terminal	
4	4460873	1	Connector - 35 Position	
4	4460871	21	Socket, Female	
4	4460905	14	Plug, Terminal	
5	4460879	1	Plug, Male - 2 Position	
5	4460887	2	Terminal	
6	4460761	1	Receptacle, Female - 4 Position	
6	4460267	4	Pin, Male	
7	1001098122	2	Terminal, Ring	
8	4460894	1	Plug, Male - 6 Position	
8	4460465	6	Socket, Female	
9	4460970	1	Receptacle, Female - 12 Position	
9	1001116693	11	Pin, Male	
9	4460466	1	Plug, Terminal	
10	4460875	1	Connector - 35 Position	
10	4460871	12	Socket, Female	
10	4460905	23	Plug, Terminal	
11	4460874	1	Connector - 35 Position	
11	4460871	27	Socket, Female	
11	4460905	8	Plug, Terminal	
12	1001213447	1	Connector - 4 Position	
12	See Note	NSS	Terminal (Note: Purchase p/n 1001213447)	
13	4460866	1	Connector - 19 Position	
13	4460464	5	Pin, Male	
13	4460466	11	Plug, Terminal	
13	4460508	1	Pin, Male	
14	4460434	1	Connector - 15 Position	
14	4460267	8	Pin, Male	
15	4460418	10	Connector - 6 Position	
15	4460419	45	Terminal	
16	4460260	6	Housing, Terminal	
16	4460259	8	Terminal	
17	1001271497	2	Terminal	
18	1001237667	1	Plug, Male - 6 Position	
18	1001237668	4	Terminal	
19	4460183	2	Terminal, Fork	
20	4460225	1	Plug, Male - 6 Position	
20	4460227	6	Pin, Male (Note: Used on Pump Potentiometer Connection Only)	
21	2400060	1	Fuse Holder	
102	4460708	1	Connector, Bussbar - 15 Position	
103	1001125677	1	Connector, Bussbar - 12 Position	

# SECTION 8 - ELECTRICAL

## FIGURE 8-36. PLATFORM INTERFACE HARNESS



ART\_1001225580

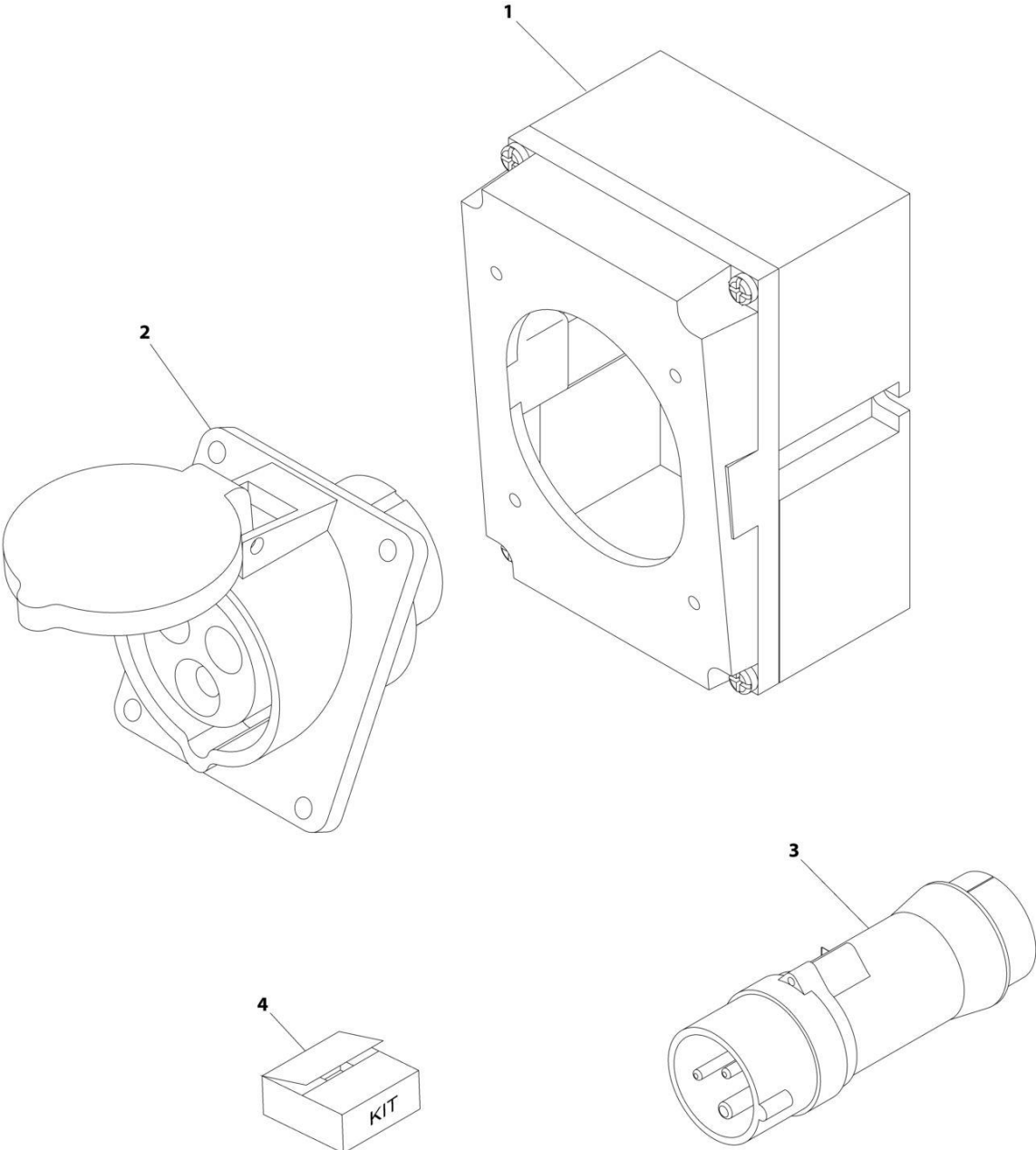
## SECTION 8 - ELECTRICAL

### FIGURE 8-36. PLATFORM INTERFACE HARNESS

ITEM	PART NUMBER	QTY	DESCRIPTION	REV
	1001225580	Ref	INTERFACE HARNESS - WITH 1 CELL LSS	D
1	4460899	1	Connector	
2	4460464	4	Terminal	
3	4460466	2	Plug	
4	1001186432	2	Connector	
5	1001116720	4	Terminal	
6	1001118388	4	Terminal	
7	4460884	1	Connector	
8	4460465	4	Terminal	

**SECTION 8 - ELECTRICAL**

**FIGURE 8-37. RECEPTACLE BOX KIT - 110V IEC YELLOW (CE, CIS/EAC & UK CA SPEC)**



ART\_0275216



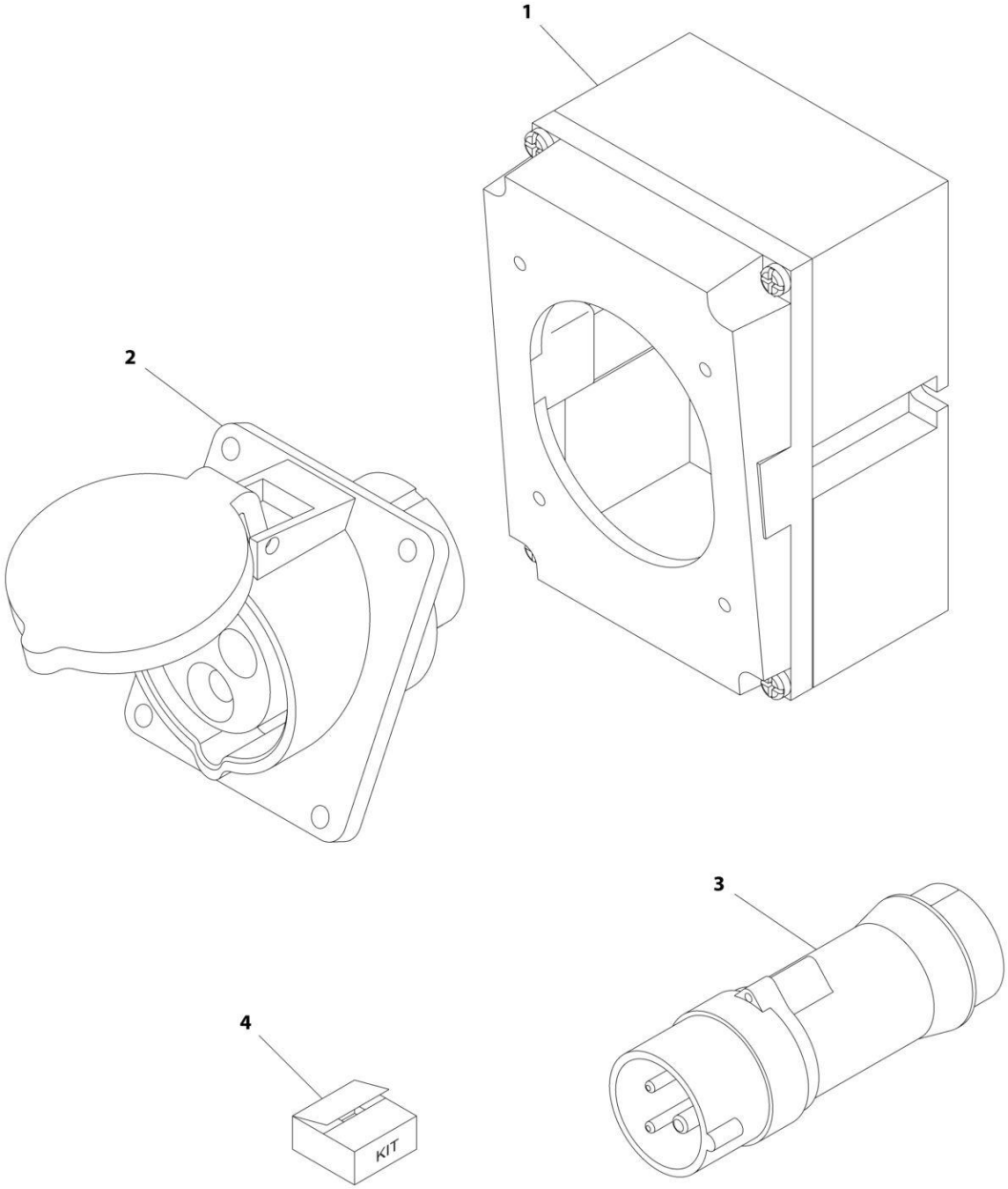
## SECTION 8 - ELECTRICAL

**FIGURE 8-37. RECEPTACLE BOX KIT - 110V IEC YELLOW (CE, CIS/EAC & UK CA SPEC)**

ITEM	PART NUMBER	QTY	DESCRIPTION	REV
	0275216	Ref	RECEPTACLE BOX KIT - 110V IEC YELLOW	B
1	0861781	1	Box, Switch	
2	4461198	1	Receptacle	
3	4461196	1	Plug, Male	
4	1001100341	1	Plug and Socket Kit (Includes Items 1-3 and Female Plug p/n 4461197)	

**SECTION 8 - ELECTRICAL**

**FIGURE 8-38. RECEPTACLE BOX KIT - 220V IEC BLUE (CE, CIS/EAC & UK CA SPEC)**



ART\_0275217

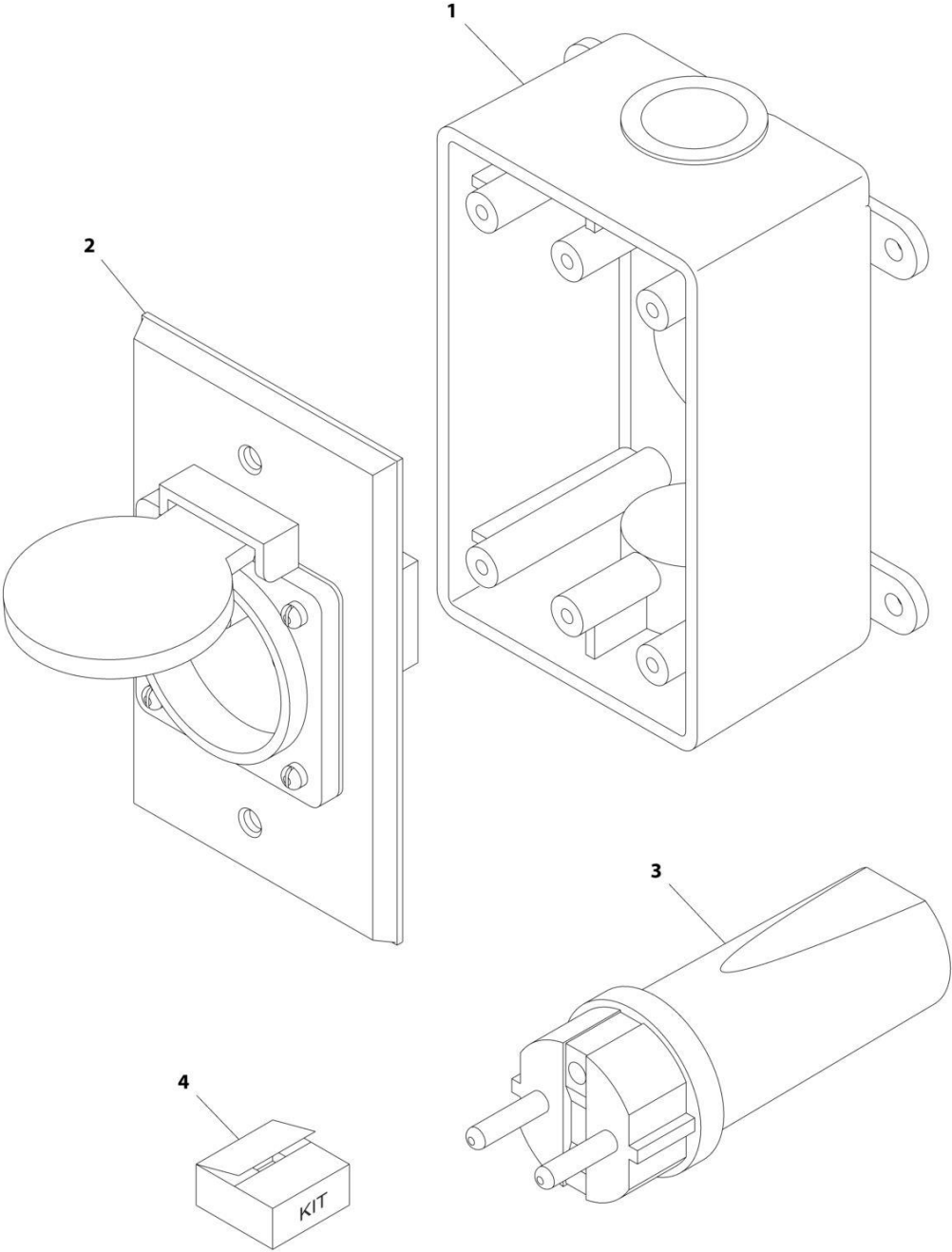
## SECTION 8 - ELECTRICAL

**FIGURE 8-38. RECEPTACLE BOX KIT - 220V IEC BLUE (CE, CIS/EAC & UK CA SPEC)**

ITEM	PART NUMBER	QTY	DESCRIPTION	REV
	0275217	Ref	RECEPTACLE BOX KIT - 220V IEC BLUE	B
1	0861781	1	Box, Switch	
2	4461201	1	Receptacle	
3	4461199	1	Plug, Male	
4	1001100342	1	Plug and Socket Kit (Includes Items 1-3 and Female Plug p/n 4461200)	

**SECTION 8 - ELECTRICAL**

**FIGURE 8-39. RECEPTACLE BOX KIT - 220V CEE7 POST GROUND 2IN X 4IN BOX (CE, CIS/EAC & UK CA SPEC)**



ART\_0275452

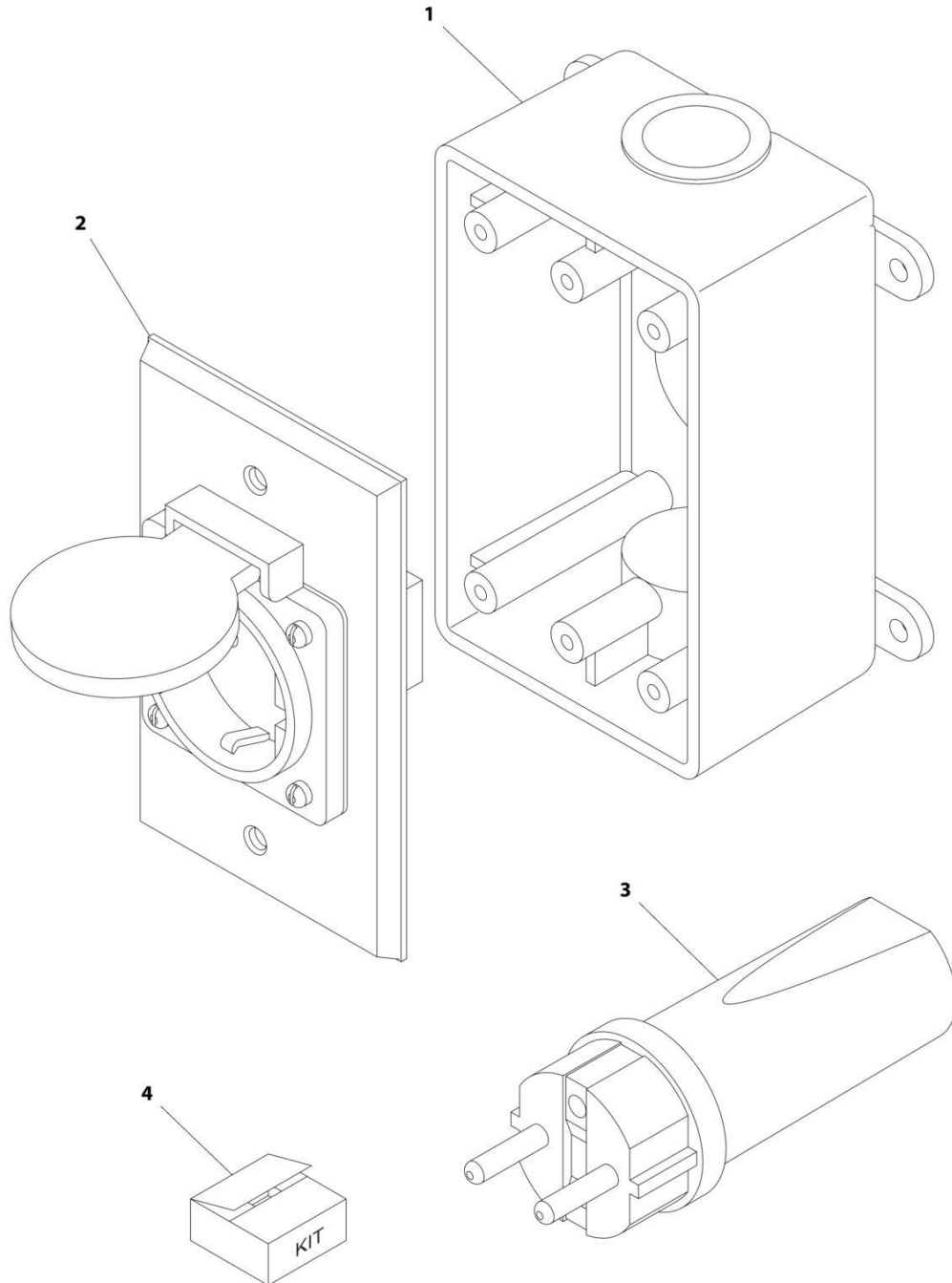
## SECTION 8 - ELECTRICAL

**FIGURE 8-39. RECEPTACLE BOX KIT - 220V CEE7 POST GROUND 2IN X 4IN BOX (CE, CIS/EAC & UK CA SPEC)**

ITEM	PART NUMBER	QTY	DESCRIPTION	REV
	0275452	Ref	RECEPTACLE BOX KIT - 220V CEE7 POST GROUND	C
1	0861731	1	Box, Switch	
2	4461244	1	Receptacle	
3	4461205	1	Plug, Male	
4	1001100345	1	Plug and Socket Kit (Includes Items 1-3 and Female Plug p/n 4461206)	

## SECTION 8 - ELECTRICAL

FIGURE 8-40. RECEPTACLE BOX KIT - 220V CEE7 SIDE GROUND 2IN X 4IN BOX (CE, CIS/EAC & UK CA SPEC)



ART\_0275453

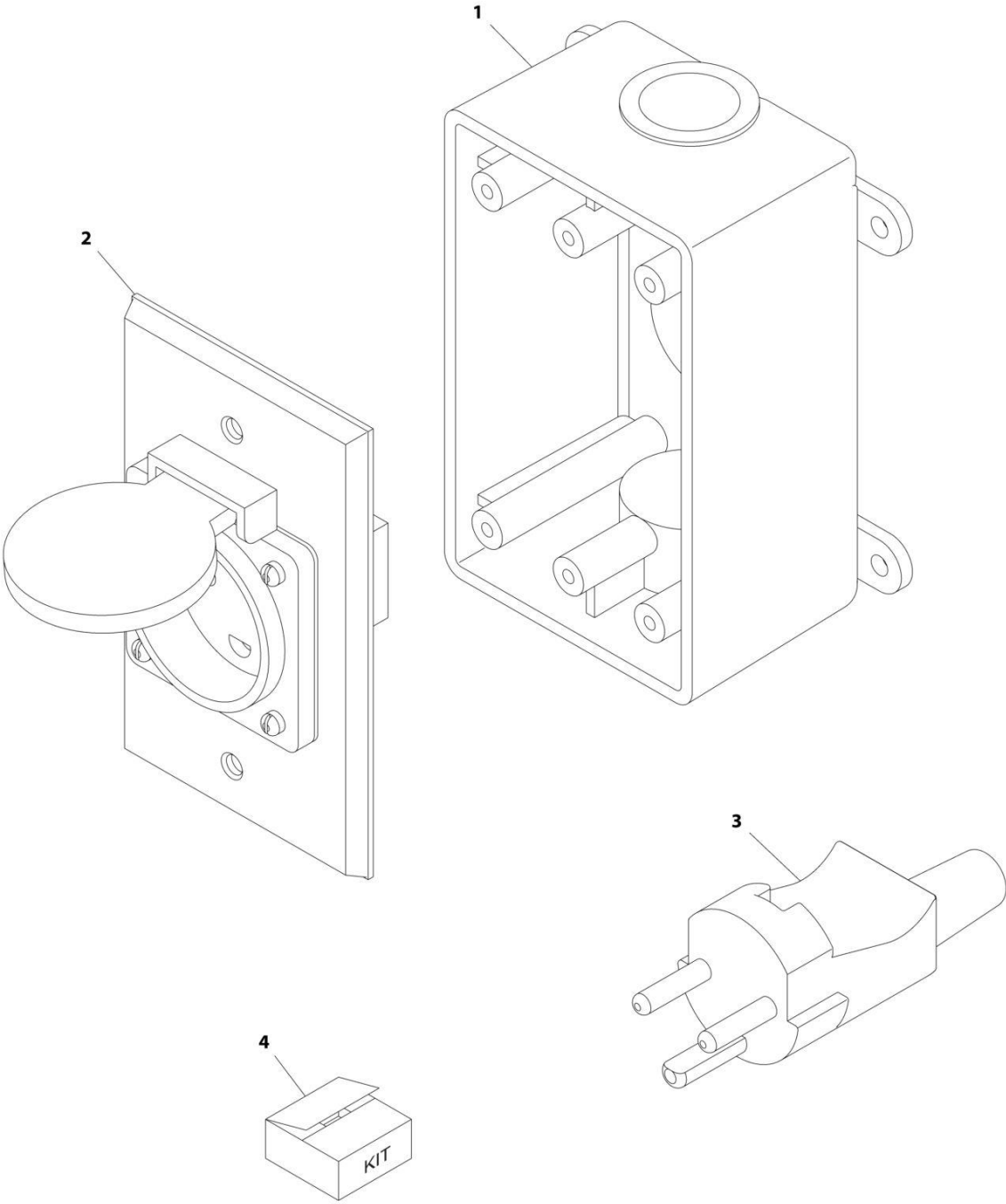
## SECTION 8 - ELECTRICAL

**FIGURE 8-40. RECEPTACLE BOX KIT - 220V CEE7 SIDE GROUND 2IN X 4IN BOX (CE, CIS/EAC & UK CA SPEC)**

ITEM	PART NUMBER	QTY	DESCRIPTION	REV
	0275453	Ref	RECEPTACLE BOX KIT - 220V CEE7 SIDE GROUND	B
1	0861731	1	Box, Switch	
2	4461245	1	Receptacle	
3	4461205	1	Plug, Male	
4	1001100347	1	Plug and Socket Kit (Includes Items 1-3 and Female Plug p/n 4461206)	

**SECTION 8 - ELECTRICAL**

**FIGURE 8-41. RECEPTACLE BOX KIT - 220V AFSINT 107 (CE, CIS/EAC & UK CA SPEC)**



ART\_0275454



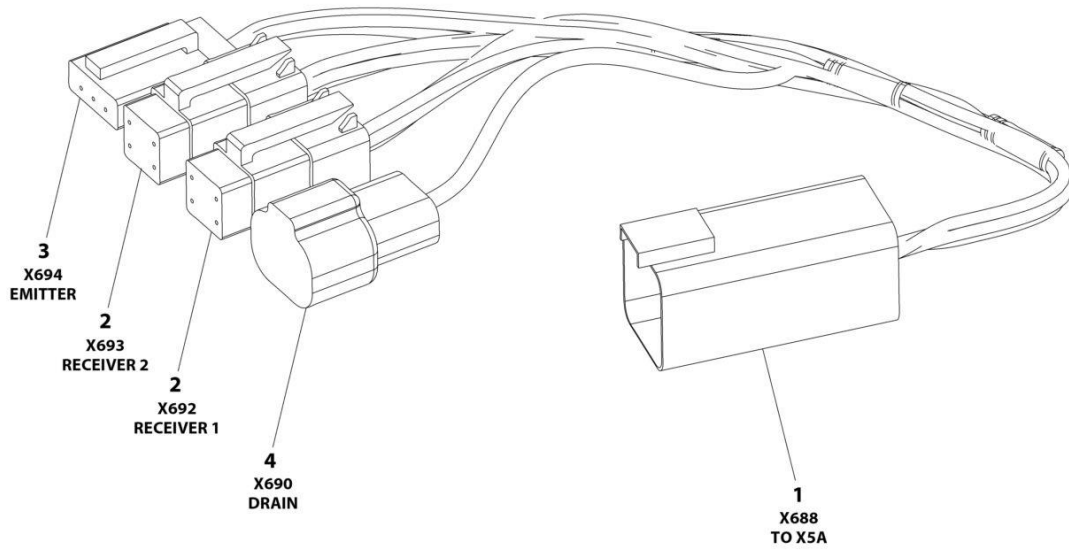
## SECTION 8 - ELECTRICAL

**FIGURE 8-41. RECEPTACLE BOX KIT - 220V AFSINT 107 (CE, CIS/EAC & UK CA SPEC)**

ITEM	PART NUMBER	QTY	DESCRIPTION	REV
	0275454	Ref	RECEPTACLE BOX KIT - 220V AFSINT 107	B
1	0861731	1	Box, Switch	
2	4461246	1	Receptacle	
3	4461249	1	Plug, Male	
4	1001100346	1	Plug and Socket Kit (Includes Items 1-3 and Female Plug p/n 4461250)	

# SECTION 8 - ELECTRICAL

## FIGURE 8-42. SKYEYE INTERMEDIATE HARNESS



ART\_1001237865

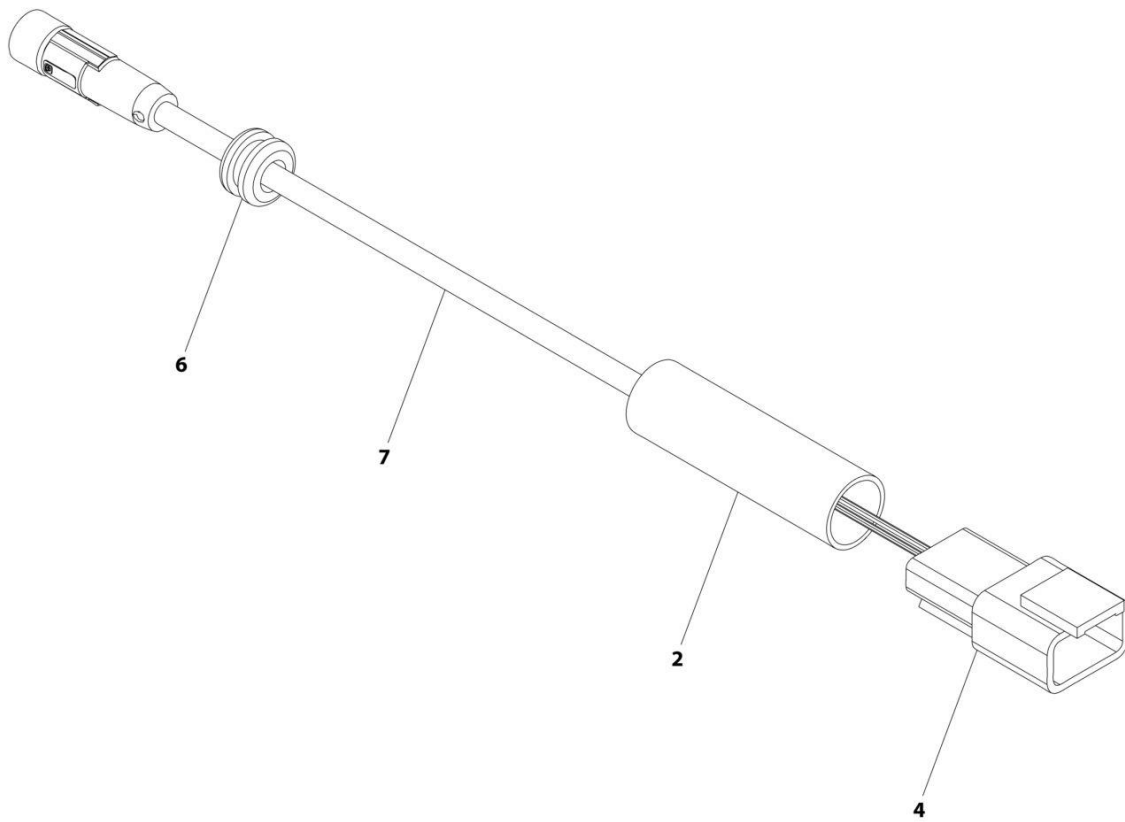
## SECTION 8 - ELECTRICAL

### FIGURE 8-42. SKYEYE INTERMEDIATE HARNESS

ITEM	PART NUMBER	QTY	DESCRIPTION	REV
	1001237865	Ref	SKYEYE INTERMEDIATE HARNESS	A
1	4460899	1	Connector - 6 Position	
1	4460943	4	Pin, Male	
1	4460466	2	Plug, Terminal	
2	4461077	2	Connector - 4 Position	
2	1001119619	8	Socket, Female	
3	4460911	1	Connector - 3 Position	
3	1001119619	3	Socket, Female	
4	1001187681	1	Connector - 2 Position	
4	4460941	1	Pin, Male	
4	4460466	1	Plug, Terminal	

# SECTION 8 - ELECTRICAL

## FIGURE 8-43. SKYEYE RECEIVER HARNESS



ART\_1001237863\_B

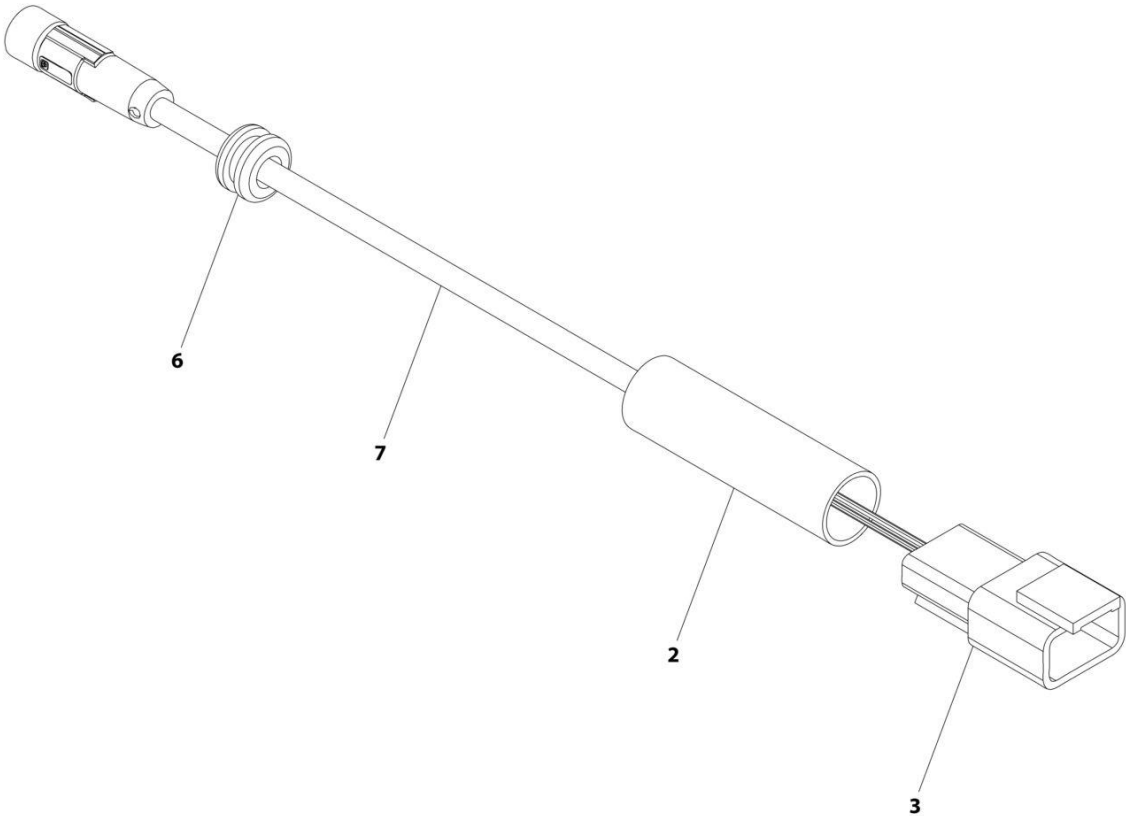
## SECTION 8 - ELECTRICAL

### FIGURE 8-43. SKYEYE RECEIVER HARNESS

ITEM	PART NUMBER	QTY	DESCRIPTION	REV
	1001237863	Ref	SKYEYE RECEIVER HARNESS	B
2	2820247	AR	Tubing, Heat Shrink	
4	1001097051	1	Connector - 4 Position	
4	1001119620	4	Pin, Male	
6	1001227996	1	Grommet	
7	1001258495	1	Cable, M8 Female Cordset	

**SECTION 8 - ELECTRICAL**

**FIGURE 8-44. SKYEYE EMITTER HARNESS**



ART\_1001237864\_B

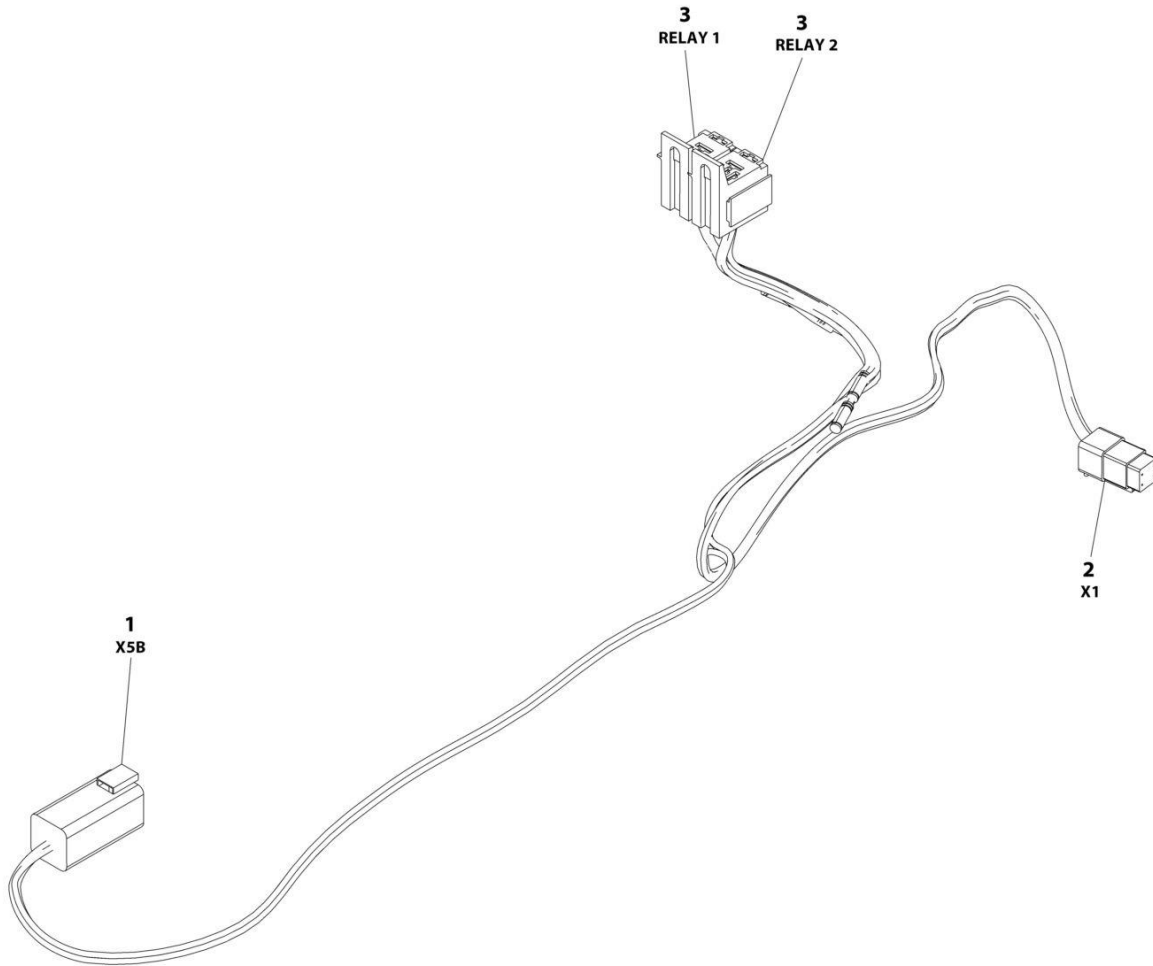
## SECTION 8 - ELECTRICAL

### FIGURE 8-44. SKYEYE EMITTER HARNESS

ITEM	PART NUMBER	QTY	DESCRIPTION	REV
	1001237864	Ref	SKYEYE EMITTER HARNESS	B
2	2820247	AR	Tubing, Heat Shrink	
3	4460910	1	Connector - 3 Position	
3	1001119620	3	Pin, Male	
6	1001227996	1	Grommet	
7	1001258495	1	Cable, M8 Female Cordset	

# SECTION 8 - ELECTRICAL

## FIGURE 8-45. SKYLINE HARNESS



ART\_1001238418



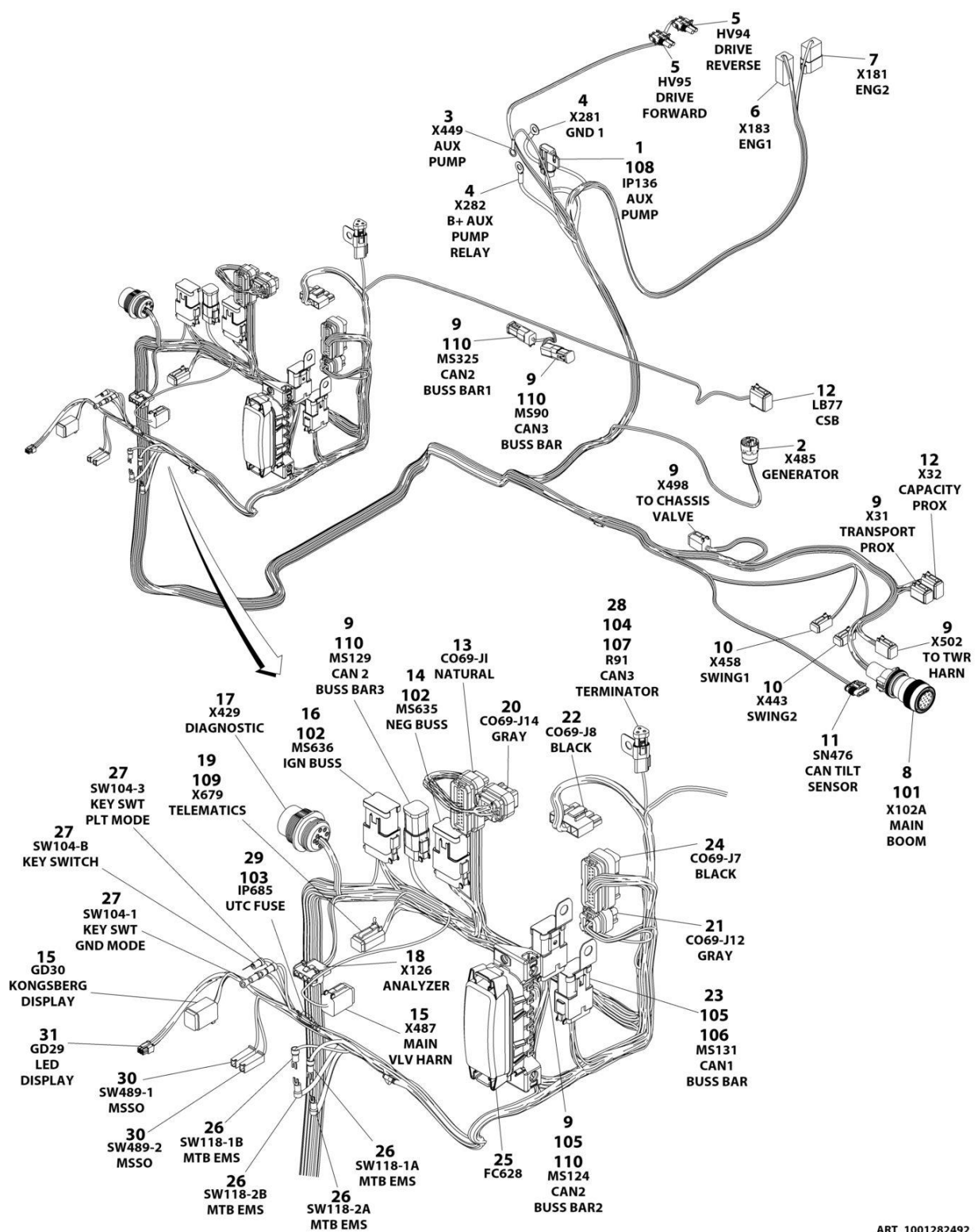
## SECTION 8 - ELECTRICAL

### FIGURE 8-45. SKYLINE HARNESS

ITEM	PART NUMBER	QTY	DESCRIPTION	REV
	1001238418	Ref	SKYLINE HARNESS	B
1	4460899	1	Connector - 6 Position	
1	4460464	4	Pin, Male	
1	4460466	2	Plug, Terminal	
2	4461077	1	Connector - 4 Position	
2	1001126009	4	Socket, Female	
3	1001186432	2	Plug, Relay	
3	1001118388	5	Terminal	
3	1001118384	3	Terminal	
3	3740086	2	Relay	

# SECTION 8 - ELECTRICAL

## FIGURE 8-46. TURNTABLE HARNESS



ART\_1001282492

## SECTION 8 - ELECTRICAL

### FIGURE 8-46. TURNTABLE HARNESS

ITEM	PART NUMBER	QTY	DESCRIPTION	REV
	1001282492	Ref	TURNTABLE HARNESS	B
1	1001117070	1	Fuseholder (Includes 30Amp Fuse)	
1	1001116734	2	Socket	
2	4460967	1	Connector	
2	4460465	3	Socket	
3	4460247	1	Terminal, Ring	
4	8220045	2	Terminal, Ring	
5	4460742	2	Connector	
5	4460743	4	Socket	
5	4460458	4	Seal, Terminal	
6	4460899	1	Connector	
6	4460464	5	Pin	
6	4460466	1	Plug	
7	4460931	1	Connecot	
7	4460464	5	Pin	
7	4460466	3	Plug	
8	4460865	1	Connector	
8	4460465	6	Socket (20-16Awg)	
8	4460509	2	Socket (14-12Awg)	
8	4460466	11	Plug	
9	4460894	7	Connector	
9	4460465	42	Socket	
10	4460884	2	Connector	
10	4460465	4	Socket	
10	4460466	4	Plug	
11	1001103012	1	Connector	
11	1001107854	4	Socket	
11	1001104498	4	Seal, Terminal	
12	4460930	2	Connector	
12	4460465	13	Socket	
12	4460466	3	Plug	
13	4460874	1	Connector	
13	4460871	21	Socket	
13	4460905	14	Plug	
14	4460836	1	Connector	
14	4460465	9	Socket	
14	4460466	3	Plug	
15	4460894	2	Connector	
15	4460465	7	Socket	
15	4460466	5	Plug	
16	4460836	1	Connector	
16	1001157890	1	Socket (16-12Awg)	
16	4460465	5	Socket (20-16Awg)	
16	4460466	6	Plug	
17	1001112612	1	Connector	
17	4460464	3	Pin	
17	4460466	4	Plug	
18	4460761	1	Connector	
18	4460267	4	Pin	
19	4460884	1	Connector	

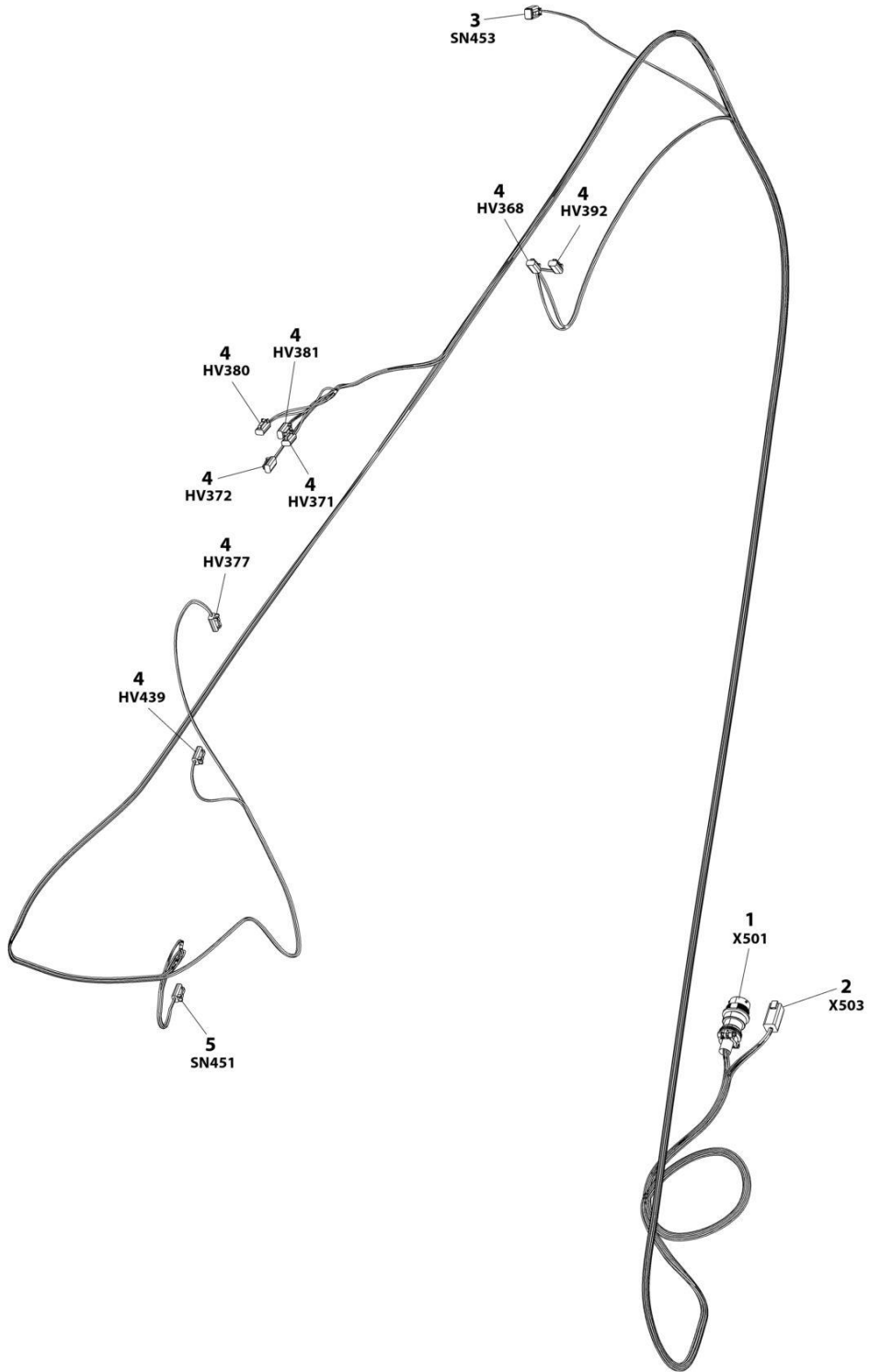
## SECTION 8 - ELECTRICAL

ITEM	PART NUMBER	QTY	DESCRIPTION	REV
19	4460465	4	Socket	
20	1001246859	1	Connector	
20	4460871	4	Socket	
20	4460905	10	Plug	
21	1001113961	1	Connector	
21	4460871	5	Socket	
21	4460905	3	Plug	
22	4460878	1	Connector	
22	1001237383	1	Socket (12-10Awg)	
22	4460887	4	Socket (8Awg)	
23	4460933	1	Connector	
23	4460465	8	Socket	
23	4460466	4	Plug	
24	4460873	1	Connector	
24	4460871	28	Socket	
24	4460905	7	Plug	
25	1001185964	1	Fuse Box Assembly	
25	8229242	4	Fuse 5Amp	
25	8229244	2	Fuse 15Amp	
25	1001095704	1	Relay	
25	1001129285	2	Fuse with Diode	
25	1001196635	1	Fuse 3Amp	
25	1001116728	14	Socket (18-16Awg)	
25	8220125	9	Socket (12-10Awg)	
25	4460748	25	Plug	
25	4460458	14	Seal, Terminal (Use with Socket 1001116728)	
25	80963067	9	Seal, Terminal (Use with Socket 8220125)	
26	4460806	4	Terminal, Fork	
27	4460142	3	Terminal, Ring	
28	1001144147	1	Connector	
28	4460943	2	Pin	
28	4460466	1	Plug	
29	2400060	1	Fuseholder	
30	4460260	2	Connector	
30	4460259	2	Socket	
31	1001237667	1	Connector	
31	1001237668	5	Socket	
101	1321647	1	Clamp	
102	1001271323	2	Connector, Bussbar	
103	8229242	1	Fuse 5Amp	
104	1001116815	1	Connector (Includes Resistor)	
105	1001120328	2	Mount, Connector	
106	1001125677	1	Connector, Bussbar	
107	1001155967	1	Mount, Connector	
108	1001172065	1	Fuse 30Amp	
109	1001192401	1	Cap, Dust	
110	1001226541	4	Connecotr, Bussbar	



# SECTION 8 - ELECTRICAL

## FIGURE 8-47. VALVE HARNESS - BOOM VALVE



ART\_1001164738

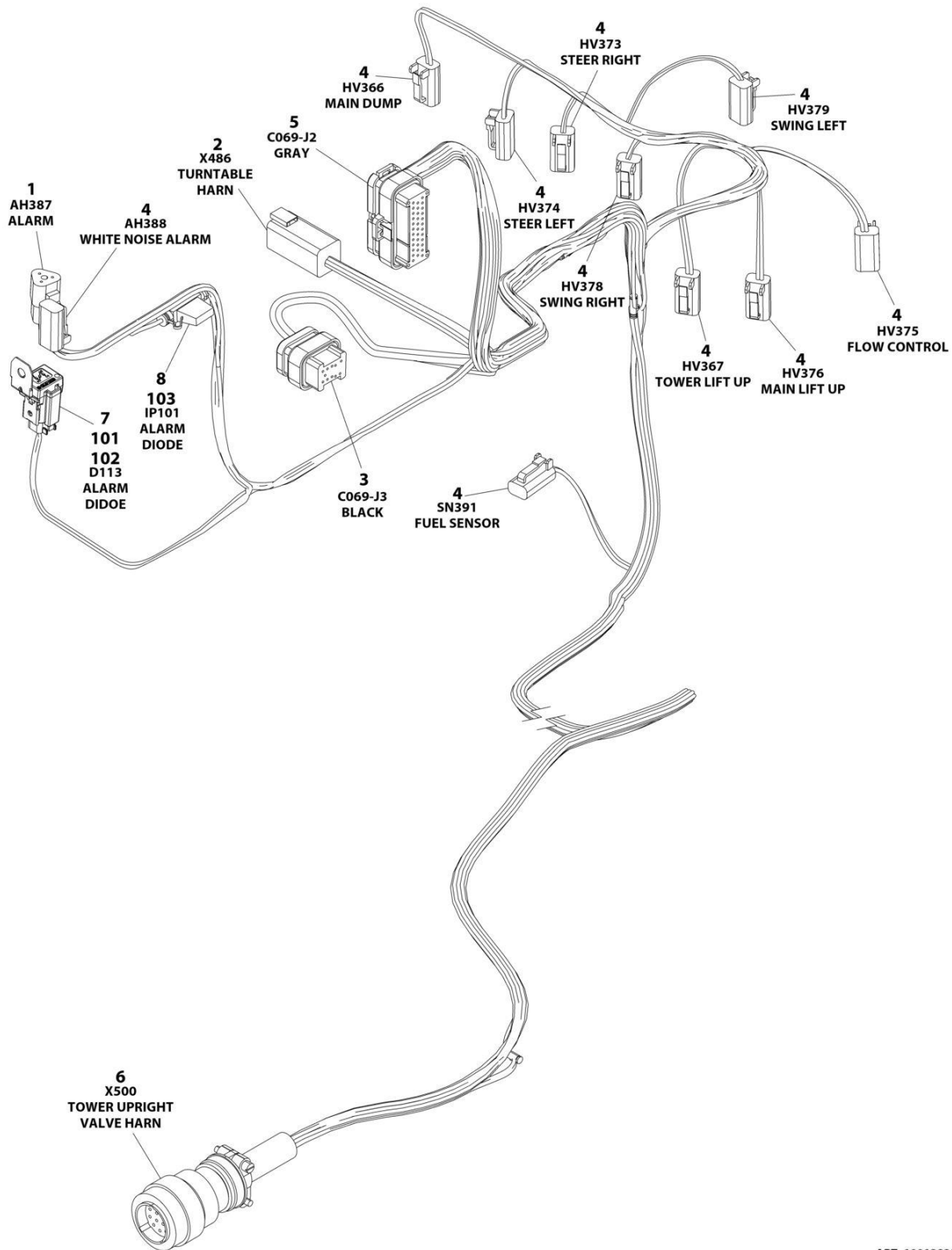
## SECTION 8 - ELECTRICAL

### FIGURE 8-47. VALVE HARNESS - BOOM VALVE

ITEM	PART NUMBER	QTY	DESCRIPTION	REV
	1001164738	Ref	BOOM VALVE HARNESS	I
1	1001156541	1	Connector - 19 Position	
1	4460464	13	Pin, Male	
1	4460466	1	Plug, Terminal	
2	4460899	1	Connector - 6 Position	
2	4460464	6	Pin, Male	
3	4460884	1	Plug, Male - 4 Position	
3	4460465	2	Socket, Female	
3	4460466	2	Plug, Terminal	
4	4460891	8	Plug, Male - 2 Position	
4	4460465	16	Socket, Female	
5	1001230931	1	Plug, Male - 6 Position	
5	1001116748	6	Terminal	

# SECTION 8 - ELECTRICAL

## FIGURE 8-48. VALVE HARNESS - MAIN VALVE



ART\_1001282533



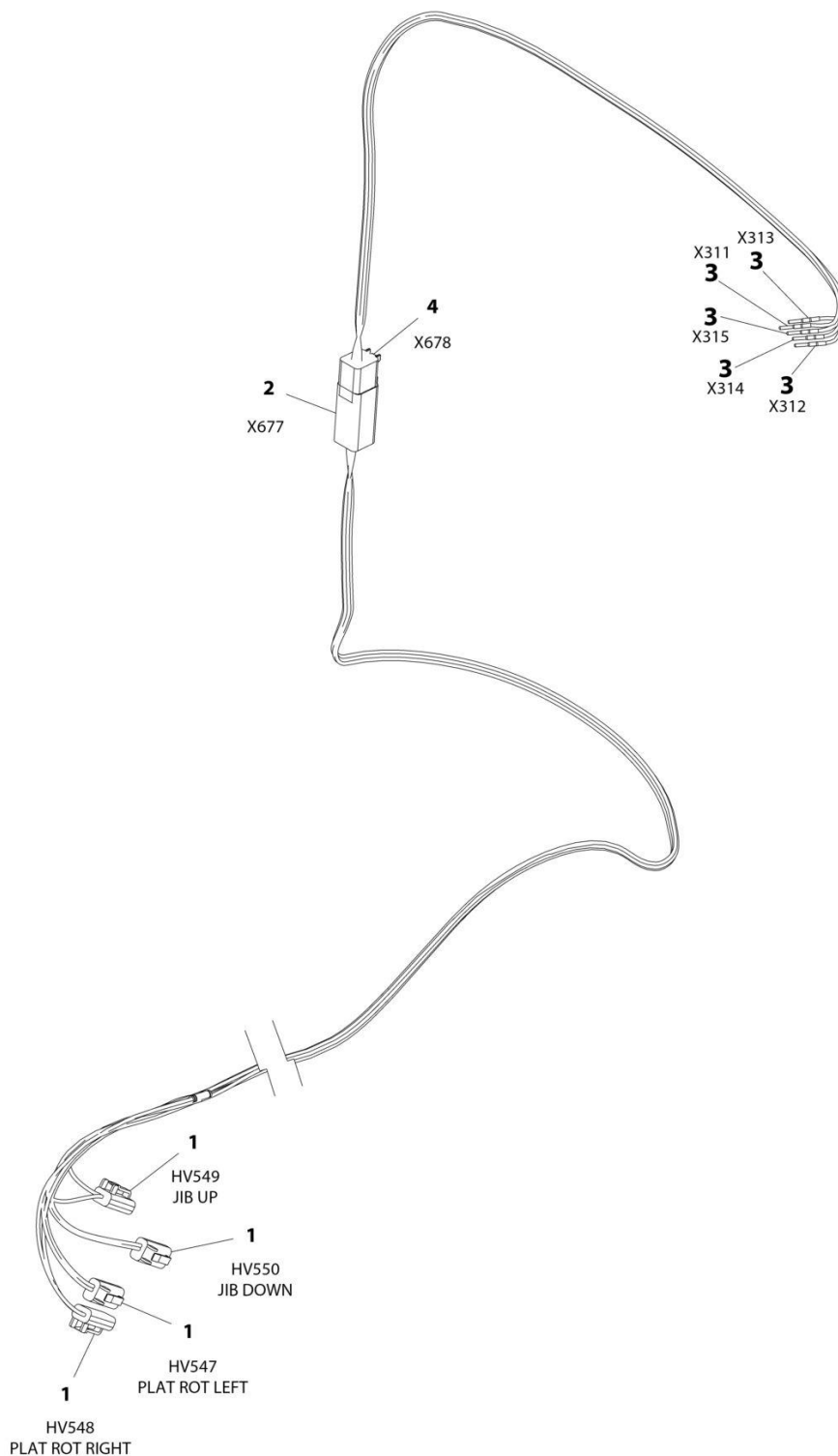
## SECTION 8 - ELECTRICAL

### FIGURE 8-48. VALVE HARNESS - MAIN VALVE

ITEM	PART NUMBER	QTY	DESCRIPTION	REV
	1001282533	Ref	MAIN VALVE HARNESS	A
1	4460539	1	Connector	
1	4460465	3	Socket	
2	4460899	1	Connector	
2	4460464	5	Pin	
2	4460466	1	Plug	
3	4460872	1	Connector	
3	4460871	9	Socket	
3	4460905	5	Plug	
4	4460891	10	Connector	
4	4460465	20	Socket	
5	4460875	1	Connector	
5	4460871	26	Socket	
5	4460905	9	Plug	
6	4460754	1	Connector	
6	4460465	13	Socket	
6	4460466	1	Plug	
7	4460884	1	Connector	
7	4460465	4	Socket	
8	1001170764	1	Fuseholder	
101	1001152266	1	Connector (Includes Diode)	
102	1001155743	1	Mount, Connector	
103	1001196636	1	Diode 1Amp	

# SECTION 8 - ELECTRICAL

## FIGURE 8-49. VALVE HARNESS - PLATFORM VALVE



ART\_1001164728

## SECTION 8 - ELECTRICAL

### FIGURE 8-49. VALVE HARNESS - PLATFORM VALVE

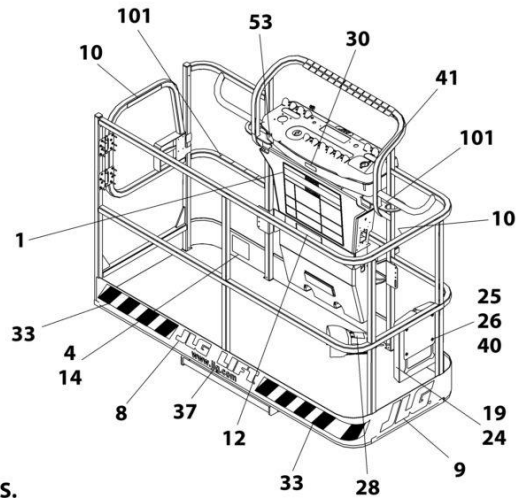
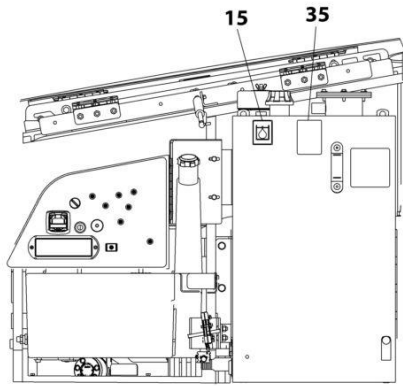
ITEM	PART NUMBER	QTY	DESCRIPTION	REV
	1001164728	Ref	VALVE HARNESS - PLATFORM VALVE	D
1	4460891	4	Plug, Male - 2 Position	
1	4460465	8	Socket, Female	
2	4460899	1	Receptacle, Female - 6 Position	
2	4460464	5	Pin, Male	
2	4460466	1	Plug, Terminal	
3	4460465	5	Socket, Female	
4	4460894	1	Plug, Male - 6 Position	
4	4460465	5	Socket, Female	
4	4460466	1	Plug, Terminal	



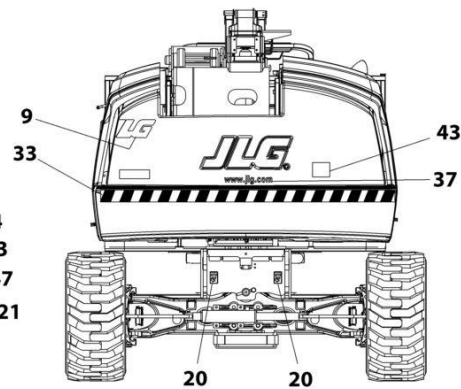
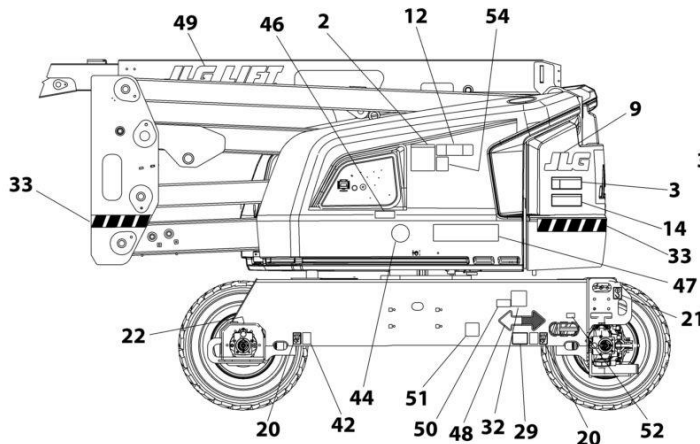
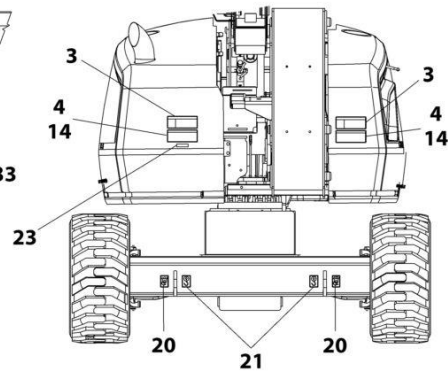
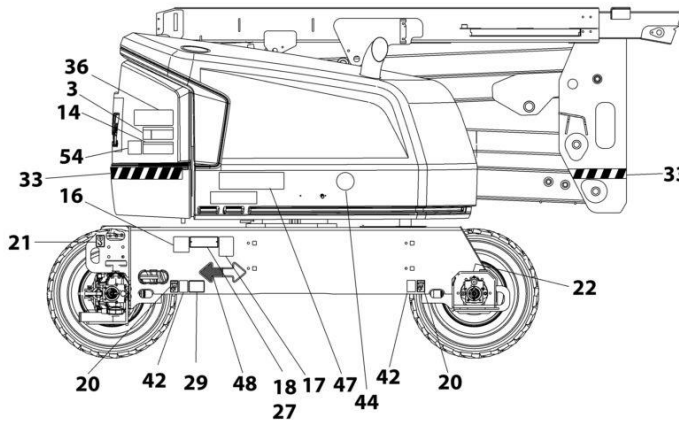
**SECTION 9 - DECALS**

# SECTION 9 - DECALS

FIGURE 9-1. DECAL INSTALLATION – ANSI, ANSI EXPORT AND CSA SPECS (ENGLISH)



**NOTE: SOME DECALS ARE CALLED OUT ON OPTIONAL DECALS INSTALLATION.**  
**NOTE: ITEMS SHOWN MAY NOT BE REQUIRED FOR ALL SPECS. REFER TO PARTS LIST FOR USAGE.**



ART\_1001246402

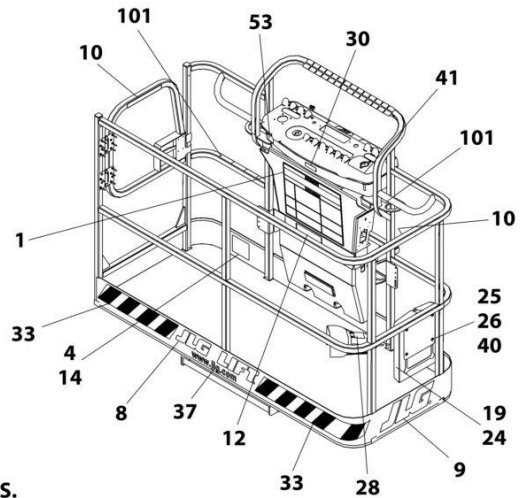
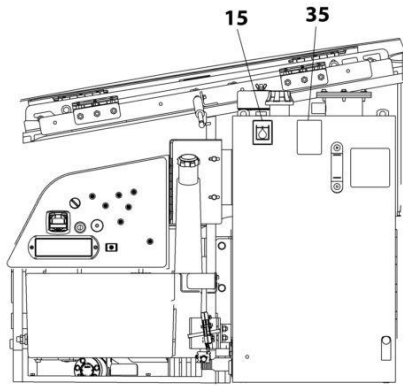
## SECTION 9 - DECALS

**FIGURE 9-1. DECAL INSTALLATION – ANSI, ANSI EXPORT AND CSA SPECS (ENGLISH)**

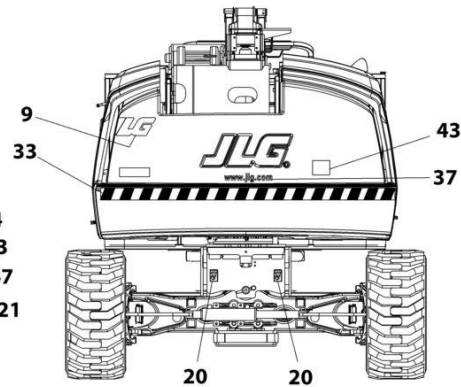
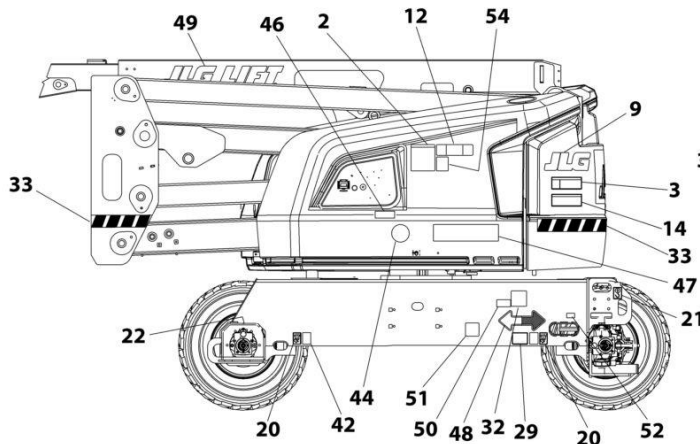
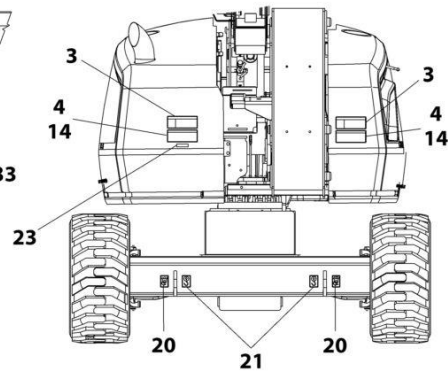
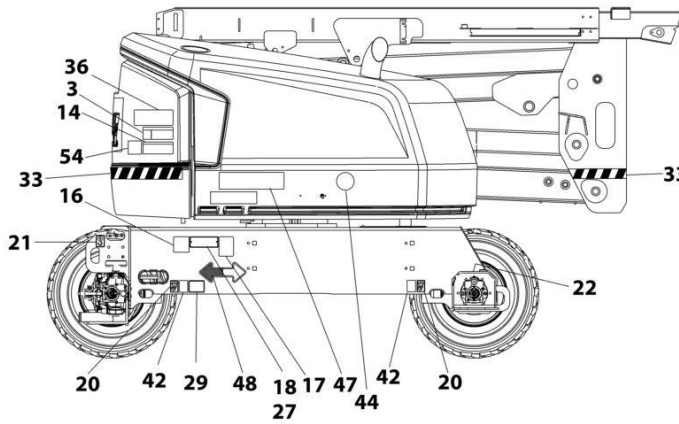
ITEM	PART NUMBER	QTY	DESCRIPTION	REV
	1001248008	Re	DECAL INSTALLATION - REFERENCE CHART	C
	1001246402	Re	DECAL INSTALLATION	D
1	1703797	1	Decal - Danger/Warning	
2	1705336	1	Decal - Danger/Warning	
3	1703805	4	Decal - Danger/Electrocution	
4	1703804	4	Decal - Warning/Crushing	
8		Ref	Decal, JLG (See DECAL INSTALLATION - OPTIONS)	
9		Ref	Decal, JLG (See DECAL INSTALLATION - OPTIONS)	
10	1702868	2	Decal - No Hands	
12	1001255511	2	Decal - Max Capacity	
14	1703953	2	Decal - Warning/Crushing	
15	1701504	1	Decal - Hydraulic Oil	
16	See Note	NSS	Decal - Bar Code (Note: Not Available for Purchase)	
17	1001131269	1	Decal - Patent	
18		Ref	Nameplate - Manufacturers Serial Number (See DECAL INSTALLATION - OPTIONS)	
19	1701509	1	Decal - Manual	
20	1702300	8	Decal - Tie Down /Lift	
21	1701500	4	Decal - Tie Down /Lift	
22	1703687	2	Decal - Arrow	
23	3251243	1	Nameplate 120V-60Hz	
24	0860520	1	Box, Manual Storage	
25	4751400	4	Washer, 1/4	
26	3311405	4	Nut, Lock 1/4-20	
27	3820001	2	Rivet	
28	3252347	1	Decal - Footswitch	
29		Ref	Decal - Max Tire Load (See DECAL INSTALLATION - OPTIONS)	
32		Ref	Decal - LP (See DECAL INSTALLATION - OPTIONS)	
33		Ref	Warning Stripes Installation (See DECAL INSTALLATION - OPTIONS)	
35	1704412	1	Decal - Hydraulic Fluid	
36	1001284875	1	Decal - Lift Diagram (Without Turntable Lock)	
36	1001223118	1	Decal - Lift Diagram (With Turntable Lock)	
37	1704885	2	Decal - Website	
40	0641406	4	Bolt, 1/4-20 x 3/4	
41	1705351	1	Decal - Drive/Steer	
42	1701499	4	Decal - Tie Down /Lift	
43	3251813	1	Decal - USA	
47		Ref	Decal - Model Designation (See DECAL INSTALLATION - OPTIONS)	
48	1701529	2	Decal - Arrow	
51	1001223055	1	Decal - Yearly Inspection	
52	1001223453	1	Decal - Ices (Canada)	
100	1001232026	1	Decal - Platform Lanyard Kit (Not Shown)	
101	1704277	3	Decal - Attach Lanyard Here	

# SECTION 9 - DECALS

## FIGURE 9-2. DECAL INSTALLATION - AUSTRALIAN SPEC (ENGLISH)



**NOTE: SOME DECALS ARE CALLED OUT ON OPTIONAL DECALS INSTALLATION.**  
**NOTE: ITEMS SHOWN MAY NOT BE REQUIRED FOR ALL SPECS. REFER TO PARTS LIST FOR USAGE.**



ART\_1001162522



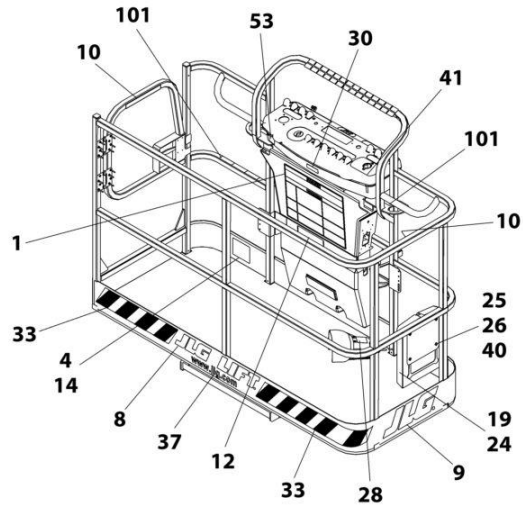
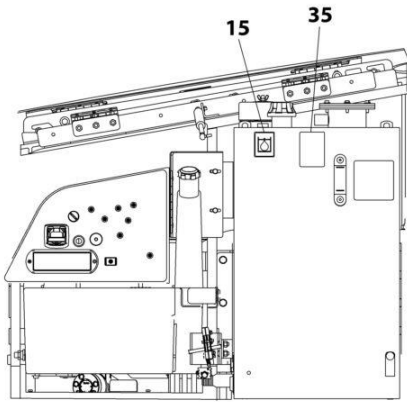
## SECTION 9 - DECALS

**FIGURE 9-2. DECAL INSTALLATION - AUSTRALIAN SPEC (ENGLISH)**

ITEM	PART NUMBER	QTY	DESCRIPTION	REV
	1001248008	Ref	DECAL INSTALLATION - REFERENCE CHART	C
	1001162522	Ref	DECAL INSTALLATION	I
1	1001162429	1	Decal - Tipping/Electrocution	
2	1705822	1	Decal - Electrocution/Safety Manual	
3	1705961	4	Decal - Danger Electrocution	
8		Ref	Decal, JLG (See DECAL INSTALLATION - OPTIONS)	
9		Ref	Decal, JLG (See DECAL INSTALLATION - OPTIONS)	
12	1001190913	2	Decal - Max Capacity	
14	1701518	6	Decal - Warning/Crushing	
15	1701504	1	Decal - Hydraulic Oil	
16	See Note	NSS	Decal - Bar Code (Note: Not Available for Purchase)	
18		Ref	Nameplate - Manufacturers Serial Number (See DECAL INSTALLATION - OPTIONS)	
19	1701509	1	Decal - Manual	
20	1702300	8	Decal - Tie Down /Lift	
21	1701500	4	Decal - Tie Down /Lift	
22	1703687	2	Decal - Arrow	
24	0860520	1	Box, Manual Storage	
25	4751400	4	Washer, 1/4	
26	3311405	4	Nut, Lock 1/4-20	
27	3820001	4	Rivet	
28	1705828	1	Decal - Footswitch	
29		Ref	Decal - Max Tire Load (See DECAL INSTALLATION - OPTIONS)	
33		Ref	Warning Stripes Installation (See DECAL INSTALLATION - OPTIONS)	
35	1704412	1	Decal - Hydraulic Fluid	
36	1001284875	1	Decal - Lift Diagram (Without Turntable Lock)	
36	1001223118	1	Decal - Lift Diagram (With Turntable Lock)	
37	1704885	2	Decal - Website	
40	0641406	4	Bolt, 1/4-20 x 3/4	
42	1701499	4	Decal - No Tie Down/Lift	
43	1001204510	1	Decal - Sound Power Level	
46	1001112551	1	Decal - Emergency Controls	
47		Ref	Decal - Model Designation (See DECAL INSTALLATION - OPTIONS)	
48	1701529	2	Decal - Arrow	
49		Ref	Decal, JLG (See DECAL INSTALLATION - OPTIONS)	
50		Ref	Decal - Emissions Compliance (See DECAL INSTALLATION - OPTIONS)	
100	1001232026	1	Decal - Platform Lanyard Kit (Not Shown)	
101	1704277	3	Decal - Attach Lanyard Here	

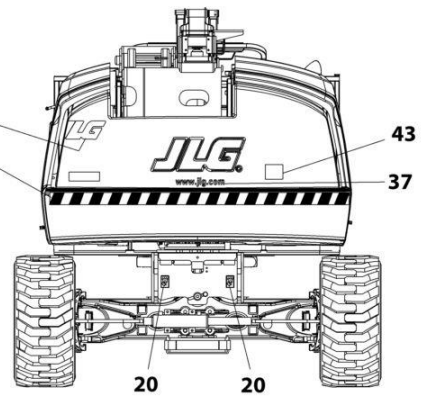
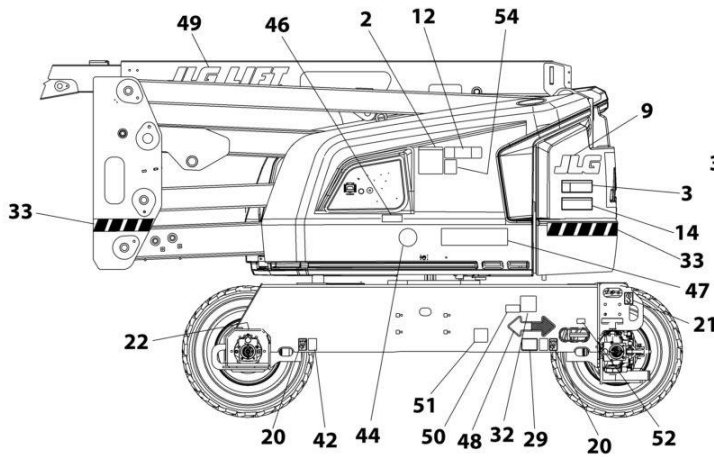
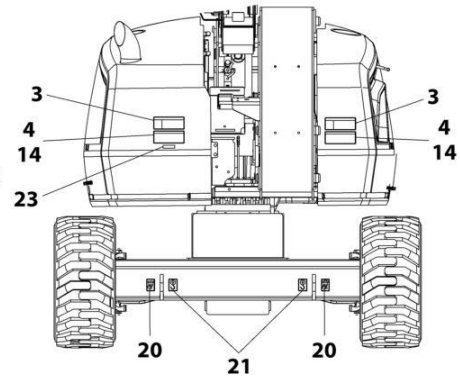
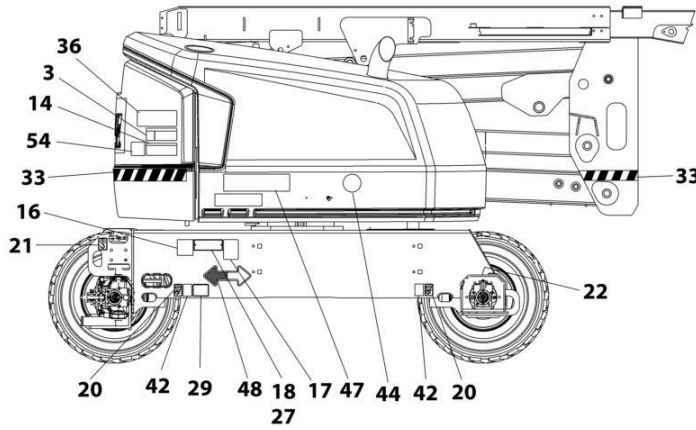
# SECTION 9 - DECALS

## FIGURE 9-3. DECAL INSTALLATION - BRAZIL SPEC (ENGLISH)



NOTE: SOME DECALS ARE CALLED OUT ON OPTIONAL DECALS INSTALLATION.

NOTE: ITEMS SHOWN MAY NOT BE REQUIRED FOR ALL SPECS. REFER TO PARTS LIST FOR USAGE.



ART\_1001256207\_D

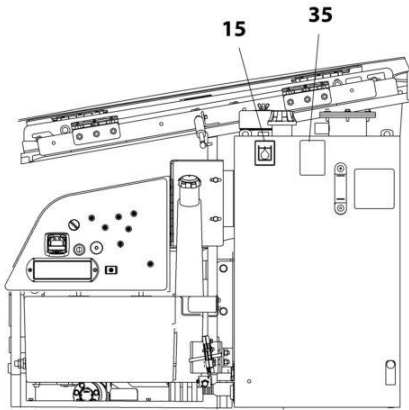
## SECTION 9 - DECALS

**FIGURE 9-3. DECAL INSTALLATION - BRAZIL SPEC (ENGLISH)**

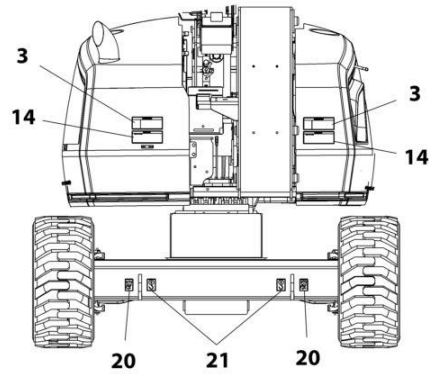
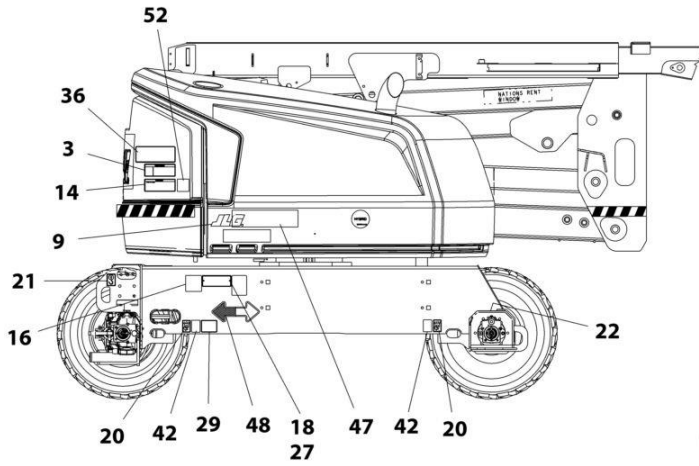
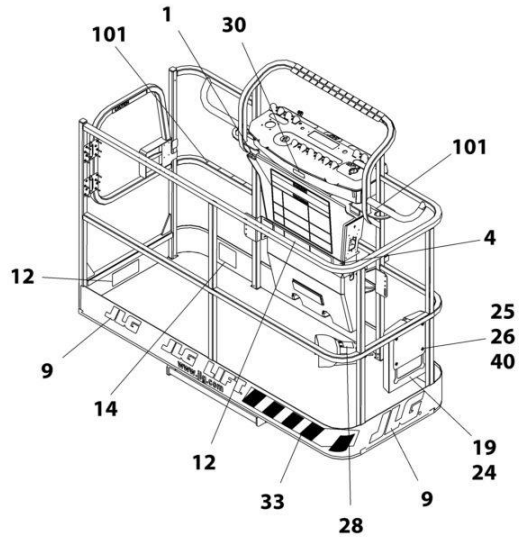
ITEM	PART NUMBER	QTY	DESCRIPTION	REV
	1001248008	Ref	DECAL INSTALLATION - REFERENCE CHART	C
	1001256207	Ref	DECAL INSTALLATION	D
1	1703928	1	Decal - Danger/Warning	
2	1705349	1	Decal - Warning Inspection	
3	1703940	4	Decal - Danger Electrocution	
4	1703952	4	Decal - Warning/Crushing	
8		Ref	Decal, JLG (See DECAL INSTALLATION - OPTIONS)	
9		Ref	Decal, JLG (See DECAL INSTALLATION - OPTIONS)	
10	1704002	2	Decal - No Hands	
12	1001255515	2	Decal - Max Capacity	
14	1703946	2	Decal - Warning/Crushing	
15	1701504	1	Decal - Hydraulic Oil	
16	See Note	NSS	Decal - Bar Code (Note: Not Available for Purchase)	
18		Ref	Nameplate - Manufacturers Serial Number (See DECAL INSTALLATION - OPTIONS)	
19	1701509	1	Decal - Manual	
20	1702300	8	Decal - Tie Down /Lift	
21	1701500	4	Decal - Tie Down /Lift	
22	1703687	2	Decal - Arrow	
23	3251243	1	Decal - 120V-60Hz	
24	0860520	1	Box, Manual Storage	
25	4751400	4	Washer, 1/4	
26	3311405	4	Nut, Lock 1/4-20	
27	3820001	4	Rivet	
28	1703985	1	Decal, Foot Switch	
29		Ref	Decal - Max Tire Load (See DECAL INSTALLATION - OPTIONS)	
32		Ref	Decal - LP (See DECAL INSTALLATION - OPTIONS)	
33		Ref	Warning Stripes Installation (See DECAL INSTALLATION - OPTIONS)	
35	1704412	1	Decal - Hydraulic Fluid	
36	1001284875	1	Decal - Lift Diagram	
37	1704885	2	Decal - Website	
40	0641406	4	Bolt, 1/4-20 x 3/4	
41	1001113680	1	Decal - Drive/Steer	
42	1701499	4	Decal - No Tie Down/Lift	
43	3251813	1	Decal - USA	
47		Ref	Decal - Model Designation (See DECAL INSTALLATION - OPTIONS)	
48	1701529	2	Decal - Arrow	
49		Ref	Decal, JLG (See DECAL INSTALLATION - OPTIONS)	
50		Ref	Decal - Emissions Compliance (See DECAL INSTALLATION - OPTIONS)	
51	1001224052	1	Decal - Yearly Inspection	
100	1001232026	1	Decal - Platform Lanyard Kit (Not Shown)	
101	1704277	3	Decal - Attach Lanyard Here	

# SECTION 9 - DECALS

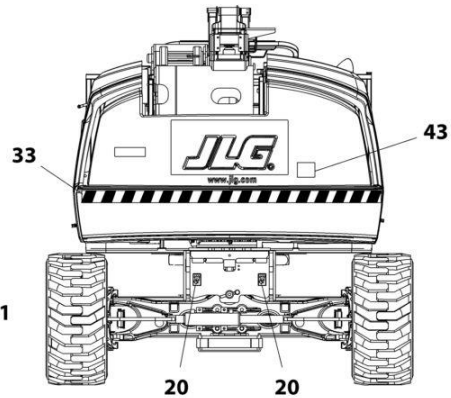
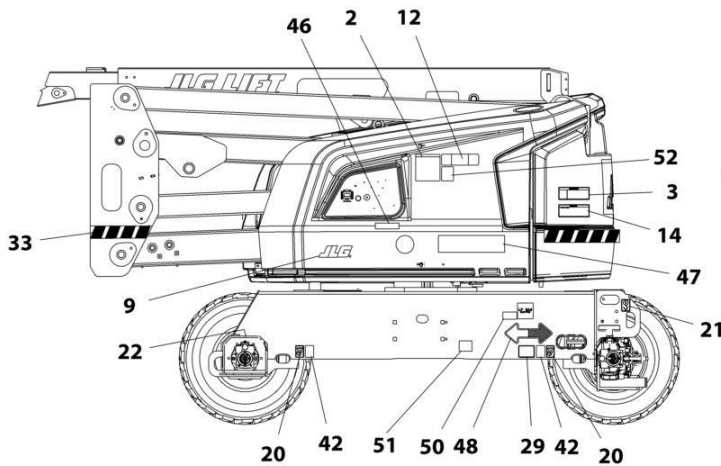
## FIGURE 9-4. DECAL INSTALLATION - CE & UK CA SPEC (ENGLISH)



NOTE: SOME DECALS ARE CALLED OUT ON OPTIONAL DECALS INSTALLATION.



NOTE: ITEMS SHOWN MAY NOT BE REQUIRED FOR ALL SPECS. REFER TO PARTS LIST FOR USAGE.



ART\_1001162528\_L

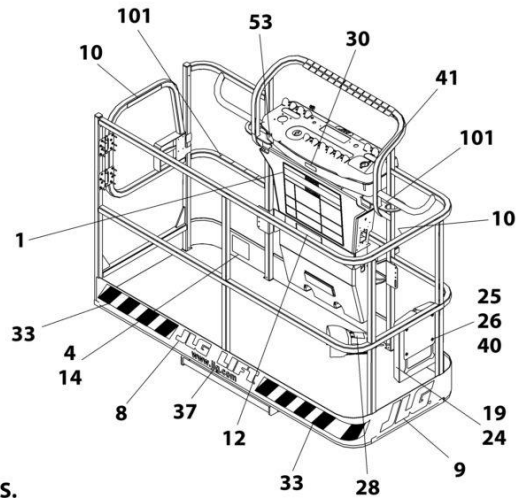
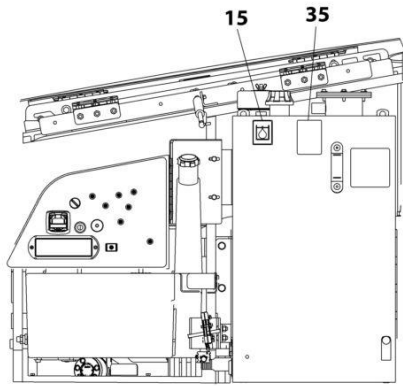
## SECTION 9 - DECALS

**FIGURE 9-4. DECAL INSTALLATION - CE & UK CA SPEC (ENGLISH)**

ITEM	PART NUMBER	QTY	DESCRIPTION	REV
	1001217904	Ref	DECAL INSTALLATION - REFERENCE CHART	F
	1001162528	Ref	DECAL INSTALLATION	L
1	1001162429	1	Decal - Tipping/Electrocution	
2	1705822	1	Decal - Electrocution/Safety Manual	
3	1705961	4	Decal - Danger Electrocution	
4	1001244301	1	Decal - No Platform to Ground	
9	1702773	3	Decal - JLG	
12	1001190913	1	Decal - Max Capacity	
14	1701518	6	Decal - Warning/Crushing	
15	1701504	1	Decal - Hydraulic Oil	
16	See Note	NSS	Decal - Bar Code (Note: Not Available for Purchase)	
18		Ref	Nameplate - Manufacturers Serial Number (See DECAL INSTALLATION - OPTIONS)	
19	1701509	1	Decal - Manual	
20	1702300	8	Decal - Tie Down /Lift	
21	1701500	4	Decal - Tie Down /Lift	
22	1703687	2	Decal - Arrow	
24	0860520	1	Box, Manual Storage	
25	4751400	4	Washer, 1/4	
26	3311405	4	Nut, Lock 1/4-20	
27	3820001	4	Rivet	
28	1705828	1	Decal - Footswitch	
29		Ref	Decal - Max Tire Load (See DECAL INSTALLATION - OPTIONS)	
33		Ref	Warning Stripes Installation (See DECAL INSTALLATION - OPTIONS)	
35	1704412	1	Decal - Hydraulic Fluid	
36	1001284875	1	Decal - Lift Diagram (Without Turntable Lock)	
36	1001223118	1	Decal - Lift Diagram (With Turntable Lock)	
40	0641406	4	Bolt, 1/4-20 x 3/4	
42	1701499	4	Decal - No Tie Down/Lift	
46	1001189882	1	Decal - MSSO	
47		Ref	Decal - Model Designation (See DECAL INSTALLATION - OPTIONS)	
48	1701529	2	Decal - Arrow	
50		Ref	Decal - Emissions Compliance (See DECAL INSTALLATION - OPTIONS)	
51		Ref	Decal - Quick Start Reference (See DECAL INSTALLATION - OPTIONS)	
52	1001244298	2	Decal - Wechat	
100	1001232026	1	Decal - Platform Lanyard Kit (Not Shown)	
101	1704277	3	Decal - Attach Lanyard Here	

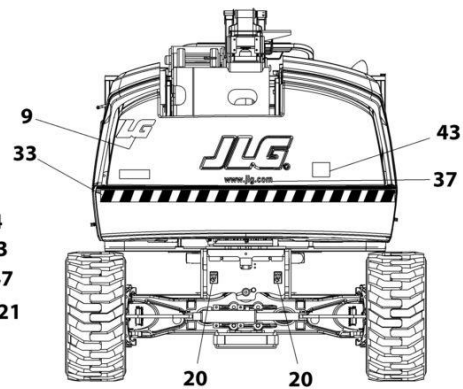
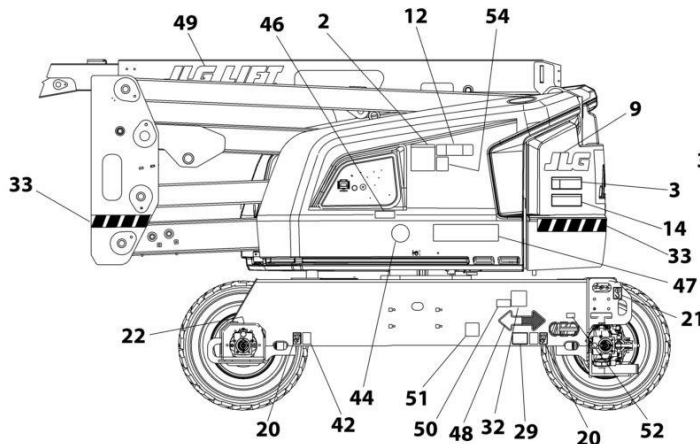
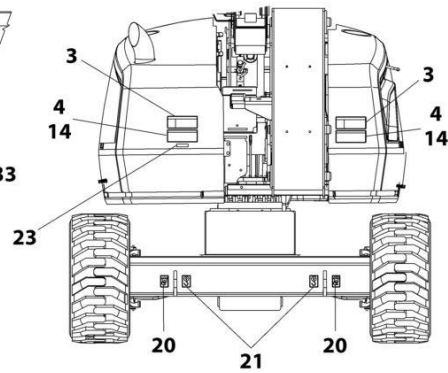
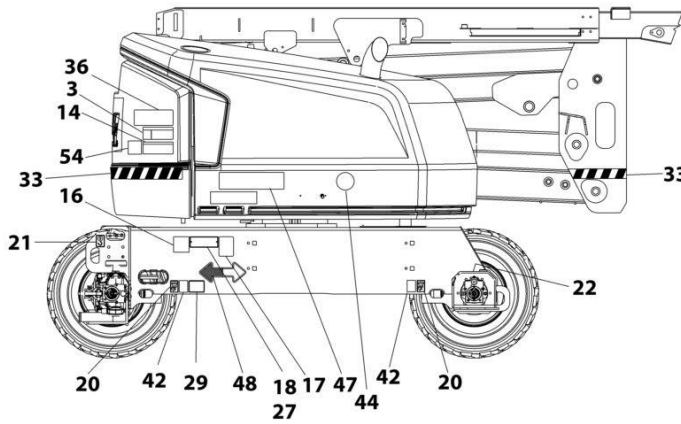
# SECTION 9 - DECALS

FIGURE 9-5. DECAL INSTALLATION - CHINESE SPEC (CHINESE/ENGLISH)



NOTE: SOME DECALS ARE CALLED OUT ON OPTIONAL DECALS INSTALLATION.

NOTE: ITEMS SHOWN MAY NOT BE REQUIRED FOR ALL SPECS. REFER TO PARTS LIST FOR USAGE.



ART\_1001246206

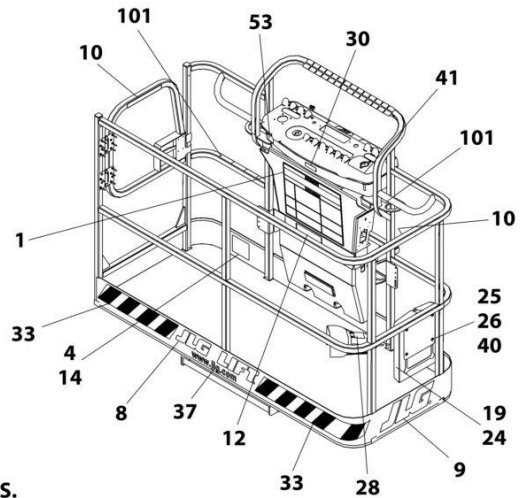
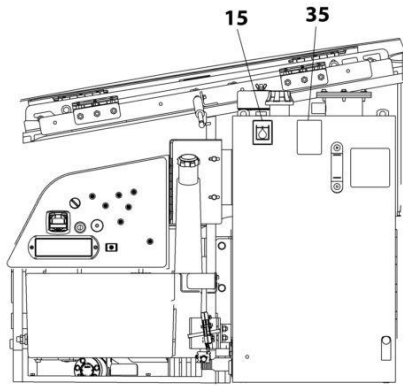
## SECTION 9 - DECALS

**FIGURE 9-5. DECAL INSTALLATION - CHINESE SPEC (CHINESE/ENGLISH)**

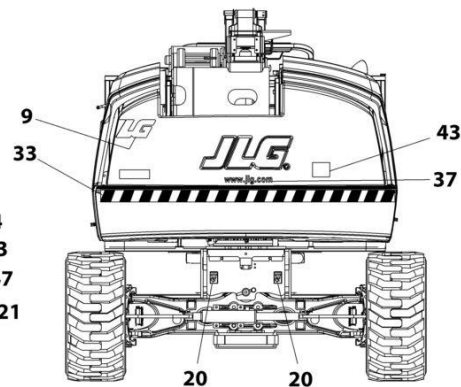
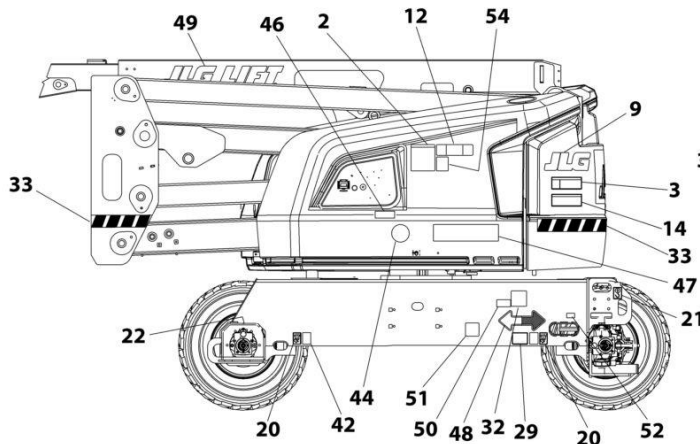
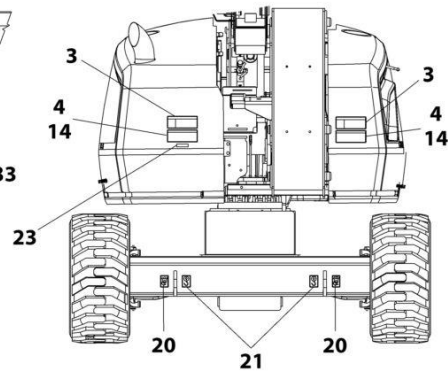
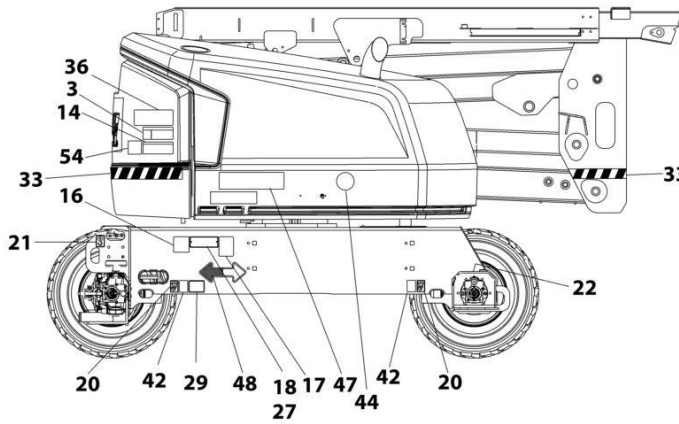
ITEM	PART NUMBER	QTY	DESCRIPTION	REV
	1001248008	Ref	DECAL INSTALLATION - REFERENCE CHART	C
	1001256206	Ref	DECAL INSTALLATION	B
1	1703925	1	Decal - Danger/Warning	
2	1001116849	1	Decal - Warning Inspection	
3	1703937	4	Decal - Danger Electrocution	
4	1703949	4	Decal - Warning/Crushing	
8		Ref	Decal, JLG (See DECAL INSTALLATION - OPTIONS)	
9		Ref	Decal, JLG (See DECAL INSTALLATION - OPTIONS)	
10	1705968	2	Decal - No Hands	
12	1001255514	2	Decal - Max Capacity	
14	1703943	2	Chinese Spec Decals (Chinese/English)	
15	1701504	1	Decal - Hydraulic Oil	
16	See Note	NSS	Decal - Bar Code (Note: Not Available for Purchase)	
18		Ref	Nameplate - Manufacturers Serial Number (See DECAL INSTALLATION - OPTIONS)	
19	1701509	1	Decal - Manual	
20	1702300	8	Decal - Tie Down /Lift	
21	1701500	4	Decal - Tie Down /Lift	
22	1703687	2	Decal - Arrow	
24	0860520	1	Box, Manual Storage	
25	4751400	4	Washer, 1/4	
26	3311405	4	Nut, Lock 1/4-20	
27	3820001	4	Rivet	
28	1703982	1	Decal - Footswitch	
29		Ref	Decal - Max Tire Load (See DECAL INSTALLATION - OPTIONS)	
33		Ref	Warning Stripes Installation (See DECAL INSTALLATION - OPTIONS)	
35	1704412	1	Decal - Hydraulic Fluid	
36	1001284875	1	Decal - Lift Diagram	
37	1704885	2	Decal - Website	
40	0641406	4	Bolt, 1/4-20 x 3/4	
41	1705430	1	Decal - Drive/Steer	
42	1701499	4	Decal - No Tie Down/Lift	
47		Ref	Decal - Model Designation (See DECAL INSTALLATION - OPTIONS)	
48	1701529	2	Decal - Arrow	
49		Ref	Decal, JLG (See DECAL INSTALLATION - OPTIONS)	
50		Ref	Decal - Emissions Compliance (See DECAL INSTALLATION - OPTIONS)	
51	1001224050	1	Decal - Yearly Inspection	
100	1001232026	1	Decal - Platform Lanyard Kit (Not Shown)	
101	1704277	3	Decal - Attach Lanyard Here	

# SECTION 9 - DECALS

## FIGURE 9-6. DECAL INSTALLATION - LATIN AMERICA SPEC (SPANISH/ENGLISH)



**NOTE: SOME DECALS ARE CALLED OUT ON OPTIONAL DECALS INSTALLATION.**  
**NOTE: ITEMS SHOWN MAY NOT BE REQUIRED FOR ALL SPECS. REFER TO PARTS LIST FOR USAGE.**



ART\_1001162522



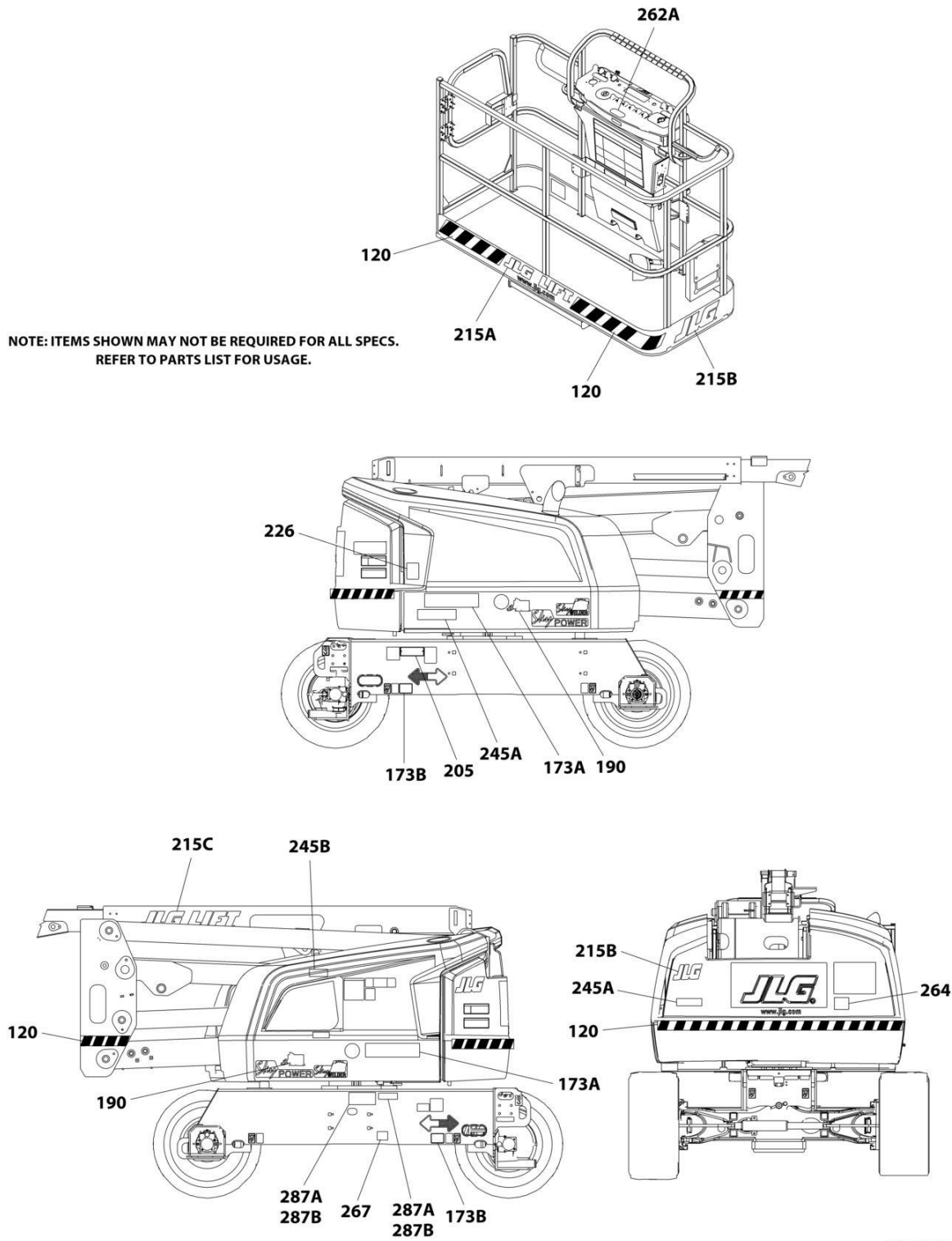
## SECTION 9 - DECALS

**FIGURE 9-6. DECAL INSTALLATION - LATIN AMERICA SPEC (SPANISH/ENGLISH)**

ITEM	PART NUMBER	QTY	DESCRIPTION	REV
	1001248008	Ref	DECAL INSTALLATION - REFERENCE CHART	C
	1001246407	Ref	DECAL INSTALLATION	C
1	1703923	1	Decal - Danger/Warning	
2	1705917	1	Decal - Warning Inspection	
3	1703935	4	Decal - Danger Electrocution	
4	1703947	4	Decal - Warning/Crushing	
8		Ref	Decal, JLG (See DECAL INSTALLATION - OPTIONS)	
9		Ref	Decal, JLG (See DECAL INSTALLATION - OPTIONS)	
10	1704001	2	Decal - No Hands	
12	1001255516	2	Decal - Max Capacity	
14	1703941	2	Decal - Warning/Crushing	
15	1701504	1	Decal - Hydraulic Oil	
16	See Note	NSS	Decal - Bar Code (Note: Not Available for Purchase)	
18		Ref	Nameplate - Manufacturers Serial Number (See DECAL INSTALLATION - OPTIONS)	
19	1701509	1	Decal - Manual	
20	1702300	8	Decal - Tie Down /Lift	
21	1701500	4	Decal - Tie Down /Lift	
22	1703687	2	Decal - Arrow	
23	3251243	1	Decal - 120V-60Hz	
24	0860520	1	Box, Manual Storage	
25	4751400	4	Washer, 1/4	
26	3311405	4	Nut, Lock 1/4-20	
27	3820001	8	Rivet	
28	1703983	1	Decal - Footswitch	
29		Ref	Decal - Max Tire Load (See DECAL INSTALLATION - OPTIONS)	
32		Ref	Decal - LP (See DECAL INSTALLATION - OPTIONS)	
33		Ref	Warning Stripes Installation (See DECAL INSTALLATION - OPTIONS)	
35	1704412	1	Decal - Hydraulic Fluid	
36	1001284875	1	Decal - Lift Diagram (Without Turntable Lock)	
36	1001223118	1	Decal - Lift Diagram (With Turntable Lock)	
37	1704885	2	Decal - Website	
40	0641406	4	Bolt, 1/4-20 x 3/4	
41	1705910	1	Decal - Drive/Steer	
42	1701499	4	Decal - No Tie Down/Lift	
43	3251813	1	Decal - USA	
47		Ref	Decal - Model Designation (See DECAL INSTALLATION - OPTIONS)	
48	1701529	2	Decal - Arrow	
49		Ref	Decal, JLG (See DECAL INSTALLATION - OPTIONS)	
50		Ref	Decal - Emissions Compliance (See DECAL INSTALLATION - OPTIONS)	
51	1001224049	1	Decal - Yearly Inspection	
100	1001232026	1	Decal - Platform Lanyard Kit (Not Shown)	
101	1704277	3	Decal - Attach Lanyard Here	

# SECTION 9 - DECALS

## FIGURE 9-7. DECAL INSTALLATION - OPTIONS



ART\_DECAL\_OPTIONS

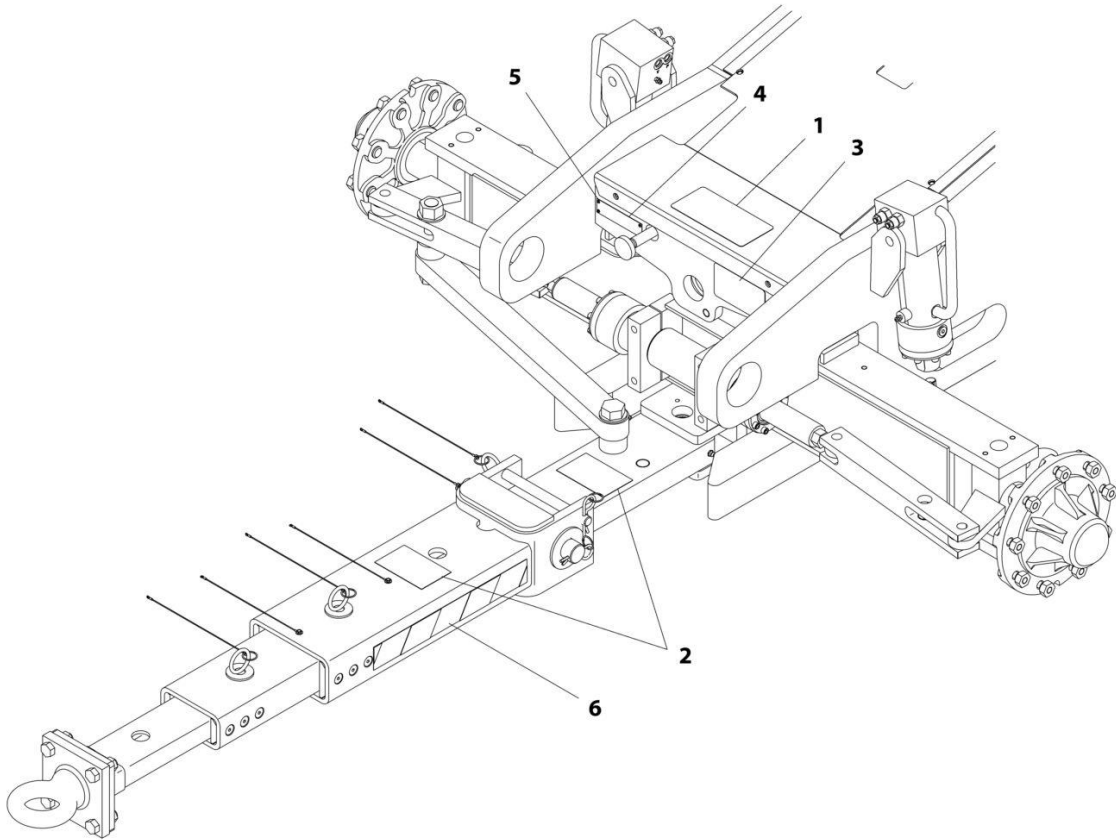
## SECTION 9 - DECALS

**FIGURE 9-7. DECAL INSTALLATION - OPTIONS**

ITEM	PART NUMBER	QTY	DESCRIPTION	REV
	1001248008	Ref	DECAL INSTALLATION - REFERENCE CHART (ALL SPECS EXCEPT CE SPECS)	B
	1001217904	Ref	DECAL INSTALLATION - REFERENCE CHART (CE & UK CA SPECS)	E
	1001247248	Ref	DECAL INSTALLATION - OPTIONS	
120	1001188883	Ref	Warning Stripes Installation	A
120	4420051	21.5 ft /6.55m	Tape, Safety	
173	1001173076	Ref	Model Decal Installation - 520AJ	D
173A	1001267313	2	Decal - 520AJ	
190	1705358	2	Decal - SkyGlazier (Australian Specs)	
205	See Note	1	Nameplate - Manufacturers Serial Number (Note: Not Available for Purchase)	
215	1001166085	Ref	JLG Logo Installation	C
215A	1702774	1	Decal - JLG Lift (3in)	
215B	1702773	1	Decal - JLG	
215C	1702860	1	Decal - JLG Lift (5in)	
215	1001291458	1	JLG Logo Installation Chinese	A
215A	1001288705	1	Decal - JLG Lift (3in) (Chinese Brand)	
215B	1702773	1	Decal - JLG	
215C	1001290348	1	Decal - JLG Lift (5in) (Chinese Brand)	
226	1706098	1	Decal - Warning Explosion/Fire )	
245	1001127096	Ref	Decal - ClearSky	
245A	1001116208	2	Decal - ClearSky	
245B	1001120989	1	Decal - Radio Frequency	
245	1001294864	Ref	Clearsky Smart Fleet Decal Installation	
245A	1001120989	1	Decal - Radio Frequency	
245B	1001294815	1	Decal - ClearSky	
262A	1001141300	1	Decal - SkyGuard Override	
264	1001204510	1	Decal - Sound Power (102 Db)	
264	1001130492	1	Decal - Sound Power (105 Db)	
267	1001200131	1	Decal - Quick Start Reference (Loxam Rental) (Danish Spec)	
267	1001200129	1	Decal - Quick Start Reference (Loxam Rental) (Dutch Spec)	
267	1001181145	1	Decal - Quick Start Reference (Loxam Rental) (English Spec)	
267	1001200128	1	Decal - Quick Start Reference (Loxam Rental) (French Spec)	
267	1001200130	1	Decal - Quick Start Reference (Loxam Rental) (German Spec)	
267	1001200134	1	Decal - Quick Start Reference (Loxam Rental) (Norwegians Spec)	
267	1001200133	1	Decal - Quick Start Reference (Loxam Rental) (Spanish Spec)	
267	1001200132	1	Decal - Quick Start Reference (Loxam Rental) (Swedish Spec)	
287A	1001239371	Ref	Eco Label Installation (without Deutz D2.9L4 (China IV) Engine)	
287A	3820001	8	Rivet	
287A	See Note	NSS	Plate - Environmental Protection (Note: Not Available for Purchase)	
287A	See Note	NSS	Plate - Meiin Code (Note: Not Available for Purchase)	
287B	1001292418	Ref	Eco Label Installation (with Deutz D2.9L4 (China IV) Engine)	
287B	3820001	8	Rivet	
287B	See Note	NSS	Plate - Environmental Protection (Note: Not Available for Purchase)	
287B	See Note	NSS	Plate - Meiin Code (Note: Not Available for Purchase)	

**SECTION 9 - DECALS**

**FIGURE 9-8. TOW BAR DECAL INSTALLATION - ENGLISH LANGUAGE (ANSI EXPORT, CE, CIS/EAC & UK CA SPECS)**



ART\_0270115

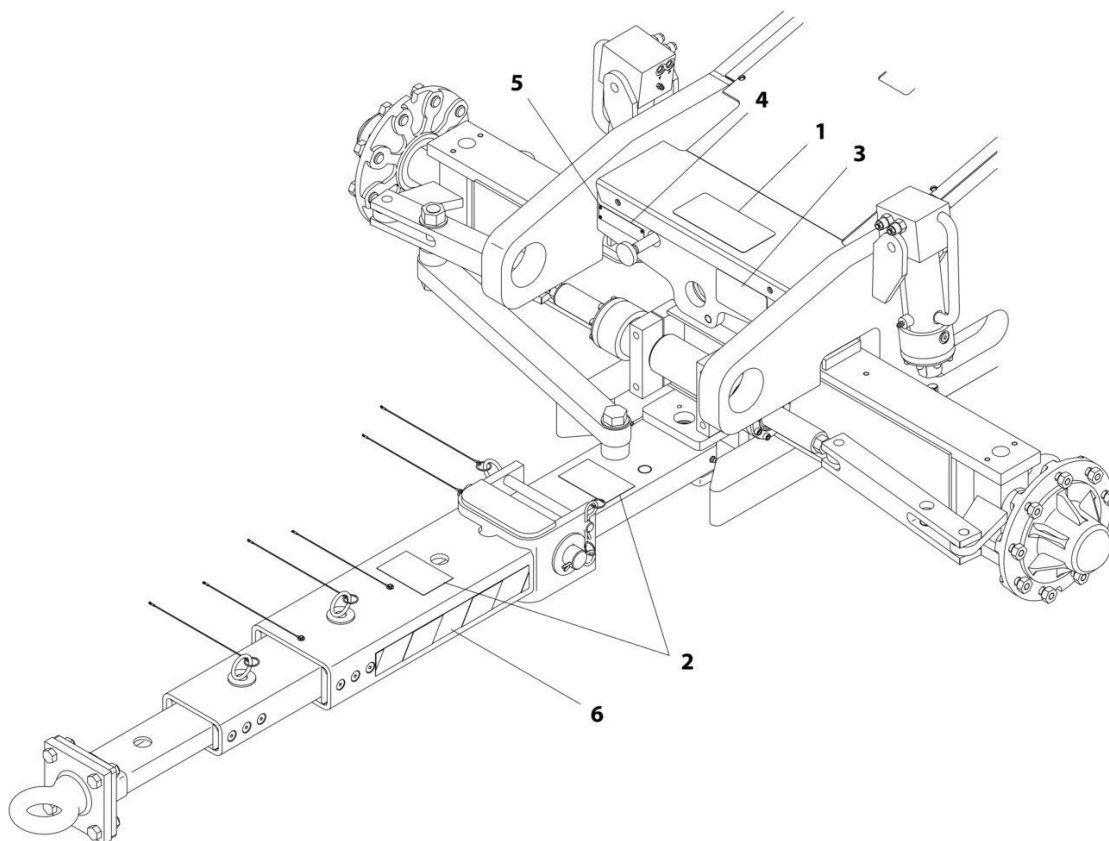
## SECTION 9 - DECALS

**FIGURE 9-8. TOW BAR DECAL INSTALLATION - ENGLISH LANGUAGE (ANSI EXPORT, CE, CIS/EAC & UK CA SPECS)**

ITEM	PART NUMBER	QTY	DESCRIPTION	REV
	0270115	Ref	TOW BAR DECAL INSTALLATION	A
1	1704482	1	Decal - Tow Instructions	
2	1704578	3	Decal - Crushing	
3	1703450	1	Decal - Warning	
4	3250872	1	Nameplate - Steer/Tow Select Valve	
5	3820001	4	Rivet	
6	4420051	43 in /109.2cm	Tape, Safety	

## SECTION 9 - DECALS

FIGURE 9-9. TOW BAR DECAL INSTALLATION - SPANISH LANGUAGE (CE, CIS/EAC & UK CA SPECS)



ART\_0270116

## SECTION 9 - DECALS

**FIGURE 9-9. TOW BAR DECAL INSTALLATION - SPANISH LANGUAGE (CE, CIS/EAC & UK CA SPECS)**

ITEM	PART NUMBER	QTY	DESCRIPTION	REV
	0270116	Ref	TOW BAR DECAL INSTALLATION	A
1	1704455	1	Decal - Tow Instructions	
2	1701518	3	Decal - Crushing	
3	1704456	1	Decal - Warning	
4	3252692	1	Nameplate - Steer/Tow Select Valve	
5	3820001	4	Rivet	
6	4420051	43 in /109.2cm	Tape, Safety	





## **SECTION 10 - RECOMMENDED SERVICE PARTS STOCK**

## **SECTION 10 - RECOMMENDED SERVICE PARTS STOCK**

# SECTION 10 - RECOMMENDED SERVICE PARTS STOCK

FIGURE 10-1. RECOMMENDED SERVICE PARTS STOCK

ITEM	PART NUMBER	QTY	DESCRIPTION	REV
		Ref	Note: The following list will service one machine (built to current production per date on the front cover) with emergency repair parts which can be installed in the field. Parts from the list should be replaced when inventory is depleted to keep service parts stock supplied. For further information, contact your JLG dealer or the JLG Industries Parts Department.	
	7024485	1	Breaker, Circuit 30Amp (7500W/50HZ Generator)	
	1001181045	1	Breaker, Combination 16Amp/30mAmp (Breaker Box with Single Breaker)	
	1001189172	1	Breaker 16Amp Double (Breaker Box with Three Breakers)	
	1001189171	1	Breaker, 30mA (Breaker Box with Three Breakers)	
	4360070	1	Circuit Breaker - 15Amp (7500W/50HZ Generator)	
	7024885	1	Coil (Traction Valve)	
	70002386	1	Coil (Traction, & Main Control Valves)	
	70005219	1	Coil (Main Control Valve)	
	70003788	1	Coil (Main Control Valve)	
	70004897	1	Coil (Piston Pump)	
	70004871	1	Coil (Upright & Boom Valves)	
	7027628	1	Coil (Upright Valve)	
	1001275628	1	Controller Assembly (Drive and Steer)	
	1001275629	1	Controller Assembly (Lift and Swing)	
	4360407	1	Controller, Speed (Platform Controls)	
	70010383	1	Element, Filter (Charge Pump)	
		Ref	Engine - Deutz D2011	
	70003783	12	Element, Air Cleaner	
	7020023	12	Filter, Fuel	
	70003463	12	Filter, Fuel - RME Resistant	
	7016331	12	Filter, Oil	
	3740140	1	Relay, 100Amp	
	70004058	1	Relay	
		Ref	Engine - Deutz D2.9L4 (Stage V)	
	1001197719	2	Fuse, 0.5 Watt	
	1001196634	2	Fuse, 2 Amp	
	1001117308	1	Relay, 200Amp	
	1001138228	1	Relay, Power Module	
		Ref	Engine - Deutz D2.9L4 (China IV)	
	70003783	12	Element, Air Cleaner	
	1001117308	1	Relay, 200Amp	
	1001138228	1	Relay, Power Module	
	70003614	12	Filter Kit (Includes Hydraulic Element, Breather Element and Gasket) (Hydraulic Tank)	
	1001117174	1	Footswitch Assembly	
	8229249	2	Fuse, 3 Amp (USB Charger)	
	1001196635	2	Fuse, 3Amp (Turntable Harness)	
	8229242	2	Fuse, 5Amp (Turntable Harness)	
	8229244	2	Fuse, 15Amp (Turntable HHarness)	
	8229245	2	Fuse, 30Amp (2500W/50HZ Generator)	
	1001129285	2	Fuse with Diode (Turntable Harness)	
	2860030	1	Key, Replacement	
	2940074	1	Latch (Platforms with Side Entry)	

## SECTION 10 - RECOMMENDED SERVICE PARTS STOCK

ITEM	PART NUMBER	QTY	DESCRIPTION	REV
	1001170094	1	Module, Ground Control	
	1001142683	1	Module, Control (Blue and Red Beacons)	
	1001118412	1	Module, Control (Platform Console Box)	
	70006553	1	Relay (4000W/50HZ Generator)	
	1001186431	1	Relay (SkyGuard)	
	3740086	1	Relay (SkyLine)	
	1001095704	1	Relay, (Turntable Harness)	
	1001219601	1	Sensor (At Ground Controls)	
	1001228225	1	Sensor, Emitter (SkyEye)	
	1001228224	1	Sensor, Receiver (SkyEye)	
	1001232667	1	Sensor, Proximity (SkyLine)	
	1001237902	1	Sensor (SkySense)	
	1001118971	1	Sensor, Angle (Boom)	
	1001119176	1	Switch, Limit (Drive Orientation)	
	4360469	1	Switch, Key (Ground Controls)	
	4360475	1	Switch, Emergency Stop (Ground & Platform Controls)	
	4360476	1	Switch, Contact Block (Ground & Platform Controls)	
	1001155045	1	Switch, Toggle (Ground & Platform Controls)	
	4360387	1	Switch, Push Button (Ground & Platform Controls)	
	4360274	1	Switch, Push Button (Ground Controls)	
	4360336	1	Switch, Toggle (Generator)	
	1001159256	1	Switch, Toggle (Platform Controls)	
	1001161709	1	Switch, Toggle (Platform Controls)	
	1001137673	1	Switch, Bar (SkyGuard)	
	1001172271	1	Switch, Limit (Boom)	



**SECTION 11 - SPECIAL OPTIONS/ACCESSORIES/KITS**

**SECTION 11 - SPECIAL OPTIONS/ACCESSORIES/KITS**

# SECTION 11 - SPECIAL OPTIONS/ACCESSORIES/KITS

FIGURE 11-1. SPECIAL OPTIONS/ACCESSORIES/KITS

ITEM	PART NUMBER	QTY	DESCRIPTION	REV
	Note	Ref	Note: This list is to accommodate machines ordered with special equipment. Options may not be applicable to all models. For more specific parts information contact JLG Parts Department.	
		Ref	MISCELLANEOUS SPECIAL OPTIONS/ACCESSORIES/KITS	
	1001174661	Ref	Airline Installation	
	1001241254	Ref	Boom Angle Sensor Offset Link Kit	
	1001236123	Ref	Boom Wiper Cover Installation	
	1001172045	Ref	Cable Carrier Tray Installation	
		Ref	ClearSky Telematics (Factory Installed)	
	1001228960	Ref	ClearSky (Telematics) Installation (Factory Installed) 3G Canbus Connection (ANSI Export, CE & UK CA Specs)	
	1001227278	Ref	ClearSky (Telematics) Installation (Factory Installed) 4G Canbus Connection (All Specs)	
	1001276610	Ref	ClearSky (Telematics) Installation (Factory Installed) 3-Wire Connection (All Specs Except China Specs)	
	1001246433	Ref	ClearSky (Telematics) Installation (Factory Installed) 3-Wire Connection (Australian Specs)	
	1001286266	Ref	ClearSky (Telematics) Smart Fleet Installation	
	1001246434	Ref	ClearSky (Telematics) Installation (Factory Installed) 3-Wire Connection (China Specs)	
		Ref	ClearSky (Telematics) Installations (Dealer Installed)	
	1001243183	Ref	ClearSky (Telematics) Add-on Kit (Dealer Installed) (ANSI Export, CE & UK CA Specs)	
	1001243184	Ref	ClearSky (Telematics) Add-on Kit (Dealer Installed) (CE & UK CA Specs)	
	1001276923	Ref	ClearSky (Telematics) Add-on Kit (Dealer Installed) (Contact JLG for Approved Countries)	
	1001242639	Ref	ClearSky (Telematics) Access Control Installation Kit (Dealer Installed) (ANSI, ANSI Export, CSA, CE & UK CA Specs)	
	1001246142	Ref	ClearSky (Telematics) Service Kit (Dealer Installed) (Australian Specs)	
	1001174766	Ref	Cold Weather Package - Deutz D2.9L4 Engines (Stage V)	
	1001255807	Ref	Cold Weather Package - Deutz D2.9L4 Engines (Stage V)	
	1001282099	Ref	Cold Weather Package - Deutz D2.9L4 Engines (China IV)	
	1001174767	Ref	Cold Weather Package - Deutz D2011 Engines	
	1001186976	Ref	Cold Weather Transformer Installation (Required with Deutz D2011 Engines)	
	0272031	Ref	Container/Transport Wheels Installation - 33/1550 x 16.5 Tires	
	1001233047	Ref	Crankcase Breather Heater Kit	
	1001196012	Ref	Cylinder Bellows Installation - 450AJ	
	70006428	Ref	Drive Hub Bearing and Seal Kit (For Hub Assembly 2780267 & 2780268)	
	70006429	Ref	Drive Hub Seal Kit (For Hub Assembly 2780267 & 2780268)	
	1001290271	Ref	ECU Power Jumper Kit - Stage V Engines Only	
	1001243331	Ref	Fan Cover Installation - Deutz D2011 Engines	
	1001172751	Ref	Fan Guard Installation - Deutz D2.9L4 Engines (Stage V) (CE & UK CA Specs)	
		Ref	Filter Kits:	
	1001139099	Ref	Fire Extinguisher Installation (20lbs)	
	1001305520	Ref	Fire Extinguisher Installation (2.5lbs)	
	1001274833	Ref	Floor Mat Add-on Kit (30x48 Platform) (Dealer Installed)	
	1001274832	Ref	Floor Mat Add-on Kit (30x60 Platform) (Dealer Installed)	

## SECTION 11 - SPECIAL OPTIONS/ACCESSORIES/KITS

ITEM	PART NUMBER	QTY	DESCRIPTION	REV
	1001274831	Ref	Floor Mat Add-on Kit (30x72 Platform) (Dealer Installed)	
	1001202749	Ref	Fuel Cap Cover (Black)	
	1001220003	Ref	Ground Control and UGM Covers Kit	
	1001285811	Ref	Hood Plugs Installation	
	1001293845	Ref	Hood Brace Kit	
	1001169831	Ref	Hostile Environment Package - 450AJ (Includes Cylinder Bellows, Platform Console Cover and Boom Wiper)	
	1001258231	Ref	Hydraulic Load Installation (Deutz D2011, Deutz D2.9L4 and Stage V Engines)	
	1001265688	Ref	Hydraulic Tank Lock Instalaltion	
	1001172001	Ref	Lights Installation - Headlights and Taillights	
	1001120466	Ref	Lights Installation - Platform Worklights	
	1001183407	Ref	Low Temperature Cutout Installation (Russian Specs)	
	1001253618	Ref	Module Box Assembly Kit (Service Kit for P/N 1001246867)	
	1001253619	Ref	Module Box Assembly Kit (Service Kit for P/N 1001246860)	
	1001173664	Ref	Oil Cooler Installation - Deutz D2011 Engines	
	1001164493	Ref	Oil Cooler Installation - Deutz D2.9L4 Engines (Stage V)/D2.9L4 (China IV)	
	1001272166	Ref	Pipe Rack Kit	
	1001236122	Ref	Platform Console Cover Installation (Plastic)	
	1001308593	Ref	Platform Console Cover Installation (Fabric)	
	1001309057	Ref	Platform Console Cover Kit	
	1580013	Ref	Platform Corner Storage Tray	
	1001267283	Ref	Platform Hose/Cable Protection	
	1001238421	Ref	Platform Leveling Kit	
	1001266799	Ref	Platform Plastic Mesh to Mid Rail Installation - 30in x 60in Platforms	
	1001209059	Ref	Platform Work Surface Installation	
	1001282215	Ref	Platform Worklights Kit	
	1001233080	Ref	Pump Rotation Kit (Re-orient Gear Pump 90 Degrees)	
	1001247800	Ref	Quad Tracks Replacement Kit	
	1001204110	Ref	Service Kits	AC
	1001247073	Ref	SkyEye Retrofit Kit	
	1001241547	Ref	SkyEye LH Housing Retrofit Kit	
	1001241548	Ref	SkyEye RH Retrofit Kit	
	1001250595	Ref	SkyGuard 6 Pin Retrofit Kit	
	1001203510	Ref	SkyGuard - Without Beacon	
	1001203511	Ref	SkyGuard Beacon Kit (Blue Light)	
	1001210036	Ref	SkyGuard Beacon Kit (Red Light)	
	1001250035	Ref	SkyGuard Platform Sensor Kit	
	1001249052	Ref	SkyGuard Retrofit Kit	
	1001262016	Ref	SkyLine Kit	
	1001250465	Ref	SkySense (EDS) Level 1 Booms Installation (Factory Installed)	
	1001250466	Ref	SkySense (EDS) Level 2 Booms Installation (Factory Installed)	
	1001289905	Ref	SkySense Enhanced Detection System (EDS) Level 1 (2-Bar) Add-on Kit (Dealer Installed)	
	1001289906	Ref	SkySense Enhanced Detection System (EDS) Level 2 (3-Bar) Add-on Kit (Dealer Installed)	
	1001282461	Ref	SkySense Padding Installation - For 30 x 48 Platforms Equipped with SkySense	
	1001282434	Ref	SkySense Pre-Cut Bumper Kit (use with 1001282461)	
	1001275644	Ref	SkySense Padding Installation - For 30 x 60 Platforms Equipped with SkySense	

## SECTION 11 - SPECIAL OPTIONS/ACCESSORIES/KITS

ITEM	PART NUMBER	QTY	DESCRIPTION	REV
	1001275662	Ref	SkySense Pre-Cut Bumper Kit (use with 1001275644)	
	1001275643	Ref	SkySense Padding Installation - For 30 x 72 Platforms Equipped with SkySense	
	1001275656	Ref	SkySense Pre-Cut Bumper Kit (use with 1001275643)	
	1001294063	Ref	Strobe Light (Blue) Kit	
	1001293868	Ref	Strobe Light (Red) Kit	
	1001292585	Ref	Strobe Light (Amber) Hood Kit	
	1001293299	Ref	Strobe Light (Amber) Kit	
		Ref	Tools:	
	1001249695	Ref	Analyzer and Cable Kit	
	1001249941	Ref	Analyzer and Cable Kit (Battery Powered)	
	1001206436	Ref	Turntable Bearing Kit	
	1001277839	Ref	UGM Retrofit Kit (Use with 1001170094 Ground Control Module)	
	1001274249	Ref	USB Charger Add-on Kit (Dealer Installed)	
	1001270716	Ref	White Noise Alarm Add-on Kit (Dealer Installed)	
	1001270755	Ref	White Noise Alarm (Ambient) Add-on Kit (Dealer Installed)	



## SECTION 11 - SPECIAL OPTIONS/ACCESSORIES/KITS

### PART NUMBER INDEX

## SECTION 11 - SPECIAL OPTIONS/ACCESSORIES/KITS

0080231.....126	0641416 ... 347, 349, 351,	243, 247, 251, 369,	0902733.....49
0100009.....293	353, 355, 357, 359,	371, 381	0902734.....49
0100011....15, 17, 19, 21,	361, 363, 365, 367	0760612 ..... 95	0902888.....251
23, 35, 45, 49, 55, 67,	0641418 ..... 281, 289	076061491, 93, 121, 127,	0940048.....265
69, 71, 75, 77, 79, 81,	0641420 ..... 285	131, 137, 149, 171,	0940049.....98
86, 95, 98, 102, 105,	0641504 ..... 49, 95	179, 205, 213, 243, 369	0940071.....98
107, 109, 111, 113,	0641605 ..... 55	0760615 ..... 109	0940088.....102
115, 121, 123, 126,	0641610 ..... 195, 291	0760619 ..... 220	0940199.....307
131, 133, 137, 139,	0641616 .... 243, 247, 251	0760621 ..... 86	0961845.....281, 285, 289
142, 149, 153, 156,	0641812 ... 123, 133, 139,	0760808 ... 142, 156, 186,	0961947.....267, 269, 325
171, 175, 179, 183,	153, 175, 183, 209, 217	220	0961948 17, 19, 263, 265,
186, 199, 201, 205,	0642012 ..... 307	0760810 ..... 98, 102, 142,	327, 329
209, 213, 217, 220,	0681608 .... 142, 156, 271	156, 186, 220, 271	0961949.....263
227, 229, 243, 247,	0681620 ..... 313, 315	0760812 ... 45, 71, 77, 79,	0961950.....15
251, 259, 261, 263, 265,	0681810 ..... 21, 23	81, 98, 102, 121, 131,	0961951....126, 142, 156,
271, 273, 281, 285,	0682014 ..... 21, 23	137, 142, 149, 156,	186, 220, 261, 323, 325
289, 303, 305, 380, 384	0682040 ..... 51	171, 179, 186, 205,	0962257.....267, 269
0100019..21, 23, 61, 243,	0682424 ..... 313, 315	213, 220, 241, 244,	0962292.....19, 261
247, 251	0700408 ... 347, 349, 351,	252, 263, 373, 380, 384	0962348.....19
0100020.....71, 121, 126,	353, 355, 357, 359,	0760814 ..... 98, 102, 126,	0962520....243, 247, 251
131, 137, 142, 144,	361, 363, 365, 367	142, 156, 186, 199,	1001026127.....205, 213
149, 156, 158, 171,	0700616 ..... 107, 111	201, 220, 380, 384	1001091102.....369, 371
179, 186, 205, 213,	0700816 ..... 49	0760815 ... 126, 142, 156,	1001091969.....349
220, 297, 347, 349,	0700818 ..... 251	186, 220	1001091970.....353
351, 353, 355, 357,	0700820 ..... 261	0760816 ..... 220	1001091973.....355
359, 361, 363, 365, 367	0700827 ..... 380, 384	0761010 ..... 55, 75	1001091974.....357
0100035.....195, 293, 295	0700828 ..... 380, 384	0761011 ..... 17, 19, 227	1001091975.....365
0100048.....89, 243, 247,	0701014 ..... 49	0761012 ... 220, 229, 259,	1001094670.....261
251	0701015 ..... 265	373, 380, 384	1001095704.....446, 477
0100079.....243, 251	0701018 ..... 98, 102	0761014 ..... 98, 102, 107,	1001096070.....243, 247,
0100081....126, 142, 156,	0701019 ..... 261	111, 133, 137, 142,	399
186, 220, 307, 380, 384	0701020 ..... 71, 171, 179,	149, 156, 171, 179,	1001096653.....45
0140011.....293	261	183, 186, 205, 213,	1001097051.....439
0140043.....86	0701021 ..... 380, 384	217, 271	1001097150.....395, 397,
0258011.....39	0701022 ..... 220	0761015 ... 121, 126, 131,	399
0258012.....39	0701024 ..... 380, 384	137, 142, 149, 156,	1001097244.....317
0270115.....471	0701025 ..... 220	171, 179, 186, 205,	1001098122.....297, 423
0270116.....473	0701027 ..... 265	213, 220, 259	1001098828.....271
0272031.....480	0701217 ..... 15	0761016 ... 107, 111, 142,	1001100231.....415
0272589.....253	0701616 ..... 69, 265	156, 186, 220	1001100341.....427
0275216.....349, 427	0701617 ..... 19	0761020 ..... 102	1001100342.....429
0275217.....353, 429	0711214 ... 142, 156, 186,	0761210 ... 137, 142, 149,	1001100345.....431
0275452.....355, 431	220	156, 186, 205, 213, 220	1001100346.....435
0275453.....357, 433	0711220 ..... 17, 19	0761212 ... 142, 156, 186,	1001100347.....433
0275454.....365, 435	0711224 ... 126, 142, 156,	220, 247, 259, 265	1001101191.....349, 353,
0360406.....51	186, 199, 201, 220,	0761214 71, 98, 243, 251	355, 357, 365
0361810.....95	243, 251	0761215 ..... 102, 259	1001101196.....349, 353
0363019.....49, 51	0711227 ..... 263	0761216 ... 205, 213, 220,	1001101197.....355, 357,
0400075.....95	0711628 ..... 61	271	365
0440162....121, 131, 137,	0711629 ..... 19	0761227 ..... 265	1001103012.....445
149, 171, 179, 205, 213	0711631 ..... 61	0761615 ..... 15, 265	1001103013.....86
0440271 .....19	0721006 ..... 195	0762016 ..... 265	1001104029.....252
0480126.....243, 251	0731005 ..... 71	0770810 ..... 273	1001104498.....445
0630518.....83, 295	0741606 ... 142, 156, 186,	0771012 ..... 261	1001106736.....86
0630568.....293	220	0771212 .... 171, 179, 186	1001107854.....445
0630613.....98, 102	0741607 ..... 243, 247	0771414 ... 126, 142, 156,	1001110434.....293
0641404.....305	0760506 ..... 227	186, 199, 201, 220,	1001111424.....95, 126
0641405.....293, 305	0760512 ..... 95	243, 251	1001112551.....459
0641406....291, 299, 457,	0760606 ... 243, 247, 251	0771416 ..... 243, 251	1001112607.....259
459, 461, 463, 465, 467	0760607 ... 142, 156, 186,	0860520 ... 457, 459, 461,	1001112612.....377, 445
0641408.....291, 309	220	463, 465, 467	1001112796.....377
0641409.....107, 111	0760608 ..... 75, 111	0861572 ..... 251	1001113680.....461
0641410.....105, 109	076061086, 95, 105, 109,	0861731 ... 359, 361, 363,	1001113961.....446
0641414....293, 303, 309,	113, 115, 121, 126,	367, 431, 433, 435	100111424.....143, 157
311	131, 137, 142, 149,	0861781 ... 347, 351, 427,	1001116208.....469
	156, 171, 179, 186,	429	1001116290.....107, 111
	205, 213, 220, 241,	0861880 ..... 395, 399	1001116550.....261

## SECTION 11 - SPECIAL OPTIONS/ACCESSORIES/KITS

1001116693..... 71, 423	1001127096..... 469	1001144147..... 446	1001163722..... 19
1001116720..... 425	1001129285..... 446, 476	1001144433..... 303	1001163724..... 19
1001116728..... 446	1001129407..... 75	1001144629..... 283, 287	1001163726..... 19
1001116732..... 415	1001130220..... 86, 205, 213	1001146588..... 187, 221	1001163863..... 257
1001116734..... 415, 445	1001130492..... 469	1001147264..... 410	1001163937..... 261
1001116748..... 449	1001131269..... 457	1001148059..... 248	1001164092..... 17
1001116774..... 377	1001132195..... 126	1001148641..... 244, 248, 252	1001164095..... 19
1001116808..... 377	1001132196..... 126	1001149452..... 229	1001164209..... 17, 19
1001116812..... 405, 409	1001133714..... 406, 410	1001150998..... 126	1001164493..... 481
1001116815..... 410, 446	1001133715..... 406, 410	1001151393..... 77, 79, 81	1001164709..... 327, 329
1001116849..... 465	1001133956..... 406, 410	1001151856..... 409	1001164726..... 107, 111
1001116952..... 405, 409	1001133957..... 406, 410	1001152266..... 451	1001164728..... 291, 453
1001116983..... 413	1001134488..... 144, 158	1001152483..... 397	1001164738..... 380, 384, 449
1001117057..... 415	1001135196..... 121, 131, 137, 149, 171, 179, 205, 213	1001152485..... 371, 397	1001165035..... 137, 149, 171, 179, 205, 213, 221
1001117070..... 445	1001135650..... 406, 410	1001152489..... 143, 157, 187, 205, 213, 221	1001165388..... 126, 143, 157, 187, 221
1001117107..... 405, 409	1001135651..... 406, 410	1001152525..... 252	1001165389..... 126
1001117172..... 297	1001136834..... 143, 157, 187, 221	1001152532..... 244, 248, 417	1001165405..... 143, 157, 187, 221
1001117174..... 293, 297, 476	1001137673..... 303, 477	1001154405..... 137, 149, 171, 179, 195, 205, 213, 227, 229	1001165406..... 143, 157, 187, 221
1001117240..... 95	1001138228..... 143, 157, 187, 221, 476	1001154726..... 415	1001165721..... 143, 157, 221
1001117308..... 143, 157, 187, 221, 476	1001138248..... 143, 157, 187, 221	1001155043..... 77, 79, 81	1001165722..... 143, 157, 187
1001117372..... 321	1001138494..... 281, 285, 289	1001155044..... 77, 79, 81, 293	1001165849..... 143, 157, 187
1001118274..... 71, 77, 79, 81, 98, 263, 273, 380, 384	1001138514..... 281, 285, 289	1001155045..... 77, 79, 81, 293, 477	1001165948..... 45, 55, 273
1001118384..... 443	1001138565..... 243	1001155743..... 451	1001165968..... 35
1001118388..... 425, 443	1001138566..... 244, 247	1001155823..... 137, 149, 171, 179, 205, 213	1001166020..... 123, 126, 133
1001118412..... 293, 477	1001138827..... 144, 158	1001155967..... 446	1001166021..... 121, 123
1001118482..... 261	1001139099..... 480	1001156107..... 172, 179, 205, 213	1001166085..... 469
1001118511..... 15	1001139240..... 143, 157, 222	1001156541..... 449	1001166096..... 265
1001118518..... 15	1001139357..... 244	1001157466..... 69	1001166153..... 41, 43
1001118519..... 15	1001139384..... 107, 111	1001157520..... 253	1001166155..... 41
1001118878..... 143, 157, 187	1001139586..... 19	1001157521..... 253	1001166156..... 41
1001118971..... 380, 384, 477	1001139654..... 171, 179, 205, 213	1001157525..... 252	1001166157..... 41
1001118972..... 49, 71, 380, 384	1001139819..... 126	1001157528..... 253	1001166208..... 329
1001119020..... 377	1001140312..... 157	1001157890..... 445	1001166232..... 49
1001119176..... 75, 477	1001140347..... 247	1001158007..... 253	1001166239..... 21
1001119228..... 67, 381, 385	1001140429..... 281, 285, 289	1001158008..... 253	1001166305..... 121
1001119278..... 95, 149	1001140564..... 144, 158	1001159186..... 419	1001166316..... 95
1001119280..... 95, 381, 385	1001141300..... 469	1001159256..... 293, 477	1001166717..... 127
1001119619..... 437	1001141304..... 143, 157, 187, 221	1001160859..... 265	1001166718..... 127, 143, 157, 187, 199, 201, 221
1001119620..... 439, 441	1001141694..... 126, 143, 157, 187, 221	1001160872..... 265	1001166767..... 75
1001119627..... 342	1001141870..... 195	1001161709..... 293, 477	1001166768..... 75
1001120204..... 389	1001142501..... 137, 149, 171, 179, 195, 227	1001162105..... 35	1001166768..... 75
1001120205..... 393	1001142679..... 342	1001162106..... 75	1001166853..... 265
1001120328..... 303, 305, 446	1001142683..... 91, 93, 477	1001162107..... 35	1001166921..... 143, 157, 187, 222
1001120466..... 481	1001142736..... 91, 93, 377	1001162429..... 459, 463	1001166922..... 199
1001120471..... 317	1001142938..... 405, 409	1001162522..... 459	1001166924..... 143, 157, 187, 222
1001120477..... 317	1001142940..... 405, 409	1001162528..... 463	1001167036..... 123, 139, 153, 175, 209, 233
1001120484..... 317	1001142941..... 405, 409	1001162534..... 55, 57	1001167111..... 127, 403
1001120989..... 469	1001143390..... 126, 143, 157, 187, 221	1001162535..... 273, 275	1001167149..... 98, 102
1001125387..... 137, 149	1001143797..... 143, 157, 187, 221	1001162536..... 273, 277	1001167157..... 107
1001125677..... 423, 446	1001144116..... 143, 157, 187	1001162539..... 45, 47	1001167159..... 98
1001126009..... 443		1001162807..... 77, 79, 81	1001167163..... 98, 102
1001126351..... 406, 410		1001162995..... 15	1001167164..... 241
1001126362..... 405, 409		1001163178..... 17, 19, 333	1001167169..... 98
1001126363..... 405, 409		1001163179..... 17, 19	1001167312..... 369
1001126364..... 405, 409		1001163405..... 17, 19	
1001126391..... 405, 409		1001163715..... 17, 19	
1001126392..... 405, 409		1001163716..... 17, 19	
1001126485..... 406, 410		1001163717..... 19	
1001126487..... 406, 410			

## SECTION 11 - SPECIAL OPTIONS/ACCESSORIES/KITS

1001167512.....121, 131, 137, 149, 171, 179, 205, 213	1001170224 ..... 239	1001173053 ..... 343	1001180541.....263
1001167520.....127, 143, 157, 187, 221	1001170226 ..... 263	1001173054 ..... 343	1001180620.....144, 158, 187, 221
1001167565.....271	1001170334 ..... 263	1001173055 ..... 343	1001180874.....259
1001167567.....271	1001170375 ..... 273	1001173056 ..... 343	1001180916.....35
1001167596.....271	1001170458 ..... 43	1001173057 ..... 343	1001181045.....395, 399, 476
1001167632.....405, 409	1001170459 ..... 43	1001173058 ..... 343	1001181145.....469
1001167635.....406, 410	1001170460 ..... 43	1001173059 ..... 343	1001181358.....137, 150, 171, 179, 205, 213, 413
1001168018.....127, 143, 157, 187, 199, 201, 221, 244, 252	1001170475 ..... 109	1001173061 ..... 343	1001181527.....49
1001168026.....143, 157, 187, 222	1001170480 ..... 71	1001173063 ..... 343	1001181875.....381, 385
1001168059.....127	1001170663 ..... 241	1001173076 ..... 469	1001181895.....158
1001168099.....143, 157, 187	1001170664 ..... 241	1001173664 ..... 481	1001181913.....49
1001168166.....143, 157, 187, 221	1001170693 ..... 127, 161	1001173811 ..... 251	1001181923.....381, 385
1001168207.....201	1001170764 ..... 406, 410, 451	1001173925 ..... 244, 252	1001182169.....98
1001168210.....323	1001170859 ..... 102	1001173973 ..... 307	1001182361.....406, 410
1001168210.....323	1001170982 ..... 222	1001173975 ..... 307	1001182365.....406, 410
1001168402.....271	1001171098 ..... 222	1001173984 ..... 243	1001182561.....381, 385
1001168472.....380, 385	1001171216 ..... 98	1001174040 ..... 261, 271	1001182806.....115
1001168473.....381, 385	1001171553 ..... 381, 385	1001174065 ..... 265	1001182875.....98, 102
1001168950.....222	1001171555 ..... 381, 385	1001174158 ..... 244, 248, 369	1001182877.....98, 102
1001169046.....98, 107, 111	1001171559 ..... 381, 385	1001174378 ..... 239	1001182879.....98, 102
1001169054.....143, 157, 187, 221	1001171678 ..... 95	1001174661 ..... 480	1001183407.....481
1001169058.....43	1001171679 ..... 95	1001174675 ..... 248, 252	1001184618.....293
1001169062.....37	1001171680 ..... 95	1001174749 ..... 380, 393	1001184626.....293
1001169075.....39	1001171681 ..... 121, 131	1001174766 ..... 480	1001184682.....113
1001169138.....143, 157, 187, 221	1001171682 ..... 121, 131	1001174767 ..... 480	1001185030.....15
1001169240.....265	1001171683 ..... 137, 149, 171, 179, 205, 213	1001174976 ..... 89	1001185281.....293
1001169241.....265	1001171684 ..... 137, 149, 171, 179, 205, 213	1001175024 ..... 343	1001185747.....381, 385
1001169242.....265	1001171953 ..... 123, 133, 139, 153, 175, 183, 209, 217	1001176299 ..... 343	1001185821.....55, 59
1001169246.....259	1001171954 ..... 123, 133, 139, 153, 175, 183, 209, 217	1001176300 ..... 343	1001185964.....446
1001169247.....259	1001172001 ..... 481	1001176301 ..... 343	1001186375.....281
1001169249.....265	1001172045 ..... 480	1001176302 ..... 343	1001186377.....285
1001169295.....265	1001172064 ..... 406, 409	1001176469 ..... 79, 81	1001186378.....289
1001169296.....265	1001172065 ..... 406, 409, 446	1001176848 ..... 17, 19	1001186385.....287
1001169297.....265	1001172202 ..... 121, 131	1001176951 ..... 380, 384, 391	1001186386.....283
1001169298.....265	1001172264 ..... 241	1001177359 ..... 143, 157, 187, 222	1001186431.....303, 477
1001169299.....265	1001172265 ..... 241	1001177820 ..... 69	1001186432.....425, 443
1001169300.....265	1001172271 ..... 381, 385, 477	1001177821 ..... 69	1001186517.....303
1001169301.....265	1001172335 ..... 380, 384, 387	1001177834 ..... 69	1001186976.....480
1001169302.....265	1001172336 ..... 380, 389	1001178133 ..... 265	1001187352.....415
1001169304.....263	1001172343 ..... 384	1001178135 ..... 265	1001187382.....271
1001169305.....263	1001172736 ..... 137, 149	1001178228 ..... 105	1001187383.....271
1001169402.....263	1001172751 ..... 480	1001178448 ..... 381, 385	1001187674.....301
1001169403.....263	1001172760 ..... 293	1001178449 ..... 381, 385	1001187681.....437
1001169525.....239	1001173006 ..... 343	1001178554 ..... 263	1001188622.....271
1001169823.....121, 131, 137, 149, 171, 179, 205, 213	1001173027 ..... 343	1001178555 ..... 263	1001188844.....271
1001169831.....481	1001173028 ..... 343	1001178644 ..... 381, 385	1001188883.....469
1001169898.....71	1001173034 ..... 343	1001178788 ..... 143, 157, 187, 221	1001188972.....150
1001169967.....143, 157, 187, 222	1001173035 ..... 343	1001178859 ..... 127	1001189001.....271
1001170018.....98	1001173036 ..... 343	1001178876 ..... 143, 157	1001189002.....271
1001170022.....98, 102	1001173037 ..... 343	1001179228 ..... 384	1001189171.....397, 476
1001170035.....143, 157, 187, 222	1001173038 ..... 343	1001179236 ..... 86, 401	1001189172.....397, 476
1001170094.....477	1001173039 ..... 343	1001179266 ..... 381, 385	1001189882.....463
1001170098.....37	1001173042 ..... 343	1001179339 ..... 71	1001190368.....17, 19
1001170099.....37	1001173043 ..... 343	1001179517 ..... 45	1001190663.....113, 115
	1001173046 ..... 342	1001179626 ..... 259, 263	1001190913.....459, 463
	1001173048 ..... 342	1001179778 ..... 380	1001190985.....271
	1001173049 ..... 342	1001179781 ..... 384	1001191620.....144, 158, 187, 221
	1001173052 ..... 343	1001179903 ..... 143, 158, 187, 222	1001191832.....98, 121, 131, 137, 150, 171, 179, 205, 214
		1001179904 ..... 98	1001192294.....222
		1001180006 ..... 259, 265	1001192401.....446
		1001180035 ..... 343	
		1001180056 ..... 265	

## SECTION 11 - SPECIAL OPTIONS/ACCESSORIES/KITS

1001193018 ..... 347, 349, 351, 353, 355, 357, 359, 361, 363, 365, 367	1001213448..... 86	1001232667..... 305, 477	1001244298 ..... 463
1001193049 ..... 221	1001213794..... 102	1001232842..... 197	1001244301 ..... 463
1001193336 ..... 71	1001213882..... 293	1001233047..... 480	1001244335 ..... 311
1001194197 ..... 359	1001214207..... 123, 133, 139, 153, 175, 183, 209, 217	1001233080..... 481	1001244336 ..... 309
1001194198 ..... 361	1001214397..... 373	1001233139..... 17	1001244671 ..... 311
1001194200 ..... 363	1001214570..... 373	1001233763..... 150, 197	1001244709 ..... 311
1001194203 ..... 347	1001214571..... 373	1001233899..... 98	1001244710 ..... 311
1001194204 ..... 351	1001214975..... 127	1001234295..... 55	1001244732 ..... 311
1001194365 ..... 367	1001215228..... 293	1001234800..... 405, 410	1001244733 ..... 311
1001194424 ..... 343	1001216630..... 271	1001235949..... 144, 158, 187, 195	1001245656 ..... 81
1001194888 ..... 107	1001217779..... 267	1001236091..... 83	1001246142 ..... 480
1001196012 ..... 480	1001217904..... 463, 469	1001236122..... 481	1001246369 ..... 86
1001196382 ..... 244, 248, 252	1001218533..... 67	1001236123..... 480	1001246389 ..... 309
1001196634 ..... 197, 476	1001218535..... 67	1001236552..... 305	1001246402 ..... 457
1001196635 ..... 446, 476	1001218537..... 67	1001236780..... 187	1001246407 ..... 467
1001196636 ..... 451	1001218622..... 384	1001236891..... 313, 315	1001246433 ..... 480
1001196637 ..... 86	1001218623..... 384	1001236895..... 313, 315	1001246434 ..... 480
1001197039 ..... 343	1001219129..... 67	1001237383..... 446	1001246435 ..... 291, 293
1001197221 ..... 45	1001219601..... 86, 477	1001237546..... 83	1001246436 ..... 291
1001197719 ..... 406, 410, 476	1001220003..... 481	1001237667..... 423, 446	1001246450 ..... 77
1001200128 ..... 469	1001220266..... 172, 180	1001237668..... 423, 446	1001246451 ..... 79
1001200129 ..... 469	1001221203..... 221	1001237863..... 301, 439	1001246859 ..... 446
1001200130 ..... 469	1001221212..... 221	1001237864..... 301, 441	1001247073 ..... 481
1001200131 ..... 469	1001223055..... 457	1001237865..... 301, 437	1001247248 ..... 469
1001200132 ..... 469	100122311869, 457, 459, 463, 467	1001237878..... 373	1001247252 ..... 309
1001200133 ..... 469	1001223122..... 187, 244, 248, 252	1001237879..... 373	1001247440 ..... 171, 180
1001200134 ..... 469	1001223453..... 457	1001237880..... 373	1001247468 ..... 271
1001200491 ..... 271	1001223459..... 405, 409	1001237881..... 373	1001247656 ..... 247
1001200494 ..... 271	1001223777..... 102	1001237888..... 309, 311	1001247800 ..... 481
1001201351 ..... 271	1001224049..... 467	1001237891..... 311	1001248008 ..... 457, 459, 461, 465, 467, 469
1001202333 ..... 107, 111	1001224050..... 465	1001237898..... 309, 311	1001248140 ..... 313, 315
1001202687 ..... 271	1001224052..... 461	1001237902..... 309, 311, 477	1001248141 ..... 313, 315
1001202749 ..... 481	1001224894..... 263	1001238254..... 293, 423	1001248190 ..... 248
1001202910 ..... 343	1001225346..... 373	1001238263..... 313, 315	1001249052 ..... 481
1001203322 ..... 109	1001225430..... 165, 192	1001238319..... 301	1001249695 ..... 482
1001203510 ..... 481	1001225431..... 165, 192	1001238418..... 305, 443	1001249941 ..... 482
1001203511 ..... 481	1001225580..... 303, 425	1001238421..... 271, 481	1001250035 ..... 481
1001204110 ..... 481	1001226530..... 373	1001238466..... 381, 385	1001250291 ..... 98
1001204510 ..... 459, 469	1001226541..... 446	1001238472..... 305	1001250465 ..... 481
1001204725 ..... 271	1001226541..... 446	1001238495..... 303	1001250466 ..... 481
1001205958 ..... 355, 357, 359, 361, 363, 365	1001227278..... 480	1001238559..... 305	1001250595 ..... 481
1001206314 ..... 102	1001227633..... 301	1001238911..... 187	1001252527 ..... 406, 410
1001206436 ..... 482	1001227634..... 301	1001239202..... 405, 409	1001252629 ..... 313, 315
1001206476 ..... 373	1001227985..... 301	1001239371..... 469	1001253618 ..... 481
1001206532 ..... 293	1001227987..... 301	1001241162..... 309	1001253619 ..... 481
1001206625 ..... 327	1001227993..... 265	1001241254..... 480	1001253628 ..... 257, 331
1001207335 ..... 343	1001227996..... 439, 441	1001241286..... 98	1001253629 ..... 257, 323
1001207336 ..... 343	1001228224..... 301, 477	1001241295..... 98, 105	1001254472 ..... 305
1001208874 ..... 55	1001228225..... 301, 477	1001241398..... 83, 295	1001254473 ..... 305
1001208994 ..... 271	1001228960..... 480	1001241547..... 481	1001254716 ..... 257, 329
1001209059 ..... 481	1001229138..... 307	1001241548..... 481	1001255133 ..... 261, 271
1001209617 ..... 115	1001229341..... 301	1001241965..... 305	1001255511 ..... 457
1001209664 ..... 303	1001230635..... 144, 158, 187, 221	1001242639..... 480	1001255514 ..... 465
1001209677 ..... 371	1001230931..... 449	1001242855..... 91	1001255515 ..... 461
1001209832 ..... 371	1001230934..... 406, 410	1001242856..... 93	1001255516 ..... 467
1001210036 ..... 481	1001230935..... 406, 410	1001243092..... 309	1001255807 ..... 480
1001210356 ..... 343	1001230936..... 406, 410	1001243183..... 480	1001256179 ..... 15, 321
1001210636 ..... 317	1001231886..... 115	1001243184..... 480	1001256206 ..... 465
1001211556 ..... 191	1001232026..... 457, 459, 461, 463, 465, 467	1001243205..... 309	1001256207 ..... 461
1001211716 ..... 98	1001232164..... 301	1001243331..... 480	1001256879 ..... 171, 180
1001211717 ..... 98, 102	1001232165..... 301	1001243414..... 98	1001257271 ..... 313, 315
1001213447 ..... 423	1001232642..... 305	1001243895..... 197	1001257274 ..... 313, 315
		1001244019..... 201	1001257275 ..... 315
		1001244024..... 199	1001258005 ..... 315
		1001244287 ..... 171	1001258112 ..... 221, 225
			1001258231 ..... 481

## SECTION 11 - SPECIAL OPTIONS/ACCESSORIES/KITS

1001258337.....209, 217, 220	1001274559 ... 77, 79, 81, 293	1001288266 ..... 221	1320016.....126
1001258338.....205, 209	1001274831 ..... 481	1001288366 ..... 222	1320022.... 121, 131, 137, 149, 171, 179
1001258339.....205	1001274832 ..... 480	1001288705 ..... 469	1320043.....381
1001258385.....206, 214, 227	1001274833 ..... 480	1001289219 ..... 261, 269	1320061..... 172, 179
1001258406.....229	1001275628 ..... 293, 476	1001289905 ..... 481	1320130.....380, 384
1001258495 ..... 439, 441	1001275629 ..... 293, 476	1001289906 ..... 481	1320176.....239
1001258502.....222	1001275643 ..... 482	1001290271 ..... 480	1320223..... 149, 373
1001258505.....229	1001275644 ..... 481	1001290348 ..... 469	1320263.....206, 213
1001258629.....222	1001275656 ..... 482	1001290660 ..... 221, 409	1321293.....75
1001258730.....309, 311	1001275662 ..... 482	1001291401 ..... 144, 158, 188	1321647.....446
1001258800.....247	1001276610 ..... 480	1001291458 ..... 469	1321716.... 121, 131, 137, 142, 149, 156, 171, 179, 186, 205, 213, 244, 247, 252
1001258804.....187	1001276626 ..... 91, 93	1001292418 ..... 469	1580012.....299
1001259230..... 105, 109	1001276643 ..... 144, 158, 187, 405	1001292585 ..... 482	1580013.....481
1001260306.....381, 385	1001276923 ..... 480	1001293086 ..... 248	1670603.....367
1001260412.....144, 158, 187	1001277009 ..... 61, 65	1001293299 ..... 482	1670836.....263
1001260420.....144, 158, 187	1001277273 ..... 61	1001293845 ..... 481	1701499.... 457, 459, 461, 463, 465, 467
1001260524.....309	1001277432 ..... 127, 188, 222	1001293868 ..... 482	1701500.... 457, 459, 461, 463, 465, 467
1001260525.....309, 311	1001277589 ..... 188, 191	1001294063 ..... 482	1701504.... 457, 459, 461, 463, 465, 467
1001260575.....222	1001277594 ..... 175, 183, 186	1001294815 ..... 469	1701505.... 121, 131, 137, 149, 171, 179, 205, 213
1001261045.....247	1001277600 ..... 171, 175	1001294864 ..... 469	1701509.... 307, 457, 459, 461, 463, 465, 467
1001261085.....247	1001277839 ..... 482	1001296426 ..... 421	1701518.... 459, 463, 473
1001261335.....313	1001278022 ..... 23, 33	1001297389 ... 77, 79, 81	1701529.... 457, 459, 461, 463, 465, 467
1001261338.....313	1001278022 ..... 23, 33	1001297748 ..... 269	1701691.....98
1001262016.....481	1001279651 ..... 102	1001298141 ..... 227	1702300.... 457, 459, 461, 463, 465, 467
1001262106.....481	1001280240 ..... 102	1001299212 ..... 222	1702565.....293
10012623174.....113	1001280242 ..... 102	1001299782 ..... 86, 419	1702566.....293
10012623663.....111	1001280270 ..... 221	1001300787 ..... 179	1702567.....293
10012623664.....107	1001280340 ..... 86	1001300788 ..... 180, 183	1702773.....463, 469
10012623668.....111	1001280549 ..... 102	1001300789 ..... 213	1702774.....469
10012623669.....107	1001281192 ..... 247	1001300790 ..... 214, 217	1702860.....469
10012623677.....107	1001281623 ..... 111	1001300956 ..... 343	1702868.....457
10012623678.....111	1001281985 ..... 144, 158, 222	1001300957 ..... 343	1702941.....149
10012623693.....107	1001281986 ..... 144, 158, 222	1001300958 ..... 343	1702942.....149
10012623694.....111	1001282099 ..... 480	1001300959 ..... 343	1702943.....149
10012623787.....111	1001282106 ..... 83, 295	1001300961 ..... 343	1702944.....149
1001264731.....81	1001282143 ..... 102, 107	1001300962 ..... 343	1703162.... 126, 142, 156, 186, 220
1001264732.....79	1001282146 ..... 102	1001300963 ..... 343	1703450.....471
1001264733.....77	1001282215 ..... 481	1001301504 ..... 131, 133	1703687.... 457, 459, 461, 463, 465, 467
1001264981.....15	1001282434 ..... 481	1001301505 ..... 131	1703797.....457
1001265163.....317	1001282461 ..... 481	1001301530 ..... 342	1703804.....457
1001265186.....273	1001282492 ..... 445	1001302954 ..... 144, 158, 165	1703805.....457
1001265342.....317	1001282533 ..... 86, 451	1001302955 ..... 139, 142	1703923.....467
1001265389.....107	1001282831 ..... 71	1001302956 ..... 153, 156	1703925.....465
1001265390.....111	1001282876 ..... 89, 375	1001302961 ..... 137, 139	1703928.....461
1001265688.....481	1001283776 ..... 295	1001302963 ..... 150, 153	1703935.....467
1001266711.....257, 335	1001284582 ..... 295	1001302970 ..... 137	1703937.....465
1001266738.....257, 327	1001284583 ..... 295	1001302972 ..... 149	1703940.....461
1001266799.....481	1001284875 ..... 457, 459, 461, 463, 465, 467	1001305520 ..... 480	1703941.....467
1001267283.....481	1001284957 ..... 71	1001306174 ..... 259, 261	1703943.....465
1001267313.....469	1001285012 ..... 23	1001308136 ..... 105	1703946.....461
1001269476.....102	1001285271 ..... 257, 325	1001308137 ..... 109	1703947.....467
1001270594.....89	1001285632 ..... 133, 183, 217, 237	1001308593 ..... 481	1703949.....465
1001270716.....482	1001285640 ..... 111	1001309057 ..... 481	1703952.....461
1001270755.....482	1001285788 ..... 99, 109	1001311034 ..... 305	1703953.....457
1001271323.....446	1001285789 ..... 98	1001311635 ..... 86	
1001271497.....423	1001285811 ..... 481	1060461 ..... 389, 393	
1001272166.....481	1001285988 ..... 102, 111	1060626 ..... 149	
1001272681.....91	1001286019 ..... 61, 63	1060908 .... 395, 397, 399	
1001272682.....93	1001286266 ..... 480	1060918 ..... 297	
1001273302.....380, 384	1001286568 ..... 221	1062255 ... 172, 179, 205, 213	
1001273303.....380, 385	1001287643 ..... 221	10702077 ..... 252	
1001274217.....71		10702082 ..... 252	
1001274249.....482		10836804 ..... 77, 79, 81	
1001274525.....71, 73		1120555 ..... 307	

## SECTION 11 - SPECIAL OPTIONS/ACCESSORIES/KITS

1703982 ..... 465	2220582 ..... 342	3251243.....457, 461, 467	3321001 ..... 95, 126, 143, 157
1703983 ..... 467	2220596 ..... 342	3251813.....457, 461, 467	3321501 ..... 102
1703985 ..... 461	2220600 ..... 342	3252347 ..... 457	3331211 ... 199, 201, 243, 252
1704001 ..... 467	2220603 ..... 342	3252692 ..... 473	3331215 ... 126, 142, 156, 186, 205, 213, 220
1704002 ..... 461	2220628 ..... 342	3252764 ..... 251	3340860 ..... 261
1704260 ..... 293	2220767 ..... 171	3271605 ..... 313, 315	3340956 ..... 307
1704277 ... 457, 459, 461, 463, 465, 467	2220811 ..... 342	3272001 ..... 313, 315	3380434 ..... 291
1704412 ... 457, 459, 461, 463, 465, 467	2220881 ..... 321	3290405.....75, 89, 91, 93, 317, 347, 349, 351, 353, 355, 357, 359, 361, 363, 365, 367, 369, 380, 384	3420352 ..... 51
1704455 ..... 473	2220883 31, 47, 321, 325, 342	3290501 ..... 95	3420372 ..... 51
1704456 ..... 473	2220885 ..... 47, 321, 325	3290505 ..... 95, 252	3422532 ... 121, 131, 137, 149, 171, 179, 205, 213
1704482 ..... 471	2220886 ..... 31	3290601 86, 95, 105, 107, 109, 111, 113, 115	3422755 ..... 259
1704578 ..... 471	2220888 ..... 31	3290605.....45, 75, 86, 91, 93, 95, 111, 121, 126, 131, 137, 142, 149, 156, 171, 179, 186, 205, 213, 220, 241, 243, 247, 252, 369, 371, 380, 384	3422791 ..... 261
1704885 ... 457, 459, 461, 465, 467	2220906 ..... 342	3290800.....281, 285, 289	3422792 ..... 259
1704972 ..... 121	2220923 ..... 342	3290801 ..... 121, 131	3422793 ..... 259
1705325 ..... 347, 349	2220940 ..... 342	3290805.....45, 49, 71, 98, 102, 107, 111, 126, 142, 156, 186, 199, 201, 220, 241, 243, 252, 261, 373, 380, 384	3422806 ..... 259
1705336 ..... 457	2220946 ..... 342	3290806 ..... 271	3422848 ..... 19
1705349 ..... 461	2220947 ..... 342	3291001 .... 142, 156, 186, 220, 271	3423038 ..... 259
1705351 ..... 457	2220998 ..... 342	3291005 95, 98, 102, 105, 107, 109, 111, 121, 126, 131, 137, 142, 149, 156, 171, 179, 186, 205, 213, 220, 259, 261, 263, 265, 271, 373, 380, 384	3423304 ..... 17, 19
1705358 ..... 469	2221033 ..... 342	3291201 .... 243, 247, 252, 271	3430616 ..... 293
1705430 ..... 465	2221036 ..... 342	3291205 .... 220, 259, 265, 271	3460334 ..... 307
1705460 ..... 253	2221040 ..... 342	3300106 ..... 21, 23	3470003 ..... 293
1705461 ..... 253	2221052 ..... 49	3300151 ..... 281, 285, 289	3520054 ... 126, 142, 156, 186, 220, 293
1705489 ... 243, 247, 253	2221086 ..... 47, 277, 342	3300220 ..... 95, 126, 143, 157	3520072 ... 102, 281, 283, 285, 287, 289
1705822 ..... 459, 463	2230025 ..... 342	3300353 ..... 293	3520189 ..... 252
1705828 ..... 459, 463	2400060 ... 197, 317, 415, 423, 446	3300396 ..... 252	3520192 ..... 252
1705910 ..... 467	2460048 ..... 251	3300408 ..... 83	3520198 ... 281, 283, 285, 287, 289
1705917 ..... 467	2540020 ..... 89, 91, 93	3300430 ..... 303, 311	3572551 ..... 261
1705961 ..... 459, 463	2560136 ..... 293	3310401 ..... 142, 156, 220	3580317 .... 243, 247, 252
1705968 ..... 465	2560187 ... 105, 107, 109, 111	3311001 ..... 195, 252	3580319 .... 243, 247, 252
1706098 ..... 469	2580024 ..... 149	3311405 ..... 291, 305, 347, 349, 351, 353, 355, 357, 359, 361, 363, 365, 367, 457, 459, 461, 463, 465, 467	3580320 ..... 243, 252
2060025 ..... 126	2600281 ..... 283, 287	3311501 ..... 98	3740067 ..... 95, 126
2080040 ... 243, 247, 283, 287, 369, 371	2720015 ... 142, 156, 186, 220	3311601 ..... 98, 102, 293, 305	3740086 ..... 443, 477
2080069 ..... 309, 311	2720058 ... 121, 131, 137, 149, 171, 179	3311605 ..... 142, 156, 195, 291	3740140 ..... 126, 476
2110810 ..... 342	2720340 .... 142, 156, 186	3311801 ..... 21, 23	3760170 ..... 51
2110812 ..... 342	2720398 ..... 126	3312002 ..... 313, 315	3760351 ..... 263
2131212 ..... 342	2720447 ..... 126	3312005 ..... 51, 307	3790012 ..... 293
2160001 ..... 61	2752504 ..... 343		3790152 ... 123, 133, 139, 153, 175, 183, 209, 217
2180348 ..... 121, 131	2752519 ..... 343		3820001 ... 457, 459, 461, 463, 465, 467, 469, 471, 473
2180832 ... 137, 149, 171, 179, 205, 213	2780267 ..... 21, 23, 25		3820020 ..... 283, 287
2180876 ... 121, 131, 137, 149, 171, 179	2780268 ..... 21, 23, 29		3820032 ..... 95
2200261 .... 127, 188, 222	2820031 ... 243, 247, 251, 380, 384, 391		3841143 17, 19, 121, 131, 137, 149, 171, 179, 205, 213, 259, 271
2220238 ..... 49, 342	2820035 ..... 197		3841203 ..... 259, 265
2220366 ..... 342	2820247 ..... 439, 441		3841258 ..... 15, 265
2220371 ..... 342	2860030 ..... 77, 79, 476		3841287 ..... 265
2220372 ..... 49, 342	2900756 ..... 47		3841340 ..... 380, 384
2220373 ..... 342	2900770 ..... 325, 335		3900295 ..... 19
2220374 ..... 342	2902065 ... 126, 142, 156, 186, 220, 231		3900349 ..... 293
2220375 ..... 342	2902443 ... 403, 405, 409		3900351 ..... 263
2220377 ..... 342	2902549 ..... 369, 395		3900363 ..... 107, 111
2220415 ..... 342	2940045 ..... 111		3910408 ... 142, 156, 220
2220435 ..... 342	2940074 ... 283, 287, 476		3910804 ..... 77, 79, 81
2220451 ..... 126, 342	2940173 ... 105, 107, 109, 111		3931408 ..... 303
2220465 ..... 342	3020037 ..... 209, 217		3931512 ... 142, 156, 186, 220
2220466 ..... 342	3160348 ..... 21, 31		
2220468 ..... 342	3250872 ..... 471		
2220472 ..... 342	3251102 ..... 247		
2220479 ..... 342	3251242 ... 351, 353, 355, 357, 359, 361, 363, 365, 367		
2220497 ..... 342			
2220500 ..... 342			
2220501 ..... 342			
2220579 ..... 49			

## SECTION 11 - SPECIAL OPTIONS/ACCESSORIES/KITS

3931618.....123, 139, 153, 175, 209	4460267 ..... 423, 445	4460878 ..... 446	4710400.....142, 156, 220
3960407.....126	4460268 ..... 417	4460879 ..... 317, 423	4711000.....195, 252
3960526.....21, 23	4460313 ..... 403	4460884 ... 317, 405, 409, 425, 445, 449, 451	4711400....105, 109, 281, 285, 289, 303, 305, 309, 347, 349, 351, 353, 355, 357, 359, 361, 363, 365, 367
4010405.....369, 371	4460418 ..... 419, 423	4460887 .... 317, 423, 446	4711500..49, 95, 98, 142, 156, 186, 220
4010417.....380	4460419 ..... 419, 423	4460891 .... 89, 113, 115, 377, 401, 413, 449, 451, 453	4711600....195, 243, 247, 252, 293, 313, 315
4010418.....380, 384	4460425 ..... 252	4460894 ... 403, 405, 409, 423, 445, 453	4712000.....307, 313, 315
4010618.....281, 285, 289	4460426 ..... 252	4460897 .71, 91, 93, 375, 413	4740086.....17, 19
4031505.....301	4460428 ..... 293	4460899 ... 401, 421, 425, 437, 443, 445, 449, 451, 453	4740155.....19
4031509.....89, 91, 93	4460434 ..... 423	4460905 ... 419, 423, 445, 446, 451	4740158.....15
4031511.....380, 384	4460458 ... 406, 410, 445, 446	4460910 ..... 441	4740229.....15
4031512.....75	4460464 .75, 91, 93, 297, 317, 375, 377, 391, 401, 413, 415, 423, 425, 443, 445, 449, 451, 453	4460911 ..... 437	4740362.....291
4031516.....305	4460465 .... 89, 113, 115, 317, 377, 387, 401, 403, 405, 409, 417, 423, 425, 445, 446, 449, 451, 453	4460928 ..... 377	4740491.....19
4031707.....65	4460466 ... 301, 309, 317, 375, 377, 381, 385, 387, 391, 403, 405, 409, 415, 423, 425, 437, 443, 445, 446, 449, 451, 453	4460931 .... 309, 375, 445	4750800.....381, 385
4031914....142, 156, 186, 220	4460470 ..... 293	4460932 .... 317, 410, 413	4751000.....71
4032015.....243, 252	4460471 ..... 293	4460933 .... 377, 423, 446	4751400....107, 111, 291, 293, 299, 311, 457, 459, 461, 463, 465, 467
4060802.....243, 247, 252	4460473 .... 380, 384, 387	4460941 ..... 413, 437	4751600....142, 156, 291
4060805....126, 142, 156, 186, 220	4460488 .91, 93, 206, 213	4460942 ... 301, 405, 409, 413	4752000.....51
4060806.....67	4460496 ..... 86	4460943 ... 309, 311, 437, 446	4761000.....95, 126, 143, 157
4060808.....380, 384	4460497 ..... 86	4460944 ..... 405, 409	4761400.....299
4070450.....51	4460508 .... 301, 391, 423	4460945 ..... 410	4811400....75, 89, 91, 93, 317, 347, 349, 351, 353, 355, 357, 359, 361, 363, 365, 367, 380, 384
4070560.....51	4460509 ..... 387, 445	4460956 ..... 395, 399	4811600.....95, 227, 252
4070561.....51	4460518 ..... 377	4460957 ..... 395, 399	4811700....75, 86, 91, 93, 95, 105, 107, 109, 111, 113, 115, 121, 126, 131, 137, 149, 171, 179, 186, 205, 213, 220, 243, 247, 252, 281, 285, 289, 369, 371, 381
4070897.....263	4460536 ..... 311, 423	4460967 ..... 445	481170286, 95, 142, 156, 186, 205, 213, 220, 241, 244, 248, 369, 371
4070898.....263	4460539 ... 405, 409, 423, 451	4460968 ..... 347, 351	4811900....45, 71, 77, 79, 81, 98, 102, 107, 111, 121, 126, 131, 137, 142, 149, 156, 171, 179, 186, 199, 201, 205, 213, 220, 243, 252, 271, 373, 380, 384
4071101.....15	4460662 ... 359, 361, 363, 367	4460970 ..... 423	4811902....186, 222, 261, 263, 273, 380, 384
4160182.....98	4460703 ..... 405, 409	4461005 ..... 403	4812000....55, 75, 95, 98, 102, 105, 107, 109, 111, 121, 126, 131, 137, 142, 149, 156, 171, 179, 186, 205, 213, 221, 227, 229, 247, 259, 261, 263, 265, 271, 373, 380, 384
4240032....86, 89, 91, 93, 142, 156, 188	4460708 ..... 423	4461008 .... 403, 405, 409	4812002..71, 75, 98, 102, 172, 179, 186
4240033....301, 303, 305	4460722 ..... 197	4461052 ..... 403	4812100.....98, 137, 142, 149, 156, 171, 179,
4240099....126, 142, 156, 171, 179, 186, 197, 205, 213, 220, 243, 247, 252, 293	4460742 ..... 445	4461054 .... 405, 409, 413	
4240149.....307	4460743 ..... 445	4461060 ..... 413	
4240156.....380, 384	4460746 ..... 405, 410	4461070 ..... 377	
4341415.....307	4460748 .... 405, 410, 446	4461071 .... 403, 405, 409	
4360070.....252, 476	4460754 ..... 451	4461072 .... 403, 405, 409	
4360274.....81, 477	4460761 ..... 423, 445	4461073 .... 403, 405, 409	
4360336....243, 247, 252, 477	4460806 ... 355, 357, 359, 361, 446	4461074 .... 403, 405, 409	
4360387.79, 81, 293, 477	4460807 ..... 417	4461077 ..... 437, 443	
4360407.....293, 476	4460808 ..... 417	4461095 ..... 377, 403	
4360469...77, 79, 81, 477	4460836 ..... 445	4461196 ..... 427	
4360475.....477	4460865 ... 380, 384, 387, 445	4461198 ..... 347, 427	
4360476...77, 79, 81, 477	4460866 ... 380, 384, 391, 423	4461199 ..... 429	
4420014.....307	4460871 ... 113, 115, 419, 421, 423, 445, 446, 451	4461201 ..... 351, 429	
4420051 ....469, 471, 473	4460872 ..... 451	4461205 ..... 431, 433	
4420066.....307	4460873 ..... 423, 446	4461244 ..... 359, 431	
4460019.....405, 409	4460874 ..... 423, 445	4461245 ..... 361, 433	
4460042.....405, 409	4460875 ..... 423, 451	4461246 ..... 363, 435	
4460043....197, 405, 409	4460876 ..... 419	4461249 ..... 435	
4460071.....297		4520217 ..... 39	
4460115.....406		4520608 ..... 41	
4460142.....446		4640261 ..... 49	
4460183.....423		4640751 ... 142, 156, 186, 220	
4460225....252, 417, 423		4640771 ..... 335	
4460226.....297		4641122 ..... 41, 43	
4460227.....423		4641155 ..... 45	
4460234.....86, 89, 293		4641390 ..... 327, 329	
4460247 ....405, 409, 445			
4460259....317, 419, 423, 446			
4460260....317, 419, 421, 423, 446			



## SECTION 11 - SPECIAL OPTIONS/ACCESSORIES/KITS

186, 205, 213, 221, 243, 252, 265, 271	70000931 ..... 162	70003783...126, 221, 476	70004897 ..... 233, 476
4812102 ..... 71, 98, 102	70001002 ..... 161	70003788.....57, 327, 476	70004898 ..... 233
4812200 ... 126, 143, 157, 186, 199, 201, 221, 243, 252	70001100 ..... 251	70003931 ..... 162	70004899 ..... 234
4812300 ..... 69	70001181 ..... 161	70003932 ..... 162	70004900 ..... 234
4860179 ..... 39	70001349 ..... 25, 29	70003975 ..... 47	70004901 ..... 234
4871700 ... 243, 247, 252	70001384 ..... 251	70003977 ..... 57	70004902 ..... 234
4891600 ..... 98, 123, 133, 139, 153, 175, 183, 209, 217, 271	70001423 ..... 161	70004000 ..... 59	70004903 ..... 234
489180021, 23, 123, 139, 153, 175, 209	70001435 ..... 162	70004013 ..... 59	70004904 ..... 234
4892000 ..... 21, 23	70001498 ..... 162	70004014 ..... 59	70004905 ..... 234
4892600001 ..... 261, 271	70001654 ..... 161	70004017 ..... 47	70004906 ..... 234
4922641 ..... 248, 252	70001655 ..... 161	70004056 ..... 162	70004907 ..... 234
4922925 ..... 252	70001696 ..... 251	70004058 ..... 162, 476	70004908 ..... 234
4922929 ..... 384	70001844 ..... 162	70004059 ..... 162	70004909 ..... 234
4923451 ..... 127	70001850 ..... 161	70004060 ..... 162	70004910 ..... 234
5241000 ..... 107, 111	70001866 ..... 162	70004062 ..... 162	70004911 ..... 234
5241200 ... 15, 17, 19, 49, 61, 126, 133, 143, 157, 183, 186, 199, 201, 205, 213, 217, 221, 243, 247, 252, 263, 271	70001868 ..... 162	70004092 ..... 243, 247	70005065 ..... 59
5241600 ..... 19, 61	70001870 .. 161, 166, 192	70004099 ..... 247	70005066 ..... 59
5250608 ..... 86	70001871 ..... 162	70004102 ..... 162	70005067 ..... 59
5250808 ..... 244, 252	70001872 ..... 162	70004103 ..... 162	70005068 ..... 59
5250810 . 77, 79, 81, 143, 157, 244, 247, 252, 273	70001953 ..... 251	70004169 ..... 251	70005069 ..... 57
5250812 ..... 67, 381, 385	70001966 .. 243, 247, 251	70004171 ..... 243, 251	70005071 ..... 57
5251008 ..... 271	70001973 ..... 251	70004267 ..... 59	70005076 ..... 57
5251009 ..... 263	70001974 ..... 251	70004268 ..... 161	70005080 ..... 57
5251010 45, 55, 263, 273	7000206 ..... 25, 29	70004269 ..... 161	70005082 ..... 57
5251012 ..... 15, 35, 263	70002063 ..... 47	70004270 ..... 162	70005084 ..... 57
5251014 ..... 98, 102, 380, 384	70002088 ..... 251	70004281 ..... 165, 192	70005085 ..... 57
5251016 ..... 271	70002209 ..... 47	70004282 ..... 165	70005087 ..... 57
5251215 ... 121, 131, 137, 149, 171, 179, 186	70002234 ..... 162	70004504 ..... 192	70005088 ..... 57
5260800 ... 67, 77, 79, 81, 244, 247, 252	70002257 ..... 234	70004505 ..... 192	70005089 ..... 57
5261200 ... 121, 131, 137, 149, 171, 179, 186	7000229 ..... 25, 29	70004506 ..... 192	70005090 ..... 57
5272114 ..... 61	70002297 ..... 251	70004507 ..... 192	70005092 ..... 57
5281918 ..... 380, 384	7000230 ..... 25, 29	70004508 ..... 165, 192	70005094 ..... 57
5281920 ..... 380, 384	7000232 ..... 25, 29	70004509 ..... 192	70005095 ..... 57
70000100 ..... 275	70002386 .... 47, 57, 327, 329, 476	70004510 ..... 192	70005096 ..... 57
70000342 ..... 267	70002413 ..... 323	70004577 ..... 47	70005097 ..... 57
70000345 ..... 162, 191	7000246 ..... 25, 29	70004676 ..... 243, 247	70005098 ..... 57
70000619 ..... 251	7000246 ..... 251	70004677 ..... 243	70005099 ..... 57
70000781 ..... 47	7000248 ..... 25, 29	70004678 ..... 243, 247	70005100 ..... 57
70000787 ..... 162	7000253 ..... 25, 29	70004679 ..... 244, 247	70005139 ..... 59
70000793 ..... 231	7000257 ..... 25, 29	70004680 ..... 244, 247	70005150 ..... 333
70000797 ..... 31	7000258 ..... 25, 29	70004681 ..... 244, 247	70005151 ..... 333
70000800 ..... 161	7000258 ..... 25, 29	70004682 ..... 244, 247	70005152 ..... 333
70000851 ..... 162	7000261 ..... 25, 29	70004683 ..... 244, 248	70005153 ..... 333
70000863 ..... 251	7000262 ..... 25, 29	70004686 ..... 247	70005154 ..... 333
70000912 ..... 161	7000263 ..... 25, 29	70004864 ..... 275	70005171 ..... 165, 192
70000913 ..... 161	70002718 .. 161, 165, 192	70004865 ..... 275	70005172 ..... 166, 192
70000914 ..... 161	70002842 ..... 321	70004866 ..... 275	70005176 ..... 192
70000915 ..... 161	70002902 ..... 297	70004867 ..... 275, 277	70005177 ..... 165, 192
70000916 ..... 161	70002903 ..... 297	70004868 ..... 275	70005180 ..... 165
70000917 ..... 161	70002904 ..... 297	70004869 ..... 275, 277	70005182 ..... 165
70000918 ..... 161	70002905 ..... 297	70004871...275, 277, 476	70005184 ..... 165, 191
70000919 ..... 162	70002962 ..... 47	70004873 ..... 277	70005191 ..... 191
	70003463 ..... 161, 476	70004875 ..... 275	70005217 ..... 57
	70003464 ..... 161	70004883 ..... 47	70005218 ..... 57
	70003468 ..... 162	70004884 ..... 47	70005219 ..... 57, 476
	70003469 ..... 162	70004885 ..... 47	70005243 ..... 277
	70003472 ..... 161	70004886 ..... 47	70005504 ..... 191
	70003473 ..... 161	70004887 ..... 47	70005505 ..... 191
	70003475 ..... 161	70004888 ..... 47	70005507 ..... 191
	70003479 ..... 161	70004889 ..... 233	70005667 ..... 380, 384
	70003480 ..... 161	70004890 ..... 233	70005931 ..... 165, 191
	70003481 ..... 161	70004891 ..... 233	70005938 ..... 192
	70003612 ..... 59	70004892 ..... 233	70005941 ..... 166, 192
	70003614 ..... 476	70004893 ..... 233	70005942 ..... 165, 192
	70003631 ..... 251	70004894 ..... 233	70006104 ..... 327
	70003708 .. 243, 247, 251	70004895 ..... 233	70006105 ..... 327
	70003709 .. 243, 247, 251	70004896 ..... 233	70006256 ..... 263

## SECTION 11 - SPECIAL OPTIONS/ACCESSORIES/KITS

70006272.....263	70008239..... 323, 331	70008600 .....237	70031143..... 165, 191
70006356..123, 133, 139, 153, 175, 183, 209, 217	70008240 ..... 323, 331	70008622 .....237	70031144..... 165, 191
70006428.....480	70008241 ..... 331	70008623 .....237	70031388..... 191
70006429.....480	70008242 ..... 323	70008624 .....237	70031474..... 191
70006552.....244	70008243 ..... 323	70008625 .....237	7007289.....234
70006553..... 244, 477	70008244 ..... 321	70008626 .....237	7007415.....233, 234
70006660.....275	70008246 ..... 321	70008627 .....237	7007419.....233
70006914.....325	70008247 ..... 321	70008628 .....237	7007420.....233, 234
70006915.....325	70008253 ..... 73	70010383 ..... 55, 476	7007437.....31
70006916.....325	70008254 ..... 73	70012257 ..... 165	7007438.....31
70006917.....325	70008256 ..... 73	7001481 ..... 234	7007439.....31
70006918.....325	70008258 ..... 73	7001998 ..... 25, 29	7007446.....31
70006919.....325	70008259 ..... 73	70023592 ..... 143, 157	7007493.....234
7000731.....26	70008260 ..... 73	70023593 ..... 143, 157	7007495.....233
70007325..... 191	70008261 ..... 73	70023606 ..... 47	7007601.....25, 29
70007326..... 165, 192	70008262 ..... 73	70024494 ..... 166	7007640.....25, 29
70007354..... 165, 191	70008263 ..... 73	70024502 ..... 165	7010429.....25, 29
70007556.....277	70008264 ..... 73	70024504 ..... 165, 191	7010543.....47
70007603..... 165, 191	70008265 ..... 73	70024505 ..... 191	7012967.....47, 329
70007847.....33	70008266 ..... 73	70024507 ..... 165	7012974.....47
70007848.....33	70008267 ..... 73	70024513 ..... 165, 191	7012998.....327
70007849.....33	70008268 ..... 73	70024904 ..... 166, 192	7016331.... 161, 166, 192, 476
70007850.....33	70008292 ..... 325	70024905 .. 165, 166, 192	7017059.....25, 29
70007851.....33	70008293 ..... 325	70024906 ..... 165, 192	7017067.....25, 29
70007852.....33	70008294 ..... 325	70024913 ..... 192	7017070.....25, 29
70007853.....33	70008296 ..... 192	70024917 ..... 191	7017070.....25, 29
70007854.....33	70008371 ..... 65	70024919 ..... 165	7017080.....25, 29
70007855.....33	70008372 ..... 65	70024920 ..... 191	7017142.....267
70007856.....33	70008373 ..... 65	70024961 ..... 165	7017159.....267
70007857.....33	70008374 ..... 65	70025082 ..... 161	7017162.....267
70007858.....33	70008375 ..... 65	70025084 ..... 161, 162	7017163.....267
70007859.....33	70008376 ..... 65	70025086 ..... 162	7017164.....267
70007860.....33	70008377 ..... 65	70025088 ..... 161	7017172.....267
70007861.....33	70008378 ..... 65	70025091 ..... 161	7017192.....267
70007862.....33	70008379 ..... 65	70025121 ..... 162	7017195.....267
70007863.....33	70008380 ..... 65	70025123 ..... 161, 162	7017410.....47
70007864.....33	70008381 ..... 65	70025130 ..... 191	7017467.....327
70007865.....33	70008382 ..... 65	70025131 ..... 162	7017496.....47, 327, 329
70007866.....33	70008383 ..... 65	70025139 ..... 161	7020023..... 161, 476
70007867.....33	70008384 ..... 65	70025140 ..... 192	7020026.....161
70007868.....33	70008385 ..... 65	70025144 ..... 192	7020403.....161
70007869.....33	70008386 ..... 65	70025145 ..... 192	7020430.....161
70007870.....33	70008387 ..... 65	70025152 ..... 192	7020460.....161
70007871.....33	70008388 ..... 65	70025164 ..... 165, 191	7020465..... 161, 192
70007872.....33	70008389 ..... 65	70025231 ..... 165, 191	7020468.....161
70007873.....33	70008390 ..... 65	70025235 ..... 192	7020471.....162
70007874.....33	70008391 ..... 65	70025239 ..... 165, 191	7020479.....162
70007875.....33	70008392 ..... 65	70025242 ..... 192	7020492..... 161, 162
70007876.....33	70008393 ..... 65	70025619 ..... 335	7021237.....233
70007877.....33	70008422 ..... 192	70025667 ..... 161	7021238.....233
70007878.....33	70008431 ..... 191	70025693 ..... 162	7021239.....233
70007886.....329	70008435 ..... 191	70025694 ..... 162	7021240.....233
70007887.....329	70008498 ..... 237	70026210 ..... 165, 191	7021241.....233
70007888.....329	70008502 ..... 237	70026441 ..... 325	7021242.....233
70007889.....329	70008504 ..... 237	70027088 ..... 335	7021243.....233
70007890.....329	70008507 ..... 237	70027405 ..... 191	7021248.....233
70007901.....327	70008537 ..... 192	70028185 ..... 192	7021249..... 31, 233
70008135.....335	70008538 ..... 192	70028538 ..... 191	7021253.....233
70008136.....335	70008543 ..... 191	70028540 ..... 165, 191	7021257.....233
70008137.....335	70008544 ..... 191	70029409 ..... 191	7021258.....233
70008138.....335	70008545 ..... 191	70029451 ..... 165	7021259.....233
70008139.....335	70008547 ..... 191	70029512 ..... 165, 191	7021262.....233
70008140.....335	70008553 ..... 191	70030360 ..... 165, 191	7021263.....233
70008141.....335	70008558 ..... 191	70030381 ..... 165, 192	7021265.....233
70008237.....331	70008559 ..... 191	70031055 ..... 191	7021268.....233
70008238.....323, 331	70008561 ..... 191	70031095 ..... 165	7021275.....31
	70008564 ..... 192	70031136 ..... 165, 191	7021276.....31, 234

## SECTION 11 - SPECIAL OPTIONS/ACCESSORIES/KITS

7021277 .....	31, 234	7024189 .....	26	7026626.....	251	8405009 ...	143, 157, 187, 221
7021278 .....	234	7024190 .....	26	7027236.....	161	8405104 ...	143, 157, 187, 221
7021281 .....	233	7024191 .....	26	7027625.....	275	8405202 ...	143, 157, 187, 221
7021290 .....	234	7024192 .....	26	7027628.....	275, 476	8405204 ...	143, 157, 187, 221
7021293 .....	233	7024193 .....	26	7027790.....	162	8406109 ...	143, 157, 187, 221
7021299 .....	234	7024194 .....	26	7027791.....	162	8406110 ...	143, 157, 187, 221
7021625 .....	47	7024196 .....	26	7027792.....	162	8406201 ...	143, 157, 187, 221
7021639 .....	47	7024197 .....	26	7027796.....	162	8410013 ...	121, 131, 137, 149, 205, 213
7022300 .....	233	7024485 .....	251, 476	7027799.....	251	8430007 ...	137, 149, 171, 179, 205, 213
7022302 .....	31	7024488 .....	251	7027903.....	162	8760477 .....	342
7022305 .....	31	7024489 .....	251	77363233.....	417	8770289 .....	342
7022310 .....	31	7024565 .....	162	80484084.....	405, 410	8786514 .....	39
7022311 .....	31	7024579 ....	161, 166, 192	80633030.....	342	88521214.....	313, 315
7022312 .....	31	7024705 .....	25	80963067.....	446	88662523.....	98, 102
7022314 .....	31	7024712 .....	25, 29	80983191.....	410	8881800 .....	75, 380, 384
7022326 .....	31	7024713 .....	25, 29	8220045.....	415, 445	91164057 .....	57
7022328 .....	31	7024714 .....	25, 29	8220051.....	413	91164059.....	57
7022341 .....	233	7024715 .....	25, 29	8220115.....	409	91164079.....	57
7022346 .....	234	7024716 .....	25, 29	8220125.....	446	91203039.....	271
7022347 .....	234	7024717 .....	25	8229242.....	410, 446, 476		
7022368 .....	31	7024718 .....	26	8229244.....	446, 476		
7022371 .....	31	7024800 .....	233	8229245.....	415, 476		
7022372 .....	31	7024854 .....	31	8229249.....	317, 476		
7022390 .....	57, 327	7024855 .....	233	8310070.....	381, 385		
7022397 .....	47	7024857 .....	233	8310614.....	75		
7022399 .....	47, 57	7024858 .....	233	8310668.....	263		
7023900 .....	57	7024868 .....	31	8310686.....	98, 102		
7023907 .....	31	7024881 .....	47	8405006....	137, 149, 171, 179, 195, 205, 213, 227, 229		
7023908 .....	31	7024885 .....	47, 476	8405007....	143, 157, 187, 221		
7023910 .....	31	7026188 .....	251				
7023936 .....	57	7026330 .....	59				
7024182 .....	25, 26	7026597 .....	251				



**Corporate Office  
JLG Industries, Inc.  
1 JLG Drive  
McConnellsburg, PA 17233-9533 USA  
☎ (717) 485-5161 (Corporate)  
☎ (877) 554-5438 (Customer Support)  
📠 (717) 485-6417**

**Visit our website for JLG Worldwide Locations.  
[www.jlg.com](http://www.jlg.com)**



**OSHKOSH™**