



---

# Illustrated Parts Manual

## 450AJ HC3

PVC 2407

3122322800

July 1, 2024 - Rev A

**ANSI**  **CE**   
**AS/NZS**

English (en-US)

---



## **REVISION LOG**

July 1, 2024 - A - Original Issue of Manual (Edited to B/M 1001246976 Revision AD)

# GENERAL INFORMATION

**SECTION 6 CYLINDER**

**FIGURE 6-3. LIFT CYLINDER ASSEMBLY**

PG#                      Model Designation                      Manual #

**SECTION 6 CYLINDER**

**FIGURE 6-3. LIFT CYLINDER ASSEMBLY**

ITEM #	PART NUMBER	QTY	DESCRIPTION	REV
	1001140104	Ref	LIFT CYLINDER ASSEMBLY	B
1	0100011	AR	Compound, Locking	
2	0630305	3	Capscrew 1/4-20 x 1-1/8	
3	0791003	1	Screw #10-24 x 3/8	
4	0961897	1	Bushing, Tapered	
5	1320136	1	Clamp, Cable	
6	1683063	1	Head	
7	2220683	1	Plug, O-Ring	
8	2220685	2	Plug, O-Ring	
9	2220686	1	Plug, O-Ring	
10	3020039	AR	Lubricant	
11	3480282	1	Piston	
12	3760371	1	Ring, Washer	
13	3931420	8	Capscrew 1/4-20 x 1-1/4	
14	3931824	8	Capscrew 1/2-13 x 1-1/2	
15	3951003	1	Setscrew #10-24 x 3/8	
16	4100099	1	Spacer	
17	4640999	1	Cartridge, Holding Valve (Non Vented)	
17	2900792	1	Kit, Seal - 4640999 Cartridge Valve	
18	4641248	1	Cartridge, Countbalance Valve (Non Vented)	
18	70004186	1	Kit, Seal - 4641248 Cartridge Valve	
19	1001117991	1	Sensor, Cylinder Length	
20	1001118070	1	Cap, Retainer	
21	1001119084	1	Barrel	
21A	0961950	2	Bushing	
22	1001118086	1	Rod	
22A	0961950	2	Bushing	
100	1001139996	1	Kit, Seal (Includes Items 101-109)	
101	See Note	2	Ring, Wear (Note: Use p/n 1001139996)	
102	See Note	1	Ring, Back-Up (Note: Use p/n 1001139996)	
103	See Note	2	Ring, Lock (Note: Use p/n 1001139996)	
104	See Note	2	Ring, Back-Up (Note: Use p/n 1001139996)	
105	See Note	2	O-Ring (Note: Use p/n 1001139996)	
106	See Note	1	O-Ring (Note: Use p/n 1001139996)	
107	See Note	1	Seal (Note: Use p/n 1001139996)	
108	See Note	1	Wiper, Rod (Note: Use p/n 1001139996)	
109	See Note	2	Seal (Note: Use p/n 1001139996)	
200	1001119105	1	Kit, Sensor Magnet (Includes Items 201-203)	
201	See Note		Sleeve, Spacer (Note: Use p/n 1001119105)	
202	1001118066		Magnet, Sensor	
203	1001118069	1	Ring, Internal Retaining	

Manual #                      Model Designation                      PG#

## 1) MACHINE IDENTIFICATION

Machines are identified by model and in some cases a combination of models, serial number (SN) or regional standard (i.e ANSI, CE, CSA). Components may also be identified by SN or manufacturer. Common components that may be identified by these characteristics are engines and hydraulic components.

## 2) PARTS MANUAL ORGANIZATION

Product information in this manual is organized under section titles. Frame, Cylinder, Hydraulic and Electrical are a few examples. Each section is organized by figure and page number. The information within the Figure is then organized by item number, part number, description and corresponding illustration (s).

## 3) TABLE OF CONTENTS (NOT SHOWN)

A table of contents is found toward the beginning of the manual. Figure number, description and page number are provided for quick reference to the page containing the related information.

## 4) RECOMMENDED SPARE PARTS (NOT SHOWN)

The Recommended Spare Parts List, located near the end of the manual, reference most frequently used maintenance parts.

## 5) PART NUMBER INDEX (NOT SHOWN)

A numerical index listing all part numbers and the corresponding page number(s) appears at the back of the manual.

# GENERAL INFORMATION

## 6) NON-SERVICED PARTS

In some instances, it is necessary to display non-serviced parts, assemblies or installations. In the case of assemblies and installations there will be a Ref in the Qty. column. In case of parts that are not available for service within assemblies or components, there will be a NSS (Not Sold Separately) or NLA (No Longer Available) listed in the Qty. column of the manual.

## 7) PARTS LIST ITEM NUMBERS

Numbers shown in the item# column correspond to numbers used in the associated illustration (s). Item numbers which are missing from the sequence in the parts list are not used on that page.

## 8) INDENTED PARTS DESCRIPTION

An indented part description is included in the item under which it is indented.

## 9) ABBREVIATION AND SYMBOLS

AC.....	Alternating Current	L.....	Liter
ADE.....	Advanced Design Electronics	LB(LBS).....	Pounds
AG.....	Agricultural	LCD.....	Liquid Crystal Display
ANSI.....	American National Standards Institute	LED.....	Light Emitting Diodes
AR.....	As Required	LH.....	Left Hand
ASSY.....	Assembly	LRC.....	Low Rated Countries
AUS.....	Australia	LSS.....	Load Sensing System
AUX.....	Auxiliary	M(m).....	Metric/Meter
AWG.....	American Wire Gauge	MM(mm).....	Milimeter
B/M.....	Bill of Material	mA.....	Miliamps
CAC.....	Charge Air Cooler	NLA.....	No Longer Available
CE.....	European Conformity	NPT.....	National Pipe Threads
CCW.....	Counter Clockwise	NSS.....	Not Sold Separately
CM.....	Centimeter	OD.....	Outside Diameter
CW.....	Clockwise	ORB.....	O-Ring Boss
CSA.....	Canadian Standards Association	ORFS.....	O-Ring Face Seal
CYL.....	Cylinder	OZ (oz).....	Ounces
DIA.....	Diameter	PG.....	Page
DC.....	Direct Current	PN.....	Part Number
DEF.....	Diesel Exhaust Fluid	QT(qt.).....	Quarts
EMS.....	Emergency Stop	QTY.....	Quantity
ENG.....	Engine	REF.....	Reference
FT(ft).....	Feet	REV.....	Revision Level
GA(Ga).....	Gauge	RH.....	Right Hand
HRC.....	High Rated Countries	SAE.....	Society of Automotive Engineers
HVAC.....	Heating, Ventilating, and Air Conditioning	SN.....	Serial Number
HYD.....	Hydraulic	SPEC(S).....	Specifications
Hz.....	Hertz	T/T.....	Turntable
ID.....	Inside Diameter	UGM.....	Universal Ground Module
IN.....	inches	V.....	Volts
ISO.....	International Organization for Standards	W.....	Watts
JIC.....	Joint Industry Council	#.....	Number
KG.....	Kilogram		

## 10) ILLUSTRATION REFERENCE LETTERS

When necessary, illustrations may contain reference letters that are intended to track information (i. e. hoses, harnesses) from one point to another or to track visual enlargement of components to show details that may be located in another area on the illustration.

*Note: Due to continuous product improvements, JLG Industries, Inc. reserves the right to make specification changes without prior notification. Contact JLG Industries, Inc. for updated information.*



# TABLE OF CONTENTS

SECTION 1 - FRAME.....	15
FIGURE 1-1. AXLE INSTALLATION (MACHINES WITH SN STARTING WITH 03).....	16
FIGURE 1-2. AXLE INSTALLATION (MACHINES WITH SN STARTING WITH B3).....	18
FIGURE 1-3. STEER INSTALLATION WITHOUT TOW PACKAGE .....	20
FIGURE 1-4. STEER INSTALLATION WITH TOW PACKAGE .....	22
FIGURE 1-5. WHEEL DRIVE INSTALLATION (4WD).....	24
FIGURE 1-6. DRIVE HUB AND BRAKE ASSEMBLY - REAR .....	26
FIGURE 1-7. DRIVE HUB ASSEMBLY - FRONT.....	30
FIGURE 1-8. DRIVE MOTOR ASSEMBLY (4WD) .....	32
FIGURE 1-9. FRAME SHIELD INSTALLATION .....	34
FIGURE 1-10. TIRE AND WHEEL INSTALLATION - 12 X 16.5 FOAM FILLED (AVAILABLE ON ANSI, ANSI EXPORT, CSA AND JAPANESE SPECS).....	36
FIGURE 1-11. TIRE AND WHEEL INSTALLATION - 12 X 16.5 FOAM FILLED NON MARKING (AVAILABLE ON ANSI, ANSI EXPORT, CSA AND JAPANESE SPECS).....	38
FIGURE 1-12. TIRE AND WHEEL INSTALLATION - 14 X17.5 FOAM FILLED .....	40
FIGURE 1-13. TIRE AND WHEEL INSTALLATION - 14 X17.5 FOAM FILLED NON-MARKING .....	42
FIGURE 1-14. TIRE AND WHEEL INSTALLATION - 33 X 12-20 FOAM-FILLED (AVAILABLE ON ALL SPECS) .....	44
FIGURE 1-15. TIRE AND WHEEL INSTALLATION - 33 X 12-20 SOLID NON-MARKING (AVAILABLE ON ANSI EXPORT, AUSTRALIAN, CE, CIS/EAC & UK CA SPECS) .....	46
FIGURE 1-16. TIRE AND WHEEL INSTALLATION - 33/1550 X 16.5 FOAM-FILLED (AVAILABLE ON ALL SPECS).....	48
FIGURE 1-17. TIRE AND WHEEL INSTALLATION - 33 X 16L500 TURF AND SAND FOAM-FILLED (AVAILABLE ON ANSI, ANSI EXPORT & CSA SPECS).....	50
FIGURE 1-18. TIRE AND WHEEL INSTALLATION - 315/55 D20 FOAM FILLED (AVAILABLE ON ANSI EXPORT, AUSTRALIAN, CE, CHINA, CIS/EAC & UK CA SPECS).....	52
FIGURE 1-19. TIRE AND WHEEL INSTALLATION - 315/55 D20 FOAM FILLED NON-MARKING (AVAILABLE ON ANSI EXPORT, AUSTRALIAN, CE, CHINA, CIS/EAC & UK CA SPECS).....	54
FIGURE 1-20. VALVES INSTALLATION - FRAME MOUNTED (MACHINES WITH SN STARTING WITH 03) .....	56
FIGURE 1-21. VALVES INSTALLATION - FRAME MOUNTED (MACHINES WITH SN STARTING WITH B3) .....	58
FIGURE 1-22. TRACTION VALVE ASSEMBLY - 4WD.....	60
FIGURE 1-23. TOW PACKAGE INSTALLATION (OPTIONAL) .....	62
FIGURE 1-24. TOW BAR ASSEMBLY .....	64
SECTION 2 - TURNTABLE .....	67
FIGURE 2-1. VALVES INSTALLATION - TURNTABLE (MACHINES WITH SN STARTING WITH 03).....	68
FIGURE 2-2. VALVES INSTALLATION - TURNTABLE (MACHINES WITH SN STARTING WITH B3) .....	70
FIGURE 2-3. MAIN VALVE ASSEMBLY .....	72
FIGURE 2-4. AUXILIARY PUMP ASSEMBLY (MACHINES WITH SN STARTING WITH 03) .....	74
FIGURE 2-5. AUXILIARY PUMP ASSEMBLY (MACHINES WITH SN STARTING WITH B3).....	76
FIGURE 2-6. SWING DRIVE AND TURNTABLE BEARING INSTALLATION (MACHINES WITH SN STARTING WITH 03) .....	78
FIGURE 2-7. SWING DRIVE AND TURNTABLE BEARING INSTALLATION (MACHINES WITH SN STARTING WITH B3).....	80
FIGURE 2-8. SWING MOTOR ASSEMBLY (MACHINES WITH SN STARTING WITH 03).....	82
FIGURE 2-9. SWING MOTOR ASSEMBLY (MACHINES WITH SN STARTING WITH B3) .....	84
FIGURE 2-10. TURNTABLE BEARING ASSEMBLY (MACHINES WITH SN STARTING WITH 03).....	86
FIGURE 2-11. TURNTABLE BEARING ASSEMBLY (MACHINES WITH SN STARTING WITH B3).....	88
FIGURE 2-12. TURNTABLE COVERS INSTALLATION .....	90
FIGURE 2-13. TURNTABLE LOCK INSTALLATION.....	92
FIGURE 2-14. TANKS INSTALLATION - DIESEL MACHINES (HYDRAULIC TANK WITH 4 INCH BREATHER) .....	94

# TABLE OF CONTENTS

FIGURE 2-15. TANKS INSTALLATION - DIESEL MACHINES (HYDRAULIC TANK WITH 6 INCH BREATHER).....	96
FIGURE 2-16. TANKS INSTALLATION - GAS MACHINES.....	98
FIGURE 2-17. HYDRAULIC TANK ASSEMBLY - WITH 4 INCH BREATHER (DIESEL MACHINES).....	100
FIGURE 2-18. DRIVE ORIENTATION INSTALLATION.....	102
FIGURE 2-19. GROUND CONTROL ASSEMBLY (ALL SPECS EXCEPT CE, CIS/EAC & UK CA SPECS) .....	104
FIGURE 2-20. GROUND CONTROL ASSEMBLY (CE, CIS/EAC & UK CA SPECS).....	106
FIGURE 2-21. GROUND CONTROL ASSEMBLY (STAGE V ONLY) (CE & UK CA SPECS).....	108
FIGURE 2-22. LIGHT PANEL INSTALLATION - GROUND CONTROL.....	110
FIGURE 2-23. ELECTRICAL SYSTEM INSTALLATION .....	112
FIGURE 2-24. BEACON LIGHT INSTALLATION - AMBER.....	116
FIGURE 2-25. BEACON LIGHT INSTALLATION - ORANGE.....	118
FIGURE 2-26. BEACON LIGHT INSTALLATION - BLUE.....	120
FIGURE 2-27. BEACON LIGHT INSTALLATION - RED.....	122
FIGURE 2-28. BATTERY AND CABLE INSTALLATION .....	124
FIGURE 2-29. HOODS INSTALLATION (ABS) - DEUTZ ENGINES (MACHINES WITH SN STARTING WITH 03).....	126
FIGURE 2-30. HOODS INSTALLATION (ABS) - DEUTZ ENGINES (MACHINES WITH SN STARTING WITH B3 FOR ANSI EXPORT, CHINA, RUSSIA & JAPANESE SPECS).....	130
FIGURE 2-31. HOODS INSTALLATION (ABS) - DEUTZ ENGINES (MACHINES WITH SN STARTING WITH B3 FOR AUSTRALIAN, CE & UK CA SPECS).....	134
FIGURE 2-32. HOODS INSTALLATION (ABS) - KUBOTA ENGINE.....	138
FIGURE 2-33. HOODS INSTALLATION (STEEL) .....	142
FIGURE 2-34. HOOD ASSEMBLY (ABS) - ENGINE SIDE (MACHINES WITH SN STARTING WITH 03) .....	146
FIGURE 2-35. HOOD ASSEMBLY (ABS) - ENGINE SIDE (MACHINES WITH SN STARTING WITH B3 FOR ANSI EXPORT, CHINA, RUSSIA & JAPANESE SPECS) .....	148
FIGURE 2-36. HOOD ASSEMBLY (ABS) - ENGINE SIDE (MACHINES WITH SN STARTING WITH B3 FOR AUSTRALIAN, CE & UK CA SPECS).....	150
FIGURE 2-37. HOOD ASSEMBLY (ABS) - TANK SIDE (MACHINES WITH SN STARTING WITH 03).....	152
FIGURE 2-38. HOOD ASSEMBLY (ABS) - TANK SIDE (MACHINES WITH SN STARTING WITH B3 FOR ANSI EXPORT, CHINA, CIS/EAC & JAPANESE SPECS) .....	154
FIGURE 2-39. HOOD ASSEMBLY (ABS) - TANK SIDE (MACHINES WITH SN STARTING WITH B3 FOR AUSTRALIAN, CE & UK CA SPECS).....	156
FIGURE 2-40. HOOD ASSEMBLY (STEEL) - ENGINE SIDE.....	158
FIGURE 2-41. HOOD ASSEMBLY (STEEL) - TANK SIDE.....	160
FIGURE 2-42. WHITE NOISE ALARM AMBIENT INSTALLATION .....	162
FIGURE 2-43. WHITE NOISE ALARM INSTALLATION .....	164
SECTION 3 - ENGINE.....	167
FIGURE 3-1. ENGINE INSTALLATION - DEUTZ D2011 ENGINE (WITHOUT ARCTIC PACKAGE) (ANSI EXPORT, AUSTRALIAN, CE (LRC), CHINA CIS/EAC & UK CA SPECS) .....	168
FIGURE 3-2. ENGINE AND PUMP SUB-ASSEMBLY - DEUTZ D2011 (WITHOUT ARCTIC PACKAGE) (ANSI EXPORT, AUSTRALIAN, CE (LRC), CHINA, CIS/EAC & UK CA SPECS) .....	172
FIGURE 3-3. ENGINE ASSEMBLY - DEUTZ D2011 ENGINE (WITHOUT ARCTIC PACKAGE) (ANSI EXPORT, AUSTRALIAN, CE (LRC), CHINA, CIS/EAC & UK CA SPECS).....	174
FIGURE 3-4. ENGINE INSTALLATION - DEUTZ D2011 ENGINE (WITHOUT ARCTIC PACKAGE) (WITH PMP PUMP).....	178
FIGURE 3-5. ENGINE AND PUMP SUB-ASSEMBLY - DEUTZ D2011 ENGINE (WITHOUT ARCTIC PACKAGE) (WITH PMP PUMP).....	182
FIGURE 3-6. ENGINE INSTALLATION - DEUTZ D2011 ENGINE (WITH 17GAL HYDRAULIC TANK & ARCTIC PACKAGE) (ANSI EXPORT, CHINA & RUSSIA SPECS).....	184



# TABLE OF CONTENTS

FIGURE 3-7. ENGINE INSTALLATION - DEUTZ D2011 ENGINE (WITH 36GAL HYDRAULIC TANK & ARCTIC PACKAGE) (ANSI EXPORT & RUSSIA SPECS) .....	188
FIGURE 3-8. ENGINE AND PUMP SUB-ASSEMBLY - DEUTZ D2011 (WITH ARCTIC PACKAGE) (ANSI EXPORT, CHINA, CIS/EAC & UK CA SPECS).....	192
FIGURE 3-9. ENGINE ASSEMBLY - DEUTZ TD2.9L4 EMR4 ENGINE (WITH ARCTIC PACKAGE) .....	194
FIGURE 3-10. ENGINE INSTALLATION - DEUTZ D2011 ENGINE (WITH ARCTIC PACKAGE) (WITH PMP PUMP) .....	200
FIGURE 3-11. ENGINE AND PUMP SUB-ASSEMBLY - DEUTZ D2011 ENGINE (WITH ARCTIC PACKAGE) (WITH PMP PUMP) .....	204
FIGURE 3-12. ENGINE ASSEMBLY - DEUTZ D2011 ENGINE (WITH ARCTIC PACKAGE) (ANSI EXPORT, CHINA, CIS/EAC & UK CA SPECS) .....	206
FIGURE 3-13. ENGINE COMPONENTS - DEUTZ D2011 .....	210
FIGURE 3-14. ENGINE INSTALLATION - DEUTZ D2.9L4 ERM5 ENGINE (WITHOUT ARCTIC PACKAGE) (ANSI, ANSI EXPORT, CSA AND JAPANESE SPECS) .....	214
FIGURE 3-15. ENGINE AND PUMP SUB-ASSEMBLY - DEUTZ D2.9L4 ERM5 ENGINE(WITHOUT ARCTIC PACKAGE) (ANSI, ANSI EXPORT AND CSA SPECS) .....	218
FIGURE 3-16. ENGINE INSTALLATION - DEUTZ D2.9L4 ENGINE (WITHOUT ARCTIC PACKAGE) (WITH PMP PUMP) .....	220
FIGURE 3-17. ENGINE AND PUMP SUB-ASSEMBLY - DEUTZ D2.9L4 ENGINE (WITHOUT ARCTIC PACKAGE) (WITH PMP PUMP) .....	224
FIGURE 3-18. ENGINE ASSEMBLY - DEUTZ TD2.9L4 EMR4 ENGINE (WITHOUT ARCTIC PACKAGE) .....	226
FIGURE 3-19. DEUTZ D2.9L4 - EMR4 (49HP) ENGINE COMPONENTS .....	232
FIGURE 3-20. ENGINE ASSEMBLY - DEUTZ D2.9L4 ERM5 ENGINE (WITHOUT ARCTIC PACKAGE) (ANSI, ANSI EXPORT AND CSA SPECS) .....	236
FIGURE 3-21. ENGINE INSTALLATION - DEUTZ D2.9L4 ERM5 ENGINE (WITH ARCTIC PACKAGE) (ANSI AND CSA SPECS) .....	242
FIGURE 3-22. ENGINE INSTALLATION - DEUTZ D2.9L4 ENGINE (WITH ARCTIC PACKAGE) (WITH PMP PUMP) .....	248
FIGURE 3-23. ENGINE AND PUMP SUB-ASSEMBLY - DEUTZ D2.9L4 ENGINE (WITH ARCTIC PACKAGE) (WITH PMP PUMP) .....	254
FIGURE 3-24. ENGINE AND PUMP SUB-ASSEMBLY - DEUTZ D2.9L4 ERM5 ENGINE(WITH ARCTIC PACKAGE) (ANSI AND CSA SPECS) .....	256
FIGURE 3-25. ENGINE ASSEMBLY - DEUTZ D2.9L4 ERM5 ENGINE (WITH ARCTIC PACKAGE) (ANSI AND CSA SPECS) .....	258
FIGURE 3-26. ENGINE COMPONENTS - DEUTZ D2.9L4 ERM5 ENGINE (ANSI, ANSI EXPORT AND CSA SPECS).....	264
FIGURE 3-27. ENGINE INSTALLATION - DEUTZ D2.9L4 ENGINE (STAGE V) (CE & UK CA SPECS) .....	268
FIGURE 3-28. ENGINE AND PUMP SUB-ASSEMBLY - DEUTZ D2.9L4 ENGINE (STAGE V) (CE & UK CA SPECS).....	274
FIGURE 3-29. ENGINE INSTALLATION - DEUTZ D2.9L4 ENGINE (STAGE V) (WITH PMP PUMP) .....	276
FIGURE 3-30. ENGINE AND PUMP SUB-ASSEMBLY - DEUTZ D2011 ENGINE (STAGE V) .....	282
FIGURE 3-31. ENGINE ASSEMBLY - DEUTZ D2.9L4 ENGINE (STAGE V) (CE & UK CA SPECS) .....	284
FIGURE 3-32. ENGINE COMPONENTS - DEUTZ D2.9L4 ENGINE (STAGE V) (CE & UK CA SPECS).....	290
FIGURE 3-33. MOTOR MOUNT INSTALLATION - DEUTZ D2.9L4 ENGINE (STAGE V) WITHOUT GENERATOR.....	294
FIGURE 3-34. MOTOR MOUNT INSTALLATION - DEUTZ D2.9L4 ENGINE (STAGE V) WITH GENERATOR .....	296
FIGURE 3-35. BRACKET ASSEMBLY - FUEL PUMP AND FILTER (DEUTZ D2.9L4 ENGINE).....	298
FIGURE 3-36. BRACKET ASSEMBLY - FUEL PUMP AND FILTER (DEUTZ D2.9L4 ENGINE) (STAGE V) .....	300
FIGURE 3-37. BREATHER HEATER INSTALLATION - DEUTZ D2.9L4 ENGINE WITH ARCTIC PACKAGE .....	302
FIGURE 3-38. PUMP COUPLING KIT - DEUTZ ENGINES.....	304
FIGURE 3-39. ENGINE INSTALLATION - KUBOTA ENGINE (WITHOUT ARCTIC PACKAGE).....	306
FIGURE 3-40. ENGINE AND PUMP SUB-ASSEMBLY - KUBOTA ENGINE (WITHOUT ARCTIC PACKAGE) .....	312
FIGURE 3-41. ENGINE ASSEMBLY - KUBOTA ENGINE (WITHOUT ARCTIC PACKAGE).....	314
FIGURE 3-42. ENGINE INSTALLATION - KUBOTA ENGINE (WITH ARCTIC PACKAGE) .....	320
FIGURE 3-43. ENGINE AND PUMP SUB-ASSEMBLY - KUBOTA ENGINE (WITH ARCTIC PACKAGE) .....	326
FIGURE 3-44. ENGINE ASSEMBLY - KUBOTA ENGINE (WITH ARCTIC PACKAGE) .....	328

# TABLE OF CONTENTS

FIGURE 3-45. ENGINE COMPONENTS - KUBOTA .....	334
FIGURE 3-46. ENGINE INSTALLATION - DEUTZ D2.9L4 ENGINE (CHINA IV) (WITH PMP PUMP).....	338
FIGURE 3-47. ENGINE AND PUMP SUB-ASSEMBLY - DEUTZ D2.9L4 ENGINE (CHINA IV).....	344
FIGURE 3-48. BRACKET ASSEMBLY - FUEL PUMP AND FILTER (DEUTZ D2.9L4 CHINA IV ENGINE).....	346
FIGURE 3-49. ENGINE ASSEMBLY - DEUTZ D2.9L4 (CHINA IV).....	348
FIGURE 3-50. DEUTZ D2.9L4 ENGINE COMPONENTS (CHINA IV).....	354
FIGURE 3-51. FUEL/WATER SEPARATOR ASSEMBLY .....	356
FIGURE 3-52. PUMP COUPLING KIT - KUBOTA ENGINE .....	358
FIGURE 3-53. PISTON PUMP ASSEMBLY.....	360
FIGURE 3-54. CLOSED PUMP LOOP ASSEMBLY.....	364
FIGURE 3-55. SPARK ARRESTOR INSTALLATION - DEUTZ D2011 ENGINE.....	366
FIGURE 3-56. ENGINE BAFFLE INSTALLATION - WITH DEUTZ ENGINES.....	368
FIGURE 3-57. ENGINE BAFFLE INSTALLATION - WITH KUBOTA ENGINE.....	370
FIGURE 3-58. GENERATOR INSTALLATION - 2500W/50HZ (DEUTZ D2011 ENGINE).....	372
FIGURE 3-59. GENERATOR INSTALLATION - 2500W/60HZ (DEUTZ D2011 ENGINE).....	376
FIGURE 3-60. GENERATOR INSTALLATION - 2500W/60HZ (DEUTZ D2.9L4 ENGINE).....	380
FIGURE 3-61. GENERATOR INSTALLATION - 2500W/60HZ (KUBOTA ENGINE) .....	384
FIGURE 3-62. GENERATOR INSTALLATION - 4000W/50HZ (DEUTZ D2011 ENGINE).....	388
FIGURE 3-63. GENERATOR INSTALLATION - 4000W/60HZ (DEUTZ D2011 ENGINE).....	392
FIGURE 3-64. GENERATOR INSTALLATION - 4000W/60HZ (DEUTZ D2.9L4 ENGINE).....	396
FIGURE 3-65. GENERATOR INSTALLATION - 4000W/50HZ (DEUTZ ENGINE) (STAGE V) .....	400
FIGURE 3-66. GENERATOR INSTALLATION - 7500W/50HZ (DEUTZ D2011 ENGINE).....	404
FIGURE 3-67. GENERATOR INSTALLATION - 7500W/60HZ (DEUTZ D2011 ENGINE).....	408
FIGURE 3-68. GENERATOR INSTALLATION - 7500W/60HZ (DEUTZ D2.9L4 ENGINE).....	412
FIGURE 3-69. GENERATOR INSTALLATION - 7500W/60HZ (KUBOTA ENGINE) .....	416
FIGURE 3-70. QUICKFIT OIL DRAIN INSTALLATION (DEUTZ ENGINES) .....	420
FIGURE 3-71. QUICKFIT OIL DRAIN INSTALLATION (KUBOTA ENGINES) .....	422
SECTION 4 - BOOM.....	425
FIGURE 4-1. BOOM INSTALLATION .....	426
FIGURE 4-2. MAIN BOOM ASSEMBLY .....	428
FIGURE 4-3. TOWER BOOM ASSEMBLY .....	430
FIGURE 4-4. JIB INSTALLATION (MACHINES WITH SN STARTING WITH 03).....	432
FIGURE 4-5. JIB INSTALLATION (MACHINES WITH SN STARTING WITH B3).....	434
FIGURE 4-6. ROTATOR ASSEMBLY (MACHINES WITH SN STARTING WITH 03) .....	436
FIGURE 4-7. ROTATOR ASSEMBLY (MACHINES WITH SN STARTING WITH B3).....	438
FIGURE 4-8. PLATFORM SUPPORT INSTALLATION .....	440
FIGURE 4-9. VALVES INSTALLATION - BOOM MOUNTED (MACHINES WITH SN STARTING WITH 03).....	442
FIGURE 4-10. VALVES INSTALLATION - BOOM MOUNTED (MACHINES WITH SN STARTING WITH B3) .....	444
FIGURE 4-11. UPRIGHT VALVE ASSEMBLY.....	446
FIGURE 4-12. BOOM VALVE ASSEMBLY.....	448
SECTION 5 - PLATFORM.....	451
FIGURE 5-1. PLATFORM ASSEMBLY - 30IN X 3FT (76CM X .91M) - DROP BAR ENTRY .....	452
FIGURE 5-2. PLATFORM ASSEMBLY - 30IN X 4FT (76CM X 1.22M) - SIDE GATE ENTRY.....	454
FIGURE 5-3. PLATFORM ASSEMBLY - 30IN X 4FT (76CM X 1.22M) - WITH DROP BAR .....	456

# TABLE OF CONTENTS

FIGURE 5-4. PLATFORM ASSEMBLY - 30IN X 5FT (76CM X 1.52M) - SIDE GATE ENTRY .....	458
FIGURE 5-5. PLATFORM ASSEMBLY - 30IN X 5FT (76CM X 1.52M) - WITH DROP BAR.....	460
FIGURE 5-6. PLATFORM ASSEMBLY - 30IN X 5FT (76CM X 1.52M) - FALL ARREST .....	462
FIGURE 5-7. PLATFORM ASSEMBLY - 30IN X 6FT (76CM X 1.83M) - SIDE GATE ENTRY .....	464
FIGURE 5-8. PLATFORM ASSEMBLY - 30IN X 6FT (76CM X 1.83M) - WITH DROP BAR.....	466
FIGURE 5-9. PLATFORM CONSOLE BOX INSTALLATION .....	468
FIGURE 5-10. PLATFORM CONSOLE BOX ASSEMBLY .....	470
FIGURE 5-11. LIGHT PANEL INSTALLATION - PLATFORM CONSOLE .....	472
FIGURE 5-12. FOOTSWITCH ASSEMBLY.....	474
FIGURE 5-13. TRAY ASSEMBLY .....	476
FIGURE 5-14. USB CHARGER INSTALLATION .....	478
FIGURE 5-15. SKYEYE INSTALLATION .....	480
FIGURE 5-16. SKYGUARD BAR INSTALLATION .....	482
FIGURE 5-17. SKYLINE INSTALLATION .....	484
FIGURE 5-18. SKYGLAZIER INSTALLATION .....	486
FIGURE 5-19. SKYWELDER INSTALLATION (50HZ).....	488
FIGURE 5-20. SKYWELDER INSTALLATION (60HZ).....	490
FIGURE 5-21. SKYWELDER PREP PACKAGE INSTALLATION .....	492
FIGURE 5-22. WELDER ASSEMBLY .....	494
FIGURE 5-23. SOFT TOUCH INSTALLATION (WITHOUT FALL ARREST) .....	496
FIGURE 5-24. SOFT TOUCH INSTALLATION (WITH FALL ARREST).....	498
FIGURE 5-25. FALL ARREST INSTALLATION (BOLT-ON) (5FT/1.52M PLATFORM) .....	500
FIGURE 5-26. FALL ARREST INSTALLATION (BOLT-ON) (4FT/1.22M PLATFORM) .....	502
SECTION 6 - CYLINDER .....	505
FIGURE 6-1. AXLE LOCKOUT CYLINDER ASSEMBLY (MACHINES WITH SN STARTING WITH 03).....	506
FIGURE 6-2. AXLE LOCKOUT CYLINDER ASSEMBLY (MACHINES WITH SN STARTING WITH B3) .....	508
FIGURE 6-3. LEVEL (PLATFORM SLAVE) CYLINDER ASSEMBLY .....	510
FIGURE 6-4. LIFT CYLINDER ASSEMBLY - JIB.....	512
FIGURE 6-5. LIFT CYLINDER ASSEMBLY - MAIN LIFT.....	514
FIGURE 6-6. LIFT CYLINDER ASSEMBLY - TOWER BOOM.....	516
FIGURE 6-7. MASTER CYLINDER ASSEMBLY.....	518
FIGURE 6-8. STEER CYLINDER ASSEMBLY.....	520
FIGURE 6-9. TELESCOPE CYLINDER ASSEMBLY .....	522
SECTION 7 - HYDRAULIC .....	525
FIGURE 7-1. 4WD HYDRAULIC SYSTEM INSTALLATION (WITH 17GAL HYDRAULIC TANK) (MACHINES WITH SN STARTING WITH 03) .....	526
FIGURE 7-2. 4WD HYDRAULIC SYSTEM INSTALLATION (WITH 36GAL HYDRAULIC TANK) (MACHINES WITH SN STARTING WITH 03) .....	532
FIGURE 7-3. 4WD HYDRAULIC SYSTEM INSTALLATION (MACHINES WITH SN STARTING WITH B3) .....	538
FIGURE 7-4. 4WD HYDRAULIC SYSTEM INSTALLATION - 450AJ (WITH PMP PUMP) .....	544
SECTION 8 - ELECTRICAL .....	551
FIGURE 8-1. AC BOX AT PLATFORM INSTALLATION - 110V - ANSI, ANSI EXPORT, CHINA, CSA AND JAPANESE SPECS .....	552
FIGURE 8-2. AC BOX AT PLATFORM INSTALLATION - 110V IEC YELLOW (CE, CIS/EAC & UK CA SPECS WITH 4000W/50HZ GENERATOR).....	554

# TABLE OF CONTENTS

FIGURE 8-3. AC BOX AT PLATFORM INSTALLATION - 110V IEC 60309 YELLOW WITHOUT 2500W GENERATOR (CE, CIS/EAC & UK CA SPECS) .....	556
FIGURE 8-4. AC BOX AT PLATFORM INSTALLATION - 220V IEC BLUE (CE, CIS/EAC & UK CA SPECS WITH 4000W/50HZ GENERATOR) .....	558
FIGURE 8-5. AC BOX AT PLATFORM INSTALLATION - 220V IEC 60309 BLUE WITHOUT 2500W GENERATOR (CE, CIS/EAC & UK CA SPECS).....	560
FIGURE 8-6. AC BOX AT PLATFORM INSTALLATION - 220V CEE7 POST GROUND (2X4 BOX) WITHOUT 2500W GENERATOR (CE, CIS/EAC & UK CA SPECS) .....	562
FIGURE 8-7. AC BOX AT PLATFORM INSTALLATION - 220V CEE7 SIDE GROUND (2X4 BOX) WITHOUT 2500W GENERATOR (CE, CIS/EAC & UK CA SPECS) .....	564
FIGURE 8-8. AC BOX AT PLATFORM INSTALLATION - 220V CEE7 2IN X 4IN POST GROUND (CE, CIS/EAC & UK CA SPECS WITH 4000W/50HZ GENERATOR) .....	566
FIGURE 8-9. AC BOX AT PLATFORM INSTALLATION - 220V CEE7 2IN X 4IN SIDE GROUND (CE, CIS/EAC & UK CA SPECS WITH 4000W/50HZ GENERATOR) .....	568
FIGURE 8-10. AC BOX AT PLATFORM INSTALLATION - 220V AFSINT107 (CE, CIS/EAC & UK CA SPECS WITH 4000W/50HZ GENERATOR) .....	570
FIGURE 8-11. AC BOX AT PLATFORM INSTALLATION - 220V AFSINT 107 KEYED GROUND (2X4 BOX) WITHOUT 2500W GENERATOR (CE, CIS/EAC & UK CA SPECS) .....	572
FIGURE 8-12. AC BOX AT PLATFORM INSTALLATION - 220V CUSTOMER SUPPLIED COMPONENTS (AUSTRALIAN, CE & UK CA SPECS).....	574
FIGURE 8-13. AC BOX AT PLATFORM INSTALLATION - 240V (WITH 4000W GENERATOR) (ANSI, ANSI EXPORT, CSA AND JAPANESE SPECS) .....	576
FIGURE 8-14. AC BOX AT PLATFORM INSTALLATION - 240V (WITH 7500W SKYPOWER GENERATOR) (ANSI, ANSI EXPORT, CSA AND JAPANESE SPECS).....	578
FIGURE 8-15. AC CABLE INSTALLATION - WITH TWO BREAKERS (CE, CIS/EAC & UK CA SPECS) .....	580
FIGURE 8-16. AC CABLE INSTALLATION - WITH TWO BREAKERS (MACHINES WITH SN STARTING WITH B3).....	582
FIGURE 8-17. AC CABLE INSTALLATION - WITH THREE BREAKERS (CE, CIS/EAC & UK CA SPECS).....	584
FIGURE 8-18. AC CABLE AND PLUG INSTALLATION (MACHINES WITH SN STARTING WITH B3) .....	586
FIGURE 8-19. BATTERY DISCONNECT SWITCH .....	588
FIGURE 8-20. BEACON LIGHT HARNESS (BLUE AND RED BEACON LIGHT) .....	590
FIGURE 8-21. BEACON JUMPER HARNESS (AMBER LIGHT).....	592
FIGURE 8-22. BEACON JUMPER HARNESS (ORANGE LIGHT) .....	594
FIGURE 8-23. BOOM CABLES AND CLAMPS INSTALLATION (MACHINES WITHOUT GENERATOR & WITHOUT AC CABLES).....	596
FIGURE 8-24. BOOM CABLES AND CLAMPS INSTALLATION (MACHINES WITHOUT GENERATOR & WITH AC CABLES) .....	600
FIGURE 8-25. BOOM CABLES AND CLAMPS INSTALLATION (MACHINES WITHOUT GENERATOR AND WITH ARCTIC PACKAGE).....	604
FIGURE 8-26. BOOM CABLES AND CLAMPS INSTALLATION (MACHINES WITH 50HZ 4000W GENERATOR) .....	608
FIGURE 8-27. BOOM CABLES AND CLAMPS INSTALLATION (MACHINES WITH 60HZ 4000W GENERATOR) .....	612
FIGURE 8-28. BOOM CABLES AND CLAMPS INSTALLATION (MACHINES WITH 7500W GENERATOR).....	616
FIGURE 8-29. BOOM CABLES AND CLAMPS INSTALLATION (MACHINES WITH 7500W GENERATOR AND WITH ARCTIC PACKAGE).....	620
FIGURE 8-30. BOOM HARNESS (MAIN BOOM) (WITHOUT ARCTIC PACKAGE).....	624
FIGURE 8-31. BOOM HARNESS (MAIN BOOM) (WITH ARCTIC PACKAGE) .....	626
FIGURE 8-32. BOOM HARNESS (MAIN BOOM AC CABLE) (WITHOUT GENERATOR AND WITHOUT ARCTIC PACKAGE) .....	628
FIGURE 8-33. BOOM HARNESS (MAIN BOOM AC CABLE) (WITHOUT GENERATOR AND WITH ARCTIC PACKAGE).....	630
FIGURE 8-34. BOOM HARNESS - TOWER BOOM (WITHOUT ARCTIC PACKAGE) .....	632
FIGURE 8-35. BOOM HARNESS - TOWER BOOM (WITH ARCTIC PACKAGE) .....	634
FIGURE 8-36. BOOM HARNESS - TOWER BOOM AC CABLE (WITHOUT ARCTIC PACKAGE).....	636
FIGURE 8-37. BOOM HARNESS - TOWER BOOM AC CABLE (WITH ARCTIC PACKAGE) .....	638

# TABLE OF CONTENTS

FIGURE 8-38. BOOM SENSORS INSTALLATION .....	640
FIGURE 8-39. BOOM SENSOR HARNESS.....	642
FIGURE 8-40. BREAKER BOX KIT WITH SINGLE DOUBLE POLE BREAKER (CE, CIS/EAC & UK CA SPECS) .....	644
FIGURE 8-41. BREAKER BOX KIT WITH THREE BREAKERS (CE, CIS/EAC & UK CA SPECS) .....	646
FIGURE 8-42. BREAKER BOX KIT - 30MA/16 AMP.....	648
FIGURE 8-43. BREAKER BOX KIT.....	650
FIGURE 8-44. CAPACITY HARNESS.....	652
FIGURE 8-45. CHASSIS SOLENOID HARNESS.....	654
FIGURE 8-46. ENGINE HARNESS - DEUTZ D2011 .....	656
FIGURE 8-47. ENGINE HARNESS - DEUTZ D2.9L4 .....	658
FIGURE 8-48. ENGINE HARNESS.....	662
FIGURE 8-49. ENGINE HARNESS - KUBOTA .....	666
FIGURE 8-50. ENGINE HARNESS - DEUTZ D2.9L4 (CHINA IV) .....	668
FIGURE 8-51. FUEL HARNESS - DEUTZ D2.9L4 ENGINE .....	672
FIGURE 8-52. GENERATOR HARNESS - 2500W GENERATOR (60HZ).....	674
FIGURE 8-53. GENERATOR HARNESS - 2500W GENERATOR (50HZ).....	676
FIGURE 8-54. GENERATOR HARNESS - 4000W GENERATOR.....	678
FIGURE 8-55. GROUND CONTROL PANEL HARNESS.....	680
FIGURE 8-56. HOUR METER JUMPER HARNESS.....	682
FIGURE 8-57. KUBOTA D/F POWER HARNESS.....	684
FIGURE 8-58. PLATFORM CONSOLE BOX HARNESS .....	686
FIGURE 8-59. PLATFORM INTERFACE HARNESS .....	688
FIGURE 8-60. RECEPTACLE BOX KIT - 110V IEC YELLOW (CE, CIS/EAC & UK CA SPECS).....	690
FIGURE 8-61. RECEPTACLE BOX KIT - 220V IEC BLUE (CE, CIS/EAC & UK CA SPECS) .....	692
FIGURE 8-62. RECEPTACLE BOX KIT - 220V CEE7 POST GROUND 2IN X 4IN BOX (CE, CIS/EAC & UK CA SPECS).....	694
FIGURE 8-63. RECEPTACLE BOX KIT - 220V CEE7 SIDE GROUND 2IN X 4IN BOX (CE, CIS/EAC & UK CA SPECS).....	696
FIGURE 8-64. RECEPTACLE BOX KIT - 220V AFSINT 107 (CE, CIS/EAC & UK CA SPECS).....	698
FIGURE 8-65. SKYEYE INTERMEDIATE HARNESS.....	700
FIGURE 8-66. SKYEYE RECEIVER HARNESS .....	702
FIGURE 8-67. SKYEYE EMITTER HARNESS.....	704
FIGURE 8-68. SKYLINE HARNESS.....	706
FIGURE 8-69. TRANSPORT HARNESS.....	708
FIGURE 8-70. TURNTABLE HARNESS .....	710
FIGURE 8-71. VALVE HARNESS - BOOM.....	714
FIGURE 8-72. VALVE HARNESS - MAIN VALVE.....	716
FIGURE 8-73. VALVE HARNESS - PLATFORM VALVE .....	718
SECTION 9 - DECALS.....	721
FIGURE 9-1. DECAL INSTALLATION - ANSI, ANSI EXPORT AND CSA SPECS WITH DEUTZ ENGINES (ENGLISH LANGUAGE) .....	722
FIGURE 9-2. DECAL INSTALLATION - ANSI AND ANSI EXPORT SPECS WITH KUBOTA ENGINES (ENGLISH LANGUAGE) .....	724
FIGURE 9-3. DECAL INSTALLATION - AUSTRALIAN SPEC (ENGLISH LANGUAGE) .....	726
FIGURE 9-4. DECAL INSTALLATION - BRAZIL SPEC (PORTUGUESE/SPANISH LANGUAGES).....	728
FIGURE 9-5. DECAL INSTALLATION - CE & UK CA SPEC (ENGLISH LANGUAGE).....	730
FIGURE 9-6. DECAL INSTALLATION - CSA SPEC WITH DEUTZ ENGINES (FRENCH/ENGLISH LANGUAGES) .....	732

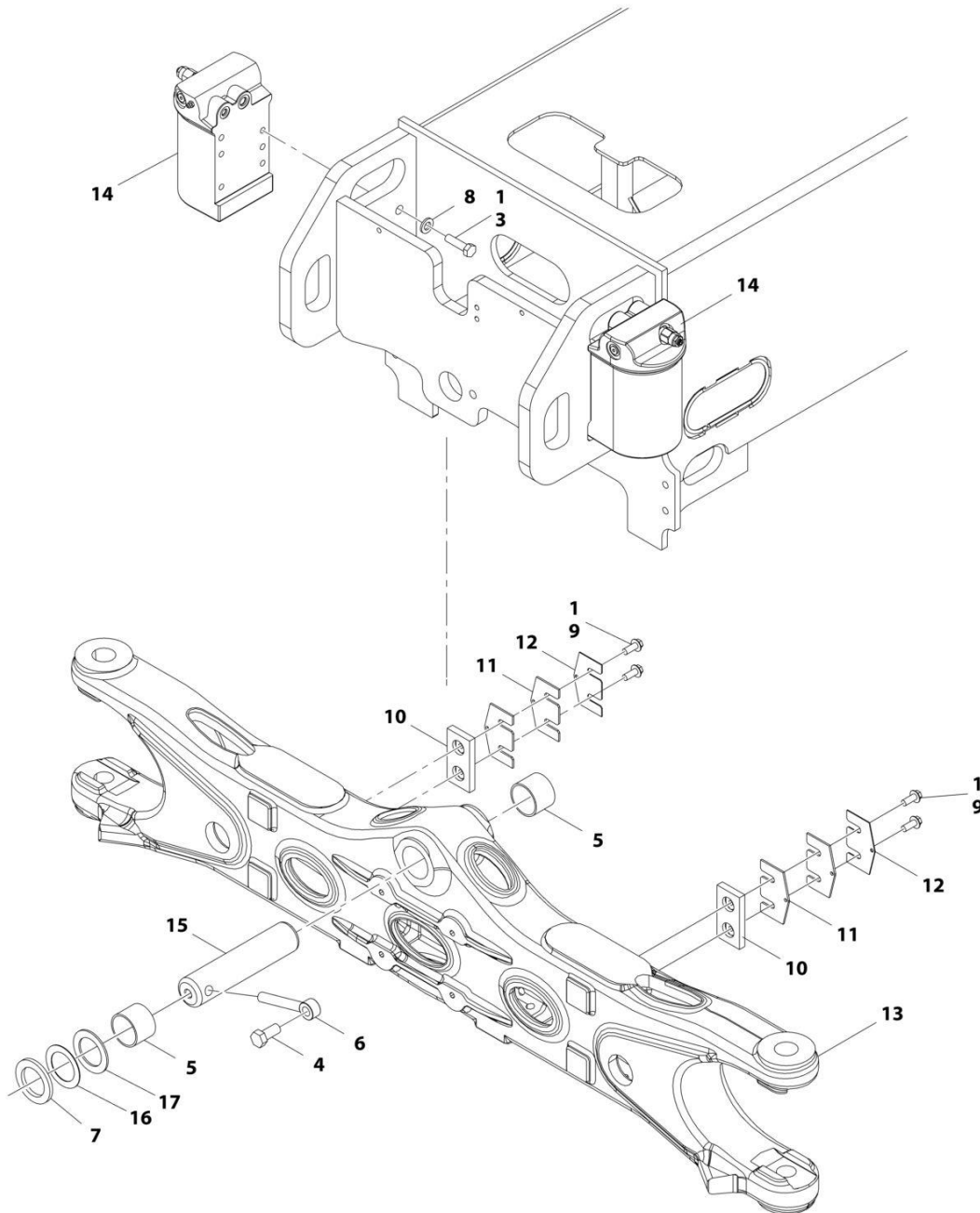
# TABLE OF CONTENTS

FIGURE 9-7. DECAL INSTALLATION - CSA SPEC WITH KUBOTA ENGINES (FRENCH/ENGLISH LANGUAGES) .....	734
FIGURE 9-8. DECAL INSTALLATION - CHINESE SPEC (CHINESE/ENGLISH LANGUAGES) .....	736
FIGURE 9-9. DECAL INSTALLATION - JAPANESE SPEC (JAPANESE/ENGLISH LANGUAGES).....	738
FIGURE 9-10. DECAL INSTALLATION - KOREAN SPEC (KOREAN/ENGLISH LANGUAGES).....	740
FIGURE 9-11. DECAL INSTALLATION - LATIN AMERICA SPEC (SPANISH/ENGLISH LANGUAGES) .....	742
FIGURE 9-12. DECAL INSTALLATION - OPTIONS .....	744
FIGURE 9-13. TOW BAR DECAL INSTALLATION - ENGLISH LANGUAGE (ANSI, ANSI EXPORT, CE, CHINA, CIS/EAC, JAPANESE & UK CA SPECS) .....	748
FIGURE 9-14. TOW BAR DECAL INSTALLATION - ENGLISH/SPANISH LANGUAGE (ANSI EXPORT SPECS).....	750
FIGURE 9-15. TOW BAR DECAL INSTALLATION - SPANISH LANGUAGE (ANSI EXPORT, CE, CIS/EAC & UK CA SPECS) .....	752
FIGURE 9-16. SKYWELDER DECAL INSTALLATION - 50HZ (ANSI EXPORT SPECS).....	754
FIGURE 9-17. SKYWELDER DECAL INSTALLATION - 60HZ (ANSI EXPORT SPECS) .....	756
SECTION 10 - RECOMMENDED SERVICE PARTS STOCK .....	759
FIGURE 10-1. RECOMMENDED SERVICE PARTS STOCK.....	760
SECTION 11 - SPECIAL OPTIONS/ACCESSORIES/KITS .....	763
FIGURE 11-1. SPECIAL OPTIONS/ACCESSORIES/KITS.....	764
PART NUMBER INDEX.....	769

**SECTION 1 - FRAME**

# SECTION 1 - FRAME

FIGURE 1-1. AXLE INSTALLATION (MACHINES WITH SN STARTING WITH 03)



ART\_1001164093



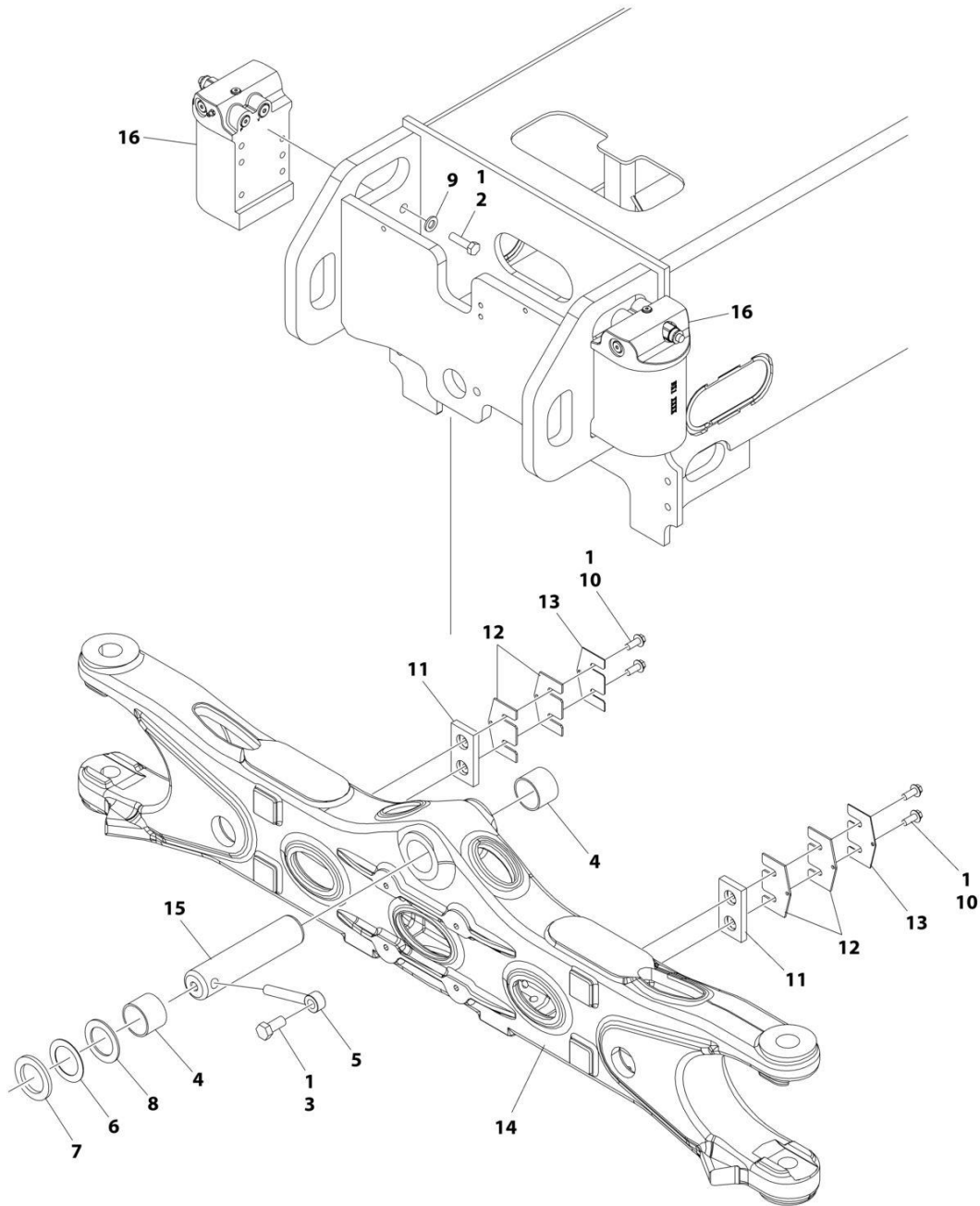
## SECTION 1 - FRAME

**FIGURE 1-1. AXLE INSTALLATION (MACHINES WITH SN STARTING WITH 03)**

ITEM	PART NUMBER	QTY	DESCRIPTION	REV
	1001164093	Ref	AXLE INSTALLATION	D
1	0100011	AR	Compound, Locking	
3	0701217	8	Bolt M12 x 45	
4	0761615	1	Bolt M16 x 35	
5	0961950	2	Bearing	
6	3841258	1	Keeper, Pin	
7	4740158	AR	Washer	
8	5241200	8	Washer M12	
9	5251012	4	Bolt M10 x 25	
10	1001118511	2	Pad, Wear	
11	1001118518	4	Shim 11Ga	
12	1001118519	2	Shim 16Ga	
13	1001162995	1	Axle	
14	1001163580	2	Axle Lockout Cylinder Assembly (See Separate Breakdown in CYLINDER SECTION)	
15	1001185030	1	Pin	
16	4071101	AR	Shim	
17	4740229	AR	Washer	

# SECTION 1 - FRAME

FIGURE 1-2. AXLE INSTALLATION (MACHINES WITH SN STARTING WITH B3)



ART\_1001264981

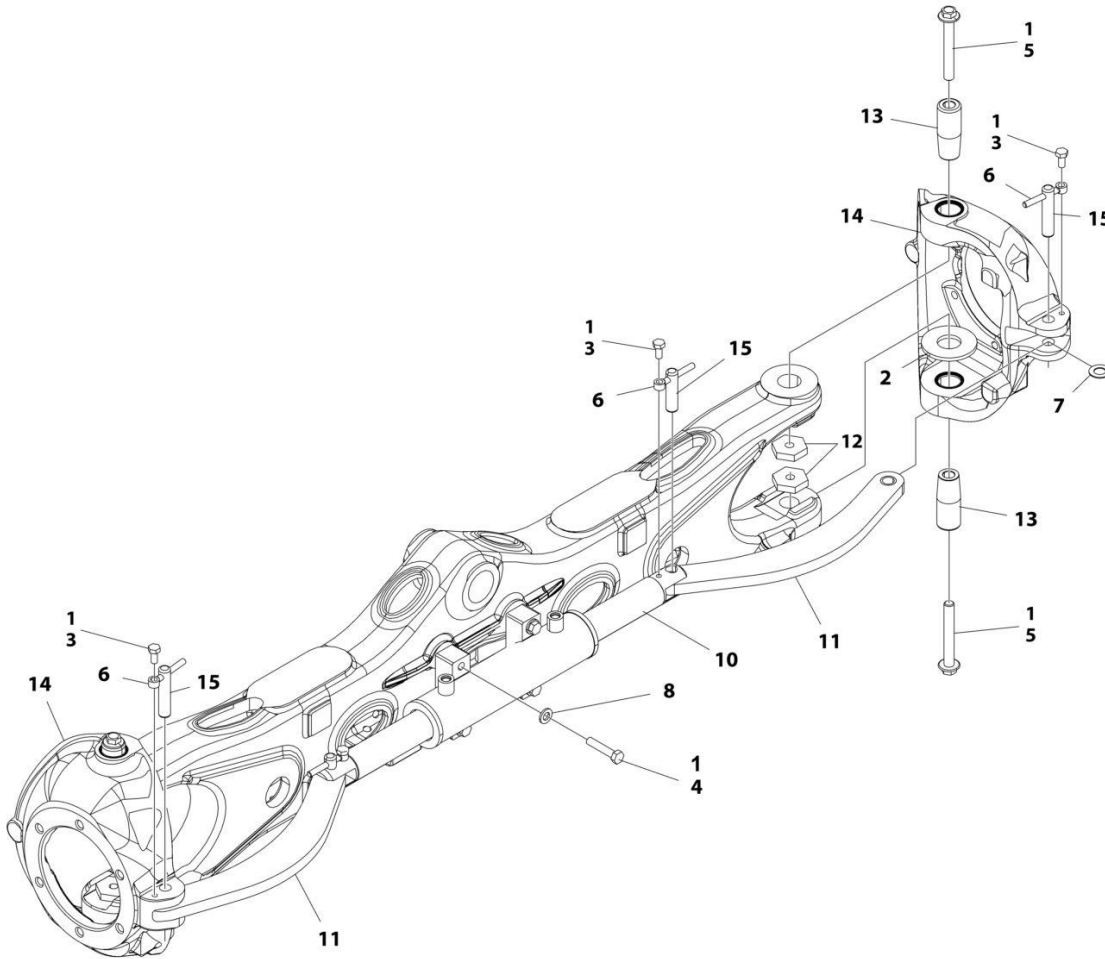
## SECTION 1 - FRAME

**FIGURE 1-2. AXLE INSTALLATION (MACHINES WITH SN STARTING WITH B3)**

ITEM	PART NUMBER	QTY	DESCRIPTION	REV
	1001264981	Ref	AXLE INSTALLATION	B
1	0100011	AR	Compound, Locking	
2	0701217	8	Bolt M12 x 45	
3	0761615	1	Bolt M16 x 35	
4	0961950	2	Bearing	
5	3841258	1	Keeper, Pin	
6	4071101	AR	Shim	
7	4740158	AR	Washer	
8	4740229	AR	Washer	
9	5241200	8	Washer M12	
10	5251012	4	Bolt M10 x 25	
11	1001118511	2	Pad, Wear	
12	1001118518	AR	Shim 11Ga	
13	1001118519	AR	Shim 16Ga	
14	1001162995	1	Axle	
15	1001185030	1	Pin	
16	1001256179	2	Axle Lockout Cylinder Assembly (See Separate Breakdown in CYLINDER Section)	

# SECTION 1 - FRAME

## FIGURE 1-3. STEER INSTALLATION WITHOUT TOW PACKAGE



ART\_1001164092

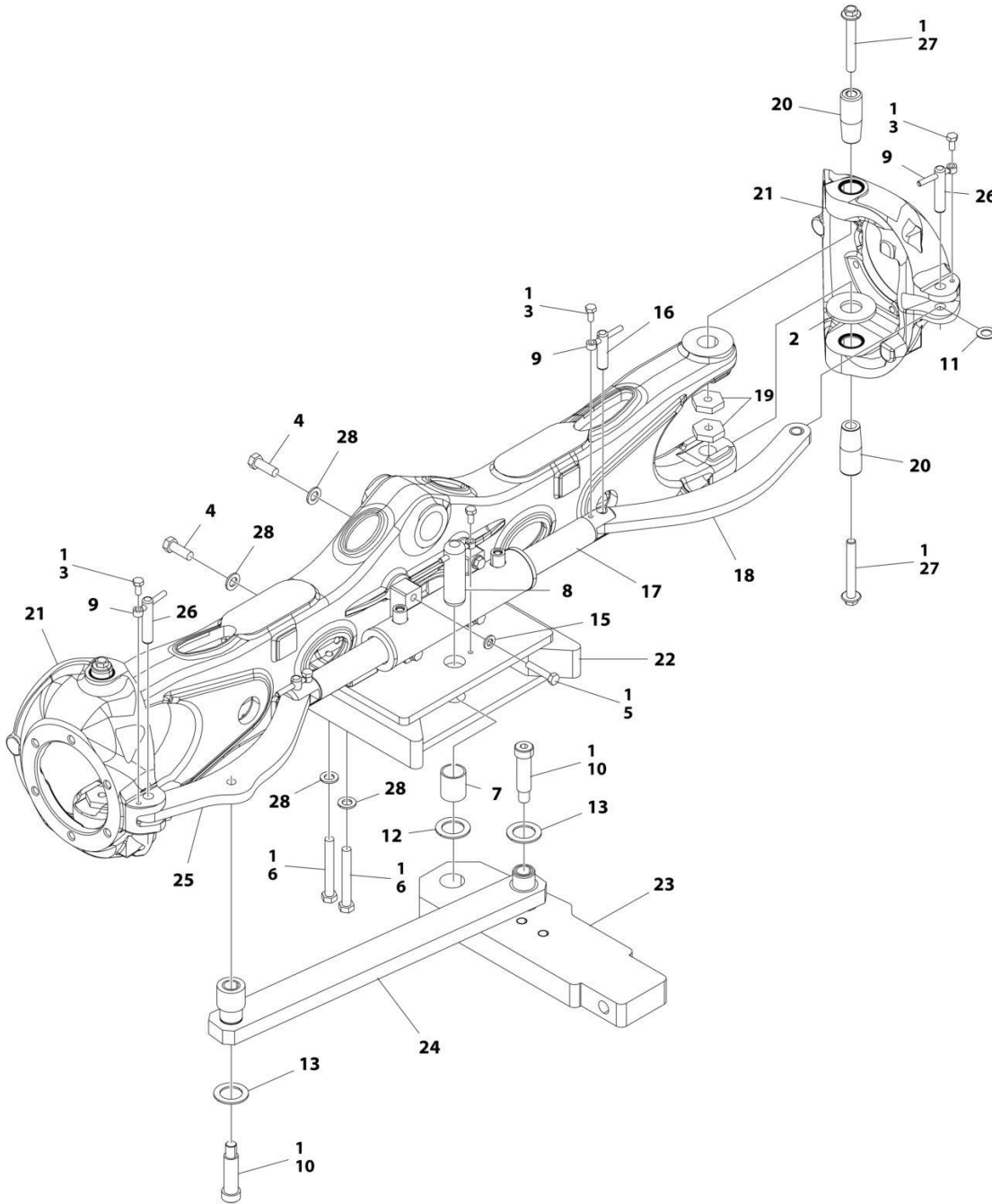
## SECTION 1 - FRAME

**FIGURE 1-3. STEER INSTALLATION WITHOUT TOW PACKAGE**

ITEM	PART NUMBER	QTY	DESCRIPTION	REV
	1001164092	Ref	STEER INSTALLATION WITHOUT TOW PACKAGE	F
1	0100011	AR	Compound, Locking	
2	1001233139	2	Bearing, Thrust	
3	0761011	4	Bolt M10 x 22	
4	0711220	4	Bolt M12 x 60 Grade 10.9	
5	1001190368	4	Bolt M16 x 120	
6	3841143	4	Keeper, Pin	
7	4740086	4	Washer	
8	5241200	4	Washer M12	
10	1001163178	1	Steer Cylinder Assembly (See Separate Breakdown in CYLINDER SECTION)	
11	1001163179	2	Link	
11	1001164209	4	Bearing (2 Per Link)	
12	1001176848	4	Nut M16	
13	1001163405	4	Kingpin	
14	1001163715	2	Spindle	
14	0961948	4	Bearing (2 Per Spindle)	
14	1001163716	8	Seal (4 Per Spindle)	
15	3423304	4	Pin	

# SECTION 1 - FRAME

## FIGURE 1-4. STEER INSTALLATION WITH TOW PACKAGE



ART\_1001164095

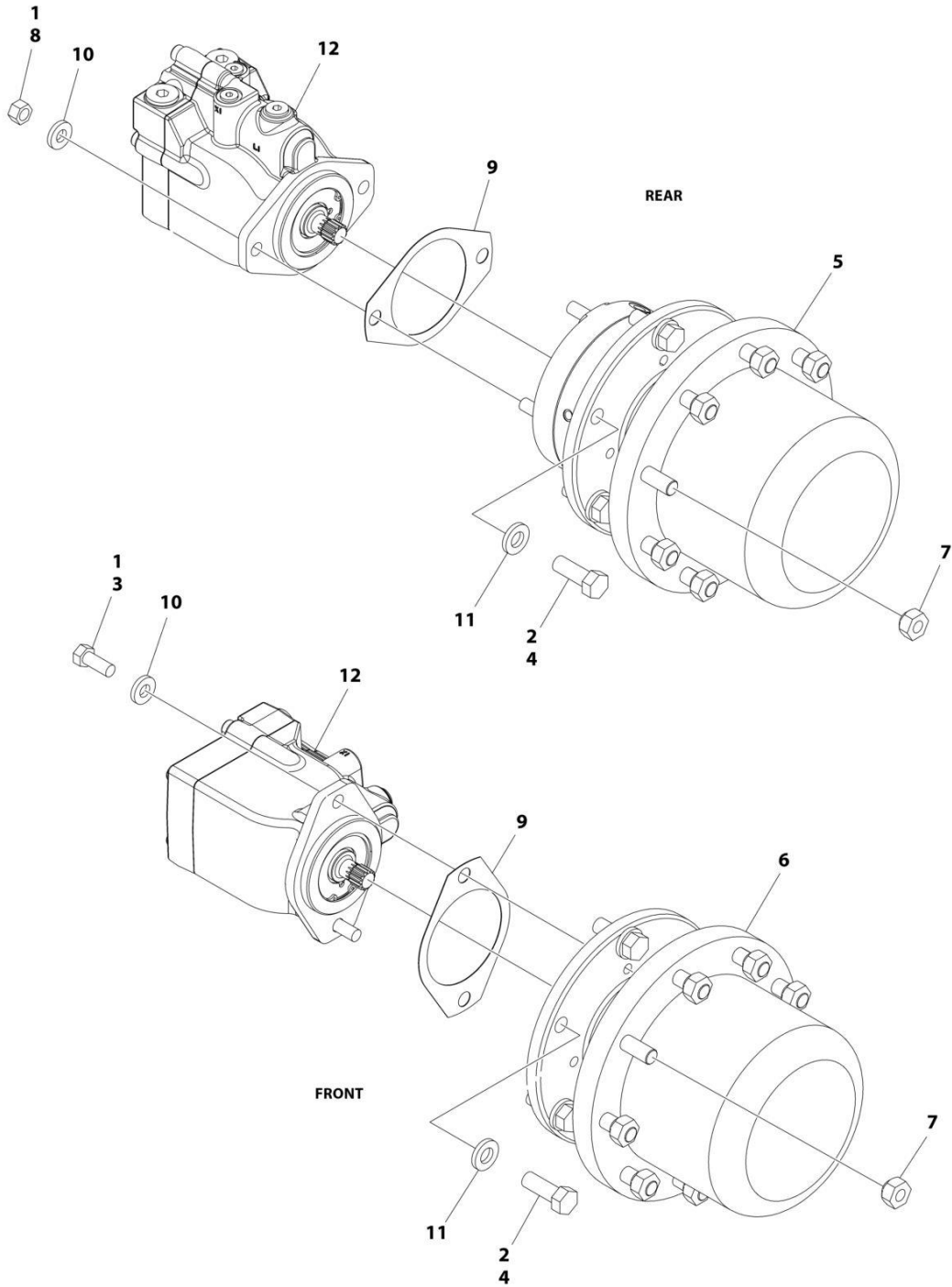
# SECTION 1 - FRAME

## FIGURE 1-4. STEER INSTALLATION WITH TOW PACKAGE

ITEM	PART NUMBER	QTY	DESCRIPTION	REV
	1001164095	Ref	STEER INSTALLATION WITH TOW PACKAGE	D
1	0100011	AR	Compound, Locking	
2	0440271	2	Bearing, Thrust	
3	0761011	5	Bolt M10 x 22	
4	0701617	2	Bolt M16 x 45	
5	0711220	4	Bolt M12 x 60 Grade 10.9	
6	0711629	4	Bolt M16 x 120	
7	0962348	1	Bearing	
8	3422848	1	Pin	
9	3841143	5	Keeper, Pin	
10	3900295	2	Bolt 1 X 3	
11	4740086	4	Washer	
12	4740155	1	Washer	
13	4740491	2	Washer	
15	5241200	4	Washer M12	
16	1001139586	2	Pin	
17	1001163178	1	Steer Cylinder Assembly (See Separate Breakdown in CYLINDER SECTION)	
18	1001163179	1	Link	
18	1001164209	2	Bearing	
19	1001176848	4	Nut M16	
20	1001163405	4	Kingpin	
21	1001163715	2	Spindle	
21	0961948	4	Bearing (2 per Spindle)	
21	1001163716	8	Seal (4 per Spindle)	
22	1001163717	1	Bracket, Tow	
23	1001163722	1	Plate	
24	1001163724	1	Link	
24	0962292	4	Bearing	
25	1001163726	1	Link	
25	1001164209	2	Bearing	
26	3423304	2	Pin	
27	1001190368	4	Bolt M16 x 120	
28	5241600	6	Washer M16	

# SECTION 1 - FRAME

## FIGURE 1-5. WHEEL DRIVE INSTALLATION (4WD)



ART\_1001285012



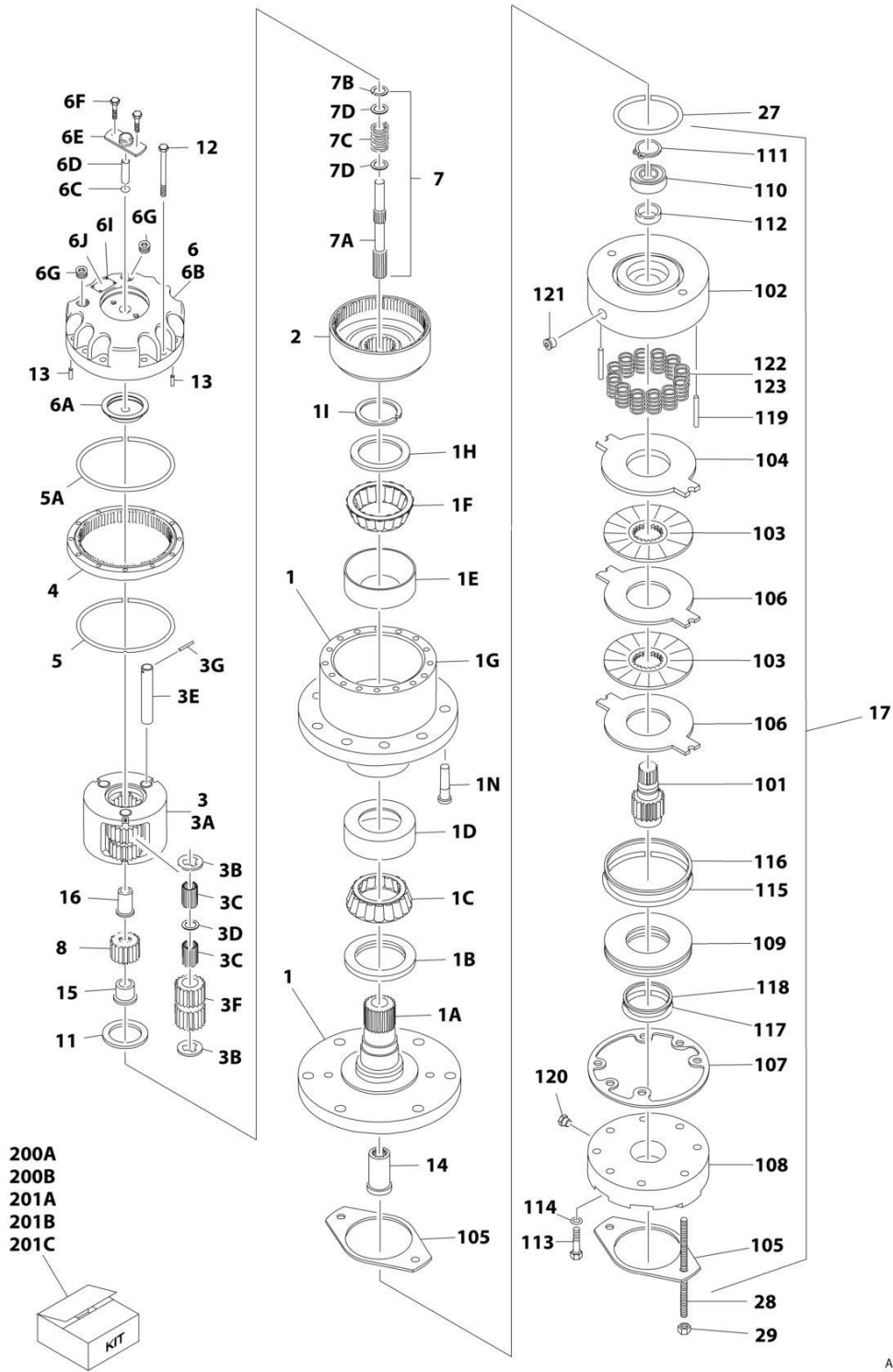
## SECTION 1 - FRAME

**FIGURE 1-5. WHEEL DRIVE INSTALLATION (4WD)**

ITEM	PART NUMBER	QTY	DESCRIPTION	REV
	1001285012	Ref	WHEEL DRIVE INSTALLATION (4WD)	B
1	0100011	AR	Compound, Locking	
2	0100019	AR	Compound, Locking	
3	0681810	4	Bolt 1/2 x 1-1/4 Grade 8	
4	0682014	24	Bolt 5/8 x 1-3/4 Grade 8	
5	2780267	2	Drive Hub Assembly - Rear (See Separate Breakdown in this Section)	
6	2780268	2	Drive Hub Assembly - Front (See Separate Breakdown in this Section)	
7	3300106	36	Lugnut	
8	3311801	4	Nut 1/2	
9	3960526	4	Gasket, Brake	
10	4891800	8	Washer 1/2	
11	4892000	24	Washer 5/8	
12	1001278022	4	Drive Motor Assembly (See Separate Breakdown in this Section)	

# SECTION 1 - FRAME

## FIGURE 1-6. DRIVE HUB AND BRAKE ASSEMBLY - REAR



ART\_2780267

# SECTION 1 - FRAME

## FIGURE 1-6. DRIVE HUB AND BRAKE ASSEMBLY - REAR

ITEM	PART NUMBER	QTY	DESCRIPTION	REV
	2780267	Ref	DRIVE HUB AND BRAKE ASSEMBLY - REAR	I
1	See Note	1	Spindle/Housing Assembly (Note: Purchase Individual Components)	
1A	7017059	1	Spindle	
1B	7001998	1	Seal	
1C	7010429	1	Cone, Bearing (Includes Item 1D)	
1D	7010429	1	Cup, Bearing (Includes Item 1C)	
1E	7000257	1	Cup, Bearing	
1F	7000258	1	Cone, Bearing	
1G	7007601	1	Housing/Ring Gear	
1H	7000232	1	Washer, Thrust	
1I	7000229	1	Ring, Retaining	
1N	7007640	9	Stud, Wheel	
2	7000246	1	Gear, Internal	
3	7024712	1	Carrier Assembly	
3A	See Note	1	Carrier (Note: Use Item 3)	
3B	See Note	6	Ring, Retaining (Note: Use Item 3)	
3C	See Note	AR	Bearing, Needle (Note: Use Item 3)	
3D	See Note	3	Washer, Thrust (Note: Use Item 3)	
3E	See Note	3	Shaft, Planet (Note: Use Item 3)	
3F	See Note	3	Gear, Planet (Note: Use Item 3)	
3G	See Note	3	Roll Pin (Note: Use Item 3)	
4	7000248	1	Ring Gear	
5	7000230	1	O-Ring	
5A	7017070	1	O-Ring	
6	70001349	1	Cover Assembly Kit	
6A	See Note	1	Spacer, Thrust (Note: Use Item 6)	
6B	See Note	1	Plate, Cover (Note: Use Item 6)	
6C	See Note	1	O-Ring (Note: Use Item 6)	
6D	See Note	1	Rod, Disconnect (Note: Use Item 6)	
6E	See Note	1	Cap, Disengage (Note: Use Item 6)	
6F	See Note	2	Bolt (Note: Use Item 6)	
6G	See Note	1	Plug, Pipe (Note: Use Item 6)	
6I	See Note	4	Rivet (Note: Not Available for Purchase)	
6J	See Note	1	Plate, ID (Note: Not Available for Purchase)	
7		Ref	Input Shaft Assembly	
7A	7024714	1	Shaft	
7B	7000261	1	Ring, Retaining	
7C	7000262	1	Spring	
7D	7000263	2	Spacer, Thrust	
8	7024713	1	Gear, Sun	
11	7000253	1	Washer, Thrust	
12	7017067	12	Bolt	
13	7017080	4	Pin, Dowel	
14	7000206	1	Coupling	
15	7024715	1	Spacer, Input	
16	7024716	1	Spacer, Input	
17	7024182	1	Brake Assembly (See Items 101-123 for Breakdown)	
27	7024705	1	O-Ring	
28	7024717	2	Rod, Threaded	

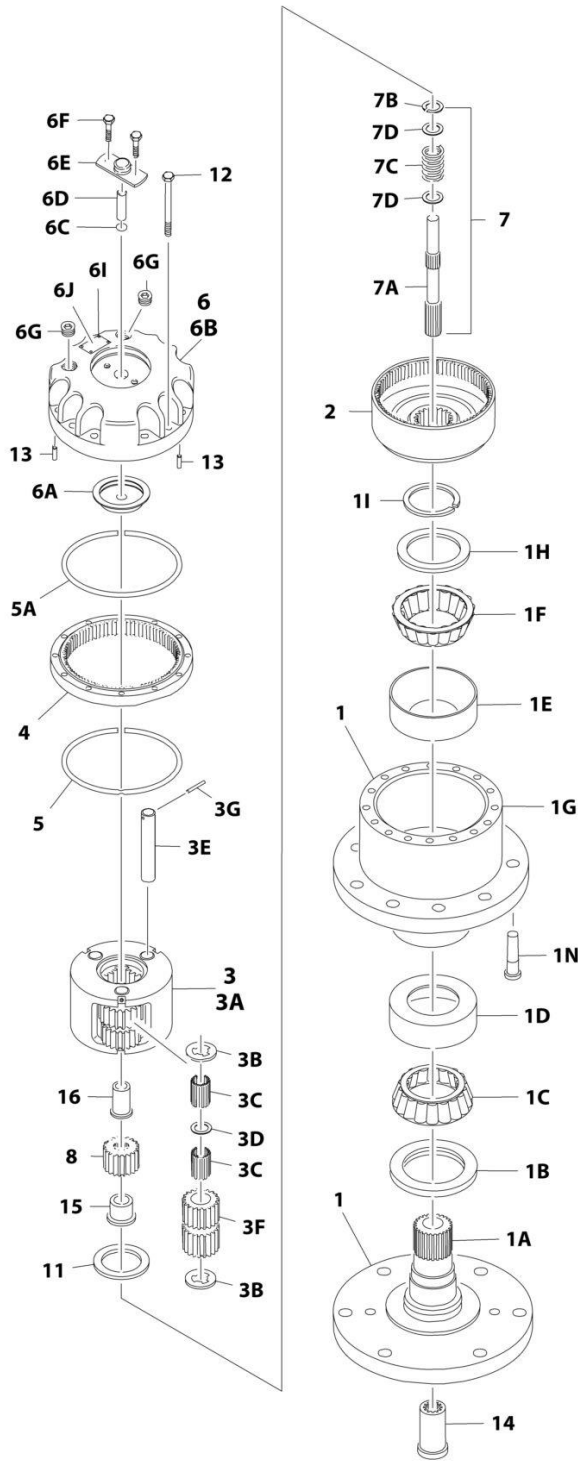
## SECTION 1 - FRAME

ITEM	PART NUMBER	QTY	DESCRIPTION	REV
29	7024718	2	Nut 1/2in-13NC	
	7024182	Ref	BRAKE ASSEMBLY	
101	7024189	1	Shaft	
102	See Note	1	Housing (Note: Use Item 17)	
103	See Note	2	Plate, Friction (Note: Use Item 201B)	
104	See Note	1	Plate, Pressure (Note: Use Item 201B)	
105	7000731	2	Gasket	
106	See Note	2	Plate, Outer (Note: Use Item 201B)	
107	See Note	1	Gasket (Note: Use Item 200A, 201B or 201C)	
108	7024191	1	Cylinder	
109	7024192	1	Piston	
110	See Note	1	Bearing, Ball (Note: Use Item 201C)	
111	See Note	1	Ring, Retaining (Note: Use Item 201C)	
112	See Note	1	Seal, Shaft (Note: Use Item 201C)	
113	See Note	6	Capscrew (Note: Use Item 17)	
114	See Note	6	Lockwasher (Note: Use Item 17)	
115	See Note	1	O-Ring (Note: Use Item 200B)	
116	See Note	1	Ring, Back-up (Note: Use Item 200B)	
117	See Note	1	O-Ring (Note: Use Item 200B)	
118	See Note	1	Ring, Back-up (Note: Use Item 200B)	
119	7024190	2	Pin, Dowel	
120	See Note	1	Plug (Note: Use Item 17)	
121	See Note	2	Plug (Note: Use Item 17)	
122	See Note	12	Spring Kit (Natural) (Note: Use Item 201A)	
123	See Note	2	Spring Kit (Blue) (Note: Use Item 201A)	
		Ref	Kit Options	
200		Ref	Seal Kit Options:	
200A	See Note	1	Hub Seal Kit (Note: Purchase Individual Components)	
200B	7024194	1	Brake Seal Kit (Includes Items 105, 107 & 115-118)	
201		Ref	Repair Kit Options:	
201A	7024196	1	Brake Spring Kit (Includes 12 Natural Colored and 2 Blue Colored Springs Items 122 & 123)	
201B	7024193	1	Brake Friction Disc Kit (Includes Items 103, 104, 106 & 107)	
201C	7024197	1	Brake Bearing Kit (Includes Items 107 & 110-112)	



# SECTION 1 - FRAME

## FIGURE 1-7. DRIVE HUB ASSEMBLY - FRONT



ART\_2780268

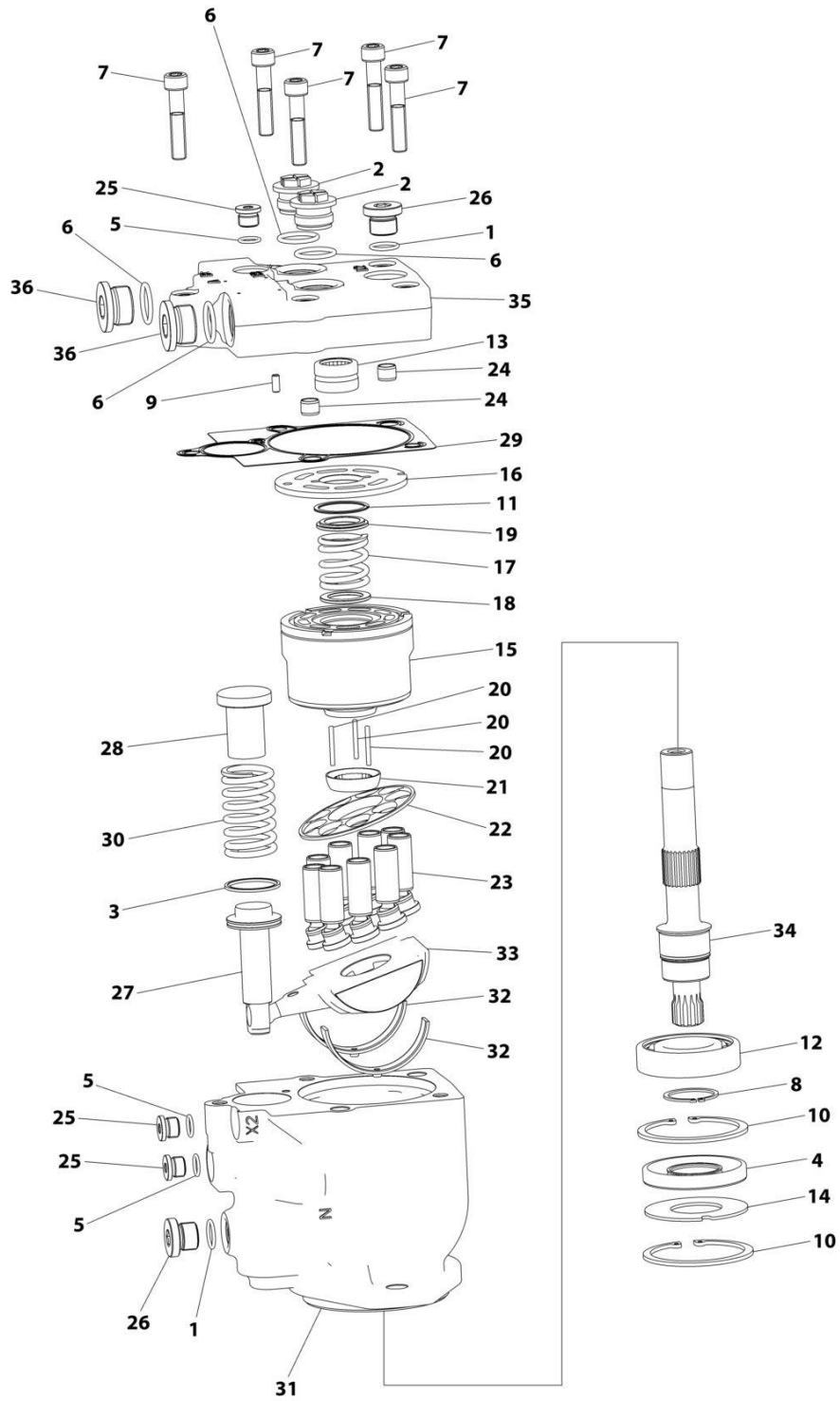
# SECTION 1 - FRAME

## FIGURE 1-7. DRIVE HUB ASSEMBLY - FRONT

ITEM	PART NUMBER	QTY	DESCRIPTION	REV
	2780268	Ref	DRIVE HUB ASSEMBLY - FRONT	F
1	See Note	1	Spindle/Housing Assembly (Note: Purchase Individual Components)	
1A	7017059	1	Spindle	
1B	7001998	1	Seal	
1C	7010429	1	Cone, Bearing (Includes Item 1D)	
1D	7010429	1	Cup, Bearing (Includes Item 1C)	
1E	7000257	1	Cup, Bearing	
1F	7000258	1	Cone, Bearing	
1G	7007601	1	Housing/Ring Gear	
1H	7000232	1	Washer, Thrust	
1I	7000229	1	Ring, Retaining	
1N	7007640	9	Stud, Wheel	
2	7000246	1	Gear, Internal	
3	7024712	1	Carrier Assembly	
3A	See Note	1	Carrier (Note: Use Item 3)	
3B	See Note	6	Ring, Retaining (Note: Use Item 3)	
3C	See Note	AR	Bearing, Needle (Note: Use Item 3)	
3D	See Note	3	Washer, Thrust (Note: Use Item 3)	
3E	See Note	3	Shaft, Planet (Note: Use Item 3)	
3F	See Note	3	Gear, Planet (Note: Use Item 3)	
3G	See Note	3	Roll Pin (Note: Use Item 3)	
4	7000248	1	Ring Gear	
5	7000230	1	O-Ring	
5A	7017070	1	O-Ring	
6	70001349	1	Cover Assembly Kit	
6A	See Note	1	Spacer, Thrust (Note: Use Item 6)	
6B	See Note	1	Plate, Cover (Note: Use Item 6)	
6C	See Note	1	O-Ring (Note: Use Item 6)	
6D	See Note	1	Rod, Disconnect (Note: Use Item 6)	
6E	See Note	1	Cap, Disengage (Note: Use Item 6)	
6F	See Note	2	Bolt (Note: Use Item 6)	
6G	See Note	1	Plug, Pipe (Note: Use Item 6)	
6I	See Note	4	Rivet (Note: Not Available for Purchase)	
6J	See Note	1	Plate, ID (Note: Not Available for Purchase)	
7		Ref	Input Shaft Assembly	
7A	7024714	1	Shaft	
7B	7000261	1	Ring, Retaining	
7C	7000262	1	Spring	
7D	7000263	2	Spacer, Thrust	
8	7024713	1	Gear, Sun	
11	7000253	1	Washer, Thrust	
12	7017067	12	Bolt	
13	7017080	4	Pin, Dowel	
14	7000206	1	Coupling	
15	7024715	1	Spacer, Input	
16	7024716	1	Spacer, Input	

# SECTION 1 - FRAME

## FIGURE 1-8. DRIVE MOTOR ASSEMBLY (4WD)



ART\_1001278022



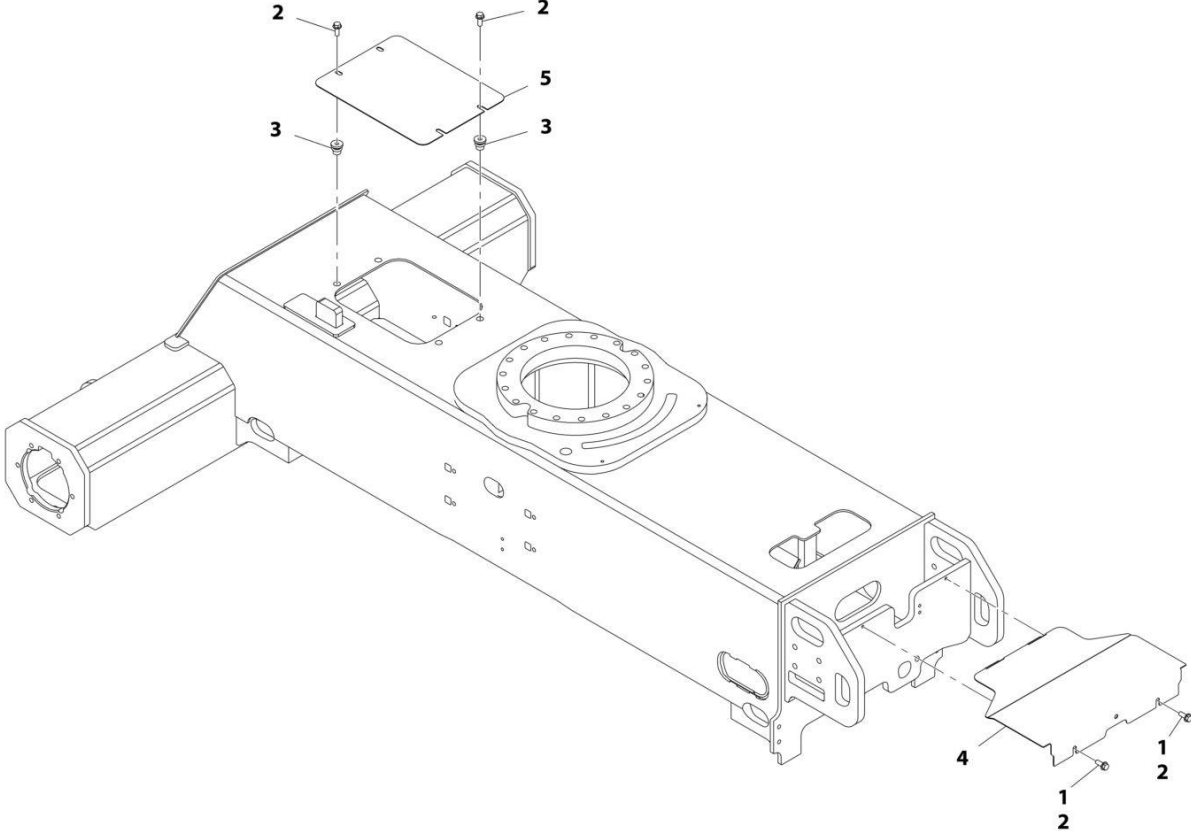
## SECTION 1 - FRAME

### FIGURE 1-8. DRIVE MOTOR ASSEMBLY (4WD)

ITEM	PART NUMBER	QTY	DESCRIPTION	REV
	1001278022	Ref	DRIVE MOTOR ASSEMBLY	B
1	70007847	2	O-Ring	
2	70007848	2	Plug	
3	70007849	1	Ring, Sealing	
4	70007850	1	Bearing	
5	70007851	3	O-Ring	
6	70007852	4	O-Ring	
7	70007853	5	Capscrew M10 x 50	
8	70007854	1	Circlip	
9	70007855	1	Pin	
10		Ref	Circlip	
11	70007856	1	Ring, Retaining	
12	70007857	1	Bearing	
13	70007858	1	Bearing	
14	70007859	1	Gasket	
15	70007860	1	Cylinder	
16	70007861	1	Plate, Valve	
17	70007862	1	Spring	
18	70007863	1	Gasket	
19	70007864	1	Gasket	
20	70007865	3	Pin	
21	70007866	1	Bushing	
22	70007867	1	Retainer	
23	70007868	9	Piston	
24	70007869	2	Pin	
25	70007870	3	Plug	
26	70007871	2	Plug	
27	70007872	1	Piston	
28	70007873	1	Seat, Spring	
29	70007874	1	Gasket	
30	70007875	1	Spring	
31	See Note	NSS	Housing (Note: Purchase Complete Assembly)	
32	70007876	2	Bushing	
33	70007877	1	Plate, Swash	
34	70007878	1	Shaft	
35	See Note	NSS	Cover (Note: Purchase Complete Assembly)	
36	See Note	Ref	Plug (Note: Shipping Use Only)	

**SECTION 1 - FRAME**

**FIGURE 1-9. FRAME SHIELD INSTALLATION**



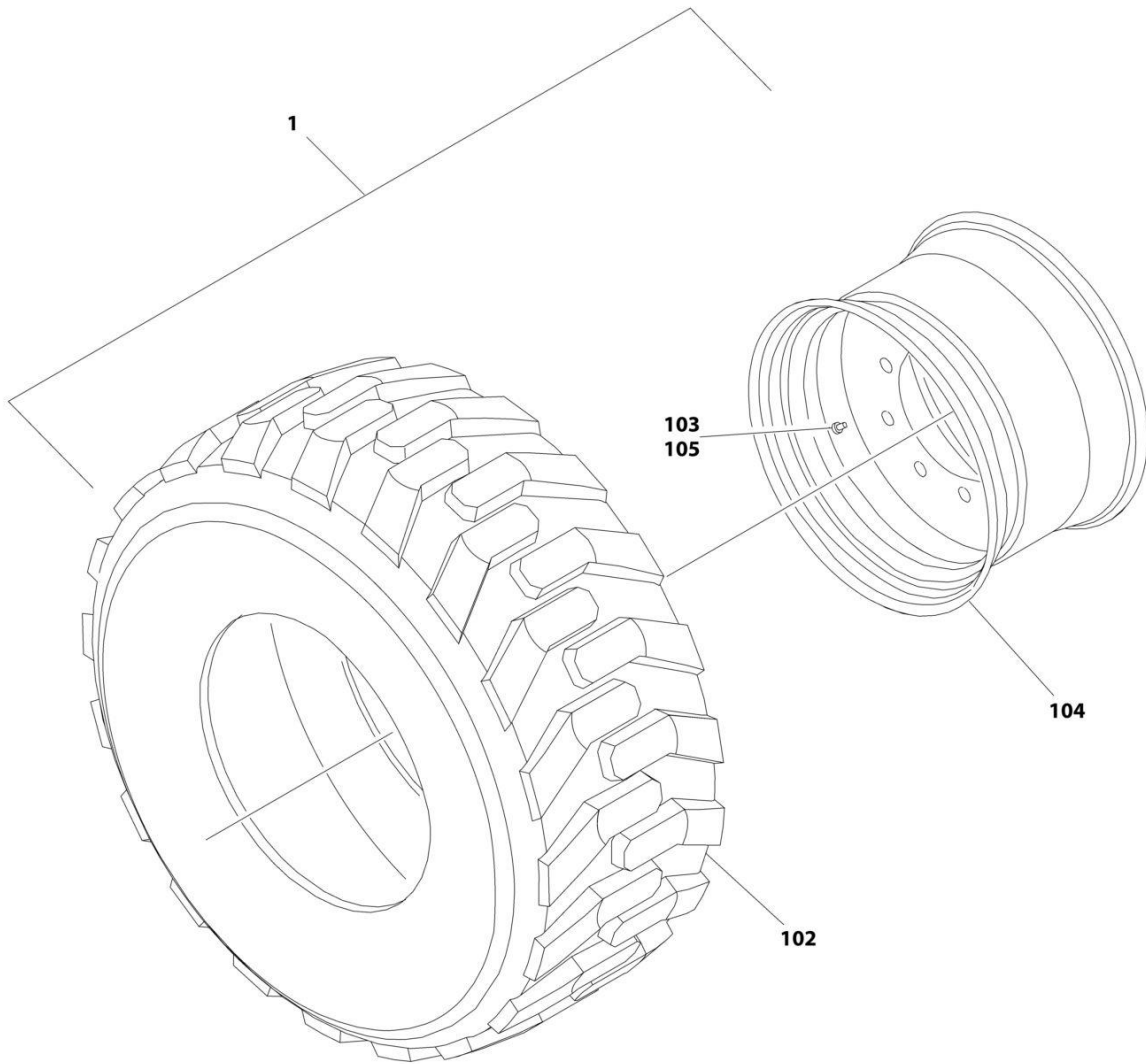
ART\_1001162105

**FIGURE 1-9. FRAME SHIELD INSTALLATION**

<b>ITEM</b>	<b>PART NUMBER</b>	<b>QTY</b>	<b>DESCRIPTION</b>	<b>REV</b>
	1001162105	Ref	FRAME SHIELD INSTALLATION	B
1	0100011	AR	Compound, Locking	
2	5251012	6	Bolt, M10 x 25	
3	1001180916	4	Nut	
4	1001162107	1	Plate, Valve Cover	
5	1001165968	1	Plate, Cover	

# SECTION 1 - FRAME

FIGURE 1-10. TIRE AND WHEEL INSTALLATION - 12 X 16.5 FOAM FILLED (AVAILABLE ON ANSI, ANSI EXPORT, CSA AND JAPANESE SPECS)



ART\_0270092

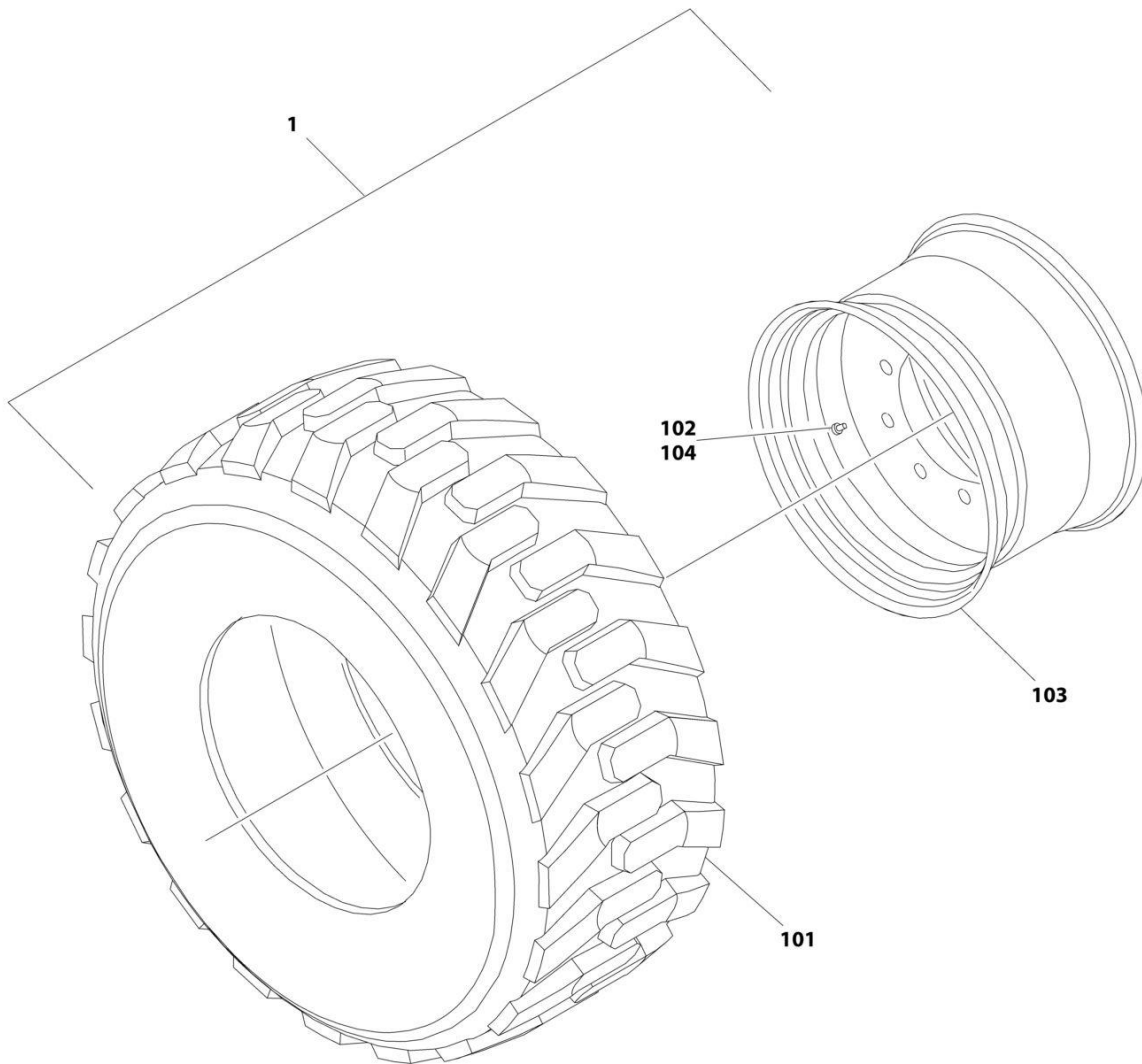
## SECTION 1 - FRAME

**FIGURE 1-10. TIRE AND WHEEL INSTALLATION - 12 X 16.5 FOAM FILLED (AVAILABLE ON ANSI, ANSI EXPORT, CSA AND JAPANESE SPECS)**

ITEM	PART NUMBER	QTY	DESCRIPTION	REV
	0270092	Ref	TIRE AND WHEEL INSTALLATION - 12 X 16.5 FOAM FILLED  Note: Assemblies may require ballast/foam filling to manufacturer's specifications prior to installing on a machine. Refer to Operation and Safety or Service and Maintenance Manuals. Purchase individual tire and/or rim only if able to foam fill tire and wheel assembly, otherwise, purchase complete assembly.	C
		Ref		
1	1001148865	2	Tire and Wheel Assembly - 12 x 16.5 (RH Side)	H
1	1001148866	2	Tire and Wheel Assembly - 12 x 16.5 (LH Side)	H
102	4520216	4	Tire - 12 x 16.5	
103	4641122	4	Valve	
104	1001147274	4	Rim, Wheel	
105	1001149953	4	Cap, Valve Stem	

## SECTION 1 - FRAME

FIGURE 1-11. TIRE AND WHEEL INSTALLATION - 12 X 16.5 FOAM FILLED NON MARKING  
(AVAILABLE ON ANSI, ANSI EXPORT, CSA AND JAPANESE SPECS)



ART\_0270653

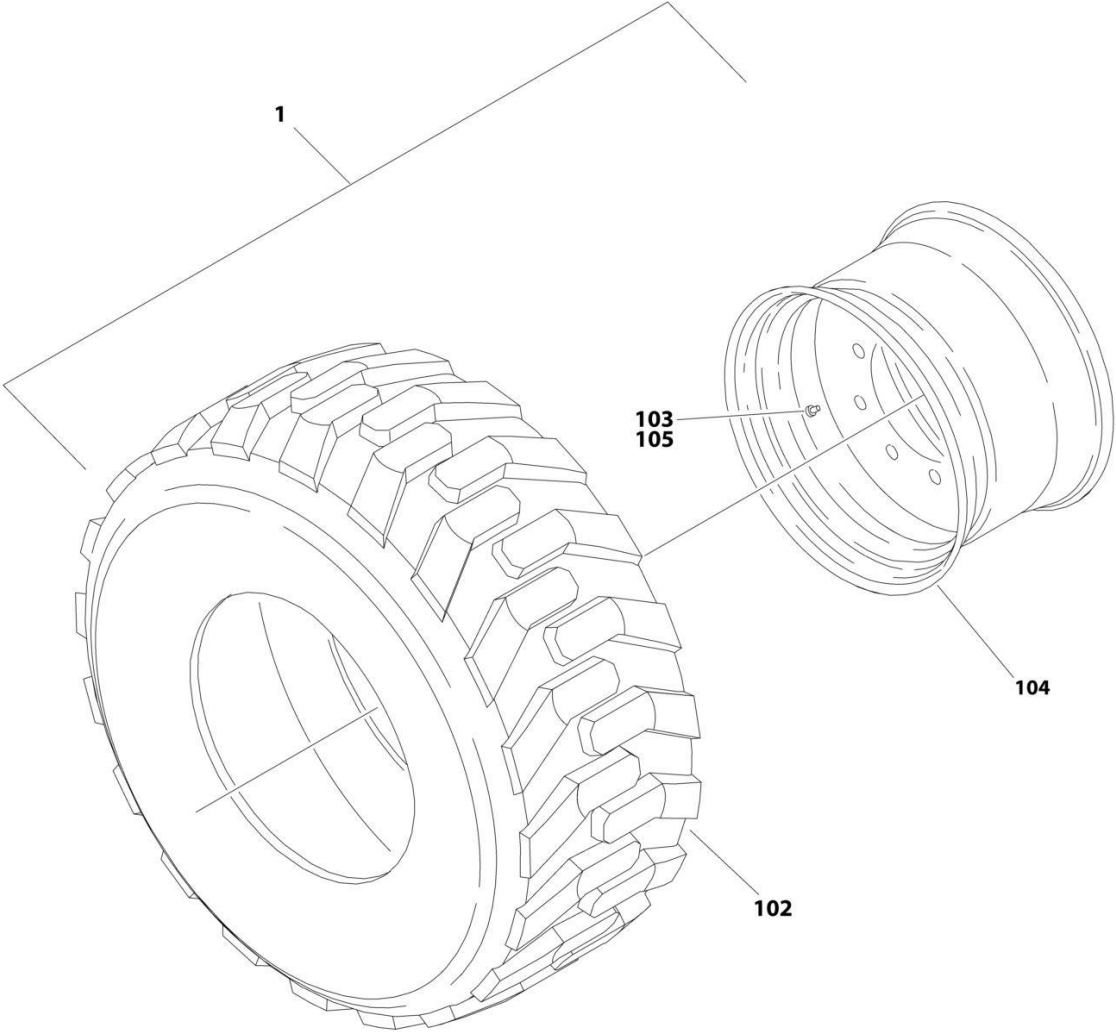
## SECTION 1 - FRAME

**FIGURE 1-11. TIRE AND WHEEL INSTALLATION - 12 X 16.5 FOAM FILLED NON MARKING  
(AVAILABLE ON ANSI, ANSI EXPORT, CSA AND JAPANESE SPECS)**

ITEM	PART NUMBER	QTY	DESCRIPTION	REV
	0270653	Ref Ref	TIRE AND WHEEL INSTALLATION - 12 X 16.5 FOAM FILLED  Note: Assemblies may require ballast/foam filling to manufacturer's specifications prior to installing on a machine. Refer to Operation and Safety or Service and Maintenance Manuals. Purchase individual tire and/or rim only if able to foam fill tire and wheel assembly, otherwise, purchase complete assembly.	B
1	1001148869	1	Tire and Wheel Assembly - Right Side	H
1	1001148870	1	Tire and Wheel Assembly - Left Side	H
101	4520240	1	Tire 12 x 16.5 Non-Marking	
102	4641122	1	Valve	
103	1001147274	1	Rim, Wheel	
104	1001149953	1	Cap, Valve Stem	

**SECTION 1 - FRAME**

**FIGURE 1-12. TIRE AND WHEEL INSTALLATION - 14 X17.5 FOAM FILLED**



ART\_0271998



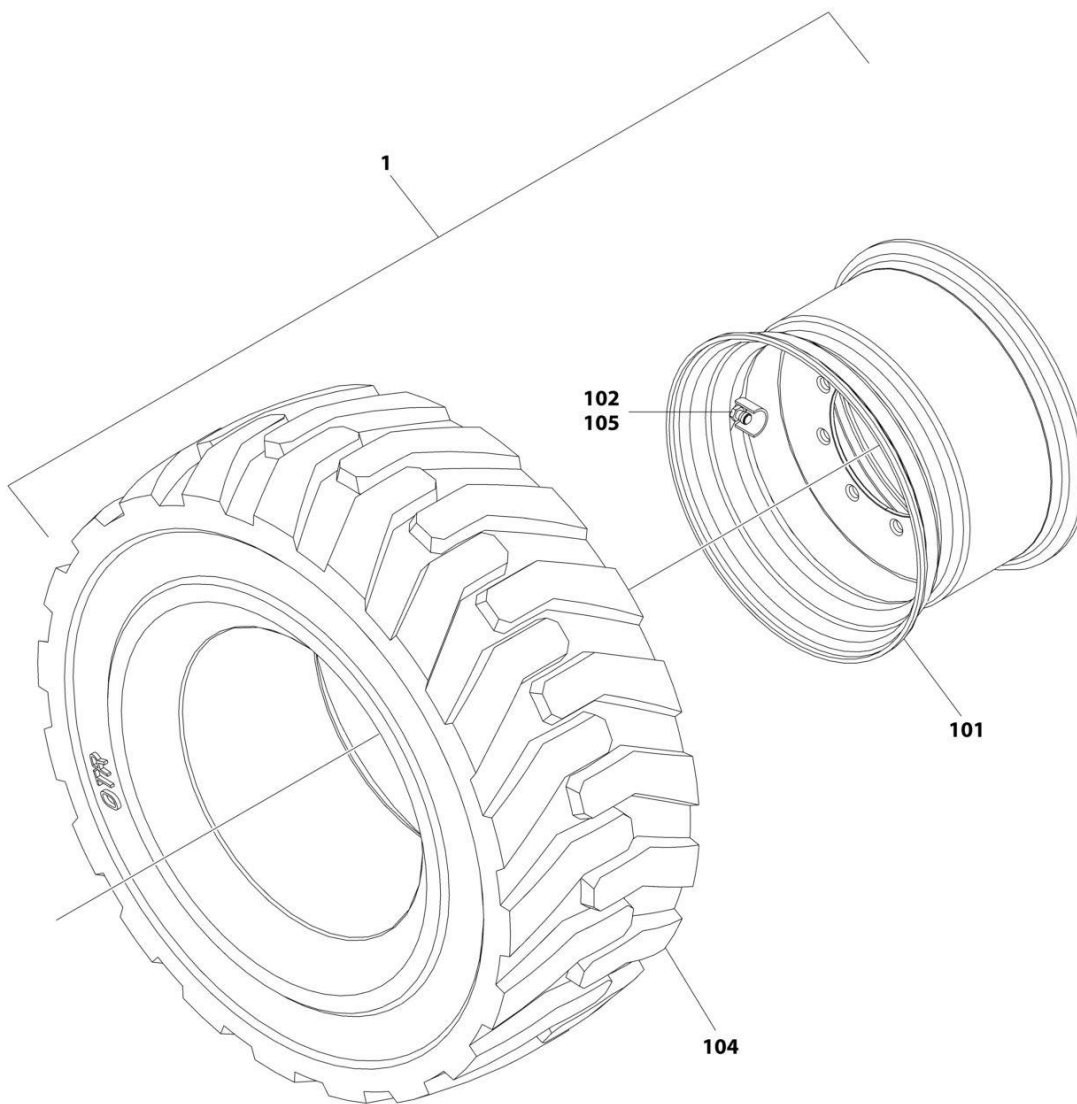
## SECTION 1 - FRAME

**FIGURE 1-12. TIRE AND WHEEL INSTALLATION - 14 X17.5 FOAM FILLED**

ITEM	PART NUMBER	QTY	DESCRIPTION	REV
	0271998	Ref	TIRE AND WHEEL INSTALLATION - 14 X 17.5 FOAM FILLED	B
		Ref	Note: Assemblies may require ballast/foam filling to manufacturer's specifications prior to installing on a machine. Refer to Operation and Safety or Service and Maintenance Manuals. Purchase individual tire and/or rim only if able to foam fill tire and wheel assembly, otherwise, purchase complete assembly.	
1	1001148875	Ref	Tire and Wheel Assembly - 14 x 17.5 (RH Side)	F
1	1001148876	Ref	Tire and Wheel Assembly - 14 x 17.5 (LH Side)	F
102	4520259	4	Tire - 14 x 17.5	
103	4641122	4	Valve	
104	1001146397	4	Rim, Wheel	
105	1001149953	4	Cap, Valve Stem	

# SECTION 1 - FRAME

FIGURE 1-13. TIRE AND WHEEL INSTALLATION - 14 X17.5 FOAM FILLED NON-MARKING



ART\_1001258898

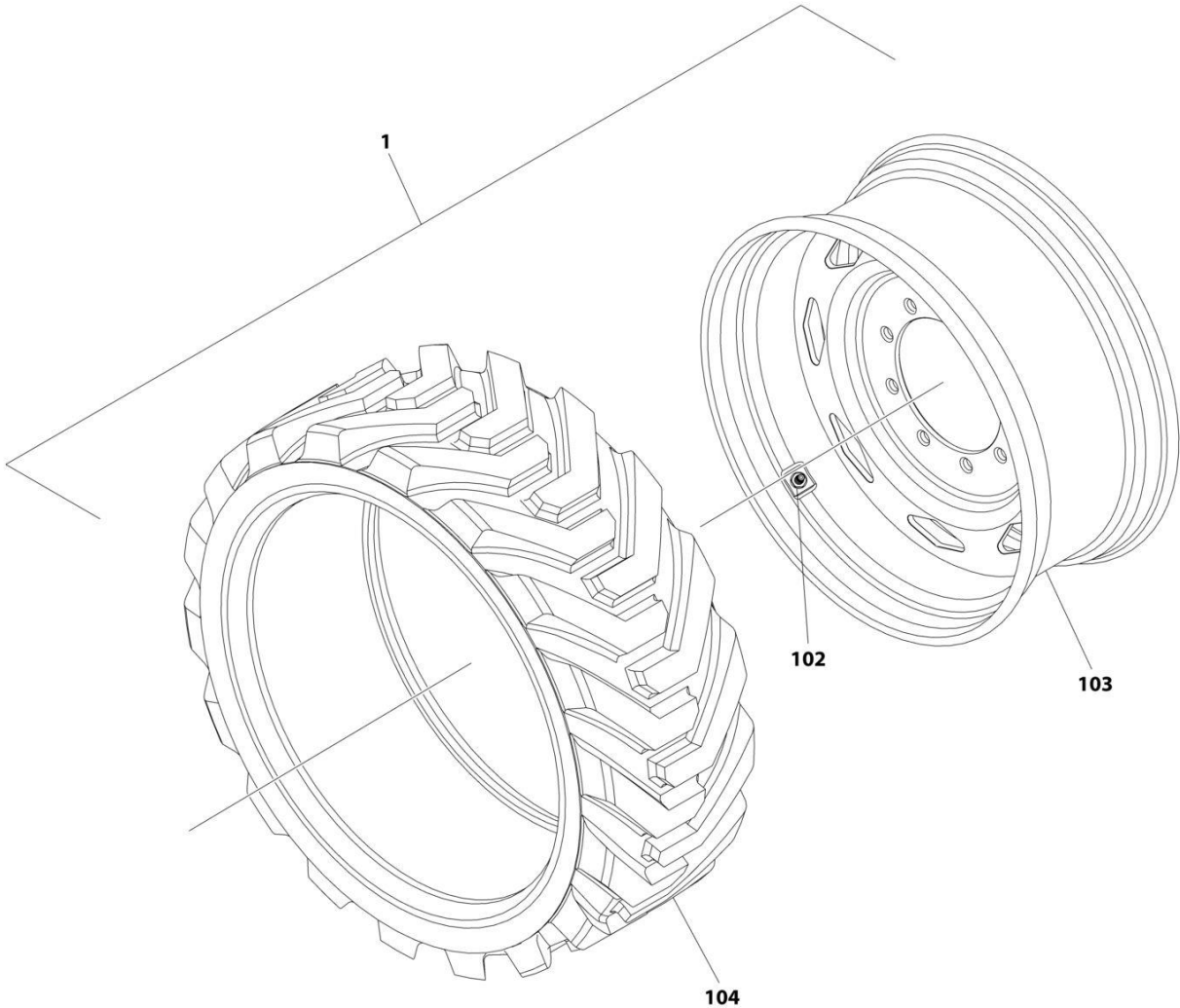
## SECTION 1 - FRAME

**FIGURE 1-13. TIRE AND WHEEL INSTALLATION - 14 X17.5 FOAM FILLED NON-MARKING**

ITEM	PART NUMBER	QTY	DESCRIPTION	REV
	1001258898	Ref Ref	TIRE AND WHEEL INSTALLATION - 14 X 17.5 FF NON-MARKING  Note: Assemblies may require ballast/foam filling to manufacturer's specifications prior to installing on a machine. Refer to Operation and Safety or Service and Maintenance Manuals. Purchase individual tire and/or rim only if able to foam fill tire and wheel assembly, otherwise, purchase complete assembly.	A
1	1001258896	1	Tire and Wheel Assembly - Right Side	H
1	1001258897	1	Tire and Wheel Assembly - Left Side	H
101	1001146397	1	Rim, Wheel	
102	1001149953	1	Cap, Valve Stem	
104	1001258895	1	Tire 14 x 17.5 Non-Marking	
105	4641122	1	Valve	

**SECTION 1 - FRAME**

**FIGURE 1-14. TIRE AND WHEEL INSTALLATION - 33 X 12-20 FOAM-FILLED (AVAILABLE ON ALL SPECS)**



ART\_1001245211

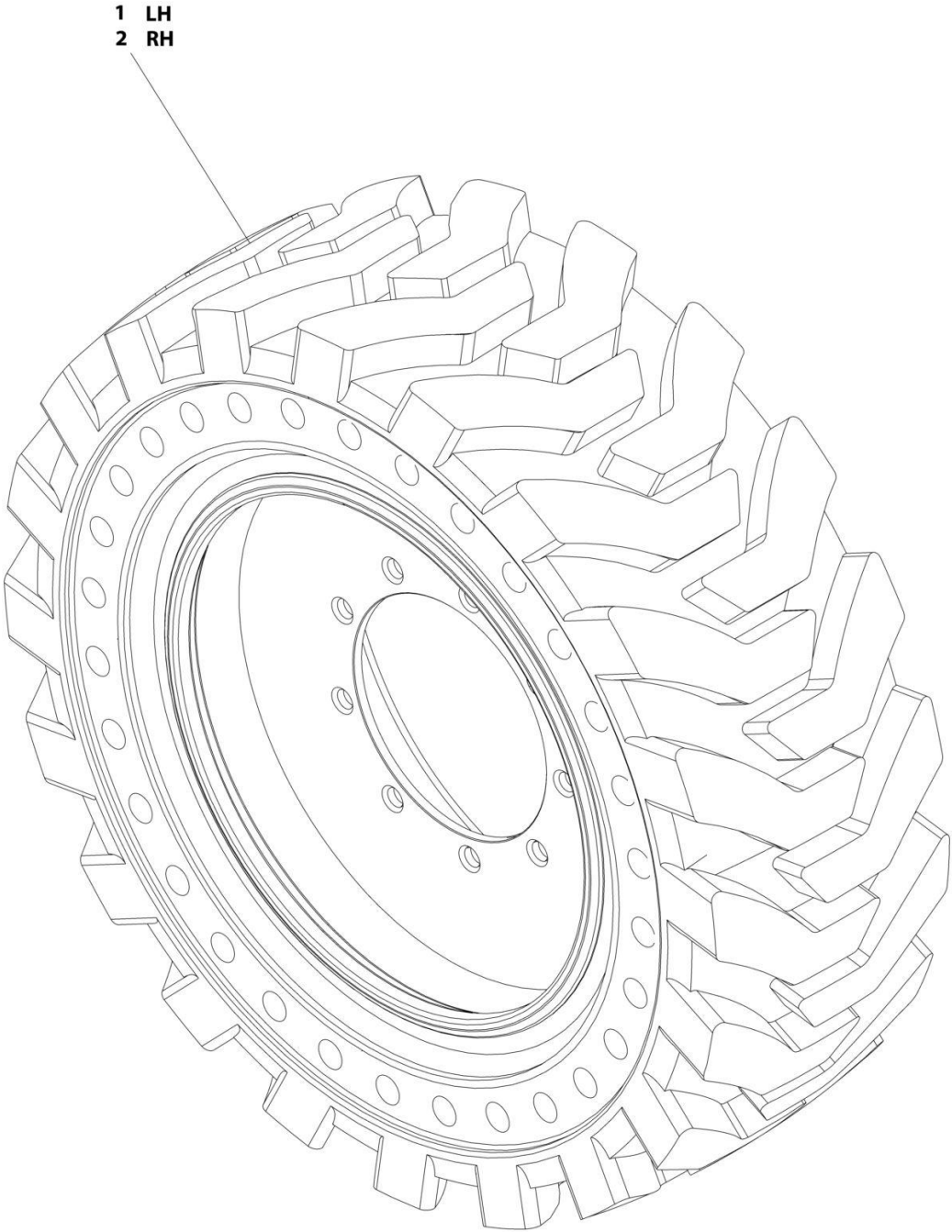
**SECTION 1 - FRAME**

**FIGURE 1-14. TIRE AND WHEEL INSTALLATION - 33 X 12-20 FOAM-FILLED (AVAILABLE ON ALL SPECS)**

ITEM	PART NUMBER	QTY	DESCRIPTION	REV
	1001245211	Ref	TIRE AND WHEEL INSTALLATION - 33 x 12D610 FOAM-FILLED	A
		Ref	Note: Assemblies may require ballast/foam filling to manufacturer's specifications prior to installing on a machine. Refer to Operation and Safety or Service and Maintenance Manuals.	
		Ref	Note: Purchase individual tire and/or rim only if able to foam fill tire and wheel assembly, otherwise, purchase complete assembly.	
1	1001245197	2	Tire and Wheel Assembly - 33 x 12 (RH Side)	
1	1001245198	2	Tire and Wheel Assembly - 33 x 12 (LH Side)	
102	4641122	1	Valve	
103	1001245195	1	Wheel	
104	1001245196	1	Tire - 33 x 12	

**SECTION 1 - FRAME**

**FIGURE 1-15. TIRE AND WHEEL INSTALLATION - 33 X 12-20 SOLID NON-MARKING (AVAILABLE ON ANSI EXPORT, AUSTRALIAN, CE, CIS/EAC & UK CA SPECS)**



ART\_1001169062

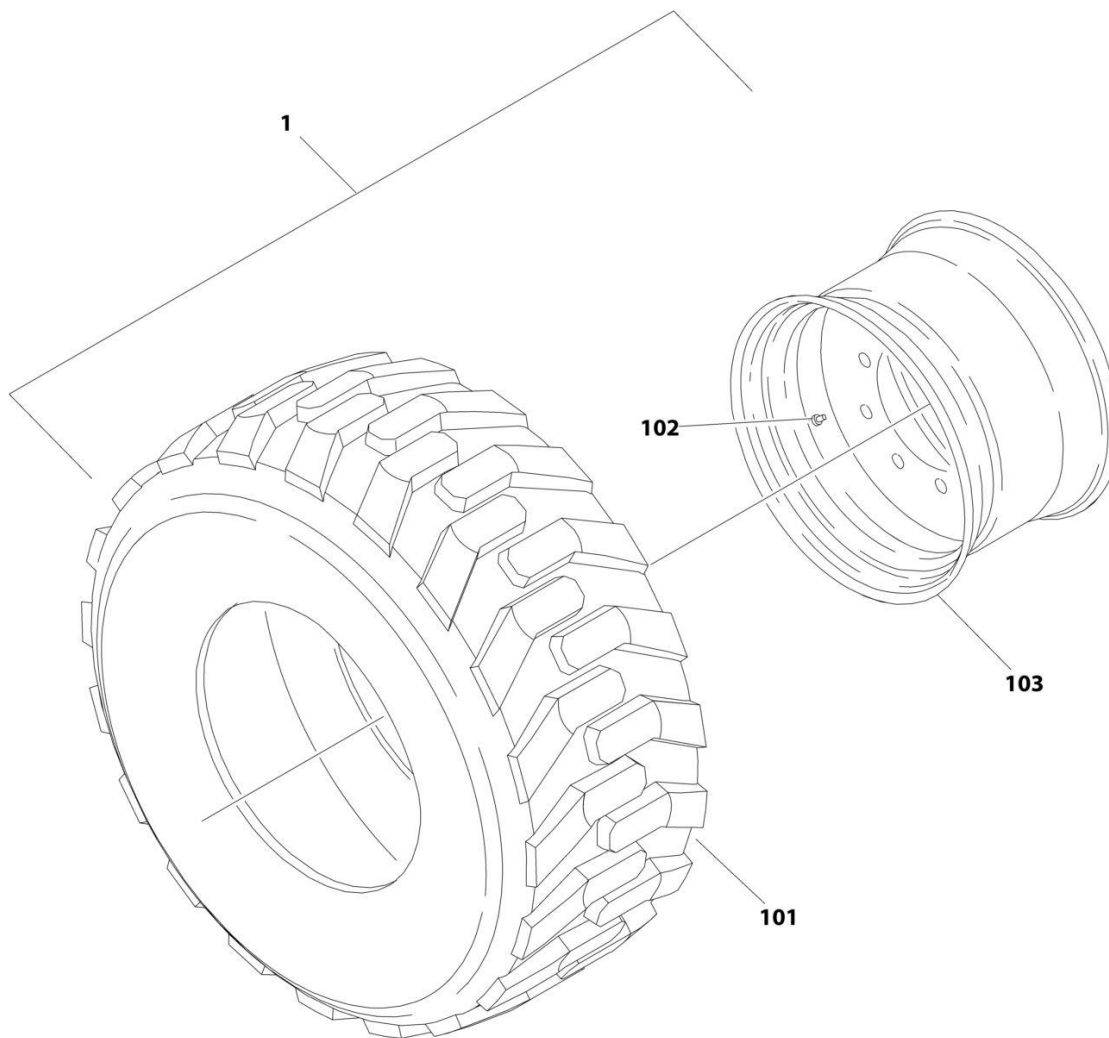
## SECTION 1 - FRAME

**FIGURE 1-15. TIRE AND WHEEL INSTALLATION - 33 X 12-20 SOLID NON-MARKING (AVAILABLE ON ANSI EXPORT, AUSTRALIAN, CE, CIS/EAC & UK CA SPECS)**

ITEM	PART NUMBER	QTY	DESCRIPTION	REV
	1001169062	Ref	TIRE AND WHEEL INSTALLATION - 33 X 12-20 SOLID NON-MARKING	A
		Ref	Note: Due to critical stable weights, only replace tire and wheel assemblies with like components.	
1	1001170098	2	Tire and Wheel Assembly - 33 x 12-20 Solid Non-Marking (LH Side)	
2	1001170099	2	Tire and Wheel Assembly - 33 x 12-20 Solid Non-Marking (RH Side)	

# SECTION 1 - FRAME

FIGURE 1-16. TIRE AND WHEEL INSTALLATION - 33/1550 X 16.5 FOAM-FILLED (AVAILABLE ON ALL SPECS)



ART\_1001169075



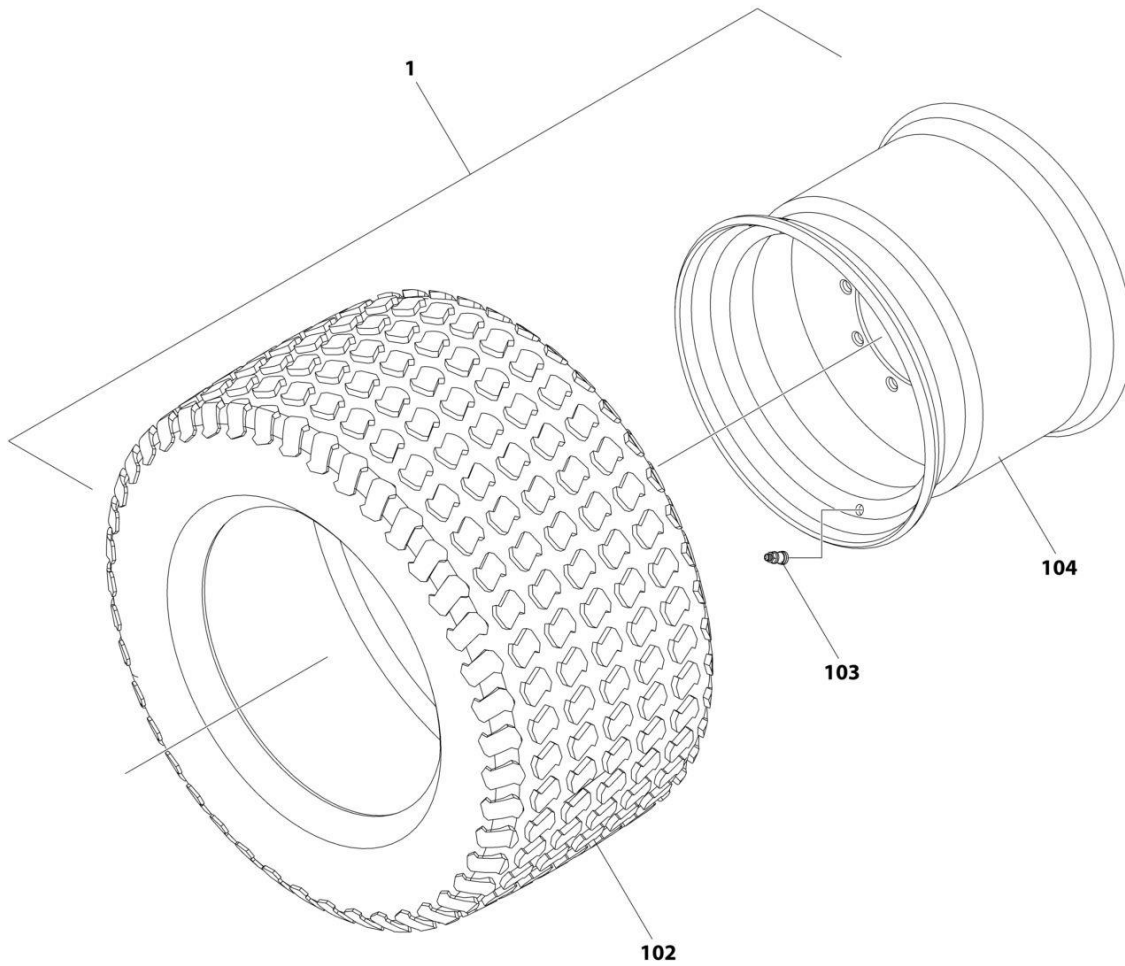
## SECTION 1 - FRAME

**FIGURE 1-16. TIRE AND WHEEL INSTALLATION - 33/1550 X 16.5 FOAM-FILLED (AVAILABLE ON ALL SPECS)**

ITEM	PART NUMBER	QTY	DESCRIPTION	REV
	1001169075	Ref	TIRE AND WHEEL INSTALLATION - 33/1550 X 16.5 FOAM-FILLED	A
		Ref	Note: Assemblies may require ballast/foam filling to manufacturer's specifications prior to installing on a machine. Refer to Operation and Safety or Service and Maintenance Manuals. Purchase individual tire and/or rim only if able to foam fill tire and wheel assembly, otherwise, purchase complete assembly.	
1	0258011	2	Tire and Wheel Assembly (RH Side)	I
1	0258012	2	Tire and Wheel Assembly (LH Side)	I
101	4520217	4	Tire, 33/1550 x 16.5	
102	8786514	4	Valve, Stem	
103	4860179	4	Rim, Wheel	

# SECTION 1 - FRAME

FIGURE 1-17. TIRE AND WHEEL INSTALLATION - 33 X 16L500 TURF AND SAND FOAM-FILLED  
(AVAILABLE ON ANSI, ANSI EXPORT & CSA SPECS)



ART\_1001272447

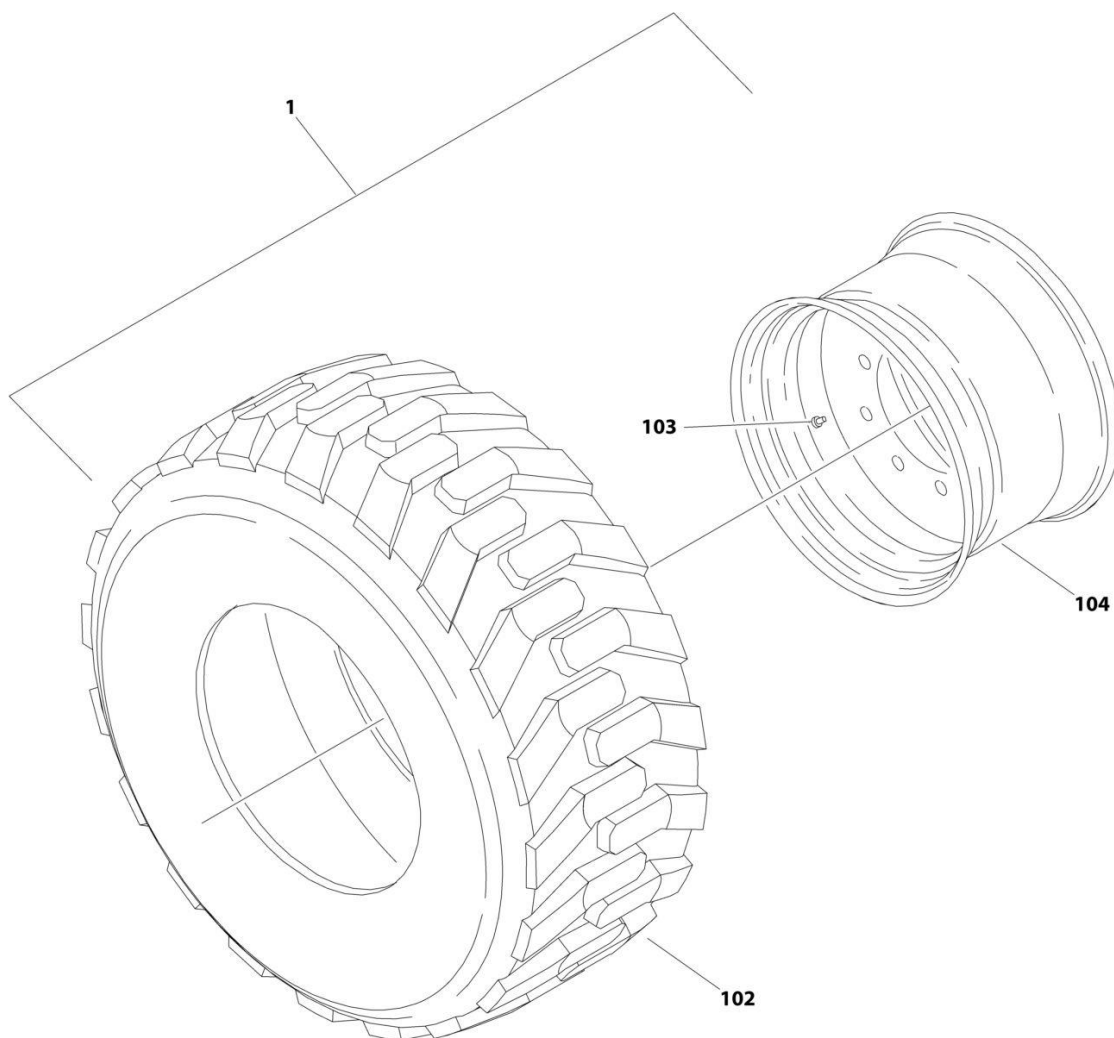
**SECTION 1 - FRAME**

**FIGURE 1-17. TIRE AND WHEEL INSTALLATION - 33 X 16L500 TURF AND SAND FOAM-FILLED  
(AVAILABLE ON ANSI, ANSI EXPORT & CSA SPECS)**

ITEM	PART NUMBER	QTY	DESCRIPTION	REV
	1001272447	Ref	TIRE AND WHEEL INSTALLATION - 33 X 16L500 TURF AND SAND FOAM-FILLED (AVAILABLE ON ANSI, ANSI EXPORT & CSA SPECS)	A
		Ref	Note: Assemblies may require ballast/foam filling to manufacturer's specifications prior to installing on a machine. Refer to Operation and Safety or Service and Maintenance Manuals. Purchase individual tire and/or rim only if able to foam fill tire and wheel assembly, otherwise, purchase complete assembly.	
1	1001272446	4	Tire and Wheel Assembly	A
102	4520262	4	Tire, 33 x 16L500	
103	4640113	4	Valve, Stem	
104	4860237	4	Rim, Wheel	

## SECTION 1 - FRAME

FIGURE 1-18. TIRE AND WHEEL INSTALLATION - 315/55 D20 FOAM FILLED (AVAILABLE ON ANSI EXPORT, AUSTRALIAN, CE, CHINA, CIS/EAC & UK CA SPECS)



ART\_1001166157

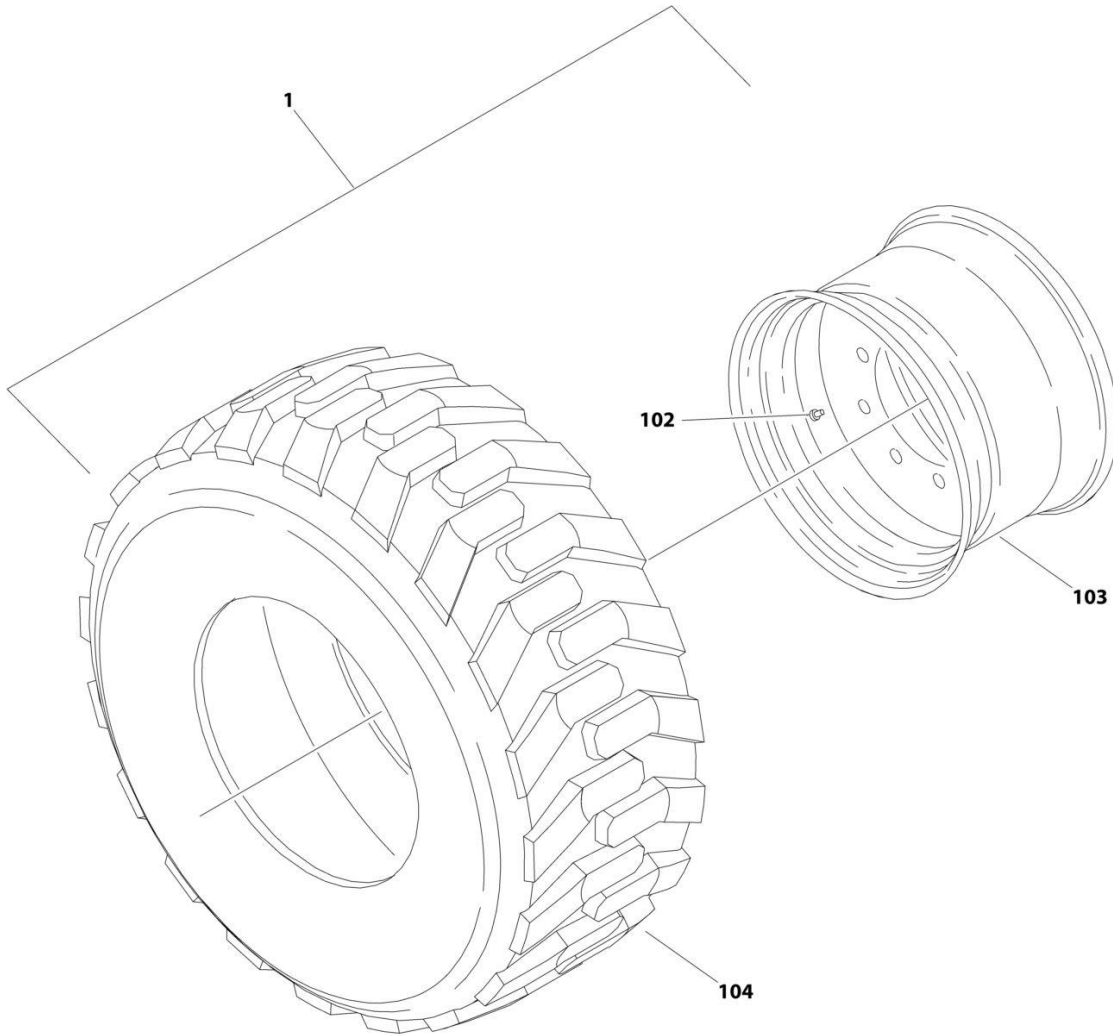
## SECTION 1 - FRAME

**FIGURE 1-18. TIRE AND WHEEL INSTALLATION - 315/55 D20 FOAM FILLED (AVAILABLE ON ANSI EXPORT, AUSTRALIAN, CE, CHINA, CIS/EAC & UK CA SPECS)**

ITEM	PART NUMBER	QTY	DESCRIPTION	REV
	1001166157	Ref Ref	TIRE AND WHEEL INSTALLATION - 315/55 D20 FOAM FILLED  Note: Assemblies may require ballast/foam filling to manufacturer's specifications prior to installing on a machine. Refer to Operation and Safety or Service and Maintenance Manuals. Purchase individual tire and/or rim only if able to foam fill tire and wheel assembly, otherwise, purchase complete assembly.	A
1	1001166155	2	Tire and Wheel Assembly (LH Side)	I
1	1001166156	2	Tire and Wheel Assembly (RH Side)	I
102	4520608	4	Tire IN315/55/D20	
103	4641122	4	Valve, Stem	
104	1001166153	4	Rim, Wheel	

# SECTION 1 - FRAME

**FIGURE 1-19. TIRE AND WHEEL INSTALLATION - 315/55 D20 FOAM FILLED NON-MARKING  
(AVAILABLE ON ANSI EXPORT, AUSTRALIAN, CE, CHINA, CIS/EAC & UK CA SPECS)**



ART\_1001169058

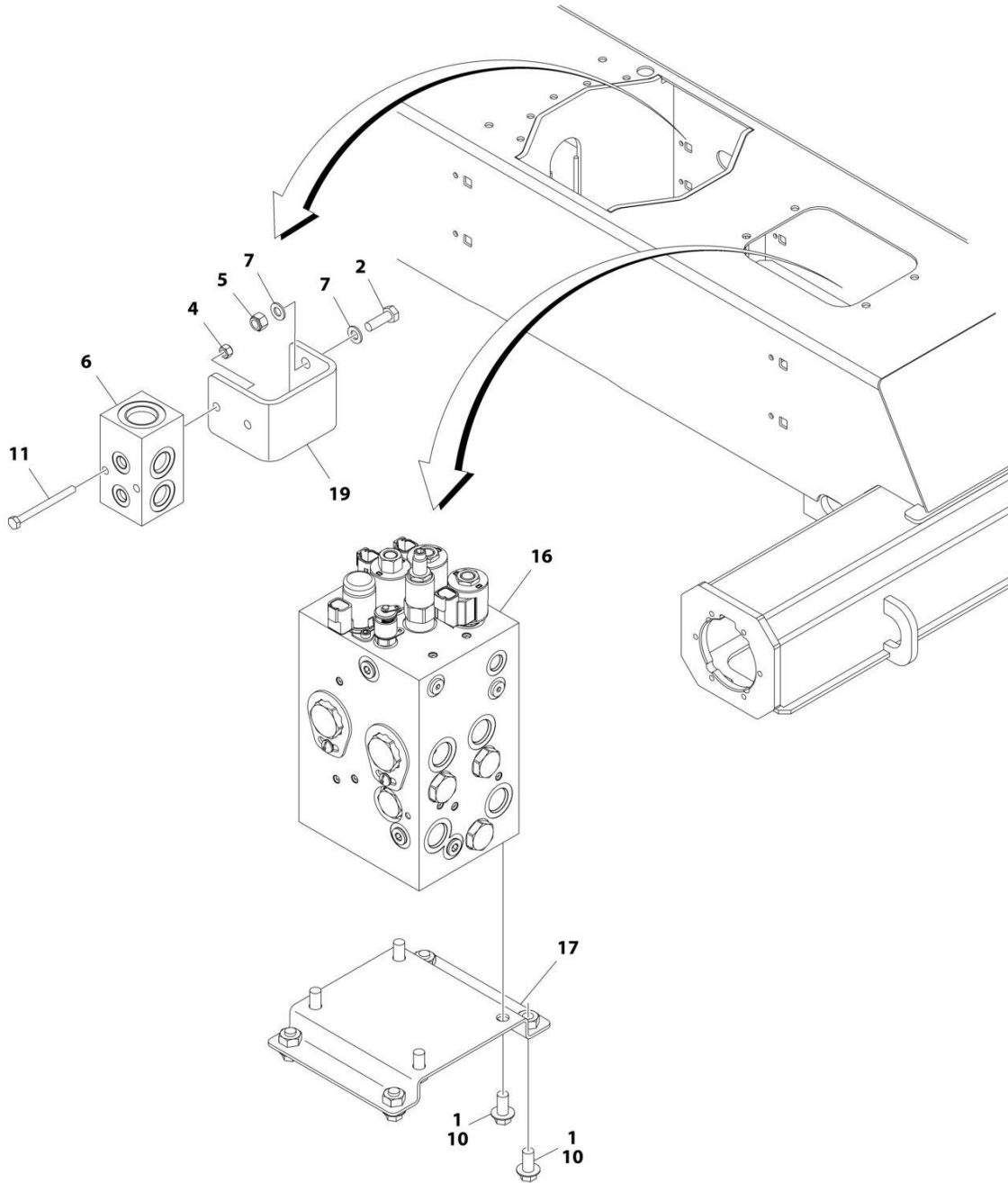
## SECTION 1 - FRAME

**FIGURE 1-19. TIRE AND WHEEL INSTALLATION - 315/55 D20 FOAM FILLED NON-MARKING  
(AVAILABLE ON ANSI EXPORT, AUSTRALIAN, CE, CHINA, CIS/EAC & UK CA SPECS)**

ITEM	PART NUMBER	QTY	DESCRIPTION	REV
	1001169058	Ref	TIRE AND WHEEL INSTALLATION - 315/55 D20 FOAM FILLED NON-MARKING	A
		Ref	Note: Assemblies may require ballast/foam filling to manufacturer's specifications prior to installing on a machine. Refer to Operation and Safety or Service and Maintenance Manuals. Purchase individual tire and/or rim only if able to foam fill tire and wheel assembly, otherwise, purchase complete assembly.	
1	1001170459	2	Tire and Wheel Assembly (RH Side)	F
1	1001170460	2	Tire and Wheel Assembly (LH Side)	F
102	4641122	4	Valve, Stem	
103	1001166153	4	Rim, Wheel	
104	1001170458	4	Tire 315/55 D20 Non Marking	

# SECTION 1 - FRAME

FIGURE 1-20. VALVES INSTALLATION - FRAME MOUNTED (MACHINES WITH SN STARTING WITH 03)



ART\_1001271795\_10F3



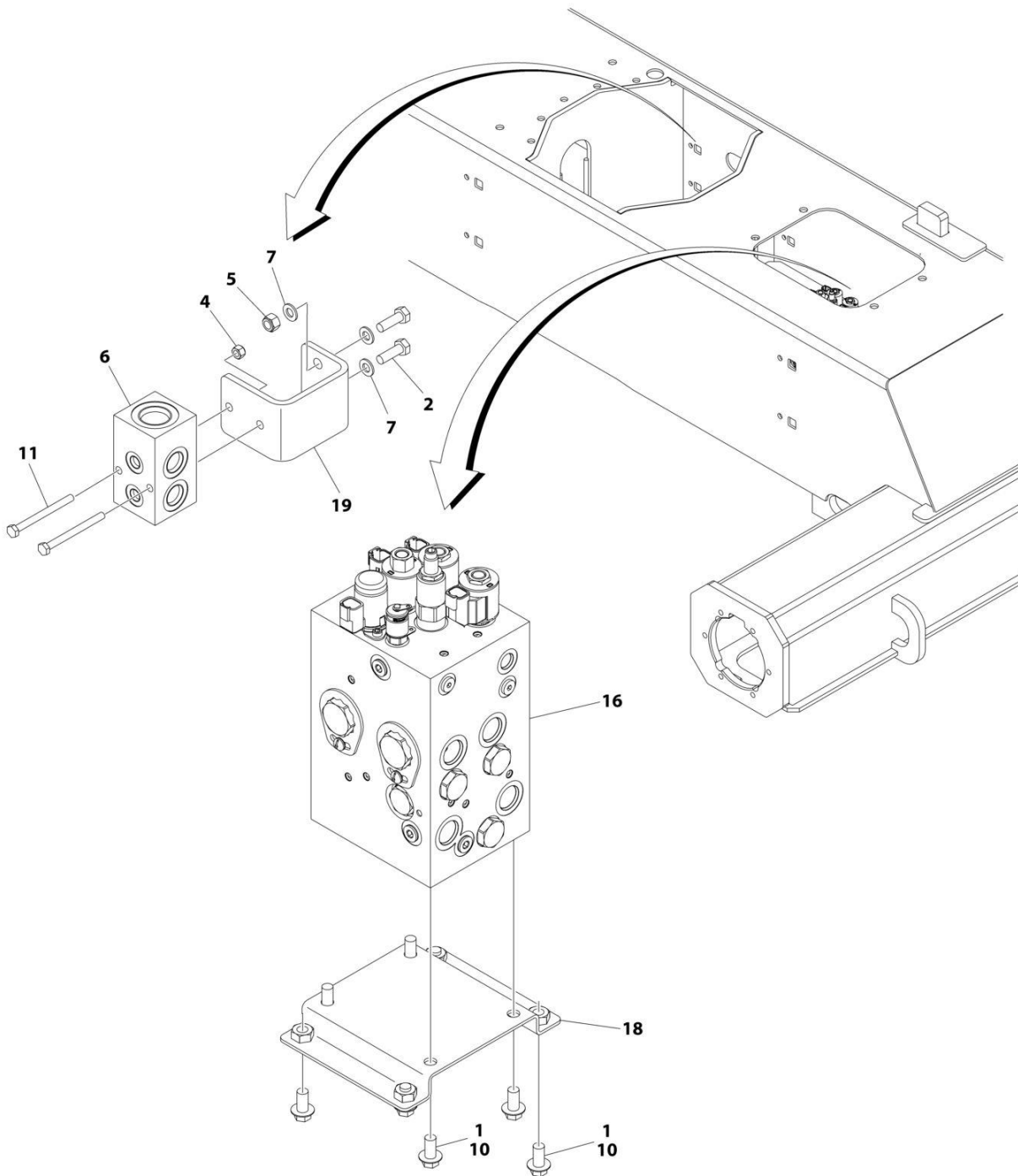
## SECTION 1 - FRAME

**FIGURE 1-20. VALVES INSTALLATION - FRAME MOUNTED (MACHINES WITH SN STARTING WITH 03)**

ITEM	PART NUMBER	QTY	DESCRIPTION	REV
	1001271795	Ref	4WD VALVES INSTALLATION - BOOM MOUNTED	B
1	0100011	AR	Compound, Locking	
2	0760812	2	Bolt M8 x 25	
4	3290605	2	Nut M6	
5	3290805	2	Nut M8	
6	4641155	1	Junction Valve Assembly	
7	4811900	4	Washer M8	
10	5251010	15	Bolt M10 x 25	
11	1001096653	2	Bolt M6 x 70	
16	1001162539	1	Traction Valve Assembly (See Separate Breakdown in this Section)	
17	1001179517	1	Bracket	
19	1001197221	1	Bracket	

# SECTION 1 - FRAME

FIGURE 1-21. VALVES INSTALLATION - FRAME MOUNTED (MACHINES WITH SN STARTING WITH B3)



ART\_1001271413\_B\_10F3

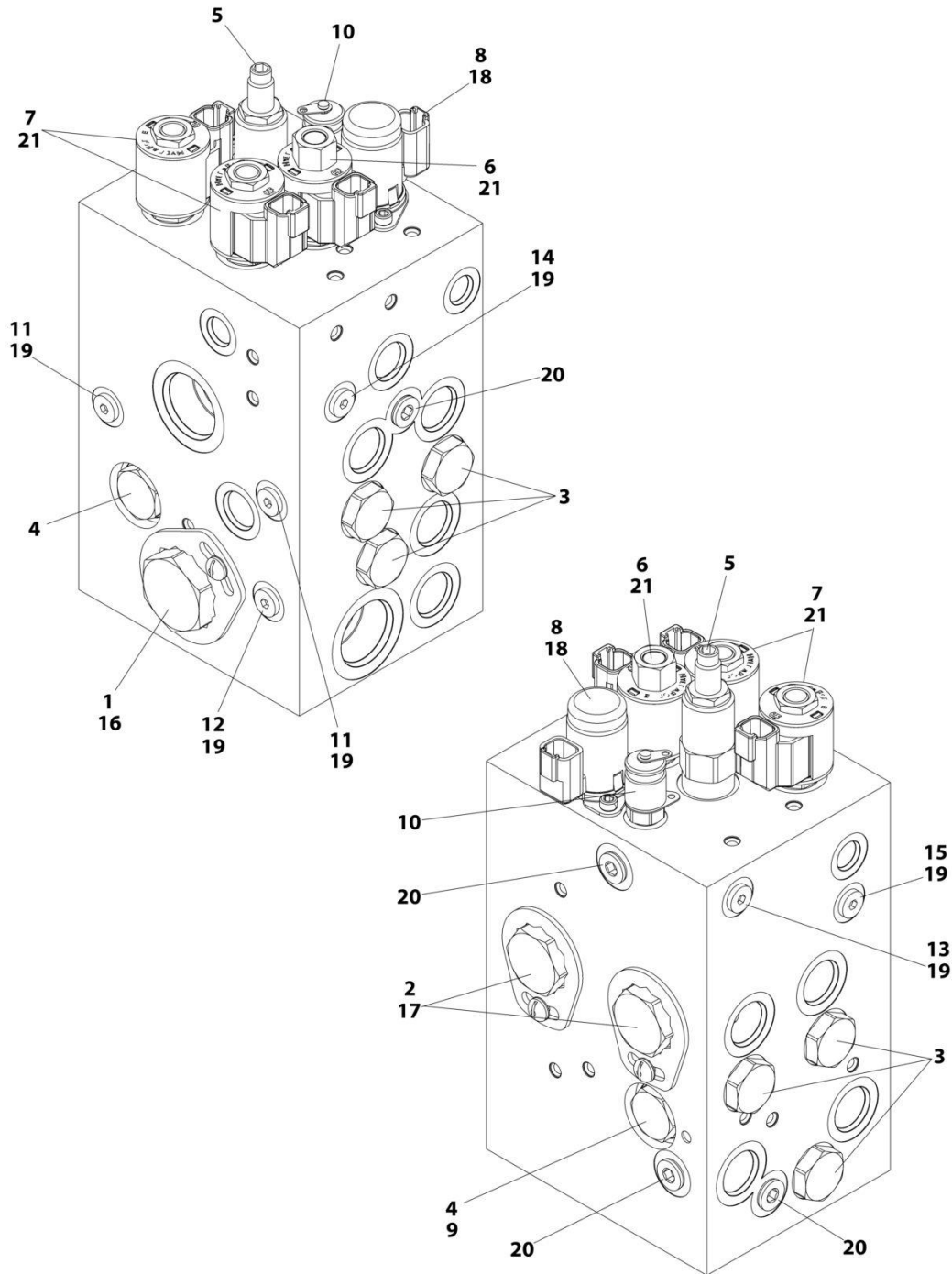
## SECTION 1 - FRAME

**FIGURE 1-21. VALVES INSTALLATION - FRAME MOUNTED (MACHINES WITH SN STARTING WITH B3)**

ITEM	PART NUMBER	QTY	DESCRIPTION	REV
	1001271413	Ref	4WD VALVES INSTALLATION - FRAME MOUNTED	B
1	0100011	AR	Compound, Locking	
2	0760812	2	Bolt M8 x 25	
4	3290605	2	Nut, Lock M6	
5	3290805	2	Nut, Lock M8	
6	4641155	1	Junction Valve Assembly	
7	4811900	4	Washer M8	
10	5251010	15	Bolt M10 x 20 Class 10.9	
11	1001096653	2	Bolt M6 x 70	
16	1001162539	1	Traction Valve Assembly (See Separate Breakdown in this Section)	
18	1001179517	1	Bracket	
19	1001197221	1	Bracket	

# SECTION 1 - FRAME

## FIGURE 1-22. TRACTION VALVE ASSEMBLY - 4WD



ART\_1001162539

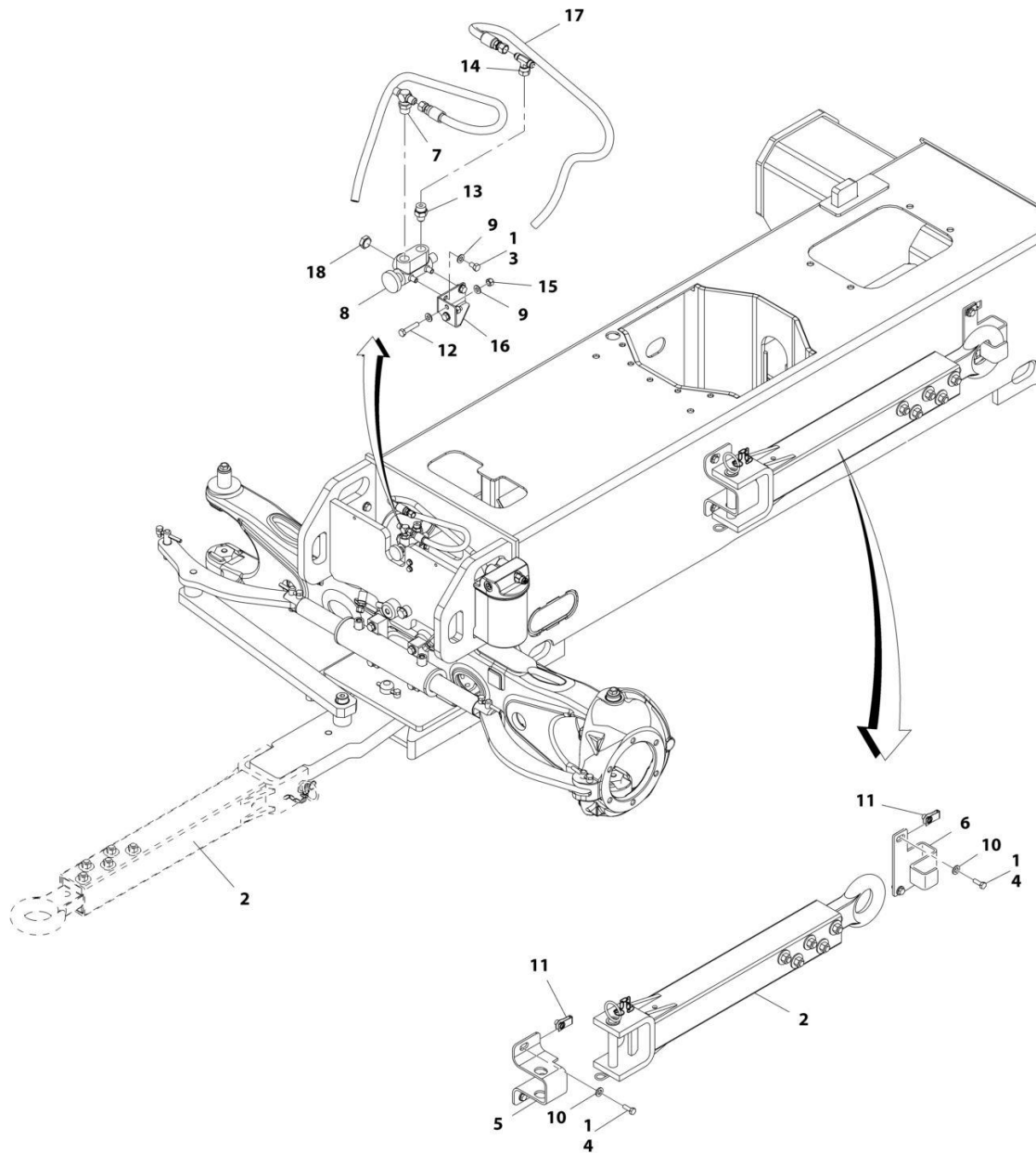
# SECTION 1 - FRAME

## FIGURE 1-22. TRACTION VALVE ASSEMBLY - 4WD

ITEM	PART NUMBER	QTY	DESCRIPTION	REV
	1001162539	Ref	TRACTION VALVE ASSEMBLY - 4WD	D
1	70004017	1	Cartridge, Flow Divider	
1	7021625	1	Seal Kit - 70004017 Valve	
2	70004885	2	Cartridge, Flow Divider	
2	70004577	2	Seal Kit - 70004885 Valve	
3	7022397	6	Cartridge, Check Valve	
3	7022399	6	Seal Kit - 7022397 Valve	
4	7021639	2	Cartridge, Check Valve	
4	2900756	2	Seal Kit - 7021639 Valve	
5	70004886	1	Cartridge, Relief Valve	
5	7017496	1	Seal Kit - 70004886 Valve	
6	7017410	1	Cartridge, Solenoid Less Coil	
6	7012967	1	Seal Kit - 7017410 Valve	
7	7012974	2	Cartridge, Solenoid Less Coil	
7	7010543	2	Seal Kit - 7012974 Valve	
8	70004887	1	Cartridge, Solenoid Less Coil	
8	70023606	1	Seal Kit - 70004887 Valve	
8	7024885	1	Coil	
9	7024881	1	Piston, Pilot	
10	2221086	1	Fitting, Diagnostic	
11	70003975	2	Orifice	
12	70002209	1	Orifice	
13	70002063	1	Orifice	
14	70004884	1	Orifice	
15	70004883	1	Orifice	
16	70000781	1	Locking Kit	
17	70002962	2	Locking Kit	
18	70004888	2	Screw	
19	2220883	6	Plug #4	
20	2220885	5	Plug #6	
21	70002386	3	Coil	

# SECTION 1 - FRAME

## FIGURE 1-23. TOW PACKAGE INSTALLATION (OPTIONAL)



ART\_1001166232

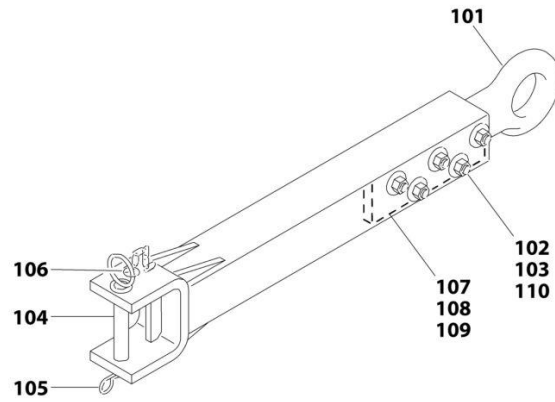
## SECTION 1 - FRAME

**FIGURE 1-23. TOW PACKAGE INSTALLATION (OPTIONAL)**

ITEM	PART NUMBER	QTY	DESCRIPTION	REV
	1001166232	Ref	TOW PACKAGE INSTALLATION (OPTIONAL)	D
1	0100011	AR	Compound, Locking	
2	0363019	1	Tow Bar Assembly (See Separate Breakdown in this Section)	
3	0641504	2	Bolt 5/16 x 1/2	
4	0701014	4	Bolt M10 x 30	
5	0902733	1	Bracket	
6	0902734	1	Bracket	
7	2221052	1	Fitting, Tee JIC/ORB/JIC	
8	4640261	1	Steer/Tow Select Valve Assembly	
9	4711500	6	Washer 5/16	
10	5241200	4	Washer M12	
11	1001118972	4	Nut M10	
12	0700816	2	Bolt M8 x 40	
13	2220372	1	Fitting, Straight JIC/ORB	
14	2220579	1	Fitting, Tee JIC/FSJIC/JIC	
15	3290805	2	Nut M8	
16	1001181527	1	Bracket	
17	1001181913	2	Hose	
18	2220238	1	Plug	

# SECTION 1 - FRAME

## FIGURE 1-24. TOW BAR ASSEMBLY



ART\_0363019



# SECTION 1 - FRAME

## FIGURE 1-24. TOW BAR ASSEMBLY

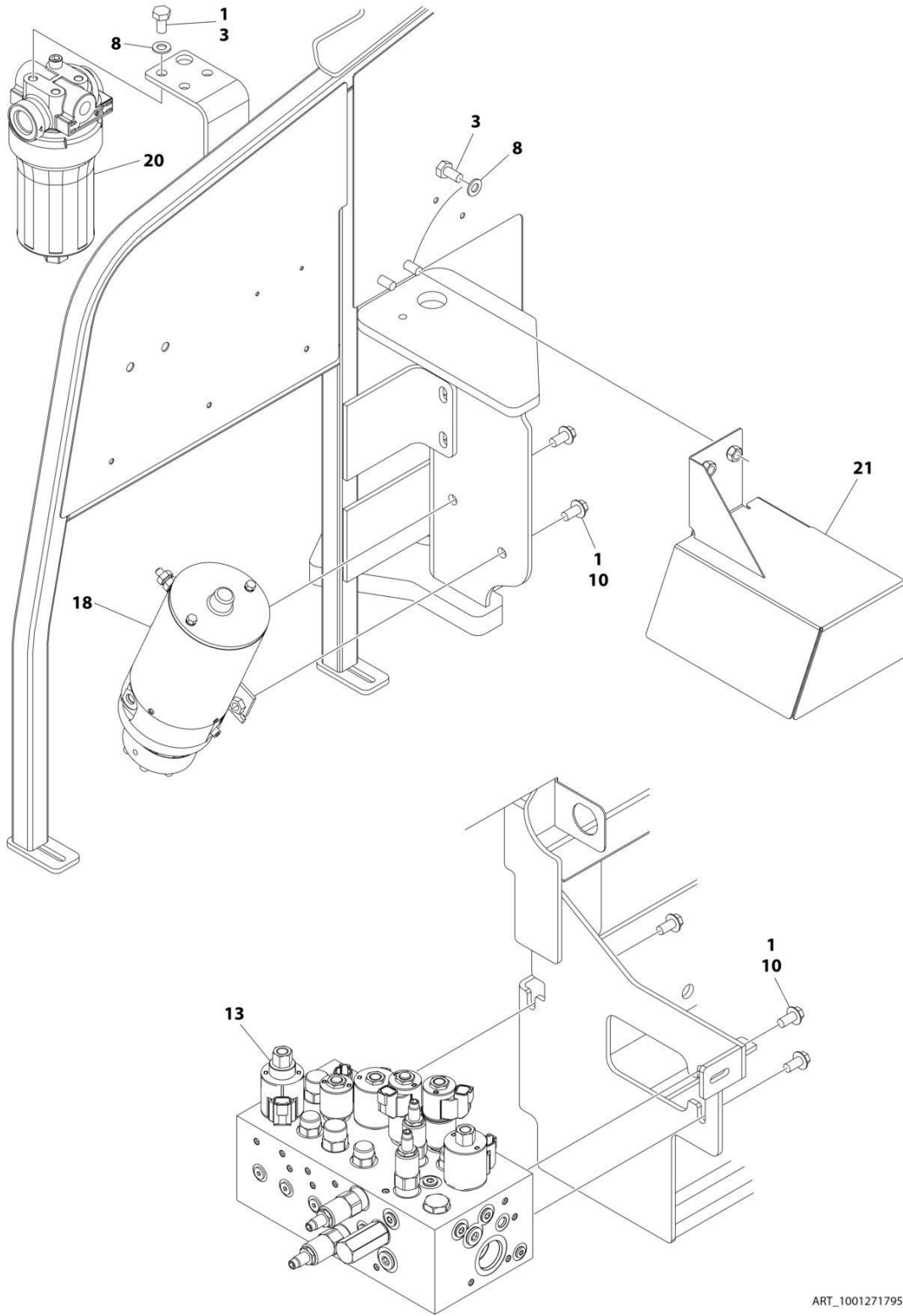
ITEM	PART NUMBER	QTY	DESCRIPTION	REV
	0363019	Ref	TOW BAR ASSEMBLY	B
101	0360406	1	Pintle, Draw Eye	
102	0682040	5	Bolt 5/8 x 5	
103	3312005	5	Nut 5/8	
104	3420352	1	Pin, Towing	
105	3420372	1	Hairpin	
106	3760170	1	Ring, Split	
107	4070450	2	Shim (.07)	
108	4070560	2	Shim (.88)	
109	4070561	2	Shim (.12)	
110	4752000	10	Washer 5/8	



**SECTION 2 - TURNTABLE**

# SECTION 2 - TURNTABLE

FIGURE 2-1. VALVES INSTALLATION - TURNTABLE (MACHINES WITH SN STARTING WITH 03)



ART\_1001271795\_2OF3

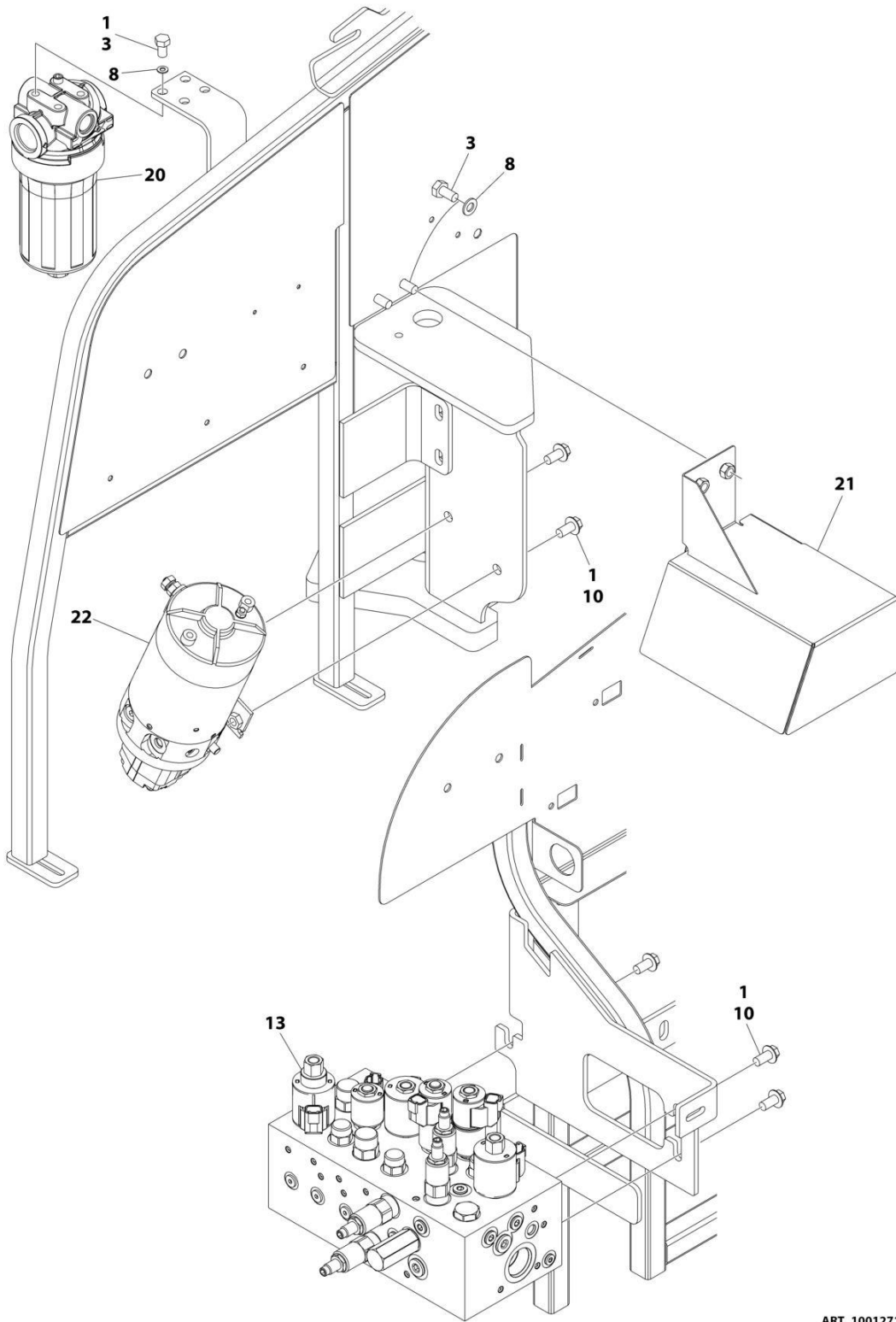
## SECTION 2 - TURNTABLE

**FIGURE 2-1. VALVES INSTALLATION - TURNTABLE (MACHINES WITH SN STARTING WITH 03)**

ITEM	PART NUMBER	QTY	DESCRIPTION	REV
	1001271795	Ref	4WD VALVES INSTALLATION - BOOM MOUNTED	B
1	0100011	AR	Compound, Locking	
3	0761010	5	Bolt M10 x 20	
8	4812000	5	Washer M10	
10	5251010	15	Bolt M10 x 25	
13	1001162534	1	Main Valve Assembly (See Separate Breakdown in this Section)	
18	1001185821	1	Auxiliary Pump Assembly (See Separate Breakdown in this Section)	
20	1001208874	1	Filter, Charge Pump	
20	70010383	1	Element, Filter (Includes O-Ring)	
21	1001265186	1	Cover	

# SECTION 2 - TURNTABLE

FIGURE 2-2. VALVES INSTALLATION - TURNTABLE (MACHINES WITH SN STARTING WITH B3)



ART\_1001271413\_B\_20F3

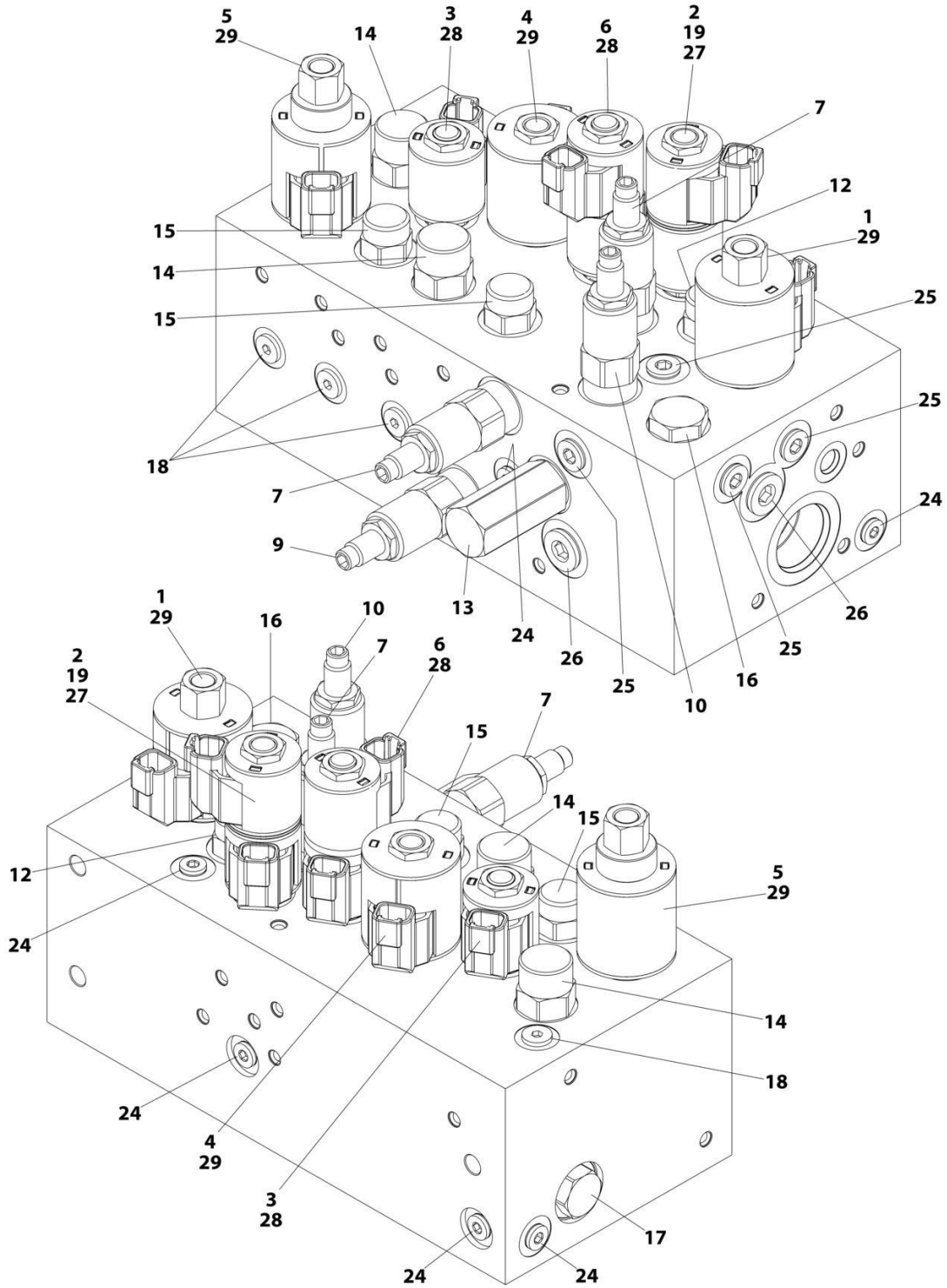
## SECTION 2 - TURNTABLE

**FIGURE 2-2. VALVES INSTALLATION - TURNTABLE (MACHINES WITH SN STARTING WITH B3)**

ITEM	PART NUMBER	QTY	DESCRIPTION	REV
	1001271413	Ref	4WD VALVES INSTALLATION - TURNTABLE MOUNTED	B
1	0100011	AR	Compound, Locking	
3	0761010	AR	Bolt M10 x 20	
8	4812000	AR	Washer M10	
10	5251010	15	Bolt M10 x 20 CClass 10.9	
13	1001162534	1	Main Valve Assembly (See Separate Breakdown in this Section)	
20	1001208874	1	Filter, Charge Pump	
20	70010383	1	Element, Filter (Includes O-Ring)	
21	1001234295	1	Cover	
22	1001271414	1	Auxiliary Pump Assembly (See Separate Breakdown in this Section)	

# SECTION 2 - TURNTABLE

## FIGURE 2-3. MAIN VALVE ASSEMBLY



ART\_1001162534



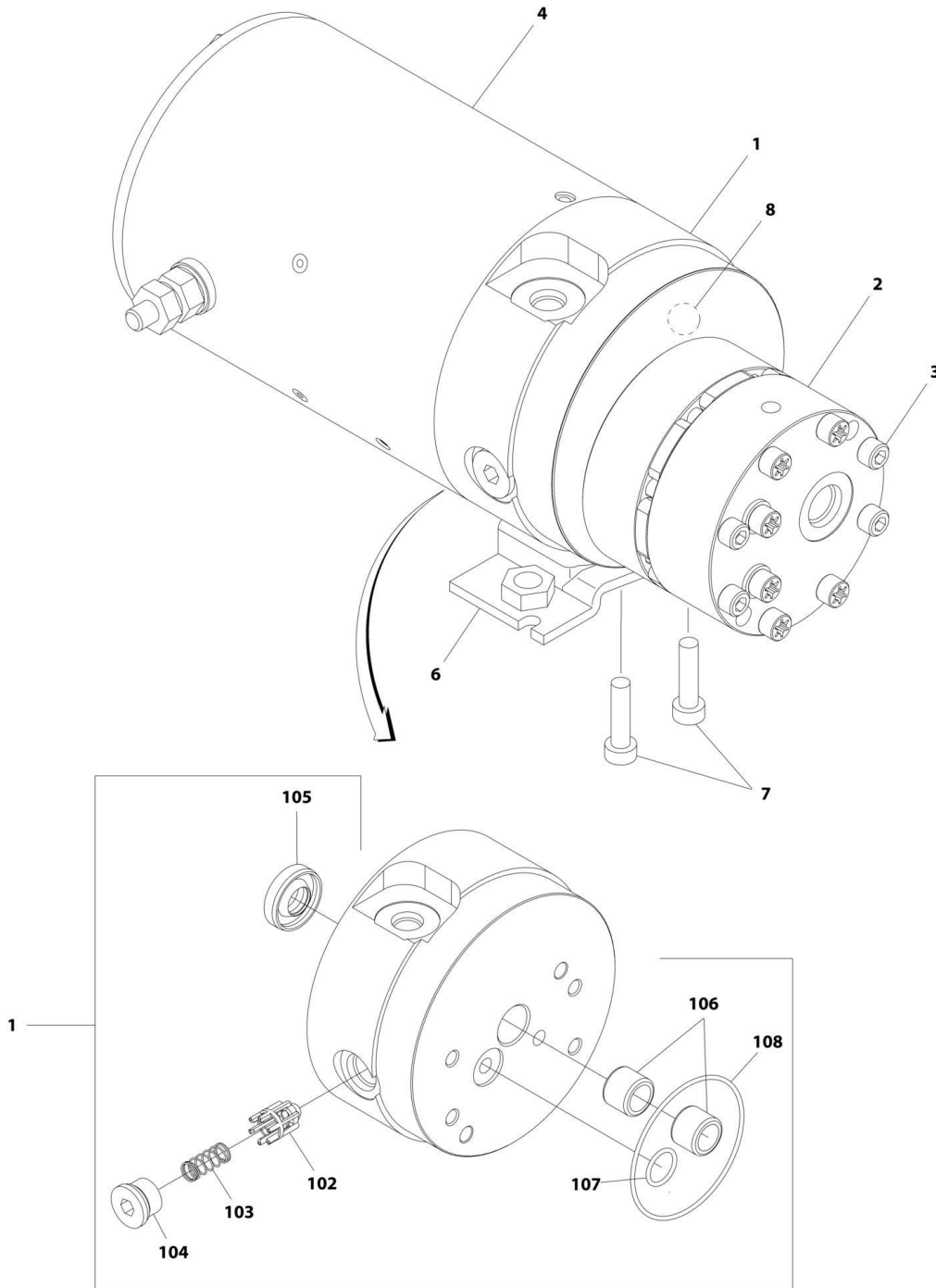
## SECTION 2 - TURNTABLE

### FIGURE 2-3. MAIN VALVE ASSEMBLY

ITEM	PART NUMBER	QTY	DESCRIPTION	REV
	1001162534	Ref	MAIN VALVE ASSEMBLY	F
1	70005069	1	Cartridge, Solenoid Less Coil (Main Dump)	
1	7022399	1	Seal Kit - 70005069 Valve	
1	70003977	1	Nut, Coil	
2	70005217	1	Cartridge, Solenoid Less Coil (Steer)	
2	70005071	1	Seal Kit - 70005217 Valve	
2	7022390	1	Nut, Coil	
3	70005094	1	Cartridge, Solenoid Less Coil (Main Lift Up)	
3	7023936	1	Seal Kit - 70005094 Valve	
3	7022390	1	Nut, Coil	
4	70005076	1	Cartridge, Solenoid Less Coil (Tower Lift Up)	
4	7022399	1	Seal Kit - 70005076 Valve	
4	7022390	1	Nut, Coil	
5	70005095	1	Cartridge, Solenoid Less Coil (Flow Control)	
5	7022399	1	Seal Kit - 70005095 Valve	
5	70003977	1	Nut, Coil	
6	70005096	1	Cartridge, Solenoid Less Coil (Swing)	
6	70005071	1	Seal Kit - 70005096 Valve	
7	70005097	1	Cartridge, Solenoid Less Coil	
7	70005082	2	Seal Kit - 70005097 Valve	
9	70005098	1	Cartridge, Relief Valve	
9	7023936	1	Seal Kit - 70005098 Valve	
10	70005080	1	Cartridge, Relief Valve	
10	7022399	1	Seal Kit - 70005080 Valve	
12	70005218	1	Cartridge, Valve	
12	70005082	1	Seal Kit - 70005218 Valve	
13	70005084	1	Cartridge, Valve	
13	70005085	1	Seal Kit - 70005084 Valve	
14	70005099	2	Cartridge, Valve	
14	70005087	2	Seal Kit - 70005099 Valve	
15	70005088	2	Cartridge, Valve	
15	7023900	2	Seal Kit - 70005088 Valve	
16	70005100	1	Cartridge, Check Valve	
16	7022399	1	Seal Kit - 70005100 Valve	
17	70005089	1	Cartridge, Check Valve	
17	7023936	1	Seal Kit - 70005089 Valve	
18	70005090	5	Cartridge, Check Valve	
18	70005092	5	Seal Kit - 70005092 Valve	
19	See Note	1	Disc, Check Valve (Note: Not Available for Purchase)	
24	91164059	7	Plug	
25	91164079	4	Plug	
26	91164057	2	Plug	
27	70005219	2	Coil	
28	70002386	3	Coil	
29	70003788	3	Coil	

# SECTION 2 - TURNTABLE

## FIGURE 2-4. AUXILIARY PUMP ASSEMBLY (MACHINES WITH SN STARTING WITH 03)



ART\_1001185821

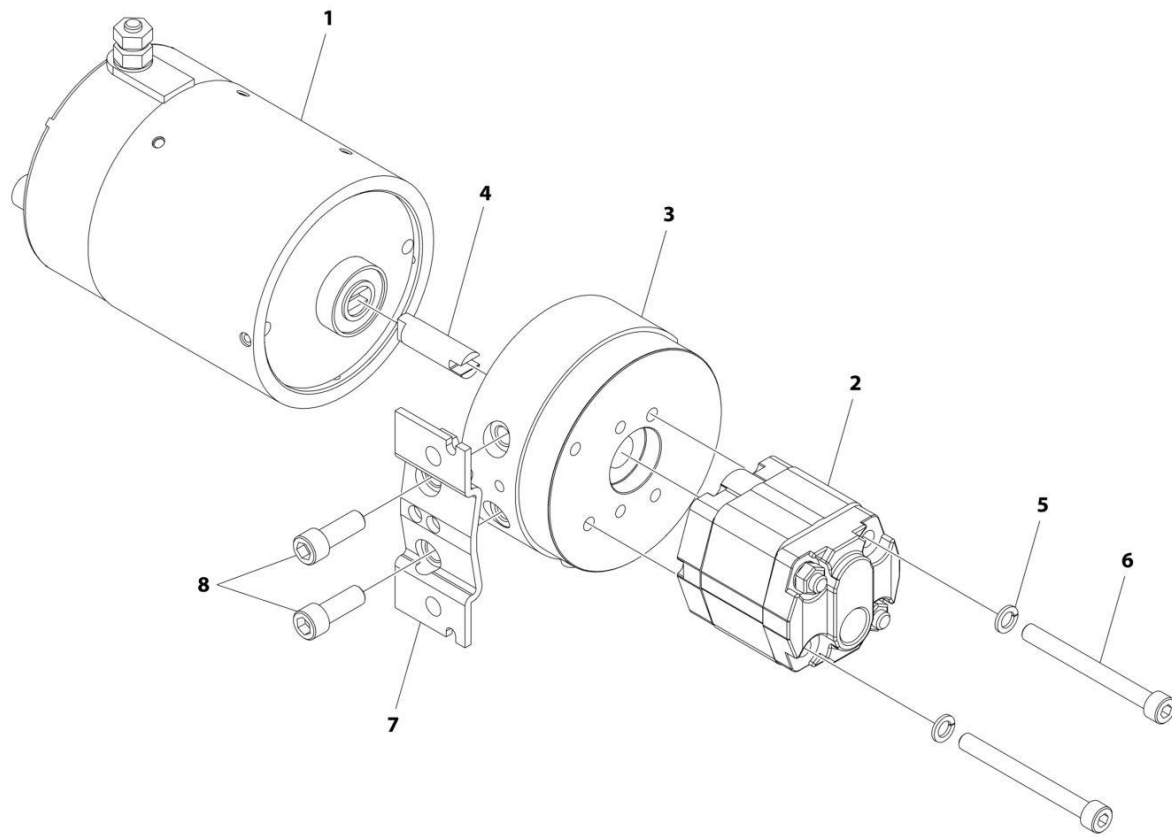
## SECTION 2 - TURNTABLE

**FIGURE 2-4. AUXILIARY PUMP ASSEMBLY (MACHINES WITH SN STARTING WITH 03)**

ITEM	PART NUMBER	QTY	DESCRIPTION	REV
	1001185821	Ref	AUXILIARY PUMP ASSEMBLY	B
1	70005065	1	Base Assembly (See Items 102-108 for Breakdown)	
2	70005066	1	Pump Assembly (Note: No Seal Kit or Internal Components are Available - Purchase Complete Pump Assembly)	
3	70005067	4	Capscrew 1/4 x 2-3/4	
4	70004013	1	Motor Assembly (Note: No Internal Components are Available - Purchase Complete Motor Assembly)	
6	70004014	1	Bracket	
7	70004000	2	Capscrew 3/8 x 1	
8	70005068	1	Relief Valve Assembly	
	70005065	Ref	BASE ASSEMBLY	
102	See Note	NSS	Poppet, Check (Note: Use p/n 70005065)	
103	See Note	NSS	Spring (Note: Use p/n 70005065)	
104	See Note	NSS	Plug (Note: Use p/n 70005065)	
105	7026330	1	Seal, Shaft	
106	70005139	2	Bearing	
107	70003612	1	O-Ring	
108	70004267	1	O-Ring	

## SECTION 2 - TURNTABLE

FIGURE 2-5. AUXILIARY PUMP ASSEMBLY (MACHINES WITH SN STARTING WITH B3)



ART\_1001271414

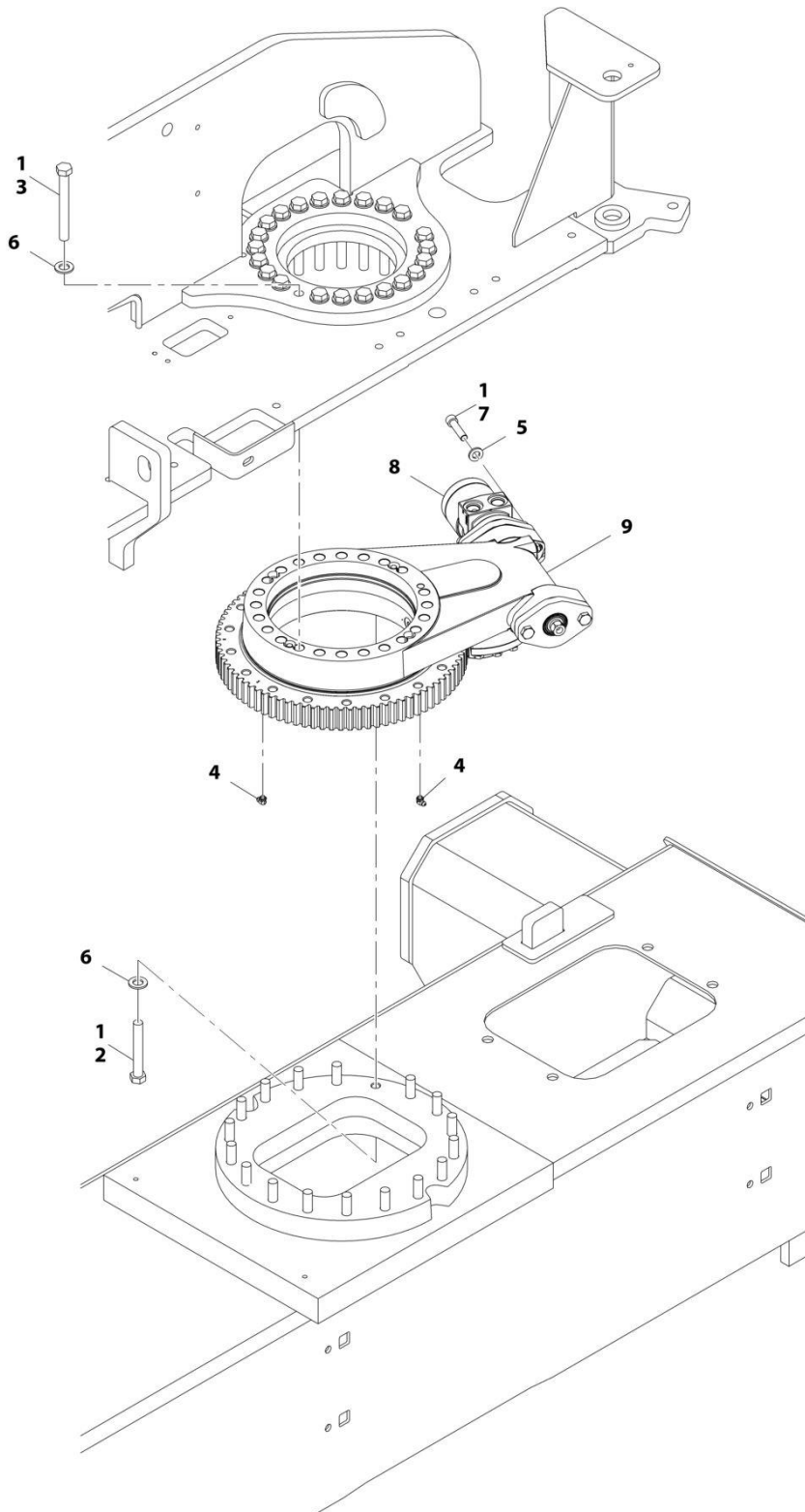
**SECTION 2 - TURNTABLE**

**FIGURE 2-5. AUXILIARY PUMP ASSEMBLY (MACHINES WITH SN STARTING WITH B3)**

<b>ITEM</b>	<b>PART NUMBER</b>	<b>QTY</b>	<b>DESCRIPTION</b>	<b>REV</b>
	1001271414	Ref	AUXILIARY MOTOR/PUMP ASSEMBLY	A
1	70008403	1	Motor	
2	70008404	1	Pump	
3	70008405	1	Block, Valve	
4	70008397	1	Shaft, Connecting	
5	70008400	2	Washer M8	
6	70008406	2	Capscrew M8 x 80	
7	70008407	1	Bracket	
8	70008408	2	Capscrew 3/8 x 1	

## SECTION 2 - TURNTABLE

FIGURE 2-6. SWING DRIVE AND TURNTABLE BEARING INSTALLATION (MACHINES WITH SN STARTING WITH 03)



ART\_1001294215

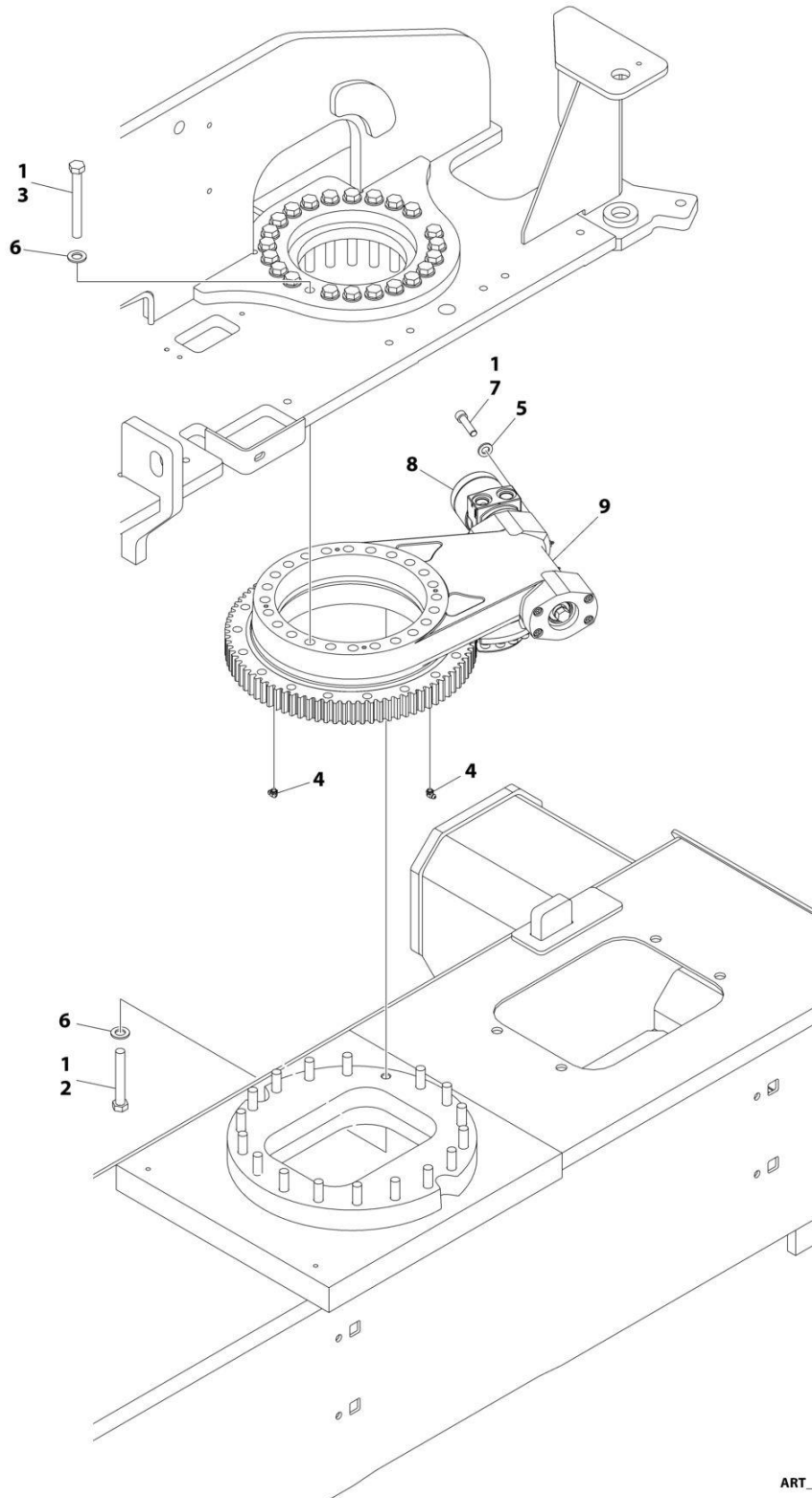
## SECTION 2 - TURNTABLE

**FIGURE 2-6. SWING DRIVE AND TURNTABLE BEARING INSTALLATION (MACHINES WITH SN STARTING WITH 03)**

ITEM	PART NUMBER	QTY	DESCRIPTION	REV
	1001294215	Ref	SWING DRIVE AND TURNTABLE BEARING INSTALLATION	A
1	0100019	AR	Compound, Locking	
2	0711628	18	Bolt M16 x 110 Grade 10.9	
3	0711631	23	Bolt M16 x 140	
4	2160001	2	Fitting, Grease 90	
5	5241200	2	Washer M12	
6	5241600	41	Washer M16	
7	5272114	2	Capscrew M12 x 50 Grade 12.9	
8	1001286019	1	Swing Motor Assembly (See Separate Breakdown in this Section)	
9	1001133972	1	Turntable Bearing Assembly (See Separate Breakdown in this Section)	

## SECTION 2 - TURNTABLE

FIGURE 2-7. SWING DRIVE AND TURNTABLE BEARING INSTALLATION (MACHINES WITH SN STARTING WITH B3)



ART\_1001277273\_B



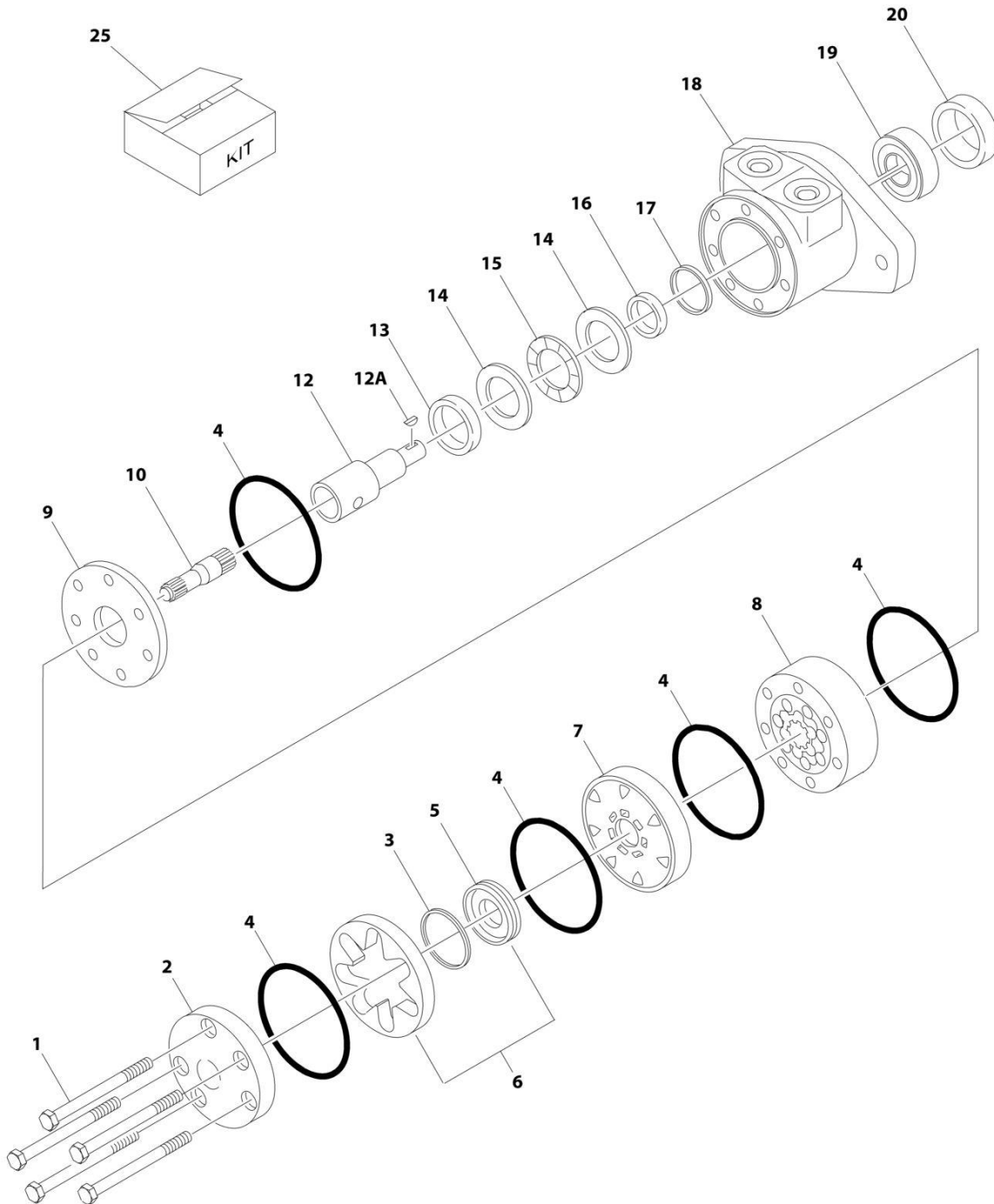
## SECTION 2 - TURNTABLE

**FIGURE 2-7. SWING DRIVE AND TURNTABLE BEARING INSTALLATION (MACHINES WITH SN STARTING WITH B3)**

ITEM	PART NUMBER	QTY	DESCRIPTION	REV
	1001277273	Ref	SWING DRIVE AND TURNTABLE BEARING INSTALLATION	B
1	0100019	AR	Compound, Locking	
2	0711628	18	Bolt M16 x 110 Grade 10.9	
3	0711631	23	Bolt M16 x 140	
4	2160001	2	Fitting, Grease 90	
5	5241200	2	Washer M12	
6	5241600	41	Washer M16	
7	5272114	2	Capscrew M12 x 50 Grade 12.9	
8	1001286019	1	Swing Motor Assembly (See Separate Breakdown in this Section)	
9	1001277009	1	Turntable Bearing Assembly (See Separate Breakdown in this Section)	

# SECTION 2 - TURNTABLE

FIGURE 2-8. SWING MOTOR ASSEMBLY (MACHINES WITH SN STARTING WITH 03)



ART\_1001104850

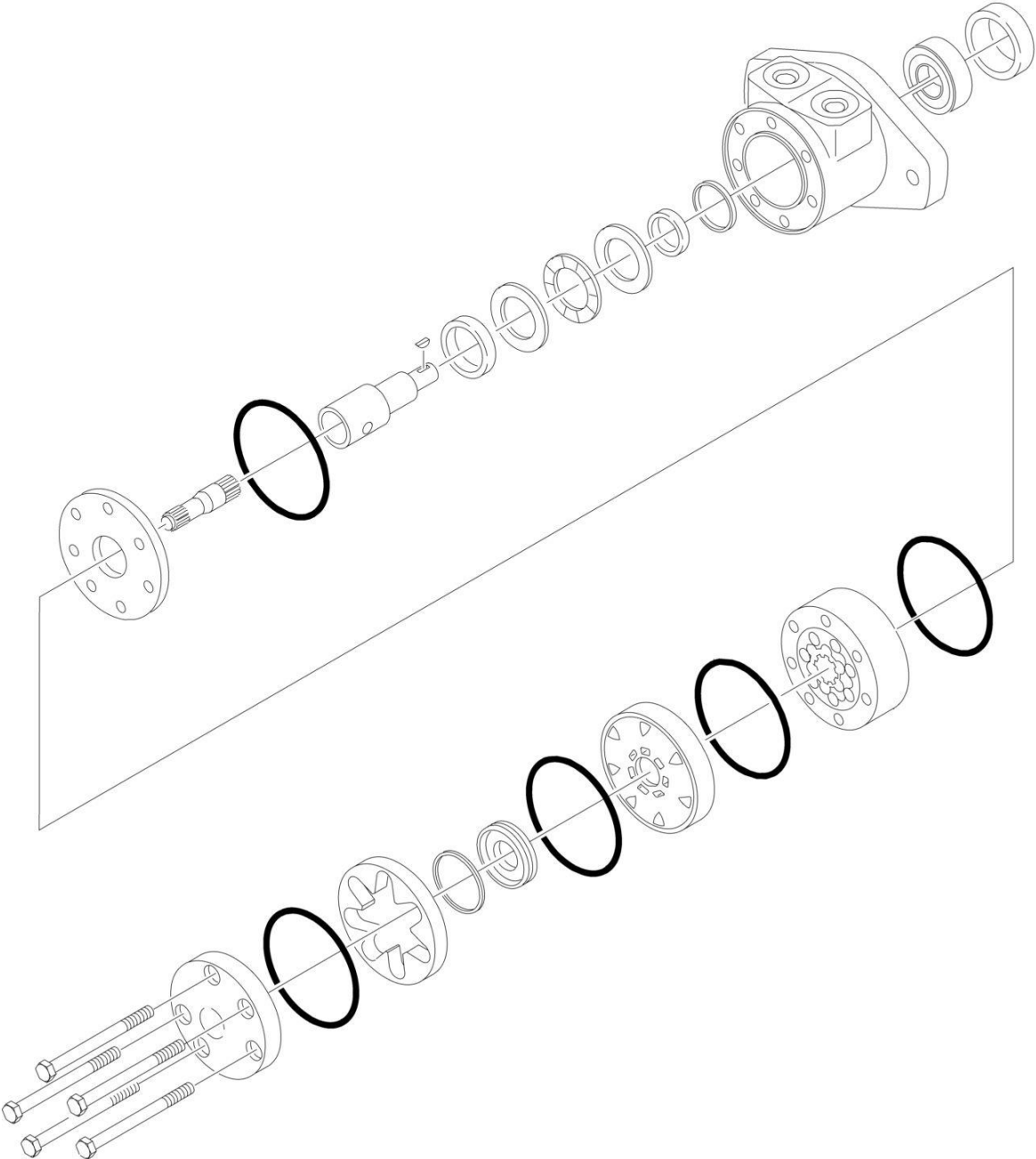
**SECTION 2 - TURNTABLE**

**FIGURE 2-8. SWING MOTOR ASSEMBLY (MACHINES WITH SN STARTING WITH 03)**

ITEM	PART NUMBER	QTY	DESCRIPTION	REV
	1001104850	Ref	SWING MOTOR ASSEMBLY	A
1	See Note	5	Bolt (Note: Not Available for Purchase)	
2	7004035	1	Cover, End	
3	7023318	1	Seal, Commutator	
4	7004036	5	O-Ring	
5	See Note	NSS	Commutator (Note: Use Item 6)	
6	7024453	1	Commutator and Ring Assembly (Includes Item 5)	
7	7024379	1	Manifold	
8	70002206	1	Rotor Set	
9	7024380	1	Plate, Wear	
10	70002207	1	Link, Drive	
12	70000088	1	Shaft, Coupling	
12A	70000089	1	Key	
13	7024381	1	Bushing, Inner	
14	7004043	1	Thrustwasher	
15	7004044	1	Bearing, Thrust	
16	7004049	1	Seal, Inner Shaft	
17	7004045	1	Ring, Back-up	
18	See Note	NSS	Housing (Note: Not Available - Purchase Complete Motor)	
19	7024390	1	Bearing	
20	7004047	1	Seal, Outer Shaft	
25	7024389	1	Seal Kit (Includes Items 3, 4, 16, 17 & 20)	

**SECTION 2 - TURNTABLE**

**FIGURE 2-9. SWING MOTOR ASSEMBLY (MACHINES WITH SN STARTING WITH B3)**



ART\_1001286019

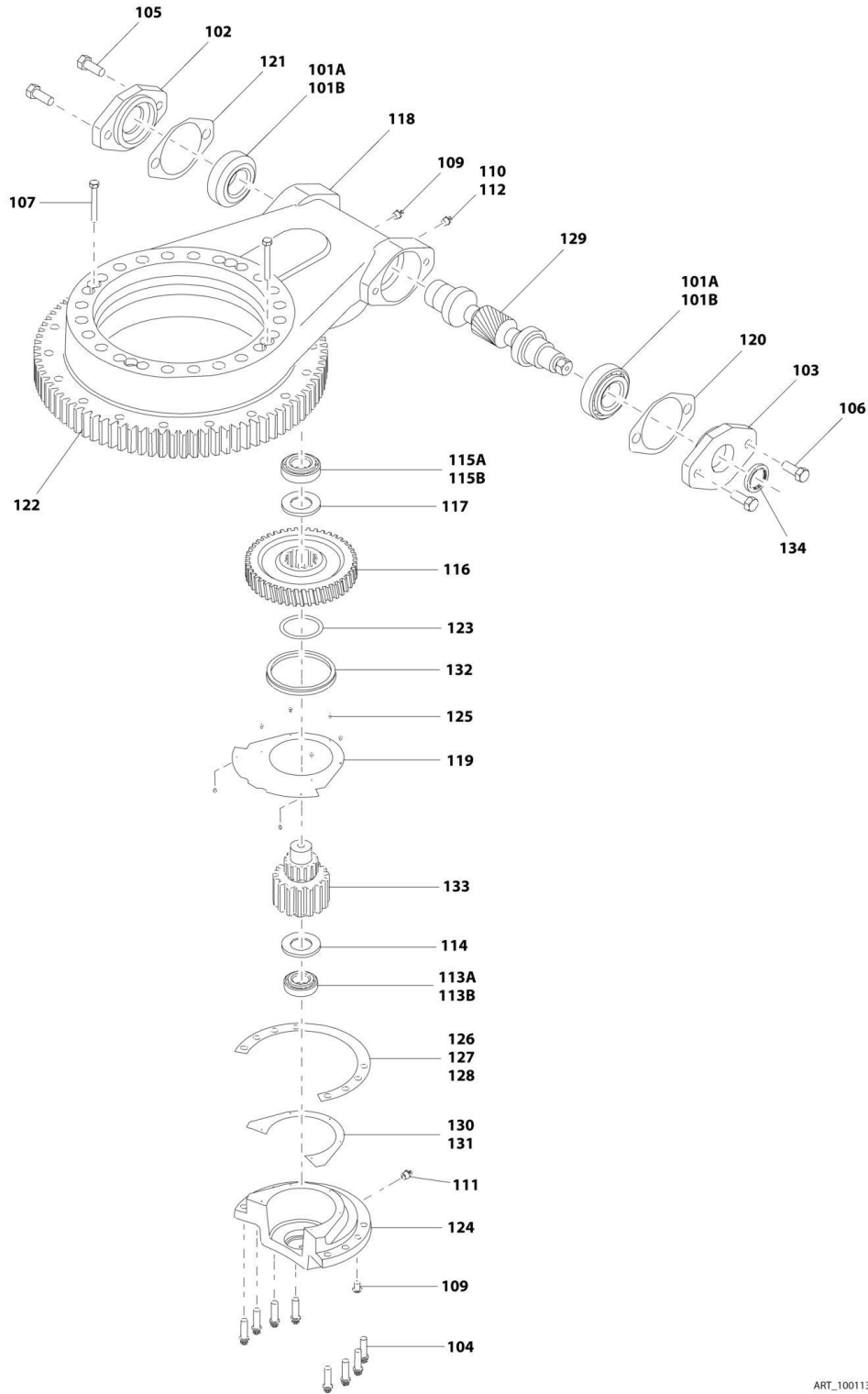
**SECTION 2 - TURNTABLE**

**FIGURE 2-9. SWING MOTOR ASSEMBLY (MACHINES WITH SN STARTING WITH B3)**

ITEM	PART NUMBER	QTY	DESCRIPTION	REV
1	1001286019 See Note	Ref Ref	SWING MOTOR ASSEMBLY Note: No Service Parts Available at Time of Printing	B

# SECTION 2 - TURNTABLE

FIGURE 2-10. TURNTABLE BEARING ASSEMBLY (MACHINES WITH SN STARTING WITH 03)



ART\_1001133972

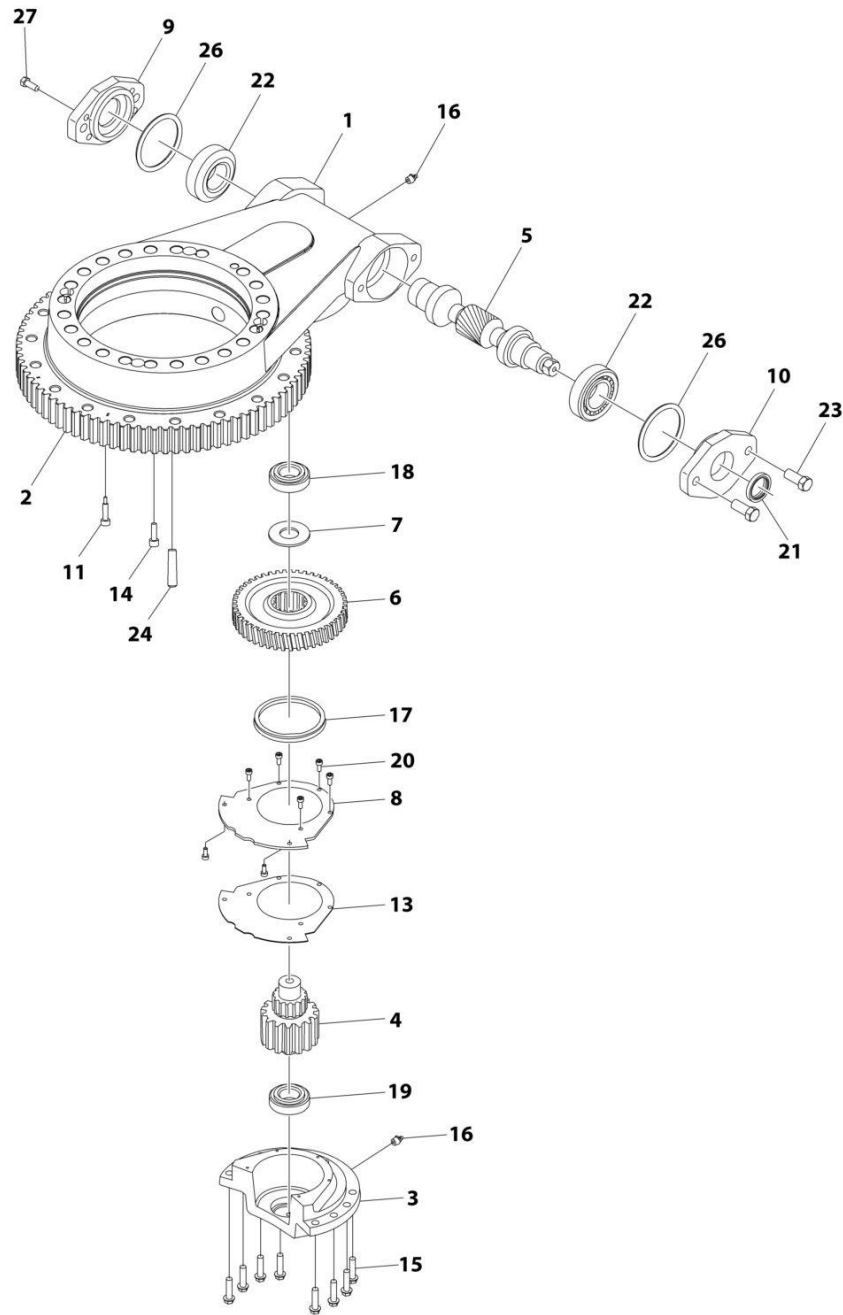
## SECTION 2 - TURNTABLE

**FIGURE 2-10. TURNTABLE BEARING ASSEMBLY (MACHINES WITH SN STARTING WITH 03)**

ITEM	PART NUMBER	QTY	DESCRIPTION	REV
	1001133972	Ref	TURNTABLE BEARING ASSEMBLY	D
101A	7026042	2	Cup, Bearing	
101B	7026043	2	Cone, Bearing	
102	7027356	1	Adapter, Motor	
103	7027354	1	Cap, Worm	
104	70004249	8	Bolt M10 x 35 Grade 10.9	
105	70004250	2	Bolt M12 x 30 Grade 10.9	
106	70004251	2	Bolt M12 x 40 Grade 10.9	
107	70004252	2	Bolt M8 x 65mm	
109	70000865	1	Plug	
110	70002649	1	Vent, Pressure	
111	70002651	1	Fitting, Grease	
112	7026044	1	Bushing, Reducer	
113A	7026045	1	Cup, Bearing	
113B	7026047	1	Cone, Bearing	
114	7026046	1	Ring, Grease	
115A	7026048	1	Cup, Bearing	
115B	7026049	1	Cone, Bearing	
116	7026050	1	Worm-Gear	
117	7026052	1	Spacer, Washer	
118	See Note	1	Housing (Note: Not Available - Purchase Complete Assembly)	
119	7026053	1	Cover, Gear	
120	7027350	AR	Shim, Blue (.005in)	
120	7027351	AR	Shim, Clear (.0075in)	
120	7027352	AR	Shim, Brown (.010in)	
121	7027353		Shim, Yellow (.020in)	
122	70004253	1	Bearing, Turntable	
123	70004254	1	O-Ring	
124	70004255	1	Cap, Gear	
125	70004256	8	Bolt M4 x 8	
126	70004257	AR	Shim, Green (.003)	
127	70004258	AR	Shim, Blue (.005)	
128	70004259	AR	Shim, Natural (.0075)	
129	7026057	1	Gear, Worm	
130	70004260	AR	Shim, Blue (.005)	
131	70004261	AR	Shim, Yellow (.020)	
132	70004262	1	Seal, Oil	
133	7026051	1	Pinion, Output	
134	70004263	1	Seal, Oil	

# SECTION 2 - TURNTABLE

FIGURE 2-11. TURNTABLE BEARING ASSEMBLY (MACHINES WITH SN STARTING WITH B3)



ART\_1001277009



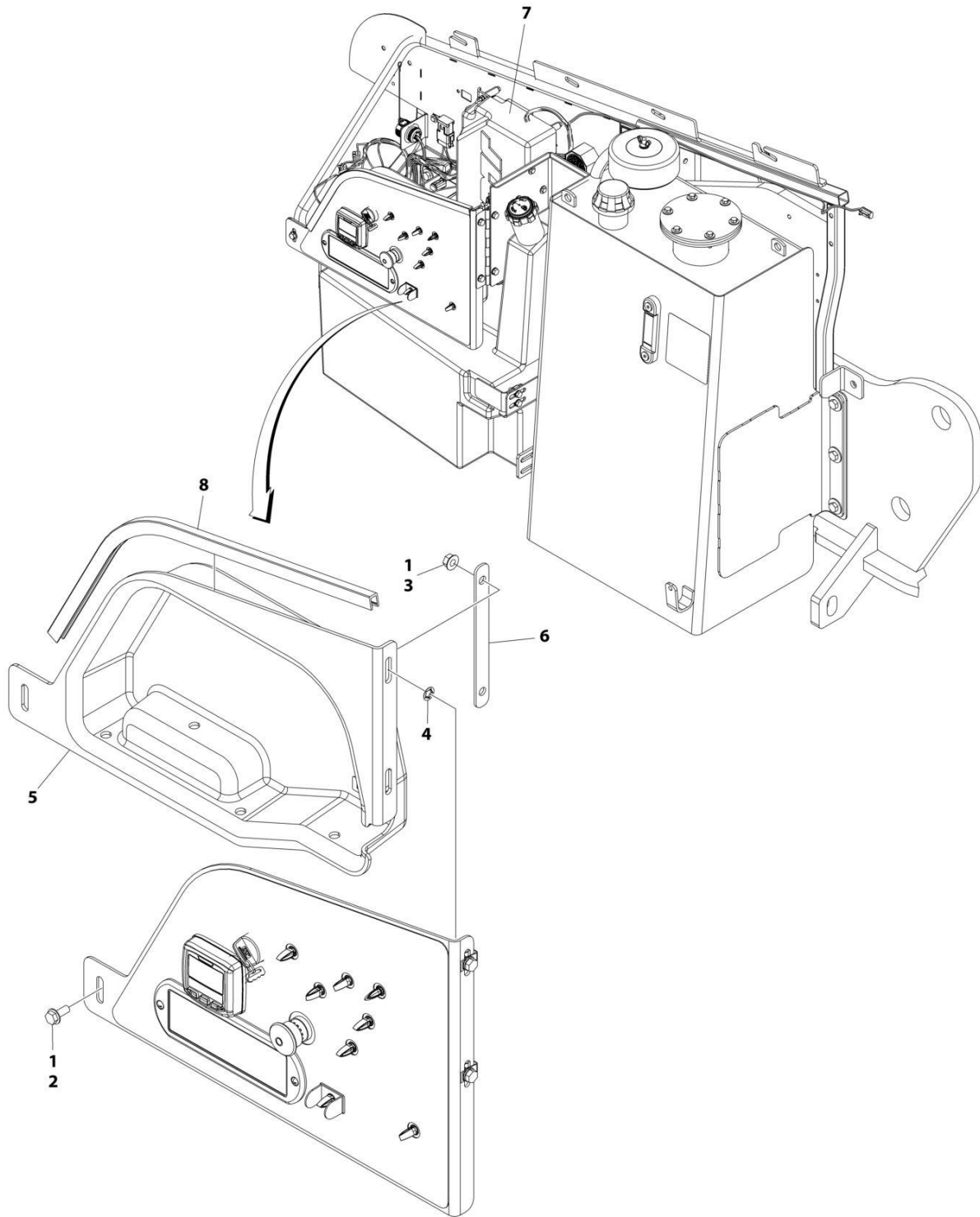
## SECTION 2 - TURNTABLE

**FIGURE 2-11. TURNTABLE BEARING ASSEMBLY (MACHINES WITH SN STARTING WITH B3)**

ITEM	PART NUMBER	QTY	DESCRIPTION	REV
	1001277009	Ref	TURNTABLE BEARING ASSEMBLY	B
1	See Note	NSS	Housing (Note: Not Sold Separately)	
2	70008371	1	Ring, Slewing	
3	70008372	1	Cap, Gear	
4	70008373	1	Gear, Pinion	
5	70008374	1	Gear, Worm	
6	70008375	1	Gear, Worm Wheel	
7	70008376	1	Adapter, Worm Wheel Gear	
8	70008377	1	Cover, Gear	
9	70008378	1	Adapter, Motor	
10	70008379	1	Cover	
11	70008380	2	Bolt, Positioning	
12	See Note	NSS	Plate, Serial Number (Not Shown) (Note: Not Sold Separately)	
13	70008381	AR	Shim	
14	70008382	4	Bolt M8 x 40 Class 12.9	
15	70008383	8	Bolt M10 x 30 Class 12.9	
16	70008384	2	Fitting, Grease	
17	70008385	1	Seal	
18	70008386	1	Bearing	
19	70008387	1	Bearing	
20	70008388	7	Bolt M4 x 8	
21	70008389	1	Seal	
22	70008390	2	Bearing	
23	70008391	4	Bolt M12 x 35	
24	70008392	2	Cotter, Tapered	
25	See Note	NSS	Rivet (Not Shown) (Note: Not Sold Separately)	
26	70008393	AR	Shim	
27	4031707	4	Bolt M5 x 16	

# SECTION 2 - TURNTABLE

## FIGURE 2-12. TURNTABLE COVERS INSTALLATION



ART\_1001219129

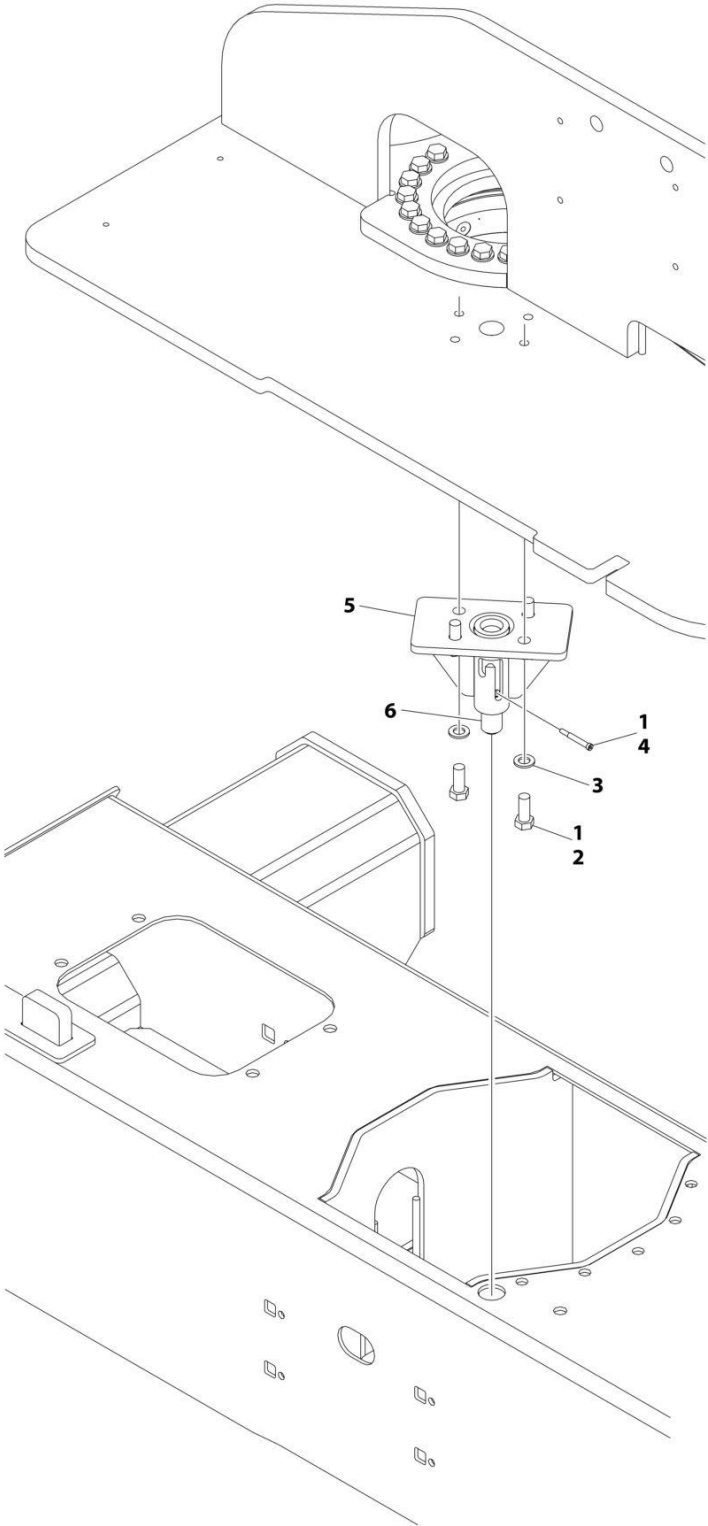
**SECTION 2 - TURNTABLE**

**FIGURE 2-12. TURNTABLE COVERS INSTALLATION**

<b>ITEM</b>	<b>PART NUMBER</b>	<b>QTY</b>	<b>DESCRIPTION</b>	<b>REV</b>
	1001219129	Ref	TURNTABLE COVERS INSTALLATION	A
1	0100011	AR	Compound, Locking	
2	5250812	1	Bolt M8 x 25	
3	5260800	2	Nut M8	
4	1001119228	2	Nut M8	
5	1001218533	1	Cover	
6	1001218535	1	Plate, Mounting	
7	1001218537	1	Cover	
8	4060806	2 ft/0.6m	Shield, Flex	

**SECTION 2 - TURNTABLE**

**FIGURE 2-13. TURNTABLE LOCK INSTALLATION**



ART\_1001275935

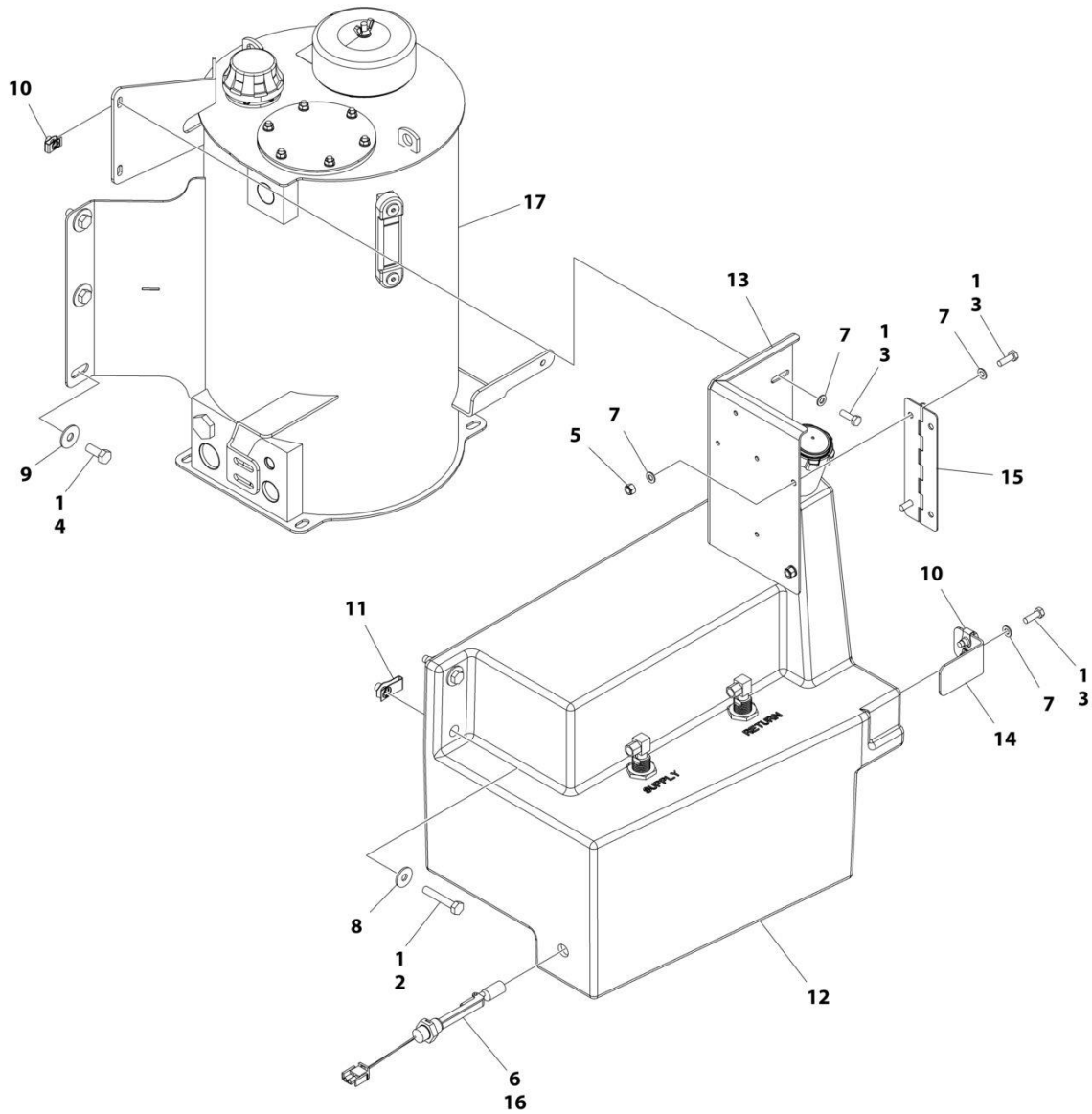
**SECTION 2 - TURNTABLE**

**FIGURE 2-13. TURNTABLE LOCK INSTALLATION**

<b>ITEM</b>	<b>PART NUMBER</b>	<b>QTY</b>	<b>DESCRIPTION</b>	<b>REV</b>
	1001275935	Ref	TURNTABLE LOCK INSTALLATION	A
1	0100011	AR	Compound, Locking	
2	0701616	4	Bolt M16 x 40	
3	4812300	4	Washer M16	
4	1001157466	1	Bolt M10 x 30	
5	1001177821	1	Support, Lock	
6	1001177834	1	Pin, Lock	
7	1001275936	1	Decal - Lift Diagram (Not Shown)	

## SECTION 2 - TURNTABLE

FIGURE 2-14. TANKS INSTALLATION - DIESEL MACHINES (HYDRAULIC TANK WITH 4 INCH BREATHER)



ART\_1001282831

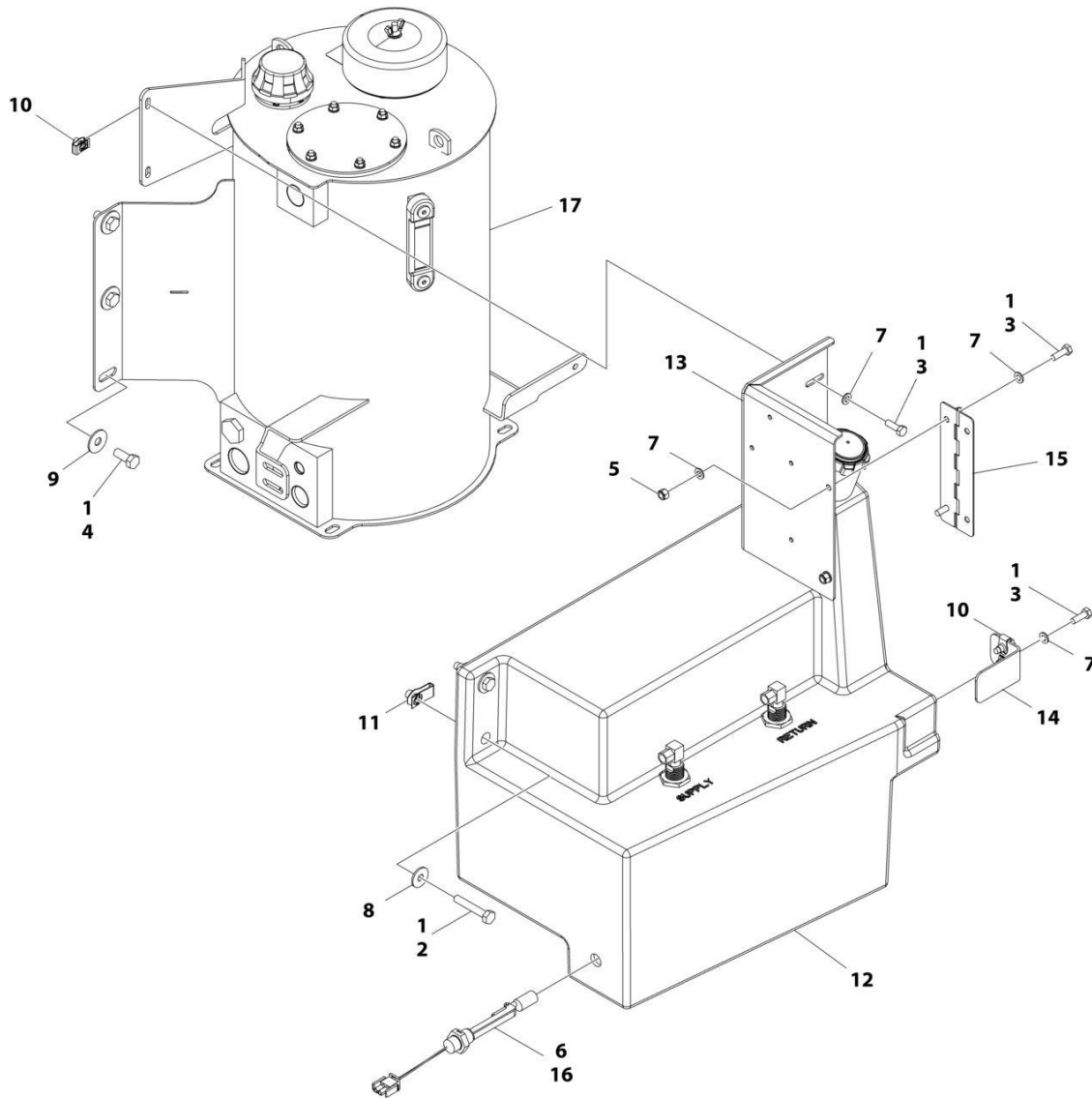
**SECTION 2 - TURNTABLE**

**FIGURE 2-14. TANKS INSTALLATION - DIESEL MACHINES (HYDRAULIC TANK WITH 4 INCH BREATHER)**

ITEM	PART NUMBER	QTY	DESCRIPTION	REV
	1001282831	Ref	TANKS INSTALLATION - DIESEL MACHINES	A
1	0100011	AR	Compound, Locking	
2	0701020	2	Bolt M10 x 60	
3	0760812	6	Bolt M8 x 25	
4	0761214	6	Bolt M12 x 30	
5	3290805	2	Nut M8	
6	4360436	1	Switch, Fuel Level	
6	4460320	1	Plug, Male - 2 Position	
6	4460267	1	Pin, Male	
7	4811900	8	Washer M8	
8	4812002	2	Washer M10	
9	4812102	6	Washer M12	
10	1001118274	4	Nut M8	
11	1001118972	2	Nut M10	
12	1001163061	1	Fuel Tank Assembly	
12	1001193336	1	Cap, Fuel	
12	70004876	2	Tube, Pick-up	
12	0100020	AR	Compound, Locking	
13	1001169898	1	Support, Ground Control	
14	1001170480	1	Support, Tank	
15	1001179339	1	Hinge	
16	1001182997	AR	Adhesive	
17	1001274525	1	Hydraulic Tank Assembly (See Separate Breakdown in this Section)	

## SECTION 2 - TURNTABLE

FIGURE 2-15. TANKS INSTALLATION - DIESEL MACHINES (HYDRAULIC TANK WITH 6 INCH BREATHER)



ART\_1001207347



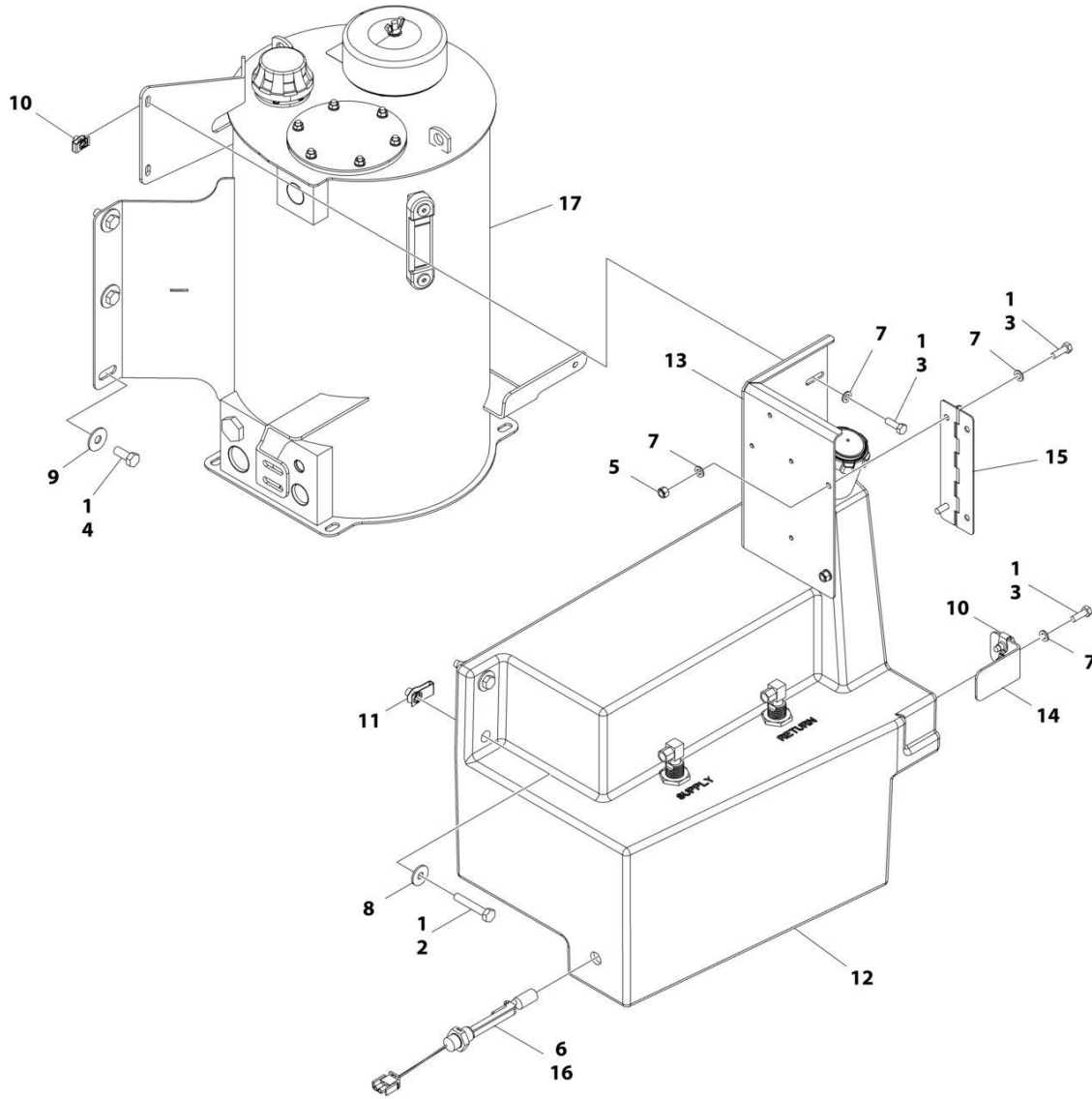
**SECTION 2 - TURNTABLE**

**FIGURE 2-15. TANKS INSTALLATION - DIESEL MACHINES (HYDRAULIC TANK WITH 6 INCH BREATHER)**

ITEM	PART NUMBER	QTY	DESCRIPTION	REV
	1001207347	Ref	TANKS INSTALLATION - DIESEL MACHINES	B
1	0100011	AR	Compound, Locking	
2	0701020	2	Bolt M10 x 60	
3	0760812	6	Bolt M8 x 25	
4	0761214	6	Bolt M12 x 30	
5	3290805	2	Nut M8	
6	4360436	1	Switch, Fuel Level	
6	4460320	1	Plug, Male - 2 Position	
6	4460267	1	Pin, Male	
7	4811900	8	Washer M8	
8	4812002	2	Washer M10	
9	4812102	6	Washer M12	
10	1001118274	4	Nut M8	
11	1001118972	2	Nut M10	
12	1001163061	1	Fuel Tank Assembly	
12	1001193336	1	Cap, Fuel	
12	70004876	2	Tube, Pick-up	
12	0100020	AR	Compound, Locking	
13	1001169898	1	Support, Ground Control	
14	1001170480	1	Support, Tank	
15	1001179339	1	Hinge	
16	1001182997	AR	Adhesive	
17	1001206916	1	Hydraulic Tank Assembly	
17	70003614	1	Filter Kit (Includes Hydraulic Element, Breather Element and Gasket)	
17	70002838	1	Fill Cap Assembly (Includes Cap, Chain and Fill Basket)	
17	7024441	1	Gauge, Sight	
17	70002112	1	Plug, Drain	

# SECTION 2 - TURNTABLE

## FIGURE 2-16. TANKS INSTALLATION - GAS MACHINES



ART\_1001207348

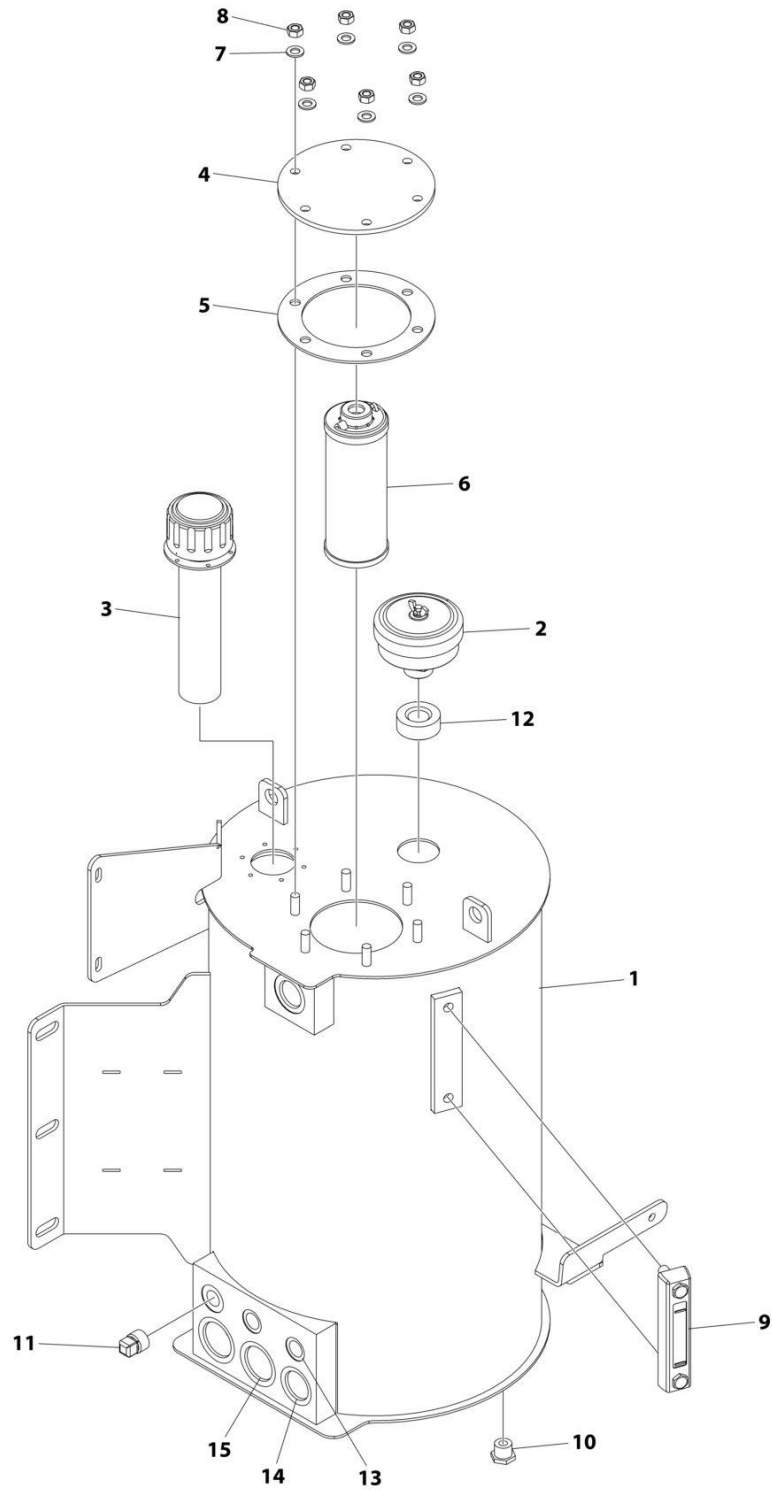
## SECTION 2 - TURNTABLE

**FIGURE 2-16. TANKS INSTALLATION - GAS MACHINES**

ITEM	PART NUMBER	QTY	DESCRIPTION	REV
	1001207348	Ref	TANKS INSTALLATION - GAS MACHINES	B
1	0100011	AR	Compound, Locking	
2	0701020	2	Bolt M10 x 60	
3	0760812	6	Bolt M8 x 25	
4	0761214	6	Bolt M12 x 30	
5	3290805	2	Nut M8	
6	4360436	1	Switch, Fuel Level	
6	4460320	1	Plug, Male - 2 Position	
6	4460267	1	Pin, Male	
7	4811900	8	Washer M8	
8	4812002	2	Washer M10	
9	4812102	6	Washer M12	
10	1001118274	4	Nut M8	
11	1001118972	2	Nut M10	
12	1001163062	1	Fuel Tank Assembly	
12	1001211336	1	Cap, Tank	
12	70004877	2	Tube, Pick-up	
12	0100020	AR	Compound, Locking	
13	1001169898	1	Support, Ground Control	
14	1001170480	1	Support, Tank	
15	1001179339	1	Hinge	
16	1001182997	AR	Adhesive	
17	1001206916	1	Hydraulic Tank Assembly	
17	70003614	1	Filter Kit (Includes Hydraulic Element, Breather Element and Gasket)	
17	70002838	1	Fill Cap Assembly (Includes Cap, Chain and Fill Basket)	
17	7024441	1	Gauge, Sight	
17	70002112	1	Plug, Drain	

# SECTION 2 - TURNTABLE

FIGURE 2-17. HYDRAULIC TANK ASSEMBLY - WITH 4 INCH BREATHER (DIESEL MACHINES)



ART\_1001274525

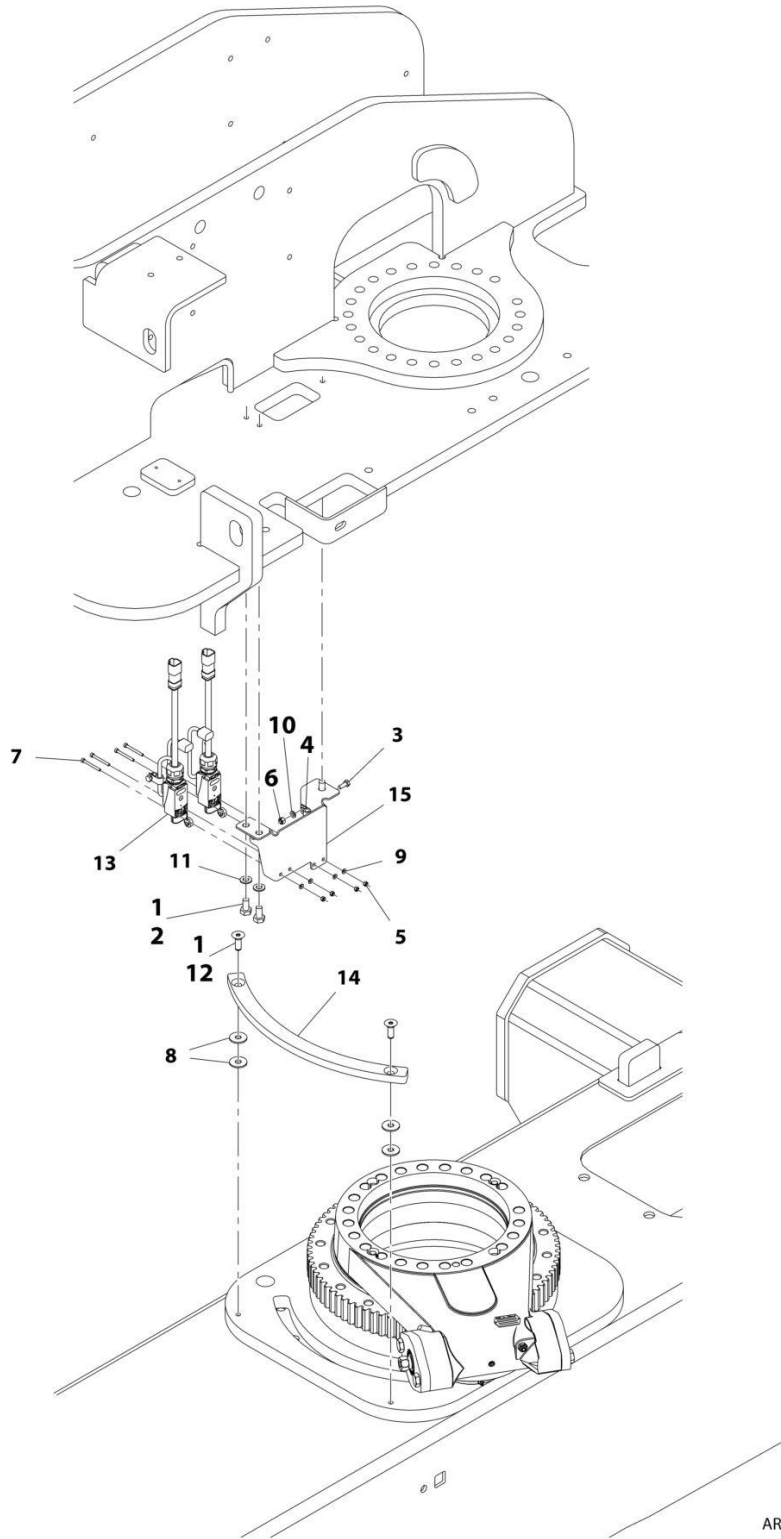
**SECTION 2 - TURNTABLE**

**FIGURE 2-17. HYDRAULIC TANK ASSEMBLY - WITH 4 INCH BREATHER (DIESEL MACHINES)**

ITEM	PART NUMBER	QTY	DESCRIPTION	REV
	1001274525	Ref	HYDRAULIC TANK ASSEMBLY	A
1	See Note	NSS	Tank (Note: Not Available for Purchase)	
2	70008258	1	Breather	
3	70008253	1	Cap, Fill	
4	70008259	1	Cover	
5	70008260	1	Gasket	
6	70008261	1	Filter	
7	70008262	6	Washer	
8	70008263	6	Nut M10	
9	70008264	1	Gauge, Level	
10	70008254	1	Plug 7/8	
11	70008265	1	Plug	
12	70008266	1	O-Ring	
13	70008256	2	Cover 3/4	
14	70008267	2	Cover 1-5/16	
15	70008268	2	Cover 1-5/8	

# SECTION 2 - TURNTABLE

## FIGURE 2-18. DRIVE ORIENTATION INSTALLATION



ART\_1001166767

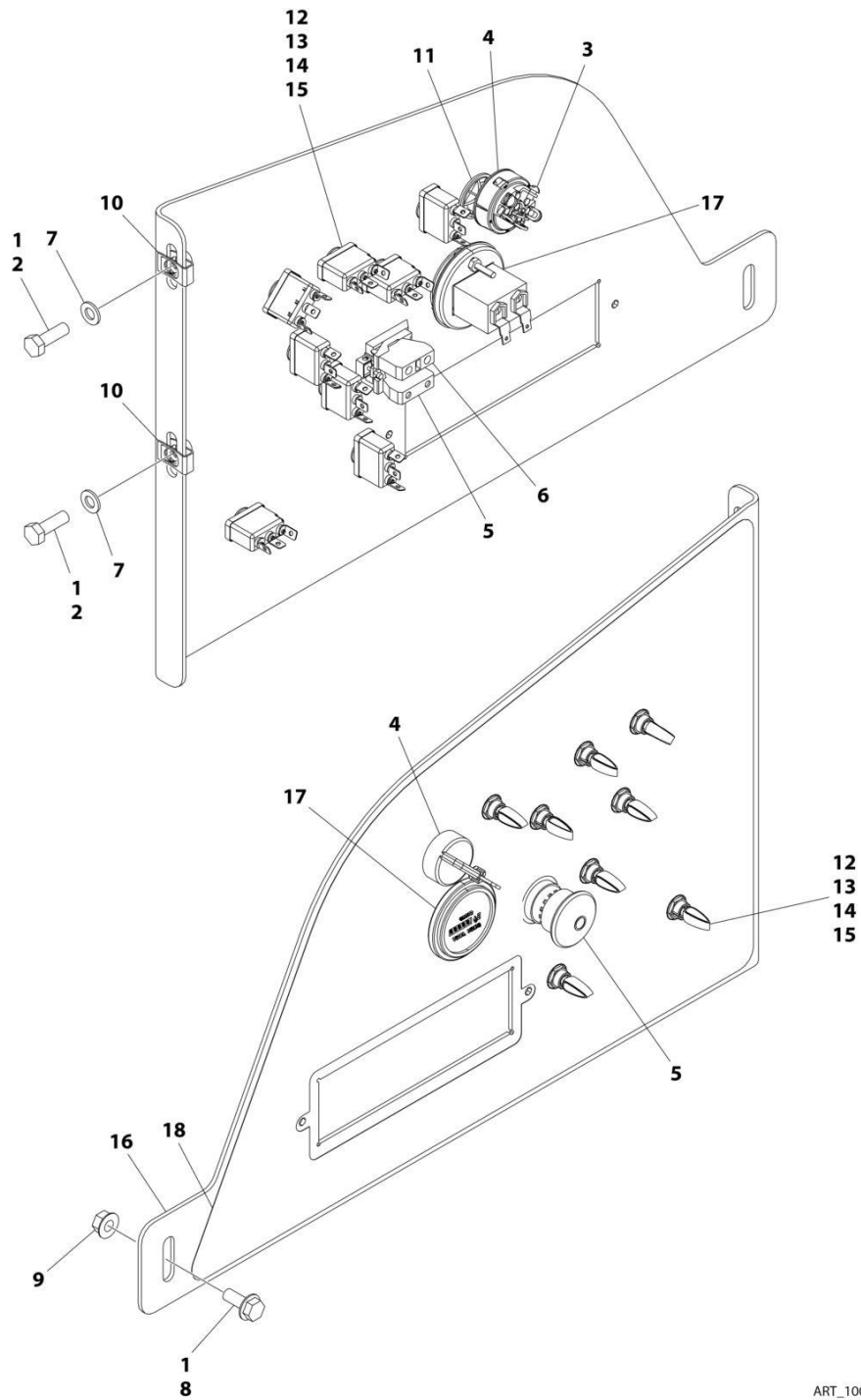
**SECTION 2 - TURNTABLE**

**FIGURE 2-18. DRIVE ORIENTATION INSTALLATION**

ITEM	PART NUMBER	QTY	DESCRIPTION	REV
	1001166767	Ref	DRIVE ORIENTATION INSTALLATION	F
1	0100011	AR	Compound, Locking	
2	0761010	3	Bolt M10 x 20	
3	0760608	2	Bolt M6 x 16	
4	1321293	2	Clamp, Cable	
5	3290405	4	Nut M4	
6	3290605	2	Nut M6	
7	4031512	4	Capscrew M4 x 40	
8	4812002	4	Washer M10	
9	4811400	4	Washer M4	
10	4811700	2	Washer M6	
11	4812000	3	Washer M10	
12	8310614	2	Screw M10 x 30	
13	1001119176	2	Switch, Limit	
13	1001129407	1	Receptacle, Female - 4 Position	
13	4460464	4	Pin, Male	
14	1001162106	1	Cam	
15	1001166768	1	Bracket	
16	8881800	AR	Tie-Strap (Not Shown)	

# SECTION 2 - TURNTABLE

FIGURE 2-19. GROUND CONTROL ASSEMBLY (ALL SPECS EXCEPT CE, CIS/EAC & UK CA SPECS)



ART\_1001246450\_D



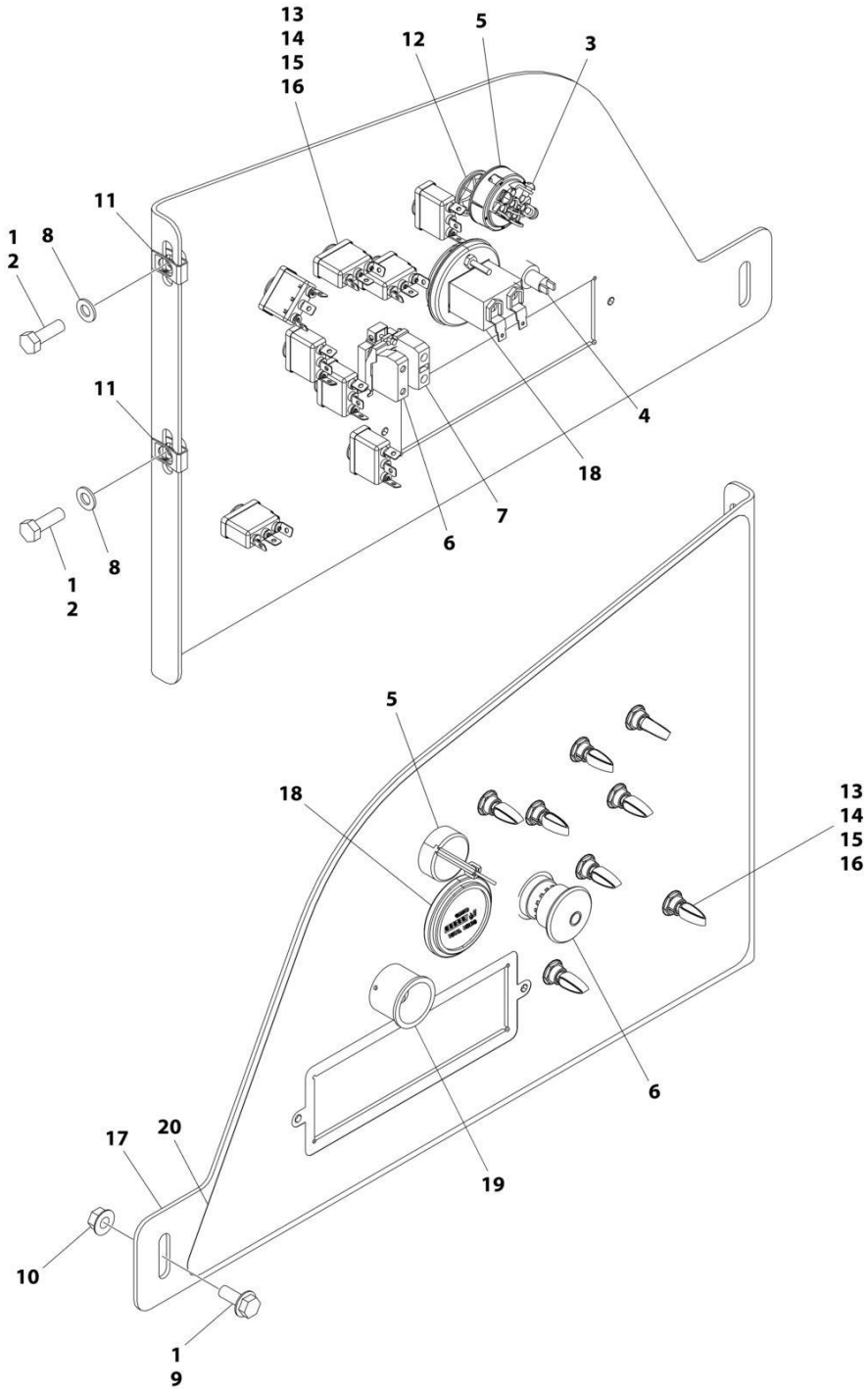
## SECTION 2 - TURNTABLE

**FIGURE 2-19. GROUND CONTROL ASSEMBLY (ALL SPECS EXCEPT CE, CIS/EAC & UK CA SPECS)**

ITEM	PART NUMBER	QTY	DESCRIPTION	REV
	1001246450	Ref	GROUND CONTROL ASSEMBLY	D
1	0100011	AR	Compound, Locking	
2	0760812	2	Bolt M8 x 25	
3	3910804	3	Screw M8 x 1/4	
4	4360469	1	Switch, Key	
4	2860030	1	Key, Replacement	
5	1001274559	1	Switch, Emergency	
6	4360476	1	Block, Contact	
7	4811900	2	Washer M8	
8	5250810	1	Bolt M8 x 20	
9	5260800	1	Nut M8	
10	1001118274	2	Nut M8	
11	1001151393	1	Shim .063	
12	1001155043	8	Washer	
13	1001155044	8	Nut, Special 15/32-32	
14	1001155045	8	Switch, Toggle	
15	1001162807	8	Washer	
16	1001297389	1	Panel, Ground Control	
17	10836804	1	Gauge, Display	
18	1001264733	1	Decal - Ground Control	

# SECTION 2 - TURNTABLE

FIGURE 2-20. GROUND CONTROL ASSEMBLY (CE, CIS/EAC & UK CA SPECS)



ART\_1001246451\_D

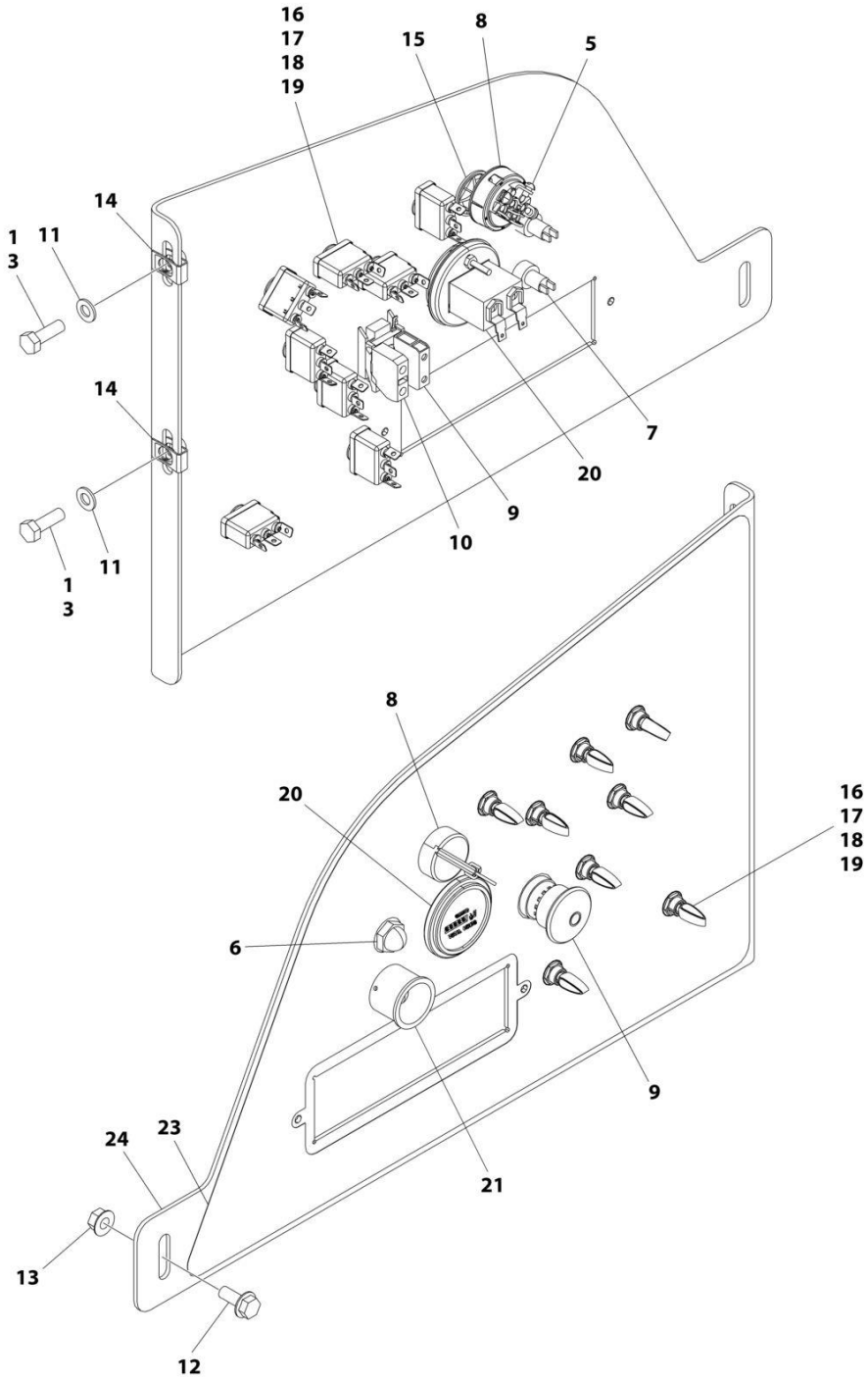
## SECTION 2 - TURNTABLE

**FIGURE 2-20. GROUND CONTROL ASSEMBLY (CE, CIS/EAC & UK CA SPECS)**

ITEM	PART NUMBER	QTY	DESCRIPTION	REV
	1001246451	Ref	GROUND CONTROL ASSEMBLY	D
1	0100011	AR	Compound, Locking	
2	0760812	2	Bolt M8 x 25	
3	3910804	3	Screw M8 x 1/4	
4	4360387	1	Switch, Push Button	
5	4360469	1	Switch, Key	
5	2860030	1	Key, Replacement	
6	1001274559	1	Switch, Emergency	
7	4360476	1	Block, Contact	
8	4811900	2	Washer M8	
9	5250810	1	Bolt M8 x 20	
10	5260800	1	Nut M8	
11	1001118274	2	Nut M8	
12	1001151393	1	Shim .063	
13	1001155043	8	Washer	
14	1001155044	8	Nut, Special 15/32-32	
15	1001155045	8	Switch, Toggle	
16	1001162807	8	Washer	
17	1001297389	1	Panel, Ground Control	
18	10836804	1	Gauge, Display	
19	1001176469	1	Shroud, Switch	
20	1001264732	1	Decal - Ground Control	

# SECTION 2 - TURNTABLE

## FIGURE 2-21. GROUND CONTROL ASSEMBLY (STAGE V ONLY) (CE & UK CA SPECS)



ART\_1001245656\_E

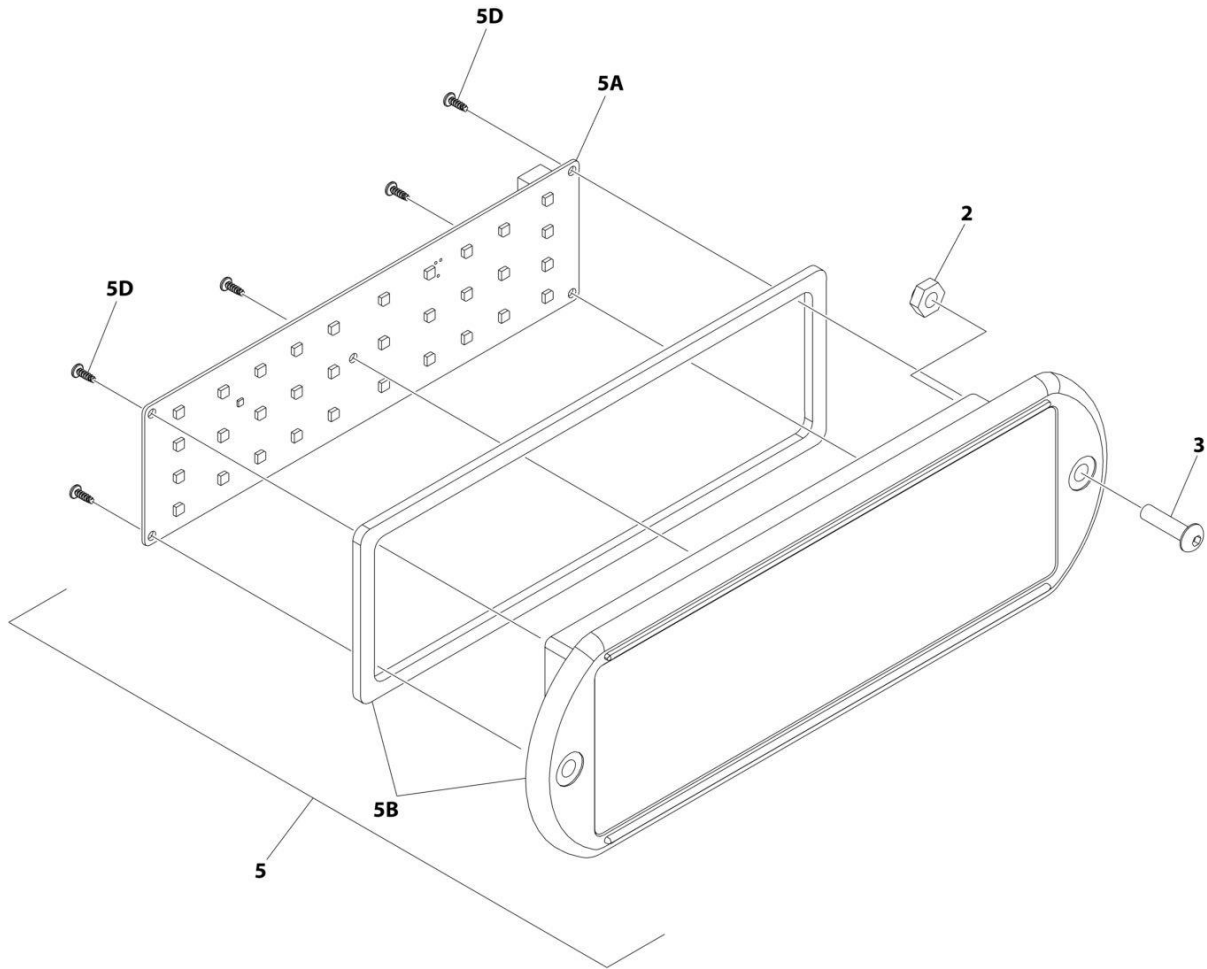
## SECTION 2 - TURNTABLE

**FIGURE 2-21. GROUND CONTROL ASSEMBLY (STAGE V ONLY) (CE & UK CA SPECS)**

ITEM	PART NUMBER	QTY	DESCRIPTION	REV
	1001245656	Ref	GROUND CONTROL ASSEMBLY	E
1	0100011	AR	Compound, Locking	
3	0760812	2	Bolt M8 x 25	
5	3910804	3	Screw M8 x 1/4	
6	4360274	1	Switch, Push Button	
7	4360387	1	Switch, Push Button	
8	4360469	1	Switch, Key	
9	1001274559	1	Switch, Emergency	
10	4360476	1	Block, Contact	
11	4811900	2	Washer M8	
12	5250810	1	Bolt M8 x 20	
13	5260800	1	Nut M8	
14	1001118274	2	Nut M8	
15	1001151393	1	Shim .063	
16	1001155043	8	Washer	
17	1001155044	8	Nut, Special 15/32-32	
18	1001155045	8	Switch, Toggle	
19	1001162807	8	Washer	
20	10836804	1	Gauge, Display	
21	1001176469	1	Shroud, Switch	
23	1001264731	1	Decal - Ground Control	
24	1001297389	1	Panel, Ground Control	

# SECTION 2 - TURNTABLE

## FIGURE 2-22. LIGHT PANEL INSTALLATION – GROUND CONTROL



ART\_1001233959\_D\_10F2

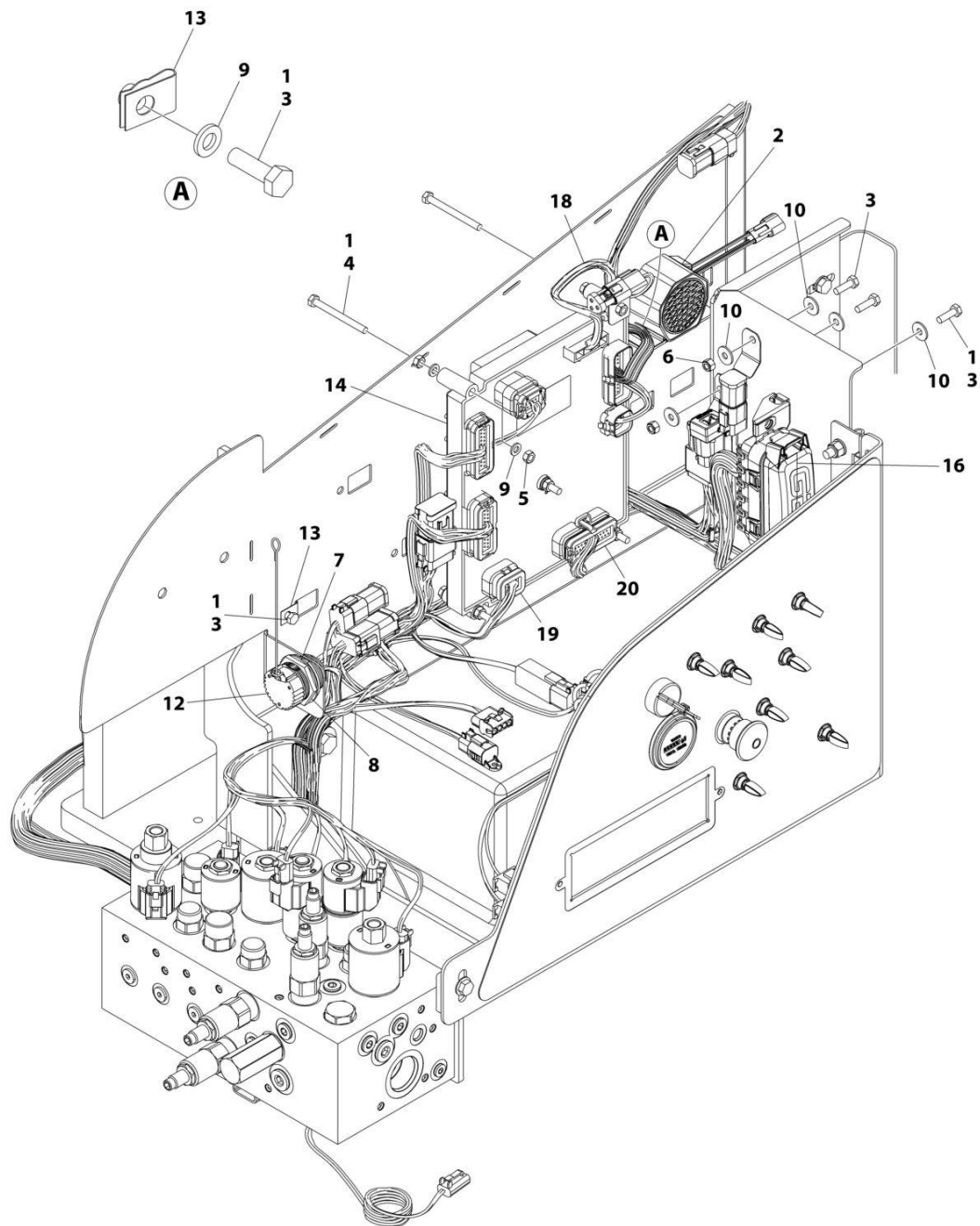
**SECTION 2 - TURNTABLE**

**FIGURE 2-22. LIGHT PANEL INSTALLATION – GROUND CONTROL**

<b>ITEM</b>	<b>PART NUMBER</b>	<b>QTY</b>	<b>DESCRIPTION</b>	<b>REV</b>
	1001233959	Ref	LIGHT PANEL INSTALLATION	D
2	3300408	2	Nut, Nylon Insert	
3	0630518	2	Screw #10 x 3/4	
5	1001237546	1	Light Panel Assembly	J
5A	1001282106	1	Panel, LED Light	
5B	1001236091	1	Lens, Icon (Includes Gasket)	
5D		Ref	Screw	

# SECTION 2 - TURNTABLE

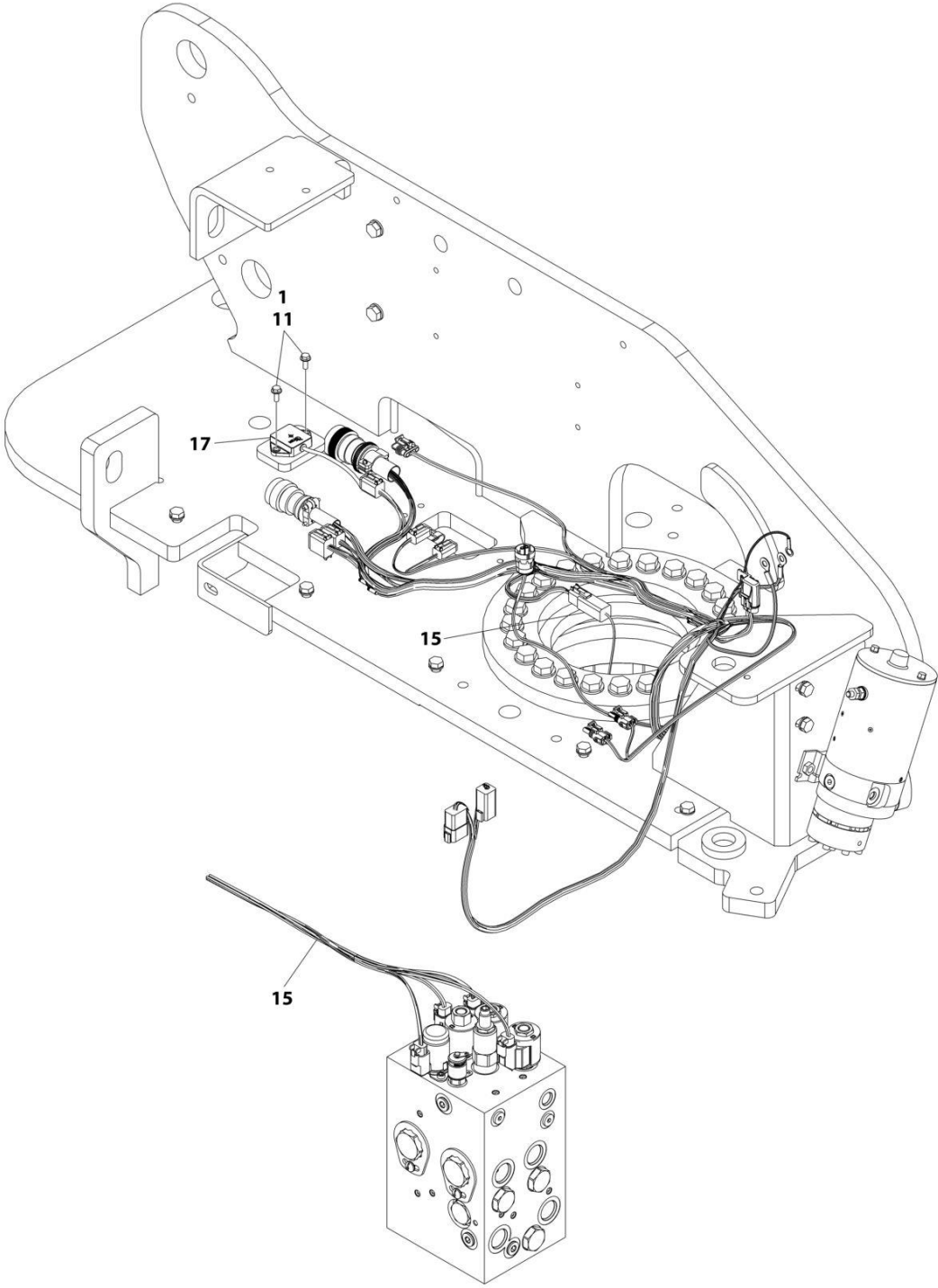
## FIGURE 2-23. ELECTRICAL SYSTEM INSTALLATION



ART\_1001246369\_E\_10F2



**SECTION 2 - TURNTABLE**



**DETAIL OF TRACTION VALVE**

ART\_1001246369\_E\_2OF2

## SECTION 2 - TURNTABLE

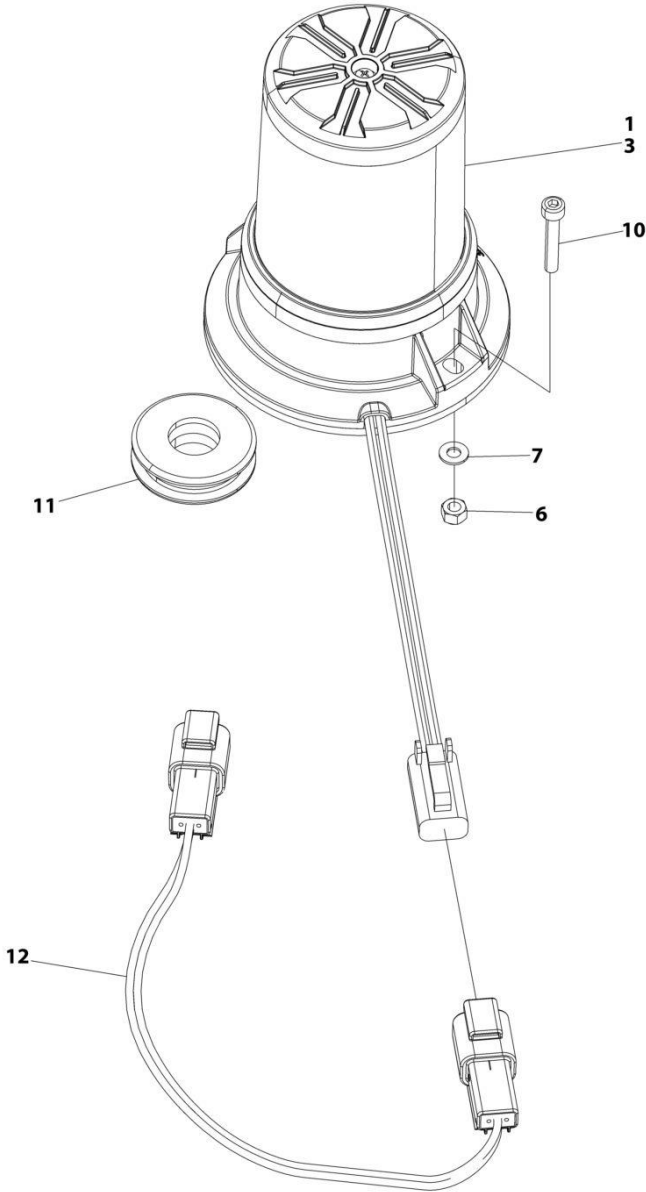
FIGURE 2-23. ELECTRICAL SYSTEM INSTALLATION

ITEM	PART NUMBER	QTY	DESCRIPTION	REV
	1001246369	Ref	ELECTRICAL SYSTEM INSTALLATION	E
1	0100011	AR	Compound, Locking	
2	0140043	1	Alarm	
3	0760610	7	Bolt M6 x 20	
4	0760621	5	Bolt M6 x 65	
5	3290601	10	Nut M6	
6	3290605	2	Nut M6	
7	4460496	1	Washer, Terminal	
8	4460497	1	Nut, Terminal	
9	4811700	12	Washer M6	
10	4811702	7	Washer M6	
11	5250608	2	Bolt M6 x 16	
12	1001106736	1	Cap, Dust	
13	1001130220	3	Nut, Tinnerman M6	
14	1001280340	1	Module, Ground Control (Note: Re-calibration Required when Replaced)	
15	1001179236	1	Chassis Solenoid Harness (See Separate Breakdown in ELECTRICAL Section)	
16	1001196637	1	Decal - Fuse Box	
17	1001219601	1	Sensor	
17	1001103013	1	Connector	
18	1001282492	1	Turntable Harness (See Separate Breakdown in ELECTRICAL Section)	
19	1001282533	1	Valve Harness - Main Valve (See Separate Breakdown in ELECTRICAL Section)	
20	1001299782	1	Ground Control Panel Harness (See Separate Breakdown in ELECTRICAL Section)	
22	4240032	AR	Tie-Strap (Not Shown)	
23	4460234	AR	Mount, Tie-Strap (Not Shown)	
25	1001213448	1	Cap, Dust (Not Shown)	



**SECTION 2 - TURNTABLE**

**FIGURE 2-24. BEACON LIGHT INSTALLATION - AMBER**



ART\_1001174976\_F

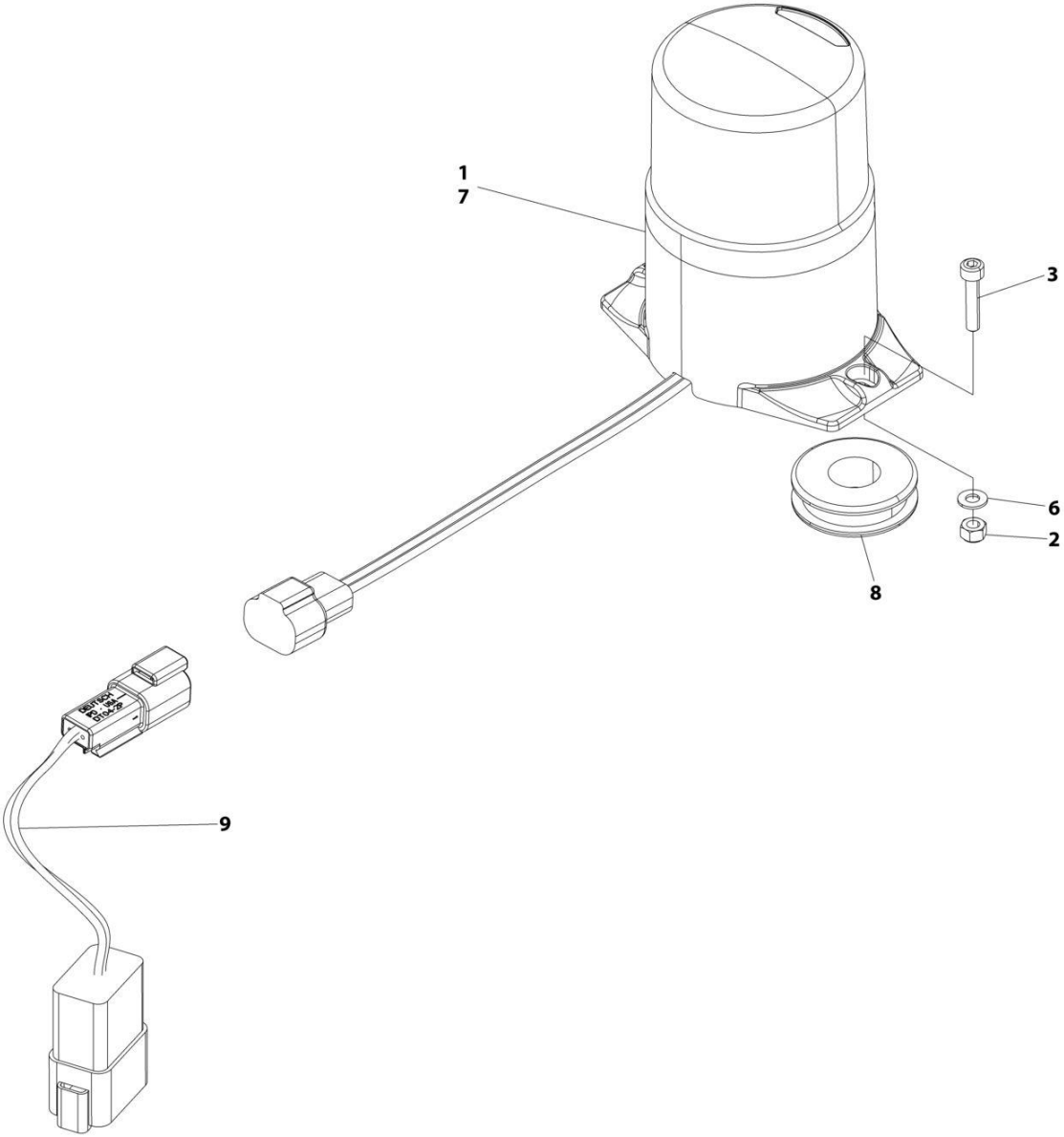
**SECTION 2 - TURNTABLE**

**FIGURE 2-24. BEACON LIGHT INSTALLATION - AMBER**

<b>ITEM</b>	<b>PART NUMBER</b>	<b>QTY</b>	<b>DESCRIPTION</b>	<b>REV</b>
	1001174976	Ref	BEACON LIGHT INSTALLATION - AMBER	F
1	0100048	AR	Compound, Silicone	
3	1001270594	1	Lamp, Strobe	
3	4460891	1	Connector	
3	4460465	2	Socket	
6	3290405	2	Nut, Lock M4	
7	4811400	2	Washer M4	
8	4240032	AR	Tie-Strap (Not Shown)	
9	4460234	AR	Mount, Tie-Strap (Noth Shown)	
10	4031509	1	Capscrew M4 x25	
11	2540020	1	Grommet	
12	1001283776	1	Harness, Beacon Jumper (See Separate Breakdown in ELECTRICAL Section)	

**SECTION 2 - TURNTABLE**

**FIGURE 2-25. BEACON LIGHT INSTALLATION - ORANGE**



ART\_1001266664

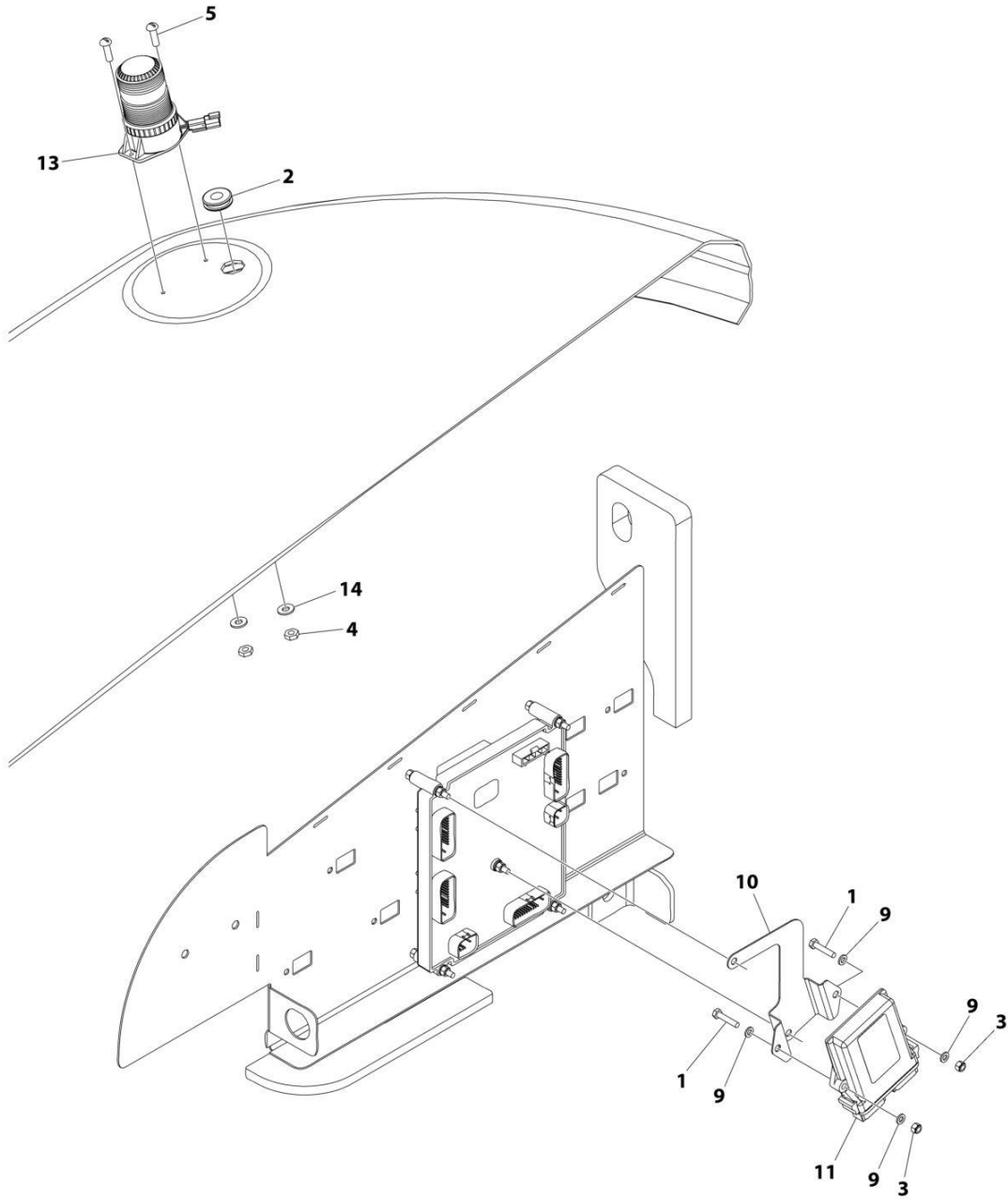
**SECTION 2 - TURNTABLE**

**FIGURE 2-25. BEACON LIGHT INSTALLATION - ORANGE**

ITEM	PART NUMBER	QTY	DESCRIPTION	REV
	1001266664	Ref	BEACON LIGHT INSTALLATION - AMBER	C
1	0100048	AR	Compound, Silicone	
2	3290405	2	Nut, Lock M4	
3	4031508	2	Capscrew M4 x 20	
4	4240032	AR	Tie-Strap (Not Shown)	
5	4460234	AR	Mount, Tie-Strap (Not Shown)	
6	4811400	2	Washer M4	
7	1001233479	1	Lamp, Strobe	
7	4460891	1	Connector	
7	4460465	2	Socket	
8	2540020	1	Grommet	
9	1001283776	1	Harness, Beacon Jumper (See Separate Breakdown in ELECTRICAL Section)	

# SECTION 2 - TURNTABLE

## FIGURE 2-26. BEACON LIGHT INSTALLATION - BLUE



ART\_1001242855\_C



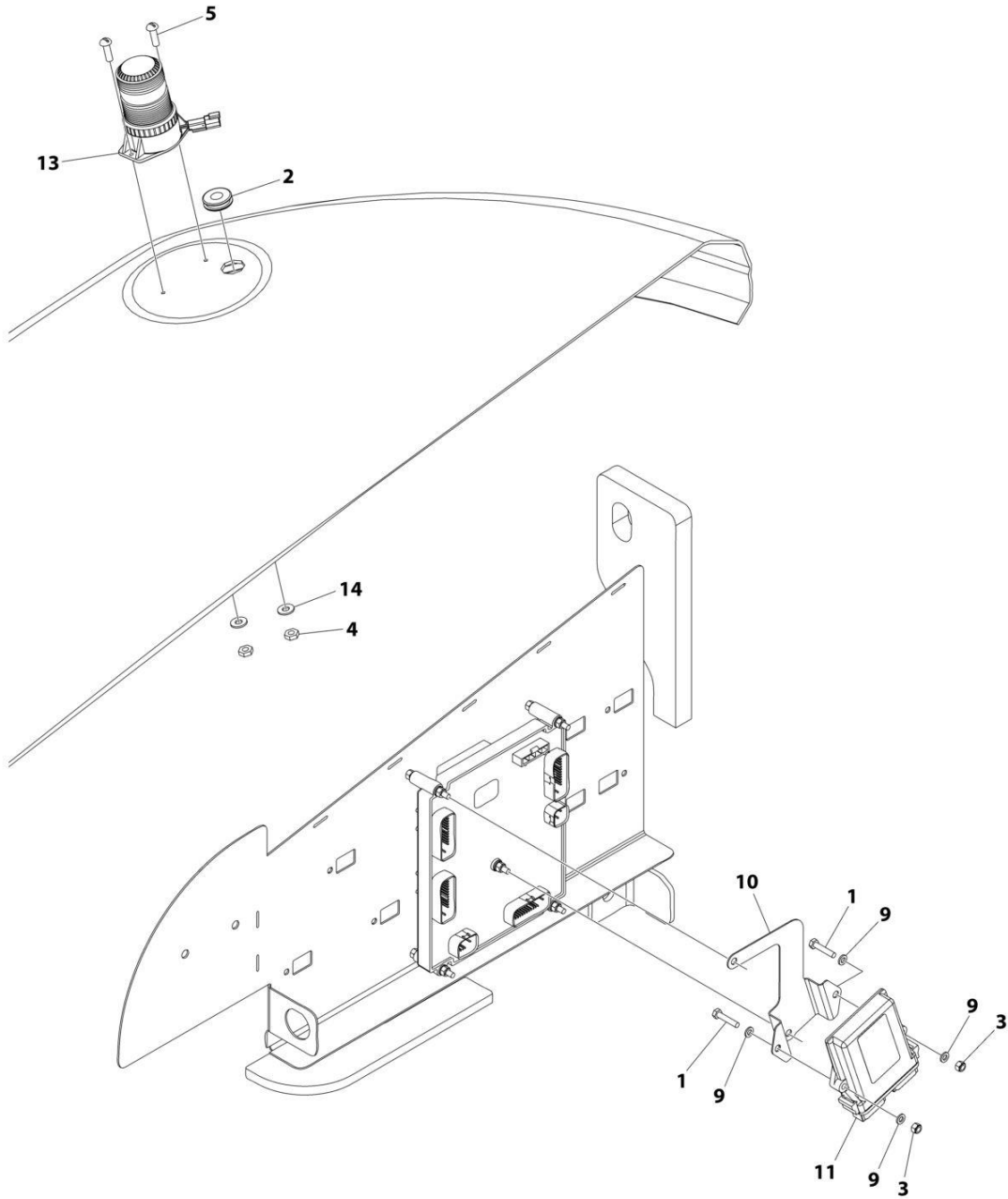
**SECTION 2 - TURNTABLE**

**FIGURE 2-26. BEACON LIGHT INSTALLATION - BLUE**

ITEM	PART NUMBER	QTY	DESCRIPTION	REV
	1001242855	Ref	BEACON LIGHT INSTALLATION - BLUE	C
1	0760614	2	Bolt M6 x 30	
2	2540020	1	Grommet	
3	3290605	2	Nut, Lock M6	
4	3290405	2	Nut, Lock M4	
5	4031509	2	Capscrew M4 x 25	
6	4240032	AR	Tie-Strap (Not Shown)	
7	4460488	AR	Mount, Tie-Strap (Not Shown)	
9	4811700	4	Washer M6	
10	1001276626	1	Mount, Module	
11	1001142683	1	Module, Control	
12	1001142736	1	Harness, Beacon (Not Shown - See Separate Breakdown in ELECTRICAL Section)	
13	1001272681	1	Lamp, Strobe	
13	4460897	1	Connector	
13	4460464	2	Pin	
14	4811400	2	Washer M4	

# SECTION 2 - TURNTABLE

## FIGURE 2-27. BEACON LIGHT INSTALLATION - RED



ART\_1001242856\_C

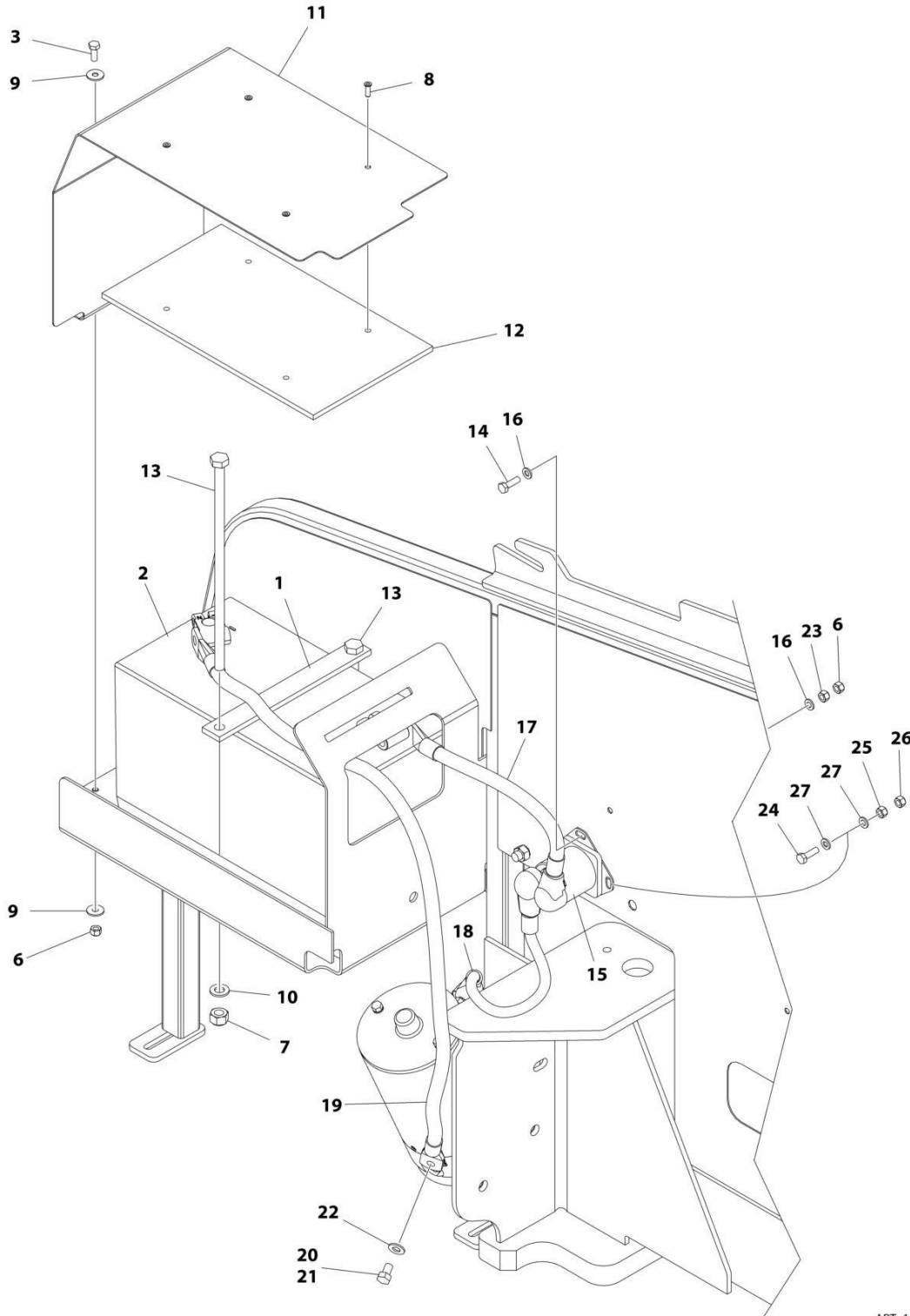
**SECTION 2 - TURNTABLE**

**FIGURE 2-27. BEACON LIGHT INSTALLATION - RED**

ITEM	PART NUMBER	QTY	DESCRIPTION	REV
	1001242856	Ref	BEACON LIGHT INSTALLATION - RED	C
1	0760614	2	Bolt M6 x 30	
2	2540020	1	Grommet	
3	3290605	2	Nut, Lock M6	
4	3290405	2	Nut, Lock M4	
5	4031509	2	Capscrew M4 x 25	
6	4240032	AR	Tie-Strap (Not Shown)	
7	4460488	AR	Mount, Tie-Strap (Not Shown)	
9	4811700	4	Washer M6	
10	1001276626	1	Mount, Module	
11	1001142683	1	Module, Control	
12	1001142736	1	Harness, Beacon (Not Shown - See Separate Breakdown in ELECTRICAL Section)	
13	1001272682	1	Lamp, Strobe	
13	4460897	1	Connector	
13	4460464	2	Pin	
14	4811400	2	Washer M4	

# SECTION 2 - TURNTABLE

## FIGURE 2-28. BATTERY AND CABLE INSTALLATION



ART\_1001166316\_H

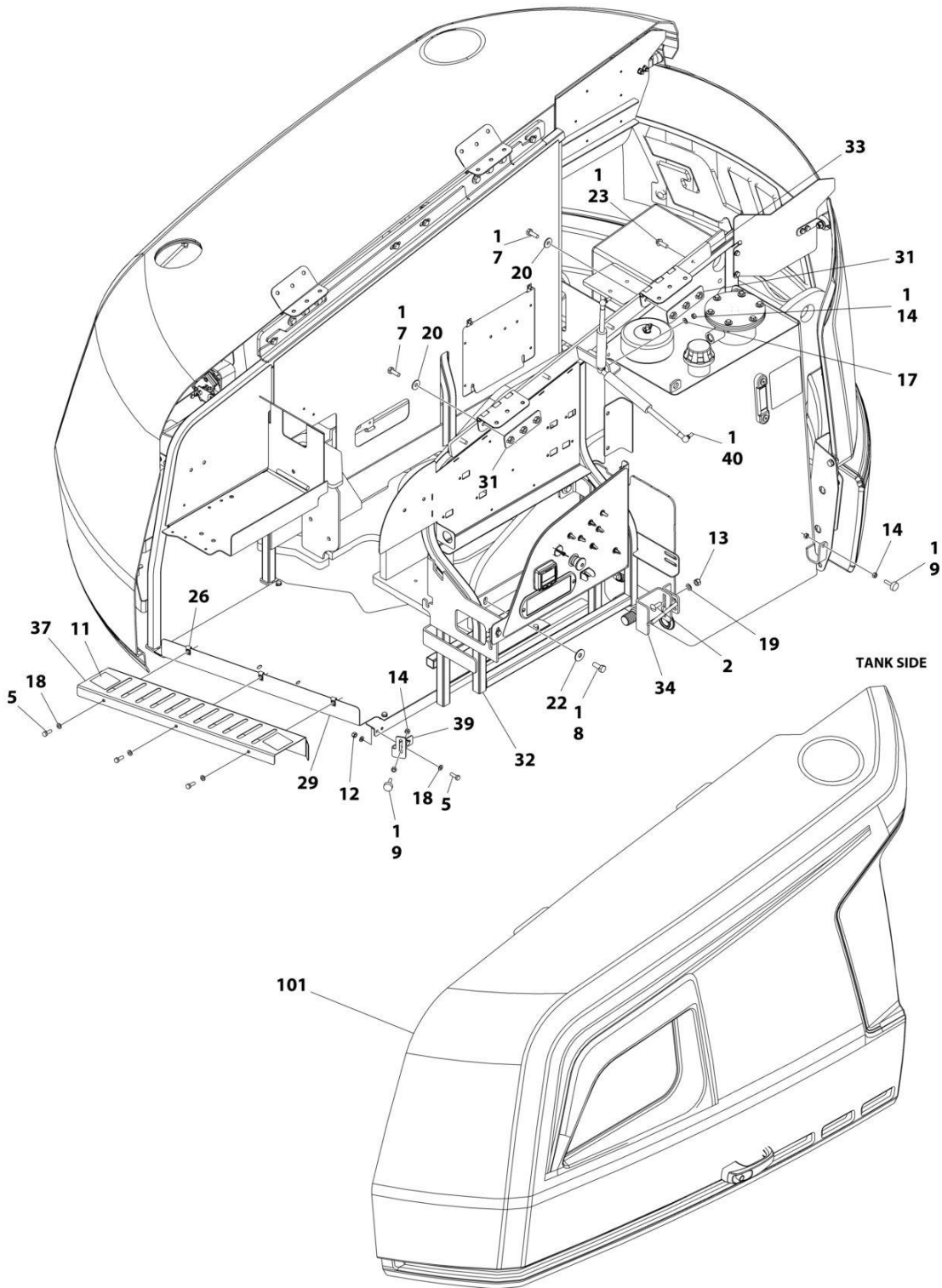
## SECTION 2 - TURNTABLE

**FIGURE 2-28. BATTERY AND CABLE INSTALLATION**

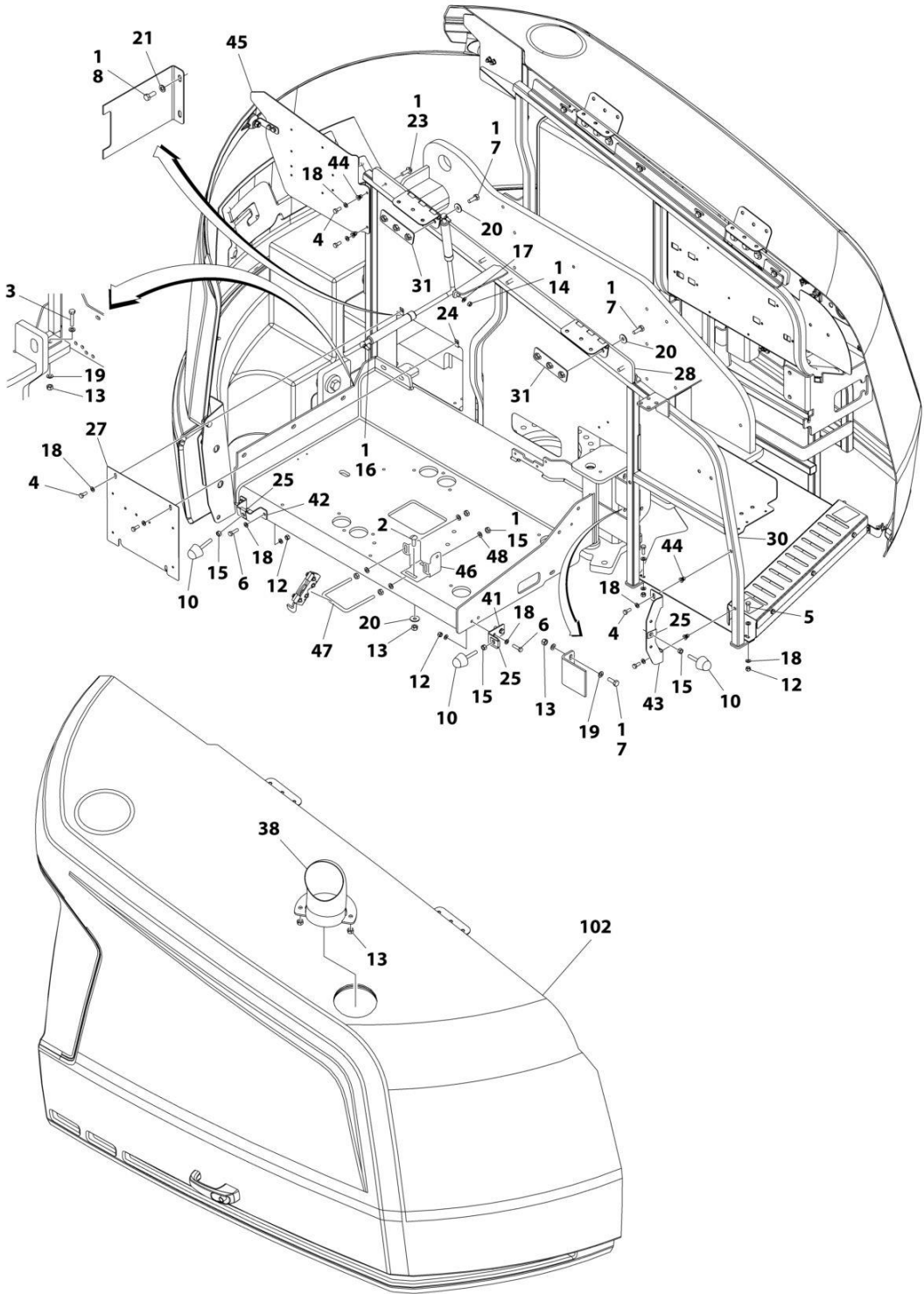
ITEM	PART NUMBER	QTY	DESCRIPTION	REV
	1001166316	Ref	BATTERY AND CABLE INSTALLATION	H
1	0361810	1	Bar, Hold-down	
2	0400075	1	Battery	
3	0760610	2	Bolt M6 x 20	
6	3290605	3	Nut M6	
7	3291005	2	Nut M10	
8	3820032	4	Rivet	
9	4811702	4	Washer M6	
10	4812000	2	Washer M10	
11	1001117240	1	Cover	
12	1001119278	1	Insulation	
13	1001119280	2	Bolt M16 x 260	
14	0760612	1	Bolt M6 x 25	
15	3740067	1	Relay	
15	3300220	2	Nut 3/8	
15	1001111424	2	Washer 3/8	
15	3321001	1	Nut #10	
15	4761000	1	Washer #10	
16	4811700	2	Washer M6	
17	1001171678	1	Cable, Battery (Positive + to Aux Relay)	
18	1001171679	1	Cable, Battery (Aux Relay to Aux Pump)	
19	1001171680	1	Cable, Battery (Negative – to Aux Pump)	
20	0100011	AR	Compound, Locking	
21	0641504	1	Bolt 5/16 x 1/2	
22	4711500	1	Washer 5/16	
23	3290601	2	Nut M6	
24	0760512	1	Bolt M5 x 25	
25	3290501	1	Nut M5	
26	3290505	1	Nut M5	
27	4811600	2	Washer M5	

## SECTION 2 - TURNTABLE

FIGURE 2-29. HOODS INSTALLATION (ABS) - DEUTZ ENGINES (MACHINES WITH SN STARTING WITH 03)



SECTION 2 - TURNTABLE



ART\_1001219201\_F\_20F2

## SECTION 2 - TURNTABLE

**FIGURE 2-29. HOODS INSTALLATION (ABS) - DEUTZ ENGINES (MACHINES WITH SN STARTING WITH 03)**

ITEM	PART NUMBER	QTY	DESCRIPTION	REV
	1001219201	Ref	HOODS INSTALLATION	F
1	0100011	AR	Compound, Locking	
2	0630613	4	Bolt M10 x 30	
3	0701018	5	Bolt M10 x 50	
4	0760810	4	Bolt M8 x 20	
5	0760812	11	Bolt M8 x 25	
6	0760814	4	Bolt M8 x 30	
7	0761014	14	Bolt M10 x 30	
8	0761214	6	Bolt M12 x 30	
9	0940049	2	Bumper	
10	0940071	3	Bumper	
11	1701691	2	Decal - No Step	
12	3290805	10	Nut M8	
13	3291005	14	Nut M10	
14	3311501	6	Nut 5/16	
15	3311601	7	Nut 3/8	
16	4160182	1	Spring, Gas	
17	4711500	2	Washer 5/16	
18	4811900	29	Washer M8	
19	4812000	16	Washer M10	
20	4812002	14	Washer M10	
21	4812100	2	Washer M12	
22	4812102	4	Washer M12	
23	5251014	8	Bolt M10 x 30	
24	8310686	2	Nut, Retainer M8	
25	88662523	3	Nut, Tinnerman	
26	1001118274	3	Nut M8	
27	1001167149	1	Panel, Filler	
28	1001167159	1	Mount	
29	1001167163	1	Tray	
30	1001167169	1	Mount	
31	1001169046	4	Nut	
32	1001211716	1	Support, Hood	
33	1001170018	1	Mount	
34	1001170022	1	Mount	
37	1001171216	1	Cover	
38	1001174098	1	Pipe, Exhaust	
39	1001179904	1	Mount	
40	1001182169	1	Spring, Gas	
41	1001182875	1	Mount	
42	1001182877	1	Mount	
43	1001182879	1	Mount	
44	1001191832	4	Rivnut M8	
45	1001211717	1	Support	
46	1001250291	1	Bracket	
47	1001243414	1	U-Bolt	
48	4891600	1	Washer 3/8	
100	1001285598	1	Hood Kit (Includes Items 101-102)	D

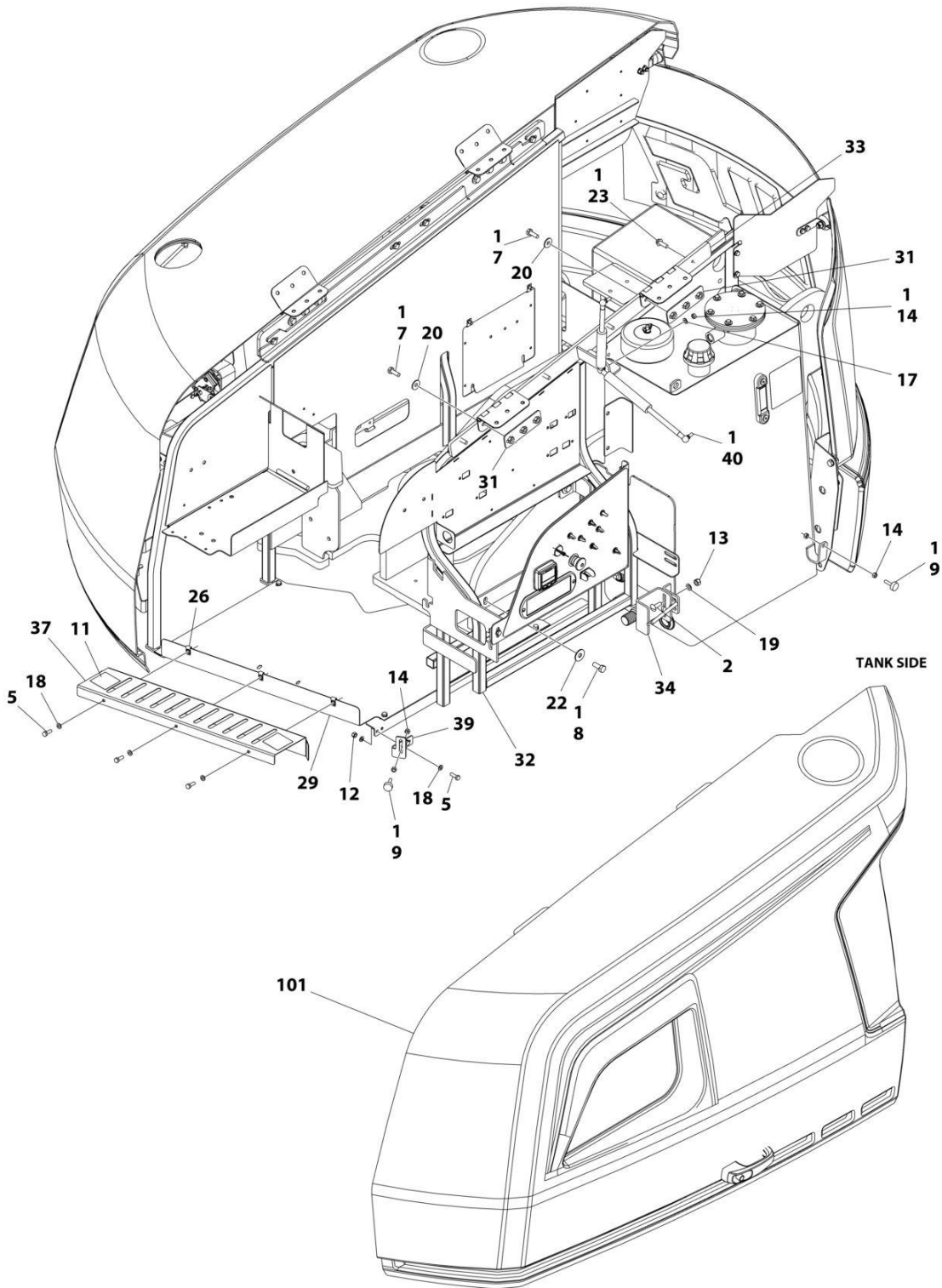


**SECTION 2 - TURNTABLE**

<b>ITEM</b>	<b>PART NUMBER</b>	<b>QTY</b>	<b>DESCRIPTION</b>	<b>REV</b>
101	1001285597	1	Hood Assembly - Tank Side (See Separate Breakdown in this Section)	
102	1001172833	1	Hood Assembly - Engine Side (See Separate Breakdown in this Section)	

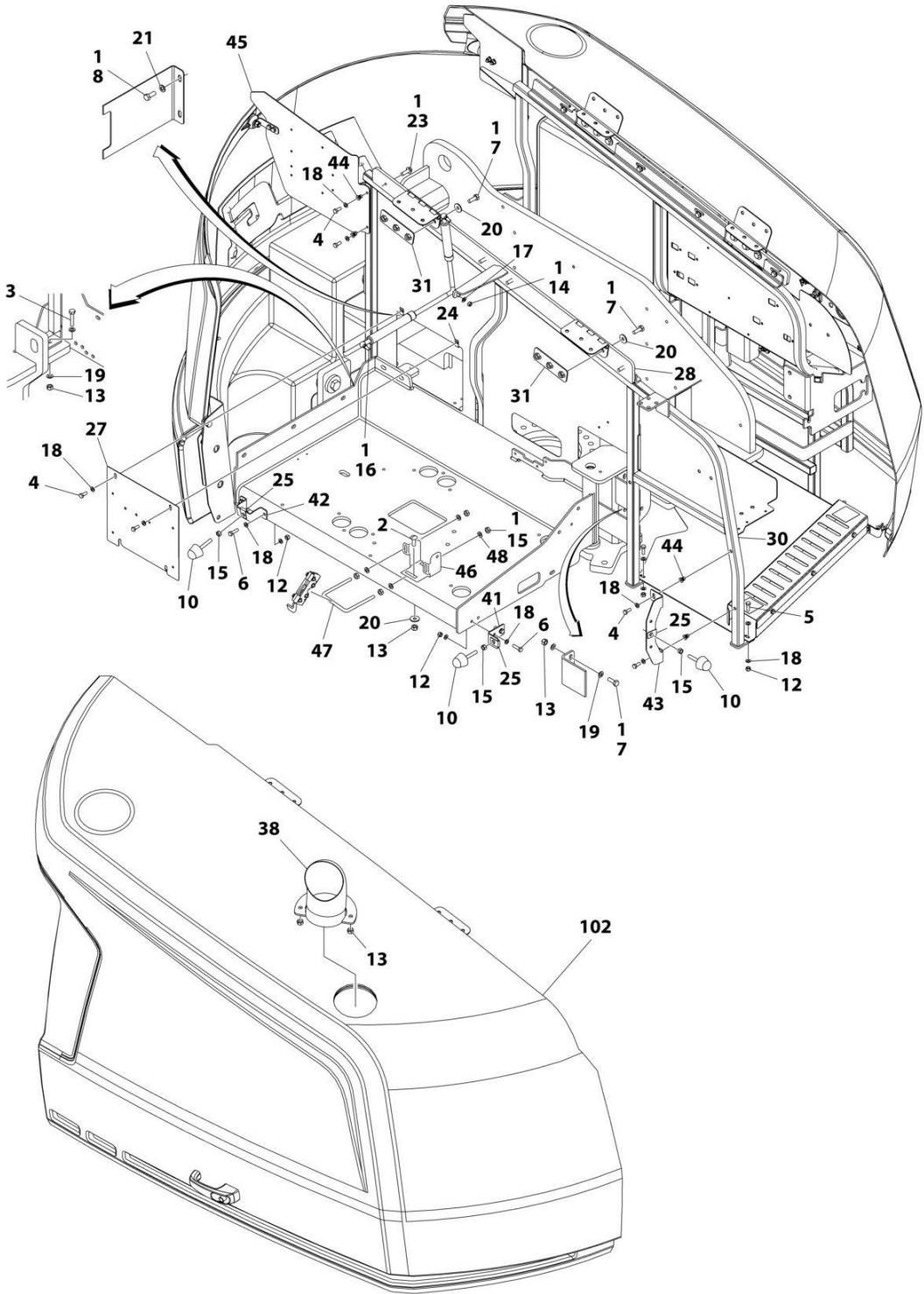
## SECTION 2 - TURNTABLE

FIGURE 2-30. HOODS INSTALLATION (ABS) - DEUTZ ENGINES (MACHINES WITH SN STARTING WITH B3 FOR ANSI EXPORT, CHINA, RUSSIA & JAPANESE SPECS)



ART\_1001219201\_F\_10F2

SECTION 2 - TURNTABLE



ART\_1001219201\_F\_20F2

## SECTION 2 - TURNTABLE

**FIGURE 2-30. HOODS INSTALLATION (ABS) - DEUTZ ENGINES (MACHINES WITH SN STARTING WITH B3 FOR ANSI EXPORT, CHINA, RUSSIA & JAPANESE SPECS)**

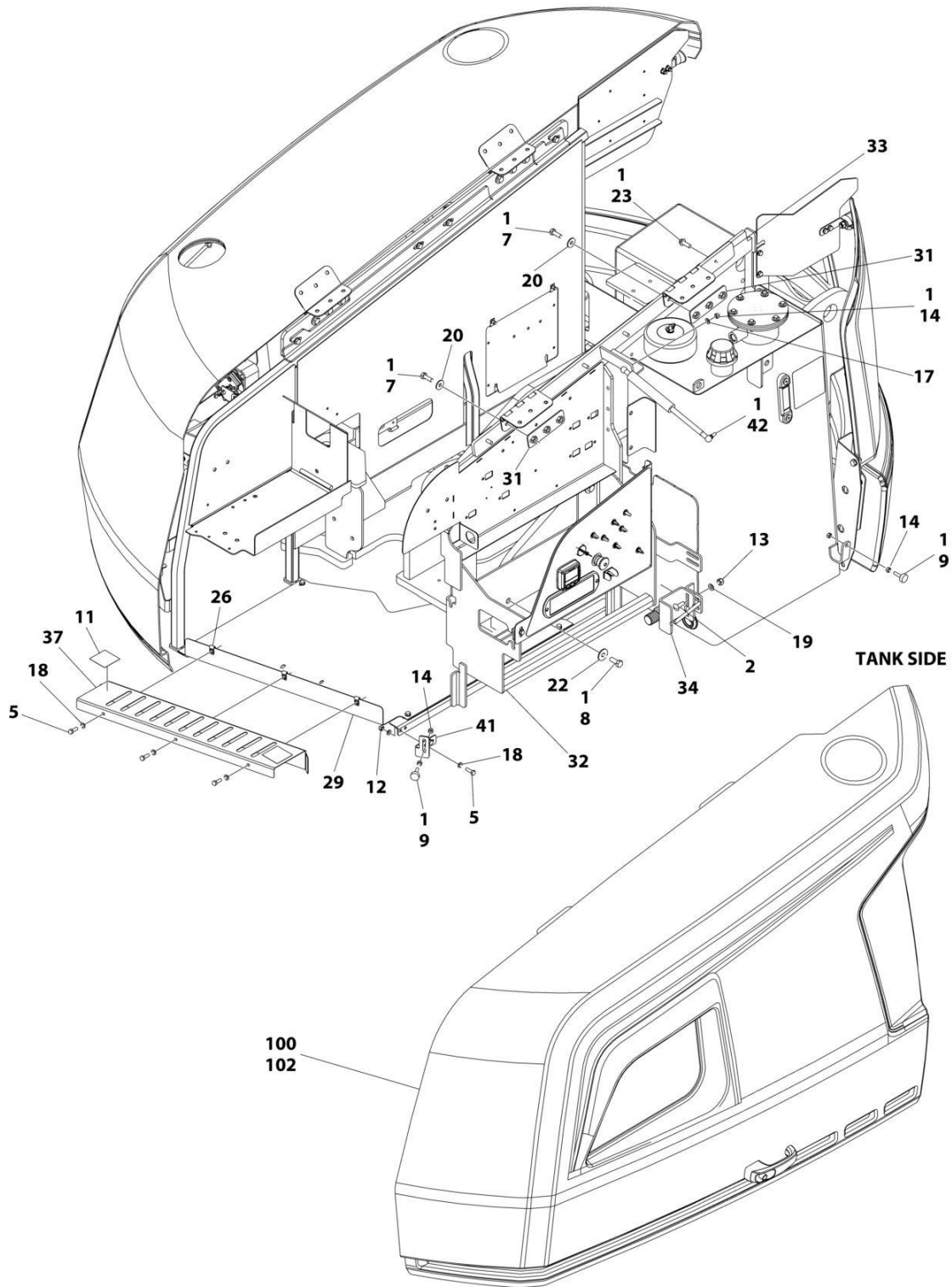
ITEM	PART NUMBER	QTY	DESCRIPTION	REV
	1001219201	Ref	HOODS INSTALLATION	F
1	0100011	AR	Compound, Locking	
2	0630613	4	Bolt M10 x 30	
3	0701018	5	Bolt M10 x 50	
4	0760810	4	Bolt M8 x 20	
5	0760812	11	Bolt M8 x 25	
6	0760814	4	Bolt M8 x 30	
7	0761014	14	Bolt M10 x 30	
8	0761214	6	Bolt M12 x 30	
9	0940049	2	Bumper	
10	0940071	3	Bumper	
11	1701691	2	Decal - No Step	
12	3290805	10	Nut M8	
13	3291005	14	Nut M10	
14	3311501	6	Nut 5/16	
15	3311601	7	Nut 3/8	
16	4160182	1	Spring, Gas	
17	4711500	2	Washer 5/16	
18	4811900	29	Washer M8	
19	4812000	16	Washer M10	
20	4812002	14	Washer M10	
21	4812100	2	Washer M12	
22	4812102	4	Washer M12	
23	5251014	8	Bolt M10 x 30	
24	8310686	2	Nut, Retainer M8	
25	88662523	3	Nut, Tinnerman	
26	1001118274	3	Nut M8	
27	1001167149	1	Panel, Filler	
28	1001167159	1	Mount	
29	1001167163	1	Tray	
30	1001167169	1	Mount	
31	1001169046	4	Nut	
32	1001211716	1	Support, Hood	
33	1001170018	1	Mount	
34	1001170022	1	Mount	
37	1001171216	1	Cover	
38	1001174098	1	Pipe, Exhaust	
39	1001179904	1	Mount	
40	1001182169	1	Spring, Gas	
41	1001182875	1	Mount	
42	1001182877	1	Mount	
43	1001182879	1	Mount	
44	1001191832	4	Rivnut M8	
45	1001211717	1	Support	
46	1001250291	1	Bracket	
47	1001243414	1	U-Bolt	
48	4891600	1	Washer 3/8	
100	1001285598	1	Hood Kit (Includes Items 101-102)	D

**SECTION 2 - TURNTABLE**

<b>ITEM</b>	<b>PART NUMBER</b>	<b>QTY</b>	<b>DESCRIPTION</b>	<b>REV</b>
101	1001285597	1	Hood Assembly - Tank Side (See Separate Breakdown in this Section)	
102	1001172833	1	Hood Assembly - Engine Side (See Separate Breakdown in this Section)	

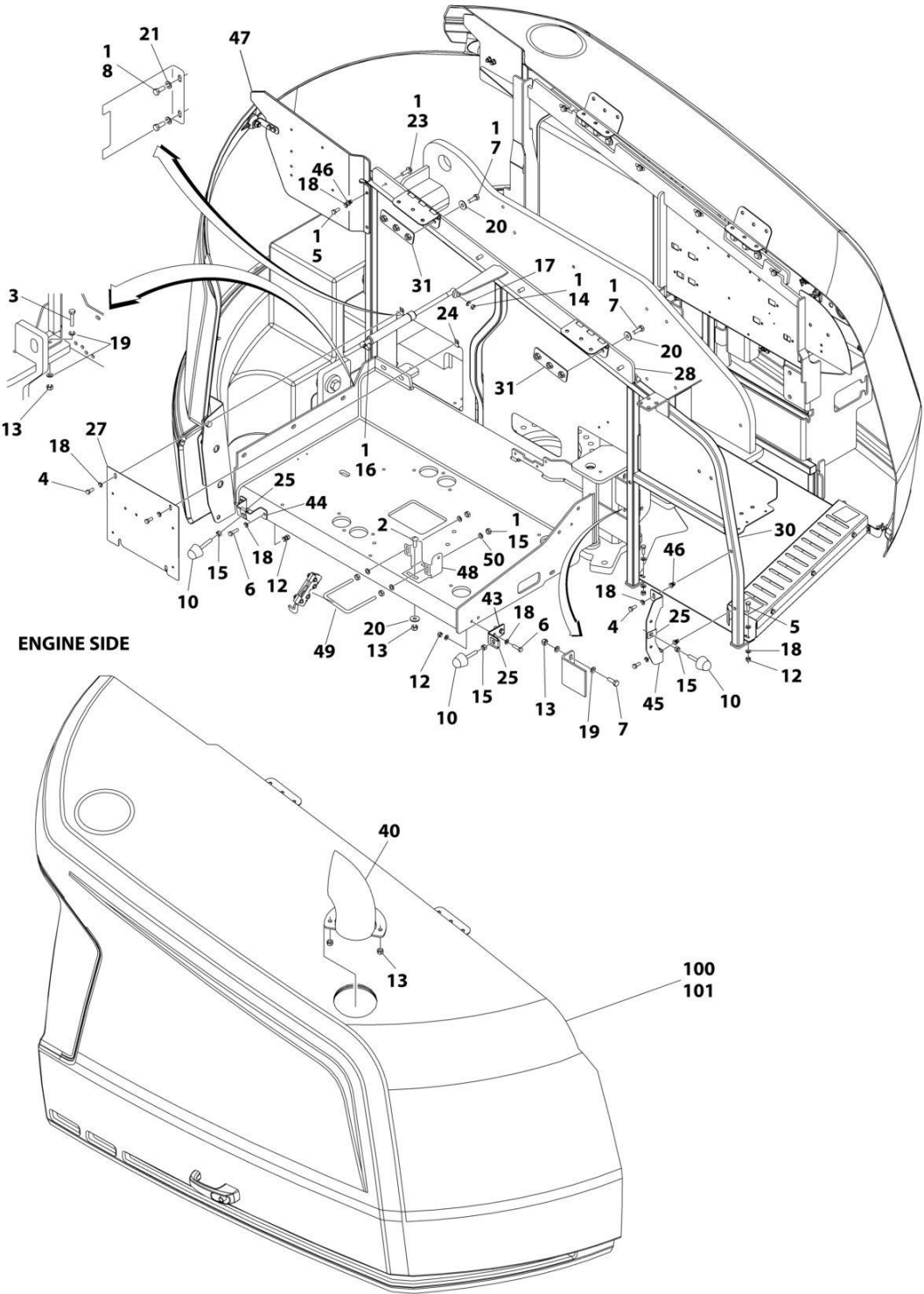
## SECTION 2 - TURNTABLE

FIGURE 2-31. HOODS INSTALLATION (ABS) - DEUTZ ENGINES (MACHINES WITH SN STARTING WITH B3 FOR AUSTRALIAN, CE & UK CA SPECS)



ART\_1001241286\_D\_10F2

SECTION 2 - TURNTABLE



ART\_1001241286\_D\_20F2

## SECTION 2 - TURNTABLE

**FIGURE 2-31. HOODS INSTALLATION (ABS) - DEUTZ ENGINES (MACHINES WITH SN STARTING WITH B3 FOR AUSTRALIAN, CE & UK CA SPECS)**

ITEM	PART NUMBER	QTY	DESCRIPTION	REV
	1001241286	Ref	HOODS INSTALLATION	D
1	0100011	AR	Compound, Locking	
2	0630613	4	Bolt M10 x 30	
3	0701018	5	Bolt M10 x 50	
4	0760810	4	Bolt M8 x 20	
5	0760812	11	Bolt M8 x 25	
6	0760814	4	Bolt M8 x 30	
7	0761014	14	Bolt M10 x 30	
8	0761214	6	Bolt M12 x 30	
9	0940049	2	Bumper	
10	0940071	3	Bumper	
11	1701691	2	Decal - No Step	
12	3290805	10	Nut M8	
13	3291005	14	Nut M10	
14	3311501	6	Nut 5/16	
15	3311601	7	Nut 3/8	
16	4160182	1	Spring, Gas	
17	4711500	2	Washer 5/16	
18	4811900	29	Washer M8	
19	4812000	16	Washer M10	
20	4812002	14	Washer M10	
21	4812100	2	Washer M12	
22	4812102	4	Washer M12	
23	5251014	8	Bolt M10 x 30	
24	8310686	2	Nut, Retainer M8	
25	88662523	3	Nut, Tinnerman	
26	1001118274	3	Nut M8	
27	1001167149	1	Panel, Filler	
28	1001167159	1	Mount	
29	1001167163	1	Tray	
30	1001167169	1	Mount	
31	1001169046	4	Nut	
32	1001211716	1	Support, Hood	
33	1001170018	1	Mount	
34	1001170022	1	Mount	
37	1001171216	1	Cover	
40	1001233899	1	Pipe, Exhaust	
41	1001179904	1	Mount	
42	1001182169	1	Spring, Gas	
43	1001182875	1	Mount	
44	1001182877	1	Mount	
45	1001182879	1	Mount	
46	1001191832	4	Rivnut M8	
47	1001211717	1	Panel, Filler	
48	1001250291	1	Bracket	
49	1001243414	1	U-Bolt	
50	4891600	4	Washer 3/8	
100	1001285789	1	Hood Kit (Includes Items 101-102)	D

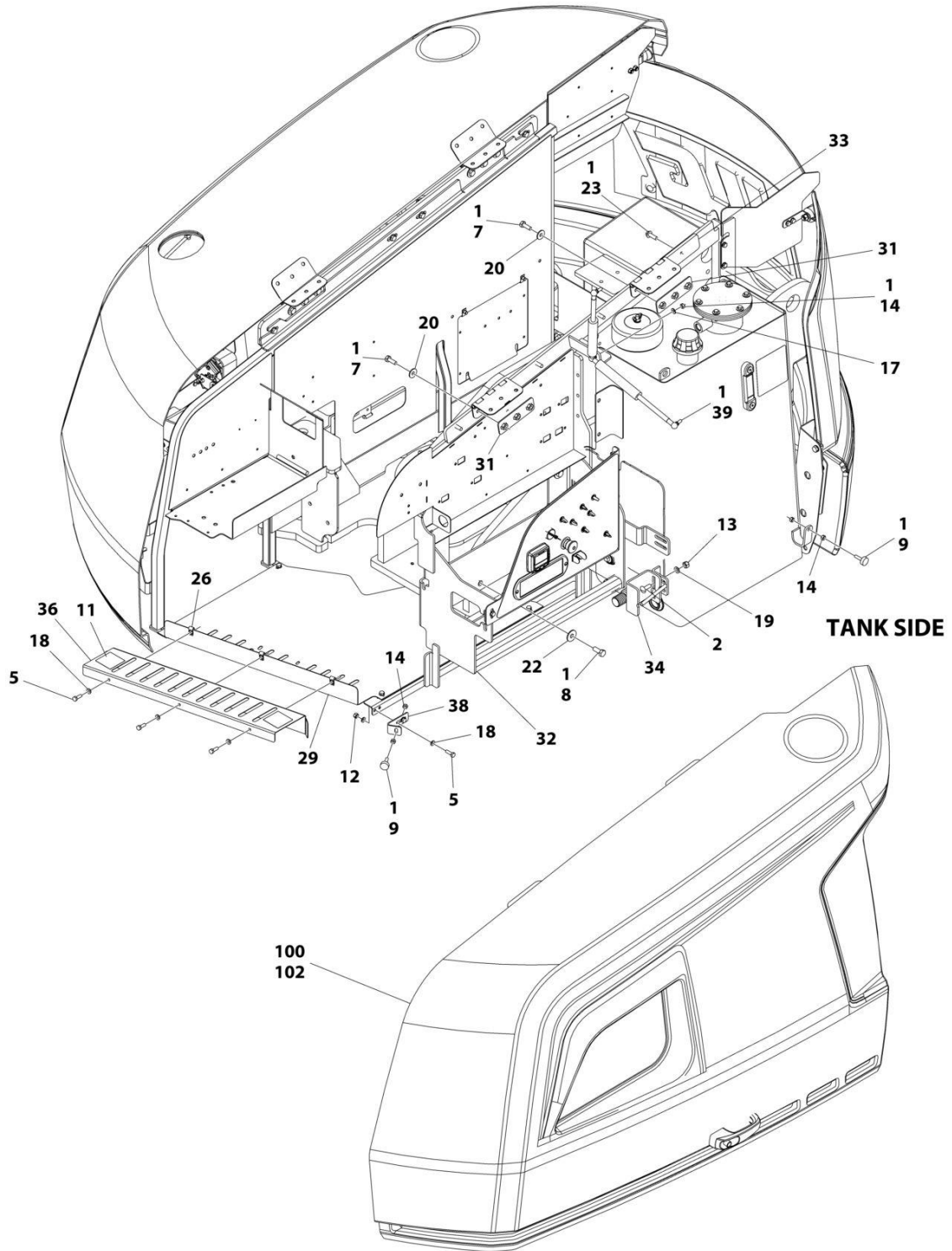


**SECTION 2 - TURNTABLE**

<b>ITEM</b>	<b>PART NUMBER</b>	<b>QTY</b>	<b>DESCRIPTION</b>	<b>REV</b>
101	1001241295	1	Hood Assembly - Engine Side (See Separate Breakdown in this Section)	
102	1001285788	1	Hood Assembly - Tank Side (See Separate Breakdown in this Section)	

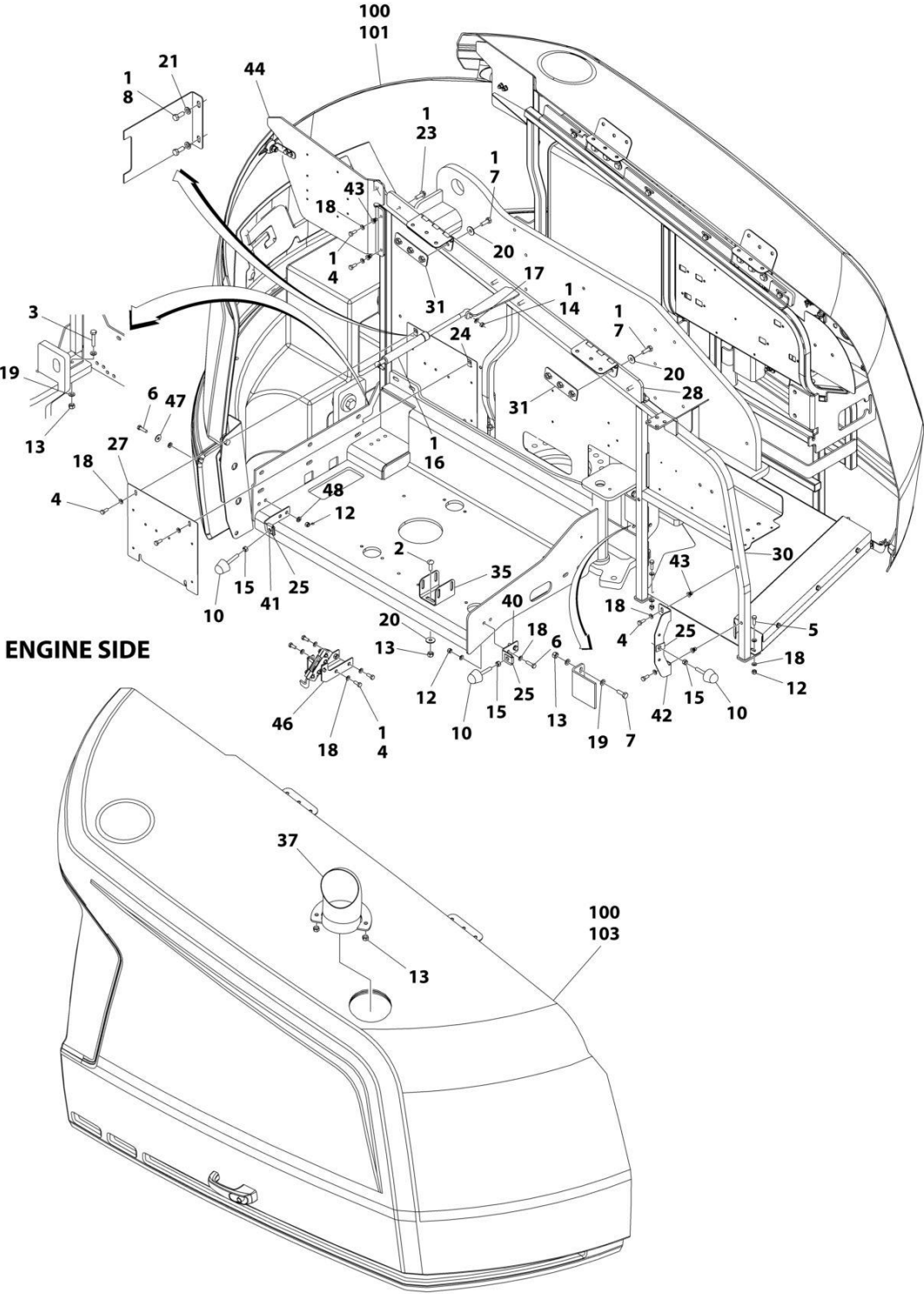
# SECTION 2 - TURNTABLE

## FIGURE 2-32. HOODS INSTALLATION (ABS) - KUBOTA ENGINE



ART\_1001216599\_1OF2

SECTION 2 - TURNTABLE



ART\_1001216599\_2OF2

## SECTION 2 - TURNTABLE

FIGURE 2-32. HOODS INSTALLATION (ABS) - KUBOTA ENGINE

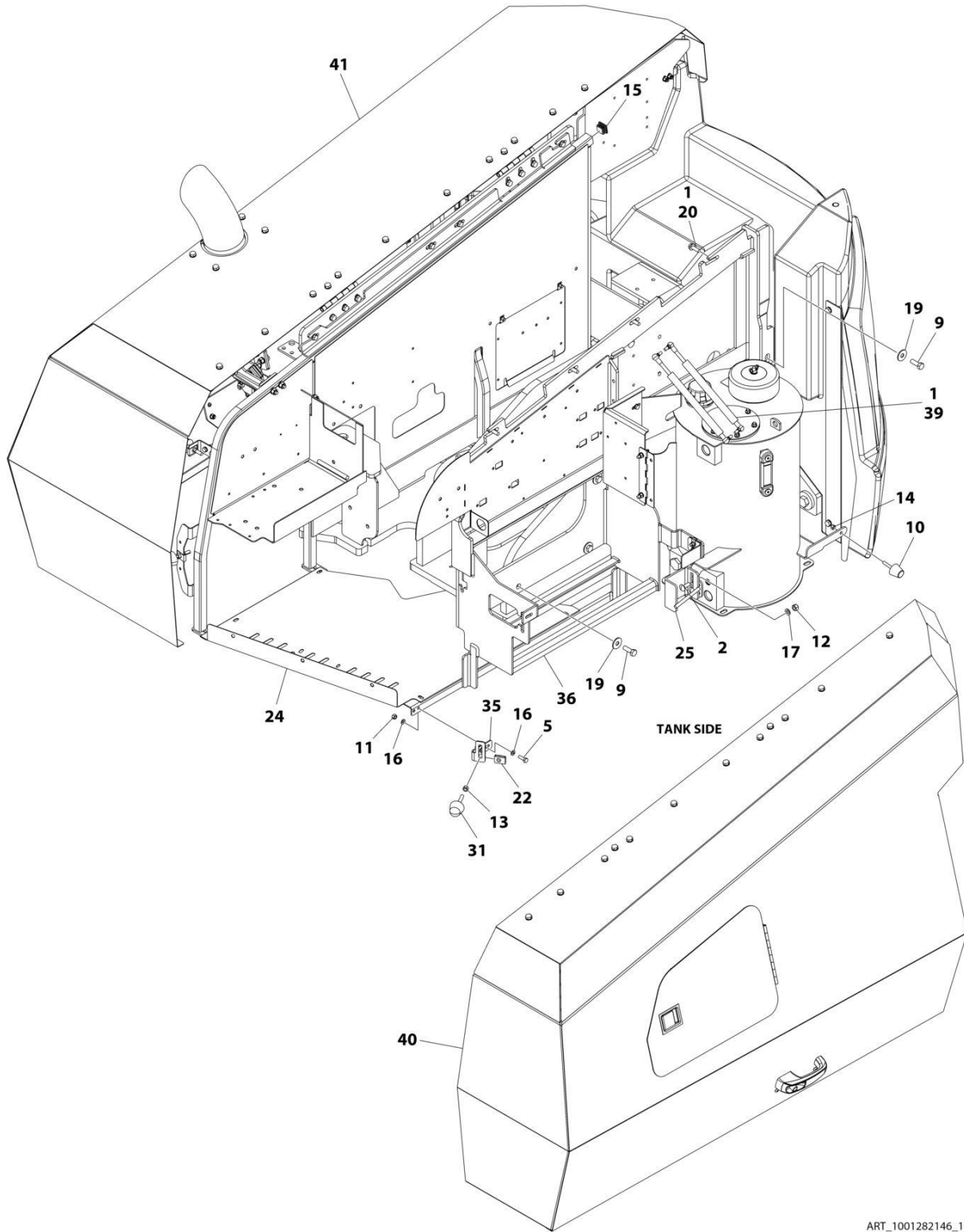
ITEM	PART NUMBER	QTY	DESCRIPTION	REV
	1001216599	Ref	HOODS INSTALLATION - KUBOTA ENGINE	H
1	0100011	AR	Compound, Locking	
2	0630613	4	Bolt M10 x 30	
3	0701018	5	Bolt M10 x 50	
4	0760810	8	Bolt M8 x 20	
5	0760812	11	Bolt M8 x 25	
6	0760814	4	Bolt M8 x 30	
7	0761014	14	Bolt M10 x 30	
8	0761214	6	Bolt M12 x 30	
9	0940049	2	Bumper	
10	0940071	6	Bumper	
11	1701691	2	Decal - No Step	
12	3290805	10	Nut M8	
13	3291005	14	Nut M10	
14	3311501	6	Nut 5/16	
15	3311601	3	Nut 3/8	
16	4160182	1	Spring, Gas	
17	4711500	2	Washer 5/16	
18	4811900	29	Washer M8	
19	4812000	19	Washer M10	
20	4812002	14	Washer M10	
21	4812100	2	Washer M12	
22	4812102	4	Washer M12	
23	5251014	8	Bolt M10 x 30	
24	8310686	2	Nut, Retainer M8	
25	88662523	3	Nut, Tinnerman	
26	1001118274	3	Nut M8	
27	1001167149	1	Panel, Filler	
28	1001167159	1	Mount	
29	1001167163	1	Tray	
30	1001167169	1	Mount	
31	1001169046	4	Nut	
32	1001211716	1	Support, Hood	
33	1001170018	1	Mount	
34	1001170022	1	Mount	
35	1001170859	1	Mount	
36	1001171216	1	Cover	
37	1001174098	1	Pipe, Exhaust	
38	1001179904	1	Mount	
39	1001182169	1	Spring, Gas	
40	1001182875	1	Mount	
41	1001216677	1	Bracket	
42	1001182879	1	Mount	
43	1001191832	4	Rivnut M8	
44	1001211717	1	Support	
46	1001215394	1	Support	
47	4811702	2	Washer M6	
48	5240800	4	Washer M8	
100	1001285691	1	Hood Kit (Includes Items 101-103)	D
101	1001169183	1	Hood, Front	

**SECTION 2 - TURNTABLE**

<b>ITEM</b>	<b>PART NUMBER</b>	<b>QTY</b>	<b>DESCRIPTION</b>	<b>REV</b>
102	1001285597	1	Hood Assembly - Tank Side (See Separate Breakdown in this Section)	
103	1001172833	1	Hood Assembly - Engine Side (See Separate Breakdown in this Section)	

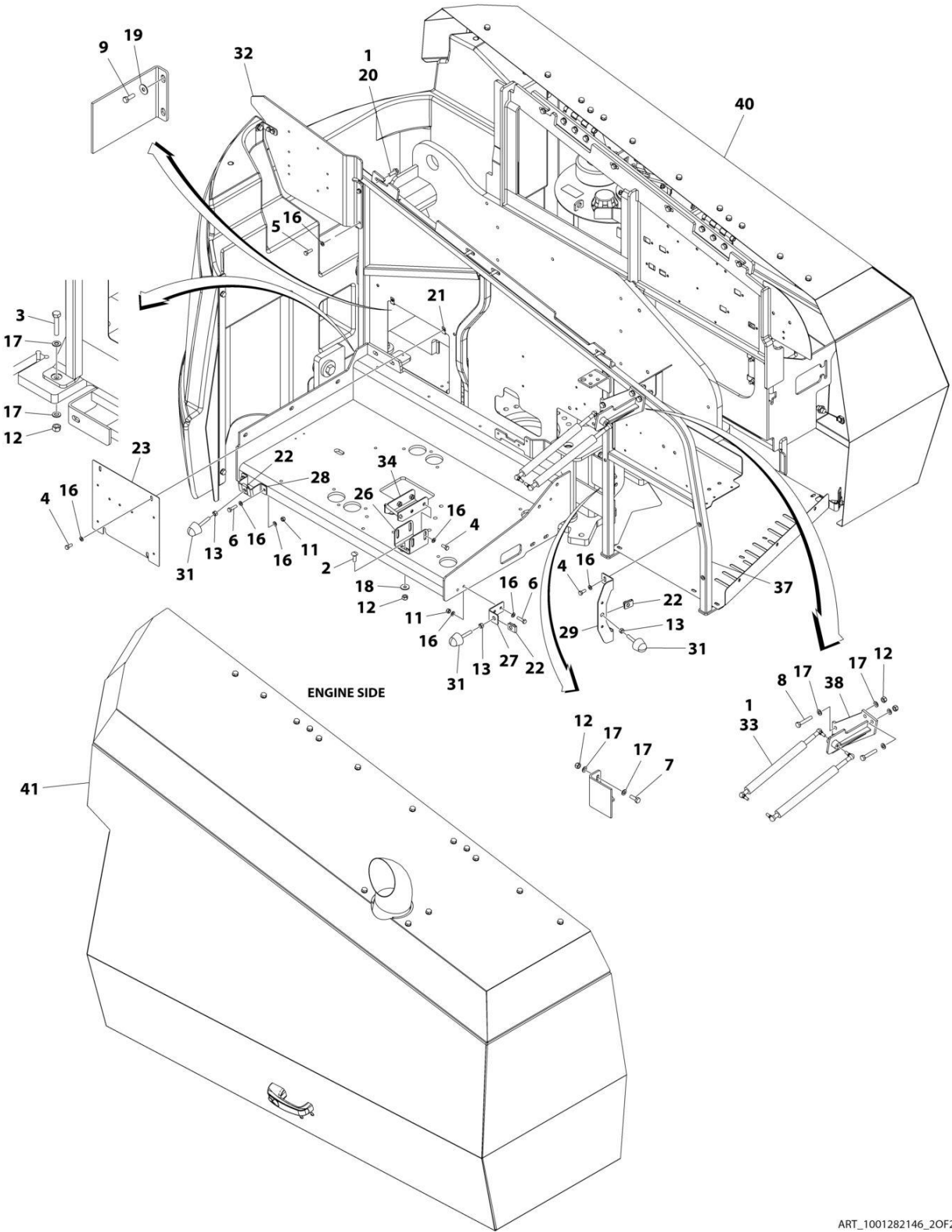
# SECTION 2 - TURNTABLE

## FIGURE 2-33. HOODS INSTALLATION (STEEL)



ART\_1001282146\_1OF2

SECTION 2 - TURNTABLE



ART\_1001282146\_2OF2

## SECTION 2 - TURNTABLE

**FIGURE 2-33. HOODS INSTALLATION (STEEL)**

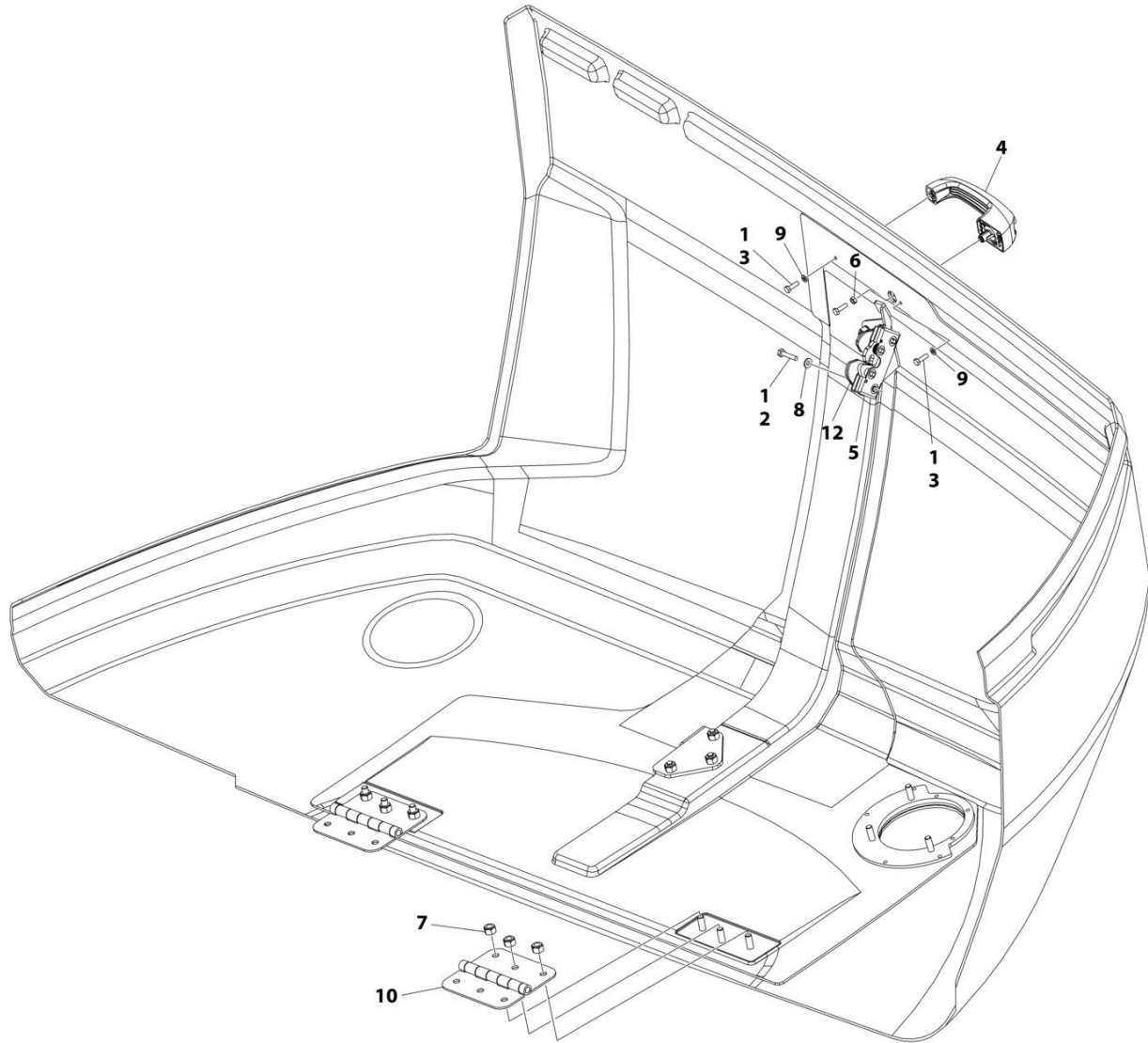
ITEM	PART NUMBER	QTY	DESCRIPTION	REV
	1001282146	Ref	HOODS INSTALLATION (STEEL)	D
1	0100011	AR	Compound, Locking	
2	0630613	4	Bolt M10 x 30	
3	0701018	5	Bolt M10 x 50	
4	0760810	8	Bolt M8 x 20	
5	0760812	4	Bolt M8 x 25	
6	0760814	4	Bolt M8 x 30	
7	0761014	2	Bolt M10 x 30	
8	0761020	4	Bolt M12 x 60	
9	0761215	6	Bolt M12 x 35	
10	0940088	1	Bumper	
11	3290805	6	Nut M8	
12	3291005	15	Nut M10	
13	3311601	4	Nut 3/8	
14	3321501	1	Nut 5/16	
15	3520072	1	Plug	
16	4811900	22	Washer M8	
17	4812000	24	Washer M10	
18	4812002	2	Washer M10	
19	4812102	6	Washer M12	
20	5251014	8	Bolt M10 x 30	
21	8310686	2	Nut, Retainer M8	
22	88662523	4	Nut, Tinnerman	
23	1001167149	1	Panel, Filler	
24	1001167163	1	Tray	
25	1001170022	1	Mount	
26	1001170859	1	Mount	
27	1001182875	1	Mount	
28	1001182877	1	Mount	
29	1001182879	1	Mount	
31	1001206314	4	Bumper	
32	1001211717	1	Panel, Filler	
33	1001213794	2	Spring, Gas	
34	1001223777	1	Support, Striker	
35	1001269476	1	Mount	
36	1001279651	1	Support, Hood	
37	1001280240	1	Mount	
38	1001280242	1	Mount	
39	1001280549	2	Spring, Gas	
40	1001285988	1	Hood Assembly - Tank Side (See Separate Breakdown in this Section)	
41	1001282143	1	Hood Assembly - Engine Side (See Separate Breakdown in this Section)	





## SECTION 2 - TURNTABLE

FIGURE 2-34. HOOD ASSEMBLY (ABS) - ENGINE SIDE (MACHINES WITH SN STARTING WITH 03)



NOTE: REPLACEMENT DECALS MUST BE ORDERED SEPARATELY - SEE DECAL SECTION.

ART\_1001172833

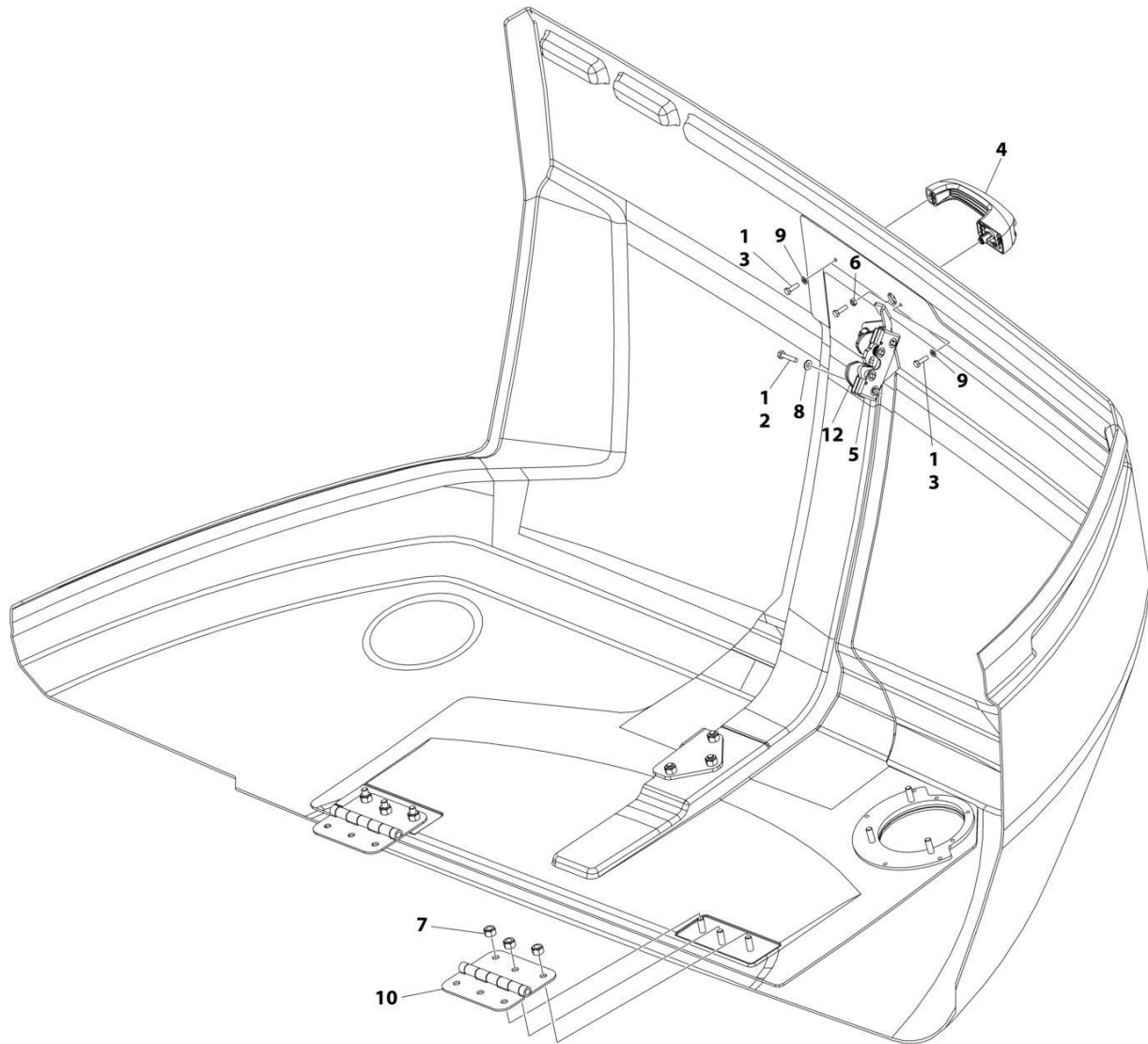
**SECTION 2 - TURNTABLE**

**FIGURE 2-34. HOOD ASSEMBLY (ABS) - ENGINE SIDE (MACHINES WITH SN STARTING WITH 03)**

ITEM	PART NUMBER	QTY	DESCRIPTION	REV
	1001172833	Ref	HOOD ASSEMBLY - ENGINE SIDE	C
1	0100011	AR	Compound, Locking	
2	0641410	4	Bolt 1/4 x 1-1/4	
3	0760610	3	Bolt M6 x 20	
4	2560187	1	Handle	
5	2940173	1	Latch	
6	3290601	1	Nut M6	
7	3291005	6	Nut M10	
8	4711400	4	Washer 1/4	
9	4811700	2	Washer M6	
10	1001139384	2	Hinge	
12	1001200458	1	Plate, Latch Guide	

## SECTION 2 - TURNTABLE

FIGURE 2-35. HOOD ASSEMBLY (ABS) - ENGINE SIDE (MACHINES WITH SN STARTING WITH B3 FOR ANSI EXPORT, CHINA, RUSSIA & JAPANESE SPECS)



NOTE: REPLACEMENT DECALS MUST BE ORDERED SEPARATELY - SEE DECAL SECTION.

ART\_1001172833

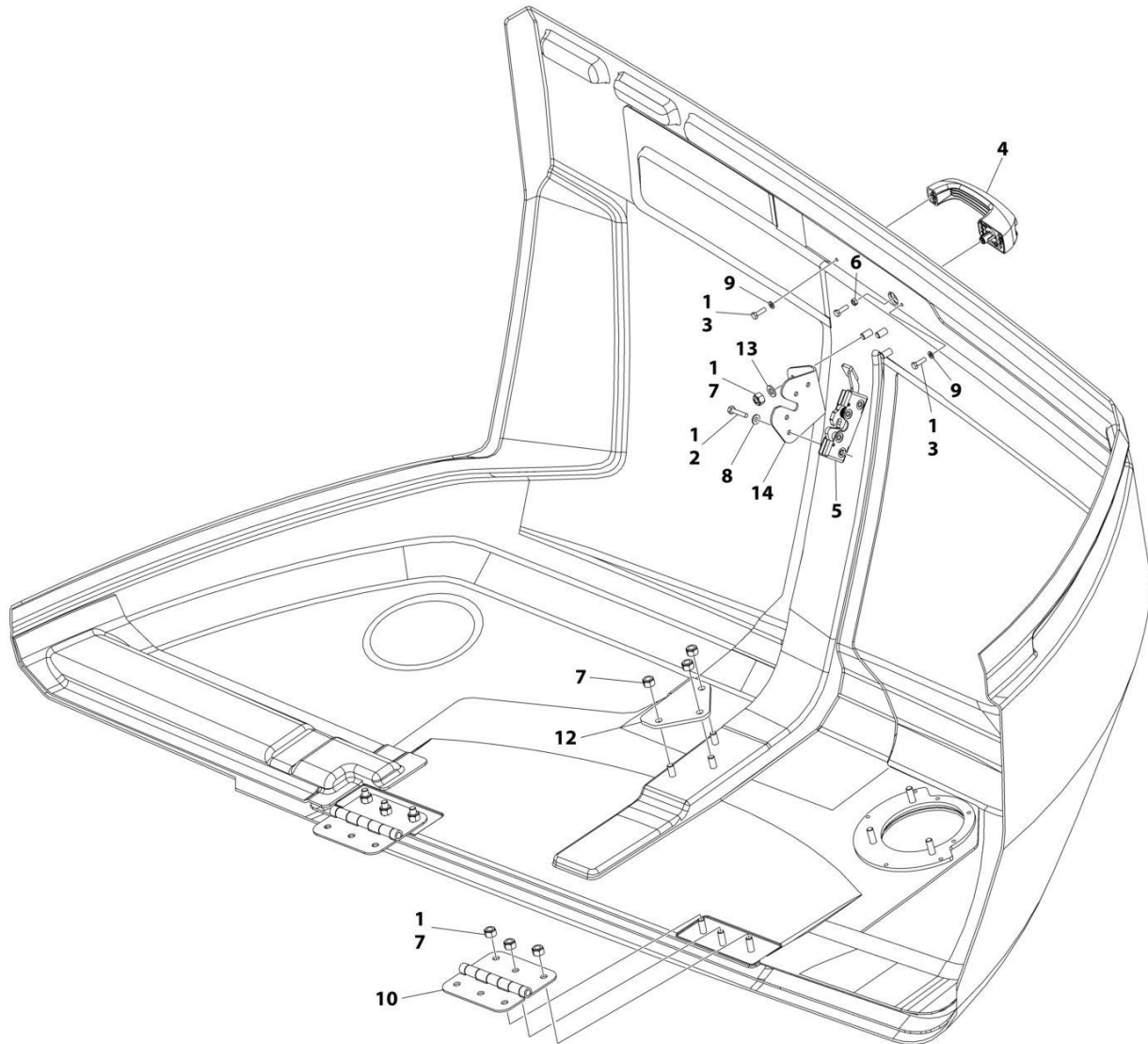
**SECTION 2 - TURNTABLE**

**FIGURE 2-35. HOOD ASSEMBLY (ABS) - ENGINE SIDE (MACHINES WITH SN STARTING WITH B3 FOR ANSI EXPORT, CHINA, RUSSIA & JAPANESE SPECS)**

ITEM	PART NUMBER	QTY	DESCRIPTION	REV
	1001172833	Ref	HOOD ASSEMBLY - ENGINE SIDE	C
1	0100011	AR	Compound, Locking	
2	0641410	4	Bolt 1/4 x 1-1/4	
3	0760610	3	Bolt M6 x 20	
4	2560187	1	Handle	
5	2940173	1	Latch	
6	3290601	1	Nut M6	
7	3291005	6	Nut M10	
8	4711400	4	Washer 1/4	
9	4811700	2	Washer M6	
10	1001139384	2	Hinge	
12	1001200458	1	Plate, Latch Guide	

## SECTION 2 - TURNTABLE

FIGURE 2-36. HOOD ASSEMBLY (ABS) - ENGINE SIDE (MACHINES WITH SN STARTING WITH B3 FOR AUSTRALIAN, CE & UK CA SPECS)



NOTE: REPLACEMENT DECALS MUST BE ORDERED SEPARATELY - SEE DECAL SECTION.

ART\_1001241295\_E

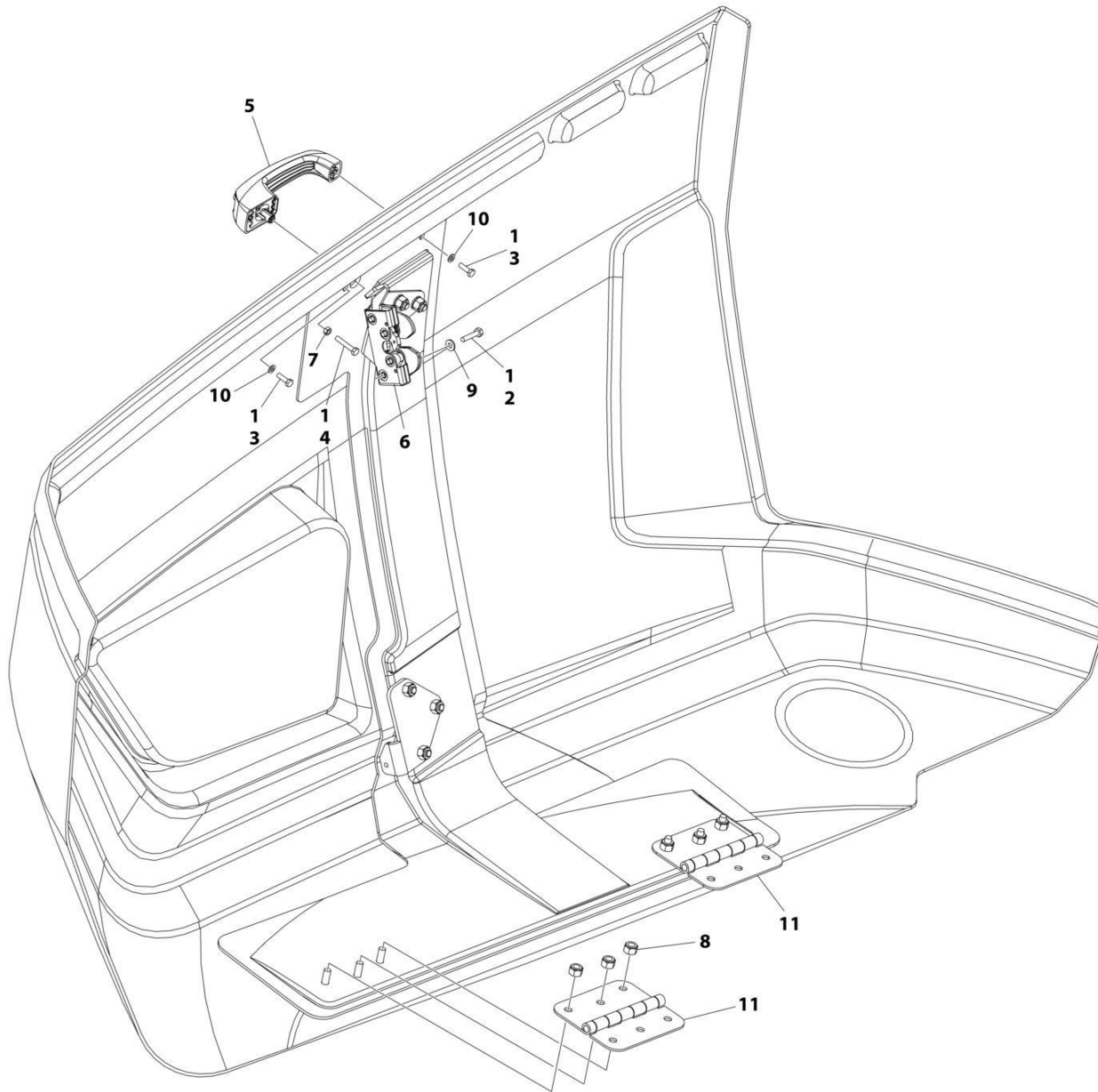
## SECTION 2 - TURNTABLE

**FIGURE 2-36. HOOD ASSEMBLY (ABS) - ENGINE SIDE (MACHINES WITH SN STARTING WITH B3 FOR AUSTRALIAN, CE & UK CA SPECS)**

ITEM	PART NUMBER	QTY	DESCRIPTION	REV
	1001241295	Ref	HOOD ASSEMBLY - ENGINE SIDE	E
1	0100011	AR	Compound, Locking	
2	0641410	4	Bolt 1/4 x 1-1/4	
3	0760610	3	Bolt M6 x 20	
4	2560187	1	Handle	
5	2940173	1	Latch	
6	3290601	1	Nut M6	
7	3291005	12	Nut M10	
8	4711400	4	Washer 1/4	
9	4811700	2	Washer M6	
10	1001259230	2	Hinge	
12	1001178228	1	Bracket	
13	4812000	3	Washer M10	
14	1001308136	1	Support	

## SECTION 2 - TURNTABLE

FIGURE 2-37. HOOD ASSEMBLY (ABS) - TANK SIDE (MACHINES WITH SN STARTING WITH 03)



NOTE: REPLACEMENT DECALS MUST BE ORDERED SEPARATELY - SEE DECAL SECTION.

ART\_1001285597



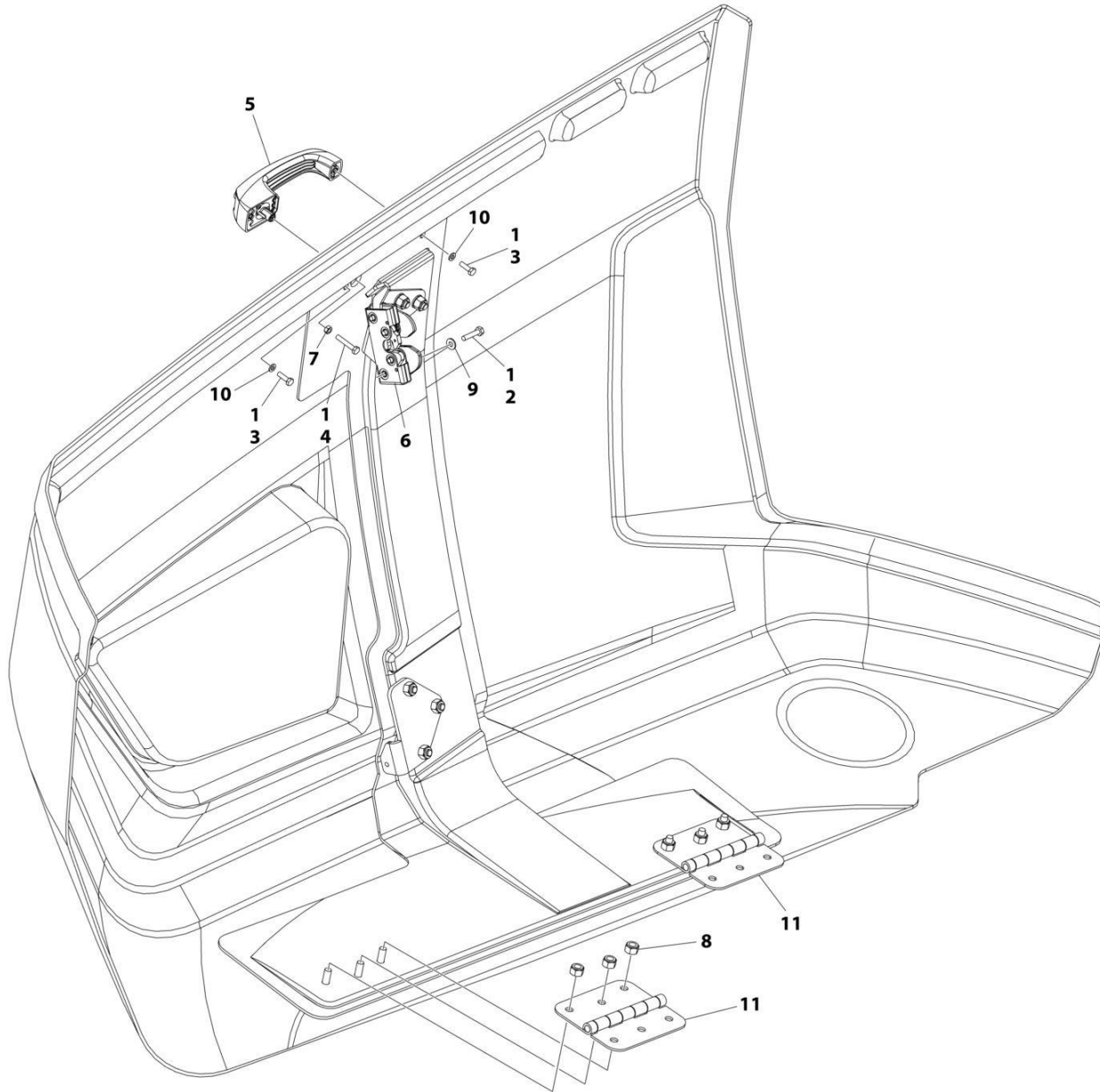
**SECTION 2 - TURNTABLE**

**FIGURE 2-37. HOOD ASSEMBLY (ABS) - TANK SIDE (MACHINES WITH SN STARTING WITH 03)**

ITEM	PART NUMBER	QTY	DESCRIPTION	REV
	1001285597	Ref	HOOD ASSEMBLY - TANK SIDE	D
1	0100011	AR	Compound, Locking	
2	0641410	4	Bolt 1/4 x 1-1/4	
3	0760610	2	Bolt M6 x 20	
4	0760615	1	Bolt M6 x 35	
5	2560187	1	Handle	
6	2940173	1	Latch	
7	3290601	1	Nut M6	
8	3291005	6	Nut, Lock M10	
9	4711400	4	Washer 1/4	
10	4811700	2	Washer M6	
11	1001139384	2	Hinge	

## SECTION 2 - TURNTABLE

FIGURE 2-38. HOOD ASSEMBLY (ABS) - TANK SIDE (MACHINES WITH SN STARTING WITH B3 FOR ANSI EXPORT, CHINA, CIS/EAC & JAPANESE SPECS)



NOTE: REPLACEMENT DECALS MUST BE ORDERED SEPARATELY - SEE DECAL SECTION.

ART\_1001285597

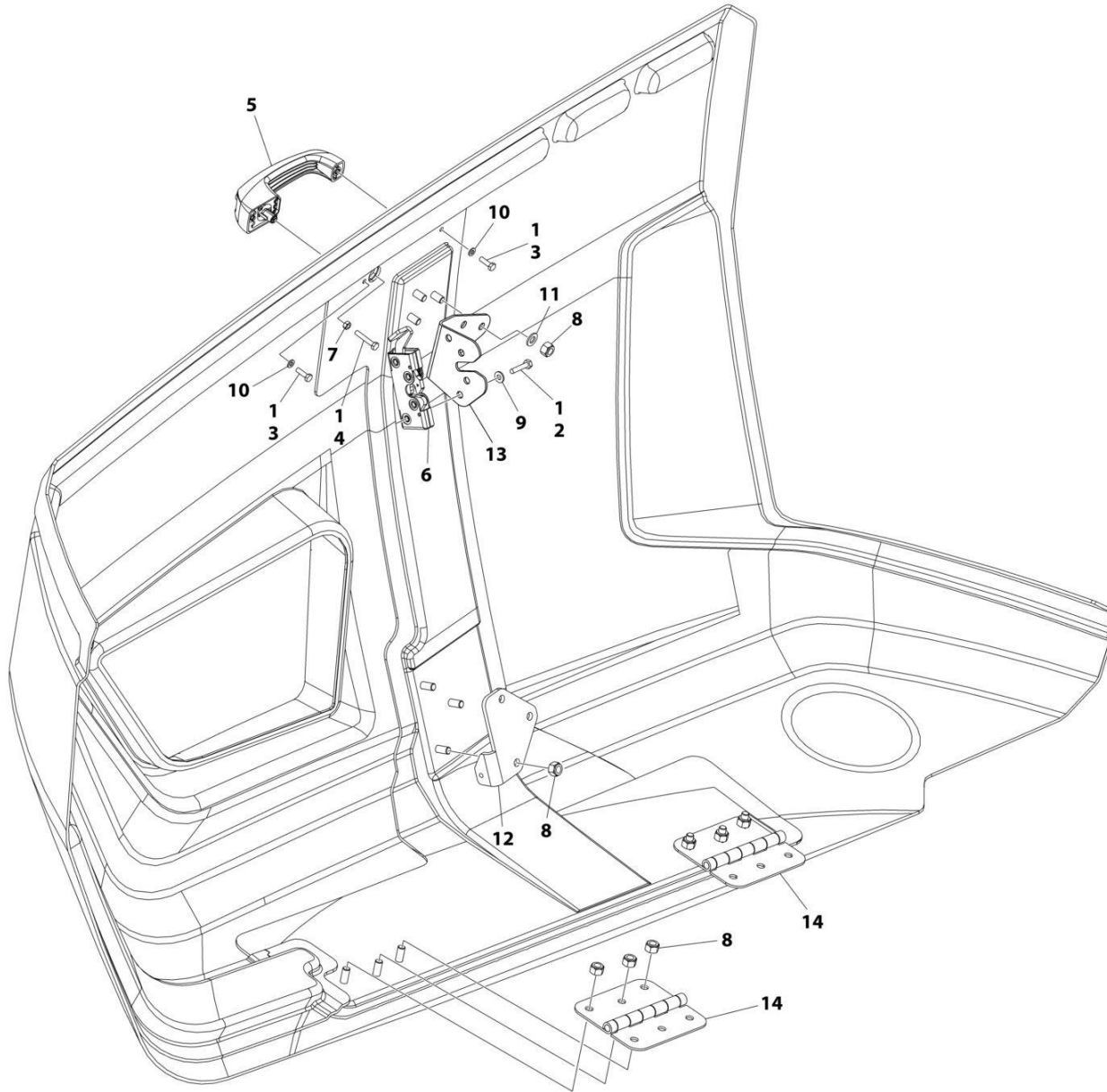
**SECTION 2 - TURNTABLE**

**FIGURE 2-38. HOOD ASSEMBLY (ABS) - TANK SIDE (MACHINES WITH SN STARTING WITH B3 FOR ANSI EXPORT, CHINA, CIS/EAC & JAPANESE SPECS)**

ITEM	PART NUMBER	QTY	DESCRIPTION	REV
	1001285597	Ref	HOOD ASSEMBLY - TANK SIDE	D
1	0100011	AR	Compound, Locking	
2	0641410	4	Bolt 1/4 x 1-1/4	
3	0760610	2	Bolt M6 x 20	
4	0760615	1	Bolt M6 x 35	
5	2560187	1	Handle	
6	2940173	1	Latch	
7	3290601	1	Nut M6	
8	3291005	6	Nut, Lock M10	
9	4711400	4	Washer 1/4	
10	4811700	2	Washer M6	
11	1001139384	2	Hinge	

## SECTION 2 - TURNTABLE

FIGURE 2-39. HOOD ASSEMBLY (ABS) - TANK SIDE (MACHINES WITH SN STARTING WITH B3 FOR AUSTRALIAN, CE & UK CA SPECS)



NOTE: REPLACEMENT DECALS MUST BE ORDERED SEPARATELY - SEE DECAL SECTION.

ART\_1001285788

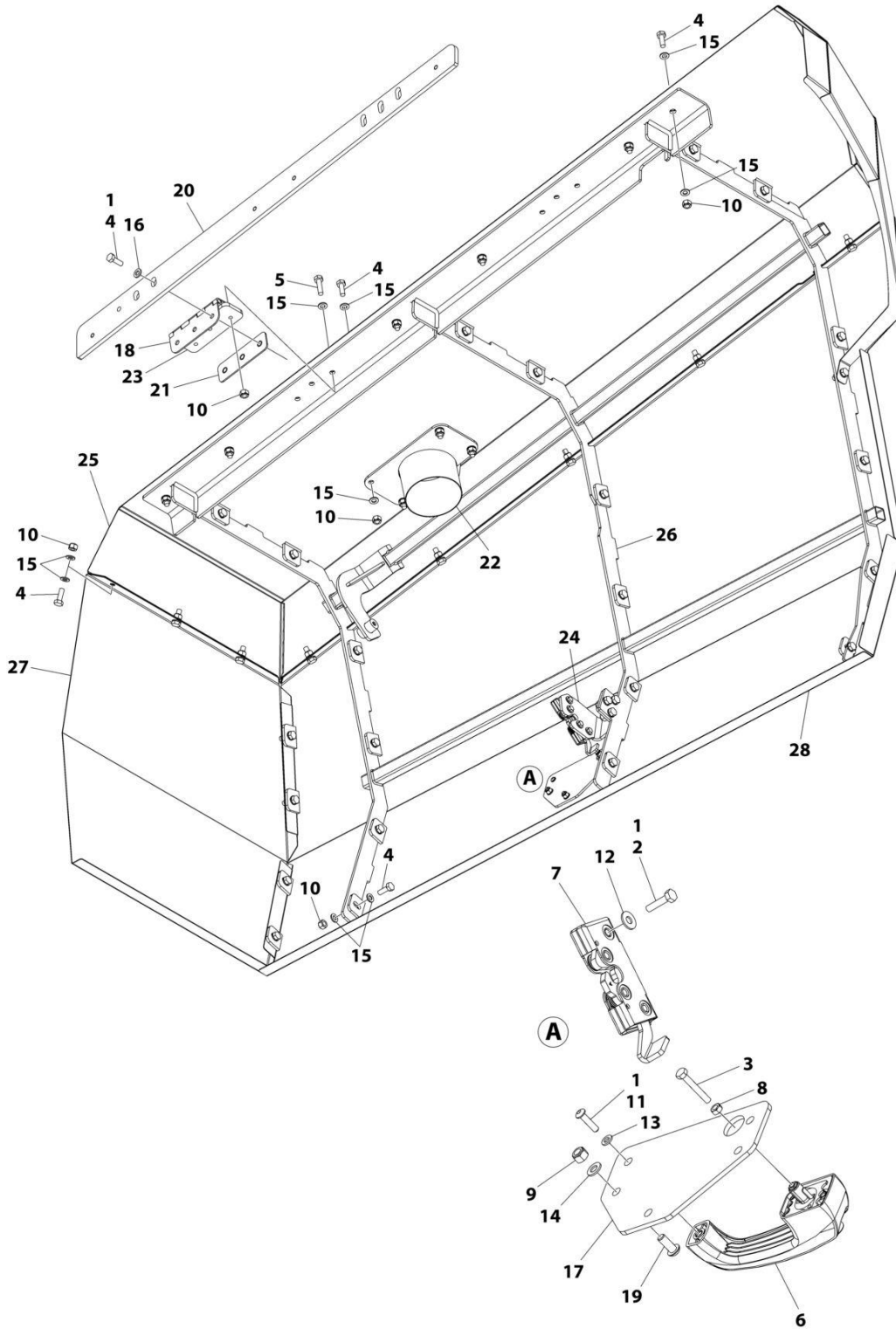
## SECTION 2 - TURNTABLE

**FIGURE 2-39. HOOD ASSEMBLY (ABS) - TANK SIDE (MACHINES WITH SN STARTING WITH B3 FOR AUSTRALIAN, CE & UK CA SPECS)**

ITEM	PART NUMBER	QTY	DESCRIPTION	REV
	1001285788	Ref	HOOD ASSEMBLY - TANK SIDE	D
1	0100011	AR	Compound, Locking	
2	0641410	4	Bolt 1/4 x 1-1/4	
3	0760610	2	Bolt M6 x 20	
4	0760615	1	Bolt M6 x 35	
5	2560187	1	Handle	
6	2940173	1	Latch	
7	3290601	1	Nut M6	
8	3291005	12	Nut, Lock M10	
9	4711400	4	Washer 1/4	
10	4811700	2	Washer M6	
11	4812000	3	Washer M10	
12	1001170475	1	Bracket	
13	1001203322	1	Support	
13	1001308137	1	SUPPORT,HOOD LATCH	
14	1001259230	2	Hinge	

# SECTION 2 - TURNTABLE

## FIGURE 2-40. HOOD ASSEMBLY (STEEL) - ENGINE SIDE



ART\_1001282143

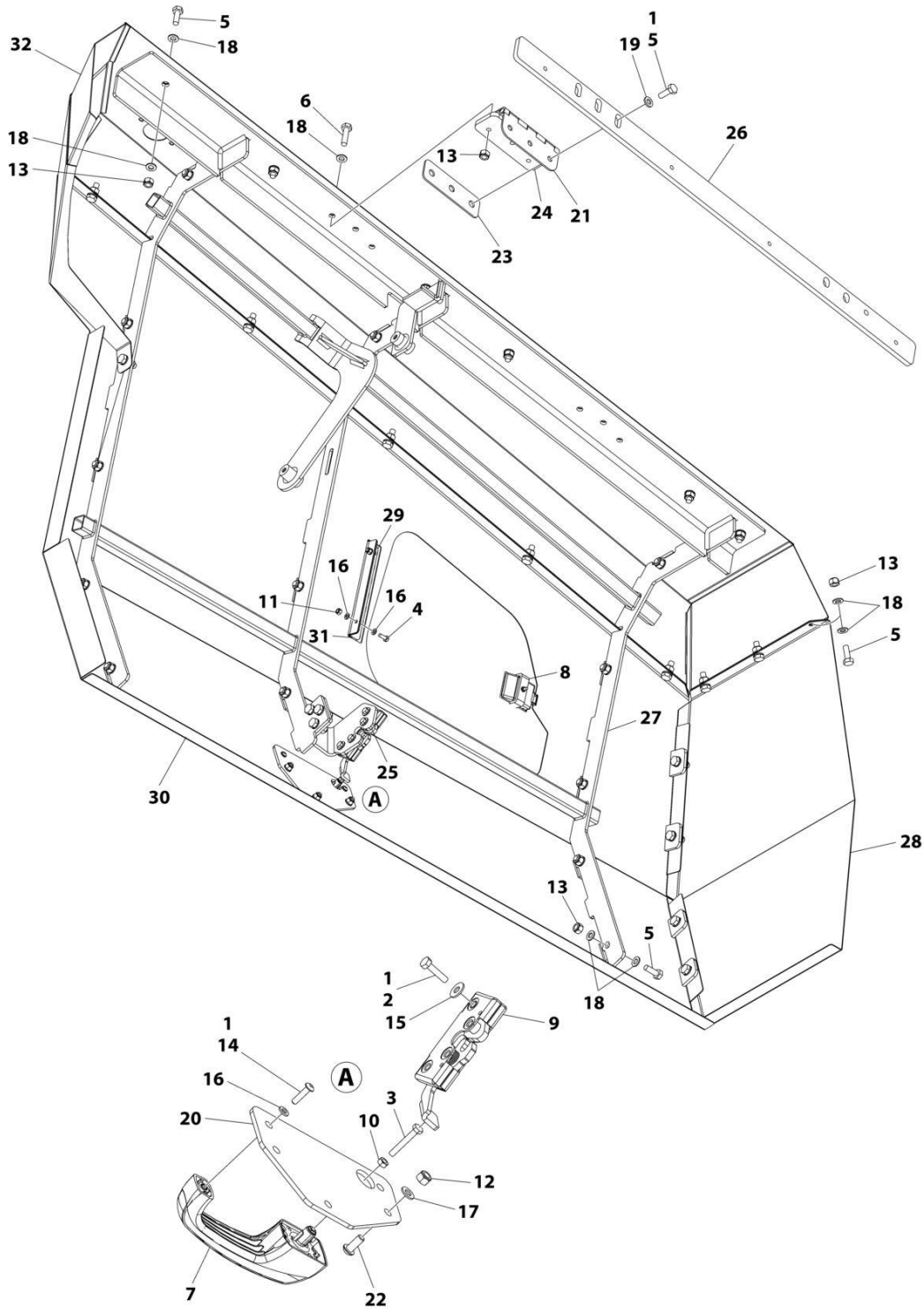
## SECTION 2 - TURNTABLE

### FIGURE 2-40. HOOD ASSEMBLY (STEEL) - ENGINE SIDE

ITEM	PART NUMBER	QTY	DESCRIPTION	REV
	1001282143	Ref	HOOD ASSEMBLY (STEEL) - ENGINE SIDE	B
1	0100011	AR	Compound, Locking	
2	0641409	4	Bolt 1/4 x 1/8	
3	0700616	1	Bolt M6 x 40	
4	0761014	50	Bolt M10 x 30	
5	0761016	6	Bolt M10 x 40	
6	2560187	1	Handle	
7	2940173	1	Latch	
8	3290601	1	Nut M6	
9	3290805	3	Nut M8 x 1-1/4	
10	3291005	50	Nut M10 x 1-1/2	
11	3900363	2	Screw M6 x 25	
12	4751400	4	Washer 1/4	
13	4811700	2	Washer M6	
14	4811900	3	Washer M8	
15	4812000	94	Washer M10	
16	5241000	6	Washer M10	
17	1001116290	1	Plate	
18	1001139384	2	Hinge	
19	1001164726	3	Screw M8 x 20	
20	1001167157	1	Mount, Hood	
21	1001169046	2	Nut	
22	1001194888	1	Pipe, Exhaust	
23	1001202333	2	Plate, Nut	
24	1001263664	1	Bracket	
25	1001263669	1	Panel (Top)	
26	1001263677	1	Bracket	
27	1001263693	1	Panel (End)	
28	1001265389	1	Panel (Side)	

# SECTION 2 - TURNTABLE

## FIGURE 2-41. HOOD ASSEMBLY (STEEL) - TANK SIDE



ART\_1001285988



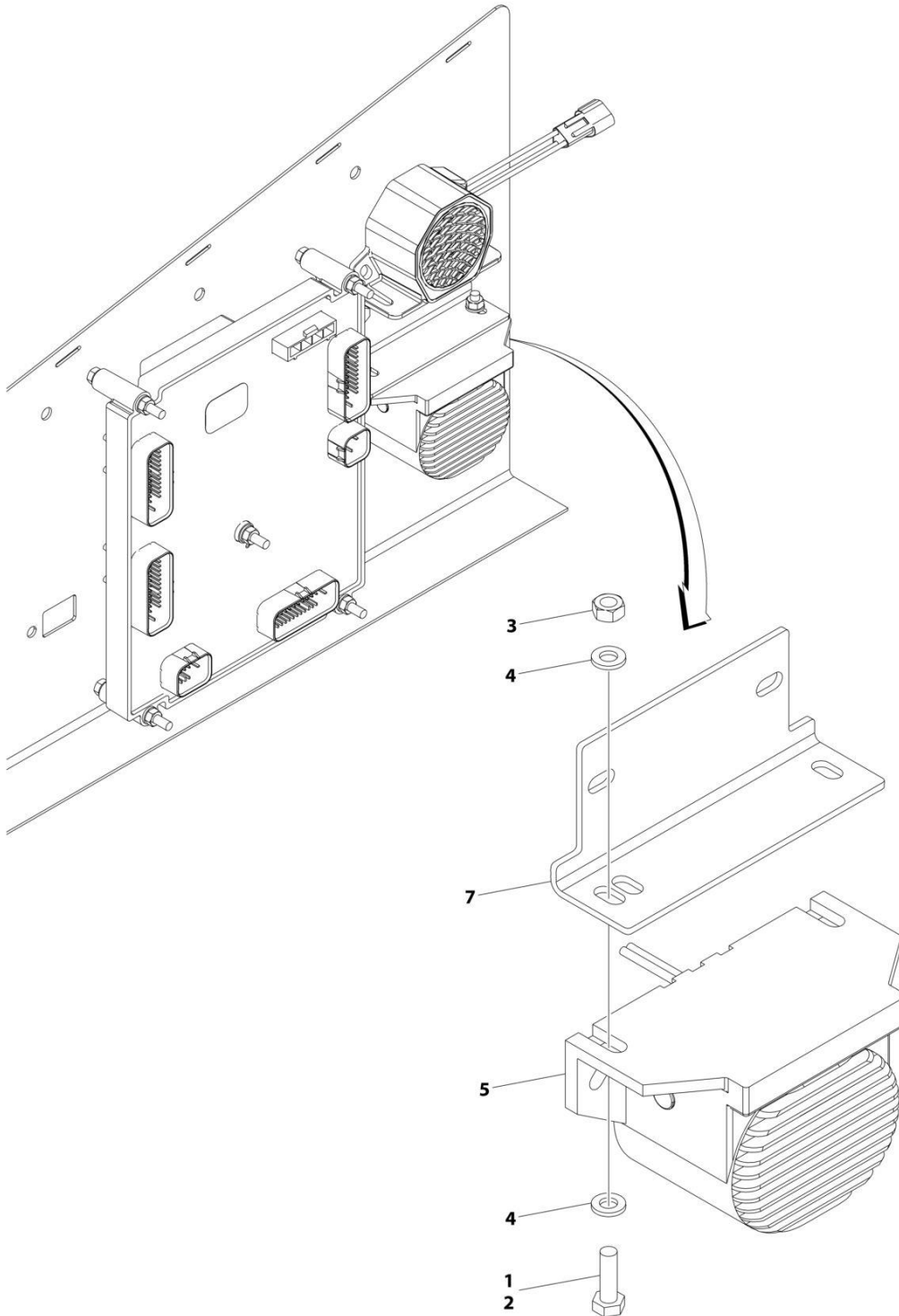
## SECTION 2 - TURNTABLE

### FIGURE 2-41. HOOD ASSEMBLY (STEEL) - TANK SIDE

ITEM	PART NUMBER	QTY	DESCRIPTION	REV
	1001285988	Ref	HOOD ASSEMBLY (STEEL) - TANK SIDE	B
1	0100011	AR	Compound, Locking	
2	0641409	4	Bolt 1/4 x 1/8	
3	0700616	1	Bolt M6 x 40	
4	0760608	2	Bolt M6 x 16	
5	0761014	42	Bolt M10 x 30	
6	0761016	6	Bolt M10 x 40	
7	2560187	1	Handle	
8	2940045	1	Latch	
9	2940173	1	Latch	
10	3290601	1	Nut M6	
11	3290605	2	Nut M6	
12	3290805	3	Nut M8 x 1-1/4	
13	3291005	42	Nut M10 x 1-1/2	
14	3900363	2	Screw M6 x 25	
15	4751400	4	Washer 1/4	
16	4811700	6	Washer M6	
17	4811900	3	Washer M8	
18	4812000	78	Washer M10	
19	5241000	6	Washer M10	
20	1001116290	1	Plate	
21	1001139384	2	Hinge	
22	1001164726	3	Screw M8 x 20	
23	1001169046	2	Nut	
24	1001202333	2	Plate, Nut	
25	1001263663	1	Bracket	
26	1001263668	1	Plate, Hinge	
27	1001263678	1	Bracket	
28	1001263694	1	Panel (End)	
29	1001263787	1	Door	
30	1001265390	1	Panel (Side)	
31	1001281623	4.88 ft/1.49m	Seal	
32	1001285640	1	Panel (Top)	

# SECTION 2 - TURNTABLE

## FIGURE 2-42. WHITE NOISE ALARM AMBIENT INSTALLATION



ART\_1001209617

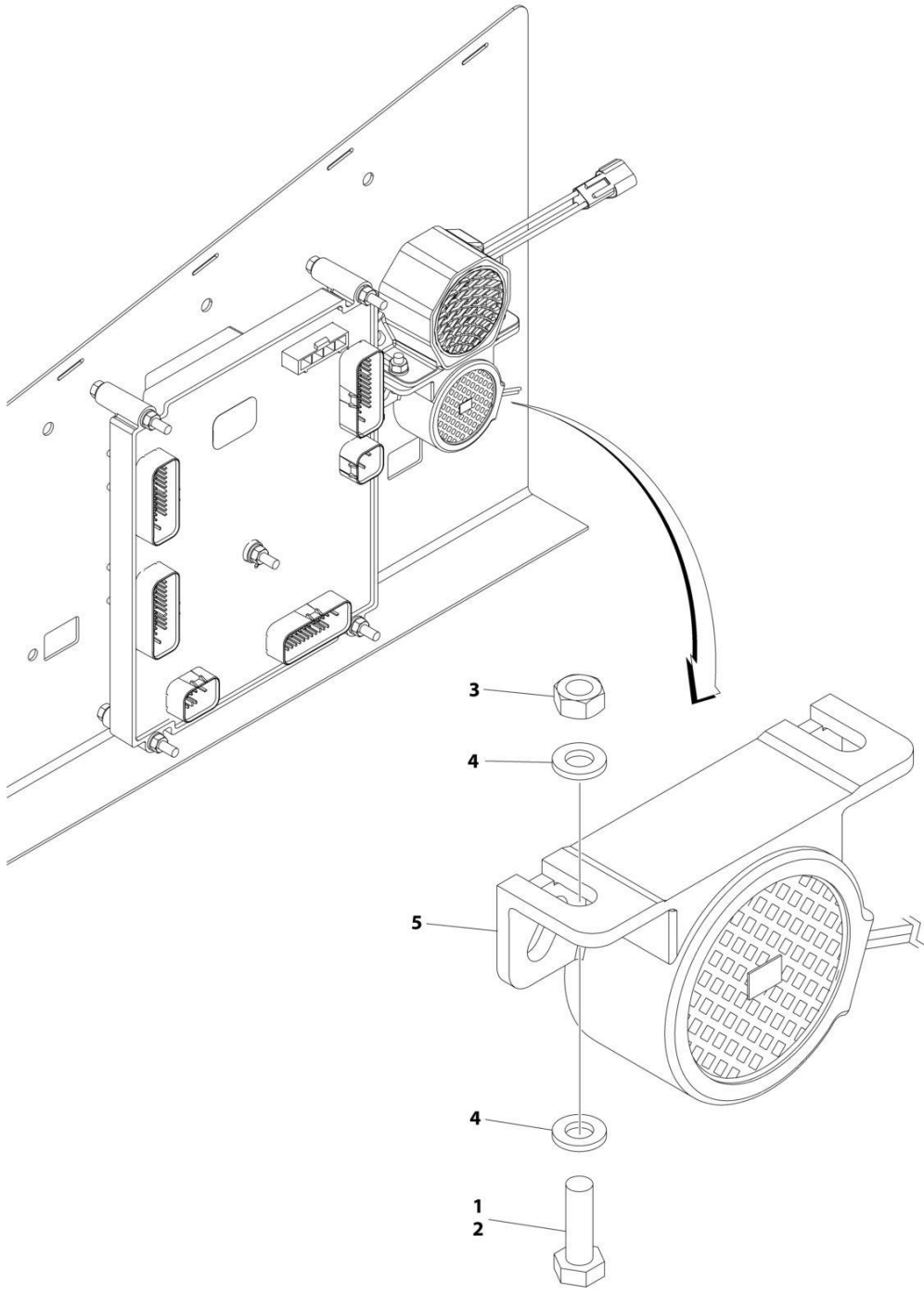
**SECTION 2 - TURNTABLE**

**FIGURE 2-42. WHITE NOISE ALARM AMBIENT INSTALLATION**

<b>ITEM</b>	<b>PART NUMBER</b>	<b>QTY</b>	<b>DESCRIPTION</b>	<b>REV</b>
	1001209617	Ref	WHITE NOISE AMBIENT ALARM INSTALLATION	C
1	0100011	AR	Compound, Locking	
2	0760610	2	Bolt M6 x 20	
3	3290601	2	Nut M6	
4	4811700	4	Washer M6	
5	1001182806	1	Alarm	
6	1001190663	1	Harness, Jumper (Not Shown)	
6	4460891	1	Connector – 2 Position	
6	4460465	2	Socket, Female	
6	4460871	2	Socket, Female	
7	1001231886	1	Plate	

# SECTION 2 - TURNTABLE

## FIGURE 2-43. WHITE NOISE ALARM INSTALLATION



ART\_1001263174

**SECTION 2 - TURNTABLE**

**FIGURE 2-43. WHITE NOISE ALARM INSTALLATION**

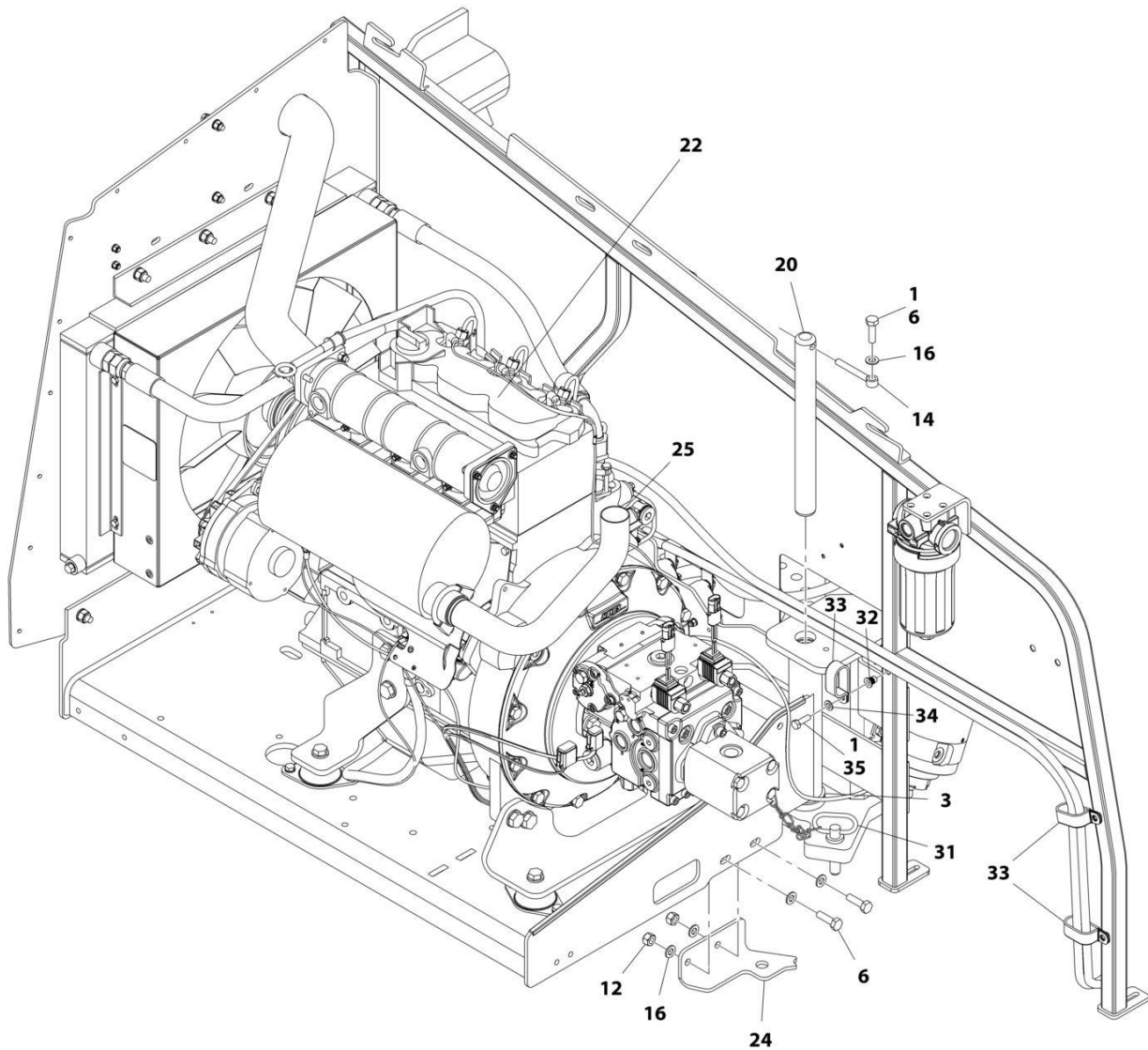
<b>ITEM</b>	<b>PART NUMBER</b>	<b>QTY</b>	<b>DESCRIPTION</b>	<b>REV</b>
	1001263174	Ref	WHITE NOISE ALARM INSTALLATION	A
1	0100011	AR	Compound, Locking	
2	0760610	2	Bolt M6 x 20	
3	3290601	2	Nut M6	
4	4811700	4	Washer M6	
5	1001184682	1	Alarm	
6	1001190663	1	Harness, Jumper (Not Shown)	
6	4460891	1	Connector – 2 Position	
6	4460465	2	Socket, Female	
6	4460871	2	Socket, Female	



**SECTION 3 - ENGINE**

# SECTION 3 - ENGINE

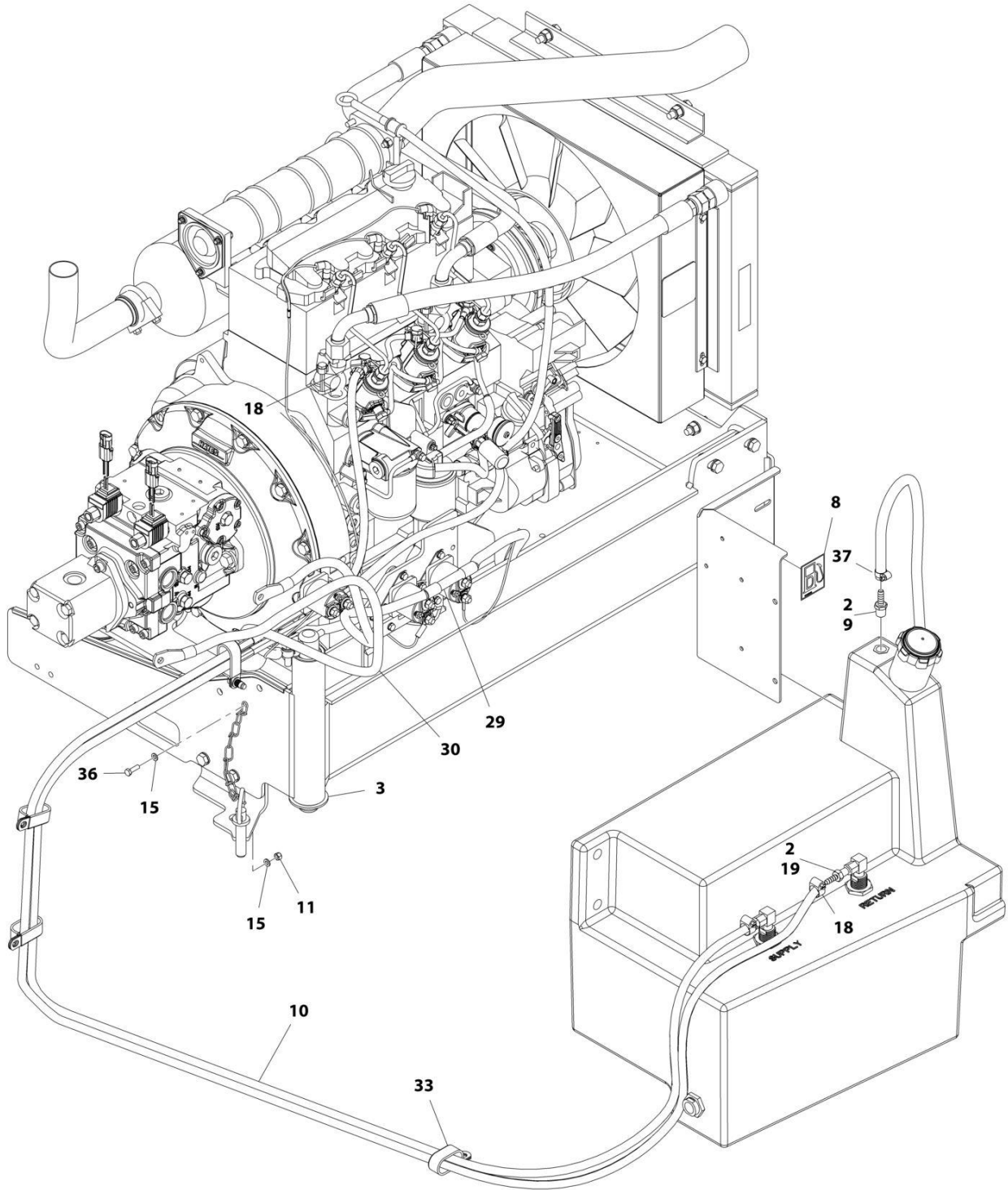
FIGURE 3-1. ENGINE INSTALLATION - DEUTZ D2011 ENGINE (WITHOUT ARCTIC PACKAGE) (ANSI EXPORT, AUSTRALIAN, CE (LRC), CHINA CIS/EAC & UK CA SPECS)



ART\_1001166305\_1OF3

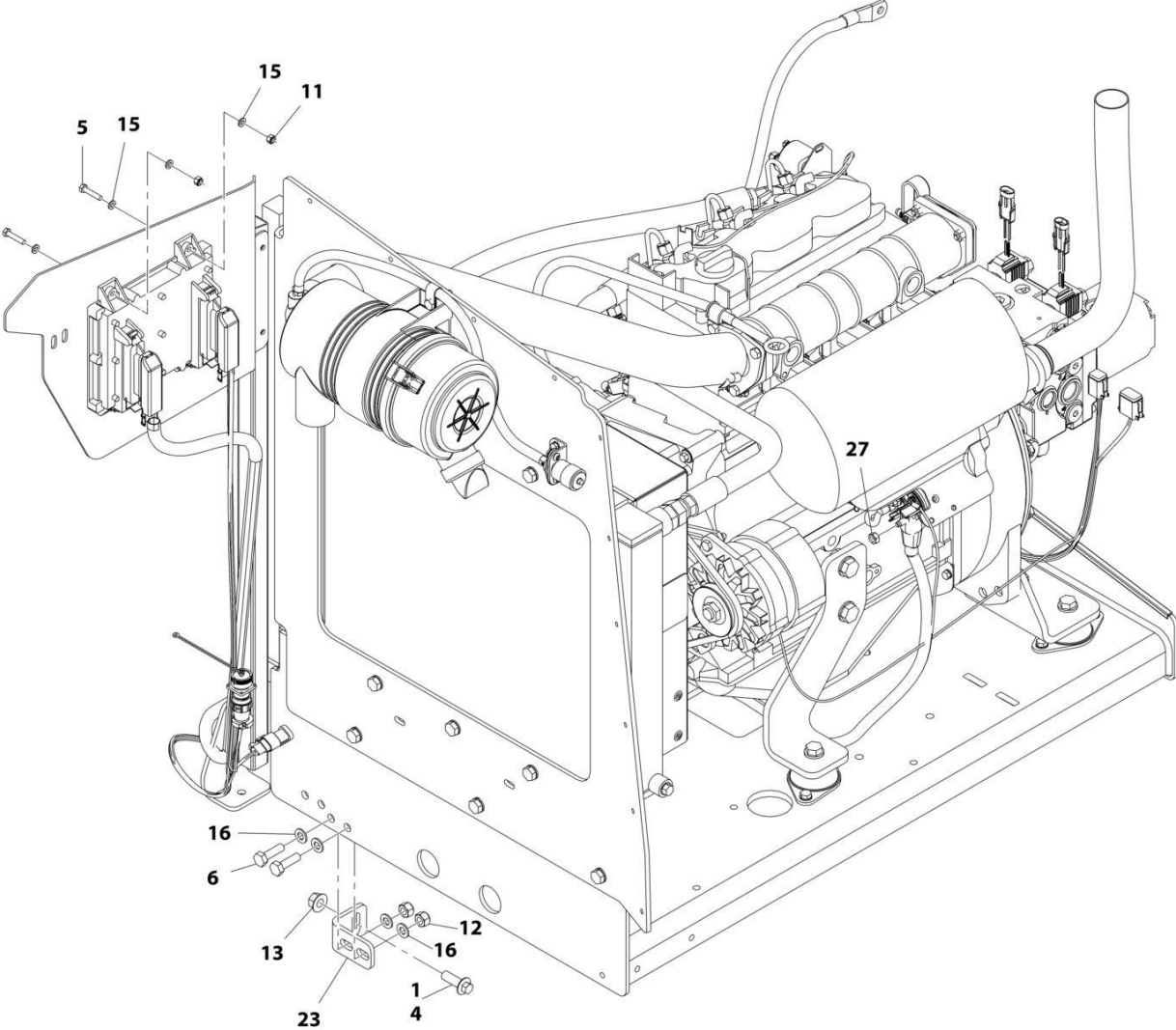


# SECTION 3 - ENGINE



ART\_1001166305\_2OF3

**SECTION 3 - ENGINE**



ART\_1001166305\_3OF3

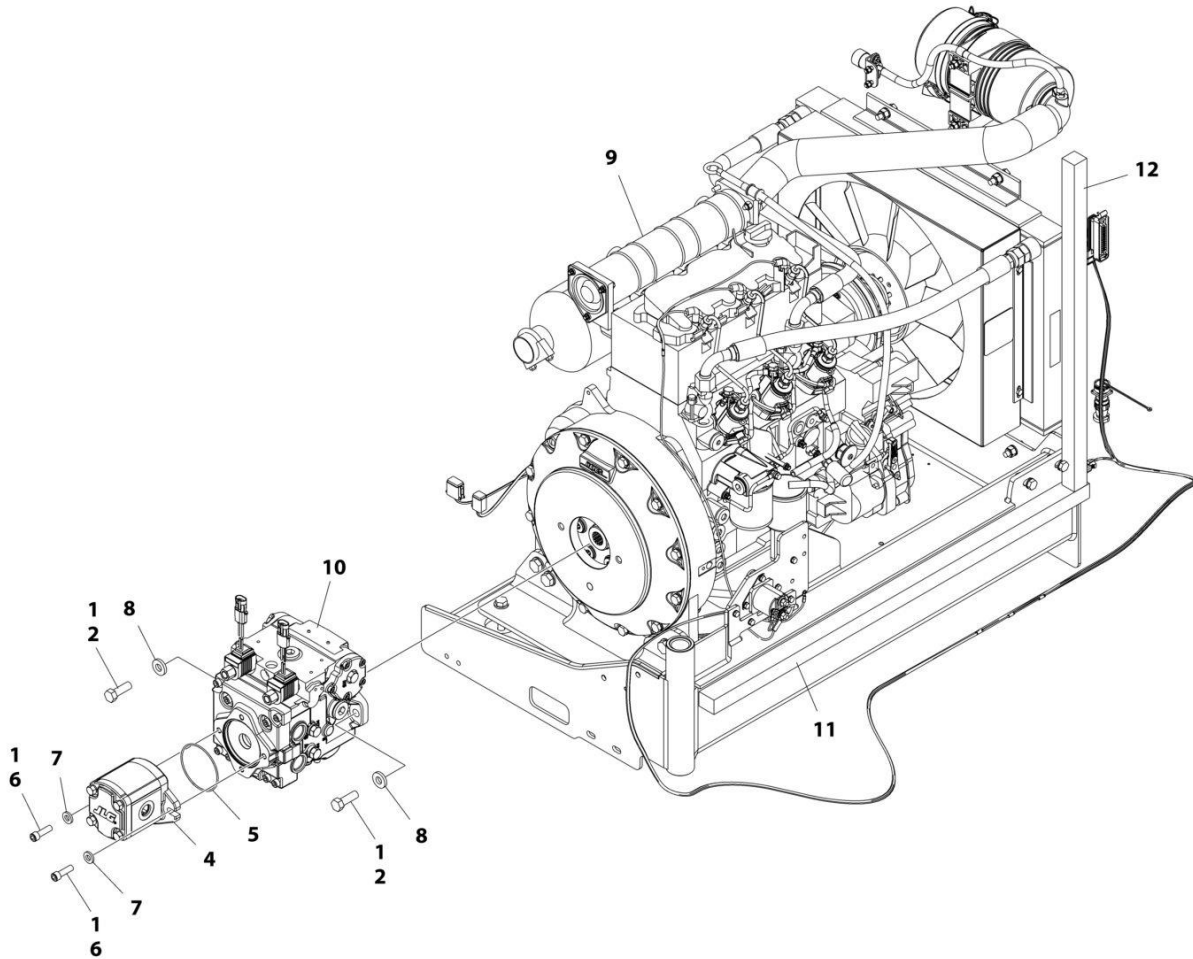
## SECTION 3 - ENGINE

**FIGURE 3-1. ENGINE INSTALLATION - DEUTZ D2011 ENGINE (WITHOUT ARCTIC PACKAGE) (ANSI EXPORT, AUSTRALIAN, CE (LRC), CHINA, CIS/EAC & UK CA SPECS)**

ITEM	PART NUMBER	QTY	DESCRIPTION	REV
	1001166305	Ref	ENGINE INSTALLATION - DEUTZ D2011 ENGINE (WITHOUT ARCTIC PACKAGE)	F
1	0100011	AR	Compound, Locking	
2	0100020	AR	Sealant, Pipe	
3	0440162	1	Bearing	
4	5251215	1	Bolt M12 x 35	
5	0760614	4	Bolt M6 x 30	
6	0761015	5	Bolt M10 x 35	
7	1704972	1	Decal - Warning Explosion/Fire	
8	1701505	1	Decal - Diesel Fuel	
9	2180876	1	Fitting, Barbed	
10	2720058	22 ft /6.7m	Hose	
11	3290605	5	Nut M6	
12	3291005	4	Nut M10	
13	5261200	1	Nut, Flange M12 Grade 10.9	
14	3841143	1	Keeper, Pin	
15	4811700	10	Washer M6	
16	4812000	9	Washer M10	
18	8410013	4	Clamp	
19	2180348	2	Fitting, Barbed	
20	1001135196	1	Pin	
22	1001166021	1	Engine and Pump Sub-Assembly - Deutz D2011 (Without Arctic Package) (See Separate Breakdown in this Section)	
23	1001167512	1	Bracket, Engine	
24	1001169823	1	Bracket, Engine	
25	1001172202	1	Pipe, Exhaust	
27	3290801	1	Nut M8	
29	1001171681	1	Cable, Battery (Red) (Battery Positive to Auxiliary Power Relay)	
30	1001171682	1	Cable, Battery (Black) (Battery Negative to Auxiliary Power Pump)	
31	3422532	1	Pin	
32	1001191832	1	Nut, Rivet, M8	
33	1321716	4	Clamp	
34	4811900	1	Washer M8	
35	0760812	1	Bolt M8 x 25	
36	0760610	1	Bolt M6 x 20	
37	1320022	1	Clamp	

# SECTION 3 - ENGINE

**FIGURE 3-2. ENGINE AND PUMP SUB-ASSEMBLY - DEUTZ D2011 (WITHOUT ARCTIC PACKAGE)  
(ANSI EXPORT, AUSTRALIAN, CE (LRC), CHINA, CIS/EAC & UK CA SPECS)**



ART\_1001166021\_G

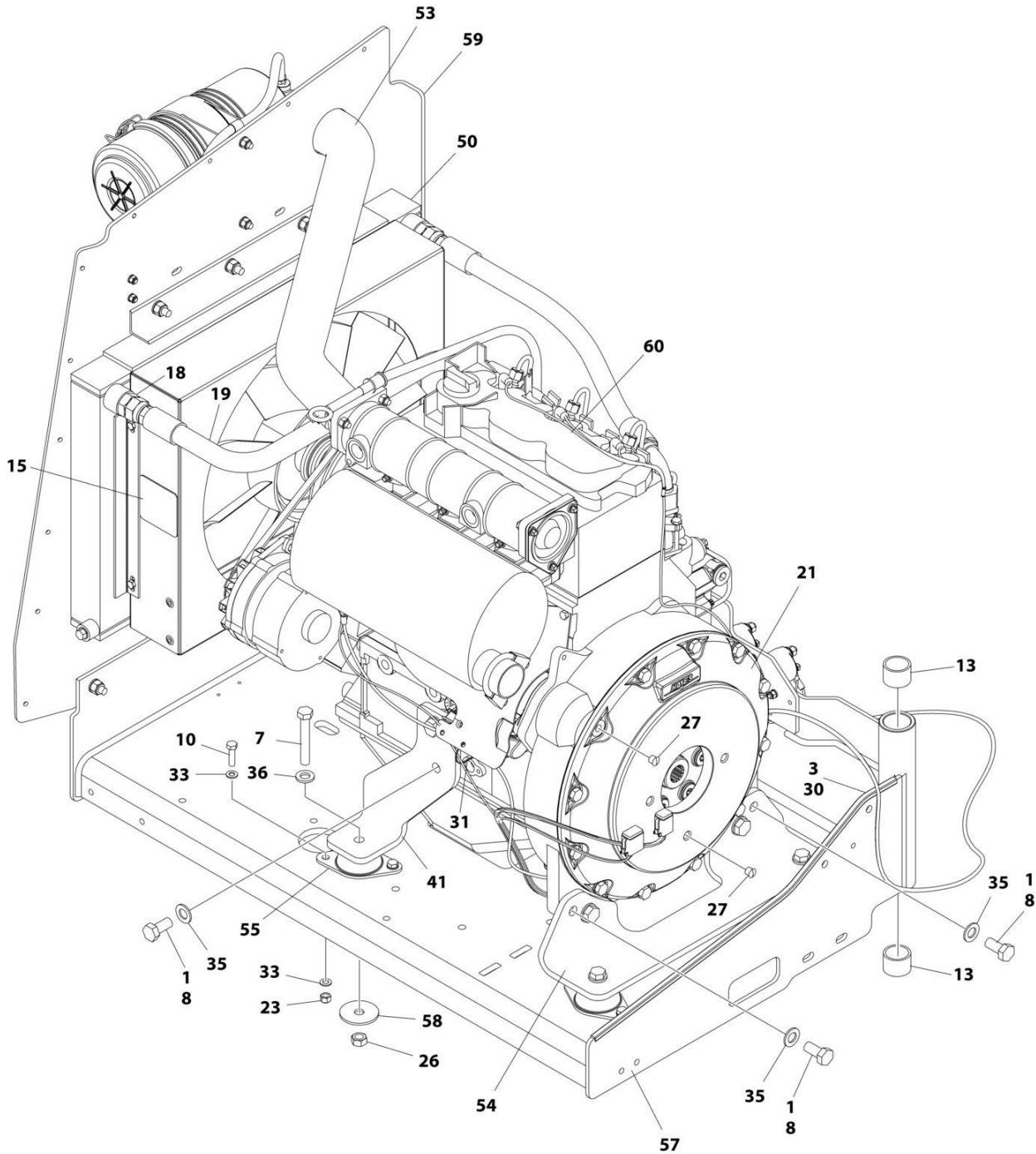
## SECTION 3 - ENGINE

**FIGURE 3-2. ENGINE AND PUMP SUB-ASSEMBLY - DEUTZ D2011 (WITHOUT ARCTIC PACKAGE)  
(ANSI EXPORT, AUSTRALIAN, CE (LRC), CHINA, CIS/EAC & UK CA SPECS)**

ITEM	PART NUMBER	QTY	DESCRIPTION	REV
	1001166021	Ref	ENGINE AND PUMP SUB-ASSEMBLY - DEUTZ D2011 (WITHOUT ARCTIC PACKAGE)	G
1	0100011	AR	Compound, Locking	
2	0641812	2	Bolt 1/2 x 1-1/2	
4	1001214207	1	Gear Pump Assembly	
4	70006356	1	Seal Kit	
5	3790152	1	O-Ring	
6	3931618	2	Capscrew 3/8 x 1-1/8	
7	4891600	2	Washer 3/8 Hardened	
8	4891800	2	Washer 1/2 Hardened	
9	1001166020	1	Engine Assembly - Deutz D2011 Engine (Without Arctic Package) (See Separate Breakdown in this Section)	
10	1001167036	1	Piston Pump Assembly (See Separate Breakdown in this Section)	
11	1001171953	1	Seal	
12	1001171954	1	Seal	

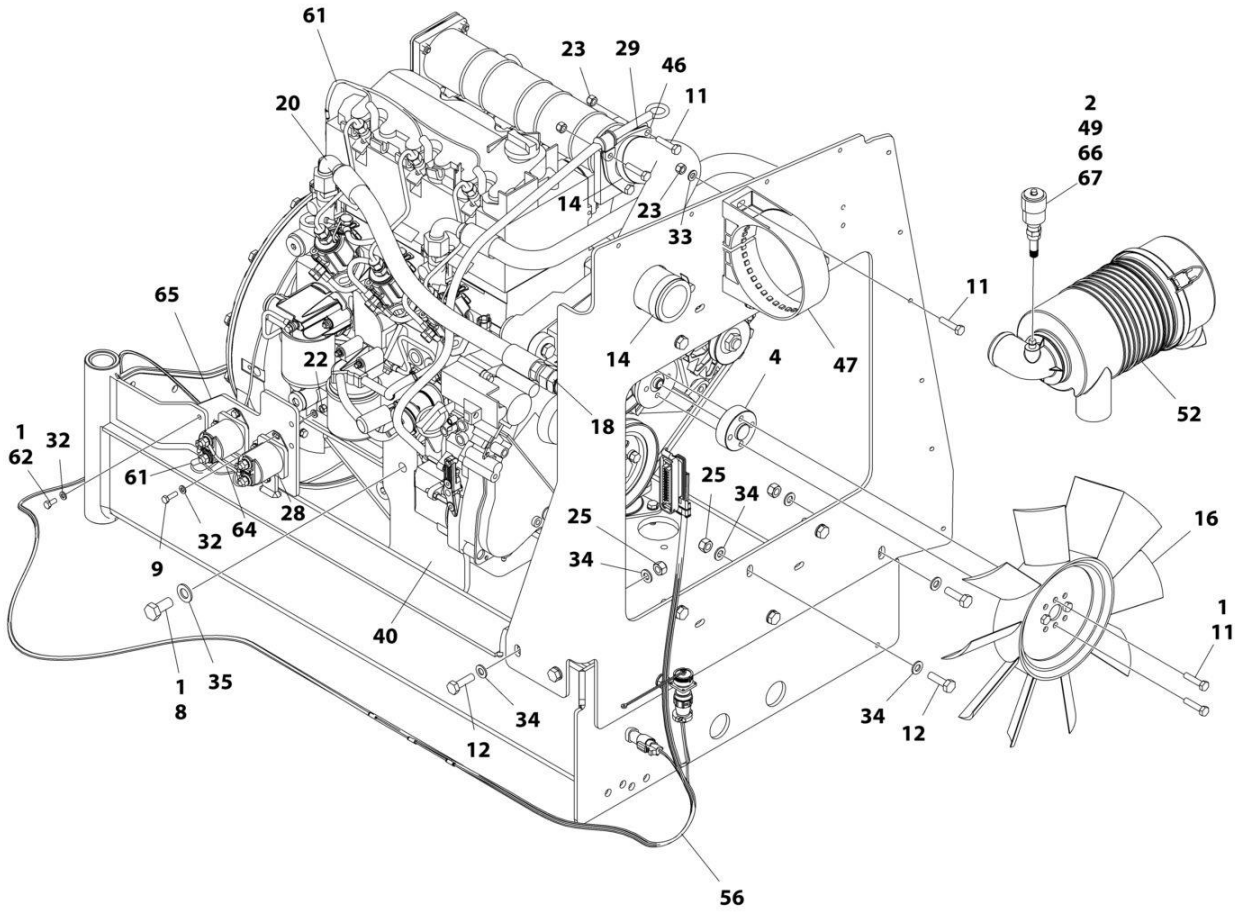
# SECTION 3 - ENGINE

FIGURE 3-3. ENGINE ASSEMBLY - DEUTZ D2011 ENGINE (WITHOUT ARCTIC PACKAGE) (ANSI EXPORT, AUSTRALIAN, CE (LRC), CHINA, CIS/EAC & UK CA SPECS)



ART\_1001166020\_P\_10F2

# SECTION 3 - ENGINE



ART\_1001166020\_P\_20F2

## SECTION 3 - ENGINE

**FIGURE 3-3. ENGINE ASSEMBLY - DEUTZ D2011 ENGINE (WITHOUT ARCTIC PACKAGE) (ANSI EXPORT, AUSTRALIAN, CE (LRC), CHINA, CIS/EAC & UK CA SPECS)**

ITEM	PART NUMBER	QTY	DESCRIPTION	REV
	1001166020	Ref	ENGINE ASSEMBLY - DEUTZ D2011 ENGINE (WITHOUT ARCTIC PACKAGE)	P
1	0100011	AR	Compound, Locking	
2	0100020	AR	Sealant, Pipe	
3	0100081	AR	Adhesive	
4	0080231	1	Spacer, Fan	
7	0711224	4	Bolt M12 x 80 Class 10.9	
8	0771414	8	Bolt M14 x 30 Class 10.9	
9	0760610	4	Bolt M6 x 20	
10	0760814	8	Bolt M8 x 30	
11	0760815	9	Bolt M8 x 35	
12	0761015	11	Bolt M10 x 35	
13	0961951	2	Bushing	
14	1320016	2	Clamp	
15	1703162	2	Decal - Caution Fan	
16	2060025	1	Fan	
18	2220451	2	Fitting, Straight JIC/ORB	
19	2720398	1	Hose	
20	2720447	1	Hose	
21	2902065	1	Pump Coupling Kit (See Separate Breakdown in this Section)	
22	3290605	4	Nut M6 x 1	
23	3290805	13	Nut M8 x 1-1/4	
25	3291005	11	Nut M10 x 1-1/2	
26	3331215	4	Nut M12 x 1-3/4	
27	3520054	2	Plug	
28	3740067	2	Relay Assembly	
28	3300220	2	Nut	
28	3321001	1	Nut #10	
28	3740140	1	Relay	
28	4761000	1	Washer #10	
28	1001111424	2	Washer	
29	3960407	1	Gasket	
30	4060805	2.25 ft/ 0.69m	Trim-Flex	
31	4240099	AR	Tie-Strap	
32	4811700	11	Washer M6	
33	4811900	20	Washer M8	
34	4812000	22	Washer M10	
35	4812200	8	Washer M14	
36	5241200	4	Washer M12	
40	1001132195	1	Bracket, Engine Mount	
41	1001132196	1	Bracket, Engine Mount	
46	1001139819	1	Adapter, Air Intake	
47	1001141694	1	Clamp, Air Cleaner	
49	1001143390	1	Indicator	
50	1001150998	1	Radiator	
52	1001165388	1	Air Cleaner Assembly	
52	70003783	1	Element, Air Cleaner	
53	1001165389	1	Hose	

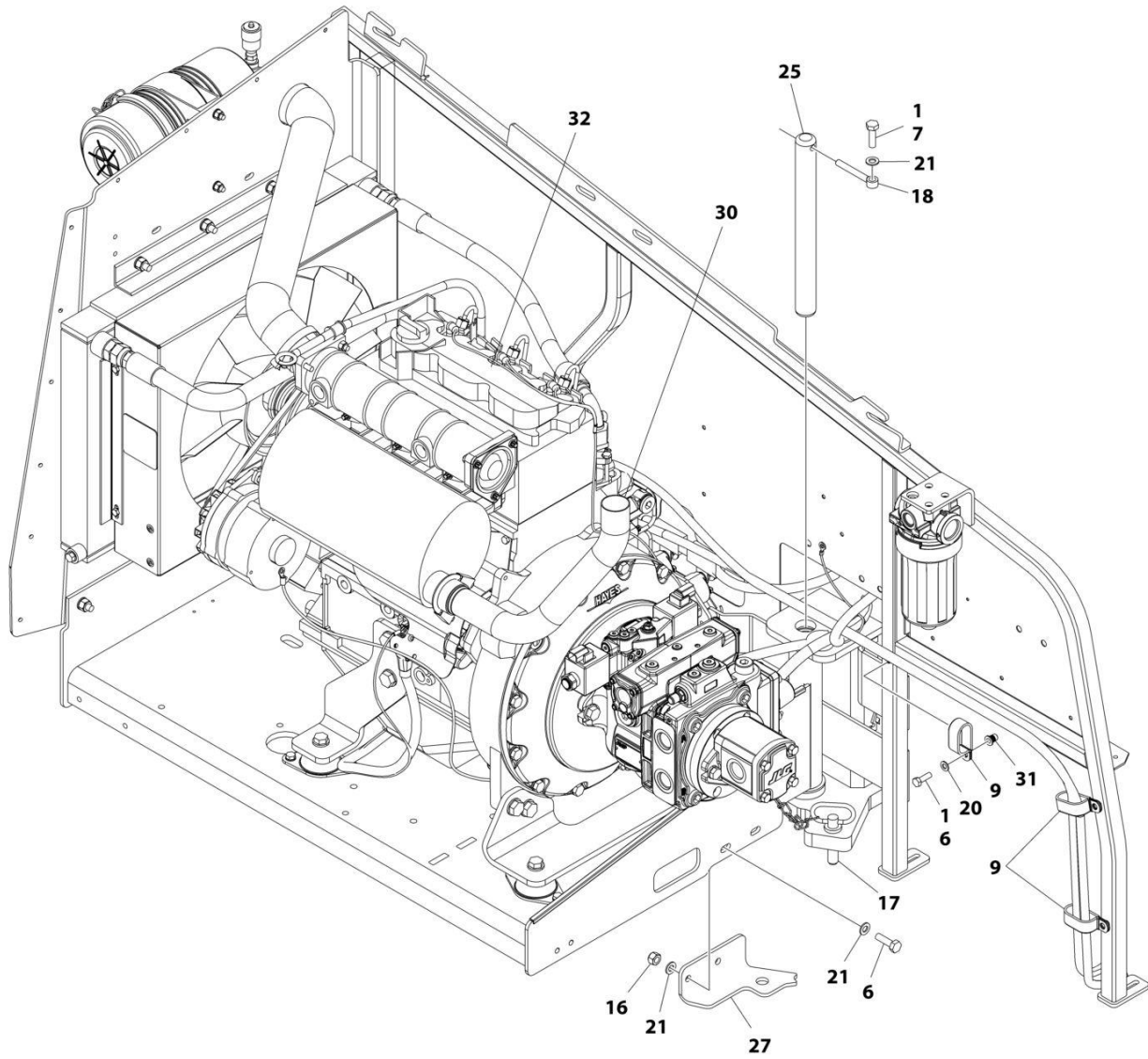


## SECTION 3 - ENGINE

ITEM	PART NUMBER	QTY	DESCRIPTION	REV
54	1001166717	1	Bracket, Engine Mount	
55	1001166718	4	Isolator, Engine Mount	
56	1001167111	1	Harness Engine - Deutz D2011 (See Separate Breakdown in ELECTRICAL Section)	
57	1001167520	1	Tray, Engine	
58	1001168018	4	Washer, Snubbing	
59	1001168059	1	Plate, Radiator Mounting	
60	1001170693	1	Engine, Deutz D2011 (See Separate Breakdown in this Section)	
61	4923451	1	Harness, Glow Plugs	
62	0760614	3	Bolt M6 x 30	
64	1001178859	1	Cable, Alternator	
65	1001214975	1	Bracket	
66	2200261	1	Fitting	
67	1001277432	1	Spacer	

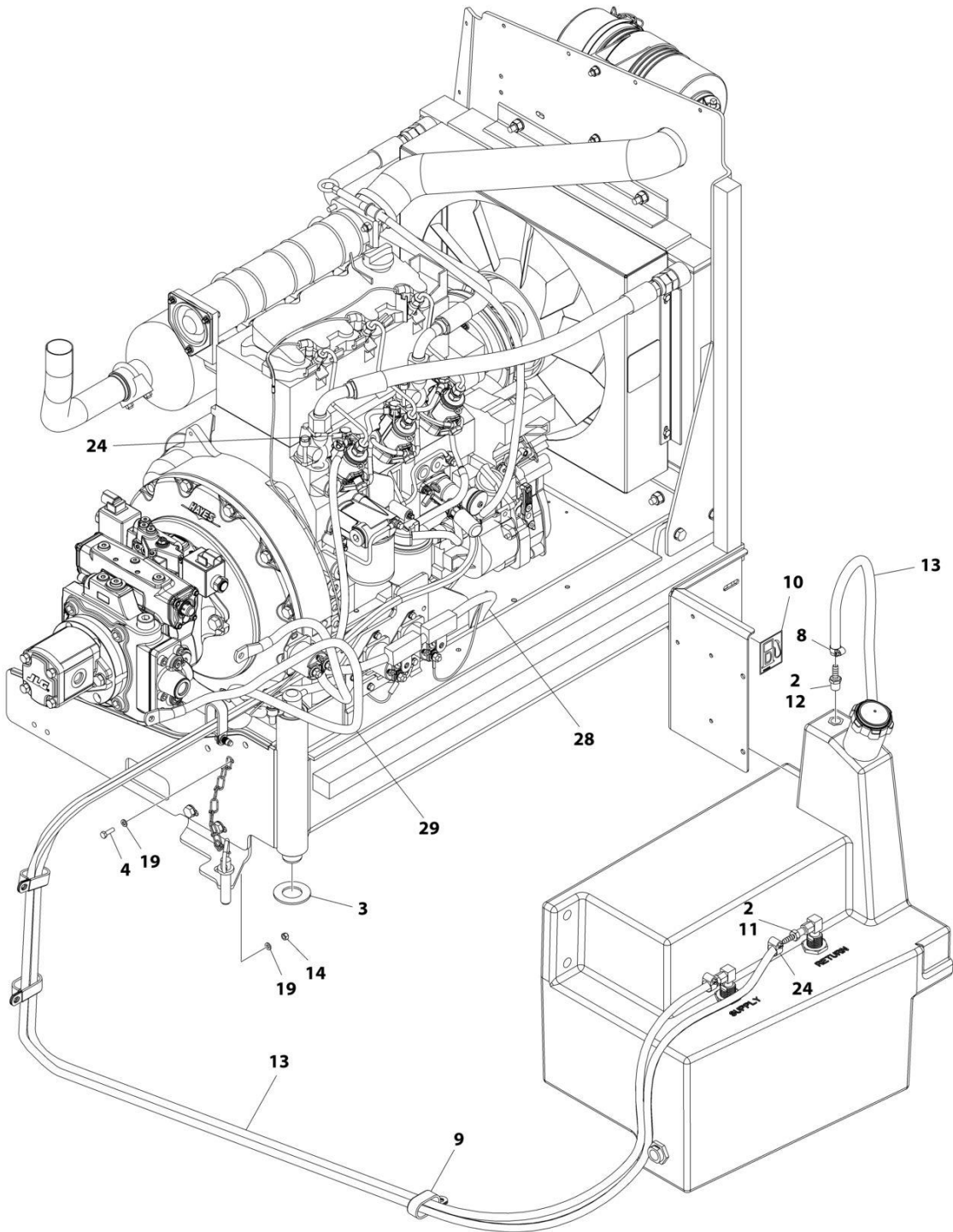
# SECTION 3 - ENGINE

FIGURE 3-4. ENGINE INSTALLATION - DEUTZ D2011 ENGINE (WITHOUT ARCTIC PACKAGE) (WITH PMP PUMP)



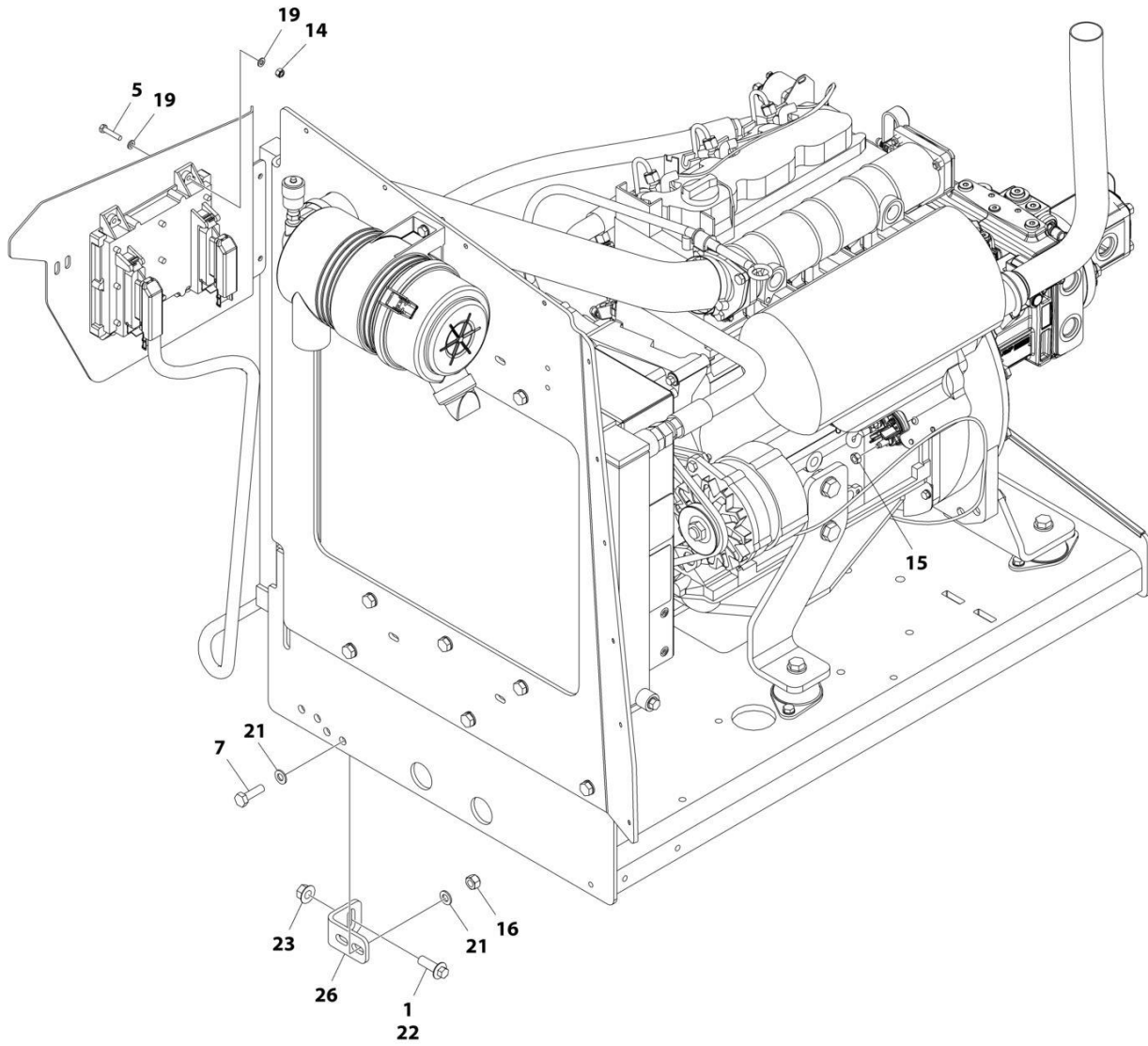
ART\_1001301505\_1OF3

# SECTION 3 - ENGINE



ART\_1001301505\_2OF3

# SECTION 3 - ENGINE



ART\_1001301505\_3OF3

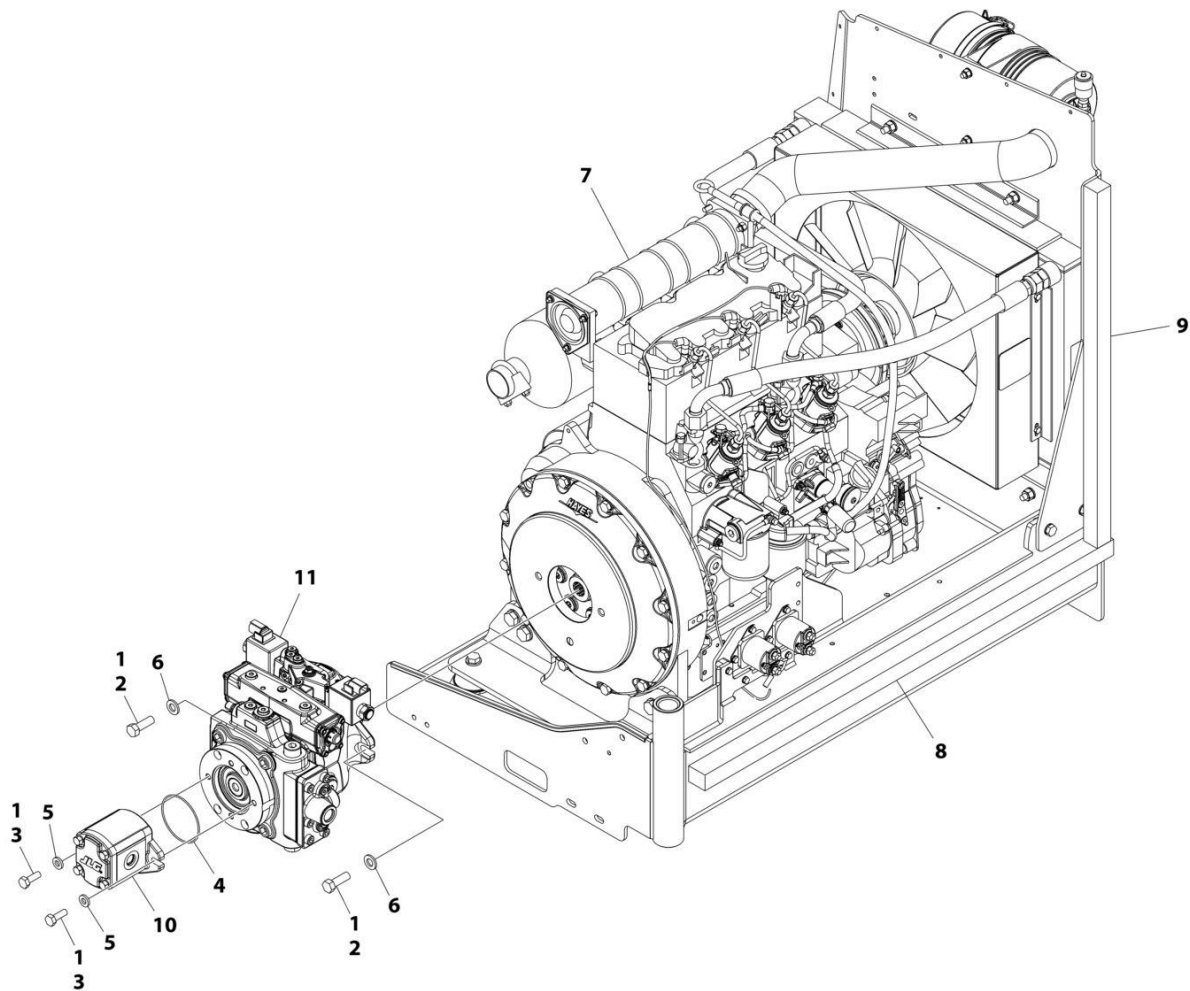
## SECTION 3 - ENGINE

**FIGURE 3-4. ENGINE INSTALLATION - DEUTZ D2011 ENGINE (WITHOUT ARCTIC PACKAGE) (WITH PMP PUMP)**

ITEM	PART NUMBER	QTY	DESCRIPTION	REV
	1001301505	Ref	ENGINE INSTALLATION - DEUTZ D2011 ENGINE (WITHOUT ARCTIC PACKAGE) (WITH PMP PUMP)	A
1	0100011	AR	Compound, Locking	
2	0100020	AR	Sealant, Pipe	
3	0440162	1	Bearing	
4	0760610	1	Bolt M6 x 20	
5	0760614	4	Bolt M6 x 30	
6	0760812	1	Bolt M8 x 25	
7	0761015	5	Bolt M10 x 35	
8	1320022	1	Clamp	
9	1321716	4	Clamp	
10	1701505	1	Decal - Diesel	
11	2180348	2	Fitting, Barbed	
12	2180876	1	Fitting, Barbed	
13	2720058	22 ft/ 6.7 m	Hose	
14	3290605	5	Nut M6	
15	3290801	1	Nut M8	
16	3291005	4	Nut M10	
17	3422532	1	Pin	
18	3841143	1	Keeper, Pin	
19	4811700	10	Washer M6	
20	4811900	1	Washer M8	
21	4812000	9	Washer M10	
22	5251215	1	Bolt M12 x 35	
23	5261200	1	Nut M12	
24	8410013	4	Clamp	
25	1001135196	1	Pin	
26	1001167512	1	Bracket, Engine	
27	1001169823	1	Plate	
28	1001171681	1	Cable, Battery (Red) (Battery Positive to Auxiliary Power Relay)	
29	1001171682	1	Cable, Battery (Black) (Battery Negative to Auxiliary Power Pump)	
30	1001172202	1	Pipe, Exhaust	
31	1001191832	1	Nut, Rivet M8	
32	1001301504	1	Engine and Pump Sub-Assembly (See Separate Breakdown in this Section)	

# SECTION 3 - ENGINE

FIGURE 3-5. ENGINE AND PUMP SUB-ASSEMBLY - DEUTZ D2011 ENGINE (WITHOUT ARCTIC PACKAGE) (WITH PMP PUMP)



ART\_1001301504

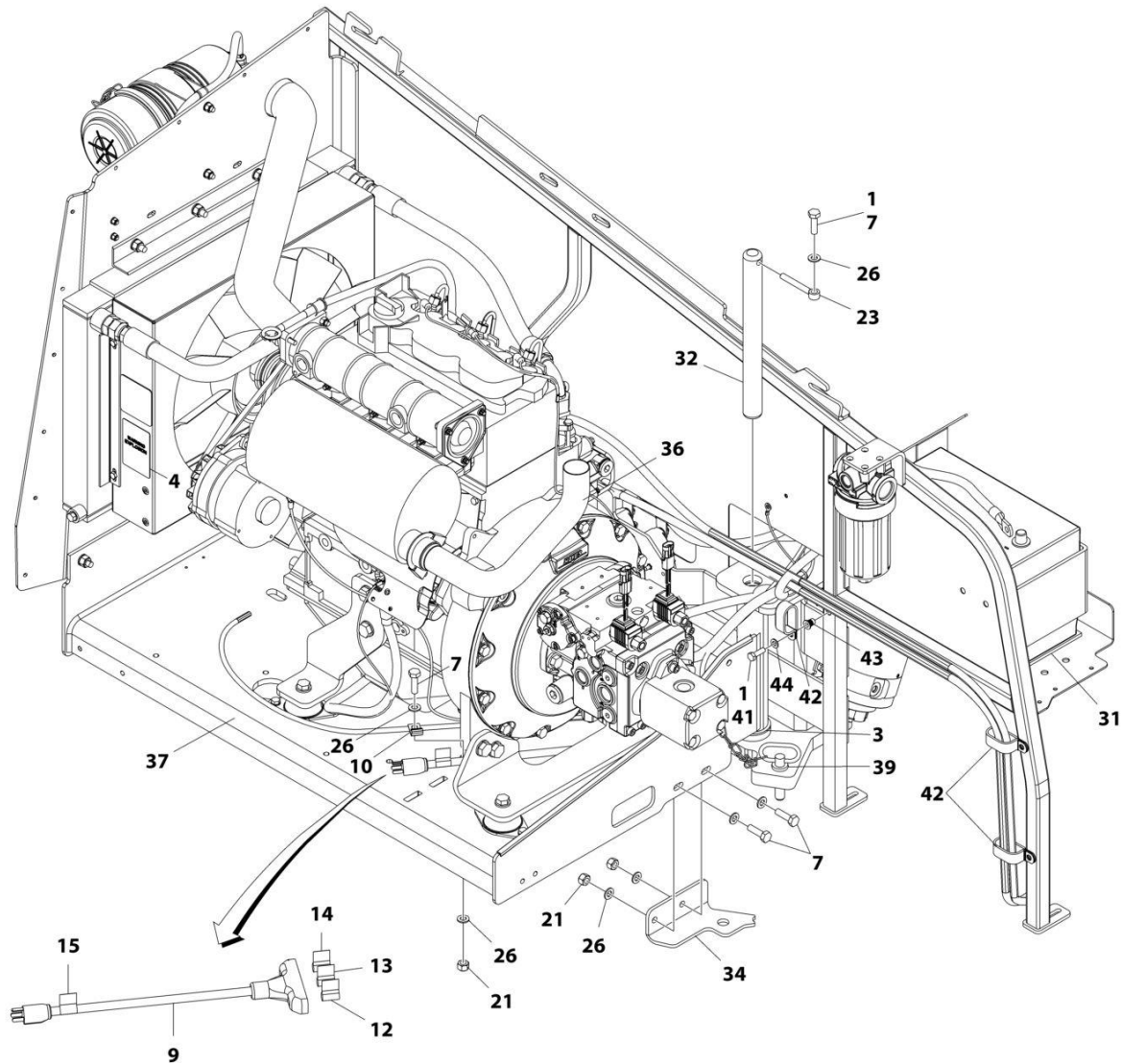
## SECTION 3 - ENGINE

**FIGURE 3-5. ENGINE AND PUMP SUB-ASSEMBLY - DEUTZ D2011 ENGINE (WITHOUT ARCTIC PACKAGE) (WITH PMP PUMP)**

ITEM	PART NUMBER	QTY	DESCRIPTION	REV
	1001301504	Ref	ENGINE AND PUMP SUB-ASSEMBLY - DEUTZ D2011 (WITHOUT ARCTIC PACKAGE) (WITH PMP PUMP)	A
1	0100011	AR	Compound, Locking	
2	0641812	2	Bolt 1/2 x 1-1/2	
3	0761014	2	Bolt M10 x 30	
4	3790152	1	O-Ring	
5	4891600	2	Washer 3/8	
6	5241200	2	Washer M12	
7	1001166020	1	Engine Assembly (See Separate Breakdown in this Section)	
8	1001171953	1	Seal	
9	1001171954	1	Seal	
10	1001214207	1	Gear Pump Assembly	
10	70006356	1	Seal Kit - 1001214207 Pump	
11	1001285632	1	Closed Pump Loop Assembly (See Separate Breakdown in this Section)	

# SECTION 3 - ENGINE

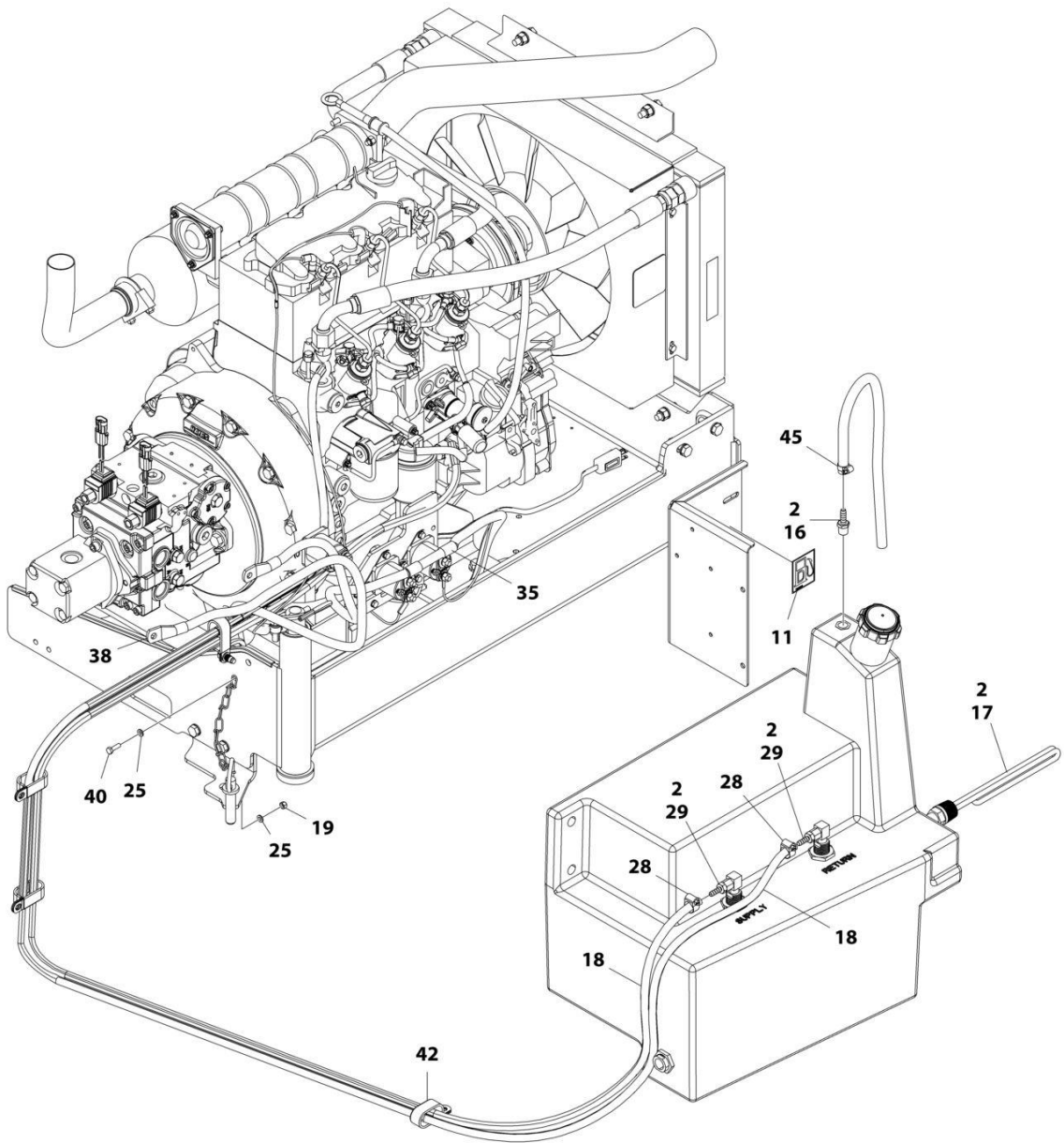
FIGURE 3-6. ENGINE INSTALLATION - DEUTZ D2011 ENGINE (WITH 17GAL HYDRAULIC TANK & ARCTIC PACKAGE) (ANSI EXPORT, CHINA & RUSSIA SPECS)



ART\_1001174785\_10F3

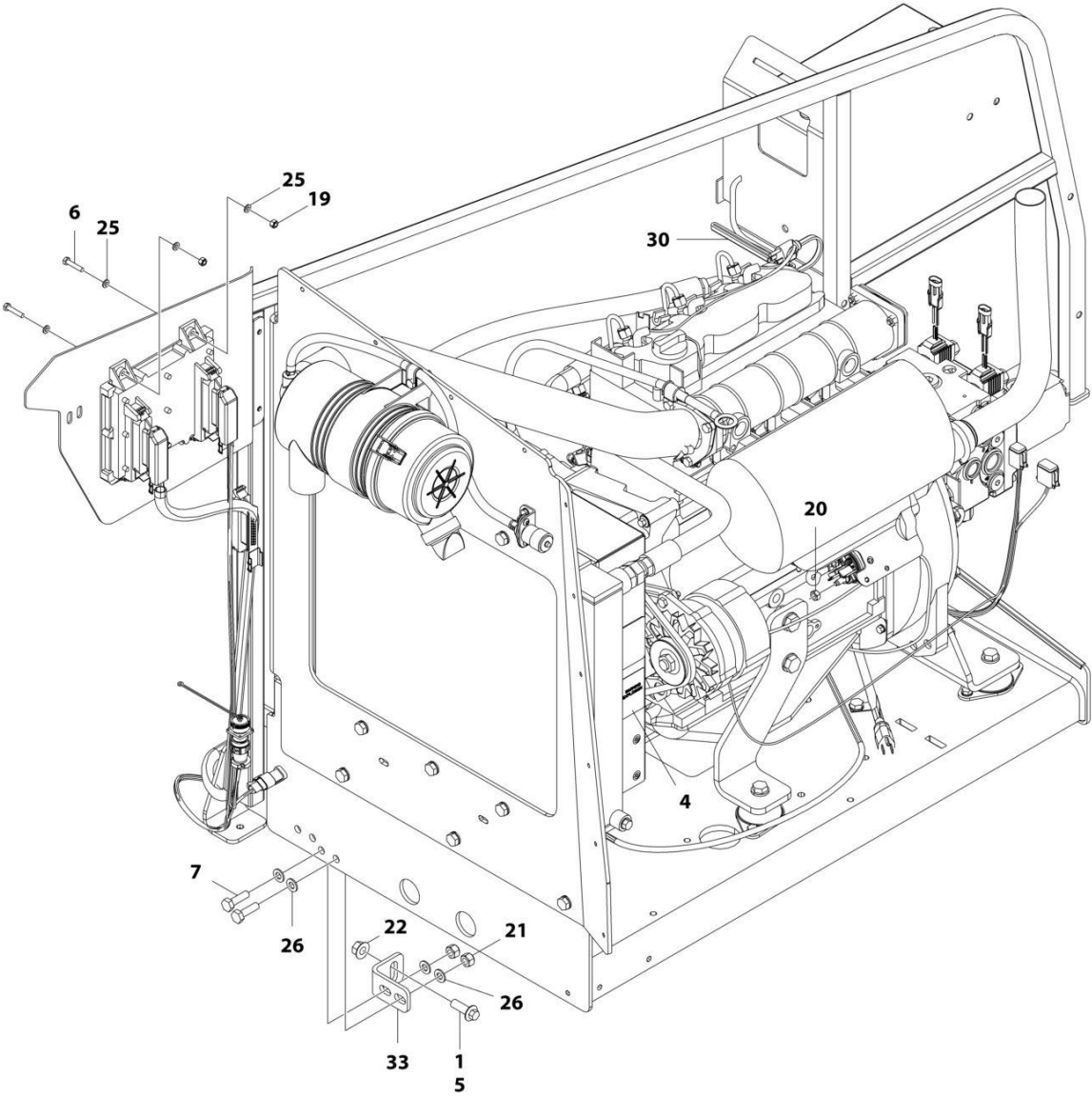


# SECTION 3 - ENGINE



ART\_1001174785\_2OF3

# SECTION 3 - ENGINE



ART\_1001174785\_3OF3

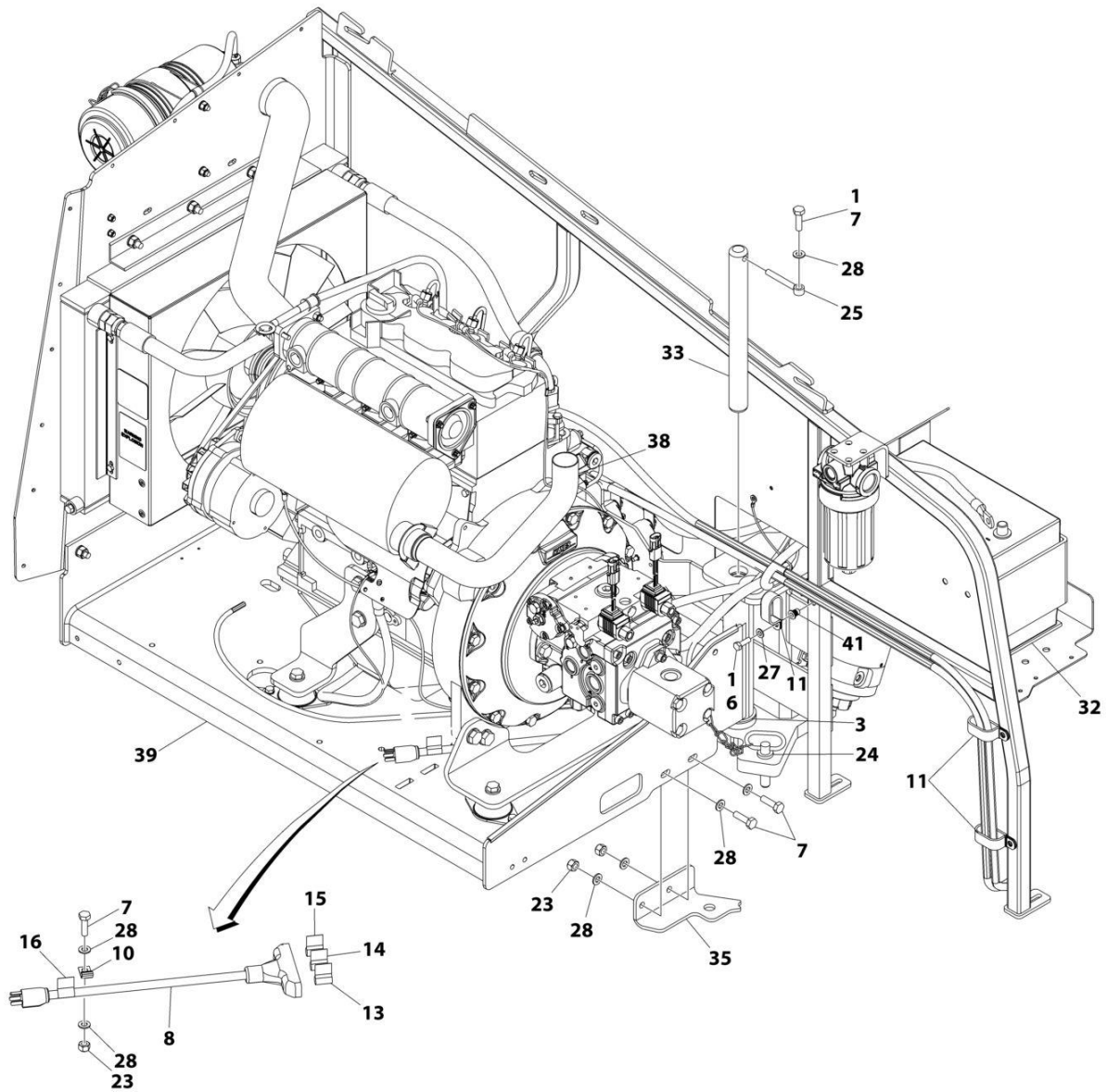
## SECTION 3 - ENGINE

**FIGURE 3-6. ENGINE INSTALLATION - DEUTZ D2011 ENGINE (WITH 17GAL HYDRAULIC TANK & ARCTIC PACKAGE) (ANSI EXPORT, CHINA & RUSSIA SPECS)**

ITEM	PART NUMBER	QTY	DESCRIPTION	REV
	1001174785	Ref	ENGINE INSTALLATION - DEUTZ D2011 ENGINE (WITH ARCTIC PACKAGE)	F
1	0100011	AR	Compound, Locking	
2	0100020	AR	Sealant, Pipe	
3	0440162	1	Bearing	
4	1704972	1	Decal - Warning Explosion/Fire	
5	5251215	1	Bolt M12 x 35	
6	0760614	4	Bolt M6 x 30	
7	0761015	6	Bolt M10 x 35	
9	1060626	1	Plug, 3 Way	
10	1320223	1	Clamp	
11	1701505	1	Decal - Diesel Fuel	
12	1702941	1	Decal - Battery Heater	
13	1702942	1	Decal - Engine Block Heater	
14	1702943	1	Decal - Hydraulic Tank Heater	
15	1702944	1	Decal - Heater Cord	
16	2180876	1	Fitting, Barbed	
17	1001188972	1	Heater, Hydraulic Tank	
18	2720058	22 ft /6.7m	Hose	
19	3290605	5	Nut M6	
20	3290801	1	Nut M8	
21	3291005	5	Nut M10	
22	5261200	1	Nut, Flange M12 Grade 10.9	
23	3841143	1	Keeper, Pin	
25	4811700	10	Washer M6	
26	4812000	11	Washer M10	
28	8410013	4	Clamp	
29	2180348	2	Fitting, Barbed	
30	2580024	1	Heater, Battery	
31	1001119278	1	Insulate	
32	1001135196	1	Pin	
33	1001167512	1	Bracket, Engine	
34	1001169823	1	Plate, Engine Lock	
35	1001171681	1	Cable, Battery (Red) (Battery Positive to Auxiliary Power Relay)	
36	1001172202	1	Pipe, Exhaust	
37	1001174784	1	Engine and Pump Sub-Assembly - Deutz D2011 (With Arctic Package) (See Separate Breakdown in this Section)	
38	1001171682	1	Cable, Battery (Black) (Battery Negative to Auxiliary Power Pump)	
39	3422532	1	Pin	
40	0760610	1	Bolt M6 x 20	
41	0760812	1	Bolt M8 x 25	
42	1321716	4	Clamp	
43	1001191832	1	Nut, Rivet M8	
44	4811900	1	Washer M8	
45	1320022	1	Clamp	

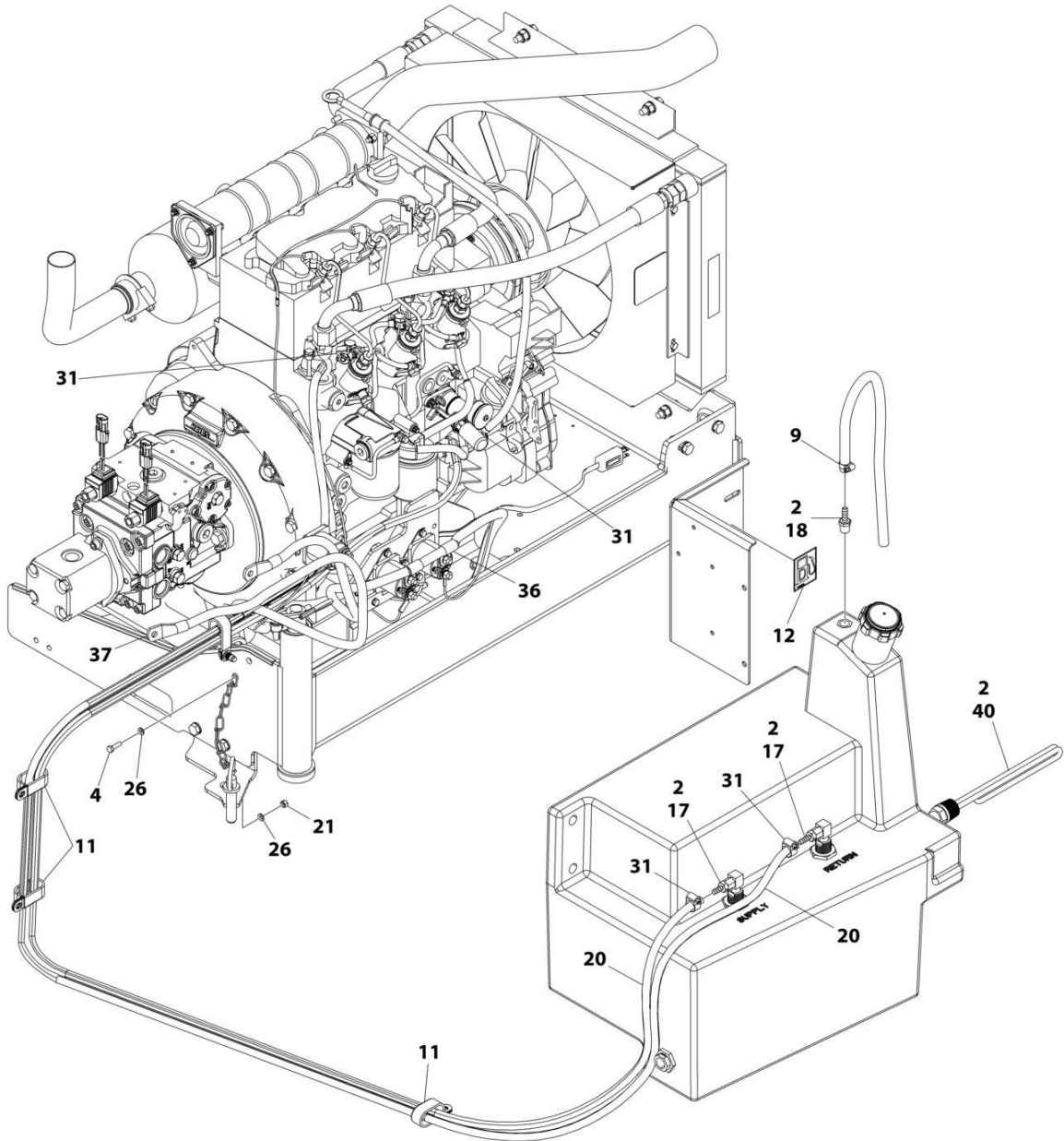
# SECTION 3 - ENGINE

FIGURE 3-7. ENGINE INSTALLATION - DEUTZ D2011 ENGINE (WITH 36GAL HYDRAULIC TANK & ARCTIC PACKAGE) (ANSI EXPORT & RUSSIA SPECS)



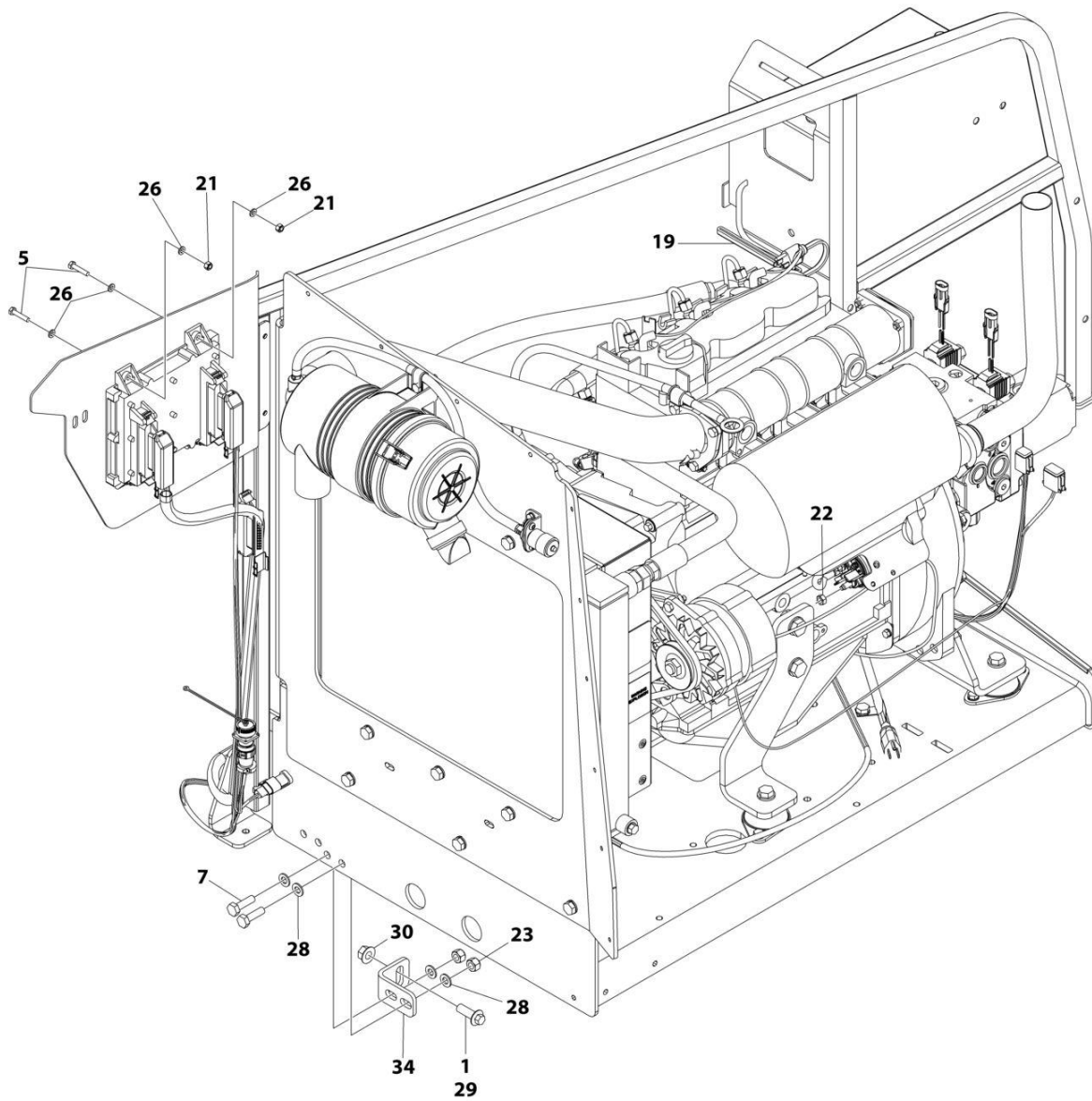
ART\_1001287816\_10F3

# SECTION 3 - ENGINE



ART\_1001287816\_20F3

# SECTION 3 - ENGINE



ART\_1001287816\_30F3

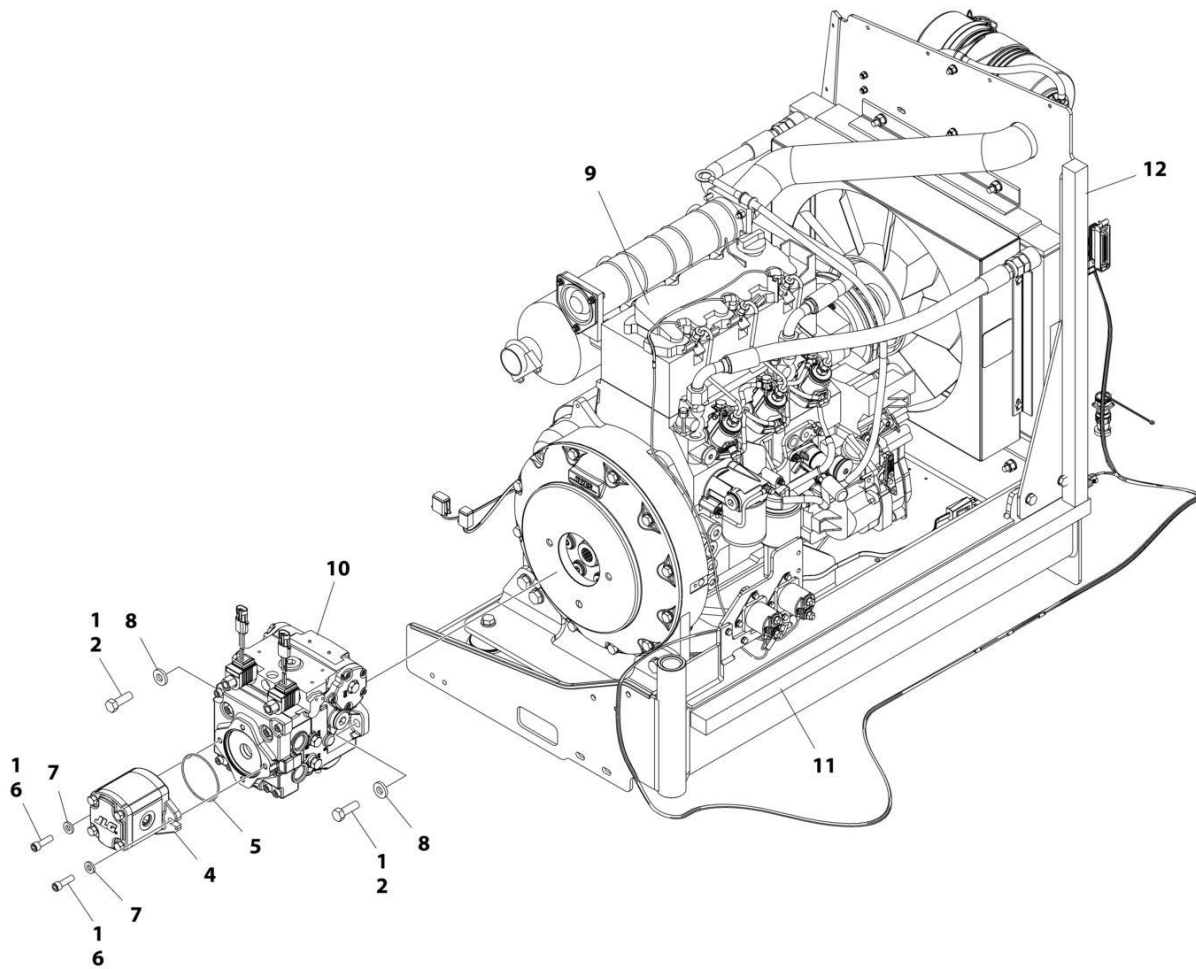
## SECTION 3 - ENGINE

**FIGURE 3-7. ENGINE INSTALLATION - DEUTZ D2011 ENGINE (WITH 36GAL HYDRAULIC TANK & ARCTIC PACKAGE) (ANSI EXPORT & RUSSIA SPECS)**

ITEM	PART NUMBER	QTY	DESCRIPTION	REV
	1001287816	Ref	ENGINE INSTALLATION - DEUTZ D2011	A
1	0100011	AR	Compound, Locking	
2	0100020	AR	Sealant, Pipe	
3	0440162	1	Bearing	
4	0760610	1	Bolt M6 x 20	
5	0760614	4	Bolt M6 x 30	
6	0760812	1	Bolt M8 x 25	
7	0761015	6	Bolt M10 x 35	
8	1060626	1	Plug, 3 Way	
9	1320022	1	Clamp	
10	1320223	1	Clamp	
11	1321716	4	Clamp	
12	1701505	1	Decal - Diesel Fuel	
13	1702941	1	Decal - Battery Heater	
14	1702942	1	Decal - Engine Block Heater	
15	1702943	1	Decal - Hydraulic Tank Heater	
16	1702944	1	Decal - Heater Cord	
17	2180348	2	Fitting, Barbed	
18	2180876	1	Fitting, Barbed	
19	2580024	1	Heater, Battery	
20	2720058	22 ft /6.7m	Hose	
21	3290605	5	Nut, Lock M6	
22	3290801	1	Nut M8	
23	3291005	5	Nut, Lock M10	
24	3422532	1	Pin	
25	3841143	1	Keeper, Pin	
26	4811700	10	Washer M6	
27	4811900	1	Washer M8	
28	4812000	11	Washer M10	
29	5251215	1	Bolt M12 x 35 Class 10.9	
30	5261200	1	Nut, Flange M12 Class 10	
31	8410013	4	Clamp	
32	1001119278	1	Insulate	
33	1001135196	1	Pin	
34	1001167512	1	Bracket, Engine	
35	1001169823	1	Plate, Engine Lock	
36	1001171681	1	Cable, Battery (Red) (Battery Positive to Auxiliary Power Relay)	
37	1001171682	1	Cable, Battery (Black) (Battery Negative to Auxiliary Power Pump)	
38	1001172202	1	Pipe, Exhaust	
39	1001174784	1	Engine and Pump Sub-Assembly - Deutz D2011 (With Arctic Package) (See Separate Breakdown in this Section)	
40	1001188972	1	Heater, Hydraulic Tank	
41	1001191832	1	Nut, Rivet M8	

# SECTION 3 - ENGINE

FIGURE 3-8. ENGINE AND PUMP SUB-ASSEMBLY - DEUTZ D2011 (WITH ARCTIC PACKAGE) (ANSI EXPORT, CHINA, CIS/EAC & UK CA SPECS)



ART\_1001174784\_G



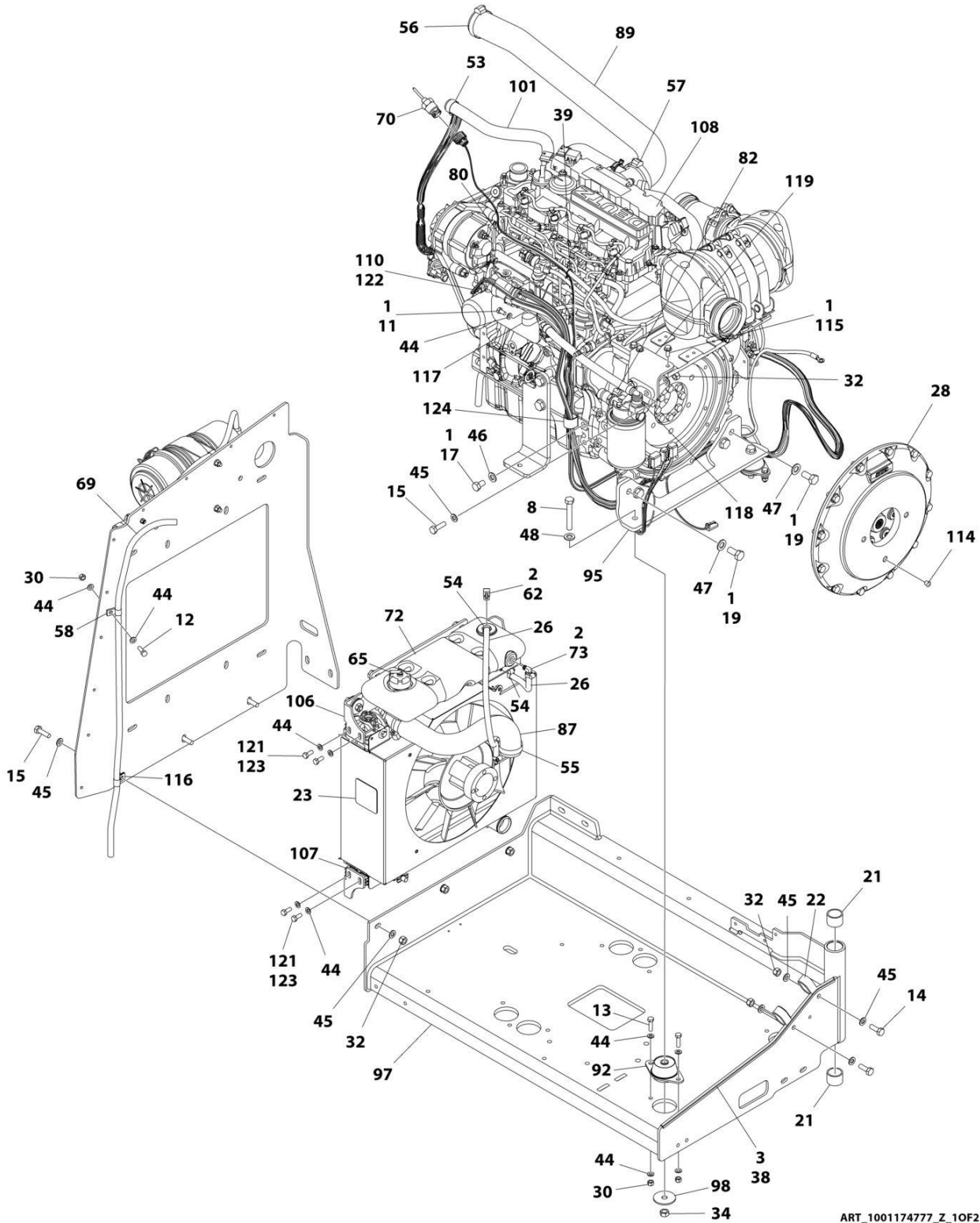
## SECTION 3 - ENGINE

**FIGURE 3-8. ENGINE AND PUMP SUB-ASSEMBLY - DEUTZ D2011 (WITH ARCTIC PACKAGE) (ANSI EXPORT, CHINA, CIS/EAC & UK CA SPECS)**

ITEM	PART NUMBER	QTY	DESCRIPTION	REV
	1001174784	Ref	ENGINE AND PUMP SUB-ASSEMBLY - DEUTZ D2011 (WITH ARCTIC PACKAGE)	G
1	0100011	AR	Compound, Locking	
2	0641812	2	Bolt 1/2 x 1-1/2	
4	1001214207	1	Gear Pump Assembly	
4	70006356	1	Seal Kit - 1001214207 Pump	
5	3790152	1	O-Ring	
6	3931618	2	Capscrew 3/8 x 1 1/8	
7	4891600	2	Washer 3/8 Hardened	
8	4891800	2	Washer 1/2 Hardened	
9	1001174783	1	Engine Assembly - Deutz D2011 Engine (With Arctic Package) (See Separate Breakdown in this Section)	
10	1001167036	1	Piston Pump Assembly (See Separate Breakdown in this Section)	
11	1001171953	1	Seal	
12	1001171954	1	Seal	

# SECTION 3 - ENGINE

## FIGURE 3-9. ENGINE ASSEMBLY - DEUTZ TD2.9L4 EMR4 ENGINE (WITH ARCTIC PACKAGE)



ART\_1001174777\_Z\_10F2



## SECTION 3 - ENGINE

**FIGURE 3-9. ENGINE ASSEMBLY - DEUTZ TD2.9L4 EMR4 ENGINE (WITH ARCTIC PACKAGE)**

ITEM	PART NUMBER	QTY	DESCRIPTION	REV
	1001174777	Ref	ENGINE ASSEMBLY - DEUTZ D2.9L4 ENGINE (WITH ARCTIC PACKAGE)	Z
1	0100011	AR	Compound, Locking	
2	0100020	AR	Sealant, Pipe	
3	0100081	AR	Adhesive	
7	0711214	1	Bolt M12 x 30 Class 10.9	
8	0711224	3	Bolt M12 x 80 Class 10.9	
9	0741606	2	Screw 3/8 x 3/4	
10	0760610	4	Bolt M6 x 20	
11	0760808	1	Bolt M8 x 16	
12	0760812	1	Bolt M8 x 25	
13	0760814	6	Bolt M8 x 30	
14	0761014	2	Bolt M10 x 30	
15	0761015	7	Bolt M10 x 35	
16	0761016	4	Bolt M10 x 40	
17	0761210	1	Bolt M12 x 20	
18	0761212	2	Bolt M12 x 25	
19	0771414	6	Bolt M14 x 30 Class 10.9	
21	0961951	2	Bushing	
22	1321716	2	Clamp	
23	1703162	2	Decal - Caution Fan	
26	2720015	2 ft/0.61m	Hose	
27	2720340	8 in /0.2m	Hose	
28	2902065	1	Pump Coupling Kit (See Separate Breakdown in this Section)	
29	3290605	5	Nut M6	
30	3290805	9	Nut M8	
31	3291001	4	Nut M10	
32	3291005	9	Nut M10	
33	3310401	3	Nut #4	
34	3331215	3	Nut M12 x 1.75	
35	3910408	3	Screw #4- x 1/2	
36	3931512	4	Capscrew 5/16 x 3/4	
37	4031914	4	Bolt M8 x 50	
38	4060805	2.25 ft/ 0.69m	Flex-Trim	
39	4240099	AR	Tie-Strap	
40	4640751	1	Valve, Oil Drain	
41	4710400	3	Washer #4	
42	4711500	4	Washer 5/16	
44	4811900	31	Washer M8	
45	4812000	22	Washer M10	
46	4812100	4	Washer M12	
47	4812200	6	Washer M14	
48	5241200	3	Washer M12	
53	8405007	2	Clamp	
54	8405009	5	Clamp	
55	8405104	4	Clamp	
56	8405202	1	Clamp	
57	8405204	1	Clamp	
58	8406109	1	Clip	

## SECTION 3 - ENGINE

ITEM	PART NUMBER	QTY	DESCRIPTION	REV
60	1001117308	1	Relay, 200Amp	
60	3300220	2	Nut	
60	3321001	2	Nut #10	
60	4761000	2	Washer #10	
60	1001111424	2	Washer	
61	1001118878	1	Bolt M6 x 55	
62	1001134488	1	Fitting, Barbed 90	
63	1001144116	1	Spacer, Fan	
65	1001136834	1	Cap, Tank	
68	1001138228	1	Relay, Power Module	
68	70023592	1	Fuse 20Amp	
68	70023593	1	Fuse 30Amp	
69	1001138248	41 in/ 1041mm	Tube	
70	1001138827	1	Sensor, Coolant Level	
71	1001139240	1	Bracket	
72	1001230635	1	Tank, Surge (Includes Items 62, 70 & 73)	
73	1001140564	1	Fitting, Barbed 90	
74	1001141304	1	Harness, Glow Plug	
75	1001141694	1	Clamp, Air Cleaner	
78	1001143390	1	Indicator	
79	1001143797	1	Fitting, Barbed	
80	1001178788	1	Cable, Alternator	
82	1001152489	1	Fitting, Barbed 90	
86	1001165388	1	Air Cleaner Assembly	
86	70003783	1	Element, Air Cleaner	
87	1001165405	1	Hose, Upper Radiator	
88	1001165406	1	Hose, Lower Radiator	
89	1001165721	1	Hose, Air Intake	
90	1001165722	1	Radiator	
91	1001165849	1	Fan	
92	1001166718	3	Mount, Motor	
93	1001166921	1	Plate, Engine Mount	
95	1001166924	1	Plate, Engine Mount	
96	1001167108	1	Harness Engine - Deutz D2.9L4 (See Separate Breakdown in ELECTRICAL Section)	
97	1001167520	1	Tray, Engine	
98	1001168018	3	Washer, Special	
99	1001168026	1	Plate, Radiator Mounting	
101	1001168099	1	Hose	
102	1001168166	2	Seal	
103	1001260420	1	Bracket	
104	1001169054	4	Isolator	
105	1001169138	4	Washer, Snubbing	
106	1001169967	2	Bracket	
107	1001170035	2	Bracket	
108	1001249965	1	Engine, Deutz D2.9L4 (See Separate Breakdown in this Section)	
110	1001140312	1	Heater, Engine Block	
112	0760607	3	Bolt M6 x 14	
113	0760815	2	Bolt M8 x 35	
114	3520054	1	Plug	
115	5250810	2	Bolt M8 x 20	

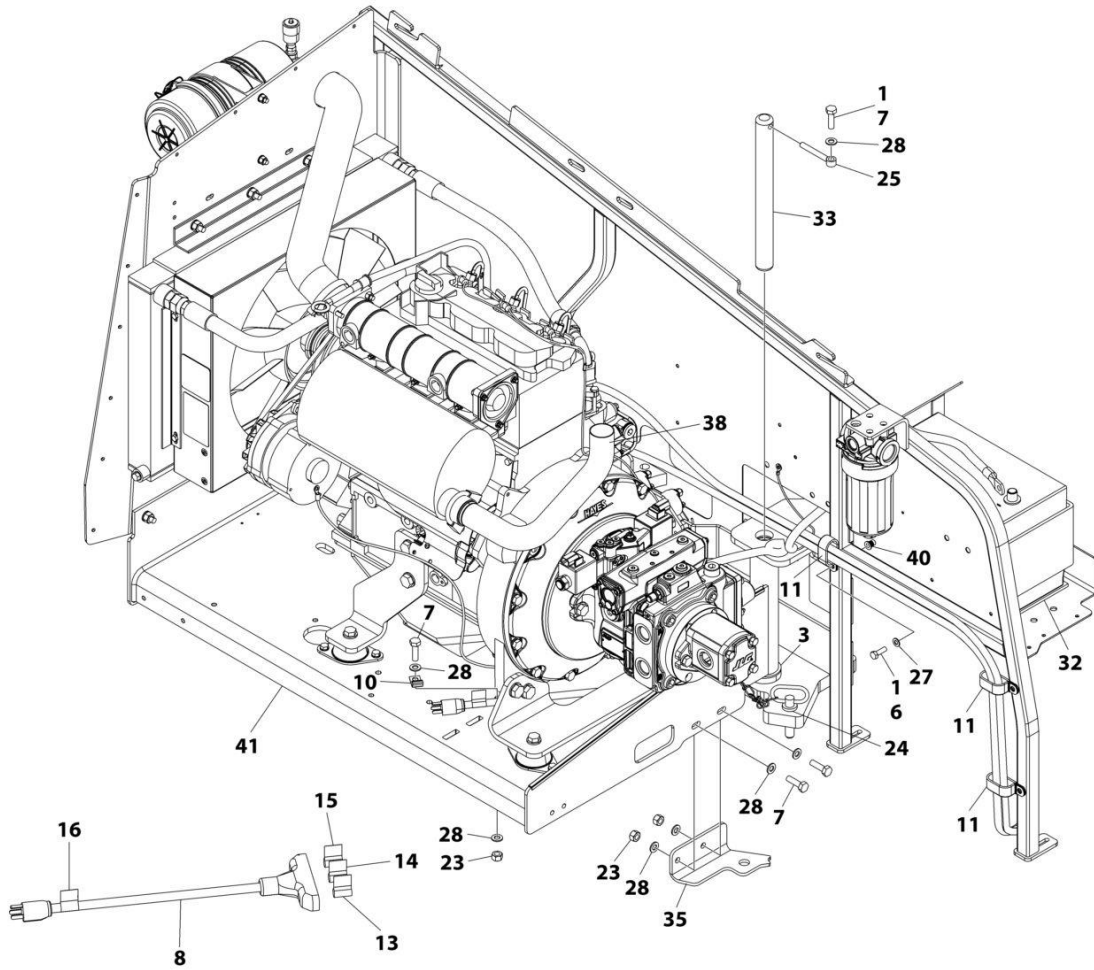
## SECTION 3 - ENGINE

ITEM	PART NUMBER	QTY	DESCRIPTION	REV
116	8406110	1	Clip	
117	8406201	1	Clip	
118	1001177359	1	Hose	
119	1001178876	1	Mount, Fuel Filter	
120	1001179903	1	Bracket	
121	1001180620	AR	Adhesive	
122	1001181895	AR	Adhesive	
123	0760810	8	Bolt M8 x 20	
124	1001191620	1	Clamp	
125	4811702	12	Washer M6	
126	4751600	2	Washer 3/8	
127	3311605	1	Nut 3/8	
128	0681608	1	Bolt 3/8 x 1	
129	1001260412	1	Bracket	
130	1001162335	1	Bracket Assembly - Fuel Pump/Filter (Not Shown) (See Separate Breakdown in this Section)	
131	2200261	1	Fitting	
132	1001277432	1	Spacer	



# SECTION 3 - ENGINE

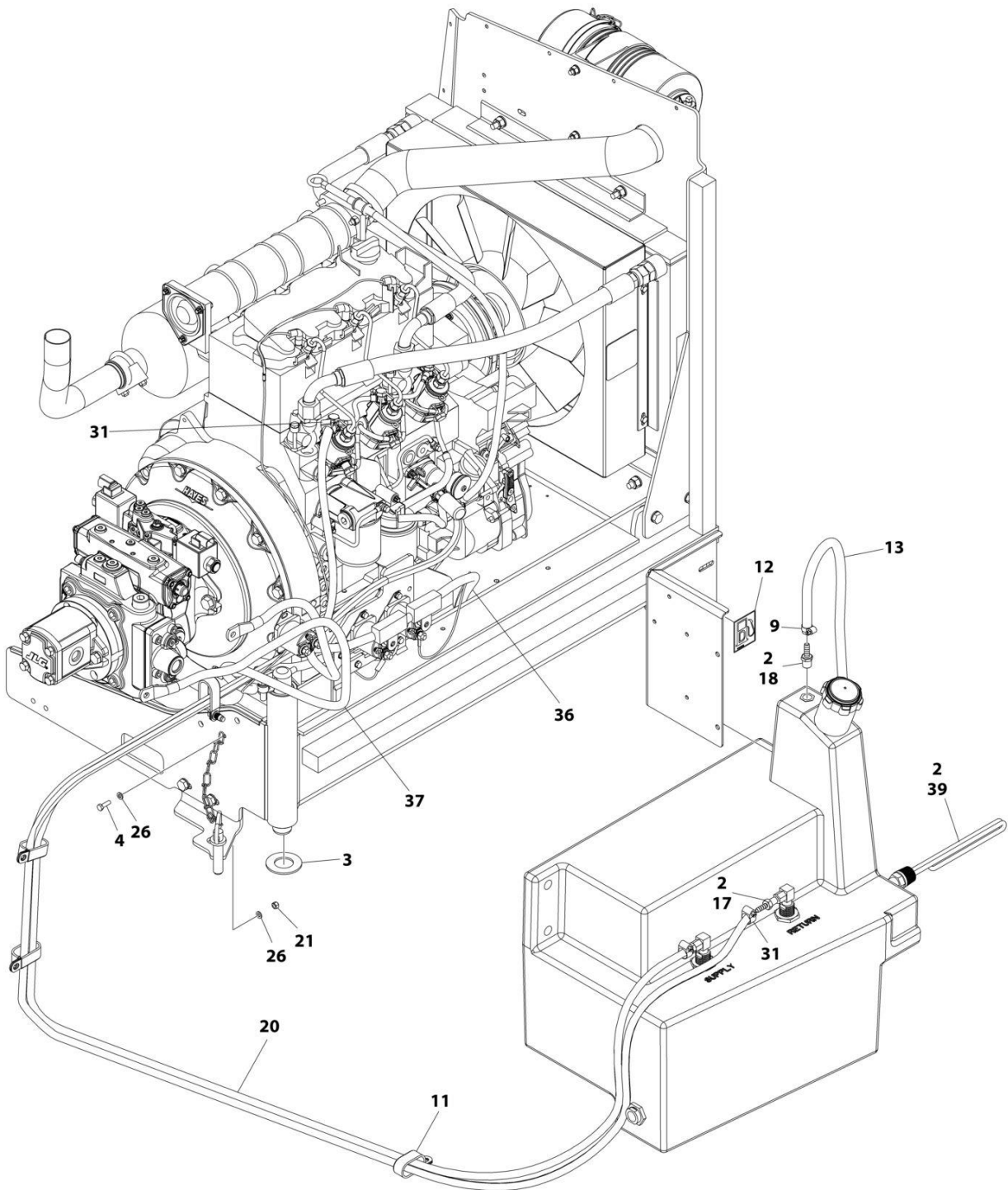
## FIGURE 3-10. ENGINE INSTALLATION - DEUTZ D2011 ENGINE (WITH ARCTIC PACKAGE) (WITH PMP PUMP)



ART\_1001300785\_10F3

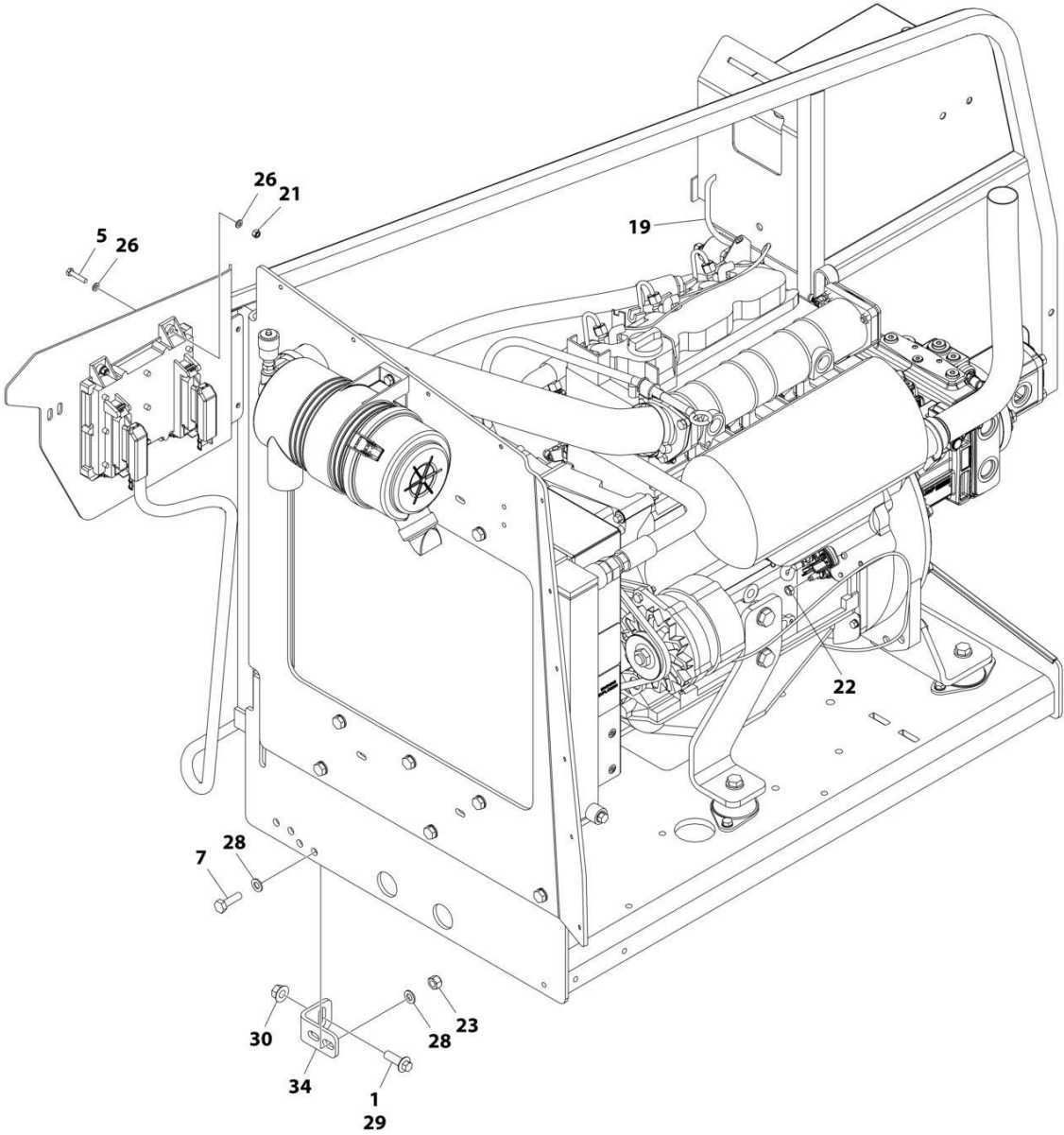


# SECTION 3 - ENGINE



ART\_1001300785\_2OF3

# SECTION 3 - ENGINE



ART\_1001300785\_3OF3

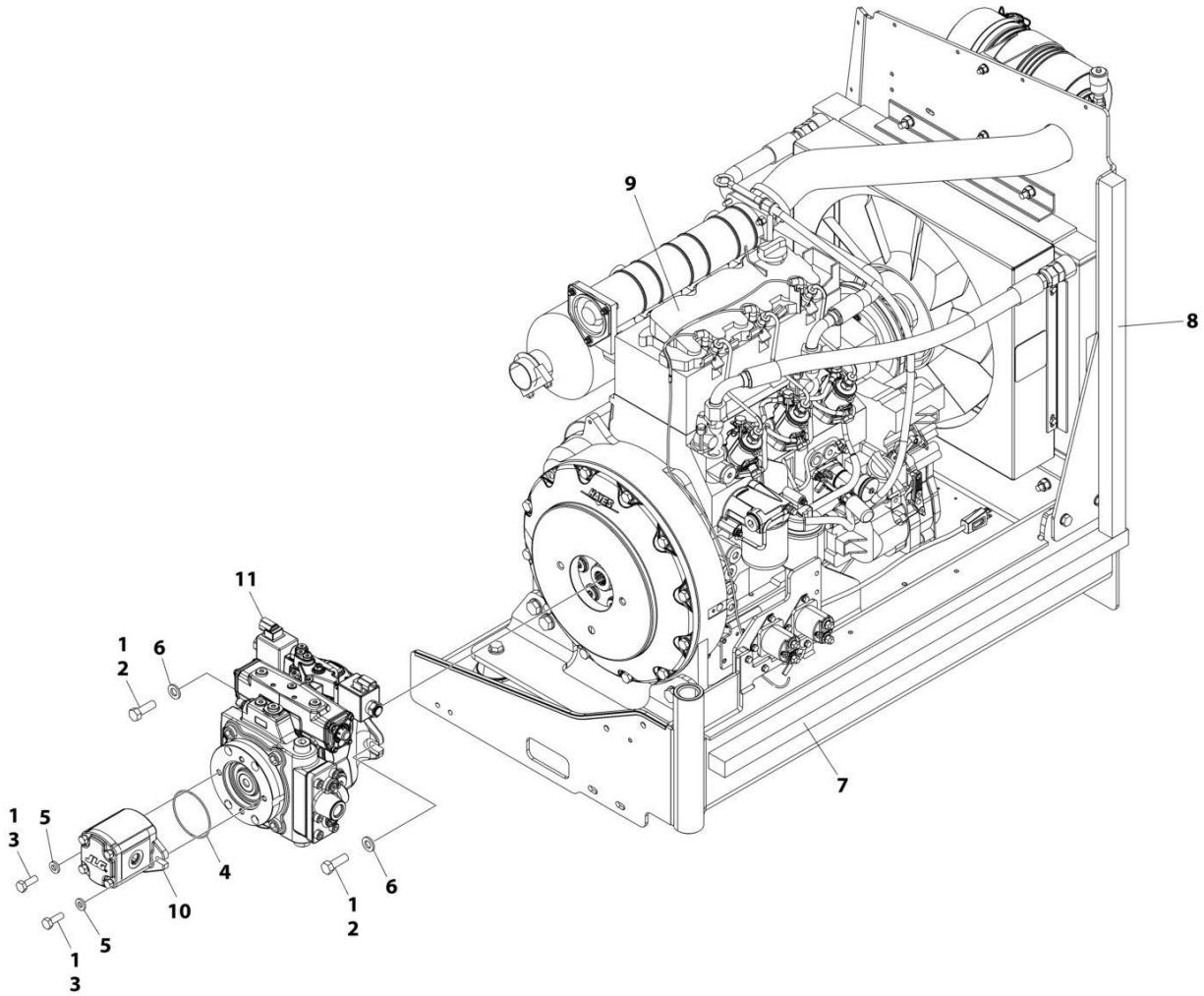
## SECTION 3 - ENGINE

**FIGURE 3-10. ENGINE INSTALLATION - DEUTZ D2011 ENGINE (WITH ARCTIC PACKAGE) (WITH PMP PUMP)**

ITEM	PART NUMBER	QTY	DESCRIPTION	REV
	1001300785	Ref	ENGINE INSTALLATION - DEUTZ D2011 ENGINE (WITH ARCTIC PACKAGE) (WITH PMP PUMP)	A
1	0100011	AR	Compound, Locking	
2	0100020	AR	Sealant, Pipe	
3	0440162	1	Bearing	
4	0760610	1	Bolt M6 x 20	
5	0760614	4	Bolt M6 x 30	
6	0760812	1	Bolt M8 x 25	
7	0761015	6	Bolt M10 x 35	
8	1060626	1	Plug, 3 Way	
9	1320022	1	Clamp	
10	1320223	1	Clamp	
11	1321716	4	Clamp	
12	1701505	1	Decal - Diesel	
13	1702941	1	Decal - Battery Heater	
14	1702942	1	Decal - Engine Block Heater	
15	1702943	1	Decal - Hydraulic Tank Heater	
16	1702944	1	Decal - Heater Cord	
17	2180348	2	Fitting, NPT/Barbed	
18	2180876	1	Fitting, NPT/Barbed	
19	2580024	1	Heater, Battery	
20	2720058	22 ft/ 6.7 m	Hose	
21	3290605	5	Nut M6	
22	3290801	1	Nut M8	
23	3291005	5	Nut M10	
24	3422532	1	Pin	
25	3841143	1	Keeper, Pin	
26	4811700	10	Washer M6	
27	4811900	1	Washer M8	
28	4812000	11	Washer M10	
29	5251215	1	Bolt M12 x 35	
30	5261200	1	Nut M12	
31	8410013	4	Clamp	
32	1001119278	1	Insulate	
33	1001135196	1	Pin	
34	1001167512	1	Bracket, Engine	
35	1001169823	1	Plate	
36	1001171681	1	Cable, Battery (Red) (Battery Positive to Auxiliary Power Relay)	
37	1001171682	1	Cable, Battery (Black) (Battery Negative to Auxiliary Power Pump)	
38	1001172202	1	Pipe, Exhaust	
39	1001188972	1	Heater, Hydraulic Tank	
40	1001191832	1	Nut, Rivet M8	
41	1001300786	1	Engine and Pump Sub-Assembly (With Arctic Package) (See Separate Breakdown in this Section)	

# SECTION 3 - ENGINE

## FIGURE 3-11. ENGINE AND PUMP SUB-ASSEMBLY - DEUTZ D2011 ENGINE (WITH ARCTIC PACKAGE) (WITH PMP PUMP)



ART\_1001300786

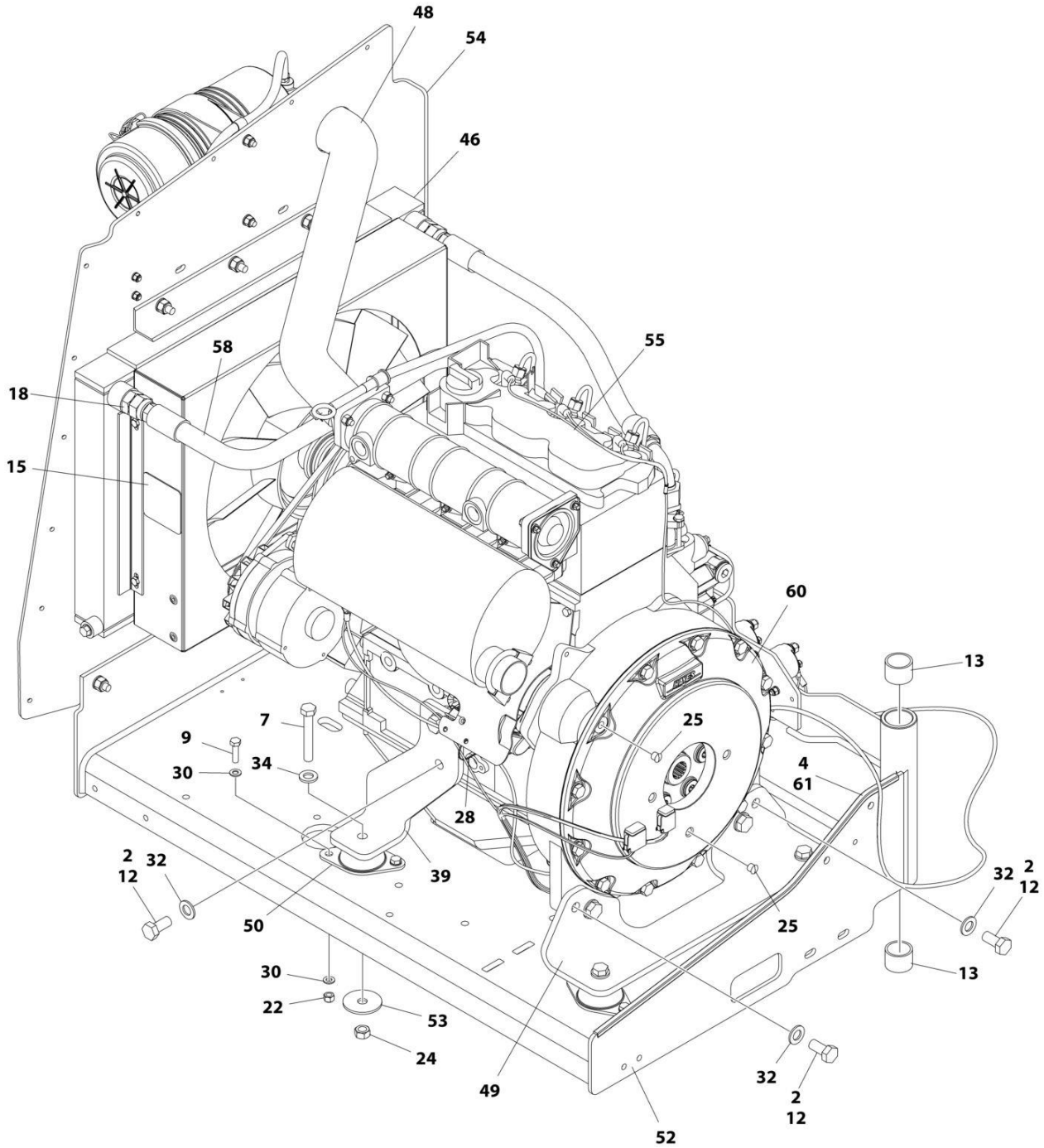
## SECTION 3 - ENGINE

**FIGURE 3-11. ENGINE AND PUMP SUB-ASSEMBLY - DEUTZ D2011 ENGINE (WITH ARCTIC PACKAGE) (WITH PMP PUMP)**

ITEM	PART NUMBER	QTY	DESCRIPTION	REV
	1001300786	Ref	ENGINE AND PUMP SUB-ASSEMBLY - DEUTZ D2011 ENGINE (WITH ARCTIC PACKAGE) (WITH PMP PUMP)	A
1	0100011	AR	Compound, Locking	
2	0641812	2	Bolt 1/2 x 1-1/2	
3	0761014	2	Bolt M10 x 30	
4	3790152	1	O-Ring	
5	4891600	2	Washer 3/8	
6	5241200	2	Washer M12	
7	1001171953	1	Seal	
8	1001171954	1	Seal	
9	1001174783	1	Engine Assembly (With Arctic Package) (See Separate Breakdown in this Section)	
10	1001214207	1	Gear Pump Assembly	
10	70006356	1	Seal Kit - 1001214207 Pump	
11	1001285632	1	Closed Pump Loop Assembly (See Separate Breakdown in this Section)	

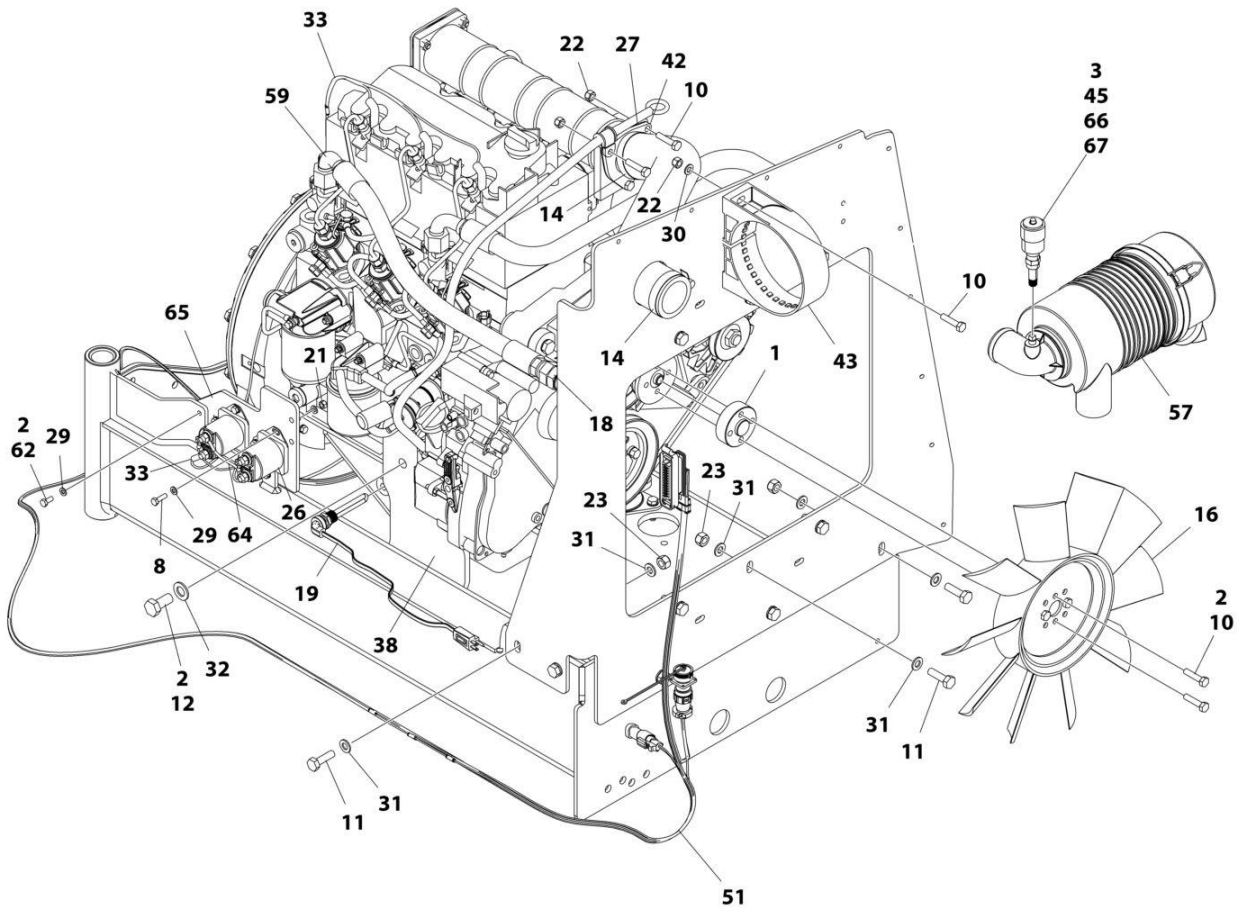
# SECTION 3 - ENGINE

FIGURE 3-12. ENGINE ASSEMBLY - DEUTZ D2011 ENGINE (WITH ARCTIC PACKAGE) (ANSI EXPORT, CHINA, CIS/EAC & UK CA SPECS)



ART\_1001174783\_O\_10F2

# SECTION 3 - ENGINE



ART\_1001174783\_O\_20F2

## SECTION 3 - ENGINE

**FIGURE 3-12. ENGINE ASSEMBLY - DEUTZ D2011 ENGINE (WITH ARCTIC PACKAGE) (ANSI EXPORT, CHINA, CIS/EAC & UK CA SPECS)**

ITEM	PART NUMBER	QTY	DESCRIPTION	REV
	1001174783	Ref	ENGINE ASSEMBLY - DEUTZ D2011 (WITH ARCTIC PACKAGE)	O
1	0080231	1	Spacer, Fan	
2	0100011	AR	Compound, Locking	
3	0100020	AR	Sealant, Pipe	
4	0100081	AR	Adhesive	
7	0711224	4	Bolt M12 x 80 Class10.9	
8	0760610	4	Bolt M6 x 20	
9	0760814	8	Bolt M8 x 30	
10	0760815	9	Bolt M8 x 35	
11	0761015	11	Bolt M10 x 35	
12	0771414	8	Bolt M14 x 30 Class 10.9	
13	0961951	2	Bushing	
14	1320016	2	Clamp	
15	1703162	2	Decal - Caution Fan	
16	2060025	1	Fan	
18	2220451	2	Fitting, Straight JIC/ORB	
19	2580062	1	Heater, Engine Block	
21	3290605	4	Nut M6	
22	3290805	13	Nut M8	
23	3291005	11	Nut M10	
24	3331215	4	Nut M12	
25	3520054	2	Plug	
26	3740067	2	Relay Assembly	
26	3300220	2	Nut	
26	3321001	1	Nut #10	
26	3740140	1	Relay	
26	4761000	1	Washer #10	
26	1001111424	2	Washer	
27	3960407	1	Gasket	
28	4240099	AR	Tie-Strap (Not Shown)	
29	4811700	11	Washer M6	
30	4811900	20	Washer M8	
31	4812000	22	Washer M10	
32	4812200	8	Washer M14	
33	4923451	1	Harness, Glow Plugs	
34	5241200	4	Washer M12	
38	1001132195	1	Bracket, Engine Mount	
39	1001132196	1	Bracket, Engine Mount	
42	1001139819	1	Adapter, Air Intake	
43	1001141694	1	Clamp, Air Cleaner	
45	1001143390	1	Indicator	
46	1001150998	1	Radiator	
48	1001165389	1	Hose	
49	1001166717	1	Bracket, Engine Mount	
50	1001166718	4	Isolator, Engine Mount	
51	1001167111	1	Harness Engine - Deutz D2011 (See Separate Breakdown in ELECTRICAL Section)	
52	1001167520	1	Tray, Engine	
53	1001168018	4	Washer, Snubbing	

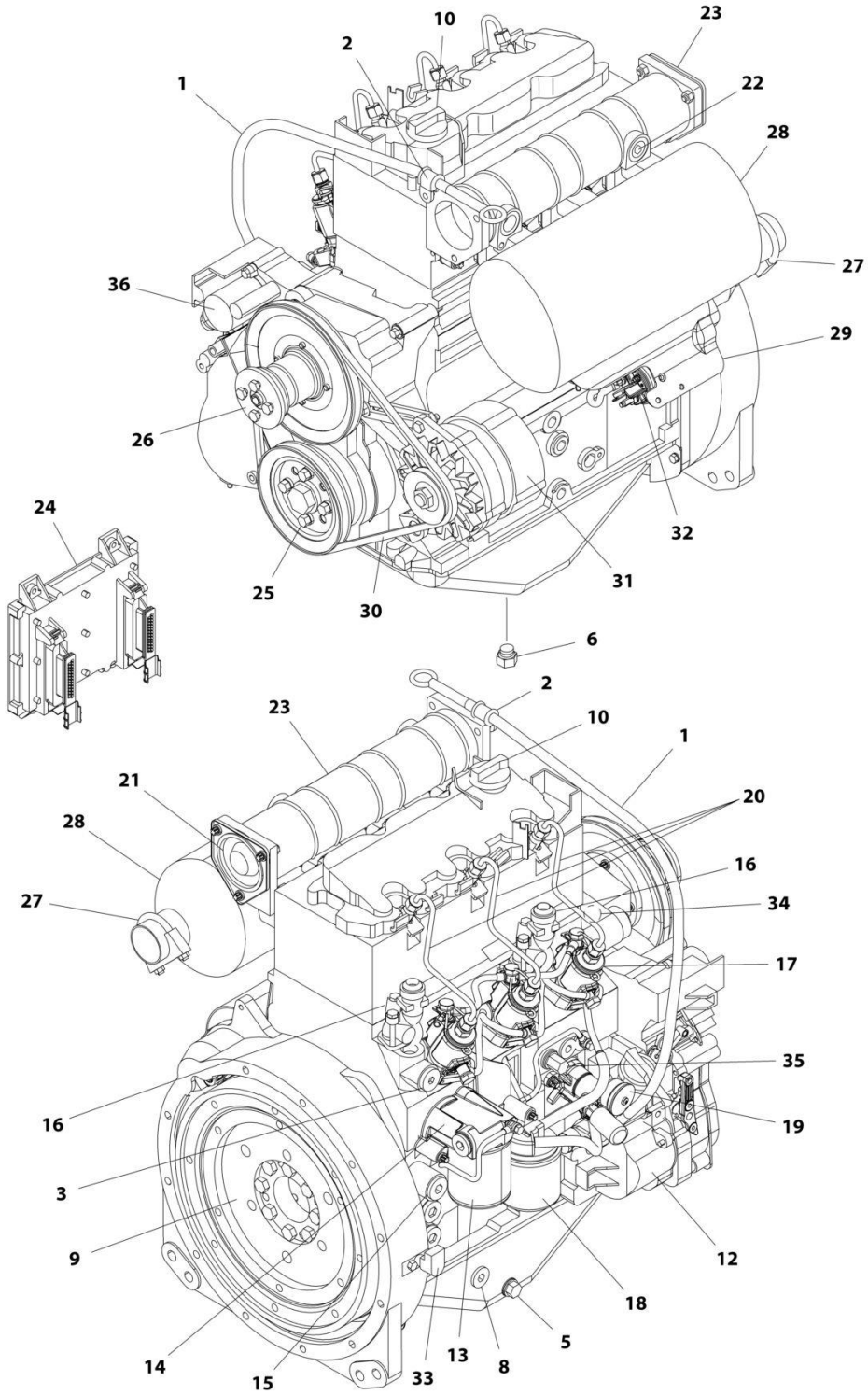


## SECTION 3 - ENGINE

ITEM	PART NUMBER	QTY	DESCRIPTION	REV
54	1001168059	1	Plate, Radiator Mounting	
55	1001170693	1	Engine, Deutz D2011 (See Separate Breakdown in this Section)	
57	1001165388	1	Air Cleaner Assembly	
57	70003783	1	Element, Air Cleaner	
58	2720398	1	Hose	
59	2720447	1	Hose	
60	2902065	1	Pump Coupling Kit (See Separate Breakdown in this Section)	
61	4060805	2.25 ft/ 0.69m	Flex-Trim	
62	0760614	3	Bolt M6 x 30	
64	1001178859	1	Cable, Alternator	
65	1001214975	1	Bracket	
66	2200261	1	Fitting	
67	1001277432	1	Spacer	

# SECTION 3 - ENGINE

## FIGURE 3-13. ENGINE COMPONENTS - DEUTZ D2011



ART\_1001170693

## SECTION 3 - ENGINE

**FIGURE 3-13. ENGINE COMPONENTS - DEUTZ D2011**

ITEM	PART NUMBER	QTY	DESCRIPTION	REV
	1001170693	Ref	ENGINE COMPONENTS - DEUTZ D2011	C
1	70001002	1	Tube, Dipstick	
1	7020403	1	Seal, Tube	
1	7020026	1	Dipstick	
2	70001654	1	Clamp	
2	70001655	1	Bolt	
3	70003475	1	Thermostat	
3	7020460	1	Spring	
4		Ref	Seal and Gasket Options (Not Shown):	
4	70002718	1	Seal, Rear Main	
4	7020430	1	Gasket, Valve Cover	
4	70003479	1	Gasket, Head - 1 Notch	
4	70003480	1	Gasket, Head - 2 Notch	
4	70003481	1	Gasket, Head - 3 Notch	
5	70025088	1	Plug	
6	70025667	1	Plug	
7	70025123	22	Bolt, Torx (Oil Pan Bolts) (Not Shown)	
8	7020492	1	Seal	
8	70025084	1	Plug	
9	70001870	1	Flywheel	
9	7024579	1	Ring Gear (Part of Flywheel)	
9	70025139	8	Bolt	
10	7020465	1	Cap, Oil Fill	
11	70000800	1	Timing Belt/Idler Kit (Includes Timing Belt, Tensioner and Tensioner Bolt) (Not Shown)	
12	70001850	1	Pump, Lubricating	
12	7020468	1	Seal, Pump to Engine Block (Not Shown)	
13	7016331	1	Filter, Oil	
14	70003472	1	Bracket, Oil Filter (Includes Plug with Seal, Temperature Sensor, Control Valve and Compression Spring)	
14	7027236	1	Sensor, Temperature	
14	70025082	1	Seal, Plug	
14	70025091	1	Plug	
14	70003473	1	Gasket, Bracket to Engine Block (Not Shown)	
15	70001181	1	Valve	
15	70025091	1	Plug	
15	70025082	1	Seal, Plug	
16	70004268	2	Connector, Radiator Neck	
16	70004269	2	Seal, Radiator Neck to Engine Block	
17	70000912	3	Pump, Fuel Injector - A Spec	
17	70000913	3	Pump, Fuel Injector - B Spec	
17	70000914	3	Pump, Fuel Injector - C Spec	
17	70000915	3	Pump, Fuel Injector - D Spec	
17	70003464	3	O-Ring, Pump to Engine Block	
18	7020023	1	Filter, Fuel	
18	70003463	1	Filter, Fuel - RME Resistant	
18	70001423	1	Bracket, Fuel Filter	
19	70000916	1	Pump Fuel Supply	
19	70000917	1	O-Seal Between Fuel Pump and Engine Block	
19	70000918	1	Sealing Ring Between Hand Pump and Supply Pump	

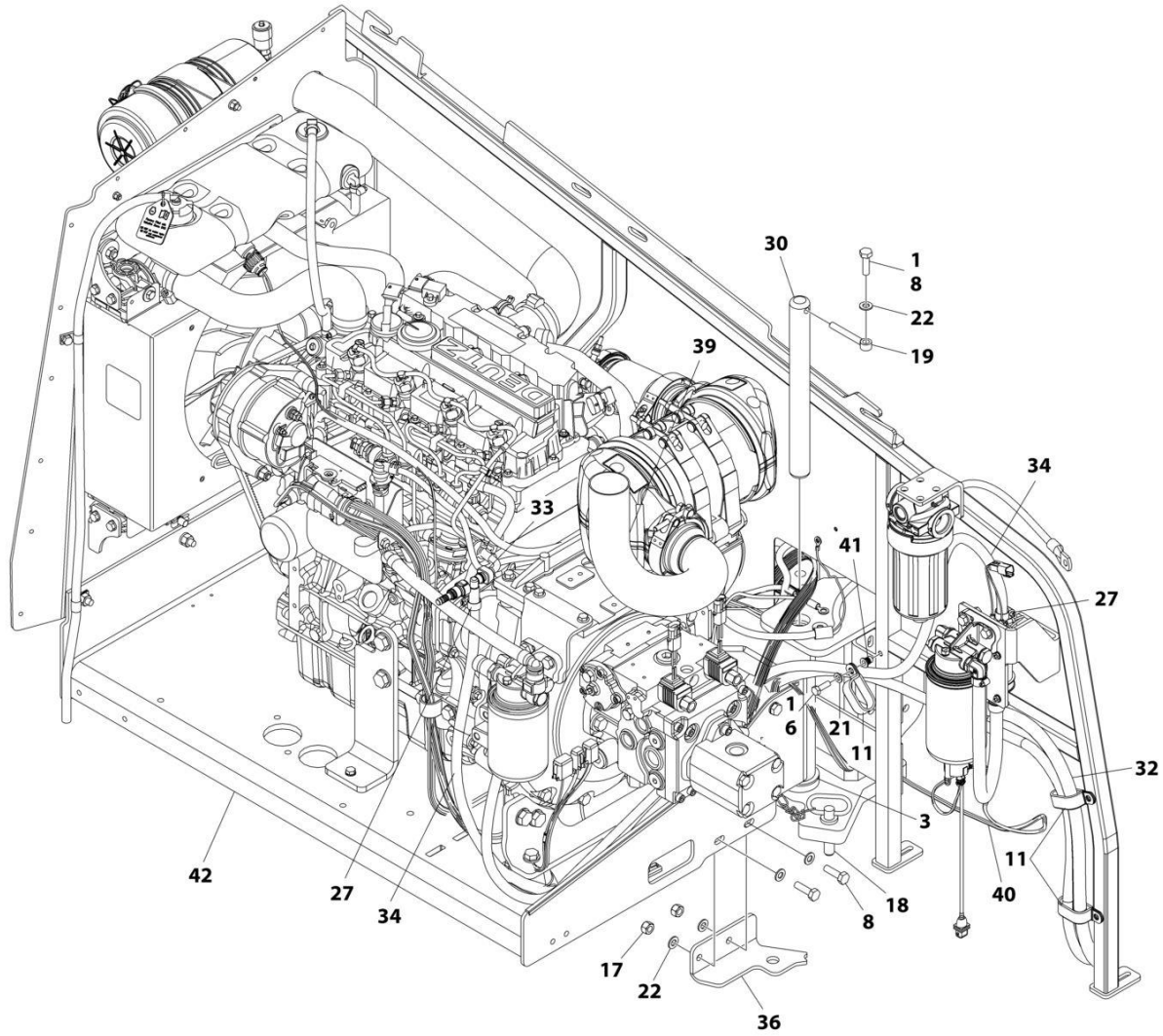
## SECTION 3 - ENGINE

ITEM	PART NUMBER	QTY	DESCRIPTION	REV
19	70000919	1	Pump, Hand	
19	70001435	1	Repair Kit	
19	70025694	2	Bolt, Torx	
20	70000931	3	Pipe, High Pressure	
21	70003469	1	Flange, Intake	
21	70003468	1	Seal	
22	70025084	1	Plug	
22	7020492	1	Seal, Plug	
23	7027903	1	Manifold, Air Intake	
23	70001871	3	Gasket Between Manifold and Engine Block	
24	See Note	1	Module, Engine Control (Note: Not Currently Available)	
24	7027796	1	Cable, Electrical Between Module and Engine Harness (Not Shown)	
24	70001872	1	Harness, Engine (Connects to p/n 70004060) (Not Shown)	
24	70004060	1	Plug, Connector Located on Cable Near Module (Not Shown)	
24	70004059	1	Plug, Analyzer (Not Shown)	
25	70025123	4	Bolt, Torx	
26	70000787	1	Support, Fan (Includes Support, Internal Shaft, Bearings and Circlip)	
27	70001844	1	Clamp	
28	See Note	1	Muffler (Note: See Separate Breakdown in this Section)	
28	7020471	3	Gasket, Exhaust Between Muffler and Engine Block	
28	70004270	6	Stud, Muffler	
29	70001498	1	Shield, Starter	
29	70025693	3	Bolt	
30	70004102	1	V-Belt	
31	70004056	1	Alternator (Includes Voltage Regulator and Gaskets, Fan and Fan Mounting Hardware)	
31	70001868	1	Regulator, Voltage	
31	70001866	1	Gasket Set, Voltage Regulator	
31	70025131	1	Fan	
31	70025086	1	Nut, Fan	
31	70000851	1	Bracket, Alternator Mounting	
31	70002234	1	Bracket, Alternator Adjustment	
31	70004103	1	Harness, Alternator (Not Shown)	
32	7020479	1	Starter	
32	70025121	2	Bolt, Starter Mounting	
32	70004058	1	Relay	
32	70004062	1	Harness, Starter (Not Shown)	
33	7024565	1	Sensor, Speed	
33	70003931	1	Bolt	
33	70003932	1	Spacer, Sleeve	
34	7027791	1	Sensor, Temperature	
35	7027790	1	Sensor, Oil Pressure	
36	7027792	1	Actuator	
37	70000345	3	Plug, Glow (Not Shown)	



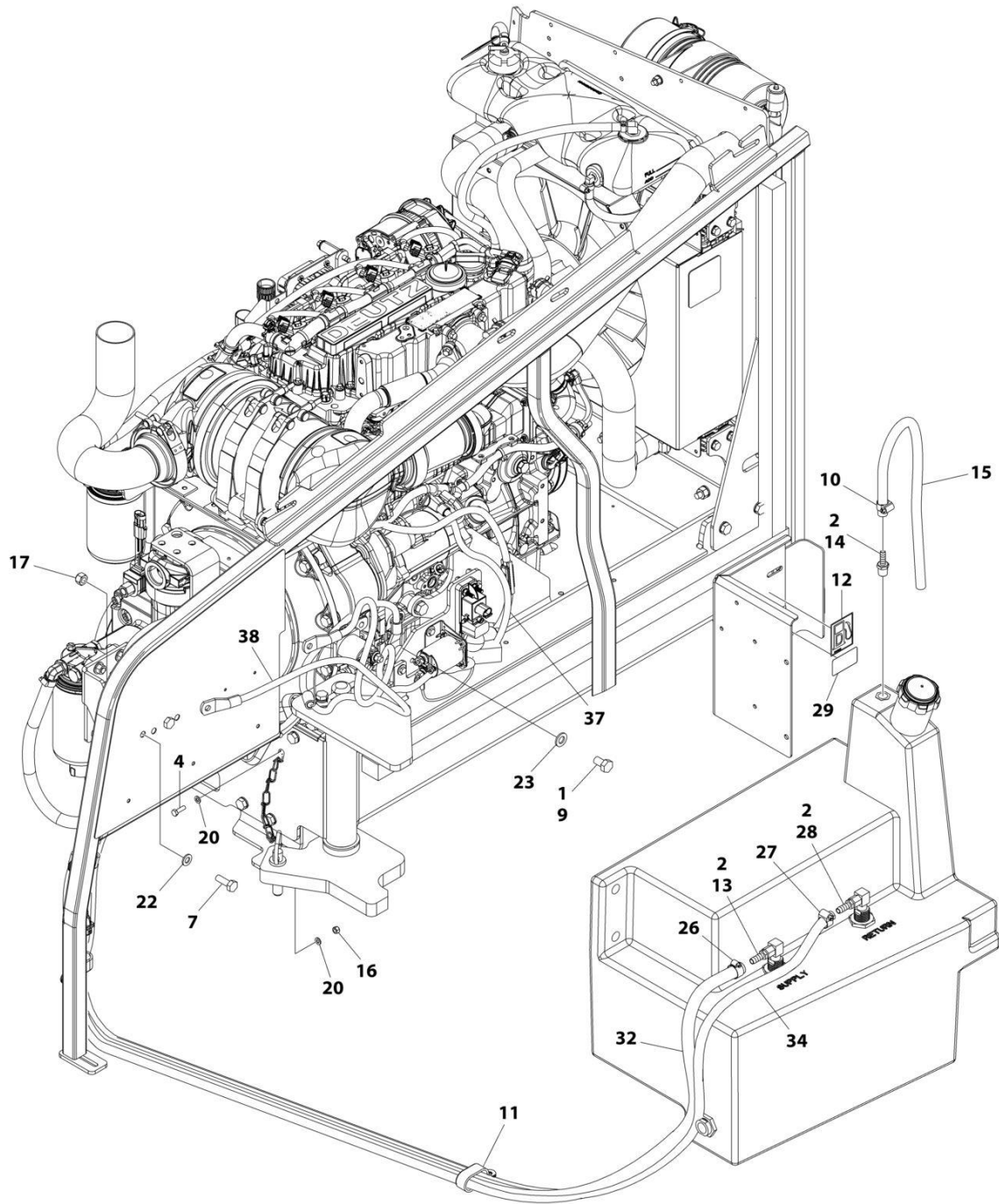
# SECTION 3 - ENGINE

FIGURE 3-14. ENGINE INSTALLATION - DEUTZ D2.9L4 ERM5 ENGINE (WITHOUT ARCTIC PACKAGE) (ANSI, ANSI EXPORT, CSA AND JAPANESE SPECS)



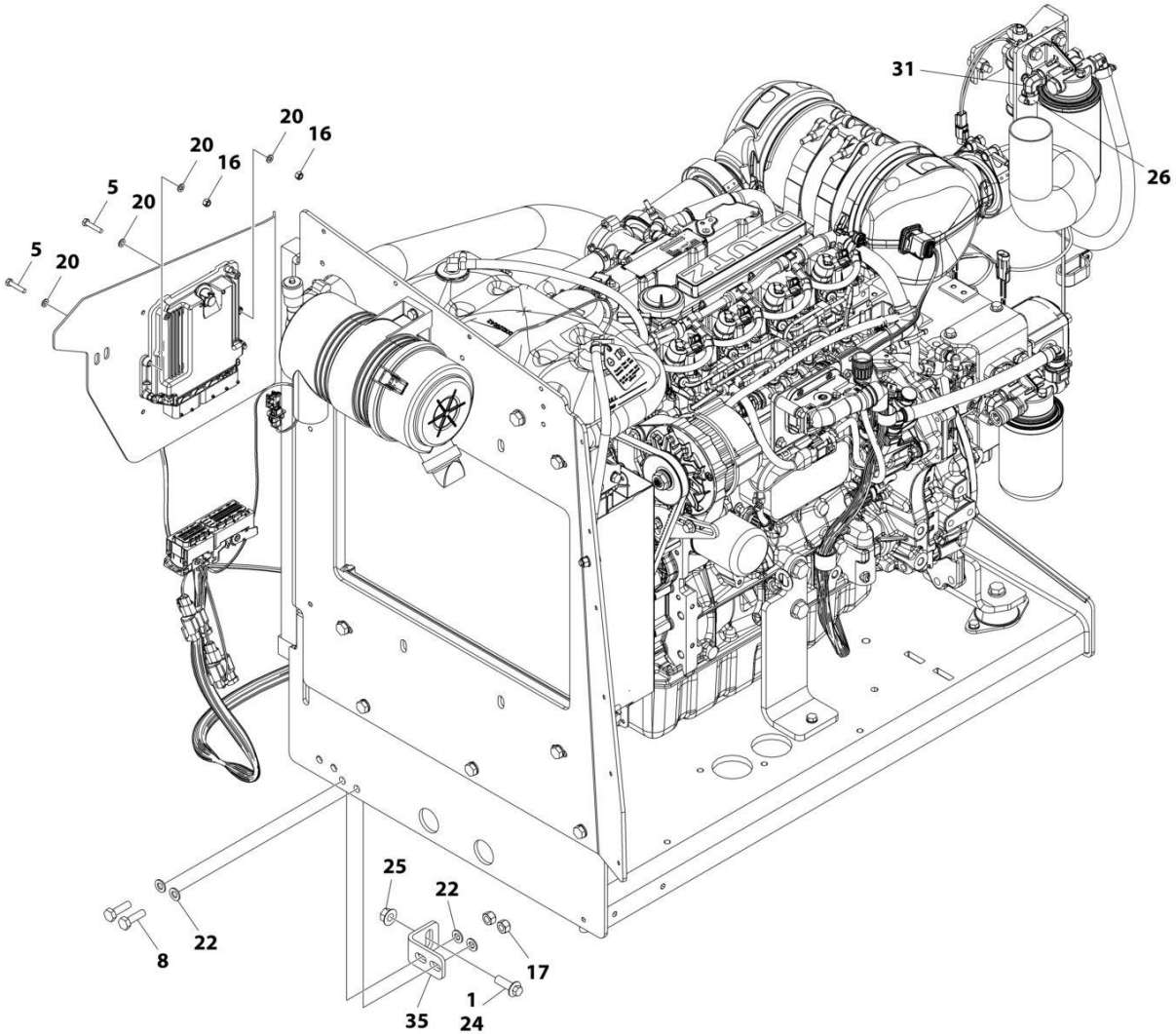
ART\_1001302970\_10F3

# SECTION 3 - ENGINE



ART\_1001302970\_20F3

# SECTION 3 - ENGINE



ART\_1001302970\_3OF3



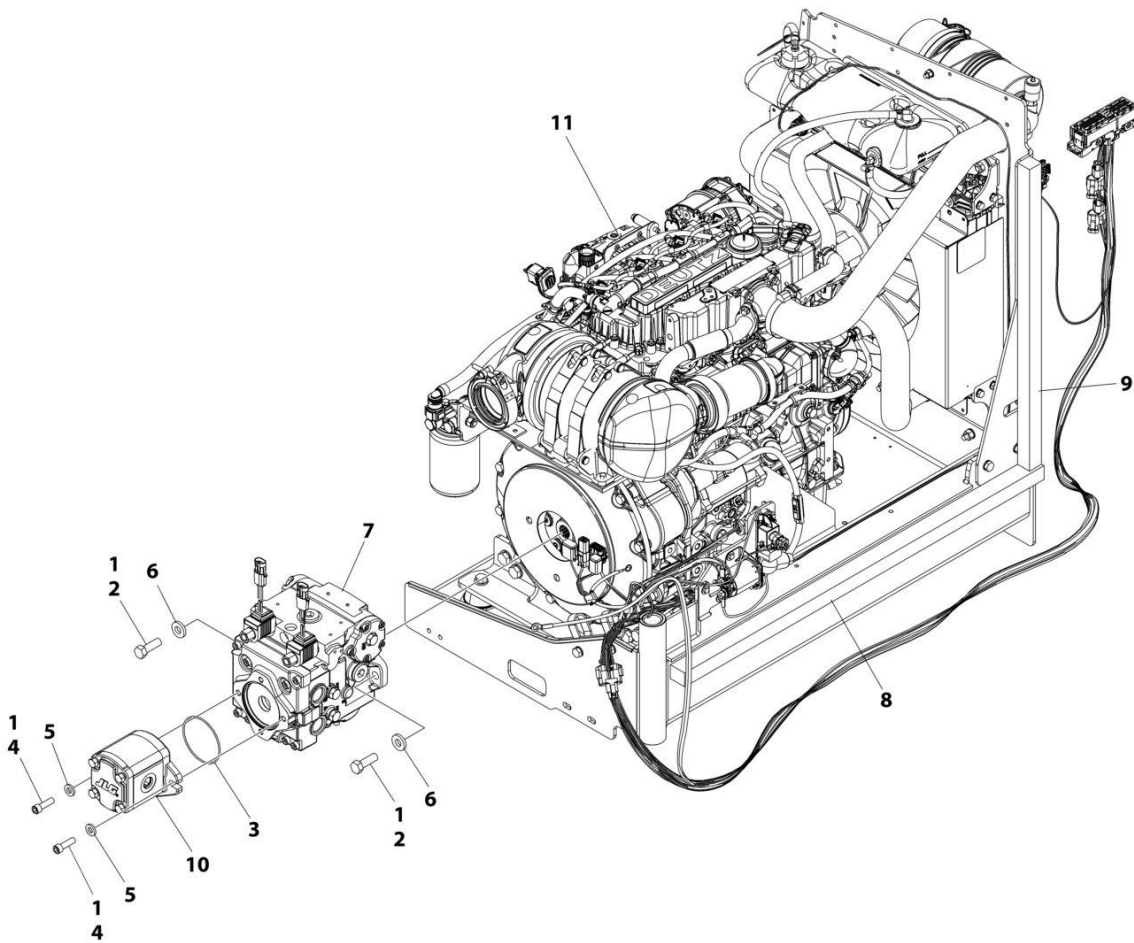
## SECTION 3 - ENGINE

**FIGURE 3-14. ENGINE INSTALLATION - DEUTZ D2.9L4 ERM5 ENGINE (WITHOUT ARCTIC PACKAGE) (ANSI, ANSI EXPORT, CSA AND JAPANESE SPECS)**

ITEM	PART NUMBER	QTY	DESCRIPTION	REV
	1001302970	Ref	ENGINE ASSEMBLY - DEUTZ D2.9L4 ERM5 ENGINE	A
1	0100011	AR	Compound, Locking	
2	0100020	AR	Sealant, Pipe	
3	0440162	1	Bearing	
4	0760610	1	Bolt M6 x 20	
5	0760614	4	Bolt M6 x 30	
6	0760812	1	Bolt M8 x 25	
7	0761014	2	Bolt M10 x 30	
8	0761015	5	Bolt M10 x 35	
9	0761210	1	Bolt M12 x 20	
10	1320022	1	Clamp	
11	1321716	4	Clamp	
12	1701505	1	Decal - Diesel	
13	2180832	1	Fitting, Barbed	
14	2180876	1	Fitting, Barbed	
15	2720058	2 ft/0.6 m	Hose	
16	3290605	5	Nut M6	
17	3291005	6	Nut M10	
18	3422532	1	Pin	
19	3841143	1	Keeper, Pin	
20	4811700	10	Washer M6	
21	4811900	1	Washer M8	
22	4812000	11	Washer M10	
23	4812100	1	Washer M12	
24	5251215	1	Bolt M12 x 35	
25	5261200	1	Nut M12	
26	8405006	2	Clamp	
27	8410013	4	Clamp	
28	8430007	1	Coupling	
29	1001125387	1	Decal - Ultra Low Sulfur Diesel	
30	1001135196	1	Pin	
31	1001142501	1	Fitting, Barbed 90	
32	1001154405	7 ft /2 m	Hose	
33	1001155823	1	Plate	
34	1001165035	17 ft /6 m	Hose	
35	1001167512	1	Bracket	
36	1001169823	1	Plate	
37	1001171683	1	Cable, Battery (Red) (Battery Positive to Auxiliary Power Relay)	
38	1001171684	1	Cable, Battery (Black) (Battery Negative to Auxiliary Power Pump)	
39	1001172736	1	Pipe, Exhaust	
40	1001181358	1	Harness, Fuel Pump (See Separate Breakdown in ELECTRICAL Section)	
41	1001191832	1	Rivet	
42	1001302961	1	Engine and Pump Assembly - Deutz D2.9L4 (Without Arctic Package) (See Separate Breakdown in this Section)	

# SECTION 3 - ENGINE

FIGURE 3-15. ENGINE AND PUMP SUB-ASSEMBLY - DEUTZ D2.9L4 ERM5 ENGINE(WITHOUT ARCTIC PACKAGE) (ANSI, ANSI EXPORT AND CSA SPECS)



ART\_1001302961

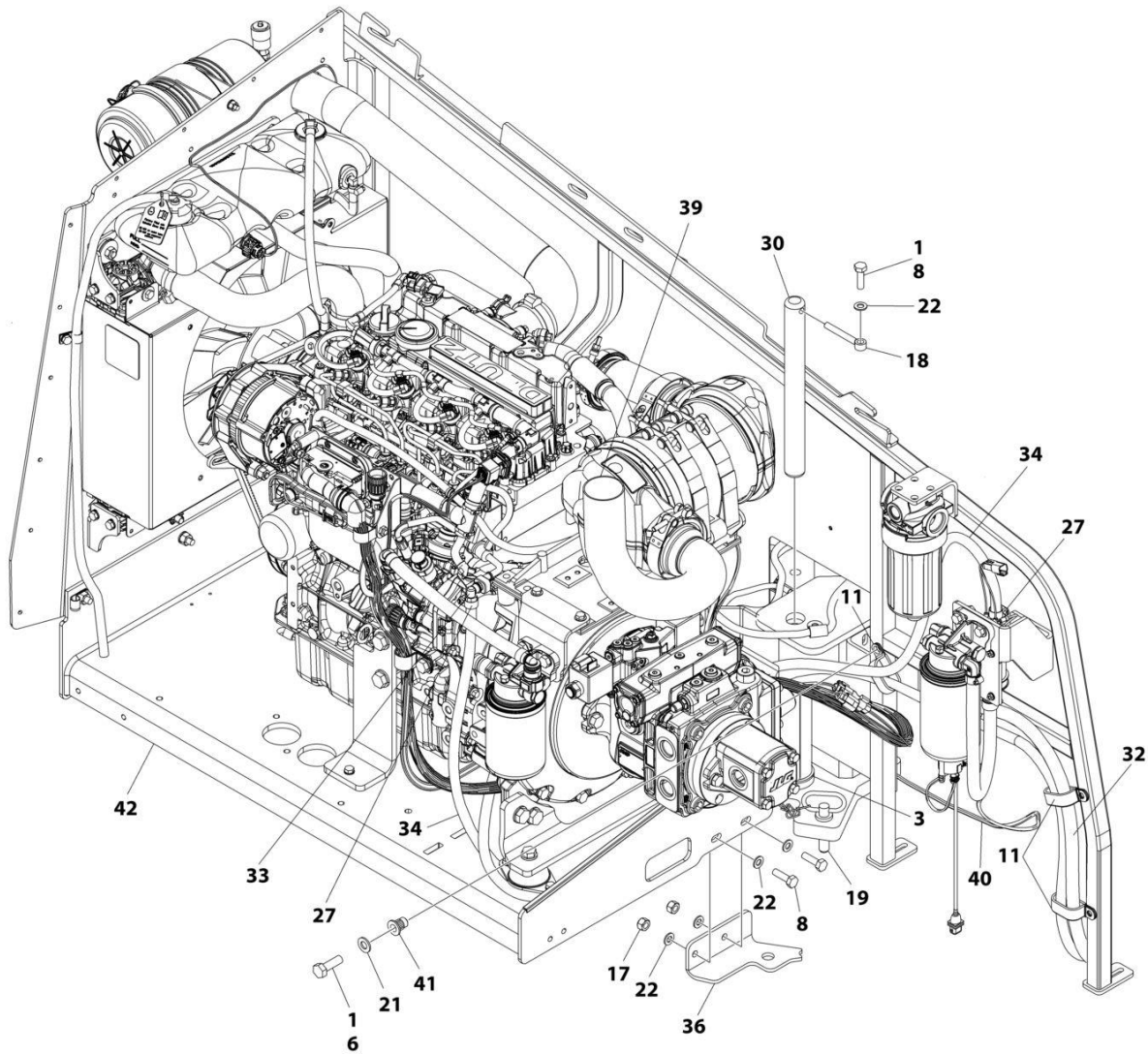
## SECTION 3 - ENGINE

**FIGURE 3-15. ENGINE AND PUMP SUB-ASSEMBLY - DEUTZ D2.9L4 ERM5 ENGINE(WITHOUT ARCTIC PACKAGE) (ANSI, ANSI EXPORT AND CSA SPECS)**

ITEM	PART NUMBER	QTY	DESCRIPTION	REV
	1001302961	Ref	ENGINE AND PUMP SUB-ASSEMBLY - DEUTZ D2.9L4 ERM5	A
1	0100011	AR	Compound, Locking	
2	0641812	2	Bolt 1/2 x 1-1/2	
3	3790152	1	O-Ring	
4	3931618	2	Capscrew 3/8 x 1-1/8	
5	4891600	2	Washer 3/8	
6	4891800	2	Washer 1/2	
7	1001167036	1	Piston Pump Assembly (See Separate Breakdow in this Section)	
8	1001171953	1	Seal	
9	1001171954	1	Seal	
10	1001214207	1	Gear Pump Assembly	
10	70006356	1	Seal Kit - 1001214207 Pump	
11	1001302955	1	Engine Assembly - Deutz D2.9L4 ERM5 Engine (Without Arctic Package) (See Separate Breakdown in this Section)	

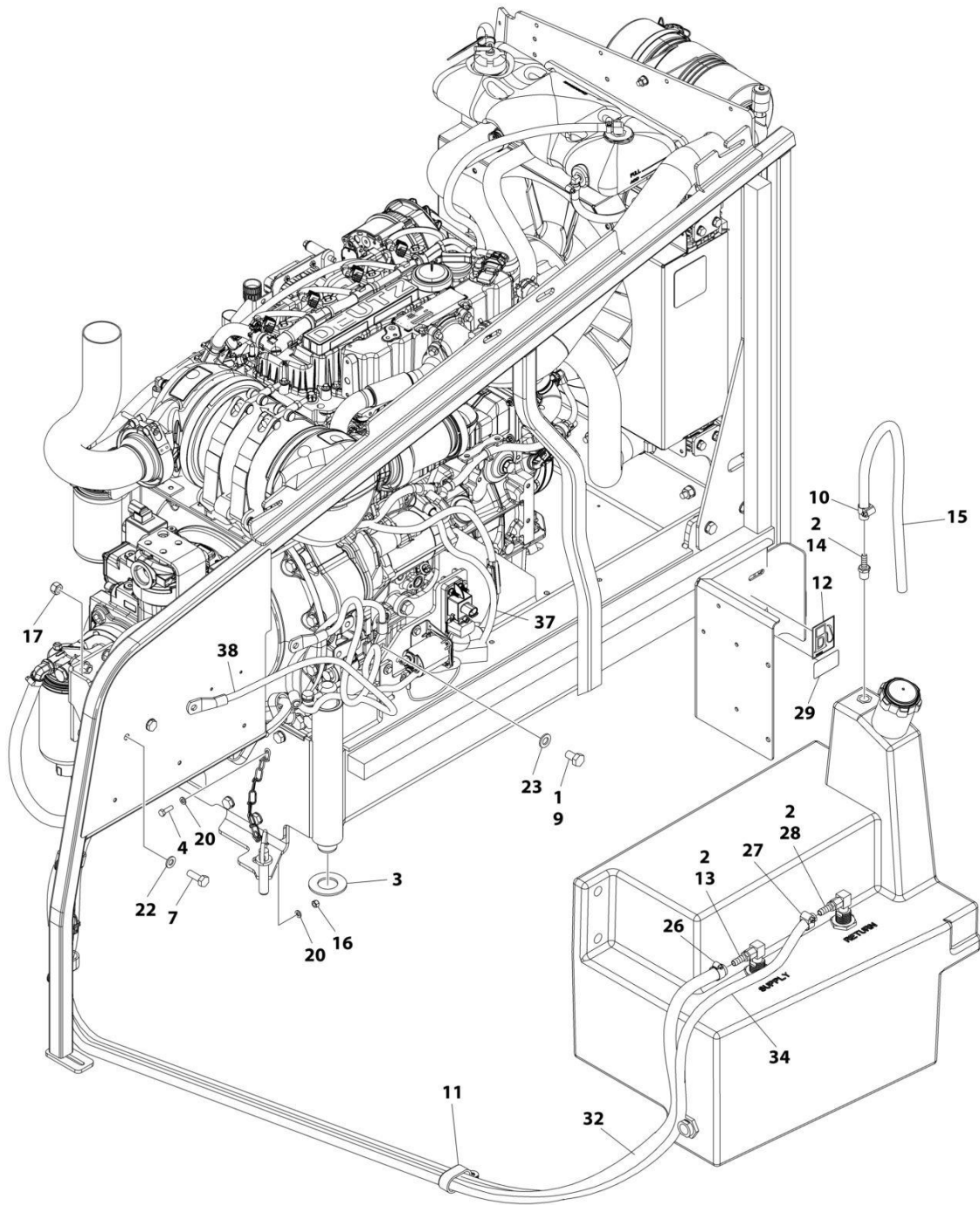
# SECTION 3 - ENGINE

## FIGURE 3-16. ENGINE INSTALLATION - DEUTZ D2.9L4 ENGINE (WITHOUT ARCTIC PACKAGE) (WITH PMP PUMP)



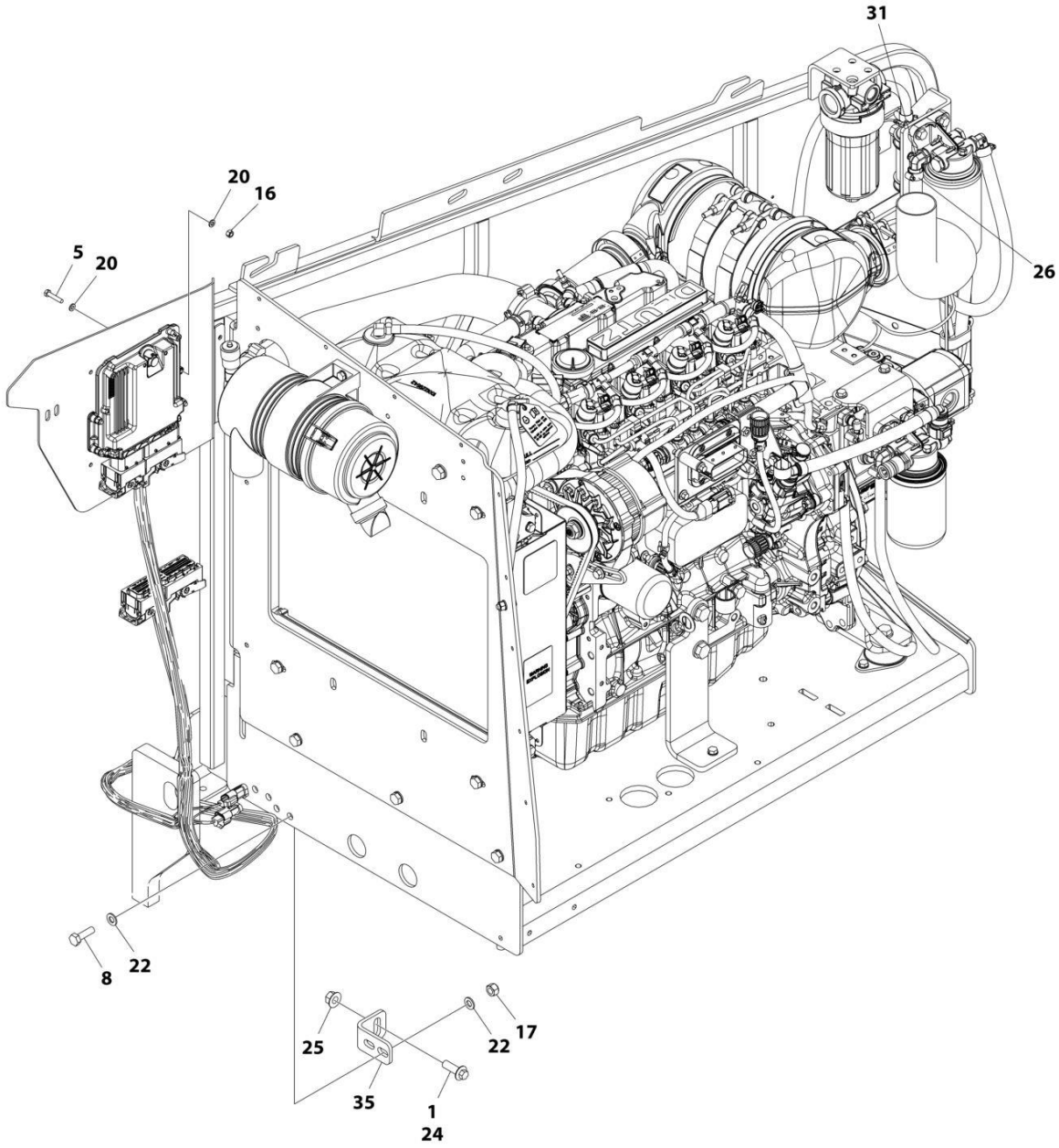
ART\_1001300727\_1OF3

# SECTION 3 - ENGINE



ART\_1001300727\_20F3

**SECTION 3 - ENGINE**



ART\_1001300727\_3OF3

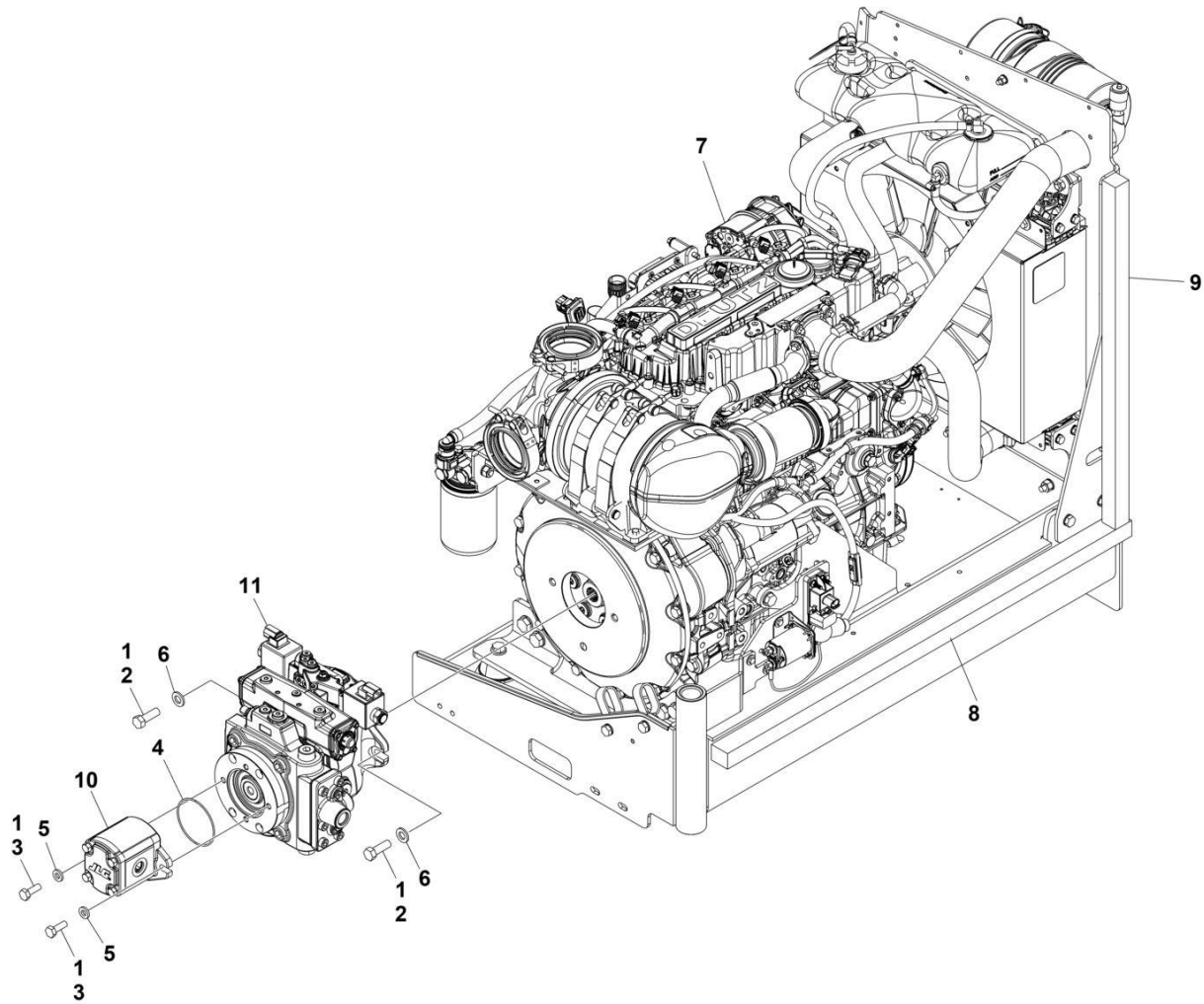
## SECTION 3 - ENGINE

**FIGURE 3-16. ENGINE INSTALLATION - DEUTZ D2.9L4 ENGINE (WITHOUT ARCTIC PACKAGE)  
(WITH PMP PUMP)**

ITEM	PART NUMBER	QTY	DESCRIPTION	REV
	1001300727	Ref	ENGINE INSTALLATION - DEUTZ D2.9L4 ENGINE (WITHOUT ARCTIC PACKAGE)(WITH PMP PUMP)	A
1	0100011	AR	Compound, Locking	
2	0100020	AR	Sealant, Pipe	
3	0440162	1	Bearing	
4	0760610	1	Bolt M6 x 20	
5	0760614	4	Bolt M6 x 30	
6	0760812	1	Bolt M8 x 25	
7	0761014	2	Bolt M10 x 30	
8	0761015	5	Bolt M10 x 35	
9	0761210	1	Bolt M12 x 20	
10	1320022	1	Clamp	
11	1321716	4	Clamp	
12	1701505	1	Decal - Diesel	
13	2180832	1	Fitting, Barbed	
14	2180876	1	Fitting, Barbed	
15	2720058	22 in/ 56 cm	Hose	
16	3290605	5	Nut M6	
17	3291005	6	Nut M10	
18	3841143	1	Keeper, Pin	
19	3422532	1	Pin	
20	4811700	10	Washer M6	
21	4811900	1	Washer M8	
22	4812000	11	Washer M10	
23	4812100	1	Washer M12	
24	5251215	1	Bolt M12 x 35	
25	5261200	1	Nut M12	
26	8405006	2	Clamp	
27	8410013	4	Clamp	
28	8430007	1	Coupling	
29	1001125387	1	Decal - Ultra Low Sulfur Diesel	
30	1001135196	1	Pin	
31	1001142501	1	Fitting, 90 Barbed	
32	1001154405	7.2 ft/ 2.2 m	Hose	
33	1001155823	1	Coupling, Quick Disconnect 90	
34	1001165035	17 ft/ 5.2 m	Hose	
35	1001167512	1	Bracket	
36	1001169823	1	Plate	
37	1001171683	1	Cable, Battery (Red) (Battery Positive to Auxiliary Power Relay)	
38	1001171684	1	Cable, Battery (Black) (Battery Negative to Auxiliary Power Pump)	
39	1001172736	1	Pipe, Exhaust	
40	1001181358	1	Harness, Fuel Pump (See Separate Breakdown in ELECTRICAL Section)	
41	1001191832	1	Nut, Rivet M8	
42	1001300726	1	Engine and Pump Sub-Assembly (Without Arctic Package) (See Separate Breakdown in this Section)	

# SECTION 3 - ENGINE

FIGURE 3-17. ENGINE AND PUMP SUB-ASSEMBLY - DEUTZ D2.9L4 ENGINE (WITHOUT ARCTIC PACKAGE) (WITH PMP PUMP)



ART\_1001300726



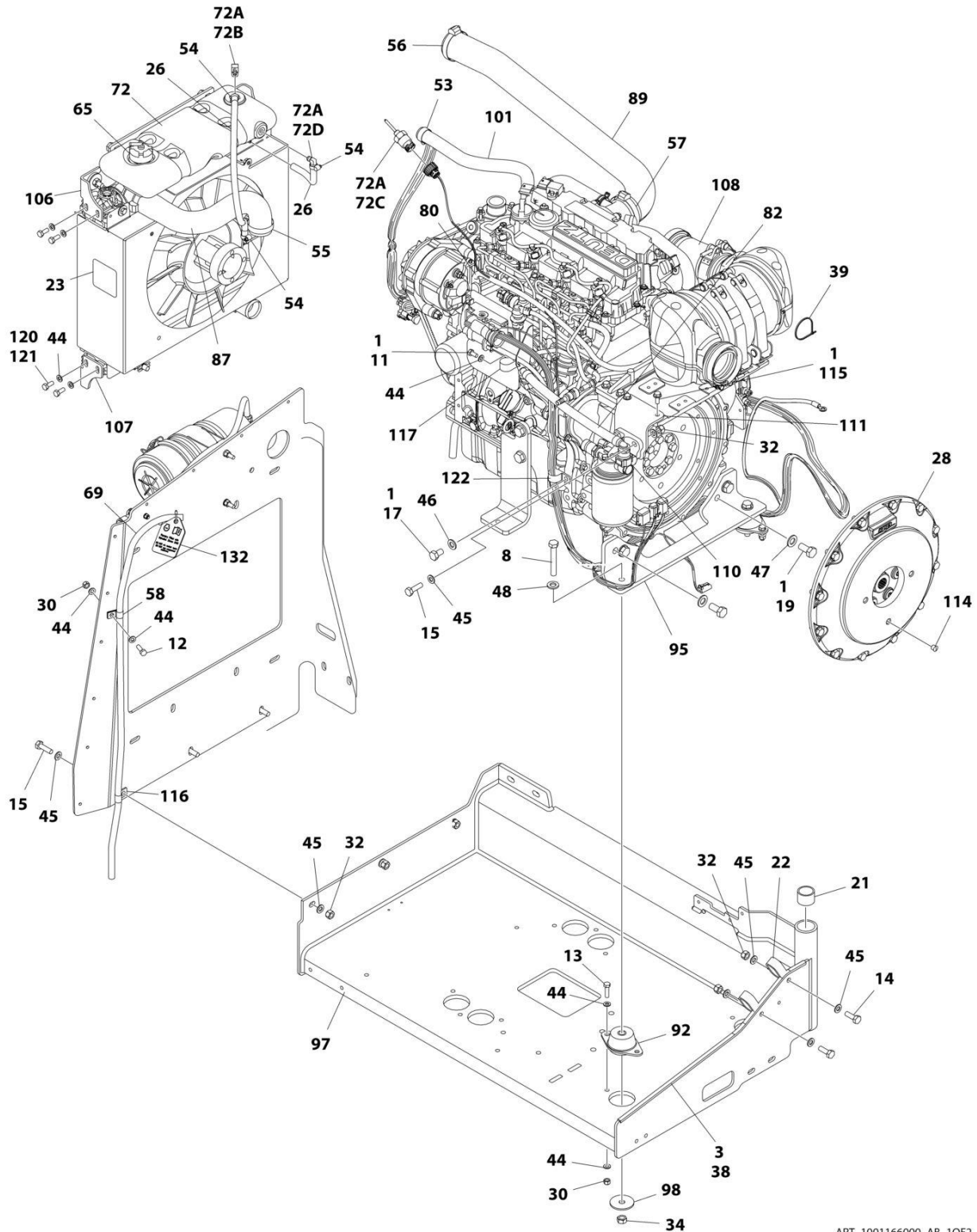
## SECTION 3 - ENGINE

**FIGURE 3-17. ENGINE AND PUMP SUB-ASSEMBLY - DEUTZ D2.9L4 ENGINE (WITHOUT ARCTIC PACKAGE) (WITH PMP PUMP)**

ITEM	PART NUMBER	QTY	DESCRIPTION	REV
	1001300726	Ref	ENGINE AND PUMP SUB-ASSEMBLY - DEUTZ D2.9L4 (WITHOUT ARCTIC PACKAGE) (WITH PMP PUMP)	A
1	0100011	AR	Compound, Locking	
2	0641812	2	Bolt 1/2 x 1-1/2	
3	0761014	2	Bolt M10 x 30	
4	3790152	1	O-Ring	
5	4891600	2	Washer 3/8	
6	5241200	2	Washer M12	
7	1001166000	1	Engine Assembly (Without Arctic Package) (See Separate Breakdown in this Section)	
8	1001171953	1	Seal	
9	1001171954	1	Seal	
10	1001214207	1	Gear Pump Assembly	
10	70006356	1	Seal Kit - 1001214207 Pump	
11	1001285632	1	Closed Pump Loop Assembly (See Separate Breakdown in this Section)	

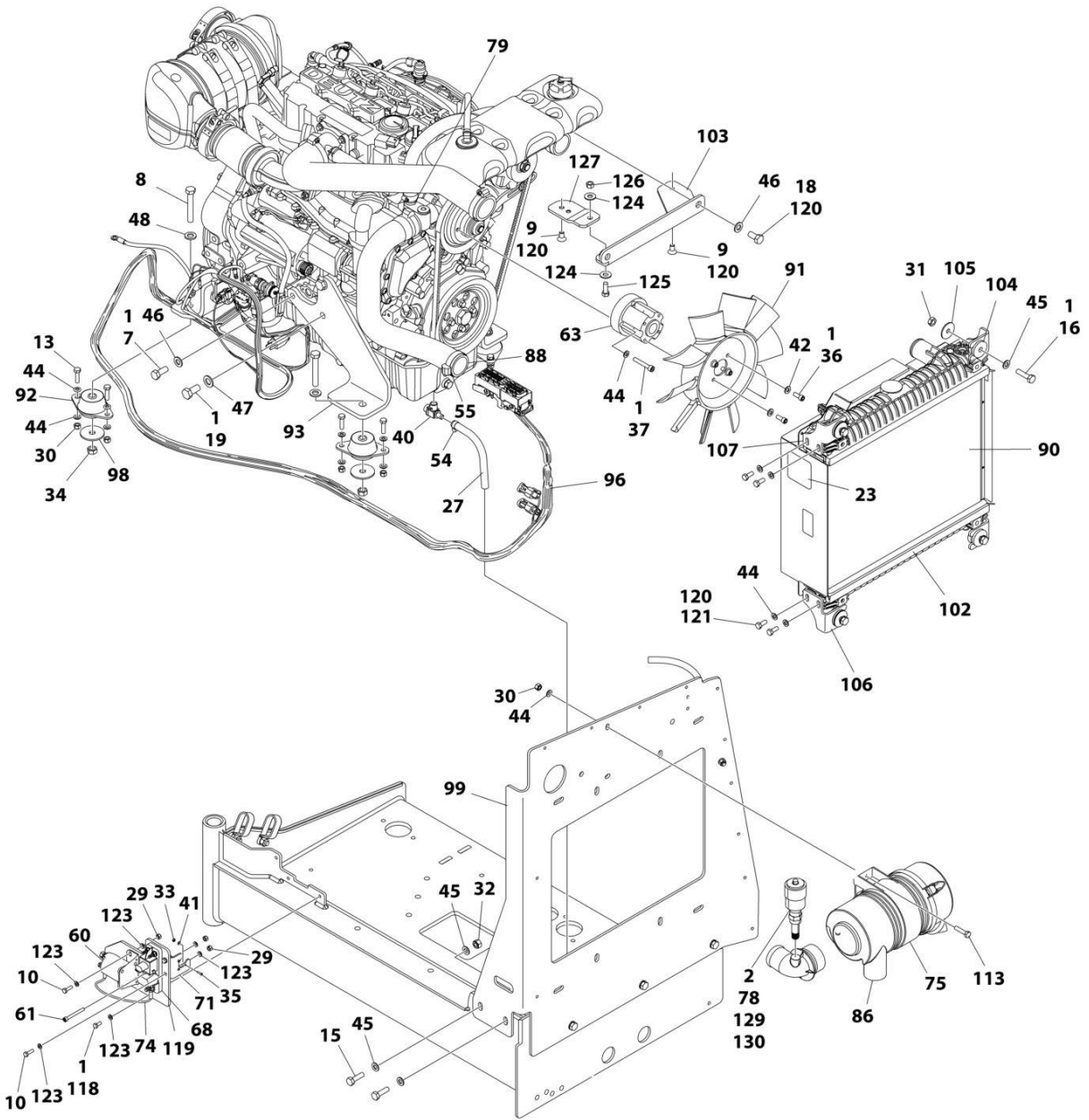
# SECTION 3 - ENGINE

## FIGURE 3-18. ENGINE ASSEMBLY - DEUTZ TD2.9L4 EMR4 ENGINE (WITHOUT ARCTIC PACKAGE)



ART\_1001166000\_AB\_10F2

# SECTION 3 - ENGINE



ART\_1001166000\_AB\_2OF2

## SECTION 3 - ENGINE

FIGURE 3-18. ENGINE ASSEMBLY - DEUTZ TD2.9L4 EMR4 ENGINE (WITHOUT ARCTIC PACKAGE)

ITEM	PART NUMBER	QTY	DESCRIPTION	REV
	1001166000	Ref	ENGINE ASSEMBLY - DEUTZ D2.9L4 ENGINE (WITHOUT ARCTIC PACKAGE)	AB
1	0100011	AR	Compound, Locking	
2	0100020	AR	Sealant, Pipe	
3	0100081	AR	Adhesive	
7	0711214	1	Bolt M12 x 30 Class 10.9	
8	0711224	3	Bolt M12 x 80 Class 10.9	
9	0741606	2	Screw 3/8 x 3/4	
10	0760610	4	Bolt M6 x 20	
11	0760808	1	Bolt M8 x 16	
12	0760812	1	Bolt M8 x 25	
13	0760814	6	Bolt M8 x 30	
14	0761014	2	Bolt M10 x 30	
15	0761015	7	Bolt M10 x 35	
16	0761016	4	Bolt M10 x 40	
17	0761210	1	Bolt M12 x 20	
18	0761212	2	Bolt M12 x 25	
19	0771414	6	Bolt M14 x 30 Class 10.9	
21	0961951	2	Bushing	
22	1321716	2	Clamp	
23	1703162	2	Decal - Caution Fan	
26	2720015	2 ft/1 m	Hose	
27	2720340	8 in/1 m	Hose	
28	2902065	1	Pump Coupling Kit (See Separate Breakdown in this Section)	
29	3290605	5	Nut M6	
30	3290805	9	Nut M8	
31	3291001	4	Nut M10	
32	3291005	9	Nut M10	
33	3310401	3	Nut #4	
34	3331215	3	Nut M12	
35	3910408	3	Screw #4- x 1/2	
36	3931512	4	Capscrew, 5/16 x 3/4	
37	4031914	4	Bolt M8 x 50	
38	4060805	3 ft/1 m	Flex-Trim	
39	4240099	AR	Tie-Strap	
40	4640751	1	Valve, Oil Drain	
41	4710400	3	Washer #4	
42	4711500	4	Washer 5/16	
44	4811900	31	Washer M8	
45	4812000	22	Washer M10	
46	4812100	4	Washer M12	
47	4812200	6	Washer M14	
48	5241200	3	Washer M12 Hardened	
53	8405007	2	Clamp	
54	8405009	5	Clamp	
55	8405104	4	Clamp	
56	8405202	1	Clamp	
57	8405204	1	Clamp	
58	8406109	1	Clip	
60	1001117308	1	Relay, 200Amp	

## SECTION 3 - ENGINE

ITEM	PART NUMBER	QTY	DESCRIPTION	REV
60	3300220	2	Nut	
60	3321001	2	Nut #10	
60	4761000	2	Washer #10	
60	1001111424	2	Washer	
61	1001118878	1	Bolt M6 x 55	
63	1001144116	1	Spacer, Fan	
65	1001136834	1	Cap, Tank	
68	1001138228	1	Relay, Power Module	
68	70023592	1	Fuse 20Amp	
68	70023593	1	Fuse 30Amp	
69	1001138248	4 ft/1 m	Tube	
71	1001139240	1	Bracket	
72	1001230635	1	Tank, Surge (Includes Items 72A-72D)	
72A	0100020	AR	Sealant, Pipe	
72B	1001134488	1	Fitting, Barbed	
72C	1001138827	1	Sensor, Coolant Level	
72D	1001140564	1	Fitting, Barbed 90	
74	1001141304	1	Harness, Glow Plug	
75	1001141694	1	Clamp, Air Cleaner	
78	1001143390	1	Indicator	
79	1001143797	1	Fitting, Barbed	
80	1001178788	1	Cable, Alternator	
82	1001152489	1	Fitting, Barbed 90	
86	1001165388	1	Air Cleaner Assembly	
86	70003783	1	Element, Air Cleaner	
87	1001165405	1	Hose, Upper Radiator	
88	1001165406	1	Hose, Lower Radiator	
89	1001165721	1	Hose, Air Intake	
90	1001165722	1	Radiator	
91	1001165849	1	Fan	
92	1001166718	3	Mount, Motor	
93	1001166921	1	Plate, Engine Mount	
95	1001166924	1	Plate, Engine Mount	
96	1001167108	1	Harness Engine - Deutz D2.9L4 (See Separate Breakdown in ELECTRICAL Section)	
97	1001167520	1	Tray, Engine	
98	1001168018	3	Washer, Special	
99	1001168026	1	Plate, Radiator Mounting	
101	1001168099	1	Hose	
102	1001168166	2	Seal	
103	1001260420	1	Bracket	
104	1001169054	4	Isolator	
105	1001169138	4	Washer, Snubbing	
106	1001169967	2	Bracket	
107	1001170035	2	Bracket	
108	1001249965	1	Engine, Deutz D2.9L4 (See Separate Breakdown in this Section)	
110	1001177359	1	Hose	
111	1001178876	1	Mount, Fuel Filter	
113	0760815	2	Bolt M8 x 35	
114	3520054	1	Plug	
115	5250810	2	Bolt M8 x 20	
116	8406110	1	Clip	

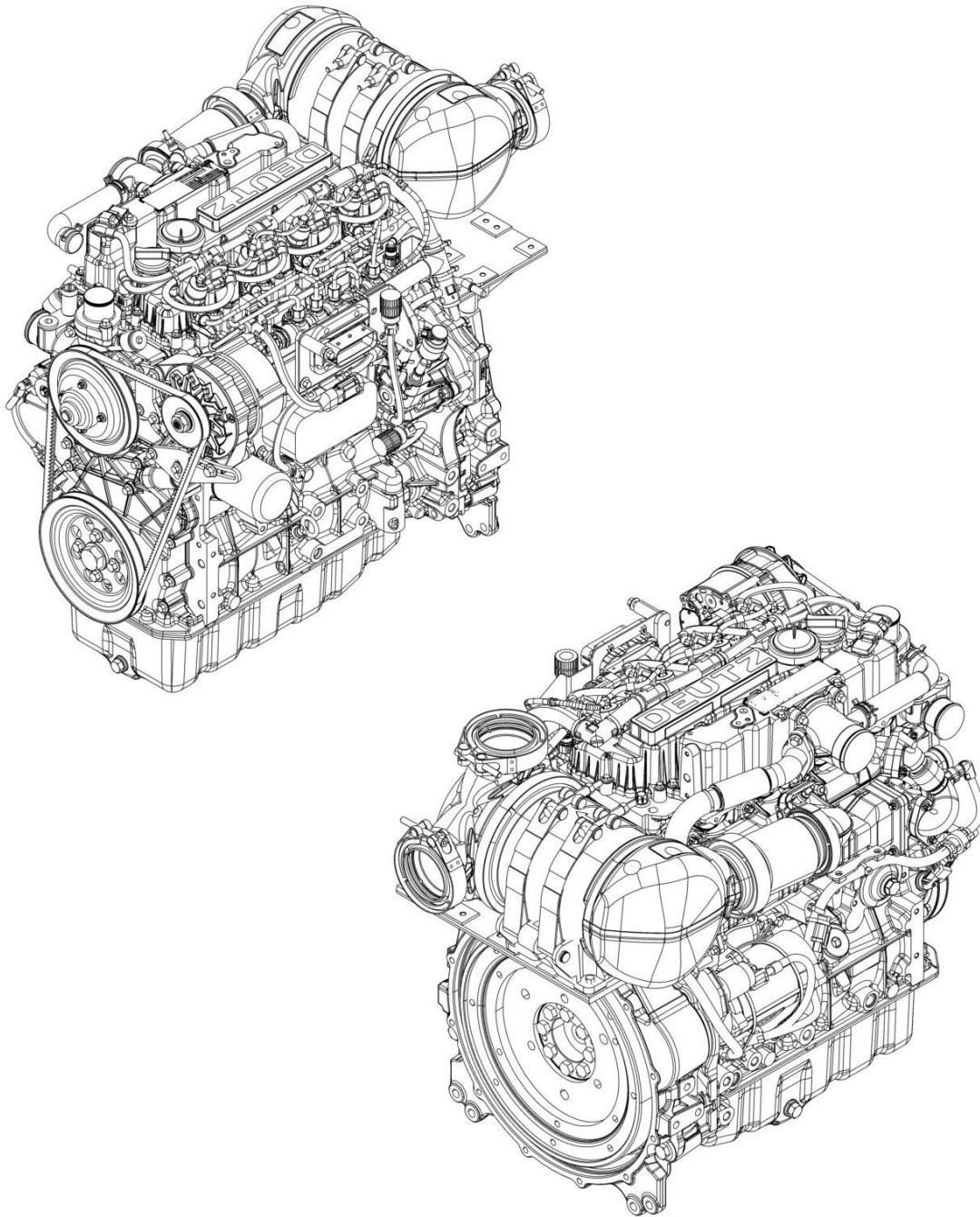
## SECTION 3 - ENGINE

ITEM	PART NUMBER	QTY	DESCRIPTION	REV
117	8406201	1	Clip	
118	0760607	3	Bolt M6 x 14	
119	1001179903	1	Bracket	
120	1001180620	AR	Adhesive	
121	0760810	8	Bolt M8 x 20	
122	1001191620	1	Clamp	
123	4811702	12	Washer M6	
124	4751600	2	Washer 3/8	
125	0681608	1	Bolt 3/8 x 1	
126	3311605	1	Nut 3/8	
127	1001260412	1	Bracket	
128	1001162335	1	Bracket Assembly - Fuel Pump/Filter (Not Shown - See Separate Breakdown in this Section)	
129	2200261	1	Fitting	
130	1001277432	1	Spacer	
131	4240032	1	Tie-Strap (Not Shown)	
132	1001291401	1	Tag, Coolant	



## SECTION 3 - ENGINE

FIGURE 3-19. DEUTZ D2.9L4 - EMR4 (49HP) ENGINE COMPONENTS



ART\_1001249965



## SECTION 3 - ENGINE

**FIGURE 3-19. DEUTZ D2.9L4 - EMR4 (49HP) ENGINE COMPONENTS**

ITEM	PART NUMBER	QTY	DESCRIPTION	REV
	1001249965	Ref	DEUTZ D2.9L4 - EMR4 (49HP) ENGINE COMPONENTS	B
	See Note	Ref	Note: Contact JLG Customer Service for Availability of Additional Components.	
		Ref	Air Intake System	
	70005182	1	Charge Air Elbow	
	70005183	1	Breather Line	
		Ref	Cooling System Components	
	70030360	1	Pump, Coolant	
	70007603	1	Thermostat	
		Ref	Electrical Components	
	70025210	1	Module, Engine Control (ECM/ECU)	
	70024513	1	Harness, Fuel Filter Sensor	
	70024504	1	Sensor, Fuel Pressure	
	70006652	1	Generator	
	70024915	1	Starter	
	70025231	1	Harness, Glow Plug	
	70028540	1	Sensor, Temperature	
	70026210	1	Sensor, Speed	
	70024507	1	Sensor, Pressure (Air Intake)	
	70031145	4	Plug, Glow	
		Ref	Exhaust Components	
	70031136	1	Pipe, Exhaust	
	70004282	1	Exhaust Manifold	
		Ref	Fuel System Components	
	70030381	1	Pump, High Pressure	
	700004508	1	Valve, Volume Control	
	70004281	1	Injector, Fuel	
	70006144	1	Pump, Fuel Supply (Includes Qty 2 Mounting Clamps)	
	1001225430	1	Filter, Fuel (Pre-Filter) Assembly	
	70024961	1	Filter, Fuel	
	70025239	1	Seal	
	70024513	1	Cable, Sensor	
	70029451	1	Filter, Fuel	
		Ref	Gasket & Seal Components	
	70024905	1	Seal, Dipstick	
	70005942	2	Seal, Oil Plug	
	70024906	1	Gasket, Head	
	70005171	1	Gasket, Valve Cover	
	70002718	1	Seal, Rear Main	
	70025135	1	O-Ring, Oil Lube Pump	
	70005173	1	Gasket, Oil Lube Pump	
	70024925	1	Seal, Oil Cooler	
	70005177	1	Gasket, Charge Air Housing	
	70025200	1	O-Ring, Coolant Pump	
	70007325	1	Seal, Coolant Pump	
	70005184	1	O-Ring, Thermostat	
	70005931	1	Seal, Thermostat	
	70025164	1	Gasket, Exhaust Manifold to Head	
	70007354	1	Gasket, Short Exhaust Pipe to JLG supplied Exhaust	
	70007326	1	Gasket EGR Valve	

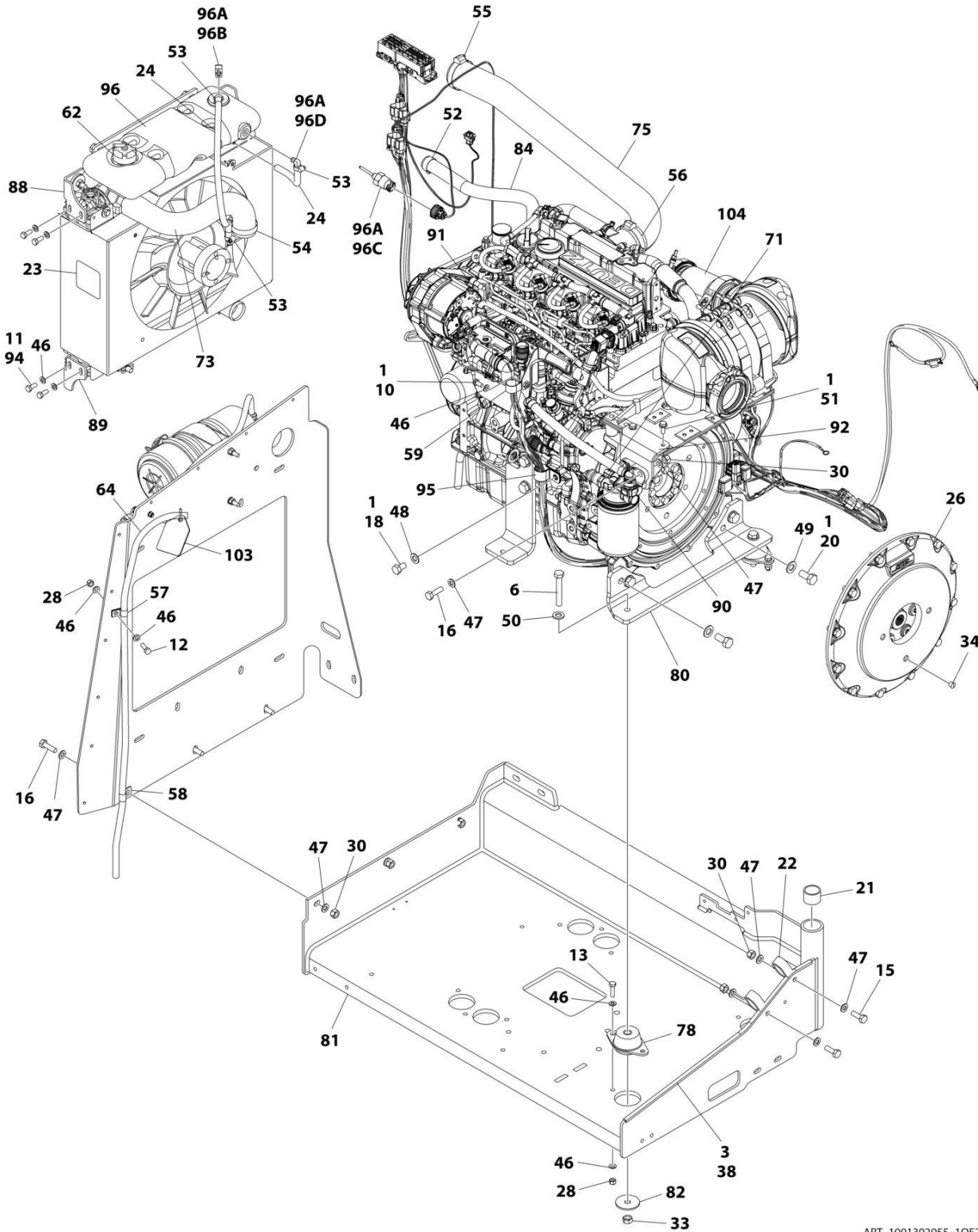
## SECTION 3 - ENGINE

ITEM	PART NUMBER	QTY	DESCRIPTION	REV
	70031095	1	Gasket, Exhaust Return Pipe (to Air Intake Housing)	
		Ref	Other Components	
	70001870	1	Flywheel	
	7024579	1	Gear, Ring	
		Ref	Oil Lube System	
	7020465	1	Cap, Oil Fill	
	70024904	1	Dipstick	
	70005941	2	Plug, Oil (Includes Seal)	
	70005172	1	Pump, Oil Lube (Includes O-Ring & Gasket)	
	70024494	1	Oil Cooler	
	7016331	1	Filter, Oil	



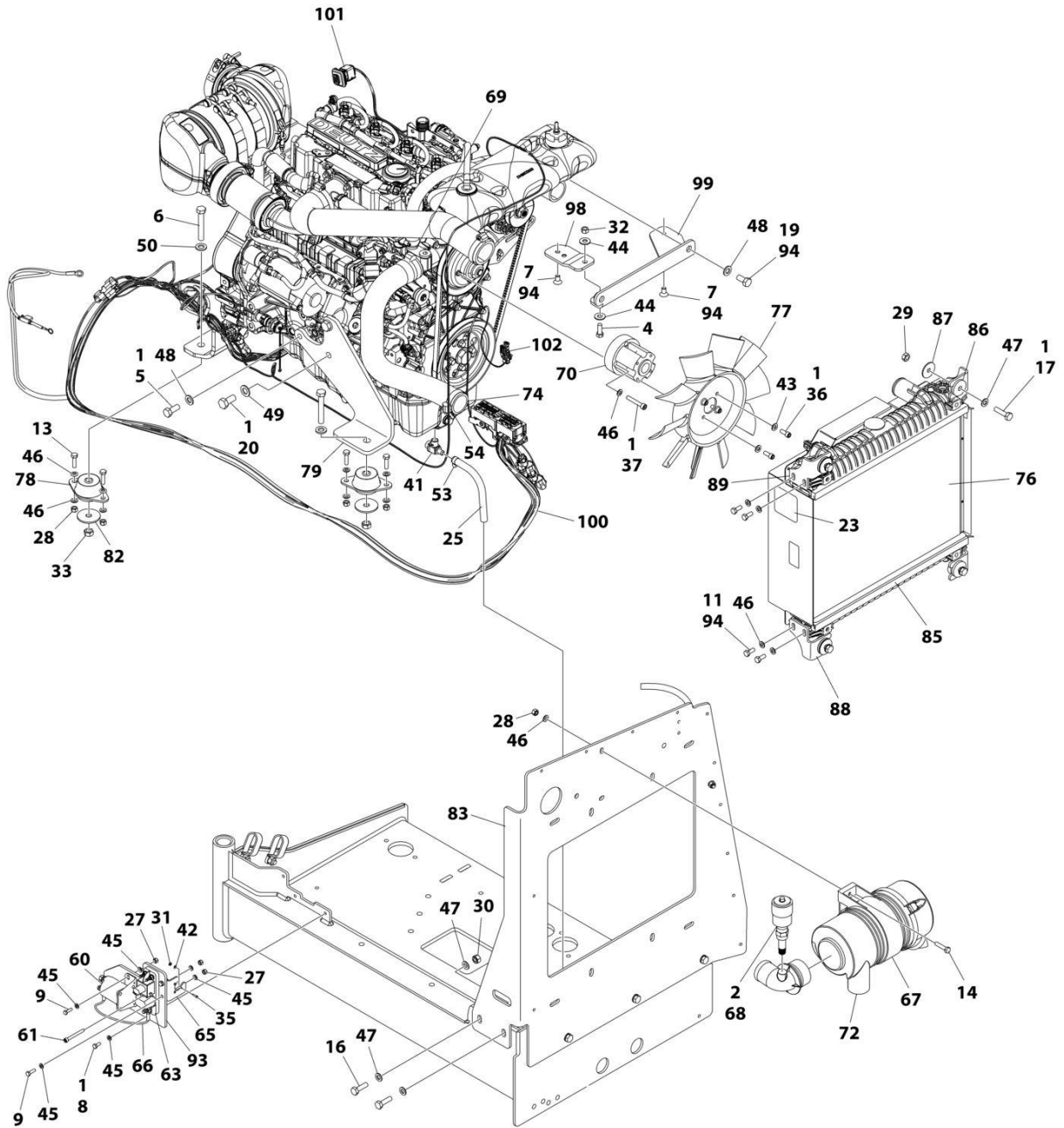
# SECTION 3 - ENGINE

FIGURE 3-20. ENGINE ASSEMBLY - DEUTZ D2.9L4 ERM5 ENGINE (WITHOUT ARCTIC PACKAGE)  
(ANSI, ANSI EXPORT AND CSA SPECS)



ART\_1001302955\_10F2

# SECTION 3 - ENGINE



ART\_1001302955\_20F2

## SECTION 3 - ENGINE

**FIGURE 3-20. ENGINE ASSEMBLY - DEUTZ D2.9L4 ERM5 ENGINE (WITHOUT ARCTIC PACKAGE)  
(ANSI, ANSI EXPORT AND CSA SPECS)**

ITEM	PART NUMBER	QTY	DESCRIPTION	REV
	1001302955	Ref	ENGINE ASSEMBLY - DEUTZ D2.9L4 ERM5 ENGINE	A
1	0100011	AR	Compound, Locking	
2	0100020	AR	Sealant, Pipe	
3	0100081	AR	Adhesive	
4	0681608	1	Bolt 3/8 x 1	
5	0711214	1	Bolt M12 x 30	
6	0711224	3	Bolt M12 x 80	
7	0741606	2	Screw 3/8 x 3/4	
8	0760607	3	Bolt M6 x 14	
9	0760610	4	Bolt M6 x 20	
10	0760808	1	Bolt M8 x 16	
11	0760810	8	Bolt M8 x 20	
12	0760812	1	Bolt M8 x 25	
13	0760814	6	Bolt M8 x 30	
14	0760815	2	Bolt M8 x 35	
15	0761014	2	Bolt M10 x 30	
16	0761015	7	Bolt M10 x 35	
17	0761016	4	Bolt M10 x 40	
18	0761210	1	Bolt M12 x 20	
19	0761212	2	Bolt M12 x 25	
20	0771414	6	Bolt M14 x 30	
21	0961951	2	Bushing	
22	1321716	2	Clamp	
23	1703162	2	Decal - Caution Fan	
24	2720015	2 ft/1 m	Hose	
25	2720340	8 in/20 cm	Hose	
26	2902065	1	Pump Coupling Kit (See Separate Breakdown in this Section)	
27	3290605	5	Nut M6	
28	3290805	9	Nut M8	
29	3291001	4	Nut M10	
30	3291005	9	Nut M10	
31	3310401	3	Nut #4	
32	3311605	1	Nut 3/8	
33	3331215	3	Nut M12	
34	3520054	1	Plug	
35	3910408	3	Screw #4 x 1/2	
36	3931512	4	Capscrew 5/16 x 3/4	
37	4031914	4	Bolt M8 x 50	
38	4060805	2 ft/1 m	Flex-Trim	
39	4240032	AR	Tie-Strap (Not Shown)	
40	4240099	AR	Tie-Strap (Not Shown)	
41	4640751	1	Valve, Oil Drain	
42	4710400	3	Washer #4	
43	4711500	4	Washer 5/16	
44	4751600	2	Washer 3/8	
45	4811702	12	Washer M6	
46	4811900	31	Washer M8	
47	4812000	22	Washer M10	
48	4812100	4	Washer M12	

## SECTION 3 - ENGINE

ITEM	PART NUMBER	QTY	DESCRIPTION	REV
49	4812200	6	Washer M14	
50	5241200	3	Washer M12	
51	5250810	2	Bolt M8 x 20	
52	8405007	2	Clamp	
53	8405009	5	Clamp	
54	8405104	4	Clamp	
55	8405202	1	Clamp	
56	8405204	1	Clamp	
57	8406109	1	Clip	
58	8406110	1	Clip	
59	8406201	1	Clip	
60	1001117308	1	Relay, 200Amp	
60	3300220	2	Nut	
60	3321001	2	Nut #10	
60	4761000	2	Washer #10	
60	100111424	2	Washer	
61	1001118878	1	Bolt M6 x 55	
62	1001136834	1	Cap, Tank	
63	1001138228	1	Relay, Power Module	
63	70023592	1	Fuse 20AMP	
63	70023593	1	Fuse 30AMP	
64	1001138248	4 ft/1 m	Hose	
65	1001139240	1	Bracket	
66	1001141304	1	Harness, Glow Fuse	
67	1001141694	1	Clamp	
68	1001143390	1	Indicator	
69	1001143797	1	Fitting, Pipe Straight	
70	1001144116	1	Spacer, Fan	
71	1001152489	1	Fitting, Pipe 90	
72	1001165388	1	Filter, Air Cleaner	
73	1001165405	1	Hose	
74	1001165406	1	Hose	
75	1001165721	1	Hose	
76	1001165722	1	Radiator	
77	1001165849	1	Fan	
78	1001166718	3	Isolator	
79	1001166921	1	Plate	
80	1001166924	1	Plate	
81	1001167520	1	Support	
82	1001168018	3	Washer, Special	
83	1001168026	1	Plate	
84	1001168099	1	Hose	
85	1001168166	2	Seal	
86	1001169054	4	Isolator, Radiator	
87	1001169138	4	Pad	
88	1001169967	2	Bracket	
89	1001170035	2	Bracket	
90	1001177359	1	Hose	
91	1001178788	1	Cable, Alternator	
92	1001178876	1	Mount	
93	1001179903	1	Bracket	

## SECTION 3 - ENGINE

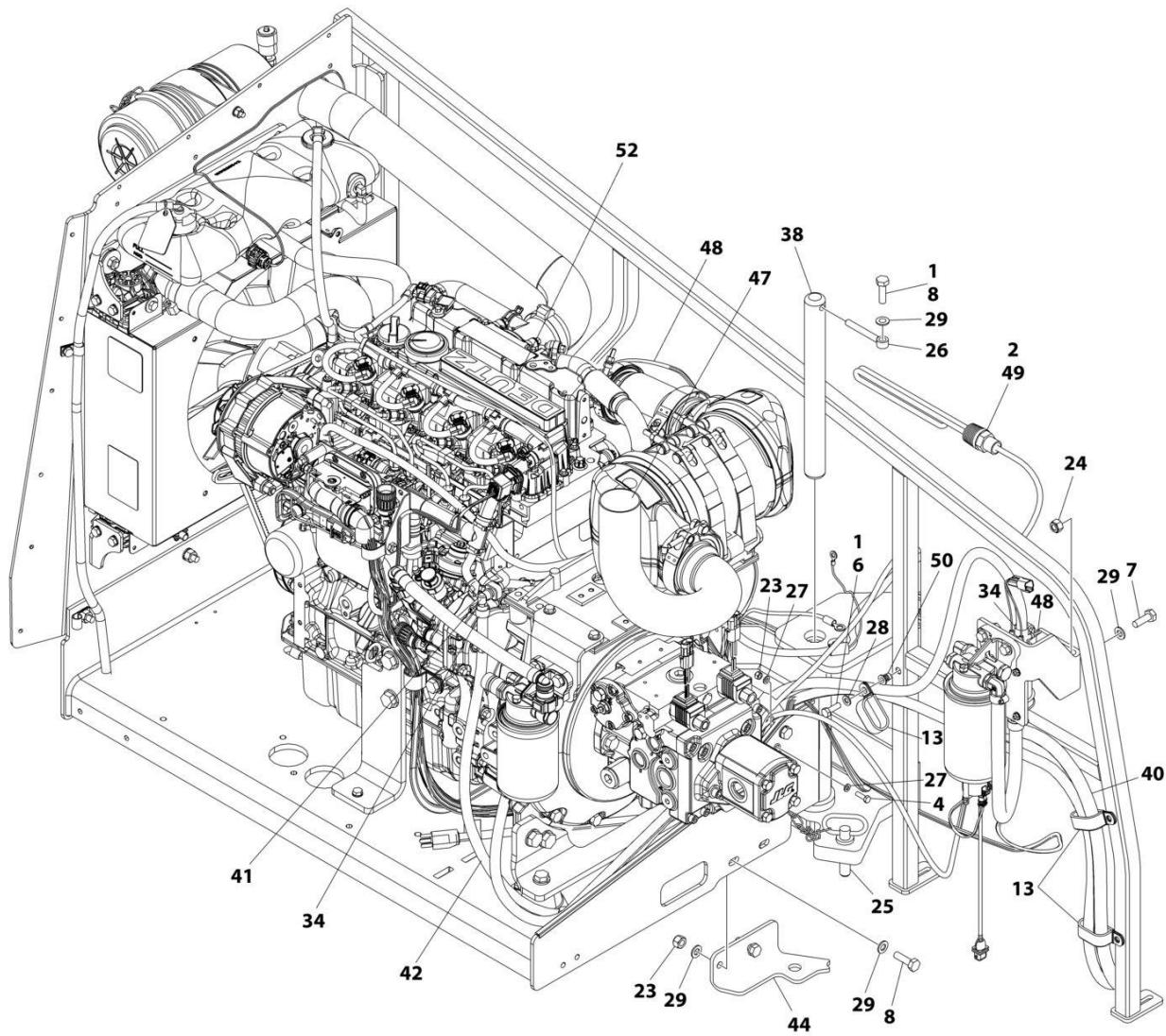
ITEM	PART NUMBER	QTY	DESCRIPTION	REV
94	1001180620	AR	Adhesive	
95	1001191620	1	Clamp	
96	1001230635	1	Tank, Surge Assembly (Includes Items 96A-96D)	
96A	0100020	AR	Sealant, Pipe	
96B	1001134488	1	Fitting, Barbed	
96C	1001138827	1	Sensor, Coolant Level	
96D	1001140564	1	Fitting, Barbed 90	
97	1001235949	1	Bracket Assembly Fuel Pump/Filter (Not Shown - See Separate Breakdown in this Section)	
98	1001260412	1	Bracket	
99	1001260420	1	Bracket	
100	1001276643	1	Engine Harness (See Separate Breakdown in ELECTRICAL Section)	
101	1001281985	1	Connector	
102	1001281986	1	Connector	
103	1001291401	1	Tag, Coolant	
104	1001302954	1	Engine, Deutz D2.9L4 ERM5 (See Separate Breakdown in this Section)	





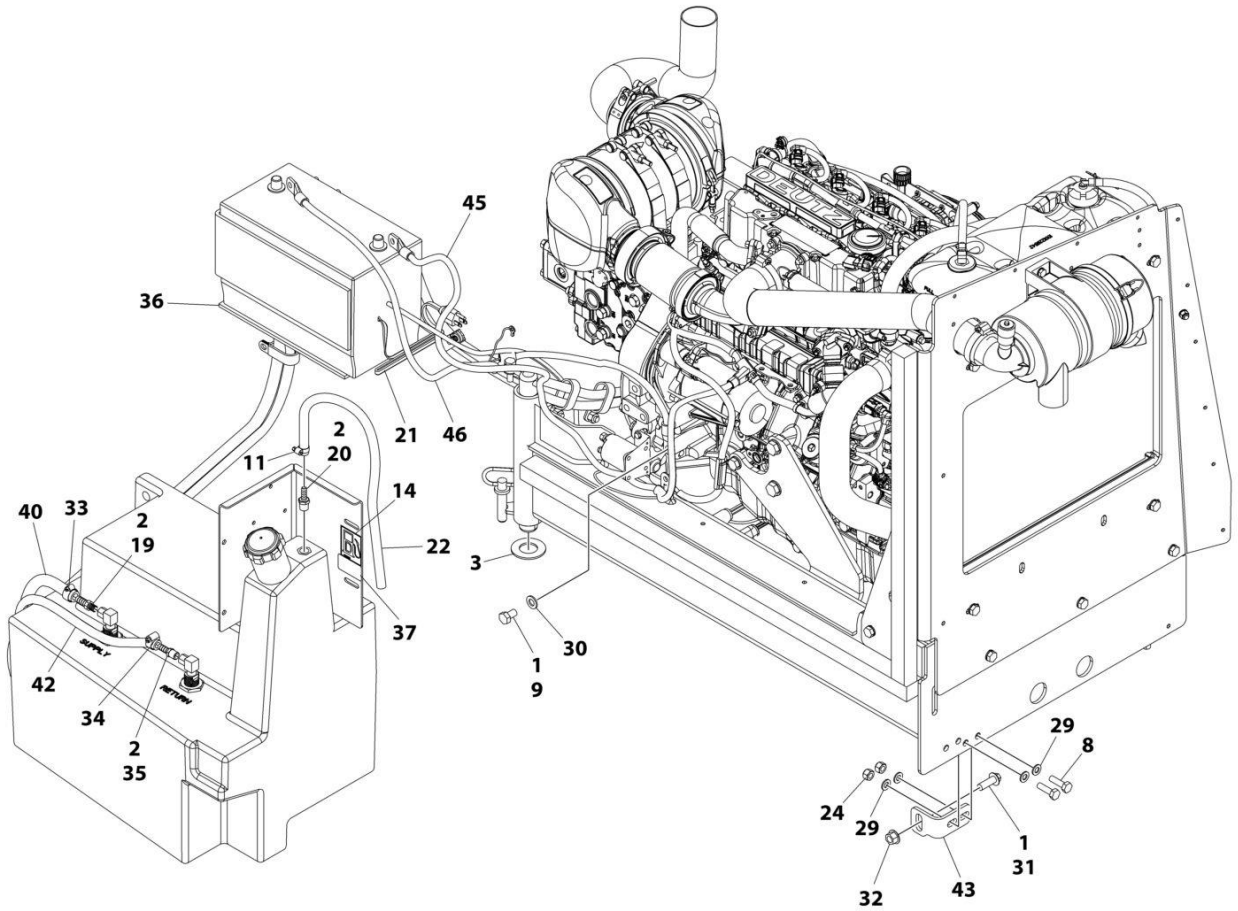
# SECTION 3 - ENGINE

FIGURE 3-21. ENGINE INSTALLATION - DEUTZ D2.9L4 ERM5 ENGINE (WITH ARCTIC PACKAGE)  
(ANSI AND CSA SPECS)



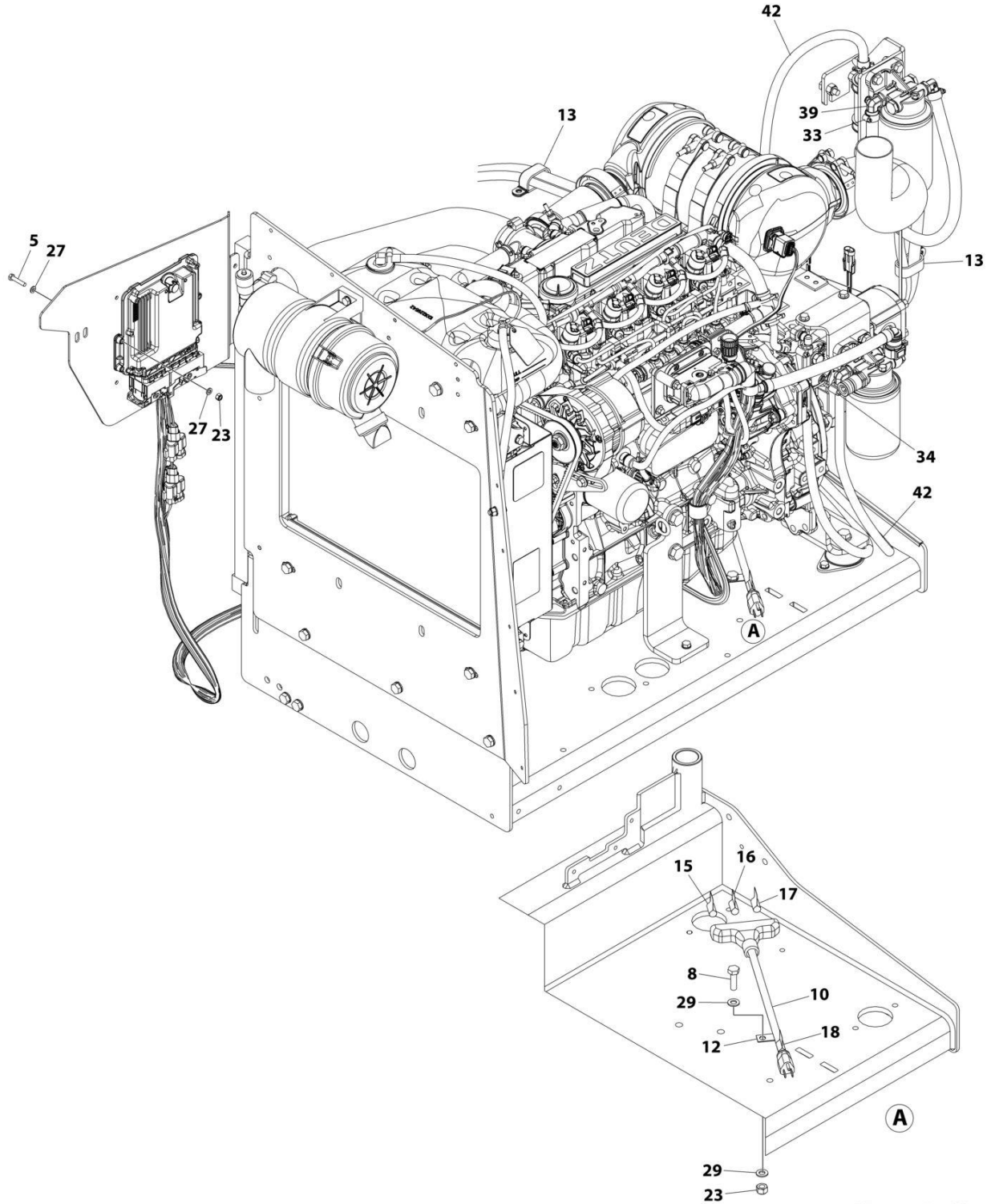
ART\_1001302972\_1OF3

# SECTION 3 - ENGINE



ART\_1001302972\_2OF3

# SECTION 3 - ENGINE



ART\_1001302972\_30F3

## SECTION 3 - ENGINE

**FIGURE 3-21. ENGINE INSTALLATION - DEUTZ D2.9L4 ERM5 ENGINE (WITH ARCTIC PACKAGE)  
(ANSI AND CSA SPECS)**

ITEM	PART NUMBER	QTY	DESCRIPTION	REV
	1001302972	Ref	ENGINE ASSEMBLY - DEUTZ D2.9L4 ERM5 ENGINE	A
1	0100011	AR	Compound, Locking	
2	0100020	AR	Sealant, Pipe	
3	0440162	1	Bearing	
4	0760610	1	Bolt M6 x 20	
5	0760614	4	Bolt M6 x 30	
6	0760812	1	Bolt M8 x 25	
7	0761014	2	Bolt M10 x 30	
8	0761015	6	Bolt M10 x 35	
9	0761210	1	Bolt M12 x 20	
10	1060626	1	Plug, 3-Way	
11	1320022	1	Clamp	
12	1320223	1	Clamp	
13	1321716	4	Clamp	
14	1701505	1	Decal - Diesel	
15	1702941	1	Decal - Battery Heater	
16	1702942	1	Decal - Engine Block Heater	
17	1702943	1	Decal - Hydraulic Tank Heater	
18	1702944	1	Decal - Heater Cord	
19	2180832	1	Fitting, Barbed	
20	2180876	1	Fitting, Barbed	
21	2580024	1	Heater, Battery	
22	2720058	2 ft /0.6 m	Hose	
23	3290605	5	Nut M6	
24	3291005	7	Nut M10	
25	3422532	1	Pin	
26	3841143	1	Keeper, Pin	
27	4811700	10	Washer M6	
28	4811900	1	Washer M8	
29	4812000	13	Washer M10	
30	4812100	1	Washer M12	
31	5251215	1	Bolt M12 x 35	
32	5261200	1	Nut M12	
33	8405006	2	Clamp	
34	8410013	4	Clamp	
35	8430007	1	Coupling	
36	1001119278	1	Insulate	
37	1001125387	1	Decal - Ultra Low Sulfur Diesel	
38	1001135196	1	Pin	
39	1001142501	1	Fitting, Barbed 90	
40	1001154405	7 ft /2 m	Hose	
41	1001155823	1	Coupling, Quick Disconnect 90	
42	1001165035	17 ft /6 m	Hose	
43	1001167512	1	Bracket	
44	1001169823	1	Plate	
45	1001171683	1	Cable, Battery (Red) (Battery Positive to Auxiliary Power Relay)	
46	1001171684	1	Cable, Battery (Black) (Battery Negative to Auxiliary Power Pump)	
47	1001172736	1	Pipe, Exhaust	

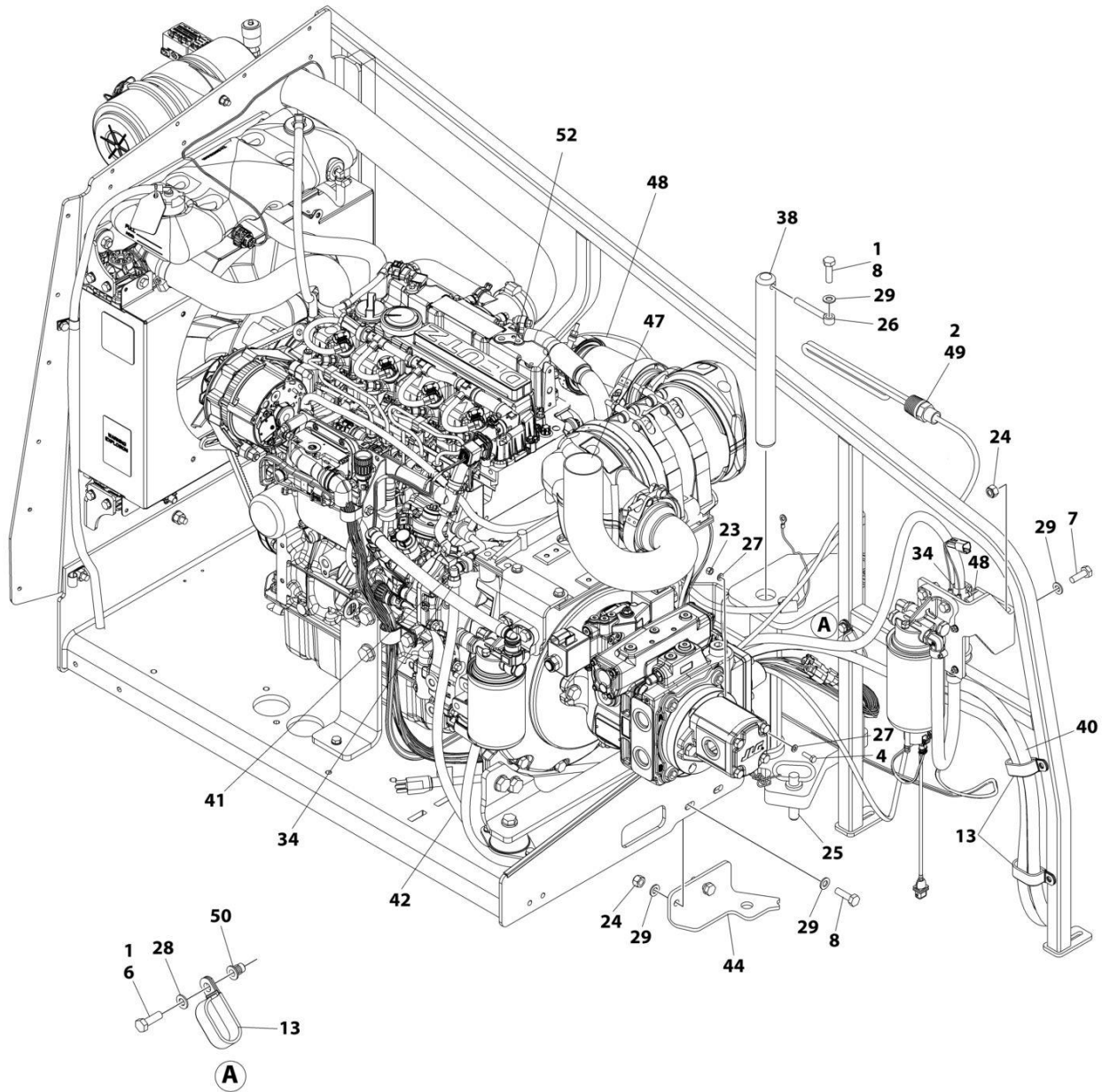
## SECTION 3 - ENGINE

ITEM	PART NUMBER	QTY	DESCRIPTION	REV
48	1001181358	1	Harness, Fuel Pump (See Separate Breakdown in ELECTRICAL Section)	
49	1001188972	1	Heater, Immersion	
50	1001191832	1	Rivet	
51	1001233763	1	Breather Heater Installation (Not Shown - See Separate Breakdown in this Section)	
52	1001302963	1	Engine and Pump Assembly - Deutz D2.9L4 (Without Arctic Package) (See Separate Breakdown in this Section)	



# SECTION 3 - ENGINE

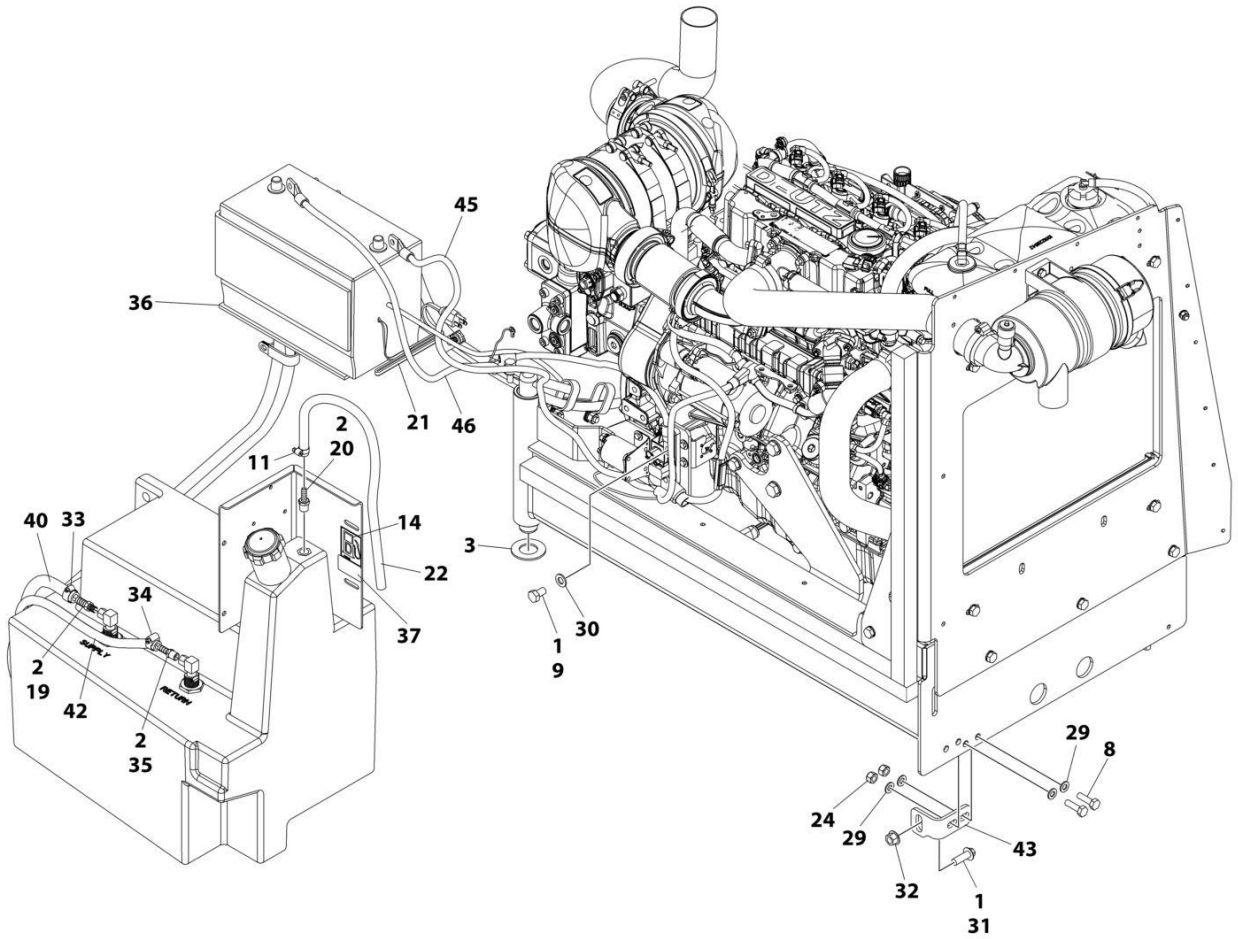
FIGURE 3-22. ENGINE INSTALLATION - DEUTZ D2.9L4 ENGINE (WITH ARCTIC PACKAGE) (WITH PMP PUMP)



ART\_1001300783\_1OF3

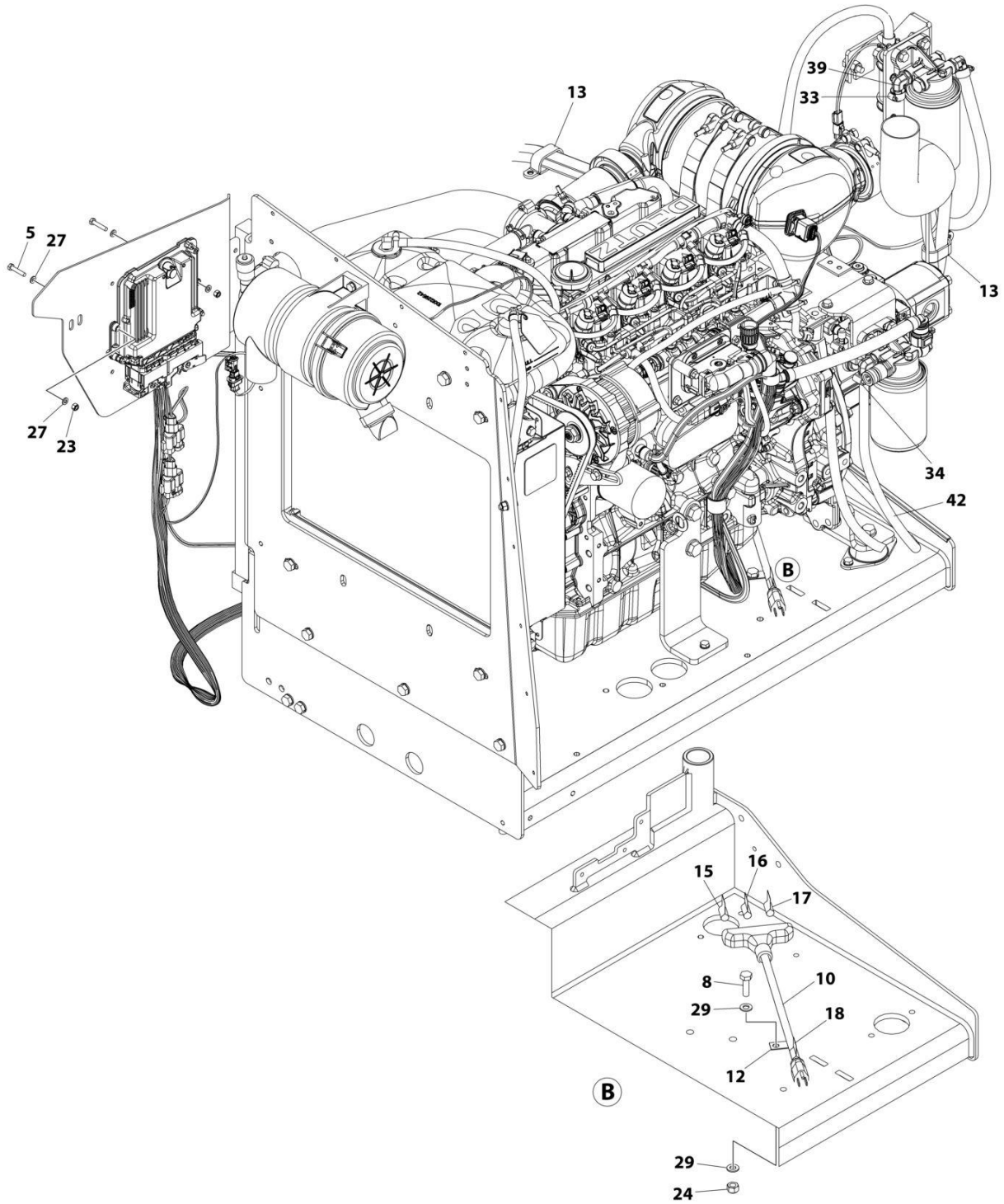


# SECTION 3 - ENGINE



ART\_1001300783\_2OF3

# SECTION 3 - ENGINE



ART\_1001300783\_3OF3

## SECTION 3 - ENGINE

**FIGURE 3-22. ENGINE INSTALLATION - DEUTZ D2.9L4 ENGINE (WITH ARCTIC PACKAGE) (WITH PMP PUMP)**

ITEM	PART NUMBER	QTY	DESCRIPTION	REV
	1001300783	Ref	ENGINE INSTALLATION - DEUTZ D2.9L4 ENGINE (WITH ARCTIC PACKAGE) (WITH PMP PUMP)	A
1	0100011	AR	Compound, Locking	
2	0100020	AR	Sealant, Pipe	
3	0440162	1	Bearing	
4	0760610	1	Bolt M6 x 20	
5	0760614	4	Bolt M6 x 30	
6	0760812	1	Bolt M8 x 25	
7	0761014	2	Bolt M10 x 30	
8	0761015	6	Bolt M10 x 35	
9	0761210	1	Bolt M12 x 20	
10	1060626	1	Plug, 3 Way	
11	1320022	1	Clamp	
12	1320223	1	Clamp	
13	1321716	4	Clamp	
14	1701505	1	Decal - Diesel	
15	1702941	1	Decal - Battery Heater	
16	1702942	1	Decal - Engine Block Heater	
17	1702943	1	Decal - Hydraulic Tank Heater	
18	1702944	1	Decal - Heater Cord	
19	2180832	1	Fitting, Barbed	
20	2180876	1	Fitting, NPT/Barbed	
21	2580024	1	Heater, Battery	
22	2720058	22 in/ 56 cm	Hose	
23	3290605	5	Nut M6	
24	3291005	7	Nut M10	
25	3422532	1	Pin	
26	3841143	1	Keeper, Pin	
27	4811700	10	Washer M6	
28	4811900	1	Washer M8	
29	4812000	13	Washer M10	
30	4812100	1	Washer M12	
31	5251215	1	Bolt M12 x 35	
32	5261200	1	Nut M12	
33	8405006	2	Clamp	
34	8410013	4	Clamp	
35	8430007	1	Coupling	
36	1001119278	1	Insulate	
37	1001125387	1	Decal - Ultra Low Sulfur Fuel	
38	1001135196	1	Pin	
39	1001142501	1	Fitting, 90 Barbed	
40	1001154405	7.2 ft/ 2.2 m	Hose	
41	1001155823	1	Coupling, Quick Disconnect 90	
42	1001165035	17 ft/ 5.2 m	Hose	
43	1001167512	1	Bracket, Engine Tray	
44	1001169823	1	Plate	
45	1001171683	1	Cable, Battery (Red) (Battery Positive to Auxiliary Power Relay)	

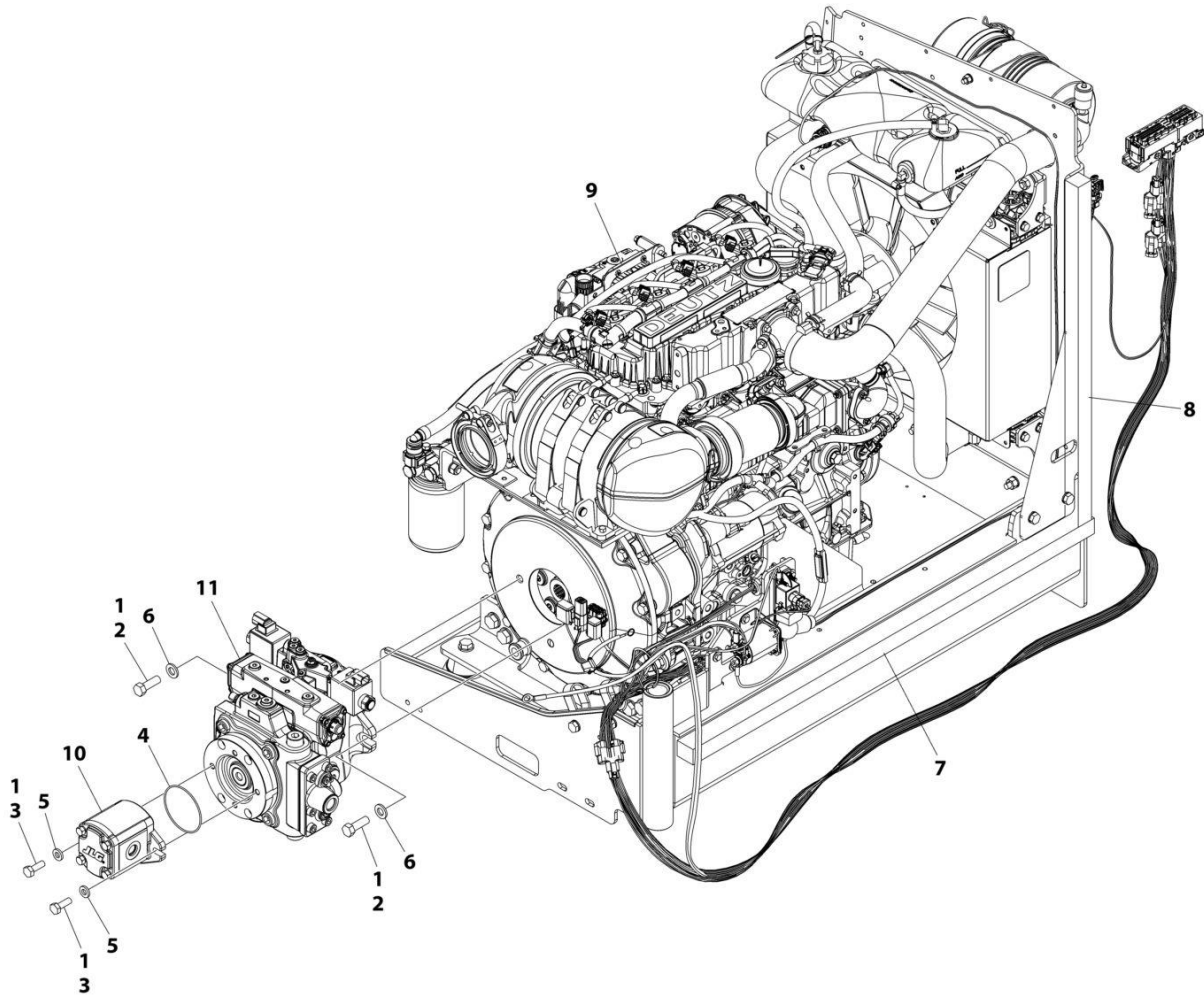
## SECTION 3 - ENGINE

ITEM	PART NUMBER	QTY	DESCRIPTION	REV
46	1001171684	1	Cable, Battery (Black) (Battery Negative to Auxiliary Power Pump)	
47	1001172736	1	Pipe, Exhaust	
48	1001181358	1	Harness, Fuel Pump (See Separate Breakdown in ELECTRICAL Section)	
49	1001188972	1	Heater, Hydraulic Tank	
50	1001191832	1	Nut, Rivet M8	
51	1001233763	1	Breather Heater Installation (Not Shown - See Separate Breakdown in this Section)	
52	1001300784	1	Engine and Pump Sub-Assembly (with Arctic Package) (See Separate Breakdown in this Section)	



# SECTION 3 - ENGINE

FIGURE 3-23. ENGINE AND PUMP SUB-ASSEMBLY - DEUTZ D2.9L4 ENGINE (WITH ARCTIC PACKAGE) (WITH PMP PUMP)



ART\_1001300784

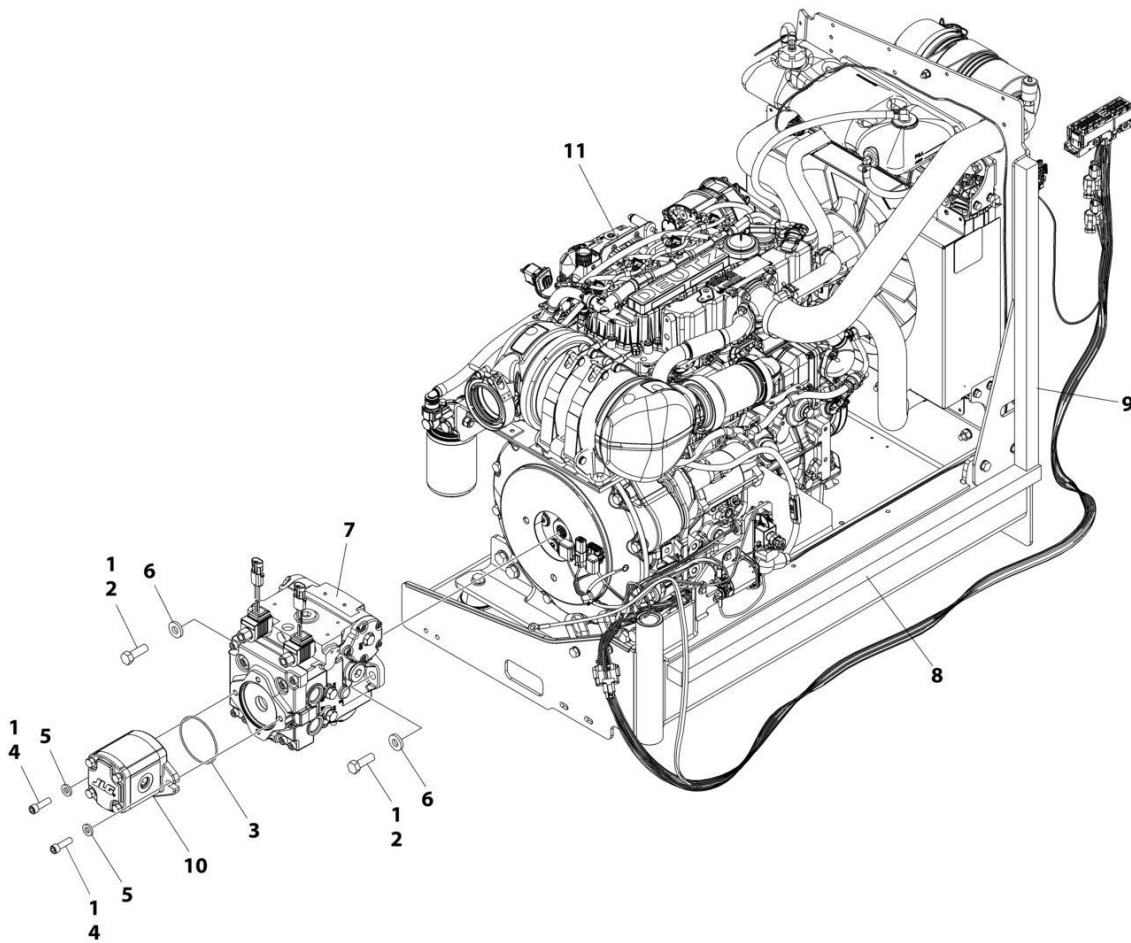
## SECTION 3 - ENGINE

**FIGURE 3-23. ENGINE AND PUMP SUB-ASSEMBLY - DEUTZ D2.9L4 ENGINE (WITH ARCTIC PACKAGE) (WITH PMP PUMP)**

ITEM	PART NUMBER	QTY	DESCRIPTION	REV
	1001300784	Ref	ENGINE AND PUMP SUB-ASSEMBLY - DEUTZ D2.9L4 ENGINE (WITH ARCTIC PACKAGE) (WITH PMP PUMP)	A
1	0100011	AR	Compound, Locking	
2	0641812	2	Bolt 1/2 x 1-1/2	
3	0761014	2	Bolt M10 x 30	
4	3790152	1	O-Ring	
5	4891600	2	Washer 3/8	
6	5241200	2	Washer M12	
7	1001171953	1	Seal	
8	1001171954	1	Seal	
9	1001174777	1	Engine Assembly (With Arctic Package) (See Separate Breakdown in this Section)	
10	1001214207	1	Gear Pump Assembly	
10	70006356	1	Seal Kit - 1001214207 Pump	
11	1001285632	1	Closed Pump Loop Assembly (See Separate Breakdown in this Section)	

# SECTION 3 - ENGINE

FIGURE 3-24. ENGINE AND PUMP SUB-ASSEMBLY - DEUTZ D2.9L4 ERM5 ENGINE(WITH ARCTIC PACKAGE) (ANSI AND CSA SPECS)



ART\_1001302963



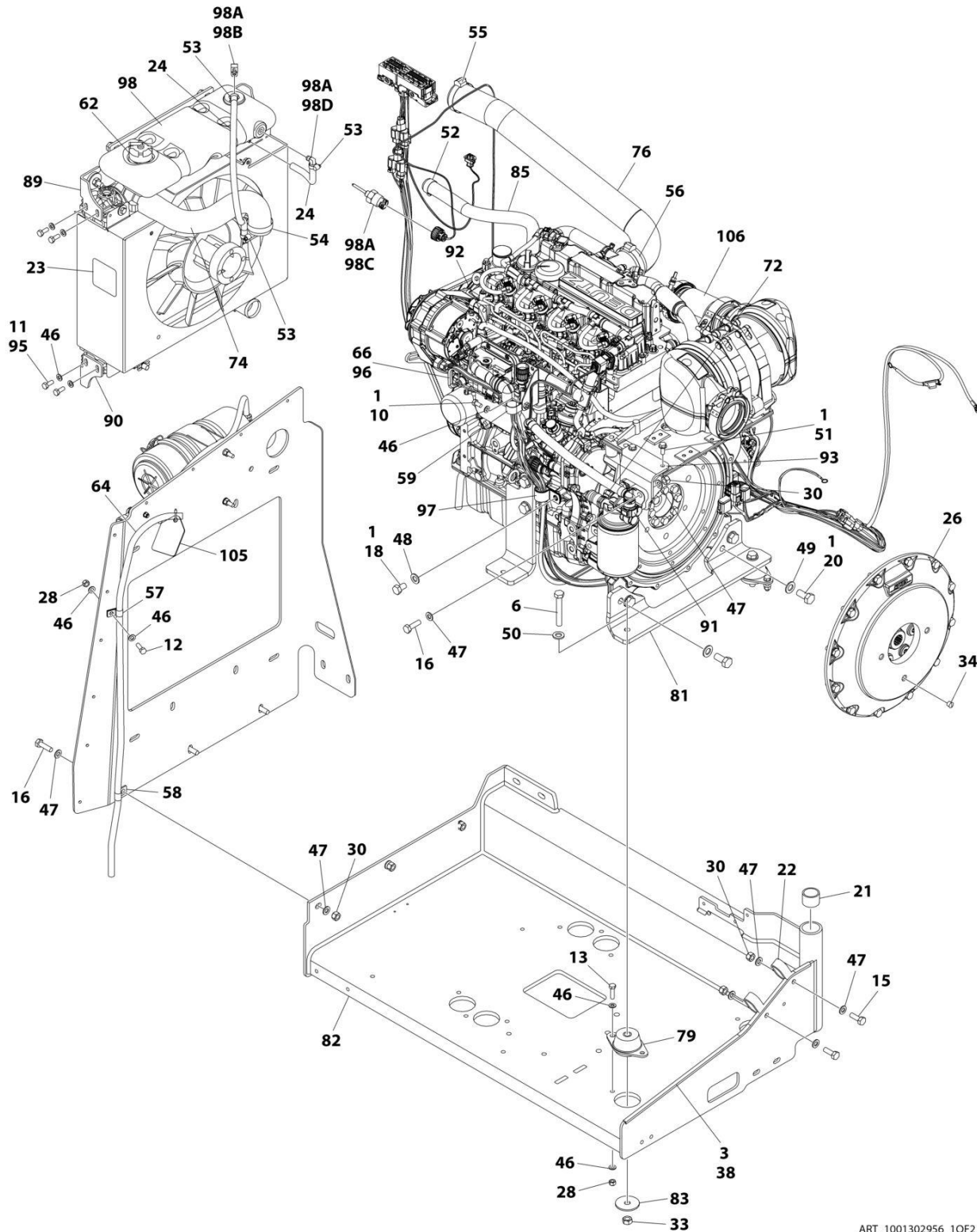
## SECTION 3 - ENGINE

**FIGURE 3-24. ENGINE AND PUMP SUB-ASSEMBLY - DEUTZ D2.9L4 ERM5 ENGINE(WITH ARCTIC PACKAGE) (ANSI AND CSA SPECS**

ITEM	PART NUMBER	QTY	DESCRIPTION	REV
	1001302963	Ref	ENGINE AND PUMP SUB-ASSEMBLY - DEUTZ D2.9L4 ERM5	A
1	0100011	AR	Compound, Locking	
2	0641812	2	Bolt 1/2 x 1-1/2	
3	3790152	1	O-Ring	
4	3931618	2	Capscrew 3/8 x 1-1/8	
5	4891600	2	Washer 3/8	
6	4891800	2	Washer 1/2	
7	1001167036	1	Piston Pump Assembly (See Separate Breakdown in this Section)	
8	1001171953	1	Seal	
9	1001171954	1	Seal	
10	1001214207	1	Gear Pump Assembly	
10	70006356	1	Seal Kit - 1001214207 Pump	
11	1001302956	1	Engine Assembly - Deutz D2.9L4 ERM5 Engine (With Arctic Package) (See Separate Breakdown in this Section)	

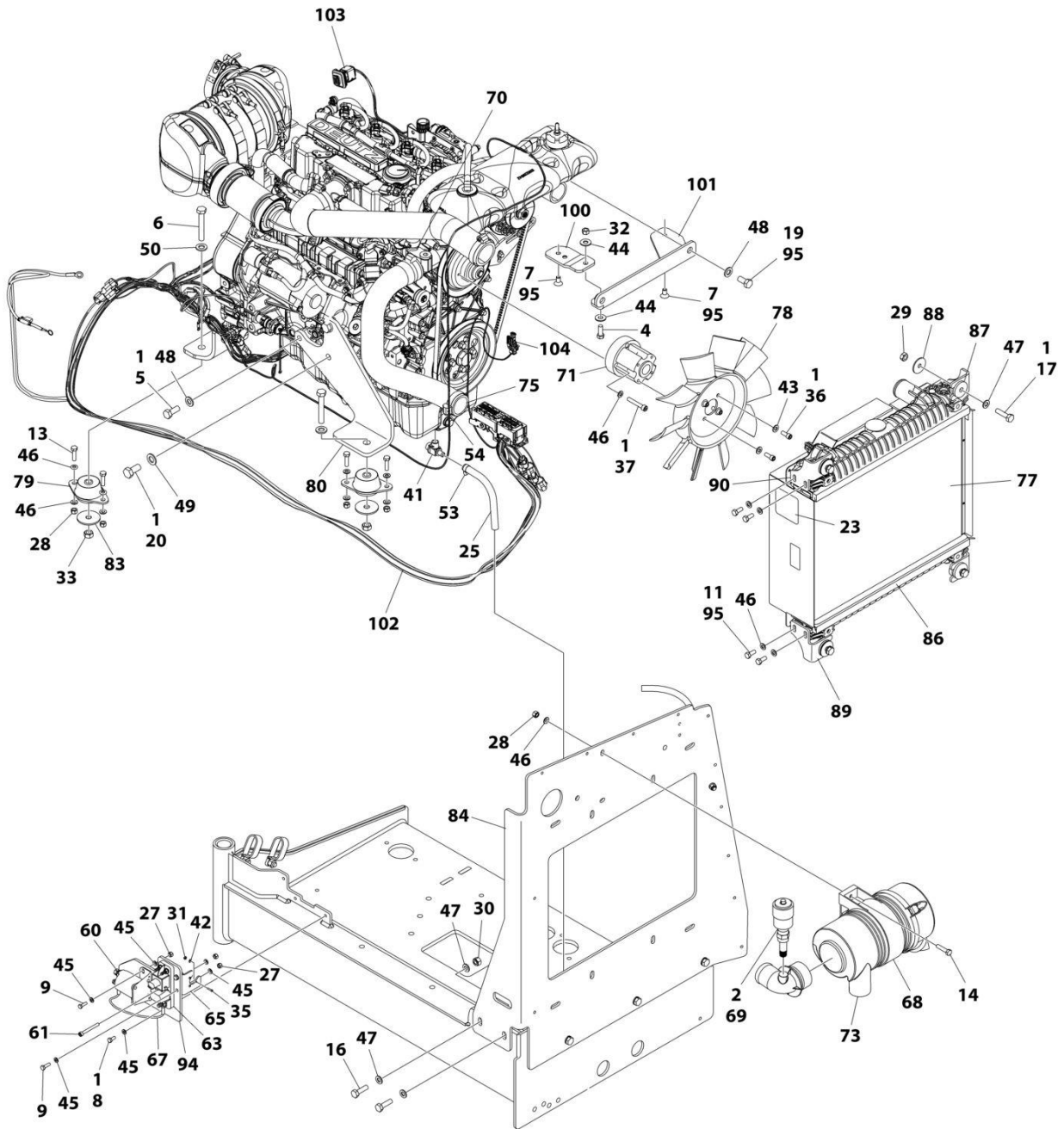
# SECTION 3 - ENGINE

FIGURE 3-25. ENGINE ASSEMBLY - DEUTZ D2.9L4 ERM5 ENGINE (WITH ARCTIC PACKAGE) (ANSI AND CSA SPECS)



ART\_1001302956\_10F2

# SECTION 3 - ENGINE



ART\_1001302956\_20F2

## SECTION 3 - ENGINE

**FIGURE 3-25. ENGINE ASSEMBLY - DEUTZ D2.9L4 ERM5 ENGINE (WITH ARCTIC PACKAGE) (ANSI AND CSA SPECS)**

ITEM	PART NUMBER	QTY	DESCRIPTION	REV
	1001302956	Ref	ENGINE ASSEMBLY - DEUTZ D2.9L4 ERM5 ENGINE	A
1	0100011	AR	Compound, Locking	
2	0100020	AR	Sealant, Pipe	
3	0100081	AR	Adhesive	
4	0681608	1	Bolt 3/8 x 1	
5	0711214	1	Bolt M12 x 30	
6	0711224	3	Bolt M12 x 80	
7	0741606	2	Screw 3/8 x 3/4	
8	0760607	3	Bolt M6 x 14	
9	0760610	4	Bolt M6 x 20	
10	0760808	1	Bolt M8 x 16	
11	0760810	8	Bolt M8 x 20	
12	0760812	1	Bolt M8 x 25	
13	0760814	6	Bolt M8 x 30	
14	0760815	2	Bolt M8 x 35	
15	0761014	2	Bolt M10 x 30	
16	0761015	7	Bolt M10 x 35	
17	0761016	4	Bolt M10 x 40	
18	0761210	1	Bolt M12 x 20	
19	0761212	2	Bolt M12 x 25	
20	0771414	6	Bolt M14 x 30	
21	0961951	2	Bushing	
22	1321716	2	Clamp	
23	1703162	2	Decal - Caution Fan	
24	2720015	2 ft/1 m	Hose	
25	2720340	8 in/20 cm	Hose	
26	2902065	1	Pump Coupling Kit (See Separate Breakdown in this Section)	
27	3290605	5	Nut M6	
28	3290805	9	Nut M8	
29	3291001	4	Nut M10	
30	3291005	9	Nut M10	
31	3310401	3	Nut #4	
32	3311605	1	Nut 3/8	
33	3331215	3	Nut M12	
34	3520054	1	Plug	
35	3910408	3	Screw #4 x 1/2	
36	3931512	4	Capscrew 5/16 x 3/4	
37	4031914	4	Bolt M8 x 50	
38	4060805	3 ft/1 m	Flex-Trim	
39	4240032	AR	Tie-Strap (Not Shown)	
40	4240099	AR	Tie-Strap (Not Shown)	
41	4640751	1	Valve, Oil Drain	
42	4710400	3	Washer #4	
43	4711500	4	Washer 5/16	
44	4751600	2	Washer 3/8	
45	4811702	12	Washer M6	
46	4811900	31	Washer M8	
47	4812000	22	Washer M10	
48	4812100	4	Washer M12	

## SECTION 3 - ENGINE

ITEM	PART NUMBER	QTY	DESCRIPTION	REV
49	4812200	6	Washer M14	
50	5241200	3	Washer M12	
51	5250810	2	Bolt M8 x 20	
52	8405007	2	Clamp	
53	8405009	5	Clamp	
54	8405104	4	Clamp	
55	8405202	1	Clamp	
56	8405204	1	Clamp	
57	8406109	1	Clip	
58	8406110	1	Clip	
59	8406201	1	Clip	
60	1001117308	1	Relay, 200Amp	
60	3300220	2	Nut	
60	3321001	2	Nut #10	
60	4761000	2	Washer #10	
60	100111424	2	Washer	
61	1001118878	1	Bolt M6 x 55	
62	1001136834	1	Cap, Tank	
63	1001138228	1	Relay, Power Module	
63	70023592	1	Fuse 20AMP	
63	70023593	1	Fuse 30AMP	
64	1001138248	4 ft/1 m	Hose	
65	1001139240	1	Bracket	
66	1001140312	1	Heater, Engine Block	
67	1001141304	1	Wire, Glow Fuse	
68	1001141694	1	Clamp	
69	1001143390	1	Indicator	
70	1001143797	1	Fitting, Pipe Straight	
71	1001144116	1	Spacer, Fan	
72	1001152489	1	Fitting, Pipe 90	
73	1001165388	1	Filter, Air Cleaner	
74	1001165405	1	Hose	
75	1001165406	1	Hose	
76	1001165721	1	Hose	
77	1001165722	1	Radiator	
78	1001165849	1	Fan	
79	1001166718	3	Isolator	
80	1001166921	1	Plate	
81	1001166924	1	Plate	
82	1001167520	1	Support	
83	1001168018	3	Washer, Special	
84	1001168026	1	Plate	
85	1001168099	1	Hose	
86	1001168166	2	Seal	
87	1001169054	4	Isolator, Radiator	
88	1001169138	4	Pad	
89	1001169967	2	Bracket	
90	1001170035	2	Bracket	
91	1001177359	1	Hose	
92	1001178788	1	Cable, Alternator	
93	1001178876	1	Mount	

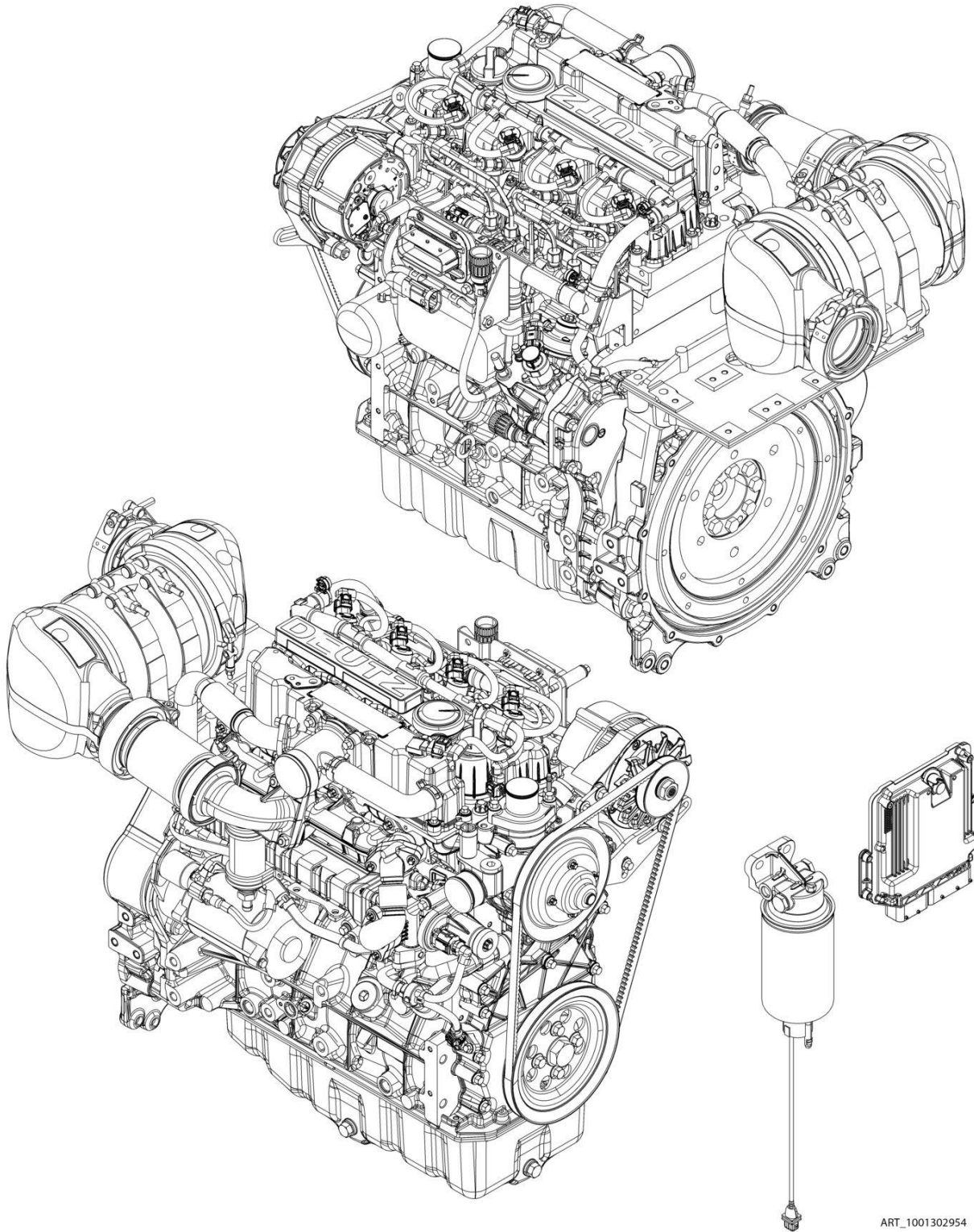
## SECTION 3 - ENGINE

ITEM	PART NUMBER	QTY	DESCRIPTION	REV
94	1001179903	1	Bracket	
95	1001180620	AR	Adhesive	
96	1001181895	AR	Adhesive	
97	1001191620	1	Clamp	
98	1001230635	1	Tank, Surge Assembly (Includes Items 96A-96D)	
98A	0100020	AR	Sealant, Pipe	
98B	1001134488	1	Fitting, Barbed	
98C	1001138827	1	Sensor, Coolant Level	
98D	1001140564	1	Fitting, Barbed 90	
99	1001235949	1	Bracket Assembly Fuel Pump/Filter (Not Shown - See Separate Breakdown in this Section)	
100	1001260412	1	Bracket	
101	1001260420	1	Bracket	
102	1001276643	1	Engine Harness (See Separate Breakdown in ELECTRICAL Section)	
103	1001281985	1	Connector	
104	1001281986	1	Connector	
105	1001291401	1	Tag, Coolant	
106	1001302954	1	Engine, Deutz D2.9L4 ERM5 (See Separate Breakdown in this Section)	



## SECTION 3 - ENGINE

FIGURE 3-26. ENGINE COMPONENTS - DEUTZ D2.9L4 ERM5 ENGINE (ANSI, ANSI EXPORT AND CSA SPECS)



ART\_1001302954



## SECTION 3 - ENGINE

**FIGURE 3-26. ENGINE COMPONENTS - DEUTZ D2.9L4 ERM5 ENGINE (ANSI, ANSI EXPORT AND CSA SPECS)**

ITEM	PART NUMBER	QTY	DESCRIPTION	REV
	1001302954	Ref	ENGINE COMPONENTS - DEUTZ D2.9L4 ERM5 ENGINE	A
	See Note	Ref	Note: Contact JLG Customer Service for availability for addition components.	
		Ref	AIR INTAKE SYSTEM	
	70005180	1	Breather Line	
	70005182	1	Charge Air Elbow	
		Ref	COOLING SYSTEM COMPONENTS	
	70030360	1	Pump, Coolant	
	70007603	1	Thermostat	
		Ref	ELECTRICAL COMPONENT	
	70031144	1	Starter	
	NPN	1	Generator	
	70024507	1	Sensor, Pressure (Air Intake)	
	70026210	1	Sensor, Speed	
	70025231	1	Harness, Glow Plug	
	70024919	1	Sensor, Fuel Filter	
	70024504	1	Sensor, Pressure	
	70028540	1	Transmitter, Temperature	
	70029512	1	Module, Engine Control	
	70031143	1	Regulator, Voltage	
		Ref	EXHAUST COMPONENT	
	70004282	1	Exhaust Manifold	
	70031136	1	Pipe, Exhaust	
	70012257	1	Valve, Exhaust	
	70004508	1	Valve, Volume Control	
		Ref	FUEL SYSTEM COMPONENT	
	70030381	1	Pump, High Pressure	
	70004281	1	Injector, Fuel	
	NPN	1	Pump, Fuel Supply (Includes qty 2 Clamps)	
	70024961	1	Filter, Fuel	
	1001225430	1	Filter, Fuel (Pre-Filter)	
	70024513	1	Cable, Sensor	
	70025239	1	Seal	
	70029451	1	Filter, Fuel	
	1001225431	1	Filter, Fuel (Spin-On)	
	70024502	1	Pipe, Fuel	
		Ref	GASKET AND SEAL COMPONENT	
	70024905	2	Seal, Dipstick	
	70005942	1	Seal, Oil Plug	
	70005171	1	Gasket, Valve Cover	
	70024906	1	Gasket, Head	
	70002718	1	Seal, Rear Main	
	70005177	1	Gasket, Charge Air Housing	
	70005184	1	O-Ring, Thermostat	
	70005931	1	Seal, Thermostat	
	70025164	1	Gasket, Exhaust Manifold to Head	
	70007326	1	Gasket, EGR Valve	
	70031095	1	Gasket, Exhaust Return Pipe	
	70007354	1	Gasket, Short Exhaust Pipe	

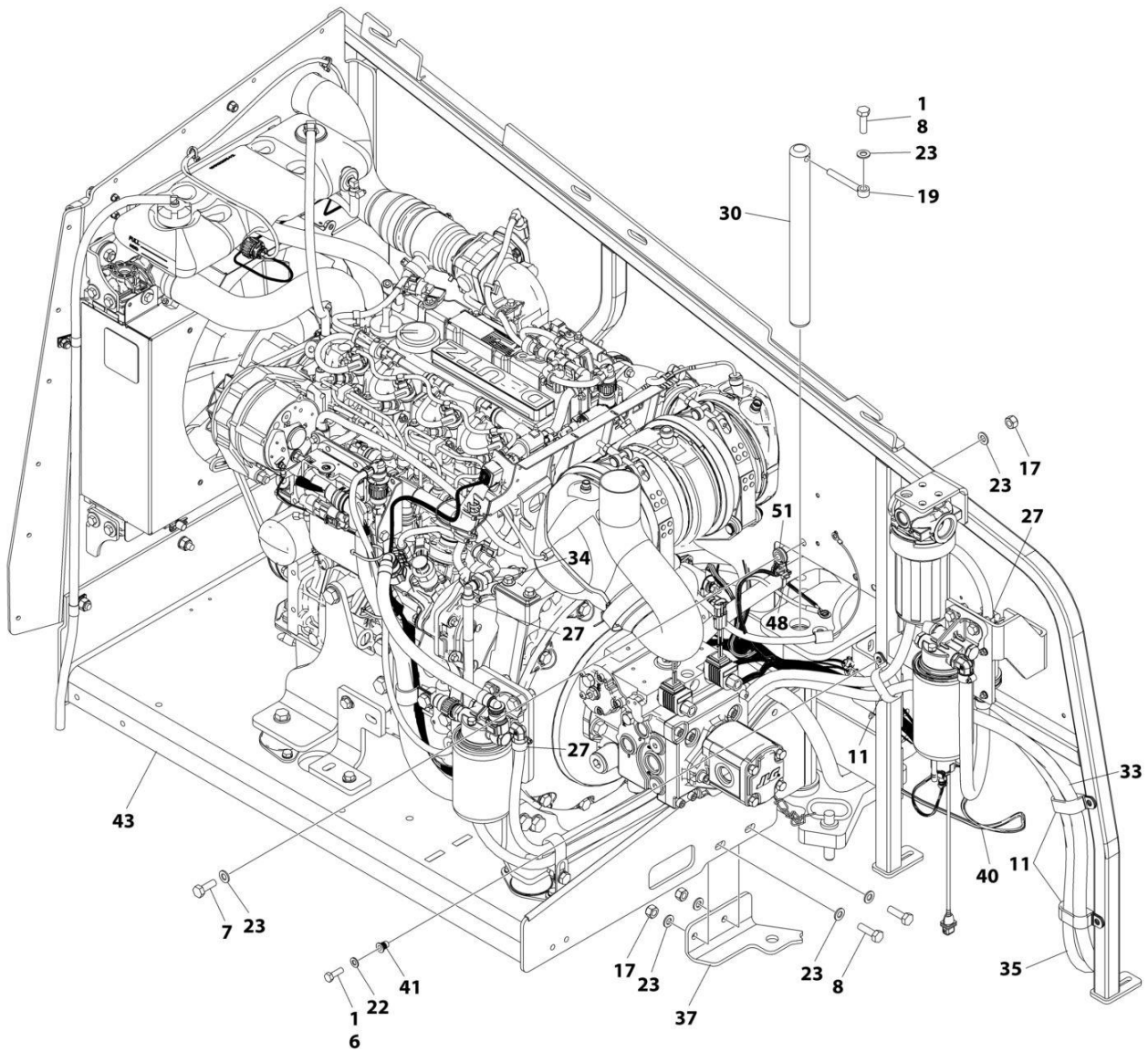
## SECTION 3 - ENGINE

ITEM	PART NUMBER	QTY	DESCRIPTION	REV
		Ref	OTHER COMPONENT	
	70001870	1	Flywheel (Includes Ring Gear)	
	7024579	1	Gear, Ring	
		Ref	OIL LUBE SYSTEM	
	70024904	1	Dipstick	
	70024905	1	Cap, Oil Fill	
	70005941	1	Plug, Oil	
	70005172	1	Pump, Oil Lube	
	7016331	1	Filter, Oil	
	70024494	1	Oil Cooler	



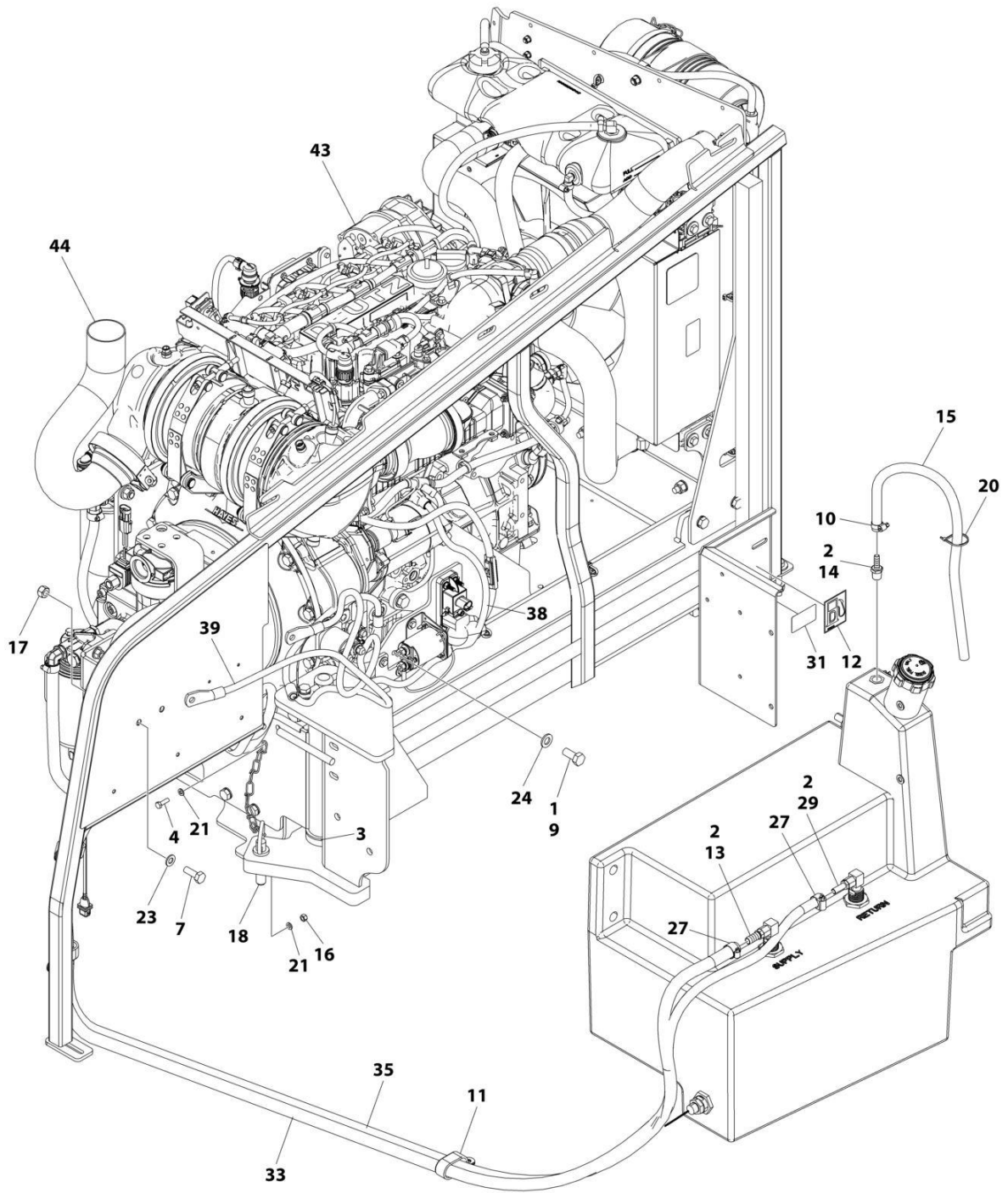
# SECTION 3 - ENGINE

FIGURE 3-27. ENGINE INSTALLATION - DEUTZ D2.9L4 ENGINE (STAGE V) (CE & UK CA SPECS)



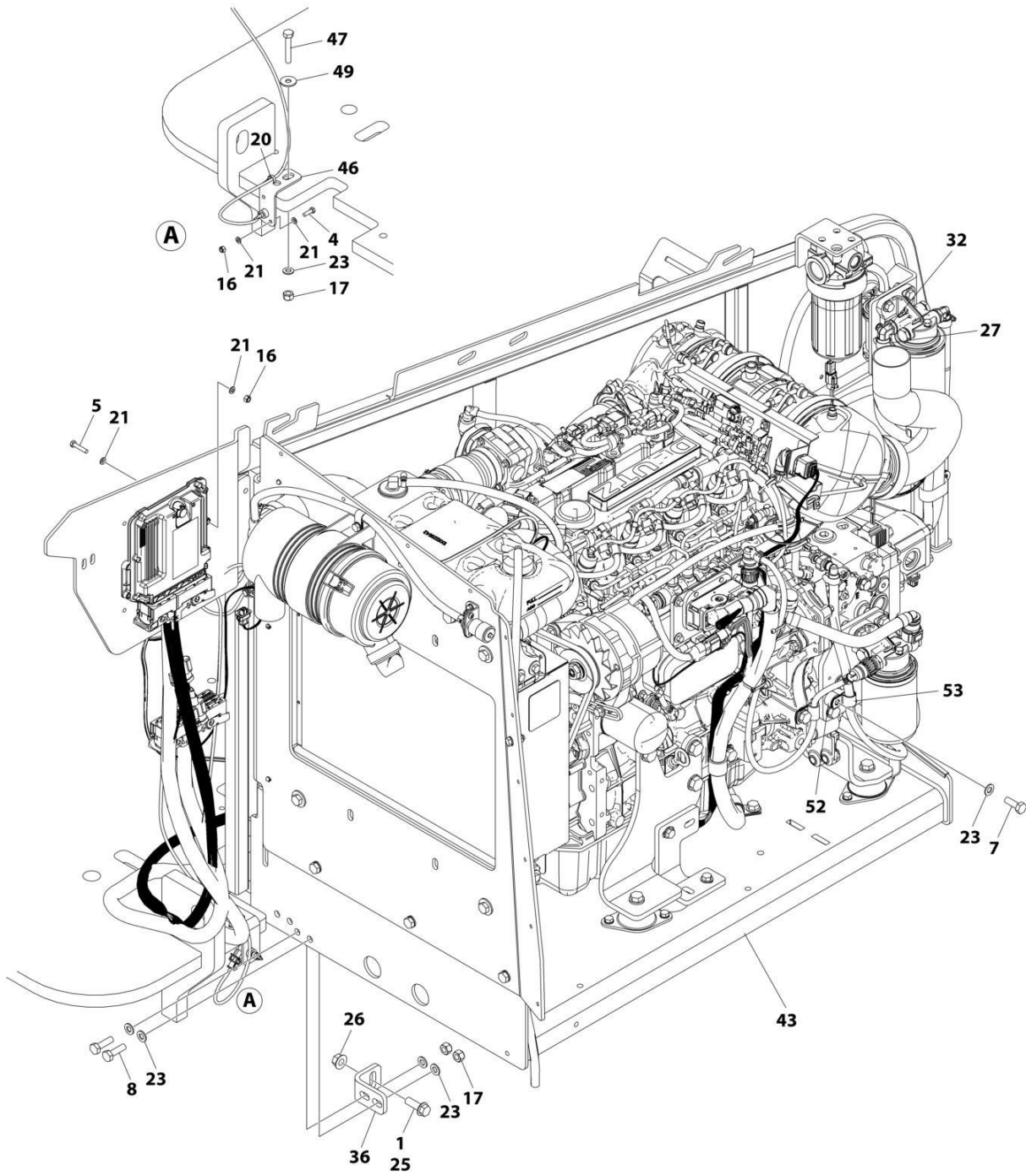
ART\_1001244287\_H\_10F3

# SECTION 3 - ENGINE



ART\_1001244287\_H\_20F3

# SECTION 3 - ENGINE



ART\_1001244287\_H\_30F3

## SECTION 3 - ENGINE

**FIGURE 3-27. ENGINE INSTALLATION - DEUTZ D2.9L4 ENGINE (STAGE V) (CE & UK CA SPECS)**

ITEM	PART NUMBER	QTY	DESCRIPTION	REV
	1001244287	Ref	ENGINE INSTALLATION - DEUTZ D2.9L4 ENGINE (STAGE V)	H
1	0100011	AR	Compound, Locking	
2	0100020	AR	Sealant, Pipe	
3	0440162	1	Bearing	
4	0760610	2	Bolt M6 x 20	
5	0760614	4	Bolt M6 x 30	
6	0760812	1	Bolt M8 x 25	
7	0761014	4	Bolt M10 x 30	
8	0761015	5	Bolt M10 x 35	
9	0771212	1	Bolt M12 x 25	
10	1320022	1	Clamp	
11	1321716	4	Clamp	
12	1701505	1	Decal - Diesel Fuel	
13	2180832	1	Fitting, Barbed	
14	2180876	1	Fitting, Barbed	
15	2720058	2 ft /0.6m	Hose	
16	3290605	6	Nut M6	
17	3291005	8	Nut M10	
18	3422532	1	Pin	
19	3841143	1	Keeper, Pin	
20	4240099	AR	Tie-Strap	
21	4811700	12	Washer M6	
22	4811900	1	Washer M8	
23	4812000	15	Washer M10	
24	4812100	1	Washer M12	
25	5251215	1	Bolt M12 x 35	
26	5261200	1	Nut, Flange M12 Grade 10.9	
27	8405006	6	Clamp	
29	2220767	AR	Fitting, Barbed 90	
29	8430007	AR	Fitting, Barbed	
30	1001135196	1	Pin	
31	1001139654	1	Decal - Ultra Low Sulfur Diesel	
32	1001142501	1	Fitting, Barbed 90	
33	1001154405	7.25 ft /2.21m	Hose	
34	1001155823	1	Coupling, Quick Disconnect 90	
35	1001165035	17.25 ft /5.26m	Hose	
36	1001167512	1	Bracket	
37	1001169823	1	Plate, Engine Lock	
38	1001171683	1	Cable, Battery (Red) (Battery Positive to Auxiliary Power Relay)	
39	1001171684	1	Cable, Battery (Black) (Battery Negative to Auxiliary Power Pump)	
40	1001181358	1	Harness, Fuel Pump (See Separate Breakdown in ELECTRICAL SECTION)	
41	1001191832	1	Nut, Rivet M8	
43	1001277600	1	Engine and Pump Sub-Assembly - Deutz D2.9L4 (Without Arctic Package) (See Separate Breakdown in this Section)	
44	1001247440	1	Pipe, Exhaust	
46	1001256879	1	Bracket	
47	0701020	1	Bolt M10 x 60	

## SECTION 3 - ENGINE

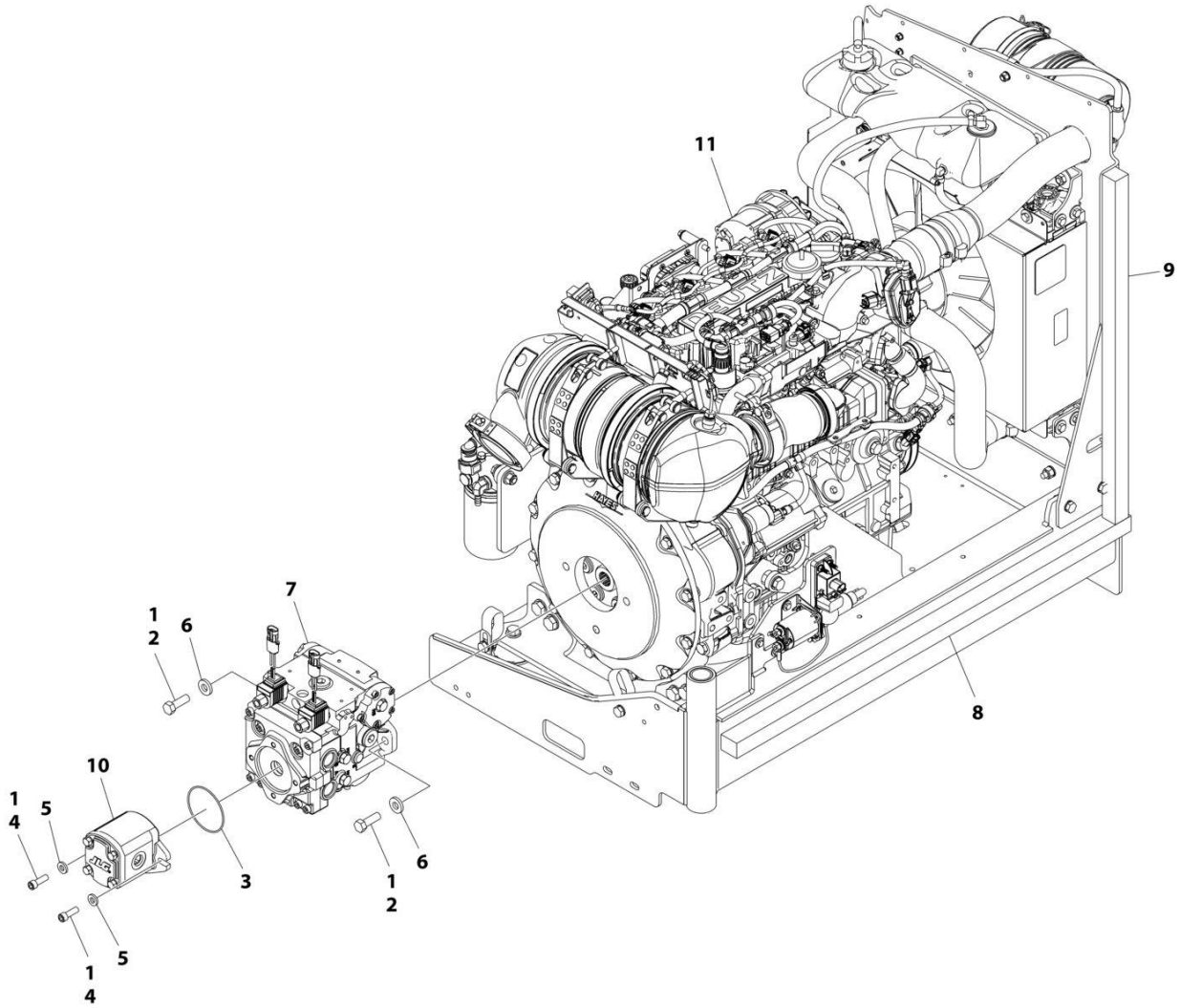
ITEM	PART NUMBER	QTY	DESCRIPTION	REV
48	1062255	1	Tie-Strap	
49	4812002	1	Washer M10	
51	1001156107	1	Holder	
52	1001220266	1	Spacer	
53	1320061	1	Clamp	





# SECTION 3 - ENGINE

FIGURE 3-28. ENGINE AND PUMP SUB-ASSEMBLY - DEUTZ D2.9L4 ENGINE (STAGE V) (CE & UK CA SPECS)



ART\_1001277600

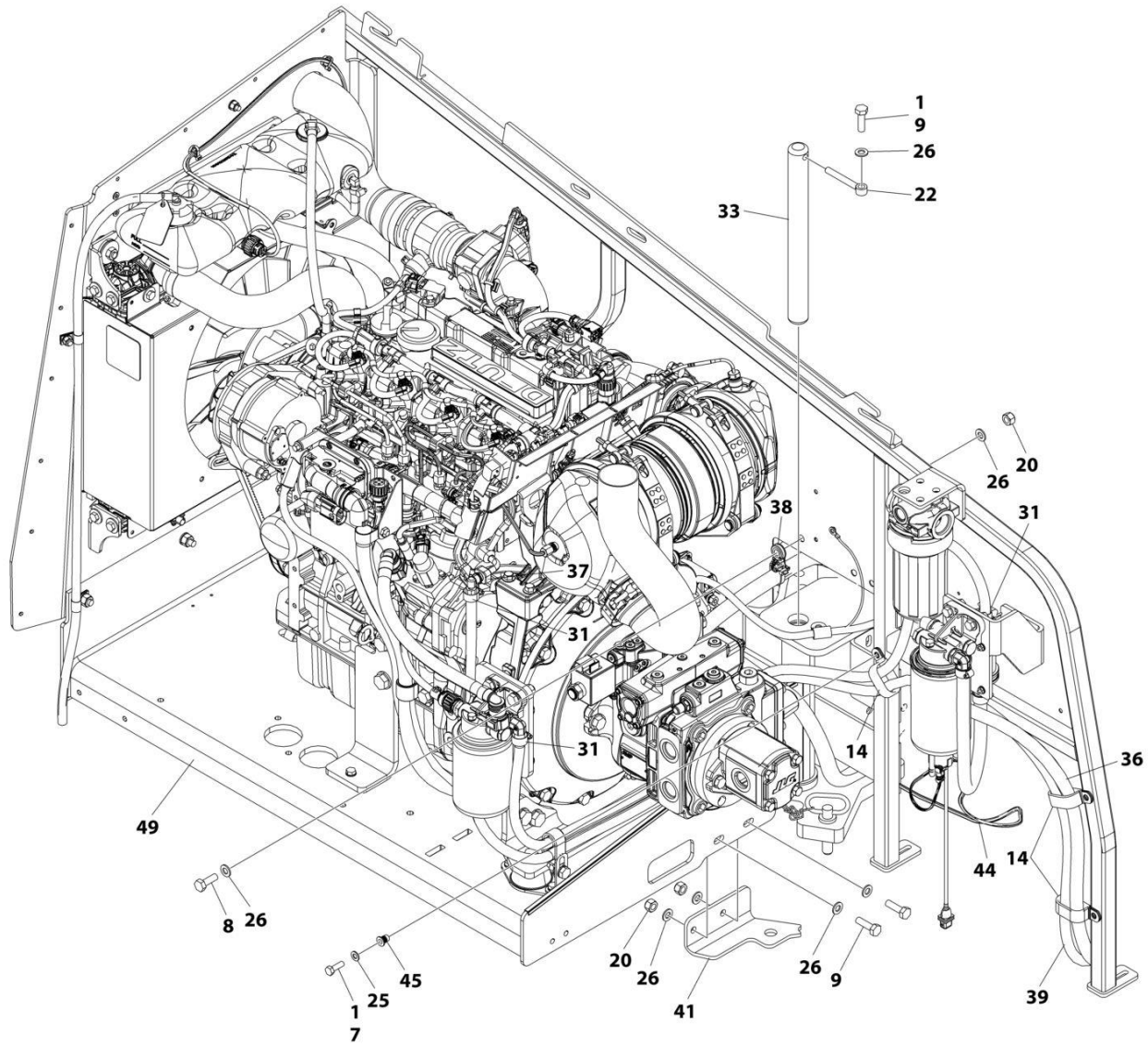
## SECTION 3 - ENGINE

**FIGURE 3-28. ENGINE AND PUMP SUB-ASSEMBLY - DEUTZ D2.9L4 ENGINE (STAGE V) (CE & UK CA SPECS)**

ITEM	PART NUMBER	QTY	DESCRIPTION	REV
	1001277600	Ref	ENGINE AND PUMP SUB-ASSEMBLY - DEUTZ (STAGE V) ENGINE	B
1	0100011	AR	Compound, Locking	
2	0641812	2	Bolt 1/2 x 1-1/2	
3	3790152	1	O-Ring	
4	3931618	2	Capscrew 3/8 x 1-1/8	
5	4891600	2	Washer 3/8 Hardened	
6	4891800	2	Washer 1/2 Hardened	
7	1001167036	1	Piston Pump Assembly (See Separate Breakdown in this Section)	
8	1001171953	1	Seal	
9	1001171954	1	Seal	
10	1001214207	1	Gear Pump Assembly	
10	70006356	1	Seal Kit - 1001214207 Pump	
11	1001277594	1	Engine Assembly, Deutz (Stage V) Engine (See Separate Breakdown in this Section)	

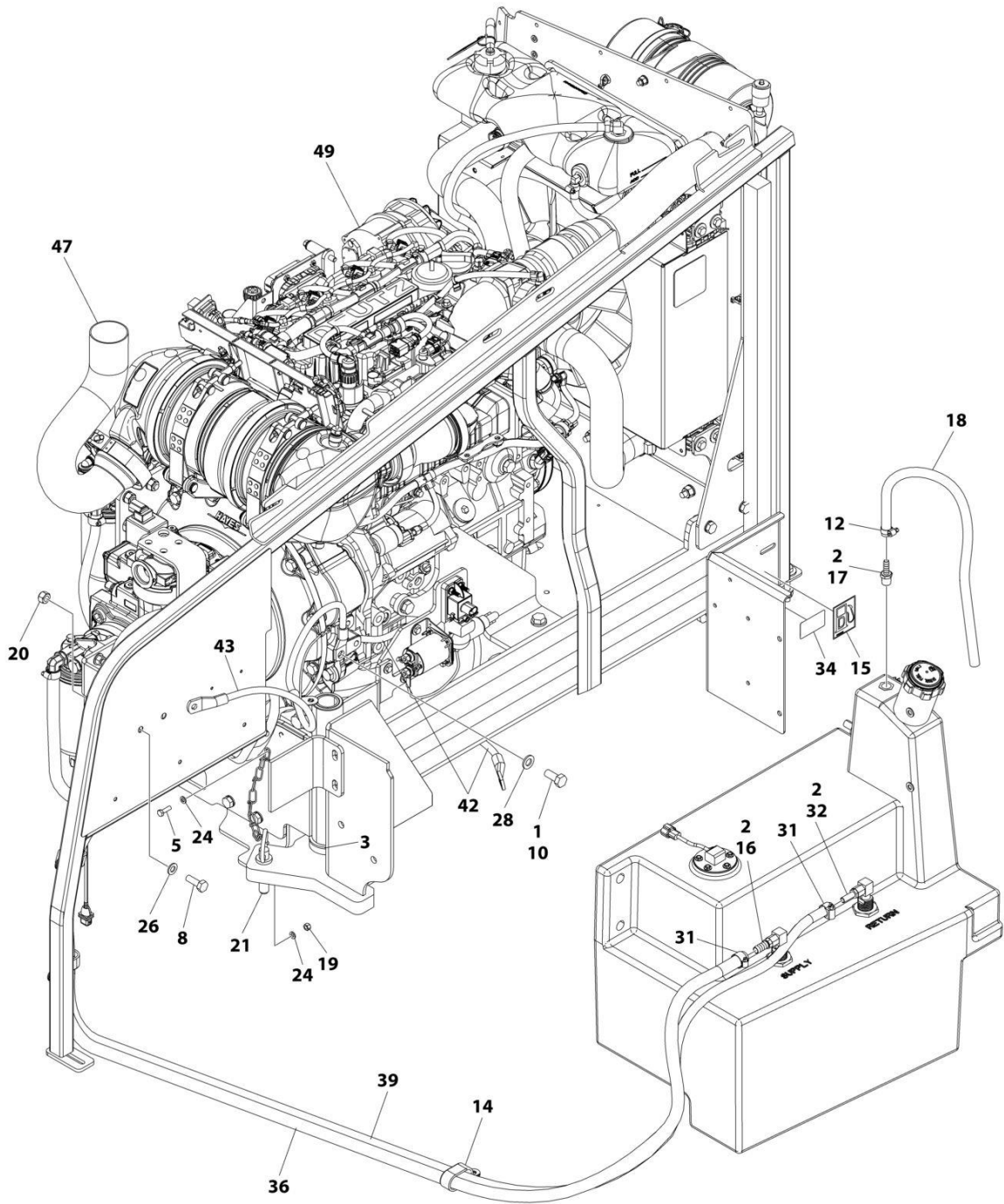
# SECTION 3 - ENGINE

## FIGURE 3-29. ENGINE INSTALLATION - DEUTZ D2.9L4 ENGINE (STAGE V) (WITH PMP PUMP)



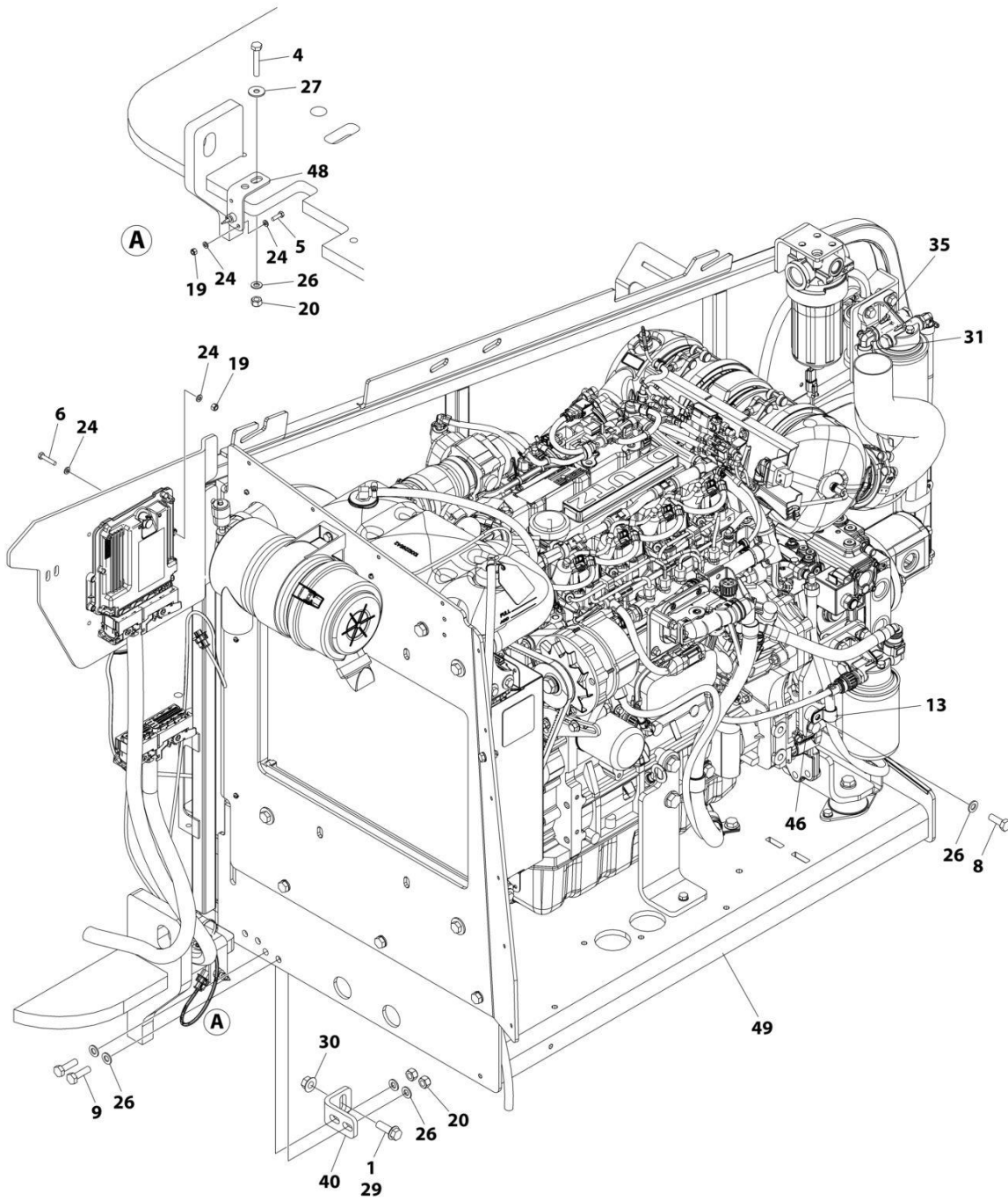
ART\_1001300787\_1OF3

# SECTION 3 - ENGINE



ART\_1001300787\_2OF3

# SECTION 3 - ENGINE



ART\_1001300787\_30F3

## SECTION 3 - ENGINE

**FIGURE 3-29. ENGINE INSTALLATION - DEUTZ D2.9L4 ENGINE (STAGE V) (WITH PMP PUMP)**

ITEM	PART NUMBER	QTY	DESCRIPTION	REV
	1001300787	Ref	ENGINE INSTALLATION - DEUTZ D2.9L4 ENGINE (STAGE V) (WITH PMP PUMP)	A
1	0100011	AR	Compound, Locking	
2	0100020	AR	Sealant, Pipe	
3	0440162	1	Bearing	
4	0701020	1	Bolt M10 x 60	
5	0760610	2	Bolt M6 x 20	
6	0760614	4	Bolt M6 x 30	
7	0760812	1	Bolt M8 x 25	
8	0761014	4	Bolt M10 x 30	
9	0761015	5	Bolt M10 x 35	
10	0771212	1	Bolt M12 x 25	
11	1062255	AR	Tie-Strap (Not Shown)	
12	1320022	1	Clamp	
13	1320061	1	Clamp	
14	1321716	4	Clamp	
15	1701505	1	Decal - Diesel	
16	2180832	1	Fitting, Barbed	
17	2180876	1	Fitting, NPT/Barbed	
18	2720058	22 in/ 56 cm	Hose	
19	3290605	6	Nut M6	
20	3291005	8	Nut M10	
21	3422532	1	Pin	
22	3841143	1	Keeper, Pin	
23	4240099	AR	Tie-Strap (Not Shown)	
24	4811700	12	Washer M6	
25	4811900	1	Washer M8	
26	4812000	15	Washer M10	
27	4812002	1	Washer M10	
28	4812100	1	Washer M12	
29	5251215	1	Bolt M12 x 35	
30	5261200	1	Nut M12	
31	8405006	6	Clamp	
32	8430007	AR	Fitting, Barbed	
33	1001135196	1	Pin	
34	1001139654	1	Decal - Ultra Low Sulfur Diesel	
35	1001142501	1	Fitting, 90 Barbed	
36	1001154405	7.2 ft/ 2.2 m	Hose	
37	1001155823	1	Coupling, Quick Disconnect 90	
38	1001156107	1	Holder	
39	1001165035	17 ft/ 5.2 m	Hose	
40	1001167512	1	Bracket	
41	1001169823	1	Plate	
42	1001171683	1	Cable, Battery (Red) (Battery Positive to Auxiliary Power Relay)	
43	1001171684	1	Cable, Battery (Black) (Battery Negative to Auxiliary Power Pump)	
44	1001181358	1	Harness, Fuel Pump (See Separate Breakdown in ELECTRICAL Section)	
45	1001191832	1	Nut, Rivet M8	

## SECTION 3 - ENGINE

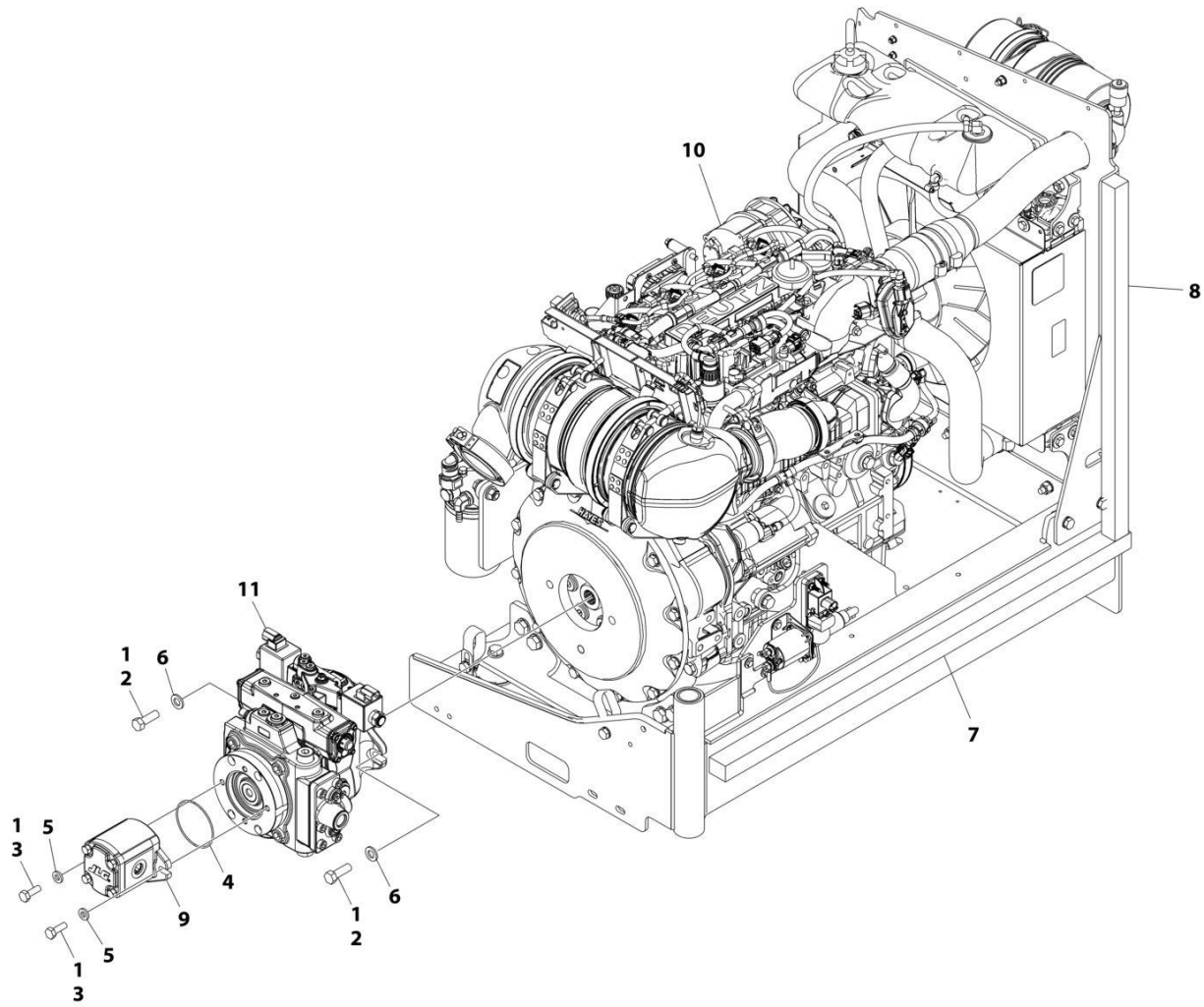
ITEM	PART NUMBER	QTY	DESCRIPTION	REV
46	1001220266	1	Spacer	
47	1001247440	1	Pipe, Exhaust	
48	1001256879	1	Bracket	
49	1001300788	1	Engine and Pump Sub-Assembly (See Separate Breakdown in this Section)	





# SECTION 3 - ENGINE

## FIGURE 3-30. ENGINE AND PUMP SUB-ASSEMBLY - DEUTZ D2011 ENGINE (STAGE V)



ART\_1001300788

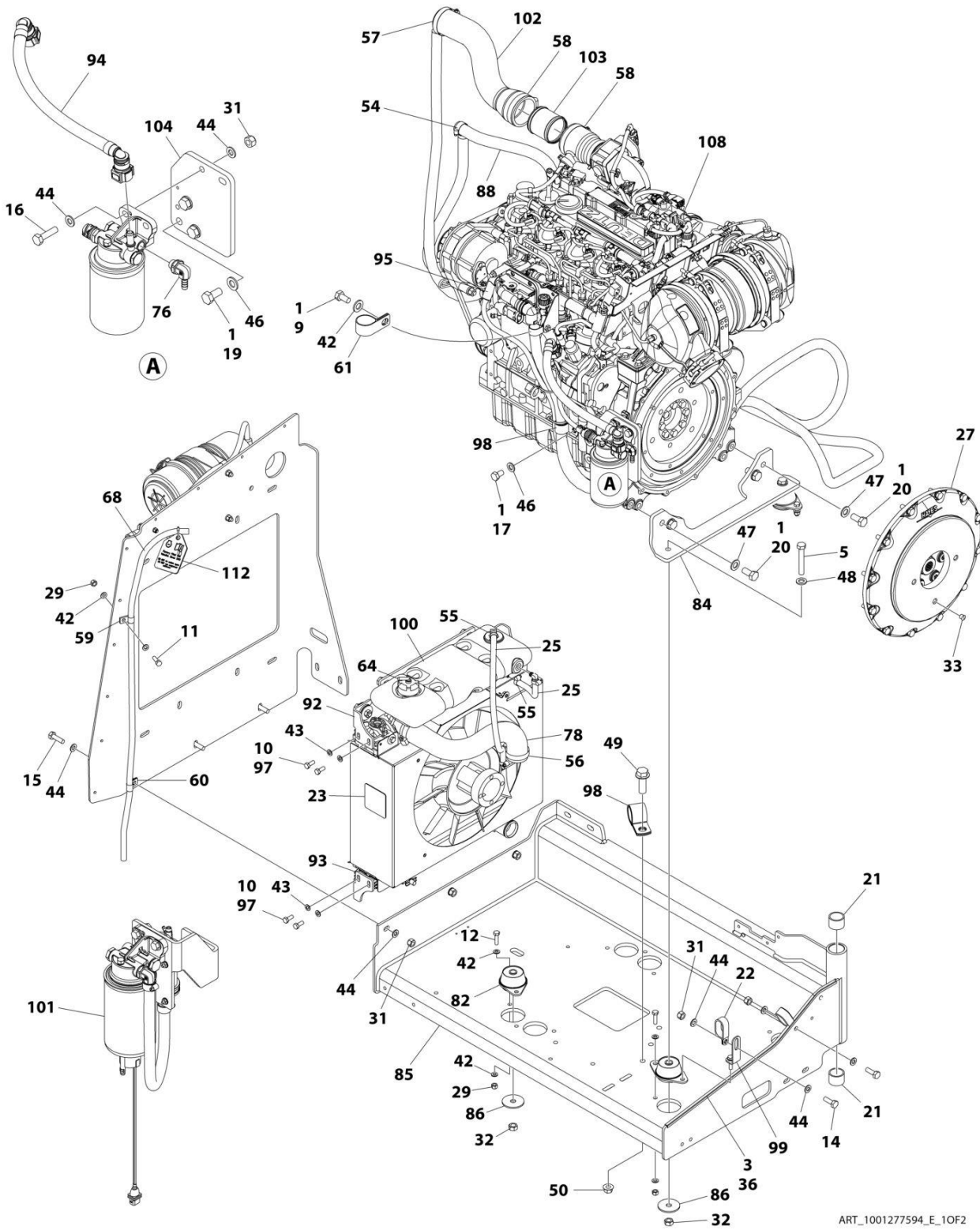
## SECTION 3 - ENGINE

**FIGURE 3-30. ENGINE AND PUMP SUB-ASSEMBLY - DEUTZ D2011 ENGINE (STAGE V)**

ITEM	PART NUMBER	QTY	DESCRIPTION	REV
	1001300788	Ref	ENGINE AND PUMP SUB-ASSEMBLY - DEUTZ D2011 ENGINE (STAGE V)	A
1	0100011	AR	Compound, Locking	
2	0641812	2	Bolt 1/2 x 1-1/2	
3	0761014	2	Bolt M10 x 30	
4	3790152	1	O-Ring	
5	4891600	2	Washer 3/8	
6	5241200	2	Washer M12	
7	1001171953	1	Seal	
8	1001171954	1	Seal	
9	1001214207	1	Gear Pump Assembly	
9	70006356	1	Seal Kit - 1001214207 Pump	
10	1001277594	1	Engine Assembly (STAGE V) Engine (See Separate Breakdown in this Section)	
11	1001285632	1	Closed Pump Loop Assembly (See Separate Breakdown in this Section)	

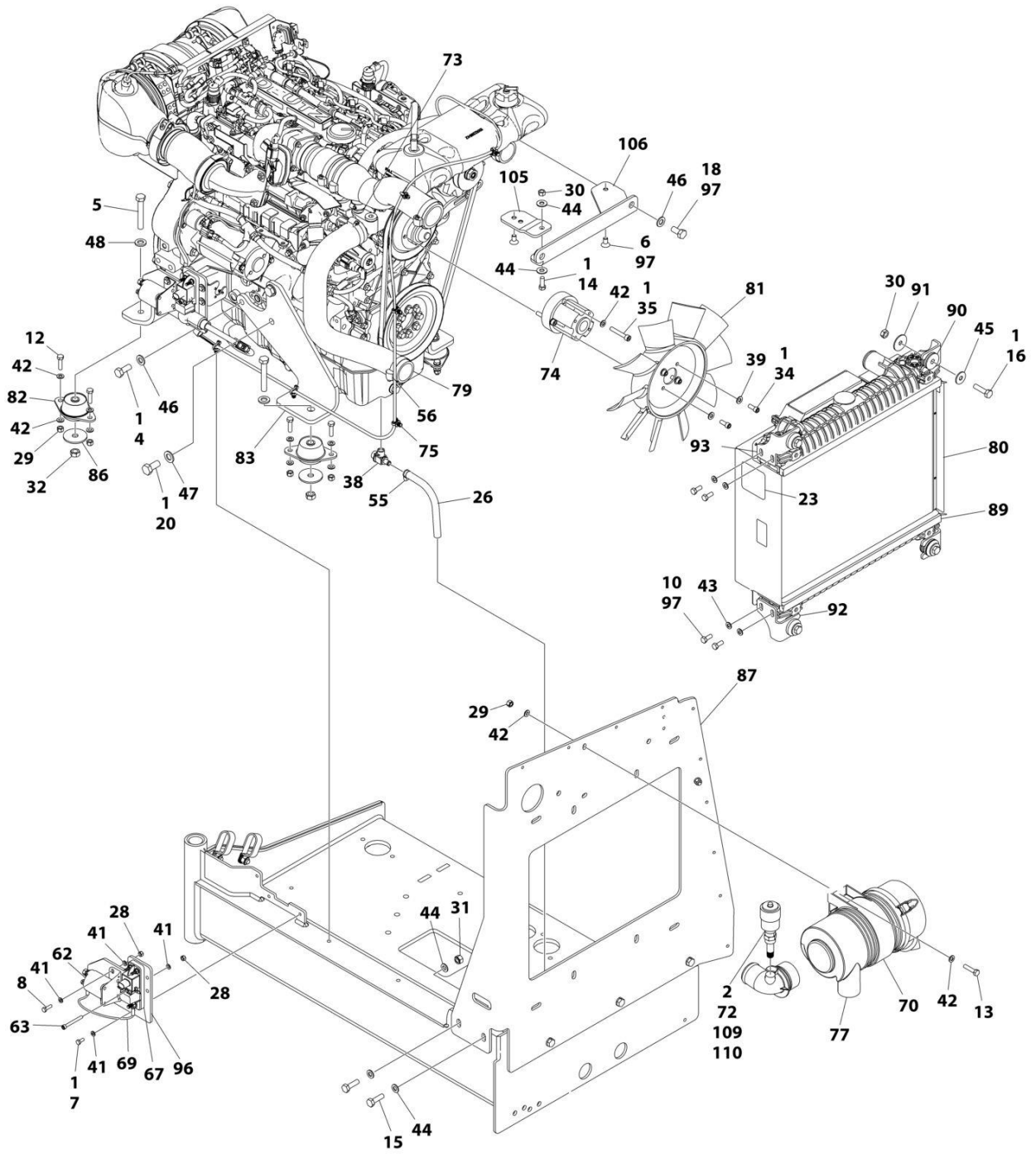
# SECTION 3 - ENGINE

## FIGURE 3-31. ENGINE ASSEMBLY - DEUTZ D2.9L4 ENGINE (STAGE V) (CE & UK CA SPECS)



ART\_1001277594\_E\_10F2

# SECTION 3 - ENGINE



ART\_1001277594\_E\_20F2

## SECTION 3 - ENGINE

**FIGURE 3-31. ENGINE ASSEMBLY - DEUTZ D2.9L4 ENGINE (STAGE V) (CE & UK CA SPECS)**

ITEM	PART NUMBER	QTY	DESCRIPTION	REV
	1001277594	Ref	ENGINE ASSEMBLY - DEUTZ D2.9L4 (STAGE V)	E
1	0100011	AR	Compound, Locking	
2	0100020	AR	Sealant, Pipe	
3	0100081	AR	Adhesive	
4	0711214	1	Bolt M12 x 30 Class 10.9	
5	0711224	3	Bolt M12 x 80 Class 10.9	
6	0741606	2	Screw 3/8 x 3/4	
7	0760607	3	Bolt M6 x 14	
8	0760610	2	Bolt M6 x 20	
9	0760808	1	Bolt M8 x 16	
10	0760810	8	Bolt M8 x 20	
11	0760812	1	Bolt M8 x 25	
12	0760814	6	Bolt M8 x 30	
13	0760815	2	Bolt M8 x 35	
14	0761014	3	Bolt M10 x 30	
15	0761015	5	Bolt M8 x 35	
16	0761016	6	Bolt M10 x 40	
17	0761210	1	Bolt M12 x 20	
18	0761212	2	Bolt M12 x 25	
19	0771212	3	Bolt M12 x 25	
20	0771414	6	Bolt M14 x 30 Class 10.9	
21	0961951	2	Bushing	
22	1321716	2	Clamp	
23	1703162	2	Decal - Caution Fan	
25	2720015	2 ft /1 m	Hose	
26	2720340	1 ft/1 m	Hose	
27	2902065	1	Pump Coupling Kit (See Separate Breakdown in this Section)	
28	3290605	3	Nut M6	
29	3290805	9	Nut M8	
30	3291001	5	Nut M10	
31	3291005	9	Nut M10	
32	3331215	3	Nut M12 x 1.75	
33	3520054	1	Plug	
34	3931512	4	Capscrew, 5/16 x 3/4	
35	4031914	4	Bolt M8 x 50	
36	4060805	3 ft /1 m	Flex-Trim	
37	4240099	AR	Tie-Strap (Not Shown)	
38	4640751	1	Valve, Oil Drain	
39	4711500	4	Washer 5/16	
40	4811700	2	Washer M6	
41	4811702	8	Washer M6	
42	4811900	23	Washer M8	
43	4811902	8	Washer M8	
44	4812000	20	Washer M10	
45	4812002	4	Washer M10	
46	4812100	7	Washer M12	
47	4812200	6	Washer M14	
48	5241200	3	Washer M12	
49	5251215	1	Bolt M12 x 35	
50	5261200	1	Nut, Flange M12 Class10	

## SECTION 3 - ENGINE

ITEM	PART NUMBER	QTY	DESCRIPTION	REV
54	8405007	2	Clamp	
55	8405009	5	Clamp	
56	8405104	4	Clamp	
57	8405202	1	Clamp	
58	8405204	2	Clamp	
59	8406109	1	Clip	
60	8406110	1	Clip	
61	8406201	1	Clip	
62	1001117308	1	Relay, 200Amp	
63	1001118878	1	Bolt M6 x 55	
64	1001136834	1	Cap, Tank	
67	1001138228	1	Relay, Power Module	
68	1001138248	4 ft/1 m	Tube	
69	1001141304	1	Harness, Glow Plug	
70	1001141694	1	Clamp, Air Cleaner	
72	1001143390	1	Indicator	
73	1001143797	1	Fitting, Barbed	
74	1001144116	1	Spacer, Fan	
75	1001146588	AR	Tie-Strap (Not Shown)	
76	1001152489	1	Fitting, Barbed 90	
77	1001165388	1	Air Cleaner Assembly	
78	1001165405	1	Hose, Upper Radiator	
79	1001165406	1	Hose, Lower Radiator	
80	1001165722	1	Radiator	
81	1001165849	1	Fan	
82	1001166718	3	Mount, Motor	
83	1001166921	1	Plate, Engine Mount	
84	1001166924	1	Plate, Engine Mount	
85	1001167520	1	Tray, Engine	
86	1001168018	3	Washer, Special	
87	1001168026	1	Plate, Radiator Mounting	
88	1001168099	1	Hose	
89	1001168166	2	Seal	
90	1001169054	4	Isolator	
91	1001169138	4	Washer, Snubbing	
92	1001169967	2	Bracket	
93	1001170035	2	Bracket	
94	1001177359	1	Hose	
95	1001178788	1	Cable, Alternator	
96	1001179903	1	Bracket	
97	1001180620	AR	Adhesive	
98	1001191620	2	Clamp	
99	1001223122	1	Support	
100	1001230635	1	Tank, Surge (Includes Items 62, 70, & 73)	
101	1001235949	1	Bracket (See Separate Breakdown in this Section)	
102	1001236780	1	Hose, Air Intake	
103	1001238911	1	Pipe, Air Intake	
104	1001258804	1	Mount, Fuel Filter	
105	1001260412	1	Bracket	
106	1001260420	1	Bracket (note: may require P/N 1001260412)	
107	1001276643	1	Harness, Engine (Not Shown - See Separate Breakdown in ELECTRICAL Section)	

## SECTION 3 - ENGINE

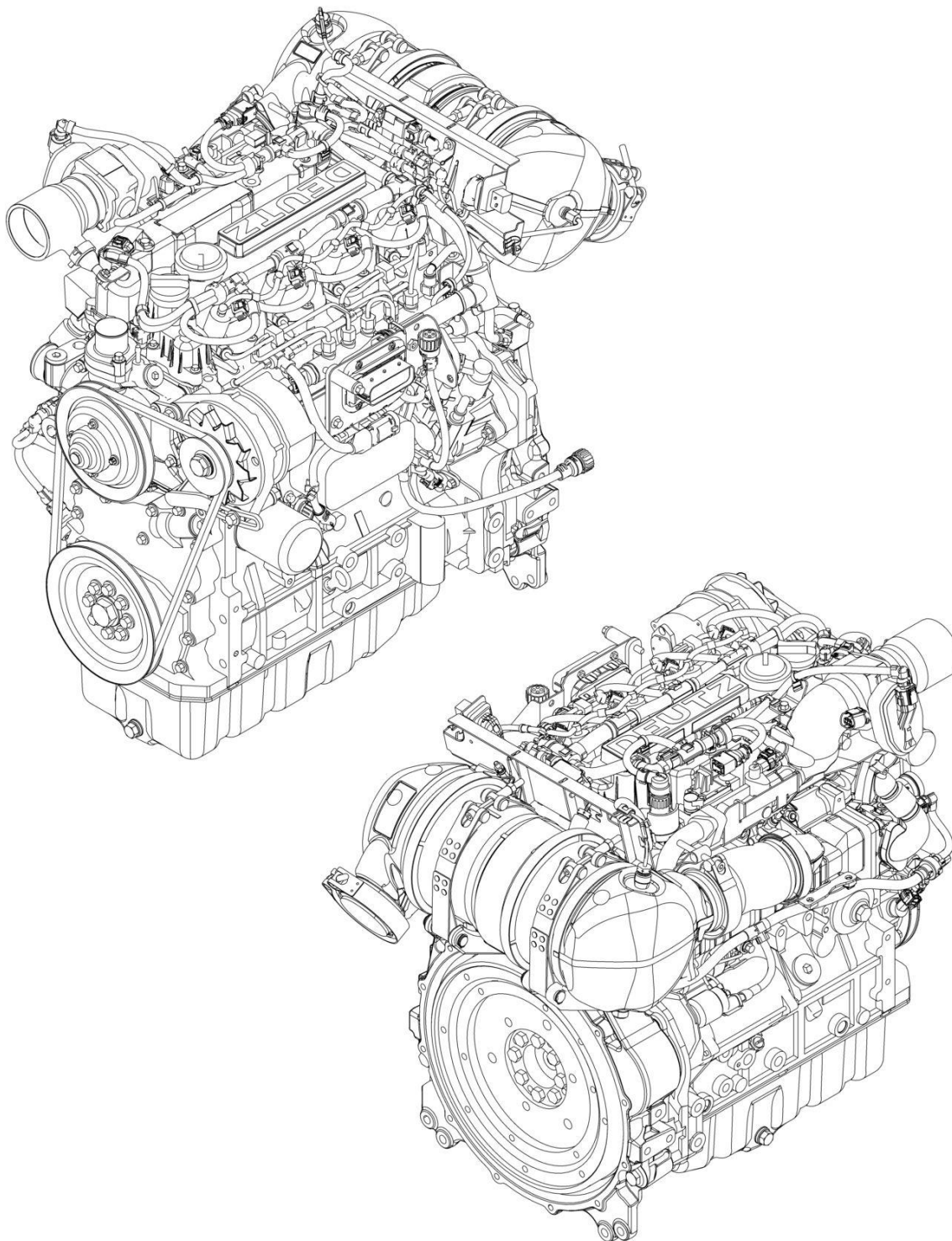
ITEM	PART NUMBER	QTY	DESCRIPTION	REV
108	1001277589	1	Engine, Deutz 2.9L4 (Stage V) (See Separate Breakdown in this Section)	
109	2200261	1	Fitting	
110	1001277432	1	Spacer	
111	4240032	1	Tie-Strap (Not Shown)	
112	1001291401	1	Tag, Coolant	





## SECTION 3 - ENGINE

FIGURE 3-32. ENGINE COMPONENTS - DEUTZ D2.9L4 ENGINE (STAGE V) (CE & UK CA SPECS)



ART\_1001277589

## SECTION 3 - ENGINE

**FIGURE 3-32. ENGINE COMPONENTS - DEUTZ D2.9L4 ENGINE (STAGE V) (CE & UK CA SPECS)**

ITEM	PART NUMBER	QTY	DESCRIPTION	REV
	1001277589	Ref	DEUTZ ENGINE COMPONENTS	B
	SEE NOTE	1	Note: Additional components may be available. Contact JLG Customer Service for more details.	
		Ref	<b>COOLING SYSTEM COMPONENTS</b>	
	70031474	1	Cooler, Oil	
	70031388	1	Seal, Oil Cooler	
	70030360	1	Pump, Coolant (Includes Gaskets & Seals)	
	70031055	1	O-Ring, Coolant Pump	
	70007325	1	Gasket	
	70007603	1	Thermostat	
	70005184	1	O-Ring, Thermostat	
	70005931	1	Gasket, Thermostat	
		Ref	<b>ELECTRICAL SYSTEM COMPONENTS</b>	
	70024513	1	Cable, Primary Fuel Filter Sensor (Includes Seal)	
	70025239	1	Seal	
	70028538	1	Sensor, Fuel Pressure (at Filter) (Includes Seal)	
	70024920	1	Seal	
	70029512	1	Module, ECU/ECM	
	70027405	1	Senor, Exhaust Temperature	
	70031144	1	Starter	
	70008435	1	Generator (includes Regulator)	
	70031143	1	Regulator	
	70000345	4	Plug, Glow	
	70025231	1	Harness, Glow Pug	
	70008553	1	Cable, Interconnect	
	70008558	1	Harness, Engine	
	1001211556	1	Sensor, Temperature (Includes O-Seal)	
	70005507	1	O-Seal	
	70028540	1	Sensor, Temperature (in Cylinder Head)	
	70024504	1	Sensor, Oil Pressure (Side of Block) (Includes Seal)	
	70024920	1	Seal	
	70026210	2	Sensor, Speed (Includes O-Ring/Seal)	
	70005191	1	O-Ring	
	70024917	1	Seal	
	70008559	1	Sensor, Air Pressure (Air Exchange Manifold) (Includes O-Ring)	
	70008561	1	Sensor, Air Pressure (Air Exchange Manifold) (Includes O-Ring)	
	70024505	1	Sender, Exhaust Temperature	
	70029409	1	Sender, Exhaust Temperature	
	70008431	1	Sensor, Exhaust Pressure	
		Ref	<b>EXHAUST SYSTEM COMPONENTS</b>	
	70025130	8	Bolt, Exhaust Manifold	
	70025164	1	Gasket, Exhaust Manifold to Head	
	70005505	2	O-Seal	
	70008543	1	Pipe, Exhaust	
	70008544	1	O-Seal, Exhaust (Venturi Tube to Exhaust Pipe)	
	70008545	1	Gasket, Square Exhaust	
	70005504	1	Sensor, Exhaust Pressure (Includes O-Seals)	
	70031136	1	Gasket, Exhaust (Upper)	
	70007354	1	Gasket, Exhaust (Lower)	
	70008547	1	Module, EGR (Includes Gasket)	

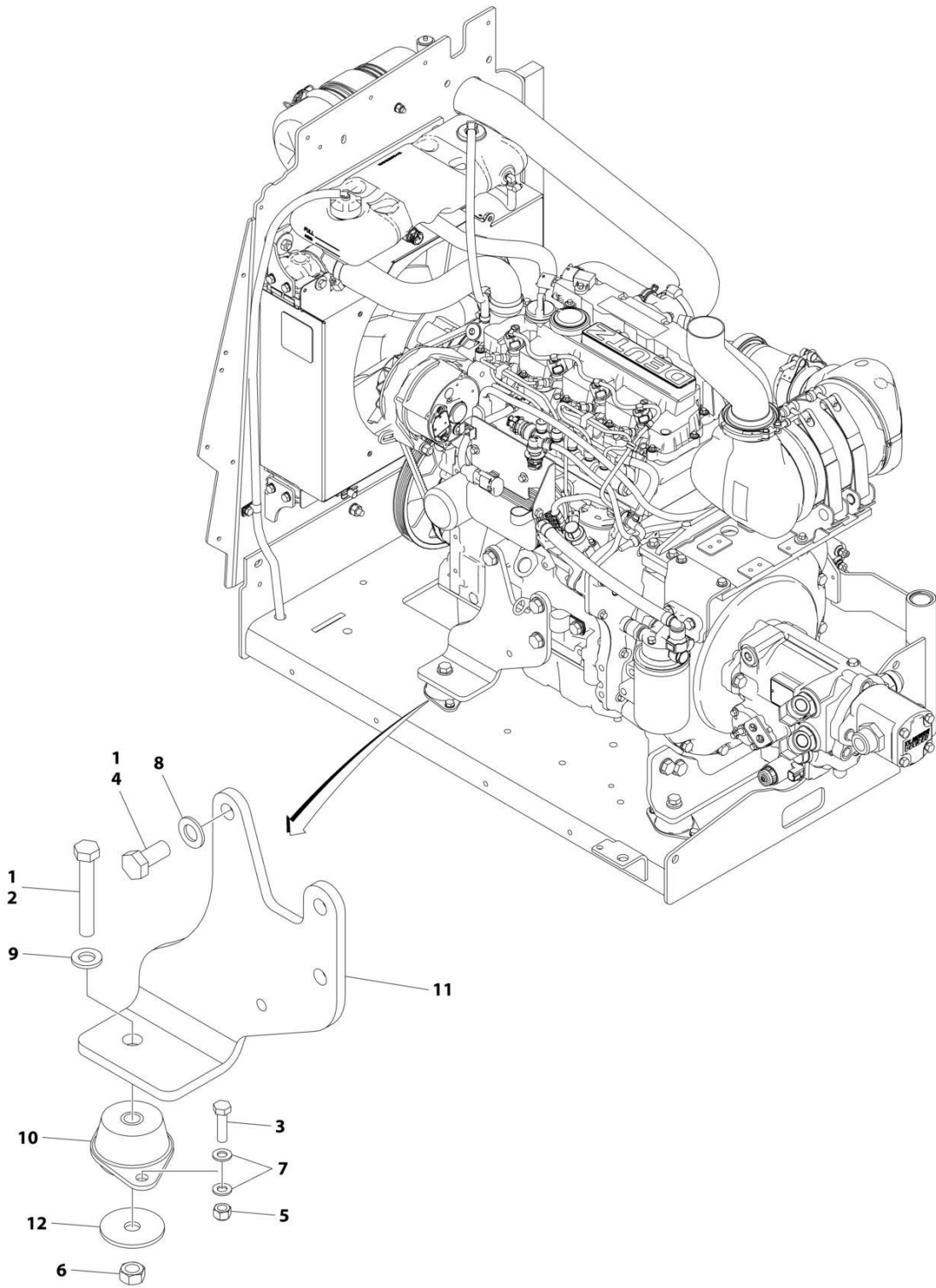
## SECTION 3 - ENGINE

ITEM	PART NUMBER	QTY	DESCRIPTION	REV
	70007326	1	Gasket	
	70025242	2	Gasket, Compensator	
	70004504	1	Compensator	
	70008564	1	Catalyst	
		Ref	<b>FUEL SYSTEM COMPONENTS</b>	
	1001225430	1	Filter, Primary Fuel	
	1001225431	1	Filter, Fuel	
	70030381	1	Pump, High Pressure	
	70025152	1	O-Ring (Between Pump AND Spacer)	
	70004505	1	Valve, Overflow (Includes O-Rings)	
	70004506	1	O-Ring	
	70004507	1	O-Ring	
	70004508	1	Valve, Volume Control (Includes O-Ring & Gasket)	
	70004509	1	O-Ring	
	70004510	1	Gasket	
	70004281	4	Injector, Fuel (Includes Sealing Washer & O-Ring)	
	70025140	1	Washer, Sealing	
	70025145	1	O-Rin	
	70008422	1	Pump, Fuel Supply (Includes Clamps)	
	70025144	2	Clamp	
	70008537	1	Valve, Throttle (Includes Gasket)	
	70008538	1	Gasket	
		Ref	<b>GASKETS &amp; SEAL &amp; KITS</b>	
	70024906	1	Gasket, Head	
	70005171	1	Gasket, Valve Cover	
	70002718	1	Seal, Rear Main	
	70028185	1	Gasket, Front Cover	
	70008296	1	Seal, Front Main	
	70025235	1	Kit, Repair - Fuel Rail	
	70005176	1	O-Ring, Charge Exchange Manifold	
	70005177	1	Gasket, Charge Exchange Manifold	
	70005938	1	Gasket Kit	
		Ref	<b>LUBRICATION SYSTEM COMPONENTS</b>	
	7016331	1	Filter, Oil	
	70024904	1	Dipstick (Includes O-Ring)	
	70024905	1	O-Ring, Dipstick	
	7020465	2	Cap, Oil Fill	
	70005941	1	Plug, Oil Drain	
	70005942	1	Washer, Oil Drain Plug	
	70005172	1	Pump, Oil Lube (Includes Gasket & O-Ring)	
		Ref	<b>MECHANICAL COMPONENTS</b>	
	70001870	1	Flywheel (Includes Ring Gear)	
	7024579	1	Gear, Ring	
	70024913	1	V-Belt	



# SECTION 3 - ENGINE

## FIGURE 3-33. MOTOR MOUNT INSTALLATION - DEUTZ D2.9L4 ENGINE (STAGE V) WITHOUT GENERATOR



ART\_1001244024

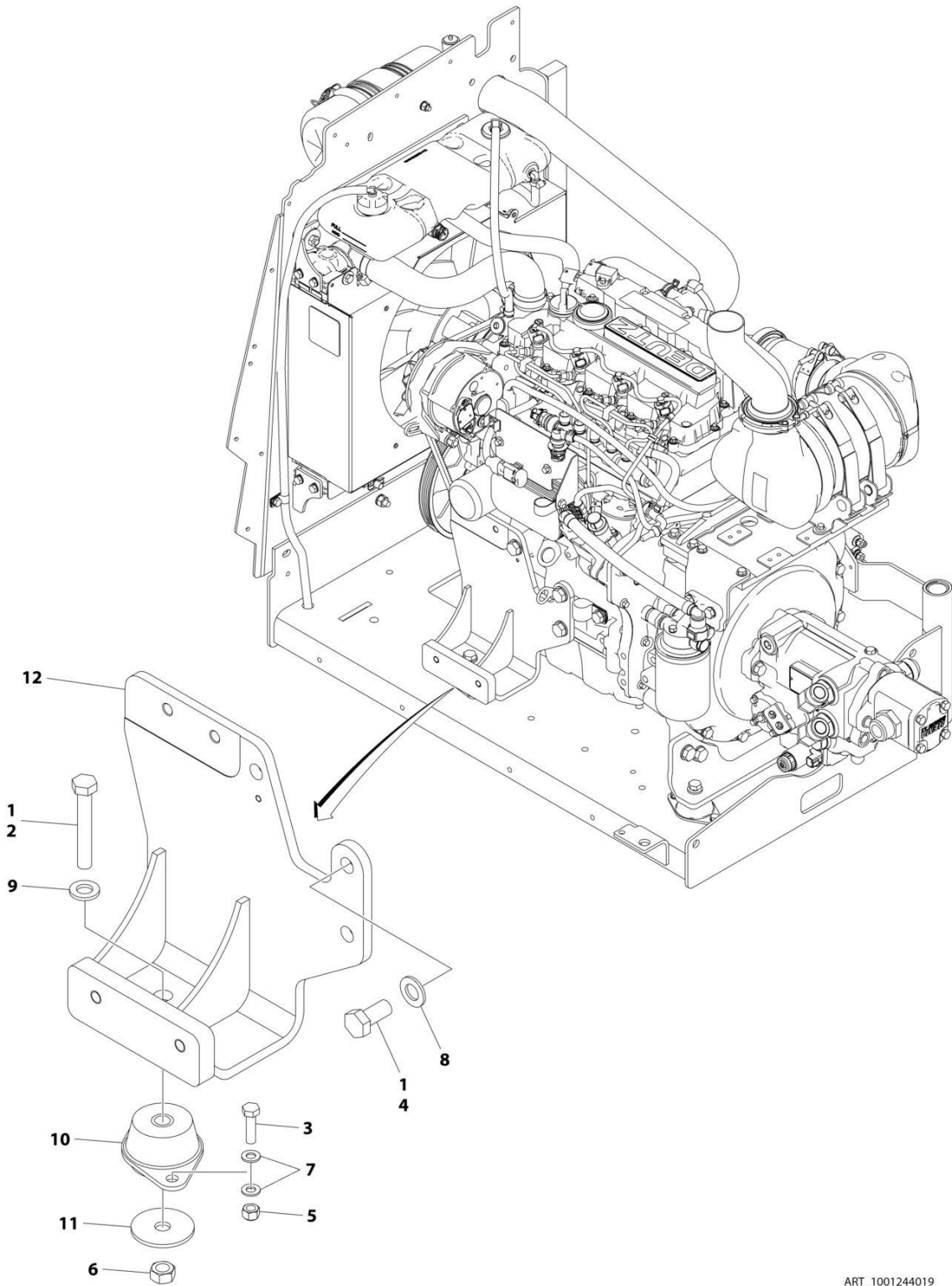
## SECTION 3 - ENGINE

**FIGURE 3-33. MOTOR MOUNT INSTALLATION - DEUTZ D2.9L4 ENGINE (STAGE V) WITHOUT GENERATOR**

ITEM	PART NUMBER	QTY	DESCRIPTION	REV
	1001244024	Ref	MOTOR MOUNT INSTALLATION	A
1	0100011	AR	Compound, Locking	
2	0711224	1	Bolt M12 x 80	
3	0760814	2	Bolt M8 x 30	
4	0771414	3	Bolt M14 x 30	
5	3290805	2	Nut M8	
6	3331211	1	Nut M12	
7	4811900	4	Washer M8	
8	4812200	3	Washer M14	
9	5241200	1	Washer M12	
10	1001166718	1	Mount, Motor	
11	1001166922	1	Mount	
12	1001168018	1	Washer	

# SECTION 3 - ENGINE

## FIGURE 3-34. MOTOR MOUNT INSTALLATION - DEUTZ D2.9L4 ENGINE (STAGE V) WITH GENERATOR



ART\_1001244019



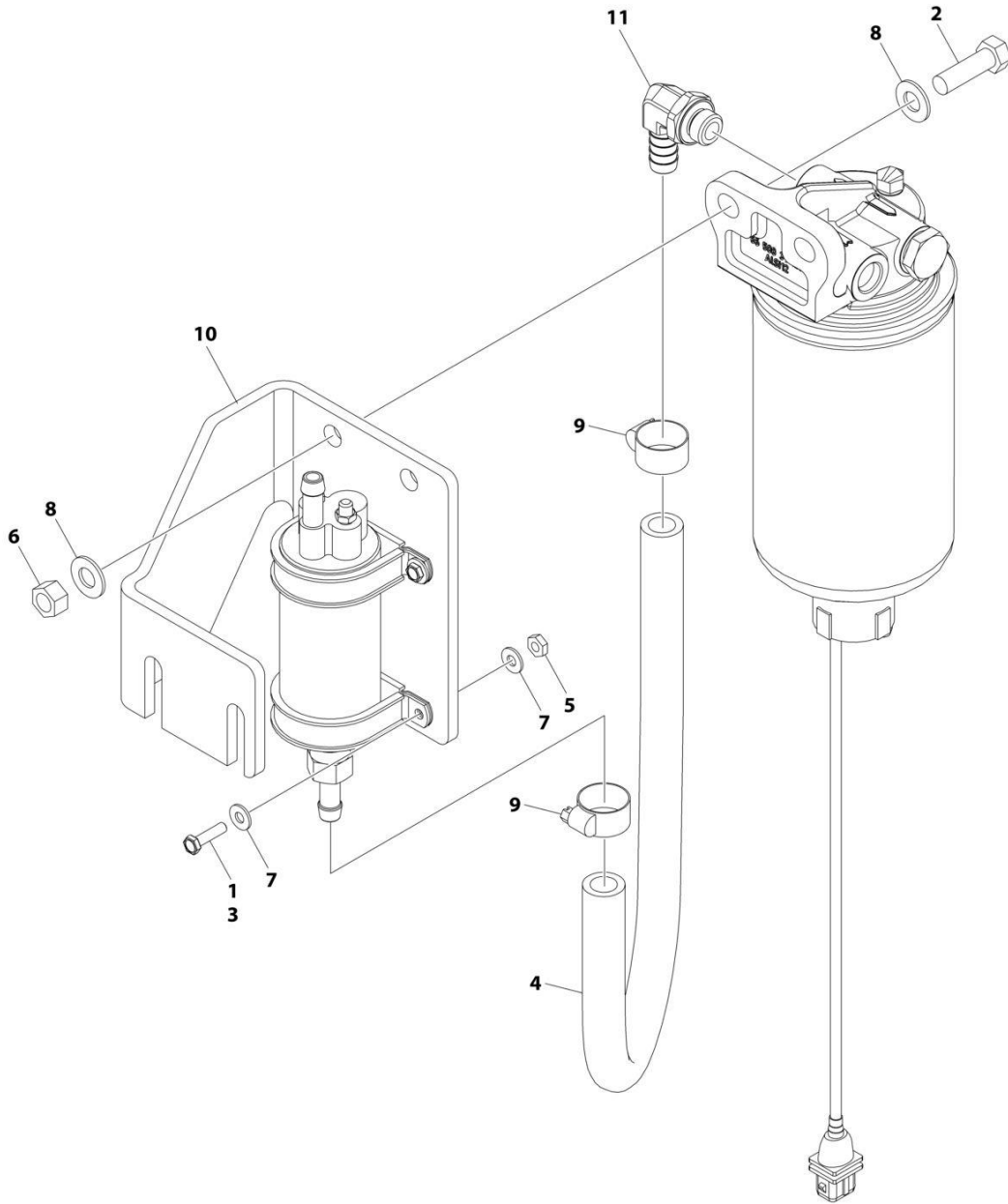
## SECTION 3 - ENGINE

**FIGURE 3-34. MOTOR MOUNT INSTALLATION - DEUTZ D2.9L4 ENGINE (STAGE V) WITH GENERATOR**

ITEM	PART NUMBER	QTY	DESCRIPTION	REV
	1001244019	Ref	MOTOR MOUNT INSTALLATION	A
1	0100011	AR	Compound, Locking	
2	0711224	1	Bolt M12 x 80	
3	0760814	2	Bolt M8 x 30	
4	0771414	3	Bolt M14 x 30	
5	3290805	2	Nut M8	
6	3331211	1	Nut M12	
7	4811900	4	Washer M8	
8	4812200	3	Washer M14	
9	5241200	1	Washer M12	
10	1001166718	1	Mount, Motor	
11	1001168018	1	Washer	
12	1001168207	1	Mount	

# SECTION 3 - ENGINE

## FIGURE 3-35. BRACKET ASSEMBLY - FUEL PUMP AND FILTER (DEUTZ D2.9L4 ENGINE)



ART\_1001162335

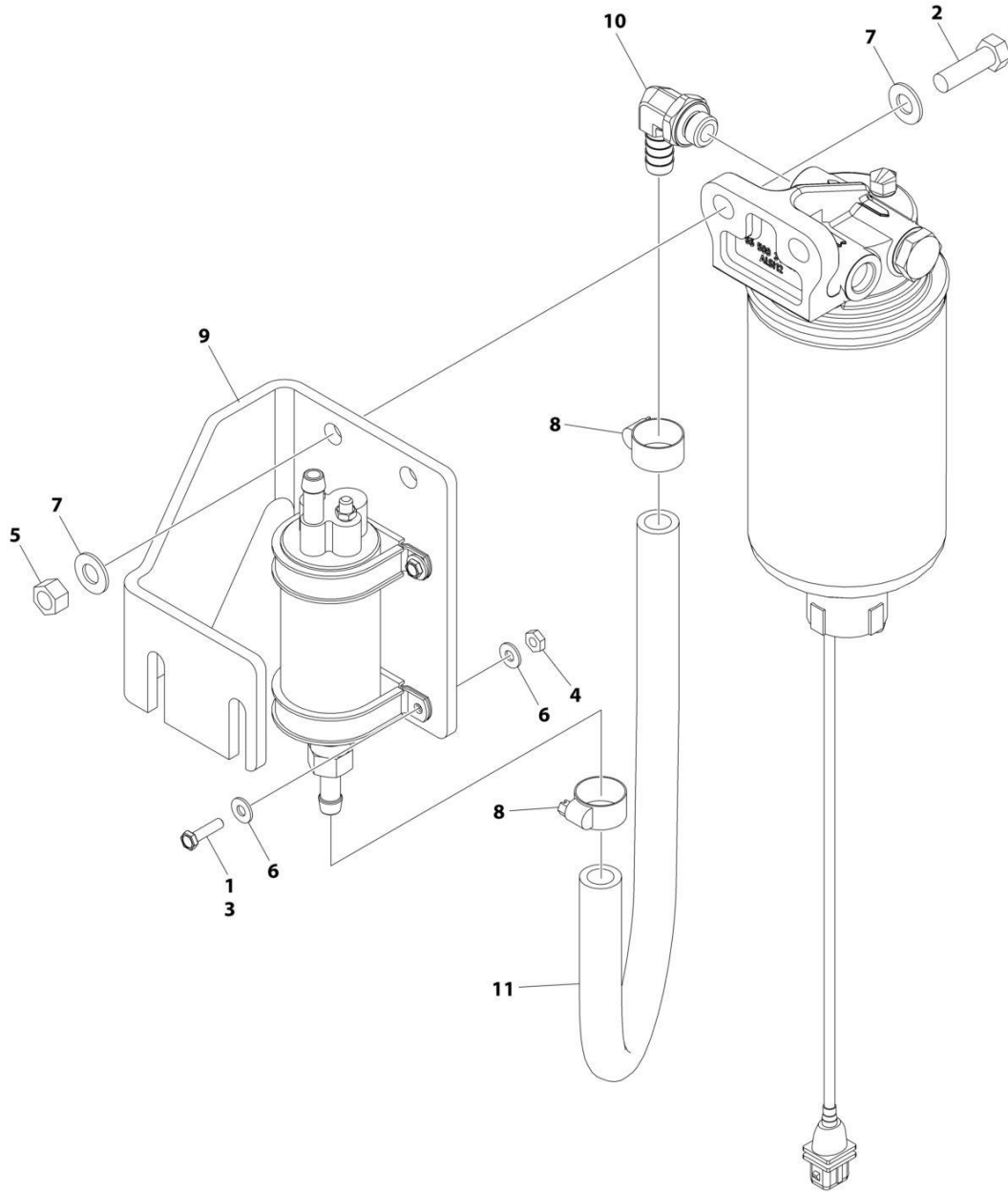
## SECTION 3 - ENGINE

**FIGURE 3-35. BRACKET ASSEMBLY - FUEL PUMP AND FILTER (DEUTZ D2.9L4 ENGINE)**

ITEM	PART NUMBER	QTY	DESCRIPTION	REV
	1001162335	Ref	BRACKET ASSEMBLY - FUEL PUMP AND FILTER (DEUTZ D2.9L4 ENGINE)	E
1	0100011	AR	Compound, Locking	
2	0641610	2	Bolt 3/8 x 1-1/4	
3	0721006	4	Bolt #10 x 3/4	
4	1001154405	AR	Hose	
5	3311001	4	Nut #10	
6	3311605	2	Nut 3/8	
7	4711000	8	Washer #10	
8	4711600	4	Washer 3/8	
9	8405006	2	Clamp	
10	1001141870	1	Plate, Fuel Pump Mount	
11	1001142501	1	Fitting, Elbow Barbed	

# SECTION 3 - ENGINE

## FIGURE 3-36. BRACKET ASSEMBLY - FUEL PUMP AND FILTER (DEUTZ D2.9L4 ENGINE) (STAGE V)



ART\_1001235949

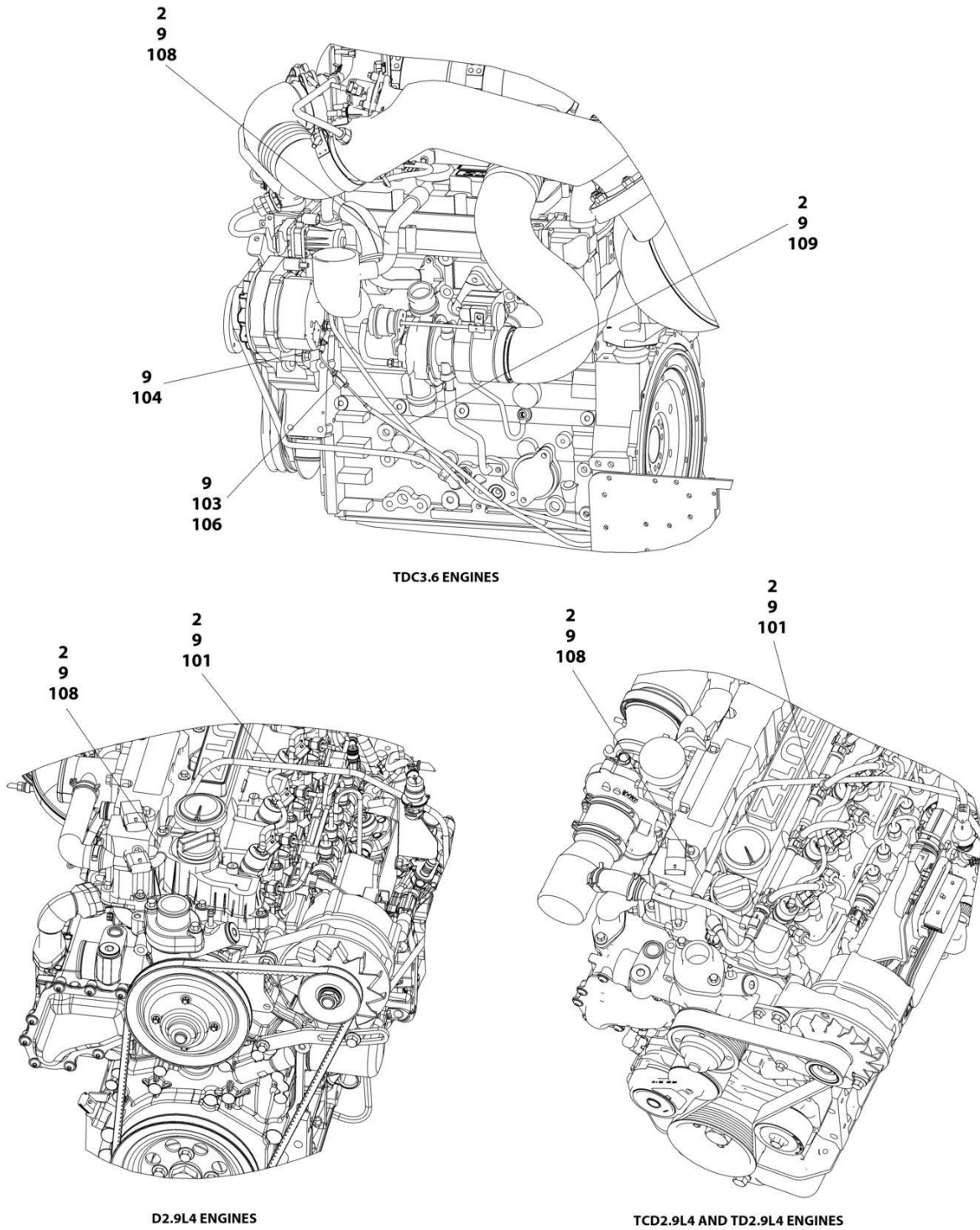
## SECTION 3 - ENGINE

**FIGURE 3-36. BRACKET ASSEMBLY - FUEL PUMP AND FILTER (DEUTZ D2.9L4 ENGINE) (STAGE V)**

ITEM	PART NUMBER	QTY	DESCRIPTION	REV
	1001235949	Ref	BRACKET ASSEMBLY - FUEL PUMP AND FILTER (DEUTZ D2.9L4 (STAGE V) ENGINE)	A
1	0100035	AR	Compound, Locking	
2	0641610	2	Bolt 3/8 x 1-1/4	
3	0721006	4	Bolt #10 x 3/4	
4	3311001	4	Nut #10	
5	3311605	2	Nut 3/8	
6	4711000	8	Washer #10	
7	4711600	4	Washer 3/8	
8	8405006	2	Clamp	
9	1001141870	1	Plate, Fuel Pump Mount	
10	1001142501	1	Fitting, Elbow Barbed	
11	1001154405	1.5 ft /0.4m	Hose	

# SECTION 3 - ENGINE

## FIGURE 3-37. BREATHER HEATER INSTALLATION - DEUTZ D2.9L4 ENGINE WITH ARCTIC PACKAGE



ART\_1001233763

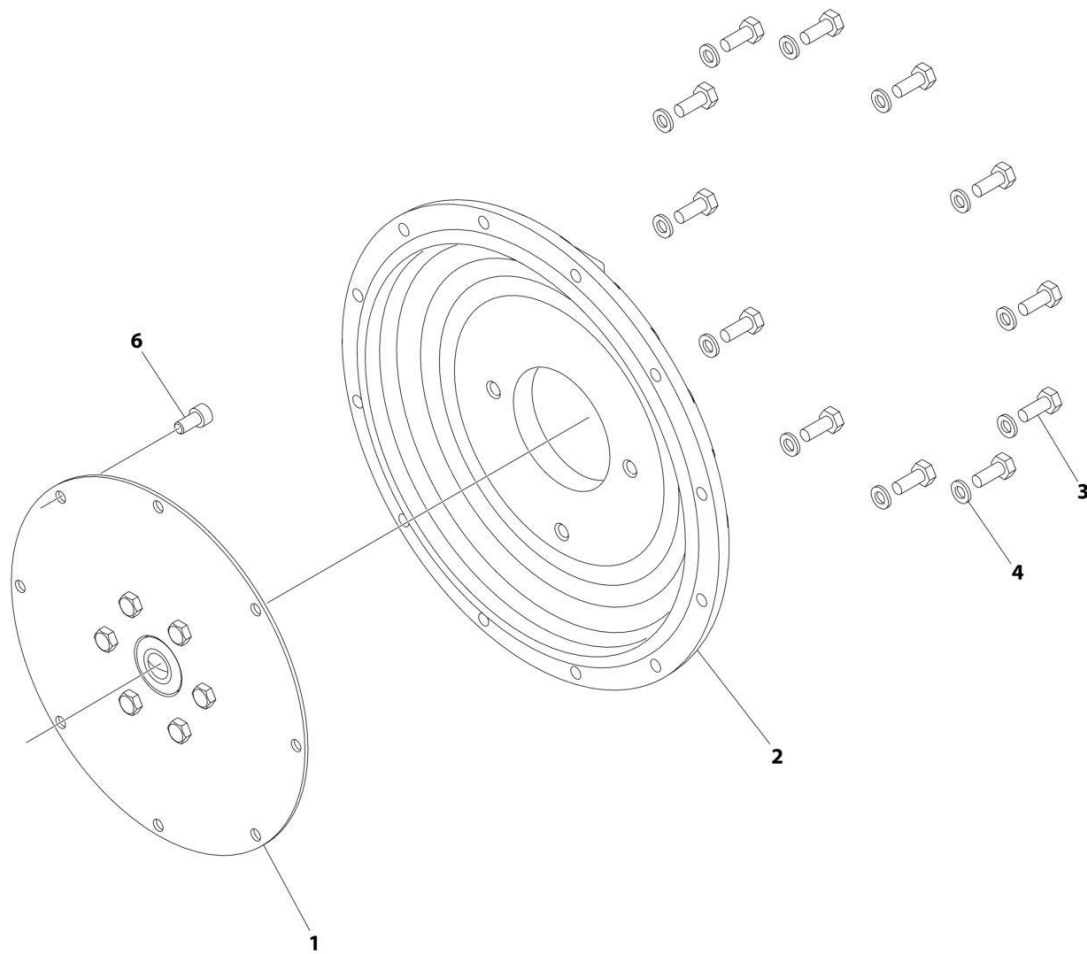
## SECTION 3 - ENGINE

**FIGURE 3-37. BREATHER HEATER INSTALLATION - DEUTZ D2.9L4 ENGINE WITH ARCTIC PACKAGE**

ITEM	PART NUMBER	QTY	DESCRIPTION	REV
	1001233763	Ref	BREATHER HEATER INSTALLATION - DEUTZ ENGINES	D
2	4240099	AR	Tie-Strap	
9	1001243895	1	Breather Heater Harness	C
101	2820035	AR	Insulation	
103	2400060	1	Fuseholder with Cover	
104	4460043	1	Terminal, Ring	
105	4460722	1	Terminal, Ring (Not Shown)	
106	1001196634	1	Fuse - 2 Amp	
108	1001232842	1	Breather Heater Kit	

# SECTION 3 - ENGINE

## FIGURE 3-38. PUMP COUPLING KIT – DEUTZ ENGINES



ART\_2902065

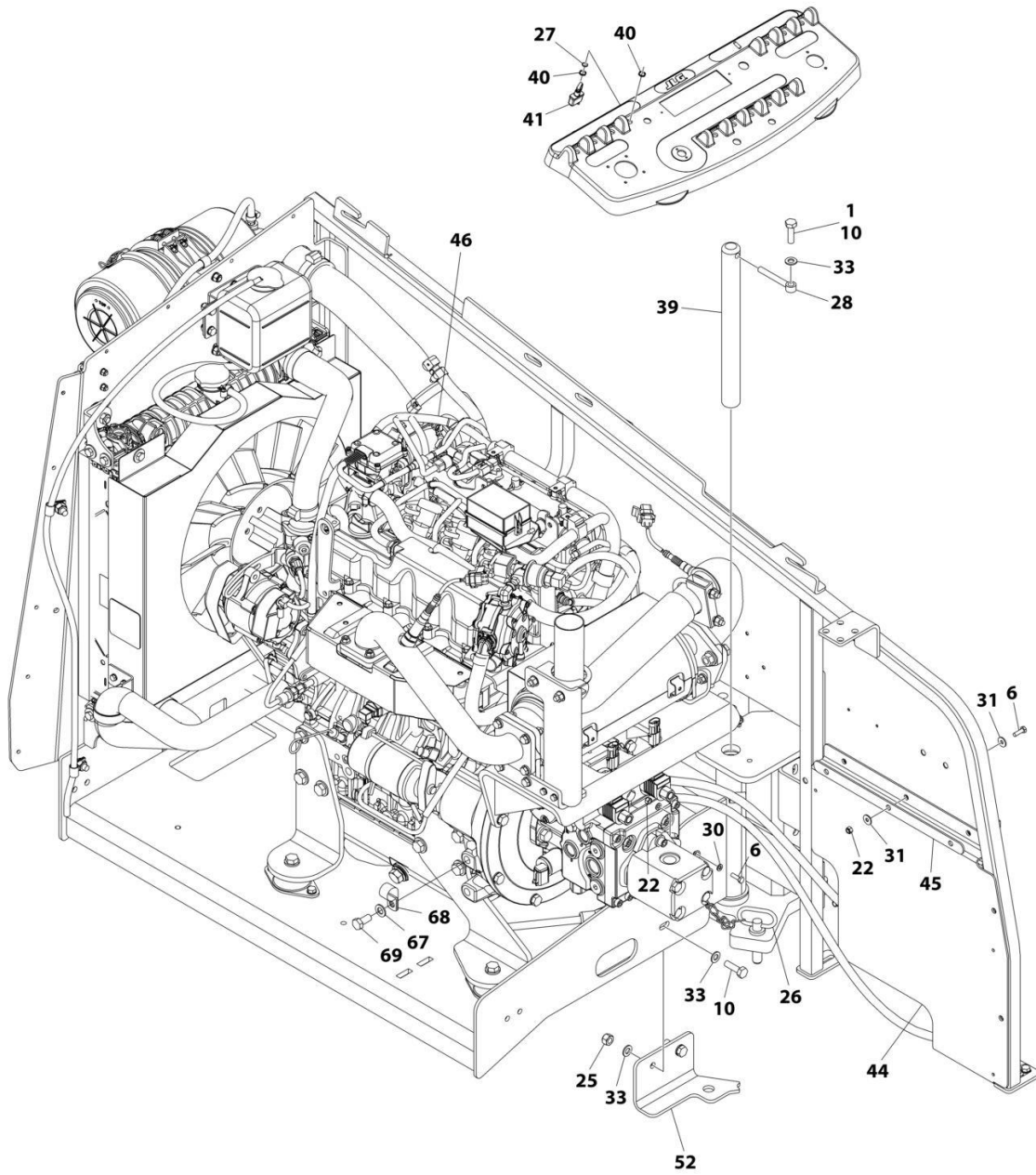


FIGURE 3-38. PUMP COUPLING KIT – DEUTZ ENGINES

ITEM	PART NUMBER	QTY	DESCRIPTION	REV
	2902065	Ref	PUMP COUPLING KIT	L
1	70000793	1	Coupling, Hayes	
2	See Note	NSS	Plate, Pump Adapter (Note: Use p/n 2902065)	
3	See Note	NSS	Bolt M10 x 30 Grade 10.9 (Note: Use p/n 2902065)	
4	See Note	NSS	Washer M10 (Note: Use p/n 2902065)	
6	See Note	NSS	Bolt M10 x 20 Grade 10.9 (Note: Use p/n 2902065)	

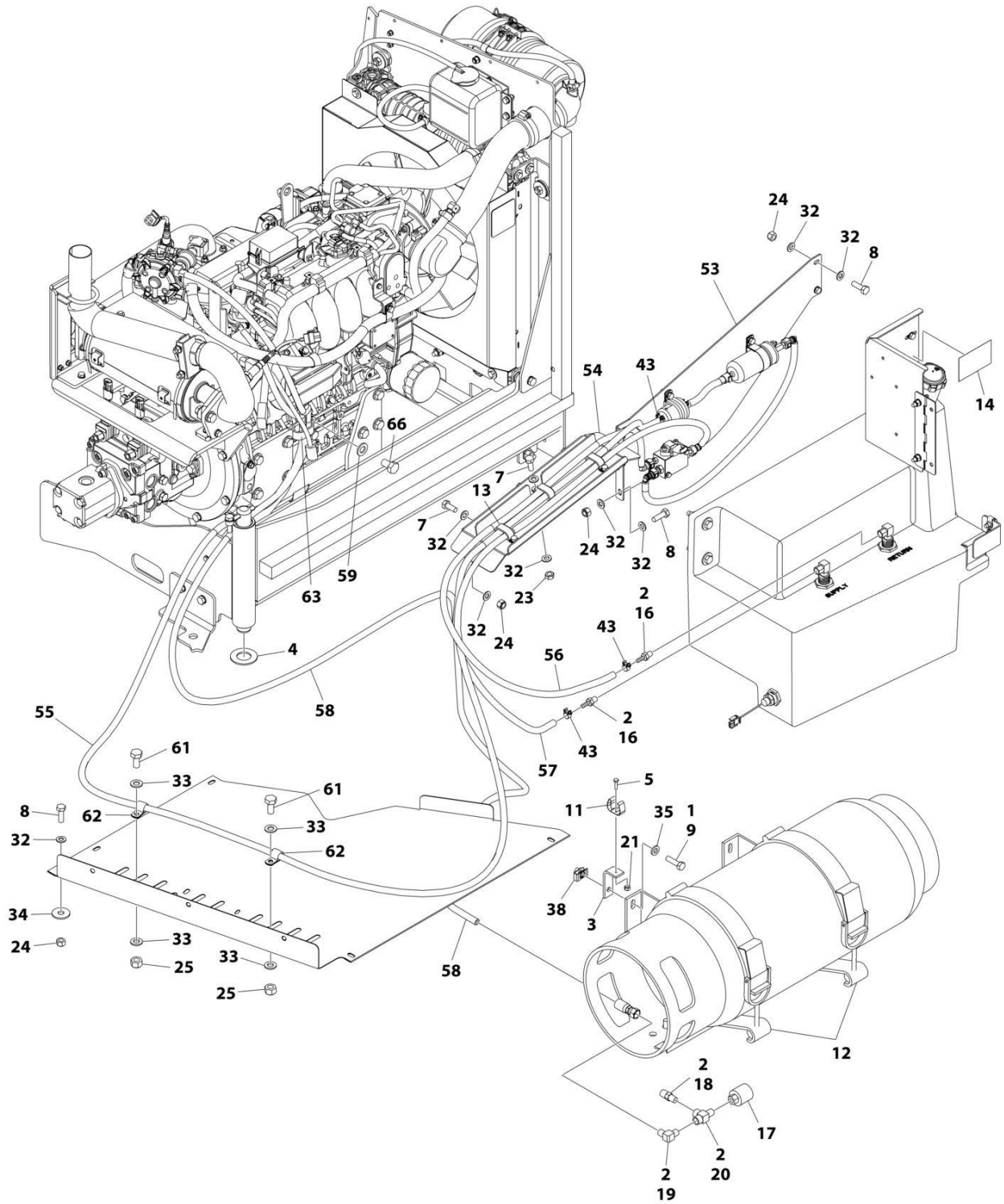
# SECTION 3 - ENGINE

## FIGURE 3-39. ENGINE INSTALLATION - KUBOTA ENGINE (WITHOUT ARCTIC PACKAGE)



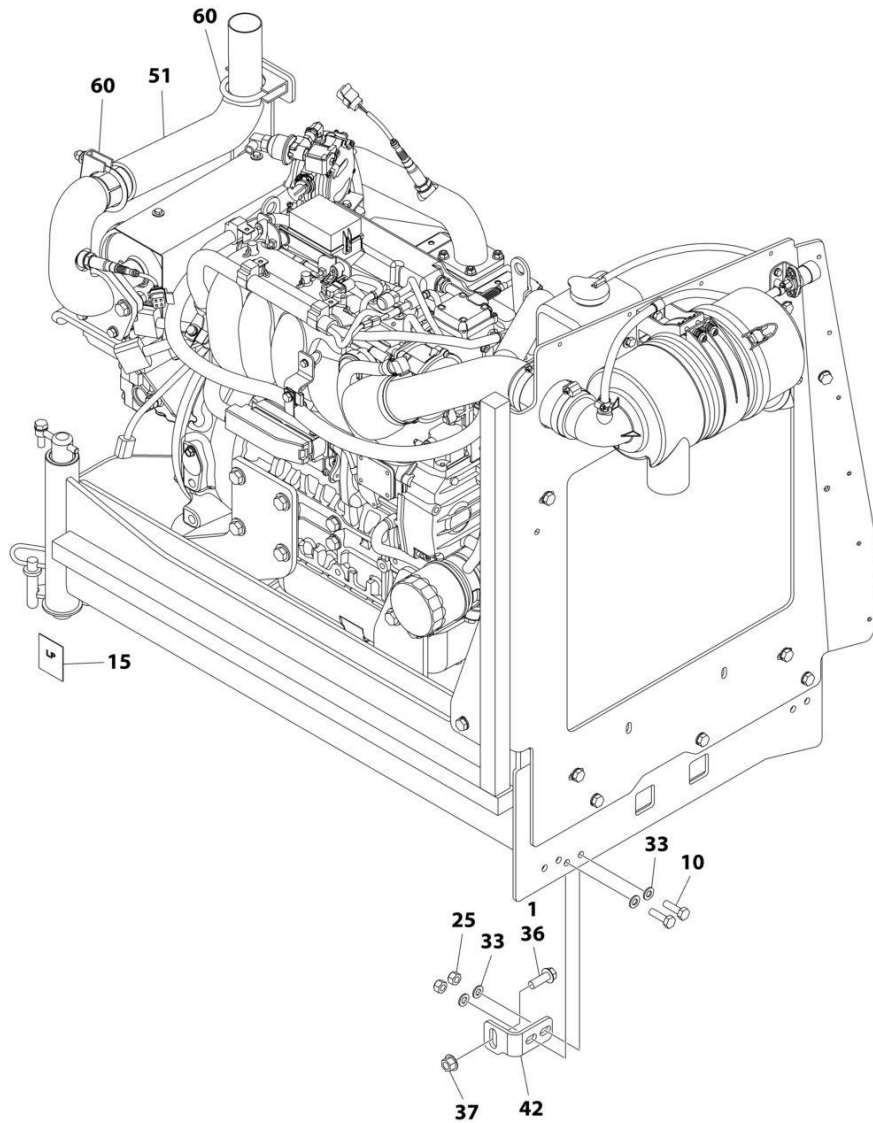
ART\_1001236251\_10F3

# SECTION 3 - ENGINE



ART\_1001236251\_20F3

# SECTION 3 - ENGINE



ART\_1001236251\_30F3

## SECTION 3 - ENGINE

**FIGURE 3-39. ENGINE INSTALLATION - KUBOTA ENGINE (WITHOUT ARCTIC PACKAGE)**

ITEM	PART NUMBER	QTY	DESCRIPTION	REV
	1001236251	Ref	ENGINE INSTALLATION - KUBOTA ENGINE (WITHOUT ARCTIC PACKAGE)	A
1	0100011	AR	Compound, Locking	
2	0100020	AR	Sealant, Pipe	
3	0181949	1	Angle	
4	0440162	1	Bearing	
5	0760408	1	Bolt M4 x 16	
6	0760610	4	Bolt M6 x 20	
7	0760810	6	Bolt M8 x 20	
8	0760812	4	Bolt M8 x 25	
9	0760814	4	Bolt M8 x 30	
10	0761015	5	Bolt M10 x 35	
11	1320218	1	Clamp	
12	1320220	1	Clamp Kit - LP	
13	1321283	3	Clamp	
14	1701542	1	Decal - Gas	
15	1701543	1	Decal - LPG	
16	2180348	2	Fitting, Barbed	
17	2180387	1	Fitting, LP	
18	2180389	1	Fitting	
19	2180504	1	Fitting, Barbed	
20	2220290	1	Fitting, Tee FNPTF/NPTF/FNPTF	
21	3290405	1	Nut Lock M4	
22	3290605	4	Nut Lock M6	
23	3290801	3	Nut M8	
24	3290805	7	Nut Lock M8	
25	3291005	8	Nut Lock M10	
26	3422532	1	Pin	
27	3790012	1	O-Ring	
28	3841143	1	Keeper, Pin	
29	4240099	AR	Tie-Strap (Not Shown)	
30	4811700	2	Washer M6	
31	4811702	6	Washer M6	
32	4811900	19	Washer M8	
33	4812000	17	Washer M10	
34	4812002	1	Washer M10	
35	5240800	4	Washer M8 Hardened	
36	5251215	1	Bolt M12 x 35	
37	5261200	1	Nut M12 Grade 10.9	
38	1001118274	4	Nut Special M8	
39	1001135196	1	Pin	
40	1001155044	2	Nut Special 15/32	
41	1001161710	1	Switch, Toggle	
42	1001167512	1	Bracket, Engine Tray Stow	
43	1001174486	3	Clamp	
44	1001196376	1	Seal, Rubber	
45	1001204123	1	Plate, Support	
46	1001236254	1	Engine and Pump Sub-Assembly - Kubota Engine (Without Arctic Package) (See Separate Breakdown in this Section)	
47	1001212257	1	Cable, Battery (Red) (Alternator Positive to Starter) (Not Shown)	

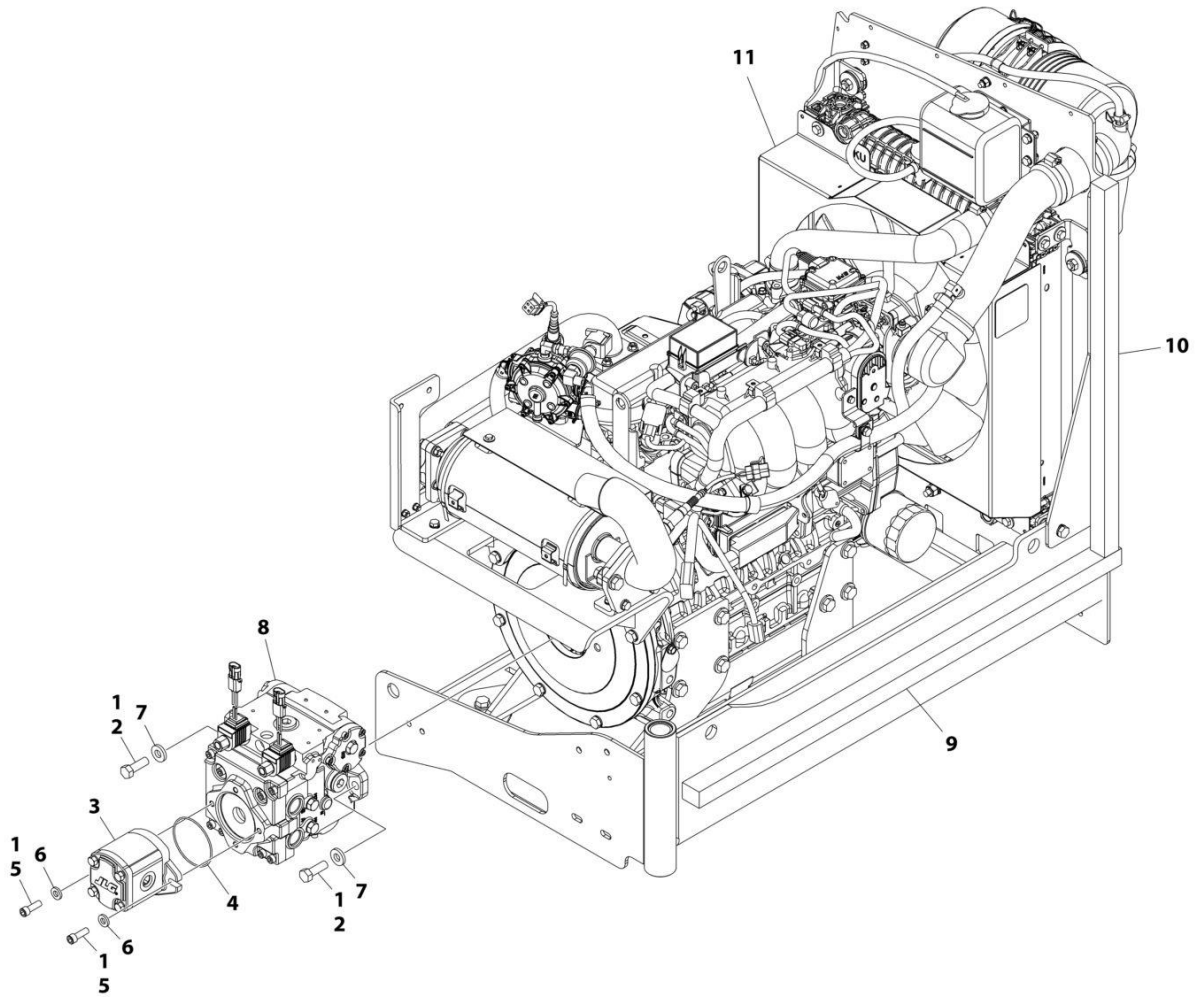
## SECTION 3 - ENGINE

ITEM	PART NUMBER	QTY	DESCRIPTION	REV
48	1001213060	1	Cable, Battery (Red) (Battery Positive to Auxiliary Power Relay) (Not Shown)	
49	1001213061	1	Cable, Battery (Black) (Battery Negative to Pivot Pin to Engine Ground) (Not Shown)	
50	1001213706	1	Harness Engine - Kubota Engine (Not Shown - See Separate Breakdown in ELECTRICAL SECTION)	
51	1001214503	1	Pipe, Tail Pipe	
52	1001215259	1	Plate, Engine Lock	
53	1001215813	1	Mount, Fuel System	
54	1001216308	1	Support, Fuel Lines	
55	1001216400	1	Hose	
56	1001216401	1	Hose	
57	1001156819	4.5 ft/ 1.3m	Hose	
58	1001216405	1	Hose	
59	4812100	2	Washer M12	
60	1001217785	2	Clamp	
61	0761011	2	Bolt M10 x 22	
62	85841094	6	Clamp	
63	1001195039	1	Clamp	
64	4460466	8	Terminal, Sealing Plug (Not Shown)	
65	4460930	1	Plug (Not Shown)	
66	1001217494	2	Bolt M12 x 20	
67	4812200	1	Washer M14	
68	24431386	1	Clamp	
69	1001217345	1	Bolt M14 x 30	
70	1001229797	1	Harness, Kubota D/F Power (Not Shown - See Separate Breakdown in ELECTRICAL SECTION)	



# SECTION 3 - ENGINE

## FIGURE 3-40. ENGINE AND PUMP SUB-ASSEMBLY - KUBOTA ENGINE (WITHOUT ARCTIC PACKAGE)



ART\_1001236254



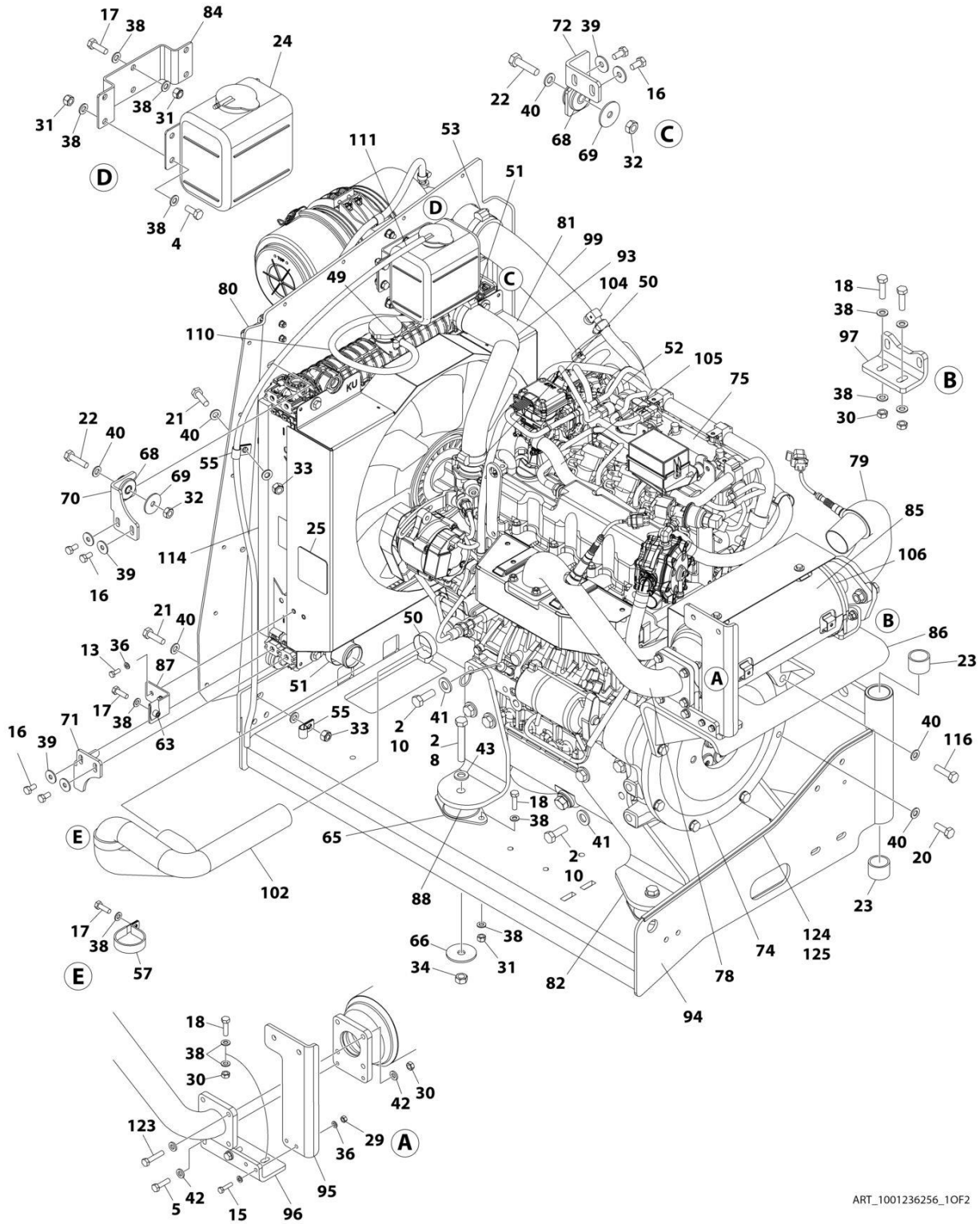
## SECTION 3 - ENGINE

**FIGURE 3-40. ENGINE AND PUMP SUB-ASSEMBLY - KUBOTA ENGINE (WITHOUT ARCTIC PACKAGE)**

ITEM	PART NUMBER	QTY	DESCRIPTION	REV
	1001236254	Ref	ENGINE AND PUMP SUB-ASSEMBLY - KUBOTA ENGINE (WITHOUT ARCTIC PACKAGE)	A
1	0100011	AR	Compound, Locking	
2	0641812	2	Bolt 1/2 x 1-1/2	
3	1001214207	1	Pump, Gear	
3	70006356	1	Seal Kit - 1001214207 Pump	
4	3790152	1	O-Ring	
5	3931618	2	Bolt 3/8 x 1-1/8	
6	4891600	2	Washer 3/8	
7	4891800	2	Washer 1/2	
8	1001167036	1	Piston Pump Assembly (See Separate Breakdown in this Section)	
9	1001171953	1	Seal, Gasket	
10	1001171954	1	Seal, Gasket	
11	1001236256	1	Engine Assembly - Kubota Engine (Without Arctic Package) (See Separate Breakdown in this Section)	

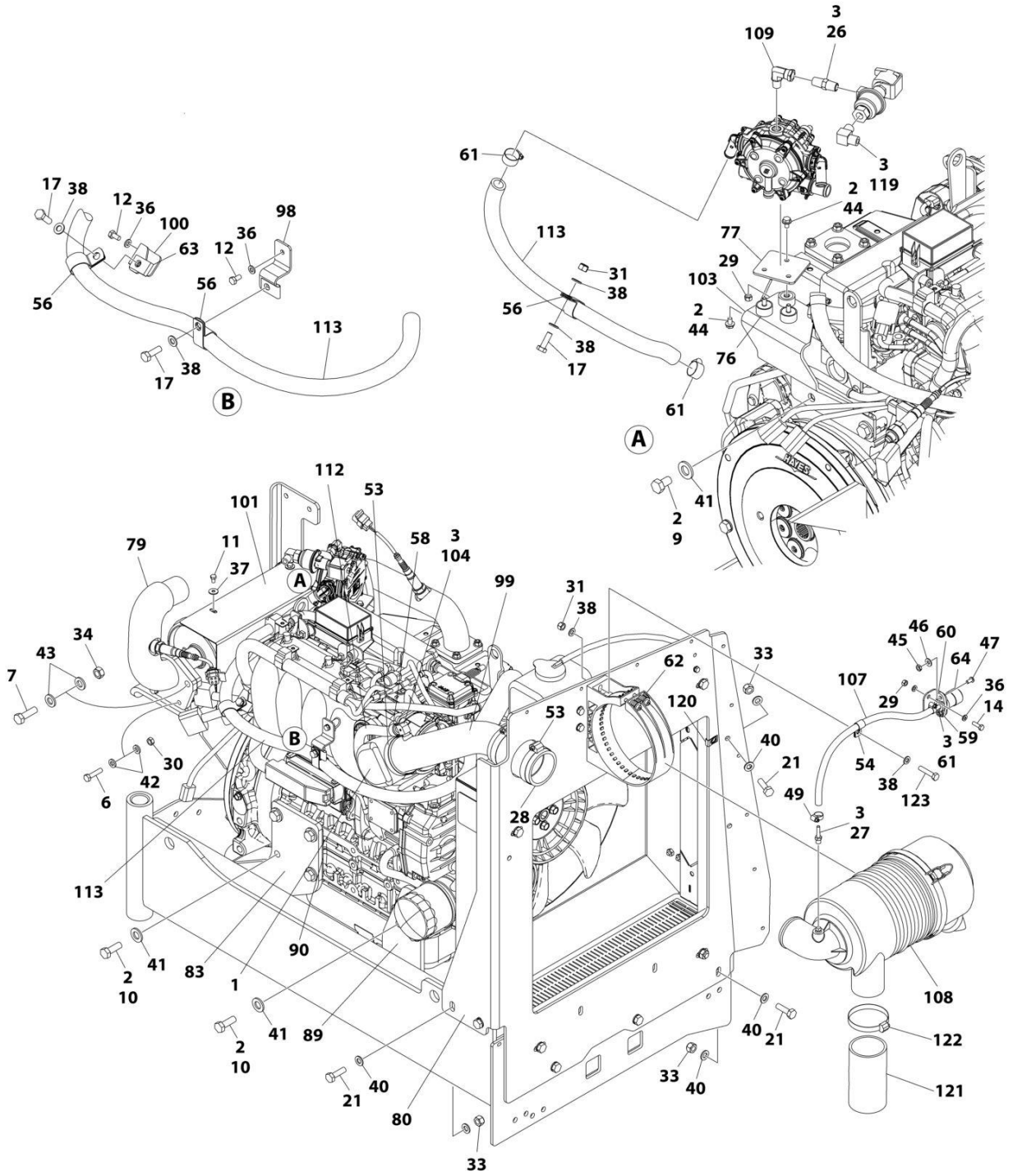
# SECTION 3 - ENGINE

## FIGURE 3-41. ENGINE ASSEMBLY - KUBOTA ENGINE (WITHOUT ARCTIC PACKAGE)



ART\_1001236256\_10F2

# SECTION 3 - ENGINE



ART\_1001236256\_20F2

## SECTION 3 - ENGINE

FIGURE 3-41. ENGINE ASSEMBLY - KUBOTA ENGINE (WITHOUT ARCTIC PACKAGE)

ITEM	PART NUMBER	QTY	DESCRIPTION	REV
	1001236256	Ref	ENGINE ASSEMBLY - KUBOTA ENGINE (WITHOUT ARCTIC PACKAGE)	E
1	0080201	1	Adapter, 90	
2	0100011	AR	Compound, Locking	
3	0100020	AR	Sealant, Pipe	
4	0700810	4	Bolt M8 x 20	
5	0700814	2	Bolt M8 x 30	
6	0700815	2	Bolt M8 x 35	
7	0701216	2	Bolt M12 x 40	
8	0701224	4	Bolt M12 x 80	
9	1001217494	2	Bolt M12 x 20	
10	1001217343	14	Bolt M12 x 35	
11	0760605	4	Bolt M6 x 10	
12	0760606	2	Bolt M6 x 12	
13	0760608	2	Bolt M6 x 16	
14	0760610	2	Bolt M6 x 20	
15	0760612	2	Bolt M6 x 25	
16	0760808	8	Bolt M8 x 16	
17	0760812	6	Bolt M8 x 25	
18	0760814	12	Bolt M8 x 30	
19	0760815	1	Bolt M8 x 35	
20	0761014	4	Bolt M10 x 30	
21	0761015	6	Bolt M10 x 35	
22	0761016	4	Bolt M10 x 40	
23	0961951	2	Bushing	
24	1580011	1	Container, Coolant Overflow	
25	1703162	2	Decal - Caution Fan	
26	2220261	1	Fitting, Nipple NPTF/NPTF	
27	2220315	1	Fitting, Barbed	
28	2720644	1	Hose	
29	3290607	5	Nut M6	
30	3290801	10	Nut M8	
31	3290805	17	Nut M8	
32	3291001	4	Nut M10	
33	3291005	6	Nut M10	
34	3291201	6	Nut M12	
35	4240099	AR	Tie-Strap (Not Shown)	
36	4811700	12	Washer M6	
37	4811702	4	Washer M6	
38	4811900	45	Washer M8	
39	4811902	8	Washer M8	
40	4812000	24	Washer M10	
41	5241400	16	Washer M14	
42	5240800	14	Washer M8	
43	5241200	8	Washer M12	
44	5250605	3	Bolt M6 x 10	
45	8305401	2	Nut 1/4	
46	8307109	2	Washer 1/4	
47	8310548	2	Screw 1/4 NC x 1/2	
48	1001173535	2	Clamp	

## SECTION 3 - ENGINE

ITEM	PART NUMBER	QTY	DESCRIPTION	REV
49	8405009	4	Clamp	
50	8405102	2	Clamp	
51	8405104	2	Clamp	
52	8405202	1	Clamp	
53	8405203	3	Clamp	
54	8406109	1	Clip	
55	8406110	2	Clip	
56	8406201	3	Clip	
57	8410001	1	Clamp	
58	8410009	6	Clamp	
59	1001138173	1	Support, Service Indicator	
60	1001138175	1	Bracket, Service Indicator	
61	1001141995	1	Fitting, Barbed	
62	1001147812	1	Clamp, Air Cleaner	
63	1001149160	3	Nut M8	
64	1001149639	1	Indicator, Air Intake	
65	1001166718	4	Isolator, Engine Mount	
66	1001168018	4	Washer, Snubbing	
67	1001168166	2	Seal	
68	1001169054	4	Isolator, Radiator	
69	1001169138	4	Washer, Snubbing	
70	1001169967	2	Bracket	
71	1001170035	1	Bracket	
72	1001176330	1	Bracket	
73	1001180620	AR	Adhesive	
74	1001209844	1	Pump Coupling Kit (See Separate Breakdown in this Section)	
75	1001236393	1	Engine, Kubota (See Separate Breakdown in this Section)	
76	1001211794	3	Mount	
77	1001211797	1	Mount	
78	1001212989	1	Pipe, Exhaust (Inlet)	
79	1001212993	1	Pipe Exhaust (Outlet)	
80	1001213305	1	Plate, Mounting	
81	1001236257	1	Radiator	
82	1001213425	1	Plate, Engine Mount (Left Rear)	
83	1001213426	1	Plate, Engine Mount (Right Rear)	
84	1001213482	1	Bracket	
85	1001213824	1	Insulation	
86	1001214138	1	Bracket	
87	1001214205	1	Support	
88	1001214233	1	Plate (Front Left)	
89	1001214234	1	Plate (Front Right)	
90	1001214276	1	Shim	
91	1001214277	1	Shim	
92	1001214278	2	Shim	
93	1001214307	1	Hose	
94	1001214508	1	Support	
95	1001214553	1	Support	
96	1001214555	1	Bracket	
97	1001214556	1	Bracket	
98	1001214558	1	Bracket	
99	1001214598	1	Tube	

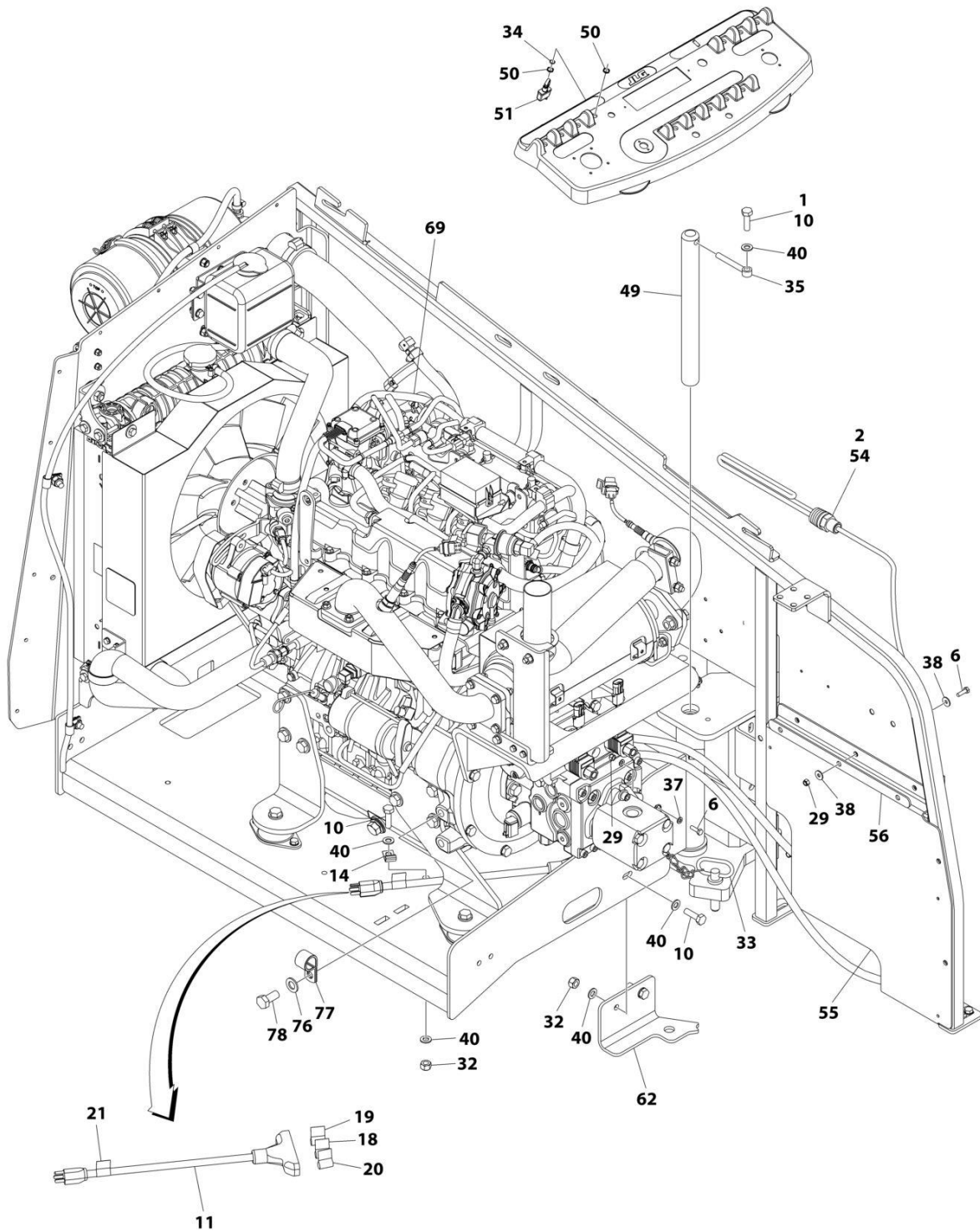
## SECTION 3 - ENGINE

ITEM	PART NUMBER	QTY	DESCRIPTION	REV
100	1001214599	1	Bracket	
101	1001214664	1	Cover	
102	1001214694	1	Hose	
103	1001214841	1	Bracket	
104	1001215125	1	Fitting, 90	
105	1001215869	1	Hose	
106	1001137336	2	Strap	
107	1001138248	2 ft/ 0.61m	Tube	
108	1001147813	1	Air Cleaner Assembly Including Filter Element	
108	70004020	1	Element, Air Filter	
109	1001247359	1	Fitting, 90	
110	2720058	1.75 ft/ 0.53m	Hose	
111	2720271	4 ft/ 1.22m	Hose	
112	2720615	1.25 ft/ 0.38m	Hose	
113	82033995	5.5 ft/ 1.68m	Hose	
114	1001216825	2	Seal	
115	0700816	4	Bolt M8 x 40	
116	0701016	4	Bolt M10 x 40	
119	2180504	1	Fitting, Barbed	
120	1001118274	1	Nut, Special M8	
121	1001001939	1	Tube, Flex	
122	8410011	1	Clamp	
123	0760816	1	Bolt M8 x 40	
124	4060805	1.94 ft/ 0.59m	Flex-Trim	
125	0100081	AR	Adhesive	



# SECTION 3 - ENGINE

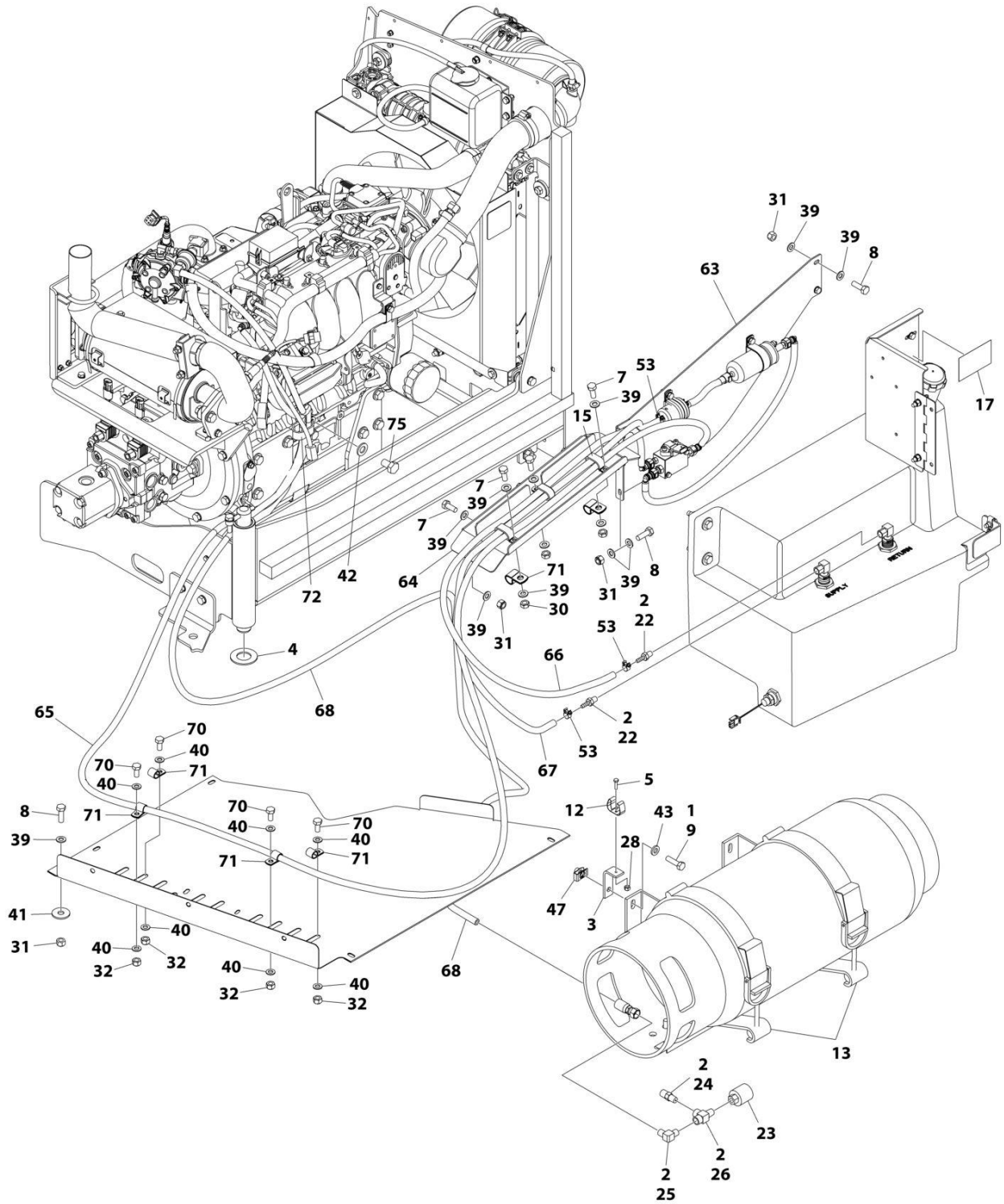
## FIGURE 3-42. ENGINE INSTALLATION - KUBOTA ENGINE (WITH ARCTIC PACKAGE)



ART\_1001236253\_10F3

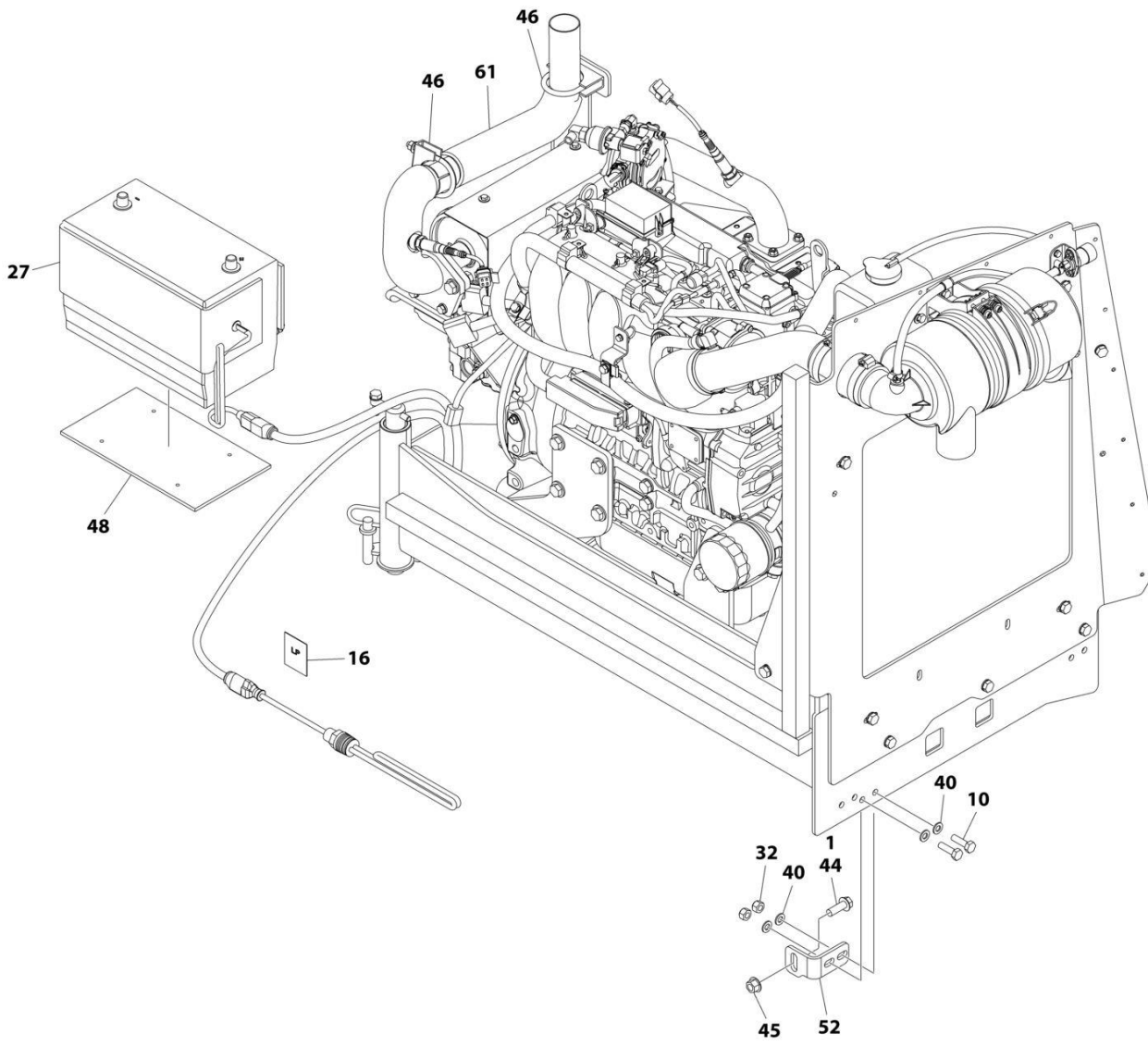


# SECTION 3 - ENGINE



ART\_1001236253\_20F3

# SECTION 3 - ENGINE



ART\_1001236253\_30F3

## SECTION 3 - ENGINE

**FIGURE 3-42. ENGINE INSTALLATION - KUBOTA ENGINE (WITH ARCTIC PACKAGE)**

ITEM	PART NUMBER	QTY	DESCRIPTION	REV
	1001236253	Ref	ENGINE INSTALLATION - KUBOTA ENGINE (WITH ARCTIC PACKAGE)	A
1	0100011	AR	Compound, Locking	
2	0100020	AR	Sealant, Pipe	
3	0181949	1	Angle	
4	0440162	1	Bearing	
5	0760408	1	Bolt M4 x 16	
6	0760610	4	Bolt M6 x 20	
7	0760810	6	Bolt M8 x 20	
8	0760812	4	Bolt M8 x 25	
9	0760814	4	Bolt M8 x 30	
10	0761015	6	Bolt M10 x 35	
11	1060626	1	Cord, 3 Way Extension	
12	1320218	1	Clamp	
13	1320220	1	Clamp Kit - LP	
14	1320223	1	Clamp	
15	1321283	3	Clamp	
16	1701543	1	Decal - LPG	
17	1701542	1	Decal - Gas	
18	1702941	1	Decal - Battery Heater	
19	1702942	1	Decal - Engine Block Heater	
20	1702943	1	Decal - Hydraulic Tank Heater	
21	1702944	1	Decal - Heater Cord	
22	2180348	2	Fitting, Barbed	
23	2180387	1	Fitting, LP	
24	2180389	1	Fitting	
25	2180504	1	Fitting, Barbed	
26	2220290	1	Fitting, Tee FNPTF/NPTF/FNPTF	
27	2580024	1	Heater, Battery	
28	3290405	1	Nut M4	
29	3290605	4	Nut M6	
30	3290801	3	Nut M8	
31	3290805	7	Nut M8	
32	3291005	9	Nut M10	
33	3422532	1	Pin	
34	3790012	1	O-Ring	
35	3841143	1	Keeper, Pin	
36	4240099	AR	Tie-Strap (Not Shown)	
37	4811700	2	Washer M6	
38	4811702	6	Washer M6	
39	4811900	19	Washer M8	
40	4812000	19	Washer M10	
41	4812002	1	Washer M10	
42	4812100	2	Washer M12	
43	5240800	4	Washer M8	
44	5251215	1	Bolt M12 x 35	
45	5261200	1	Nut M12 Grade 10.9	
46	1001217785	2	Clamp	
47	1001118274	4	Nut Special M8	
48	1001119278	1	Insulate	

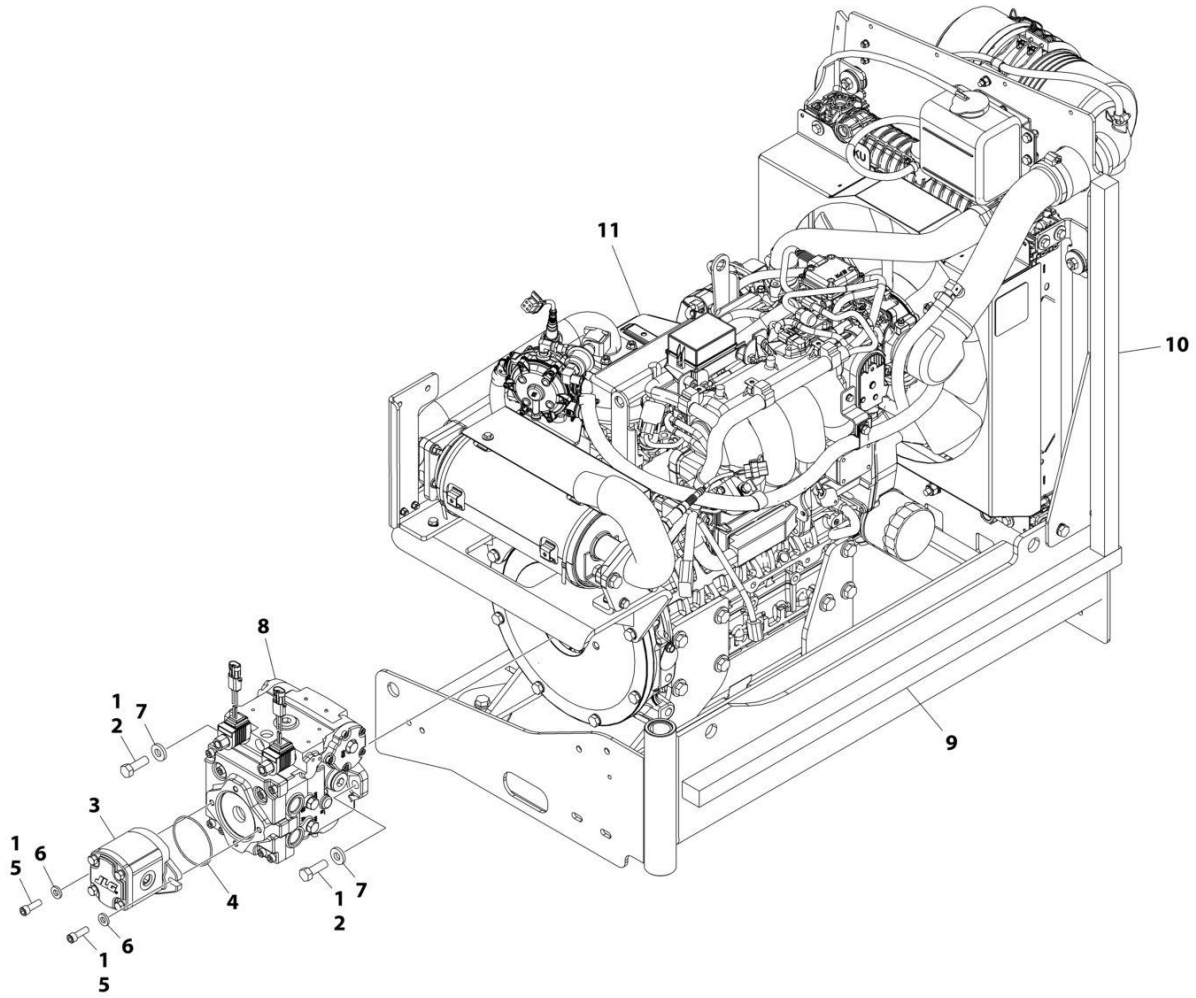
## SECTION 3 - ENGINE

ITEM	PART NUMBER	QTY	DESCRIPTION	REV
49	1001135196	1	Pin	
50	1001155044	2	Nut, Special 15/32	
51	1001161710	1	Switch, Toggle	
52	1001167512	1	Bracket, Engine Tray Stow	
53	1001174486	3	Clamp	
54	1001188972	1	Heater, Hydraulic Tank	
55	1001196376	1	Seal, Rubber	
56	1001204123	1	Plate, Support	
57	1001212257	1	Cable, Battery (Red) (Alternator Positive to Starter) (Not Shown)	
58	1001213060	1	Cable, Battery (Red) (Battery Positive to Auxiliary Power Relay) (Not Shown)	
59	1001213061	1	Cable, Battery (Black) (Battery Negative to Pivot Pin to Engine Ground) (Not Shown)	
60	1001213706	1	Harness Engine - Kubota Engine (Not Shown - See Separate Breakdown in ELECTRICAL SECTION)	
61	1001214503	1	Pipe, Tail Pipe	
62	1001215259	1	Plate, Engine Lock	
63	1001215813	1	Mount, Fuel System	
64	1001216308	1	Support, Fuel Lines	
65	1001216400	1	Hose	
66	1001216401	1	Hose	
67	1001156819	4.5 ft/ 1.4m	Hose	
68	1001216405	1	Hose	
69	1001236258	1	Engine and Pump Sub-Assembly - Kubota Engine (With Arctic Package) (See Separate Breakdown in this Section)	
70	0761011	4	Bolt M10 x 22	
71	85841094	6	Clamp	
72	1001195039	1	Clamp	
73	4460466	8	Seal, Terminal (Not Shown)	
74	4460930	1	Plug (Not Shown)	
75	1001217494	2	Bolt M12 x 20	
76	4812200	1	Washer M14	
77	24431386	1	Clamp	
78	1001217345	1	Bolt M14 x 30	
79	1001229797	1	Harness, Kubota D/F Power (Not Shown - See Separate Breakdown in ELECTRICAL SECTION)	



# SECTION 3 - ENGINE

FIGURE 3-43. ENGINE AND PUMP SUB-ASSEMBLY - KUBOTA ENGINE (WITH ARCTIC PACKAGE)



ART\_1001236258

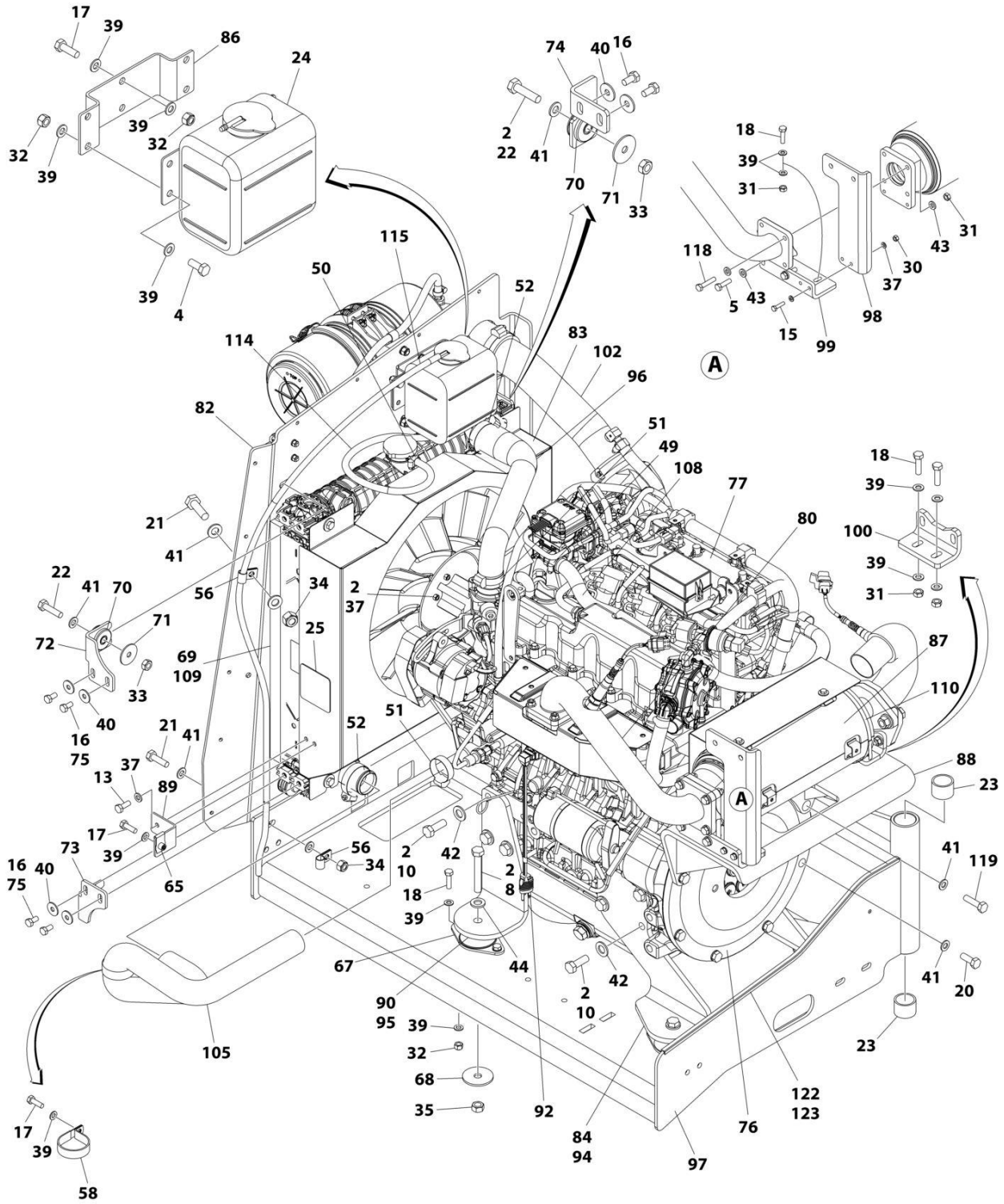
## SECTION 3 - ENGINE

**FIGURE 3-43. ENGINE AND PUMP SUB-ASSEMBLY - KUBOTA ENGINE (WITH ARCTIC PACKAGE)**

ITEM	PART NUMBER	QTY	DESCRIPTION	REV
	1001236258	Ref	ENGINE AND PUMP SUB-ASSEMBLY - KUBOTA ENGINE (WITH ARCTIC PACKAGE)	A
1	0100011	AR	Compound, Locking	
2	0641812	2	Bolt 1/2 x 1-1/2	
3	1001214207	1	Gear Pump Assembly	
3	70006356	1	Seal Kit - 1001214207 Pump	
4	3790152	1	O-Ring	
5	3931618	2	Capscrew 3/8 x 1-1/8	
6	4891600	2	Washer 3/8	
7	4891800	2	Washer 1/2	
8	1001167036	1	Piston Pump Assembly (See Separate Breakdown in this Section)	
9	1001171953	1	Seal	
10	1001171954	1	Seal	
11	1001236259	1	Engine Assembly - Kubota Engine (With Arctic Package) (See Separate Breakdown in this Section)	

# SECTION 3 - ENGINE

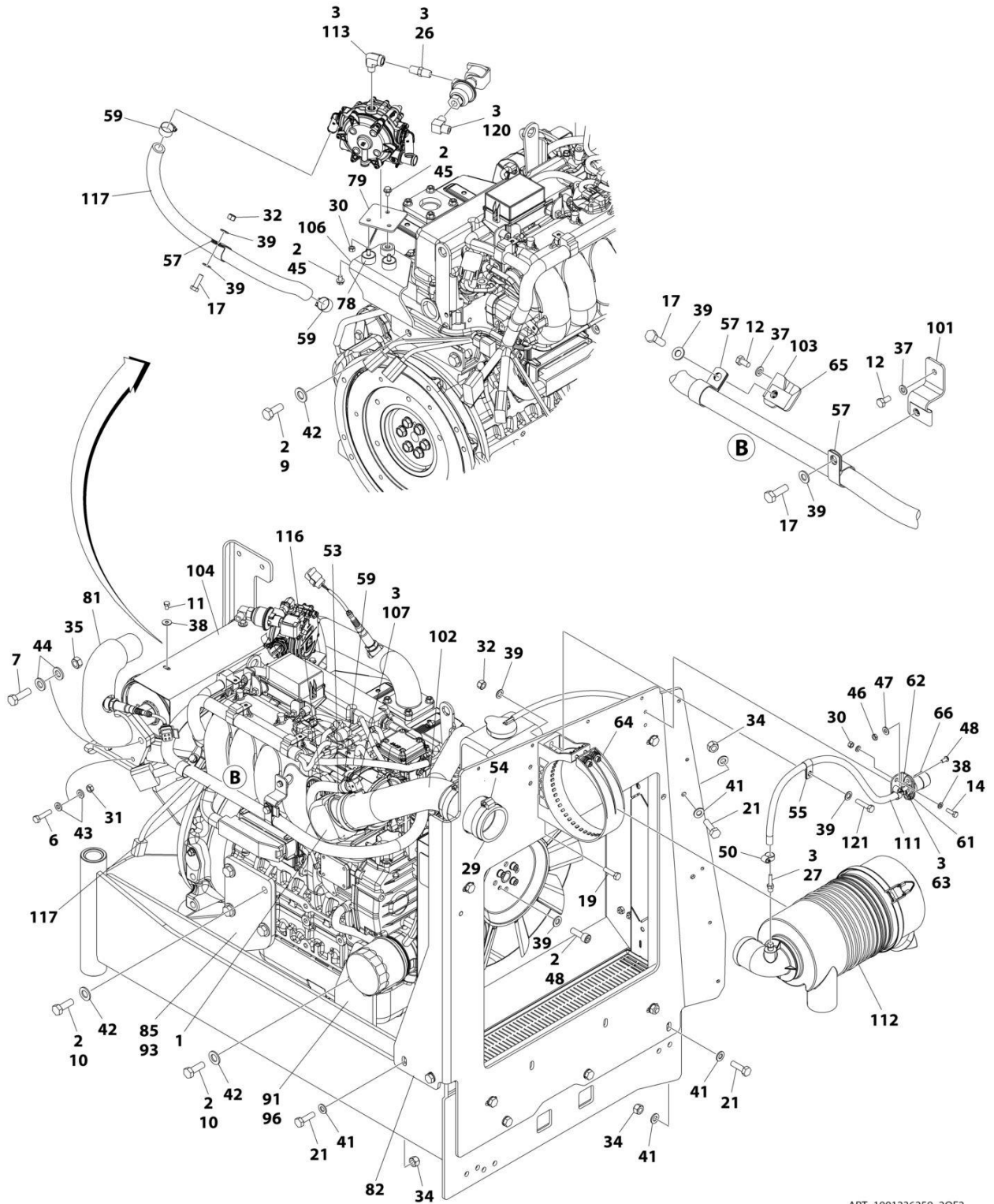
## FIGURE 3-44. ENGINE ASSEMBLY - KUBOTA ENGINE (WITH ARCTIC PACKAGE)



ART\_1001236259\_10F2



# SECTION 3 - ENGINE



ART\_1001236259\_2OF2

## SECTION 3 - ENGINE

FIGURE 3-44. ENGINE ASSEMBLY - KUBOTA ENGINE (WITH ARCTIC PACKAGE)

ITEM	PART NUMBER	QTY	DESCRIPTION	REV
	1001236259	Ref	ENGINE ASSEMBLY - KUBOTA ENGINE (WITH ARCTIC PACKAGE)	E
1	0080201	1	Adapter, 90	
2	0100011	AR	Compound, Locking	
3	0100020	AR	Sealant, Pipe	
4	0700810	4	Bolt M8 x 20	
5	0700814	2	Bolt M8 x 30	
6	0700815	2	Bolt M8 x 35	
7	0701216	2	Bolt M12 x 40	
8	0701224	4	Bolt M12 x 80	
9	1001217494	2	Bolt M12 x 20	
10	1001217343	14	Bolt M12 x 35	
11	0760605	4	Bolt M6 x 10	
12	0760606	2	Bolt M6 x 12	
13	0760608	2	Bolt M6 x 16	
14	0760610	2	Bolt M6 x 20	
15	0760612	2	Bolt M6 x 25	
16	0760808	8	Bolt M8 x 16	
17	0760812	6	Bolt M8 x 25	
18	0760814	12	Bolt M8 x 30	
19	0760815	1	Bolt M8 x 35	
20	0761014	4	Bolt M10 x 30	
21	0761015	6	Bolt M10 x 35	
22	0761016	4	Bolt M10 x 40	
23	0961951	2	Bushing	
24	1580011	1	Container, Coolant Overflow	
25	1703162	2	Decal - Caution Fan	
26	2220261	1	Fitting, Nipple NPTF/NPTF	
27	2220315	1	Fitting, Barbed	
29	2720644	1	Hose	
30	3290607	5	Nut M6	
31	3290801	10	Nut M8	
32	3290805	17	Nut M8	
33	3291001	4	Nut M10	
34	3291005	6	Nut M10	
35	3291201	6	Nut M12	
36	4240099	AR	Tie-Strap (Not Shown)	
37	4811700	16	Washer M6	
38	4811702	4	Washer M6	
39	4811900	45	Washer M8	
40	4811902	8	Washer M8	
41	4812000	24	Washer M10	
42	5241400	16	Washer M14	
43	5240800	14	Washer M8	
44	5241200	8	Washer M12	
45	5250605	3	Bolt M6 x 10	
46	8305401	2	Nut 1/4	
47	8307109	2	Washer 1/4	
48	8310548	2	Screw 1/4 x 1/2	
49	1001173535	2	Clamp	

## SECTION 3 - ENGINE

ITEM	PART NUMBER	QTY	DESCRIPTION	REV
50	8405009	4	Clamp	
51	8405102	2	Clamp	
52	8405104	2	Clamp	
53	8405202	1	Clamp	
54	8405203	3	Clamp	
55	8406109	1	Clip	
56	8406110	2	Clip	
57	8406201	3	Clip	
58	8410001	1	Clamp	
59	8410009	6	Clamp	
61	1001138173	1	Support, Service Indicator	
62	1001138175	1	Bracket, Service Indicator	
63	1001141995	1	Fitting, Barbed	
64	1001147812	1	Clamp, Air Cleaner	
65	1001149160	3	Nut M8	
66	1001149639	1	Indicator, Air Intake	
67	1001166718	4	Isolator, Engine Mount	
68	1001168018	4	Washer, Snubbing	
69	1001168166	2	Seal	
70	1001169054	4	Isolator, Radiator	
71	1001169138	4	Washer, Snubbing	
72	1001169967	2	Bracket	
73	1001170035	1	Bracket	
74	1001176330	1	Bracket	
75	1001180620	AR	Adhesive	
76	1001209844	1	Pump Coupling Kit (See Separate Breakdown in this Section)	
77	1001236393	1	Engine, Kubota (See Separate Breakdown in this Section)	
78	1001211794	3	Mount	
79	1001211797	1	Mount	
80	1001212989	1	Pipe, Exhaust (Inlet)	
81	1001212993	1	Pipe, Exhaust (Outlet)	
82	1001213305	1	Plate, Mounting	
83	1001236257	1	Radiator	
84	1001213425	1	Plate, Engine Mount (Left Rear)	
85	1001213426	1	Plate, Engine Mount (Right Rear)	
86	1001213482	1	Bracket	
87	1001213824	1	Insulation	
88	1001214138	1	Bracket	
89	1001214205	1	Support	
90	1001214233	1	Plate (Front Left)	
91	1001214234	1	Plate (Front Right)	
92	1001214269	1	Heater, Block	
93	1001214276	1	Shim	
94	1001214277	1	Shim	
95	1001214278	2	Shim	
96	1001214307	1	Hose	
97	1001214508	1	Support	
98	1001214553	1	Support	
99	1001214555	1	Bracket	
100	1001214556	1	Bracket	
101	1001214558	1	Bracket	

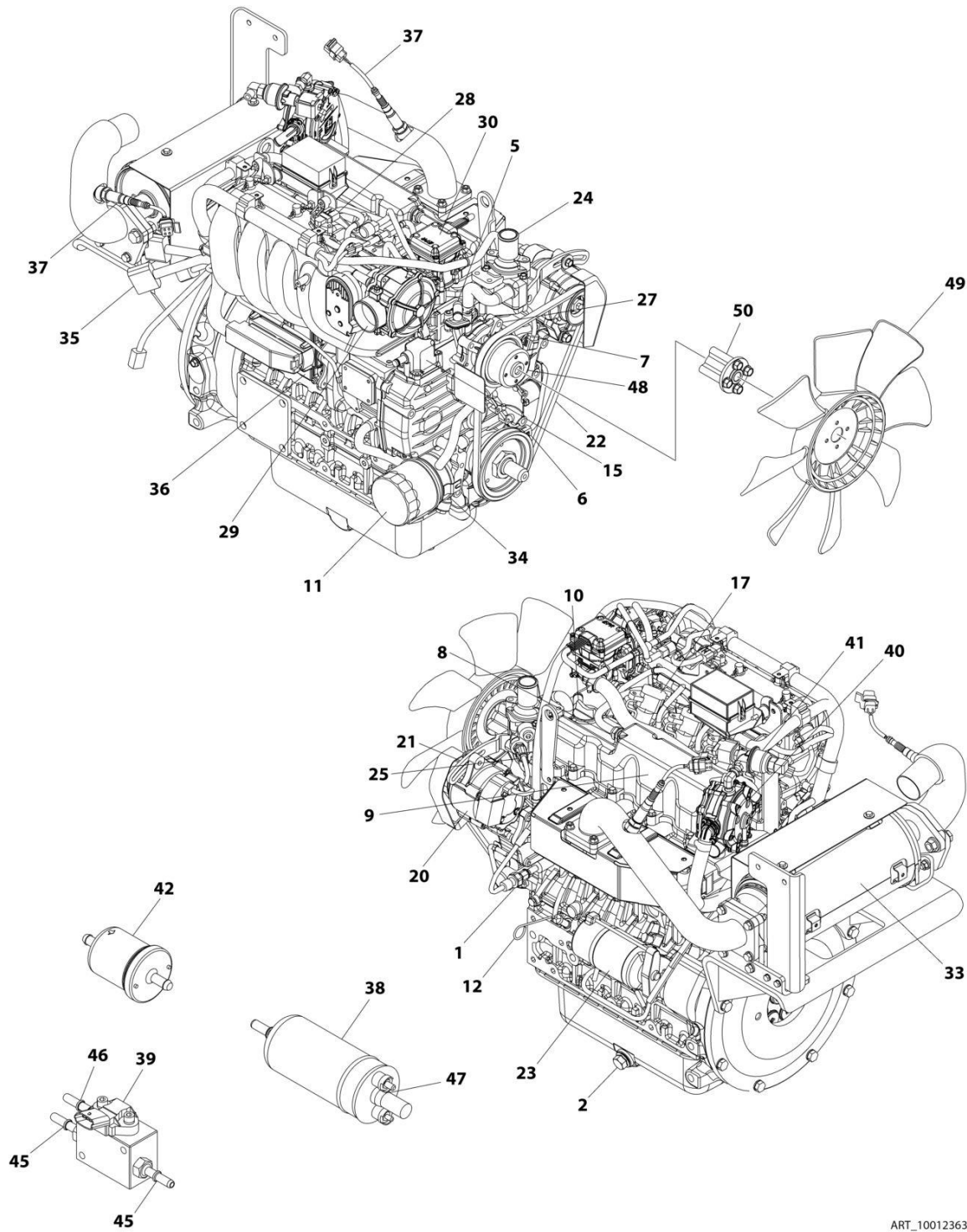
## SECTION 3 - ENGINE

ITEM	PART NUMBER	QTY	DESCRIPTION	REV
102	1001214598	1	Tube	
103	1001214599	1	Bracket	
104	1001214664	1	Cover	
105	1001214694	1	Hose	
106	1001214841	1	Bracket	
107	1001215125	1	Fitting, 90	
108	1001215869	1	Hose	
109	1001216825	2	Seal	
110	1001137336	2	Strap	
111	1001138248	2 ft/ 0.6m	Tube	
112	1001147813	1	Air Cleaner Assembly Including Filter Element	
112	70004020	1	Element, Filter (Not Shown)	
113	1001247359	1	Fitting, Street Elbow	
114	2720058	1.8 ft/ 0.5m	Hose	
115	2720271	4 ft/ 1.2m	Hose	
116	2720615	1.2 ft/ 0.4m	Hose	
117	82033995	5.5 ft/ 1.7m	Hose	
118	0700816	4	Bolt M8 x 40	
119	0701016	4	Bolt M10 x 40	
120	2180504	1	Fitting, Barbed	
121	0760816	1	Bolt M8 x 40	
122	4060805	1.94 ft/ 59m	Flex-Trim	
123	0100081	AR	Adhesive	



# SECTION 3 - ENGINE

## FIGURE 3-45. ENGINE COMPONENTS - KUBOTA



ART\_1001236393

## SECTION 3 - ENGINE

**FIGURE 3-45. ENGINE COMPONENTS - KUBOTA**

ITEM	PART NUMBER	QTY	DESCRIPTION	REV
	1001236393	Ref	ENGINE COMPONENTS - KUBOTA	D
1	70005745	1	Switch, Oil	
1	70006013	1	Adapter	
2	7023154	1	Plug, Drain	
2	7017904	1	Gasket, Oil Pan Drain	
3	70006014	1	Gasket, Cylinder Head (Not Shown)	
4	70006015	1	Sensor (Knock) (Not Shown - Located on Left Side of Engine)	
5	70006016	1	Flange Assembly (Water Return)	
5	70002316	1	Pipe	
5	70006017	1	Gasket	
6	70005737	1	Sensor Stick Assembly	
7	70006018	1	Sensor	
8	70006019	1	Valve (PCV)	
8	70006020	1	Seal	
9	7017932	3	Element, Breather	
9	70006021	1	Gasket	
10	70002318	1	Oil Filler Cap	
10	70006022	1	O-Ring	
11	70006023	1	Filter, Oil	
12	70006024	1	Dipstick	
13	70006025	1	Pump Assembly, Oil (Not Shown - Located Under Front Cover)	
13	70006026	1	Gasket	
13	70006027	1	Key	
14	70006028	1	Flywheel (Not Shown - Located Behind Coupling Plate)	
14	70006029	1	Ring Gear (Part of Flywheel)	
15	70006030	1	Flange Assembly (Breather)	
15	70002316	1	Pipe	
15	70006031	1	Gasket	
16	70006035	1	Pipe Assembly (Not Shown)	
16	70005727	1	Gasket	
17	70006034	4	Coil	
17	70006033	4	Spark Plug	
18	70006032	1	Gasket (Not Shown)	
19	70005751	4	Injector (Not Shown)	
20	70006036	1	Alternator (Includes Voltage Regulator and Gaskets, Fan and Fan Mounting Hardware)	
21	70006037	1	Bracket	
22	70006038	1	Belt	
23	70006039	1	Starter	
24	70006041	1	Thermostat	
24	70002326	1	Gasket	
25	70005726	1	Sensor	
25	70006042	1	O-Ring	
26	70006040	1	Gasket (Not Shown - Located Between Engine Head and Water Flange)	
27	70006043	1	Water Pump Assembly	
27	70004829	1	Pipe	
27	70006044	1	Gasket	
28	70005746	1	Sensor (TMAP)	
28	70005747	1	O-Ring	

## SECTION 3 - ENGINE

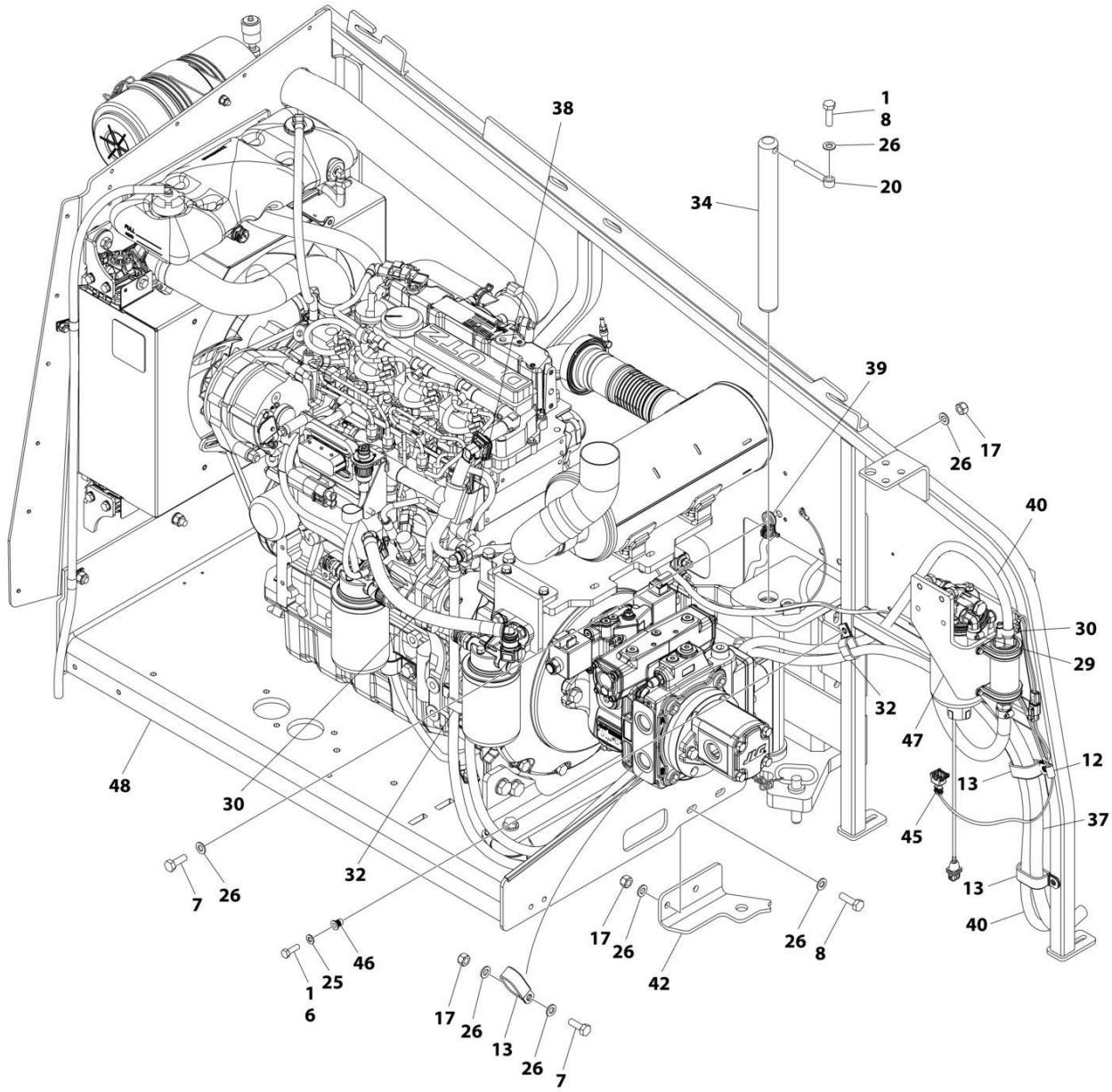
ITEM	PART NUMBER	QTY	DESCRIPTION	REV
29	70006049	1	Mixer Assembly	
29	70006050	1	Seal, Rubber	
29	70006045	1	Throttle Body	
29	70006046	1	Gasket	
29	70006047	1	Adapter	
29	70006048	1	O-Ring	
30	70006051	1	Regulator Assembly	
30	70006052	1	Seal, Rubber	
30	70006053	1	Seal, Rubber	
30	70006054	1	Seal, Rubber	
31	70006055	1	Gasket (Not Shown - Located Between Intake Manifold and Engine Head)	
32	70006056	1	Gasket (Not Shown - Located Between Exhaust Manifold and Engine Head)	
33	70006057	1	Muffler	
33	70006065	1	Gasket	
33	70006066	1	Gasket	
33	70006072	1	Gasket	
34	70006058	1	Oil Cooler Assembly	
34	70006059	1	Seal	
34	7017959	2	Clamp	
35	70006060	1	Engine Harness	
36	70006061	1	Module, Engine Control	
37	70006062	2	Sensor (O2)	
38	70006063	1	Pump, Fuel	
39	70006064	1	Manifold (FPM)	
40	70006067	1	Regulator Assembly	
40	70006068	1	Connector	
40	70006069	3	Clip	
40	70006070	2	Connector	
41	70006071	1	Valve, Lockoff	
41	70006078	1	Valve, Lockoff Kit	
42	7017992	1	Filter, Fuel	
43	70006079	1	Gasket Kit (Upper) (Not Shown)	
44	70006080	1	Gasket Kit (Lower) (Not Shown)	
45	70006074	2	Joint (Includes O-Ring)	
46	70006075	1	Joint (Includes O-Ring)	
47	70006076	1	Joint (Includes O-Ring)	
47	70006077	1	Gasket	
48	70006379	1	Pulley	
49	70006639	1	Fan	
50	70006640	1	Collar, Fan	





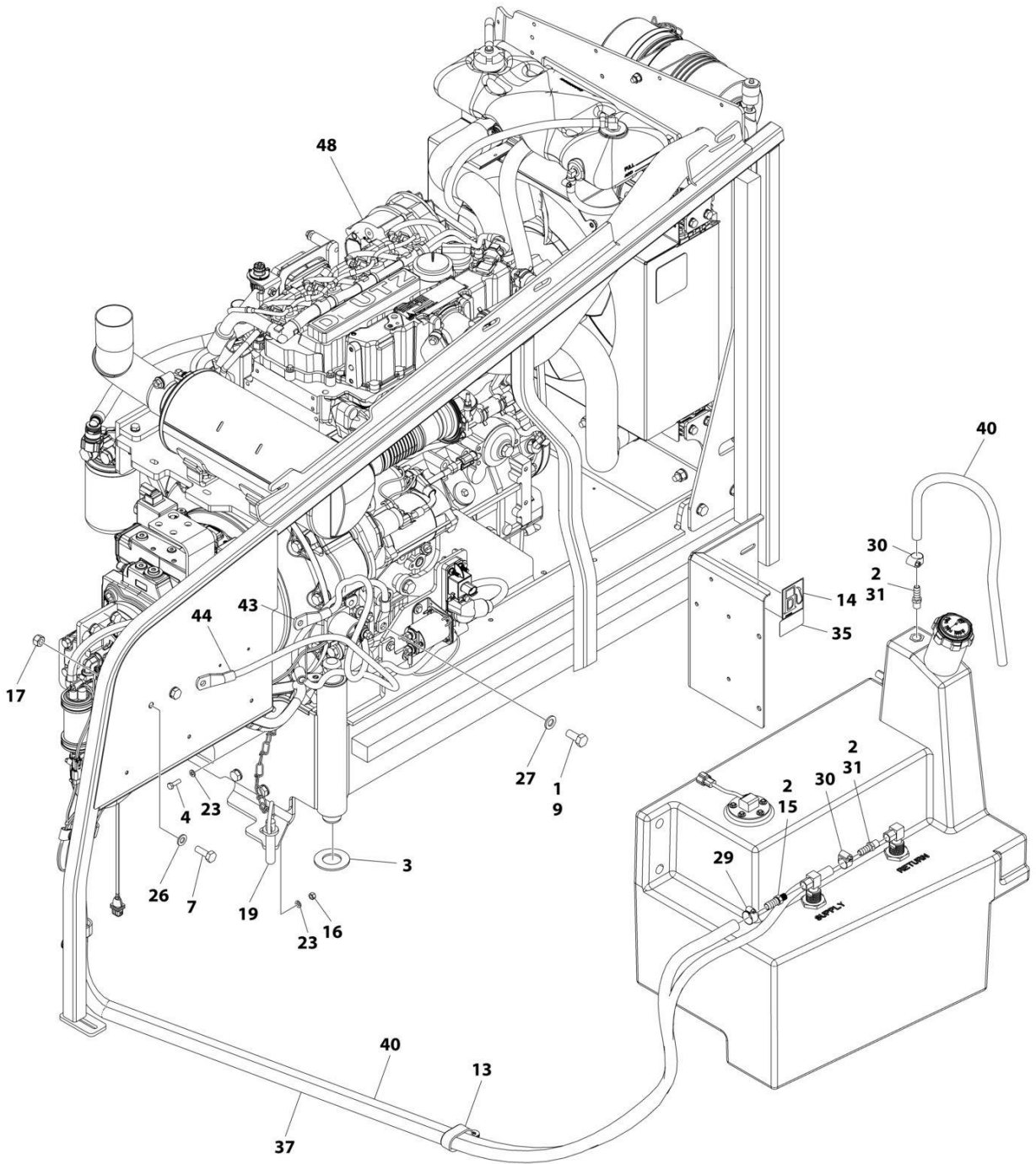
# SECTION 3 - ENGINE

## FIGURE 3-46. ENGINE INSTALLATION - DEUTZ D2.9L4 ENGINE (CHINA IV) (WITH PMP PUMP)



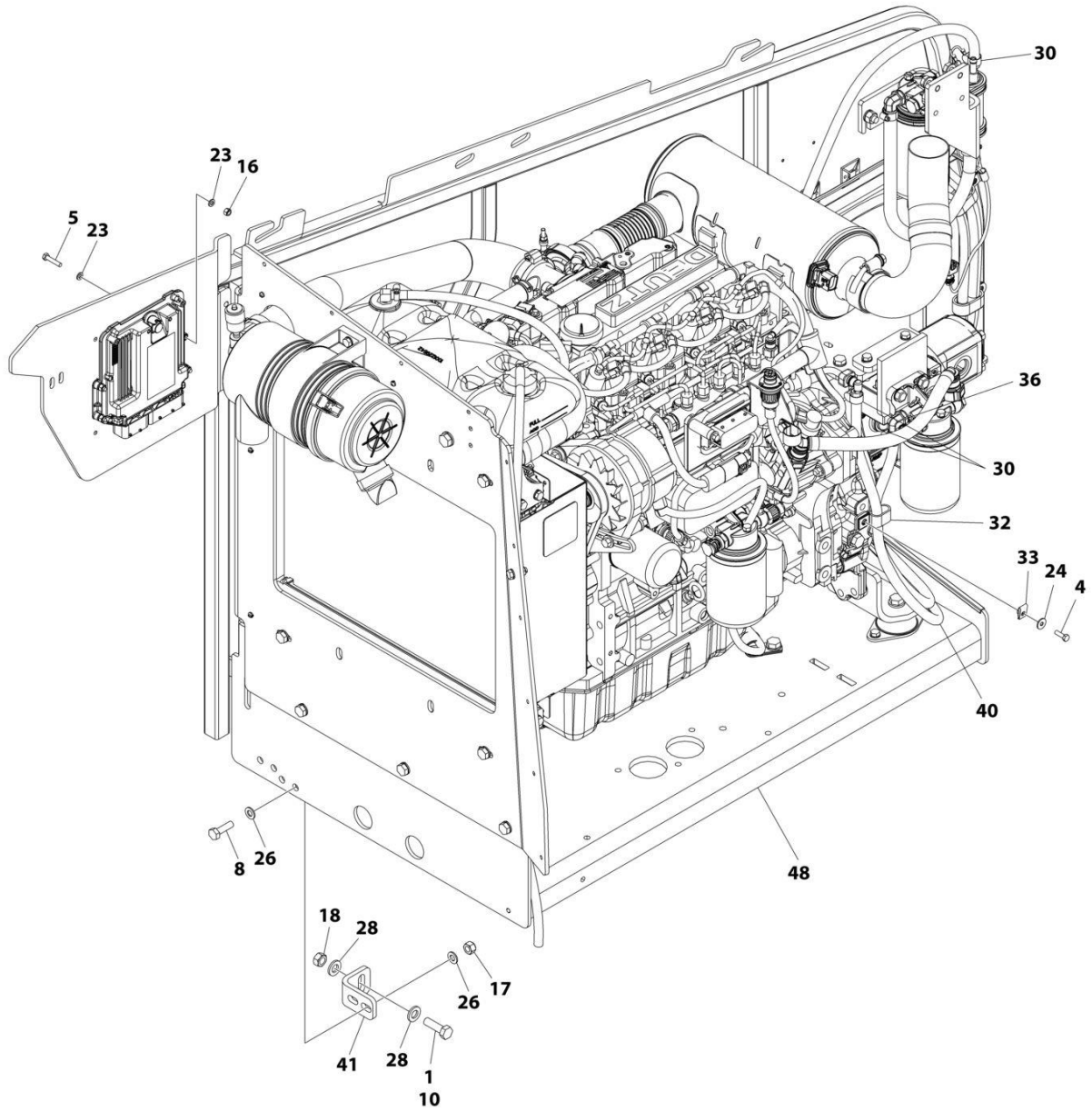
ART\_1001300789\_10F3

# SECTION 3 - ENGINE



ART\_1001300789\_2OF3

# SECTION 3 - ENGINE



ART\_1001300789\_3OF3

## SECTION 3 - ENGINE

**FIGURE 3-46. ENGINE INSTALLATION - DEUTZ D2.9L4 ENGINE (CHINA IV) (WITH PMP PUMP)**

ITEM	PART NUMBER	QTY	DESCRIPTION	REV
	1001300789	Ref	ENGINE INSTALLATION - DEUTZ D2.9L4 ENGINE (CHINA IV) (WITH PMP PUMP)	A
1	0100011	AR	Compound, Locking	
2	0100020	AR	Sealant, Pipe	
3	0440162	1	Bearing	
4	0760610	2	Bolt M6 x 20	
5	0760614	4	Bolt M6 x 30	
6	0760812	1	Bolt M8 x 25	
7	0761014	5	Bolt M10 x 30	
8	0761015	5	Bolt M10 x 35	
9	0761210	1	Bolt M12 x 20	
10	0761216	1	Bolt M12 x 40	
11	1062255	AR	Tie-Strap (Not Shown)	
12	1320263	1	Clamp	
13	1321716	5	Clamp	
14	1701505	1	Decal - Diesel	
15	2180832	1	Fitting, Barbed	
16	3290605	5	Nut M6	
17	3291005	9	Nut M10	
18	3331215	1	Nut M12	
19	3422532	1	Pin	
20	3841143	1	Keeper, Pin	
21	4240099	AR	Tie-Strap (Not Shown)	
22	4460488	2	Terminal (Not shown)	
23	4811700	10	Washer M6	
24	4811702	1	Washer M6	
25	4811900	1	Washer M8	
26	4812000	19	Washer M10	
27	4812100	1	Washer M12	
28	5241200	2	Washer M12	
29	8405006	2	Clamp	
30	8410013	5	Clamp	
31	8430007	2	Fitting, Barbed	
32	1001026127	2	Clamp	
33	1001130220	1	Nut, Tinnerman M6	
34	1001135196	1	Pin	
35	1001139654	1	Decal - Ultra Low Sulphur Fuel	
36	1001152489	1	Fitting, 90 Barbed	
37	1001154405	7.4 ft/ 2.3 m	Hose	
38	1001155823	1	Coupling, Quick Disconnect 90	
39	1001156107	1	Holder, Cable	
40	1001165035	20.5 ft/ 6.3 m	Hose	
41	1001167512	1	Bracket	
42	1001169823	1	Plate	
43	1001171683	1	Cable, Battery (Red) (Battery Positive to Auxiliary Power Relay)	
44	1001171684	1	Cable, Battery (Black) (Battery Negative to Auxiliary Power Pump)	
45	1001181358	1	Harness, Fuel Pump (See Separate Breakdown in ELECTRICAL Section)	

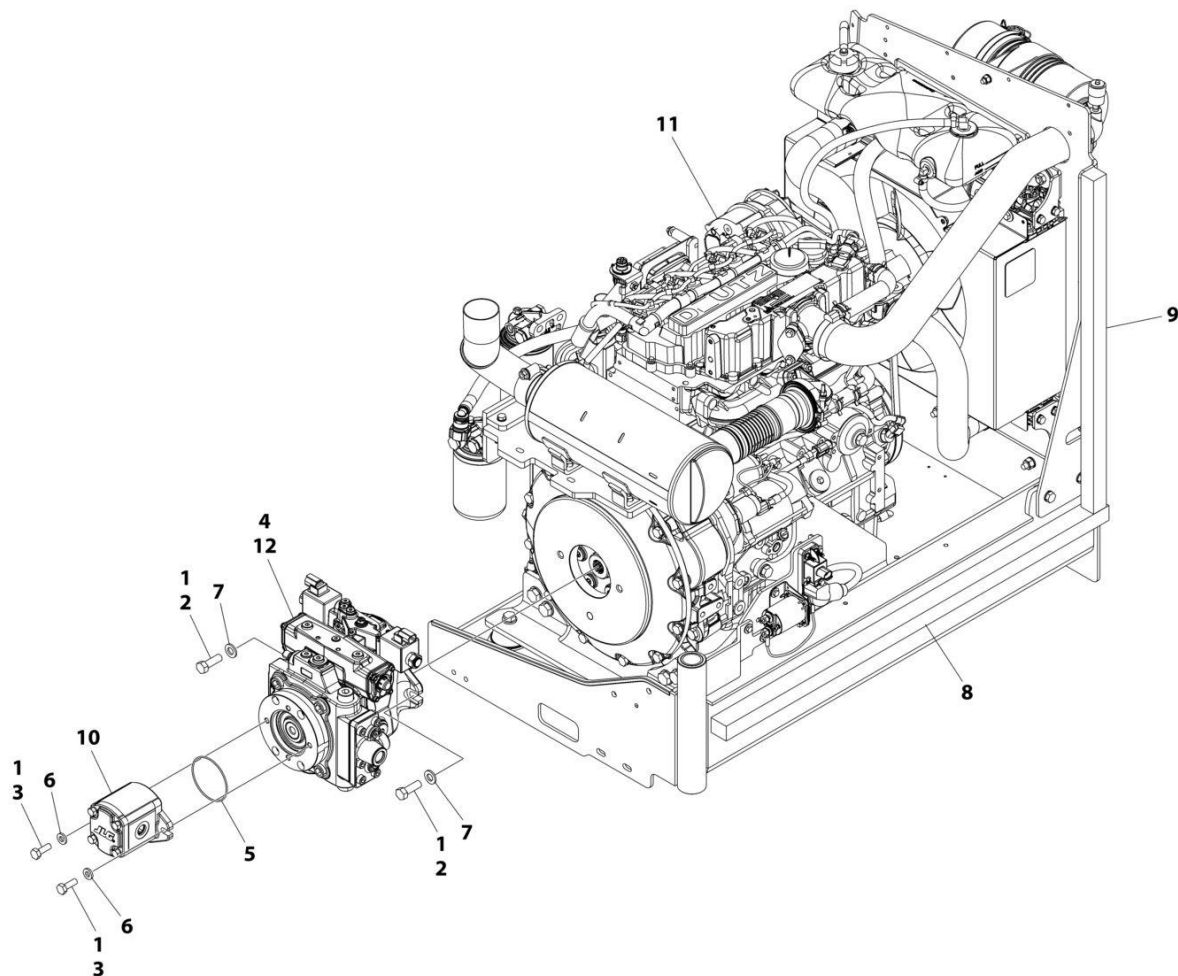
## SECTION 3 - ENGINE

ITEM	PART NUMBER	QTY	DESCRIPTION	REV
46	1001191832	1	Nut, Rivet M8	
47	1001258385	1	Fuel Filter (See Separate Breakdown in this section)	
48	1001300790	1	Engine and Pump Sub-Assembly (See Separate Breakdown in this Section)	



# SECTION 3 - ENGINE

FIGURE 3-47. ENGINE AND PUMP SUB-ASSEMBLY - DEUTZ D2.9L4 ENGINE (CHINA IV)



ART\_1001300790



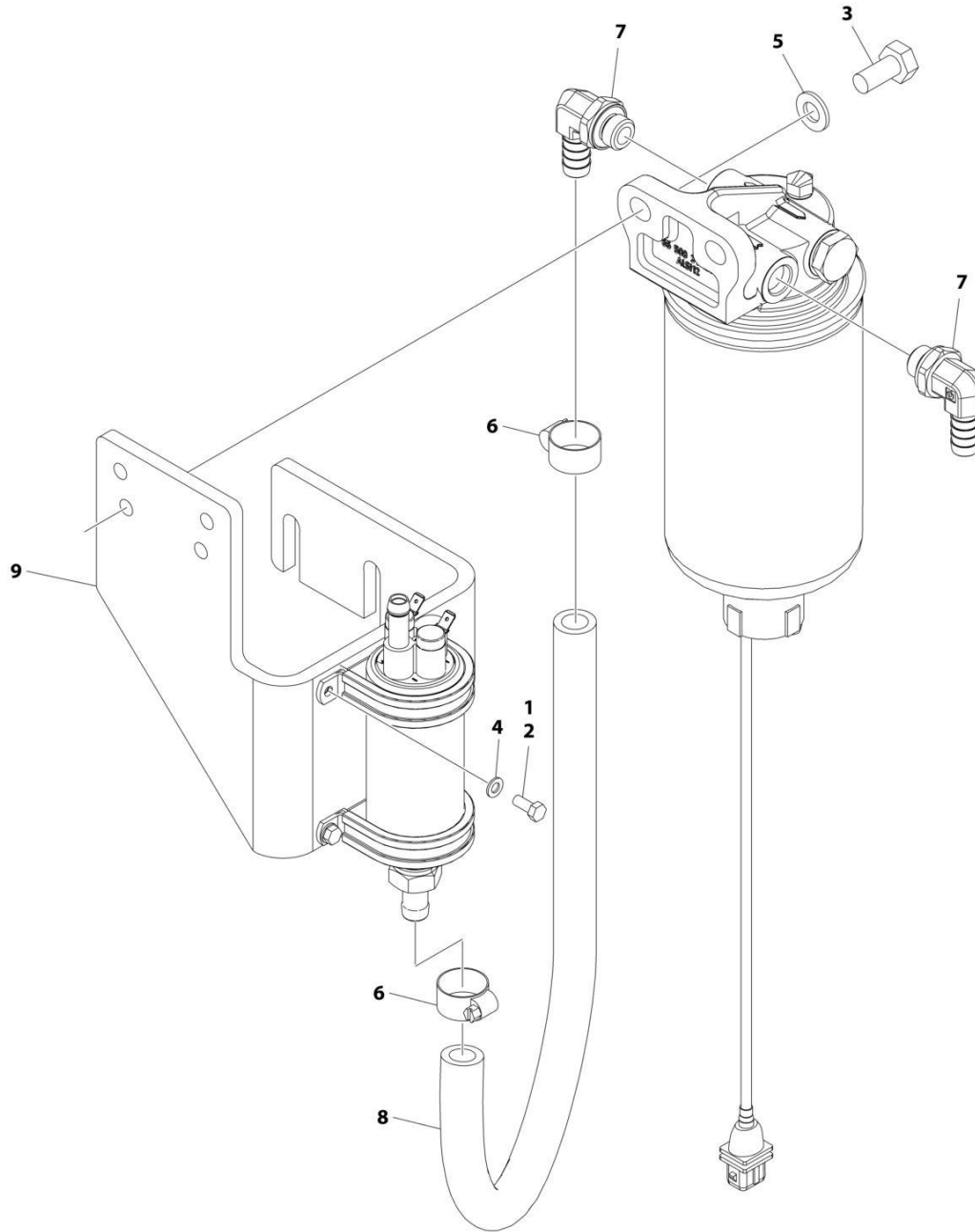
## SECTION 3 - ENGINE

**FIGURE 3-47. ENGINE AND PUMP SUB-ASSEMBLY - DEUTZ D2.9L4 ENGINE (CHINA IV)**

ITEM	PART NUMBER	QTY	DESCRIPTION	REV
	1001300790	Ref	ENGINE AND PUMP SUB-ASSEMBLY - DEUTZ D2.9L4 ENGINE (CHINA IV)	A
1	0100011	AR	Compound, Locking	
2	0641812	2	Bolt 1/2 x 1-1/2	
3	0761014	2	Bolt M10 x 30	
4	3020037	AR	Grease	
5	3790152	1	O-Ring	
6	4891600	2	Washer 3/8	
7	5241200	2	Washer M12	
8	1001171953	1	Seal	
9	1001171954	1	Seal	
10	1001214207	1	Gear Pump Assembly	
10	70006356	1	Seal Kit - 1001214207 Pump	
11	1001258337	1	Engine Assembly (China IV) Engine (See Separate Breakdown in this Section)	
12	1001285632	1	Closed Pump Loop Assembly (See Separate Breakdown in this Section)	

# SECTION 3 - ENGINE

FIGURE 3-48. BRACKET ASSEMBLY - FUEL PUMP AND FILTER (DEUTZ D2.9L4 CHINA IV ENGINE)



ART\_1001258385

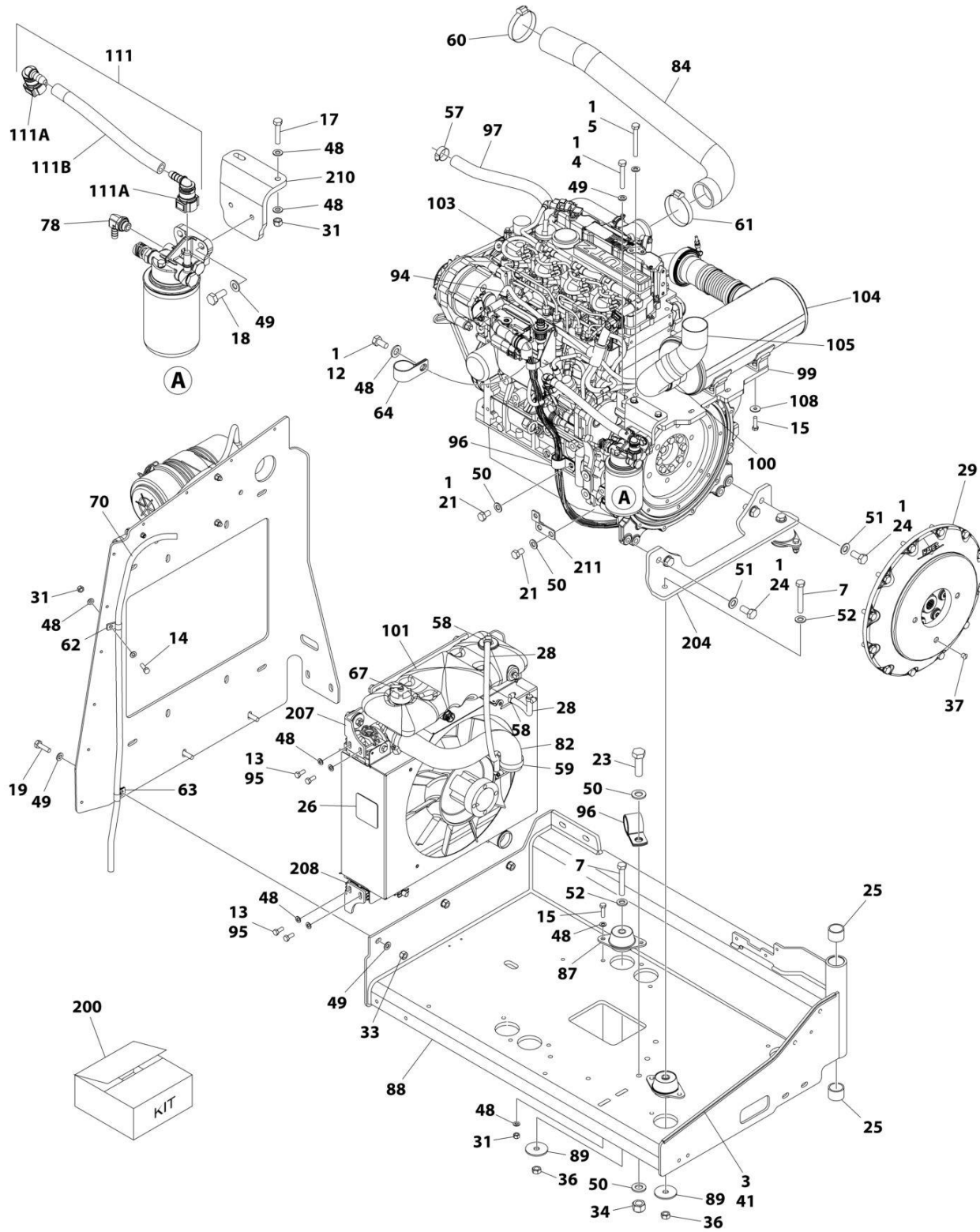
## SECTION 3 - ENGINE

**FIGURE 3-48. BRACKET ASSEMBLY - FUEL PUMP AND FILTER (DEUTZ D2.9L4 CHINA IV ENGINE)**

ITEM	PART NUMBER	QTY	DESCRIPTION	REV
	1001258385	Ref	BRACKET ASSEMBLY - FUEL PUMP AND FILTER (DEUTZ D2.9L4 CHINA IV ENGINE)	B
1	0100011	AR	Compound, Locking	
2	0760506	4	Bolt M5 x 12	
3	0761011	2	Bolt M10 x 22	
4	4811600	4	Washer M5	
5	4812000	2	Washer M10	
6	8405006	2	Clamp	
7	1001142501	2	Fitting, Elbow Barbed	
8	1001154405	1.64 ft /.50m	Hose	
9	1001298141	1	Bracket	

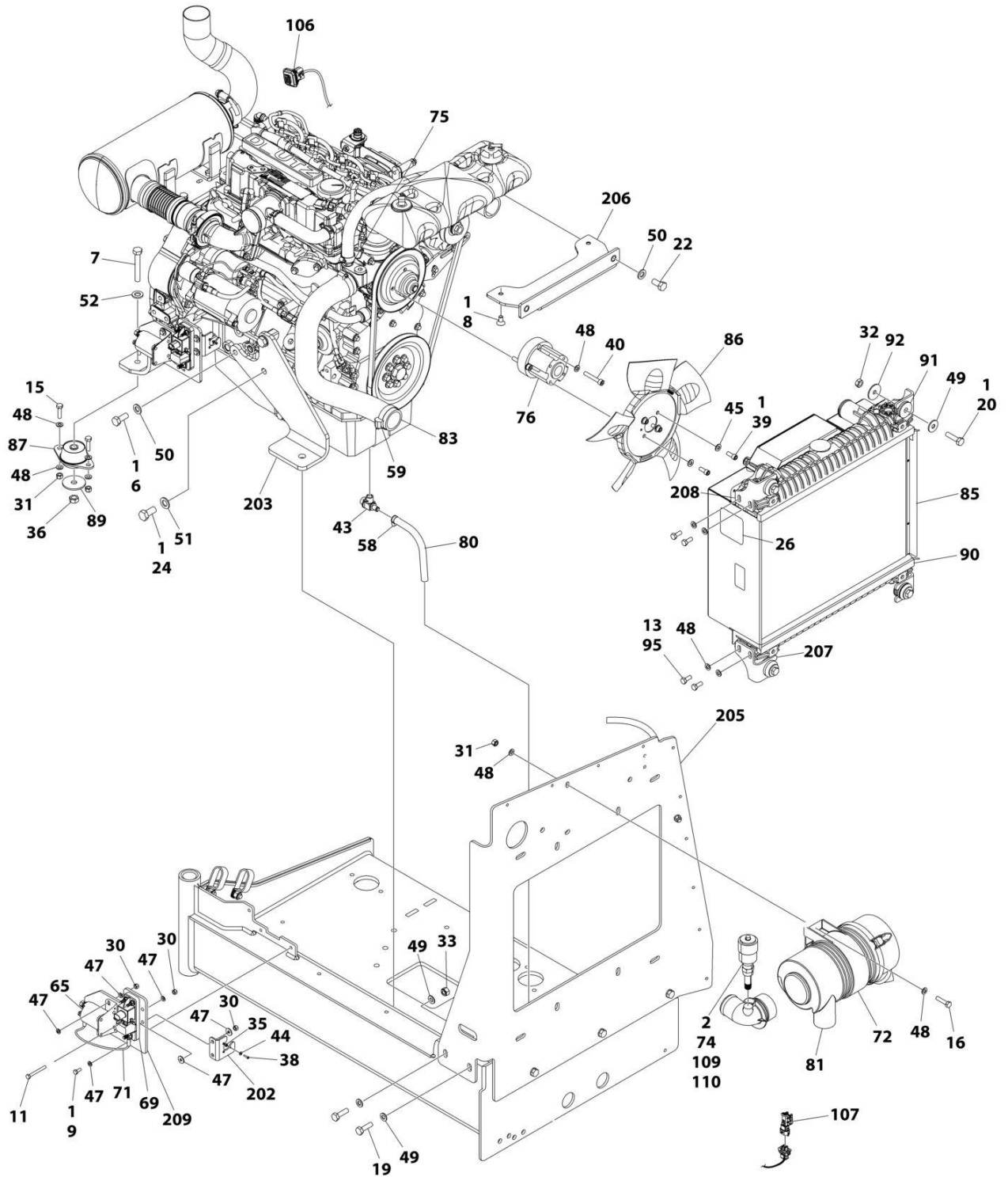
# SECTION 3 - ENGINE

## FIGURE 3-49. ENGINE ASSEMBLY - DEUTZ D2.9L4 (CHINA IV)



ART\_1001258337\_F\_10F2

# SECTION 3 - ENGINE



ART\_1001258337\_F\_20F2

## SECTION 3 - ENGINE

**FIGURE 3-49. ENGINE ASSEMBLY - DEUTZ D2.9L4 (CHINA IV)**

ITEM	PART NUMBER	QTY	DESCRIPTION	REV
	1001258337	Ref	ENGINE ASSEMBLY - DEUTZ D2.9L4 (CHINA IV)	F
1	0100011	AR	Compound, Locking	
2	0100020	AR	Sealant, Pipe	
3	0100081	AR	Adhesive	
4	0701022	2	Bolt M10 x 70	
5	0701025	2	Bolt M10 x 85	
6	0711214	1	Bolt M12 x 30 Class 10.9	
7	0711224	3	Bolt M12 x 80 Class 10.9	
8	0741606	2	Screw 3/8 x 3/4	
9	0760607	3	Bolt M6 x 14	
10	0760610	4	Bolt M6 x 20	
11	0760619	1	Bolt M6 x 55	
12	0760808	1	Bolt M8 x 16	
13	0760810	8	Bolt M8 x 20	
14	0760812	1	Bolt M8 x 25	
15	0760814	10	Bolt M8 x 30	
16	0760815	2	Bolt M8 x 35	
17	0760816	2	Bolt M8 x 40	
18	0761012	2	Bolt M10 x 25	
19	0761015	5	Bolt M8 x 35	
20	0761016	4	Bolt M10 x 40	
21	0761210	3	Bolt M12 x 20	
22	0761212	2	Bolt M12 x 25	
23	0761216	1	Bolt M12 x 40	
24	0771414	6	Bolt M14 x 30 Class 10.9	
25	0961951	2	Bushing	
26	1703162	2	Decal - Caution Fan	
28	2720015	2.17 ft /0.64m	Hose	
29	2902065	1	Pump Coupling Kit (See Separate Breakdown in this Section)	
30	3290605	5	Nut, Lock M6	
31	3290805	11	Nut, Lock M8	
32	3291001	4	Nut M10	
33	3291005	5	Nut, Lock M10	
34	3291205	1	Nut, Lock M12	
35	3310401	4	Nut #4	
36	3331215	3	Nut M12 x 1.75	
37	3520054	1	Plug	
38	3910408	3	Screw #4 x 1/2	
39	3931512	4	Capscrew 5/16 x 3/4	
40	4031914	4	Bolt M8 x 50	
41	4060805	2.02 ft /0.62m	Flex-Trim	
42	4240099	AR	Tie-Strap (Not Shown)	
43	4640751	1	Valve, Oil Drain	
44	4710400	3	Washer #4	
45	4711500	4	Washer 5/16	
46	4811700	1	Washer M6	
47	4811702	12	Washer M6	
48	4811900	35	Washer M8	

## SECTION 3 - ENGINE

ITEM	PART NUMBER	QTY	DESCRIPTION	REV
49	4812000	20	Washer M10	
50	4812100	8	Washer M12	
51	4812200	6	Washer M14	
52	5241200	3	Washer M12	
57	8405007	2	Clamp	
58	8405009	5	Clamp	
59	8405104	4	Clamp	
60	8405202	1	Clamp	
61	8405204	1	Clamp	
62	8406109	1	Clip	
63	8406110	1	Clip	
64	8406201	1	Clip	
65	1001117308	1	Relay, 200Amp	
67	1001136834	1	Cap, Tank	
69	1001138228	1	Relay, Power Module	
70	1001138248	3.5 ft /1.1m	Tube	
71	1001141304	1	Harness, Glow Plug	
72	1001141694	1	Clamp, Air Cleaner	
74	1001143390	1	Indicator	
75	1001143797	1	Fitting, Barbed	
76	1001286568	1	Spacer Fan	
77	1001146588	AR	Tie-Strap (Not Shown)	
78	1001152489	1	Fitting, Barbed 90	
80	1001165035	7.09 in /18cm	Hose, Fuel	
81	1001165388	1	Air Cleaner Assembly	
81	70003783	1	Element, Air Cleaner	
82	1001165405	1	Hose, Upper Radiator	
83	1001165406	1	Hose, Lower Radiator	
84	1001165721	1	Hose, Air Intake	
85	1001287643	1	Radiator	
86	1001288266	1	Fan	
87	1001166718	3	Mount, Motor	
88	1001167520	1	Tray, Engine	
89	1001168018	3	Washer, Special	
90	1001168166	2	Seal	
91	1001169054	4	Isolator	
92	1001169138	4	Washer, Snubbing	
94	1001178788	1	Cable, Alternator	
95	1001180620	AR	Adhesive	
96	1001191620	2	Clamp	
97	1001193049	1.31 ft /.40m	Hose, Coolant	
99	1001221203	1	Bracket	
100	1001221212	1	Clamp	
101	1001230635	1	Tank, Surge	
102	1001290660	1	Harness, Engine (Not Shown - See Separate Breakdown in ELECTRICAL Section)	
103	1001258112	1	Engine, Deutz 2.9L4 (China IV) (See Separate Breakdown in this Section)	
104	1001280270	1	Muffler	

## SECTION 3 - ENGINE

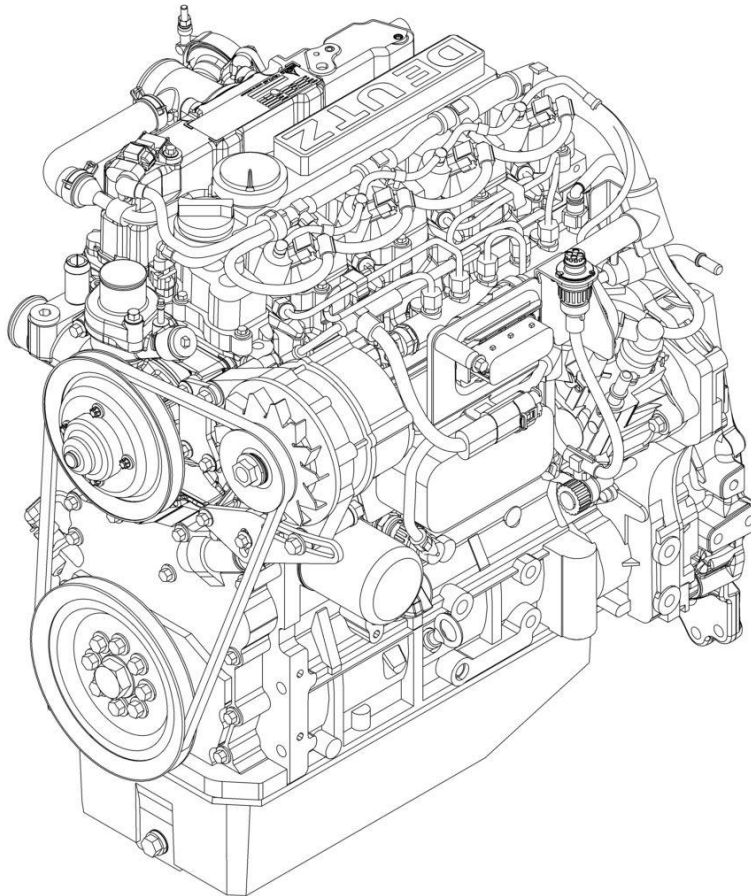
ITEM	PART NUMBER	QTY	DESCRIPTION	REV
104	1001299212	1	Muffler	
105	1001260575	1	Pipe, Exhaust	
106	1001281985	1	Connector	
107	1001281986	1	Connector	
108	4811902	4	Washer M8	
109	2200261	1	Fitting	
110	1001277432	1	Spacer	
111	1001177359	1	Fuel Hose Assembly	
111A	1001170982	1	Adapter	
111B	1001192294	1	Hose, Fuel	
200	1001258629	1	Kit, Engine Parts	
202	1001139240	1	Bracket	
203	1001166921	1	Plate	
204	1001166924	1	Plate	
205	1001168026	1	Plate	
206	1001168950	1	Bracket	
207	1001169967	2	Bracket	
208	1001170035	2	Bracket	
209	1001179903	1	Bracket	
210	1001288366	1	Bracket	
211	1001258502	1	Bracket	





## SECTION 3 - ENGINE

FIGURE 3-50. DEUTZ D2.9L4 ENGINE COMPONENTS (CHINA IV)



ART\_1001258112

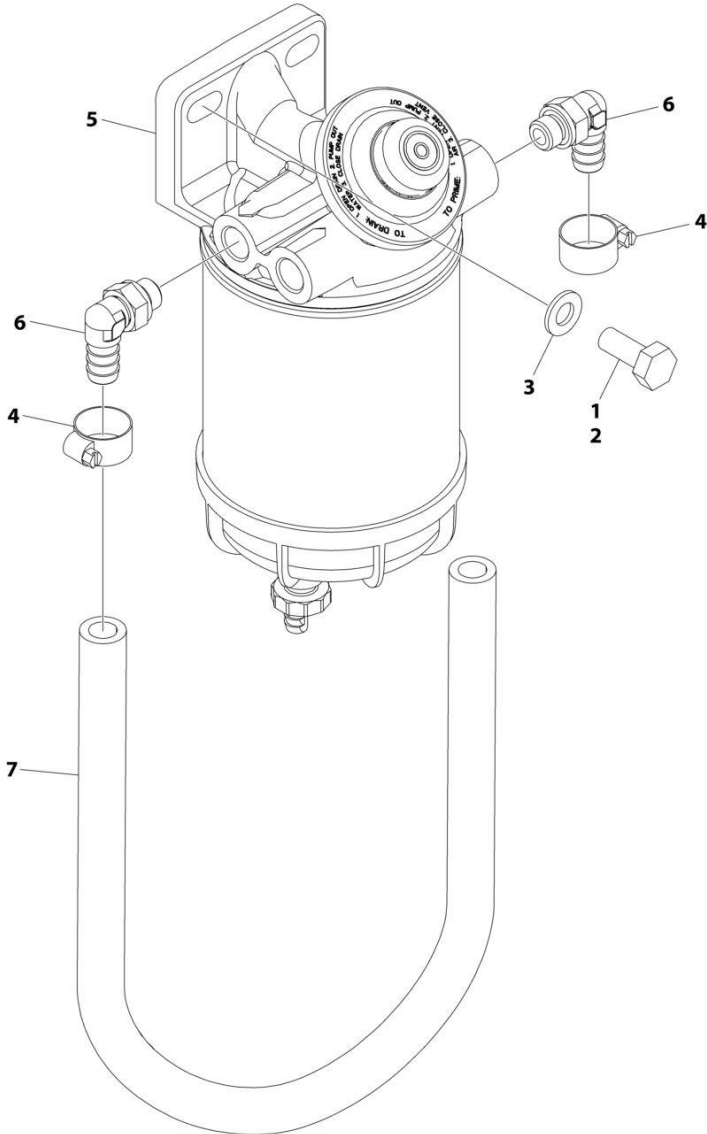
## SECTION 3 - ENGINE

**FIGURE 3-50. DEUTZ D2.9L4 ENGINE COMPONENTS (CHINA IV)**

ITEM	PART NUMBER	QTY	DESCRIPTION	REV
	1001258112	Ref	DEUTZ D2.9L4 ENGINE COMPONENTS	B
	See Note	Ref	Note: No Service Parts Available at Time of Printing.	

**SECTION 3 - ENGINE**

**FIGURE 3-51. FUEL/WATER SEPARATOR ASSEMBLY**



ART\_1001258406

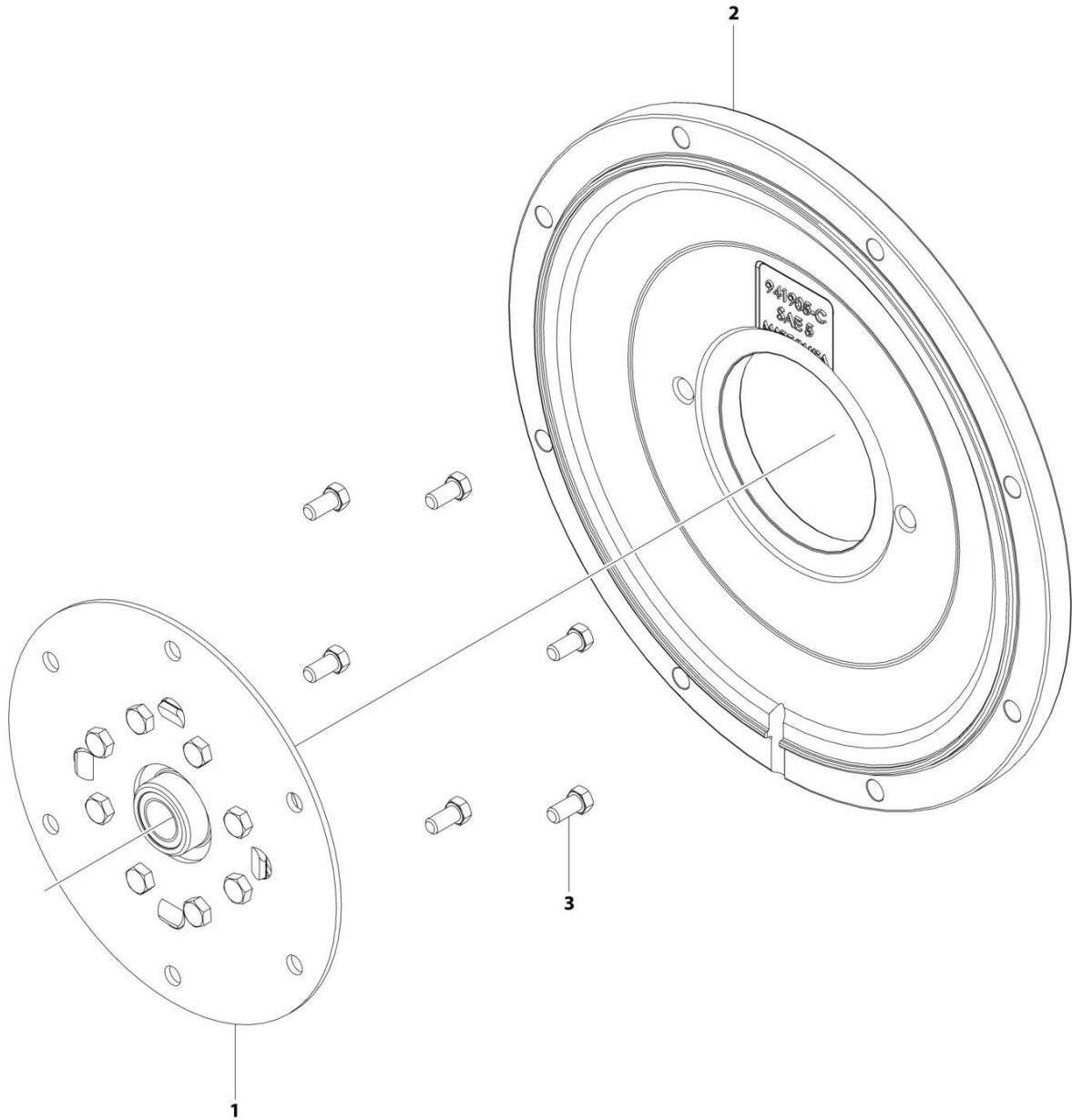
## SECTION 3 - ENGINE

### FIGURE 3-51. FUEL/WATER SEPARATOR ASSEMBLY

ITEM	PART NUMBER	QTY	DESCRIPTION	REV
	1001258406	Ref	FUEL/WATER SEPARATOR ASSEMBLY	A
1	0100011	AR	Compound, Locking	
2	0761012	2	Bolt M10 x 25	
3	4812000	2	Washer M10	
4	8405006	2	Clamp	
5	1001149452	1	Filter, Water Separator	
6	1001258505	2	Fitting, Barbed	
7	1001154405	2.13 ft/.65m	Hose	

# SECTION 3 - ENGINE

## FIGURE 3-52. PUMP COUPLING KIT - KUBOTA ENGINE



ART\_1001209844

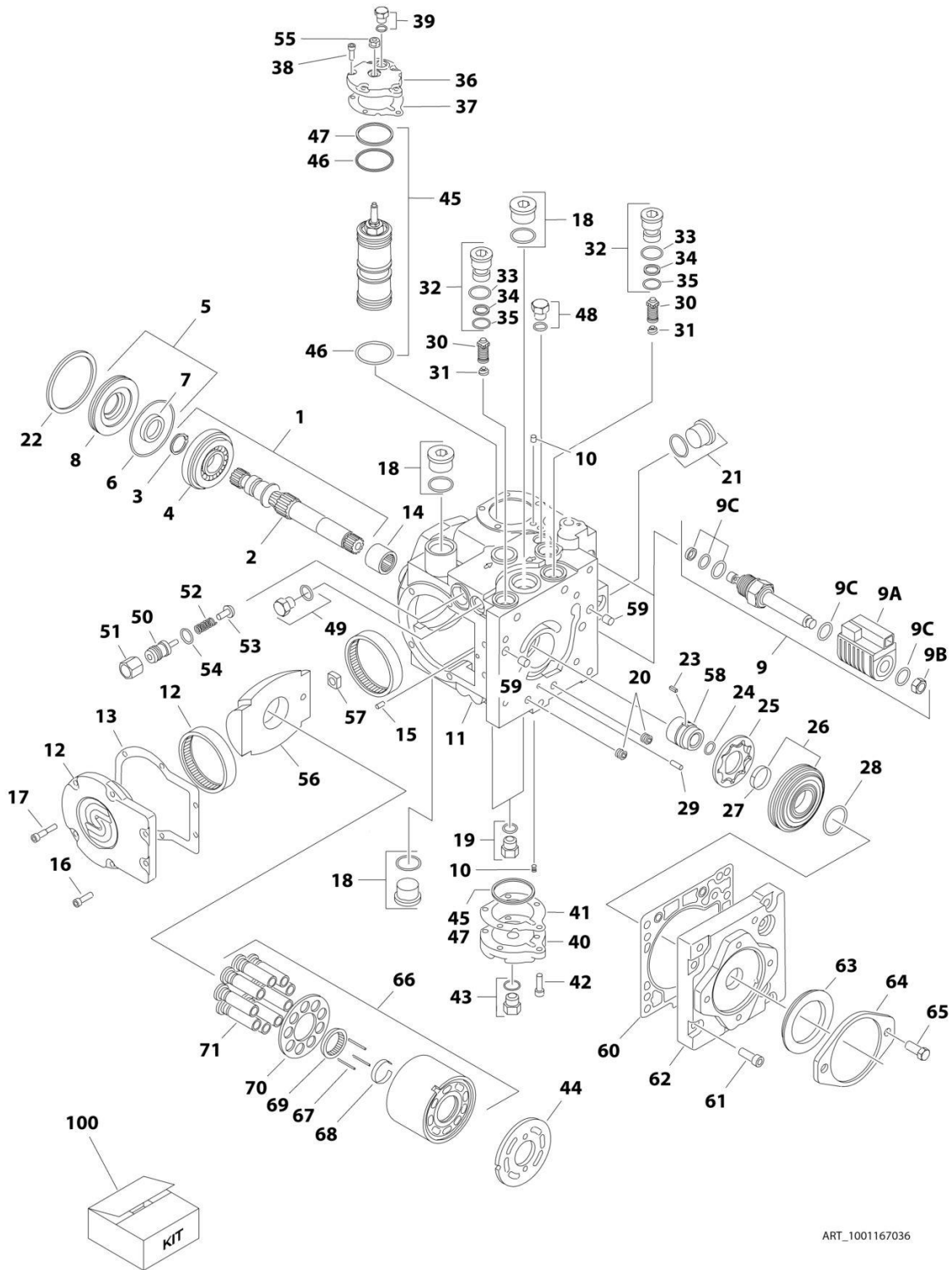
## SECTION 3 - ENGINE

### FIGURE 3-52. PUMP COUPLING KIT - KUBOTA ENGINE

ITEM	PART NUMBER	QTY	DESCRIPTION	REV
	1001209844	Ref	PUMP COUPLING KIT - KUBOTA ENGINE	C
1	70006010	1	Coupling Assembly, Hayes	
2	70006011	1	Plate, Pump Adapter	
3	70006012	1	Bolt Kit	

# SECTION 3 - ENGINE

## FIGURE 3-53. PISTON PUMP ASSEMBLY



ART\_1001167036



## SECTION 3 - ENGINE

### FIGURE 3-53. PISTON PUMP ASSEMBLY

ITEM	PART NUMBER	QTY	DESCRIPTION	REV
	1001167036	Ref	PISTON PUMP ASSEMBLY	B
1	7021240	1	Shaft Assembly (Includes Items 2-4)	
2	7021237	1	Shaft	
3	7021238	1	Ring, Retaining	
4	7021239	1	Bearing, Roller	
5	70004896	1	Shaft Seal Kit (Includes Items 6-8)	
6	7021241	1	O-Ring	
7	7021242	1	Seal, Lip	
8	7021243	1	Carrier, Seal Shaft	
9	7024855	2	Solenoid Assembly	
9A	70004897	2	Coil (1 Per Assembly)	
9B	7024857	2	Nut (1 Per Assembly)	
9C	7024858	2	Seal Kit - 7024855 Cartridge (1 Per Assembly)	
10	70004889	2	Orifice	
11	See Note	NSS	Housing Assembly (Note: Not Available for Purchase)	
12	7021248	1	Side Cover Assembly (Includes Item 13)	
13	70004891	1	Gasket	
14	7021249	1	Bearing, Needle	
15	See Note	NSS	Pin (Note: Not Available for Purchase)	
16	70004890	2	Screw	
17	70004892	4	Screw	
18	7007419	2	Plug Assembly (Includes O-Ring)	
19	7007420	2	Plug Assembly (Includes O-Ring)	
20	See Note	NSS	Plug (Note: Not Available for Purchase)	
21	7007419	1	Plug Assembly (Includes O-Ring)	
22	7021257	1	Ring, Retaining	
23	70004893	1	Key	
24	7022341	1	Ring, Retaining	
25	7021258	1	Gerotor	
26	70004894	1	Gerotor Cover Assembly (Includes Item 27)	
27	7021259	1	Bearing, Journal	
28	7021262	1	O-Ring	
29	See Note	NSS	Pin (Note: Not Available for Purchase)	
30	7021263	2	Bypass Valve Assembly	
31	7024800	2	Spring	
32	7021265	2	Bypass Valve Assembly (Includes Items 32-34)	
33	7007415	2	O-Ring	
34	7021293	2	Ring, Back-up	
35	7022300	2	O-Ring	
36	70004895	1	Cover, Servo	
37	7021253	1	Gasket	
38	70004892	5	Screw	
39	7007420	1	Plug Assembly (Includes O-Ring)	
40	7021268	1	Cover, Servo	
41	7021253	1	Gasket	
42	70004892	5	Screw	
43	7007420	1	Plug Assembly (Includes O-Ring)	
44	7021281	1	Plate, Valve	
45	70004898	1	Servo Piston Kit (Includes Items 46 & 47)	
46	7007495	2	O-Ring	

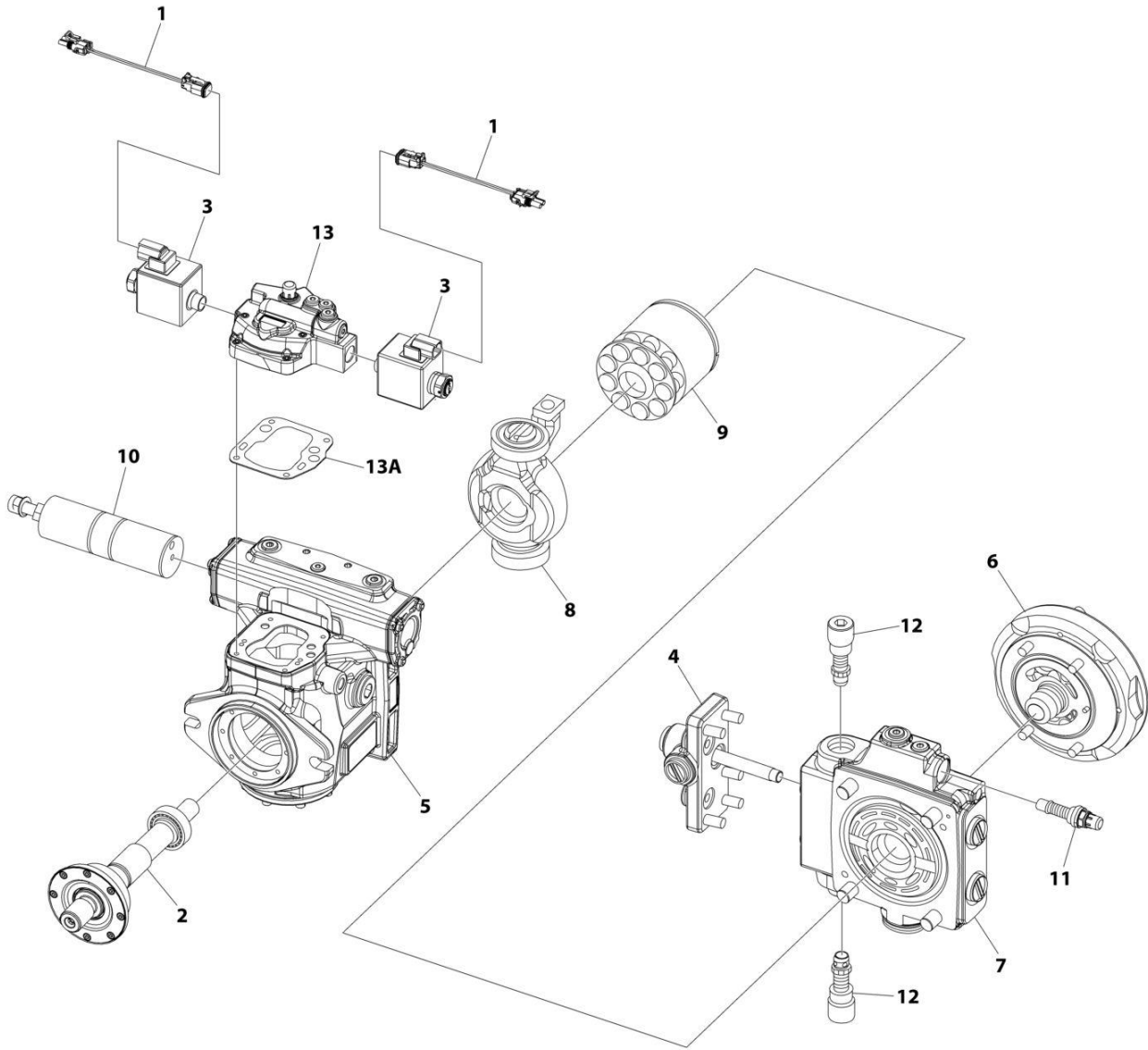
## SECTION 3 - ENGINE

ITEM	PART NUMBER	QTY	DESCRIPTION	REV
47	7007493	2	O-Ring	
48	7007420	1	Plug Assembly (Includes O-Ring)	
49	70004900	1	Plug Assembly (Includes O-Ring)	
50	7022346	1	Adjuster	
51	7021290	1	Nut	
52	7022347	1	Spring	
53	70004901	1	Poppet	
54	7007415	1	O-Ring	
55	70004902	1	Nut, Seal	
56	70004903	1	Swash Plate	
57	70004904	1	Bearing Assembly	
58	70004905	1	Coupling	
59	7001481	2	Pin	
60	70002257	1	Gasket	
61	70004906	8	Screw	
62	70004907	1	Cover, Charge Pump	
63	70004908	1	Seal	
64	7021299	1	Plate, Cover	
65	7007289	2	Screw	
66	70004909	1	Cylinder Block Assembly (Includes Items 67-71)	
67	70004910	3	Pin, Slipper Hold Down	
68	7021276	1	Retainer, Hold Down Pin	
69	7021277	1	Guide, Slipper Retainer	
70	7021278	1	Retainer, Slipper	
71	70004911	1	Piston Assembly	
100	70004899	1	Seal Kit (Includes Items 5-8, 33-35, 37, 41, 46, 47 & 54)	



# SECTION 3 - ENGINE

## FIGURE 3-54. CLOSED PUMP LOOP ASSEMBLY



ART\_1001285632

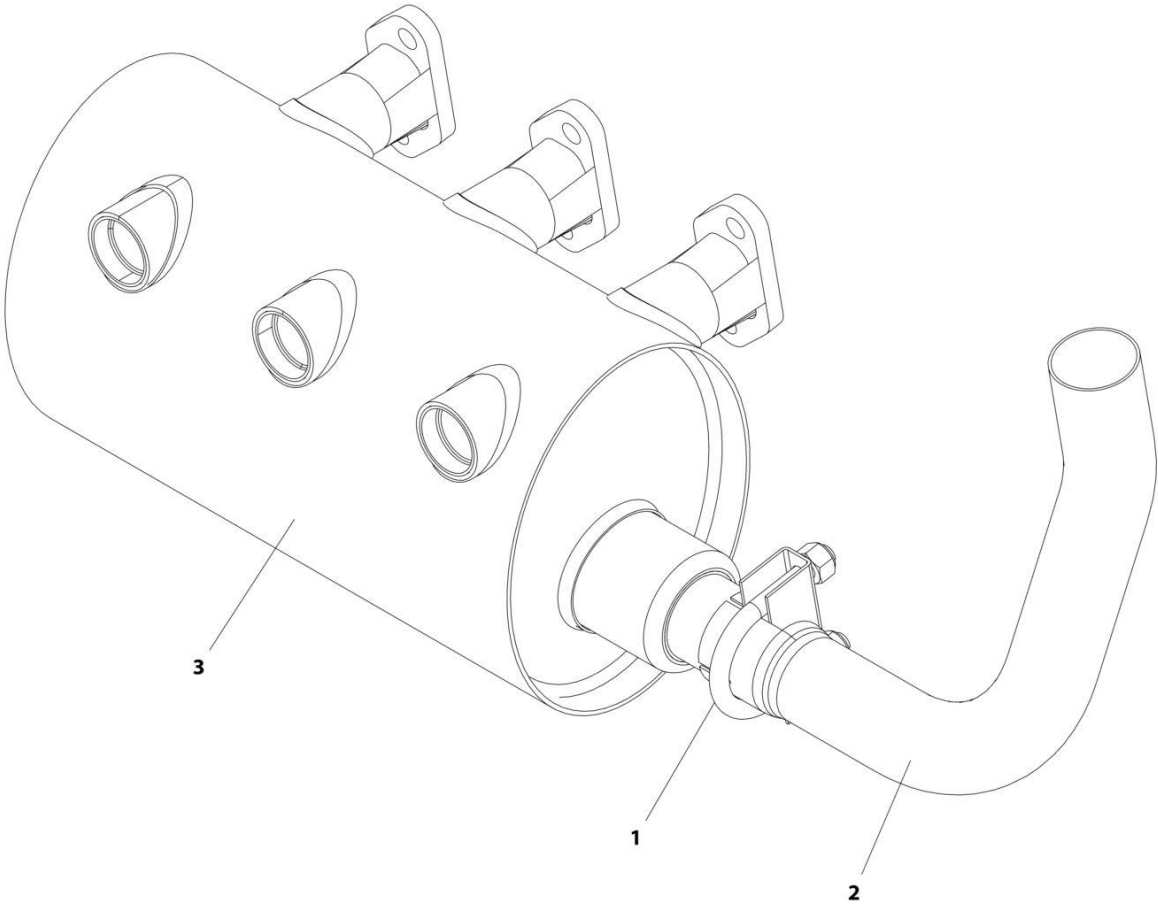
## SECTION 3 - ENGINE

**FIGURE 3-54. CLOSED PUMP LOOP ASSEMBLY**

ITEM	PART NUMBER	QTY	DESCRIPTION	REV
	1001285632	Ref	PUMP ASSEMBLY	A
1	70008628	2	Harness	
2	70008627	1	Shaft Assembly (Sold as assembly only)	
3	70008498	2	Coil	
4	See Note	NSS	Body, Fitting (Note: Use PN 1001285632)	
5	See Note	NSS	Body, Pump (Note: Use PN 1001285632)	
6	70008626	1	Gerolator Assembly (Sold as assembly only)	
7	70008625	1	Distributor Assembly (Sold as assembly only)	
8	70008624	1	Swashplate Assembly (Sold as assembly only)	
9	70008623	1	Rotor Assembly (Sold as assembly only)	
10	70008502	1	Servo Assembly (Sold as assembly only)	
11	70008622	1	Valve, Cartridge - Relief	
12	70008600	2	Valve, Cartridge - Relief	
13	70008504	1	Valve, Control (Sold as assembly only)	
13A	70008507	1	Gasket	

**SECTION 3 - ENGINE**

**FIGURE 3-55. SPARK ARRESTOR INSTALLATION - DEUTZ D2011 ENGINE**



ART\_1001174378

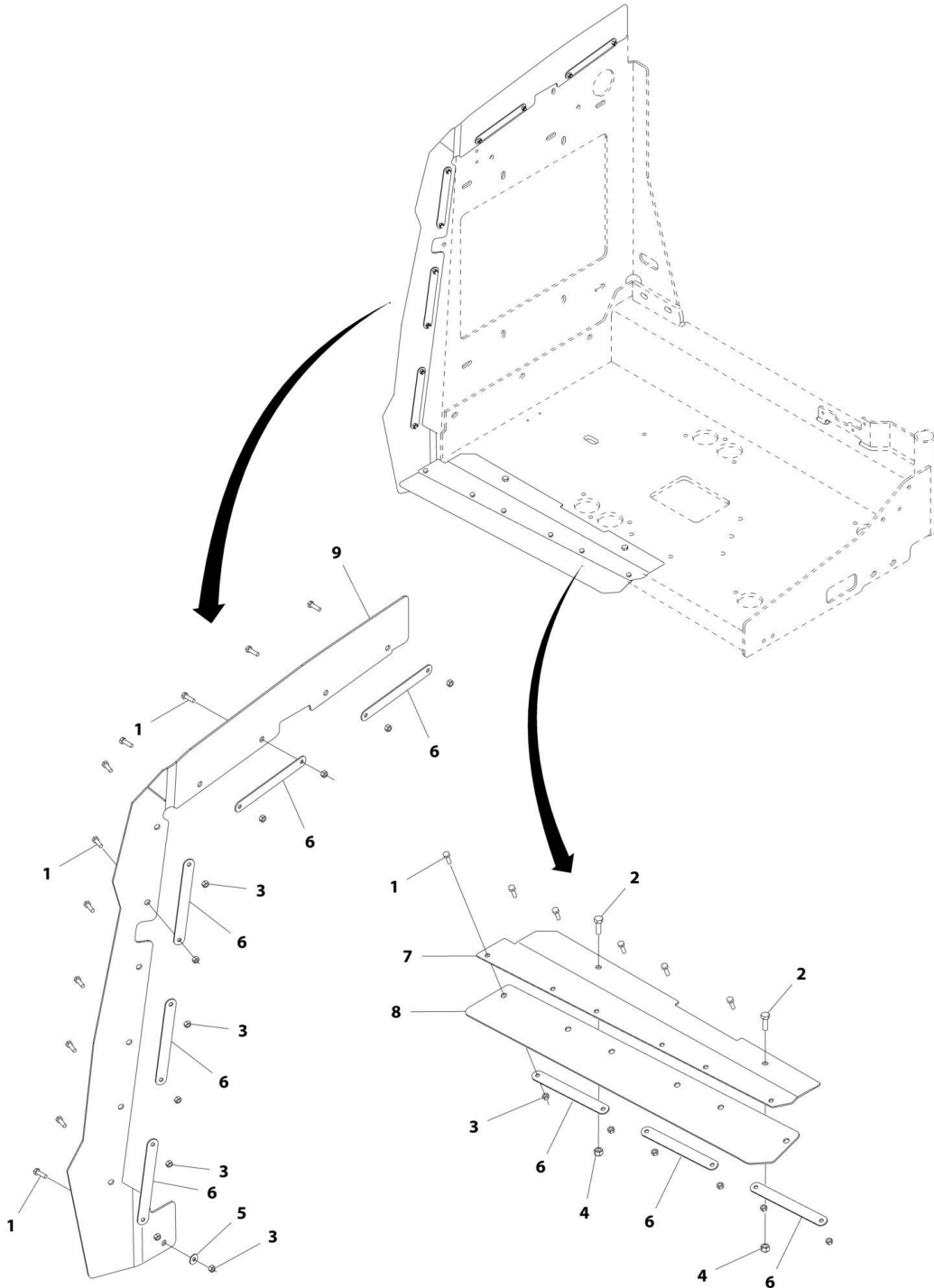
## SECTION 3 - ENGINE

**FIGURE 3-55. SPARK ARRESTOR INSTALLATION - DEUTZ D2011 ENGINE**

ITEM	PART NUMBER	QTY	DESCRIPTION	REV
	1001174378	Ref	SPARK ARRESTOR INSTALLATION - DEUTZ D2011 ENGINE	A
1	1320176	1	Clamp	
2	1001169525	1	Pipe, Exhaust	
3	1001170224	1	Muffler, Spark Arresting	

# SECTION 3 - ENGINE

## FIGURE 3-56. ENGINE Baffle INSTALLATION - WITH DEUTZ ENGINES



ART\_1001172265



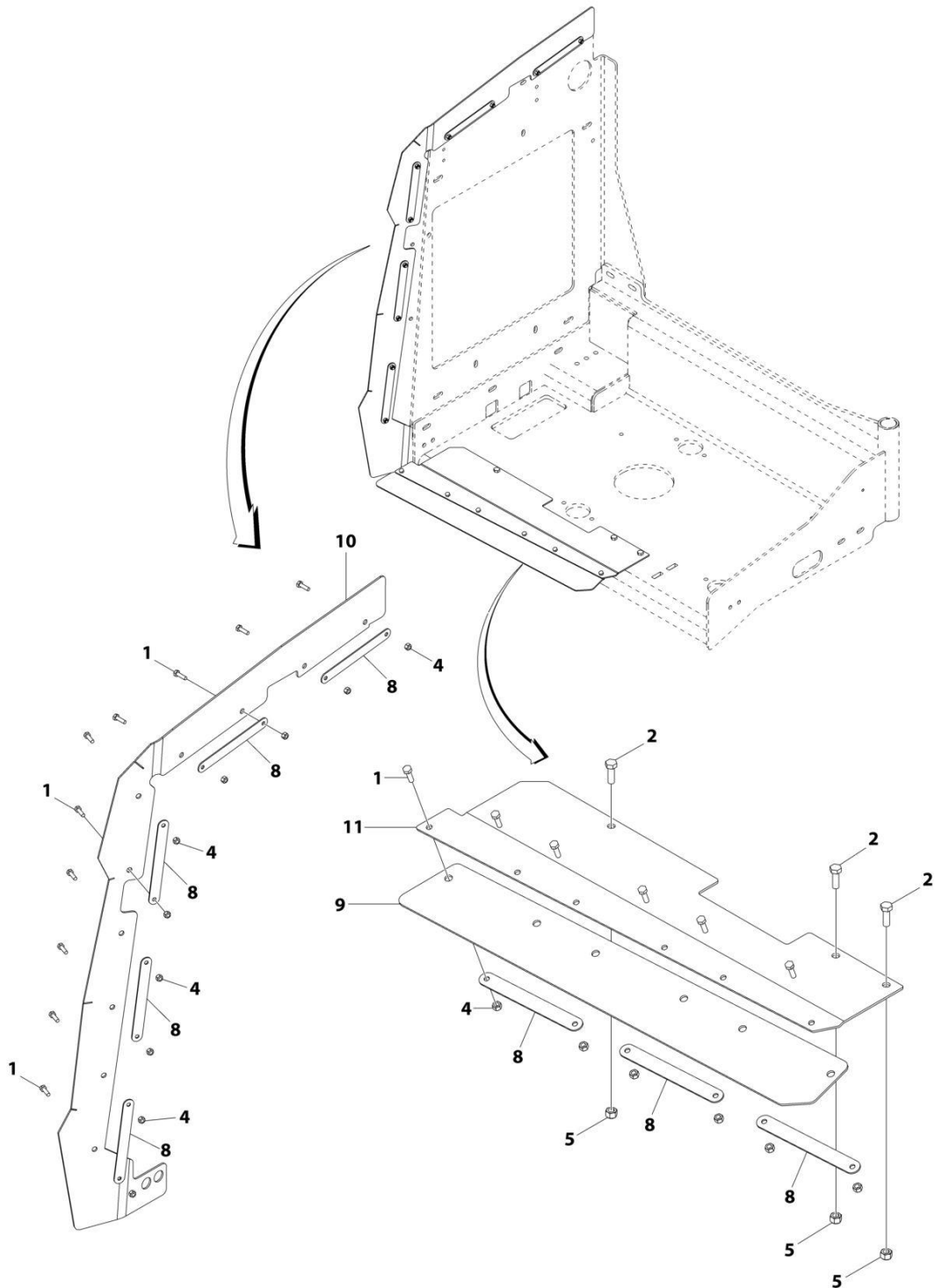
## SECTION 3 - ENGINE

**FIGURE 3-56. ENGINE BAFFLE INSTALLATION - WITH DEUTZ ENGINES**

ITEM	PART NUMBER	QTY	DESCRIPTION	REV
	1001172265	Ref	ENGINE BAFFLE INSTALLATION - WITH DEUTZ/GM ENGINES	B
1	0760610	17	Bolt M6 x 20	
2	0760812	2	Bolt M8 x 25	
3	3290605	17	Nut M6	
4	3290805	2	Nut M8	
5	4811702	1	Washer M6	
6	1001167164	8	Plate, Support	
7	1001170663	1	Bracket	
8	1001170664	1	Seal	
9	1001172264	1	Seal	

# SECTION 3 - ENGINE

## FIGURE 3-57. ENGINE Baffle INSTALLATION – WITH KUBOTA ENGINE



ART\_1001216415

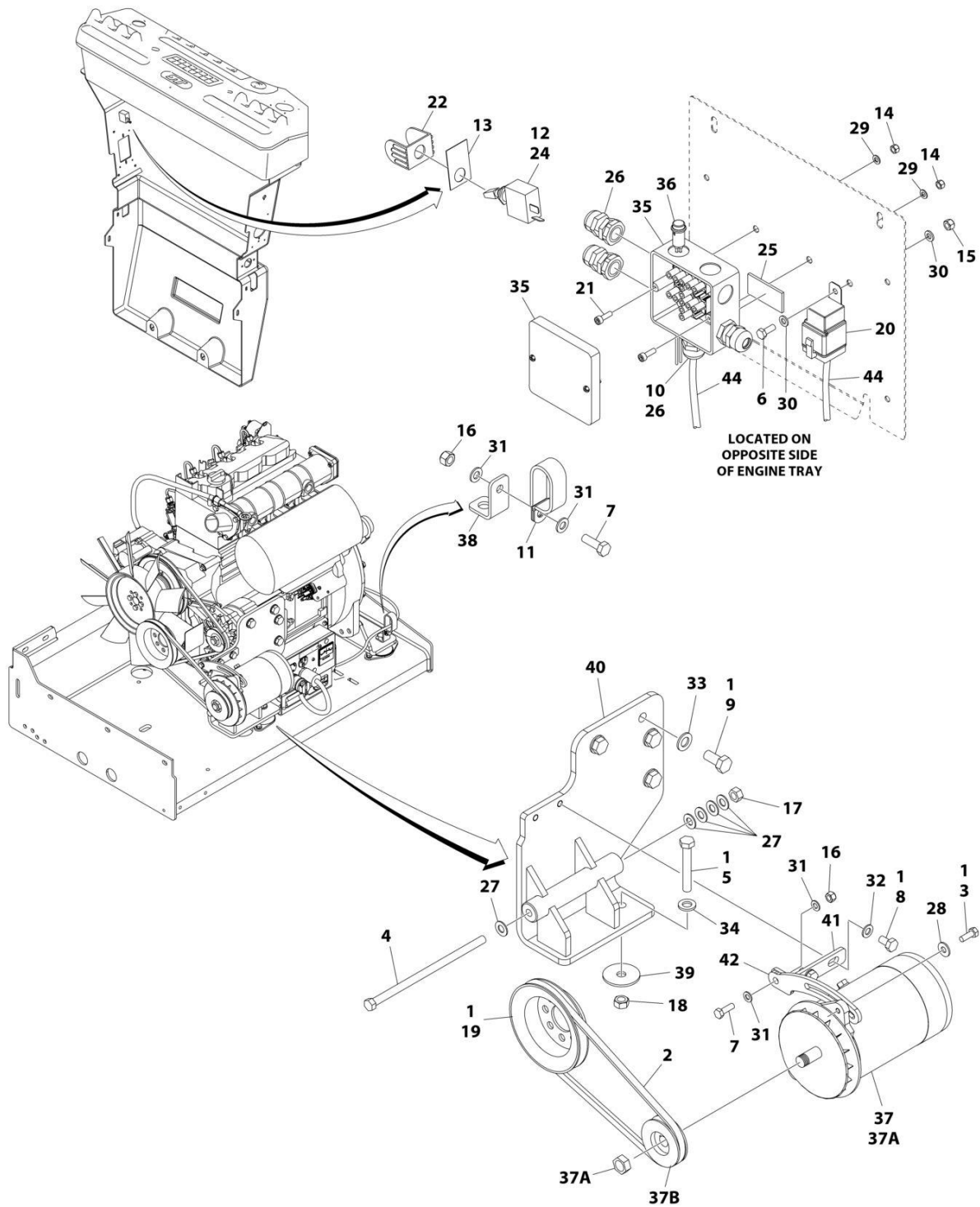
## SECTION 3 - ENGINE

**FIGURE 3-57. ENGINE BAFFLE INSTALLATION – WITH KUBOTA ENGINE**

ITEM	PART NUMBER	QTY	DESCRIPTION	REV
	1001216415	Ref	ENGINE BAFFLE INSTALLATION – WITH KUBOTA ENGINE	C
1	0760610	16	Bolt M6 x 20	
2	0760812	3	Bolt M8 x 25	
4	3290605	16	Nut M6	
5	3290805	3	Nut M8	
8	1001167164	8	Plate, Support	
9	1001170664	1	Seal	
10	1001216416	1	Seal	
11	1001216512	1	Bracket	

# SECTION 3 - ENGINE

## FIGURE 3-58. GENERATOR INSTALLATION - 2500W/50HZ (DEUTZ D2011 ENGINE)



ART\_1001185025

## SECTION 3 - ENGINE

**FIGURE 3-58. GENERATOR INSTALLATION - 2500W/50HZ (DEUTZ D2011 ENGINE)**

ITEM	PART NUMBER	QTY	DESCRIPTION	REV
	1001185025	Ref	GENERATOR INSTALLATION - 2500W/50Hz (DEUTZ D2011 ENGINE)	C
1	0100011	AR	Compound, Locking	
2	0480120	1	Belt	
3	0641507	1	Bolt 5/16 x 7/8	
4	0641772	1	Bolt 7/16 x 9	
5	0711224	1	Bolt M12 x 80 Grade 10.9	
6	0760608	1	Bolt M6 x 16	
7	0760812	2	Bolt M8 x 25	
8	0761009	2	Bolt M10 x 18	
9	0771414	4	Bolt M14 x 30 Grade 10.9	
10	0962449	1	Bushing	
11	1321716	1	Clamp	
12	2820031	AR	Heat Shrink	
13	See Note	1	Nameplate (Note: Not Available for Purchase)	
14	3290505	2	Nut M5	
15	3290605	1	Nut M6	
16	3290805	2	Nut M8	
17	3311705	1	Nut 7/16	
18	3331211	1	Nut M12	
19	3580158	1	Pulley	
20	3740080	1	Relay	
21	4031607	2	Bolt M5 x 16	
22	4060802	1	Guard, Switch	
23	4240099	AR	Tie-Strap (Not Shown)	
24	4360336	1	Switch, Toggle	
25	4420060	AR	Tape, Double Sided	
26	4460968	3	Connector, Strain Relief	
27	4711700	5	Washer 7/16	
28	4751500	1	Washer 5/16	
29	4811600	2	Washer M5	
30	4811700	2	Washer M6	
31	4811900	4	Washer M8	
32	4812000	2	Washer M10	
33	4812200	4	Washer M14	
34	5241200	1	Washer M12 Hardened	
35	1001099869	1	Box, Junction	
36	1001100233	1	Light Red	
37	1001100321	1	Generator and Control Box Assembly	
	See Note	Ref	Note: Replacement Generators come standard with p/n 3580134 pulley. This pulley may not be correct for all applications. Refer to pulley options below.	
37A	70000123	1	Armature with Slip Rings	
37A	7012513	4	Cap, Brush Holder	
37A	7020108	4	Brush	
37A	7020109	4	Holder, Brush	
37A	7012514	1	Fan	
37A	7020110	1	Bell, Front	
37A	7020111	1	Bell, Rear	
37A	7020190	2	Bearing	

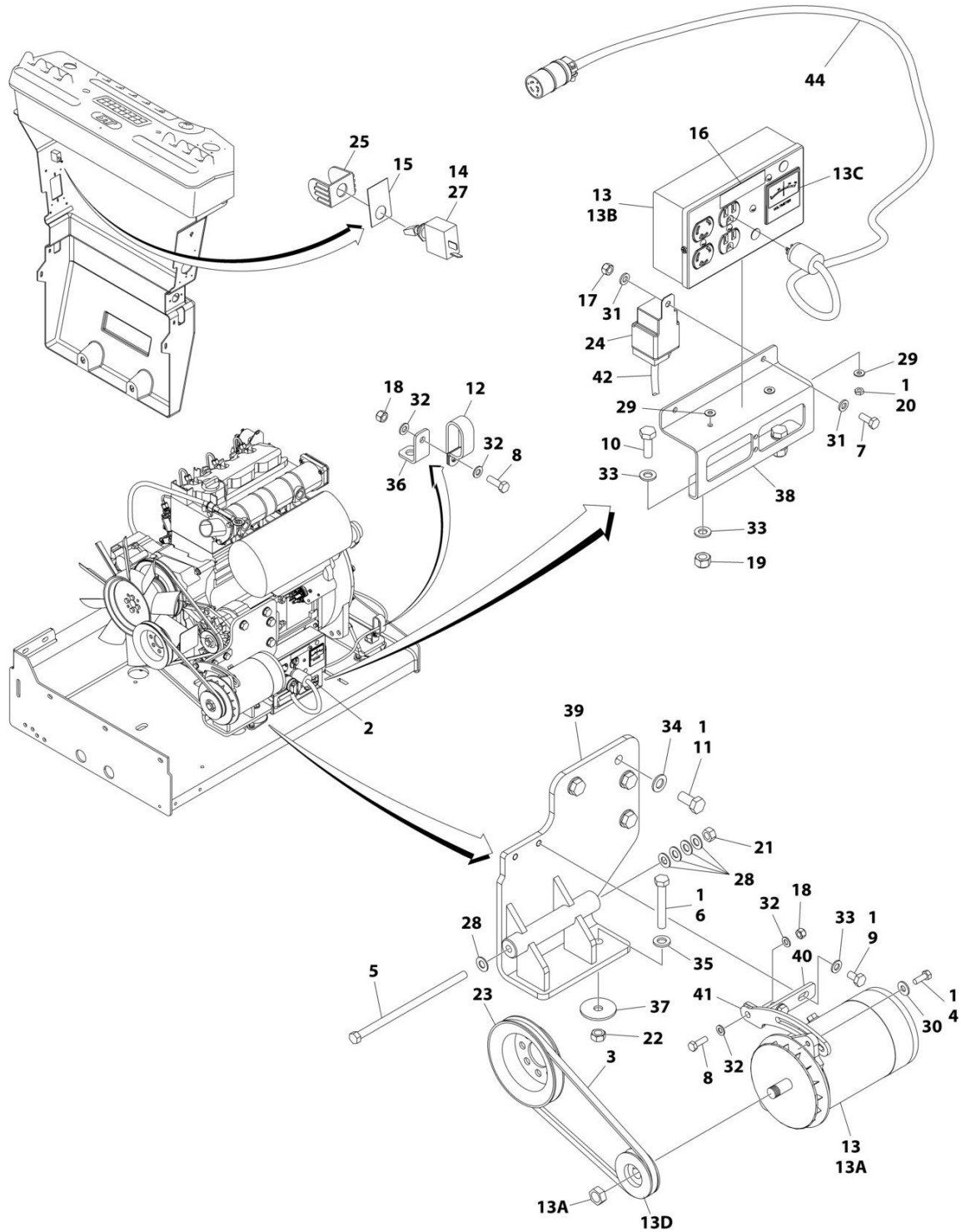
### SECTION 3 - ENGINE

ITEM	PART NUMBER	QTY	DESCRIPTION	REV
37B	7027887	1	Key, Woodruff	
38	1001148641	1	Bracket	
39	1001168018	1	Washer, Snubbing	
40	1001184637	1	Mount, Engine	
41	1001184644	1	Support	
42	1001184645	1	Bracket	
43	1001188732	1	Wiring Diagram (Not Shown)	
44	1001187352	1	Harness, Generator (See Separate Breakdown in ELECTRICAL SECTION)	



# SECTION 3 - ENGINE

## FIGURE 3-59. GENERATOR INSTALLATION - 2500W/60HZ (DEUTZ D2011 ENGINE)



ART\_1001180798



## SECTION 3 - ENGINE

**FIGURE 3-59. GENERATOR INSTALLATION - 2500W/60HZ (DEUTZ D2011 ENGINE)**

ITEM	PART NUMBER	QTY	DESCRIPTION	REV
	1001180798	Ref	GENERATOR INSTALLATION - 2500W/60HZ (DEUTZ D2011 ENGINE)	B
1	0100011	AR	Compound, Locking	
2	0100048	AR	Grease, Dielectric	
3	0480122	1	Belt	
4	0641507	1	Bolt 5/16 x 7/8	
5	0641772	1	Bolt 7/16 x 9	
6	0711224	1	Bolt M12 x 80 Grade 10.9	
7	0760608	1	Bolt M6 x 16	
8	0760812	2	Bolt M8 x 25	
9	0761009	2	Bolt M10 x 18	
10	0761014	2	Bolt M10 x 30	
11	0771414	4	Bolt M14 x 30 Grade 10.9	
12	1321716	1	Clamp	
13	2460055	1	Generator and Control Box Assembly	
13A	7012558	1	Generator	
	See Note	Ref	Note: Replacement Generators come standard with p/n 3580134 pulley. This pulley may not be correct for all applications. Refer to pulley options below.	
13A	7026199	1	Armature with Slip Rings	
13A	7012513	3	Cap, Brush Holder	
13A	7020108	4	Brush	
13A	7020109	4	Holder, Brush	
13A	7012514	1	Fan	
13A	7020110	1	Bell, Front	
13A	7020111	1	Bell, Rear	
13A	7020190	1	Bearing	
13B	7019680	1	Box, Control	
13B	4460190	1	Receptacle, Standard	
13B	4460027	1	Receptacle, Twistlock	
13B	4360542	1	Breaker, Circuit	
13B	3520028	1	Plug, Hole	
13B	4460961	1	Connector - 4 Position	
13B	4460705	4	Pin, Male	
13B	4460321	1	Connector - 4 Position (Note: Mate to p/n 4460961 Purchase Separately)	
13B	4460268	3	Socket, Female (Note: Mate to p/n 4460705 Purchase Separately)	
13C	2420203	1	Voltmeter	
13D	3580276	1	Pulley	
13D	7027887	1	Key, Woodruff	
14	2820031	AR	Heat Shrink	
15	See Note	1	Nameplate (Note: Not Available for Purchase)	
16	3251243	1	Nameplate 120V-60Hz	
17	3290605	1	Nut M6	
18	3290805	2	Nut M8	
19	3291005	2	Nut M10	
20	3311001	2	Nut #10	
21	3311705	1	Nut 7/16	
22	3331211	1	Nut M12	
23	3580158	1	Pulley	

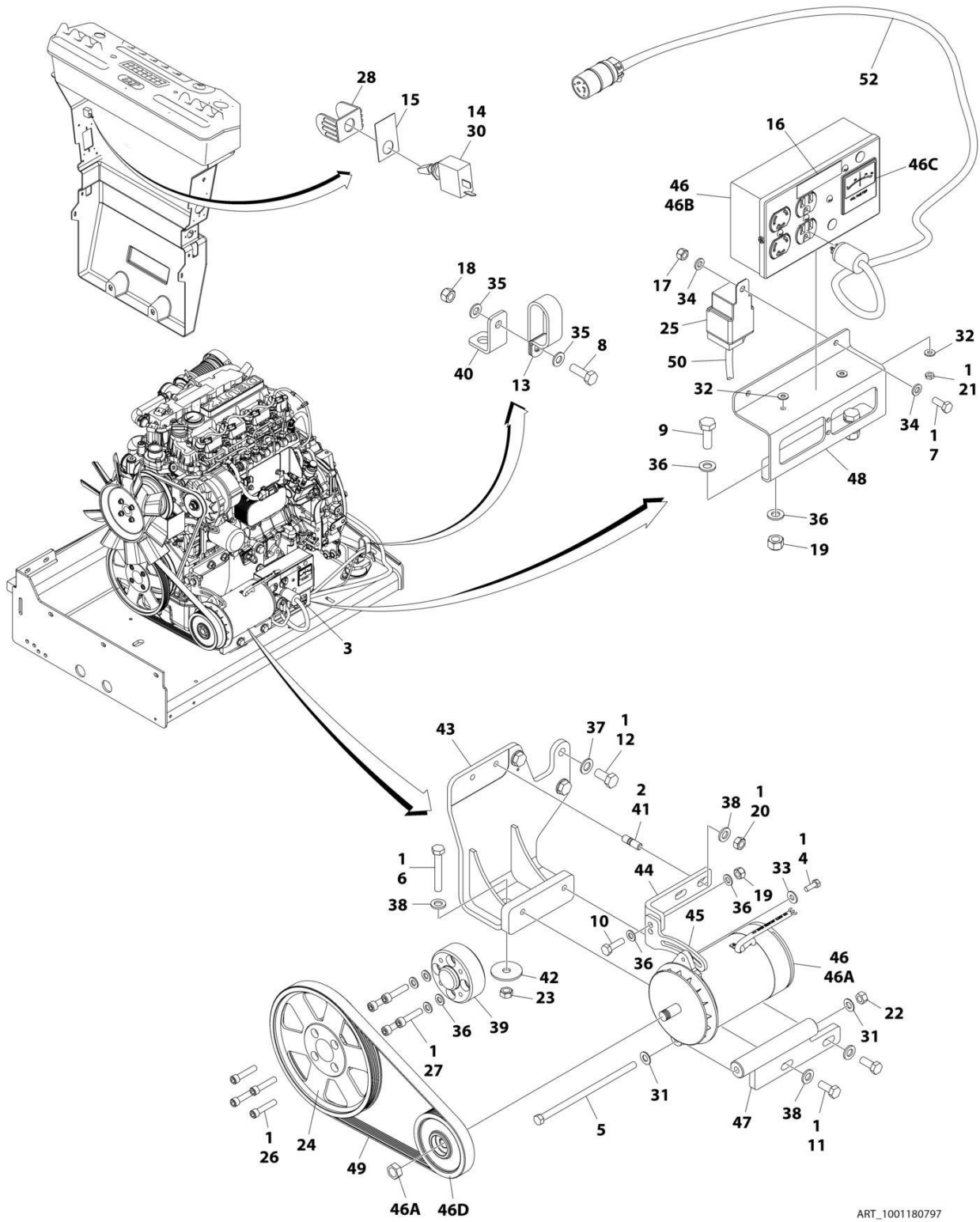
## SECTION 3 - ENGINE

ITEM	PART NUMBER	QTY	DESCRIPTION	REV
24	3740080	1	Relay	
25	4060802	1	Guard, Switch	
26	4240099	AR	Tie-Strap (Not Shown)	
27	4360336	1	Switch, Toggle	
28	4711700	5	Washer 7/16	
29	4751000	4	Washer #10	
30	4751500	1	Washer 5/16	
31	4811700	2	Washer M6	
32	4811900	4	Washer M8	
33	4812000	6	Washer M10	
34	4812200	4	Washer M14	
35	5241200	1	Washer M12 Hardened	
36	1001148641	1	Bracket	
37	1001168018	1	Washer, Snubbing	
38	1001183477	1	Support	
39	1001184637	1	Mount, Engine	
40	1001184644	1	Support	
41	1001184645	1	Bracket	
42	1001187522	1	Harness, Generator (See Separate Breakdown in ELECTRICAL SECTION)	
43	1001188731	1	Wiring Diagram (Not Shown)	
43	4922641	1	Harness, On/Off Switch (Not Shown - Located at Platform)	
44	1001182296	1	Harness, Inverter	
44	1060494	10 ft/3.5m	Cable, Electrical - 12/3	
44	4460134	1	Receptacle, Female	
44	4460138	1	Plug, Male	



# SECTION 3 - ENGINE

## FIGURE 3-60. GENERATOR INSTALLATION - 2500W/60HZ (DEUTZ D2.9L4 ENGINE)



## SECTION 3 - ENGINE

**FIGURE 3-60. GENERATOR INSTALLATION - 2500W/60HZ (DEUTZ D2.9L4 ENGINE)**

ITEM	PART NUMBER	QTY	DESCRIPTION	REV
	1001180797	Ref	GENERATOR INSTALLATION - 2500W/60HZ (DEUTZ D2.9L4 ENGINE)	F
1	0100011	AR	Compound, Locking	
2	0100019	AR	Compound, Locking	
3	0100048	AR	Grease, Dielectric	
4	0641507	1	Bolt 5/16 x 7/8	
5	0641772	1	Bolt 7/16 x 9	
6	0711224	AR	Bolt M12 x 80 Grade 10.9	
7	0760608	1	Bolt M6 x 16	
8	0760812	1	Bolt M8 x 25	
9	0761014	2	Bolt M10 x 30	
10	0761015	1	Bolt M10 x 35	
11	0761214	2	Bolt M12 x 30	
12	0771414	3	Bolt M14 x 30 Grade 10.9	
13	1321716	1	Clamp	
14	2820031	AR	Heat Shrink	
15	See Note	1	Nameplate (Note: Not Available for Purchase)	
16	3251243	1	Nameplate 120V-60Hz	
17	3290605	1	Nut M6	
18	3290805	1	Nut M8	
19	3291005	3	Nut M10	
20	3291201	2	Nut M12	
21	3311001	2	Nut #10	
22	3311705	1	Nut 7/16	
23	3331211	AR	Nut M12	
24	3580320	1	Pulley	
25	3740080	1	Relay	
26	3931628	4	Capscrew 3/8 x 1-3/4	
27	4032014	4	Bolt M10 x 50	
28	4060802	1	Guard, Switch	
29	4240099	AR	Tie-Strap (Not Shown)	
30	4360336	1	Switch, Toggle	
31	4711700	2	Washer 7/16	
32	4751000	4	Washer #10	
33	4751500	1	Washer 5/16	
34	4811700	2	Washer M6	
35	4811900	2	Washer M8	
36	4812000	AR	Washer M10	
37	4812200	AR	Washer M14	
38	5241200	AR	Washer M12 Hardened	
39	1001135679	1	Adapter	
40	1001148641	1	Bracket	
41	1001155041	2	Stud	
42	1001168018	AR	Washer, Snubbing	
43	1001168207	Ref	Support	
44	1001179836	1	Mount, Upper Generator	
45	1001179837	1	Arm Adjustment	
46	1001180001	1	Generator	
46A	7026199	1	Armature with Slip Rings	
46A	7012513	3	Cap, Brush Holder	

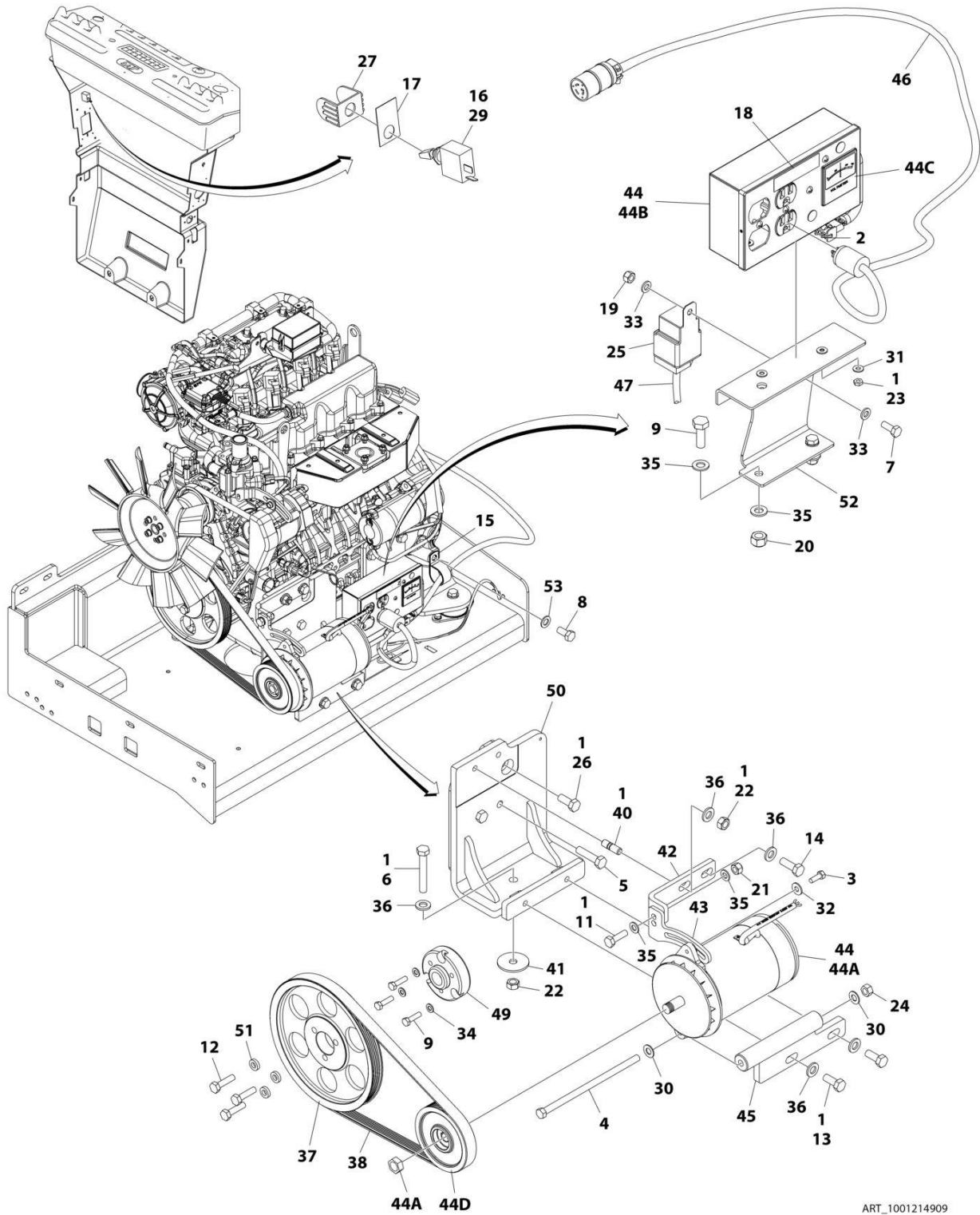
## SECTION 3 - ENGINE

ITEM	PART NUMBER	QTY	DESCRIPTION	REV
46A	7020108	4	Brush	
46A	7020109	4	Holder, Brush	
46A	7012514	1	Fan	
46A	7020110	1	Bell, Front	
46A	7020111	1	Bell, Rear	
46A	7020190	1	Bearing	
46B	7019680	1	Box, Control	
46B	4460190	1	Receptacle, Standard	
46B	4460027	1	Receptacle, Twistlock	
46B	4360542	1	Breaker, Circuit	
46B	3520028	1	Plug, Hole	
46B	4460961	1	Connector - 4 Position	
46B	4460705	4	Pin, Male	
46B	4460321	1	Connector - 4 Position (Note: Mate to p/n 4460961 Purchase Separately)	
46B	4460268	3	Socket, Female (Note: Mate to p/n 4460705 Purchase Separately)	
46C	2420203	1	Voltmeter	
46D	1001179893	1	Pulley	
46D	7027887	1	Key, Woodruff	
47	1001181243	1	Mount, Lower Generator	
48	1001183477	1	Support	
49	1001148138	1	Belt	
50	1001187522	1	Harness, Generator (See Separate Breakdown in ELECTRICAL SECTION)	
51	1001188731	1	Wiring Diagram (Not Shown)	
51	4922641	1	Harness, On/Off Switch (Not Shown - Located at Platform)	
52	1001182296	1	Harness, Inverter	
52	1060494	10 ft/3.5m	Cable, Electrical - 12/3	
52	4460134	1	Receptacle, Female	
52	4460138	1	Plug, Male	



# SECTION 3 - ENGINE

## FIGURE 3-61. GENERATOR INSTALLATION - 2500W/60HZ (KUBOTA ENGINE)



ART\_1001214909



## SECTION 3 - ENGINE

**FIGURE 3-61. GENERATOR INSTALLATION - 2500W/60HZ (KUBOTA ENGINE)**

ITEM	PART NUMBER	QTY	DESCRIPTION	REV
	1001214909	Ref	GENERATOR INSTALLATION - 2500W/60Hz (KUBOTA ENGINE)	E
1	0100011	AR	Compound, Locking	
2	0100048	AR	Grease, Dielectric	
3	0641507	1	Bolt 5/16 x 7/8	
4	0641772	1	Bolt 7/16 x 9	
5	1001217344	2	Bolt M12 x 50	
6	0711224	AR	Bolt M12 x 80 Grade 10.9	
6	0701224	AR	Bolt M12 x 80	
7	0760608	1	Bolt M6 x 16	
8	1001217345	1	Bolt M14 x 30	
9	0760814	5	Bolt M8 x 30	
11	0761015	1	Bolt M10 x 35	
12	0761016	3	Bolt M10 x 40	
13	0761214	2	Bolt M12 x 30	
14	0761215	1	Bolt M12 x 35	
15	84521061	1	Clamp	
16	2820031	AR	Heat Shrink	
17	See Note	1	Nameplate (Note: Not Available for Purchase)	
18	3251243	1	Nameplate 120V-60Hz	
19	3290605	1	Nut M6	
20	3290805	2	Nut M8	
21	3291005	1	Nut M10	
22	3291201	2	Nut M12	
23	3311001	2	Nut #10	
24	3311705	1	Nut 7/16	
25	3740080	1	Relay	
26	1001217342	1	Bolt M12 x 30	
27	4060802	1	Guard, Switch	
28	4240099	AR	Tie-Strap (Not Shown)	
29	4360336	1	Switch, Toggle	
30	4711700	2	Washer 7/16	
31	4751000	4	Washer #10	
32	4751500	1	Washer 5/16	
33	4811700	2	Washer M6	
34	4811900	5	Washer M8	
35	4812000	4	Washer M10	
36	5241200	1	Washer M12 Hardened	
37	1001147233	1	Pulley	
38	1001148138	1	Belt	
40	1001155041	1	Stud	
41	1001168018	1	Washer, Snubbing	
42	1001179836	1	Mount, Upper Generator	
43	1001179837	1	Arm Adjustment	
44	1001180001	1	Generator	
44A	7026199	1	Armature with Slip Rings	
44A	7012513	3	Cap, Brush Holder	
44A	7020108	4	Brush	
44A	7020109	4	Holder, Brush	
44A	7012514	1	Fan	
44A	7020110	1	Bell, Front	

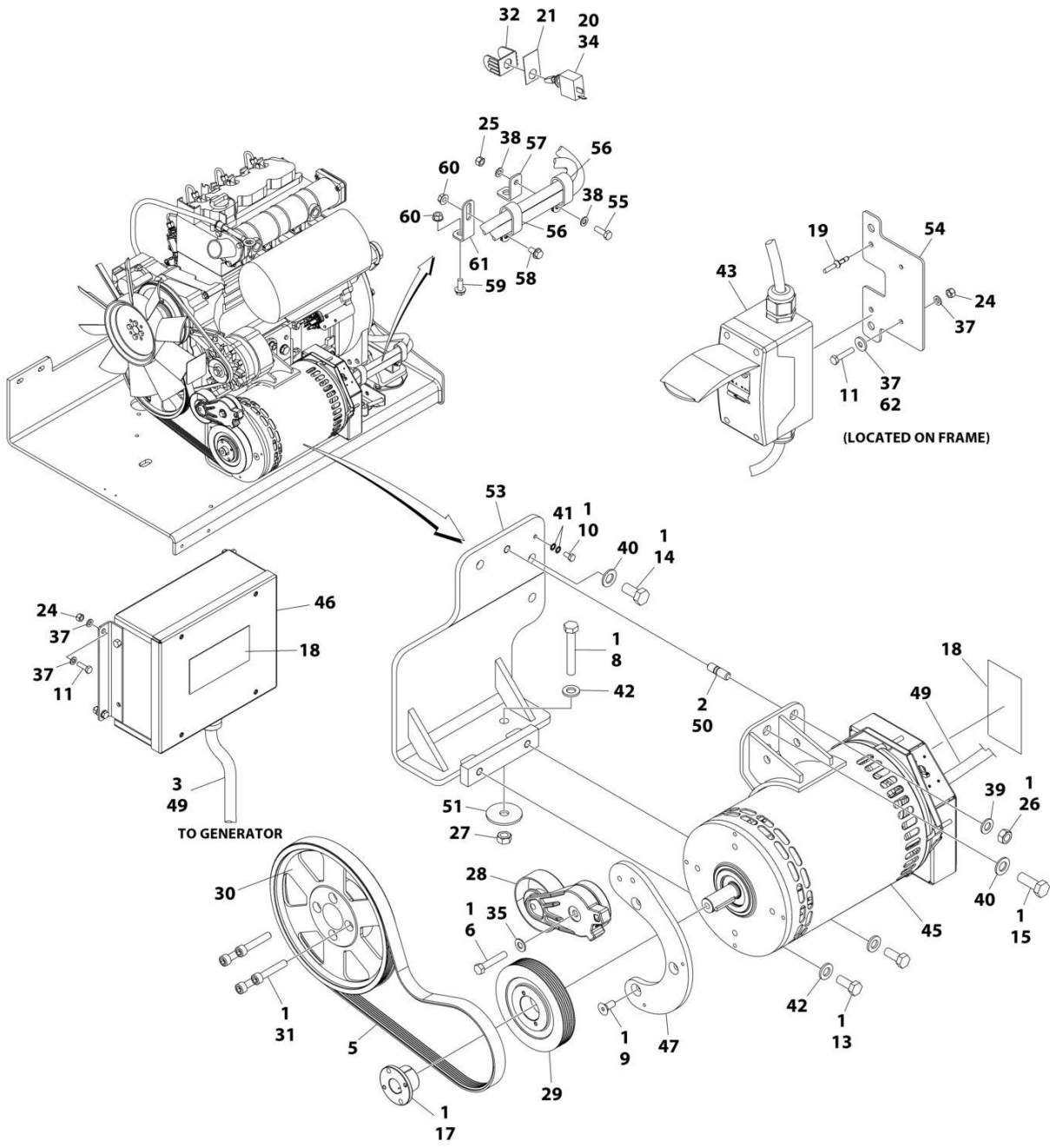
## SECTION 3 - ENGINE

ITEM	PART NUMBER	QTY	DESCRIPTION	REV
44A	7020111	1	Bell, Rear	
44A	7020190	1	Bearing	
44B	7019680	1	Box, Control	
44B	4460190	1	Receptacle, Standard	
44B	4460027	1	Receptacle, Twistlock	
44B	4360542	1	Breaker, Circuit	
44B	3520028	1	Plug, Hole	
44B	4460961	1	Connector - 4 Position	
44B	4460705	4	Pin, Male	
44B	4460321	1	Connector - 4 Position (Note: Mate to p/n 4460961 Purchase Separately)	
44B	4460268	3	Socket, Female (Note: Mate to p/n 4460705 Purchase Separately)	
44C	2420203	1	Voltmeter	
44D	1001179893	1	Pulley	
44D	7027887	1	Key, Woodruff	
45	1001181243	1	Mount, Lower Generator	
46	1001182296	1	Harness, Inverter	
46	1060494	10 ft/ 3.5m	Cable, Electrical - 12/3	
46	4460134	1	Receptacle, Female	
46	4460138	1	Plug, Male	
47	1001187522	1	Harness, Generator (See Separate Breakdown in ELECTRICAL SECTION)	
48	1001188731	1	Wiring Diagram (Not Shown)	
48	4922641	1	Harness, On/Off Switch (Not Shown - Located at Platform)	
49	1001213029	1	Adapter, Pulley	
50	1001214546	1	Support	
51	1001216805	1	Spacer	
52	1001216840	1	Support	
53	4812200	1	Washer M14	



# SECTION 3 - ENGINE

## FIGURE 3-62. GENERATOR INSTALLATION - 4000W/50HZ (DEUTZ D2011 ENGINE)



ART\_1001173984

## SECTION 3 - ENGINE

**FIGURE 3-62. GENERATOR INSTALLATION - 4000W/50HZ (DEUTZ D2011 ENGINE)**

ITEM	PART NUMBER	QTY	DESCRIPTION	REV
	1001173984	Ref	GENERATOR INSTALLATION - 4000W/50HZ (DEUTZ D2011 ENGINE)	J
1	0100011	AR	Compound, Locking	
2	0100019	AR	Compound, Locking	
3	0100048	AR	Grease, Dielectric	
4	0100079	AR	Sealant (Not Shown)	
5	0480126	1	Belt	
6	0641616	1	Bolt 3/8 x 2	
8	0711224	1	Bolt M12 x 80 Grade 10.9	
9	0741607	3	Screw 3/8 x 7/8	
10	0760606	1	Bolt M6 x 12	
11	0760610	AR	Bolt M6 x 20	
11	0760614	AR	Bolt M6 x 30	
13	0761214	2	Bolt M12 x 30	
14	0771414	2	Bolt M14 x 30 Grade 10.9	
15	0771416	1	Bolt M14 x 40	
17	0962520	1	Bushing	
18	1705489	AR	Decal - Hazardous Voltage	
19	2080040	2	Fastener, Huck	
20	2820031	AR	Heat Shrink	
21	See Note	1	Nameplate (Note: Not Available for Purchase)	
24	3290605	6	Nut M6	
25	3290805	1	Nut M8	
26	3291201	1	Nut M12	
27	3331211	1	Nut M12	
28	3580317	1	Pulley	
29	3580319	1	Pulley	
30	3580320	1	Pulley	
31	4032015	4	Bolt M10 x 55	
32	4060802	1	Guard, Switch	
33	4240099	AR	Tie-Strap (Not Shown)	
34	4360336	1	Switch, Toggle	
35	4711600	1	Washer 3/8	
37	4811700	AR	Washer M6	
38	4811900	1	Washer M8	
39	4812100	1	Washer M12	
40	4812200	3	Washer M14	
41	4871700	2	Washer M6	
42	5241200	3	Washer M12 Hardened	
43	1001096070	1	Breaker Box Kit (50Hz) (See Separate Breakdown in ELECTRICAL Section)	
45	1001138565	1	Generator Assembly	
45	70003709	1	Ring, Retaining (External)	
45	70003708	1	Ring, Retaining (Internal)	
45	70001966	1	Bearing	
45	70004092	1	Endbell (Shaft End)	
45	70004171	1	Key	
45	70004676	1	Rotor	
45	70004677	1	Stator	
45	70004678	1	Endbell (Rear)	

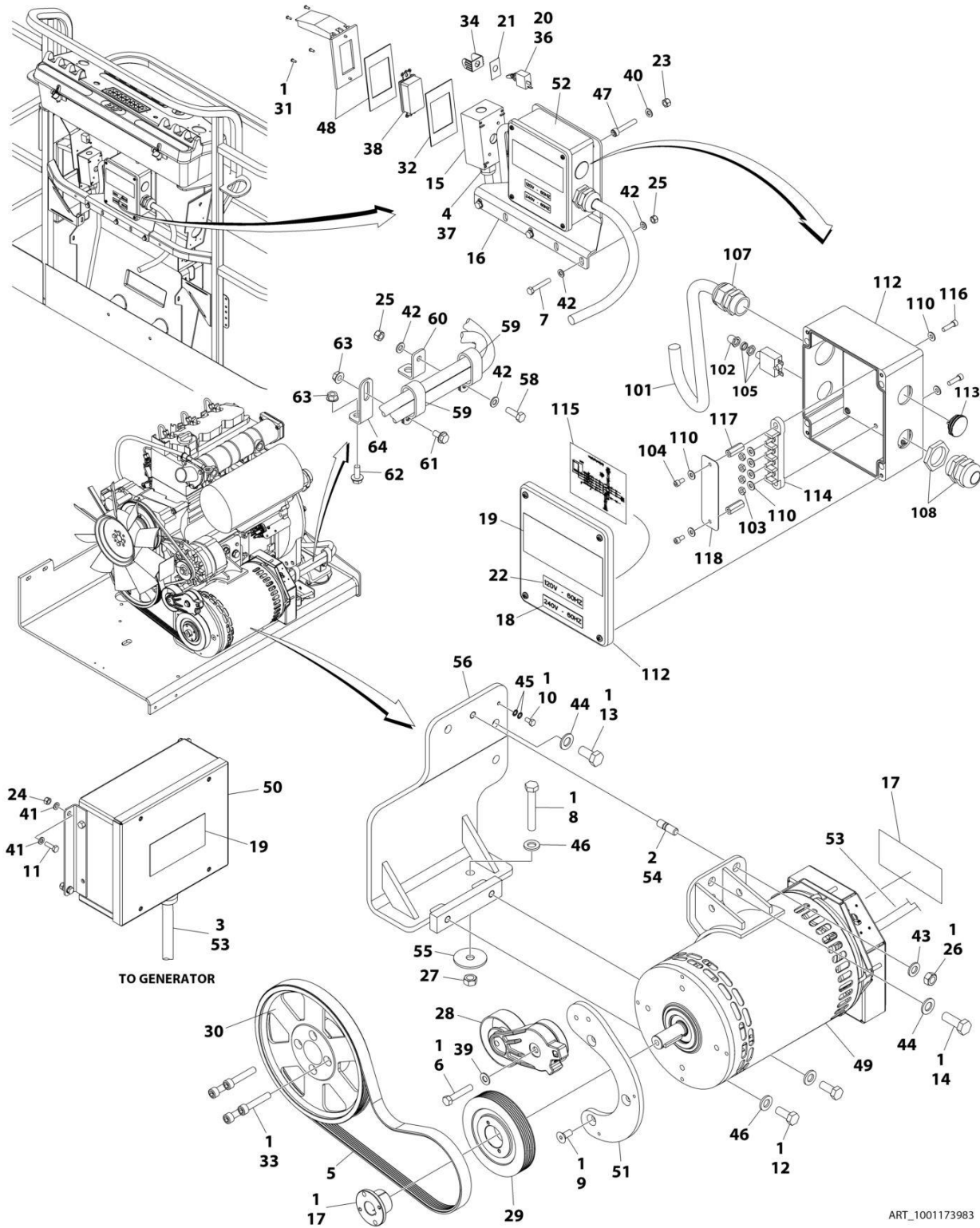
## SECTION 3 - ENGINE

ITEM	PART NUMBER	QTY	DESCRIPTION	REV
45	70004679	1	Cover, Endbell (Rear)	
45	70004680	1	Enclosure, Wiring	
45	70004681	1	Cover, Enclosure	
45	70004682	1	Switch, Reset (Located on Enclosure Cover)	
45	70004683	1	Connector, Strain Relief (Located on Enclosure Cover)	
46	1001138566	1	Box, Control	
46	70006552	1	Capacitor	
46	70006553	1	Relay	
47	1001139357	1	Mount, Tensioner	
49	1001152532	1	Harness, Generator (See Separate Breakdown in ELECTRICAL Section)	
50	1001196382	1	Stud	
51	1001168018	1	Washer, Snubbing	
53	1001173925	1	Mount	
54	1001174158	1	Mount	
55	0760812	1	Bolt M8 x 25	
56	1321716	2	Clamp	
57	1001148641	1	Bracket	
58	5250808	1	Bolt M8 x 16	
59	5250810	1	Bolt M8 x 20	
60	5260800	2	Nut M8	
61	1001223122	1	Support	
62	4811702	AR	Washer M6	



# SECTION 3 - ENGINE

## FIGURE 3-63. GENERATOR INSTALLATION - 4000W/60HZ (DEUTZ D2011 ENGINE)



ART\_1001173983



## SECTION 3 - ENGINE

**FIGURE 3-63. GENERATOR INSTALLATION - 4000W/60HZ (DEUTZ D2011 ENGINE)**

ITEM	PART NUMBER	QTY	DESCRIPTION	REV
	1001173983	Ref	GENERATOR INSTALLATION - 4000W/60HZ (DEUTZ D2011 ENGINE)	F
1	0100011	AR	Compound, Locking	
2	0100019	AR	Compound, Locking	
3	0100048	AR	Grease, Dielectric	
4	0100079	AR	Sealant	
5	0480128	1	Belt	
6	0641616	1	Bolt 3/8 x 2	
7	0700818	3	Bolt M8 x 50	
8	0711224	1	Bolt M12 x 80 Grade 10.9	
9	0741607	3	Screw 3/8 x 7/8	
10	0760606	1	Bolt M6 x 12	
11	0760610	4	Bolt M6 x 20	
12	0761214	2	Bolt M12 x 30	
13	0771414	2	Bolt M14 x 30 Grade 10.9	
14	0771416	1	Bolt M14 x 40	
15	0860038	1	Box, Switch	
16	0902888	1	Bracket	
17	0962520	1	Bushing	
18	1705374	1	Decal - 240V-60Hz	
19	1705387	3	Decal - Hazardous Voltage	
20	2820031	AR	Heat Shrink	
21	See Note	1	Nameplate (Note: Not Available for Purchase)	
22	3251243	1	Nameplate 120V-60Hz	
23	3290505	4	Nut M5	
24	3290605	4	Nut M6	
25	3290805	4	Nut M8	
26	3291201	2	Nut M12	
27	3331211	1	Nut M12	
28	3580317	1	Pulley	
29	3580318	1	Pulley	
30	3580320	1	Pulley	
31	3910606	4	Screw #6 x 3/8	
32	3960422	1	Gasket	
33	4032015	4	Bolt M10 x 55	
34	4060802	1	Guard, Switch	
35	4240099	AR	Tie-Strap (Not Shown)	
36	4360336	1	Switch, Toggle	
37	4460071	1	Connector, Strain Relief	
38	4460346	1	Receptacle	
39	4711600	1	Washer 3/8	
40	4811600	4	Washer M5	
41	4811700	8	Washer M6	
42	4811900	8	Washer M8	
43	4812100	1	Washer M12	
44	4812200	3	Washer M14	
45	4871700	2	Washer M6	
46	5241200	3	Washer M12 Hardened	
47	1001104029	4	Screw M5 x 30	
48	1001110873	1	Shield, Cover	

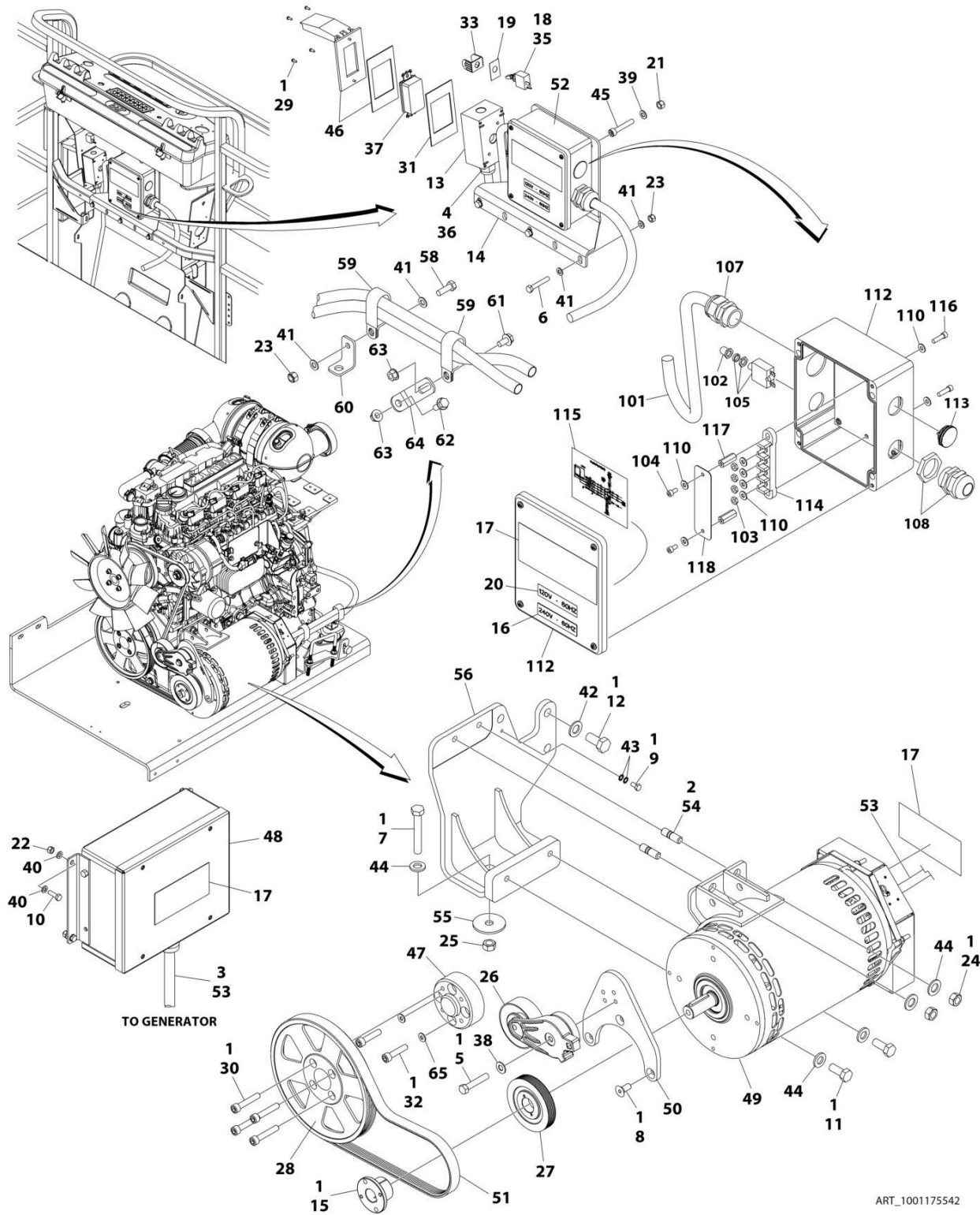
## SECTION 3 - ENGINE

ITEM	PART NUMBER	QTY	DESCRIPTION	REV
49	1001129858	1	Generator	
49	70003709	1	Ring, Retaining (External)	
49	70003708	1	Ring, Retaining (Internal)	
49	70001966	1	Bearing	
49	70004092	1	Endbell (Shaft End)	
49	70004171	1	Key	
49	70004676	1	Rotor	
49	70004684	1	Stator	
49	70004678	1	Endbell (Rear)	
49	70004679	1	Cover, Endbell (Rear)	
49	70004680	1	Enclosure, Wiring	
49	70004685	1	Cover, Enclosure	
49	70004682	1	Switch, Reset (Located on Enclosure Cover)	
49	70004098	1	Connector, Strain Relief (Located on Enclosure Cover)	
50	1001138566	1	Box, Control	
50	70006552	1	Capacitor	
50	70006553	1	Relay	
51	1001139357	1	Mount, Tensioner	
52	1001152457	1	Generator Junction Box Assembly (See Items 101-118 for Breakdown)	
53	1001152532	1	Harness, Generator (See Separate Breakdown in ELECTRICAL SECTION)	
54	1001196382	1	Stud	
55	1001168018	1	Washer, Snubbing	
56	1001173925	1	Mount	
57	1001175631	1	Wiring Diagram (Not Shown)	
57	4922641	1	Harness, On/Off Switch (Not Shown - Located at Platform)	
58	0760812	1	Bolt M8 x 25	
59	1321716	2	Clamp	
60	1001148641	1	Bracket	
61	5250808	1	Bolt M8 x 16	
62	5250810	1	Bolt M8 x 20	
63	5260800	2	Nut M8	
64	1001223122	1	Support	
	1001152457	Ref	GENERATOR JUNCTION BOX COMPONENTS	
101	1001179154	2.5 ft/ 0.8m	Cable, Electrical - 12/3	
102	3300396	1	Cover, Breaker	
103	3311001	4	Nut #10	
104	3900300	2	Screw	
105	4360070	1	Breaker, Circuit - 15Amp	
107	4460425	1	Connector, Strain Relief (LH Side)	
108	4460426	1	Connector, Strain Relief (RH Side)	
110	4711000	8	Washer #10	
112	1001152456	1	Box, Junction	
113	1001152525	1	Plug	
114	1001152530	1	Terminal, Block	
115	1001153260	1	Decal - Wiring Diagram	
116	3900267	2	Screw	
117	1001158008	2	Stand-Off	
118	1001158363	1	Cover, Terminal Block	



# SECTION 3 - ENGINE

## FIGURE 3-64. GENERATOR INSTALLATION - 4000W/60HZ (DEUTZ D2.9L4 ENGINE)



ART\_1001175542

## SECTION 3 - ENGINE

**FIGURE 3-64. GENERATOR INSTALLATION - 4000W/60HZ (DEUTZ D2.9L4 ENGINE)**

ITEM	PART NUMBER	QTY	DESCRIPTION	REV
	1001175542	Ref	GENERATOR INSTALLATION - 4000W/60HZ (DEUTZ D2.9L4 ENGINE)	J
1	0100011	AR	Compound, Locking	
2	0100019	AR	Compound, Locking	
3	0100048	AR	Grease, Dielectric	
4	0100079	AR	Sealant	
5	0641616	1	Bolt 3/8 x 2	
6	0700818	3	Bolt M8 x 50	
7	0711224	AR	Bolt M12 x 80 Grade 10.9	
8	0741607	3	Screw 3/8 x 7/8	
9	0760606	1	Bolt M6 x 12	
10	0760610	4	Bolt M6 x 20	
11	0761212	2	Bolt M12 x 25	
12	0771414	AR	Bolt M14 x 30 Grade 10.9	
13	0860038	1	Box, Switch	
14	0902888	1	Bracket	
15	0962520	1	Bushing	
16	1705374	1	Decal - 240V-60Hz	
17	1705387	3	Decal - Hazardous Voltage	
18	2820031	AR	Heat Shrink	
19	See Note	1	Nameplate (Note: Not Available for Purchase)	
20	3251243	1	Nameplate 120V-60Hz	
21	3290505	4	Nut M5	
22	3290605	4	Nut M6	
23	3290805	4	Nut M8	
24	3291201	2	Nut M12	
25	3331211	AR	Nut M12	
26	3580317	1	Pulley	
27	3580318	1	Pulley	
28	3580320	1	Pulley	
29	3910606	4	Screw #6 x 3/8	
30	3931628	4	Capscrew 3/8 x 1-3/4	
31	3960422	1	Gasket	
32	4032014	4	Capscrew M10 x 50	
33	4060802	1	Guard, Switch	
34	4240099	AR	Tie-Strap (Not Shown)	
35	4360336	1	Switch, Toggle	
36	4460071	1	Connector, Strain Relief	
37	4460346	1	Receptacle	
38	4711600	1	Washer 3/8	
39	4811600	4	Washer M5	
40	4811700	8	Washer M6	
41	4811900	8	Washer M8	
42	4812200	AR	Washer M14	
43	4871700	2	Washer M6	
44	5241200	AR	Washer M12 Hardened	
45	1001104029	4	Screw M5 x 30	
46	1001110873	1	Shield, Cover	
47	1001135679	1	Adapter	
48	1001138566	1	Box, Control	

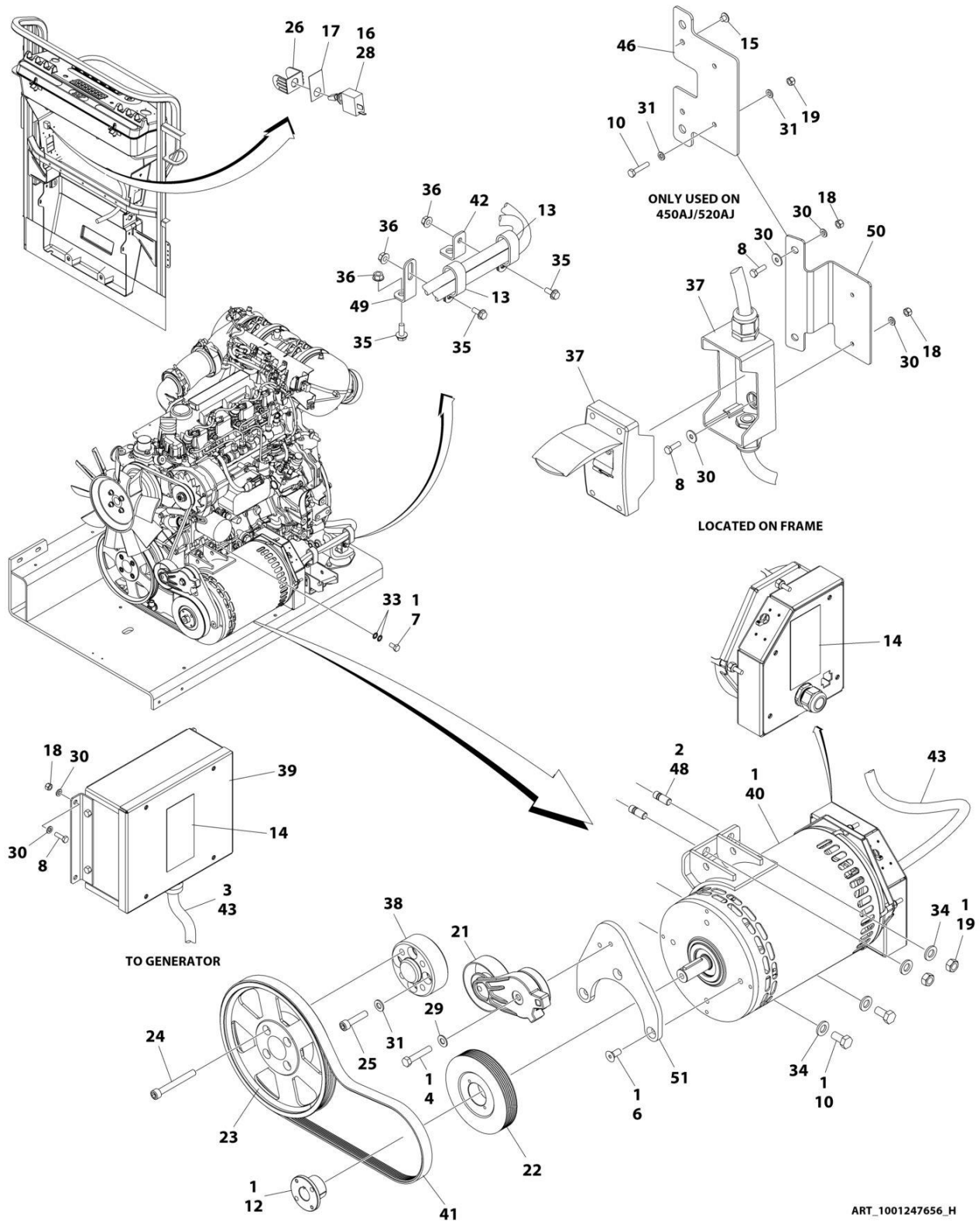
## SECTION 3 - ENGINE

ITEM	PART NUMBER	QTY	DESCRIPTION	REV
49	1001140346	1	Generator Assembly	
49	70003709	1	Ring, Retaining (External)	
49	70003708	1	Ring, Retaining (Internal)	
49	70001966	1	Bearing	
49	70004092	1	Endbell (Shaft End)	
49	70004099	1	Key	
49	70004676	1	Rotor	
49	70004687	1	Stator	
49	70004678	1	Endbell (Rear)	
49	70004679	1	Cover, Endbell (Rear)	
49	70004680	1	Enclosure, Wiring	
49	70004685	1	Cover, Enclosure	
49	70004682	1	Switch, Reset (Located on Enclosure Cover)	
49	70004098	1	Connector, Strain Relief (Located on Enclosure Cover)	
50	1001142643	1	Support	
51	1001142646	1	Belt	
52	1001152457	1	Generator Junction Box Assembly (See Items 101-118 for Breakdown)	
53	1001152532	1	Harness, Generator (See Separate Breakdown in ELECTRICAL SECTION)	
54	1001196382	2	Stud	
55	1001168018	AR	Washer, Snubbing	
56	1001168207	Ref	Support	
57	1001175631	1	Wiring Diagram (Not Shown)	
57	4922641	1	Harness, On/Off Switch (Not Shown - Located at Platform)	
58	0760812	1	Bolt M8 x 25	
59	1321716	2	Clamp	
60	1001148641	1	Bracket	
61	5250808	1	Bolt M8 x 16	
62	5250810	1	Bolt M8 x 20	
63	5260800	2	Nut M8	
64	1001223122	1	Support	
65	4812000	4	Washer M10	
	1001152457	Ref	GENERATOR JUNCTION BOX COMPONENTS	
101	1001179154	2.5 ft/ 0.8m	Cable, Electrical - 12/3	
102	3300396	1	Cover, Breaker	
103	3311001	4	Nut #10	
104	3900300	2	Screw	
105	4360070	1	Breaker, Circuit - 15Amp	
107	4460425	1	Connector, Strain Relief (LH Side)	
108	4460426	1	Connector, Strain Relief (RH Side)	
110	4711000	8	Washer #10	
112	1001152456	1	Box, Junction	
113	1001152525	1	Plug	
114	1001152530	1	Terminal, Block	
115	1001153260	1	Decal - Wiring Diagram	
116	3900267	2	Screw	
117	1001158008	2	Stand-Off	
118	1001158363	1	Cover, Terminal Block	



# SECTION 3 - ENGINE

## FIGURE 3-65. GENERATOR INSTALLATION - 4000W/50HZ (DEUTZ ENGINE) (STAGE V)



ART\_1001247656\_H



## SECTION 3 - ENGINE

**FIGURE 3-65. GENERATOR INSTALLATION - 4000W/50HZ (DEUTZ ENGINE) (STAGE V)**

ITEM	PART NUMBER	QTY	DESCRIPTION	REV
	1001247656	Ref	GENERATOR INSTALLATION - 4000W/50HZ	H
1	0100011	AR	Compound, Locking	
2	0100019	AR	Compound, Locking	
3	0100048	AR	Grease, Dielectric	
4	0641616	1	Bolt 3/8 x 2	
6	0741607	3	Screw 3/8 x 7/8	
7	0760606	1	Bolt M6 x 12	
8	0760610	10	Bolt M6 x 20	
10	0761212	2	Bolt M12 x 25	
12	0962520	1	Bushing	
13	1321716	2	Clamp	
14	1705489	2	Decal - Hazardous Voltage	
15	2080040	2	Fastener, Huck	
16	2820031	0.33 ft /0.10m	Heat Shrink	
17	3251102	1	Nameplate, Generator	
18	3290605	10	Nut M6	
19	3291201	2	Nut M12	
21	3580317	1	Pulley	
22	3580319	1	Pulley	
23	1001281192	1	Pulley	
24	1001261085	4	Capscrew M10 x 85	
25	1001261045	4	Capscrew M10 x 45	
26	4060802	1	Guard, Switch	
27	4240099	AR	Tie-Strap (Not Shown)	
28	4360336	1	Switch, Toggle	
29	4711600	1	Washer 3/8	
30	4811700	18	Washer M6	
31	4812000	4	Washer M14	
33	4871700	2	Washer M6	
34	5241200	4	Washer M12 Hardened	
35	5250810	3	Bolt M8 x 20	
36	5260800	3	Nut M8	
37	1001096070	1	Breaker Box Kit (50Hz) (See Separate Breakdown in ELECTRICAL Section)	
38	1001258800	1	Adapter	
39	1001138566	1	Box, Control	
40	1001140347	1	Generator, 4000W/ 50HZ - Deutz Engine	
40	70003709	1	Ring, Retaining (External)	
40	70003708	1	Ring, Retaining (Internal)	
40	70001966	1	Bearing	
40	70004092	1	Endbell (Shaft End)	
40	70004099	1	Key	
40	70004676	1	Rotor	
40	70004686	1	Stator	
40	70004678	1	Endbell (Rear)	
40	70004679	1	Cover, Endbell (Rear)	
40	70004680	1	Enclosure, Wiring	
40	70004681	1	Cover, Enclosure	
40	70004682	1	Switch, Reset (Located on Enclosure Cover)	

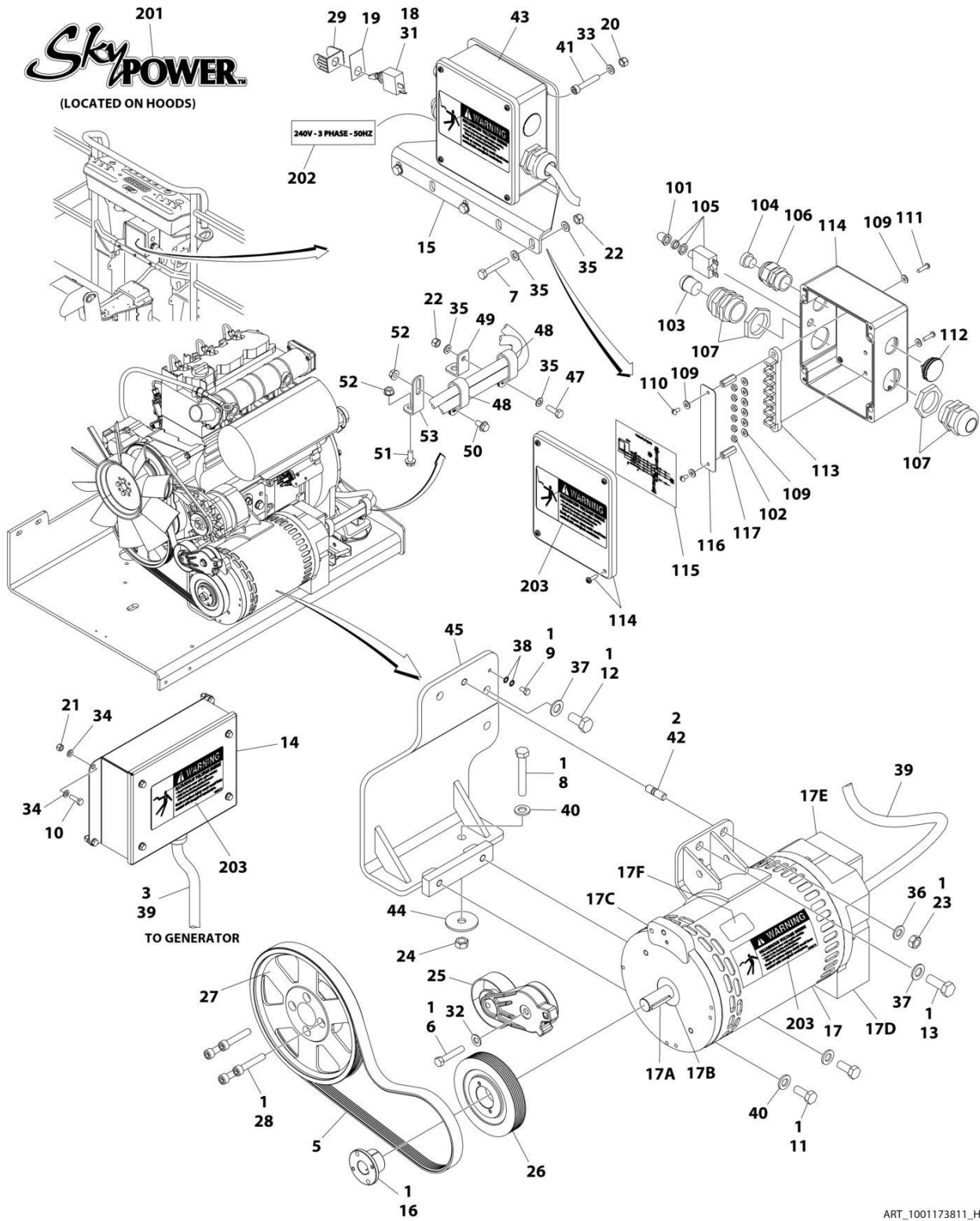
## SECTION 3 - ENGINE

ITEM	PART NUMBER	QTY	DESCRIPTION	REV
40	70004683	1	Connector, Strain Relief (Located on Enclosure Cover)	
41	1001148059	1	Belt, Generator	
42	1001148641	1	Bracket	
43	1001152532	1	Harness, Generator (See Separate Breakdown in ELECTRICAL Section)	
46	1001174158	1	Mount	
47	1001174675	1	Wiring Diagram (Not Shown)	
48	1001196382	2	Stud	
49	1001223122	1	Support	
50	1001293086	1	Bracket	
51	1001248190	1	Support	
52	4811702	2	Washer M6	
		Ref	ELECTRICAL DIAGRAM COMPONENTS	
101	4922641	1	Generator Switch Harness (Not Shown)	



# SECTION 3 - ENGINE

## FIGURE 3-66. GENERATOR INSTALLATION - 7500W/50HZ (DEUTZ D2011 ENGINE)



ART\_1001173811\_H

## SECTION 3 - ENGINE

**FIGURE 3-66. GENERATOR INSTALLATION - 7500W/50HZ (DEUTZ D2011 ENGINE)**

ITEM	PART NUMBER	QTY	DESCRIPTION	REV
	1001173811	Ref	GENERATOR INSTALLATION - 7500W/50HZ (DEUTZ D2011 ENGINE)	H
1	0100011	AR	Compound, Locking	
2	0100019	AR	Compound, Locking	
3	0100048	AR	Grease, Dielectric	
4	0100079	AR	Sealant (Not Shown)	
5	0480126	1	Belt	
6	0641616	1	Bolt 3/8 x 2	
7	0700818	3	Bolt M8 x 50	
8	0711224	1	Bolt M12 x 80 Grade 10.9	
9	0760606	1	Bolt M6 x 12	
10	0760610	4	Bolt M6 x 20	
11	0761214	2	Bolt M12 x 30	
12	0771414	2	Bolt M14 x 30 Grade 10.9	
13	0771416	1	Bolt M14 x 40	
14	0861572	1	Control Box Assembly	
14	7024488	1	Card, Circuit - Generator Power	
14	See Note	NSS	Fuse (Note: Not Available - Purchase Locally)	
14	7024489	1	Card, Circuit - Control	
14	70000619	1	Harness, Control Box (Internal)	
15	0902888	1	Bracket	
16	0962520	1	Bushing	
17	2460048	1	Generator Assembly	
17	70001100	1	Rotor (Includes p/n 70001384 & 70000863) (Not Shown)	
17	70001384	1	Bearing, Ball Radial (Not Shown)	
17	70000863	1	Fan (Not Shown)	
17	70002088	1	Stator (Not Shown)	
17	70002297	1	Stud	
17	70003631	1	Brushholder Assembly (Not Shown)	
17A	70004171	1	Key	
17B	70001966	1	Bearing, Ball Radial (Located in Belt Tensioner Endbell)	
17B	70003708	1	Ring, Internal Retaining (Located in Belt Tensioner Endbell)	
17B	70003709	1	Ring, External Retaining (Located in Belt Tensioner Endbell)	
17C	70001953	1	Endbell, Belt Tensioner	
17D	70004169	1	Endbell, Brush Block	
17E	70004169	1	Shroud	
17E	See Note	NSS	Insulator, Endbell (Note: Not Available for Purchase)	
17E	7027799	1	Block, Connector 6 Position (Not Shown)	
17E	70002460	1	Nut, Brass (Attaches p/n 7027799 to Cover) (Not Shown)	
17E	7024485	1	Breaker, Circuit 30Amp (Not Shown)	
17E	70001696	1	Boot, Breaker (Not Shown)	
17E	7026626	1	Connector, 6 Position (Includes Seal) (Not Shown - Plugs into Item 39)	
17E	7026597	1	Connector, with Leads (Not Shown)	
17E	7026188	1	Clamp, Cable Options (Not Shown)	
17E	70004169	1	Plate, End Panel	
17E	70001974	1	Decal - Terminal Connections	
17F	70001973	1	Decal - Warning Moving Parts	
18	2820031	AR	Heat Shrink	
19	3252764	1	Nameplate	

## SECTION 3 - ENGINE

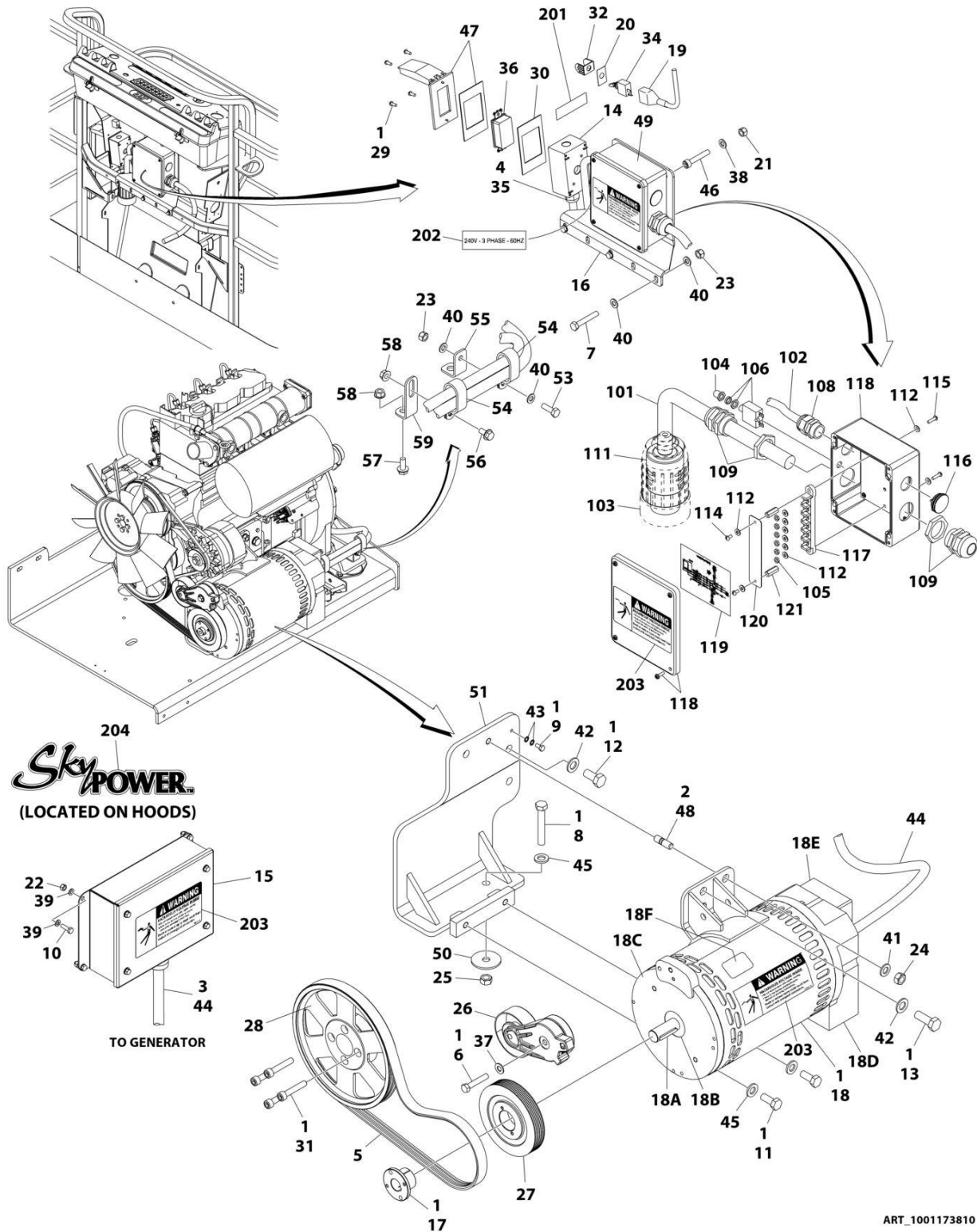
ITEM	PART NUMBER	QTY	DESCRIPTION	REV
20	3290505	4	Nut M5	
21	3290605	4	Nut M6	
22	3290805	4	Nut M8	
23	3291201	1	Nut M12	
24	3331211	1	Nut M12	
25	3580317	1	Pulley	
26	3580319	1	Pulley	
27	3580320	1	Pulley	
28	4032015	4	Bolt M10 x 55	
29	4060802	1	Guard, Switch	
30	4240099	AR	Tie-Strap (Not Shown)	
31	4360336	1	Switch, Toggle	
32	4711600	1	Washer 3/8	
33	4811600	4	Washer M5	
34	4811700	8	Washer M6	
35	4811900	8	Washer M8	
36	4812100	1	Washer M12	
37	4812200	3	Washer M14	
38	4871700	2	Washer M6	
39	4922925	1	Harness, Generator	
39	4460225	1	Plug, Male 6 Position (Plugs into Generator)	
39	See Note	NSS	Socket, Female (Use with 4460225)	
39	See Note	NSS	Seal, Plug (Use with 4460225)	
39	See Note	NSS	Seal, Interface (Use with 4460225)	
40	5241200	3	Washer M12 Hardened	
41	1001104029	4	Screw M5 x 30	
42	1001196382	1	Stud	
43	1001157525	1	Junction Box Assembly (See Items 101-117 for Breakdown)	
44	1001168018	1	Washer, Snubbing	
45	1001173925	1	Mount	
46	1001174675	1	Wiring Diagram (Not Shown)	
46	4922641	1	Harness, On/Off Switch (Not Shown - Located at Platform)	
47	0760812	1	Bolt M8 x 25	
48	1321716	2	Clamp	
49	1001148641	1	Bracket	
50	5250808	1	Bolt M8 x 16	
51	5250810	1	Bolt M8 x 20	
52	5260800	2	Nut M8	
53	1001223122	1	Support	
	1001157525	Ref	JUNCTION BOX ASSEMBLY	B
101	3300396	1	Cover, Fuse	
102	3311001	6	Nut #10	
103	3520189	1	Plug	
104	3520192	1	Plug	
105	4360070	1	Circuit Breaker - 15Amp	
106	4460425	1	Connector, Strain Relief	
107	4460426	2	Connector, Strain Relief	
109	4711000	10	Flatwasher #10	
110	10702077	2	Screw #10 x 3/8	
111	10702082	2	Screw #10 x 3/4	
112	1001152525	1	Plug	

## SECTION 3 - ENGINE

ITEM	PART NUMBER	QTY	DESCRIPTION	REV
113	1001157520	1	Block, Terminal	
114	1001157521	1	Box, Junction	
115	1001157528	1	Decal - Wiring Schematic	
116	1001158007	1	Cover, PVC	
117	1001158008	2	Stand-Off	
	0272589	Ref	DECAL INSTALLATION	A
201	1705460	2	Decal - SkyPower	
202	1705461	1	Decal - 240V - 3 Phase - 50Hz	
203	1705489	3	Decal - Hazardous Voltage	

# SECTION 3 - ENGINE

## FIGURE 3-67. GENERATOR INSTALLATION - 7500W/60HZ (DEUTZ D2011 ENGINE)





## SECTION 3 - ENGINE

**FIGURE 3-67. GENERATOR INSTALLATION - 7500W/60HZ (DEUTZ D2011 ENGINE)**

ITEM	PART NUMBER	QTY	DESCRIPTION	REV
	1001173810	Ref	GENERATOR INSTALLATION - 7500W/60Hz (DEUTZ D2011 ENGINE)	F
1	0100011	AR	Compound, Locking	
2	0100019	AR	Compound, Locking	
3	0100048	AR	Grease, Dielectric	
4	0100079	AR	Sealant	
5	0480128	1	Belt	
6	0641616	1	Bolt 3/8 x 2	
7	0700818	3	Bolt M8 x 50	
8	0711224	1	Bolt M12 x 80 Grade 10.9	
9	0760606	1	Bolt M6 x 12	
10	0760610	4	Bolt M6 x 20	
11	0761214	2	Bolt M12 x 30	
12	0771414	2	Bolt M14 x 30 Grade 10.9	
13	0771416	1	Bolt M14 x 40	
14	0860038	1	Box, Switch	
15	0861538	1	Control Box Assembly	
15	7024488	1	Card, Circuit - Generator Power	
15	See Note	NSS	Fuse (Note: Not Available - Purchase Locally)	
15	7024489	1	Card, Circuit - Control	
15	70000619	1	Harness, Control Box (Internal)	
16	0902888	1	Bracket	
17	0962520	1	Bushing	
18	2460048	1	Generator Assembly	
18	70001100	1	Rotor (Includes p/n 70001384 & 70000863) (Not Shown)	
18	70001384	1	Bearing, Ball Radial (Not Shown)	
18	70000863	1	Fan (Not Shown)	
18	70002088	1	Stator (Not Shown)	
18	70002297	1	Stud	
18	70003631	1	Brushholder Assembly (Not Shown)	
18A	70004171	1	Key	
18B	70001966	1	Bearing, Ball Radial (Located in Belt Tensioner Endbell)	
18B	70003708	1	Ring, Internal Retaining (Located in Belt Tensioner Endbell)	
18B	70003709	1	Ring, External Retaining (Located in Belt Tensioner Endbell)	
18C	70001953	1	Endbell, Belt Tensioner	
18D	70004169	1	Endbell, Brush Block	
18E	70004169	1	Shroud	
18E	See Note	NSS	Insulator, Endbell (Note: Not Available for Purchase)	
18E	7027799	1	Block, Connector 6 Position (Not Shown)	
18E	70002460	1	Nut, Brass (Attaches p/n 7027799 to Cover) (Not Shown)	
18E	7024485	1	Breaker, Circuit 30Amp (Not Shown)	
18E	70001696	1	Boot, Breaker (Not Shown)	
18E	7026626	1	Connector, 6 Position (Includes Seal) (Not Shown - Plugs into Item 39)	
18E	7026597	1	Connector, with Leads (Not Shown)	
18E	7026188	1	Clamp, Cable Options (Not Shown)	
18E	70004169	1	Plate, End Panel	
18E	70001974	1	Decal - Terminal Connections	
18F	70001973	1	Decal - Warning Moving Parts	
19	2820031	AR	Heat Shrink	

## SECTION 3 - ENGINE

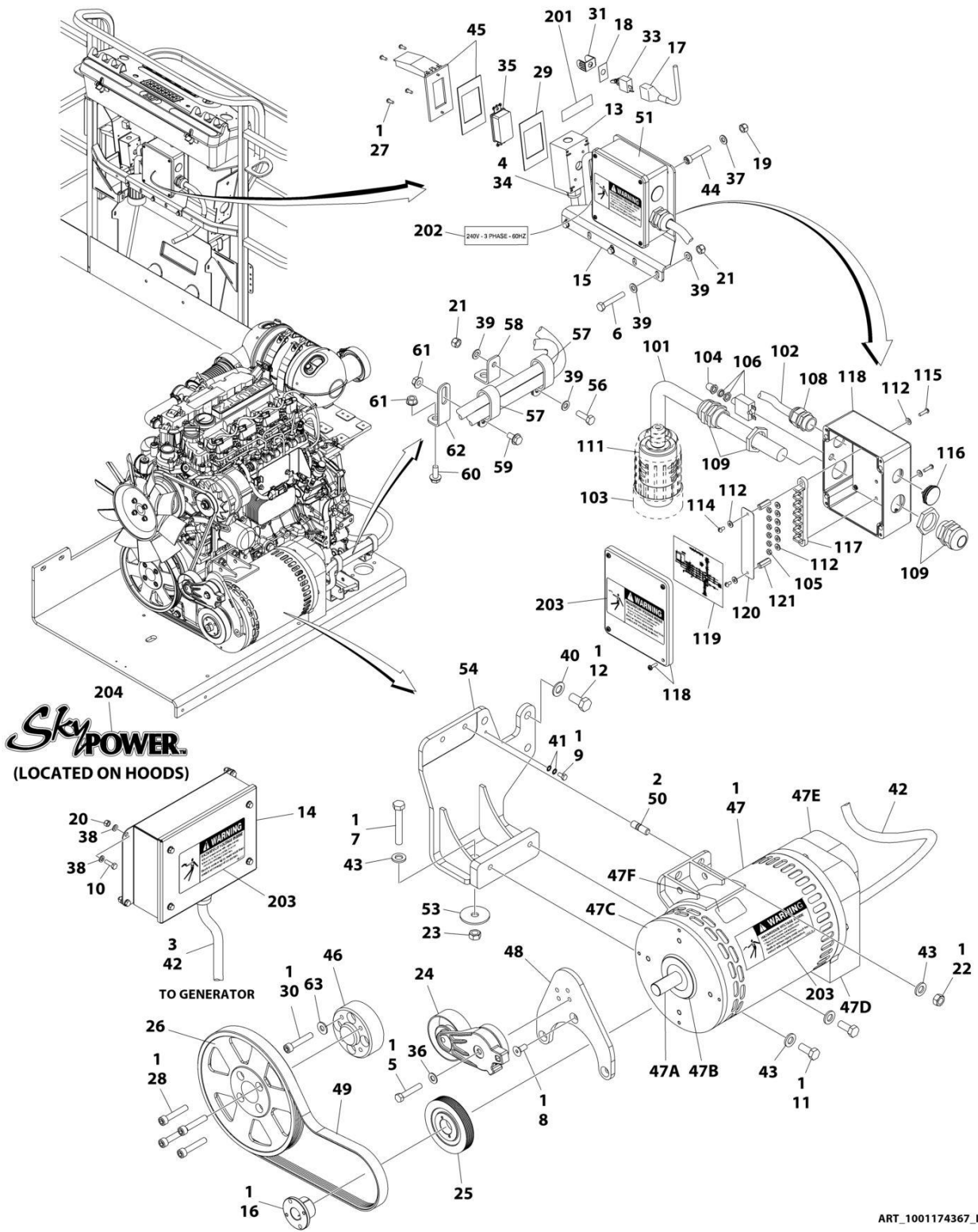
ITEM	PART NUMBER	QTY	DESCRIPTION	REV
20	3252764	1	Nameplate	
21	3290505	4	Nut M5	
22	3290605	4	Nut M6	
23	3290805	4	Nut M8	
24	3291201	1	Nut M12	
25	3331211	1	Nut M12	
26	3580317	1	Pulley	
27	3580318	1	Pulley	
28	3580320	1	Pulley	
29	3910606	4	Screw #6 x 3/8	
30	3960422	1	Gasket	
31	4032015	4	Bolt M10 x 55	
32	4060802	1	Guard, Switch	
33	4240099	AR	Tie-Strap (Not Shown)	
34	4360336	1	Switch, Toggle	
35	4460071	1	Connector, Strain Relief	
36	4460346	1	Receptacle	
37	4711600	1	Washer 3/8	
38	4811600	4	Washer M5	
39	4811700	8	Washer M6	
40	4811900	8	Washer M8	
41	4812100	1	Washer M12	
42	4812200	3	Washer M14	
43	4871700	2	Washer M6	
44	4922925	1	Harness, Generator	
44	4460225	1	Plug, Male 6 Position (Plugs into Generator)	
44	See Note	NSS	Socket, Female (Use with 4460225)	
44	See Note	NSS	Seal, Plug (Use with 4460225)	
44	See Note	NSS	Seal, Interface (Use with 4460225)	
45	5241200	3	Washer M12 Hardened	
46	1001104029	4	Screw M5 x 30	
47	1001110873	1	Shield, Cover	
48	1001196382	1	Stud	
49	1001157592	1	Junction Box Assembly Options (See Items 101-121 for Breakdown)	
50	1001168018	1	Washer, Snubbing	
51	1001173925	1	Mount	
52	1001174675	1	Wiring Diagram (Not Shown)	
52	4922641	1	Harness, On/Off Switch (Not Shown - Located at Platform)	
53	0760812	1	Bolt M8 x 25	
54	1321716	2	Clamp	
55	1001148641	1	Bracket	
56	5250808	1	Bolt M8 x 16	
57	5250810	1	Bolt M8 x 20	
58	5260800	2	Nut M8	
59	1001223122	1	Support	
	1001157592	Ref	JUNCTION BOX ASSEMBLY	C
101	1060343	1.5 ft /0.5m	Cable, Electrical 10/4	
102	1001179154	2.5 ft /0.8m	Cable, Electrical 12/3	
103	1671092	1	Cover	

## SECTION 3 - ENGINE

ITEM	PART NUMBER	QTY	DESCRIPTION	REV
104	3300396	1	Cover, Fuse	
105	3311001	6	Nut #10	
106	4360070	1	Circuit Breaker - 15Amp	
108	4460425	1	Connector, Strain Relief	
109	4460426	2	Connector, Strain Relief	
111	4460963	1	Connector	
112	4711000	10	Flatwasher #10	
114	10702077	2	Screw #10 x 3/8	
115	10702082	2	Screw #10 x 3/4	
116	1001152525	1	Plug	
117	1001157520	1	Block, Terminal	
118	1001157521	1	Box, Junction	
119	1001157528	1	Decal - Wiring Schematic	
120	1001158007	1	Cover, PVC	
121	1001158008	2	Stand-Off	
	0272435	Ref	DECAL INSTALLATION	D
	0273380	Ref	DECAL INSTALLATION	B
201	3251243	1	Decal - 120V - 60Hz	
202	1705375	1	Decal - 240V - 3 Phase - 60Hz	
203	1705387	3	Decal - Hazardous Voltage	
204	1705460	2	Decal - SkyPower	

# SECTION 3 - ENGINE

## FIGURE 3-68. GENERATOR INSTALLATION - 7500W/60HZ (DEUTZ D2.9L4 ENGINE)



ART\_1001174367\_I

## SECTION 3 - ENGINE

**FIGURE 3-68. GENERATOR INSTALLATION - 7500W/60HZ (DEUTZ D2.9L4 ENGINE)**

ITEM	PART NUMBER	QTY	DESCRIPTION	REV
	1001174367	Ref	GENERATOR INSTALLATION - 7500W/60Hz (DEUTZ D2.9L4 ENGINE)	J
1	0100011	AR	Compound, Locking	
2	0100019	AR	Compound, Locking	
3	0100048	AR	Grease, Dielectric	
4	0100079	AR	Sealant	
5	0641616	1	Bolt 3/8 x 2	
6	0700818	3	Bolt M8 x 50	
7	0711224	Ref	Bolt M12 x 80 Grade 10.9	
8	0741607	3	Screw 3/8 x 7/8	
9	0760606	1	Bolt M6 x 12	
10	0760610	4	Bolt M6 x 20	
11	0761212	2	Bolt M12 x 25	
12	0771414	Ref	Bolt M14 x 30 Grade 10.9	
13	0860038	1	Box, Switch	
14	0861538	1	Control Box Assembly	
14	7024488	1	Card, Circuit - Generator Power	
14	See Note	NSS	Fuse (Note: Not Available - Purchase Locally)	
14	7024489	1	Card, Circuit - Control	
14	70000619	1	Harness, Control Box (Internal)	
15	0902888	1	Bracket	
16	0962520	1	Bushing	
17	2820031	AR	Heat Shrink	
18	3252764	1	Nameplate	
19	3290505	4	Nut M5	
20	3290605	4	Nut M6	
21	3290805	4	Nut M8	
22	3291201	2	Nut M12	
23	3331211	Ref	Nut M12	
24	3580317	1	Pulley	
25	3580318	1	Pulley	
26	3580320	1	Pulley	
27	3910606	4	Screw #6 x 3/8	
28	3931628	4	Capscrew 3/8 x 1-3/4	
29	3960422	1	Gasket	
30	4032014	4	Bolt M10 x 50	
31	4060802	1	Guard, Switch	
32	4240099	AR	Tie-Strap (Not Shown)	
33	4360336	1	Switch, Toggle	
34	4460071	1	Connector, Strain Relief	
35	4460346	1	Receptacle	
36	4711600	1	Washer 3/8	
37	4811600	4	Washer M5	
38	4811700	8	Washer M6	
39	4811900	8	Washer M8	
40	4812200	Ref	Washer M14	
41	4871700	2	Washer M6	
42	4922925	1	Harness, Generator	
42	4460225	1	Plug, Male 6 Position (Plugs into Generator)	
42	See Note	NSS	Socket, Female (Use with 4460225)	

## SECTION 3 - ENGINE

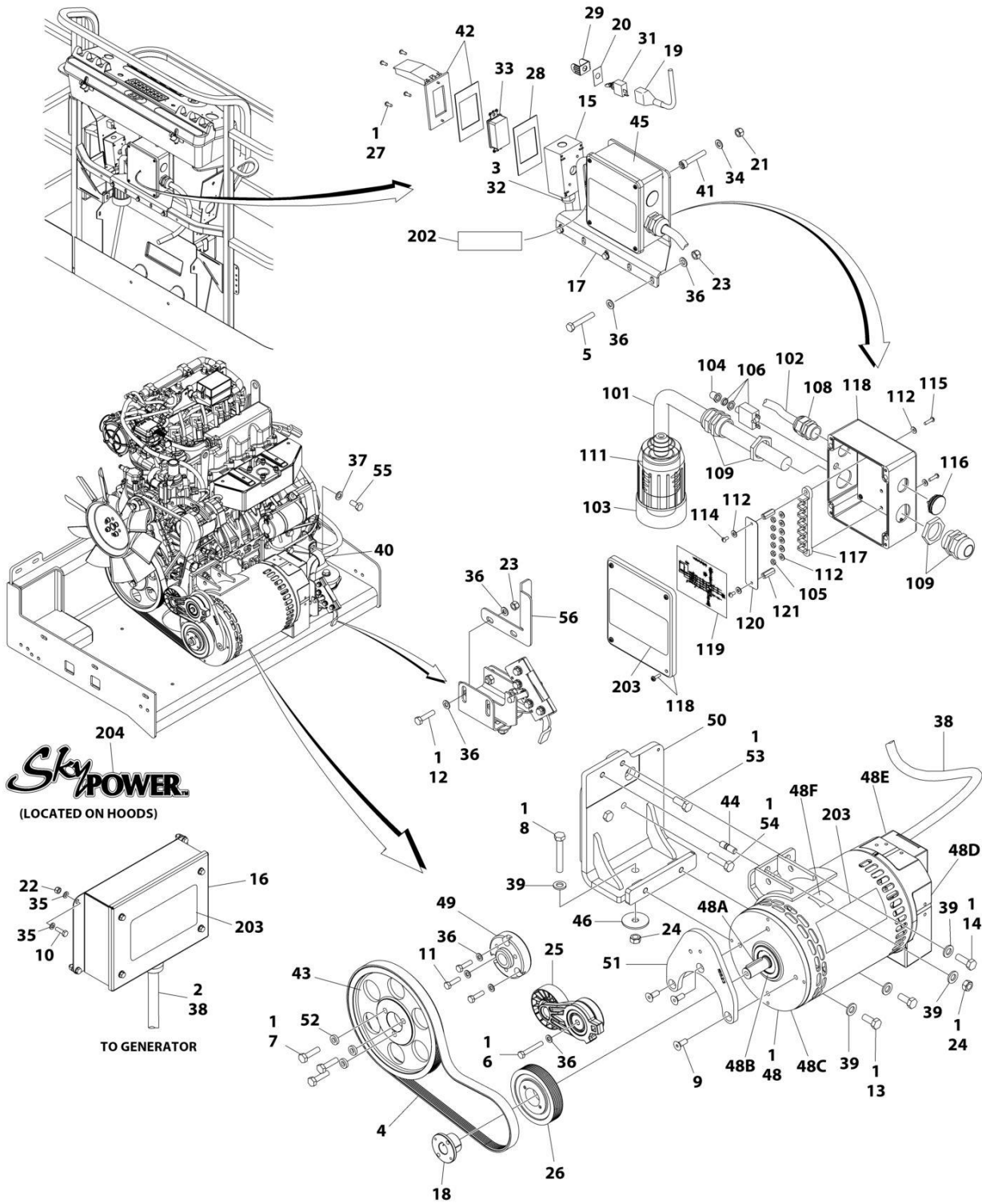
ITEM	PART NUMBER	QTY	DESCRIPTION	REV
42	See Note	NSS	Seal, Plug (Use with 4460225)	
42	See Note	NSS	Seal, Interface (Use with 4460225)	
43	5241200	5	Washer M12 Hardened	
44	1001104029	4	Screw M5 x 30	
45	1001110873	1	Shield, Cover	
46	1001135679	1	Adapter	
47	1001212223	1	Generator Assembly	
47	70001100	1	Rotor (Includes p/n 70001384 & 70000863) (Not Shown)	
47	70001384	1	Bearing, Ball Radial (Not Shown)	
47	70000863	1	Fan (Not Shown)	
47	70006093	1	Stator (Not Shown)	
47	70002297	1	Stud	
47	70003631	1	Brushholder Assembly (Not Shown)	
47A	70004099	1	Key	
47B	70001966	1	Bearing, Ball Radial (Located in Belt Tensioner Endbell)	
47B	70003708	1	Ring, Internal Retaining (Located in Belt Tensioner Endbell)	
47B	70003709	1	Ring, External Retaining (Located in Belt Tensioner Endbell)	
47C	70004092	1	Endbell, Belt Tensioner	
47D	70004094	1	Endbell, Brush Block	
47E	70006094	1	Shroud	
47E	70002291	1	Insulator, Endbell	
47E	7027799	1	Block, Connector 6 Position (Not Shown)	
47E	70002460	1	Nut, Brass (Attaches p/n 7027799 to Cover) (Not Shown)	
47E	70006095	1	Breaker, Circuit 30Amp (Not Shown)	
47E	70006096	1	Guard, Breaker (Not Shown)	
47E	7026626	1	Connector, 6 Position (Includes Seal) (Not Shown - Plugs into Item 36)	
47E	7026597	1	Connector, with Leads (Not Shown)	
47E	70004098	1	Clamp, Cable (Not Shown)	
47E	70006097	1	Plate, End Panel	
47E	70001974	1	Decal - Terminal Connections	
47F	70001973	1	Decal - Warning Moving Parts	
48	1001142643	1	Support	
49	1001142646	1	Belt	
50	1001196382	2	Stud	
51	1001157592	1	Junction Box Assembly Options (See Items 101-121 for Breakdown)	
53	1001168018	Ref	Washer, Snubbing	
54	1001168207	Ref	Support	
55	1001174675	1	Wiring Diagram (Not Shown)	
55	4922641	1	Harness, On/Off Switch (Not Shown - Located at Platform)	
56	0760812	1	Bolt M8 x 25	
57	1321716	2	Clamp	
58	1001148641	1	Bracket	
59	5250808	1	Bolt M8 x 16	
60	5250810	1	Bolt M8 x 20	
61	5260800	2	Nut M8	
62	1001223122	1	Support	
63	4812000	4	Washer M10	
	1001157592	Ref	JUNCTION BOX ASSEMBLY	C
101	1060343	1.5 ft/ 0.5m	Cable, Electrical 10/4	

## SECTION 3 - ENGINE

ITEM	PART NUMBER	QTY	DESCRIPTION	REV
102	1001179154	2.5 ft/ 0.8m	Cable, Electrical 12/3	
103	1671092	1	Cover	
104	3300396	1	Cover, Fuse	
105	3311001	6	Nut #10	
106	4360070	1	Circuit Breaker - 15Amp	
108	4460425	1	Connector, Strain Relief	
109	4460426	2	Connector, Strain Relief	
111	4460963	1	Connector	
112	4711000	10	Flatwasher #10	
114	10702077	2	Screw #10 x 3/8	
115	10702082	2	Screw #10 x 3/4	
116	1001152525	1	Plug	
117	1001157520	1	Block, Terminal	
118	1001157521	1	Box, Junction	
119	1001157528	1	Decal - Wiring Schematic	
120	1001158007	1	Cover, PVC	
121	1001158008	2	Stand-Off	
	0272435	Ref	DECAL INSTALLATION	D
	0273380	Ref	DECAL INSTALLATION	B
201	3251243	1	Decal - 120V - 60Hz	
202	1705375	1	Decal - 240V - 3 Phase - 60Hz	
203	1705387	3	Decal - Hazardous Voltage	
204	1705460	2	Decal - SkyPower	

# SECTION 3 - ENGINE

## FIGURE 3-69. GENERATOR INSTALLATION - 7500W/60HZ (KUBOTA ENGINE)



ART\_1001272123



## SECTION 3 - ENGINE

**FIGURE 3-69. GENERATOR INSTALLATION - 7500W/60HZ (KUBOTA ENGINE)**

ITEM	PART NUMBER	QTY	DESCRIPTION	REV
	1001272123	Ref	GENERATOR INSTALLATION - 7500W/60HZ (KUBOTA ENGINE)	A
1	0100011	AR	Compound, Locking	
2	0100048	AR	Grease, Dielectric	
3	0100079	AR	Sealant	
4	0480129	1	Belt	
5	0700818	3	Bolt M8 x 50	
6	0700819	1	Bolt M8 x 55	
7	0701016	3	Bolt M10 x 40	
8	0701224	1	Bolt M12 x 80	
9	0741608	3	Screw 3/8 x 1	
10	0760610	4	Bolt M6 x 20	
11	0760814	3	Bolt M8 x 30	
12	0760815	2	Bolt M8 x 35	
13	0761214	2	Bolt M12 x 30	
14	0761215	1	Bolt M12 x 35	
15	0860038	1	Box, Switch	
16	0861538	1	Control Box Assembly	
16	7024488	1	Card, Circuit - Generator Power	
16	See Note	NSS	Fuse (Note: Not Available - Purchase Locally)	
16	7024489	1	Card, Circuit - Control	
16	70000619	1	Harness, Control Box (Internal)	
17	0902888	1	Bracket	
18	0962520	1	Bushing	
19	2820031	AR	Heat Shrink	
20	3252764	1	Nameplate	
21	3290505	4	Nut M5	
22	3290605	4	Nut M6	
23	3290805	5	Nut M8	
24	3291201	2	Nut M12	
25	3580317	1	Pulley	
26	3580318	1	Pulley	
27	3910606	4	Screw #6 x 3/8	
28	3960422	1	Gasket	
29	4060802	1	Guard, Switch	
30	4240099	AR	Tie-Strap (Not Shown)	
31	4360336	1	Switch, Toggle	
32	4460071	1	Connector, Strain Relief	
33	4460346	1	Receptacle	
34	4811600	4	Washer M5	
35	4811700	8	Washer M6	
36	4811900	12	Washer M8	
37	4812200	1	Washer M14	
38	4922925	1	Harness, Generator	
38	4460225	1	Plug, Male - 6 Position (Plugs into Generator)	
38	See Note	NSS	Socket, Female (Use with 4460225)	
38	See Note	NSS	Seal, Plug (Use with 4460225)	
38	See Note	NSS	Seal, Interface (Use with 4460225)	
39	5241200	5	Washer M12 Hardened	
40	84521062	1	Clamp	
41	1001104029	4	Screw M5 x 30	

## SECTION 3 - ENGINE

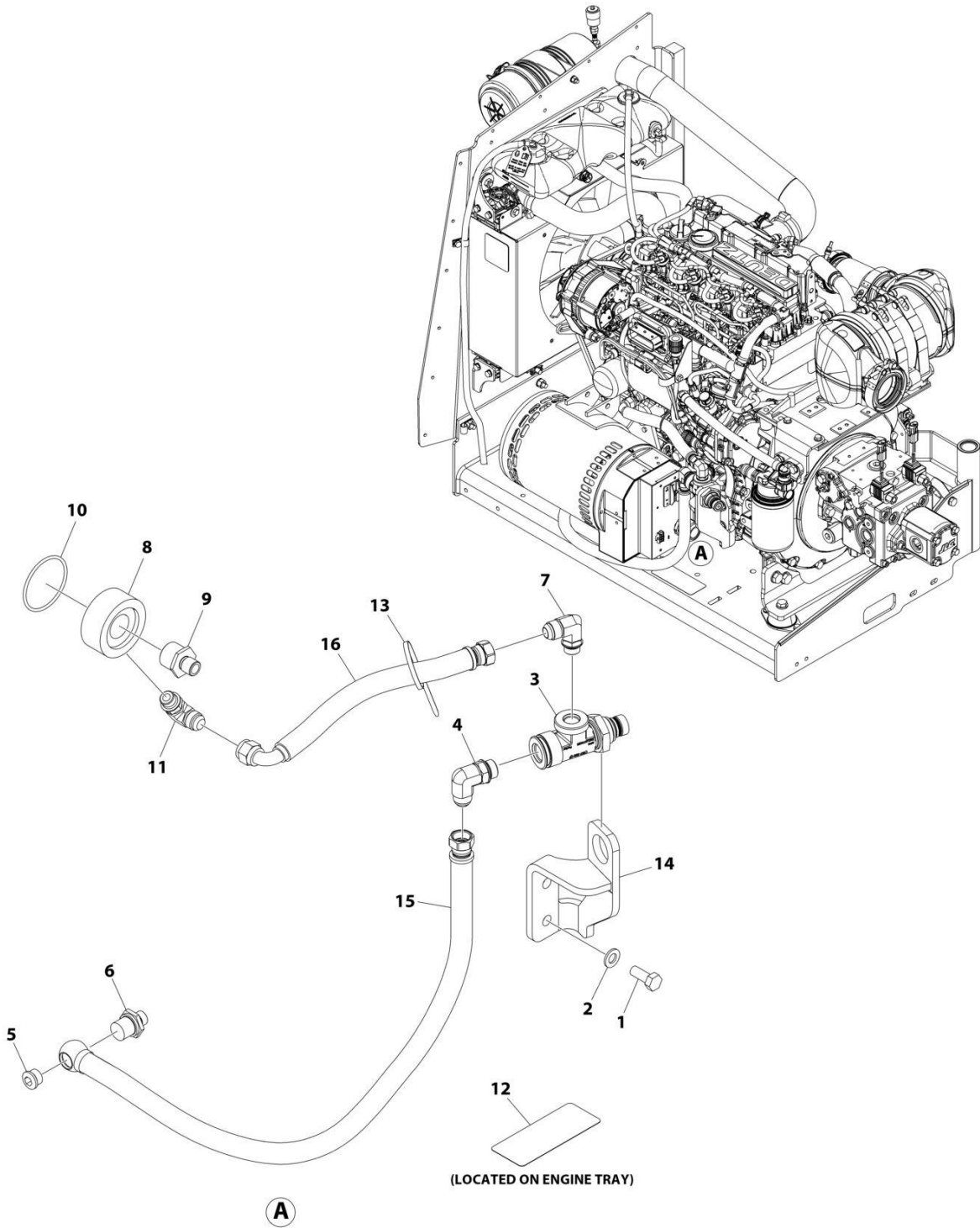
ITEM	PART NUMBER	QTY	DESCRIPTION	REV
42	1001110873	1	Shield, Cover	
43	1001147233	1	Pulley	
44	1001155041	1	Stud	
45	1001157592	1	Junction Box Assembly (See Items 101-121 for Breakdown)	
46	1001168018	1	Washer, Snubbing	
47	1001174675	1	Wiring Diagram (Not Shown)	
47	4922641	1	Harness, On/Off Switch (Not Shown - Located at Platform)	
48	1001212223	1	Generator Assembly	
48	70001100	1	Rotor (Includes p/n 70001384 & 70000863) (Not Shown)	
48	70001384	1	Bearing, Ball Radial (Not Shown)	
48	70000863	1	Fan (Not Shown)	
48	70006093	1	Stator (Not Shown)	
48	70002297	1	Stud	
48	70003631	1	Brushholder Assembly (Not Shown)	
48A	70004099	1	Key	
48B	70001966	1	Bearing, Ball Radial (Located in Belt Tensioner Endbell)	
48B	70003708	1	Ring, Internal Retaining (Located in Belt Tensioner Endbell)	
48B	70003709	1	Ring, External Retaining (Located in Belt Tensioner Endbell)	
48C	70004092	1	Endbell, Belt Tensioner	
48D	70004094	1	Endbell, Brush Block	
48E	70006094	1	Shroud	
48E	70002291	1	Insulator, Endbell	
48E	7027799	1	Block, Connector 6 Position (Not Shown)	
48E	70002460	1	Nut, Brass (Attaches p/n 7027799 to Cover) (Not Shown)	
48E	70006095	1	Breaker, Circuit 30Amp (Not Shown)	
48E	70006096	1	Guard, Breaker (Not Shown)	
48E	7026626	1	Connector, 6 Position (Includes Seal) (Not Shown - Plugs into Item 36)	
48E	70004098	1	Clamp, Cable (Not Shown)	
48E	70006097	1	Plate, End Panel	
48E	70001974	1	Decal - Terminal Connections	
48F	70001973	1	Decal - Warning Moving Parts	
49	1001213029	1	Adapter, Pulley	
50	1001214546	1	Support	
51	1001215523	1	Support	
52	1001216805	3	Spacer	
53	1001217342	1	Bolt M12 x 30	
54	1001217344	2	Bolt M12 x 50	
55	1001217345	1	Bolt M14 x 30	
56	1001271649	1	Bracket	
	1001157592	Ref	JUNCTION BOX ASSEMBLY	C
101	1060343	1.5 ft/ 0.5m	Cable, Electrical 10/4	
102	1001179154	2.5 ft/ 0.8m	Cable, Electrical 12/3	
103	1671092	1	Cover	
104	3300396	1	Cover, Fuse	
105	3311001	6	Nut #10	
106	4360070	1	Circuit Breaker - 15Amp	
108	4460425	1	Connector, Strain Relief	
109	4460426	2	Connector, Strain Relief	
111	4460963	1	Connector	

## SECTION 3 - ENGINE

ITEM	PART NUMBER	QTY	DESCRIPTION	REV
112	4711000	10	Washer #10	
114	10702077	2	Screw #10 x 3/8	
115	10702082	2	Screw #10 x 3/4	
116	1001152525	1	Plug	
117	1001157520	1	Block, Terminal	
118	1001157521	1	Box, Junction	
119	1001157528	1	Decal - Wiring Schematic	
120	1001158007	1	Cover, PVC	
121	1001158008	2	Stand-Off	
	0273380	Ref	DECAL INSTALLATION	B
202	1705375	1	Decal - 240V-3 Phase-60Hz	
203	1705387	3	Decal - Hazardous Voltage	
204	1705460	2	Decal - SkyPower	

# SECTION 3 - ENGINE

## FIGURE 3-70. QUICKFIT OIL DRAIN INSTALLATION (DEUTZ ENGINES)



ART\_1001285636

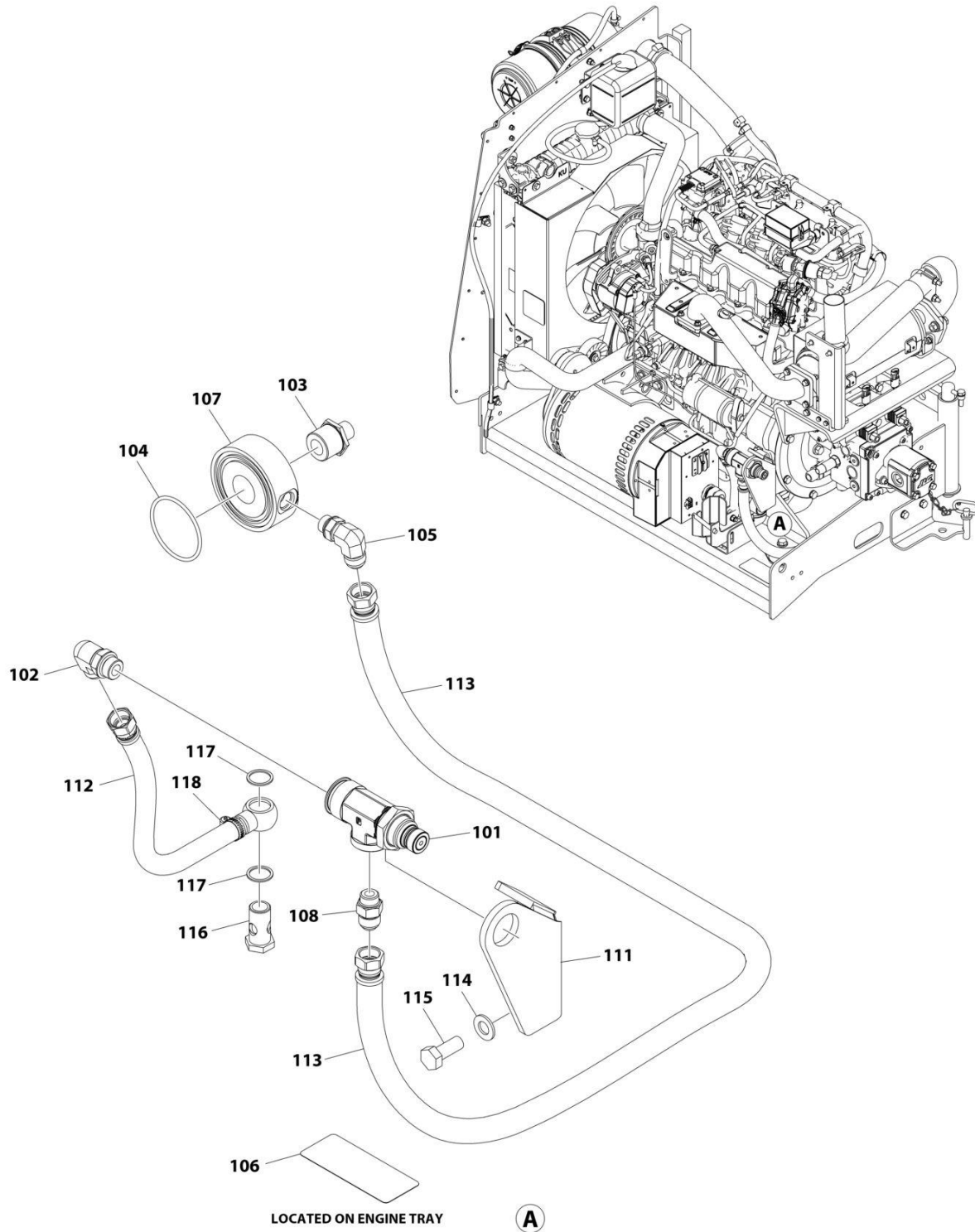
## SECTION 3 - ENGINE

### FIGURE 3-70. QUICKFIT OIL DRAIN INSTALLATION (DEUTZ ENGINES)

ITEM	PART NUMBER	QTY	DESCRIPTION	REV
	1001285636	Ref	QUICKFIT OIL DRAIN INSTALLATION	A
1	0761214	2	Bolt M12 x 30	
2	4812100	2	Washer M12	
3	1001281298	1	Valve, Quickfit	
4	1001281301	1	Fitting, 90	
5	1001281304	1	Plug	
6	1001281305	1	Fitting, Banjo	
7	1001281307	1	Fitting, 90	
8	1001281309	1	Filter, Ring	
9	1001281310	1	Fitting, Straight	
10	1001281311	1	O-Ring	
11	1001281359	1	Valve, Check	
12	1001281360	1	Decal - RPM Quickfit	
13	1001281656	1	Tie-Strap	
14	1001287536	1	Bracket	
15	1001287552	1	Hose	
16	1001288113	1	Hose	

# SECTION 3 - ENGINE

## FIGURE 3-71. QUICKFIT OIL DRAIN INSTALLATION (KUBOTA ENGINES)



ART\_1001295060

## SECTION 3 - ENGINE

**FIGURE 3-71. QUICKFIT OIL DRAIN INSTALLATION (KUBOTA ENGINES)**

ITEM	PART NUMBER	QTY	DESCRIPTION	REV
	1001295060	Ref	QUICKFIT OIL DRAIN INSTALLATION (KUBOTA)	B
1	1001295061	1	Valve, Quickfit (Kubota 2.5L DF) (Not Shown)	
101	1001281298	1	Valve, Small Quickfit	
102	1001281301	1	Fitting, 90	
103	1001281310	1	Fitting, Nipple Filter Ring	
104	1001281311	1	O-Ring	
105	1001281359	1	Valve, Check Valve	
106	1001281360	1	Decal - Quickfit	
107	1001281380	1	Filter	
108	1001281302	1	Fitting, Quickfit	
109	1001281656	AR	Tie-Strap (Not Shown)	
110	1001290385	AR	Cable Mount (Not Shown)	
111	1001295062	1	Bracket	
112	1001295063	1	Hose	
113	1001295064	1	Hose	
114	1001295067	2	Washer M14	
115	1001295068	2	Bolt M14 x 35	
116	1001297092	1	Bolt M22 x 1.5	
117	1001297093	2	Washer	
118	1001297094	1	Clamp	

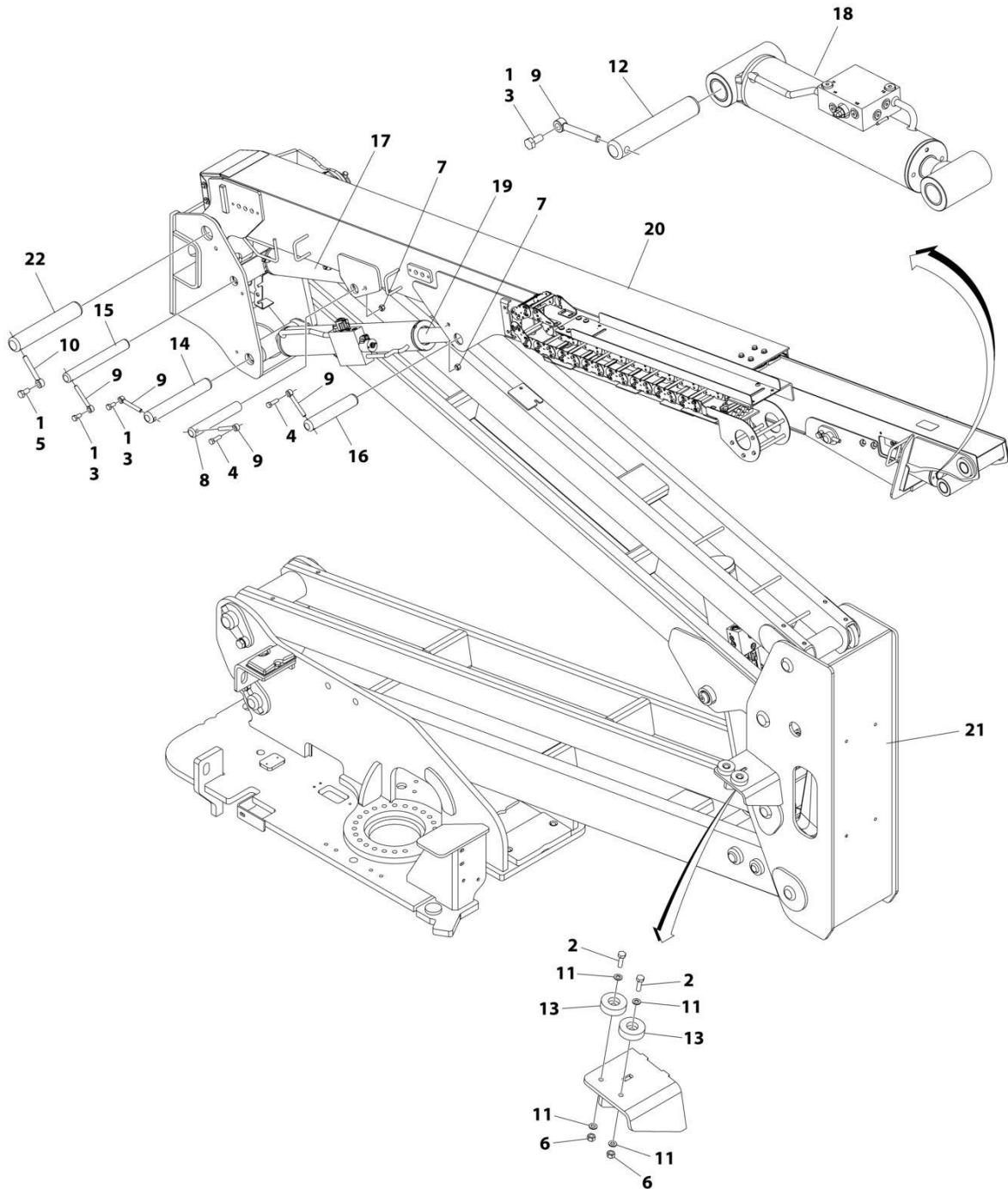




**SECTION 4 - BOOM**

# SECTION 4 - BOOM

## FIGURE 4-1. BOOM INSTALLATION



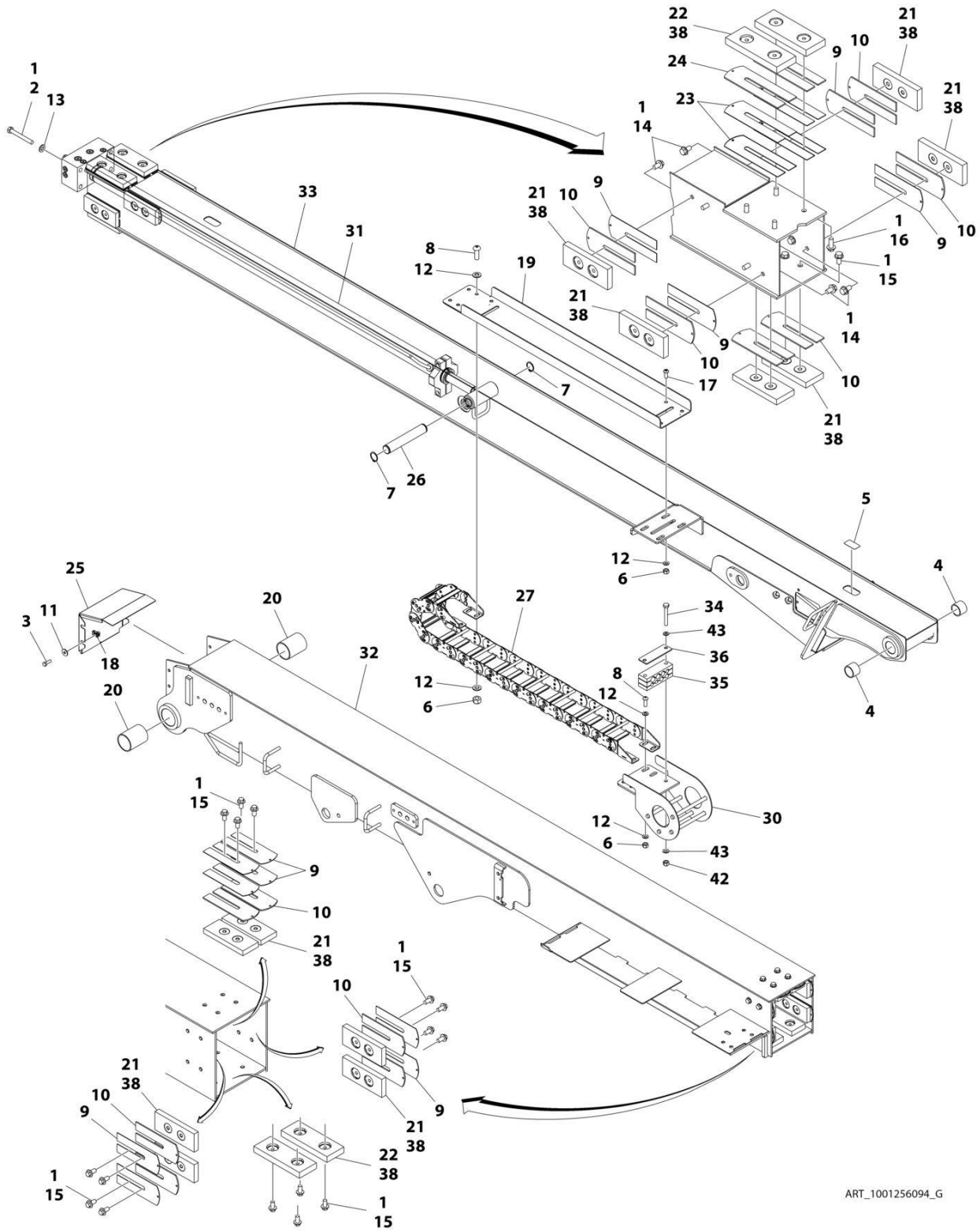
ART\_1001256092

FIGURE 4-1. BOOM INSTALLATION

ITEM	PART NUMBER	QTY	DESCRIPTION	REV
	1001256092	Ref	BOOM INSTALLATION	A
1	0100011	AR	Compound, Locking	
2	0761015	2	Bolt M10 x 35	
3	0761212	3	Bolt M12 x 25	
4	0761216	2	Bolt M12 x 40	
5	0761614	1	Bolt M16 x 30	
6	3291005	2	Nut M10	
7	3291205	2	Nut M12	
8	3422793	1	Pin	
9	3841203	5	Keeper, Pin	
10	3841258	1	Keeper, Pin	
11	4812000	4	Washer M10	
12	1001109528	1	Pin	
13	1001112607	2	Block, Boom Rest	
14	1001116546	1	Pin	
15	1001169247	1	Pin	
16	1001237949	1	Pin	
17	1001255970	1	Master Cylinder Assembly (See Separate Breakdown in CYLINDER Section)	
18	1001255971	1	Level Cylinder Assembly (See Separate Breakdown in CYLINDER Section)	
19	1001255972	1	Upper Lift Cylinder Assembly (See Separate Breakdown in CYLINDER Section)	
20	1001256094	1	Main Boom Assembly (See Separate Breakdown in this Section)	
21	1001256096	1	Tower Boom Assembly (See Separate Breakdown in this Section)	
22	1001256910	1	Pin	

# SECTION 4 - BOOM

## FIGURE 4-2. MAIN BOOM ASSEMBLY



ART\_1001256094\_G

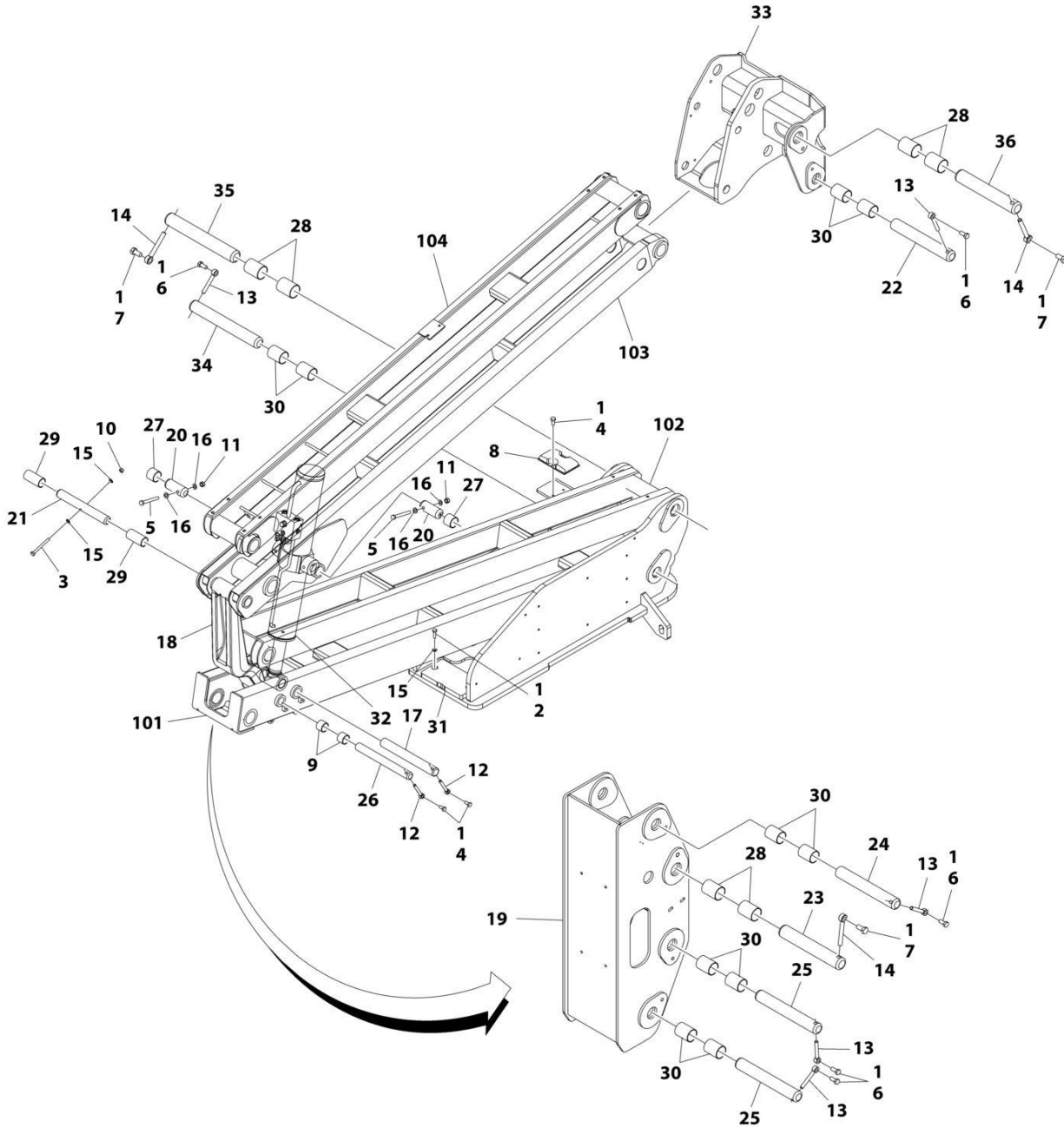
## SECTION 4 - BOOM

### FIGURE 4-2. MAIN BOOM ASSEMBLY

ITEM	PART NUMBER	QTY	DESCRIPTION	REV
	1001256094	Ref	MAIN BOOM ASSEMBLY	G
1	0100011	AR	Compound, Locking	
2	0711227	4	Bolt M12 x 100	
3	0760812	4	Bolt M8 x 25	
4	0961948	2	Bearing	
5	1670836	1	Cover	
6	3291005	10	Nut M10	
7	3760115	2	Ring, Retaining	
8	3900351	8	Screw M10 x 30	
9	4070897	11	Shim	
10	4070898	13	Shim	
11	4811902	4	Washer M8	
12	4812000	18	Washer M10	
13	5241200	4	Washer M12	
14	5251009	8	Bolt M10 x 18	
15	5251010	20	Bolt M10 x 20	
16	5251012	4	Bolt M10 x 25	
17	8310668	2	Screw M10 x 25	
18	1001118274	4	Nut M8	
19	1001166651	1	Tube, Carrier	
20	1001169302	2	Bearing	
21	1001169304	12	Pad, Wear	
22	1001169305	4	Pad, Wear	
23	1001169402	4	Shim	
24	1001169403	2	Shim	
25	1001170226	1	Cover, Boom End	
26	1001180540	1	Pin	
27	1001224889	1	Powertrack Assembly	
27	70006256	1	Link, Repair	
27	70006271	1	Feet, Mounting	
30	1001255329	1	Mount, Weldment Carrier Tube	
31	1001272671	1	Telescope Cylinder Assembly (See Separate Breakdown in CYLINDER Section)	
32	1001256123	1	Base, Boom	
33	1001256124	1	Fly, Boom	
34	0700822	2	Bolt M8 x 70	
35	1001273302	1	Block, Clamping	
36	1001273303	1	Plate	
38	3020042	AR	Lube	
42	3290805	2	Nut, Lock M8	
43	4811900	4	Washer M8	

# SECTION 4 - BOOM

## FIGURE 4-3. TOWER BOOM ASSEMBLY



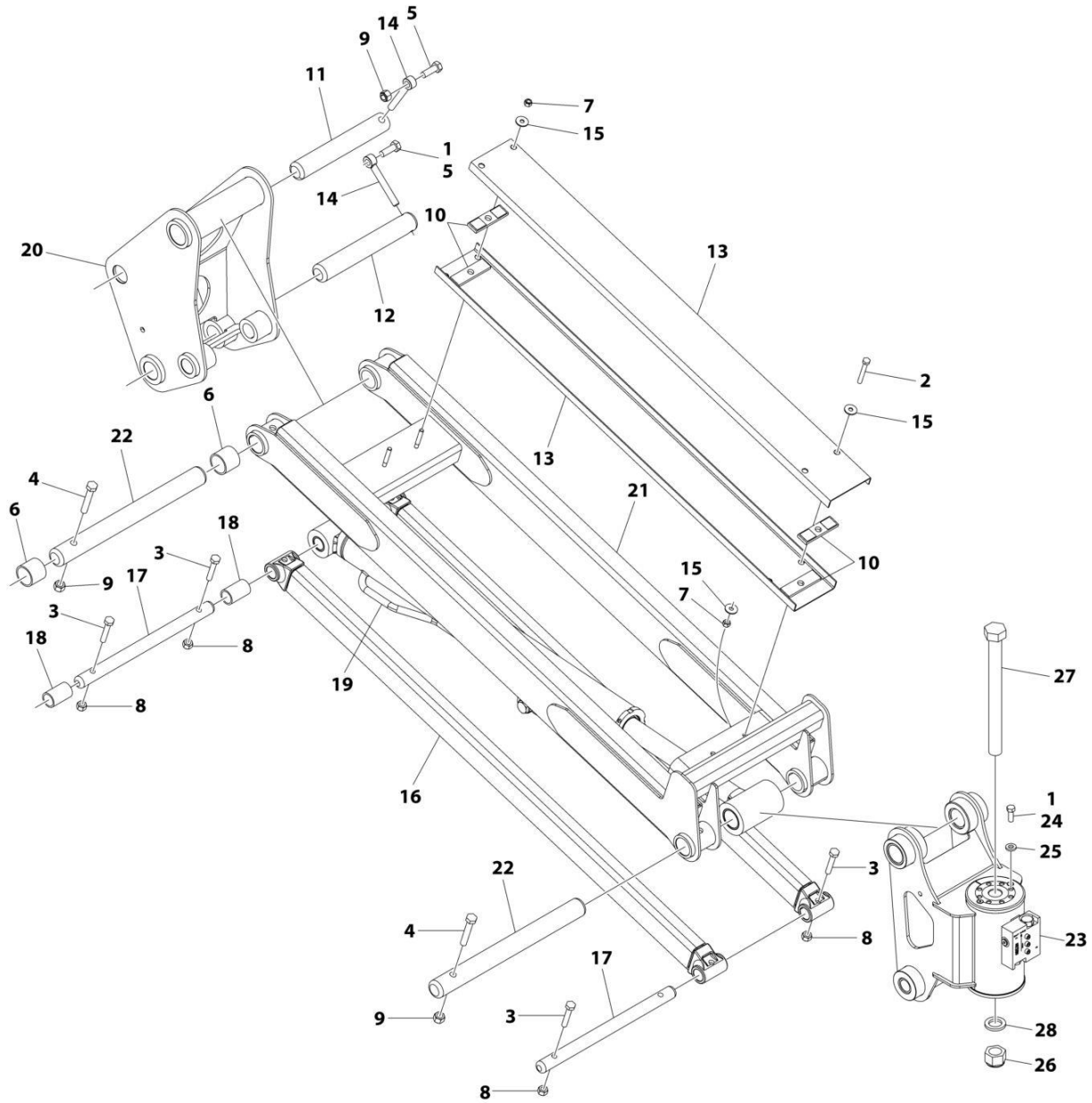
ART\_1001256096

FIGURE 4-3. TOWER BOOM ASSEMBLY

ITEM	PART NUMBER	QTY	DESCRIPTION	REV
	1001256096	Ref	TOWER BOOM ASSEMBLY	A
1	0100011	AR	Compound, Locking	
2	0701015	2	Bolt M10 x 35	
3	0701027	1	Bolt M10 x 100	
4	0761212	4	Bolt M12 x 25	
5	0761227	2	Bolt M12 x 100	
6	0761615	5	Bolt M16 x 35	
7	0762016	3	Bolt M20 x 40	
8	0940048	1	Bumper	
9	0961948	2	Bearing	
10	3291005	1	Nut M10	
11	3291205	2	Nut M12	
12	3841203	2	Keeper, Pin	
13	3841258	5	Keeper, Pin	
14	3841287	3	Keeper, Pin	
15	4812000	4	Washer M10	
16	4812100	4	Washer M12	
17	1001155093	1	Pin	
18	1001166096	1	Link, Timing	
19	1001166853	1	Upright, Lower	
20	1001169240	2	Pin	
21	1001169241	1	Pin	
22	1001169242	1	Pin	
23	1001169295	1	Pin	
24	1001169296	1	Pin	
25	1001169297	2	Pin	
26	1001169298	1	Pin	
27	1001169299	2	Bearing	
28	1001169300	6	Bearing	
29	1001169301	2	Bearing	
30	1001169302	10	Bearing	
31	1001180056	1	Pad, Wear	
32	1001255968	1	Tower Lift Cylinder (See Separate Breakdown in CYLINDER Section)	
33	1001256098	1	Upright, Upper	
34	1001256911	1	Pin	
35	1001258264	1	Pin	
36	1001258265	1	Pin	
100	1001256099	1	Tower Boom Kit (Not Shown - Includes Items 101-104)	
101	1001256100	1	Boom, Lower Tower	
102	1001256101	1	Boom, Lower Link	
103	1001256102	1	Boom, Upper Tower	
104	1001256103	1	Boom, Upper Link	

# SECTION 4 - BOOM

FIGURE 4-4. JIB INSTALLATION (MACHINES WITH SN STARTING WITH 03)



ART\_1001256830\_C



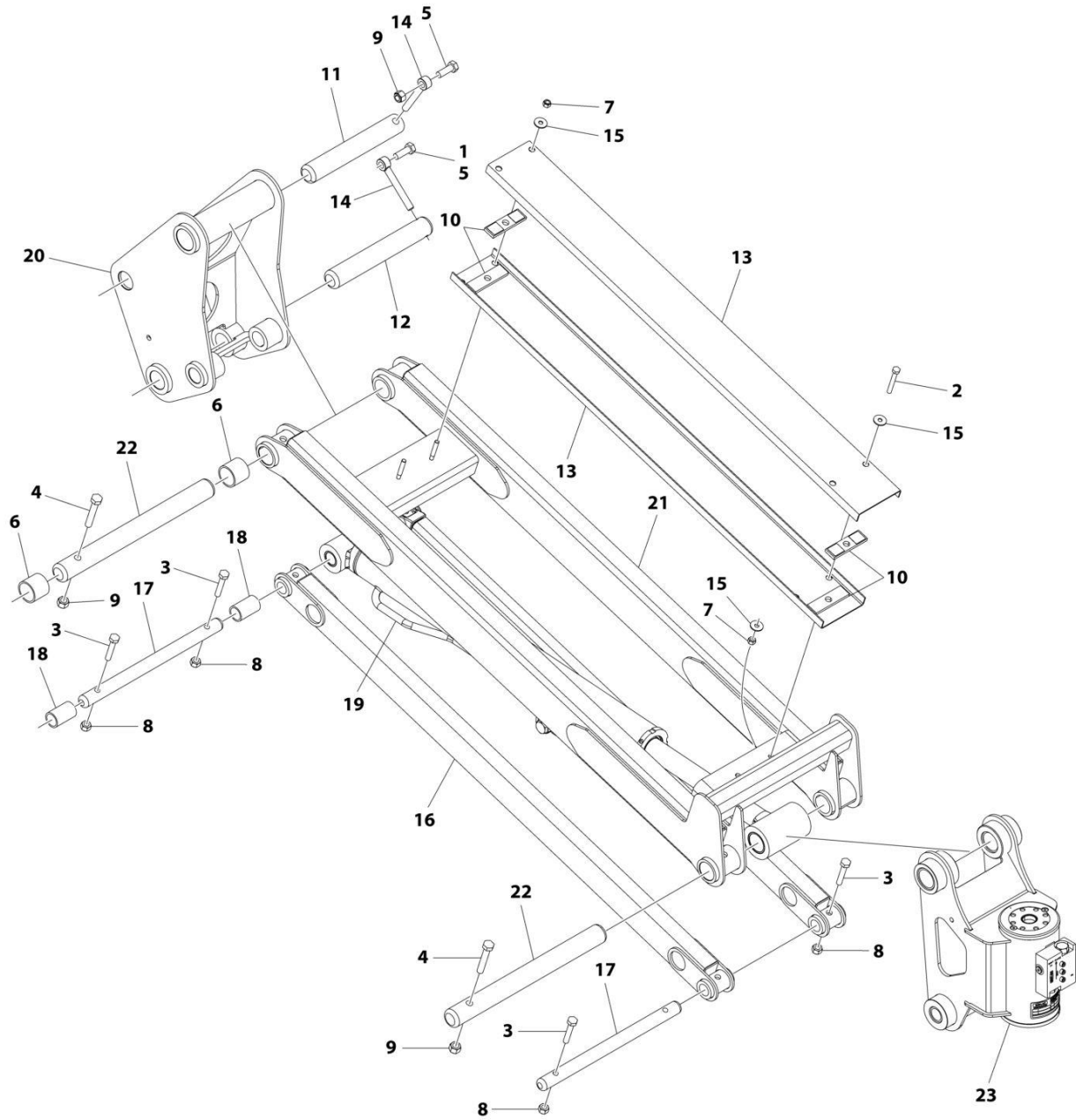
## SECTION 4 - BOOM

**FIGURE 4-4. JIB INSTALLATION (MACHINES WITH SN STARTING WITH 03)**

ITEM	PART NUMBER	QTY	DESCRIPTION	REV
	1001256830	Ref	JIB INSTALLATION	C
1	0100011	AR	Compound, Locking	
2	0700820	2	Bolt M8 x 60	
3	0701019	4	Bolt M10 x 55	
4	0701222	2	Bolt M12 x 70	
5	0761215	2	Bolt M12 x 35	
6	0962272	2	Bearing, Composite	
7	3290805	4	Nut M8	
8	3291005	4	Nut M10	
9	3291205	3	Nut M12	
10	3340860	4	Pad, Rubber	
11	3422793	1	Pin	
12	3422814	1	Pin	
13	3572551	2	Channel	
14	3841203	2	Keeper, Pin	
15	4811902	6	Washer M8	
16	1001094670	2	Link (Lower)	
17	1001182064	2	Pin	
18	1001182695	2	Bearing, Composite	
19	1001255969	1	Jib Cylinder Assembly (See Separate Breakdown in CYLINDER Section)	
20	1001255991	1	Pivot	
21	1001256002	1	Link, Upper Jib	
22	1001256790	2	Pin, Upper Jib Link	
23	1001307726	1	Rotator Assembly (See Separate Breakdown in this Section)	
24	0681608	8	Bolt 3/8 x 1	
25	4891600	8	Washer 3/8	
26	1001174040	1	Nut	
27	1001255133	1	Bolt 1 x 11	
28	4892600001	1	Washer 1	

# SECTION 4 - BOOM

## FIGURE 4-5. JIB INSTALLATION (MACHINES WITH SN STARTING WITH B3)



ART\_1001259058

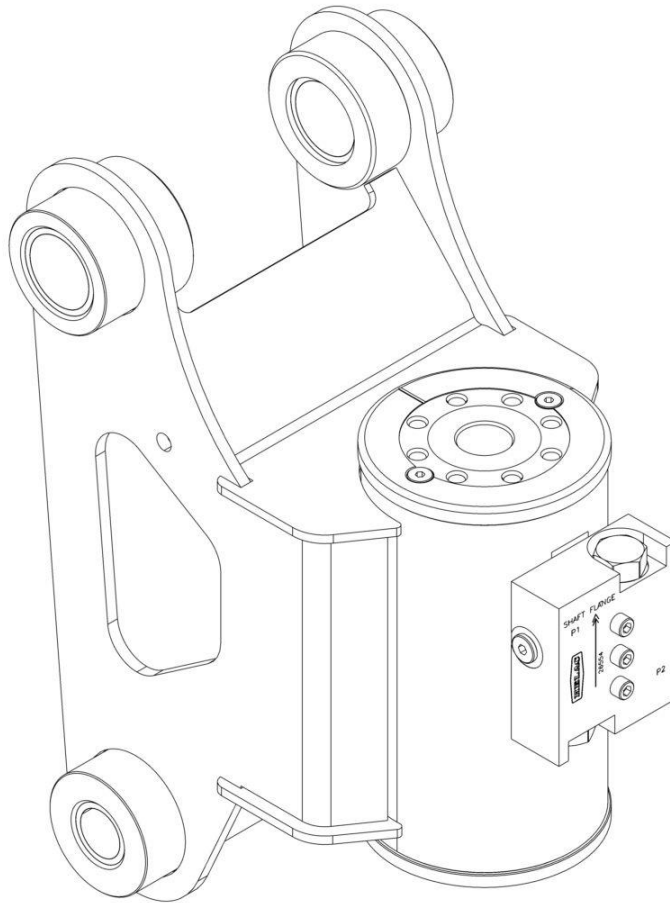
## SECTION 4 - BOOM

**FIGURE 4-5. JIB INSTALLATION (MACHINES WITH SN STARTING WITH B3)**

ITEM	PART NUMBER	QTY	DESCRIPTION	REV
	1001259058	Ref	JIB INSTALLATION	B
1	0100011	AR	Compound, Locking	
2	0700820	2	Bolt M8 x 60	
3	0701019	4	Bolt M10 x 55	
4	0701222	2	Bolt M12 x 70	
5	0761215	2	Bolt M12 x 35	
6	0962272	2	Bearing	
7	3290805	4	Nut M8	
8	3291005	4	Nut M10	
9	3291205	3	Nut M12	
10	3340860	4	Pad, Rubber	
11	3422793	1	Pin	
12	3422814	1	Pin	
13	3572551	2	Channel	
14	3841203	2	Keeper, Pin	
15	4811902	6	Washer M8	
16	1001259196	2	Link (Lower)	
17	1001182064	2	Pin	
18	1001182695	2	Bearing, Composite	
19	1001255969	1	Jib Cylinder Assembly (See Separate Breakdown in CYLINDER Section)	
20	1001255991	1	Pivot	
21	1001256002	1	Link (Upper)	
22	1001256790	2	Pin	
23	1001270730	1	Rotator Assembly (See Separate Breakdown in this Section)	

## SECTION 4 - BOOM

FIGURE 4-6. ROTATOR ASSEMBLY (MACHINES WITH SN STARTING WITH 03)



ART\_1001307726

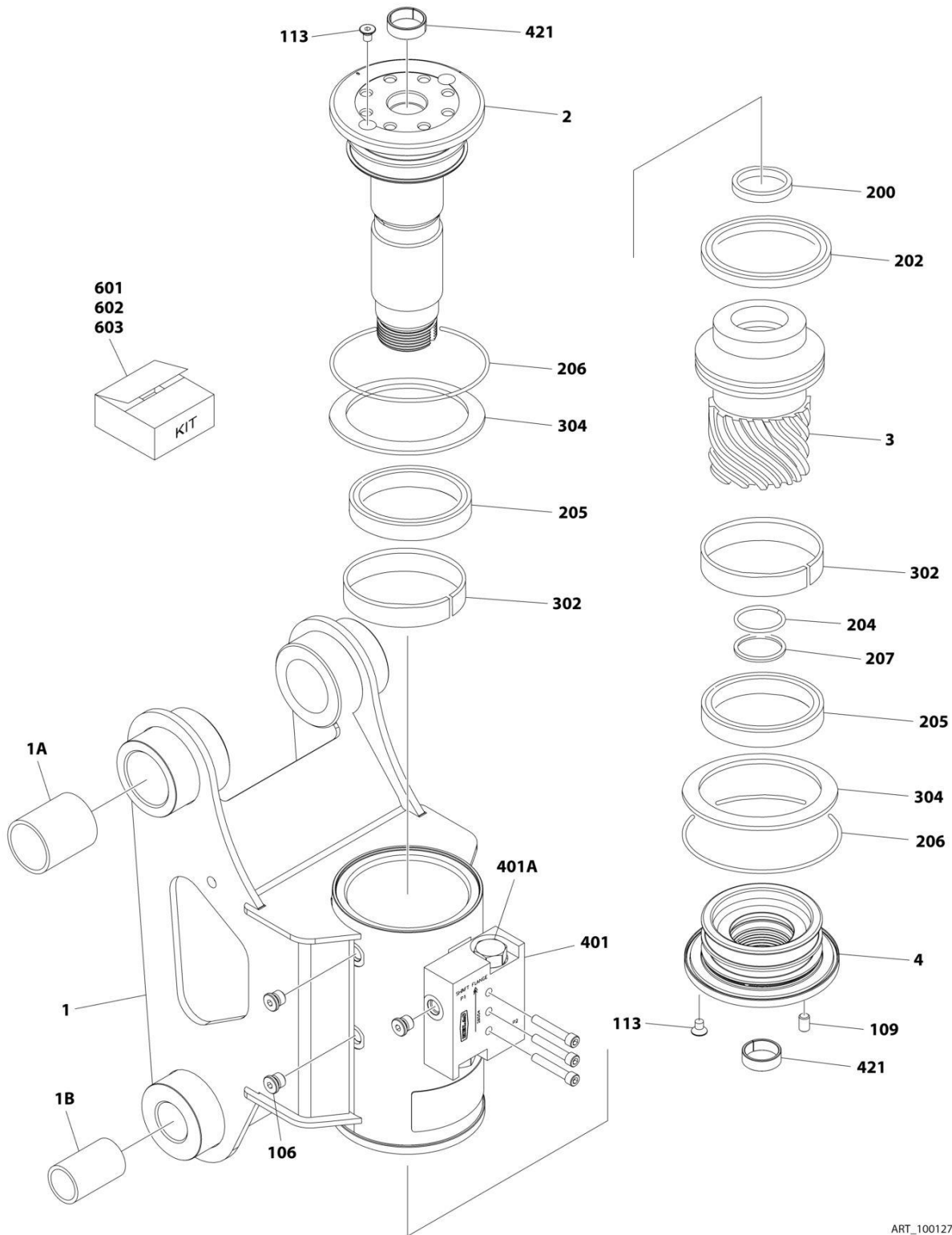
## SECTION 4 - BOOM

**FIGURE 4-6. ROTATOR ASSEMBLY (MACHINES WITH SN STARTING WITH 03)**

ITEM	PART NUMBER	QTY	DESCRIPTION	REV
	1001307726 See Note	Ref NSS	ROTATOR ASSEMBLY Note: No Service Parts Available at Time of Printing	A

# SECTION 4 - BOOM

## FIGURE 4-7. ROTATOR ASSEMBLY (MACHINES WITH SN STARTING WITH B3)



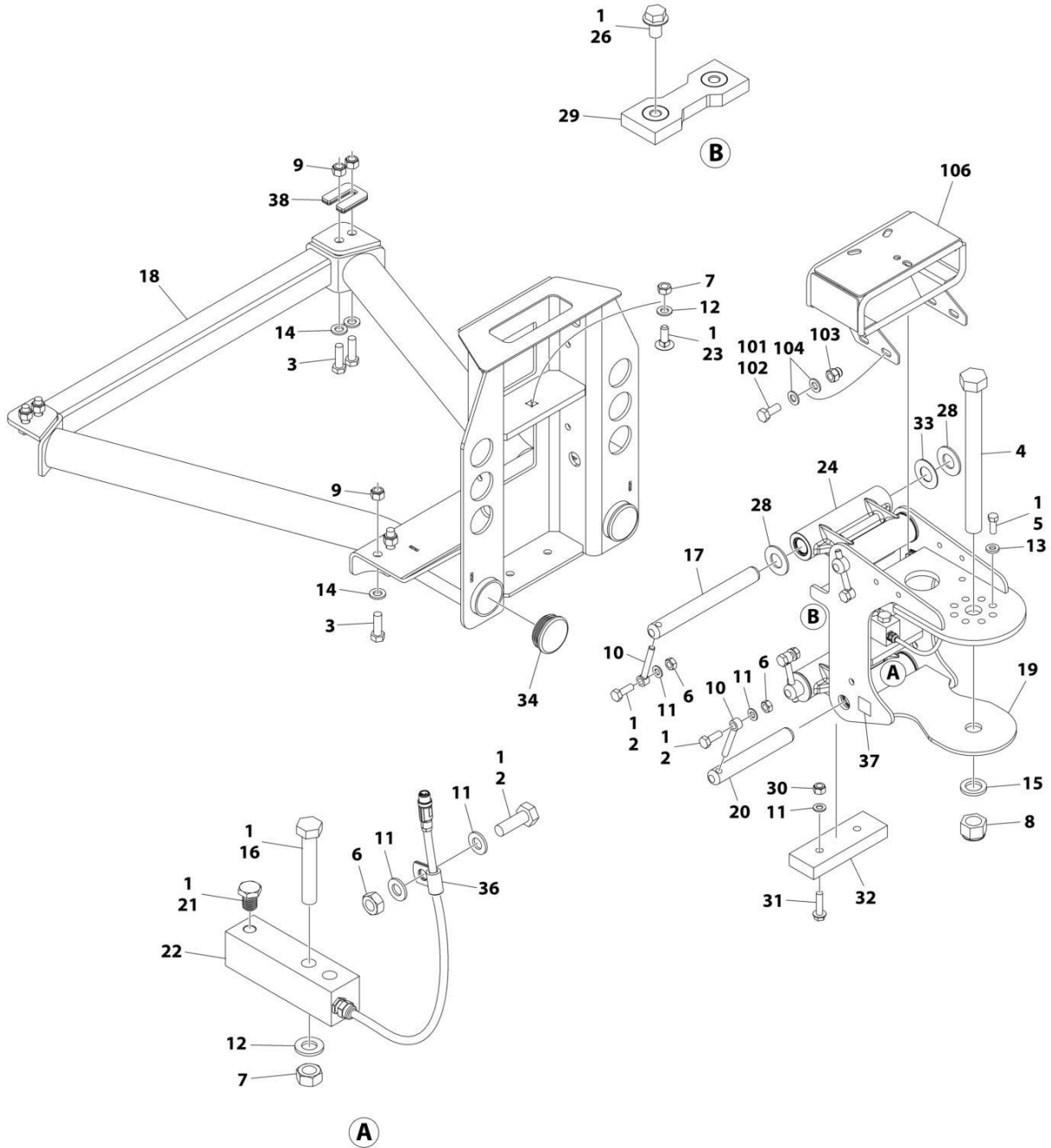
ART\_1001270730

FIGURE 4-7. ROTATOR ASSEMBLY (MACHINES WITH SN STARTING WITH B3)

ITEM	PART NUMBER	QTY	DESCRIPTION	REV
	1001270730	Ref	ROTATOR ASSEMBLY	A
1	See Note	NSS	Housing (Note: Purchase Complete Assembly)	
1A	1001182695	2	Bushing	
1B	0962348	2	Bushing	
2	7017162	1	Shaft	
3	7017163	1	Piston	
4	7017164	1	Cap, End	
106	See Note	NSS	Plug (Note: Purchase P/N 7017142)	
109	See Note	NSS	Pin (Note: Purchase P/N 7017142)	
113	See Note	NSS	Screw (Note: Purchase P/N 7017142)	
200	See Note	NSS	Seal, Piston (Note: Purchase P/N 70000342)	
202	See Note	NSS	Seal, Piston (Note: Purchase P/N 70000342)	
204	See Note	NSS	O-Ring (Note: Use P/N 70000342)	
205	See Note	NSS	Seal, Shaft (Note: Purchase P/N 70000342)	
206	See Note	NSS	O-Ring (Note: Use P/N 70000342)	
207	See Note	NSS	Ring, Back-up (Note: Purchase P/N 70000342)	
302	See Note	NSS	Bearing, Shaft (Note: Purchase P/N 7017159)	
304	See Note	NSS	Washer, Thrust (Note: Purchase P/N 7017159)	
401	7017172	1	Counterbalance Valve Assembly	
401A	7017192	2	Valve Cartridge (No Seal Kit Available)	
421	7017195	2	Bushing	
601	70000342	NSS	Seal Kit (Includes Items 200-207)	
602	7017159	NSS	Bearing Kit (Includes Items 302 & 304)	
603	7017142	NSS	Hardware Kit (Includes Items 106-113)	

# SECTION 4 - BOOM

## FIGURE 4-8. PLATFORM SUPPORT INSTALLATION



ART\_1001167596\_N



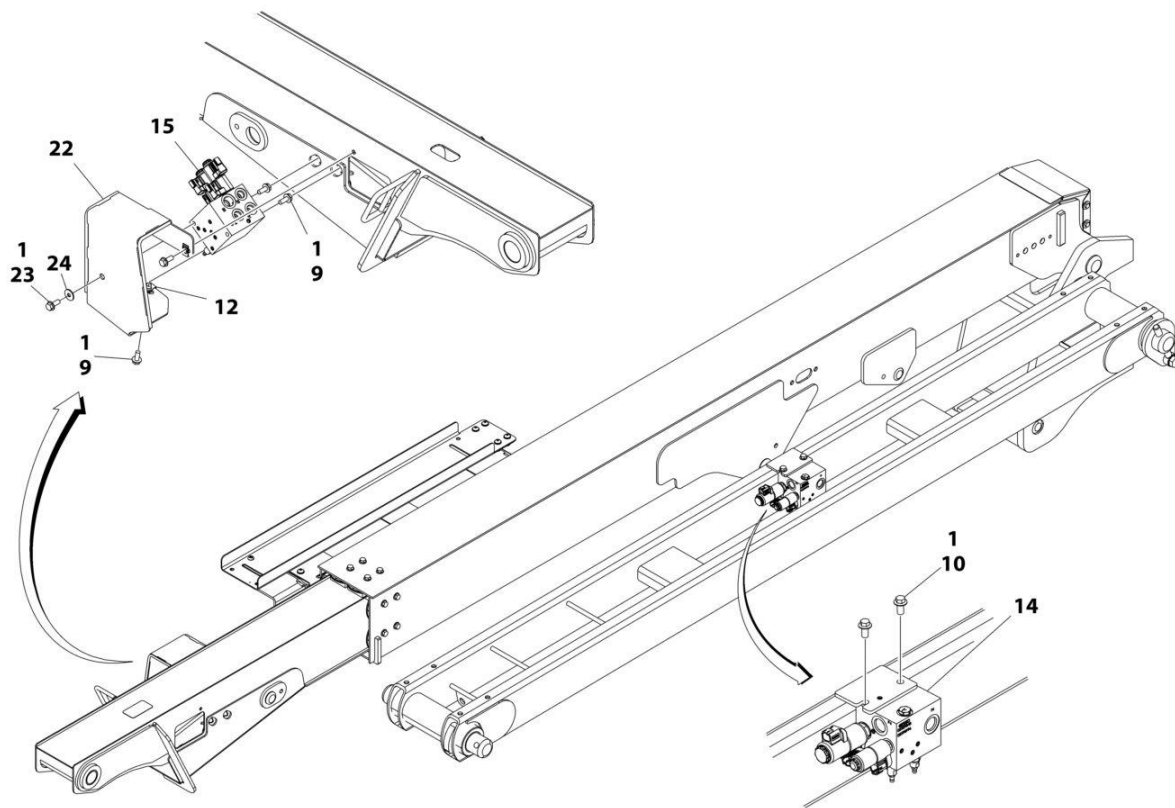
## SECTION 4 - BOOM

### FIGURE 4-8. PLATFORM SUPPORT INSTALLATION

ITEM	PART NUMBER	QTY	DESCRIPTION	REV
	1001167596	Ref	PLATFORM SUPPORT INSTALLATION	N
1	0100011	AR	Compound, Locking	
2	0761014	5	Bolt M10 x 30	
3	0761216	8	Bolt M12 x 40	
4	1001255133	1	Bolt 1 x 11 GRD8	
5	0681608	8	Bolt 3/8 x 1 GRD8	
6	3291001	5	Nut M10	
7	3291201	3	Nut M12	
8	1001174040	1	Nut 1	
9	3291205	8	Nut M12	
10	3841143	4	Keeper, Pin	
11	4812000	8	Washer M10	
12	4812100	3	Washer M12	
13	4891600	8	Washer 3/8	
14	5241200	8	Washer M12	
15	4892600001	1	Washer 1	
16	1001098828	2	Bolt M12 x 70 CL10.9	
17	1001167565	2	Pin	
18	1001200494	1	Support, Platform	
19	1001167567	1	Support, Rotator	
20	1001168402	2	Pin	
21	1001188622	1	Screw	
22	1001247468	1	Loadcell	
23	1001188844	1	Bolt M12 x 35	
24	1001201351	2	Link	
24	1001187382	4	Bearing	
24	1001187383	4	Seal	
26	5251008	2	Bolt M10 x 16 CL10.9	
28	1001189002	8	Bearing	
29	1001190985	1	Pad, Wear	
30	3291005	2	Nut M10	
31	5251016	2	Bolt M10 x 40 CL10.9	
32	1001200491	1	Pad, Wear	
33	1001189001	4	Bearing	
34	1001204725	2	Plug	
36	91203039	1	Clamp	
37	1001216630	2	Decal - Tie Down/No Lift	
38	1001238421	Ref	Kit, Platform Leveling (Not Shown)	
	1001202687	Ref	VALVE MOUNT INSTALLATION	B
101	0100011	AR	Compound, Locking	
102	0760810	4	Bolt M8 x 20	
103	3290806	4	Nut M8	
104	4811900	8	Washer M8	
106	1001208994	1	Mount, Valve	

# SECTION 4 - BOOM

FIGURE 4-9. VALVES INSTALLATION - BOOM MOUNTED (MACHINES WITH SN STARTING WITH 03)



ART\_1001271795\_30F3

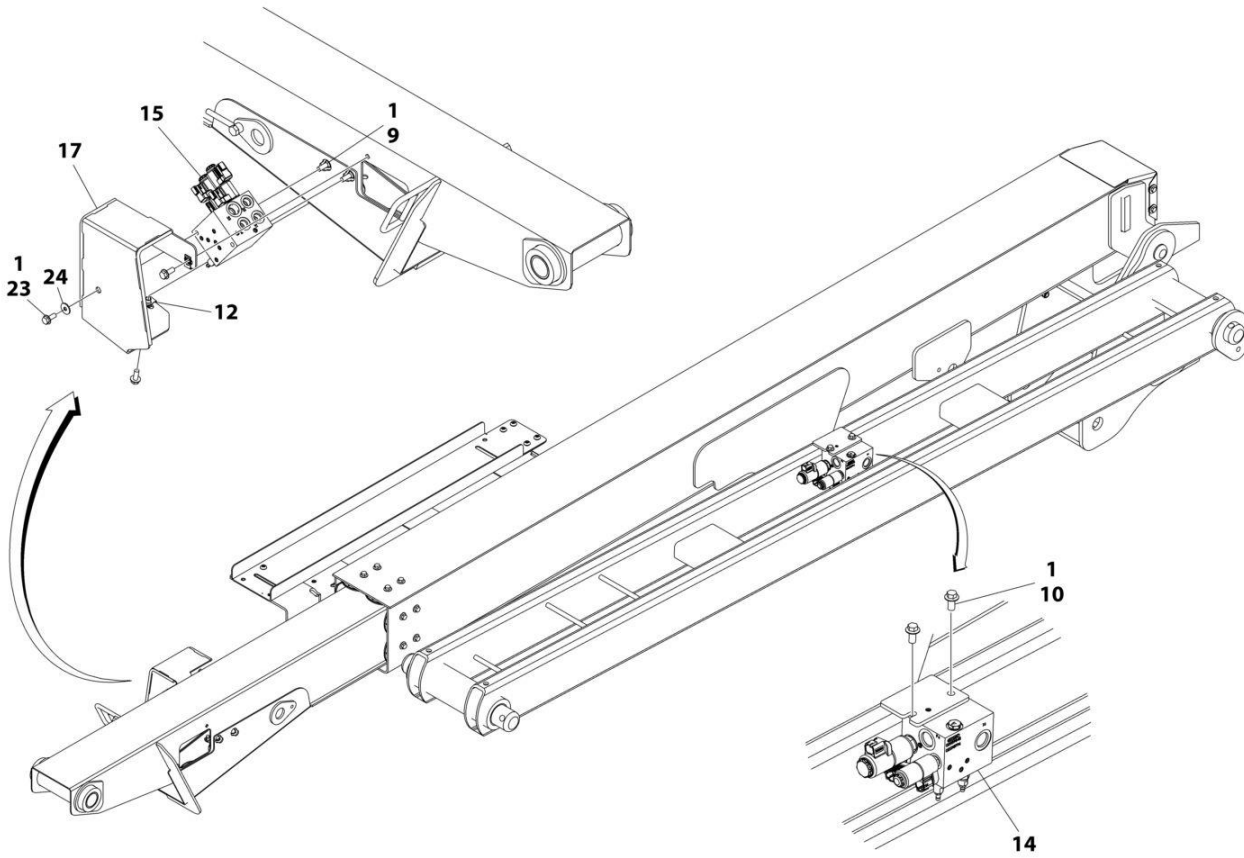
## SECTION 4 - BOOM

**FIGURE 4-9. VALVES INSTALLATION - BOOM MOUNTED (MACHINES WITH SN STARTING WITH 03)**

ITEM	PART NUMBER	QTY	DESCRIPTION	REV
	1001271795	Ref	4WD VALVES INSTALLATION - BOOM MOUNTED	B
1	0100011	AR	Compound, Locking	
9	5250810	4	Bolt M8 x 20 Class 10.9	
10	5251010	15	Bolt M10 x 25 Class 10.9	
12	1001118274	2	Nut, Tinnerman M8	
14	1001162535	1	Upright Valve Assembly (See Separate Breakdown in this Section)	
15	1001162536	1	Boom Valve Assembly (See Separate Breakdown in this Section)	
22	1001265186	1	Shield, Fly Boom Valve	
23	0770810	1	Bolt M8 x 20 Class 10.9	
24	4811902	1	Washer M8	

# SECTION 4 - BOOM

FIGURE 4-10. VALVES INSTALLATION - BOOM MOUNTED (MACHINES WITH SN STARTING WITH B3)



ART\_1001271413\_B\_30F3

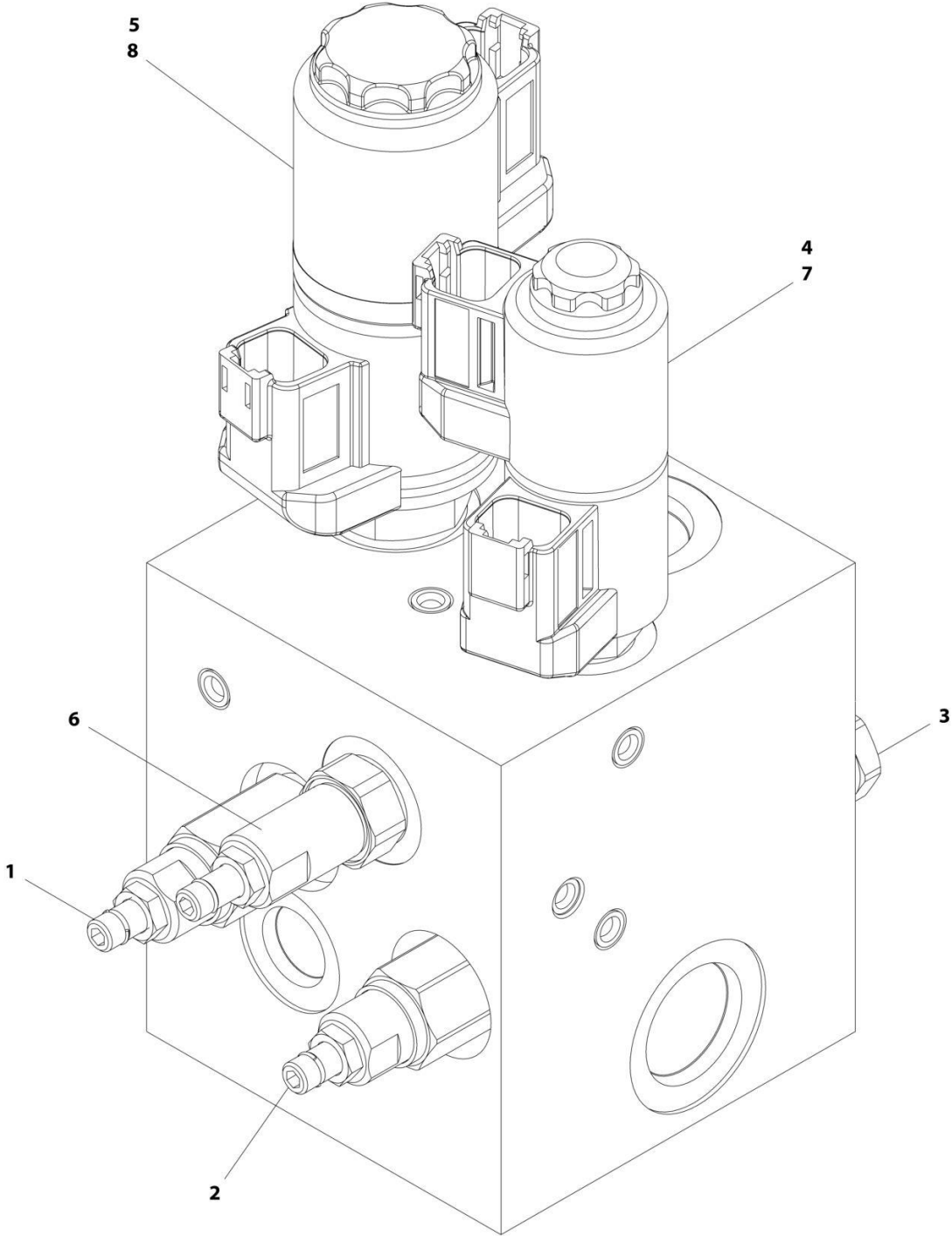
## SECTION 4 - BOOM

**FIGURE 4-10. VALVES INSTALLATION - BOOM MOUNTED (MACHINES WITH SN STARTING WITH B3)**

ITEM	PART NUMBER	QTY	DESCRIPTION	REV
	1001271413	Ref	4WD VALVES INSTALLATION - BOOM MOUNTED	B
1	0100011	AR	Compound, Locking	
9	5250810	4	Bolt M8 x 20 Class 10.9	
10	5251010	2	Bolt M10 x 20 Class 10.9	
12	1001118274	2	Nut, Tinnerman M8	
14	1001162535	1	Upright Valve Assembly (See Separate Breakdown in this Section)	
15	1001162536	1	Boom Valve Assembly (See Separate Breakdown in this Section)	
17	1001265186	1	Shield	
23	0770810	1	Bolt M8 x 20 Class 10.9	
24	4811902	1	Washer M8	

**SECTION 4 - BOOM**

**FIGURE 4-11. UPRIGHT VALVE ASSEMBLY**



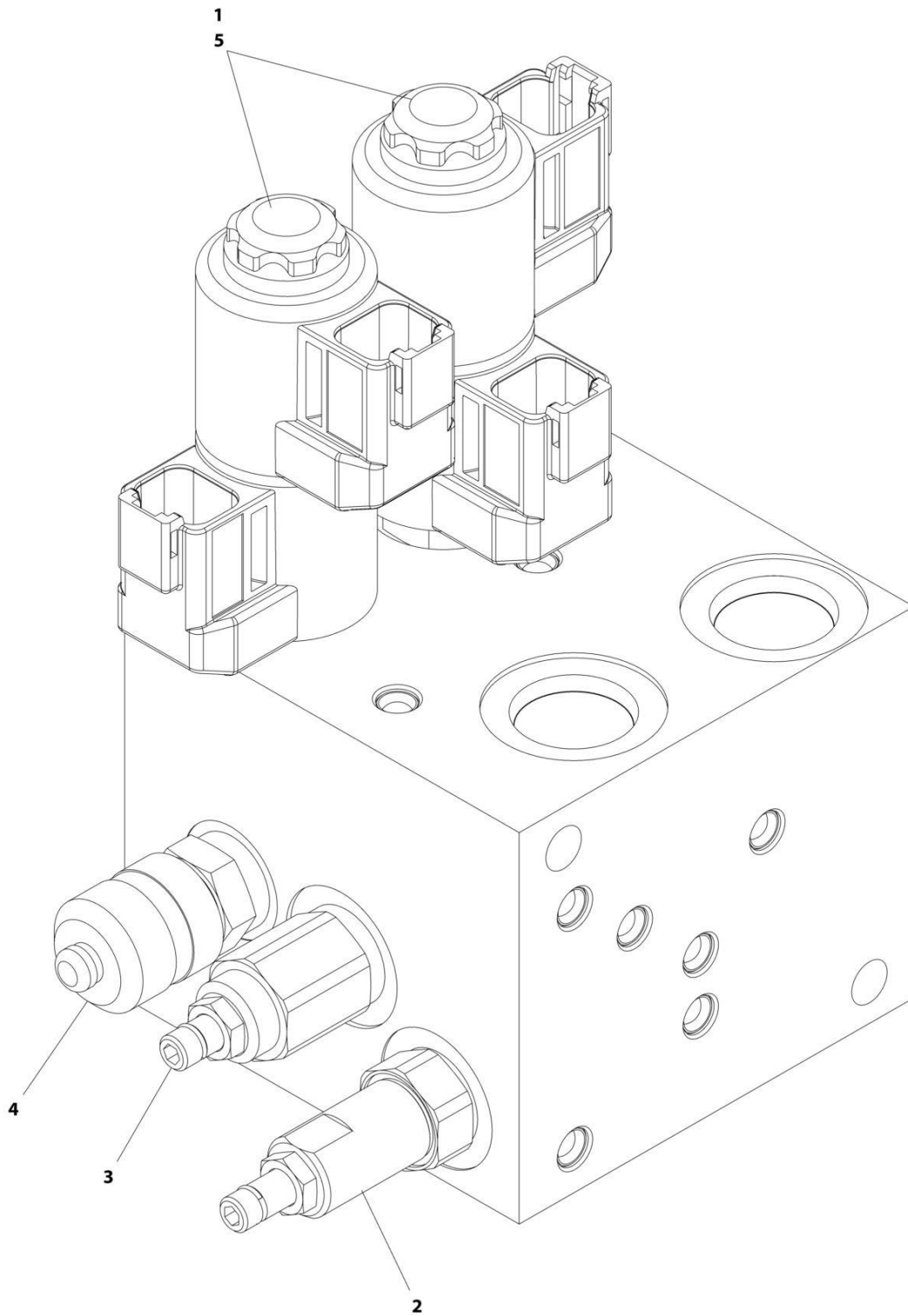
ART\_1001162535

FIGURE 4-11. UPRIGHT VALVE ASSEMBLY

ITEM	PART NUMBER	QTY	DESCRIPTION	REV
	1001162535	Ref	UPRIGHT VALVE ASSEMBLY	D
1	70004864	1	Cartridge, Valve	
1	70004875	1	Seal Kit - 70004864 Valve	
2	70004865	1	Cartridge, Valve	
2	70004875	1	Seal Kit - 70004865 Valve	
3	70004866	1	Cartridge, Relief Valve	
3	70004867	1	Seal Kit - 70004866 Valve	
4	70004868	1	Cartridge, Solenoid Valve Less Coil	
4	70004869	1	Seal Kit - 70004868 Valve	
5	7027625	1	Cartridge, Solenoid Valve Less Coil	
5	70000100	1	Seal Kit - 7027625 Valve	
6	70006660	1	Cartridge, Valve	
6	70004867	1	Seal Kit - 70006660 Valve	
7	70004871	2	Coil	
8	7027628	2	Coil	

# SECTION 4 - BOOM

## FIGURE 4-12. BOOM VALVE ASSEMBLY



ART\_1001162536\_G



**FIGURE 4-12. BOOM VALVE ASSEMBLY**

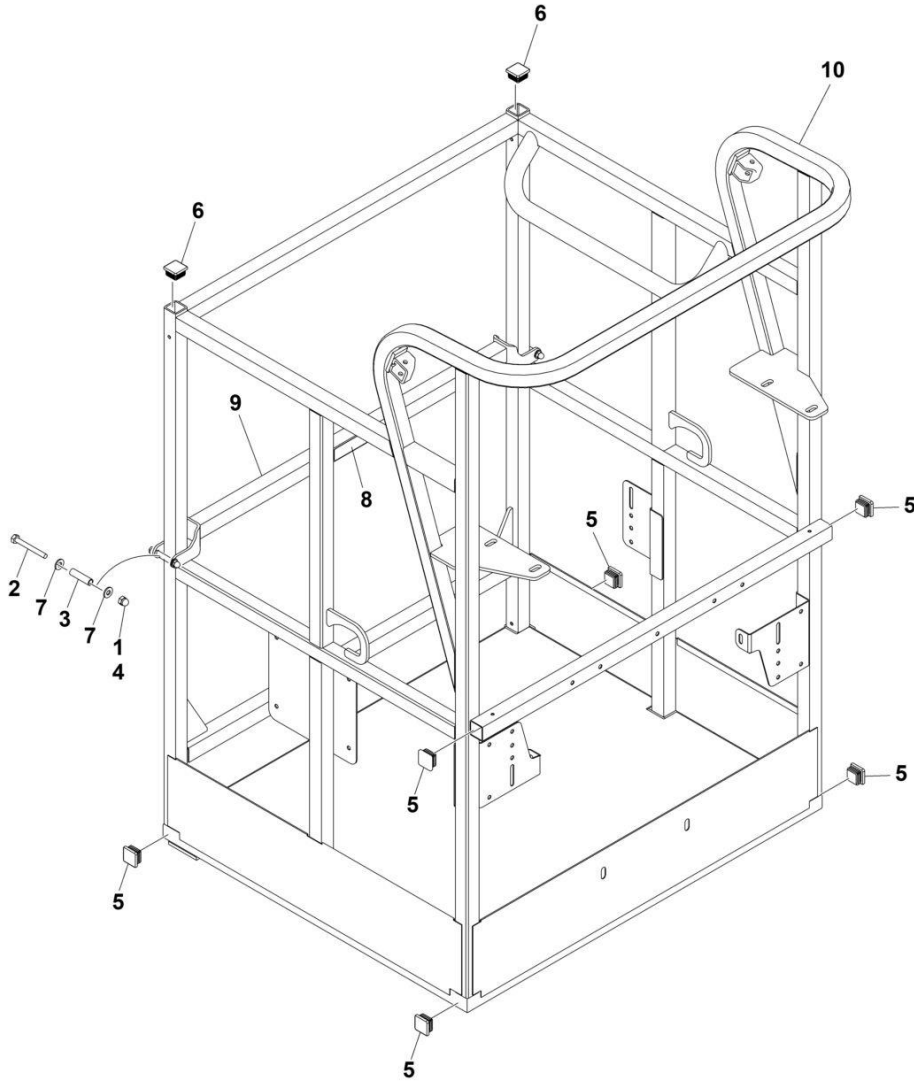
ITEM	PART NUMBER	QTY	DESCRIPTION	REV
	1001162536	Ref	BOOM VALVE ASSEMBLY	G
1	70005243	2	Cartridge, Solenoid Valve Less Coil	
1	70004869	2	Seal Kit - 70005243 Valve	
2	70004873	1	Cartridge, Valve	
2	70004867	1	Seal Kit - 70004873 Valve	
3	70007556	1	Cartridge, Valve	
3	70004867	1	Seal Kit - 70006970 Valve	
4	2221086	1	Fitting, Test	
5	70004871	4	Coil	



**SECTION 5 - PLATFORM**

# SECTION 5 - PLATFORM

FIGURE 5-1. PLATFORM ASSEMBLY - 30IN X 3FT (76CM X .91M) - DROP BAR ENTRY



ART\_1001228215

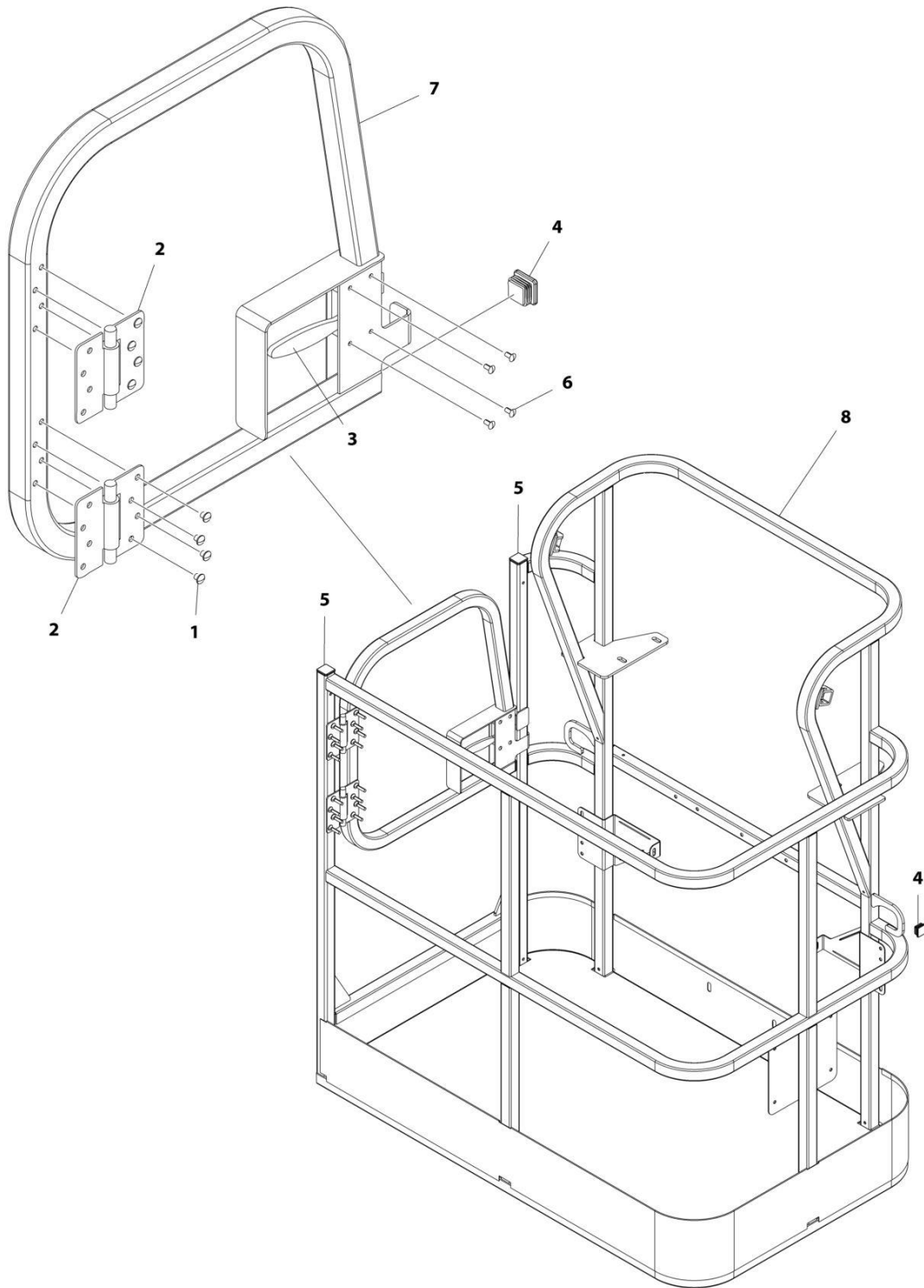
## SECTION 5 - PLATFORM

**FIGURE 5-1. PLATFORM ASSEMBLY - 30IN X 3FT (76CM X .91M) - DROP BAR ENTRY**

ITEM	PART NUMBER	QTY	DESCRIPTION	REV
	1001228215	Ref	PLATFORM ASSEMBLY	A
	See Note	Ref	Note: Platform and Mesh must be ordered separately for Platforms with Mesh. See SPECIAL OPTIONS SECTION for Mesh Installations.	
	See Note	Ref	Note: Replacement Decals Must be Ordered Separately - See DECAL SECTION.	
1	0100011	AR	Compound, Locking	
2	0641418	2	Bolt 1/4 x 2-1/4	
3	0961845	2	Bushing	
4	3300151	2	Nut 1/4	
5	3520072	6	Cap, Plug	
6	3520198	2	Cap, Plug	
7	4711400	4	Washer 1/4	
8	1001140429	1	Decal - Drop Bar	
9	1001226872	1	Bar, Drop	
10	See Note	NSS	Platform (Note: Not Available - Purchase Platform Assembly)	

# SECTION 5 - PLATFORM

## FIGURE 5-2. PLATFORM ASSEMBLY - 30IN X 4FT (76CM X 1.22M) - SIDE GATE ENTRY



ART\_1001186387

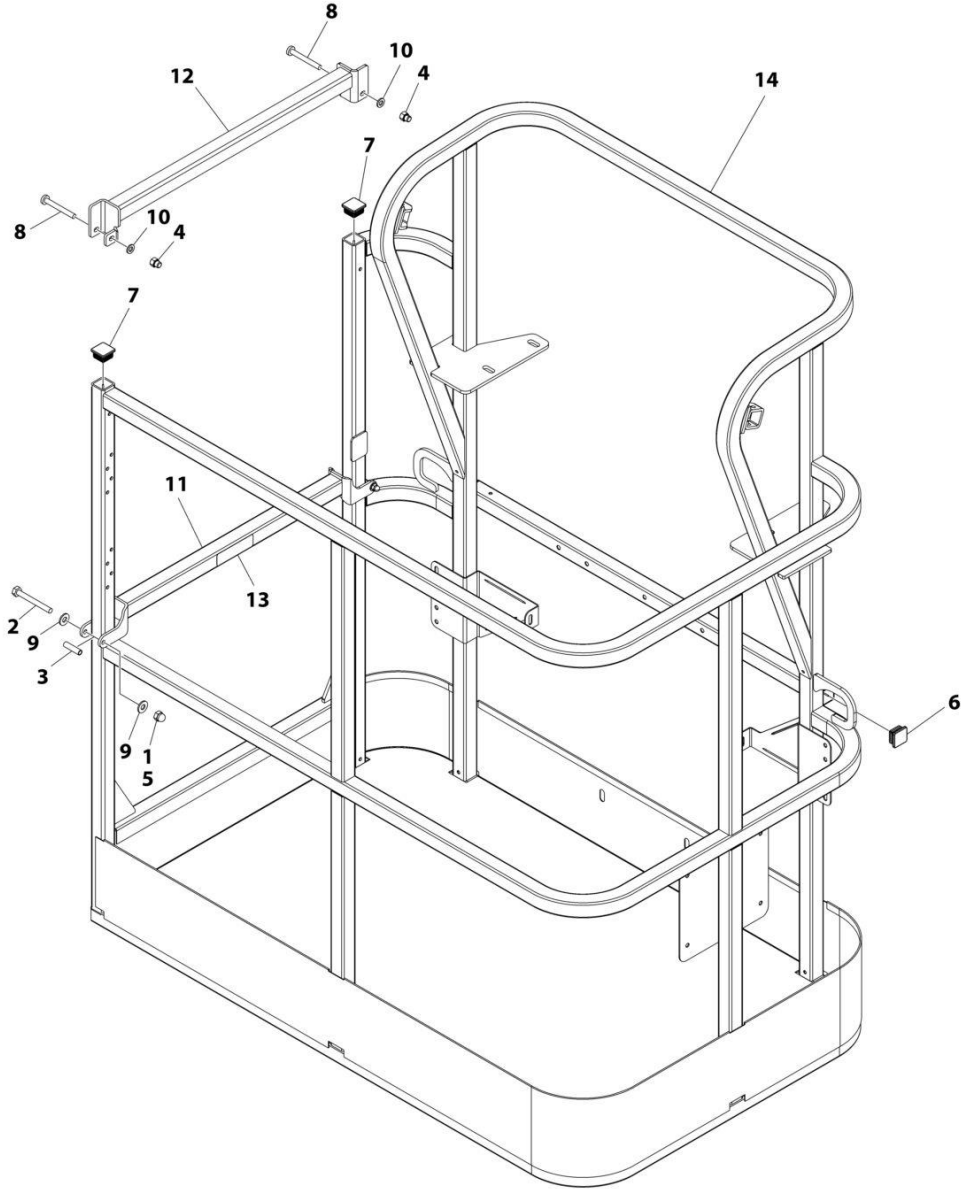
## SECTION 5 - PLATFORM

**FIGURE 5-2. PLATFORM ASSEMBLY - 30IN X 4FT (76CM X 1.22M) - SIDE GATE ENTRY**

ITEM	PART NUMBER	QTY	DESCRIPTION	REV
	1001186387	Ref	PLATFORM ASSEMBLY	C
		Ref	Note: Platform and Mesh must be ordered separately for Platforms with Mesh. See SPECIAL OPTIONS SECTION for Mesh Installations.	
		Ref	Note: Replacement Decals Must be Ordered Separately - See DECALS SECTION.	
1	2080040	16	Fastener, Huck	
2	2600281	2	Hinge, Self-Closing	
3	2940074	1	Latch	
4	3520072	3	Plug	
5	3520198	2	Plug	
6	3820020	4	Rivet	
7	1001144629	1	Gate	
8	See Note	1	Platform (Note: Not Available - Purchase Platform Assembly)	

# SECTION 5 - PLATFORM

FIGURE 5-3. PLATFORM ASSEMBLY - 30IN X 4FT (76CM X 1.22M) - WITH DROP BAR



ART\_1001186375



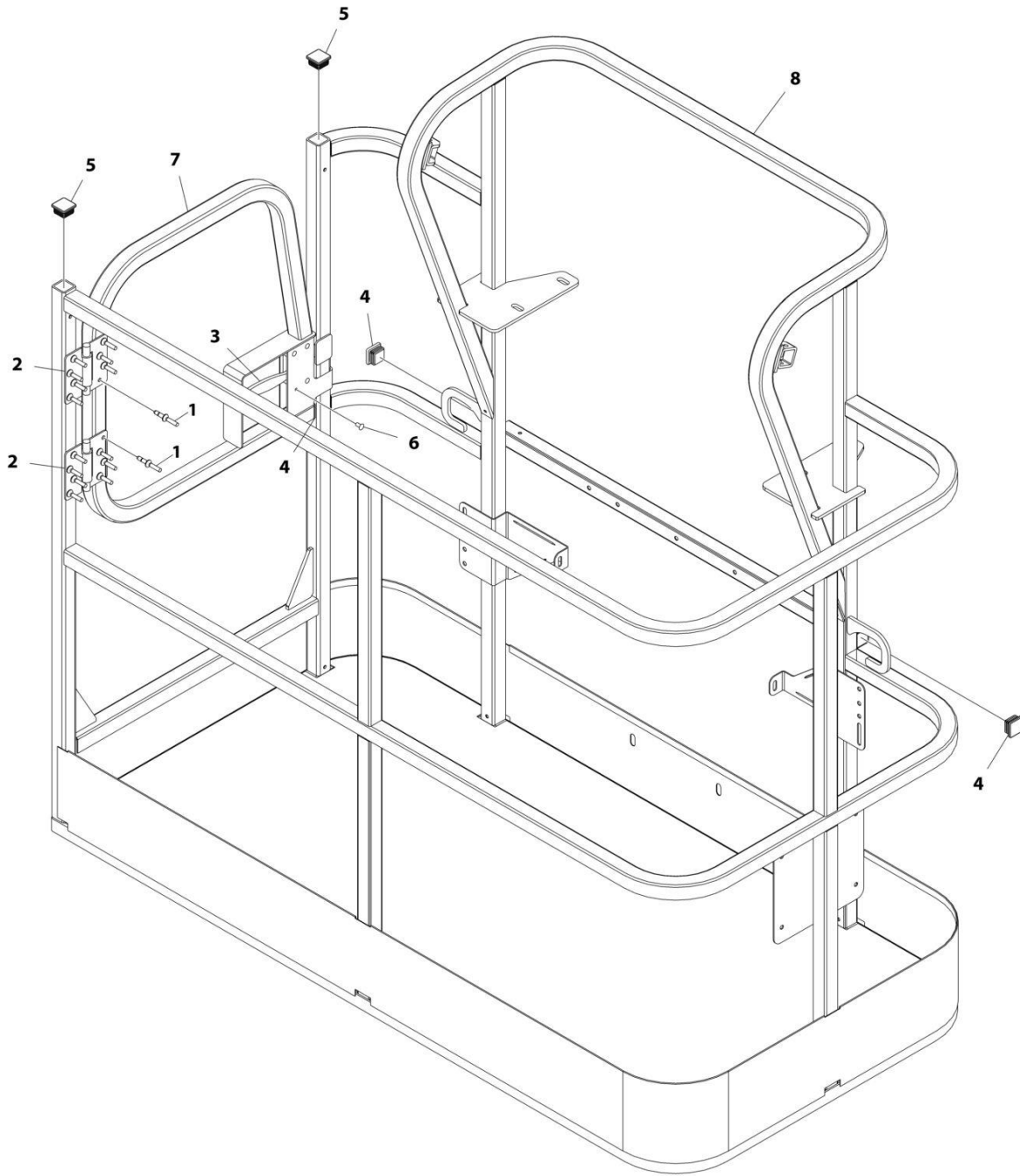
## SECTION 5 - PLATFORM

**FIGURE 5-3. PLATFORM ASSEMBLY - 30IN X 4FT (76CM X 1.22M) - WITH DROP BAR**

ITEM	PART NUMBER	QTY	DESCRIPTION	REV
	1001186375	Ref	PLATFORM ASSEMBLY	B
		Ref	Note: Platform and Mesh must be ordered separately for Platforms with Mesh. See SPECIAL OPTIONS SECTION for Mesh Installations.	
		Ref	Note: Replacement Decals Must be Ordered Separately - See DECALS SECTION.	
1	0100011	AR	Compound, Locking	
2	0641418	2	Bolt 1/4 x 2-1/4	
3	0961845	2	Bushing	
4	3290606	2	Nut M6	
5	3300151	2	Nut 1/4	
6	3520072	2	Plug	
7	3520198	2	Plug	
8	4010618	2	Screw M6 x 50	
9	4711400	4	Washer 1/4	
10	4811700	2	Washer M6	
11	1001138494	1	Bar, Drop	
12	1001138514	1	Rail - Top	
13	1001140429	1	Decal - Drop Bar	
14	See Note	1	Platform (Note: Not Available - Purchase Platform Assembly)	

# SECTION 5 - PLATFORM

FIGURE 5-4. PLATFORM ASSEMBLY - 30IN X 5FT (76CM X 1.52M) - SIDE GATE ENTRY



ART\_1001186386

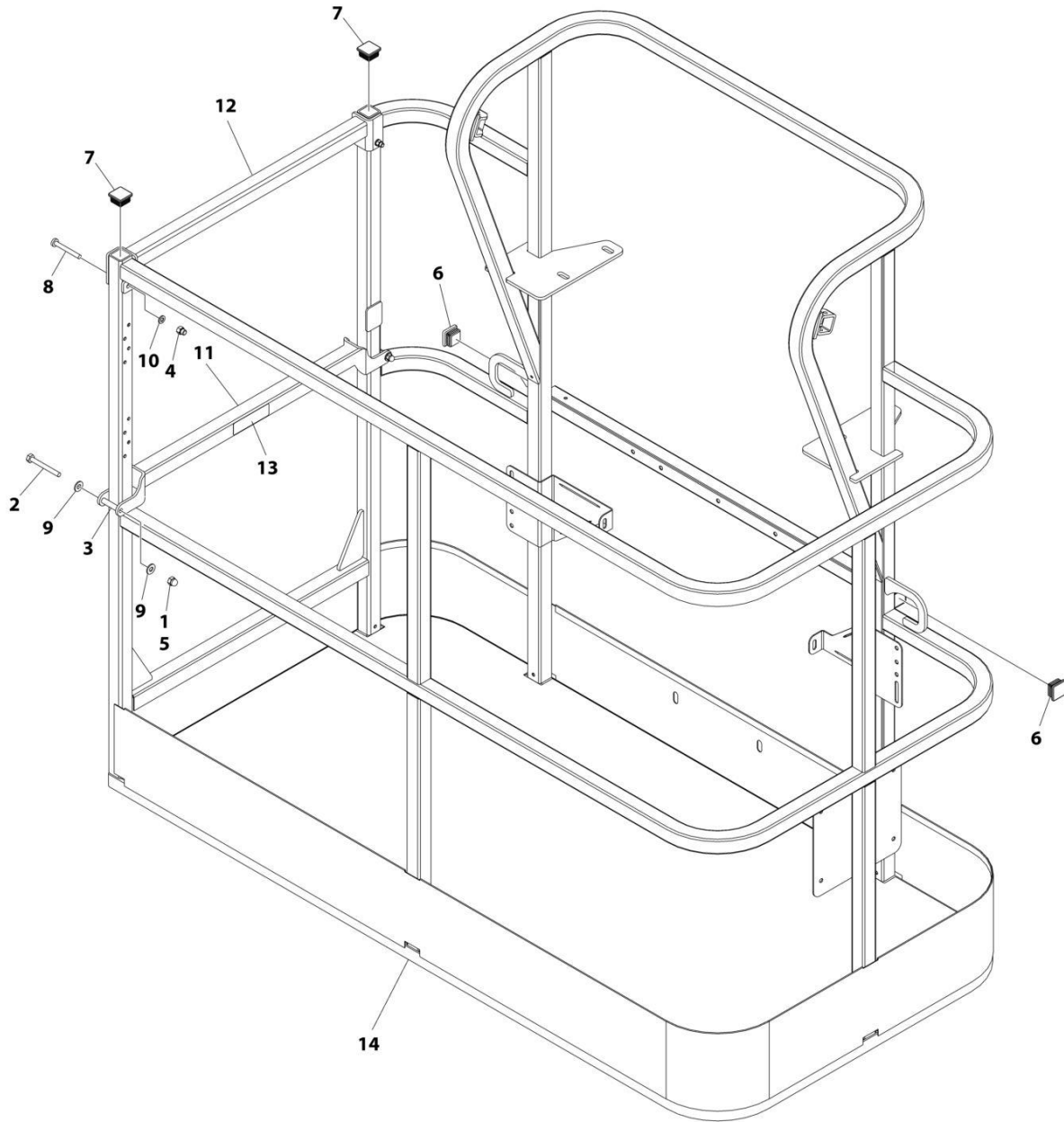
## SECTION 5 - PLATFORM

**FIGURE 5-4. PLATFORM ASSEMBLY - 30IN X 5FT (76CM X 1.52M) - SIDE GATE ENTRY**

ITEM	PART NUMBER	QTY	DESCRIPTION	REV
	1001186386	Ref	PLATFORM ASSEMBLY	C
		Ref	Note: Platform and Mesh must be ordered separately for Platforms with Mesh. See SPECIAL OPTIONS SECTION for Mesh Installations.	
		Ref	Note: Replacement Decals Must be Ordered Separately - See DECALS SECTION.	
1	2080040	16	Fastener, Huck	
2	2600281	2	Hinge, Self-Closing	
3	2940074	1	Latch	
4	3520072	3	Plug	
5	3520198	2	Plug	
6	3820020	4	Rivet	
7	1001144629	1	Gate	
8	See Note	NSS	Platform (Note: Not Available - Purchase Platform Assembly)	

# SECTION 5 - PLATFORM

FIGURE 5-5. PLATFORM ASSEMBLY - 30IN X 5FT (76CM X 1.52M) - WITH DROP BAR



ART\_1001186377

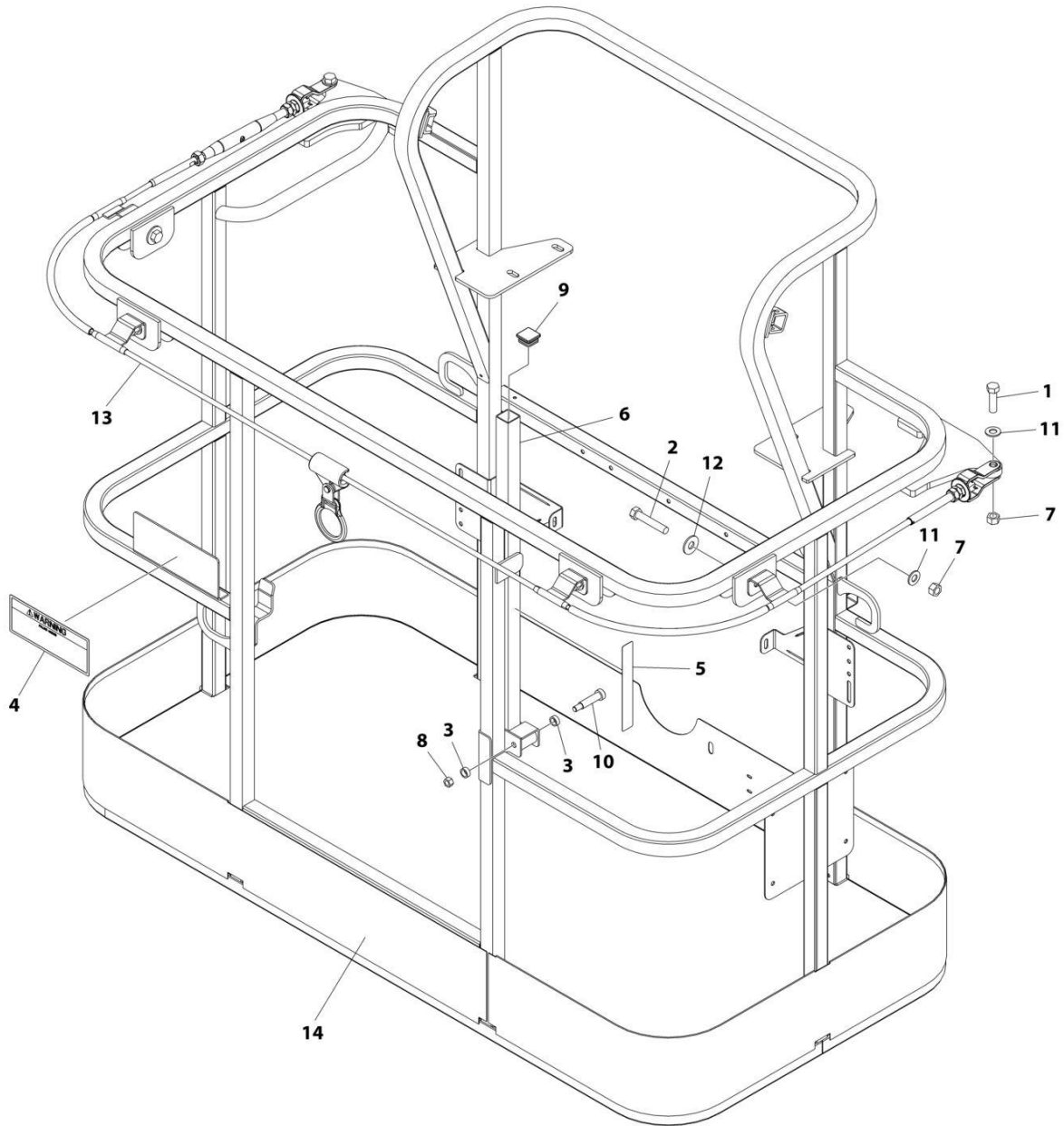
## SECTION 5 - PLATFORM

**FIGURE 5-5. PLATFORM ASSEMBLY - 30IN X 5FT (76CM X 1.52M) - WITH DROP BAR**

ITEM	PART NUMBER	QTY	DESCRIPTION	REV
	1001186377	Ref	PLATFORM ASSEMBLY	C
		Ref	Note: Platform and Mesh must be ordered separately for Platforms with Mesh. See SPECIAL OPTIONS SECTION for Mesh Installations.	
		Ref	Note: Replacement Decals Must be Ordered Separately - See DECALS SECTION.	
1	0100011	AR	Compound, Locking	
2	0641420	2	Bolt 1/4 x 2-1/2	
3	0961845	2	Bushing	
4	3290606	2	Nut M6	
5	3300151	2	Nut 1/4	
6	3520072	2	Plug	
7	3520198	2	Plug	
8	4010618	2	Screw M6 x 50	
9	4711400	4	Washer 1/4	
10	4811700	2	Washer M6	
11	1001138494	1	Bar, Drop	
12	1001138514	1	Rail (Top)	
13	1001140429	1	Decal - Drop Bar	
14	See Note	NSS	Platform (Note: Not Available - Purchase Platform Assembly)	

# SECTION 5 - PLATFORM

## FIGURE 5-6. PLATFORM ASSEMBLY - 30IN X 5FT (76CM X 1.52M) - FALL ARREST



ART\_1001186388

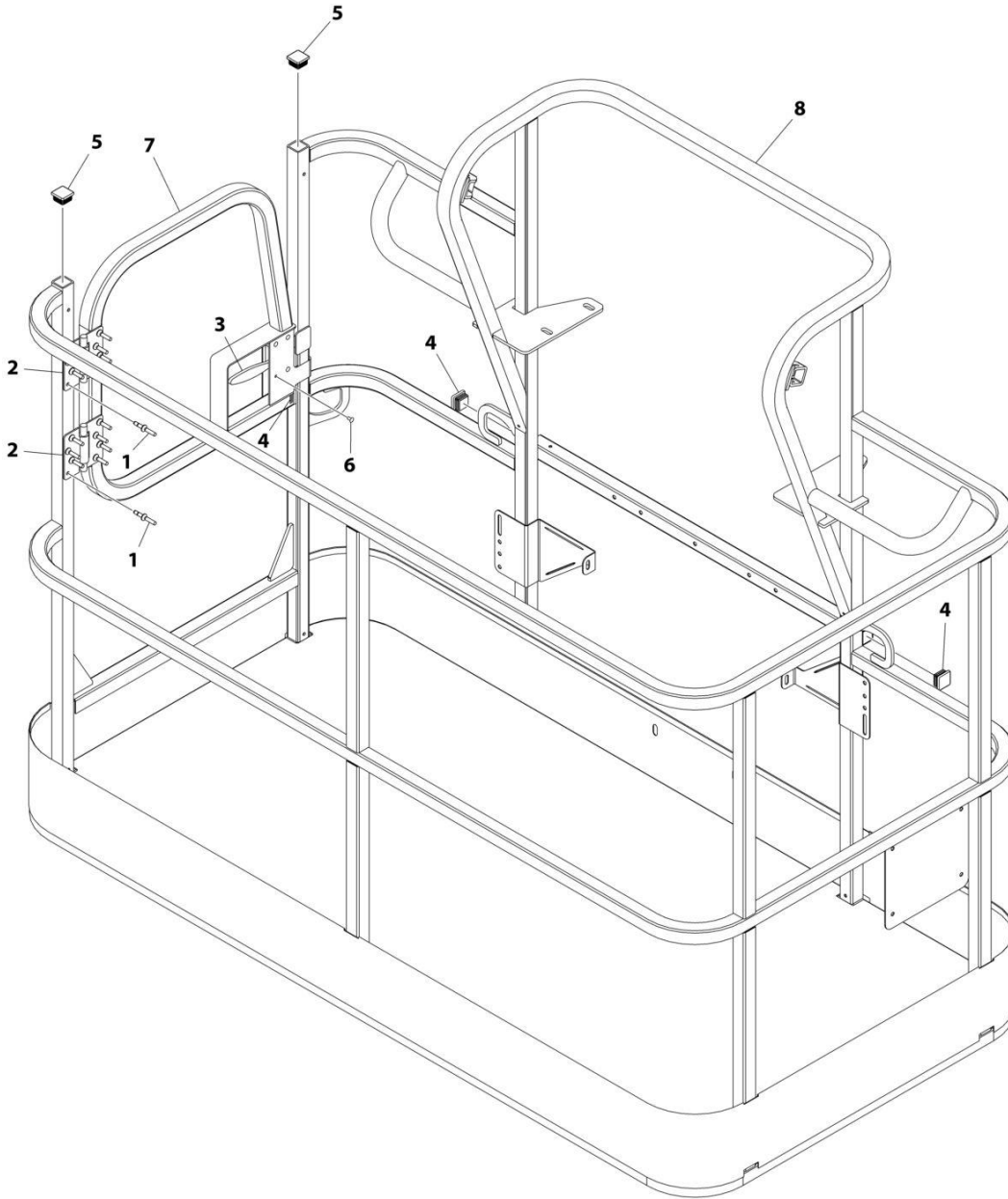
## SECTION 5 - PLATFORM

**FIGURE 5-6. PLATFORM ASSEMBLY - 30IN X 5FT (76CM X 1.52M) - FALL ARREST**

ITEM	PART NUMBER	QTY	DESCRIPTION	REV
	1001186388	Ref	PLATFORM ASSEMBLY	C
	See Note	Ref	Note: Replacement Decals Must be Ordered Separately - See DECALS SECTION.	
1	0681814	2	Bolt 1/2 x 1-3/4 (Grade 8)	
2	0681822	4	Bolt 1/2 x 2-3/4 (Grade 8)	
3	0962270	2	Bearing	
4	1705014	1	Decal - Safety	
5	1706385	1	Decal - Drop Bar	
6	2410014	1	Gate, Weldment	
7	3271805	6	Nut 1/2	
8	3311605	1	Nut 3/8	
9	3520072	1	Cap, Plug	
10	3900054	1	Bolt 1/2 x 1-3/4	
11	4711800	6	Washer 1/2	
12	4751800	4	Washer 1/2	
13	1001203654	1	Lanyard	
14	See Note	NSS	Platform (Note: Not Available - Purchase Platform Assembly)	

# SECTION 5 - PLATFORM

FIGURE 5-7. PLATFORM ASSEMBLY - 30IN X 6FT (76CM X 1.83M) - SIDE GATE ENTRY



ART\_1001186385



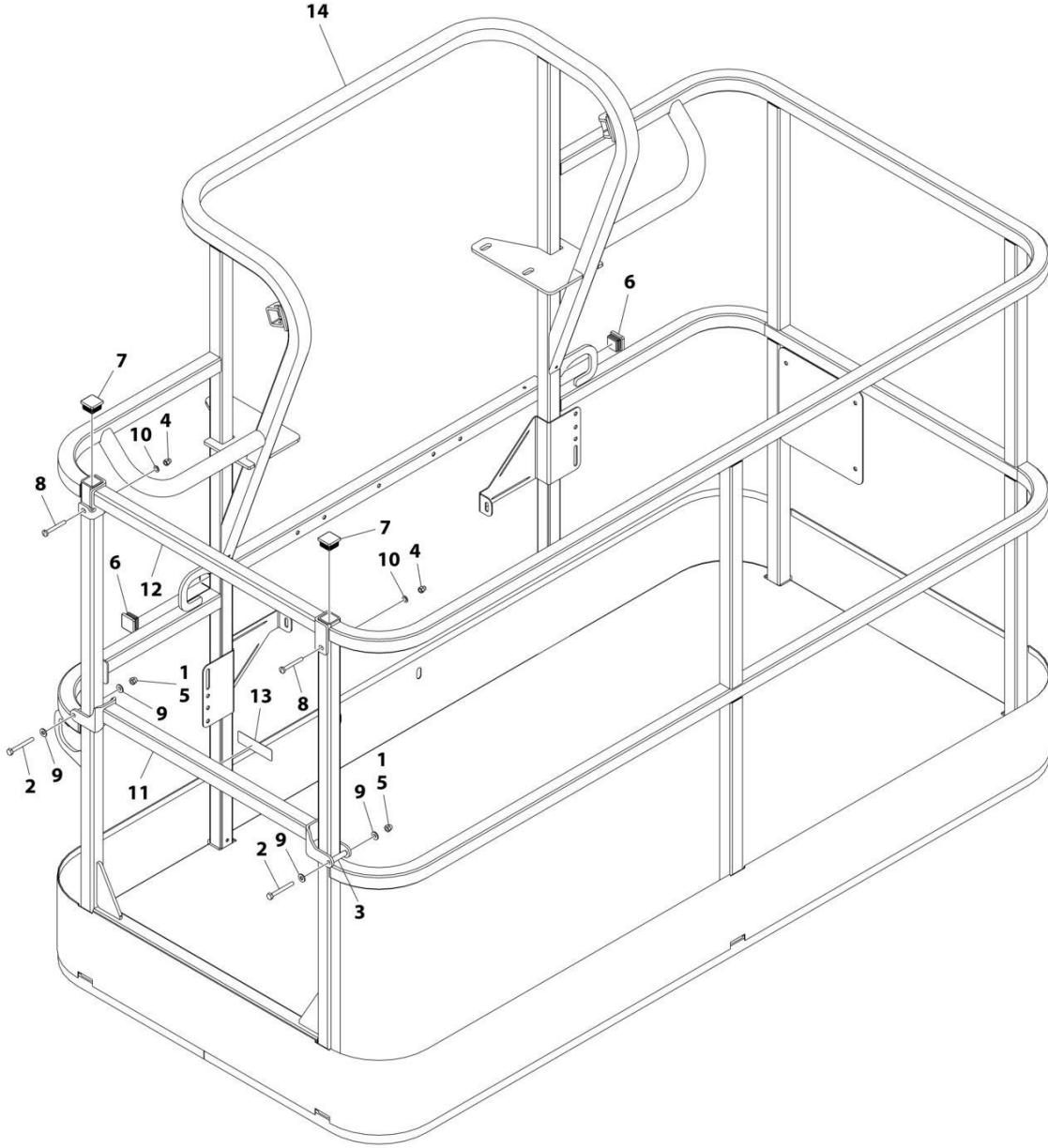
## SECTION 5 - PLATFORM

**FIGURE 5-7. PLATFORM ASSEMBLY - 30IN X 6FT (76CM X 1.83M) - SIDE GATE ENTRY**

ITEM	PART NUMBER	QTY	DESCRIPTION	REV
	1001186385	Ref	PLATFORM ASSEMBLY	D
		Ref	Note: Platform and Mesh must be ordered separately for Platforms with Mesh. See SPECIAL OPTIONS SECTION for Mesh Installations.	
		Ref	Note: Replacement Decals Must be Ordered Separately - See DECALS SECTION.	
1	2080040	16	Fastener, Huck	
2	2600281	2	Hinge	
3	2940074	1	Latch	
4	3520072	3	Plug	
5	3520198	2	Plug	
6	3820020	4	Rivet	
7	1001144629	1	Gate	
8	See Note	NSS	Platform (Note: Not Available - Purchase Platform Assembly)	

# SECTION 5 - PLATFORM

FIGURE 5-8. PLATFORM ASSEMBLY - 30IN X 6FT (76CM X 1.83M) - WITH DROP BAR



ART\_1001186378

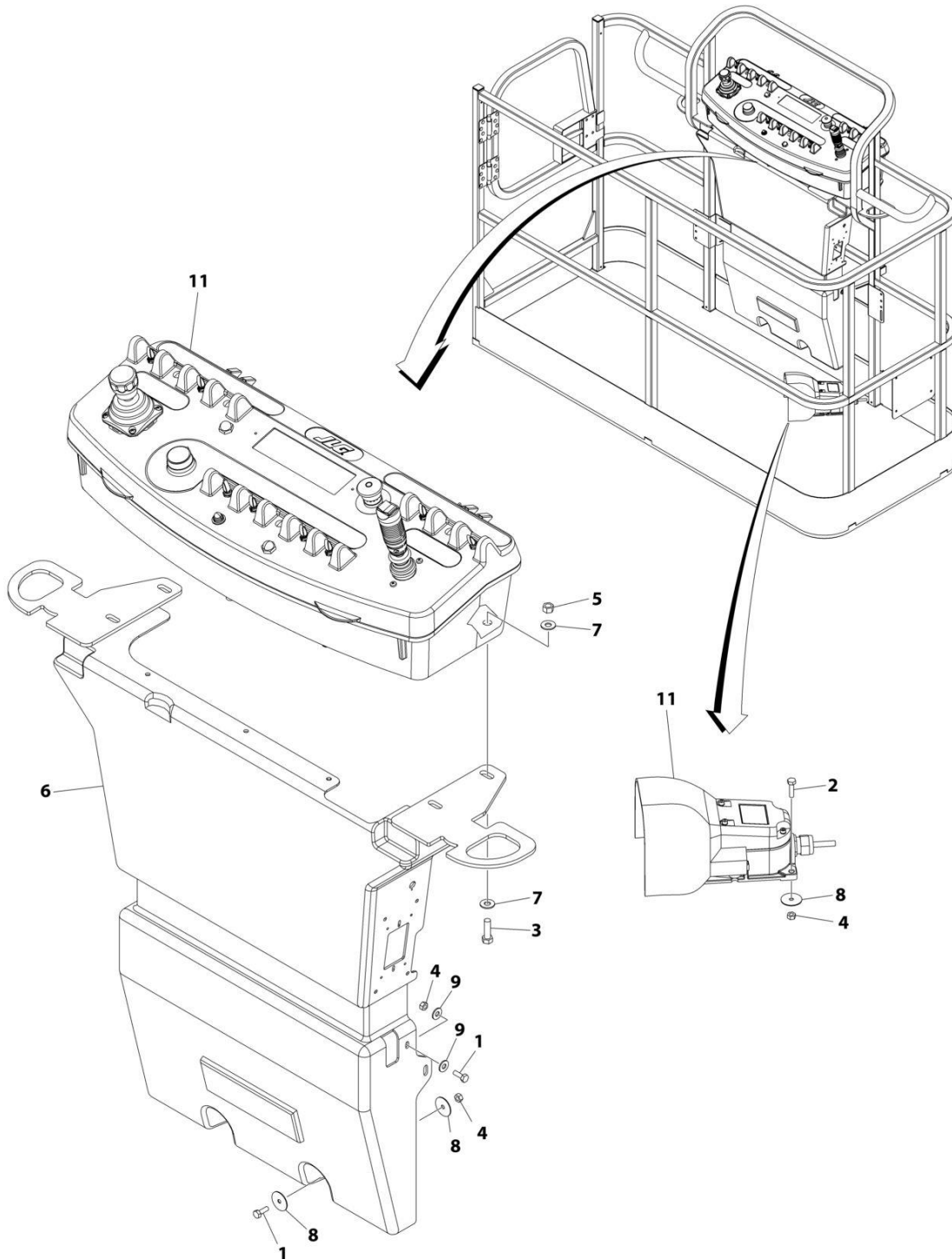
## SECTION 5 - PLATFORM

**FIGURE 5-8. PLATFORM ASSEMBLY - 30IN X 6FT (76CM X 1.83M) - WITH DROP BAR**

ITEM	PART NUMBER	QTY	DESCRIPTION	REV
	1001186378	Ref	PLATFORM ASSEMBLY	C
		Ref	Note: Platform and Mesh must be ordered separately for Platforms with Mesh. See SPECIAL OPTIONS SECTION for Mesh Installations.	
		Ref	Note: Replacement Decals Must be Ordered Separately - See DECALS SECTION.	
1	0100011	AR	Compound, Locking	
2	0641418	2	Bolt 1/4 x 2-1/4	
3	0961845	2	Bushing	
4	3290606	2	Nut M6	
5	3300151	2	Nut 1/4	
6	3520072	2	Plug	
7	3520198	2	Plug	
8	4010618	2	Screw M6 x 50	
9	4711400	4	Washer 1/4	
10	4811700	2	Washer M6	
11	1001138494	1	Bar, Drop	
12	1001138514	1	Rail (Top)	
13	1001140429	1	Decal - Drop Bar	
14	See Note	NSS	Platform (Note: Not Available - Purchase Platform Assembly)	

# SECTION 5 - PLATFORM

## FIGURE 5-9. PLATFORM CONSOLE BOX INSTALLATION



ART\_1001246436

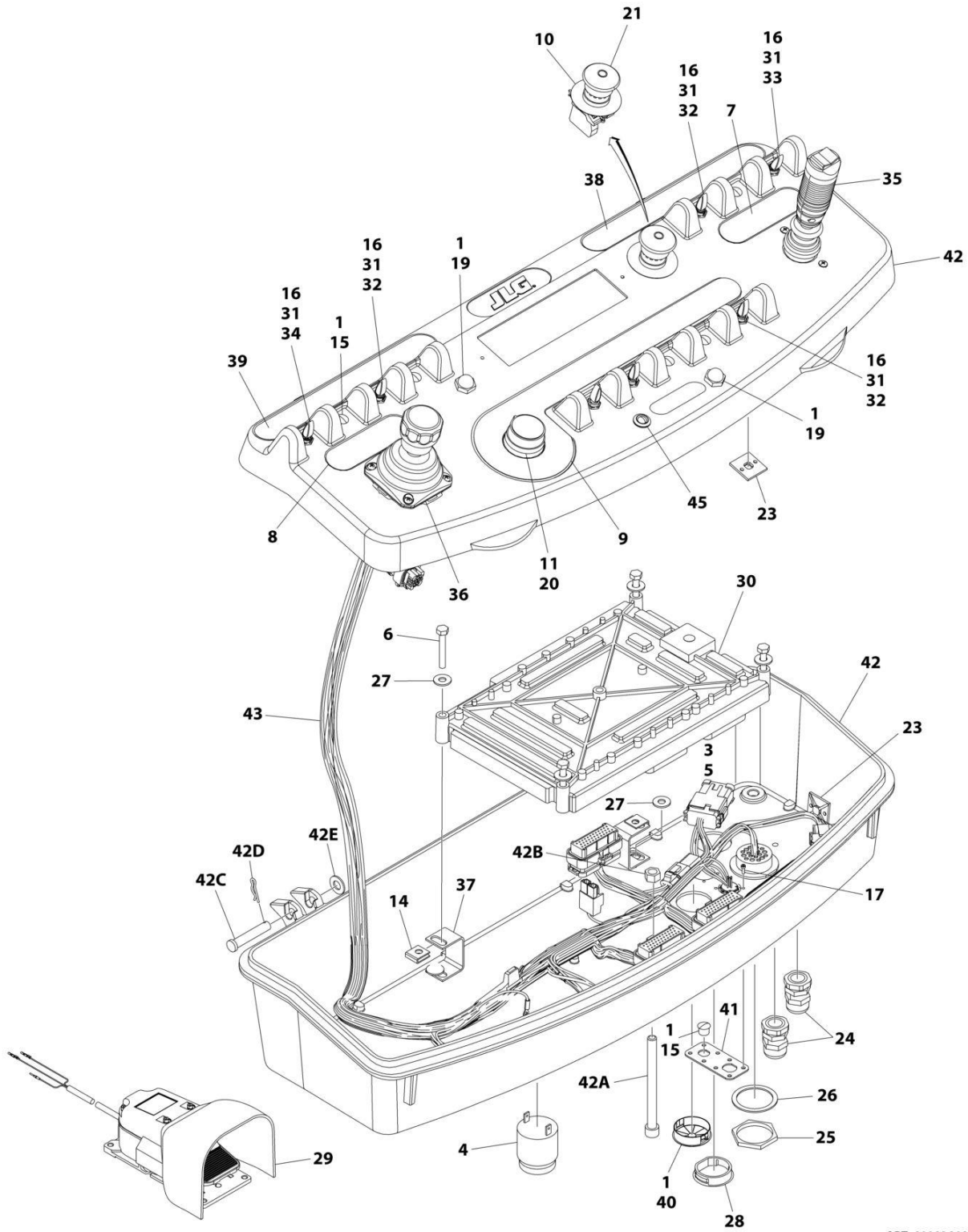
## SECTION 5 - PLATFORM

**FIGURE 5-9. PLATFORM CONSOLE BOX INSTALLATION**

ITEM	PART NUMBER	QTY	DESCRIPTION	REV
	1001246436	Ref	CONSOLE BOX INSTALLATION	A
1	0641406	4	Bolt 1/4 x 3/4	
2	0641408	3	Bolt 1/4 x 1	
3	0641610	4	Bolt 3/8 x 1-1/4	
4	3311405	7	Nut Lock 1/4	
5	3311605	4	Nut Lock 3/8	
6	3380434	1	Panel, Decal Mount	
7	4751600	8	Washer 3/8	
8	4740362	7	Washer 1/4	
9	4751400	4	Washer 1/4	
10	1001164728	1	Harness, Platform Valve (Not Shown - See Separate Breakdown in ELECTRICAL SECTION)	
11	1001246435	1	Platform Console Box Assembly (See Separate Breakdown in this Section)	

# SECTION 5 - PLATFORM

## FIGURE 5-10. PLATFORM CONSOLE BOX ASSEMBLY



ART\_1001246435\_D

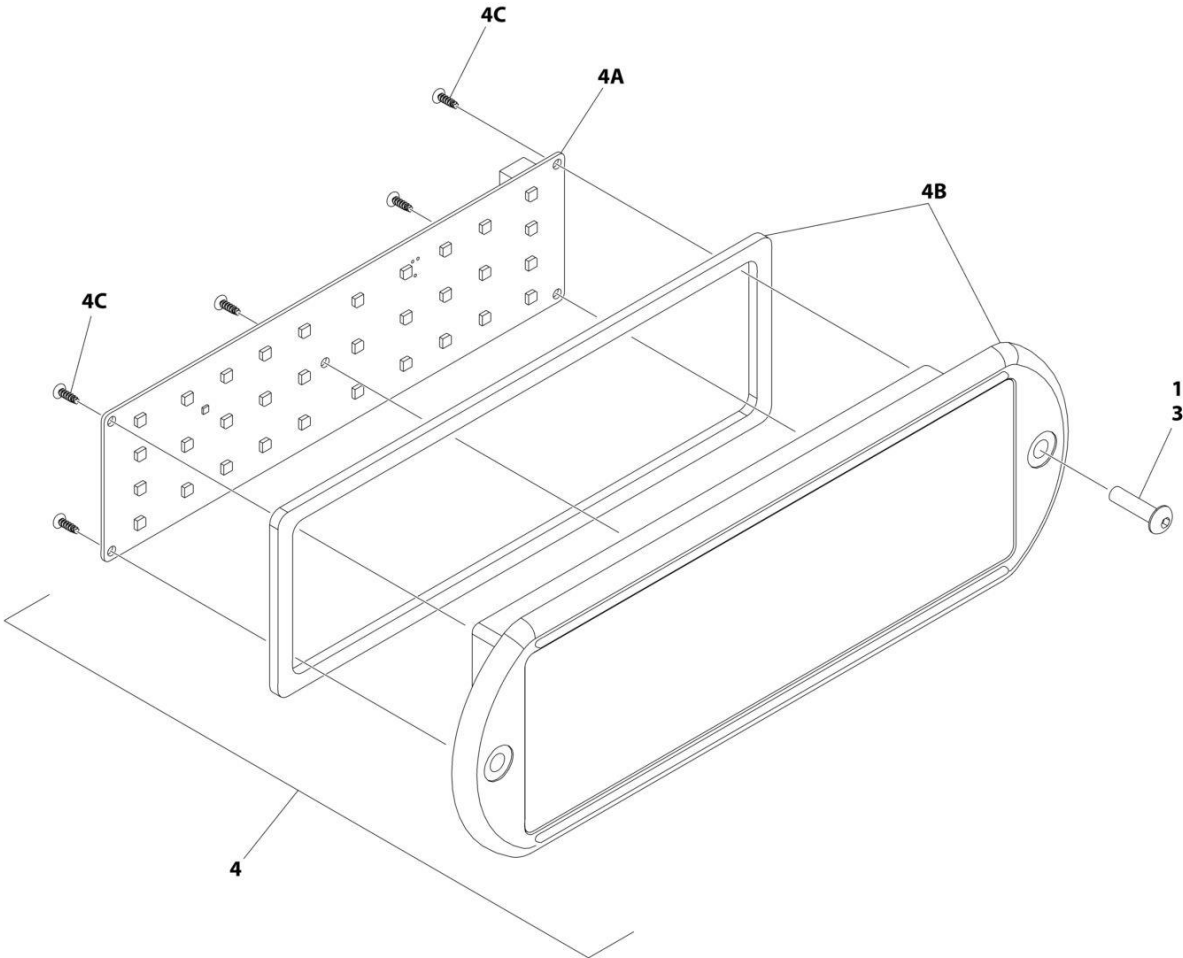
## SECTION 5 - PLATFORM

### FIGURE 5-10. PLATFORM CONSOLE BOX ASSEMBLY

ITEM	PART NUMBER	QTY	DESCRIPTION	REV
	1001246435	Ref	PLATFORM CONSOLE BOX ASSEMBLY	D
1	0100009	AR	Sealant	
3	0100035	AR	Compound, Locking	
4	0140011	1	Alarm	
5	0641405	4	Bolt 1/4 x 5/8	
6	0641414	4	Bolt 1/4 x 1-3/4	
7	1702565	1	Decal - Drive and Steer	
8	1702566	1	Decal - Lift and Swing	
9	1702567	1	Decal - Function Speed	
10	1704260	1	Decal - EMS	
11	2560136	1	Handle, Knob	
14	3300353	4	Nut	
15	3520054	5	Plug	
16	3790012	8	O-Ring	
17	3900349	8	Screw	
18	4240099	AR	Tie-Strap (Not Shown)	
19	4360387	2	Switch, Pushbutton	
20	4360407	1	Switch, Potentiometer	
21	1001274559	1	Switch, Emergency	
23	4460234	6	Mount, Tie-Strap	
24	4460428	2	Connector, Strain Relief	
25	4460470	1	Nut	
26	4460471	1	Washer	
27	4751400	8	Washer 1/4	
28	1001110434	1	Plug	
29	1001117174	1	Footswitch Assembly (See Separate Breakdown in this Section)	
30	1001118412	1	Module, Control	
31	1001155044	8	Nut 15/32	
32	1001155045	6	Switch, Toggle	
33	1001159256	1	Switch, Toggle	
34	1001161709	1	Switch, Toggle	
35	1001275628	1	Controller Assembly (Drive and Steer)	
36	1001275629	1	Controller Assembly (Lift and Swing)	
37	1001172760	4	Bracket	
38	1001184618	1	Decal - Stop	
39	1001184626	1	Decal - Horn	
40	1001185281	1	Plug	
41	1001213882	1	Connector, Mounting	
42	1001215228	1	Platform Console Box	
42A	0630568	1	Capscrew 3/8 x 4-1/2	
42B	3311601	1	Nut 3/8	
42C	3430616	2	Pin, Clevis	
42D	3470003	2	Hairpin	
42E	4711600	2	Washer 3/8	
43	1001238254	1	Harness, Platform Console Box (See Separate Breakdown in ELECTRICAL Section)	
45	1001206532	1	Lamp, Indicator	

**SECTION 5 - PLATFORM**

**FIGURE 5-11. LIGHT PANEL INSTALLATION - PLATFORM CONSOLE**



ART\_1001233959\_D\_20F2



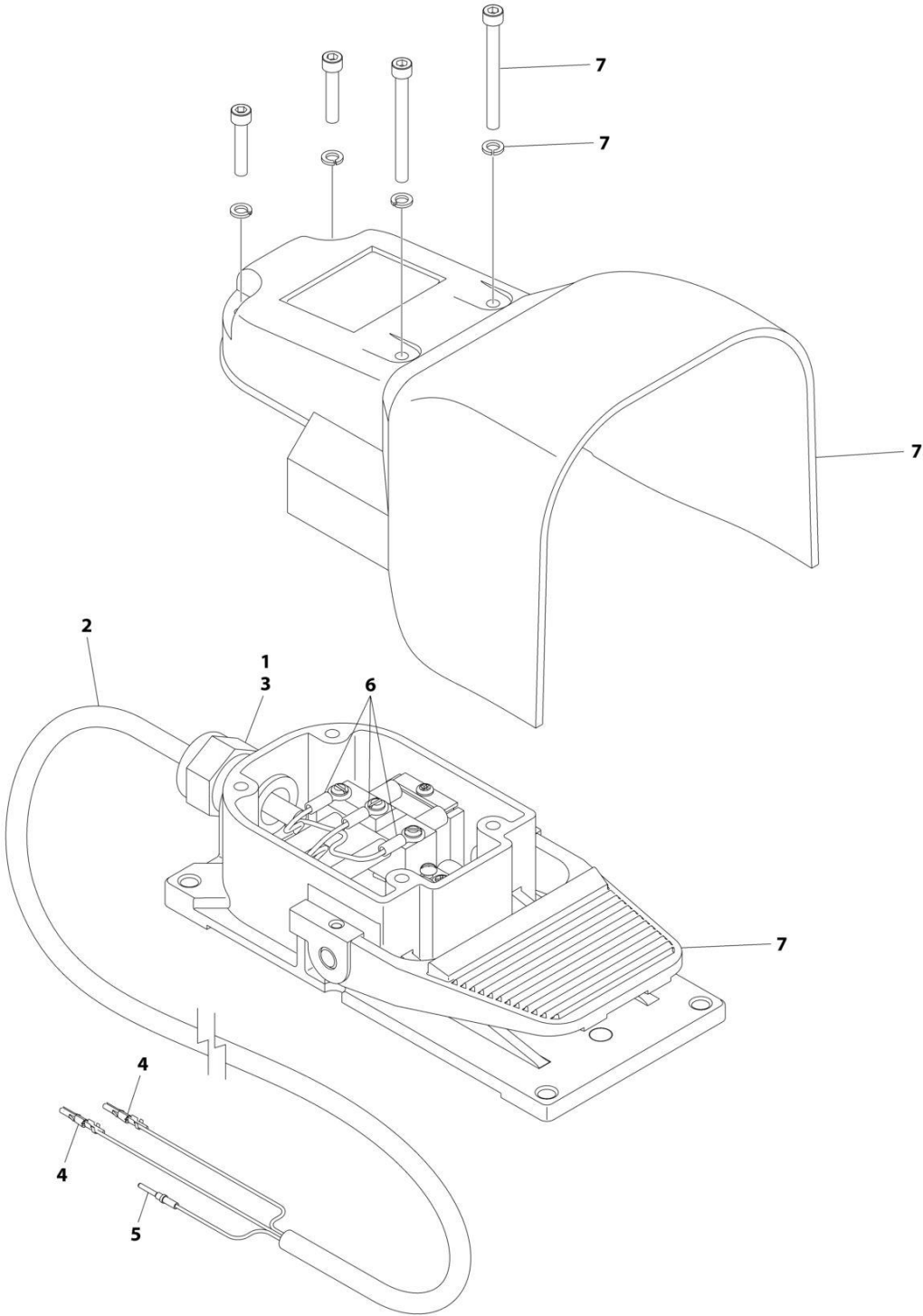
## SECTION 5 - PLATFORM

**FIGURE 5-11. LIGHT PANEL INSTALLATION - PLATFORM CONSOLE**

ITEM	PART NUMBER	QTY	DESCRIPTION	REV
	1001233959	Ref	LIGHT PANEL INSTALLATION - PLATFORM CONSOLE	D
1	0100035	AR	Compound, Locking	
3	0630518	2	Screw #10 x 3/4	
4	1001284583	1	Light Panel Assembly	A
4A	1001282106	1	Panel, LED Light	
4B	1001284582	1	Lens, Icon (Includes Gasket)	
4C		Ref	Screw	

**SECTION 5 - PLATFORM**

**FIGURE 5-12. FOOTSWITCH ASSEMBLY**



ART\_1001117174

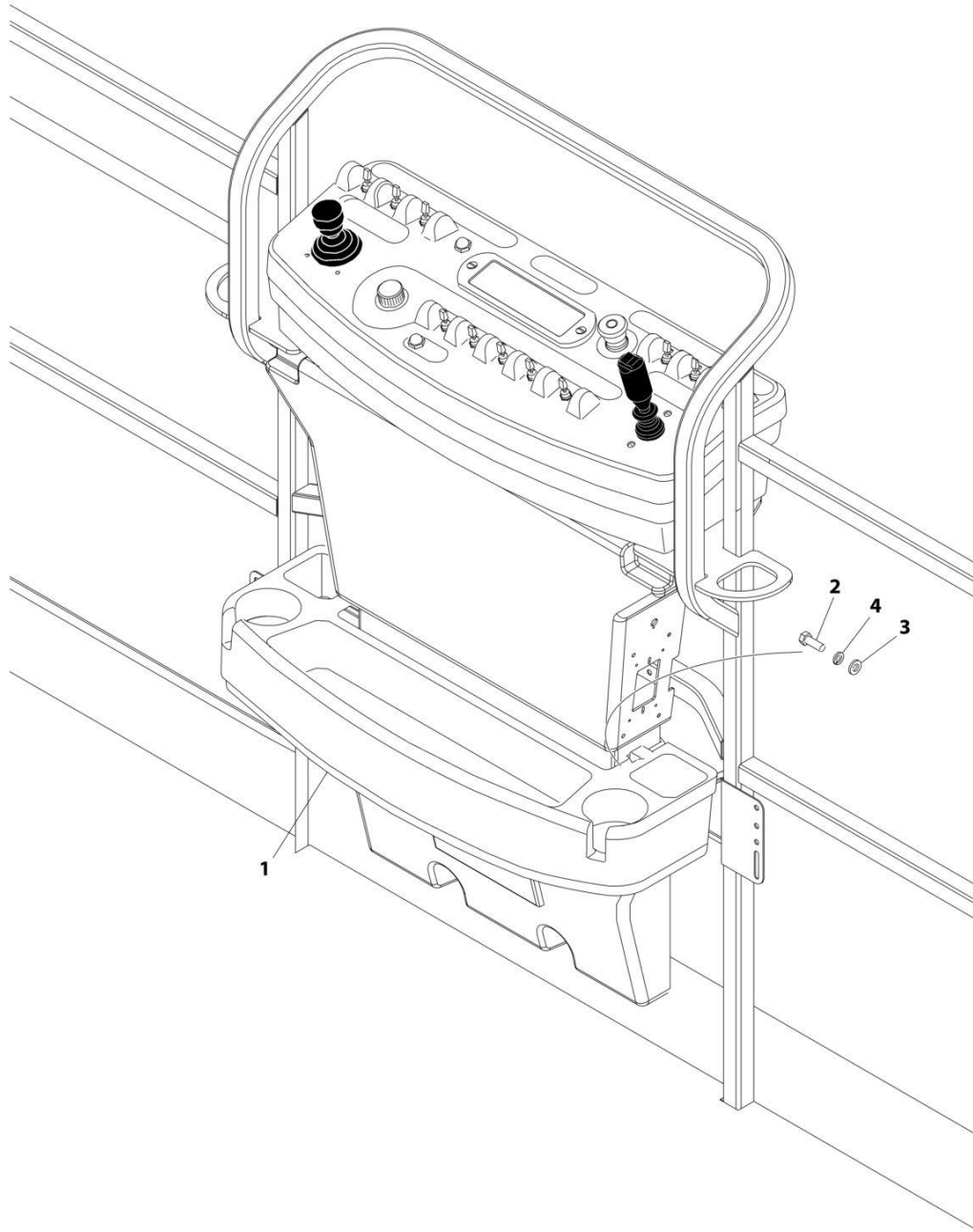
## SECTION 5 - PLATFORM

### FIGURE 5-12. FOOTSWITCH ASSEMBLY

ITEM	PART NUMBER	QTY	DESCRIPTION	REV
	1001117174	Ref	FOOTSWITCH ASSEMBLY	C
1	0100020	AR	Sealant	
2	1060918	7.5 ft/ 2.3m	Cable, Electrical - 18/3	
3	4460071	1	Connector, Strain Relief	
4	4460226	2	Socket, Female	
5	4460464	1	Pin, Male	
6	1001098122	3	Terminal	
7	1001117172	1	Footswitch	
7	70002902	1	Switch, 20Amp	
7	70002903	1	Gasket	
7	70002905	1	Cover	
7	70002904	1	Kit, Replacement Bolt	

# SECTION 5 - PLATFORM

## FIGURE 5-13. TRAY ASSEMBLY



ART\_1580012

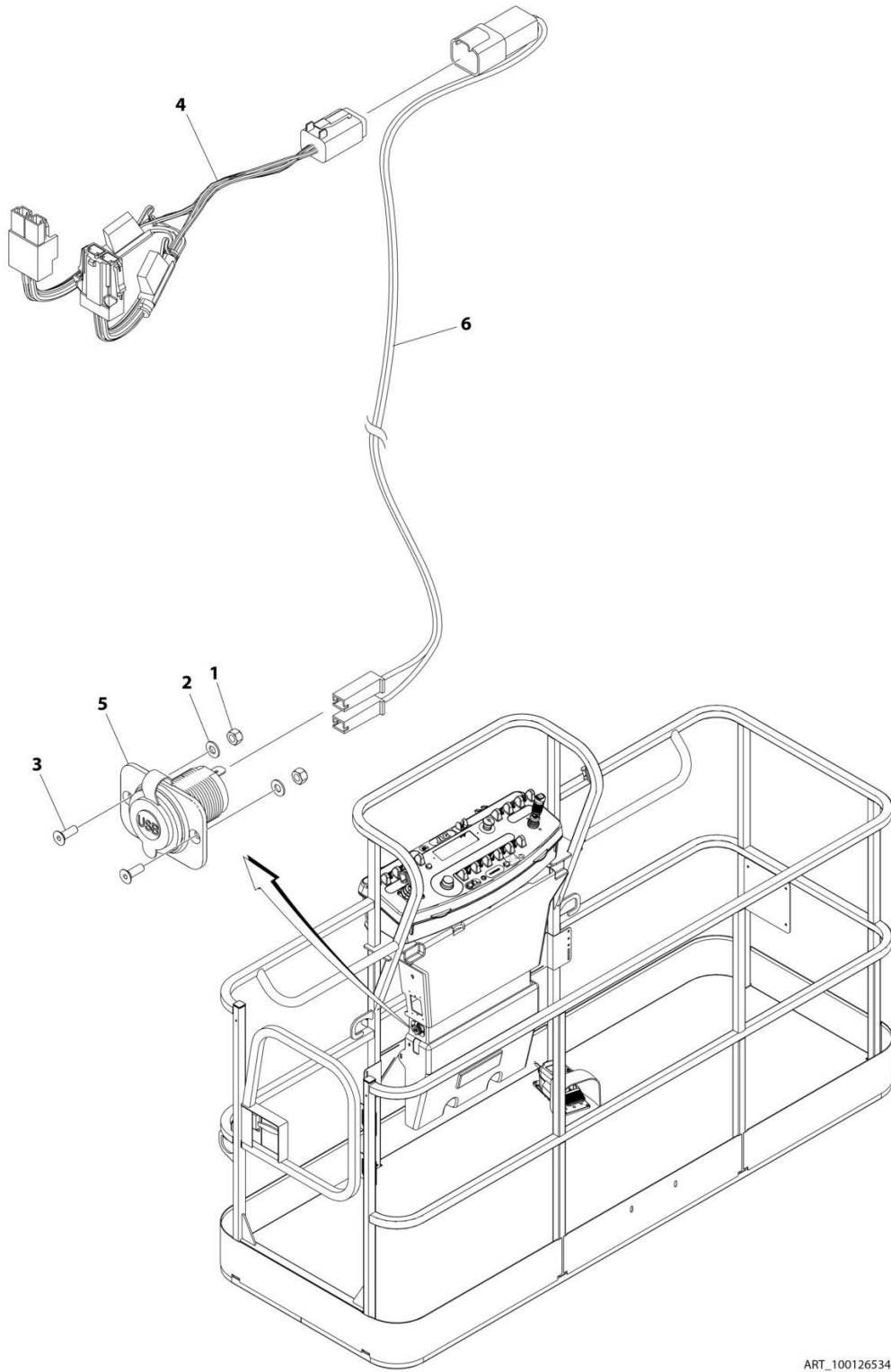
## SECTION 5 - PLATFORM

### FIGURE 5-13. TRAY ASSEMBLY

ITEM	PART NUMBER	QTY	DESCRIPTION	REV
	1580012	Ref	TRAY ASSEMBLY	C
1	See Note	NSS	Tray, Storage (Center) (Note: Purchase p/n 1580012)	
2	0641406	2	Bolt 1/4 x 3/4	
3	4751400	2	Washer 1/4	
4	4761400	2	Washer 1/4	

# SECTION 5 - PLATFORM

## FIGURE 5-14. USB CHARGER INSTALLATION



ART\_1001265342

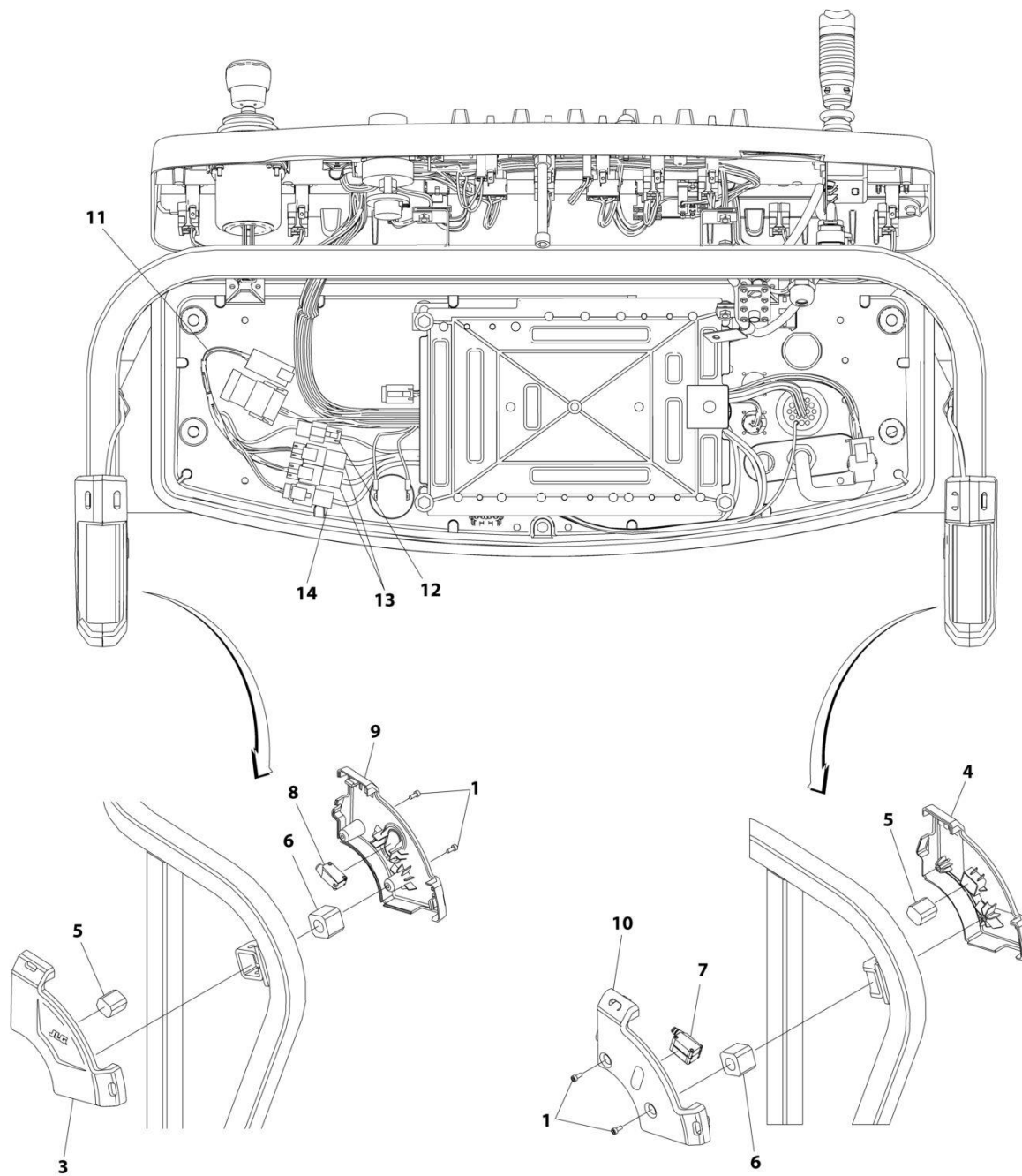
## SECTION 5 - PLATFORM

**FIGURE 5-14. USB CHARGER INSTALLATION**

ITEM	PART NUMBER	QTY	DESCRIPTION	REV
	1001265342	Ref	USB CHARGER INSTALLATION	A
1	3290405	2	Nut M4	
2	4811400	2	Washer M4	
3	1001097244	2	Screw M4 x 12	
4	1001120484	1	Harness, Work Lights	
4	4460879	1	Plug, Male - 2 Position	
4	4460887	2	Terminal	
4	2400060	2	Fuseholder Includes Cover	
4	8229249	2	Fuse, 3 Amp	
4	4460884	1	Connector - 4 Position	
4	4460465	4	Socket, Female	
4	1001120471	1	Connector - 2 Position	
4	1001120477	2	Terminal	
5	1001210636	1	Receptacle, USB	
6	1001265163	1	Harness, USB	A
6	4460260	2	Cover, Terminal	
6	4460259	2	Terminal	
6	4460932	1	Receptacle, Bussbar - 4 Position	
6	4460464	2	Pin, Male	
6	4460466	2	Plug, Terminal	

# SECTION 5 - PLATFORM

## FIGURE 5-15. SKYEYE INSTALLATION



ART\_1001229341



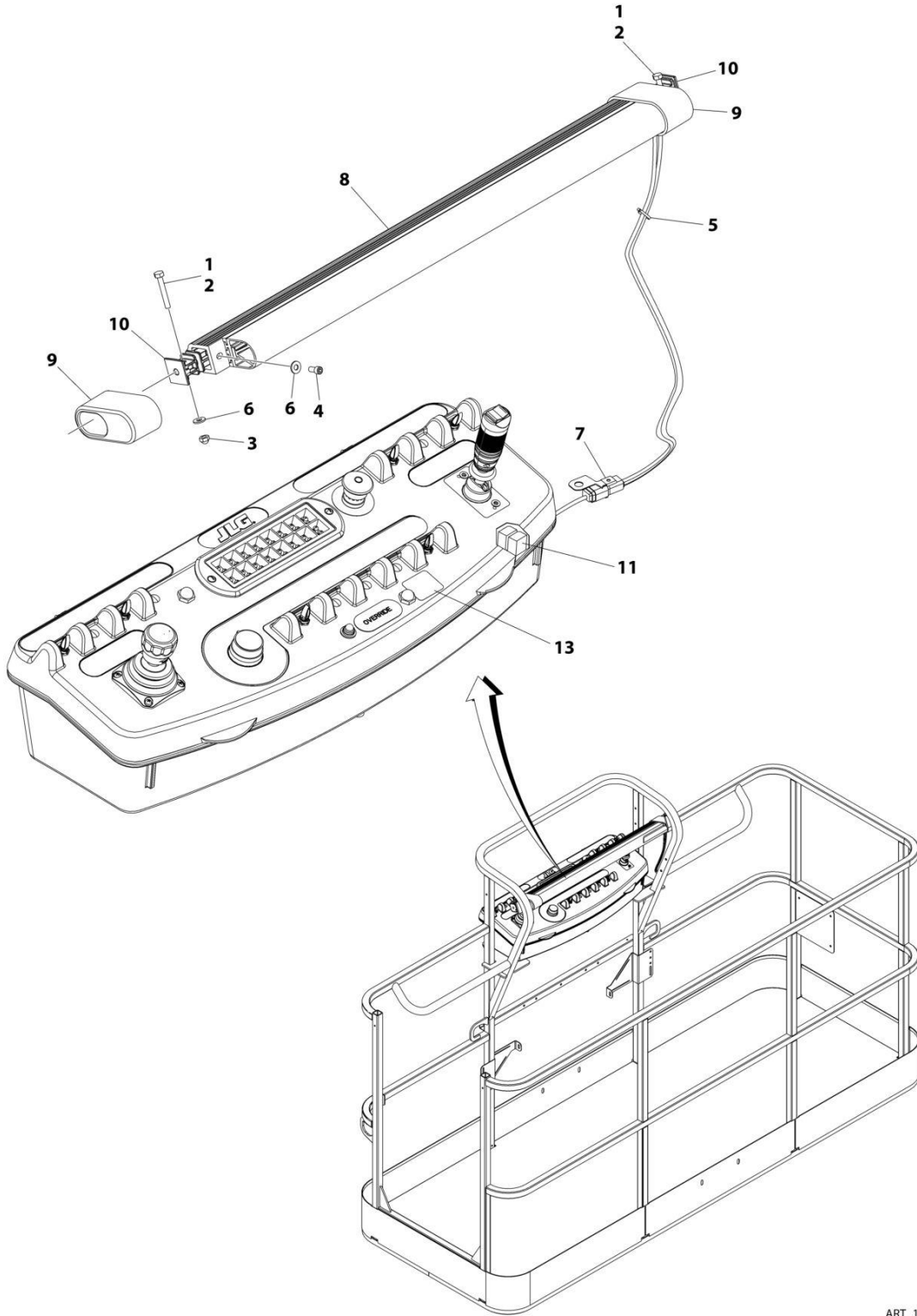
## SECTION 5 - PLATFORM

### FIGURE 5-15. SKYEYE INSTALLATION

ITEM	PART NUMBER	QTY	DESCRIPTION	REV
	1001229341	Ref	SKYEYE INSTALLATION	B
1	4031505	4	Bolt M4 x 10	
2	4240033	AR	Tie-Strap (Not Shown)	
3	1001227633	1	Housing, LH Outer	
4	1001227634	1	Housing, RH Outer	
5	1001227985	2	Shim	
6	1001227987	2	Shim	
7	1001228224	2	Sensor, Receiver	
8	1001228225	1	Sensor, Emitter	
9	1001232164	1	Housing, LH Inner	
10	1001232165	1	Housing, RH Inner	
11	1001237865	1	Harness, Skyeeye Intermediate (See Separate Breakdown in ELECTRICAL Section)	
12	1001238319	NLA	Harness, Skyeeye Drain Jumper	
12	1001187674	1	Plug, Male - 2 Position	
12	4460942	1	Terminal	
12	4460466	1	Plug, Terminal	
12	4460508	1	Pin, Male	
13	1001237863	2	Harness, Skyeeye Receiver (See Separate Breakdown in ELECTRICAL Section)	
14	1001237864	1	Harness, Skyeeye Emitter (See Separate Breakdown in ELECTRICAL Section)	

# SECTION 5 - PLATFORM

## FIGURE 5-16. SKYGUARD BAR INSTALLATION



ART\_1001238495

## SECTION 5 - PLATFORM

**FIGURE 5-16. SKYGUARD BAR INSTALLATION**

ITEM	PART NUMBER	QTY	DESCRIPTION	REV
	1001238495	Ref	SKYGUARD BAR INSTALLATION	A
1	0100011	AR	Compound, Locking	
2	0641414	2	Bolt 1/4 x 1-3/4	
3	3300430	2	Nut 1/4	
4	3931408	2	Capscrew 1/4 x 1/2	
5	4240033	8	Tie-Strap	
6	4711400	6	Washer 1/4	
7	1001120328	1	Mount	
8	1001137673	1	SkyGuard Switch Assembly	
9	1001186517	2	Cover, Platform Sensor	
10	1001209664	2	Support, Block	
11	1001186431	2	Relay	
12	1001225580	1	Interface Harness Assembly (Not Shown - Located Inside Console Box) (See Separate Breakdown in ELECTRICAL Section)	
13	1001144433	1	Decal - No Weight SkyGuard	



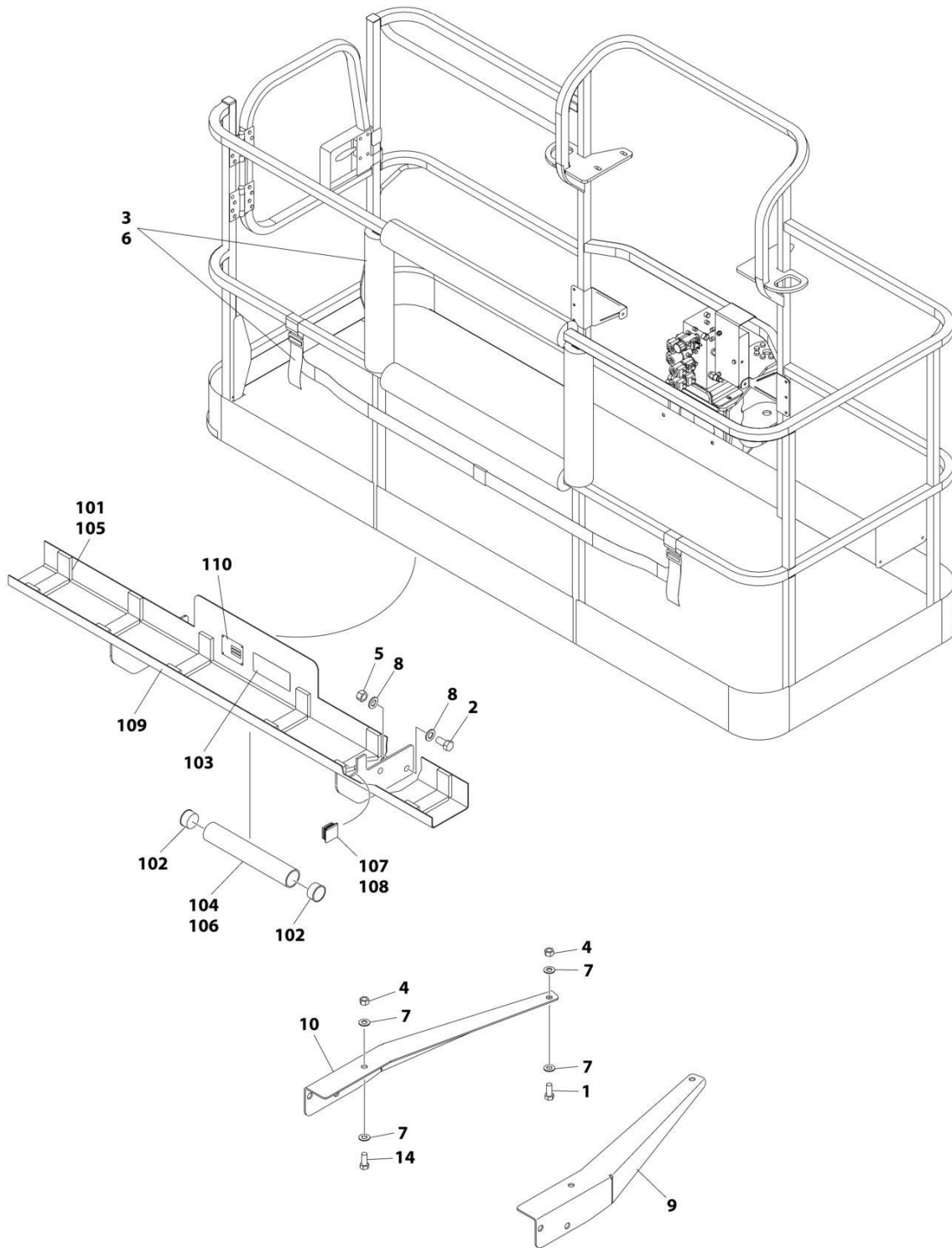
## SECTION 5 - PLATFORM

### FIGURE 5-17. SKYLINE INSTALLATION

ITEM	PART NUMBER	QTY	DESCRIPTION	REV
	1001238559	Ref	SKYLINE INSTALLATION	D
1	0641404	2	Bolt 1/4 x 1/2	
2	0641405	2	Bolt 1/4 x 5/8	
3	3311405	2	Nut 1/4	
4	3311601	2	Nut 3/8	
5	4031516	2	Capscrew M4 x 60	
6	4240033	AR	Tie-Strap (Not Shown)	
7	4711400	4	Washer 1/4	
8	1001120328	1	Mount	
9	1001232642	1	Bracket	
11	1001232667	1	Sensor, Proximity	
11	1001311034	1	Sensor, Proximity	
14	1001236552	1	Block	
15	1001238418	1	Harness, Skyline (See Separate Breakdown in ELECTRICAL Section)	
16	1001238472	1	Mount	
17	1001254473	1	Housing, LH	
18	1001241965	1	Housing, RH	
19	1001254472	1	Rod	
20	0100011	AR	Compound, Locking	

# SECTION 5 - PLATFORM

## FIGURE 5-18. SKYGLAZIER INSTALLATION



ART\_1001172578\_D

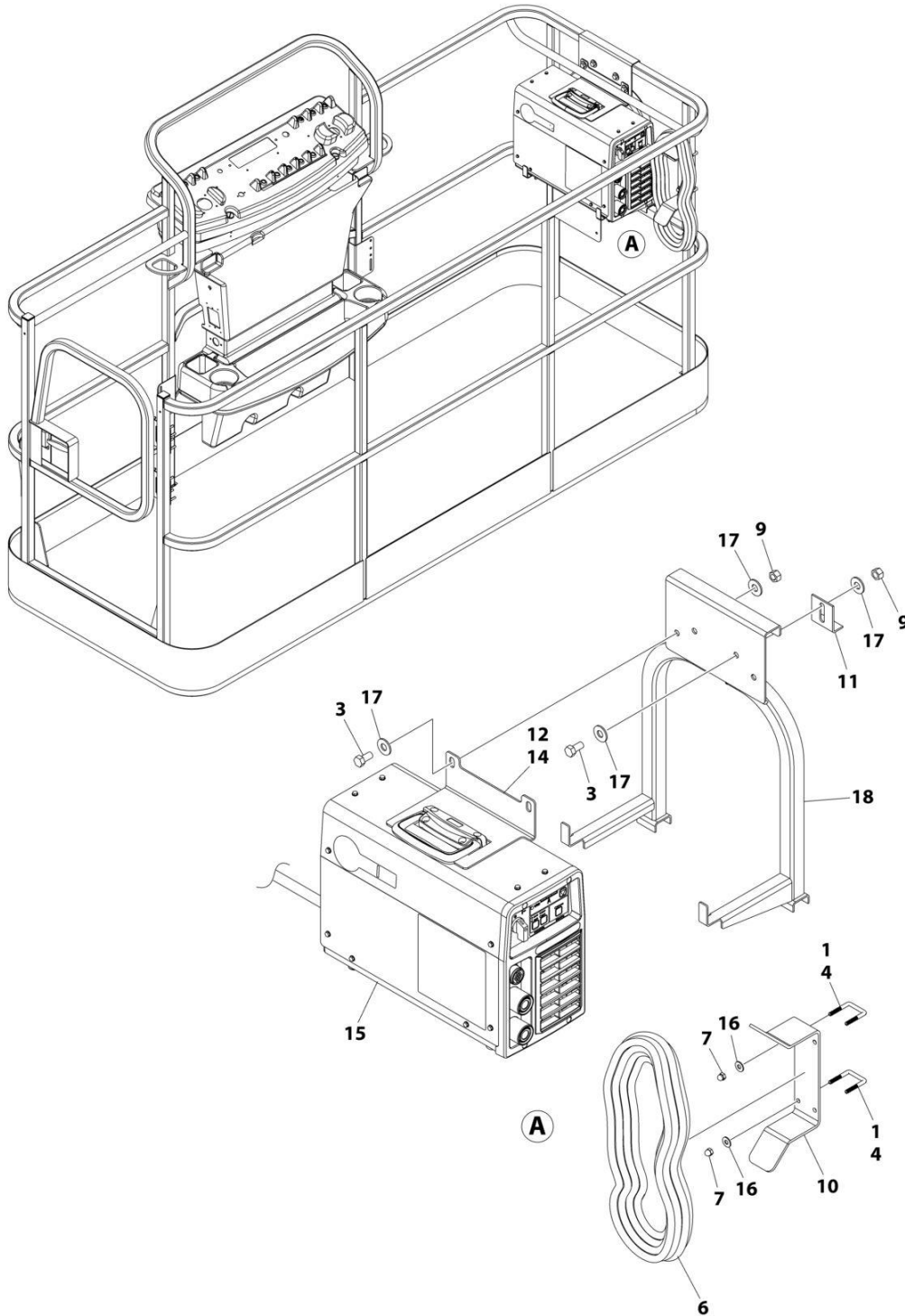
## SECTION 5 - PLATFORM

**FIGURE 5-18. SKYGLAZIER INSTALLATION**

ITEM	PART NUMBER	QTY	DESCRIPTION	REV
	1001172578	Ref	SKYGLAZIER INSTALLATION	D
1	0642012	2	Bolt 5/8 x 1-1/2	
2	0642212	4	Bolt 3/4 x 1-1/2	
3	2902212	1	Bumpers and Strap Kit	
3	0940102	1	Bumper Only	
3	4240149	1	Strap Only	
4	3312005	1	Nut 5/8	
5	3312205	4	Nut 3/4	
6	4420014	AR	Tape	
7	4712000	6	Washer 5/8	
8	4712200	8	Washer 3/4	
9	1001099366	1	Support	
10	1001099367	1	Support	
13	1001303430	1	Tray Assembly (Not Shown) (See Items 101-110 for Breakdown)	
14	8310129	2	Bolt 3/4 x 2-1/2	
	1001303430	Ref	TRAY ASSEMBLY	A
101	0100081	AR	Adhesive	
102	1120555	2	Cap, Tube	
103	1701509	1	Decal - Manual	
104	3124242	1	Manual - Accessories	
105	3340956	1	Pad Kit	
106	3460334	1	Pipe	
107	3520071	2	Plug	
108	4420066	AR	Tape, Double Sided	
109	4846562	1	Weld, Glazier Shelf	
110	1001253726	1	Decal - Accessory	

# SECTION 5 - PLATFORM

## FIGURE 5-19. SKYWELDER INSTALLATION (50HZ)



ART\_0272521\_H



## SECTION 5 - PLATFORM

**FIGURE 5-19. SKYWELDER INSTALLATION (50HZ)**

ITEM	PART NUMBER	QTY	DESCRIPTION	REV
	0272521	Ref	SKYWELDER INSTALLATION	H
1	0100011	AR	Compound, Locking	
3	0641606	4	Bolt 3/8 x 3/4	
4	1320302	2	U-Clamp	
6	2902217	1	Weld Leads Kit	
7	3300151	4	Nut 1/4	
9	3311605	4	Nut 3/8	
10	3573400	1	Bracket	
11	3577121	2	Angle	
12	1001269573	1	Plate	
13	4240099	AR	Tie-Strap (Not Shown)	
14	4420037	AR	Tape	
15	1001268820	1	Welder Assembly (See Separate Breakdown in this Section)	
16	4751400	4	Washer 1/4	
17	4751600	8	Washer 3/8	
18	1001269322	1	Support	



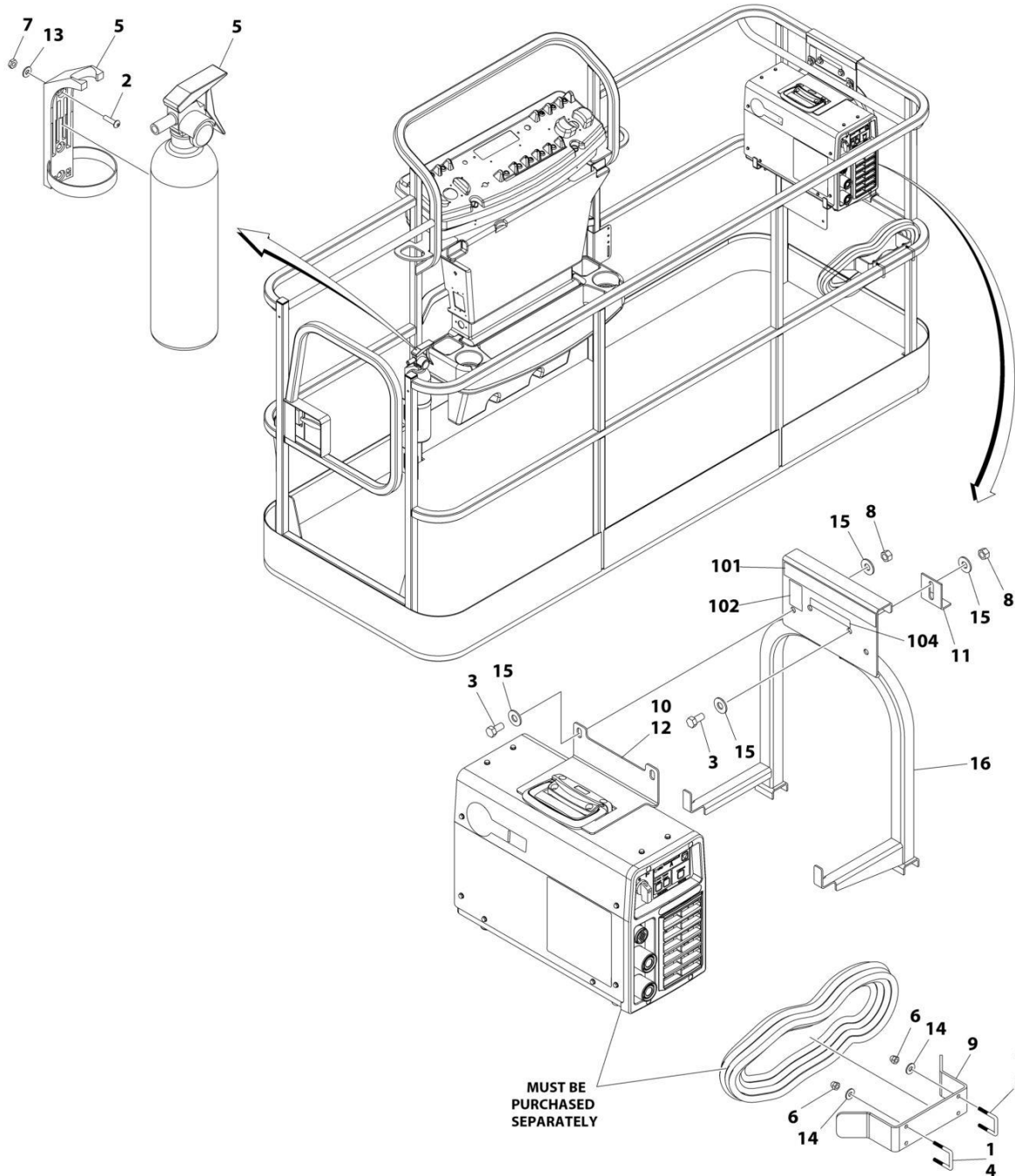
## SECTION 5 - PLATFORM

**FIGURE 5-20. SKYWELDER INSTALLATION (60HZ)**

ITEM	PART NUMBER	QTY	DESCRIPTION	REV
	0272254	Ref	SKYWELDER INSTALLATION	J
1	0100011	AR	Compound, Locking	
2	0630518	2	Screw #10 x 3/4	
3	0641606	4	Bolt 3/8 x 3/4	
4	1320302	2	U-Clamp	
5	2030010	1	Extinguisher, Fire	
6	2902217	1	Weld Leads Kit	
7	3300151	4	Nut 1/4	
8	3311005	2	Nut #10	
9	3311605	4	Nut 3/8	
10	3573400	1	Bracket	
11	3577121	2	Angle	
12	1001269573	1	Plate	
13	4420037	AR	Tape	
14	4240099	AR	Tie-Strap (Not Shown)	
15	4460962	1	Plug, Male Twistlock	
17	1001268820	1	Welder Assembly (See Separate Breakdown in this Section)	
18	4751400	4	Washer 1/4	
19	4751600	8	Washer 3/8	
20	1001269322	1	Support	
21	1671093	1	Cover, Plug	
22	4751000	2	Washer #10	

# SECTION 5 - PLATFORM

## FIGURE 5-21. SKYWELDER PREP PACKAGE INSTALLATION



ART\_1001128527\_C

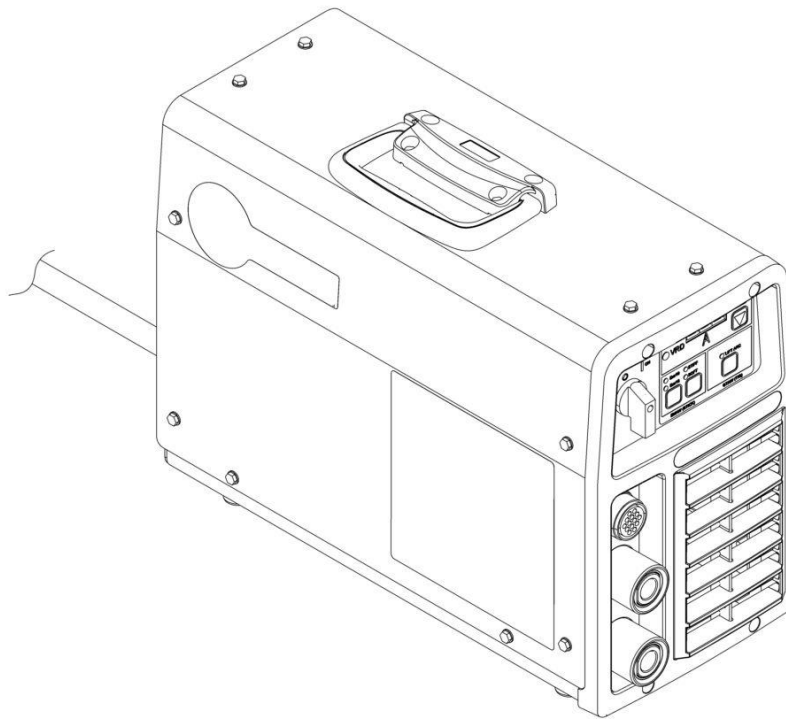
## SECTION 5 - PLATFORM

**FIGURE 5-21. SKYWELDER PREP PACKAGE INSTALLATION**

ITEM	PART NUMBER	QTY	DESCRIPTION	REV
	1001128527	Ref	SKYWELDER PREP PACKAGE	C
1	0100011	AR	Compound, Locking	
2	0630518	2	Screw #10 x 3/4	
3	0641606	4	Bolt 3/8 x 3/4	
4	1320302	2	U-Clamp	
5	2030010	1	Extinguisher, Fire	
6	3300151	4	Nut 1/4	
7	3311005	2	Nut #10	
8	3311605	4	Nut 3/8	
9	3573400	1	Bracket	
10	1001269573	1	Plate	
11	3577121	2	Angle	
12	4420037	AR	Tape	
13	4751000	2	Washer #10	
14	4751400	4	Washer 1/4	
15	4751600	8	Washer 3/8	
16	1001269322	1	Support	
	1001128556	Ref	SKYWELDER DECAL INSTALLATION	D
101	1702868	1	Decal - No Hands	
102	1705305	1	Decal - Weld Lead	
104	1001228988	1	Decal - Weight	

# SECTION 5 - PLATFORM

## FIGURE 5-22. WELDER ASSEMBLY



ART\_1001268820

## SECTION 5 - PLATFORM

### FIGURE 5-22. WELDER ASSEMBLY

ITEM	PART NUMBER	QTY	DESCRIPTION	REV
	1001268820	1 Ref	WELDER ASSEMBLY Note: No Service Parts available at time of Printing.	B





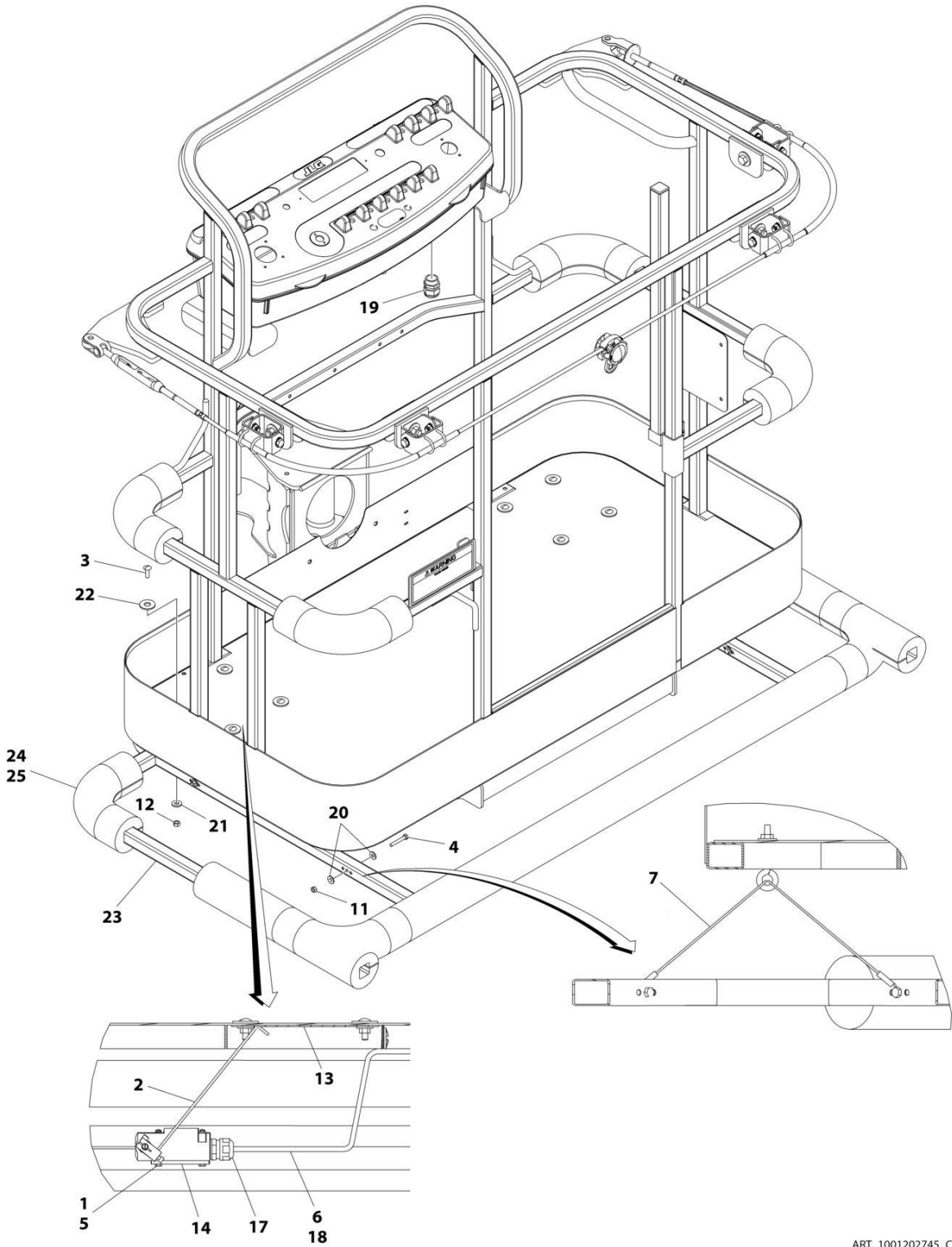
## SECTION 5 - PLATFORM

**FIGURE 5-23. SOFT TOUCH INSTALLATION (WITHOUT FALL ARREST)**

ITEM	PART NUMBER	QTY	DESCRIPTION	REV
	1001202744	Ref	SOFT TOUCH INSTALLATION - 6FT/1.8M PLATFORM	C
1	0100011	AR	Compound, Locking	
2	0200048	2	Arm, Switch	
3	0630462	8	Bolt, Carriage	
4	0641414	8	Bolt 1/4 x 1-3/4	
5	0721005	4	Bolt #10 x 5/8	
6	0940167	1	Bumper Kits (Includes Corners and Enough Straight Material for One Platform)	
7	1060341	15 ft /4.57m	Cable, Electrical - 16/2	
8	1060903	4	Wire Rope and Eyebolt Assembly	
12	3311401	8	Nut 1/4	
13	3311501	8	Nut 5/16	
14	3575705	2	Plate, Switch Strike	
15	4240099	AR	Tie-Strap	
16	4360057	2	Switch, Limit	
19	4460049	2	Connector, Strain Relief	
20	4460226	4	Socket, Female	
21	4460234	2	Tie-Strap Mount	
22	4460425	1	Connector, Strain Relief (Not Shown - Located on bottom of console box)	
23	4751400	16	Washer 1/4	
24	4751500	8	Washer 5/16	
25	4751800	8	Washer 1/2	
26	4846370	1	Rail, Soft Touch	
27	1001197017	AR	Tie-Strap	

# SECTION 5 - PLATFORM

## FIGURE 5-24. SOFT TOUCH INSTALLATION (WITH FALL ARREST)



ART\_1001202745\_C

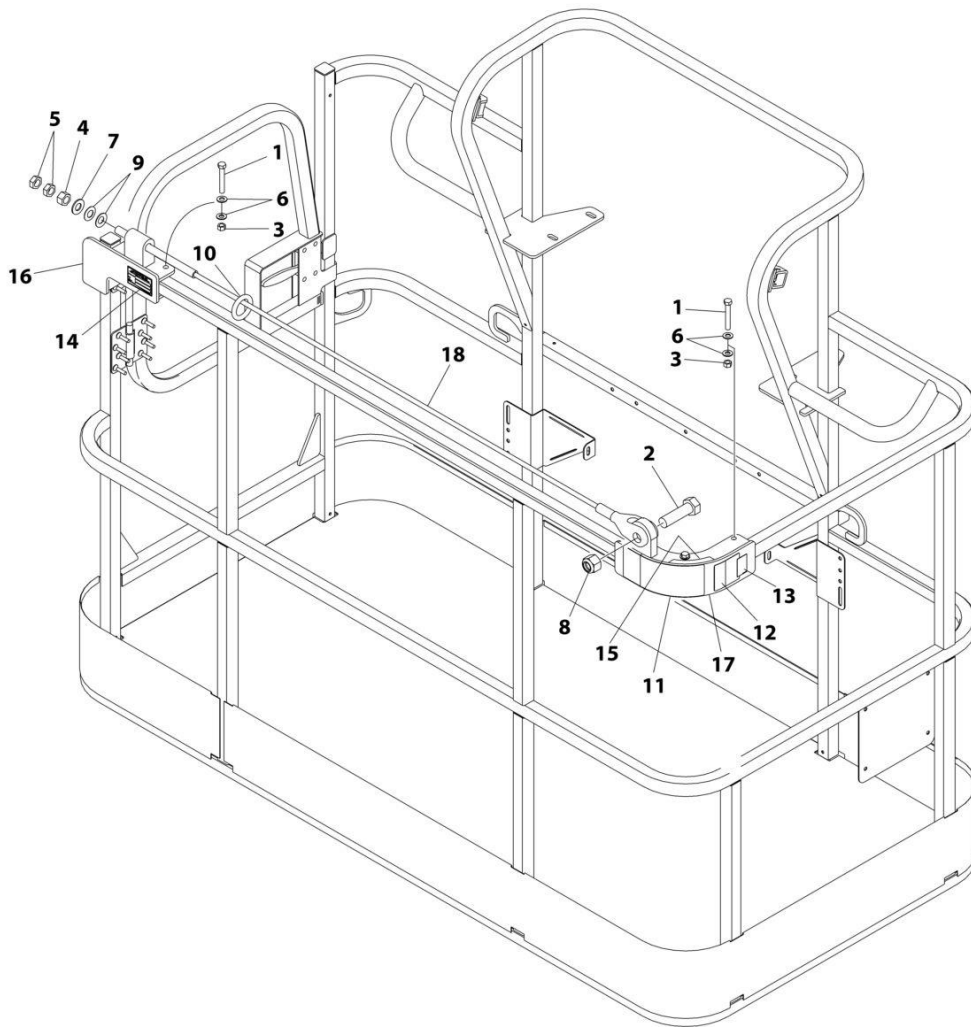
## SECTION 5 - PLATFORM

**FIGURE 5-24. SOFT TOUCH INSTALLATION (WITH FALL ARREST)**

ITEM	PART NUMBER	QTY	DESCRIPTION	REV
	1001202745	Ref	SOFT TOUCH INSTALLATION - 5FT/1.52M PLATFORM WITH FALL ARREST	C
1	0100011	AR	Compound, Locking	
2	0200048	2	Arm, Switch	
3	0630462	8	Bolt, Carriage	
4	0641414	8	Bolt 1/4 x 1-3/4	
5	0721005	4	Bolt #10 x 5/8	
6	1060341	15 ft /4.57m	Cable, Electrical - 16/2	
7	1060903	4	Wire Rope and Eyebolt Assembly	
11	3311405	8	Nut 1/4	
12	3311501	8	Nut 5/16	
13	3575705	2	Plate, Switch Strike	
14	4360057	2	Switch, Limit	
17	4460049	2	Connector, Strain Relief	
18	4460226	4	Socket, Female	
19	4460425	1	Connector, Strain Relief	
20	4751400	16	Washer 1/4	
21	4751500	8	Washer 5/16	
22	4751800	8	Washer 1/2	
23	1001115641	1	Rail, Soft Touch	
24	1001115848	1	Bumper Kits (Includes Corners and Enough Straight Material for One Platform)	
25	1001197017	AR	Tie-Strap	

# SECTION 5 - PLATFORM

## FIGURE 5-25. FALL ARREST INSTALLATION (BOLT-ON) (5FT/1.52M PLATFORM)



ART\_1001257275

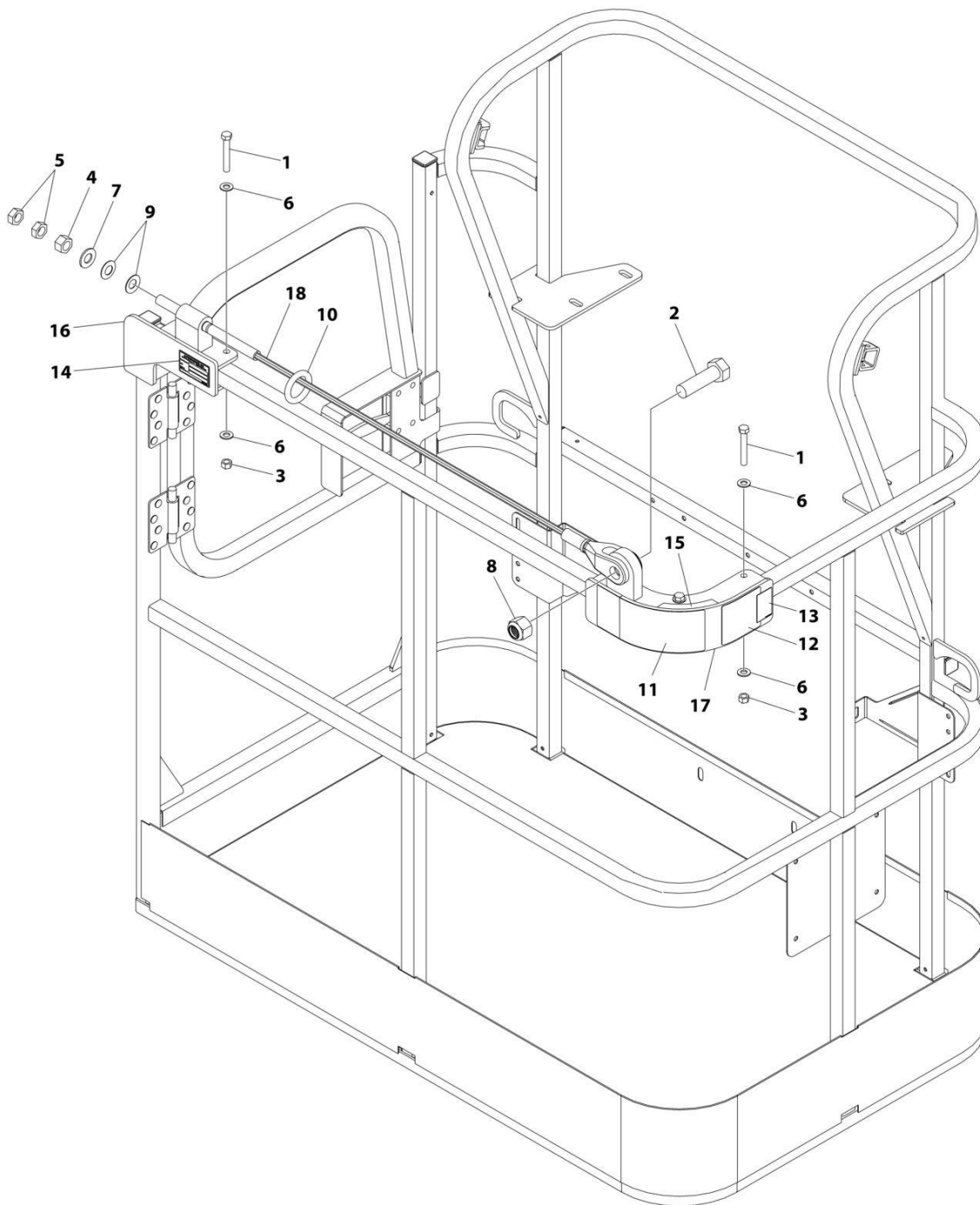
## SECTION 5 - PLATFORM

**FIGURE 5-25. FALL ARREST INSTALLATION (BOLT-ON) (5FT/1.52M PLATFORM)**

ITEM	PART NUMBER	QTY	DESCRIPTION	REV
	1001257275	Ref	FALL ARREST INSTALLATION (BOLT - ON) 6FT/1.82M PLATFORM	A
1	0681620	6	Bolt 3/8 x 2-1/2	
2	0682424	1	Bolt 7/8 x 3	
3	3271605	6	Nut 3/8	
4	3272001	1	Nut 5/8	
5	3312002	2	Nut 5/8	
6	4711600	12	Washer 3/8	
7	4712000	1	Washer 5/8	
8	88521214	1	Nut 7/8	
9	1001236891	2	Washer	
10	1001236895	1	Ring	
11	1001238263	1	Decal - Warning Falling Hazard	
12	1001248140	1	Decal - Bolt Fall Arrest Re-Cert	
13	1001248141	1	Decal - Incription	
14	See Note	NSS	Nameplate - Manufacturers Serial Number (Note: Not Available for Purchase)	
15	1001252629	1	Decal - Weight	
16	1001257271	1	Bracket (RH)	
17	1001257274	1	Bracket (LH)	
18	1001258005	1	Rope	

# SECTION 5 - PLATFORM

## FIGURE 5-26. FALL ARREST INSTALLATION (BOLT-ON) (4FT/1.22M PLATFORM)



ART\_1001261338

## SECTION 5 - PLATFORM

**FIGURE 5-26. FALL ARREST INSTALLATION (BOLT-ON) (4FT/1.22M PLATFORM)**

ITEM	PART NUMBER	QTY	DESCRIPTION	REV
	1001261338	Ref	FALL ARREST INSTALLATION	A
1	0681620	6	Bolt 3/8 x 2-1/2	
2	0682424	1	Bolt 7/8 x 3	
3	3271605	6	Nut 3/8	
4	3272001	1	Nut 5/8	
5	3312002	2	Nut 5/8	
6	4711600	12	Washer 3/8	
7	4712000	1	Washer 5/8	
8	88521214	1	Nut 7/8	
9	1001236891	2	Washer	
10	1001236895	1	Ring	
11	1001238263	1	Decal - Warning Falling Hazard	
12	1001248140	1	Decal - Bolt Fall Arrest Re-Cert	
13	1001248141	1	Decal - Incription	
14	See Note	NSS	Nameplate - Manufacturers Serial Number (Note: Not Available for Purchase)	
15	1001252629	1	Decal - Weight	
16	1001257271	1	Bracket (RH)	
17	1001257274	1	Bracket (LH)	
18	1001261335	1	Rope	

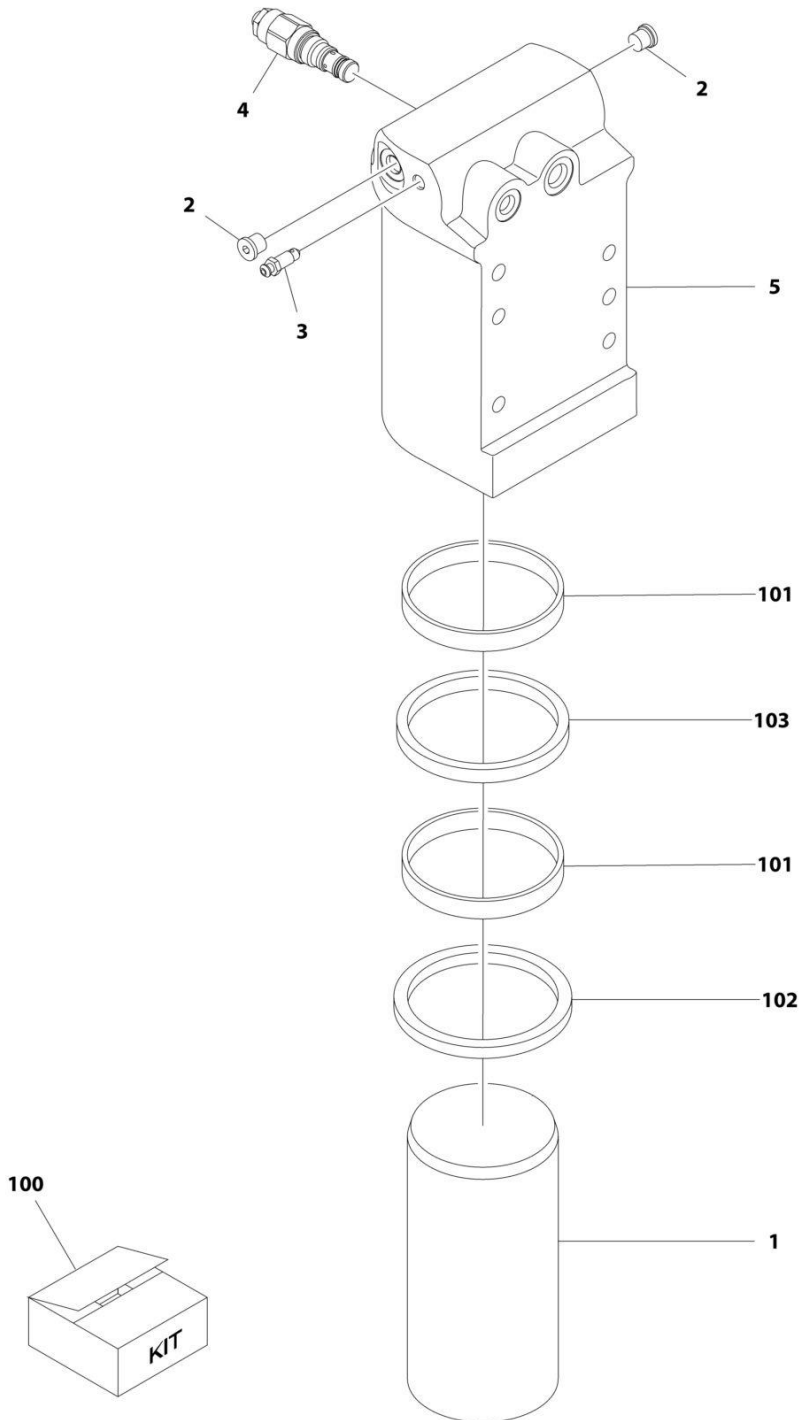




**SECTION 6 - CYLINDER**

# SECTION 6 - CYLINDER

FIGURE 6-1. AXLE LOCKOUT CYLINDER ASSEMBLY (MACHINES WITH SN STARTING WITH 03)



ART\_1001163580

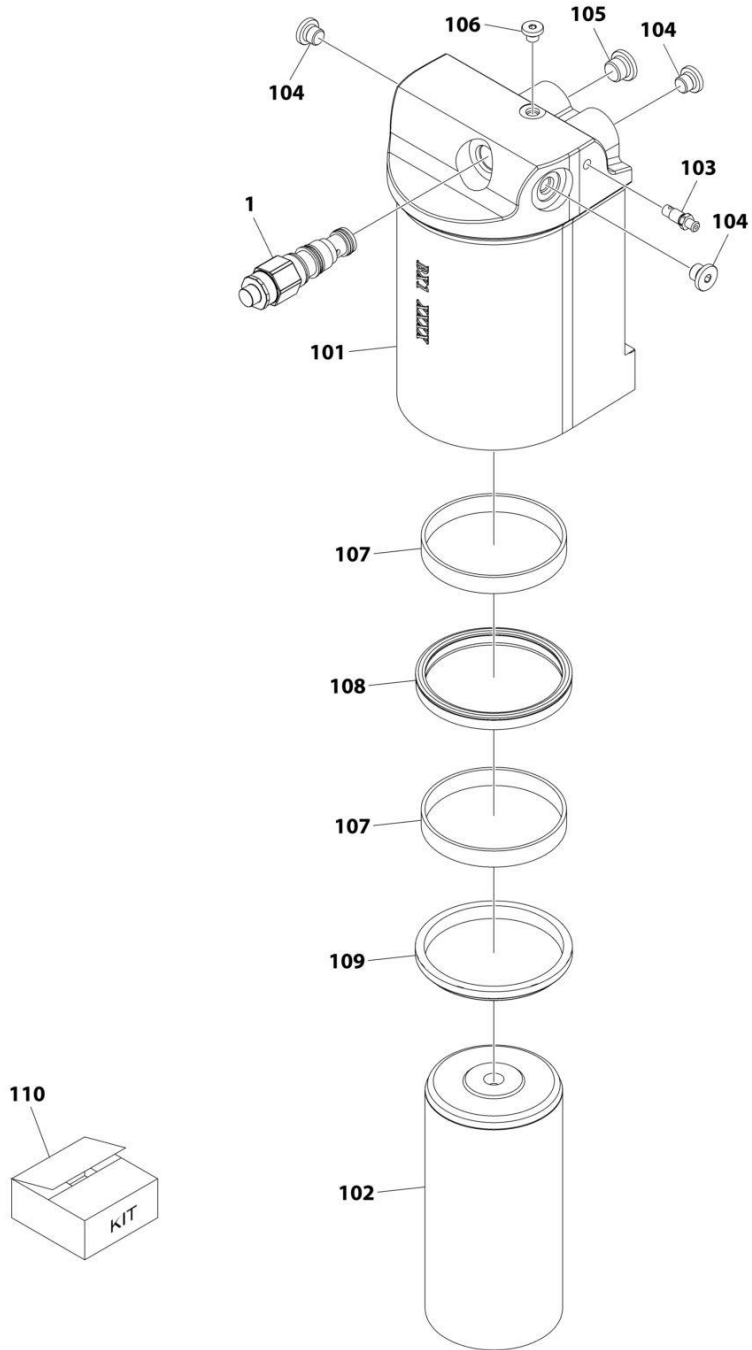
## SECTION 6 - CYLINDER

**FIGURE 6-1. AXLE LOCKOUT CYLINDER ASSEMBLY (MACHINES WITH SN STARTING WITH 03)**

ITEM	PART NUMBER	QTY	DESCRIPTION	REV
	1001163580	Ref	AXLE LOCKOUT CYLINDER ASSEMBLY	I
		Ref	Note: Original Cylinder May Have Been Replaced with Service Replacement. Identify PN Stamped on Cylinder Before Ordering Parts.	
1	1684290	1	Rod	
2	2220883	2	Plug #4	
3	4640858	1	Valve, Bleeder	
4	1001117372	1	Cartridge, Valve	
4	70002842	1	Seal Kit - 1001117372 Valve	
5	1001164817	1	Barrel	
100	2902266	NLA	Seal Kit - 1001163590 Cylinder (Includes Items 101-103)	
101	See Note	NSS	Ring, Wear (Note: Use Item 100)	
102	See Note	NSS	Seal (Note: Use Item 100)	
103	See Note	NSS	Wiper (Note: Use Item 100)	

# SECTION 6 - CYLINDER

FIGURE 6-2. AXLE LOCKOUT CYLINDER ASSEMBLY (MACHINES WITH SN STARTING WITH B3)



ART\_1001256179

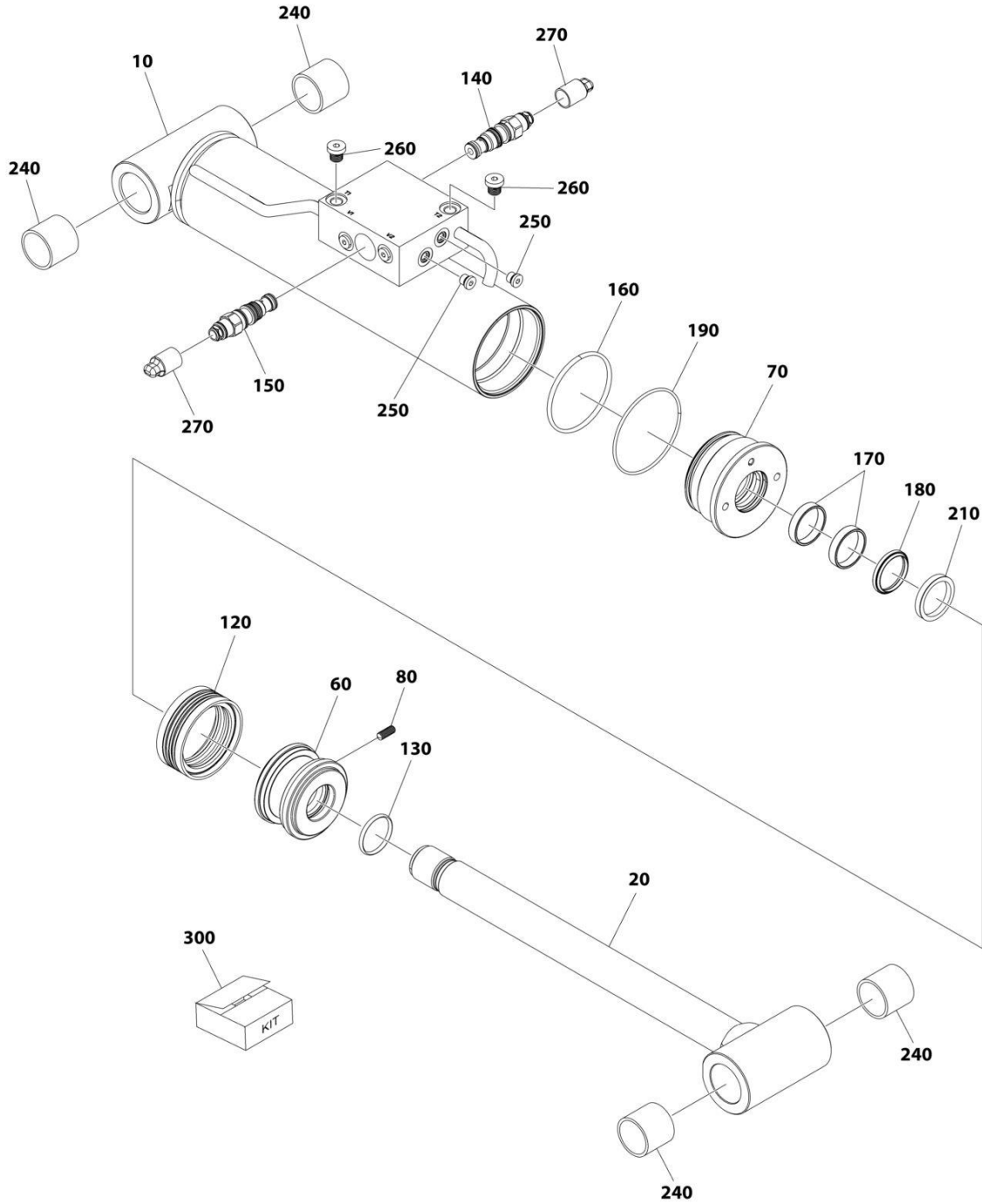
## SECTION 6 - CYLINDER

**FIGURE 6-2. AXLE LOCKOUT CYLINDER ASSEMBLY (MACHINES WITH SN STARTING WITH B3)**

ITEM	PART NUMBER	QTY	DESCRIPTION	REV
	1001256179	Ref	MASTER CYLINDER ASSEMBLY	A
		Ref	Note: Original Cylinder May Have Been Replaced with Service Replacement. Identify PN Stamped on Cylinder Before Ordering Parts.	
1	1001117372	1	Cartridge, Valve	
1	70002842	1	Seal Kit - 1001117372	
101	See Note	NSS	Tube (Note: Not Available for Purchase)	
102	70008244	1	Rod	
103	70008246	1	Plug, Bleeder	
104	2220883	3	Plug 7/16	
105	2220885	1	Plug 9/16	
106	2220881	1	Plug 5/16	
107	See Note	NSS	Ring, Wear (Note: Use Item 110)	
108	See Note	NSS	Seal, Rod (Note: Use Item 110)	
109	See Note	NSS	Wiper, Rod (Note: Use Item 110)	
110	70008247	1	Seal Kit (Includes Items 107-109)	

# SECTION 6 - CYLINDER

## FIGURE 6-3. LEVEL (PLATFORM SLAVE) CYLINDER ASSEMBLY



ART\_1001255971

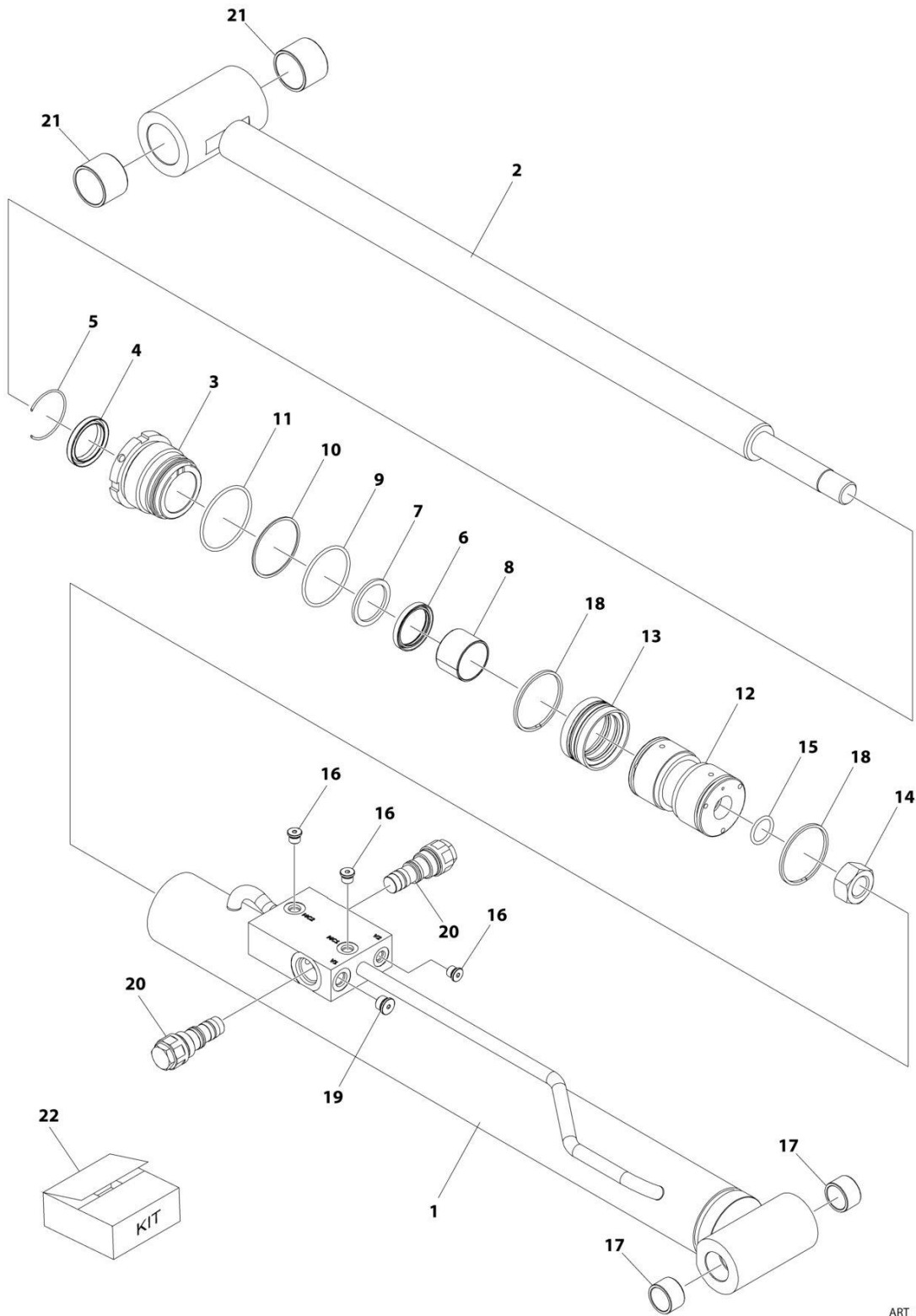
## SECTION 6 - CYLINDER

**FIGURE 6-3. LEVEL (PLATFORM SLAVE) CYLINDER ASSEMBLY**

ITEM	PART NUMBER	QTY	DESCRIPTION	REV
	1001255971	Ref	CYLINDER ASSEMBLY	B
		Ref	Note: Original Cylinder May Have Been Replaced with Service Replacement. Identify PN Stamped on Cylinder Before Ordering Parts.	
10	See Note	NSS	Barrel	
20	70007728	1	Rod	
60	70007720	1	Piston Head	
70	70007721	1	Screwed Gland	
80	70007722	1	Screw M8	
120	See Note	NSS	Piston Seal (Note: Use Item 300)	
130	See Note	NSS	O-Ring (Note: Use Item 300)	
140	1001168209	1	Counterbalance, Valve	
140	2900770	1	Seal Kit - 1001168209 Valve	
150	1001168210	1	Counterbalance, Valve	
150	2900770	1	Seal Kit - 1001168210 Valve	
160	See Note	NSS	O-Ring (Note: Use Item 300)	
170	See Note	NSS	Ring (Note: Use Item 300)	
180	See Note	NSS	Seal (Note: Use Item 300)	
190	See Note	NSS	O-Ring (Note: Use Item 300)	
210	See Note	NSS	Wiper (Note: Use Item 300)	
240	70007723	4	Bushing	
250	70025619	2	Plug	
260	70024262	2	Plug	
300	70007729	1	Seal Kit - 1001255971 Cylinder (Includes Items 120 ,130 & 160-210)	

# SECTION 6 - CYLINDER

## FIGURE 6-4. LIFT CYLINDER ASSEMBLY - JIB



ART\_1001255969



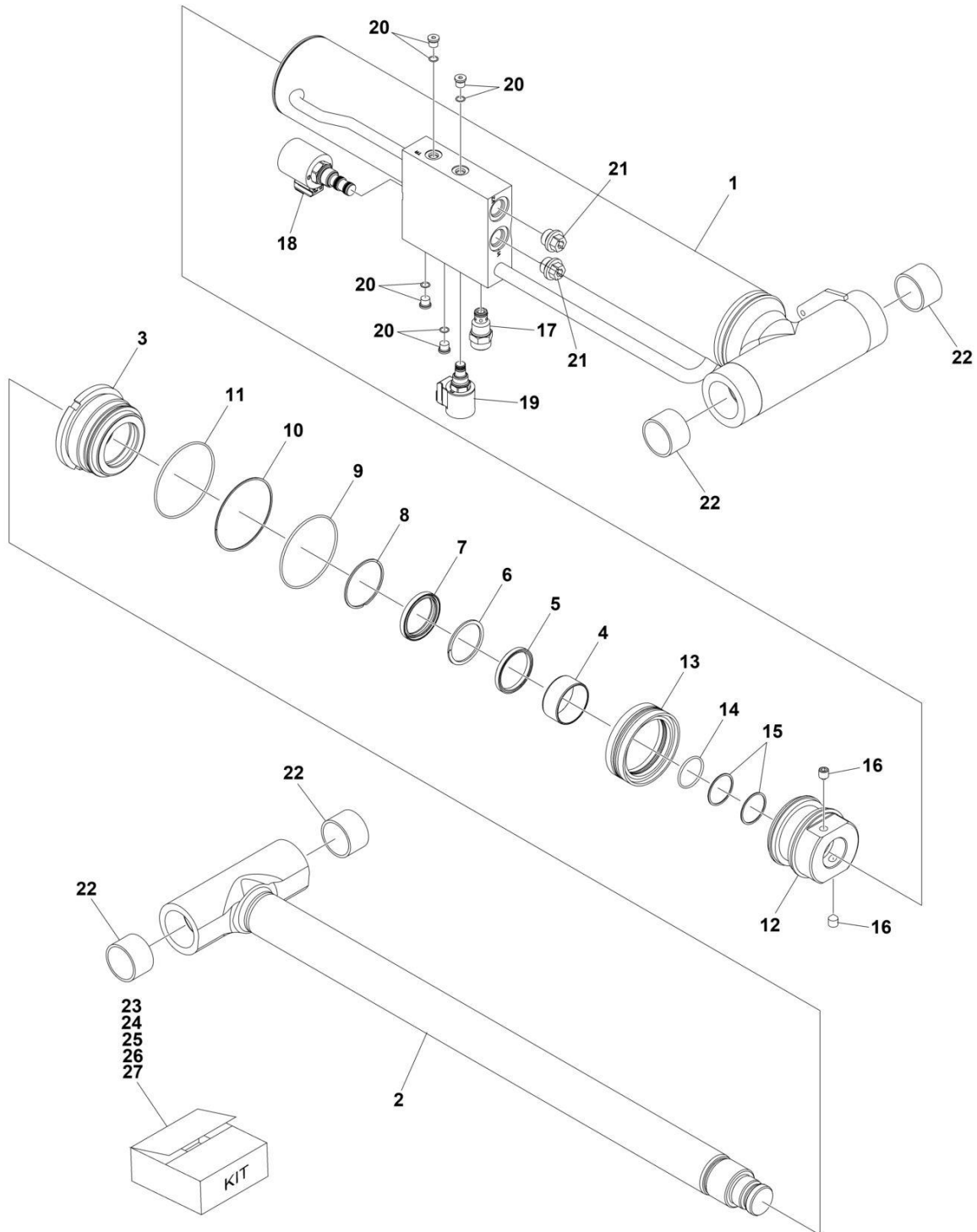
## SECTION 6 - CYLINDER

**FIGURE 6-4. LIFT CYLINDER ASSEMBLY - JIB**

ITEM	PART NUMBER	QTY	DESCRIPTION	REV
	1001255969	Ref	LIFT CYLINDER ASSEMBLY - JIB	B
		Ref	Note: Original Cylinder May Have Been Replaced with Service Replacement. Identify PN Stamped on Cylinder Before Ordering Parts.	
1	NSS	1	Barrel	
2	70007738	1	Rod	
3	70007739	1	Head	
4	See Note	1	Wiper (Note: Use Item 220)	
5	70002373	1	Ring, Retaining	
6	See Note	1	Seal, Rod (Note: Use Item 220)	
7	See Note	1	Ring, Back-up (Note: Use Item 220)	
8	70005143	1	Bearing, Dry	
9	See Note	1	O-Ring (Note: Use Item 220)	
10	See Note	1	Ring, Back-up (Note: Use Item 220)	
11	See Note	1	O-Ring (Note: Use Item 220)	
12	70007740	1	Piston	
13	See Note	1	Seal, Piston (Note: Use Item 220)	
14	70002335	1	Nut	
15	See Note	1	O-Ring (Note: Use Item 220)	
16	2220883	3	Plug	
17	0962292	2	Bearing	
18	70007741	2	Ring, Piston	
19	2220885	1	Plug	
20	4640509	2	Cartridge, Valve	
20	2900792	2	Seal Kit - 4640509 Valve	
21	0961948	2	Bearing	
22	70007742	1	Seal Kit (Includes Items 4,6,7,9-11,13 & 15)	

# SECTION 6 - CYLINDER

## FIGURE 6-5. LIFT CYLINDER ASSEMBLY - MAIN LIFT



ART\_1001255972

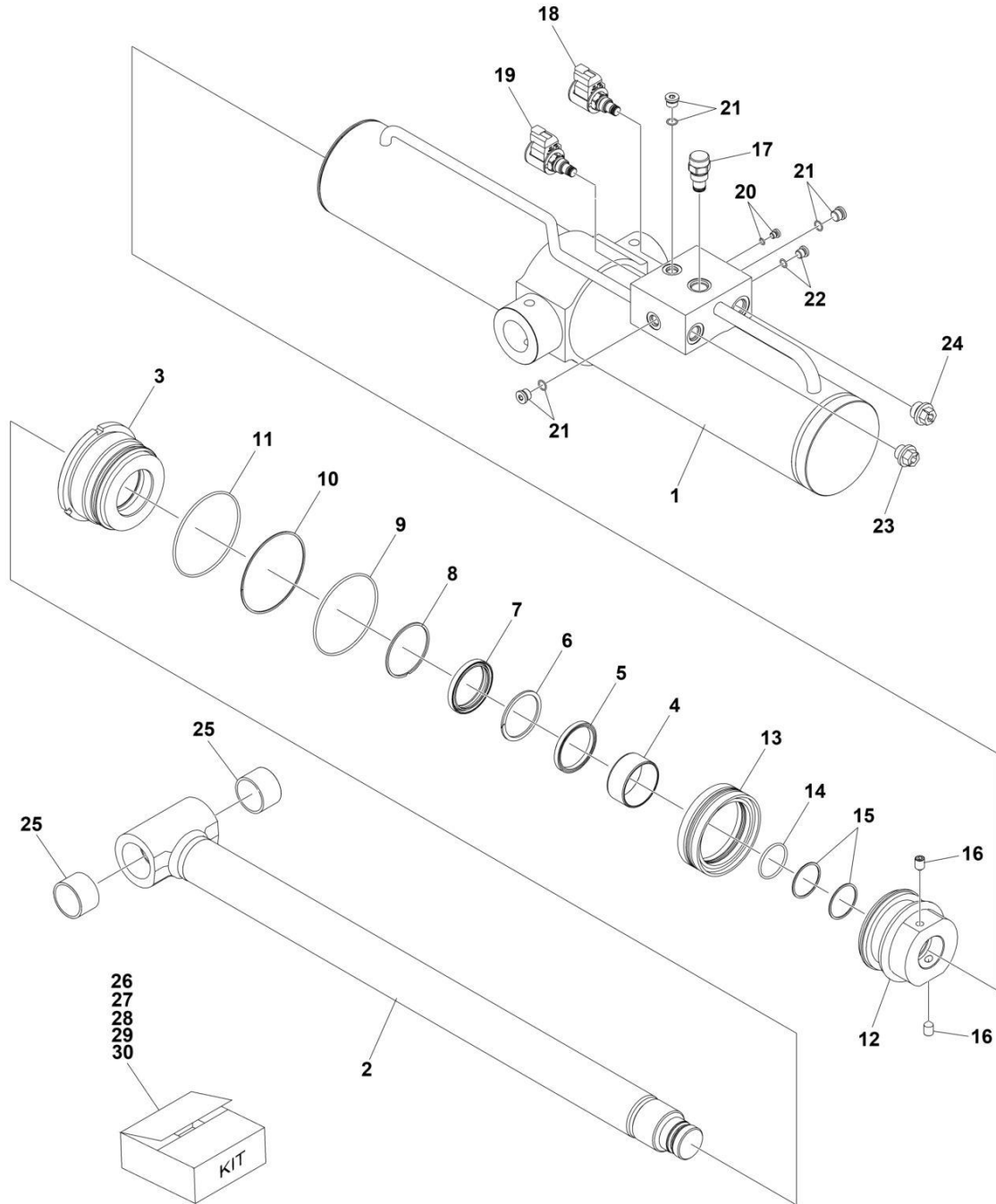
## SECTION 6 - CYLINDER

**FIGURE 6-5. LIFT CYLINDER ASSEMBLY - MAIN LIFT**

ITEM	PART NUMBER	QTY	DESCRIPTION	REV
	1001255972	Ref	LIFT CYLINDER ASSEMBLY - UPPER LIFT	E
		Ref	Note: Original Cylinder May Have Been Replaced with Service Replacement. Identify PN Stamped on Cylinder Before Ordering Parts.	
1	NSS	1	Barrel (Note: Not Available for Purchase)	
2	NSS	1	Rod (Note: Use Item 23)	
3	NSS	1	Head (Note: (Use Item 24)	
4	NSS	1	Bushing (Note: Use Item 24)	
5	NSS	1	Seal Kit (Note: Use Item 25)	
6	NSS	1	Ring (Note: Use Item 25)	
7	NSS	1	Wiper (Note: Use Item 25)	
8	NSS	1	Ring, Retaining (Note: Use Item 25)	
9	NSS	1	O-Ring (Note: Use Item 25)	
10	NSS	1	Ring, Back-up (Note: Use Item 25)	
11	NSS	1	O-Ring (Note: Use Item 25)	
12	NSS	1	Piston (Note: Use Item 26)	
13	NSS	1	Seal (Note: Use Item 25)	
14	NSS	1	O-Ring (Note: Use Item 25)	
15	NSS	1	Ring, Back-up (Note: Use Item 25)	
16	NSS	1	Setscrew (Note: Use Item 26)	
17	4641390	1	Cartridge, Check Valve	
17	7017496	1	Seal Kit - 4641390 Valve	
18	1001164709	1	Cartridge, Solenoid Valve (Including Coil)	
18	7017467	1	Cartridge, Solenoid Valve (Less Coil)	
18	7012998	1	Seal Kit - 1001164709 & 7017467 Valve)	
18	70002386	1	Coil	
19	1001206625	1	Cartridge, Compensator Valve	
19	70003788	1	Coil	
19	70006104	1	Cartridge, Solenoid Valve (Less Coil)	
19	70006105	1	Seal Kit - 70006104 Valve	
19	7022390	1	Coil Nut	
20	NSS	1	Plug (Note: Use Item 27)	
20	NSS	1	O-Ring (Note: Use Item 27)	
21	NSS	1	Dust Cap	
22	NSS	1	Bushing (Note: Use Item 27)	
22	NSS	1	Bushing (Note: Use Item 27)	
23	70007748	1	Rod Kit (Includes Items 2 & 22)	
24	70007749	1	Head Kit (Includes Items 3 & 4)	
25	70007750	1	Seal Kit (Includes Items 5 - 11 & 13-15)	
26	70007751	1	Piston Kit (Includes Items 12 & 16)	
27	70007752	1	Plug Kit (Includes Items 20 - 21)	

# SECTION 6 - CYLINDER

## FIGURE 6-6. LIFT CYLINDER ASSEMBLY - TOWER BOOM



ART\_1001255968

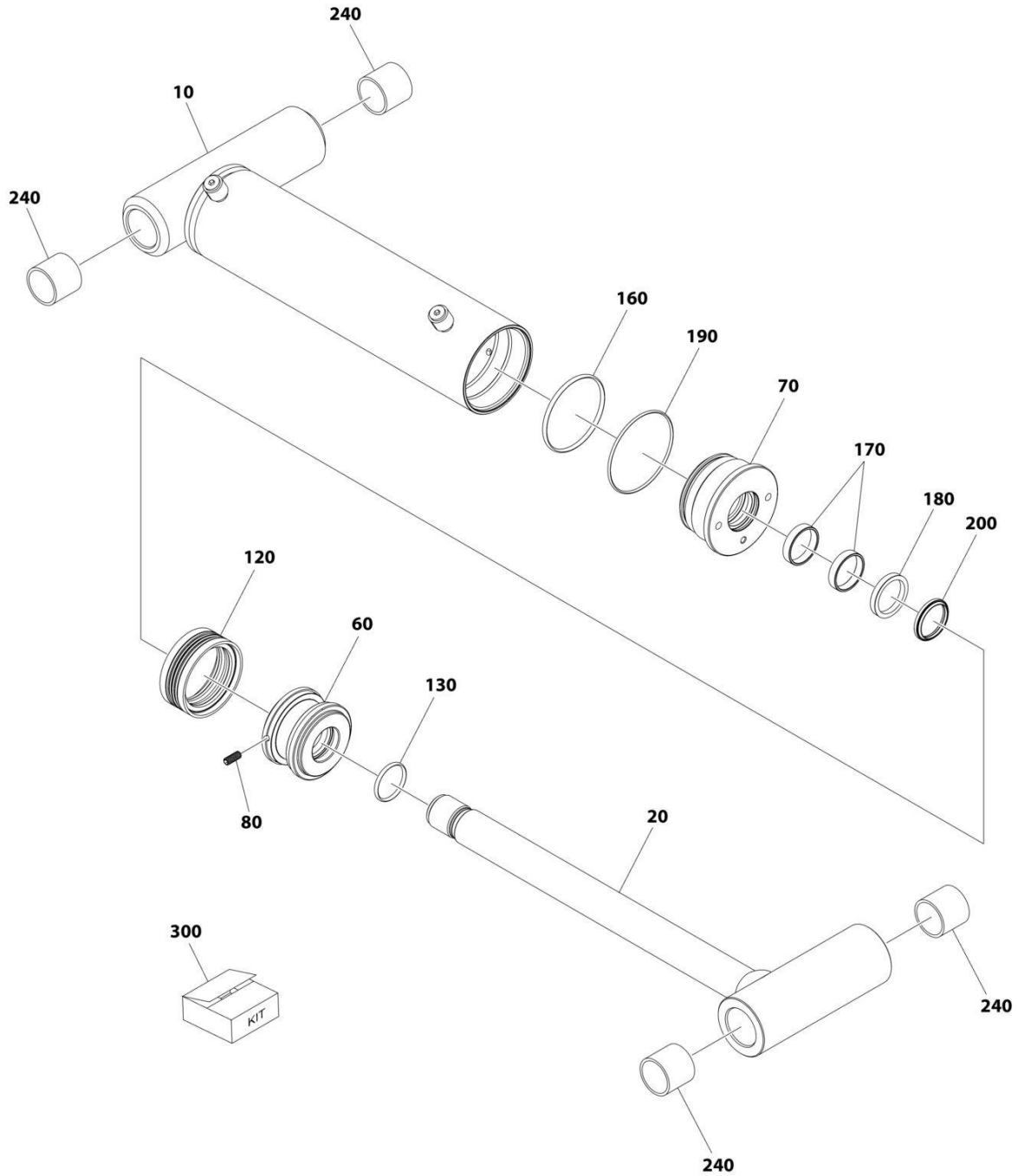
## SECTION 6 - CYLINDER

**FIGURE 6-6. LIFT CYLINDER ASSEMBLY - TOWER BOOM**

ITEM	PART NUMBER	QTY	DESCRIPTION	REV
	1001255968	Ref	TOWER LIFT CYLINDER	D
1	NSS	1	Barrel	
2	NSS	1	Rod (Note: Use Item 26)	
3	NSS	1	Head (Note: Use Item 27)	
4	NSS	1	Bushing (Note: Use Item 27)	
5	NSS	1	Seal Kit (Note: Use Item 28)	
6	NSS	1	Ring (Note: Use Item 28)	
7	NSS	1	Wiper (Note: Use Item 28)	
8	NSS	1	Ring, Retaining (Note: Use Item 28)	
9	NSS	1	O-Ring (Note: Use Item 28)	
10	NSS	1	Ring, Back-up (Note: Use Item 28)	
11	NSS	1	O-Ring (Note: Use Item 28)	
12	NSS	1	Piston (Note: Use Item 28)	
13	NSS	1	Seal (Note: Use Item 28)	
14	NSS	1	O-Ring (Note: Use Item 28)	
15	NSS	1	Ring, Back-up (Note: Use Item 28)	
16	NSS	1	Setscrew (Note: Use Item 28)	
17	4641390	1	Cartridge, Check Valve	
17	7017496	1	Seal Kit - 4641390 Valve	
18	1001164709	1	Cartridge, Solenoid Valve (Including Coil)	
18	7017467	1	Cartridge, Solenoid Valve (Less Coil)	
18	7012998	1	Seal Kit - 1001164709 & 7017467 Valves	
18	70002386	1	Coil	
19	1001166208	1	Cartridge, Solenoid Valve (Including Coil)	
19	7024884	1	Cartridge, Solenoid Valve (Less Coil)	
19	7012967	1	Seal Kit - 1001166208& 7024884 Valves	
20	NSS	1	Plug + O-Ring (Note: Use Item 30)	
21	NSS	1	Plug + O-Ring (Note: Use Item 30)	
22	NSS	1	Plug + O-Ring (Note: Use Item 30)	
23	NSS	1	Dust Cap	
24	NSS	1	Dust Cap	
25	NSS	1	Bushing (Note: Use Item 26)	
26	70007743	1	Rod Kit (Includes Items 2 & 25)	
27	70007744	1	Head Kit (Includes Items 3 & 4)	
28	70007745	1	Seal Kit (Includes Items 5-11 & 13-15)	
29	70007746	1	Piston Kit (Includes Items 12 & 16)	
30	70007747	1	Plug Kit (Includes Items 20 - 22)	

# SECTION 6 - CYLINDER

## FIGURE 6-7. MASTER CYLINDER ASSEMBLY



ART\_1001255970

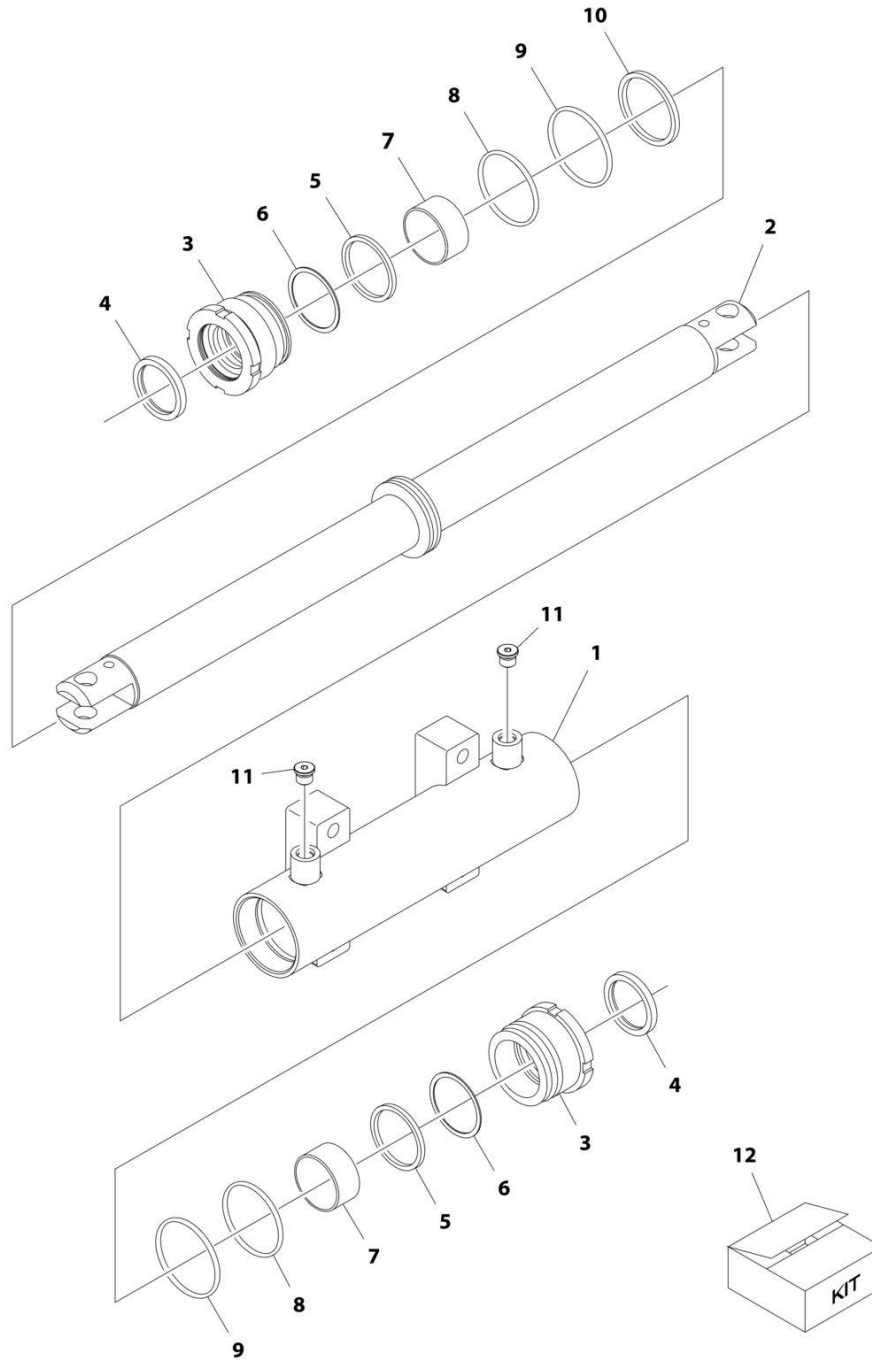
## SECTION 6 - CYLINDER

### FIGURE 6-7. MASTER CYLINDER ASSEMBLY

ITEM	PART NUMBER	QTY	DESCRIPTION	REV
	1001255970	Ref	CYLINDER ASSEMBLY	B
		Ref	Note: Original Cylinder May Have Been Replaced with Service Replacement. Identify PN Stamped on Cylinder Before Ordering Parts.	
10	See Note	NSS	Barrel	
20	70007719	1	Rod	
60	70007720	1	Piston Head	
70	70007721	1	Screwed Gland	
80	70007722	1	Screw M8	
120	See Note	NSS	Piston Seal (Note: Use Item 300)	
130	See Note	NSS	O-Ring (Note: Use Item 300)	
160	See Note	NSS	O-Ring (Note: Use Item 300)	
170	See Note	NSS	Ring (Note: Use Item 300)	
180	See Note	NSS	Seal (Note: Use Item 300)	
190	See Note	NSS	O-Ring (Note: Use Item 300)	
200	See Note	NSS	Wiper (Note: Use Item 300)	
240	70007723	4	Bushing	
300	70007724	1	Seal Kit - 1001255971 Cylinder (Includes Items 120 ,130 & 160-200)	

# SECTION 6 - CYLINDER

## FIGURE 6-8. STEER CYLINDER ASSEMBLY



ART\_1001163178



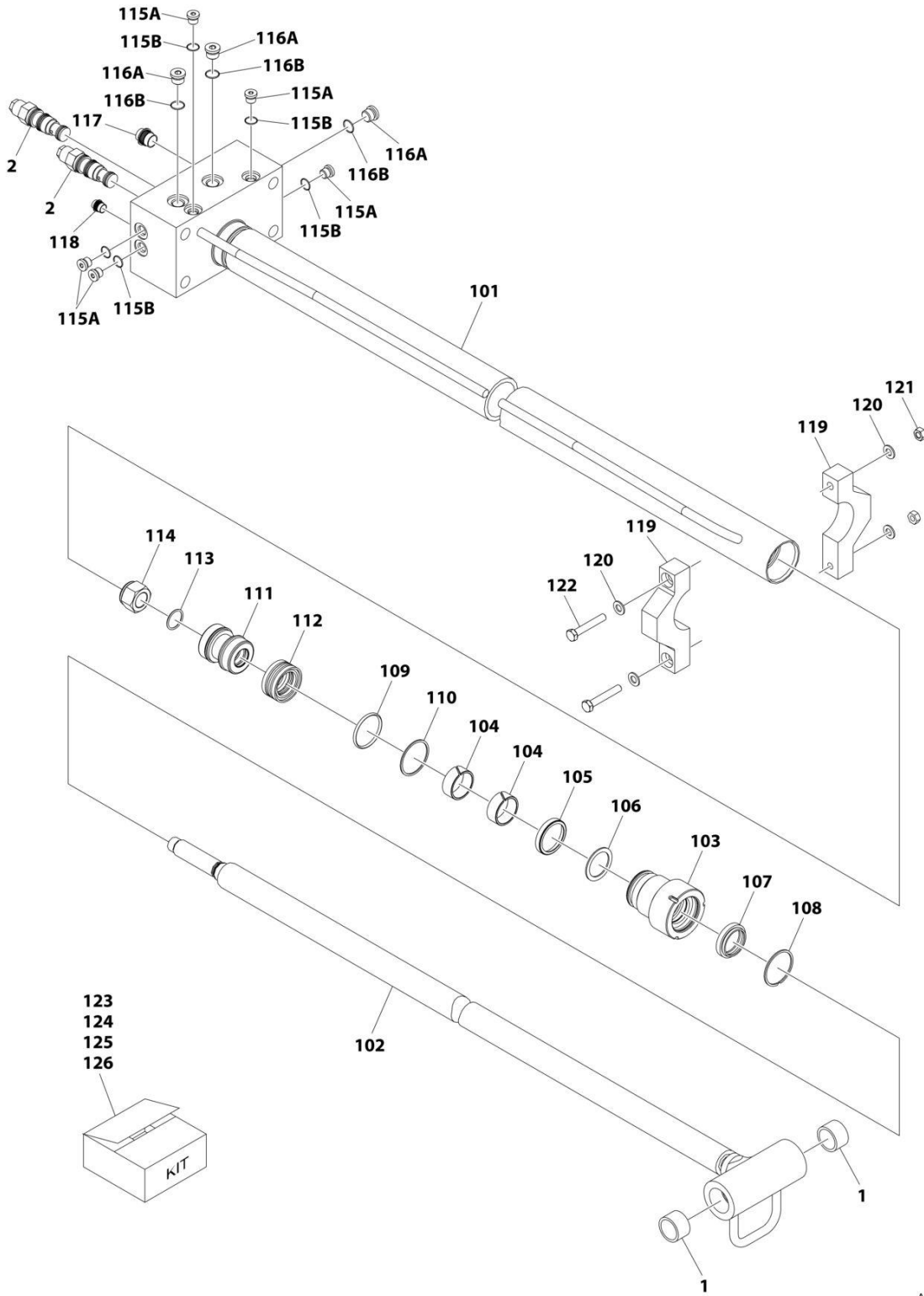
## SECTION 6 - CYLINDER

**FIGURE 6-8. STEER CYLINDER ASSEMBLY**

ITEM	PART NUMBER	QTY	DESCRIPTION	REV
	1001163178	Ref	STEER CYLINDER ASSEMBLY	E
		Ref	Note: Original Cylinder May Have Been Replaced with Service Replacement. Identify PN Stamped on Cylinder Before Ordering Parts.	
1	70005150	1	Barrel	
2	70005151	1	Rod	
3	70005152	2	Head	
4	See Note	NSS	Wiper (Note: Use Item 12)	
5	See Note	NSS	Seal, Rod (Note: Use Item 12)	
6	See Note	NSS	Ring, Back-up (Note: Use Item 12)	
7	70005153	2	Bearing, Dry	
8	See Note	NSS	O-Ring (Note: Use Item 12)	
9	See Note	NSS	O-Ring (Note: Use Item 12)	
10	See Note	NSS	Seal, Piston (Note: Use Item 12)	
11	See Note	2	Plug 9/16 (Note: Not Available for Purchase)	
12	70005154	1	Seal Kit - 1001163178 Cylinder (Includes Items 4-6 & 8-10)	

# SECTION 6 - CYLINDER

## FIGURE 6-9. TELESCOPE CYLINDER ASSEMBLY



ART\_1001272671

## SECTION 6 - CYLINDER

### FIGURE 6-9. TELESCOPE CYLINDER ASSEMBLY

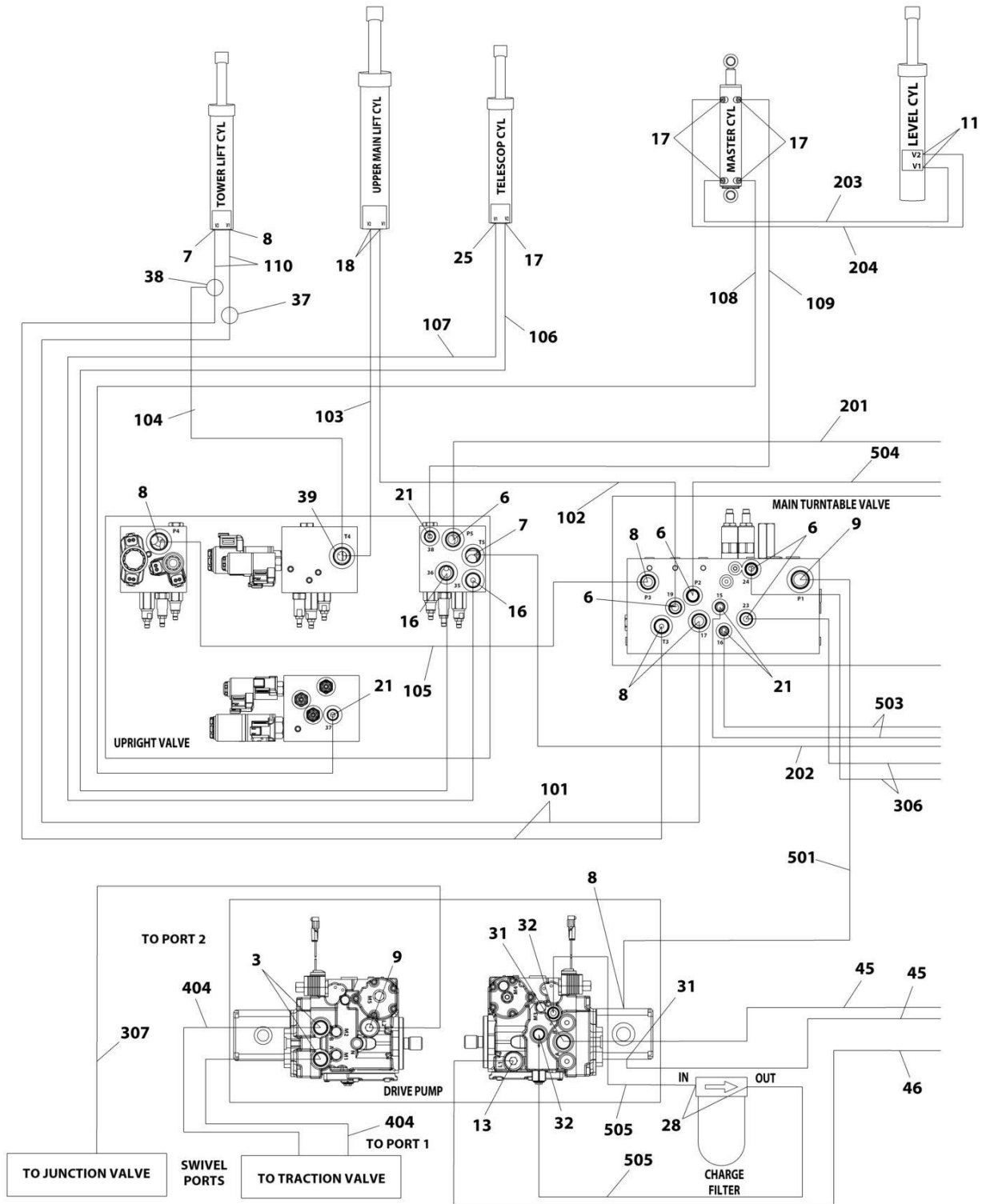
ITEM	PART NUMBER	QTY	DESCRIPTION	REV
	1001272671	Ref	TELESCOPE CYLINDER ASSEMBLY	B
		Ref	Note: Original Cylinder May Have Been Replaced with Service Replacement. Identify PN Stamped on Cylinder Before Ordering Parts.	
1	0962292	2	Bushing	
2	4640771	2	Cartridge, Valve	
2	2900770	2	Seal Kit - 4640771 Valve	
101	See Note	NSS	Tube (Note: Not Available for Purchase)	
102	See Note	NSS	Rod (Note: Use Item 123)	
103	70007896	1	Cover, Rod	
104	See Note	NSS	U-Packing (Note: Use Item 124)	
105	See Note	NSS	Ring, Backup (Note: Use Item 124)	
106	See Note	NSS	Ring, Wear (Note: Use Item 124)	
107	See Note	NSS	Wiper, Dust (Note: Use Item 124)	
108	See Note	NSS	Ring, Retaining Ring (Note: Use Item 124)	
109	See Note	NSS	O-Ring (Note: Use Item 124)	
110	See Note	NSS	Ring, Backup (Note: Use Item 124)	
111	70007897	1	Piston	
112	See Note	NSS	Seal (Note: Use Item 124)	
113	See Note	NSS	O-Ring (Note: Use Item 124)	
114	70007360	1	Nut	
115A	See Note	NSS	Plug 7/16 (Note: Use Item 125)	
115B	See Note	NSS	O-Ring (Note: Use Item 125)	
116A	See Note	NSS	Plug 9/16 (Note: Use Item 125)	
116B	See Note	NSS	O-Ring (Note: Use Item 125)	
117	See Note	NSS	Cap, Dust (Note: Not Available for Purchase)	
118	See Note	NSS	Cap, Dust (Note: Not Available for Purchase)	
119	See Note	NSS	Bracket (Note: Use Item 126)	
120	See Note	NSS	Washer (Note: Use Item 126)	
121	See Note	NSS	Nut (Note: Use Item 126)	
122	See Note	NSS	Bolt (Note: Use Item 126)	
123	70007898	1	Rod Kit (Includes Items 102)	
124	70007899	1	Seal Kit (Includes Items 104-110 & 112-113)	
125	70007900	1	Plug Kit (Includes Items 115A-116B)	
126	70008280	1	Wear Pad Kit (Includes Items 119-122)	



**SECTION 7 - HYDRAULIC**

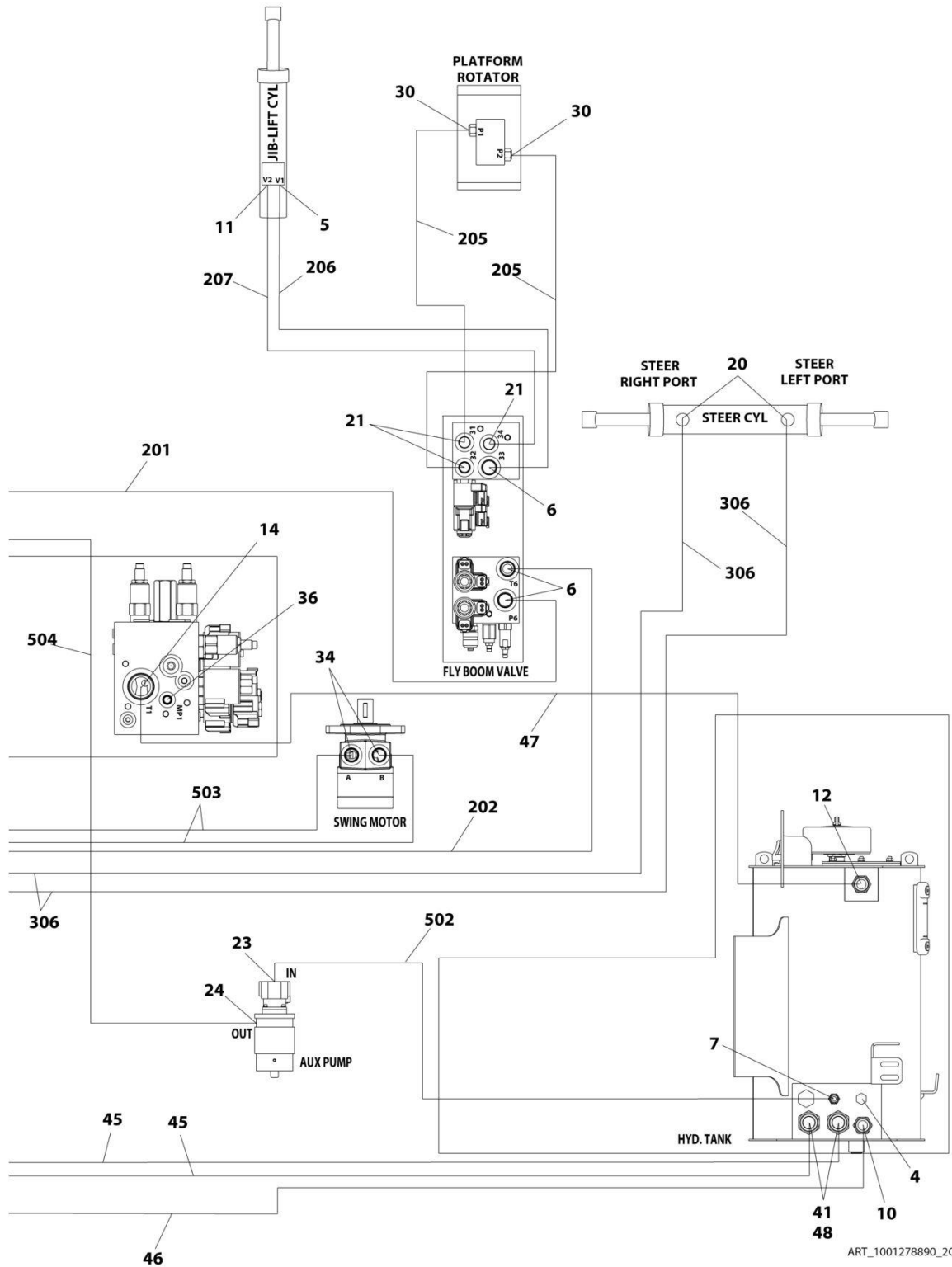
# SECTION 7 - HYDRAULIC

**FIGURE 7-1. 4WD HYDRAULIC SYSTEM INSTALLATION (WITH 17GAL HYDRAULIC TANK)  
(MACHINES WITH SN STARTING WITH 03)**



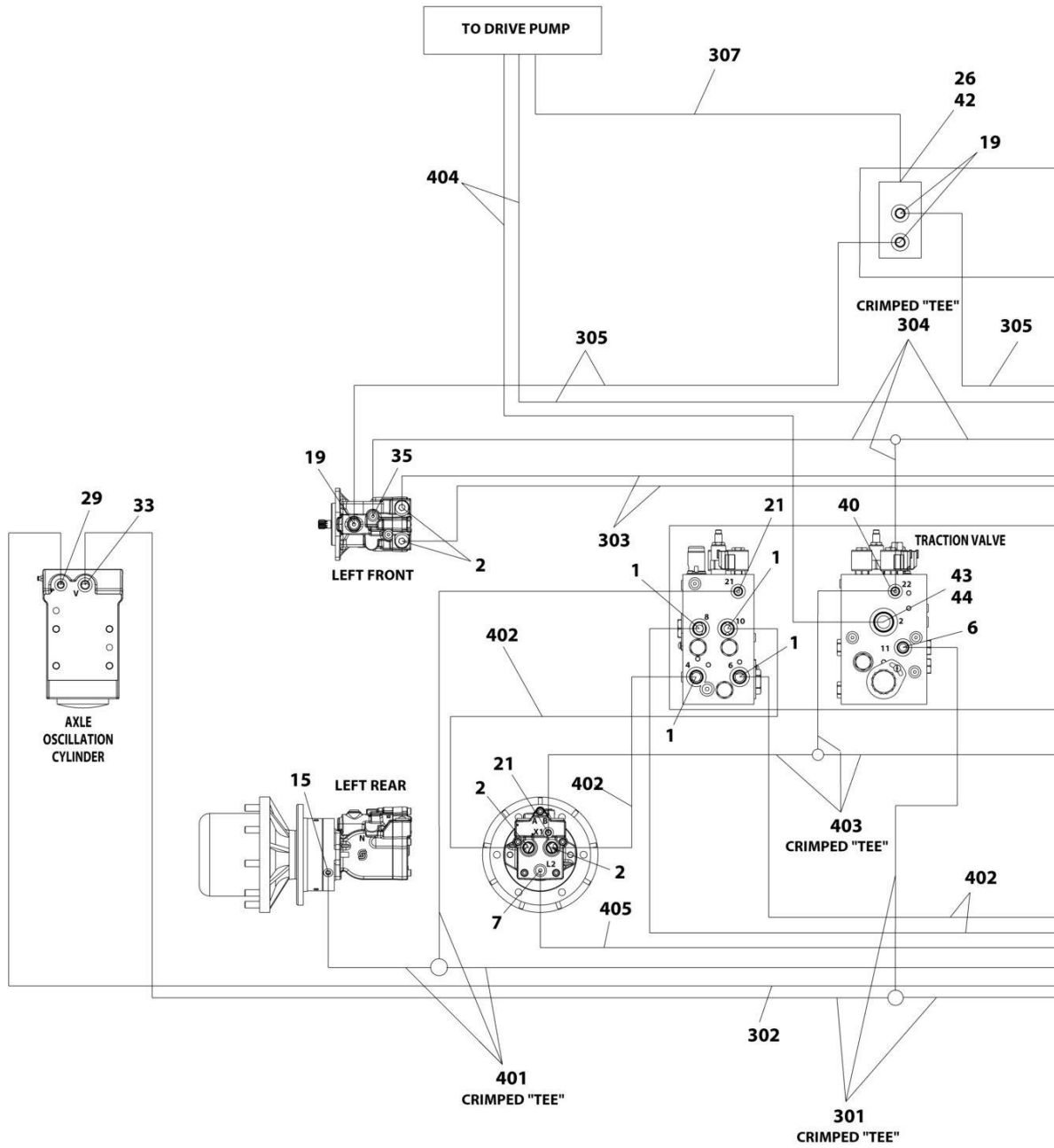
ART\_1001278890\_10F4

# SECTION 7 - HYDRAULIC



ART\_1001278890\_20F4

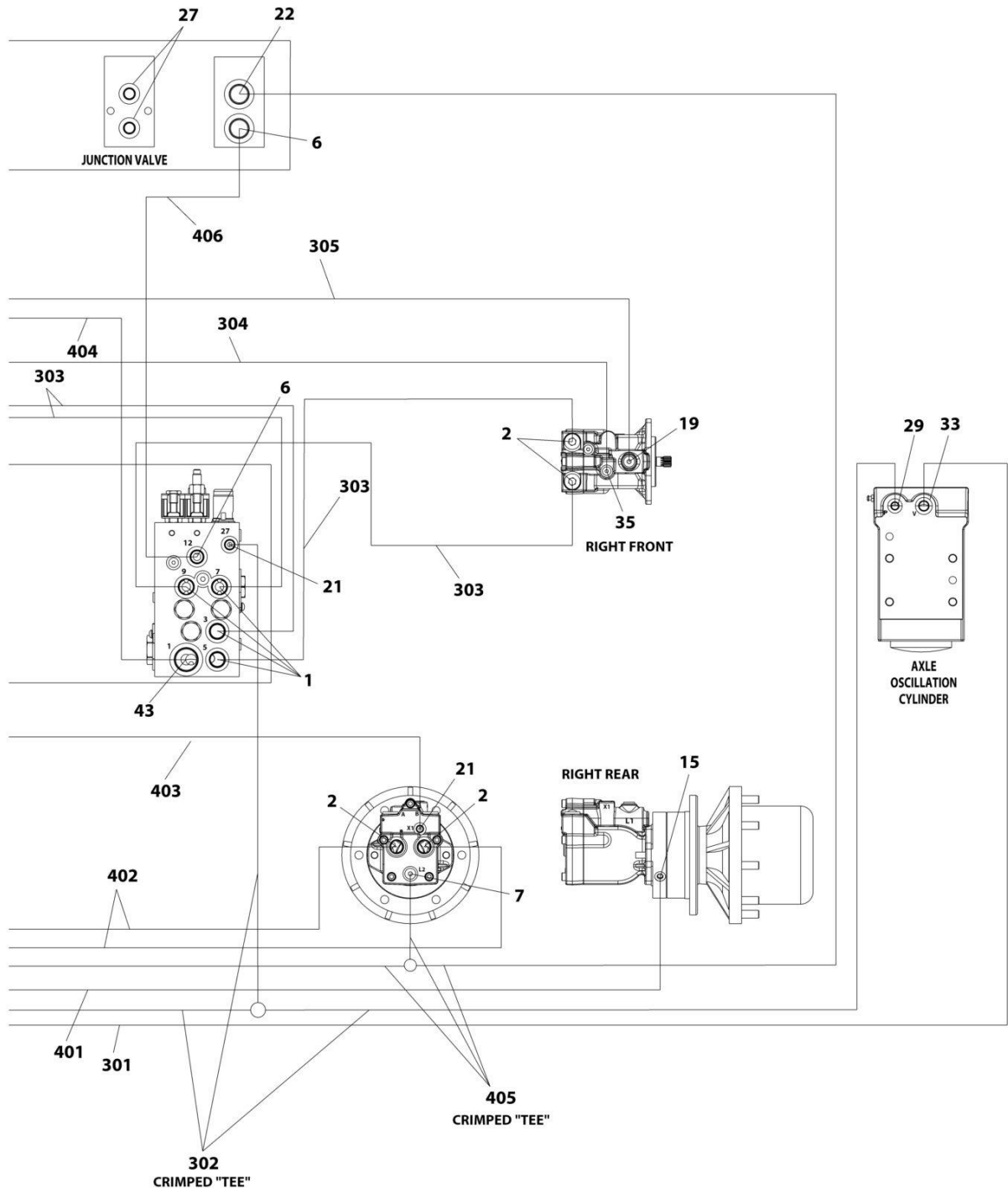
# SECTION 7 - HYDRAULIC



ART\_1001278890\_30F4



# SECTION 7 - HYDRAULIC



ART\_1001278890\_4OF4

## SECTION 7 - HYDRAULIC

**FIGURE 7-1. 4WD HYDRAULIC SYSTEM INSTALLATION (WITH 17GAL HYDRAULIC TANK)  
(MACHINES WITH SN STARTING WITH 03)**

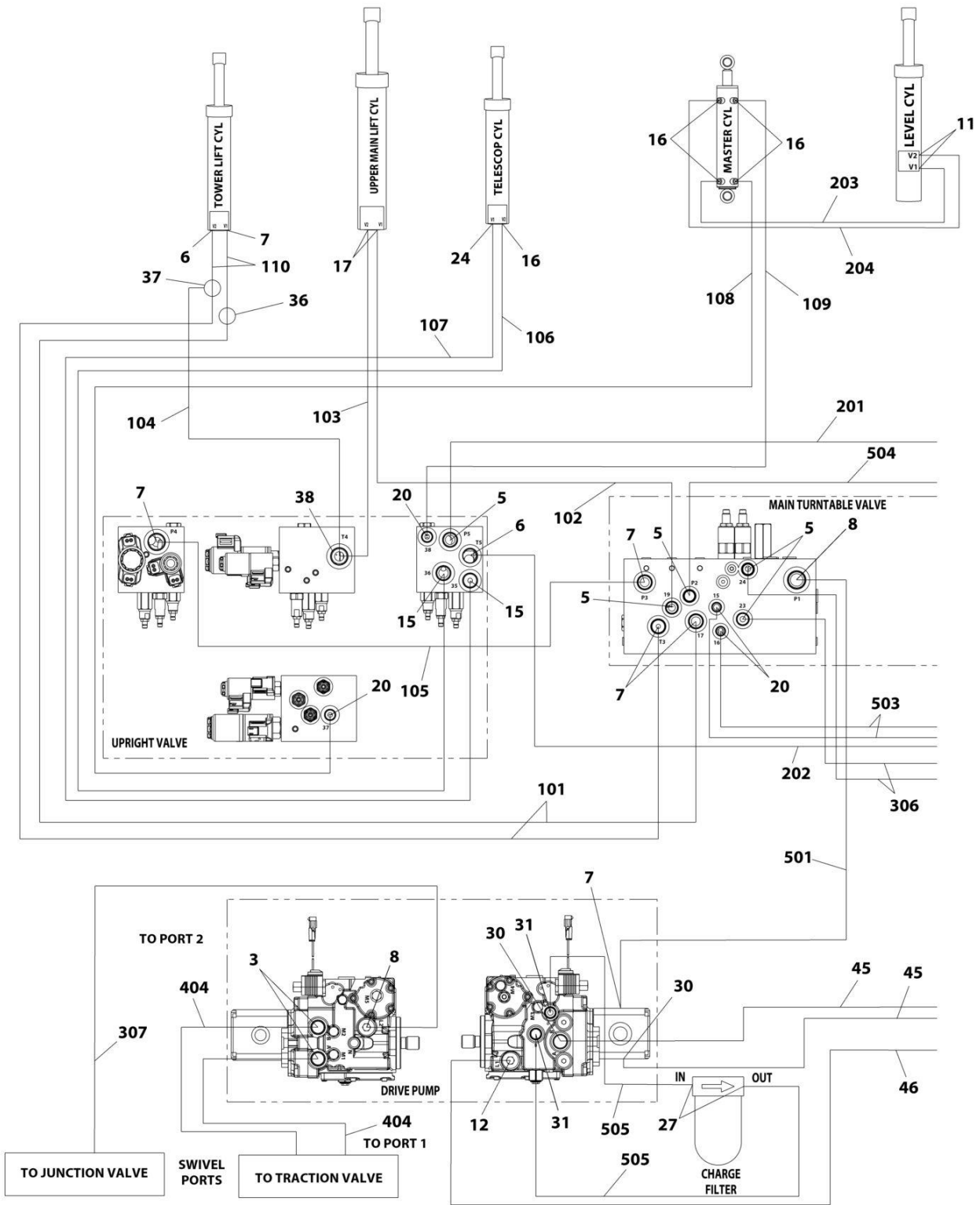
ITEM	PART NUMBER	QTY	DESCRIPTION	REV
	1001278890	Ref	4WD HYDRAULIC SYSTEM INSTALLATION	A
1	2110810	8	Fitting, Straight ORFS/ORB	
2	2110812	8	Fitting, Straight ORFS/ORB	
3	2151212	2	Fitting, 45 ORFS/ORB	
4	2220238	1	Plug	
5	2220371	1	Fitting, Straight JIC/ORB	
6	2220372	11	Fitting, Straight JIC/ORB	
7	2220373	5	Fitting, Straight JIC/ORB	
8	2220374	6	Fitting, Straight JIC/ORB	
9	2220375	2	Fitting, Straight JIC/ORB	
10	2220377	1	Fitting, Straight JIC/ORB	
11	2220415	3	Fitting, Straight JIC/ORB	
12	2220435	1	Fitting, Straight JIC/ORB	
13	2220451	1	Fitting, Straight JIC/ORB	
14	2220465	1	Fitting, 90 JIC/ORB	
15	2220466	2	Fitting, 90 JIC/ORB	
16	2220468	2	Fitting, Straight JIC/ORB	
17	2220472	5	Fitting, 90 JIC/ORB	
18	2220497	2	Fitting, Straight JIC/ORB	
19	2220500	4	Fitting, 45 JIC/ORB	
20	2220501	2	Fitting, 45 JIC/ORB	
21	2220582	11	Fitting, Straight JIC/ORB	
22	2220596	1	Fitting, 90 JIC/ORB	
23	2220600	1	Fitting, Straight JIC/ORB	
24	2220603	1	Fitting, Straight JIC/ORB	
25	2220628	1	Fitting, 90 JIC/ORB	
26	2220811	1	Fitting, Straight FORB/ORB	
27	2220883	2	Plug #4	
28	2220906	2	Fitting, 90 JIC/ORB	
29	2220923	2	Fitting, Straight JIC/ORB	
30	2220940	2	Fitting, Elbow	
31	2220946	2	Fitting, Straight JIC/ORB	
32	2220947	2	Fitting, Straight JIC/ORB	
33	2220998	2	Fitting, Straight JIC/ORB	
34	2221033	2	Fitting, Straight JIC/ORB	
35	2221040	2	Fitting, 45 JIC/ORB	
36	2221086	1	Fitting, Diagnostic	
37	2230025	1	Fitting, Straight JIC/JIC	
38	8760477	1	Fitting, Tee JIC/JIC/JIC	
39	8770289	1	Fitting, Tee JIC/ORB/JIC	
40	1001175024	1	Fitting, Tee JIC/JIC/ORB	
41	1001202910	2	Fitting, Straight MORB	
42	1001119627	1	Fitting, Straight JIC/ORB	
43	1001142679	2	Fitting, Straight ORFS/ORB	
44	1001143936	1	Fitting, 90 FORB/ORB	
45	1001207335	2	Hose	
46	1001207336	1	Hose	
47	1001210356	1	Tube	
48	1001275635	2	Clamp, Hose	

## SECTION 7 - HYDRAULIC

ITEM	PART NUMBER	QTY	DESCRIPTION	REV
100	1001194424	1	Hose Kit - Lower Boom (Not Shown)	
101	1001173006	2	Hose	
102	1001173034	1	Hose	
103	1001173035	1	Hose	
104	1001173036	1	Hose	
105	1001173037	1	Hose	
106	1001173038	1	Hose	
107	1001173039	1	Hose	
108	1001173042	1	Hose	
109	1001173043	1	Hose	
110	1001180035	2	Hose	
200	1001194425	1	Hose Kit - Upper Boom (Not Shown)	
201	1001173040	1	Hose	
202	1001173041	1	Hose	
203	1001173044	1	Hose	
204	1001173045	1	Hose	
205	1001173046	2	Hose	
206	1001173048	1	Hose	
207	1001173049	1	Hose	
300	1001194427	1	Hose Kit - Front (Not Shown)	
301	1001173053	1	Hose	
302	1001173054	1	Hose	
303	1001173055	4	Hose	
304	1001173056	1	Hose	
305	1001173057	2	Hose	
306	1001173058	2	Hose	
307	1001173066	1	Hose	
400	1001194428	1	Hose Kit - Rear (Not Shown)	
401	1001173052	1	Hose	
402	1001173059	4	Hose	
403	1001173061	1	Hose	
404	1001173062	2	Hose	
405	1001173063	1	Hose	
406	1001197039	1	Hose	
500	1001252926	1	Hose Kit - Turntable (Not Shown)	
501	2752504	1	Hose	
502	2752519	1	Hose	
503	1001173027	2	Hose	
504	1001173028	1	Hose	
505	1001173029	2	Hose	

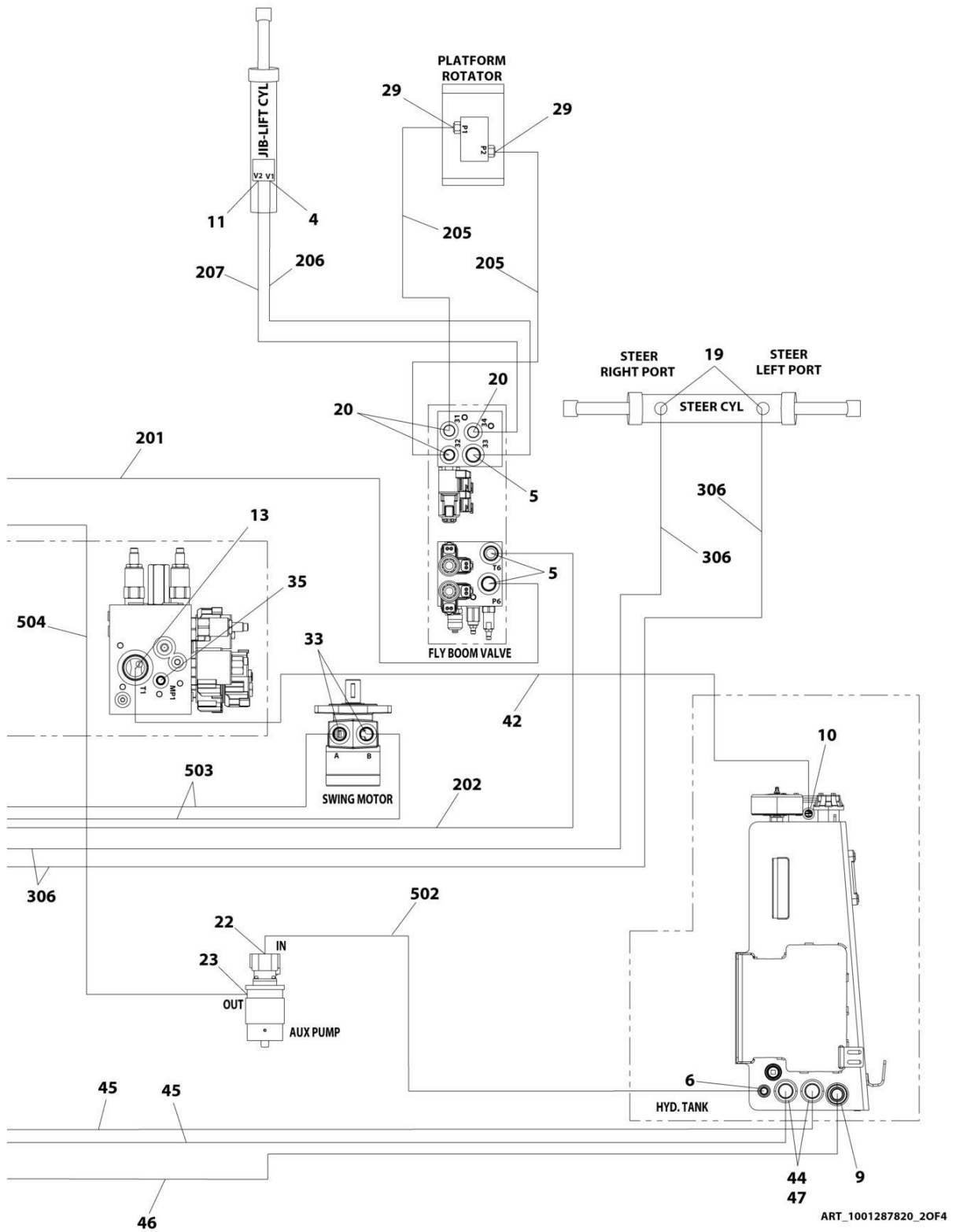
# SECTION 7 - HYDRAULIC

**FIGURE 7-2. 4WD HYDRAULIC SYSTEM INSTALLATION (WITH 36GAL HYDRAULIC TANK)  
(MACHINES WITH SN STARTING WITH 03)**

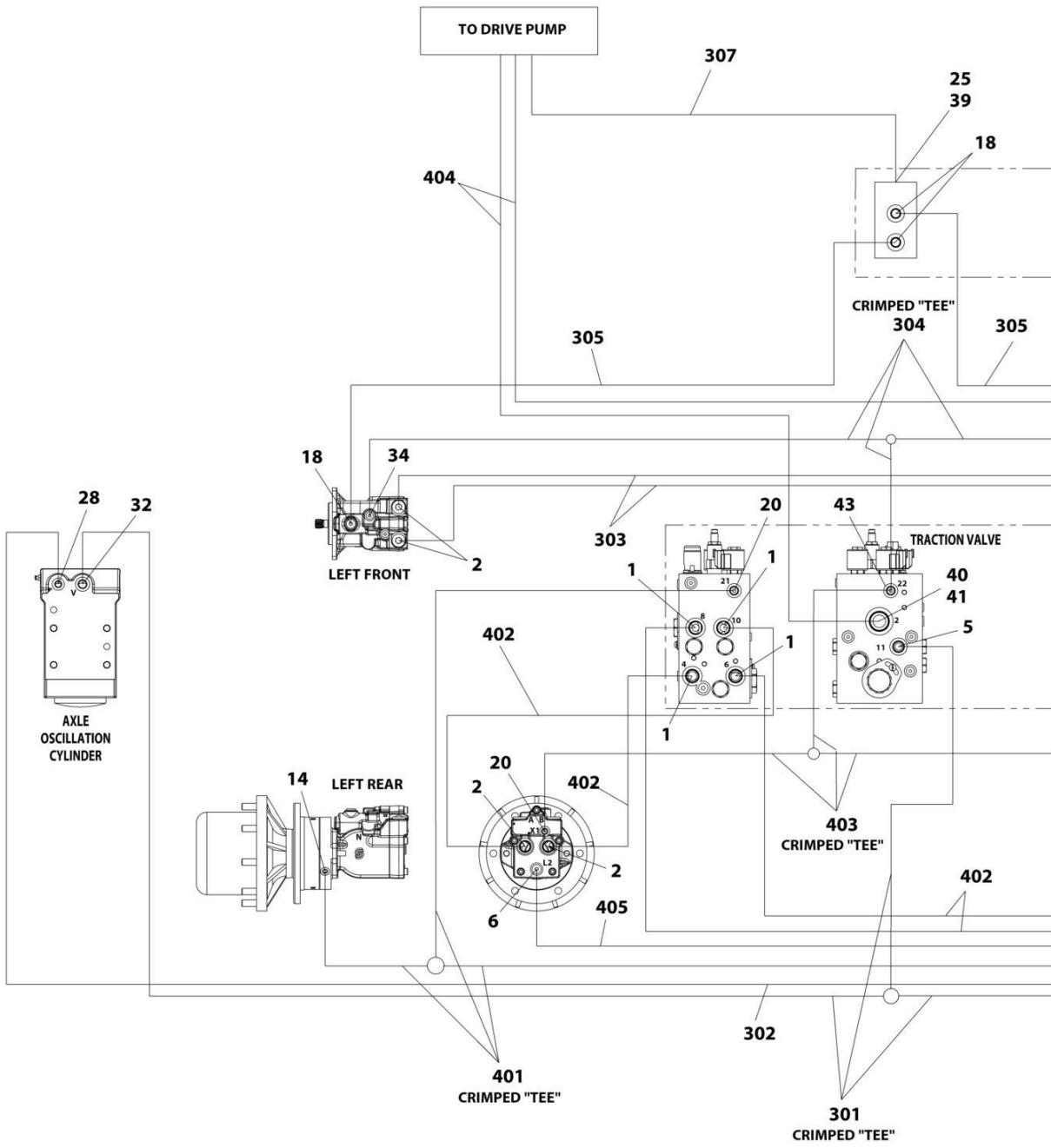


ART\_1001287820\_10F4

# SECTION 7 - HYDRAULIC

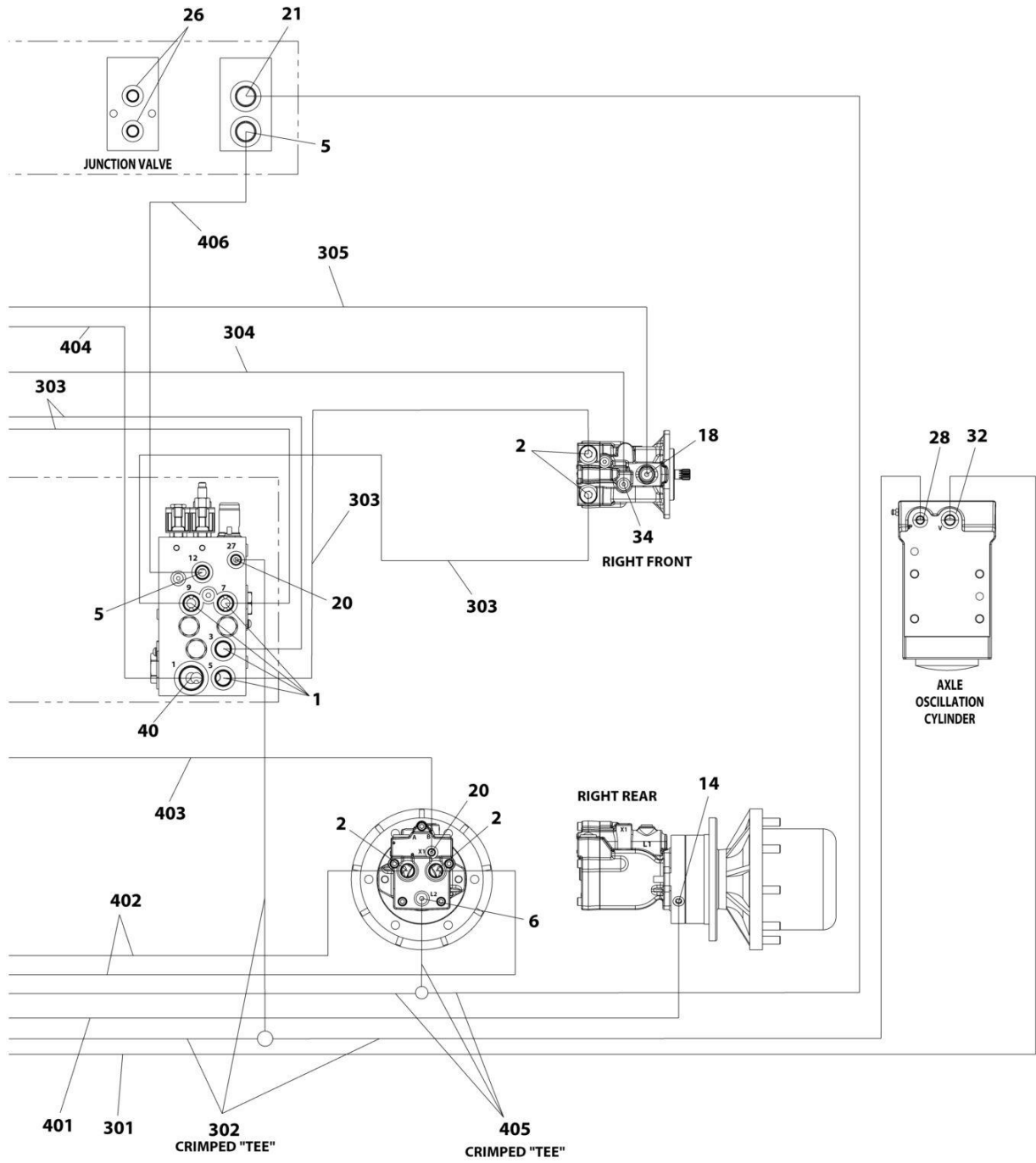


# SECTION 7 - HYDRAULIC



ART\_1001287820\_30F4

# SECTION 7 - HYDRAULIC



ART\_1001287820\_40F4

## SECTION 7 - HYDRAULIC

**FIGURE 7-2. 4WD HYDRAULIC SYSTEM INSTALLATION (WITH 36GAL HYDRAULIC TANK)  
(MACHINES WITH SN STARTING WITH 03)**

ITEM	PART NUMBER	QTY	DESCRIPTION	REV
	1001287820	Ref	4WD HYDRAULIC SYSTEM INSTALLATION	A
1	2110810	8	Fitting, Straight ORFS/ORB	
2	2110812	8	Fitting, Straight ORFS/ORB	
3	2151212	2	Fitting, 45 ORFS/ORB	
4	2220371	1	Fitting, Straight JIC/ORB	
5	2220372	11	Fitting, Straight JIC/ORB	
6	2220373	5	Fitting, Straight JIC/ORB	
7	2220374	6	Fitting, Straight JIC/ORB	
8	2220375	2	Fitting, Straight JIC/ORB	
9	2220377	1	Fitting, Straight JIC/ORB	
10	2220408	1	Fitting, Straight JIC/ORB	
11	2220415	3	Fitting, Straight JIC/ORB	
12	2220451	1	Fitting, Straight JIC/ORB	
13	2220465	1	Fitting, 90 JIC/ORB	
14	2220466	2	Fitting, 90 JIC/ORB	
15	2220468	2	Fitting, Straight JIC/ORB	
16	2220472	5	Fitting, 90 JIC/ORB	
17	2220497	2	Fitting, Straight JIC/ORB	
18	2220500	4	Fitting, 45 JIC/ORB	
19	2220501	2	Fitting, 45 JIC/ORB	
20	2220582	11	Fitting, Straight JIC/ORB	
21	2220596	1	Fitting, 90 JIC/ORB	
22	2220600	1	Fitting, Straight JIC/ORB	
23	2220603	1	Fitting, Straight JIC/ORB	
24	2220628	1	Fitting, 90 JIC/ORB	
25	2220811	1	Fitting, Straight FORB/ORB	
26	2220883	2	Plug #4	
27	2220906	2	Fitting, 90 JIC/ORB	
28	2220923	2	Fitting, Straight JIC/ORB	
29	2220940	2	Fitting, Elbow	
30	2220946	2	Fitting, Straight JIC/ORB	
31	2220947	2	Fitting, Straight JIC/ORB	
32	2220998	2	Fitting, Straight JIC/ORB	
33	2221033	2	Fitting, Straight JIC/ORB	
34	2221040	2	Fitting, 45 JIC/ORB	
35	2221086	1	Fitting, Diagnostic	
36	2230025	1	Fitting, Straight JIC/JIC	
37	8760477	1	Fitting, Tee JIC/JIC/JIC	
38	8770289	1	Fitting, Tee JIC/ORB/JIC	
39	1001119627	1	Fitting, Straight JIC/ORB	
40	1001142679	2	Fitting, Straight ORFS/ORB	
41	1001143936	1	Fitting, 90 FORB/ORB	
42	1001173631	1	Tube	
43	1001175024	1	Fitting, Tee JIC/JIC/ORB	
44	1001202910	2	Fitting, Straight MORB	
45	1001207335	2	Hose	
46	1001207336	1	Hose	
47	1001275635	2	Clamp, Hose	
100	1001194424	1	Hose Kit - Lower Boom (Not Shown)	

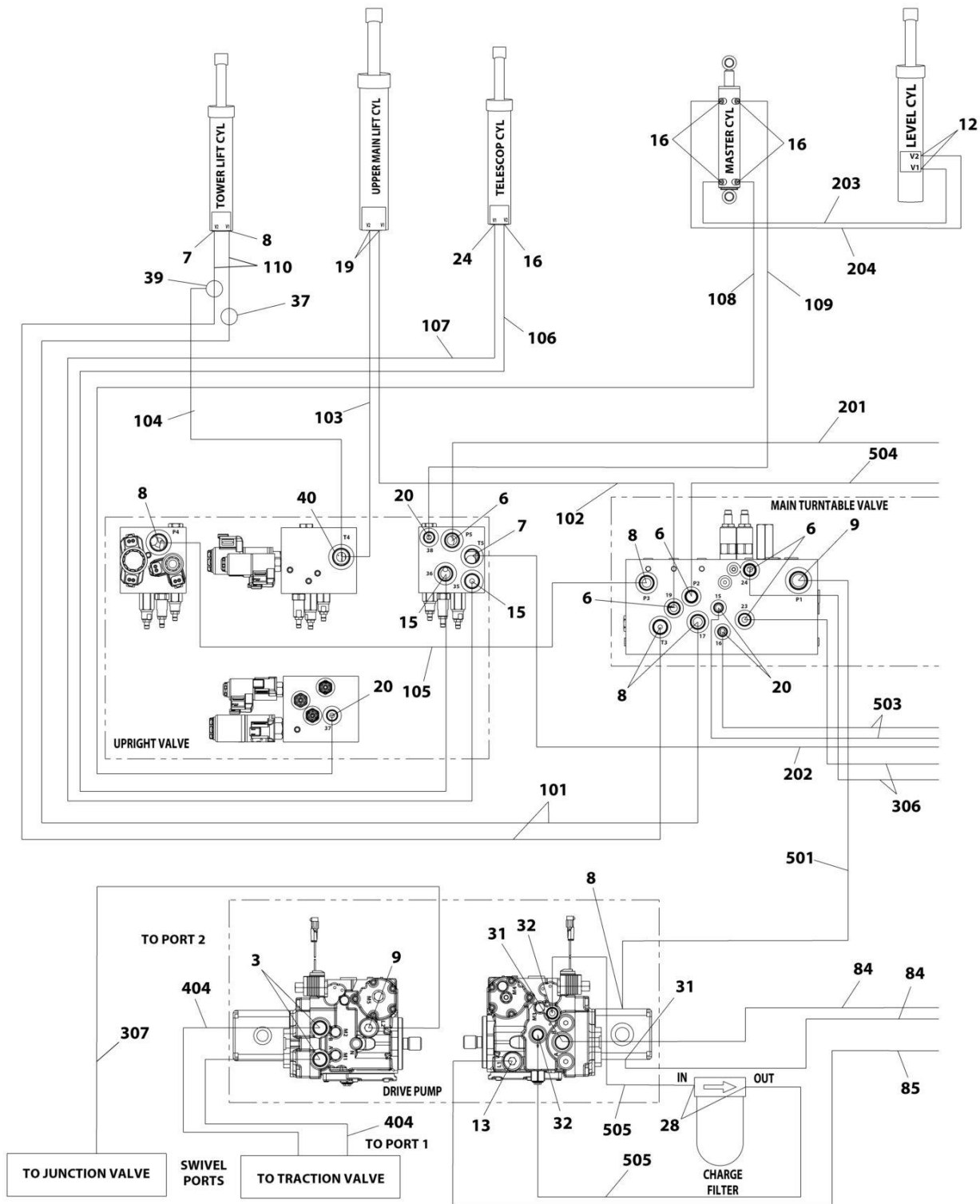


## SECTION 7 - HYDRAULIC

ITEM	PART NUMBER	QTY	DESCRIPTION	REV
101	1001173006	2	Hose	
102	1001173034	1	Hose	
103	1001173035	1	Hose	
104	1001173036	1	Hose	
105	1001173037	1	Hose	
106	1001173038	1	Hose	
107	1001173039	1	Hose	
108	1001173042	1	Hose	
109	1001173043	1	Hose	
110	1001180035	2	Hose	
200	1001194425	1	Hose Kit - Upper Boom (Not Shown)	
201	1001173040	1	Hose	
202	1001173041	1	Hose	
203	1001173044	1	Hose	
204	1001173045	1	Hose	
205	1001173046	2	Hose	
206	1001173048	1	Hose	
207	1001173049	1	Hose	
300	1001194427	1	Hose Kit - Front (Not Shown)	
301	1001173053	1	Hose	
302	1001173054	1	Hose	
303	1001173055	4	Hose	
304	1001173056	1	Hose	
305	1001173057	2	Hose	
306	1001173058	2	Hose	
307	1001173066	1	Hose	
400	1001194428	1	Hose Kit - Rear (Not Shown)	
401	1001173052	1	Hose	
402	1001173059	4	Hose	
403	1001173061	1	Hose	
404	1001173062	2	Hose	
405	1001173063	1	Hose	
406	1001197039	1	Hose	
500	1001252926	1	Hose Kit - Turntable (Not Shown)	
501	2752504	1	Hose	
502	2752519	1	Hose	
503	1001173027	2	Hose	
504	1001173028	1	Hose	
505	1001173029	2	Hose	

# SECTION 7 - HYDRAULIC

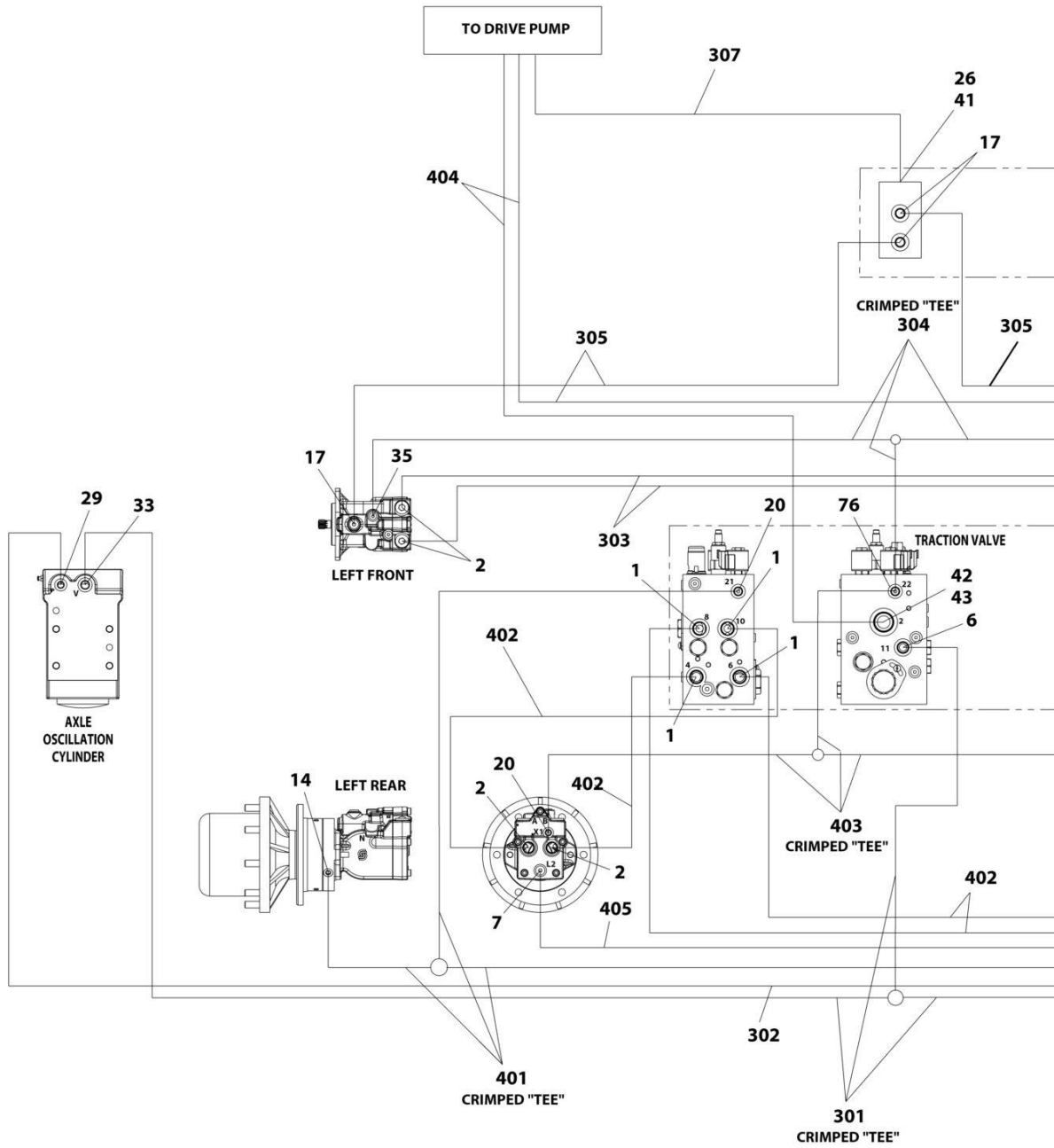
FIGURE 7-3. 4WD HYDRAULIC SYSTEM INSTALLATION (MACHINES WITH SN STARTING WITH B3)



ART\_1001207355\_10F4

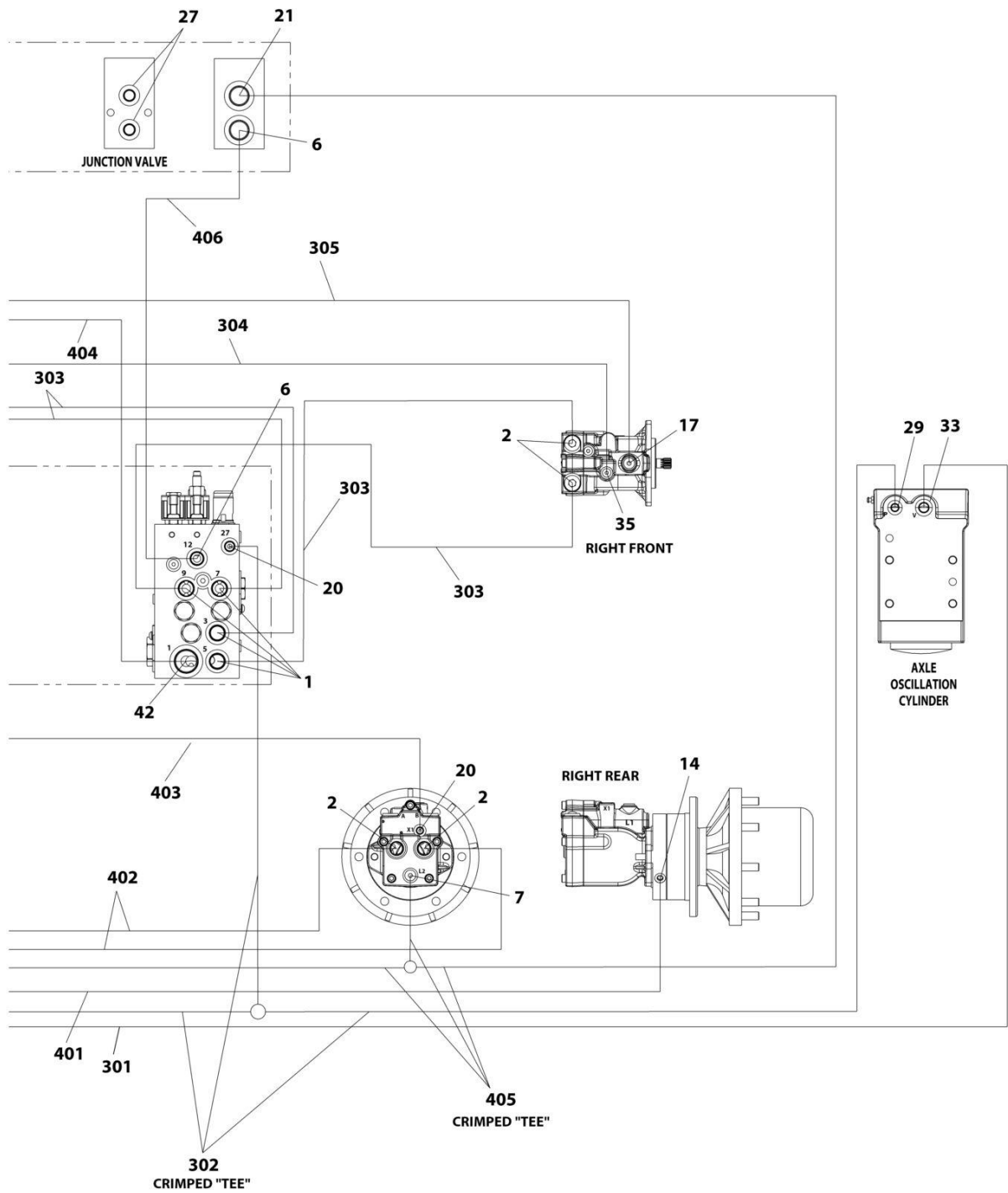


# SECTION 7 - HYDRAULIC



ART\_1001207355\_30F4

# SECTION 7 - HYDRAULIC



ART\_1001207355\_40F4

## SECTION 7 - HYDRAULIC

FIGURE 7-3. 4WD HYDRAULIC SYSTEM INSTALLATION (MACHINES WITH SN STARTING WITH B3)

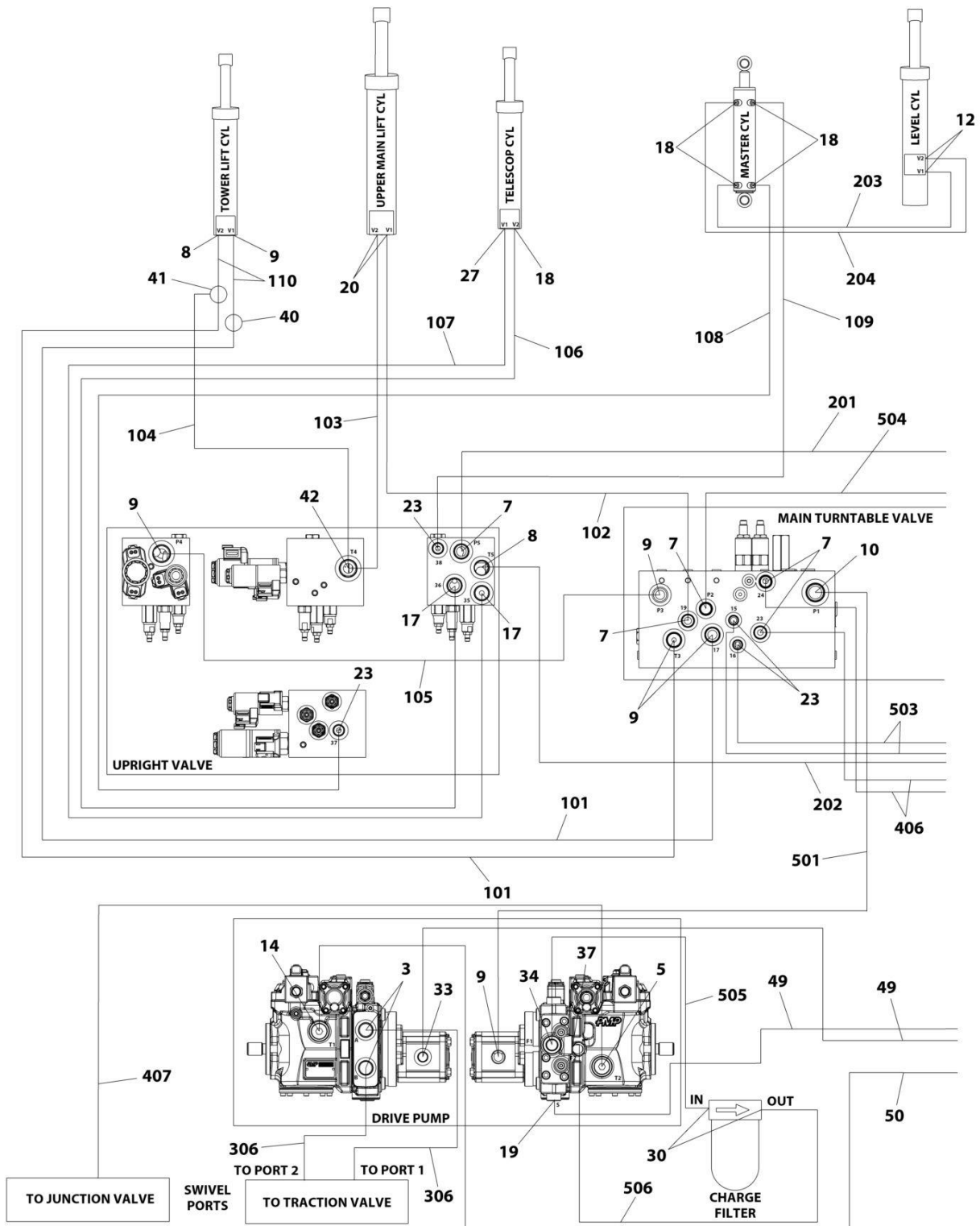
ITEM	PART NUMBER	QTY	DESCRIPTION	REV
1	2110810	8	Fitting, Straight ORFS/ORB	
2	2110812	8	Fitting, Straight ORFS/ORB	
3	2151212	2	Fitting, 45 ORFS/ORB	
4	2220238	1	Plug	
5	2220371	1	Fitting, Straight JIC/ORB	
6	2220372	11	Fitting, Straight JIC/ORB	
7	2220373	5	Fitting, Straight JIC/ORB	
8	2220374	6	Fitting, Straight JIC/ORB	
9	2220375	2	Fitting, Straight JIC/ORB	
10	2220377	1	Fitting, Straight JIC/ORB	
11	1001202910	2	Fitting, Straight MORB	
12	2220415	3	Fitting, Straight JIC/ORB	
13	2220451	1	Fitting, Straight JIC/ORB	
14	2220466	2	Fitting, 90 JIC/ORB	
15	2220468	2	Fitting, Straight JIC/ORB	
16	2220472	5	Fitting, 90 JIC/ORB	
17	2220500	4	Fitting, 45 JIC/ORB	
18	2220501	2	Fitting, 45 JIC/ORB	
19	2220497	2	Fitting, Straight JIC/ORB	
20	2220582	11	Fitting, Straight JIC/ORB	
21	2220596	1	Fitting, 90 JIC/ORB	
22	2220600	1	Fitting, Straight JIC/ORB	
23	2220603	1	Fitting, Straight JIC/ORB	
24	2220628	1	Fitting, 90 JIC/ORB	
25	2220465	1	Fitting, 90 JIC/ORB	
26	2220811	1	Fitting, Straight FORB/ORB	
27	2220883	2	Plug #4	
28	2220906	2	Fitting, 90 JIC/ORB	
29	2220923	2	Fitting, Straight JIC/ORB	
30	2220940	2	Fitting, Elbow	
31	2220946	2	Fitting, Straight JIC/ORB	
32	2220947	2	Fitting, Straight JIC/ORB	
33	2220998	2	Fitting, Straight JIC/ORB	
34	2221033	2	Fitting, Straight JIC/ORB	
35	2221040	2	Fitting, 45 JIC/ORB	
36	2221086	1	Fitting, Diagnostic	
37	2230025	1	Fitting, Straight JIC/JIC	
39	8760477	1	Fitting, Tee JIC/JIC/JIC	
40	8770289	1	Fitting, Tee JIC/ORB/JIC	
41	1001119627	1	Fitting, Straight JIC/ORB	
42	1001142679	2	Fitting, Straight ORFS/ORB	
43	1001143936	1	Fitting, 90 FORB/ORB	
76	1001175024	1	Fitting, Tee JIC/JIC/ORB	
84	1001207335	2	Hose	
85	1001207336	1	Hose	
87	1001210356	1	Tube	
88	2220435	1	Fitting, Straight JIC/ORB	
89	80633030	2	Clamp, Hose	
100	1001194424	1	Hose Kit - Lower Boom (Not Shown)	
101	1001173006	2	Hose	

## SECTION 7 - HYDRAULIC

ITEM	PART NUMBER	QTY	DESCRIPTION	REV
102	1001173034	1	Hose	
103	1001173035	1	Hose	
104	1001173036	1	Hose	
105	1001173037	1	Hose	
106	1001173038	1	Hose	
107	1001173039	1	Hose	
108	1001173042	1	Hose	
109	1001173043	1	Hose	
110	1001180035	2	Hose	
200	1001194425	1	Hose Kit - Upper Boom (Not Shown)	
201	1001173040	1	Hose	
202	1001173041	1	Hose	
203	1001173044	1	Hose	
204	1001173045	1	Hose	
205	1001173046	2	Hose	
206	1001173048	1	Hose	
207	1001173049	1	Hose	
300	1001194427	1	Hose Kit - Front (Not Shown)	
301	1001173053	1	Hose	
302	1001173054	1	Hose	
303	1001173055	4	Hose	
304	1001173056	1	Hose	
305	1001173057	2	Hose	
306	1001173058	2	Hose	
307	1001173066	1	Hose	
400	1001194428	1	Hose Kit - Rear (Not Shown)	
401	1001173052	1	Hose	
402	1001173059	4	Hose	
403	1001173061	1	Hose	
404	1001173062	2	Hose	
405	1001173063	1	Hose	
406	1001197039	1	Hose	
500	1001252926	1	Hose Kit - Turntable (Not Shown)	
501	2752504	1	Hose	
502	2752519	1	Hose	
503	1001173027	2	Hose	
504	1001173028	1	Hose	
505	1001173029	2	Hose	

# SECTION 7 - HYDRAULIC

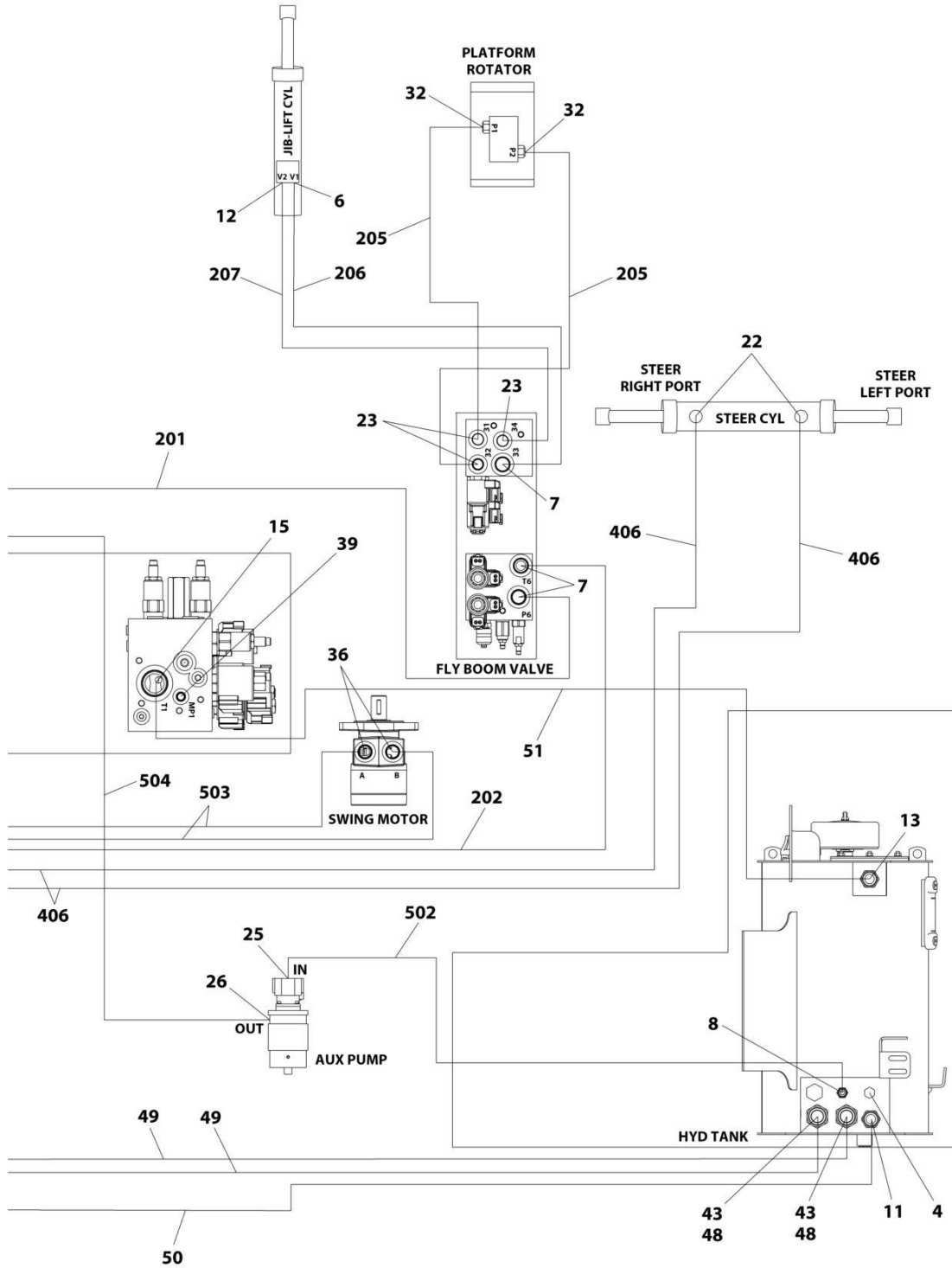
FIGURE 7-4. 4WD HYDRAULIC SYSTEM INSTALLATION - 450AJ (WITH PMP PUMP)



ART\_1001300813\_10F4

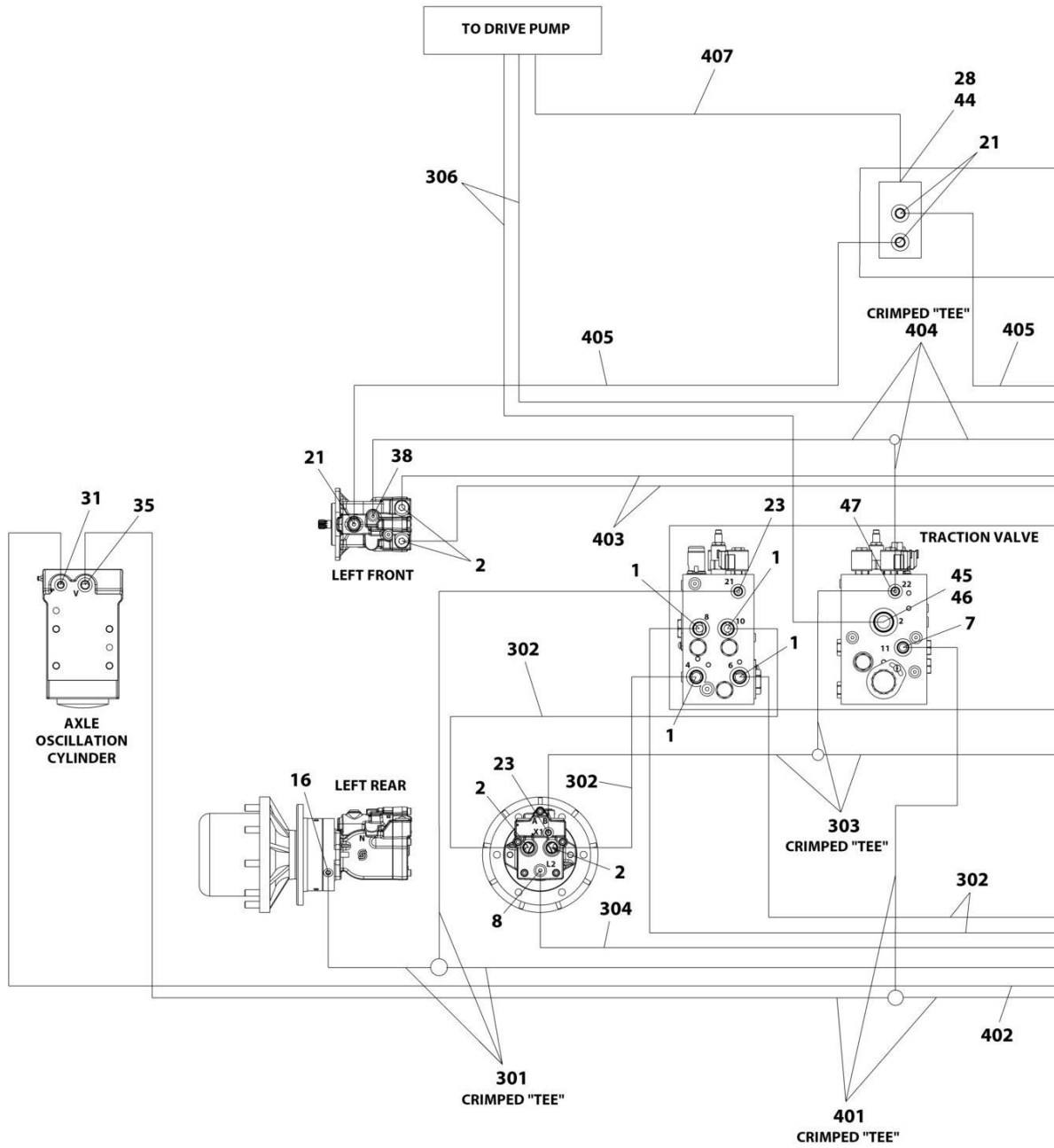


# SECTION 7 - HYDRAULIC



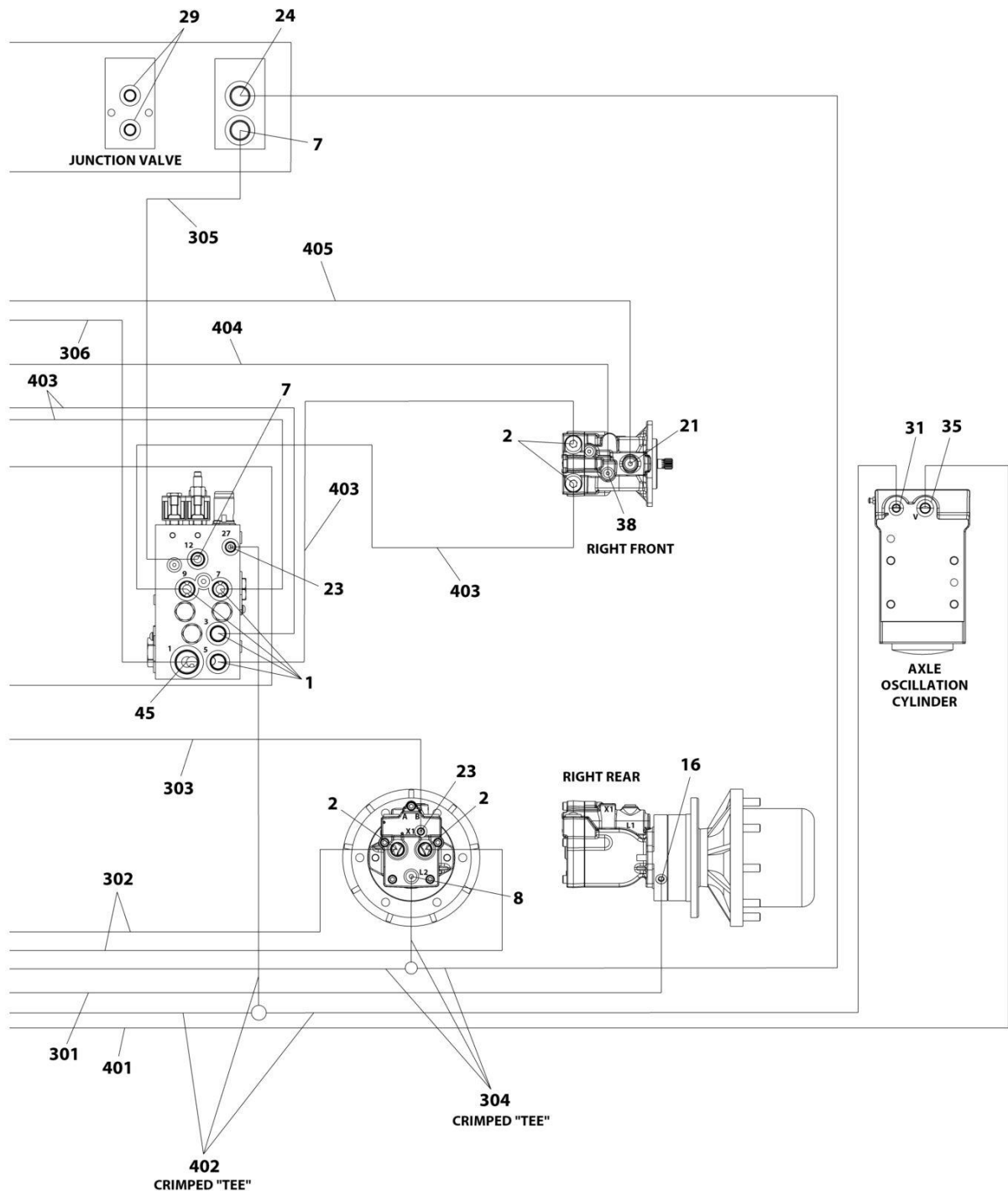
ART\_1001300813\_2OF4

# SECTION 7 - HYDRAULIC



ART\_1001300813\_3OF4

# SECTION 7 - HYDRAULIC



ART\_1001300813\_40F4

## SECTION 7 - HYDRAULIC

FIGURE 7-4. 4WD HYDRAULIC SYSTEM INSTALLATION - 450AJ (WITH PMP PUMP)

ITEM	PART NUMBER	QTY	DESCRIPTION	REV
	1001300813	Ref	4WD HYDRAULIC SYSTEM INSTALLATION - 450AJ (WITH PMP PUMP)	A
1	2110810	8	Fitting, Straight ORFS/ORB	
2	2110812	8	Fitting, Straight ORFS/ORB	
3	2131212	2	Fitting, 90 ORFS/ORB	
4	2220238	1	Fitting, Plug ORB	
5	2220366	1	Fitting, 90 JIC/ORB	
6	2220371	1	Fitting, Straight JIC/ORB	
7	2220372	11	Fitting, Straight JIC/ORB	
8	2220373	5	Fitting, Straight JIC/ORB	
9	2220374	6	Fitting, Straight JIC/ORB	
10	2220375	1	Fitting, Straight JIC/ORB	
11	2220377	1	Fitting, Straight JIC/ORB	
12	2220415	3	Fitting, Straight JIC/ORB	
13	2220435	1	Fitting, Straight JIC/ORB	
14	2220451	1	Fitting, Straight JIC/ORB	
15	2220465	1	Fitting, 90 JIC/ORB	
16	2220466	2	Fitting, 90 JIC/ORB	
17	2220468	2	Fitting, Straight JIC/ORB	
18	2220472	5	Fitting, 90 JIC/ORB	
19	2220479	1	Fitting, Straight JIC/ORB	
20	2220497	2	Fitting, Straight JIC/ORB	
21	2220500	4	Fitting, 45 JIC/ORB	
22	2220501	2	Fitting, 45 JIC/ORB	
23	2220582	11	Fitting, Straight JIC/ORB	
24	2220596	1	Fitting, 90 JIC/ORB	
25	2220600	1	Fitting, Straight JIC/ORB	
26	2220603	1	Fitting, Straight JIC/ORB	
27	2220628	1	Fitting, 90 JIC/ORB	
28	2220811	1	Fitting, Straight FORB/ORB	
29	2220883	2	O-Ring	
30	2220906	2	Fitting, 90 JIC/ORB	
31	2220923	2	Fitting, Straight JIC/ORB	
32	2220940	2	Fitting, 90 JIC/ORB	
33	2220946	1	Fitting, Straight JIC/ORB	
34	2220947	1	Fitting, Straight JIC/ORB	
35	2220998	2	Fitting, Straight JIC/ORB	
36	2221033	2	Fitting, Straight JIC/ORB	
37	2221036	1	Fitting, 90 JIC/ORB	
38	2221040	2	Fitting, 45 JIC/ORB	
39	2221086	1	Fitting, Diagnostic	
40	2230025	1	Fitting, Straight JIC/JIC	
41	8760477	1	Fitting, Tee JIC/JIC/JIC	
42	8770289	1	Fitting, Tee JIC/ORB/JIC	
43	80633030	2	Clamp	
44	1001119627	1	Fitting, Straight JIC/ORB	
45	1001142679	2	Fitting, Straight ORFS/ORB	
46	1001143936	1	Fitting, 90 FORB/ORB	
47	1001175024	1	Fitting, Tee JIC/JIC/ORB	
48	1001202910	2	Fitting, Straight MORB	

## SECTION 7 - HYDRAULIC

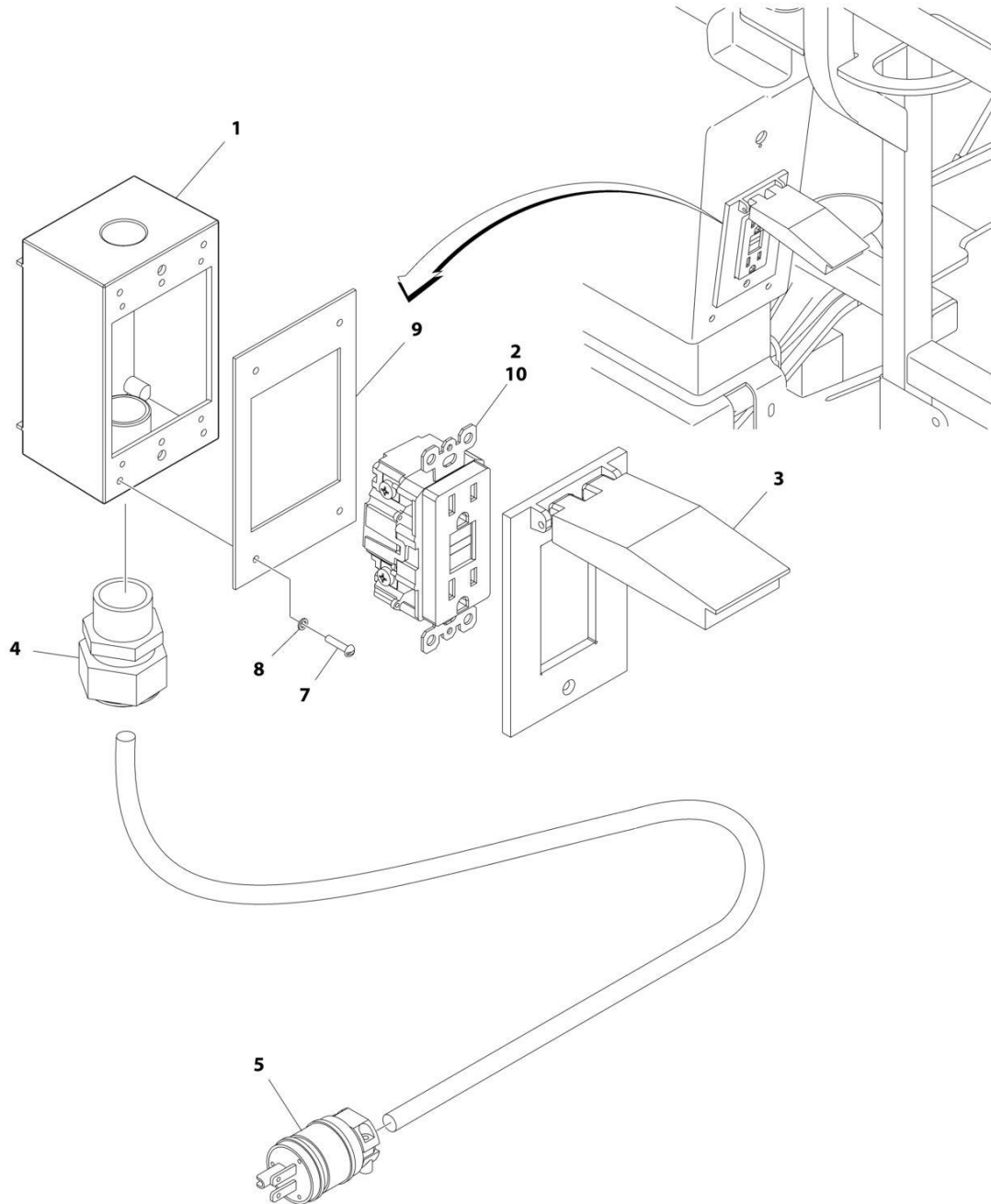
ITEM	PART NUMBER	QTY	DESCRIPTION	REV
49	1001207335	2	Hose	
50	1001207336	1	Hose	
51	1001210356	1	Hose	
100	1001194424	1	Hose Kit - Lower Boom (Not Shown)	
101	1001173006	2	Hose	
102	1001173034	1	Hose	
103	1001173035	1	Hose	
104	1001173036	1	Hose	
105	1001173037	1	Hose	
106	1001173038	1	Hose	
107	1001173039	1	Hose	
108	1001173042	1	Hose	
109	1001173043	1	Hose	
110	1001180035	2	Hose	
200	1001194425	1	Hose Kit - Upper Boom (Not Shown)	
201	1001173040	1	Hose	
202	1001173041	1	Hose	
203	1001173044	1	Hose	
204	1001173045	1	Hose	
205	1001173046	2	Hose	
206	1001173048	1	Hose	
207	1001173049	1	Hose	
300	1001300961	1	Hose Kit - Rear (Not Shown)	
301	1001173052	1	Hose	
302	1001173059	4	Hose	
303	1001173061	1	Hose	
304	1001173063	1	Hose	
305	1001197039	1	Hose	
306	1001300956	2	Hose	
400	1001300962	1	Hose Kit - Front (Not Shown)	
401	1001173053	1	Hose	
402	1001173054	1	Hose	
403	1001173055	4	Hose	
404	1001173056	1	Hose	
405	1001173057	2	Hose	
406	1001173058	2	Hose	
407	1001300957	1	Hose	
500	1001300963	1	Hose Kit - Turntable (Not Shown)	
501	2752504	1	Hose	
502	2752519	1	Hose	
503	1001173027	2	Hose	
504	1001173028	1	Hose	
505	1001300958	1	Hose	
506	1001300959	1	Hose	



**SECTION 8 - ELECTRICAL**

# SECTION 8 - ELECTRICAL

FIGURE 8-1. AC BOX AT PLATFORM INSTALLATION - 110V - ANSI, ANSI EXPORT, CHINA, CSA AND JAPANESE SPECS



ART\_0270022



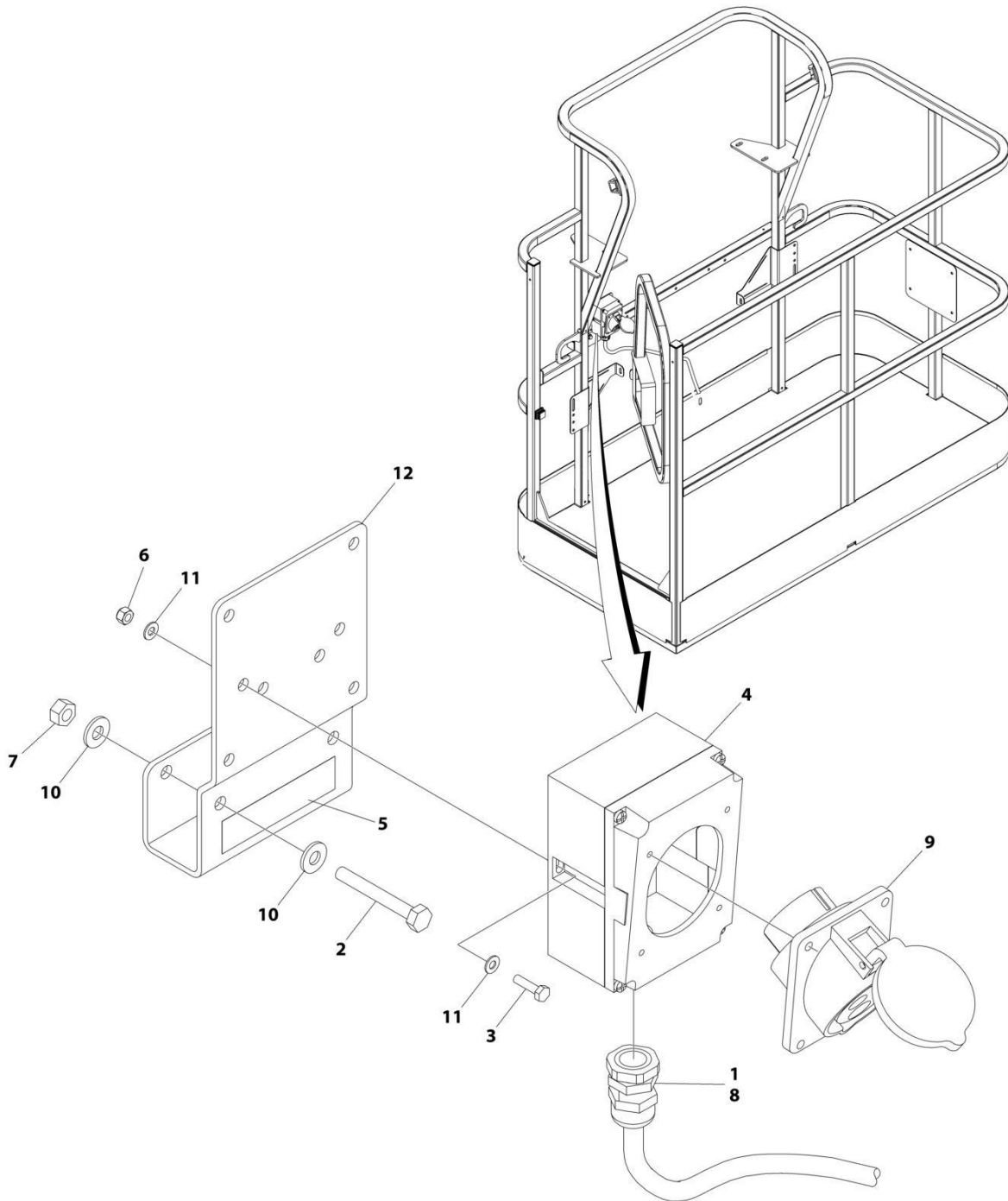
## SECTION 8 - ELECTRICAL

**FIGURE 8-1. AC BOX AT PLATFORM INSTALLATION - 110V - ANSI, ANSI EXPORT, CHINA, CSA AND JAPANESE SPECS**

ITEM	PART NUMBER	QTY	DESCRIPTION	REV
	0270022	Ref	AC BOX AT PLATFORM INSTALLATION - 110V	4-B
1	0860038	1	Box, Switch	
2	4460346	1	Receptacle	
3	1001110873	1	Shield, Cover	
4	4460071	1	Connector, Strain Relief	
5	4460205	1	Plug, Male	
7	3910610	4	Screw #6 x 5/8	
8	4760600	4	Washer #6	
9	3960422	1	Gasket	
10	4460315	1	Terminal, Spade	

# SECTION 8 - ELECTRICAL

FIGURE 8-2. AC BOX AT PLATFORM INSTALLATION - 110V IEC YELLOW (CE, CIS/EAC & UK CA SPECS WITH 4000W/50HZ GENERATOR)



ART\_1001194203

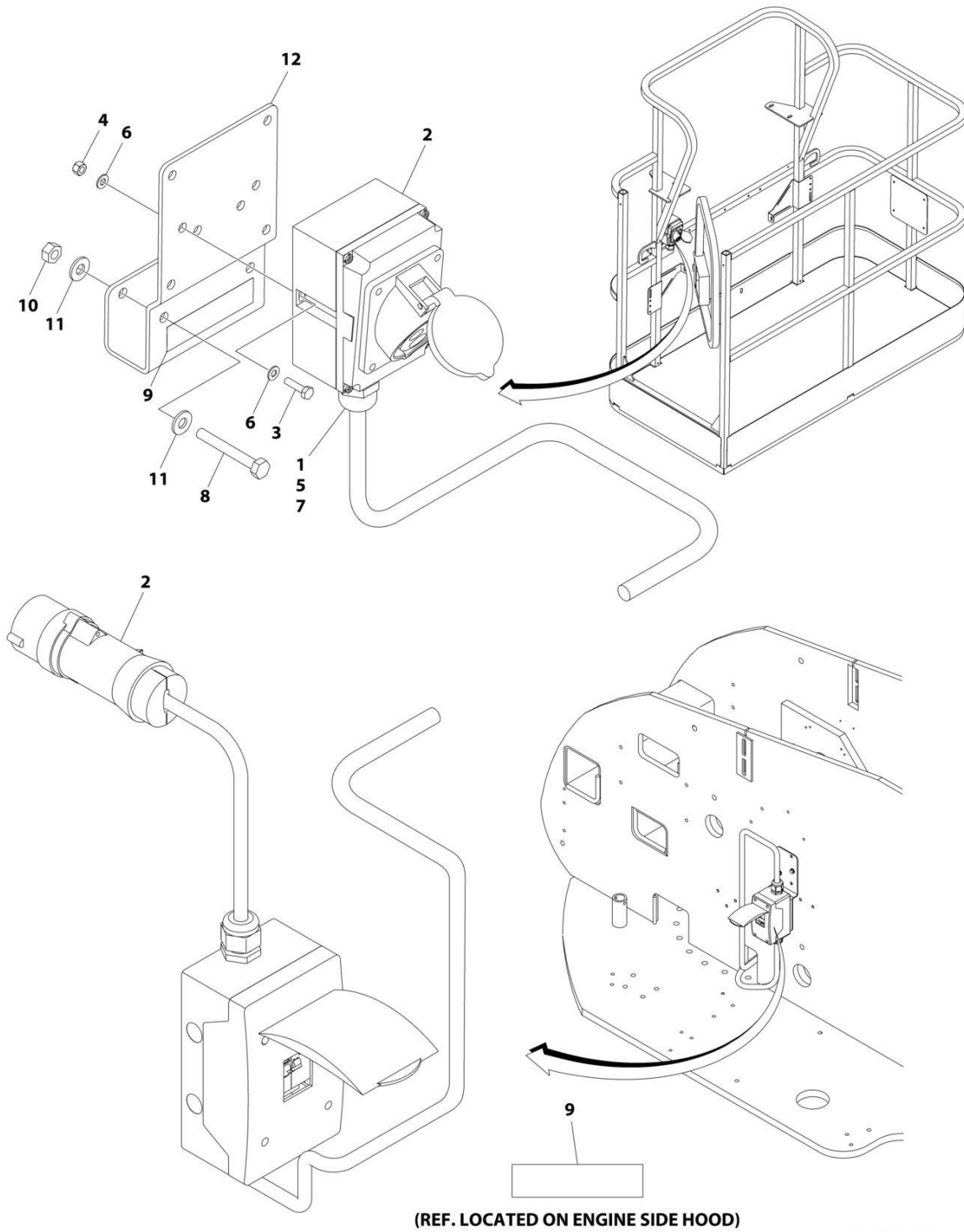
## SECTION 8 - ELECTRICAL

**FIGURE 8-2. AC BOX AT PLATFORM INSTALLATION - 110V IEC YELLOW (CE, CIS/EAC & UK CA SPECS WITH 4000W/50HZ GENERATOR)**

ITEM	PART NUMBER	QTY	DESCRIPTION	REV
	1001194203	Ref	AC BOX AT PLATFORM INSTALLATION	B
1	0100020	AR	Sealant, Pipe	
2	0641416	2	Bolt 1/4 x 2	
3	0700408	2	Bolt M4 x 16	
4	0861781	1	Box, Switch	
5	1705325	1	Decal - 110V	
6	3290405	2	Nut M4	
7	3311405	2	Nut 1/4	
8	4460968	1	Connector, Strain Relief	
9	4461198	1	Receptacle	
10	4711400	4	Washer 1/4	
11	4811400	4	Washer M4	
12	1001193018	1	Bracket, AC Receptacle	

# SECTION 8 - ELECTRICAL

FIGURE 8-3. AC BOX AT PLATFORM INSTALLATION - 110V IEC 60309 YELLOW WITHOUT 2500W GENERATOR (CE, CIS/EAC & UK CA SPECS)



ART\_1001091969

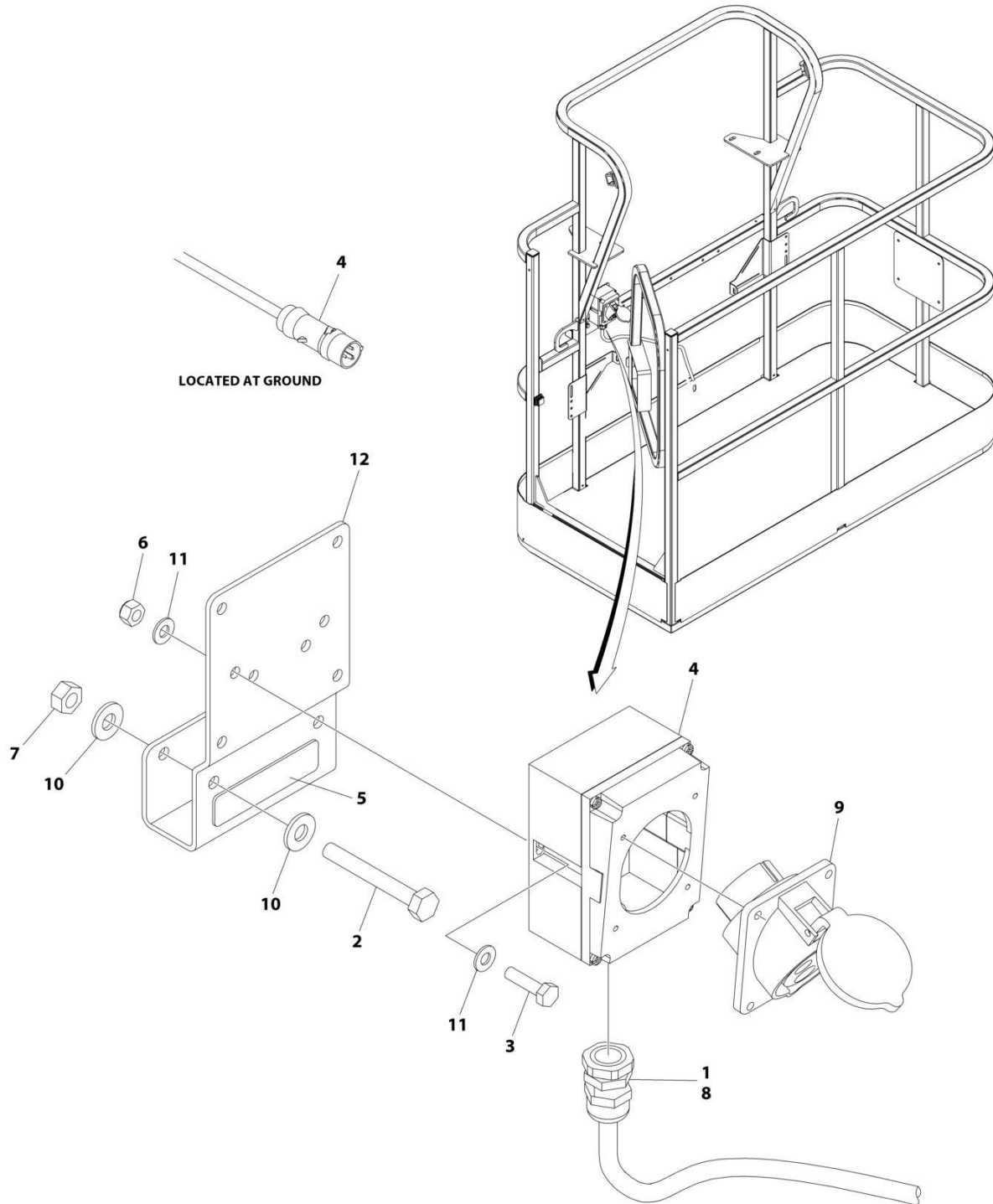
## SECTION 8 - ELECTRICAL

**FIGURE 8-3. AC BOX AT PLATFORM INSTALLATION - 110V IEC 60309 YELLOW WITHOUT 2500W GENERATOR (CE, CIS/EAC & UK CA SPECS)**

ITEM	PART NUMBER	QTY	DESCRIPTION	REV
	1001091969	Ref	AC BOX AT PLATFORM INSTALLATION - 110V IEC YELLOW	D
1	0100020	AR	Sealant, Pipe	
2	0275216	1	Receptacle Box Kit (See Separate Breakdown in this Section)	
3	0700408	2	Bolt M4 x 16	
4	3290405	2	Nut M4	
5	1001101196	1	Adapter	
6	4811400	4	Washer M4	
7	1001101191	1	Connector, Strain Relief	
8	0641416	2	Bolt 1/4 x 2	
9	1705325	2	Decal - 110V	
10	3311405	2	Nut 1/4	
11	4711400	4	Washer 1/4	
12	1001193018	1	Bracket	

# SECTION 8 - ELECTRICAL

FIGURE 8-4. AC BOX AT PLATFORM INSTALLATION - 220V IEC BLUE (CE, CIS/EAC & UK CA SPECS WITH 4000W/50HZ GENERATOR)



ART\_1001194204

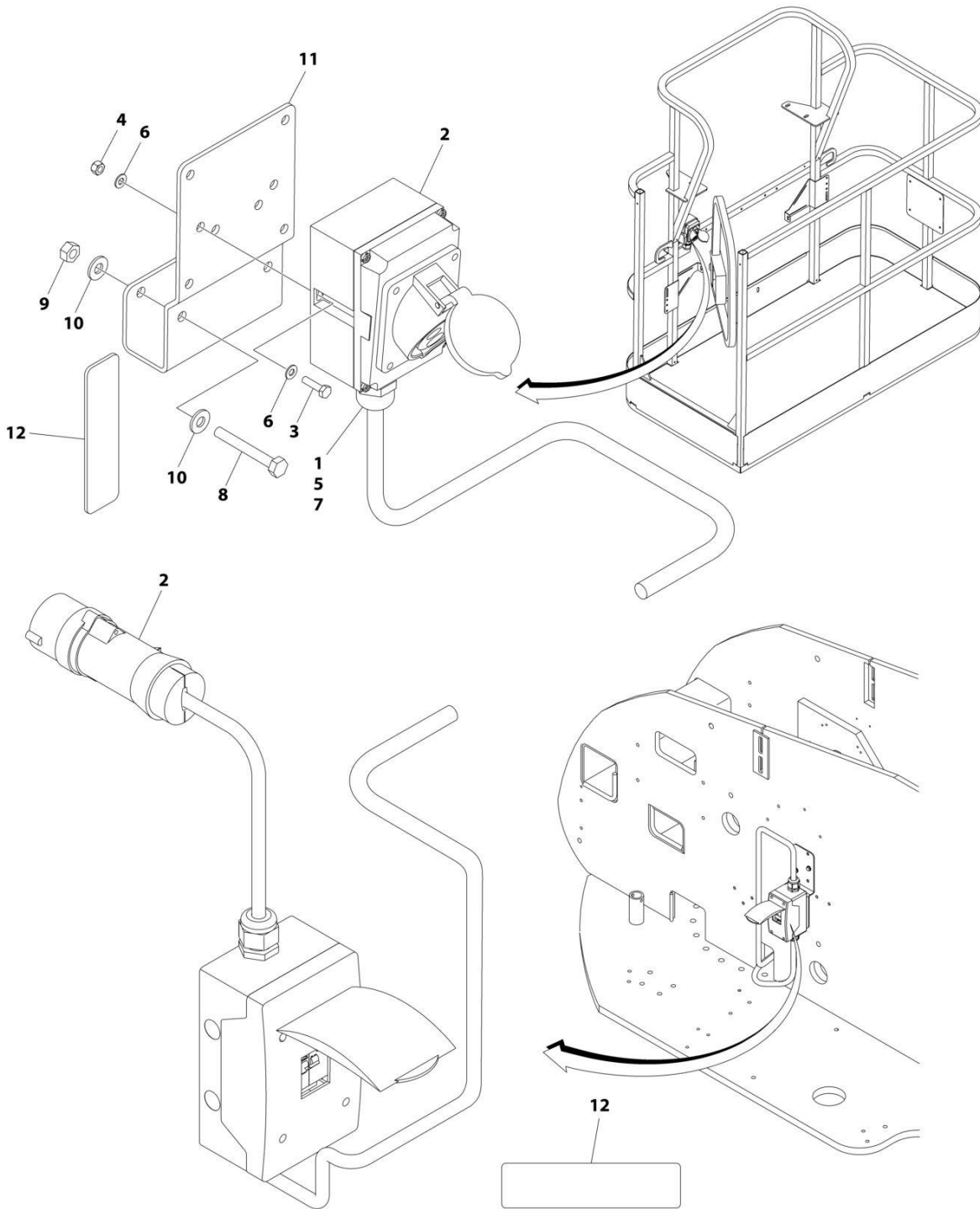
## SECTION 8 - ELECTRICAL

**FIGURE 8-4. AC BOX AT PLATFORM INSTALLATION - 220V IEC BLUE (CE, CIS/EAC & UK CA SPECS WITH 4000W/50HZ GENERATOR)**

ITEM	PART NUMBER	QTY	DESCRIPTION	REV
	1001194204	Ref	AC BOX AT PLATFORM INSTALLATION	B
1	0100020	AR	Sealant, Pipe	
2	0641416	2	Bolt 1/4 x 2	
3	0700408	2	Bolt M4 x 16	
4	0861781	1	Box, Switch	
5	3251242	1	Decal - 240V/50Hz	
6	3290405	2	Nut M4	
7	3311405	2	Nut 1/4	
8	4460968	1	Connector, Strain Relief	
9	4461201	1	Receptacle	
10	4711400	4	Washer 1/4	
11	4811400	4	Washer M4	
12	1001193018	1	Bracket, AC Receptacle	

# SECTION 8 - ELECTRICAL

**FIGURE 8-5. AC BOX AT PLATFORM INSTALLATION - 220V IEC 60309 BLUE WITHOUT 2500W GENERATOR (CE, CIS/EAC & UK CA SPECS)**



(REF. LOCATED ON ENGINE SIDE HOOD)

ART\_1001091970



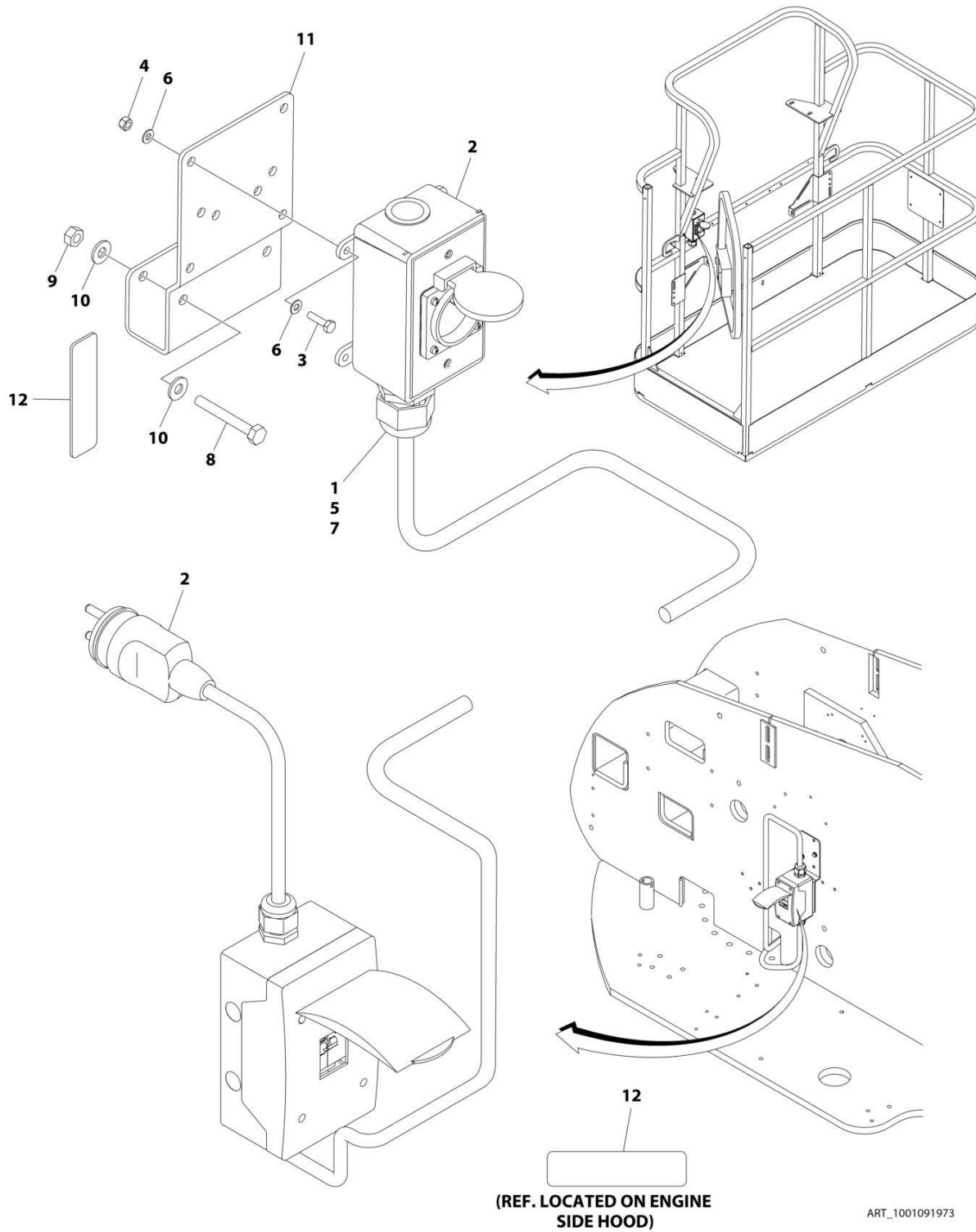
## SECTION 8 - ELECTRICAL

**FIGURE 8-5. AC BOX AT PLATFORM INSTALLATION - 220V IEC 60309 BLUE WITHOUT 2500W GENERATOR (CE, CIS/EAC & UK CA SPECS)**

ITEM	PART NUMBER	QTY	DESCRIPTION	REV
	1001091970	Ref	AC BOX AT PLATFORM INSTALLATION - 220V IEC BLUE	D
1	0100020	AR	Sealant, Pipe	
2	0275217	1	Receptacle Box Kit (See Separate Breakdown in this Section)	
3	0700408	2	Bolt M4 x 16	
4	3290405	2	Nut M4	
5	1001101196	1	Adapter	
6	4811400	4	Washer M4	
7	1001101191	1	Connector, Strain Relief	
8	0641416	2	Bolt 1/4 x 2	
9	3311405	2	Nut 1/4	
10	4711400	4	Washer 1/4	
11	1001193018	1	Bracket	
12	3251242	2	Decal - 240V/50Hz	

# SECTION 8 - ELECTRICAL

**FIGURE 8-6. AC BOX AT PLATFORM INSTALLATION - 220V CEE7 POST GROUND (2X4 BOX)  
WITHOUT 2500W GENERATOR (CE, CIS/EAC & UK CA SPECS)**



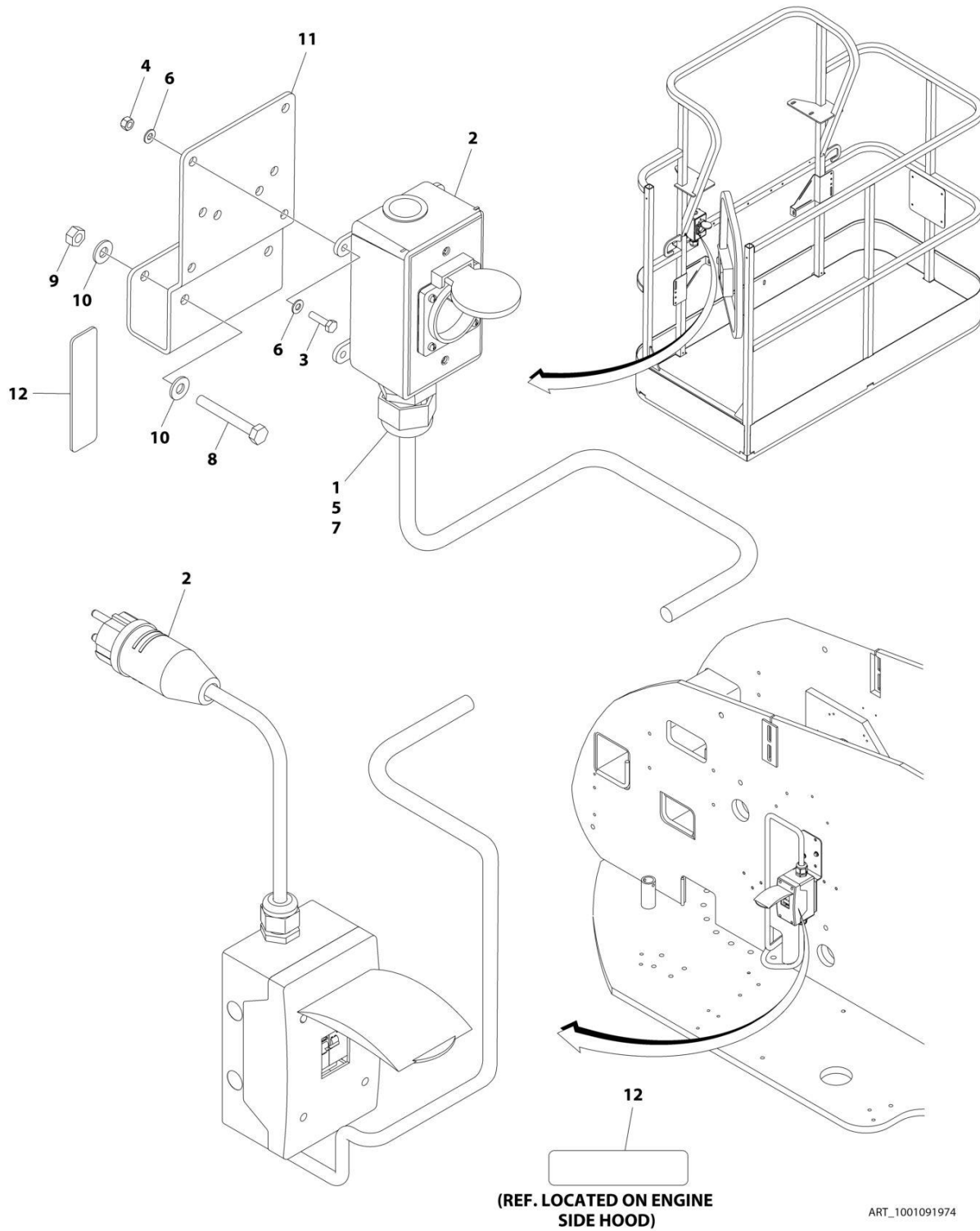
## SECTION 8 - ELECTRICAL

**FIGURE 8-6. AC BOX AT PLATFORM INSTALLATION - 220V CEE7 POST GROUND (2X4 BOX)  
WITHOUT 2500W GENERATOR (CE, CIS/EAC & UK CA SPECS)**

ITEM	PART NUMBER	QTY	DESCRIPTION	REV
	1001091973	Ref	AC BOX AT PLATFORM INSTALLATION - 220V CEE7 2X4 BOX POST GROUND	F
1	0100020	AR	Sealant, Pipe	
2	0275452	1	Receptacle Box Kit (See Separate Breakdown in this Section)	
3	0700408	4	Bolt M4 x 16	
4	3290405	4	Nut M4	
5	1001101197	1	Adapter	
6	4811400	8	Washer M4	
7	1001101191	1	Connector, Strain Relief	
8	0641416	2	Bolt 1/4 x 2	
9	3311405	2	Nut 1/4	
10	4711400	4	Washer 1/4	
11	1001193018	1	Bracket	
12	3251242	2	Decal - 240V/50Hz	
13	4460806	2	Terminal, Fork (Not Shown)	
14	1001205958	1	Terminal (Not Shown)	

# SECTION 8 - ELECTRICAL

**FIGURE 8-7. AC BOX AT PLATFORM INSTALLATION - 220V CEE7 SIDE GROUND (2X4 BOX)  
WITHOUT 2500W GENERATOR (CE, CIS/EAC & UK CA SPECS)**



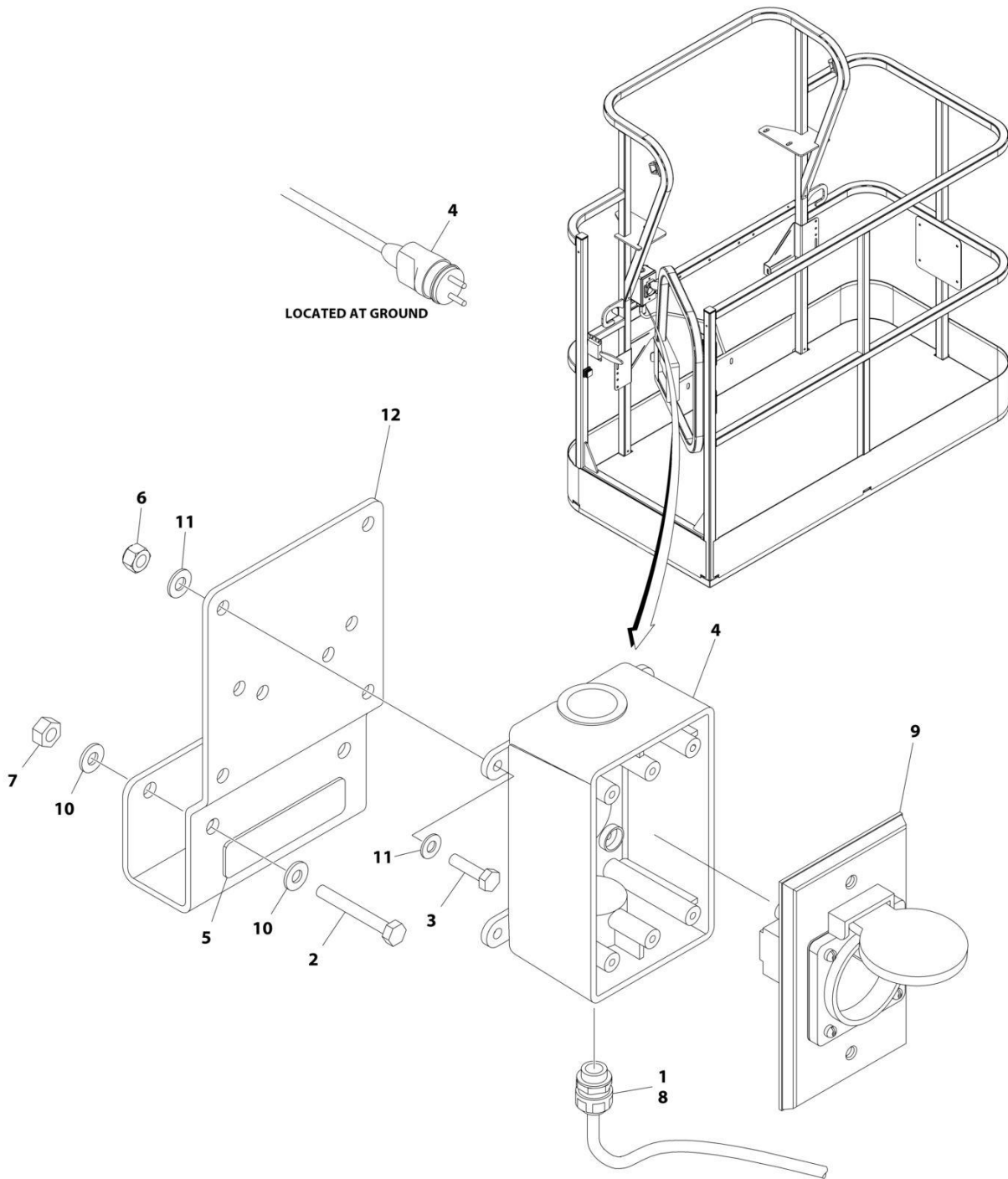
## SECTION 8 - ELECTRICAL

**FIGURE 8-7. AC BOX AT PLATFORM INSTALLATION - 220V CEE7 SIDE GROUND (2X4 BOX)  
WITHOUT 2500W GENERATOR (CE, CIS/EAC & UK CA SPECS)**

ITEM	PART NUMBER	QTY	DESCRIPTION	REV
	1001091974	Ref	AC BOX AT PLATFORM INSTALLATION - 220V CEE7 2X4 BOX SIDE GROUND	F
1	0100020	AR	Sealant, Pipe	
2	0275453	1	Receptacle Box Kit (See Separate Breakdown in this Section)	
3	0700408	4	Bolt M4 x 16	
4	3290405	4	Nut M4	
5	1001101197	1	Adapter	
6	4811400	8	Washer M4	
7	1001101191	1	Connector, Strain Relief	
8	0641416	2	Bolt 1/4 x 2	
9	3311405	2	Nut 1/4	
10	4711400	4	Washer 1/4	
11	1001193018	1	Bracket	
12	3251242	2	Decal - 240V/50Hz	
13	4460806	2	Terminal, Fork (Not Shown)	
14	1001205958	1	Terminal (Not Shown)	

# SECTION 8 - ELECTRICAL

FIGURE 8-8. AC BOX AT PLATFORM INSTALLATION - 220V CEE7 2IN X 4IN POST GROUND (CE, CIS/EAC & UK CA SPECS WITH 4000W/50HZ GENERATOR)



ART\_1001194197

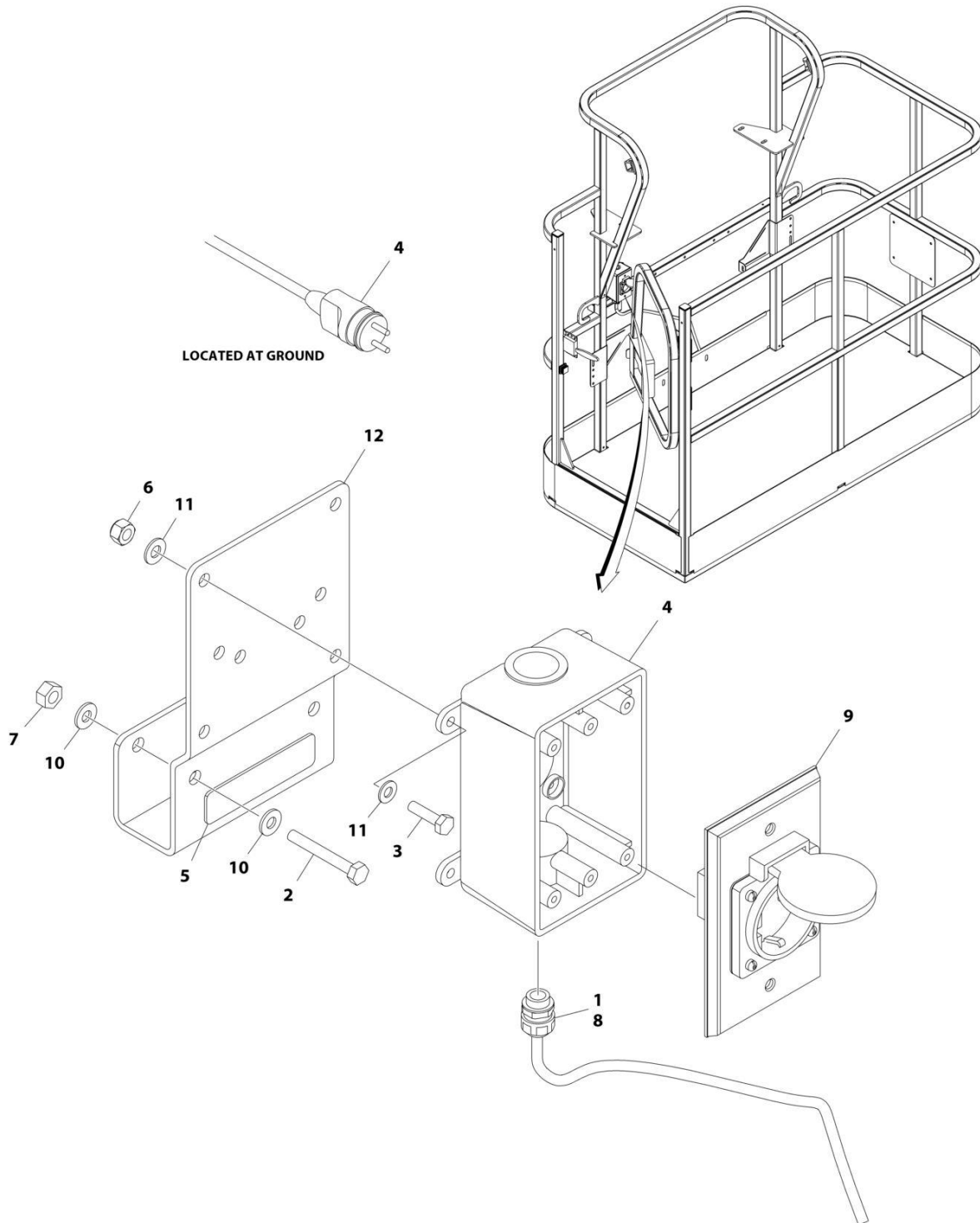
## SECTION 8 - ELECTRICAL

**FIGURE 8-8. AC BOX AT PLATFORM INSTALLATION - 220V CEE7 2IN X 4IN POST GROUND (CE, CIS/EAC & UK CA SPECS WITH 4000W/50HZ GENERATOR)**

ITEM	PART NUMBER	QTY	DESCRIPTION	REV
	1001194197	Ref	AC BOX AT PLATFORM INSTALLATION	B
1	0100020	AR	Sealant, Pipe	
2	0641416	2	Bolt 1/4 x 2	
3	0700408	4	Bolt M4 x 16	
4	0861731	1	Box, Switch	
5	3251242	1	Decal - 240V/50Hz	
6	3290405	4	Nut M4	
7	3311405	2	Nut 1/4	
8	4460662	1	Connector, Strain Relief	
9	4461244	1	Receptacle	
10	4711400	4	Washer 1/4	
11	4811400	8	Washer M4	
12	1001193018	1	Bracket, AC Receptacle	
13	4460806	2	Terminal, Fork (Not Shown)	
14	1001205958	1	Terminal (Not Shown)	

# SECTION 8 - ELECTRICAL

FIGURE 8-9. AC BOX AT PLATFORM INSTALLATION - 220V CEE7 2IN X 4IN SIDE GROUND (CE, CIS/EAC & UK CA SPECS WITH 4000W/50HZ GENERATOR)



ART\_1001194198



## SECTION 8 - ELECTRICAL

**FIGURE 8-9. AC BOX AT PLATFORM INSTALLATION - 220V CEE7 2IN X 4IN SIDE GROUND (CE, CIS/EAC & UK CA SPECS WITH 4000W/50HZ GENERATOR)**

ITEM	PART NUMBER	QTY	DESCRIPTION	REV
	1001194198	Ref	AC BOX AT PLATFORM INSTALLATION	B
1	0100020	AR	Sealant, Pipe	
2	0641416	2	Bolt 1/4 x 2	
3	0700408	4	Bolt M4 x 16	
4	0861731	1	Box, Switch	
5	3251242	1	Decal - 240V/50Hz	
6	3290405	4	Nut M4	
7	3311405	2	Nut 1/4	
8	4460662	1	Connector, Strain Relief	
9	4461245	1	Receptacle	
10	4711400	4	Washer 1/4	
11	4811400	8	Washer M4	
12	1001193018	1	Bracket, AC Receptacle	
13	4460806	2	Terminal, Fork (Not Shown)	
14	1001205958	1	Terminal (Not Shown)	



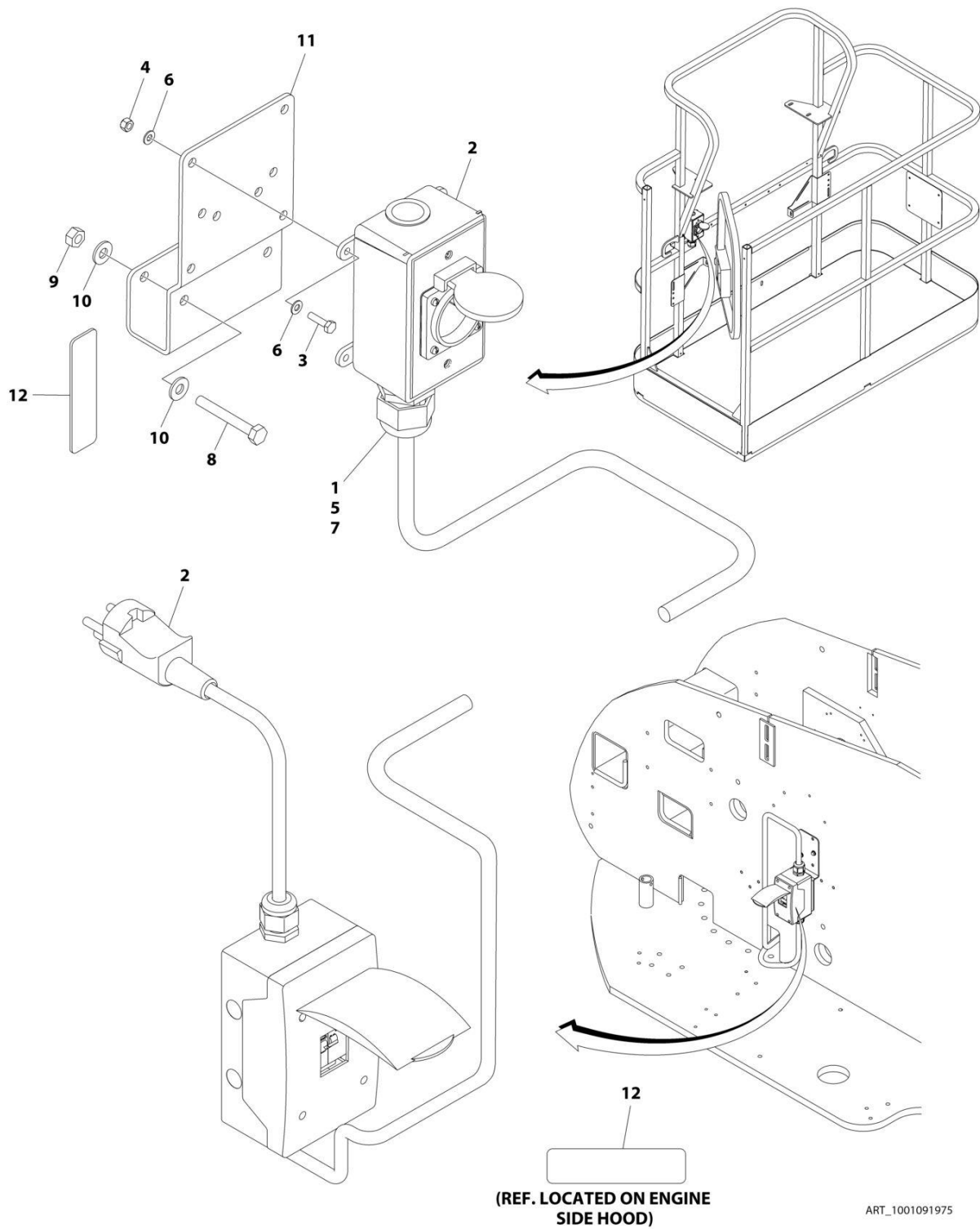
## SECTION 8 - ELECTRICAL

**FIGURE 8-10. AC BOX AT PLATFORM INSTALLATION - 220V AFSINT107 (CE, CIS/EAC & UK CA SPECS WITH 4000W/50HZ GENERATOR)**

ITEM	PART NUMBER	QTY	DESCRIPTION	REV
	1001194200	Ref	AC BOX AT PLATFORM INSTALLATION	B
1	0100020	AR	Sealant, Pipe	
2	0641416	2	Bolt 1/4 x 2	
3	0700408	4	Bolt M4 x 16	
4	0861731	1	Box, Switch	
5	3251242	1	Decal - 240V/50Hz	
6	3290405	4	Nut M4	
7	3311405	2	Nut 1/4	
8	4460662	1	Connector, Strain Relief	
9	4461246	1	Receptacle	
10	4711400	4	Washer 1/4	
11	4811400	8	Washer M4	
12	1001193018	1	Bracket, AC Receptacle	
13	1001205958	1	Terminal (Not Shown)	

# SECTION 8 - ELECTRICAL

**FIGURE 8-11. AC BOX AT PLATFORM INSTALLATION - 220V AFSINT 107 KEYED GROUND (2X4 BOX) WITHOUT 2500W GENERATOR (CE, CIS/EAC & UK CA SPECS)**



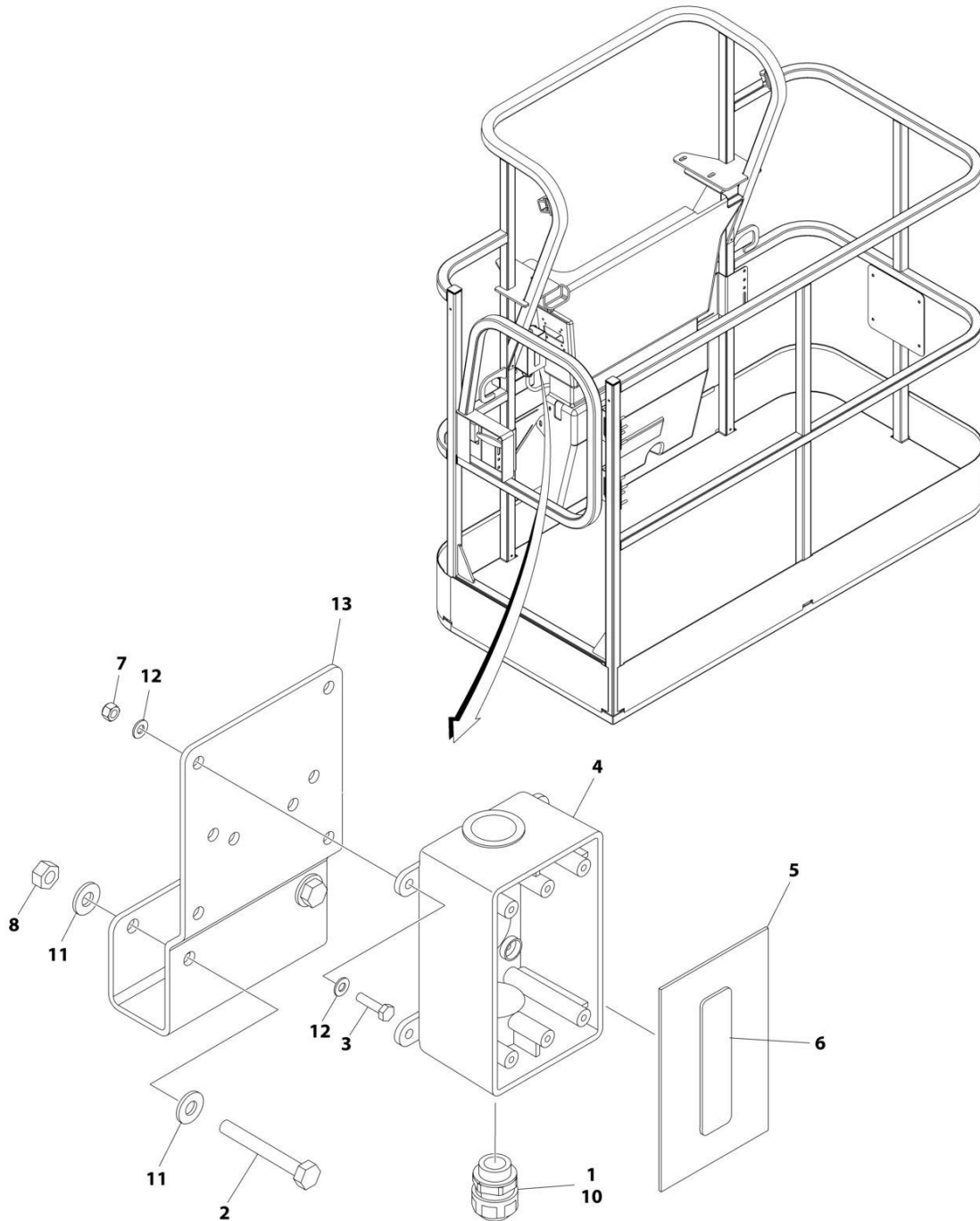
## SECTION 8 - ELECTRICAL

**FIGURE 8-11. AC BOX AT PLATFORM INSTALLATION - 220V AFSINT 107 KEYED GROUND (2X4 BOX) WITHOUT 2500W GENERATOR (CE, CIS/EAC & UK CA SPECS)**

ITEM	PART NUMBER	QTY	DESCRIPTION	REV
	1001091975	Ref	AC BOX AT PLATFORM INSTALLATION - 220V AFSINT 107 2X4 BOX KEYED GROUND	F
1	0100020	AR	Sealant, Pipe	
2	0275454	1	Receptacle Box Kit (See Separate Breakdown in this Section)	
3	0700408	4	Bolt M4 x 16	
4	3290405	4	Nut M4	
5	1001101197	1	Adapter	
6	4811400	8	Washer M4	
7	1001101191	1	Connector, Strain Relief	
8	0641416	2	Bolt 1/4 x 2	
9	3311405	2	Nut 1/4	
10	4711400	4	Washer 1/4	
11	1001193018	1	Bracket	
12	3251242	2	Decal - 240V/50Hz	
13	1001205958	3	Terminal (Not Shown)	

# SECTION 8 - ELECTRICAL

FIGURE 8-12. AC BOX AT PLATFORM INSTALLATION - 220V CUSTOMER SUPPLIED COMPONENTS  
(AUSTRALIAN, CE & UK CA SPECS)



ART\_1001194365

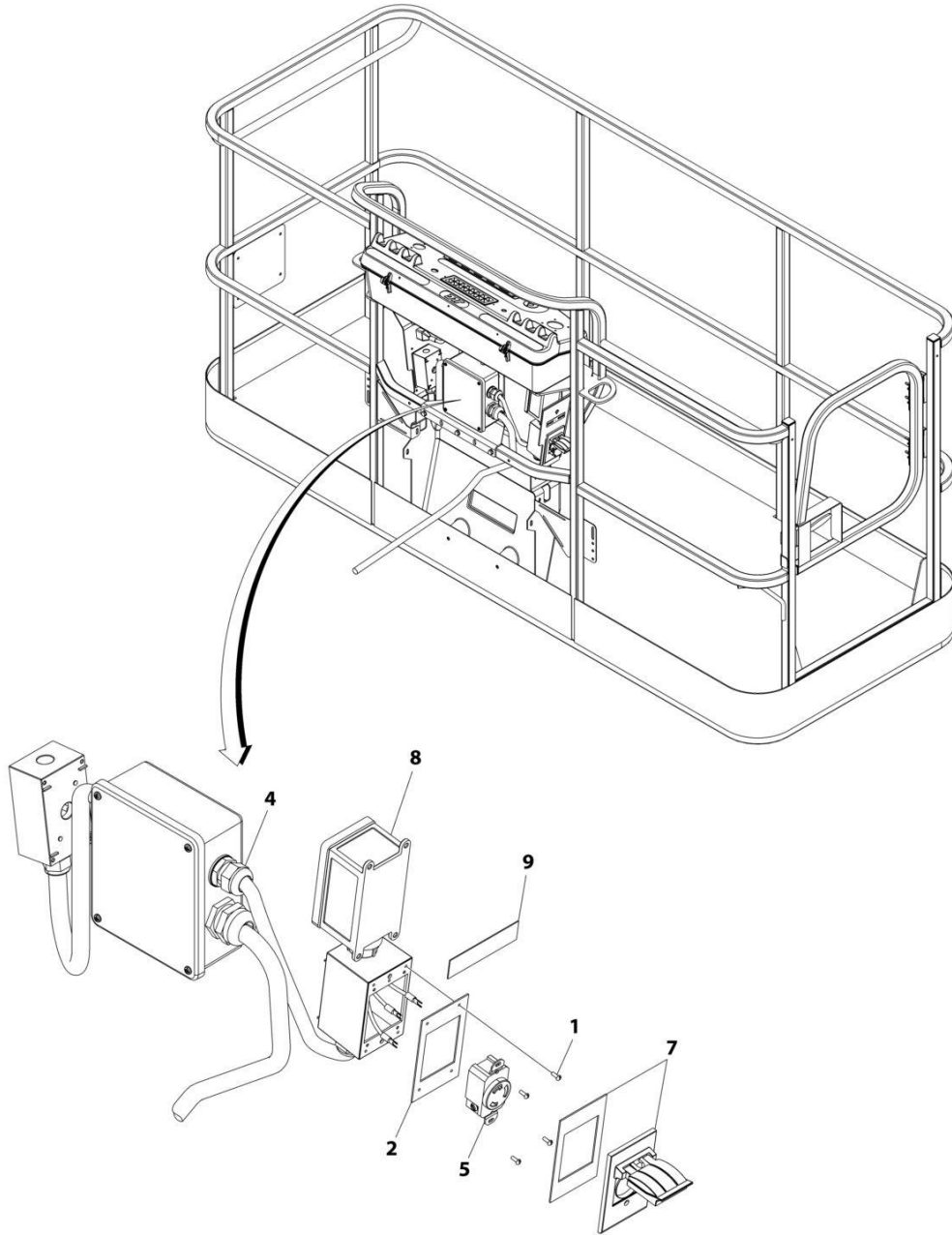
## SECTION 8 - ELECTRICAL

**FIGURE 8-12. AC BOX AT PLATFORM INSTALLATION - 220V CUSTOMER SUPPLIED COMPONENTS  
(AUSTRALIAN, CE & UK CA SPECS)**

ITEM	PART NUMBER	QTY	DESCRIPTION	REV
	1001194365	Ref	AC BOX AT PLATFORM INSTALLATION - BOX WITH COVER (2X4 BOX)	A
1	0100020	AR	Sealant	
2	0641416	2	Bolt 1/4 x 2	
3	0700408	4	Bolt M4 x 16	
4	0861731	1	Box, Switch	
5	1670603	1	Cover	
6	3251242	1	Decal - 240V/50Hz	
7	3290405	4	Nut M4	
8	3311405	2	Nut 1/4	
9	4460384	3	Terminal (Not Shown)	
10	4460662	1	Connector, Strain Relief	
11	4711400	4	Washer 1/4	
12	4811400	8	Washer M4	
13	1001193018	1	Bracket, AC Receptacle	

## SECTION 8 - ELECTRICAL

FIGURE 8-13. AC BOX AT PLATFORM INSTALLATION - 240V (WITH 4000W GENERATOR) (ANSI, ANSI EXPORT, CSA AND JAPANESE SPECS)



ART\_1001171131



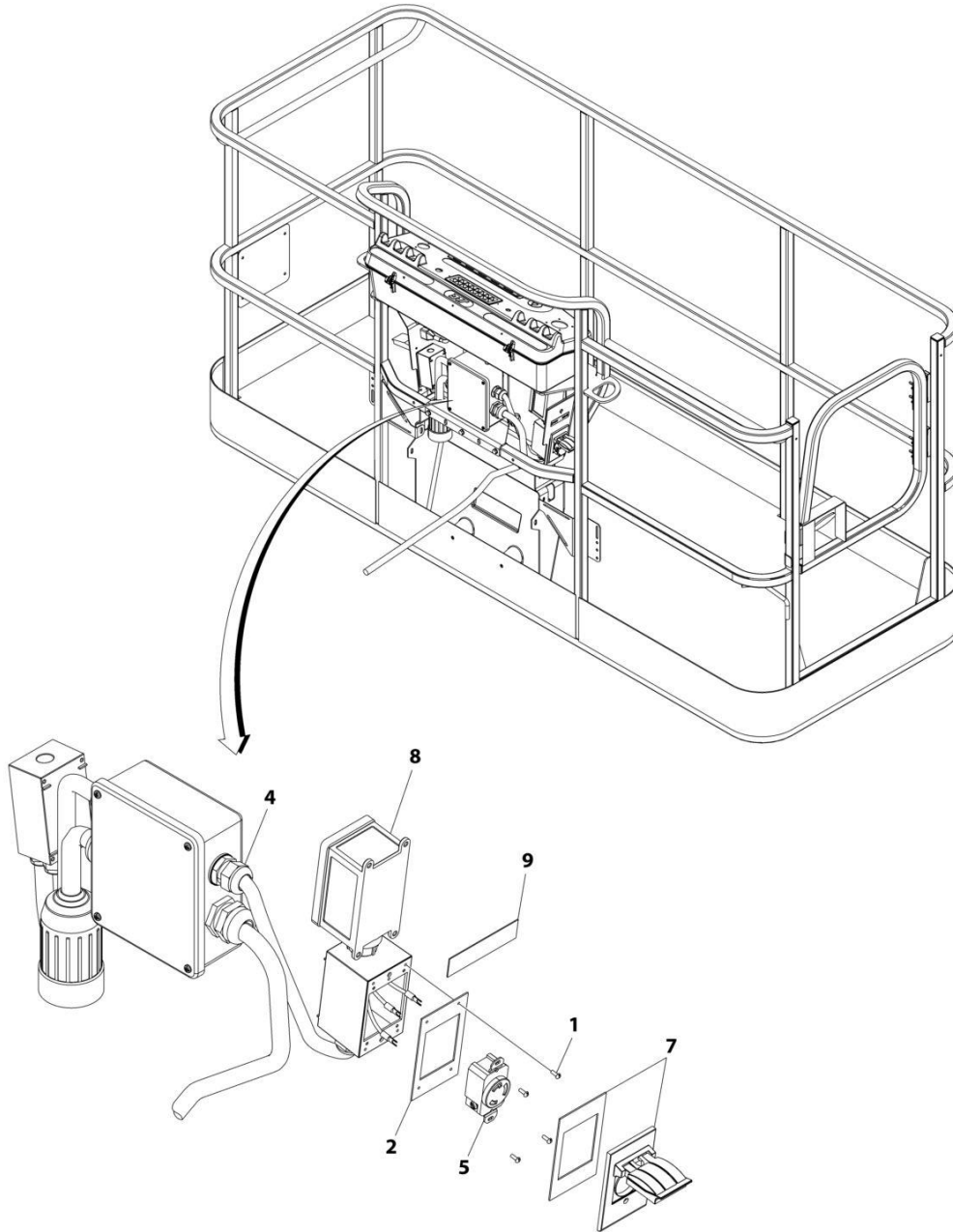
## SECTION 8 - ELECTRICAL

**FIGURE 8-13. AC BOX AT PLATFORM INSTALLATION - 240V (WITH 4000W GENERATOR) (ANSI, ANSI EXPORT, CSA AND JAPANESE SPECS)**

ITEM	PART NUMBER	QTY	DESCRIPTION	REV
	1001171131	Ref	AC BOX AT PLATFORM INSTALLATION - 240V RECEPTACLE	B
1	3910606	4	Screw 6 x 3/8	
2	3960422	1	Gasket	
3	4240018	AR	Tie-Strap (Not Shown)	
4	4460425	1	Connector, Strain Relief	
5	1001176862	1	Receptacle	
7	1001110872	1	Cover, Receptacle	
8	1001159120	1	Receptacle/Breaker Box Assembly	
8	1001148675	1	Box, Receptacle	
8	1001159118	1	Breaker GFCI 30Amp 240VAC	
8	4460612	1	Connector, Strain Relief	
8	1001159119	1	Connector (Between Boxes)	
9	1705374	1	Decal - 240V/60Hz	

## SECTION 8 - ELECTRICAL

FIGURE 8-14. AC BOX AT PLATFORM INSTALLATION - 240V (WITH 7500W SKYPOWER GENERATOR) (ANSI, ANSI EXPORT, CSA AND JAPANESE SPECS)



ART\_1001159121

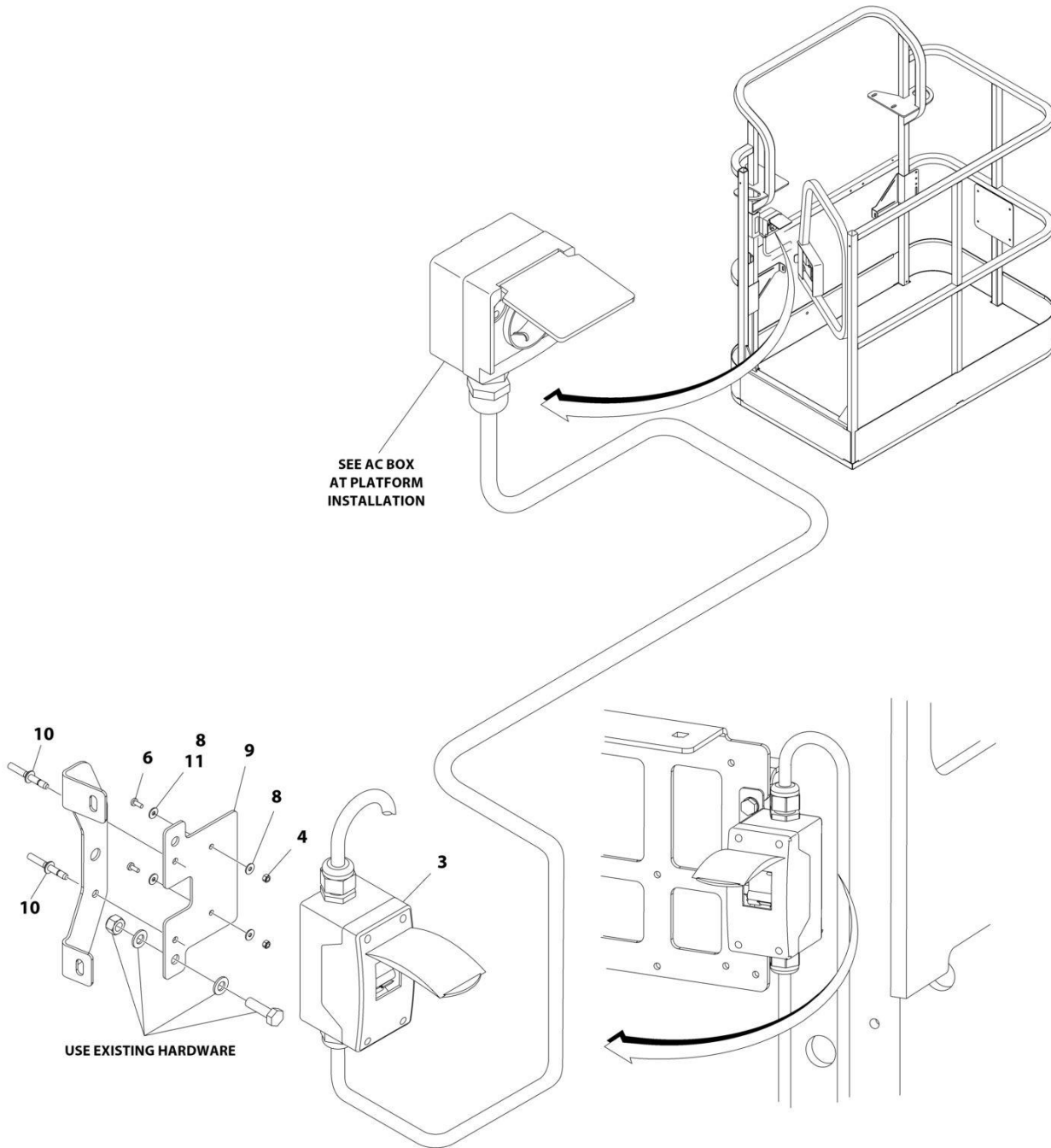
## SECTION 8 - ELECTRICAL

**FIGURE 8-14. AC BOX AT PLATFORM INSTALLATION - 240V (WITH 7500W SKYPOWER GENERATOR) (ANSI, ANSI EXPORT, CSA AND JAPANESE SPECS)**

ITEM	PART NUMBER	QTY	DESCRIPTION	REV
	1001159121	Ref	AC BOX AT PLATFORM INSTALLATION - 240V RECEPTACLE	B
1	3910606	4	Screw 6 x 3/8	
2	3960422	1	Gasket	
3	4240018	AR	Tie-Strap (Not Shown)	
4	4460425	1	Connector, Strain Relief	
5	4460958	1	Receptacle	
7	1001110872	1	Cover, Receptacle	
8	1001159120	1	Receptacle/Breaker Box Assembly	
8	1001148675	1	Box, Receptacle	
8	1001159118	1	Breaker Box Assembly	
8	4460612	1	Connector, Strain Relief	
8	1001159119	1	Connector (Between Boxes)	
9	1705374	1	Decal - 240V/60Hz	

# SECTION 8 - ELECTRICAL

## FIGURE 8-15. AC CABLE INSTALLATION - WITH TWO BREAKERS (CE, CIS/EAC & UK CA SPECS)



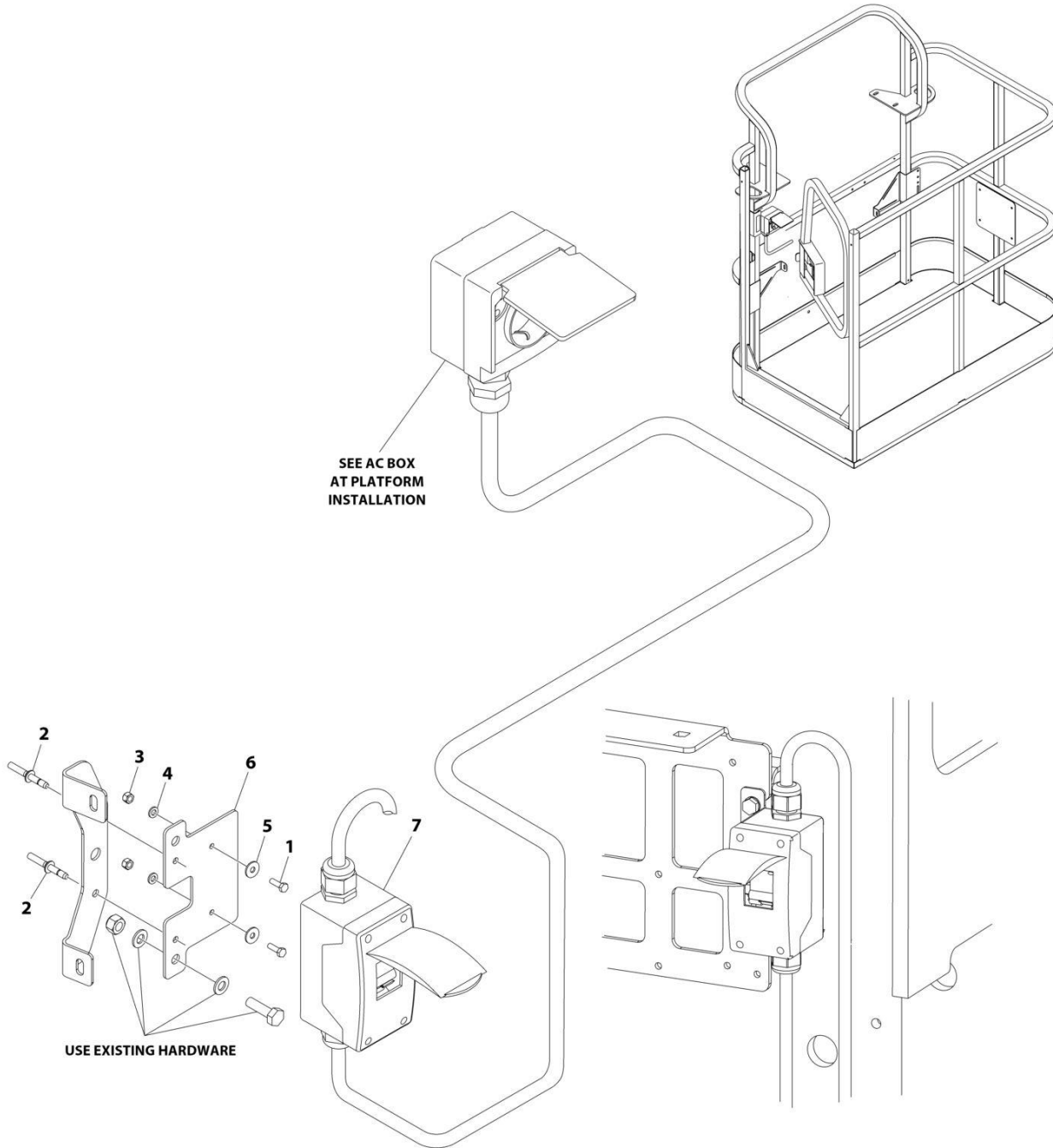
## SECTION 8 - ELECTRICAL

**FIGURE 8-15. AC CABLE INSTALLATION - WITH TWO BREAKERS (CE, CIS/EAC & UK CA SPECS)**

ITEM	PART NUMBER	QTY	DESCRIPTION	REV
	1001167312	Ref	AC CABLE INSTALLATION - WITH TWO BREAKERS	G
3	2902549	1	Breaker Box Kit - CE Spec (See Separate Breakdown in this Section)	
4	3290405	2	Nut M4	
4	3290605	2	Nut M6	
6	4010405	AR	Screw M4 x 10	
6	0760610	AR	Screw M6 x 20	
6	0760614	AR	Screw M6 x 30	
8	1001091102	2	Washer M4	
8	4811700	AR	Washer M6	
9	1001174158	1	Bracket	
10	2080040	2	Fastener, Huck	
11	4811702	2	Washer M6	

# SECTION 8 - ELECTRICAL

FIGURE 8-16. AC CABLE INSTALLATION - WITH TWO BREAKERS (MACHINES WITH SN STARTING WITH B3)



ART\_1001291599

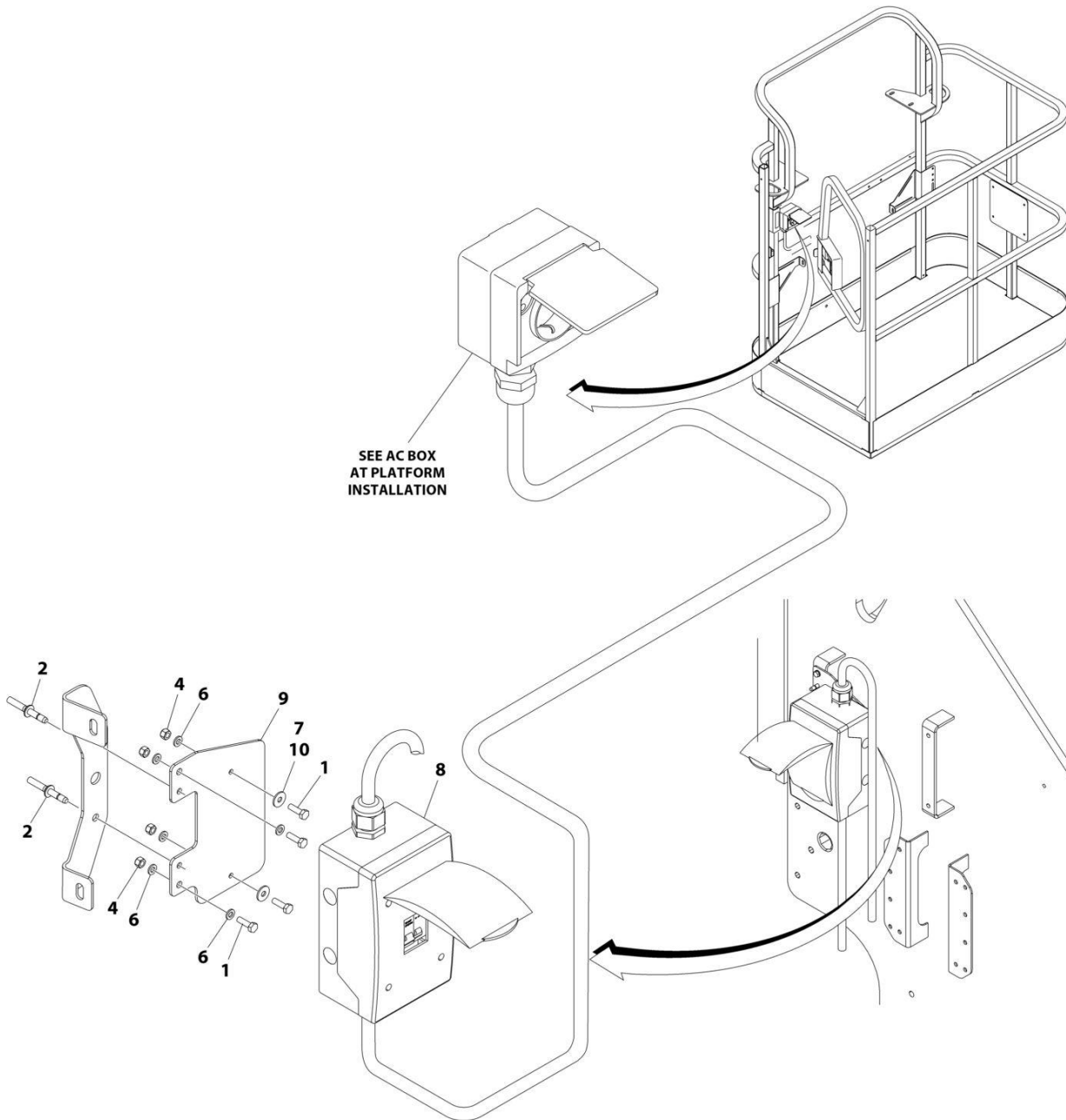
## SECTION 8 - ELECTRICAL

**FIGURE 8-16. AC CABLE INSTALLATION - WITH TWO BREAKERS (MACHINES WITH SN STARTING WITH B3)**

ITEM	PART NUMBER	QTY	DESCRIPTION	REV
	1001291599	Ref	AC CABLE INSTALLATION - WITH TWO BREAKERS	A
1	0760610	2	Screw M6 x 20	
2	2080040	2	Fastener, Huck	
3	3290605	2	Nut M6	
4	4811700	2	Washer M6	
5	4811702	2	Washer M6	
6	1001174158	1	Bracket	
7	1001289592	1	Breaker Box Kit - CE Spec (See Separate Breakdown in this Section)	

# SECTION 8 - ELECTRICAL

FIGURE 8-17. AC CABLE INSTALLATION - WITH THREE BREAKERS (CE, CIS/EAC & UK CA SPECS)



ART\_1001209677



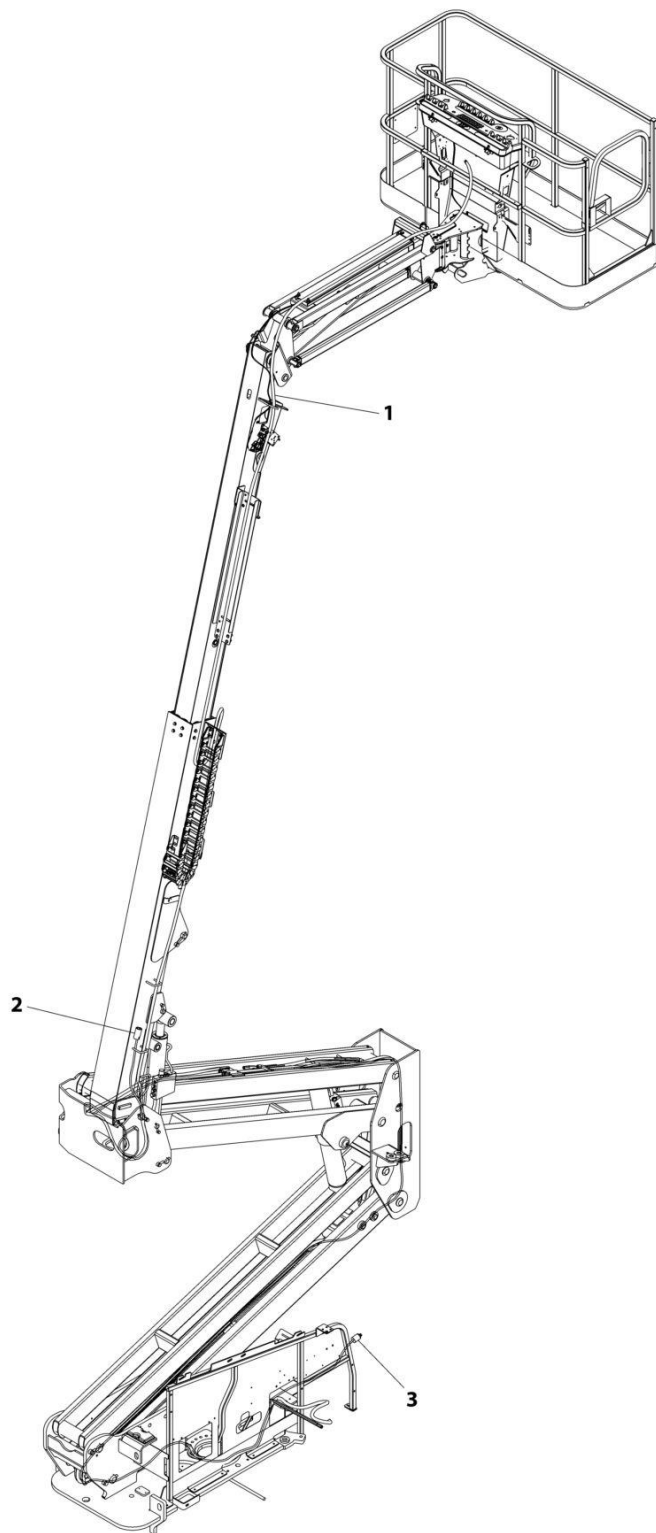
## SECTION 8 - ELECTRICAL

**FIGURE 8-17. AC CABLE INSTALLATION - WITH THREE BREAKERS (CE, CIS/EAC & UK CA SPECS)**

ITEM	PART NUMBER	QTY	DESCRIPTION	REV
	1001209677	Ref	AC CABLE INSTALLATION - WITH THREE BREAKERS	B
1	0760610	AR	Bolt M6 x 20	
1	4010405	AR	Bolt M4 x 10	
2	2080040	AR	Fastener, Huck	
4	3290605	AR	Nut M6	
6	4811700	4	Washer M6	
7	1001091102	AR	Washer M4	
8	1001152485	1	Breaker Box Kit (See Separate Breakdown in this Section)	
9	1001209832	1	Bracket	
10	4811702	AR	Washer M6	

## SECTION 8 - ELECTRICAL

FIGURE 8-18. AC CABLE AND PLUG INSTALLATION (MACHINES WITH SN STARTING WITH B3)



ART\_1001265275

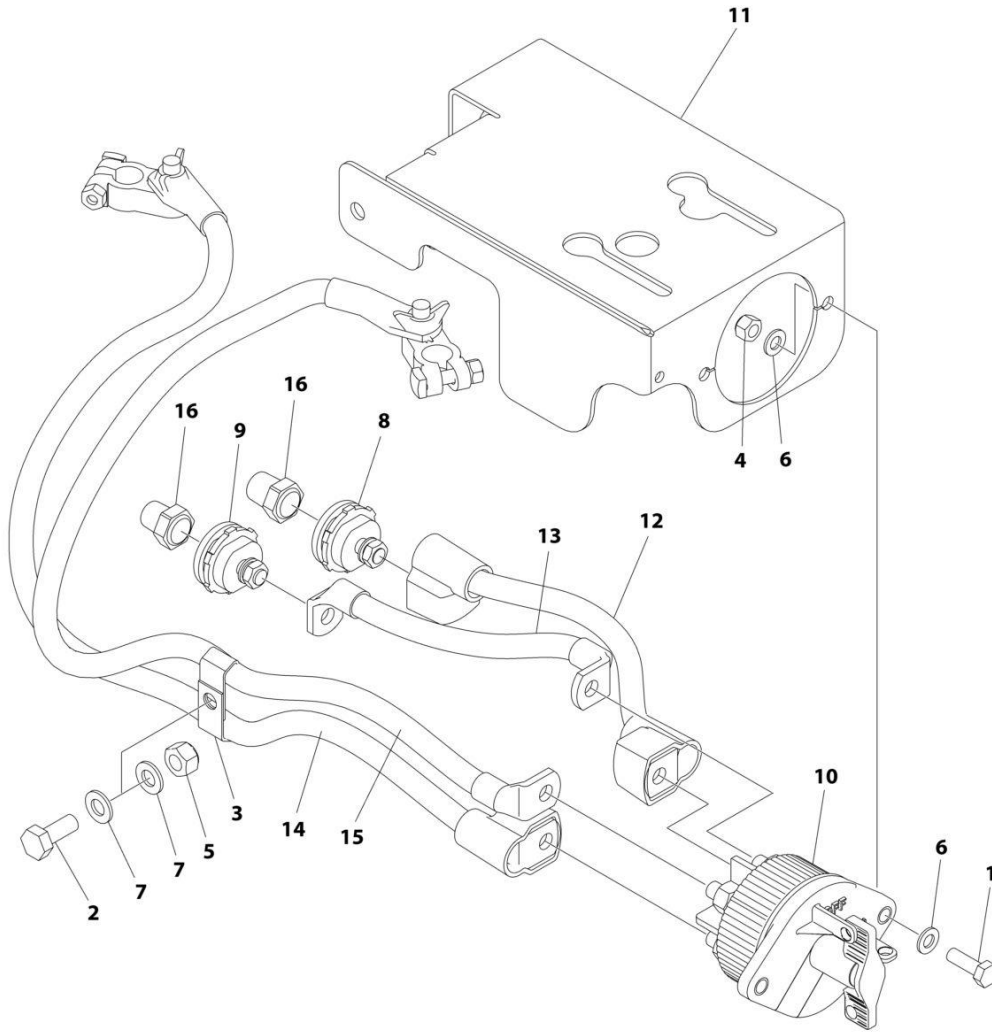
## SECTION 8 - ELECTRICAL

**FIGURE 8-18. AC CABLE AND PLUG INSTALLATION (MACHINES WITH SN STARTING WITH B3)**

ITEM	PART NUMBER	QTY	DESCRIPTION	REV
1	1001265275	Ref	AC CABLE AND PLUG INSTALLATION	A
	1001164731	1	Harness, Main Boom AC Cable (See Separate Breakdown in this Section)	
2	1001174749	1	Harness, Tower Boom AC Cable (See Separate Breakdown in this Section)	
3	1001187816	1	Plug, Male	

# SECTION 8 - ELECTRICAL

## FIGURE 8-19. BATTERY DISCONNECT SWITCH



ART\_1001214397

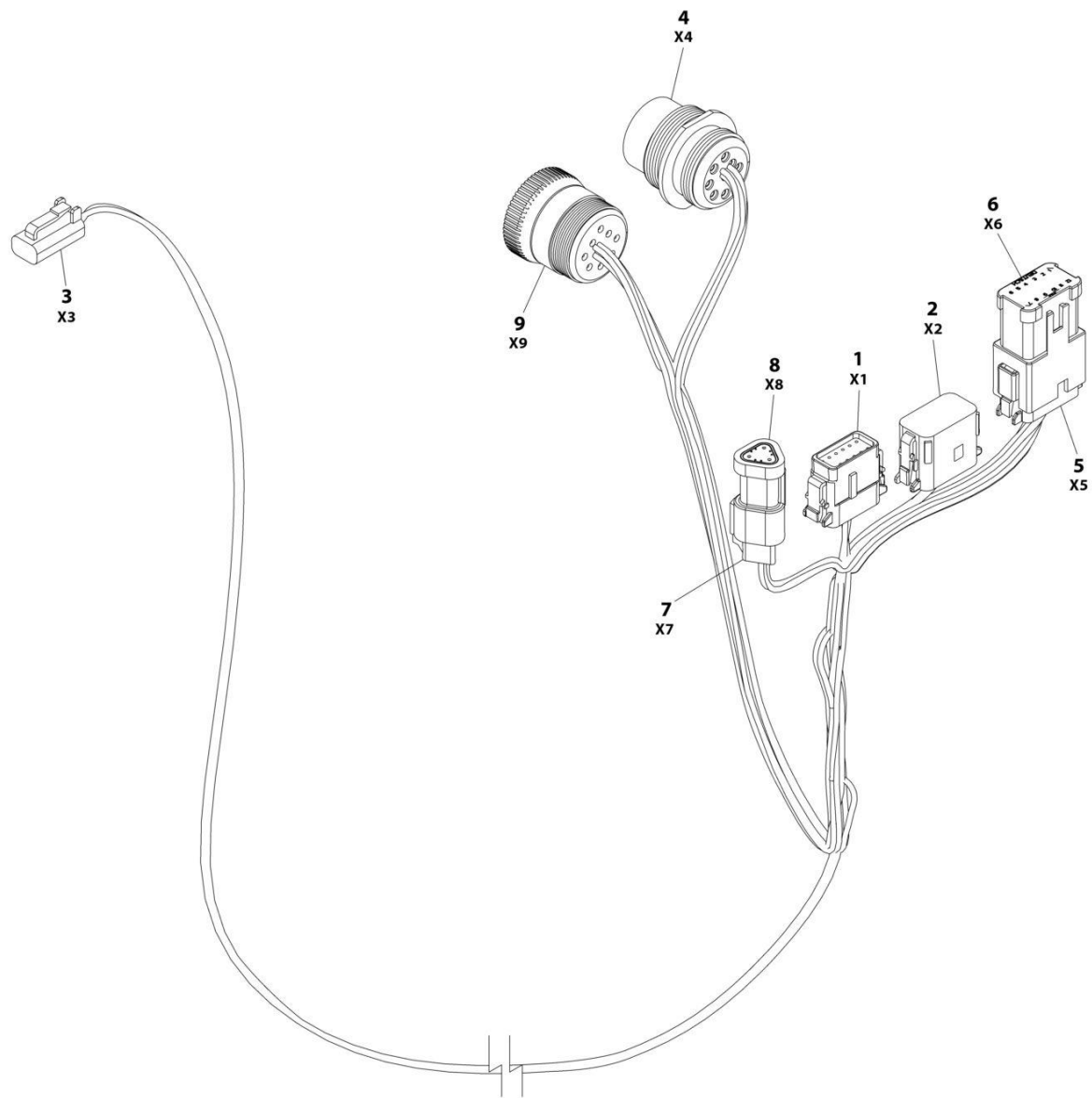
## SECTION 8 - ELECTRICAL

**FIGURE 8-19. BATTERY DISCONNECT SWITCH**

ITEM	PART NUMBER	QTY	DESCRIPTION	REV
	1001214397	Ref	BATTERY DISCONNECT SWITCH	A
1	0760812	2	Bolt M8 x 25	
2	0761012	1	Bolt M10 x 25	
3	1320223	2	Clamp	
4	3290805	2	Nut M8	
5	3291005	1	Nut M10	
6	4811900	4	Washer M8	
7	4812000	2	Washer M10	
8	1001214570	1	Connector (Red)	
9	1001214571	1	Connector (Black)	
10	1001225346	1	Switch	
11	1001226530	1	Mount	
12	1001237878	1	Cable, Battery Disconnect (Positive)	
13	1001237879	1	Cable, Battery Disconnect (Negative)	
14	1001237880	1	Cable (Positive)	
15	1001237881	1	Cable (Negative)	
16	1001206476	1	Connector	

# SECTION 8 - ELECTRICAL

## FIGURE 8-20. BEACON LIGHT HARNESS (BLUE AND RED BEACON LIGHT)



ART\_1001142736

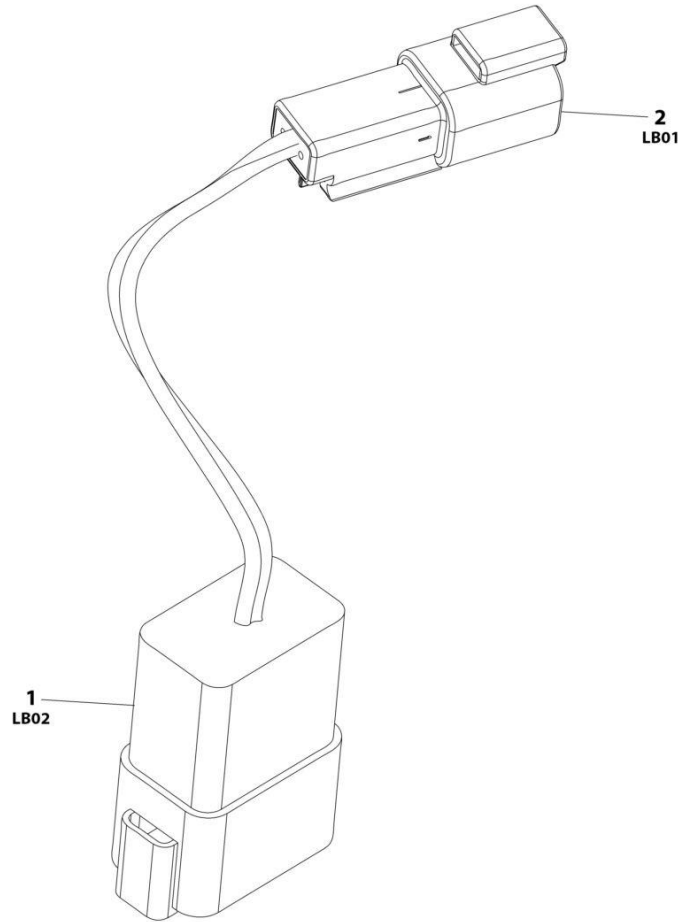
## SECTION 8 - ELECTRICAL

**FIGURE 8-20. BEACON LIGHT HARNESS (BLUE AND RED BEACON LIGHT)**

ITEM	PART NUMBER	QTY	DESCRIPTION	REV
	1001142736	Ref	STROBE LIGHT HARNESS	F
1	1001116808	1	Plug, Male - 12 Position	
1	4460928	3	Socket, Female	
1	4460518	9	Plug, Terminal	
2	1001116774	1	Plug, Male - 12 Position	
2	4460928	3	Socket, Female	
2	4460518	9	Plug, Terminal	
3	4460891	1	Plug, Male - 2 Position	
3	4460465	2	Socket, Female	
4	1001112612	1	Connector - 9 Position	
4	4460464	6	Pin, Male	
4	4460466	3	Plug, Terminal	
5	4460933	1	Plug, Male - 12 Position	
5	4460465	12	Socket, Female	
6	1001119020	1	Bussbar - 12 Position	
7	4461095	1	Plug, Male - 3 Position	
7	4460465	3	Socket, Female	
8	4461070	1	Bussbar - 3 Position	
9	1001112796	1	Connector - 9 Position	
9	4460465	6	Socket, Female	
9	4460466	3	Plug, Terminal	

# SECTION 8 - ELECTRICAL

## FIGURE 8-21. BEACON JUMPER HARNESS (AMBER LIGHT)



ART\_1001283776



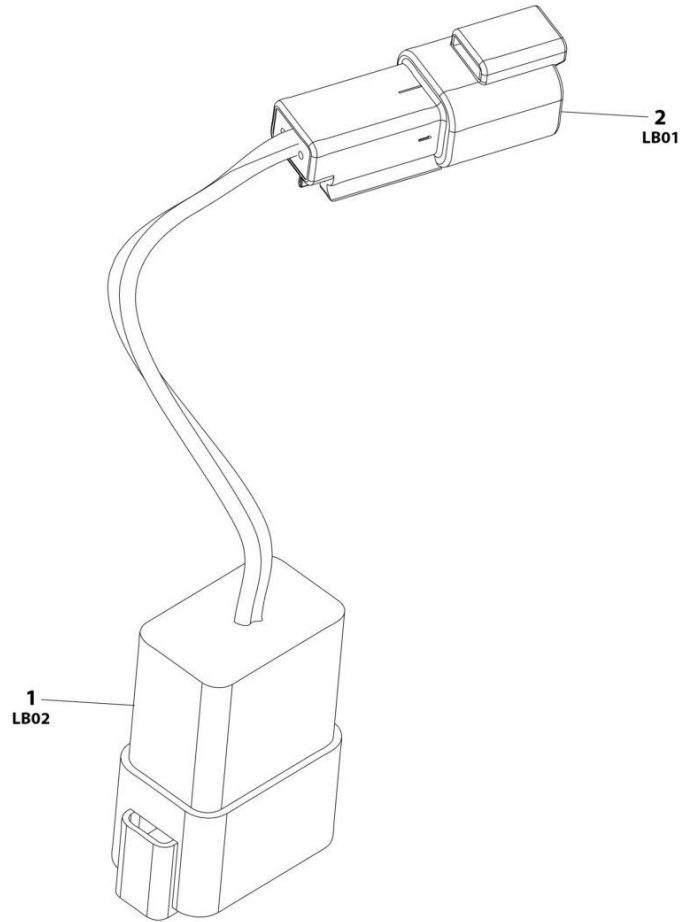
## SECTION 8 - ELECTRICAL

### FIGURE 8-21. BEACON JUMPER HARNESS (AMBER LIGHT)

ITEM	PART NUMBER	QTY	DESCRIPTION	REV
	1001283776	Ref	STROBE LIGHT HARNESS (AMBER)	A
1	4460931	1	Connector	
1	4460464	2	Pin	
1	4460466	6	Plug	
2	4460897	1	Connector	
2	4460464	2	Pin	

# SECTION 8 - ELECTRICAL

## FIGURE 8-22. BEACON JUMPER HARNESS (ORANGE LIGHT)



ART\_1001283776

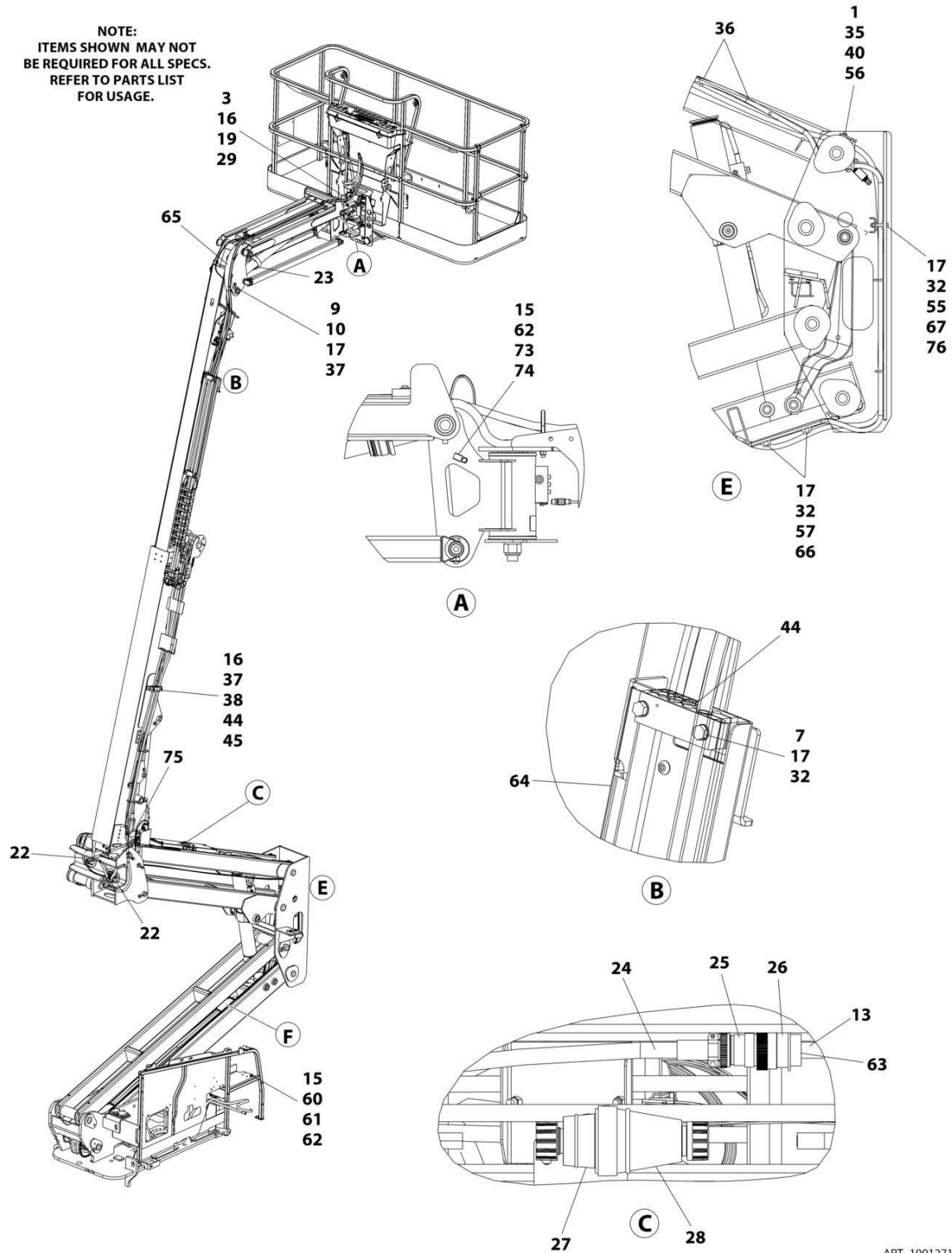
## SECTION 8 - ELECTRICAL

### FIGURE 8-22. BEACON JUMPER HARNESS (ORANGE LIGHT)

ITEM	PART NUMBER	QTY	DESCRIPTION	REV
	1001283776	Ref	STROBE LIGHT HARNESS (AMBER)	A
1	4460931	1	Connector	
1	4460464	2	Pin	
1	4460466	6	Plug	
2	4460897	1	Connector	
2	4460464	2	Pin	

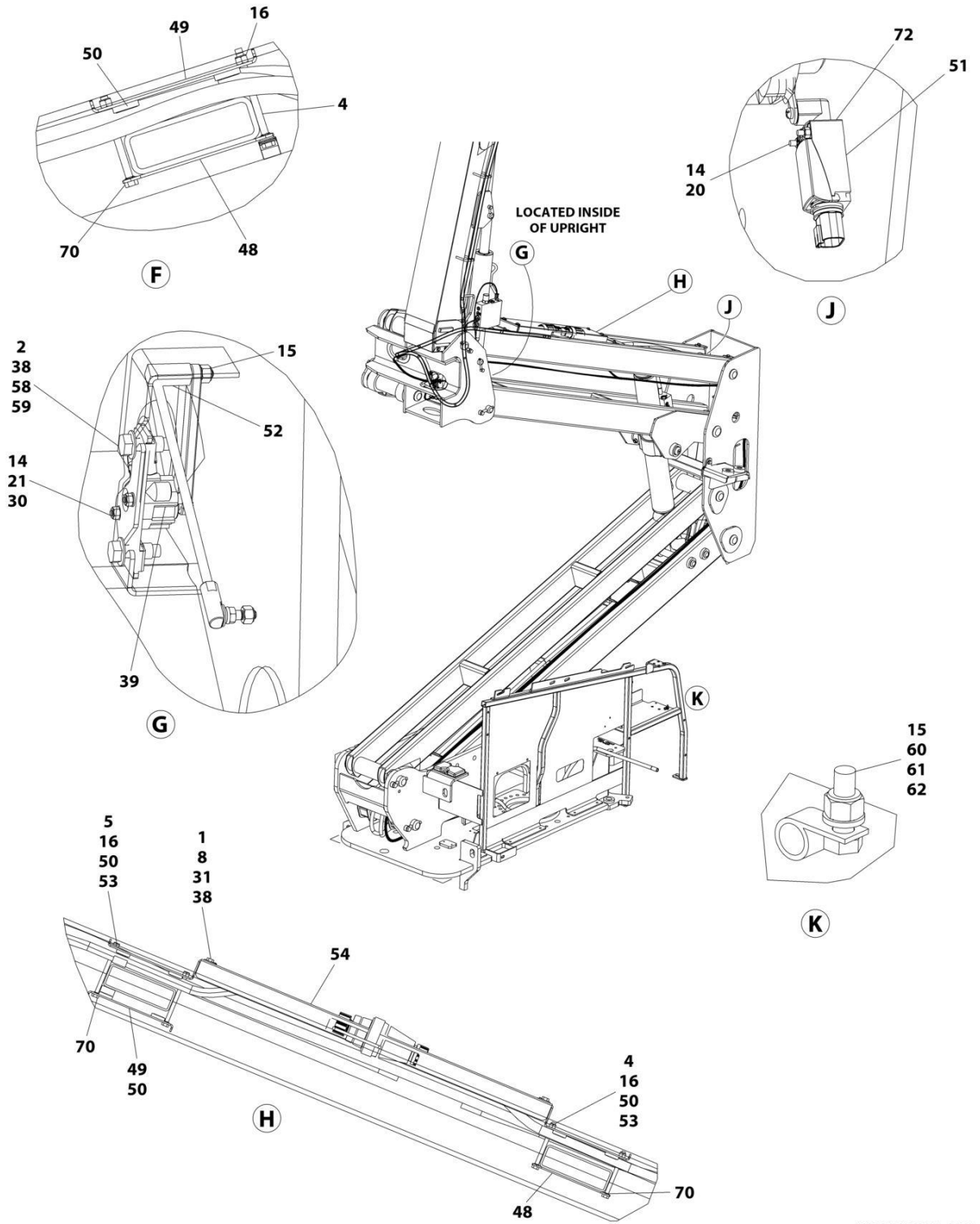
# SECTION 8 - ELECTRICAL

## FIGURE 8-23. BOOM CABLES AND CLAMPS INSTALLATION (MACHINES WITHOUT GENERATOR & WITHOUT AC CABLES)



ART\_1001271182\_10F2

# SECTION 8 - ELECTRICAL



ART\_1001271182\_2OF2

## SECTION 8 - ELECTRICAL

**FIGURE 8-23. BOOM CABLES AND CLAMPS INSTALLATION (MACHINES WITHOUT GENERATOR & WITHOUT AC CABLES)**

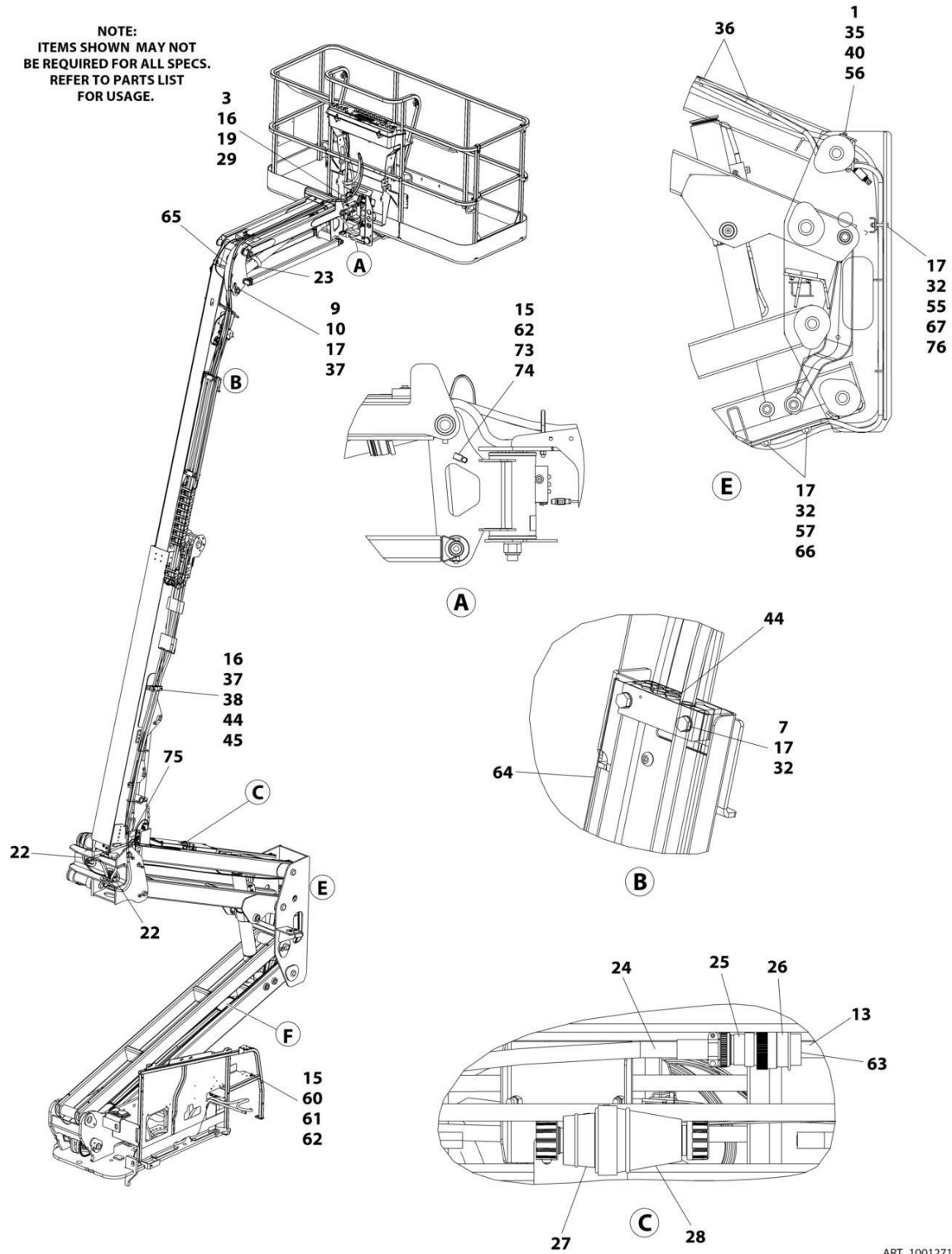
ITEM	PART NUMBER	QTY	DESCRIPTION	REV
	1001271182	Ref	BOOM CABLES AND CLAMPS INSTALLATION	G
1	0100011	AR	Compound, Locking	
2	0100081	AR	Adhesive	
3	0760814	2	Bolt M8 x 30	
4	0700827	6	Bolt M8 x 100	
5	0700828	2	Bolt M8 x 110	
7	0701024	4	Bolt M10 x 80	
8	0760812	4	Bolt M8 x 25	
9	0761012	1	Bolt M10 x 25	
10	1320130	1	Clamp	
13	2820031	AR	Heat Shrink	
14	3290405	4	Nut M4	
15	3290605	5	Nut M6	
16	3290805	12	Nut M8	
17	3291005	9	Nut M10	
19	3841340	1	Loop, Hose	
20	4010418	2	Screw M4 x 50	
21	4031511	2	Capscrew M4 x 35	
22	4060808	27.5 in/ 8.38m	Flex-Trim	
23	4240156	1	Strap, Clinch	
24	4460473	AR	Clamp, Cable	
25	4460865	1	Connector - 19 Position	
26	4460866	1	Connector - 19 Position	
29	4811900	4	Washer M8	
30	4811400	2	Washer M4	
31	4811902	4	Washer M8	
32	4812000	13	Washer M10	
33	1001176951	1	Harness, Tower Boom (Not Shown - See Separate Breakdown in this Section)	
35	5251014	2	Bolt M10 x 30	
36	8881800	AR	Tie-Strap	
37	5281918	2	Screw M8 x 70	
38	1001118274	AR	Nut M8	
39	1001118971	1	Sensor, Angle	
39	70005667	1	Arm	
40	1001118972	2	Nut M10	
41	1001164730	1	Harness, Main Boom (Not Shown - See Separate Breakdown in this Section)	
43	1001164738	1	Harness, Boom Valve (Not Shown - See Separate Breakdown in this Section)	
44	1001273302	3	Block, Clamping	
45	1001273303	1	Plate	
48	1001171553	3	Plate, Clamping	
49	1001171555	3	Plate, Clamping	
50	1001171559	10	Pad	
51	1001284504	1	Switch, Limit	
52	1001238466	1	Link, Sensor (Note: Sold as Assembly Only)	
53	1001178448	2	Plate, Clamping	
54	1001178449	1	Cover	

## SECTION 8 - ELECTRICAL

ITEM	PART NUMBER	QTY	DESCRIPTION	REV
55	1001178644	1	Plate	
56	1001260306	1	Bracket	
57	1001182561	2	Roller	
58	5250812	2	Bolt M8 x 25	
59	1001179266	1	Plate, Mounting	
60	0760610	1	Bolt M6 x 20	
61	1320043	1	Clamp	
62	4811700	5	Washer M6	
63	4460466	AR	Plug, Terminal	
64	1001181621	1	Cover	
65	1001181923	1	Shield, Hose	
66	1001119280	2	Bolt M10 x 260	
67	1001185747	2	Pad	
70	1001119228	8	Nut M8	
72	4750800	AR	Washer #8	
73	1320041	2	Clamp	
74	0760612	2	Bolt M6 x 25	
75	1001143645	1	Strap	
76	0701022	AR	Bolt M10 x 70	

# SECTION 8 - ELECTRICAL

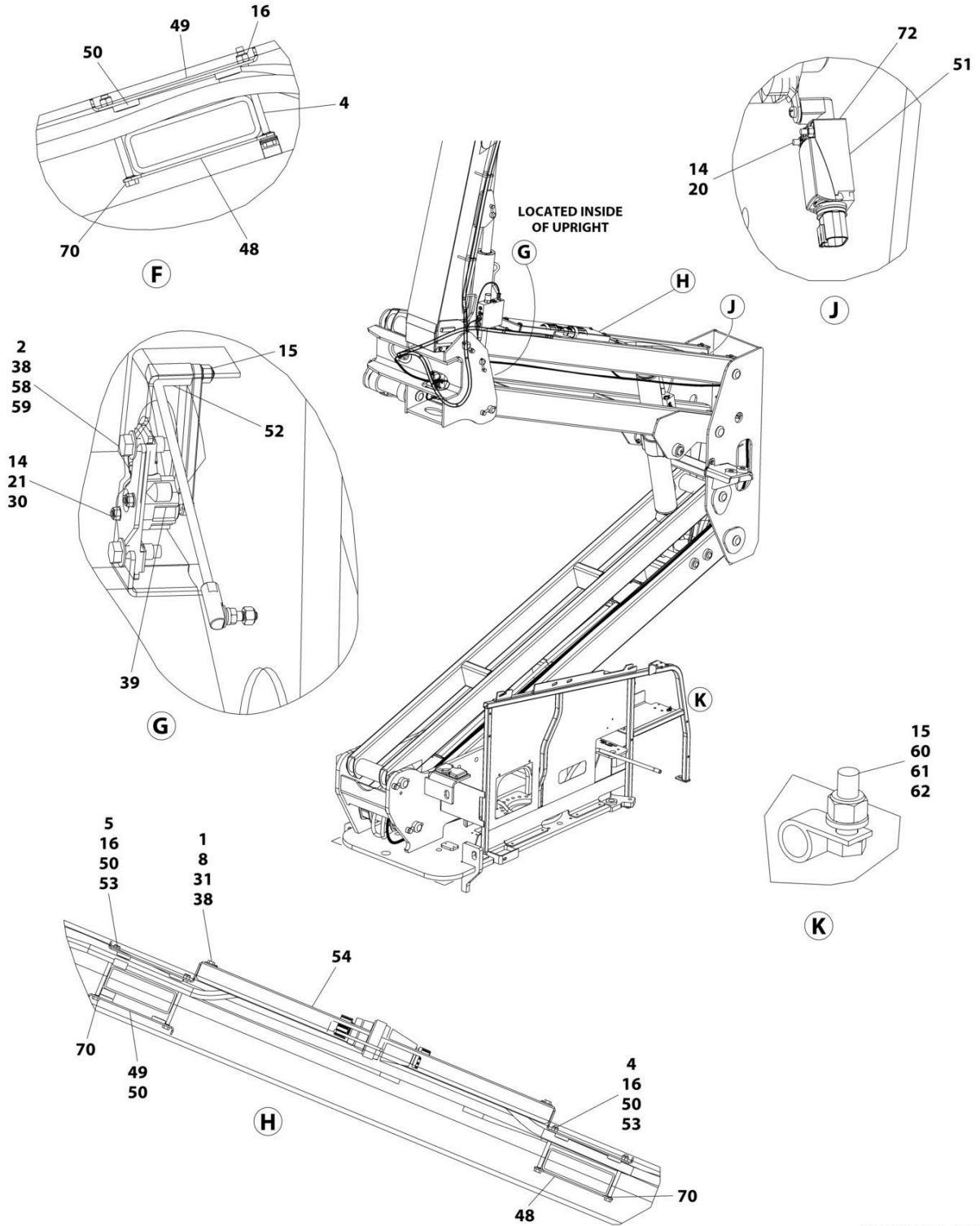
## FIGURE 8-24. BOOM CABLES AND CLAMPS INSTALLATION (MACHINES WITHOUT GENERATOR & WITH AC CABLES)



ART\_1001271175\_10F2



# SECTION 8 - ELECTRICAL



ART\_1001271175\_2OF2

## SECTION 8 - ELECTRICAL

**FIGURE 8-24. BOOM CABLES AND CLAMPS INSTALLATION (MACHINES WITHOUT GENERATOR & WITH AC CABLES)**

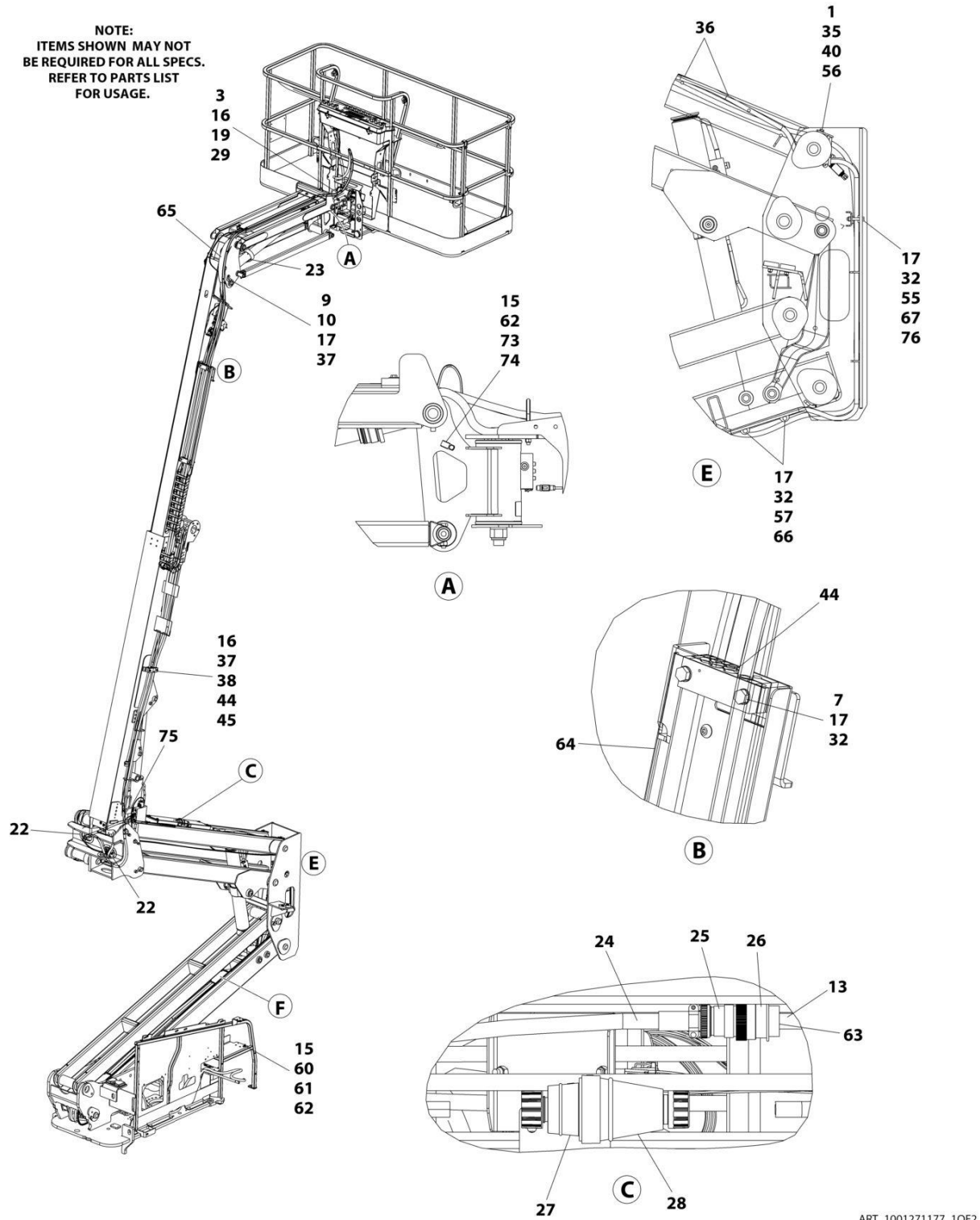
ITEM	PART NUMBER	QTY	DESCRIPTION	REV
	1001271175	Ref	BOOM CABLES AND CLAMPS INSTALLATION	G
1	0100011	AR	Compound, Locking	
2	0100081	AR	Adhesive	
3	0760814	2	Bolt M8 x 30	
4	0700827	6	Bolt M8 x 100	
5	0700828	2	Bolt M8 x 110	
7	0701024	4	Bolt M10 x 80	
8	0760812	4	Bolt M8 x 25	
9	0761012	1	Bolt M10 x 25	
10	1320130	1	Clamp	
13	2820031	AR	Heat Shrink	
14	3290405	4	Nut M4	
15	3290605	5	Nut M6	
16	3290805	12	Nut M8	
17	3291005	9	Nut M10	
19	3841340	1	Loop, Hose	
20	4010418	2	Screw M4 x 50	
21	4031511	2	Capscrew M4 x 35	
22	4060808	27.5 in/ 8.38m	Flex-Trim	
23	4240156	1	Strap, Clinch	
24	4460473	AR	Clamp, Cable	
25	4460865	1	Connector - 19 Position	
26	4460866	1	Connector - 19 Position	
29	4811900	4	Washer M8	
30	4811400	2	Washer M4	
31	4811902	4	Washer M8	
32	4812000	13	Washer M10	
33	1001176951	1	Harness, Tower Boom (Not Shown - See Separate Breakdown in this Section)	
34	1001174749	1	Harness, Tower Boom AC Cable (Not Shown - See Separate Breakdown in this Section)	
35	5251014	2	Bolt M10 x 30	
36	8881800	AR	Tie-Strap	
37	5281918	2	Bolt M8 x 70	
38	1001118274	AR	Nut M8	
39	1001118971	1	Sensor, Angle	
39	70005667	1	Arm	
40	1001118972	2	Nut M10	
41	1001164730	1	Harness, Main Boom (Not Shown - See Separate Breakdown in this Section)	
42	1001164731	1	Harness, Main Boom AC Cable (Not Shown - See Separate Breakdown in this Section)	
43	1001164738	1	Harness, Boom Valve (Not Shown - See Separate Breakdown in this Section)	
44	1001273302	3	Clamp	
45	1001273303	1	Plate	
48	1001171553	3	Plate, Clamping	
49	1001171555	3	Plate, Clamping	
50	1001171559	10	Pad	

## SECTION 8 - ELECTRICAL

ITEM	PART NUMBER	QTY	DESCRIPTION	REV
51	1001284504	1	Switch, Limit	
52	1001238466	1	Link, Sensor (Note: Sold as Assembly Only)	
53	1001178448	2	Plate, Clamping	
54	1001178449	1	Cover	
55	1001178644	1	Plate	
56	1001260306	1	Bracket	
57	1001182561	2	Roller	
58	5250812	2	Bolt M8 x 25	
59	1001179266	1	Plate, Mounting	
60	0760610	1	Bolt M6 x 20	
61	1320043	1	Clamp	
62	4811700	5	Washer M6	
63	4460466	AR	Plug, Terminal	
64	1001181621	1	Cover	
65	1001181923	1	Shield, Hose	
66	1001119280	2	Bolt M10 x 260	
67	1001185747	2	Pad	
70	1001119228	8	Nut M8	
72	4750800	AR	Washer #8	
73	1320041	2	Clamp	
74	0760612	2	Bolt M6 x 25	
75	1001143645	1	Strap	
76	0701022	AR	Bolt M10 x 70	

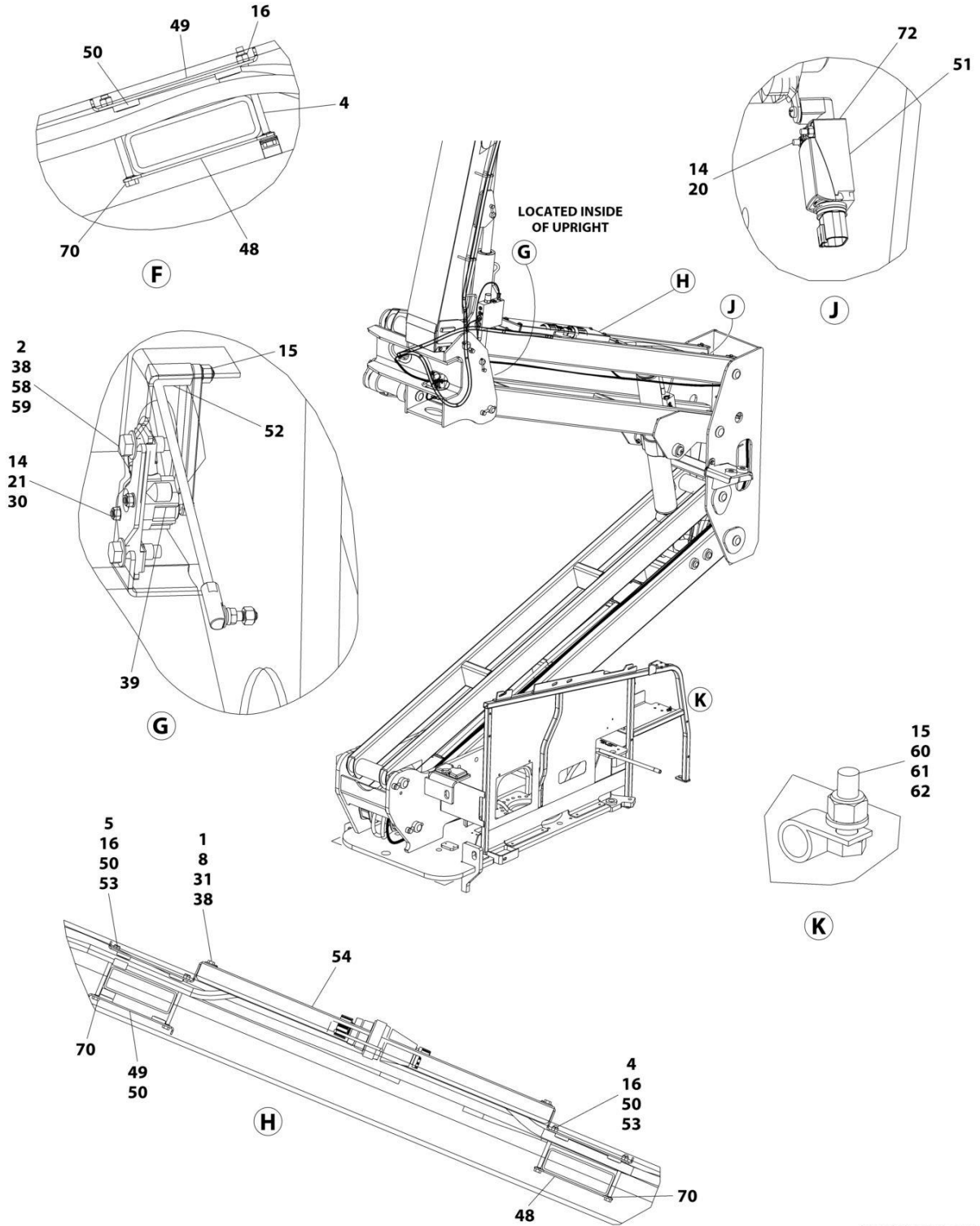
# SECTION 8 - ELECTRICAL

## FIGURE 8-25. BOOM CABLES AND CLAMPS INSTALLATION (MACHINES WITHOUT GENERATOR AND WITH ARCTIC PACKAGE)



ART\_1001271177\_10F2

# SECTION 8 - ELECTRICAL



ART\_1001271177\_2OF2

## SECTION 8 - ELECTRICAL

**FIGURE 8-25. BOOM CABLES AND CLAMPS INSTALLATION (MACHINES WITHOUT GENERATOR AND WITH ARCTIC PACKAGE)**

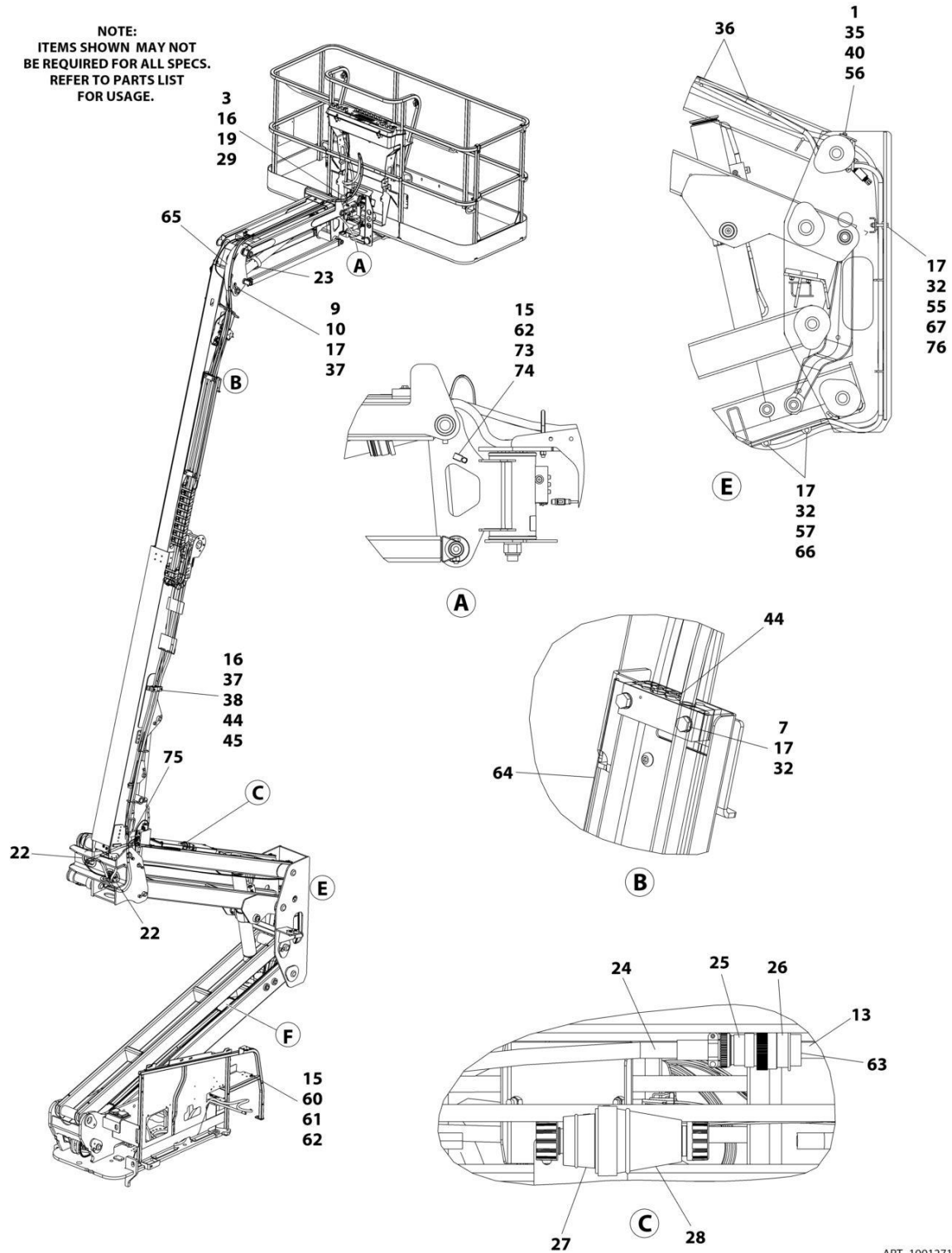
ITEM	PART NUMBER	QTY	DESCRIPTION	REV
	1001271177	Ref	BOOM CABLES AND CLAMPS INSTALLATION	G
1	0100011	AR	Compound, Locking	
2	0100081	AR	Adhesive	
3	0760814	2	Bolt M8 x 30	
4	0700827	6	Bolt M8 x 100	
5	0700828	2	Bolt M8 x 110	
7	0701024	4	Bolt M10 x 80	
8	0760812	4	Bolt M8 x 25	
9	0761012	1	Bolt M10 x 25	
10	1320130	1	Clamp	
13	2820031	AR	Heat Shrink	
14	3290405	4	Nut M4	
15	3290605	5	Nut M6	
16	3290805	12	Nut M8	
17	3291005	9	Nut M10	
19	3841340	1	Loop, Hose	
20	4010418	2	Screw M4 x 50	
21	4031511	2	Capscrew M4 x 35	
22	4060808	27.5 in/ 8.38m	Flex-Trim	
23	4240156	1	Strap, Clinch	
24	4460473	AR	Clamp, Cable	
25	4460865	1	Connector - 19 Position	
26	4460866	1	Connector - 19 Position	
29	4811900	4	Washer M8	
30	4811400	2	Washer M4	
31	4811902	4	Washer M8	
32	4812000	13	Washer M10	
33	1001179439	1	Harness, Tower Boom (Not Shown - See Separate Breakdown in this Section)	
34	1001174754	1	Harness, Tower Boom AC Cable (Not Shown - See Separate Breakdown in this Section)	
35	5251014	2	Bolt M10 x 30	
36	8881800	AR	Tie-Strap	
37	5281918	2	Screw M8 x 70	
38	1001118274	AR	Nut M8	
39	1001118971	1	Sensor, Angle	
40	1001118972	2	Nut M10	
41	1001174748	1	Harness, Main Boom (Not Shown - See Separate Breakdown in this Section)	
42	1001174750	1	Harness, Main Boom AC Cable (Not Shown - See Separate Breakdown in this Section)	
43	1001164738	1	Harness, Boom Valve (Not Shown - See Separate Breakdown in this Section)	
44	1001273304	3	Clamp	
45	1001273303	1	Plate	
48	1001171553	3	Plate, Clamping	
49	1001171555	3	Plate, Clamping	
50	1001171559	10	Pad	
51	1001172271	1	Switch, Limit	

## SECTION 8 - ELECTRICAL

ITEM	PART NUMBER	QTY	DESCRIPTION	REV
51	1001284504	1	Switch, Limit	
52	1001238466	1	Link, Sensor (Note: Sold as Assembly Only)	
53	1001178448	2	Plate, Clamping	
54	1001178449	1	Cover	
55	1001178644	1	Plate	
56	1001260306	1	Bracket	
57	1001182561	2	Roller	
58	5250812	2	Bolt M8 x 25	
59	1001179266	1	Plate, Mounting	
60	0760610	1	Bolt M6 x 20	
61	1320043	1	Clamp	
62	4811700	5	Washer M6	
63	4460466	AR	Plug, Terminal	
64	1001181621	1	Cover	
65	1001181923	1	Shield, Hose	
66	1001119280	2	Bolt M10 x 260	
67	1001185747	2	Pad	
70	1001119228	8	Nut M8	
73	1320041	2	Clamp	
74	0760612	2	Bolt M6 x 25	
75	1001143645	1	Strap	
76	0701022	AR	Bolt M10 x 70	

# SECTION 8 - ELECTRICAL

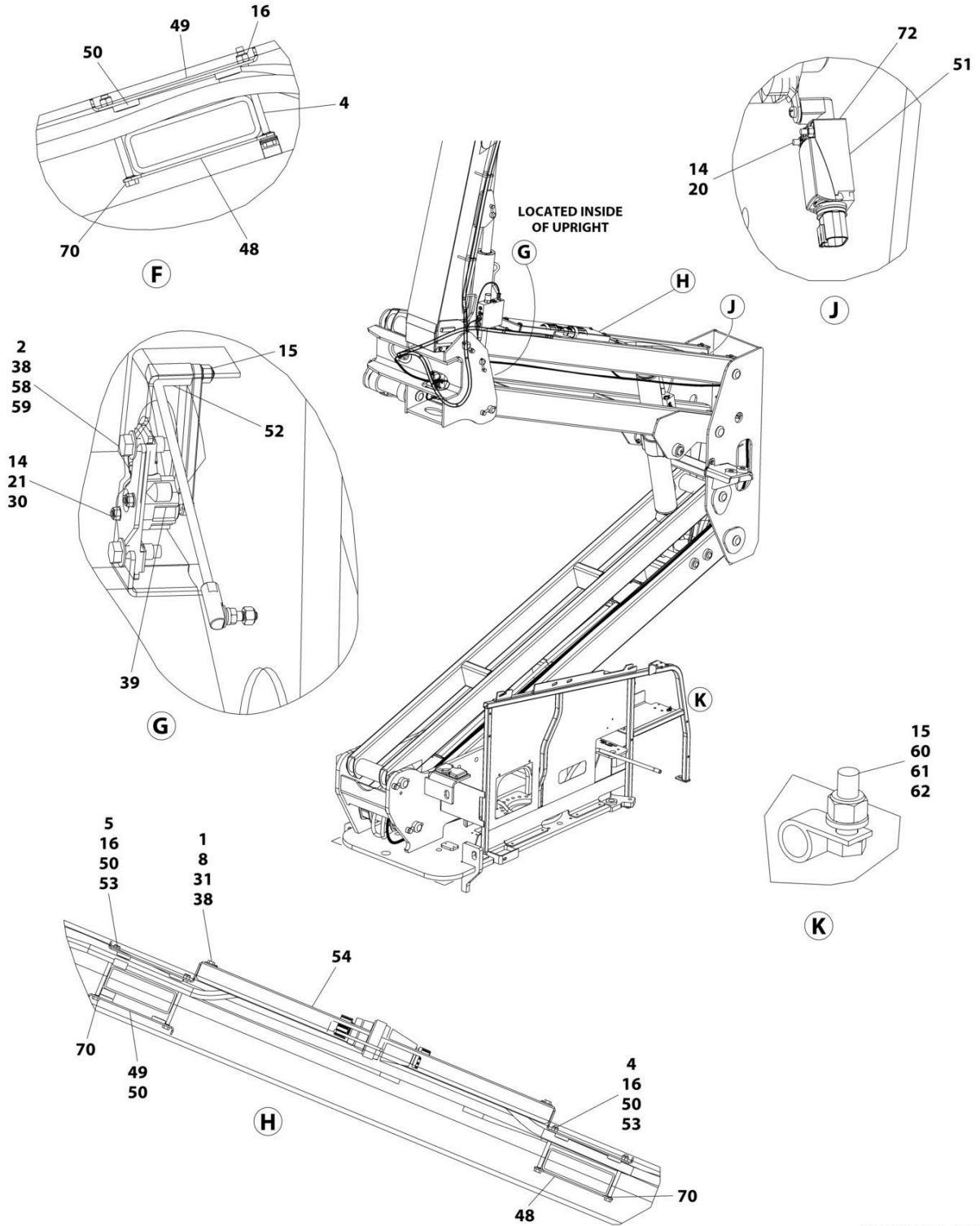
## FIGURE 8-26. BOOM CABLES AND CLAMPS INSTALLATION (MACHINES WITH 50HZ 4000W GENERATOR)



ART\_1001271175\_10F2



# SECTION 8 - ELECTRICAL



ART\_1001271175\_2OF2

## SECTION 8 - ELECTRICAL

**FIGURE 8-26. BOOM CABLES AND CLAMPS INSTALLATION (MACHINES WITH 50HZ 4000W GENERATOR)**

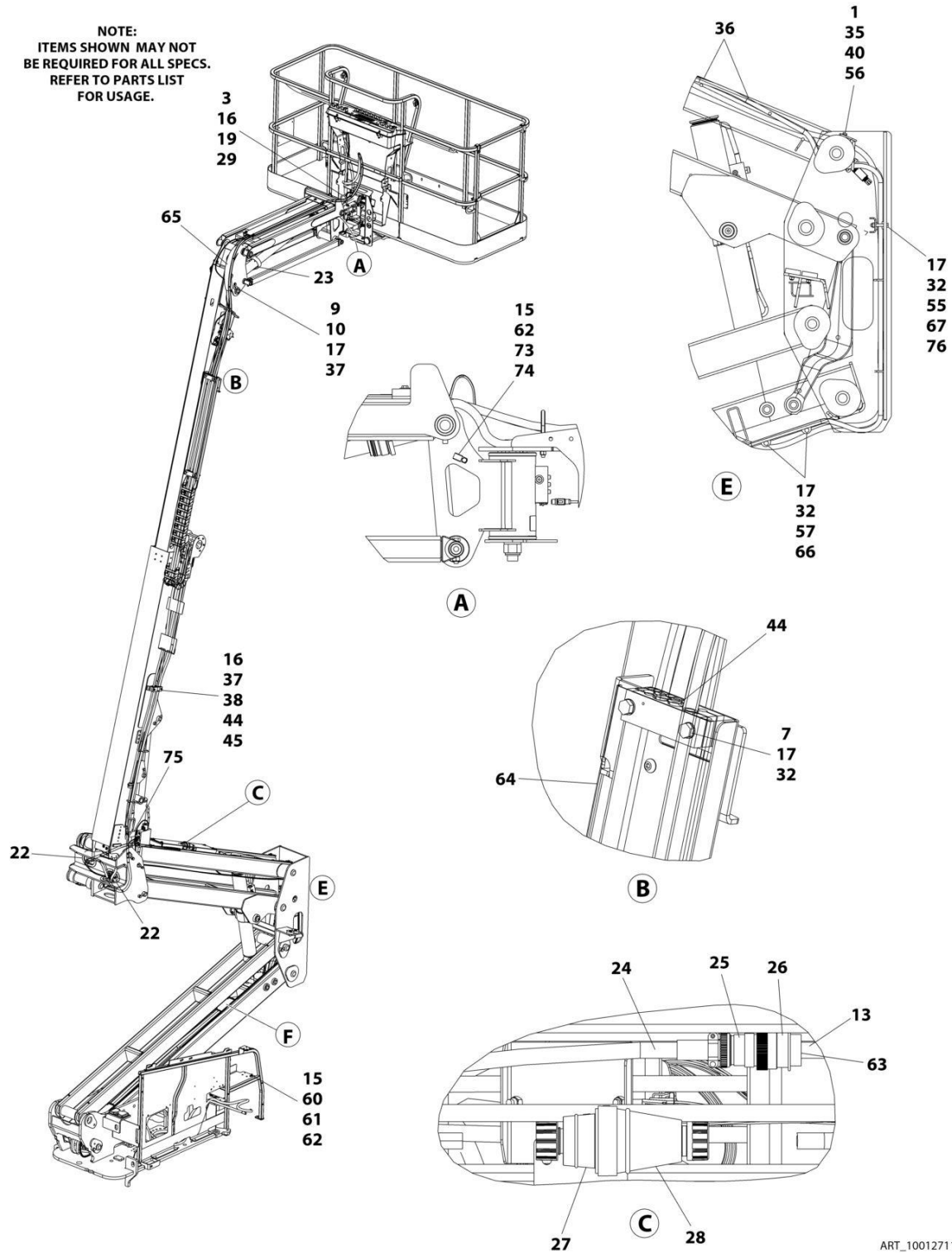
ITEM	PART NUMBER	QTY	DESCRIPTION	REV
	1001271175	Ref	BOOM CABLES AND CLAMPS INSTALLATION	G
1	0100011	AR	Compound, Locking	
2	0100081	AR	Adhesive	
3	0760814	2	Bolt M8 x 30	
4	0700827	6	Bolt M8 x 100	
5	0700828	2	Bolt M8 x 110	
7	0701024	4	Bolt M10 x 80	
8	0760812	4	Bolt M8 x 25	
9	0761012	1	Bolt M10 x 25	
10	1320130	1	Clamp	
13	2820031	AR	Heat Shrink	
14	3290405	4	Nut M4	
15	3290605	5	Nut M6	
16	3290805	12	Nut M8	
17	3291005	9	Nut M10	
19	3841340	1	Loop, Hose	
20	4010418	2	Screw M4 x 50	
21	4031511	2	Capscrew M4 x 35	
22	4060808	27.5 in/ 8.38m	Flex-Trim	
23	4240156	1	Strap, Clinch	
24	4460473	AR	Clamp, Cable	
25	4460865	1	Connector - 19 Position	
26	4460866	1	Connector - 19 Position	
29	4811900	4	Washer M8	
30	4811400	2	Washer M4	
31	4811902	4	Washer M8	
32	4812000	13	Washer M10	
33	1001176951	1	Harness, Tower Boom (Not Shown - See Separate Breakdown in this Section)	
34	1001174749	1	Harness, Tower Boom AC Cable (Not Shown - See Separate Breakdown in this Section)	
35	5251014	2	Bolt M10 x 30	
36	8881800	AR	Tie-Strap	
37	5281918	2	Bolt M8 x 70	
38	1001118274	AR	Nut M8	
39	1001118971	1	Sensor, Angle	
39	70005667	1	Arm	
40	1001118972	2	Nut M10	
41	1001164730	1	Harness, Main Boom (Not Shown - See Separate Breakdown in this Section)	
42	1001164731	1	Harness, Main Boom AC Cable (Not Shown - See Separate Breakdown in this Section)	
43	1001164738	1	Harness, Boom Valve (Not Shown - See Separate Breakdown in this Section)	
44	1001273302	3	Clamp	
45	1001273303	1	Plate	
48	1001171553	3	Plate, Clamping	
49	1001171555	3	Plate, Clamping	
50	1001171559	10	Pad	

## SECTION 8 - ELECTRICAL

ITEM	PART NUMBER	QTY	DESCRIPTION	REV
51	1001284504	1	Switch, Limit	
52	1001238466	1	Link, Sensor (Note: Sold as Assembly Only)	
53	1001178448	2	Plate, Clamping	
54	1001178449	1	Cover	
55	1001178644	1	Plate	
56	1001260306	1	Bracket	
57	1001182561	2	Roller	
58	5250812	2	Bolt M8 x 25	
59	1001179266	1	Plate, Mounting	
60	0760610	1	Bolt M6 x 20	
61	1320043	1	Clamp	
62	4811700	5	Washer M6	
63	4460466	AR	Plug, Terminal	
64	1001181621	1	Cover	
65	1001181923	1	Shield, Hose	
66	1001119280	2	Bolt M10 x 260	
67	1001185747	2	Pad	
70	1001119228	8	Nut M8	
72	4750800	AR	Washer #8	
73	1320041	2	Clamp	
74	0760612	2	Bolt M6 x 25	
75	1001143645	1	Strap	
76	0701022	AR	Bolt M10 x 70	

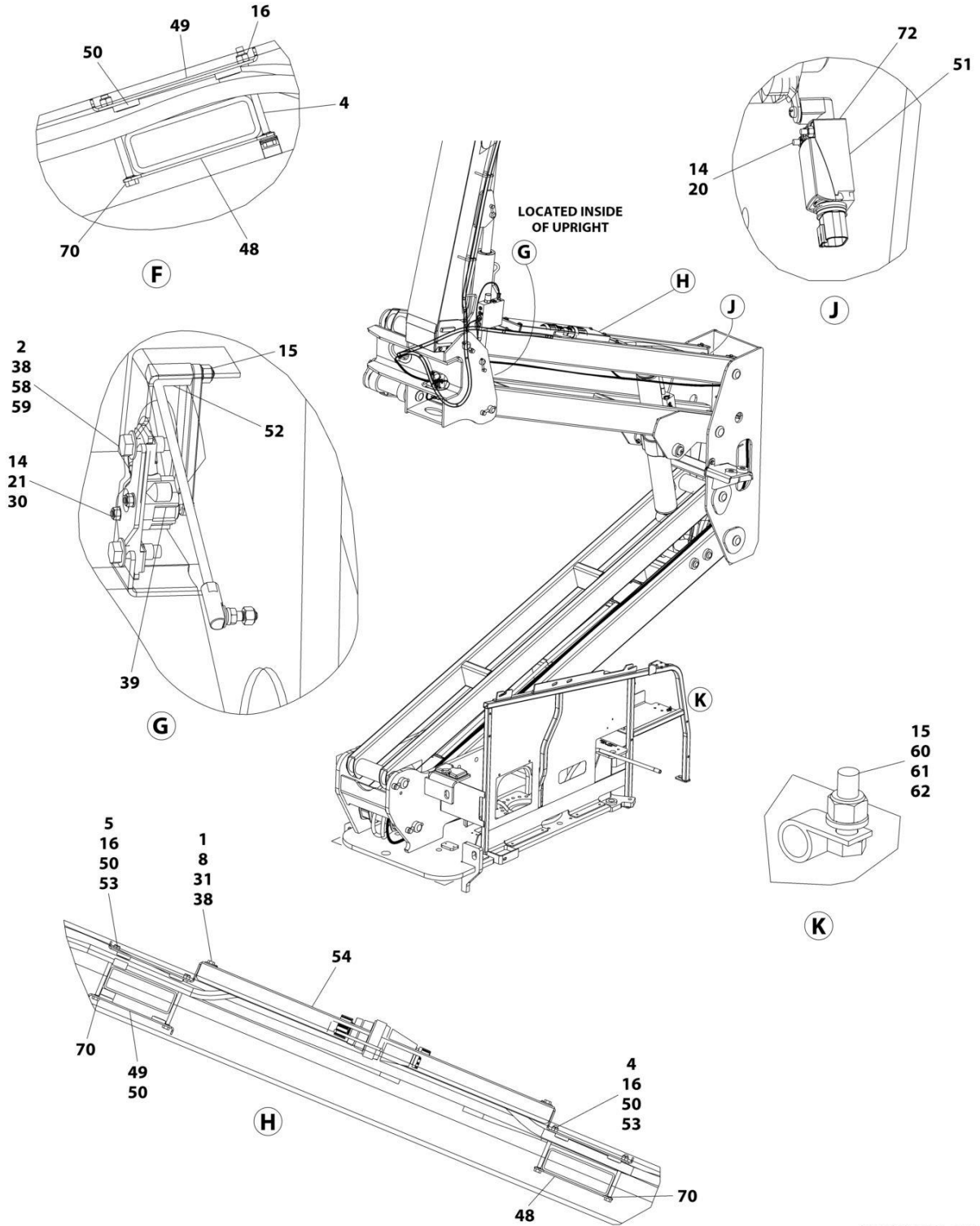
# SECTION 8 - ELECTRICAL

## FIGURE 8-27. BOOM CABLES AND CLAMPS INSTALLATION (MACHINES WITH 60HZ 4000W GENERATOR)



ART\_1001271181\_1OF2

# SECTION 8 - ELECTRICAL



ART\_1001271181\_2OF2

## SECTION 8 - ELECTRICAL

**FIGURE 8-27. BOOM CABLES AND CLAMPS INSTALLATION (MACHINES WITH 60HZ 4000W GENERATOR)**

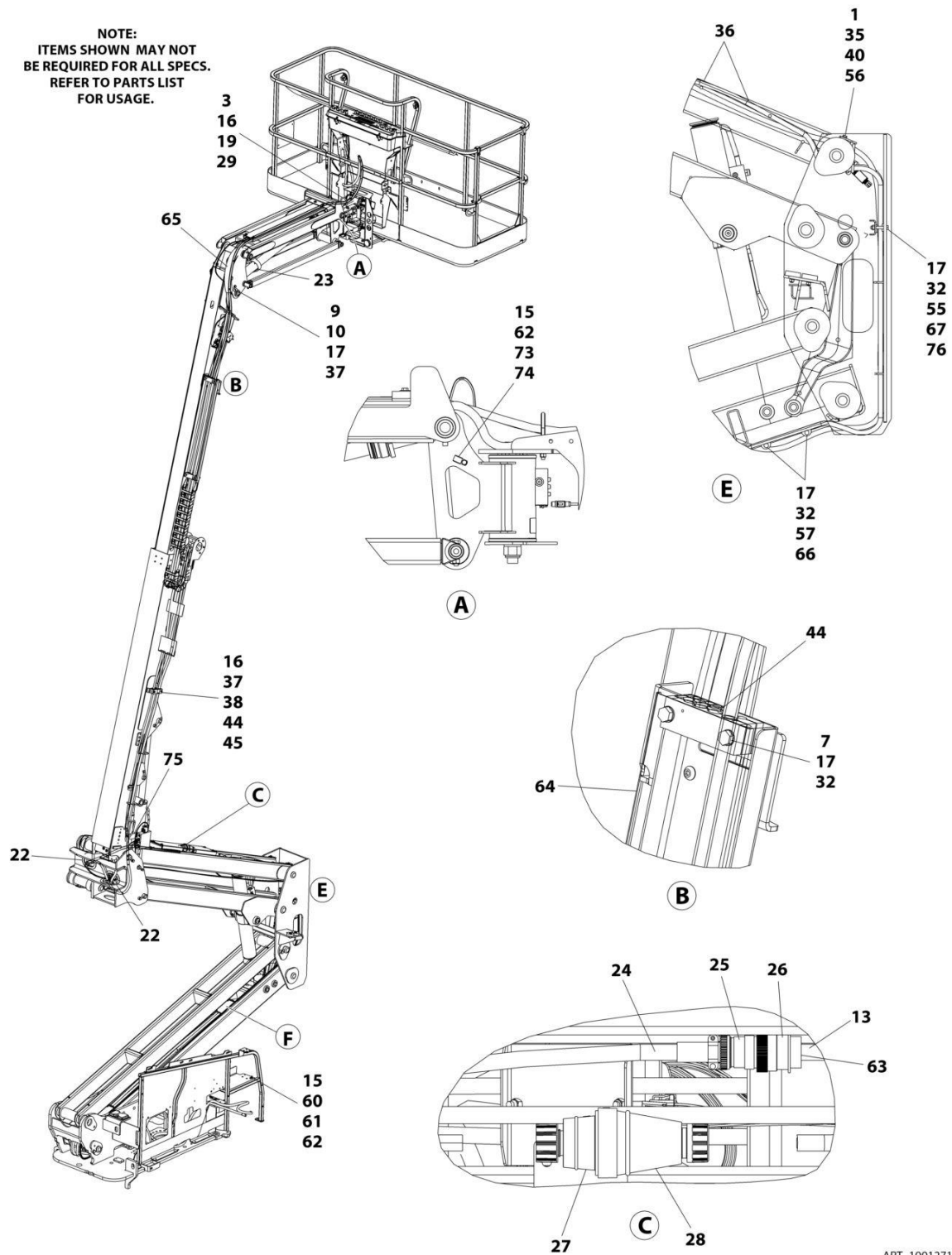
ITEM	PART NUMBER	QTY	DESCRIPTION	REV
	1001271181	Ref	BOOM CABLES AND CLAMPS INSTALLATION	G
1	0100011	AR	Compound, Locking	
2	0100081	AR	Adhesive	
3	0760814	2	Bolt M8 x 30	
4	0700827	6	Bolt M8 x 100	
5	0700828	2	Bolt M8 x 110	
7	0701024	4	Bolt M10 x 80	
8	0760812	4	Bolt M8 x 25	
9	0761012	1	Bolt M10 x 25	
10	1320130	1	Clamp	
11	1671092	1	Cover, Connector (Not Shown)	
12	1671093	1	Cover, Plug (Not Shown)	
13	2820031	AR	Heat Shrink	
14	3290405	4	Nut M4	
15	3290605	4	Nut M6	
16	3290805	12	Nut M8	
17	3291005	9	Nut M10	
19	3841340	1	Loop, Hose	
20	4010418	2	Screw M4 x 50	
21	4031511	2	Capscrew M4 x 35	
22	4060808	27.5 in/ 8.38m	Flex-Trim	
23	4240156	1	Strap, Clinch	
24	4460473	AR	Clamp, Cable	
25	4460865	1	Connector - 19 Position	
26	4460866	1	Connector - 19 Position	
27	4460959	1	Plug, Male	
28	4460960	1	Receptacle, Female	
29	4811900	4	Washer M8	
30	4811400	2	Washer M4	
31	4811902	4	Washer M8	
32	4812000	13	Washer M10	
33	1001176951	1	Harness, Tower Boom (Not Shown - See Separate Breakdown in this Section)	
34	1001175663	1	Harness, Tower Boom - 10/4 AC- Lower Generator Cable (Not Shown)	
35	5251014	2	Bolt M10 x 30	
36	8881800	AR	Tie-Strap	
37	5281918	2	Screw M8 x 70	
38	1001118274	AR	Nut M8	
39	1001118971	1	Sensor, Angle	
39	70005667	1	Arm	
40	1001118972	2	Nut M10	
41	1001164730	1	Harness, Main Boom (Not Shown - See Separate Breakdown in this Section)	
42	1001175664	1	Harness, Main Boom - 10/4 AC - Upper Generator Cable (Not Shown)	
43	1001164738	1	Harness, Boom Valve (Not Shown - See Separate Breakdown in this Section)	
44	1001273302	3	Clamp	

## SECTION 8 - ELECTRICAL

ITEM	PART NUMBER	QTY	DESCRIPTION	REV
45	1001273303	1	Plate	
48	1001171553	3	Plate, Clamping	
49	1001171555	3	Plate, Clamping	
50	1001171559	10	Pad	
51	1001172271	1	Switch, Limit	
51	1001284504	1	Switch, Limit	
52	1001238466	1	Link, Sensor (Note: Sold as Assembly Only)	
53	1001178448	2	Plate, Clamping	
54	1001178449	1	Cover	
55	1001178644	1	Plate	
56	1001260306	1	Bracket	
57	1001182561	2	Roller	
58	5250812	2	Bolt M8 x 25	
59	1001179266	1	Plate, Mounting	
62	4811700	4	Washer M6	
63	4460466	AR	Plug, Terminal	
64	1001181621	1	Cover	
65	1001181923	1	Shield, Hose	
66	1001119280	2	Bolt M10 x 260	
67	1001185747	2	Pad	
68	1001191230	3	Pad	
70	1001119228	8	Nut M8	
72	4750800	AR	Washer #8	
73	1320041	2	Clamp	
74	0760612	2	Bolt M6 x 25	
75	1001143645	1	Strap	
76	0701022	AR	Bolt M10 x 70	

# SECTION 8 - ELECTRICAL

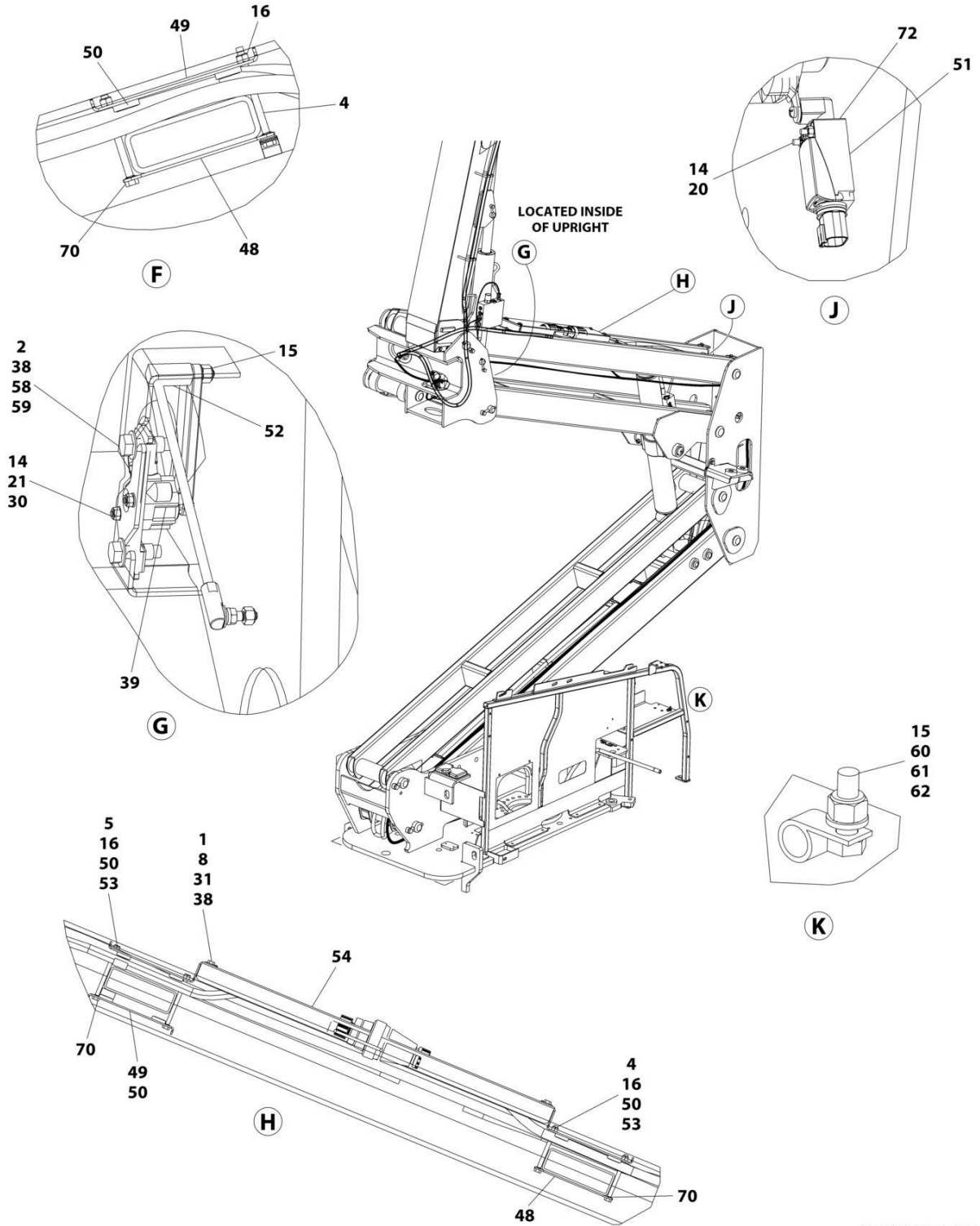
## FIGURE 8-28. BOOM CABLES AND CLAMPS INSTALLATION (MACHINES WITH 7500W GENERATOR)



ART\_1001271176\_10F2



# SECTION 8 - ELECTRICAL



ART\_1001271176\_2OF2

## SECTION 8 - ELECTRICAL

**FIGURE 8-28. BOOM CABLES AND CLAMPS INSTALLATION (MACHINES WITH 7500W GENERATOR)**

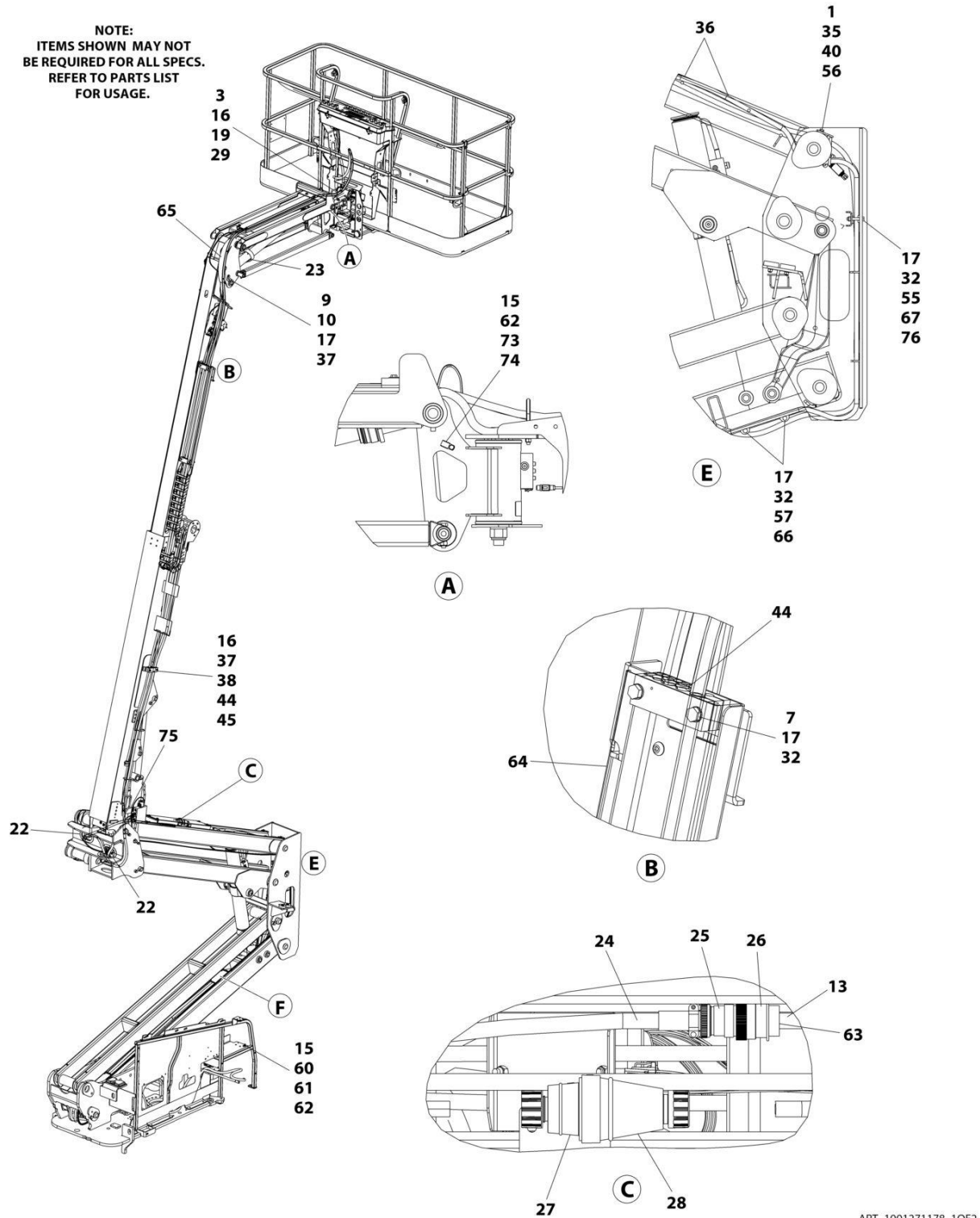
ITEM	PART NUMBER	QTY	DESCRIPTION	REV
	1001271176	Ref	BOOM CABLES AND CLAMPS INSTALLATION	G
1	0100011	AR	Compound, Locking	
2	0100081	AR	Adhesive	
3	0760814	2	Bolt M8 x 30	
4	0700827	6	Bolt M8 x 100	
5	0700828	2	Bolt M8 x 110	
7	0701024	4	Bolt M10 x 80	
8	0760812	4	Bolt M8 x 25	
9	0761012	1	Bolt M10 x 25	
10	1320130	1	Clamp	
13	2820031	AR	Heat Shrink	
14	3290405	4	Nut M4	
15	3290605	2	Nut M6	
16	3290805	12	Nut M8	
17	3291005	9	Nut M10	
19	3841340	1	Loop, Hose	
20	4010418	2	Screw M4 x 50	
21	4031511	2	Capscrew M4 x 35	
22	4060808	27.5 in/ 8.38m	Flex-Trim	
23	4240156	1	Strap, Clinch	
24	4460473	AR	Clamp, Cable	
25	4460865	1	Connector - 19 Position	
26	4460866	1	Connector - 19 Position	
27	1001218622	1	Terminal, Turnlock Plug	
28	1001218623	1	Terminal, Turnlock Connector	
29	4811900	4	Washer M8	
30	4811400	2	Washer M4	
31	4811902	4	Washer M8	
32	4812000	13	Washer M10	
33	1001176951	1	Harness, Tower Boom (Not Shown - See Separate Breakdown in this Section)	
34	4922929	1	Harness, Tower Boom – 8/5 AC – Lower Generator Cable (Not Shown)	
35	5251014	2	Bolt M10 x 30	
36	8881800	AR	Tie-Strap	
37	5281918	2	Bolt M8 x 70	
38	1001118274	AR	Nut M8	
39	1001118971	1	Sensor, Angle	
39	70005667	1	Arm	
40	1001118972	2	Nut M10	
41	1001164730	1	Harness, Main Boom (Not Shown - See Separate Breakdown in this Section)	
42	1001164732	1	Harness, Main Boom – 8/5 AC – Upper Generator Cable (Not Shown)	
43	1001164738	1	Harness, Boom Valve (Not Shown - See Separate Breakdown in this Section)	
44	1001273302	3	Block, Clamping	
45	1001273303	1	Plate, Clamping	
48	1001171553	3	Plate, Clamping	

## SECTION 8 - ELECTRICAL

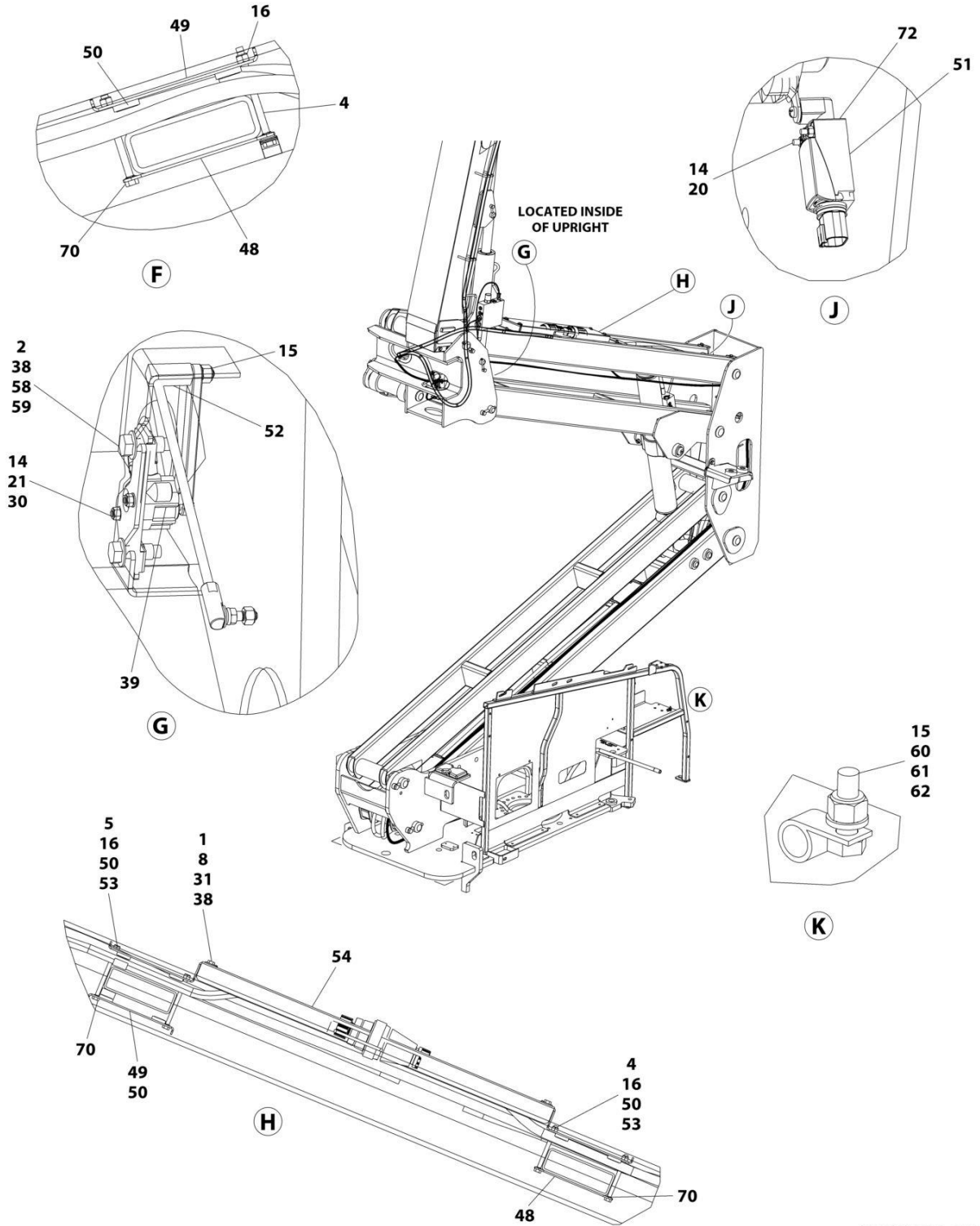
ITEM	PART NUMBER	QTY	DESCRIPTION	REV
49	1001171555	3	Plate, Clamping	
50	1001171559	10	Pad	
51	1001172271	1	Switch, Limit	
51	1001284504	1	Switch, Limit	
52	1001238466	1	Link, Sensor (Note: Sold as Assembly Only)	
53	1001178448	2	Plate, Clamping	
54	1001178449	1	Cover	
55	1001178644	1	Plate	
56	1001260306	1	Bracket	
57	1001182561	2	Roller	
58	5250812	2	Bolt M8 x 25	
59	1001179266	1	Plate, Mounting	
62	4811700	4	Washer M6	
63	4460466	AR	Plug, Terminal	
64	1001181621	1	Cover	
65	1001181923	1	Shield, Hose	
66	1001119280	2	Bolt M10 x 260	
67	1001185747	2	Pad	
70	1001119228	8	Nut M8	
72	4750800	AR	Washer #8	
73	1320041	2	Clamp	
74	0760612	2	Bolt M6 x 25	
75	1001143645	1	Strap	
76	0701022	AR	Bolt M10 x 70	

# SECTION 8 - ELECTRICAL

## FIGURE 8-29. BOOM CABLES AND CLAMPS INSTALLATION (MACHINES WITH 7500W GENERATOR AND WITH ARCTIC PACKAGE)



# SECTION 8 - ELECTRICAL



ART\_1001271178\_2OF2

## SECTION 8 - ELECTRICAL

**FIGURE 8-29. BOOM CABLES AND CLAMPS INSTALLATION (MACHINES WITH 7500W GENERATOR AND WITH ARCTIC PACKAGE)**

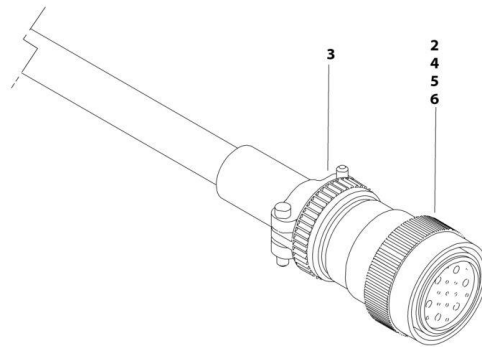
ITEM	PART NUMBER	QTY	DESCRIPTION	REV
	1001271178	Ref	BOOM CABLES AND CLAMPS INSTALLATION	G
1	0100011	AR	Compound, Locking	
2	0100081	AR	Adhesive	
3	0760814	2	Bolt M8 x 30	
4	0700827	6	Bolt M8 x 100	
5	0700828	2	Bolt M8 x 110	
7	0701024	4	Bolt M10 x 80	
8	0760812	4	Bolt M8 x 25	
9	0761012	1	Bolt M10 x 25	
10	1320130	1	Clamp	
13	2820031	AR	Heat Shrink	
14	3290405	4	Nut M4	
15	3290605	4	Nut M6	
16	3290805	12	Nut M8	
17	3291005	9	Nut M10	
19	3841340	1	Loop, Hose	
20	4010418	2	Screw M4 x 50	
21	4031511	2	Capscrew M4 x 35	
22	4060808	27.5 in/ 8.38m	Flex-Trim	
23	4240156	1	Strap, Clinch	
24	4460473	AR	Clamp, Cable	
25	4460865	1	Connector - 19 Position	
26	4460866	1	Connector - 19 Position	
27	1001218622	1	Terminal, Turnlock Plug	
28	1001218623	1	Terminal, Turnlock Connector	
29	4811900	4	Washer M8	
30	4811400	2	Washer M4	
31	4811902	4	Washer M8	
32	4812000	13	Washer M10	
33	1001179439	1	Harness, Tower Boom (Not Shown - See Separate Breakdown in this Section)	
34	4922929	1	Harness, Tower Boom - 8/5 AC Generator Cable (Not Shown)	
35	5251014	2	Bolt M10 x 30	
36	8881800	AR	Tie-Strap	
37	5281918	2	Screw M8 x 70	
38	1001118274	AR	Nut M8	
39	1001118971	1	Sensor, Angle	
39	70005667	1	Arm	
40	1001118972	2	Nut M10	
41	1001174748	1	Harness, Main Boom (Not Shown - See Separate Breakdown in this Section)	
42	1001164732	1	Harness, Main Boom – 8/5 AC – Upper Generator Cable (Not Shown)	
43	1001164738	1	Harness, Boom Valve (Not Shown - See Separate Breakdown in this Section)	
44	1001273304	3	Clamp	
45	1001273303	1	Plate	
48	1001171553	3	Plate, Clamping	
49	1001171555	3	Plate, Clamping	

## SECTION 8 - ELECTRICAL

ITEM	PART NUMBER	QTY	DESCRIPTION	REV
50	1001171559	10	Pad	
51	1001284504	1	Switch, Limit	
52	1001238466	1	Link, Sensor (Note: Sold as Assembly Only)	
53	1001178448	2	Plate, Clamping	
54	1001178449	1	Cover	
55	1001178644	1	Plate	
56	1001260306	1	Bracket	
57	1001182561	2	Roller	
58	5250812	2	Bolt M8 x 25	
59	1001179266	1	Plate, Mounting	
62	4811700	4	Washer M6	
63	4460466	AR	Plug, Terminal	
64	1001181621	1	Cover	
65	1001181923	1	Shield, Hose	
66	1001119280	2	Bolt M10 x 260	
67	1001185747	2	Pad	
70	1001119228	8	Nut M8	
73	1320041	2	Clamp	
74	0760612	2	Bolt M6 x 25	
75	1001143645	1	Strap	
76	0701022	AR	Bolt M10 x 70	

# SECTION 8 - ELECTRICAL

## FIGURE 8-30. BOOM HARNESS (MAIN BOOM) (WITHOUT ARCTIC PACKAGE)



ART\_1001164730



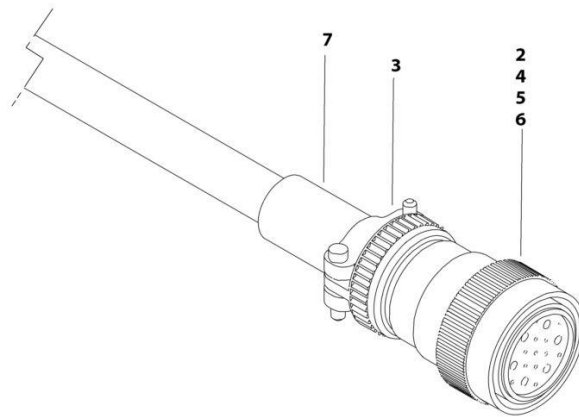
## SECTION 8 - ELECTRICAL

**FIGURE 8-30. BOOM HARNESS (MAIN BOOM) (WITHOUT ARCTIC PACKAGE)**

ITEM	PART NUMBER	QTY	DESCRIPTION	REV
	1001164730	Ref	BOOM HARNESS - MAIN BOOM	D
2	4460865	1	Connector - 19 Position	
3	4460473	1	Clamp	
4	4460465	20	Socket, Female	
5	4460509	8	Socket, Female	
6	4460466	5	Plug, Socket	

## SECTION 8 - ELECTRICAL

FIGURE 8-31. BOOM HARNESS (MAIN BOOM) (WITH ARCTIC PACKAGE)



ART\_1001174748

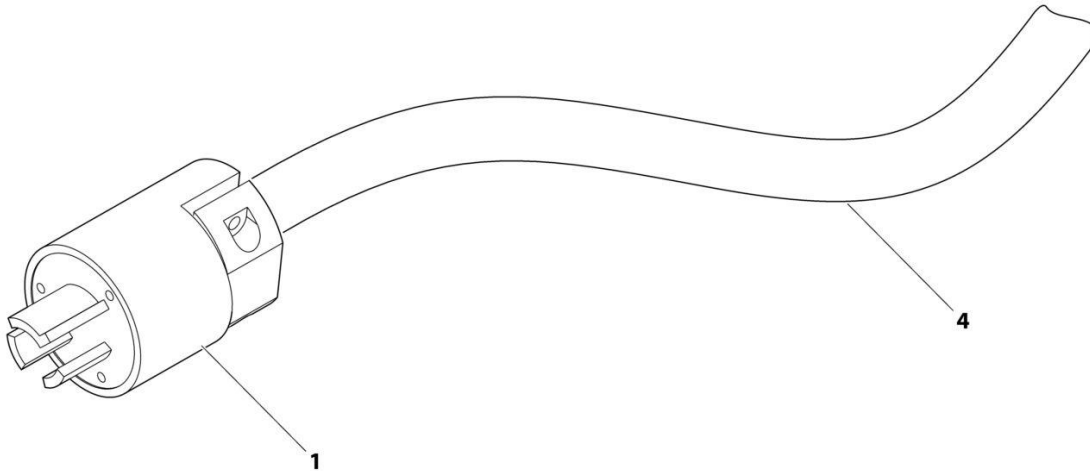
## SECTION 8 - ELECTRICAL

**FIGURE 8-31. BOOM HARNESS (MAIN BOOM) (WITH ARCTIC PACKAGE)**

ITEM	PART NUMBER	QTY	DESCRIPTION	REV
	1001174748	Ref	BOOM HARNESS - 450AJ (MAIN BOOM)	C
2	4460865	1	Connector - 19 Position	
3	4460473	1	Clamp	
4	4460465	20	Socket, Female	
5	4460509	8	Socket, Female	
6	4460466	5	Plug, Socket	

## SECTION 8 - ELECTRICAL

FIGURE 8-32. BOOM HARNESS (MAIN BOOM AC CABLE) (WITHOUT GENERATOR AND WITHOUT ARCTIC PACKAGE)



ART\_1001164731

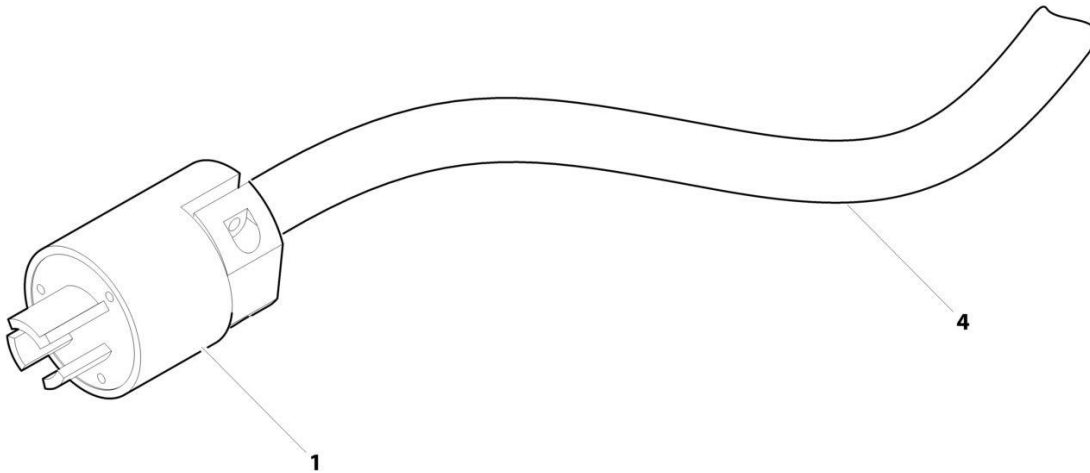
## SECTION 8 - ELECTRICAL

**FIGURE 8-32. BOOM HARNESS (MAIN BOOM AC CABLE) (WITHOUT GENERATOR AND WITHOUT ARCTIC PACKAGE)**

ITEM	PART NUMBER	QTY	DESCRIPTION	REV
	1001164731	Ref	BOOM HARNESS - MAIN BOOM AC CABLE	C
1	1001120204	1	Plug, Male	
4	1060461	494 in/ 12.6m	Cable, Electrical - 12/3	

## SECTION 8 - ELECTRICAL

FIGURE 8-33. BOOM HARNESS (MAIN BOOM AC CABLE) (WITHOUT GENERATOR AND WITH ARCTIC PACKAGE)



ART\_1001174750

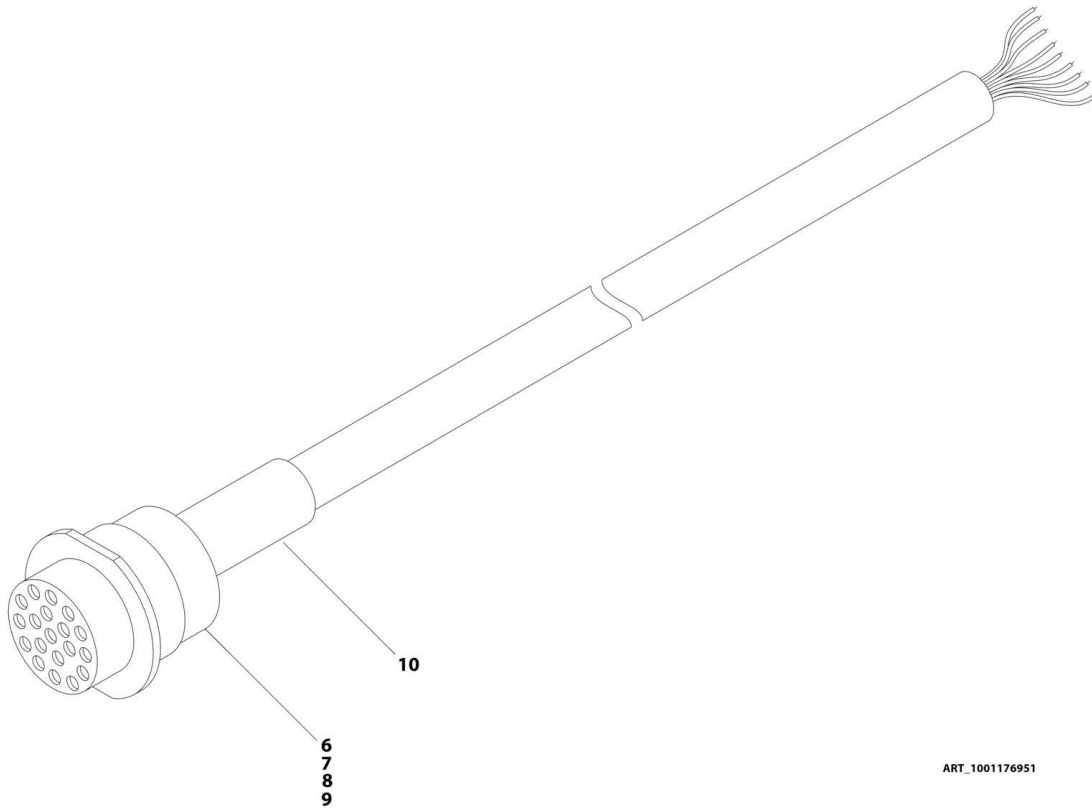
## SECTION 8 - ELECTRICAL

**FIGURE 8-33. BOOM HARNESS (MAIN BOOM AC CABLE) (WITHOUT GENERATOR AND WITH ARCTIC PACKAGE)**

ITEM	PART NUMBER	QTY	DESCRIPTION	REV
	1001174750	Ref	BOOM HARNESS - 450AJ (MAIN BOOM AC CABLE)	B
1	1001120204	1	Plug, Male	
4	4923463	494 in/ 12.6m	Cable, Electrical - 12/3	

# SECTION 8 - ELECTRICAL

FIGURE 8-34. BOOM HARNESS - TOWER BOOM (WITHOUT ARCTIC PACKAGE)



ART\_1001176951



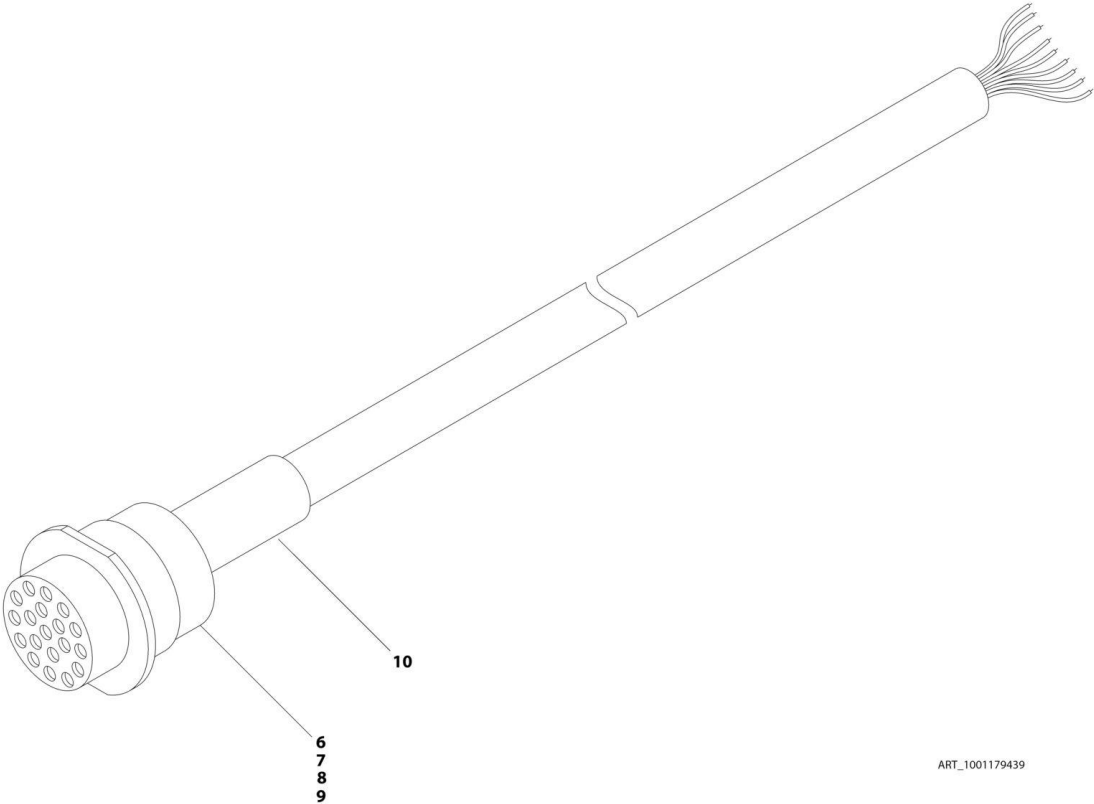
## SECTION 8 - ELECTRICAL

**FIGURE 8-34. BOOM HARNESS - TOWER BOOM (WITHOUT ARCTIC PACKAGE)**

ITEM	PART NUMBER	QTY	DESCRIPTION	REV
	1001176951	Ref	BOOM HARNESS - TOWER BOOM	E
6	4460466	5	Plug, Terminal	
7	4460464	20	Pin, Male	
8	4460508	8	Pin, Male	
9	4460866	1	Connector - 19 Position	
10	2820031	AR	Heat Shrink	

**SECTION 8 - ELECTRICAL**

**FIGURE 8-35. BOOM HARNESS - TOWER BOOM (WITH ARCTIC PACKAGE)**



ART\_1001179439

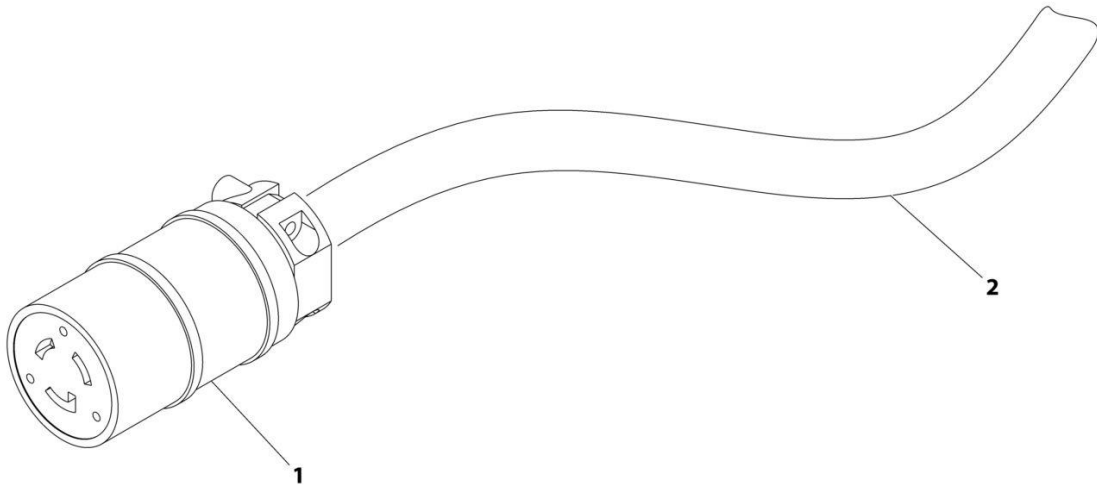
## SECTION 8 - ELECTRICAL

**FIGURE 8-35. BOOM HARNESS - TOWER BOOM (WITH ARCTIC PACKAGE)**

ITEM	PART NUMBER	QTY	DESCRIPTION	REV
	1001179439	Ref	BOOM HARNESS - TOWER BOOM	D
6	4460466	4	Plug, Terminal	
7	4460464	22	Pin, Male	
8	4460508	8	Pin, Male	
9	4460866	1	Connector - 19 Position	
10	2820031	AR	Heat Shrink	

## SECTION 8 - ELECTRICAL

FIGURE 8-36. BOOM HARNESS - TOWER BOOM AC CABLE (WITHOUT ARCTIC PACKAGE)



ART\_1001174749

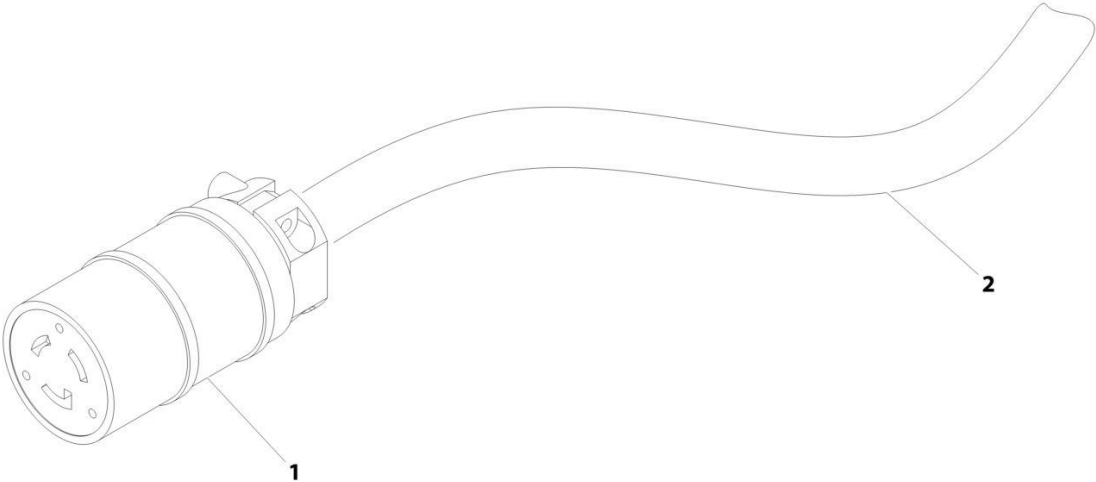
## SECTION 8 - ELECTRICAL

**FIGURE 8-36. BOOM HARNESS - TOWER BOOM AC CABLE (WITHOUT ARCTIC PACKAGE)**

ITEM	PART NUMBER	QTY	DESCRIPTION	REV
	1001174749	Ref	BOOM HARNESS - TOWER BOOM AC CABLE	C
1	1001120205	1	Connector, Female	
2	1060461	28 ft/ 8.5m	Electrical Cable, 12/3	

**SECTION 8 - ELECTRICAL**

**FIGURE 8-37. BOOM HARNESS - TOWER BOOM AC CABLE (WITH ARCTIC PACKAGE)**



ART\_1001174754

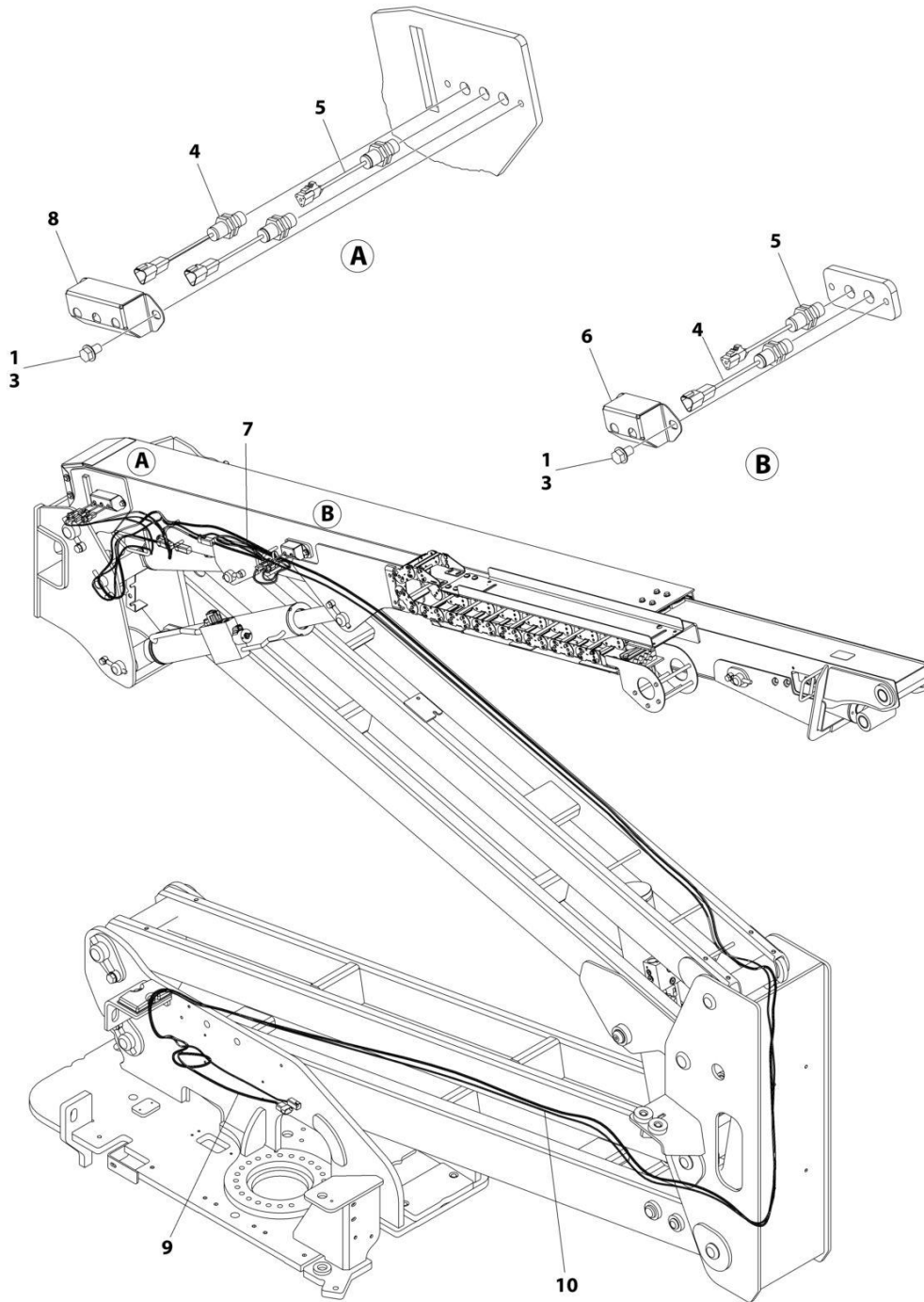
## SECTION 8 - ELECTRICAL

**FIGURE 8-37. BOOM HARNESS - TOWER BOOM AC CABLE (WITH ARCTIC PACKAGE)**

ITEM	PART NUMBER	QTY	DESCRIPTION	REV
	1001174754	Ref	BOOM HARNESS - TOWER BOOM AC CABLE	B
1	1001120205	1	Connector, Female	
2	4920463	28 ft/ 8.5m	Cable, Electrical - 12/3	

# SECTION 8 - ELECTRICAL

## FIGURE 8-38. BOOM SENSORS INSTALLATION



ART\_1001263610



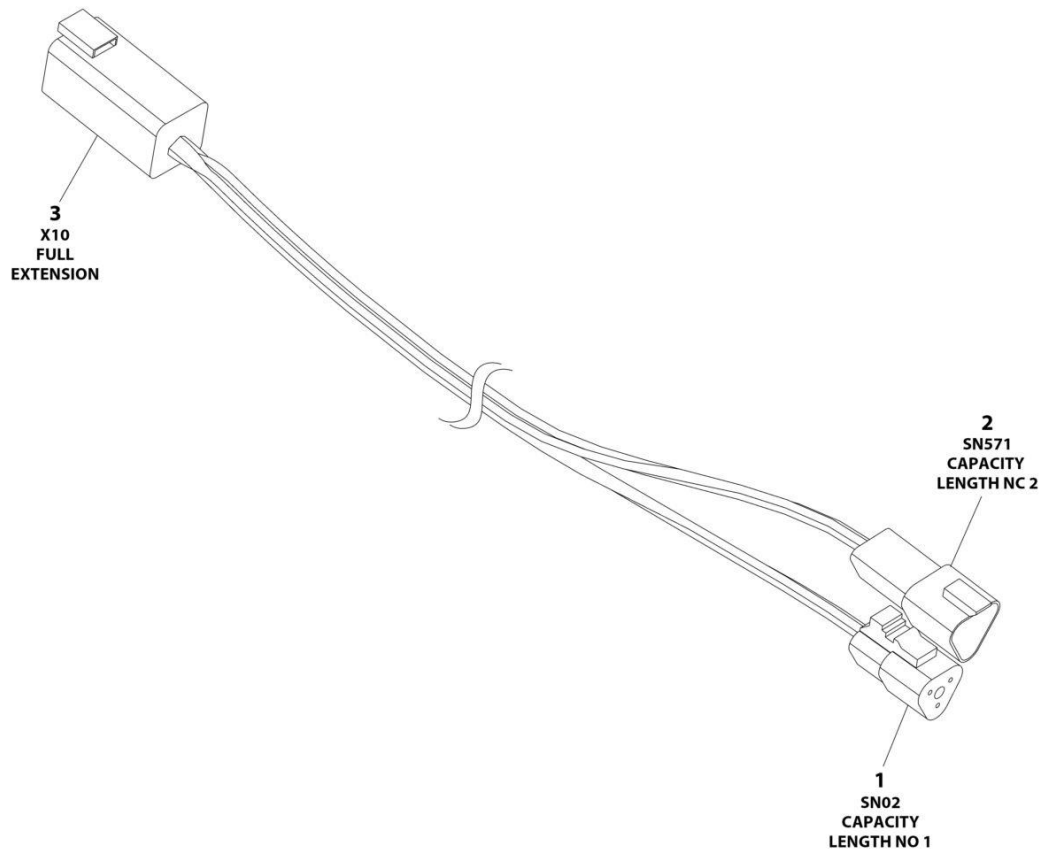
## SECTION 8 - ELECTRICAL

### FIGURE 8-38. BOOM SENSORS INSTALLATION

ITEM	PART NUMBER	QTY	DESCRIPTION	REV
	1001263610	Ref	BOOM SENSORS INSTALLATION	C
1	0100011	AR	Compound, Locking	
2	4240018	1	Tie-Strap (Not Shown)	
3	5251008	4	Bolt M10 x 16	
4	1001170847	3	Sensor, Proximity	
5	1001182570	2	Sensor, Proximity	
6	1001204715	1	Bracket	
7	1001238192	1	Harness, Boom Sensor (See Separate Breakdown in this Section)	
8	1001256527	1	Bracket	
9	1001263007	1	Harness, Capacity (See Separate Breakdown in this Section)	
10	1001263008	1	Harness, Transport (See Separate Breakdown in this Section)	

# SECTION 8 - ELECTRICAL

## FIGURE 8-39. BOOM SENSOR HARNESS



ART\_1001238192

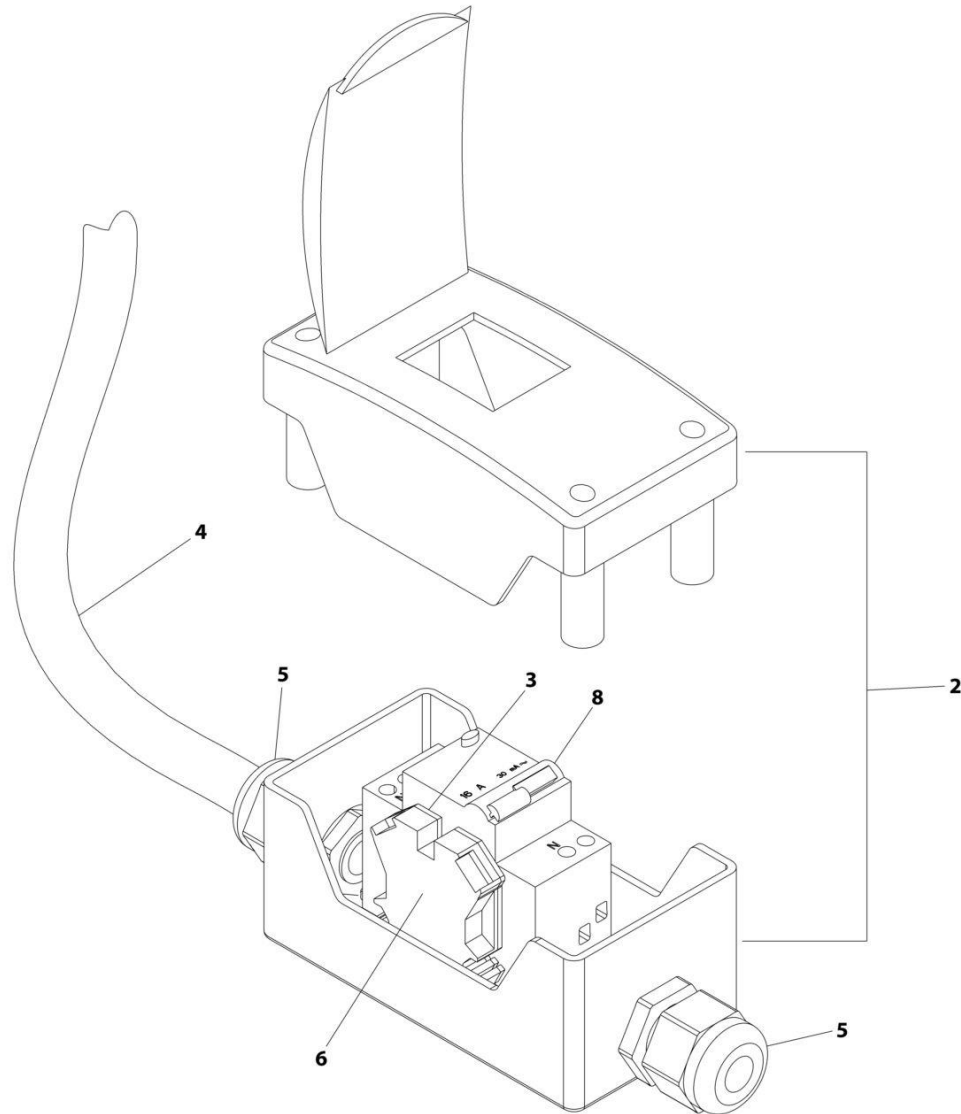
## SECTION 8 - ELECTRICAL

### FIGURE 8-39. BOOM SENSOR HARNESS

ITEM	PART NUMBER	QTY	DESCRIPTION	REV
	1001238192	Ref	BOOM SENSOR / CAPACITY PROXIMITY HARNESS	B
1	4460539	1	Plug, Male - 3 Position	
1	4460465	3	Socket, Female	
2	4460536	1	Receptacle, Female - 3 Position	
2	4640464	3	Pin, Male	
3	4460899	1	Receptacle, Female - 6 Position	
3	4460464	6	Pin, Male	

# SECTION 8 - ELECTRICAL

FIGURE 8-40. BREAKER BOX KIT WITH SINGLE DOUBLE POLE BREAKER (CE, CIS/EAC & UK CA SPECS)



ART\_2902549

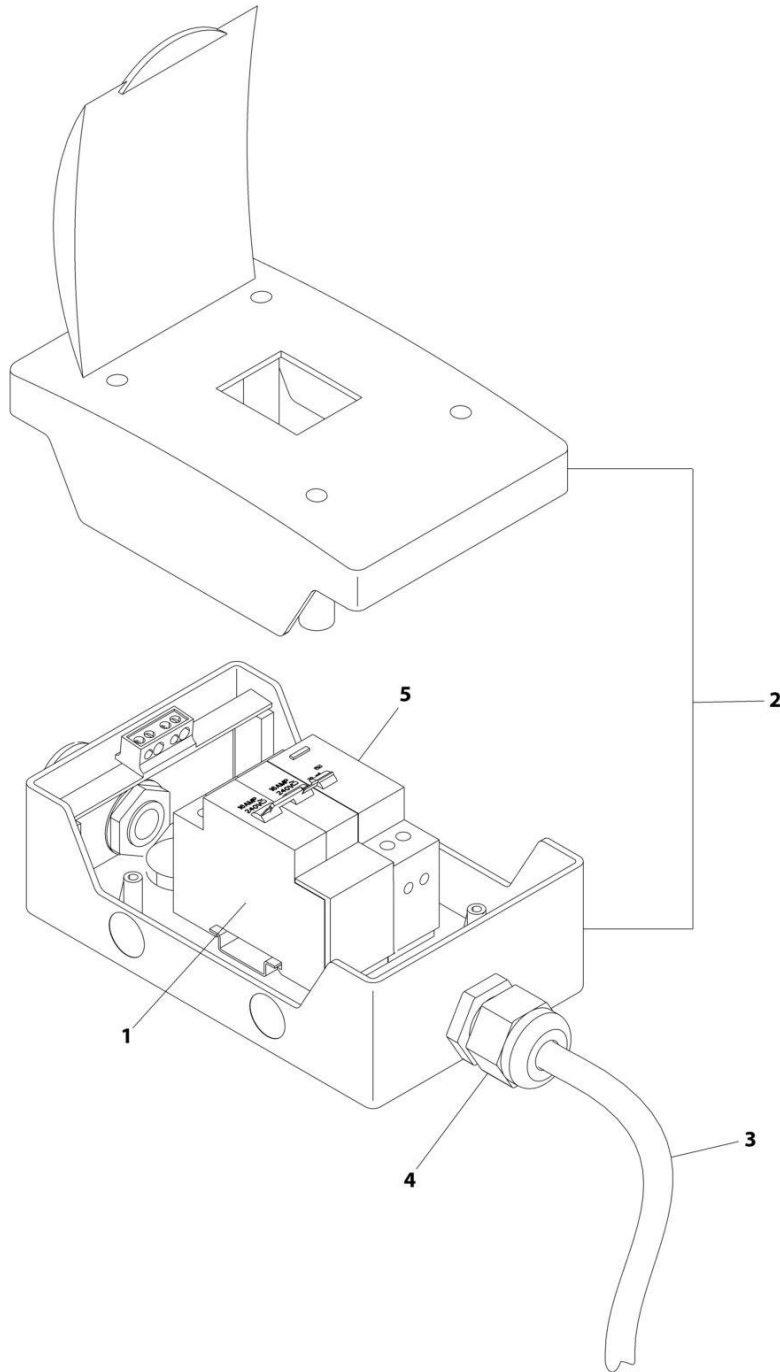
## SECTION 8 - ELECTRICAL

**FIGURE 8-40. BREAKER BOX KIT WITH SINGLE DOUBLE POLE BREAKER (CE, CIS/EAC & UK CA SPECS)**

ITEM	PART NUMBER	QTY	DESCRIPTION	REV
	2902549	Ref	BREAKER BOX KIT - 110/220V 16AMP BREAKER	F
2	0861880	1	Box	
3	4460956	1	Barrier, Terminal	
4	1060908	6 ft/1.8m	Cable, 12/3	
5	1001097150	2	Connector, Strain Relief	
6	4460957	1	Block, Terminal	
8	1001181045	1	Breaker, Combination 16Amp/30mAmp	

# SECTION 8 - ELECTRICAL

FIGURE 8-41. BREAKER BOX KIT WITH THREE BREAKERS (CE, CIS/EAC & UK CA SPECS)



ART\_1001152485\_F

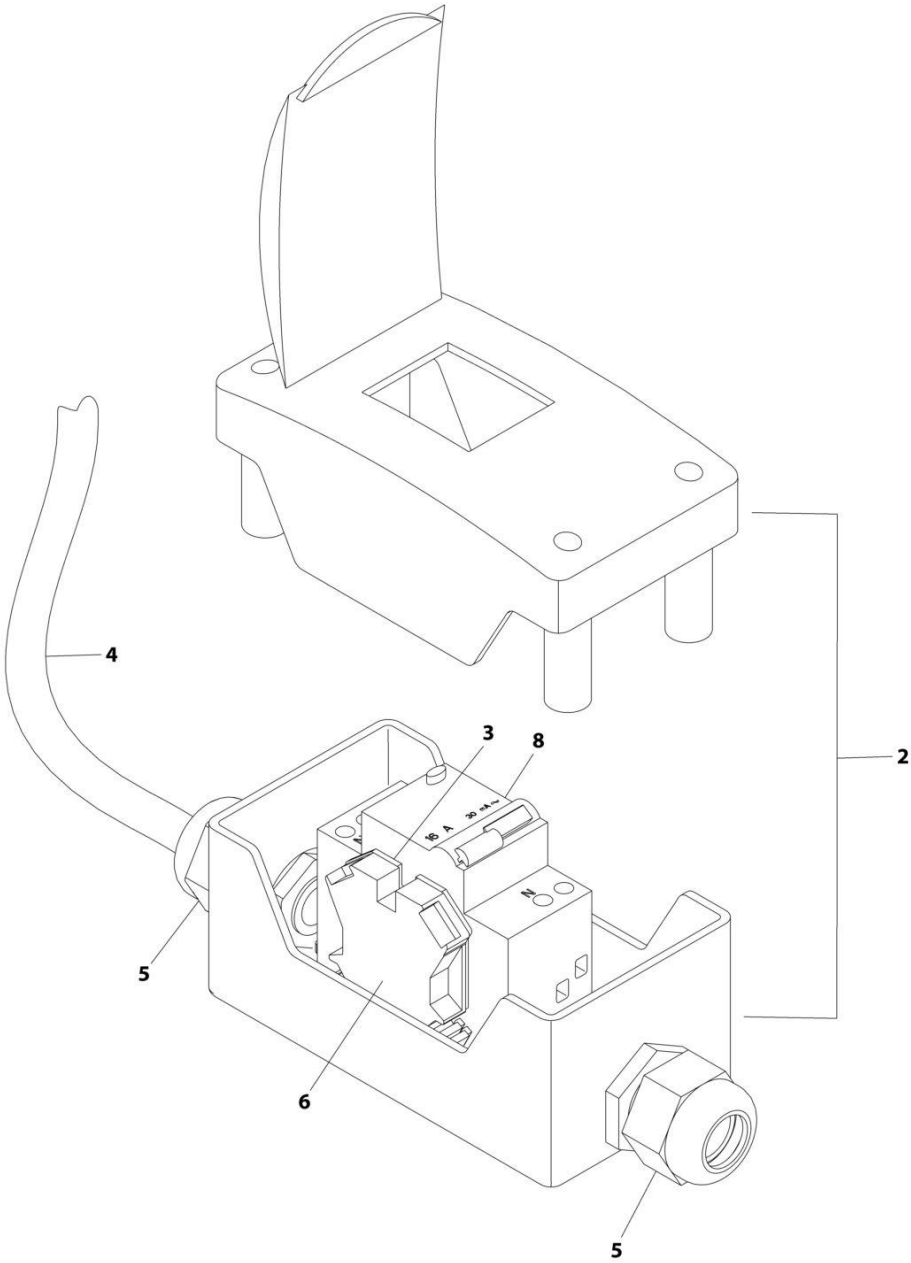
## SECTION 8 - ELECTRICAL

**FIGURE 8-41. BREAKER BOX KIT WITH THREE BREAKERS (CE, CIS/EAC & UK CA SPECS)**

ITEM	PART NUMBER	QTY	DESCRIPTION	REV
	1001152485	Ref	BREAKER BOX KIT WITH TWO BREAKERS	F
1	1001189172	1	Breaker 16Amp Double	
2	1001152483	1	Box	
3	1060908	6 ft/1.8m	Cable, 12/3	
4	1001097150	2	Connector, Strain Relief	
5	1001189171	1	Breaker, 30mA	

**SECTION 8 - ELECTRICAL**

**FIGURE 8-42. BREAKER BOX KIT - 30MA/16 AMP**



ART\_1001096070



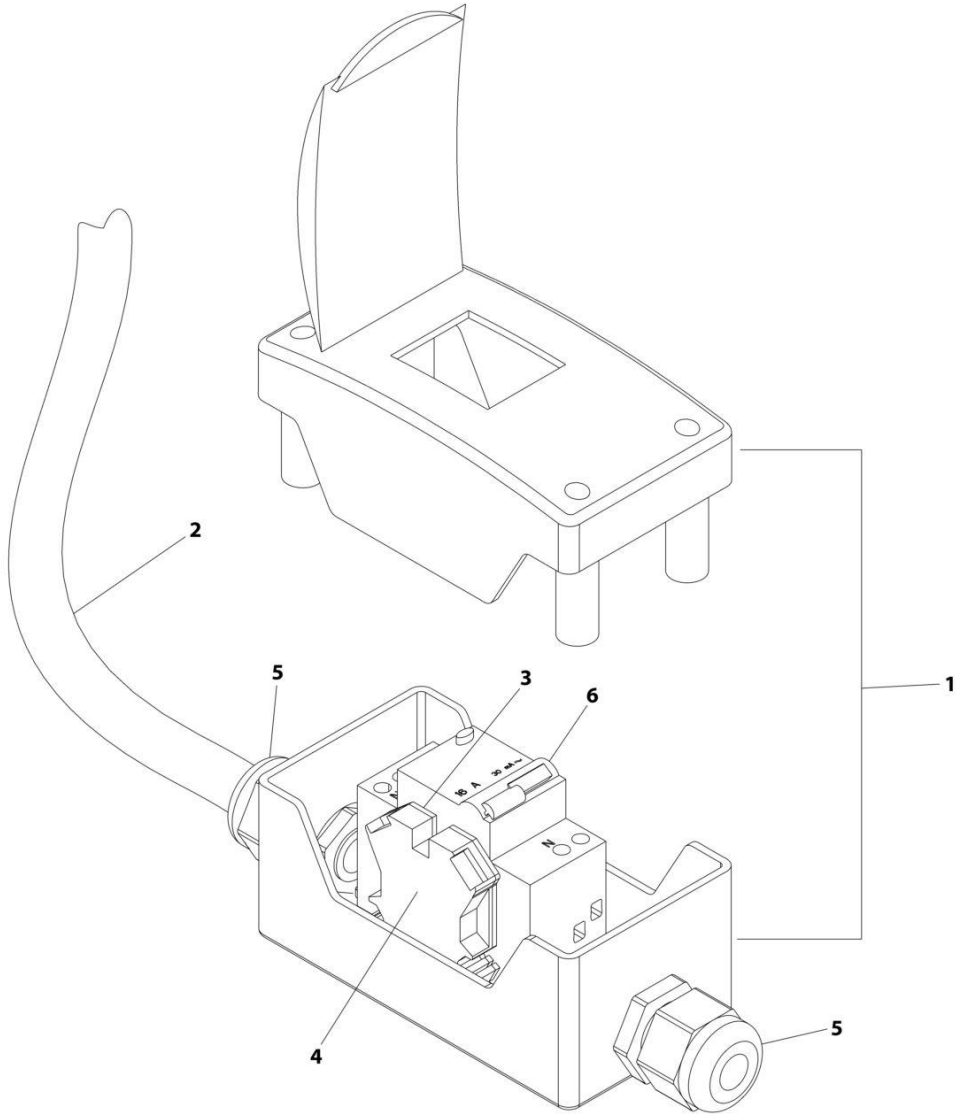
## SECTION 8 - ELECTRICAL

### FIGURE 8-42. BREAKER BOX KIT - 30MA/16 AMP

ITEM	PART NUMBER	QTY	DESCRIPTION	REV
	1001096070	Ref	BREAKER BOX KIT	E
2	0861880	1	Box	
3	4460956	1	Barrier, Terminal Block End	
4	1060908	12 ft/ 3.6m	Cable, 12/3	
5	1001097150	2	Connector, Strain Relief	
6	4460957	1	Block, Terminal	
8	1001181045	1	Breaker, 16Amp	

**SECTION 8 - ELECTRICAL**

**FIGURE 8-43. BREAKER BOX KIT**



ART\_1001289592

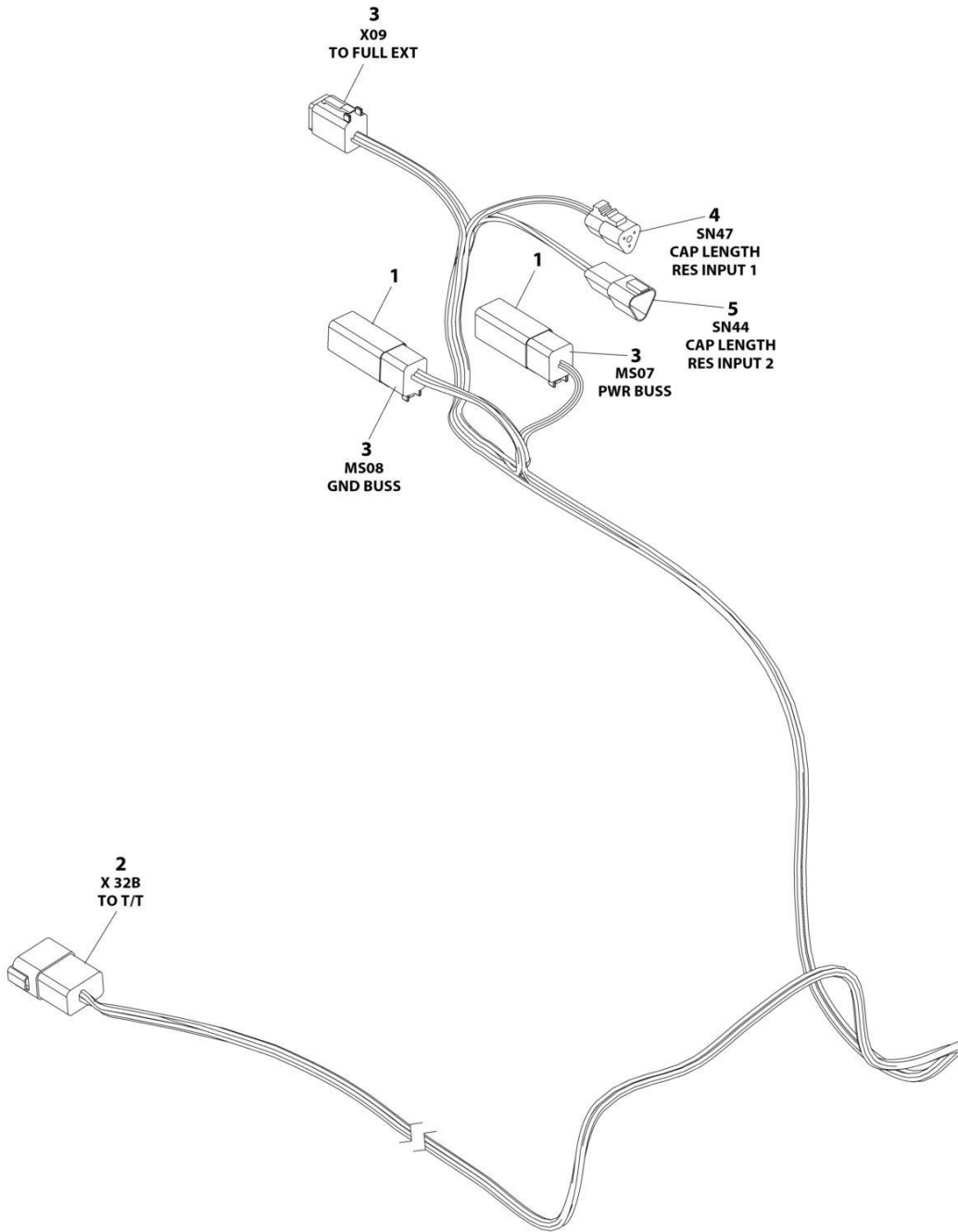
## SECTION 8 - ELECTRICAL

### FIGURE 8-43. BREAKER BOX KIT

ITEM	PART NUMBER	QTY	DESCRIPTION	REV
	1001289592	Ref	BREAKER BOX KIT	A
1	0861880	1	Box	
2	1060908	6 ft/1.8m	Cable 12/3	
3	4460956	1	Barrier, Terminal	
4	4460957	2	Block, Terminal	
5	1001097150	2	Connector, Strain Relief	
6	1001289589	1	Breaker, 16Amp	

# SECTION 8 - ELECTRICAL

## FIGURE 8-44. CAPACITY HARNESS



ART\_1001263007

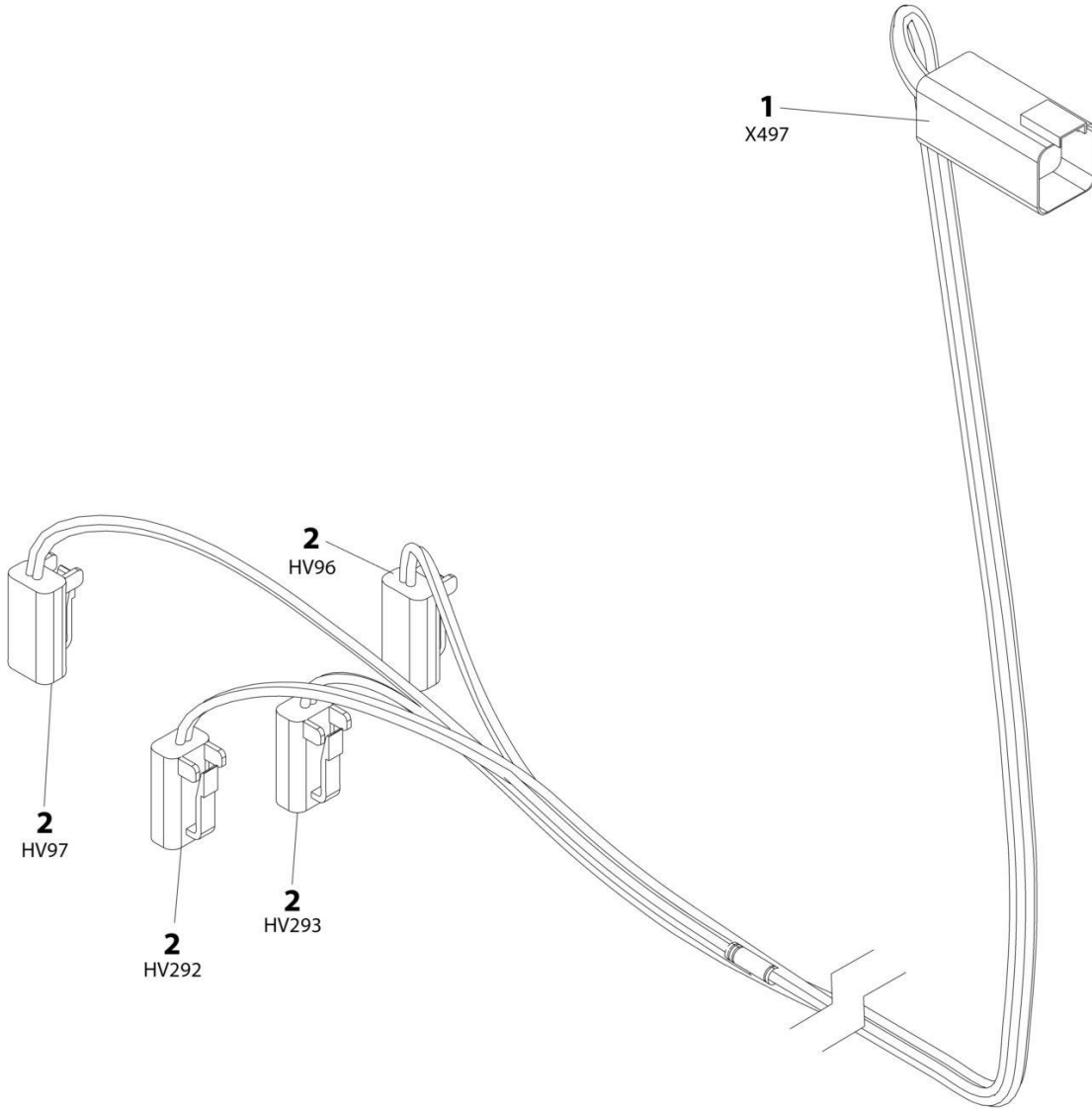
## SECTION 8 - ELECTRICAL

### FIGURE 8-44. CAPACITY HARNESS

ITEM	PART NUMBER	QTY	DESCRIPTION	REV
	1001263007	Ref	CAPACITY HARNESS	C
1	4460892	2	Bussbar - 6 Position	
2	4460931	1	Receptacle, Female - 8 Position	
2	4460464	6	Pin, Male	
2	4460466	2	Plug, Terminal	
3	4460894	3	Plug, Male - 6 Position	
3	4460465	16	Socket, Female	
3	4460466	2	Plug, Terminal	
4	4460539	1	Plug, Male - 3 Position	
4	4460465	3	Socket, Female	
5	4460536	1	Receptacle, Female	
5	4460464	3	Pin, Male	

# SECTION 8 - ELECTRICAL

## FIGURE 8-45. CHASSIS SOLENOID HARNESS



ART\_1001179236

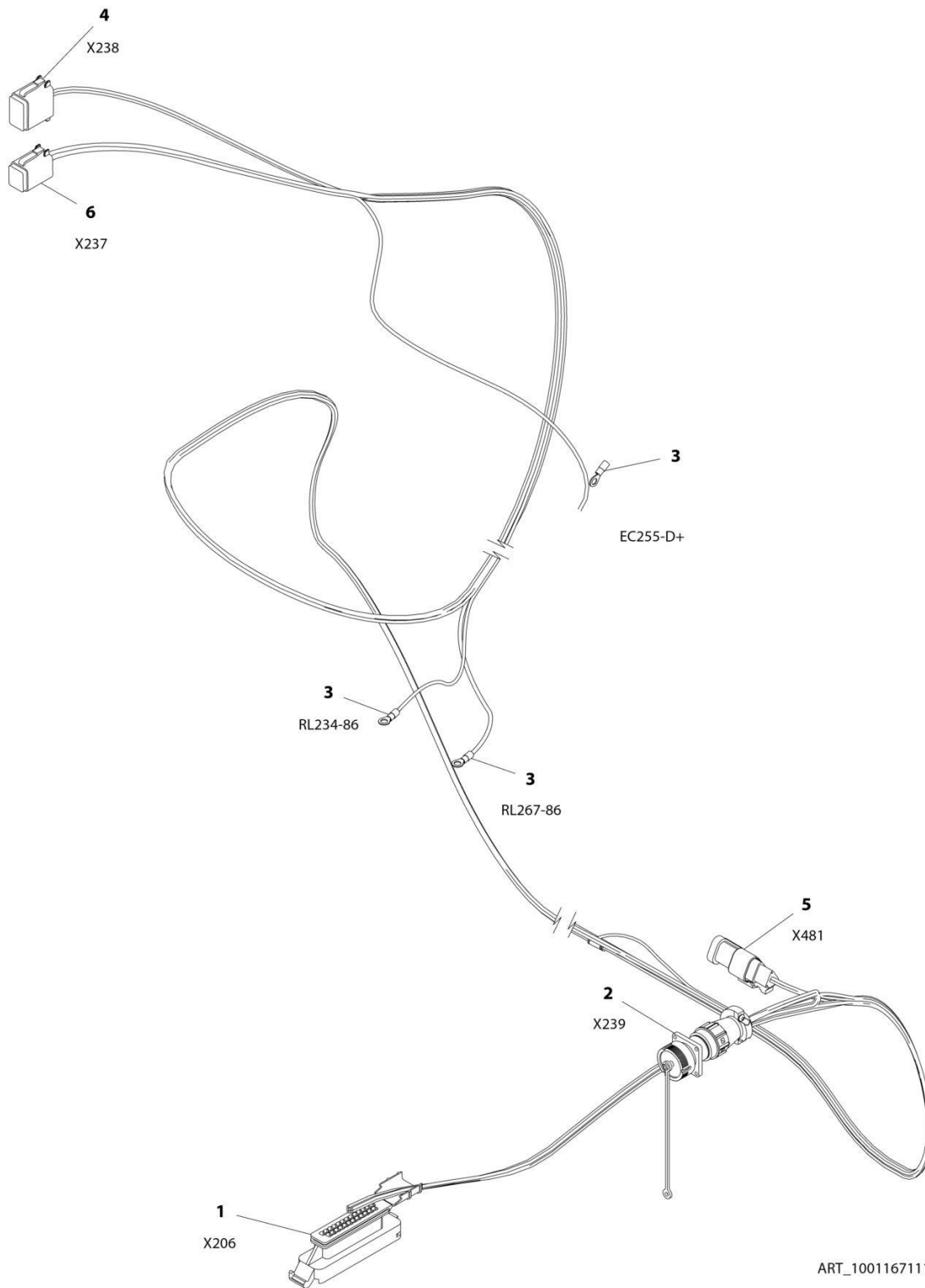
## SECTION 8 - ELECTRICAL

### FIGURE 8-45. CHASSIS SOLENOID HARNESS

ITEM	PART NUMBER	QTY	DESCRIPTION	REV
	1001179236	Ref	CHASSIS SOLENOID HARNESS	A
1	4460899	1	Receptacle, Female - 6 Position	
1	4460464	6	Pin, Male	
2	4460891	4	Plug, Male - 2 Position	
2	4460465	8	Socket, Female	

# SECTION 8 - ELECTRICAL

## FIGURE 8-46. ENGINE HARNESS - DEUTZ D2011



ART\_1001167111



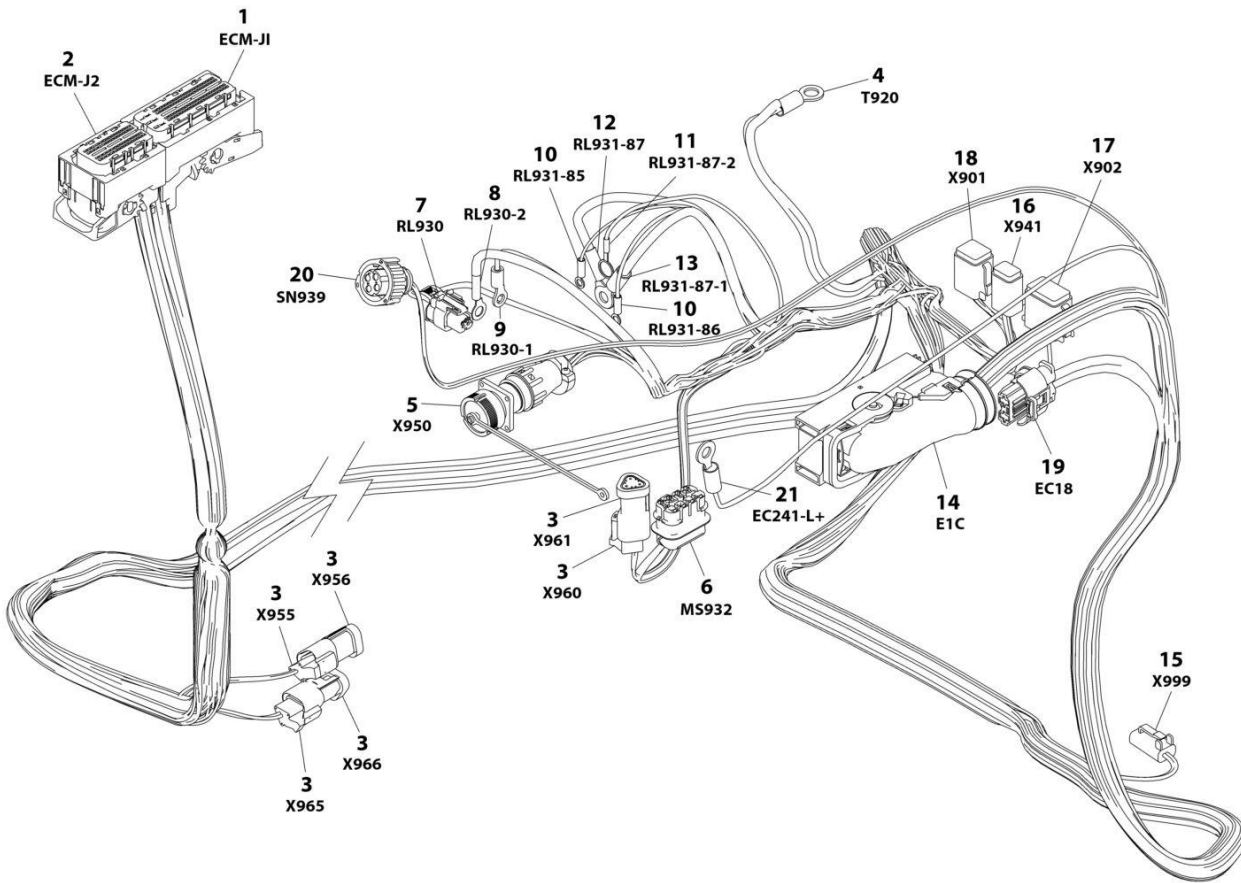
## SECTION 8 - ELECTRICAL

**FIGURE 8-46. ENGINE HARNESS - DEUTZ D2011**

ITEM	PART NUMBER	QTY	DESCRIPTION	REV
	1001167111	Ref	ENGINE HARNESS - DEUTZ D2011	B
1	4461052	1	Connector - 25 Position	
1	4461005	7	Terminal	
1	4461008	18	Plug, Terminal	
2	2902443	1	Receptacle Kit	
2	4461071	8	Socket, Female	
2	4461072	1	Receptacle with Flange - 8 Position	
2	4461073	1	Cap, Dust	
2	4461074	1	Shell, Black	
3	4460313	3	Terminal, Ring	
4	4460930	1	Plug, Male - 8 Position	
4	4460465	2	Socket, Female	
4	4460466	6	Seal, Terminal	
5	4461095	1	Plug, Male - 3 Position	
5	4460465	3	Socket, Female	
6	4460894	1	Plug, Male - 6 Position	
6	4460465	6	Socket, Female	

# SECTION 8 - ELECTRICAL

## FIGURE 8-47. ENGINE HARNESS - DEUTZ D2.9L4



ART\_1001167108\_L

## SECTION 8 - ELECTRICAL

### FIGURE 8-47. ENGINE HARNESS - DEUTZ D2.9L4

ITEM	PART NUMBER	QTY	DESCRIPTION	REV
	1001167108	Ref	ENGINE HARNESS - DEUTZ D2.9L4	L
1	1001133956	1	Connector, 94 Position	
1	1001182361	6	Terminal	
1	1001126351	2	Terminal	
1	1001230934	17	Terminal	
1	1001230935	63	Plug, Terminal	
1	1001256507	4	Terminal	
1	1001230936	2	Plug, Terminal	
1	1001182365	6	Seal	
2	1001133957	1	Connector - 60 Position	
2	1001230936	11	Plug, Terminal	
2	1001126351	13	Terminal	
2	1001230935	19	Plug, Terminal	
2	1001230934	11	Terminal	
2	1001252527	4	Terminal	
2	1001256507	2	Terminal	
3	4461095	3	Plug, Male - 3 Position	
3	4460944	6	Socket, Female	
3	4460466	3	Plug, Terminal	
3	4461070	3	Connector, Female with Resistor 3 Position	
4	8220115	1	Terminal, Ring	
5	2902443	1	Receptacle Kit	
5	4461071	8	Socket, Female	
5	4461072	1	Receptacle with Flange - 8 Position	
5	4461073	1	Cap, Dust	
5	4461074	1	Shell, Black	
6	80484084	1	Connector - 8 Position	
6	4460746	3	Terminal	
6	1001234800	1	Terminal	
6	4460748	4	Plug, Terminal	
6	4460458	4	Seal	
6	8229242	1	Fuse - 5Amp	
6	80983191	1	Fuse - 10Amp	
6	1001147264	1	Cap	
7	1001116952	1	Plug, Male - 2 Position	
7	4460465	2	Socket, Female	
8	1001117106	1	Terminal, Ring	
9	4460043	1	Terminal, Ring	
10	4460247	2	Terminal, Ring	
11	4460703	1	Terminal, Ring	
12	8220164	1	Terminal, Ring	
13	1001117107	1	Terminal, Ring	
14	1001126362	1	Connector - 62 Position	
14	1001126363	25	Terminal	
14	1001126391	21	Seal, Terminal	
14	1001126392	10	Terminal	
14	4461008	4	Seal, Terminal	
14	1001126365	2	Terminal	
14	1001223459	10	Seal, Terminal	
14	1001126364	23	Seal, Terminal	

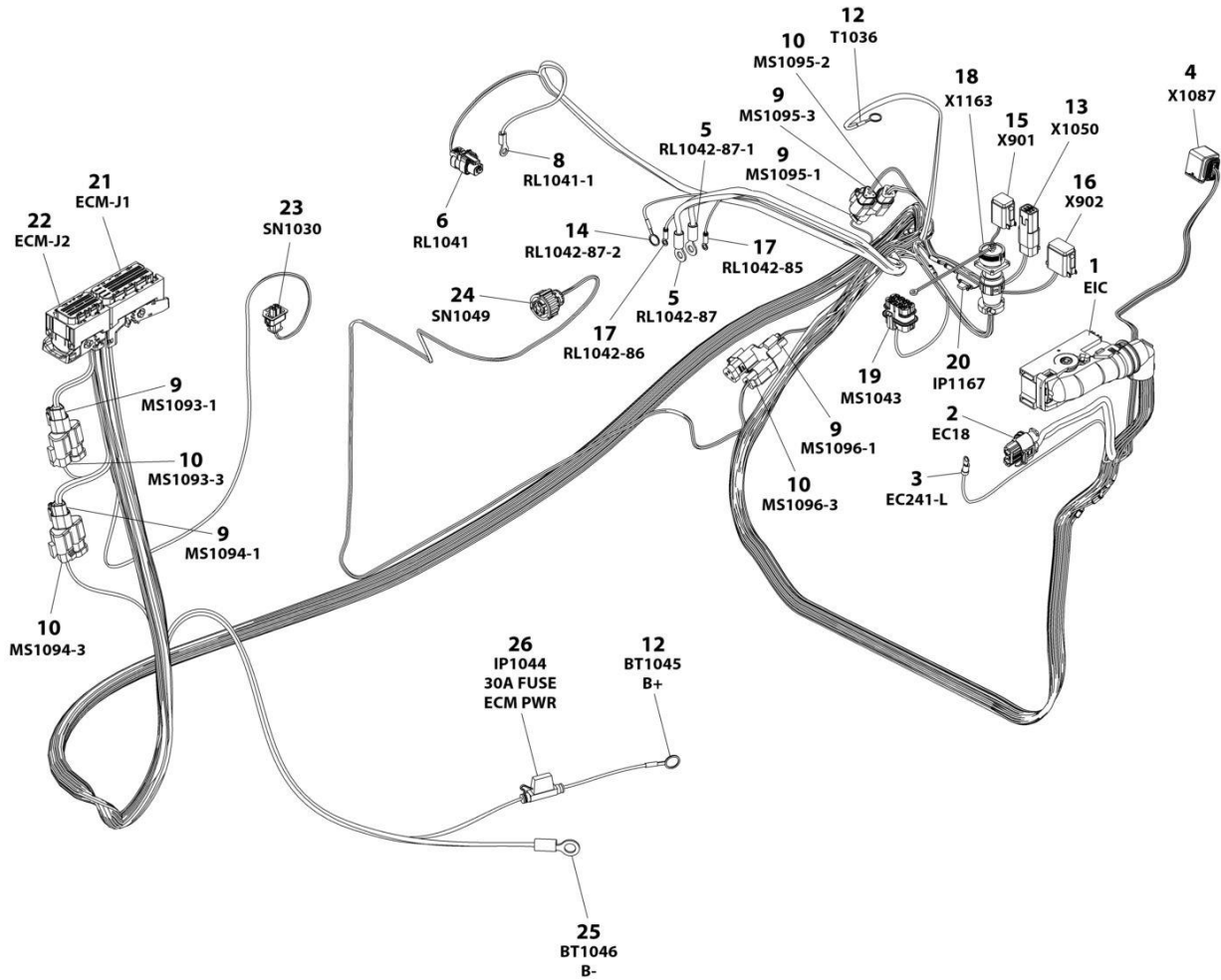
## SECTION 8 - ELECTRICAL

ITEM	PART NUMBER	QTY	DESCRIPTION	REV
14	1001256506	2	Seal, Terminal	
14	4461054	2	Seal, Terminal	
15	4460891	1	Plug, Male - 2 Position	
15	4460465	2	Socket, Female	
16	1001220379	1	Plug, Male - 4 Position	
16	4460465	2	Socket, Female	
16	4460942	2	Socket, Female	
17	4460930	1	Plug, Male - 8 Position	
17	4460465	1	Socket, Female	
17	4460466	7	Seal, Terminal	
18	4460894	1	Plug, Male - 6 Position	
18	4460465	3	Socket, Female	
18	4460944	2	Socket, Female	
18	4460466	1	Plug, Terminal	
19	1001142938	1	Connector - 2 Position	
19	1001142940	2	Terminal	
19	1001142941	2	Seal, Terminal	
20	1001133714	1	Plug, Male - 4 Position	
20	1001133715	3	Terminal	
20	1001135651	1	Plug, Terminal	
20	1001135650	3	Seal	
21	4460042	1	Terminal, Ring	



# SECTION 8 - ELECTRICAL

## FIGURE 8-48. ENGINE HARNESS



ART\_1001276643

## SECTION 8 - ELECTRICAL

### FIGURE 8-48. ENGINE HARNESS

ITEM	PART NUMBER	QTY	DESCRIPTION	REV
	1001276643	Ref	ENGINE HARNESS - DEUTZ D2.9L4 (STAGE V) ENGINE	B
1	1001126362	1	Connector	
1	1001126363	37	Socket	
1	1001126391	7	Plug, Terminal	
1	1001126392	12	Socket	
1	4461008	4	Plug, Terminal	
1	1001167632	2	Socket	
1	1001126364	37	Plug, Terminal	
1	1001223459	12	Seal	
1	4461054	2	Seal	
2	1001142938	1	Connector	
2	1001142940	2	Socket	
2	1001142941	2	Seal	
3	4460042	1	Terminal, Ring	
4	1001239202	1	Connector	
4	1001126363	7	Socket	
4	1001126391	1	Plug, Terminal	
4	1001126364	7	Plug, Terminal	
5	1001117107	2	Terminal, Ring	
6	1001116952	1	Connector	
6	4460465	2	Socket	
8	4460043	1	Terminal, Ring	
9	1001116812	5	Connector	
9	4460944	10	Socket	
9	4460466	5	Plug, Terminal	
10	4460539	4	Connector	
10	4460944	8	Socket	
10	4460466	4	Plug, Terminal	
12	4460019	2	Terminal, Ring	
13	4460884	1	Connector	
13	4460465	2	Socket	
13	4460942	2	Socket	
14	4460703	1	Terminal, Ring	
15	4460894	1	Connector	
15	4460466	2	Plug, Terminal	
15	4460465	2	Socket	
15	4460944	2	Socket	
16	4460930	1	Connector	
16	4460465	1	Socket	
16	4460466	7	Plug, Terminal	
17	4460247	2	Terminal, Ring	
18	2902443	1	Receptacle Kit	
18	4461071	8	Socket	
18	4461072	1	Receptacle with Flange - 8 Position	
18	4461073	1	Cap, Dust	
18	4461074	1	Shell, Black	
19	80484084	1	Connector	
19	4460748	4	Plug, Socket	
19	4460746	3	Socket	
19	1001234800	1	Socket	

## SECTION 8 - ELECTRICAL

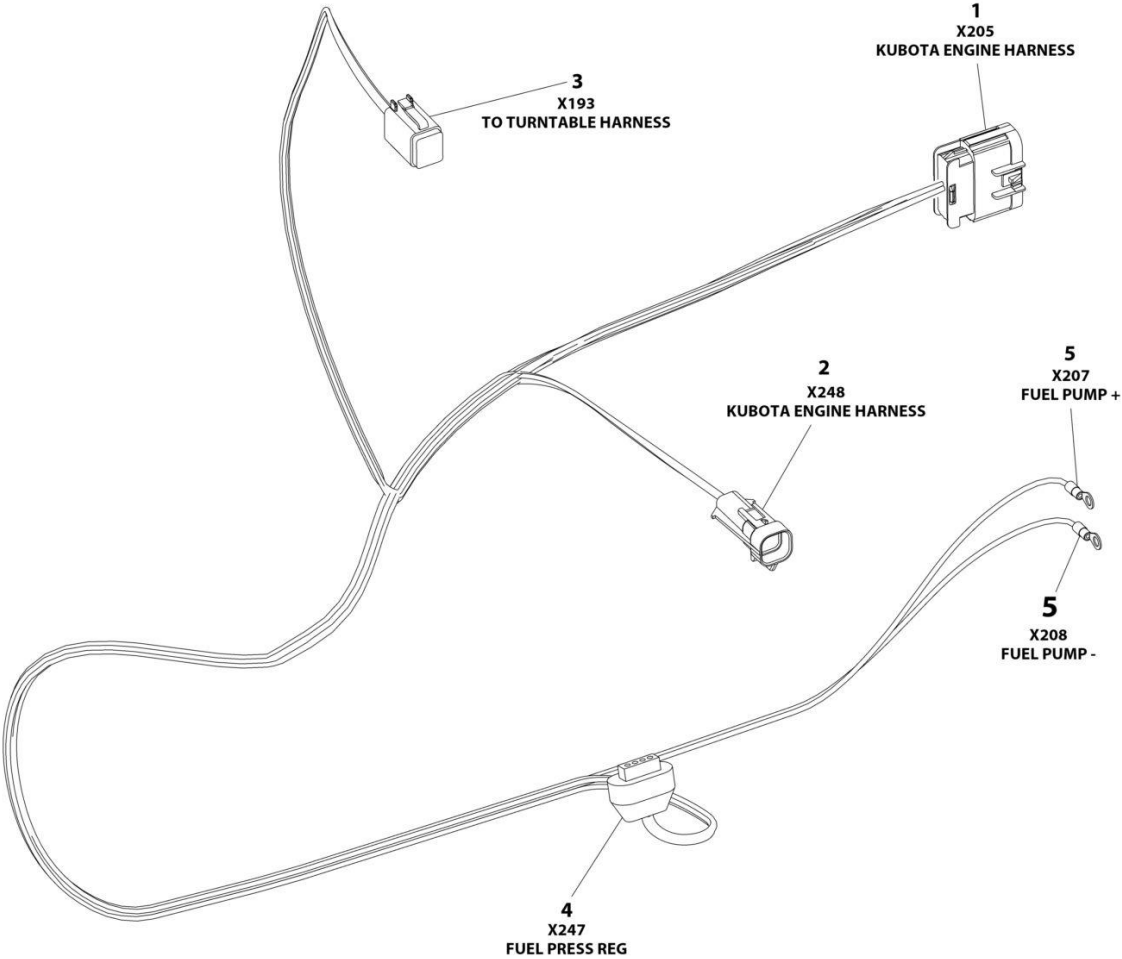
ITEM	PART NUMBER	QTY	DESCRIPTION	REV
19	4460458	4	Seal	
20	1001170764	1	Holder, Fuse	
20	1001197719	1	Fuse 0.5 Watt	
21	1001133956	1	Connector	
21	1001182361	6	Socket	
21	1001126351	3	Socket	
21	1001230934	23	Socket	
21	1001230935	57	Pin	
21	1001230936	1	Pin	
21	1001252527	4	Socket	
21	1001182365	6	Seal	
22	1001133957	1	Connector	
22	1001230936	11	Pin	
22	1001126351	13	Socket	
22	1001230935	10	Pin	
22	1001230934	26	Socket	
23	1001126487	1	Connector	
23	1001167635	2	Socket	
23	1001126485	2	Seal	
24	1001133714	1	Connector	
24	1001133715	3	Socket	
24	1001135651	1	Plug, Terminal	
24	1001135650	2	Seal	
25	4460115	1	Terminal, Ring	
26	1001172064	1	Fuse Holder (Includes Cover)	
26	1001172065	1	Fuse 30Amp	





**SECTION 8 - ELECTRICAL**

**FIGURE 8-49. ENGINE HARNESS - KUBOTA**



ART\_1001213706

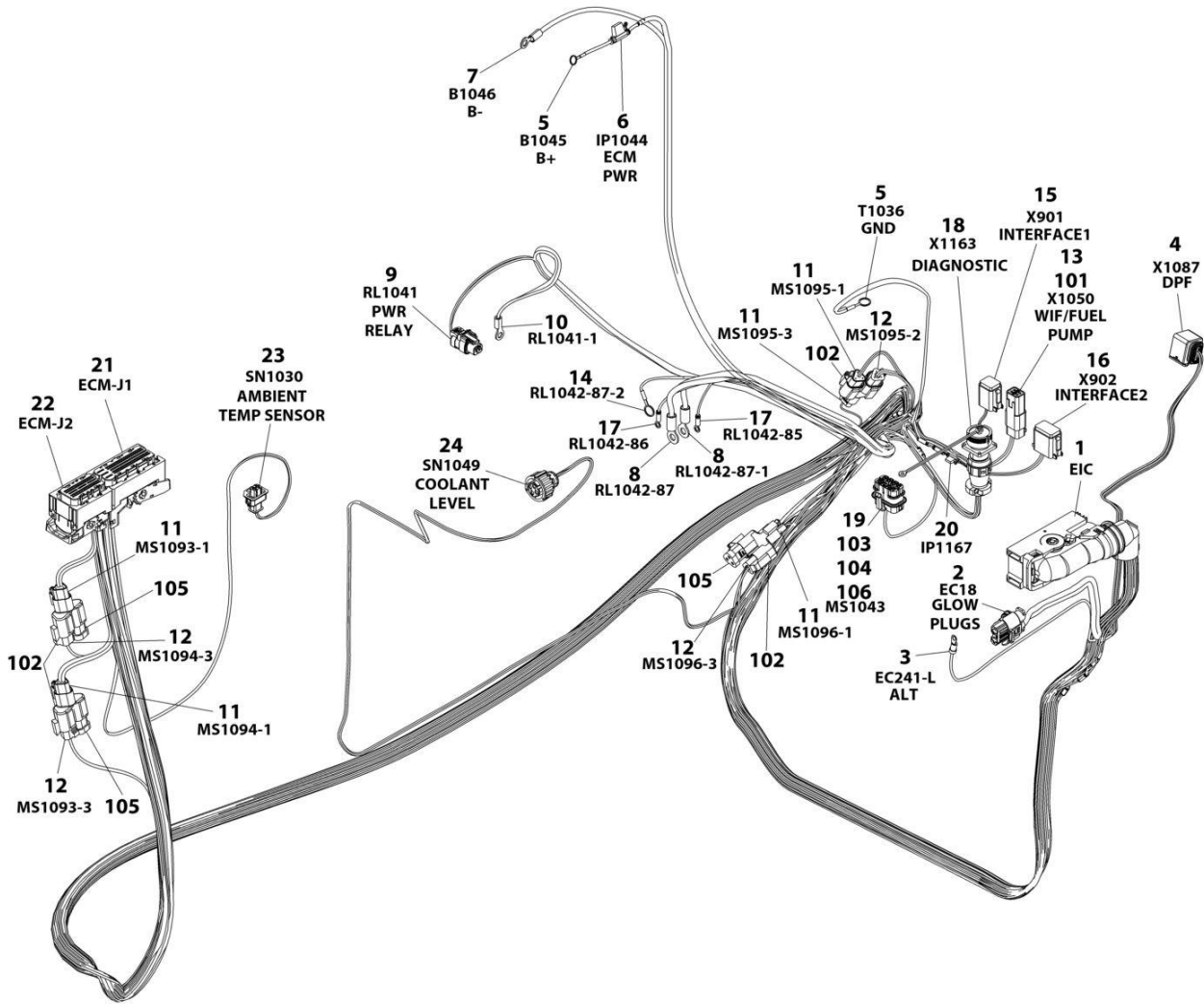
## SECTION 8 - ELECTRICAL

**FIGURE 8-49. ENGINE HARNESS - KUBOTA**

ITEM	PART NUMBER	QTY	DESCRIPTION	REV
	1001213706	Ref	ENGINE HARNESS - KUBOTA	D
1	4461109	1	Plug, Male - 16 Position	
1	4461111	AR	Pin, Male	
1	4461113	AR	Seal	
1	4461222	AR	Plug	
2	4461124	1	Connector - 4 Position	
2	4460693	4	Terminal	
2	4461123	4	Seal	
3	4460894	1	Plug, Male - 6 Position	
3	4460465	5	Socket, Female	
3	4460466	1	Plug, Terminal	
4	4461121	1	Plug, Male - 4 Position	
4	4461122	4	Terminal	
4	4461006	4	Seal	
5	4460042	2	Terminal, Ring	

# SECTION 8 - ELECTRICAL

## FIGURE 8-50. ENGINE HARNESS - DEUTZ D2.9L4 (CHINA IV)



ART\_1001290660

## SECTION 8 - ELECTRICAL

**FIGURE 8-50. ENGINE HARNESS - DEUTZ D2.9L4 (CHINA IV)**

ITEM	PART NUMBER	QTY	DESCRIPTION	REV
	1001290660	Ref	ENGINE HARNESS - DEUTZ D2.9L4 (CHINA IV)	A
1	1001126362	1	Connector	
1	1001126363	37	Socket (20-17Awg - Gold)	
1	1001126391	7	Plug (3.6mm)	
1	1001126392	12	Socket (16Awg - Tin)	
1	4461008	4	Plug (5.6mm)	
1	1001167632	2	Socket (0.5-1.0mm2 - Tin)	
1	1001126364	37	Seal, Terminal (Use with Socket 1001126363)	
1	1001223459	12	Seal, Terminal (Use with Socket 1001126392)	
1	4461054	2	Seal, Terminal (Use with Socket 1001167632)	
1	1001151856	1	Elbow, Connector	
2	1001142938	1	Connector	
2	1001142940	2	Socket	
2	1001142941	2	Seal, Terminal	
3	4460042	1	Terminal, Ring	
4	1001239202	1	Connector	
4	1001126363	7	Socket	
4	1001126391	1	Plug	
4	1001126364	7	Seal, Terminal	
5	4460019	2	Terminal, Ring	
6	1001172064	1	Fuseholder	
6	1001172065	1	Fuse 30Amp	
7	8220115	1	Terminal, Ring	
8	1001117107	2	Terminal, Ring	
9	1001116952	1	Connector	
9	4460465	2	Socket	
10	4460043	1	Terminal, Ring	
11	1001116812	5	Connector	
11	4460944	10	Socket	
11	4460466	5	Plug	
12	4460539	4	Connector	
12	4460944	8	Socket	
12	4460466	4	Plug	
13	4460884	1	Connector	
13	4460465	2	Socket (20-16Awg)	
13	4460942	2	Socket (16-14Awg)	
14	4460703	1	Terminal, Ring	
15	4460894	1	Connector	
15	4460465	2	Socket (Nickel)	
15	4460944	2	Socket (Gold)	
15	4460466	2	Plug	
16	4460930	1	Connector	
16	4460465	1	Socket	
16	4460466	7	Plug	
17	4460247	2	Terminal, Ring	
18	2902443	1	Receptacle Kit	
18	4461071	8	Socket	
18	4461072	1	Connector	
18	4461073	1	Cap, Dust	
18	4461074	1	Backshell	

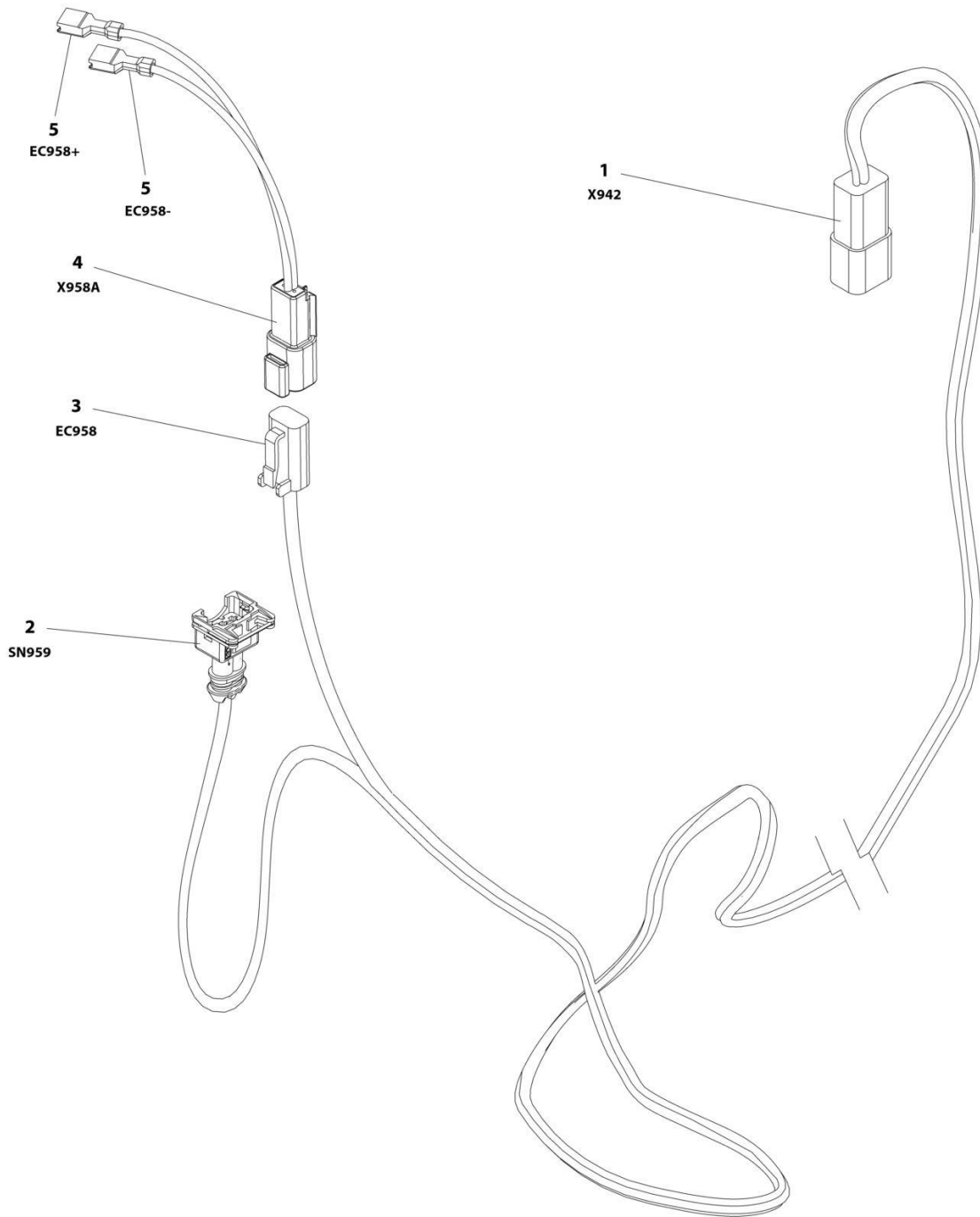
## SECTION 8 - ELECTRICAL

ITEM	PART NUMBER	QTY	DESCRIPTION	REV
19	80484084	1	Connector	
19	4460746	3	Socket (20-17Awg)	
19	1001234800	1	Socket (16Awg)	
19	4460748	4	Plug	
19	4460458	4	Seal, Terminal	
20	1001170764	1	Fuseholder	
20	1001197719	1	Resistor 1/2Watt	
21	1001133956	1	Connector	
21	1001182361	6	Socket (1.5-2.5mm2)	
21	1001126351	3	Socket (18-15Awg)	
21	1001230934	23	Socket (0.75mm2)	
21	1001230935	57	Plug (1.5mm)	
21	1001252527	4	Socket (0.85mm2)	
21	1001230936	1	Plug (1.85mm)	
21	1001182365	6	Seal, Terminal	
22	1001133957	1	Connector	
22	1001230936	11	Plug (1.85mm)	
22	1001126351	13	Socket (18-15Awg)	
22	1001230935	10	Plug (1.5mm)	
22	1001230934	26	Socket (0.75mm2)	
23	1001126487	1	Connector	
23	1001167635	2	Socket	
23	1001126485	2	Seal, Terminal	
24	1001133714	1	Connector	
24	1001133715	3	Socket	
24	1001135651	1	Plug	
24	1001135650	2	Seal, Terminal	
101	4460932	1	Connector, Female	
102	4460945	4	Connector, 3-Way	
103	8229242	1	Fuse 5Amp	
104	80983191	1	Fuse 10Amp	
105	1001116815	3	Connector	
106	1001147264	1	Cap	



# SECTION 8 - ELECTRICAL

## FIGURE 8-51. FUEL HARNESS - DEUTZ D2.9L4 ENGINE



ART\_1001181358



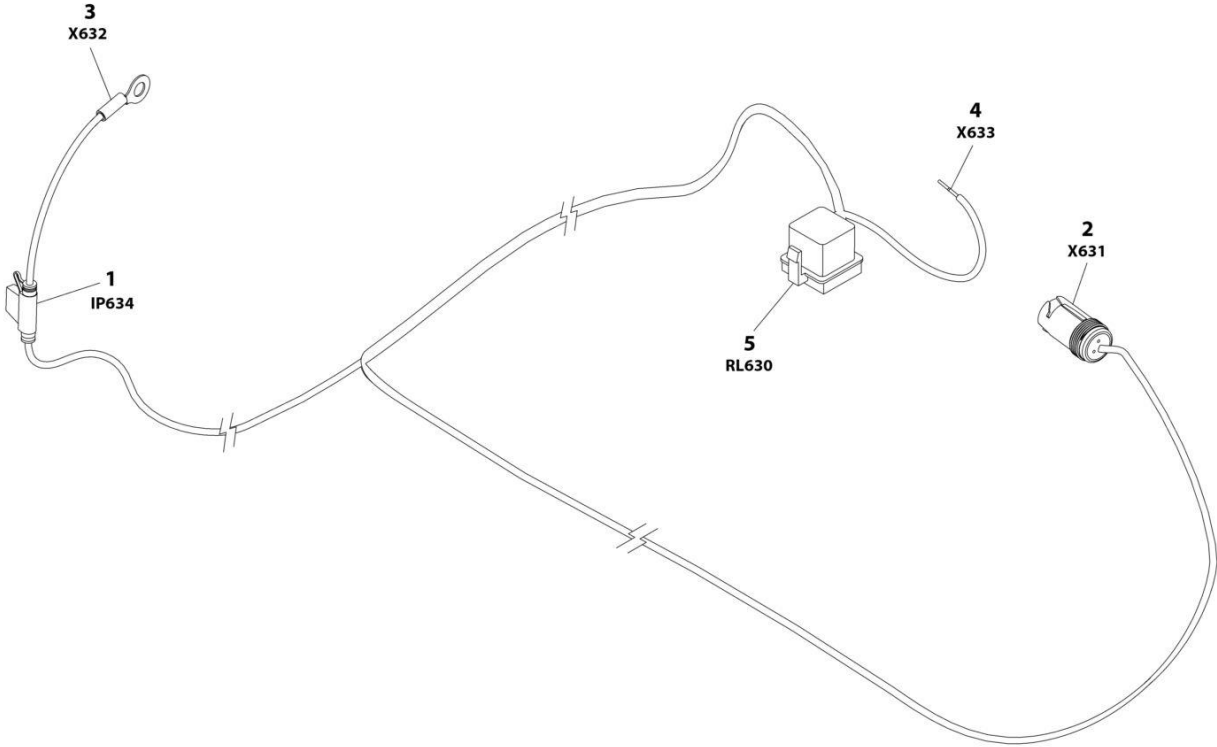
## SECTION 8 - ELECTRICAL

### FIGURE 8-51. FUEL HARNESS - DEUTZ D2.9L4 ENGINE

ITEM	PART NUMBER	QTY	DESCRIPTION	REV
	1001181358	Ref	FUEL HARNESS - DEUTZ D2.9L4 ENGINE	D
1	4460932	1	Receptacle, Female - 4 Position	
1	4460464	2	Pin, Male	
1	4460941	2	Pin, Male	
2	1001116983	1	Plug, Male - 2 Position	
2	4461060	2	Socket, Female	
2	4461054	2	Seal	
3	4460891	1	Plug, Male - 2 Position	
3	4460942	2	Socket, Female	
4	4460897	1	Receptacle, Female - 2 Position	
4	4460941	2	Pin, Male	
5	8220051	2	Coupler, Female	

**SECTION 8 - ELECTRICAL**

**FIGURE 8-52. GENERATOR HARNESS - 2500W GENERATOR (60HZ)**



ART\_1001187522

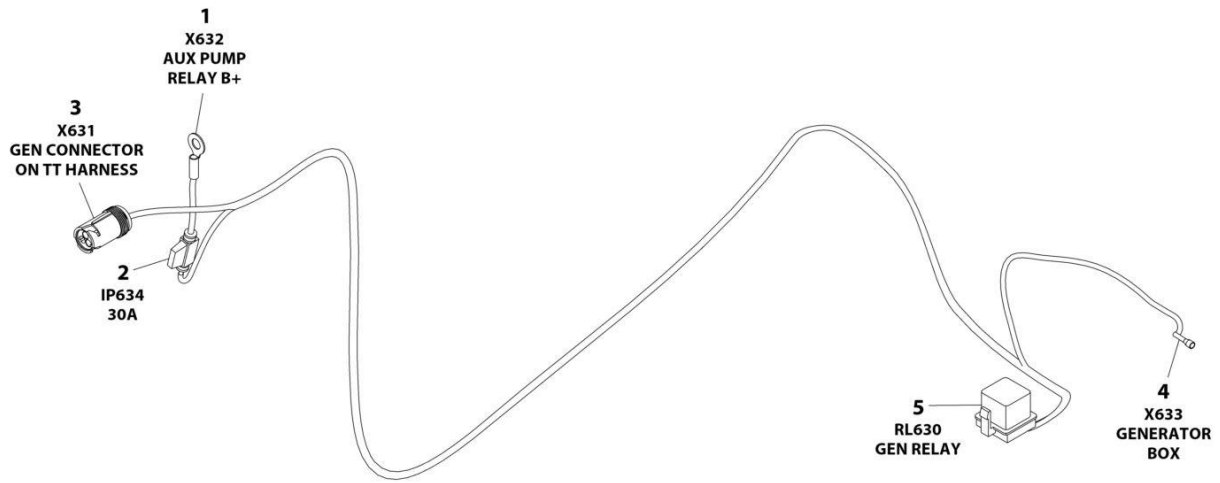
## SECTION 8 - ELECTRICAL

**FIGURE 8-52. GENERATOR HARNESS - 2500W GENERATOR (60HZ)**

ITEM	PART NUMBER	QTY	DESCRIPTION	REV
	1001187522	Ref	GENERATOR HARNESS - 2500W	B
1	2400066	1	Fuseholder - 30Amp (Includes Cover)	
1	8229245	1	Fuse 30Amp	
2	1001154726	1	Receptacle, Female - 3 Position	
2	4460464	2	Pin, Male	
2	4460466	1	Plug, Terminal	
3	8220045	1	Terminal, Ring	
4	4460906	1	Socket, Female	
5	1001117057	1	Connector, Relay	
5	1001116734	2	Terminal	
5	1001116732	2	Terminal	
5	3740080	1	Relay	

# SECTION 8 - ELECTRICAL

## FIGURE 8-53. GENERATOR HARNESS - 2500W GENERATOR (50HZ)



ART\_1001187352

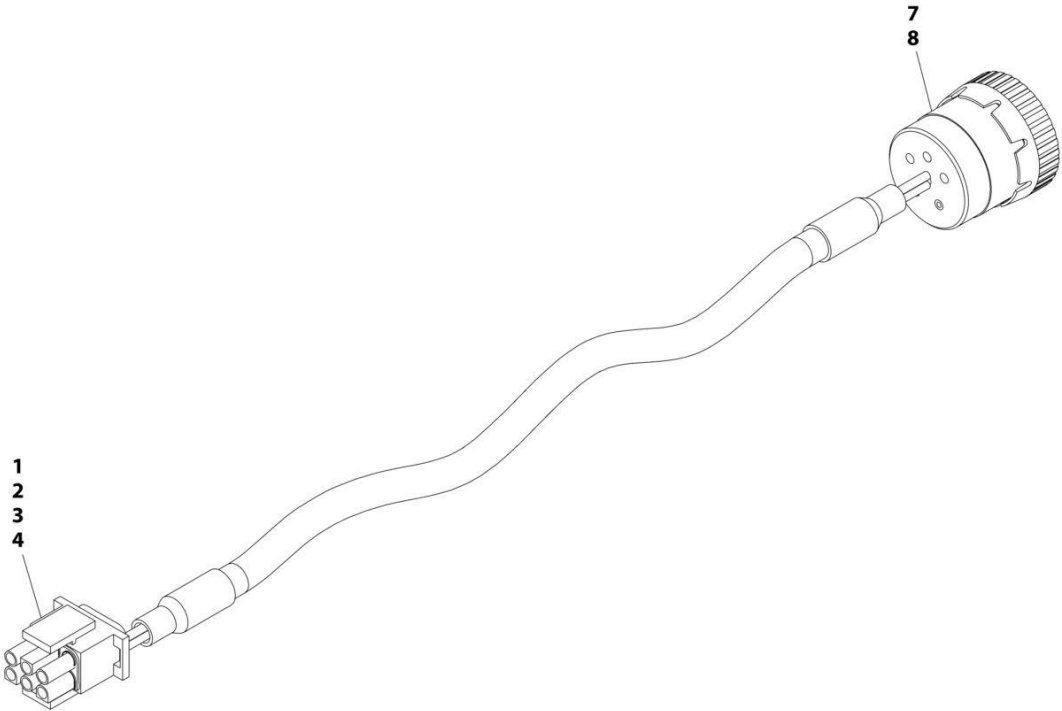
## SECTION 8 - ELECTRICAL

### FIGURE 8-53. GENERATOR HARNESS - 2500W GENERATOR (50HZ)

ITEM	PART NUMBER	QTY	DESCRIPTION	REV
	1001187352	Ref	GENERATOR HARNESS - 2500W GENERATOR (50HZ)	A
1	8220045	1	Terminal, Ring	
2	2400060	1	Holder, Fuse	
2	8229245	1	Fuse 30Amp	
3	1001154726	1	Connector - 3 Position	
3	4460464	2	Pin, Male	
3	4460466	1	Plug, Terminal	
4	1001100231	1	Terminal	
5	1001117057	1	Plug, Relay	
5	1001116734	2	Terminal	
5	1001116732	2	Terminal	

**SECTION 8 - ELECTRICAL**

**FIGURE 8-54. GENERATOR HARNESS - 4000W GENERATOR**



ART\_1001152532

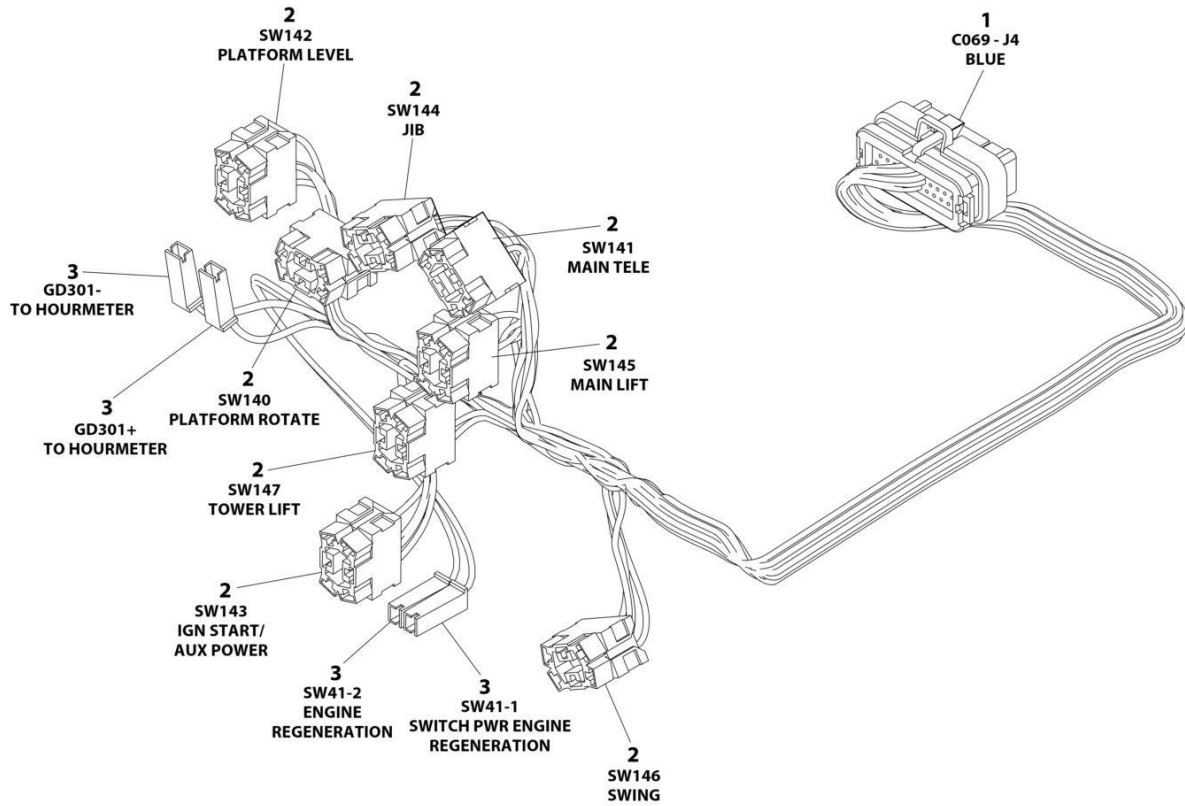
## SECTION 8 - ELECTRICAL

### FIGURE 8-54. GENERATOR HARNESS - 4000W GENERATOR

ITEM	PART NUMBER	QTY	DESCRIPTION	REV
	1001152532	Ref	GENERATOR HARNESS	A
1	4460225	1	Connector - 6 Position	
2	4460268	2	Socket, Female	
3	4460807	1	Seal	
4	4460808	1	Seal	
7	4460465	2	Socket, Female	
8	77363233	1	Connector - 6 Position	

# SECTION 8 - ELECTRICAL

## FIGURE 8-55. GROUND CONTROL PANEL HARNESS



ART\_1001299782



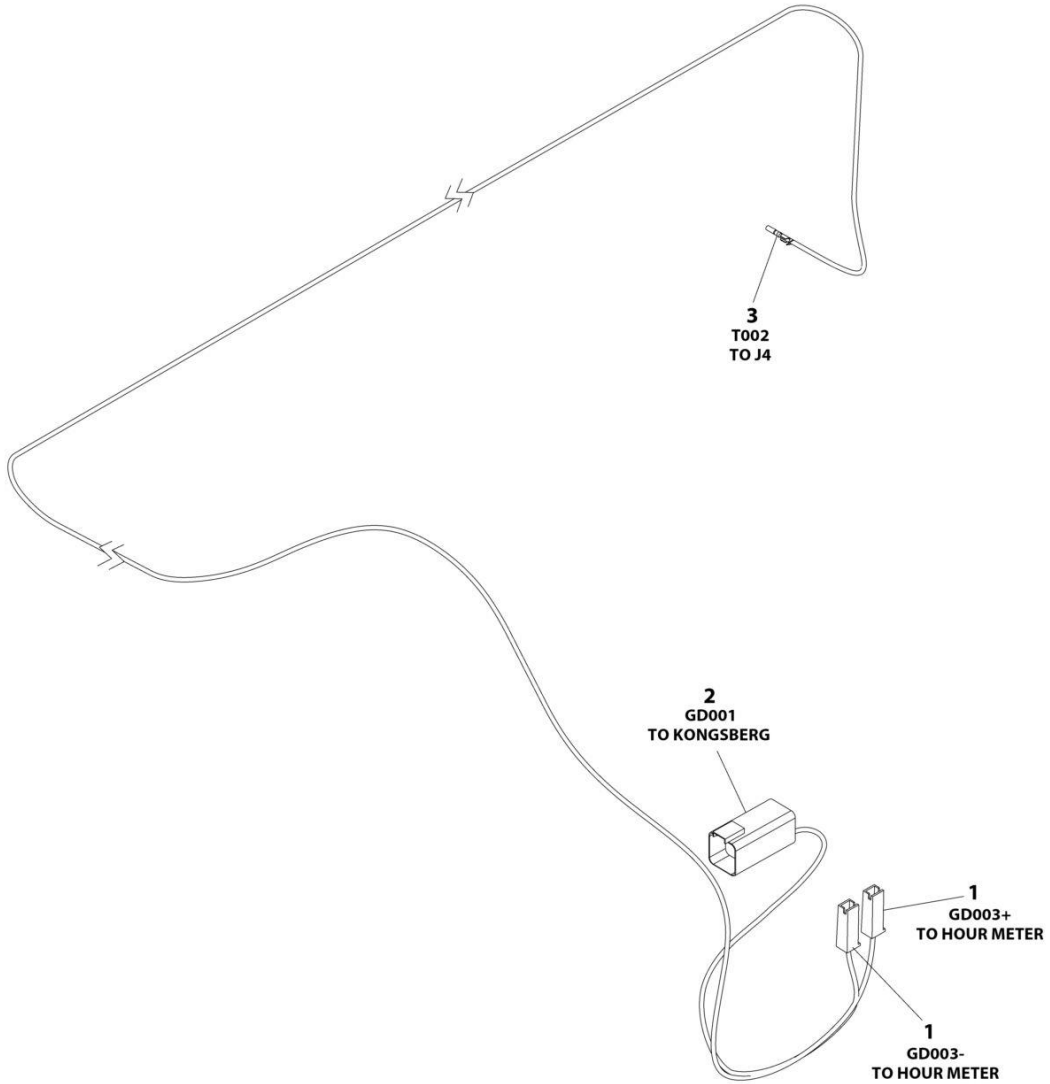
## SECTION 8 - ELECTRICAL

### FIGURE 8-55. GROUND CONTROL PANEL HARNESS

ITEM	PART NUMBER	QTY	DESCRIPTION	REV
	1001299782	Ref	GROUND CONTROL PANEL HARNESS	B
1	4460876	1	Connector	
1	4460871	20	Socket	
1	4460905	15	Plug	
2	4460418	8	Connector	
2	1001159186	16	Socket	
2	4460419	8	Socket	
3	4460260	4	Connector	
3	4460259	4	Socket	

# SECTION 8 - ELECTRICAL

## FIGURE 8-56. HOUR METER JUMPER HARNESS



ART\_1001296426

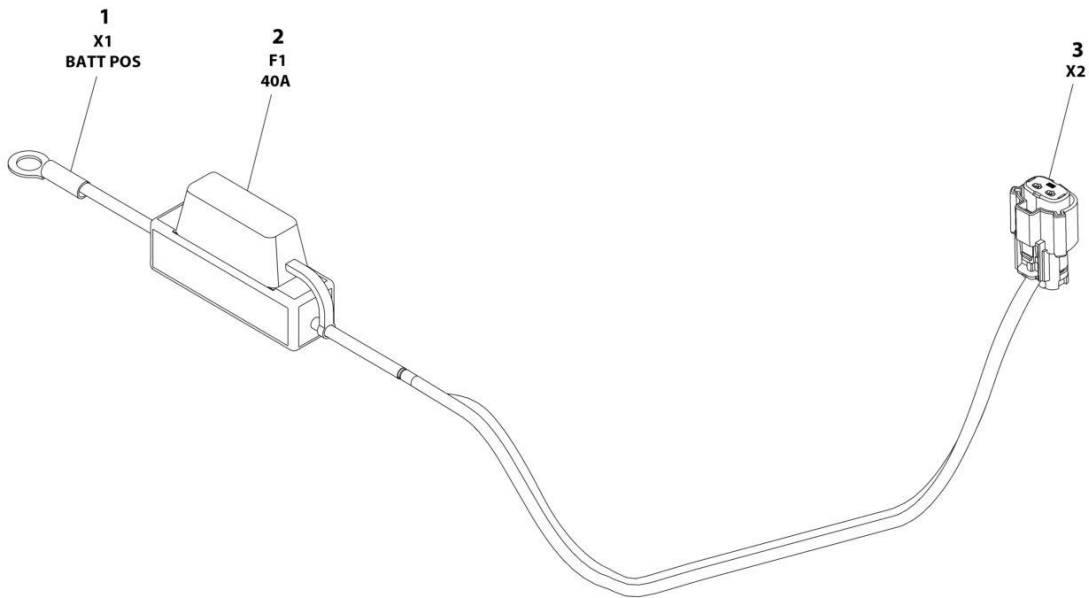
## SECTION 8 - ELECTRICAL

### FIGURE 8-56. HOUR METER JUMPER HARNESS

ITEM	PART NUMBER	QTY	DESCRIPTION	REV
	1001296426	Ref	HOUR METER JUMPER HARNESS	A
1	4460260	2	Connector	
2	4460899	1	Connector	
3	4460871	1	Socket	

# SECTION 8 - ELECTRICAL

## FIGURE 8-57. KUBOTA D/F POWER HARNESS



ART\_1001229797

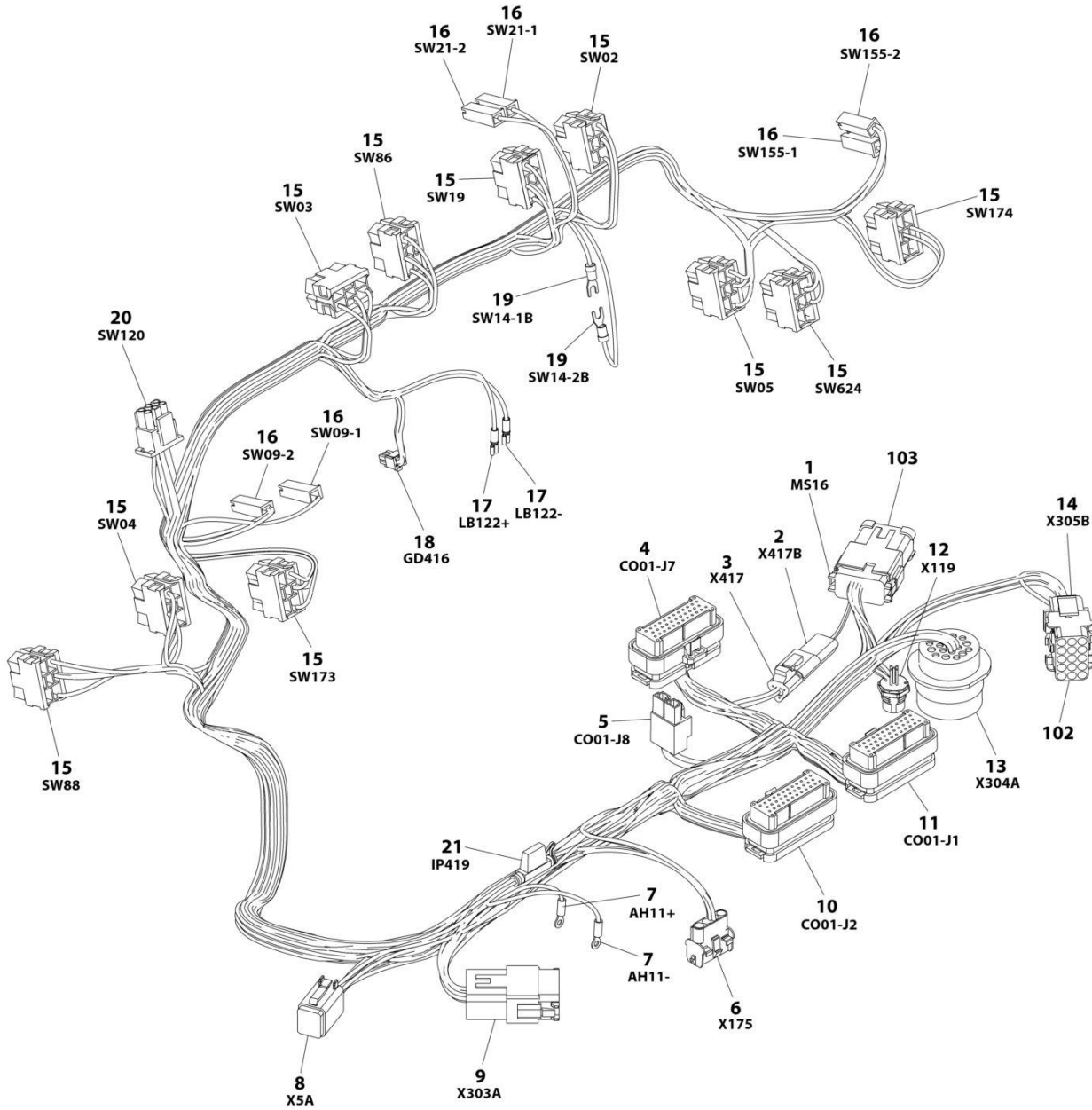
## SECTION 8 - ELECTRICAL

### FIGURE 8-57. KUBOTA D/F POWER HARNESS

ITEM	PART NUMBER	QTY	DESCRIPTION	REV
	1001229797	Ref	KUBOTA D/F POWER HARNESS	A
1	4460977	1	Terminal, Ring	
2	2400082	1	Fuse 40Amp	
3	1001229795	1	Connector - 2 Position	
3	1001229796	2	Socket, Female	

# SECTION 8 - ELECTRICAL

## FIGURE 8-58. PLATFORM CONSOLE BOX HARNESS



ART\_1001238254

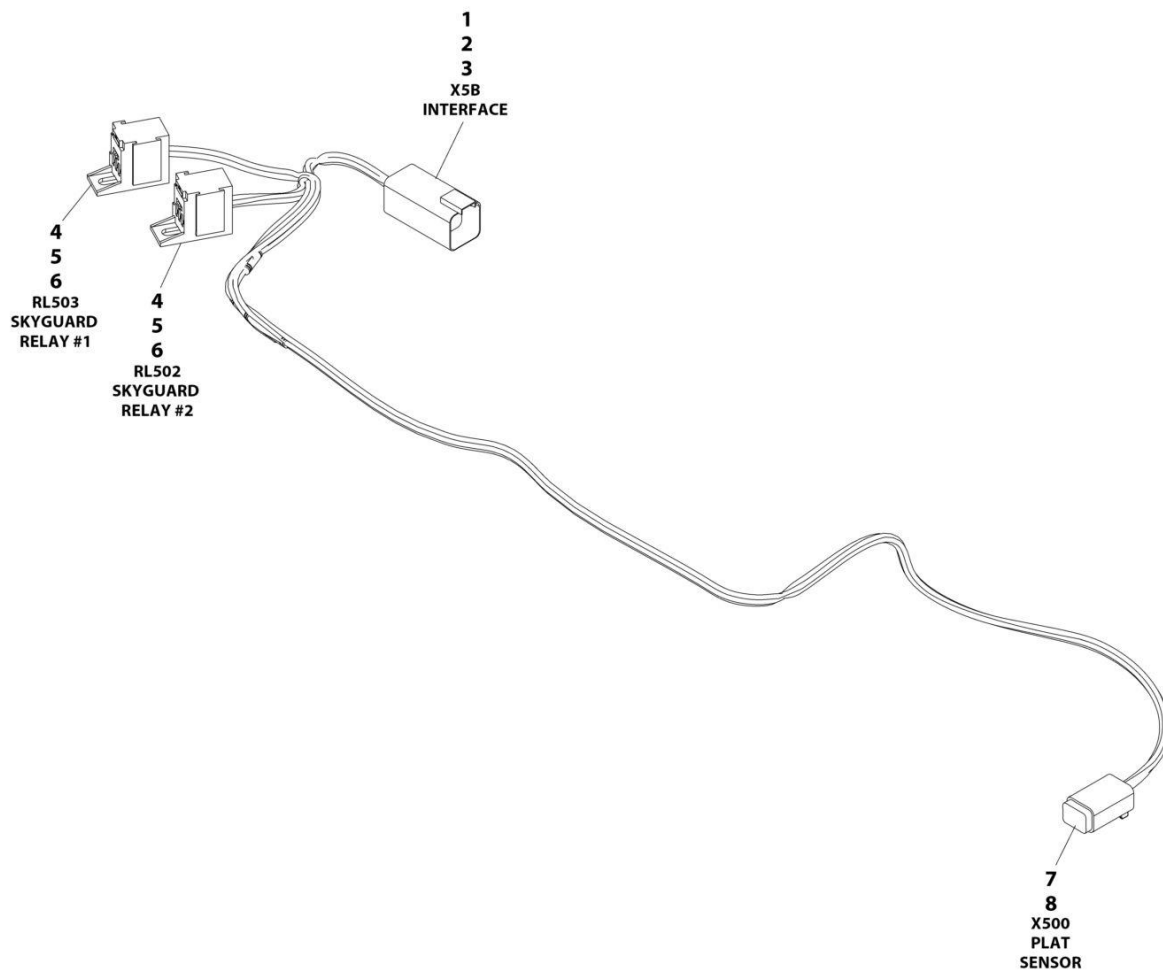
## SECTION 8 - ELECTRICAL

### FIGURE 8-58. PLATFORM CONSOLE BOX HARNESS

ITEM	PART NUMBER	QTY	DESCRIPTION	REV
	1001238254	Ref	PLATFORM CONSOLE BOX HARNESS	I
1	4460933	1	Plug, Male - 12 Position	
1	4460465	10	Socket, Female	
1	4460466	2	Plug, Terminal	
2	4460536	1	Receptacle, Female - 3 Position	
2	4460464	2	Pin, Male	
2	4460466	1	Plug, Terminal	
3	4460539	1	Plug, Male - 3 Position	
3	4460465	2	Socket, Female	
3	4460466	1	Plug, Terminal	
4	4460873	1	Connector - 35 Position	
4	4460871	21	Socket, Female	
4	4460905	14	Plug, Terminal	
5	4460879	1	Plug, Male - 2 Position	
5	4460887	2	Terminal	
6	4460761	1	Receptacle, Female - 4 Position	
6	4460267	4	Pin, Male	
7	1001098122	2	Terminal, Ring	
8	4460894	1	Plug, Male - 6 Position	
8	4460465	6	Socket, Female	
9	4460970	1	Receptacle, Female - 12 Position	
9	1001116693	11	Pin, Male	
9	4460466	1	Plug, Terminal	
10	4460875	1	Connector - 35 Position	
10	4460871	12	Socket, Female	
10	4460905	23	Plug, Terminal	
11	4460874	1	Connector - 35 Position	
11	4460871	27	Socket, Female	
11	4460905	8	Plug, Terminal	
12	1001213447	1	Connector - 4 Position	
12	See Note	NSS	Terminal (Note: Purchase p/n 1001213447)	
13	4460866	1	Connector - 19 Position	
13	4460464	5	Pin, Male	
13	4460466	11	Plug, Terminal	
13	4460508	1	Pin, Male	
14	4460434	1	Connector - 15 Position	
14	4460267	8	Pin, Male	
15	4460418	10	Connector - 6 Position	
15	4460419	45	Terminal	
16	4460260	6	Housing, Terminal	
16	4460259	8	Terminal	
17	1001271497	2	Terminal	
18	1001237667	1	Plug, Male - 6 Position	
18	1001237668	4	Terminal	
19	4460183	2	Terminal, Fork	
20	4460225	1	Plug, Male - 6 Position	
20	4460227	6	Pin, Male (Note: Used on Pump Potentiometer Connection Only)	
21	2400060	1	Fuse Holder	
102	4460708	1	Connector, Bussbar - 15 Position	
103	1001125677	1	Connector, Bussbar - 12 Position	

# SECTION 8 - ELECTRICAL

## FIGURE 8-59. PLATFORM INTERFACE HARNESS



ART\_1001225580\_E



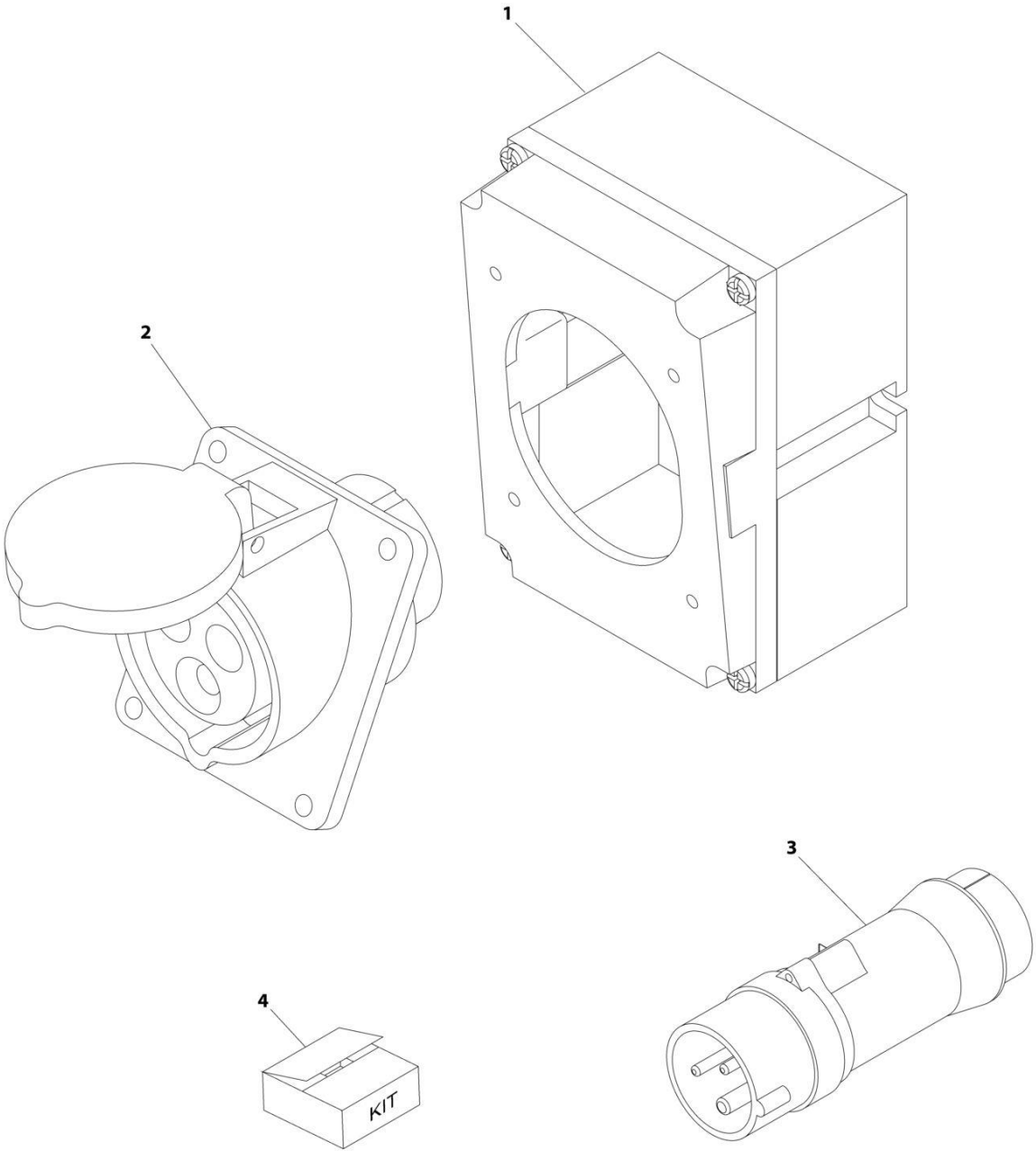
## SECTION 8 - ELECTRICAL

### FIGURE 8-59. PLATFORM INTERFACE HARNESS

ITEM	PART NUMBER	QTY	DESCRIPTION	REV
	1001225580	Ref	PLATFORM INTERFACE HARNESS - WITH 1 CELL LSS	E
1	4460899	1	Connector	
2	4460464	4	Terminal	
3	4460466	2	Plug	
4	1001186432	2	Connector	
5	1001253375	4	Terminal	
6	1001104519	4	Terminal	
7	4460884	1	Connector	
8	4460465	4	Terminal	

**SECTION 8 - ELECTRICAL**

**FIGURE 8-60. RECEPTACLE BOX KIT - 110V IEC YELLOW (CE, CIS/EAC & UK CA SPECS)**



ART\_0275216

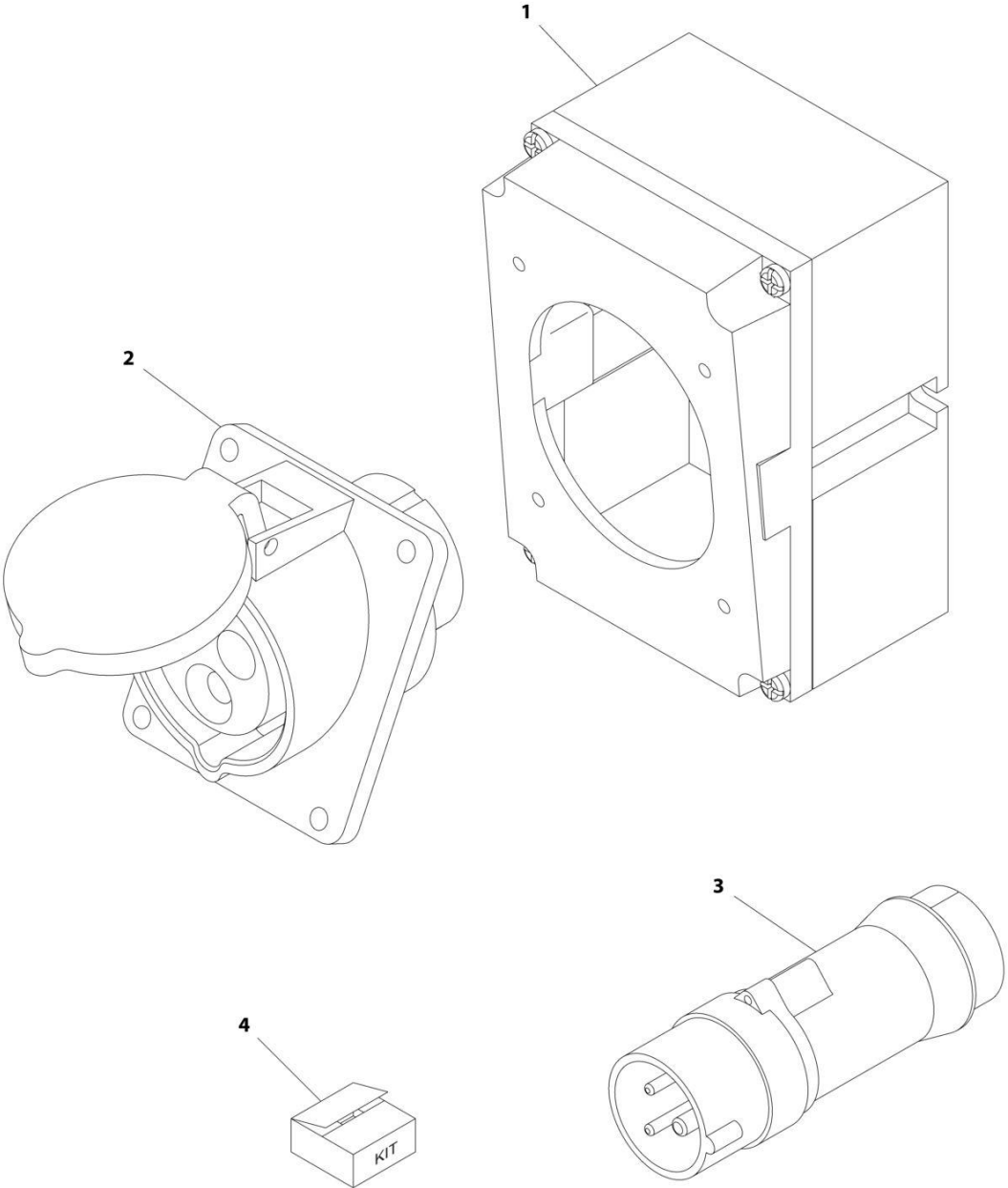
## SECTION 8 - ELECTRICAL

**FIGURE 8-60. RECEPTACLE BOX KIT - 110V IEC YELLOW (CE, CIS/EAC & UK CA SPECS)**

ITEM	PART NUMBER	QTY	DESCRIPTION	REV
	0275216	Ref	RECEPTACLE BOX KIT - 110V IEC YELLOW	B
1	0861781	1	Box, Switch	
2	4461198	1	Receptacle	
3	4461196	1	Plug, Male	
4	1001100341	1	Plug and Socket Kit (Includes Items 1-3 and Female Plug p/n 4461197)	

**SECTION 8 - ELECTRICAL**

**FIGURE 8-61. RECEPTACLE BOX KIT - 220V IEC BLUE (CE, CIS/EAC & UK CA SPECS)**



ART\_0275217

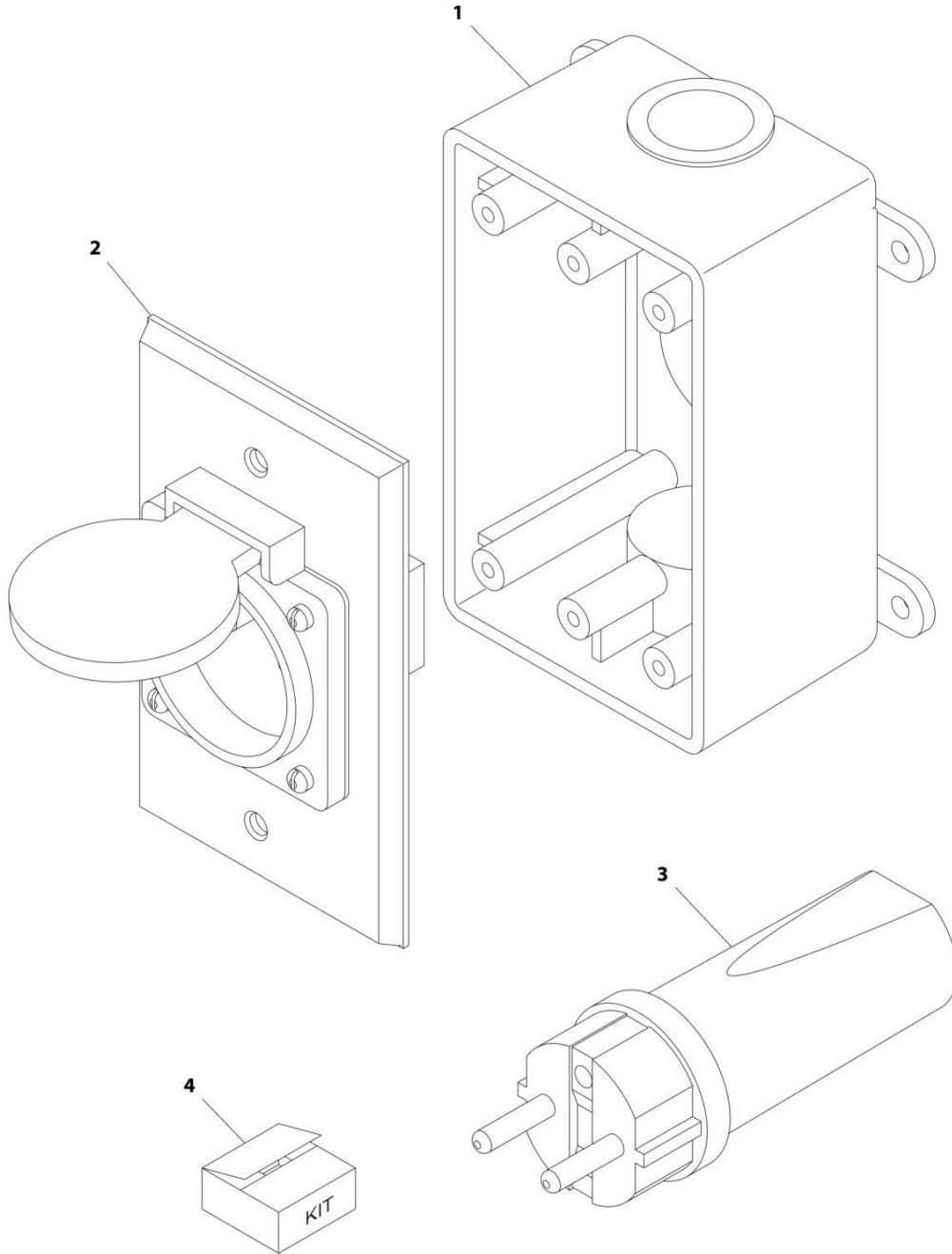
## SECTION 8 - ELECTRICAL

**FIGURE 8-61. RECEPTACLE BOX KIT - 220V IEC BLUE (CE, CIS/EAC & UK CA SPECS)**

ITEM	PART NUMBER	QTY	DESCRIPTION	REV
	0275217	Ref	RECEPTACLE BOX KIT - 220V IEC BLUE	B
1	0861781	1	Box, Switch	
2	4461201	1	Receptacle	
3	4461199	1	Plug, Male	
4	1001100342	1	Plug and Socket Kit (Includes Items 1-3 and Female Plug p/n 4461200)	

# SECTION 8 - ELECTRICAL

FIGURE 8-62. RECEPTACLE BOX KIT - 220V CEE7 POST GROUND 2IN X 4IN BOX (CE, CIS/EAC & UK CA SPECS)



ART\_0275452

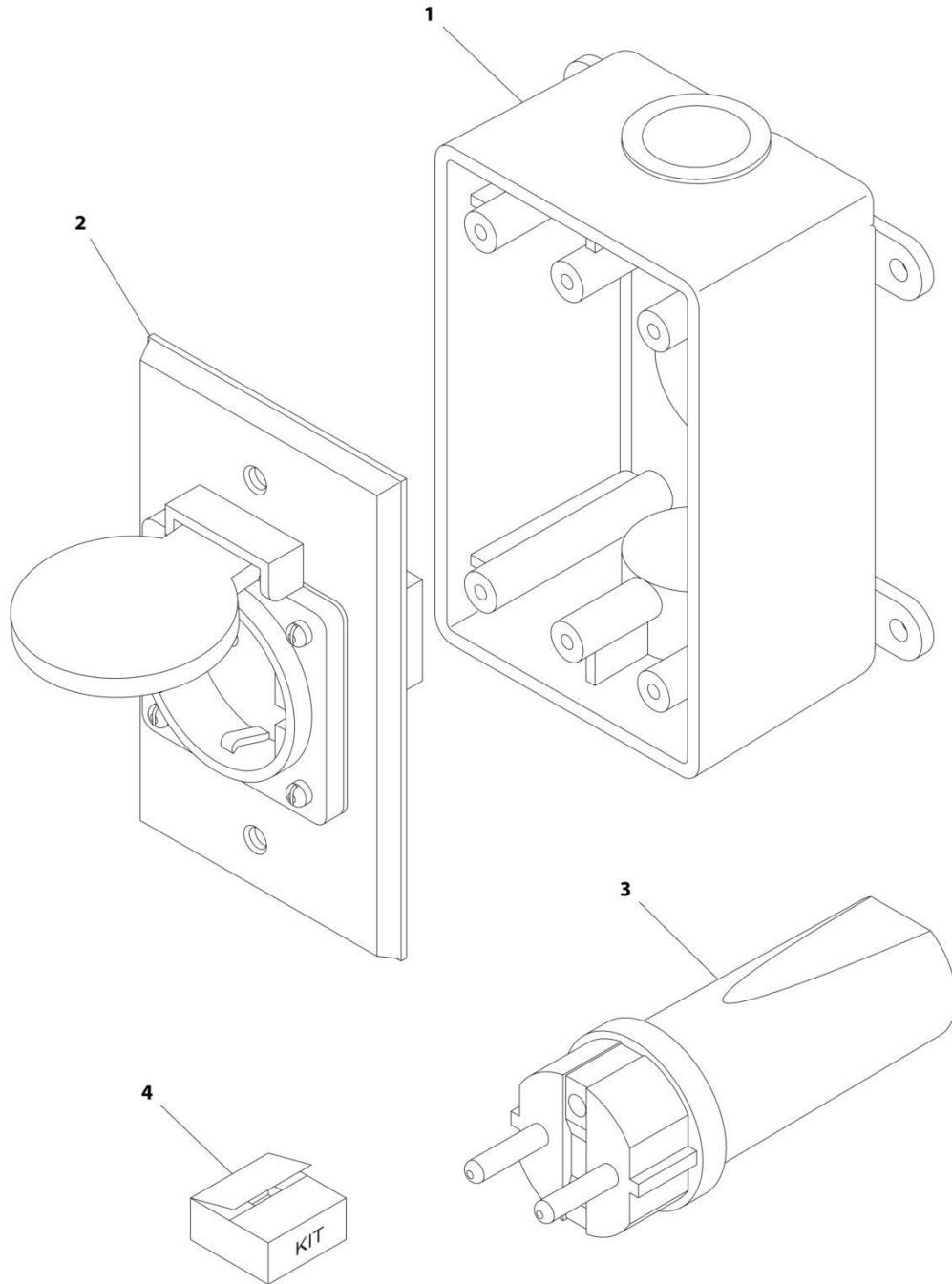
## SECTION 8 - ELECTRICAL

**FIGURE 8-62. RECEPTACLE BOX KIT - 220V CEE7 POST GROUND 2IN X 4IN BOX (CE, CIS/EAC & UK CA SPECS)**

ITEM	PART NUMBER	QTY	DESCRIPTION	REV
	0275452	Ref	RECEPTACLE BOX KIT - 220V CEE7 POST GROUND	C
1	0861731	1	Box, Switch	
2	4461244	1	Receptacle	
3	4461205	1	Plug, Male	
4	1001100345	1	Plug and Socket Kit (Includes Items 1-3 and Female Plug p/n 4461206)	

# SECTION 8 - ELECTRICAL

FIGURE 8-63. RECEPTACLE BOX KIT - 220V CEE7 SIDE GROUND 2IN X 4IN BOX (CE, CIS/EAC & UK CA SPECS)



ART\_0275453



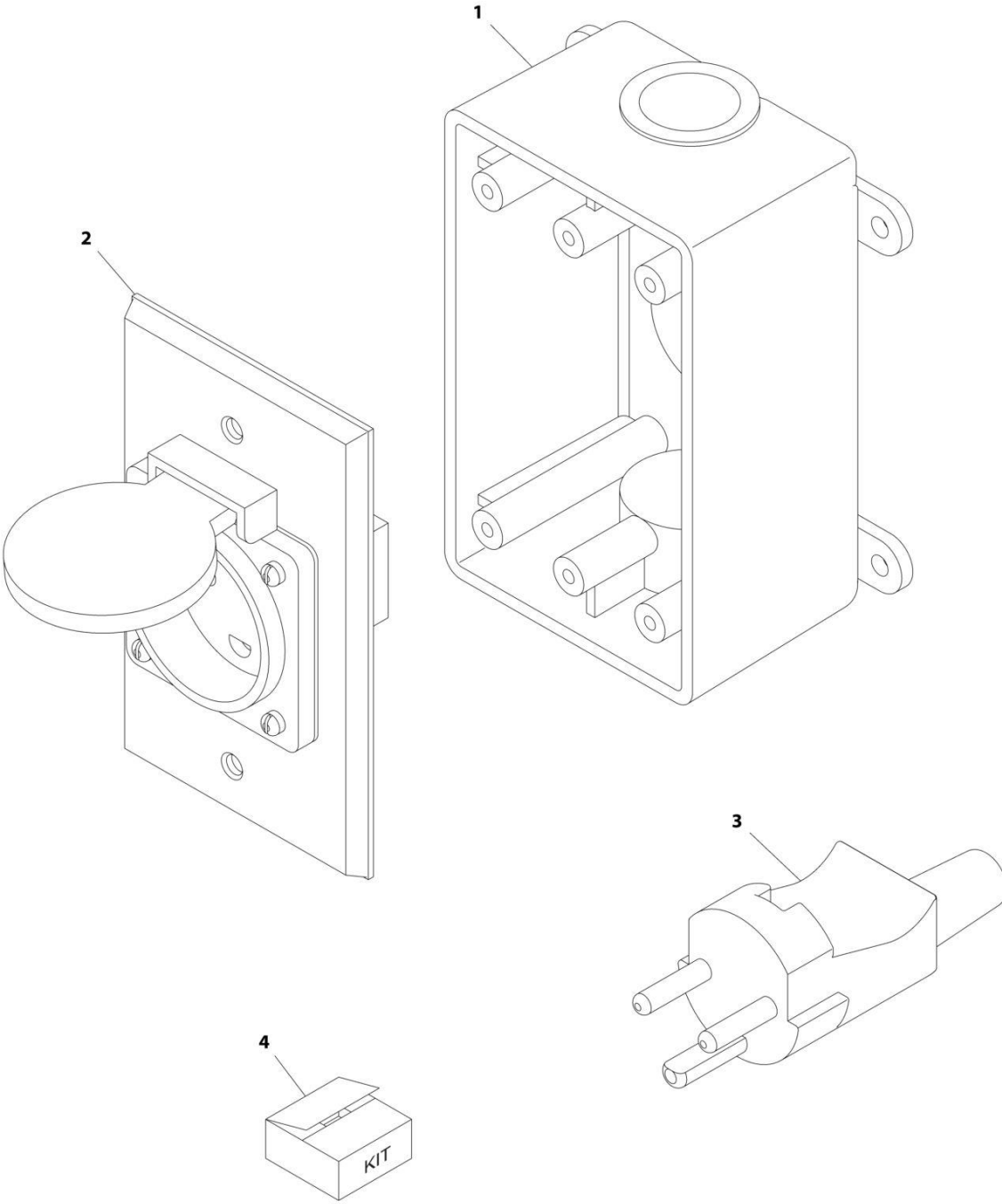
## SECTION 8 - ELECTRICAL

**FIGURE 8-63. RECEPTACLE BOX KIT - 220V CEE7 SIDE GROUND 2IN X 4IN BOX (CE, CIS/EAC & UK CA SPECS)**

ITEM	PART NUMBER	QTY	DESCRIPTION	REV
	0275453	Ref	RECEPTACLE BOX KIT - 220V CEE7 SIDE GROUND	B
1	0861731	1	Box, Switch	
2	4461245	1	Receptacle	
3	4461205	1	Plug, Male	
4	1001100347	1	Plug and Socket Kit (Includes Items 1-3 and Female Plug p/n 4461206)	

**SECTION 8 - ELECTRICAL**

**FIGURE 8-64. RECEPTACLE BOX KIT - 220V AFSINT 107 (CE, CIS/EAC & UK CA SPECS)**



ART\_0275454

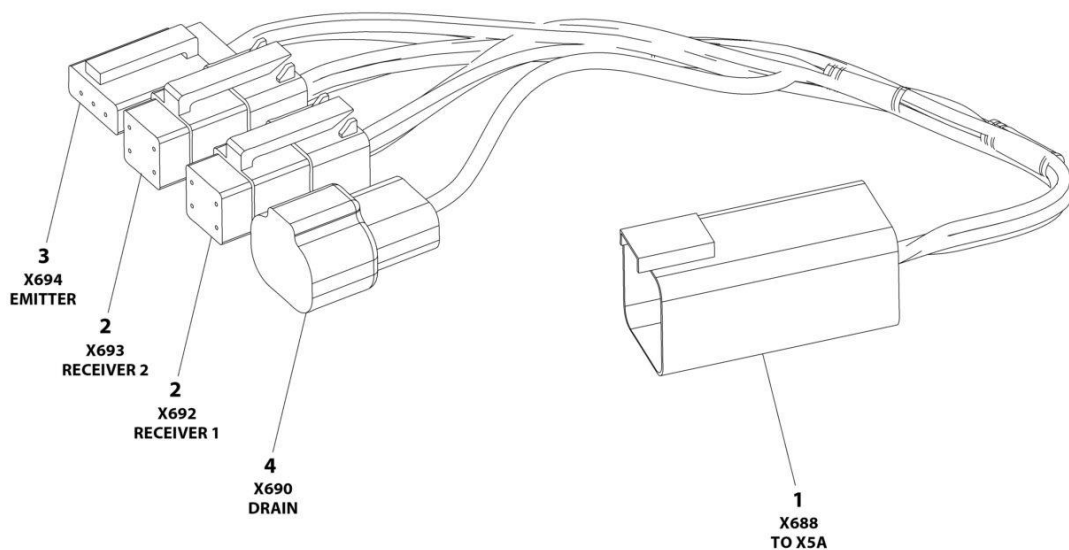
## SECTION 8 - ELECTRICAL

**FIGURE 8-64. RECEPTACLE BOX KIT - 220V AFSINT 107 (CE, CIS/EAC & UK CA SPECS)**

ITEM	PART NUMBER	QTY	DESCRIPTION	REV
	0275454	Ref	RECEPTACLE BOX KIT - 220V AFSINT 107	B
1	0861731	1	Box, Switch	
2	4461246	1	Receptacle	
3	4461249	1	Plug, Male	
4	1001100346	1	Plug and Socket Kit (Includes Items 1-3 and Female Plug p/n 4461250)	

# SECTION 8 - ELECTRICAL

## FIGURE 8-65. SKYEYE INTERMEDIATE HARNESS



ART\_1001237865

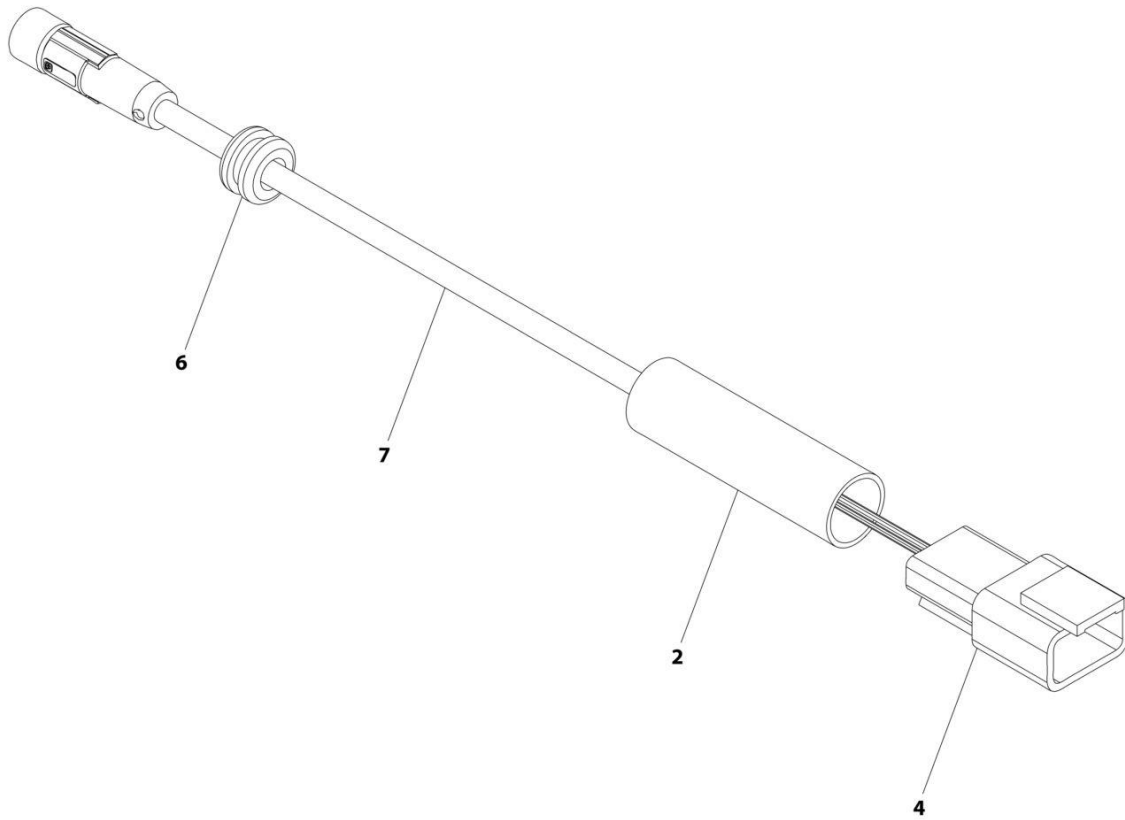
## SECTION 8 - ELECTRICAL

### FIGURE 8-65. SKYEYE INTERMEDIATE HARNESS

ITEM	PART NUMBER	QTY	DESCRIPTION	REV
	1001237865	Ref	SKYEYE INTERMEDIATE HARNESS	A
1	4460899	1	Connector - 6 Position	
1	4460943	4	Pin, Male	
1	4460466	2	Plug, Terminal	
2	4461077	2	Connector - 4 Position	
2	1001119619	8	Socket, Female	
3	4460911	1	Connector - 3 Position	
3	1001119619	3	Socket, Female	
4	1001187681	1	Connector - 2 Position	
4	4460941	1	Pin, Male	
4	4460466	1	Plug, Terminal	

# SECTION 8 - ELECTRICAL

## FIGURE 8-66. SKYEYE RECEIVER HARNESS



ART\_1001237863\_B

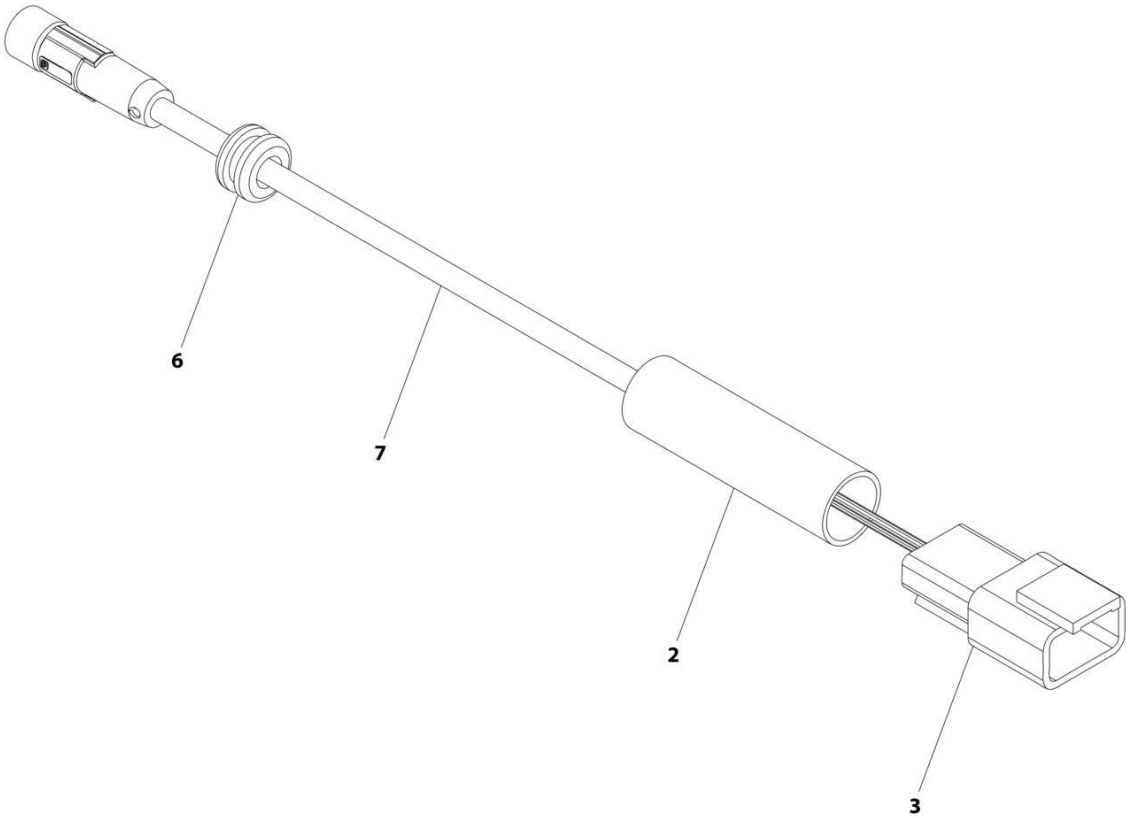
## SECTION 8 - ELECTRICAL

### FIGURE 8-66. SKYEYE RECEIVER HARNESS

ITEM	PART NUMBER	QTY	DESCRIPTION	REV
	1001237863	Ref	SKYEYE RECEIVER HARNESS	B
2	2820247	AR	Tubing, Heat Shrink	
4	1001097051	1	Connector - 4 Position	
4	1001119620	4	Pin, Male	
6	1001227996	1	Grommet	
7	1001258495	1	Cable, M8 Female Cordset	

**SECTION 8 - ELECTRICAL**

**FIGURE 8-67. SKYEYE EMITTER HARNESS**



ART\_1001237864\_B



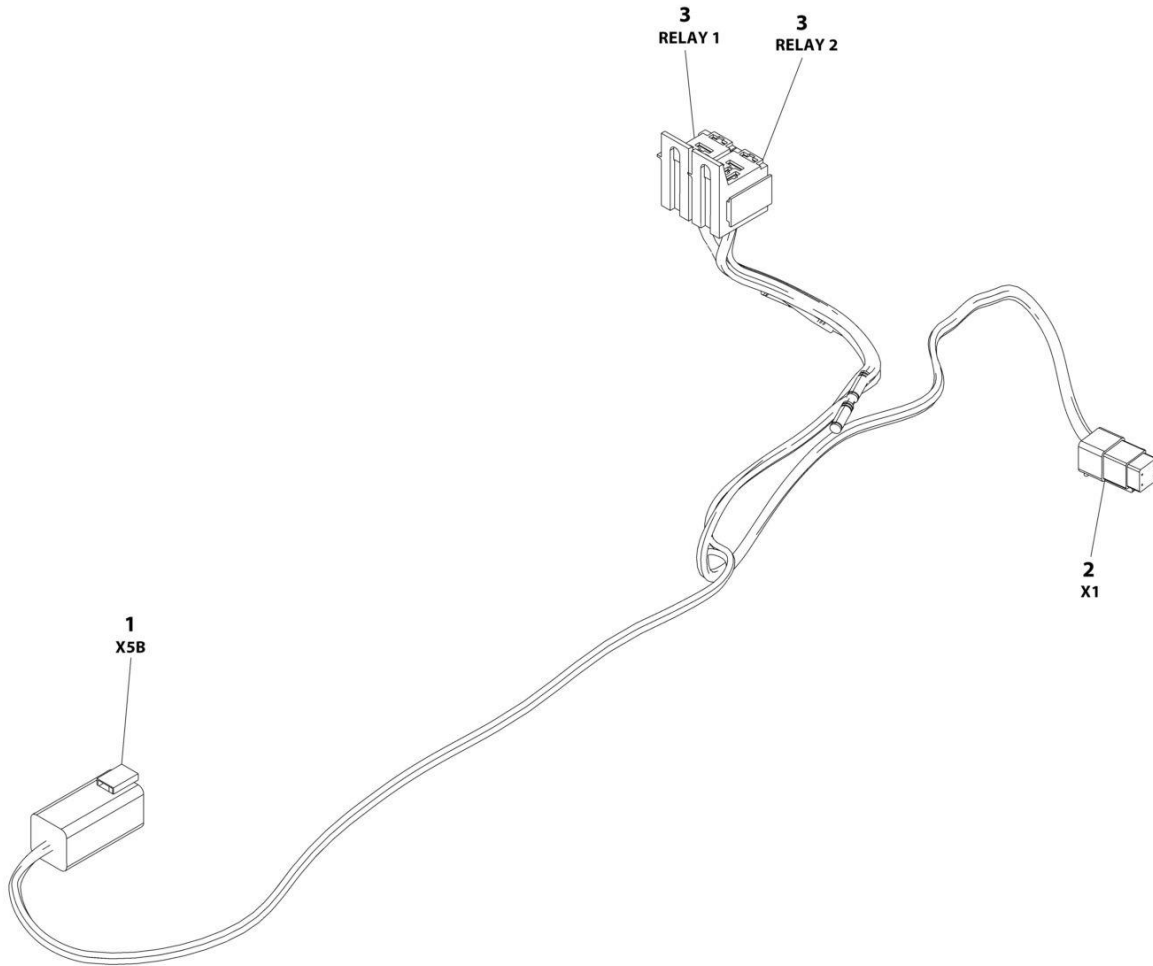
## SECTION 8 - ELECTRICAL

### FIGURE 8-67. SKYEYE EMITTER HARNESS

ITEM	PART NUMBER	QTY	DESCRIPTION	REV
	1001237864	Ref	SKYEYE EMITTER HARNESS	B
2	2820247	AR	Tubing, Heat Shrink	
3	4460910	1	Connector - 3 Position	
3	1001119620	3	Pin, Male	
6	1001227996	1	Grommet	
7	1001258495	1	Cable, M8 Female Cordset	

# SECTION 8 - ELECTRICAL

## FIGURE 8-68. SKYLINE HARNESS



ART\_1001238418

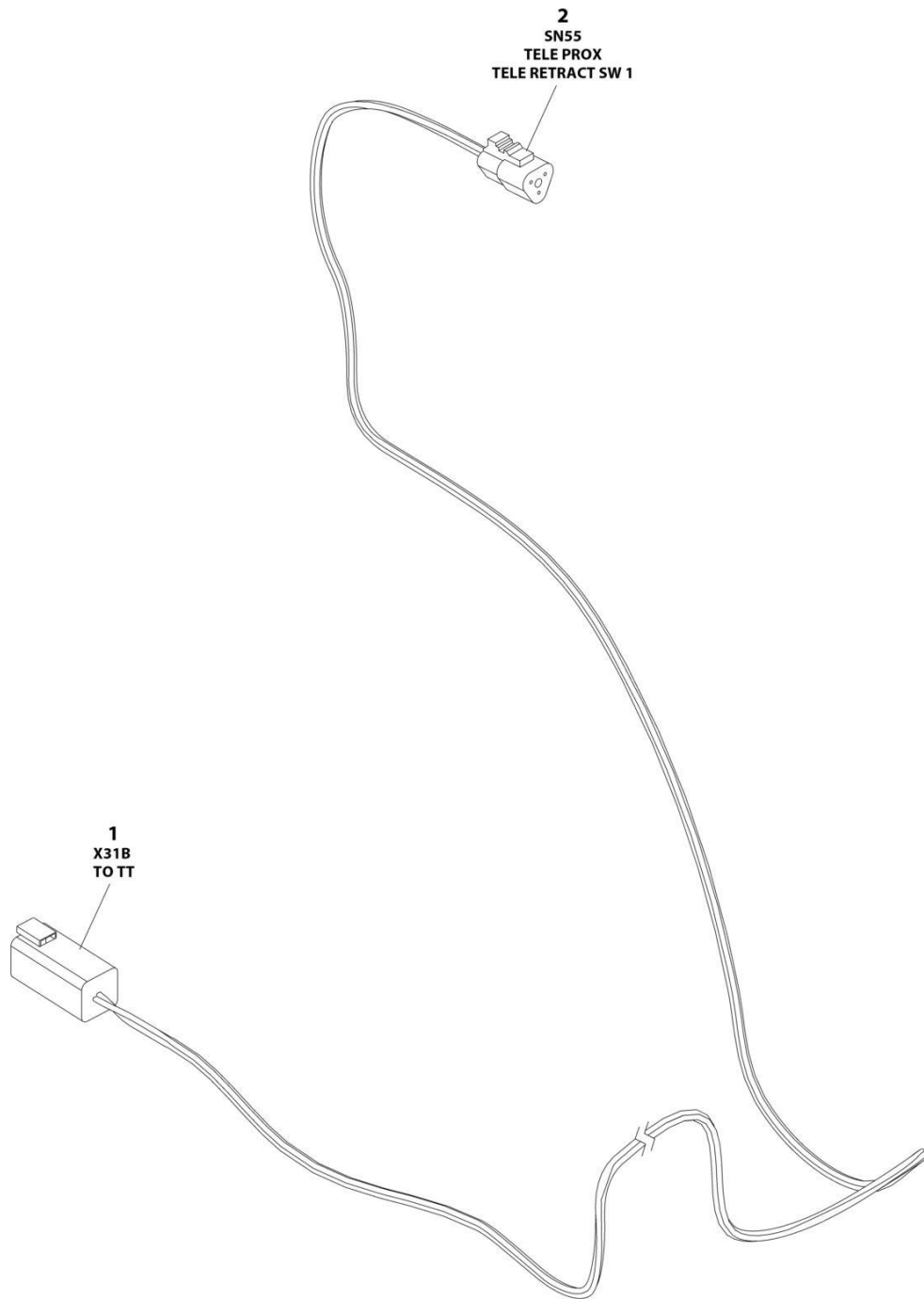
## SECTION 8 - ELECTRICAL

### FIGURE 8-68. SKYLINE HARNESS

ITEM	PART NUMBER	QTY	DESCRIPTION	REV
	1001238418	Ref	SKYLINE HARNESS	B
1	4460899	1	Connector - 6 Position	
1	4460464	4	Pin, Male	
1	4460466	2	Plug, Terminal	
2	4461077	1	Connector - 4 Position	
2	1001126009	4	Socket, Female	
3	1001186432	2	Plug, Relay	
3	1001118388	5	Terminal	
3	1001118384	3	Terminal	
3	3740086	2	Relay	

# SECTION 8 - ELECTRICAL

## FIGURE 8-69. TRANSPORT HARNESS



ART\_1001263008

## SECTION 8 - ELECTRICAL

### FIGURE 8-69. TRANSPORT HARNESS

ITEM	PART NUMBER	QTY	DESCRIPTION	REV
	1001263008	Ref	TRANSPORT HARNESS	B
1	4460899	1	Receptacle, Female - 6 Position	
1	4460464	3	Pin, Male	
1	4460466	3	Plug, Terminal	
2	4460539	1	Plug, Male - 3 Position	
2	4460465	3	Socket, Female	



## SECTION 8 - ELECTRICAL

### FIGURE 8-70. TURNTABLE HARNESS

ITEM	PART NUMBER	QTY	DESCRIPTION	REV
	1001282492	Ref	TURNTABLE HARNESS	B
1	1001117070	1	Fuseholder (Includes 30Amp Fuse)	
1	1001116734	2	Socket	
2	4460967	1	Connector	
2	4460465	3	Socket	
3	4460247	1	Terminal, Ring	
4	8220045	2	Terminal, Ring	
5	4460742	2	Connector	
5	4460743	4	Socket	
5	4460458	4	Seal, Terminal	
6	4460899	1	Connector	
6	4460464	5	Pin	
6	4460466	1	Plug	
7	4460931	1	Connecot	
7	4460464	5	Pin	
7	4460466	3	Plug	
8	4460865	1	Connector	
8	4460465	6	Socket (20-16Awg)	
8	4460509	2	Socket (14-12Awg)	
8	4460466	11	Plug	
9	4460894	7	Connector	
9	4460465	42	Socket	
10	4460884	2	Connector	
10	4460465	4	Socket	
10	4460466	4	Plug	
11	1001103012	1	Connector	
11	1001107854	4	Socket	
11	1001104498	4	Seal, Terminal	
12	4460930	2	Connector	
12	4460465	13	Socket	
12	4460466	3	Plug	
13	4460874	1	Connector	
13	4460871	21	Socket	
13	4460905	14	Plug	
14	4460836	1	Connector	
14	4460465	9	Socket	
14	4460466	3	Plug	
15	4460894	2	Connector	
15	4460465	7	Socket	
15	4460466	5	Plug	
16	4460836	1	Connector	
16	1001157890	1	Socket (16-12Awg)	
16	4460465	5	Socket (20-16Awg)	
16	4460466	6	Plug	
17	1001112612	1	Connector	
17	4460464	3	Pin	
17	4460466	4	Plug	
18	4460761	1	Connector	
18	4460267	4	Pin	
19	4460884	1	Connector	

## SECTION 8 - ELECTRICAL

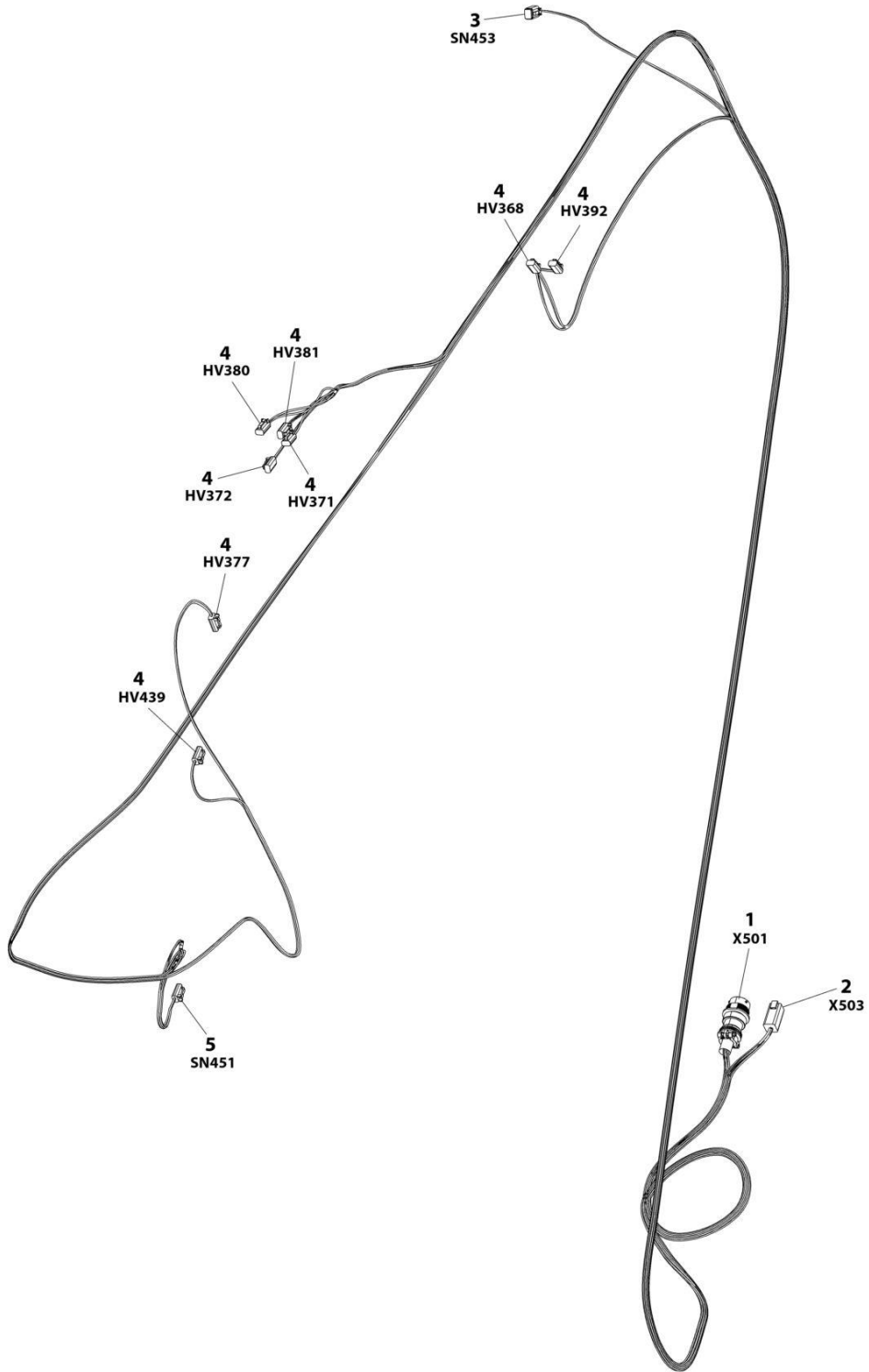
ITEM	PART NUMBER	QTY	DESCRIPTION	REV
19	4460465	4	Socket	
20	1001246859	1	Connector	
20	4460871	4	Socket	
20	4460905	10	Plug	
21	1001113961	1	Connector	
21	4460871	5	Socket	
21	4460905	3	Plug	
22	4460878	1	Connector	
22	1001237383	1	Socket (12-10Awg)	
22	4460887	4	Socket (8Awg)	
23	4460933	1	Connector	
23	4460465	8	Socket	
23	4460466	4	Plug	
24	4460873	1	Connector	
24	4460871	28	Socket	
24	4460905	7	Plug	
25	1001185964	1	Fuse Box Assembly	
25	8229242	4	Fuse 5Amp	
25	8229244	2	Fuse 15Amp	
25	1001095704	1	Relay	
25	1001129285	2	Fuse with Diode	
25	1001196635	1	Fuse 3Amp	
25	1001116728	14	Socket (18-16Awg)	
25	8220125	9	Socket (12-10Awg)	
25	4460748	25	Plug	
25	4460458	14	Seal, Terminal (Use with Socket 1001116728)	
25	80963067	9	Seal, Terminal (Use with Socket 8220125)	
26	4460806	4	Terminal, Fork	
27	4460142	3	Terminal, Ring	
28	1001144147	1	Connector	
28	4460943	2	Pin	
28	4460466	1	Plug	
29	2400060	1	Fuseholder	
30	4460260	2	Connector	
30	4460259	2	Socket	
31	1001237667	1	Connector	
31	1001237668	5	Socket	
101	1321647	1	Clamp	
102	1001271323	2	Connector, Bussbar	
103	8229242	1	Fuse 5Amp	
104	1001116815	1	Connector (Includes Resistor)	
105	1001120328	2	Mount, Connector	
106	1001125677	1	Connector, Bussbar	
107	1001155967	1	Mount, Connector	
108	1001172065	1	Fuse 30Amp	
109	1001192401	1	Cap, Dust	
110	1001226541	4	Connecotr, Bussbar	





# SECTION 8 - ELECTRICAL

## FIGURE 8-71. VALVE HARNESS - BOOM



ART\_1001164738

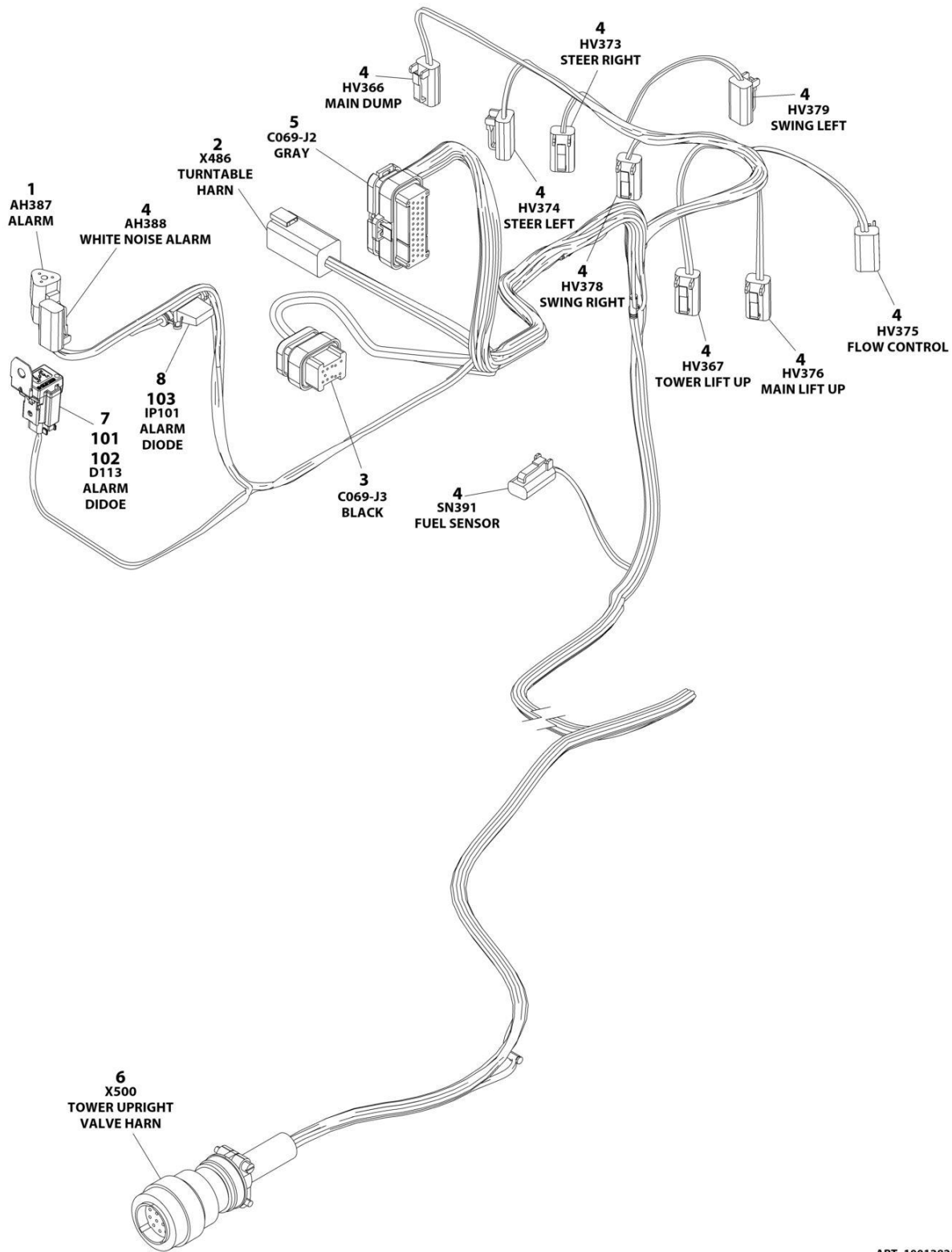
## SECTION 8 - ELECTRICAL

### FIGURE 8-71. VALVE HARNESS - BOOM

ITEM	PART NUMBER	QTY	DESCRIPTION	REV
	1001164738	Ref	BOOM VALVE HARNESS	1
1	1001156541	1	Connector - 19 Position	
1	4460464	13	Pin, Male	
1	4460466	1	Plug, Terminal	
2	4460899	1	Connector - 6 Position	
2	4460464	6	Pin, Male	
3	4460884	1	Plug, Male - 4 Position	
3	4460465	2	Socket, Female	
3	4460466	2	Plug, Terminal	
4	4460891	8	Plug, Male - 2 Position	
4	4460465	16	Socket, Female	
5	1001230931	1	Plug, Male - 6 Position	
5	1001116748	6	Terminal	

# SECTION 8 - ELECTRICAL

## FIGURE 8-72. VALVE HARNESS - MAIN VALVE



ART\_1001282533

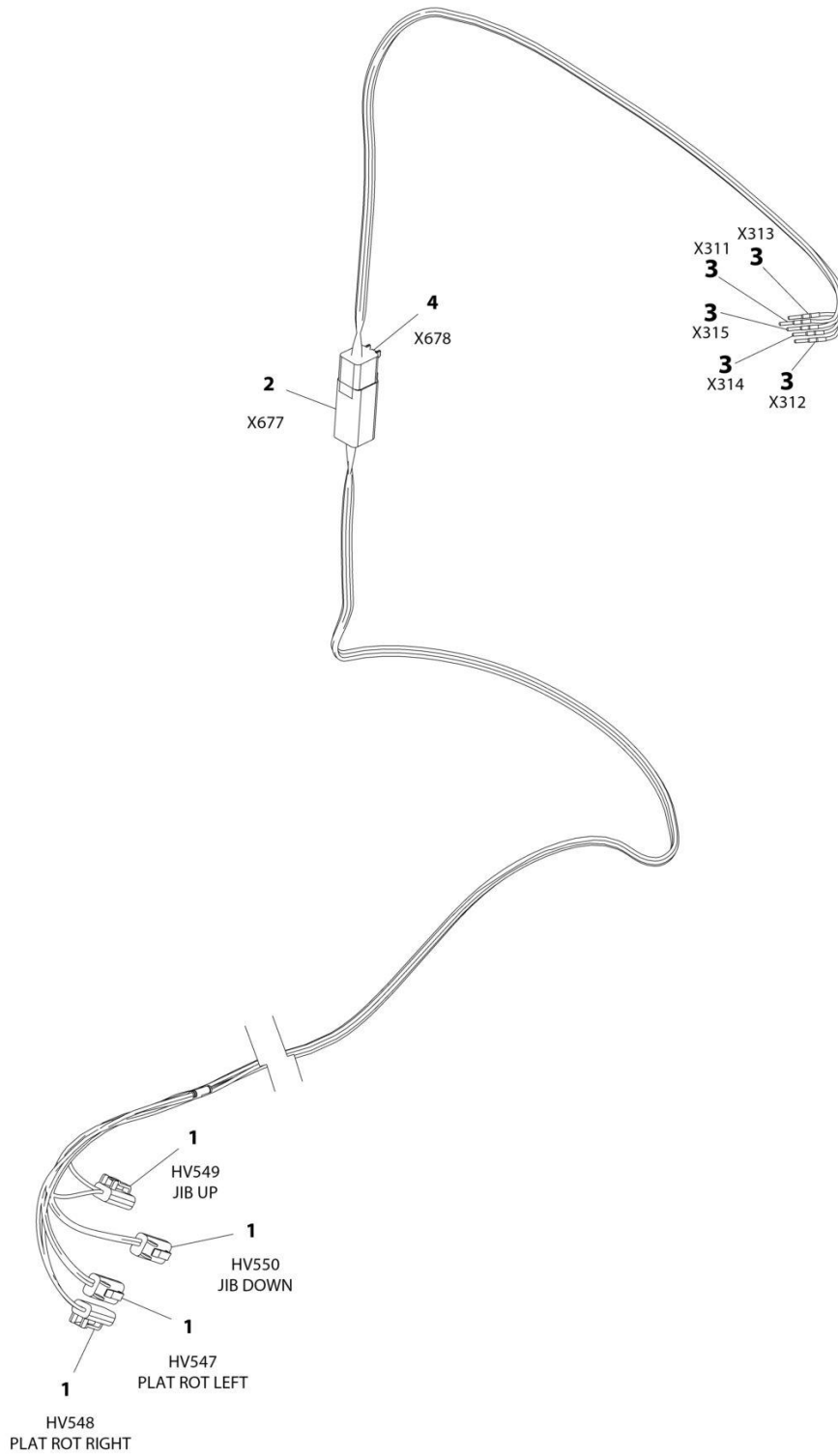
## SECTION 8 - ELECTRICAL

### FIGURE 8-72. VALVE HARNESS - MAIN VALVE

ITEM	PART NUMBER	QTY	DESCRIPTION	REV
	1001282533	Ref	MAIN VALVE HARNESS	A
1	4460539	1	Connector	
1	4460465	3	Socket	
2	4460899	1	Connector	
2	4460464	5	Pin	
2	4460466	1	Plug	
3	4460872	1	Connector	
3	4460871	9	Socket	
3	4460905	5	Plug	
4	4460891	10	Connector	
4	4460465	20	Socket	
5	4460875	1	Connector	
5	4460871	26	Socket	
5	4460905	9	Plug	
6	4460754	1	Connector	
6	4460465	13	Socket	
6	4460466	1	Plug	
7	4460884	1	Connector	
7	4460465	4	Socket	
8	1001170764	1	Fuseholder	
101	1001152266	1	Connector (Includes Diode)	
102	1001155743	1	Mount, Connector	
103	1001196636	1	Diode 1Amp	

# SECTION 8 - ELECTRICAL

## FIGURE 8-73. VALVE HARNESS - PLATFORM VALVE



ART\_1001164728

## SECTION 8 - ELECTRICAL

### FIGURE 8-73. VALVE HARNESS - PLATFORM VALVE

ITEM	PART NUMBER	QTY	DESCRIPTION	REV
	1001164728	Ref	VALVE HARNESS - PLATFORM VALVE	D
1	4460891	4	Plug, Male - 2 Position	
1	4460465	8	Socket, Female	
2	4460899	1	Receptacle, Female - 6 Position	
2	4460464	5	Pin, Male	
2	4460466	1	Plug, Terminal	
3	4460465	5	Socket, Female	
4	4460894	1	Plug, Male - 6 Position	
4	4460465	5	Socket, Female	
4	4460466	1	Plug, Terminal	

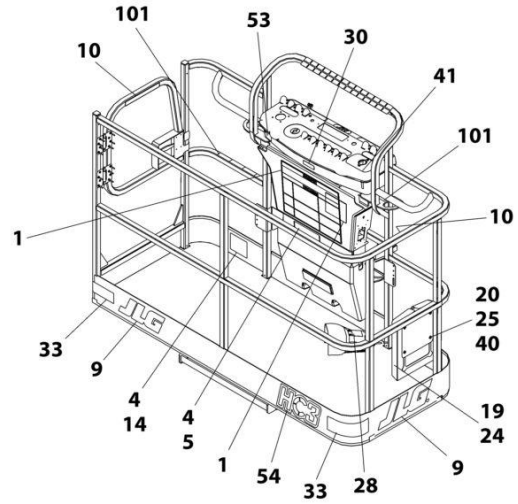
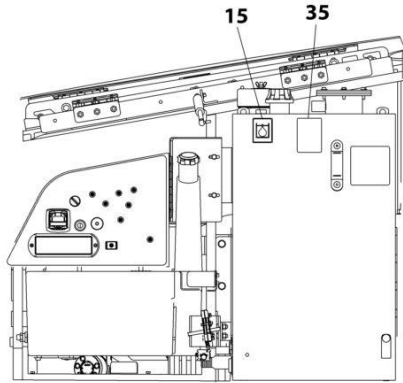




**SECTION 9 - DECALS**

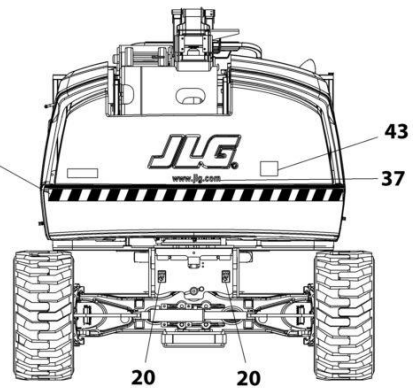
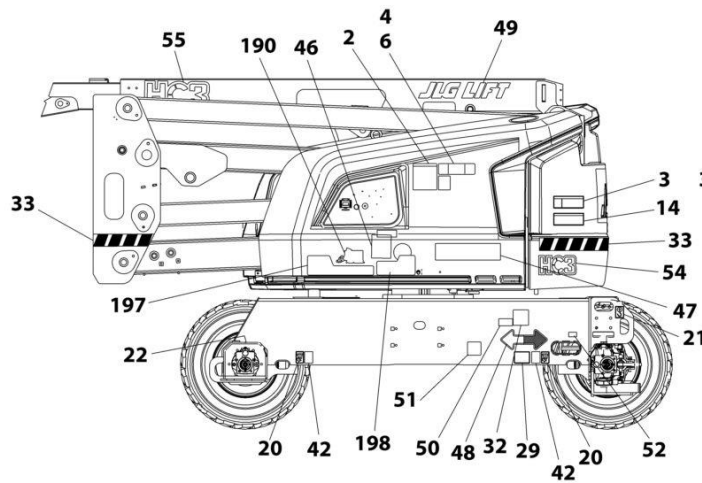
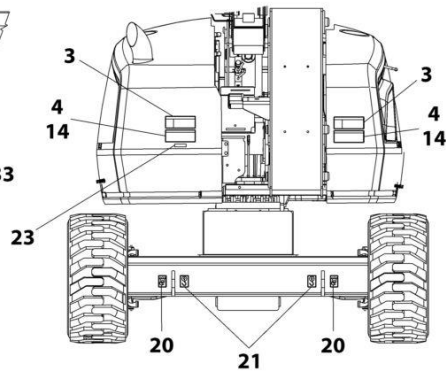
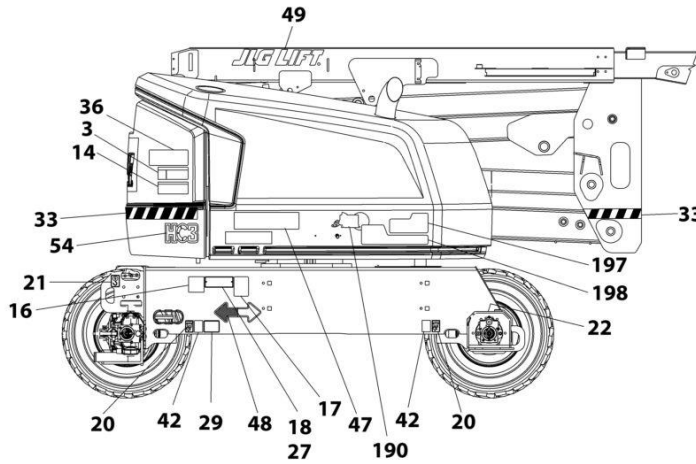
# SECTION 9 - DECALS

## FIGURE 9-1. DECAL INSTALLATION - ANSI, ANSI EXPORT AND CSA SPECS WITH DEUTZ ENGINES (ENGLISH LANGUAGE)



NOTE: SOME DECALS ARE CALLED OUT ON DECAL INSTALLATION - OPTIONS.

NOTE: ITEMS SHOWN MAY NOT BE REQUIRED FOR ALL SPECS. REFER TO PARTS LIST FOR USAGE.



ART\_1001254300

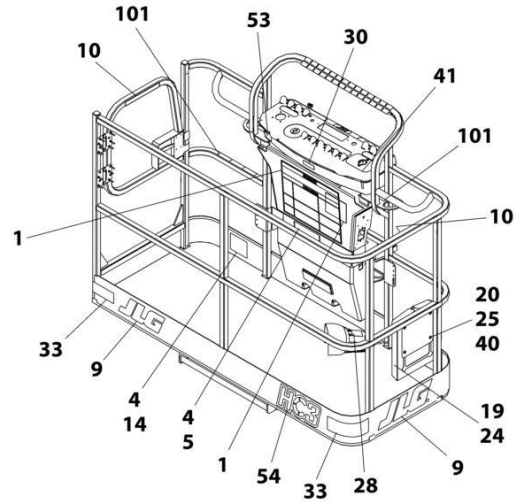
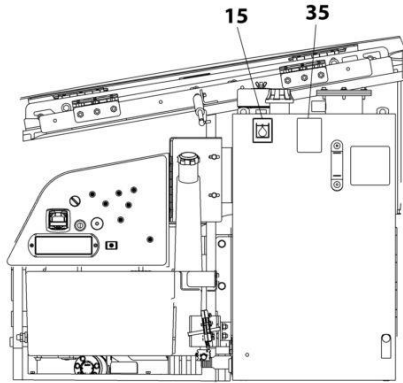
## SECTION 9 - DECALS

**FIGURE 9-1. DECAL INSTALLATION - ANSI, ANSI EXPORT AND CSA SPECS WITH DEUTZ ENGINES  
(ENGLISH LANGUAGE)**

ITEM	PART NUMBER	QTY	DESCRIPTION	REV
	1001254314	Ref	DECAL INSTALLATION - REFERENCE CHART	C
	1001254300	Ref	DECAL INSTALLATION	D
1	1703797	1	Decal - Danger/Warning	
2	1705336	1	Decal - Danger/Warning	
3	1703805	4	Decal - Danger/Electrocution	
4	1703804	4	Decal - Warning/Crushing	
5	1001234425	1	Decal - Warning	
6	1001234426	1	Decal - Warning	
10	1702868	2	Decal - No Hands	
14	1703953	2	Decal - Warning/Crushing	
15	1701504	1	Decal - Hydraulic Oil	
16	See Note	NSS	Decal - Bar Code (Note: Not Available for Purchase)	
17	1001131269	1	Decal - Patent	
18		Ref	Nameplate - Manufacturers Serial Number	
19	1701509	1	Decal - Manual	
20	1702300	8	Decal - Tie Down /Lift	
21	1701500	4	Decal - Tie Down /Lift	
22	1703687	2	Decal - Arrow	
23	3251243	1	Nameplate 120V-60Hz	
24	0860520	1	Box, Manual Storage	
25	4751400	4	Washer 1/4	
26	3311405	4	Nut 1/4	
27	3820001	2	Rivet	
28	3252347	1	Decal - Footswitch	
35	1704412	1	Decal - Hydraulic Fluid	
36	1001274782	1	Decal - Lift Diagram	
37	1704885	1	Decal - Website	
40	0641406	4	Bolt 1/4 x 3/4	
41	1705351	1	Decal - Drive/Steer	
42	1701499	4	Decal - Tie Down /Lift	
43	3251813	1	Decal - USA	
48	1701529	2	Decal - Arrow	
51	1001223055	1	Decal - Yearly Inspection	
52	1001223453	1	Decal - ICES (Canada)	
100	1001232026	1	Decal - Platform Lanyard Kit (Not Shown)	
101	1704277	3	Decal - Attach Lanyard Here	

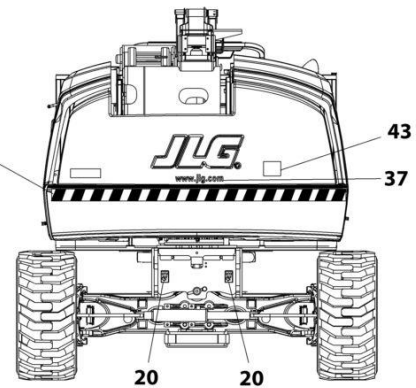
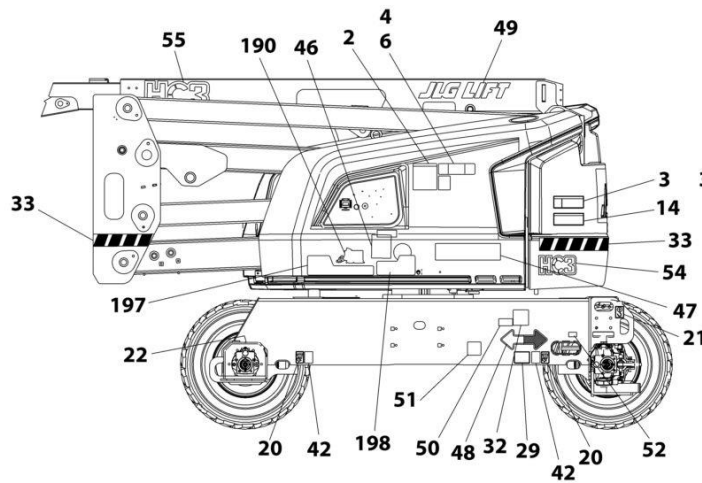
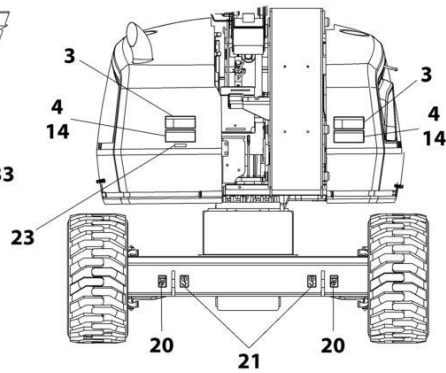
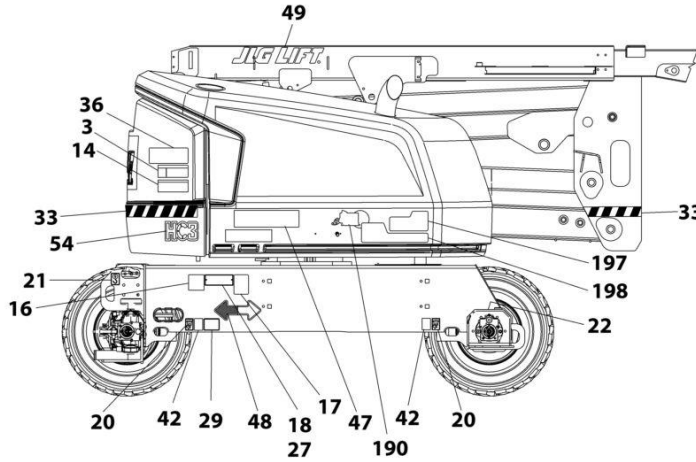
# SECTION 9 - DECALS

## FIGURE 9-2. DECAL INSTALLATION - ANSI AND ANSI EXPORT SPECS WITH KUBOTA ENGINES (ENGLISH LANGUAGE)



NOTE: SOME DECALS ARE CALLED OUT ON DECAL INSTALLATION - OPTIONS.

NOTE: ITEMS SHOWN MAY NOT BE REQUIRED FOR ALL SPECS. REFER TO PARTS LIST FOR USAGE.



ART\_1001254309

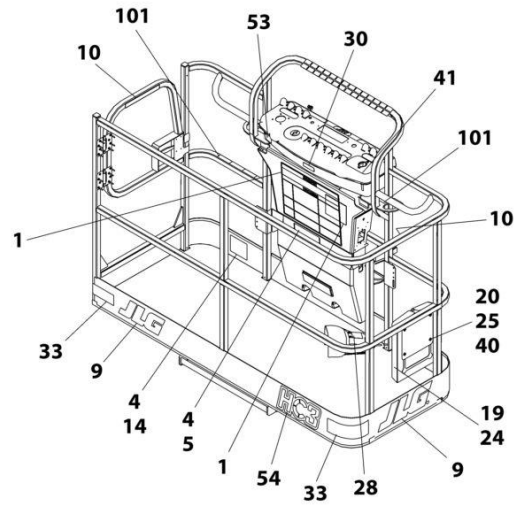
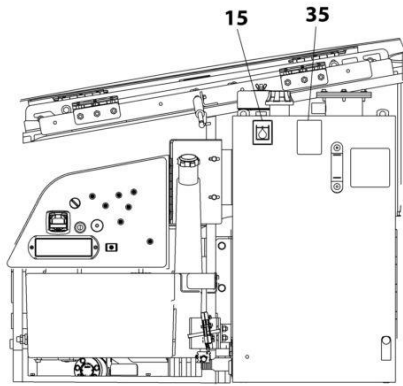
## SECTION 9 - DECALS

**FIGURE 9-2. DECAL INSTALLATION - ANSI AND ANSI EXPORT SPECS WITH KUBOTA ENGINES  
(ENGLISH LANGUAGE)**

ITEM	PART NUMBER	QTY	DESCRIPTION	REV
	1001254314	Ref	DECAL INSTALLATION - REFERENCE CHART	C
	1001254309	Ref	DECAL INSTALLATION	D
1	1703797	1	Decal - Danger/Warning	
2	1705336	1	Decal - Danger/Warning	
3	1703805	4	Decal - Danger/Electrocution	
4	1703804	4	Decal - Warning/Crushing	
5	1001234425	1	Decal - Warning	
6	1001234426	1	Decal - Warning	
10	1702868	2	Decal - No Hands	
14	1703953	2	Decal - Warning/Crushing	
15	1701504	1	Decal - Hydraulic Oil	
16	See Note	NSS	Decal - Bar Code (Note: Not Available for Purchase)	
17	1001131269	1	Decal - Patent	
18		Ref	Nameplate - Manufacturers Serial Number	
19	1701509	1	Decal - Manual	
20	1702300	8	Decal - Tie Down /Lift	
21	1701500	4	Decal - Tie Down /Lift	
22	1703687	2	Decal - Arrow	
23	3251243	1	Nameplate 120V-60Hz	
24	0860520	1	Box, Manual Storage	
25	4751400	4	Washer 1/4	
26	3311405	4	Nut 1/4	
27	3820001	2	Rivet	
28	3252347	1	Decal - Footswitch	
35	1704412	1	Decal - Hydraulic Fluid	
36	1001274782	1	Decal - Lift Diagram	
37	1704885	1	Decal - Website	
40	0641406	4	Bolt 1/4 x 3/4	
41	1705351	1	Decal - Drive/Steer	
42	1701499	4	Decal - Tie Down /Lift	
43	3251813	1	Decal - USA	
48	1701529	2	Decal - Arrow	
51	1001223055	1	Decal - Yearly Inspection	
52	1001223453	1	Decal - ICES (Canada)	
100	1001232026	1	Decal - Platform Lanyard Kit (Not Shown)	
101	1704277	3	Decal - Attach Lanyard Here	

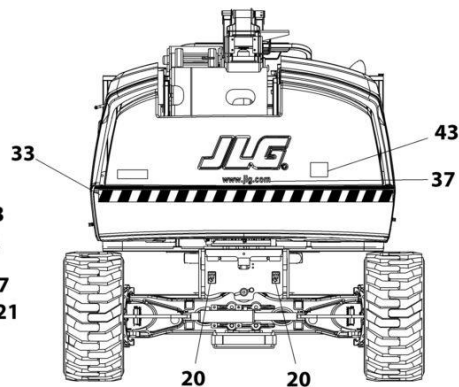
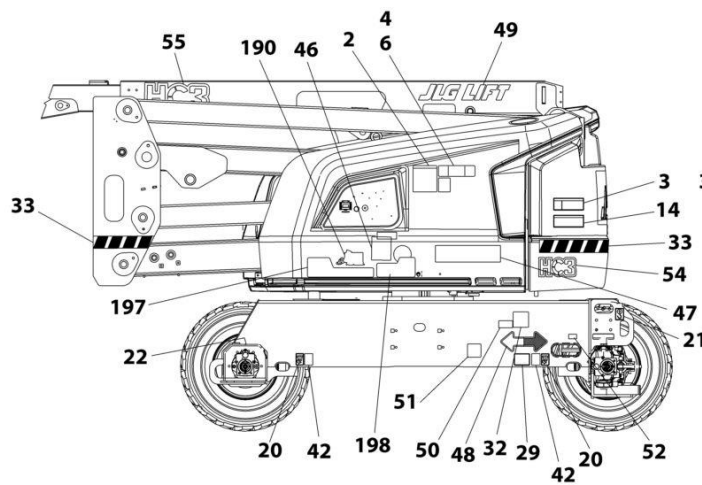
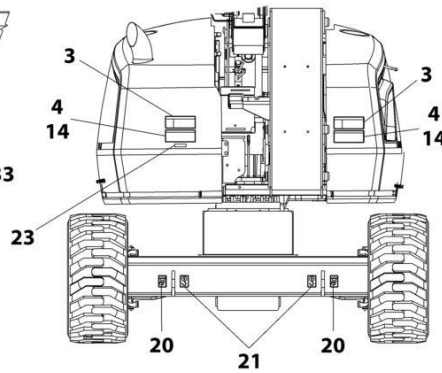
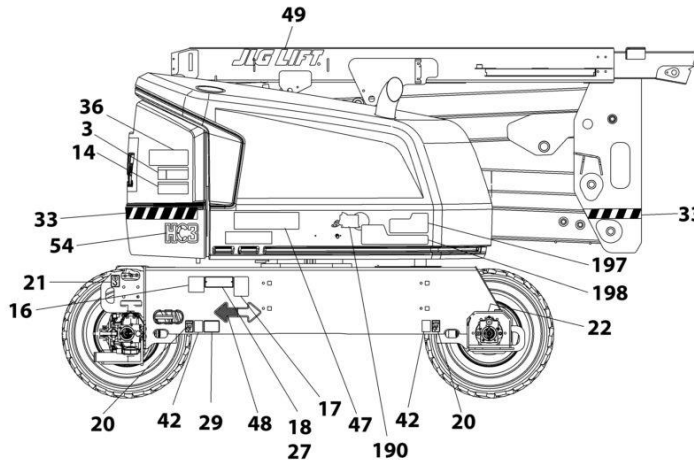
# SECTION 9 - DECALS

## FIGURE 9-3. DECAL INSTALLATION - AUSTRALIAN SPEC (ENGLISH LANGUAGE)



NOTE: SOME DECALS ARE CALLED OUT ON DECAL INSTALLATION - OPTIONS.

NOTE: ITEMS SHOWN MAY NOT BE REQUIRED FOR ALL SPECS. REFER TO PARTS LIST FOR USAGE.



ART\_1001254301

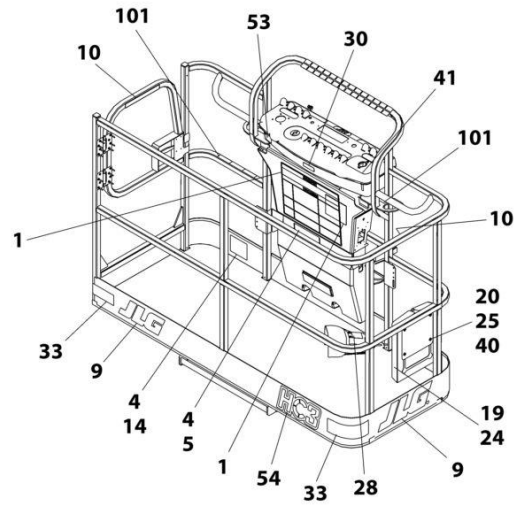
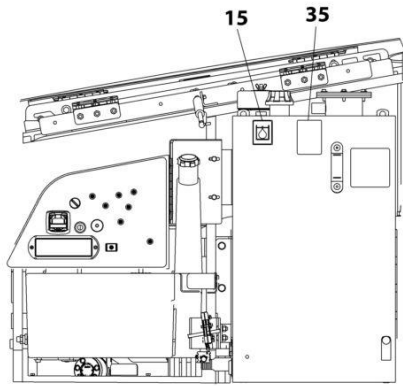
## SECTION 9 - DECALS

**FIGURE 9-3. DECAL INSTALLATION - AUSTRALIAN SPEC (ENGLISH LANGUAGE)**

ITEM	PART NUMBER	QTY	DESCRIPTION	REV
	1001254314	Ref	DECAL INSTALLATION - REFERENCE CHART	C
	1001254301	Ref	DECAL INSTALLATION	E
1	1705921	1	Decal - Tipping/Electrocution	
2	1705822	1	Decal - Electrocution/Safety Manual	
3	1705961	4	Decal - Danger/Electrocution	
4	1001234439	2	Decal - Warning	
14	1701518	6	Decal - Warning/Crushing	
15	1701504	1	Decal - Hydraulic Oil	
16	See Note	NSS	Decal - Bar Code (Note: Not Available for Purchase)	
18		Ref	Nameplate - Manufacturers Serial Number	
19	1701509	1	Decal - Manual	
20	1702300	8	Decal - Tie Down /Lift	
21	1701500	4	Decal - Tie Down /Lift	
22	1703687	2	Decal - Arrow	
24	0860520	1	Box, Manual Storage	
25	4751400	4	Washer 1/4	
26	3311405	4	Nut 1/4	
27	3820001	2	Rivet	
28	1705828	1	Decal - Footswitch	
35	1704412	1	Decal - Hydraulic Fluid	
36	1001274782	1	Decal - Lift Diagram	
37	1704885	1	Decal - Website	
40	0641406	4	Bolt 1/4 x 3/4	
42	1701499	4	Decal - Tie Down /Lift	
43	1001204510	1	Decal - Sound Power Level	
46	1001112551	1	Decal - Emergency Controls	
48	1701529	2	Decal - Arrow	
100	1001232026	1	Decal - Platform Lanyard Kit (Not Shown)	
101	1704277	3	Decal - Attach Lanyard Here	

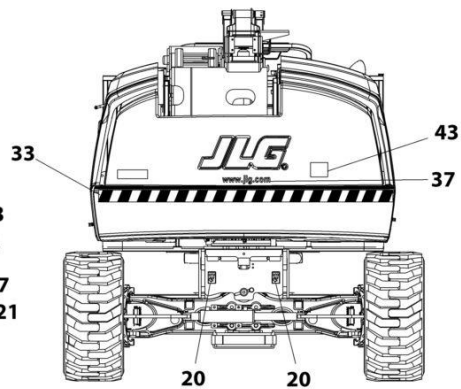
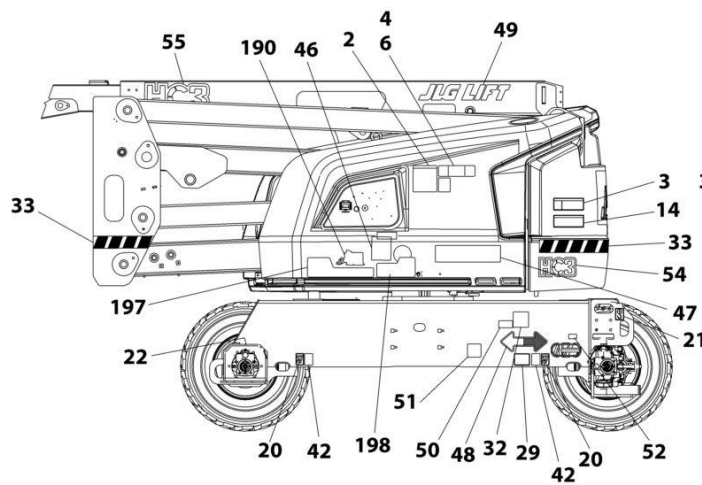
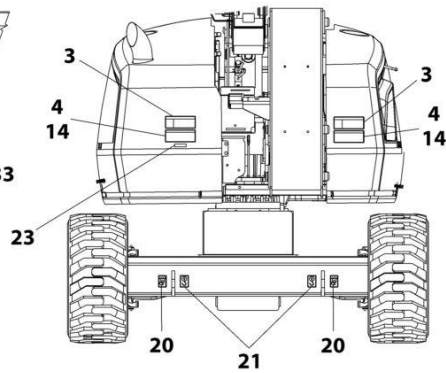
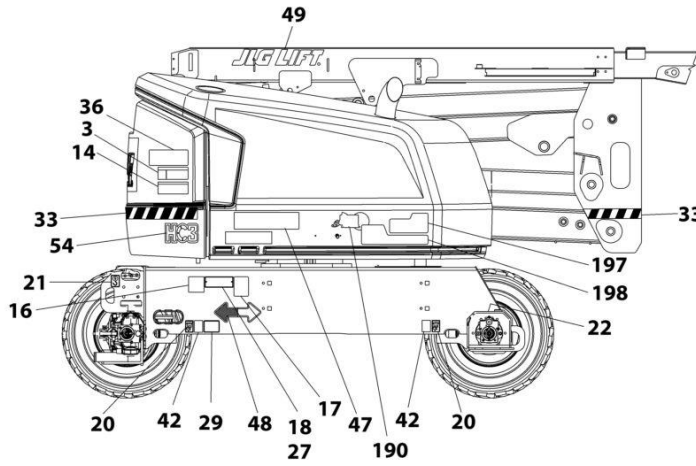
# SECTION 9 - DECALS

FIGURE 9-4. DECAL INSTALLATION - BRAZIL SPEC (PORTUGUESE/SPANISH LANGUAGES)



NOTE: SOME DECALS ARE CALLED OUT ON DECAL INSTALLATION - OPTIONS.

NOTE: ITEMS SHOWN MAY NOT BE REQUIRED FOR ALL SPECS. REFER TO PARTS LIST FOR USAGE.



ART\_1001254306



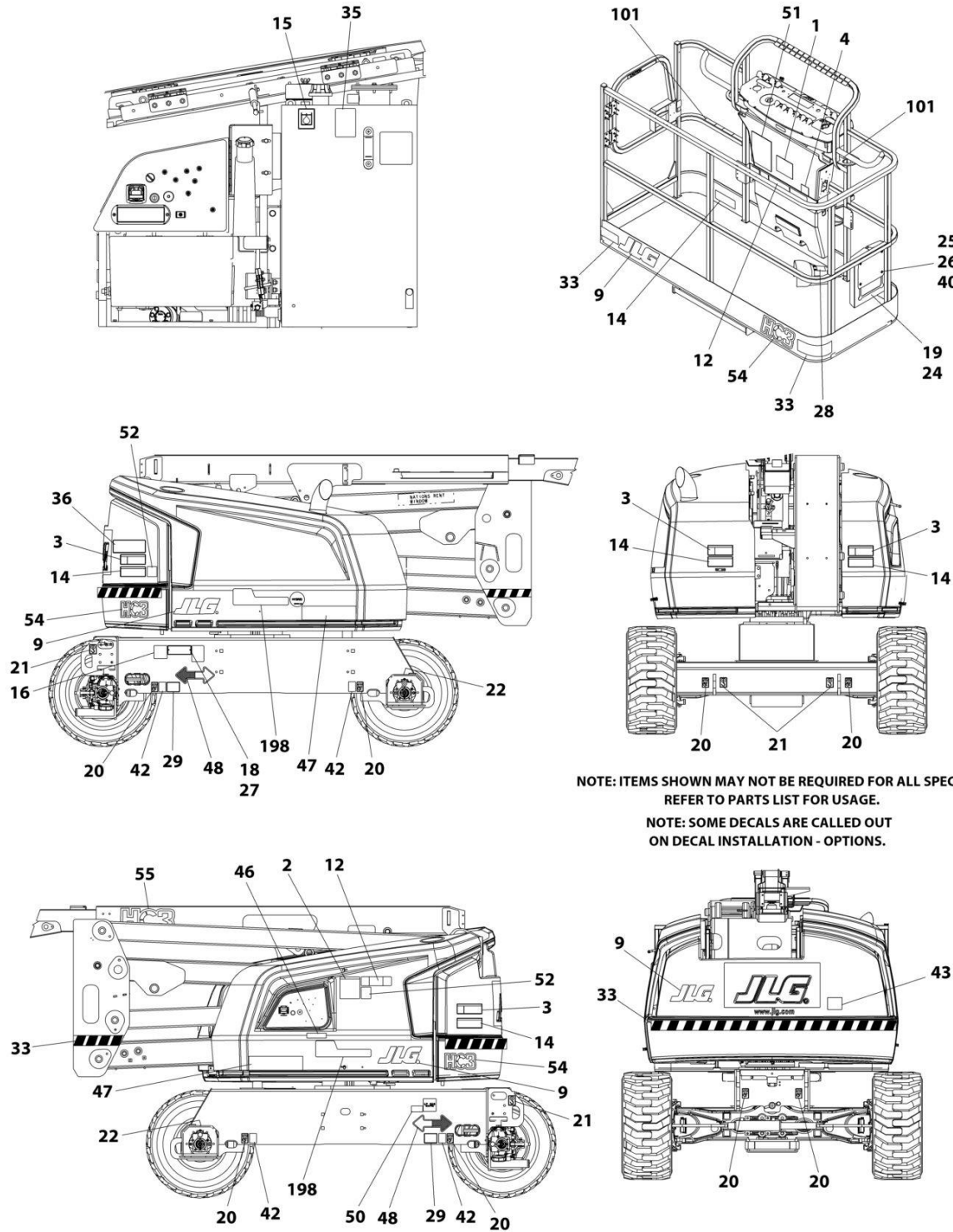
## SECTION 9 - DECALS

**FIGURE 9-4. DECAL INSTALLATION - BRAZIL SPEC (PORTUGUESE/SPANISH LANGUAGES)**

ITEM	PART NUMBER	QTY	DESCRIPTION	REV
	1001254314	Ref	DECAL INSTALLATION - REFERENCE CHART	C
	1001254306	Ref	DECAL INSTALLATION	D
1	1703928	1	Decal - Danger/Warning	
2	1705349	1	Decal - Warning Inspection	
3	1703940	4	Decal - Danger Electrocution	
4	1703952	4	Decal - Warning/Crushing	
5	1001234437	1	Decal - Warning	
6	1001234438	1	Decal - Warning	
10	1704002	2	Decal - No Hands	
14	1703946	2	Decal - Warning/Crushing	
15	1701504	1	Decal - Hydraulic Oil	
16	See Note	NSS	Decal - Bar Code (Note: Not Available for Purchase)	
18		Ref	Nameplate - Manufacturers Serial Number	
19	1701509	1	Decal - Manual	
20	1702300	8	Decal - Tie Down /Lift	
21	1701500	4	Decal - Tie Down /Lift	
22	1703687	2	Decal - Arrow	
23	3251243	1	Decal - 120V-60Hz	
24	0860520	1	Box, Manual Storage	
25	4751400	4	Washer 1/4	
26	3311405	4	Nut 1/4	
27	3820001	2	Rivet	
28	1703985	1	Decal, Foot Switch	
35	1704412	1	Decal - Hydraulic Fluid	
36	1001274782	1	Decal - Lift Diagram	
37	1704885	1	Decal - Website	
40	0641406	4	Bolt 1/4 x 3/4	
41	1001113680	1	Decal - Drive/Steer	
42	1701499	4	Decal - No Tie Down/Lift	
43	3251813	1	Decal - USA	
48	1701529	2	Decal - Arrow	
51	1001224052	1	Decal - Yearly Inspection	
100	1001232026	1	Decal - Platform Lanyard Kit (Not Shown)	
101	1704277	3	Decal - Attach Lanyard Here	

# SECTION 9 - DECALS

FIGURE 9-5. DECAL INSTALLATION - CE & UK CA SPEC (ENGLISH LANGUAGE)



NOTE: ITEMS SHOWN MAY NOT BE REQUIRED FOR ALL SPECS.  
REFER TO PARTS LIST FOR USAGE.  
NOTE: SOME DECALS ARE CALLED OUT  
ON DECAL INSTALLATION - OPTIONS.

ART\_1001254307

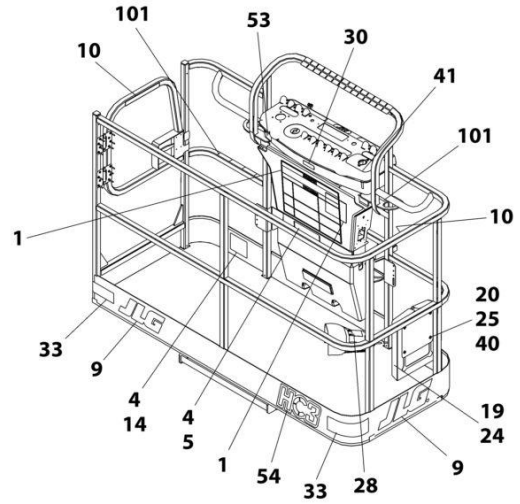
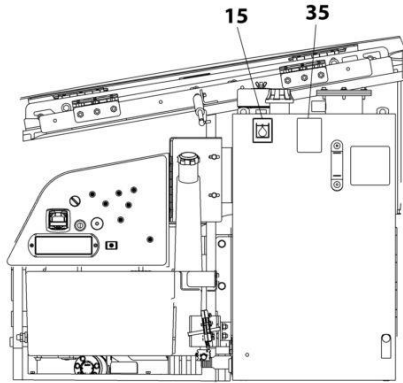
## SECTION 9 - DECALS

**FIGURE 9-5. DECAL INSTALLATION - CE & UK CA SPEC (ENGLISH LANGUAGE)**

ITEM	PART NUMBER	QTY	DESCRIPTION	REV
	1001254315	Ref	DECAL INSTALLATION - REFERENCE CHART	B
	1001254307	Ref	DECAL INSTALLATION	E
1	1705921	1	Decal - Tipping/Electrocution	
2	1705822	1	Decal - Electrocution/Safety Manual	
3	1705961	4	Decal - Danger Electrocution	
4	1001244301	1	Decal - No Platform to Ground	
9	1702773	4	Decal - JLG	
12	1001234439	2	Decal - Max Capacity	
14	1701518	6	Decal - Warning/Crushing	
15	1701504	1	Decal - Hydraulic Oil	
16	See Note	NSS	Decal - Bar Code (Note: Not Available for Purchase)	
18		Ref	Nameplate - Manufacturers Serial Number	
19	1701509	1	Decal - Manual	
20	1702300	8	Decal - Tie Down /Lift	
21	1701500	4	Decal - Tie Down /Lift	
22	1703687	2	Decal - Arrow	
24	0860520	1	Box, Manual Storage	
25	4751400	4	Washer 1/4	
26	3311405	4	Nut 1/4	
27	3820001	2	Rivet	
28	1705828	1	Decal - Footswitch	
35	1704412	1	Decal - Hydraulic Fluid	
36	1001274782	1	Decal - Lift Diagram	
40	0641406	4	Bol 1/4 x 3/4	
42	1701499	4	Decal - No Tie Down/Lift	
46	1001189882	1	Decal - MSSO	
48	1701529	2	Decal - Arrow	
52	1001244298	2	Decal - Wechat	
54	1001244212	3	Decal - HC3	
55	1001256906	1	Decal - HC3	
100	1001232026	1	Decal - Platform Lanyard Kit (Not Shown)	
101	1704277	3	Decal - Attach Lanyard Here	

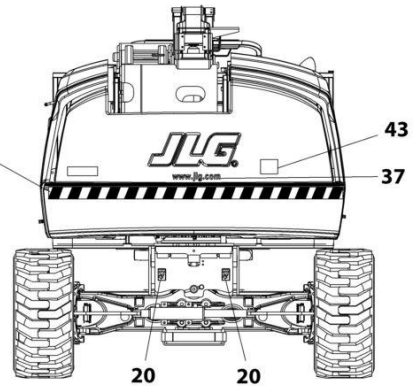
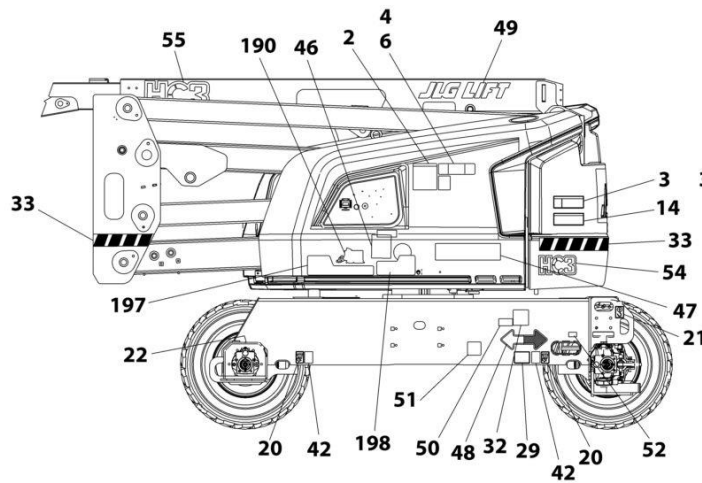
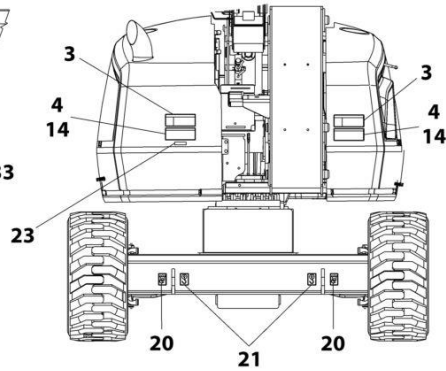
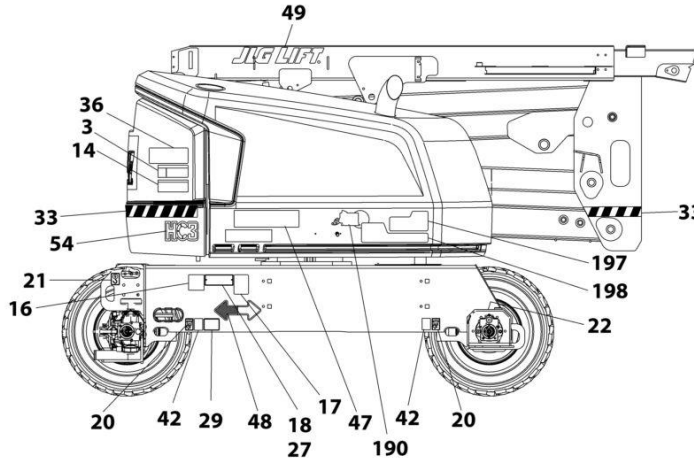
# SECTION 9 - DECALS

FIGURE 9-6. DECAL INSTALLATION - CSA SPEC WITH DEUTZ ENGINES (FRENCH/ENGLISH LANGUAGES)



NOTE: SOME DECALS ARE CALLED OUT ON DECAL INSTALLATION - OPTIONS.

NOTE: ITEMS SHOWN MAY NOT BE REQUIRED FOR ALL SPECS. REFER TO PARTS LIST FOR USAGE.



ART\_1001254304

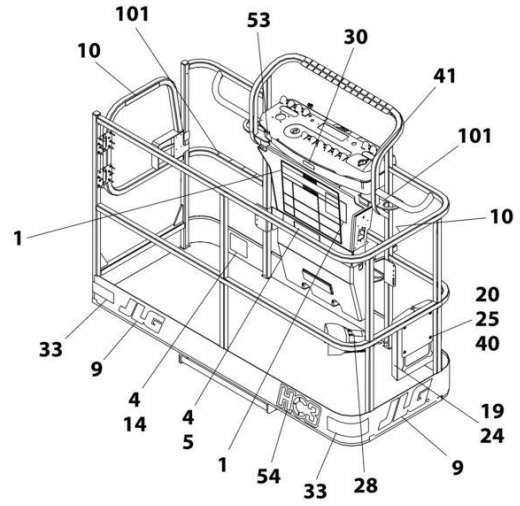
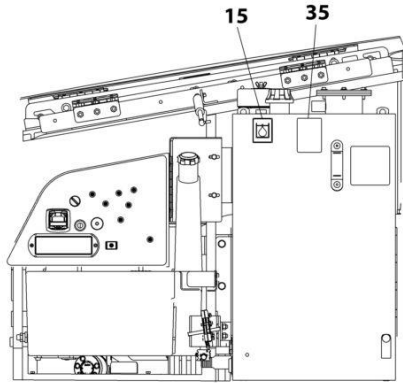
## SECTION 9 - DECALS

**FIGURE 9-6. DECAL INSTALLATION - CSA SPEC WITH DEUTZ ENGINES (FRENCH/ENGLISH LANGUAGES)**

ITEM	PART NUMBER	QTY	DESCRIPTION	REV
	1001254314	Ref	DECAL INSTALLATION - REFERENCE CHART	C
	1001254304	Ref	DECAL INSTALLATION	D
1	1703924	1	Decal - Danger/Warning	
2	1705347	1	Decal - Warning Inspection	
3	1703936	4	Decal - Danger Electrocution	
4	1703948	4	Decal - Warning/Crushing	
5	1001234433	1	Decal - Warning	
6	1001234434	1	Decal - Warning	
10	1704000	2	Decal - No Hands	
14	1703942	2	Decal - Warning/Crushing	
15	1701504	1	Decal - Hydraulic Oil	
16	See Note	NSS	Decal - Bar Code (Note: Not Available for Purchase)	
17	1001131269	1	Decal - Patent	
18		Ref	Nameplate - Manufacturers Serial Number	
19	1701509	1	Decal - Manual	
20	1702300	8	Decal - Tie Down /Lift	
21	1701500	4	Decal - Tie Down /Lift	
22	1703687	2	Decal - Arrow	
23	3251243	1	Decal - 120V-60Hz	
24	0860520	1	Box, Manual Storage	
25	4751400	4	Washer 1/4	
26	3311405	4	Nut 1/4	
27	3820001	2	Rivet	
28	1703984	1	Decal - Footswitch	
35	1704412	1	Decal - Hydraulic Fluid	
36	1001274782	1	Decal - Lift Diagram	
37	1704885	1	Decal - Website	
40	0641406	4	Bolt 1/4 x 3/4	
41	1705429	1	Decal - Drive/Steer	
42	1701499	4	Decal - No Tie Down/Lift	
43	3251813	1	Decal - USA	
48	1701529	2	Decal - Arrow	
51	1001223971	1	Decal - Yearly Inspection	
52	1001223453	1	Decal - ICES (Canada)	
100	1001232026	1	Decal - Platform Lanyard Kit (Not Shown)	
101	1704277	3	Decal - Attach Lanyard Here	

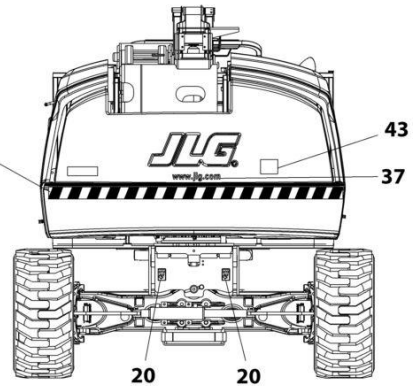
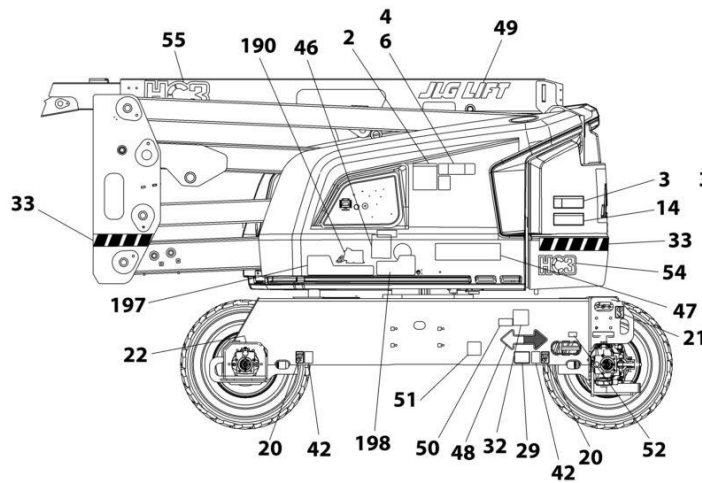
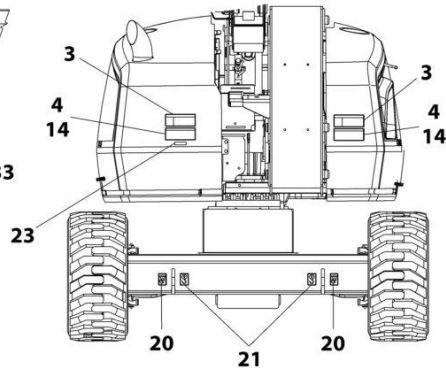
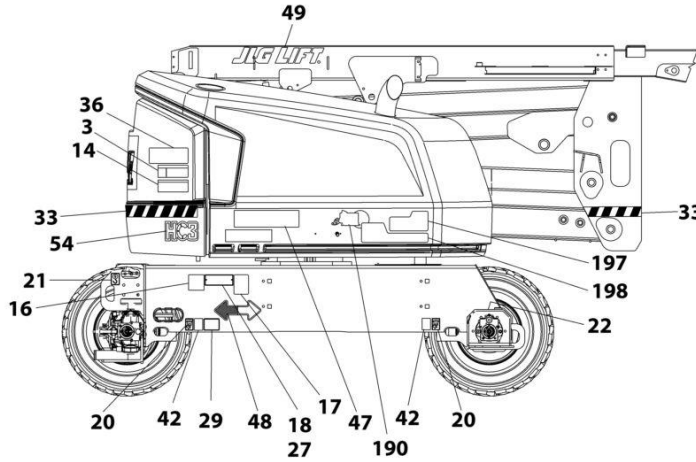
# SECTION 9 - DECALS

FIGURE 9-7. DECAL INSTALLATION - CSA SPEC WITH KUBOTA ENGINES (FRENCH/ENGLISH LANGUAGES)



NOTE: SOME DECALS ARE CALLED OUT ON DECAL INSTALLATION - OPTIONS.

NOTE: ITEMS SHOWN MAY NOT BE REQUIRED FOR ALL SPECS. REFER TO PARTS LIST FOR USAGE.



ART\_1001254310

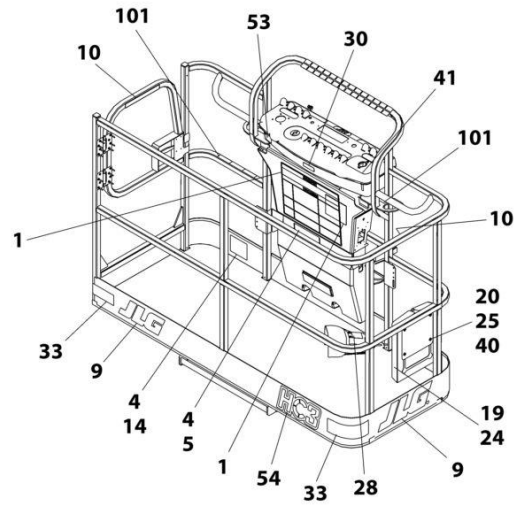
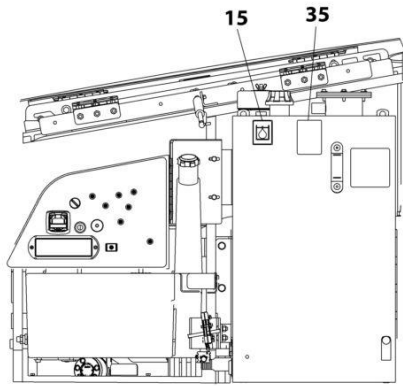
## SECTION 9 - DECALS

**FIGURE 9-7. DECAL INSTALLATION - CSA SPEC WITH KUBOTA ENGINES (FRENCH/ENGLISH LANGUAGES)**

ITEM	PART NUMBER	QTY	DESCRIPTION	REV
	1001254314	Ref	DECAL INSTALLATION - REFERENCE CHART	C
	1001254310	Ref	DECAL INSTALLATION	D
1	1703924	1	Decal - Danger/Warning	
2	1705347	1	Decal - Warning Inspection	
3	1703936	4	Decal - Danger Electrocution	
4	1703948	4	Decal - Warning/Crushing	
5	1001234433	1	Decal - Warning	
6	1001234434	1	Decal - Warning	
10	1704000	2	Decal - No Hands	
14	1703942	2	Decal - Warning/Crushing	
15	1701504	1	Decal - Hydraulic Oil	
16	See Note	NSS	Decal - Bar Code (Note: Not Available for Purchase)	
17	1001131269	1	Decal - Patent	
18		Ref	Nameplate - Manufacturers Serial Number	
19	1701509	1	Decal - Manual	
20	1702300	8	Decal - Tie Down /Lift	
21	1701500	4	Decal - Tie Down /Lift	
22	1703687	2	Decal - Arrow	
23	3251243	1	Decal - 120V-60Hz	
24	0860520	1	Box, Manual Storage	
25	4751400	4	Washer 1/4	
26	3311405	4	Nut 1/4	
27	3820001	2	Rivet	
28	1703984	1	Decal - Footswitch	
35	1704412	1	Decal - Hydraulic Fluid	
36	1001274782	1	Decal - Lift Diagram	
37	1704885	1	Decal - Website	
40	0641406	4	Bolt 1/4 x 3/4	
41	1705429	1	Decal - Drive/Steer	
42	1701499	4	Decal - No Tie Down/Lift	
43	3251813	1	Decal - USA	
48	1701529	2	Decal - Arrow	
51	1001223971	1	Decal - Yearly Inspection	
52	1001223453	1	Decal - ICES (Canada)	
100	1001232026	1	Decal - Platform Lanyard Kit (Not Shown)	
101	1704277	3	Decal - Attach Lanyard Here	

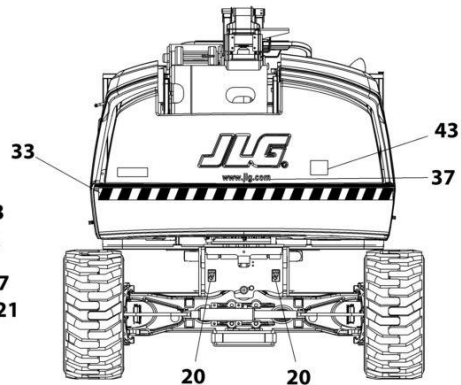
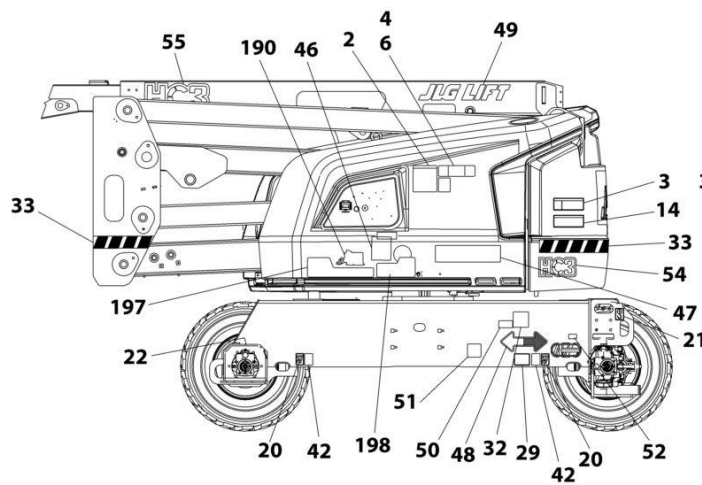
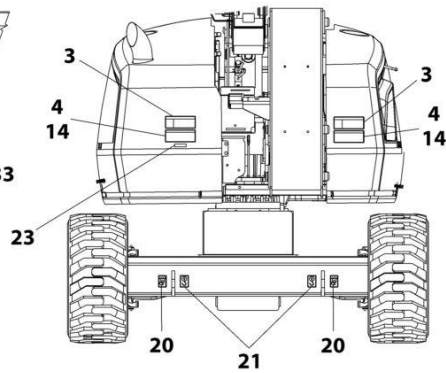
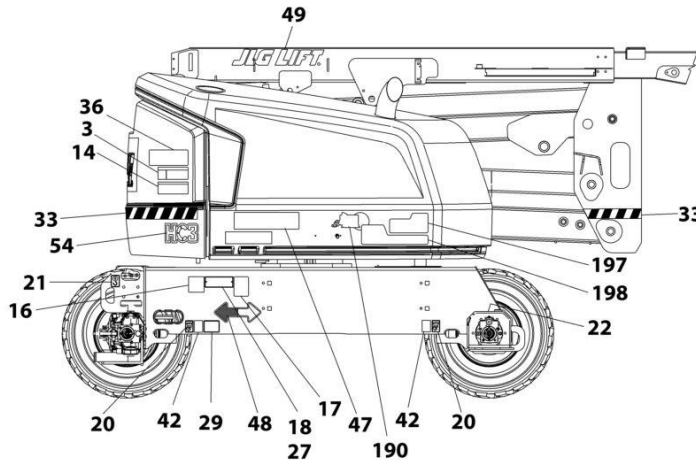
# SECTION 9 - DECALS

FIGURE 9-8. DECAL INSTALLATION - CHINESE SPEC (CHINESE/ENGLISH LANGUAGES)



NOTE: SOME DECALS ARE CALLED OUT ON DECAL INSTALLATION - OPTIONS.

NOTE: ITEMS SHOWN MAY NOT BE REQUIRED FOR ALL SPECS. REFER TO PARTS LIST FOR USAGE.



ART\_1001254305



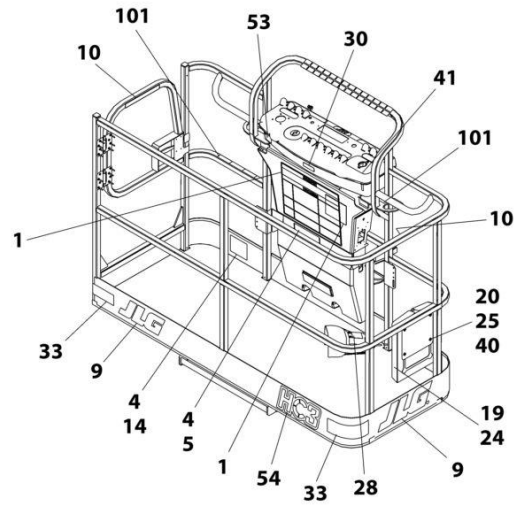
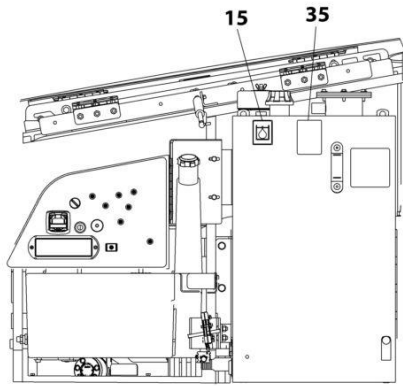
## SECTION 9 - DECALS

**FIGURE 9-8. DECAL INSTALLATION - CHINESE SPEC (CHINESE/ENGLISH LANGUAGES)**

ITEM	PART NUMBER	QTY	DESCRIPTION	REV
	1001254314	Ref	DECAL INSTALLATION - REFERENCE CHART	C
	1001254305	Ref	DECAL INSTALLATION	D
1	1703925	1	Decal - Danger/Warning	
2	1001116849	1	Decal - Warning Inspection	
3	1703937	4	Decal - Danger Electrocution	
4	1703949	4	Decal - Warning/Crushing	
5	1001234435	1	Decal - Warning	
6	1001234436	1	Decal - Warning	
10	1705968	2	Decal - No Hands	
14	1703943	2	Decal - Warning/Crushing	
15	1701504	1	Decal - Hydraulic Oil	
16	See Note	NSS	Decal - Bar Code (Note: Not Available for Purchase)	
18		Ref	<b>Nameplate - Manufacturers Serial Number</b>	
19	1701509	1	Decal - Manual	
20	1702300	8	Decal - Tie Down /Lift	
21	1701500	4	Decal - Tie Down /Lift	
22	1703687	2	Decal - Arrow	
24	0860520	1	Box, Manual Storage	
25	4751400	4	Washer 1/4	
26	3311405	4	Nut 1/4	
27	3820001	2	Rivet	
28	1703982	1	Decal - Footswitch	
35	1704412	1	Decal - Hydraulic Fluid	
36	1001274782	1	Decal - Lift Diagram	
37	1704885	1	Decal - Website	
40	0641406	4	Bolt 1/4 x 3/4	
41	1705430	1	Decal - Drive/Steer	
42	1701499	4	Decal - No Tie Down/Lift	
48	1701529	2	Decal - Arrow	
51	1001224050	1	Decal - Yearly Inspection	
100	1001232026	1	Decal - Platform Lanyard Kit (Not Shown)	
101	1704277	3	Decal - Attach Lanyard Here	

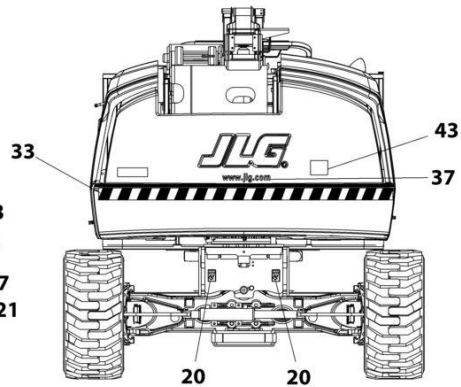
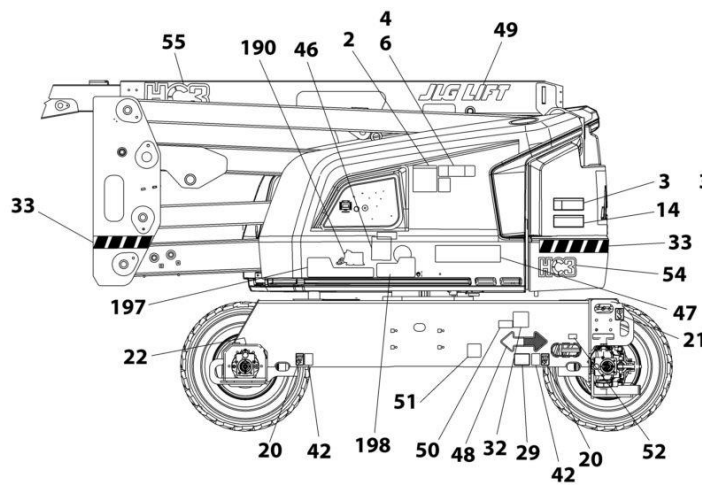
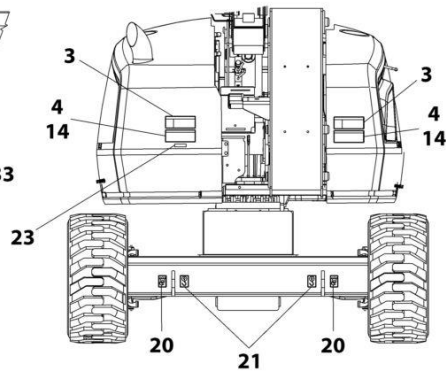
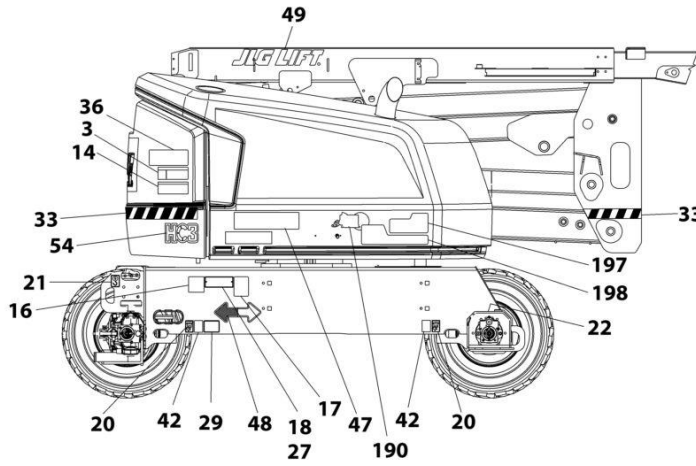
# SECTION 9 - DECALS

FIGURE 9-9. DECAL INSTALLATION - JAPANESE SPEC (JAPANESE/ENGLISH LANGUAGES)



NOTE: SOME DECALS ARE CALLED OUT ON DECAL INSTALLATION - OPTIONS.

NOTE: ITEMS SHOWN MAY NOT BE REQUIRED FOR ALL SPECS. REFER TO PARTS LIST FOR USAGE.



ART\_1001254302

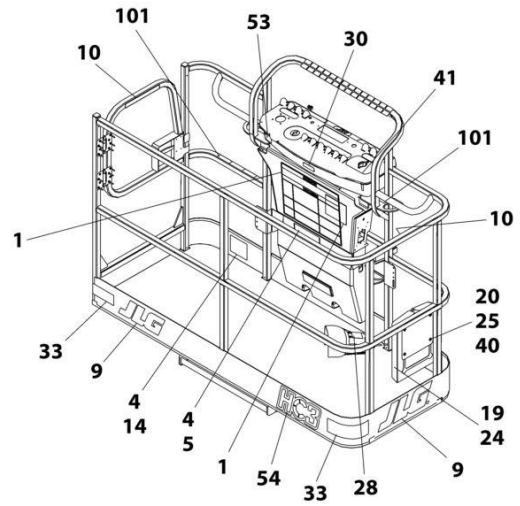
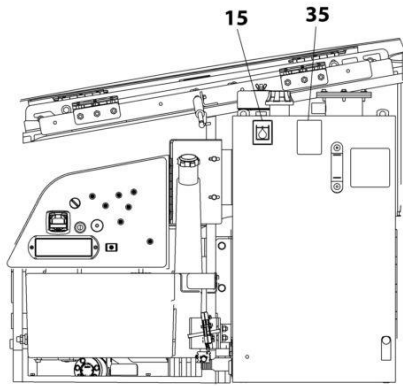
## SECTION 9 - DECALS

**FIGURE 9-9. DECAL INSTALLATION - JAPANESE SPEC (JAPANESE/ENGLISH LANGUAGES)**

ITEM	PART NUMBER	QTY	DESCRIPTION	REV
	1001254314	Ref	DECAL INSTALLATION - REFERENCE CHART	C
	1001254302	Ref	DECAL INSTALLATION	D
1	1703926	1	Decal - Danger/Warning	
2	1705344	1	Decal - Warning Inspection	
3	1703938	4	Decal - Danger Electrocution	
4	1703950	4	Decal - Warning/Crushing	
5	1001234428	1	Decal - Warning	
6	1001234429	1	Decal - Warning	
14	1703944	2	Decal - Warning/Crushing	
15	1701504	1	Decal - Hydraulic Oil	
16	See Note	NSS	Decal - Bar Code (Note: Not Available for Purchase)	
18		Ref	Nameplate - Manufacturers Serial Number	
19	1701509	1	Decal - Manual	
20	1702300	8	Decal - Tie Down /Lift	
21	1701500	4	Decal - Tie Down /Lift	
22	1703687	2	Decal - Arrow	
24	0860520	1	Box, Manual Storage	
25	4751400	4	Washer 1/4	
26	3311405	4	Nut 1/4	
27	3820001	2	Rivet	
28	1703980	1	Decal - Footswitch	
35	1704412	1	Decal - Hydraulic Fluid	
36	1001274782	1	Decal - Lift Diagram	
37	1704885	1	Decal - Website	
40	0641406	4	Bolt 1/4 x 3/4	
41	1705426	1	Decal - Drive/Steer	
42	1701499	4	Decal - No Tie Down/Lift	
48	1701529	2	Decal - Arrow	
51	1001224053	1	Decal - Yearly Inspection	
100	1001232026	1	Decal - Platform Lanyard Kit (Not Shown)	
101	1704277	3	Decal - Attach Lanyard Here	

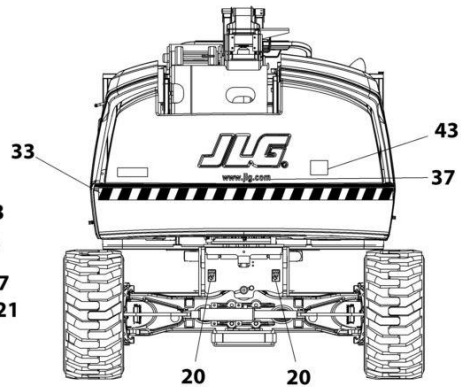
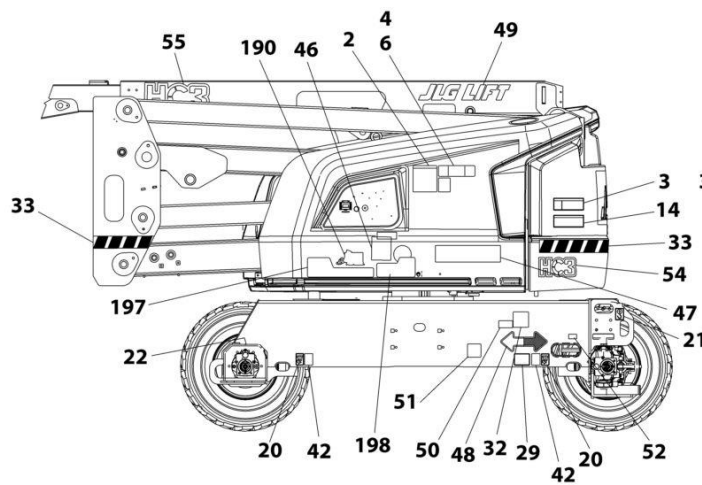
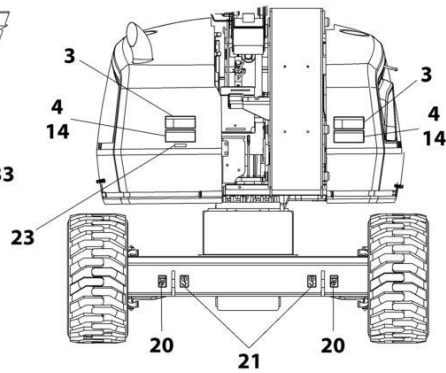
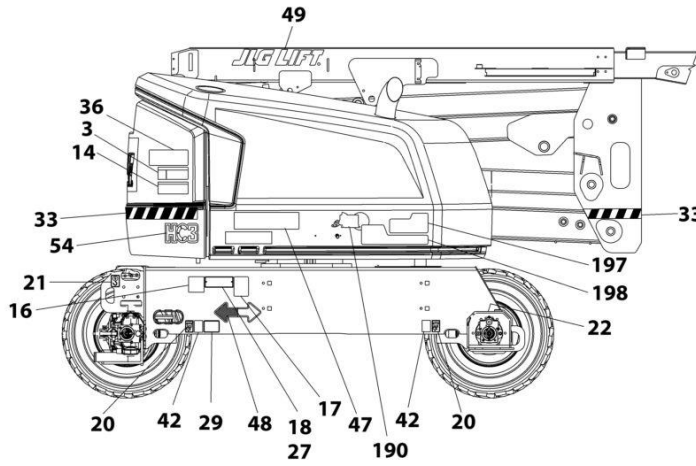
# SECTION 9 - DECALS

## FIGURE 9-10. DECAL INSTALLATION - KOREAN SPEC (KOREAN/ENGLISH LANGUAGES)



NOTE: SOME DECALS ARE CALLED OUT ON DECAL INSTALLATION - OPTIONS.

NOTE: ITEMS SHOWN MAY NOT BE REQUIRED FOR ALL SPECS. REFER TO PARTS LIST FOR USAGE.



ART\_1001254303

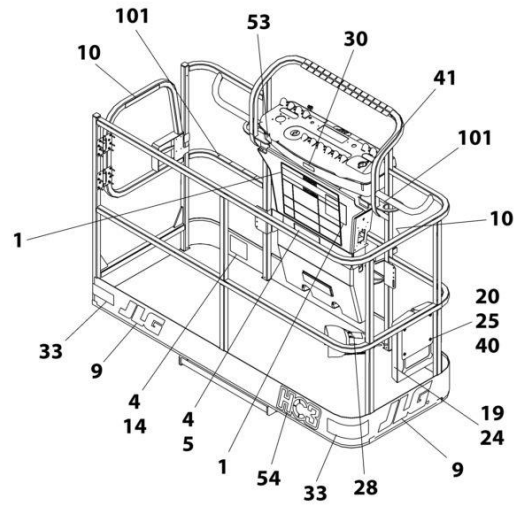
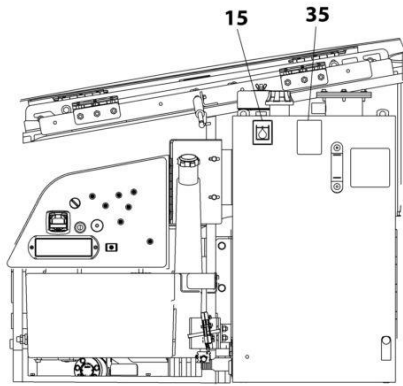
## SECTION 9 - DECALS

**FIGURE 9-10. DECAL INSTALLATION - KOREAN SPEC (KOREAN/ENGLISH LANGUAGES)**

ITEM	PART NUMBER	QTY	DESCRIPTION	REV
	1001254314	Ref	DECAL INSTALLATION - REFERENCE CHART	C
	1001254303	Ref	DECAL INSTALLATION	D
1	1703927	1	Decal - Danger/Warning	
2	1705345	1	Decal - Warning Inspection	
3	1703939	4	Decal - Danger Electrocution	
4	1703951	4	Decal - Warning/Crushing	
5	1001234430	1	Decal - Warning	
6	1001235585	1	Decal - Warning	
10	1705969	2	Decal - No Hands	
14	1703945	2	Decal - Warning/Crushing	
15	1701504	1	Decal - Hydraulic Oil	
16	See Note	NSS	Decal - Bar Code (Note: Not Available for Purchase)	
18		Ref	<b>Nameplate - Manufacturers Serial Number</b>	
19	1701509	1	Decal - Manual	
20	1702300	8	Decal - Tie Down /Lift	
21	1701500	4	Decal - Tie Down /Lift	
22	1703687	2	Decal - Arrow	
24	0860520	1	Box, Manual Storage	
25	4751400	4	Washer 1/4	
26	3311405	4	Nut 1/4	
27	3820001	2	Rivet	
28	1703981	1	Decal - Footswitch	
35	1704412	1	Decal - Hydraulic Fluid	
36	1001274782	1	Decal - Lift Diagram	
37	1704885	1	Decal - Website	
40	0641406	4	Bolt 1/4 x 3/4	
41	1705427	1	Decal - Drive/Steer	
42	1701499	4	Decal - No Tie Down/Lift	
48	1701529	2	Decal - Arrow	
51	1001224048	1	Decal - Yearly Inspection	
100	1001232026	1	Decal - Platform Lanyard Kit (Not Shown)	
101	1704277	3	Decal - Attach Lanyard Here	

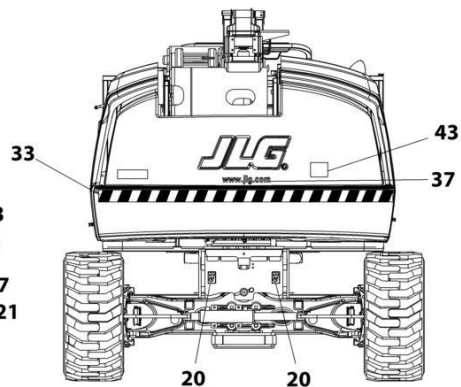
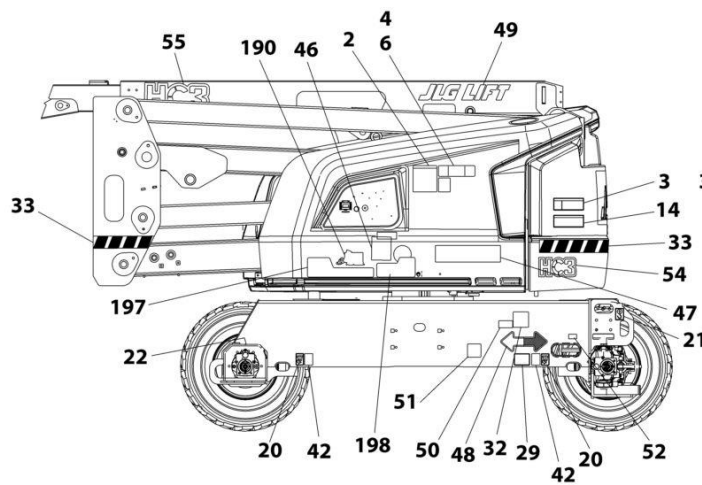
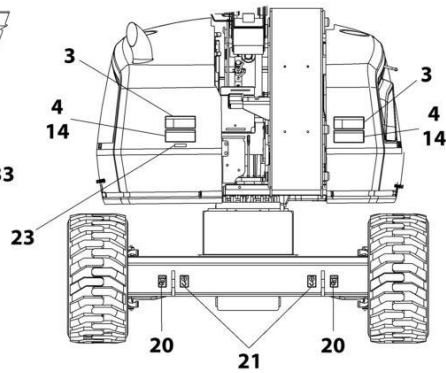
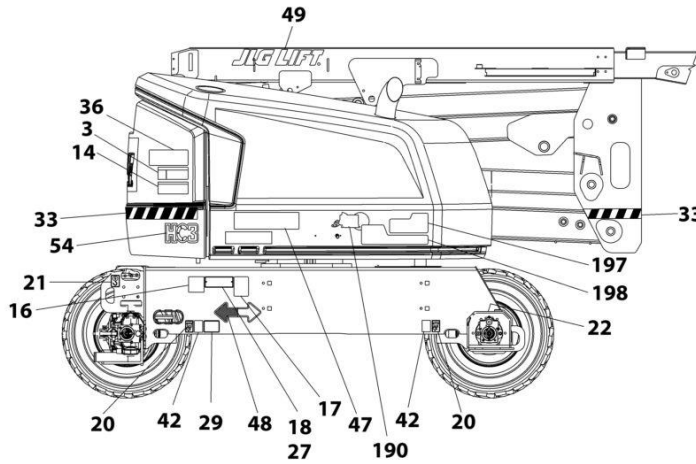
# SECTION 9 - DECALS

## FIGURE 9-11. DECAL INSTALLATION - LATIN AMERICA SPEC (SPANISH/ENGLISH LANGUAGES)



NOTE: SOME DECALS ARE CALLED OUT ON DECAL INSTALLATION - OPTIONS.

NOTE: ITEMS SHOWN MAY NOT BE REQUIRED FOR ALL SPECS. REFER TO PARTS LIST FOR USAGE.



ART\_1001254308

## SECTION 9 - DECALS

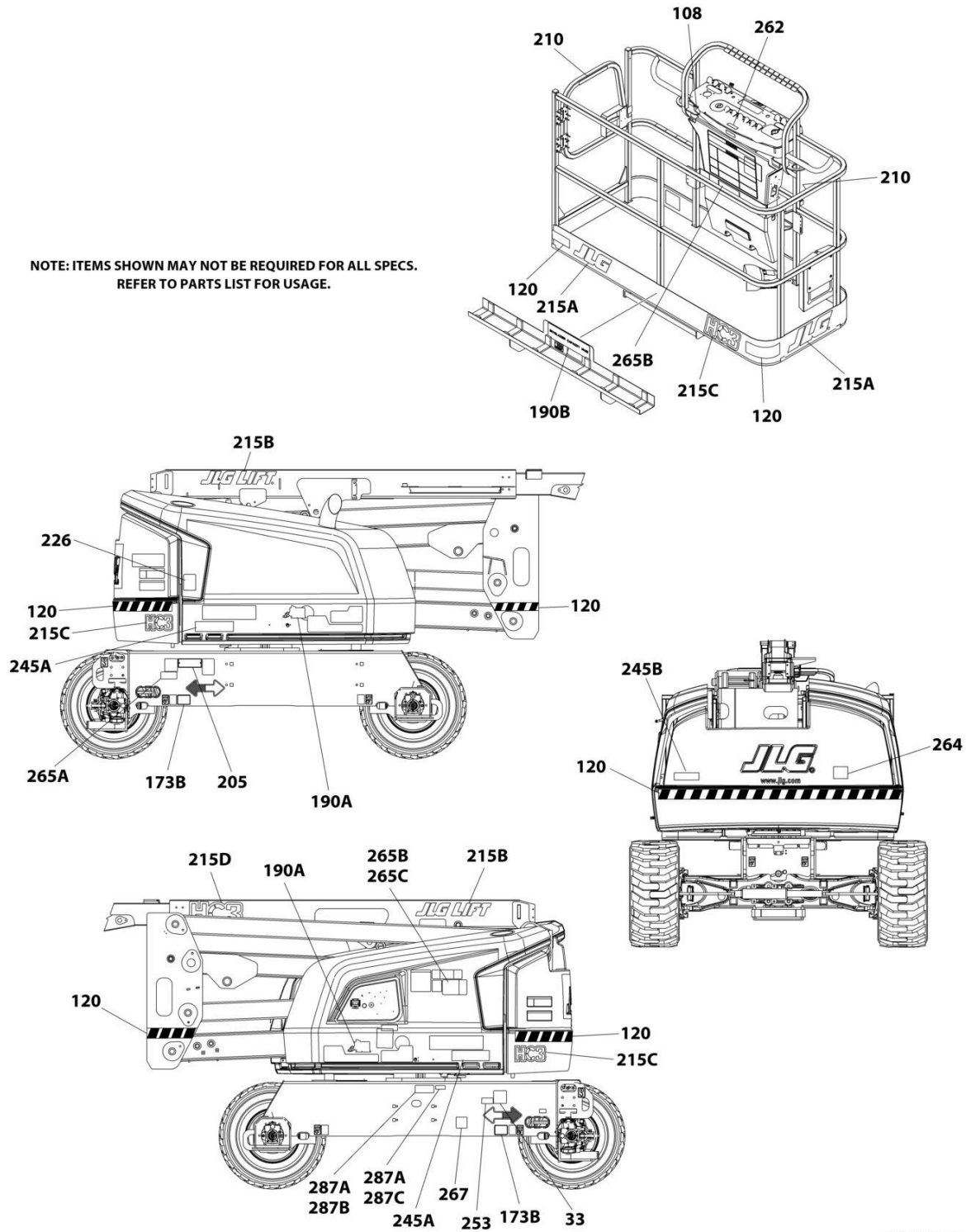
**FIGURE 9-11. DECAL INSTALLATION - LATIN AMERICA SPEC (SPANISH/ENGLISH LANGUAGES)**

ITEM	PART NUMBER	QTY	DESCRIPTION	REV
	1001254314	Ref	DECAL INSTALLATION - REFERENCE CHART	C
	1001254308	Ref	DECAL INSTALLATION	D
1	1703923	1	Decal - Danger/Warning	
2	1705917	1	Decal - Warning Inspection	
3	1703935	4	Decal - Danger Electrocution	
4	1703947	4	Decal - Warning/Crushing	
5	1001234431	1	Decal - Warning	
6	1001234432	1	Decal - Warning	
10	1704001	2	Decal - No Hands	
14	1703941	2	Decal - Warning/Crushing	
15	1701504	1	Decal - Hydraulic Oil	
16	See Note	NSS	Decal - Bar Code (Note: Not Available for Purchase)	
18		Ref	Nameplate - Manufacturers Serial Number	
19	1701509	1	Decal - Manual	
20	1702300	8	Decal - Tie Down /Lift	
21	1701500	4	Decal - Tie Down /Lift	
22	1703687	2	Decal - Arrow	
23	3251243	1	Decal - 120V-60Hz	
24	0860520	1	Box, Manual Storage	
25	4751400	4	Washer 1/4	
26	3311405	4	Nut 1/4	
27	3820001	2	Rivet	
28	1703983	1	Decal - Footswitch	
35	1704412	1	Decal - Hydraulic Fluid	
36	1001274782	1	Decal - Lift Diagram	
37	1704885	1	Decal - Website	
40	0641406	4	Bolt 1/4 x 3/4	
41	1705910	1	Decal - Drive/Steer	
42	1701499	4	Decal - No Tie Down/Lift	
43	3251813	1	Decal - USA	
48	1701529	2	Decal - Arrow	
51	1001224049	1	Decal - Yearly Inspection	
100	1001232026	1	Decal - Platform Lanyard Kit (Not Shown)	
101	1704277	3	Decal - Attach Lanyard Here	

# SECTION 9 - DECALS

## FIGURE 9-12. DECAL INSTALLATION - OPTIONS

NOTE: ITEMS SHOWN MAY NOT BE REQUIRED FOR ALL SPECS.  
REFER TO PARTS LIST FOR USAGE.



ART\_DECAL\_OPTIONS



## SECTION 9 - DECALS

**FIGURE 9-12. DECAL INSTALLATION - OPTIONS**

ITEM	PART NUMBER	QTY	DESCRIPTION	REV
	1001254314	Ref	DECAL INSTALLATION - REFERENCE CHART (ALL SPECS EXCEPT CE SPECS)	C
	1001254315	Ref	DECAL INSTALLATION - REFERENCE CHART (CE SPECS)	B
	1001246976	Ref	DECAL INSTALLATION - OPTIONS	F
33	1700818	1	Decal - LP (ANSI, ANSI Export & CSA Specs)	
33	1704271	1	Decal - LP (CSA Specs)	
108	1001231801	1	Decal - Warning (Prop 65) (ANSI & CSA Specs)	
120	1001188883	Ref	Warning Stripes Installation	A
120	4420051	21.5 ft /6.55m	Tape, Safety	
173	1001255845	Ref	Model Decal Installation	B
173A	1001267310	2	Decal - 450AJ	
173B	1001255849	2	Decal - Max Tire Load	
190	1001262102	Ref	SkyGlazier Decal Installation (ANSI and CSA Specs)	
190	1001262105	Ref	SkyGlazier Decal Installation (Australian Specs)	
190A	1705358	2	Decal - SkyGlazier	
190B	1001259018	2	Decal - SkyGlazier Capacity (ANSI Specs)	
190B	1001262117	2	Decal - SkyGlazier Capacity (Australian Specs)	
205	See Note	Ref	Nameplate - Manufacturers Serial Number (Note: Not Available for Purchase)	
210	1702868	2	Decal - No Hands (English Language)	
210	1704000	2	Decal - No Hands (English and French Languages)	
210	1705969	2	Decal - No Hands (English and Korean Languages)	
210	1704001	2	Decal - No Hands (English and Spanish Languages)	
210	1704002	2	Decal - No Hands (Portuguese and Spanish Language)	
210	1705968	2	Decal - No Hands (ANSI Export Specs)	
210	1001218850	1	Decal - No Hands (Australian)	
215	1001254311	Ref	JLG Logo Installation (All Specs except CE Specs) (Note: For Logo Decals on CE Specs Machines, See Decal Installation CE Specs)	C
215A	1702773	2	Decal - JLG	
215B	1702774	2	Decal - JLG Lift (3in)	
215C	1001244212	3	Decal - HC3	
215D	1001256906	1	Decal - HC3	
226	1704972	1	Decal - Warning Explosion/Fire (ANSI, ANSI Export and CSA Spec)	
226	1706059	1	Decal - Warning Explosion/Fire (Brazil Spec)	
226	1706098	1	Decal - Warning Explosion/Fire (CE Spec)	
226	1706060	1	Decal - Warning Explosion/Fire (Chinese Spec)	
226	1706064	1	Decal - Warning Explosion/Fire (CSA Spec)	
226	1706062	1	Decal - Warning Explosion/Fire (Japanese Spec)	
226	1706061	1	Decal - Warning Explosion/Fire (Korean Spec)	
226	1706063	1	Decal - Warning Explosion/Fire (Latin America Spec)	
245	1001127096	Ref	Decal - ClearSky	
245A	1001116208	2	Decal - ClearSky	
245A	1001120989	1	Decal - Radio Frequency	
245	1001294864	Ref	Decal - ClearSky Smart Fleet	
245B	1001120989	1	Decal - Radio Frequency	
245B	1001294815	2	Decal - ClearSky	
253	1001143852	1	Decal - Emissions Compliance (Deutz D2011 Engines/Deutz D2011 Engines (Stage V)/Deutz D2.9L4 Engines (Stage V))	

## SECTION 9 - DECALS

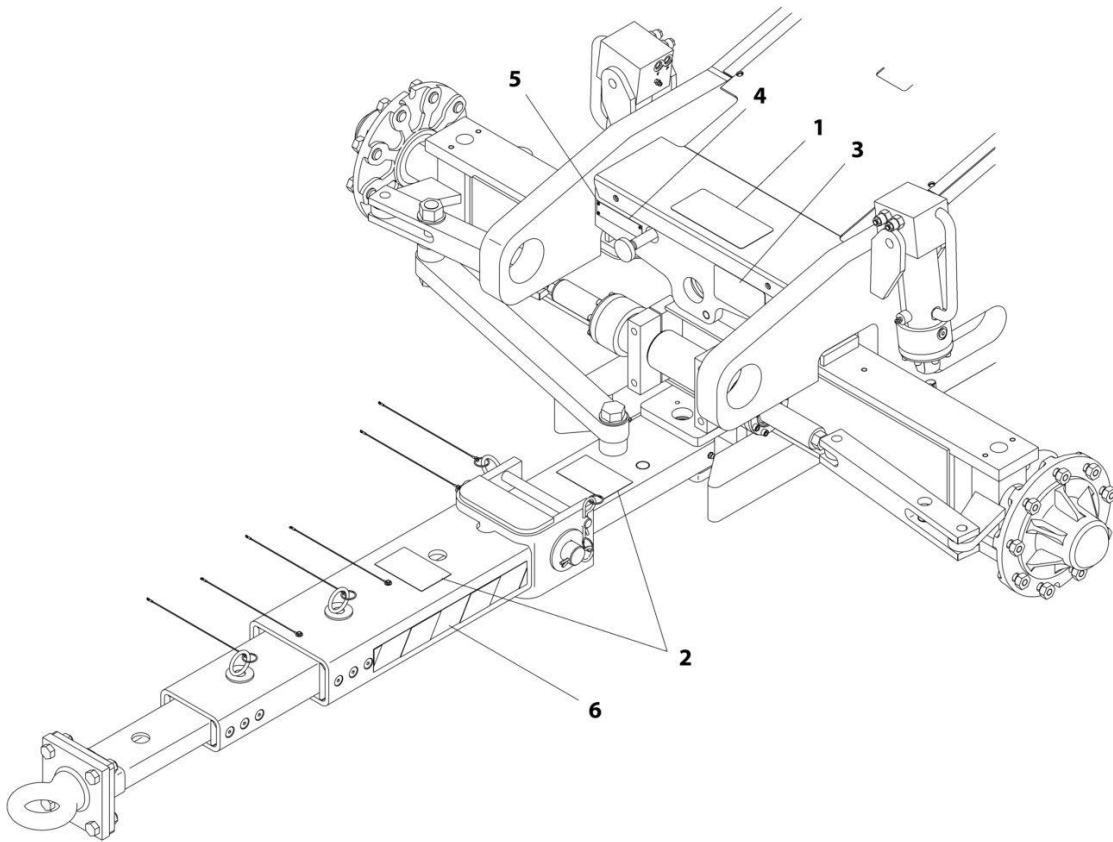
ITEM	PART NUMBER	QTY	DESCRIPTION	REV
262	1001141300	1	Decal - SkyGuard Override	
262	1001141302	1	Decal - SkyGuard Override with Soft-Touch	
264	1001204510	1	Decal - Sound Power (Deutz D2011 Engines)	
264	1001130492	1	Decal - Sound Power (Deutz D2011 (Stage V) Engines)	
265	1001271605	Ref	Soft -Touch Decal Installation (Without Fall Arrest) (Pictograph)	
265	1001271588	Ref	Soft -Touch Decal Installation (Without Fall Arrest) (English Language)	
265	1001276688	Ref	Soft -Touch Decal Installation (Without Fall Arrest) (English/Chinese Languages)	
265	1001276686	Ref	Soft -Touch Decal Installation (Without Fall Arrest) (English/French Languages)	
265	1001271617	Ref	Soft -Touch Decal Installation (Without Fall Arrest) (English/Japanese Languages)	
265	1001276884	Ref	Soft -Touch Decal Installation (Without Fall Arrest) (English/Korean Languages)	
265	1001276692	Ref	Soft -Touch Decal Installation (Without Fall Arrest) (English/Spanish Languages)	
265	1001276690	Ref	Soft -Touch Decal Installation (Without Fall Arrest) (Spanish/Portuguese Languages)	
265	1001271606	Ref	Soft -Touch Decal Installation (With Fall Arrest) (Pictograph)	
265	1001271589	Ref	Soft -Touch Decal Installation (With Fall Arrest) (English Language)	
265	1001276689	Ref	Soft -Touch Decal Installation (With Fall Arrest) (English/Chinese Languages)	
265	1001276687	Ref	Soft -Touch Decal Installation (With Fall Arrest) (English/French Languages)	
265	1001271621	Ref	Soft -Touch Decal Installation (With Fall Arrest) (English/Japanese Languages)	
236	1001276685	Ref	Soft -Touch Decal Installation (With Fall Arrest) (English/Korean Languages)	
265	1001276693	Ref	Soft -Touch Decal Installation (With Fall Arrest) (English/Spanish Languages)	
265	1001276691	Ref	Soft -Touch Decal Installation (With Fall Arrest) (Spanish/Portuguese Languages)	
265A	1001195490	1	Decal - Soft-Touch (Pictograph)	
265A	1001195491	1	Decal - Soft-Touch (English Language)	
265A	1001271708	1	Decal - Soft-Touch (English/Chinese Languages)	
265A	1001271709	1	Decal - Soft-Touch (English/French Languages)	
265A	1001271712	1	Decal - Soft-Touch (English/Japanese Languages)	
265A	1001271710	1	Decal - Soft-Touch (English/Korean Languages)	
265A	1001271711	1	Decal - Soft-Touch (English/Spanish Languages)	
265A	1001271707	1	Decal - Soft-Touch (Spanish/Portuguese Languages)	
265B	1001277484	2	Decal - Warning (Without Fall Arrest) (Pictograph)	
265B	1001277481	1	Decal - Warning (Without Fall Arrest) (English Language)	
265B	1001278197	1	Decal - Warning (Without Fall Arrest) (English/Chinese Languages)	
265B	1001277970	1	Decal - Warning (Without Fall Arrest) (English/French Languages)	
265B	1001271622	1	Decal - Warning (Without Fall Arrest) (English/Japanese Languages)	
265B	1001277685	1	Decal - Warning (Without Fall Arrest) (English/Korean Languages)	
265B	1001278249	1	Decal - Warning (Without Fall Arrest) (English/Spanish Languages)	
265B	1001278209	1	Decal - Warning (Without Fall Arrest) (Spanish/Portuguese Languages)	

## SECTION 9 - DECALS

ITEM	PART NUMBER	QTY	DESCRIPTION	REV
265B	1001277485	2	Decal - Warning (With Fall Arrest) (Pictograph Language)	
265B	1001277483	1	Decal - Warning (With Fall Arrest) (English Language)	
265B	1001278199	1	Decal - Warning (With Fall Arrest) (English/Chinese Languages)	
265B	1001277972	1	Decal - Warning (With Fall Arrest) (English/French Languages)	
265B	1001271625	1	Decal - Warning (With Fall Arrest) (English/Japanese Languages)	
265B	1001277691	1	Decal - Warning (With Fall Arrest) (English/Korean Languages)	
265B	1001278251	1	Decal - Warning (With Fall Arrest) (English/Spanish Languages)	
265B	1001278216	1	Decal - Warning (With Fall Arrest) (Spanish/Portuguese Languages)	
265C	1001277482	1	Decal - Warning (Without Fall Arrest) (English Language)	
265C	1001278198	1	Decal - Warning (Without Fall Arrest) (English/Chinese Languages)	
265C	1001277911	1	Decal - Warning (Without Fall Arrest) (English/French Languages)	
265C	1001271624	1	Decal - Warning (Without Fall Arrest) (English/Japanese Languages)	
265C	1001277686	1	Decal - Warning (Without Fall Arrest) (English/Korean Languages)	
265C	1001278250	1	Decal - Warning (Without Fall Arrest) (English/Spanish Languages)	
265C	1001278215	1	Decal - Warning (Without Fall Arrest) (Spanish/Portuguese Languages)	
265C	1001277486	1	Decal - Warning (With Fall Arrest) (English Language)	
265C	1001278208	1	Decal - Warning (With Fall Arrest) (English/Chinese Languages)	
265C	1001277973	1	Decal - Warning (With Fall Arrest) (English/French Languages)	
265C	1001271626	1	Decal - Warning (With Fall Arrest) (English/Japanese Languages)	
265C	1001278252	1	Decal - Warning (With Fall Arrest) (English/Spanish Languages)	
265C	1001277692	1	Decal - Warning (With Fall Arrest) (English/Korean Languages)	
265C	1001278217	1	Decal - Warning (With Fall Arrest) (Spanish/Portuguese Languages)	
267	1001200131	1	Decal - Quick Start Reference (Loxam Rental) (Danish Spec)	
267	1001200129	1	Decal - Quick Start Reference (Loxam Rental) (Dutch Spec)	
267	1001181145	1	Decal - Quick Start Reference (Loxam Rental) (English Spec)	
267	1001200128	1	Decal - Quick Start Reference (Loxam Rental) (French Spec)	
267	1001200130	1	Decal - Quick Start Reference (Loxam Rental) (German Spec)	
267	1001200134	1	Decal - Quick Start Reference (Loxam Rental) (Norwegian Spec)	
267	1001200133	1	Decal - Quick Start Reference (Loxam Rental) (Spanish Spec)	
267	1001200132	1	Decal - Quick Start Reference (Loxam Rental) (Swedish Spec)	
287	1001239371	Ref	Decal - Eco Label Installation (China Specs Only)	A
287A	3820001	8	Rivet	
287B	1001232904	1	Decal - Eco Label	
287C	1001236396	1	Plate, Mein Code	

## SECTION 9 - DECALS

FIGURE 9-13. TOW BAR DECAL INSTALLATION - ENGLISH LANGUAGE (ANSI, ANSI EXPORT, CE, CHINA, CIS/EAC, JAPANESE & UK CA SPECS)



ART\_0270115

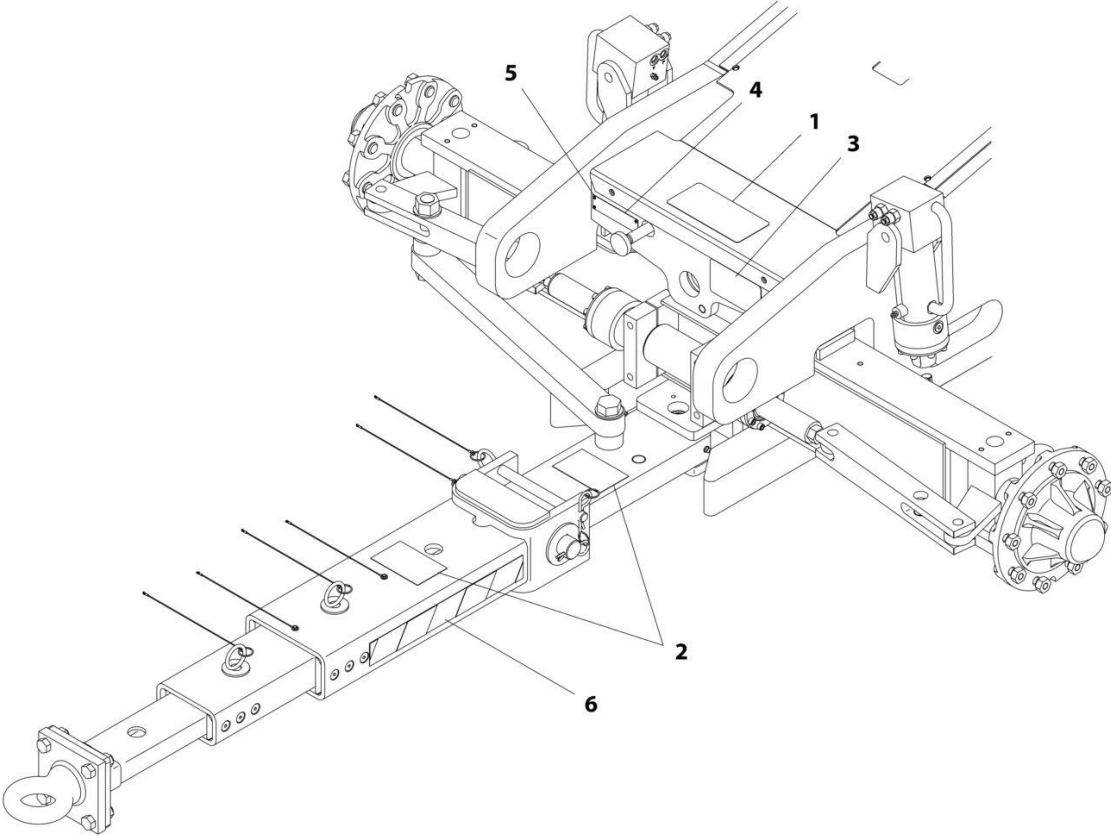
## SECTION 9 - DECALS

**FIGURE 9-13. TOW BAR DECAL INSTALLATION - ENGLISH LANGUAGE (ANSI, ANSI EXPORT, CE, CHINA, CIS/EAC, JAPANESE & UK CA SPECS)**

ITEM	PART NUMBER	QTY	DESCRIPTION	REV
	0270115	Ref	TOW BAR DECAL INSTALLATION	A
1	1704482	1	Decal - Tow Instructions	
2	1704578	3	Decal - Crushing	
3	1703450	1	Decal - Warning	
4	3250872	1	Nameplate - Steer/Tow Select Valve	
5	3820001	4	Rivet	
6	4420051	43 in /109.2cm	Tape, Safety	

**SECTION 9 - DECALS**

**FIGURE 9-14. TOW BAR DECAL INSTALLATION - ENGLISH/SPANISH LANGUAGE (ANSI EXPORT SPECS)**



ART\_0270119

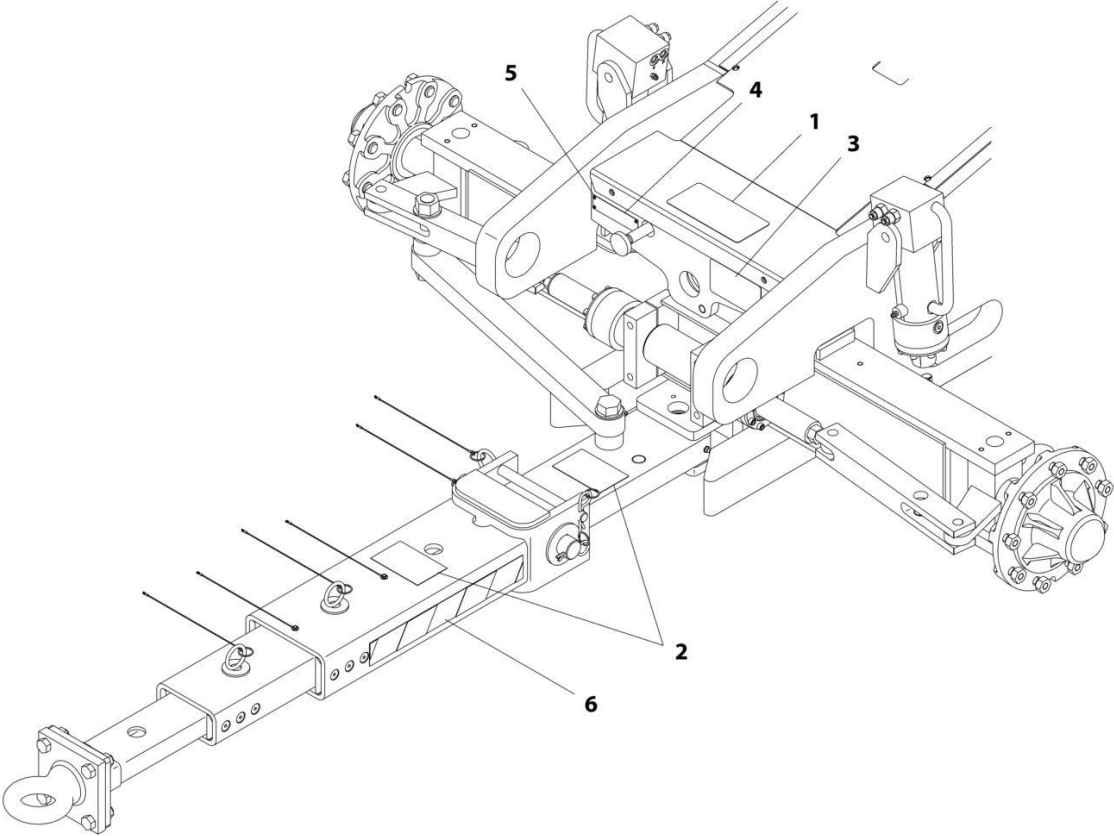
## SECTION 9 - DECALS

**FIGURE 9-14. TOW BAR DECAL INSTALLATION - ENGLISH/SPANISH LANGUAGE (ANSI EXPORT SPECS)**

ITEM	PART NUMBER	QTY	DESCRIPTION	REV
	0270119	Ref	TOW BAR DECAL INSTALLATION	A
1	1704457	1	Decal - Tow Instructions	
2	1704577	3	Decal - Crushing	
3	1704576	1	Decal - Warning	
4	3252693	1	Nameplate - Steer/Tow Select Valve	
5	3820001	4	Rivet	
6	4420051	43 in /109.2cm	Tape, Safety	

**SECTION 9 - DECALS**

**FIGURE 9-15. TOW BAR DECAL INSTALLATION - SPANISH LANGUAGE (ANSI EXPORT, CE, CIS/EAC & UK CA SPECS)**



ART\_0270116



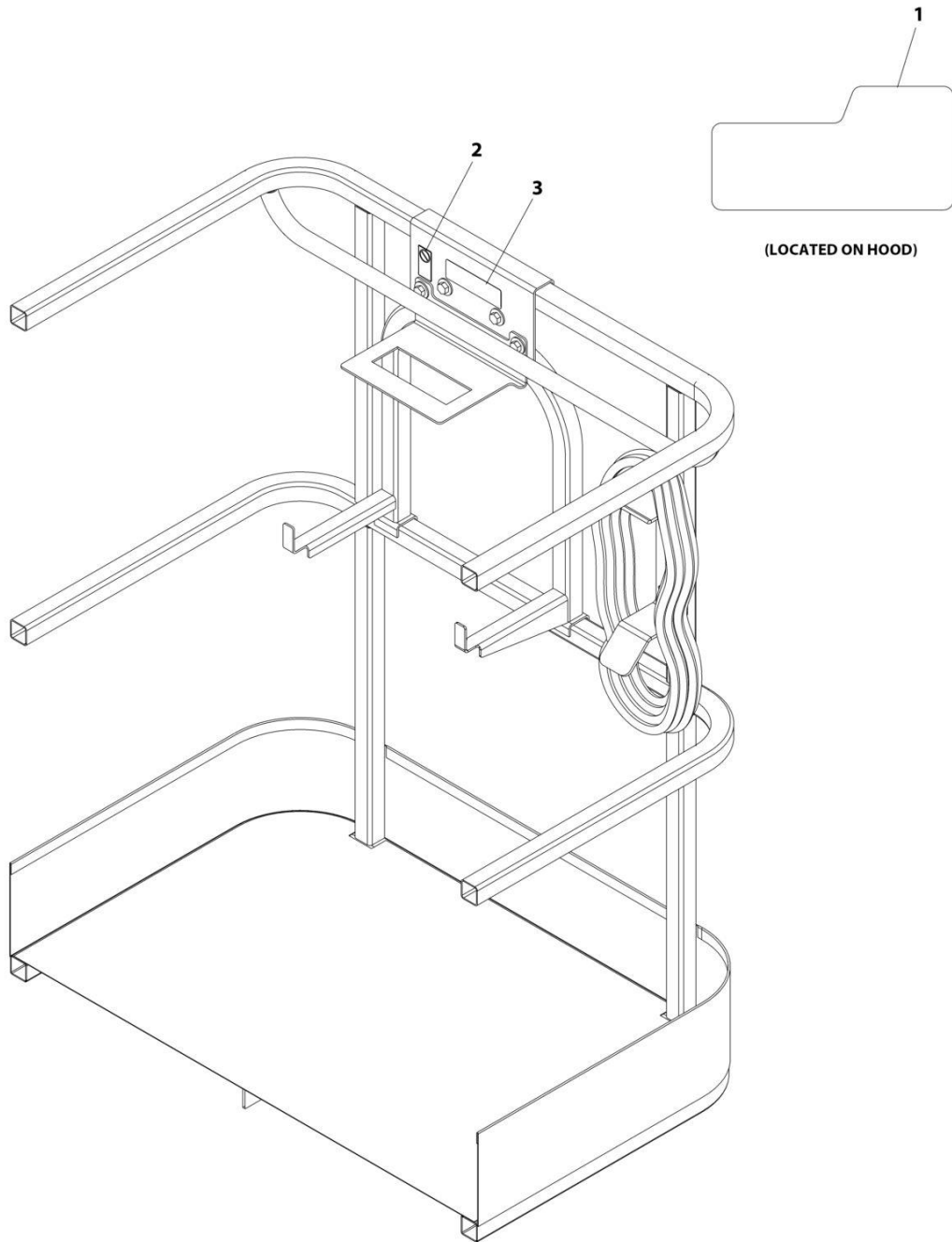
## SECTION 9 - DECALS

**FIGURE 9-15. TOW BAR DECAL INSTALLATION - SPANISH LANGUAGE (ANSI EXPORT, CE, CIS/EAC & UK CA SPECS)**

ITEM	PART NUMBER	QTY	DESCRIPTION	REV
	0270116	Ref	TOW BAR DECAL INSTALLATION	A
1	1704455	1	Decal - Tow Instructions	
2	1701518	3	Decal - Crushing	
3	1704456	1	Decal - Warning	
4	3252692	1	Nameplate - Steer/Tow Select Valve	
5	3820001	4	Rivet	
6	4420051	43 in /109.2cm	Tape, Safety	

# SECTION 9 - DECALS

FIGURE 9-16. SKYWELDER DECAL INSTALLATION – 50HZ (ANSI EXPORT SPECS)



ART\_0272588

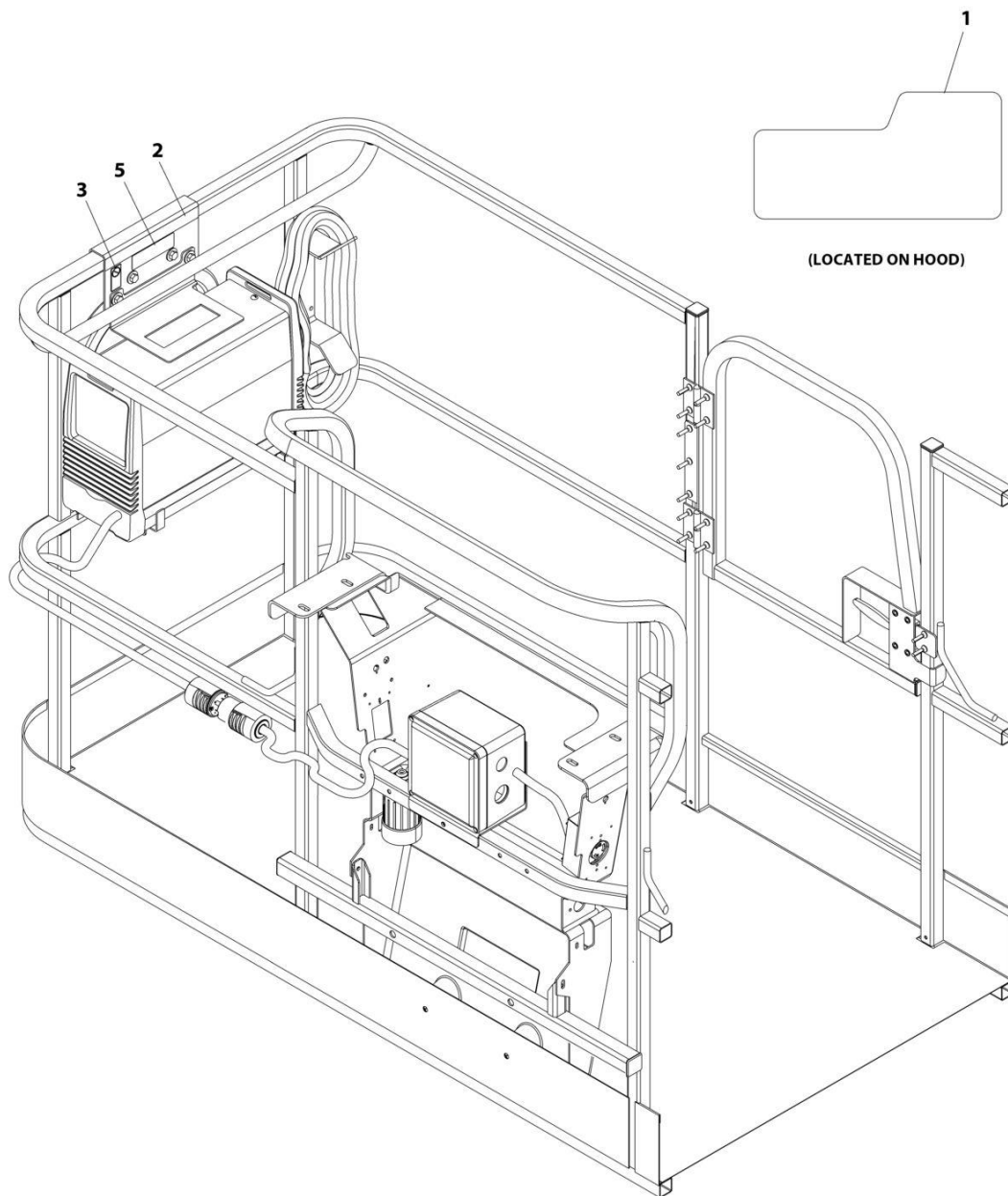
## SECTION 9 - DECALS

**FIGURE 9-16. SKYWELDER DECAL INSTALLATION – 50HZ (ANSI EXPORT SPECS)**

ITEM	PART NUMBER	QTY	DESCRIPTION	REV
	0272588	Ref	SKYWELDER DECAL INSTALLATION - 50Hz	B
1	1705355	2	Decal - SkyWelder	
2	1705305	1	Decal - Weld Lead	
3	1001228988	1	Decal - Weight	

# SECTION 9 - DECALS

## FIGURE 9-17. SKYWELDER DECAL INSTALLATION - 60HZ (ANSI EXPORT SPECS)



ART\_0272448\_D

## SECTION 9 - DECALS

**FIGURE 9-17. SKYWELDER DECAL INSTALLATION - 60HZ (ANSI EXPORT SPECS)**

ITEM	PART NUMBER	QTY	DESCRIPTION	REV
	0272448	Ref	SKYWELDER DECAL INSTALLATION - 60Hz	D
1	1705355	2	Decal - SkyWelder	
2	1702868	1	Decal - No Hands	
3	1705305	1	Decal - Weld Lead	
5	1001228988	1	Decal - Weight	



## **SECTION 10 - RECOMMENDED SERVICE PARTS STOCK**

## **SECTION 10 - RECOMMENDED SERVICE PARTS STOCK**

# SECTION 10 - RECOMMENDED SERVICE PARTS STOCK

## FIGURE 10-1. RECOMMENDED SERVICE PARTS STOCK

ITEM	PART NUMBER	QTY	DESCRIPTION	REV
		Ref	Note: The following list will service one machine (built to current production per date on the front cover) with emergency repair parts which can be installed in the field. Parts from the list should be replaced when inventory is depleted to keep service parts stock supplied. For further information, contact your JLG dealer or the JLG Industries Parts Department.	
	4360542	1	Breaker, Circuit (2500W Generator)	
	4360070	1	Breaker, Circuit (4000W & 7500W Generator)	
	7024485	1	Breaker, Circuit (7500W Generator)	
	70006095	1	Breaker, Circuit (7500W Generator)	
	1001159118	1	Breaker, Circuit (4000W & 7500W Generator)	
	1001181045	1	Breaker, 30mA/16Amp (CE & UK CA Spec with 2 Breaker Box)	
	1001189172	1	Breaker, Circuit 30mA (CE & UK CA Specs Machines with 3 Breaker Box)	
	1001189171	1	Breaker, Circuit 16A Double (CE & UK CA Specs Machines with 3 Breaker Box)	
	7024885	1	Coil (Traction Valve)	
	70002386	1	Coil (Traction & Main Control Valve)	
	70005219	1	Coil (Main Control Valve)	
	70003788	1	Coil (Main Control Valve)	
	70004897	1	Coil (Piston Pump)	
	70004871	1	Coil (Upright & Boom Valves)	
	7027628	1	Coil (Upright Valve)	
	1001275628	1	Controller Assembly (Drive and Steer)	
	1001275629	1	Controller Assembly (Lift and Swing)	
	4360407	1	Controller, Speed (Platform Controls)	
	70010383	12	Element, Filter (Charge Pump)	
		Ref	Engine - Deutz D2011	
	70003783	12	Element, Air Cleaner	
	7020023	12	Filter, Fuel	
	70003463	12	Filter, Fuel - RME Resistant	
	7016331	12	Filter, Oil	
	3740140	1	Relay, 100Amp	
	70004058	1	Relay	
		Ref	Engine - Deutz D2.9L4	
	70003783	12	Element, Air Cleaner	
	1001196634	2	Fuse, 2Amp (Breather Heater)	
	80983191	2	Fuse, 10Amp	
	70023592	2	Fuse, 20Amp	
	70023593	2	Fuse, 30Amp	
	1001117308	1	Relay, 200Amp	
	1001138228	1	Relay, Power Module	
		Ref	Engine - Deutz D2.9L4 (Stage V)	
	70003783	12	Element, Air Cleaner	
	1001197719	2	Fuse, 0.5Amp	
	1001117308	1	Relay, 200Amp	
	1001138228	1	Relay, Power Module	
		Ref	<b>Engine - Kubota</b>	
	70004020	12	Element, Air Cleaner	
	7017992	12	Filter, Fuel	



## SECTION 10 - RECOMMENDED SERVICE PARTS STOCK

ITEM	PART NUMBER	QTY	DESCRIPTION	REV
	70006023	12	Filter, Oil	
	70006061	1	Module, Engine Control	
	70003614	12	Filter Kit (Includes Hydraulic Element, Breather Element and Gasket) (Hydraulic Tank)	
	1001117174	1	Footswitch (Platform)	
	8229249	2	Fuse, 3Amp (USB Charger)	
	8229245	2	Fuse - 30Amp (Machines with 2500W Generator)	
	2400082	2	Fuse - 40Amp (Kubota D/F Harness)	
	8229242	2	Fuse - 5Amp (Turntable Harness)	
	8229244	2	Fuse - 15Amp (Turntable Harness)	
	1001196635	2	Fuse - 3Amp (Turntable Harness)	
	1001129285	2	Fuse with Diode – 1Amp (Turntable Harness)	
	2860030	1	Key, Replacement	
	2940074	1	Latch (Machines with Gate)	
	1001170094	1	Module, Ground Control	
	1001142683	1	Module, Beacon Light (With SkyGuard)	
	1001118412	1	Module, Platform Control	
	3740080	1	Relay (Machines with 2500W Generator)	
	70006553	1	Relay (Machines Deutz D2011 Engines with 4000W Generator)	
	1001186431	1	Relay (Machines with SkyGuard Bar)	
	3740086	1	Relay (SkyLine)	
	1001095704	1	Relay (Turntable Harness)	
	1001119176	1	Switch, Limit (Drive Orientation)	
	4360469	1	Switch, Key (Ground Controls)	
	1001219601	1	Sensor, Tilt	
	1001228224	1	Sensor, Receiver (SkyEye)	
	1001228225	1	Sensor, Emitter (SkyEye)	
	1001232667	1	Sensor, Proximity (SkyLine)	
	1001311034	1	Sensor, Proximity (SkyLine)	
	1001118971	1	Sensor, Angle (Boom)	
	1001170847	1	Sensor, Proximity (HC3 Boom)	
	1001182570	1	Sensor, Proximity (HC3 Boom)	
	4360475	1	Switch, Emergency Stop (Ground & Platform Controls)	
	4360476	1	Switch, Contact Block (Ground & Platform Controls)	
	1001155045	1	Switch, Toggle (Ground & Platform Controls)	
	4360387	1	Switch, Push Button (Ground & Platform Controls)	
	4360274	1	Switch, Push Button (CE & UK CA Specs) (Platform Controls)	
	1001159256	1	Switch, Toggle (Platform Controls)	
	1001161709	1	Switch, Toggle (Platform Controls)	
	1001161710	1	Switch, Toggle (Dual Fuel Machines)	
	4360336	1	Switch, Toggle (Generator)	
	1001137673	1	Switch, Bar (SkyGuard)	
	4360057	1	Switch, Limit (Soft Touch)	
	1001172271	1	Switch, Limit (Boom)	



**SECTION 11 - SPECIAL OPTIONS/ACCESSORIES/KITS**

**SECTION 11 - SPECIAL OPTIONS/ACCESSORIES/KITS**

# SECTION 11 - SPECIAL OPTIONS/ACCESSORIES/KITS

FIGURE 11-1. SPECIAL OPTIONS/ACCESSORIES/KITS

ITEM	PART NUMBER	QTY	DESCRIPTION	REV
	Note	Ref	Note: This list is to accommodate machines ordered with special equipment. Options may not be applicable to all models. For more specific parts information contact JLG Parts Department.	
		Ref	MISCELLANEOUS SPECIAL OPTIONS/ACCESSORIES/KITS	
	1001172057	Ref	Airline Installation (Machines without Arctic Package)	
	1001174654	Ref	Airline Installation (Machines with Arctic Package)	
	70006428	Ref	Bearing and Seal Kit (For Huh Assembly 2780267 & 2780268)	
	1001241254	Ref	Boom Angle Sensor Offset Link Kit	
	1001206438	Ref	Boom Wear Pad Kit	
	1001236123	Ref	Boom Wiper Cover Installation	
	1001233763	Ref	Breather Heater Installation - Deutz D2.9L4 Engines (Arctic Package)	
	1001233047	Ref	Breather Heater Kit - Deutz D2.9L4 Engines)	
	1001172045	Ref	Cable Carrier Tray Installation	
		Ref	ClearSky (Telematics) Installations (Dealer Installed)	
	1001242639	Ref	ClearSky (Telematics) Access Control Installation Kit (Dealer Installed) (ANSI, ANSI Export, CE, CSA & UK CA Specs)	
	1001243183	Ref	ClearSky (Telematics) Add-on Kit (Dealer Installed) (ANSI, ANSI Export, CE, CSA & UK CA Specs)	
	1001276923	Ref	ClearSky (Telematics) Add-on Kit (Dealer Installed) (Contact JLG for Approved Countries)	
	1001246142	Ref	ClearSky (Telematics) Service Kit (Dealer Installed) (Australian Specs)	
	1001243184	Ref	ClearSky (Telematics) Added-on Kit (Dealer Installed) (CE & UK CA Specs)	
		Ref	ClearSky Telematics (Factory Installed)	
	1001227278	Ref	ClearSky 4G (Telematics) Installation Canbus Connection (All Specs Except China and CIS/EAC Specs)	
	1001246433	Ref	ClearSky 3G (Telematics) Installation 3-Wire Connection (Australian Specs)	
	1001228960	Ref	ClearSky 3G (Telematics) Installation Canbus Connection (ANSI Export, Japanese, CIS/EAC, CE & UK CA Specs)	
	1001276610	Ref	ClearSky (Telematics) Installation 3-Wire Connection (All Specs Except China Specs)	
	1001286266	Ref	ClearSky (Telematics) V3 Installation (with Plastic Hood)	
	1001293223	Ref	ClearSky (Telematics) V3 Installation (with Steel Hood)	
	1001262959	Ref	ClearSky Voltage Regulator Installation Kit	
	1001174767	Ref	Cold Weather Package - Deutz D2011 Engines with 17Gal Hydraulic Tank	
	1001287813	Ref	Cold Weather Package - Deutz D2011 Engines with 36Gal Hydraulic Tank	
	1001174766	Ref	Cold Weather Package - Deutz D2.9L4 Engines with 17Gal Hydraulic Tank	
	1001287812	Ref	Cold Weather Package - Deutz D2.9L4 Engines with 36Gal Hydraulic Tank	
	1001255807	Ref	Cold Weather Package - Deutz D2.9L4 Engines (Stage V) with 17Gal Hydraulic Tank	
	1001287814	Ref	Cold Weather Package - Deutz D2.9L4 Engines (Stage V) with 36Gal Hydraulic Tank	
	1001215181	Ref	Cold Weather Package - Kubota Engines	
	1001282099	Ref	Cold Weather Package - Deutz D2.9L4 Engines (China IV)	

## SECTION 11 - SPECIAL OPTIONS/ACCESSORIES/KITS

ITEM	PART NUMBER	QTY	DESCRIPTION	REV
	1001186976	Ref	Cold Weather Transformer Installation (Required with Deutz D2011 Engines)	
	1001148145	Ref	Container/Transport Wheels Installation - 12 x 16.5 Tires	
	0272031	Ref	Container/Transport Wheels Installation - 33/1550 x 16.5 Tires	
	1001176343	Ref	Cribbing Switch Installation (ANSI Only)	
	1001261352	Ref	Cylinder Bellows Installation	
	1001287938	Ref	Decal Kit - Console Box (ANSI Spec)	
	1001287936	Ref	Decal Kit - Machine (ANSI Spec)	
	1001287937	Ref	Decal Kit - Platform (ANSI Spec)	
	70006429	Ref	Drive Hub Seal Kit (For Hub Assembly 2780267 & 2780268)	
	1001290271	Ref	ECU Power Jumper Kit - Stage V Engines Only	
	1001148902	Ref	Electrical Connector Kit - Amp/Tyco Electrical Connectors	
	1001148903	Ref	Electrical Connector Kit - Deutsch DT Electrical Connectors	
	1001148904	Ref	Electrical Connector Kit - Deutsch HD Electrical Connectors	
	1001148905	Ref	Electrical Connector Kit - Packard Electrical Connectors	
	1001148906	Ref	Electrical Connector Kit - Various Electrical Connectors	
	1001214833	Ref	Engine Block Heater Installation - Kubota Engines	
	1001243331	Ref	Fan Cover Installation - Deutz D2011 Engines	
	1001172751	Ref	Fan Cover Installation - Deutz D2.9L4 Engines/Deutz D2.9L4 Engines (Stage V)	
		Ref	Filter Kits:	
	1001204481	Ref	Combined Filter Kit (Hydraulic/Air and Fuel/Engine Oil) (Deutz D2011 Engine Only)	
	1001225794	1	Combined Filter Kit (Hydraulic/Air and Fuel/Engine Oil) (Deutz D2011 Engine Only) (Stage V) (Machines Starting with SN 03 Only)	
	1001204482	1	Combined Filter Kit - Deutz D2.9L4 Engine (Air/Engine Oil/Fuel/Hydraulic/Air) (Machines Starting with SN 03 Only)	
	1001242589	1	Combined Filter Kit (Hydraulic/Air and Fuel/Engine Oil) (Kubota Engine Only) (Machines Starting with SN 03 Only)	
	1001139099	Ref	Fire Extinguisher Installation	
	1001305520	Ref	FIRE EXTINGUISHER (2.5lbs) Installation	
	1001274833	Ref	Floor Mat Add-on Kit (30x48 Platform) (Dealer Installed)	
	1001274832	Ref	Floor Mat Add-on Kit (30x60 Platform) (Dealer Installed)	
	1001274831	Ref	Floor Mat Add-on Kit (30x72 Platform) (Dealer Installed)	
	1001117294	Ref	Footswitch Shield Installation	
	1001191394	Ref	Fuel Cap Cover (Red) (Gas/Dual Fuel Machines)	
	1001191395	Ref	Fuel Cap Cover (Green)	
	1001202749	Ref	Fuel Cap Cover (Black)	
	1001220003	Ref	Ground Control and UGM Covers Kit	
	1001256416	Ref	Hood Latch Bracket Service Kit (Engine Side)	
	1001285811	Ref	Hood Plugs Installation	
	1001266661	Ref	Hostile Environment Package (Factory Installed)	
	1001296424	1	Hostile Environment Kit (Dealer Installed)	
	1001258231	Ref	Hydraulic Load Installation (Deutz D2011, Deutz D2.9L4 and Stage V Engines)	
	1001265688	Ref	Hydraulic Tank Lock Installation (Machines with SN Starting with B3)	
	1001172001	Ref	Lights Installation - Headlights and Taillights	
	1001120466	Ref	Lights Installation - Platform Worklights	
	1001183407	Ref	Low Temperature Cutout Installation (Russian Specs)	
	1001173664	Ref	Oil Cooler Installation - Deutz D2011 Engines	
	1001164493	Ref	Oil Cooler Installation - Deutz D2.9L4 Engines/Deutz D2.9L4 Engines (Stage V)	

## SECTION 11 - SPECIAL OPTIONS/ACCESSORIES/KITS

ITEM	PART NUMBER	QTY	DESCRIPTION	REV
	1001216552	Ref	Oil Cooler Installation - Kubota Engines	
	1001272166	Ref	Pipe Rack Kit	
	1001236122	Ref	Platform Console Cover Installation (Plastic)	
	1001291943	Ref	Platform Console Cover Installation (Steel)	
	1001308593	Ref	Platform Console Cover Installation (Fabric)	
	1580013	Ref	Platform Corner Storage Tray	
	1001309057	1	Platform Console Cover Kit	
	1001267283	Ref	Platform Hose/Cable Protection	
	1001238421	Ref	Platform Leveling Kit	
	1001272274	Ref	Platform Mesh to Mid Rail Installation - 30in x 48in Platforms	
	1001272178	Ref	Platform Mesh to Mid Rail Installation - 30in x 60in Platforms	
	1001272313	Ref	Platform Mesh to Mid Rail Installation - 30in x 72in Platforms	
	1001266969	Ref	Platform Plastic Mesh to Mid Rail Installation - 30in x 48in Platforms	
	1001266799	Ref	Platform Plastic Mesh to Mid Rail Installation - 30in x 60in Platforms	
	1001266465	Ref	Platform Plastic Mesh to Mid Rail Installation - 30in x 72in Platforms	
	1001281461	Ref	Platform Mesh to Mid Rail Kit - 30in x 48in Platforms (Use on Platform p/n 1001186387)	
	1001281460	Ref	Platform Mesh to Mid Rail Kit - 30in x 60in Platforms (Use on Platform p/n 1001186386)	
	1001281459	Ref	Platform Mesh to Mid Rail Kit - 30in x 72in Platforms (Use on Platform p/n 1001186385)	
	1001272182	Ref	Platform Mesh to Top Rail Installation - 30in x 48in Platforms	
	1001271888	Ref	Platform Mesh to Top Rail Installation - 30in x 60in Platforms	
	1001272310	Ref	Platform Mesh to Top Rail Installation - 30in x 72in Platforms	
	1001266807	Ref	Platform Plastic Mesh to Top Rail Installation - 30in x 48in Platforms	
	1001266801	Ref	Platform Plastic Mesh to Top Rail Installation - 30in x 60in Platforms	
	1001266491	Ref	Platform Plastic Mesh to Top Rail Installation - 30in x 72in Platforms	
	1001281456	Ref	Platform Mesh to Top Rail Kit - 30in x 48in Platforms (Use on Platform p/n 1001186387)	
	1001281455	Ref	Platform Mesh to Top Rail Kit - 30in x 60in Platforms (Use on Platform p/n 1001186386)	
	1001281454	Ref	Platform Mesh to Top Rail Kit - 30in x 72in Platforms (Use on Platform p/n 1001186385)	
	0274095	Ref	Platform Rail Extension Installation - 30in x 72in Platforms	
	1001239575	Ref	Platform Valve Hose Kit	
	1001209059	Ref	Platform Work Surface Installation	
	1001282215	Ref	Platform Worklights Kit	
	1001233080	Ref	Pump Rotation Kit (Re-orient Gear Pump 90 Degrees)	
	1001247800	Ref	Quad Tracks Replacement Kit	
	1001204110	Ref	Service Kits	AC
	1001247073	Ref	SkyEye Retrofit Kit	
	1001241547	Ref	SkyEye LH Housing Retrofit Kit	
	1001241548	Ref	SkyEye RH Retrofit Kit	
	1001249052	Ref	SkyGuard Retrofit Kit	
	1001250595	Ref	SkyGuard 6 Pin Retrofit Kit	
	1001203510	Ref	SkyGuard Platform Sensor Kit	
	1001203511	Ref	SkyGuard Beacon Kit (Blue Light)	
	1001210036	Ref	SkyGuard Beacon Kit (Red Light)	

## SECTION 11 - SPECIAL OPTIONS/ACCESSORIES/KITS

ITEM	PART NUMBER	QTY	DESCRIPTION	REV
	1001262016	Ref	SkyLine Kit	
	1001289831	Ref	SkySense (EDS) Level 1 Booms Installation (Factory Installed)	
	1001289832	Ref	SkySense (EDS) Level 2 Booms Installation (Factory Installed)	
	1001289905	Ref	SkySense Enhanced Detection System (EDS) Level 1 (2-Bar) Add-on Kit (Dealer Installed)	
	1001289906	Ref	SkySense Enhanced Detection System (EDS) Level 2 (3-Bar) Add-on Kit (Dealer Installed)	
	1001275643	Ref	Platform Bumper Padding (30x72)	
	1001275644	Ref	Platform Bumper Padding (30x60)	
	1001282461	Ref	Platform Bumper Padding (30x48)	
	1001231235	Ref	SkyWelder Locking Bracket Installation	
	1001292585	Ref	Strobe Light (Amber) Hood Kit	
	1001293299	Ref	Strobe Light (Amber) Kit	
		Ref	Tools for Service	
	2901443	Ref	Analyzer Kit	
	1001249695	Ref	Analyzer and Cable Kit	
	1001249941	Ref	Analyzer and Cable Kit (Battery Powered)	
	1001137005	Ref	Cable Kit, Software (Not Shown)	
	7002821	Ref	Crimper, Wire	
	7002823	Ref	Pin Extractor - Universal (For Electrical Connectors with Pins and Sockets)	
	4460510	Ref	Pin Extractor - 12-14 Gauge (For Removal of Pin/Sockets from Deutsch Connectors)	
	4460467	Ref	Pin Extractor - 16-18 Gauge (For Removal of Pin/Sockets from Deutsch Connectors)	
	7016654	Ref	Screwdriver, Magnetic	
	7002822	Ref	Screwdriver, Potentiometer	
	7004275	Ref	Seal Tool 1in (For Cylinders)	
	7004276	Ref	Seal Tool 1-1/2in (For Cylinders)	
	7002828	Ref	Stripper, Wire	
	1001277839	Ref	UGM Retrofit Kit (For Use with 1001170094 Ground Control Module)	
	1001239574	Ref	Upper Power Track Hose Kit	
	1001236496	Ref	Wet Stacking Prevention Kit (Deutz D2.9L4 Engines)	
	1001270716	Ref	White Noise Alarm Add-on Kit (Dealer Installed)	
	1001270755	Ref	White Noise Alarm (Ambient) Add-on Kit (Dealer Installed)	





# SECTION 11 - SPECIAL OPTIONS/ACCESSORIES/KITS

## PART NUMBER INDEX

## SECTION 11 - SPECIAL OPTIONS/ACCESSORIES/KITS

0080201.....316, 330	0270116 ..... 753	257, 275, 283, 313,	0741607....389, 393, 397,
0080231.....176, 208	0270119 ..... 751	327, 345	401, 413
0100009.....471	0270653 ..... 39	0642012 ..... 487	0741608.....417
0100011....17, 19, 21, 23,	0271998 ..... 41	0642212 ..... 487	0760408.....309, 323
25, 35, 57, 59, 63, 69,	0272031 ..... 765	0681608 ... 198, 230, 238,	0760506.....347
71, 91, 93, 95, 97, 99,	0272254 ..... 491	260, 433, 441	0760512.....125
103, 105, 107, 109,	0272435 ..... 411, 415	0681620 ..... 501, 503	0760605.....316, 330
114, 125, 128, 132,	0272448 ..... 757	0681810 ..... 25	0760606....316, 330, 389,
136, 140, 144, 147,	0272521 ..... 489	0681814 ..... 463	393, 397, 401, 405,
149, 151, 153, 155,	0272588 ..... 755	0681822 ..... 463	409, 413
157, 159, 161, 163,	0272589 ..... 407	0682014 ..... 25	0760607....197, 230, 238,
165, 171, 173, 176,	0273380 ... 411, 415, 419	0682040 ..... 65	260, 286, 350
181, 183, 187, 191,	0274095 ..... 766	0682424 ..... 501, 503	0760608....103, 161, 316,
193, 196, 203, 205,	0275216 ..... 557, 691	0700408 ... 555, 557, 559,	330, 373, 377, 381, 385
208, 217, 219, 223,	0275217 ..... 561, 693	561, 563, 565, 567,	0760610....114, 125, 147,
225, 228, 238, 245,	0275452 ..... 563, 695	569, 571, 573, 575	149, 151, 153, 155,
251, 255, 257, 260,	0275453 ..... 565, 697	0700616 ..... 159, 161	157, 163, 165, 171,
271, 275, 279, 283,	0275454 ..... 573, 699	0700810 ..... 316, 330	176, 181, 187, 191,
286, 295, 297, 299,	0360406 ..... 65	0700814 ..... 316, 330	196, 203, 208, 217,
309, 313, 316, 323,	0361810 ..... 125	0700815 ..... 316, 330	223, 228, 238, 245,
327, 330, 341, 345,	0363019 ..... 63, 65	0700816 ..... 63, 318, 332	251, 260, 271, 279,
347, 350, 357, 373,	0400075 ..... 125	0700818 ... 393, 397, 405,	286, 309, 316, 323,
377, 381, 385, 389,	0440162 ... 171, 181, 187,	409, 413, 417	330, 341, 350, 369,
393, 397, 401, 405,	191, 203, 217, 223,	0700819 ..... 417	371, 389, 393, 397,
409, 413, 417, 427,	245, 251, 271, 279,	0700820 ..... 433, 435	401, 405, 409, 413,
429, 431, 433, 435,	309, 323, 341	0700822 ..... 429	417, 581, 583, 585,
441, 443, 445, 453,	0440271 ..... 23	0700827 ... 598, 602, 606,	599, 603, 607, 611
457, 461, 467, 483,	0480120 ..... 373	610, 614, 618, 622	0760612....125, 316, 330,
485, 489, 491, 493,	0480122 ..... 377	0700828 ... 598, 602, 606,	599, 603, 607, 611,
497, 499, 598, 602,	0480126 ..... 389, 405	610, 614, 618, 622	615, 619, 623
606, 610, 614, 618,	0480128 ..... 393, 409	0701014 ..... 63	0760614....121, 123, 171,
622, 641	0480129 ..... 417	0701015 ..... 431	177, 181, 187, 191,
0100019...25, 79, 81, 381,	0630462 ..... 497, 499	0701016 .... 318, 332, 417	203, 209, 217, 223,
389, 393, 397, 401,	0630518 ... 111, 473, 491,	0701018 ... 128, 132, 136,	245, 251, 271, 279,
405, 409, 413	493	140, 144	341, 389, 581
0100020..95, 97, 99, 171,	0630568 ..... 471	0701019 ..... 433, 435	0760615....153, 155, 157
176, 181, 187, 191,	0630613 ... 128, 132, 136,	0701020 .95, 97, 99, 271,	0760619.....350
196, 203, 208, 217,	140, 144	279	0760621.....114
223, 228, 229, 238,	0641404 ..... 485	0701022 ... 350, 599, 603,	0760808....196, 228, 238,
240, 245, 251, 260,	0641405 ..... 471, 485	607, 611, 615, 619, 623	260, 286, 316, 330, 350
262, 271, 279, 286,	0641406 ... 469, 477, 723,	0701024 ... 598, 602, 606,	0760810....128, 132, 136,
309, 316, 323, 330,	725, 727, 729, 731,	610, 614, 618, 622	140, 144, 198, 230,
341, 350, 475, 555,	733, 735, 737, 739,	0701025 ..... 350	238, 260, 286, 309,
557, 559, 561, 563,	741, 743	0701027 ..... 431	323, 350, 441
565, 567, 569, 571,	0641408 ..... 469	0701216 ..... 316, 330	0760812....57, 59, 95, 97,
573, 575	0641409 ..... 159, 161	0701217 ..... 17, 19	99, 105, 107, 109, 128,
0100035.....301, 471, 473	0641410 ... 147, 149, 151,	0701222 ..... 433, 435	132, 136, 140, 144,
0100048....117, 119, 377,	153, 155, 157	0701224 ... 316, 330, 385,	171, 181, 187, 191,
381, 385, 389, 393,	0641414 ... 471, 483, 497,	417	196, 203, 217, 223,
397, 401, 405, 409,	499	0701616 ..... 93	228, 238, 245, 251,
413, 417	0641416 ... 555, 557, 559,	0701617 ..... 23	260, 271, 279, 286,
0100079....389, 393, 397,	561, 563, 565, 567,	0711214 ... 196, 228, 238,	309, 316, 323, 330,
405, 409, 413, 417	569, 571, 573, 575	260, 286, 350	341, 350, 369, 371,
0100081....176, 196, 208,	0641418 .... 453, 457, 467	0711220 ..... 21, 23	373, 377, 381, 390,
228, 238, 260, 286,	0641420 ..... 461	0711224 ... 176, 196, 208,	394, 398, 406, 410,
318, 332, 350, 487,	0641504 ..... 63, 125	228, 238, 260, 286,	414, 429, 589, 598,
598, 602, 606, 610,	0641507 ... 373, 377, 381,	295, 297, 350, 373,	602, 606, 610, 614,
614, 618, 622	385	377, 381, 385, 389,	618, 622
0140011 .....471	0641606 .... 489, 491, 493	393, 397, 405, 409, 413	0760814....128, 132, 136,
0140043.....114	0641610 .... 299, 301, 469	0711227 ..... 429	140, 144, 176, 196,
0181949.....309, 323	0641616 ... 389, 393, 397,	0711628 ..... 79, 81	208, 228, 238, 260,
0200048.....497, 499	401, 405, 409, 413	0711629 ..... 23	286, 295, 297, 309,
0258011 .....49	0641772 ... 373, 377, 381,	0711631 ..... 79, 81	316, 323, 330, 350,
0258012 .....49	385	0721005 ..... 497, 499	385, 417, 598, 602,
0270022.....553	0641812 ... 173, 183, 193,	0721006 ..... 299, 301	606, 610, 614, 618, 622
0270092.....37	205, 219, 225, 255,	0741606 ... 196, 228, 238,	
0270115.....749		260, 286, 350	

## SECTION 11 - SPECIAL OPTIONS/ACCESSORIES/KITS

0760815 ... 176, 197, 208, 229, 238, 260, 286, 316, 330, 350, 417	0861781 ... 555, 559, 691, 693	1001104029.....393, 397, 406, 410, 414, 417	1001118971 ..... 598, 602, 606, 610, 614, 618, 622, 761
0760816 .... 318, 332, 350	0861880 .... 645, 649, 651	1001104498.....711	1001118972 ... 63, 95, 97, 99, 598, 602, 606, 610, 614, 618, 622
0761009 ..... 373, 377	0902733 ..... 63	1001104519.....689	1001119020 ..... 591
0761010 ..... 69, 71, 103	0902734 ..... 63	1001104850.....83	1001119176 ..... 103, 761
076101121, 23, 310, 324, 347	0902888 ... 393, 397, 405, 409, 413, 417	1001106736.....114	100111922891, 599, 603, 607, 611, 615, 619, 623
0761012 ... 350, 357, 589, 598, 602, 606, 610, 614, 618, 622	0940048 ..... 431	1001107854.....711	1001119278 ..... 125, 187, 191, 203, 245, 251, 323
0761014 ... 128, 132, 136, 140, 144, 159, 161, 183, 196, 205, 217, 223, 225, 228, 238, 245, 251, 255, 260, 271, 279, 283, 286, 316, 330, 341, 345, 377, 381, 441	0940049 ... 128, 132, 136, 140	1001109528.....427	1001119280 ..... 125, 599, 603, 607, 611, 615, 619, 623
0761015 ... 171, 176, 181, 187, 191, 196, 203, 208, 217, 223, 228, 238, 245, 251, 260, 271, 279, 286, 309, 316, 323, 330, 341, 350, 381, 385, 427	0940071 ... 128, 132, 136, 140	1001110434.....471	1001119619 ..... 701
0761016 ... 159, 161, 196, 228, 238, 260, 286, 316, 330, 350, 385	0940088 ..... 144	1001110872.....577, 579	1001119620 ..... 703, 705
0761020 ..... 144	0940102 ..... 487	1001110873.....393, 397, 410, 414, 418, 553	1001119627 ..... 530, 536, 542, 548
0761210 ... 196, 217, 223, 228, 238, 245, 251, 260, 286, 341, 350	0940167 ..... 497	1001111424.....125, 176, 197, 208, 229	1001120204 ..... 629, 631
0761212 ... 196, 228, 238, 260, 286, 350, 397, 401, 413, 427, 431	0961845 ... 453, 457, 461, 467	1001112551.....727	1001120205 ..... 637, 639
0761214 . 95, 97, 99, 128, 132, 136, 140, 381, 385, 389, 393, 405, 409, 417, 421	096194821, 23, 429, 431, 513	1001112607.....427	1001120328 ..... 483, 485, 712
0761215 ... 144, 385, 417, 433, 435	0961950 ..... 17, 19	1001112612.....591, 711	1001120466 ..... 765
0761216 ... 341, 350, 427, 441	0961951 ... 176, 196, 208, 228, 238, 260, 286, 316, 330, 350	1001112796.....591	1001120471 ..... 479
0761227 ..... 431	0962270 ..... 463	1001113680.....729	1001120477 ..... 479
0761614 ..... 427	0962272 ..... 433, 435	1001113961.....712	1001120484 ..... 479
0761615 ..... 17, 19, 431	0962292 ..... 23, 513, 523	100111424 ..... 239, 261	1001120989 ..... 745
0762016 ..... 431	0962348 ..... 23, 439	1001115641.....499	1001125387 ..... 217, 223, 245, 251
0770810 ..... 443, 445	0962449 ..... 373	1001115848.....499	1001125677 ..... 687, 712
0771212 .... 271, 279, 286	0962520 ... 389, 393, 397, 401, 405, 409, 413, 417	1001116208.....745	1001126009 ..... 707
0771414 ... 176, 196, 208, 228, 238, 260, 286, 295, 297, 350, 373, 377, 381, 389, 393, 397, 405, 409, 413	1001001939.....318	1001116290.....159, 161	1001126351 ..... 659, 664, 670
0771416 ... 389, 393, 405, 409	1001026127.....341	1001116546.....427	1001126362 ..... 659, 663, 669
0860038 ... 393, 397, 409, 413, 417, 553	1001091102.....581, 585	1001116693.....687	1001126363 ..... 659, 663, 669
0860520 ... 723, 725, 727, 729, 731, 733, 735, 737, 739, 741, 743	1001091969.....557	1001116728.....712	1001126364 ..... 659, 663, 669
0861538 .... 409, 413, 417	1001091970.....561	1001116732.....675, 677	1001126365 ..... 659
0861572 ..... 405	1001091973.....563	1001116734.....675, 677, 711	1001126391 ..... 659, 663, 669
0861731 ... 567, 569, 571, 575, 695, 697, 699	1001091974.....565	1001116748.....715	1001126392 ..... 659, 663, 669
	1001091975.....573	1001116774.....591	1001126485 ..... 664, 670
	1001094670.....433	1001116808.....591	1001126487 ..... 664, 670
	1001095704.....712, 761	1001116812.....663, 669	1001127096 ..... 745
	1001096070.....389, 401, 649	1001116815.....670, 712	1001128527 ..... 493
	1001096653.....57, 59	1001116849.....737	1001128556 ..... 493
	1001097051.....703	1001116952.....659, 663, 669	1001129285 ..... 712, 761
	1001097150.....645, 647, 649, 651	1001116983.....673	1001129407 ..... 103
	1001097244.....479	1001117057.....675, 677	1001129858 ..... 394
	1001098122.....475, 687	1001117070.....711	1001130220 ..... 114, 341
	1001098828.....441	1001117106.....659	1001130492 ..... 746
	1001099366.....487	1001117107.....659, 663, 669	1001131269 ..... 723, 725, 733, 735
	1001099367.....487	1001117172.....475	1001132195 ..... 176, 208
	1001099869.....373	1001117174.....471, 475, 761	1001132196 ..... 176, 208
	1001100231.....677	1001117240.....125	1001133714 ..... 660, 664, 670
	1001100233.....373	1001117294.....765	1001133715 ..... 660, 664, 670
	1001100321.....373	1001117308.....197, 228, 239, 261, 287, 351, 760	1001133956 ..... 659, 664, 670
	1001100341.....691	1001117372.....507, 509	1001133957 ..... 659, 664, 670
	1001100342.....693	1001118274.....95, 97, 99, 105, 107, 109, 128, 132, 136, 140, 309, 318, 323, 429, 443, 445, 598, 602, 606, 610, 614, 618, 622	
	1001100345.....695	1001118412.....471, 761	
	1001100346.....699	1001118511 ..... 17, 19	
	1001100347.....697	1001118518 ..... 17, 19	
	1001101191.....557, 561, 563, 565, 573	1001118519 ..... 17, 19	
	1001101196.....557, 561	1001118878.....197, 229, 239, 261, 287	
	1001101197.....563, 565, 573		
	1001103012.....711		
	1001103013.....114		

## SECTION 11 - SPECIAL OPTIONS/ACCESSORIES/KITS

1001133972.....79, 87	1001142683 ..... 121, 123, 761	1001152525 ..... 394, 398, 406, 411, 415, 419	1001163061.....95, 97
1001134488.....197, 229, 240, 262	1001142736 ..... 121, 123, 591	1001152530 ..... 394, 398	1001163062.....99
1001135196.....171, 181, 187, 191, 203, 217, 223, 245, 251, 271, 279, 309, 324, 341	1001142938 ..... 660, 663, 669	1001152532 ..... 390, 394, 398, 402, 679	1001163178...21, 23, 521
1001135650.....660, 664, 670	1001142940 ..... 660, 663, 669	1001153260 ..... 394, 398	1001163179.....21, 23
1001135651.....660, 664, 670	1001142941 ..... 660, 663, 669	1001154405 ..... 217, 223, 245, 251, 271, 279, 299, 301, 341, 347, 357	1001163405.....21, 23
1001135679.....381, 397, 414	1001143390 ..... 176, 197, 208, 229, 239, 261, 287, 351	1001154726 ..... 675, 677	1001163580.....17, 507
1001136834.....197, 229, 239, 261, 287, 351	1001143645 ..... 599, 603, 607, 611, 615, 619, 623	1001155041 ..... 381, 385, 418	1001163715.....21, 23
1001137005.....767	1001143797 ..... 197, 229, 239, 261, 287, 351	1001155043 ..... 105, 107, 109	1001163717.....23
1001137336.....318, 332	1001143852 ..... 745	1001155044 ..... 105, 107, 109, 309, 324, 471	1001163722.....23
1001137673.....483, 761	1001143936 ..... 530, 536, 542, 548	1001155045 ..... 105, 107, 109, 471, 761	1001163724.....23
1001138173.....317, 331	1001144116 ..... 197, 229, 239, 261, 287	1001155093 ..... 431	1001163726.....23
1001138175.....317, 331	1001144147 ..... 712	1001155743 ..... 717	1001164092.....21
1001138228.....197, 229, 239, 261, 287, 351, 760	1001144433 ..... 483	1001155823 ..... 217, 223, 245, 251, 271, 279, 341	1001164093.....17
1001138248.....197, 229, 239, 261, 287, 318, 332, 351	1001144629 ..... 455, 459, 465	1001155967 ..... 712	1001164095.....23
1001138494.....457, 461, 467	1001146397 ..... 41, 43	1001156107 ..... 272, 279, 341	1001164209.....21, 23
1001138514.....457, 461, 467	1001146588 ..... 287, 351	1001156541 ..... 715	1001164493.....765
1001138565.....389	1001147233 ..... 385, 418	1001156819 ..... 310, 324	1001164709.....515, 517
1001138566.....390, 394, 397, 401	1001147264 ..... 659, 670	1001157466 ..... 93	1001164726.....159, 161
1001138827.....197, 229, 240, 262	1001147274 ..... 37, 39	1001157520 ..... 407, 411, 415, 419	1001164728.....469, 719
1001139099.....765	1001147812 ..... 317, 331	1001157521 ..... 407, 411, 415, 419	1001164730.....598, 602, 610, 614, 618, 625
1001139240.....197, 229, 239, 261, 352	1001147813 ..... 318, 332	1001157525 ..... 406	1001164731.....587, 602, 610, 629
1001139357.....390, 394	1001148059 ..... 402	1001157528 ..... 407, 411, 415, 419	1001164732.....618, 622
1001139384.....147, 149, 153, 155, 159, 161	1001148138 ..... 382, 385	1001157592 ..... 410, 414, 418	1001164738.....598, 602, 606, 610, 614, 618, 622, 715
1001139586.....23	1001148145 ..... 765	1001157890 ..... 711	1001164817.....507
1001139654.....271, 279, 341	1001148641 ..... 374, 378, 381, 390, 394, 398, 402, 406, 410, 414	1001158007 ..... 407, 411, 415, 419	1001165035.....217, 223, 245, 251, 271, 279, 341, 351
1001139819.....176, 208	1001148675 ..... 577, 579	1001158008 ..... 394, 398, 407, 411, 415, 419	1001165388.....176, 197, 209, 229, 239, 261, 287, 351
1001140312.....197, 261	1001148865 ..... 37	1001158363 ..... 394, 398	1001165389.....176, 208
1001140346.....398	1001148866 ..... 37	1001159118 ..... 577, 579, 760	1001165405.....197, 229, 239, 261, 287, 351
1001140347.....401	1001148869 ..... 39	1001159119 ..... 577, 579	1001165406.....197, 229, 239, 261, 287, 351
1001140429.....453, 457, 461, 467	1001148870 ..... 39	1001159120 ..... 577, 579	1001165721.....197, 229, 239, 261, 351
1001140564.....197, 229, 240, 262	1001148875 ..... 41	1001159121 ..... 579	1001165722.....197, 229, 239, 261, 287
1001141300.....746	1001148876 ..... 41	1001159186 ..... 681	1001165849.....197, 229, 239, 261, 287
1001141302.....746	1001148902 ..... 765	1001159256 ..... 471, 761	1001165968.....35
1001141304.....197, 229, 239, 261, 287, 351	1001148903 ..... 765	1001161709 ..... 471, 761	1001166000.....225, 228
1001141694.....176, 197, 208, 229, 239, 261, 287, 351	1001148904 ..... 765	1001161710 ..... 309, 324, 761	1001166020.....173, 176, 183
1001141870.....299, 301	1001148905 ..... 765	1001162105 ..... 35	1001166021.....171, 173
1001141995.....317, 331	1001148906 ..... 765	1001162106 ..... 103	1001166096.....431
1001142501.....217, 223, 245, 251, 271, 279, 299, 301, 347	1001149160 ..... 317, 331	1001162107 ..... 35	1001166153.....53, 55
1001142643.....398, 414	1001149452 ..... 357	1001162335 ..... 198, 230, 299	1001166155.....53
1001142646.....398, 414	1001149639 ..... 317, 331	1001162534 ..... 69, 71, 73	1001166156.....53
1001142679.....530, 536, 542, 548	1001149953... 37, 39, 41, 43	1001162535 ..... 443, 445, 447	1001166157.....53
	1001150998 ..... 176, 208	1001162536 ..... 443, 445, 449	1001166208.....517
	1001151393 ..... 105, 107, 109	1001162539 ..... 57, 59, 61	1001166232.....63
	1001151856 ..... 669	1001162807 ..... 105, 107, 109	1001166305.....171
	1001152266 ..... 717	1001162995 ..... 17, 19	1001166316.....125
	1001152456 ..... 394, 398		1001166651.....429
	1001152457 ..... 394, 398		1001166717.....177, 208
	1001152483 ..... 647		1001166718.....177, 197, 208, 229, 239, 261, 287, 295, 297, 317, 331, 351
	1001152485 ..... 585, 647		1001166767.....103
	1001152489 ..... 197, 229, 239, 261, 287, 341, 351		

## SECTION 11 - SPECIAL OPTIONS/ACCESSORIES/KITS

1001166768 ..... 103	1001169138..... 197, 229, 239, 261, 287, 317, 331, 351	1001171681..... 171, 181, 187, 191, 203	1001173046 ..... 531, 537, 543, 549
1001166853 ..... 431	1001169183..... 140	1001171682..... 171, 181, 187, 191, 203	1001173048 ..... 531, 537, 543, 549
1001166921 ..... 197, 229, 239, 261, 287, 352	1001169240..... 431	1001171683..... 217, 223, 245, 251, 271, 279, 341	1001173049 ..... 531, 537, 543, 549
1001166922 ..... 295	1001169241..... 431	1001171684..... 217, 223, 245, 252, 271, 279, 341	1001173052 ..... 531, 537, 543, 549
1001166924 ..... 197, 229, 239, 261, 287, 352	1001169242..... 431	1001171953..... 173, 183, 193, 205, 219, 225, 255, 257, 275, 283, 313, 327, 345	1001173053 ..... 531, 537, 543, 549
1001167036 ..... 173, 193, 219, 257, 275, 313, 327, 361	1001169247..... 427	1001171954..... 173, 183, 193, 205, 219, 225, 255, 257, 275, 283, 313, 327, 345	1001173054 ..... 531, 537, 543, 549
1001167108 ..... 197, 229, 659	1001169295..... 431	1001172001 ..... 765	1001173055 ..... 531, 537, 543, 549
1001167111 ..... 177, 208, 657	1001169296..... 431	1001172045..... 764	1001173056 ..... 531, 537, 543, 549
1001167149 ..... 128, 132, 136, 140, 144	1001169297..... 431	1001172057 ..... 764	1001173057 ..... 531, 537, 543, 549
1001167157 ..... 159	1001169298..... 431	1001172064..... 664, 669	1001173058 ..... 531, 537, 543, 549
1001167159 ..... 128, 132, 136, 140	1001169299..... 431	1001172065..... 664, 669, 712	1001173059 ..... 531, 537, 543, 549
1001167163 ..... 128, 132, 136, 140, 144	1001169300..... 431	1001172202..... 171, 181, 187, 191, 203	1001173061 ..... 531, 537, 543, 549
1001167164 ..... 369, 371	1001169301..... 431	1001172264 ..... 369	1001173062 ..... 531, 537, 543
1001167169 ..... 128, 132, 136, 140	1001169302..... 429, 431	1001172265 ..... 369	1001173063 ..... 531, 537, 543, 549
1001167312 ..... 581	1001169304..... 429	1001172271 ..... 606, 615, 619, 761	1001173066 ..... 531, 537, 543
1001167512 ..... 171, 181, 187, 191, 203, 217, 223, 245, 251, 271, 279, 309, 324, 341	1001169402..... 429	1001172578 ..... 487	1001173535 ..... 316, 330
1001167520 ..... 177, 197, 208, 229, 239, 261, 287, 351	1001169403..... 429	1001172736 ..... 217, 223, 245, 252	1001173631 ..... 536
1001167565 ..... 441	1001169525..... 367	1001172751 ..... 765	1001173664 ..... 765
1001167567 ..... 441	1001169823..... 171, 181, 187, 191, 203, 217, 223, 245, 251, 271, 279, 341	1001172760 ..... 471	1001173810 ..... 409
1001167596 ..... 441	1001169898..... 95, 97, 99	1001172833..... 129, 133, 141, 147, 149	1001173811 ..... 405
1001167632 ..... 663, 669	1001169967..... 197, 229, 239, 261, 287, 317, 331, 352	1001173006..... 531, 537, 542, 549	1001173925 ..... 390, 394, 406, 410
1001167635 ..... 664, 670	1001170018..... 128, 132, 136, 140	1001173027 ..... 531, 537, 543, 549	1001173983 ..... 393
1001168018 ..... 177, 197, 208, 229, 239, 261, 287, 295, 297, 317, 331, 351, 374, 378, 381, 385, 390, 394, 398, 406, 410, 414, 418	1001170022..... 128, 132, 136, 140, 144	1001173028 ..... 531, 537, 543, 549	1001173984 ..... 389
1001168026 ..... 197, 229, 239, 261, 287, 352	1001170035..... 197, 229, 239, 261, 287, 317, 331, 352	1001173029 ..... 531, 537, 543	1001174040 ..... 433, 441
1001168059 ..... 177, 209	1001170094..... 761	1001173034 ..... 531, 537, 543, 549	1001174098 ..... 128, 132, 140
1001168099 ..... 197, 229, 239, 261, 287	1001170098..... 47	1001173035 ..... 531, 537, 543, 549	1001174158 ..... 390, 402, 581, 583
1001168166 ..... 197, 229, 239, 261, 287, 317, 331, 351	1001170099..... 47	1001173036 ..... 531, 537, 543, 549	1001174367 ..... 413
1001168207 ..... 297, 381, 398, 414	1001170224..... 367	1001173037 ..... 531, 537, 543, 549	1001174378 ..... 367
1001168209 ..... 511	1001170226..... 429	1001173038 ..... 531, 537, 543, 549	1001174486 ..... 309, 324
1001168210 ..... 511	1001170458..... 55	1001173039 ..... 531, 537, 543, 549	1001174654 ..... 764
1001168402 ..... 441	1001170459..... 55	1001173040 ..... 531, 537, 543, 549	1001174675 ..... 402, 406, 410, 414, 418
1001168950 ..... 352	1001170460..... 55	1001173041 ..... 531, 537, 543, 549	1001174748 ..... 606, 622, 627
1001169046 ..... 128, 132, 136, 140, 159, 161	1001170475..... 157	1001173042 ..... 531, 537, 543, 549	1001174749 ..... 587, 602, 610, 637
1001169054 ..... 197, 229, 239, 261, 287, 317, 331, 351	1001170480..... 95, 97, 99	1001173043 ..... 531, 537, 543, 549	1001174750 ..... 606, 631
1001169058 ..... 55	1001170663..... 369	1001173044 ..... 531, 537, 543, 549	1001174754 ..... 606, 639
1001169062 ..... 47	1001170664..... 369, 371	1001173045 ..... 531, 537, 543, 549	1001174766 ..... 764
1001169075 ..... 49	1001170693..... 177, 209, 211	1001173046 ..... 531, 537, 543, 549	1001174767 ..... 764
	1001170764..... 664, 670, 717	1001173047 ..... 531, 537, 543, 549	1001174777 ..... 196, 255
	1001170847..... 641, 761	1001173048 ..... 531, 537, 543, 549	1001174783 ..... 193, 205, 208
	1001170859..... 140, 144	1001173049 ..... 531, 537, 543, 549	1001174784 ..... 187, 191, 193
	1001170982..... 352	1001173050 ..... 531, 537, 543, 549	1001174785 ..... 187
	1001171131..... 577	1001173051 ..... 531, 537, 543, 549	1001174976 ..... 117
	1001171216..... 128, 132, 136, 140	1001173052 ..... 531, 537, 543, 549	1001175024 ..... 530, 536, 542, 548
	1001171553..... 598, 602, 606, 610, 615, 618, 622	1001173053 ..... 531, 537, 543, 549	
	1001171555..... 598, 602, 606, 610, 615, 619, 622	1001173054 ..... 531, 537, 543, 549	
	1001171559..... 598, 602, 606, 610, 615, 619, 623	1001173055 ..... 531, 537, 543, 549	
	1001171678..... 125	1001173056 ..... 531, 537, 543, 549	
	1001171679..... 125	1001173057 ..... 531, 537, 543, 549	
	1001171680..... 125	1001173058 ..... 531, 537, 543, 549	

## SECTION 11 - SPECIAL OPTIONS/ACCESSORIES/KITS

1001175542.....397	1001181923..... 599, 603, 607, 611, 615, 619, 623	1001189002 ..... 441	1001202687.....441
1001175631.....394, 398	1001182064..... 433, 435	1001189171 ..... 647, 760	1001202744.....497
1001175663.....614	1001182169..... 128, 132, 136, 140	1001189172 ..... 647, 760	1001202745.....499
1001175664.....614	1001182296..... 378, 382, 386	1001189882 ..... 731	1001202749.....765
1001176330.....317, 331	1001182361..... 659, 664, 670	1001190368 ..... 21, 23	1001202910.....530, 536, 542, 548
1001176343.....765	1001182365..... 659, 664, 670	1001190663 ..... 163, 165	1001203322..... 157
1001176469.....107, 109	1001182561..... 599, 603, 607, 611, 615, 619, 623	1001190985 ..... 441	1001203510.....766
1001176848.....21, 23	1001182570..... 641, 761	1001191230 ..... 615	1001203511.....766
1001176862.....577	1001182695..... 433, 435, 439	1001191394 ..... 765	1001203654.....463
1001176951.....598, 602, 610, 614, 618, 633	1001182806..... 163	1001191395 ..... 765	1001204110.....766
1001177359.....198, 229, 239, 261, 287, 352	1001182875..... 128, 132, 136, 140, 144	1001191620 ..... 198, 230, 240, 262, 287, 351	1001204123.....309, 324
1001177821.....93	1001182877..... 128, 132, 136, 144	1001191832 ..... 128, 132, 136, 140, 171, 181, 187, 191, 203, 217, 223, 246, 252, 271, 279, 342	1001204481.....765
1001177834.....93	1001182879..... 128, 132, 136, 140, 144	1001192294 ..... 352	1001204482.....765
1001178228.....151	1001182997..... 95, 97, 99	1001192401 ..... 712	1001204510.....727, 746
1001178448.....598, 603, 607, 611, 615, 619, 623	1001183407..... 765	1001193018 ..... 555, 557, 559, 561, 563, 565, 567, 569, 571, 573, 575	1001204715.....641
1001178449.....598, 603, 607, 611, 615, 619, 623	1001183477..... 378, 382	1001193049 ..... 351	1001204725.....441
1001178644.....599, 603, 607, 611, 615, 619, 623	1001184618..... 471	1001193336 ..... 95, 97	1001205958.....563, 565, 567, 569, 571, 573
1001178788.....197, 229, 239, 261, 287, 351	1001184626..... 471	1001194197 ..... 567	1001206314.....144
1001178859.....177, 209	1001184637..... 374, 378	1001194198 ..... 569	1001206438.....764
1001178876.....198, 229, 239, 261	1001184644..... 374, 378	1001194200 ..... 571	1001206476.....589
1001179154.....394, 398, 410, 415, 418	1001184645..... 374, 378	1001194203 ..... 555	1001206532.....471
1001179236.....114, 655	1001184682..... 165	1001194204 ..... 559	1001206625.....515
1001179266.....599, 603, 607, 611, 615, 619, 623	1001185025..... 373	1001194365 ..... 575	1001206916.....97, 99
1001179339.....95, 97, 99	1001185030..... 17, 19	1001194424 ..... 531, 536, 542, 549	1001207335.....530, 536, 542, 549
1001179439.....606, 622, 635	1001185281..... 471	1001194425 ..... 531, 537, 543, 549	1001207336.....530, 536, 542, 549
1001179517.....57, 59	1001185747..... 599, 603, 607, 611, 615, 619, 623	1001194427 ..... 531, 537, 543	1001207347.....97
1001179836.....381, 385	1001185821..... 69, 75	1001194428 ..... 531, 537, 543	1001207348.....99
1001179837.....381, 385	1001185964..... 712	1001194888 ..... 159	1001208874.....69, 71
1001179893.....382, 386	1001186375..... 457	1001195039 ..... 310, 324	1001208994.....441
1001179903.....198, 230, 239, 262, 287, 352	1001186377..... 461	1001195490 ..... 746	1001209059.....766
1001179904.....128, 132, 136, 140	1001186378..... 467	1001195491 ..... 746	1001209617.....163
1001180001.....381, 385	1001186385..... 465	1001196376 ..... 309, 324	1001209664.....483
1001180035.....531, 537, 543, 549	1001186386..... 459	1001196382 ..... 390, 394, 398, 402, 406, 410, 414	1001209677.....585
1001180056.....431	1001186387..... 455	1001196634 ..... 303, 760	1001209832.....585
1001180540.....429	1001186388..... 463	1001196635 ..... 712, 761	1001209844.....317, 331, 359
1001180620.....198, 230, 240, 262, 287, 317, 331, 351	1001186431..... 483, 761	1001196636 ..... 717	1001210036.....766
1001180797.....381	1001186432..... 689, 707	1001196637 ..... 114	1001210356.....530, 542, 549
1001180798.....377	1001186517..... 483	1001197017 ..... 497, 499	1001210636.....479
1001180916.....35	1001186976..... 765	1001197039 ..... 531, 537, 543, 549	1001211336.....99
1001181045.....645, 649, 760	1001187352..... 374, 677	1001197221 ..... 57, 59	1001211556.....291
1001181145.....747	1001187382..... 441	1001197719 ..... 664, 670, 760	1001211716.....128, 132, 136, 140
1001181243.....382, 386	1001187383..... 441	1001200128 ..... 747	1001211717.....128, 132, 136, 140, 144
1001181358.....217, 223, 246, 252, 271, 279, 341, 673	1001187522..... 378, 382, 386, 675	1001200129 ..... 747	1001211794.....317, 331
1001181527.....63	1001187674..... 481	1001200130 ..... 747	1001211797.....317, 331
1001181621.....599, 603, 607, 611, 615, 619, 623	1001187681..... 701	1001200131 ..... 747	1001212223.....414, 418
1001181895.....198, 262	1001187816..... 587	1001200132 ..... 747	1001212257.....309, 324
1001181913.....63	1001188622..... 441	1001200133 ..... 747	1001212989.....317, 331
	1001188731..... 378, 382, 386	1001200134 ..... 747	1001212993.....317, 331
	1001188732..... 374	1001200458 ..... 147, 149	1001213029.....386, 418
	1001188844..... 441	1001200491 ..... 441	1001213060.....310, 324
	1001188883..... 745	1001200494 ..... 441	1001213061.....310, 324
	1001188972..... 187, 191, 203, 246, 252, 324	1001201351 ..... 441	1001213305.....317, 331
	1001189001..... 441	1001202333 ..... 159, 161	1001213425.....317, 331
			1001213426.....317, 331
			1001213447.....687
			1001213448.....114
			1001213482.....317, 331
			1001213706.....310, 324, 667

## SECTION 11 - SPECIAL OPTIONS/ACCESSORIES/KITS

1001213794..... 144	1001218622..... 618, 622	1001232026..... 723, 725,	1001238192..... 641, 643
1001213824..... 317, 331	1001218623..... 618, 622	727, 729, 731, 733,	1001238254..... 471, 687
1001213882..... 471	1001218850..... 745	735, 737, 739, 741, 743	1001238263..... 501, 503
1001214138..... 317, 331	1001219129..... 91	1001232164..... 481	1001238319..... 481
1001214205..... 317, 331	1001219201..... 128, 132	1001232165..... 481	1001238418..... 485, 707
1001214207..... 173, 183,	1001219601..... 114, 761	1001232642..... 485	1001238421..... 441, 766
193, 205, 219, 225,	1001220003..... 765	1001232667..... 485, 761	1001238466..... 598, 603,
255, 257, 275, 283,	1001220266..... 272, 280	1001232842..... 303	607, 611, 615, 619, 623
313, 327, 345	1001220379..... 660	1001232904..... 747	1001238472..... 485
1001214233..... 317, 331	1001221203..... 351	1001233047..... 764	1001238495..... 483
1001214234..... 317, 331	1001221212..... 351	1001233080..... 766	1001238559..... 485
1001214269..... 331	1001223055..... 723, 725	1001233139..... 21	1001238911..... 287
1001214276..... 317, 331	1001223122..... 287, 390,	1001233479..... 119	1001239202..... 663, 669
1001214277..... 317, 331	394, 398, 402, 406,	1001233763..... 246, 252,	1001239371..... 747
1001214278..... 317, 331	410, 414	303, 764	1001239574..... 767
1001214307..... 317, 331	1001223453..... 723, 725,	1001233899..... 136	1001239575..... 766
1001214397..... 589	733, 735	1001233959..... 111, 473	1001241254..... 764
1001214503..... 310, 324	1001223459..... 659, 663,	1001234295..... 71	1001241286..... 136
1001214508..... 317, 331	669	1001234425..... 723, 725	1001241295..... 137, 151
1001214546..... 386, 418	1001223777..... 144	1001234426..... 723, 725	1001241547..... 766
1001214553..... 317, 331	1001223971..... 733, 735	1001234428..... 739	1001241548..... 766
1001214555..... 317, 331	1001224048..... 741	1001234429..... 739	1001241965..... 485
1001214556..... 317, 331	1001224049..... 743	1001234430..... 741	1001242589..... 765
1001214558..... 317, 331	1001224050..... 737	1001234431..... 743	1001242639..... 764
1001214570..... 589	1001224052..... 729	1001234432..... 743	1001242855..... 121
1001214571..... 589	1001224053..... 739	1001234433..... 733, 735	1001242856..... 123
1001214598..... 317, 332	1001224889..... 429	1001234434..... 733, 735	1001243183..... 764
1001214599..... 318, 332	1001225346..... 589	1001234435..... 737	1001243184..... 764
1001214664..... 318, 332	1001225430..... 233, 265,	1001234436..... 737	1001243331..... 765
1001214694..... 318, 332	292	1001234437..... 729	1001243414..... 128, 132,
1001214833..... 765	1001225431..... 265, 292	1001234438..... 729	136
1001214841..... 318, 332	1001225580..... 483, 689	1001234439..... 727, 731	1001243895..... 303
1001214909..... 385	1001225794..... 765	1001234800..... 659, 663,	1001244019..... 297
1001214975..... 177, 209	1001226530..... 589	670	1001244024..... 295
1001215125..... 318, 332	1001226541..... 712	1001235585..... 741	1001244212..... 731, 745
1001215181..... 764	1001226872..... 453	1001235949..... 240, 262,	1001244287..... 271
1001215228..... 471	1001227278..... 764	287, 301	1001244298..... 731
1001215259..... 310, 324	1001227633..... 481	1001236091..... 111	1001244301..... 731
1001215394..... 140	1001227634..... 481	1001236122..... 766	1001245195..... 45
1001215523..... 418	1001227985..... 481	1001236123..... 764	1001245196..... 45
1001215813..... 310, 324	1001227987..... 481	1001236251..... 309	1001245197..... 45
1001215869..... 318, 332	1001227996..... 703, 705	1001236253..... 323	1001245198..... 45
1001216308..... 310, 324	1001228215..... 453	1001236254..... 309, 313	1001245211..... 45
1001216400..... 310, 324	1001228224..... 481, 761	1001236256..... 313, 316	1001245656..... 109
1001216401..... 310, 324	1001228225..... 481, 761	1001236257..... 317, 331	1001246142..... 764
1001216405..... 310, 324	1001228960..... 764	1001236258..... 324, 327	1001246369..... 114
1001216415..... 371	1001228988..... 493, 755,	1001236259..... 327, 330	1001246433..... 764
1001216416..... 371	757	1001236393..... 317, 331,	1001246435..... 469, 471
1001216512..... 371	1001229341..... 481	335	1001246436..... 469
1001216552..... 766	1001229795..... 685	1001236396..... 747	1001246450..... 105
1001216599..... 140	1001229796..... 685	1001236496..... 767	1001246451..... 107
1001216630..... 441	1001229797..... 310, 324,	1001236552..... 485	1001246859..... 712
1001216677..... 140	685	1001236780..... 287	1001246976..... 745
1001216805..... 386, 418	1001230635..... 197, 229,	1001236891..... 501, 503	1001247073..... 766
1001216825..... 318, 332	240, 262, 287, 351	1001236895..... 501, 503	1001247359..... 318, 332
1001216840..... 386	1001230931..... 715	1001237383..... 712	1001247440..... 271, 280
1001217342..... 385, 418	1001230934..... 659, 664,	1001237546..... 111	1001247468..... 441
1001217343..... 316, 330	670	1001237667..... 687, 712	1001247656..... 401
1001217344..... 385, 418	1001230935..... 659, 664,	1001237668..... 687, 712	1001247800..... 766
1001217345..... 310, 324,	670	1001237863..... 481, 703	1001248140..... 501, 503
385, 418	1001230936..... 659, 664,	1001237864..... 481, 705	1001248141..... 501, 503
1001217494..... 310, 316,	670	1001237865..... 481, 701	1001248190..... 402
324, 330	1001231235..... 767	1001237878..... 589	1001249052..... 766
1001217785..... 310, 323	1001231801..... 745	1001237879..... 589	1001249695..... 767
1001218533..... 91	1001231886..... 163	1001237880..... 589	1001249941..... 767
1001218535..... 91		1001237881..... 589	1001249965..... 197, 229,
1001218537..... 91		1001237949..... 427	233

## SECTION 11 - SPECIAL OPTIONS/ACCESSORIES/KITS

1001250291 ..... 128, 132, 136	1001258112 ..... 351, 355	1001266801 ..... 766	1001274782 ..... 723, 725, 727, 729, 731, 733, 735, 737, 739, 741, 743
1001250595 ..... 766	1001258231 ..... 765	1001266807 ..... 766	1001274831 ..... 765
1001252527 ..... 659, 664, 670	1001258264 ..... 431	1001266969 ..... 766	1001274832 ..... 765
1001252629 ..... 501, 503	1001258265 ..... 431	1001267283 ..... 766	1001274833 ..... 765
1001252926 ..... 531, 537, 543	1001258337 ..... 345, 350	1001267310 ..... 745	1001275628 ..... 471, 760
1001253375 ..... 689	1001258385 ..... 342, 347	1001268820 ..... 489, 491, 495	1001275629 ..... 471, 760
1001253726 ..... 487	1001258406 ..... 357	1001269322 ..... 489, 491, 493	1001275635 ..... 530, 536
1001254300 ..... 723	1001258495 ..... 703, 705	1001269476 ..... 144	1001275643 ..... 767
1001254301 ..... 727	1001258502 ..... 352	1001269573 ..... 489, 491, 493	1001275644 ..... 767
1001254302 ..... 739	1001258505 ..... 357	1001270594 ..... 117	1001275935 ..... 93
1001254303 ..... 741	1001258629 ..... 352	1001270716 ..... 767	1001275936 ..... 93
1001254304 ..... 733	1001258800 ..... 401	1001270730 ..... 435, 439	1001276610 ..... 764
1001254305 ..... 737	1001258804 ..... 287	1001270755 ..... 767	1001276626 ..... 121, 123
1001254306 ..... 729	1001258895 ..... 43	1001271175 ..... 602, 610	1001276643 ..... 240, 262, 287, 663
1001254307 ..... 731	1001258896 ..... 43	1001271176 ..... 618	1001276685 ..... 746
1001254308 ..... 743	1001258897 ..... 43	1001271177 ..... 606	1001276686 ..... 746
1001254309 ..... 725	1001258898 ..... 43	1001271178 ..... 622	1001276687 ..... 746
1001254310 ..... 735	1001259018 ..... 745	1001271181 ..... 614	1001276688 ..... 746
1001254311 ..... 745	1001259058 ..... 435	1001271182 ..... 598	1001276689 ..... 746
1001254314 ..... 723, 725, 727, 729, 733, 735, 737, 739, 741, 743, 745	1001259196 ..... 435	1001271323 ..... 712	1001276690 ..... 746
1001254315 ..... 731, 745	1001259230 ..... 151, 157	1001271413 ..... 59, 71, 445	1001276691 ..... 746
1001254472 ..... 485	1001260306 ..... 599, 603, 607, 611, 615, 619, 623	1001271414 ..... 71, 77	1001276692 ..... 746
1001254473 ..... 485	1001260412 ..... 198, 230, 240, 262, 287	1001271497 ..... 687	1001276693 ..... 746
1001255133 ..... 433, 441	1001260420 ..... 197, 229, 240, 262, 287	1001271588 ..... 746	1001276884 ..... 746
1001255329 ..... 429	1001260575 ..... 352	1001271589 ..... 746	1001276923 ..... 764
1001255807 ..... 764	1001261045 ..... 401	1001271605 ..... 746	1001277009 ..... 81, 89
1001255845 ..... 745	1001261085 ..... 401	1001271606 ..... 746	1001277273 ..... 81
1001255849 ..... 745	1001261335 ..... 503	1001271617 ..... 746	1001277432 ..... 177, 198, 209, 230, 288, 352
1001255968 ..... 431, 517	1001261338 ..... 503	1001271621 ..... 746	1001277481 ..... 746
1001255969 ..... 433, 435, 513	1001261352 ..... 765	1001271622 ..... 746	1001277482 ..... 747
1001255970 ..... 427, 519	1001262016 ..... 767	1001271624 ..... 747	1001277483 ..... 747
1001255971 ..... 427, 511	1001262102 ..... 745	1001271625 ..... 747	1001277484 ..... 746
1001255972 ..... 427, 515	1001262105 ..... 745	1001271626 ..... 747	1001277485 ..... 747
1001255991 ..... 433, 435	1001262117 ..... 745	1001271649 ..... 418	1001277486 ..... 747
1001256002 ..... 433, 435	10012622959 ..... 764	1001271707 ..... 746	1001277589 ..... 288, 291
1001256092 ..... 427	1001263007 ..... 641, 653	1001271708 ..... 746	1001277594 ..... 275, 283, 286
1001256094 ..... 427, 429	1001263008 ..... 641, 709	1001271709 ..... 746	1001277600 ..... 271, 275
1001256096 ..... 427, 431	1001263174 ..... 165	1001271710 ..... 746	1001277685 ..... 746
1001256098 ..... 431	1001263610 ..... 641	1001271711 ..... 746	1001277686 ..... 747
1001256099 ..... 431	1001263663 ..... 161	1001271712 ..... 746	1001277691 ..... 747
1001256100 ..... 431	1001263664 ..... 159	1001271795 ..... 57, 69, 443	1001277692 ..... 747
1001256101 ..... 431	1001263668 ..... 161	1001271888 ..... 766	1001277839 ..... 767
1001256102 ..... 431	1001263669 ..... 159	1001272123 ..... 417	1001277911 ..... 747
1001256103 ..... 431	1001263677 ..... 159	1001272166 ..... 766	1001277970 ..... 746
1001256123 ..... 429	1001263678 ..... 161	1001272178 ..... 766	1001277972 ..... 747
1001256124 ..... 429	1001263693 ..... 159	1001272182 ..... 766	1001277973 ..... 747
1001256179 ..... 19, 509	1001263694 ..... 161	1001272274 ..... 766	1001278022 ..... 25, 33
1001256416 ..... 765	1001263787 ..... 161	1001272310 ..... 766	1001278197 ..... 746
1001256506 ..... 660	1001264731 ..... 109	1001272313 ..... 766	1001278198 ..... 747
1001256507 ..... 659	1001264732 ..... 107	1001272446 ..... 51	1001278199 ..... 747
1001256527 ..... 641	1001264733 ..... 105	1001272447 ..... 51	1001278208 ..... 747
1001256790 ..... 433, 435	1001264981 ..... 19	1001272671 ..... 429, 523	1001278209 ..... 746
1001256830 ..... 433	1001265163 ..... 479	1001272681 ..... 121	1001278215 ..... 747
1001256879 ..... 271, 280	1001265186 ..... 69, 443, 445	1001272682 ..... 123	1001278216 ..... 747
1001256906 ..... 731, 745	1001265275 ..... 587	1001273302 ..... 429, 598, 602, 610, 614, 618	1001278217 ..... 747
1001256910 ..... 427	1001265342 ..... 479	1001273303 ..... 429, 598, 602, 606, 610, 615, 618, 622	1001278249 ..... 746
1001256911 ..... 431	1001265389 ..... 159	1001273304 ..... 606, 622	1001278251 ..... 747
1001257271 ..... 501, 503	1001265390 ..... 161	1001274525 ..... 95, 101	1001278252 ..... 747
1001257274 ..... 501, 503	1001265688 ..... 765	1001274559 ..... 105, 107, 109, 471	1001278890 ..... 530
1001257275 ..... 501	1001266465 ..... 766		1001279651 ..... 144
1001258005 ..... 501	1001266491 ..... 766		1001280240 ..... 144
	1001266661 ..... 765		
	1001266664 ..... 119		
	1001266799 ..... 766		



## SECTION 11 - SPECIAL OPTIONS/ACCESSORIES/KITS

1001280242 ..... 144	1001287820..... 536	1001302956..... 257, 260	1700818 ..... 745
1001280270 ..... 351	1001287936..... 765	1001302961..... 217, 219	1701499... 723, 725, 727, 729, 731, 733, 735, 737, 739, 741, 743
1001280340 ..... 114	1001287937..... 765	1001302963..... 246, 257	1701500... 723, 725, 727, 729, 731, 733, 735, 737, 739, 741, 743
1001280549 ..... 144	1001287938..... 765	1001302970..... 217	1701504... 723, 725, 727, 729, 731, 733, 735, 737, 739, 741, 743
1001281192 ..... 401	1001288113..... 421	1001302972..... 245	1701505... 171, 181, 187, 191, 203, 217, 223, 245, 251, 271, 279, 341
1001281298 ..... 421, 423	1001288266..... 351	1001303430..... 487	1701509... 487, 723, 725, 727, 729, 731, 733, 735, 737, 739, 741, 743
1001281301 ..... 421, 423	1001288366..... 352	1001305520..... 765	1701518 .... 727, 731, 753
1001281302 ..... 423	1001289589..... 651	1001307726..... 433, 437	1701529... 723, 725, 727, 729, 731, 733, 735, 737, 739, 741, 743
1001281304 ..... 421	1001289592..... 583, 651	1001308136..... 151	1701542 ..... 309, 323
1001281305 ..... 421	1001289831..... 767	1001308137..... 157	1701543 ..... 309, 323
1001281307 ..... 421	1001289832..... 767	1001308593..... 766	1701691... 128, 132, 136, 140
1001281309 ..... 421	1001289905..... 767	1001309057..... 766	1702300... 723, 725, 727, 729, 731, 733, 735, 737, 739, 741, 743
1001281310 ..... 421, 423	1001289906..... 767	1001311034..... 485, 761	1702565 ..... 471
1001281311 ..... 421, 423	1001290271..... 765	1060341 ..... 497, 499	1702566 ..... 471
1001281359 ..... 421, 423	1001290385..... 423	1060343..... 410, 414, 418	1702567 ..... 471
1001281360 ..... 421, 423	1001290660..... 351, 669	1060461..... 629, 637	1702773 ..... 731, 745
1001281380 ..... 423	1001291401..... 230, 240, 262, 288	1060494..... 378, 382, 386	1702774 ..... 745
1001281454 ..... 766	1001291599..... 583	1060626.... 187, 191, 203, 245, 251, 323	1702868... 493, 723, 725, 745, 757
1001281455 ..... 766	1001291943..... 766	1060903..... 497, 499	1702941... 187, 191, 203, 245, 251, 323
1001281456 ..... 766	1001292585..... 767	1060908.... 645, 647, 649, 651	1702942... 187, 191, 203, 245, 251, 323
1001281459 ..... 766	1001293086..... 402	1060918..... 475	1702943... 187, 191, 203, 245, 251, 323
1001281460 ..... 766	1001293223..... 764	1062255..... 272, 279, 341	1702944... 187, 191, 203, 245, 251, 323
1001281461 ..... 766	1001293299..... 767	10702077.. 406, 411, 415, 419	1703162... 176, 196, 208, 228, 238, 260, 286, 316, 330, 350
1001281623 ..... 161	1001294215..... 79	10702082.. 406, 411, 415, 419	1703450 ..... 749
1001281656 ..... 421, 423	1001294815..... 745	10836804... 105, 107, 109	1703687... 723, 725, 727, 729, 731, 733, 735, 737, 739, 741, 743
1001281985 ..... 240, 262, 352	1001294864..... 745	1120555..... 487	1703797 ..... 723, 725
1001281986 ..... 240, 262, 352	1001295060..... 423	1320016..... 176, 208	1703804 ..... 723, 725
1001282099 ..... 764	1001295061..... 423	1320022.... 171, 181, 187, 191, 203, 217, 223, 245, 251, 271, 279	1703805 ..... 723, 725
1001282106 ..... 111, 473	1001295062..... 423	1320041.... 599, 603, 607, 611, 615, 619, 623	1703923 ..... 743
1001282143 ..... 144, 159	1001295063..... 423	1320043.... 599, 603, 607, 611	1703924 ..... 733, 735
1001282146 ..... 144	1001295064..... 423	1320061..... 272, 279	1703925 ..... 737
1001282215 ..... 766	1001295067..... 423	1320130.... 598, 602, 606, 610, 614, 618, 622	1703926 ..... 739
1001282215 ..... 766	1001295068..... 423	1320176..... 367	1703927 ..... 741
1001282461 ..... 767	1001296424..... 765	1320218..... 309, 323	1703928 ..... 729
1001282492 ..... 114, 711	1001296426..... 683	1320220..... 309, 323	1703935 ..... 743
1001282533 ..... 114, 717	1001296426..... 683	1320223.... 187, 191, 203, 245, 251, 323, 589	1703936 ..... 733, 735
1001282831 ..... 95	1001297092..... 423	1320263..... 341	1703937 ..... 737
1001283776 ..... 117, 119, 593, 595	1001297093..... 423	1320302.... 489, 491, 493	1703938 ..... 739
1001284504 ..... 598, 603, 607, 611, 615, 619, 623	1001297094..... 423	1321283..... 309, 323	1703939 ..... 741
1001284582 ..... 473	1001297389..... 105, 107, 109	1321293..... 103	1703942 ..... 729
1001284583 ..... 473	1001298141..... 347	1321647..... 712	1703941 ..... 743
1001285012 ..... 25	1001299212..... 352	1321716.... 171, 181, 187, 191, 196, 203, 217, 223, 228, 238, 245, 251, 260, 271, 279, 286, 341, 373, 377, 381, 390, 394, 398, 401, 406, 410, 414	1703943 ..... 737
1001285597 ..... 129, 133, 141, 153, 155	1001299782..... 114, 681	1580011..... 316, 330	
1001285598 ..... 128, 132	1001300726..... 223, 225	1580012..... 477	
1001285632 ..... 183, 205, 225, 255, 283, 345, 365	1001300727..... 223	1580013..... 766	
1001285636 ..... 421	1001300783..... 251	1670603..... 575	
1001285640 ..... 161	1001300784..... 252, 255	1670836..... 429	
1001285691 ..... 140	1001300785..... 203	1671092.... 410, 415, 418, 614	
1001285788 ..... 137, 157	1001300786..... 203, 205	1671093..... 491, 614	
1001285789 ..... 136	1001300787..... 279	1684290..... 507	
1001285811 ..... 765	1001300788..... 280, 283		
1001285988 ..... 144, 161	1001300789..... 341		
1001286019 ..... 79, 81, 85	1001300790..... 342, 345		
1001286266 ..... 764	1001300813..... 548		
1001286568 ..... 351	1001300956..... 549		
1001287536 ..... 421	1001300957..... 549		
1001287552 ..... 421	1001300958..... 549		
1001287643 ..... 351	1001300959..... 549		
1001287812 ..... 764	1001300961..... 549		
1001287813 ..... 764	1001300962..... 549		
1001287814 ..... 764	1001300963..... 549		
1001287816 ..... 191	1001301504..... 181, 183		
	1001301505..... 181		
	1001302954..... 240, 262, 265		
	1001302955..... 219, 238		

## SECTION 11 - SPECIAL OPTIONS/ACCESSORIES/KITS

1703944.....739	1705961.....727, 731	2220479.....548	2720058....171, 181, 187,
1703945.....741	1705968.....737, 745	2220497 ... 530, 536, 542,	191, 203, 217, 223,
1703946.....729	1705969.....741, 745	548	245, 251, 271, 279,
1703947.....743	1706059.....745	2220500 ... 530, 536, 542,	318, 332
1703948.....733, 735	1706060.....745	548	2720271.....318, 332
1703949.....737	1706061.....745	2220501 ... 530, 536, 542,	2720340....196, 228, 238,
1703950.....739	1706062.....745	548	260, 286
1703951.....741	1706063.....745	2220579.....63	2720398.....176, 209
1703952.....729	1706064.....745	2220582 ... 530, 536, 542,	2720447.....176, 209
1703953.....723, 725	1706098.....745	548	2720615.....318, 332
1703980.....739	1706385.....463	2220596 ... 530, 536, 542,	2720644.....316, 330
1703981.....741	2030010.....491, 493	548	2752504....531, 537, 543,
1703982.....737	2060025.....176, 208	2220600 ... 530, 536, 542,	549
1703983.....743	2080040...389, 401, 455,	548	2752519....531, 537, 543,
1703984.....733, 735	459, 465, 581, 583, 585	2220603 ... 530, 536, 542,	549
1703985.....729	2110810...530, 536, 542,	548	2780267.....25, 27
1704000....733, 735, 745	548	2220628 ... 530, 536, 542,	2780268.....25, 31
1704001.....743, 745	2110812...530, 536, 542,	548	2820031....373, 377, 381,
1704002.....729, 745	548	2220767.....271	385, 389, 393, 397,
1704260.....471	2131212.....548	2220811 ... 530, 536, 542,	401, 405, 409, 413,
1704271.....745	2151212....530, 536, 542	548	417, 598, 602, 606,
1704277....723, 725, 727,	2160001.....79, 81	2220881.....509	610, 614, 618, 622,
729, 731, 733, 735,	2180348...171, 181, 187,	2220883.....61, 507, 509,	633, 635
737, 739, 741, 743	191, 203, 309, 323	513, 530, 536, 542, 548	2820035.....303
1704412....723, 725, 727,	2180387.....309, 323	2220885.....61, 509, 513	2820247.....703, 705
729, 731, 733, 735,	2180389.....309, 323	2220906 ... 530, 536, 542,	2860030....105, 107, 761
737, 739, 741, 743	2180504...309, 318, 323,	548	2900756.....61
1704455.....753	332	2220923 ... 530, 536, 542,	2900770.....511, 523
1704456.....753	2180832...217, 223, 245,	548	2900792.....513
1704457.....751	251, 271, 279, 341	2220940 ... 530, 536, 542,	2901443.....767
1704482.....749	2180876...171, 181, 187,	548	2902065....176, 196, 209,
1704576.....751	191, 203, 217, 223,	2220946 ... 530, 536, 542,	228, 238, 260, 286,
1704577.....751	245, 251, 271, 279	548	305, 350
1704578.....749	2200261...177, 198, 209,	2220947 ... 530, 536, 542,	2902212.....487
1704885....723, 725, 727,	230, 288, 352	548	2902217.....489, 491
729, 733, 735, 737,	2220238....63, 530, 542,	2220998 ... 530, 536, 542,	2902266.....507
739, 741, 743	548	548	2902443....657, 659, 663,
1704972....171, 187, 745	2220261.....316, 330	2221033 ... 530, 536, 542,	669
1705014.....463	2220290.....309, 323	548	2902549.....581, 645
1705305....493, 755, 757	2220315.....316, 330	2221036.....548	2940045.....161
1705325.....555, 557	2220366.....548	2221040 ... 530, 536, 542,	2940074....455, 459, 465,
1705336.....723, 725	2220371...530, 536, 542,	548	761
1705344.....739	548	2221052.....63	2940173....147, 149, 151,
1705345.....741	2220372....63, 530, 536,	2221086....61, 449, 530,	153, 155, 157, 159, 161
1705347.....733, 735	542, 548	536, 542, 548	3020037.....345
1705349.....729	2220373...530, 536, 542,	2230025 ... 530, 536, 542,	3020042.....429
1705351.....723, 725	548	548	3124242.....487
1705355.....755, 757	2220374...530, 536, 542,	2400060 ... 303, 479, 677,	3250872.....749
1705358.....745	548	687, 712	3251102.....401
1705374....393, 397, 577,	2220375...530, 536, 542,	2400066.....675	3251242....559, 561, 563,
579	548	2400082.....685, 761	565, 567, 569, 571,
1705375....411, 415, 419	2220377...530, 536, 542,	2410014.....463	573, 575
1705387....393, 397, 411,	548	2420203....377, 382, 386	3251243....377, 381, 385,
415, 419	2220408.....536	24431386.....310, 324	393, 397, 411, 415,
1705426.....739	2220415...530, 536, 542,	2460048.....405, 409	723, 725, 729, 733,
1705427.....741	548	2460055.....377	735, 743
1705429.....733, 735	2220435....530, 542, 548	2540020 ... 117, 119, 121,	3251813....723, 725, 729,
1705430.....737	2220451...176, 208, 530,	123	733, 735, 743
1705460....407, 411, 415,	536, 542, 548	2560136.....471	3252347.....723, 725
419	2220465...530, 536, 542,	2560187...147, 149, 151,	3252692.....753
1705461.....407	548	153, 155, 157, 159, 161	3252693.....751
1705489....389, 401, 407	2220466...530, 536, 542,	2580024...187, 191, 203,	3252764....405, 410, 413,
1705822.....727, 731	548	245, 251, 323	417
1705828.....727, 731	2220468...530, 536, 542,	2580062.....208	3271605.....501, 503
1705910.....743	548	2600281....455, 459, 465	3271805.....463
1705917.....743	2220472...530, 536, 542,	2720015...196, 228, 238,	3272001.....501, 503
1705921.....727, 731	548	260, 286, 350	

## SECTION 11 - SPECIAL OPTIONS/ACCESSORIES/KITS

3290405 ... 103, 117, 119, 121, 123, 309, 323, 479, 555, 557, 559, 561, 563, 565, 567, 569, 571, 573, 575, 581, 598, 602, 606, 610, 614, 618, 622	3291205 ... 350, 427, 431, 433, 435, 441	3520054.... 176, 197, 208, 229, 238, 260, 286, 350, 471	3931512... 196, 228, 238, 260, 286, 350
3290501 ..... 125	3300106 ..... 25	3520071 ..... 487	3931618... 173, 193, 219, 257, 275, 313, 327
3290505 ... 125, 373, 393, 397, 406, 410, 413, 417	3300151 ... 453, 457, 461, 467, 489, 491, 493	3520072.... 144, 453, 455, 457, 459, 461, 463, 465, 467	3931628.... 381, 397, 413
3290601 ... 114, 125, 147, 149, 151, 153, 155, 157, 159, 161, 163, 165	3300220 ... 125, 176, 197, 208, 229, 239, 261	3520189..... 406	3960407 ..... 176, 208
3290605 57, 59, 103, 114, 121, 123, 125, 161, 171, 176, 181, 187, 191, 196, 203, 208, 217, 223, 228, 238, 245, 251, 260, 271, 279, 286, 309, 323, 341, 350, 369, 371, 373, 377, 381, 385, 389, 393, 397, 401, 406, 410, 413, 417, 581, 583, 585, 598, 602, 606, 610, 614, 618, 622	3300353 ..... 471	3520192..... 406	3960422... 393, 397, 410, 413, 417, 553, 577, 579
3290606 .... 457, 461, 467	3300396 ... 394, 398, 406, 411, 415, 418	3520198.... 453, 455, 457, 459, 461, 465, 467	3960526 ..... 25
3290607 ..... 316, 330	3300408 ..... 111	3572551..... 433, 435	4010405 ..... 581, 585
3290801 ... 171, 181, 187, 191, 203, 309, 316, 323, 330	3300430 ..... 483	3573400.... 489, 491, 493	4010418... 598, 602, 606, 610, 614, 618, 622
3290805 ... 57, 59, 63, 95, 97, 99, 128, 132, 136, 140, 144, 159, 161, 176, 196, 208, 228, 238, 260, 286, 295, 297, 309, 316, 323, 330, 350, 369, 371, 373, 377, 381, 385, 389, 393, 397, 406, 410, 413, 417, 429, 433, 435, 589, 598, 602, 606, 610, 614, 618, 622	3310401 ... 196, 228, 238, 260, 350	3575705..... 497, 499	4010618.... 457, 461, 467
3290806 ..... 441	3311001 ... 299, 301, 377, 381, 385, 394, 398, 406, 411, 415, 418	3577121.... 489, 491, 493	4031505 ..... 481
3291001 ... 196, 228, 238, 260, 286, 316, 330, 350, 441	3311005 ..... 491, 493	3580158..... 373, 377	4031508 ..... 119
3291005 ... 125, 128, 132, 136, 140, 144, 147, 149, 151, 153, 155, 157, 159, 161, 171, 176, 181, 187, 191, 196, 203, 208, 217, 223, 228, 238, 245, 251, 260, 271, 279, 286, 309, 316, 323, 330, 341, 350, 377, 381, 385, 427, 429, 431, 433, 435, 441, 589, 598, 602, 606, 610, 614, 618, 622	3311401 ..... 497	3580276..... 377	4031511 ... 598, 602, 606, 610, 614, 618, 622
3291201 ... 316, 330, 381, 385, 389, 393, 397, 401, 406, 410, 413, 417, 441	3311405 ... 469, 485, 499, 555, 557, 559, 561, 563, 565, 567, 569, 571, 573, 575, 723, 725, 727, 729, 731, 733, 735, 737, 739, 741, 743	3580317.... 389, 393, 397, 401, 406, 410, 413, 417	4031512 ..... 103
	3311501 ... 128, 132, 136, 140, 497, 499	3580318.... 393, 397, 410, 413, 417	4031516 ..... 485
	3311601 ... 128, 132, 136, 140, 144, 471, 485	3580319.... 389, 401, 406	4031607 ..... 373
	3311605 ... 198, 230, 238, 260, 299, 301, 463, 469, 489, 491, 493	3580320.... 381, 389, 393, 397, 406, 410, 413	4031707 ..... 89
	3311705 ... 373, 377, 381, 385	3740067.... 125, 176, 208	4031914 ... 196, 228, 238, 260, 286, 350
	3311801 ..... 25	3740080.... 373, 378, 381, 385, 675, 761	4032014 .... 381, 397, 413
	3312002 ..... 501, 503	3740086..... 707, 761	4032015 ... 389, 393, 406, 410
	3312005 ..... 65, 487	3740140.... 176, 208, 760	4060802 ... 373, 378, 381, 385, 389, 393, 397, 401, 406, 410, 413, 417
	3312205 ..... 487	3760115..... 429	4060805 ... 176, 196, 209, 228, 238, 260, 286, 318, 332, 350
	3321001 ... 125, 176, 197, 208, 229, 239, 261	3760170..... 65	4060806 ..... 91
	3321501 ..... 144	3790012.... 309, 323, 471	4060808 ... 598, 602, 606, 610, 614, 618, 622
	3331211 ... 295, 297, 373, 377, 381, 389, 393, 397, 406, 410, 413	3790152.... 173, 183, 193, 205, 219, 225, 255, 257, 275, 283, 313, 327, 345	4070450 ..... 65
	3331215 ... 176, 196, 208, 228, 238, 260, 286, 341, 350	3820001.... 723, 725, 727, 729, 731, 733, 735, 737, 739, 741, 743, 747, 749, 751, 753	4070560 ..... 65
	3340860 ..... 433, 435	3820020.... 455, 459, 465	4070561 ..... 65
	3340956 ..... 487	3820032..... 125	4070897 ..... 429
	3380434 ..... 469	3841143 21, 23, 171, 181, 187, 191, 203, 217, 223, 245, 251, 271, 279, 309, 323, 341, 441	4070898 ..... 429
	3420352 ..... 65	3841203.... 427, 431, 433, 435	4071101 ..... 17, 19
	3420372 ..... 65	3841258. 17, 19, 427, 431	4160182 ... 128, 132, 136, 140
	3422532 ... 171, 181, 187, 191, 203, 217, 223, 245, 251, 271, 279, 309, 323, 341	3841287 ..... 431	4240018 .... 577, 579, 641
	3422793 .... 427, 433, 435	3841340.... 598, 602, 606, 610, 614, 618, 622	4240032 ... 114, 117, 119, 121, 123, 230, 238, 260, 288
	3422814 ..... 433, 435	3900054 ..... 463	4240033 .... 481, 483, 485
	3422848 ..... 23	3900267 ..... 394, 398	4240099 ... 176, 196, 208, 228, 238, 260, 271, 279, 286, 303, 309, 316, 323, 330, 341, 350, 373, 378, 381, 385, 389, 393, 397, 401, 406, 410, 413, 417, 471, 489, 491, 497
	3423304 ..... 21, 23	3900295 ..... 23	4240149 ..... 487
	3430616 ..... 471	3900300 ..... 394, 398	4240156 ... 598, 602, 606, 610, 614, 618, 622
	3460334 ..... 487	3900349 ..... 471	4360057 .... 497, 499, 761
	3470003 ..... 471	3900351 ..... 429	4360070 ... 394, 398, 406, 411, 415, 418, 760
	3520028 .... 377, 382, 386	3900363 ..... 159, 161	4360274 ..... 109, 761
		3910408.... 196, 228, 238, 260, 350	4360336 ... 373, 378, 381, 385, 389, 393, 397,
		3910606.... 393, 397, 410, 413, 417, 577, 579	
		3910610..... 553	
		3910804.... 105, 107, 109	
		3931408..... 483	

## SECTION 11 - SPECIAL OPTIONS/ACCESSORIES/KITS

401, 406, 410, 413, 417, 761	4460458 ... 659, 664, 670, 711, 712	4460866 ... 598, 602, 606, 610, 614, 618, 622, 633, 635, 687	4461071 .... 657, 659, 663, 669
4360387 .... 107, 109, 471, 761	4460464 ... 103, 121, 123, 475, 479, 591, 593, 595, 633, 635, 643, 653, 655, 673, 675, 677, 687, 689, 707, 709, 711, 715, 717, 719	4460871 ... 163, 165, 681, 683, 687, 711, 712, 717	4461072 .... 657, 659, 663, 669
4360407 ..... 471, 760	4460465 ... 117, 119, 163, 165, 479, 591, 625, 627, 643, 653, 655, 657, 659, 660, 663, 667, 669, 679, 687, 689, 709, 711, 712, 715, 717, 719	4460872 ..... 717	4461073 .... 657, 659, 663, 669
4360436 ..... 95, 97, 99	4460466 ... 310, 324, 479, 481, 591, 593, 595, 599, 603, 607, 611, 615, 619, 623, 625, 627, 633, 635, 653, 657, 659, 660, 663, 667, 669, 675, 677, 687, 689, 701, 707, 709, 711, 712, 715, 717, 719	4460873 ..... 687, 712	4461074 .... 657, 659, 663, 669
4360469 .... 105, 107, 109, 761	4460467 ..... 767	4460874 ..... 687, 711	4461077 ..... 701, 707
4360475 ..... 761	4460470 ..... 471	4460875 ..... 687, 717	4461095 .... 591, 657, 659
4360476 .... 105, 107, 109, 761	4460471 ..... 471	4460876 ..... 681	4461109 ..... 667
4360542 .... 377, 382, 386, 760	4460473 ... 598, 602, 606, 610, 614, 618, 622, 625, 627	4460878 ..... 712	4461111 ..... 667
4420014 ..... 487	4460488 ... 121, 123, 341	4460879 ..... 479, 687	4461113 ..... 667
4420037 .... 489, 491, 493	4460496 ..... 114	4460884 ... 479, 663, 669, 689, 711, 715, 717	4461121 ..... 667
4420051 .... 745, 749, 751, 753	4460497 ..... 114	4460887 .... 479, 687, 712	4461122 ..... 667
4420060 ..... 373	4460508 ... 481, 633, 635, 687	4460891 ... 117, 119, 163, 165, 591, 655, 660, 673, 715, 717, 719	4461123 ..... 667
4420066 ..... 487	4460509 ... 625, 627, 711	4460892 ..... 653	4461124 ..... 667
4460019 ..... 663, 669	4460510 ..... 767	4460894 ... 653, 657, 660, 663, 667, 669, 687, 711, 719	4461196 ..... 691
4460027 .... 377, 382, 386	4460518 ..... 591	4460899 ... 643, 655, 683, 689, 701, 707, 709, 711, 715, 717, 719	4461198 ..... 555, 691
4460042 .... 660, 663, 667, 669	4460536 ... 643, 653, 687	4460905 ... 681, 687, 711, 712, 717	4461199 ..... 693
4460043 .... 303, 659, 663, 669	4460539 ... 643, 653, 663, 669, 687, 709, 717	4460906 ..... 675	4461201 ..... 559, 693
4460049 ..... 497, 499	4460612 ..... 577, 579	4460910 ..... 705	4461205 ..... 695, 697
4460071 .... 393, 397, 410, 413, 417, 475, 553	4460662 ... 567, 569, 571, 575	4460911 ..... 701	4461222 ..... 667
4460115 ..... 664	4460693 ..... 667	4460928 ..... 591	4461244 ..... 567, 695
4460134 .... 378, 382, 386	4460703 .... 659, 663, 669	4460930 ... 310, 324, 657, 660, 663, 669, 711	4461245 ..... 569, 697
4460138 .... 378, 382, 386	4460705 ... 377, 382, 386	4460931 ... 593, 595, 653, 711	4461246 ..... 571, 699
4460142 ..... 712	4460708 ..... 687	4460932 ... 479, 670, 673	4461249 ..... 699
4460183 ..... 687	4460722 ..... 303	4460933 ... 591, 687, 712	4520216 ..... 37
4460190 .... 377, 382, 386	4460742 ..... 711	4460941 ..... 673, 701	4520217 ..... 49
4460205 ..... 553	4460743 ..... 711	4460942 ... 481, 660, 663, 669, 673	4520240 ..... 39
4460225 .... 406, 410, 413, 417, 679, 687	4460746 ... 659, 663, 670	4460943 ..... 701, 712	4520259 ..... 41
4460226 .... 475, 497, 499	4460748 ... 659, 663, 670, 712	4460944 ... 659, 660, 663, 669	4520262 ..... 51
4460227 ..... 687	4460754 ..... 717	4460945 ..... 670	4520608 ..... 53
4460234 .... 114, 117, 119, 471, 497	4460761 ..... 687, 711	4460952 ... 645, 649, 651	4640113 ..... 51
4460247 .... 659, 663, 669, 711	4460806 ... 563, 565, 567, 569, 712	4460958 ..... 579	4640261 ..... 63
4460259 .... 479, 681, 687, 712	4460807 ..... 679	4460959 ..... 614	4640464 ..... 643
4460260 .... 479, 681, 683, 687, 712	4460808 ..... 679	4460960 ..... 614	4640509 ..... 513
4460267 ... 95, 97, 99, 687, 711	4460836 ..... 711	4460961 ... 377, 382, 386	4640751 .... 196, 228, 238, 260, 286, 350
4460268 .... 377, 382, 386, 679	4460865 ... 598, 602, 606, 610, 614, 618, 622, 625, 627, 711	4460962 ..... 491	4640771 ..... 523
4460313 ..... 657	4460866 ... 598, 602, 606, 610, 614, 618, 622, 625, 627, 711	4460963 ... 411, 415, 418	4640858 ..... 507
4460315 ..... 553	4460877 ..... 685	4460967 ..... 711	4641122 .... 37, 39, 41, 43, 45, 53, 55
4460320 ..... 95, 97, 99	4461005 ..... 657	4460968 ... 373, 555, 559	4641155 ..... 57, 59
4460321 .... 377, 382, 386	4461006 ..... 667	4460970 ..... 687	4641390 ..... 515, 517
4460346 .... 393, 397, 410, 413, 417, 553	4461008 ... 657, 659, 663, 669	4460977 ..... 685	4710400 .... 196, 228, 238, 260, 350
4460384 ..... 575	4461052 ..... 657	4460987 ..... 687	4711000 .... 299, 301, 394, 398, 406, 411, 415, 419
4460418 ..... 681, 687	4461054 ... 660, 663, 669, 673	4460997 ..... 685	4711400 .... 147, 149, 151, 153, 155, 157, 453, 457, 461, 467, 483, 485, 555, 557, 559, 561, 563, 565, 567, 569, 571, 573, 575
4460419 ..... 681, 687	4461060 ..... 673	4461005 ..... 657	4711500 ..... 63, 125, 128, 132, 136, 140, 196, 228, 238, 260, 286, 350
4460425 .... 394, 398, 406, 411, 415, 418, 497, 499, 577, 579	4461070 ..... 591, 659	4461006 ..... 667	4711600 .... 299, 301, 389, 393, 397, 401, 406, 410, 413, 471, 501, 503
4460426 .... 394, 398, 406, 411, 415, 418		4461008 ... 657, 659, 663, 669	4711700 .... 373, 378, 381, 385
4460428 ..... 471		4461052 ..... 657	4711800 ..... 463
4460434 ..... 687		4461054 ... 660, 663, 669, 673	4712000 .... 487, 501, 503
		4461060 ..... 673	4712200 ..... 487
		4461070 ..... 591, 659	4740086 ..... 21, 23

## SECTION 11 - SPECIAL OPTIONS/ACCESSORIES/KITS

4740155 .....	23	441, 589, 598, 602,	5241000.....	159, 161	70000916.....	211
4740158 .....	17, 19	606, 610, 614, 618, 622	5241200.....	17, 19, 21, 23,	70000917.....	211
4740229 .....	17, 19	4811902 ... 286, 316, 330,	63, 79, 81, 176, 183,	70000918.....	211	
4740362 .....	469	352, 429, 433, 435,	196, 205, 208, 225,	70000919.....	212	
4740491 .....	23	443, 445, 598, 602,	228, 239, 255, 261,	70000931.....	212	
4750800 ...	599, 603, 611,	606, 610, 614, 618, 622	283, 286, 295, 297,	70001002.....	211	
615, 619		481200069, 71, 103, 125,	316, 330, 341, 345,	70001100.	405, 409, 414,	
4751000 ...	378, 381, 385,	128, 132, 136, 140,	351, 373, 378, 381,	418		
491, 493		144, 151, 157, 159,	385, 389, 393, 397,	70001181.....	211	
4751400 ...	159, 161, 469,	161, 171, 176, 181,	401, 406, 410, 414,	70001349.....	27, 31	
471, 477, 489, 491,		187, 191, 196, 203,	417, 429, 441	70001384.	405, 409, 414,	
493, 497, 499, 723,		208, 217, 223, 228,	5241400.....	316, 330	418	
725, 727, 729, 731,		238, 245, 251, 260,	5241600.....	23, 79, 81	70001423.....	211
733, 735, 737, 739,		271, 279, 286, 309,	5250605.....	316, 330	70001435.....	212
741, 743		316, 323, 330, 341,	5250608.....	114	70001498.....	212
4751500 ...	373, 378, 381,	347, 351, 357, 373,	5250808.....	390, 394, 398,	70001654.....	211
385, 497, 499		378, 381, 385, 398,	406, 410, 414	70001655.....	211	
4751600 ...	198, 230, 238,	401, 414, 427, 429,	5250810....	105, 107, 109,	70001696.....	405, 409
260, 469, 489, 491, 493		431, 441, 589, 598,	197, 229, 239, 261,	70001844.....	212	
4751800 ....	463, 497, 499	602, 606, 610, 614,	390, 394, 398, 401,	70001850.....	211	
4752000 .....	65	618, 622	406, 410, 414, 443, 445	70001866.....	212	
4760600 .....	553	4812002 .95, 97, 99, 103,	5250812.....	91, 599, 603,	70001868.....	212
4761000 ...	125, 176, 197,	128, 132, 136, 140,	607, 611, 615, 619, 623	70001870.	211, 234, 266,	
208, 229, 239, 261		144, 272, 279, 286,	5251008.....	441, 641	292	
4761400 .....	477	309, 323	5251009.....	429	70001871.....	212
4811400 ...	103, 117, 119,	4812100 ... 128, 132, 136,	5251010....	57, 59, 69, 71,	70001872.....	212
121, 123, 479, 555,		140, 196, 217, 223,	429, 443, 445	70001953.....	405, 409	
557, 559, 561, 563,		228, 238, 245, 251,	5251012...17, 19, 35, 429	70001966.	389, 394, 398,	
565, 567, 569, 571,		260, 271, 279, 286,	5251014....	128, 132, 136,	401, 405, 409, 414, 418	
573, 575, 598, 602,		310, 323, 341, 351,	140, 144, 598, 602,	70001973.	405, 409, 414,	
606, 610, 614, 618, 622		389, 393, 406, 410,	606, 610, 614, 618, 622	418		
4811600 ...	125, 347, 373,	421, 431, 441	5251016.....	441	70001974.	405, 409, 414,
393, 397, 406, 410,		4812102 .95, 97, 99, 128,	5251215....	171, 181, 187,	418	
413, 417		132, 136, 140, 144	191, 203, 217, 223,	7000206.....	27, 31	
4811700 ...	103, 114, 121,	4812200 ... 176, 196, 208,	245, 251, 271, 279,	70002063.....	61	
123, 125, 147, 149,		228, 239, 261, 286,	286, 309, 323	70002088.....	405, 409	
151, 153, 155, 157,		295, 297, 310, 324,	5260800.....	91, 105, 107,	70002112.....	97, 99
159, 161, 163, 165,		351, 373, 378, 381,	109, 390, 394, 398,	70002206.....	83	
171, 176, 181, 187,		386, 389, 393, 397,	401, 406, 410, 414	70002207.....	83	
191, 203, 208, 217,		406, 410, 413, 417	5261200....	171, 181, 187,	70002209.....	61
223, 245, 251, 271,		4812300 .....	191, 203, 217, 223,	70002234.....	212	
279, 286, 309, 316,		93	245, 251, 271, 279,	70002257.....	362	
323, 330, 341, 350,		4846370 .....	286, 309, 323	7000229.....	27, 31	
373, 378, 381, 385,		487	5272114.....	79, 81	70002291.....	
389, 393, 397, 401,		4860179 .....	5281918....	598, 602, 606,	414, 418	
406, 410, 413, 417,		49	610, 614, 618, 622	70002297.	405, 409, 414,	
457, 461, 467, 581,		4871700 ... 389, 393, 397,	70000088.....	83	418	
583, 585, 599, 603,		401, 406, 410, 413	70000089.....	83	7000230.....	
607, 611, 615, 619, 623		4891600 ... 128, 132, 136,	70000100.....	447	27, 31	
4811702 ...	114, 125, 140,	173, 183, 193, 205,	70000123.....	373	70002316.....	
198, 230, 238, 260,		219, 225, 255, 257,	70000342.....	439	335	
286, 309, 316, 323,		275, 283, 313, 327,	70000345.....	212, 291	27, 31	
330, 341, 350, 369,		345, 433, 441	70000450.....	233	70002326.....	
390, 402, 581, 583, 585		4891800 .....	70000619..	405, 409, 413,	335	
4811900 ...	57, 59, 95, 97,	25, 173, 193,	417	70000781.....	513	
99, 105, 107, 109, 128,		219, 257, 275, 313, 327	70000787.....	212	70002373.....	
132, 136, 140, 144,		4892000 .....	70000793.....	305	61, 73, 515,	
159, 161, 171, 176,		25	70000800.....	211	517, 760	
181, 187, 191, 196,		4892600001.....	70000851.....	212	7000246.....	
203, 208, 217, 223,		433, 441	70000863..	405, 409, 414,	27, 31	
228, 238, 245, 251,		4920463 .....	418	418	27, 31	
260, 271, 279, 286,		639	70000865.....	87	27, 31	
295, 297, 309, 316,		4922641 ... 378, 382, 386,	70000912.....	211	27, 31	
323, 330, 341, 350,		394, 398, 402, 406,	70000913.....	211	27, 31	
373, 378, 381, 385,		410, 414, 418	70000914.....	211	27, 31	
389, 393, 397, 406,		4922925 ... 406, 410, 413,	70000915.....	211	87	
410, 413, 417, 429,		417			87	
		4922929 .....				
		618, 622				
		4923451 .....				
		177, 208				
		4923463 .....				
		631				
		5240800 ... 140, 309, 316,				
		323, 330				

## SECTION 11 - SPECIAL OPTIONS/ACCESSORIES/KITS

70002718..211, 233, 265, 292	70004260..... 87	70004903..... 362	70005941... 234, 266, 292
70002838.....97, 99	70004261..... 87	70004904..... 362	70005942... 233, 265, 292
70002842.....507, 509	70004262..... 87	70004905..... 362	70006010.....359
70002902.....475	70004263..... 87	70004906..... 362	70006011.....359
70002903.....475	70004267..... 75	70004907..... 362	70006012.....359
70002904.....475	70004268..... 211	70004908..... 362	70006013.....335
70002905.....475	70004269..... 211	70004909..... 362	70006014.....335
70002962.....61	70004270..... 212	70004910..... 362	70006015.....335
70003463.....211, 760	70004281 .. 233, 265, 292	70004911..... 362	70006016.....335
70003464.....211	70004282..... 233, 265	70005065..... 75	70006017.....335
70003468.....212	70004504..... 292	70005066..... 75	70006018.....335
70003469.....212	70004505..... 292	70005067..... 75	70006019.....335
70003472.....211	70004506..... 292	70005068..... 75	70006020.....335
70003473.....211	70004507..... 292	70005069..... 73	70006021.....335
70003475.....211	70004508..... 265, 292	70005071..... 73	70006022.....335
70003479.....211	70004509..... 292	70005076..... 73	70006023..... 335, 761
70003480.....211	70004510..... 292	70005080..... 73	70006024.....335
70003481.....211	70004577..... 61	70005082..... 73	70006025.....335
70003612.....75	70004676 . 389, 394, 398, 401	70005084..... 73	70006026.....335
70003614.....97, 99, 761	70004677..... 389	70005085..... 73	70006027.....335
70003631..405, 409, 414, 418	70004678 . 389, 394, 398, 401	70005087..... 73	70006028.....335
70003708..389, 394, 398, 401, 405, 409, 414, 418	70004679 . 390, 394, 398, 401	70005088..... 73	70006029.....335
70003709..389, 394, 398, 401, 405, 409, 414, 418	70004680 . 390, 394, 398, 401	70005089..... 73	70006030.....335
70003783..176, 197, 209, 229, 351, 760	70004681..... 390, 401	70005090..... 73	70006031.....335
70003788.....73, 515, 760	70004682 . 390, 394, 398, 401	70005092..... 73	70006032.....335
70003931.....212	70004683..... 390, 402	70005094..... 73	70006033.....335
70003932.....212	70004684..... 394	70005095..... 73	70006034.....335
70003975.....61	70004685..... 394, 398	70005096..... 73	70006035.....335
70003977.....73	70004686..... 401	70005097..... 73	70006036.....335
70004000.....75	70004687..... 398	70005098..... 73	70006037.....335
70004013.....75	70004688..... 335	70005099..... 73	70006038.....335
70004014.....75	70004689..... 447	70005100..... 73	70006039.....335
70004017.....61	70004824..... 335	70005139..... 75	70006040.....335
70004020...318, 332, 760	70004864..... 447	70005143..... 513	70006041.....335
70004056.....212	70004865..... 447	70005150..... 521	70006042.....335
70004058.....212, 760	70004866..... 447	70005151..... 521	70006043.....335
70004059.....212	70004867..... 447, 449	70005152..... 521	70006044.....335
70004060.....212	70004868..... 447	70005153..... 521	70006045.....336
70004062.....212	70004869..... 447, 449	70005154..... 521	70006046.....336
70004092..389, 394, 398, 401, 414, 418	70004871 .. 447, 449, 760	70005171 .. 233, 265, 292	70006047.....336
70004094.....414, 418	70004873..... 449	70005172 .. 234, 266, 292	70006048.....336
70004098..394, 398, 414, 418	70004875..... 447	70005173..... 233	70006049.....336
70004099..398, 401, 414, 418	70004876..... 95, 97	70005176..... 292	70006050.....336
70004102.....212	70004877..... 99	70005177 .. 233, 265, 292	70006051.....336
70004103.....212	70004883..... 61	70005180..... 265	70006052.....336
70004169.....405, 409	70004884..... 61	70005182..... 233, 265	70006053.....336
70004171..389, 394, 405, 409	70004885..... 61	70005183..... 233	70006054.....336
70004249.....87	70004886..... 61	70005184 .. 233, 265, 291	70006055.....336
70004250.....87	70004887..... 61	70005191..... 291	70006056.....336
70004251.....87	70004888..... 61	70005217..... 73	70006057.....336
70004252.....87	70004889..... 361	70005218..... 73	70006058.....336
70004253.....87	70004890..... 361	70005219..... 73, 760	70006059.....336
70004254.....87	70004891..... 361	70005243..... 449	70006060.....336
70004255.....87	70004892..... 361	70005504..... 291	70006061..... 336, 761
70004256.....87	70004893..... 361	70005505..... 291	70006062.....336
70004257.....87	70004894..... 361	70005507..... 291	70006063.....336
70004258.....87	70004895..... 361	70005567 . 598, 602, 610, 614, 618, 622	70006064.....336
70004259.....87	70004896..... 361	70005726..... 335	70006065.....336
	70004897..... 361, 760	70005727..... 335	70006066.....336
	70004898..... 361	70005737..... 335	70006067.....336
	70004899..... 362	70005745..... 335	70006068.....336
	70004900..... 362	70005746..... 335	70006069.....336
	70004901..... 362	70005747..... 335	70006070.....336
	70004902..... 362	70005751..... 335	70006071.....336
		70005931 .. 233, 265, 291	70006072.....336
		70005938..... 292	70006074.....336
			70006075.....336

## SECTION 11 - SPECIAL OPTIONS/ACCESSORIES/KITS

70006076 .....	336	70007856 .....	33	70008391 .....	89	70025088 .....	211
70006077 .....	336	70007857 .....	33	70008392 .....	89	70025091 .....	211
70006078 .....	336	70007858 .....	33	70008393 .....	89	70025121 .....	212
70006079 .....	336	70007859 .....	33	70008397 .....	77	70025123 .....	211, 212
70006080 .....	336	70007860 .....	33	70008400 .....	77	70025130 .....	291
70006093 .....	414, 418	70007861 .....	33	70008403 .....	77	70025131 .....	212
70006094 .....	414, 418	70007862 .....	33	70008404 .....	77	70025135 .....	233
70006095 .....	414, 418, 760	70007863 .....	33	70008405 .....	77	70025139 .....	211
70006096 .....	414, 418	70007864 .....	33	70008406 .....	77	70025140 .....	292
70006097 .....	414, 418	70007865 .....	33	70008407 .....	77	70025144 .....	292
70006104 .....	515	70007866 .....	33	70008408 .....	77	70025145 .....	292
70006105 .....	515	70007867 .....	33	70008422 .....	292	70025152 .....	292
70006144 .....	233	70007868 .....	33	70008431 .....	291	70025164 .....	233, 265, 291
70006256 .....	429	70007869 .....	33	70008435 .....	291	70025200 .....	233
70006271 .....	429	70007870 .....	33	70008498 .....	365	70025210 .....	233
70006356 .....	173, 183, 193, 205, 219, 225, 255, 257, 275, 283, 313, 327, 345	70007871 .....	33	70008502 .....	365	70025231 .....	233, 265, 291
70006379 .....	336	70007872 .....	33	70008504 .....	365	70025235 .....	292
70006428 .....	764	70007873 .....	33	70008507 .....	365	70025239 .....	233, 265, 291
70006429 .....	765	70007874 .....	33	70008537 .....	292	70025242 .....	292
70006552 .....	390, 394	70007875 .....	33	70008538 .....	292	70025619 .....	511
70006553 .....	390, 394, 761	70007876 .....	33	70008543 .....	291	70025667 .....	211
70006639 .....	336	70007877 .....	33	70008544 .....	291	70025693 .....	212
70006640 .....	336	70007878 .....	33	70008545 .....	291	70025694 .....	212
70006652 .....	233	70007896 .....	523	70008547 .....	291	70026210 .....	233, 265, 291
70006660 .....	447	70007897 .....	523	70008553 .....	291	70027405 .....	291
7000731 .....	28	70007898 .....	523	70008558 .....	291	70028185 .....	292
70007325 .....	233, 291	70007899 .....	523	70008559 .....	291	7002821 .....	767
70007326 .....	233, 265, 292	70007900 .....	523	70008561 .....	291	7002822 .....	767
70007354 .....	233, 265, 291	70008244 .....	509	70008564 .....	292	7002823 .....	767
70007360 .....	523	70008246 .....	509	70008600 .....	365	7002828 .....	767
70007556 .....	449	70008247 .....	509	70008622 .....	365	70028538 .....	291
70007603 .....	233, 265, 291	70008253 .....	101	70008623 .....	365	70028540 .....	233, 265, 291
70007719 .....	519	70008254 .....	101	70008624 .....	365	70029409 .....	291
70007720 .....	511, 519	70008256 .....	101	70008625 .....	365	70029451 .....	233, 265
70007721 .....	511, 519	70008258 .....	101	70008626 .....	365	70029512 .....	265, 291
70007722 .....	511, 519	70008259 .....	101	70008627 .....	365	70030360 .....	233, 265, 291
70007723 .....	511, 519	70008260 .....	101	70008628 .....	365	70030381 .....	233, 265, 292
70007724 .....	519	70008261 .....	101	70010383 .....	69, 71, 760	70031055 .....	291
70007728 .....	511	70008262 .....	101	70012257 .....	265	70031095 .....	234, 265
70007729 .....	511	70008263 .....	101	7001481 .....	362	70031136 .....	233, 265, 291
70007738 .....	513	70008264 .....	101	7001998 .....	27, 31	70031143 .....	265, 291
70007739 .....	513	70008265 .....	101	70023592 .....	197, 229, 239, 261, 760	70031144 .....	265, 291
70007740 .....	513	70008266 .....	101	70023593 .....	197, 229, 239, 261, 760	70031145 .....	233
70007741 .....	513	70008267 .....	101	70023606 .....	61	70031388 .....	291
70007742 .....	513	70008280 .....	523	70024262 .....	511	70031474 .....	291
70007743 .....	517	70008296 .....	292	70024494 .....	234, 266	7004035 .....	83
70007744 .....	517	70008371 .....	89	70024502 .....	265	7004036 .....	83
70007745 .....	517	70008372 .....	89	70024504 .....	233, 265, 291	7004043 .....	83
70007746 .....	517	70008373 .....	89	70024505 .....	291	7004044 .....	83
70007747 .....	517	70008374 .....	89	70024507 .....	233, 265	7004045 .....	83
70007748 .....	515	70008375 .....	89	70024507 .....	233, 265	7004047 .....	83
70007749 .....	515	70008376 .....	89	70024513 .....	233, 265, 291	7004049 .....	83
70007750 .....	515	70008377 .....	89	70024904 .....	234, 266, 292	7004275 .....	767
70007751 .....	515	70008378 .....	89	70024905 .....	233, 265, 266, 292	7004276 .....	767
70007752 .....	515	70008379 .....	89	70024906 .....	233, 265, 292	7007289 .....	362
70007847 .....	33	70008380 .....	89	70024913 .....	292	7007415 .....	361, 362
70007848 .....	33	70008381 .....	89	70024915 .....	233	7007419 .....	361
70007849 .....	33	70008382 .....	89	70024917 .....	291	7007420 .....	361, 362
70007850 .....	33	70008383 .....	89	70024919 .....	265	7007493 .....	362
70007851 .....	33	70008384 .....	89	70024920 .....	291	7007495 .....	361
70007852 .....	33	70008385 .....	89	70024925 .....	233	7007601 .....	27, 31
70007853 .....	33	70008386 .....	89	70024961 .....	233, 265	7007640 .....	27, 31
70007854 .....	33	70008387 .....	89	70025082 .....	211	7010429 .....	27, 31
70007855 .....	33	70008388 .....	89	70025084 .....	211, 212	7010543 .....	61
		70008389 .....	89	70025086 .....	212	7012513 .....	373, 377, 381, 385
		70008390 .....	89				

## SECTION 11 - SPECIAL OPTIONS/ACCESSORIES/KITS

7012514.....373, 377, 382, 385	7021257 ..... 361	7024800 ..... 361	8229249.....479, 761
7012558.....377	7021258 ..... 361	7024855 ..... 361	8305401.....316, 330
7012967 .....61, 517	7021259 ..... 361	7024857 ..... 361	8307109.....316, 330
7012974.....61	7021262 ..... 361	7024858 ..... 361	8310129.....487
7012998.....515, 517	7021263 ..... 361	7024881 ..... 61	8310548.....316, 330
7016331 ....211, 234, 266, 292, 760	7021265 ..... 361	7024884 ..... 517	8310614.....103
7016654.....767	7021268 ..... 361	7024885 ..... 61, 760	8310668.....429
7017059.....27, 31	7021276 ..... 362	7026042 ..... 87	8310686....128, 132, 136, 140, 144
7017067 .....27, 31	7021277 ..... 362	7026043 ..... 87	8405006....217, 223, 245, 251, 271, 279, 299, 301, 341, 347, 357
7017070.....27, 31	7021278 ..... 362	7026044 ..... 87	8405007....196, 228, 239, 261, 287, 351
7017080.....27, 31	7021281 ..... 361	7026045 ..... 87	8405009....196, 228, 239, 261, 287, 317, 331, 351
7017142.....439	7021290 ..... 362	7026046 ..... 87	8405102.....317, 331
7017159.....439	7021293 ..... 361	7026047 ..... 87	8405104....196, 228, 239, 261, 287, 317, 331, 351
7017162.....439	7021299 ..... 362	7026048 ..... 87	8405202....196, 228, 239, 261, 287, 317, 331, 351
7017163.....439	7021625 ..... 61	7026049 ..... 87	8405203.....317, 331
7017164.....439	7021639 ..... 61	7026050 ..... 87	8405204....196, 228, 239, 261, 287, 351
7017172.....439	7022300 ..... 361	7026051 ..... 87	8406109....196, 228, 239, 261, 287, 317, 331, 351
7017192.....439	7022341 ..... 361	7026052 ..... 87	8406110....198, 229, 239, 261, 287, 317, 331, 351
7017195.....439	7022346 ..... 362	7026053 ..... 87	8406201....198, 230, 239, 261, 287, 317, 331, 351
7017410.....61	7022347 ..... 362	7026057 ..... 87	8410001.....317, 331
7017467.....515, 517	7022390 ..... 73, 515	7026188 ..... 405, 409	8410009.....317, 331
7017496.....61, 515, 517	7022397 ..... 61	7026199 .... 377, 381, 385	8410011.....318
7017904.....335	7022399 ..... 61, 73	7026330 ..... 75	8410013....171, 181, 187, 191, 203, 217, 223, 245, 251, 341
7017932.....335	7023154 ..... 335	7026597 ... 405, 409, 414	8430007....217, 223, 245, 251, 271, 279, 341
7017959.....336	7023318 ..... 83	7026626 ... 405, 409, 414, 418	84521061.....385
7017992.....336, 760	7023900 ..... 73	7027236 ..... 211	84521062.....417
7019680.....377, 382, 386	7023936 ..... 73	7027350 ..... 87	85841094.....310, 324
7020023.....211, 760	7024182 ..... 27, 28	7027351 ..... 87	8760477....530, 536, 542, 548
7020026.....211	7024189 ..... 28	7027352 ..... 87	8770289....530, 536, 542, 548
7020108....373, 377, 382, 385	7024190 ..... 28	7027353 ..... 87	8786514.....49
7020109....373, 377, 382, 385	7024191 ..... 28	7027354 ..... 87	88521214.....501, 503
7020110....373, 377, 382, 385	7024192 ..... 28	7027355 ..... 87	88662523..128, 132, 136, 140, 144
7020111....373, 377, 382, 386	7024193 ..... 28	7027625 ..... 447	8881800....103, 598, 602, 606, 610, 614, 618, 622
7020190....373, 377, 382, 386	7024194 ..... 28	7027628 ..... 447, 760	91164057.....73
7020403.....211	7024196 ..... 28	7027790 ..... 212	91164059.....73
7020430.....211	7024197 ..... 28	7027791 ..... 212	91164079.....73
7020460.....211	7024379 ..... 83	7027792 ..... 212	91203039.....441
7020465.....211, 234, 292	7024380 ..... 83	7027796 ..... 212	
7020468.....211	7024381 ..... 83	7027799 ... 405, 409, 414, 418	
7020471 .....212	7024389 ..... 83	7027887 ... 374, 377, 382, 386	
7020479.....212	7024390 ..... 83	7027903 ..... 212	
7020492.....211, 212	7024441 ..... 97, 99	77363233 ..... 679	
7021237 .....361	7024453 ..... 83	80484084 .. 659, 663, 670	
7021238.....361	7024485 ... 405, 409, 760	80633030 ..... 542, 548	
7021239.....361	7024488 ... 405, 409, 413, 417	80963067 ..... 712	
7021240.....361	7024489 ... 405, 409, 413, 417	80983191 .. 659, 670, 760	
7021241.....361	7024565 ..... 212	82033995 ..... 318, 332	
7021242.....361	7024579 ... 211, 234, 266, 292	8220045 .... 675, 677, 711	
7021243.....361	7024705 ..... 27	8220051 ..... 673	
7021244.....361	7024712 ..... 27, 31	8220115 ..... 659, 669	
7021245.....361	7024713 ..... 27, 31	8220125 ..... 712	
7021246.....361	7024714 ..... 27, 31	8220164 ..... 659	
7021247.....361	7024715 ..... 27, 31	8229242 ... 659, 670, 712, 761	
7021248.....361	7024716 ..... 27, 31	8229244 ..... 712, 761	
7021249.....361	7024717 ..... 27	8229245 .... 675, 677, 761	
7021253.....361	7024718 ..... 28		







**Corporate Office  
JLG Industries, Inc.  
1 JLG Drive  
McConnellsburg, PA 17233-9533 USA**

**☎ (717) 485-5161 (Corporate)**  
**☎ (877) 554-5438 (Customer Support)**  
**📠 (717) 485-6417**

**Visit our website for JLG Worldwide Locations.  
[www.jlg.com](http://www.jlg.com)**



**OSHKOSH™**