



Illustrated Parts Manual

H800AJ

PVC 2407

3122316200

July 1, 2024 - Rev A

ANSI  **CE** 
AS/NZS

English (en-US)

REVISION LOG

July 1, 2024 - A - Original Issue Of Manual (Edited to B/M 1001247762 Rev O)

GENERAL INFORMATION



1) MACHINE IDENTIFICATION

Machines are identified by model and in some cases a combination of models, serial number (SN) or regional standard (i.e ANSI, CE, CSA). Components may also be identified by SN or manufacturer. Common components that may be identified by these characteristics are engines and hydraulic components.

2) PARTS MANUAL ORGANIZATION

Product information in this manual is organized under section titles. Frame, Cylinder, Hydraulic and Electrical are a few examples. Each section is organized by figure and page number. The information within the Figure is then organized by item number, part number, description and corresponding illustration (s).

3) TABLE OF CONTENTS (NOT SHOWN)

A table of contents is found toward the beginning of the manual. Figure number, description and page number are provided for quick reference to the page containing the related information.

4) RECOMMENDED SPARE PARTS (NOT SHOWN)

The Recommended Spare Parts List, located near the end of the manual, reference most frequently used maintenance parts.

5) PART NUMBER INDEX (NOT SHOWN)

A numerical index listing all part numbers and the corresponding page number(s) appears at the back of the manual.

GENERAL INFORMATION

6) NON-SERVICED PARTS

In some instances, it is necessary to display non-serviced parts, assemblies or installations. In the case of assemblies and installations there will be a Ref in the Qty. column. In case of parts that are not available for service within assemblies or components, there will be a NSS (Not Sold Separately) or NLA (No Longer Available) listed in the Qty. column of the manual.

7) PARTS LIST ITEM NUMBERS

Numbers shown in the item# column correspond to numbers used in the associated illustration (s). Item numbers which are missing from the sequence in the parts list are not used on that page.

8) INDENTED PARTS DESCRIPTION

An indented part description is included in the item under which it is indented.

9) ABBREVIATION AND SYMBOLS

AC.....	Alternating Current	L.....	Liter
ADE.....	Advanced Design Electronics	LB(LBS).....	Pounds
AG.....	Agricultural	LCD.....	Liquid Crystal Display
ANSI.....	American National Standards Institute	LED.....	Light Emitting Diodes
AR.....	As Required	LH.....	Left Hand
ASSY.....	Assembly	LRC.....	Low Rated Countries
AUS.....	Australia	LSS.....	Load Sensing System
AUX.....	Auxiliary	M(m).....	Metric/Meter
AWG.....	American Wire Gauge	MM(mm).....	Milimeter
B/M.....	Bill of Material	mA.....	Miliamps
CAC.....	Charge Air Cooler	NLA.....	No Longer Available
CE.....	European Conformity	NPT.....	National Pipe Threads
CCW.....	Counter Clockwise	NSS.....	Not Sold Separately
CM.....	Centimeter	OD.....	Outside Diameter
CW.....	Clockwise	ORB.....	O-Ring Boss
CSA.....	Canadian Standards Association	ORFS.....	O-Ring Face Seal
CYL.....	Cylinder	OZ (oz).....	Ounces
DIA.....	Diameter	PG.....	Page
DC.....	Direct Current	PN.....	Part Number
DEF.....	Diesel Exhaust Fluid	QT(qt.).....	Quarts
EMS.....	Emergency Stop	QTY.....	Quantity
ENG.....	Engine	REF.....	Reference
FT(ft).....	Feet	REV.....	Revision Level
GA(Ga).....	Gauge	RH.....	Right Hand
HRC.....	High Rated Countries	SAE.....	Society of Automotive Engineers
HVAC.....	Heating, Ventilating, and Air Conditioning	SN.....	Serial Number
HYD.....	Hydraulic	SPEC(S).....	Specifications
Hz.....	Hertz	T/T.....	Turntable
ID.....	Inside Diameter	UGM.....	Universal Ground Module
IN.....	inches	V.....	Volts
ISO.....	International Organization for Standards	W.....	Watts
JIC.....	Joint Industry Council	#.....	Number
KG.....	Kilogram		

10) ILLUSTRATION REFERENCE LETTERS

When necessary, illustrations may contain reference letters that are intended to track information (i. e. hoses, harnesses) from one point to another or to track visual enlargement of components to show details that may be located in another area on the illustration.

Note: Due to continuous product improvements, JLG Industries, Inc. reserves the right to make specification changes without prior notification. Contact JLG Industries, Inc. for updated information.

TABLE OF CONTENTS

SECTION 1 - FRAME.....	13
FIGURE 1-1. AXLE INSTALLATION - WITHOUT TOW PACKAGE.....	14
FIGURE 1-2. AXLE INSTALLATION - WITH TOW PACKAGE.....	16
FIGURE 1-3. STEER INSTALLATION - WITHOUT TOW PACKAGE.....	18
FIGURE 1-4. STEER INSTALLATION - WITH TOW PACKAGE.....	20
FIGURE 1-5. WHEEL DRIVE AND FRAME VALVES INSTALLATION.....	22
FIGURE 1-6. DRIVE HUB/BRAKE ASSEMBLY.....	24
FIGURE 1-7. DRIVE MOTOR ASSEMBLY.....	26
FIGURE 1-8. TIRE & WHEEL INSTALLATION - 15-625 NHS FOAM-FILLED.....	28
FIGURE 1-9. TIRE AND WHEEL INSTALLATION - 18-625 NHS FOAM-FILLED.....	30
FIGURE 1-10. TIRE AND WHEEL INSTALLATION - 18-625 NHS FOAM-FILLED NON-MARKING.....	32
FIGURE 1-11. FRAME SHIELDS INSTALLATION.....	34
FIGURE 1-12. TOW PACKAGE INSTALLATION (OPTIONAL) (ANSI, SPECS).....	36
FIGURE 1-13. TOW BAR ASSEMBLY.....	38
SECTION 2 - TURNTABLE.....	41
FIGURE 2-1. VALVES INSTALLATION.....	42
FIGURE 2-2. MAIN VALVE ASSEMBLY.....	44
FIGURE 2-3. BRAKE/2 SPEED VALVE ASSEMBLY.....	48
FIGURE 2-4. SWING DRIVE INSTALLATION.....	50
FIGURE 2-5. SWING MOTOR/HUB ASSEMBLY.....	52
FIGURE 2-6. TURNTABLE BEARING AND LUBE INSTALLATION.....	54
FIGURE 2-7. TURNTABLE LOCK INSTALLATION.....	56
FIGURE 2-8. ROTARY COUPLING INSTALLATION.....	58
FIGURE 2-9. TANKS INSTALLATION.....	60
FIGURE 2-10. HYDRAULIC TANK ASSEMBLY.....	62
FIGURE 2-11. FUEL TANK ASSEMBLY.....	64
FIGURE 2-12. OIL COOLER INSTALLATION.....	66
FIGURE 2-13. BATTERY BOXES INSTALLATION.....	68
FIGURE 2-14. BATTERY CHARGERS INSTALLATION (FACTORY SUPPLIED 220V PLUG).....	72
FIGURE 2-15. BATTERY CHARGERS INSTALLATION (CUSTOMER SUPPLIED PLUG).....	74
FIGURE 2-16. ELECTRICAL SYSTEM INSTALLATION.....	76
FIGURE 2-17. IMG CONTROL BOX ASSEMBLY.....	78
FIGURE 2-18. ELECTRICAL ASSEMBLY - 12V FUSE BOX.....	82
FIGURE 2-19. GROUND CONTROL BOX ASSEMBLY.....	84
FIGURE 2-20. LIGHT PANEL INSTALLATION - GROUND CONTROL.....	86
FIGURE 2-21. GROUND CONTROL PANEL DECAL INSTALLATION (WITHOUT MSSO & WITHOUT TOWER STOW).....	88
FIGURE 2-22. GROUND CONTROL PANEL DECAL INSTALLATION (WITHOUT MSSO & WITH TOWER STOW).....	90
FIGURE 2-23. GROUND CONTROL PANEL DECAL INSTALLATION (WITH MSSO & WITHOUT TOWER STOW).....	92
FIGURE 2-24. GROUND CONTROL PANEL DECAL INSTALLATION (WITH MSSO & WITH TOWER STOW).....	94
FIGURE 2-25. ALARM INSTALLATION.....	96
FIGURE 2-26. WHITE NOISE ALARM INSTALLATION - ADJUSTABLE AMBIENT.....	98
FIGURE 2-27. WHITE NOISE MOTION ALARM INSTALLATION - AMBIENT.....	100
FIGURE 2-28. STROBE LIGHT INSTALLATION - AMBER.....	102
FIGURE 2-29. STROBE LIGHT INSTALLATION - BLUE.....	104

TABLE OF CONTENTS

FIGURE 2-30. STROBE LIGHT INSTALLATION - RED (OPTIONAL).....	106
FIGURE 2-31. HEAT SHIELD AND ACCESS PANELS INSTALLATION	108
FIGURE 2-32. HOODS INSTALLATION	110
FIGURE 2-33. HOOD ASSEMBLY - TANK SIDE.....	114
FIGURE 2-34. HOOD ASSEMBLY - ENGINE SIDE	116
SECTION 3 - ENGINE	119
FIGURE 3-1. ENGINE INSTALLATION (KUBOTA ENGINE).....	120
FIGURE 3-2. ENGINE AND PUMPS SUB-ASSEMBLY	124
FIGURE 3-3. ENGINE AND TRAY ASSEMBLY	126
FIGURE 3-4. ENGINE AND GENERATOR ASSEMBLY	130
FIGURE 3-5. ENGINE AND CLUTCH ASSEMBLY.....	132
FIGURE 3-6. ENGINE FAN MOUNTING ASSEMBLY (H800AJ).....	134
FIGURE 3-7. KUBOTA ENGINE COMPONENTS.....	136
FIGURE 3-8. GENERATOR ASSEMBLY.....	140
FIGURE 3-9. VARIABLE PUMP ASSEMBLY	142
FIGURE 3-10. HYDROSTATIC PUMP ASSEMBLY	144
FIGURE 3-11. FUEL/WATER SEPARATOR ASSEMBLY	146
FIGURE 3-12. ENGINE HOOD Baffles INSTALLATION.....	148
FIGURE 3-13. TRAY JACK INSTALLATION	150
FIGURE 3-14. 4000W GENERATOR INSTALLATION - 220V/50HZ (OPTIONAL)	152
FIGURE 3-15. 7500W SKYPOWER GENERATOR INSTALLATION - 220V/50HZ (OPTIONAL).....	156
FIGURE 3-16. 7500W SKYPOWER GENERATOR INSTALLATION - 110V/60HZ (OPTIONAL).....	160
SECTION 4 - BOOM.....	163
FIGURE 4-1. BOOM AND CYLINDER INSTALLATION.....	164
FIGURE 4-2. MAIN BOOM ASSEMBLY	166
FIGURE 4-3. TOWER BOOM ASSEMBLY	168
FIGURE 4-4. JIB ASSEMBLY	170
FIGURE 4-5. ROTATOR ASSEMBLY.....	172
FIGURE 4-6. POWER TRACK INSTALLATION - MAIN BOOM	174
FIGURE 4-7. POWER TRACK INSTALLATION - TOWER BOOM	176
FIGURE 4-8. BOOM VALVES INSTALLATION	178
FIGURE 4-9. BOOM VALVE ASSEMBLY.....	180
FIGURE 4-10. BOOM VALVE AND LIMIT SWITCHES INSTALLATION (WITHOUT TOWER STOW)	182
FIGURE 4-11. BOOM VALVE AND LIMIT SWITCHES INSTALLATION (WITH TOWER STOW).....	184
FIGURE 4-12. TILT SENSOR INSTALLATION.....	186
FIGURE 4-13. TRANSPORT POSITION SWITCH INSTALLATION (CE & UK CA SPECS)	188
FIGURE 4-14. PLATFORM SUPPORT INSTALLATION	190
SECTION 5 - PLATFORM	193
FIGURE 5-1. PLATFORM ASSEMBLY - 30IN X 4FT (76CM X 1.22M) WITH SWING GATE	194
FIGURE 5-2. PLATFORM ASSEMBLY - 30IN X 4FT (76CM X 1.22M) WITH DROP BAR	196
FIGURE 5-3. PLATFORM ASSEMBLY - 30IN X 6FT (76CM X 1.83M) WITH SWING GATE	198
FIGURE 5-4. PLATFORM ASSEMBLY - 30IN X 6FT (76CM X 1.83M) WITH DROP BAR	200
FIGURE 5-5. PLATFORM ASSEMBLY - 36IN X 6FT (91.5CM X 1.83M) WITH SWING GATE	202

TABLE OF CONTENTS

FIGURE 5-6. PLATFORM ASSEMBLY - 36IN X 6FT (91.5CM X 1.83M) WITH DROP BAR	204
FIGURE 5-7. PLATFORM ASSEMBLY - 36IN X 6FT (91.5CM X 1.83M) WITH FALL ARREST (ANSI, ANSI EXPORT, CHINA & CSA SPECS).....	206
FIGURE 5-8. PLATFORM ASSEMBLY - 36IN X 8FT (91.5CM X 2.44M) WITH SWING GATE	208
FIGURE 5-9. PLATFORM ASSEMBLY - 36IN X 8FT (91.5CM X 2.44M) WITH DROP BAR	210
FIGURE 5-10. PLATFORM ASSEMBLY - 36IN X 8FT (91.5CM X 2.44M) WITH FALL ARREST	212
FIGURE 5-11. TRAY ASSEMBLY	214
FIGURE 5-12. PLATFORM CONSOLE AND FOOTSWITCH INSTALLATION (WITHOUT TOWER STOW)	216
FIGURE 5-13. PLATFORM CONSOLE AND FOOTSWITCH INSTALLATION (WITH TOWER STOW).....	218
FIGURE 5-14. PLATFORM CONSOLE BOX ASSEMBLY (WITHOUT TOWER STOW)	220
FIGURE 5-15. PLATFORM CONSOLE BOX ASSEMBLY (WITH TOWER STOW).....	224
FIGURE 5-16. LIGHT PANEL INSTALLATION	228
FIGURE 5-17. JIB SWITCH INSTALLATION	230
FIGURE 5-18. FOOTSWITCH ASSEMBLY.....	232
FIGURE 5-19. SOFT TOUCH INSTALLATION - 6FT (1.83M) PLATFORM (OPTIONAL).....	234
FIGURE 5-20. SOFT TOUCH INSTALLATION - 6FT (1.83M) FALL ARREST PLATFORM (OPTIONAL).....	236
FIGURE 5-21. SOFT TOUCH INSTALLATION - 8FT (2.4M) PLATFORM (OPTIONAL).....	238
FIGURE 5-22. SOFT TOUCH INSTALLATION - 8FT (2.4M) FALL ARREST PLATFORM (OPTIONAL).....	240
FIGURE 5-23. SKYEYE INSTALLATION	242
FIGURE 5-24. SKYGUARD BAR INSTALLATION	244
FIGURE 5-25. SKYLINE INSTALLATION	246
FIGURE 5-26. SKYGLAZIER INSTALLATION (ANSI, ANSI EXPORT, AUSTRALIAN & CSA SPECS)	248
FIGURE 5-27. SKYWELDER INSTALLATION (50HZ).....	250
FIGURE 5-28. SKYWELDER INSTALLATION (60HZ).....	252
FIGURE 5-29. SKYWELDER PREP PACKAGE (60HZ)	254
FIGURE 5-30. WELDER ASSEMBLY	256
FIGURE 5-31. FALL ARREST INSTALLATION (BOLT-ON) 30IN X 4FT (76CM X 1.22M) PLATFORM	258
FIGURE 5-32. FALL ARREST INSTALLATION (BOLT-ON) 36IN X 6FT (91.2CM X 1.82M) PLATFORM	260
FIGURE 5-33. FALL ARREST INSTALLATION (BOLT-ON) 30IN X 6FT (76CM X 1.83M) PLATFORM	262
FIGURE 5-34. FALL ARREST INSTALLATION (BOLT-ON) 36IN X 8FT (91.5CM X 2.4M) PLATFORM	264
SECTION 6 - CYLINDER	267
FIGURE 6-1. AXLE LOCKOUT CYLINDER ASSMBLY.....	268
FIGURE 6-2. LEVEL (SLAVE) CYLINDER ASSEMBLY - JIB	270
FIGURE 6-3. LEVEL (SLAVE) CYLINDER ASSEMBLY - UPRIGHT	272
FIGURE 6-4. LIFT CYLINDER ASSEMBLY - JIB.....	274
FIGURE 6-5. LIFT CYLINDER ASSEMBLY - MAIN BOOM	276
FIGURE 6-6. LIFT CYLINDER ASSEMBLY - TOWER BOOM.....	278
FIGURE 6-7. MASTER CYLINDER ASSEMBLY.....	280
FIGURE 6-8. STEER CYLINDER ASSEMBLY.....	282
FIGURE 6-9. TELESCOPE CYLINDER ASSEMBLY - MAIN BOOM	284
FIGURE 6-10. TELESCOPE CYLINDER ASSEMBLY - TOWER BOOM.....	286
SECTION 7 - HYDRAULIC	289
FIGURE 7-1. AXLE LOCKOUT HYDRAULIC DIAGRAM	290
FIGURE 7-2. DRIVE HYDRAULIC DIAGRAM.....	292

TABLE OF CONTENTS

FIGURE 7-3. STANDARD HYDRAULIC DIAGRAM.....	298
FIGURE 7-4. TOW HYDRAULIC DIAGRAM.....	302
SECTION 8 - ELECTRICAL.....	305
FIGURE 8-1. AC BOX AT PLATFORM INSTALLATION - 110V GFI RECEPTACLE (ALL SPECS EXCEPT AUSTRALIAN, CE & UK CA SPECS).....	306
FIGURE 8-2. AC BOX AT PLATFORM INSTALLATION - 110V IEC YELLOW (CE & UK CA SPECS) (MACHINES WITHOUT 4000W GENERATOR).....	308
FIGURE 8-3. AC BOX AT PLATFORM INSTALLATION - 110V IEC YELLOW (CE & UK CA SPECS) (MACHINES WITH 4000W GENERATOR).....	310
FIGURE 8-4. AC BOX AT PLATFORM INSTALLATION - 220V (ANSI, CSA & JAPANESE SPECS).....	312
FIGURE 8-5. AC BOX AT PLATFORM INSTALLATION - 220V IEC BLUE (CE & UK CA SPECS) (MACHINES WITHOUT 4000W GENERATOR).....	314
FIGURE 8-6. AC BOX AT PLATFORM INSTALLATION - 220V IEC BLUE (CE & UK CA SPECS) (MACHINES WITH 4000W GENERATOR).....	316
FIGURE 8-7. AC BOX AT PLATFORM INSTALLATION - 220V CEE7 2X4 POST GROUND (CE & UK CA SPECS) (MACHINES WITHOUT 4000W GENERATOR).....	318
FIGURE 8-8. AC BOX AT PLATFORM INSTALLATION - 220V CEE7 2X4 POST GROUND (CE & UK CA SPECS) (MACHINES WITH 4000W GENERATOR).....	320
FIGURE 8-9. AC BOX AT PLATFORM INSTALLATION - 220V CEE7 2X4 SIDE GROUND (CE & UK CA SPECS) (MACHINES WITHOUT 4000W GENERATOR).....	322
FIGURE 8-10. AC BOX AT PLATFORM INSTALLATION - 220V CEE7 2X4 SIDE GROUND (CE & UK CA SPECS) (MACHINES WITH 4000W GENERATOR).....	324
FIGURE 8-11. AC BOX AT PLATFORM INSTALLATION - 220V AFSINT 107 (CE & UK CA SPECS) (MACHINES WITHOUT 4000W GENERATOR).....	326
FIGURE 8-12. AC BOX AT PLATFORM INSTALLATION - 220V AFSINT 107 (CE & UK CA SPECS) (MACHINES WITH 4000W GENERATOR).....	328
FIGURE 8-13. AC BOX AT PLATFORM INSTALLATION - BOX WITH COVER (ANSI EXPORT, AUSTRALIAN, CHINA & JAPANESE SPECS).....	330
FIGURE 8-14. AC BOX AT PLATFORM INSTALLATION - 240V RECEPTACLE (WITH 4000W GENERATOR) (ALL SPECS EXCEPT ANSI & CSA SPECS).....	332
FIGURE 8-15. AC BOX AT PLATFORM INSTALLATION - 240V RECEPTACLE (WITH 7500W SKYPOWER GENERATOR) (ANSI & CSA SPECS).....	334
FIGURE 8-16. AC BOX AT PLATFORM MID-BOOM PLUG INSTALLATION (WITHOUT 7500W SKYPOWER GENERATOR) (ALL SPECS EXCEPT ANSI & CSA SPECS).....	336
FIGURE 8-17. AC BOX AT PLATFORM MID-BOOM PLUG INSTALLATION (WITH 7500W SKYPOWER GENERATOR).....	338
FIGURE 8-18. AC BREAKER BOX INSTALLATION - WITH 2 BREAKERS (CE & UK CA SPECS WITH 4000W GENERATOR).....	340
FIGURE 8-19. AC BREAKER BOX INSTALLATION - WITH 2 BREAKERS (BRAZIL SPECS).....	342
FIGURE 8-20. AC BREAKER BOX INSTALLATION - WITH 3 BREAKERS (CE & UK CA SPECS WITH 4000W GENERATOR).....	344
FIGURE 8-21. BATTERY CABLES INSTALLATION.....	346
FIGURE 8-22. BATTERY STACK HARNESS (LH).....	348
FIGURE 8-23. BATTERY STACK HARNESS (RH).....	350
FIGURE 8-24. BOOM VALVE HARNESS.....	352
FIGURE 8-25. BOOM CABLES INSTALLATION (MACHINES WITHOUT GENERATOR).....	354
FIGURE 8-26. BOOM CABLES INSTALLATION (AUSTRALIAN SPECS WITH 4000W GENERATOR).....	356
FIGURE 8-27. BOOM CABLES INSTALLATION (CE & UK CA SPECS WITH 4000W GENERATOR).....	358
FIGURE 8-28. BOOM CABLES INSTALLATION (ALL SPECS EXCEPT CE & UK CA SPECS WITH 7500W GENERATOR).....	360
FIGURE 8-29. BOOM CABLE - MAIN BOOM.....	362
FIGURE 8-30. BOOM CABLE - TOWER BOOM.....	364

TABLE OF CONTENTS

FIGURE 8-31. BREAKER BOX KIT - WITH 2 BREAKERS (CE & UK CA SPECS WITHOUT 4000W GENERATOR & BRAZIL SPECS)	366
FIGURE 8-32. BREAKER BOX KIT - WITH 2 BREAKERS (CE & UK CA SPECS WITH 4000W GENERATOR) (H800AJ)	368
FIGURE 8-33. BREAKER BOX KIT - WITH 3 BREAKERS (CE & UK CA SPECS WITH 4000W GENERATOR)	370
FIGURE 8-34. CLEARSKY INSTALLATION - 3 WIRE GT1030	372
FIGURE 8-35. CLEARSKY INSTALLATION - CANBUS (ANSI SPECS).....	374
FIGURE 8-36. CLEARSKY INSTALLATION - CANBUS (AUSTRALIAN SPECS)	376
FIGURE 8-37. CLEARSKY INSTALLATION - CANBUS (CE SPECS)	378
FIGURE 8-38. CLEARSKY INSTALLATION - CANBUS (CHINA SPECS).....	380
FIGURE 8-39. CLEARSKY TELEMATCIS HARNESS (3-WIRE)	382
FIGURE 8-40. CLEARSKY TELEMATCIS HARNESS (CANBUS).....	384
FIGURE 8-41. CHARGER HARNESS.....	386
FIGURE 8-42. CONTROL HARNESS	388
FIGURE 8-43. ELECTRICAL SYSTEM INSTALLATION.....	390
FIGURE 8-44. ENGINE HARNESS - KUBOTA	392
FIGURE 8-45. ENGINE TRAY HARNESS	394
FIGURE 8-46. GENERATOR HARNESS - 4000W.....	396
FIGURE 8-47. GENERATOR HARNESS - 7500W SKYPOWER.....	398
FIGURE 8-48. GENERATOR HARNESS - 4000W AND 7500W SKYPOWER	400
FIGURE 8-49. GROUND CONTROL BOX HARNESS.....	402
FIGURE 8-50. H-BRIDGE/CLUTCH HARNESS.....	404
FIGURE 8-51. HYBRID 84V HARNESS.....	406
FIGURE 8-52. HOURMETER JUMPER HARNESS.....	408
FIGURE 8-53. MAIN VALVE HARNESS	410
FIGURE 8-54. PLATFORM CONSOLE BOX HARNESS	412
FIGURE 8-55. RECEPTACLE BOX KIT - 110V IEC YELLOW (CE & UK CA SPEC)	416
FIGURE 8-56. RECEPTACLE BOX KIT - 220V IEC BLUE (CE & UK CA SPEC).....	418
FIGURE 8-57. RECEPTACLE BOX KIT - 220V CEE7 POST GROUND 2X4 BOX (CE & UK CA SPEC)	420
FIGURE 8-58. RECEPTACLE BOX KIT - 220V CEE7 SIDE GROUND (CE & UK CA SPEC).....	422
FIGURE 8-59. RECEPTACLE BOX KIT - 220V AFSINT 107 (CE & UK CA SPEC).....	424
FIGURE 8-60. RESOLVER/CONVERTER/INVERTER HARNESS.....	426
FIGURE 8-61. SKYEYE INTERMEDIATE HARNESS.....	428
FIGURE 8-62. SKYEYE RECEIVER HARNESS	430
FIGURE 8-63. SKYEYE EMITTER HARNESS.....	432
FIGURE 8-64. SKYGUARD INTERFACE HARNESS	434
FIGURE 8-65. SKYLINE HARNESS.....	436
FIGURE 8-66. STROBE LIGHT CONTROL HARNESS (BLUE & RED LIGHTS)	438
FIGURE 8-67. TURNTABLE HARNESS	440
FIGURE 8-68. TURNTABLE/FUSE PANEL HARNESS	442
FIGURE 8-69. USB RECEPTACLE INSTALLATION	444
FIGURE 8-70. WHITE NOISE ALARM HARNESS.....	446
SECTION 9 - DECALS.....	449
FIGURE 9-1. DECAL INSTALLATION - ANSI SPECS (ENGLISH LANGUAGE)	450
FIGURE 9-2. DECAL INSTALLATION - AUSTRALIAN SPECS (ENGLISH LANGUAGE)	452
FIGURE 9-3. DECAL INSTALLATION - BRAZIL SPECS (ENGLISH/PORTUGUESE LANGUAGES).....	454

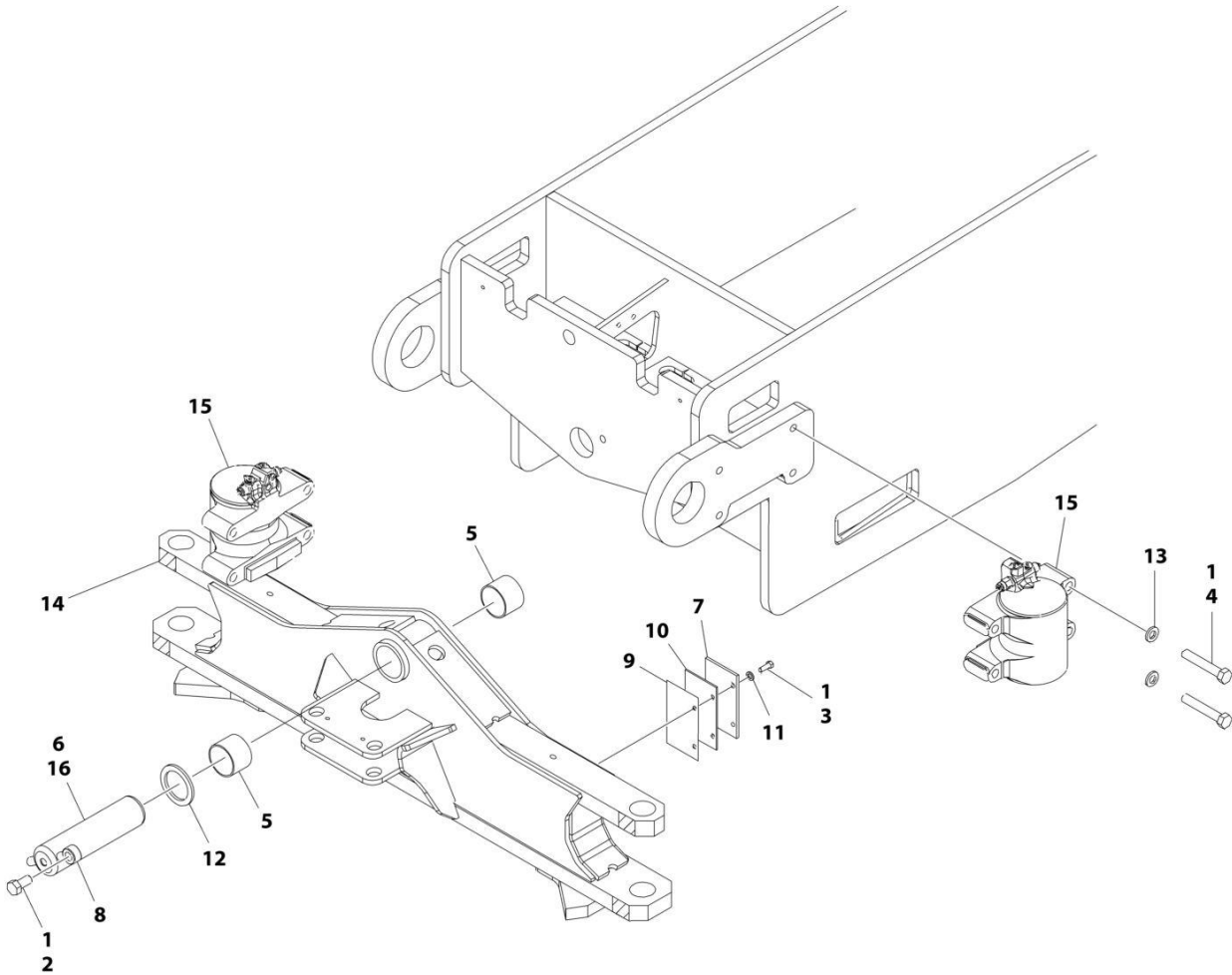
TABLE OF CONTENTS

FIGURE 9-4. DECAL INSTALLATION - CE & UK CA SPECS (ENGLISH LANGUAGE).....	456
FIGURE 9-5. DECAL INSTALLATION - CHINA SPECS (ENGLISH/CHINESE LANGUAGES).....	458
FIGURE 9-6. DECAL INSTALLATION - CSA SPECS (ENGLISH/FRENCH LANGUAGES)	460
FIGURE 9-7. DECAL INSTALLATION - JAPANESE SPECS (ENGLISH/JAPANESE LANGUAGES)	462
FIGURE 9-8. DECAL INSTALLATION - KOREAN SPECS (ENGLISH/KOREAN LANGUAGES)	464
FIGURE 9-9. DECAL INSTALLATION - LATIN AMERICAN SPECS (ENGLISH/SPANISH LANGUAGES)	466
FIGURE 9-10. DECALS INSTALLATION - OPTIONS.....	468
FIGURE 9-11. DECAL INSTALLATION - SKYWELDER - 50HZ.....	470
FIGURE 9-12. DECAL INSTALLATION - SKYWELDER - 60HZ.....	472
SECTION 10 - RECOMMENDED SERVICE PARTS STOCK.....	475
FIGURE 10-1. RECOMMENDED SERVICE PARTS STOCK.....	476
SECTION 11 - SPECIAL OPTIONS/ACCESSORIES/KITS.....	479
FIGURE 11-1. SPECIAL OPTIONS/ACCESSORIES/KITS.....	480
PART NUMBER INDEX.....	483

SECTION 1 - FRAME

SECTION 1 - FRAME

FIGURE 1-1. AXLE INSTALLATION - WITHOUT TOW PACKAGE



ART_1001154584

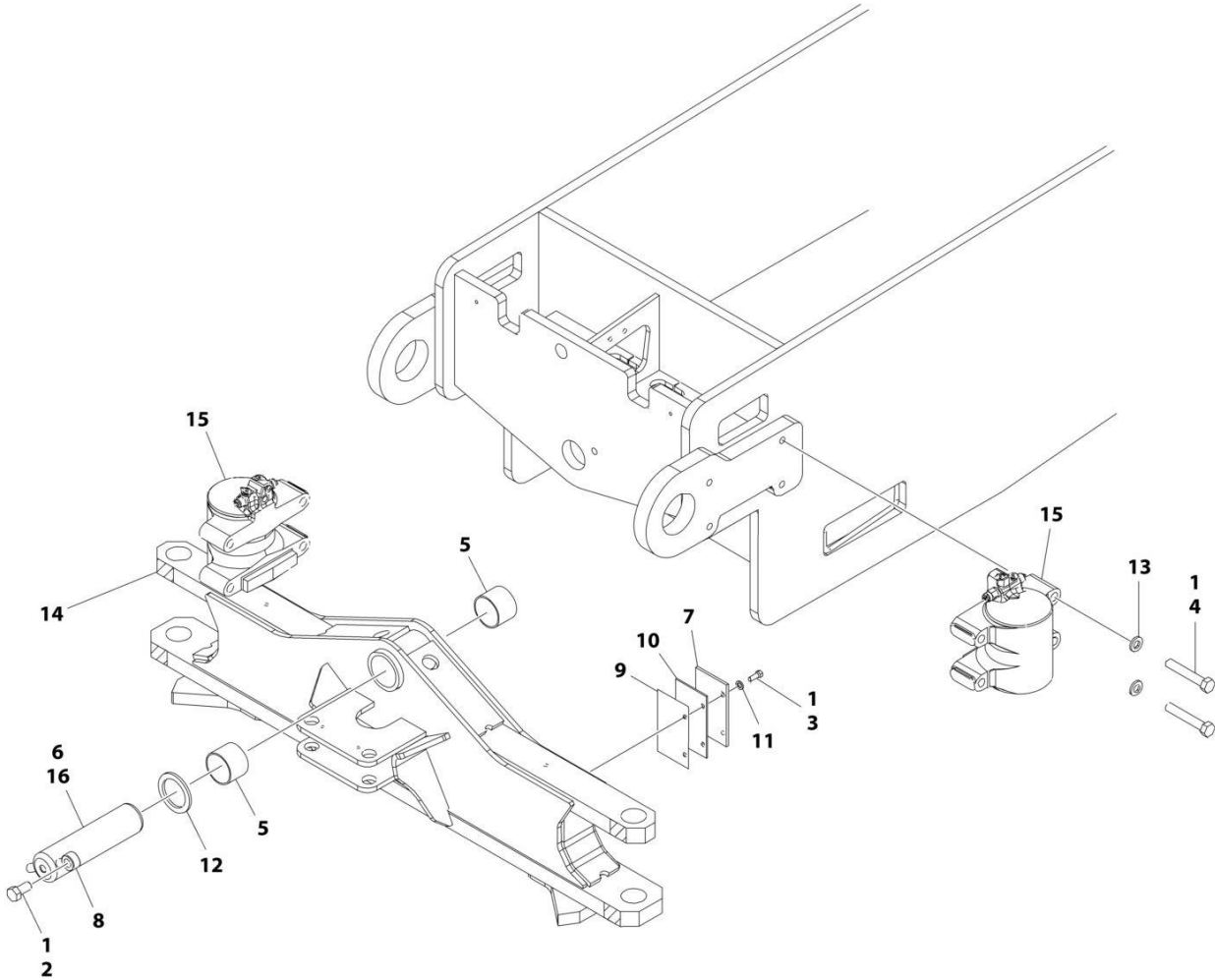
SECTION 1 - FRAME

FIGURE 1-1. AXLE INSTALLATION - WITHOUT TOW PACKAGE

ITEM	PART NUMBER	QTY	DESCRIPTION	REV
	1001154584	Ref	AXLE INSTALLATION	D
1	0100011	AR	Compound, Locking	
2	0642212	1	Bolt 3/4 x 1-1/2	
3	0681608	4	Bolt 3/8 x 1 Grade 8	
4	0682236	8	Bolt 3/4 x 4-1/2 Grade 8	
5	0962102	2	Bushing	
6	3020039	AR	Lubricant	
7	3538047	2	Shim .25	
8	3841287	1	Keeper, Pin	
9	4070878	AR	Shim 16 Gauge	
10	4070879	AR	Shim 11 Gauge	
11	4711600	4	Washer 3/8	
12	4740472	1	Washer	
13	4892200	8	Washer 3/4	
14	1001152719	1	Axle	
15	1001204560	2	Axle Lockout Cylinder Assembly (See Separate Breakdown in CYLINDER SECTION)	
16	1001156710	1	Pin	

SECTION 1 - FRAME

FIGURE 1-2. AXLE INSTALLATION - WITH TOW PACKAGE



ART_1001155194

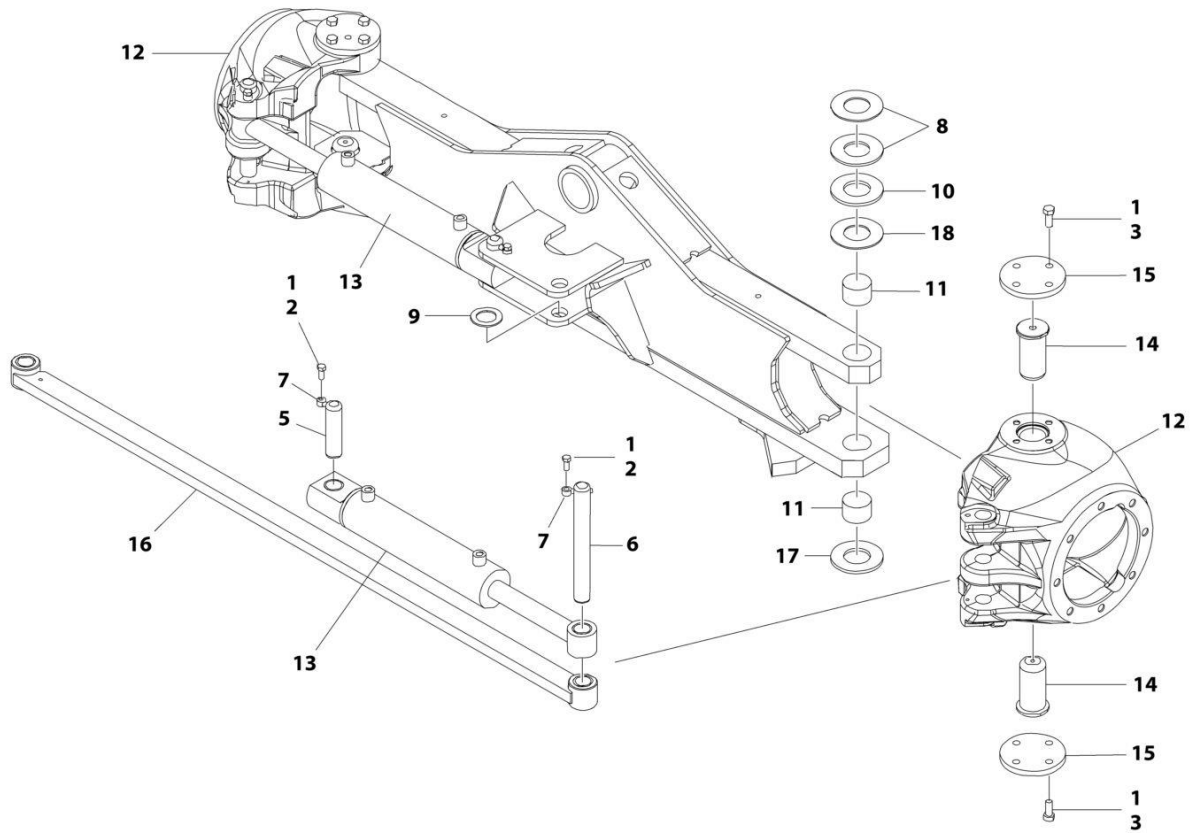
SECTION 1 - FRAME

FIGURE 1-2. AXLE INSTALLATION - WITH TOW PACKAGE

ITEM	PART NUMBER	QTY	DESCRIPTION	REV
	1001155194	Ref	AXLE INSTALLATION	D
1	0100011	AR	Compound, Locking	
2	0642212	1	Bolt 3/4 x 1-1/2	
3	0681608	4	Bolt 3/8 x 1 Grade 8	
4	0682236	8	Bolt 3/4 x 4-1/2 Grade 8	
5	0962102	2	Bushing	
6	3020039	AR	Lubricant	
7	3538047	2	Shim .25	
8	3841287	1	Keeper, Pin	
9	4070878	AR	Shim 16 Gauge	
10	4070879	AR	Shim 11 Gauge	
11	4711600	4	Washer 3/8	
12	4740472	1	Washer	
13	4892200	8	Washer 3/4	
14	1001154875	1	Axle	
15	1001204560	2	Axle Lockout Cylinder Assembly (See Separate Breakdown in CYLINDER SECTION)	
16	1001156710	1	Pin	

SECTION 1 - FRAME

FIGURE 1-3. STEER INSTALLATION - WITHOUT TOW PACKAGE



ART_1001151034

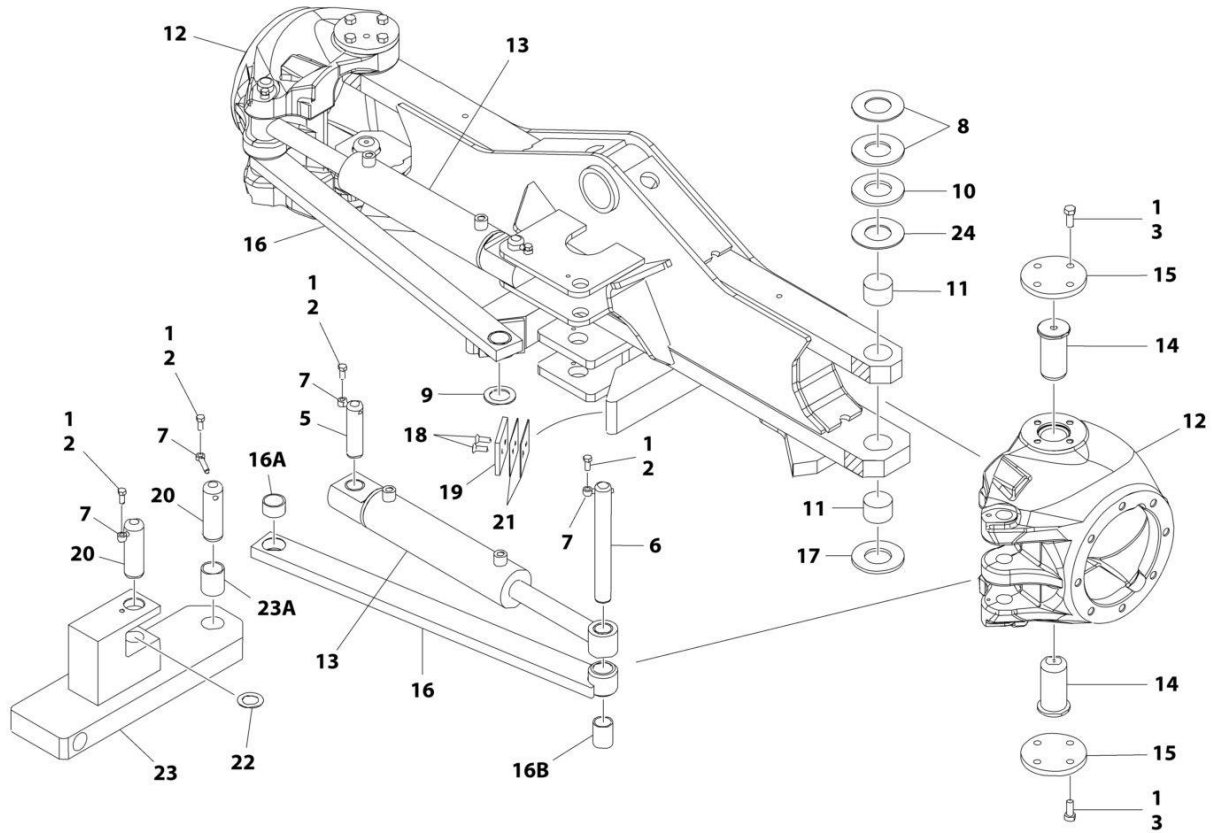
SECTION 1 - FRAME

FIGURE 1-3. STEER INSTALLATION - WITHOUT TOW PACKAGE

ITEM	PART NUMBER	QTY	DESCRIPTION	REV
	1001151034	Ref	STEER INSTALLATION	H
1	0100011	AR	Compound, Locking	
2	0641607	4	Bolt 3/8 x 7/8	
3	0641810	16	Bolt 1/2 x 1-1/4	
5	3422417	2	Pin	
6	3422790	2	Pin	
7	3841520	4	Keeper, Pin	
8	4740256	AR	Washer, Thrust	
9	4740473	2	Washer	
10	1001103810	AR	Washer, Thrust	
11	1001165657	4	Bearing	
12	1001150372	2	Spindle	
13	1001150539	2	Steer Cylinder Assembly (See Separate Breakdown in CYLINDER SECTION)	
14	1001161355	4	Kingpin	
15	1001150937	4	Plate	
16	1001151980	1	Tie-Rod	
17	1001161399	2	Washer, Thrust	
18	4740463	AR	Washer, Thrust	

SECTION 1 - FRAME

FIGURE 1-4. STEER INSTALLATION - WITH TOW PACKAGE



ART_1001155192

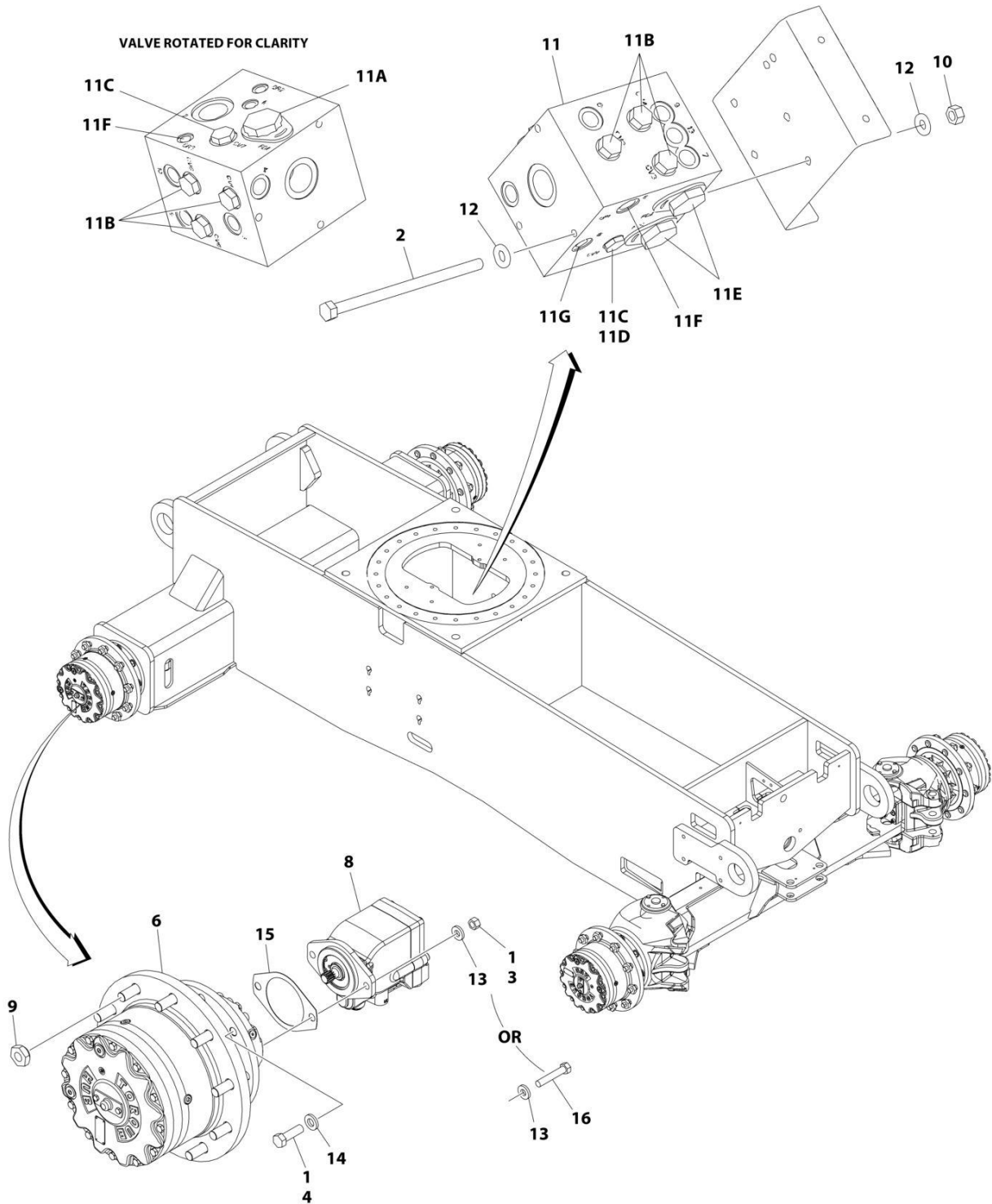
SECTION 1 - FRAME

FIGURE 1-4. STEER INSTALLATION - WITH TOW PACKAGE

ITEM	PART NUMBER	QTY	DESCRIPTION	REV
	1001155192	Ref	STEER INSTALLATION	G
1	0100011	AR	Compound, Locking	
2	0641607	6	Bolt 3/8 x 7/8	
3	0641810	16	Bolt 1/2 x 1-1/4	
5	3422417	2	Pin	
6	3422790	2	Pin	
7	3841520	6	Keeper, Pin	
8	4740256	AR	Washer, Thrust	
9	4740473	2	Washer	
10	1001103810	AR	Washer, Thrust	
11	1001165657	4	Bearing	
12	1001150372	2	Spindle	
13	1001150539	2	Steer Cylinder Assembly (See Separate Breakdown in CYLINDER SECTION)	
14	1001161355	4	Kingpin	
15	1001150937	4	Plate	
16	1001154931	2	Tie-Rod	
16A	0962181	1	Bushing	
16B	0962152	1	Bushing	
17	1001161399	2	Washer, Thrust	
18	0741609	4	Screw 3/8 x 1-1/8	
19	3340966	2	Pad, Stop	
20	3422848	2	Pin, Hitch	
21	4071059	AR	Shim 16 Gauge	
22	4740155	3	Washer, Thrust	
23	1001155035	1	Link	
23A	0962348	1	Bushing	
24	4740463	AR	Washer, Thrust	

SECTION 1 - FRAME

FIGURE 1-5. WHEEL DRIVE AND FRAME VALVES INSTALLATION



ART_1001157016

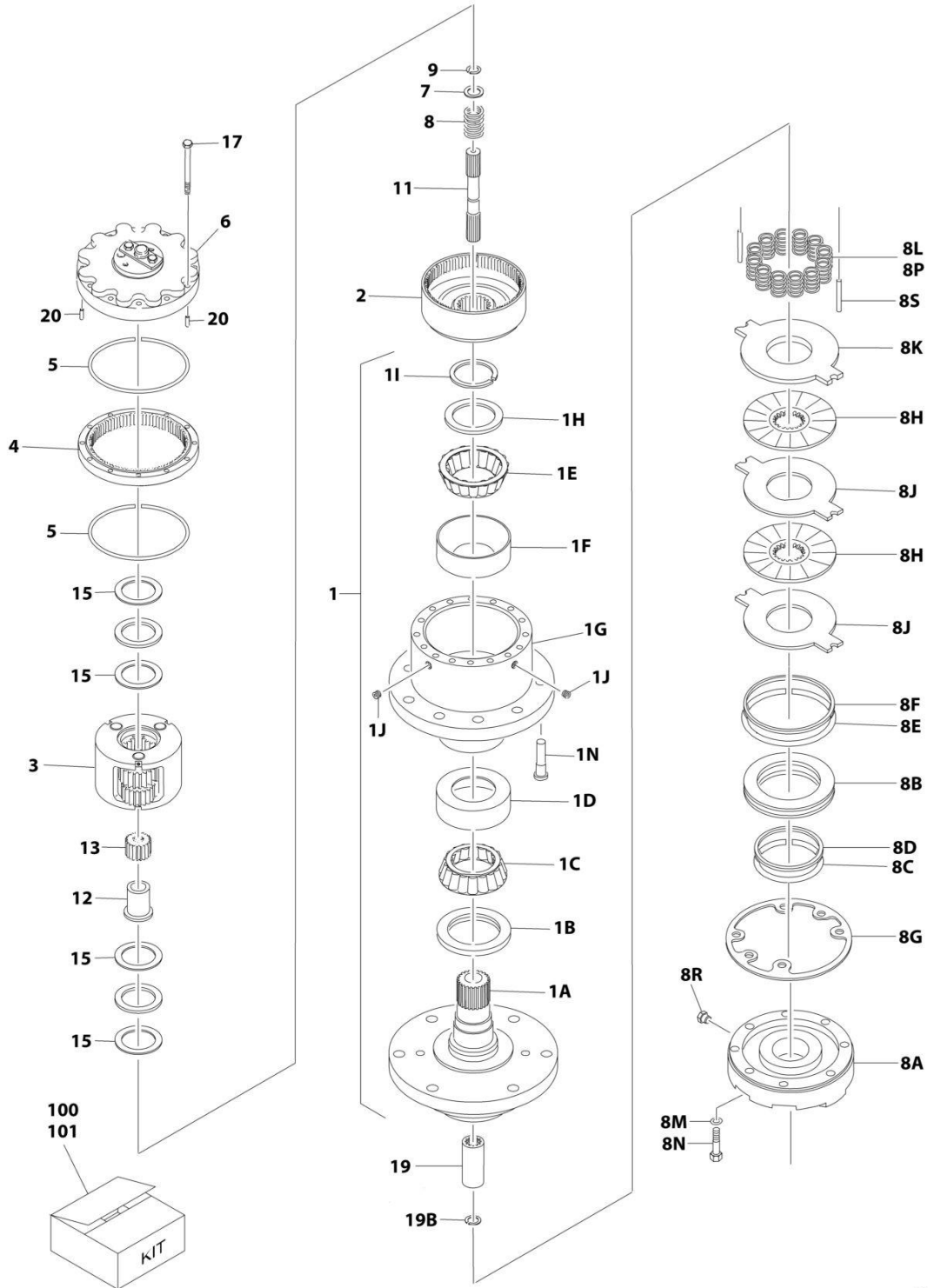
SECTION 1 - FRAME

FIGURE 1-5. WHEEL DRIVE AND FRAME VALVES INSTALLATION

ITEM	PART NUMBER	QTY	DESCRIPTION	REV
	1001157016	Ref	WHEEL DRIVE AND FRAME VALVES INSTALLATION	E
1	0100011	AR	Compound, Locking	
2	0641560	3	Bolt 5/16 x 7-1/2	
3	3311801	8	Nut 1/2	
4	0682016	32	Bolt 5/8 x 2 Grade 8	
5	2300016	AR	Fluid, Hydraulic (Not Shown)	
6	1001219219	4	Drive Hub Assembly (See Separate Breakdown in this Section)	
8	3160348	4	Drive Motor Assembly (See Separate Breakdown in this Section)	
9	3300007	40	Nut, Wheel	
10	3311505	3	Nut 5/16	
11	4641303	1	Flow Divider Valve Assembly	C
11A	7023933	1	Cartridge, Flow Divider	
11A	7021625	1	Seal Kit - 7023933 Cartridge	
11B	7022397	6	Cartridge, Check	
11B	7022399	6	Seal Kit - 7022397 Cartridge	
11C	7021639	2	Cartridge, Check Valves	
11C	2900756	2	Seal Kit - 7021639 Cartridge	
11D	7024881	1	Piston, Pilot	
11E	7023917	2	Cartridge, Flow Divider	
11E	7021625	2	Seal Kit - 7023917 Cartridge	
11F	70003935	2	Orifice	
11G	70003936	1	Orifice	
12	4711500	6	Washer 5/16	
13	4891800	8	Washer 1/2	
14	4892000	32	Washer 5/8	
15	3960526	2	Gasket	
16	0681822	4	Bolt 1/2 x 2-3/4	

SECTION 1 - FRAME

FIGURE 1-6. DRIVE HUB/BRAKE ASSEMBLY



ART_1001219219

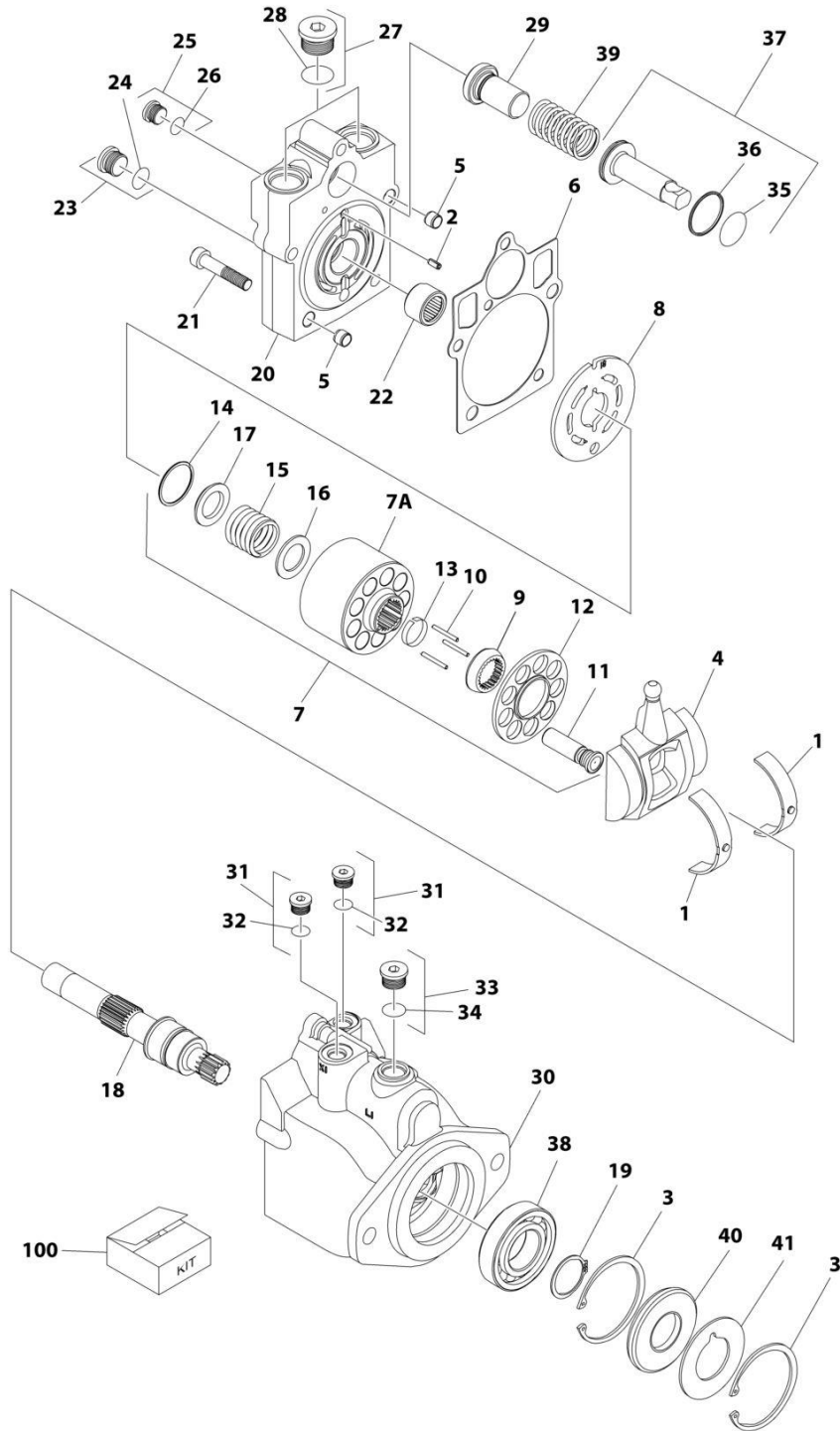
SECTION 1 - FRAME

FIGURE 1-6. DRIVE HUB/BRAKE ASSEMBLY

ITEM	PART NUMBER	QTY	DESCRIPTION	REV
	1001219219	Ref	DRIVE HUB/BRAKE ASSEMBLY	C
1	See Note	NSS	Spindle/Housing Assembly (Note: Not Available - Purchase Individual Components)	
1A	70006677	1	Spindle	
1B	70006678	1	Seal	
1C	1001091460	1	Cone, Bearing	
1D	1001091460	1	Cup, Bearing	
1E	1001091461	1	Cone, Bearing	
1F	1001091461	1	Cup, Bearing	
1G	See Note	NSS	Housing (Note: Not Available - Not Available for Purchase)	
1H	7000239	1	Thrustwasher	
1I	7000240	1	Ring, Retaining	
1J	7001928	1	Plug, Pipe	
1N	See Note	NSS	Stud, Wheel (Note: Not Available - Not Available for Purchase)	
2	7024782	1	Gear, Ring	
3	70006673	1	Carrier Assembly	
4	7024151	1	Gear, Internal	
5	7000224	2	O-Ring	
6	70006674	NSS	Cover Assembly (Note: Not Available - Not Available for Purchase)	
7	70006691	1	Thrustwasher	
8	7000283	1	Spring	
8A	7024191	1	Housing, Piston	
8B	70006684	1	Piston	
8C	See Note	NSS	O-Ring (Note: Use Item 101)	
8D	See Note	NSS	Ring, Back-up (Note: Use Item 101)	
8E	See Note	NSS	O-Ring (Note: Use Item 101)	
8F	See Note	NSS	Ring, Back-up (Note: Use Item 101)	
8G	See Note	NSS	Gasket (Note: Use Items 100 & 101)	
8H	See Note	NSS	Brake, Stator (Note: Use Item 100)	
8J	See Note	NSS	Brake, Rotor (Note: Use Item 100)	
8K	See Note	NSS	Plate, Pressure (Note: Use Item 100)	
8L	80344004	10	Spring	
8M	70006685	6	Capscrew	
8N	70006690	6	Lockwasher	
8P	70006680	2	Spring	
8R	7017082	2	Plug	
8S	7024190	2	Pin, Dowel	
9	7000284	1	Ring, Retaining	
11	70006675	1	Shaft, Input	
12	7024154	1	Spacer, Input	
13	7024149	1	Gear, Sun	
15	70006692	2	Thrustwasher	
17	7000289	12	Bolt 3/8 x 2-1/2in (Grade 8)	
19	70006676	1	Coupling	
19B	7017028	1	Ring, Retaining	
20	7017047	2	Pin, Dowel	
100	70006832	1	Friction Disc Kit (Includes Items 8G, 8H, 8J & 8K)	
101	70006833	1	Seal Kit (Includes Items - 8C-8G)	

SECTION 1 - FRAME

FIGURE 1-7. DRIVE MOTOR ASSEMBLY



ART_3160348

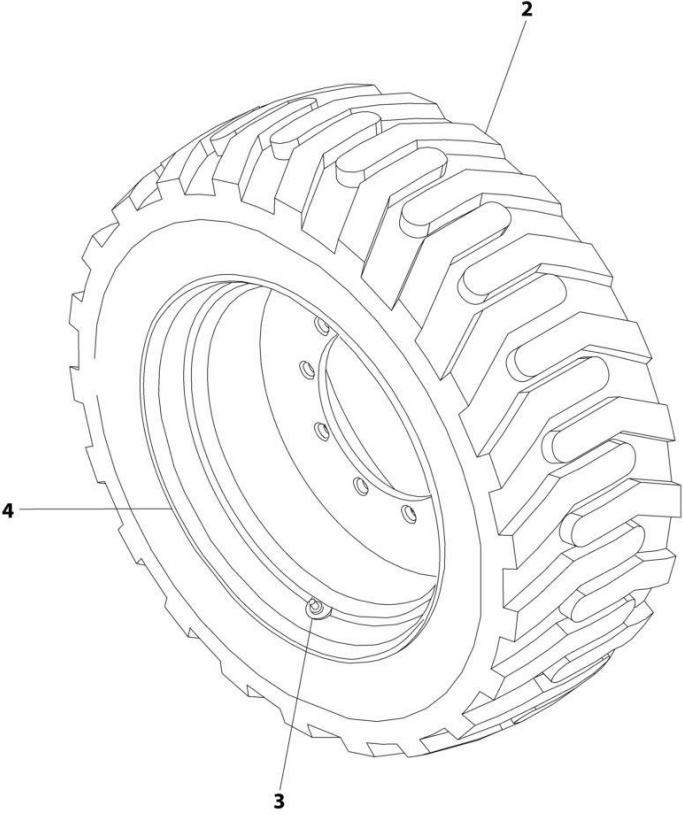
SECTION 1 - FRAME

FIGURE 1-7. DRIVE MOTOR ASSEMBLY

ITEM	PART NUMBER	QTY	DESCRIPTION	REV
	3160348	Ref	DRIVE MOTOR ASSEMBLY	D
1	7022302	2	Bearing, Journal	
2	7007446	1	Pin	
3	7007438	2	Ring, Retaining	
4	7022305	1	Swash Plate	
5	See Note	2	Pin (Note: Not Available for Purchase)	
6	See Note	NSS	Gasket (Note: Use Item 100)	
7	7023907	1	Cylinder Block Kit (Includes Items 7A & 9-17)	
7A	See Note	NSS	Block, Cylinder (Note: Use Item 7)	
8	7023908	1	Plate, Valve	
9	7021277	1	Guide, Slipper Retainer	
10	7021275	3	Pin, Slipper Hold Down	
11	See Note	NSS	Piston Assembly (Note: Use Item 7)	
12	7022310	1	Retainer, Slipper	
13	7021276	1	Retainer, Hold Down Pin	
14	7022311	1	Ring, Retaining	
15	7022312	1	Spring	
16	7024868	1	Washer	
17	7022314	1	Retainer, Spring	
18	7023910	1	Shaft	
19	7007439	1	Ring, Retaining	
20	70000797	1	Cap, End - Axial	
21	7022368	5	Screw	
22	7021249	1	Bearing, Needle	
23	2220886	1	Plug (Includes Item 24)	
24	See Note	1	O-Ring (Note: Use Item 23 or 100)	
25	2220883	1	Plug (Includes Item 26)	
26	See Note	NSS	O-Ring (Note: Use Item 25 or 100)	
27	2220888	2	Plug (Includes Item 28)	
28	See Note	NSS	O-Ring (Note: Use Item 27 or 100)	
29	7022372	1	Seat, Spring	
30	See Note	NSS	Housing (Note: Not Available - Purchase Complete Assembly)	
31	2220883	2	Plug (Includes Item 32)	
32	See Note	NSS	O-Ring (Note: Use Item 31 or 100)	
33	2220886	1	Plug (Includes Item 34)	
34	See Note	NSS	O-Ring (Note: Use Item 33 or 100)	
35	See Note	NSS	O-Ring (Note: Use Item 100)	
36	See Note	NSS	Ring, Seal (Note: Use Item 100)	
37	7024854	1	Piston, Servo (Includes Items 35 & 36)	
38	7007437	1	Bearing	
39	7022326	1	Spring	
40	See Note	1	Seal, Lip (Note: Use Item 100)	
41	7022371	1	Washer, Support	
		Ref	KIT OPTIONS:	
100	7022328	1	Seal Kit (Includes Items 6, 24, 26, 28, 32, 34, 35, 36 & 40)	

SECTION 1 - FRAME

FIGURE 1-8. TIRE & WHEEL INSTALLATION - 15-625 NHS FOAM-FILLED



ART_0270886

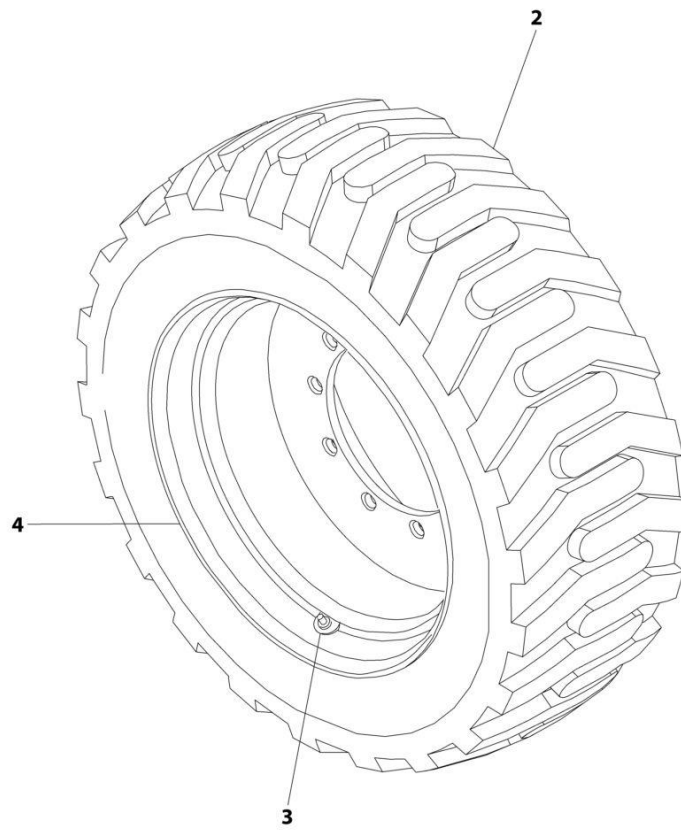
SECTION 1 - FRAME

FIGURE 1-8. TIRE & WHEEL INSTALLATION - 15-625 NHS FOAM-FILLED

ITEM	PART NUMBER	QTY	DESCRIPTION	REV
	0270886	Ref	TIRE AND WHEEL INSTALLATION	D
	0271085	2	Tire and Wheel Assembly - 15-625 NHS Foam-Filled LH Side	I
	0271086	2	Tire and Wheel Assembly - 15-625 NHS Foam-Filled RH Side	I
		Ref	Note: Assemblies may require ballast/foam filling to manufacturer's specifications prior to installing on a machine. Refer to Operation and Safety or Service and Maintenance Manuals.	
		Ref	Purchase individual tire and/or rim only if able to foam fill tire and wheel assembly, otherwise, purchase complete assembly.	
2	4520252	1	Tire 15-625	
3	4641122	1	Valve, Air	
4	4860224	1	Rim, Wheel - 13 x 24.5 Rim	

SECTION 1 - FRAME

FIGURE 1-9. TIRE AND WHEEL INSTALLATION - 18-625 NHS FOAM-FILLED



ART_0270888

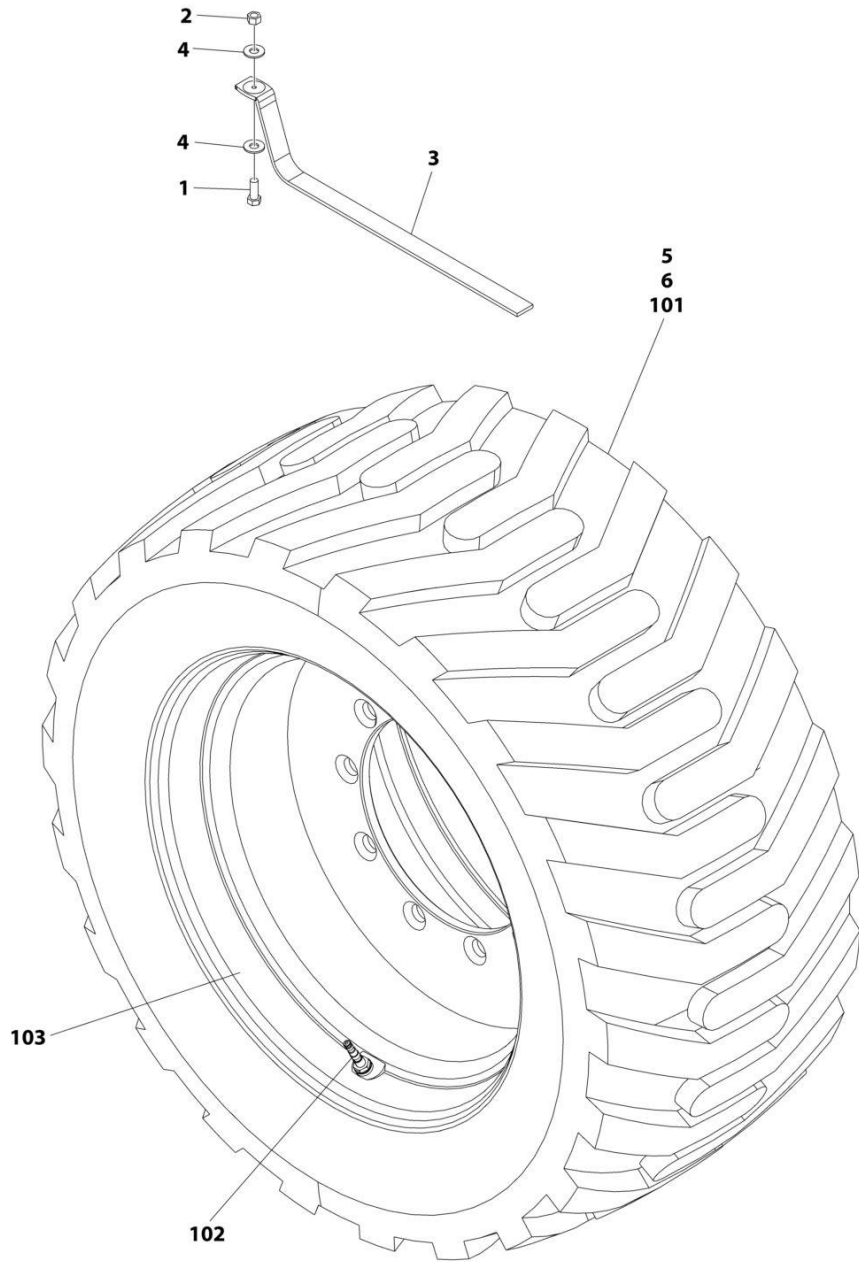
SECTION 1 - FRAME

FIGURE 1-9. TIRE AND WHEEL INSTALLATION - 18-625 NHS FOAM-FILLED

ITEM	PART NUMBER	QTY	DESCRIPTION	REV
	0270888	Ref	TIRE AND WHEEL INSTALLATION	C
	0271090	2	Tire and Wheel Assembly - 18-625 NHS Foam-Filled LH Side	G
	0271091	2	Tire and Wheel Assembly - 18-625 NHS Foam-Filled RH Side	G
		Ref	Note: Assemblies may require ballast/foam filling to manufacturer's specifications prior to installing on a machine. Refer to Operation and Safety or Service and Maintenance Manuals.	
		Ref	Purchase individual tire and/or rim only if able to foam fill tire and wheel assembly, otherwise, purchase complete assembly.	
2	4520253	1	Tire 18-625	
3	4641122	1	Valve, Air	
4	4860225	1	Rim, Wheel - 15 x 24.5 Rim	

SECTION 1 - FRAME

FIGURE 1-10. TIRE AND WHEEL INSTALLATION - 18-625 NHS FOAM-FILLED NON-MARKING



ART_1001236435

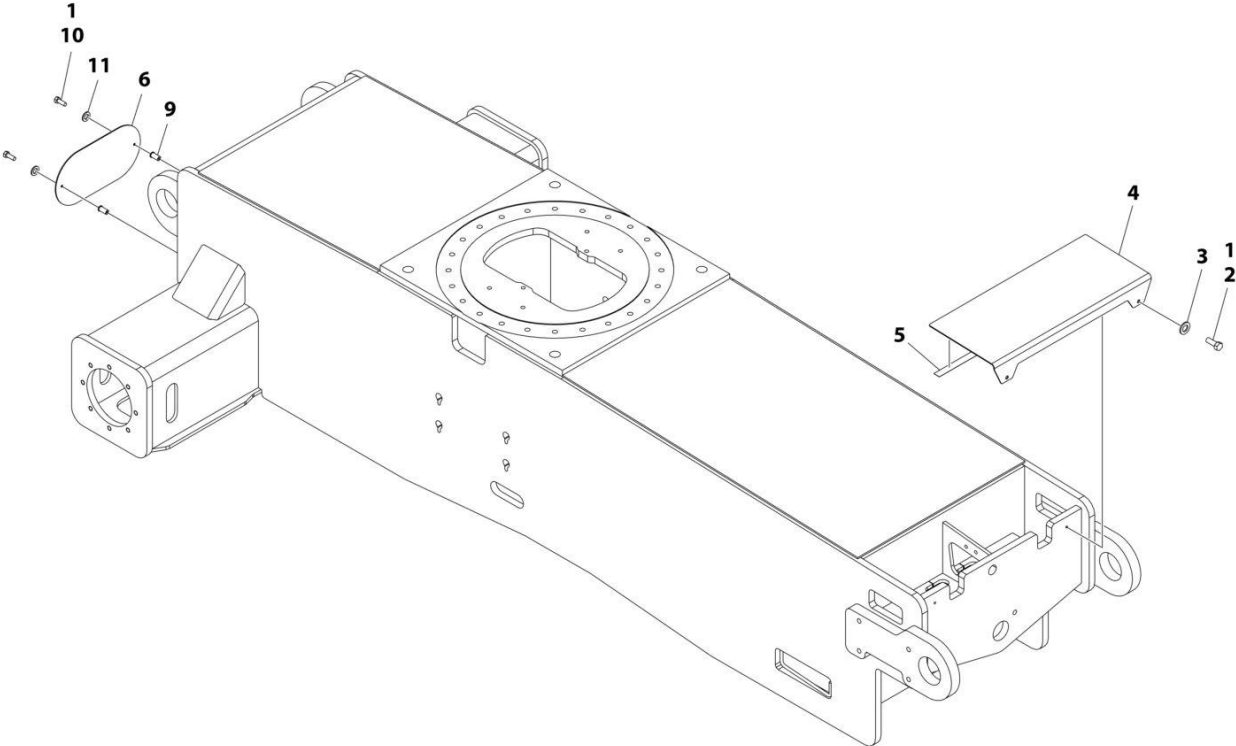
SECTION 1 - FRAME

FIGURE 1-10. TIRE AND WHEEL INSTALLATION - 18-625 NHS FOAM-FILLED NON-MARKING

ITEM	PART NUMBER	QTY	DESCRIPTION	REV
	1001236435	Ref	TIRE AND WHEEL INSTALLATION	A
1	0641608	1	Bolt 3/8 x 1	
2	3311605	1	Nut 3/8	
3	4240084	1	Strap, Anti-Static	
4	4751600	2	Washer 3/8	
5	1001169755	2	Tire and Wheel Assembly - 18-625 NHS Foam-Filled Non-Marking LH Side	D
6	1001169756	2	Tire and Wheel Assembly - 18-625 NHS Foam-Filled Non-Marking RH Side	D
		Ref	Note: Assemblies may require ballast/foam filling to manufacturer's specifications prior to installing on a machine. Refer to Operation and Safety or Service and Maintenance Manuals.	
		Ref	Purchase individual tire and/or rim only if able to foam fill tire and wheel assembly, otherwise, purchase complete assembly.	
101	1001169754	1	Tire 18-625 Non-Marking	
102	4641122	1	Valve, Air	
103	4860225	1	Rim, Wheel - 15 x 24.5 Rim	

SECTION 1 - FRAME

FIGURE 1-11. FRAME SHIELDS INSTALLATION



ART_1001158203

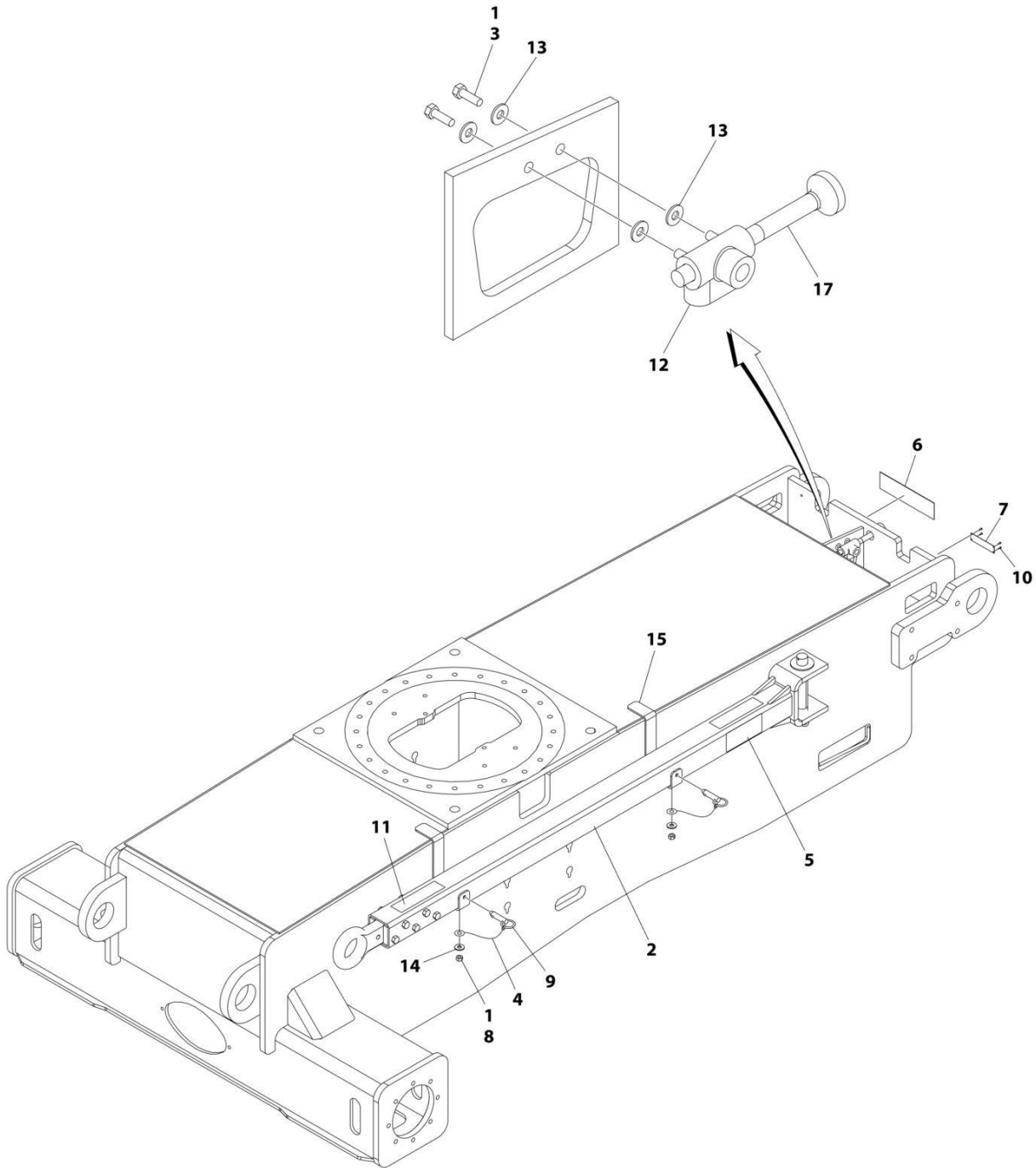
SECTION 1 - FRAME

FIGURE 1-11. FRAME SHIELDS INSTALLATION

ITEM	PART NUMBER	QTY	DESCRIPTION	REV
	1001158203	Ref	FRAME SHIELDS INSTALLATION	D
1	0100011	AR	Compound, Locking	
2	0641606	2	Bolt 3/8 x 3/4	
3	4751600	2	Washer 3/8	
4	1001158187	1	Cover	
5	4280296	27 in/ 68cm	Trim	
6	1001158188	1	Cover	
9	8580420	2	Nut, Well	
10	0641410	2	Bolt 1/4 x 1-1/4	
11	4751400	2	Washer 1/4	

SECTION 1 - FRAME

FIGURE 1-12. TOW PACKAGE INSTALLATION (OPTIONAL) (ANSI, SPECS)



ART_1001158258

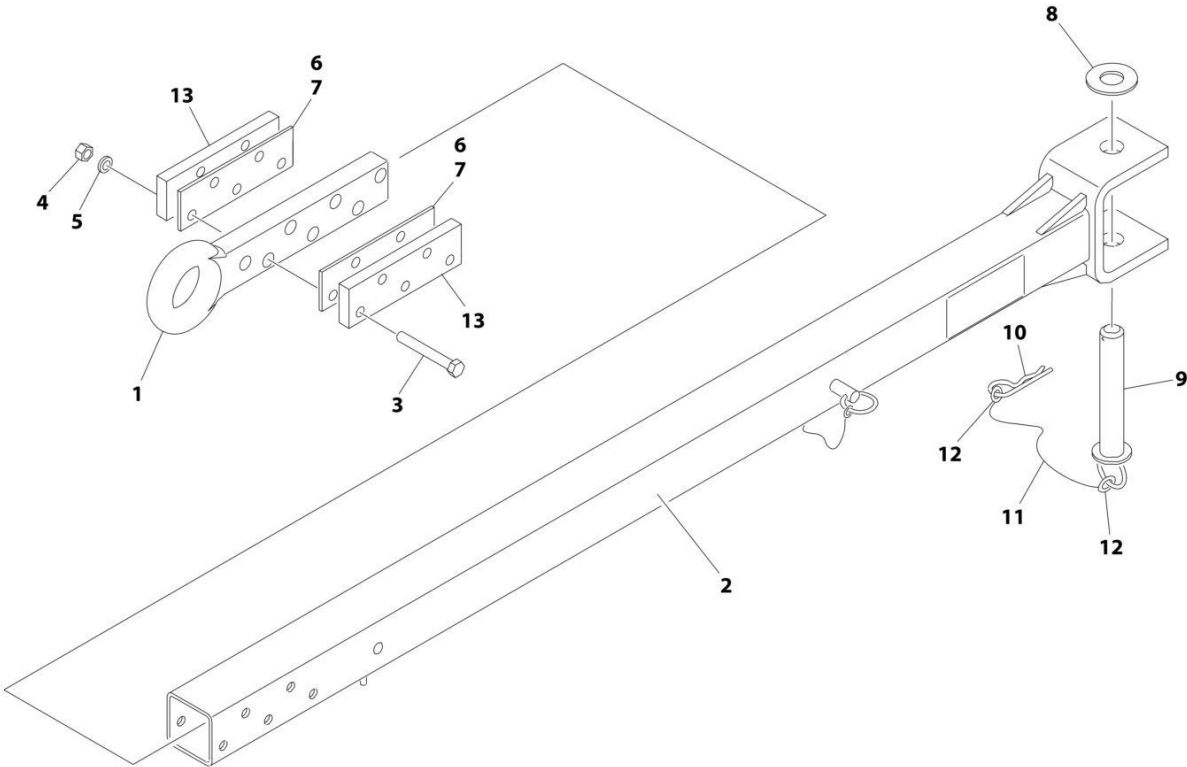
SECTION 1 - FRAME

FIGURE 1-12. TOW PACKAGE INSTALLATION (OPTIONAL) (ANSI, SPECS)

ITEM	PART NUMBER	QTY	DESCRIPTION	REV
	1001158258	Ref	TOW PACKAGE INSTALLATION	B
1	0100011	AR	Compound, Locking	
2	0232121	1	Tow Bar Assembly (See Separate Breakdown in this Section)	
3	0641508	2	Bolt 5/16 x 1	
4	1260017	2 ft/0.3m	Chain	
5	1704578	2	Decal - Crushing	
6	1705090	1	Decal - Towing Instructions	
7	3250872	1	Nameplate - Steer/Tow Valve	
8	3311401	2	Nut 1/4	
9	3420292	2	Pin	
10	3820001	4	Rivet, Pop	
11	4420051	2 ft/0.3m	Tape	
12	4640261	1	Valve, Float Position	
13	4751500	4	Washer 5/16	
14	4751400	2	Washer 1/4	
15	1001158522	2	Bracket	
17	1001160780	1	Rod, Extension	

SECTION 1 - FRAME

FIGURE 1-13. TOW BAR ASSEMBLY



ART_232121

SECTION 1 - FRAME

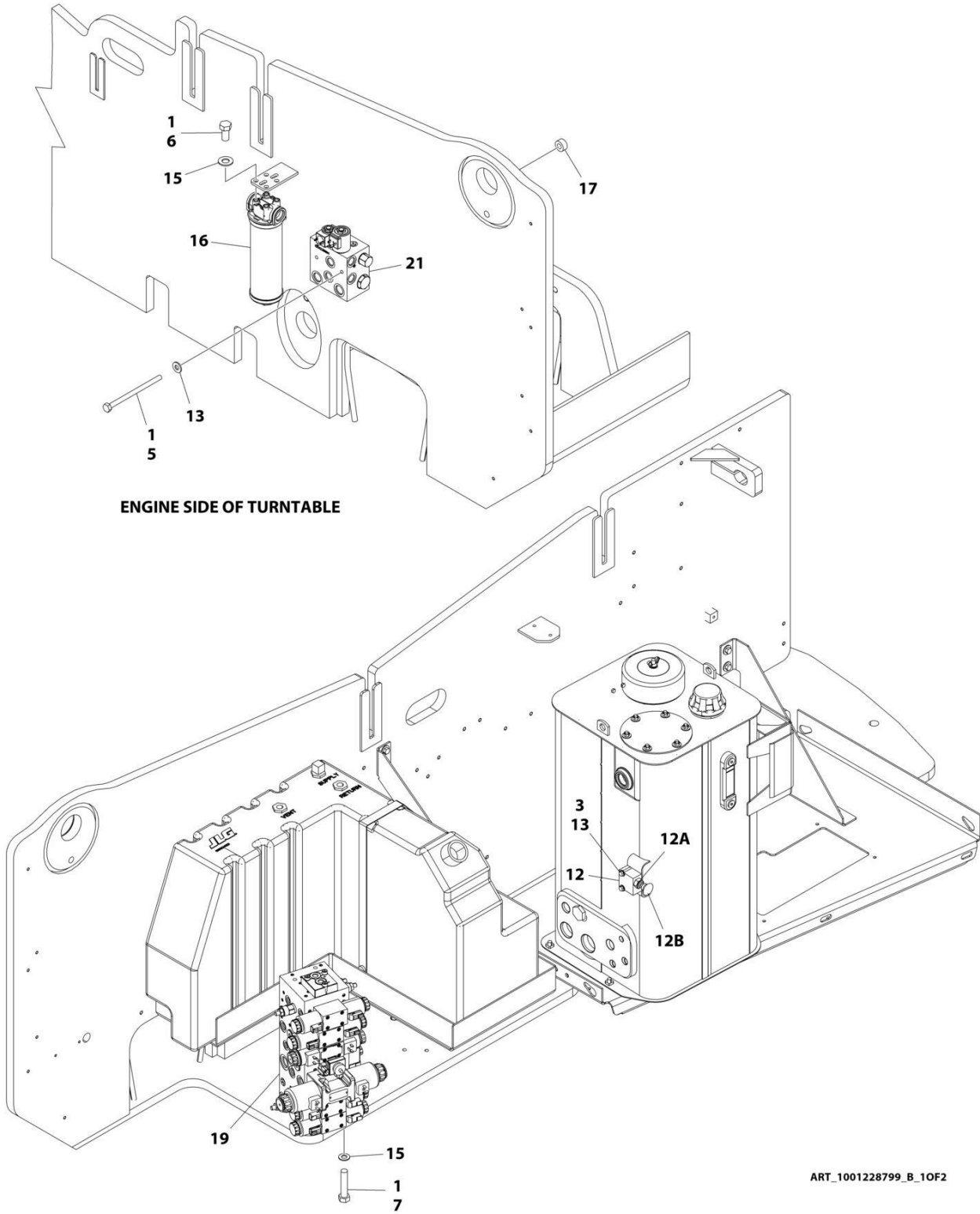
FIGURE 1-13. TOW BAR ASSEMBLY

ITEM	PART NUMBER	QTY	DESCRIPTION	REV
	0232121	Ref	TOW BAR ASSEMBLY	7-G
1	0360406	1	Bar, Draw	
2	4843777	1	Bar, Tow	
3	0642038	5	Bolt 5/8 x 4-3/4	
4	3312001	5	Nut 5/8	
5	4762000	5	Washer 5/8	
6	4070450	AR	Shim	
7	4070561	AR	Shim	
8	4740036	1	Washer 1-1/2	
9	3420447	1	Pin	
10	3420372	1	Pin	
11	1260135	1	Chain	
12	3760170	2	Ring	
13	4070560	2	Shim	

SECTION 2 - TURNTABLE

SECTION 2 - TURNTABLE

FIGURE 2-1. VALVES INSTALLATION



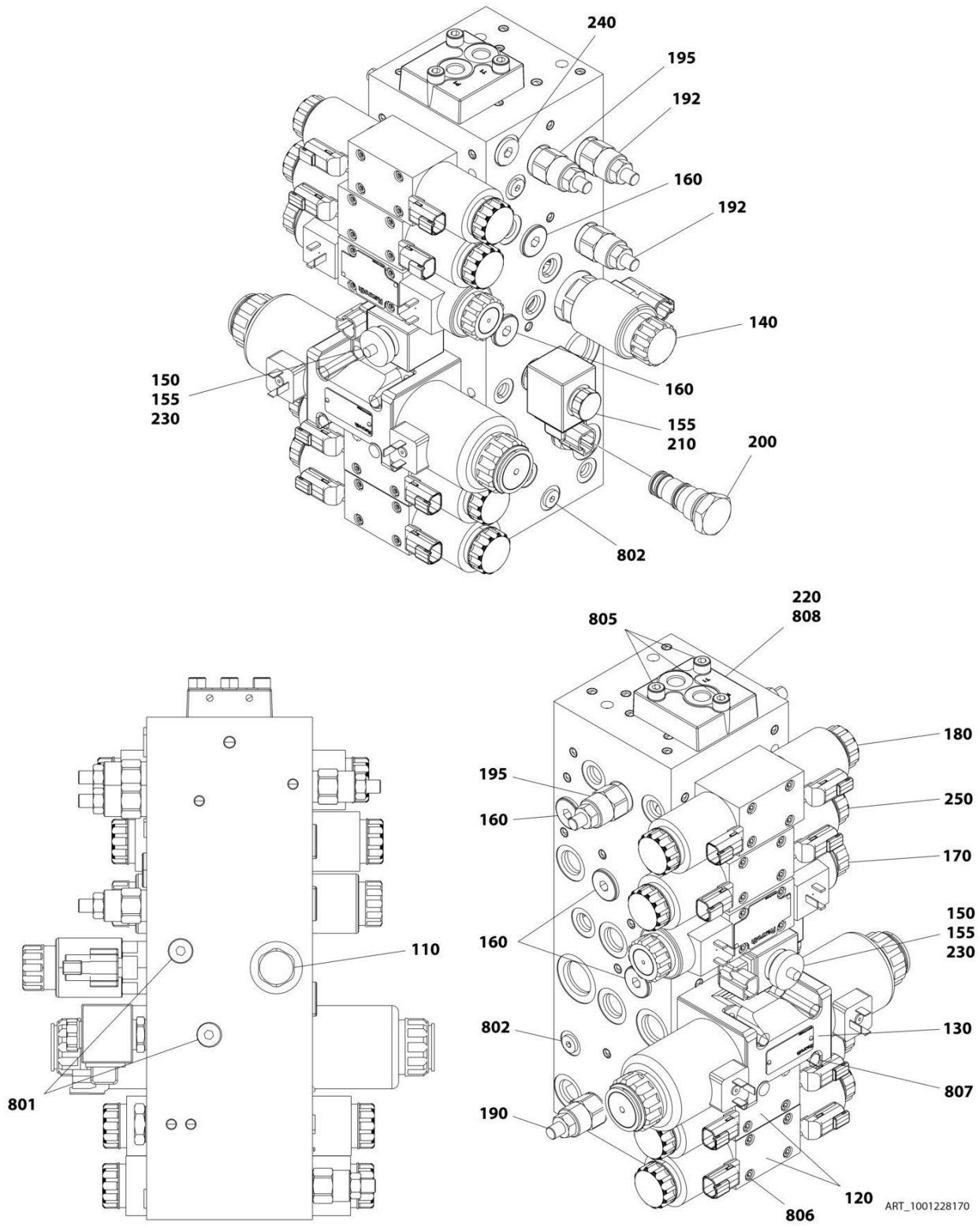
SECTION 2 - TURNTABLE

FIGURE 2-1. VALVES INSTALLATION

ITEM	PART NUMBER	QTY	DESCRIPTION	REV
	1001228799	Ref	VALVES INSTALLATION	B
1	0100011	AR	Compound, Locking	
3	0641414	2	Bolt 1/4 x 1-3/4	
5	0641432	2	Bolt 1/4 x 4	
6	0641606	4	Bolt 3/8 x 3/4	
7	0641614	3	Bolt 3/8 x 1-3/4	
12	4640866	1	Level Valve Assembly	
12A	7017466	1	Cartridge	
12A	2900708	1	Seal Kit	
12B	7012959	1	Knob	
13	4711400	8	Washer 1/4	
15	4711600	9	Washer 3/8	
16	1001108617	1	Pressure Filter Assembly	
16	70002231	1	Element, Filter	
17	1001110425	2	Spacer	
19	1001228170	1	Main Valve Assembly (See Separate Breakdown in this Section)	
21	1001226814	1	Brake/2 Speed Valve Assembly (See Separate Breakdown in this Section)	

SECTION 2 - TURNTABLE

FIGURE 2-2. MAIN VALVE ASSEMBLY



SECTION 2 - TURNTABLE

FIGURE 2-2. MAIN VALVE ASSEMBLY

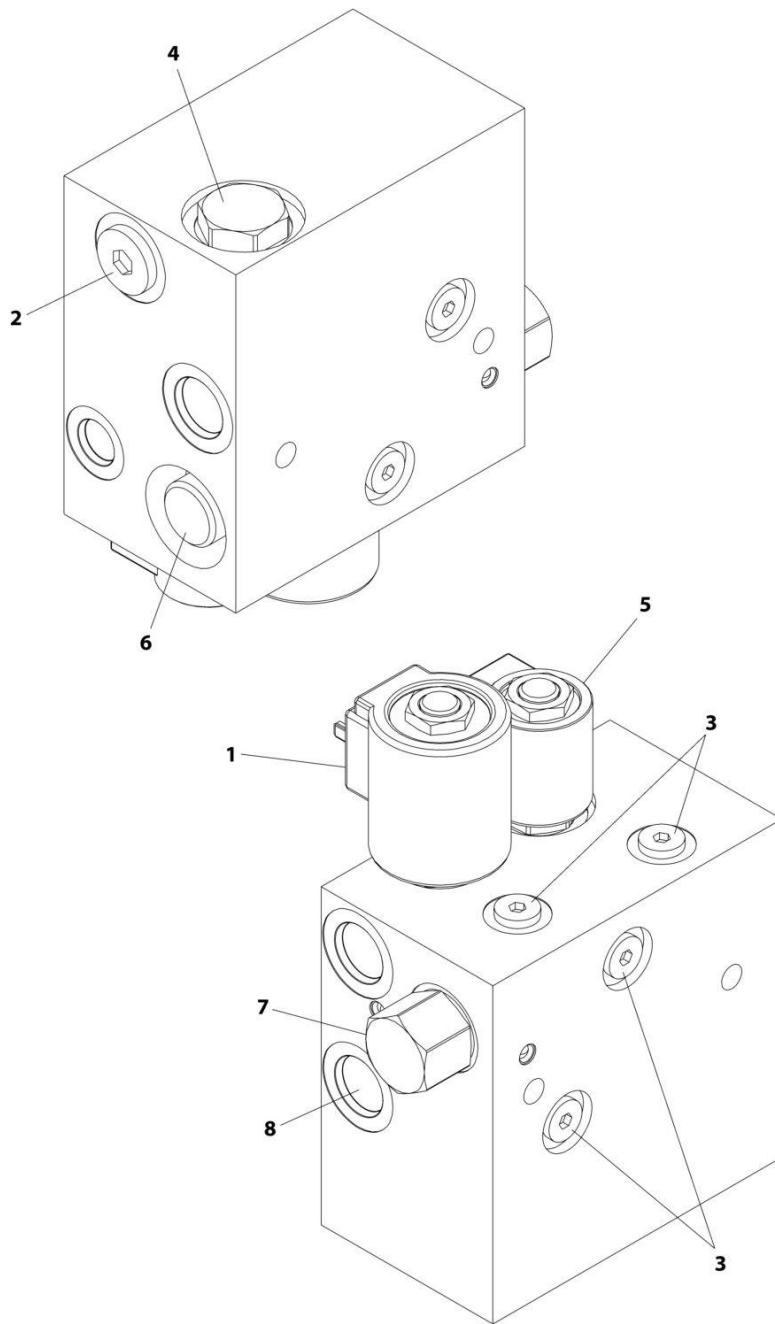
ITEM	PART NUMBER	QTY	DESCRIPTION	REV
	1001228170	Ref	MAIN VALVE ASSEMBLY	E
110	70005194	1	Valve, Check Cartridge	
110	70004584	1	Seal Kit - 70005194 Valve	
120	70004459	2	Valve Assembly (Tower Tele and Tower Lift)	
120	7012773	2	Seal Kit - 70004459 Valve	
120	70004460	4	Coil	
120	7021375	4	Nut, Coil	
120	70004461	4	O-Ring, Pole Tube	
130	70006955	1	Valve Assembly (Upper Tele)	
130	70006957	1	Seal Kit - 70006955 Valve	
130	70006956	2	Coil	
140	70004657	1	Valve, Cartridge (Flow Control)	
140	70004594	1	Seal Kit - 70004657 Valve	
140	70004595	1	Coil	
140	70004596	1	O-Ring, Pole Tube	
140	70004597	1	Nut, Coil	
150	70004598	1	Valve, Cartridge Less Coil (Steer Dump)	
150	70004055	1	Seal Kit - 70004598 Valve	
155	70004653	2	Coil	
155	70004051	2	Nut, Coil	
160	70023859	5	Valve, Shuffle Cartridge	
160	70023860	5	Seal Kit - 70023859 Valve	
170	7018992	1	Valve Assembly (Upper Lift)	
170	7024021	1	Seal Kit - 7018992 Valve	
170	7018991	2	Coil	
170	7021375	2	Nut, Coil	
170	70004461	2	O-Ring, Pole Tube	
180	70005195	1	Valve Assembly (Front Steer)	
180	7012773	1	Seal Kit - 70005195 Valve	
180	70004463	2	Coil	
180	7021375	2	Nut, Coil	
180	70004461	2	O-Ring, Pole Tube	
190	70003019	1	Valve, Relief Catridge (was PN 70006959)	
190	See Note	NSS	Seal Kit - Valve (Note: Not Available for Purchase)	
192	70003019	1	Valve, Relief Catridge (was PN 70006960)	
192	See Note	NSS	Seal Kit - Valve (Note: Not Available for Purchase)	
195	70003019	1	Valve, Relief Catridge (was PN 70006958)	
195	See Note	NSS	Seal Kit - Valve (Note: Not Available for Purchase)	
200	70004665	1	Valve, Check - Catridge	
200	70023862	1	Seal Kit - 70004665 Valve	
210	70004457	1	Valve, Cartridge Less Coil (Main Dump)	
210	70004050	1	Seal Kit - 70004665 Valve	
210	70004653	1	Coil	
220	70004667	1	Cover	
230	70005196	1	Orifice .118	
240	70005197	1	Plug (2WS)	
240	70004052	1	Seal Kit - 70005197 Plug	
250	70005198	1	Valve Assembly (Swing)	
250	70006961	1	Seal Kit - 70005198 Valve	
250	70004463	2	Coil	

SECTION 2 - TURNTABLE

ITEM	PART NUMBER	QTY	DESCRIPTION	REV
250	7021375	2	Nut, Coil	
250	70004461	2	O-Ring, Pole Tube	
801	70005199	2	Plug	
802	70005200	4	Plug	
805	70005201	3	Capscrew	
806	7018942	20	Capscrew	
807	7018951	4	Capscrew	
808	70005202	2	O-Ring	

SECTION 2 - TURNTABLE

FIGURE 2-3. BRAKE/2 SPEED VALVE ASSEMBLY



ART_1001226814

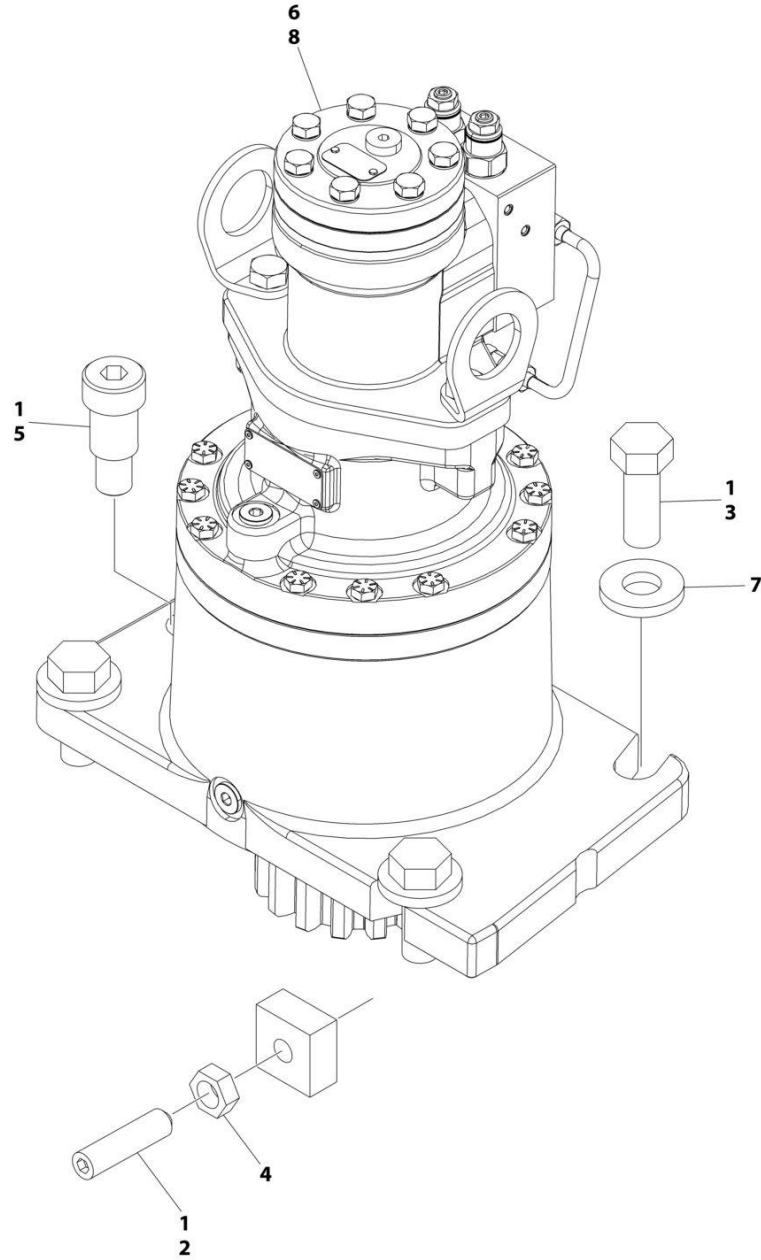
SECTION 2 - TURNTABLE

FIGURE 2-3. BRAKE/2 SPEED VALVE ASSEMBLY

ITEM	PART NUMBER	QTY	DESCRIPTION	REV
	1001226814	Ref	BRAKE/2 SPEED VALVE ASSEMBLY	E
1	7012995	1	Valve, Cartridge	
1	7012518	1	Seal Kit - 7012995 Valve	
1	7012943	1	Nut, Coil	
2	2220886	1	Plug, O-Ring	
3	2220883	1	Plug, O-Ring	
4	4641192	1	Valve, Cartridge	
4	7017496	1	Seal Kit - 4641192 Valve	
5	7012941	1	Valve, Cartridge	
5	7010543	1	Seal Kit - 7012941 Valve	
5	7012944	1	Nut, Coil	
6	7012989	1	Valve, Cartridge	
6	7012953	1	Seal Kit - 7012989 Valve	
7	7012928	1	Valve, Cartridge	
7	70003649	1	Seal Kit - 7012928 Valve	
8	70003975	1	Plug, Orifice	

SECTION 2 - TURNTABLE

FIGURE 2-4. SWING DRIVE INSTALLATION



ART_1001156136_C

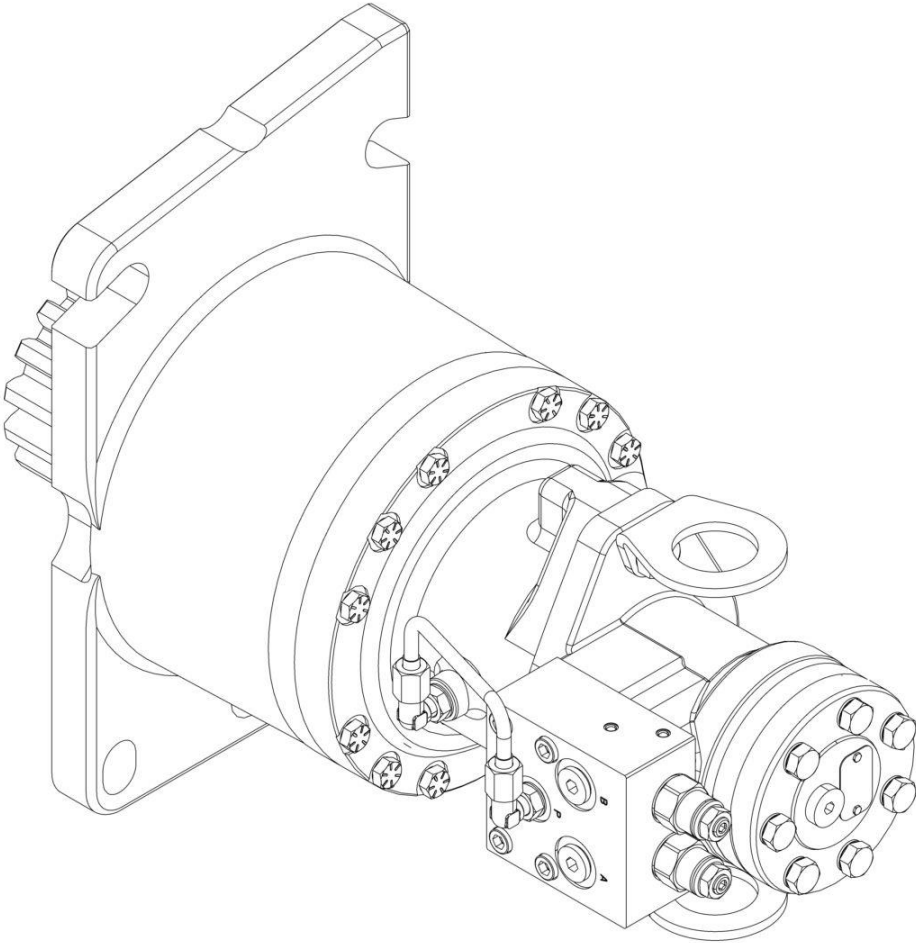
SECTION 2 - TURNTABLE

FIGURE 2-4. SWING DRIVE INSTALLATION

ITEM	PART NUMBER	QTY	DESCRIPTION	REV
	1001156136	Ref	SWING DRIVE INSTALLATION	C
1	0100019	AR	Compound, Locking	
2	3952020	1	Setscrew 5/8 x 2-1/2	
3	0682216	4	Bolt 3/4 x 2 Grade 8	
4	3312002	1	Nut 5/8	
5	3900293	1	Screw 1 x 1-1/4	
6	1001125492	1	Shim	
7	4740057	4	Washer	
8	1001306803	1	Swing Motor/Hub Assembly (See Separate Breakdown in this Section)	

SECTION 2 - TURNTABLE

FIGURE 2-5. SWING MOTOR/HUB ASSEMBLY



ART_1001306803

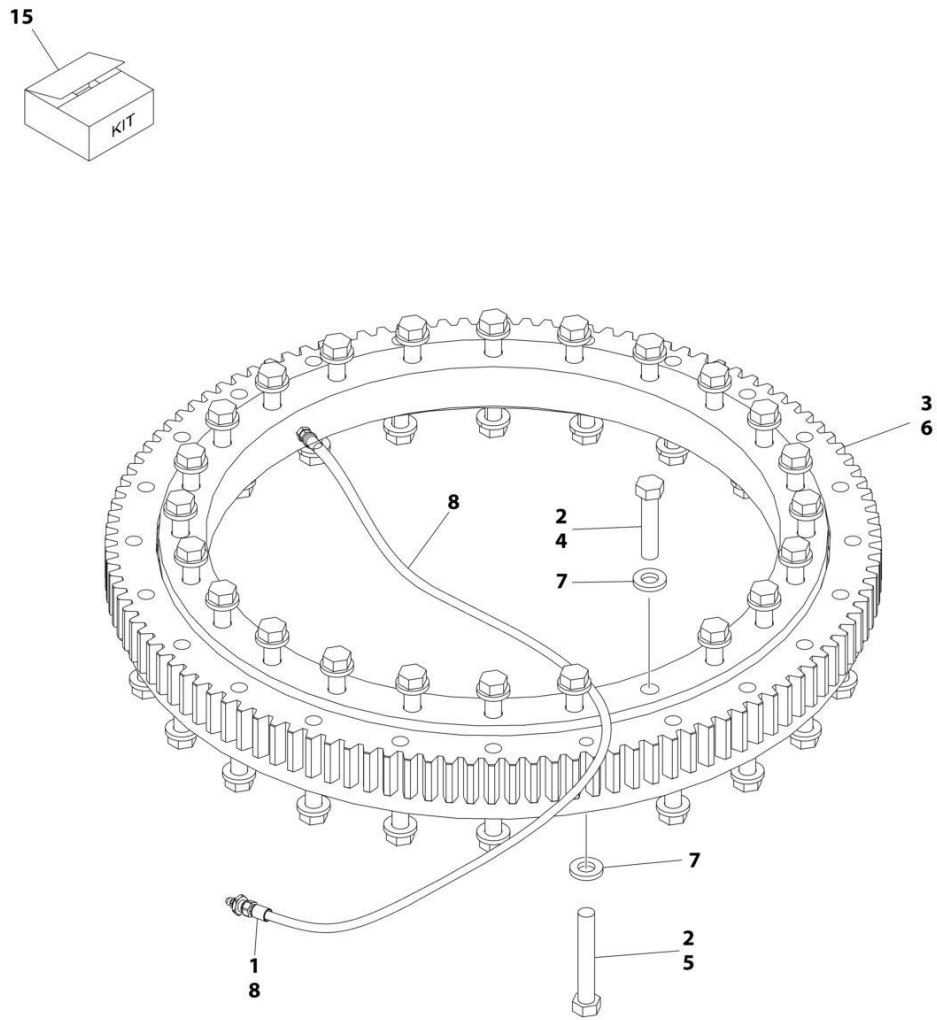
SECTION 2 - TURNTABLE

FIGURE 2-5. SWING MOTOR/HUB ASSEMBLY

ITEM	PART NUMBER	QTY	DESCRIPTION	REV
	1001306803 See Note	Ref NSS	SWING MOTOR/HUB ASSEMBLY Note: No Service Parts Available at Time of Printing	A

SECTION 2 - TURNTABLE

FIGURE 2-6. TURNTABLE BEARING AND LUBE INSTALLATION



ART_1001157049

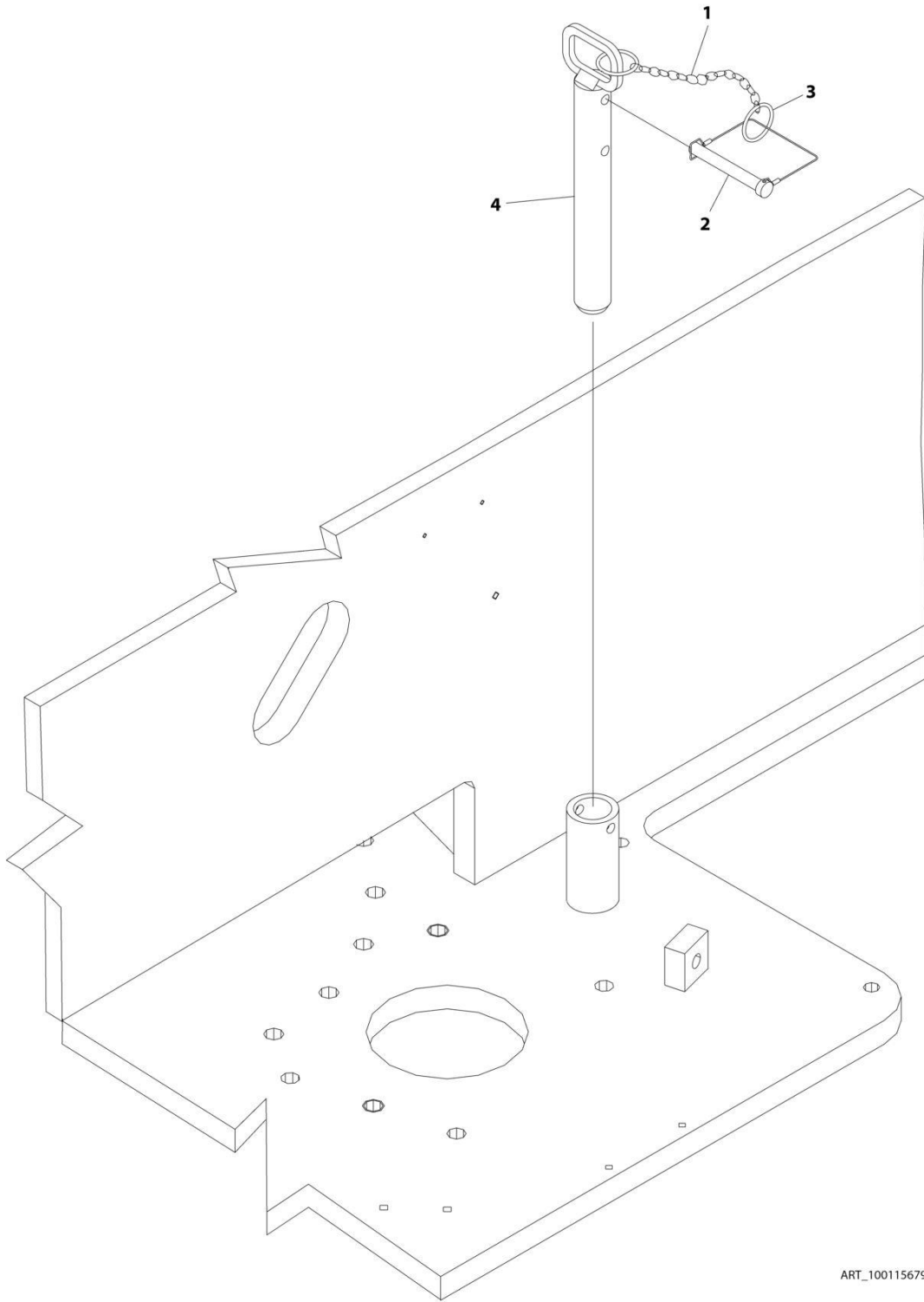
SECTION 2 - TURNTABLE

FIGURE 2-6. TURNTABLE BEARING AND LUBE INSTALLATION

ITEM	PART NUMBER	QTY	DESCRIPTION	REV
	1001157049	Ref	TURNTABLE BEARING AND LUBE INSTALLATION	B
1	0100011	AR	Compound, Locking	
2	0100019	AR	Compound, Locking	
3	0440244	1	Bearing, Turntable	
4	0682023	24	Bolt 5/8 x 2-7/8 Grade 8	
5	0682032	24	Bolt 5/8 x 4 Grade 8	
6	3020029	AR	Lubricant	
7	4892000	48	Washer 5/8	
8	1001157058	1	Hose	
15	2915094	1	Turntable Bearing Kit	

SECTION 2 - TURNTABLE

FIGURE 2-7. TURNTABLE LOCK INSTALLATION



ART_1001156798

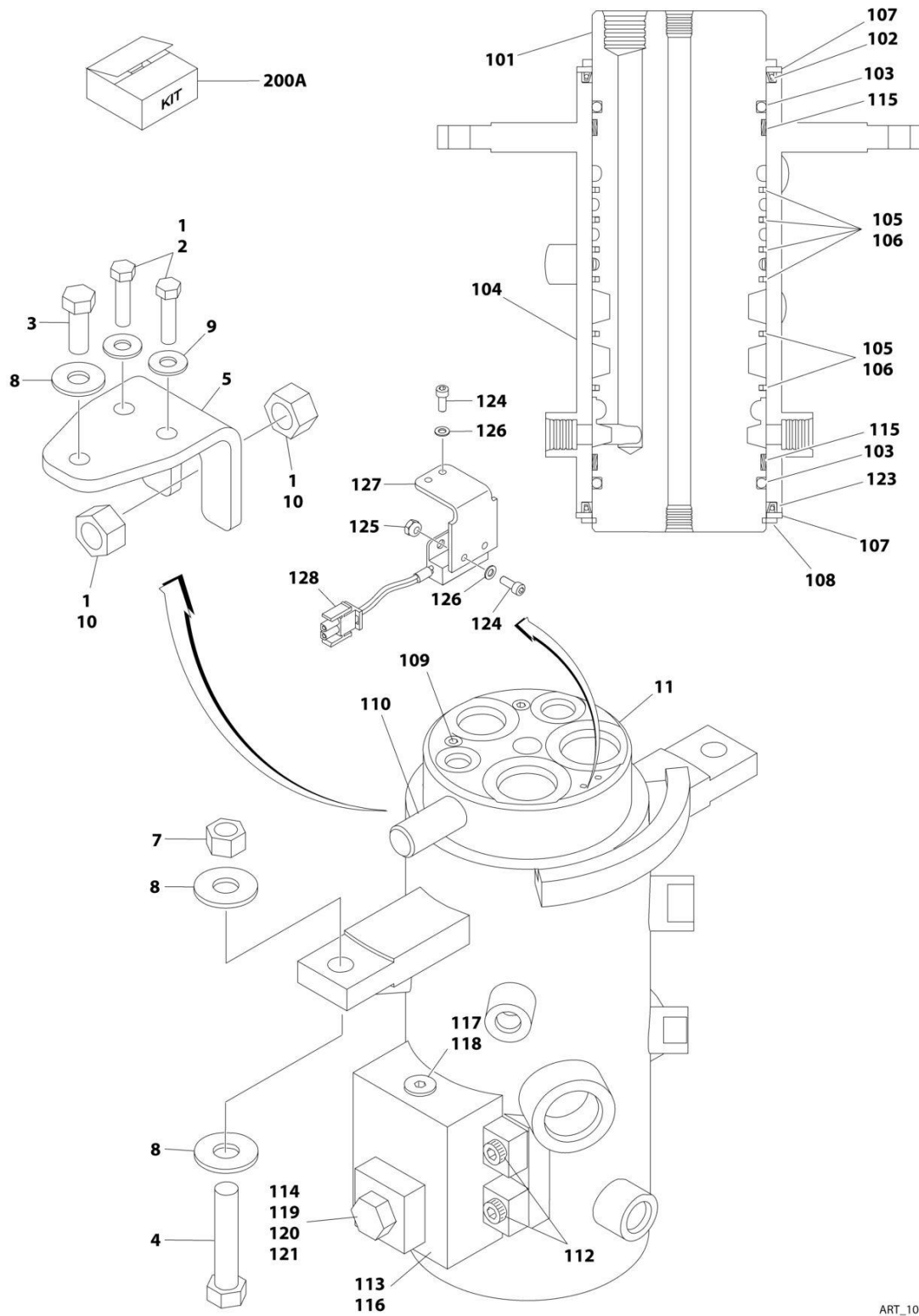
SECTION 2 - TURNTABLE

FIGURE 2-7. TURNTABLE LOCK INSTALLATION

ITEM	PART NUMBER	QTY	DESCRIPTION	REV
	1001156798	Ref	TURNTABLE LOCK INSTALLATION	A
1	1260017	9 in/23cm	Chain	
2	3421565	1	Pin, Snap	
3	3760170	2	Ring, Quick Release	
4	4844958	1	Pin	

SECTION 2 - TURNTABLE

FIGURE 2-8. ROTARY COUPLING INSTALLATION



ART_1001107529

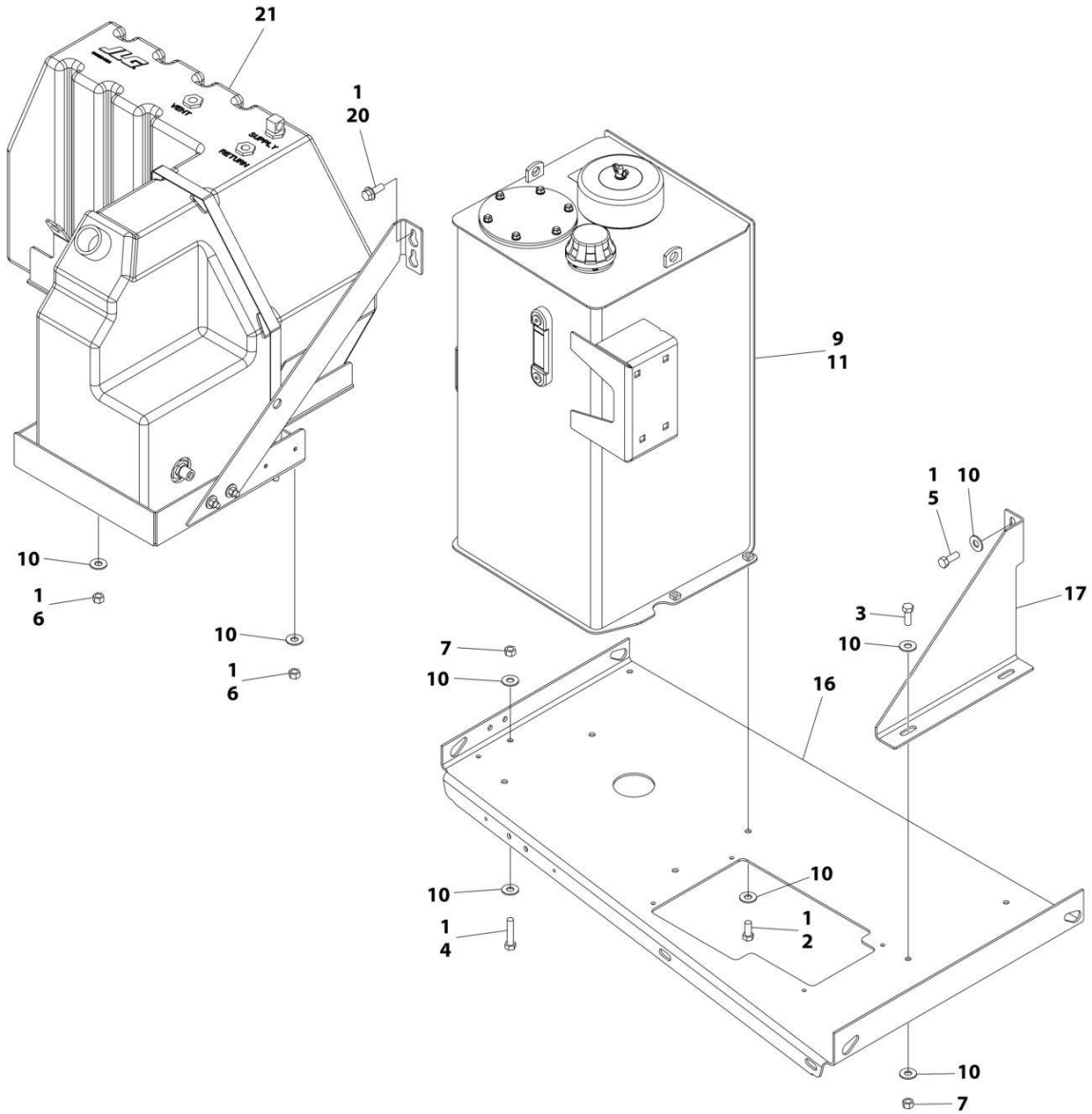
SECTION 2 - TURNTABLE

FIGURE 2-8. ROTARY COUPLING INSTALLATION

ITEM	PART NUMBER	QTY	DESCRIPTION	REV
	1001107529	Ref	ROTARY COUPLING INSTALLATION	B
1	0100011	AR	Compound, Locking	
2	0641611	2	Bolt 3/8 x 1-3/8	
3	0641812	1	Bolt 1/2 x 1-1/2	
4	0641820	2	Bolt 1/2 x 2-1/2	
5	0903242	1	Bracket	
7	3271805	2	Nut 1/2	
8	4751800	5	Washer 1/2	
9	4891600	2	Washer 3/8	
10	3322201	2	Nut 3/4	
11	1001106974	1	Coupling, Rotary Assembly (See Items 101-128 for Breakdown)	
	1001106974	Ref	ROTARY COUPLING ASSEMBLY	B
101	See Note	NSS	Body (Note: Not Available - Purchase Complete Assembly)	
102	See Note	NSS	Seal (Note: Use Item 200A)	
103	See Note	NSS	O-Ring (Note: Use Item 200A)	
104	See Note	NSS	Housing (Note: Not Available - Purchase Complete Assembly)	
105	See Note	NSS	Seal, Cap (Note: Use Item 200A)	
106	See Note	NSS	O-Ring (Note: Use Item 200A)	
107	7026503	2	Ring	
108	7026504	1	Ring, Retaining	
109	80934561	AR	Plug	
110	See Note	NSS	Lug, Torque (Note: Not Available for Purchase)	
112	7026197	4	Bolt 5/16 x 1-1/4	
113	See Note	NSS	O-Ring (Note: Use Item 200A)	
114	See Note	NSS	O-Ring (Note: Use Item 200A)	
115	See Note	NSS	Bearing (Note: Use Item 200A)	
116	7024404	1	Block Valve Assembly	
117	7026505	1	Plug	
118	7026506	1	Valve, Check	
119	7026507	1	Plug	
120	See Note	NSS	Plunger, Valve (Note: Use p/n 7024404)	
121	7026509	1	Spring, Compression	
123	See Note	NSS	Seal (Note: Use Item 200A)	
124	See Note	NSS	Capscrew #10 x 1/2 (Note: Not Available for Purchase)	
125	See Note	NSS	Nut #10 (Note: Not Available for Purchase)	
126	See Note	NSS	Flatwasher #10 (Note: Not Available for Purchase)	
127	70003454	1	Bracket, Switch Mounting	
128	4360517	1	Switch, Proximity	
200A	70001248	1	Seal Kit (Includes Items 102, 103, 105, 106, 113, 114, 115 & 123)	

SECTION 2 - TURNTABLE

FIGURE 2-9. TANKS INSTALLATION



ART_1001223977

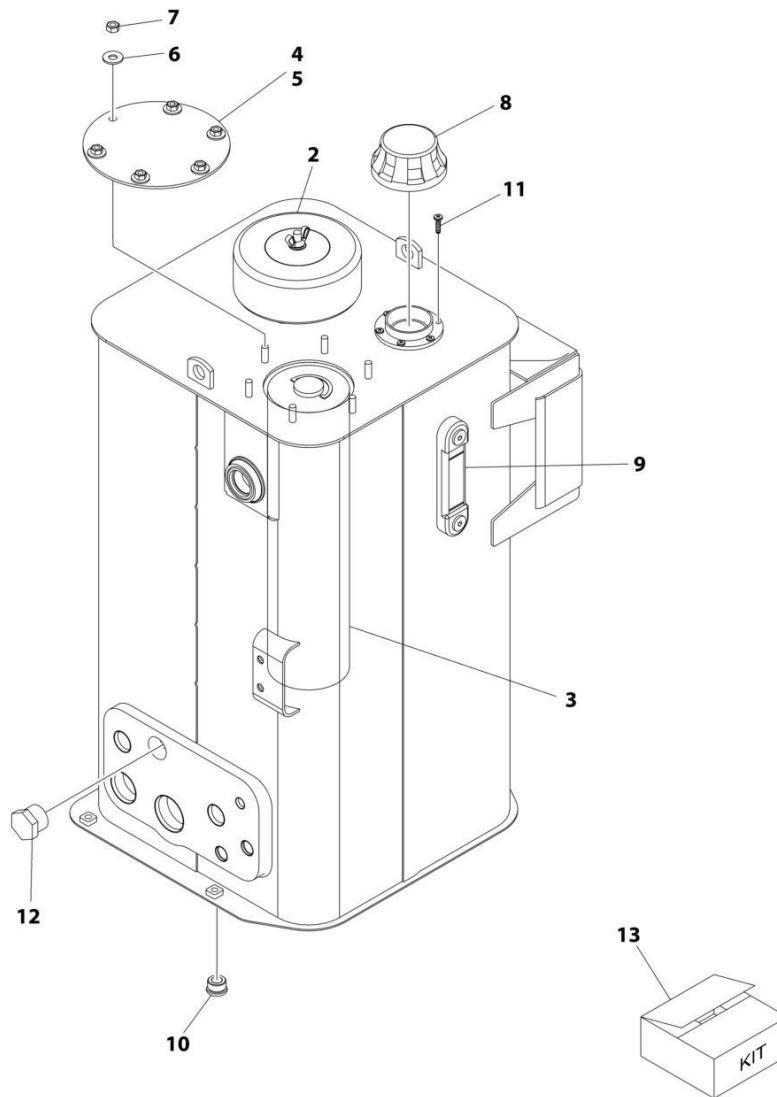
SECTION 2 - TURNTABLE

FIGURE 2-9. TANKS INSTALLATION

ITEM	PART NUMBER	QTY	DESCRIPTION	REV
	1001223977	Ref	TANKS INSTALLATION	C
1	0100011	AR	Compound, Locking	
2	0641607	4	Bolt 3/8 x 7/8	
3	0641608	2	Bolt 3/8 x 1	
4	0641614	2	Bolt 3/8 x 1-3/4	
5	0681608	2	Bolt 3/8 x 1	
6	3311601	2	Nut 3/8	
7	3311605	4	Nut 3/8	
9	4420038	26 in/ 0.66m	Tape	
10	4751600	16	Washer 3/8	
11	1001178057	1	Hydraulic Tank Assembly (See Separate Breakdown in this Section)	
16	1001227338	1	Tray	
17	1001227383	1	Bracket	
20	0811608	2	Screw 3/8 x 1	
21	1001233641	1	Fuel Tank Assembly (See Separate Breakdown in this Section)	

SECTION 2 - TURNTABLE

FIGURE 2-10. HYDRAULIC TANK ASSEMBLY



ART_1001178057

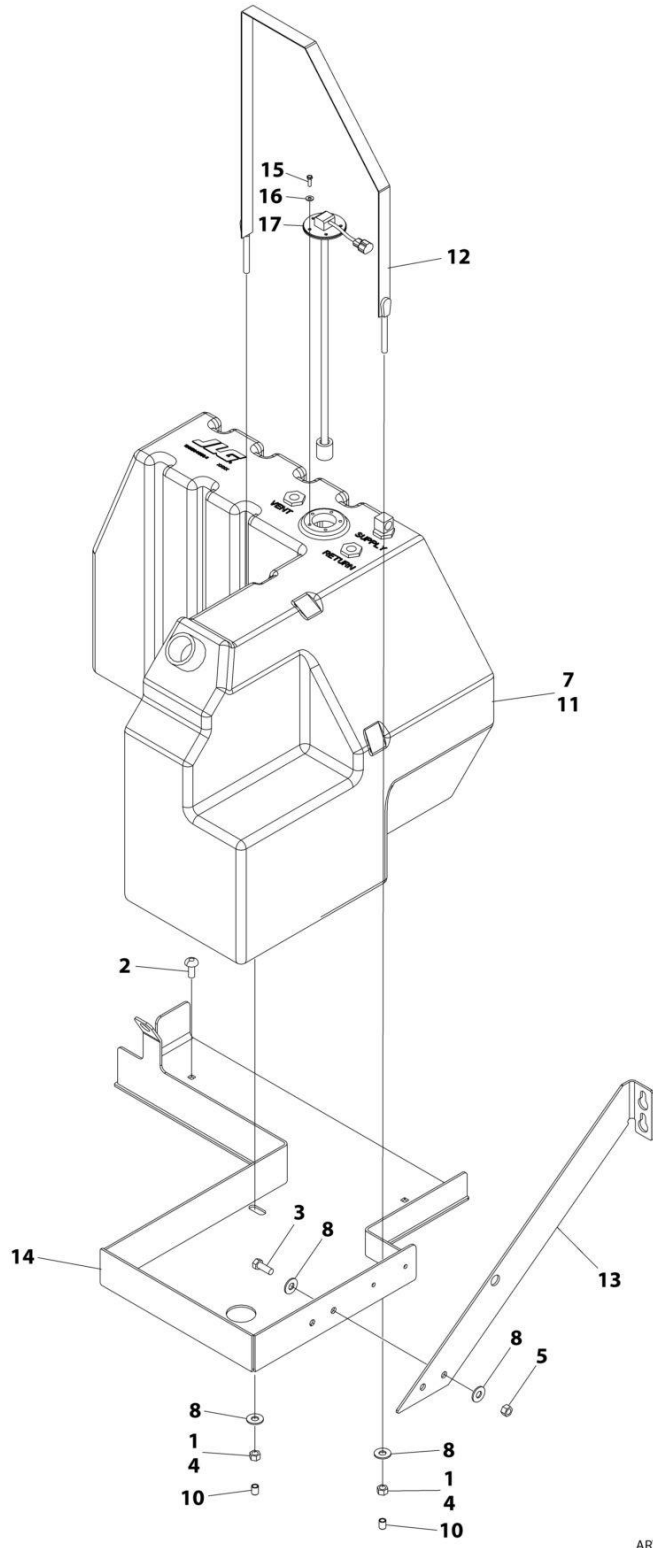
SECTION 2 - TURNTABLE

FIGURE 2-10. HYDRAULIC TANK ASSEMBLY

ITEM	PART NUMBER	QTY	DESCRIPTION	REV
	1001178057	Ref	HYDRAULIC TANK ASSEMBLY	D
2	70005708	1	Breather Assembly (Includes Breather, Element and Wingnut)	
2	See Note	NSS	Element, Breather (Note: Use p/n 70005708 or Item 13)	
3	See Note	NSS	Element, Hydraulic (Note: Use Item 13)	
4	70002839	1	Gasket	
5	See Note	NSS	Cover (Note: Not Available for Purchase)	
6	83304173	6	Washer 5/16	
7	70004199	6	Nut 5/16	
8	70002838	1	Cap, Fill	
9	7024441	1	Gauge, Level	
10	70002112	1	Plug	
11	70004795	6	Screw #10 x 3/4	
12	See Note	NSS	Plug (Note: Not Available - Purchase Locally)	
13	70002814	1	Hydraulic Tank Service Kit (Includes Items 2-4)	

SECTION 2 - TURNTABLE

FIGURE 2-11. FUEL TANK ASSEMBLY



ART_1001233641_B

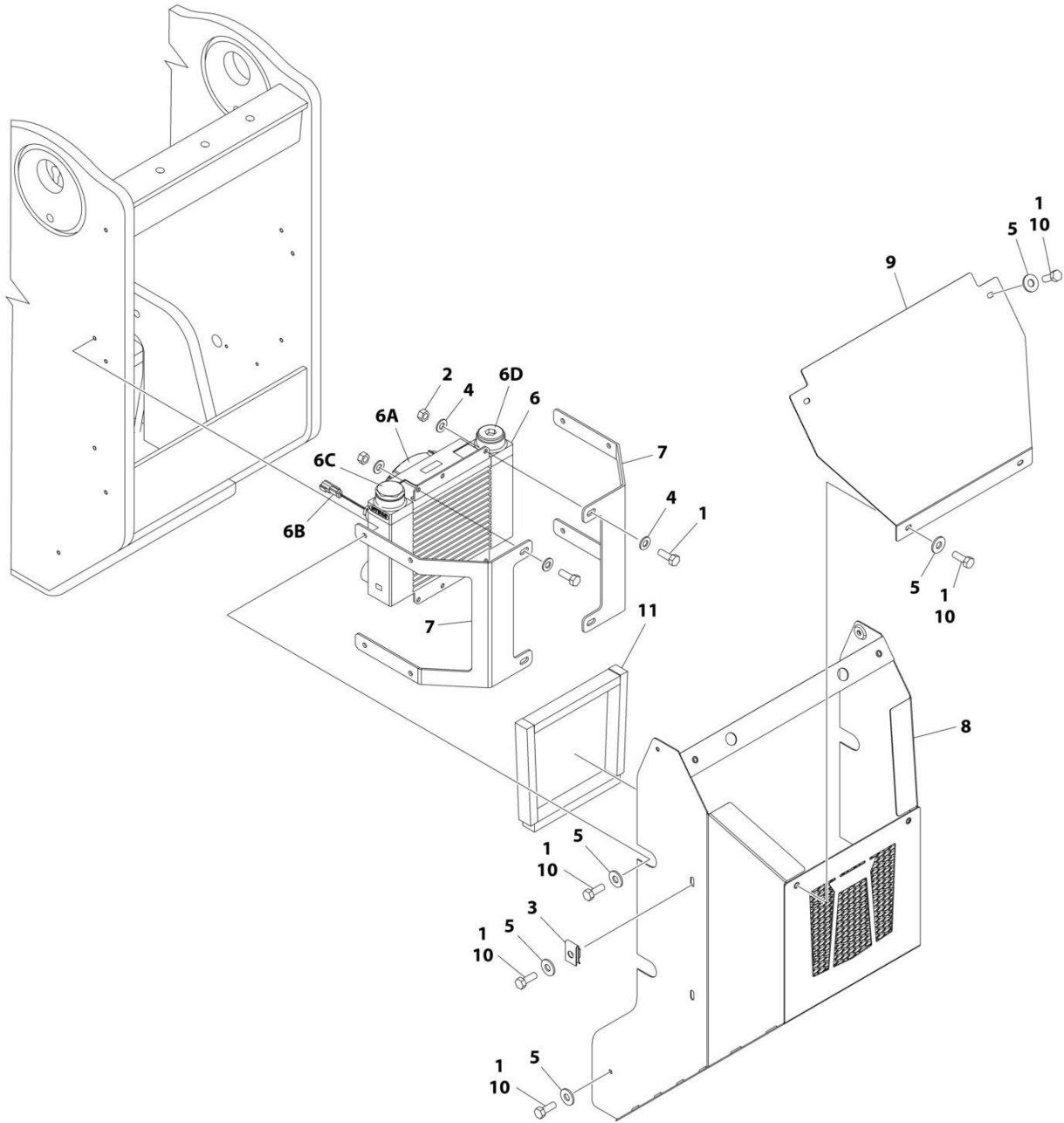
SECTION 2 - TURNTABLE

FIGURE 2-11. FUEL TANK ASSEMBLY

ITEM	PART NUMBER	QTY	DESCRIPTION	REV
	1001233641	Ref	FUEL TANK ASSEMBLY	B
1	0100011	AR	Compound, Locking	
2	0630446	2	Bolt 3/8 x 1	
3	0641608	2	Bolt 3/8 x 1	
4	3311601	2	Nut 3/8	
5	3311605	2	Nut 3/8	
7	4420038	37 in/ 0.94m	Tape	
8	4751600	6	Washer 3/8	
9	1001182997	AR	Adhesive (Not Shown)	
10	1001218572	2	Cap	
11	1001284959	1	Tank, Fuel	
11	See Note	NSS	Cap (Note: Not Available at time of Printing)	
11	See Note	NSS	Tube, Pick-up (Note: Not Available at time of Printing)	
12	1001224384	1	Strap	
13	1001233635	1	Bracket	
14	1001233640	1	Tray	
15	0731005	5	Bolt #10 x 5/8	
16	4751000	5	Washer #10	
17	1001285015	1	Gauge, Fuel Level With Connector	
17	4460897	1	Terminal	
17	1001274218	1	Gauge, Fuel Level	
17	1001287769	1	Gasket	

SECTION 2 - TURNTABLE

FIGURE 2-12. OIL COOLER INSTALLATION



ART_1001223981

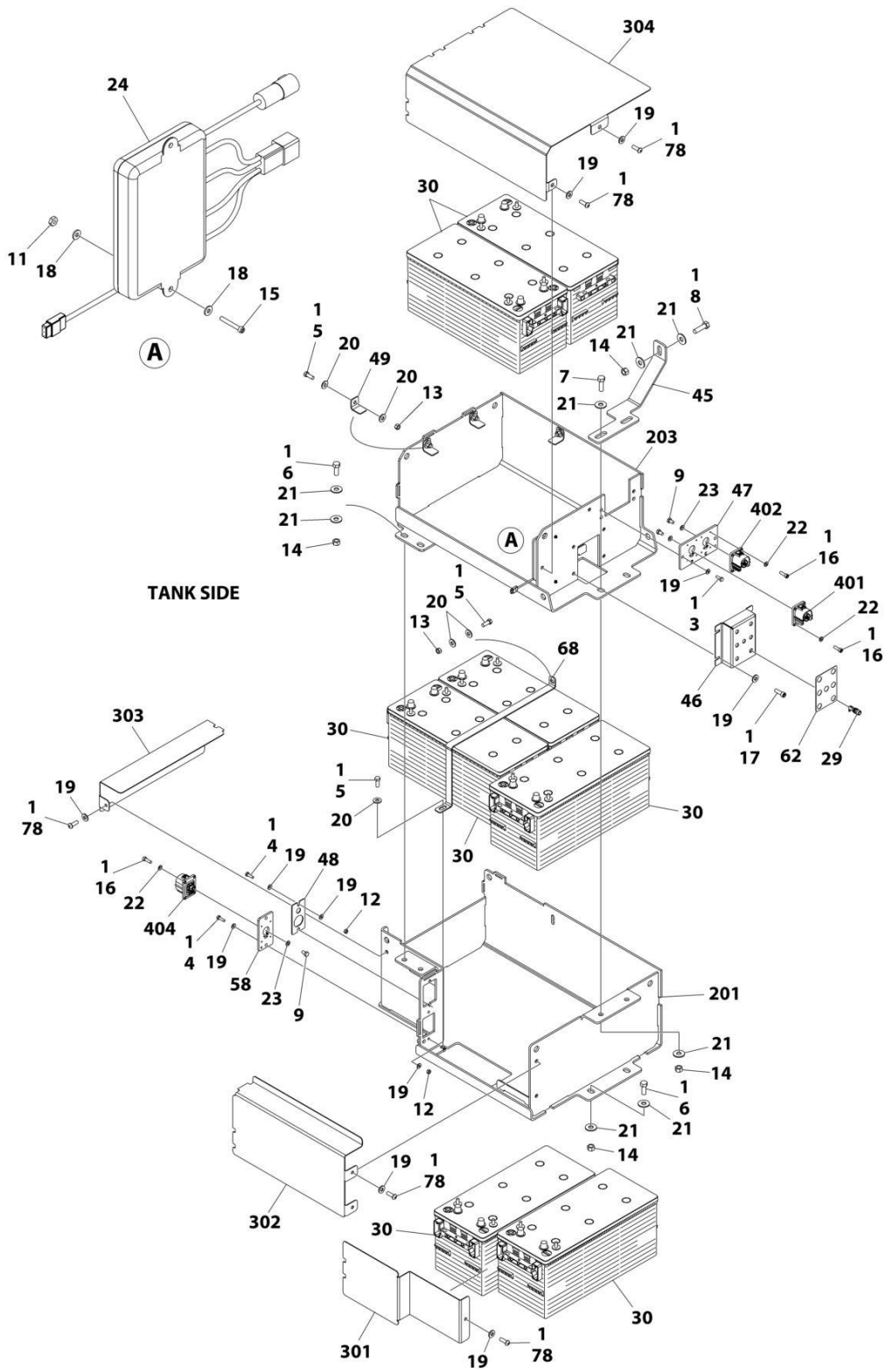
SECTION 2 - TURNTABLE

FIGURE 2-12. OIL COOLER INSTALLATION

ITEM	PART NUMBER	QTY	DESCRIPTION	REV
	1001223981	Ref	COOLER INSTALLATION	C
1	0641507	20	Bolt 5/16 x 7/8	
2	3271505	4	Nut 5/16	
3	3300364	1	Nut, Tinnerman 5/16	
4	4711500	8	Washer 5/16	
5	4751500	16	Washer 5/16	
6	1001225804	1	Cooler Assembly	
6A	70006577	1	Fan/Motor Assembly	
6A	4460994	1	Plug, Male - 2 Position (Fan/Motor)	
6A	4460993	2	Terminal (Fan/Motor)	
6B	70006576	1	Thermostat	
6B	4460891	1	Plug, Male - 2 Position (Thermostat)	
6B	4460465	2	Socket, Female (Thermostat)	
6C	70006578	1	Valve, By-Pass	
6D	70006579	1	Plug	
7	1001227198	2	Bracket	
8	1001227869	1	Cover, Vented	
9	1001227870	1	Cover	
10	0100011	AR	Compound, Locking	
11	1001233249	4	Seal	

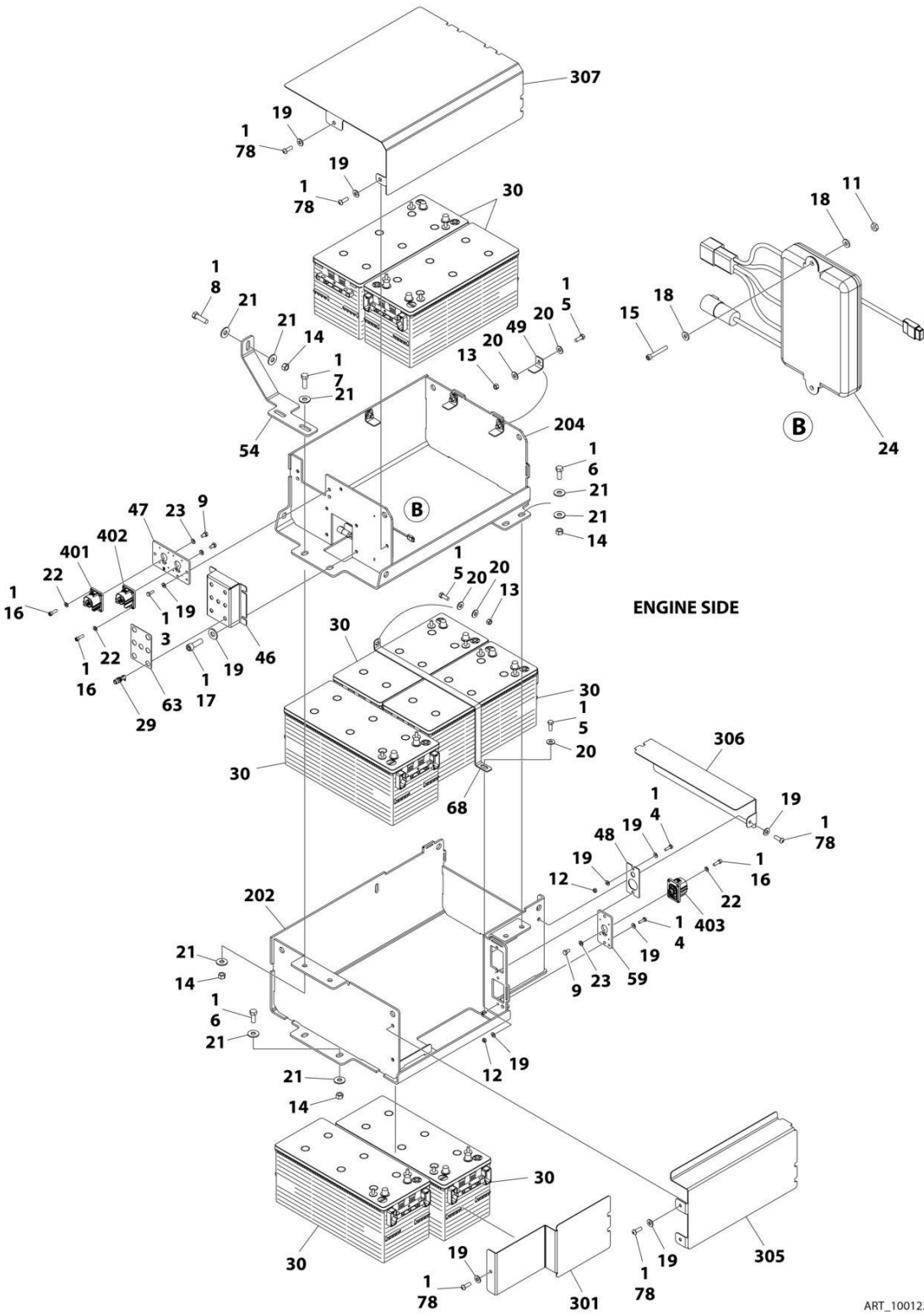
SECTION 2 - TURNTABLE

FIGURE 2-13. BATTERY BOXES INSTALLATION



ART_1001231700_10F3

SECTION 2 - TURNTABLE



ART_1001231700_20F3

SECTION 2 - TURNTABLE

FIGURE 2-13. BATTERY BOXES INSTALLATION

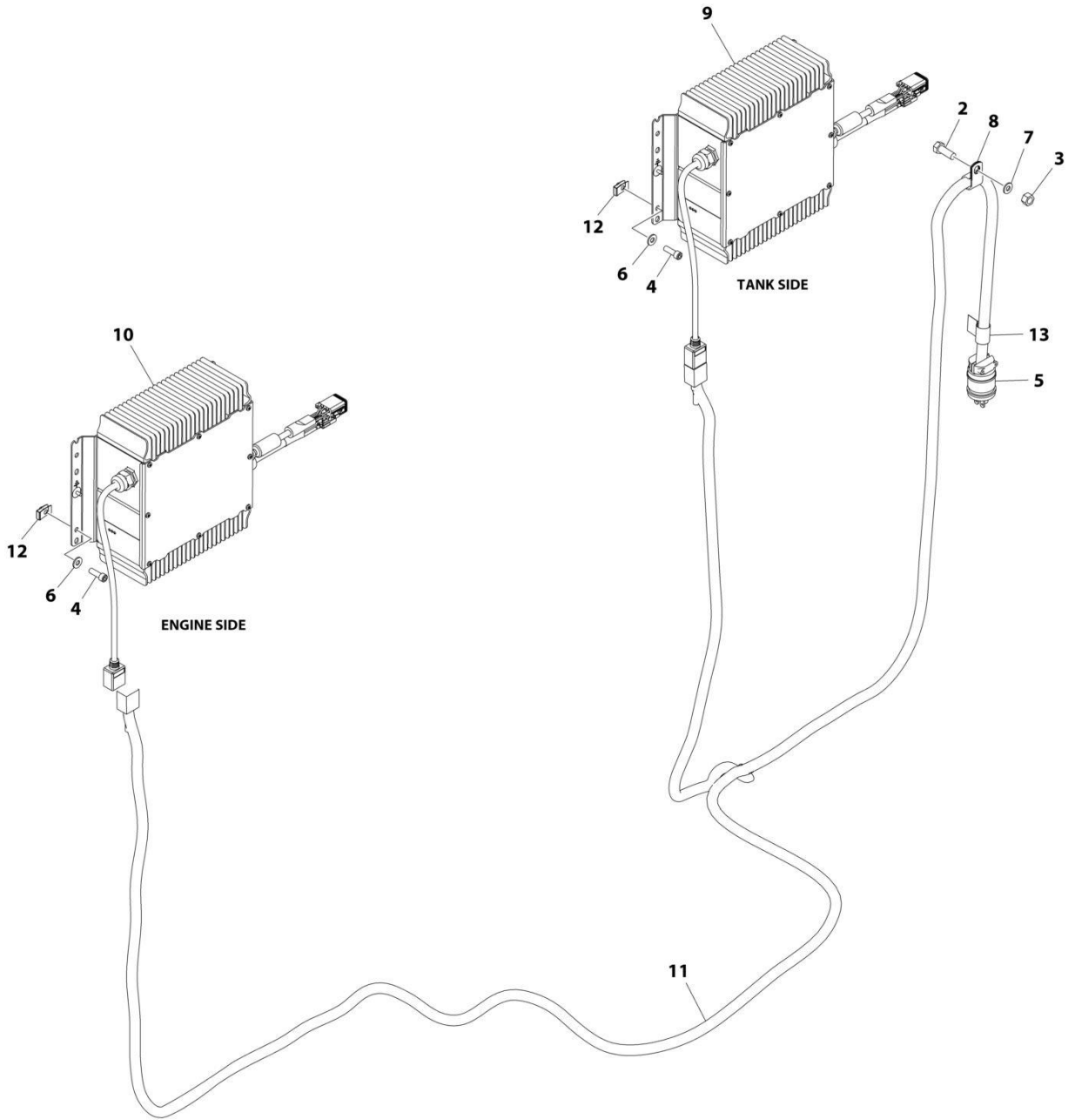
ITEM	PART NUMBER	QTY	DESCRIPTION	REV
	1001231700	Ref	BATTERY BOXES INSTALLATION	G
1	0100011	AR	Compound, Locking	
3	0641406	4	Bolt 1/4 x 3/4	
4	0641407	8	Bolt 1/4 x 7/8	
5	0641608	16	Bolt 3/8 x 1	
6	0641810	12	Bolt 1/2 x 1-1/4	
7	0641812	4	Bolt 1/2 x 1-1/2	
8	0641814	2	Bolt 1/2 x 1-3/4	
9	0760807	6	Bolt M8 x 14	
11	3310605	4	Nut #6	
12	3311401	8	Nut 1/4	
13	3311601	14	Nut 3/8	
14	3311801	18	Nut 1/2	
15	3930616	4	Capscrew #6 x 1	
16	3931010	24	Capscrew #10 x 5/8	
17	3931412	8	Capscrew 1/4 x 3/4	
18	4710600	8	Washer #6	
19	4711400	40	Washer 1/4	
20	4751600	30	Washer 3/8	
21	4751800	36	Washer 1/2	
22	4811600	24	Washer M5	
23	4811900	6	Washer M8	
24	1001222358	2	Regulator	
29	1001226935	14	Fuseholder	
30	1001231249	14	Battery	
45	1001231596	1	Plate	
46	1001231597	2	Mount	
47	1001231598	2	Mount	
48	1001231599	2	Cover	
49	1001231600	12	Plate	
54	1001231655	1	Plate	
58	1001231839	1	Mount	
59	1001231840	1	Mount	
62	1001230711	1	Decal - Tank Battery Stack Fuses	
63	1001230712	1	Decal - Engine Battery Stack Fuses	
68	1001233737	2	Plate	
73	4240099	2	Tie-Strap (Not Shown)	
78	0641405	12	Bolt 1/4 x 5/8	
200	1001233443	1	Battery Box Kit (Not Shown)	
201	1001231569	1	Box, Battery	
202	1001231570	1	Box, Battery	
203	1001231581	1	Box, Battery (Tank Side)	
204	1001231582	1	Box, Battery (Engine Side)	
300	1001233444	1	Battery Covers Kit (Not Shown)	
301	1001231601	2	Cover, Battery Box	
302	1001231606	1	Cover, Battery Box	
303	1001231607	1	Cover, Battery Box	
304	1001231608	1	Cover, Battery Box	
305	1001231656	1	Cover, Battery Box	
306	1001231657	1	Cover, Battery Box	

SECTION 2 - TURNTABLE

ITEM	PART NUMBER	QTY	DESCRIPTION	REV
307	1001231658	1	Cover, Battery Box	
400	1001233446	1	Connector Kit (Not Shown)	
401	1001223195	2	Connector	
402	1001223196	2	Connector	
403	1001223198	1	Connector	
404	1001223200	1	Connector	

SECTION 2 - TURNTABLE

FIGURE 2-14. BATTERY CHARGERS INSTALLATION (FACTORY SUPPLIED 220V PLUG)



ART_1001223124

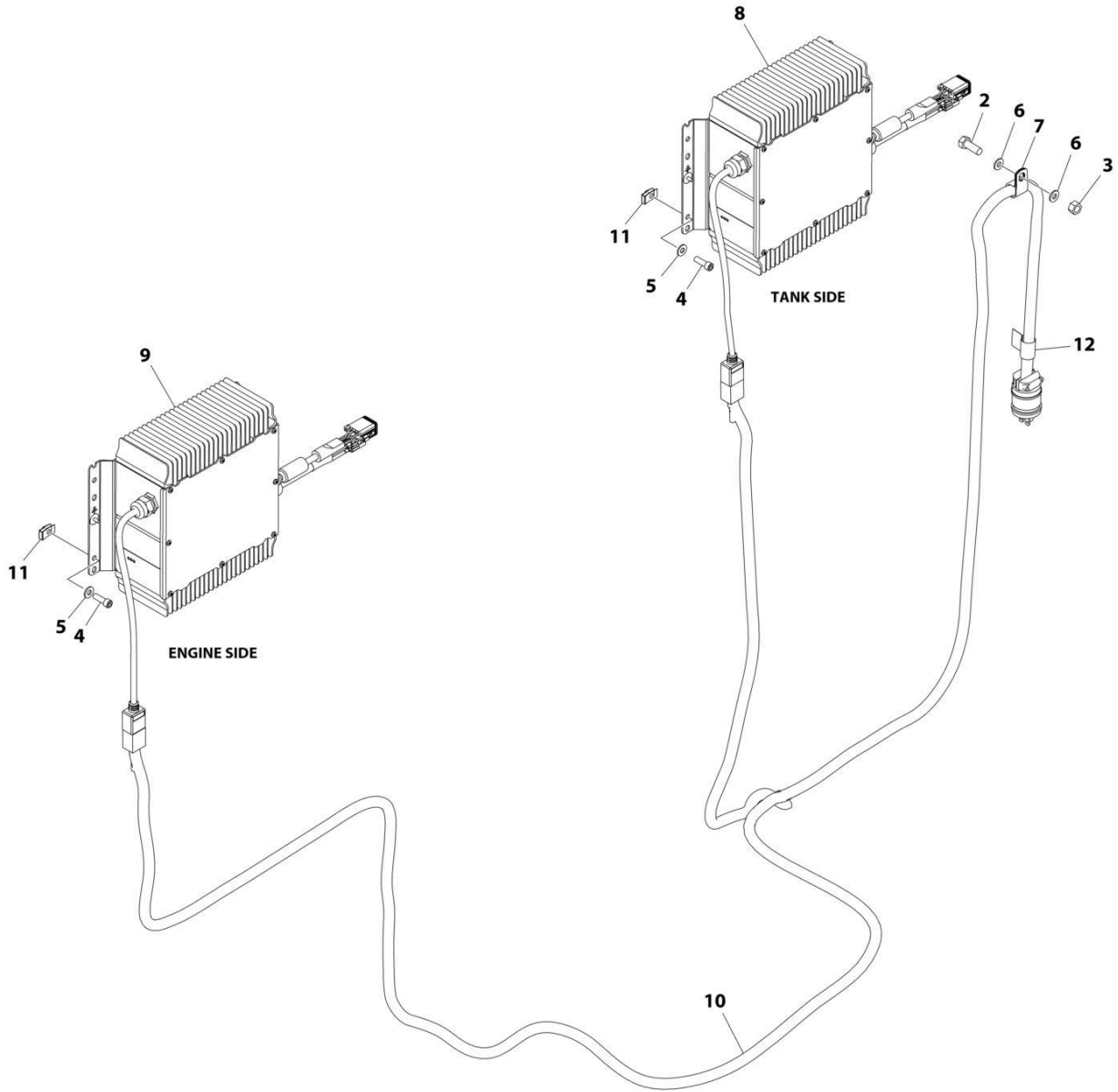
SECTION 2 - TURNTABLE

FIGURE 2-14. BATTERY CHARGERS INSTALLATION (FACTORY SUPPLIED 220V PLUG)

ITEM	PART NUMBER	QTY	DESCRIPTION	REV
	1001223124	Ref	BATTERY CHARGERS INSTALLATION	F
2	0641608	1	Bolt 3/8 x 1	
3	3311605	1	Nut 3/8	
4	3931412	8	Capscrew 1/4 x 3/4	
5	4460233	1	Plug	
6	4711400	8	Washer 1/4	
7	4711600	2	Washer 3/8	
8	1320061	1	Clamp	
9	1001222359	1	Charger, Battery (Primary)	
10	1001222360	1	Charger, Battery (Secondary)	
11	10012226031	1	Cable, AC	
12	3300454	8	Nut, Tinnerman 1/4	
13	1001238309	1	Decal - 240V Heater Cord	

SECTION 2 - TURNTABLE

FIGURE 2-15. BATTERY CHARGERS INSTALLATION (CUSTOMER SUPPLIED PLUG)



ART_1001227901_F

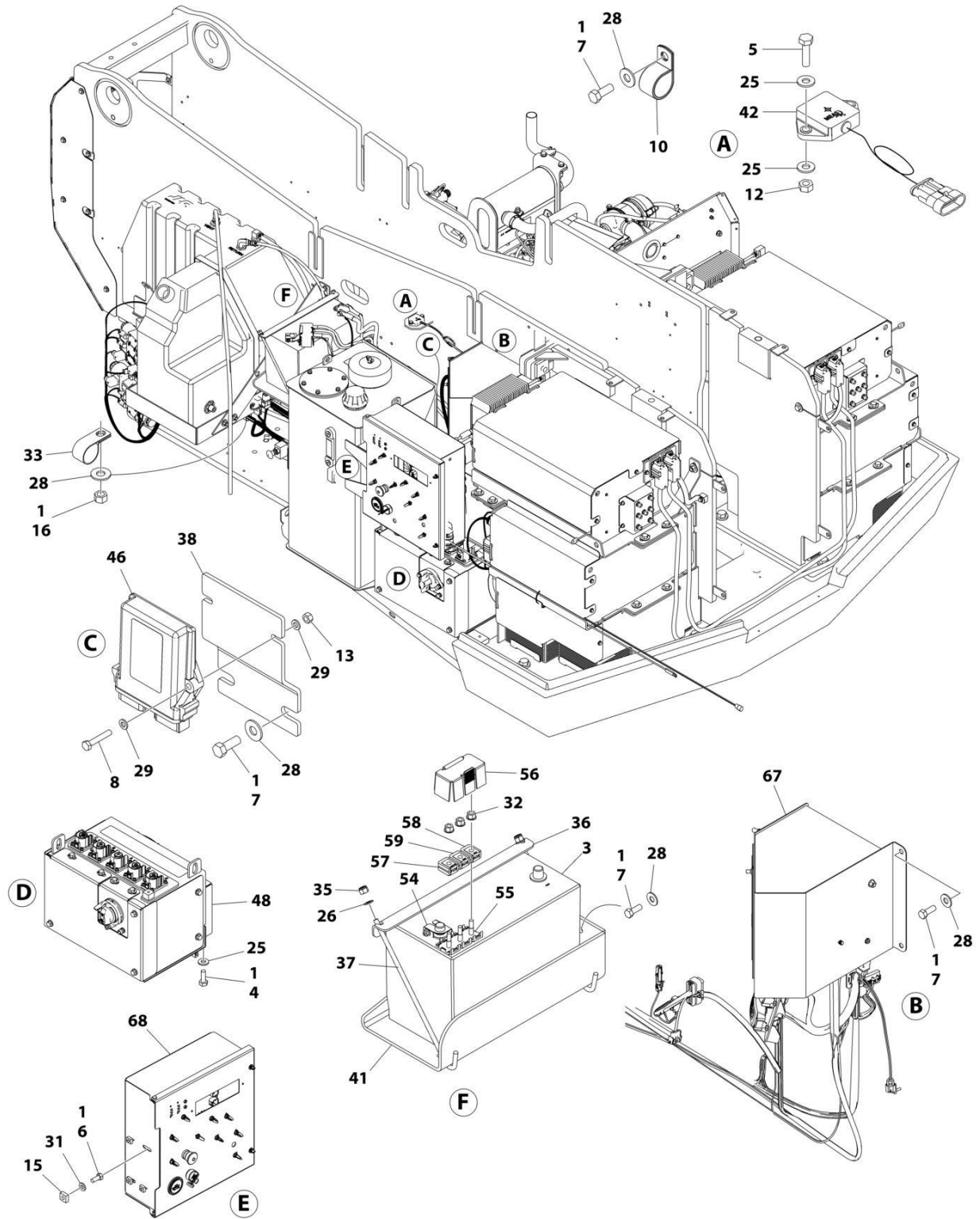
SECTION 2 - TURNTABLE

FIGURE 2-15. BATTERY CHARGERS INSTALLATION (CUSTOMER SUPPLIED PLUG)

ITEM	PART NUMBER	QTY	DESCRIPTION	REV
	1001227901	Ref	BATTERY CHARGERS INSTALLATION	F
2	0641608	1	Bolt 3/8 x 1	
3	3311605	1	Nut 3/8	
4	3931412	8	Capscrew 1/4 x 3/4	
5	4711400	8	Washer 1/4	
6	4711600	2	Washer 3/8	
7	1320061	1	Clamp	
8	1001222359	1	Charger, Battery (Primary)	
9	1001222360	1	Charger, Battery (Secondary)	
10	1001264430	1	Cable, AC	
11	3300454	8	Nut 1/4	
12	1001238309	1	Decal - 240V Heater Cord	

SECTION 2 - TURNTABLE

FIGURE 2-16. ELECTRICAL SYSTEM INSTALLATION



ART_1001249003_E_10F2

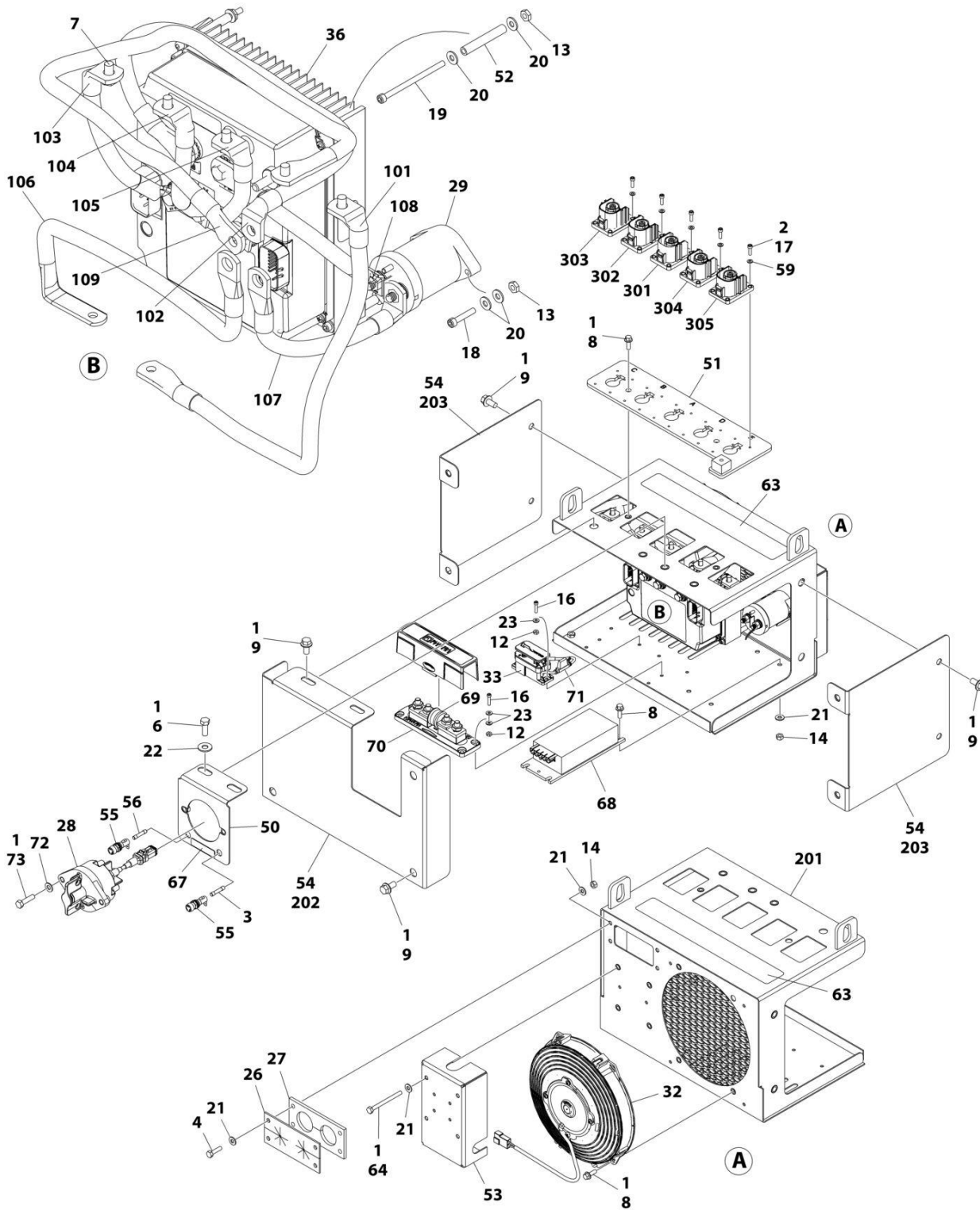
SECTION 2 - TURNTABLE

FIGURE 2-16. ELECTRICAL SYSTEM INSTALLATION

ITEM	PART NUMBER	QTY	DESCRIPTION	REV
	1001249003	Ref	ELECTRICAL COMPONENTS INSTALLATION	E
1	0100011	AR	Compound, Locking	
3	0400075	1	Battery	
4	0641406	4	Bolt 1/4 x 3/4	
5	0641408	2	Bolt 1/4 x 1	
6	0641506	4	Bolt 5/16 x 3/4	
7	0681608	10	Bolt 3/8 x 1	
8	0700615	2	Bolt M6 x 35	
10	1320060	1	Clamp	
12	3271405	2	Nut 1/4	
13	3290607	2	Nut M6	
15	3300205	4	Nut, Retainer	
16	3311601	2	Nut 3/8	
17	4061032	1	Shield (Not Shown - Located over Hydraulic Pump)	
20	4240099	2	Tie-Strap (Not Shown)	
25	4711400	8	Washer 1/4	
26	4711500	2	Washer 5/16	
28	4751600	12	Washer 3/8	
29	4811700	4	Washer M6	
31	4891500	4	Washer 5/16	
32	5260818	3	Nut M8	
33	8406201	2	Clip	
35	88521205	2	Nut 5/16	
36	91401281	1	Bracket	
37	1001093382	2	J-Bolt	
38	1001142722	1	Bracket	
41	1001162497	1	Tray, Battery	
42	1001219601	1	Sensor, Tilt	
46	1001223583	1	Module, HEC Control (Note: Recalibration Required when Replaced)	
48	1001226120	1	IMG Control Box Assembly (See Separate Breakdown in this Section)	
54	1001226929	1	Terminal	
55	1001226930	1	Stud Assembly	
56	1001226931	1	Boot, Red	
57	1001226932	1	Fuse 40Amp	
58	1001226933	1	Fuse 80Amp	
59	1001226934	1	Shunt	
67	1001249004	1	Fuse Box Assembly (See Separate Breakdown in this Section)	
68	1001249005	1	Ground Control Box Assembly (See Separate Breakdown in this Section)	
70	1001213448	1	Connector (Not Shown)	

SECTION 2 - TURNTABLE

FIGURE 2-17. IMG CONTROL BOX ASSEMBLY



ART_1001226120

SECTION 2 - TURNTABLE

FIGURE 2-17. IMG CONTROL BOX ASSEMBLY

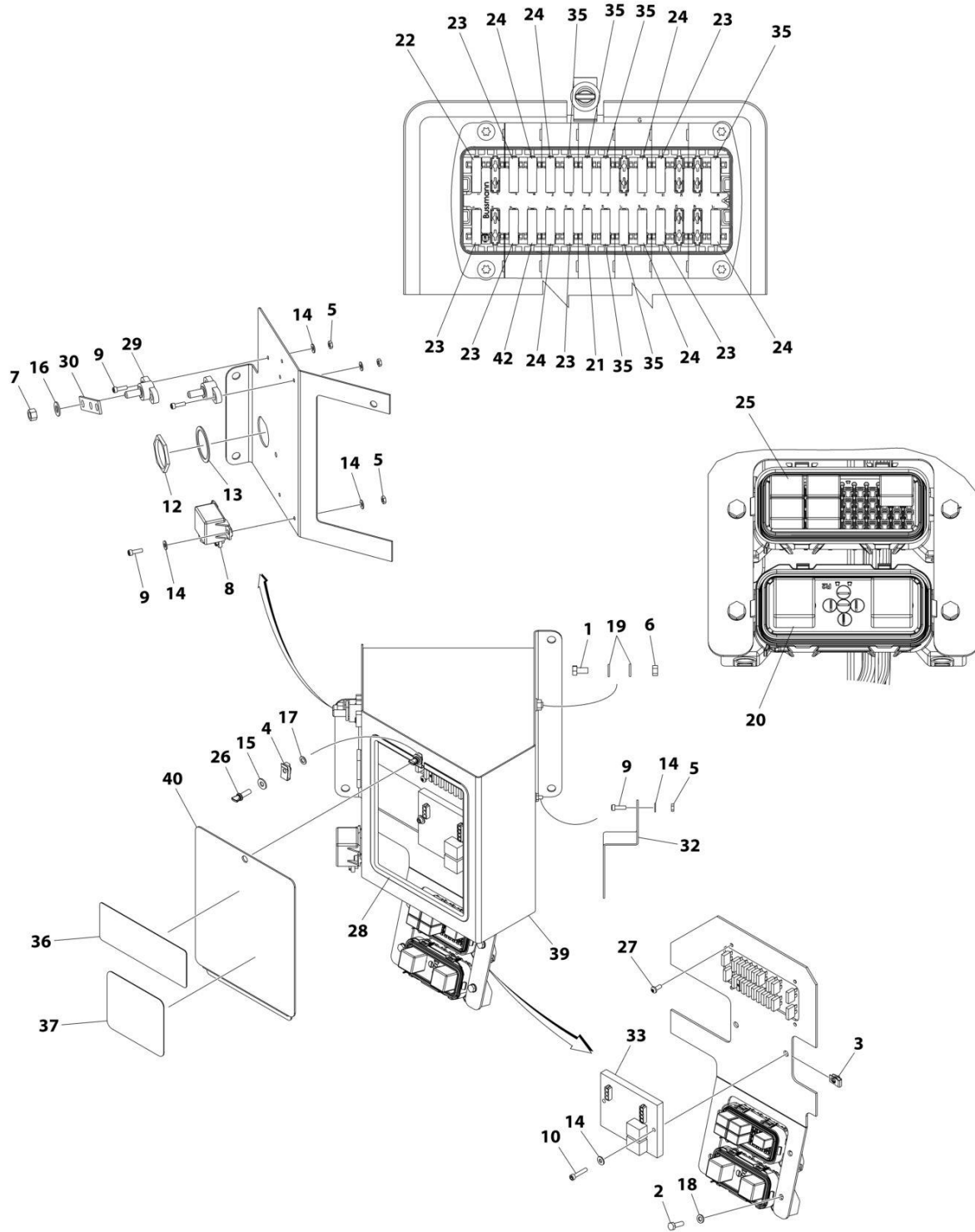
ITEM	PART NUMBER	QTY	DESCRIPTION	REV
	1001226120	Ref	IMG CONTROL BOX ASSEMBLY	J
1	0100011	AR	Compound, Locking	
2	0100035	AR	Compound, Locking	
3	1001234314	1	Fuse 10Amp	
4	0641408	4	Bolt 1/4 x 1	
6	0641608	2	Bolt 3/8 x 1	
7	0760807	5	Bolt M8 x 14	
8	0811406	10	Screw 1/4 x 3/4	
9	0811606	9	Screw 3/8 x 3/4	
12	3310805	8	Nut #8	
13	3311005	6	Nut #10	
14	3311405	8	Nut 1/4	
16	3930812	8	Capscrew #8 x 3/4	
17	3931010	20	Capscrew #10 x 5/8	
18	3931016	2	Capscrew #10 x 1	
19	3931048	4	Capscrew #10 x 3	
20	4711000	12	Washer #10	
21	4711400	16	Washer 1/4	
22	4751600	2	Washer 3/8	
23	4750800	12	Washer #8	
26	1001168243	1	Shield	
27	1001168244	1	Shield	
28	1001236759	1	Switch, STDP Interlock	
29	1001222340	1	Relay, Main Contactor	
32	1001222363	1	Fan, Cooling	
33	1001222365	2	Relay	
36	1001222879	1	Controller, IMG (Note: Recalibration Required when Replaced)	
50	1001236967	1	Plate, IMG Disconnect Switch	
51	1001226146	1	Mount, IMG Connector	
52	1001226190	4	Sleeve	
53	1001226492	1	Cover Assembly	
53	1001224943	1	Converter	
53	1001226489	1	Cover	
54	1001113047	95 in/ 2.4m	Seal	
55	1001226935	2	Holder, Fuse	
56	1001228440	1	Fuse 15Amp	
59	4811600	20	Washer M5	
63	1001227763	1	Decal - Header Label IMG Box	
64	0641424	4	Bolt 1/4 x 3	
67	1001230714	1	Decal - IMG Fuse	
68	1001233188	1	Converter	
69	1001233198	1	Fuse 200Amp - 400Amp	
70	1001233203	1	Holder, Fuse	
71	1001234488	2	Electrical Assembly - Flyback Diode	
72	4711500	2	Washer 5/16	
73	0641510	2	Bolt 5/16 x 1-1/4	
100	1001233442	1	IMG Box Cable Kit	B
101	1001222375	1	Cable - Battery to Fuse	
102	1001222378	1	Cable - Negative to IMG	

SECTION 2 - TURNTABLE

ITEM	PART NUMBER	QTY	DESCRIPTION	REV
103	1001223916	1	Cable - IMG (U) to Box	
104	1001223917	1	Cable - IMG (V) to Box	
105	1001223918	1	Cable - IMG (W) to Box	
106	1001223951	1	Cable - Fuse to Rotary Disc	
107	1001223952	1	Cable - Rotary Disc to Main Controller	
108	1001223953	1	Cable - Main Controller to IMG	
109	1001230507	1	Cable (Negative to Bulkhead)	
200	1001233445	1	IMG Box Plate Kit	B
201	1001226121	1	Box	
202	1001226124	1	Cover, Front	
203	1001230154	2	Panel	
300	1001233447	1	IMG Cable Connector Kit	A
301	1001222915	1	Connector	
302	1001223195	1	Connector	
303	1001223196	1	Connector	
304	1001223198	1	Connector	
305	1001223200	1	Connector	

SECTION 2 - TURNTABLE

FIGURE 2-18. ELECTRICAL ASSEMBLY - 12V FUSE BOX



ART_1001249004

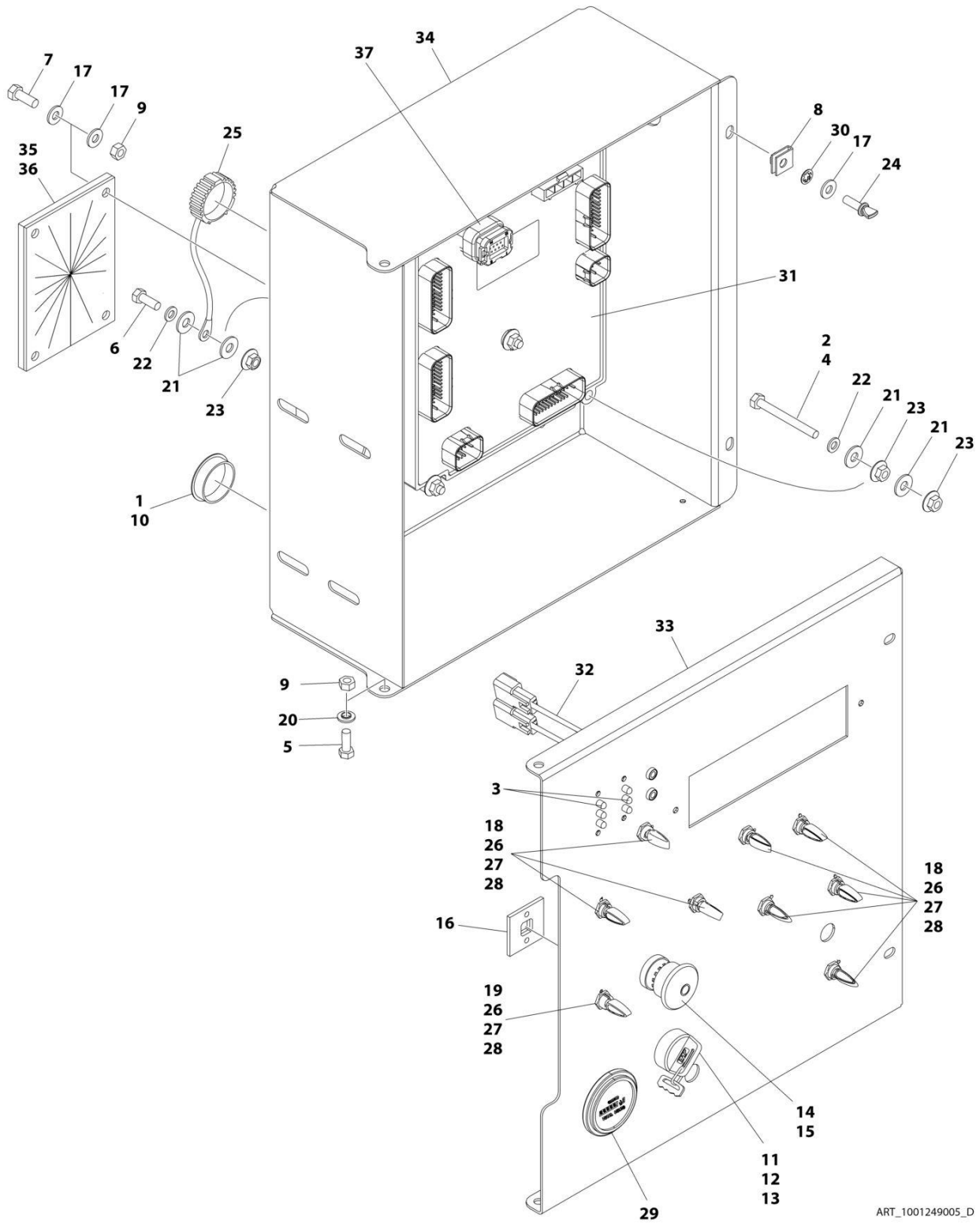
SECTION 2 - TURNTABLE

FIGURE 2-18. ELECTRICAL ASSEMBLY - 12V FUSE BOX

ITEM	PART NUMBER	QTY	DESCRIPTION	REV
	1001249004	Ref	ELECTRICAL ASSEMBLY - 12V FUSE BOX	B
1	0641505	1	Bolt 5/16 x 5/8	
2	0760610	4	Bolt M6 x 20	
3	3300365	2	Nut, Retainer	
4	3300454	1	Nut, Tinnerman 1/4	
5	3311005	7	Nut #10	
6	3311505	1	Nut 5/16	
7	3311605	1	Nut 3/8	
8	3740112	1	Relay	
9	3931010	7	Capscrew #10 x 5/8	
10	3931016	2	Capscrew #10 x 1	
11	4240099	1	Tie-Strap (Not Shown)	
12	4460470	1	Nut	
13	4460471	1	Washer	
14	4711000	11	Washer #10	
15	4711400	1	Washer 1/4	
16	4711600	1	Washer 3/8	
17	4771200	1	Washer #12	
18	4811700	4	Washer M6	
19	4891500	2	Washer 5/16	
20	8225117	2	Relay	
21	8229234	1	Fuse - 10 Amp	
22	8229236	1	Fuse - 30 Amp	
23	8229237	6	Fuse - 15 Amp	
24	8229261	6	Fuse - 5 Amp	
25	1001095704	5	Relay	
26	1001103308	1	Screw 1/4 x 3/4	
27	1001108134	4	Screw #10 x 1/2	
28	1001113047	2.7 ft/ 0.82m	Trim	
29	1001120750	2	Stud	
30	1001128241	1	Bussbar	
31	1001146588	2	Tie-Strap (Not Shown)	
32	1001159162	1	Bracket	
33	1001223581	1	Control, H-Bridge	
34	1001226404	1	Harness - H-Bridge/Clutch (Not Shown) (See Separate Breakdown in ELECTRICAL SECTION)	
35	1001227788	6	Fuse - 2 Amp	
36	1001229790	1	Decal - Fuse Box	
37	1001229791	1	Decal - Relays	
38	1001230522	1	Turntable-Fuse Panel Harness (Not Shown) (See Separate Breakdown in ELECTRICAL SECTION)	
39	1001232495	1	Box, Fuse	
40	1001232499	1	Cover	
41	1001245030	1	Engine Harness (Not Shown) (See Separate Breakdown in ELECTRICAL SECTION)	
42	1001247362	1	Fuse - 40 Amp (H800AJ)	

SECTION 2 - TURNTABLE

FIGURE 2-19. GROUND CONTROL BOX ASSEMBLY



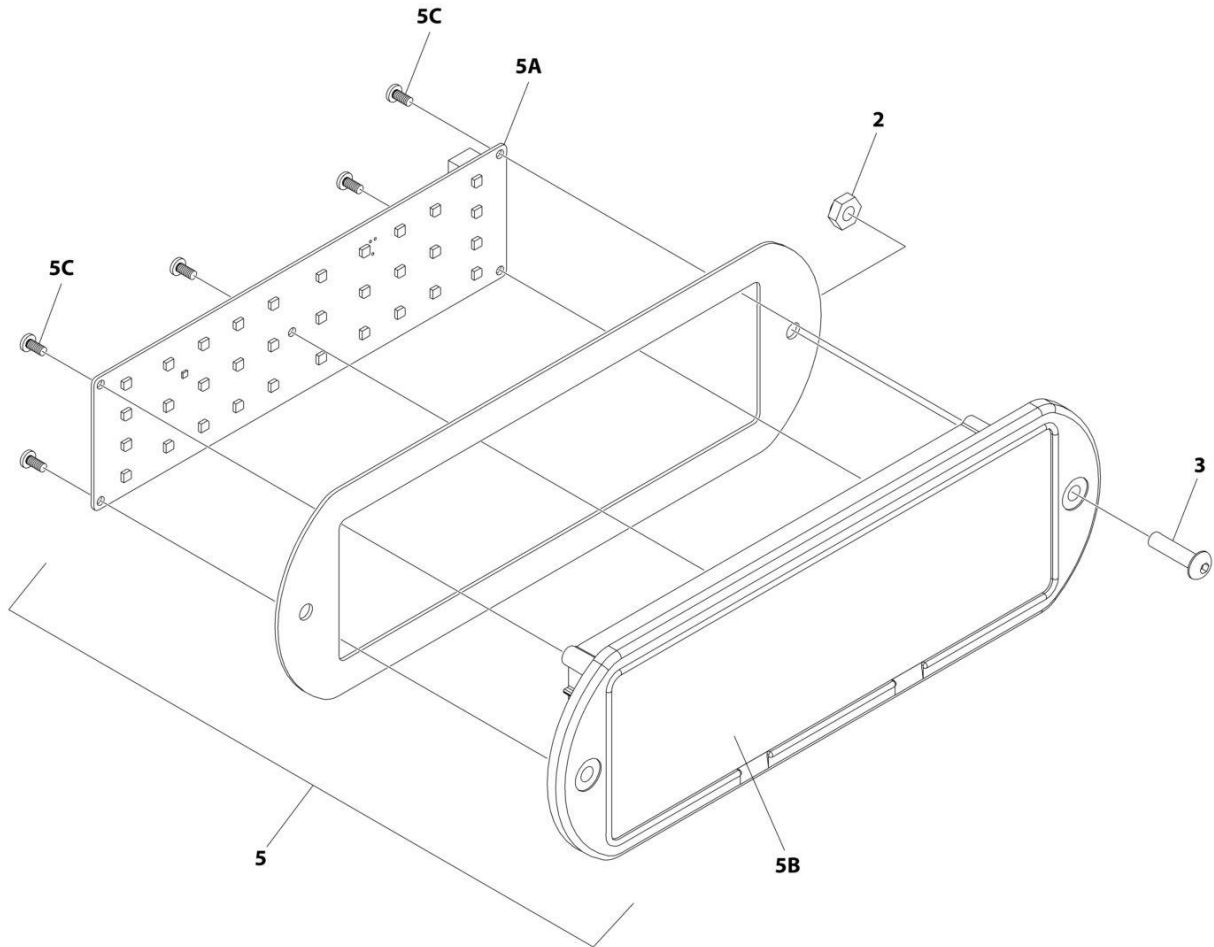
SECTION 2 - TURNTABLE

FIGURE 2-19. GROUND CONTROL BOX ASSEMBLY

ITEM	PART NUMBER	QTY	DESCRIPTION	REV
	1001249005	Ref	GROUND CONTROL BOX ASSEMBLY	D
1	0100009	AR	Sealant	
2	0100011	AR	Compound, Locking	
3	0610131	2	LED P/C Board	
4	0630548	5	Bolt 2-1/2	
5	0641405	2	Bolt 1/4 x 5/8	
6	0641407	1	Bolt 1/4 x 7/8	
7	0641408	4	Bolt 1/4 x 1	
8	3300353	2	Nut, Tinnerman	
9	3311405	6	Nut 1/4	
10	3520035	1	Plug	
11	3910804	6	Screw #8 x 1/4	
12	4070991	1	Shim .125	
13	4360469	1	Switch, Key	
13	2860030	1 Set	Key, Replacement	
14	1001274559	1	Switch, Emergency Stop	
15	4360476	1	Switch, Contact Block	
16	4460488	6	Mount, Tie-Strap	
17	4711400	10	Washer 1/4	
18	4740397	8	Washer	
19	4740444	1	Washer	
20	4740518	2	Washer	
21	4751400	12	Washer 1/4	
22	4761400	6	Washer 1/4	
23	77143013	11	Nut 1/4	
24	1001103308	2	Screw 1/4 x 3/4	
25	1001106736	1	Cap, Dust	
26	1001155043	9	Washer	
27	1001155044	9	Nut 15/32	
28	1001155045	9	Switch, Toggle	
29	10836804	1	Gauge, Display	
30	1001188874	2	Nut	
31	1001284800	1	Module, Ground Control (Note: Recalibration Required when Replaced)	
32	1001225120	2	Lamp	
33	1001297393	1	Lid	
34	1001225969	1	Box	
35	1001229017	1	Shield, Cable	
36	1001229018	1	Trim, Shield	
37	1001246859	1	Connector, 14 Position Gray	

SECTION 2 - TURNTABLE

FIGURE 2-20. LIGHT PANEL INSTALLATION - GROUND CONTROL



ART_1001245177_C_10F2

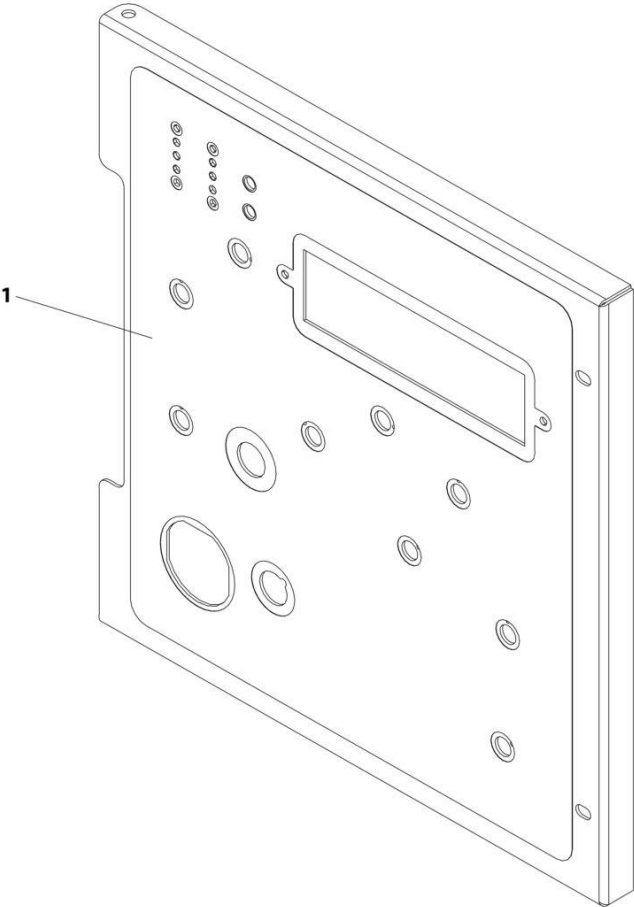
SECTION 2 - TURNTABLE

FIGURE 2-20. LIGHT PANEL INSTALLATION - GROUND CONTROL

ITEM	PART NUMBER	QTY	DESCRIPTION	REV
	1001245177	Ref	LIGHT PANEL INSTALLATION - GROUND CONTROL	C
2	3300408	2	Nut, Nylon Insert	
3	0630518	2	Screw #10 x 3/4	
5	1001281718	1	Light Panel Assembly	A
5A	1001238732	1	Panel, LED Light	
5B	1001281706	1	Lens, I-Con	
5C		Ref	Screw	

SECTION 2 - TURNTABLE

FIGURE 2-21. GROUND CONTROL PANEL DECAL INSTALLATION (WITHOUT MSSO & WITHOUT TOWER STOW)



ART_1001249014

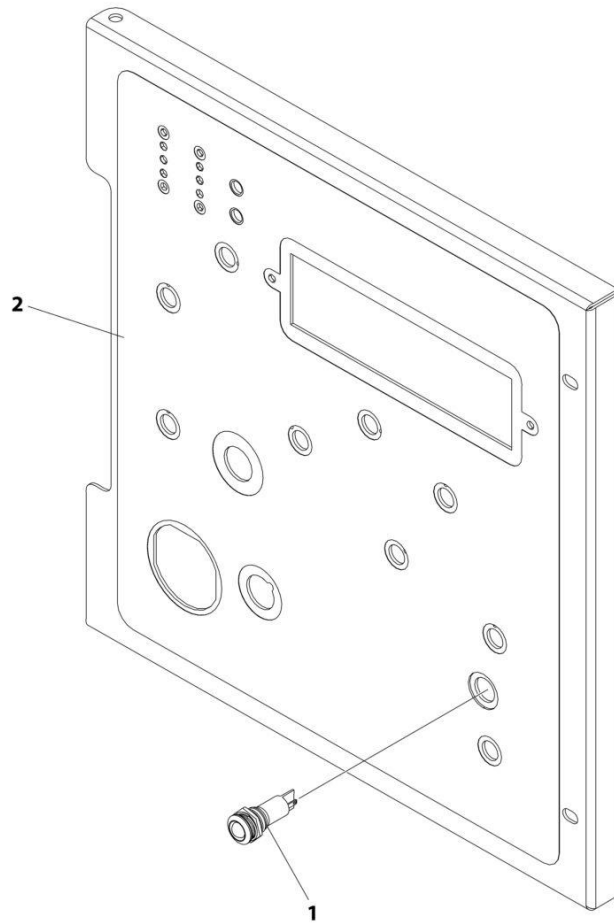
SECTION 2 - TURNTABLE

FIGURE 2-21. GROUND CONTROL PANEL DECAL INSTALLATION (WITHOUT MSSO & WITHOUT TOWER STOW)

ITEM	PART NUMBER	QTY	DESCRIPTION	REV
	1001249014	Ref	GROUND CONTROL PANEL DECAL INSTALLATION (WITHOUT MSSO)	A
1	1001249018	1	Decal - Ground Control Box	

SECTION 2 - TURNTABLE

FIGURE 2-22. GROUND CONTROL PANEL DECAL INSTALLATION (WITHOUT MSSO & WITH TOWER STOW)



ART_1001264701

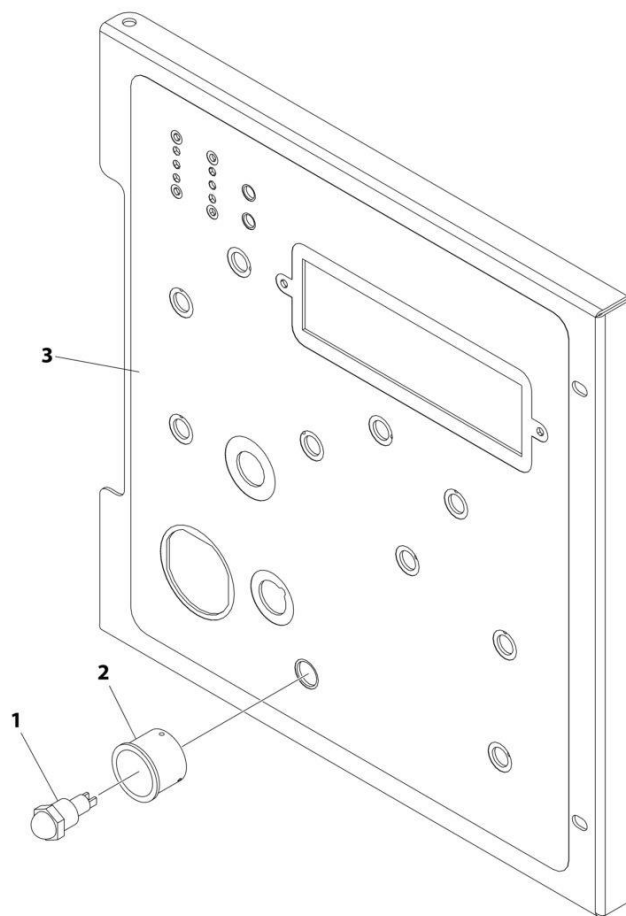
SECTION 2 - TURNTABLE

FIGURE 2-22. GROUND CONTROL PANEL DECAL INSTALLATION (WITHOUT MSSO & WITH TOWER STOW)

ITEM	PART NUMBER	QTY	DESCRIPTION	REV
	1001264701	Ref	GROUND CONTROL PANEL DECAL INSTALLATION (WITHOUT MSSO & WITH TOWER STOW)	A
1	1001137364	1	Lamp, LED Indicator Green	
2	1001264698	1	Decal - Ground Control Box	

SECTION 2 - TURNTABLE

FIGURE 2-23. GROUND CONTROL PANEL DECAL INSTALLATION (WITH MSSO & WITHOUT TOWER STOW)



ART_1001249015

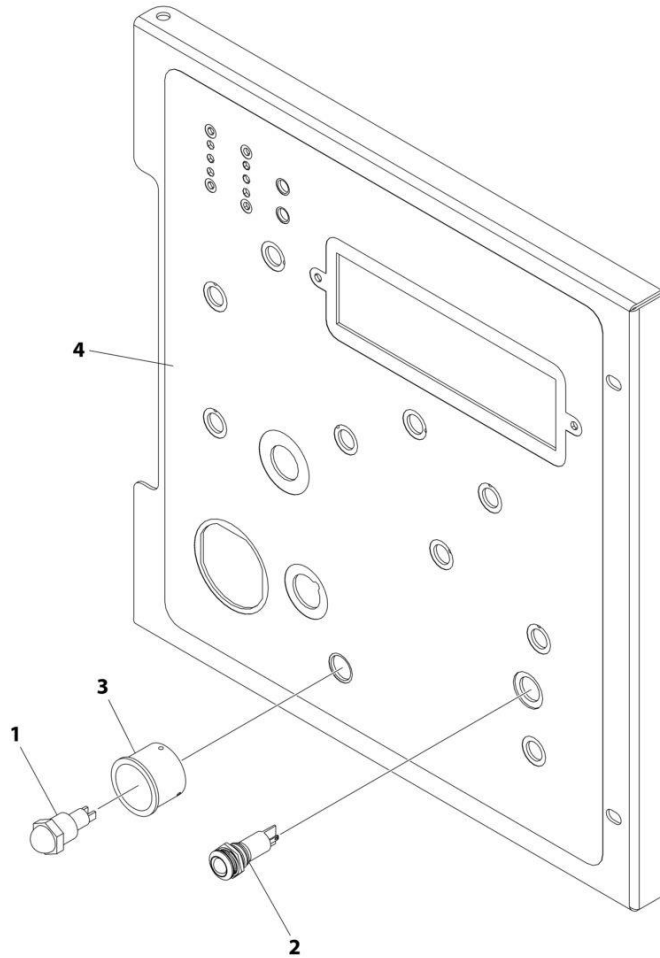
SECTION 2 - TURNTABLE

FIGURE 2-23. GROUND CONTROL PANEL DECAL INSTALLATION (WITH MSSO & WITHOUT TOWER STOW)

ITEM	PART NUMBER	QTY	DESCRIPTION	REV
	1001249015	Ref	GROUND CONTROL PANEL DECAL INSTALLATION (WITH MSSO)	A
1	4360387	1	Switch, Push Button	
2	1001176469	1	Shroud, Switch	
3	1001249019	1	Decal - Ground Control Box	

SECTION 2 - TURNTABLE

FIGURE 2-24. GROUND CONTROL PANEL DECAL INSTALLATION (WITH MSSO & WITH TOWER STOW)



ART_1001264807

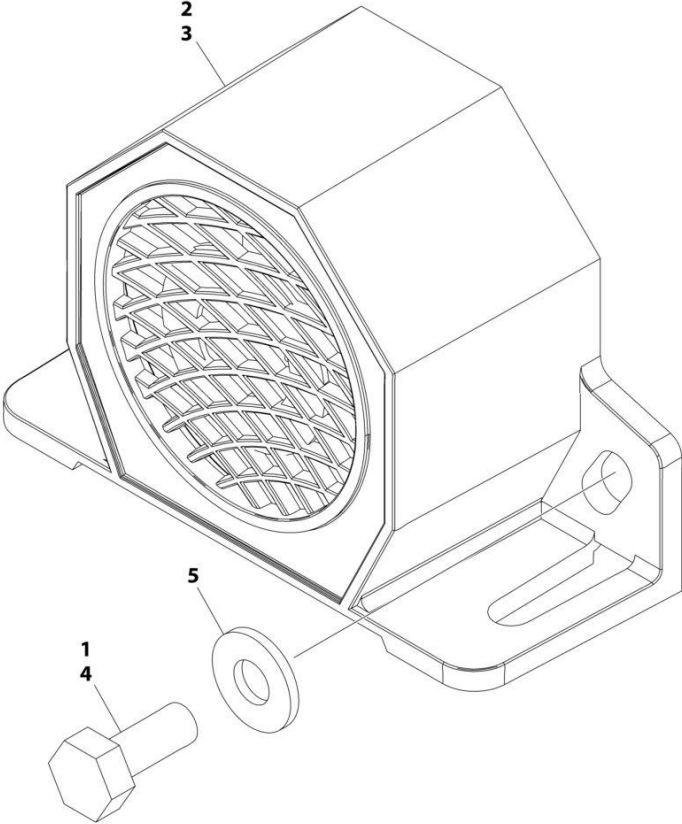
SECTION 2 - TURNTABLE

FIGURE 2-24. GROUND CONTROL PANEL DECAL INSTALLATION (WITH MSSO & WITH TOWER STOW)

ITEM	PART NUMBER	QTY	DESCRIPTION	REV
	1001264807	Ref	GROUND CONTROL PANEL DECAL INSTALLATION (WITH MSSO & WITH TOWER STOW)	A
1	4360387	1	Switch, Push Button	
2	1001137364	1	Lamp, LED Indicator Green	
3	1001176469	1	Shroud, Switch	
4	1001264804	1	Decal - Ground Control Box	

SECTION 2 - TURNTABLE

FIGURE 2-25. ALARM INSTALLATION



ART_1001158364

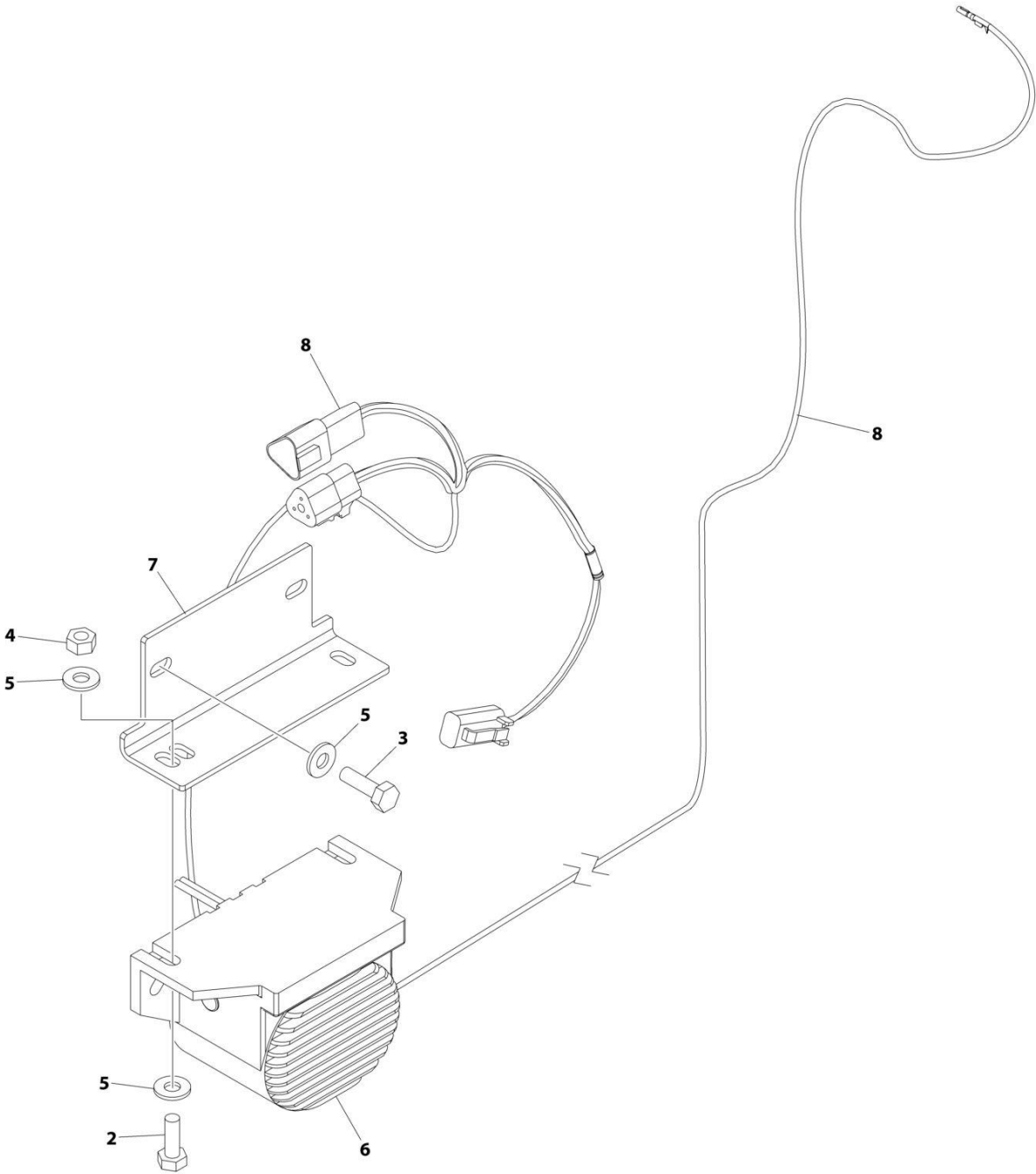
SECTION 2 - TURNTABLE

FIGURE 2-25. ALARM INSTALLATION

ITEM	PART NUMBER	QTY	DESCRIPTION	REV
	1001158364	Ref	ALARM INSTALLATION	A
1	0100011	AR	Compound, Locking	
2	0100048	AR	Grease, Dielectric	
3	0140044	1	Alarm	
4	0641405	2	Bolt 1/4 x 5/8	
5	4711400	2	Washer 1/4	

SECTION 2 - TURNTABLE

FIGURE 2-26. WHITE NOISE ALARM INSTALLATION - ADJUSTABLE AMBIENT



ART_1001241385

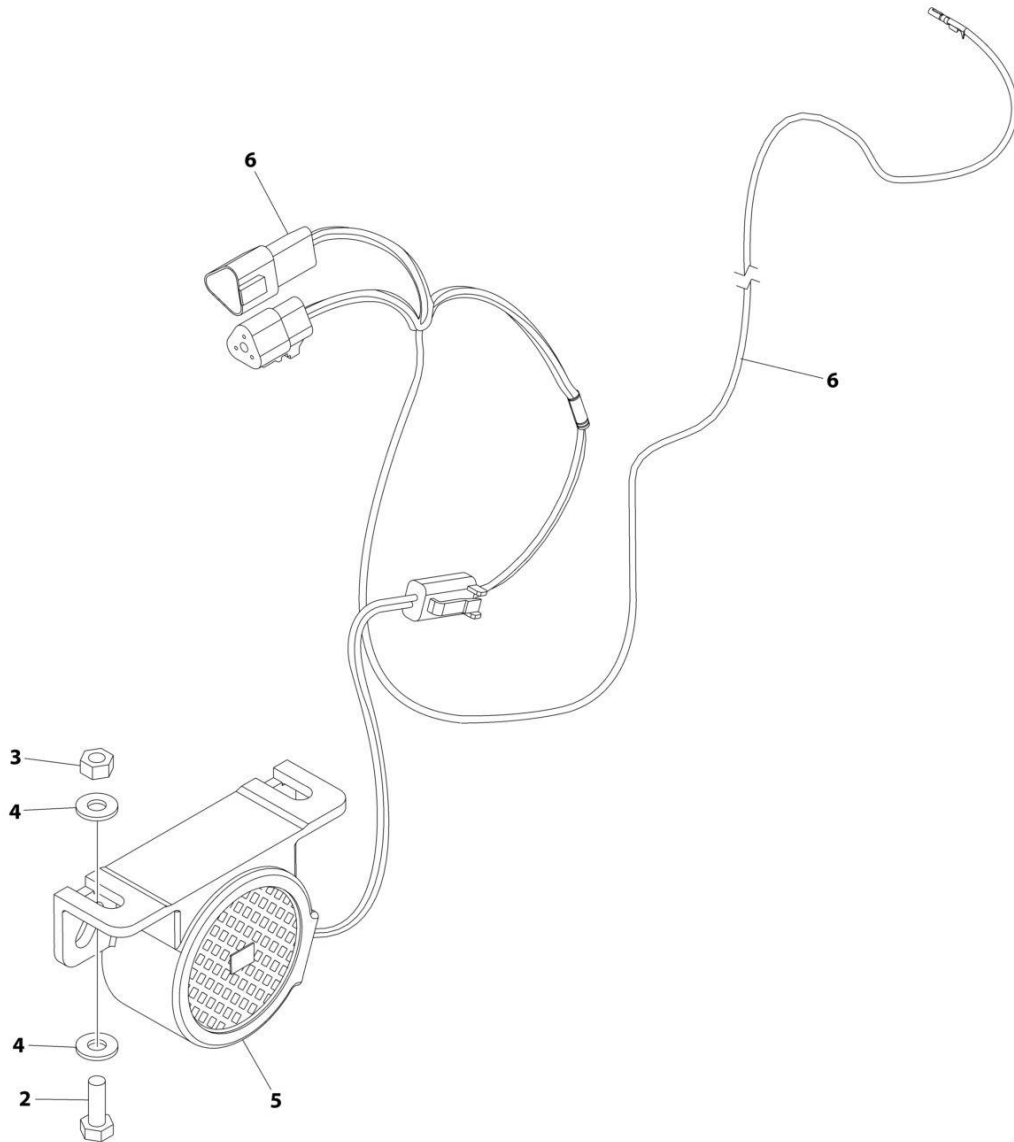
SECTION 2 - TURNTABLE

FIGURE 2-26. WHITE NOISE ALARM INSTALLATION - ADJUSTABLE AMBIENT

ITEM	PART NUMBER	QTY	DESCRIPTION	REV
	1001241385	Ref	WHITE NOISE ALARM INSTALLATION	B
1	0100048	AR	Compound, Silicone (Not Shown)	
2	0641406	2	Bolt 1/4 x 3/4	
3	0641407	2	Bolt 1/4 x 7/8	
4	3311405	2	Nut 1/4	
5	4711400	6	Washer 1/4	
6	1001182806	1	Alarm	
7	1001231886	1	Plate	
8	1001243682	1	White Noise Motion Alarm Harness (See Separate Breakdown in this Section)	

SECTION 2 - TURNTABLE

FIGURE 2-27. WHITE NOISE MOTION ALARM INSTALLATION - AMBIENT



ART_1001239347

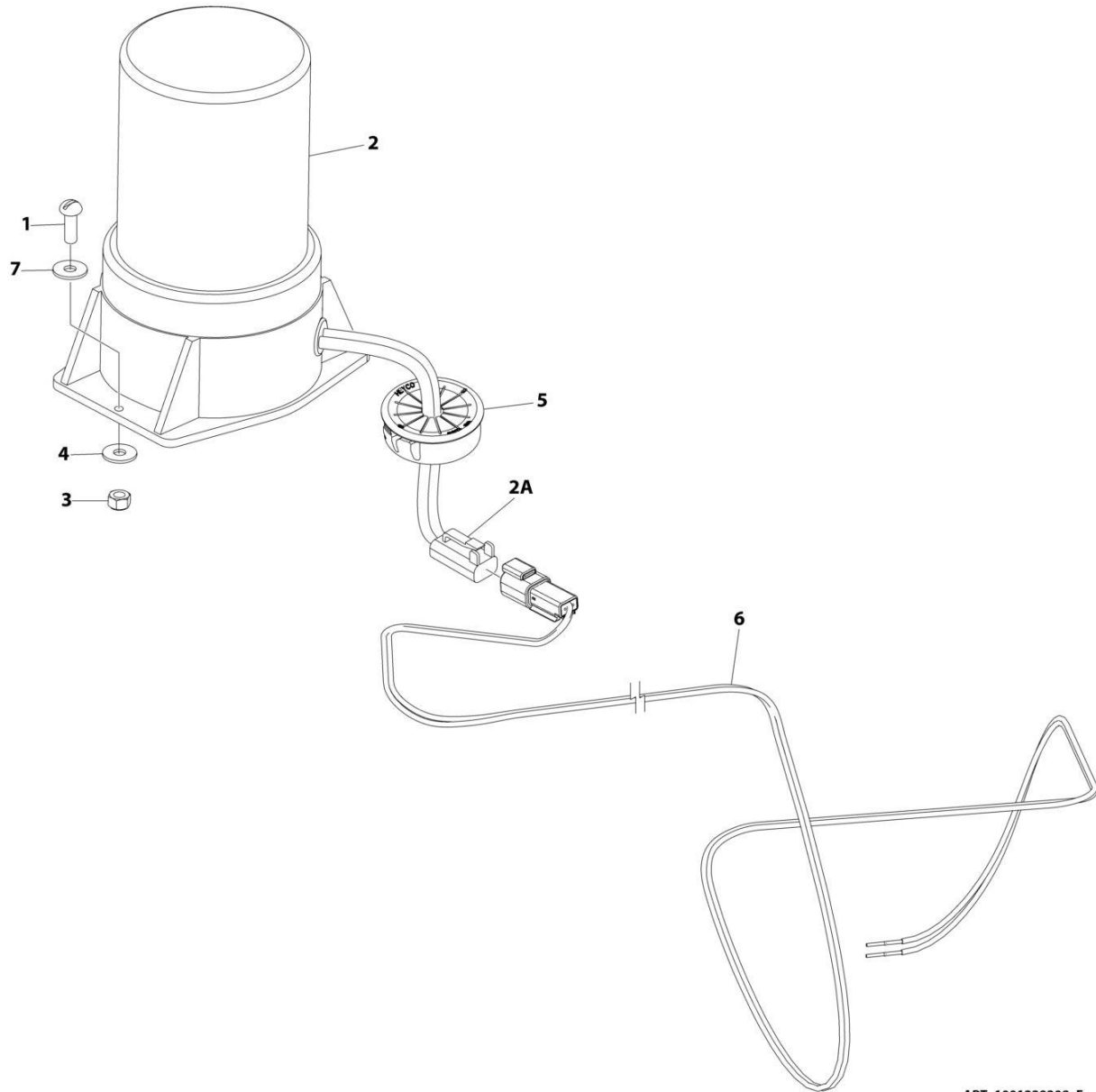
SECTION 2 - TURNTABLE

FIGURE 2-27. WHITE NOISE MOTION ALARM INSTALLATION - AMBIENT

ITEM	PART NUMBER	QTY	DESCRIPTION	REV
	1001239347	Ref	WHITE NOISE MOTION ALARM INSTALLATION	B
1	0100048	AR	Compound, Silicone (Not Shown)	
2	0641406	2	Bolt 1/4 x 3/4	
3	3311405	2	Nut 1/4	
4	4711400	4	Washer 1/4	
5	1001184682	1	Alarm	
6	1001243682	1	White Noise Motion Alarm Harness (See Separate Breakdown in this Section)	

SECTION 2 - TURNTABLE

FIGURE 2-28. STROBE LIGHT INSTALLATION - AMBER



ART_1001229208_E

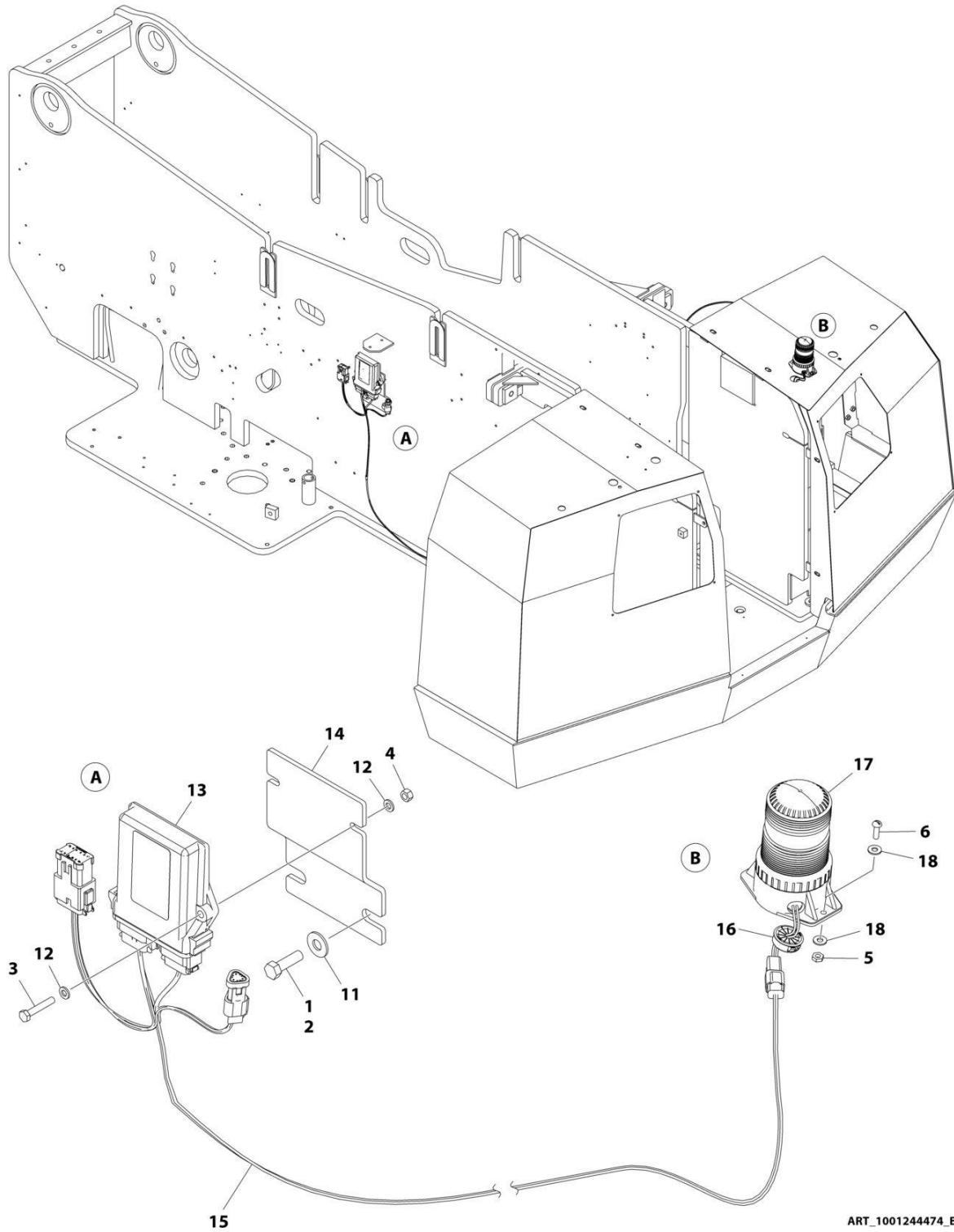
SECTION 2 - TURNTABLE

FIGURE 2-28. STROBE LIGHT INSTALLATION - AMBER

ITEM	PART NUMBER	QTY	DESCRIPTION	REV
	1001229208	Ref	STROBE LIGHT INSTLLATION	E
1	4031509	2	Capscrew M4 x 25	
2	1001270594	1	Lamp, Strobe Beacon	
2A	4460891	1	Plug, Male - 2 Position	
2A	4460465	2	Socket, Female	
3	3290405	2	Nut, Lock M4	
5	1001169085	1	Grommet	
6	1001231263	1	Cable, Strobe	
6	4460897	1	Receptacle, Female	
6	4460464	2	Pin, Male	
6	4460226	2	Socket, Female	
7	4811400	2	Washer M4	

SECTION 2 - TURNTABLE

FIGURE 2-29. STROBE LIGHT INSTALLATION - BLUE



ART_1001244474_B

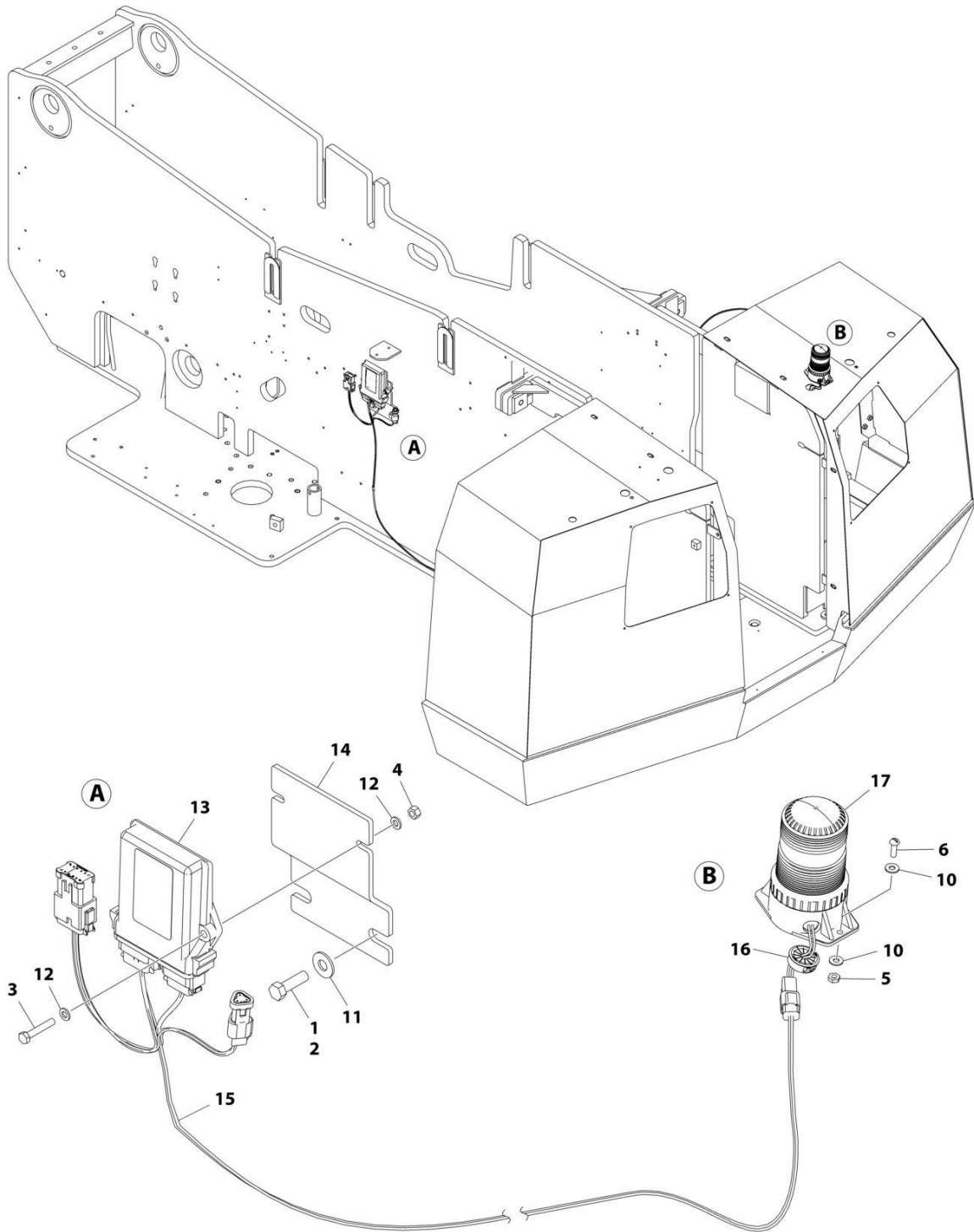
SECTION 2 - TURNTABLE

FIGURE 2-29. STROBE LIGHT INSTALLATION - BLUE

ITEM	PART NUMBER	QTY	DESCRIPTION	REV
	1001244474	Ref	STROBE LIGHT INSTALLATION	B
1	0100011	AR	Compound, Locking	
2	0641610	2	Bolt 3/8 x 1-1/4	
3	0700615	2	Bolt M6 x 35	
4	3290607	2	Nut, Lock M6	
5	3290405	2	Nut, Lock M4	
6	4031509	2	Capscrew M4 x 25	
7	4240032	AR	Tie-Strap (Not Shown)	
8	4240033	AR	Tie-Strap (Not Shown)	
9	4460488	AR	Mount, Tie-Strap (Not Shown)	
11	4751600	2	Washer 3/8	
12	4811700	4	Washer M6	
13	1001142683	1	Module, Beacon Light	
14	1001142722	1	Bracket	
15	1001142736	1	Beacon Control Harness (See Separate Breakdown in ELECTRICAL Section)	
16	1001169085	1	Grommet	
17	1001272681	1	Light, Strobe (Blue)	
17	4460891	1	Connector	
17	4460465	2	Socket	
18	4811400	2	Washer M4	

SECTION 2 - TURNTABLE

FIGURE 2-30. STROBE LIGHT INSTALLATION - RED (OPTIONAL)



ART_1001244475

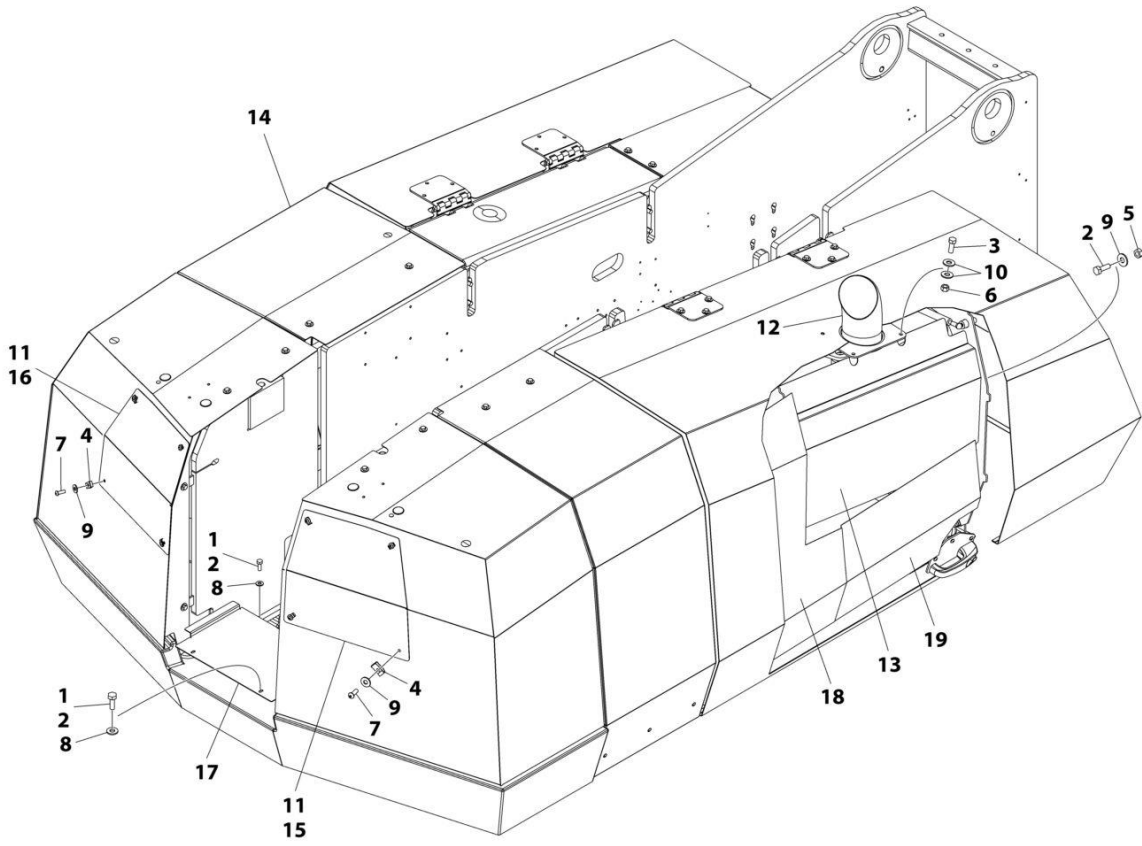
SECTION 2 - TURNTABLE

FIGURE 2-30. STROBE LIGHT INSTALLATION - RED (OPTIONAL)

ITEM	PART NUMBER	QTY	DESCRIPTION	REV
	1001244475	Ref	STROBE LIGHT INSTALLATION	A
1	0100011	AR	Compound, Locking	
2	0641610	2	Bolt 3/8 x 1-1/4	
3	0700615	2	Bolt M6 x 35	
4	3290607	2	Nut M6	
5	3311005	2	Nut #10	
6	3911010	2	Screw #10 x 5/8	
7	4240032	AR	Tie-Strap (Not Shown)	
8	4240033	AR	Tie-Strap (Not Shown)	
9	4460488	AR	Mount, Tie-Strap (Not Shown)	
10	4751000	4	Washer #10	
11	4751600	2	Washer 3/8	
12	4811700	4	Washer M6	
13	1001142683	1	Module, Beacon Light	
14	1001142722	1	Bracket	
15	1001142736	1	Beacon Control Harness (See Separate Breakdown in ELECTRICAL SECTION)	
16	1001169085	1	Grommet	
17	1001207004	1	Light, Strobe (Red)	

SECTION 2 - TURNTABLE

FIGURE 2-31. HEAT SHIELD AND ACCESS PANELS INSTALLATION



ART_1001227307

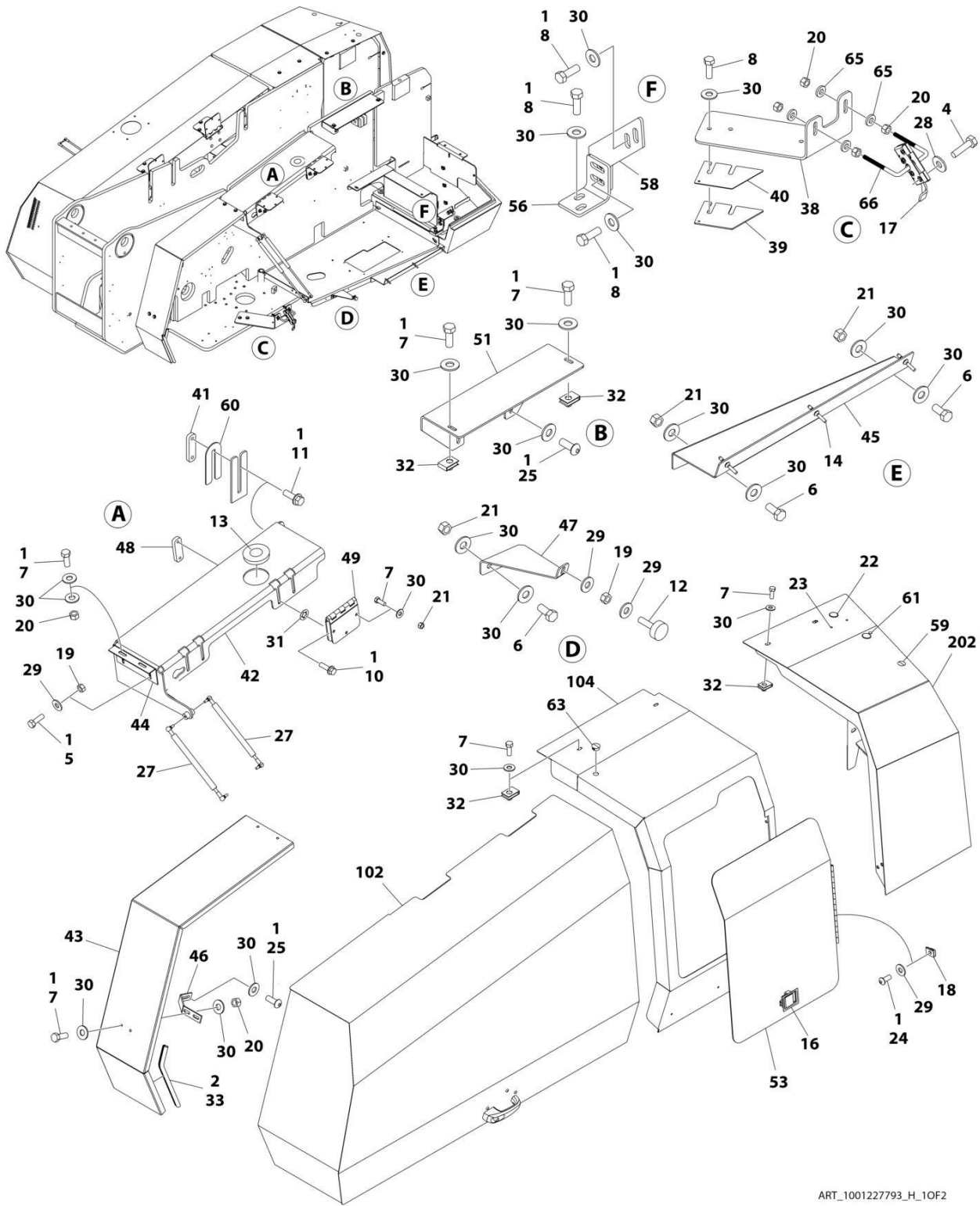
SECTION 2 - TURNTABLE

FIGURE 2-31. HEAT SHIELD AND ACCESS PANELS INSTALLATION

ITEM	PART NUMBER	QTY	DESCRIPTION	REV
	1001227307	Ref	HEAT SHIELD AND ACCESS PANELS INSTALLATION	E
1	0100011	AR	Compound, Locking	
2	0641406	7	Bolt 1/4 x 3/4	
3	0641608	4	Bolt 3/8 x 1	
4	3300454	8	Nut, Tinnerman 1/4	
5	3311405	3	Nut 1/4	
6	3311605	4	Nut 3/8	
7	3900258	8	Screw 1/4 x 3/4	
8	4711400	4	Washer 1/4	
9	4751400	11	Washer 1/4	
10	4751600	8	Washer 3/8	
11	1001113047	11 ft/ 3.3m	Seal	
12	1001144527	1	Pipe, Exhaust	
13	1001163101	1	Heat Shield	
14	1001227793	1	Hood Installation (See Separate Breakdown in this Section)	
15	1001228113	1	Panel, Access	
16	1001228475	1	Panel, Access	
17	1001229098	1	Cover	
18	1001235839	1	Insulate	
19	1001236370	1	Insulate	

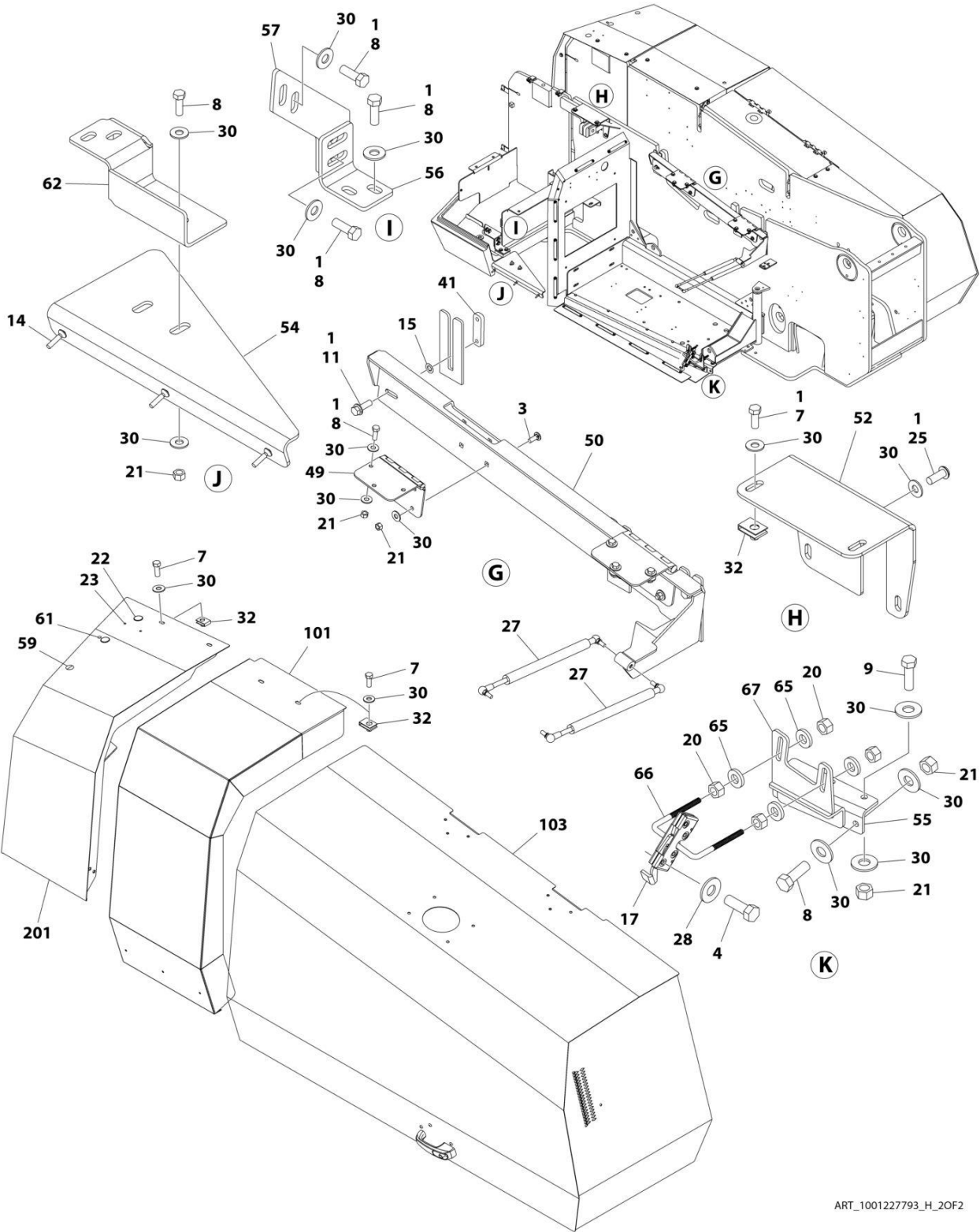
SECTION 2 - TURNTABLE

FIGURE 2-32. HOODS INSTALLATION



ART_1001227793_H_10F2

SECTION 2 - TURNTABLE



ART_100122793_H_20F2

SECTION 2 - TURNTABLE

FIGURE 2-32. HOODS INSTALLATION

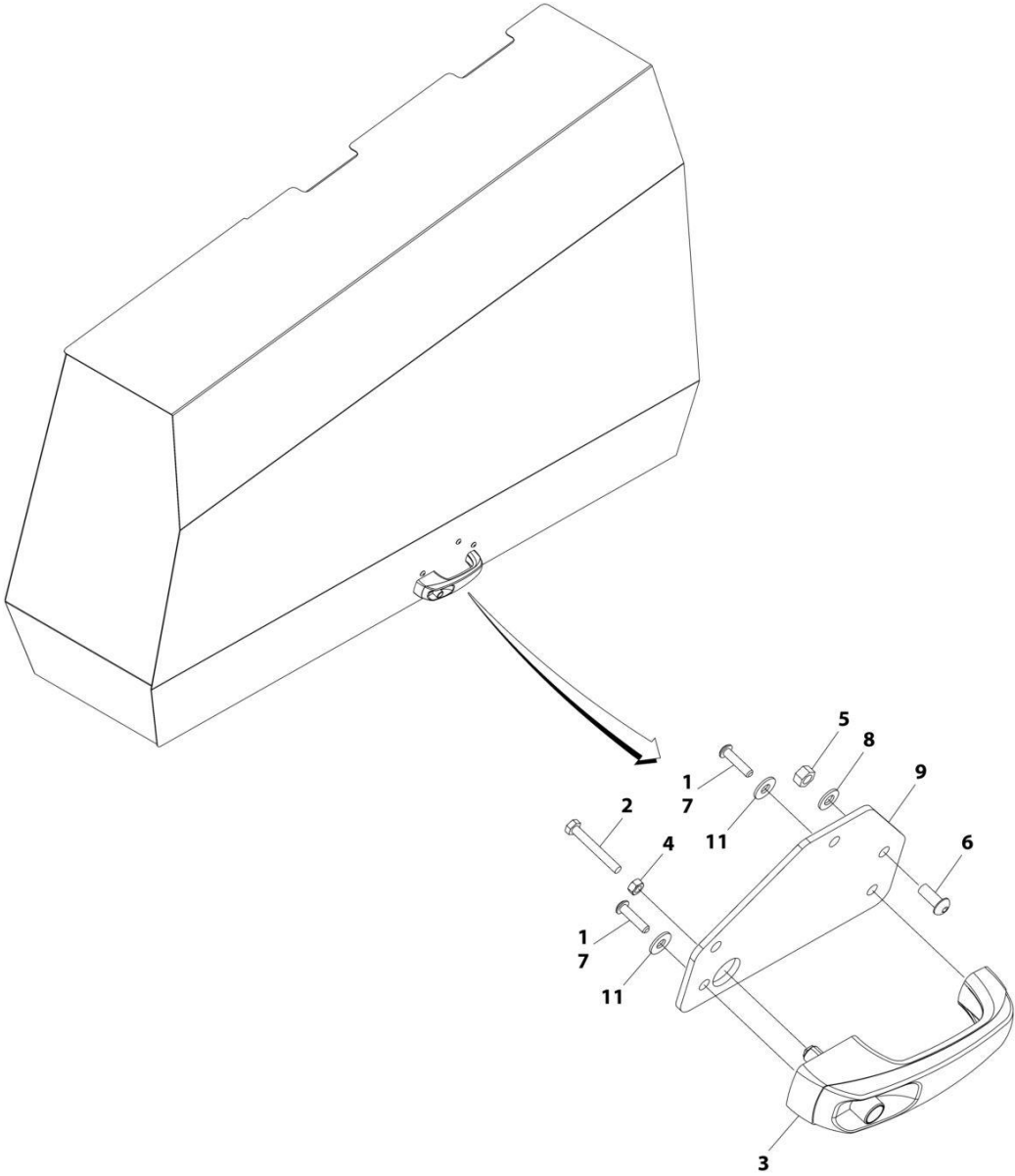
ITEM	PART NUMBER	QTY	DESCRIPTION	REV
	1001227793	Ref	HOODS INSTALLATION	H
1	0100011	AR	Compound, Locking	
2	0100081	AR	Adhesive	
3	0630485	8	Bolt	
4	0641408	8	Bolt 1/4 x 1	
5	0641508	2	Bolt 5/16 x 1	
6	0641607	4	Bolt 3/8 x 7/8	
7	0641608	22	Bolt 3/8 x 1	
8	0641609	26	Bolt 3/8 x 1-1/8	
9	0641610	2	Bolt 3/8 x 1-1/4	
10	0811610	8	Screw 3/8 x 1-1/4	
11	0811812	8	Screw 1/2 x 1-1/2	
12	0940049	1	Stopper	
13	1120601	1	Plug	
14	2080040	6	Fastener	
15	2080072	4	Fastener	
16	2940045	1	Latch	
17	2940173	2	Latch	
18	3300364	3	Nut, Tinnerman 5/16	
19	3311501	4	Nut 5/16	
20	3311601	8	Nut 3/8	
21	3311605	30	Nut 3/8	
22	3520032	4	Plug	
23	3520173	4	Plug	
24	3900210	3	Screw 5/16 x 3/4	
25	3900316	7	Screw 3/8 x 1	
27	4160194	4	Spring, Gas	
28	4751400	8	Washer 1/4	
29	4751500	7	Washer 5/16	
30	4751600	85	Washer 3/8	
31	8310070	8	Pushnut 3/8	
32	88662523	12	Nut, Tinnerman	
33	1001110166	4.9 ft/ 1.5m	Seal	
34	1001113047	6.4 ft/ 2m	Seal	
38	1001250293	1	Bracket	
39	1001121122	AR	Shim 3mm	
40	1001121123	AR	Shim 1.5mm	
41	1001150260	4	Plate	
42	1001155895	1	Mount	
43	1001155899	1	Spacer	
44	1001157612	1	Bracket	
45	1001230008	1	Bracket	
46	1001230014	1	Bracket	
47	1001161089	1	Bracket	
48	1001186251	1	Plate	
49	1001186254	1	Hinge	
50	1001196768	1	Mount	
51	1001226452	1	Bracket	
52	1001226453	1	Bracket	

SECTION 2 - TURNTABLE

ITEM	PART NUMBER	QTY	DESCRIPTION	REV
53	1001227731	1	Door	
54	1001227735	1	Bracket	
55	1001227798	1	Mount	
56	1001228359	2	Bracket	
57	1001228403	1	Bracket	
58	1001228517	1	Bracket	
59	1001131130	2	Plug	
60	1001230010	AR	Shim	
61	1001226421	2	Plug	
62	1001235518	1	Bracket	
63	3520030	1	Plug	
64	4060805	9 in/ 0.23m	Flex-Trim	
65	4891600	8	Washer 3/8	
66	1001243414	2	U-Bolt 3/8	
67	1001250292	1	Bracket	
100	1001227794	Ref	Hood Kit	
101	1001117219	1	Hood, Engine Side (Fixed)	
102	1001157209	1	Hood Assembly - Tank Side (See Separate Breakdown in this Section)	
103	1001232084	1	Hood Assembly - Engine Side (Note: Heat Shield must be Installed Before Being put back into Service) (See Separate Breakdown in this Section)	
104	1001227734	1	Hood, Tank Side (Fixed)	
200	1001229556	Ref	Battery Cover Kit	
201	1001228882	1	Cover, Engine Side (Rear)	
202	1001228945	1	Cover, Tank Side (Rear)	

SECTION 2 - TURNTABLE

FIGURE 2-33. HOOD ASSEMBLY - TANK SIDE



ART_1001157209

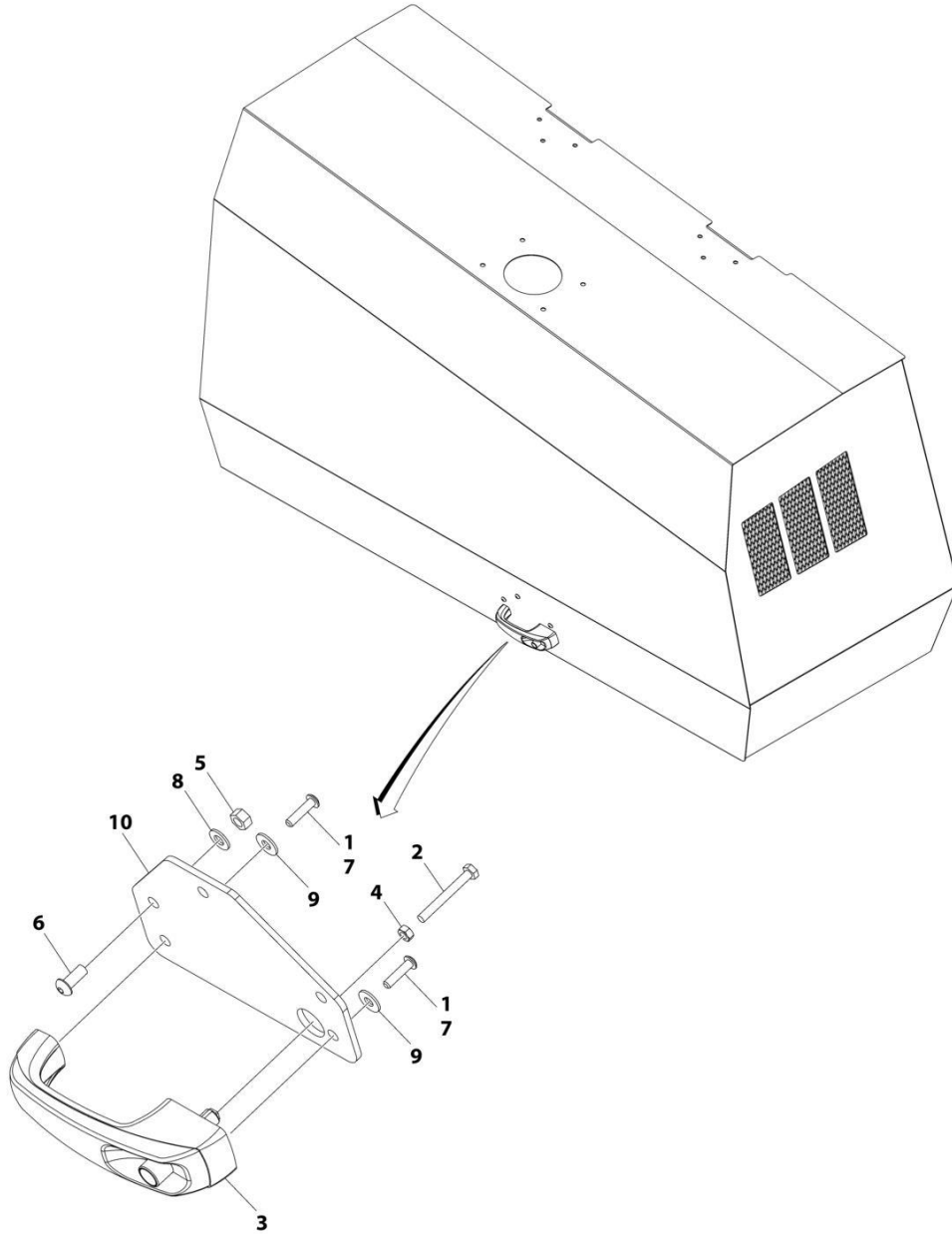
SECTION 2 - TURNTABLE

FIGURE 2-33. HOOD ASSEMBLY - TANK SIDE

ITEM	PART NUMBER	QTY	DESCRIPTION	REV
	1001157209	Ref	HOOD ASSEMBLY	C
1	0100011	AR	Compound, Locking	
2	0700615	1	Bolt M6 x 35	
3	2560187	1	Handle, Push Button	
4	3290601	1	Nut M6	
5	3311505	3	Nut 5/16	
6	3900210	3	Screw 5/16 x 3/4	
7	3900363	2	Screw M6 x 25	
8	4711500	3	Washer 5/16	
9	1001116290	1	Plate, Latch Mounting	
11	4751400	2	Washer 1/4	

SECTION 2 - TURNTABLE

FIGURE 2-34. HOOD ASSEMBLY - ENGINE SIDE



ART_1001232084

SECTION 2 - TURNTABLE

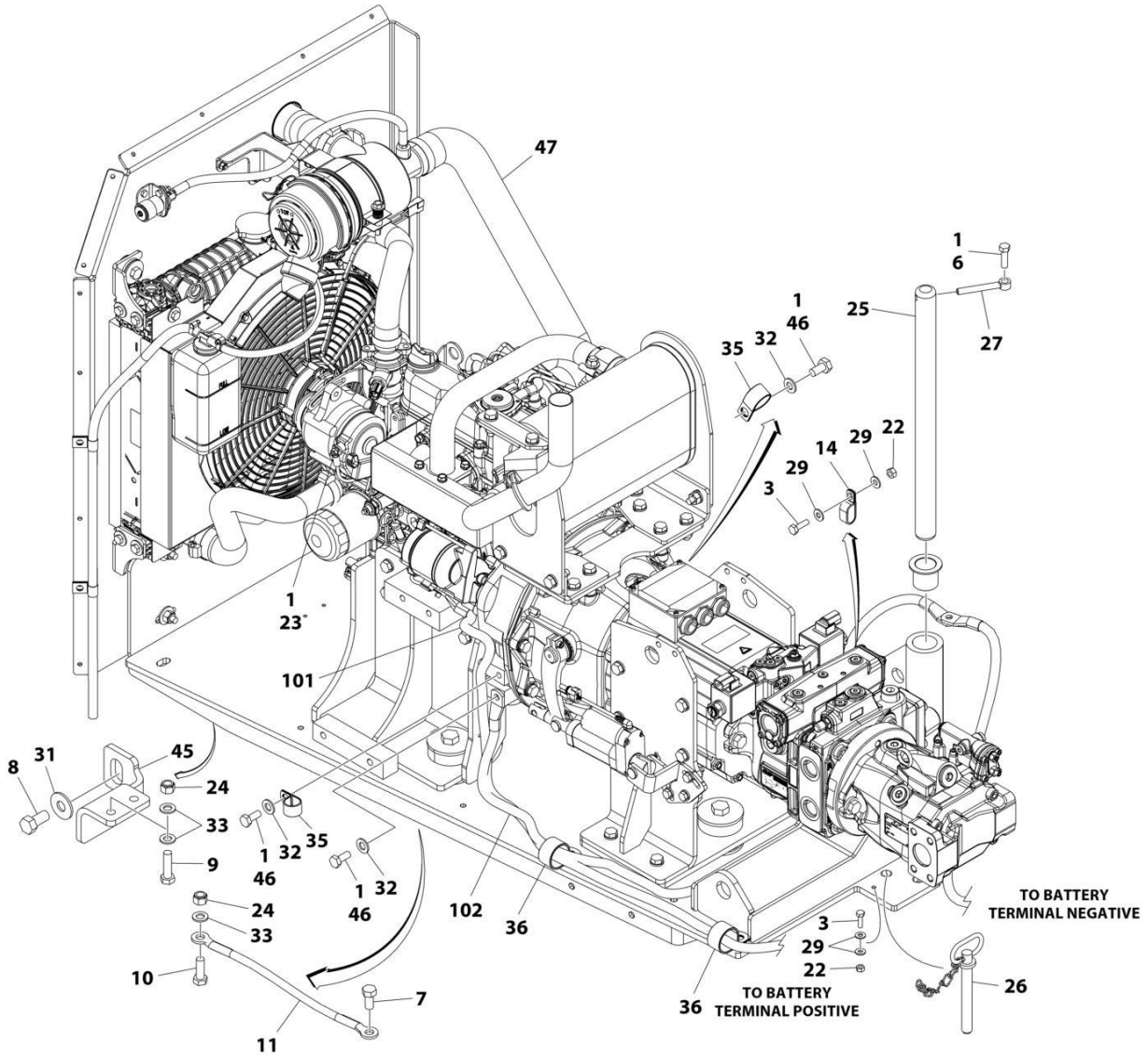
FIGURE 2-34. HOOD ASSEMBLY - ENGINE SIDE

ITEM	PART NUMBER	QTY	DESCRIPTION	REV
	1001232084	Ref	HOOD ASSEMBLY	B
1	0100011	AR	Compound, Locking	
2	0700618	1	Bolt M6 x 50	
3	2560187	1	Handle, Push Button	
4	3290601	1	Nut M6	
5	3311505	3	Nut 5/16	
6	3900210	3	Screw 5/16 x 3/4	
7	3900363	2	Screw M6 x 25	
8	4711500	3	Washer 5/16	
9	4751400	2	Washer 1/4	
10	1001116290	1	Plate, Latch Mounting	

SECTION 3 - ENGINE

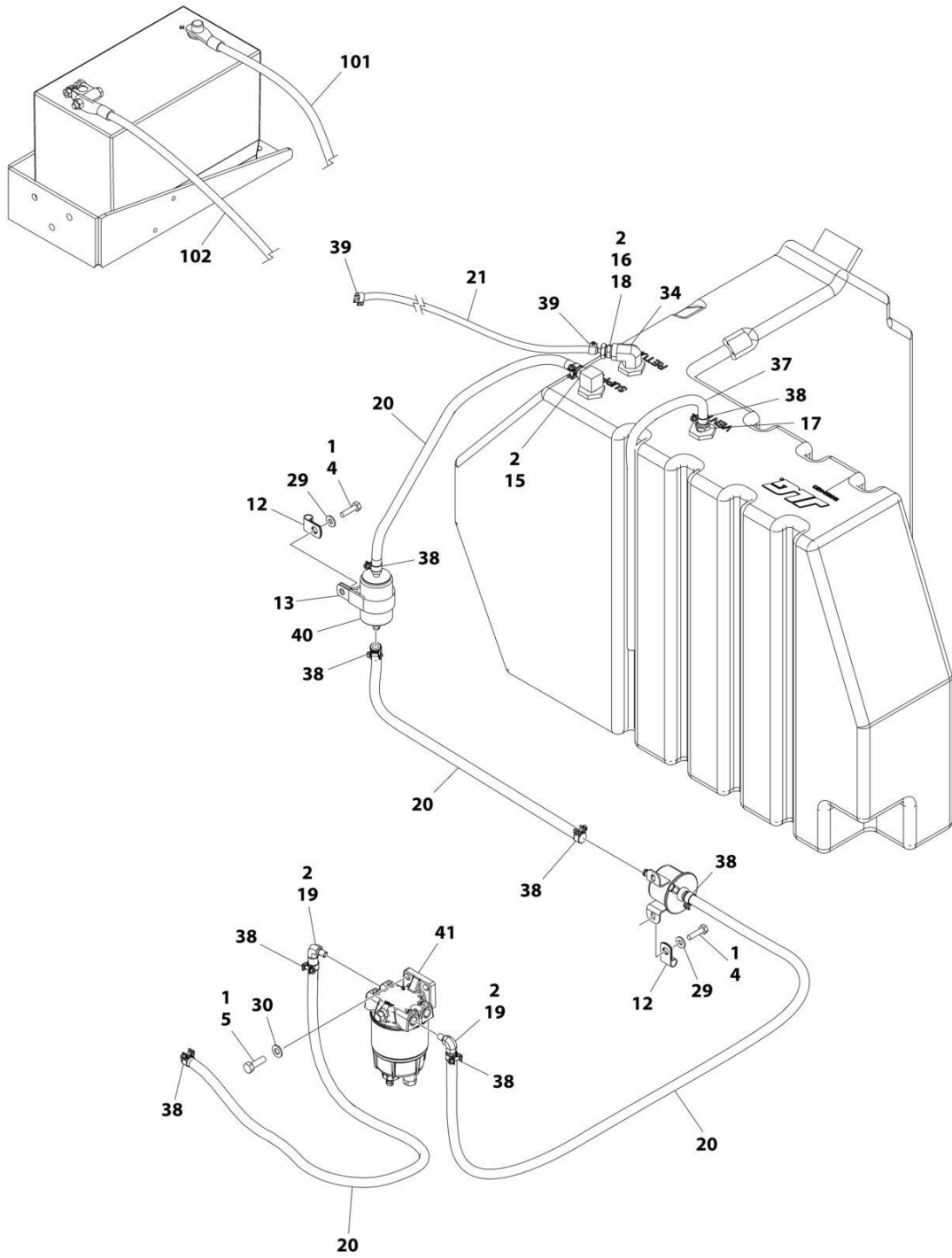
SECTION 3 - ENGINE

FIGURE 3-1. ENGINE INSTALLATION (KUBOTA ENGINE)



ART_1001285025_1OF2

SECTION 3 - ENGINE



ART_1001285025_20F2

SECTION 3 - ENGINE

FIGURE 3-1. ENGINE INSTALLATION (KUBOTA ENGINE)

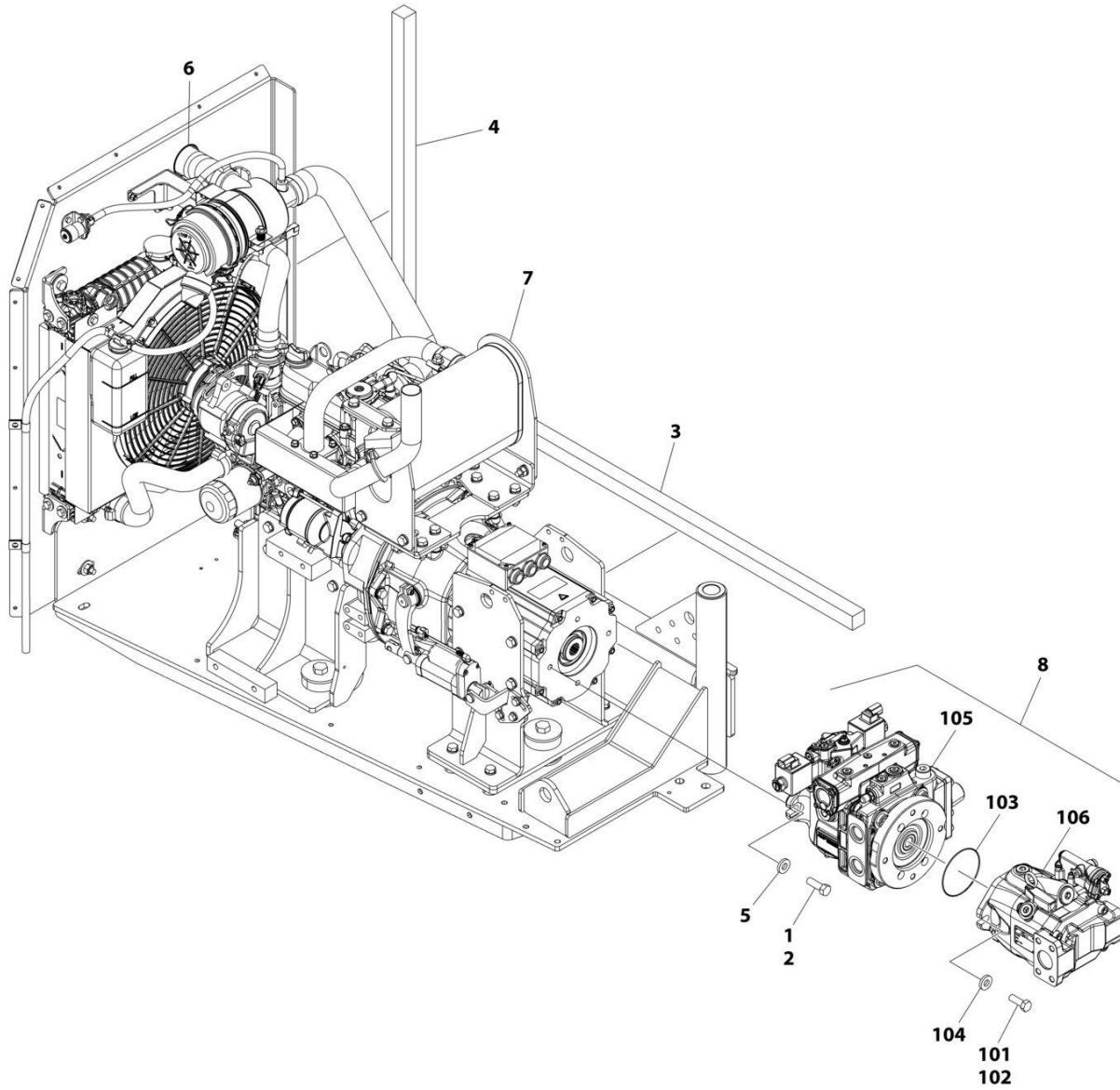
ITEM	PART NUMBER	QTY	DESCRIPTION	REV
	1001285025	Ref	ENGINE INSTALLATION (KUBOTA ENGINE)	A
1	0100011	AR	Compound, Locking	
2	0100020	AR	Sealant	
3	0641407	2	Bolt 1/4 x 7/8	
4	0641408	3	Bolt 1/4 x 1	
5	0641508	2	Bolt 5/16 x 1	
6	0641610	1	Bolt 3/8 x 1-1/4	
7	0641808	1	Bolt 1/2 x 1	
8	0642016	1	Bolt 5/8 x 2	
9	0701217	2	Bolt M12 x 45	
10	0761215	1	Bolt M12 x 35	
11	1060637	1	Lanyard	
12	1320263	2	Clamp	
13	1320265	1	Clamp	
14	1321385	1	Clamp	
15	2180348	1	Fitting, NPT/Barbed	
16	2180666	1	Fitting, NPT/Barbed	
17	2180876	1	Fitting, NPT/Barbed	
18	2220250	1	Fitting NPT/NPT	
19	2221046	2	Fitting, 90	
20	2720058	13 ft/4 m	Hose	
21	2720271	13 ft/4 m	Hose	
22	3271405	2	Nut 1/4	
23	3290601	1	Nut M6	
24	3291205	3	Nut M12	
25	3422446	1	Pin	
26	3422533	1	Pin	
27	3841143	1	Keeper, Pin	
28	4240099	AR	Tie-Strap (Not Shown)	
29	4711400	7	Washer 1/4	
30	4711500	2	Washer 5/16	
31	4752000	1	Washer 5/8	
32	4812000	3	Washer M10	
33	4812100	5	Washer M12	
34	8540205	1	Fitting, 90 FNPTF/NPTF	
35	80683013	2	Clamp	
36	85841150	2	Clamp	
37	1001165035	50 in /127 cm	Hose	
38	1001174486	9	Clamp	
39	1001185585	2	Clamp	
40	1001190545	1	Filter, Fuel	
41	1001190609	1	Fuel/Water Separator Assembly (See Separate Breakdown in this Section)	
42	1001225985	1	Cable, Alternator (Not Shown)	
43	1001230605	1	Engine Harness (Not Shown - See Separate Breakdown in ELECTRICAL Section)	
44	1001232528	1	Seal (Not Shown)	
45	1001236341	1	Plate	
46	1001236434	1	Bolt M10 x 20	

SECTION 3 - ENGINE

ITEM	PART NUMBER	QTY	DESCRIPTION	REV
47	1001285027	1	Engine and Pumps Sub-Assembly (See Separate Breakdown in this Section)	
100	1001237291	1	Battery Cable Kit (Includes Item 101 & 102)	
101	1001225731	1	Cable, Battery (Positive)	
102	1001225733	1	Cable, Battery (Negative)	

SECTION 3 - ENGINE

FIGURE 3-2. ENGINE AND PUMPS SUB-ASSEMBLY



ART_1001285027

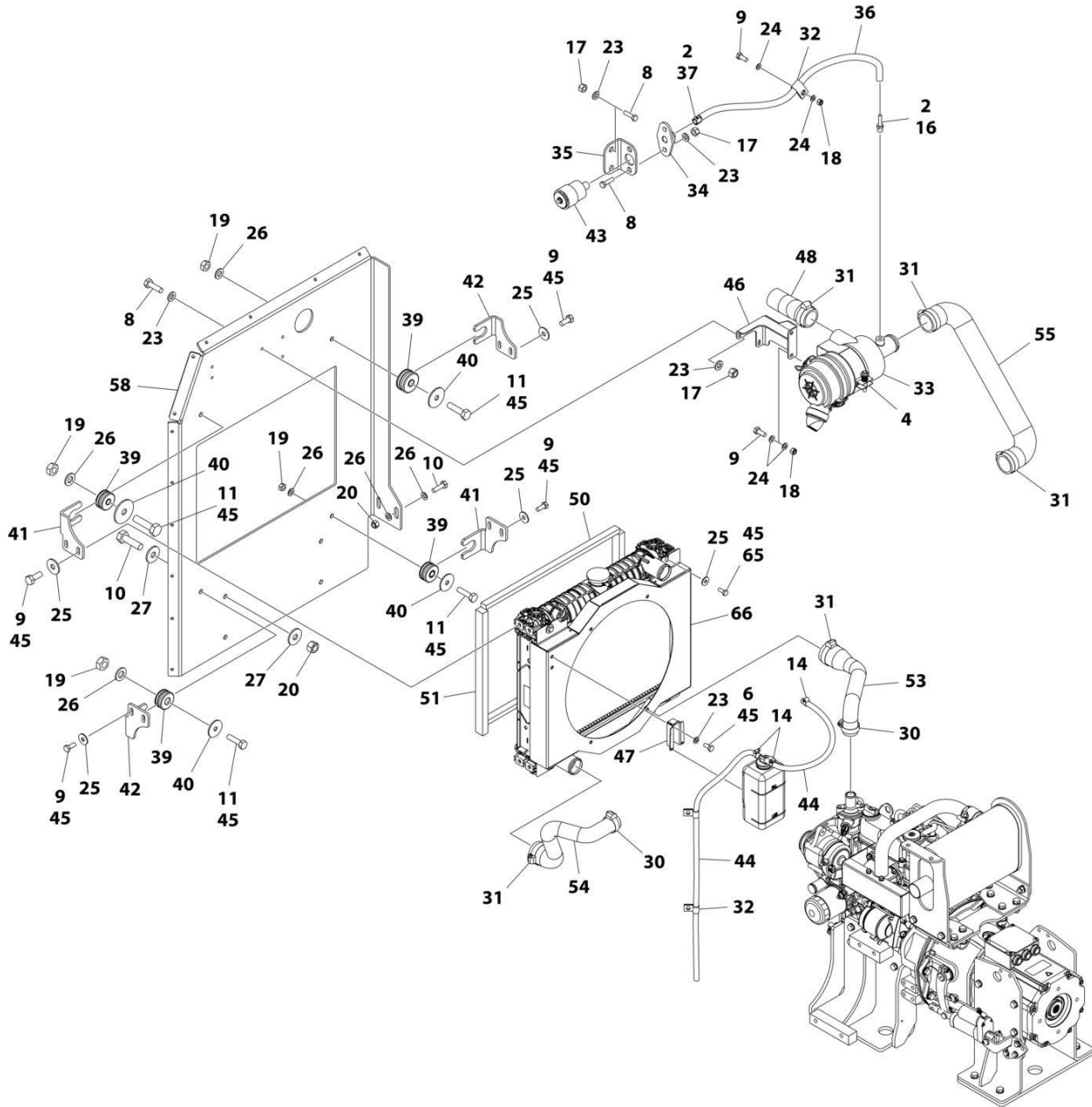
SECTION 3 - ENGINE

FIGURE 3-2. ENGINE AND PUMPS SUB-ASSEMBLY

ITEM	PART NUMBER	QTY	DESCRIPTION	REV
	1001285027	Ref	ENGINE AND PUMPS SUB-ASSEMBLY	A
1	0100011	AR	Compound, Locking	
2	0641812	2	Bolt 1/2 x 1-1/2	
3	3960468	1	Seal	
4	3960469	1	Seal	
5	4891800	2	Washer 1/2	
6	1001232529	1	Seal	
7	1001237932	1	Engine Assembly (See Separate Breakdown in this Section)	
8	1001285021	1	Pump Sub-Assembly	
101	0100011	AR	Compound, Locking	
102	0711215	2	Bolt M12 x 35	
103	3790044	1	O-Ring	
104	4891800	2	Washer 1/2	
105	1001276376	1	Hydrostatic Pump Assembly (See Separate Breakdown in this Section)	
106	1001276377	1	Variable Pump Assembly (See Separate Breakdown in this Section)	

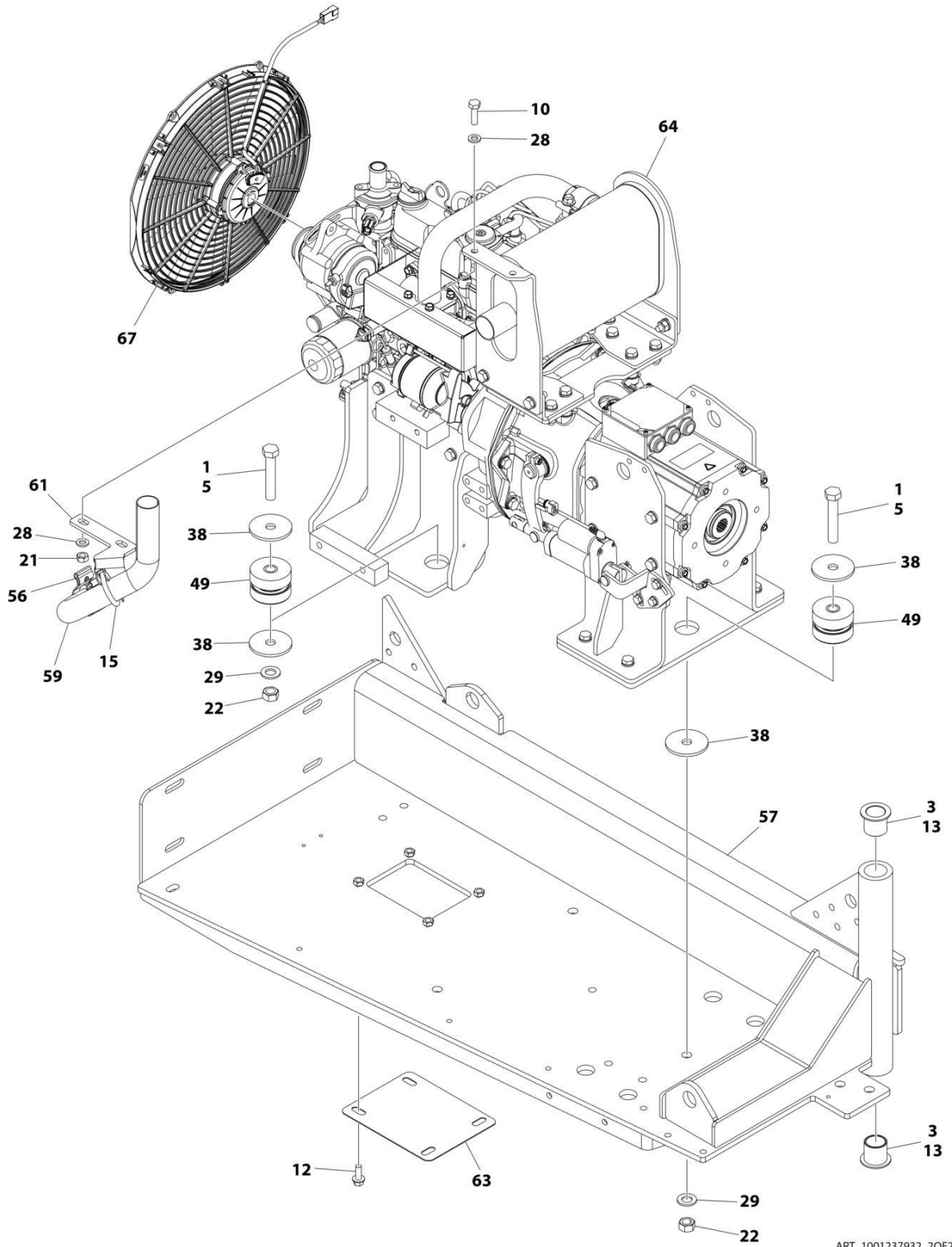
SECTION 3 - ENGINE

FIGURE 3-3. ENGINE AND TRAY ASSEMBLY



ART_1001237932_1OF2

SECTION 3 - ENGINE



ART_1001237932_2OF2

SECTION 3 - ENGINE

FIGURE 3-3. ENGINE AND TRAY ASSEMBLY

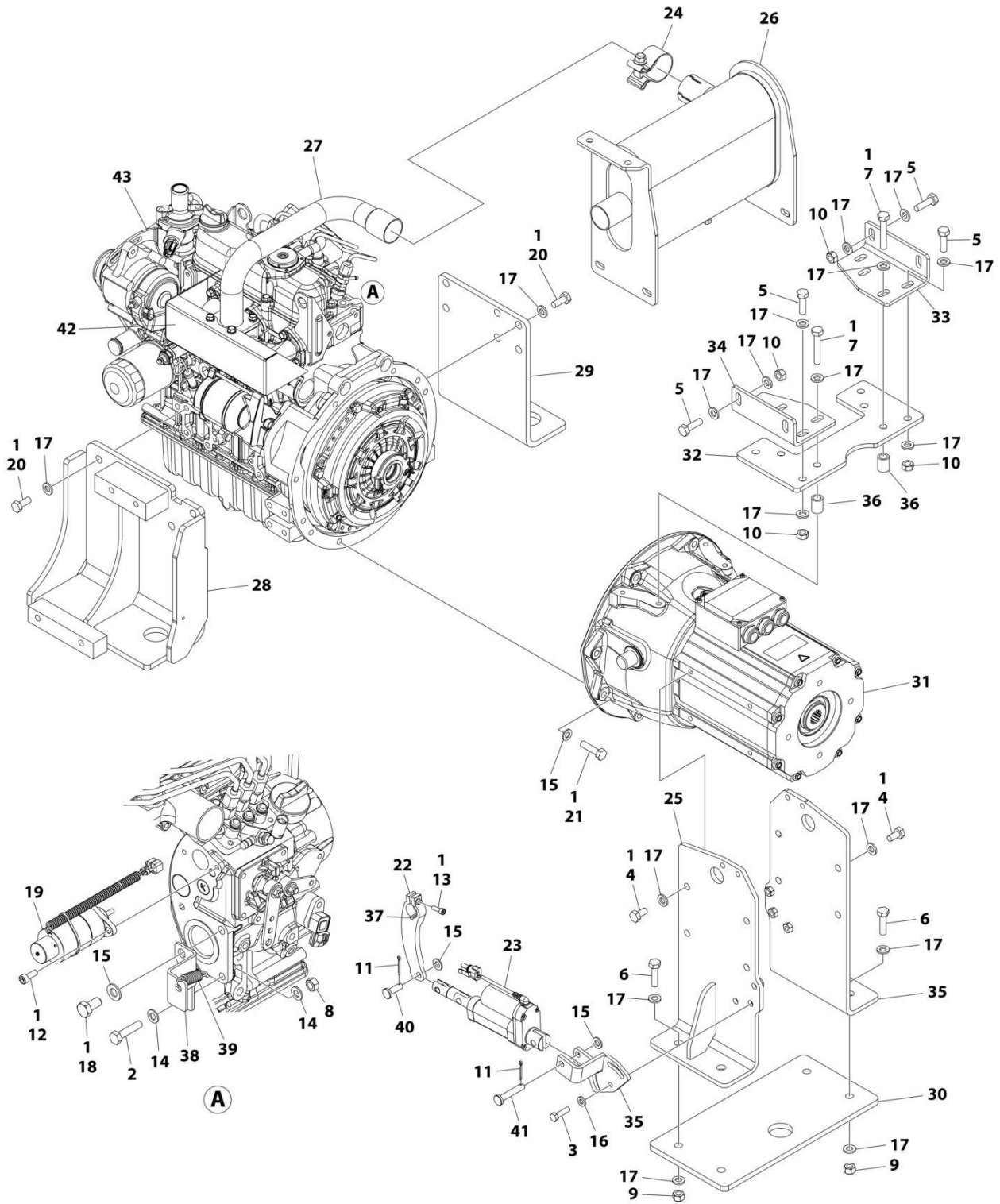
ITEM	PART NUMBER	QTY	DESCRIPTION	REV
	1001237932	Ref	ENGINE AND TRAY ASSEMBLY	B
1	0100011	AR	Compound, Locking	
2	0100020	AR	Sealant	
3	0100062	AR	Adhesive	
4	0340045	1	Band	
5	0711626	3	Bolt M16 x 90 Grade 10.9	
6	0760607	2	Bolt M6 x 14	
8	0760610	7	Bolt M6 x 20	
9	0760810	10	Bolt M8 x 20	
10	0761015	8	Bolt M10 x 35	
11	0761016	4	Bolt M10 x 40	
12	0811608	4	Screw 3/8 x 1	
13	0961986	2	Bearing	
14	1320022	3	Clamp	
15	1320274	1	Clamp	
16	2220315	1	Fitting, Straight Barbed	
17	3290605	7	Nut M6	
18	3290805	2	Nut M8	
19	3291001	4	Nut M10	
20	3291005	6	Nut M10	
21	3291007	2	Nut M10	
22	3331611	3	Nut M16	
23	4811700	12	Washer M6	
24	4811900	4	Washer M8	
25	4811902	12	Washer M8	
26	4812000	8	Washer M10	
27	4812002	8	Washer M10	
28	5241000	4	Washer M10	
29	5241600	3	Washer M16	
30	8405102	2	Clamp	
31	8405104	5	Clamp	
32	8406110	3	Clip	
33	1001118280	1	Air Filter Assembly	
33	7015004	1	Element, Air Filter	
34	1001138173	1	Support	
35	1001138175	1	Bracket	
36	1001138248	18 in/ 44cm	Tube	
37	1001141995	1	Fitting, NPT/Barbed	
38	1001146219	6	Washer	
39	1001169054	4	Isolator	
40	1001169138	4	Pad	
41	1001169967	2	Bracket	
42	1001170035	2	Bracket	
43	1001170981	1	Indicator, Air Intake Restriction	
44	1001172533	50 in/ 1.3m	Hose	
45	1001180620	AR	Adhesive	
46	1001182980	1	Bracket	
47	1001182982	1	Mount	

SECTION 3 - ENGINE

ITEM	PART NUMBER	QTY	DESCRIPTION	REV
48	1001182983	1	Tube	
49	1001190164	3	Mount, Motor	
50	1001217183	2	Seal	
51	1001217185	2	Seal	
53	1001222882	1	Tube, Coolant Inlet	
54	1001222883	1	Tube, Coolant Outlet	
55	1001222884	1	Tube	
56	1001223302	1	Clamp	
57	1001223405	1	Tray	
58	1001223787	1	Plate, Radiator	
59	1001223987	1	Pipe, Exhaust	
61	1001229561	1	Support	
63	1001232375	1	Panel	
64	1001237931	1	Engine and Generator Assembly (See Separate Breakdown in this Section)	
65	0760808	4	Bolt M8 x 16	
66	1001214690	1	Radiator (H800AJ)	
67	1001247415	1	Fan Mounting Assembly (See Separate Breakdown in this Section) (H800AJ)	

SECTION 3 - ENGINE

FIGURE 3-4. ENGINE AND GENERATOR ASSEMBLY



ART_1001237931

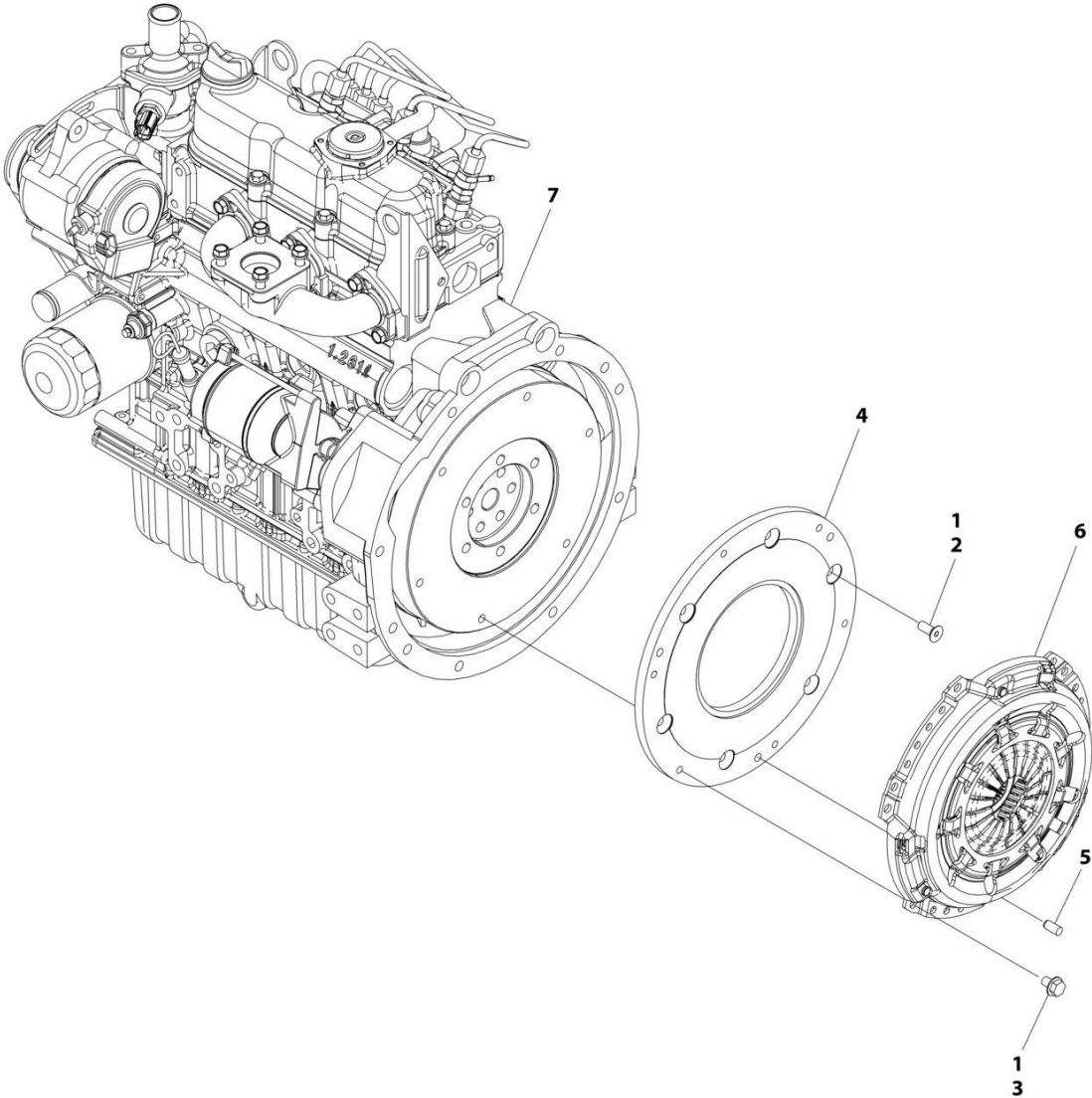
SECTION 3 - ENGINE

FIGURE 3-4. ENGINE AND GENERATOR ASSEMBLY

ITEM	PART NUMBER	QTY	DESCRIPTION	REV
	1001237931	Ref	ENGINE AND GENERATOR ASSEMBLY	A
1	0100011	AR	Compound, Locking	
2	0700815	1	Bolt M8 x 35	
3	0760814	3	Bolt M8 x 30	
4	0761010	8	Bolt M10 x 20	
5	0761015	8	Bolt M10 x 35	
6	0761016	4	Bolt M10 x 40	
7	0761020	4	Bolt M10 x 60	
8	3290807	1	Nut M8	
9	3291005	4	Nut M10 x 1.5	
10	3291007	8	Nut M10	
11	3450304	2	Pin, Cotter 3/32 x 1	
12	4031707	2	Bolt M6 x 16	
13	4031708	1	Capscrew M6 x 20	
14	4811900	2	Washer M8	
15	4812000	11	Washer M10	
16	5240800	3	Washer M8	
17	5241000	48	Washer M10	
18	8303511	1	Bolt M10 x 20	
19	1001118579	1	Actuator	
20	1001118746	12	Bolt M10 x 25	
21	1001186919	8	Bolt M10 x 40	
22	1001222784	1	Lever	
23	1001223088	1	Actuator	
24	1001223302	1	Clamp	
25	1001223721	2	Support	
26	1001223744	1	Muffler	
27	1001223842	1	Pipe, Exhaust	
28	1001223997	1	Mount, Engine	
29	1001224000	1	Mount, Engine	
30	1001224009	1	Plate	
31	1001224585	1	Generator Assembly (See Separate Breakdown in this Section)	
32	1001225093	1	Plate	
33	1001225094	1	Plate	
34	1001225095	1	Plate	
35	1001225104	1	Mount	
36	1001225429	4	Spacer	
37	1001228723	1	Key	
38	1001231323	1	Plate	
39	1001232181	1	Spring	
40	1001235452	1	Pin	
41	1001235453	1	Pin	
42	1001236206	1	Shield	
43	1001237919	1	Engine and Clutch Assembly (See Separate Breakdown in this Section)	

SECTION 3 - ENGINE

FIGURE 3-5. ENGINE AND CLUTCH ASSEMBLY



ART_1001237919

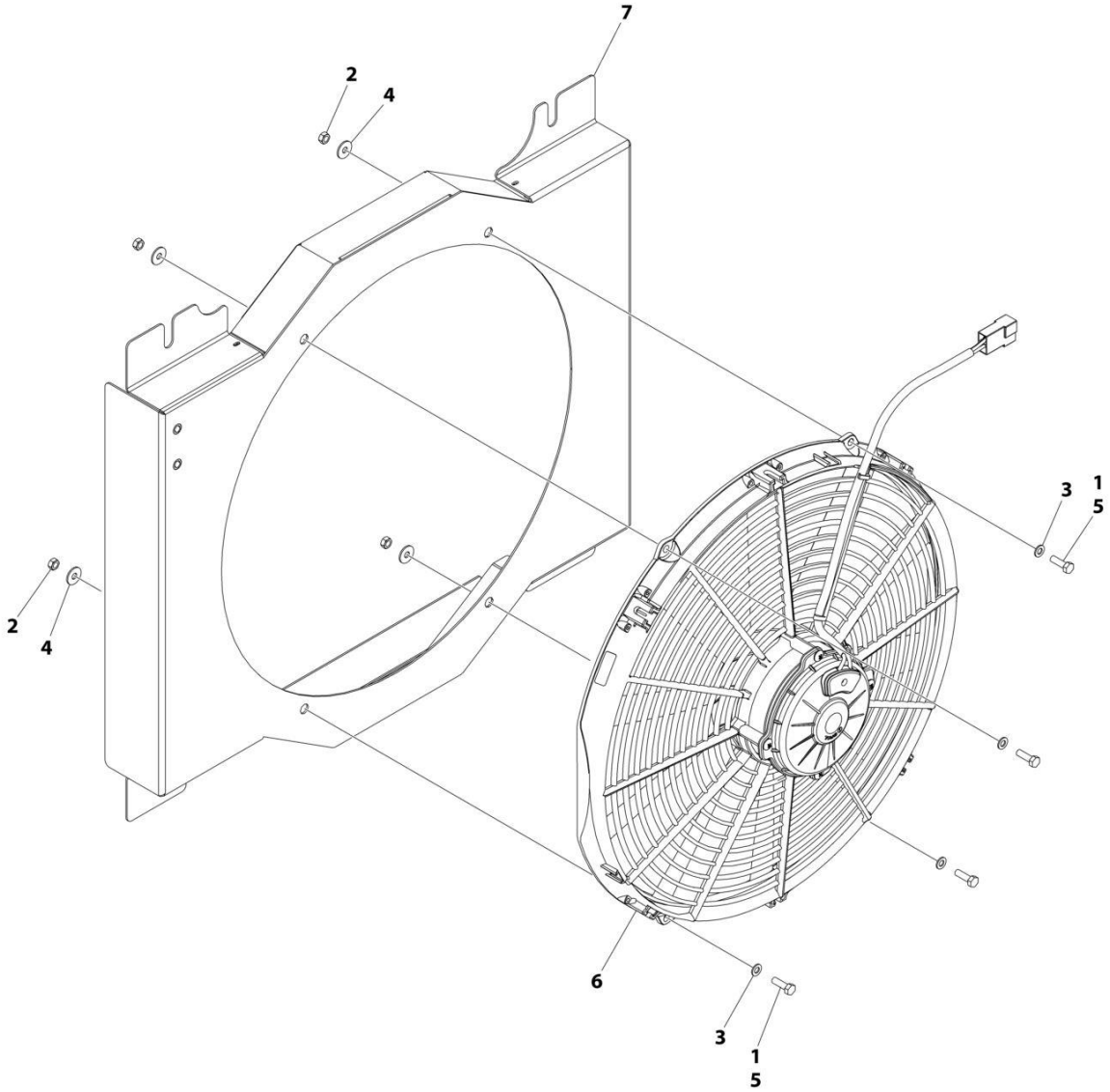
SECTION 3 - ENGINE

FIGURE 3-5. ENGINE AND CLUTCH ASSEMBLY

ITEM	PART NUMBER	QTY	DESCRIPTION	REV
	1001237919	Ref	ENGINE AND CLUTCH ASSEMBLY	A
1	0100011	AR	Compound, Locking	
2	3900382	6	Screw	
3	5250806	6	Bolt M8 x 12	
4	1001222783	1	Adapter	
5	1001223061	3	Pin	
6	1001223148	1	Clutch	
7	1001237918	1	Kubota Engine Components (See Separate Breakdown in this Section)	

SECTION 3 - ENGINE

FIGURE 3-6. ENGINE FAN MOUNTING ASSEMBLY (H800AJ)



ART_1001247415

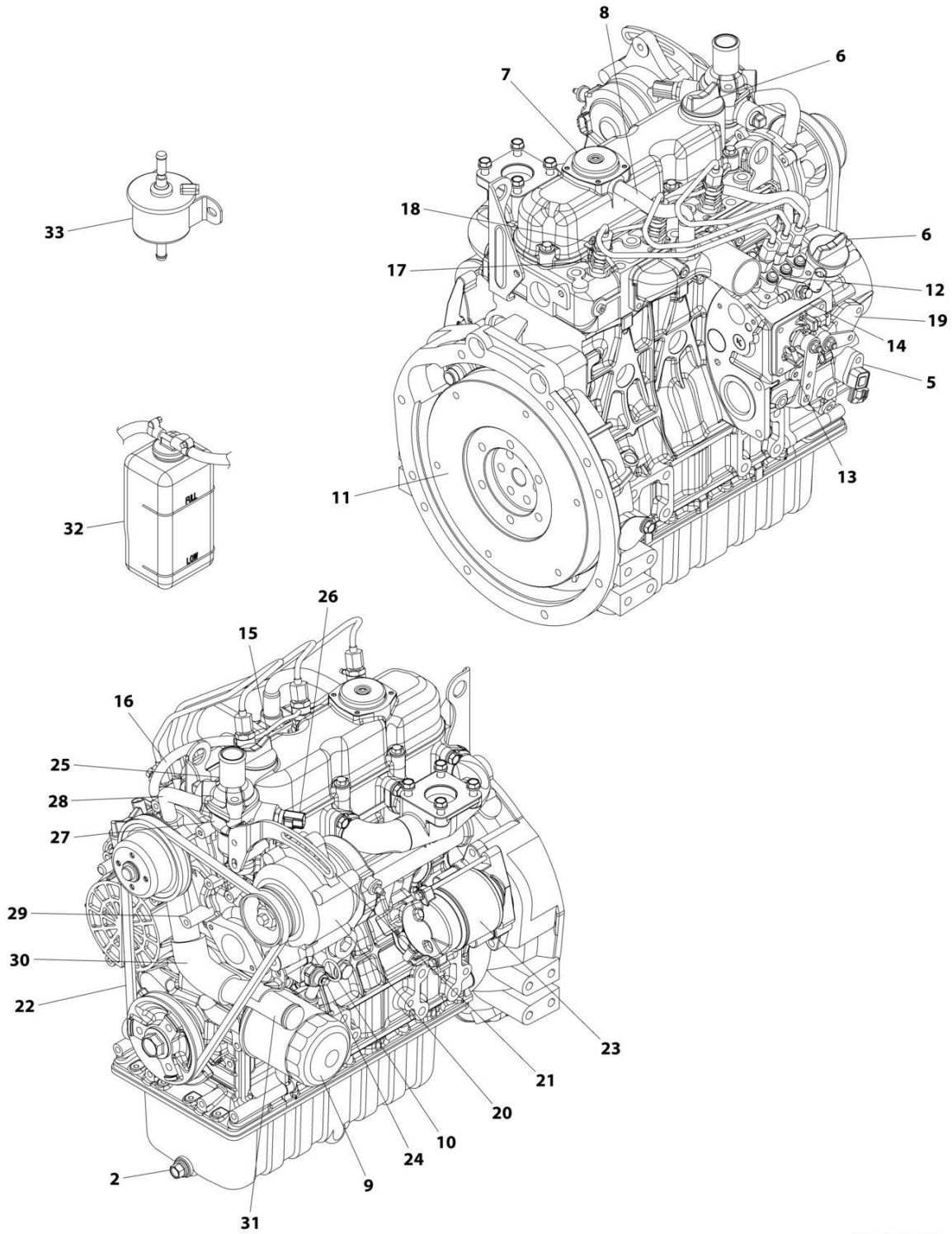
SECTION 3 - ENGINE

FIGURE 3-6. ENGINE FAN MOUNTING ASSEMBLY (H800AJ)

ITEM	PART NUMBER	QTY	DESCRIPTION	REV
	1001247415	Ref	ENGINE FAN MOUNTING ASSEMBLY	A
1	0760508	4	Bolt M5 x 16	
2	3290501	4	Nut M5	
3	4811600	4	Washer M5	
4	4811602	4	Washer M5	
5	1001180620	AR	Compound, Locking	
6	1001222465	1	Fan	
7	1001225072	1	Shroud	

SECTION 3 - ENGINE

FIGURE 3-7. KUBOTA ENGINE COMPONENTS



ART_1001237918

SECTION 3 - ENGINE

FIGURE 3-7. KUBOTA ENGINE COMPONENTS

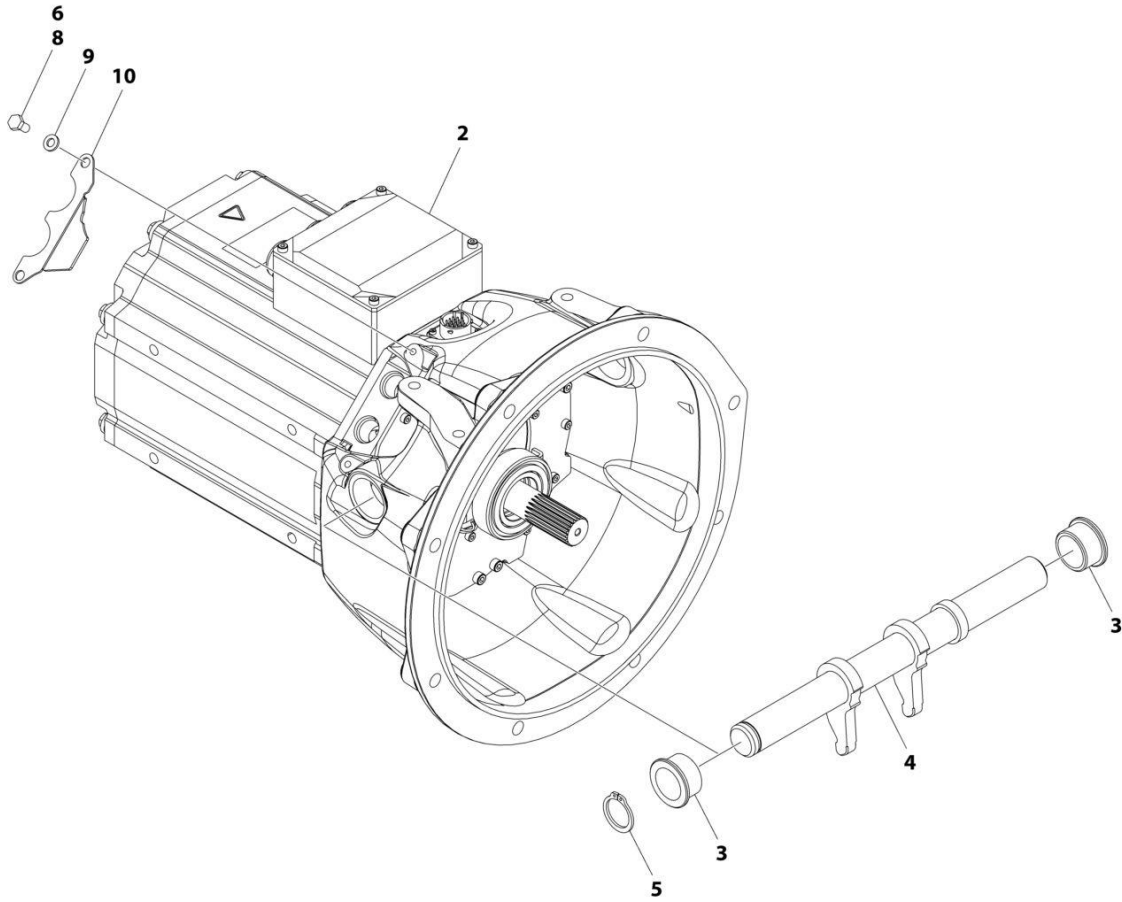
ITEM	PART NUMBER	QTY	DESCRIPTION	REV
	1001237918	Ref	KUBOTA ENGINE COMPONENTS	B
1	7023154	1	Plug, Drain (Not Shown - Located on bottom of Oil Pan)	
1	70002315	1	Seal	
2	70004525	1	Plug, Drain	
2	70004526	1	Seal	
3	70005220	1	Gasket, Head (Not Shown)	
3	70005221	1	Gasket, Valve Cover (Not Shown)	
3	7023149	1	Gasket, Intake Manifold (Not Shown)	
3	7023148	1	Gasket, Exhaust Manifold (Not Shown)	
3	7023124	1	Gasket, Muffler (Not Shown)	
3	70005226	1	Gasket, Upper Kit (Not Shown)	
3	70005227	1	Gasket, Lower Kit (Not Shown)	
4	7023157	1	Seal, Oil (Not Shown - Crankshaft Seal)	
5	70007505	1	Sensor	
6	70002318	2	Cap, Filler	
6	70004311	2	O-Ring	
7	70003060	1	Valve, Breather	
7	70003061	1	Cover, Beather	
7	7017934	4	Screw	
8	70002316	1	Pipe, Water Return	
8	70002317	1	Tube, Breather	
8	70004530	1	Clamp	
8	70004531	1	Clamp	
9	70004395	1	Filter, Oil	
9	7017913	1	Washer	
9	7017914	1	Pipe, Joint	
10	70006667	1	Dipstick	
11	70005224	1	Gear, Rim	
12	7023164	1	Pump, Injector	
12	70002319	1	Shim (0.175mm)	
12	70002320	1	Shim (0.200mm)	
12	70002321	1	Shim (0.250mm)	
12	70002322	1	Shim (0.300mm)	
12	70002323	1	Shim (0.350mm)	
12	70004842	2	Stud	
13	7023165	1	Gasket	
14	70004397	1	Gasket	
15	70004536	1	Over Flow Pipe Assembly (To injectors)	
16	70004539	1	Over Flow Pipe Assembly (To Injector Pump)	
16	70004537	1	Seal	
16	70004538	1	Seal	
17	70004399	3	Injector	
17	70004540	3	Nut	
17	7023167	3	Seal	
17	7023168	3	Seal, Heat	
18	70004398	3	Plug, Glow	
18	70004544	1	Cord, Glow Plug	
19	70004400	1	Gasket, Fuel Pump	
20	70006661	1	Alternator	
21	70006664	1	Adjustment Arm	

SECTION 3 - ENGINE

ITEM	PART NUMBER	QTY	DESCRIPTION	REV
22	70006665	1	Belt	
23	7023144	1	Starter	
24	7017901	1	Oil Pressure Switch	
25	7023170	1	Thermostat	
25	70002326	1	Gasket	
26	70003064	1	Sensor, Water Temperature	
26	70003063	1	Seal	
27	7023145	1	Gasket, Thermostat Housing	
28	7017958	1	Pipe, Water Return	
29	70002327	1	Pump, Water	
29	70002328	1	Gasket	
30	7017963	1	Pipe, Water	
31	70002330	1	Pipe, Water	
32	7023126	1	Tank, Reserve	
33	70005228	1	Pump, Fuel	

SECTION 3 - ENGINE

FIGURE 3-8. GENERATOR ASSEMBLY



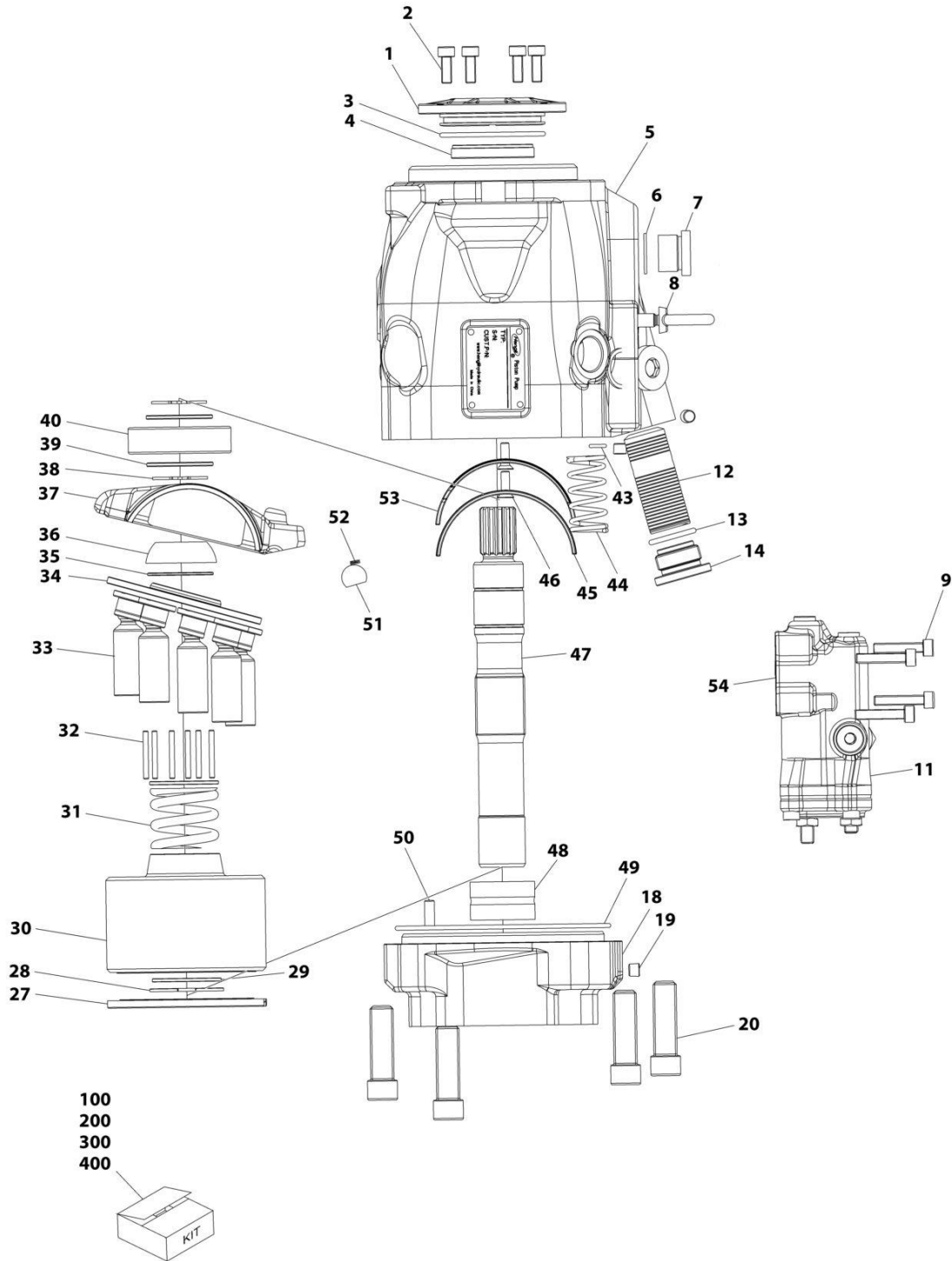
ART_1001224585

FIGURE 3-8. GENERATOR ASSEMBLY

ITEM	PART NUMBER	QTY	DESCRIPTION	REV
	1001224585	Ref	GENERATOR ASSEMBLY	C
2	1001221813	1	Generator Components (Note: No Serviceable Components)	
3	1001222731	2	Bearing	
4	1001222797	1	Release Shaft Assembly	
5	1001223059	1	Ring, Snap	
6	0100011	AR	Compound, Locking	
8	0760606	2	Bolt M6 x 12	
9	4811700	2	Washer M6	
10	1001227909	1	Cover	

SECTION 3 - ENGINE

FIGURE 3-9. VARIABLE PUMP ASSEMBLY



ART_1001276377

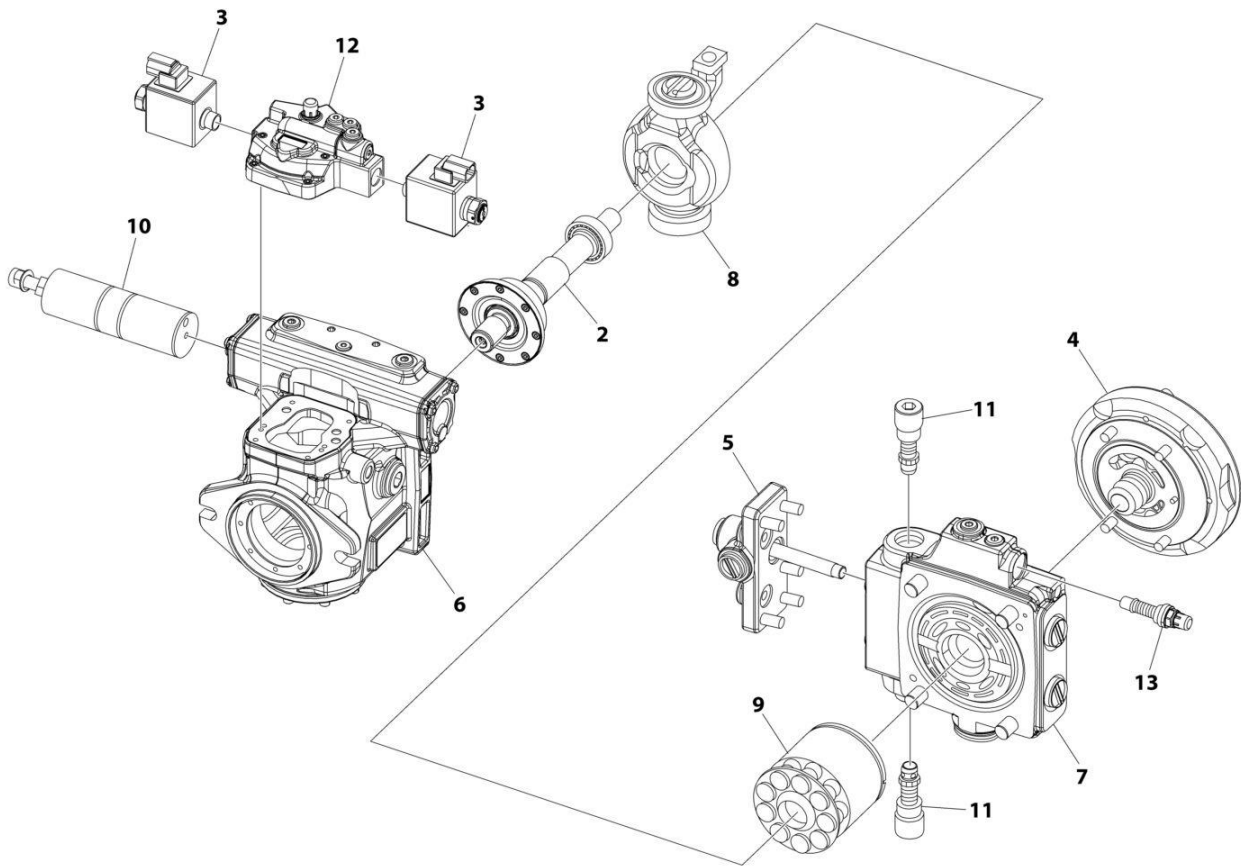
SECTION 3 - ENGINE

FIGURE 3-9. VARIABLE PUMP ASSEMBLY

ITEM	PART NUMBER	QTY	DESCRIPTION	REV
	1001276377	Ref	VARIABLE PUMP ASSEMBLY	B
1	70007789	1	Case, Oil Seal	
2	See Note	NSS	Capscrew M6 x 16 (Note: Purchase Separately)	
3	See Note	NSS	O-Ring (Note: Use Item 100)	
4	70007798	1	Seal, Oil	
5	See Note	NSS	Housing (Note: Not Available - Purchase Assembly)	
6	See Note	NSS	O-Ring (Note: Use Item 100)	
7	70007790	3	Plug	
8	See Note	NSS	Bolt, Eye M8 (Note: Purchase Separately)	
9	See Note	NSS	Capscrew M9 x 30 (Note: Purchase Separately)	
11	70007787	1	Valve, Control	
12	70007800	1	Piston	
13	See Note	NSS	O-Ring (Note: Use Item 100)	
14	70007801	1	Plug	
18	See Note	NSS	Cover (Note: Not Available - Purchase Assembly)	
19	70007791	3	Plug	
20	See Note	NSS	Capscrew M12 x 45 (Note: Purchase Separately)	
27	See Note	NSS	Plate, Valve (Note: Use Item 200)	
28	See Note	NSS	Circlip (Note: Use Item 200)	
29	See Note	NSS	Shim (Note: Use Item 200)	
30	See Note	NSS	Cylinder (Note: Use Item 200)	
31	See Note	NSS	Spring (Note: Use Item 200)	
32	See Note	NSS	Pin (Note: Use Item 200)	
33	See Note	NSS	Piston Assembly (Note: Use Item 200)	
34	See Note	NSS	Retainer (Note: Use Item 200)	
35	See Note	NSS	Shim (Note: Use Item 200)	
36	See Note	NSS	Bushing (Note: Use Item 200)	
37	See Note	NSS	Plate, Swash (Note: Use Item 300)	
38	See Note	NSS	Circlip (Note: Use Item 400)	
39	See Note	NSS	Shim (Note: Use Item 400)	
40	See Note	NSS	Bearing, Cylinder (Note: Use Item 400)	
43	See Note	NSS	O-Ring (Note: Use Item 100)	
44	70007792	1	Spring	
45	70007793	1	Bushing	
46	70007796	2	Capscrew M5 x 16	
47	See Note	NSS	Shaft (Note: Use Item 400)	
48	70007797	1	Bearing	
49	See Note	NSS	O-Ring (Note: Use Item 100)	
50	70007794	1	Spring	
51	See Note	NSS	Ball, Steel (Note: Use Item 300)	
52	See Note	NSS	Spring (Note: Use Item 300)	
53	70007795	1	Bushing	
54	70007799	1	Gasket	
100	70007802	1	Seal Kit (Includes Items 3, 6, 13, 43 & 49)	
200	70007786	1	Cylinder Assembly (Includes Items 27 - 36)	
300	70007788	1	Swash Plate Assembly (Includes Items 37, 51 & 52)	
400	70007785	1	Shaft Assembly (Includes Items 38 - 40 & 47)	

SECTION 3 - ENGINE

FIGURE 3-10. HYDROSTATIC PUMP ASSEMBLY



ART_1001276376

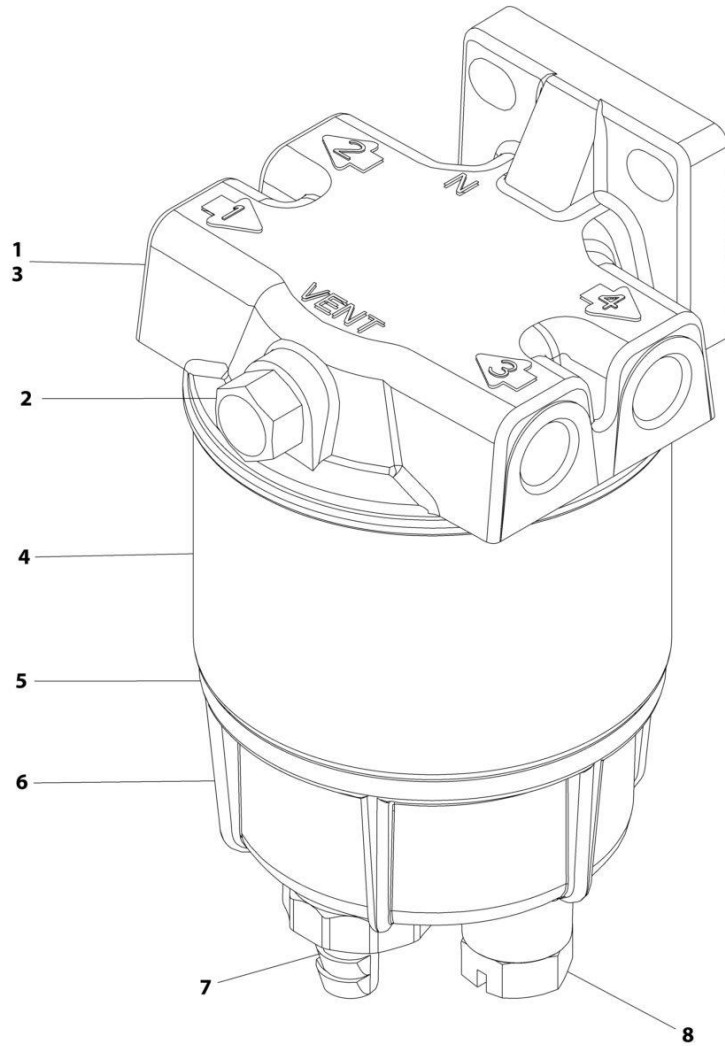
SECTION 3 - ENGINE

FIGURE 3-10. HYDROSTATIC PUMP ASSEMBLY

ITEM	PART NUMBER	QTY	DESCRIPTION	REV
	1001276376	Ref	HYDROSTATIC PUMP ASSEMBLY	B
2	70008497	1	Shaft Assembly	
3	70008498	2	Coil Assembly	
4	70008602	1	Gerotor Body Assembly	
5	70008511	1	Body Assembly	
6	See Note	NSS	Body Assembly (Note: Use PN 1001276376)	
7	70008601	1	Distributor Assembly	
8	70008500	1	Swashplate Assembly	
9	70008501	1	Rotor Assembly	
10	70008502	1	Servo Assembly	
11	70008600	2	Relief Valve	
12	70008504	1	Control Valve Assembly	
13	70008505	1	Relief Valve Assembly	

SECTION 3 - ENGINE

FIGURE 3-11. FUEL/WATER SEPARATOR ASSEMBLY



ART_1001190609

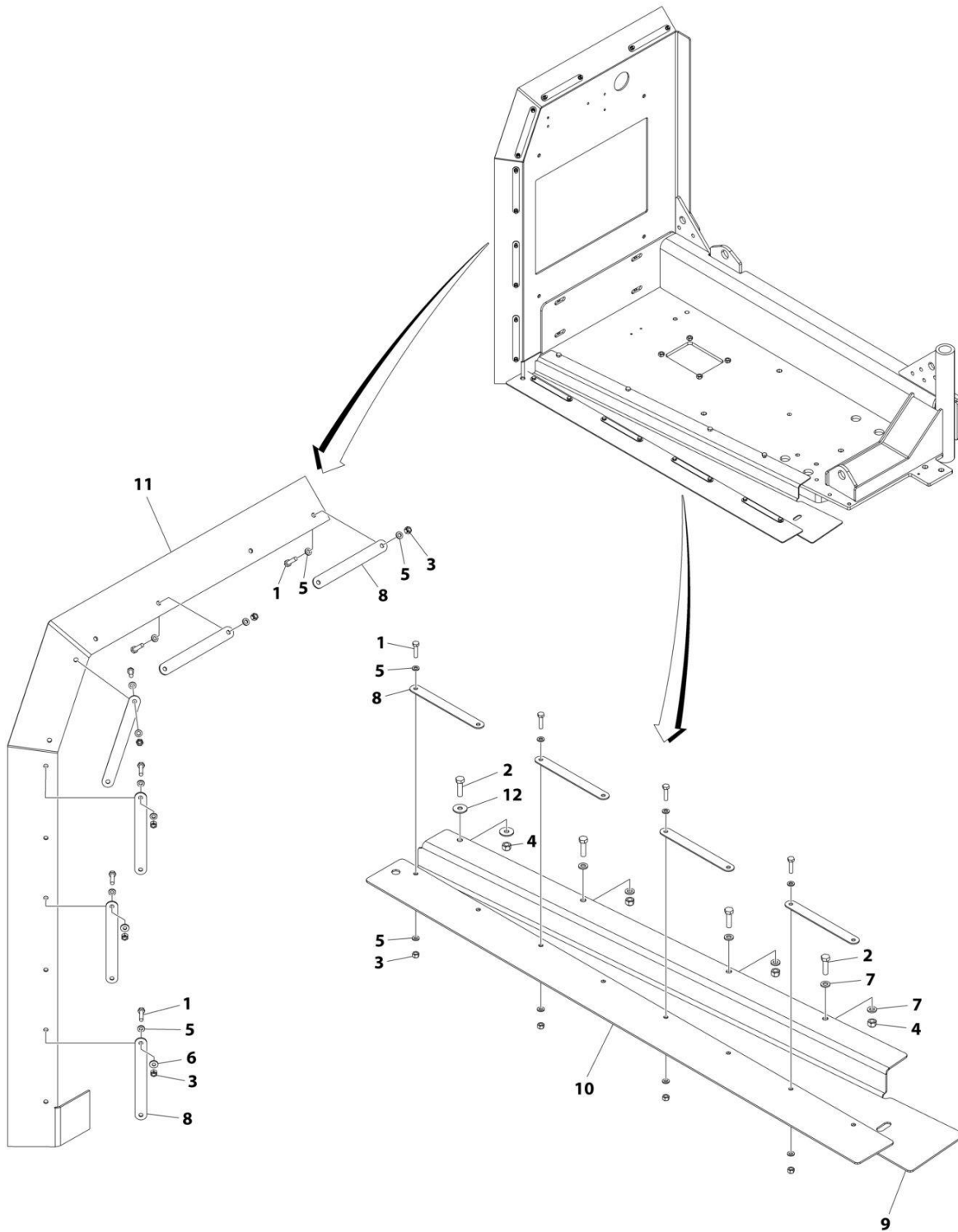
SECTION 3 - ENGINE

FIGURE 3-11. FUEL/WATER SEPARATOR ASSEMBLY

ITEM	PART NUMBER	QTY	DESCRIPTION	REV
	1001190609	Ref	FUEL/WATER SEPARATOR ASSEMBLY - DIESEL ENGINES	B
1	70005293	1	Head, Mounting	
2	70005294	1	Plug	
3	70005295	1	Gasket, Head	
4	70005296	1	Element	
5	70005297	1	O-Ring	
6	70002901	1	Bowl	
7	70004070	1	Drain, Self Venting	
8	70004069	1	Plug	

SECTION 3 - ENGINE

FIGURE 3-12. ENGINE HOOD Baffles INSTALLATION



ART_1001227743

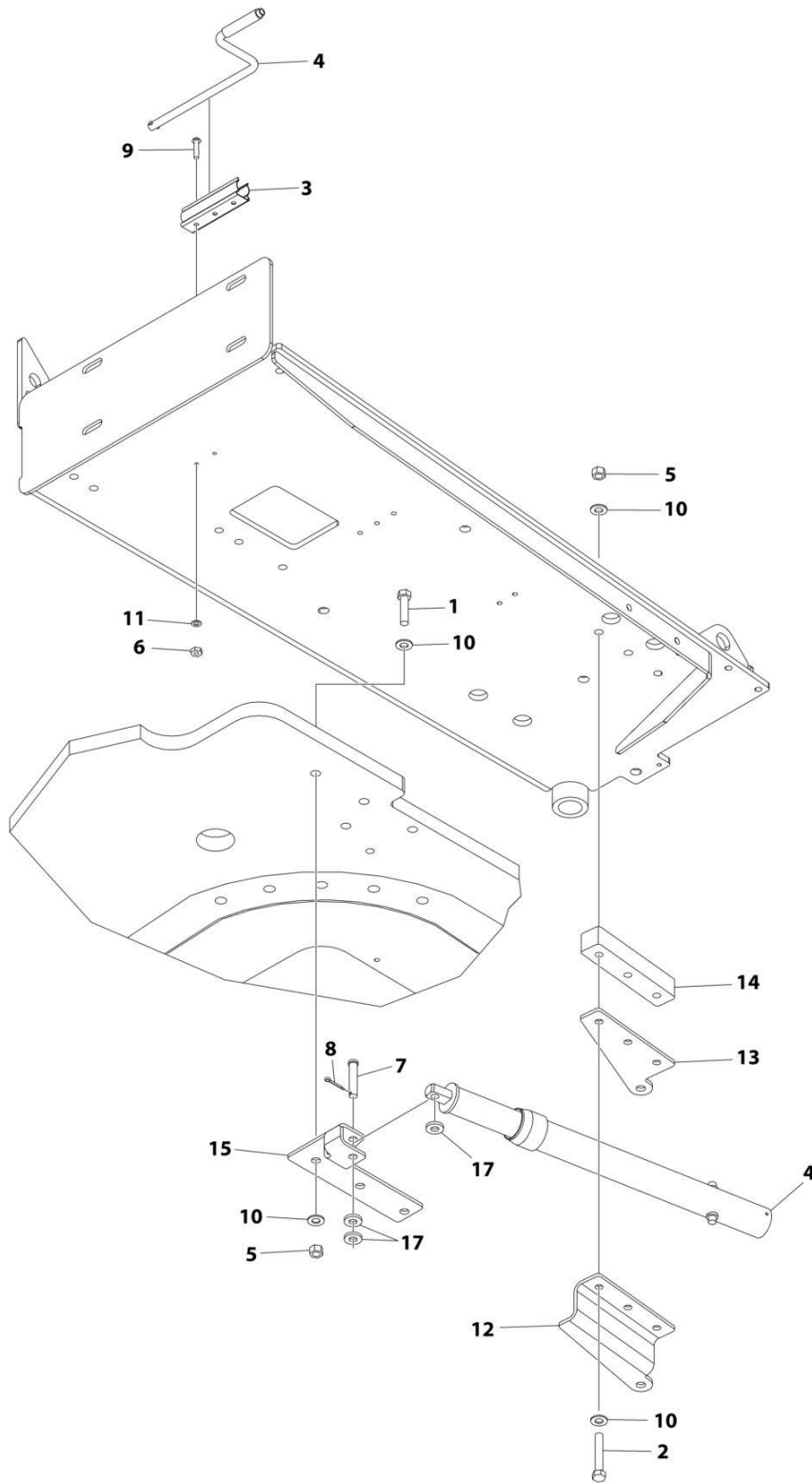
SECTION 3 - ENGINE

FIGURE 3-12. ENGINE HOOD BAFFLES INSTALLATION

ITEM	PART NUMBER	QTY	DESCRIPTION	REV
	1001227743	Ref	ENGINE HOOD BAFFLES INSTALLATION	C
1	0760612	20	Bolt M6 x 25	
2	0760814	4	Bolt M8 x 30	
3	3290605	20	Nut M6	
4	3290805	4	Nut M8	
5	4811700	38	Washer M6	
6	4811702	2	Washer M6	
7	4811900	6	Washer M8	
8	1001167164	10	Support	
9	1001227740	1	Plate	
10	1001227741	1	Seal	
11	1001227742	1	Seal	
12	4811902	2	Washer M8	

SECTION 3 - ENGINE

FIGURE 3-13. TRAY JACK INSTALLATION



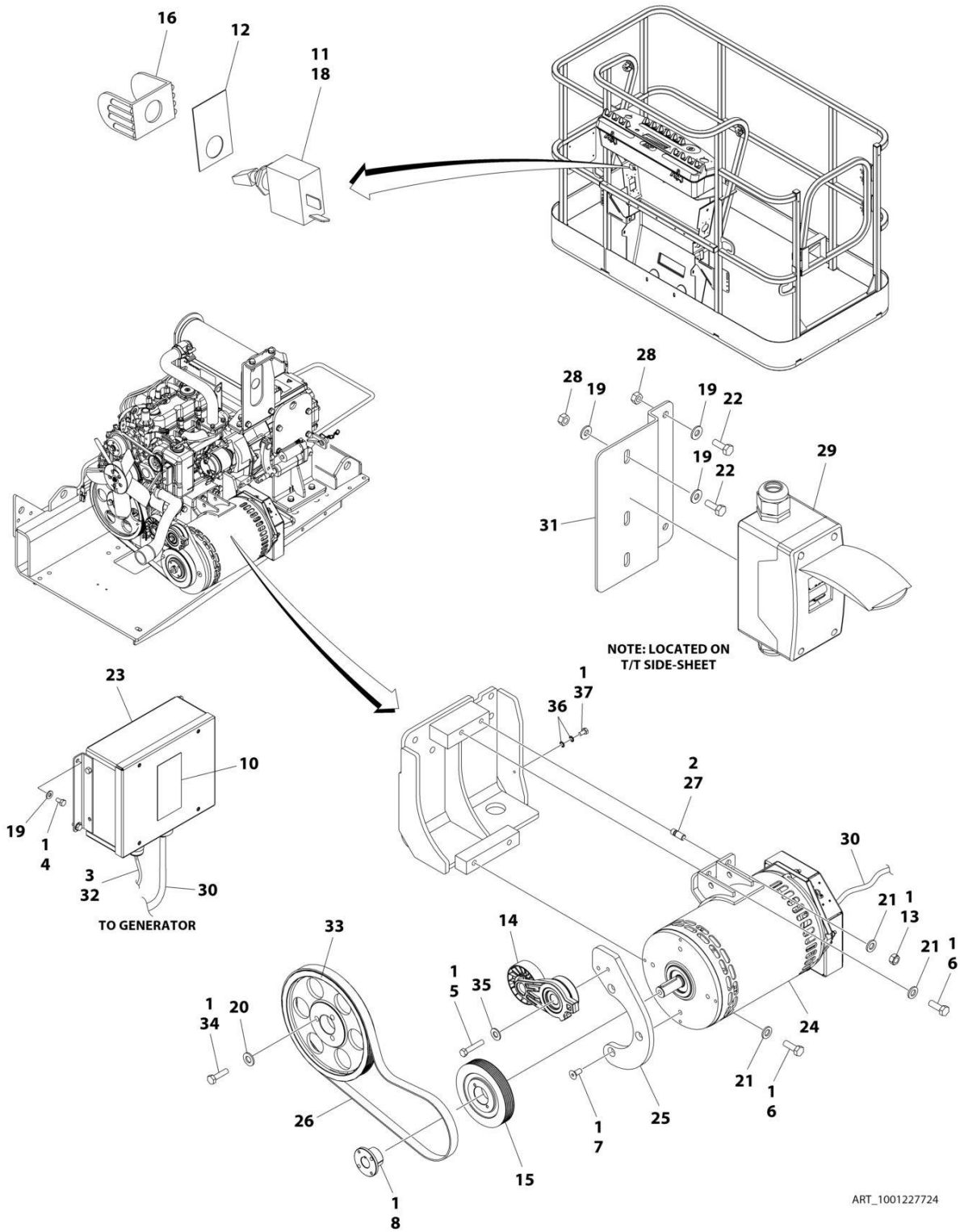
ART_1001229066_D

FIGURE 3-13. TRAY JACK INSTALLATION

ITEM	PART NUMBER	QTY	DESCRIPTION	REV
	1001229066	Ref	TRAY JACK INSTALLATION	D
1	0641816	3	Bolt 1/2 x 2	
2	0641824	3	Bolt 1/2 x 3	
3	1380147	1	Clip	
4	2840018	1	Jack and Handle Assembly (H800AJ,H800AJ)	
4	7024599	1	Handle	
5	3271805	6	Nut 1/2 Grade 8	
6	3310601	2	Nut #6	
7	3430820	1	Pin	
8	3450404	1	Pin, Cotter 1/8 x 1	
9	3910610	2	Screw #6 x 5/8	
10	4711800	11	Washer 1/2	
11	4770600	2	Washer #6	
12	1001175073	1	Support	
13	1001175074	1	Support	
14	1001243869	1	Shim	
15	1001229067	1	Bracket	
17	4891800	3	Washer 1/2	

SECTION 3 - ENGINE

FIGURE 3-14. 4000W GENERATOR INSTALLATION - 220V/50HZ (OPTIONAL)



ART_1001227724

SECTION 3 - ENGINE

FIGURE 3-14. 4000W GENERATOR INSTALLATION - 220V/50HZ (OPTIONAL)

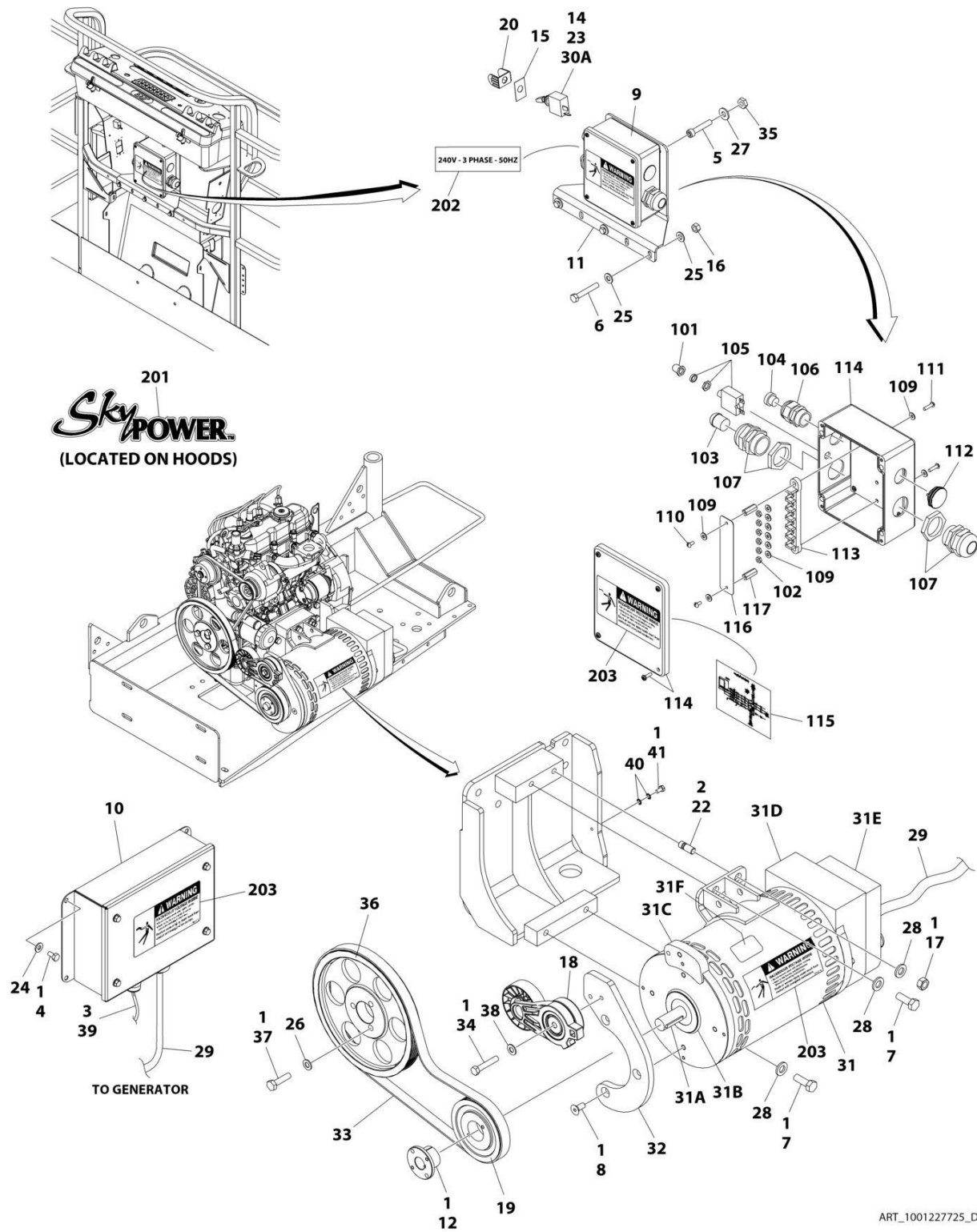
ITEM	PART NUMBER	QTY	DESCRIPTION	REV
	1001227724	Ref	4000W GENERATOR INSTALLATION	E
1	0100011	AR	Compound, Locking	
2	0100019	AR	Compound, Locking	
3	0100048	AR	Grease, Dielectric	
4	0641404	4	Bolt 1/4 x 1/2	
5	0641616	1	Bolt 3/8 x 2	
6	0761215	3	Bolt M12 x 35	
7	0741607	3	Screw 3/8 x 7/8	
8	0962520	1	Bushing, Split	
10	1705489	2	Decal - Hazardous Voltage	
11	2820031	AR	Heatshrink	
12	3251102	1	Nameplate - Generator	
13	3291201	1	Nut M12	
14	3580317	1	Tensioner, Belt	
15	1001244352	1	Pully	
16	4060802	1	Guard, Switch	
17	4240018	1	Tie-Strap (Not Shown)	
18	4360336	1	Switch, Toggle	
19	4711400	4	Washer 1/4	
20	4812000	3	Washer M10	
21	5241200	4	Washer M12	
22	0641406	4	Bolt 1/4 x 3/4	
23	1001138566	1	Box, Control	
24	1001206119	1	Generator Assembly	
24	70003709	1	Ring, Retaining (External)	
24	70003708	1	Ring, Retaining (Internal)	
24	70001966	1	Bearing	
24	70004092	1	Endbell (Shaft End)	
24	70004171	1	Key	
24	70004676	1	Rotor	
24	70005624	1	Stator	
24	70004678	1	Endbell (Rear)	
24	70004679	1	Cover, Endbell (Rear)	
24	70004680	1	Enclosure, Wiring	
24	70004681	1	Cover, Enclosure	
24	70004682	1	Switch, Reset (Located on Enclosure Cover)	
24	70004098	1	Connector, Strain Relief (Located on Enclosure Cover)	
24	70004683	1	Bushing, Connector (Use p/n 70004098)	
24	70001973	1	Decal - Warning Pinch Point	
25	1001244926	1	Plate, Tensioner	
26	1001248171	1	V-Belt	
27	1001196382	1	Stud	
28	3311405	4	Nut 1/4	
29	1001165368	1	Breaker Box Kit (See Separate Breakdown in ELECTRICAL SECTION)	
30	1001152532	1	Generator Harness (Generator Control Box to Generator) (See Separate Breakdown in ELECTRICAL SECTION)	
31	1001229080	1	Bracket	
32	1001231225	1	Harness, Generator Enable (Generator Control Box to Engine Harness) (See Separate Breakdown in ELECTRICAL SECTION)	

SECTION 3 - ENGINE

ITEM	PART NUMBER	QTY	DESCRIPTION	REV
32	4460967	1	Plug, Male - 2 Position	
32	4460465	1	Socket, Female	
33	1001183726	1	Pulley	
34	1001186919	3	Bolt M10 x 40	
35	4711600	1	Washer 3/8	
36	4871700	2	Washer M6	
37	0760606	1	Bolt M6 x 12	

SECTION 3 - ENGINE

FIGURE 3-15. 7500W SKYPOWER GENERATOR INSTALLATION - 220V/50HZ (OPTIONAL)



SECTION 3 - ENGINE

FIGURE 3-15. 7500W SKYPOWER GENERATOR INSTALLATION - 220V/50HZ (OPTIONAL)

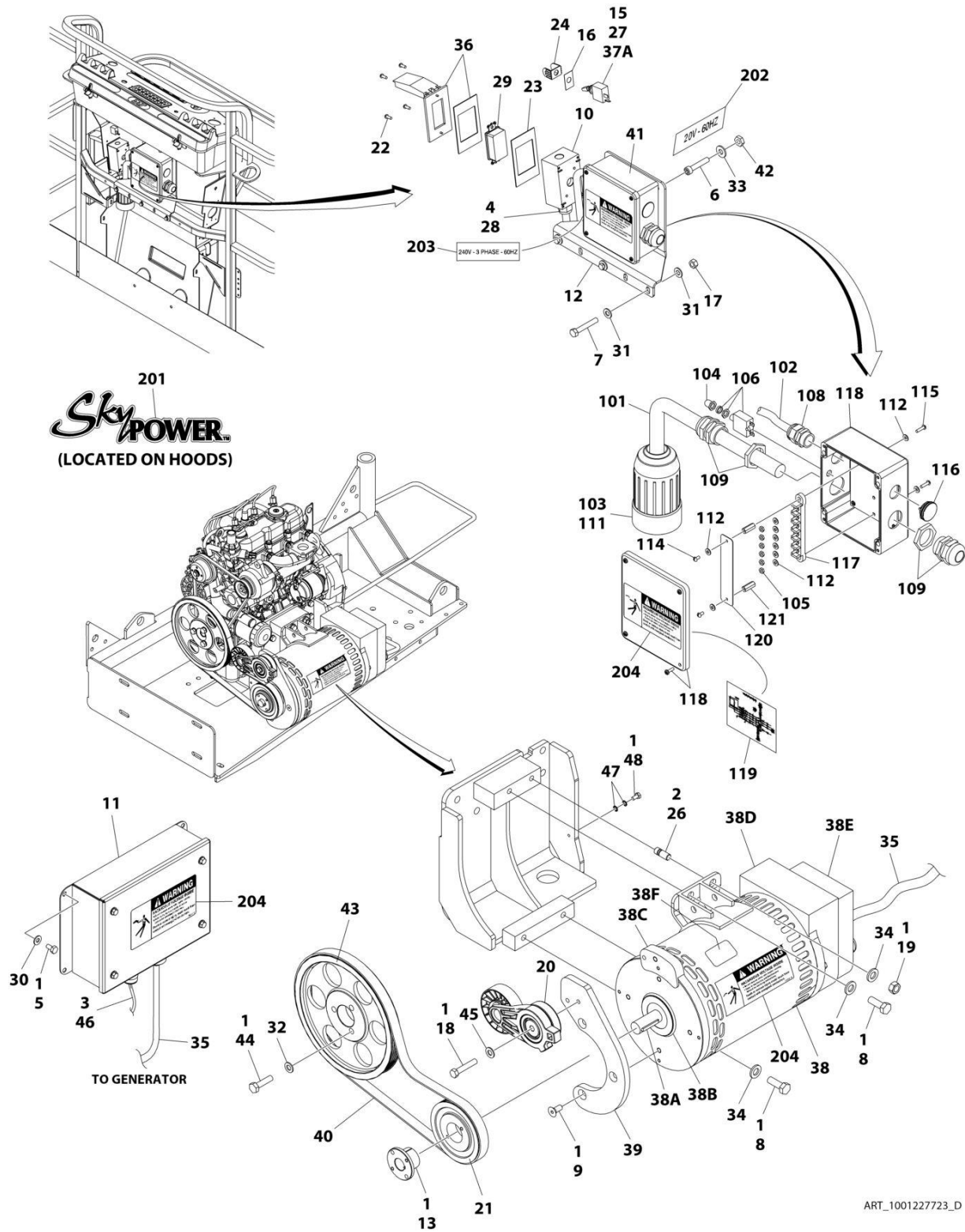
ITEM	PART NUMBER	QTY	DESCRIPTION	REV
	1001227725	Ref	7500W SKYPOWER GENERATOR INSTALLATION	D
1	0100011	AR	Compound, Locking	
2	0100019	AR	Compound, Locking	
3	0100048	AR	Grease, Dielectric	
4	0641404	4	Bolt 1/4 x 1/2	
5	3931016	4	Capscrew #10 x 1	
6	0641516	3	Bolt 5/16 x 2	
7	0761215	3	Bolt M12 x 35	
8	0741607	3	Screw 3/8 x 7/8	
9	1001157525	1	Junction Box Assembly (See Items 101-117 for Breakdown)	
10	0861572	1	Box, Control	
10	7024488	1	Card, Circuit - Generator Power (Not Shown)	
10	See Note	1	Fuse (Note: Not Available - Purchase Locally)	
10	7024489	1	Card, Circuit - Control (Not Shown)	
10		Ref	Note: When replacing card, rocker switch on card must be set for required application.	
10	70000619	1	Circuit Card Harness	
10	77363232	1	Connector - 6 Position	
10	See Note	NSS	Connector - 3 Position (Note: Not Available for Purchase)	
11	0902888	1	Bracket	
12	0962520	1	Bushing	
14	2820031	AR	Heatshrink	
15	3252764	1	Nameplate - AC & Weld	
16	3311505	3	Nut 5/16	
17	3291201	1	Nut M12	
18	3580317	1	Tensioner, Belt	
19	3580319	1	Pulley	
20	4060802	1	Guard, Switch	
21	4240018	1	Tie-Strap (Not Shown)	
22	1001196382	1	Stud	
23	4360336	1	Switch, Toggle	
24	4711400	4	Washer 1/4	
25	4711500	6	Washer 5/16	
26	4812000	3	Washer M10	
27	4751000	4	Washer #10	
28	5241200	4	Washer M12	
29	4922925	1	Generator Harness (See Separate Breakdown in ELECTRICAL Section)	
30	1001231260	1	Generator Wiring Diagram (Not Shown)	
30A	4922641	1	Switch Harness	
31	1001155348	1	Generator Assembly	
31	70001100	1	Rotor (Includes p/n 70001384 & 70000863) (Not Shown)	
31	70001384	1	Bearing, Shaft (Rear) (Not Shown)	
31	70000863	1	Fan, Generator (Not Shown)	
31	70004093	1	Stator (Not Shown)	
31	70002297	2	Stud 1/4 x 12-7/8 (Not Shown)	
31	70003631	1	Brushholder Assembly (Not Shown)	
31A	70004099	1	Key	
31B	70001966	1	Bearing, Ball Radial (Located in Belt Tensioner Endbell)	
31B	70003709	1	Ring, Retaining (Small)	

SECTION 3 - ENGINE

ITEM	PART NUMBER	QTY	DESCRIPTION	REV
31B	70003708	1	Ring, Retaining (Large)	
31C	70004092	1	Endbell, Belt Tensioner	
31D	70004094	1	Endbell, Brush Block	
31E	70004096	1	Shroud Assembly	
31E	7027799	1	Block, Connector - 6 Position (Not Shown)	
31E	70002460	6	Nut, Brass (Attaches p/n 7027799 to Cover) (Not Shown)	
31E	7024485	1	Breaker, Circuit 30Amp (Not Shown)	
31E	70001696	1	Boot, Breaker (Not Shown)	
31E	7026597	1	Connector with Leads (Not Shown)	
31E	7026626	1	Connector with Pins (Not Shown)	
31E	70004098	1	Clamp, Cable (Not Shown)	
31E	70004095	1	Plate, End Panel (Not Shown)	
31E	70004097	1	Insulator, End Panel (Not Shown)	
31E	70001974	1	Decal - Terminal Connections (Not Shown)	
31F	70001973	1	Decal - Warning Moving Parts	
32	1001227526	1	Plate, Tensioner	
33	1001235296	1	V-Belt	
34	0641616	1	Bolt 3/8 x 2	
35	3311005	4	Nut #10	
36	1001183726	1	Pulley	
37	1001186919	3	Bolt M10 x 40	
38	4711600	1	Washer 3/8	
39	1001231225	1	Harness, Generator Enable (See Separate Breakdown in ELECTRICAL Section)	
40	4871700	2	Washer M6	
41	0760606	1	Bolt M6 x 12	
	1001157525	Ref	JUNCTION BOX ASSEMBLY	B
101	3300396	1	Cover, Fuse	
102	3311001	6	Nut #10	
103	3520189	1	Plug (50Hz Spec Only)	
104	3520192	1	Plug	
105	4360070	1	Circuit Breaker - 15Amp	
106	4460425	1	Strain Relief, Terminal	
107	4460426	2	Connector, Strain Relief	
109	4711000	11	Washer #10	
110	10702077	2	Screw #10 x 3/8	
111	10702082	2	Screw #10 x 3/4	
112	1001152525	1	Plug	
113	1001157520	1	Block, Terminal	
114	1001157521	1	Box, Junction	
115	1001157528	1	Decal - Wiring Schematic	
116	1001158007	1	Cover, PVC	
117	1001158008	2	Stand-Off	
	0272589	Ref	DECAL INSTALLATION	A
201	1705460	2	Decal - SkyPower	
202	1705461	1	Decal - 240V - 3 Phase	
203	1705489	3	Decal - Hazardous Voltage	

SECTION 3 - ENGINE

FIGURE 3-16. 7500W SKYPOWER GENERATOR INSTALLATION - 110V/60HZ (OPTIONAL)



SECTION 3 - ENGINE

FIGURE 3-16. 7500W SKYPOWER GENERATOR INSTALLATION - 110V/60HZ (OPTIONAL)

ITEM	PART NUMBER	QTY	DESCRIPTION	REV
	1001227723	Ref	7500W SKYPOWER GENERATOR INSTALLATION	D
1	0100011	AR	Compound, Locking	
2	0100019	AR	Compound, Locking	
3	0100048	AR	Grease, Dielectric	
4	0100079	AR	Sealant	
5	0641404	4	Bolt 1/4 x 1/2	
6	3931016	4	Capscrew #10 x 1	
7	0641516	3	Bolt 5/16 x 2	
8	0761215	3	Bolt M12 x 35	
9	0741607	3	Screw 3/8 x 7/8	
10	0860038	1	Box, Switch	
11	0861538	1	Control Box Assembly	
11	7024488	1	Card, Circuit - Generator Power	
11	See Note	NSS	Fuse (Note: Not Available - Purchase Locally)	
11	7024489	1	Card, Circuit - Control	
11	70000619	1	Harness, Control Box (Internal)	
12	0902888	1	Bracket	
13	0962520	1	Bushing	
15	2820031	AR	Heatshrink	
16	3252764	1	Nameplate - AC & Weld	
17	3311505	3	Nut 5/16	
18	0641616	1	Bolt 3/8 x 2	
19	3291201	1	Nut M12	
20	3580317	1	Pulley	
21	3580318	1	Pulley	
22	3910606	4	Screw #6 x 3/8	
23	3960422	1	Gasket	
24	4060802	1	Guard, Switch	
25	4240018	1	Tie-Strap (Not Shown)	
26	1001196382	1	Stud	
27	4360336	1	Switch, Toggle	
28	4460071	1	Connector, Strain Relief	
29	4460346	1	Receptacle	
30	4711400	4	Washer 1/4	
31	4711500	6	Washer 5/16	
32	4812000	3	Washer M10	
33	4751000	4	Washer #10	
34	5241200	4	Washer M12	
35	4922925	1	Generator Harness (See Separate Breakdown in ELECTRICAL Section)	
36	1001110873	1	Cover	
37	1001231260	1	Generator Wiring Diagram (Not Shown)	
37A	4922641	1	Switch Harness	
38	1001155348	1	Generator Assembly	
38	70004093	1	Stator (Not Shown)	
38	70002297	2	Stud 1/4 x 12-7/8 (Not Shown)	
38	70003631	1	Brushholder Assembly (Not Shown)	
38A	70004099	1	Key	
38B	70001966	1	Bearing, Ball Radial (Located in Belt Tensioner Endbell)	
38B	70003709	1	Ring, Retaining (Small)	

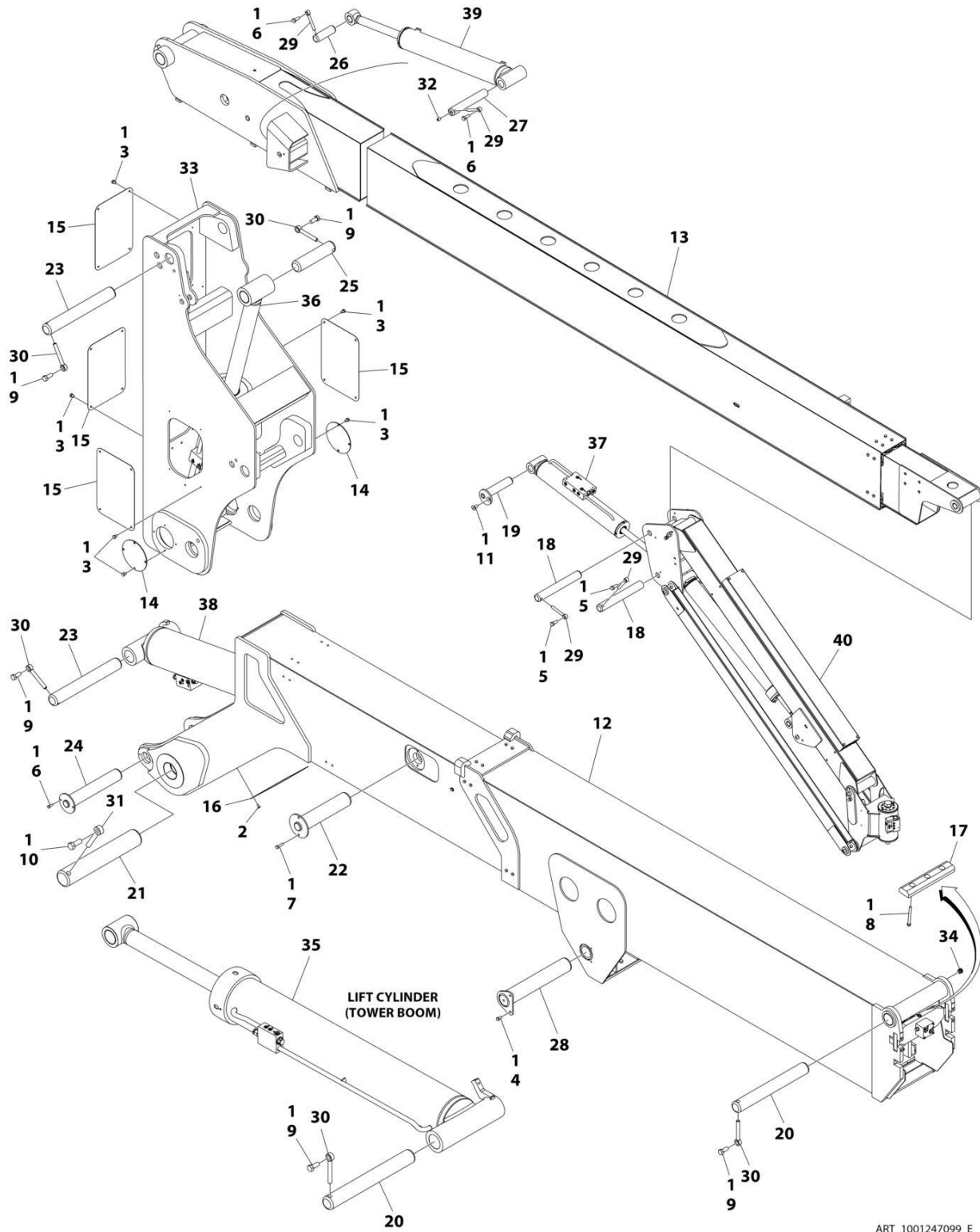
SECTION 3 - ENGINE

ITEM	PART NUMBER	QTY	DESCRIPTION	REV
38B	70003708	1	Ring, Retaining (Large)	
38C	70004092	1	Endbell, Belt Tensioner	
38D	70004094	1	Endbell, Brush Block	
38E	70004096	1	Shroud Assembly	
38E	7027799	1	Block, Connector - 6 Position (Not Shown)	
38E	70002460	6	Nut Brass (Attaches p/n 7027799 to Cover) (Not Shown)	
38E	7024485	1	Breaker, Circuit 30Amp (Not Shown)	
38E	70001696	1	Boot, Breaker (Not Shown)	
38E	7026597	1	Connector with Leads (Not Shown)	
38E	7026626	1	Connector with Pins (Not Shown)	
38E	70004098	1	Clamp, Cable (Not Shown)	
38E	70004095	1	Plate, End Panel (Not Shown)	
38E	70004097	1	Insulator, End Panel (Not Shown)	
38E	70001974	1	Decal - Terminal Connections (Not Shown)	
38F	70001973	1	Decal - Warning Moving Parts	
39	1001227526	1	Plate, Tensioner	
40	1001235519	1	V-Belt	
41	1001157592	1	Junction Box Assembly (See Items 101-121 for Breakdown)	
42	3311005	4	Nut #10	
43	1001183726	1	Pulley	
44	1001186919	3	Bolt M10 x 40	
45	4711600	1	Washer 3/8	
46	1001231225	1	Harness, Generator Enable (See Separate Breakdown in ELECTRICAL Section)	
47	4871700	2	Washer M6	
48	0760606	1	Bolt M6 x 12	
	1001157592	Ref	JUNCTION BOX ASSEMBLY	C
101	1060343	1.5 ft/ 0.5m	Cable, Electrical 10/4	
102	1001179154	2.5 ft/ 0.8m	Cable, Electrical 12/3	
103	1671092	1	Cover	
104	3300396	1	Cover, Fuse	
105	3311001	6	Nut #10	
106	4360070	1	Circuit Breaker - 15Amp	
108	4460425	1	Strain Relief, Terminal	
109	4460426	2	Connector, Strain Relief	
111	4460963	1	Connector	
112	4711000	10	Washer #10	
114	10702077	2	Screw #10 x 3/8	
115	10702082	2	Screw #10 x 3/4	
116	1001152525	1	Plug	
117	1001157520	1	Block, Terminal	
118	1001157521	1	Box, Junction	
119	1001157528	1	Decal - Wiring Schematic	
120	1001158007	1	Cover, PVC	
121	1001158008	2	Stand-Off	
	0272435	Ref	DECAL INSTALLATION	D
201	1705460	2	Decal - SkyPower	
202	3251243	1	Decal - 120V/60Hz	
203	1705375	1	Decal - 240V/3Phase	
204	1705387	3	Decal - Hazardous Voltage	

SECTION 4 - BOOM

SECTION 4 - BOOM

FIGURE 4-1. BOOM AND CYLINDER INSTALLATION



ART_1001247099_E

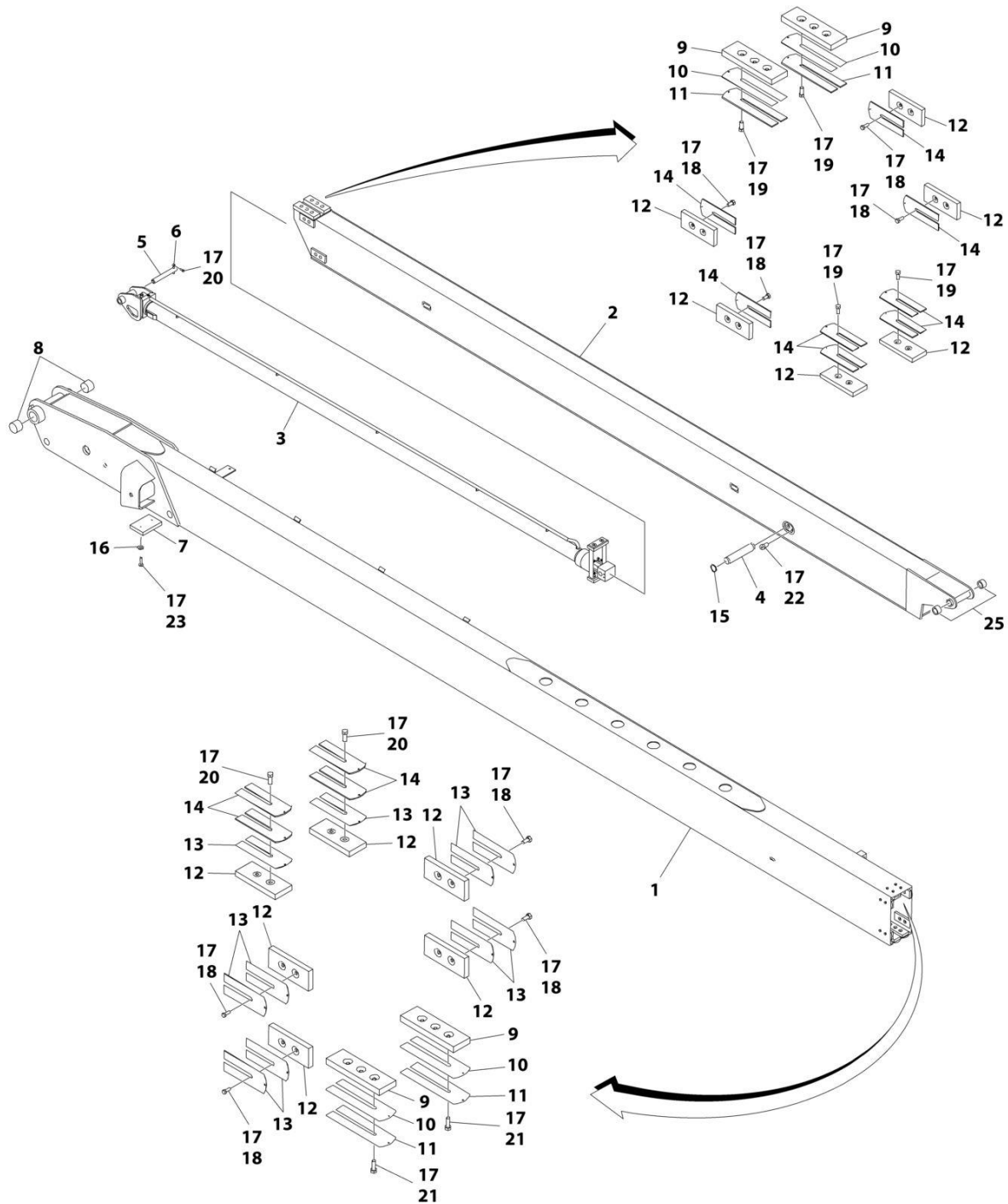
SECTION 4 - BOOM

FIGURE 4-1. BOOM AND CYLINDER INSTALLATION

ITEM	PART NUMBER	QTY	DESCRIPTION	REV
	1001247099	Ref	BOOM INSTALLATION	E
1	0100011	AR	Compound, Locking	
2	0641404	4	Bolt 1/4 x 1/2	
3	0641604	24	Bolt 3/8 x 1/2	
4	0641606	2	Bolt 3/8 x 3/4	
5	0641607	2	Bolt 3/8 x 7/8	
6	0641608	4	Bolt 3/8 x 1	
7	0641611	2	Bolt 3/8 x 1-3/8	
8	0641840	3	Bolt 1/2 x 5	
9	0642214	5	Bolt 3/4 x 1-3/4	
10	0642620	1	Bolt 1 x 2-1/2	
11	0741607	1	Screw 3/8 x 7/8	
12	0801132	1	Boom Assembly - Tower (See Separate Breakdown in this Section)	
13	0801136	1	Boom Assembly - Main (See Separate Breakdown in this Section)	
14	1120510	2	Cover, Upright	
15	1670844	4	Cover, Upright	
16	1670850	1	Cover, Tower Fly	
17	3340835	1	Pad Rest	
18	3422561	2	Pin	
19	3422583	1	Pin	
20	3422681	2	Pin	
21	3422683	1	Pin	
22	3422684	1	Pin	
23	3422685	2	Pin	
24	3422686	1	Pin	
25	3422687	1	Pin	
26	3422688	1	Pin	
27	3422689	1	Pin	
28	3422729	1	Pin	
29	3841143	4	Keeper, Pin	
30	3841287	5	Keeper, Pin	
31	3841356	1	Keeper, Pin	
32	3900239	1	Set Screw	
33	4845593	1	Upright	
34	1001213705	1	Cap	
35	1001251009	1	Lift Cylinder Assembly - Tower Boom (See Separate Breakdown in CYLINDER Section)	
36	1001251010	1	Lift Cylinder Assembly - Main Boom (See Separate Breakdown in CYLINDER Section)	
37	1001251030	1	Level Cylinder Assembly - Platform Slave (See Separate Breakdown in CYLINDER Section)	
38	1001251041	1	Level Cylinder Assembly - Upright (See Separate Breakdown in CYLINDER Section)	
39	1001251050	1	Master Cylinder Assembly (See Separate Breakdown in CYLINDER Section)	
40	1001247147	1	Jib Assembly (See Separate Breakdown in this Section)	

SECTION 4 - BOOM

FIGURE 4-2. MAIN BOOM ASSEMBLY



ART_0801136

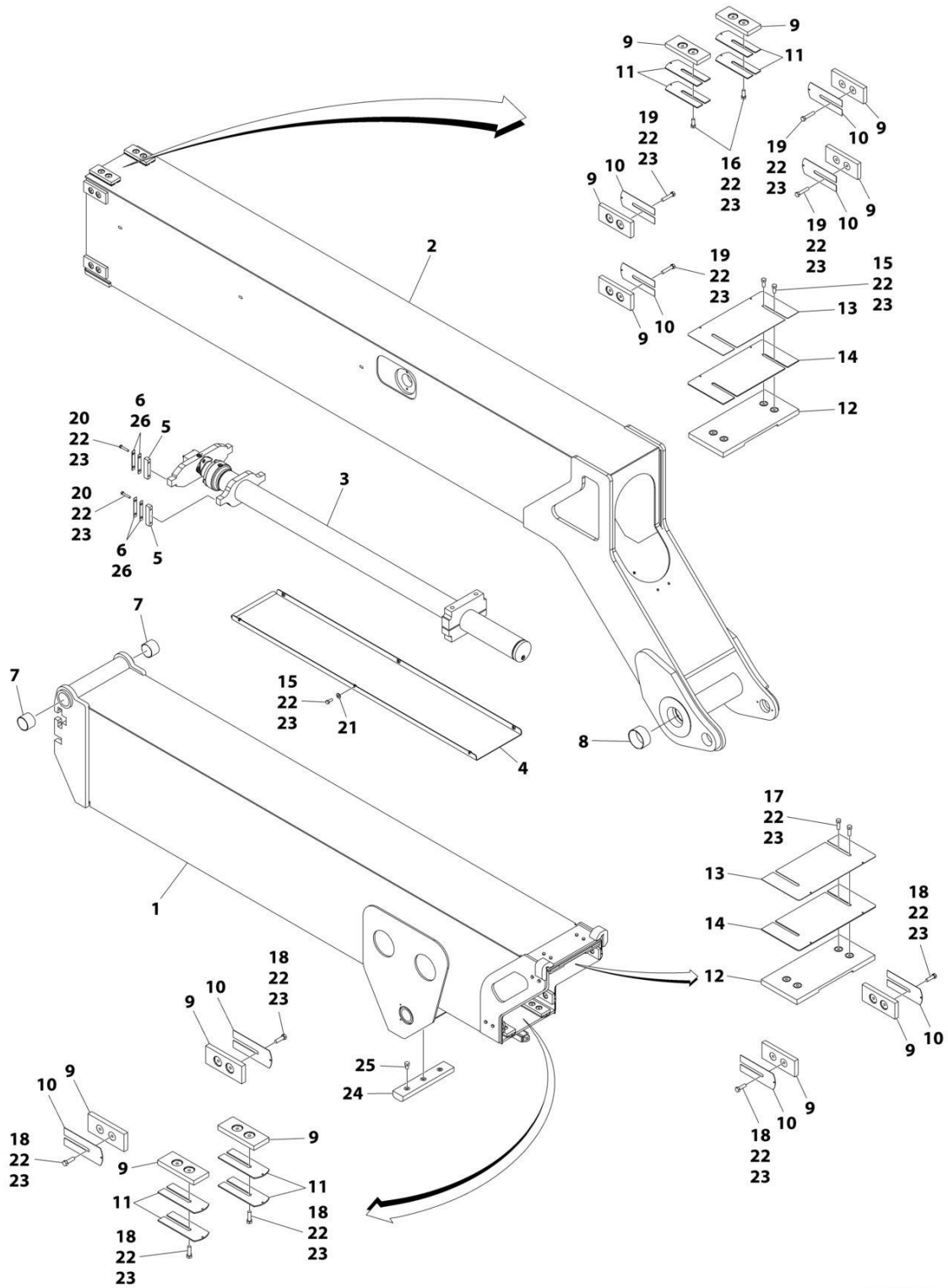
SECTION 4 - BOOM

FIGURE 4-2. MAIN BOOM ASSEMBLY

ITEM	PART NUMBER	QTY	DESCRIPTION	REV
	0801136	Ref	MAIN BOOM ASSEMBLY	N
1	0801591	1	Base, Boom	
2	0801573	1	Fly, Boom	
3	1001228087	1	Telescope Cylinder Assembly (See Separate Breakdown in CYLINDER SECTION)	
4	3422457	1	Pin	
5	3422690	1	Pin	
6	3841143	1	Keeper, Pin	
7	0561295	1	Block, Boom Rest	
8	0962102	2	Bushing	
9	3340871	4	Pad, Wear	
10	4070863	4	Shim 1/8	
11	4070864	4	Shim .05	
12	1001148652	12	Pad, Wear	
13	4070897	10	Shim .05	
14	4070898	12	Shim 1/8	
15	3760133	2	Ring, Retaining	
16	4711600	2	Washer 3/8	
17	0100011	AR	Compound, Locking	
18	0641606	16	Bolt 3/8 x 3/4	
19	0641607	10	Bolt 3/8 x 7/8	
20	0641608	5	Bolt 3/8 x 1	
21	0641609	6	Bolt 3/8 x 1-1/8	
22	3900259	4	Bolt, Shoulder	
23	0641612	2	Bolt 3/8 x 1-1/2	
25	0961951	2	Bushing	

SECTION 4 - BOOM

FIGURE 4-3. TOWER BOOM ASSEMBLY



ART_0801132_I

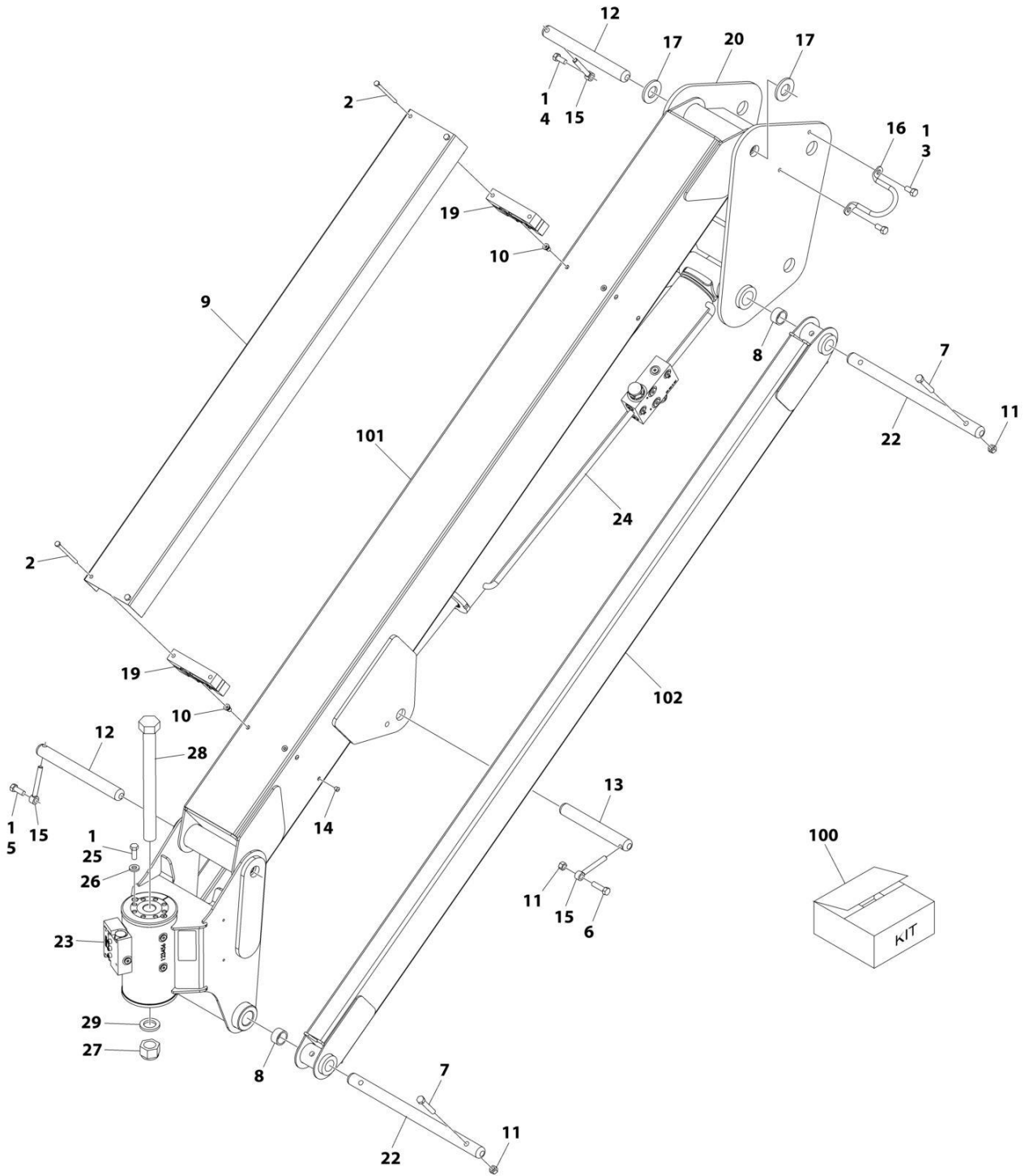
SECTION 4 - BOOM

FIGURE 4-3. TOWER BOOM ASSEMBLY

ITEM	PART NUMBER	QTY	DESCRIPTION	REV
	0801132	Ref	TOWER BOOM ASSEMBLY	I
1	0801594	1	Base, Boom	
2	0801496	1	Fly, Boom	
3	1001251086	1	Tower Telescope Cylinder Assembly (See Separate Breakdown in CYLINDER Section)	
4	4340706	1	Support	
5	0561185	4	Block, Attach	
6	4070929	4	Shim 1/16	
7	0962102	2	Bushing	
8	0962122	2	Bushing	
9	3340881	12	Pad, Wear	
10	4070897	8	Shim .05	
11	4070898	8	Shim .12	
12	3340828	2	Pad, Wear	
13	4070967	2	Shim .05	
14	4070968	2	Shim .12	
15	0641607	10	Bolt 3/8 x 7/8	
16	0641608	4	Bolt 3/8 x 1	
17	0641609	4	Bolt 3/8 x 1-1/8	
18	0641610	12	Bolt 3/8 x 1-1/4	
19	0641615	8	Bolt 3/8 x 1-7/8	
20	0641616	8	Bolt 3/8 x 2	
21	4711600	6	Washer 3/8	
22	0100011	AR	Compound, Locking	
23	0100038	AR	Primer, Locking	
24	3340835	1	Pad, Boom Rest	
25	0641806	3	Bolt 1/2 x 3/4	
26	4071007	4	Shim 20Ga	

SECTION 4 - BOOM

FIGURE 4-4. JIB ASSEMBLY



ART_1001247147_G

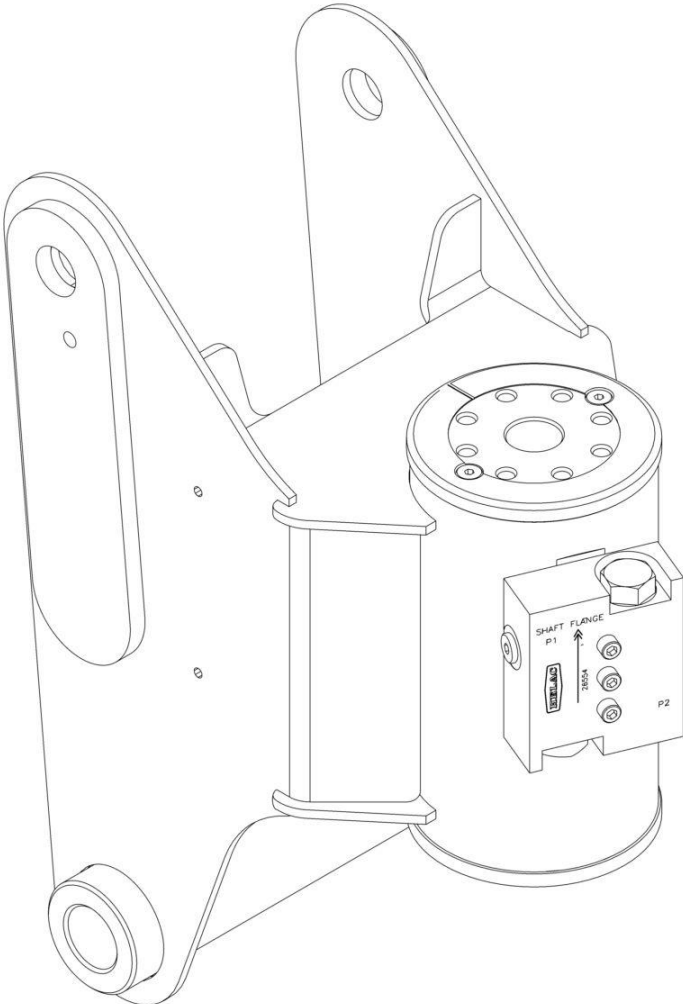
SECTION 4 - BOOM

FIGURE 4-4. JIB ASSEMBLY

ITEM	PART NUMBER	QTY	DESCRIPTION	REV
	1001247147	Ref	JIB ASSEMBLY	G
1	0100011	AR	Compound, Locking	
2	0700626	4	Bolt M6 x 90	
3	0641606	2	Bolt 3/8 x 3/4	
4	0641607	1	Bolt 3/8 x 7/8	
5	0641608	1	Bolt 3/8 x 1	
6	0641611	1	Bolt 3/8 x 1-3/8	
7	0641618	4	Bolt 3/8 x 2-1/4	
8	0961947	6	Bearing	
9	1671034	1	Cover	
10	1001260680	4	Fastner M6	
11	3311605	5	Nut 3/8	
12	3422860	2	Pin	
13	3422867	1	Pin	
14	3520034	8	Plug	
15	3841143	3	Keeper, Pin	
16	3841340	1	Loop, Hose	
17	4740439	2	Washer	
19	1001165350	2	Block, Clamp	
20	1001170548	1	Pivot	
22	3422861	2	Pin	
23	1001307723	1	Rotator Assembly (See Separate Breakdown in this Section)	
24	1001251012	1	Lift Cylinder Assembly - Jib (See Separate Breakdown in CYLINDER Section)	
25	0681608	8	Bolt 3/8 x 1	
26	4891600	8	Washer 3/8	
27	1001174040	1	Nut	
28	1001255133	1	Bolt 1 x 11	
29	4892600001	1	Washer	
100	1001295242	1	Tube Kit	
101	4844816	1	Tube, Top	
102	4844817	2	Tube, Bottom	

SECTION 4 - BOOM

FIGURE 4-5. ROTATOR ASSEMBLY



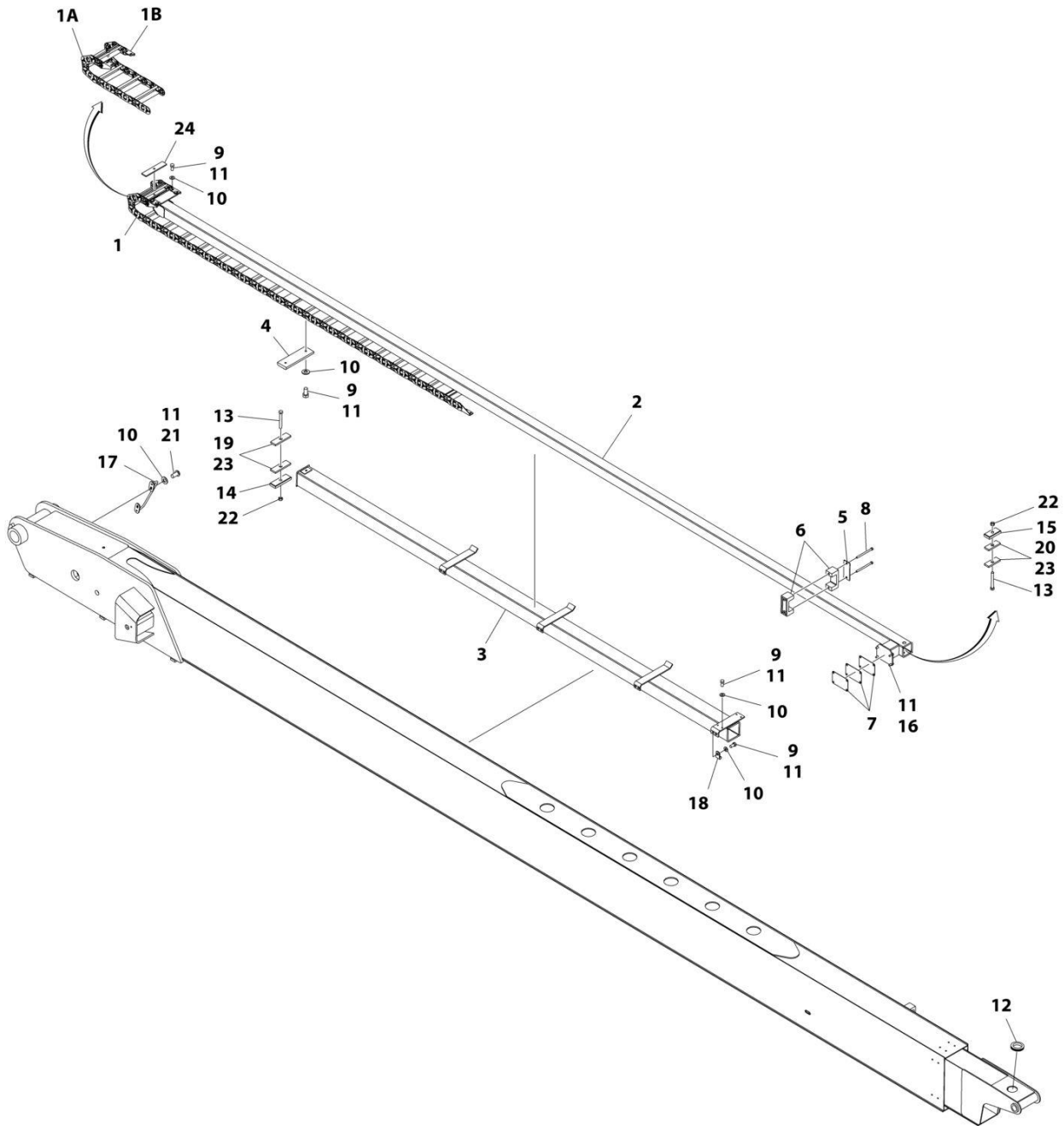
ART_1001307723

FIGURE 4-5. ROTATOR ASSEMBLY

ITEM	PART NUMBER	QTY	DESCRIPTION	REV
	1001307723 See Note	Ref NSS	PLATFORM ROTATOR ASSEMBLY Note: No Service Parts Available at Time of Printing	A

SECTION 4 - BOOM

FIGURE 4-6. POWER TRACK INSTALLATION - MAIN BOOM



ART_0258077

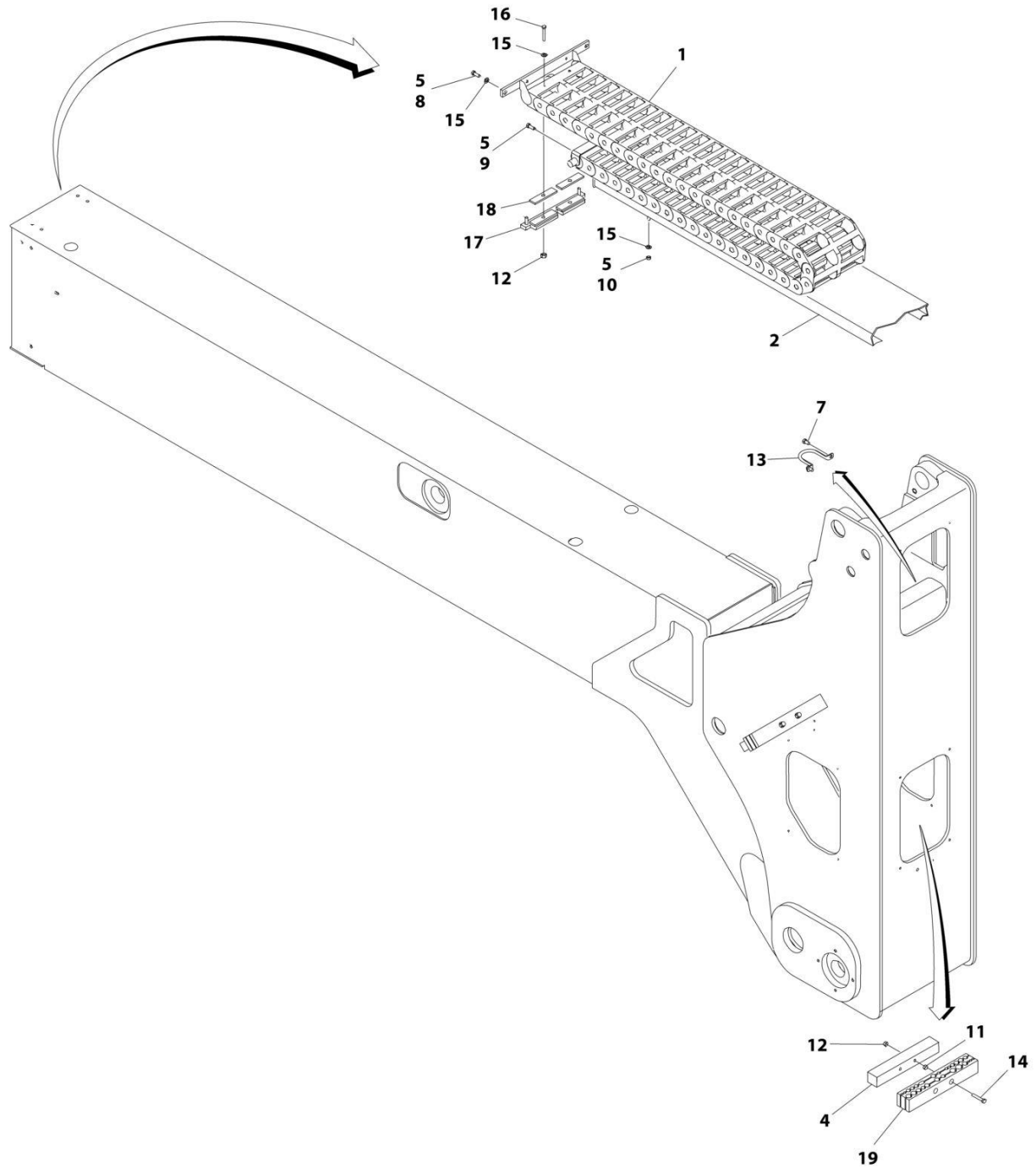
SECTION 4 - BOOM

FIGURE 4-6. POWER TRACK INSTALLATION - MAIN BOOM

ITEM	PART NUMBER	QTY	DESCRIPTION	REV
	0258077	Ref	POWER TRACK INSTALLATION	M
1	1001099837	1	Track, Power	
1A	70002013	AR	Carrier Repair Section (Includes 1 Pin Assembly for each end)	
1B	70002014	1	Mounting Foot Kit (Includes Both Pair of Feet)	
2	1001170527	1	Tube, Push	
3	4845730	1	Support	
4	3340840	1	Pad	
5	1001136400	1	Plate, Backing	
5	3538758	1	Plate, Backing	
6	3340764	2	Pad	
7	4070969	3	Shim 16 Gauge	
8	0641640	2	Bolt 3/8 x 5	
9	0641606	18	Bolt 3/8 x 3/4	
10	4711600	20	Washer 3/8	
11	0100011	AR	Compound, Locking	
12	4060805	8 in/ 20cm	Flex-Trim	
13	0641624	2	Bolt 3/8 x 3	
14	1320289	1	Clamp	
15	1320288	1	Clamp	
16	0641607	4	Bolt 3/8 x 7/8	
17	3841406	1	Loop, Hose	
18	91203039	1	Pad	
19	3340943	2	Pad, Rubber	
20	3340941	2	Pad	
21	3900283	2	Screw 3/8 x 3/4	
22	3311605	2	Nut 3/8	
23	0100081	AR	Adhesive	
24	4071052	2	Shim 1/4	

SECTION 4 - BOOM

FIGURE 4-7. POWER TRACK INSTALLATION - TOWER BOOM



ART_1001261274

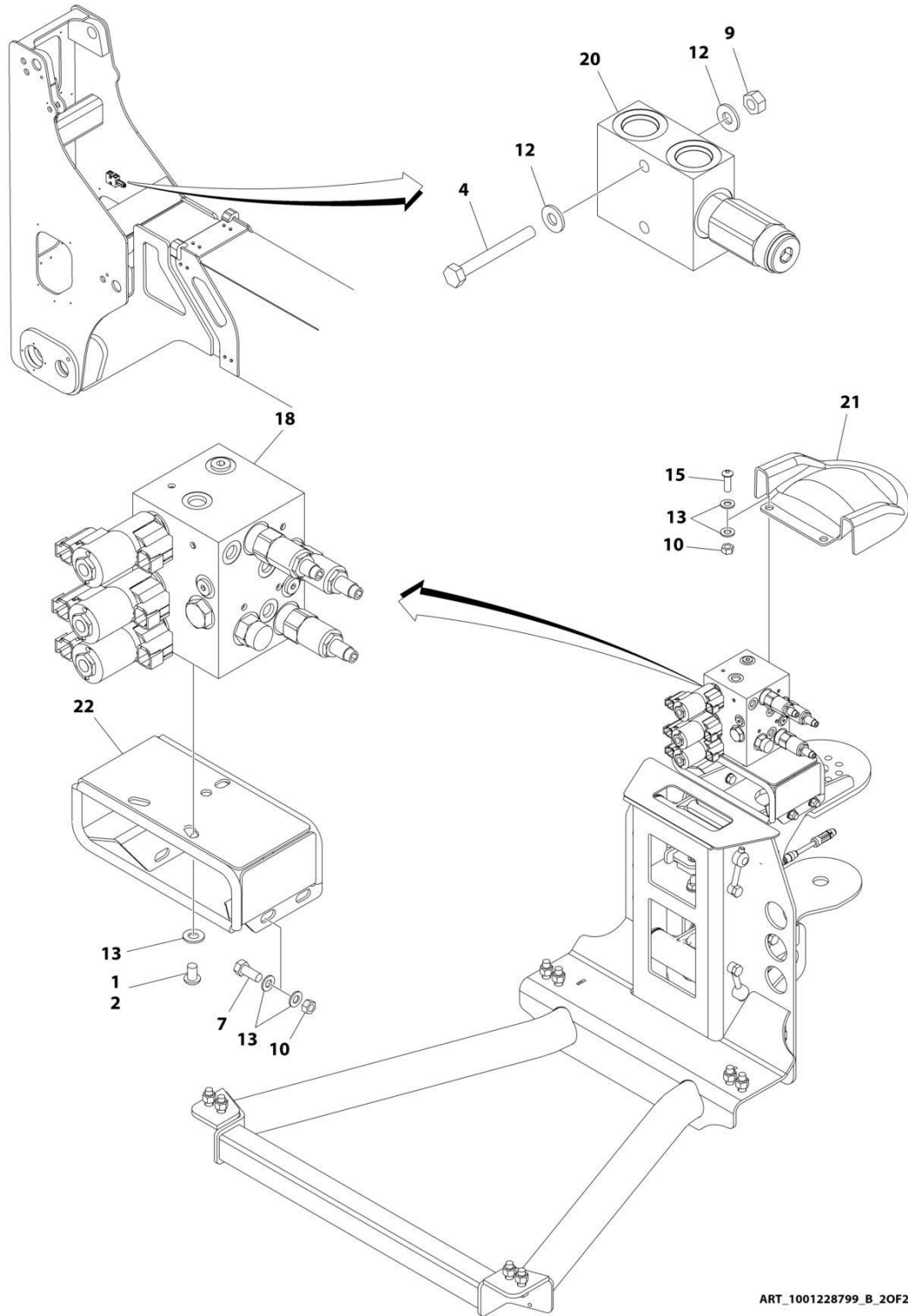
SECTION 4 - BOOM

FIGURE 4-7. POWER TRACK INSTALLATION - TOWER BOOM

ITEM	PART NUMBER	QTY	DESCRIPTION	REV
	1001261274	Ref	POWER TRACK INSTALLATION	B
1	1180346	1	Track, Power	
1	7020064	1	Bracket, End (Moving)	
1	7020065	1	Bracket, End (Fixed)	
1	7020066	1	Section, Repair	
1	7020067	1	Link, Repair	
2	4845680	1	Tube, Hose	
4	1320250	2	Bar	
5	0100011	AR	Compound, Locking	
7	0641605	2	Bolt 3/8 x 5/8	
8	0641606	2	Bolt 3/8 x 3/4	
9	0641622	2	Bolt 3/8 x 2-3/4	
10	3311601	4	Nut 3/8	
11	3311602	4	Nut 3/8	
12	3311605	6	Nut 3/8	
13	3841340	1	Rod, Hose Loop	
14	3900262	4	Bolt 3/8 x 4-3/4	
15	4711600	8	Washer 3/8	
16	0641624	2	Bolt 3/8 x 3	
17	0259420	1	Clamp	
18	3340859	2	Pad	
19	1001261272	2	Clamp, Block	

SECTION 4 - BOOM

FIGURE 4-8. BOOM VALVES INSTALLATION



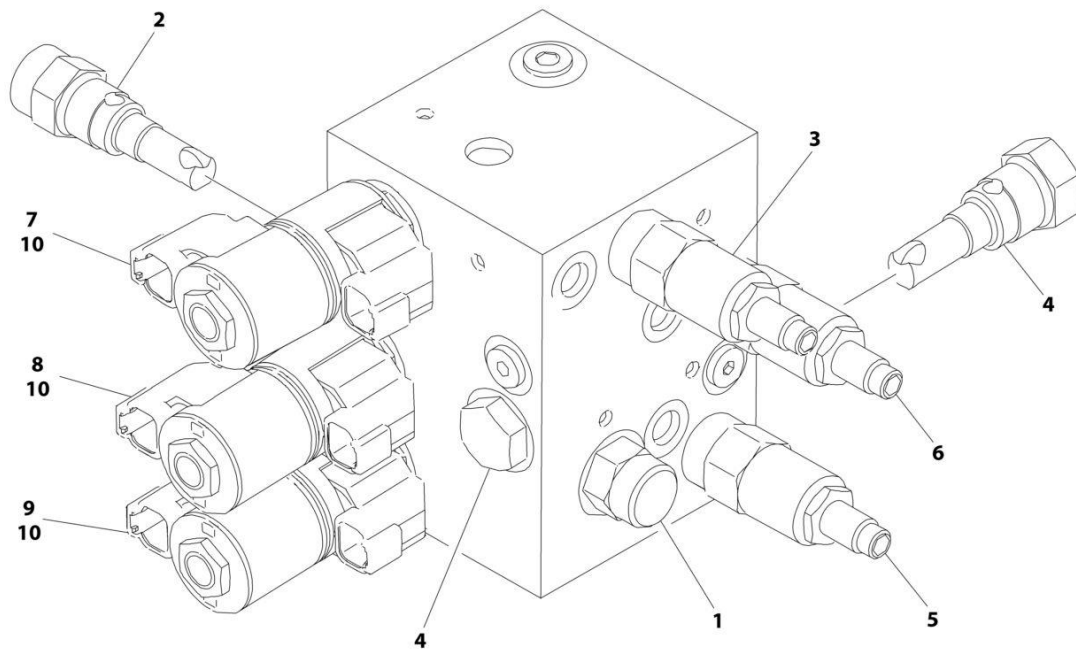
ART_1001228799_B_20F2

FIGURE 4-8. BOOM VALVES INSTALLATION

ITEM	PART NUMBER	QTY	DESCRIPTION	REV
	1001228799	Ref	BOOM VALVES INSTALLATION	B
1	0100011	AR	Compound, Locking	
2	0630467	3	Screw 5/16 x 1/2	
4	0641418	2	Bolt 1/4 x 2-1/4	
7	0641607	4	Bolt 3/8 x 7/8	
9	3311405	2	Nut 1/4	
10	3311505	6	Nut 5/16	
12	4711400	8	Washer 1/4	
13	4711500	15	Washer 5/16	
15	88261024	2	Capscrew 5/16 x 1	
18	1001152565	1	Boom Valve Assembly (See Separate Breakdown in this Section)	
20	1001200054	1	Valve Assembly (Relief)	
20	7012970	1	Cartridge, Valve	
20	7012953	1	Seal Kit - 7012970 Valve	
21	1001207969	1	Cover	
22	1001208994	1	Mount	

SECTION 4 - BOOM

FIGURE 4-9. BOOM VALVE ASSEMBLY



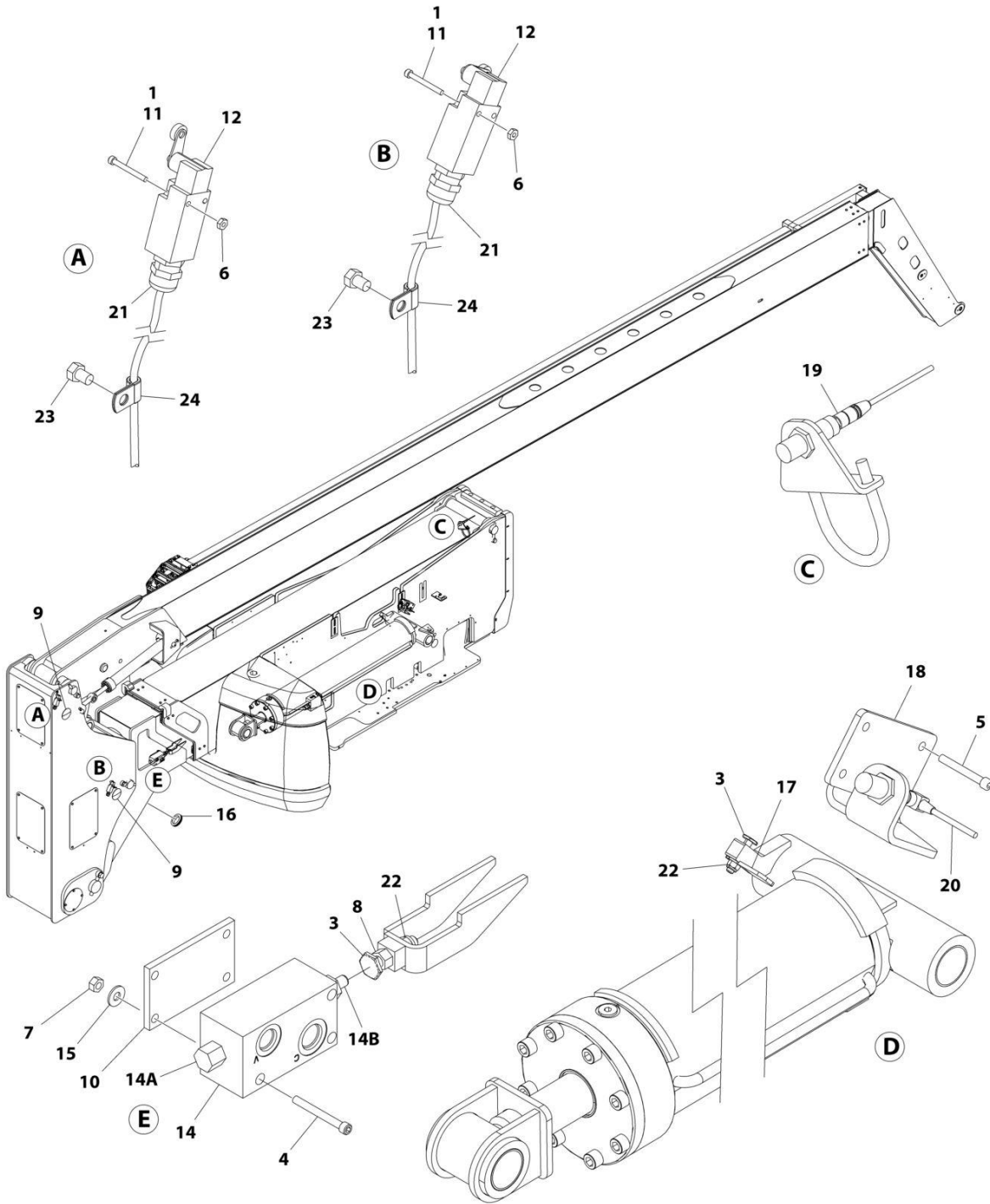
ART_1001152565

FIGURE 4-9. BOOM VALVE ASSEMBLY

ITEM	PART NUMBER	QTY	DESCRIPTION	REV
	1001152565	Ref	BOOM VALVE ASSEMBLY	C
1	7012989	1	Valve, Flow	
1	7012953	1	Seal Kit - 7012989 Valve	
2	7012965	1	Valve, Flow	
2	7012953	1	Seal Kit - 7012965 Valve	
3	70003790	1	Valve, Relief	
3	7021653	1	Seal Kit - 70003790 Valve	
4	7012914	2	Valve, Cartridge	
4	7012918	2	Seal Kit - 7012914 Valve	
5	7023911	1	Valve, Relief	
5	7012967	1	Seal Kit - 7023911 Valve	
6	7023912	1	Valve, Relief	
6	7012967	1	Seal Kit - 7023912 Valve	
7	7017452	1	Valve, Solenoid (Jib)	
7	7017402	2	Seal Kit - 7017452 Valve	
8	7017452	1	Valve, Solenoid (Platform Level)	
8	7017402	1	Seal Kit - 7017452 Valve	
9	7017452	1	Valve, Solenoid (Rotator)	
9	7017402	2	Seal Kit - 7017452 Valve	
10	70002386	6	Coil	
11	70002064	2	Plug, Orifice (Not Shown)	
12	7017406	2	Plug (Not Shown)	

SECTION 4 - BOOM

FIGURE 4-10. BOOM VALVE AND LIMIT SWITCHES INSTALLATION (WITHOUT TOWER STOW)



ART_0258217

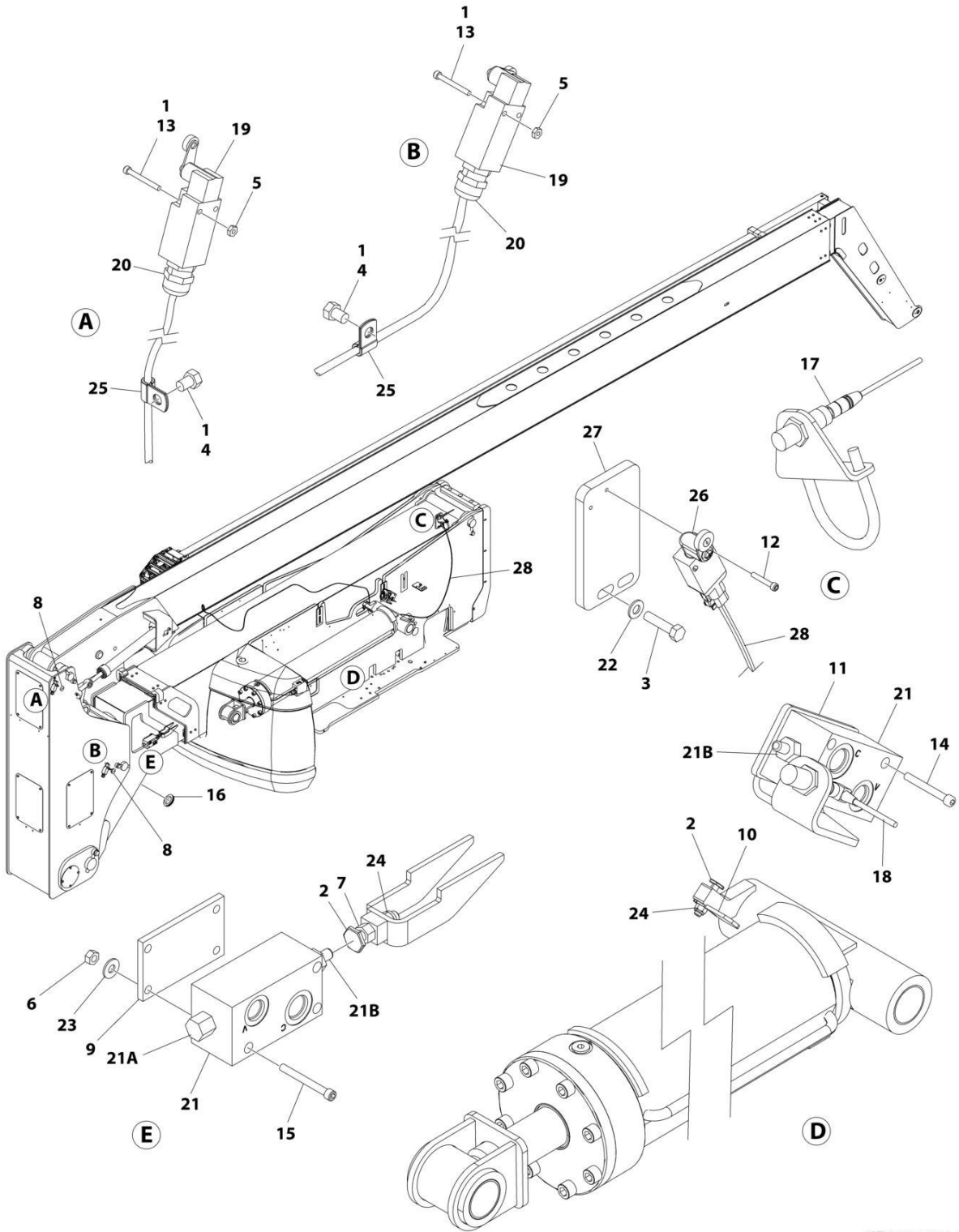
SECTION 4 - BOOM

FIGURE 4-10. BOOM VALVE AND LIMIT SWITCHES INSTALLATION (WITHOUT TOWER STOW)

ITEM	PART NUMBER	QTY	DESCRIPTION	REV
	0258217	Ref	BOOM VALVE AND LIMIT SWITCHES INSTALLATION	S
1	0100011	AR	Compound, Locking	
3	0630427	2	Bolt	
4	3931436	3	Capscrew 1/4 x 2-1/4	
5	3931464	3	Capscrew 1/4 x 4	
5	3931432	3	Capscrew 1/4 x 2	
6	3310801	4	Nut #8	
7	3311405	AR	Nut 1/4	
8	3311801	1	Nut 1/2	
9	3520035	2	Plug	
10	3570928	2	Plate, Spacer	
11	3930824	2	Capscrew #8 x 1-1/2	
12	4360578	2	Switch, Limit	
14	4641435	2	Valve, Switch	
14A	7011342	2	Valve, Check (1 Per Assembly)	
14A	7011333	2	Seal Kit - Check Valve (1 Per Assembly)	
14B	See Note	NSS	Valve, Plunger (1 Per Assembly) (Note: Not Available - Purchase Complete Valve Assembly)	
14B	See Note	NSS	Seal Kit (1 Per Assembly) (Note: Not Available for Purchase)	
15	4751400	AR	Washer 1/4	
16	4060805	7 in/25cm	Trim	
17	3572606	1	Plate, Switch Target	
18	3572607	1	Plate, Switch Mount	
19	4360498	1	Switch, Proximity	
20	4360499	1	Switch, Proximity	
21	4460968	2	Connector, Strain Relief	
22	88521008	2	Nut 1/2	
23	0641604	2	Bolt 3/8 x 1/2	
24	91203039	2	Clamp	

SECTION 4 - BOOM

FIGURE 4-11. BOOM VALVE AND LIMIT SWITCHES INSTALLATION (WITH TOWER STOW)



ART_1001266164_B

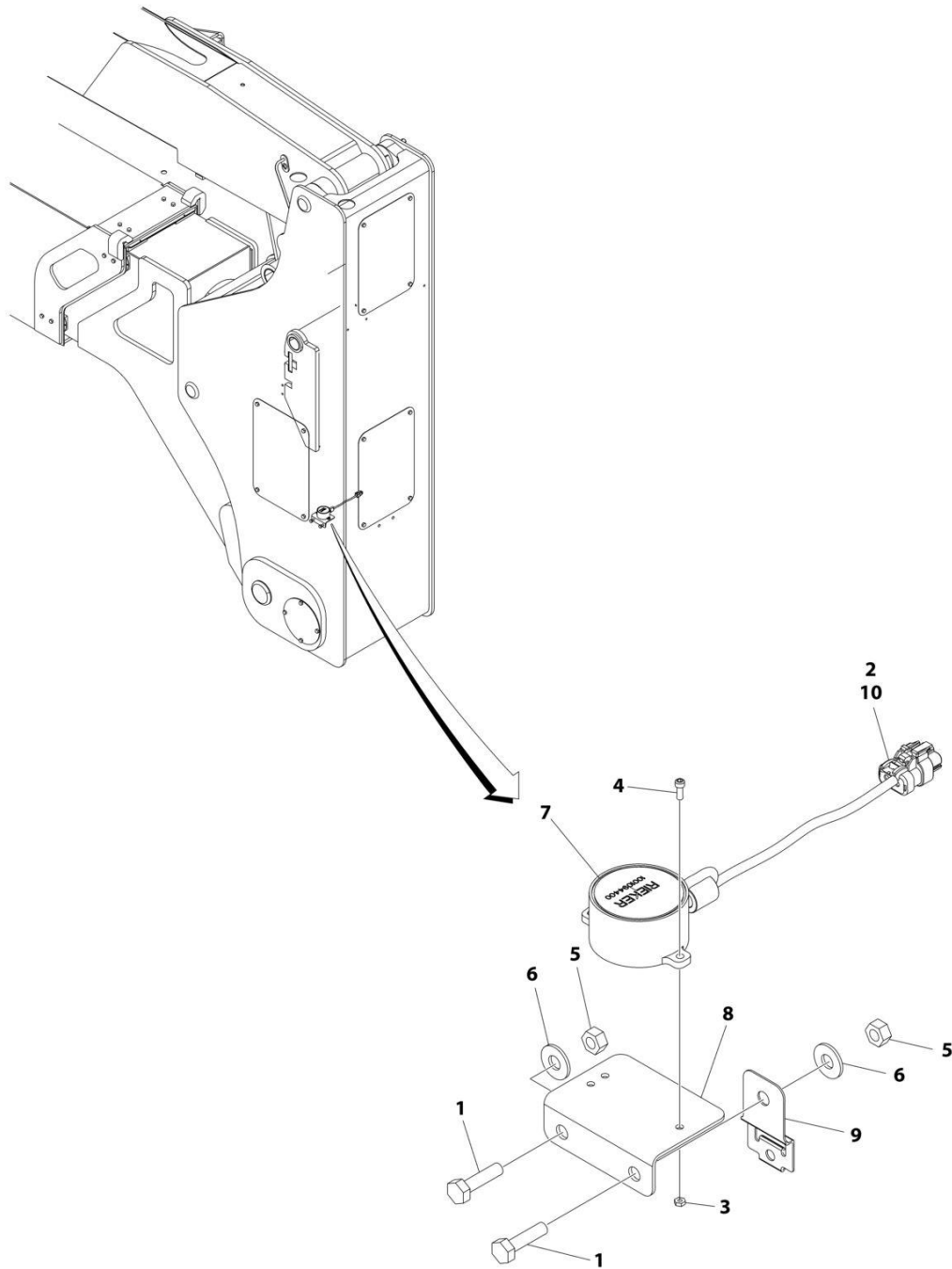
SECTION 4 - BOOM

FIGURE 4-11. BOOM VALVE AND LIMIT SWITCHES INSTALLATION (WITH TOWER STOW)

ITEM	PART NUMBER	QTY	DESCRIPTION	REV
	1001266164	Ref	BOOM VALVE AND LIMIT SWITCHES INSTALLATION	B
1	0100011	AR	Compound, Locking	
2	0630427	2	Bolt	
3	0641511	2	Bolt 5/16 x 1-3/8	
4	0641604	2	Bolt 3/8 x 1/2	
5	3310801	4	Nut #8	
6	3311405	3	Nut 1/4	
7	3311801	1	Nut 1/2	
8	3520035	2	Plug	
9	3570928	1	Plate, Spacer	
10	3572606	1	Plate, Switch Target	
11	3572607	1	Plate, Switch Mount	
12	3930816	2	Bolt #8 x 1	
13	3930824	4	Capscrew #8 x 1-1/2	
14	3931432	3	Capscrew 1/4 x 2	
15	3931436	3	Capscrew 1/4 x 2-1/4	
16	4060805	6 in /2 m	Trim	
17	4360498	1	Switch, Proximity	
18	4360499	2	Switch, Proximity	
19	4360578	2	Switch, Limit	
20	4460968	2	Connector, Strain Relief	
21	4641435	2	Valve, Switch	
21A	7011342	2	Valve, Check (1 Per Assembly)	
21A	7011333	2	Seal Kit - Check Valve (1 Per Assembly)	
21B	See Note	NSS	Valve, Plunger (1 Per Assembly) (Note: Not Available - Purchase Complete Valve Assembly)	
21B	See Note	NSS	Seal Kit (1 Per Assembly) (Note: Not Available for Purchase)	
22	4711500	2	Washer 5/16	
23	4751400	3	Washer 1/4	
24	88521008	2	Nut 1/2	
25	91203039	2	Clamp	
26	1001284504	1	Switch, Roller Limit	
27	1001260475	1	Bracket, Limit Switch	
28	1001266829	1	Harness Tower Stow	
28	4460884	1	Plug, Male - 4 Position	
28	4460465	2	Socket, Female	
28	4460910	1	Connector	
28	1001116695	2	Terminal	

SECTION 4 - BOOM

FIGURE 4-12. TILT SENSOR INSTALLATION



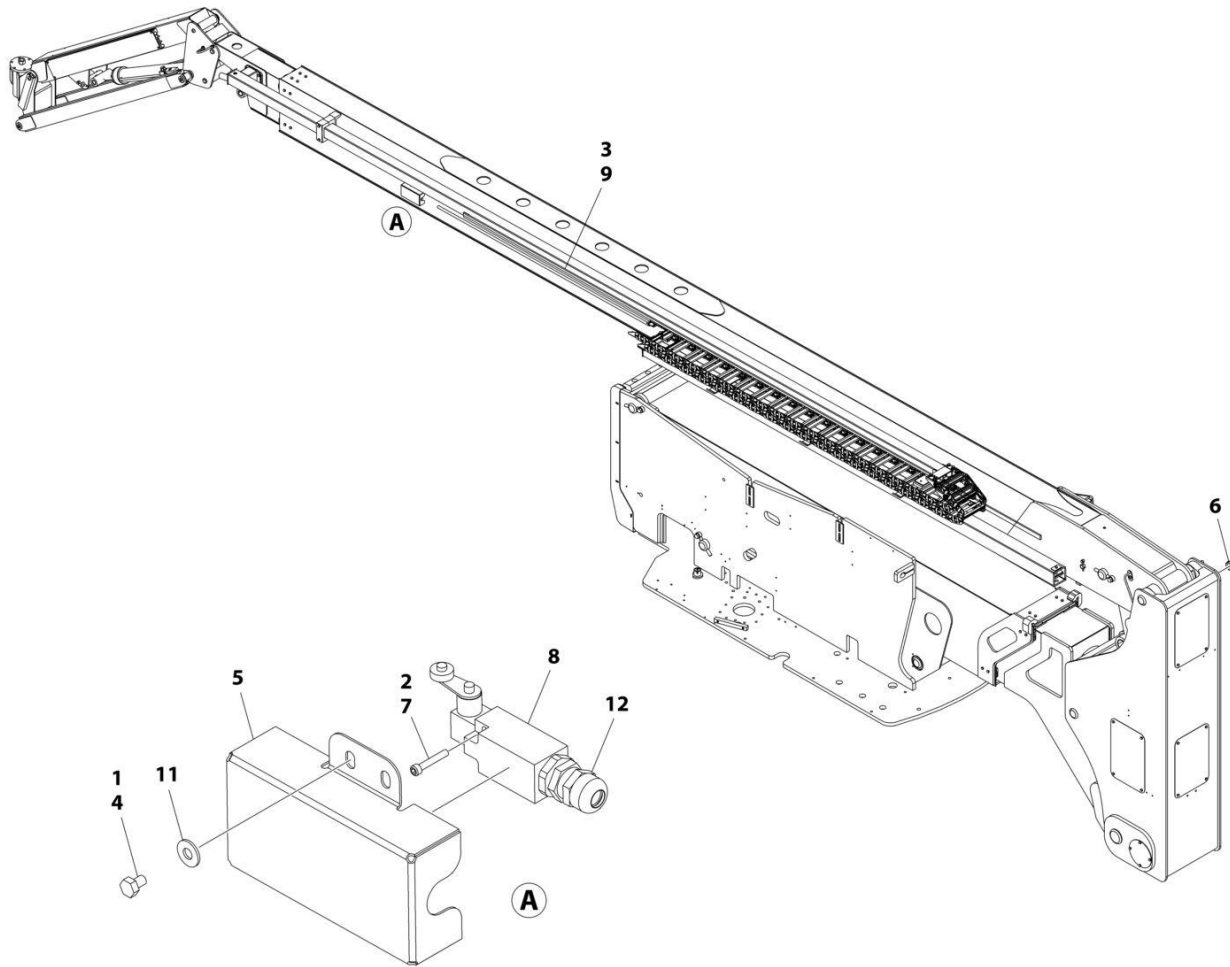
ART_0275733

FIGURE 4-12. TILT SENSOR INSTALLATION

ITEM	PART NUMBER	QTY	DESCRIPTION	REV
	0275733	Ref	TILT SENSOR INSTALLATION	B
1	0641408	2	Bolt 1/4 x 1	
2	0100048	AR	Grease, Dielectric	
3	3310605	3	Nut #6	
4	3930606	3	Screw #6 x 3/4	
5	3311405	2	Nut 1/4	
6	4751400	2	Washer 1/4	
7	1001094400	1	Sensor, Dual Axis	
8	1001096736	1	Bracket, Tilt Sensor	
9	1001153749	1	Clip	
10	1001200497	1	Connector - 3 Position	

SECTION 4 - BOOM

FIGURE 4-13. TRANSPORT POSITION SWITCH INSTALLATION (CE & UK CA SPECS)



ART_0258567

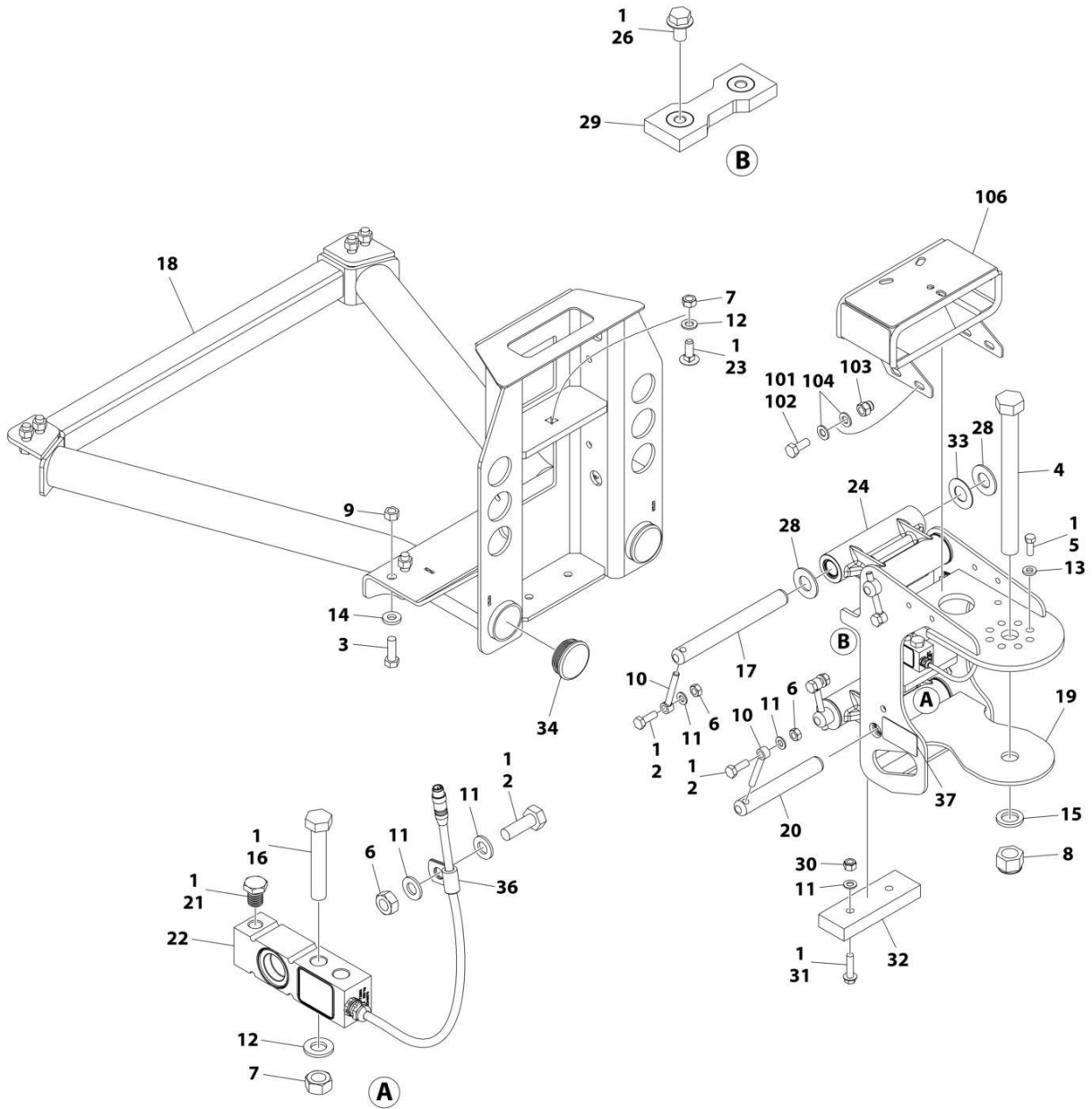
SECTION 4 - BOOM

FIGURE 4-13. TRANSPORT POSITION SWITCH INSTALLATION (CE & UK CA SPECS)

ITEM	PART NUMBER	QTY	DESCRIPTION	REV
	0258567	Ref	TRANSPORT POSITION SWITCH INSTALLATION	F
1	0100011	AR	Compound, Locking	
2	0100035	AR	Compound, Locking	
3	1001106481	1	Bar, Fiberglass	
4	0641403	4	Bolt 1/4 x 3/8	
5	3380535	1	Cover, Switch	
6	3520035	1	Plug, Cap	
7	3930816	2	Capscrew #8 x 1	
8	4360578	1	Switch, Limit	
9	4420060	AR	Tape	
11	4751400	4	Washer 1/4	
12	4460968	1	Connector, Strain Relief	

SECTION 4 - BOOM

FIGURE 4-14. PLATFORM SUPPORT INSTALLATION



ART_1001167596

SECTION 4 - BOOM

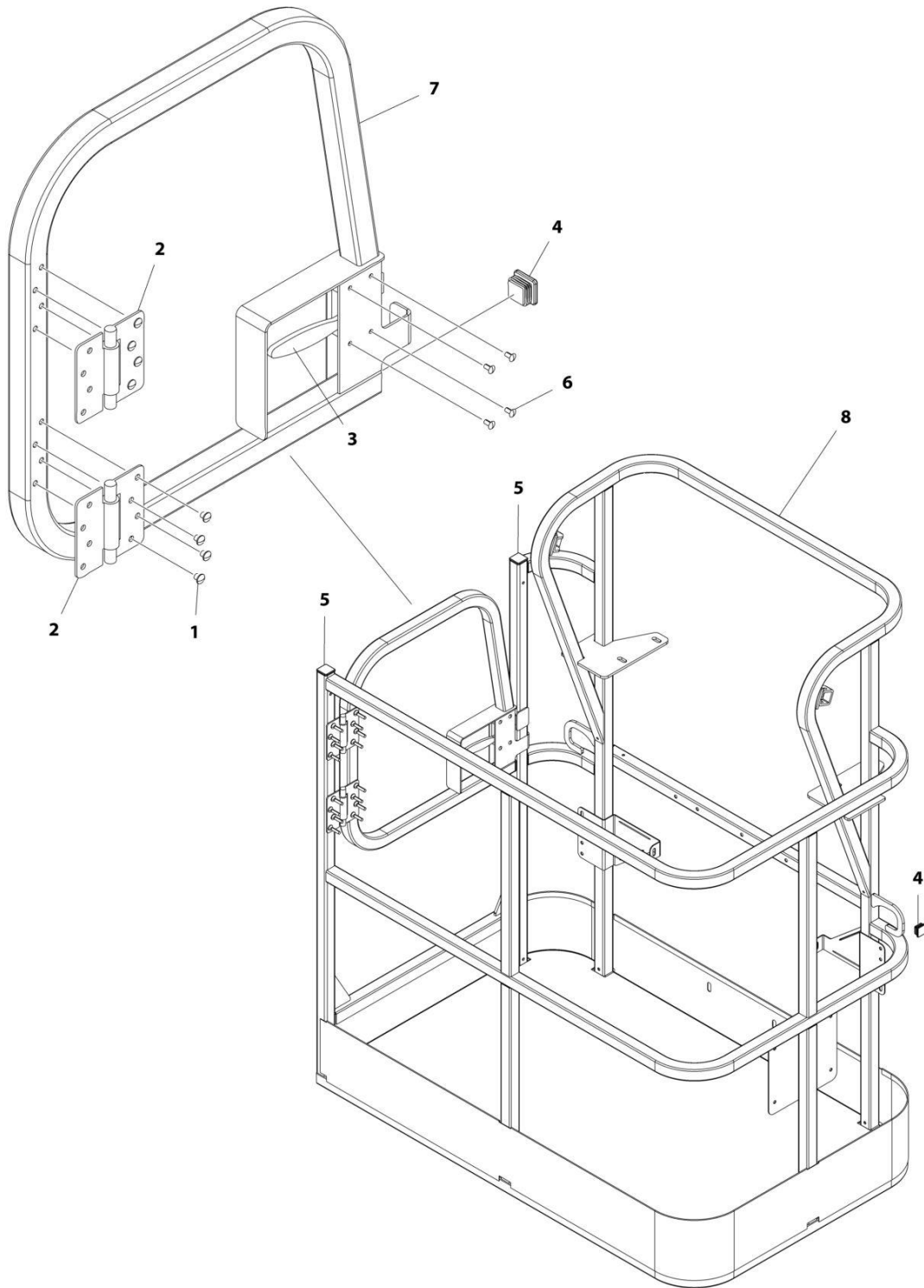
FIGURE 4-14. PLATFORM SUPPORT INSTALLATION

ITEM	PART NUMBER	QTY	DESCRIPTION	REV
	1001167596	Ref	PLATFORM SUPPORT INSTALLATION	N
1	0100011	AR	Compound, Locking	
2	0761014	5	Bolt M10 x 30	
3	0761216	8	Bolt M12 x 40	
4	1001255133	1	Bolt 1 x 11	
5	0681608	8	Bolt 3/8 x 1 GRD8	
6	3291001	5	Nut M10	
7	3291201	3	Nut M12	
8	1001174040	1	Nut 1	
9	3291205	8	Nut M12	
10	3841143	4	Keeper, Pin	
11	4812000	8	Washer M10	
12	4812100	3	Washer M12	
13	4891600	8	Washer 3/8	
14	5241200	8	Washer M12	
15	4892600001	1	Washer 1	
16	1001098828	2	Bolt M12 x 70 CL10.9	
17	1001167565	2	Pin	
18	1001200494	1	Support, Platform	
19	1001167567	1	Support, Rotator	
20	1001168402	2	Pin	
21	1001188622	1	Screw	
22	1001247468	1	Gauge, Load Sensing	
23	1001188844	1	Bolt M12 x 35	
24	1001201351	2	Link	
26	5251008	2	Bolt M10 x 16 CL10.9	
28	1001189002	8	Bearing	
29	1001190985	1	Pad, Wear	
30	3291005	2	Nut M10	
31	5251016	2	Bolt M10 x 40 CL10.9	
32	1001200491	1	Pad, Wear	
33	1001189001	4	Bearing	
34	1001204725	2	Plug	
36	91203039	1	Clamp	
37	1001216630	2	Decal - Tie Down/No Lift	
38	1001238421	Ref	Kit, Platform Leveling (Not Shown)	
	1001202687	Ref	VALVE MOUNT INSTALLATION	B
101	0100011	AR	Compound, Locking	
102	0760810	4	Bolt M8 x 20	
103	3290806	4	Nut M8	
104	4811900	8	Washer M8	
106	1001208994	1	Mount, Valve	

SECTION 5 - PLATFORM

SECTION 5 - PLATFORM

FIGURE 5-1. PLATFORM ASSEMBLY - 30IN X 4FT (76CM X 1.22M) WITH SWING GATE



ART_1001186387

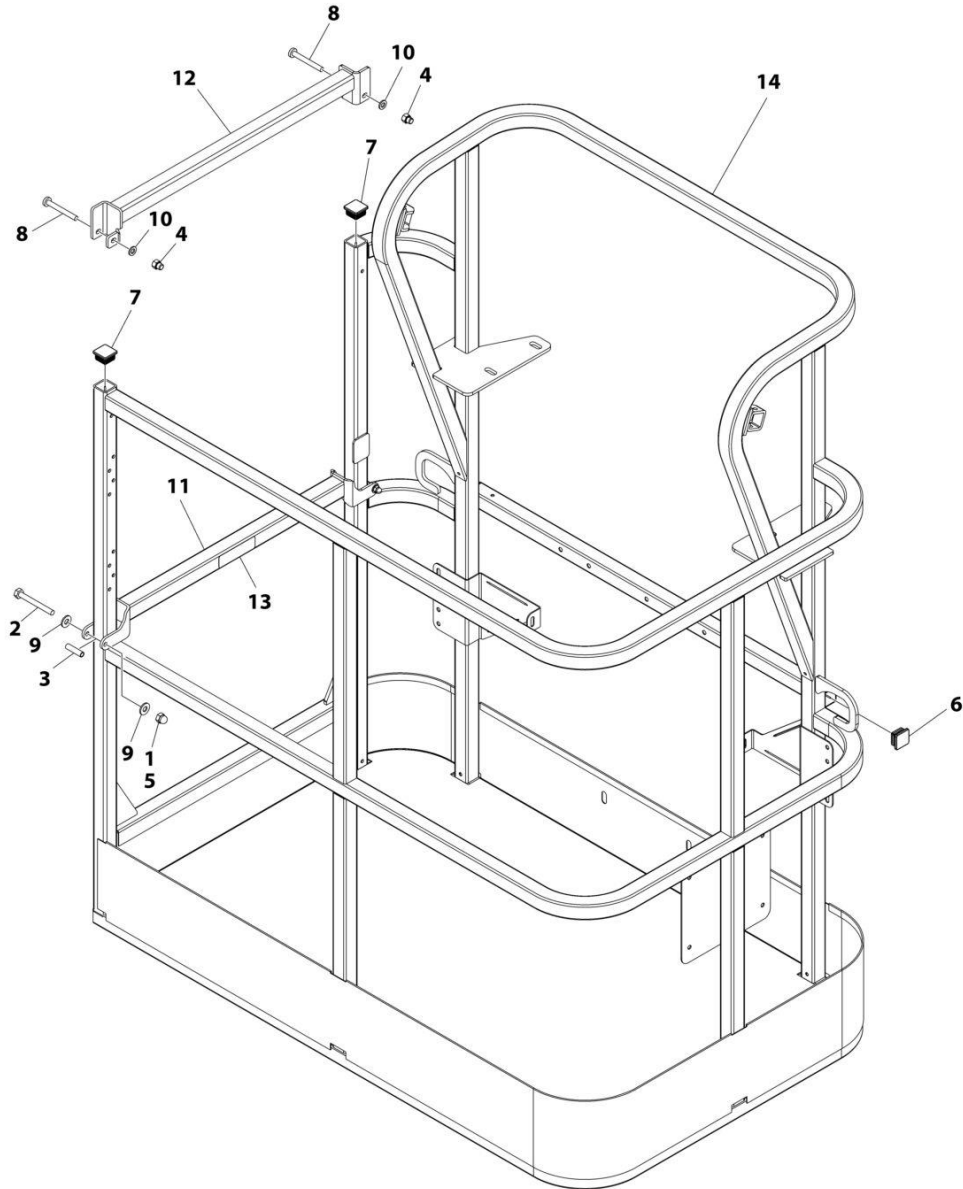
SECTION 5 - PLATFORM

FIGURE 5-1. PLATFORM ASSEMBLY - 30IN X 4FT (76CM X 1.22M) WITH SWING GATE

ITEM	PART NUMBER	QTY	DESCRIPTION	REV
	1001186387	Ref	PLATFORM ASSEMBLY	C
		Ref	Note: Platform and Mesh must be ordered separately for Platforms with Mesh. See SPECIAL OPTIONS SECTION for Mesh Installations.	
		Ref	Note: Replacement Decals Must be Ordered Separately - See DECALS SECTION.	
1	2080040	16	Fastener, Huck	
2	2600281	2	Hinge, Self-Closing	
3	2940074	1	Latch	
4	3520072	3	Plug	
5	3520198	2	Plug	
6	3820020	4	Rivet	
7	1001144629	1	Gate	
8	See Note	1	Platform (Note: Not Available - Purchase Platform Assembly)	

SECTION 5 - PLATFORM

FIGURE 5-2. PLATFORM ASSEMBLY - 30IN X 4FT (76CM X 1.22M) WITH DROP BAR



ART_1001186375

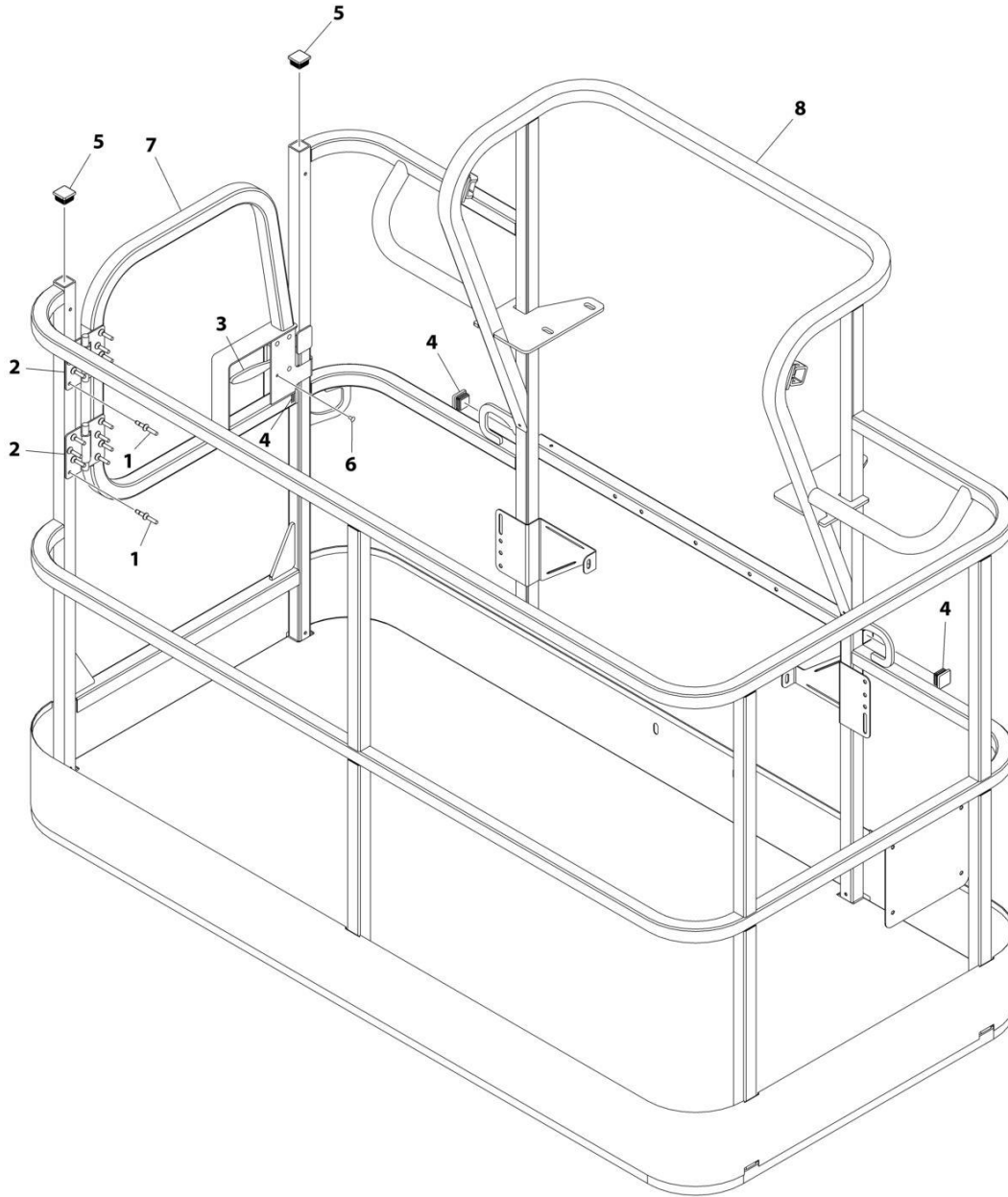
SECTION 5 - PLATFORM

FIGURE 5-2. PLATFORM ASSEMBLY - 30IN X 4FT (76CM X 1.22M) WITH DROP BAR

ITEM	PART NUMBER	QTY	DESCRIPTION	REV
	1001186375	Ref	PLATFORM ASSEMBLY	B
		Ref	Note: Platform and Mesh must be ordered separately for Platforms with Mesh. See SPECIAL OPTIONS SECTION for Mesh Installations.	
		Ref	Note: Replacement Decals Must be Ordered Separately - See DECALS SECTION.	
1	0100011	AR	Compound, Locking	
2	0641418	2	Bolt 1/4 x 2-1/4	
3	0961845	2	Bushing	
4	3290606	2	Nut M6	
5	3300151	2	Nut 1/4	
6	3520072	2	Plug	
7	3520198	2	Plug	
8	4010618	2	Screw M6 x 50	
9	4711400	4	Washer 1/4	
10	4811700	2	Washer M6	
11	1001138494	1	Bar, Drop	
12	1001138514	1	Rail - Top	
13	1001140429	1	Decal - Drop Bar	
14	See Note	1	Platform (Note: Not Available - Purchase Platform Assembly)	

SECTION 5 - PLATFORM

FIGURE 5-3. PLATFORM ASSEMBLY - 30IN X 6FT (76CM X 1.83M) WITH SWING GATE



ART_1001186385

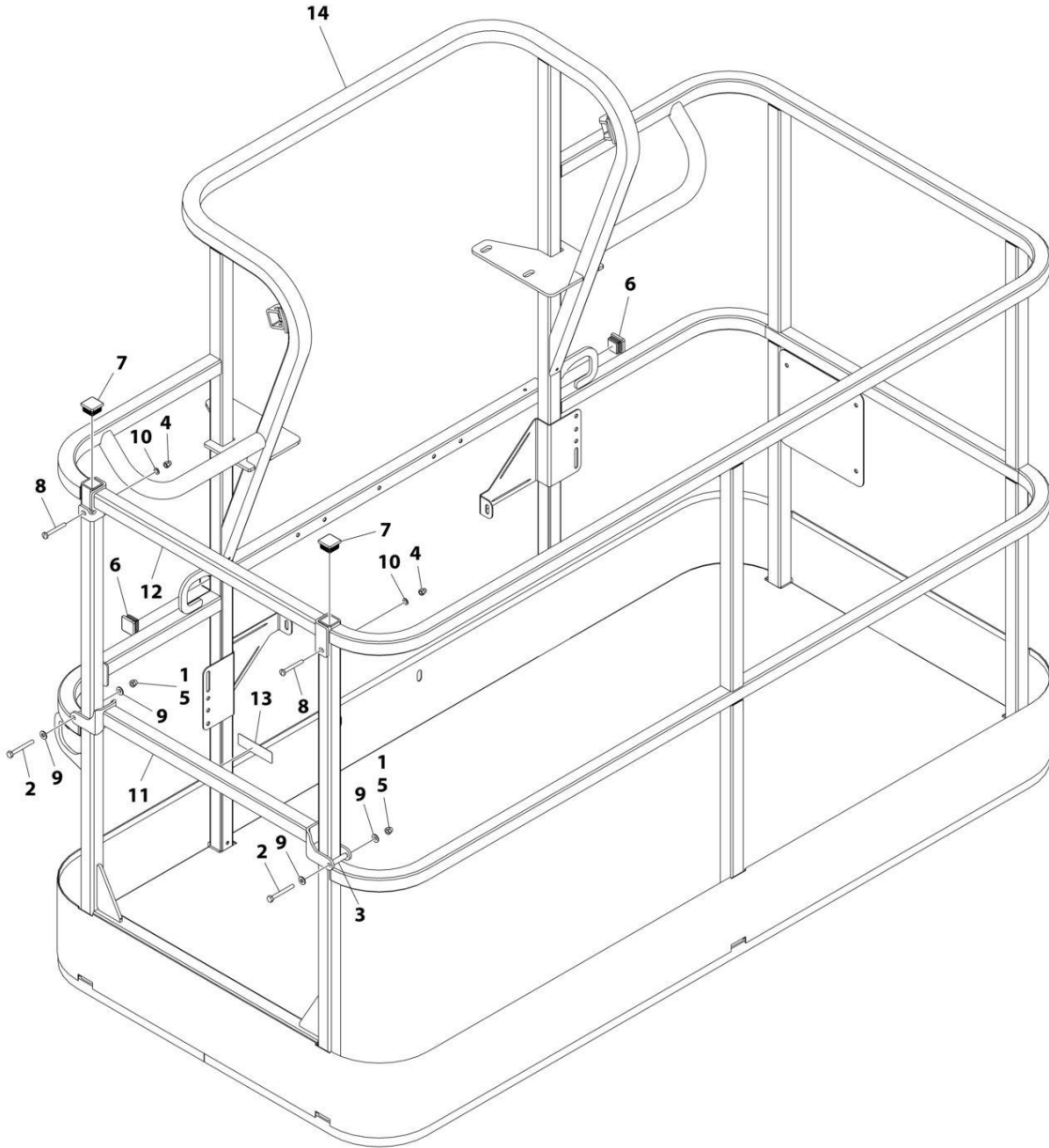
SECTION 5 - PLATFORM

FIGURE 5-3. PLATFORM ASSEMBLY - 30IN X 6FT (76CM X 1.83M) WITH SWING GATE

ITEM	PART NUMBER	QTY	DESCRIPTION	REV
	1001186385	Ref	PLATFORM ASSEMBLY	D
		Ref	Note: Platform and Mesh must be ordered separately for Platforms with Mesh. See SPECIAL OPTIONS SECTION for Mesh Installations.	
		Ref	Note: Replacement Decals Must be Ordered Separately - See DECALS SECTION.	
1	2080040	16	Fastener, Huck	
2	2600281	2	Hinge	
3	2940074	1	Latch	
4	3520072	3	Plug	
5	3520198	2	Plug	
6	3820020	4	Rivet	
7	1001144629	1	Gate	
8	See Note	NSS	Platform (Note: Not Available - Purchase Platform Assembly)	

SECTION 5 - PLATFORM

FIGURE 5-4. PLATFORM ASSEMBLY - 30IN X 6FT (76CM X 1.83M) WITH DROP BAR



ART_1001186378

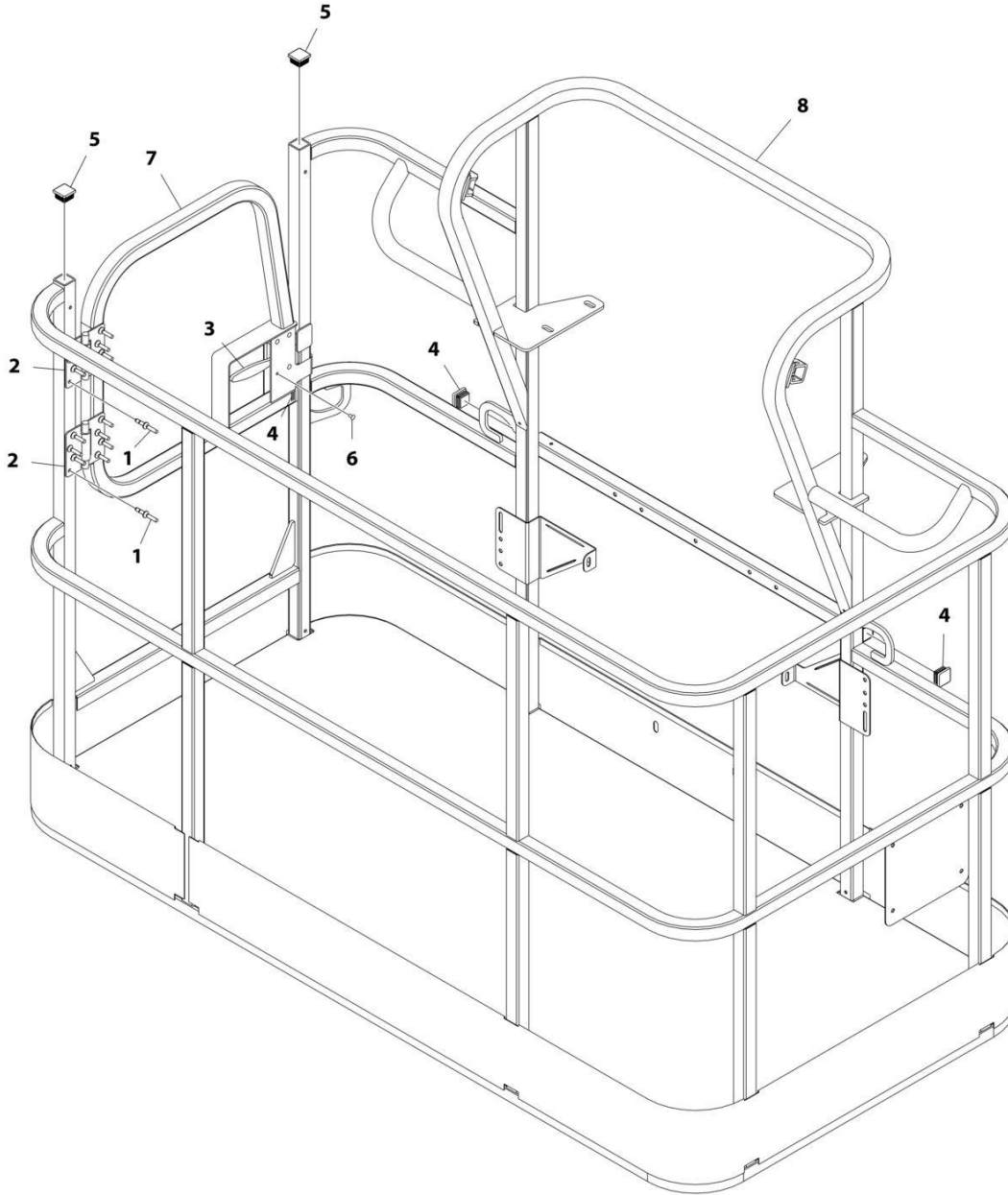
SECTION 5 - PLATFORM

FIGURE 5-4. PLATFORM ASSEMBLY - 30IN X 6FT (76CM X 1.83M) WITH DROP BAR

ITEM	PART NUMBER	QTY	DESCRIPTION	REV
	1001186378	Ref	PLATFORM ASSEMBLY	C
		Ref	Note: Platform and Mesh must be ordered separately for Platforms with Mesh. See SPECIAL OPTIONS SECTION for Mesh Installations.	
		Ref	Note: Replacement Decals Must be Ordered Separately - See DECALS SECTION.	
1	0100011	AR	Compound, Locking	
2	0641418	2	Bolt 1/4 x 2-1/4	
3	0961845	2	Bushing	
4	3290606	2	Nut M6	
5	3300151	2	Nut 1/4	
6	3520072	2	Plug	
7	3520198	2	Plug	
8	4010618	2	Screw M6 x 50	
9	4711400	4	Washer 1/4	
10	4811700	2	Washer M6	
11	1001138494	1	Bar, Drop	
12	1001138514	1	Rail (Top)	
13	1001140429	1	Decal - Drop Bar	
14	See Note	NSS	Platform (Note: Not Available - Purchase Platform Assembly)	

SECTION 5 - PLATFORM

FIGURE 5-5. PLATFORM ASSEMBLY - 36IN X 6FT (91.5CM X 1.83M) WITH SWING GATE



ART_1001186384

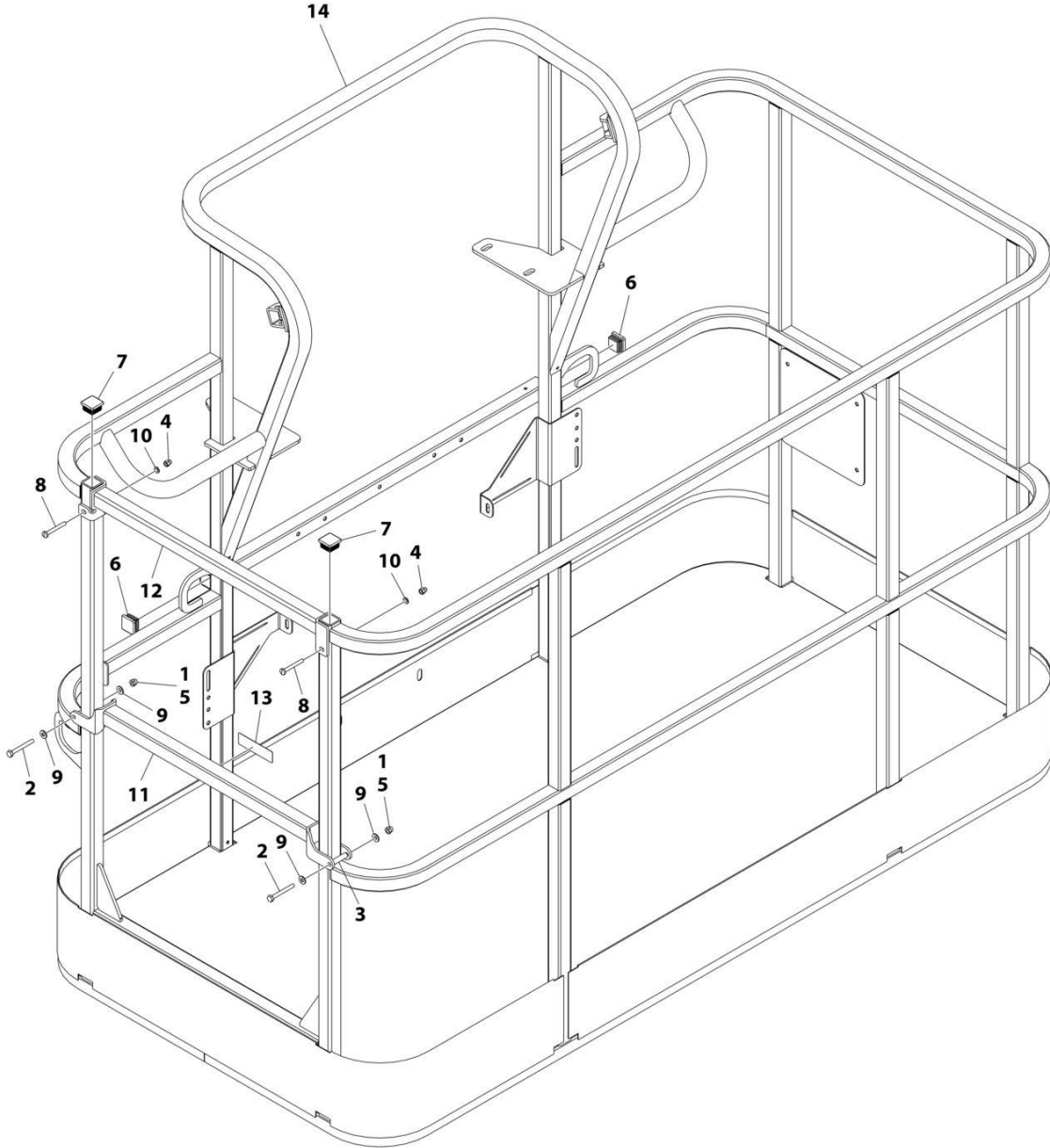
SECTION 5 - PLATFORM

FIGURE 5-5. PLATFORM ASSEMBLY - 36IN X 6FT (91.5CM X 1.83M) WITH SWING GATE

ITEM	PART NUMBER	QTY	DESCRIPTION	REV
	1001186384	Ref	PLATFORM ASSEMBLY - 36IN X 6FT (91.5CM X 1.83M) WITH SWING GATE	C
	See Note	Ref	Note: Platform and Mesh must be ordered separately for Platforms with Mesh. See SPECIAL OPTIONS SECTION for Mesh Installations.	
	See Note	Ref	Note: Replacement Decals Must be Ordered Separately - See DECALS SECTION.	
1	2080040	16	Fastener, Huck	
2	2600281	2	Hinge	
3	2940074	1	Latch	
4	3520072	3	Plug	
5	3520198	2	Plug	
6	3820020	4	Rivet	
7	1001144629	1	Gate	
8	See Note	NSS	Platform (Note: Not Available - Purchase Platform Assembly)	

SECTION 5 - PLATFORM

FIGURE 5-6. PLATFORM ASSEMBLY - 36IN X 6FT (91.5CM X 1.83M) WITH DROP BAR



ART_1001186379

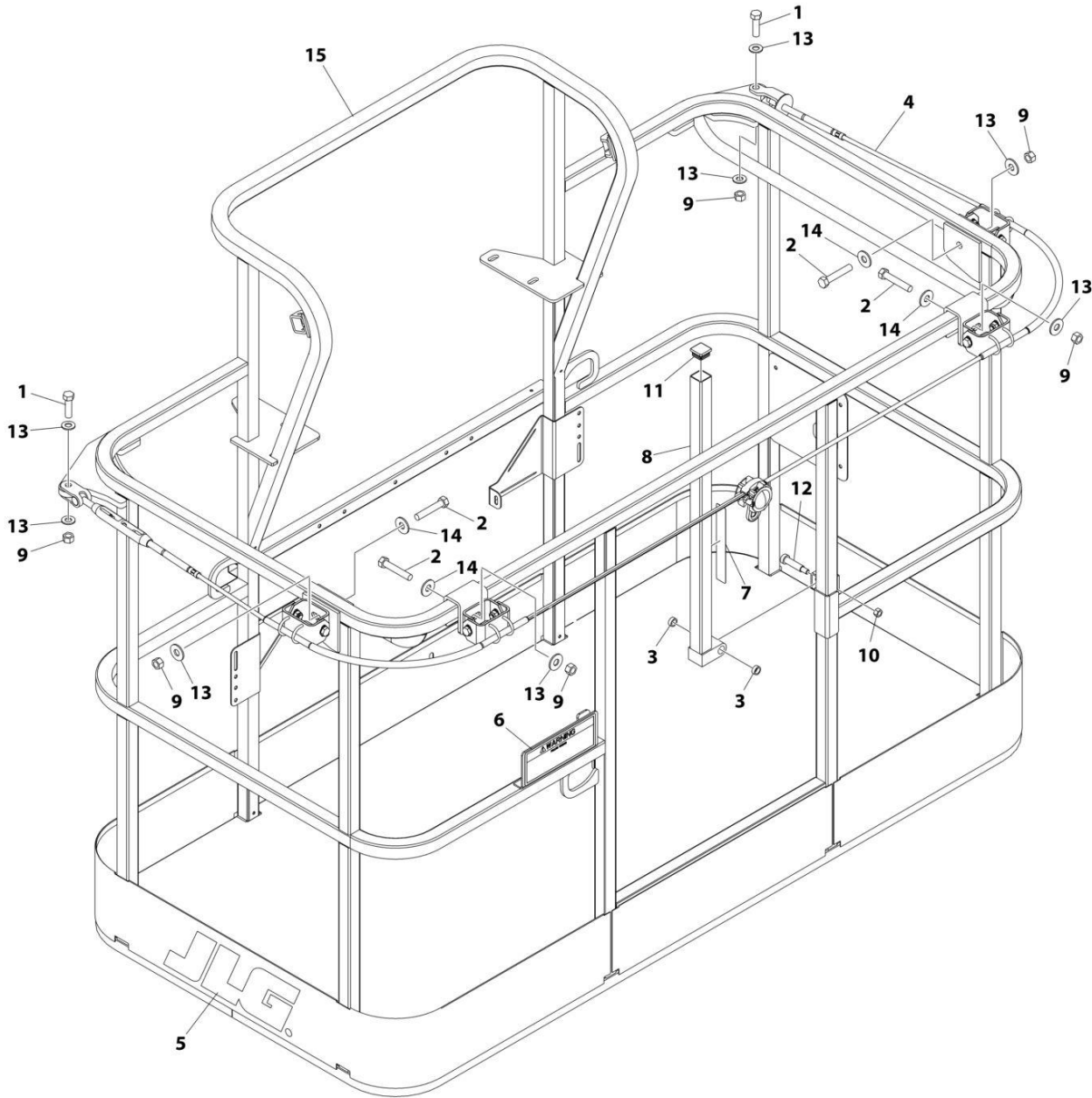
SECTION 5 - PLATFORM

FIGURE 5-6. PLATFORM ASSEMBLY - 36IN X 6FT (91.5CM X 1.83M) WITH DROP BAR

ITEM	PART NUMBER	QTY	DESCRIPTION	REV
	1001186379	Ref	PLATFORM ASSEMBLY - 36IN X 6FT (91.5CM X 1.83M) WITH DROP BAR	B
		Ref	Note: Platform and Mesh must be ordered separately for Platforms with Mesh. See SPECIAL OPTIONS SECTION for Mesh Installations.	
		Ref	Note: Replacement Decals Must be Ordered Separately - See DECALS SECTION.	
1	0100011	AR	Compound, Locking	
2	0641418	2	Bolt 1/4 x 2-1/4	
3	0961845	2	Bushing	
4	3290606	2	Nut M6	
5	3300151	2	Nut 1/4	
6	3520072	2	Plug	
7	3520198	2	Plug	
8	4010618	2	Screw M6 x 50	
9	4711400	4	Washer 1/4	
10	4811700	2	Washer M6	
11	1001138494	1	Bar, Drop	
12	1001138514	1	Rail (Top)	
13	1001140429	1	Decal - Drop Bar	
14	See Note	NSS	Platform (Note: Not Available - Purchase Platform Assembly)	

SECTION 5 - PLATFORM

FIGURE 5-7. PLATFORM ASSEMBLY - 36IN X 6FT (91.5CM X 1.83M) WITH FALL ARREST (ANSI, ANSI EXPORT, CHINA & CSA SPECS)



ART_1001186333

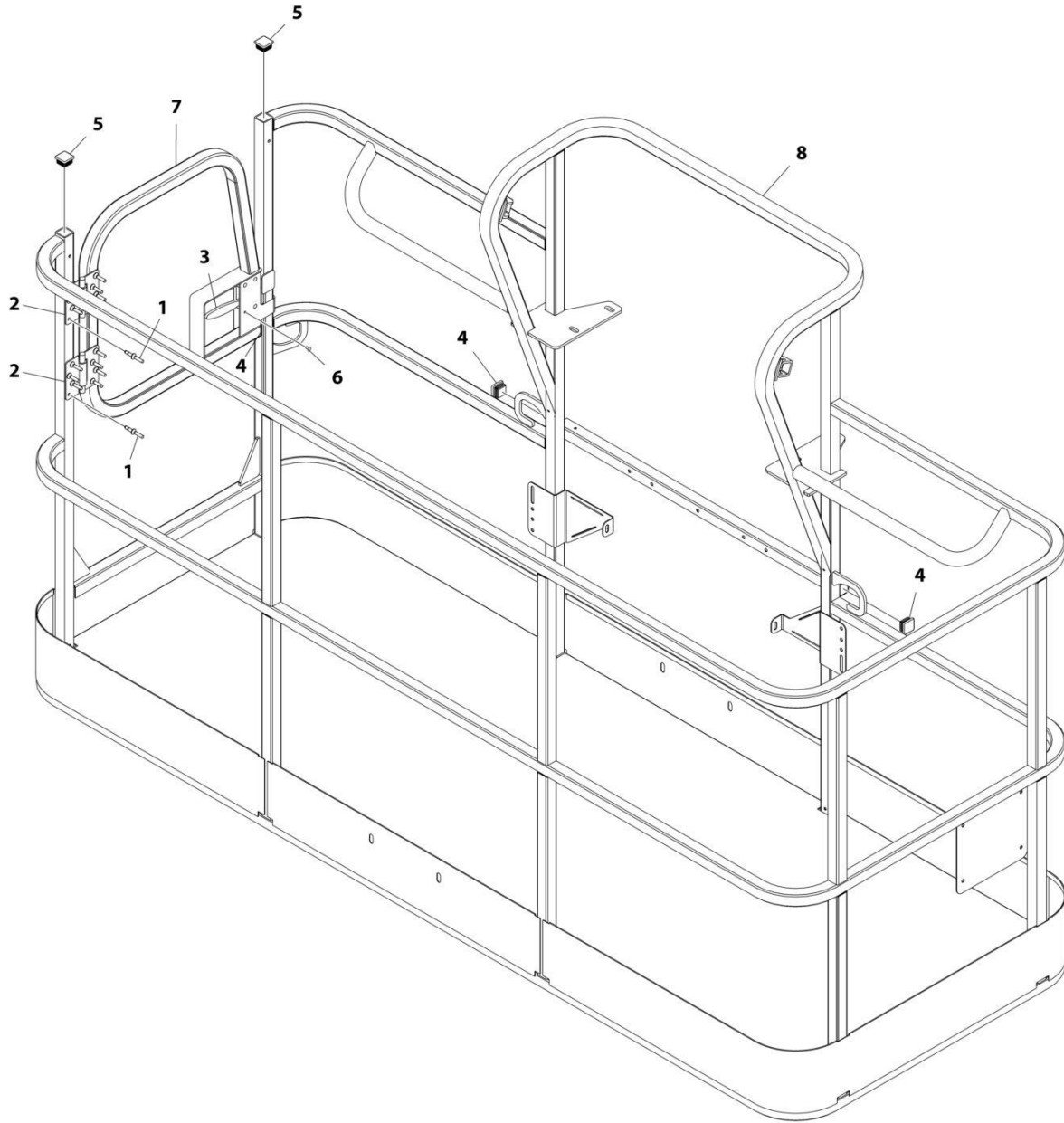
SECTION 5 - PLATFORM

FIGURE 5-7. PLATFORM ASSEMBLY - 36IN X 6FT (91.5CM X 1.83M) WITH FALL ARREST (ANSI, ANSI EXPORT, CHINA & CSA SPECS)

ITEM	PART NUMBER	QTY	DESCRIPTION	REV
	1001186333	Ref	PLATFORM ASSEMBLY	C
		Ref	Note: Replacement Decals Must be Ordered Separately - See DECALS SECTION.	
1	0681814	2	Bolt 1/2 x 1-3/4 Grade 8	
2	0681822	4	Bolt 1/2 x 2-3/4 Grade 8	
3	0962270	2	Bearing	
4	1001203655	1	Cable	
5	1702773	1	Decal - JLG	
6	1705014	1	Decal - Safety	
7	1706385	1	Decal - Drop Bar	
8	2410014	1	Bar, Drop	
9	3271805	6	Nut 1/2 Grade 8	
10	3311605	1	Nut 3/8	
11	3520072	1	Plug	
12	3900054	1	Bolt 1/2 x 1-3/4	
13	4711800	8	Washer 1/2	
14	4751800	4	Washer 1/2	
15	See Note	NSS	Platform (Note: Not Available - Purchase Platform Assembly)	

SECTION 5 - PLATFORM

FIGURE 5-8. PLATFORM ASSEMBLY - 36IN X 8FT (91.5CM X 2.44M) WITH SWING GATE



ART_1001186383

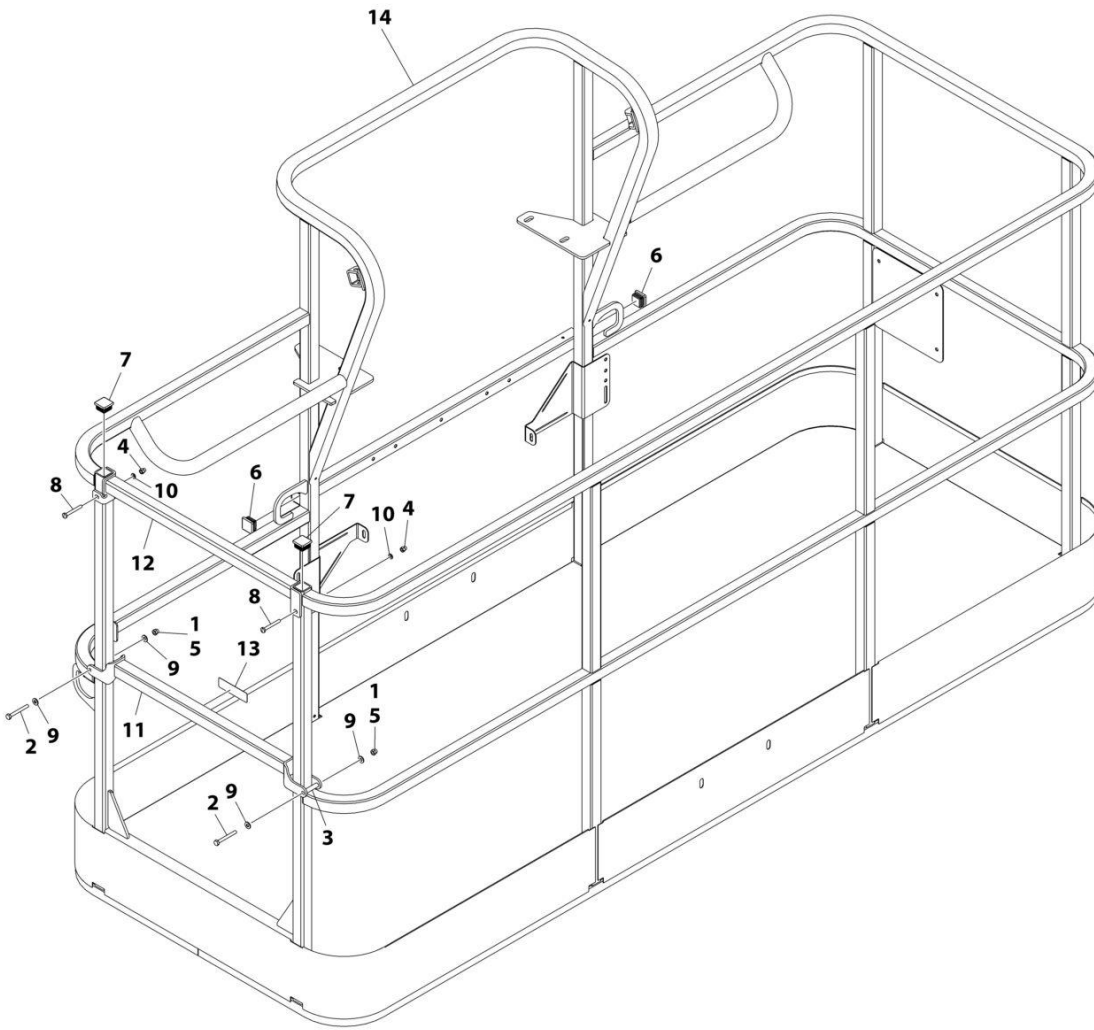
SECTION 5 - PLATFORM

FIGURE 5-8. PLATFORM ASSEMBLY - 36IN X 8FT (91.5CM X 2.44M) WITH SWING GATE

ITEM	PART NUMBER	QTY	DESCRIPTION	REV
	1001186383	Ref	PLATFORM ASSEMBLY - 36IN X 8FT (91.5CM X 2.44M) WITH SWING GATE	D
		Ref	Note: Platform and Mesh must be ordered separately for Platforms with Mesh. See SPECIAL OPTIONS SECTION for Mesh Installations.	
		Ref	Note: Replacement Decals Must be Ordered Separately - See DECALS SECTION.	
1	2080040	16	Fastener, Huck	
2	2600281	2	Hinge	
3	2940074	1	Latch	
4	3520072	3	Plug	
5	3520198	2	Plug	
6	3820020	4	Rivet	
7	1001144629	1	Gate	
8	See Note	NSS	Platform (Note: Not Available - Purchase Platform Assembly)	

SECTION 5 - PLATFORM

FIGURE 5-9. PLATFORM ASSEMBLY - 36IN X 8FT (91.5CM X 2.44M) WITH DROP BAR



ART_1001186382

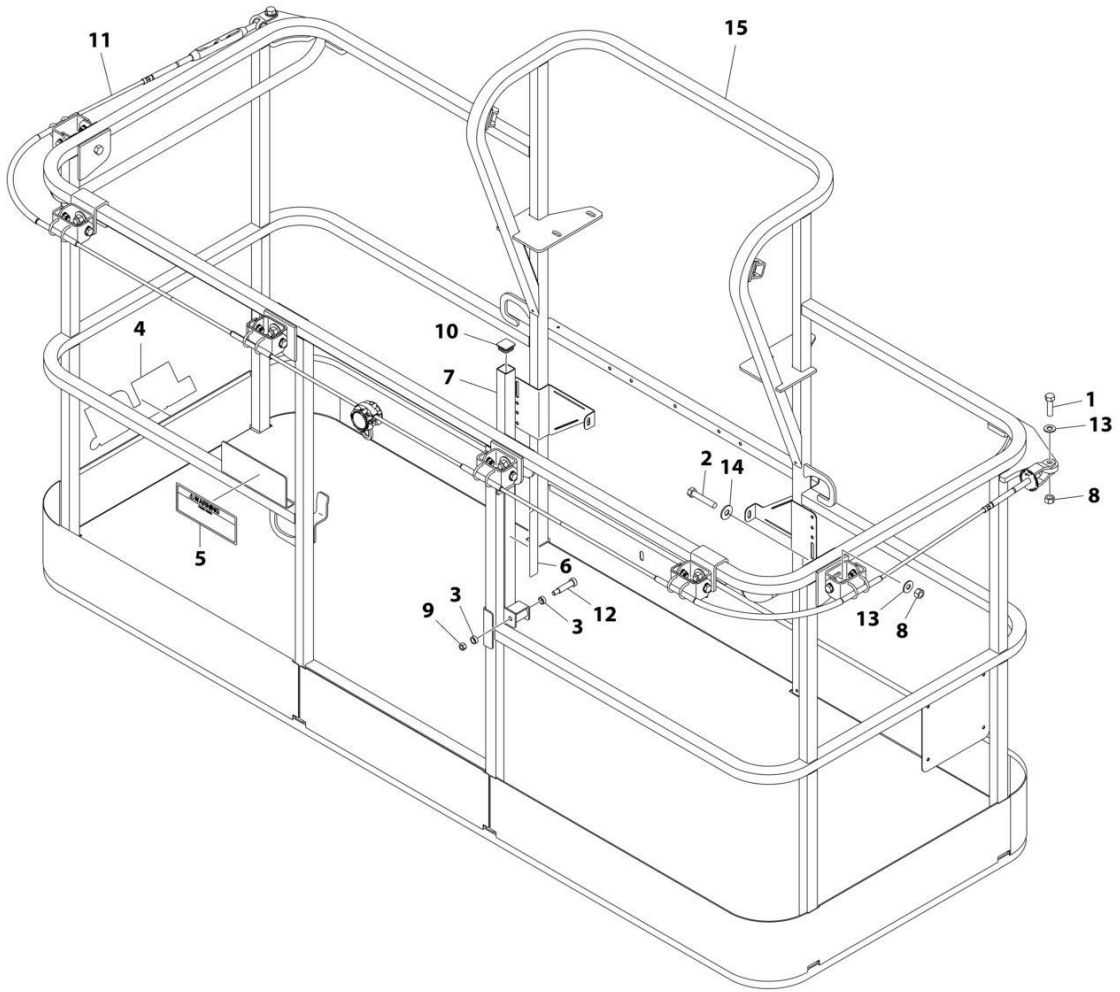
SECTION 5 - PLATFORM

FIGURE 5-9. PLATFORM ASSEMBLY - 36IN X 8FT (91.5CM X 2.44M) WITH DROP BAR

ITEM	PART NUMBER	QTY	DESCRIPTION	REV
	1001186382	Ref	PLATFORM ASSEMBLY - 36IN X 8FT (91.5CM X 2.44M) WITH DROP BAR	C
		Ref	Note: Platform and Mesh must be ordered separately for Platforms with Mesh. See SPECIAL OPTIONS SECTION for Mesh Installations.	
		Ref	Note: Replacement Decals Must be Ordered Separately - See DECALS SECTION.	
1	0100011	AR	Compound, Locking	
2	0641418	2	Bolt 1/4 x 2-1/4	
3	0961845	2	Bushing	
4	3290606	2	Nut M6	
5	3300151	2	Nut 1/4	
6	3520072	2	Plug	
7	3520198	2	Plug	
8	4010618	2	Screw M6 x 50	
9	4711400	4	Washer 1/4	
10	4811700	2	Washer M6	
11	1001138494	1	Bar, Drop	
12	1001138514	1	Rail (Top)	
13	1001140429	1	Decal - Drop Bar	
14	See Note	NSS	Platform (Note: Not Available - Purchase Platform Assembly)	

SECTION 5 - PLATFORM

FIGURE 5-10. PLATFORM ASSEMBLY - 36IN X 8FT (91.5CM X 2.44M) WITH FALL ARREST



ART_1001186334

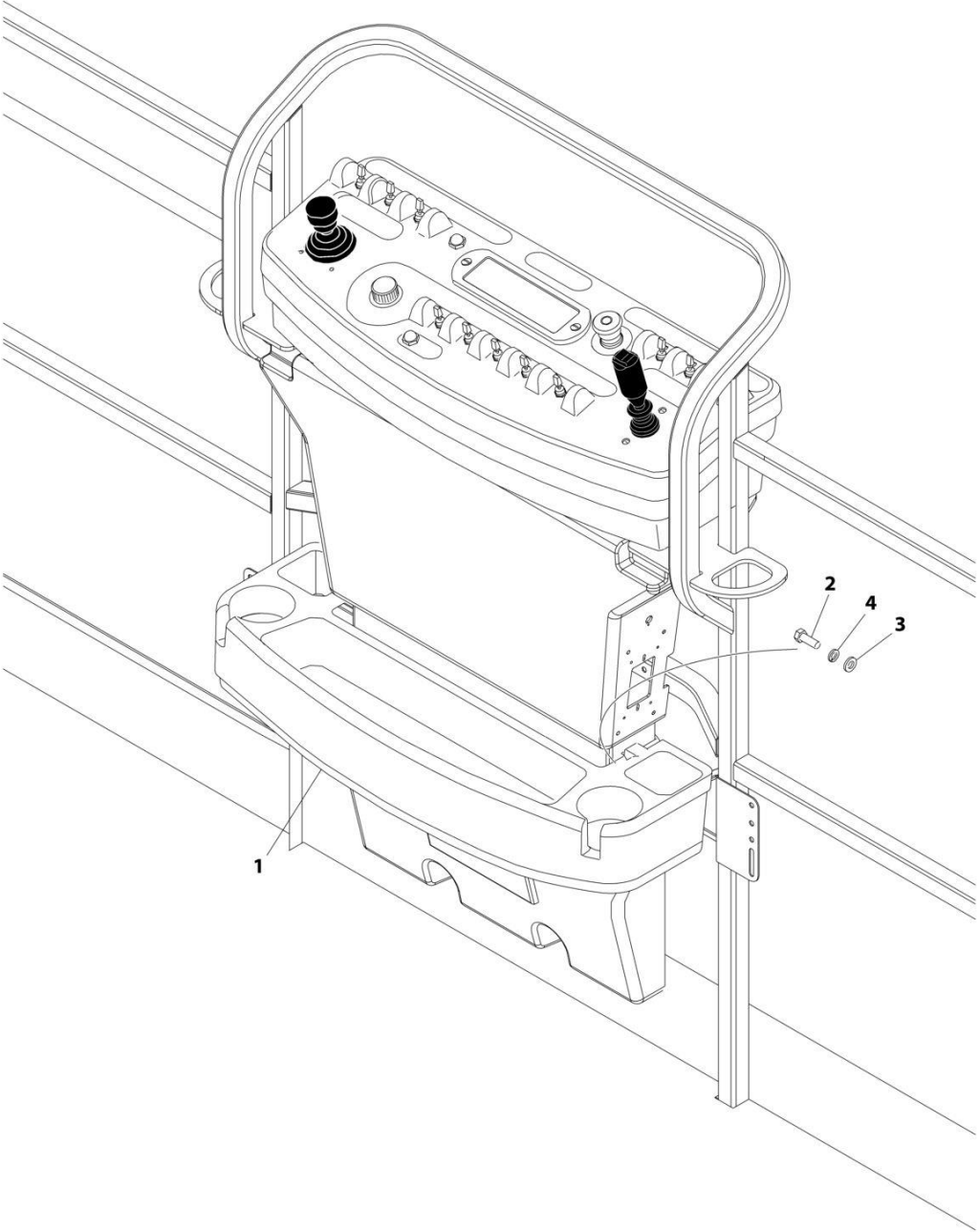
SECTION 5 - PLATFORM

FIGURE 5-10. PLATFORM ASSEMBLY - 36IN X 8FT (91.5CM X 2.44M) WITH FALL ARREST

ITEM	PART NUMBER	QTY	DESCRIPTION	REV
	1001186334	Ref	PLATFORM ASSEMBLY	D
		Ref	Note: Replacement Decals Must be Ordered Separately - See DECALS SECTION.	
1	0681814	2	Bolt 1/2 x 1-3/4 Grade 8	
2	0681822	6	Bolt 1/2 x 2-3/4 Grade 8	
3	0962270	2	Bearing	
4	1702773	1	Decal - JLG	
5	1705014	1	Decal - Safety	
6	1706385	1	Decal - Drop Bar	
7	2410014	1	Bar, Drop	
8	3271805	8	Nut 1/2 Grade 8	
9	3311605	1	Nut 3/8	
10	3520072	1	Plug	
11	1001203656	1	Cable	
12	3900054	1	Bolt 1/2 x 1-3/4	
13	4711800	2	Washer 1/2	
14	4751800	6	Washer 1/2	
15	See Note	NSS	Platform (Note: Purchase Platform Assembly)	

SECTION 5 - PLATFORM

FIGURE 5-11. TRAY ASSEMBLY



ART_1580012

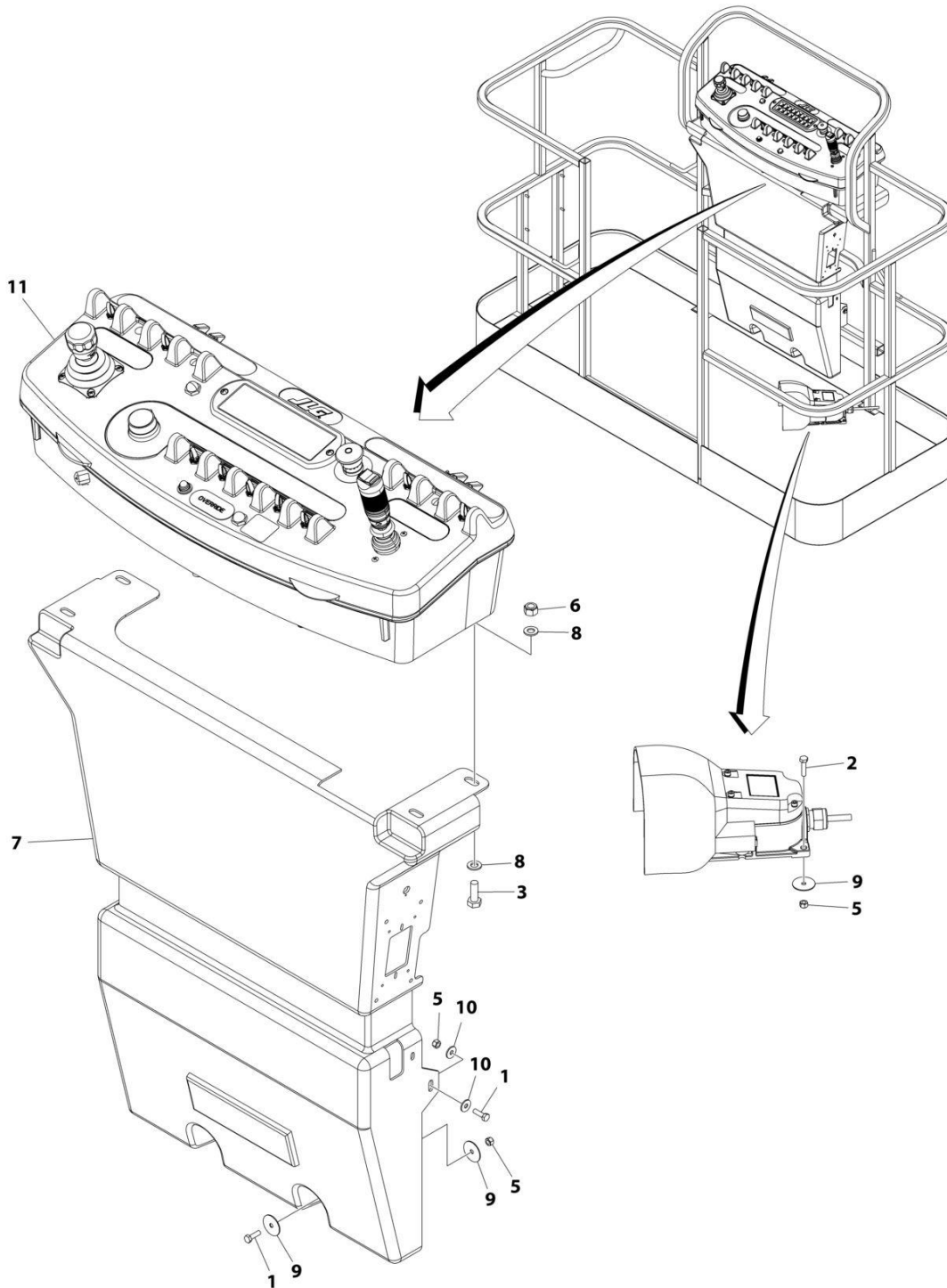
SECTION 5 - PLATFORM

FIGURE 5-11. TRAY ASSEMBLY

ITEM	PART NUMBER	QTY	DESCRIPTION	REV
	1580012	Ref	TRAY ASSEMBLY	C
1	See Note	NSS	Tray, Storage (Center) (Note: Purchase p/n 1580012)	
2	0641406	2	Bolt 1/4 x 3/4	
3	4751400	2	Washer 1/4	
4	4761400	2	Washer 1/4	

SECTION 5 - PLATFORM

FIGURE 5-12. PLATFORM CONSOLE AND FOOTSWITCH INSTALLATION (WITHOUT TOWER STOW)



ART_1001266074_B

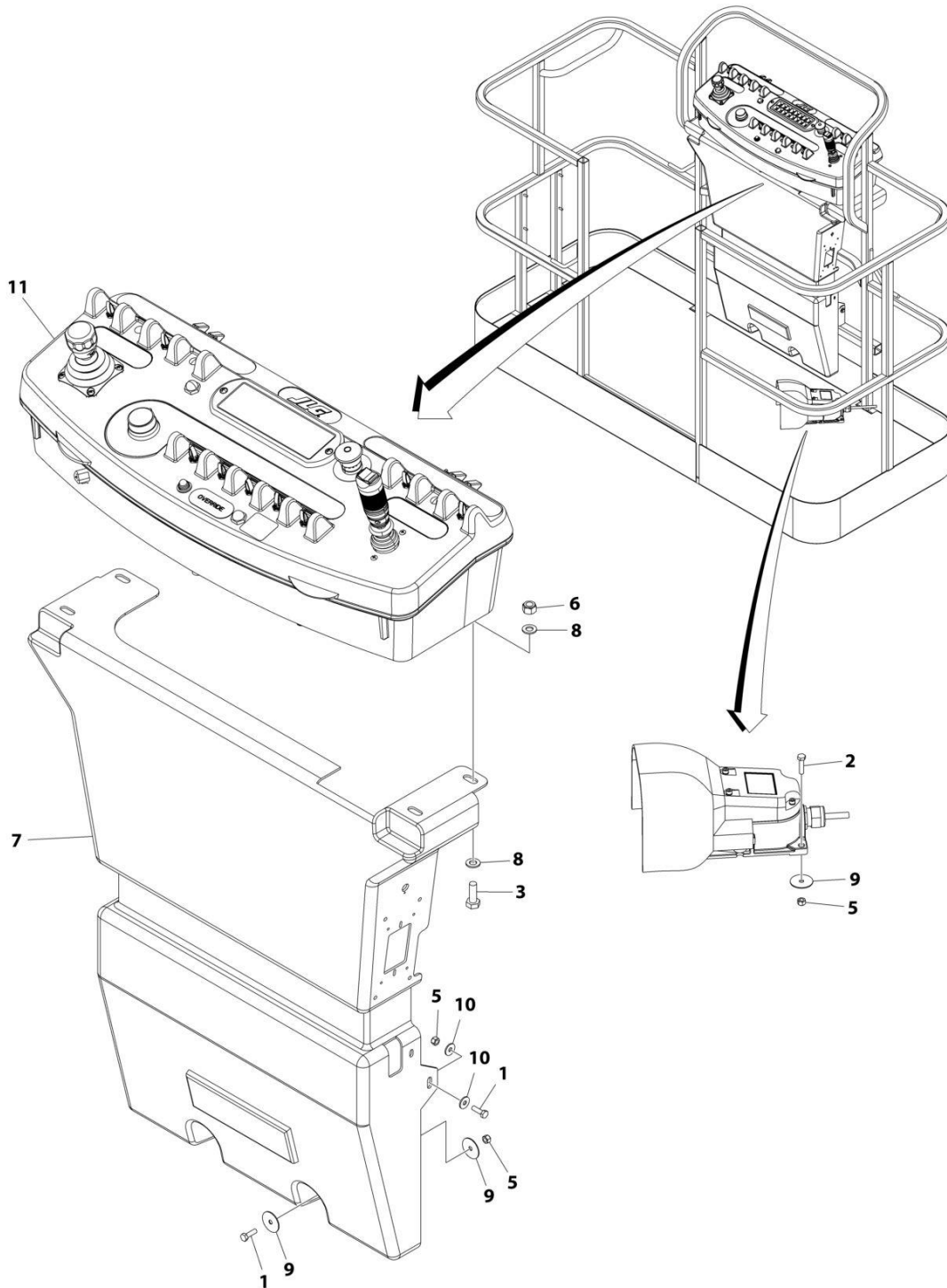
SECTION 5 - PLATFORM

FIGURE 5-12. PLATFORM CONSOLE AND FOOTSWITCH INSTALLATION (WITHOUT TOWER STOW)

ITEM	PART NUMBER	QTY	DESCRIPTION	REV
	1001266074	Ref	PLATFORM CONSOLE AND FOOTSWITCH INSTALLATION	B
1	0641406	4	Bolt 1/4 x 3/4	
2	0641408	3	Bolt 1/4 x 1	
3	0641610	4	Bolt 3/8 x 1-1/4	
5	3311405	7	Nut 1/4	
6	3311605	4	Nut 3/8	
7	3380434	1	Panel	
8	4711600	8	Washer 3/8	
9	4740362	7	Washer	
10	4751400	4	Washer 1/4	
11	1001266070	1	Platform Console Assembly (See Separate Breakdown in this Section)	

SECTION 5 - PLATFORM

FIGURE 5-13. PLATFORM CONSOLE AND FOOTSWITCH INSTALLATION (WITH TOWER STOW)



ART_1001264706_B

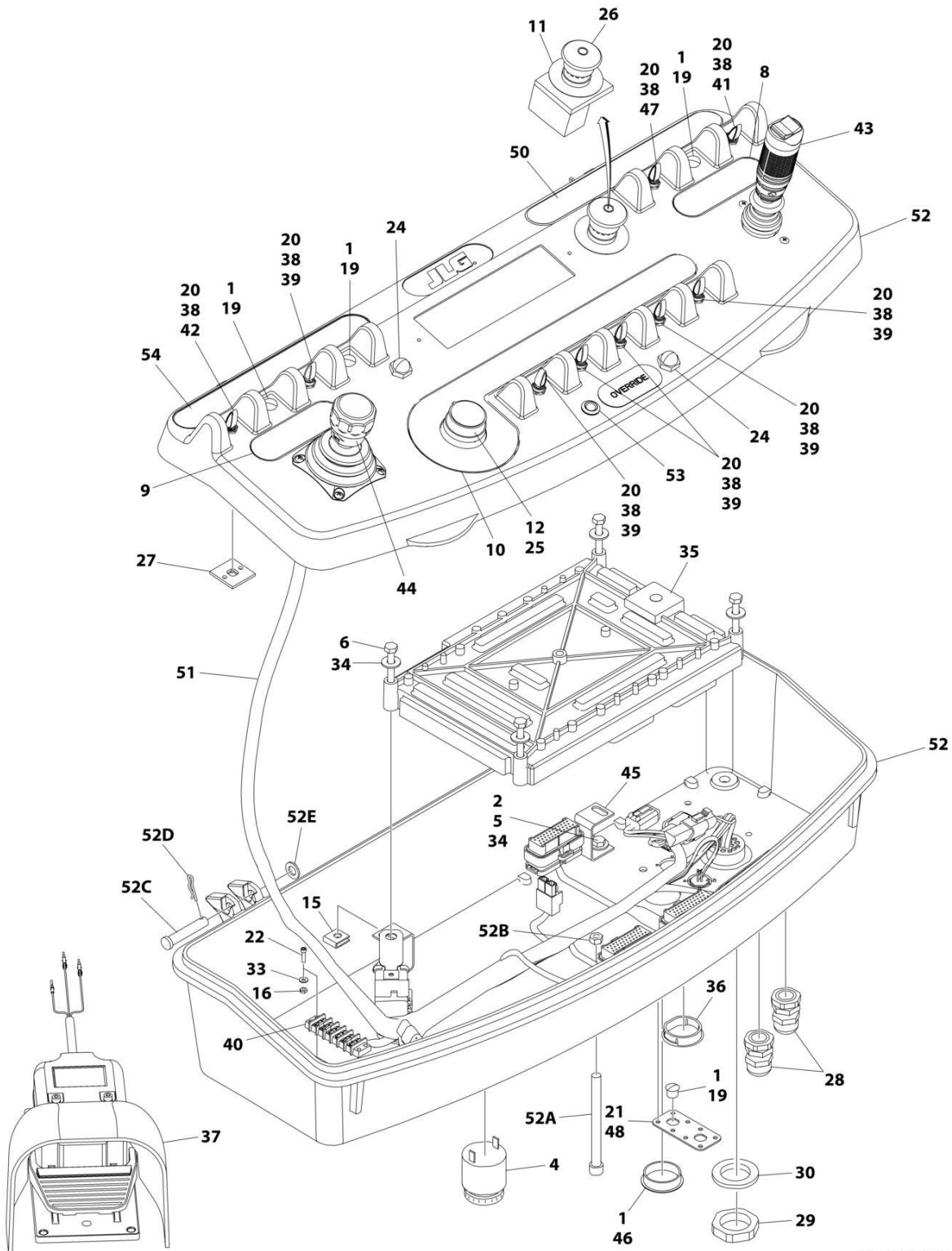
SECTION 5 - PLATFORM

FIGURE 5-13. PLATFORM CONSOLE AND FOOTSWITCH INSTALLATION (WITH TOWER STOW)

ITEM	PART NUMBER	QTY	DESCRIPTION	REV
	1001264706	Ref	PLATFORM CONSOLE AND FOOTSWITCH INSTALLATION	B
1	0641406	4	Bolt 1/4 x 3/4	
2	0641408	3	Bolt 1/4 x 1	
3	0641610	4	Bolt 3/8 x 1-1/4	
5	3311405	7	Nut 1/4	
6	3311605	4	Nut 3/8	
7	3380434	1	Panel	
8	4711600	8	Washer 3/8	
9	4740362	7	Washer	
10	4751400	4	Washer 1/4	
11	1001264705	1	Platform Console Assembly (See Separate Breakdown in this Section)	

SECTION 5 - PLATFORM

FIGURE 5-14. PLATFORM CONSOLE BOX ASSEMBLY (WITHOUT TOWER STOW)



ART_1001266070_C

SECTION 5 - PLATFORM

FIGURE 5-14. PLATFORM CONSOLE BOX ASSEMBLY (WITHOUT TOWER STOW)

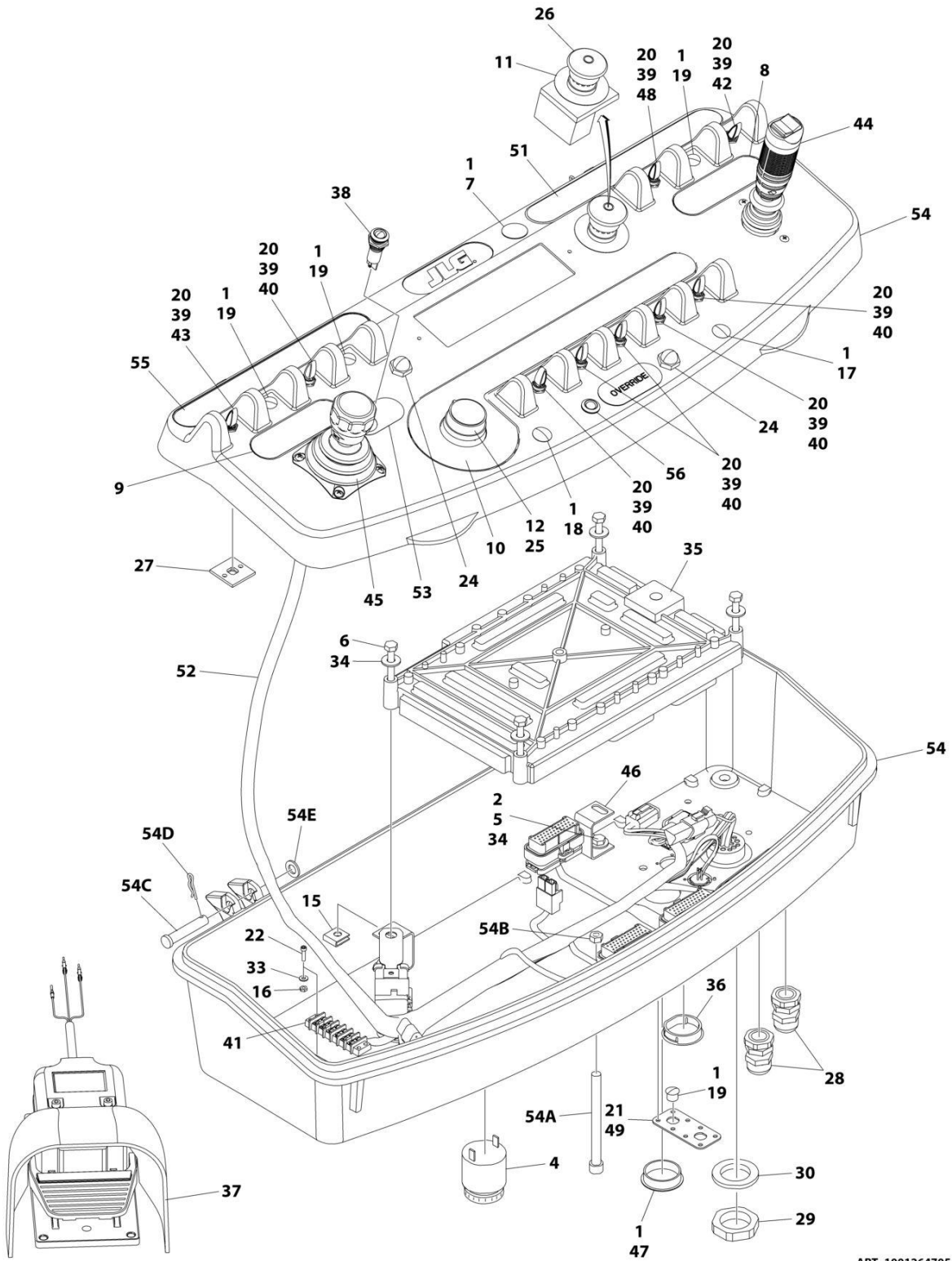
ITEM	PART NUMBER	QTY	DESCRIPTION	REV
	1001266070	Ref	CONSOLE BOX ASSEMBLY	C
1	0100009	AR	Sealant	
2	0100035	AR	Compound, Locking	
4	0140011	1	Alarm	
5	0641405	4	Bolt 1/4 x 5/8	
6	0641414	4	Bolt 1/4 x 1-3/4	
8	1702565	1	Decal - Drive and Steer	
9	1702566	1	Decal - Lift and Swing	
10	1702567	1	Decal - Function Speed	
11	1704260	1	Decal - Emergency Stop	
12	2560136	1	Handle, Knob	
15	3300353	4	Nut, Tinnerman	
16	3311005	2	Nut #10	
19	3520054	4	Plug	
20	3790012	9	O-Ring	
21	3900349	8	Capscrew M2.5 x 8	
22	3931016	2	Capscrew #10 x 1	
23	4240099	AR	Tie-Strap (Not Shown)	
24	4360387	2	Switch, Push Button	
25	4360407	1	Controller, Speed	
25	4460224	1	Receptacle, Female - 6 Position	
25	4460226	1	Socket, Female	
25	See Note	NLA	Gasket "Top Hat" (Included with Switch) (Note: Not Available for Purchase)	
25	70003784	1	Seal	
26	1001274559	1	Switch, Emergency Stop	
26	7020175	1	Cap, Red	
26	7020176	1	Block, Contact	
27	4460234	6	Mount, Tie-Strap	
28	4460428	2	Connector, Strain Relief	
29	4460470	1	Nut, Terminal	
30	4460471	1	Washer, Terminal	
33	4751000	2	Washer #10	
34	4751400	8	Washer 1/4	
35	1001106938	1	Module, Platform (Note: Re-calibration Required when Replaced)	
36	1001110434	1	Plug	
37	1001117174	1	Footswitch Assembly (See Separate Breakdown in this Section)	
38	1001155044	9	Nut 15/32	
39	1001155045	6	Switch, Toggle	
40	1001157292	1	Bussbar	
41	1001159256	1	Switch, Toggle	
42	1001161709	1	Switch, Toggle	
43	1001275628	1	Controller Assembly - Drive and Steer	
44	1001275629	1	Controller Assembly - Lift and Swing	
45	1001172760	4	Bracket	
46	1001185281	1	Plug	
47	1001211363	1	Switch, Toggle	
48	1001213882	1	Mount	
50	1001222709	1	Decal - Stop	

SECTION 5 - PLATFORM

ITEM	PART NUMBER	QTY	DESCRIPTION	REV
51	1001245026	1	Platform Console Harness (See Separate Breakdown in ELECTRICAL Section)	
52	1001215228	1	Console Box Assembly	
52A	0630568	1	Capscrew 3/8 x 4-1/2	
52B	3311601	1	Nut 3/8	
52C	3430616	2	Pin	
52D	3470003	2	Hairpin	
52E	4711600	2	Washer 3/8	
53	1001206532	1	Lamp, LED Indicator Yellow	
54	1001184626	1	Decal, Horn	

SECTION 5 - PLATFORM

FIGURE 5-15. PLATFORM CONSOLE BOX ASSEMBLY (WITH TOWER STOW)



ART_1001264705_C

SECTION 5 - PLATFORM

FIGURE 5-15. PLATFORM CONSOLE BOX ASSEMBLY (WITH TOWER STOW)

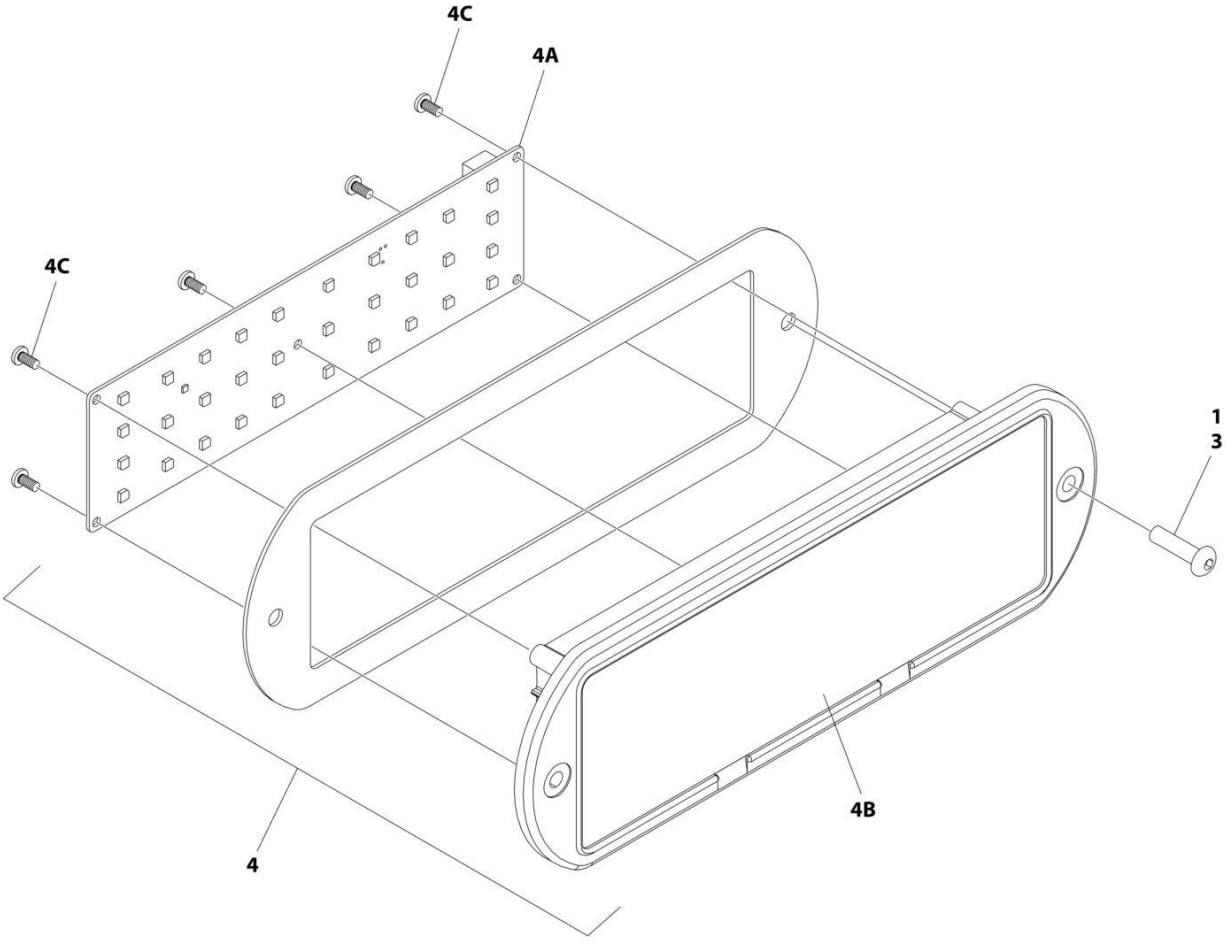
ITEM	PART NUMBER	QTY	DESCRIPTION	REV
	1001264705	Ref	CONSOLE BOX ASSEMBLY	C
1	0100009	AR	Sealant	
2	0100035	AR	Compound, Locking	
4	0140011	1	Alarm	
5	0641405	4	Bolt 1/4 x 5/8	
6	0641414	4	Bolt 1/4 x 1-3/4	
7	1671314	1	Cover, Box	
8	1702565	1	Decal - Drive and Steer	
9	1702566	1	Decal - Lift and Swing	
10	1702567	1	Decal - Function Speed	
11	1704260	1	Decal - Emergency Stop	
12	2560136	1	Handle, Knob	
15	3300353	4	Nut, Tinnerman	
16	3311005	2	Nut #10	
17	3520026	1	Plug, Hole	
18	3520027	1	Plug, Hole	
19	3520054	4	Plug	
20	3790012	9	O-Ring	
21	3900349	8	Capscrew M2.5 x 8	
22	3931016	2	Capscrew #10 x 1	
23	4240099	AR	Tie Strap (Not Shown)	
24	4360387	2	Switch, Push Button	
25	4360407	1	Controller, Speed	
25	4460224	1	Receptacle, Female - 6 Position	
25	4460226	1	Socket, Female	
25	See Note	NLA	Gasket "Top Hat" (Included with Switch) (Note: Not Available for Purchase)	
25	70003784	1	Seal	
26	1001274559	1	Switch, Emergency Stop	
26	7020175	1	Cap, Red	
26	7020176	1	Block, Contact	
27	4460234	6	Mount, Tie-Strap	
28	4460428	2	Connector, Strain Relief	
29	4460470	1	Nut, Terminal	
30	4460471	1	Washer, Terminal	
33	4751000	2	Washer #10	
34	4751400	8	Washer 1/4	
35	1001106938	1	Module, Platform (Note: Re-calibration Required when Replaced)	
36	1001110434	1	Plug	
37	1001117174	1	Footswitch Assembly (See Separate Breakdown in this Section)	
38	1001137364	1	Lamp, LED indicator Green	
39	1001155044	9	Nut 15/32	
40	1001155045	6	Switch, Toggle	
41	1001157292	1	Bussbar	
42	1001159256	1	Switch, Toggle	
43	1001161709	1	Switch, Toggle	
44	1001275628	1	Controller Assembly - Drive and Steer	
45	1001275629	1	Controller Assembly - Lift and Swing	
46	1001172760	4	Bracket	
47	1001185281	1	Plug	

SECTION 5 - PLATFORM

ITEM	PART NUMBER	QTY	DESCRIPTION	REV
48	1001211363	1	Switch, Toggle	
49	1001213882	1	Mount	
51	1001222709	1	Decal - Stop	
52	1001245026	1	Platform Console Harness (See Separate Breakdown in ELECTRICAL Section)	
53	1001260937	1	Decal - Tower Stow	
54	1001263587	1	Console Box Assembly	
54A	0630568	1	Capscrew 3/8 x 4-1/2	
54B	3311601	1	Nut 3/8	
54C	3430616	2	Pin	
54D	3470003	2	Hairpin	
54E	4711600	2	Washer 3/8	
55	1001184626	1	Decal - Horn	
56	1001206532	1	Lamp, LED Indicator Yellow	

SECTION 5 - PLATFORM

FIGURE 5-16. LIGHT PANEL INSTALLATION



ART_1001245177_C_20F2

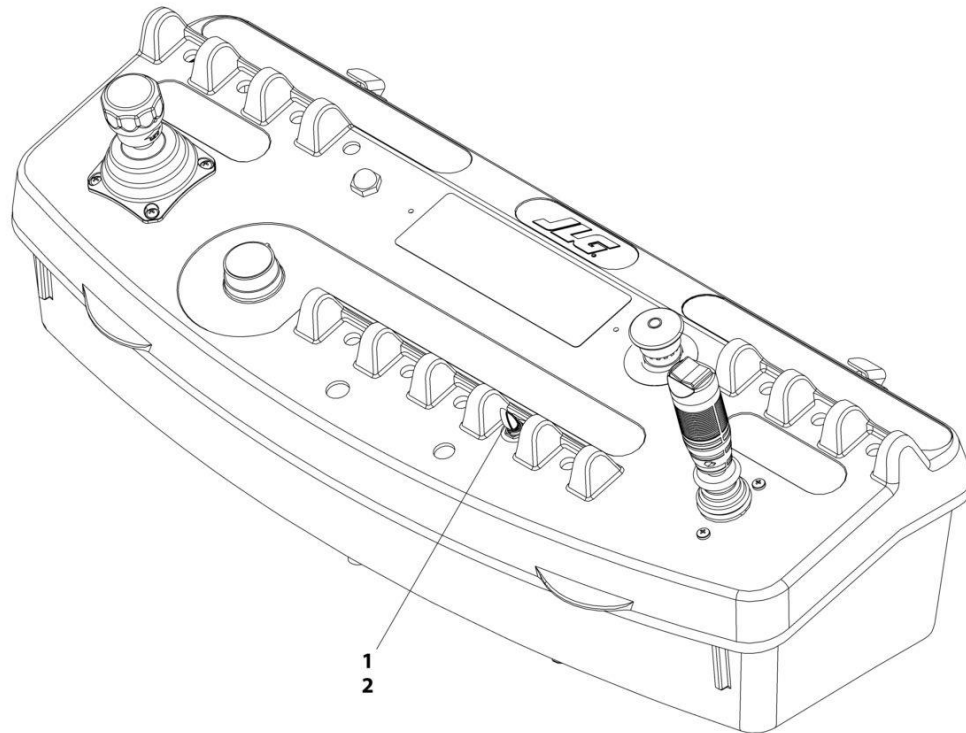
SECTION 5 - PLATFORM

FIGURE 5-16. LIGHT PANEL INSTALLATION

ITEM	PART NUMBER	QTY	DESCRIPTION	REV
	1001245177	Ref	LIGHT PANEL INSTALLATION - PLATFORM CONSOLE	C
1	0100035	AR	Compound, Locking	
3	0630518	2	Screw #10 x 3/4	
4	1001281717	1	Light Panel Assembly	A
4A	1001238732	1	Panel, LED Light	
4B	1001281705	1	Lens, I-Con	
4C		Ref	Screw	

SECTION 5 - PLATFORM

FIGURE 5-17. JIB SWITCH INSTALLATION



ART_0271340

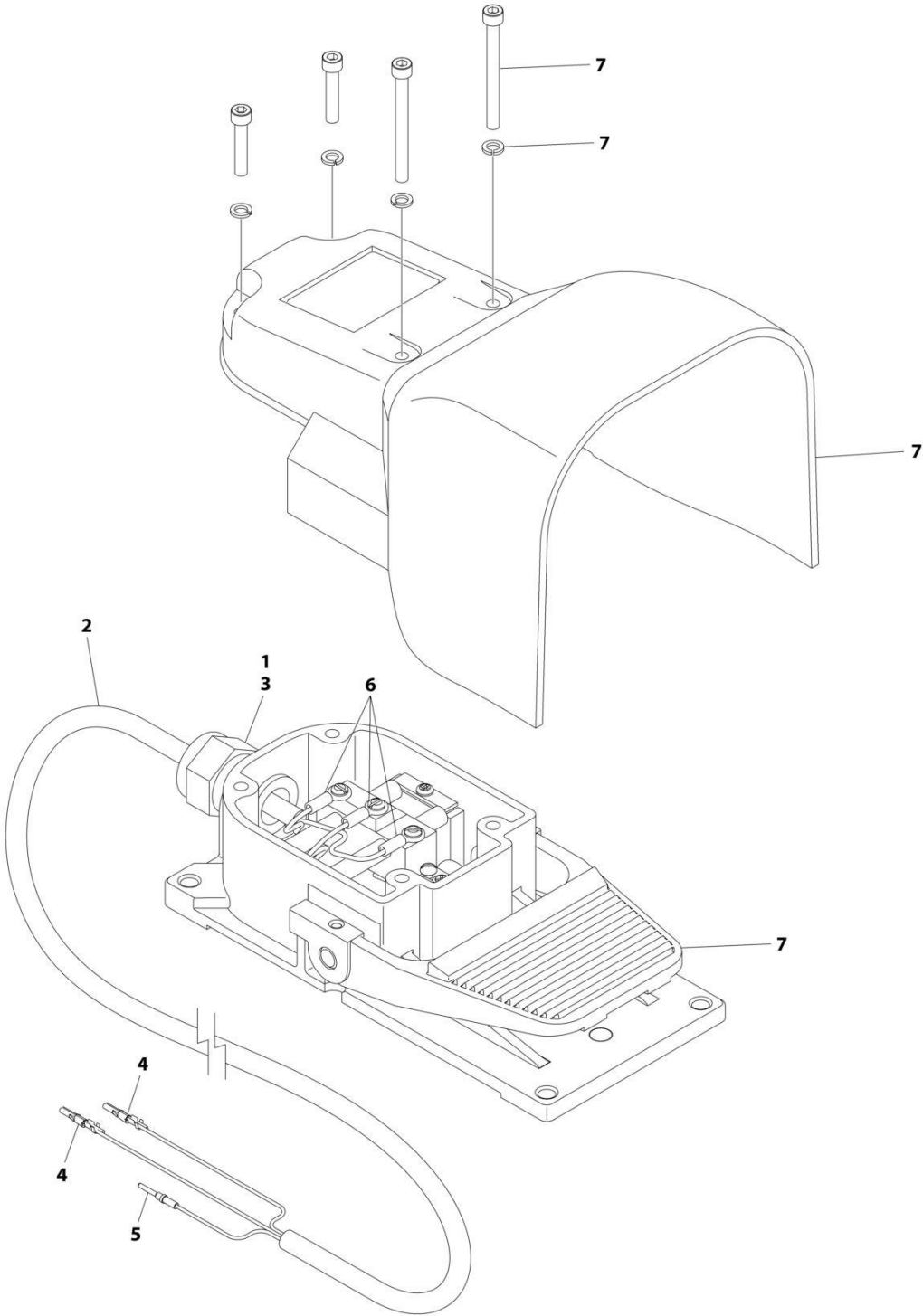
SECTION 5 - PLATFORM

FIGURE 5-17. JIB SWITCH INSTALLATION

ITEM	PART NUMBER	QTY	DESCRIPTION	REV
	0271340	Ref	JIB SWITCH INSTALLATION	1/A
1	4360328	1	Switch, Toggle	
2	3790012	1	O-Ring	

SECTION 5 - PLATFORM

FIGURE 5-18. FOOTSWITCH ASSEMBLY



ART_1001117174

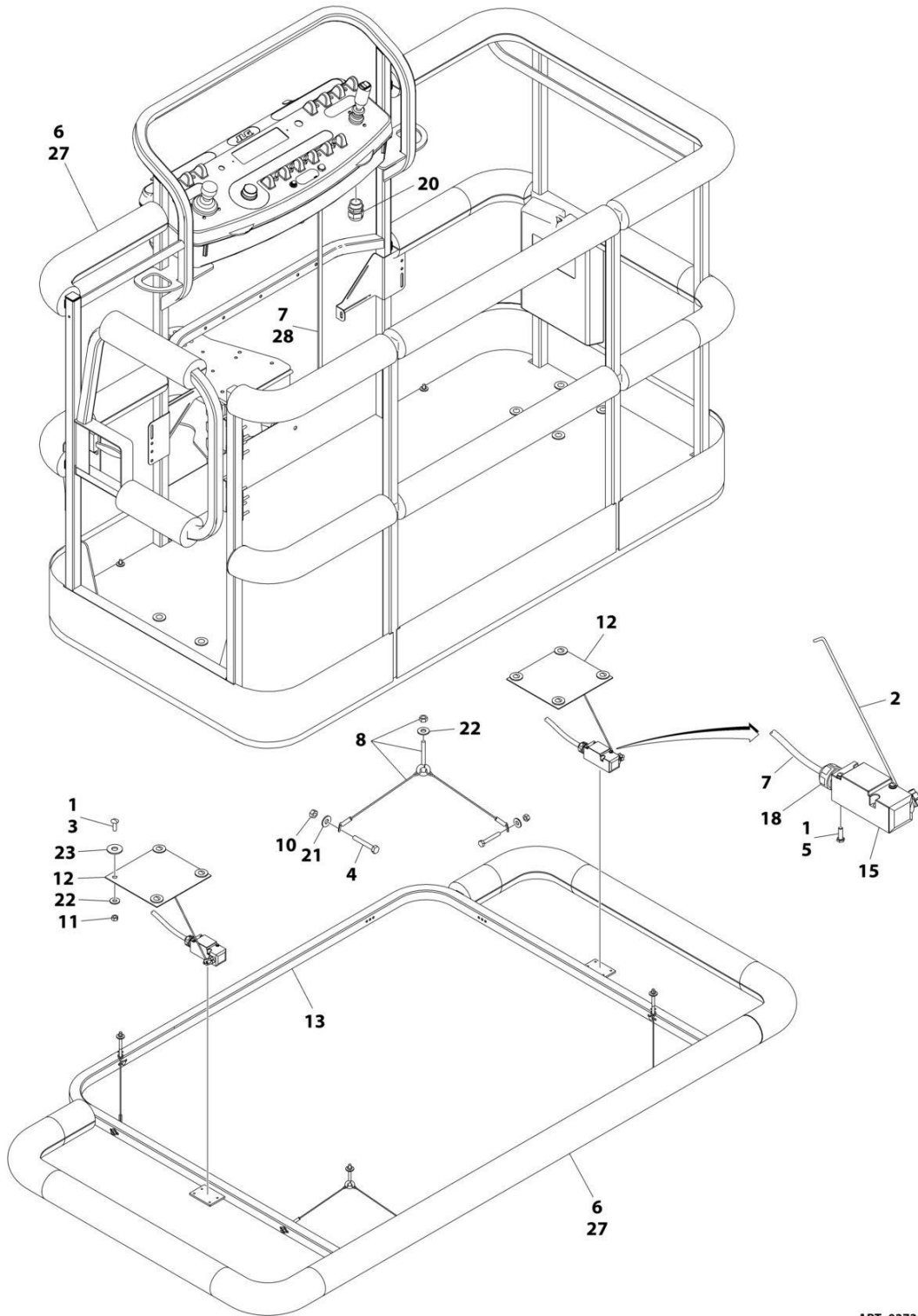
SECTION 5 - PLATFORM

FIGURE 5-18. FOOTSWITCH ASSEMBLY

ITEM	PART NUMBER	QTY	DESCRIPTION	REV
	1001117174	Ref	FOOTSWITCH ASSEMBLY	C
1	0100020	AR	Sealant	
2	1060918	7.5 ft/ 2.3m	Cable, Electrical - 18/3	
3	4460071	1	Connector, Strain Relief	
4	4460226	2	Socket, Female	
5	4460464	1	Pin, Male	
6	1001098122	3	Terminal	
7	1001117172	1	Footswitch	
7	70002902	1	Switch, 20Amp	
7	70002903	1	Gasket	
7	70002905	1	Cover	
7	70002904	1	Kit, Replacement Bolt	

SECTION 5 - PLATFORM

FIGURE 5-19. SOFT TOUCH INSTALLATION - 6FT (1.83M) PLATFORM (OPTIONAL)



ART_0273824_E

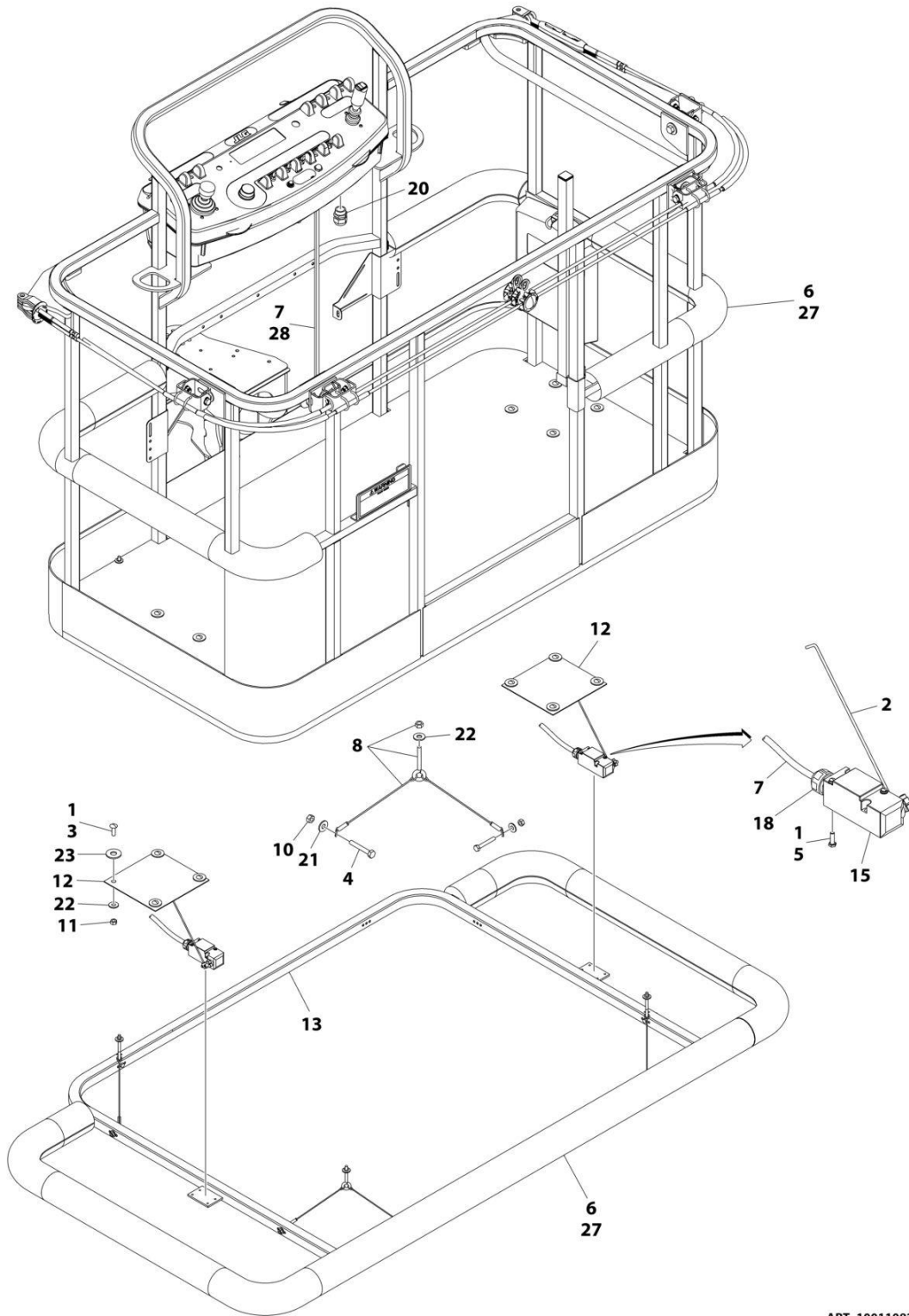
SECTION 5 - PLATFORM

FIGURE 5-19. SOFT TOUCH INSTALLATION - 6FT (1.83M) PLATFORM (OPTIONAL)

ITEM	PART NUMBER	QTY	DESCRIPTION	REV
	0273824	Ref	SOFT TOUCH SYSTEM INSTALLATION	E
1	0100011	AR	Compound, Locking	
2	0200048	2	Arm, Switch	
3	0630462	8	Bolt	
4	0641414	8	Bolt 1/4 x 1-3/4	
5	0731005	4	Bolt #10 x 5/8	
6	0940134	1	Bumper Kit (Includes Corners and Enough Straight Material for One Platform)	
6	0940092	AR	Bumper (Corner)	
6	0940094	AR	Bumper (12ft Length)	
7	1060341	23 ft/7m	Cable, Soft Touch - 16/2	
8	1060903	4	Wire Rope and Eyebolt Assembly	
10	3311401	8	Nut 1/4	
11	3311501	8	Nut 5/16	
12	3575359	2	Plate, Switch Strike	
13	3641569	1	Rail, Soft Touch	
14	4240099	7	Tie-Strap (Not Shown)	
15	4360057	2	Switch, Limit	
18	4460049	2	Connector, Strain Relief	
19	4460234	7	Tie-Strap (Not Shown)	
20	4460425	1	Connector, Strain Relief	
21	4751400	8	Washer 1/4	
22	4751500	12	Washer 5/16	
23	4751800	8	Washer 1/2	
27	1001197017	AR	Tie-Strap	
28	4460226	4	Socket	

SECTION 5 - PLATFORM

FIGURE 5-20. SOFT TOUCH INSTALLATION - 6FT (1.83M) FALL ARREST PLATFORM (OPTIONAL)



ART_1001108256_D

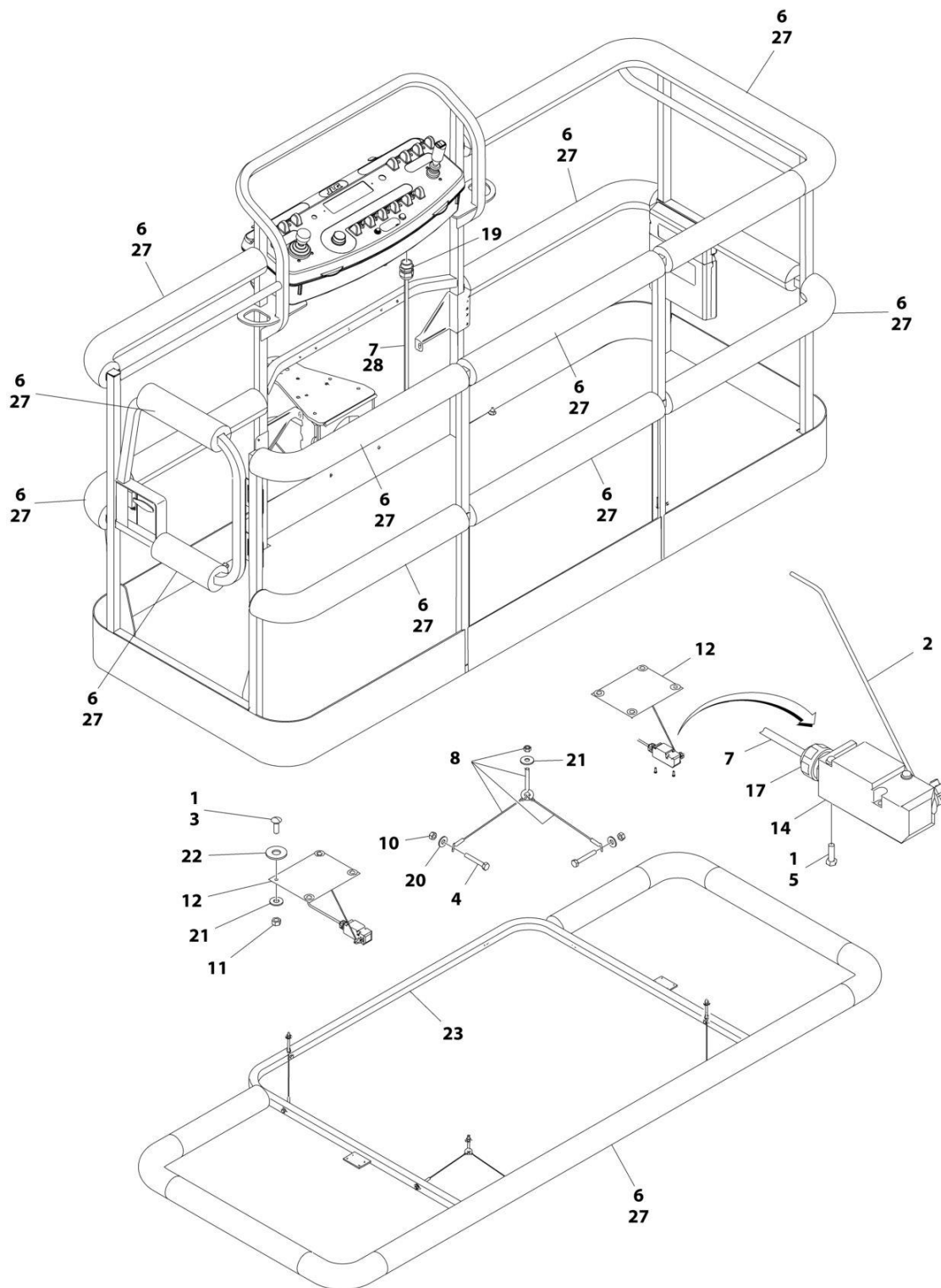
SECTION 5 - PLATFORM

FIGURE 5-20. SOFT TOUCH INSTALLATION - 6FT (1.83M) FALL ARREST PLATFORM (OPTIONAL)

ITEM	PART NUMBER	QTY	DESCRIPTION	REV
	1001108256	Ref	SOFT TOUCH INSTALLATION	D
1	0100011	AR	Compound, Locking	
2	0200048	2	Arm, Switch	
3	0630462	8	Bolt	
4	0641414	8	Bolt 1/4 x 1-3/4	
5	0731005	4	Bolt #10 x 5/8	
6	0940177	1	Bumper Kit (Includes Corners and Enough Straight Material for One Platform)	
6	0940092	8	Bumper (Corner)	
6	0940094	AR	Bumper (12ft Length)	
7	1060341	23 ft/7m	Cable, Soft Touch - 16/2	
8	1060903	4	Wire Rope and Eyebolt Assembly	
10	3311401	8	Nut 1/4	
11	3311501	8	Nut 5/16	
12	3575359	2	Plate, Switch Strike	
13	3641569	1	Rail, Soft Touch	
14	4240099	7	Tie-Strap (Not Shown)	
15	4360057	2	Switch, Limit	
18	4460049	2	Connector, Strain Relief	
19	4460234	7	Tie-Strap (Not Shown)	
20	4460425	1	Connector, Strain Relief	
21	4751400	8	Washer 1/4	
22	4751500	9	Washer 5/16	
23	4751800	8	Washer 1/2	
27	1001197017	AR	Strap, Cable Tie (Yellow)	
28	4460226	4	Socket	

SECTION 5 - PLATFORM

FIGURE 5-21. SOFT TOUCH INSTALLATION - 8FT (2.4M) PLATFORM (OPTIONAL)



ART_0272427_H

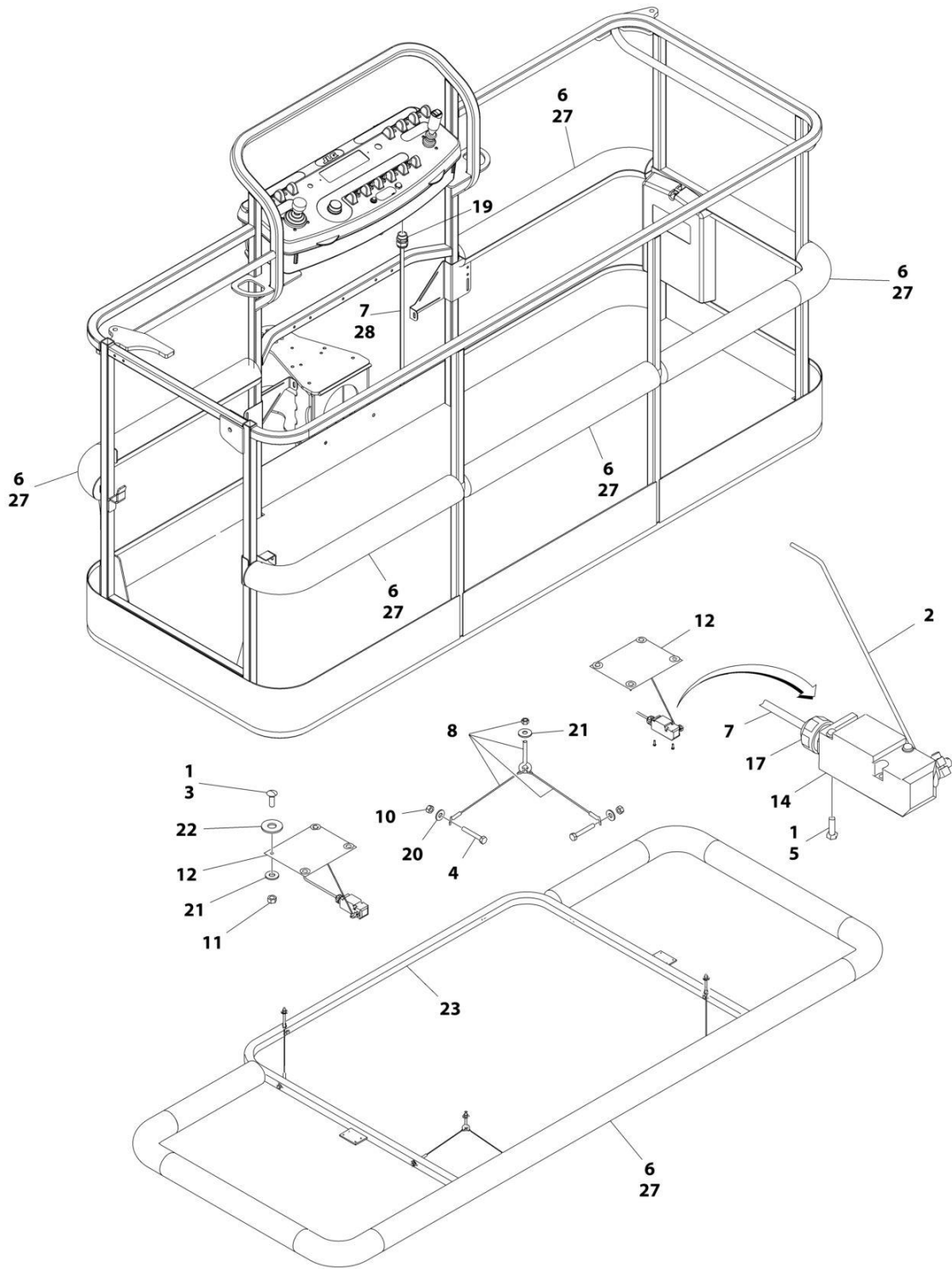
SECTION 5 - PLATFORM

FIGURE 5-21. SOFT TOUCH INSTALLATION - 8FT (2.4M) PLATFORM (OPTIONAL)

ITEM	PART NUMBER	QTY	DESCRIPTION	REV
	0272427	Ref	SOFT TOUCH INSTALLATION - 36IN X 8FT (91.5CM X 2.44M) PLATFORM	H
1	0100011	AR	Compound, Locking	
2	0200048	2	Arm, Switch	
3	0630462	8	Bolt	
4	0641414	8	Bolt 1/4 x 1-3/4	
5	0721005	4	Bolt #10 x 5/8	
6	0940103	1	Bumper Kit (Includes Corners and Enough Straight Material for One Platform)	
6	0940092	12	Bumper (Corner)	
6	0940094	AR	Bumper (12ft Length)	
7	1060341	23 ft/7m	Cable, Soft Touch - 16/2	
8	1060903	4	Wire Rope and Eyebolt Assembly	
10	3311401	8	Nut 1/4	
11	3311501	8	Nut 5/16	
12	3574091	2	Plate, Switch Strike	
13	4240099	7	Tie-Strap (Not Shown)	
14	4360057	2	Switch, Limit	
17	4460049	2	Connector, Strain Relief	
18	4460234	7	Tie-Strap (Not Shown)	
19	4460425	1	Connector, Strain Relief	
20	4751400	8	Washer 1/4	
21	4751500	12	Washer 5/16	
22	4751800	8	Washer 1/2	
23	4846673	1	Rail, Soft Touch	
27	1001197017	AR	Tie-Strap	
28	4460226	1	Socket	

SECTION 5 - PLATFORM

FIGURE 5-22. SOFT TOUCH INSTALLATION - 8FT (2.4M) FALL ARREST PLATFORM (OPTIONAL)



ART_0273706_E

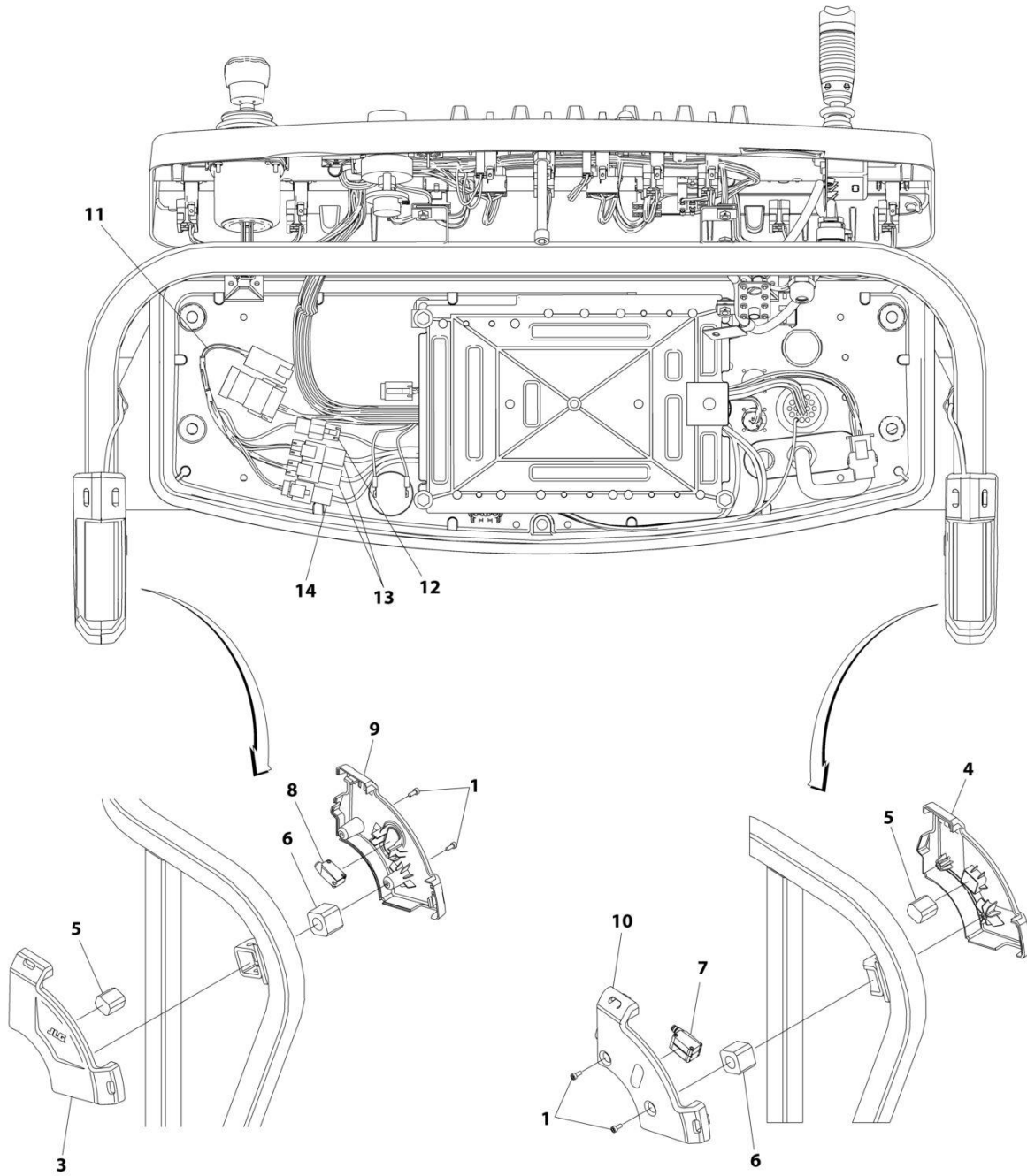
SECTION 5 - PLATFORM

FIGURE 5-22. SOFT TOUCH INSTALLATION - 8FT (2.4M) FALL ARREST PLATFORM (OPTIONAL)

ITEM	PART NUMBER	QTY	DESCRIPTION	REV
	0273706	Ref	SOFT TOUCH INSTALLATION	E
1	0100011	AR	Compound, Locking	
2	0200048	2	Arm, Switch	
3	0630462	8	Bolt	
4	0641414	8	Bolt 1/4 x 1-3/4	
5	0721005	4	Bolt #10 x 5/8	
6	0940133	1	Bumper Kit (Includes Corners and Enough Straight Material for One Platform)	
6	0940092	8	Bumper (Corner)	
6	0940094	AR	Bumper (12ft Length)	
7	1060341	23 ft/7m	Cable, Soft Touch - 16/2	
8	1060903	4	Wire Rope and Eyebolt Assembly	
10	3311401	8	Nut 1/4	
11	3311501	8	Nut 5/16	
12	3574091	2	Plate, Switch Strike	
13	4240099	7	Tie-Strap (Not Shown)	
14	4360057	2	Switch, Limit	
17	4460049	2	Connector, Strain Relief	
18	4460234	7	Tie-Strap (Not Shown)	
19	4460425	1	Connector, Strain Relief	
20	4751400	8	Washer 1/4	
21	4751500	12	Washer 5/16	
22	4751800	8	Washer 1/2	
23	4846673	1	Rail, Soft Touch	
27	1001197017	AR	Tie-Strap	
28	4460226	4	Socket	

SECTION 5 - PLATFORM

FIGURE 5-23. SKYEYE INSTALLATION



ART_1001229341

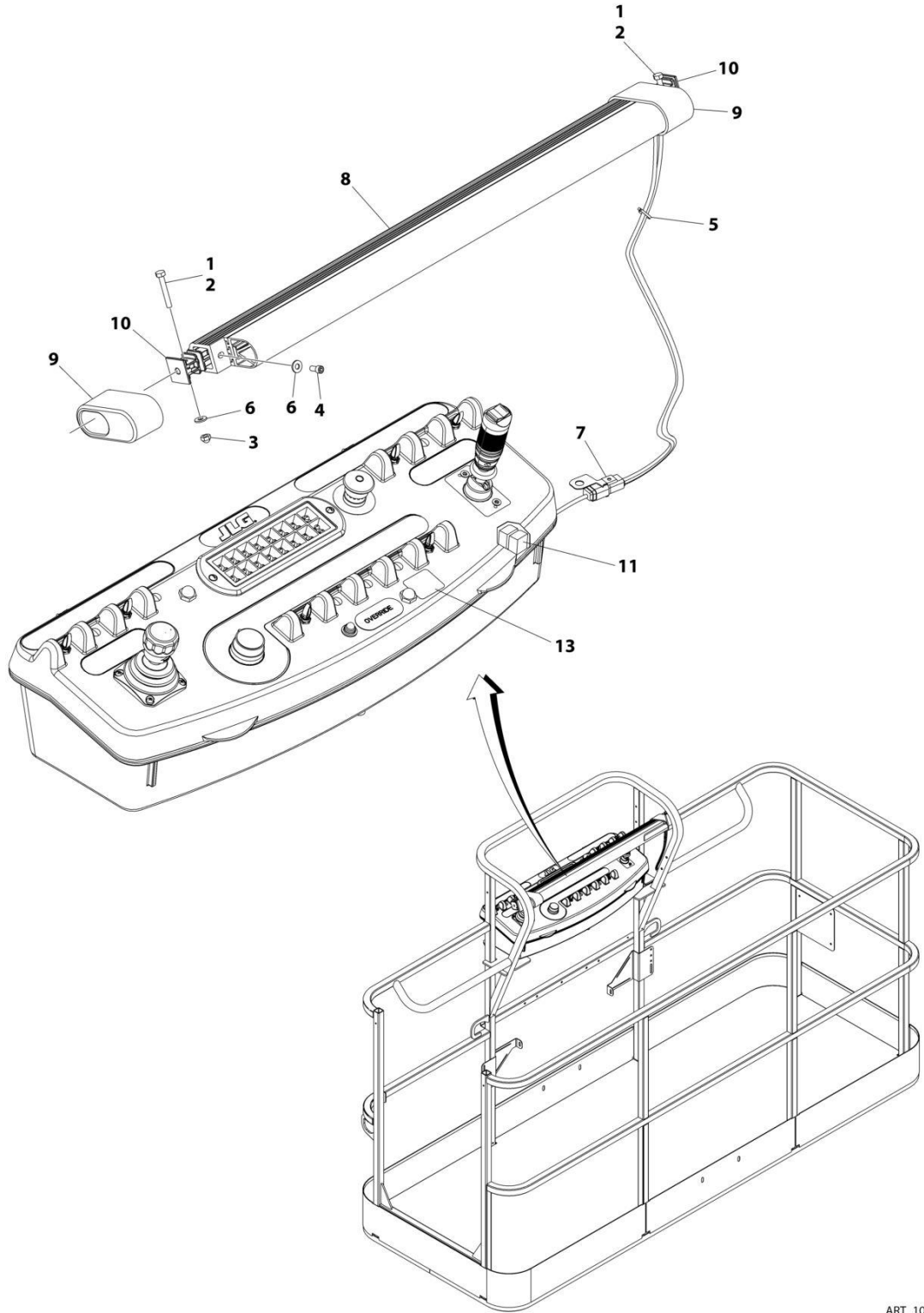
SECTION 5 - PLATFORM

FIGURE 5-23. SKYEYE INSTALLATION

ITEM	PART NUMBER	QTY	DESCRIPTION	REV
	1001229341	Ref	SKYEYE INSTALLATION	B
1	4031505	4	Bolt M4 x 10	
2	4240033	AR	Tie-Strap (Not Shown)	
3	1001227633	1	Housing, LH Outer	
4	1001227634	1	Housing, RH Outer	
5	1001227985	2	Shim	
6	1001227987	2	Shim	
7	1001228224	2	Sensor, Receiver	
8	1001228225	1	Sensor, Emitter	
9	1001232164	1	Housing, LH Inner	
10	1001232165	1	Housing, RH Inner	
11	1001237865	1	Harness, Skyeeye Intermediate (See Separate Breakdown in ELECTRICAL Section)	
12	1001238319	NLA	Harness, Skyeeye Drain Jumper	
12	1001187674	1	Plug, Male - 2 Position	
12	4460942	1	Terminal	
12	4460466	1	Plug, Terminal	
12	4460508	1	Pin, Male	
13	1001237863	2	Harness, Skyeeye Receiver (See Separate Breakdown in ELECTRICAL Section)	
14	1001237864	1	Harness, Skyeeye Emitter (See Separate Breakdown in ELECTRICAL Section)	

SECTION 5 - PLATFORM

FIGURE 5-24. SKYGUARD BAR INSTALLATION



ART_1001238495

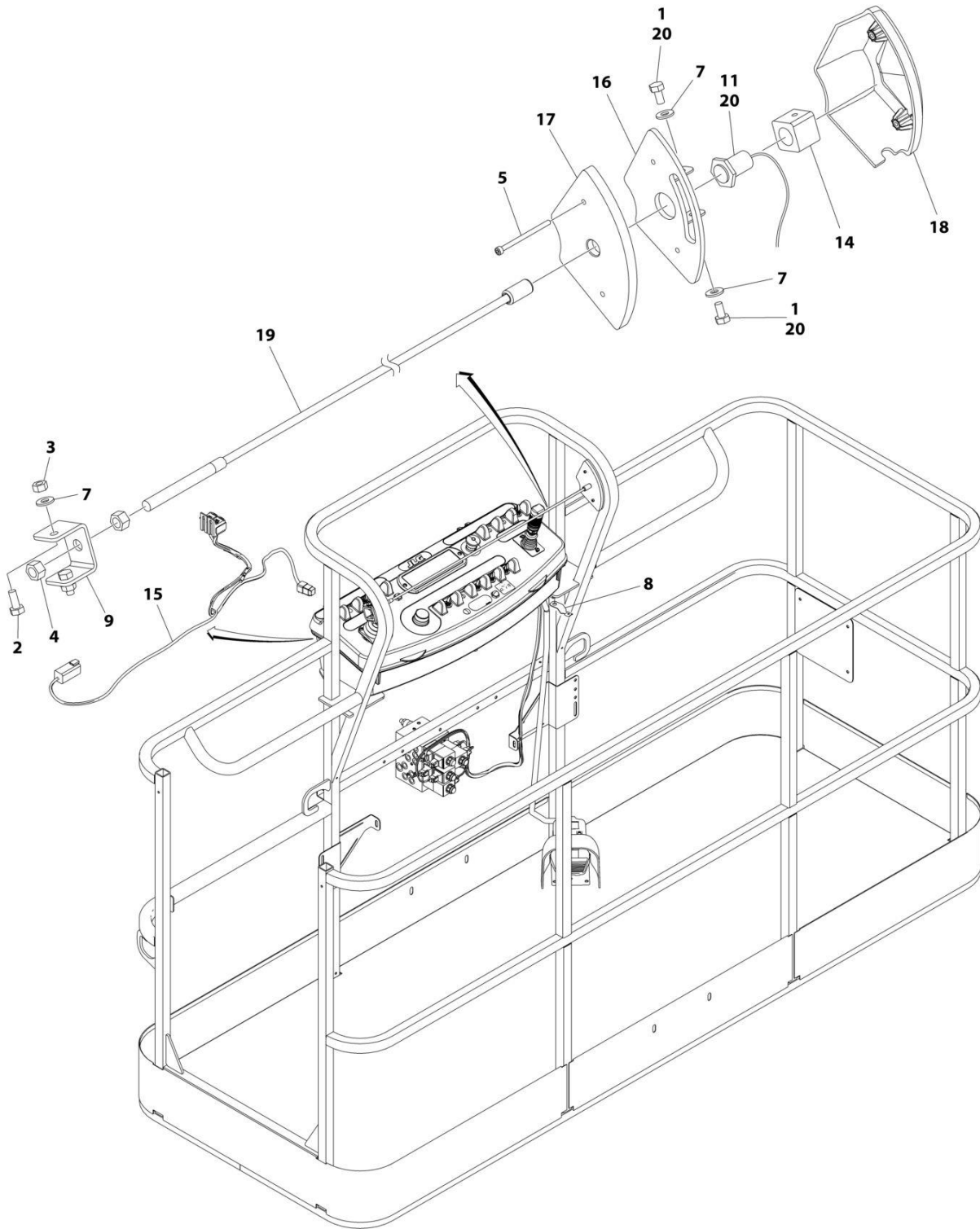
SECTION 5 - PLATFORM

FIGURE 5-24. SKYGUARD BAR INSTALLATION

ITEM	PART NUMBER	QTY	DESCRIPTION	REV
	1001238495	Ref	SKYGUARD BAR INSTALLATION	A
1	0100011	AR	Compound, Locking	
2	0641414	2	Bolt 1/4 x 1-3/4	
3	3300430	2	Nut 1/4	
4	3931408	2	Capscrew 1/4 x 1/2	
5	4240033	8	Tie-Strap	
6	4711400	6	Washer 1/4	
7	1001120328	1	Mount	
8	1001137673	1	SkyGuard Switch Assembly	
9	1001186517	2	Cover, Platform Sensor	
10	1001209664	2	Support, Block	
11	1001186431	2	Relay	
12	1001225580	1	Interface Harness Assembly (Not Shown - Located Inside Console Box) (See Separate Breakdown in ELECTRICAL Section)	
13	1001144433	1	Decal - No Weight SkyGuard	

SECTION 5 - PLATFORM

FIGURE 5-25. SKYLINE INSTALLATION



ART_1001238559_D

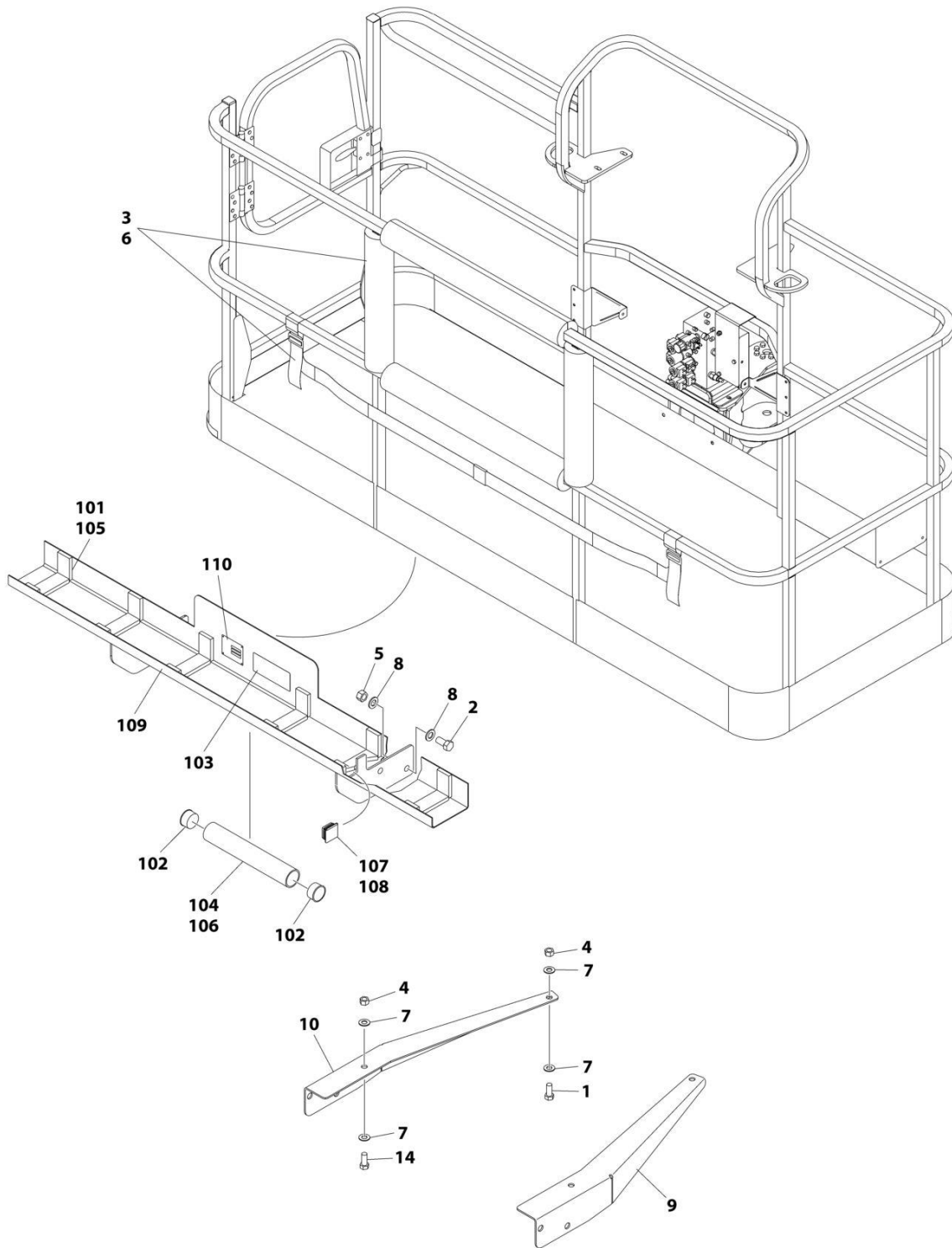
SECTION 5 - PLATFORM

FIGURE 5-25. SKYLINE INSTALLATION

ITEM	PART NUMBER	QTY	DESCRIPTION	REV
	1001238559	Ref	SKYLINE INSTALLATION	D
1	0641404	2	Bolt 1/4 x 1/2	
2	0641405	2	Bolt 1/4 x 5/8	
3	3311405	2	Nut 1/4	
4	3311601	2	Nut 3/8	
5	4031516	2	Capscrew M4 x 60	
6	4240033	AR	Tie-Strap (Not Shown)	
7	4711400	4	Washer 1/4	
8	1001120328	1	Mount	
9	1001232642	1	Bracket	
11	1001232667	1	Sensor, Proximity	
11	1001311034	1	Sensor, Proximity	
14	1001236552	1	Block	
15	1001238418	1	Harness, Skyline (See Separate Breakdown in ELECTRICAL Section)	
16	1001238472	1	Mount	
17	1001254473	1	Housing, LH	
18	1001241965	1	Housing, RH	
19	1001254472	1	Rod	
20	0100011	AR	Compound, Locking	

SECTION 5 - PLATFORM

FIGURE 5-26. SKYGLAZIER INSTALLATION (ANSI, ANSI EXPORT, AUSTRALIAN & CSA SPECS)



ART_1001172578_D

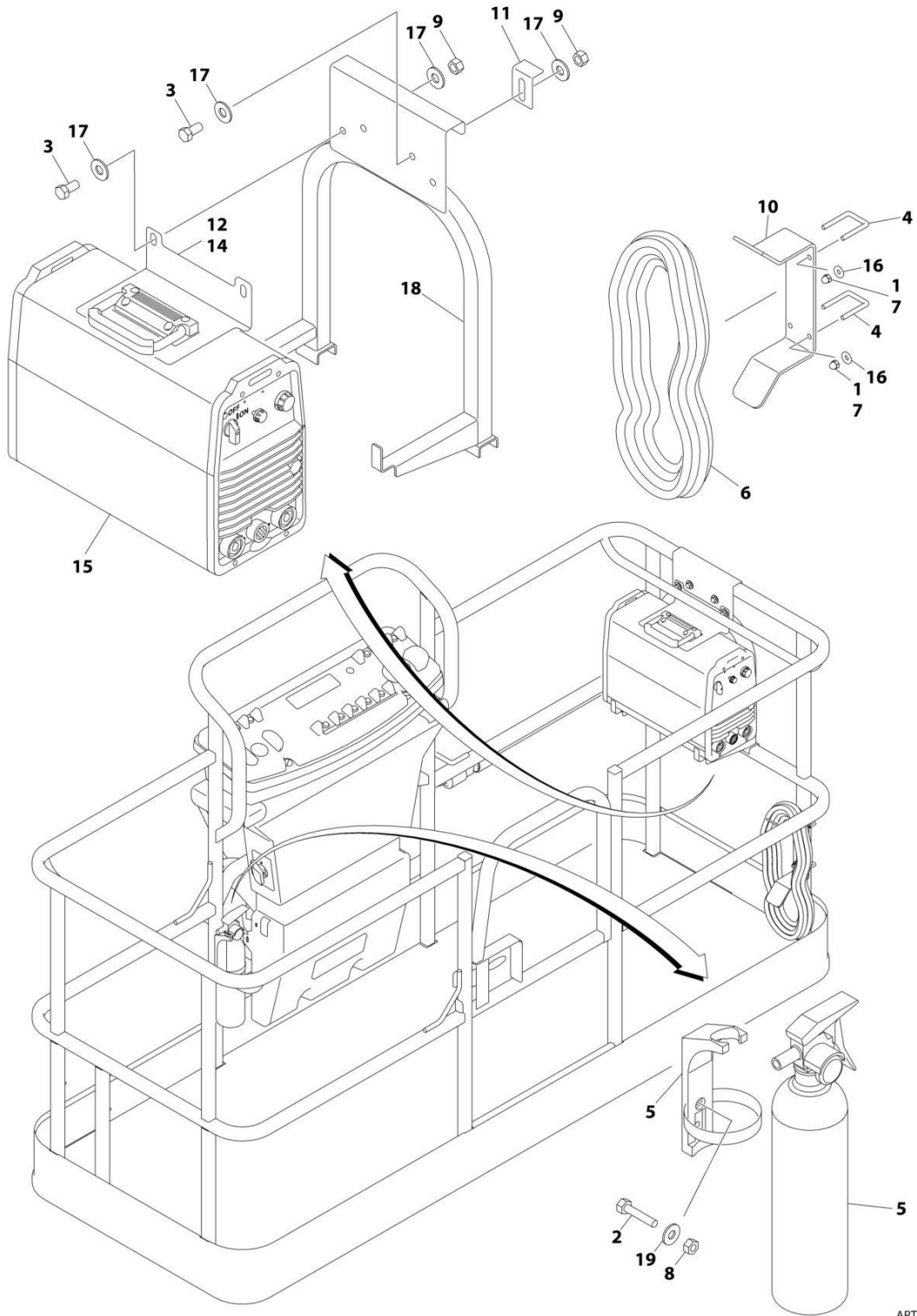
SECTION 5 - PLATFORM

FIGURE 5-26. SKYGLAZIER INSTALLATION (ANSI, ANSI EXPORT, AUSTRALIAN & CSA SPECS)

ITEM	PART NUMBER	QTY	DESCRIPTION	REV
	1001172578	Ref	SKYGLAZIER INSTALLATION	D
1	0642012	2	Bolt 5/8 x 1-1/2	
2	0642212	4	Bolt 3/4 x 1-1/2	
3	2902212	1	Bumpers and Strap Kit	
3	0940102	1	Bumper Only	
3	4240149	1	Strap Only	
4	3312005	1	Nut 5/8	
5	3312205	4	Nut 3/4	
6	4420014	AR	Tape	
7	4712000	6	Washer 5/8	
8	4712200	8	Washer 3/4	
9	1001099366	1	Support	
10	1001099367	1	Support	
13	1001303430	1	Tray Assembly (Not Shown) (See Items 101-110 for Breakdown)	
14	8310129	2	Bolt 3/4 x 2-1/2	
	1001303430	Ref	TRAY ASSEMBLY	A
101	0100081	AR	Adhesive	
102	1120555	2	Cap, Tube	
103	1701509	1	Decal - Manual	
104	3124242	1	Manual - Accessories	
105	3340956	1	Pad Kit	
106	3460334	1	Pipe	
107	3520071	2	Plug	
108	4420066	AR	Tape, Double Sided	
109	4846562	1	Weld, Glazier Shelf	
110	1001253726	1	Decal - Accessory	

SECTION 5 - PLATFORM

FIGURE 5-27. SKYWELDER INSTALLATION (50HZ)



ART_0272521_F

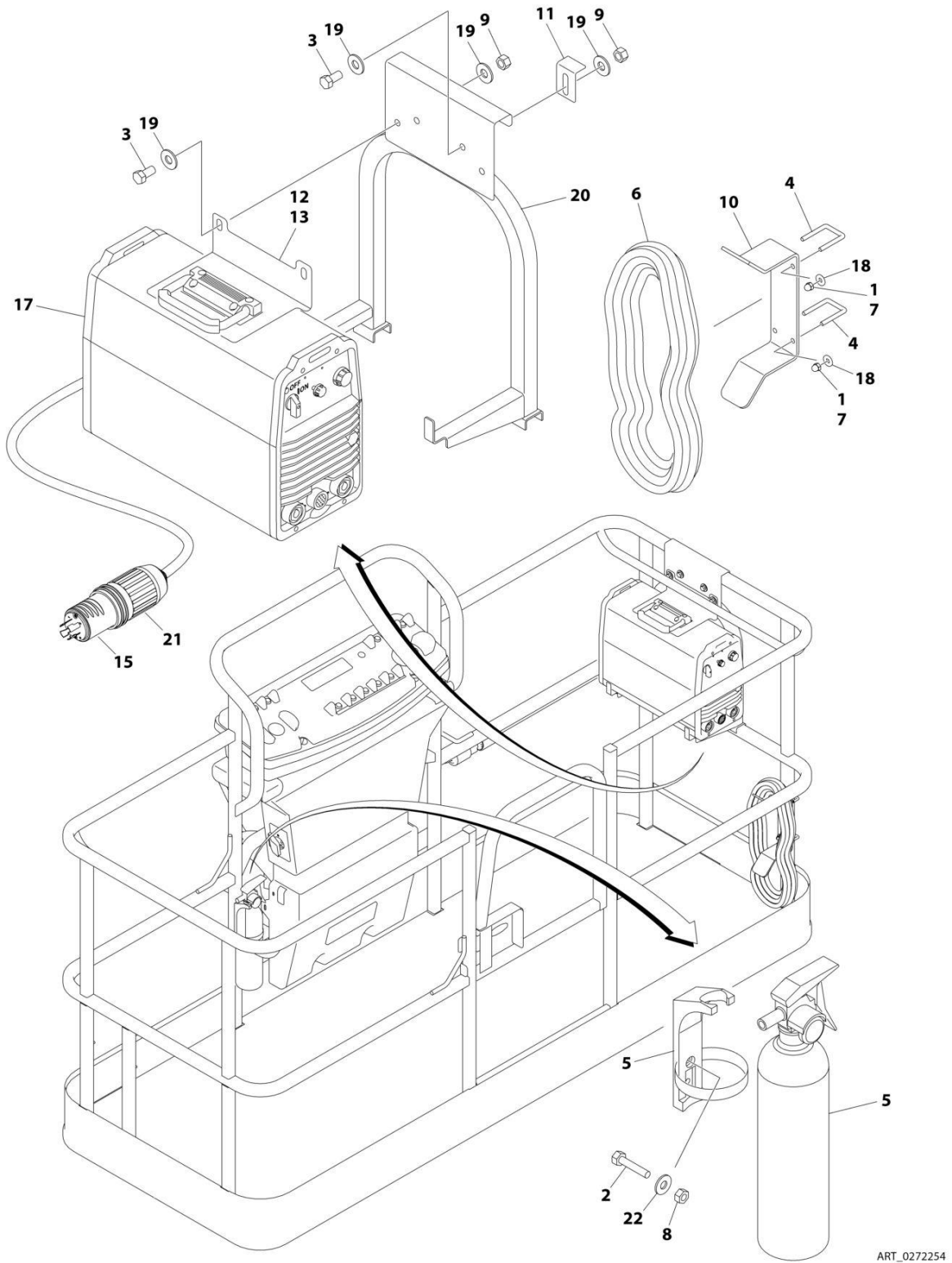
SECTION 5 - PLATFORM

FIGURE 5-27. SKYWELDER INSTALLATION (50HZ)

ITEM	PART NUMBER	QTY	DESCRIPTION	REV
	0272521	Ref	SKYWELDER INSTALLATION	F
1	0100011	AR	Compound, Locking	
2	0630518	2	Screw #10 x 3/4	
3	0641606	4	Bolt 3/8 x 3/4	
4	1320302	2	U-Clamp	
5	2030010	1	Extinguisher, Fire	
6	2902217	1	Weld Leads Kit	
7	3300151	4	Nut 1/4	
8	3311005	2	Nut #10	
9	3311605	4	Nut 3/8	
10	3573400	1	Bracket	
11	3577121	2	Angle	
12	3573642	1	Plate	
13	4240099	AR	Tie-Strap (Not Shown)	
14	4420037	AR	Tape	
15	4530028	1	Welder Assembly (See Separate Breakdown in this Section)	
16	4751400	4	Washer 1/4	
17	4751600	8	Washer 3/8	
18	4846627	1	Support	
19	4751000	2	Washer #10	

SECTION 5 - PLATFORM

FIGURE 5-28. SKYWELDER INSTALLATION (60HZ)



ART_0272254

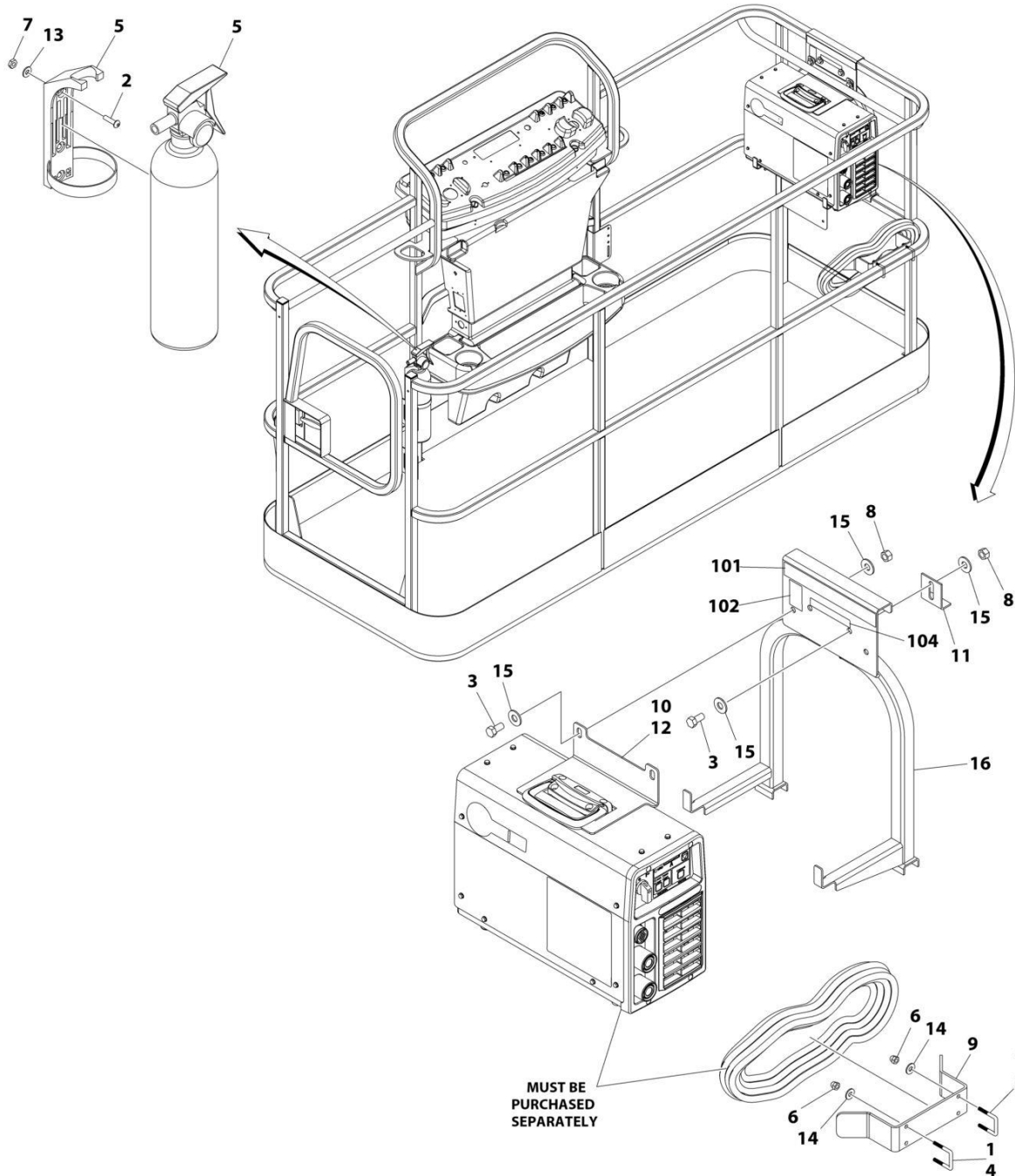
SECTION 5 - PLATFORM

FIGURE 5-28. SKYWELDER INSTALLATION (60HZ)

ITEM	PART NUMBER	QTY	DESCRIPTION	REV
	0272254	Ref	SKYWELDER INSTALLATION	1
1	0100011	AR	Compound, Locking	
2	0630518	2	Screw #10 x 3/4	
3	0641606	4	Bolt 3/8 x 3/4	
4	1320302	2	U-Clamp	
5	2030010	1	Extinguisher, Fire	
6	2902217	1	Weld Leads Kit	
7	3300151	4	Nut 1/4	
8	3311005	2	Nut #10	
9	3311605	4	Nut 3/8	
10	3573400	1	Bracket	
11	3577121	2	Angle	
12	3573642	1	Plate	
13	4420037	AR	Tape	
14	4240099	AR	Tie-Strap (Not Shown)	
15	4460962	1	Plug, Male Twistlock	
17	4530028	1	Welder Assembly (See Separate Breakdown in this Section)	
18	4751400	4	Washer 1/4	
19	4751600	8	Washer 3/8	
20	4846627	1	Support	
21	1671093	1	Cover, Plug	
22	4751000	2	Washer #10	

SECTION 5 - PLATFORM

FIGURE 5-29. SKYWELDER PREP PACKAGE (60HZ)



ART_1001128527_C

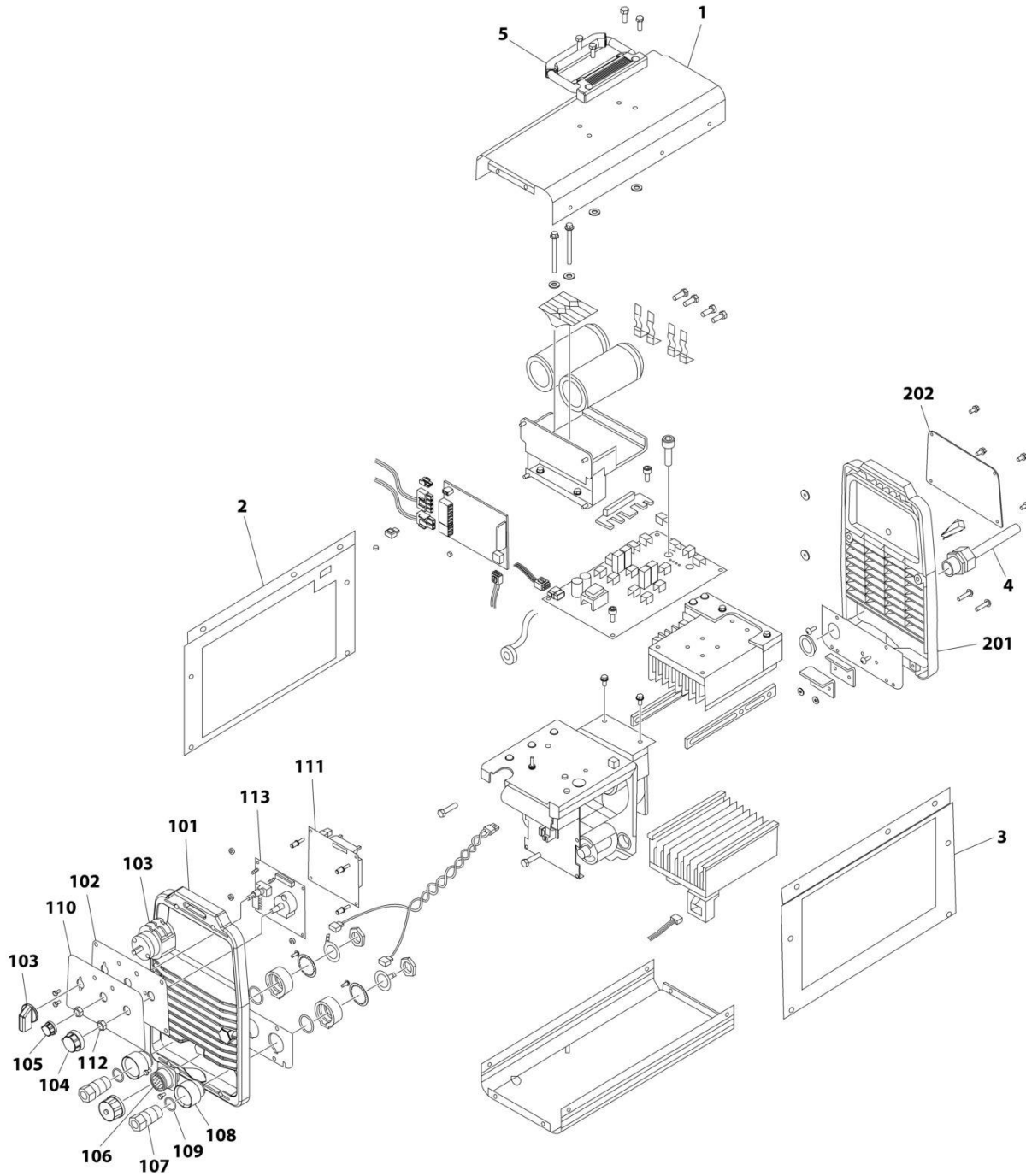
SECTION 5 - PLATFORM

FIGURE 5-29. SKYWELDER PREP PACKAGE (60HZ)

ITEM	PART NUMBER	QTY	DESCRIPTION	REV
	1001128527	Ref	SKYWELDER PREP PACKAGE	C
1	0100011	AR	Compound, Locking	
2	0630518	2	Screw #10 x 3/4	
3	0641606	4	Bolt 3/8 x 3/4	
4	1320302	2	U-Clamp	
5	2030010	1	Extinguisher, Fire	
6	3300151	4	Nut 1/4	
7	3311005	2	Nut #10	
8	3311605	4	Nut 3/8	
9	3573400	1	Bracket	
10	1001269573	1	Plate	
11	3577121	2	Angle	
12	4420037	AR	Tape	
13	4751000	2	Washer #10	
14	4751400	4	Washer 1/4	
15	4751600	8	Washer 3/8	
16	1001269322	1	Support	
	1001128556	Ref	SKYWELDER DECAL INSTALLATION	D
101	1702868	1	Decal - No Hands	
102	1705305	1	Decal - Weld Lead	
104	1001228988	1	Decal - Weight	

SECTION 5 - PLATFORM

FIGURE 5-30. WELDER ASSEMBLY



ART_4530028

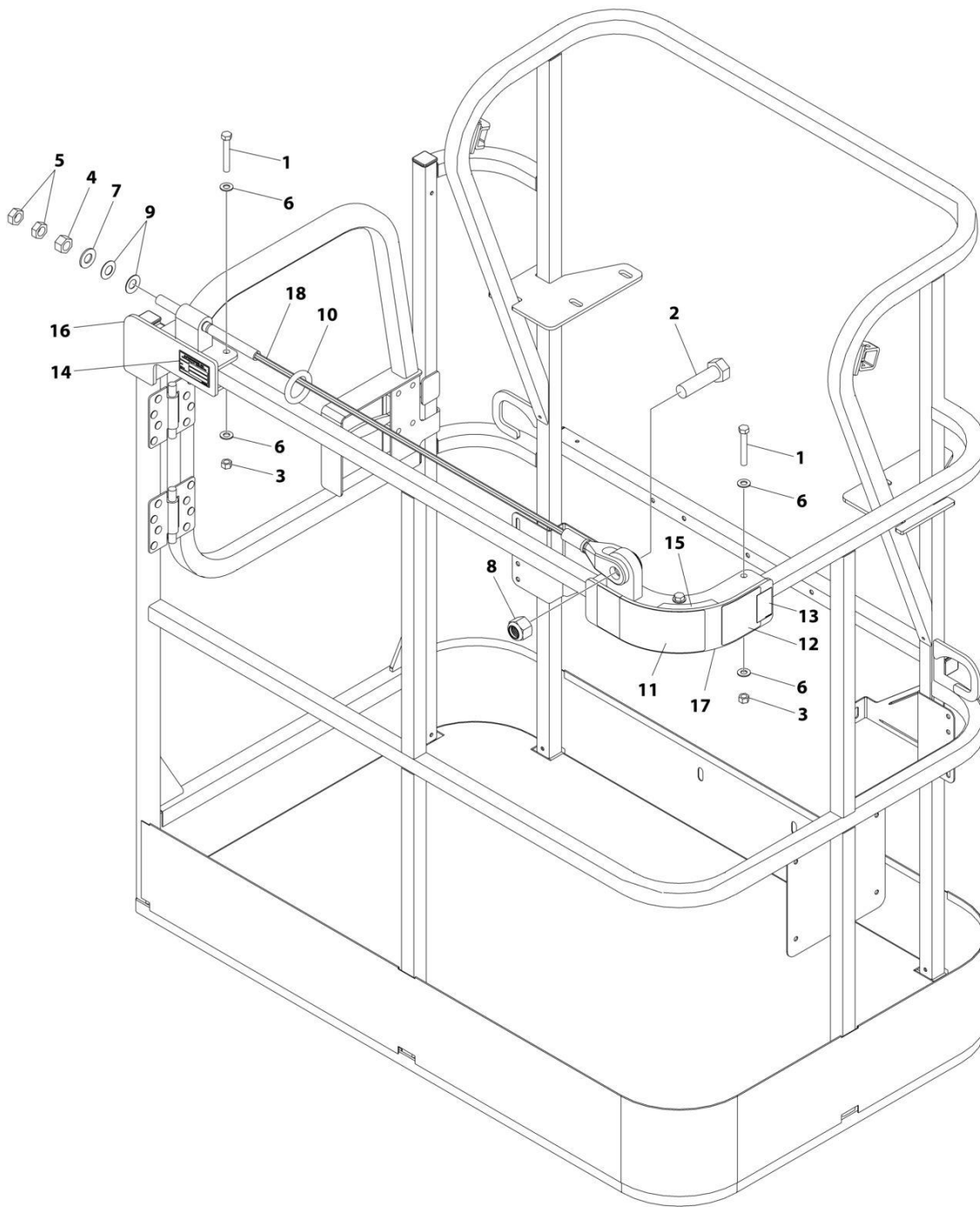
SECTION 5 - PLATFORM

FIGURE 5-30. WELDER ASSEMBLY

ITEM	PART NUMBER	QTY	DESCRIPTION	REV
	4530028	Ref	WELDER ASSEMBLY	B
		Ref	Note: For Other Components, contact your Miller Welder Dealer.	
1	7027773	1	Cover, Top	
1	7027774	1	Decal - Static Precautionary Warning	
2	See Note	NSS	Panel, LH Side (Note: Part of Item 1. Purchase Item 1)	
3	See Note	NSS	Panel, RH Side (Note: Part of Item 1. Purchase Item 1)	
4	7024467	1	Cable, Power	
4	7027775	1	Decal - Electrical Shock Warning (Not Shown)	
5	7027776	1	Handle, Carrying	
101	7024462	1	Panel, Front	
102	7024463	1	Panel, Console	
103	7024469	1	Switch with Lead	
104	7024470	1	Knob	
105	7024471	1	Knob	
106	7024472	1	Receptacle with Leads and Plugs	
107	7024473	2	Receptacle, Twistlock Female	
108	7024474	2	Insulator	
109	7024475	2	O-Ring	
110	7027777	1	Nameplate	
111	7027779	1	Circuit Card Assembly (Process Control)	
112	7024478	2	Nut	
113	7027778	1	Circuit Card Assembly (Operator Interface)	
201	7024462	1	Panel, Rear	
202	7027780	1	Panel, Cover	

SECTION 5 - PLATFORM

FIGURE 5-31. FALL ARREST INSTALLATION (BOLT-ON) 30IN X 4FT (76CM X 1.22M) PLATFORM



ART_1001261338

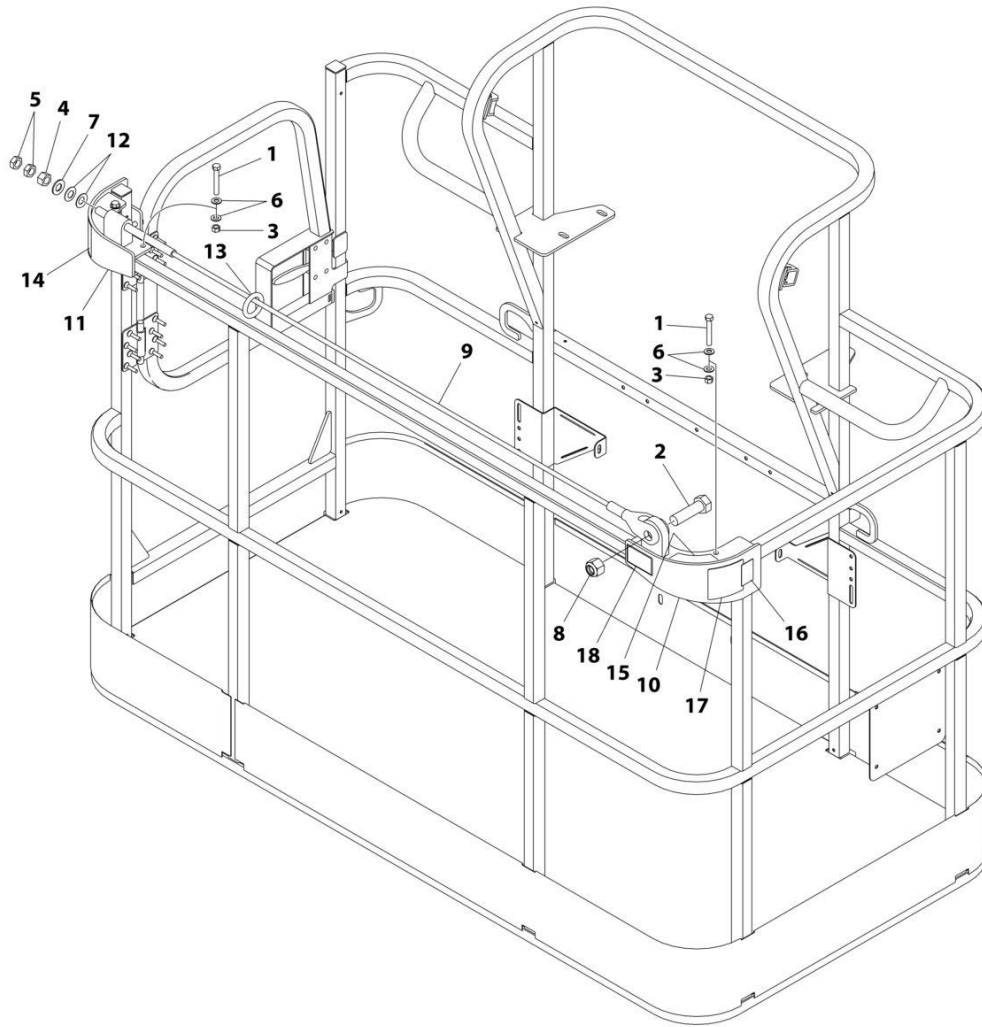
SECTION 5 - PLATFORM

FIGURE 5-31. FALL ARREST INSTALLATION (BOLT-ON) 30IN X 4FT (76CM X 1.22M) PLATFORM

ITEM	PART NUMBER	QTY	DESCRIPTION	REV
	1001261338	Ref	FALL ARREST INSTALLATION	A
1	0681620	6	Bolt 3/8 x 2-1/2	
2	0682424	1	Bolt 7/8 x 3	
3	3271605	6	Nut 3/8	
4	3272001	1	Nut 5/8	
5	3312002	2	Nut 5/8	
6	4711600	12	Washer 3/8	
7	4712000	1	Washer 5/8	
8	88521214	1	Nut 7/8	
9	1001236891	2	Washer	
10	1001236895	1	Ring	
11	1001238263	1	Decal - Warning Falling Hazard	
12	1001248140	1	Decal - Bolt Fall Arrest Re-Cert	
13	1001248141	1	Decal - Incription	
14	See Note	NSS	Nameplate - Manufacturers Serial Number (Note: Not Available for Purchase)	
15	1001252629	1	Decal - Weight	
16	1001257271	1	Bracket (RH)	
17	1001257274	1	Bracket (LH)	
18	1001261335	1	Rope	

SECTION 5 - PLATFORM

FIGURE 5-32. FALL ARREST INSTALLATION (BOLT-ON) 36IN X 6FT (91.2CM X 1.82M) PLATFORM



ART_1001236747

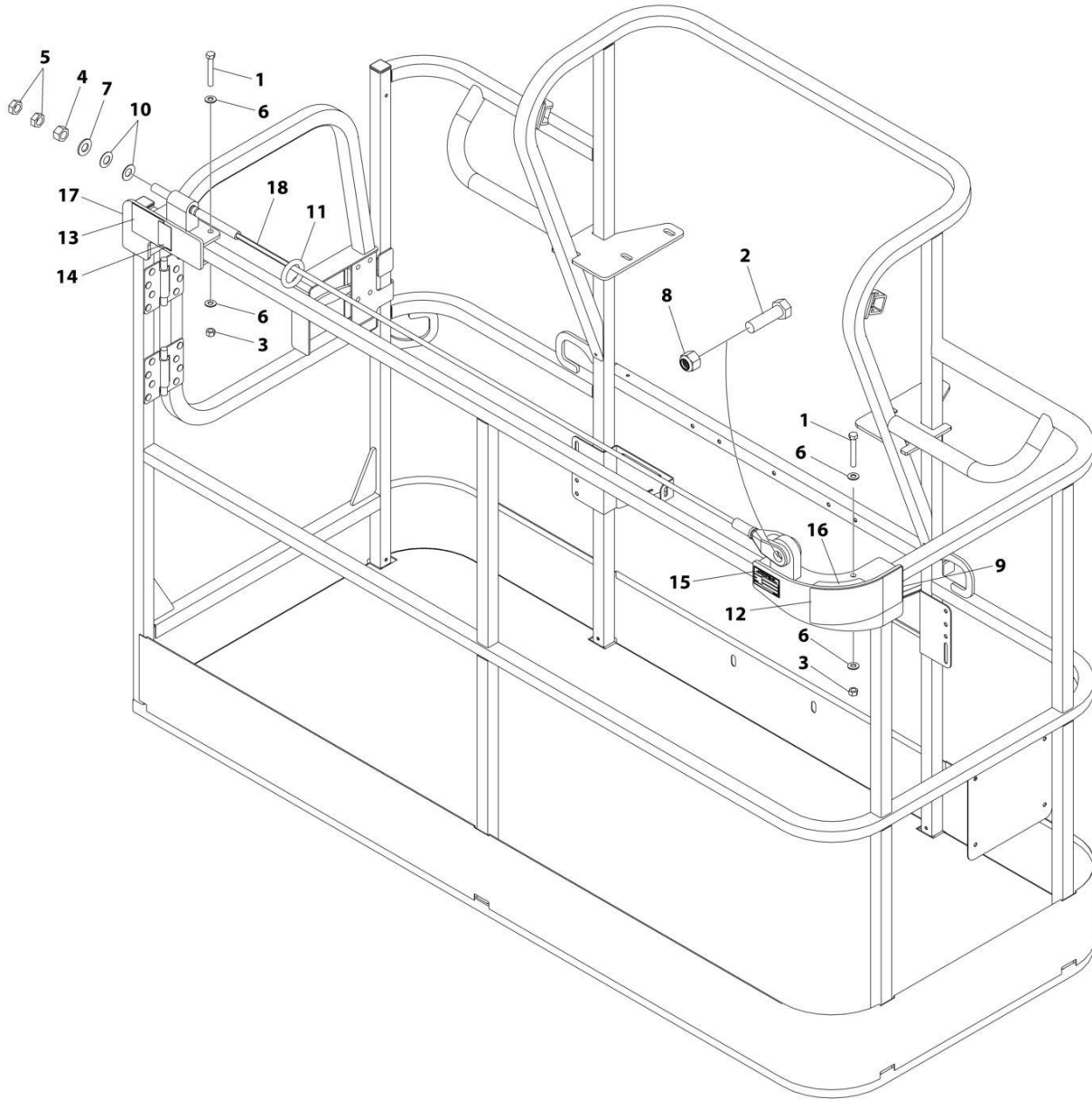
SECTION 5 - PLATFORM

FIGURE 5-32. FALL ARREST INSTALLATION (BOLT-ON) 36IN X 6FT (91.2CM X 1.82M) PLATFORM

ITEM	PART NUMBER	QTY	DESCRIPTION	REV
	1001236747	Ref	FALL ARREST INSTALLATION (BOLT - ON) 6FT/1.82M PLATFORM	C
1	0681620	6	Bolt 3/8 x 2-1/2	
2	0682424	1	Bolt 7/8 x 3	
3	3271605	6	Nut 3/8	
4	3272001	1	Nut 5/8	
5	3312002	2	Nut 5/8	
6	4711600	12	Washer 3/8	
7	4712000	1	Washer 5/8	
8	88521214	1	Nut 7/8	
9	1001231950	1	Rope	
10	1001232010	1	Bracket (RH)	
11	1001232011	1	Bracket (LH)	
12	1001236891	2	Washer	
13	1001236895	1	Ring	
14	1001238263	1	Decal - Warning Falling Hazard	
15	1001252629	1	Decal - Weight	
16	1001248140	1	Decal - Bolt Fall Arrest Re-Cert	
17	1001248141	1	Decal - Inscription	

SECTION 5 - PLATFORM

FIGURE 5-33. FALL ARREST INSTALLATION (BOLT-ON) 30IN X 6FT (76CM X 1.83M) PLATFORM



ART_1001261339

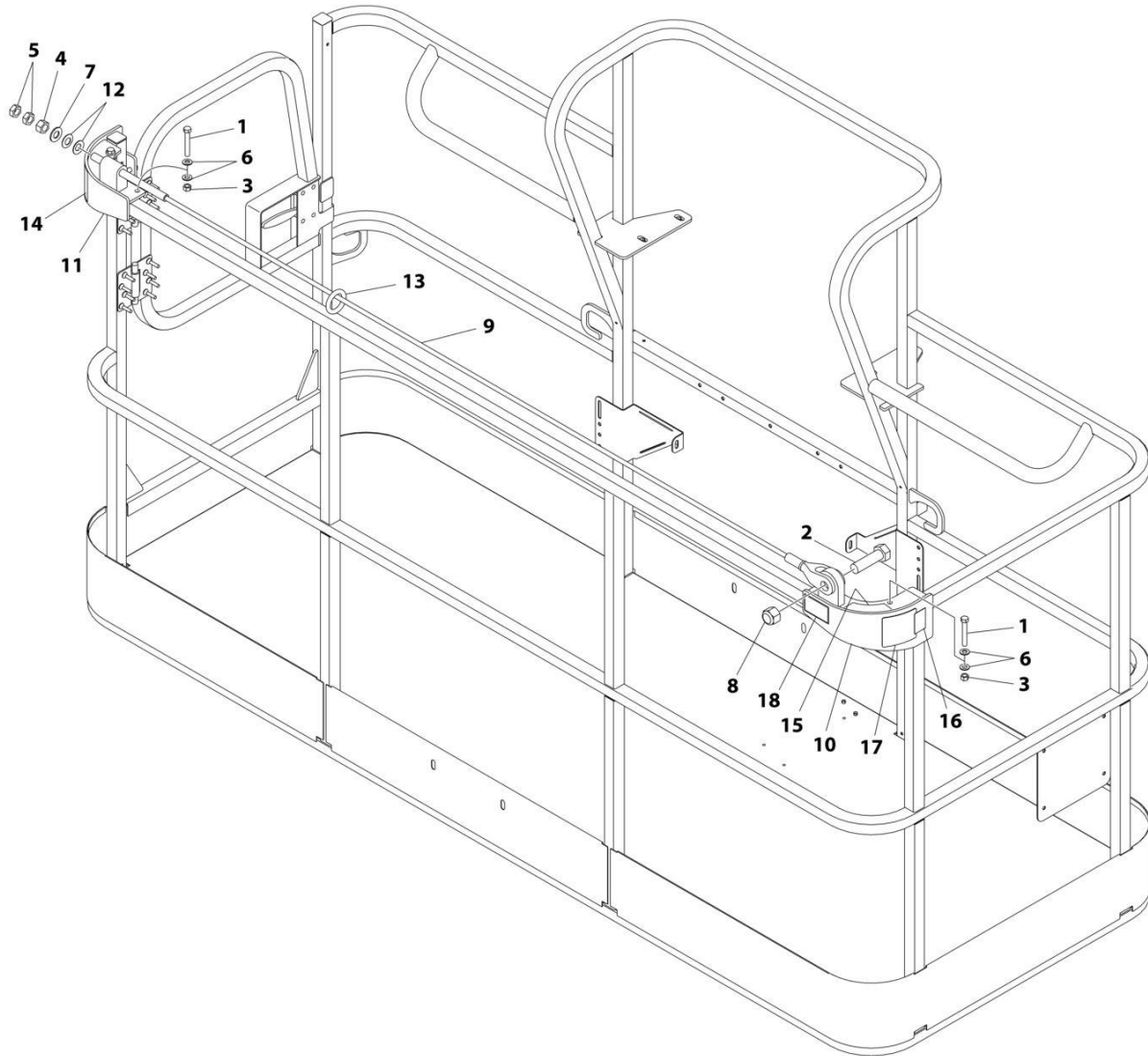
SECTION 5 - PLATFORM

FIGURE 5-33. FALL ARREST INSTALLATION (BOLT-ON) 30IN X 6FT (76CM X 1.83M) PLATFORM

ITEM	PART NUMBER	QTY	DESCRIPTION	REV
	1001261339	Ref	FALL ARREST INSTALLATION (BOLT-ON) 30IN X 6FT (76CM X 1.83M) PLATFORM	A
1	0681620	6	Bolt 3/8 x 2-1/2	
2	0682424	1	Bolt 7/8 x 3	
3	3271605	6	Nut 3/8	
4	3272001	1	Nut 5/8	
5	3312002	2	Nut 5/8	
6	4711600	12	Washer 3/8	
7	4712000	1	Washer 5/8	
8	88521214	1	Nut 7/8	
9	1001232010	1	Bracket	
10	1001236891	2	Washer	
11	1001236895	1	Ring	
12	1001238263	1	Decal - Warning Falling Hazard	
13	1001248140	1	Decal - Bolt Fall Arrest Re-Cert	
14	1001248141	1	Decal - Incription	
15	See Note	NSS	Nameplate - Manufacturers Serial Number (Note: Not Available for Purchase)	
16	1001252629	1	Decal - Weight	
17	1001257271	1	Bracket	
18	1001261336	1	Rope	

SECTION 5 - PLATFORM

FIGURE 5-34. FALL ARREST INSTALLATION (BOLT-ON) 36IN X 8FT (91.5CM X 2.4M) PLATFORM



ART_1001236746

SECTION 5 - PLATFORM

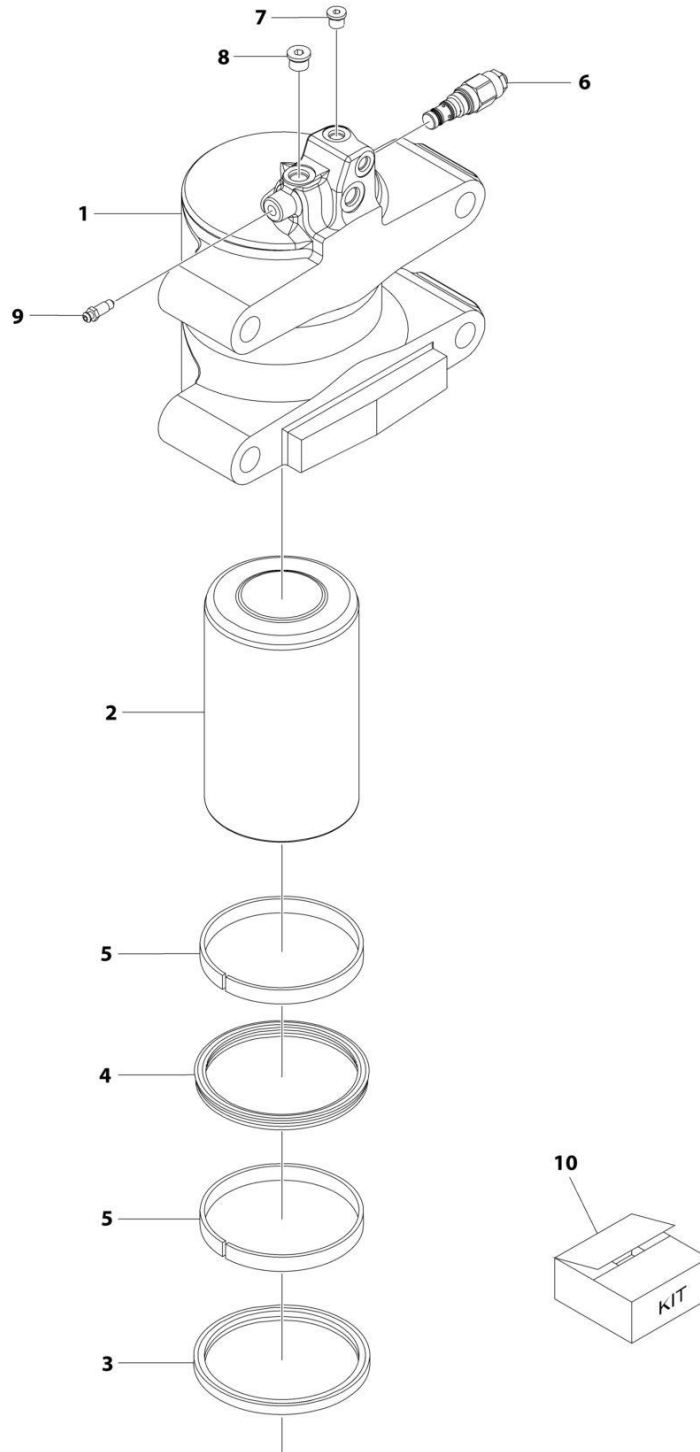
FIGURE 5-34. FALL ARREST INSTALLATION (BOLT-ON) 36IN X 8FT (91.5CM X 2.4M) PLATFORM

ITEM	PART NUMBER	QTY	DESCRIPTION	REV
	1001236746	Ref	FALL ARREST INSTALLATION (BOLT - ON) 8FT/2.4M PLATFORM	C
1	0681620	6	Bolt 3/8 x 2-1/2	
2	0682424	1	Bolt 7/8 x 3	
3	3271605	6	Nut 3/8	
4	3272001	1	Nut 5/8	
5	3312002	2	Nut 5/8	
6	4711600	12	Washer 3/8	
7	4712000	1	Washer 5/8	
8	88521214	1	Nut 7/8	
9	1001231949	1	Rope	
10	1001232010	1	Bracket (RH)	
11	1001232011	1	Bracket (LH)	
12	1001236891	2	Washer	
13	1001236895	1	Ring	
14	1001238263	1	Decal - Warning Falling Hazard	
15	1001252629	1	Decal - Weight 23LBS/10.4KG	
16	1001248140	1	Decal - Bolt Fall Arrest Re-Cert	
17	1001248141	1	Decal - Inscription	

SECTION 6 - CYLINDER

SECTION 6 - CYLINDER

FIGURE 6-1. AXLE LOCKOUT CYLINDER ASSEMBLY



ART_1001204560

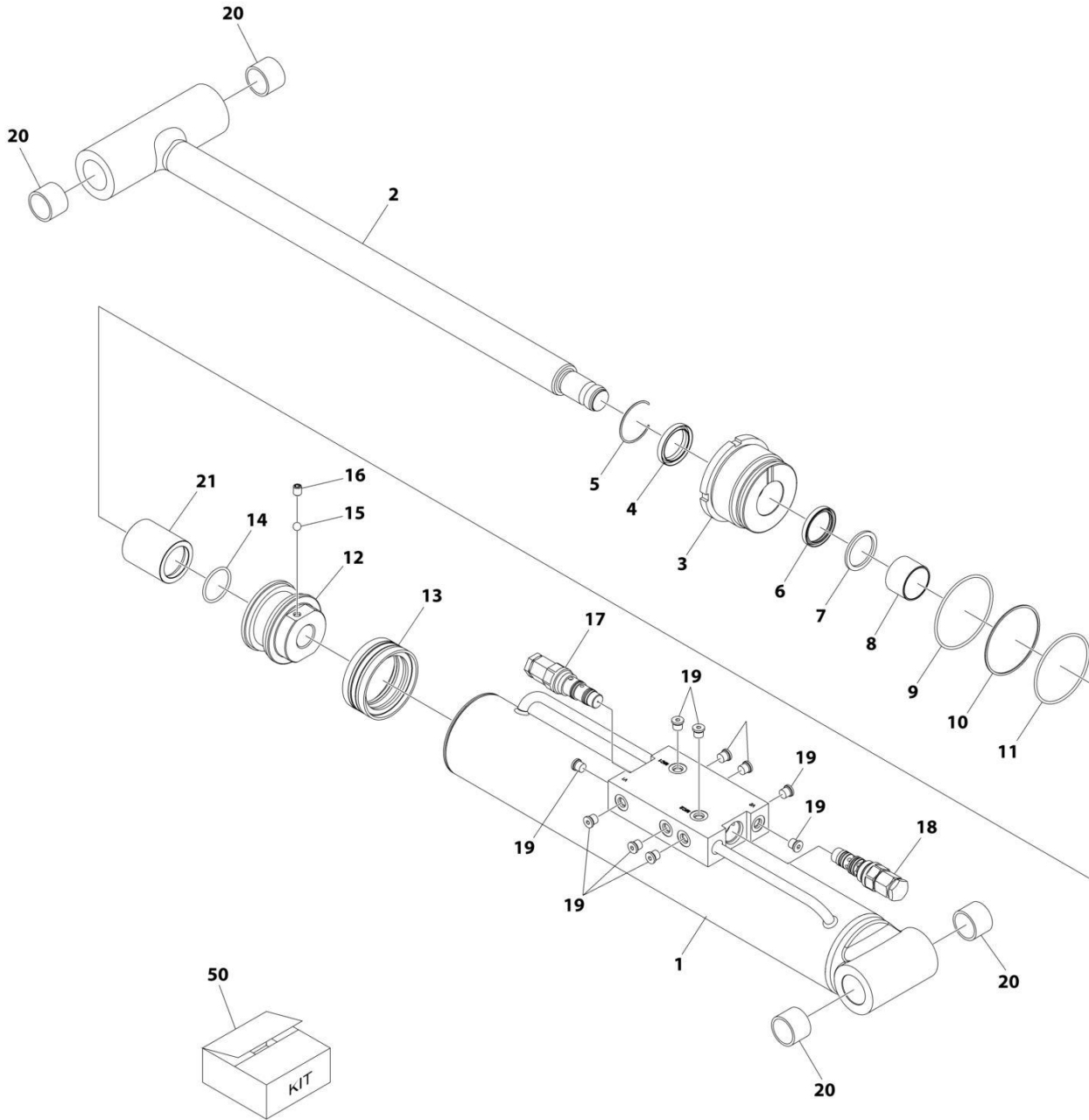
SECTION 6 - CYLINDER

FIGURE 6-1. AXLE LOCKOUT CYLINDER ASSMBLY

ITEM	PART NUMBER	QTY	DESCRIPTION	REV
	1001204560	Ref	AXLE LOCKOUT CYLINDER ASSEMBLY	D
1	1001154126	1	Barrel	
2	1001154687	1	Rod	
3	See Note	NSS	Wiper (Note: Use Item 10)	
4	See Note	NSS	Seal, Rod (Note: Use Item 10)	
5	See Note	NSS	Ring, Wear (Note: Use Item 10)	
6	1001117372	1	Cartridge, Valve (Counterbalance)	
6	70002842	1	Seal Kit - 1001117372 Valve (1 Per Assembly)	
7	2220883	1	Plug, O-Ring	
8	2220885	1	Plug, O-Ring	
9	4640858	1	Valve, Bleeder	
10	1001098167	1	Seal Kit (Includes Items 3-5)	

SECTION 6 - CYLINDER

FIGURE 6-2. LEVEL (SLAVE) CYLINDER ASSEMBLY - JIB



ART_1001251030

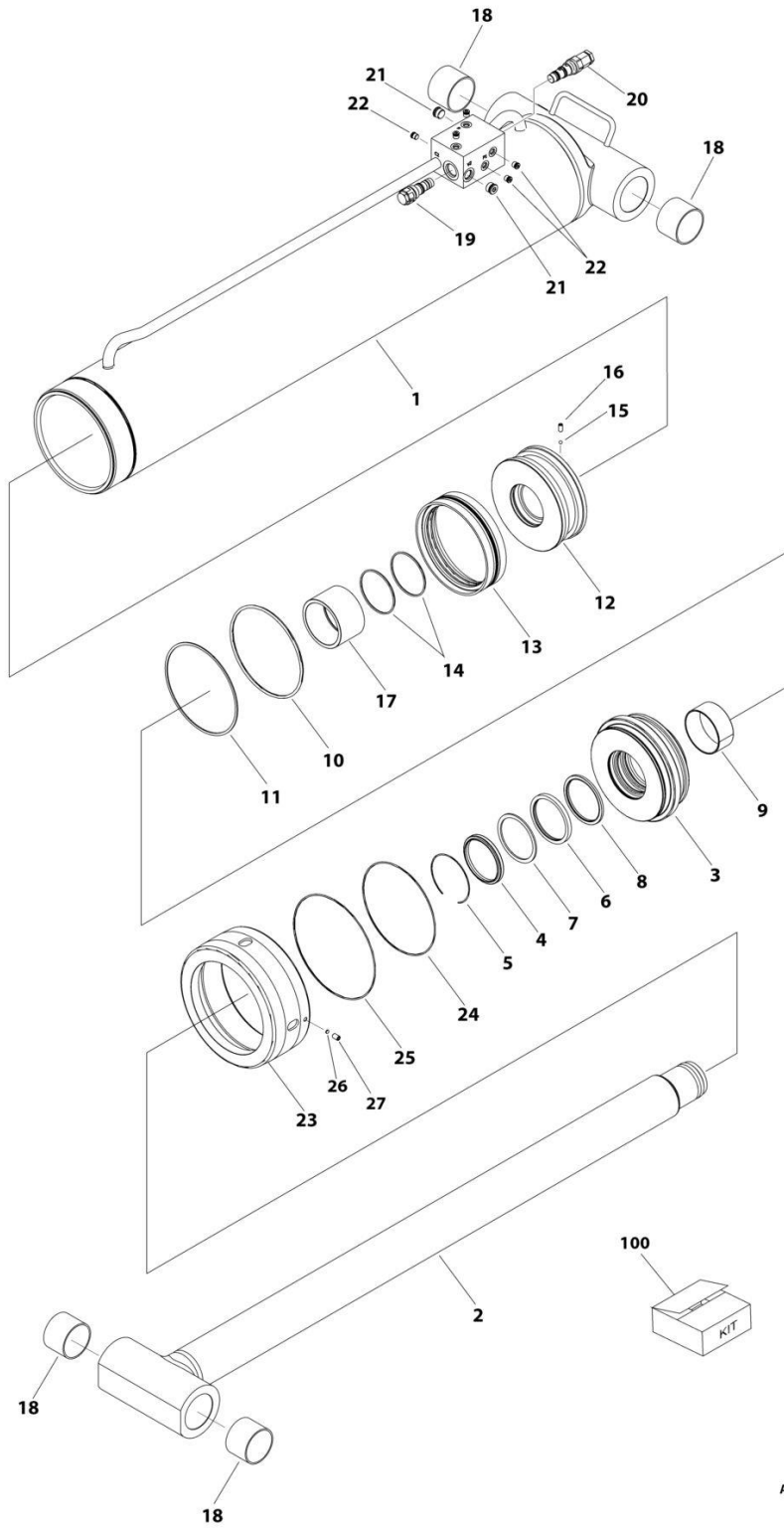
SECTION 6 - CYLINDER

FIGURE 6-2. LEVEL (SLAVE) CYLINDER ASSEMBLY - JIB

ITEM	PART NUMBER	QTY	DESCRIPTION	REV
	1001251030	Ref	LEVEL (SLAVE) CYLINDER ASSEMBLY	B
		Ref	Note: Cylinder May Have Been Replaced with Service Replacement. Identify PN Stamped Cylinder Before Ordering Parts.	
1	See Note	NSS	Barrel (Note: Use PN 1001251030)	
2	70007966	1	Rod	
3	70007967	1	Head	
4	See Note	NSS	Wiper (Note: Use Item 50)	
5	70002373	1	Ring, Retaining	
6	See Note	NSS	Seal, Rod (Note: Use Item 50)	
7	See Note	NSS	Ring, Back-up (Note: Use Item 50)	
8	70005143	1	Bearing	
9	See Note	NSS	O-Ring (Note: Use Item 50)	
10	See Note	NSS	Ring, Back-up (Note: Use Item 50)	
11	See Note	NSS	O-Ring (Note: Use Item 50)	
12	70005144	1	Piston	
13	See Note	NSS	Seal, Piston (Note: Use Item 50)	
14	See Note	NSS	O-Ring (Note: Use Item 50)	
15	70022564	1	Ball, Steel	
16	70006596	1	Setscrew M8 x 12	
17	4640932	1	Cartridge, Valve - Counterbalance	
17	7011112	1	Seal Kit - 4640932 Valve	
18	4640605	1	Cartridge, Valve - Counterbalance	
18	2900792	1	Seal Kit - 4640605 Valve	
19	70023370	10	Plug 7/16	
20	0961951	4	Bearing	
21	70007968	1	Spacer	
50	70007969	1	Seal Kit - 1001251030 Cylinder (Includes Items 4, 6, 7, 9-11, 13 & 14)	

SECTION 6 - CYLINDER

FIGURE 6-3. LEVEL (SLAVE) CYLINDER ASSEMBLY - UPRIGHT



ART_1001251041

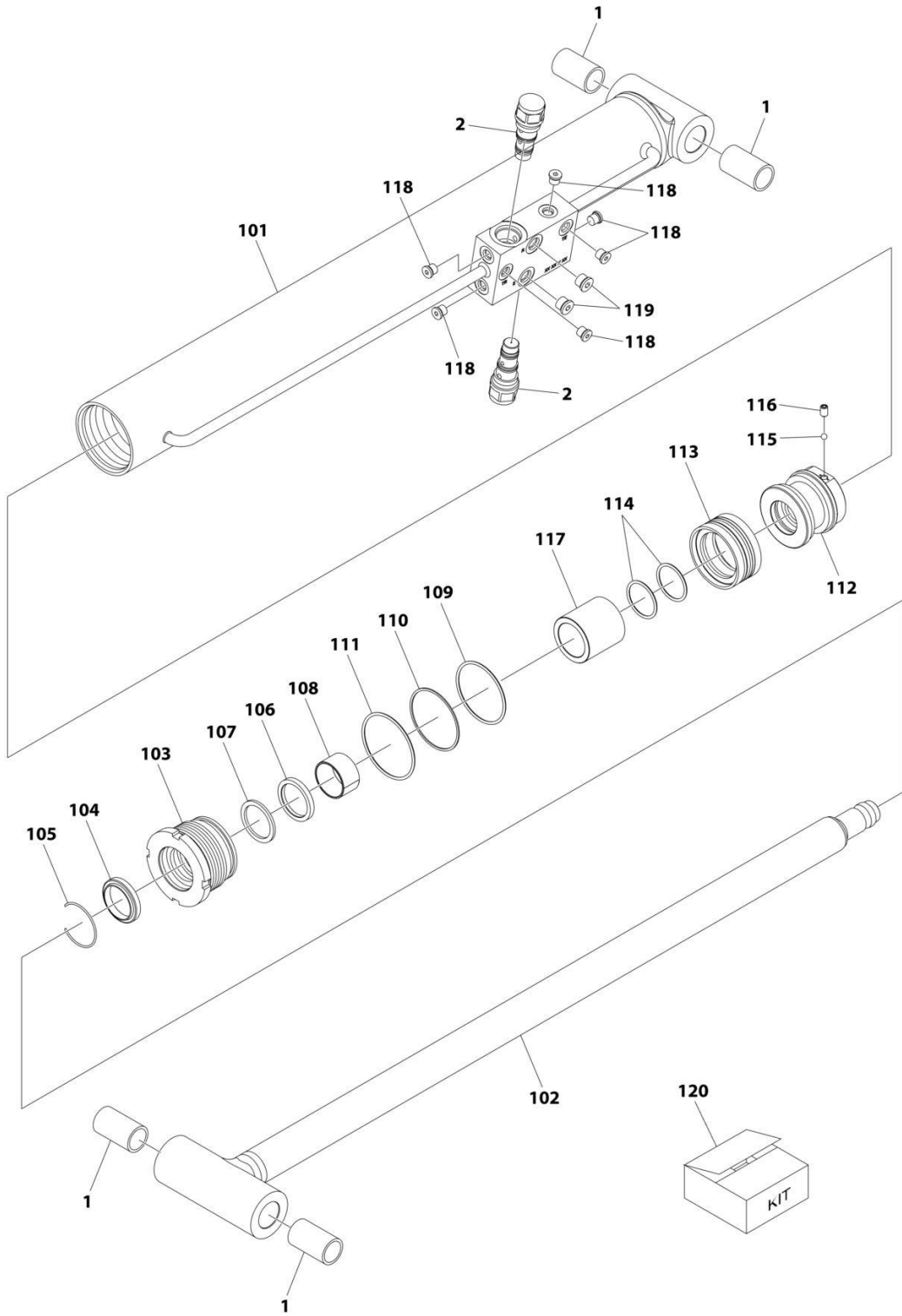
SECTION 6 - CYLINDER

FIGURE 6-3. LEVEL (SLAVE) CYLINDER ASSEMBLY - UPRIGHT

ITEM	PART NUMBER	QTY	DESCRIPTION	REV
	1001251041	Ref	LIFT CYLINDER ASSEMBLY	C
		Ref	Note: Original Cylinder may have been replaced with Service Replacement. Identify PN Stamped on Cylinder Before Ordering Parts.	
1	See Note	NSS	Barrel (Note: Not Available for Purchase)	
2	70007427	1	Rod	
3	70007422	1	Head	
4	See Note	NSS	Wiper (Note: Use Item 100)	
5	70023380	1	Ring, Retaining	
6	See Note	NSS	Seal (Note: Use Item 100)	
7	See Note	NSS	Ring, Back-up (Note: Use Item 100)	
8	See Note	NSS	Ring, Buffer (Note: Use Item 100)	
9	70007423	1	Ring, Wear	
10	See Note	NSS	O-Ring (Note: Use Item 100)	
11	See Note	NSS	Ring, Back-up (Note: Use Item 100)	
12	70007428	1	Piston	
13	See Note	NSS	Seal (Note: Use Item 100)	
14	See Note	NSS	O-Ring (Note: Use Item 100)	
15	70022564	1	Steel Ball	
16	70007246	1	Screw, Set	
17	70007429	1	Spacer	
18	0962102	4	Bushing	
19	4640509	1	Cartridge, Valve	
19	2900792	1	Seal Kit - 4640509 Valve	
20	4640605	1	Cartridge, Valve	
20	2900792	1	Seal Kit - 4640605 Valve	
21	2220886	2	Plug, O-Ring	
22	2220883	5	Plug, O-Ring	
23	70007278	1	Cap	
24	See Note	1	O-Ring (Note: Use Item 100)	
25	See Note	NSS	O-Ring (Note: Use Item 100)	
26	70007282	1	Insert, Locking	
27	70026287	1	Screw, Set	
100	70007430	1	Seal Kit (Includes Items 4, 6-8, 10, 11, 13, 14, 24 & 25)	

SECTION 6 - CYLINDER

FIGURE 6-4. LIFT CYLINDER ASSEMBLY - JIB



ART_1001251012

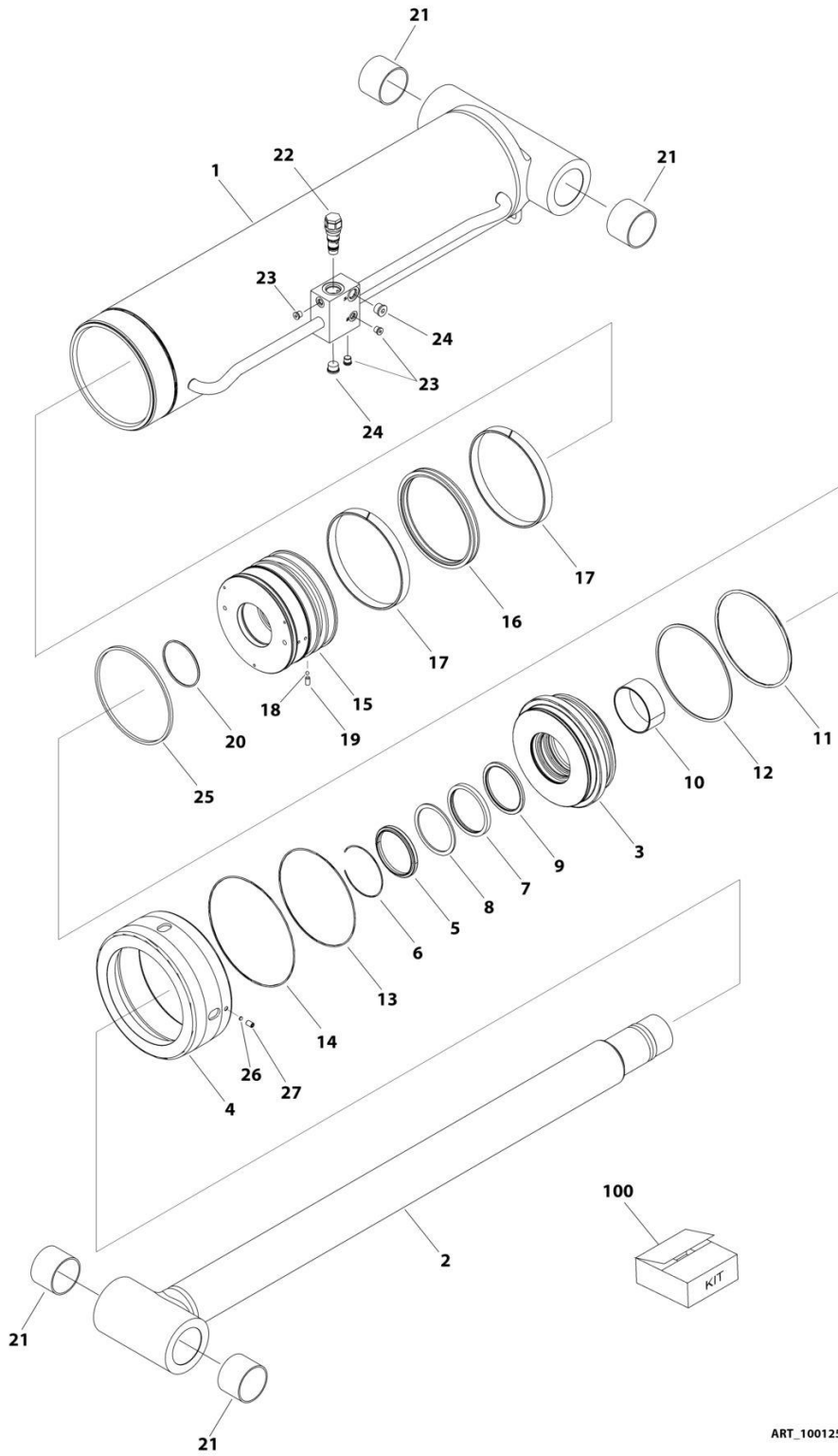
SECTION 6 - CYLINDER

FIGURE 6-4. LIFT CYLINDER ASSEMBLY - JIB

ITEM	PART NUMBER	QTY	DESCRIPTION	REV
	1001251012	Ref	LIFT CYLINDER ASSEMBLY - JIB	A
		Ref	Note: Original Cylinder May Have Been Replaced with Service Replacement. Identify PN Stamped on Cylinder Before Ordering Parts.	
1	0962336	4	Bushing	
2	4640509	2	Cartridge, Valve	
2	2900792	2	Seal Kit - 4640509 Valve	
101	See Note	NSS	Tube (Note: Not Available for Purchase)	
102	70008175	1	Rod	
103	70008176	1	Head	
104	See Note	NSS	Wiper, Dust (Note: Use Item 120)	
105	70002373	1	Ring, Retaining	
106	See Note	NSS	Seal, Rod (Note: Use Item 120)	
107	See Note	NSS	Ring, Backup (Note: Use Item 120)	
108	70005871	1	Bushing	
109	See Note	NSS	O-Ring (Note: Use Item 120)	
110	See Note	NSS	Ring, Backup (Note: Use Item 120)	
111	See Note	NSS	O-Ring (Note: Use Item 120)	
112	70008177	1	Piston	
113	See Note	NSS	Seal, Piston (Note: Use Item 120)	
114	See Note	NSS	O-Ring (Note: Use Item 120)	
115	70022564	1	Ball, Steel	
116	70006596	1	Setscrew	
117	70008178	1	Spacer	
118	2220883	6	Plug 7/16	
119	2220885	2	Plug 9/16	
120	70008179	1	Seal Kit (Includes Items 104, 106-107, 109-111 & 113-114)	

SECTION 6 - CYLINDER

FIGURE 6-5. LIFT CYLINDER ASSEMBLY - MAIN BOOM



ART_1001251010

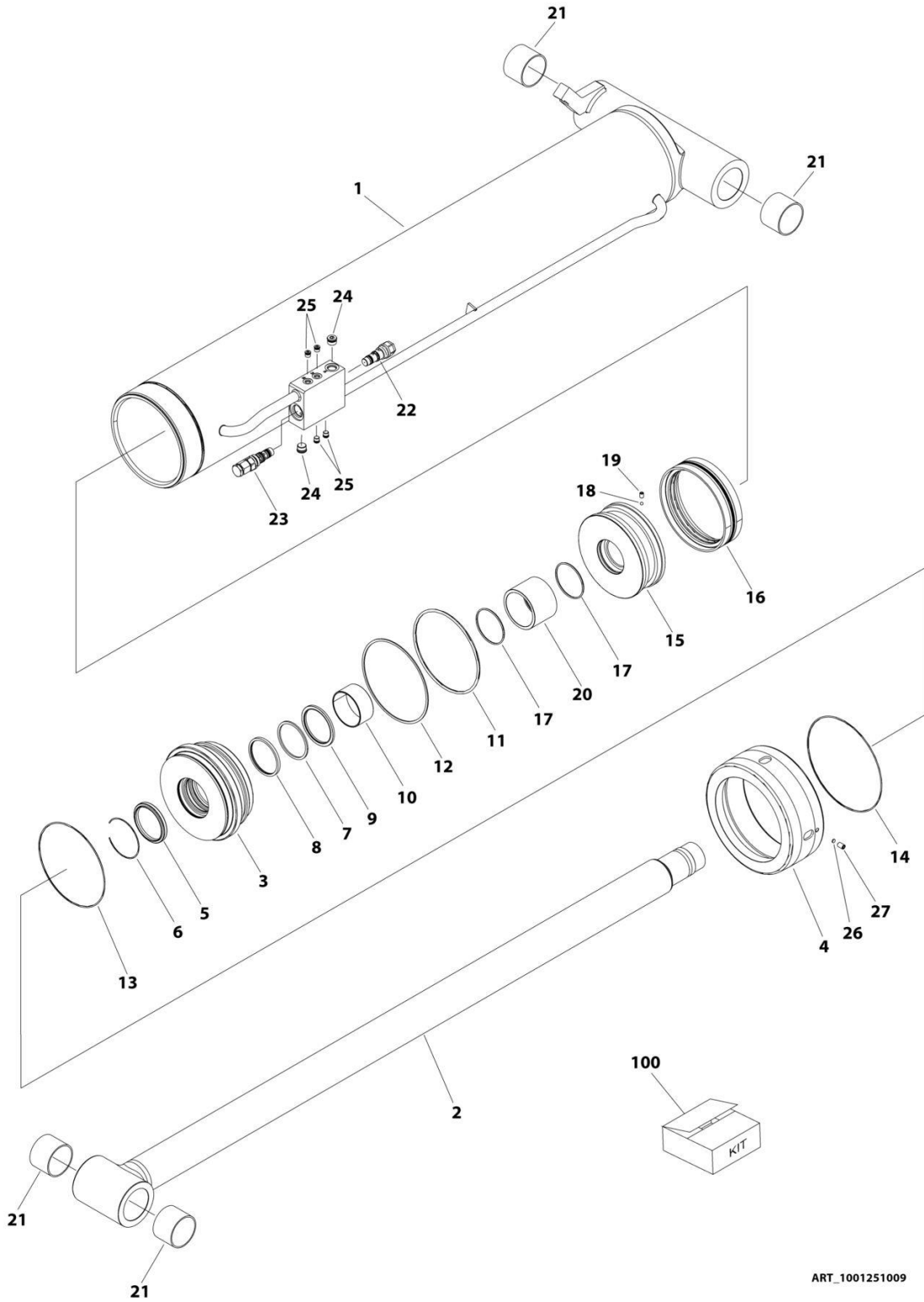
SECTION 6 - CYLINDER

FIGURE 6-5. LIFT CYLINDER ASSEMBLY - MAIN BOOM

ITEM	PART NUMBER	QTY	DESCRIPTION	REV
	1001251010	Ref	LIFT CYLINDER ASSEMBLY	C
		Ref	Note: Original Cylinder may have been replaced with Service Replacement. Identify PN Stamped on Cylinder Before Ordering Parts.	
1	See Note	NSS	Barrel (Note: Not Available for Purchase)	
2	70007421	1	Rod	
3	70007422	1	Head	
4	70007278	1	Cap	
5	See Note	NSS	Wiper (Note: Use Item 100)	
6	70023380	1	Ring, Retaining	
7	See Note	NSS	Seal (Note: Use Item 100)	
8	See Note	NSS	Ring, Back-up (Note: Use Item 100)	
9	See Note	NSS	Ring, Buffer (Note: Use Item 100)	
10	70007423	1	Ring, Wear	
11	See Note	NSS	O-Ring (Note: Use Item 100)	
12	See Note	NSS	Ring, Back-up (Note: Use Item 100)	
13	See Note	NSS	O-Ring (Note: Use Item 100)	
14	See Note	NSS	O-Ring (Note: Use Item 100)	
15	70007424	1	Piston	
16	See Note	NSS	Seal (Note: Use Item 100)	
17	See Note	NSS	Ring, Wear (Note: Use Item 100)	
18	70022564	1	Steel Ball	
19	70007246	1	Screw, Set	
20	See Note	1	O-Ring (Note: Use Item 100)	
21	0962102	4	Bushing	
22	4640509	1	Cartridge, Valve	
22	2900792	1	Seal Kit - 4640509 Valve	
23	2220883	3	Plug, O-Ring	
24	2220886	2	Plug, O-Ring	
25	70007425	1	Ring, Piston	
26	70007282	1	Insert, Locking	
27	70026287	1	Screw, Set	
100	70007426	1	Seal Kit (Includes Items 5, 7-9, 11-14, 16, 17 & 20)	

SECTION 6 - CYLINDER

FIGURE 6-6. LIFT CYLINDER ASSEMBLY - TOWER BOOM



ART_1001251009

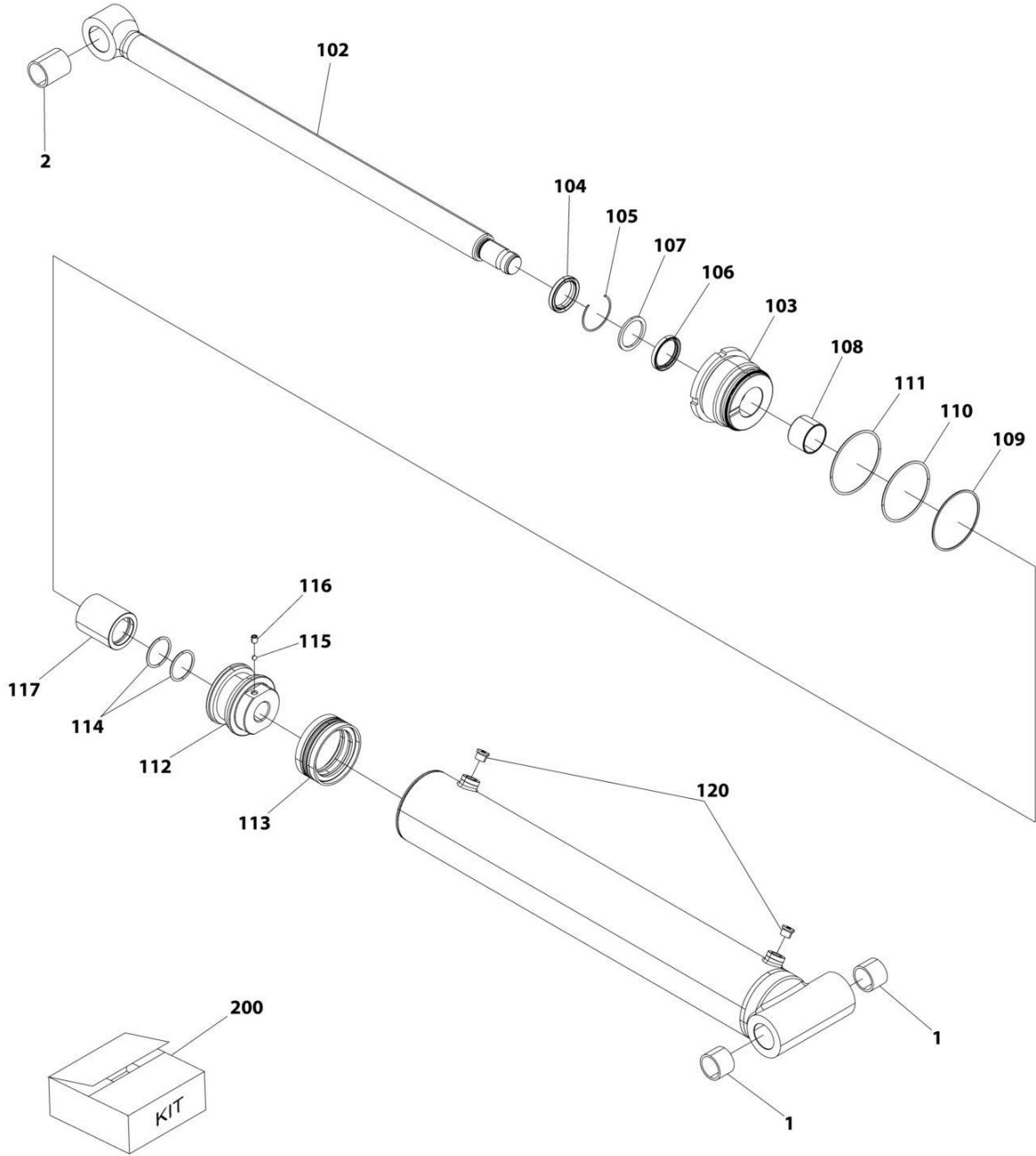
SECTION 6 - CYLINDER

FIGURE 6-6. LIFT CYLINDER ASSEMBLY - TOWER BOOM

ITEM	PART NUMBER	QTY	DESCRIPTION	REV
	1001251009	Ref	LIFT CYLINDER ASSEMBLY	C
		Ref	Note: Original Cylinder may have been replaced with Service Replacement. Identify PN Stamped on Cylinder Before Ordering Parts.	
1	See Note	NSS	Barrel (Note: Not Available for Purchase)	
2	70007419	1	Rod	
3	70007277	1	Head	
4	70007278	1	Cap	
5	See Note	NSS	Wiper (Note: Use Item 100)	
6	70027750	1	Ring, Retaining	
7	See Note	NSS	Seal (Note: Use Item 100)	
8	See Note	NSS	Ring, Back-up (Note: Use Item 100)	
9	See Note	NSS	Ring, Buffer (Note: Use Item 100)	
10	70007279	1	Ring, Wear	
11	See Note	NSS	O-Ring (Note: Use Item 100)	
12	See Note	NSS	Ring, Back-up (Note: Use Item 100)	
13	See Note	NSS	O-Ring (Note: Use Item 100)	
14	See Note	NSS	O-Ring (Note: Use Item 100)	
15	70007280	1	Piston	
16	See Note	NSS	Seal (Note: Use Item 100)	
17	See Note	NSS	O-Ring (Note: Use Item 100)	
18	70022564	1	Steel Ball	
19	70029468	1	Screw, Set	
20	70007420	1	Spacer	
21	0962102	4	Bushing	
22	4640509	1	Cartridge, Valve	
22	2900792	1	Seal Kit - 4640509 Valve	
23	4640605	1	Cartridge, Valve	
23	2900792	1	Seal Kit - 4640605 Valve	
24	2220886	1	Plug, O-Ring	
25	2220883	4	Plug, O-Ring	
26	70007282	1	Insert, Locking	
27	70026287	1	Screw, Set	
100	70007283	1	Seal Kit (Includes Items 5, 7-9, 11-14, 16 & 17)	

SECTION 6 - CYLINDER

FIGURE 6-7. MASTER CYLINDER ASSEMBLY



ART_1001251050

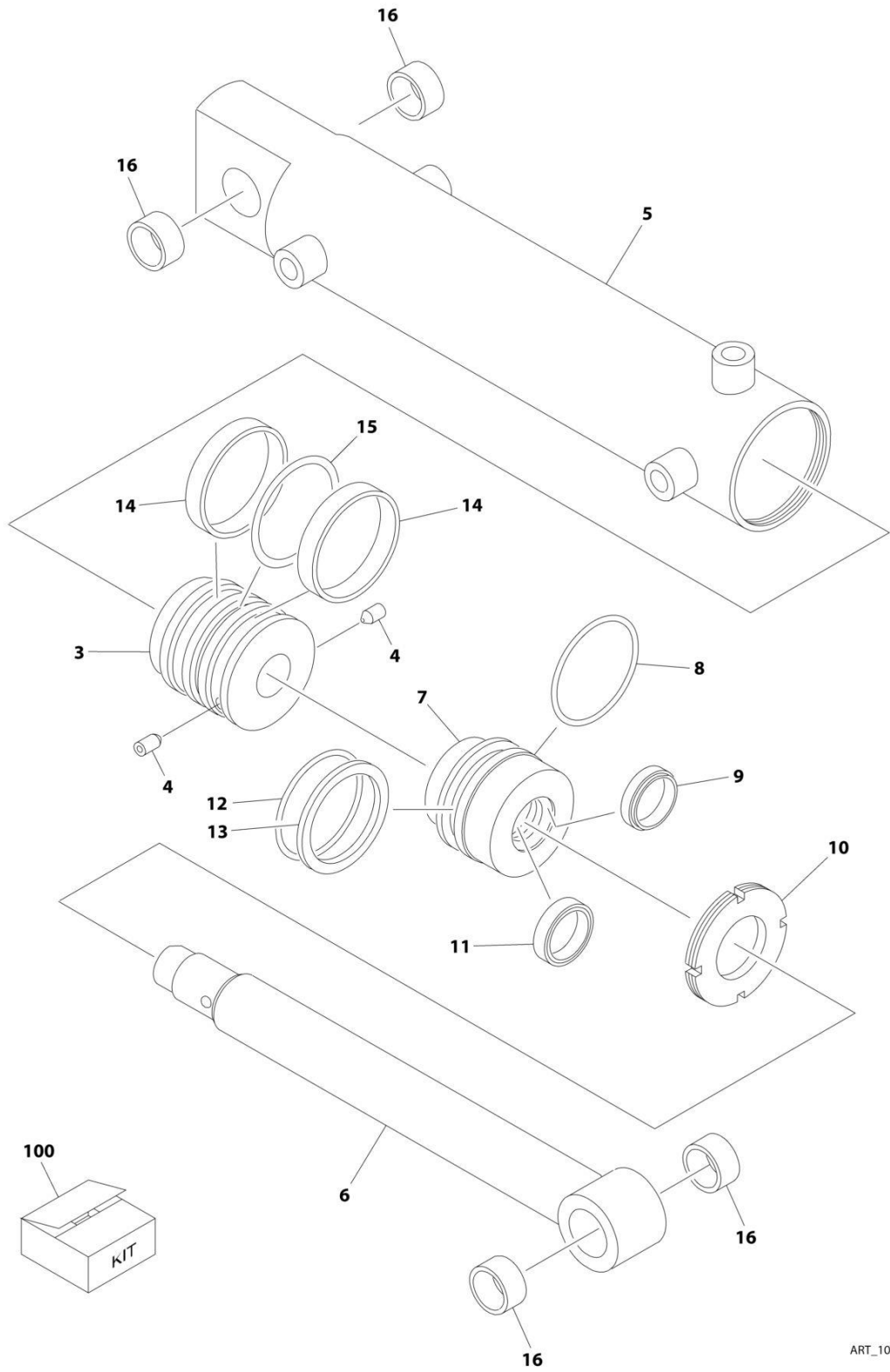
SECTION 6 - CYLINDER

FIGURE 6-7. MASTER CYLINDER ASSEMBLY

ITEM	PART NUMBER	QTY	DESCRIPTION	REV
	1001251050	Ref	MASTER CYLINDER ASSEMBLY	B
		Ref	Note: Cylinder May Have Been Replaced with Service Replacement. Identify PN Stamped Cylinder Before Ordering Parts.	
1	0961951	2	Bushing	
2	0962155	1	Bushing	
102	70007992	1	Rod	
103	70007967	1	Head	
104	See Note	NSS	Wiper (Note: Use Item 200)	
105	70002373	1	Ring, Retaining	
106	See Note	NSS	Seal (Note: Use Item 200)	
107	See Note	NSS	Ring (Note: Use Item 200)	
108	70005143	1	Bearing	
109	See Note	NSS	O-Ring (Note: Use Item 200)	
110	See Note	NSS	Ring (Note: Use Item 200)	
111	See Note	NSS	O-Ring (Note: Use Item 200)	
112	70005144	1	Piston	
113	See Note	NSS	Seal (Note: Use Item 200)	
114	See Note	NSS	O-Ring (Note: Use Item 200)	
115	70022564	1	Ball, Steel	
116	70006596	1	Setscrew M8 x 1-1/4	
117	70007968	1	Spacer	
120	2220885	2	Plug	
200	70007969	1	Seal Kit (Includes 104, 106, 107, 109-111, 113 & 114)	

SECTION 6 - CYLINDER

FIGURE 6-8. STEER CYLINDER ASSEMBLY



ART_1001150539

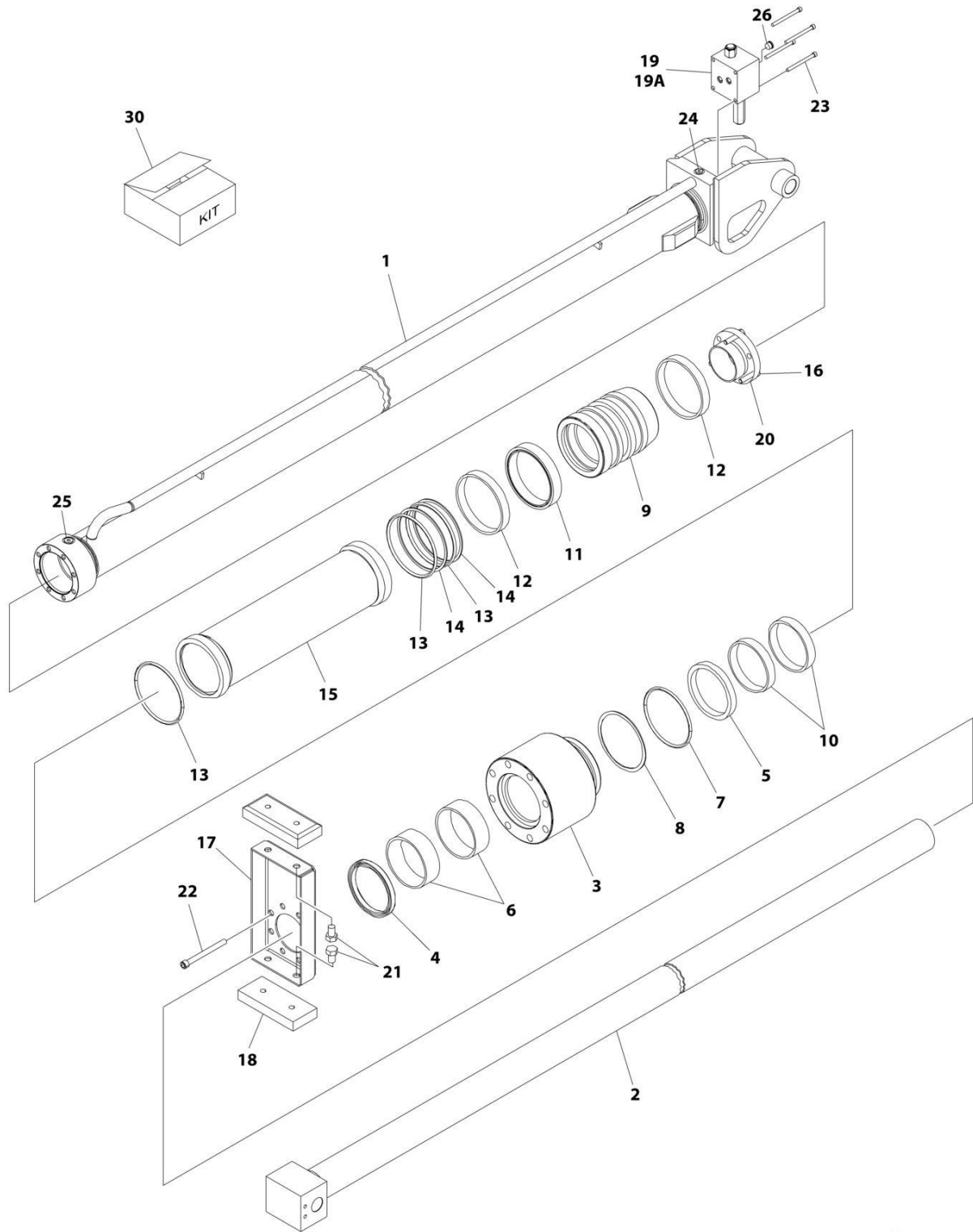
SECTION 6 - CYLINDER

FIGURE 6-8. STEER CYLINDER ASSEMBLY

ITEM	PART NUMBER	QTY	DESCRIPTION	REV
	1001150539	Ref	STEER CYLINDER ASSEMBLY	F
		Ref	Note: Original Cylinder may have been replaced with Service Replacement. Identify PN Stamped on Cylinder Before Ordering Parts.	
3	70002744	1	Piston	
4	70002745	2	Setscrew M6 x 10	
5	70004381	1	Barrel	
6	70004382	1	Rod	
7	70002748	1	Head	
8	See Note	NSS	Ring (Note: Use Item 100)	
9	See Note	NSS	Wiper (Note: Use Item 100)	
10	70002749	1	Nut, Spanner	
11	See Note	NSS	Seal (Note: Use Item 100)	
12	See Note	NSS	O-Ring (Note: Use Item 100)	
13	See Note	NSS	Ring, Back-up (Note: Use Item 100)	
14	See Note	NSS	Ring, Wear (Note: Use Item 100)	
15	See Note	NSS	Seal (Note: Use Item 100)	
16	0962152	4	Bushings	
100	70002751	1	Seal Kit (Includes Items 8, 9 & 11-15)	

SECTION 6 - CYLINDER

FIGURE 6-9. TELESCOPE CYLINDER ASSEMBLY - MAIN BOOM



ART_1001228087

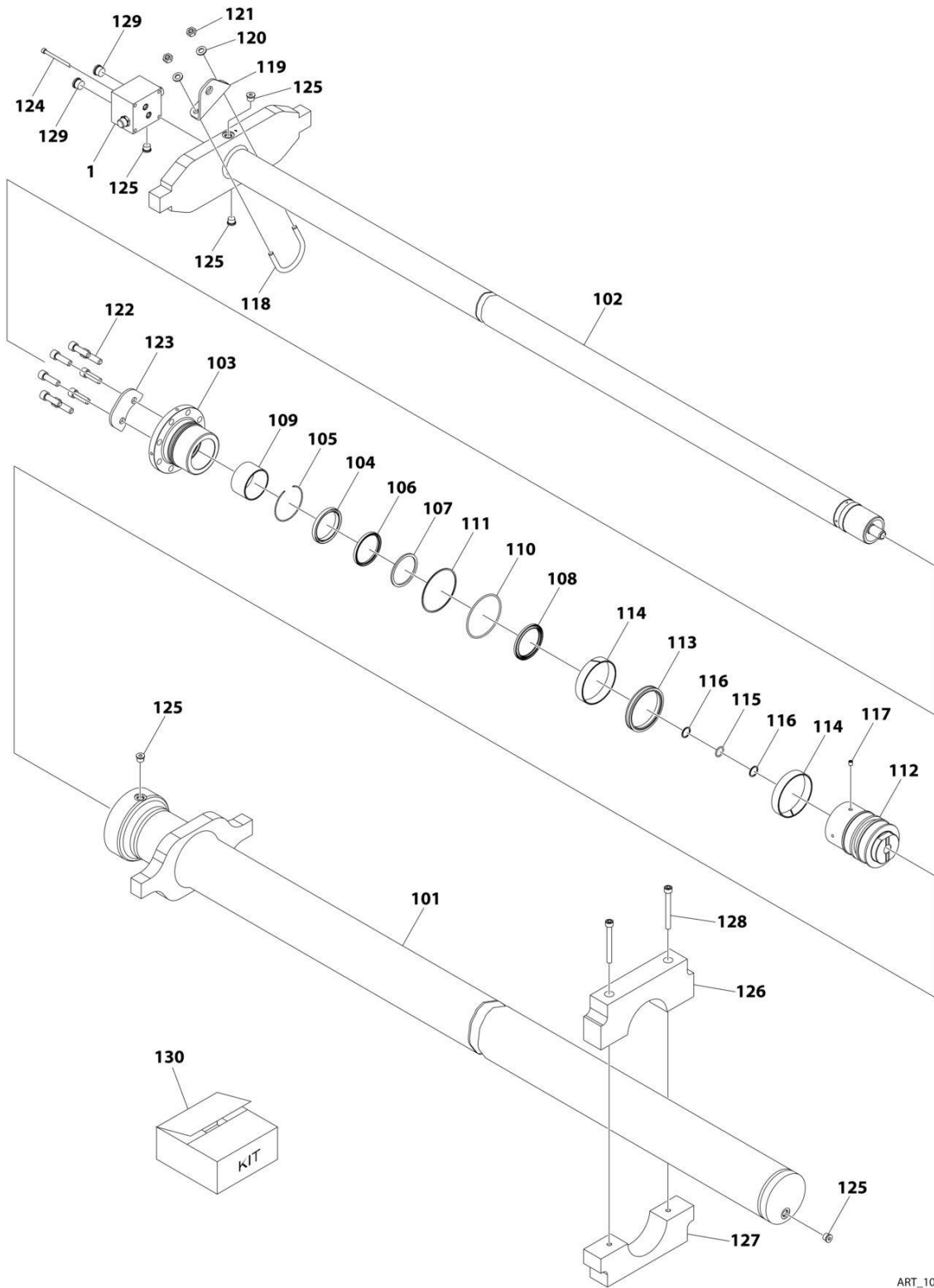
SECTION 6 - CYLINDER

FIGURE 6-9. TELESCOPE CYLINDER ASSEMBLY - MAIN BOOM

ITEM	PART NUMBER	QTY	DESCRIPTION	REV
	1001228087	Ref	TELESCOPE CYLINDER ASSEMBLY	F
		Ref	Note: Original Cylinder may have been replaced with Service Replacement. Identify PN Stamped on Cylinder Before Ordering Parts.	
1	See Note	NSS	Barrel (Note: Not Available for Purchase)	
2	70006669	1	Rod	
3	70006670	1	Head	
4	See Note	NSS	Wiper (Note: Use Item 30)	
5	See Note	NSS	Seal, Rod (Note: Use Item 30)	
6	See Note	NSS	Ring, Wear (Note: Use Item 30)	
7	See Note	NSS	O-Ring (Note: Use Item 30)	
8	See Note	NSS	Ring, Back-up (Note: Use Item 30)	
9	70006671	1	Piston	
10	See Note	NSS	Ring, Wear (Note: Use Item 30)	
11	See Note	NSS	Seal, Piston (Note: Use Item 30)	
12	See Note	NSS	Ring, Wear (Note: Use Item 30)	
13	See Note	NSS	O-Ring (Note: Use Item 30)	
14	See Note	NSS	Ring, Back-up (Note: Use Item 30)	
15	70006672	1	Spacer	
16	0961897	1	Bushing, Tapered	
17	3570775	1	Plate	
18	3340838	2	Pad, Wear	
19	4641033	1	Valve Assembly (No serviceable parts - sold as assembly only)	
19A	7024508	2	O-Ring (Between Valve and Cylinder Barrel)	
20	0630535	3	Bolt 1/4 x 1-1/8	
21	0641806	4	Bolt 1/2 x 3/4	
22	3931664	8	Capscrew 3/8 x 4	
23	3931448	4	Capscrew 1/4 x 3	
24	2220883	1	Plug, O-Ring	
25	2220885	AR	Plug, O-Ring	
26	2220886	1	Plug, O-Ring	
30	1001149391	1	Seal Kit (Includes Items 4-8 & 10-14)	

SECTION 6 - CYLINDER

FIGURE 6-10. TELESCOPE CYLINDER ASSEMBLY - TOWER BOOM



ART_1001251086

SECTION 6 - CYLINDER

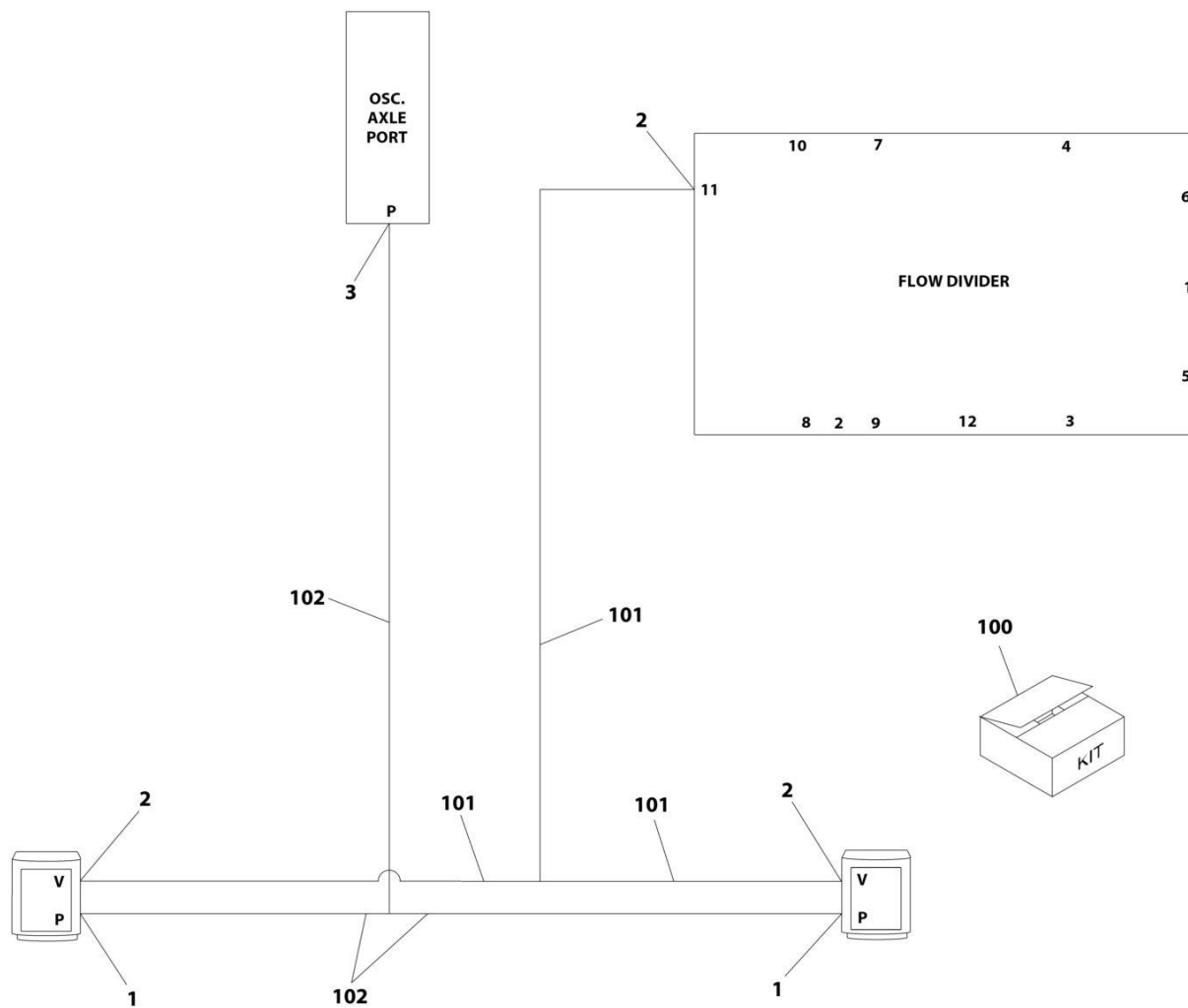
FIGURE 6-10. TELESCOPE CYLINDER ASSEMBLY - TOWER BOOM

ITEM	PART NUMBER	QTY	DESCRIPTION	REV
	1001251086	Ref	TELESCOPE CYLINDER ASSEMBLY - TOWER BOOM	A
		Ref	Note: Original Cylinder May Have Been Replaced with Service Replacement. Identify PN Stamped on Cylinder Before Ordering Parts.	
1	4641032	1	Valve Assembly (No serviceable parts - sold as assembly only)	
1	7002388	1	Seal Kit	
101	See Note	NSS	Tube (Note: Not Available for Purchase)	
102	70008199	1	Rod	
103	70008200	1	Head	
104	See Note	NSS	Wiper, Dust (Note: Use Item 130)	
105	70050795	1	Ring, Retaining	
106	See Note	NSS	Seal, Rod (Note: Use Item 130)	
107	See Note	NSS	Ring, Backup (Note: Use Item 130)	
108	See Note	NSS	Ring, Buffer (Note: Use Item 130)	
109	70008201	1	Bushing	
110	See Note	NSS	O-Ring (Note: Use Item 130)	
111	See Note	NSS	Ring, Backup (Note: Use Item 130)	
112	70008202	1	Piston	
113	See Note	NSS	Seal, Piston (Note: Use Item 130)	
114	See Note	NSS	Ring, Wear (Note: Use Item 130)	
115	See Note	NSS	O-Ring (Note: Use Item 130)	
116	See Note	1	Ring, Backup (Note: Use Item 130)	
117	70005839	1	Setscrew	
118	70008203	1	U-Bolt M10 x 1.5	
119	70008204	1	Plate	
120	70006344	2	Washer M10	
121	70005594	2	Nut M12	
122	70008205	8	Bolt M12 x 40	
123	70008206	1	Plate	
124	70007981	4	Bolt M6 x 75	
125	2220885	5	Plug 9/16	
126	70008207	1	Pad	
127	70008208	1	Pad	
128	70008209	2	Bolt M10 x 95	
129	2220886	1	Plug 3/4	
130	70008210	1	Seal Kit (Includes Items 104, 106-108, 110-111 & 113-116)	

SECTION 7 - HYDRAULIC

SECTION 7 - HYDRAULIC

FIGURE 7-1. AXLE LOCKOUT HYDRAULIC DIAGRAM



ART_1001157400

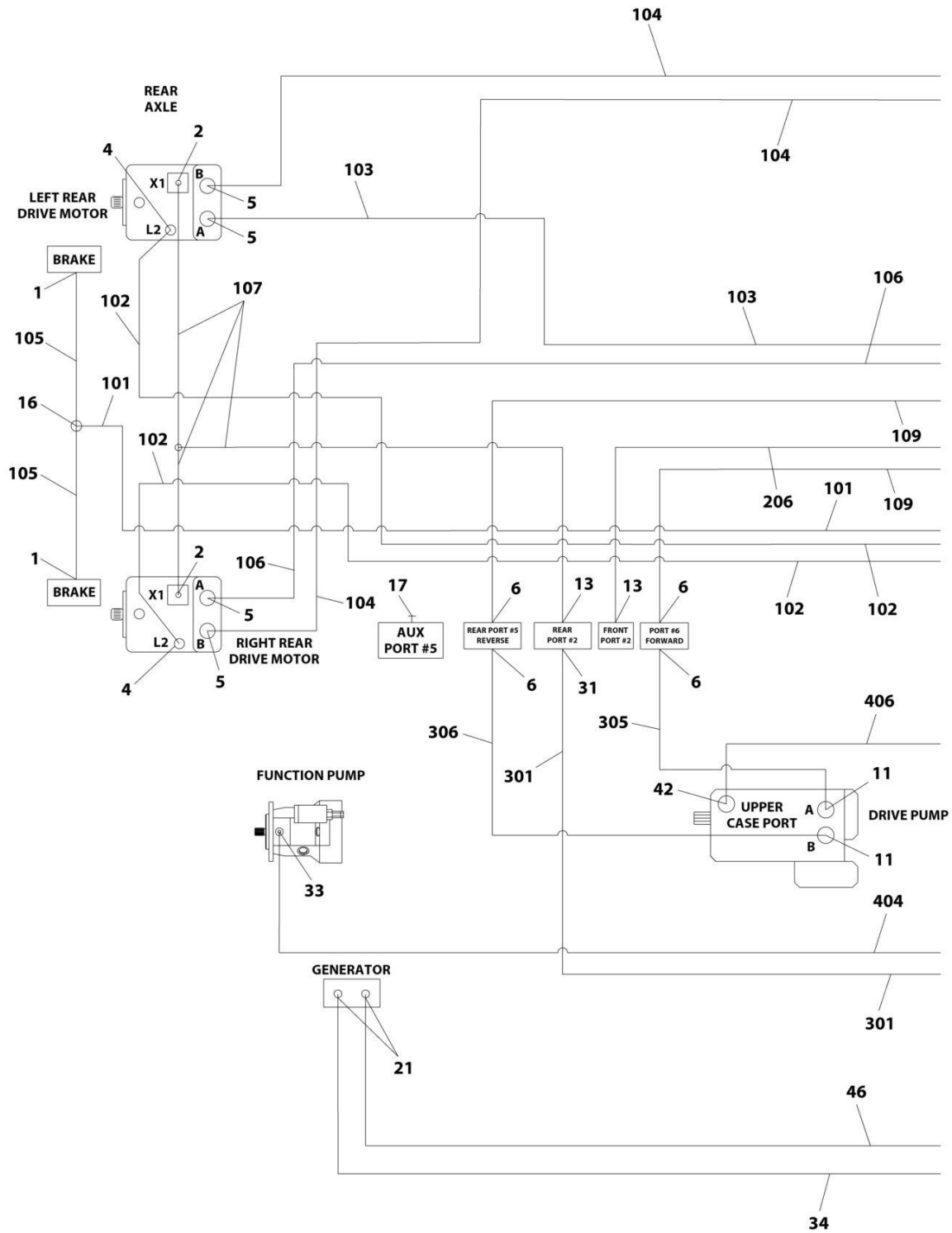
SECTION 7 - HYDRAULIC

FIGURE 7-1. AXLE LOCKOUT HYDRAULIC DIAGRAM

ITEM	PART NUMBER	QTY	DESCRIPTION	REV
	1001157400	Ref	AXLE LOCKOUT HYDRAULIC DIAGRAM	G
1	2110404	2	Fitting, Straight ORFS/ORB	
2	2110606	3	Fitting, Straight ORFS/ORB	
3	2110408	1	Fitting, Straight ORFS/ORB	
100	1001270068	1	Hose Lockout Kit	
101	1001198336	1	Hose with Crimped Tee	
102	1001198339	1	Hose with Crimped Tee	

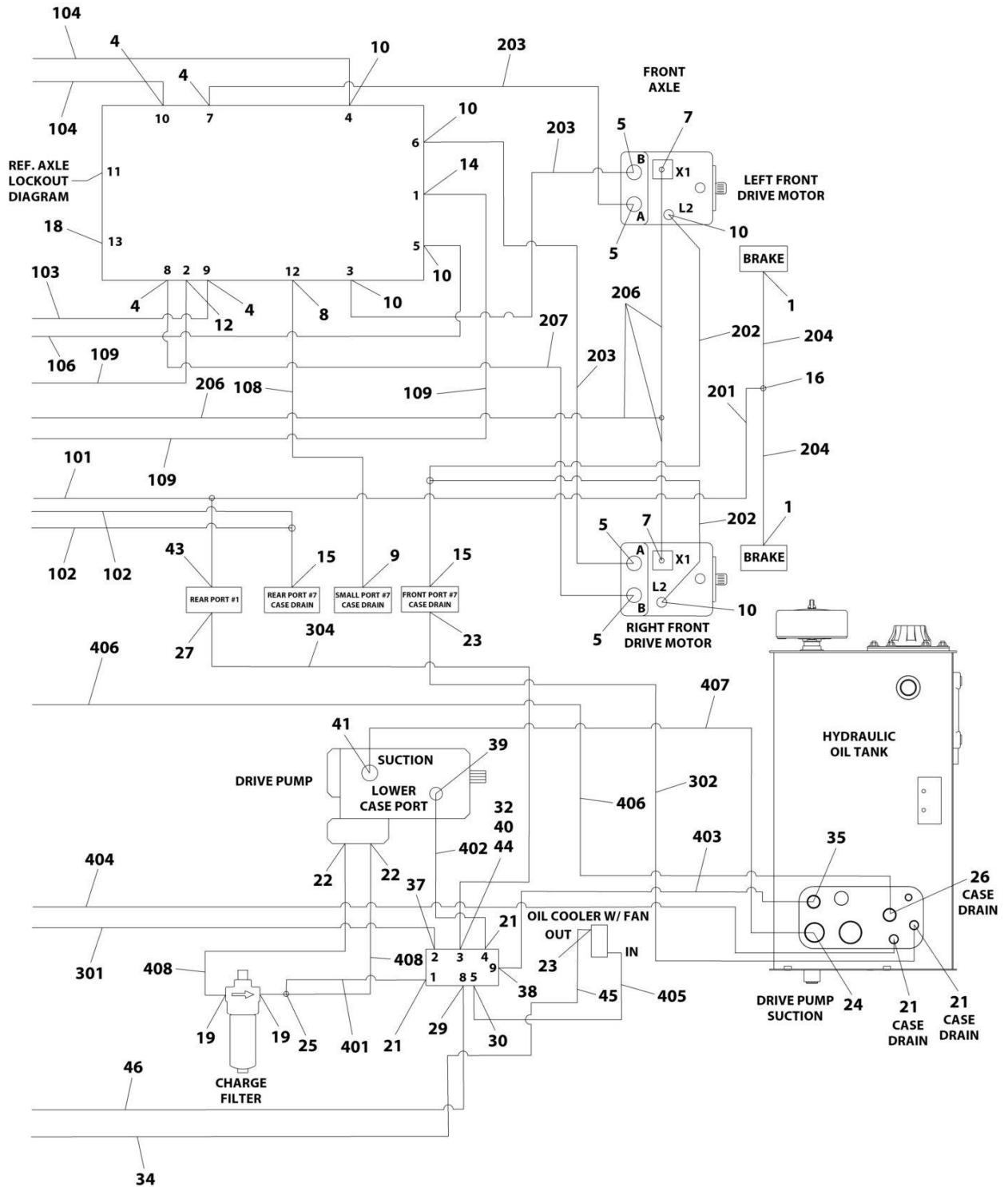
SECTION 7 - HYDRAULIC

FIGURE 7-2. DRIVE HYDRAULIC DIAGRAM



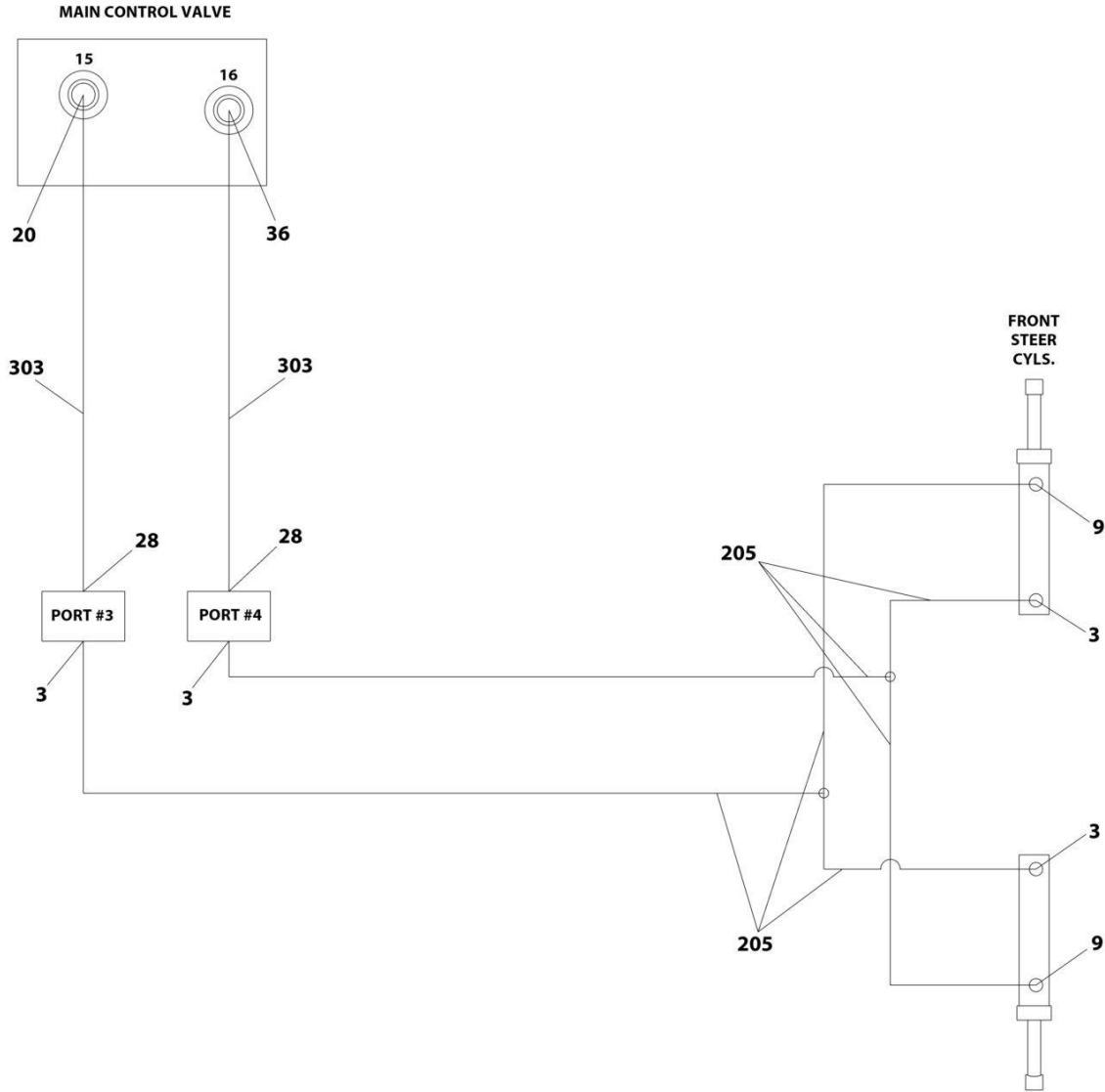
ART_1001296853_1OF3

SECTION 7 - HYDRAULIC



ART_1001296853_20F3

SECTION 7 - HYDRAULIC



ART_1001296853_3OF3

SECTION 7 - HYDRAULIC

FIGURE 7-2. DRIVE HYDRAULIC DIAGRAM

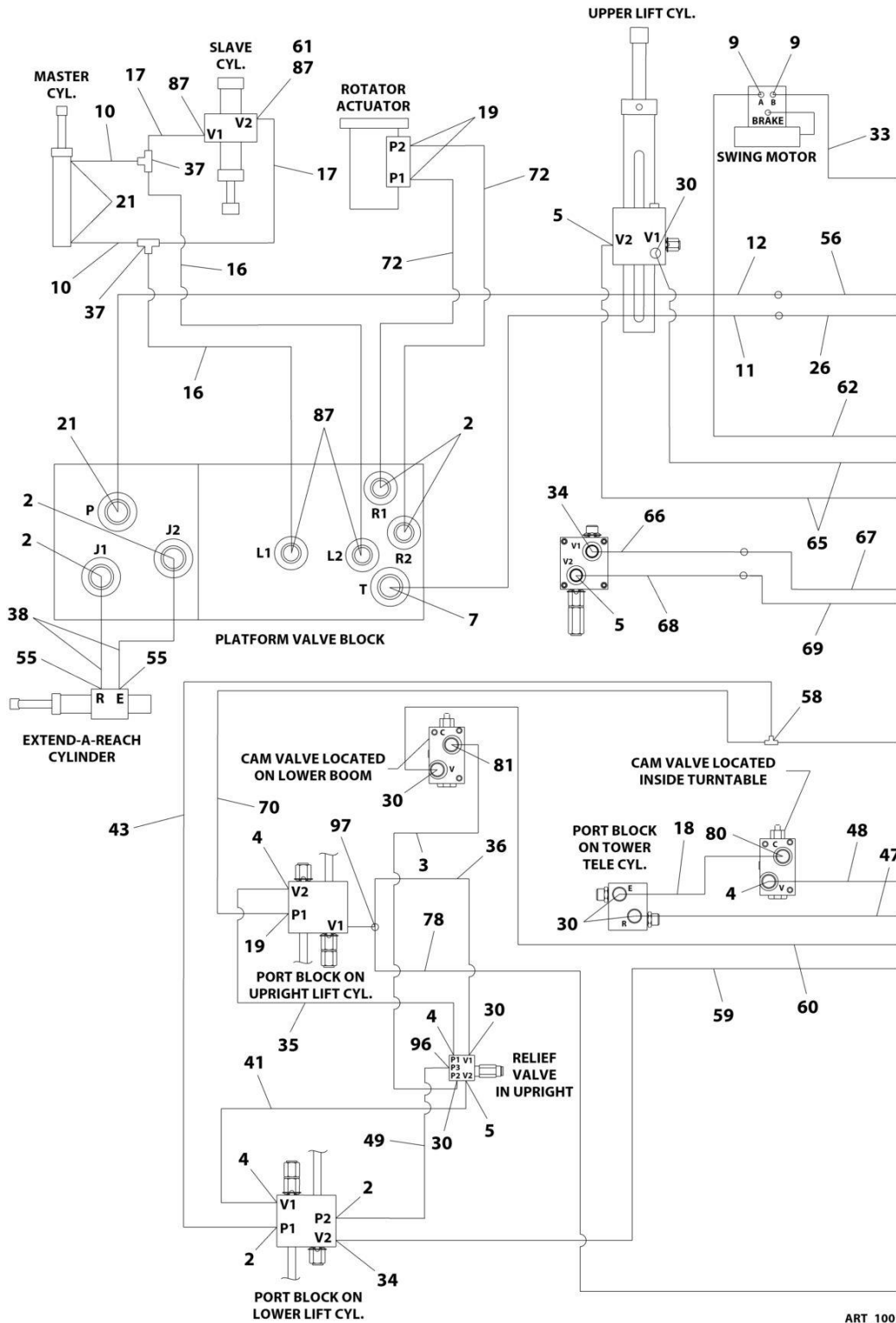
ITEM	PART NUMBER	QTY	DESCRIPTION	REV
	1001296853	Ref	DRIVE HYDRAULIC DIAGRAM	A
1	2110404	4	Fitting, Straight ORFS/ORB	
2	2110406	2	Fitting, Straight ORFS/ORB	
3	2110606	4	Fitting, Straight ORFS/ORB	
4	2110808	6	Fitting, Straight ORFS/ORB	
5	2110812	8	Fitting, Straight ORFS/ORB	
6	2111616	4	Fitting, Straight ORFS/ORB	
7	2130406	2	Fitting, 90 ORFS/ORB	
8	2130604	1	Fitting, 90 ORFS/ORB	
9	2130606	3	Fitting, 90 ORFS/ORB	
10	2130808	6	Fitting, 90 ORFS/ORB	
11	2131612	2	Fitting, 90° ORFS/ORB	
12	2131616	1	Fitting, 90 ORFS/ORB	
13	2150406	2	Fitting, 45 ORFS/ORB	
14	2151616	1	Fitting, 45 ORFS/ORB	
15	2170408	2	Fitting, Tee ORFS/ORFS/ORB	
16	2170504	2	Fitting, Tee ORFS	
17	2220237	1	Fitting, Plug ORB	
18	2220238	1	Fitting, Plug ORB	
19	2220366	2	Fitting, 90 ORB	
20	2220371	1	Fitting, Straight JIC/ORB	
21	2220373	6	Fitting, Straight JIC/ORB	
22	2220374	2	Fitting, Straight JIC/ORB	
23	2220375	3	Fitting, Straight ORB/FL	
24	2220380	1	Fitting, Straight ORB/FL	
25	2220385	1	Fitting, Tee JIC	
26	2220451	1	Fitting, Straight JIC/ORB	
27	2220468	1	Fitting, Straight ORB/FL	
28	2220473	2	Fitting, 90 ORB/FL	
29	2220499	1	Fitting, 45 JIC/ORB	
30	2220500	1	Fitting, 45 JIC/ORB	
31	2220582	1	Fitting, Straight ORB/FL	
32	2220654	1	Fitting, 90 JIC/FSJIC	
33	2220671	1	Fitting, 90 JIC/ORB	
34	2220683	1	Fitting, 45 JIC/FSJIC	
35	2220865	1	Fitting, Straight JIC/ORB	
36	2220998	1	Fitting, Straight JIC/ORB	
37	2221040	1	Fitting, 45 JIC/ORB	
38	2221050	1	Fitting, 45 JIC/ORB	
39	2221077	1	Fitting, 45	
40	4641284	1	Valve, Check	
41	8770050	1	Fitting, 90 JIC/ORB	
42	8770157	1	Fitting 90° JIC/ORB	
43	1001198338	1	Fitting, Tee ORFS/ORB	
44	1001228696	1	Fitting, Straight FORB/ORB	
45	1001228678	1	Hose	
46	1001228679	1	Hose	
100	1001270080	1	Hose Rear Kit	
101	2753622	1	Hose	
102	2753686	2	Hose	

SECTION 7 - HYDRAULIC

ITEM	PART NUMBER	QTY	DESCRIPTION	REV
103	2753970	1	Hose	
104	2753971	2	Hose	
105	2754337	2	Hose	
106	2754338	1	Hose	
107	1001198340	1	Hose	
108	2753626	1	Hose	
109	2753634	2	Hose	
200	1001270081	1	Hose Front Kit	
201	2753542	1	Hose	
202	2753628	2	Hose	
203	2753970	3	Hose	
204	2754512	2	Hose	
205	1001198333	2	Hose	
206	1001198341	1	Hose	
207	1001233573	1	Hose	
300	1001296858	1	Hose Assembly - Towbar TT Kit	
301	2751399	1	Hose	
302	2751500	1	Hose	
303	2752489	2	Hose	
304	2752997	1	Hose	
305	1001296839	1	Hose	
306	1001296840	1	Hose	
400	1001296861	1	Hose Assembly - Turntable Kit	
401	2752493	1	Hose	
402	2752494	1	Hose	
403	2752765	1	Hose	
404	2752938	1	Hose	
405	1001196297	1	Hose	
406	1001296842	1	Hose	
407	1001296993	1	Hose	
408	1001296994	2	Hose	

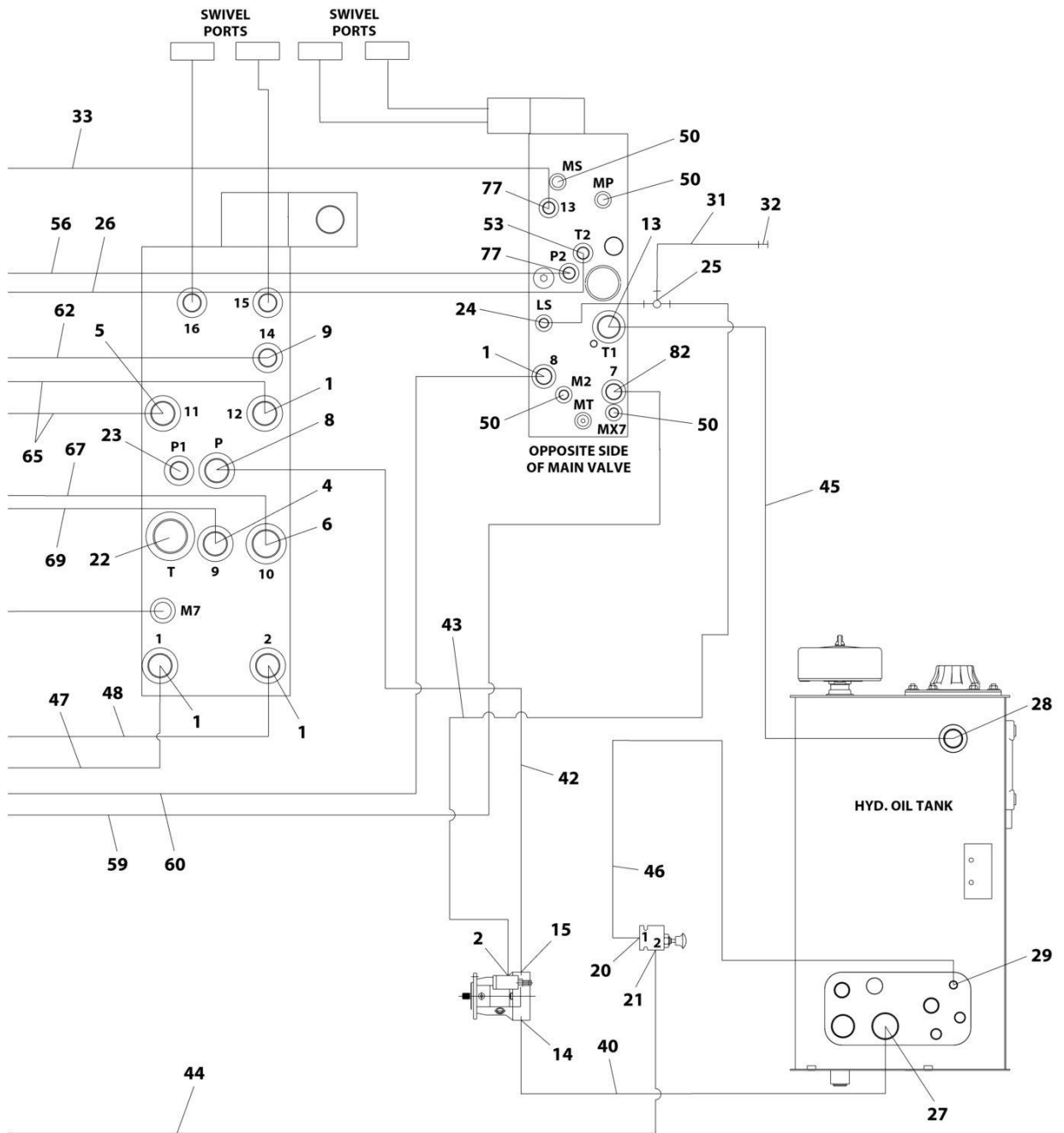
SECTION 7 - HYDRAULIC

FIGURE 7-3. STANDARD HYDRAULIC DIAGRAM



ART_1001227892_E_10F2

SECTION 7 - HYDRAULIC



ART_1001227892_E_20F2

SECTION 7 - HYDRAULIC

FIGURE 7-3. STANDARD HYDRAULIC DIAGRAM

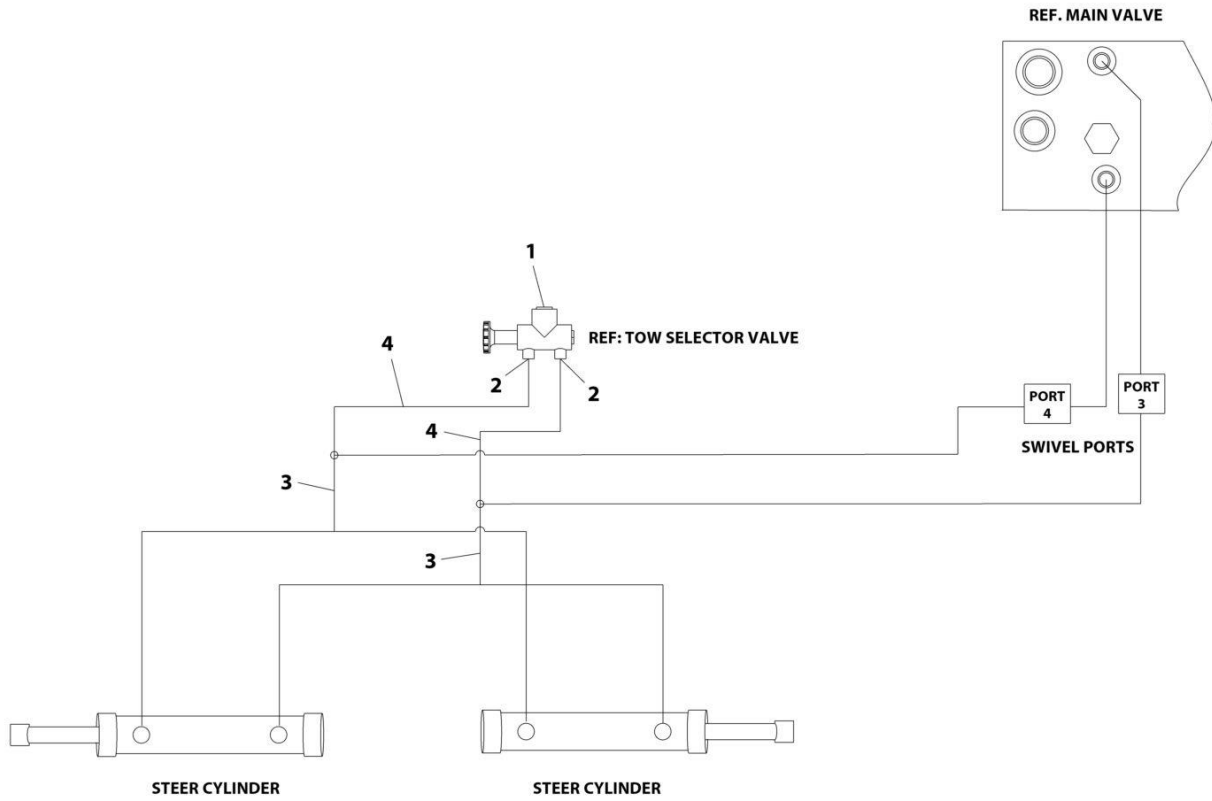
ITEM	PART NUMBER	QTY	DESCRIPTION	REV
	1001227892	Ref	STANDARD HYDRAULIC DIAGRAM	E
1	2220381	AR	Fitting, Straight ORB/JIC	
2	2220415	AR	Fitting, Straight ORB/JIC	
3	2753199	1	Hose	
4	2220373	AR	Fitting, Straight ORB/JIC	
5	2220500	3	Fitting, 45 ORB/JIC	
6	88662037	1	Adapter, Straight/JIC	
7	2220600	1	Adapter, Straight/JIC	
8	2220593	1	Fitting, Straight ORB/JIC	
9	2220371	3	Fitting, Straight ORB/JIC	
10	2753126	2	Hose	
11	1001179546	1	Hose	
12	1001179545	1	Hose	
13	1001179329	1	Hose	
14	2220737	1	Split Flange	
15	2220478	1	Split Flange	
16	1001155673	2	Hose	
17	1001119602	2	Hose	
18	2753200	1	Hose	
19	2220466	2	Fitting, 90 ORB/JIC	
20	2220582	1	Fitting, Straight ORB/JIC	
21	2220473	4	Fitting, 90 ORB/JIC	
22	2220240	1	Fitting, Plug ORB	
23	2220237	1	Fitting, Plug ORB	
24	2220923	1	Fitting, Straight ORB/JIC	
25	2220605	1	Fitting, Tee JIC/FSJIC/JIC	
26	1001182162	1	Hose	
27	2220765	1	Fitting, Straight ORB/FL	
28	2220377	1	Fitting, Straight JIC/ORB	
29	2220582	1	Fitting, Straight JIC/ORB	
30	2220596	6	Fitting, 90 ORB/FL	
31	2752995	1	Hose	
32	91143177	1	Fitting, Test	
33	2752461	1	Hose	
34	2220852	2	Fitting, Straight ORB/FL	
35	2753197	1	Hose	
36	2753196	1	Hose	
37	2220490	2	Fitting, Tee FL/FL	
38	2753442	2	Hose	
40	1001179079	1	Hose	
41	2753195	1	Hose	
42	2753231	1	Hose	
43	2753010	2	Hose	
44	2752468	1	Hose	
45	2752723	1	Hose	
46	2753274	1	Hose	
47	2753192	1	Hose	
48	2752494	1	Hose	
49	2753008	1	Hose	
50	2221086	4	Fitting,Test	

SECTION 7 - HYDRAULIC

ITEM	PART NUMBER	QTY	DESCRIPTION	REV
53	1001136881	1	Fitting, 45 ORB/FG	
55	2220472	2	Fitting, 90 ORB/FL	
56	2753123	1	Hose	
58	2221034	1	Fitting, Tee FL/FL/ORB	
59	2752768	1	Hose	
60	2752930	1	Hose	
61	4567139	1	Tube	
62	2752484	1	Hose	
65	2753189	2	Hose	
66	2752767	1	Hose	
67	2752766	1	Hose	
68	2753190	1	Hose	
69	2753191	1	Hose	
70	2752978	1	Hose	
72	1001159707	2	Hose	
77	2220501	2	Fitting, 45 ORB/FL	
78	4567757	1	Tube	
79	4100062	4	Protection, Hose (Not Shown - Located at Tower Boom Power Track)	
80	2220947	1	Fitting, O-Ring FL	
81	2221036	1	Fitting, 90 ORB/FL	
82	2220950	1	Fitting, 45 ORB/FL	
87	2220603	4	Fitting, Straight ORB/FL	
96	2220468	1	Fitting, Straight JIC/ORB	
97	1001215289	1	Fitting, Tee JIC/ORB/JIC	

SECTION 7 - HYDRAULIC

FIGURE 7-4. TOW HYDRAULIC DIAGRAM



ART_1001157401

SECTION 7 - HYDRAULIC

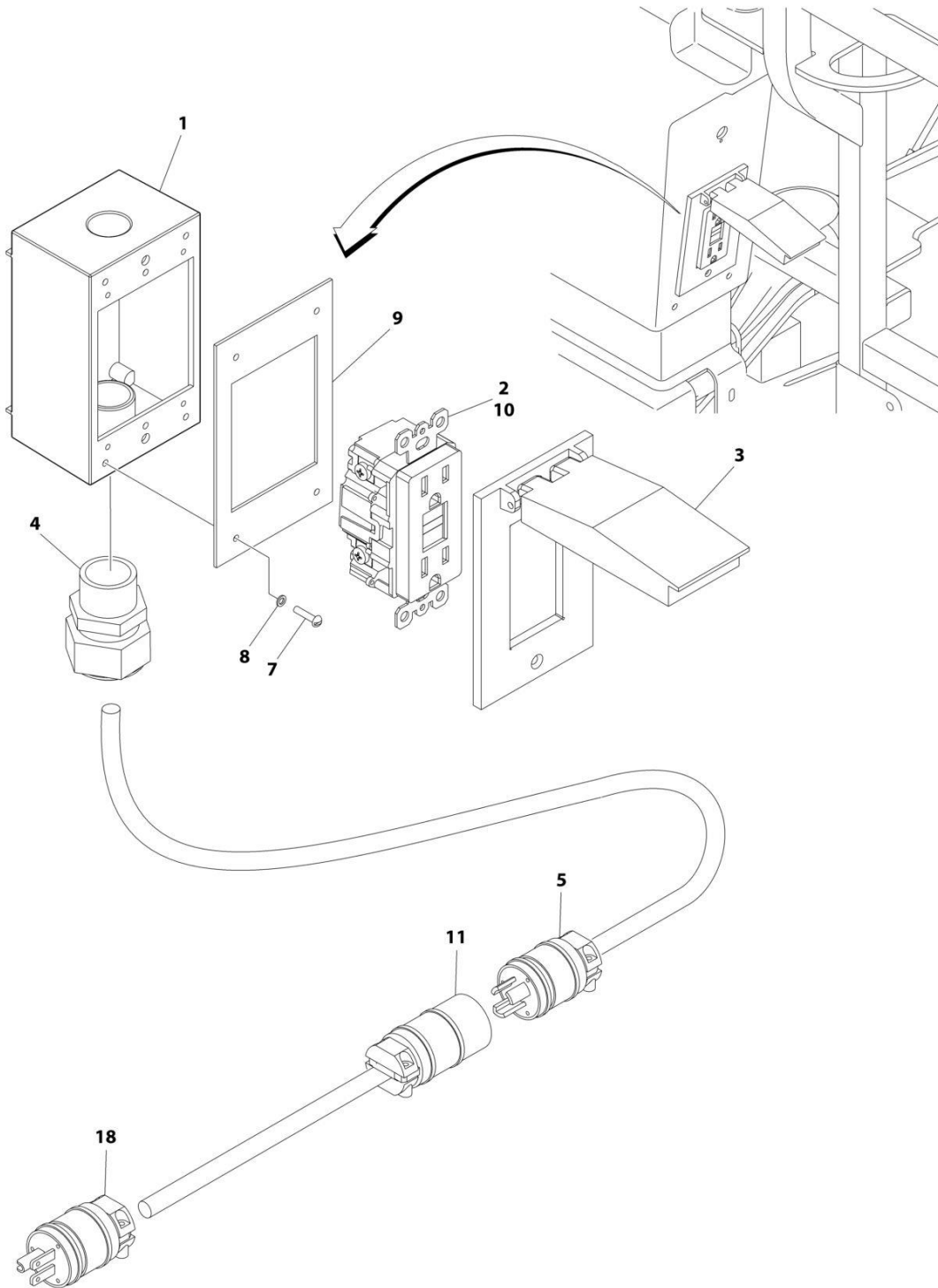
FIGURE 7-4. TOW HYDRAULIC DIAGRAM

ITEM	PART NUMBER	QTY	DESCRIPTION	REV
	1001157401	Ref	TOW HYDRAULIC DIAGRAM	B
1	2220238	1	Fitting, Plug ORB	
2	2110608	2	Fitting, Straight ORFS/ORB	
3	2170706	2	Fitting, Tee ORFS/ORFS/ORFS	
4	2753879	2	Hose	

SECTION 8 - ELECTRICAL

SECTION 8 - ELECTRICAL

FIGURE 8-1. AC BOX AT PLATFORM INSTALLATION - 110V GFI RECEPTACLE (ALL SPECS EXCEPT AUSTRALIAN, CE & UK CA SPECS)



ART_0272259

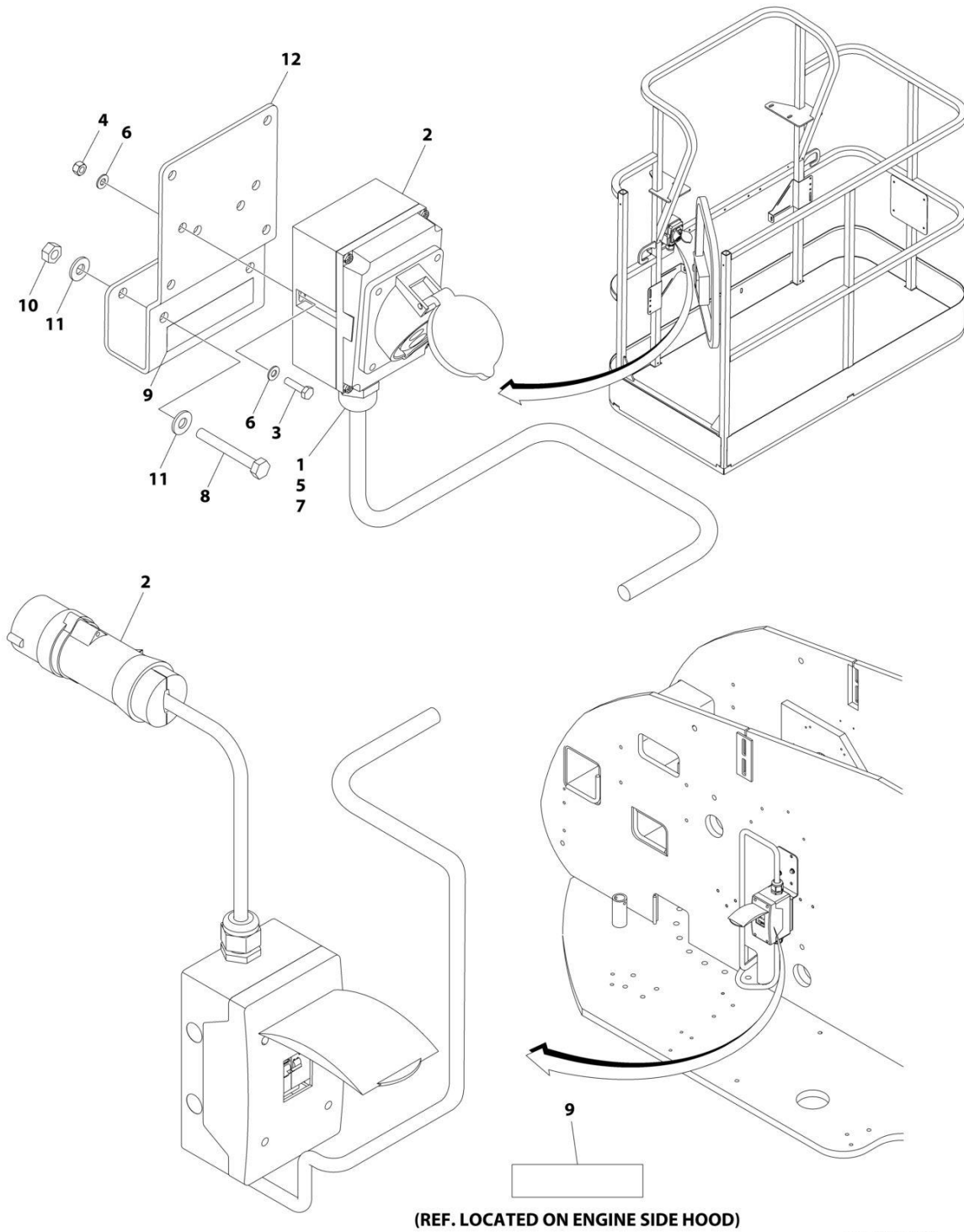
SECTION 8 - ELECTRICAL

FIGURE 8-1. AC BOX AT PLATFORM INSTALLATION - 110V GFI RECEPTACLE (ALL SPECS EXCEPT AUSTRALIAN, CE & UK CA SPECS)

ITEM	PART NUMBER	QTY	DESCRIPTION	REV
	0272259	Ref	AC BOX AT PLATFORM INSTALLATION - 110V GFI RECEPTACLE	C
1	0860038	1	Box, Switch	
2	4460346	1	Receptacle	
3	1001110873	1	Shield, Cover	
4	4460051	1	Connector, Strain Relief	
5	1001213584	1	Plug, Male	
7	3910610	4	Screw #6 x 5/8	
8	4760600	4	Washer #6	
9	3960422	1	Gasket	
10	4460315	3	Terminal, Spade	
11	1001213585	1	Receptacle, Female	
18	4460205	1	Plug, Male	

SECTION 8 - ELECTRICAL

**FIGURE 8-2. AC BOX AT PLATFORM INSTALLATION - 110V IEC YELLOW (CE & UK CA SPECS)
(MACHINES WITHOUT 4000W GENERATOR)**



ART_1001091969

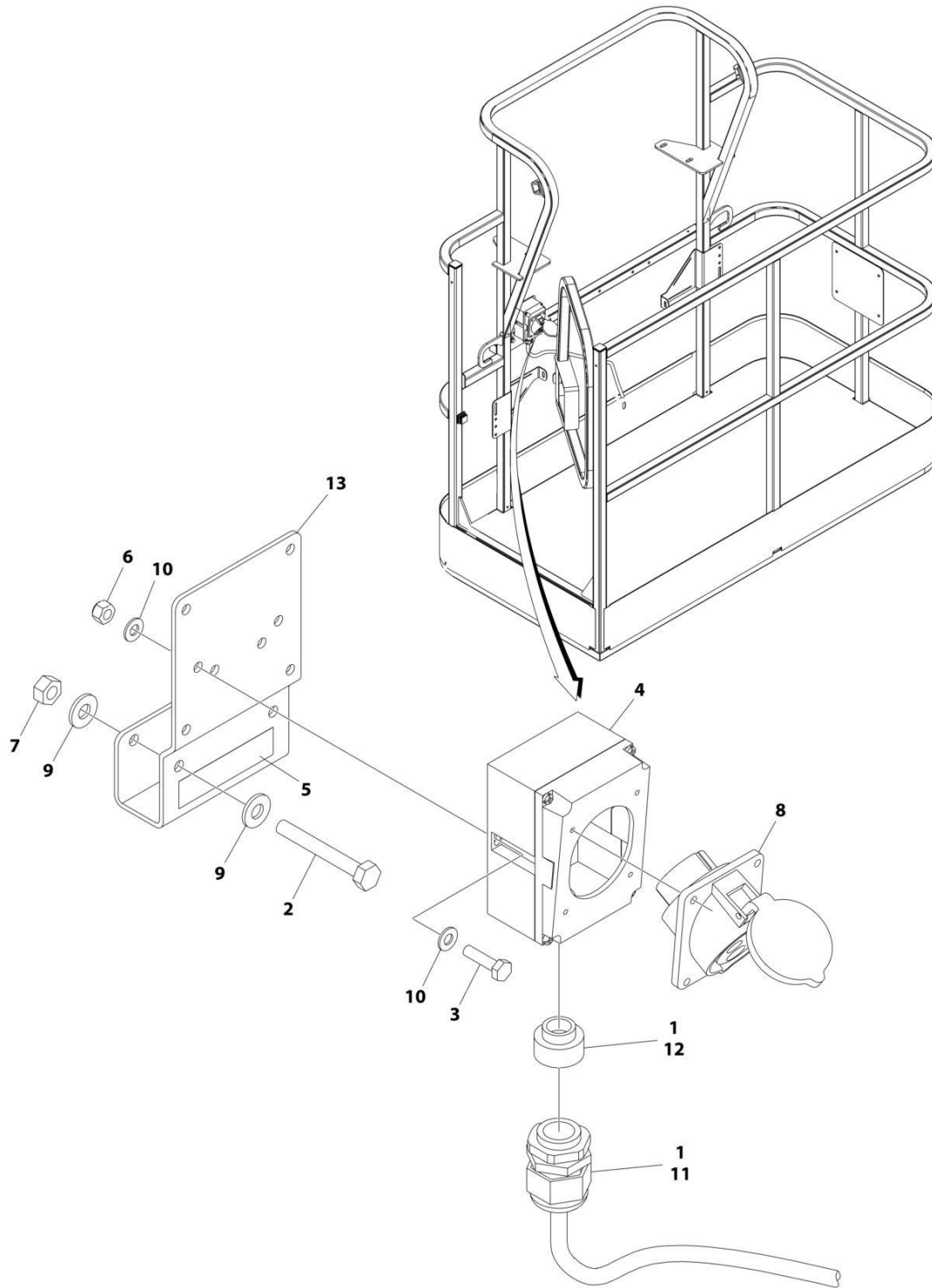
SECTION 8 - ELECTRICAL

**FIGURE 8-2. AC BOX AT PLATFORM INSTALLATION - 110V IEC YELLOW (CE & UK CA SPECS)
(MACHINES WITHOUT 4000W GENERATOR)**

ITEM	PART NUMBER	QTY	DESCRIPTION	REV
	1001091969	Ref	AC BOX AT PLATFORM INSTALLATION - 110V IEC YELLOW	D
1	0100020	AR	Sealant, Pipe	
2	0275216	1	Receptacle Box Kit (See Separate Breakdown in this Section)	
3	0700408	2	Bolt M4 x 16	
4	3290405	2	Nut M4	
5	1001101196	1	Adapter	
6	4811400	4	Washer M4	
7	1001101191	1	Connector, Strain Relief	
8	0641416	2	Bolt 1/4 x 2	
9	1705325	2	Decal - 110V	
10	3311405	2	Nut 1/4	
11	4711400	4	Washer 1/4	
12	1001193018	1	Bracket	

SECTION 8 - ELECTRICAL

**FIGURE 8-3. AC BOX AT PLATFORM INSTALLATION - 110V IEC YELLOW (CE & UK CA SPECS)
(MACHINES WITH 4000W GENERATOR)**



ART_1001206253

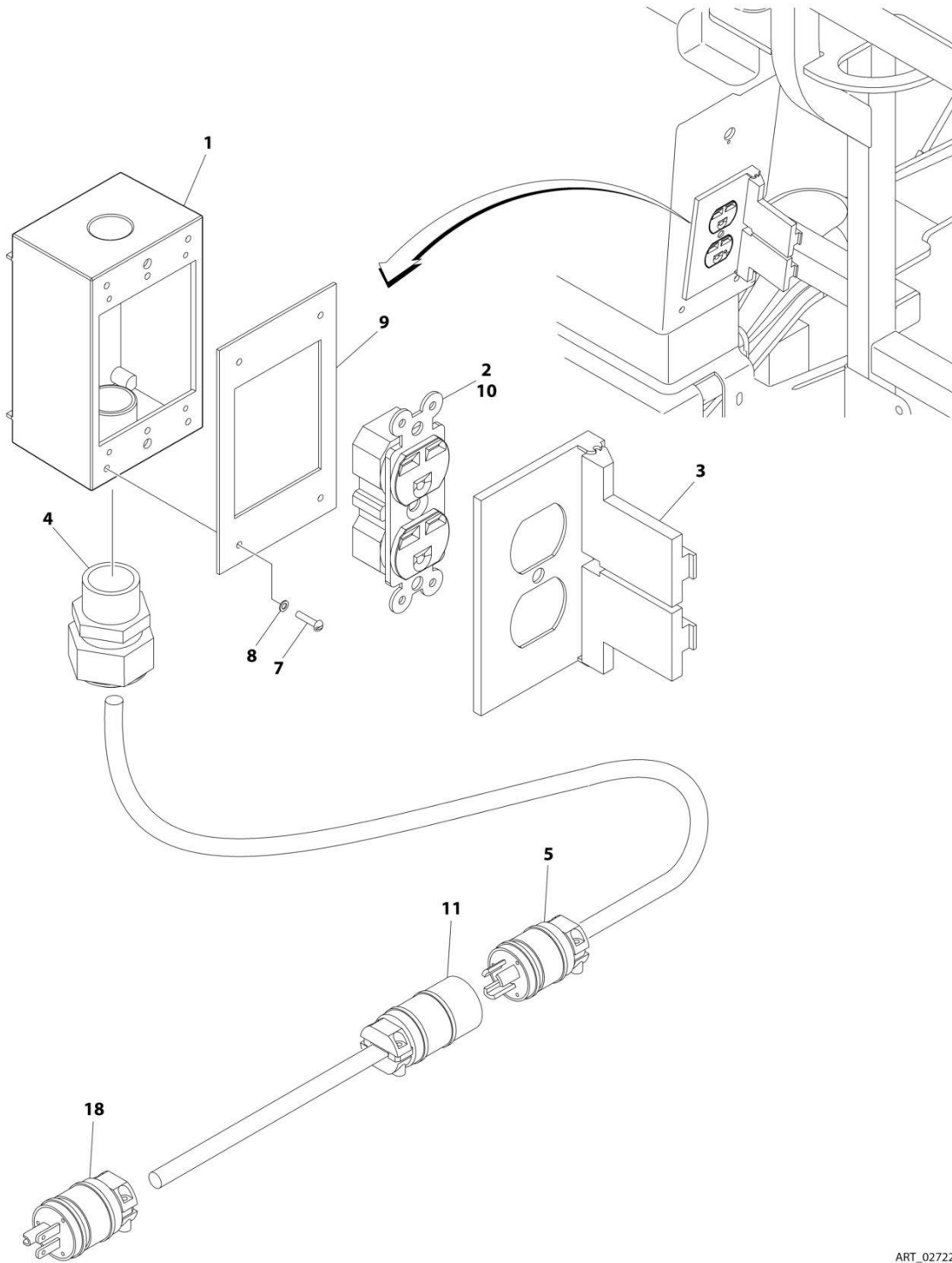
SECTION 8 - ELECTRICAL

**FIGURE 8-3. AC BOX AT PLATFORM INSTALLATION - 110V IEC YELLOW (CE & UK CA SPECS)
(MACHINES WITH 4000W GENERATOR)**

ITEM	PART NUMBER	QTY	DESCRIPTION	REV
	1001206253	Ref	AC BOX AT PLATFORM INSTALLATION - 110V IEC 60309 YELLOW WITHOUT 4000W GENERATOR	A
1	0100020	AR	Sealant, Pipe	
2	0641416	2	Bolt 1/4 x 2	
3	0700408	2	Bolt M4 x 16	
4	0861781	1	Box, Switch	
5	1705325	1	Decal - 110V	
6	3290405	2	Nut M4	
7	3311405	2	Nut 1/4	
8	4461198	1	Receptacle	
9	4711400	4	Washer 1/4	
10	4811400	4	Washer M4	
11	1001101191	1	Connector, Strain Relief	
12	1001101196	1	Adapter	
13	1001193018	1	Bracket, AC Receptacle	

SECTION 8 - ELECTRICAL

FIGURE 8-4. AC BOX AT PLATFORM INSTALLATION - 220V (ANSI, CSA & JAPANESE SPECS)



ART_0272260

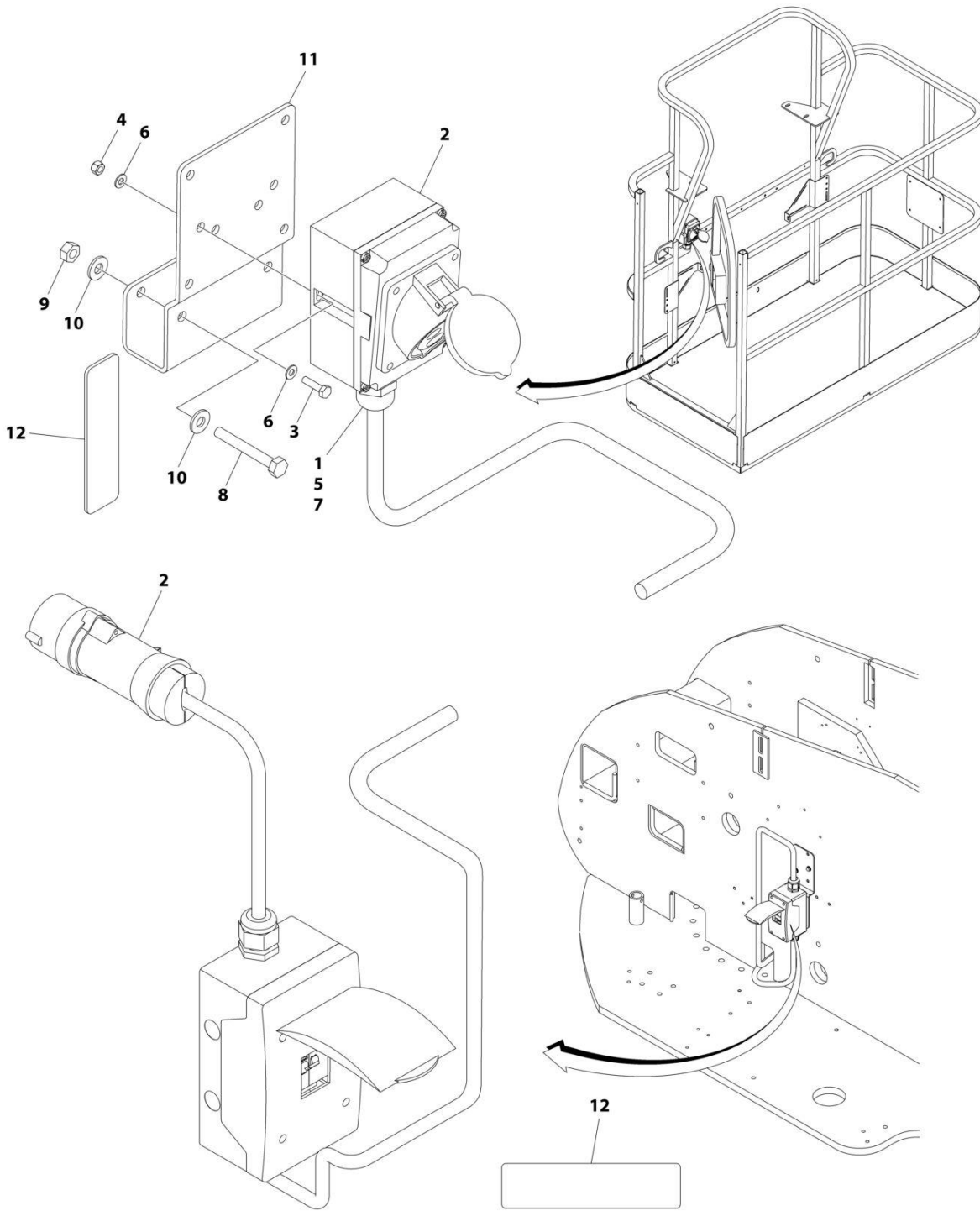
SECTION 8 - ELECTRICAL

FIGURE 8-4. AC BOX AT PLATFORM INSTALLATION - 220V (ANSI, CSA & JAPANESE SPECS)

ITEM	PART NUMBER	QTY	DESCRIPTION	REV
	0272260	Ref	AC BOX AT PLATFORM INSTALLATION - 220V	C
1	0860038	1	Box, Switch	
2	4460125	1	Receptacle	
3	4060092	1	Shield	
4	4460051	1	Connector, Strain Relief	
5	1001213584	2	Plug, Male	
7	3910610	4	Screw #6 x 5/8	
8	4760600	4	Washer #6	
9	3960422	1	Gasket	
10	4460315	1	Terminal, Spade	
11	1001213585	1	Receptacle, Female	
18	4460233	1	Plug, Male	

SECTION 8 - ELECTRICAL

FIGURE 8-5. AC BOX AT PLATFORM INSTALLATION - 220V IEC BLUE (CE & UK CA SPECS) (MACHINES WITHOUT 4000W GENERATOR)



(REF. LOCATED ON ENGINE SIDE HOOD)

ART_1001091970

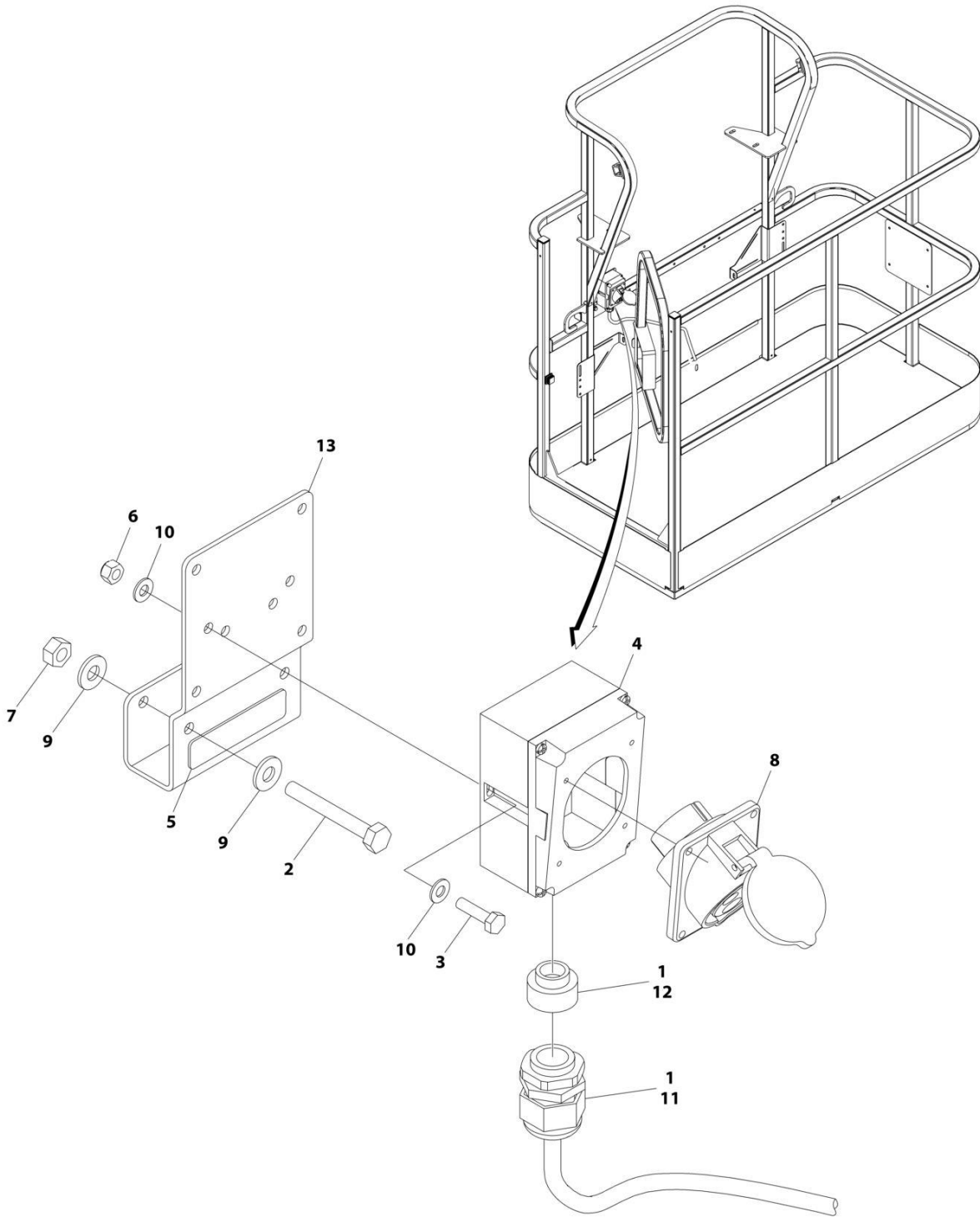
SECTION 8 - ELECTRICAL

**FIGURE 8-5. AC BOX AT PLATFORM INSTALLATION - 220V IEC BLUE (CE & UK CA SPECS)
(MACHINES WITHOUT 4000W GENERATOR)**

ITEM	PART NUMBER	QTY	DESCRIPTION	REV
	1001091970	Ref	AC BOX AT PLATFORM INSTALLATION - 220V IEC BLUE	D
1	0100020	AR	Sealant, Pipe	
2	0275217	1	Receptacle Box Kit (See Separate Breakdown in this Section)	
3	0700408	2	Bolt M4 x 16	
4	3290405	2	Nut M4	
5	1001101196	1	Adapter	
6	4811400	4	Washer M4	
7	1001101191	1	Connector, Strain Relief	
8	0641416	2	Bolt 1/4 x 2	
9	3311405	2	Nut 1/4	
10	4711400	4	Washer 1/4	
11	1001193018	1	Bracket	
12	3251242	2	Decal - 240V/50Hz	

SECTION 8 - ELECTRICAL

**FIGURE 8-6. AC BOX AT PLATFORM INSTALLATION - 220V IEC BLUE (CE & UK CA SPECS)
(MACHINES WITH 4000W GENERATOR)**



ART_1001206254

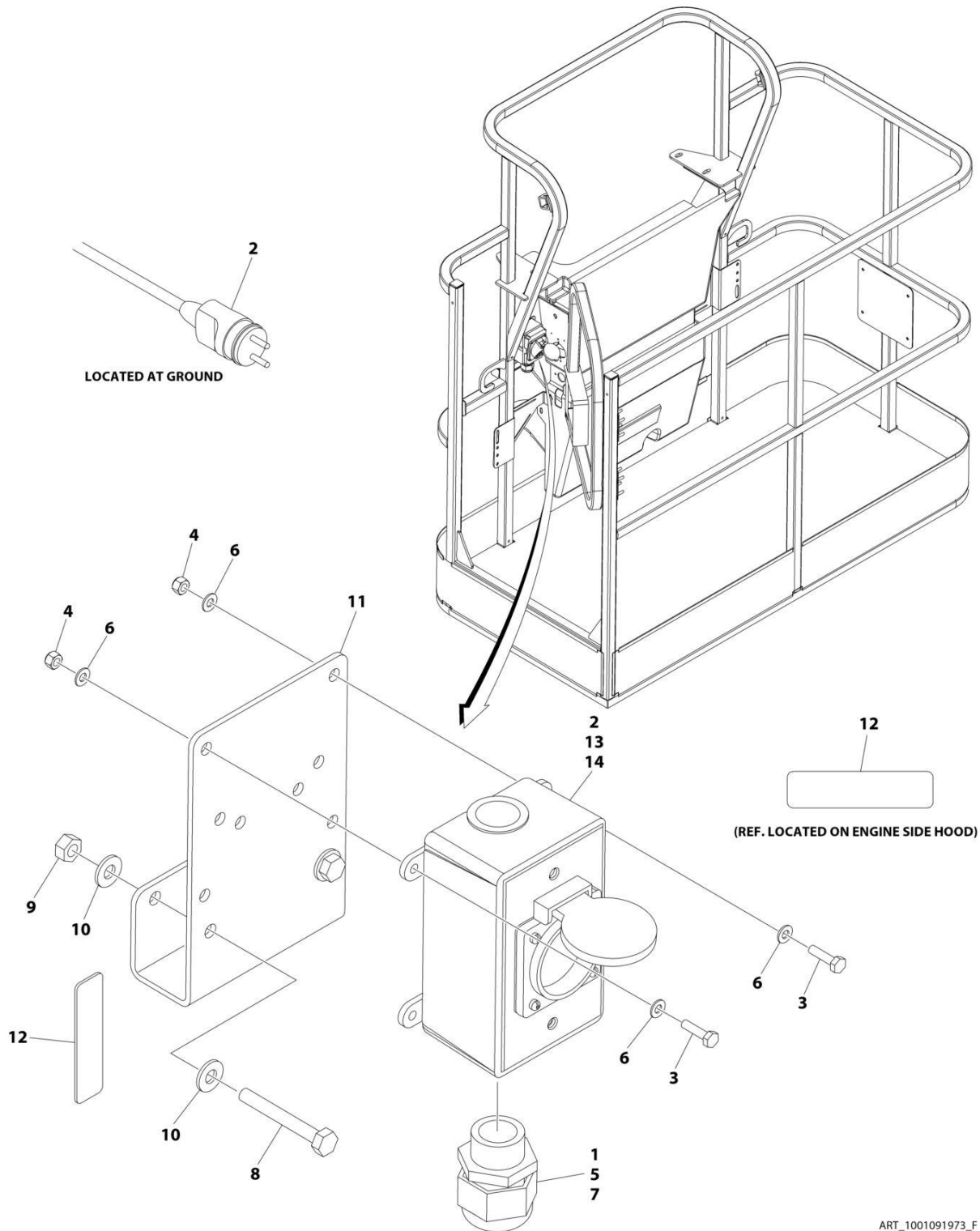
SECTION 8 - ELECTRICAL

**FIGURE 8-6. AC BOX AT PLATFORM INSTALLATION - 220V IEC BLUE (CE & UK CA SPECS)
(MACHINES WITH 4000W GENERATOR)**

ITEM	PART NUMBER	QTY	DESCRIPTION	REV
	1001206254	Ref	AC BOX AT PLATFORM INSTALLATION - 220V IEC BLUE	A
1	0100020	AR	Sealant, Pipe	
2	0641416	2	Bolt 1/4 x 2	
3	0700408	2	Bolt M4 x 16	
4	0861781	1	Box, Switch	
5	3251242	1	Decal - 240V/50Hz	
6	3290405	2	Nut M4	
7	3311405	2	Nut 1/4	
8	4461201	1	Receptacle	
9	4711400	4	Washer 1/4	
10	4811400	4	Washer M4	
11	1001101191	1	Connector, Strain Relief	
12	1001101196	1	Adapter	
13	1001193018	1	Bracket, AC Receptacle	

SECTION 8 - ELECTRICAL

FIGURE 8-7. AC BOX AT PLATFORM INSTALLATION - 220V CEE7 2X4 POST GROUND (CE & UK CA SPECS) (MACHINES WITHOUT 4000W GENERATOR)



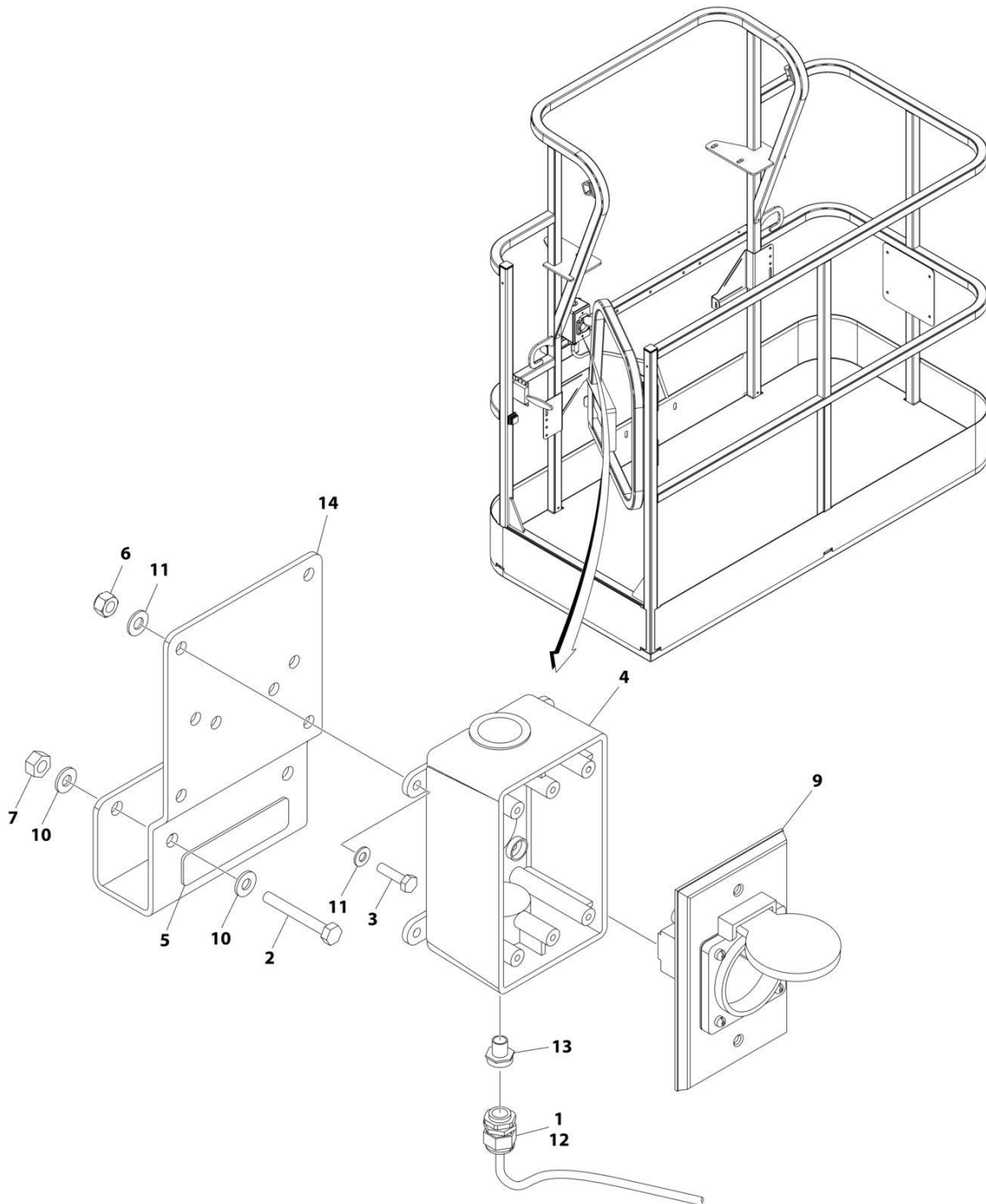
SECTION 8 - ELECTRICAL

FIGURE 8-7. AC BOX AT PLATFORM INSTALLATION - 220V CEE7 2X4 POST GROUND (CE & UK CA SPECS) (MACHINES WITHOUT 4000W GENERATOR)

ITEM	PART NUMBER	QTY	DESCRIPTION	REV
	1001091973	Ref	AC BOX AT PLATFORM INSTALLATION - 220V CEE7 2X4 BOX POST GROUND	F
1	0100020	AR	Sealant, Pipe	
2	0275452	1	Receptacle Box Kit (See Separate Breakdown in this Section)	
3	0700408	4	Bolt M4 x 16	
4	3290405	4	Nut M4	
5	1001101197	1	Adapter	
6	4811400	8	Washer M4	
7	1001101191	1	Connector, Strain Relief	
8	0641416	2	Bolt 1/4 x 2	
9	3311405	2	Nut 1/4	
10	4711400	4	Washer 1/4	
11	1001193018	1	Bracket	
12	3251242	2	Decal - 240V/50Hz	
13	4460806	2	Terminal, Fork (Not Shown)	
14	1001205958	1	Terminal (Not Shown)	

SECTION 8 - ELECTRICAL

FIGURE 8-8. AC BOX AT PLATFORM INSTALLATION - 220V CEE7 2X4 POST GROUND (CE & UK CA SPECS) (MACHINES WITH 4000W GENERATOR)



ART_1001206250

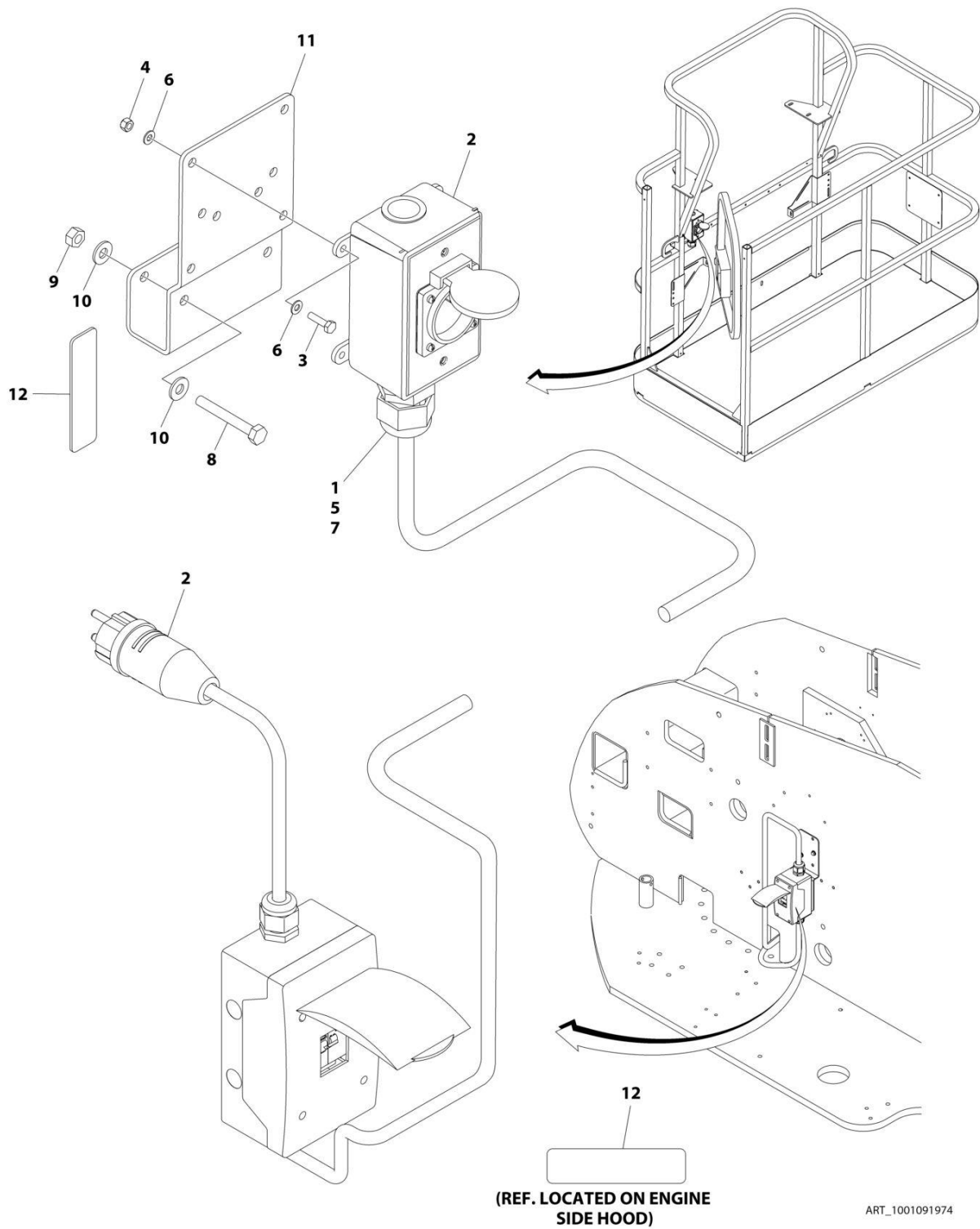
SECTION 8 - ELECTRICAL

FIGURE 8-8. AC BOX AT PLATFORM INSTALLATION - 220V CEE7 2X4 POST GROUND (CE & UK CA SPECS) (MACHINES WITH 4000W GENERATOR)

ITEM	PART NUMBER	QTY	DESCRIPTION	REV
	1001206250	Ref	AC BOX AT PLATFORM INSTALLATION - 220V CEE7 2X4 BOX POST GROUND	A
1	0100020	AR	Sealant, Pipe	
2	0641416	2	Bolt 1/4 x 2	
3	0700408	4	Bolt M4 x 16	
4	0861731	1	Box, Switch	
5	3251242	1	Decal - 240V/50Hz	
6	3290405	4	Nut M4	
7	3311405	2	Nut 1/4	
8	4460806	2	Terminal, Fork (Not Shown)	
9	4461244	1	Receptacle	
10	4711400	4	Washer 1/4	
11	4811400	8	Washer M4	
12	1001101191	1	Connector, Strain Relief	
13	1001101197	1	Adapter	
14	1001193018	1	Bracket, AC Receptacle	
15	1001205958	1	Terminal (Not Shown)	

SECTION 8 - ELECTRICAL

FIGURE 8-9. AC BOX AT PLATFORM INSTALLATION - 220V CEE7 2X4 SIDE GROUND (CE & UK CA SPECS) (MACHINES WITHOUT 4000W GENERATOR)



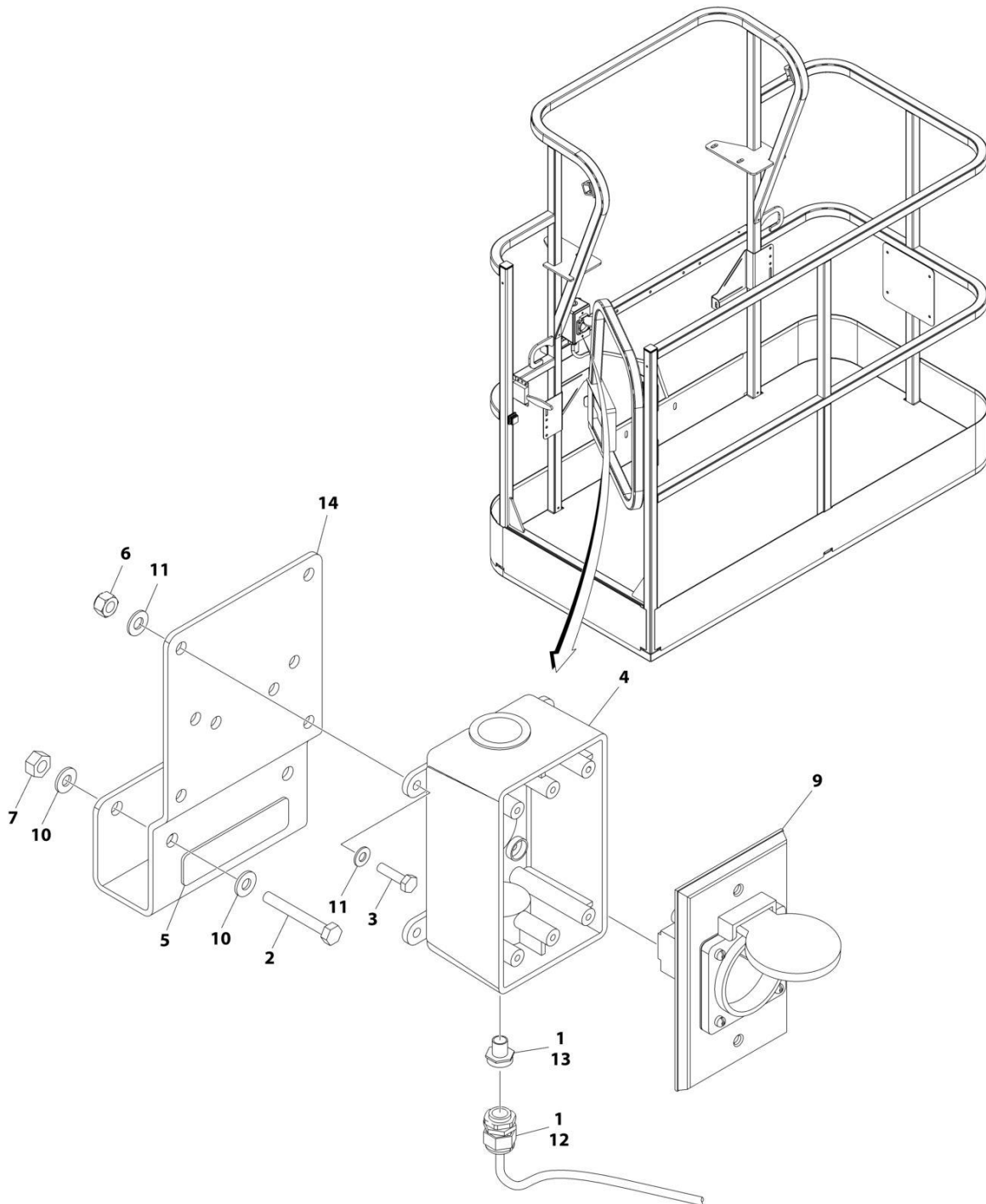
SECTION 8 - ELECTRICAL

FIGURE 8-9. AC BOX AT PLATFORM INSTALLATION - 220V CEE7 2X4 SIDE GROUND (CE & UK CA SPECS) (MACHINES WITHOUT 4000W GENERATOR)

ITEM	PART NUMBER	QTY	DESCRIPTION	REV
	1001091974	Ref	AC BOX AT PLATFORM INSTALLATION - 220V CEE7 2X4 BOX SIDE GROUND	F
1	0100020	AR	Sealant, Pipe	
2	0275453	1	Receptacle Box Kit (See Separate Breakdown in this Section)	
3	0700408	4	Bolt M4 x 16	
4	3290405	4	Nut M4	
5	1001101197	1	Adapter	
6	4811400	8	Washer M4	
7	1001101191	1	Connector, Strain Relief	
8	0641416	2	Bolt 1/4 x 2	
9	3311405	2	Nut 1/4	
10	4711400	4	Washer 1/4	
11	1001193018	1	Bracket	
12	3251242	2	Decal - 240V/50Hz	
13	4460806	2	Terminal, Fork (Not Shown)	
14	1001205958	1	Terminal (Not Shown)	

SECTION 8 - ELECTRICAL

FIGURE 8-10. AC BOX AT PLATFORM INSTALLATION - 220V CEE7 2X4 SIDE GROUND (CE & UK CA SPECS) (MACHINES WITH 4000W GENERATOR)



ART_1001206251

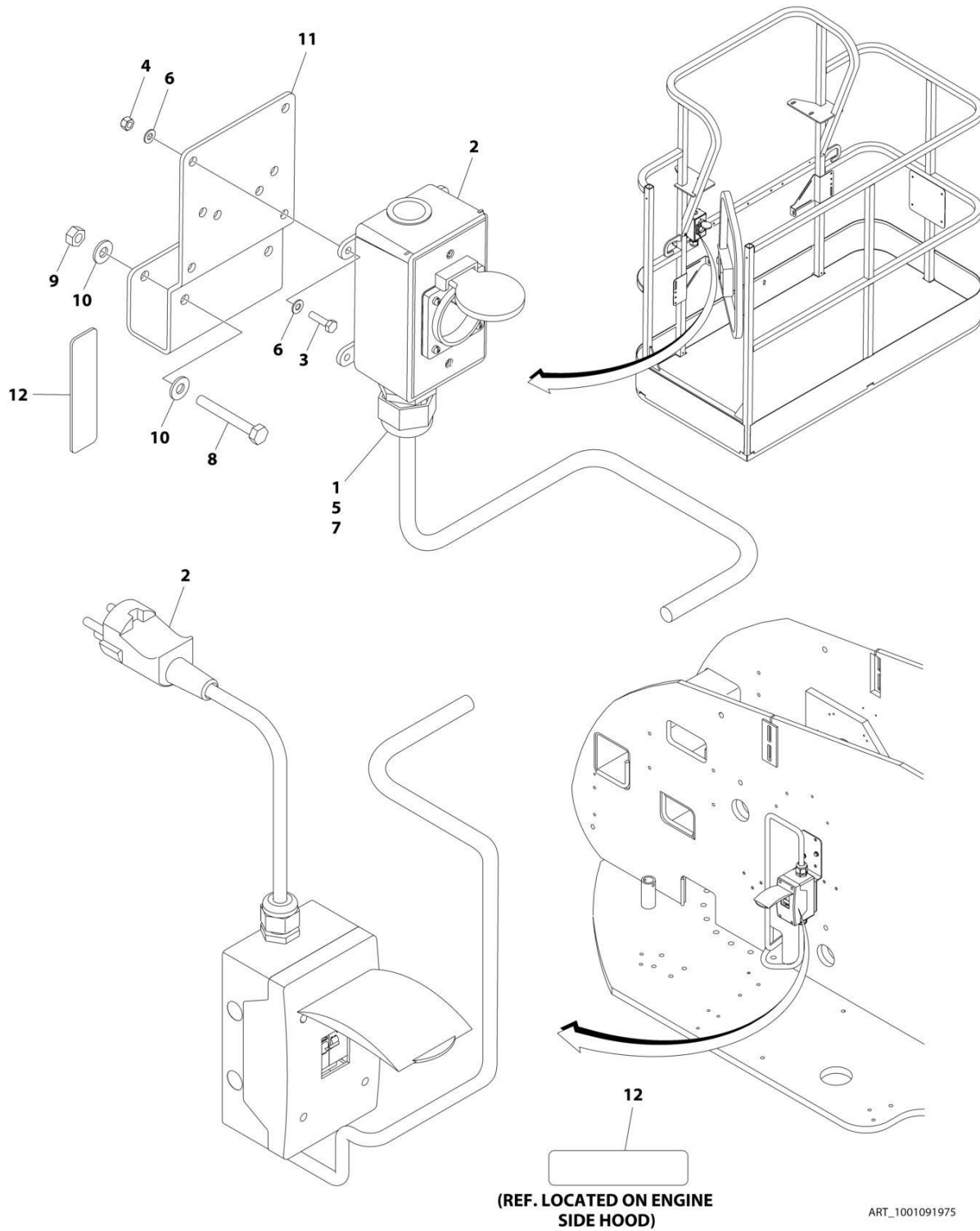
SECTION 8 - ELECTRICAL

FIGURE 8-10. AC BOX AT PLATFORM INSTALLATION - 220V CEE7 2X4 SIDE GROUND (CE & UK CA SPECS) (MACHINES WITH 4000W GENERATOR)

ITEM	PART NUMBER	QTY	DESCRIPTION	REV
	1001206251	Ref	AC BOX AT PLATFORM INSTALLATION - 220V CEE7 2X4 BOX SIDE GROUND	A
1	0100020	AR	Sealant, Pipe	
2	0641416	2	Bolt 1/4 x 2	
3	0700408	4	Bolt M4 x 16	
4	0861731	1	Box, Switch	
5	3251242	1	Decal - 240V/50Hz	
6	3290405	4	Nut M4	
7	3311405	2	Nut 1/4	
8	4460806	2	Terminal, Fork (Not Shown)	
9	4461245	1	Receptacle	
10	4711400	4	Washer 1/4	
11	4811400	8	Washer M4	
12	1001101191	1	Connector, Strain Relief	
13	1001101197	1	Adapter	
14	1001193018	1	Bracket, AC Receptacle	
15	1001205958	1	Terminal (Not Shown)	

SECTION 8 - ELECTRICAL

**FIGURE 8-11. AC BOX AT PLATFORM INSTALLATION - 220V AFSINT 107 (CE & UK CA SPECS)
(MACHINES WITHOUT 4000W GENERATOR)**



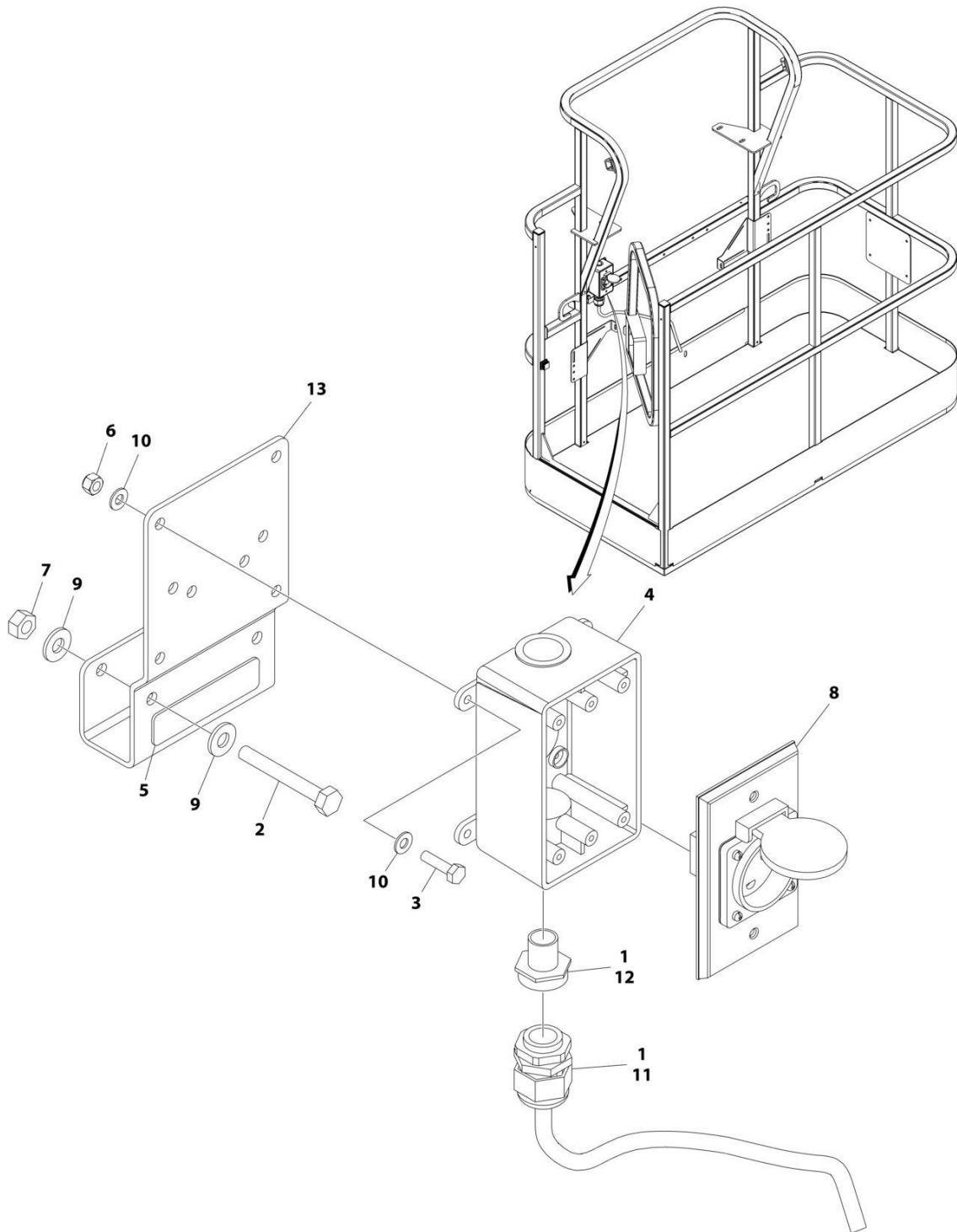
SECTION 8 - ELECTRICAL

**FIGURE 8-11. AC BOX AT PLATFORM INSTALLATION - 220V AFSINT 107 (CE & UK CA SPECS)
(MACHINES WITHOUT 4000W GENERATOR)**

ITEM	PART NUMBER	QTY	DESCRIPTION	REV
	1001091975	Ref	AC BOX AT PLATFORM INSTALLATION - 220V AFSINT 107 2X4 BOX KEYED GROUND	F
1	0100020	AR	Sealant, Pipe	
2	0275454	1	Receptacle Box Kit (See Separate Breakdown in this Section)	
3	0700408	4	Bolt M4 x 16	
4	3290405	4	Nut M4	
5	1001101197	1	Adapter	
6	4811400	8	Washer M4	
7	1001101191	1	Connector, Strain Relief	
8	0641416	2	Bolt 1/4 x 2	
9	3311405	2	Nut 1/4	
10	4711400	4	Washer 1/4	
11	1001193018	1	Bracket	
12	3251242	2	Decal - 240V/50Hz	
13	1001205958	3	Terminal (Not Shown)	

SECTION 8 - ELECTRICAL

FIGURE 8-12. AC BOX AT PLATFORM INSTALLATION - 220V AFSINT 107 (CE & UK CA SPECS)
(MACHINES WITH 4000W GENERATOR)



ART_1001206252

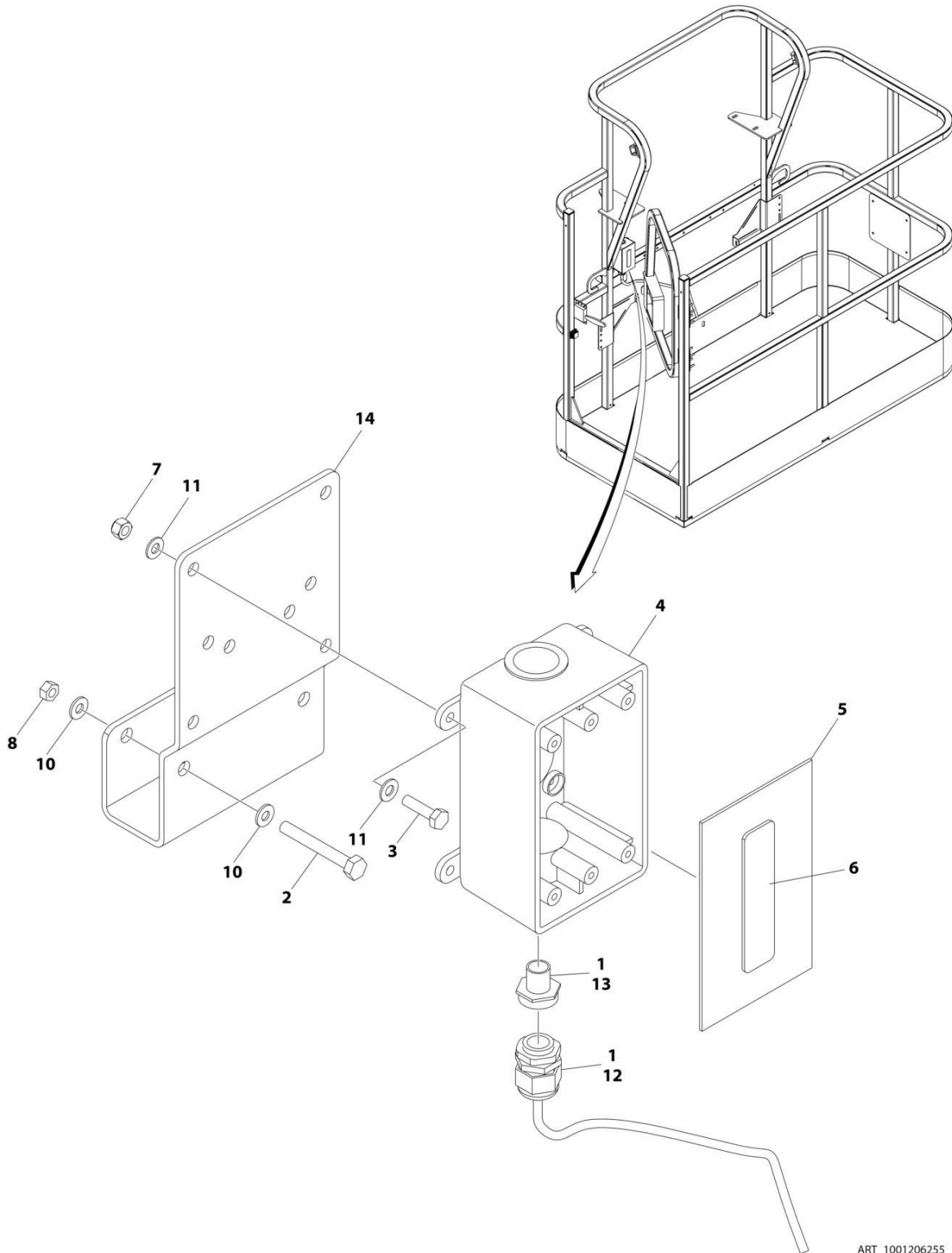
SECTION 8 - ELECTRICAL

**FIGURE 8-12. AC BOX AT PLATFORM INSTALLATION - 220V AFSINT 107 (CE & UK CA SPECS)
(MACHINES WITH 4000W GENERATOR)**

ITEM	PART NUMBER	QTY	DESCRIPTION	REV
	1001206252	Ref	AC BOX AT PLATFORM INSTALLATION - 220V AFSINT 107 2x4 BOX KEYED GROUND	A
1	0100020	AR	Sealant, Pipe	
2	0641416	2	Bolt 1/4 x 2	
3	0700408	4	Bolt M4 x 16	
4	0861731	1	Box, Switch	
5	3251242	1	Decal - 240V/50Hz	
6	3290405	4	Nut M4	
7	3311405	2	Nut 1/4	
8	4461246	1	Receptacle	
9	4711400	4	Washer 1/4	
10	4811400	8	Washer M4	
11	1001101191	1	Connector, Strain Relief	
12	1001101197	1	Adapter	
13	1001193018	1	Bracket, AC Receptacle	
14	1001205958	3	Terminal (Not Shown)	

SECTION 8 - ELECTRICAL

FIGURE 8-13. AC BOX AT PLATFORM INSTALLATION - BOX WITH COVER (ANSI EXPORT, AUSTRALIAN, CHINA & JAPANESE SPECS)



ART_1001206255

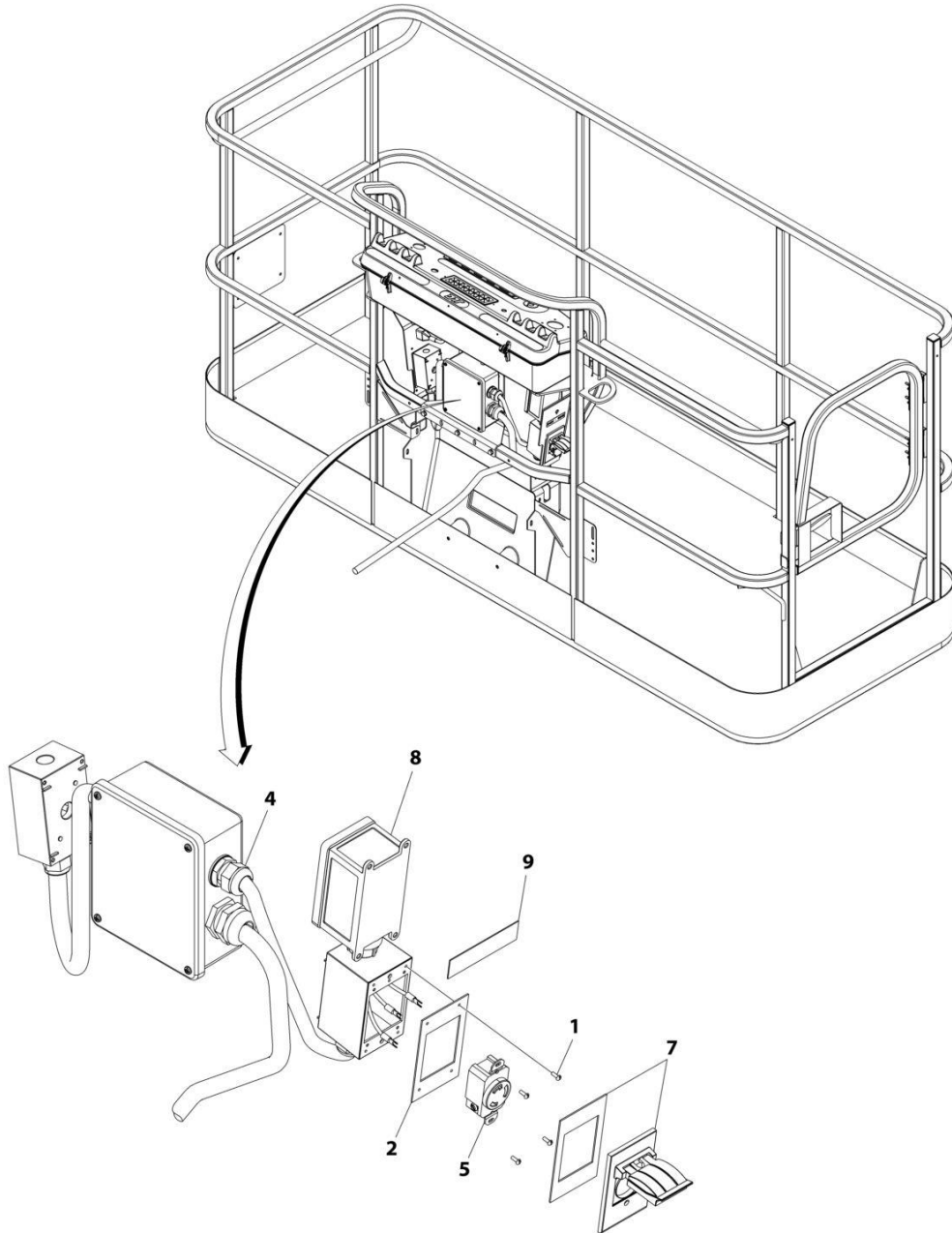
SECTION 8 - ELECTRICAL

FIGURE 8-13. AC BOX AT PLATFORM INSTALLATION - BOX WITH COVER (ANSI EXPORT, AUSTRALIAN, CHINA & JAPANESE SPECS)

ITEM	PART NUMBER	QTY	DESCRIPTION	REV
	1001206255	Ref	AC BOX AT PLATFORM INSTALLATION - BOX WITH COVER (2X4 BOX) WITH 4000W GENERATOR	A
1	0100020	AR	Sealant, Pipe	
2	0641416	2	Bolt 1/4 x 2	
3	0700408	4	Bolt M4 x 16	
4	0861731	1	Box, Switch	
5	1670603	1	Cover	
6	3251242	1	Decal - 240V-50Hz	
7	3290405	4	Nut M4	
8	3311405	2	Nut 1/4	
10	4711400	4	Washer 1/4	
11	4811400	8	Washer M4	
12	1001101191	1	Connector, Strain Relief	
13	1001101197	1	Adapter	
14	1001193018	1	Bracket, AC Receptacle	

SECTION 8 - ELECTRICAL

FIGURE 8-14. AC BOX AT PLATFORM INSTALLATION - 240V RECEPTACLE (WITH 4000W GENERATOR) (ALL SPECS EXCEPT ANSI & CSA SPECS)



ART_1001171131

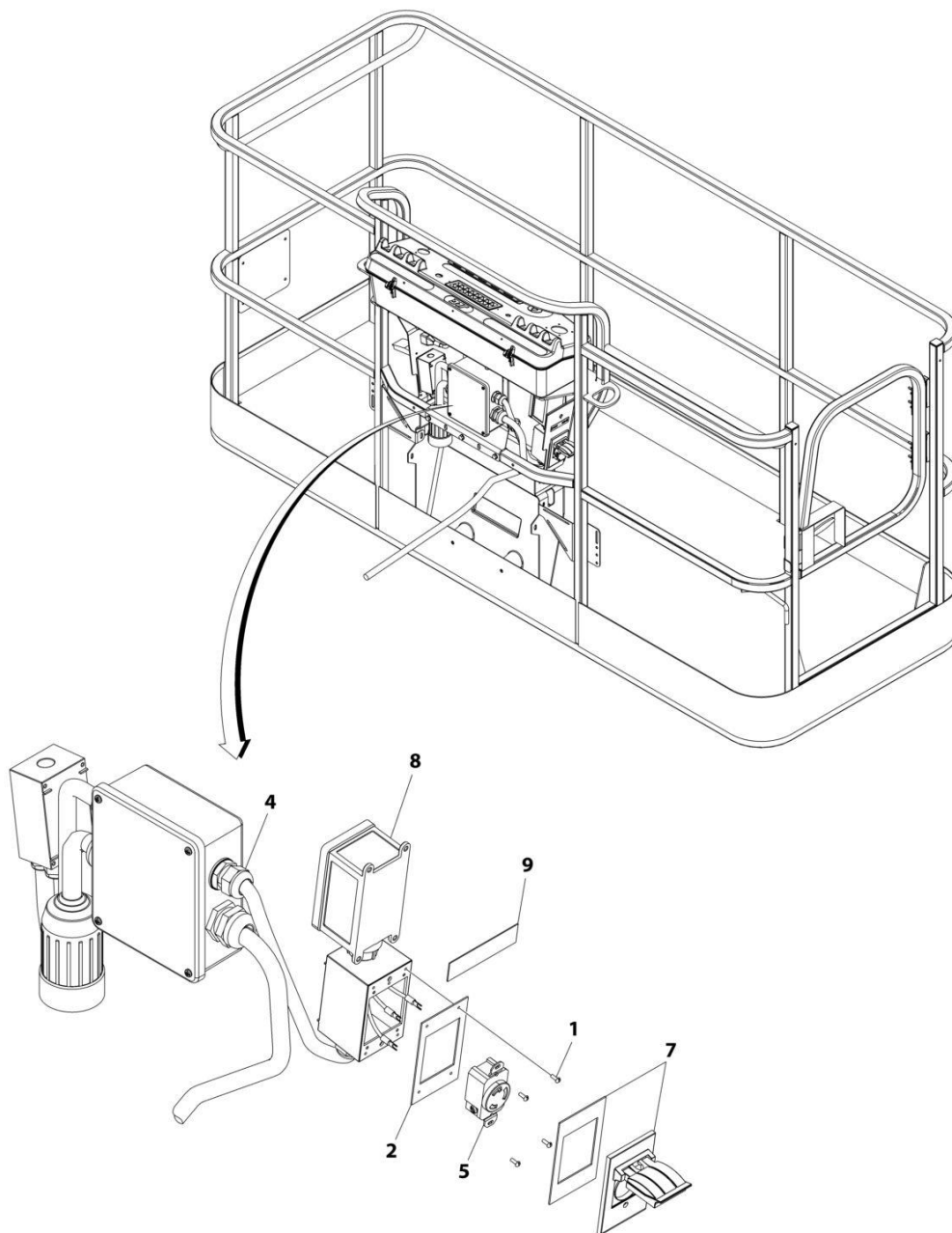
SECTION 8 - ELECTRICAL

FIGURE 8-14. AC BOX AT PLATFORM INSTALLATION - 240V RECEPTACLE (WITH 4000W GENERATOR) (ALL SPECS EXCEPT ANSI & CSA SPECS)

ITEM	PART NUMBER	QTY	DESCRIPTION	REV
	1001171131	Ref	AC BOX AT PLATFORM INSTALLATION - 240V RECEPTACLE	B
1	3910606	4	Screw 6 x 3/8	
2	3960422	1	Gasket	
3	4240018	AR	Tie-Strap (Not Shown)	
4	4460425	1	Connector, Strain Relief	
5	1001176862	1	Receptacle	
7	1001110872	1	Cover, Receptacle	
8	1001159120	1	Receptacle/Breaker Box Assembly	
8	1001148675	1	Box, Receptacle	
8	1001159118	1	Breaker GFCI 30Amp 240VAC	
8	4460612	1	Connector, Strain Relief	
8	1001159119	1	Connector (Between Boxes)	
9	1705374	1	Decal - 240V/60Hz	

SECTION 8 - ELECTRICAL

FIGURE 8-15. AC BOX AT PLATFORM INSTALLATION - 240V RECEPTACLE (WITH 7500W SKYPOWER GENERATOR) (ANSI & CSA SPECS)



ART_1001159121

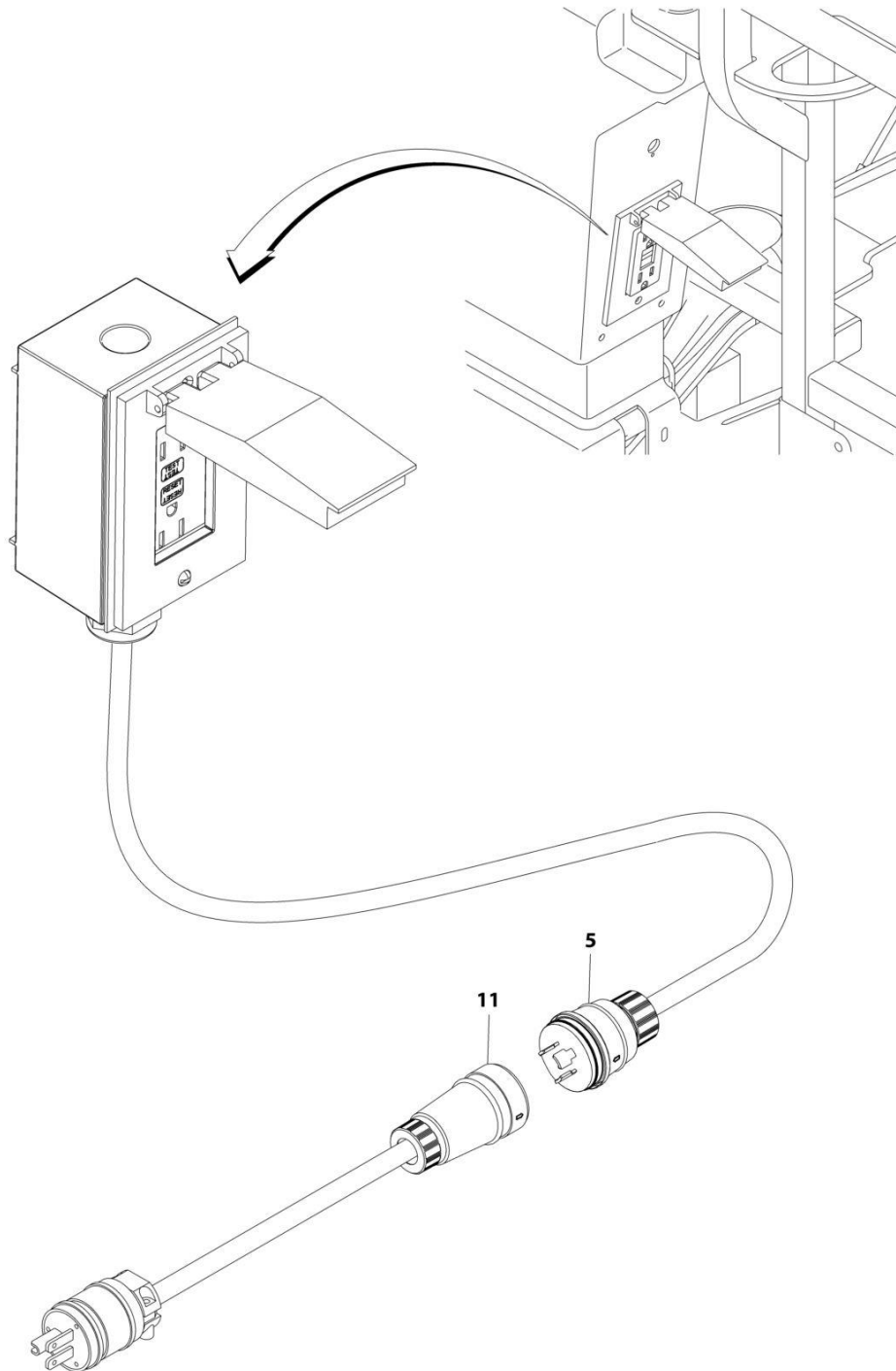
SECTION 8 - ELECTRICAL

FIGURE 8-15. AC BOX AT PLATFORM INSTALLATION - 240V RECEPTACLE (WITH 7500W SKYPOWER GENERATOR) (ANSI & CSA SPECS)

ITEM	PART NUMBER	QTY	DESCRIPTION	REV
	1001159121	Ref	AC BOX AT PLATFORM INSTALLATION - 240V RECEPTACLE	B
1	3910606	4	Screw 6 x 3/8	
2	3960422	1	Gasket	
3	4240018	AR	Tie-Strap (Not Shown)	
4	4460425	1	Connector, Strain Relief	
5	4460958	1	Receptacle	
7	1001110872	1	Cover, Receptacle	
8	1001159120	1	Receptacle/Breaker Box Assembly	
8	1001148675	1	Box, Receptacle	
8	1001159118	1	Breaker Box Assembly	
8	4460612	1	Connector, Strain Relief	
8	1001159119	1	Connector (Between Boxes)	
9	1705374	1	Decal - 240V/60Hz	

SECTION 8 - ELECTRICAL

FIGURE 8-16. AC BOX AT PLATFORM MID-BOOM PLUG INSTALLATION (WITHOUT 7500W SKYPOWER GENERATOR) (ALL SPECS EXCEPT ANSI & CSA SPECS)



ART_0256202

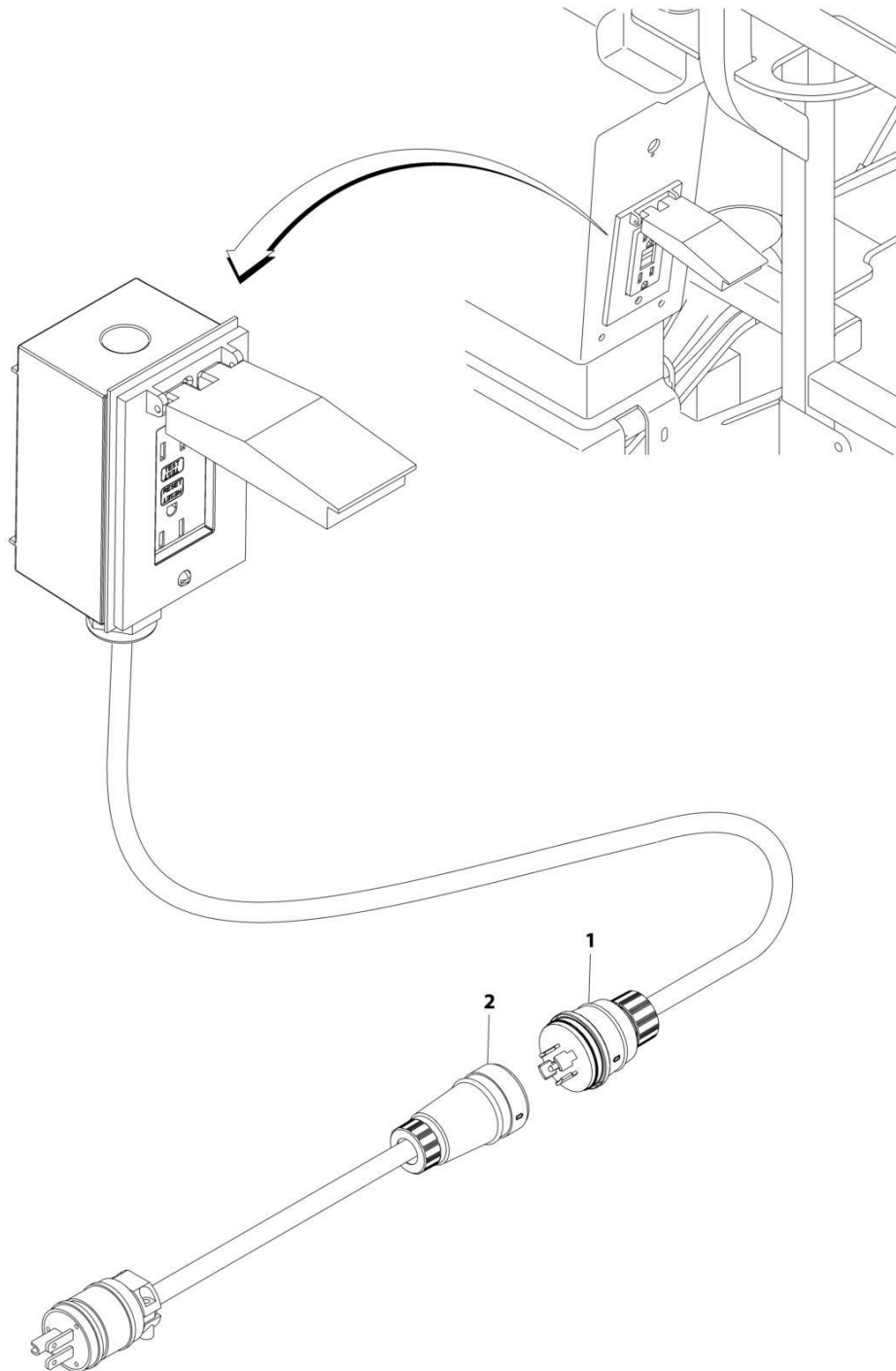
SECTION 8 - ELECTRICAL

FIGURE 8-16. AC BOX AT PLATFORM MID-BOOM PLUG INSTALLATION (WITHOUT 7500W SKYPOWER GENERATOR) (ALL SPECS EXCEPT ANSI & CSA SPECS)

ITEM	PART NUMBER	QTY	DESCRIPTION	REV
	0256202	Ref	AC BOX AT PLATFORM MID-BOOM PLUG INSTALLATION	D
5	1001213584	1	Plug	
11	1001213585	1	Receptacle	

SECTION 8 - ELECTRICAL

FIGURE 8-17. AC BOX AT PLATFORM MID-BOOM PLUG INSTALLATION (WITH 7500W SKYPOWER GENERATOR)



ART_0272433

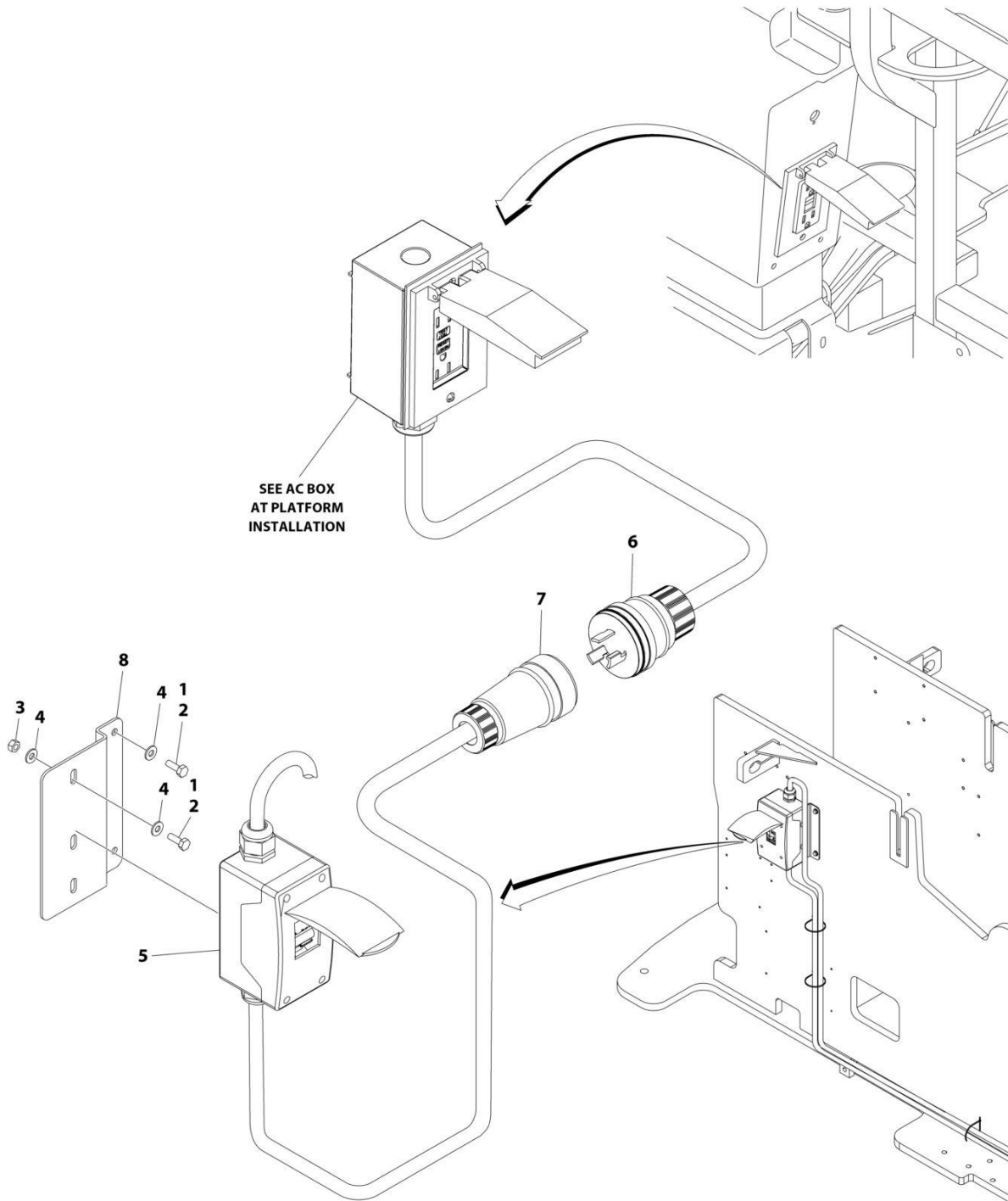
SECTION 8 - ELECTRICAL

FIGURE 8-17. AC BOX AT PLATFORM MID-BOOM PLUG INSTALLATION (WITH 7500W SKYPOWER GENERATOR)

ITEM	PART NUMBER	QTY	DESCRIPTION	REV
	0272433	Ref	AC CABLE INSTALLATION - 110V/220V	D
1	1001218622	1	Plug, Male	
2	1001218623	1	Plug, Female	

SECTION 8 - ELECTRICAL

FIGURE 8-18. AC BREAKER BOX INSTALLATION - WITH 2 BREAKERS (CE & UK CA SPECS WITH 4000W GENERATOR)



ART_1001236962

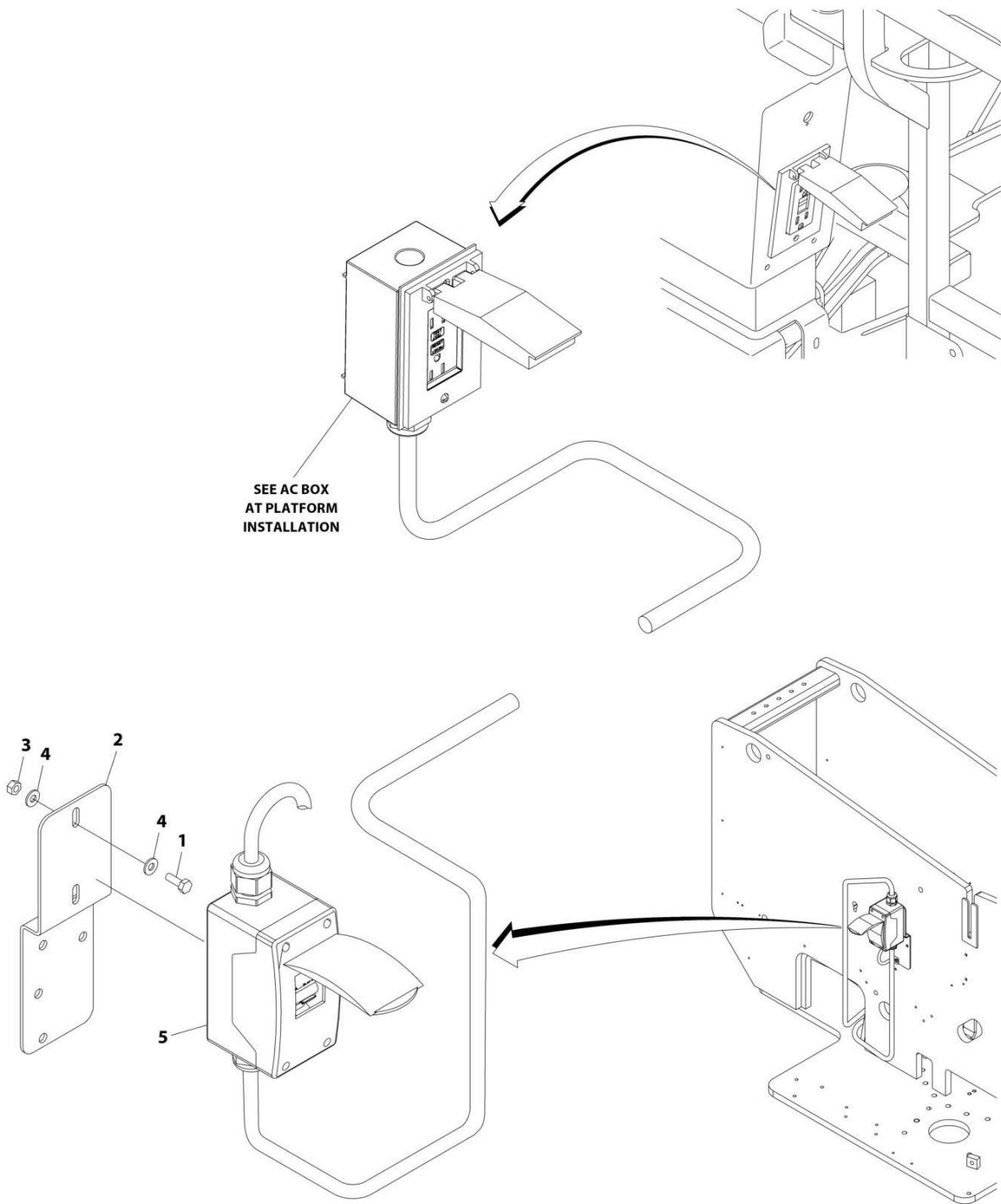
SECTION 8 - ELECTRICAL

FIGURE 8-18. AC BREAKER BOX INSTALLATION - WITH 2 BREAKERS (CE & UK CA SPECS WITH 4000W GENERATOR)

ITEM	PART NUMBER	QTY	DESCRIPTION	REV
	1001236962	Ref	AC BREAKER BOX INSTALLATION	A
1	0100011	AR	Compound, Locking	
2	0641406	4	Bolt 1/4 x 3/4	
3	3311405	2	Nut 1/4	
4	4711400	6	Washer 1/4	
5	1001165368	1	Breaker Box Kit - With 2 Breakers (See Separate Breakdown in this Section)	
6	1001213584	1	Plug, Male	
7	1001213585	1	Receptacle, Female	
8	1001229080	1	Bracket	
9	4240099	AR	Tie-Strap (Not Shown)	

SECTION 8 - ELECTRICAL

FIGURE 8-19. AC BREAKER BOX INSTALLATION - WITH 2 BREAKERS (BRAZIL SPECS)



ART_1001171016

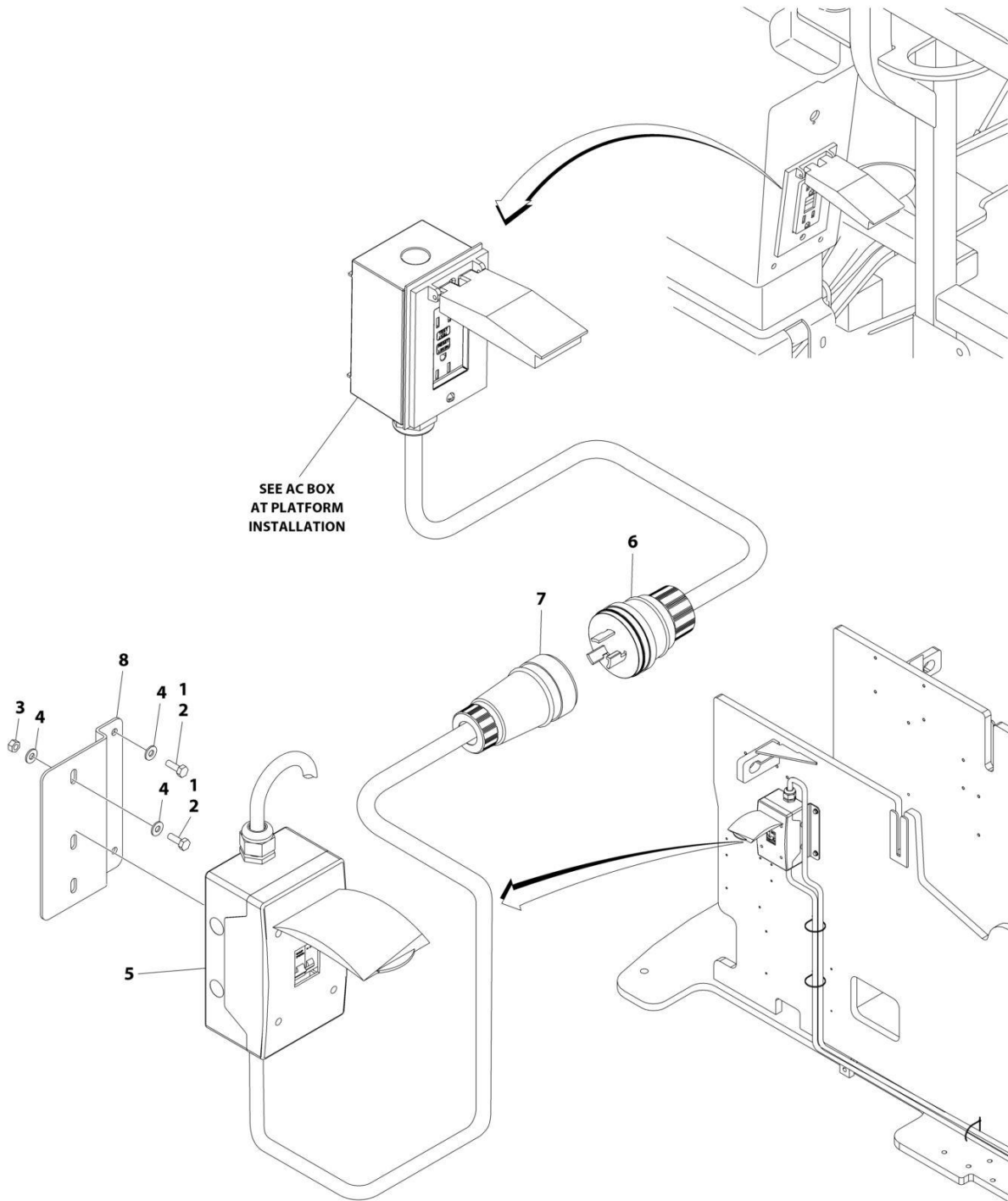
SECTION 8 - ELECTRICAL

FIGURE 8-19. AC BREAKER BOX INSTALLATION - WITH 2 BREAKERS (BRAZIL SPECS)

ITEM	PART NUMBER	QTY	DESCRIPTION	REV
	1001171016	Ref	AC BREAKER BOX INSTALLATION	B
1	0641406	2	Bolt 1/4 x 3/4	
2	0903697	1	Bracket	
3	3311405	2	Nut 1/4	
4	4711400	4	Washer 1/4	
5	1001109654	1	Breaker Box Kit - With 2 Breakers (See Separate Breakdown in this Section)	

SECTION 8 - ELECTRICAL

FIGURE 8-20. AC BREAKER BOX INSTALLATION - WITH 3 BREAKERS (CE & UK CA SPECS WITH 4000W GENERATOR)



ART_1001234588

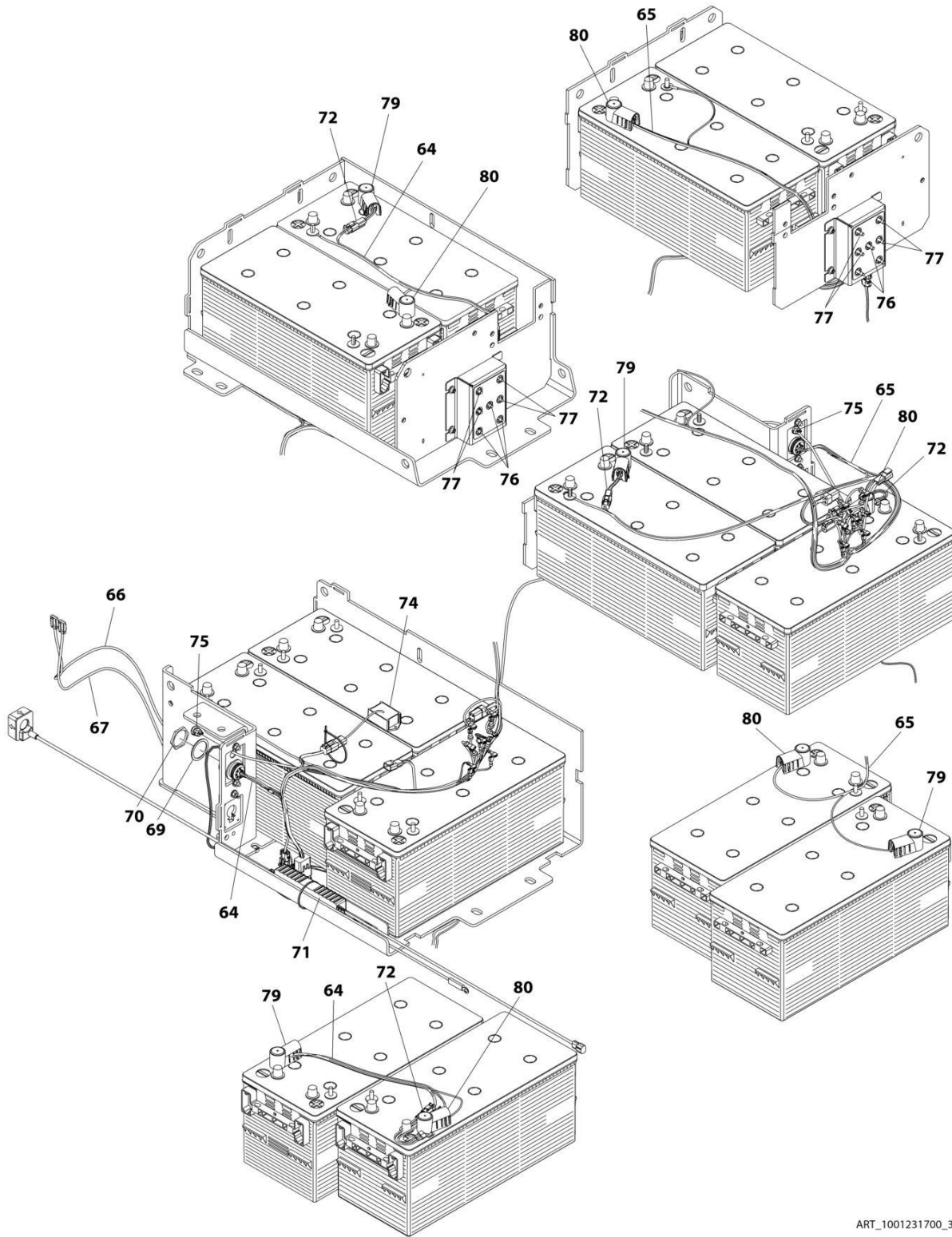
SECTION 8 - ELECTRICAL

FIGURE 8-20. AC BREAKER BOX INSTALLATION - WITH 3 BREAKERS (CE & UK CA SPECS WITH 4000W GENERATOR)

ITEM	PART NUMBER	QTY	DESCRIPTION	REV
	1001234588	Ref	AC BREAKER BOX INSTALLATION	A
1	0100011	AR	Compound, Locking	
2	0641406	4	Bolt 1/4 x 3/4	
3	3311405	2	Nut 1/4	
4	4711400	6	Washer 1/4	
5	1001205690	1	Breaker Box Kit - With 3 Breakers (See Separate Breakdown in this Section)	
6	1001213584	1	Plug, Male	
7	1001213585	1	Receptacle, Female	
8	1001229080	1	Bracket	
9	4240099	AR	Tie-Strap (Not Shown)	

SECTION 8 - ELECTRICAL

FIGURE 8-21. BATTERY CABLES INSTALLATION



ART_1001231700_30F3

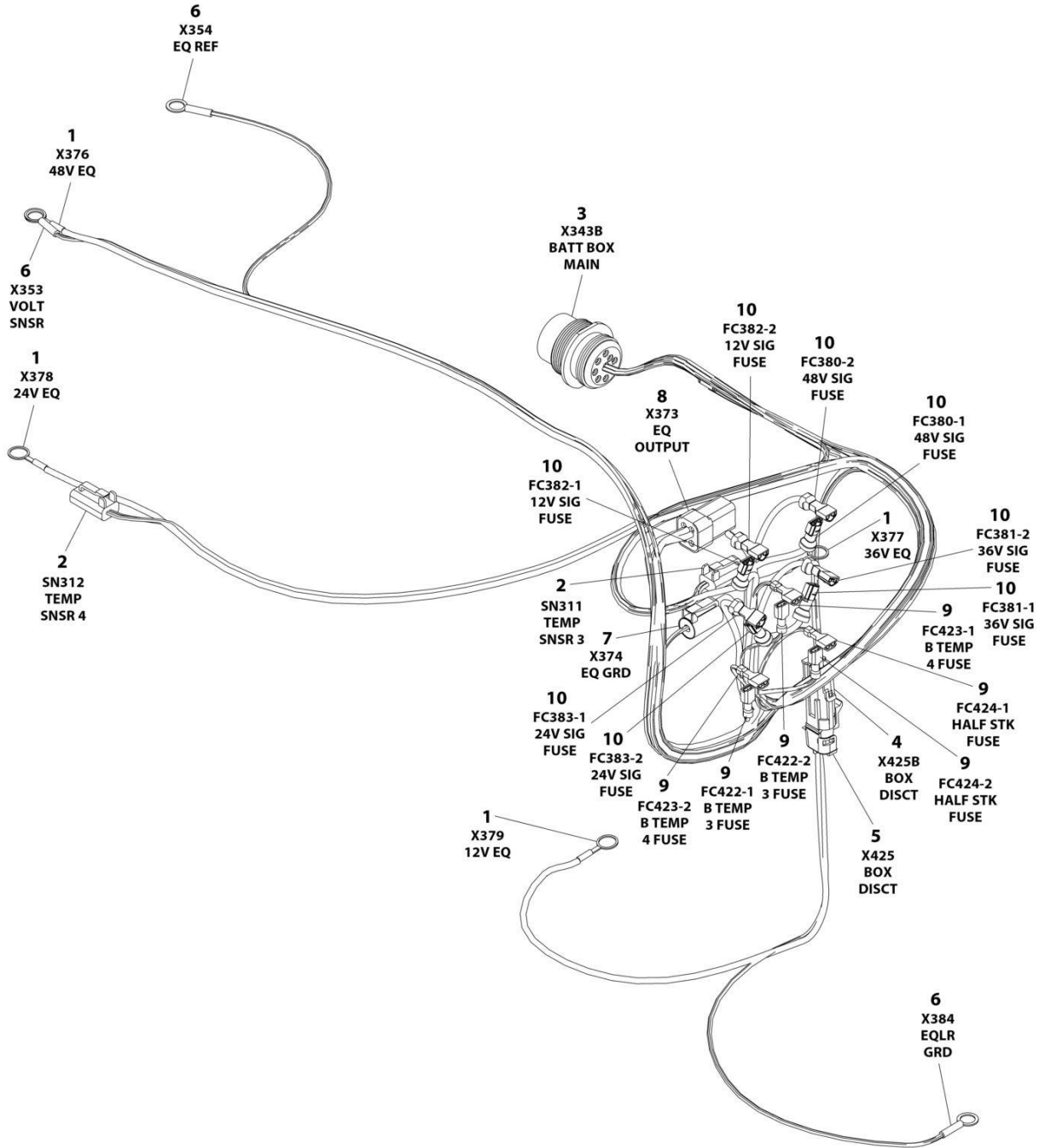
SECTION 8 - ELECTRICAL

FIGURE 8-21. BATTERY CABLES INSTALLATION

ITEM	PART NUMBER	QTY	DESCRIPTION	REV
	1001231700	Ref	BATTERY CABLES INSTALLATION	G
64	1001231685	1	Battery Stack Harness (RH) (See Separate Breakdown in this Section)	
65	1001231686	1	Battery Stack Harness (LH) (See Separate Breakdown in this Section)	
66	1001232840	1	Cable Equalizer LED (LH)	
66	4460910	1	Receptacle, Female - 3 Position	
66	1001126011	3	Terminal	
66	4460911	1	Plug, Male - 3 Position	
66	1001126008	3	Terminal	
67	1001232841	1	Cable Equalizer LED (RH)	
67	4460910	1	Receptacle, Female - 3 Position	
67	1001126011	3	Terminal	
67	4460911	1	Plug, Male - 3 Position	
67	1001126008	3	Terminal	
69	4460496	2	Washer	
70	4460497	2	Nut	
71	1001222336	1	Control, SOC Monitor	
72	1001225131	5	Temperature Sensor Harness	
74	1001227080	1	Terminator, Electrical	
75	1001233825	2	Connector, Strain Relief	
76	2400080	6	Fuse - 1 Amp	
77	1001234313	8	Fuse - 7.5 Amp	
79	1001225557	4	Boot (Black)	
80	1001225558	5	Boot (Red)	
81	4240032	AR	Tie-Strap (Not Shown)	
100	1001233440	1	Battery Connect Cable Kit (Not Shown)	
101	1001222379	1	Cable, Battery Jumper (+)	
102	1001222380	1	Cable, Battery Jumper (-)	
500	1001233448	2	Battery Box Cable Kit (Not Shown)	
501	1001231425	2	Cable, Battery Jumper (+) (1 Per Kit)	
502	1001231426	2	Cable, Battery Jumper (-) (1 Per Kit)	
503	1001231481	2	Cable, Battery Bulkhead (+) (1 Per Kit)	
504	1001231482	2	Cable, Battery Bulkhead (-) (1 Per Kit)	
505	1001231514	2	Cable, Battery Jumper (+) (1 Per Kit)	
506	1001231515	2	Cable, Battery Jumper (-) (1 Per Kit)	
507	1001231519	2	Cable, 84V Short (1 Per Kit)	
508	1001231520	2	Cable, 84V MID (1 Per Kit)	
509	1001231521	2	Cable, 84V Long (1 Per Kit)	
510	1001231522	2	Cable, 84V Bulkhead (1 Per Kit)	

SECTION 8 - ELECTRICAL

FIGURE 8-22. BATTERY STACK HARNESS (LH)



ART_1001231686

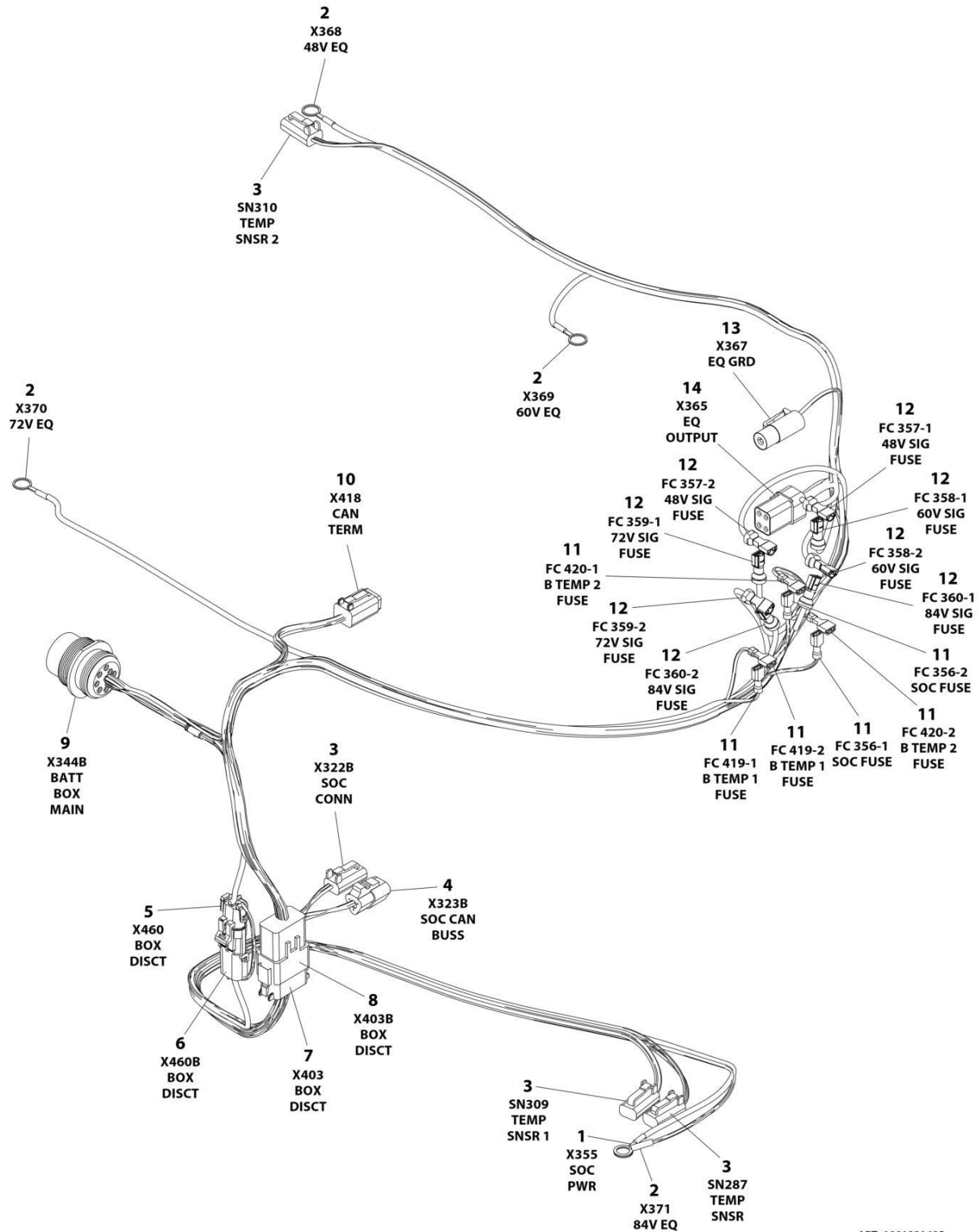
SECTION 8 - ELECTRICAL

FIGURE 8-22. BATTERY STACK HARNESS (LH)

ITEM	PART NUMBER	QTY	DESCRIPTION	REV
	1001231686	Ref	BATTERY STACK HARNESS	B
1	4460019	4	Terminal, Ring	
2	4460891	2	Plug, Male - 2 Position	
2	4460465	4	Socket, Female	
3	1001112612	1	Connector - 9 Position	
3	4460464	5	Pin, Male	
3	4460466	4	Plug, Terminal	
4	4461157	1	Receptacle, Female - 2 Position	
4	4460850	2	Terminal	
5	4460742	1	Plug, Male - 2 Position	
5	4460790	2	Terminal	
6	4460256	3	Terminal, Ring	
7	4461261	1	Plug, Male - 1 Position	
7	4460509	1	Socket, Female	
8	1001116810	1	Plug, Male - 4 Position	
8	4460509	8	Socket, Female	
9	8220051	6	Terminal	
10	8220043	8	Terminal	

SECTION 8 - ELECTRICAL

FIGURE 8-23. BATTERY STACK HARNESS (RH)



ART_1001231685

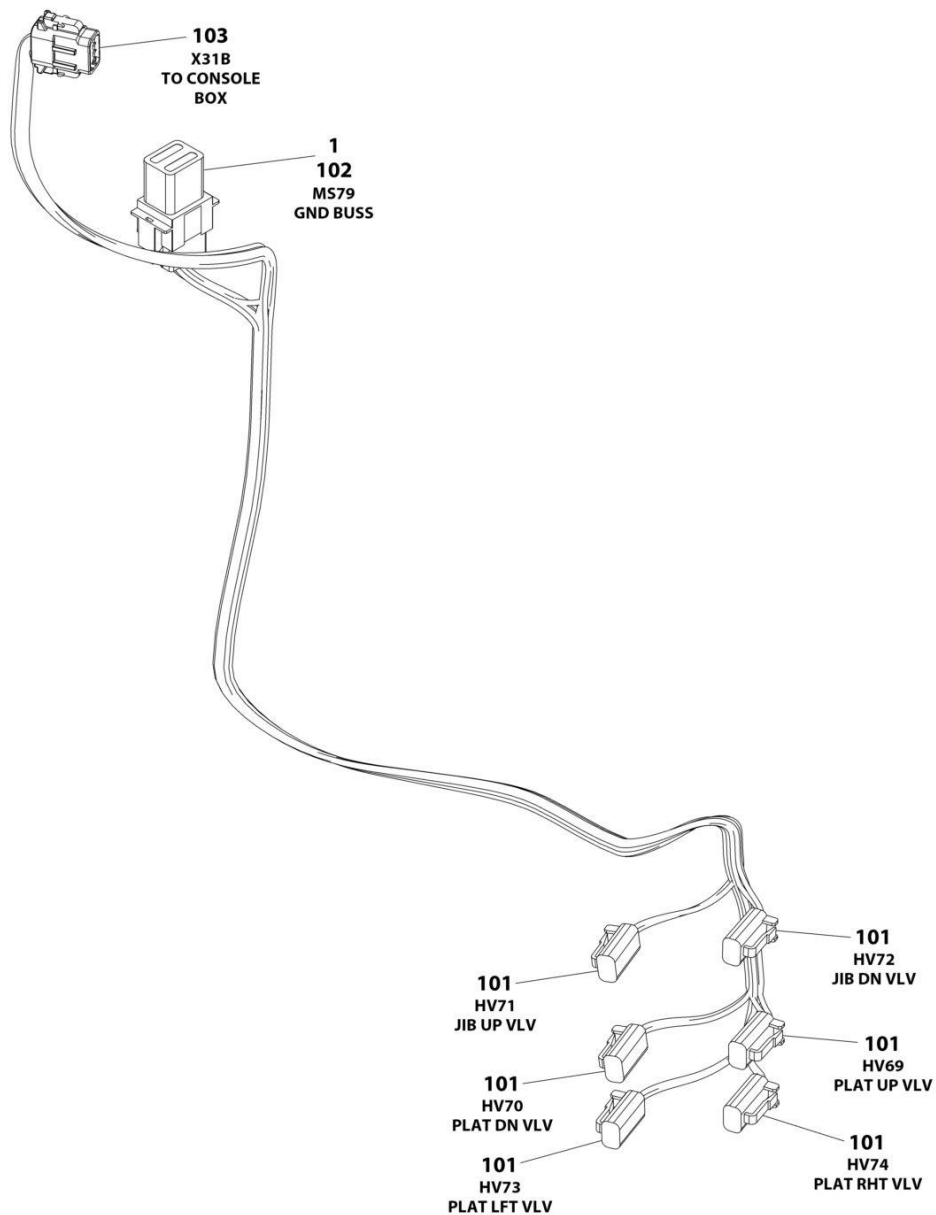
SECTION 8 - ELECTRICAL

FIGURE 8-23. BATTERY STACK HARNESS (RH)

ITEM	PART NUMBER	QTY	DESCRIPTION	REV
	1001231685	Ref	BATTERY STACK HARNESS	A
1	4460256	3	Terminal, Ring	
2	4460019	4	Terminal, Ring	
3	4460891	2	Plug, Male - 2 Position	
3	4460465	4	Socket, Female	
4	4460539	1	Plug, Male - 3 Position	
4	4460465	3	Socket, Female	
5	4461157	1	Receptacle, Female - 2 Position	
5	4460850	2	Terminal	
6	4460742	1	Plug, Male - 2 Position	
6	4460790	2	Terminal	
7	4460836	1	Plug, Male - 12 Position	
7	4460465	9	Socket, Female	
7	4460466	3	Plug, Terminal	
8	4460950	1	Receptacle, Female - 12 Position	
8	4460464	9	Pin, Male	
8	4460466	3	Plug, Terminal	
9	1001112612	1	Connector - 9 Position	
9	4460464	5	Pin, Male	
10	4460884	1	Plug, Male - 4 Position	
10	4460465	4	Socket, Female	
11	8220051	6	Terminal	
12	8220043	8	Terminal	
13	4461261	1	Plug, Male - 1 Position	
13	4460509	1	Socket, Female	
14	1001116810	1	Plug, Male - 4 Position	
14	4460509	8	Socket, Female	

SECTION 8 - ELECTRICAL

FIGURE 8-24. BOOM VALVE HARNESS



ART_1001222047

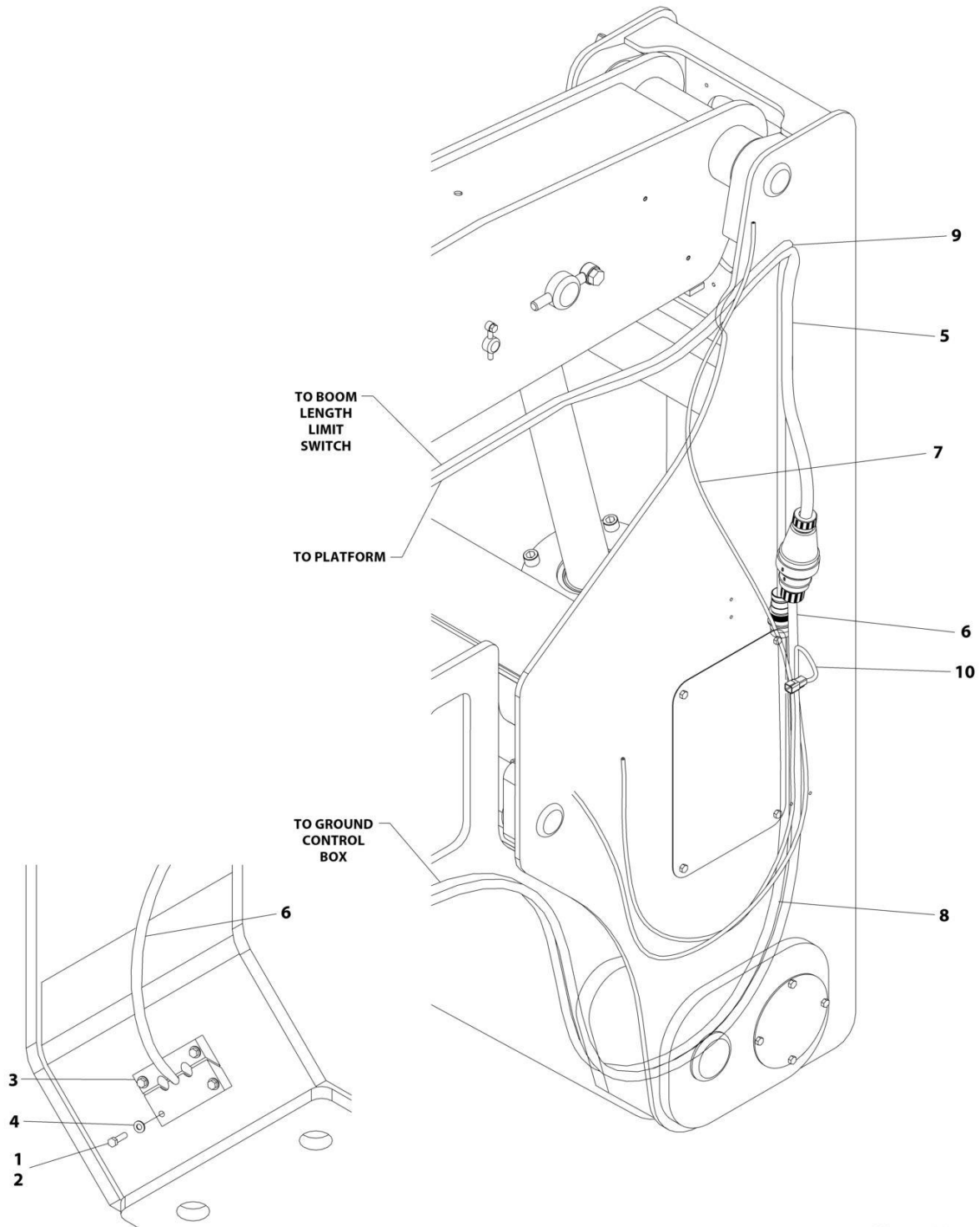
SECTION 8 - ELECTRICAL

FIGURE 8-24. BOOM VALVE HARNESS

ITEM	PART NUMBER	QTY	DESCRIPTION	REV
	1001222047	Ref	BOOM VALVE HARNESS	B
1	4460852	1	Connector, Buss - 8 Position	
101	4460891	6	Plug, Male - 2 Position	
101	4460465	12	Socket, Female	
102	4460851	1	Plug, Male - 8 Position	
102	4460465	8	Socket, Female	
103	1001190577	1	Plug, Male - 8 Position	
103	1001126008	7	Socket, Female	
103	4460518	1	Plug, Terminal	

SECTION 8 - ELECTRICAL

FIGURE 8-25. BOOM CABLES INSTALLATION (MACHINES WITHOUT GENERATOR)



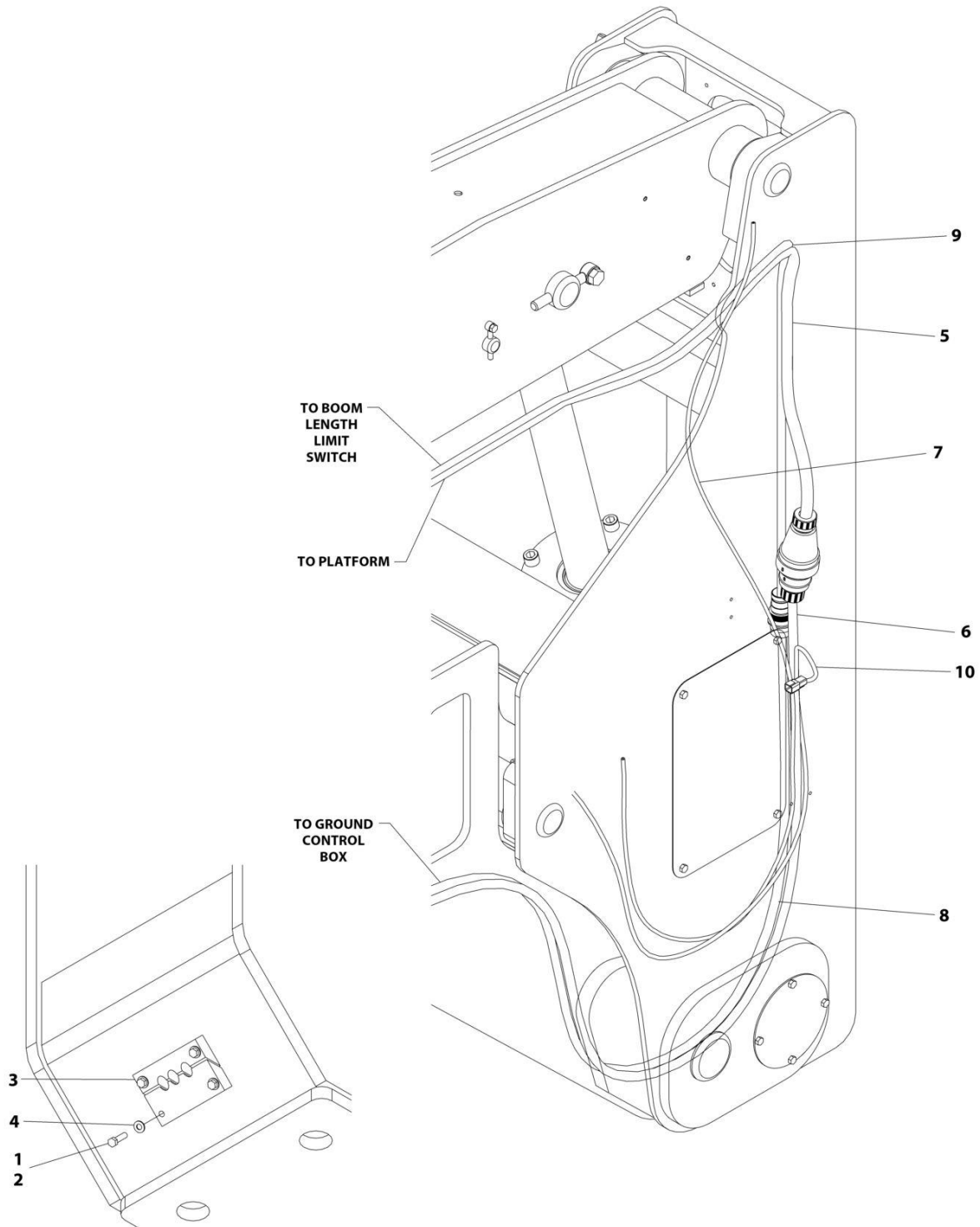
SECTION 8 - ELECTRICAL

FIGURE 8-25. BOOM CABLES INSTALLATION (MACHINES WITHOUT GENERATOR)

ITEM	PART NUMBER	QTY	DESCRIPTION	REV
	1001223433	Ref	BOOM CABLES INSTALLATION	D
1	0100011	AR	Compound, Locking	
2	0641612	4	Bolt 3/8 x 1-1/2	
3	1320256	1	Clamp, Block	
4	4711600	4	Washer 3/8	
5	4922216	1	AC Cable, 10/3 (Main Boom)	
6	4922217	1	AC Cable, 10/3 (Tower Boom)	
7	4922578	2	Cable, Main Boom Elevation Limit Switch	
8	1001222055	1	Boom Cable - Tower Boom (See Separate Breakdown in this Section)	
9	1001227356	1	Boom Cable - Main Boom (See Separate Breakdown in this Section)	
10	1001227359	1	Tilt Sensor Harness	
10	1001097051	1	Connector - 4 Position	
10	1001097082	3	Terminal	

SECTION 8 - ELECTRICAL

FIGURE 8-26. BOOM CABLES INSTALLATION (AUSTRALIAN SPECS WITH 4000W GENERATOR)



ART_1001227853

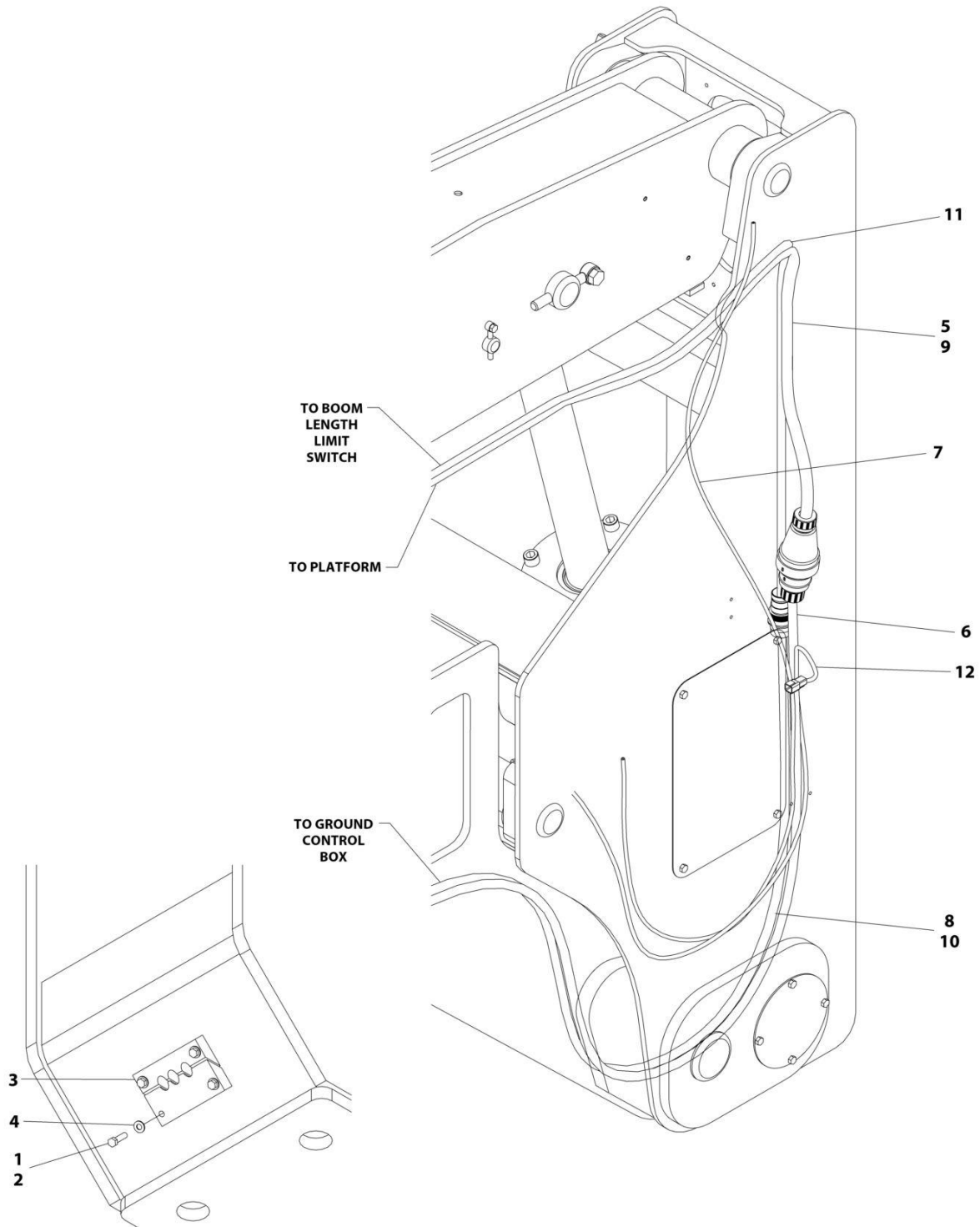
SECTION 8 - ELECTRICAL

FIGURE 8-26. BOOM CABLES INSTALLATION (AUSTRALIAN SPECS WITH 4000W GENERATOR)

ITEM	PART NUMBER	QTY	DESCRIPTION	REV
	1001227853	Ref	BOOM CABLES INSTALLATION	D
1	0100011	AR	Compound, Locking	
2	0641612	4	Bolt 3/8 x 1-1/2	
3	1320256	1	Clamp, Block	
4	4711600	4	Washer 3/8	
5	4922219	1	AC Cable - 10/3 (Main Boom)	
6	4922220	1	AC Cable - 10/3 (Tower Boom)	
7	4922578	2	Cable, Main Boom Elevation Limit Switch	
8	1001222055	1	Boom Cable - Tower Boom (See Separate Breakdown in this Section)	
9	1001227356	1	Boom Cable - Main Boom (See Separate Breakdown in this Section)	
10	1001227359	1	Tilt Sensor Harness	
10	1001097051	1	Connector - 4 Position	
10	1001097082	3	Terminal	
11	4240099	AR	Tie-Strap (Not Shown)	

SECTION 8 - ELECTRICAL

FIGURE 8-27. BOOM CABLES INSTALLATION (CE & UK CA SPECS WITH 4000W GENERATOR)



ART_1001227850

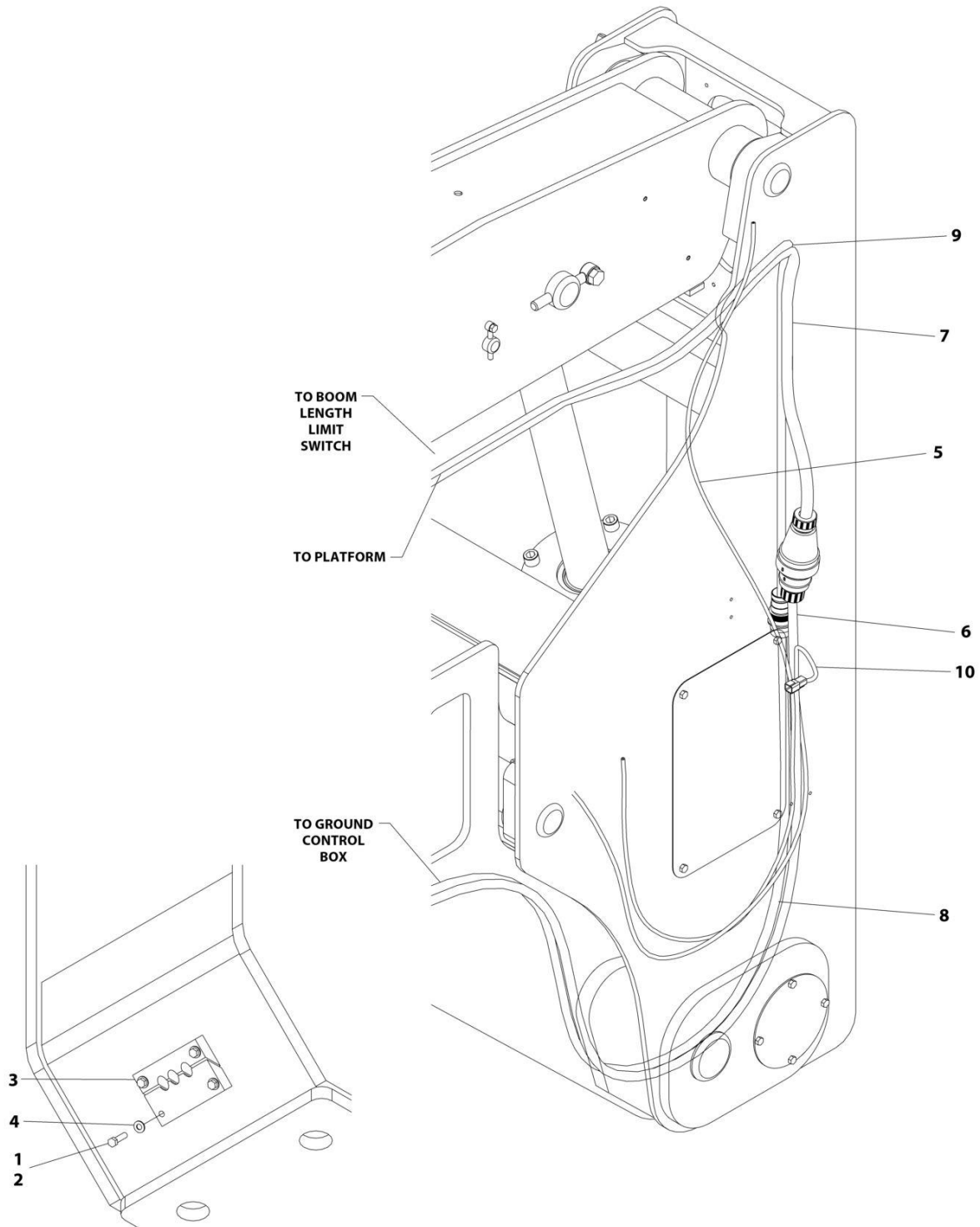
SECTION 8 - ELECTRICAL

FIGURE 8-27. BOOM CABLES INSTALLATION (CE & UK CA SPECS WITH 4000W GENERATOR)

ITEM	PART NUMBER	QTY	DESCRIPTION	REV
	1001227850	Ref	BOOM CABLES INSTALLATION	D
1	0100011	AR	Compound, Locking	
2	0641612	4	Bolt 3/8 x 1-1/2	
3	1320256	1	Clamp, Block	
4	4711600	4	Washer 3/8	
5	4922219	1	AC Cable - 10/3 (Main Boom)	
6	4922220	1	AC Cable - 10/3 (Tower Boom)	
7	4922578	2	Cable, Main Boom Elevation Limit Switch	
8	4922579	1	Boom Length Harness (Tower Boom)	
8	4460891	1	Plug, Male - 2 Position	
8	4460465	2	Socket, Female	
9	4922580	1	Boom Length Harness (Main Boom)	
9	4460897	1	Receptacle, Female	
9	4460464	2	Pin, Male	
10	1001222055	1	Boom Cable - Tower Boom (See Separate Breakdown in this Section)	
11	1001227356	1	Boom Cable - Main Boom (See Separate Breakdown in this Section)	
12	1001227359	1	Tilt Sensor Harness	
12	1001097051	1	Connector - 4 Position	
12	1001097082	3	Terminal	
13	4240099	AR	Tie-Strap (Not Shown)	

SECTION 8 - ELECTRICAL

FIGURE 8-28. BOOM CABLES INSTALLATION (ALL SPECS EXCEPT CE & UK CA SPECS WITH 7500W GENERATOR)



ART_1001227851

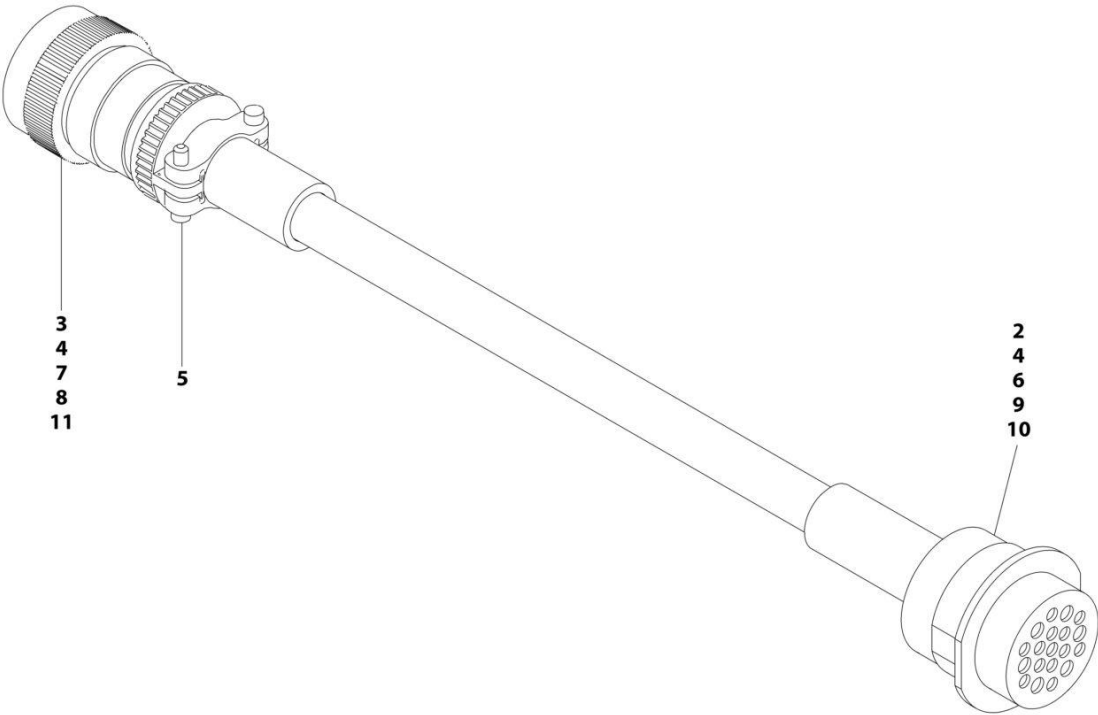
SECTION 8 - ELECTRICAL

FIGURE 8-28. BOOM CABLES INSTALLATION (ALL SPECS EXCEPT CE & UK CA SPECS WITH 7500W GENERATOR)

ITEM	PART NUMBER	QTY	DESCRIPTION	REV
	1001227851	Ref	BOOM CABLES INSTALLATION	D
1	0100011	AR	Compound, Locking	
2	0641612	4	Bolt 3/8 x 1-1/2	
3	1320256	1	Clamp, Block	
4	4711600	4	Washer 3/8	
5	4922578	2	Cable, Main Boom Elevation Limit Switch	
6	1001125125	1	AC Cable 8/5 (Tower Boom)	
7	1001125126	1	AC Cable 8/5 (Main Boom)	
8	1001222055	1	Boom Cable - Tower Boom (See Separate Breakdown in this Section)	
9	1001227356	1	Boom Cable - Main Boom (See Separate Breakdown in this Section)	
10	1001227359	1	Tilt Sensor Harness	
10	1001097051	1	Connector - 4 Position	
10	1001097082	3	Terminal	
13	4240099	AR	Tie-Strap (Not Shown)	

SECTION 8 - ELECTRICAL

FIGURE 8-29. BOOM CABLE - MAIN BOOM



AI

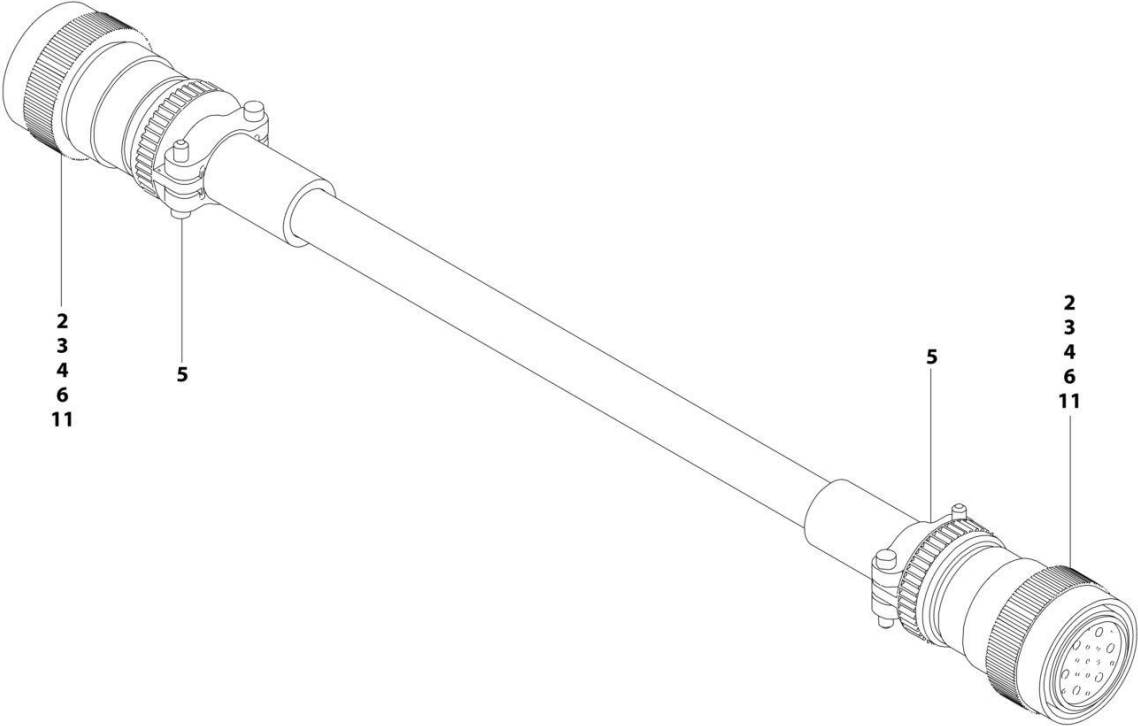
SECTION 8 - ELECTRICAL

FIGURE 8-29. BOOM CABLE - MAIN BOOM

ITEM	PART NUMBER	QTY	DESCRIPTION	REV
	1001227356	Ref	BOOM CABLE - MAIN BOOM	A
2	4460464	8	Pin, Male	
3	4460465	8	Socket, Female	
4	4460466	10	Plug, Terminal	
5	4460473	1	Clamp	
6	4460508	4	Pin, Male	
7	4460509	4	Socket, Female	
8	4460865	1	Connector - 19 Position	
9	4460866	1	Connector - 19 Position	
10	4460943	2	Pin, Male	
11	4460944	2	Socket, Female	

SECTION 8 - ELECTRICAL

FIGURE 8-30. BOOM CABLE - TOWER BOOM



ART_1001222055

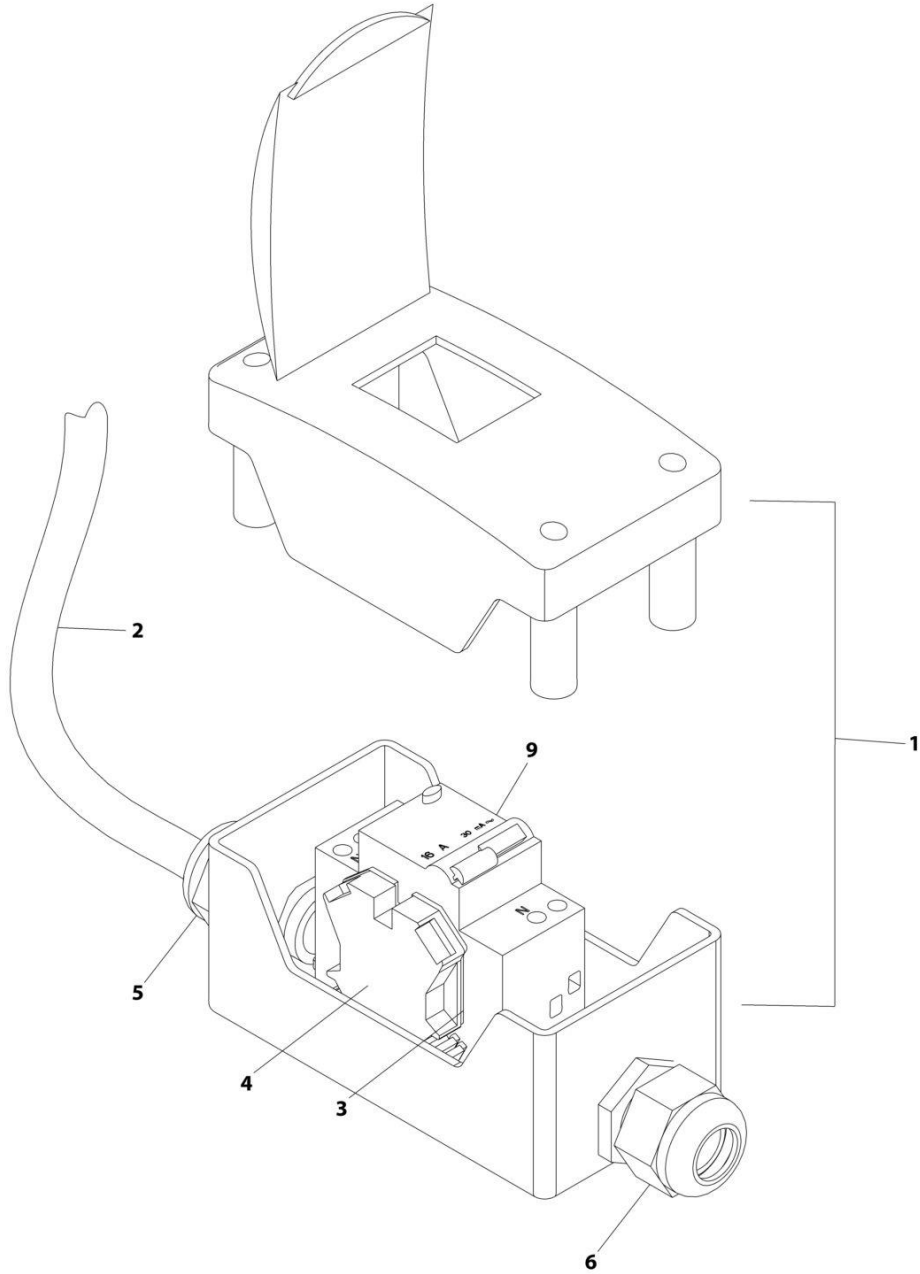
SECTION 8 - ELECTRICAL

FIGURE 8-30. BOOM CABLE - TOWER BOOM

ITEM	PART NUMBER	QTY	DESCRIPTION	REV
	1001222055	Ref	BOOM CABLE - TOWER BOOM	C
2	4460465	10	Socket, Female	
3	4460865	2	Connector - 19 Position	
4	4460509	8	Socket, Female	
5	4460473	2	Clamp	
6	4460466	10	Plug, Terminal	
11	4460944	10	Socket, Female	

SECTION 8 - ELECTRICAL

FIGURE 8-31. BREAKER BOX KIT - WITH 2 BREAKERS (CE & UK CA SPECS WITHOUT 4000W GENERATOR & BRAZIL SPECS)



ART_1001109654

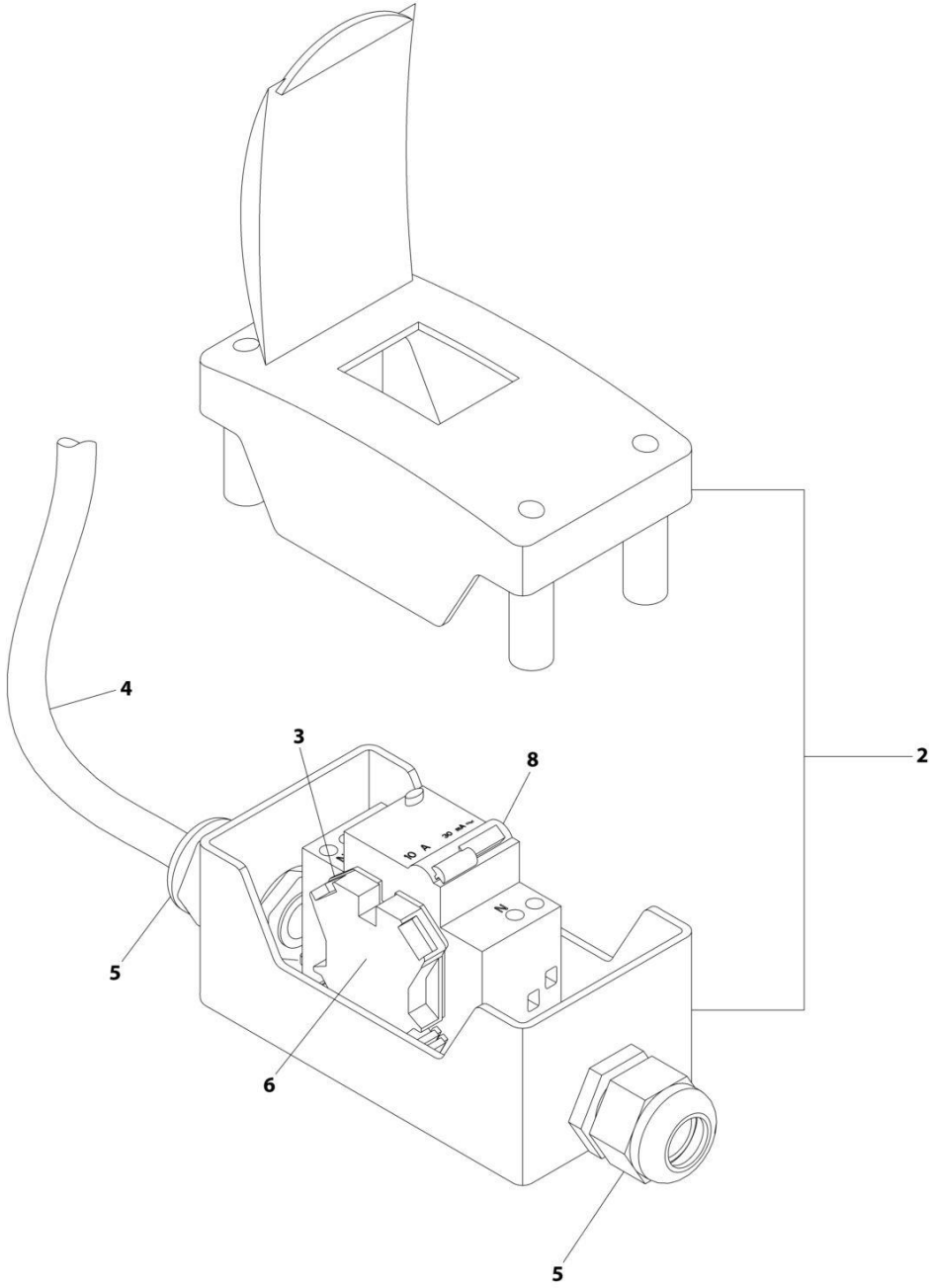
SECTION 8 - ELECTRICAL

FIGURE 8-31. BREAKER BOX KIT - WITH 2 BREAKERS (CE & UK CA SPECS WITHOUT 4000W GENERATOR & BRAZIL SPECS)

ITEM	PART NUMBER	QTY	DESCRIPTION	REV
	1001109654	Ref	BREAKER BOX KIT	C
1	0861880	1	Box, Breaker	
2	1060908	12 ft/ 3.6m	Cable 12/3	
3	4460956	1	Barrier, Terminal Block End	
4	4460957	1	Block, Terminal	
5	1001097150	1	Connector, Strain Relief	
6	1001101191	1	Connector, Strain Relief	
9	1001181045	1	Breaker - 30mA/16Amp	
10	1001100231	3	Terminal (Not Shown)	

SECTION 8 - ELECTRICAL

FIGURE 8-32. BREAKER BOX KIT - WITH 2 BREAKERS (CE & UK CA SPECS WITH 4000W GENERATOR) (H800AJ)



ART_1001165368

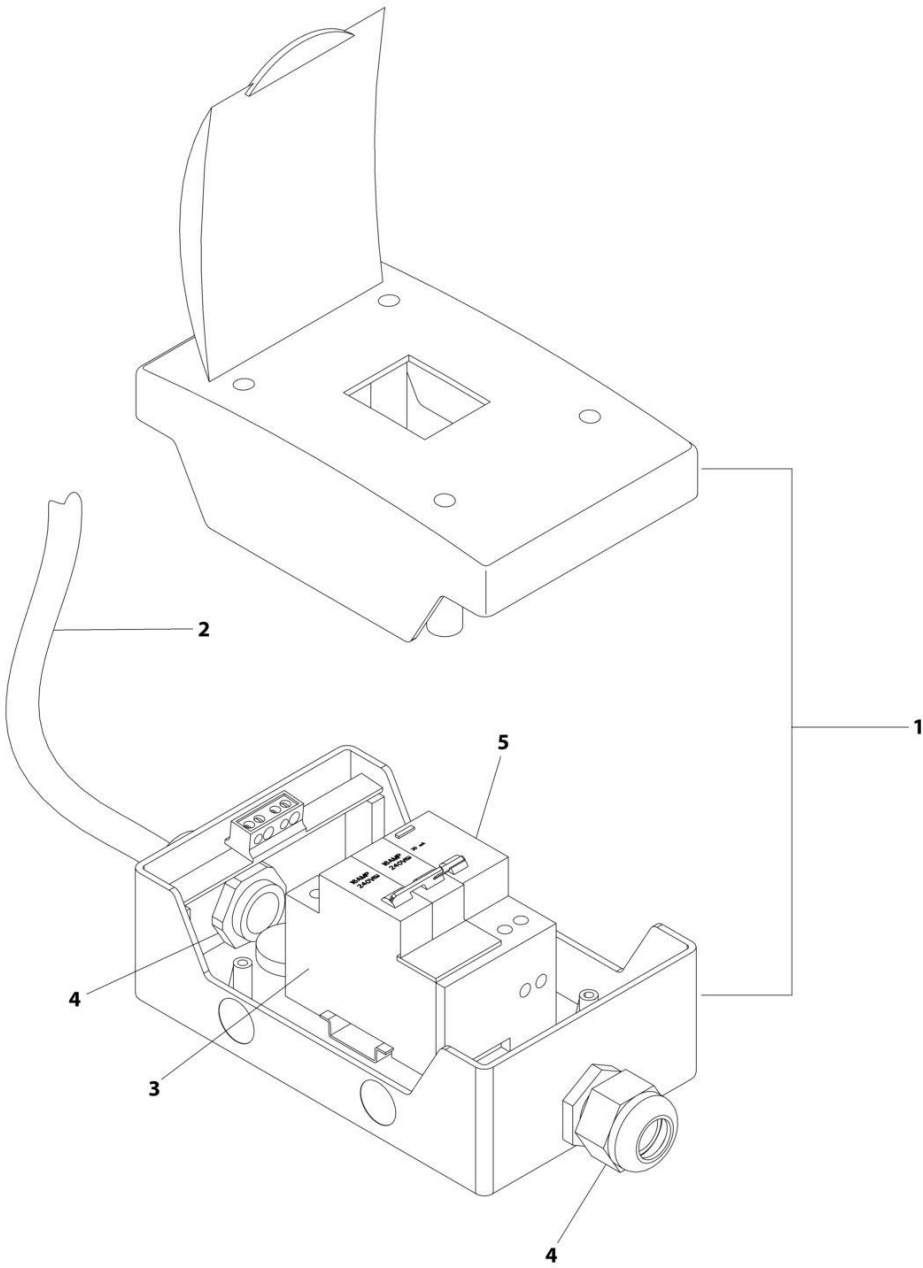
SECTION 8 - ELECTRICAL

FIGURE 8-32. BREAKER BOX KIT - WITH 2 BREAKERS (CE & UK CA SPECS WITH 4000W GENERATOR) (H800AJ)

ITEM	PART NUMBER	QTY	DESCRIPTION	REV
	1001165368	Ref	BREAKER BOX KIT	B
2	0861880	1	Box, Circuit Breaker	
3	4460956	1	Barrier, Terminal Block End	
4	1060545	12 ft/ 3.6m	Cable, Electrical 10/3	
5	1001101191	2	Connector, Strain Relief	
6	4460957	1	Block, Terminal	
8	1001181045	1	Breaker 30mA/16Amp	

SECTION 8 - ELECTRICAL

FIGURE 8-33. BREAKER BOX KIT - WITH 3 BREAKERS (CE & UK CA SPECS WITH 4000W GENERATOR)



ART_1001205690

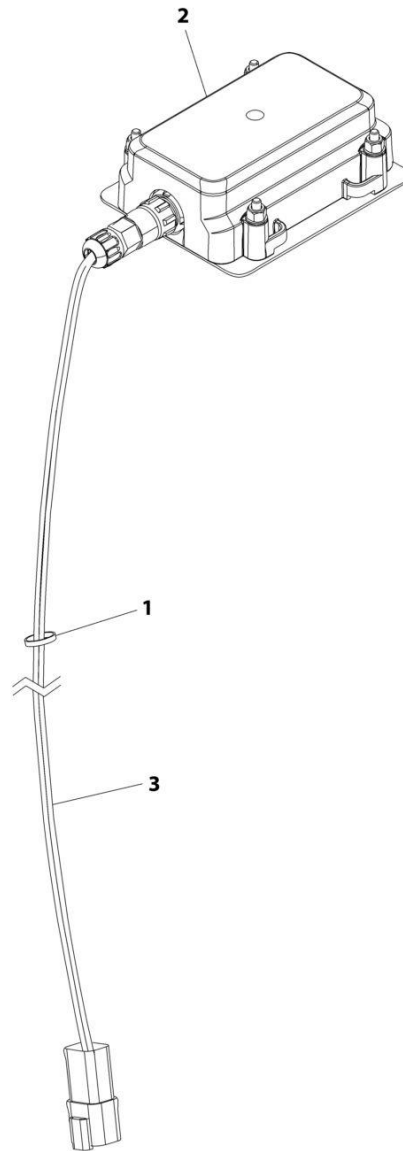
SECTION 8 - ELECTRICAL

FIGURE 8-33. BREAKER BOX KIT - WITH 3 BREAKERS (CE & UK CA SPECS WITH 4000W GENERATOR)

ITEM	PART NUMBER	QTY	DESCRIPTION	REV
	1001205690	Ref	BREAKER BOX KIT	B
1	1001152483	1	Box, Breaker	
2	1060545	12 ft / 3.6m	Cable, Electrical 10/3	
3	1001189172	1	Breaker 16Amp Double	
4	1001101191	2	Connector, Strain Relief	
5	1001189171	1	Breaker 30mA	

SECTION 8 - ELECTRICAL

FIGURE 8-34. CLEARSKY INSTALLATION - 3 WIRE GT1030



ART_1001276610

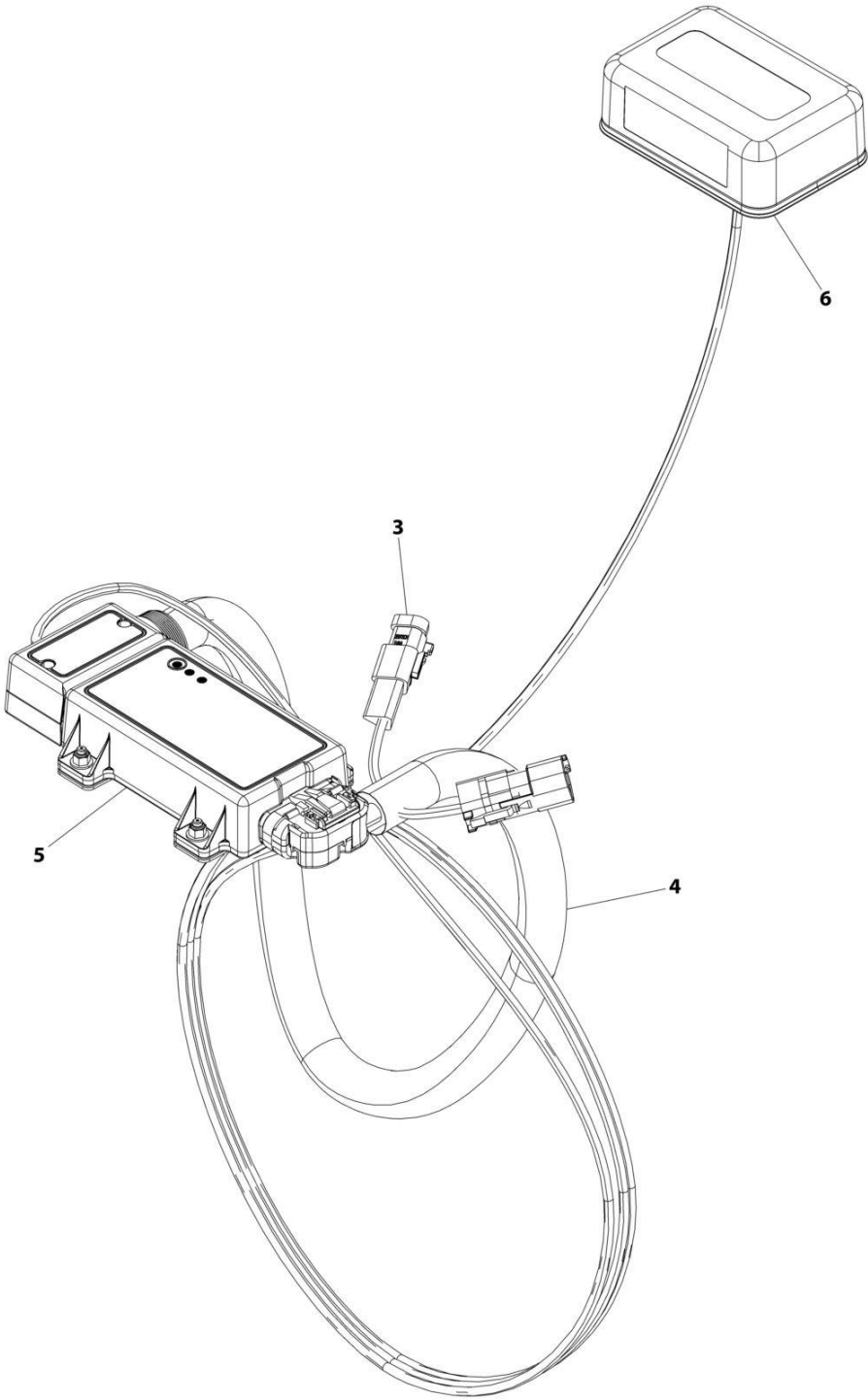
SECTION 8 - ELECTRICAL

FIGURE 8-34. CLEARSKY INSTALLATION - 3 WIRE GT1030

ITEM	PART NUMBER	QTY	DESCRIPTION	REV
1	1001276610 4240032	Ref AR	CLEARSKY INSTALLATION 3-WIRE CONNECTION Tie-Strap	A
2	1001272659	1	Telematics Control Module Assembly (Note: Re-calibration Required when Replaced)	
3	1001273012	1	ClearSky Harness (See Separate Breakdown in this Section)	

SECTION 8 - ELECTRICAL

FIGURE 8-35. CLEARSKY INSTALLATION - CANBUS (ANSI SPECS)



ART_1001227448

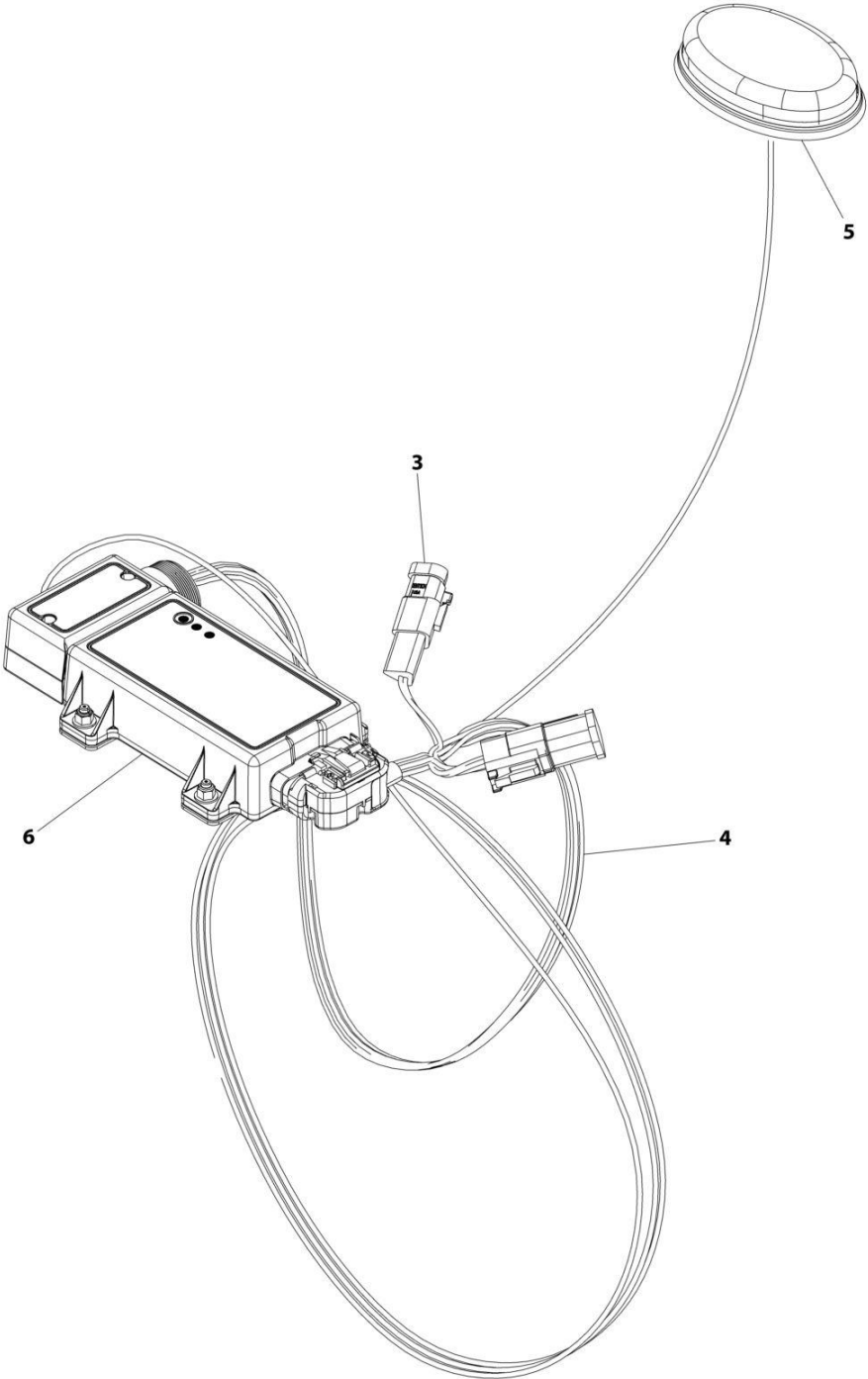
SECTION 8 - ELECTRICAL

FIGURE 8-35. CLEARSKY INSTALLATION - CANBUS (ANSI SPECS)

ITEM	PART NUMBER	QTY	DESCRIPTION	REV
	1001227448	REF	CLEARSKY INSTALLATION - CANBUS	B
1	4240032	AR	Tie-Strap (Not Shown)	
2	4460234	AR	Mount, Cable -Tie (Not Shown)	
3	1001116815	1	Plug, Connector	
4	1001226739	1	ClearSky Telematics Harness (See Separate Breakdown in this Section)	
5	1001262322	1	Module, ClearSky	
6	1001262326	1	Antenna	

SECTION 8 - ELECTRICAL

FIGURE 8-36. CLEARSKY INSTALLATION - CANBUS (AUSTRALIAN SPECS)



ART_1001246473

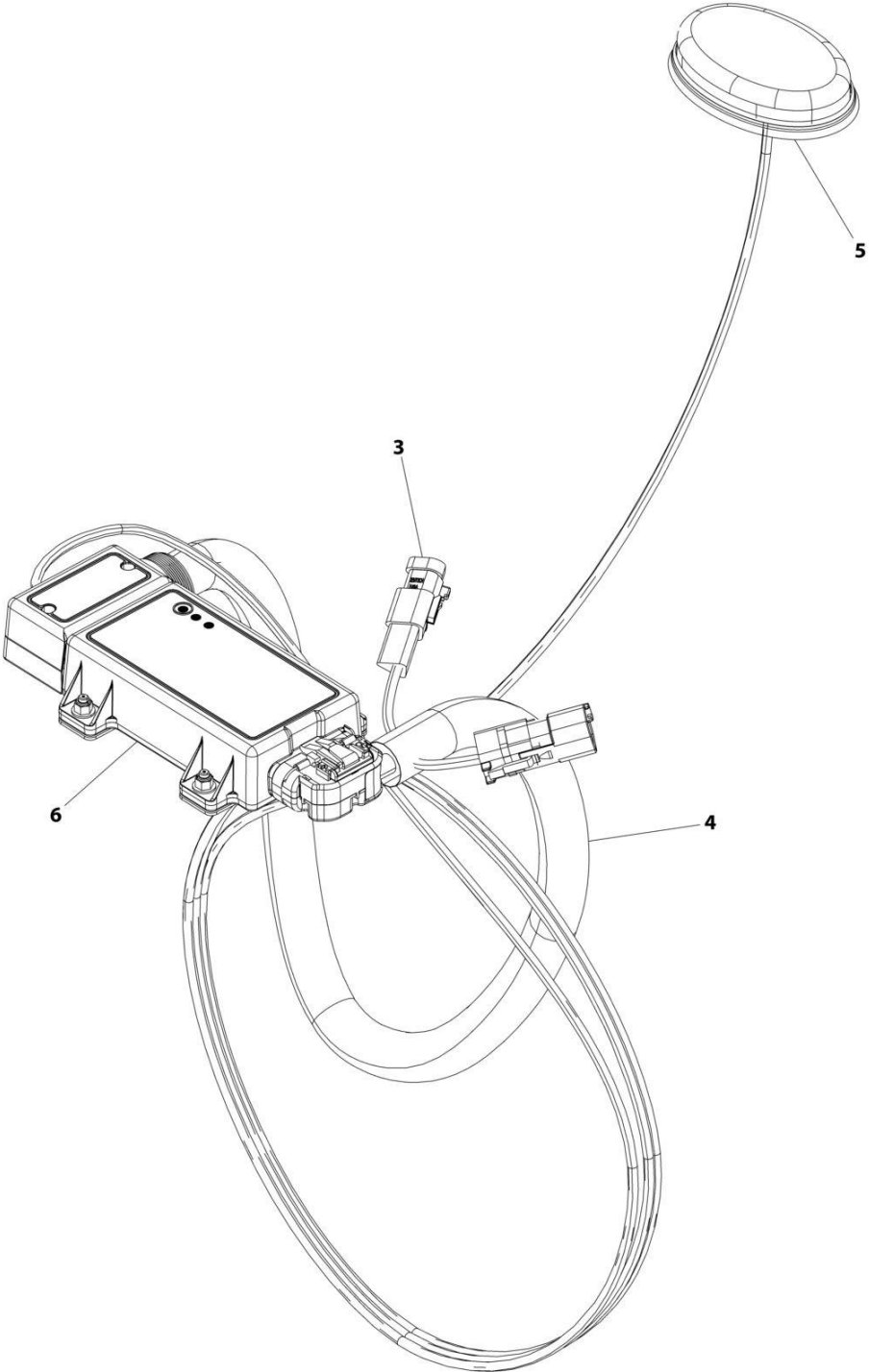
SECTION 8 - ELECTRICAL

FIGURE 8-36. CLEARSKY INSTALLATION - CANBUS (AUSTRALIAN SPECS)

ITEM	PART NUMBER	QTY	DESCRIPTION	REV
	1001246473	REF	CLEARSKY INSTALLATION - CANBUS	A
1	4240032	AR	Tie-Strap (Not Shown)	
2	4460234	AR	Mount, Cable -Tie (Not Shown)	
3	1001116815	1	Plug, Connector	
4	1001226739	1	ClearSky Telematics Harness (See Separate Breakdown in this Section)	
5	1001226799	1	Antenna	
6	1001246144	1	Module, ClearSky	

SECTION 8 - ELECTRICAL

FIGURE 8-37. CLEARSKY INSTALLATION - CANBUS (CE SPECS)



ART_1001228949

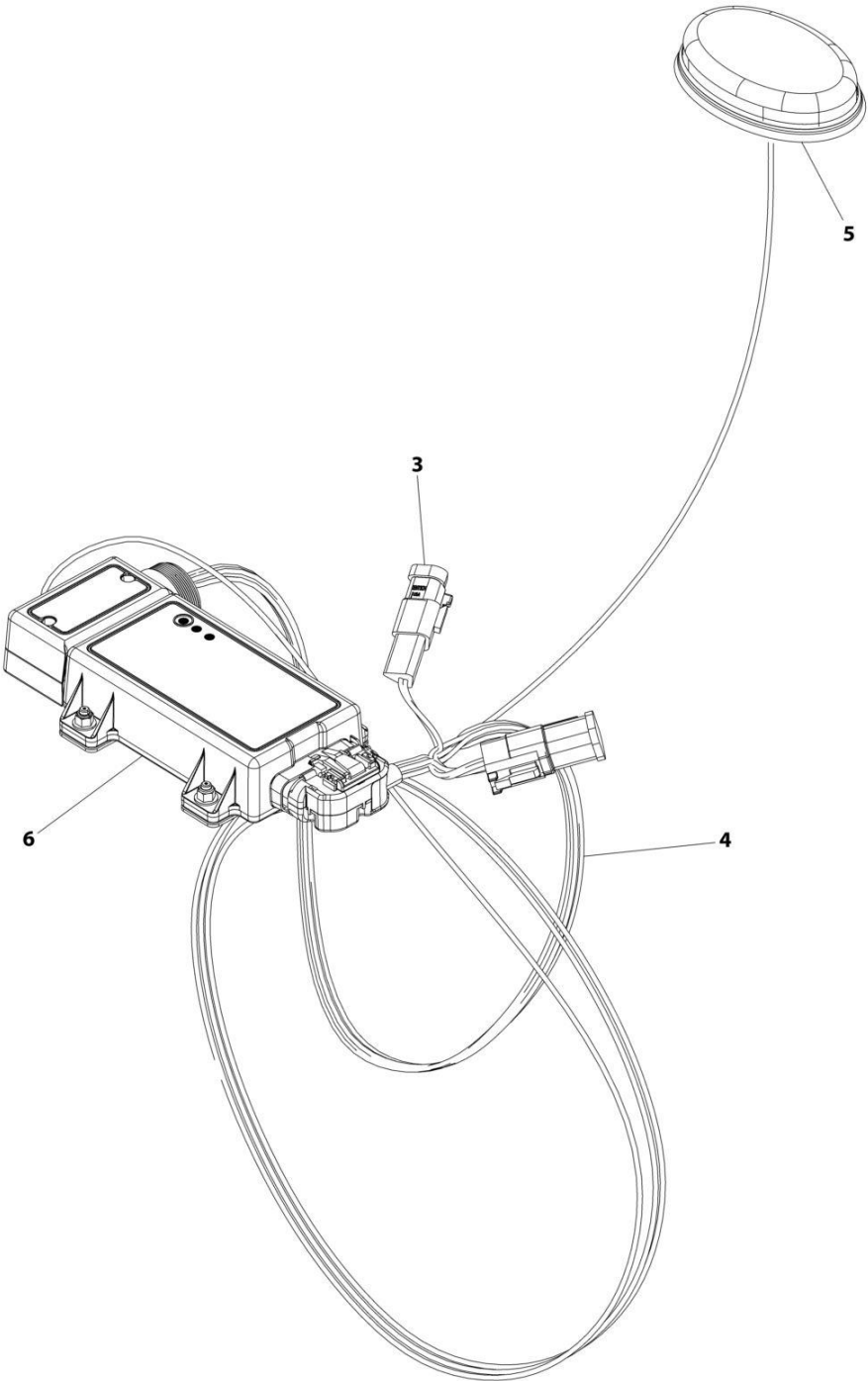
SECTION 8 - ELECTRICAL

FIGURE 8-37. CLEARSKY INSTALLATION - CANBUS (CE SPECS)

ITEM	PART NUMBER	QTY	DESCRIPTION	REV
	1001228949	REF	CLEARSKY INSTALLATION - CANBUS	A
1	4240032	AR	Tie-Strap (Not Shown)	
2	4460234	AR	Mount, Cable -Tie (Not Shown)	
3	1001116815	1	Plug, Connector	
4	1001226739	1	ClearSky Telematics Harness (See Separate Breakdown in this Section)	
5	1001226799	1	Antenna	
6	1001228954	1	Module, ClearSky	

SECTION 8 - ELECTRICAL

FIGURE 8-38. CLEARSKY INSTALLATION - CANBUS (CHINA SPECS)



ART_1001246474

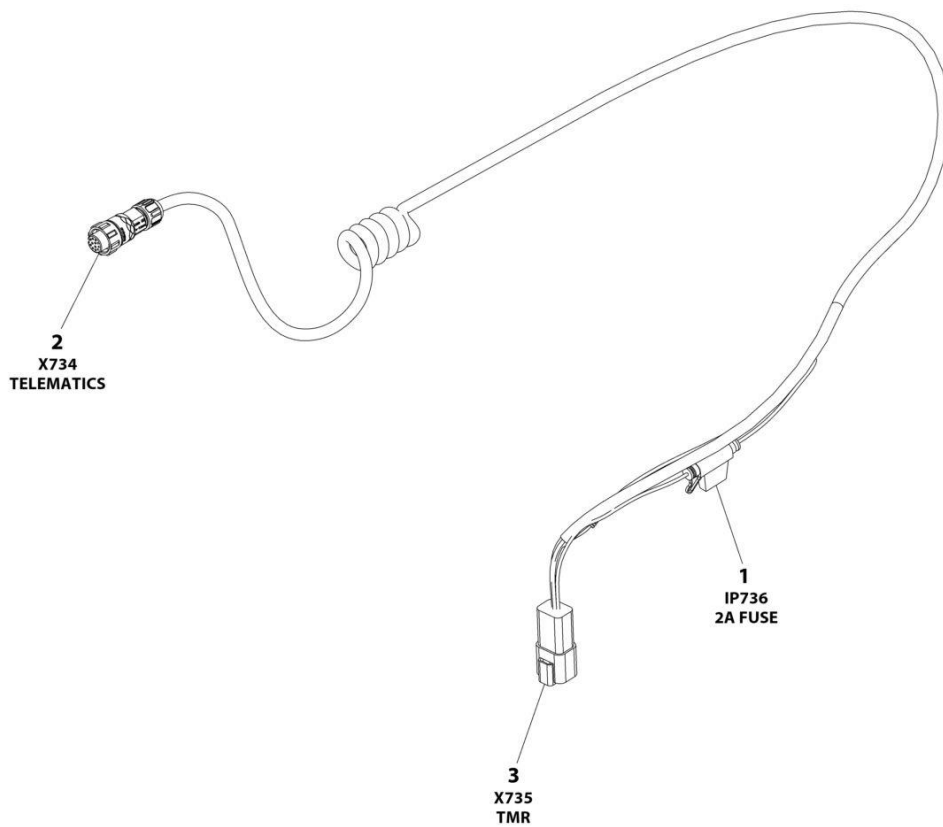
SECTION 8 - ELECTRICAL

FIGURE 8-38. CLEARSKY INSTALLATION - CANBUS (CHINA SPECS)

ITEM	PART NUMBER	QTY	DESCRIPTION	REV
	1001246474	Ref	CLEARSKY INSTALLATION - CANBUS	A
1	4240032	AR	Tie-Strap (Not Shown)	
2	4460234	AR	Mount, Cable -Tie (Not Shown)	
3	1001116815	1	Plug, Connector	
4	1001226739	1	ClearSky Telematics Harness (See Separate Breakdown in this Section)	
5	1001226799	1	Antenna	
6	1001246145	1	Module, ClearSky	

SECTION 8 - ELECTRICAL

FIGURE 8-39. CLEARSKY TELEMATCIS HARNESS (3-WIRE)



ART_1001273012

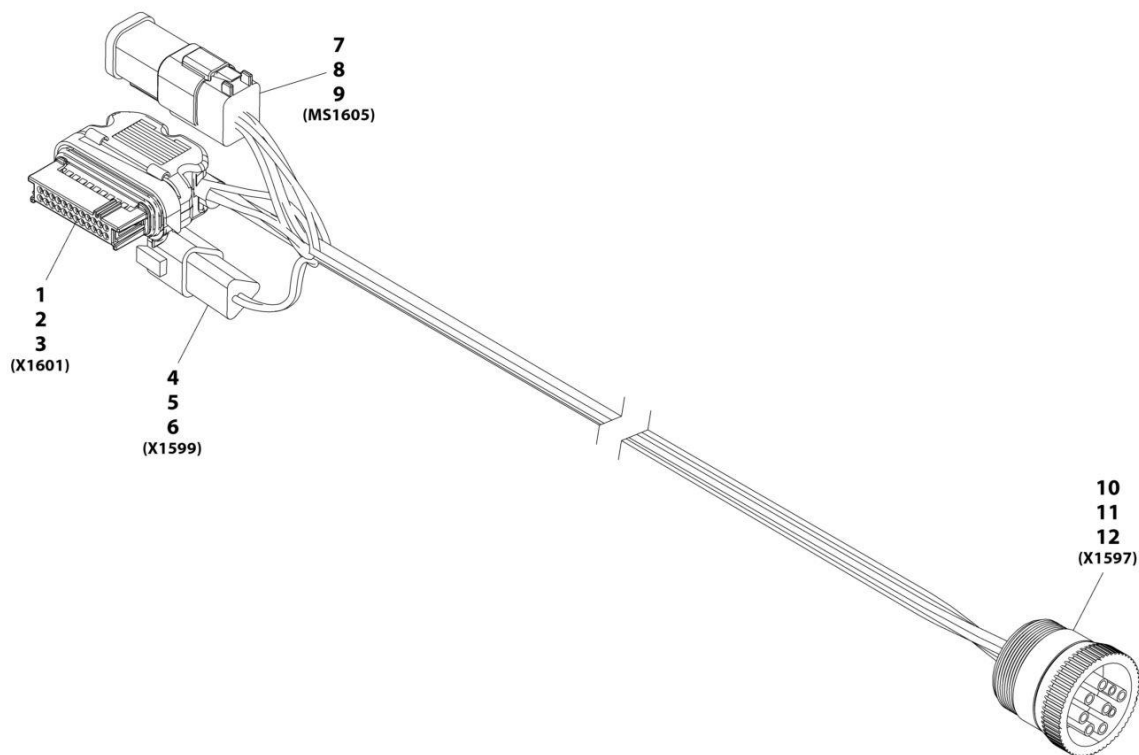
SECTION 8 - ELECTRICAL

FIGURE 8-39. CLEARSKY TELEMATCIS HARNESS (3-WIRE)

ITEM	PART NUMBER	QTY	DESCRIPTION	REV
	1001273012	Ref	CLEARSKY TELEMATICS HARNESS - GT1030	D
1	1001255901	1	Fuseholder	
1	1001196634	1	Fuse - 2Amp	
2	1001272997	1	Connector - 12 Position	
2		Ref	Terminal	
3	4460932	1	Receptacle, Female - 4 Position	
3	4460464	4	Pin, Male	

SECTION 8 - ELECTRICAL

FIGURE 8-40. CLEARSKY TELEMATICS HARNESS (CANBUS)



ART_1001226739-A

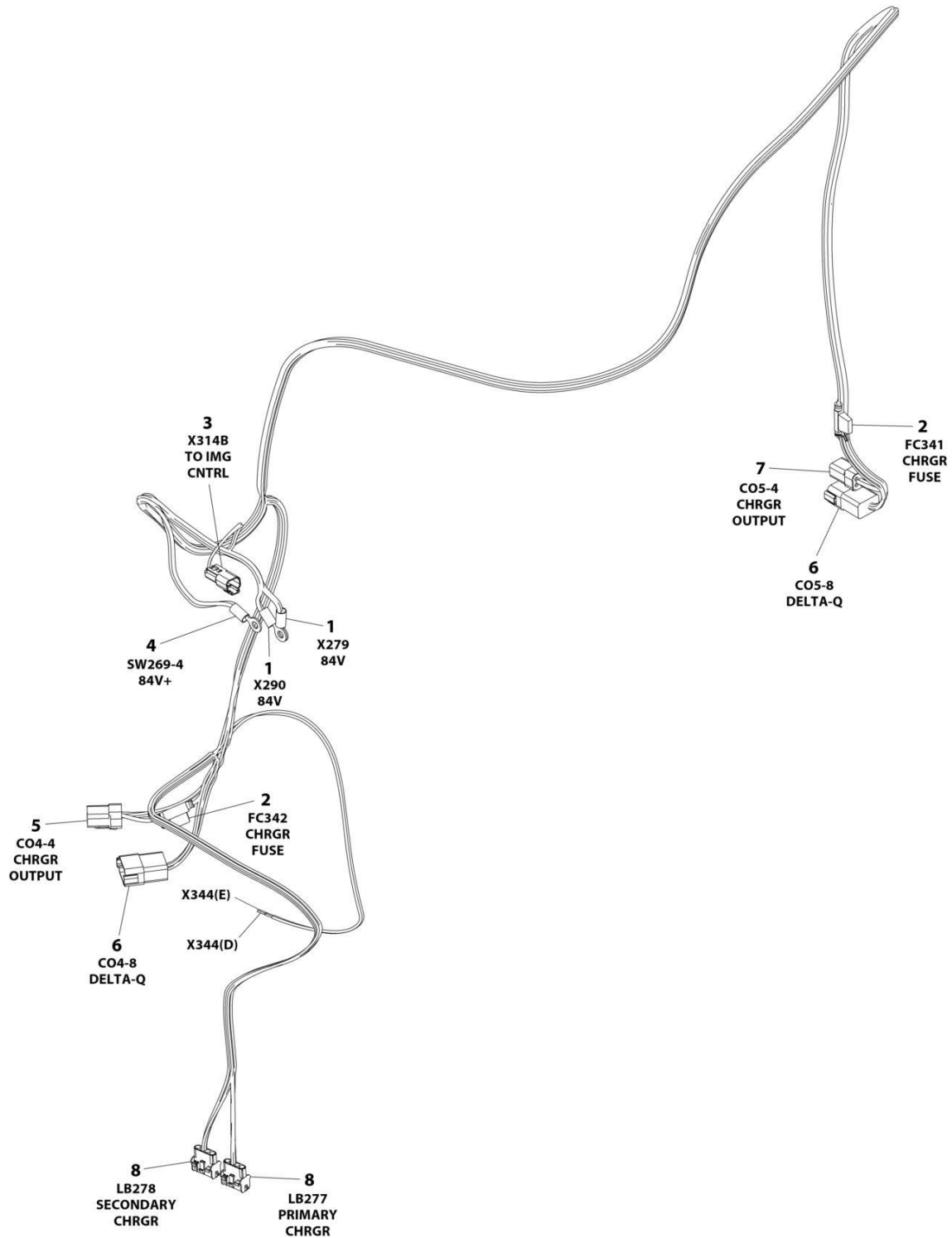
SECTION 8 - ELECTRICAL

FIGURE 8-40. CLEARSKY TELEMATCIS HARNESS (CANBUS)

ITEM	PART NUMBER	QTY	DESCRIPTION	REV
	1001226739	Ref	Clearsky Harness	A
1	1001226636	1	Connector	
2	1001116731	16	Plug, Terminal	
3	1001226637	8	Terminal	
4	1001144147	1	Connector	
5	4460464	2	Terminal	
6	4460466	1	Plug, Terminal	
7	4460894	1	Connector	
8	4460465	6	Terminal	
9	1001226541	1	Connector- 6 Pin Bussbar	
10	1001112796	1	Connector	
11	4460465	8	Terminal	
12	4460466	1	Plug, Terminal	

SECTION 8 - ELECTRICAL

FIGURE 8-41. CHARGER HARNESS



ART_1001222052

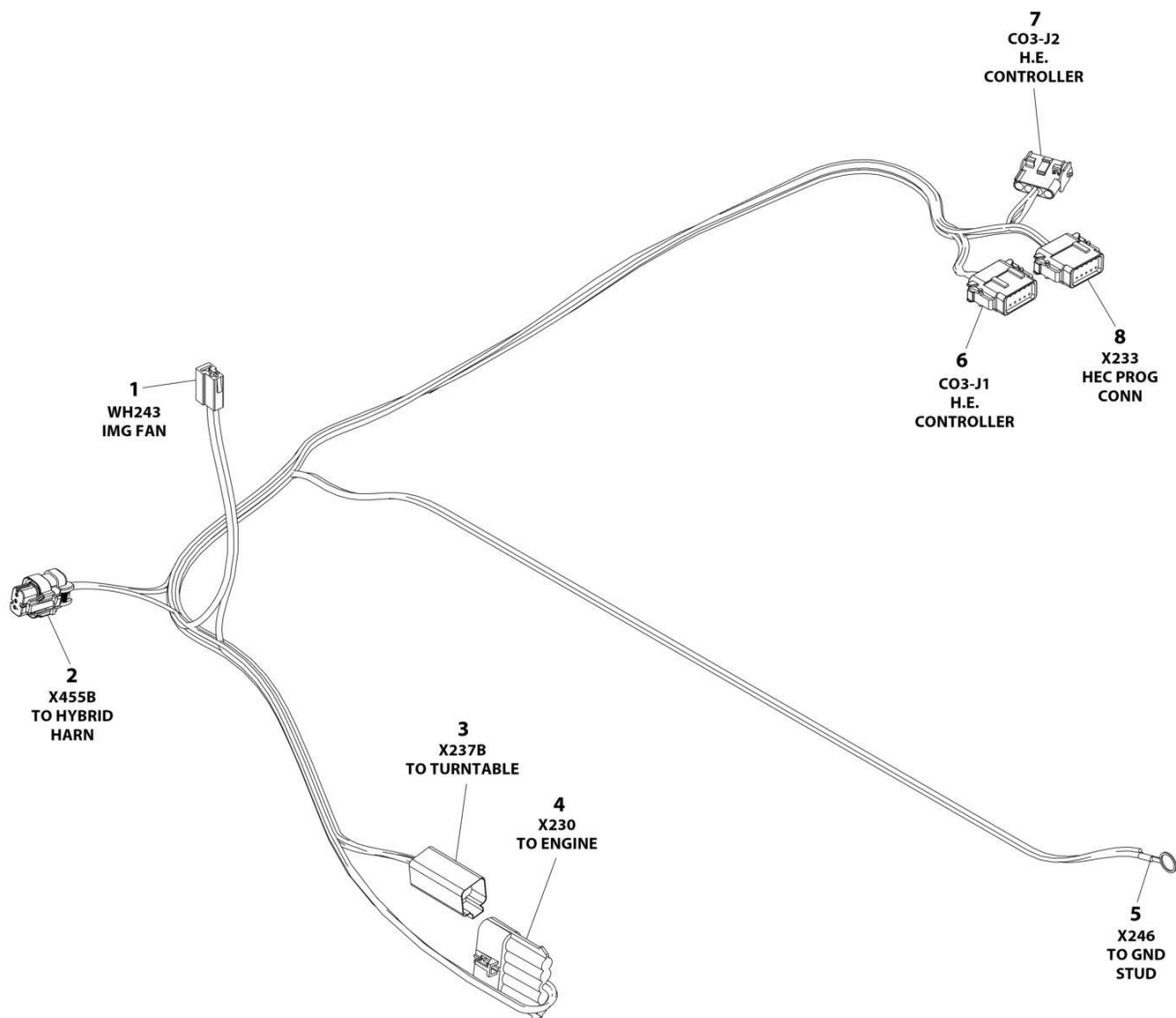
SECTION 8 - ELECTRICAL

FIGURE 8-41. CHARGER HARNESS

ITEM	PART NUMBER	QTY	DESCRIPTION	REV
	1001222052	Ref	CHARGER HARNESS	D
1	8220045	2	Terminal, Ring	
2	2400081	2	Fuseholder with Cover	
2	See Note	2	Fuse - 15 Amp (Note: Purchase Locally)	
3	4460897	1	Receptacle, Female - 2 Position	
3	4460464	2	Pin, Male	
4	1001130900	1	Terminal, Ring	
5	1001225476	1	Connector - 4 Position	
5	1001225591	4	Terminal	
6	4460931	2	Receptacle, Female - 8 Position	
6	4460464	17	Pin, Male	
6	4460466	2	Plug, Terminal	
7	1001225477	1	Connector - 4 Position	
7	1001225591	2	Terminal	
8	4460761	2	Receptacle, Female - 4 Position	
8	4460226	8	Socket, Female	

SECTION 8 - ELECTRICAL

FIGURE 8-42. CONTROL HARNESS



ART_1001228985

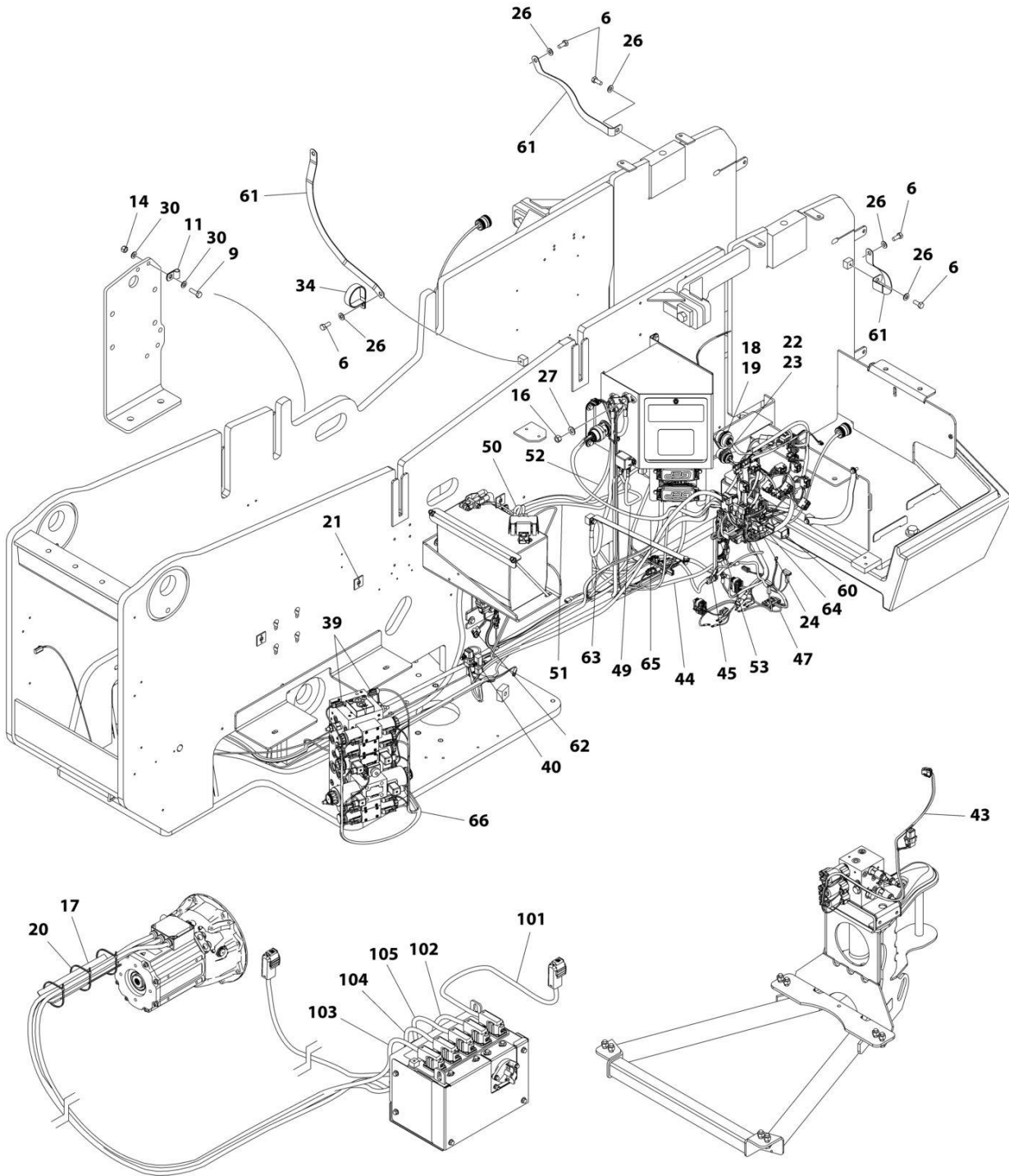
SECTION 8 - ELECTRICAL

FIGURE 8-42. CONTROL HARNESS

ITEM	PART NUMBER	QTY	DESCRIPTION	REV
	1001228985	Ref	CONTROL HARNESS	D
1	4460994	1	Housing, Terminal	
1	1001116723	2	Terminal	
2	1001200497	1	Plug, Male - 3 Position	
2	4460465	3	Socket, Female	
3	4460899	1	Receptacle, Female - 6 Position	
3	4460943	2	Pin, Male	
3	4460464	3	Pin, Male	
3	4460466	1	Plug, Terminal	
4	1001121727	1	Plug, Male - 5 Position	
4	1001116745	2	Socket, Female	
4	8220162	1	Socket, Female	
4	4460508	2	Seal	
4	80963067	1	Seal	
4	1001116727	2	Plug, Terminal	
5	8220019	1	Terminal, Ring	
6	1001116808	1	Plug, Male - 12 Position	
6	1001116694	5	Socket, Female	
6	4460518	7	Plug, Terminal	
7	1001116774	1	Plug, Male - 12 Position	
7	1001119619	2	Socket, Female	
7	1001116694	2	Socket, Female	
7	4460518	8	Plug, Terminal	
8	4460761	1	Receptacle, Female - 4 Position	
8	4460226	4	Socket, Female	

SECTION 8 - ELECTRICAL

FIGURE 8-43. ELECTRICAL SYSTEM INSTALLATION



ART_1001249003_E_20F2

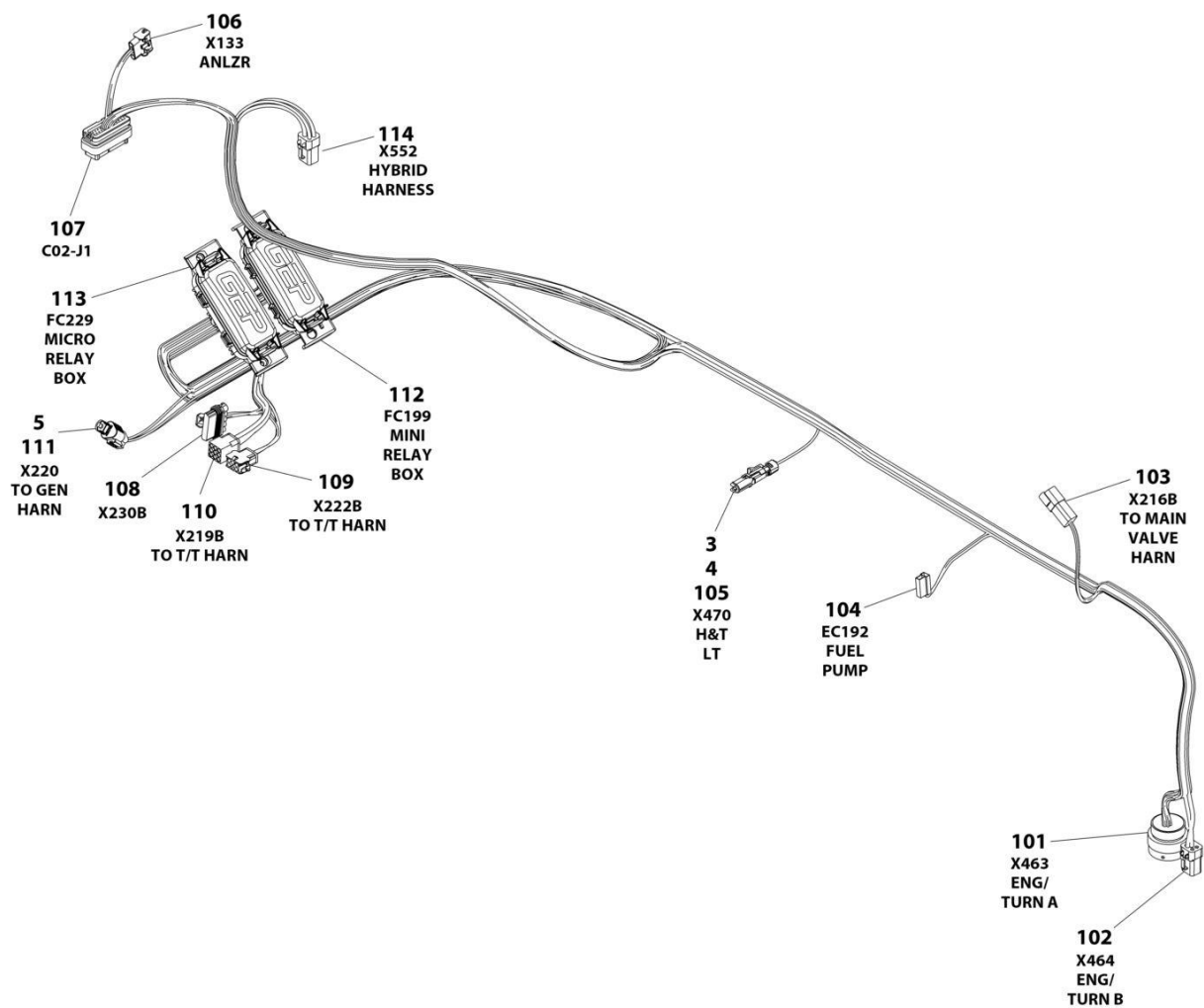
SECTION 8 - ELECTRICAL

FIGURE 8-43. ELECTRICAL SYSTEM INSTALLATION

ITEM	PART NUMBER	QTY	DESCRIPTION	REV
	1001249003	Ref	ELECTRICAL COMPONENTS INSTALLATION	E
2	0100048	AR	Grease, Dielectric (Not Shown)	
6	0641506	10	Bolt 5/16 x 3/4	
9	0760812	1	Bolt M8 x 25	
11	1320263	1	Clamp	
14	3290805	1	Nut M8	
16	3311601	1	Nut 3/8	
18	4460470	1	Nut	
19	4460471	1	Washer	
20	4240099	4	Tie-Strap	
21	4460488	3	Terminal, Mount	
22	4460496	1	Washer	
23	4460497	1	Nut	
24	4460708	2	Connector - 15 Position (H800AJ)	
26	4711500	10	Washer 5/16	
27	4711600	1	Washer	
30	4811900	2	Washer M8	
34	8410001	1	Clamp	
39	1001144295	2	Cap	
40	1001146588	2	Tie-Strap (Not Shown)	
43	1001222047	1	Boom Valve Harness (See Separate Breakdown in this Section)	
44	1001222052	1	Charger Harness (See Separate Breakdown in this Section)	
45	1001222369	1	Resolver/Converter/Inverter Harness (See Separate Breakdown in this Section)	
47	1001225994	1	Hybrid 84V Harness (See Separate Breakdown in this Section)	
49	1001226267	1	Cable, Ignition Relay to Fusebox	
50	1001226268	1	Cable, Battery to Ignition Relay	
51	1001226269	1	Cable, B+ to Fuse	
52	1001226270	1	Cable, Negative to Stud	
53	1001226522	1	Cable, Resolver/Converter to Ignition Control	
60	1001227080	1	Electrical Assembly, Terminator (Connect to Item 72)	
61	1001227925	5	Cable, Ground Strap	
62	1001228985	1	Controller Harness (See Separate Breakdown in this Section)	
63	1001233420	1	Cable, Chassis Ground	
64	1001299798	1	Ground Control Harness (See Separate Breakdown in this Section)	
65	1001245028	1	Turntable Harness (See Separate Breakdown in this Section)	
66	1001282826	1	Main Valve Harness (See Separate Breakdown in this Section)	
100	1001233441	1	Cable, Battery to Ignition Kit (Not Shown)	
101	1001222370	1	Cable, System B+	
102	1001222371	1	Cable, System B- Ignition	
103	1001222372	1	Cable, 3 Phase Motor (U)	
104	1001223949	1	Cable, 3 Phase Motor (V)	
105	1001223950	1	Cable, 3 Phase Motor (W)	

SECTION 8 - ELECTRICAL

FIGURE 8-44. ENGINE HARNESS - KUBOTA



ART_1001245030

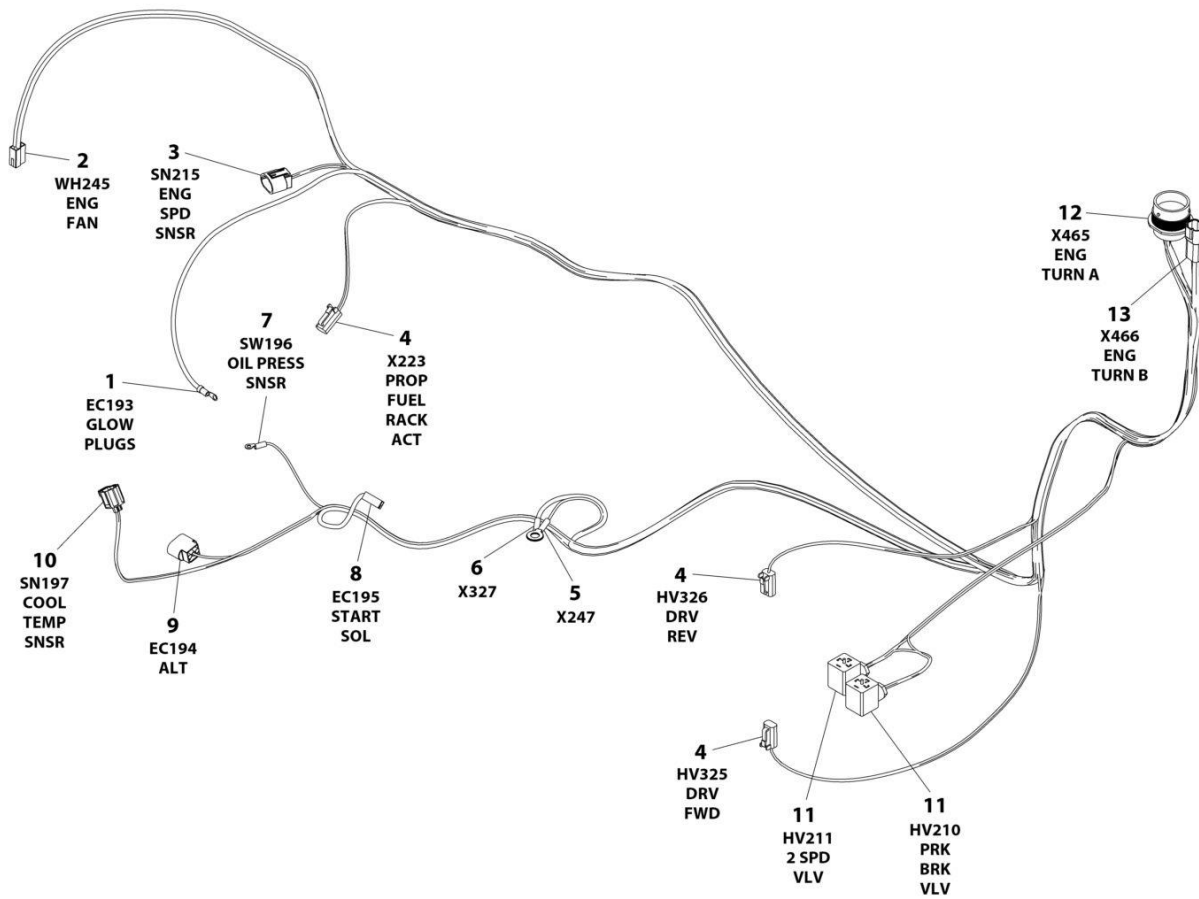
SECTION 8 - ELECTRICAL

FIGURE 8-44. ENGINE HARNESS - KUBOTA

ITEM	PART NUMBER	QTY	DESCRIPTION	REV
	1001245030	Ref	ENGINE HARNESS - KUBOTA	B
3	80963056	1	Connector - 1 Position	
4	1001116727	1	Plug	
5	1001144296	1	Cap	
101	1001147923	1	Connector - 24 Position	
101	4460465	17	Socket - Female	
101	4460466	7	Plug, Terminal	
102	1001200497	1	Plug, Male - 4 Position	
102	1001150611	3	Socket, Female	
102	4460466	1	Plug, Terminal	
103	4460932	1	Receptacle, Female - 4 Position	
103	4460464	4	Pin, Male	
104	1001118744	1	Housing, Terminal	
104	1001118745	2	Terminal	
105	80963055	1	Plug, Male - 1 Position	
105	4460457	1	Terminal	
105	4460458	1	Seal	
106	4460761	1	Receptacle, Female - 4 Position	
106	4460226	4	Socket - Female	
107	4460874	1	Connector - 35 Position	
107	4460871	25	Socket, Female	
107	4460905	10	Plug, Terminal	
108	1001121726	1	Receptacle, Female - 5 Position	
108	4460746	2	Terminal	
108	8220125	2	Terminal	
108	4460458	2	Seal	
108	80963067	2	Seal	
108	4460748	2	Plug, Terminal	
109	4460224	1	Receptacle, Female - 6 Position	
109	4460267	4	Pin, Male	
110	4460266	1	Receptacle, Female - 9 Position	
110	4460705	7	Pin, Male	
111	4460539	1	Plug, Male - 3 Position	
111	4460465	3	Socket, Female	
112	1001223460	1	Holder, Relay	
112	1001233761	5	Terminal	
112	8220099	3	Terminal	
112	1001234288	5	Seal	
112	1001234289	3	Seal	
112	1001234287	6	Plug, Terminal	
113	1001185964	1	Holder, Relay	
113	4460746	13	Terminal	
113	8220125	5	Terminal	
113	1001116747	1	Terminal	
113	4460458	13	Seal	
113	80963067	6	Seal	
113	4460789	1	Seal	
114	4460884	1	Plug, Male - 4 Position	
114	4460465	3	Socket, Female	
114	4460466	1	Plug, Terminal	

SECTION 8 - ELECTRICAL

FIGURE 8-45. ENGINE TRAY HARNESS



ART_1001230605

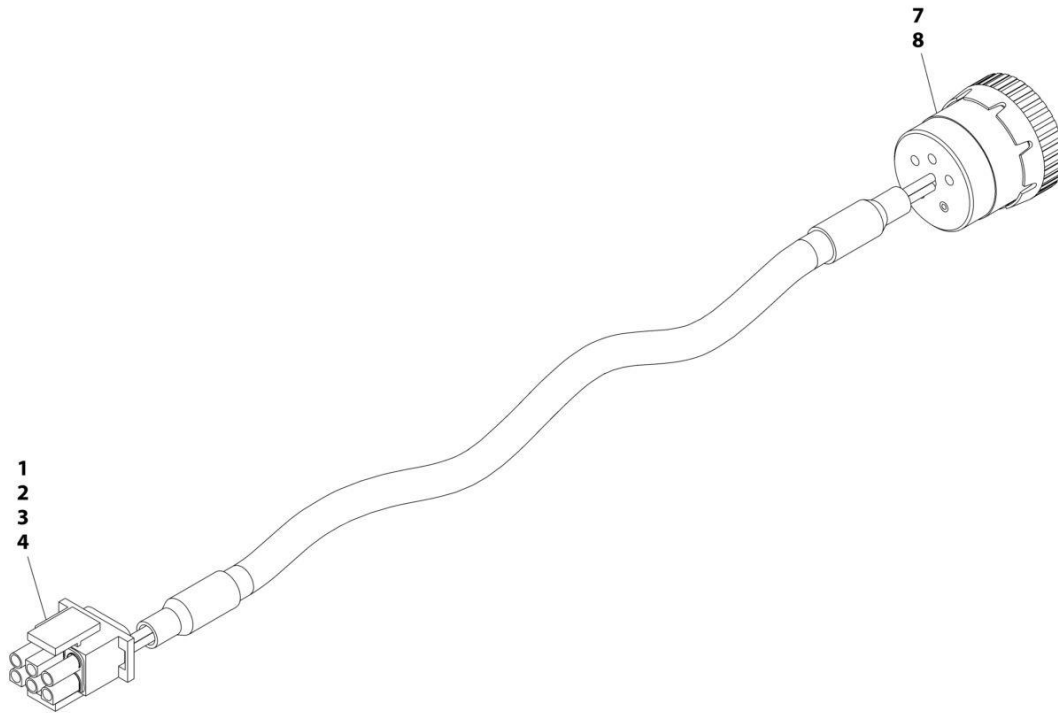
SECTION 8 - ELECTRICAL

FIGURE 8-45. ENGINE TRAY HARNESS

ITEM	PART NUMBER	QTY	DESCRIPTION	REV
	1001230605	Ref	ENGINE TRAY HARNESS	D
1	4460142	1	Terminal, Ring	
2	4460994	1	Housing, Terminal	
2	1001236489	2	Terminal	
3	1001223431	1	Connector - 3 Position	
3	1001223794	3	Socket, Female	
3	1001223797	3	Seal	
4	4460891	3	Plug, Male - 2 Position	
4	4460465	6	Socket, Female	
5	4460019	1	Terminal, Ring	
6	4460256	1	Terminal, Ring	
7	8220007	1	Terminal, Ring	
8	1001116995	1	Housing, Terminal	
8	1001236490	1	Terminal	
9	1001125748	1	Receptacle, Female - 3 Position	
9	1001129773	2	Pin, Male	
9	1001125773	1	Pin, Male	
9	1001129772	1	Seal	
10	1001118657	1	Plug, Male - 2 Position	
10	1001188387	2	Terminal	
10	1001118659	2	Seal	
11	4460880	2	Connector, DIN	
12	1001148106	1	Connector - 23 Position	
12	4460464	16	Pin, Male	
12	4460466	7	Plug, Terminal	
13	1001116811	1	Receptacle, Female - 4 Position	
13	1001150610	3	Pin, Male	
13	4460508	1	Pin, Male	

SECTION 8 - ELECTRICAL

FIGURE 8-46. GENERATOR HARNESS - 4000W



ART_1001152532

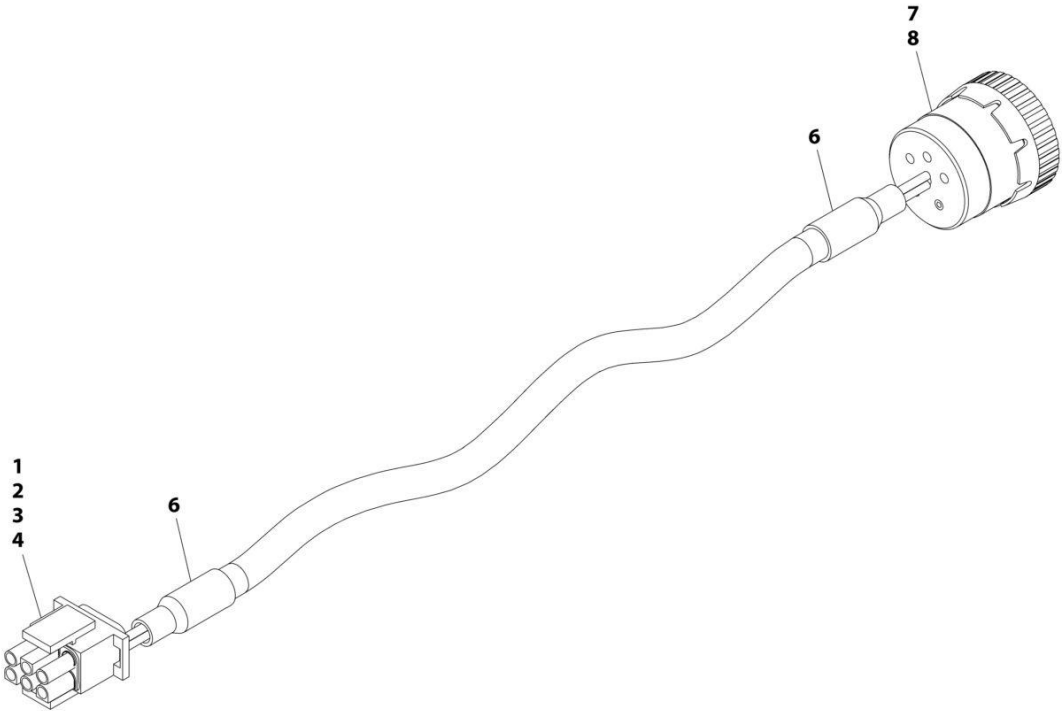
SECTION 8 - ELECTRICAL

FIGURE 8-46. GENERATOR HARNESS - 4000W

ITEM	PART NUMBER	QTY	DESCRIPTION	REV
	1001152532	Ref	GENERATOR HARNESS	A
1	4460225	1	Connector - 6 Position	
2	4460268	2	Socket, Female	
3	4460807	1	Seal	
4	4460808	1	Seal	
7	4460465	2	Socket, Female	
8	77363233	1	Connector - 6 Position	

SECTION 8 - ELECTRICAL

FIGURE 8-47. GENERATOR HARNESS - 7500W SKYPOWER



ART_4922925

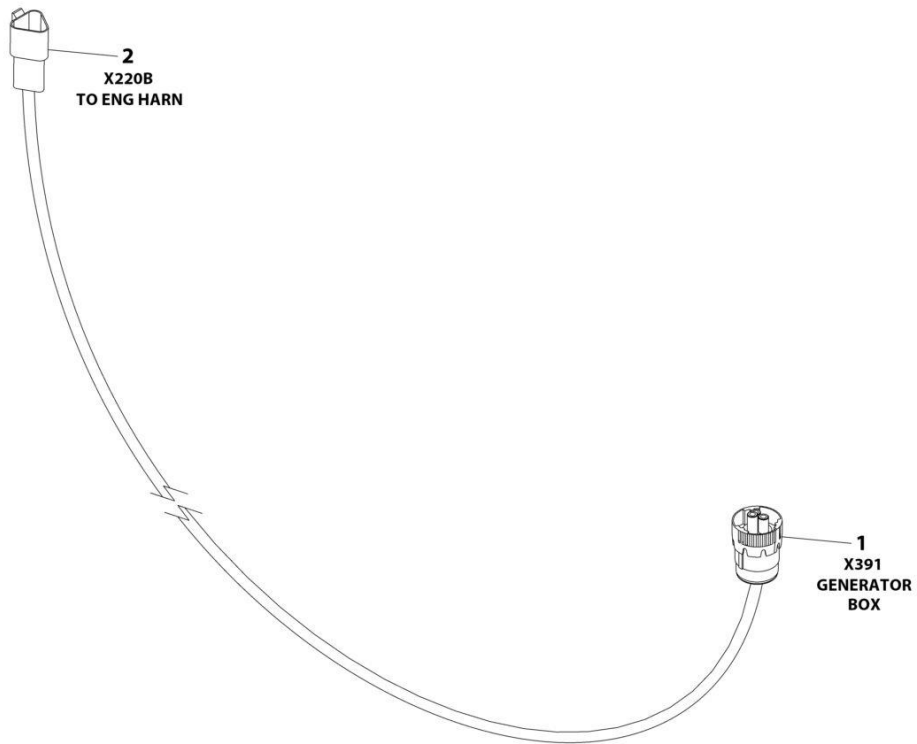
SECTION 8 - ELECTRICAL

FIGURE 8-47. GENERATOR HARNESS - 7500W SKYPOWER

ITEM	PART NUMBER	QTY	DESCRIPTION	REV
	4922925	Ref	GENERATOR TO CONTROL BOX HARNESS (7500W GENERATOR)	C
1	4460225	1	Plug, Male - 2 Position	
2	4460268	6	Socket, Female	
3	4460807	1	Seal	
4	4460808	1	Seal	
6	2820019	AR	Heat Shrink	
7	4460465	6	Socket, Female	
8	77363233	1	Connector - 6 Position	

SECTION 8 - ELECTRICAL

FIGURE 8-48. GENERATOR HARNESS - 4000W AND 7500W SKYPOWER



ART_1001231225

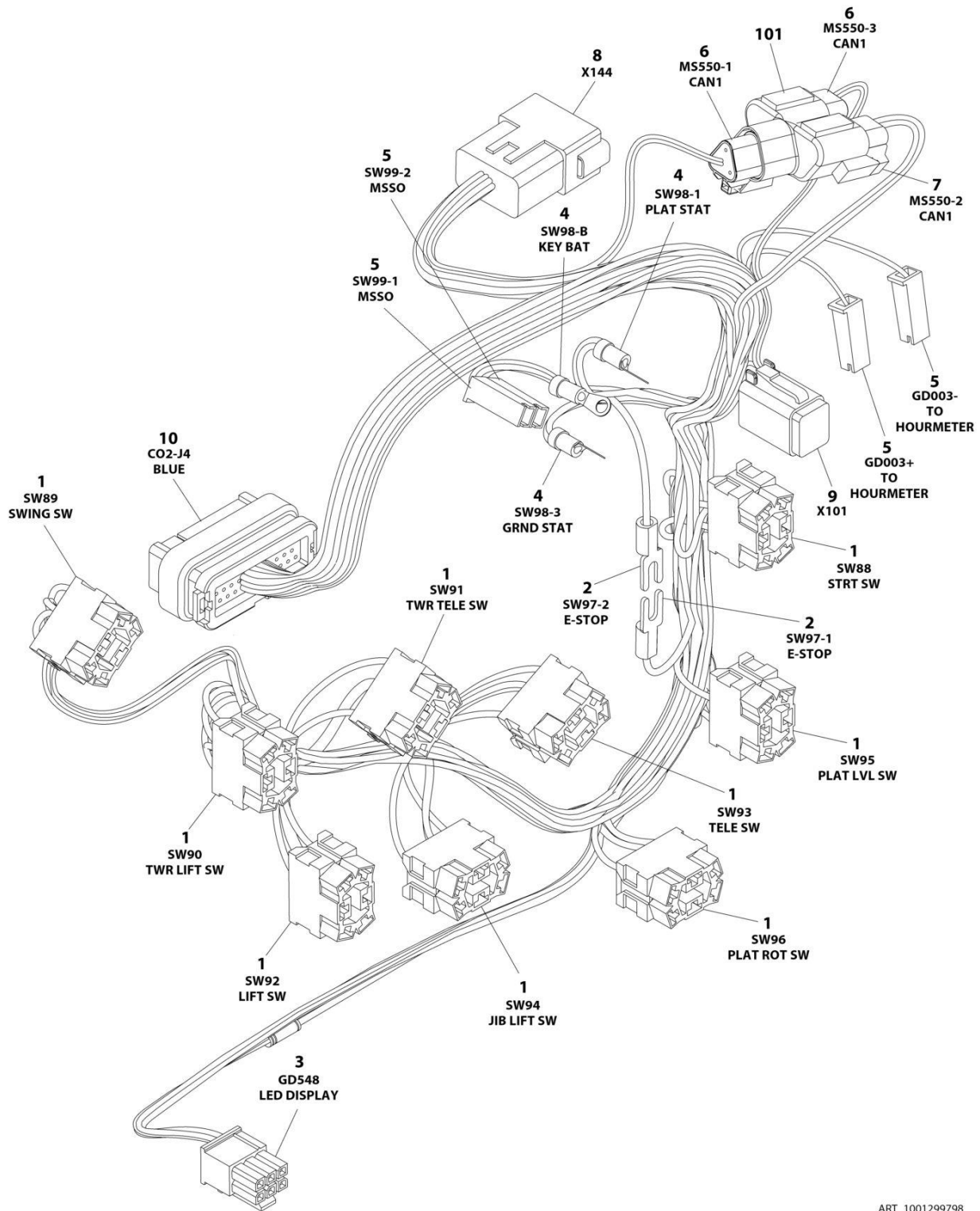
SECTION 8 - ELECTRICAL

FIGURE 8-48. GENERATOR HARNESS - 4000W AND 7500W SKYPOWER

ITEM	PART NUMBER	QTY	DESCRIPTION	REV
	1001231225	Ref	GENERATOR ENABLE HARNESS	A
1	4460967	1	Plug, Male - 3 Position	
1	4460465	3	Socket, Female	
2	4460536	1	Receptacle, Female - 3 Position	
2	4460464	3	Pin, Male	

SECTION 8 - ELECTRICAL

FIGURE 8-49. GROUND CONTROL BOX HARNESS



ART_1001299798

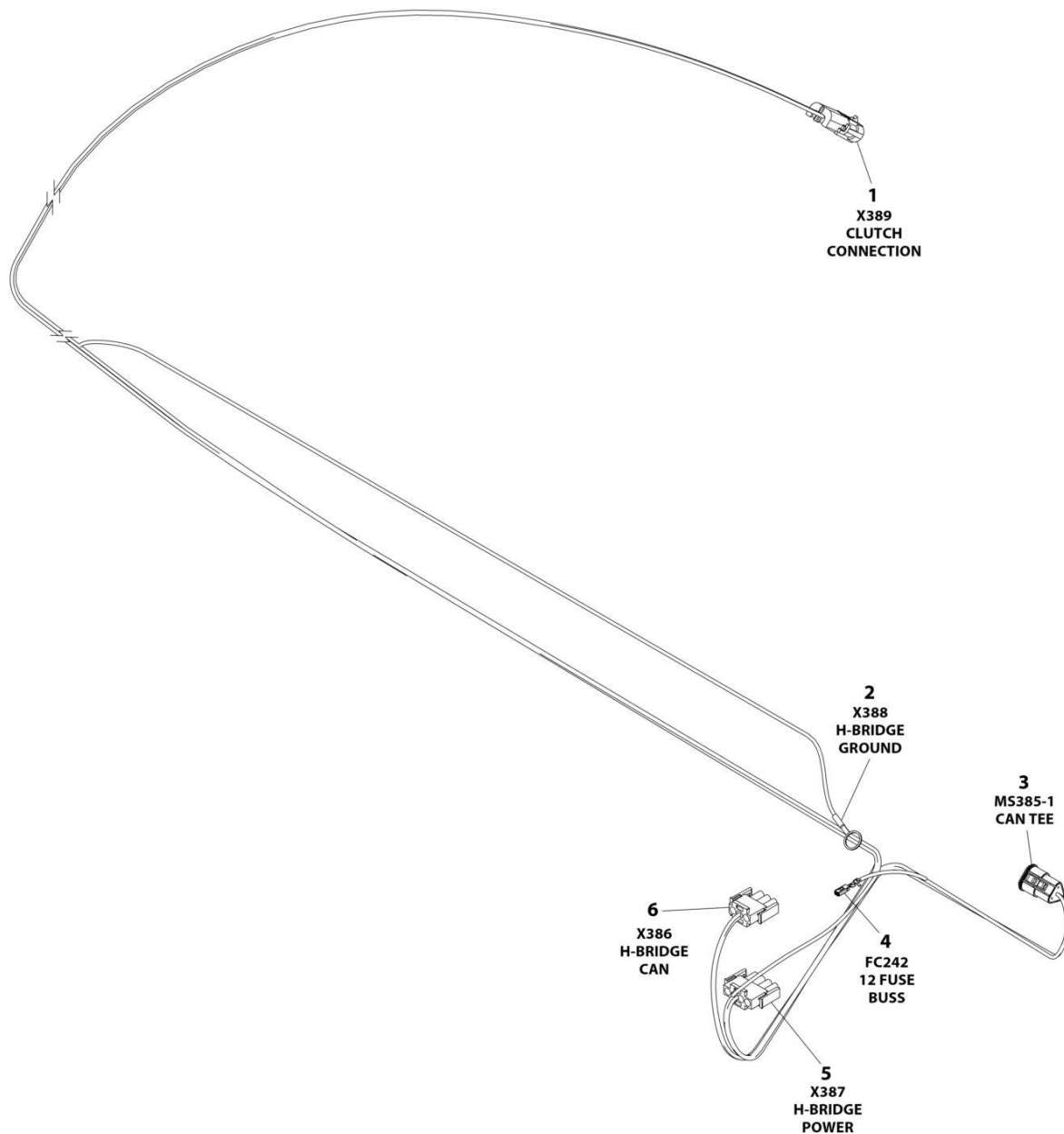
SECTION 8 - ELECTRICAL

FIGURE 8-49. GROUND CONTROL BOX HARNESS

ITEM	PART NUMBER	QTY	DESCRIPTION	REV
	1001299798	Ref	GROUND CONTROL BOX HARNESS	A
1	4460418	9	Connector	
1	1001159186	18	Socket	
1	4460419	9	Socket	
2	4460144	2	Terminal, Ring	
3	1001237667	1	Connector	
3	1001237668	5	Socket	
4	4460042	3	Terminal, Ring	
5	4460260	4	Connector	
5	4460259	4	Socket	
6	1001116812	2	Connector	
6	4460944	4	Socket	
6	4460466	2	Plug	
7	4460539	1	Connector	
7	4460944	2	Socket	
7	4460466	1	Plug	
8	4460970	1	Connector	
8	4460464	8	Socket	
8	4460943	2	Socket	
8	4460466	2	Plug	
9	4460894	1	Connector	
9	4460465	4	Socket	
9	4460466	2	Plug	
10	4460876	1	Connector	
10	4460871	23	Socket	
10	4460905	12	Plug	
101	4460945	1	Plug, 3-Way	

SECTION 8 - ELECTRICAL

FIGURE 8-50. H-BRIDGE/CLUTCH HARNESS



ART_1001226404

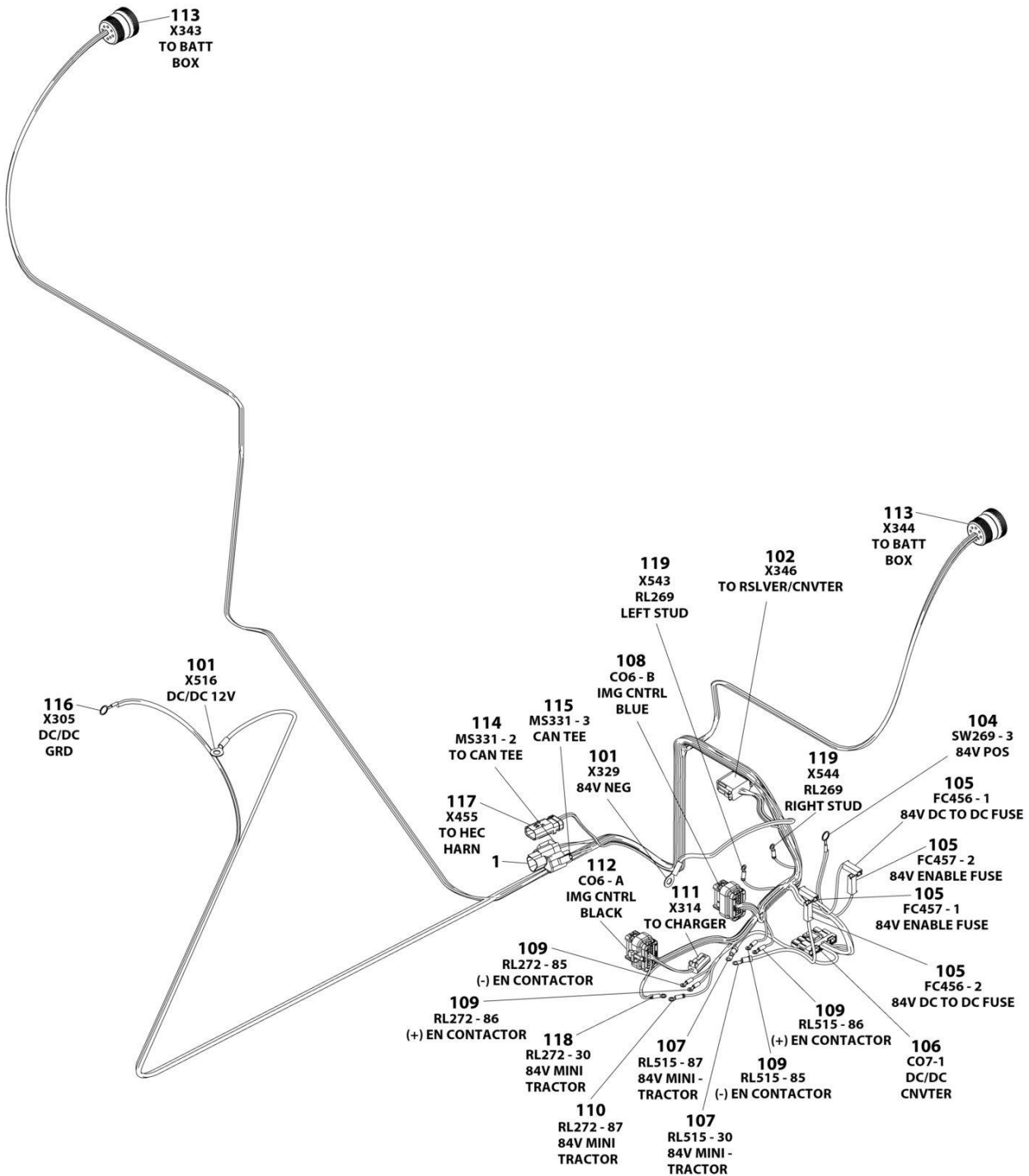
SECTION 8 - ELECTRICAL

FIGURE 8-50. H-BRIDGE/CLUTCH HARNESS

ITEM	PART NUMBER	QTY	DESCRIPTION	REV
	1001226404	Ref	H-BRIDGE/CLUTCH HARNESS	C
1	4461157	1	Receptacle, Female - 2 Position	
1	4460979	2	Socket, Female	
2	4460722	1	Terminal, Ring	
3	1001116812	1	Plug, Male - 3 Position	
3	4460944	2	Socket, Female	
3	4460466	1	Plug, Terminal	
4	1001189750	1	Terminal	
5	1001119031	1	Plug, Male - 4 Position	
5	4460268	4	Socket, Female	
6	4460326	1	Plug, Male - 3 Position	
6	4460268	3	Socket, Female	

SECTION 8 - ELECTRICAL

FIGURE 8-51. HYBRID 84V HARNESS



ART_1001225994_F

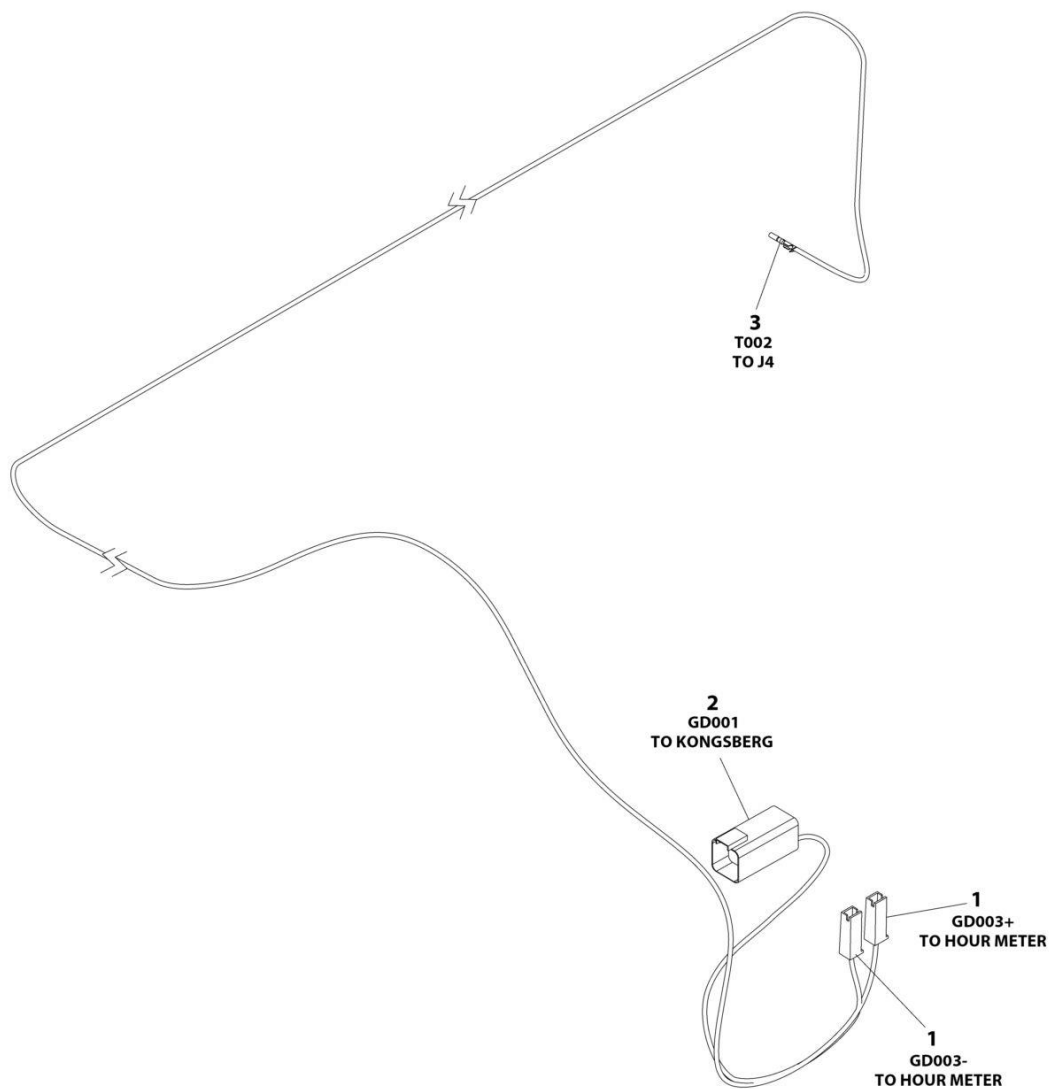
SECTION 8 - ELECTRICAL

FIGURE 8-51. HYBRID 84V HARNESS

ITEM	PART NUMBER	QTY	DESCRIPTION	REV
	1001225994	Ref	HYBRID 84V HARNESS	F
1	4460945	1	Receptacle, 3 Way	
101	8220045	2	Terminal, Ring	
102	4460836	1	Plug, Male - 12 Position	
102	4460465	9	Socket, Female	
102	4460466	3	Plug, Terminal	
104	8220029	1	Terminal, Ring	
105	4460260	4	Housing, Terminal	
105	4460259	4	Terminal	
106	1001117012	1	Receptacle, Female - 5 Position	
106	4460887	4	Terminal	
106	4461271	1	Plug, Terminal	
107	4460142	2	Terminal, Ring	
108	1001096138	1	Connector - 23 Position	
108	4460871	10	Socket, Female	
108	4460905	13	Plug, Terminal	
109	1001098122	4	Terminal, Ring	
110	4460247	1	Terminal, Ring	
111	4460891	1	Plug, Male - 2 Position	
111	4460465	2	Socket, Female	
112	1001116994	1	Connector - 23 Position	
112	4460871	12	Socket, Female	
112	4460905	11	Plug, Terminal	
113	1001112796	2	Connector - 9 Position	
113	4460465	13	Socket, Female	
113	4460466	4	Plug, Terminal	
114	4460539	1	Plug, Male - 3 Position	
114	4460944	2	Socket, Female	
114	4460466	1	Plug, Terminal	
115	1001116812	1	Plug, Male - 3 Position	
115	4460944	2	Socket, Female	
115	4460465	1	Socket, Female	
116	8220164	1	Terminal, Ring	
117	1001229530	1	Receptacle, Female - 3 Position	
117	4460464	2	Pin, Male	
117	4460466	1	Plug, Terminal	
118	4460042	1	Terminal, Ring	
119	4460427	2	Terminal, Ring	

SECTION 8 - ELECTRICAL

FIGURE 8-52. HOURMETER JUMPER HARNESS



ART_1001296426

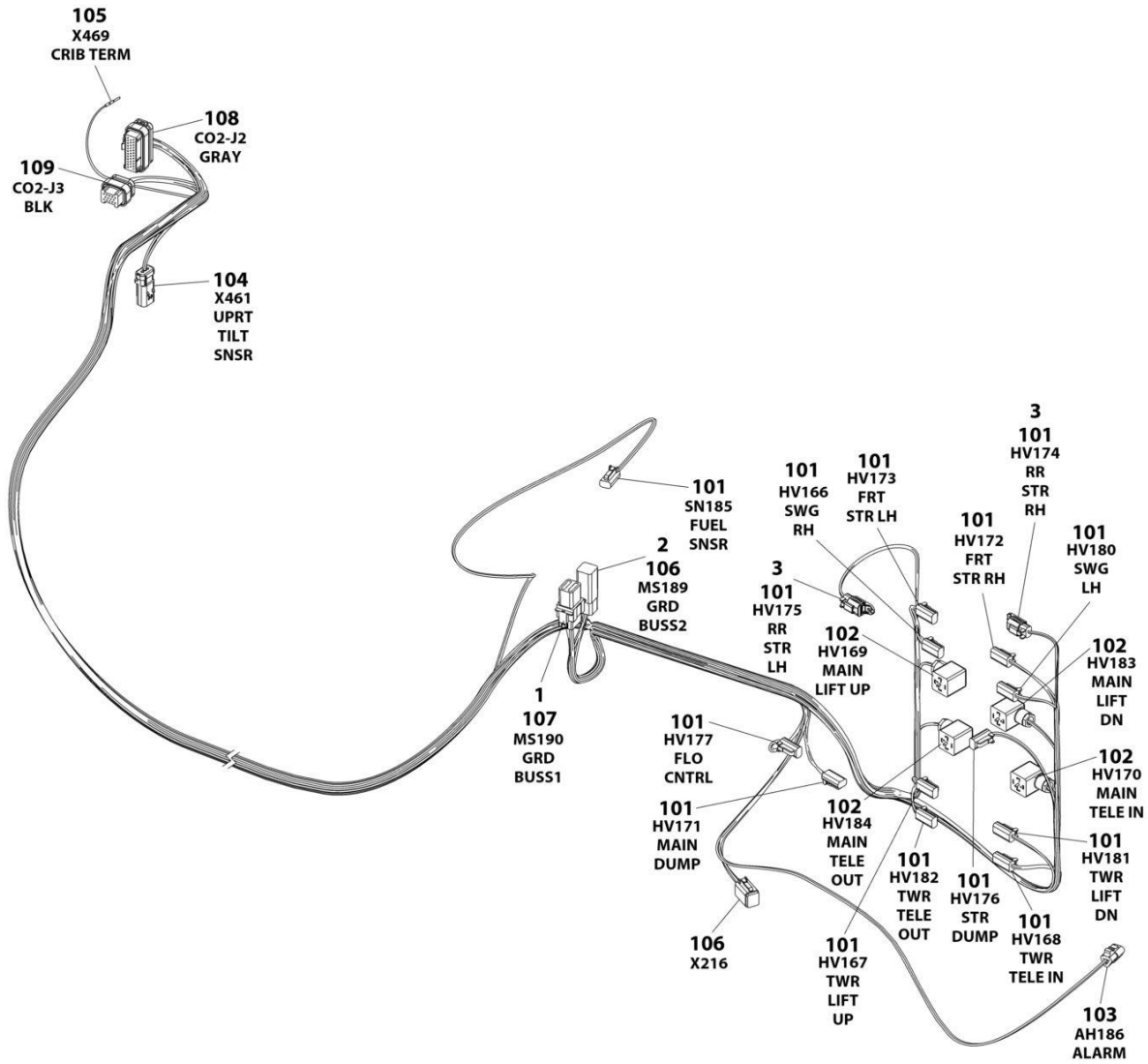
SECTION 8 - ELECTRICAL

FIGURE 8-52. HOURMETER JUMPER HARNESS

ITEM	PART NUMBER	QTY	DESCRIPTION	REV
	1001296426	Ref	HOUR METER JUMPER HARNESS	A
1	4460260	2	Connector	
2	4460899	1	Connector	
3	4460871	1	Socket	

SECTION 8 - ELECTRICAL

FIGURE 8-53. MAIN VALVE HARNESS



ART_1001282826

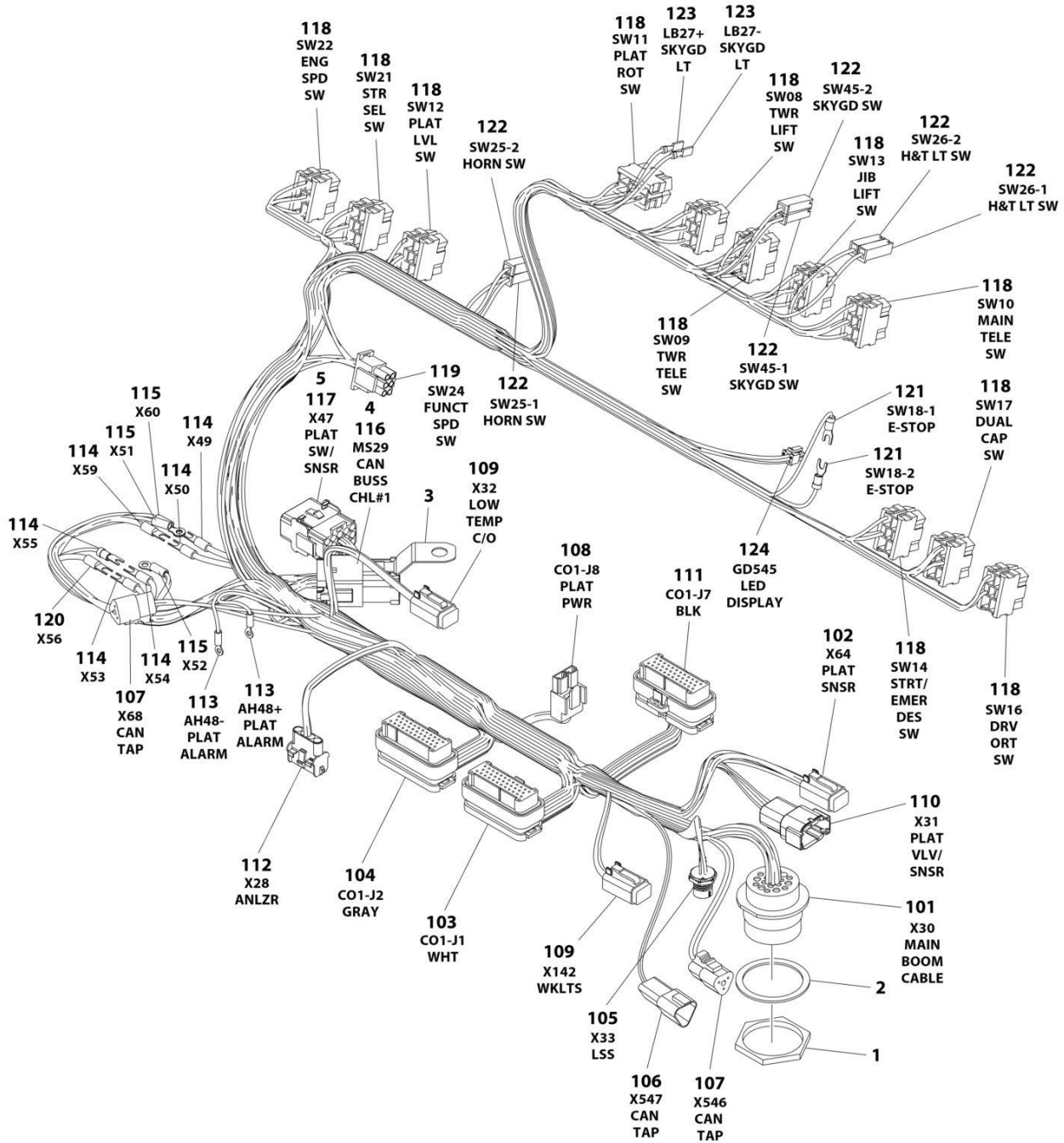
SECTION 8 - ELECTRICAL

FIGURE 8-53. MAIN VALVE HARNESS

ITEM	PART NUMBER	QTY	DESCRIPTION	REV
	1001282826	Ref	MAIN VALVE HARNESS	A
1	4460852	1	Connector - 8 Position	
2	4460892	1	Bussbar - 6 Position	
3	1001144295	2	Cap	
101	4460891	14	Plug, Male - 2 Position	
101	4460465	28	Socket, Female	
102	4460880	4	Connector, DIN	
103	4460539	1	Plug, Male - 3 Position	
103	4460465	2	Socket, Female	
103	4460466	1	Plug, Terminal	
104	1001229530	1	Receptacle, Female - 3 Position	
104	4460943	3	Pin, Male	
105	4460227	1	Pin, Male	
106	4460894	2	Plug, Male - 6 Position	
106	4460465	10	Socket, Female	
106	4460466	2	Plug, Terminal	
107	4460851	1	Plug, Male - 8 Position	
107	4460465	8	Socket, Female	
108	4460875	1	Connector - 35 Position	
108	4460871	24	Socket, Female	
108	4460905	11	Plug, Terminal	
109	4460872	1	Connector - 14 Position	
109	4460871	10	Socket, Female	
109	4460905	4	Plug, Terminal	

SECTION 8 - ELECTRICAL

FIGURE 8-54. PLATFORM CONSOLE BOX HARNESS



ART_1001245026_E

SECTION 8 - ELECTRICAL

FIGURE 8-54. PLATFORM CONSOLE BOX HARNESS

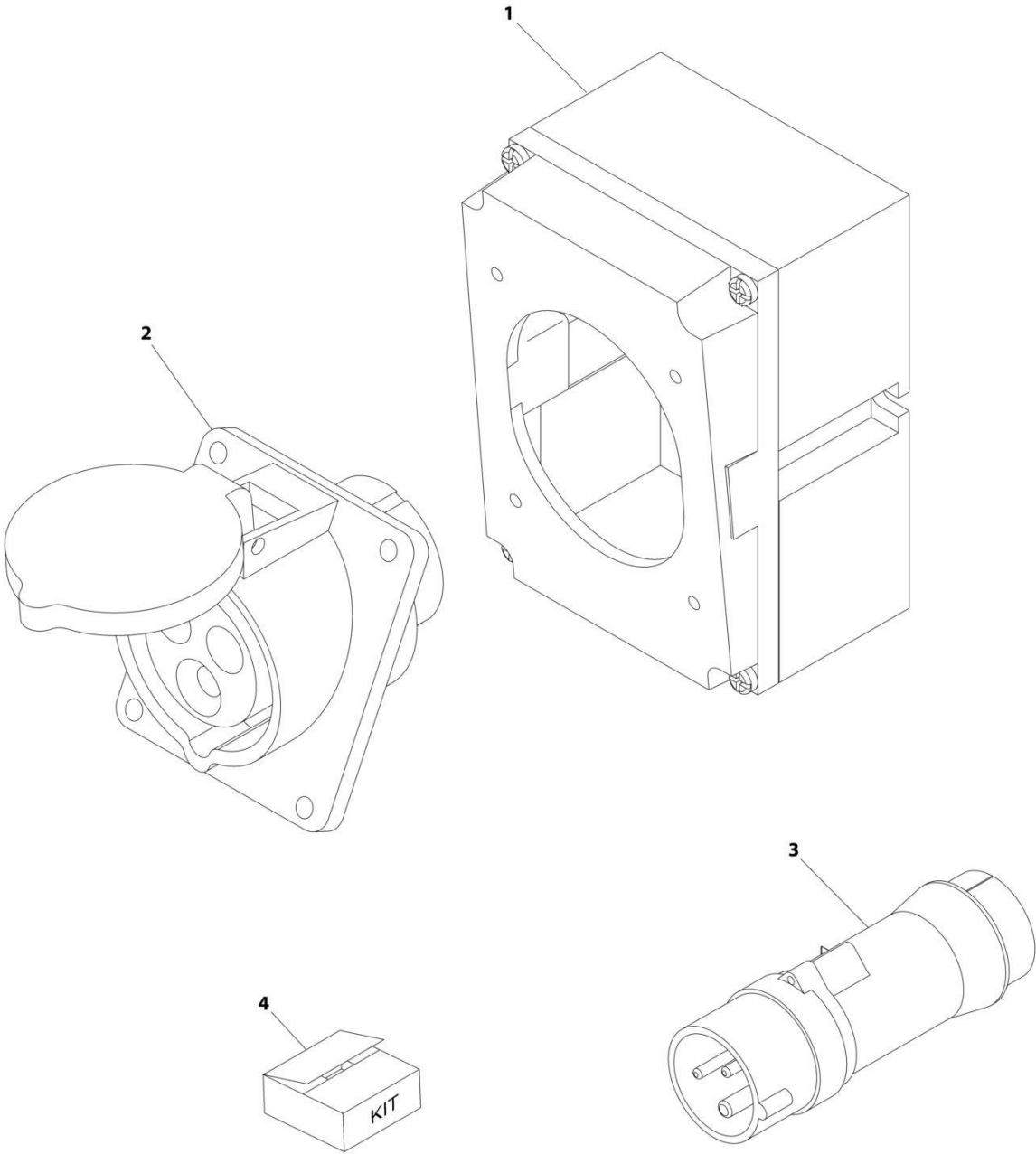
ITEM	PART NUMBER	QTY	DESCRIPTION	REV
	1001245026	Ref	PLATFORM CONSOLE BOX HARNESS	E
1	4460470	1	Nut	
2	4460471	1	Washer	
3	1001120328	1	Mount, Connector	
4	1001125677	1	Bussbar - 12 Position	
5	4460708	1	Terminal	
101	4460866	1	Connector - 19 Position	
101	4460943	2	Pin, Male	
101	4460464	3	Pin, Male	
101	4460508	4	Pin, Male	
101	4460466	10	Plug, Terminal	
102	4460894	1	Plug, Male - 6 Position	
102	4460465	4	Socket, Female	
102	4460466	2	Plug, Terminal	
103	4460874	1	Connector - 35 Position	
103	4460871	30	Socket, Female	
103	4460905	5	Plug, Terminal	
104	4460875	1	Connector - 35 Position	
104	4460871	9	Socket, Female	
104	4460905	26	Plug, Terminal	
105	1001213447	1	Receptacle, Female - 5 Position	
106	4460536	1	Receptacle, Female - 3 Position	
106	4460943	2	Pin, Male	
106	4460466	1	Plug, Terminal	
107	4460539	2	Plug, Male - 3 Position	
107	4460944	4	Socket, Female	
107	4460466	2	Plug, Terminal	
108	4460879	1	Receptacle, Female - 2 Position	
108	4460887	2	Terminal	
109	4460884	2	Plug, Male - 4 Position	
109	4460465	8	Socket, Female	
110	1001190578	1	Receptacle, Female - 8 Position	
110	1001126011	7	Terminal	
110	4460518	1	Plug, Terminal	
111	4460873	1	Connector - 35 Position	
111	4460871	22	Socket, Female	
111	4460905	13	Plug, Terminal	
112	4460761	1	Receptacle, Female - 4 Position	
112	4460227	4	Pin, Male	
113	1001098122	2	Terminal, Ring	
114	4460315	6	Terminal, Fork	
115	8220007	3	Terminal, Ring	
116	4460933	1	Plug, Male - 12 Position	
116	4460944	12	Socket, Female	
116	4460466	2	Plug, Terminal	
117	4460343	1	Plug, Male - 15 Position	
117	4460227	7	Pin, Male	
117	4460267	2	Pin, Male	
118	4460418	11	Connector, Switch	
118	4460419	22	Terminal	

SECTION 8 - ELECTRICAL

ITEM	PART NUMBER	QTY	DESCRIPTION	REV
118	1001159186	21	Terminal	
119	4460225	1	Plug, Male - 6 Position	
119	4460227	4	Pin, Male	
119	4460267	2	Pin, Male	
120	4460314	1	Terminal, Fork	
121	4460183	2	Terminal, Fork	
122	4460260	6	Housing, Terminal	
122	4460259	6	Terminal	
123	4460016	2	Terminal	
124	1001237667	1	Connector - 6 Position	
125	1001237668	4	Terminal	
126	1001201885	2	Terminal	

SECTION 8 - ELECTRICAL

FIGURE 8-55. RECEPTACLE BOX KIT - 110V IEC YELLOW (CE & UK CA SPEC)



ART_0275216

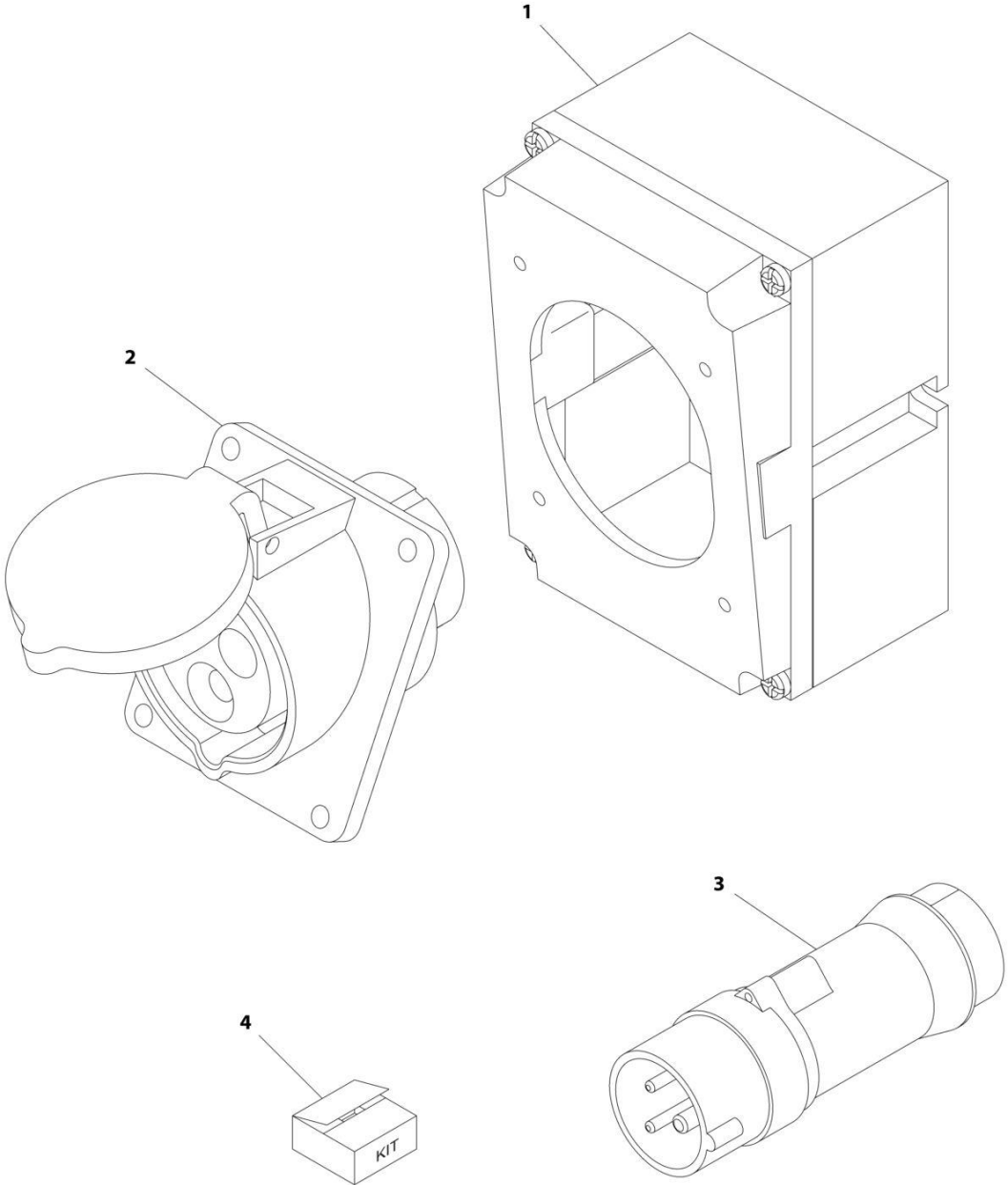
SECTION 8 - ELECTRICAL

FIGURE 8-55. RECEPTACLE BOX KIT - 110V IEC YELLOW (CE & UK CA SPEC)

ITEM	PART NUMBER	QTY	DESCRIPTION	REV
	0275216	Ref	RECEPTACLE BOX KIT - 110V IEC YELLOW	B
1	0861781	1	Box, Switch	
2	4461198	1	Receptacle	
3	4461196	1	Plug, Male	
4	1001100341	1	Plug and Socket Kit (Includes Items 1-3 and Female Plug p/n 4461197)	

SECTION 8 - ELECTRICAL

FIGURE 8-56. RECEPTACLE BOX KIT - 220V IEC BLUE (CE & UK CA SPEC)



ART_0275217

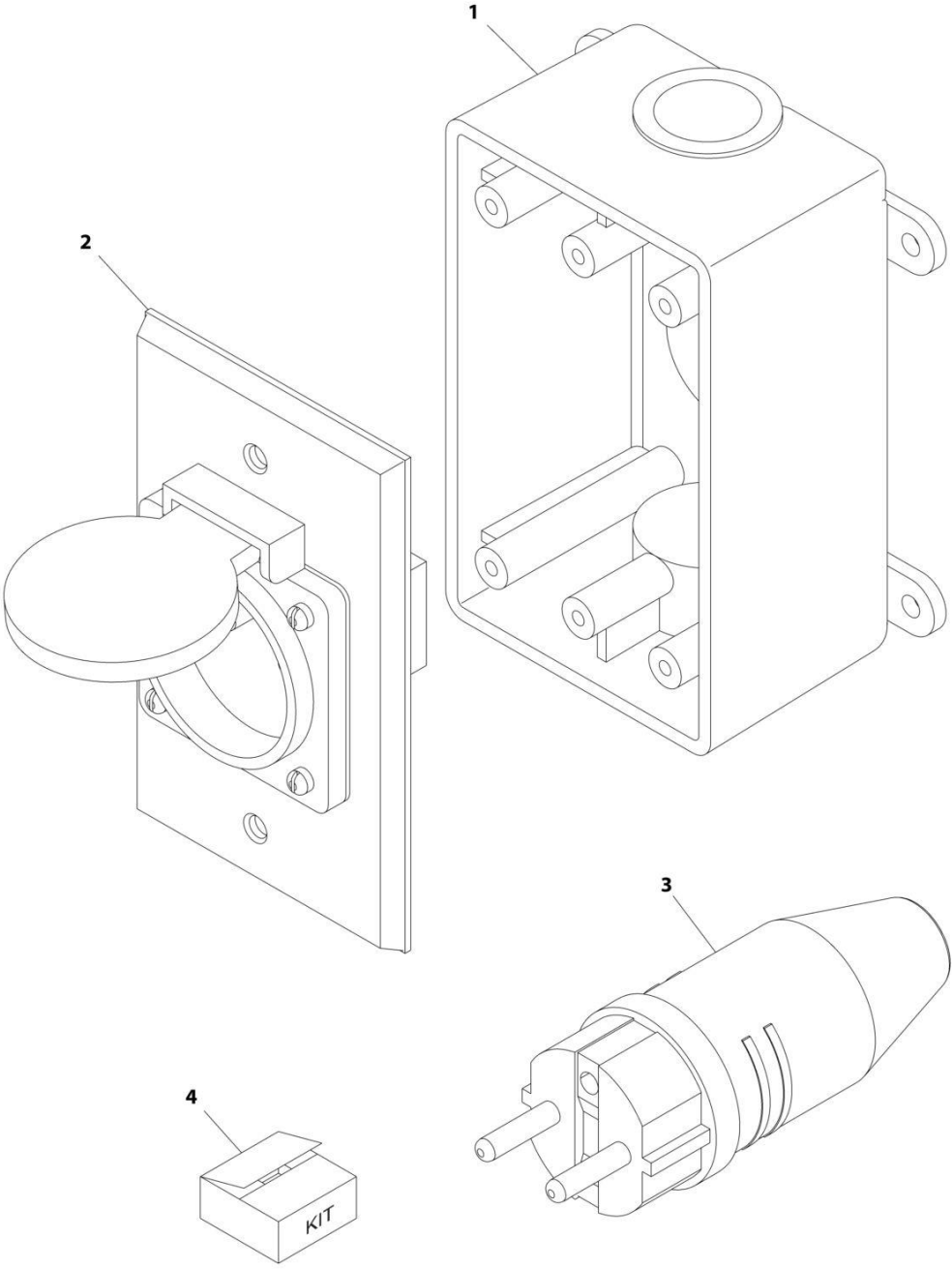
SECTION 8 - ELECTRICAL

FIGURE 8-56. RECEPTACLE BOX KIT - 220V IEC BLUE (CE & UK CA SPEC)

ITEM	PART NUMBER	QTY	DESCRIPTION	REV
	0275217	Ref	RECEPTACLE BOX KIT - 220V IEC BLUE	B
1	0861781	1	Box, Switch	
2	4461201	1	Receptacle	
3	4461199	1	Plug, Male	
4	1001100342	1	Plug and Socket Kit (Includes Items 1-3 and Female Plug p/n 4461200)	

SECTION 8 - ELECTRICAL

FIGURE 8-57. RECEPTACLE BOX KIT - 220V CEE7 POST GROUND 2X4 BOX (CE & UK CA SPEC)



ART_0275452-C

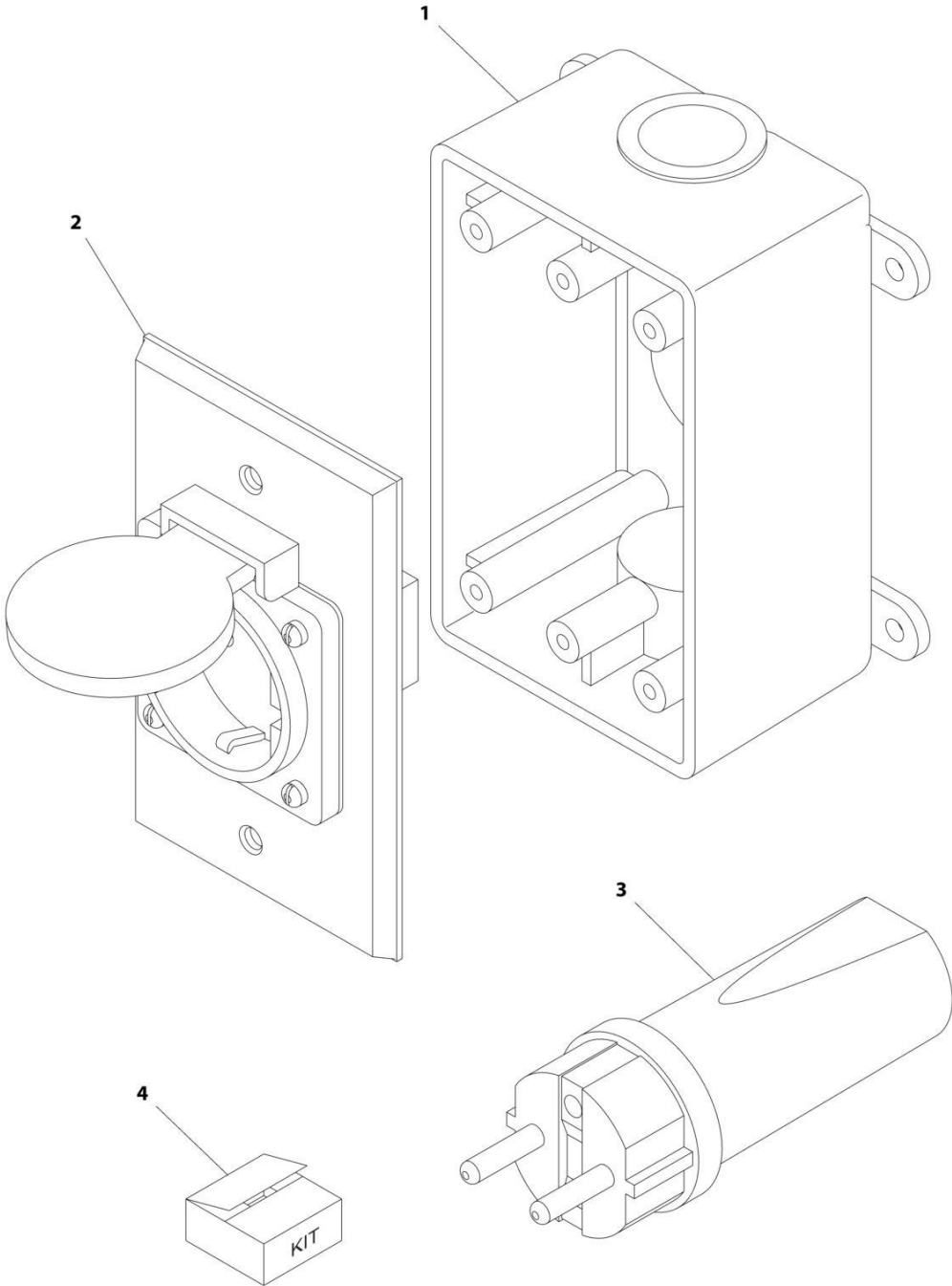
SECTION 8 - ELECTRICAL

FIGURE 8-57. RECEPTACLE BOX KIT - 220V CEE7 POST GROUND 2X4 BOX (CE & UK CA SPEC)

ITEM	PART NUMBER	QTY	DESCRIPTION	REV
	0275452	Ref	RECEPTACLE BOX KIT - 220V CEE7 POST GROUND 2IN X 4IN BOX	C
1	0861731	1	Box, Switch	
2	4461244	1	Receptacle	
3	4461205	1	Plug, Male	
4	1001100345	1	Plug and Socket Kit (Includes Items 1-3 and Female Plug p/n 4461203)	

SECTION 8 - ELECTRICAL

FIGURE 8-58. RECEPTACLE BOX KIT - 220V CEE7 SIDE GROUND (CE & UK CA SPEC)



ART_0275453

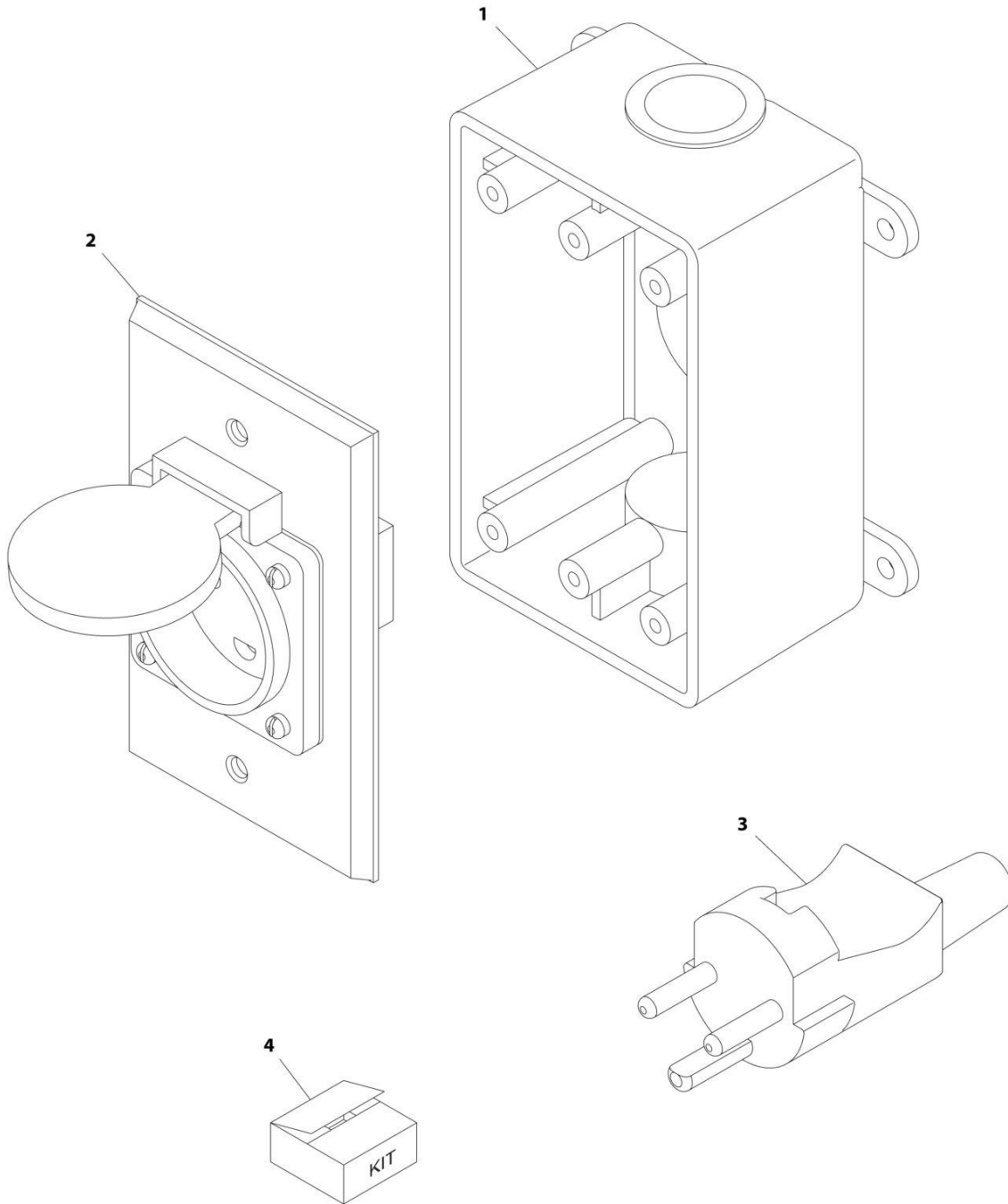
SECTION 8 - ELECTRICAL

FIGURE 8-58. RECEPTACLE BOX KIT - 220V CEE7 SIDE GROUND (CE & UK CA SPEC)

ITEM	PART NUMBER	QTY	DESCRIPTION	REV
	0275453	Ref	RECEPTACLE BOX KIT - 220V CEE7 SIDE GROUND	B
1	0861731	1	Box, Switch	
2	4461245	1	Receptacle	
3	4461205	1	Plug, Male	
4	1001100347	1	Plug and Socket Kit (Includes Items 1-3 and Female Plug p/n 4461206)	

SECTION 8 - ELECTRICAL

FIGURE 8-59. RECEPTACLE BOX KIT - 220V AFSINT 107 (CE & UK CA SPEC)



ART_0275454

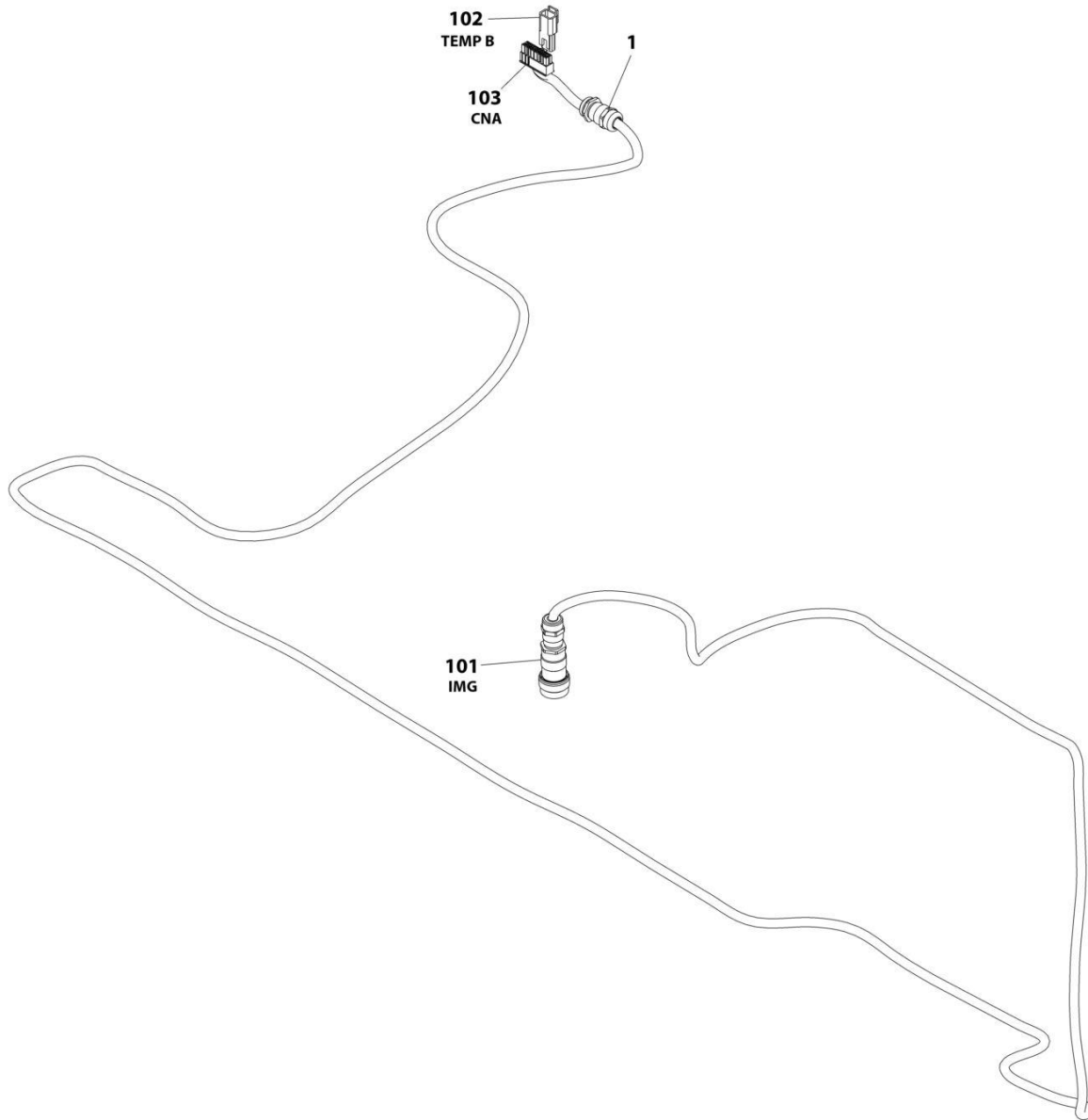
SECTION 8 - ELECTRICAL

FIGURE 8-59. RECEPTACLE BOX KIT - 220V AFSINT 107 (CE & UK CA SPEC)

ITEM	PART NUMBER	QTY	DESCRIPTION	REV
	0275454	Ref	RECEPTACLE BOX KIT - 220V AFSINT 107	B
1	0861731	1	Box, Switch	
2	4461246	1	Receptacle	
3	4461249	1	Plug, Male	
4	1001100346	1	Plug and Socket Kit (Includes Items 1-3 and Female Plug p/n 4461250)	

SECTION 8 - ELECTRICAL

FIGURE 8-60. RESOLVER/CONVERTER/INVERTER HARNESS



ART_1001222369

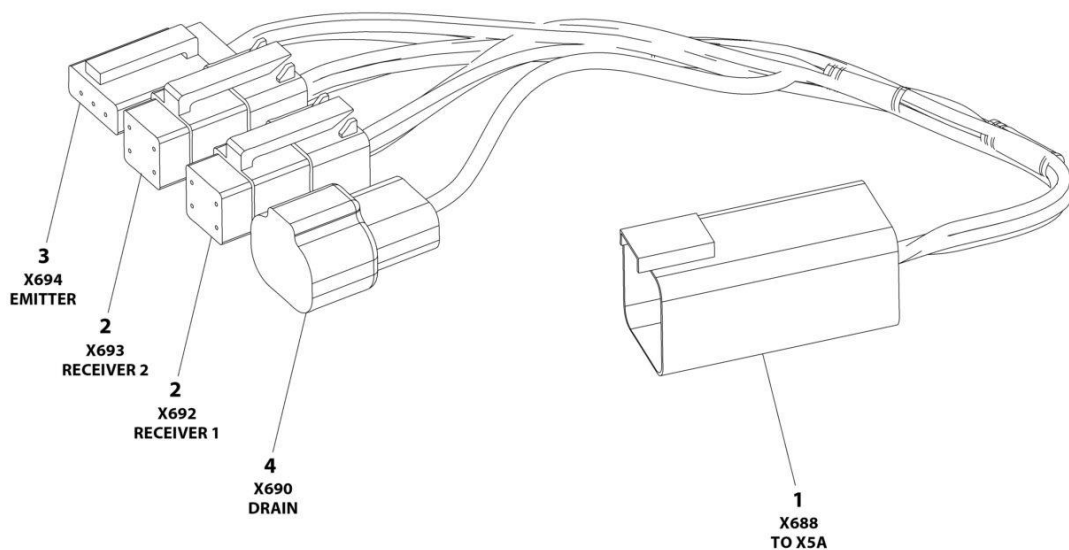
SECTION 8 - ELECTRICAL

FIGURE 8-60. RESOLVER/CONVERTER/INVERTER HARNESS

ITEM	PART NUMBER	QTY	DESCRIPTION	REV
	1001222369	Ref	RESOLVER/CONVERTER/INVERTER HARNESS	B
1	1001226468	1	Connector, Strain Relief	
101	1001226506	1	Connector - 19 Position	
102	1001153612	1	Receptacle, Female - 2 Position	
102	1001126010	2	Terminal	
103	1001225362	1	Connector - 16 Position	
103	4460877	6	Socket, Female	
103	1001228628	10	Plug, Terminal	
103	1001228629	1	Seal	

SECTION 8 - ELECTRICAL

FIGURE 8-61. SKYEYE INTERMEDIATE HARNESS



ART_1001237865

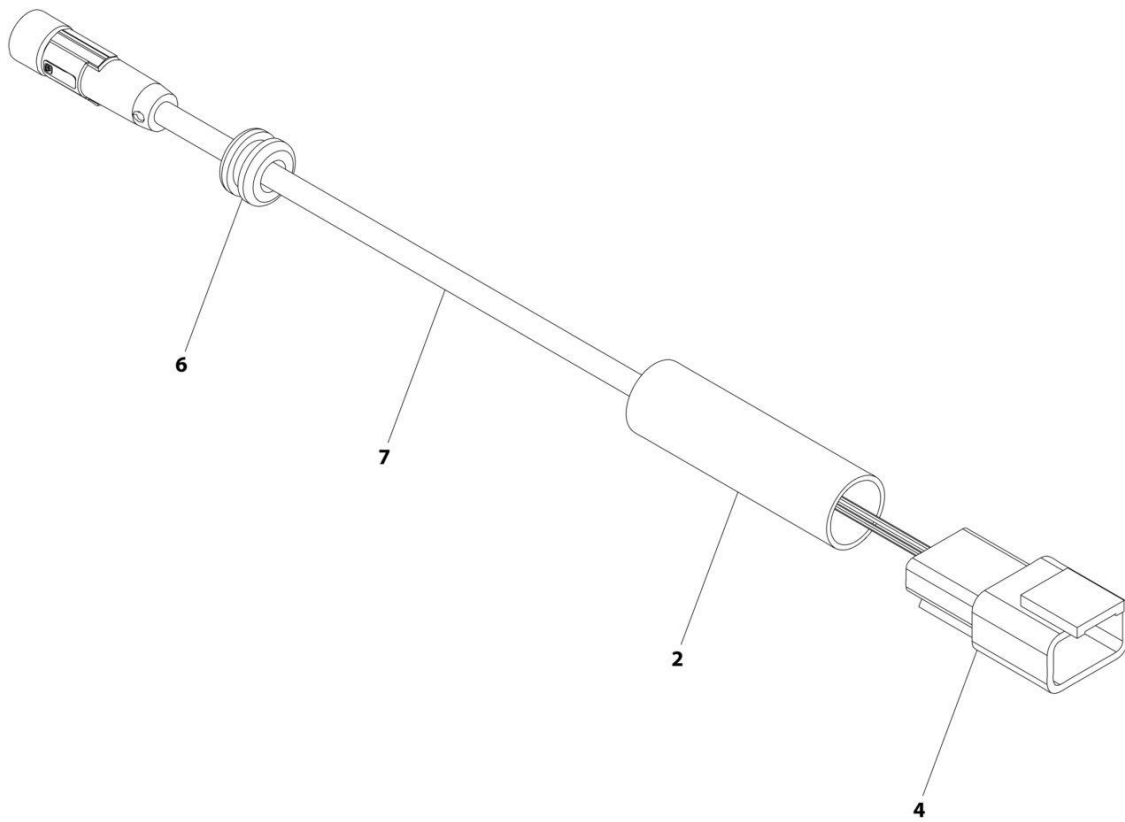
SECTION 8 - ELECTRICAL

FIGURE 8-61. SKYEYE INTERMEDIATE HARNESS

ITEM	PART NUMBER	QTY	DESCRIPTION	REV
	1001237865	Ref	SKYEYE INTERMEDIATE HARNESS	A
1	4460899	1	Connector - 6 Position	
1	4460943	4	Pin, Male	
1	4460466	2	Plug, Terminal	
2	4461077	2	Connector - 4 Position	
2	1001119619	8	Socket, Female	
3	4460911	1	Connector - 3 Position	
3	1001119619	3	Socket, Female	
4	1001187681	1	Connector - 2 Position	
4	4460941	1	Pin, Male	
4	4460466	1	Plug, Terminal	

SECTION 8 - ELECTRICAL

FIGURE 8-62. SKYEYE RECEIVER HARNESS



ART_1001237863_B

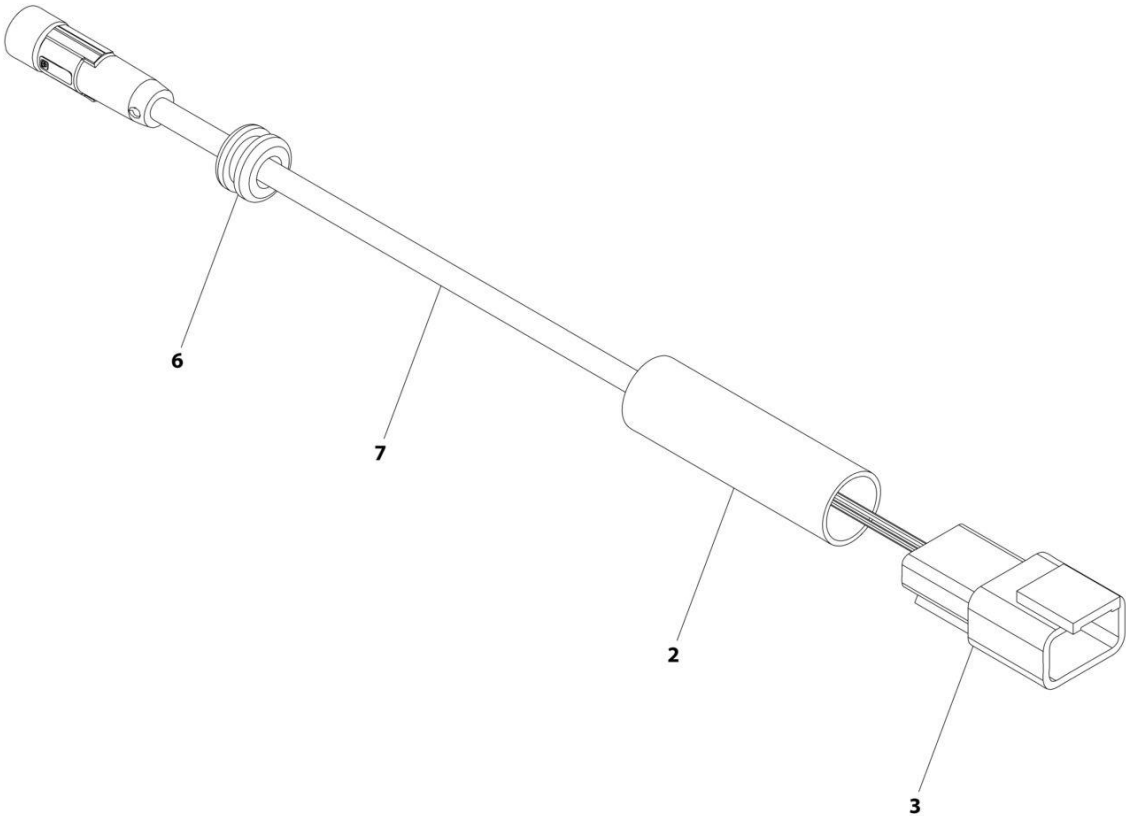
SECTION 8 - ELECTRICAL

FIGURE 8-62. SKYEYE RECEIVER HARNESS

ITEM	PART NUMBER	QTY	DESCRIPTION	REV
	1001237863	Ref	SKYEYE RECEIVER HARNESS	B
2	2820247	AR	Tubing, Heat Shrink	
4	1001097051	1	Connector - 4 Position	
4	1001119620	4	Pin, Male	
6	1001227996	1	Grommet	
7	1001258495	1	Cable, M8 Female Cordset	

SECTION 8 - ELECTRICAL

FIGURE 8-63. SKYEYE EMITTER HARNESS



ART_1001237864_B

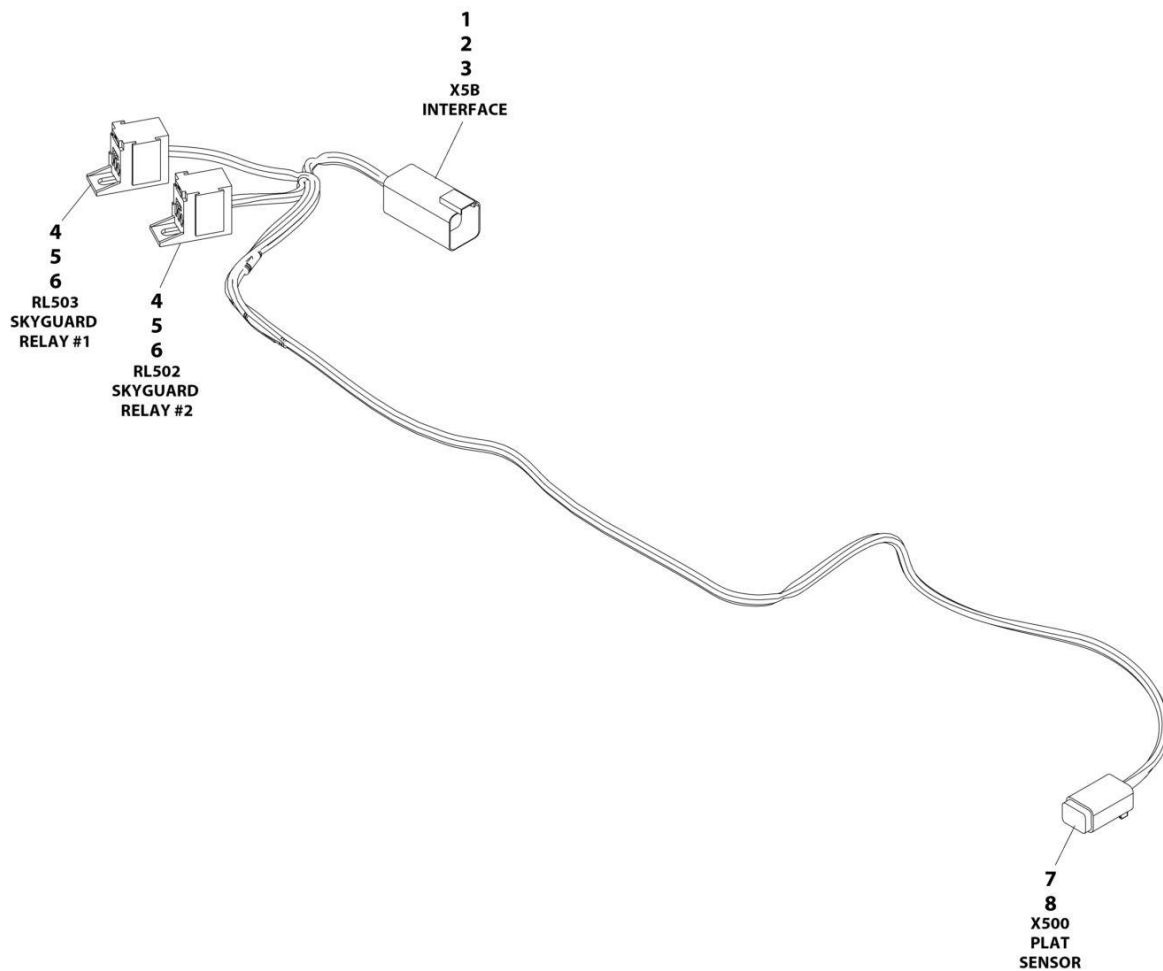
SECTION 8 - ELECTRICAL

FIGURE 8-63. SKYEYE EMITTER HARNESS

ITEM	PART NUMBER	QTY	DESCRIPTION	REV
	1001237864	Ref	SKYEYE EMITTER HARNESS	B
2	2820247	AR	Tubing, Heat Shrink	
3	4460910	1	Connector - 3 Position	
3	1001119620	3	Pin, Male	
6	1001227996	1	Grommet	
7	1001258495	1	Cable, M8 Female Cordset	

SECTION 8 - ELECTRICAL

FIGURE 8-64. SKYGUARD INTERFACE HARNESS



ART_1001225580

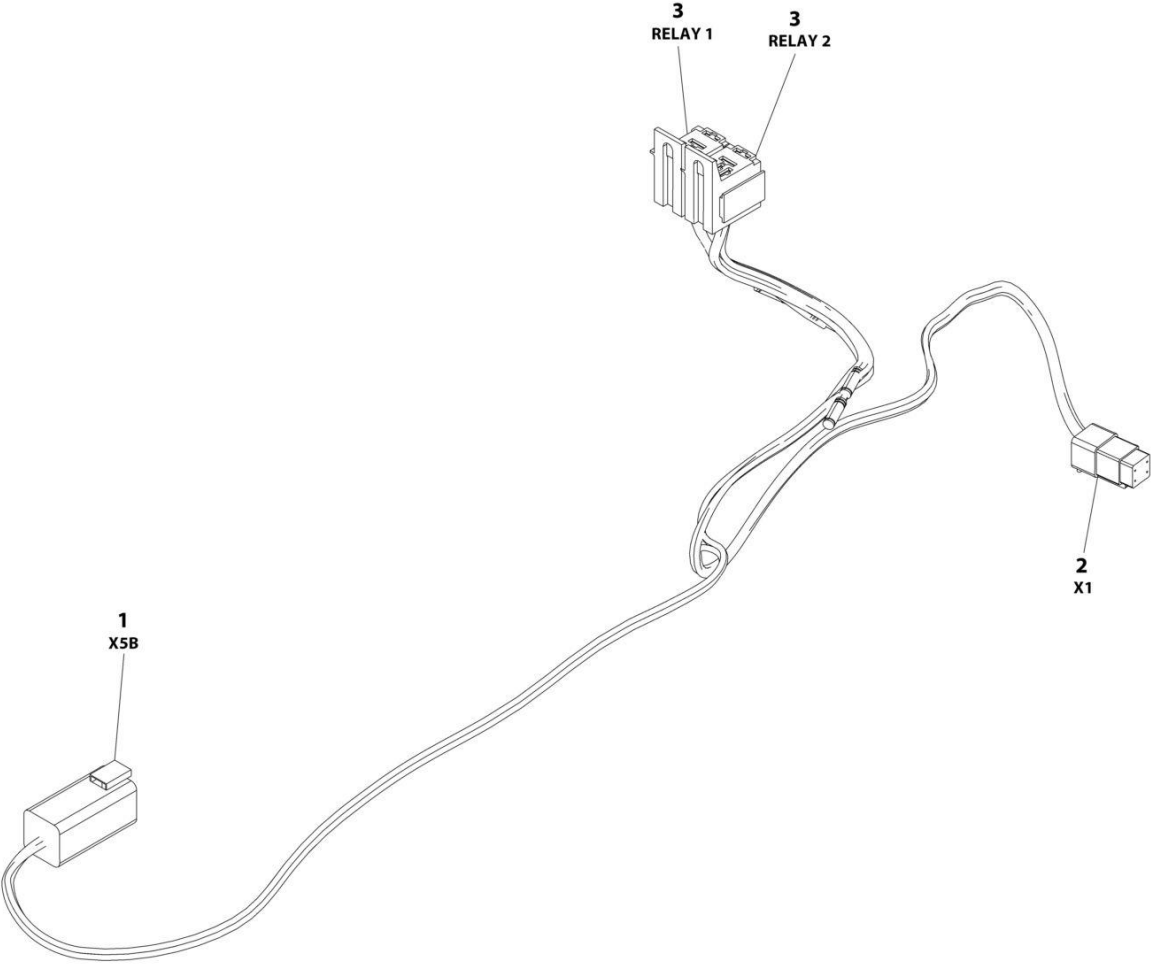
SECTION 8 - ELECTRICAL

FIGURE 8-64. SKYGUARD INTERFACE HARNESS

ITEM	PART NUMBER	QTY	DESCRIPTION	REV
	1001225580	Ref	INTERFACE HARNESS - WITH 1 CELL LSS	D
1	4460899	1	Connector	
2	4460464	4	Terminal	
3	4460466	2	Plug	
4	1001186432	2	Connector	
5	1001116720	4	Terminal	
6	1001118388	4	Terminal	
7	4460884	1	Connector	
8	4460465	4	Terminal	

SECTION 8 - ELECTRICAL

FIGURE 8-65. SKYLINE HARNESS



ART_1001238418

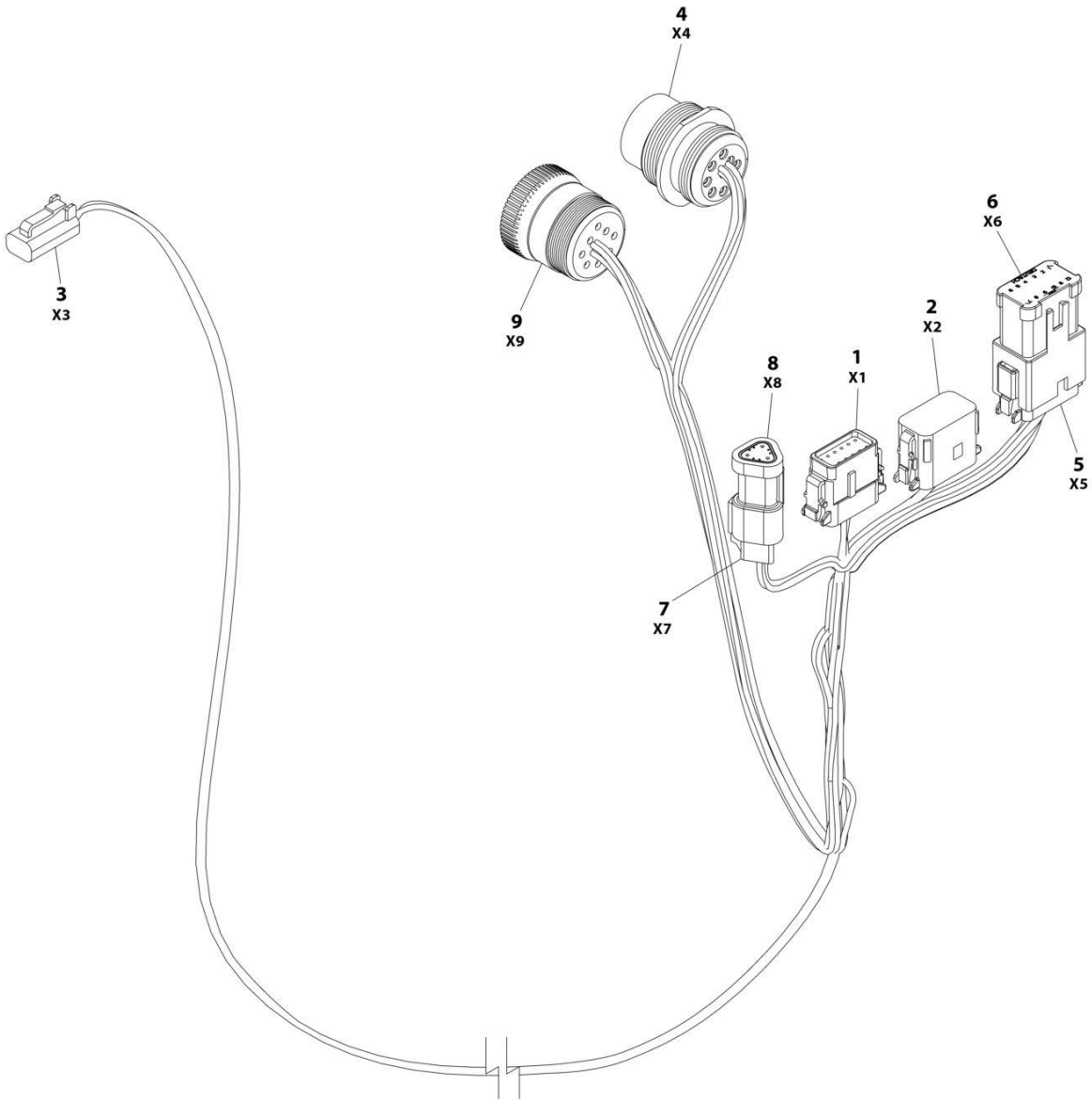
SECTION 8 - ELECTRICAL

FIGURE 8-65. SKYLINE HARNESS

ITEM	PART NUMBER	QTY	DESCRIPTION	REV
	1001238418	Ref	SKYLINE HARNESS	B
1	4460899	1	Connector - 6 Position	
1	4460464	4	Pin, Male	
1	4460466	2	Plug, Terminal	
2	4461077	1	Connector - 4 Position	
2	1001126009	4	Socket, Female	
3	1001186432	2	Plug, Relay	
3	1001118388	5	Terminal	
3	1001118384	3	Terminal	
3	3740086	2	Relay	

SECTION 8 - ELECTRICAL

FIGURE 8-66. STROBE LIGHT CONTROL HARNESS (BLUE & RED LIGHTS)



ART_1001142736

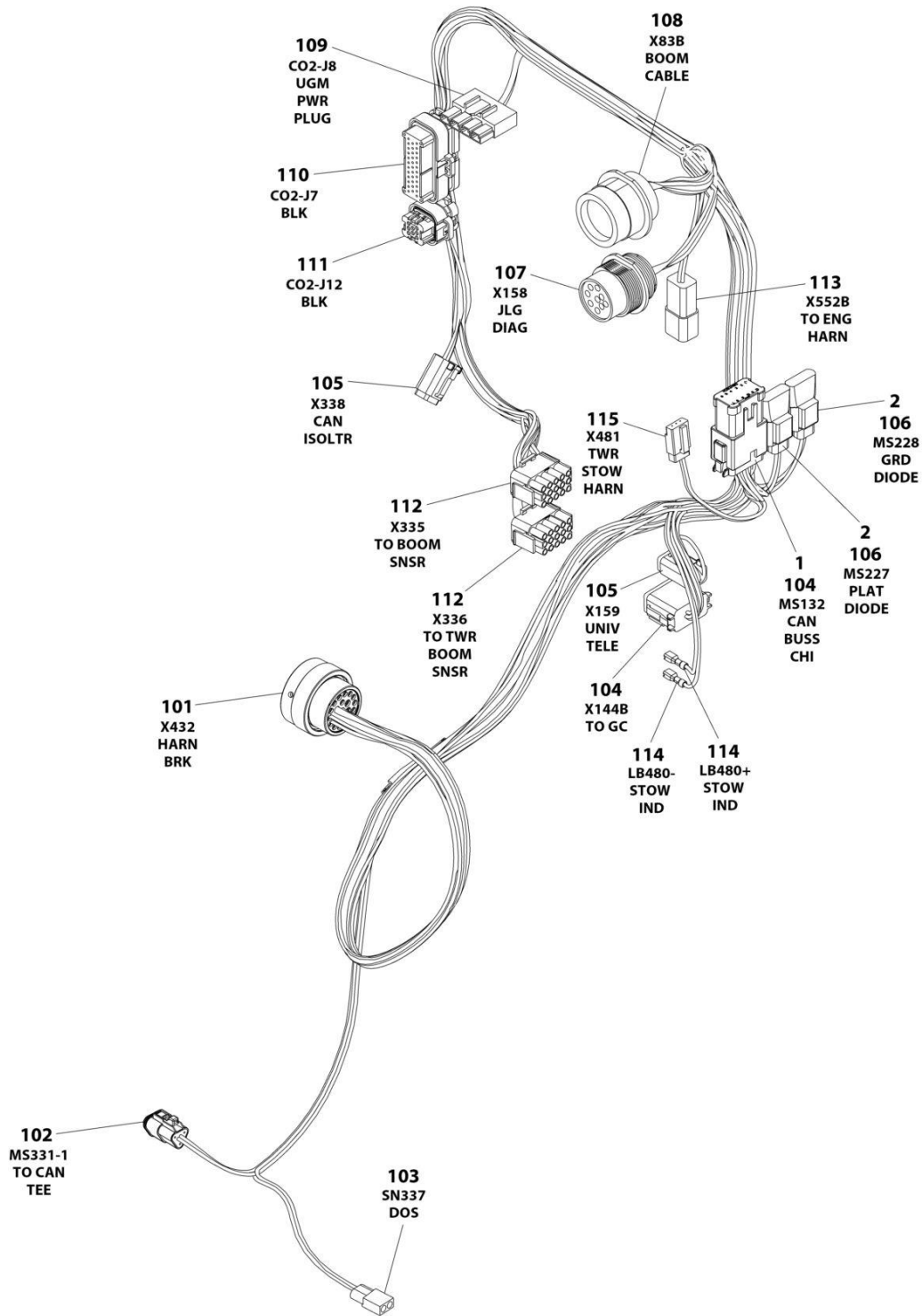
SECTION 8 - ELECTRICAL

FIGURE 8-66. STROBE LIGHT CONTROL HARNESS (BLUE & RED LIGHTS)

ITEM	PART NUMBER	QTY	DESCRIPTION	REV
	1001142736	Ref	STROBE LIGHT HARNESS	F
1	1001116808	1	Plug, Male - 12 Position	
1	4460928	3	Socket, Female	
1	4460518	9	Plug, Terminal	
2	1001116774	1	Plug, Male - 12 Position	
2	4460928	3	Socket, Female	
2	4460518	9	Plug, Terminal	
3	4460891	1	Plug, Male - 2 Position	
3	4460465	2	Socket, Female	
4	1001112612	1	Connector - 9 Position	
4	4460464	6	Pin, Male	
4	4460466	3	Plug, Terminal	
5	4460933	1	Plug, Male - 12 Position	
5	4460465	12	Socket, Female	
6	1001119020	1	Bussbar - 12 Position	
7	4461095	1	Plug, Male - 3 Position	
7	4460465	3	Socket, Female	
8	4461070	1	Bussbar - 3 Position	
9	1001112796	1	Connector - 9 Position	
9	4460465	6	Socket, Female	
9	4460466	3	Plug, Terminal	

SECTION 8 - ELECTRICAL

FIGURE 8-67. TURNTABLE HARNESS



ART_1001245028

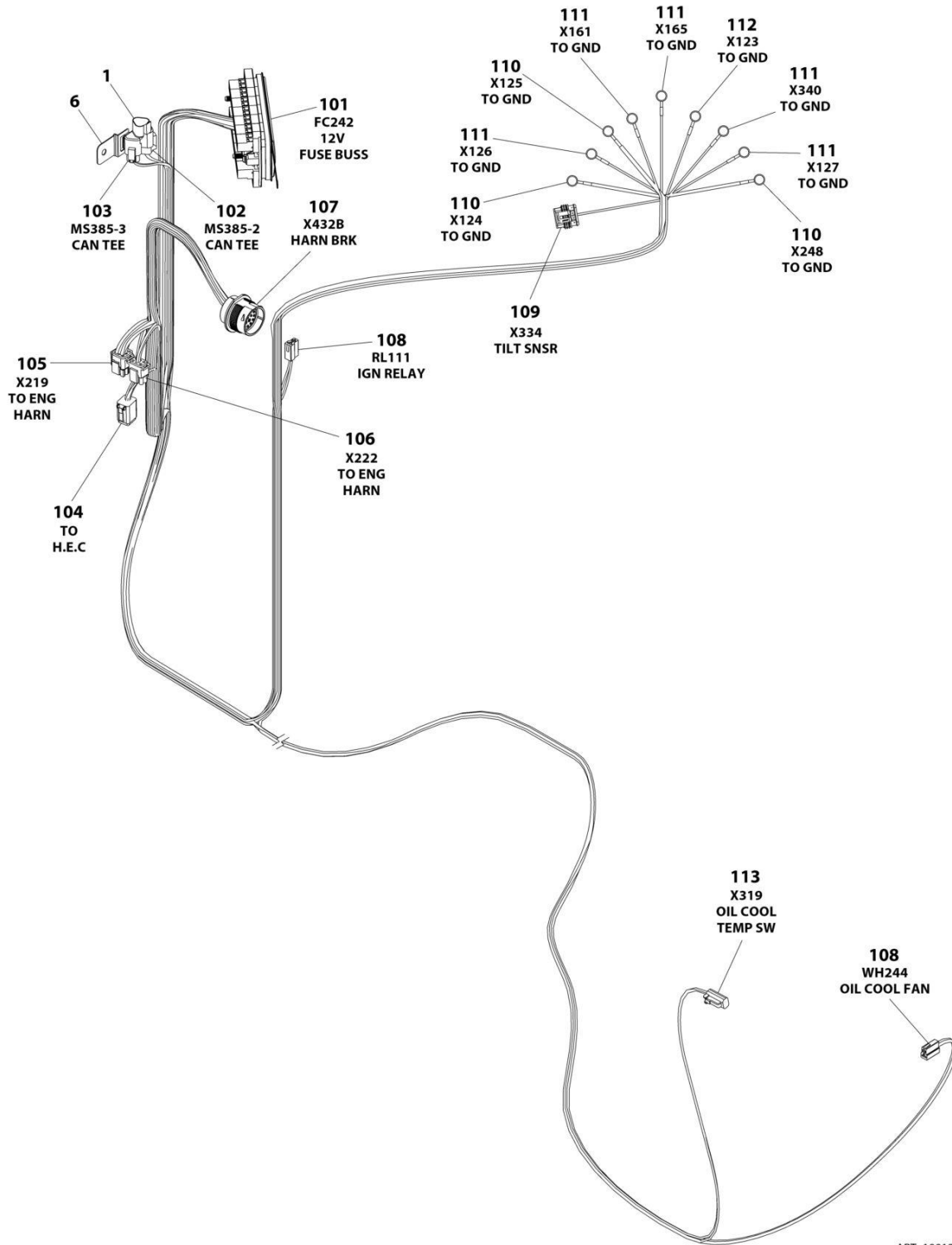
SECTION 8 - ELECTRICAL

FIGURE 8-67. TURNTABLE HARNESS

ITEM	PART NUMBER	QTY	DESCRIPTION	REV
	1001245028	Ref	TURNTABLE HARNESS	B
1	1001125677	1	Bussbar - 12 Position	
2	1001116816	2	Connector - 2 Position	
101	1001229233	1	Connector - 21 Position	
101	4460465	14	Socket, Female	
101	4460509	3	Socket, Female	
101	1001150611	1	Socket, Female	
101	4460466	3	Plug, Terminal	
102	1001116812	1	Plug, Male - 3 Position	
102	4460944	2	Socket, Female	
102	4460465	1	Socket, Female	
103	4460424	1	Plug, Male - 2 Position	
103	4460226	2	Socket, Female	
104	4460933	2	Plug, Male - 12 Position	
104	4460944	14	Socket, Female	
104	4460465	8	Socket, Female	
104	4460466	2	Plug, Terminal	
105	4460884	2	Plug, Male - 4 Position	
105	4460465	4	Socket, Female	
105	4460944	4	Socket, Female	
106	4460891	2	Plug, Male - 2 Position	
106	4460465	4	Socket, Female	
107	1001112612	1	Connector - 9 Position	
107	4460464	3	Pin, Male	
107	4460943	2	Pin, Male	
107	4460466	4	Plug, Terminal	
108	4460866	1	Connector - 19 Position	
108	4460464	5	Pin, Male	
108	4460943	2	Pin, Male	
108	4460508	4	Pin, Male	
108	4460466	8	Plug, Terminal	
109	4460878	1	Receptacle, Female - 4 Position	
109	4460887	2	Terminal	
110	4460873	1	Connector - 35 Position	
110	4460871	25	Socket, Female	
110	4460905	10	Plug, Terminal	
111	1001113961	1	Plug, Male - 8 Position	
111	4460871	4	Socket, Female	
111	4460905	4	Plug, Terminal	
112	4460434	2	Plug, Male - 15 Position	
112	4460227	24	Pin, Male	
112	4460267	2	Pin, Male	
113	4460932	1	Recepracle, Female - 4 Position	
113	4460464	3	Pin, Male	
113	4460466	1	Plug, Terminal	
114	1001201885	2	Terminal	
115	4460911	1	Plug, Male - 3 Position	
115	1001116694	2	Socket, Female	
115	4460518	1	Plug, Terminal	

SECTION 8 - ELECTRICAL

FIGURE 8-68. TURNTABLE/FUSE PANEL HARNESS



ART_1001230522

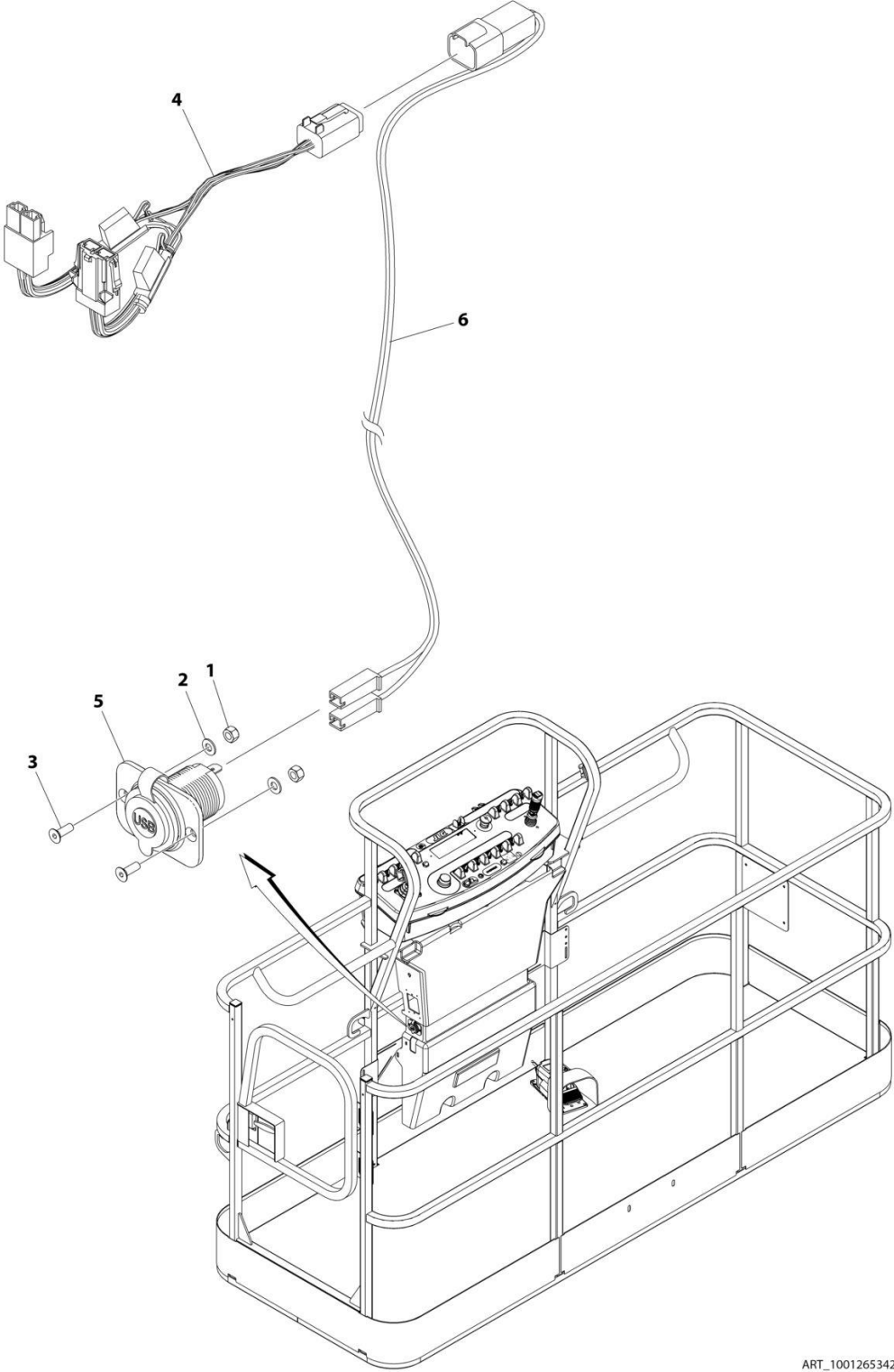
SECTION 8 - ELECTRICAL

FIGURE 8-68. TURNTABLE/FUSE PANEL HARNESS

ITEM	PART NUMBER	QTY	DESCRIPTION	REV
	1001230522	Ref	TURNTABLE/FUSE PANEL HARNESS	C
1	4460945	1	Receptacle, 3 Way	
6	1001153749	1	Mount, Connector	
101	1001225219	1	Connector - 28 Position	
101	1001189572	9	Terminal	
101	1001189571	3	Terminal	
101	1001189570	10	Terminal	
102	4460539	1	Plug, Male - 3 Position	
102	4460944	2	Socket, Female	
102	4460466	1	Plug, Terminal	
103	1001116812	1	Plug, Male - 3 Position	
103	4460944	2	Socket, Female	
103	4460466	1	Plug, Terminal	
104	4460894	1	Plug, Male - 6 Position	
104	4460465	5	Socket, Female	
104	4460466	1	Plug, Terminal	
105	4460265	1	Plug, Male - 9 Position	
105	4460906	8	Socket, Female	
106	4460225	1	Plug, Male - 6 Position	
106	4460268	4	Socket, Female	
107	1001229232	1	Connector - 21 Position	
107	4460464	14	Pin, Male	
107	4460508	4	Pin, Male	
107	4460466	3	Plug, Terminal	
108	4460994	2	Housing, Terminal	
108	1001116720	2	Terminal	
108	1001116716	2	Terminal	
109	1001103012	1	Plug, Male - 4 Position	
109	1001107854	4	Terminal	
109	1001104498	4	Seal	
110	4460019	3	Terminal, Ring	
111	4460722	5	Terminal, Ring	
112	1001225219	1	Terminal, Ring	
113	4460891	1	Plug, Male - 2 Position	
113	4460465	2	Socket, Female	

SECTION 8 - ELECTRICAL

FIGURE 8-69. USB RECEPTACLE INSTALLATION



ART_1001265342

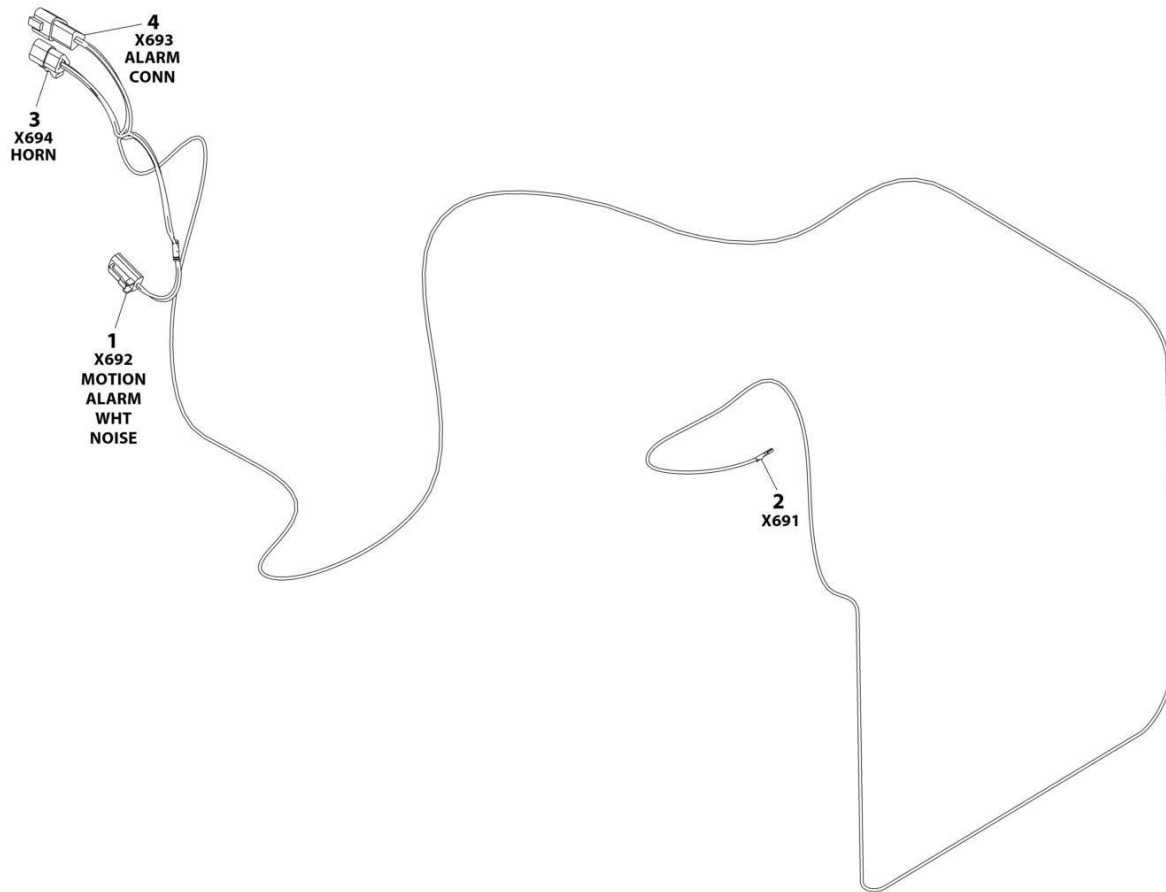
SECTION 8 - ELECTRICAL

FIGURE 8-69. USB RECEPTACLE INSTALLATION

ITEM	PART NUMBER	QTY	DESCRIPTION	REV
	1001265342	Ref	USB CHARGER INSTALLATION	A
1	3290405	2	Nut M4	
2	4811400	2	Washer M4	
3	1001097244	2	Screw M4 x 12	
4	1001120484	1	Harness, Work Lights	
4	4460879	1	Plug, Male - 2 Position	
4	4460887	2	Terminal	
4	2400060	2	Fuseholder Includes Cover	
4	8229249	2	Fuse, 3 Amp	
4	4460884	1	Connector - 4 Position	
4	4460465	4	Socket, Female	
4	1001120471	1	Connector - 2 Position	
4	1001120477	2	Terminal	
5	1001210636	1	Receptacle, USB	
6	1001265163	1	Harness, USB	A
6	4460260	2	Cover, Terminal	
6	4460259	2	Terminal	
6	4460932	1	Receptacle, Bussbar - 4 Position	
6	4460464	2	Pin, Male	
6	4460466	2	Plug, Terminal	

SECTION 8 - ELECTRICAL

FIGURE 8-70. WHITE NOISE ALARM HARNESS



ART_1001243682

SECTION 8 - ELECTRICAL

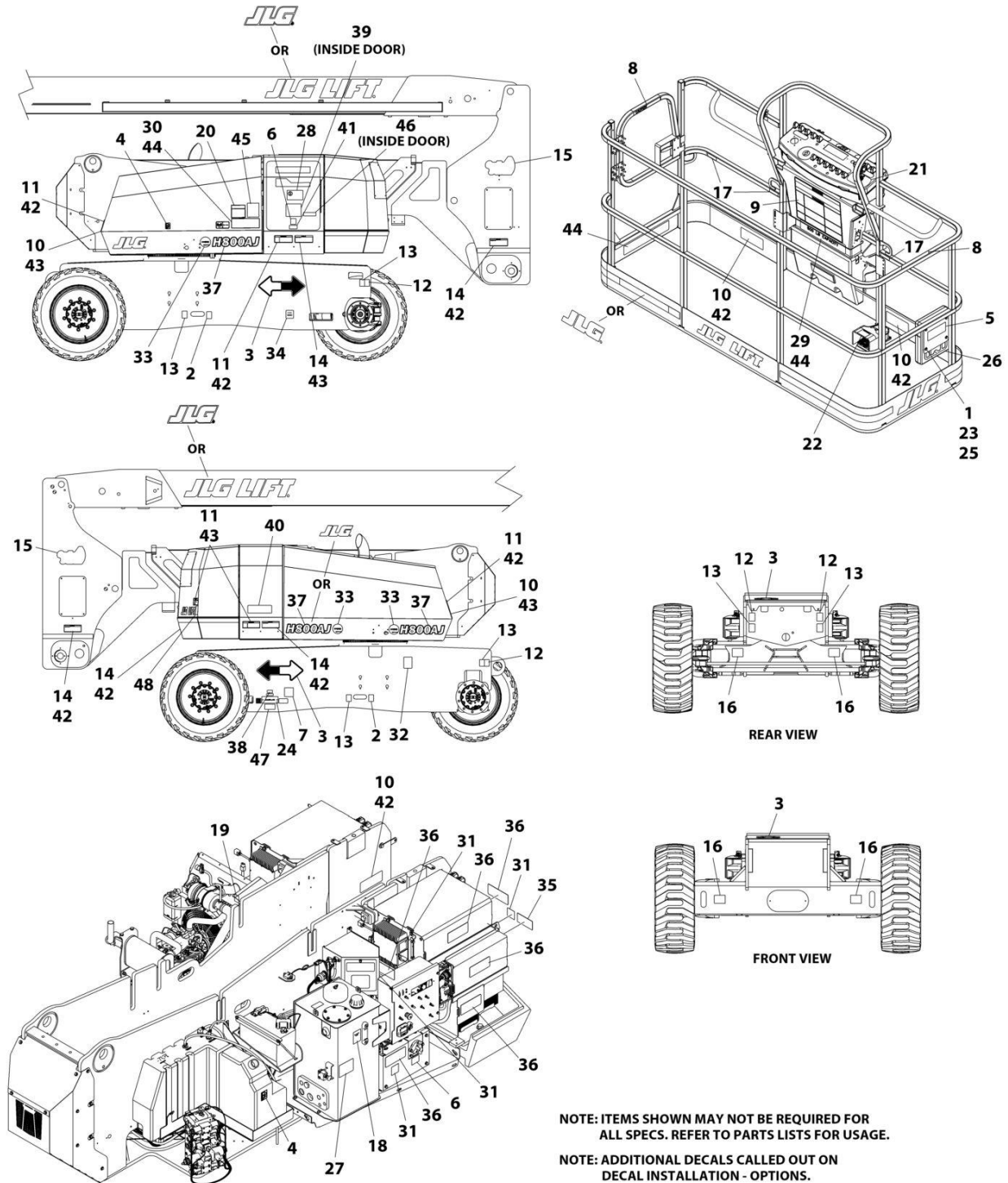
FIGURE 8-70. WHITE NOISE ALARM HARNESS

ITEM	PART NUMBER	QTY	DESCRIPTION	REV
	1001243682	Ref	WHITE NOISE ALARM HARNESS	A
1	4460891	1	Plug, Male - 2 Position	
1	4460465	2	Socket, Female	
2	4460871	1	Terminal	
3	4460539	1	Plug, Male- 3 Position	
3	4460465	3	Socket, Female	
4	4460536	1	Receptacle, Female- 3 Position	
4	4460464	3	Pin, Male	

SECTION 9 - DECALS

SECTION 9 - DECALS

FIGURE 9-1. DECAL INSTALLATION - ANSI SPECS (ENGLISH LANGUAGE)



NOTE: ITEMS SHOWN MAY NOT BE REQUIRED FOR ALL SPECS. REFER TO PARTS LISTS FOR USAGE.
 NOTE: ADDITIONAL DECALS CALLED OUT ON DECAL INSTALLATION - OPTIONS.

ART_1001249006

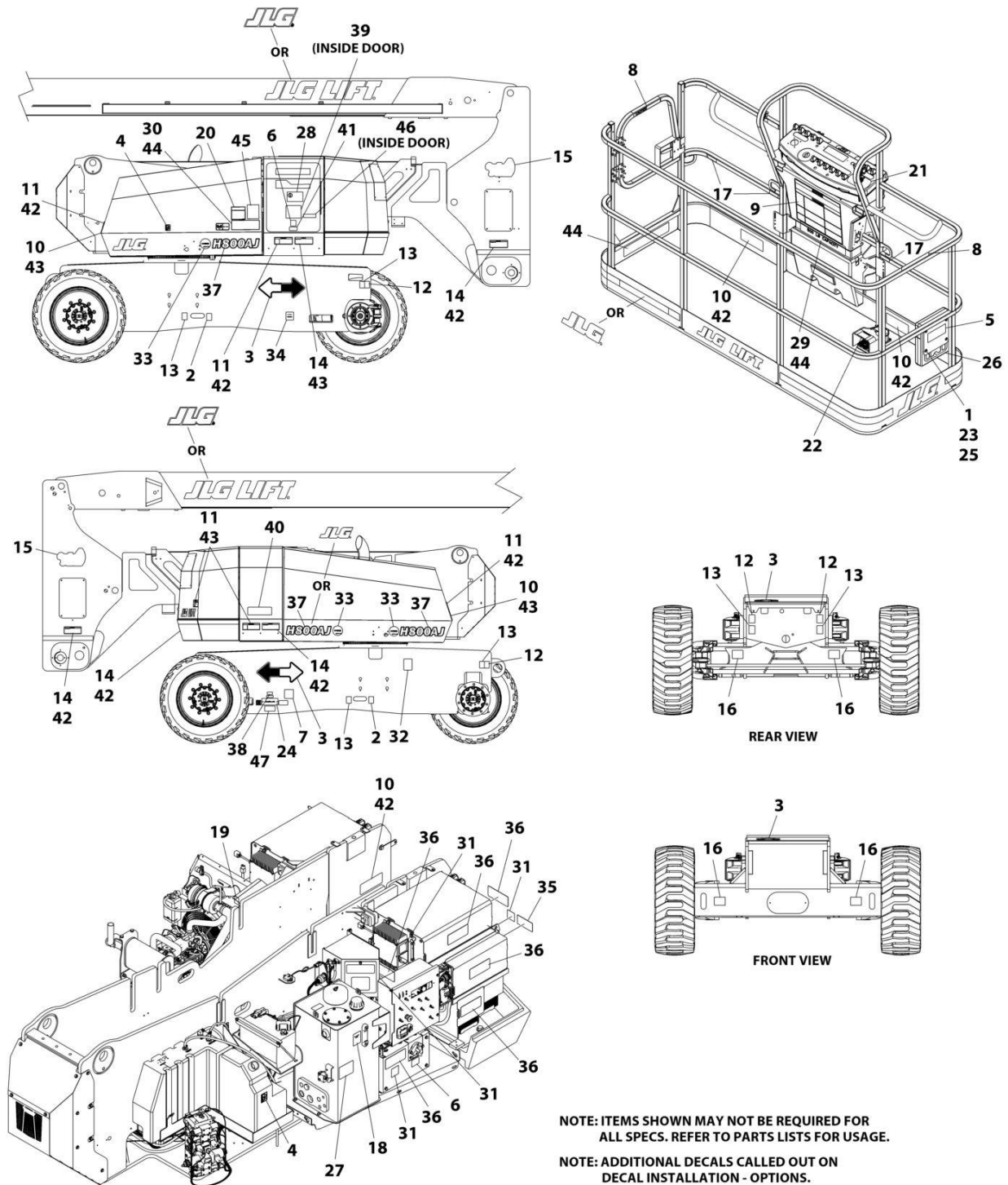
SECTION 9 - DECALS

FIGURE 9-1. DECAL INSTALLATION - ANSI SPECS (ENGLISH LANGUAGE)

ITEM	PART NUMBER	QTY	DESCRIPTION	REV
	1001249006	Ref	DECAL INSTALLATION - ANSI	D
	1001249013	Ref	DECAL INSTALLATION - REFERENCE CHART	C
1	0641406	4	Bolt 1/4 x 3/4	
2	1701499	2	Decal - No Tie Down/Lift	
3	1701501	4	Decal - Arrow	
4	1701505	2	Decal - Diesel Fuel	
5	1701509	1	Decal - Manual	
6	1702155	2	Decal - Battery Disconnect	
7	See Note	NSS	Decal - Bar Code (Note: Not Available for Purchase)	
8	1702868	2	Decal - No Hands	
9	1703797	1	Decal - Danger/Warning	
10	1703804	6	Decal - Warning/Crushing	
11	1703805	5	Decal - Electrocution	
12	1703811	4	Decal - Lifting Lug	
13	1703814	6	Decal - Tie Down	
14	1703953	5	Decal - Warning/Crushing	
15	1703959	2	Decal - Quik Stik	
16	1703960	4	Decal - Maximum Tire Load	
17	1704277	3	Decal - Lanyard Attach	
18	1704412	1	Decal - Hydraulic Oil	
19	1704972	1	Decal - Glow Plugs	
20	1705336	1	Decal - Danger/Warning	
21	1705351	1	Decal - Drive/Steer Instructions	
22	3252347	1	Nameplate - Footswitch	
23	3311405	4	Nut 1/4	
24	3820001	2	Rivet	
25	4751400	8	Washer 1/4	
26	91403230	1	Box, Manual Storage	
27	1001096141	1	Decal - Upright Level Override	
28	1001117307	1	Decal - Emergency Stop	
29	1001253920	1	Decal - Warning Single Cap	
30	1001253921	1	Decal - Warning Single Cap	
31	1001125483	6	Decal - Pressure Wash	
32	1001131269	1	Decal - Patent	
33	1001174449	2	Decal - Hybrid	
34	1001223055	1	Decal - Yearly Inspection	
35	1001223554	2	Decal - Warning Tip Over Hazard	
36	1001223556	9	Decal - Electric Shock Hazard	
37	1001267328	2	Decal - H800AJ	
38	1001228370	1	Decal - ICES	
39	1001228411	1	Decal - LED Indicator	
40	1001284688	1	Decal - Lifting Diagram	
41	1001233785	1	Decal - Charger Plug	

SECTION 9 - DECALS

FIGURE 9-2. DECAL INSTALLATION - AUSTRALIAN SPECS (ENGLISH LANGUAGE)



NOTE: ITEMS SHOWN MAY NOT BE REQUIRED FOR ALL SPECS. REFER TO PARTS LISTS FOR USAGE.
 NOTE: ADDITIONAL DECALS CALLED OUT ON DECAL INSTALLATION - OPTIONS.

ART_1001249548_D

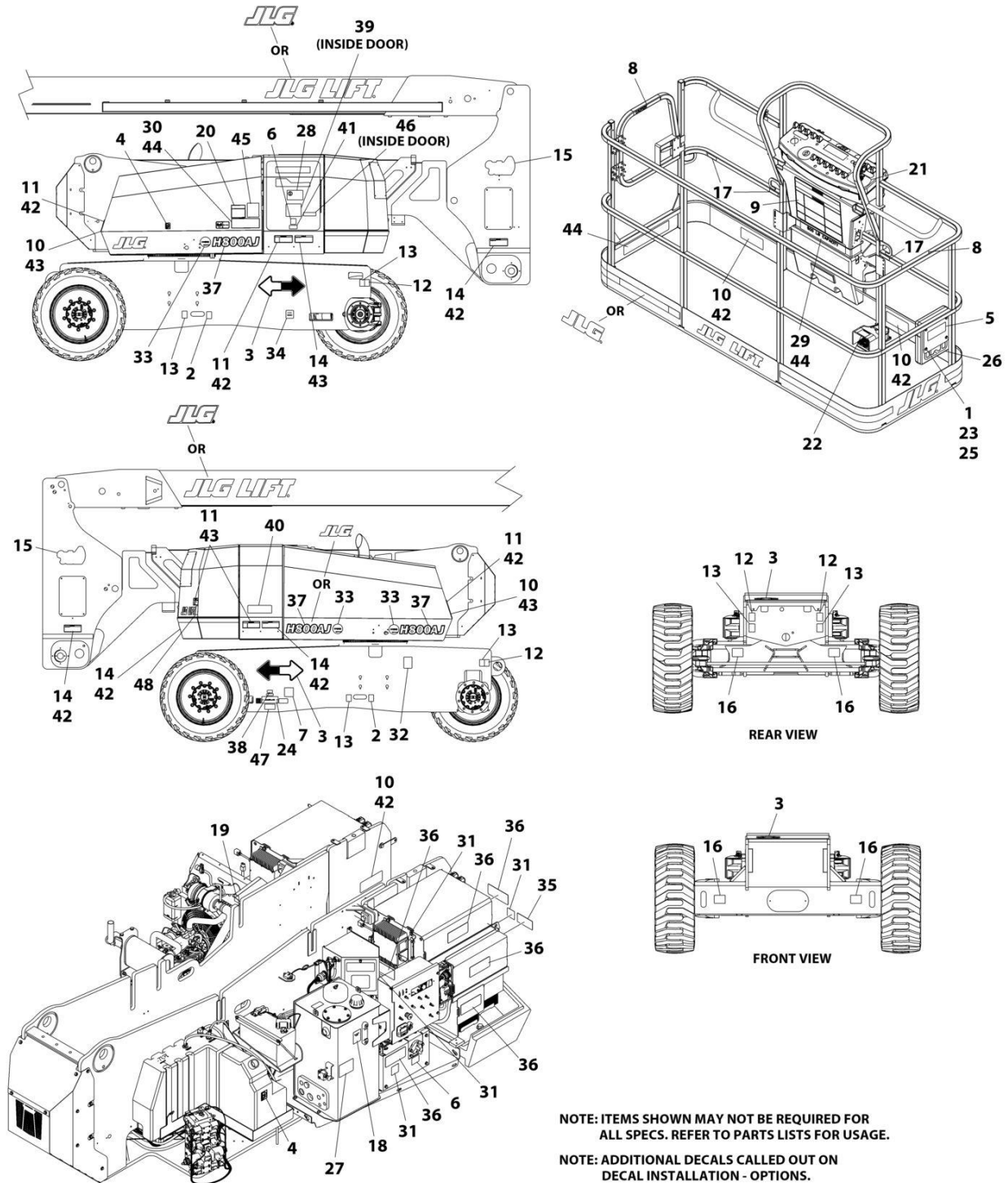
SECTION 9 - DECALS

FIGURE 9-2. DECAL INSTALLATION - AUSTRALIAN SPECS (ENGLISH LANGUAGE)

ITEM	PART NUMBER	QTY	DESCRIPTION	REV
	1001249548	Ref	DECAL INSTALLATION - AUSTRALIAN	D
	1001249013	Ref	DECAL INSTALLATION - REFERENCE CHART	D
1	0641406	4	Bolt 1/4 x 3/4	
2	1701499	2	Decal - No Tie Down/Lift	
3	1701501	4	Decal - Arrow	
4	1701505	2	Decal - Diesel Fuel	
5	1701509	1	Decal - Manual	
6	1702155	2	Decal - Battery Disconnect	
7	See Note	NSS	Decal - Bar Code (Note: Not Available for Purchase)	
9	1705921	1	Decal - Tipping/Electrocution	
12	1703811	4	Decal - Lifting Lug	
13	1703814	6	Decal - Tie Down	
15	1703959	2	Decal - Quik Stik	
16	1703960	4	Decal - Maximum Tire Load	
17	1704277	3	Decal - Lanyard Attach	
18	1704412	1	Decal - Hydraulic Oil	
19	1706098	1	Decal - Warning Ether Start	
20	1705822	1	Decal - Electrical/Safety Manual	
22	1705828	1	Nameplate - Footswitch	
23	3311405	4	Nut 1/4	
24	3820001	2	Rivet	
25	4751400	8	Washer 1/4	
26	91403230	1	Box, Manual Storage	
27	1705977	1	Decal - Upright Level Override	
28	1001117307	1	Decal - Emergency Stop	
31	1001125483	6	Decal - Pressure Wash	
33	1001174449	2	Decal - Hybrid	
35	1001223560	2	Decal - Tip Over Hazard	
36	1001223561	9	Decal - Shock Hazard	
37	1001267328	2	Decal - H800AJ	
39	1001228411	1	Decal - LED Indicator	
40	1001284688	1	Decal - Lifting Diagram	
41	1001233785	1	Decal - Charger Plug	
42	1701518	11	Decal - Crushing	
43	1705961	5	Decal - Electrocution	
44	1705978	3	Decal - 230KG Capacity	
45	1001112551	1	Decal - Emergency Controls	
47	1001232893	1	Decal - Wheel Assembly Mass	

SECTION 9 - DECALS

FIGURE 9-3. DECAL INSTALLATION - BRAZIL SPECS (ENGLISH/PORTUGUESE LANGUAGES)



NOTE: ITEMS SHOWN MAY NOT BE REQUIRED FOR ALL SPECS. REFER TO PARTS LISTS FOR USAGE.

NOTE: ADDITIONAL DECALS CALLED OUT ON DECAL INSTALLATION - OPTIONS.

ART_1001249012

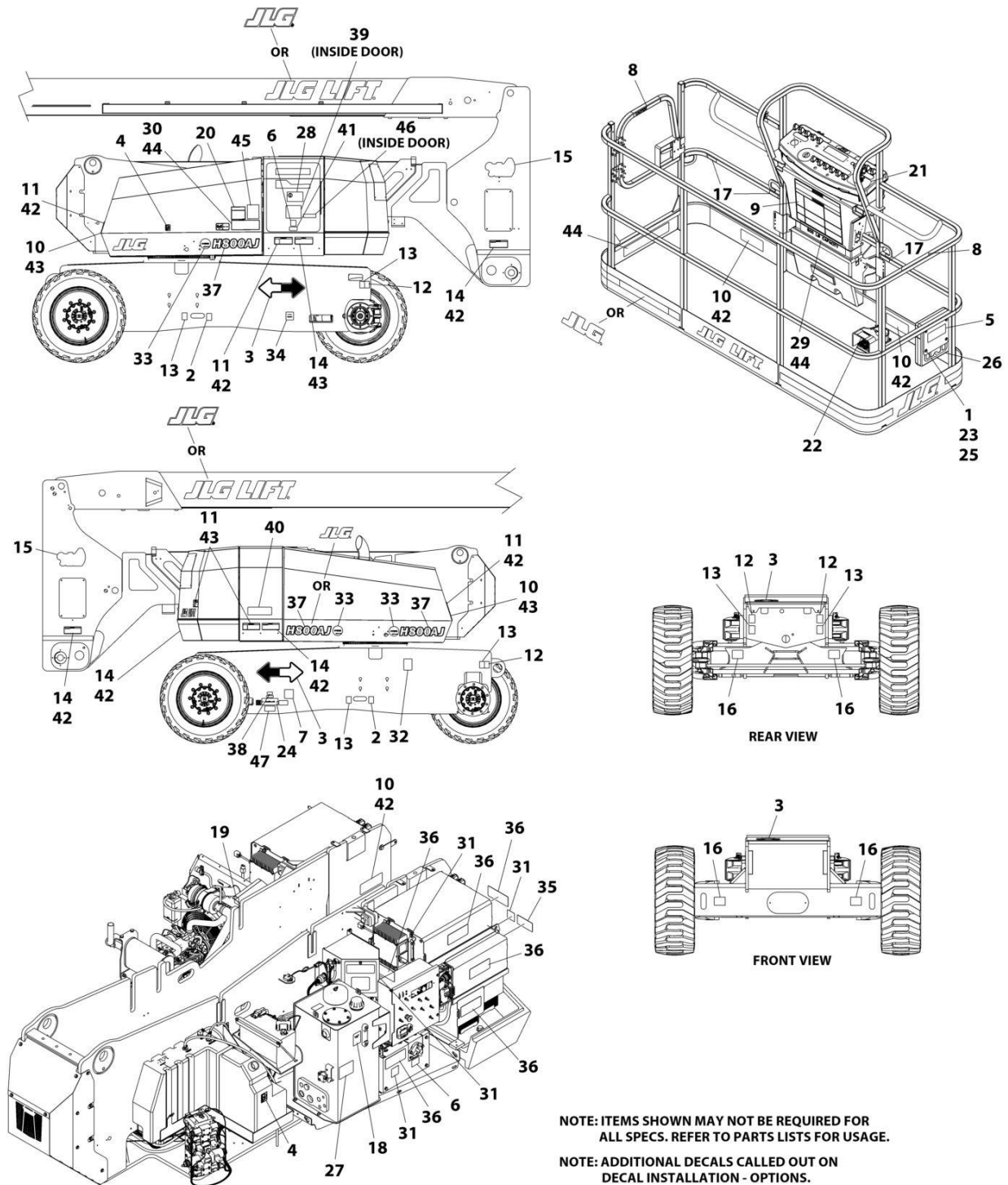
SECTION 9 - DECALS

FIGURE 9-3. DECAL INSTALLATION - BRAZIL SPECS (ENGLISH/PORTUGUESE LANGUAGES)

ITEM	PART NUMBER	QTY	DESCRIPTION	REV
	1001249012	Ref	DECAL INSTALLATION - BRAZIL	E
	1001249013	Ref	DECAL INSTALLATION - REFERENCE CHART	C
1	0641406	4	Bolt 1/4 X 3/4	
2	1701499	2	Decal - No Tie Down/Lift	
3	1701501	4	Decal - Arrow	
4	1701505	2	Decal - Diesel Fuel	
5	1701509	1	Decal - Manual	
6	1702155	2	Decal - Battery Disconnect	
7	See Note	NSS	Decal - Bar Code (Note: Not Available For Purchase)	
8	1705967	2	Decal - No Hands	
9	1705895	1	Decal - Danger/Warning	
10	1705898	6	Decal - Crushing	
11	1705897	5	Decal - Danger Electrocution	
12	1703811	4	Decal - Lifting Lug	
13	1703814	6	Decal - Tie Down	
14	1705903	5	Decal - Warning/Crushing	
15	1703959	2	Decal - Quik Stik	
16	1703960	4	Decal - Maximum Tire Load	
17	1704277	3	Decal - Lanyard Attach	
18	1704412	1	Decal - Hydraulic Oil	
19	1706059	1	Decal - Warning Explosion	
20	1705896	1	Decal - Warning Inspection	
21	1705905	1	Decal - Drive/Steer Instructions	
22	1705902	1	Decal - Footswitch	
23	3311405	4	Nut 1/4	
24	3820001	2	Rivet	
25	4751400	8	Washer 1/4	
26	91403230	1	Box, Manual Storage	
27	1705977	1	Decal - Upright Level Override	
28	1001117307	1	Decal - Emergency Stop	
29	1001253936	1	Decal - Warning Single Cap	
30	1001253937	1	Decal - Warning Single Cap	
31	1001125483	6	Decal - Pressure Wash	
33	1001174449	2	Decal - Hybrid	
34	1001224052	1	Decal - Yearly Inspection	
34	1001267885	1	Decal - Yearly Inspection	
35	1001233066	2	Decal - Tipping Hazard	
36	1001233011	9	Decal - Electrical Shock Hazard	
37	1001267328	2	Decal - H800AJ	
39	1001228411	1	Decal - LED Indicator	
40	1001284688	1	Decal - Lifting Diagram	
41	1001233785	1	Decal - Charger Plug	

SECTION 9 - DECALS

FIGURE 9-4. DECAL INSTALLATION - CE & UK CA SPECS (ENGLISH LANGUAGE)



NOTE: ITEMS SHOWN MAY NOT BE REQUIRED FOR ALL SPECS. REFER TO PARTS LISTS FOR USAGE.
 NOTE: ADDITIONAL DECALS CALLED OUT ON DECAL INSTALLATION - OPTIONS.

ART_1001249549_D

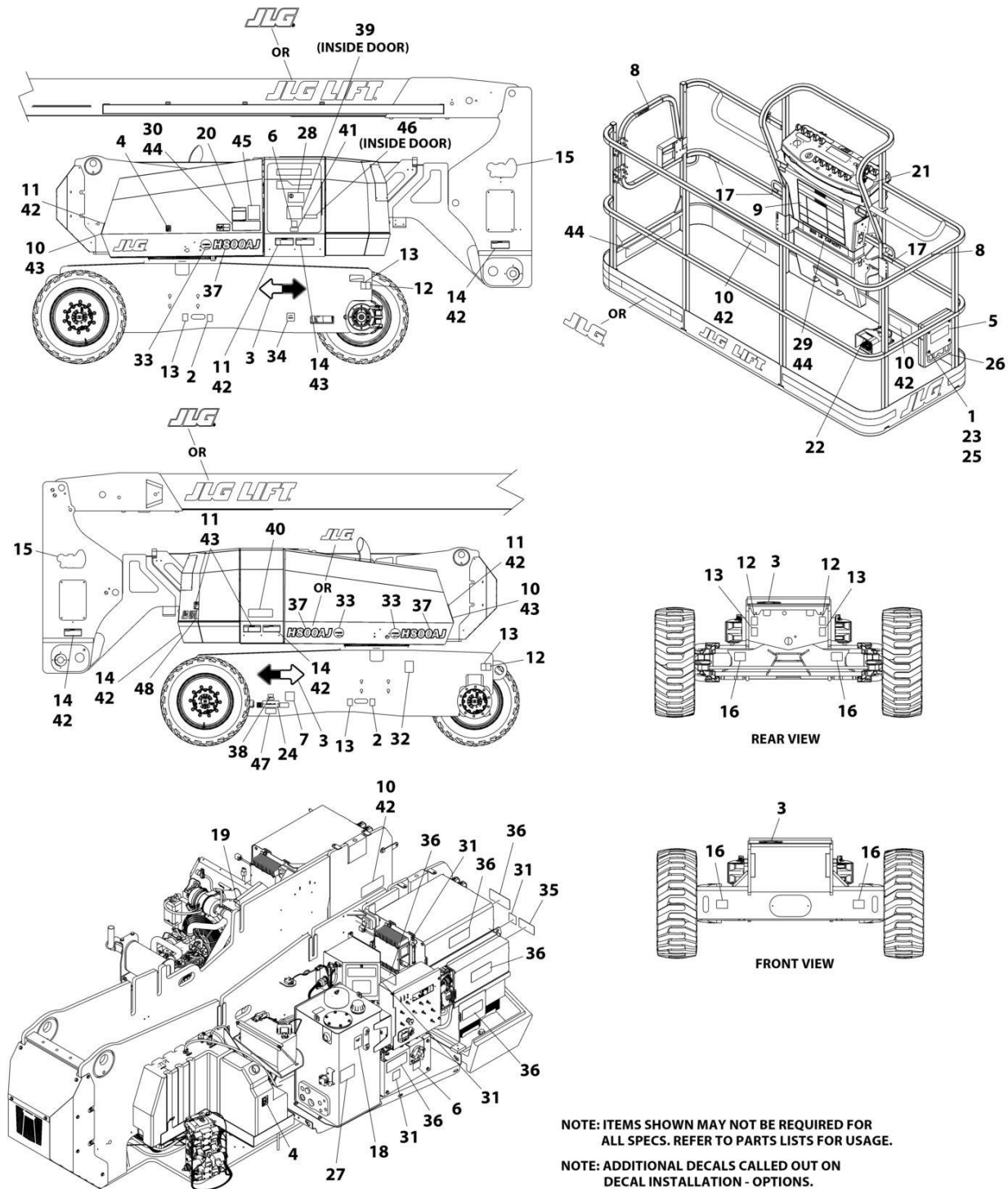
SECTION 9 - DECALS

FIGURE 9-4. DECAL INSTALLATION - CE & UK CA SPECS (ENGLISH LANGUAGE)

ITEM	PART NUMBER	QTY	DESCRIPTION	REV
	1001249549	Ref	DECAL INSTALLATION - CE & UK CA	D
	1001249013	Ref	DECAL INSTALLATION - REFERENCE CHART	D
1	0641406	4	Bolt 1/4 x 3/4	
2	1701499	2	Decal - No Tie Down/Lift	
3	1701501	4	Decal - Arrow	
4	1701505	2	Decal - Diesel Fuel	
5	1701509	1	Decal - Manual	
6	1702155	2	Decal - Battery Disconnect	
7	See Note	NSS	Decal - Bar Code (Note: Not Available for Purchase)	
9	1705921	1	Decal - Tipping/Electrocution	
12	1703811	4	Decal - Lifting Lug	
13	1703814	6	Decal - Tie Down	
15	1703959	2	Decal - Quik Stik	
16	1703960	4	Decal - Maximum Tire Load	
17	1704277	3	Decal - Lanyard Attach	
18	1704412	1	Decal - Hydraulic Oil	
19	1706098	1	Decal - Warning Ether Start	
20	1705822	1	Decal - Electrical/Safety Manual	
22	1705828	1	Nameplate - Footswitch	
23	3311405	4	Nut 1/4	
24	3820001	2	Rivet	
25	4751400	8	Washer 1/4	
26	91403230	1	Box, Manual Storage	
27	1705977	1	Decal - Upright Level Override	
28	1001117307	1	Decal - Emergency Stop	
31	1001125483	6	Decal - Pressure Wash	
33	1001174449	2	Decal - Hybrid	
35	1001223560	2	Decal - Tip Over Hazard	
36	1001223561	9	Decal - Shock Hazard	
37	1001267328	2	Decal - H800AJ	
39	1001228411	1	Decal - LED Indicator	
40	1001284688	1	Decal - Lifting Diagram	
41	1001233785	1	Decal - Charger Plug	
42	1701518	11	Decal - Crushing	
43	1705961	5	Decal - Electrocution	
44	1705978	2	Decal - 230KG Capacity	
46	1001189882	1	Decal - MSSO Operation	

SECTION 9 - DECALS

FIGURE 9-5. DECAL INSTALLATION - CHINA SPECS (ENGLISH/CHINESE LANGUAGES)



NOTE: ITEMS SHOWN MAY NOT BE REQUIRED FOR ALL SPECS. REFER TO PARTS LISTS FOR USAGE.
 NOTE: ADDITIONAL DECALS CALLED OUT ON DECAL INSTALLATION - OPTIONS.

ART_1001249010

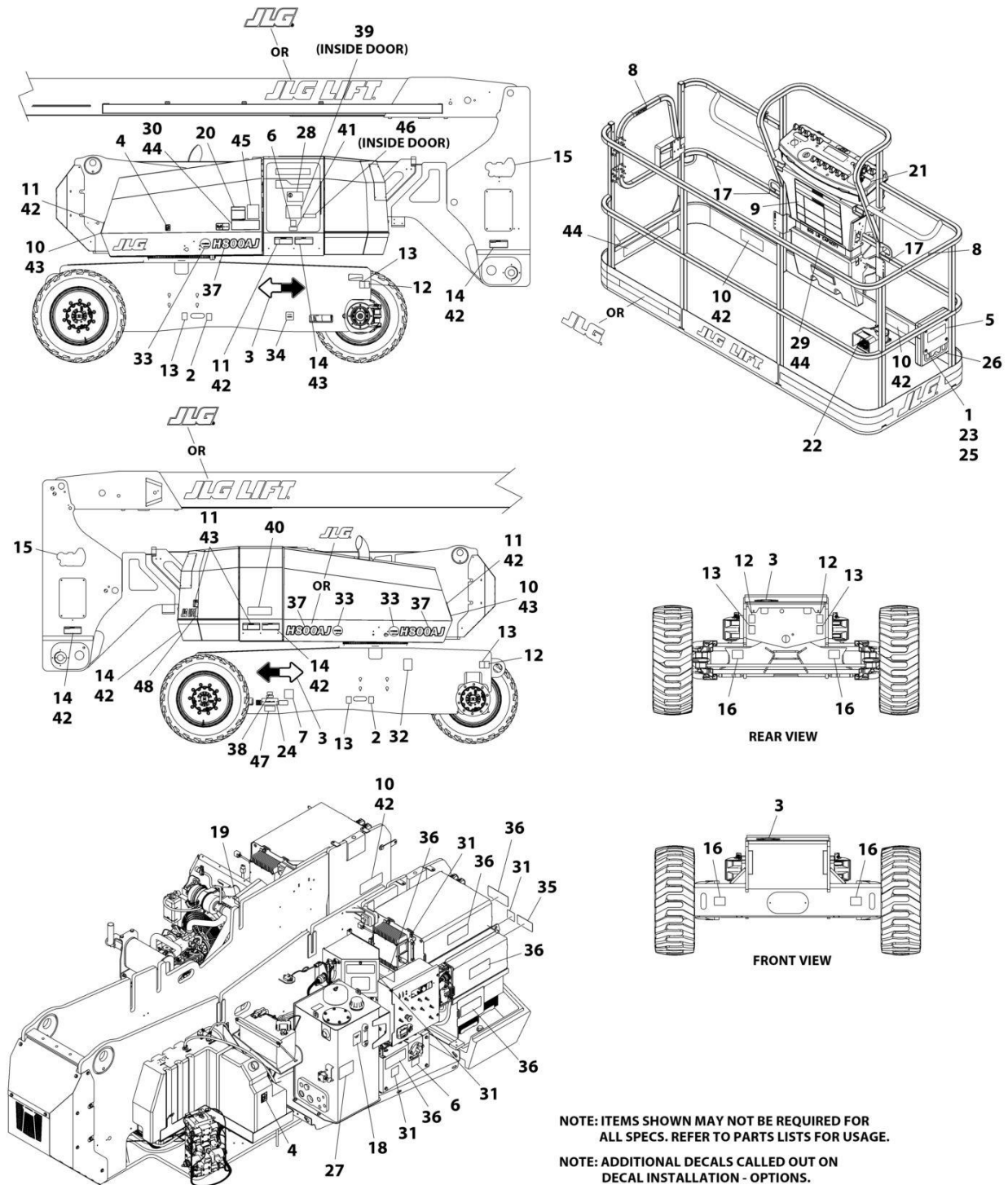
SECTION 9 - DECALS

FIGURE 9-5. DECAL INSTALLATION - CHINA SPECS (ENGLISH/CHINESE LANGUAGES)

ITEM	PART NUMBER	QTY	DESCRIPTION	REV
	1001249010	Ref	DECAL INSTALLATION - CHINA SPECS	D
	1001249013	Ref	DECAL INSTALLATION - REFERENCE CHART	C
1	0641406	4	Bolt 1/4 X 3/4	
2	1701499	2	Decal - No Tie Down/Lift	
3	1701501	4	Decal - Arrow	
4	1701505	2	Decal - Diesel Fuel	
5	1701509	1	Decal - Manual	
6	1702155	2	Decal - Battery Disconnect	
7	See Note	NSS	Decal - Bar Code (Note: Not Available for Purchase)	
8	1001116846	2	Decal - Caution No Hands	
9	1703925	1	Decal - Warning/Danger	
10	1703949	6	Decal - Crushing	
11	1001116851	5	Decal - Electrocution	
12	1703811	4	Decal - Lifting Lug	
13	1703814	6	Decal - Tie Down	
14	1703943	5	Decal - Warning/Crushing	
15	1703959	2	Decal - Quik Stik	
16	1703960	4	Decal - Maximum Tire Load	
17	1704277	3	Decal - Lanyard Attach	
18	1704412	1	Decal - Hydraulic Oil	
19	1706060	1	Decal - Warning Fire Hazard	
20	1001116849	1	Decal - Warning Inspection	
21	1705430	1	Decal - Drive Steer Instructions	
22	1703982	1	Decal - Footswitch	
23	3311405	4	Nut 1/4	
24	3820001	2	Rivet	
25	4751400	8	Washer 1/4	
26	91403230	1	Box, Manual Storage	
27	1705977	1	Decal - Upright Level Override	
28	1001117307	1	Decal - Emergency Stop	
29	1001253926	1	Decal - Warning Single Cap	
30	1001253927	1	Decal - Warning Single Cap	
31	1001125483	6	Decal - Pressure Wash	
33	1001174449	2	Decal - Hybrid	
34	1001224050	1	Decal - Yearly Inspection	
35	1001233065	2	Decal - Tipping Hazard	
36	1001233010	9	Decal - Electrical Shock Hazard	
37	1001267328	2	Decal - H800AJ	
39	1001228411	1	Decal - LED Indicator	
40	1001284688	1	Decal - Lifting Diagram	
41	1001233785	1	Decal - Charger Plug	

SECTION 9 - DECALS

FIGURE 9-6. DECAL INSTALLATION - CSA SPECS (ENGLISH/FRENCH LANGUAGES)



NOTE: ITEMS SHOWN MAY NOT BE REQUIRED FOR ALL SPECS. REFER TO PARTS LISTS FOR USAGE.
 NOTE: ADDITIONAL DECALS CALLED OUT ON DECAL INSTALLATION - OPTIONS.

ART_1001249009

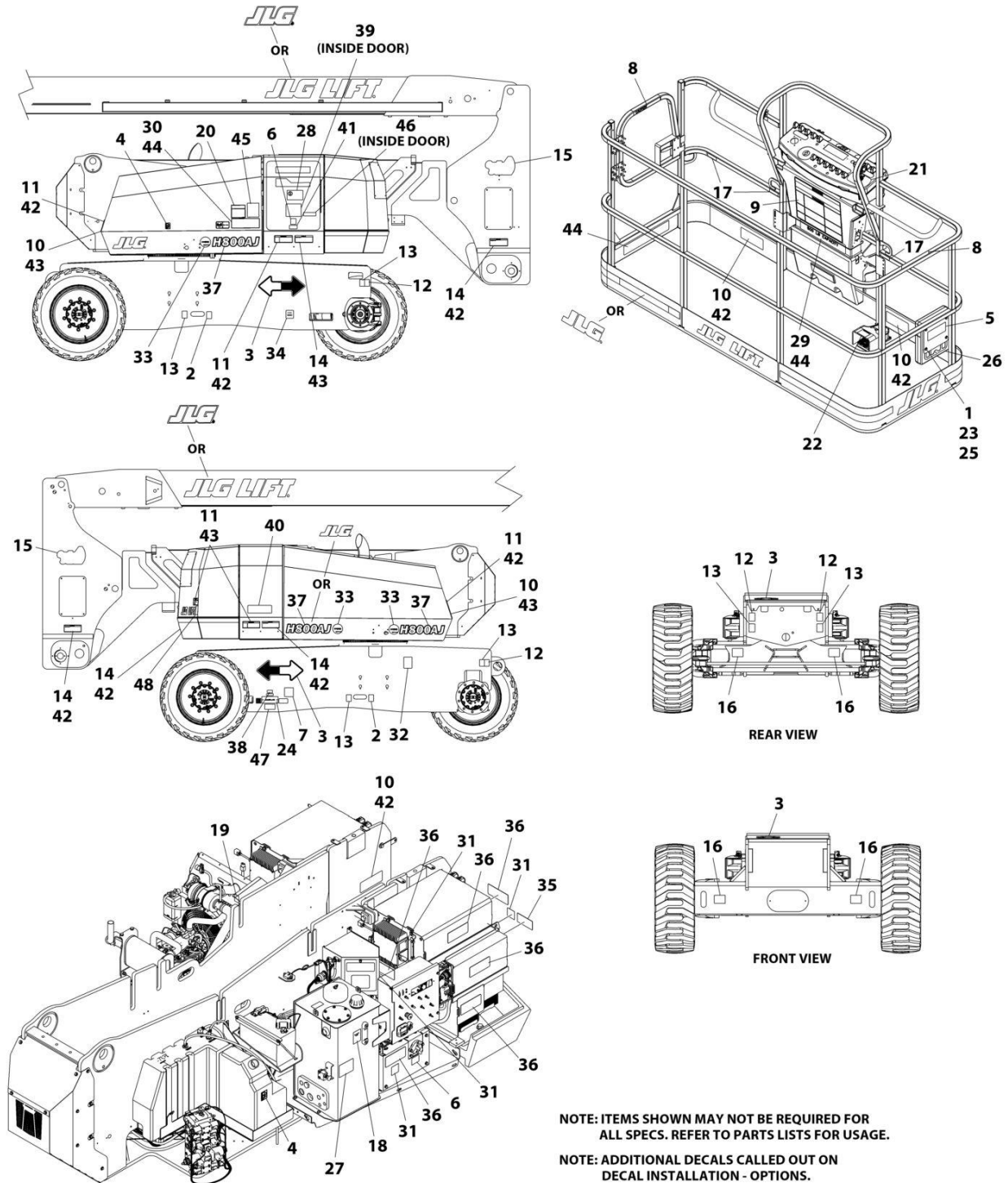
SECTION 9 - DECALS

FIGURE 9-6. DECAL INSTALLATION - CSA SPECS (ENGLISH/FRENCH LANGUAGES)

ITEM	PART NUMBER	QTY	DESCRIPTION	REV
	1001249009	Ref	DECAL INSTALLATION - CSA	D
	1001249013	Ref	DECAL INSTALLATION - REFERENCE CHART	C
1	0641406	4	Bolt, 1/4 x 3/4	
2	1701499	2	Decal - No Tie Down/Lift	
3	1701501	4	Decal - Arrow	
4	1701505	2	Decal - Diesel Fuel	
5	1701509	1	Decal - Manual	
6	1702155	2	Decal - Battery Disconnect	
7	See Note	NSS	Decal - Bar Code (Note: Not Available for Purchase)	
8	1704000	2	Decal - No Hands	
9	1703924	1	Decal - Warning/Danger	
10	1703948	6	Decal - Warning/Crushing	
11	1703936	5	Decal - Electrocution	
12	1703811	4	Decal - Lifting Lug	
13	1703814	6	Decal - Tie Down	
14	1703942	5	Decal - Crushing	
15	1703959	2	Decal - Quik Stik	
16	1703960	4	Decal - Maximum Tire Load	
17	1704277	3	Decal - Lanyard Attach	
18	1704412	1	Decal - Hydraulic Oil	
19	1706064	1	Decal - Warning Fire Hazard	
20	1705347	1	Decal - Warning Inspection	
21	1705429	1	Decal - Drive/Steer Instructions	
22	1703984	1	Decal - Footswitch	
23	3311405	4	Nut 1/4	
24	3820001	2	Rivet	
25	4751400	8	Washer 1/4	
26	91403230	1	Box, Manual Storage	
27	1705977	1	Decal - Upright Level Override	
28	1001117307	1	Decal - Emergency Stop	
29	1001253922	1	Decal - Warning Single Cap	
30	1001253923	1	Decal - Warning Single Cap	
31	1001125483	6	Decal - Pressure Wash	
32	1001131269	1	Decal - Patent	
33	1001174449	2	Decal - Hybrid	
34	1001223971	1	Decal - Yearly Inspection	
35	1001233063	2	Decal - Tipping Hazard	
36	1001233008	9	Decal - Electrical Shock Hazard	
37	1001267328	2	Decal - H800AJ	
38	1001228370	1	Decal - ICES	
39	1001228411	1	Decal - LED Indicator	
40	1001284688	1	Decal - Lifting Diagram	
41	1001233785	1	Decal - Charger Plug	

SECTION 9 - DECALS

FIGURE 9-7. DECAL INSTALLATION - JAPANESE SPECS (ENGLISH/JAPANESE LANGUAGES)



NOTE: ITEMS SHOWN MAY NOT BE REQUIRED FOR ALL SPECS. REFER TO PARTS LISTS FOR USAGE.
 NOTE: ADDITIONAL DECALS CALLED OUT ON DECAL INSTALLATION - OPTIONS.

ART_1001249007

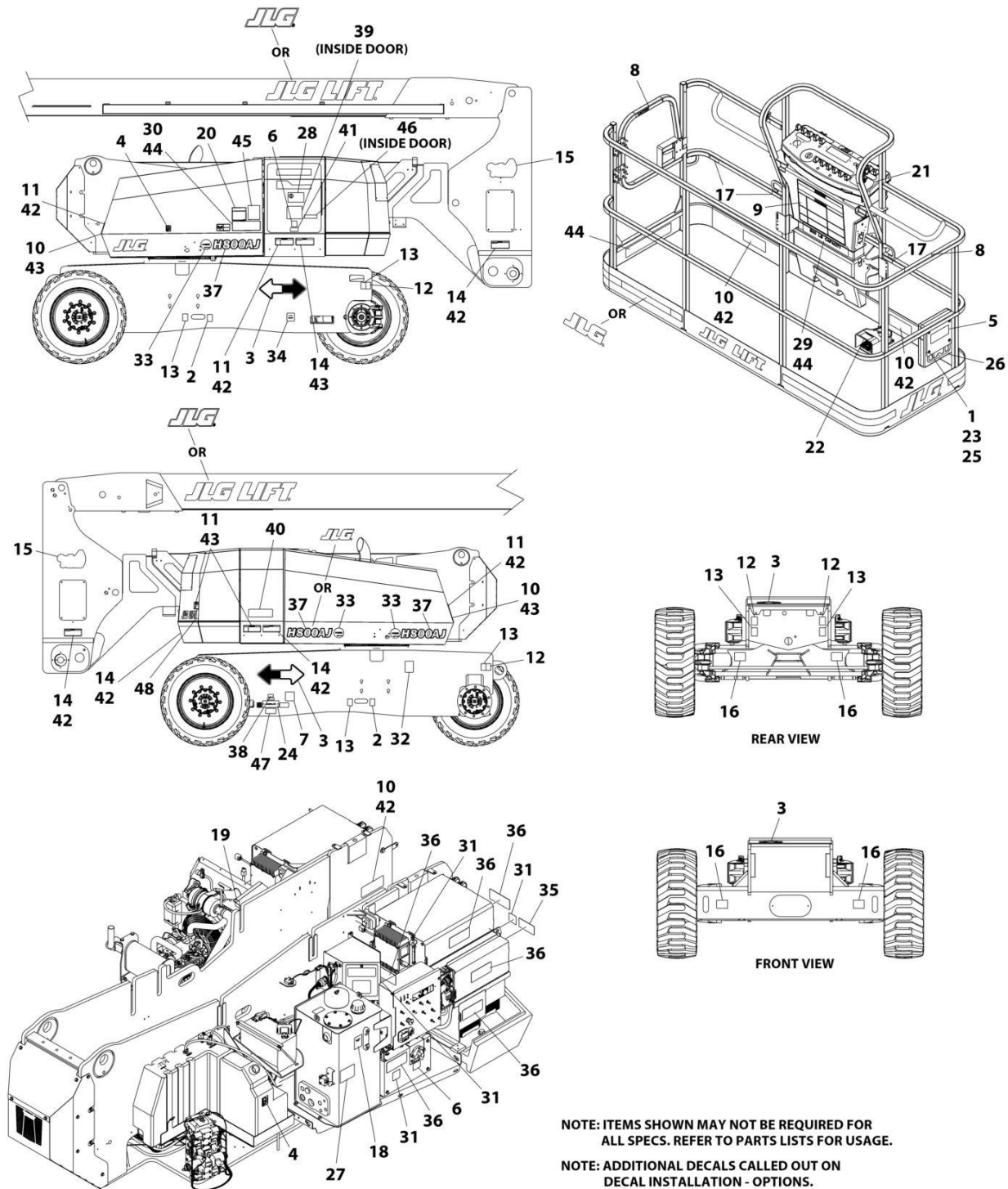
SECTION 9 - DECALS

FIGURE 9-7. DECAL INSTALLATION - JAPANESE SPECS (ENGLISH/JAPANESE LANGUAGES)

ITEM	PART NUMBER	QTY	DESCRIPTION	REV
	1001249007	Ref	DECAL INSTALLATION - JAPANESE	D
	1001249013	Ref	DECAL INSTALLATION - REFERENCE CHART	C
1	0641406	4	Bolt 1/4 x 3/4	
2	1701499	2	Decal - No Tie Down/Left	
3	1701501	4	Decal - Arrow	
4	1701505	2	Decal - Diesel Fuel	
5	1701509	1	Decal - Manual	
6	1702155	2	Decal - Battery Disconnect	
7	See Note	NSS	Decal - Bar Code (Note: Not Available for Purchase)	
9	1703926	1	Decal - Danger/Warning	
10	1703950	6	Decal - Crushing	
11	1703938	5	Decal - Electrocution	
12	1703811	4	Decal - Lifting Lug	
13	1703814	6	Decal - Tie Down	
14	1703944	5	Decal - Warning/Crushing	
15	1703959	2	Decal - Quik Stik	
16	1703960	4	Decal - Maximum Tire Load	
17	1704277	3	Decal - Lanyard Attach	
18	1704412	1	Decal - Hydraulic Oil	
19	1706062	1	Decal - Warning Explosion/Fire	
20	1705344	1	Decal - Warning Inspection	
21	1705426	1	Decal - Drive/Steer Instructions	
22	1703980	1	Decal - Footswitch	
23	3311405	4	Nut 1/4	
24	3820001	2	Rivet	
25	4751400	8	Washer 1/4	
26	91403230	1	Box, Manual Storage	
27	1705977	1	Decal - Upright Level Override	
28	1001117307	1	Decal - Emergency Stop	
29	1001253932	1	Decal - Warning Single Cap	
30	1001253933	1	Decal - Warning Single Cap	
31	1001125483	6	Decal - Pressure Wash	
33	1001174449	2	Decal - Hybrid	
34	1001224053	1	Decal - Yearly Inspection	
35	1001233068	2	Decal - Tipping Hazard	
36	1001233013	9	Decal - Electrical Shock Hazard	
37	1001267328	2	Decal - H800AJ	
39	1001228411	1	Decal - LED Indicator	
40	1001284688	1	Decal - Lifting Diagram	
41	1001233785	1	Decal - Charger Plug	

SECTION 9 - DECALS

FIGURE 9-8. DECAL INSTALLATION - KOREAN SPECS (ENGLISH/KOREAN LANGUAGES)



NOTE: ITEMS SHOWN MAY NOT BE REQUIRED FOR ALL SPECS. REFER TO PARTS LISTS FOR USAGE.
 NOTE: ADDITIONAL DECALS CALLED OUT ON DECAL INSTALLATION - OPTIONS.

ART_1001249008

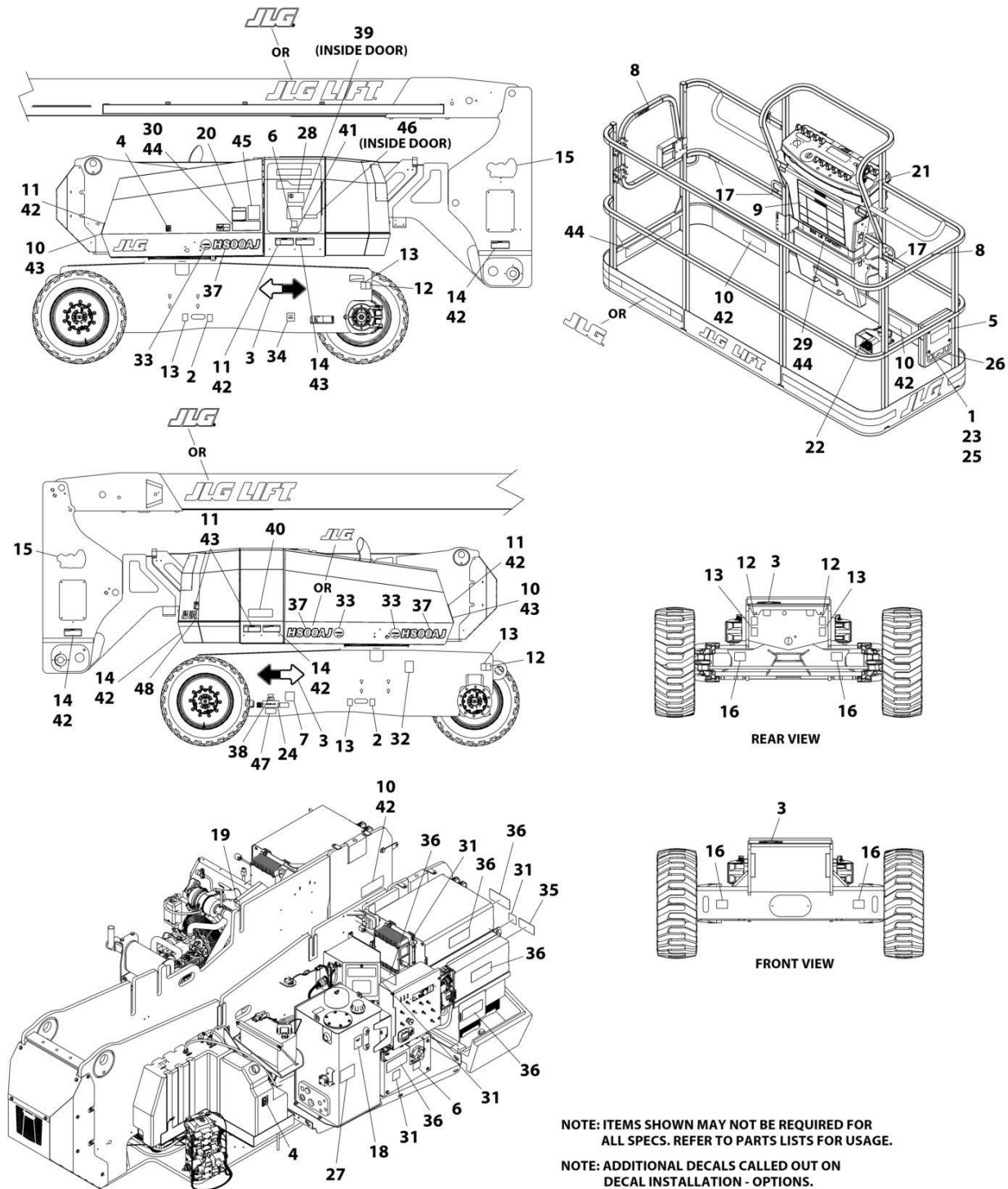
SECTION 9 - DECALS

FIGURE 9-8. DECAL INSTALLATION - KOREAN SPECS (ENGLISH/KOREAN LANGUAGES)

ITEM	PART NUMBER	QTY	DESCRIPTION	REV
	1001249008	Ref	DECAL INSTALLATION - KOREAN	D
	1001249013	Ref	DECAL INSTALLATION - REFERENCE CHART	C
1	0641406	4	Bolt 1/4 x 3/4	
2	1701499	2	Decal - No Tie Down/Lift	
3	1701501	4	Decal - Arrow	
4	1701505	2	Decal - Diesel Fuel	
5	1701509	1	Decal - Manual	
6	1702155	2	Decal - Battery Disconnect	
7	See Note	NSS	Decal - Bar Code (Note: Not Available for Purchase)	
8	1705969	2	Decal - No Hands	
9	1703797	1	Decal - Danger/Warning	
10	1703951	6	Decal - Warning/Crushing	
11	1703939	5	Decal - Electrocution	
12	1703811	4	Decal - Lifting Lug	
13	1703814	6	Decal - Tie Down	
14	1703945	5	Decal - Warning/Crushing	
15	1703959	2	Decal - Quik Stik	
16	1703960	4	Decal - Maximum Tire Load	
17	1704277	3	Decal - Lanyard Attach	
18	1704412	1	Decal - Hydraulic Oil	
19	1706061	1	Decal - Glow Plugs	
20	1705345	1	Decal - Danger/Warning	
21	1705427	1	Decal - Drive/Steer Instructions	
22	1703981	1	Nameplate - Footswitch	
23	3311405	4	Nut 1/4	
24	3820001	2	Rivet	
25	4751400	8	Washer 1/4	
26	91403230	1	Box, Manual Storage	
27	1705977	1	Decal - Upright Level Override	
28	1001117307	1	Decal - Emergency Stop	
29	1001253924	1	Decal - Warning Single Cap	
30	1001253925	1	Decal - Warning Single Cap	
31	1001125483	6	Decal - Pressure Wash	
33	1001174449	2	Decal - Hybrid	
34	1001224048	1	Decal - Yearly Inspection	
35	1001233064	2	Decal - Warning Tip Over Hazard	
36	1001233009	9	Decal - Electric Shock Hazard	
37	1001267328	2	Decal - H800AJ	
39	1001228411	1	Decal - LED Indicator	
40	1001284688	1	Decal - Lifting Diagram	
41	1001233785	1	Decal - Charger Plug	

SECTION 9 - DECALS

FIGURE 9-9. DECAL INSTALLATION - LATIN AMERICAN SPECS (ENGLISH/SPANISH LANGUAGES)



NOTE: ITEMS SHOWN MAY NOT BE REQUIRED FOR ALL SPECS. REFER TO PARTS LISTS FOR USAGE.
 NOTE: ADDITIONAL DECALS CALLED OUT ON DECAL INSTALLATION - OPTIONS.

ART_1001249011

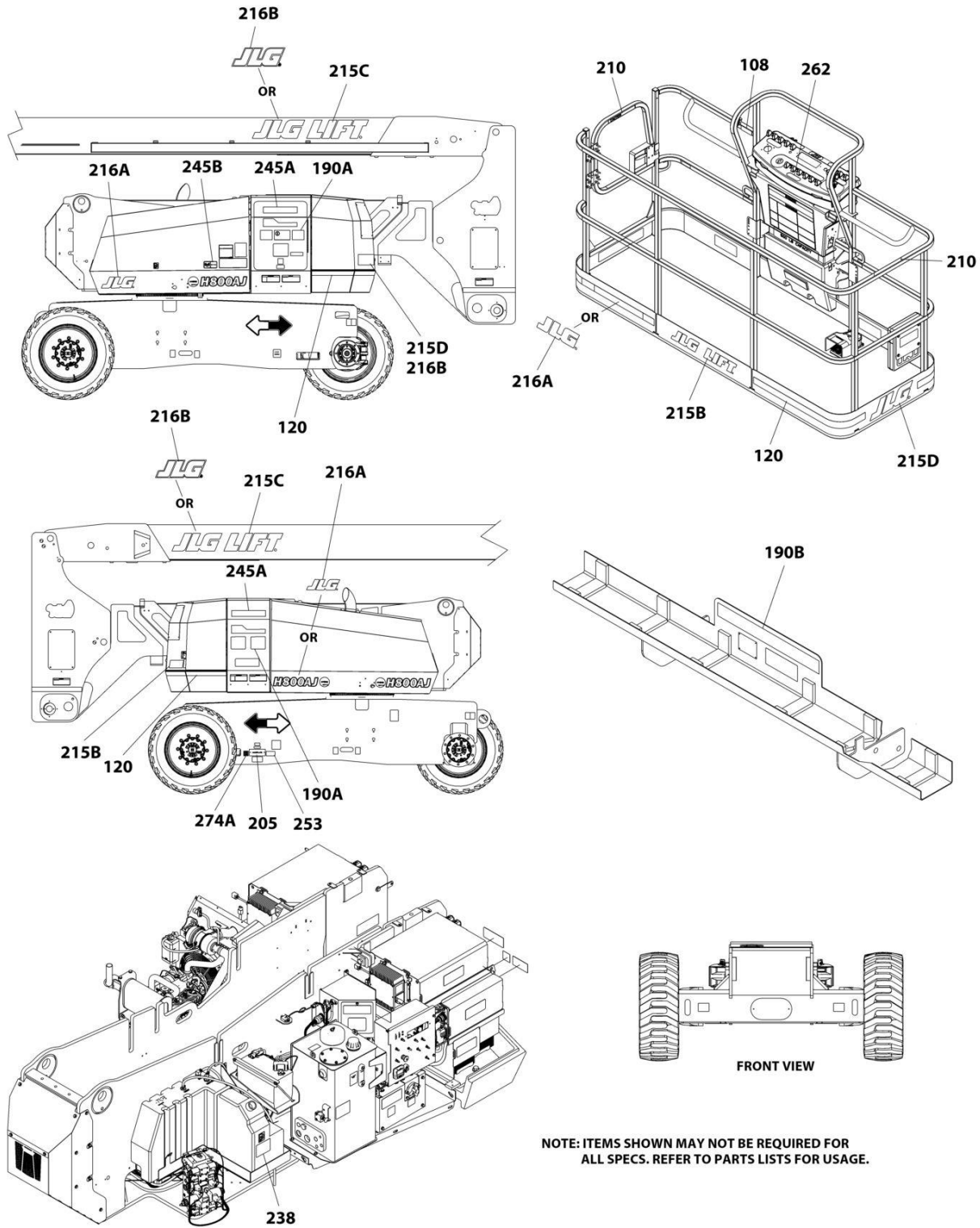
SECTION 9 - DECALS

FIGURE 9-9. DECAL INSTALLATION - LATIN AMERICAN SPECS (ENGLISH/SPANISH LANGUAGES)

ITEM	PART NUMBER	QTY	DESCRIPTION	REV
	1001249011	Ref	DECAL INSTALLATION - LATIN AMERICAN	D
	1001249013	Ref	DECAL INSTALLATION - REFERENCE CHART	C
1	0641406	4	Bolt 1/4 x 3/4	
2	1701499	2	Decal - No Tie Down/Lift	
3	1701501	4	Decal - Arrow	
4	1701505	2	Decal - Diesel Fuel	
5	1701509	1	Decal - Manual	
6	1702155	2	Decal - Battery Disconnect	
7	See Note	NSS	Decal - Bar Code (Note: Not Available for Purchase)	
8	1704001	2	Decal - No Hands	
9	1703923	1	Decal - Warning/Danger	
10	1703947	6	Decal - Warning/Crushing	
11	1703935	5	Decal - Electrocution	
12	1703811	4	Decal - Lifting Lug	
13	1703814	6	Decal - Tie Down	
14	1703941	5	Decal - Warning/Crushing	
15	1703959	2	Decal - Quik Stik	
16	1703960	4	Decal - Maximum Tire Load	
17	1704277	3	Decal - Lanyard Attach	
18	1704412	1	Decal - Hydraulic Oil	
19	1706063	1	Decal - Warning Fire Hazard	
20	1705917	1	Decal - Warning Inspection	
21	1705910	1	Decal - Drive/Steer Instructions	
22	1703983	1	Decal - Footswitch	
23	3311405	4	Nut 1/4	
24	3820001	2	Rivet	
25	4751400	8	Washer 1/4	
26	91403230	1	Box, Manual Storage	
27	1705977	1	Decal - Upright Level Override	
28	1001117307	1	Decal - Emergency Stop	
29	1001253930	1	Decal - Warning Single Cap	
30	1001253931	1	Decal - Warning Single Cap	
31	1001125483	6	Decal - Pressure Wash	
33	1001174449	2	Decal - Hybrid	
34	1001224049	1	Decal - Yearly Inspection	
35	1001233067	2	Decal - Tipping Hazard	
36	1001233012	9	Decal - Electrical Shock Hazard	
37	1001267328	2	Decal - H800AJ	
39	1001228411	1	Decal - LED Indicator	
40	1001284688	1	Decal - Lifting Diagram	
41	1001233785	1	Decal - Charger Plug	

SECTION 9 - DECALS

FIGURE 9-10. DECALS INSTALLATION - OPTIONS



NOTE: ITEMS SHOWN MAY NOT BE REQUIRED FOR ALL SPECS. REFER TO PARTS LISTS FOR USAGE.

ART_DECAL_OPTIONS

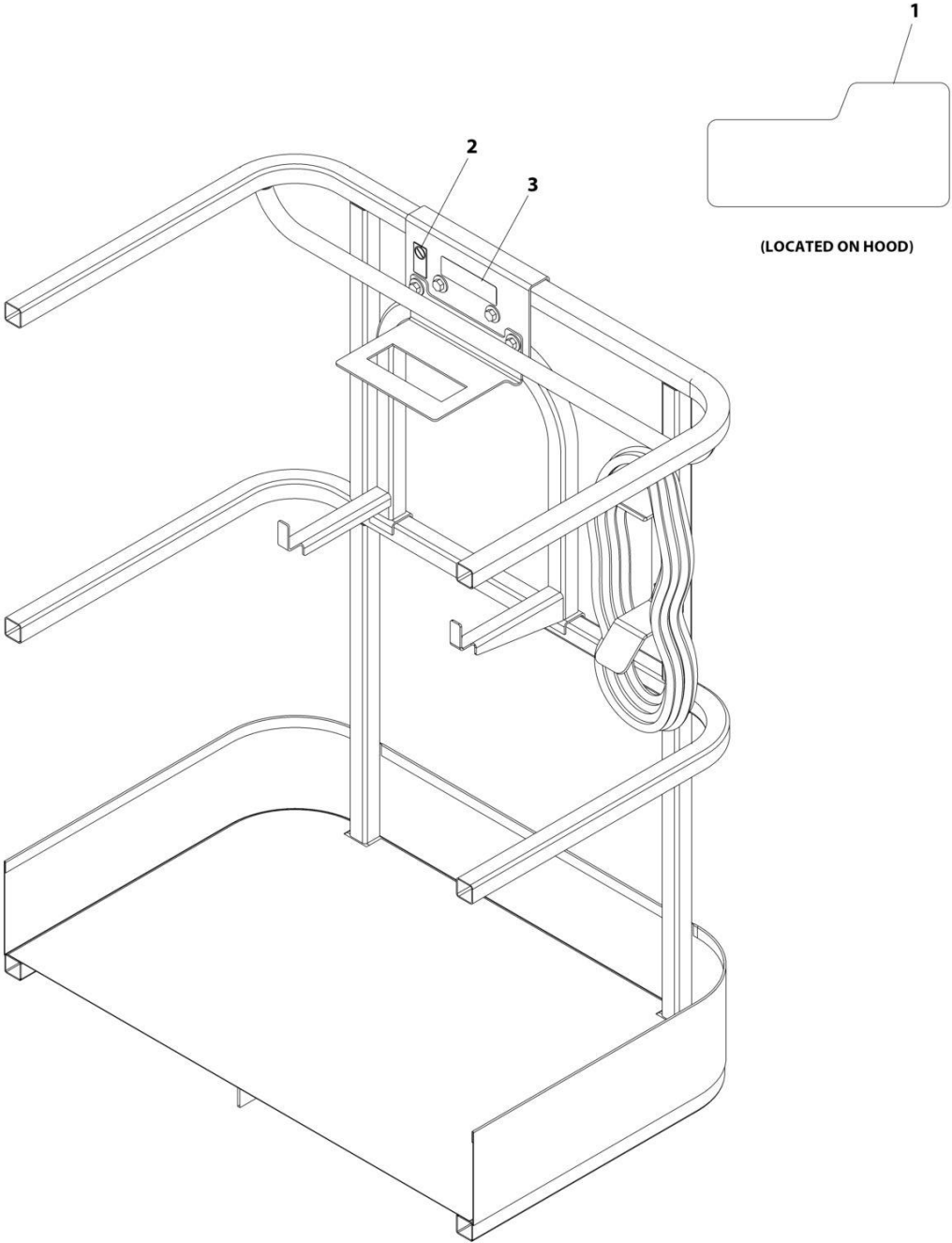
SECTION 9 - DECALS

FIGURE 9-10. DECALS INSTALLATION - OPTIONS

ITEM	PART NUMBER	QTY	DESCRIPTION	REV
	1001249013	Ref	DECAL INSTALLATION - REFERENCE CHART	A
	1001247762	Ref	DECAL INSTALLATION - OPTIONS	C
108	1001231801	1	Decal - Proposition 65 (ANSI Specs Only)	
120	4420051	23 ft /7m	Decal - Warning Stripes	
190	1001172570	Ref	Decal - Installation - SkyGlazier (English Language) (Not Shown)	C
190	1001172620	Ref	SkyGlazier Decal Installation (Australian Specs)	C
190	1001234945	Ref	SkyGlazier Decal Installation (Brazil Specs)	A
190	1001234944	Ref	SkyGlazier Decal Installation (Latin American Specs)	A
190A	1705358	2	Decal - SkyGalzier	
190B	1001199035	2	Decal - SkyGalzier Capacity (English Language)	
190B	1001199036	2	Decal - SkyGalzier Capacity (Australian Specs)	
190B	1001234947	2	Decal - SkyGalzier Capacity (Brazil Specs)	
190B	1001234946	2	Decal - SkyGalzier Capacity (Latin American Specs)	
205	See Note	NSS	Nameplate - Manufacturers Serial Number (Note: Not Available for Purchase)	
210		Ref	Decal - No Hands Options	
210	1702868	2	Decal - No Hands (ANSI/ANSI Export Specs) (English Language)	
210	1705967	2	Decal - No Hands (Brazil Specs) (Portuguese & Spanish Languages)	
210	1705968	2	Decal - No Hands (China Specs) (English & Chinese Languages)	
210	1704000	2	Decal - No Hands (CSA Specs) (English & French Languages)	
210	1705969	2	Decal - No Hands (Korean Specs) (English & Korean Languages)	
210	1704001	2	Decal - No Hands (Latin American Specs) (English & Spanish Languages)	
210	1001218850	1	Decal - No Hands (CE UK & CA Specs)	
215	1001232986	Ref	Decal Installation - JLG Logo (All Specs Except CE & UK CA Specs) (Not Shown)	B
215A	1702773	1	Decal - JLG	
215B	1702774	2	Decal - JLG Lift	
215C	1702861	2	Decal - JLG Lift	
215D	1001159323	1	Decal - JLG	
216	1001235097	Ref	Decal Installation - JLG Logo (CE & UK CA Specs Only) (Not Shown)	A
216A	1702773	3	Decal - JLG	
216B	1001159323	3	Decal - JLG (CE & UK CA Specs Only)	
238	1001125387	1	Decal - Ultra Low Sulfur Fuel (ANSI & CSA Specs)	
238	1001139654	1	Decal - Ultra Low Sulfur Fuel (CE & UK CA Specs)	
245	1001127094	Ref	ClearSky Decals Installation	
245A	1001116208	2	Decal - ClearSky	
245B	1001120989	1	Decal - Radio Frequency	
253	1001143852	1	Decal - Emission Compliance (ANSI Export, Australian and China Specs)	
262	1001141300	1	Decal - SkyGuard Override (Without Soft-Touch)	
262	1001141302	1	Decal - SkyGuard Override (With Soft-Touch)	
264	1001237844	1	Decal - Sound Power Level	
274	1001214030	1	Decal - EAC Installation (CIS and Russia Specs)	
274A	1001173703	1	Decal - EAC	

SECTION 9 - DECALS

FIGURE 9-11. DECAL INSTALLATION - SKYWELDER - 50HZ



ART_0272588

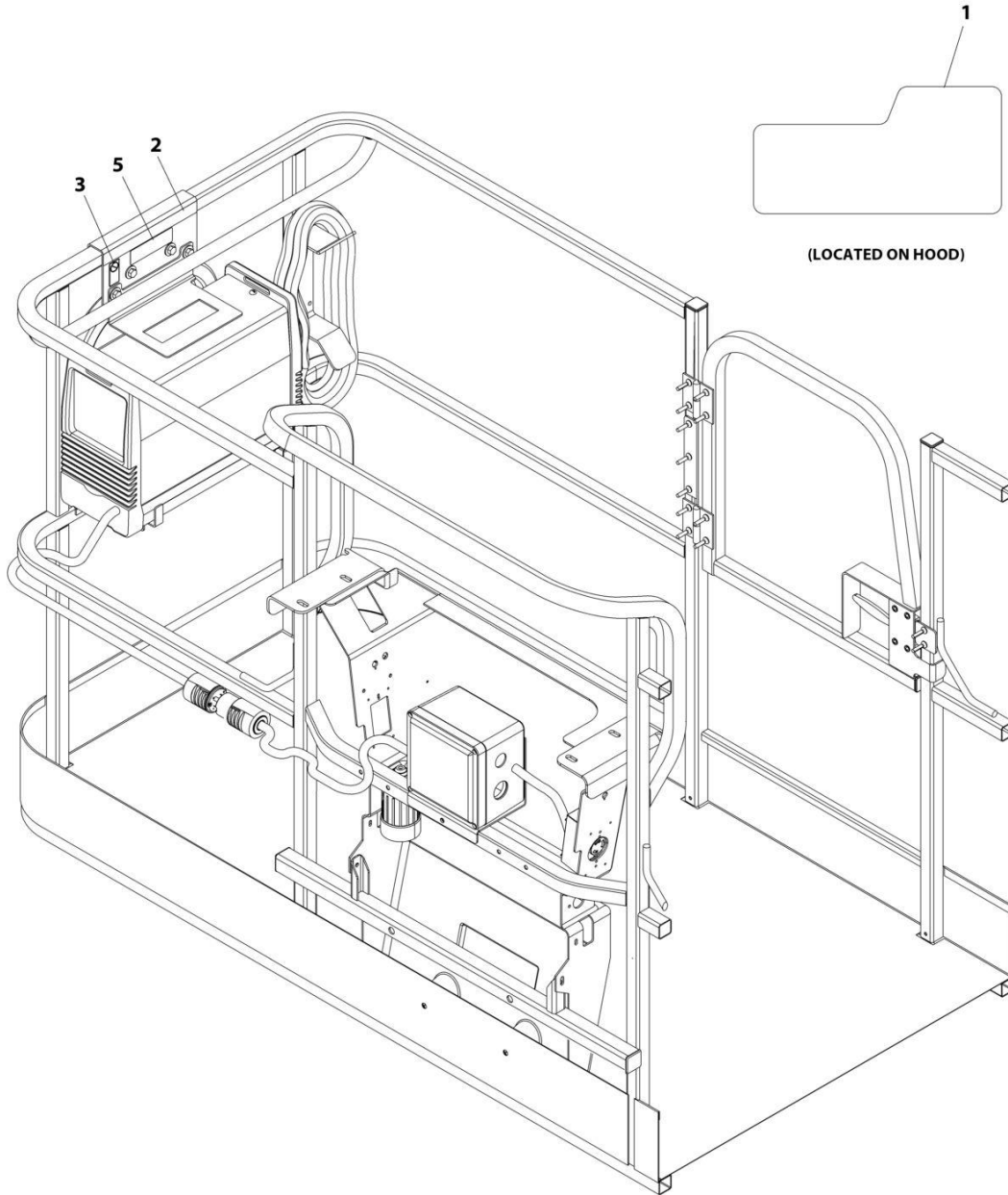
SECTION 9 - DECALS

FIGURE 9-11. DECAL INSTALLATION - SKYWELDER - 50HZ

ITEM	PART NUMBER	QTY	DESCRIPTION	REV
	0272588	Ref	SKYWELDER DECAL INSTALLATION - 50Hz	B
1	1705355	2	Decal - SkyWelder	
2	1705305	1	Decal - Weld Lead	
3	1001228988	1	Decal - Weight	

SECTION 9 - DECALS

FIGURE 9-12. DECAL INSTALLATION - SKYWELDER - 60HZ



ART_0272448_D

SECTION 9 - DECALS

FIGURE 9-12. DECAL INSTALLATION - SKYWELDER - 60HZ

ITEM	PART NUMBER	QTY	DESCRIPTION	REV
	0272448	Ref	SKYWELDER DECAL INSTALLATION - 60Hz	D
1	1705355	2	Decal - SkyWelder	
2	1702868	1	Decal - No Hands	
3	1705305	1	Decal - Weld Lead	
5	1001228988	1	Decal - Weight	

SECTION 10 - RECOMMENDED SERVICE PARTS STOCK

SECTION 10 - RECOMMENDED SERVICE PARTS STOCK

SECTION 10 - RECOMMENDED SERVICE PARTS STOCK

FIGURE 10-1. RECOMMENDED SERVICE PARTS STOCK

ITEM	PART NUMBER	QTY	DESCRIPTION	REV
		Ref	Note: The following list will service one machine (built to current production per date on the front cover) with emergency repair parts which can be installed in the field. Parts from the list should be replaced when inventory is depleted to keep service parts stock supplied. For further information, contact your JLG dealer or the JLG Industries Parts Department.	
	4360070	1	Breaker, 15Amp (7500W Generator)	
	1001189172	1	Breaker, 16Amp Double (Breaker Box with 3 Breakers)	
	7024485	1	Breaker, 30Amp (7500W Generator)	
	1001181045	1	Breaker, 30mA/16Amp (Breaker Box with 2 Breakers)	
	1001189171	1	Breaker, 30mA (Breaker Box with 3 Breakers)	
	1001159118	1	Breaker, GFCI 30Amp (AC Box 240V)	
	70004460	1	Coil (Main Valve)	
	70006956	1	Coil (Main Valve)	
	70004595	1	Coil (Main Valve)	
	70004653	1	Coil (Main Valve)	
	7018991	1	Coil (Main Valve)	
	70004463	1	Coil (Main Valve)	
	70002386	1	Coil (Boom Valve)	
	1001223581	1	Control, H-Bridge (Electrical Assembly)	
	1001222879	1	Control, IMG	
	1001222336	1	Control, SOC Monitor	
	1001166538	1	Controller, Drive/Steer	
	1001166539	1	Controller, Lift/Swing	
	4360407	1	Controller, Potentiometer	
	1001234488	2	Diode, Flyback (IMG Control Box)	
	70005296	12	Element (Fuel/Water Separator)	
	7015004	12	Element, Air Filter	
	70002231	12	Element, Pressure Filter	
	1001190545	12	Filter, Fuel	
	70004395	1	Filter, Oil (Kubota)	
	2400080	2	Fuse, 1A (Battery Cables Installation)	
	1001227788	2	Fuse, 2A (Electrical Assembly 12v Fuse Box)	
	8229249	2	Fuse, 3A (USB Charger)	
	8229261	2	Fuse, 5A (Electrical Assembly 12v Fuse Box)	
	1001234313	2	Fuse, 7.5A (Battery Cables Installation)	
	1001234314	2	Fuse, 10A (IMG Control Box)	
	8229234	2	Fuse, 10A (Electrical Assembly 12v Fuse Box)	
	1001228440	2	Fuse, 15A (IMG Control Box)	
	8229237	2	Fuse, 15A (Electrical Assembly 12v Fuse Box)	
	8229236	2	Fuse, 30A (Electrical Assembly 12v Fuse Box)	
	1001247362	2	Fuse, 40A (Electrical Assembly 12v Fuse Box)	
	1001226932	2	Fuse, 40A (Electrical System Installation)	
	1001226933	2	Fuse, 80A (Electrical System Installation)	
	1001233198	2	Fuse, 200A/400A (IMG Control Box)	
	1001226934	2	Fuse, SHUNT (Electrical System Installation)	
	2860030	1	Key, Replacement	
	2940074	1	Latch (Machines with Gate)	
	1001247468	1	Loadcell (Platform Support)	

SECTION 10 - RECOMMENDED SERVICE PARTS STOCK

ITEM	PART NUMBER	QTY	DESCRIPTION	REV
	1001142683	1	Module, Beacon Light (Red & Blue Beacons)	
	1001223583	1	Module, HEC Control (Electrical Installation)	
	1001284800	1	Module, Ground Control	
	1001106938	1	Module, Platform Control	
	3740086	1	Relay, 20Amp (SkyLine Harness)	
	1001095704	1	Relay, 35Amp (Electrical Assembly)	
	1001186431	1	Relay, 35Amp (SkyGuard Bar Installation)	
	8225117	1	Relay, 40Amp (Electrical Assembly)	
	1001222365	1	Relay, 50Amp (IMG Control Box)	
	3740112	1	Relay, 75Amp (Electrical Assembly)	
	1001222340	1	Relay, 500Amp Main Contactor (IMG Control Box)	
	1001094400	1	Sensor, Dual Axis (Tilt Sensor Installation)	
	1001228225	1	Sensor, Emitter (SkyEye)	
	4360436	1	Sensor, Fuel Level (Fuel Tank)	
	4360578	1	Sensor, Limit (Boom Valve & Limit Switch Installation & Transport Switch Installation)	
	1001172271	1	Sensor, Limit (Boom Valve & Limit Switch Installation with Tower Stow)	
	4360057	1	Sensor, Limit (Soft Touch)	
	1001232667	1	Sensor, Proximity (SkyLine)	
	1001311034	1	Sensor, Proximity (SkyLine)	
	4360498	1	Sensor, Proximity (Boom Valve & Limit Switch Installation)	
	4360499	1	Sensor, Proximity (Boom Valve & Limit Switch Installation)	
	4360517	1	Sensor, Proximity (Rotary Coupling)	
	1001228224	1	Sensor, Receiver (SkyEye)	
	1001137673	1	Sensor, SkyGuard Bar	
	1001225131	1	Sensor, Temperature (Battery Cables Installation)	
	1001219601	1	Sensor, Tilt (Electrical System Installation)	
	4360475	1	Switch, Emergency Stop	
	1001117174	1	Switch, Foot	
	4360469	1	Switch, Key	
	4360387	1	Switch, Pushbutton Yellow (Ground Control, Console Box & Soft Touch)	
	1001236759	1	Switch, STDP Interlock (IMG Control Box)	
	1001155045	1	Switch, Toggle (Ground Control & Console Box)	
	4360336	1	Switch, Toggle (With Generator)	
	1001211363	1	Switch, Toggle (Console Box)	
	1001159256	1	Switch, Toggle (Console Box)	
	1001161709	1	Switch, Toggle (Console Box)	
	4360328	1	Switch, Toggle (Jib Switch)	

SECTION 11 - SPECIAL OPTIONS/ACCESSORIES/KITS

SECTION 11 - SPECIAL OPTIONS/ACCESSORIES/KITS

SECTION 11 - SPECIAL OPTIONS/ACCESSORIES/KITS

FIGURE 11-1. SPECIAL OPTIONS/ACCESSORIES/KITS

ITEM	PART NUMBER	QTY	DESCRIPTION	REV
	Note	Ref	Note: This list is to accommodate machines ordered with special equipment. Options may not be applicable to all models. For more specific parts information contact JLG Parts Department.	
		Ref	SPECIAL OPTIONS/ACCESSORIES/KITS	
	0258805	Ref	Airline to Platform Installation - 1/2in	
	1001092092	Ref	Airline to Platform Installation - 1/2in (With Arctic Package)	
	1001205028	Ref	Arctic Package Kit - With SkyPower (Dealer Installed)	
	1001205029	Ref	Arctic Package Kit - Without SkyPower (Dealer Installed)	
	0258737	Ref	Bellows Installation - Boom	
	1001158259	Ref	Bellows Installation - Chassis	
	2910887	Ref	Boom Wear Pad Kit	
	0258654	Ref	Boom Wipers Installation	
	1001172045	Ref	Cable/Ladder Carrier Installation (800AJ Only)	
		Ref	ClearSky Telematics Add-on Kits (Dealer Installed)	
	1001230187	Ref	ClearSky Telematics Add-on Kits - Canbus Connection (ANSI & CSA Specs)	
	1001234099	Ref	ClearSky Telematics Add-on Kits - Canbus Connection (CE & UK CA Specs)	
	1001246142	Ref	ClearSky Telematics Add-on Kit (Australian Specs)	
	1001276923	Ref	ClearSky Telematics Add-on Kit (Contact JLG for Approved Countries)	
	1001230504	Ref	ClearSky Telematics Add-on Kits - 3 Wire Connection (ANSI & CSA Specs)	
	1001234102	Ref	ClearSky Telematics Installation - 3 Wire Connection (CE & UK CA Specs)	
	1001242192	Ref	ClearSky Access Control Add-on Kit	
	1001243183	Ref	ClearSky Telematics Access Control Add-on Kit - Canbus (ANSI & CSA Specs)	
	1001243184	Ref	ClearSky Telematics Access Control Add-on Kit - Canbus (ANSI Export, CE & UK CA Specs)	
	1001238307	Ref	Charging Kit – 120V (Dual Plug)	
	1001235269	Ref	Clutch Actuator Installation Kit	
	1001227904	Ref	Cold Weather Package Installation - 120V (All Specs except Australian, China, CE & UK CA Specs)	
	1001232214	Ref	Cold Weather Package Installation - 240V (CE & UK CA Specs Only)	
	1001270482	Ref	Console Cover Kit	
	1001309057	Ref	Console Cover Kit	
	1001115918	Ref	Cribbing Installation	
		Ref	Decal Kit Options:	
	1001220864	Ref	Boom Transport Decal Kit	
	1001108721	Ref	Platform Decal Kit (ANSI Specs)	
	2902396	Ref	Drive/Steer Cutout Kit	
		Ref	Electrical Connector Kits	
	1001148902	Ref	Electrical Connector Kit - Amp	
	1001148903	Ref	Electrical Connector Kit - Deutsch DT	
	1001148904	Ref	Electrical Connector Kit - Deutsch HD	
	1001148905	Ref	Electrical Connector Kit - Packard	
	1001148906	Ref	Electrical Connector Kit - Various	
	1001108962	Ref	Exhaust Rain Cap Installation (Australian Specs)	
	1001139099	Ref	Fire Extinguisher Installation (20lb)	

SECTION 11 - SPECIAL OPTIONS/ACCESSORIES/KITS

ITEM	PART NUMBER	QTY	DESCRIPTION	REV
	1001305520	Ref	Fire Extinguisher Installation (2.5lb)	
	1001274833	Ref	Floor Mat Add-on Kit (30x48 Platform) (Dealer Installed)	
	1001274831	Ref	Floor Mat Add-on Kit (30x72 Platform) (Dealer Installed)	
	1001274830	Ref	Floor Mat Add-on Kit (36x72 Platform) (Dealer Installed)	
	1001274829	Ref	Floor Mat Add-on Kit (36x96 Platform) (Dealer Installed)	
	1001117294	Ref	Footswitch Shield (Note: Move Decal to Shield)	
	1001202749	Ref	Fuel Cap Cover Installation (Black) (Note: Lock p/n 1001102157 must be Purchased Separately)	
	1001191395	Ref	Fuel Cap Cover Installation (Green) (Diesel Machines) (Note: Lock p/n 1001102157 must be Purchased Separately)	
	1001094475	Ref	Generator Hourmeter Installation	
	1001299797	1	Hourmeter Gauge Kit	
	1001227816	Ref	Headlights and Taillights Installation	
	1001268736	Ref	Jib Link Kit	
	1001148971	Ref	Lanyard (Bolt-On) Kit Installation	
	1001272166	Ref	Pipe Rack Kit	
	1001195304	Ref	Platform Console Cover Installation (Clear)(Factory Installed)	
	1001266290	Ref	Platform Console Cover Installation (Steel)(Factory Installed)	
	1001308593	Ref	Platform Console Cover Installation (Fabric)(Factory Installed)	
	1580013	Ref	Platform Corner Tray Installation	
	1001142504	Ref	Platform Entry Kit - Drop Bar (To Replace Swing Gate with Drop Bar)	
	1001142505	Ref	Platform Entry Kit - Swing Gate (To Replace Drop Bar with Swing Gate)	
	1001269630	Ref	Platform Fall Arrest Add-on Kit – 30Inx4Ft Platforms	
	1001269631	Ref	Platform Fall Arrest Add-on Kit – 30Inx6Ft Platforms	
	1001237883	Ref	Platform Fall Arrest Add-on Kit – 36Inx6Ft Platforms	
	1001237882	Ref	Platform Fall Arrest Add-on Kit – 36Inx8Ft Platforms	
	1001120467	Ref	Platform Floodlights Installation	
		Ref	Platform Mesh to Top Rail Installations: (ANSI/ANSI Export, China and CSA Specs)	
	1001272182	Ref	2.5ft x 4ft Platforms - Steel	
	1001266807	Ref	2.5ft x 4ft Platforms - Plastic	
	1001271642	Ref	3ft x 6ft Platforms - Steel	
	1001266489	Ref	3ft x 6ft Platforms - Plastic	
	1001269187	Ref	3ft x 8ft Platforms - Steel	
	1001266056	Ref	3ft x 8ft Platforms - Plastic	
		Ref	Platform Mesh to Mid Rail Add-On Kits: (ANSI Specs)	
	1001281461	Ref	30in x 4ft (76cm x 1.22m) with Gate	
	1001281459	Ref	30in x 6ft (76cm x 1.83m) with Gate	
	1001281458	Ref	36in x 6ft (91.5cm x 1.83m) with Gate	
	1001281457	Ref	36in x 8ft (91.5cm x 2.44m) with Gate	
		Ref	Platform Mesh to Top Rail Add-On Kits: (ANSI, ANSI Export, CSA and China)	
	1001281456	Ref	30in x 4ft (76cm x 1.22m) with Gate	
	1001281453	Ref	36in x 6ft (91.5cm x 1.83m) with Gate	
	1001281452	Ref	36in x 8ft (91.5cm x 2.44m) with Gate	
	1001250035	Ref	Platform Sensor Retrofit Kit	
	0272733	Ref	Platform, Top Rail Extension Installation - 3ft x 6ft Platforms	
	0272725	Ref	Platform, Top Rail Extension Installation - 3ft x 8ft Platforms	
	1001282215	Ref	Platform Work Lights	
	1001303656	Ref	Platform Work Lights Installation	
	1001209059	Ref	Platform Work Surface Installation	

SECTION 11 - SPECIAL OPTIONS/ACCESSORIES/KITS

ITEM	PART NUMBER	QTY	DESCRIPTION	REV
	1001235160	Ref	Service Kits/Tools	0
	1001247073	Ref	SkyEye Retrofit Kit	
	1001241547	Ref	SkyEye Housing Repair Kit (LH)	
	1001241548	Ref	SkyEye Housing Repair Kit (RH)	
	1001205492	Ref	SkyGlazier Tray Kit (ANSI Specs)	
	1001197016	Ref	SkyGuard Platform Sensor Kit	
	1001250595	Ref	SkyGuard 6-Pin Retrofit Installation Kit	
	1001249052	Ref	SkyGuard Retrofit Kit (Dealer Installed)	
	1001262016	Ref	SkyLine Add-on Kit (Dealer Installed)	
	1001282461	Ref	SkySense Padding Installation - For 30 x 48 Platforms equipped with SkySense	
	1001275643	Ref	SkySense Padding Installation - For 30 x 72 Platforms equipped with SkySense	
	1001275642	Ref	SkySense Padding Installation - For 36 x 72 Platforms equipped with SkySense	
	1001269655	Ref	SkySense Padding Installation - For 36 x 96 Platforms equipped with SkySense	
	1001303167	1	SkyWelder Extension Cord Cable	
	1001157013	Ref	Soft-Touch Counterweight Installation	
		Ref	Tools for Service	
	1600244	Ref	Analyzer, Machine System	
	1001249695	Ref	Analyzer, Machine System with Cable	
	1001249941	Ref	Analyzer, Machine System with Cable (Battery Powered)	
	1001137005	Ref	Software Cable Kit	
	7002840	Ref	Antirotation Pin Removal Tool	
	1001227898	Ref	Clutch Shaft Alignment Tool (Production)	
	1001234306	Ref	Clutch Shaft Alignment Tool (Service)	
	8896941	Ref	Wire Stripper	
	7002821	Ref	Wire Crimper (To install wire ends to wires)	
	7002823	Ref	Pin/Socket Extractor - Universal (To Remove Pins/Sockets from Connectors)	
	4460467	Ref	Extractor - 16-18 Gauge (For Removal of Pin/Sockets from Deutsch Connectors)	
	4460510	Ref	Extractor - 12-14 Gauge (For Removal of Pin/Sockets from Deutsch Connectors)	
	7002822	Ref	Screwdriver, Potentiometer (To Adjust Drive Controllers)	
	7016654	Ref	Screwdriver, Magnetic	
	7004275	Ref	Seal Installation Tool - 1in	
	7004276	Ref	Seal Installation Tool - 1-1/2in	
	7002826	Ref	Seal Installation Tool - 2in	
	7016652	Ref	Huck Bolt Fastener (For Small Huck Bolts Only)	
	70005663	Ref	Tool, Port Plate for Pump p/n 1001142522	
	1001263579	Ref	Tower Stow Indicator Add-on Kit (Dealer Installed)	
	1001286022	Ref	Tower Stow Replacement Limit Switch	
	2915094	Ref	Turntable Bearing	
	1001277841	Ref	UGM2 Retrofit	
	1001262959	Ref	Voltage Regulator Relocation Add-on Kit (ClearSky) (Dealer Installed)	
	0258827	Ref	Weld Lead	
	0256196	Ref	Wheel Covers Installation	
	1001273156	Ref	White Noise Alarm	
	1001277415	Ref	White Noise Alarm - Ambient	

SECTION 11 - SPECIAL OPTIONS/ACCESSORIES/KITS

PART NUMBER INDEX

SECTION 11 - SPECIAL OPTIONS/ACCESSORIES/KITS

0100009.....85, 221, 225	0275217 315, 419	0641610 ... 105, 107, 112,	0760814..... 131, 149
0100011....15, 17, 19, 21,	0275452 319, 421	122, 169, 217, 219	0761010.....131
23, 35, 37, 43, 55, 59,	0275453 323, 423	0641611 59, 165, 171	0761014..... 191
61, 65, 67, 70, 77, 79,	0275454 327, 425	0641612 ... 167, 355, 357,	0761015..... 128, 131
85, 97, 105, 107, 109,	0275733 187	359, 361	0761016..... 128, 131
112, 115, 117, 122,	0340045 128	0641614 43, 61	0761020..... 131
125, 128, 131, 133,	0360406 39	0641615 169	0761215.... 122, 153, 157,
141, 153, 157, 161,	0400075 77	0641616 ... 153, 158, 161,	161
165, 167, 169, 171,	0440244 55	169	0761216..... 191
175, 177, 179, 183,	0561185 169	0641618 171	0801132..... 165, 169
185, 189, 191, 197,	0561295 167	0641622 177	0801136..... 165, 167
201, 205, 211, 235,	0610131 85	0641624 175, 177	0801496..... 169
237, 239, 241, 245,	0630427 183, 185	0641640 175	0801573..... 167
247, 251, 253, 255,	0630446 65	0641806 169, 285	0801591..... 167
341, 345, 355, 357,	0630462 ... 235, 237, 239,	0641808 122	0801594..... 169
359, 361	241	0641810 19, 21, 70	0811406..... 79
010001951, 55, 153, 157,	0630467 179	0641812 59, 70, 125	0811606..... 79
161	0630485 112	0641814 70	0811608..... 61, 128
0100020.... 122, 128, 233,	0630518 87, 229, 251,	0641816 151	0811610..... 112
309, 311, 315, 317,	253, 255	0641820 59	0811812..... 112
319, 321, 323, 325,	0630535 285	0641824 151	0860038.... 161, 307, 313
327, 329, 331	0630548 85	0641840 165	0861538..... 161
0100035.....79, 189, 221,	0630568 222, 226	0642012 249	0861572..... 157
225, 229	0641403 189	0642016 122	0861731.... 321, 325, 329,
0100038..... 169	0641404 ... 153, 157, 161,	0642038 39	331, 421, 423, 425
010004897, 99, 101, 153,	165, 247	0642212 15, 17, 249	0861781.... 311, 317, 417,
157, 161, 187, 391	0641405 . 70, 85, 97, 221,	0642214 165	419
0100062..... 128	225, 247	0642620 165	0861880..... 367, 369
0100079..... 161	0641406 . 70, 77, 99, 101,	0681608 ... 15, 17, 61, 77,	0902888..... 157, 161
0100081.... 112, 175, 249	109, 153, 215, 217,	171, 191	0903242..... 59
0140011..... 221, 225	219, 341, 343, 345,	0681620 ... 259, 261, 263,	0903697..... 343
0140044..... 97	451, 453, 455, 457,	265	0940049..... 112
0200048.... 235, 237, 239,	459, 461, 463, 465, 467	0681814 207, 213	0940092.... 235, 237, 239,
241	0641407 ... 70, 85, 99, 122	0681822 23, 207, 213	241
0232121 37, 39	0641408 . 77, 79, 85, 112,	0682016 23	0940094.... 235, 237, 239,
0256196..... 482	122, 187, 217, 219	0682023 55	241
0256202..... 337	0641410 35	0682032 55	0940102..... 249
0258077..... 175	0641414 43, 221, 225,	0682216 51	0940103..... 239
0258217 183	235, 237, 239, 241, 245	0682236 15, 17	0940133..... 241
0258567 189	0641416 ... 309, 311, 315,	0682424 ... 259, 261, 263,	0940134..... 235
0258654 480	317, 319, 321, 323,	265	0940177..... 237
0258737 480	325, 327, 329, 331	0700408 ... 309, 311, 315,	0961845.... 197, 201, 205,
0258805 480	0641418 ... 179, 197, 201,	317, 319, 321, 323,	211
0258827 482	205, 211	325, 327, 329, 331	0961897..... 285
0259420 177	0641424 79	0700615 77, 105, 107,	0961947..... 171
0270886 29	0641432 43	115	0961951.... 167, 271, 281
0270888 31	0641505 83	0700618 117	0961986..... 128
0271085 29	0641506 77, 391	0700626 171	0962102 15, 17, 167, 169,
0271086 29	0641507 67	0700815 131	273, 277, 279
0271090 31	0641508 37, 112, 122	0701217 122	0962122..... 169
0271091 31	0641510 79	0711215 125	0962152..... 21, 283
0271340 231	0641511 185	0711626 128	0962155..... 281
0272254 253	0641516 157, 161	0721005 239, 241	0962181..... 21
0272259 307	0641560 23	0731005 65, 235, 237	0962270..... 207, 213
0272260 313	0641604 ... 165, 183, 185	0741607 ... 153, 157, 161,	0962336..... 275
0272427 239	0641605 177	165	0962348..... 21
0272433 339	0641606 35, 43, 165, 167,	0741609 21	0962520.... 153, 157, 161
0272435 162	171, 175, 177, 251,	0760508 135	1001091460..... 25
0272448 473	253, 255	0760606 ... 141, 154, 158,	1001091461..... 25
0272521 251	0641607 . 19, 21, 61, 112,	162	1001091969..... 309
0272588 471	165, 167, 169, 171,	0760607 128	1001091970..... 315
0272589 158	175, 179	0760610 83, 128	1001091973..... 319
0272725 481	0641608 ... 33, 61, 65, 70,	0760612 149	1001091974..... 323
0272733 481	73, 75, 79, 109, 112,	0760807 70, 79	1001091975..... 327
0273706 241	165, 167, 169, 171	0760808 129	1001092092..... 480
0273824 235	0641609 112, 167, 169	0760810 128, 191	1001093382..... 77
0275216 309, 417		0760812 391	1001094400..... 187, 477

SECTION 11 - SPECIAL OPTIONS/ACCESSORIES/KITS

1001094475 481	1001116716..... 443	1001126008..... 347, 353	1001151034 19
1001095704 83, 477	1001116720..... 435, 443	1001126009..... 437	1001151980 19
1001096138 407	1001116723..... 389	1001126010..... 427	1001152483 371
1001096141 451	1001116727..... 389, 393	1001126011..... 347, 413	1001152525 158, 162
1001096736 187	1001116731..... 385	1001127094..... 469	1001152532 153, 397
1001097051 355, 357, 359, 361, 431	1001116745..... 389	1001128241..... 83	1001152565 179, 181
1001097082 355, 357, 359, 361	1001116747..... 393	1001128527..... 255	1001152719 15
1001097150 367	1001116774..... 389, 439	1001128556..... 255	1001153612 427
1001097244 445	1001116808..... 389, 439	1001129772..... 395	1001153749 187, 443
1001098122 233, 407, 413	1001116810..... 349, 351	1001129773..... 395	1001154126 269
1001098167 269	1001116811..... 395	1001130900..... 387	1001154584 15
1001098828 191	1001116812..... 403, 405, 407, 441, 443	1001131130..... 113	1001154687 269
1001099366 249	1001116815..... 375, 377, 379, 381	1001131269..... 451, 461	1001154875 17
1001099367 249	1001116816..... 441	1001136400..... 175	1001154931 21
1001099837 175	1001116846..... 459	1001136881..... 301	1001155035 21
1001100231 367	1001116849..... 459	1001137005..... 482	1001155043 85
1001100341 417	1001116851..... 459	1001137364... 91, 95, 225	1001155044 85, 221, 225
1001100342 419	1001116994..... 407	1001137673..... 245, 477	1001155045 85, 221, 225, 477
1001100345 421	1001116995..... 395	1001138173..... 128	1001155192 21
1001100346 425	1001117012..... 407	1001138175..... 128	1001155194 17
1001100347 423	1001117172..... 233	1001138248..... 128	1001155348 157, 161
1001101191 309, 311, 315, 317, 319, 321, 323, 325, 327, 329, 331, 367, 369, 371	1001117174..... 221, 225, 233, 477	1001138494..... 197, 201, 205, 211	1001155673 300
1001101196 309, 311, 315, 317	1001117219..... 113	1001138514..... 197, 201, 205, 211	1001155895 112
1001101197 319, 321, 323, 325, 327, 329, 331	1001117294..... 481	1001138566..... 153	1001155899 112
1001103012 443	1001117307..... 451, 453, 455, 457, 459, 461, 463, 465, 467	1001139099..... 480	1001156136 51
1001103308 83, 85	1001117372..... 269	1001139654..... 469	1001156710 15, 17
1001103810 19, 21	1001118280..... 128	1001140429..... 197, 201, 205, 211	1001156798 57
1001104498 443	1001118384..... 437	1001141300..... 469	1001157013 482
1001106481 189	1001118388..... 435, 437	1001141302..... 469	1001157016 23
1001106736 85	1001118579..... 131	1001141995..... 128	1001157049 55
1001106938 221, 225, 477	1001118657..... 395	1001142504..... 481	1001157058 55
1001106974 59	1001118659..... 395	1001142505..... 481	1001157209 113, 115
1001107529 59	1001118744..... 393	1001142683..... 105, 107, 477	1001157292 221, 225
1001107854 443	1001118745..... 393	1001142722. 77, 105, 107	1001157400 291
1001108134 83	1001118746..... 131	1001142736..... 105, 107, 439	1001157401 303
1001108256 237	1001119020..... 439	1001143852..... 469	1001157520 158, 162
1001108617 43	1001119031..... 405	1001144147 385	1001157521 158, 162
1001108721 480	1001119602..... 300	1001144295..... 391, 411	1001157525 157, 158
1001108962 480	1001119619..... 389, 429	1001144296..... 393	1001157528 158, 162
1001109654 343, 367	1001119620..... 431, 433	1001144433..... 245	1001157592 162
1001110166 112	1001120328..... 245, 247, 413	1001144527 109	1001157612 112
1001110425 43	1001120467..... 481	1001144629..... 195, 199, 203, 209	1001158007 158, 162
1001110434 221, 225	1001120471..... 445	1001146219..... 128	1001158008 158, 162
1001110872 333, 335	1001120477..... 445	1001146588..... 83, 391	1001158187 35
1001110873 161, 307	1001120484..... 445	1001147923..... 393	1001158188 35
1001112551 453	1001120750..... 83	1001148106..... 395	1001158203 35
1001112612 349, 351, 439, 441	1001120989..... 469	1001148652..... 167	1001158258 37
1001112796 385, 407, 439	1001121122..... 112	1001148675..... 333, 335	1001158259 480
1001113047 . 79, 83, 109, 112	1001121123..... 112	1001148902..... 480	1001158364 97
1001113961 441	1001121726..... 393	1001148903..... 480	1001158522 37
1001115918 480	1001121727..... 389	1001148904..... 480	1001159118 333, 335, 476
1001116208 469	1001125125..... 361	1001148905..... 480	1001159119 333, 335
1001116290 115, 117	1001125126..... 361	1001148906..... 480	1001159120 333, 335
1001116694 389, 441	1001125387..... 469	1001148971..... 481	1001159121 335
1001116695 185	1001125483..... 451, 453, 455, 457, 459, 461, 463, 465, 467	1001148907..... 480	1001159162 83
	1001125492..... 51	1001148908..... 480	1001159186 403, 414
	1001125677..... 413, 441	1001149391..... 285	1001159256 221, 225, 477
	1001125748..... 395	1001150260..... 112	1001159323 469
	1001125773..... 395	1001150372..... 19, 21	1001159707 301
		1001150539... 19, 21, 283	1001160780 37
		1001150610..... 395	1001161089 112
		1001150611..... 393, 441	1001161355 19, 21
		1001150937..... 19, 21	1001161399 19, 21

SECTION 11 - SPECIAL OPTIONS/ACCESSORIES/KITS

1001161709.....221, 225, 477	1001184682..... 101	1001200497 187, 389, 393	1001222370.....391
1001162497.....77	1001185281..... 221, 225	1001201351 191	1001222371.....391
1001163101.....109	1001185585..... 122	1001201885 414, 441	1001222372.....391
1001165035.....122	1001185964..... 393	1001202687 191	1001222375..... 79
1001165350.....171	1001186251..... 112	1001202749 481	1001222378..... 79
1001165368.....153, 341, 369	1001186254..... 112	1001203655 207	1001222379.....347
1001165657.....19, 21	1001186333..... 207	1001203656 213	1001222380.....347
1001166538.....476	1001186375..... 197	1001204560 .. 15, 17, 269	1001222465.....135
1001166539.....476	1001186378..... 201	1001204725 191	1001222709.....221, 226
1001167164.....149	1001186379..... 205	1001205028 480	1001222731.....141
1001167565.....191	1001186382..... 211	1001205029 480	1001222783.....133
1001167567.....191	1001186383..... 209	1001205492 482	1001222784.....131
1001167596.....191	1001186384..... 203	1001205690 345, 371	1001222797.....141
1001168243.....79	1001186385..... 199	1001205958 319, 321, 323, 325, 327, 329	1001222879..... 79, 476
1001168244.....79	1001186387..... 195	1001206119 153	1001222882.....129
1001168402.....191	1001186431 245, 477	1001206250 321	1001222883.....129
1001169054.....128	1001186432 435, 437	1001206251 325	1001222884.....129
1001169085.....103, 105, 107	1001186517 245	1001206252 329	1001222915..... 80
1001169138.....128	1001186919 131, 154, 158, 162	1001206253 311	1001223055.....451
1001169754.....33	1001187674 243	1001206254 317	1001223059.....141
1001169755.....33	1001187681 429	1001206255 331	1001223061.....133
1001169756.....33	1001188387 395	1001206532 222, 226	1001223088.....131
1001169967.....128	1001188622 191	1001207004 107	1001223124..... 73
1001170035.....128	1001188844 191	1001207969 179	1001223148.....133
1001170527.....175	1001188874 85	1001208994 179, 191	1001223195..... 71, 80
1001170548.....171	1001189001 191	1001209059 481	1001223196..... 71, 80
1001170981.....128	1001189002 191	1001209664 245	1001223198..... 71, 80
1001171016.....343	1001189171 371, 476	1001210636 445	1001223200..... 71, 80
1001171131.....333	1001189172 371, 476	1001211363 221, 226, 477	1001223302.....129, 131
1001172045.....480	1001189570 443	1001213447 413	1001223405.....129
1001172271.....477	1001189571 443	1001213448 77	1001223431.....395
1001172533.....128	1001189572 443	1001213584 307, 313, 337, 341, 345	1001223433.....355
1001172570.....469	1001189750 405	1001213585 307, 313, 337, 341, 345	1001223460.....393
1001172578.....249	1001189882 457	1001213705 165	1001223554.....451
1001172620.....469	1001190164 129	1001213882 221, 226	1001223556.....451
1001172760.....221, 225	1001190545 122, 476	1001214030 469	1001223560.....453, 457
1001173703.....469	1001190577 353	1001214690 129	1001223561.....453, 457
1001174040.....171, 191	1001190578 413	1001215228 222	1001223581..... 83, 476
1001174449.....451, 453, 455, 457, 459, 461, 463, 465, 467	1001190609 122, 147	1001215289 301	1001223583..... 77, 477
1001174486.....122	1001190985 191	1001216630 191	1001223721.....131
1001175073.....151	1001191395 481	1001217183 129	1001223744.....131
1001175074.....151	1001193018 309, 311, 315, 317, 319, 321, 323, 325, 327, 329, 331	1001218572 65	1001223787.....129
1001176469.....93, 95	1001195304 481	1001218622 339	1001223794.....395
1001176862.....333	1001196297 296	1001218623 339	1001223797.....395
1001178057.....61, 63	1001196382 153, 157, 161	1001218850 469	1001223842.....131
1001179079.....300	1001196634 383	1001219219 23, 25	1001223916..... 80
1001179154.....162	1001196768 112	1001219601 77, 477	1001223917..... 80
1001179329.....300	1001197016 482	1001220864 480	1001223918..... 80
1001179545.....300	1001197017 235, 237, 239, 241	1001221813 141	1001223949.....391
1001179546.....300	1001198333 296	1001222047 353, 391	1001223950.....391
1001180620.....128, 135	1001198336 291	1001222052 387, 391	1001223951..... 80
1001181045.....367, 369, 476	1001198338 295	1001222055 355, 357, 359, 361, 365	1001223952..... 80
1001182162.....300	1001198339 291	1001222336 347, 476	1001223953..... 80
1001182806.....99	1001198340 296	1001222340 79, 477	1001223971.....461
1001182980.....128	1001198341 296	1001222358 70	1001223977..... 61
1001182982.....128	1001199035 469	1001222359 73, 75	1001223981..... 67
1001182983.....129	1001199036 469	1001222360 73, 75	1001223987.....129
1001182997.....65	1001200054 179	1001222363 79	1001223997.....131
1001183726.....154, 158, 162	1001200491 191	1001222365 79, 477	1001224000.....131
1001184626.....222, 226	1001200494 191	1001222369 391, 427	1001224009.....131
			1001224048.....465
			1001224049.....467
			1001224050.....459
			1001224052.....455
			1001224053.....463
			1001224384..... 65
			1001224585.....131, 141

SECTION 11 - SPECIAL OPTIONS/ACCESSORIES/KITS

1001224943..... 79	1001227526..... 158, 162	1001229098..... 109	1001232084..... 113, 117
1001225072..... 135	1001227633..... 243	1001229208..... 103	1001232164..... 243
1001225093..... 131	1001227634..... 243	1001229232..... 443	1001232165..... 243
1001225094..... 131	1001227723..... 161	1001229233..... 441	1001232181..... 131
1001225095..... 131	1001227724..... 153	1001229341..... 243	1001232214..... 480
1001225104..... 131	1001227725..... 157	1001229530..... 407, 411	1001232375..... 129
1001225120..... 85	1001227731..... 113	1001229556..... 113	1001232495..... 83
1001225131..... 347, 477	1001227734..... 113	1001229561..... 129	1001232499..... 83
1001225219..... 443	1001227735..... 113	1001229790..... 83	1001232528..... 122
1001225362..... 427	1001227740..... 149	1001229791..... 83	1001232529..... 125
1001225429..... 131	1001227741..... 149	1001230008..... 112	1001232642..... 247
1001225476..... 387	1001227742..... 149	1001230010..... 113	1001232667..... 247, 477
1001225477..... 387	1001227743..... 149	1001230014..... 112	1001232840..... 347
1001225557..... 347	1001227763..... 79	1001230154..... 80	1001232841..... 347
1001225558..... 347	1001227788..... 83, 476	1001230187..... 480	1001232893..... 453
1001225580..... 245, 435	1001227793..... 109, 112	1001230504..... 480	1001232986..... 469
1001225591..... 387	1001227794..... 113	1001230507..... 80	1001233008..... 461
1001225731..... 123	1001227798..... 113	1001230522..... 83, 443	1001233009..... 465
1001225733..... 123	1001227816..... 481	1001230605..... 122, 395	1001233010..... 459
1001225804..... 67	1001227850..... 359	1001230711..... 70	1001233011..... 455
1001225969..... 85	1001227851..... 361	1001230712..... 70	1001233012..... 467
1001225985..... 122	1001227853..... 357	1001230714..... 79	1001233013..... 463
1001225994..... 391, 407	1001227869..... 67	1001231225..... 153, 158, 162, 401	1001233063..... 461
1001226031..... 73	1001227870..... 67	1001231249..... 70	1001233064..... 465
1001226120..... 77, 79	1001227892..... 300	1001231260..... 157, 161	1001233065..... 459
1001226121..... 80	1001227898..... 482	1001231263..... 103	1001233066..... 455
1001226124..... 80	1001227901..... 75	1001231323..... 131	1001233067..... 467
1001226146..... 79	1001227904..... 480	1001231425..... 347	1001233068..... 463
1001226190..... 79	1001227909..... 141	1001231426..... 347	1001233188..... 79
1001226267..... 391	1001227925..... 391	1001231481..... 347	1001233198..... 79, 476
1001226268..... 391	1001227985..... 243	1001231482..... 347	1001233203..... 79
1001226269..... 391	1001227987..... 243	1001231514..... 347	1001233249..... 67
1001226270..... 391	1001227996..... 431, 433	1001231515..... 347	1001233420..... 391
1001226404..... 83, 405	1001228087..... 167, 285	1001231519..... 347	1001233440..... 347
1001226421..... 113	1001228113..... 109	1001231520..... 347	1001233441..... 391
1001226452..... 112	1001228170..... 43, 45	1001231521..... 347	1001233442..... 79
1001226453..... 112	1001228224..... 243, 477	1001231522..... 347	1001233443..... 70
1001226468..... 427	1001228225..... 243, 477	1001231569..... 70	1001233444..... 70
1001226489..... 79	1001228359..... 113	1001231570..... 70	1001233445..... 80
1001226492..... 79	1001228370..... 451, 461	1001231581..... 70	1001233446..... 71
1001226506..... 427	1001228403..... 113	1001231582..... 70	1001233447..... 80
1001226522..... 391	1001228411..... 451, 453, 455, 457, 459, 461, 463, 465, 467	1001231596..... 70	1001233448..... 347
1001226541..... 385	1001228440..... 79, 476	1001231597..... 70	1001233573..... 296
1001226636..... 385	1001228475..... 109	1001231598..... 70	1001233635..... 65
1001226637..... 385	1001228517..... 113	1001231599..... 70	1001233640..... 65
1001226739..... 375, 377, 379, 381, 385	1001228628..... 427	1001231600..... 70	1001233641..... 61, 65
1001226799..... 377, 379, 381	1001228629..... 427	1001231601..... 70	1001233737..... 70
1001226814..... 43, 49	1001228678..... 295	1001231606..... 70	1001233761..... 393
1001226929..... 77	1001228679..... 295	1001231607..... 70	1001233785..... 451, 453, 455, 457, 459, 461, 463, 465, 467
1001226930..... 77	1001228679..... 295	1001231608..... 70	1001233825..... 347
1001226931..... 77	1001228696..... 295	1001231655..... 70	1001234099..... 480
1001226932..... 77, 476	1001228723..... 131	1001231656..... 70	1001234102..... 480
1001226933..... 77, 476	1001228799..... 43, 179	1001231657..... 70	1001234287..... 393
1001226934..... 77, 476	1001228882..... 113	1001231658..... 71	1001234288..... 393
1001226935..... 70, 79	1001228945..... 113	1001231685..... 347, 351	1001234289..... 393
1001227080..... 347, 391	1001228949..... 379	1001231686..... 347, 349	1001234306..... 482
1001227108..... 67	1001228954..... 379	1001231700..... 70, 347	1001234313..... 347, 476
1001227307..... 109	1001228985..... 389, 391	1001231801..... 469	1001234314..... 79, 476
1001227338..... 61	1001228988..... 255, 471, 473	1001231839..... 70	1001234488..... 79, 476
1001227356..... 355, 357, 359, 361, 363	1001229017..... 85	1001231840..... 70	1001234588..... 345
1001227359..... 355, 357, 359, 361	1001229018..... 85	1001231886..... 99	1001234944..... 469
1001227383..... 61	1001229066..... 151	1001231949..... 265	1001234945..... 469
1001227448..... 375	1001229067..... 151	1001231950..... 261	1001234946..... 469
	1001229080..... 153, 341, 345	1001232010..... 261, 263, 265	1001234947..... 469
		1001232011..... 261, 265	1001235097..... 469

SECTION 11 - SPECIAL OPTIONS/ACCESSORIES/KITS

1001235160.....482	1001245030..... 83, 393	1001253933 463	1001274559.85, 221, 225
1001235269.....480	1001245177 87, 229	1001253936 455	1001274829.....481
1001235296..... 158	1001246142 480	1001253937 455	1001274830.....481
1001235452..... 131	1001246144 377	1001254472 247	1001274831.....481
1001235453..... 131	1001246145 381	1001254473 247	1001274833.....481
1001235518..... 113	1001246473 377	1001255133 171, 191	1001275628..... 221, 225
1001235519..... 162	1001246474 381	1001255901 383	1001275629..... 221, 225
1001235839..... 109	1001246859 85	1001257271 259, 263	1001275642..... 482
1001236206..... 131	1001247073 482	1001257274 259	1001275643..... 482
1001236341 122	1001247099 165	1001258495 431, 433	1001276376..... 125, 145
1001236370..... 109	1001247147 165, 171	1001260475 185	1001276377..... 125, 143
1001236434..... 122	1001247362 83, 476	1001260680 171	1001276610..... 373
1001236435..... 33	1001247415 129, 135	1001260937 226	1001276923..... 480
1001236489..... 395	1001247468 191, 476	1001261272 177	1001277415..... 482
1001236490..... 395	1001247762 469	1001261274 177	1001277841..... 482
1001236552..... 247	1001248140 259, 261, 263, 265	1001261335 259	1001281452..... 481
1001236746..... 265	1001248141 259, 261, 263, 265	1001261336 263	1001281453..... 481
1001236747 261	1001248171 153	1001261338 259	1001281456..... 481
1001236759 79, 477	1001249003 77, 391	1001261339 263	1001281457..... 481
1001236891 259, 261, 263, 265	1001249004 77, 83	1001262016 482	1001281458..... 481
1001236895 259, 261, 263, 265	1001249005 77, 85	1001262322 375	1001281459..... 481
1001236962..... 341	1001249006 451	1001262326 375	1001281461..... 481
1001236967 79	1001249007 463	1001262959 482	1001281705..... 229
1001237291 123	1001249008 465	1001263579 482	1001281706..... 87
1001237667 403, 414	1001249009 461	1001263587 226	1001281717..... 229
1001237668 403, 414	1001249010 459	1001264430 75	1001281718..... 87
1001237844 469	1001249011 467	1001264698 91	1001282215..... 481
1001237863 243, 431	1001249012 455	1001264701 91	1001282461..... 482
1001237864 243, 433	1001249013 451, 453, 455, 457, 459, 461, 463, 465, 467, 469	1001264705 219, 225	1001282826..... 391, 411
1001237865 243, 429	1001249014 89	1001264706 219	1001284504..... 185
1001237882 481	1001249015 93	1001264804 95	1001284688..... 451, 453, 455, 457, 459, 461, 463, 465, 467
1001237883 481	1001249018 89	1001264807 95	1001284800..... 85, 477
1001237918 133, 137	1001249019 93	1001265163 445	1001284959..... 65
1001237919 131, 133	1001249052 482	1001265342 445	1001285015..... 65
1001237931 129, 131	1001249548 453	1001266056 481	1001285021..... 125
1001237932 125, 128	1001249549 457	1001266070 217, 221	1001285025..... 122
1001238263 259, 261, 263, 265	1001249695 482	1001266074 217	1001285027..... 123, 125
1001238307 480	1001249941 482	1001266290 481	1001286022..... 482
1001238309 73, 75	1001250035 481	1001266489 481	1001287769..... 65
1001238319 243	1001250292 113	1001266807 481	1001295242..... 171
1001238418 247, 437	1001250293 112	1001266829 185	1001296426..... 409
1001238421 191	1001250595 482	1001267328 451, 453, 455, 457, 459, 461, 463, 465, 467	1001296839..... 296
1001238472 247	1001251009 165, 279	1001267885 455	1001296840..... 296
1001238495 245	1001251010 165, 277	1001268736 481	1001296842..... 296
1001238559 247	1001251012 171, 275	1001269187 481	1001296853..... 295
1001238732 87, 229	1001251030 165, 271	1001269322 255	1001296858..... 296
1001239347 101	1001251041 165, 273	1001269573 255	1001296861..... 296
1001241385 99	1001251050 165, 281	1001269630 481	1001296993..... 296
1001241547 482	1001251086 169, 287	1001269631 481	1001296994..... 296
1001241548 482	1001252629 259, 261, 263, 265	1001269655 482	1001297393..... 85
1001241965 247	1001253726 249	1001270068 291	1001299797..... 481
1001242192 480	1001253920 451	1001270080 295	1001299798..... 391, 403
1001243183 480	1001253921 451	1001270081 296	1001303167..... 482
1001243184 480	1001253922 461	1001270482 480	1001303430..... 249
1001243414 113	1001253923 461	1001270594 103	1001303656..... 481
1001243682.99, 101, 447	1001253924 465	1001271642 481	1001305520..... 481
1001243869 151	1001253925 465	1001272166 481	1001306803..... 51, 53
1001244352 153	1001253926 459	1001272182 481	1001307723..... 171, 173
1001244474 105	1001253927 459	1001272659 373	1001308593..... 481
1001244475 107	1001253930 467	1001272681 105	1001309057..... 480
1001244926 153	1001253931 467	1001272997 383	1001311034..... 247, 477
1001245026 222, 226, 413	1001253932 463	1001273012 373, 383	1060341.... 235, 237, 239, 241
1001245028 391, 441		1001273156 482	1060343..... 162
		1001274218 65	1060545..... 369, 371

SECTION 11 - SPECIAL OPTIONS/ACCESSORIES/KITS

1060637 122	1703811 ... 451, 453, 455, 457, 459, 461, 463, 465, 467	1705489..... 153, 158	2220385 295
1060903 ... 235, 237, 239, 241	1703814 ... 451, 453, 455, 457, 459, 461, 463, 465, 467	1705822..... 453, 457	2220415 300
1060908 367	1703923 467	1705828..... 453, 457	2220451 295
1060918 233	1703924 461	1705895..... 455	2220466 300
10702077 158, 162	1703925 459	1705896..... 455	2220468 295, 301
10702082 158, 162	1703926 463	1705897..... 455	2220472 301
10836804 85	1703935 467	1705898..... 455	2220473 295, 300
1120510 165	1703936 461	1705902..... 455	2220478 300
1120555 249	1703938 463	1705903..... 455	2220490 300
1120601 112	1703939 465	1705905..... 455	2220499 295
1180346 177	1703941 467	1705910..... 467	2220500 295, 300
1260017 37, 57	1703942 461	1705917..... 467	2220501 301
1260135 39	1703943 459	1705921..... 453, 457	2220582 295, 300
1320022 128	1703944 463	1705961..... 453, 457	2220593 300
1320060 77	1703945 465	1705967..... 455, 469	2220596 300
1320061 73, 75	1703947 467	1705968..... 469	2220600 300
1320250 177	1703948 461	1705969..... 465, 469	2220603 301
1320256 ... 355, 357, 359, 361	1703949 459	1705977 ... 453, 455, 457, 459, 461, 463, 465, 467	2220605 300
1320263 122, 391	1703950 463	1705978..... 453, 457	2220654 295
1320265 122	1703951 465	1706059..... 455	2220671 295
1320274 128	1703953 451	1706060..... 459	2220683 295
1320288 175	1703959 ... 451, 453, 455, 457, 459, 461, 463, 465, 467	1706061..... 465	2220737 300
1320289 175	1703960 ... 451, 453, 455, 457, 459, 461, 463, 465, 467	1706062..... 463	2220765 300
1320302 ... 251, 253, 255	1703980 463	1706063..... 467	2220852 300
1321385 122	1703981 465	1706064..... 461	2220865 295
1380147 151	1703982 459	1706068..... 453, 457	2220883 27, 49, 269, 273, 275, 277, 279, 285
1580012 215	1703983 467	1706385..... 207, 213	2220885 ... 269, 275, 281, 285, 287
1580013 481	1703984 461	2030010..... 251, 253, 255	2220886 27, 49, 273, 277, 279, 285, 287
1600244 482	1704000 461, 469	2080040 ... 112, 195, 199, 203, 209	2220888 27
1670603 331	1704001 467, 469	2080072..... 112	2220923 300
1670844 165	1704260 221, 225	2110404..... 291, 295	2220947 301
1670850 165	1704277 ... 451, 453, 455, 457, 459, 461, 463, 465, 467	2110406..... 295	2220950 301
1671034 171	1704412 ... 451, 453, 455, 457, 459, 461, 463, 465, 467	2110408..... 291	2220998 295
1671092 162	1704578 37	2110606..... 291, 295	2221034 301
1671093 253	1704972 451	2110608..... 303	2221036 301
1671314 225	1705014 207, 213	2110808..... 295	2221040 295
1701499 ... 451, 453, 455, 457, 459, 461, 463, 465, 467	1705090 37	2110812..... 295	2221046 122
1701501 ... 451, 453, 455, 457, 459, 461, 463, 465, 467	1705305 ... 255, 471, 473	2130406..... 295	2221050 295
1701505 ... 451, 453, 455, 457, 459, 461, 463, 465, 467	1705325 309, 311	2130604..... 295	2221077 295
1701509 ... 249, 451, 453, 455, 457, 459, 461, 463, 465, 467	1705336 451	2130606..... 295	2221086 300
1701518 453, 457	1705344 463	2130808..... 295	2300016 23
1702155 ... 451, 453, 455, 457, 459, 461, 463, 465, 467	1705345 465	2131612..... 295	2400060 445
1702565 221, 225	1705347 461	2131616..... 295	2400080 347, 476
1702566 221, 225	1705348 465	2150406..... 295	2400081 387
1702567 221, 225	1705351 451	2151616..... 295	2410014 207, 213
1702773 ... 207, 213, 469	1705355 471, 473	2170408..... 295	2560136 221, 225
1702774 469	1705358 469	2170504..... 295	2560187 115, 117
1702861 469	1705374 333, 335	2170706..... 303	2600281 ... 195, 199, 203, 209
1702868 ... 255, 451, 469, 473	1705375 162	2180348..... 122	2720058 122
1703797 451, 465	1705387 162	2180666..... 122	2720271 122
1703804 451	1705426 463	2180876..... 122	2751399 296
1703805 451	1705427 465	2220237 295, 300	2751500 296
	1705429 461	2220238 295, 303	2752461 300
	1705430 459	2220240 300	2752468 300
	1705460 158, 162	2220250 122	2752484 301
	1705461 158	2220315 128	2752489 296
		2220366 295	2752493 296
		2220371 295, 300	2752494 296, 300
		2220373 295, 300	2752723 300
		2220374 295	2752765 296
		2220375 295	2752766 301
		2220377 300	2752767 301
		2220380 295	2752768 301
		2220381 300	

SECTION 11 - SPECIAL OPTIONS/ACCESSORIES/KITS

2752930.....301	3271805 59, 151, 207, 213	3312002 51, 259, 261, 263, 265	3520198.....195, 197, 199, 201, 203, 205, 209, 211
2752938.....296	3272001 ... 259, 261, 263, 265	3312005 249	3538047..... 15, 17
2752978.....301	3290405 ... 103, 105, 309, 311, 315, 317, 319, 321, 323, 325, 327, 329, 331, 445	3312205 249	3538758.....175
2752995.....300	3290501 135	3322201 59	3570775.....285
2752997.....296	3290601 115, 117, 122	3331611 128	3570928..... 183, 185
2753008.....300	3290605 128, 149	3340764 175	3572606..... 183, 185
2753010.....300	3290606 ... 197, 201, 205, 211	3340828 169	3572607..... 183, 185
2753123.....301	3290607 77, 105, 107	3340835 165, 169	3573400..... 251, 253, 255
2753126.....300	3290805 ... 128, 149, 391	3340838 285	3573642..... 251, 253
2753189.....301	3290806 191	3340840 175	3574091..... 239, 241
2753190.....301	3290807 131	3340859 177	3575359..... 235, 237
2753191.....301	3291001 128, 191	3340871 167	3577121..... 251, 253, 255
2753192.....300	3291005 ... 128, 131, 191	3340881 169	3580317..... 153, 157, 161
2753195.....300	3291007 128, 131	3340941 175	3580318..... 161
2753196.....300	3291201 ... 153, 157, 161, 191	3340943 175	3580319..... 157
2753197.....300	3291205 122, 191	3340956 249	3641569..... 235, 237
2753199.....300	3300007 23	3340966 21	3740086..... 437, 477
2753200.....300	3300151 ... 197, 201, 205, 211, 251, 253, 255	3380434 217, 219	3740112..... 83, 477
2753231.....300	3300205 77	3380535 189	3760133..... 167
2753274.....300	3300353 85, 221, 225	3420292 37	3760170..... 39, 57
2753442.....300	3300364 67, 112	3420372 39	3790012..... 221, 225, 231
2753542.....296	3300365 83	3420447 39	3790044..... 125
2753622.....295	3300396 158, 162	3421565 57	3820001..... 37, 451, 453, 455, 457, 459, 461, 463, 465, 467
2753626.....296	3300408 87	3422417 19, 21	3820020..... 195, 199, 203, 209
2753628.....296	3300430 245	3422446 122	3841143..... 122, 165, 167, 171, 191
2753634.....296	3300454 ... 73, 75, 83, 109	3422457 167	3841287..... 15, 17, 165
2753686.....295	3310601 151	3422533 122	3841340..... 171, 177
2753879.....303	3310605 70, 187	3422561 165	3841356..... 165
2753970.....296	3310801 183, 185	3422583 165	3841406..... 175
2754337.....296	3310805 79	3422681 165	3841520..... 19, 21
2754338.....296	3311001 158, 162	3422682 165	3900054..... 207, 213
2754512.....296	3311005 79, 83, 107, 158, 162, 221, 225, 251, 253, 255	3422683 165	3900210..... 112, 115, 117
2820019.....399	3311401 37, 70, 235, 237, 239, 241	3422684 165	3900239..... 165
2820031..... 153, 157, 161	3311405 . 79, 85, 99, 101, 109, 153, 179, 183, 185, 187, 217, 219, 247, 309, 311, 315, 317, 319, 321, 323, 325, 327, 329, 331, 341, 343, 345, 451, 453, 455, 457, 459, 461, 463, 465, 467	3422685 165	3900258..... 109
2820247..... 431, 433	3311501 ... 112, 235, 237, 239, 241	3422686 165	3900259..... 167
2840018..... 151	3311505 23, 83, 115, 117, 157, 161, 179	3422687 165	3900262..... 177
2860030..... 85, 476	3311601 ... 61, 65, 70, 77, 112, 177, 222, 226, 247, 391	3422688 165	3900283..... 175
2900708..... 43	3311602 177	3422689 165	3900293..... 51
2900756..... 23	3311605 ... 33, 61, 65, 73, 75, 83, 109, 112, 171, 175, 177, 207, 213, 217, 219, 251, 253, 255	3422690 167	3900316..... 112
2900792.... 271, 273, 275, 277, 279	3311801 . 23, 70, 183, 185	3422729 165	3900349..... 221, 225
2902212..... 249	3312001 39	3422790 19, 21	3900363..... 115, 117
2902217..... 251, 253		3422848 21	3900382..... 133
2902396..... 480		3422860 171	3910606..... 161, 333, 335
2910887..... 480		3422861 171	3910610..... 151, 307, 313
2915094..... 55, 482		3422867 171	3910804..... 85
2940045..... 112		3430616 222, 226	3911010..... 107
2940074.... 195, 199, 203, 209, 476		3430820 151	3930606..... 187
2940173..... 112		3450304 131	3930616..... 70
3020029..... 55		3450404 151	3930812..... 79
3020039..... 15, 17		3460334 249	3930816..... 185, 189
3124242..... 249		3470003 222, 226	3930824..... 183, 185
3160348..... 23, 27		3520026 225	3931010..... 70, 79, 83
3250872..... 37		3520027 225	3931016 79, 83, 157, 161, 221, 225
3251102..... 153		3520030 113	3931048..... 79
3251242.... 315, 317, 319, 321, 323, 325, 327, 329, 331		3520032 112	3931408..... 245
3251243..... 162		3520034 171	3931412..... 70, 73, 75
3252347..... 451		3520035 85, 183, 185, 189	3931432..... 183, 185
3252764..... 157, 161		3520054 221, 225	3931436..... 183, 185
3271405..... 77, 122		3520071 249	3931448..... 285
3271505..... 67		3520072 ... 195, 197, 199, 201, 203, 205, 207, 209, 211, 213	3931464..... 183
3271605.... 259, 261, 263, 265		3520173 112	3931664..... 285
		3520189 158	
		3520192 158	

SECTION 11 - SPECIAL OPTIONS/ACCESSORIES/KITS

3952020 51	4360517 59, 477	413, 435, 437, 439,	4460884 ... 185, 351, 393,
3960422 ... 161, 307, 313,	4360578 ... 183, 185, 189,	441, 443, 445, 447	413, 435, 441, 445
333, 335	477	4460465 67, 103, 105,	4460887 ... 407, 413, 441,
3960468 125	4420014 249	154, 185, 349, 351,	445
3960469 125	4420037 ... 251, 253, 255	353, 359, 363, 365,	4460891 67, 103, 105,
3960526 23	4420038 61, 65	385, 389, 393, 395,	349, 351, 353, 359,
4010618 ... 197, 201, 205,	4420051 37, 469	397, 399, 401, 403,	395, 407, 411, 439,
211	4420060 189	407, 411, 413, 435,	441, 443, 447
4031505 243	4420066 249	439, 441, 443, 445, 447	4460892 411
4031509 103, 105	4460016 414	4460466 243, 349, 351,	4460894 ... 385, 403, 411,
4031516 247	4460019 ... 349, 351, 395,	363, 365, 385, 387,	413, 443
4031707 131	443	389, 393, 395, 403,	4460897 65, 103, 359,
4031708 131	4460042 403, 407	405, 407, 411, 413,	387
4060092 313	4460049 ... 235, 237, 239,	429, 435, 437, 439,	4460899 ... 389, 409, 429,
4060802 ... 153, 157, 161	241	441, 443, 445	435, 437
4060805 ... 113, 175, 183,	4460051 307, 313	4460467 482	4460905 ... 393, 403, 407,
185	4460071 161, 233	4460470 83, 221, 225,	411, 413, 441
4061032 77	4460125 313	391, 413	4460906 443
4070450 39	4460142 395, 407	4460471 83, 221, 225,	4460910 ... 185, 347, 433
4070560 39	4460144 403	391, 413	4460911 ... 347, 429, 441
4070561 39	4460183 414	4460473 363, 365	4460928 439
4070863 167	4460205 307	4460488 85, 105, 107,	4460931 387
4070864 167	4460224 ... 221, 225, 393	391	4460932 ... 383, 393, 441,
4070878 15, 17	4460225 ... 397, 399, 414,	4460496 347, 391	445
4070879 15, 17	443	4460497 347, 391	4460933 ... 413, 439, 441
4070897 167, 169	4460226 ... 103, 221, 225,	4460508 243, 363, 389,	4460941 429
4070898 167, 169	233, 235, 237, 239,	395, 413, 441, 443	4460942 243
4070929 169	241, 387, 389, 393, 441	4460509 ... 349, 351, 363,	4460943 ... 363, 389, 403,
4070967 169	4460227 ... 411, 413, 414,	365, 441	411, 413, 429, 441
4070968 169	441	4460510 482	4460944 ... 363, 365, 403,
4070969 175	4460233 73, 313	4460518 ... 353, 389, 413,	405, 407, 413, 441, 443
4070991 85	4460234 ... 221, 225, 235,	439, 441	4460945 ... 403, 407, 443
4071007 169	237, 239, 241, 375,	4460536 ... 401, 413, 447	4460950 351
4071052 175	377, 379, 381	4460539 ... 351, 393, 403,	4460956 367, 369
4071059 21	4460247 407	407, 411, 413, 443, 447	4460957 367, 369
4100062 301	4460256 ... 349, 351, 395	4460612 333, 335	4460958 335
4160194 112	4460259 ... 403, 407, 414,	4460705 393	4460962 253
4240018 ... 153, 157, 161,	445	4460708 391, 413	4460963 162
333, 335	4460260 ... 403, 407, 409,	4460722 405, 443	4460967 154, 401
4240032 ... 105, 107, 347,	414, 445	4460742 349, 351	4460968 ... 183, 185, 189
373, 375, 377, 379, 381	4460265 443	4460746 393	4460970 403
4240033 ... 105, 107, 243,	4460266 393	4460748 393	4460979 405
245, 247	4460267 ... 393, 413, 414,	4460761 ... 387, 389, 393,	4460993 67
4240084 33	441	413	4460994 ... 67, 389, 395,
4240099 . 70, 77, 83, 122,	4460268 ... 397, 399, 405,	4460789 393	443
221, 225, 235, 237,	443	4460790 349, 351	4461070 439
239, 241, 251, 253,	4460314 414	4460806 ... 319, 321, 323,	4461077 429, 437
341, 345, 357, 359,	4460315 ... 307, 313, 413	325	4461095 439
361, 391	4460326 405	4460807 397, 399	4461157 ... 349, 351, 405
4240149 249	4460343 413	4460808 397, 399	4461196 417
4280296 35	4460346 161, 307	4460836 351, 407	4461198 311, 417
4340706 169	4460418 403, 413	4460850 349, 351	4461199 419
4360057 ... 235, 237, 239,	4460419 403, 413	4460851 353, 411	4461201 317, 419
241, 477	4460424 441	4460852 353, 411	4461205 421, 423
4360070 ... 158, 162, 476	4460425 ... 158, 162, 235,	4460865 363, 365	4461244 321, 421
4360328 231, 477	237, 239, 241, 333, 335	4460866 ... 363, 413, 441	4461245 325, 423
4360336 ... 153, 157, 161,	4460426 158, 162	4460871 ... 393, 403, 407,	4461246 329, 425
477	4460427 407	409, 411, 413, 441, 447	4461249 425
4360387 93, 95, 221, 225,	4460428 221, 225	4460872 411	4461261 349, 351
477	4460434 441	4460873 413, 441	4461271 407
4360407 ... 221, 225, 476	4460457 393	4460874 393, 413	4520252 29
4360436 477	4460458 393	4460875 411, 413	4520253 31
4360469 85, 477	4460464 ... 103, 233, 349,	4460876 403	4530028 ... 251, 253, 257
4360475 477	351, 359, 363, 383,	4460877 427	4567139 301
4360476 85	385, 387, 389, 393,	4460878 441	4567757 301
4360498 ... 183, 185, 477	395, 401, 403, 407,	4460879 413, 445	4640261 37
4360499 ... 183, 185, 477		4460880 395, 411	

SECTION 11 - SPECIAL OPTIONS/ACCESSORIES/KITS

4640509.....273, 275, 277, 279	475180059, 70, 207, 213, 235, 237, 239, 241	70001100 157	70004055.....45
4640605.....271, 273, 279	4752000 122	70001248 59	70004069.....147
4640858.....269	4760600 307, 313	70001384 157	70004070.....147
4640866.....43	4761400 85, 215	70001696 158, 162	70004092... 153, 158, 162
4640932.....271	4762000 39	70001966 .. 153, 157, 161	70004093..... 157, 161
4641032.....287	4770600 151	70001973 .. 153, 158, 162	70004094..... 158, 162
4641033.....285	4771200 83	70001974 158, 162	70004095..... 158, 162
4641122.....29, 31, 33	4811400 ... 103, 105, 309, 311, 315, 317, 319,	70002013 175	70004096..... 158, 162
4641192.....49	321, 323, 325, 327, 329, 331, 445	70002014 175	70004097..... 158, 162
4641284.....295	4811600 70, 79, 135	70002064 181	70004098... 153, 158, 162
4641303.....23	4811602 135	70002112 63	70004099..... 157, 161
4641435..... 183, 185	481170077, 83, 105, 107, 128, 141, 149, 197, 201, 205, 211	70002231 43, 476	70004171.....153
4710600.....70	4811702 149	7000224 25	70004199.....63
4711000.79, 83, 158, 162	4811900 70, 128, 131, 149, 191, 391	70002297 157, 161	70004311.....137
4711400....43, 70, 73, 75, 77, 79, 83, 85, 97, 99, 101, 109, 122, 153, 157, 161, 179, 197, 201, 205, 211, 245, 247, 309, 311, 315, 317, 319, 321, 323, 325, 327, 329, 331, 341, 343, 345	4811902 128, 149	70002315 137	70004381.....283
4711500....23, 67, 77, 79, 115, 117, 122, 157, 161, 179, 185, 391	4812000 ... 122, 128, 131, 153, 157, 161, 191	70002316 137	70004382.....283
4711600....15, 17, 43, 73, 75, 83, 154, 158, 162, 167, 169, 175, 177, 217, 219, 222, 226, 259, 261, 263, 265, 355, 357, 359, 361, 391	4812002 128	70002317 137	70004395..... 137, 476
4711800..... 151, 207, 213	4812100 122, 191	70002318 137	70004397.....137
4712000....249, 259, 261, 263, 265	4843777 39	70002319 137	70004398.....137
4712200.....249	4844816 171	70002320 137	70004399.....137
4740036.....39	4844817 171	70002321 137	70004400..... 137
4740057.....51	4844958 57	70002322 137	70004457..... 45
4740155.....21	4845593 165	70002323 137	70004459..... 45
4740256.....19, 21	4845680 177	70002326 138	70004460..... 45, 476
4740362.....217, 219	4845730 175	70002327 138	70004461..... 45, 46
4740397.....85	4846562 249	70002328 138	70004463..... 45, 476
4740439.....171	4846627 251, 253	70002330 138	70004525.....137
4740444.....85	4846673 239, 241	70002373 .. 271, 275, 281	70004526..... 137
4740463.....19, 21	4860224 29	70002386 181, 476	70004530.....137
4740472.....15, 17	4860225 31, 33	7000239 25	70004531.....137
4740473.....19, 21	4871700 ... 154, 158, 162	7000240 25	70004536.....137
4740518.....85	4891500 77, 83	70002460 158, 162	70004537.....137
4750800.....79	4891600 59, 113, 171, 191	70002744 283	70004538.....137
4751000.....65, 107, 157, 161, 221, 225, 251, 253, 255	4891800 23, 125, 151	70002745 283	70004539.....137
4751400..35, 37, 85, 109, 112, 115, 117, 183, 185, 187, 189, 215, 217, 219, 221, 225, 235, 237, 239, 241, 251, 253, 255, 451, 453, 455, 457, 459, 461, 463, 465, 467	4892000 23, 55	70002748 283	70004540.....137
475150037, 67, 112, 235, 237, 239, 241	4892200 15, 17	70002749 283	70004544.....137
4751600....33, 35, 61, 65, 70, 77, 79, 105, 107, 109, 112, 251, 253, 255	4892600001 171, 191	70002751 283	70004548..... 45
	4922216 355	70002814 63	70004594..... 45
	4922217 355	7000283 25	70004595..... 45, 476
	4922219 357, 359	70002838 63	70004596..... 45
	4922220 357, 359	70002839 63	70004597..... 45
	4922578 ... 355, 357, 359, 361	7000284 25	70004598..... 45
	4922579 359	70002842 269	70004653..... 45, 476
	4922580 359	7000289 25	70004657..... 45
	4922641 157, 161	70002901 147	70004665..... 45
	4922925 ... 157, 161, 399	70002902 233	70004667..... 45
	5240800 131	70002903 233	70004676.....153
	5241000 128, 131	70002904 233	70004678.....153
	5241200 ... 153, 157, 161, 191	70002905 233	70004679.....153
	5241600 128	70003019 45	70004680..... 153
	5250806 133	70003060 137	70004681.....153
	5251008 191	70003061 137	70004682.....153
	5251016 191	70003063 138	70004683.....153
	5260818 77	70003064 138	70004795..... 63
	70000619 157, 161	70003454 59	70004842.....137
	70000797 27	70003631 157, 161	70005143..... 271, 281
	70000863 157	70003649 49	70005144..... 271, 281
		70003708 .. 153, 158, 162	70005194..... 45
		70003709 .. 153, 157, 161	70005195..... 45
		70003784 221, 225	70005196..... 45
		70003790 181	70005197..... 45
		70003935 23	70005198..... 45
		70003936 23	70005199..... 46
		70003975 49	70005200..... 46
		70004050 45	70005201..... 46
		70004051 45	70005202..... 46
		70004052 45	70005220.....137

SECTION 11 - SPECIAL OPTIONS/ACCESSORIES/KITS

70005221	137	70007505	137	7002826.....	482	7022311	27
70005224	137	70007785	143	7002840.....	482	7022312	27
70005226	137	70007786	143	70029468.....	279	7022314	27
70005227	137	70007787	143	7004275.....	482	7022326	27
70005228	138	70007788	143	7004276.....	482	7022328	27
70005293	147	70007789	143	70050795.....	287	7022368	27
70005294	147	70007790	143	7007437.....	27	7022371	27
70005295	147	70007791	143	7007438.....	27	7022372	27
70005296	147, 476	70007792	143	7007439.....	27	7022397	23
70005297	147	70007793	143	7007446.....	27	7022399	23
70005594	287	70007794	143	7010543.....	49	7023124	137
70005624	153	70007795	143	7011112.....	271	7023126	138
70005663	482	70007796	143	7011333.....	183, 185	7023144	138
70005708	63	70007797	143	7011342.....	183, 185	7023145	138
70005839	287	70007798	143	7012518.....	49	7023148	137
70005871	275	70007799	143	7012773.....	45	7023149	137
70006344	287	70007800	143	7012914.....	181	7023154	137
70006576	67	70007801	143	7012918.....	181	7023157	137
70006577	67	70007802	143	7012928.....	49	7023164	137
70006578	67	70007966	271	7012941.....	49	7023165	137
70006579	67	70007967	271, 281	7012943.....	49	7023167	137
70006596	271, 275, 281	70007968	271, 281	7012944.....	49	7023168	137
70006661	137	70007969	271, 281	7012953.....	49, 179, 181	7023170	138
70006664	137	70007981	287	7012959.....	43	7023907	27
70006665	138	70007992	281	7012965.....	181	7023908	27
70006667	137	70008175	275	7012967.....	181	7023910	27
70006669	285	70008176	275	7012970.....	179	7023911	181
70006670	285	70008177	275	7012979.....	49, 181	7023912	181
70006671	285	70008178	275	7012995.....	49	7023917	23
70006672	285	70008179	275	7015004.....	128, 476	7023933	23
70006673	25	70008199	287	7016652.....	482	7024021	45
70006674	25	70008200	287	7016654.....	482	7024149	25
70006675	25	70008201	287	7017028.....	25	7024151	25
70006676	25	70008202	287	7017047.....	25	7024154	25
70006677	25	70008203	287	7017082.....	25	7024190	25
70006678	25	70008204	287	7017402.....	181	7024191	25
70006680	25	70008205	287	7017406.....	181	7024404	59
70006684	25	70008206	287	7017452.....	181	7024441	63
70006685	25	70008207	287	7017466.....	43	7024462	257
70006690	25	70008208	287	7017496.....	49	7024463	257
70006691	25	70008209	287	7017901.....	138	7024467	257
70006692	25	70008210	287	7017913.....	137	7024469	257
70006832	25	70008497	145	7017914.....	137	7024470	257
70006833	25	70008498	145	7017934.....	137	7024471	257
70006955	45	70008500	145	7017958.....	138	7024472	257
70006956	45, 476	70008501	145	7017963.....	138	7024473	257
70006957	45	70008502	145	7018942.....	46	7024474	257
70006961	45	70008504	145	7018951.....	46	7024475	257
70007246	273, 277	70008505	145	7018991.....	45, 476	7024478	257
70007277	279	70008511	145	7018992.....	45	7024485	158, 162, 476
70007278	273, 277, 279	70008600	145	7020064.....	177	7024488	157, 161
70007279	279	70008601	145	7020065.....	177	7024489	157, 161
70007280	279	70008602	145	7020066.....	177	7024508	285
70007282	273, 277, 279	7001928	25	7020067.....	177	7024599	151
70007283	279	70022564	271, 273, 275, 277, 279, 281	7020175.....	221, 225	7024782	25
70007419	279	70023370	271	7020176.....	221, 225	7024854	27
70007420	279	70023380	273, 277	7021249.....	27	7024868	27
70007421	277	70023859	45	7021275.....	27	7024881	23
70007422	273, 277	70023860	45	7021276.....	27	7026197	59
70007423	273, 277	70023862	45	7021277.....	27	7026503	59
70007424	277	7002388	287	7021375.....	45, 46	7026504	59
70007425	277	70026287	273, 277, 279	7021625.....	23	7026505	59
70007426	277	70027750	279	7021639.....	23	7026506	59
70007427	273	7002821	482	7021653.....	181	7026507	59
70007428	273	7002822	482	7022302.....	27	7026509	59
70007429	273	7002823	482	7022305.....	27	7026597	158, 162
70007430	273			7022310.....	27	7026626	158, 162

SECTION 11 - SPECIAL OPTIONS/ACCESSORIES/KITS

7027773.....257	80963056..... 393	8229249 445, 476	88261024.....179
7027774.....257	80963067 389, 393	8229261 83, 476	88521008..... 183, 185
7027775.....257	8220007 395, 413	8303511 131	88521205.....77
7027776.....257	8220019 389	8310070 112	88521214..259, 261, 263, 265
7027777.....257	8220029 407	8310129 249	88662037..... 300
7027778.....257	8220043 349, 351	83304173 63	88662523..... 112
7027779.....257	8220045 387, 407	8405102 128	8896941.....482
7027780.....257	8220051 349, 351	8405104 128	91143177.....300
7027799..... 158, 162	8220099 393	8406110 128	91203039..175, 183, 185, 191
77143013..... 85	8220125 393	8406201 77	91401281.....77
77363232..... 157	8220162 389	8410001 391	91403230..451, 453, 455, 457, 459, 461, 463, 465, 467
77363233.....397, 399	8220164 407	8540205 122	
80344004.....25	8225117 83, 477	8580420 35	
80683013..... 122	8229234 83, 476	85841150 122	
80934561.....59	8229236 83, 476	8770050 295	
80963055.....393	8229237 83, 476	8770157 295	



**Corporate Office
JLG Industries, Inc.
1 JLG Drive
McConnellsburg, PA 17233-9533 USA**
☎ (717) 485-5161 (Corporate)
☎ (877) 554-5438 (Customer Support)
📠 (717) 485-6417

**Visit our website for JLG Worldwide Locations.
www.jlg.com**



OSHKOSH™