



---

# Illustrated Parts Manual

## 1500AJP

PVC 2407

3122321900

July 1, 2024 - Rev A

**ANSI**  **CE**   
**AS/NZS**

English (en-US)

---



## **REVISION LOG**

July 1, 2024 - A - Original Issue of Manual (Edited to B/M 1001261501 Revision R)

# GENERAL INFORMATION



## 1) MACHINE IDENTIFICATION

Machines are identified by model and in some cases a combination of models, serial number (SN) or regional standard (i.e ANSI, CE, CSA). Components may also be identified by SN or manufacturer. Common components that may be identified by these characteristics are engines and hydraulic components.

## 2) PARTS MANUAL ORGANIZATION

Product information in this manual is organized under section titles. Frame, Cylinder, Hydraulic and Electrical are a few examples. Each section is organized by figure and page number. The information within the Figure is then organized by item number, part number, description and corresponding illustration (s).

## 3) TABLE OF CONTENTS (NOT SHOWN)

A table of contents is found toward the beginning of the manual. Figure number, description and page number are provided for quick reference to the page containing the related information.

## 4) RECOMMENDED SPARE PARTS (NOT SHOWN)

The Recommended Spare Parts List, located near the end of the manual, reference most frequently used maintenance parts.

## 5) PART NUMBER INDEX (NOT SHOWN)

A numerical index listing all part numbers and the corresponding page number(s) appears at the back of the manual.

# GENERAL INFORMATION

## 6) NON-SERVICED PARTS

In some instances, it is necessary to display non-serviced parts, assemblies or installations. In the case of assemblies and installations there will be a Ref in the Qty. column. In case of parts that are not available for service within assemblies or components, there will be a NSS (Not Sold Separately) or NLA (No Longer Available) listed in the Qty. column of the manual.

## 7) PARTS LIST ITEM NUMBERS

Numbers shown in the item# column correspond to numbers used in the associated illustration (s). Item numbers which are missing from the sequence in the parts list are not used on that page.

## 8) INDENTED PARTS DESCRIPTION

An indented part description is included in the item under which it is indented.

## 9) ABBREVIATION AND SYMBOLS

AC.....	Alternating Current	L.....	Liter
ADE.....	Advanced Design Electronics	LB(LBS).....	Pounds
AG.....	Agricultural	LCD.....	Liquid Crystal Display
ANSI.....	American National Standards Institute	LED.....	Light Emitting Diodes
AR.....	As Required	LH.....	Left Hand
ASSY.....	Assembly	LRC.....	Low Rated Countries
AUS.....	Australia	LSS.....	Load Sensing System
AUX.....	Auxiliary	M(m).....	Metric/Meter
AWG.....	American Wire Gauge	MM(mm).....	Milimeter
B/M.....	Bill of Material	mA.....	Miliamps
CAC.....	Charge Air Cooler	NLA.....	No Longer Available
CE.....	European Conformity	NPT.....	National Pipe Threads
CCW.....	Counter Clockwise	NSS.....	Not Sold Separately
CM.....	Centimeter	OD.....	Outside Diameter
CW.....	Clockwise	ORB.....	O-Ring Boss
CSA.....	Canadian Standards Association	ORFS.....	O-Ring Face Seal
CYL.....	Cylinder	OZ (oz).....	Ounces
DIA.....	Diameter	PG.....	Page
DC.....	Direct Current	PN.....	Part Number
DEF.....	Diesel Exhaust Fluid	QT(qt.).....	Quarts
EMS.....	Emergency Stop	QTY.....	Quantity
ENG.....	Engine	REF.....	Reference
FT(ft).....	Feet	REV.....	Revision Level
GA(Ga).....	Gauge	RH.....	Right Hand
HRC.....	High Rated Countries	SAE.....	Society of Automotive Engineers
HVAC.....	Heating, Ventilating, and Air Conditioning	SN.....	Serial Number
HYD.....	Hydraulic	SPEC(S).....	Specifications
Hz.....	Hertz	T/T.....	Turntable
ID.....	Inside Diameter	UGM.....	Universal Ground Module
IN.....	inches	V.....	Volts
ISO.....	International Organization for Standards	W.....	Watts
JIC.....	Joint Industry Council	#.....	Number
KG.....	Kilogram		

## 10) ILLUSTRATION REFERENCE LETTERS

When necessary, illustrations may contain reference letters that are intended to track information (i. e. hoses, harnesses) from one point to another or to track visual enlargement of components to show details that may be located in another area on the illustration.

*Note: Due to continuous product improvements, JLG Industries, Inc. reserves the right to make specification changes without prior notification. Contact JLG Industries, Inc. for updated information.*



# TABLE OF CONTENTS

SECTION 1 - FRAME.....	15
FIGURE 1-1. AXLE INSTALLATION .....	16
FIGURE 1-2. STEER INSTALLATION.....	18
FIGURE 1-3. WHEEL DRIVE INSTALLATION.....	20
FIGURE 1-4. DRIVE MOTOR ASSEMBLY .....	22
FIGURE 1-5. DRIVE HUB ASSEMBLY .....	24
FIGURE 1-6. TIRE/WHEEL INSTALLATION.....	28
FIGURE 1-7. VALVES INSTALLATION - FRAME.....	30
FIGURE 1-8. TRACTION VALVE ASSEMBLY.....	32
FIGURE 1-9. STEER/AXLE EXTEND VALVE ASSEMBLY.....	34
FIGURE 1-10. ELECTRICAL COMPONENTS INSTALLATION - FRAME (HRC) (ANSI, ANSI EXPORT, CSA AND JAPANESE SPECS).....	36
FIGURE 1-11. ELECTRICAL COMPONENTS INSTALLATION - FRAME (HRC) (CE & UK CA SPECS).....	38
FIGURE 1-12. ELECTRICAL COMPONENTS INSTALLATION - FRAME (LRC) (ANSI EXPORT, AUSTRALIAN AND CHINA SPECS).....	40
FIGURE 1-13. ELECTRICAL COMPONENTS INSTALLATION - FRAME (LRC) (CE & UK CA SPECS).....	42
FIGURE 1-14. ELECTRICAL COMPONENTS INSTALLATION WITH TOWER STOW - FRAME (HRC) (ANSI, ANSI EXPORT, CSA AND JAPANESE SPECS).....	44
FIGURE 1-15. ELECTRICAL COMPONENTS INSTALLATION WITH TOWER STOW - FRAME (HRC) (CE & UK CA SPECS) ..	46
FIGURE 1-16. ELECTRICAL COMPONENTS INSTALLATION WITH TOWER STOW - FRAME (LRC) (ANSI EXPORT, AUSTRALIAN AND CHINA SPECS).....	48
FIGURE 1-17. ELECTRICAL COMPONENTS INSTALLATION WITH TOWER STOW - FRAME (LRC) (CE & UK CA SPECS) ..	50
FIGURE 1-18. COVERS INSTALLATION - FRAME.....	52
SECTION 2 - TURNTABLE.....	55
FIGURE 2-1. VALVES AND FILTERS INSTALLATION - TURNTABLE (PARKER HYDRAULIC FILTER).....	56
FIGURE 2-2. VALVES AND FILTERS INSTALLATION - TURNTABLE (DONALDSON HYDRAULIC FILTER).....	58
FIGURE 2-3. MAIN VALVE ASSEMBLY .....	60
FIGURE 2-4. JUNCTION VALVE ASSEMBLY .....	64
FIGURE 2-5. TURNTABLE BEARING INSTALLATION.....	66
FIGURE 2-6. TURNTABLE LOCK INSTALLATION.....	68
FIGURE 2-7. SWING DRIVE INSTALLATION .....	70
FIGURE 2-8. SWING HUB/BRAKE/MOTOR ASSEMBLY.....	72
FIGURE 2-9. COUPLING/COLLECTOR RING INSTALLATION .....	76
FIGURE 2-10. COUPLING/COLLECTOR RING ASSEMBLY .....	78
FIGURE 2-11. TANKS INSTALLATION (WITHOUT DIESEL EXHAUST FLUID TANK).....	80
FIGURE 2-12. TANKS INSTALLATION (WITH DIESEL EXHAUST FLUID TANK).....	82
FIGURE 2-13. TANKS INSTALLATION (HRC) .....	84
FIGURE 2-14. HYDRAULIC TANK ASSEMBLY.....	86
FIGURE 2-15. AUXILIARY POWER AND BATTERIES INSTALLATIONS.....	88
FIGURE 2-16. AUXILIARY PUMP/MOTOR ASSEMBLY .....	90
FIGURE 2-17. ELECTRICAL COMPONENTS INSTALLATION - TURNTABLE (HRC) (ANSI, ANSI EXPORT, CSA AND JAPANESE SPECS).....	92
FIGURE 2-18. ELECTRICAL COMPONENTS INSTALLATION - TURNTABLE (HRC) (CE & UK CA SPECS).....	96
FIGURE 2-19. ELECTRICAL COMPONENTS INSTALLATION - TURNTABLE (LRC) (ANSI EXPORT, AUSTRALIAN AND CHINA SPECS).....	100
FIGURE 2-20. ELECTRICAL COMPONENTS INSTALLATION - TURNTABLE (LRC) (CE & UK CA SPECS).....	104

# TABLE OF CONTENTS

FIGURE 2-21. ELECTRICAL COMPONENTS INSTALLATION WITH TOWER STOW - TURNTABLE (HRC) (ANSI, ANSI EXPORT, CSA AND JAPANESE SPECS).....	108
FIGURE 2-22. ELECTRICAL COMPONENTS INSTALLATION WITH TOWER STOW - TURNTABLE (HRC) (CE & UK CA SPECS).....	112
FIGURE 2-23. ELECTRICAL COMPONENTS INSTALLATION WITH TOWER STOW - TURNTABLE (LRC) (ANSI EXPORT, AUSTRALIAN AND CHINA SPECS).....	116
FIGURE 2-24. ELECTRICAL COMPONENTS INSTALLATION WITH TOWER STOW - TURNTABLE (LRC) (CE & UK CA SPECS).....	120
FIGURE 2-25. GROUND CONTROL CONSOLE ASSEMBLY (HRC) (ANSI, ANSI EXPORT, CSA AND JAPANESE SPECS) ..	124
FIGURE 2-26. GROUND CONTROL CONSOLE ASSEMBLY (HRC) (CE & UK CA SPECS).....	126
FIGURE 2-27. GROUND CONTROL CONSOLE ASSEMBLY (LRC) (ANSI EXPORT, AUSTRALIAN AND CHINA SPECS) .....	128
FIGURE 2-28. GROUND CONTROL CONSOLE ASSEMBLY (LRC) (CE & UK CA SPECS) .....	130
FIGURE 2-29. GROUND CONTROL CONSOLE ASSEMBLY WITH TOWER STOW (HRC) (ANSI, ANSI EXPORT, CSA AND JAPANESE SPECS) .....	132
FIGURE 2-30. GROUND CONTROL CONSOLE ASSEMBLY WITH TOWER STOW (HRC) (CE & UK CA SPECS).....	134
FIGURE 2-31. GROUND CONTROL CONSOLE ASSEMBLY WITH TOWER STOW (LRC) (ANSI EXPORT, AUSTRALIAN AND CHINA SPECS).....	136
FIGURE 2-32. GROUND CONTROL CONSOLE ASSEMBLY WITH TOWER STOW (LRC) (CE & UK CA SPECS) .....	138
FIGURE 2-33. LIGHT PANEL INSTALLATION .....	140
FIGURE 2-34. ALARM INSTALLATION .....	142
FIGURE 2-35. WHITE NOISE ALARM INSTALLATION .....	144
FIGURE 2-36. WHITE NOISE AMBIENT ALARM INSTALLATION .....	146
FIGURE 2-37. STROBE LIGHT INSTALLATION - AMBER .....	148
FIGURE 2-38. STROBE LIGHT INSTALLATION - BLUE .....	150
FIGURE 2-39. STROBE LIGHT INSTALLATION - RED .....	152
FIGURE 2-40. HOOD INSTALLATION .....	154
FIGURE 2-41. HOOD PLUGS INSTALLATION .....	160
FIGURE 2-42. VENTURI INSTALLATION (HRC) .....	162
FIGURE 2-43. VENTURI INSTALLATION (LRC).....	164
SECTION 3 - ENGINE .....	167
FIGURE 3-1. ENGINE INSTALLATION (HRC) (WITHOUT COLD WEATHER PACKAGE) .....	168
FIGURE 3-2. ENGINE ASSEMBLY WITH PUMPS (HRC) (WITHOUT COLD WEATHER PACKAGE).....	172
FIGURE 3-3. ENGINE ASSEMBLY (HRC) (WITHOUT COLD WEATHER PACKAGE) .....	174
FIGURE 3-4. ENGINE INSTALLATION (HRC) (WITH COLD WEATHER PACKAGE).....	180
FIGURE 3-5. ENGINE ASSEMBLY WITH PUMPS (HRC) (WITH COLD WEATHER PACKAGE) .....	184
FIGURE 3-6. ENGINE ASSEMBLY (HRC) (WITH COLD WEATHER PACKAGE) .....	186
FIGURE 3-7. DEUTZ HRC ENGINE COMPONENTS.....	192
FIGURE 3-8. ENGINE INSTALLATION (LRC) (WITHOUT COLD WEATHER PACKAGE).....	196
FIGURE 3-9. ENGINE ASSEMBLY WITH PUMPS (LRC) (WITHOUT COLD WEATHER PACKAGE) .....	200
FIGURE 3-10. ENGINE ASSEMBLY (LRC) (WITHOUT COLD WEATHER PACKAGE) .....	202
FIGURE 3-11. ENGINE INSTALLATION (LRC) (WITH COLD WEATHER PACKAGE) .....	208
FIGURE 3-12. ENGINE ASSEMBLY WITH PUMPS (LRC) (WITH COLD WEATHER PACKAGE).....	212
FIGURE 3-13. ENGINE ASSEMBLY (LRC) (WITH COLD WEATHER PACKAGE) .....	214
FIGURE 3-14. DEUTZ LRC ENGINE COMPONENTS .....	220
FIGURE 3-15. ENGINE INSTALLATION EMR5 (HRC) (WITH COLD WEATHER PACKAGE).....	222
FIGURE 3-16. ENGINE INSTALLATION EMR5 (HRC) (WITHOUT COLD WEATHER PACKAGE) .....	226
FIGURE 3-17. ENGINE ASSEMBLY WITH PUMPS EMR5 (HRC) (WITH COLD WEATHER PACKAGE) .....	230



# TABLE OF CONTENTS

FIGURE 3-18. ENGINE ASSEMBLY WITH PUMPS EMR5 (HRC) (WITHOUT COLD WEATHER PACKAGE) .....	232
FIGURE 3-19. ENGINE ASSEMBLY EMR5 (HRC) (WITHOUT COLD WEATHER PACKAGE) .....	234
FIGURE 3-20. ENGINE ASSEMBLY EMR5 (HRC) (WITH COLD WEATHER PACKAGE) .....	240
FIGURE 3-21. DEUTZ EMR5 HRC ENGINE COMPONENTS .....	246
FIGURE 3-22. ENGINE INSTALLATION (HRC) (STAGE V) (WITHOUT COLD WEATHER PACKAGE) .....	250
FIGURE 3-23. ENGINE ASSEMBLY WITH PUMPS (HRC) (STAGE V) (WITHOUT COLD WEATHER PACKAGE) .....	256
FIGURE 3-24. ENGINE ASSEMBLY (HRC) (STAGE V) (WITHOUT COLD WEATHER PACKAGE) .....	260
FIGURE 3-25. ENGINE INSTALLATION (HRC) (WITH COLD WEATHER PACKAGE) .....	266
FIGURE 3-26. ENGINE ASSEMBLY WITH PUMPS (HRC) (WITH COLD WEATHER PACKAGE) .....	272
FIGURE 3-27. ENGINE ASSEMBLY (HRC) (STAGE V) (WITH COLD WEATHER PACKAGE) .....	276
FIGURE 3-28. DEUTZ HRC (STAGE V) ENGINE COMPONENTS .....	282
FIGURE 3-29. PUMP COUPLING KIT .....	286
FIGURE 3-30. TANDEM PUMP ASSEMBLY .....	288
FIGURE 3-31. PISTON PUMP ASSEMBLY .....	292
FIGURE 3-32. GEAR PUMP ASSEMBLY .....	296
FIGURE 3-33. FUEL FILTER/WATER SEPARATOR INSTALLATION (LRC) .....	298
FIGURE 3-34. QUICKFIT OIL VALVE .....	300
FIGURE 3-35. SPARK ARRESTOR INSTALLATION (LRC) (OPTIONAL) .....	302
FIGURE 3-36. 4000W GENERATOR INSTALLATION - 50HZ .....	304
FIGURE 3-37. 4000W GENERATOR INSTALLATION - 60HZ .....	308
FIGURE 3-38. 7500W SKYPOWER GENERATOR INSTALLATION - 50HZ .....	312
FIGURE 3-39. 7500W SKYPOWER GENERATOR INSTALLATION - 60HZ .....	316
FIGURE 3-40. BREATHER HEATER INSTALLATION - MACHINES WITH COLD WEATHER PACKAGE .....	320
SECTION 4 - BOOM .....	323
FIGURE 4-1. BOOM AND CYLINDERS INSTALLATION .....	324
FIGURE 4-2. TOWER BOOM ASSEMBLY .....	328
FIGURE 4-3. MAIN BOOM AND JIB ASSEMBLY .....	332
FIGURE 4-4. PLATFORM ROTATOR ASSEMBLY .....	338
FIGURE 4-5. JIB ROTATOR ASSEMBLY .....	340
FIGURE 4-6. POWER TRACK INSTALLATION - TOWER BOOM .....	342
FIGURE 4-7. POWER TRACK INSTALLATION - MAIN BOOM .....	344
FIGURE 4-8. VALVES AND FILTERS INSTALLATION - BOOM .....	346
FIGURE 4-9. BOOM VALVE ASSEMBLY .....	348
FIGURE 4-10. PLATFORM VALVE ASSEMBLY .....	350
FIGURE 4-11. BOOM SENSORS AND COVERS INSTALLATION .....	352
FIGURE 4-12. PLATFORM SUPPORT INSTALLATION - WITH LSS .....	358
SECTION 5 - PLATFORM .....	361
FIGURE 5-1. PLATFORM ASSEMBLY - 30IN X 3FT (76CM X .91M) - DROP BAR ENTRY .....	362
FIGURE 5-2. PLATFORM ASSEMBLY - 30IN X 4FT (76.2CM X 1.22M) WITH SWING GATE .....	364
FIGURE 5-3. PLATFORM ASSEMBLY - 30IN X 4FT (76.2CM X 1.22M) WITH DROP BAR .....	366
FIGURE 5-4. PLATFORM ASSEMBLY - 36IN X 6FT (91.5CM X 1.83M) WITH SWING GATE .....	368
FIGURE 5-5. PLATFORM ASSEMBLY - 36IN X 6FT (91.5CM X 1.83M) TRI-ENTRY WITH SWING GATE .....	370
FIGURE 5-6. PLATFORM ASSEMBLY - 36IN X 6FT (91.5CM X 1.83M) WITH DROP BAR .....	372
FIGURE 5-7. PLATFORM ASSEMBLY - 36IN X 6FT (91.5CM X 1.83M) TRI-ENTRY WITH DROPBAR .....	374

# TABLE OF CONTENTS

FIGURE 5-8. PLATFORM ASSEMBLY - 36IN X 6FT (91.5CM X 1.83M) WITH FALL ARREST (ANSI, ANSI EXPORT AND CSA SPECS).....	376
FIGURE 5-9. PLATFORM ASSEMBLY - 36IN X 8FT (91.5CM X 2.44M) WITH SWING GATE .....	378
FIGURE 5-10. PLATFORM ASSEMBLY - 36IN X 8FT (91.5CM X 2.44M) WITH TRI-ENTRY (1 GATE/2 DROP BARS).....	380
FIGURE 5-11. PLATFORM ASSEMBLY - 36IN X 8FT (91.5CM X 2.44M) WITH DROP BAR .....	382
FIGURE 5-12. PLATFORM ASSEMBLY - 36IN X 8FT (91.5CM X 2.44M) WITH TRI-ENTRY (3 DROP BARS).....	384
FIGURE 5-13. PLATFORM ASSEMBLY - 36IN X 8FT (91.5CM X 2.44M) WITH FALL ARREST (ANSI, ANSI EXPORT AND CSA SPECS).....	386
FIGURE 5-14. PLATFORM ASSEMBLY - 36IN X 8FT (91.5CM X 2.44M) WITH FALL ARREST (ALL SPECS EXCEPT CSA SPECS).....	388
FIGURE 5-15. TRAY ASSEMBLY .....	390
FIGURE 5-16. LCD DISPLAY INSTALLATION.....	392
FIGURE 5-17. CONSOLE BOX AND FOOTSWITCH INSTALLATION.....	394
FIGURE 5-18. CONSOLE BOX AND FOOTSWITCH INSTALLATION - WITH TOWER STOW .....	396
FIGURE 5-19. PLATFORM CONSOLE ASSEMBLY .....	398
FIGURE 5-20. PLATFORM CONSOLE ASSEMBLY - WITH TOWER STOW .....	402
FIGURE 5-21. CONSOLE DECAL AND LIGHT PANEL INSTALLATION.....	406
FIGURE 5-22. FOOTSWITCH ASSEMBLY .....	408
FIGURE 5-23. SKYEYE INSTALLATION.....	410
FIGURE 5-24. SKYGUARD BAR INSTALLATION.....	412
FIGURE 5-25. SKYLINE INSTALLATION .....	414
FIGURE 5-26. SKYSENSE MID TUBE SENSOR ASSEMBLY .....	416
FIGURE 5-27. SKYSENSE OVERHEAD SENSOR ASSEMBLY.....	418
FIGURE 5-28. SKYGLAZIER INSTALLATION (ANSI, ANSI EXPORT, AUSTRALIAN, CE AND CSA SPECS).....	420
FIGURE 5-29. SKYWELDER/SKYCUTTER COMBO INSTALLATION (60HZ) .....	422
FIGURE 5-30. SKYWELDER INSTALLATION (50HZ).....	426
FIGURE 5-31. SKYWELDER INSTALLATION (60HZ).....	428
FIGURE 5-32. SKYWELDER PREP PACKAGE (60HZ) .....	430
FIGURE 5-33. SOFT TOUCH SYSTEM INSTALLATION - 8FT/2.4M PLATFORMS (OPTIONAL) .....	432
FIGURE 5-34. SOFT TOUCH SYSTEM INSTALLATION - 8FT/2.44M FALL ARREST PLATFORM .....	434
FIGURE 5-35. WELDER ASSEMBLY .....	436
FIGURE 5-36. WELDER ASSEMBLY (CST282) .....	438
FIGURE 5-37. SKYCUTTER INSTALLATION (ANSI, ANSI EXPORT, CSA, CHINA AND JAPANESE SPECS) .....	440
FIGURE 5-38. PLASMA CUTTER ASSEMBLY .....	442
FIGURE 5-39. FALL ARREST INSTALLATION (BOLT - ON EXTERNAL) 4FFT/1.22M PLATFORM).....	444
FIGURE 5-40. FALL ARREST INSTALLATION (BOLT-ON EXTERNAL) (6FT/1.82M PLATFORM).....	446
FIGURE 5-41. FALL ARREST INSTALLATION (BOLT-ON EXTERNAL) (6FT/1.82M TRI-ENTRY PLATFORM).....	448
FIGURE 5-42. FALL ARREST INSTALLATION (BOLT-ON EXTERNAL) (8FT/2.4M PLATFORM).....	450
FIGURE 5-43. USB CHARGER INSTALLATION .....	452
SECTION 6 - CYLINDER.....	455
FIGURE 6-1. AXLE EXTEND CYLINDER ASSEMBLY.....	456
FIGURE 6-2. LEVEL CYLINDER ASSEMBLY - PLATFORM SLAVE .....	458
FIGURE 6-3. LIFT CYLINDER ASSEMBLY - JIB .....	460
FIGURE 6-4. LIFT CYLINDER ASSEMBLY - MAIN BOOM.....	462
FIGURE 6-5. LIFT CYLINDER ASSEMBLY - TOWER BOOM .....	464
FIGURE 6-6. STEER CYLINDER ASSEMBLY .....	466

# TABLE OF CONTENTS

FIGURE 6-7. TELESCOPE CYLINDER ASSEMBLY - MAIN BOOM .....	468
FIGURE 6-8. TELESCOPE CYLINDER ASSEMBLY - TOWER BOOM.....	470
FIGURE 6-9. TELESCOPE CYLINDER ASSEMBLY - TOWER BOOM.....	474
SECTION 7 - HYDRAULIC .....	477
FIGURE 7-1. BOOM AND JIB HYDRAULIC DIAGRAM .....	478
FIGURE 7-2. CHASSIS HYDRAULIC DIAGRAM.....	480
FIGURE 7-3. TURNTABLE HYDRAULIC DIAGRAM .....	484
SECTION 8 - ELECTRICAL.....	491
FIGURE 8-1. AC BOX AT PLATFORM INSTALLATION - 110V GFI (ANSI, CSA AND JAPANESE SPECS) .....	492
FIGURE 8-2. AC BOX AT PLATFORM INSTALLATION - 110V IEC YELLOW WITHOUT GENERATOR (CE & UK CA SPECS) .....	494
FIGURE 8-3. AC BOX AT PLATFORM INSTALLATION - 110V IEC YELLOW WITH 4000W GENERATOR (CE & UK CA SPECS) .....	496
FIGURE 8-4. AC BOX AT PLATFORM INSTALLATION - 220V IEC BLUE WITHOUT GENERATOR (CE & UK CA SPECS) ...	498
FIGURE 8-5. AC BOX AT PLATFORM INSTALLATION - 220V IEC BLUE WITH 4000W GENERATOR (CE & UK CA SPECS) .....	500
FIGURE 8-6. AC BOX AT PLATFORM INSTALLATION - 220V CEE7 POST GROUND WITHOUT GENERATOR (CE & UK CA SPECS) .....	502
FIGURE 8-7. AC BOX AT PLATFORM INSTALLATION - 220V CEE7 POST GROUND WITH 4000W GENERATOR (CE & UK CA SPECS) .....	504
FIGURE 8-8. AC BOX AT PLATFORM INSTALLATION - 220V CEE7 SIDE GROUND WITHOUT GENERATOR (CE & UK CA SPECS) .....	506
FIGURE 8-9. AC BOX AT PLATFORM INSTALLATION - 220V CEE7 SIDE GROUND WITH 4000W GENERATOR (CE & UK CA SPECS) .....	508
FIGURE 8-10. AC BOX AT PLATFORM INSTALLATION - 220V AFSINT 107 KEYED GROUND WITHOUT GENERATOR (CE & UK CA SPECS) .....	510
FIGURE 8-11. AC BOX AT PLATFORM INSTALLATION - 220V AFSINT 107 KEYED GROUND WITH 4000W GENERATOR (CE & UK CA SPECS).....	512
FIGURE 8-12. AC BOX AT PLATFORM INSTALLATION - BOX WITH COVER WITH 4000W GENERATOR (ANSI EXPORT, AUSTRALIAN, CHINA, JAPANESE, CE & UK CA SPECS).....	514
FIGURE 8-13. AC BOX AT PLATFORM INSTALLATION - 240V (WITH 7500W SKYPOWER GENERATOR) (ANSI & CSA SPECS) .....	516
FIGURE 8-14. AC LEAD INSTALLATION (ANSI EXPORT, AUSTRALIAN, CHINA, CE & UK CA SPECS).....	518
FIGURE 8-15. BATTERY DISCONNECT INSTALLATION .....	520
FIGURE 8-16. BLAM HARNESS.....	522
FIGURE 8-17. BOOM CABLES INSTALLATION - WITHOUT GENERATOR (ALL SPEC EXCEPT AUSTRALIAN, CHINA, CE & UK CA SPECS) .....	524
FIGURE 8-18. BOOM CABLES INSTALLATION - WITHOUT GENERATOR (AUSTRALIAN, CHINA, CE & UK CA SPECS)....	526
FIGURE 8-19. BOOM CABLES INSTALLATION - WITH 4000W GENERATOR (ALL SPECS) .....	528
FIGURE 8-20. BOOM CABLES INSTALLATION - WITH SKYPOWER 7500W GENERATOR (ALL SPECS EXCEPT CE & UK CA SPECS) .....	530
FIGURE 8-21. BOOM CABLE (MAIN BOOM) .....	532
FIGURE 8-22. BOOM CABLE (TOWER BOOM).....	534
FIGURE 8-23. BOOM CONTROL BOX ASSEMBLY.....	536
FIGURE 8-24. BREAKER BOX INSTALLATION - WITH 2 BREAKERS (CE & UK CA SPECS) .....	538
FIGURE 8-25. BREAKER BOX INSTALLATION - WITH 3 BREAKERS (CE & UK CA SPECS) .....	540
FIGURE 8-26. BREAKER BOX KIT - WITH 2 BREAKERS (CE & UK CA SPECS) .....	542
FIGURE 8-27. BREAKER BOX KIT - WITH 3 BREAKERS (CE & UK CA SPECS) .....	544

# TABLE OF CONTENTS

FIGURE 8-28. BREAKER BOX KIT - 4000W 50HZ GENERATOR .....	546
FIGURE 8-29. CHASSIS HARNESS.....	548
FIGURE 8-30. CLEARSKY INSTALLATION - 4G CANBUS CONNECTION (ALL SPECS EXCEPT CHINA SPECS).....	550
FIGURE 8-31. CLEARSKY INSTALLATION - 4G CANBUS CONNECTION (CHINA SPECS).....	552
FIGURE 8-32. CLEARSKY INSTALLATION - 3G CANBUS CONNECTION (ANSI EXPORT, CE, AND UK CA SPECS) .....	554
FIGURE 8-33. CLEARSKY INSTALLATION - 3G CANBUS CONNECTION (AUSTRALIAN SPECS) .....	556
FIGURE 8-34. CLEARSKY INSTALLATION - 3 WIRE GT1030 (ALL SPECS EXCEPT CHINA SPECS) .....	558
FIGURE 8-35. CLEARSKY HARNESS - 3G & 4G CANBUS CONNECTIONS.....	560
FIGURE 8-36. CLEARSKY HARNESS - 3 WIRE GT1030.....	562
FIGURE 8-37. DEF TANK EXTENSION HARNESS.....	564
FIGURE 8-38. DIESEL EXHAUST FLUID TANK HARNESS.....	566
FIGURE 8-39. DRIVE PUMP HARNESS.....	568
FIGURE 8-40. ENGINE HARNESS - DEUTZ (HRC) .....	570
FIGURE 8-41. ENGINE HARNESS - DEUTZ T4F ENGINES (HRC).....	574
FIGURE 8-42. ENGINE HARNESS STAGE V (HRC).....	578
FIGURE 8-43. ENGINE HARNESS (LRC).....	582
FIGURE 8-44. ENGINE CAN HARNESS.....	586
FIGURE 8-45. FUEL PUMP AND WIF HARNESS.....	588
FIGURE 8-46. PLATFORM OUTLET HARNESS.....	590
FIGURE 8-47. GENERATOR TO CONTROL BOX HARNESS (4000W GENERATOR) .....	592
FIGURE 8-48. GENERATOR TO CONTROL BOX HARNESS (7500W GENERATOR) .....	594
FIGURE 8-49. GENERATOR TO PLATFORM HARNESS (4000W-60HZ GENERATOR).....	596
FIGURE 8-50. GENERATOR TO PLATFORM HARNESS (4000W-50HZ & 7500W GENERATOR) .....	598
FIGURE 8-51. GROUND CONTROL HARNESS.....	600
FIGURE 8-52. INTERFACE HARNESS - WITH 1 CELL LSS.....	602
FIGURE 8-53. LCD DISPLAY HARNESS.....	604
FIGURE 8-54. MAIN BOOM CONTROL BOX HARNESS .....	606
FIGURE 8-55. PLATFORM CONSOLE HARNESS - WITH SKYGUARD.....	610
FIGURE 8-56. RECEPTACLE BOX KIT - 110V IEC YELLOW (CE & UK CA SPEC).....	614
FIGURE 8-57. RECEPTACLE BOX KIT - 220V IEC BLUE (CE & UK CA SPEC) .....	616
FIGURE 8-58. RECEPTACLE BOX KIT - 220V CEE7 POST GROUND (CE & UK CA SPEC).....	618
FIGURE 8-59. RECEPTACLE BOX KIT - 220V CEE7 SIDE GROUND (CE & UK CA SPEC) .....	620
FIGURE 8-60. RECEPTACLE BOX KIT - 220V AFSINT 107 (CE & UK CA SPEC) .....	622
FIGURE 8-61. SECONDARY CONTROL HARNESS .....	624
FIGURE 8-62. SENSOR HARNESS - AXLE.....	626
FIGURE 8-63. SENSOR HARNESS - BOOM.....	628
FIGURE 8-64. SENSOR HARNESS - PLATFORM LEVEL .....	630
FIGURE 8-65. SKYEYE INTERMEDIATE HARNESS .....	632
FIGURE 8-66. SKYEYE EMITTER HARNESS .....	634
FIGURE 8-67. SKYEYE RECEIVER HARNESS.....	636
FIGURE 8-68. SKYLINE HARNESS.....	638
FIGURE 8-69. STEER HARNESS .....	640
FIGURE 8-70. STROBE LIGHT HARNESS - AMBER LIGHTS .....	642
FIGURE 8-71. STROBE LIGHT HARNESS - BLUE & RED LIGHTS.....	644
FIGURE 8-72. STROBE LIGHT JUMPER HARNESS - AMBER .....	646

# TABLE OF CONTENTS

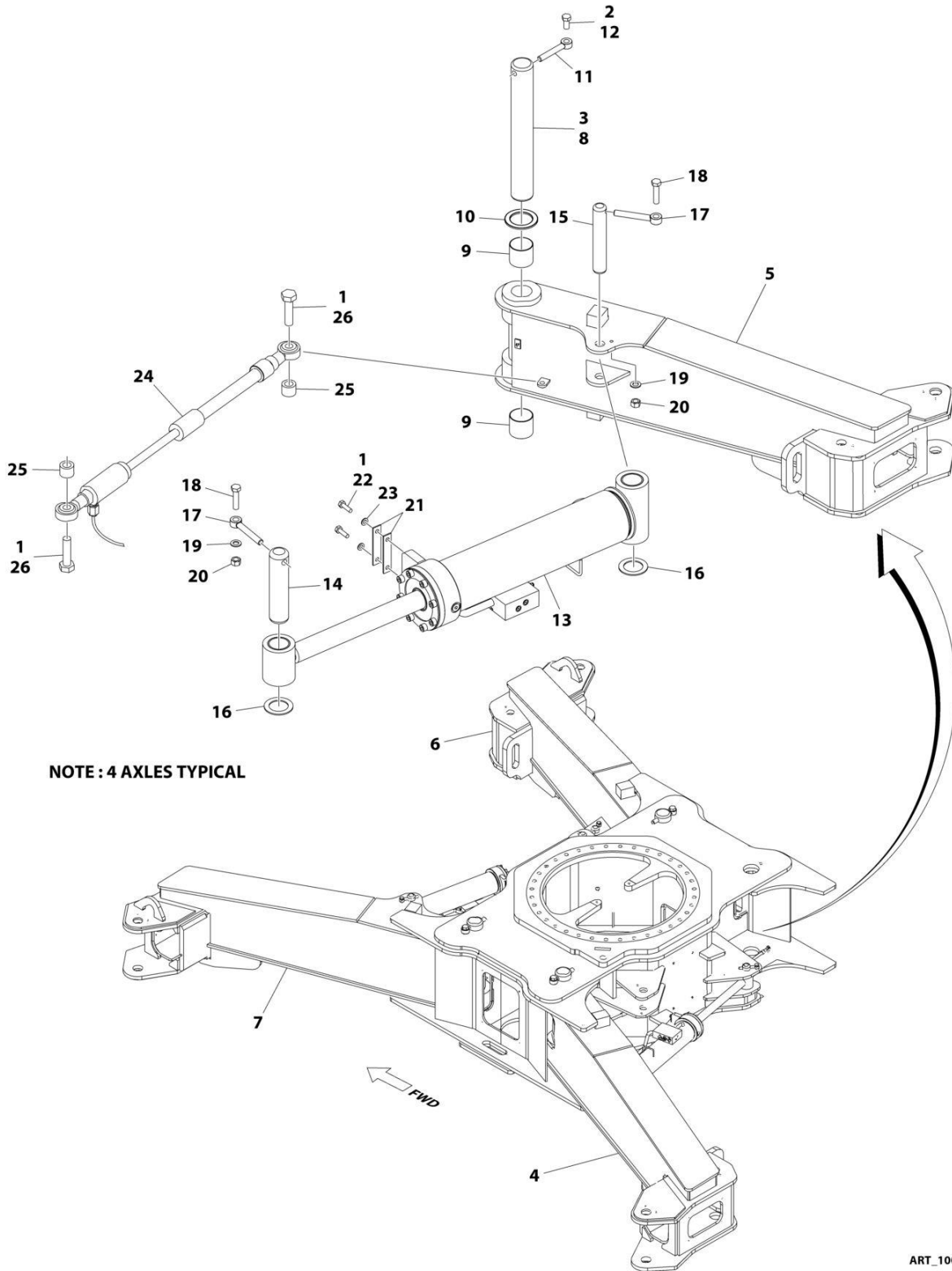
FIGURE 8-73. TURNTABLE HARNESS .....	648
FIGURE 8-74. VALVE HARNESS - BOOM .....	652
FIGURE 8-75. VALVE HARNESS - PLATFORM.....	654
FIGURE 8-76. VALVE HARNESS - TURNTABLE.....	656
FIGURE 8-77. WHITE NOISE MOTION ARLARM HARNESS.....	658
SECTION 9 - DECALS.....	661
FIGURE 9-1. DECAL INSTALLATION - ANSI SPEC .....	662
FIGURE 9-2. DECAL INSTALLATION - AUSTRALIAN SPEC .....	666
FIGURE 9-3. DECAL INSTALLATION - BRAZIL SPEC (ENGLISH/PORTUGUESE) .....	670
FIGURE 9-4. DECAL INSTALLATION - CE & UK CA SPEC .....	674
FIGURE 9-5. DECAL INSTALLATION - CHINA SPEC (ENGLISH/CHINESE).....	678
FIGURE 9-6. DECAL INSTALLATION - CSA SPEC (ENGLISH/FRENCH) .....	682
FIGURE 9-7. DECAL INSTALLATION - JAPAN SPEC (ENGLISH/JAPANESE) .....	686
FIGURE 9-8. DECAL INSTALLATION - KOREA SPEC (ENGLISH/KOREAN) .....	690
FIGURE 9-9. DECAL INSTALLATION - CSA SPEC (ENGLISH/FRENCH) .....	694
FIGURE 9-10. DECAL INSTALLATION - OPTIONS .....	698
FIGURE 9-11. SKYCUTTER DECAL INSTALLATION (ANSI, ANSI EXPORT AND CSA SPECS) .....	702
FIGURE 9-12. SKYCUTTER DECAL INSTALLATION (JAPANESE SPECS).....	704
SECTION 10 - RECOMMENDED SERVICE PARTS STOCK .....	707
FIGURE 10-1. RECOMMENDED SERVICE PARTS STOCK .....	708
SECTION 11 - SPECIAL OPTIONS/ACCESSORIES/KITS .....	711
FIGURE 11-1. SPECIAL OPTIONS/ACCESSORIES/KITS .....	712
PART NUMBER INDEX .....	717



**SECTION 1 - FRAME**

# SECTION 1 - FRAME

## FIGURE 1-1. AXLE INSTALLATION



NOTE: 4 AXLES TYPICAL

ART\_1001190949\_B



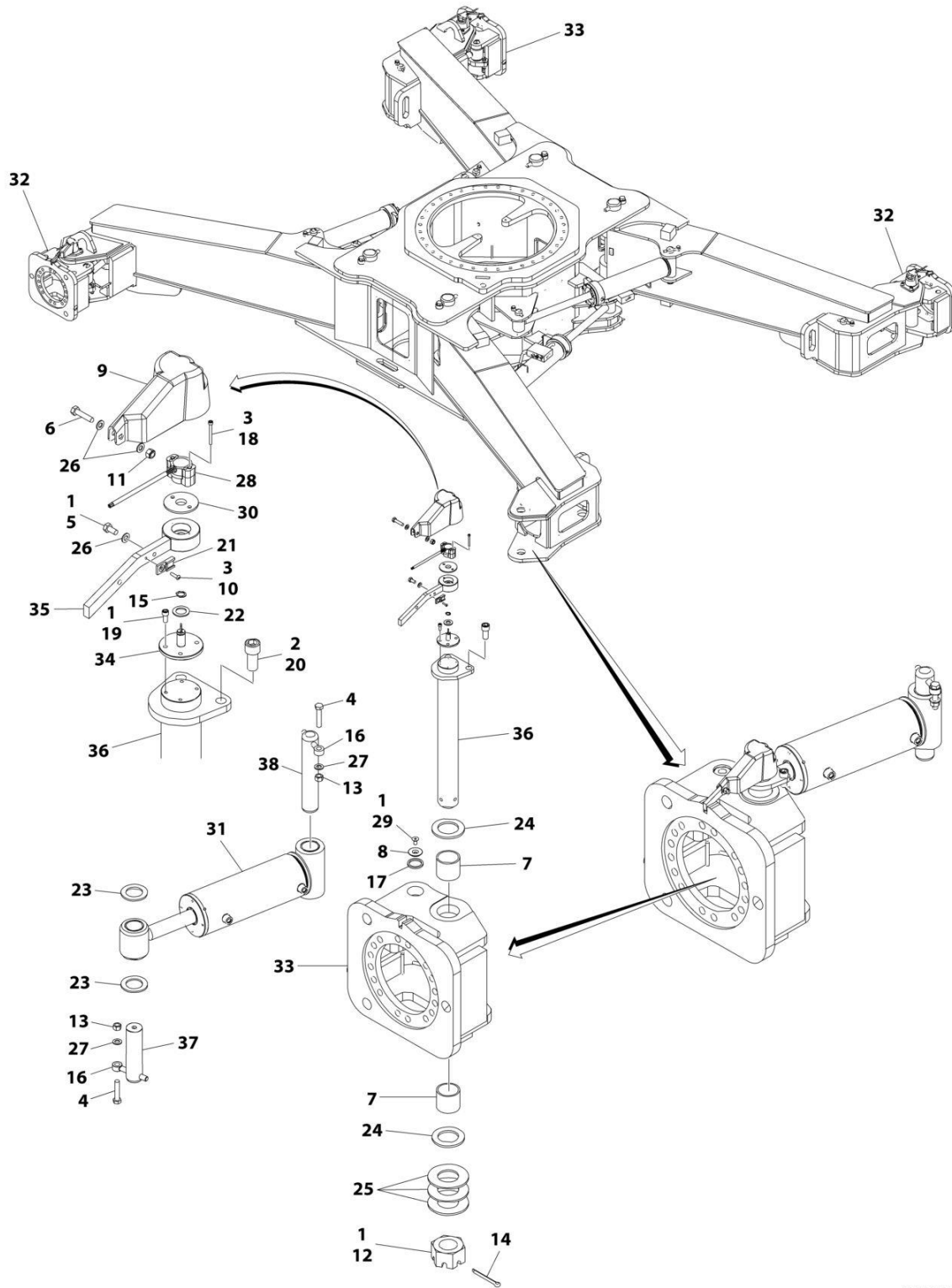
# SECTION 1 - FRAME

## FIGURE 1-1. AXLE INSTALLATION

ITEM	PART NUMBER	QTY	DESCRIPTION	REV
	1001190949	Ref	AXLE INSTALLATION	G
1	0100011	AR	Compound, Locking	
2	0100071	AR	Compound, Locking	
3	3020039	AR	Lubricant	
4	1001190950	1	Axle - Rear LH	
5	1001190951	1	Axle - Rear RH	
6	1001190952	1	Axle - Front RH	
7	1001190953	1	Axle - Front LH	
8	1001155363	4	Pin	
9	0440273	8	Bushing	
10	1001155133	4	Washer, Thrust	
11	3841356	4	Keeper, Pin	
12	0762418001	4	Bolt M24 x 50	
13	1001251066	4	Axle Extend Cylinder Assembly (See Separate Breakdown in CYLINDER Section)	
14	3422912	4	Pin	
15	1001120000	4	Pin	
16	4740229	8	Washer, Thrust	
17	3841258	8	Keeper, Pin	
18	0701420001	8	Bolt M14 x 60	
19	4812200001	8	Washer M14	
20	3291407001	8	Nut M14	
21	1001158017	AR	Shim	
22	0761015001	8	Bolt M10 x 35	
23	1001172358	8	Washer M10	
24	1001157084	4	Axle Sensor and Harness Assembly	
24	4460910	1	Receptacle, Female - 3 Position	
24	4460917	6	Pin, Male	
25	1001157007	8	Sleeve	
26	0761016001	8	Bolt M10 x 40	

# SECTION 1 - FRAME

## FIGURE 1-2. STEER INSTALLATION



ART\_1001156606\_G

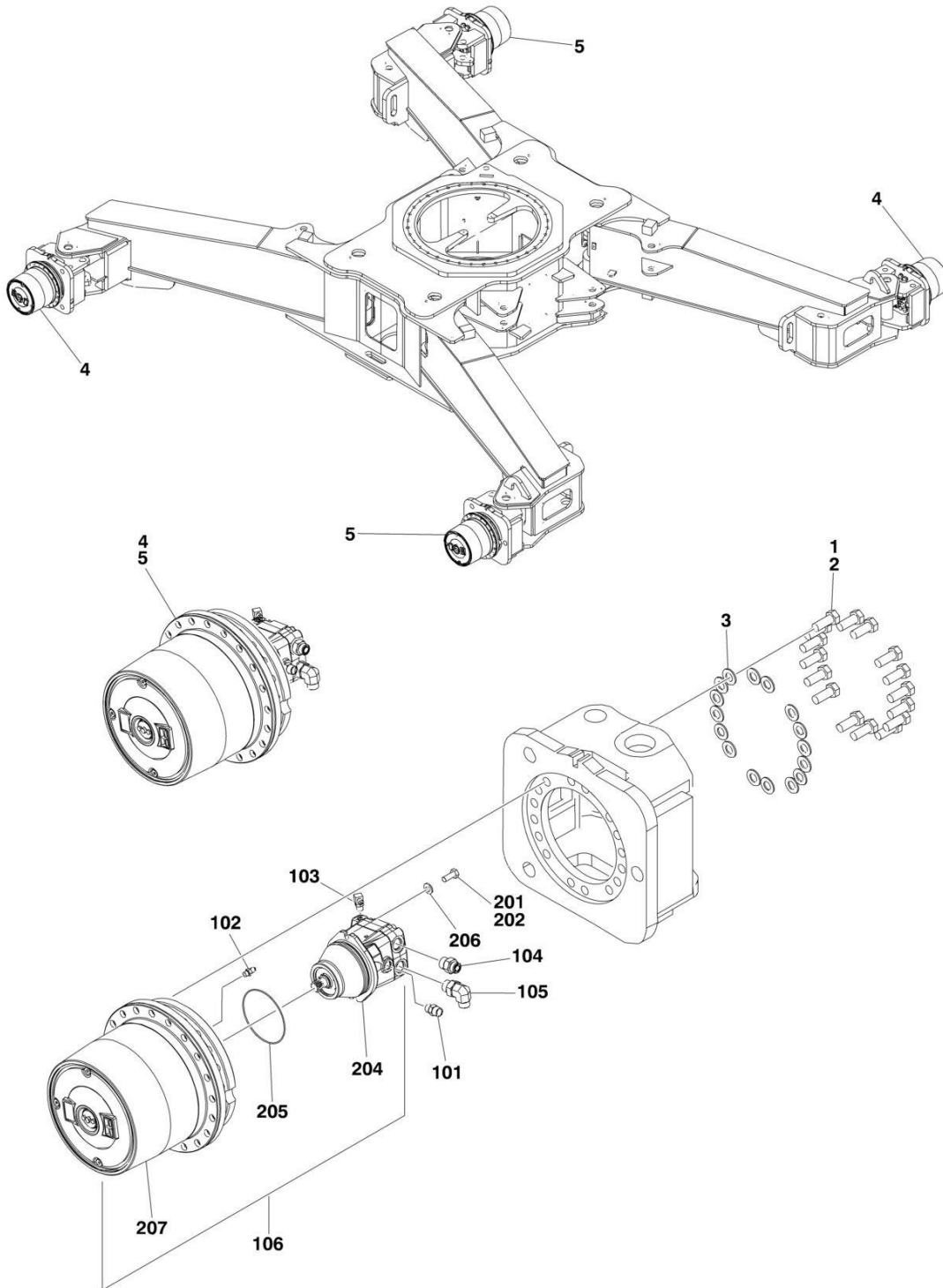
# SECTION 1 - FRAME

## FIGURE 1-2. STEER INSTALLATION

ITEM	PART NUMBER	QTY	DESCRIPTION	REV
	1001156606	Ref	STEER INSTALLATION	G
1	0100011	AR	Compound, Locking	
2	0100019	AR	Compound, Locking	
3	0100035	AR	Compound, Locking	
4	0701422001	8	Bolt M14 x 70	
5	0760808001	4	Bolt M8 x 16	
6	0760815001	4	Bolt M8 x 35	
7	0962423	8	Bushing	
8	1120549	4	Cap	
9	1671040	4	Cover	
10	2080091	4	Screw M4 x 16	
11	3290805001	4	Nut M8	
12	3300464001	4	Nut	
13	3291407001	8	Nut M14	
14	3451214	4	Pin, Cotter	
15	3760383	4	Ring	
16	3841258	8	Keeper, Pin	
17	3960551	4	Seal	
18	4031512	8	Capscrew M4 x 40	
19	4031707	16	Capscrew M6 x 16	
20	4032311001	8	Capscrew M16 x 35	
21	4460914	4	Base, Terminal	
22	4711800	4	Washer 1/2	
23	4740229	8	Washer, Thrust	
24	4740505	8	Washer, Thrust	
25	4755000001	18	Washer 2-1/2	
26	4811900001	12	Washer M8	
27	4812200001	8	Washer M14	
28	1001146963	4	Sensor Assembly	
28	4460899	1	Connector - 6 Position	
28	4460464	6	Socket, Female	
29	1001174345	4	Screw M20 x 20	
30	1001155836	4	Adapter	
31	1001251065	4	Steer Cylinder Assembly (See Separate Breakdown in CYLINDER Section)	
32	1001156678	2	Spindle - Front LH and Rear RH	
33	1001156679	2	Spindle - Front RH and Rear LH	
34	1001156778	4	Pin	
35	1001156785	4	Link	
36	1001156815	4	Kingpin	
37	1001156991	4	Pin	
38	1001156996	4	Pin	
39	1001155817	4	Steer Harness (Not Shown - See Separate Breakdown in ELECTRICAL SECTION)	

# SECTION 1 - FRAME

## FIGURE 1-3. WHEEL DRIVE INSTALLATION



ART\_1001157850

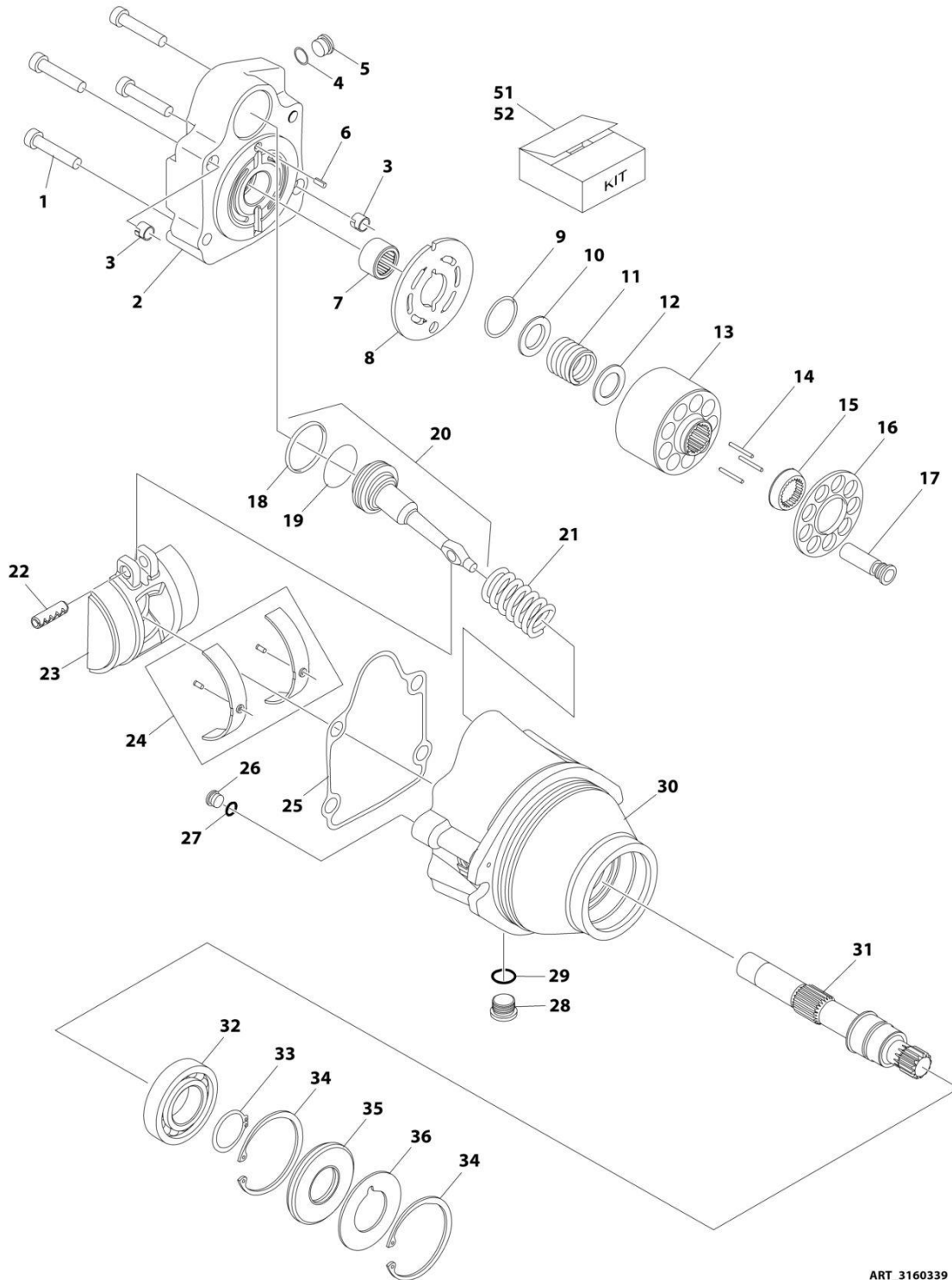
## SECTION 1 - FRAME

**FIGURE 1-3. WHEEL DRIVE INSTALLATION**

ITEM	PART NUMBER	QTY	DESCRIPTION	REV
	1001157850	Ref	WHEEL DRIVE INSTALLATION	F
1	0100019	AR	Compound, Locking	
2	0762018001	64	Bolt M20 x 50	
3	5242000001	64	Washer M20	
4	1001154759	2	Drive Hub/Motor with Fittings - Front LH and Rear RH (See Items 101-106 for Breakdown)	
5	1001157849	2	Drive Hub/Motor with Fittings - Front RH and Rear LH (See Items 101-106 for Breakdown)	
	1001154759	Ref	HUB/MOTOR ASSEMBLY WITH FITTINGS - FRONT LH AND REAR RH	E
	1001157849	Ref	HUB/MOTOR ASSEMBLY WITH FITTINGS - FRONT RH AND REAR LH	E
101	2110808	1	Fitting, Straight ORFS/ORB	
102	2220415	1	Fitting, Straight JIC/ORB	
103	2220472	1	Fitting, 90 JIC/ORB	
104	2111012	1	Fitting, Straight ORFS/ORB	
105	2131012	1	Fitting, 90 ORFS/ORB	
106	1001154772	1	Drive Hub/Motor (See Items 201-207 for Breakdown)	
	1001154772	Ref	DRIVE HUB/MOTOR ASSEMBLY	E
201	0100011	AR	Compound, Locking	
202	0761214	2	Bolt M12 x 30	
204	3160339	1	Motor - Drive (See Separate Breakdown in this Section)	
205	3790158	1	O-Ring	
206	5241200	2	Washer M12	
207	1001149921	1	Hub - Drive (See Separate Breakdown in this Section)	

# SECTION 1 - FRAME

## FIGURE 1-4. DRIVE MOTOR ASSEMBLY



ART\_3160339

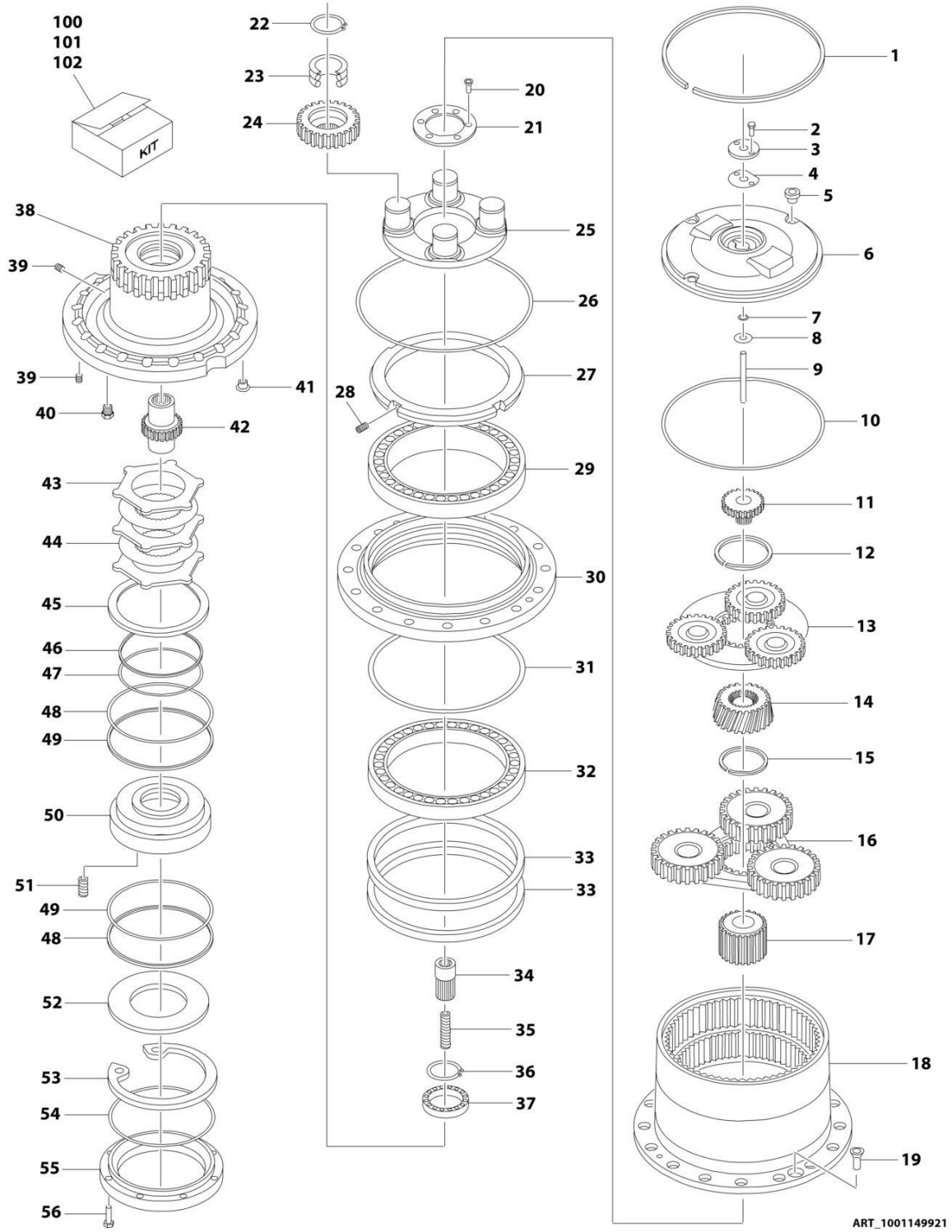
# SECTION 1 - FRAME

## FIGURE 1-4. DRIVE MOTOR ASSEMBLY

ITEM	PART NUMBER	QTY	DESCRIPTION	REV
	3160339	Ref	DRIVE MOTOR ASSEMBLY	D
1	7022368	4	Bolt	
2	70000859	1	End Cap, Motor	
3	70003628	2	Locating Pin	
4	See Note	NSS	O-Ring (Note: Use Item 51)	
5	7007420	1	Plug (Includes Item 4)	
6	7007446	1	Pin, Dowel	
7	7021249	1	Bearing, Needle	
8	70000854	1	Plate, Valve	
9	7022311	1	Snap Ring	
10	7022314	1	Retainer, Spring	
11	7024867	1	Spring	
12	7024868	1	Washer	
13	70000855	1	Block, Cylinder	
14	7021275	3	Pin, Slipper	
15	70000856	1	Guide	
16	70000857	1	Retainer, Slipper	
17	7024865	9	Piston, Cylinder	
18	See Note	NSS	Ring, Piston (Note: Use Item 51)	
19	See Note	NSS	O-Ring (Note: Use Item 51)	
20	70000860	1	Piston, Servo (Includes Items 18 & 19)	
21	70000861	1	Spring	
22	See Note	NSS	Pin (Note: Not Available for Purchase)	
23	70000853	1	Swash Plate	
24	70000852	1	Bearing Kit	
25	See Note	NSS	Gasket (Note: Use Item 51)	
26	See Note	NSS	Plug (Note: Not Available for Purchase)	
27	See Note	NSS	O-Ring (Note: Use Item 51)	
28	7022321	1	Plug (Includes Item 29)	
29	See Note	NSS	O-Ring (Note: Use Item 51)	
30	See Note	NSS	Housing (Note: Not Available - Purchase Complete Motor)	
31	70000858	1	Shaft	
32	7007437	1	Bearing	
33	7007439	1	Snap Ring	
34	7007438	2	Snap Ring	
35	See Note	NSS	Seal (Note: Use Item 51)	
36	7022371	1	Washer, Seal Support	
51	70000862	1	Kit 1 - Motor Seal Kit (Includes Items 4, 18, 19, 25, 27, 29 & 35)	
52	7027740	1	Kit 2 - Cylinder Block Kit (Includes Items 9-17)	

# SECTION 1 - FRAME

## FIGURE 1-5. DRIVE HUB ASSEMBLY





# SECTION 1 - FRAME

## FIGURE 1-5. DRIVE HUB ASSEMBLY

ITEM	PART NUMBER	QTY	DESCRIPTION	REV
	1001149921	Ref	DRIVE HUB ASSEMBLY	G
1	70004429	1	Ring	
2	See Note	NSS	Screw M6 x 20 (Note: Use Item 101)	
3	See Note	NSS	Cover (Note: Use Item 101)	
4	70004429	1	Gasket	
5	70002057	3	Plug	
6	See Note	NSS	Cover (Note: Use Item 101)	
7	See Note	NSS	O-Ring (Note: Use Item 100 or 101)	
8	See Note	NSS	Shim (Note: Use Item 101)	
9	See Note	NSS	Pin (Note: Use Item 101)	
10	See Note	NSS	O-Ring (Note: Use Item 100 or 101)	
11	70004430	1	Pinion	
12	70004431	1	Ring, Retaining	
13	70004432	1	Assembly, Gear Reduction	
14	70004433	1	Pinion	
15	70004434	1	Ring	
16	70004435	1	Assembly, Gear Reduction	
17	70004436	1	Pinion	
18	See Note	NSS	Housing, Hub (Note: Use p/n 1001149921)	
19	70002052	2	Screw M10 x 25	
20	70004437	6	Screw M6 x 14	
21	70004438	1	Plug	
22	70002032	4	Ring, Retaining	
23	70002031	4	Bearing	
24	70004439	4	Wheel, Planet	
25	70004440	1	Flange	
26	See Note	NSS	O-Ring (Note: Use Item 100)	
27	70004441	1	Nut	
28	70004363	2	Screw M6 x 10	
29	70004442	1	Bearing	
30	See Note	NSS	Support, Hub (Note: Use p/n 1001149921)	
31	See Note	NSS	O-Ring (Note: Use Item 100)	
32	70004443	1	Bearing	
33	See Note	1	Seal (Note: Use Item 100)	
34	70004444	1	Coupling	
35	70002036	1	Spring	
36	70004445	1	Ring, Retaining	
37	70004446	1	Bearing	
38	See Note	NSS	Axle (Note: Use p/n 1001149921)	
39	70004447	3	Plug	
40	70002057	3	Plug (Includes O-Ring)	
41	70002028	1	Plug, Plastic	
42	70004448	1	Shaft, Input	
43	See Note	NSS	Disc, Iron (Note: Use Item 102)	
44	See Note	NSS	Disc, Brake (Note: Use Item 102)	
45	See Note	NSS	Spacer (Note: Use Item 102)	
46	See Note	NSS	Seal (Note: Use Item 100 or 102)	
47	See Note	NSS	O-Ring (Note: Use Item 100 or 102)	
48	See Note	NSS	Seal (Note: Use Item 100 or 102)	
49	See Note	NSS	O-Ring (Note: Use Item 100 or 102)	

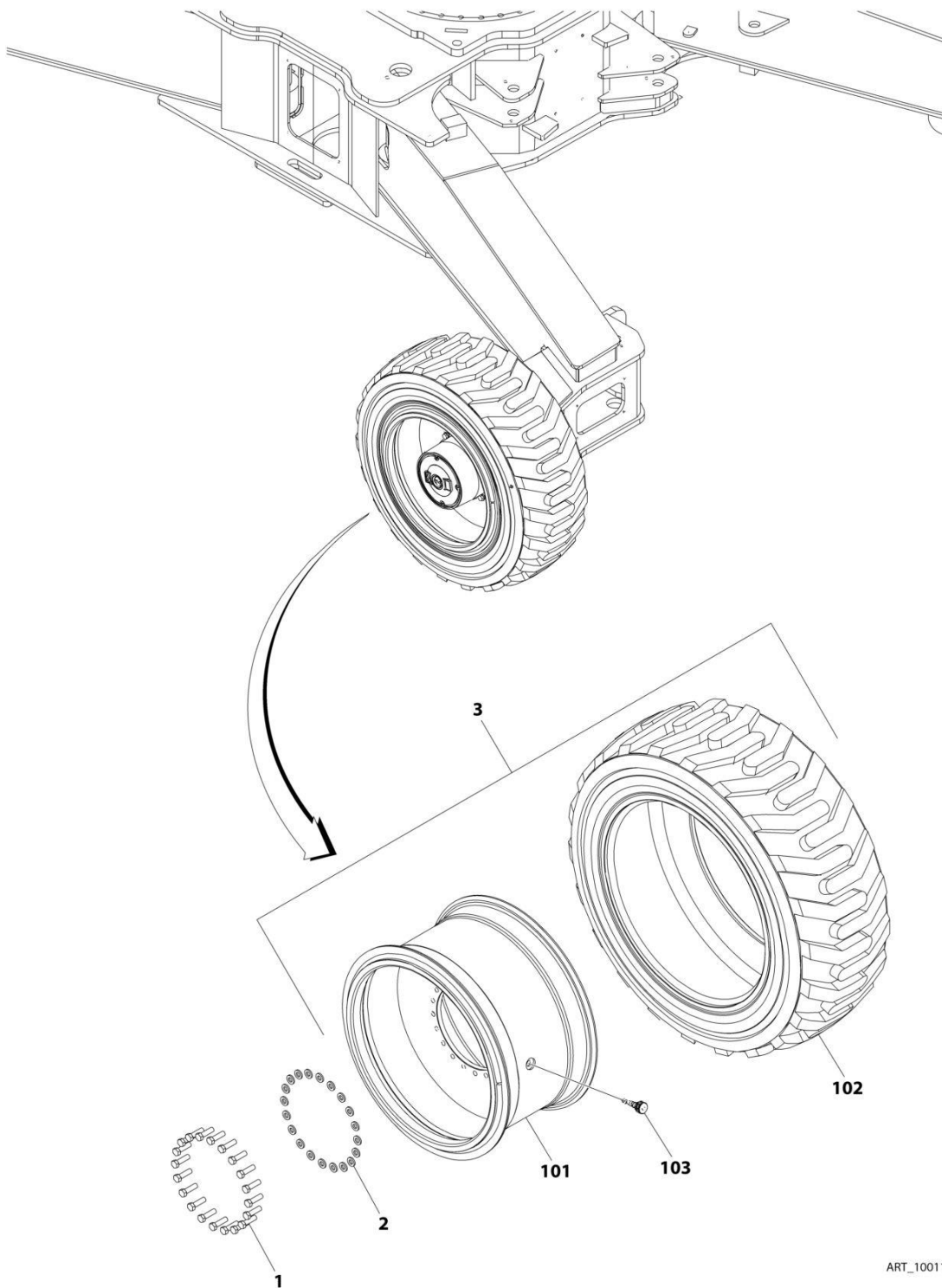
## SECTION 1 - FRAME

ITEM	PART NUMBER	QTY	DESCRIPTION	REV
50	See Note	NSS	Piston, Brake (Note: Use Item 102)	
51	See Note	NSS	Spring, Brake (Note: Use Item 102)	
52	See Note	NSS	Spacer (Note: Use Item 102)	
53	See Note	NSS	Ring, Retaining (Note: Use Item 102)	
54	See Note	NSS	O-Ring (Note: Use Item 100)	
55	70004449	1	Support, Motor	
56	70004450	6	Screw M8 x 25	
100	70004451	1	Kit, Seal (Includes Items 4, 7, 10, 26, 31, 33, 46-49 & 54)	
101	70004452	1	Kit, Cover (Includes Items 2-10)	
102	70004453	1	Kit, Brake (Includes Items 43-53)	



# SECTION 1 - FRAME

## FIGURE 1-6. TIRE/WHEEL INSTALLATION



ART\_1001157216

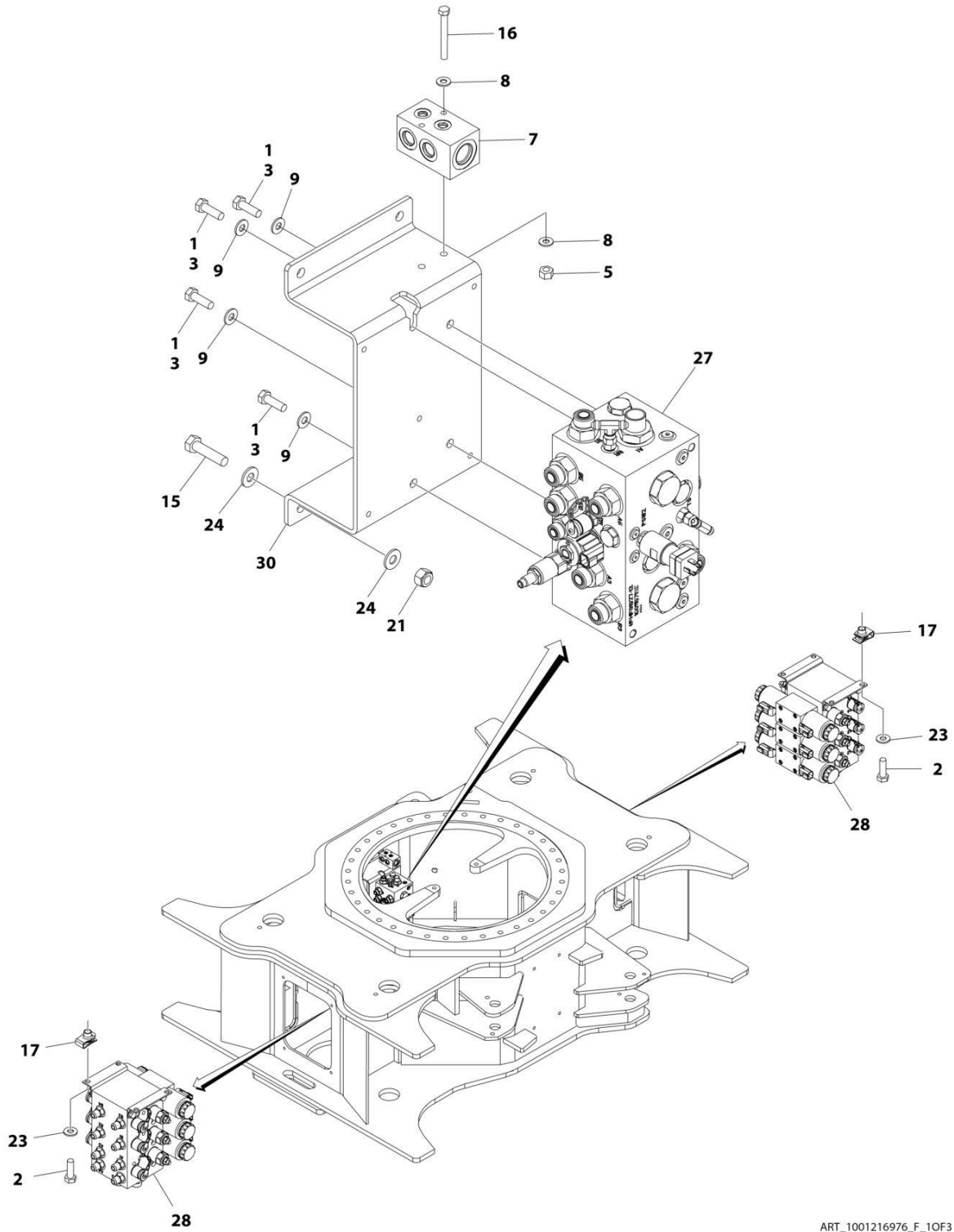
## SECTION 1 - FRAME

**FIGURE 1-6. TIRE/WHEEL INSTALLATION**

ITEM	PART NUMBER	QTY	DESCRIPTION	REV
	1001157216	Ref	TIRE/WHEEL INSTALLATION	F
		Ref	Note: Requires ballast/foam filling to manufacturer's specifications prior to installing on a machine. Refer to Service and Maintenance Manuals. Purchase individual tire and/or rim only if able to foam fill tire and wheel assembly, otherwise, purchase complete.	
1	0701619001	80	Bolt M16 x 55 (20 Per Wheel)	
2	1001172356	80	Washer 5/8 (20 Per Wheel)	
3	1001147616	2	Tire/Wheel (RH Side)	
3	1001149711	2	Tire/Wheel (LH Side)	
	1001147616	Ref	TIRE/WHEEL ASSEMBLY (RH SIDE)	I
	1001149711	Ref	TIRE/WHEEL ASSEMBLY (LH SIDE)	I
101	1001147617	4	Wheel (1 per Tire/Wheel)	
102	1001147618	4	Tire (1 per Tire/Wheel)	
103	1001157467	4	Valve (1 per Tire/Wheel)	

# SECTION 1 - FRAME

## FIGURE 1-7. VALVES INSTALLATION - FRAME



ART\_1001216976\_F\_10F3

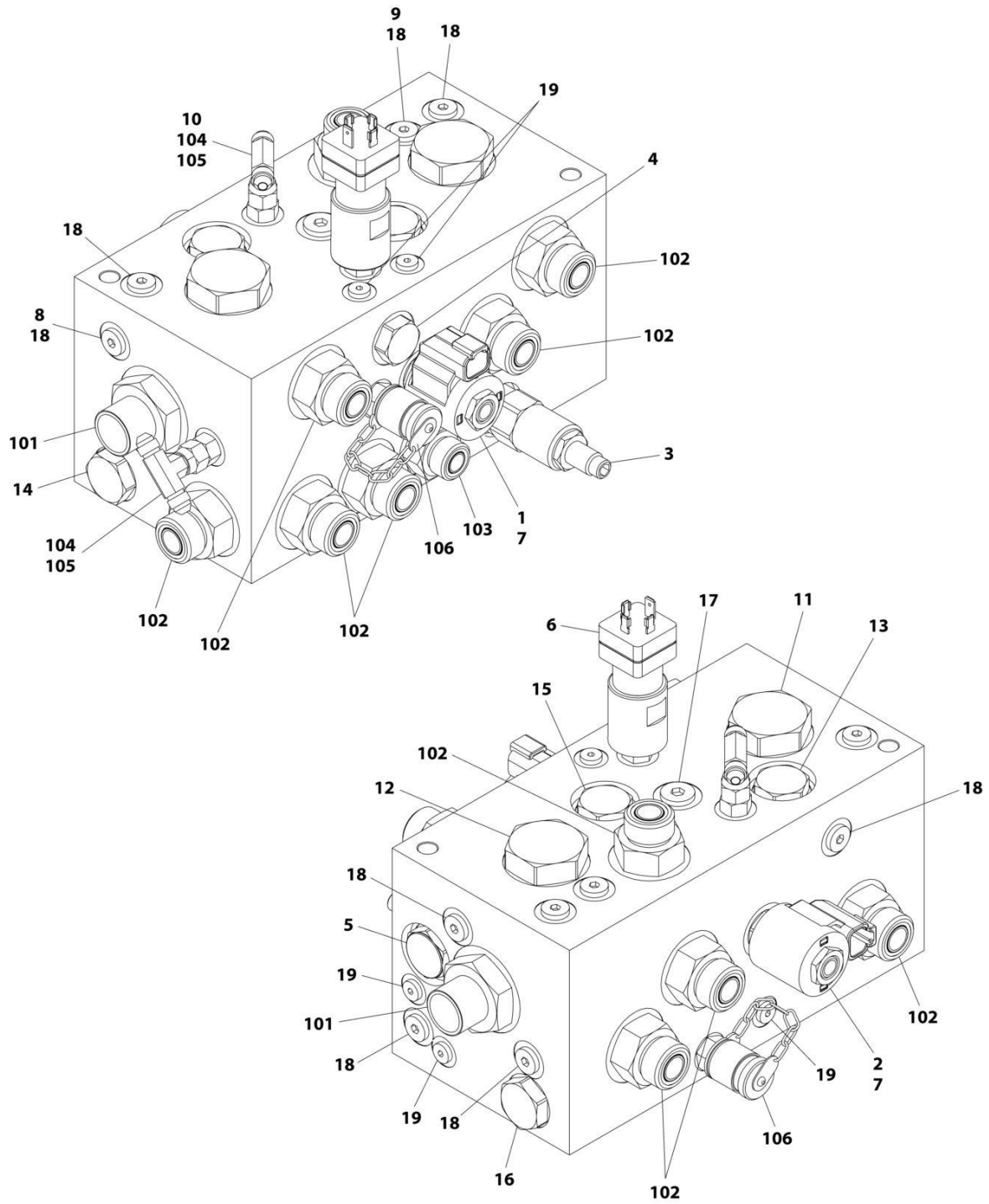
## SECTION 1 - FRAME

**FIGURE 1-7. VALVES INSTALLATION - FRAME**

ITEM	PART NUMBER	QTY	DESCRIPTION	REV
	1001216976	Ref	VALVES INSTALLATION - FRAME	F
1	0100011	AR	Compound, Locking	
2	0760812	8	Bolt M8 x 25	
3	0761012	4	Bolt M10 x 25	
5	3290607	2	Nut M6	
7	4641155	1	Manifold, Junction	
8	4811700	4	Washer M6	
9	4812000	4	Washer M10	
15	0761218001	4	Bolt M12 x 50	
16	1001096653	2	Bolt M6 x 70	
17	1001118274	8	Nut M8	
21	3291205001	4	Nut M12	
23	4811900001	8	Washer M8	
24	4812100001	8	Washer M12	
27	1001219110	1	Traction Valve Assembly (See Separate Breakdown in this Section)	
28	1001157207	2	Steer/Axle Extend Valve Assembly (See Separate Breakdown in this Section)	
30	1001164354	1	Bracket	

# SECTION 1 - FRAME

## FIGURE 1-8. TRACTION VALVE ASSEMBLY



ART\_1001219110



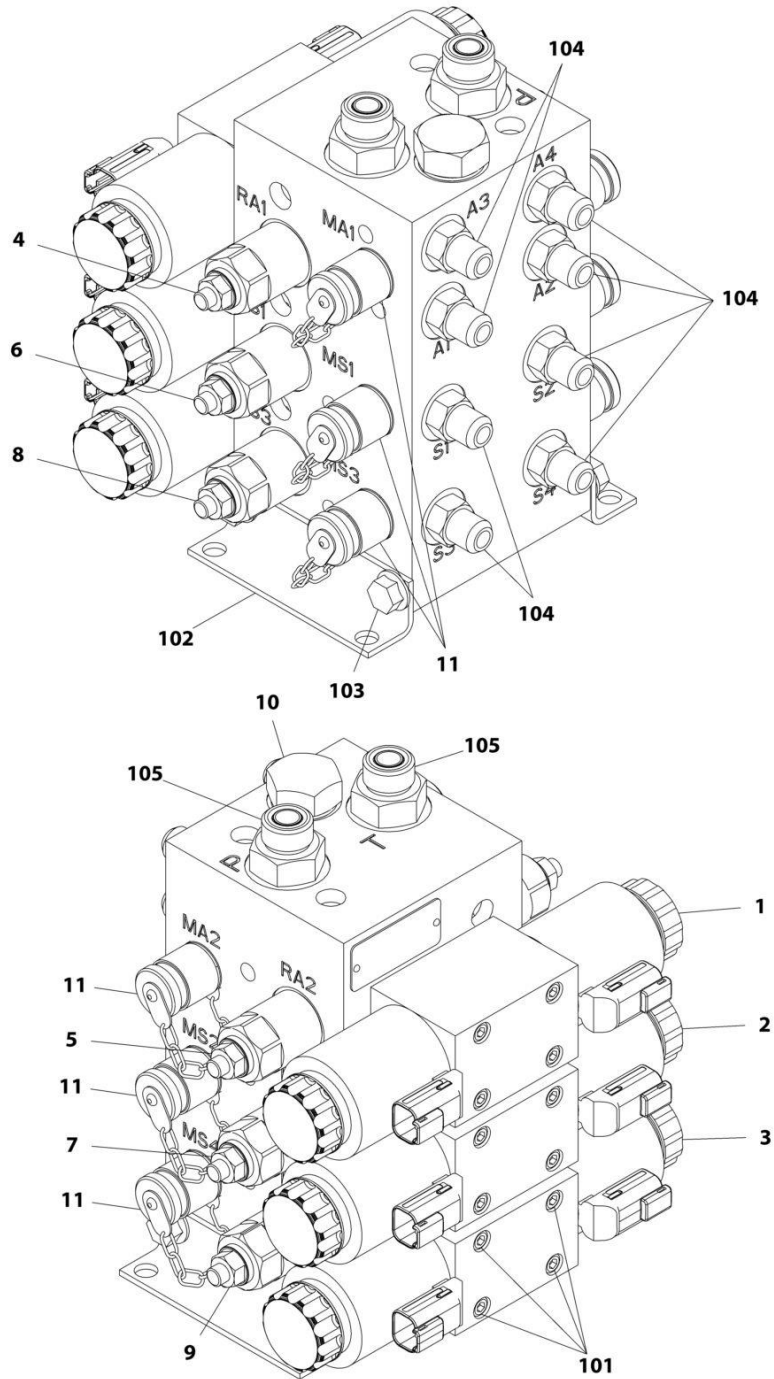
## SECTION 1 - FRAME

### FIGURE 1-8. TRACTION VALVE ASSEMBLY

ITEM	PART NUMBER	QTY	DESCRIPTION	REV
	1001219110	Ref	TRACTION VALVE ASSEMBLY	B
1	7012941	1	Cartridge, Solenoid Less Coil	
1	7010543	1	Kit, Seal	
2	7012941	1	Cartridge, Solenoid Less Coil	
2	7010543	1	Kit, Seal	
3	70004383	1	Cartridge, Relief	
3	7012998	1	Kit, Seal	
4	70004384	1	Cartridge, Load Shuttle	
4	7012973	1	Kit, Seal	
5	70000804	1	Cartridge	
5	70000805	1	Kit, Seal	
6	70000803	1	Cartridge, Pressure Switch	
7	70002386	2	Coil	
8	7017493	1	Orifice	
9	7017493	1	Orifice	
10	70004386	1	Orifice	
11	70004017	1	Cartridge, Flow Divider	
11	7021625	1	Kit, Seal	
12	70004017	1	Cartridge, Flow Divider	
12	7021625	1	Kit, Seal	
13	70003408	1	Cartridge, Check	
13	7022399	1	Kit, Seal	
14	70003408	1	Cartridge, Check	
14	7022399	1	Kit, Seal	
15	70003408	1	Cartridge, Check	
15	7022399	1	Kit, Seal	
16	70003408	1	Cartridge, Check	
16	7022399	1	Kit, Seal	
17	2220885	1	Plug	
18	2220883	9	Plug	
19	2220881	8	Plug	
101	2111016	2	Fitting, Straight ORB/ORFS	
102	2111012	10	Fitting, Straight ORB/ORFS	
103	2110810	1	Fitting, Straight ORB/ORFS	
104	2220415	2	Fitting, Straight JIC/ORB	
105	2220861	2	Fitting, Tee JIC/ORB	
106	2221086	2	Fitting, Test	

# SECTION 1 - FRAME

## FIGURE 1-9. STEER/AXLE EXTEND VALVE ASSEMBLY



ART\_1001157207

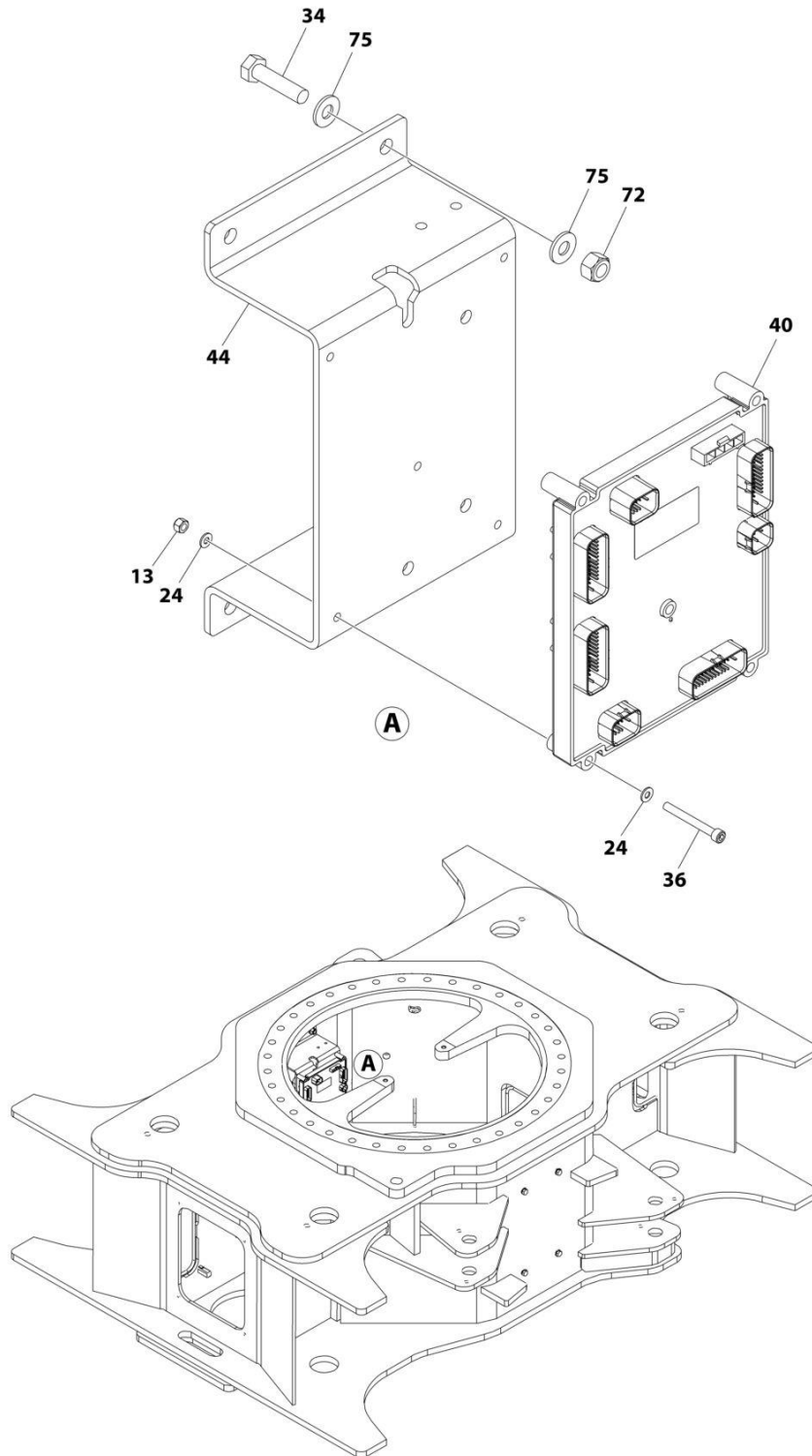
# SECTION 1 - FRAME

## FIGURE 1-9. STEER/AXLE EXTEND VALVE ASSEMBLY

ITEM	PART NUMBER	QTY	DESCRIPTION	REV
	1001157207	Ref	STEER/AXLE EXTEND VALVE ASSEMBLY	G
1	70004459	1	Valve, Direction Control	
1	7012773	1	Kit, Seal	
1	70004460	2	Coil	
1	7021375	2	Nut, Coil	
1	70004461	2	O-Ring, Solenoid Pole	
2	70004462	1	Valve, Direction Control	
2	7012773	1	Kit, Seal	
2	70004463	2	Coil	
2	7021375	2	Nut, Coil	
2	70004461	2	O-Ring, Solenoid Pole	
3	70004462	1	Valve, Direction Control	
3	7012773	1	Kit, Seal	
3	70004463	2	Coil	
3	7021375	2	Nut, Coil	
3	70004461	2	O-Ring, Solenoid Pole	
4	70004464	1	Cartridge, Relief	
4	70004055	1	Kit, Seal	
5	70004464	1	Cartridge, Relief	
5	70004055	1	Kit, Seal	
6	70004464	1	Cartridge, Relief	
6	70004055	1	Kit, Seal	
7	70004464	1	Cartridge, Relief	
7	70004055	1	Kit, Seal	
8	70004464	1	Cartridge, Relief	
8	70004055	1	Kit, Seal	
9	70004464	1	Cartridge, Relief	
9	70004055	1	Kit, Seal	
10	70004465	1	Cartridge, Flow Divider	
10	70004164	1	Kit, Seal	
11	2221086	6	Fitting, Test	
101	See Note	NSS	Capscrew #10 x 2 (Note: Purchase Locally)	
102	See Note	NSS	Bracket (Note: Not Available for Purchase)	
103	0641504	4	Bolt 5/16 x 1/2	
104	2220371	8	Fitting, Straight JIC/ORB	
105	2110810	2	Fitting, Straight ORB/ORFS	

# SECTION 1 - FRAME

FIGURE 1-10. ELECTRICAL COMPONENTS INSTALLATION - FRAME (HRC) (ANSI, ANSI EXPORT, CSA AND JAPANESE SPECS)



ART\_1001243047\_J\_10F2

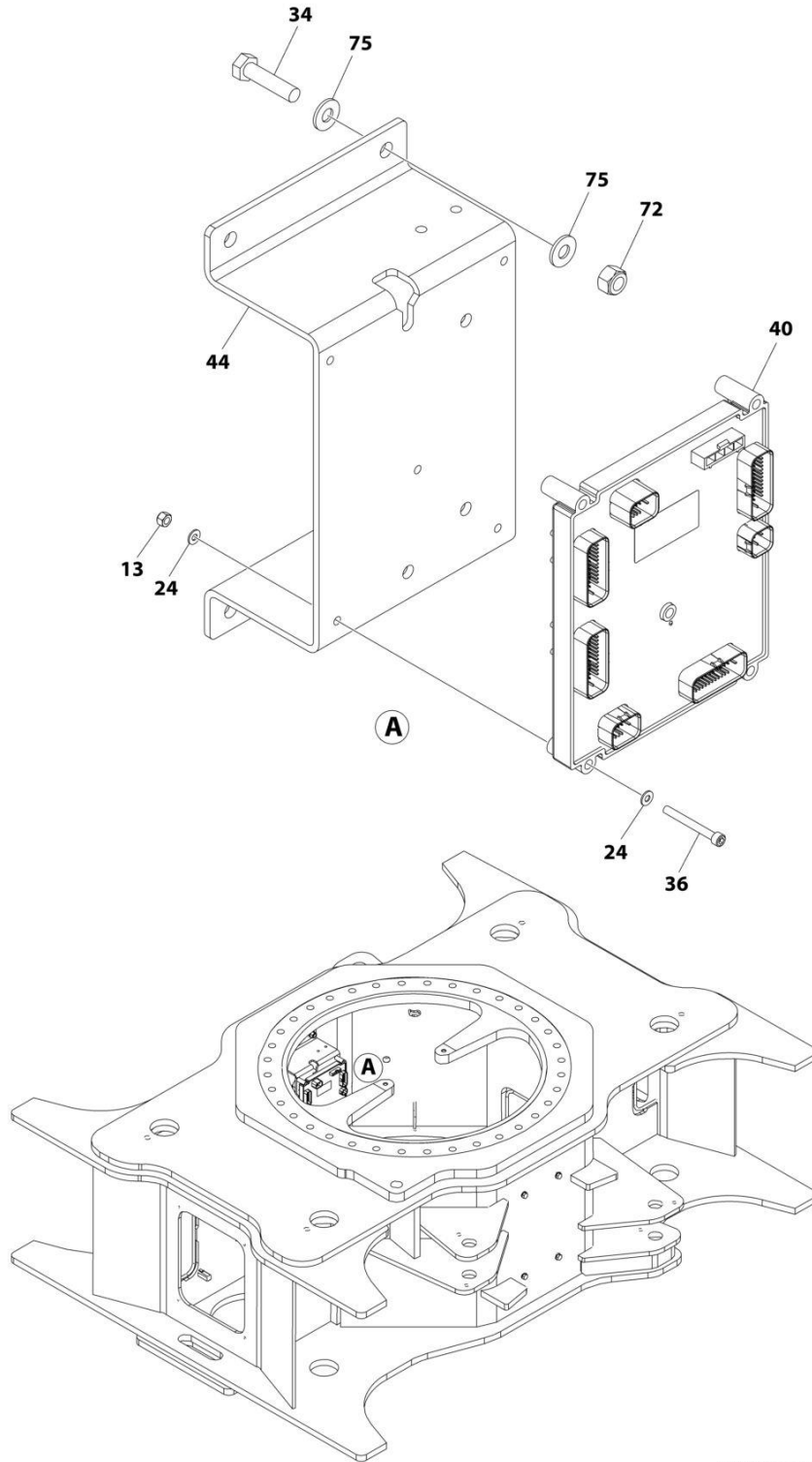
## SECTION 1 - FRAME

**FIGURE 1-10. ELECTRICAL COMPONENTS INSTALLATION - FRAME (HRC) (ANSI, ANSI EXPORT, CSA AND JAPANESE SPECS)**

ITEM	PART NUMBER	QTY	DESCRIPTION	REV
	1001243047	Ref	ELECTRICAL COMPONENTS INSTALLATION - FRAME (HRC)	J
13	3290605	5	Nut M6	
24	4811700	10	Washer M6	
34	0761218001	4	Bolt M12 x 50	
36	1001118878	5	Capscrew M6 x 55	
39	1001311998	1	Chassis Harness (Not Shown - See Separate Breakdown in ELECTRICAL Section)	
40	1001277132	1	Module, Control (Note: Re-calibration Required when Replaced)	
43	1001163631	4	Axle Sensor Harness (Not Shown - See Separate Breakdown in ELECTRICAL Section)	
44	1001164354	1	Bracket	
72	3291205001	4	Nut M12	
75	4812100001	8	Washer M12	

# SECTION 1 - FRAME

FIGURE 1-11. ELECTRICAL COMPONENTS INSTALLATION - FRAME (HRC) (CE & UK CA SPECS)



ART\_1001243050\_J\_10F2

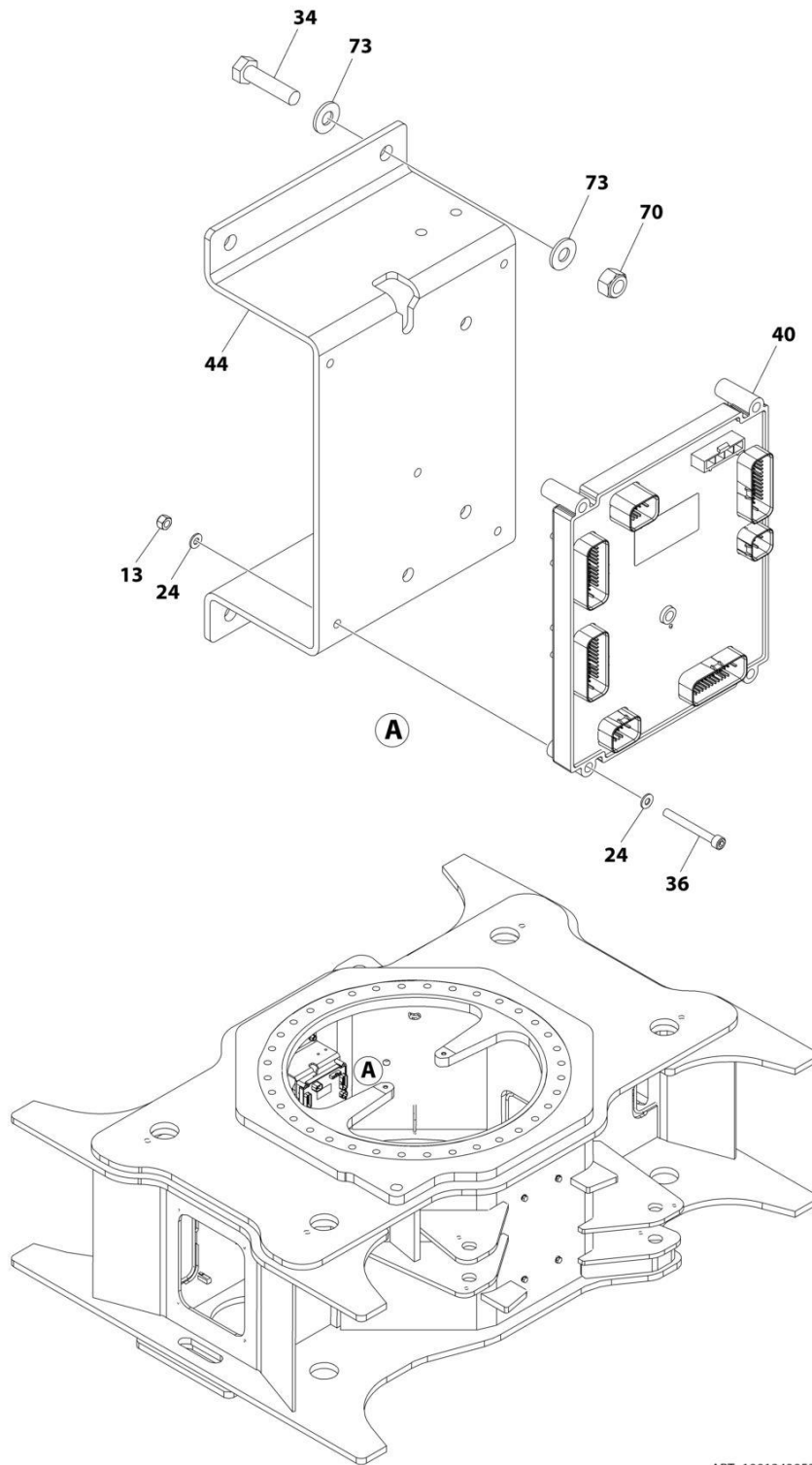
## SECTION 1 - FRAME

**FIGURE 1-11. ELECTRICAL COMPONENTS INSTALLATION - FRAME (HRC) (CE & UK CA SPECS)**

ITEM	PART NUMBER	QTY	DESCRIPTION	REV
	1001243050	Ref	ELECTRICAL COMPONENTS INSTALLATION - FRAME (HRC)	J
13	3290605	5	Nut M6	
24	4811700	6	Washer M6	
34	0761218001	4	Bolt M12 x 50	
36	1001118878	5	Capscrew M6 x 55	
39	1001311998	1	Chassis Harness (Not Shown - See Separate Breakdown in ELECTRICAL Section)	
40	1001277132	1	Module, Control (Note: Re-calibration Required when Replaced)	
43	1001163631	4	Axle Sensor Harness (Not Shown - See Separate Breakdown in ELECTRICAL Section)	
44	1001164354	1	Bracket	
72	3291205001	4	Nut M12	
75	4812100001	8	Washer M12	

# SECTION 1 - FRAME

FIGURE 1-12. ELECTRICAL COMPONENTS INSTALLATION - FRAME (LRC) (ANSI EXPORT, AUSTRALIAN AND CHINA SPECS)



ART\_1001243053\_J\_10F2



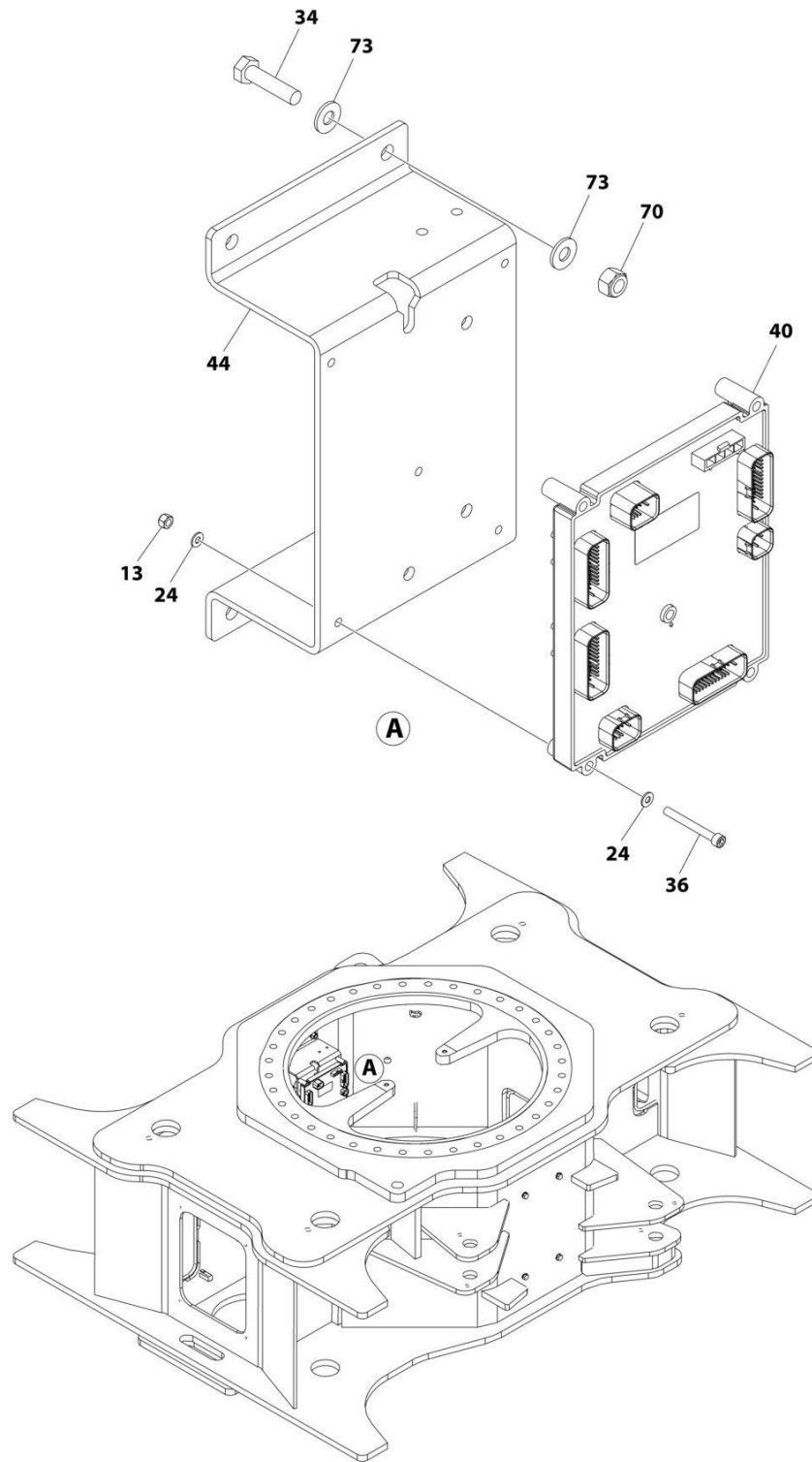
## SECTION 1 - FRAME

**FIGURE 1-12. ELECTRICAL COMPONENTS INSTALLATION - FRAME (LRC) (ANSI EXPORT, AUSTRALIAN AND CHINA SPECS)**

ITEM	PART NUMBER	QTY	DESCRIPTION	REV
	1001243053	Ref	ELECTRICAL COMPONENTS INSTALLATION - FRAME (LRC)	J
13	3290605	5	Nut M6	
24	4811700	6	Washer M6	
34	0761218001	4	Bolt M12 x 50	
36	1001118878	5	Capscrew M6 x 55	
39	1001311998	1	Chassis Harness (Not Shown - See Separate Breakdown in ELECTRICAL Section)	
40	1001277132	1	Module, Control (Note: Re-calibration Required when Replaced)	
43	1001163631	4	Axle Sensor Harness (Not Shown - See Separate Breakdown in ELECTRICAL Section)	
44	1001164354	1	Bracket	
70	3291205001	4	Nut M12	
73	4812100001	8	Washer M12	

# SECTION 1 - FRAME

FIGURE 1-13. ELECTRICAL COMPONENTS INSTALLATION - FRAME (LRC) (CE & UK CA SPECS)



ART\_1001243055\_J\_10F2

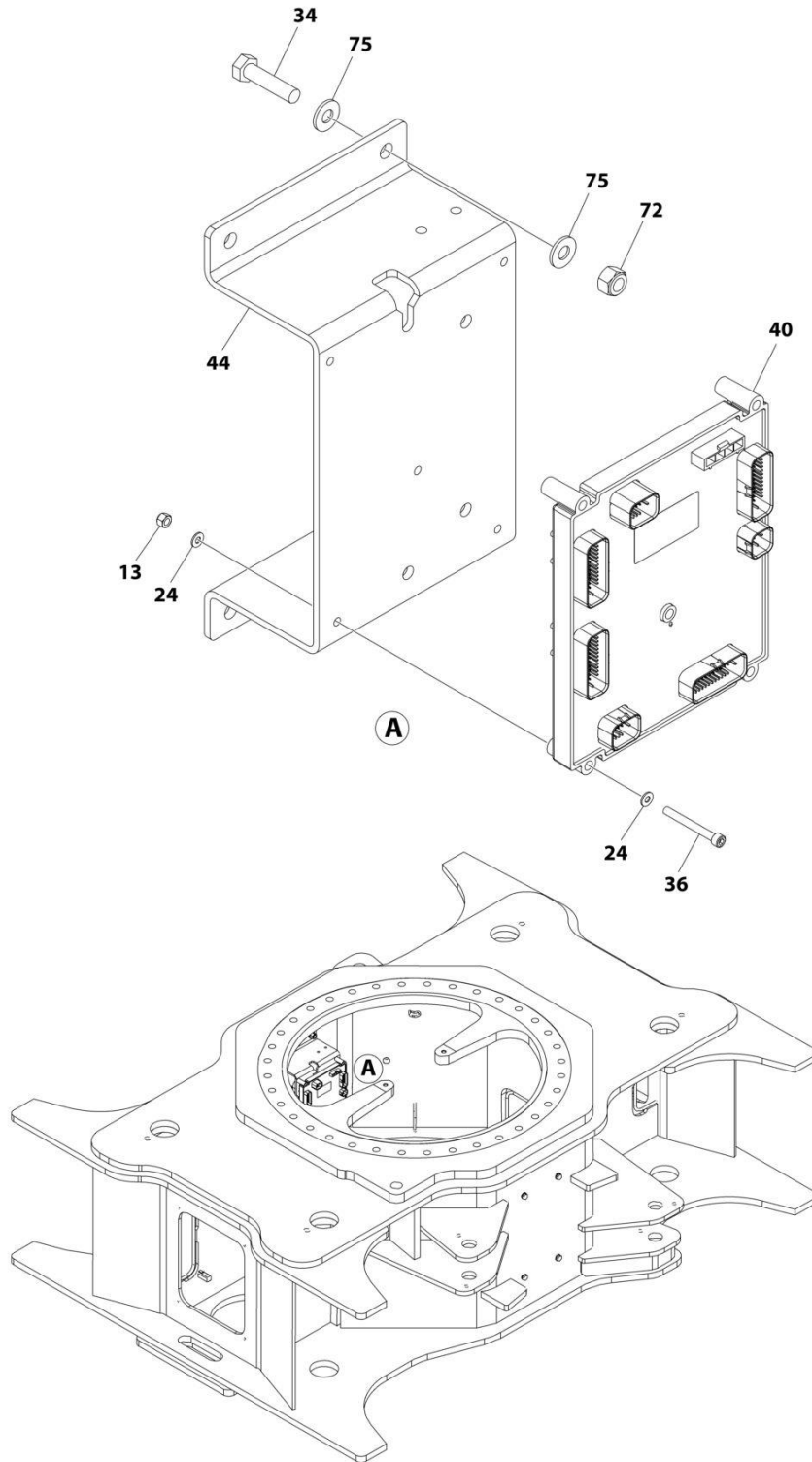
## SECTION 1 - FRAME

**FIGURE 1-13. ELECTRICAL COMPONENTS INSTALLATION - FRAME (LRC) (CE & UK CA SPECS)**

ITEM	PART NUMBER	QTY	DESCRIPTION	REV
	1001243055	Ref	ELECTRICAL COMPONENTS INSTALLATION - FRAME (LRC)	J
13	3290605	5	Nut M6	
24	4811700	6	Washer M6	
34	0761218001	4	Bolt M12 x 50	
36	1001118878	5	Capscrew M6 x 55	
39	1001311998	1	Chassis Harness (Not Shown - See Separate Breakdown in ELECTRICAL Section)	
40	1001277132	1	Module, Control (Note: Re-calibration Required when Replaced)	
43	1001163631	4	Axle Sensor Harness (Not Shown - See Separate Breakdown in ELECTRICAL Section)	
44	1001164354	1	Bracket	
70	3291205001	4	Nut M12	
73	4812100001	8	Washer M12	

# SECTION 1 - FRAME

FIGURE 1-14. ELECTRICAL COMPONENTS INSTALLATION WITH TOWER STOW - FRAME (HRC)  
(ANSI, ANSI EXPORT, CSA AND JAPANESE SPECS)



ART\_1001267659\_I\_10F2

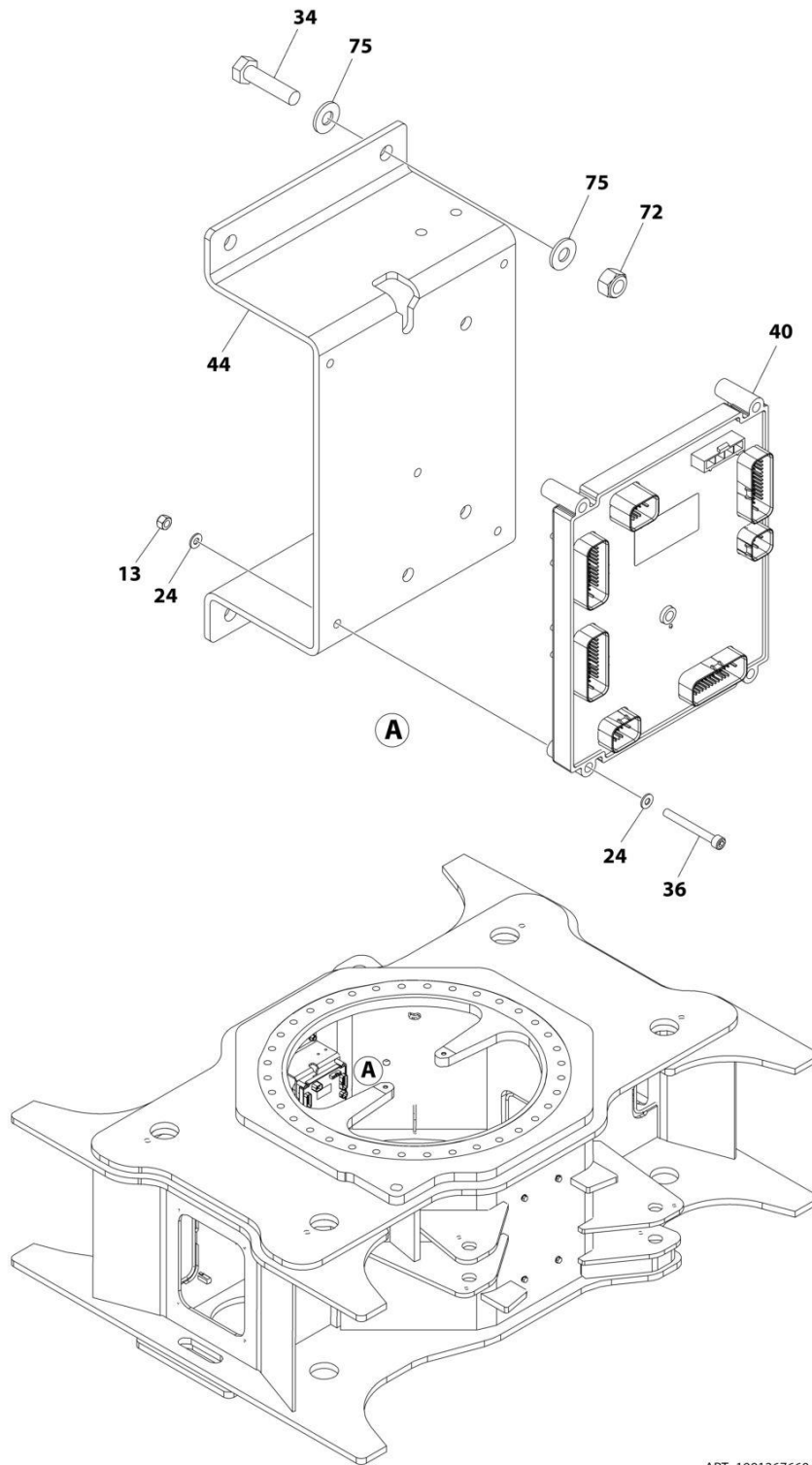
## SECTION 1 - FRAME

**FIGURE 1-14. ELECTRICAL COMPONENTS INSTALLATION WITH TOWER STOW - FRAME (HRC)  
(ANSI, ANSI EXPORT, CSA AND JAPANESE SPECS)**

ITEM	PART NUMBER	QTY	DESCRIPTION	REV
	1001267659	Ref	ELECTRICAL COMPONENTS INSTALLATION - FRAME (HRC)	I
13	3290605	5	Nut M6	
24	4811700	10	Washer M6	
34	0761218001	4	Bolt M12 x 50	
36	1001118878	5	Capscrew M6 x 55	
39	1001311998	1	Chassis Harness (Not Shown - See Separate Breakdown in ELECTRICAL Section)	
40	1001277132	1	Module, Control (Note: Re-calibration Required when Replaced)	
43	1001163631	4	Axle Sensor Harness (Not Shown - See Separate Breakdown in ELECTRICAL Section)	
44	1001164354	1	Bracket	
72	3291205001	4	Nut M12	
75	4812100001	8	Washer M12	

# SECTION 1 - FRAME

FIGURE 1-15. ELECTRICAL COMPONENTS INSTALLATION WITH TOWER STOW - FRAME (HRC) (CE & UK CA SPECS)



ART\_1001267660\_I\_10F2

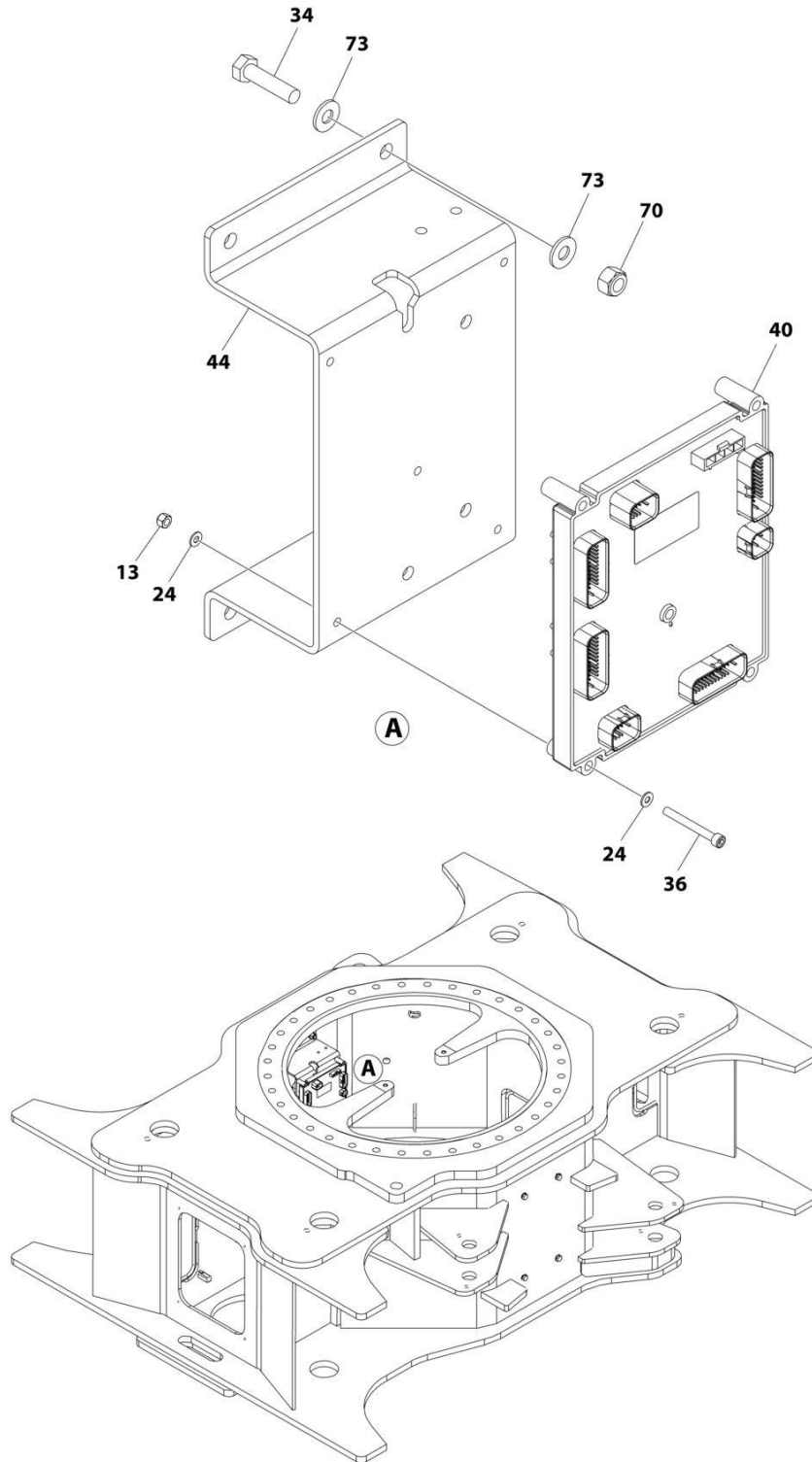
## SECTION 1 - FRAME

**FIGURE 1-15. ELECTRICAL COMPONENTS INSTALLATION WITH TOWER STOW - FRAME (HRC) (CE & UK CA SPECS)**

ITEM	PART NUMBER	QTY	DESCRIPTION	REV
	1001267660	Ref	ELECTRICAL COMPONENTS INSTALLATION - FRAME (HRC)	I
13	3290605	5	Nut M6	
24	4811700	6	Washer M6	
34	0761218001	4	Bolt M12 x 50	
36	1001118878	5	Capscrew M6 x 55	
39	1001311998	1	Chassis Harness (Not Shown - See Separate Breakdown in ELECTRICAL Section)	
40	1001277132	1	Module, Control (Note: Re-calibration Required when Replaced)	
43	1001163631	4	Axle Sensor Harness (Not Shown - See Separate Breakdown in ELECTRICAL Section)	
44	1001164354	1	Bracket	
72	3291205001	4	Nut M12	
75	4812100001	8	Washer M12	

# SECTION 1 - FRAME

FIGURE 1-16. ELECTRICAL COMPONENTS INSTALLATION WITH TOWER STOW - FRAME (LRC)  
(ANSI EXPORT, AUSTRALIAN AND CHINA SPECS)



ART\_1001267661\_I\_10F2



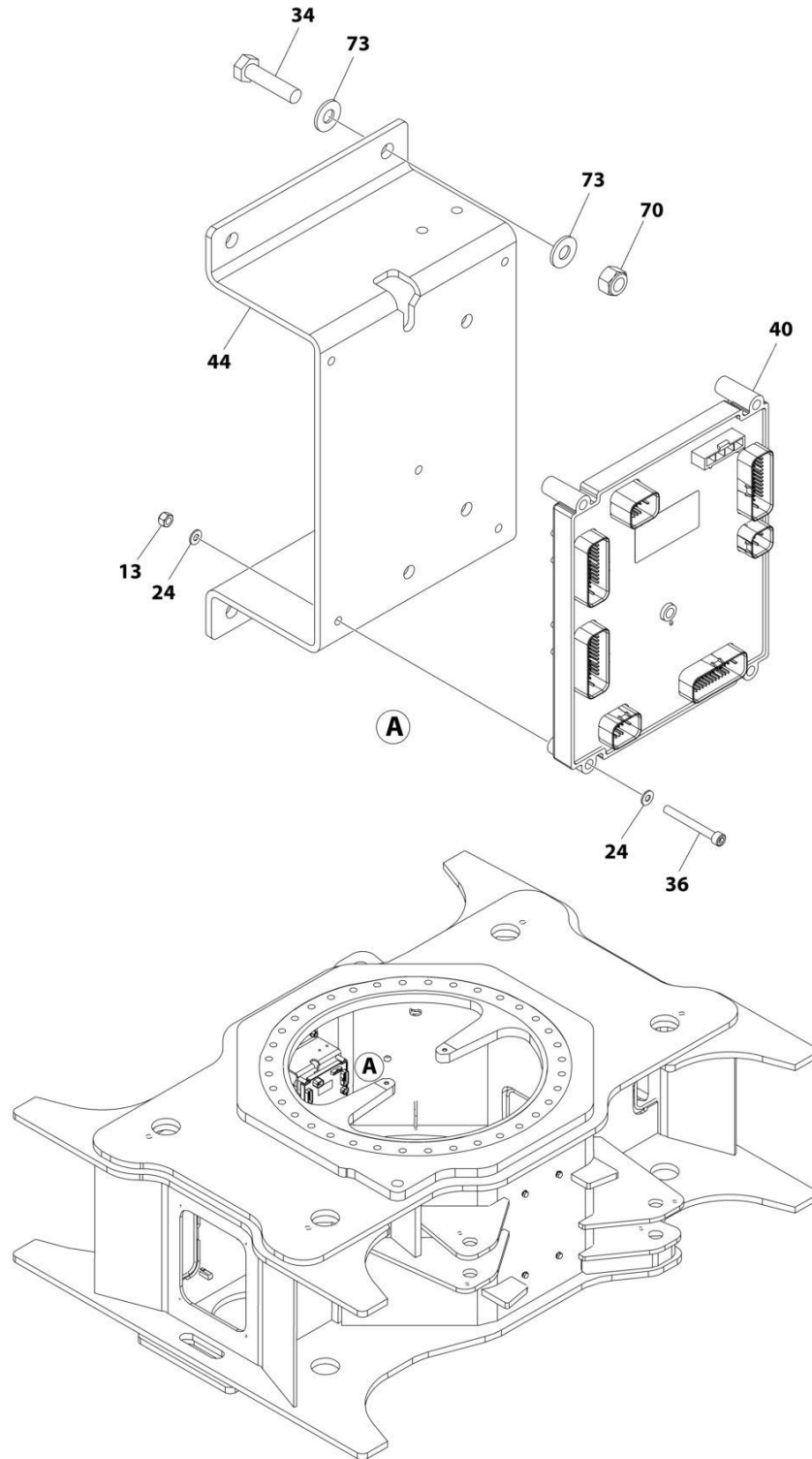
## SECTION 1 - FRAME

**FIGURE 1-16. ELECTRICAL COMPONENTS INSTALLATION WITH TOWER STOW - FRAME (LRC)  
(ANSI EXPORT, AUSTRALIAN AND CHINA SPECS)**

ITEM	PART NUMBER	QTY	DESCRIPTION	REV
	1001267661	Ref	ELECTRICAL COMPONENTS INSTALLATION - FRAME (LRC)	I
13	3290605	5	Nut M6	
24	4811700	6	Washer M6	
34	0761218001	4	Bolt M12 x 50	
36	1001118878	5	Capscrew M6 x 55	
39	1001311998	1	Chassis Harness (Not Shown - See Separate Breakdown in ELECTRICAL Section)	
40	1001277132	1	Module, Control (Note: Re-calibration Required when Replaced)	
43	1001163631	4	Axle Sensor Harness (Not Shown - See Separate Breakdown in ELECTRICAL Section)	
44	1001164354	1	Bracket	
70	3291205001	4	Nut M12	
73	4812100001	8	Washer M12	

# SECTION 1 - FRAME

FIGURE 1-17. ELECTRICAL COMPONENTS INSTALLATION WITH TOWER STOW - FRAME (LRC) (CE & UK CA SPECS)



ART\_1001267662\_1\_10F2

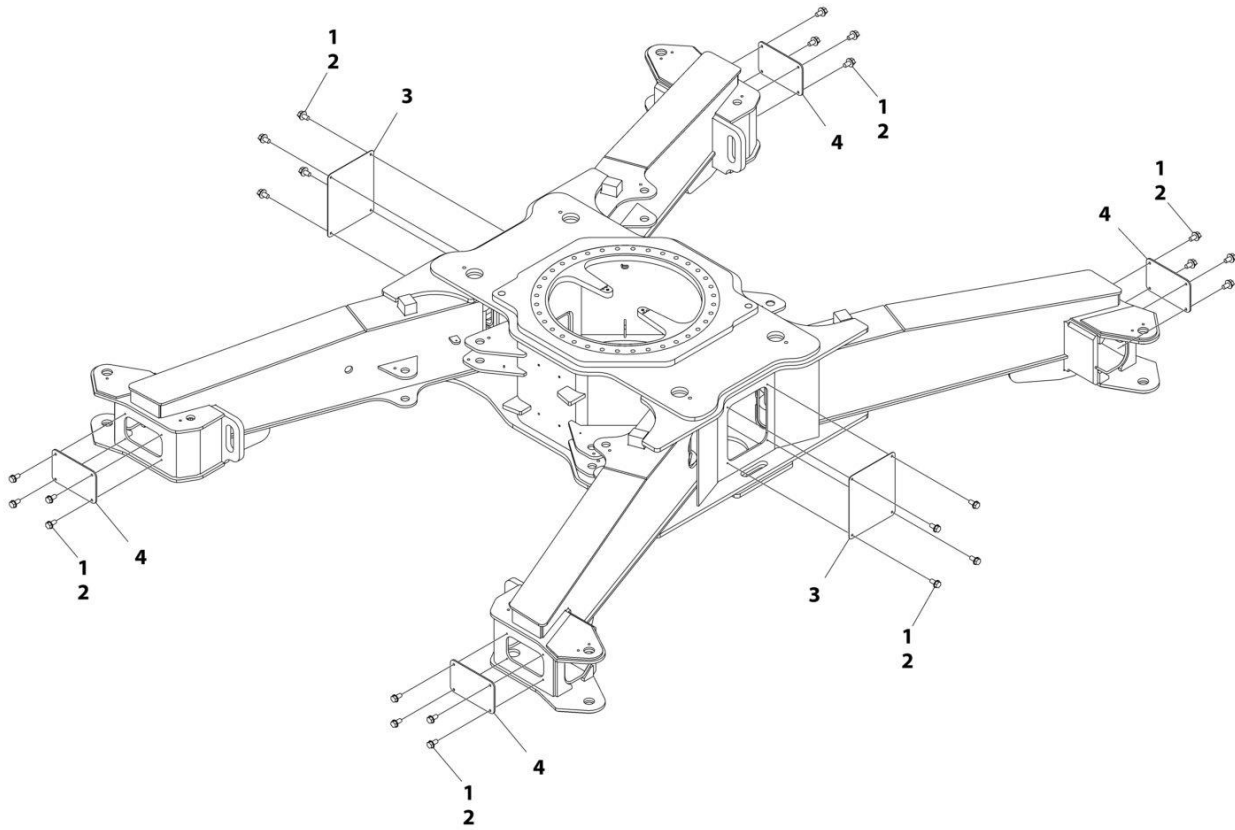
## SECTION 1 - FRAME

**FIGURE 1-17. ELECTRICAL COMPONENTS INSTALLATION WITH TOWER STOW - FRAME (LRC) (CE & UK CA SPECS)**

ITEM	PART NUMBER	QTY	DESCRIPTION	REV
	1001267662	Ref	ELECTRICAL COMPONENTS INSTALLATION - FRAME (LRC)	I
13	3290605	5	Nut M6	
24	4811700	6	Washer M6	
34	0761218001	4	Bolt M12 x 50	
36	1001118878	5	Capscrew M6 x 55	
39	1001311998	1	Chassis Harness (Not Shown - See Separate Breakdown in ELECTRICAL Section)	
40	1001277132	1	Module, Control (Note: Re-calibration Required when Replaced)	
43	1001163631	4	Axle Sensor Harness (Not Shown - See Separate Breakdown in ELECTRICAL Section)	
44	1001164354	1	Bracket	
70	3291205001	4	Nut M12	
73	4812100001	8	Washer M12	

# SECTION 1 - FRAME

## FIGURE 1-18. COVERS INSTALLATION - FRAME



ART\_1001157670

**SECTION 1 - FRAME**

**FIGURE 1-18. COVERS INSTALLATION - FRAME**

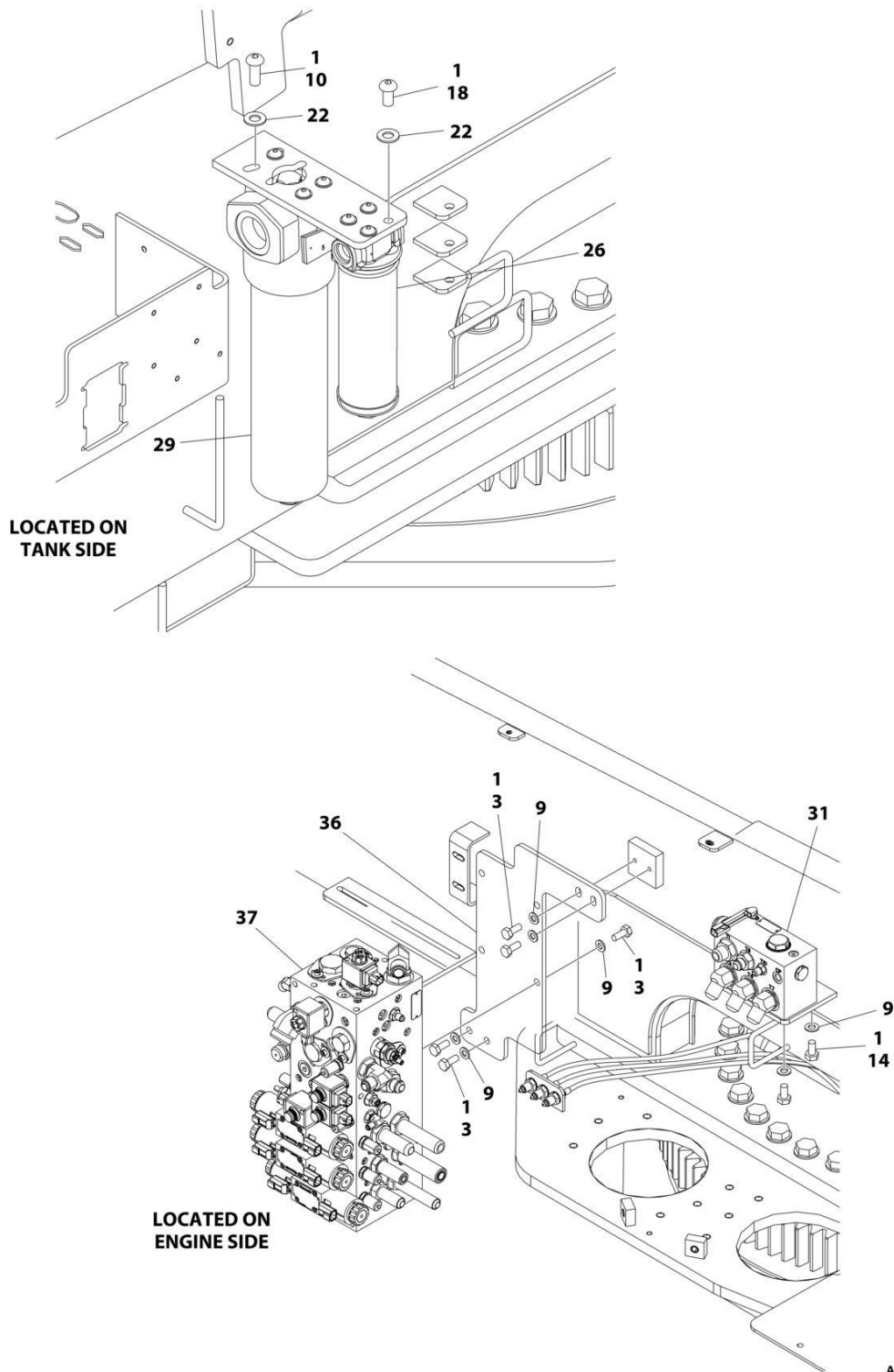
<b>ITEM</b>	<b>PART NUMBER</b>	<b>QTY</b>	<b>DESCRIPTION</b>	<b>REV</b>
	1001157670	Ref	COVERS INSTALLATION - FRAME	B
1	0100011	AR	Compound, Locking	
2	5251210001	24	Bolt M12 x 20	
3	1001155561	2	Cover	
4	1001156867	4	Cover	



**SECTION 2 - TURNTABLE**

## SECTION 2 - TURNTABLE

FIGURE 2-1. VALVES AND FILTERS INSTALLATION - TURNTABLE (PARKER HYDRAULIC FILTER)



ART\_1001216976\_20F3



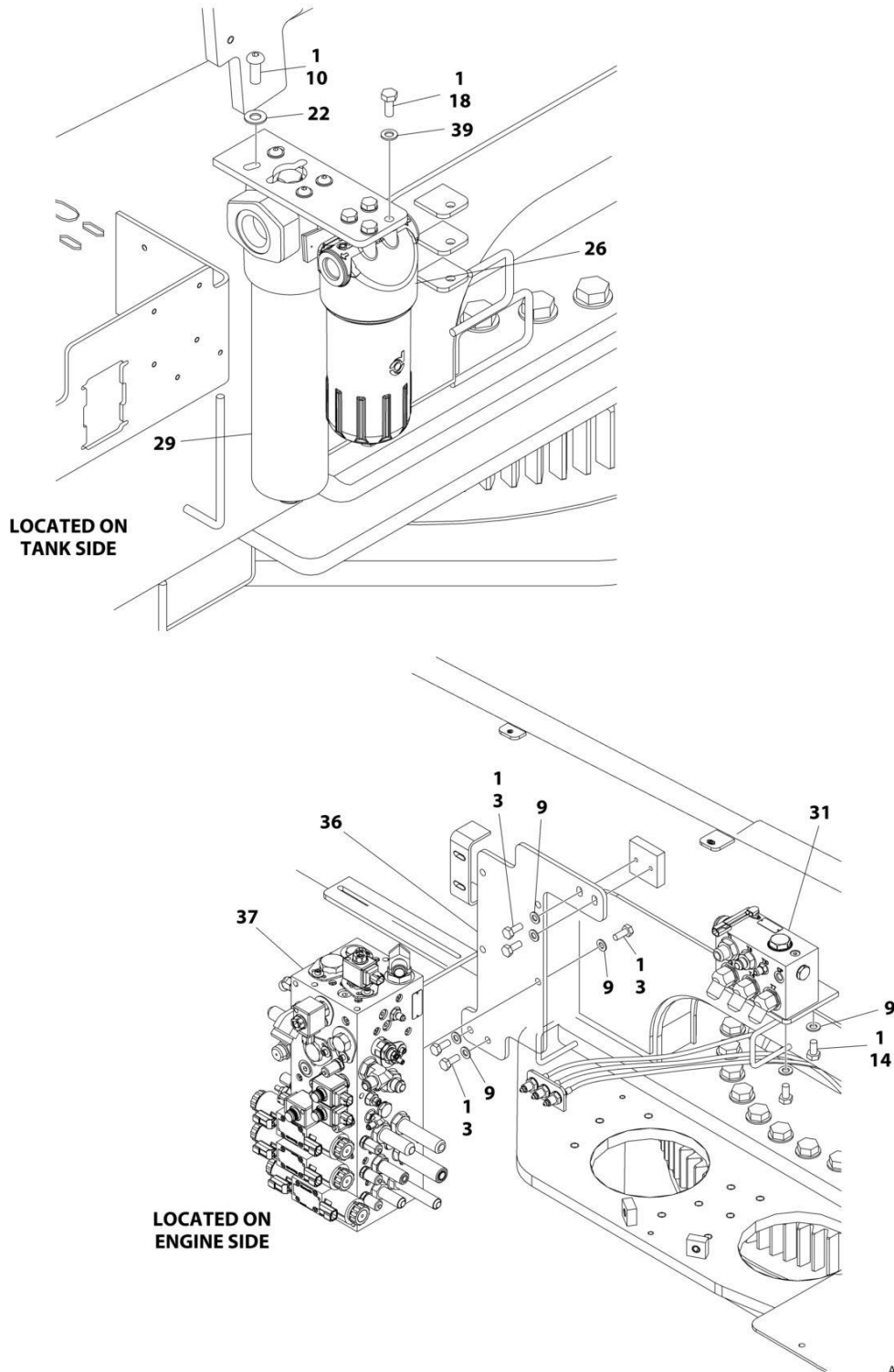
## SECTION 2 - TURNTABLE

**FIGURE 2-1. VALVES AND FILTERS INSTALLATION - TURNTABLE (PARKER HYDRAULIC FILTER)**

ITEM	PART NUMBER	QTY	DESCRIPTION	REV
	1001216976	Ref	VALVES AND FILTERS INSTALLATION - TURNTABLE	E
1	0100011	AR	Compound, Locking	
3	0761012	8	Bolt M10 x 25	
9	4812000	12	Washer M10	
10	88261128	4	Screw 3/8 x 1	
14	0761010001	4	Bolt M10 x 20	
18	1001173846	4	Screw 3/8 x 3/4	
18	1001238236	4	Screw 3/8 x 7/8	
22	4711600001	8	Washer 3/8	
26	1001108617	1	Filter	
26	70002231	1	Element, Filter	
29	1001158412	1	Filter, High Pressure	
29	1001161232	1	Element, High Pressure Filter	
29	70006137	1	Seal Kit - 1001158412 Filter	
31	1001200988	1	Return Valve Assembly (See Separate Breakdown in this Section)	
36	1001213392	1	Bracket	
37	1001234247	1	Main Valve Assembly (See Separate Breakdown in this Section)	

## SECTION 2 - TURNTABLE

FIGURE 2-2. VALVES AND FILTERS INSTALLATION - TURNTABLE (DONALDSON HYDRAULIC FILTER)



ART\_1001216976\_F\_2OF3

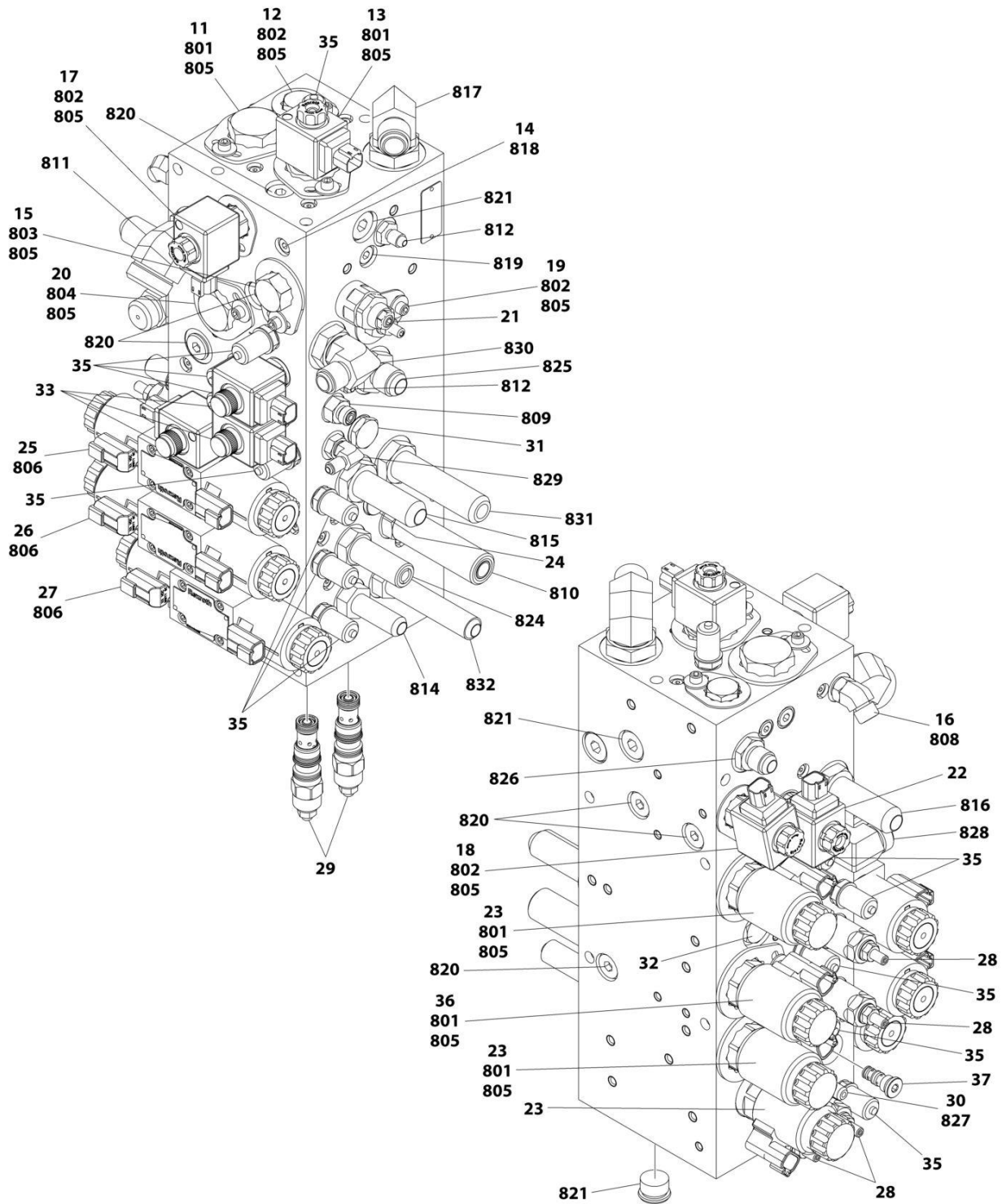
## SECTION 2 - TURNTABLE

**FIGURE 2-2. VALVES AND FILTERS INSTALLATION - TURNTABLE (DONALDSON HYDRAULIC FILTER)**

ITEM	PART NUMBER	QTY	DESCRIPTION	REV
	1001216976	Ref	VALVES AND FILTERS INSTALLATION - TURNTABLE	F
1	0100011	AR	Compound, Locking	
3	0761012	8	Bolt M10 x 25	
9	4812000	12	Washer M10	
10	88261128	4	Screw 3/8 x 1	
14	0761010001	4	Bolt M10 x 20	
18	0761012001	1	Bolt M10 x 25	
22	4711600001	8	Washer 3/8	
26	1001293701	1	Filter	
26	70008358	1	Element, Filter	
26	70008368	1	Head, Filter	
26	70008369	1	Housing, Filter	
29	1001158412	1	Filter, High Pressure	
29	1001161232	1	Element, High Pressure Filter	
29	70006137	1	Seal Kit - 1001158412 Filter	
31	1001200988	1	Return Valve Assembly (See Separate Breakdown in this Section)	
36	1001213392	1	Bracket	
37	1001234247	1	Main Valve Assembly (See Separate Breakdown in this Section)	
39	1001172358	4	Washer M10	

# SECTION 2 - TURNTABLE

## FIGURE 2-3. MAIN VALVE ASSEMBLY



ART\_1001234247

**SECTION 2 - TURNTABLE**

**FIGURE 2-3. MAIN VALVE ASSEMBLY**

ITEM	PART NUMBER	QTY	DESCRIPTION	REV
	1001234247	Ref	MAIN VALVE ASSEMBLY	C
11	70005943	1	Valve, Cartridge (Check)	
11	70005944	1	Seal Kit - 70005943 Valve	
12	70004585	1	Valve, Cartridge (Check)	
12	70004052	1	Seal Kit - 70004585 Valve	
13	70005945	1	Valve, Solenoid Less Coil (Directional Control)	
13	70005946	1	Seal Kit - 70005945 Valve	
13	70004588	1	Coil	
13	70005947	1	Coil Nut and Pole Tube O-Ring Kit	
14	70004589	1	Orifice 2.2mm	
15	70004590	1	Valve, Solenoid Less Coil (Directional Control)	
15	70023862	1	Seal Kit - 70004590 Valve	
16	70006707	1	Orifice .7mm	
17	70005948	1	Valve, Solenoid Less Coil (Directional Control)	
17	70004055	1	Seal Kit - 70005948 Valve	
17	70004588	1	Coil	
17	70005947	1	Coil Nut and Pole Tube O-Ring Kit	
18	70005948	1	Valve, Solenoid Less Coil (Directional Control)	
18	See Note	NSS	Seal Kit - 70004598 Valve (Note: Not Available)	
18	70004588	1	Coil	
18	70005947	1	Coil Nut and Pole Tube O-Ring Kit	
19	70004591	1	Valve, Cartridge (Pressure Reducing)	
19	70004592	1	Seal Kit - 70004591 Valve	
20	70004583	1	Valve, Cartridge (Check)	
20	70004584	1	Seal Kit - 70004583 Valve	
21	70006708	1	Valve, Cartridge (Relief)	
21	See Note	NSS	Seal Kit - 70006708 Valve (Note: Not Available)	
22	70004586	1	Valve, Solenoid Less Coil (Directional Control)	
22	70004587	1	Seal Kit - 70004586 Valve	
22	70004588	1	Coil	
22	70005947	1	Coil Nut and Pole Tube O-Ring Kit	
23	70004593	3	Valve, Solenoid Less Coil (Flow Control)	
23	70004594	3	Seal Kit - 70004593 Valve	
23	70004595	3	Coil	
23	70004597	3	Nut, Coil	
23	70004596	3	O-Ring, Pole Tube	
24	70023859	3	Valve, Cartridge (Shuttle)	
24	70023860	3	Seal Kit - 70023859 Valve	
25	70004459	1	Valve, Solenoid Less Coil (Tele)	
25	7012773	1	Seal Kit - 70004459 Valve	
25	70004460	1	Coil	
25	7021375	1	Nut, Coil	
26	70004600	1	Valve, Solenoid Less Coil (Lift)	
26	7012773	1	Seal Kit - 70004600 Valve	
26	70004460	1	Coil	
26	7021375	1	Nut, Coil	
27	70004609	1	Valve, Solenoid Less Coil (Lift)	
27	7012773	1	Seal Kit - 70004609 Valve	
27	70004460	1	Coil	
27	7021375	1	Nut, Coil	

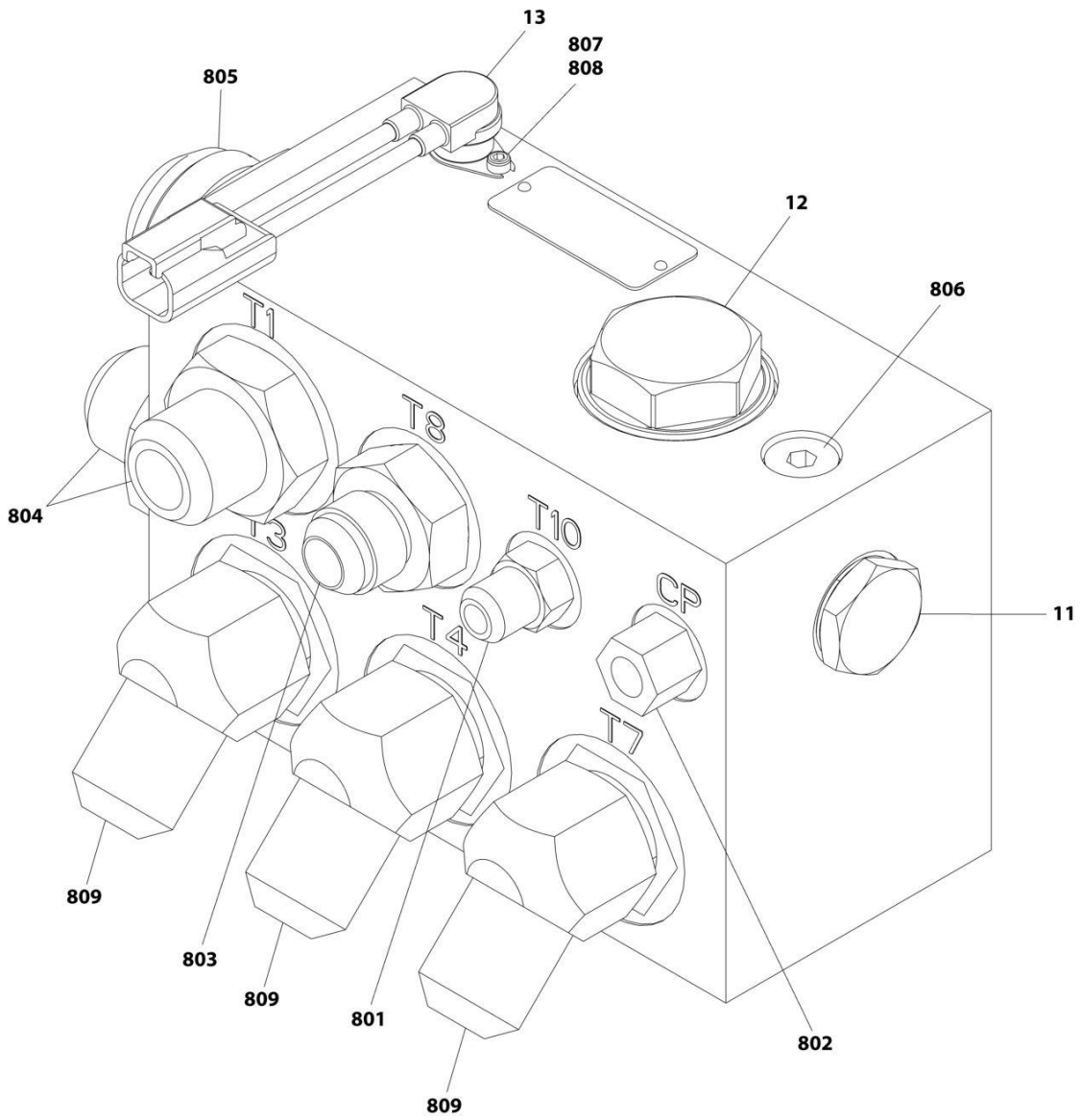
## SECTION 2 - TURNTABLE

ITEM	PART NUMBER	QTY	DESCRIPTION	REV
28	70004601	4	Valve, Cartridge (Relief)	
28	70004602	4	Seal Kit - 70004601 Valve	
29	70004610	2	Valve, Cartridge (Counterbalance)	
30	70005950	1	Orifice	
31	70005951	1	Valve, Cartridge (Check)	
31	70004052	1	Seal Kit - 70005951 Valve	
32	70005952	1	Valve, Cartridge (Check)	
32	70004052	1	Seal Kit - 70005952 Valve	
33	70004457	3	Valve, Solenoid Less Coil (Directional Control)	
33	70004050	3	Seal Kit - 70004457 Valve	
33	70004588	3	Coil	
33	70005947	3	Coil Nut and Pole Tube O-Ring Kit	
35	2221086	13	Fitting, Test	
36	70005953	1	Valve, Solenoid Less Coil (Flow Control)	
36	70004594	1	Seal Kit - 70005953 Valve	
36	70004595	1	Coil	
36	70004597	1	Nut, Coil	
36	70004596	1	O-Ring, Pole Tube	
37	70004613	1	Valve, Cartridge (Check)	
37	70023860	1	Seal Kit - 70004613 Valve	
801	70000781	5	Plate, Locking	
802	70004619	4	Plate, Locking	
803	70004618	1	Plate, Locking	
804	70002962	1	Plate, Locking	
805	70005958	11	Capscrew	
806	7018942	12	Capscrew	
808	2150606	1	Fitting, 45 ORFS/ORB	
809	2110406	1	Fitting, Straight ORFS/ORB	
810	1001213297	1	Fitting, Straight ORFS/ORB	
811	2151616	1	Fitting, 45 JIC/ORB	
812	2220582	2	Fitting, Straight JIC/ORB	
814	1001213292	1	Fitting, Straight JIC/ORB	
815	1001213294	1	Fitting, Straight JIC/ORB	
816	1001213294	1	Fitting, Straight JIC/ORB	
817	2220465	1	Fitting, 90 JIC/ORB	
818	70002758	1	Plug	
819	70004617	1	Plug	
820	70002759	6	Plug	
821	70004603	4	Plug	
824	1001213296	1	Fitting, Straight ORFS/ORB	
825	2220865	1	Fitting, Straight JIC/ORB	
826	2220374	1	Fitting, Straight JIC/ORB	
827	1001213295	1	Fitting, Straight JIC/ORB	
828	2131010	1	Fitting, 90 ORFS/ORB	
829	2220472	1	Fitting, 90 JIC/ORB	
830	2220906	1	Fitting, 90 JIC/ORB	
831	1001213298	1	Fitting, Straight JIC/ORB	
832	1001213293	1	Fitting, Straight JIC/ORB	



# SECTION 2 - TURNTABLE

## FIGURE 2-4. JUNCTION VALVE ASSEMBLY



ART\_1001200988



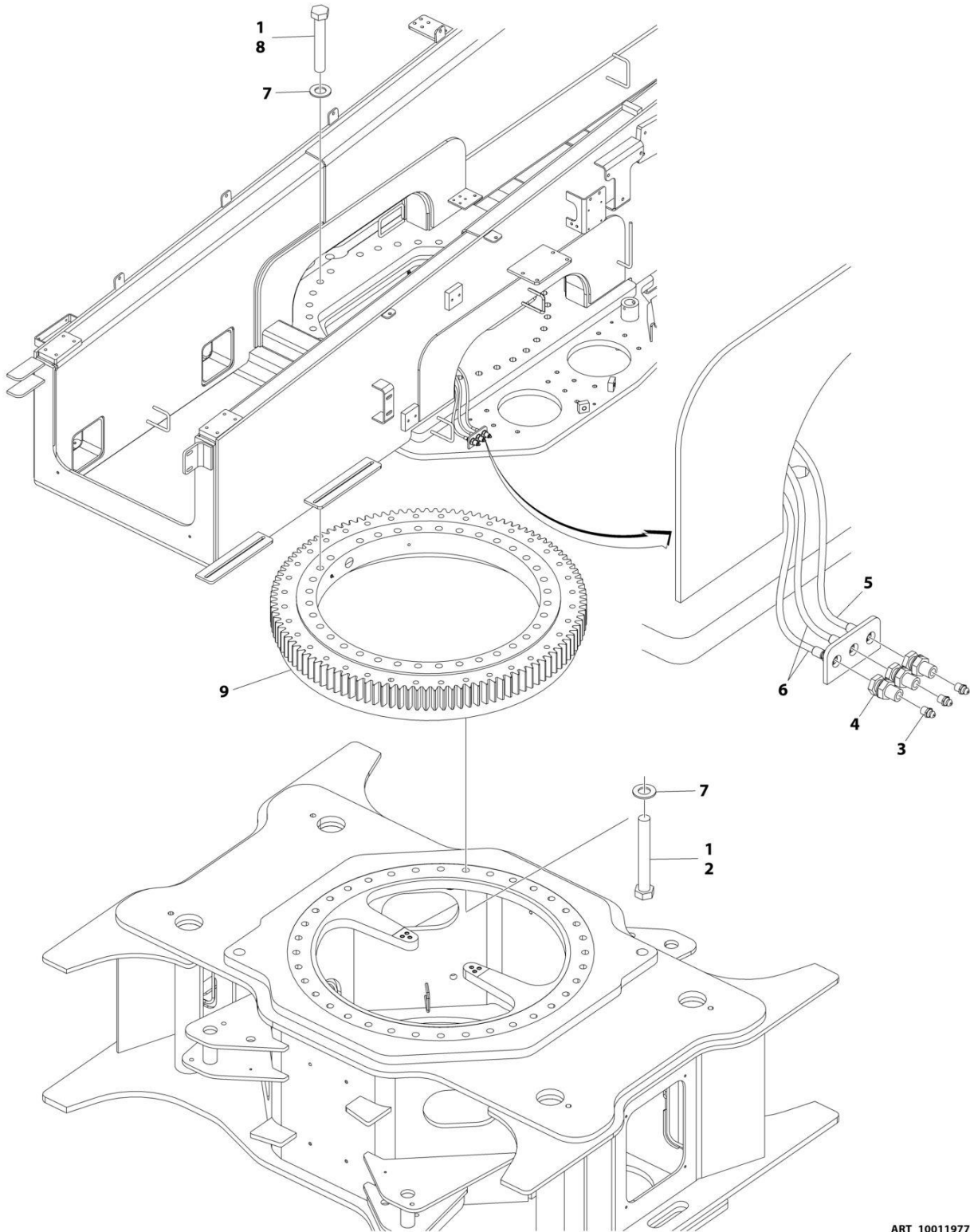
**SECTION 2 - TURNTABLE**

**FIGURE 2-4. JUNCTION VALVE ASSEMBLY**

<b>ITEM</b>	<b>PART NUMBER</b>	<b>QTY</b>	<b>DESCRIPTION</b>	<b>REV</b>
	1001200988	Ref	JUNCTION VALVE ASSEMBLY	L
11	70023866	1	Valve, Cartridge (Check)	
11	70023867	1	Seal Kit - 70023866 Valve	
12	70005959	1	Valve, Cartridge (Check)	
12	70004614	1	Seal Kit - 70005959 Valve	
13	70004614	1	Switch, Temperature	
801	2220371	1	Fitting, Straight ORFS/ORB	
802	2221155	1	Fitting, Straight FORB/MORB	
803	2220865	1	Fitting, Straight JIC/ORB	
804	2220435	2	Fitting, Straight JIC/ORB	
805	2220380	1	Fitting, Straight JIC/ORB	
806	70005199	1	Plug	
807	70004615	2	Capscrew	
808	70005961	2	Insert, Threaded	
809	70005958	3	Fitting, 45 JIC/ORB	

# SECTION 2 - TURNTABLE

## FIGURE 2-5. TURNTABLE BEARING INSTALLATION



ART\_1001197761

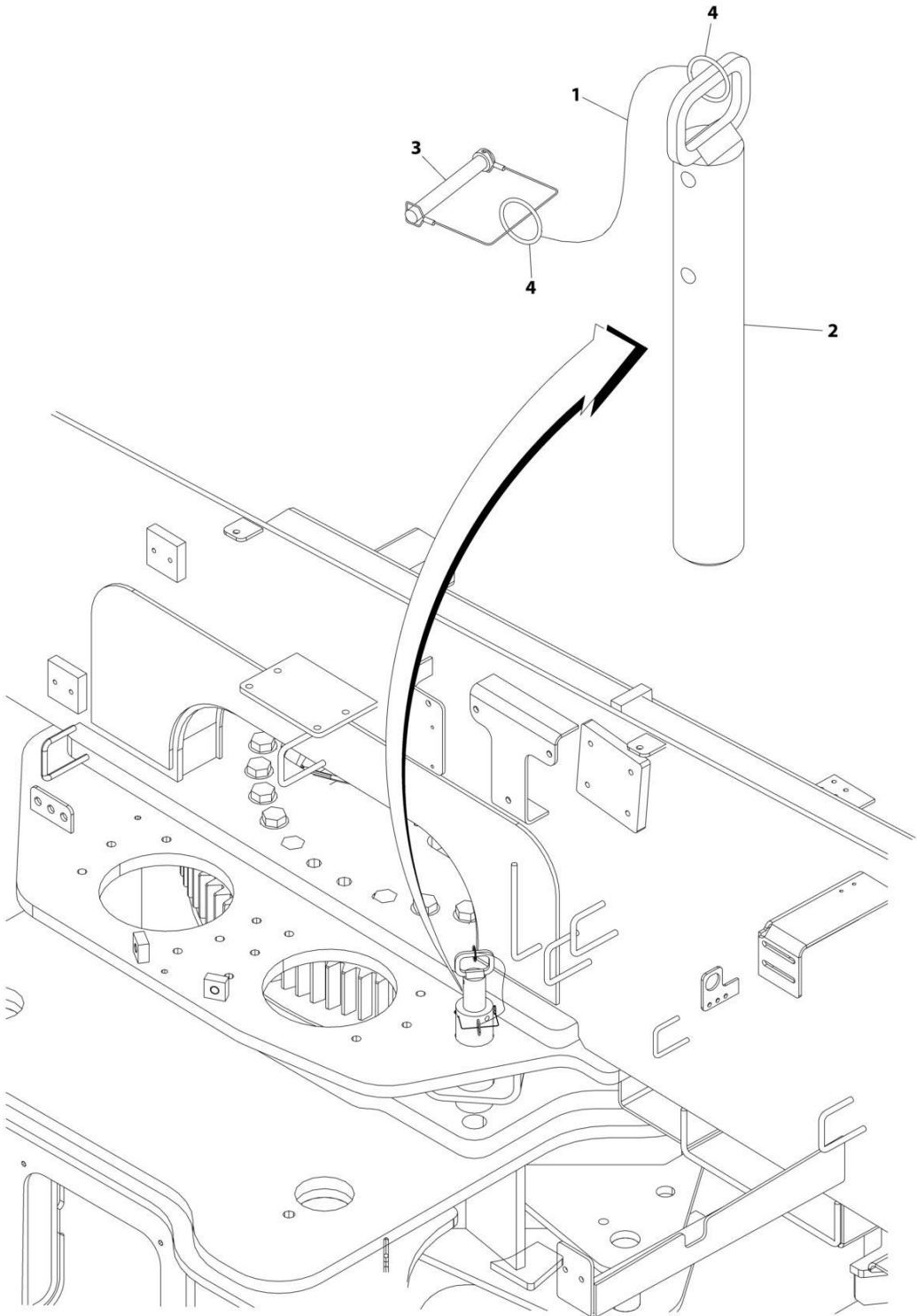
**SECTION 2 - TURNTABLE**

**FIGURE 2-5. TURNTABLE BEARING INSTALLATION**

<b>ITEM</b>	<b>PART NUMBER</b>	<b>QTY</b>	<b>DESCRIPTION</b>	<b>REV</b>
	1001197761	Ref	TURNTABLE BEARING INSTALLATION	A
1	0100019	AR	Compound, Locking	
2	0712435	36	Bolt M24 x 180 Grade 10.9	
3	2160002	3	Fitting, Grease	
4	2180344	3	Fitting, Bulkhead NPT	
5	2750528	1	Hose	
6	2751032	2	Hose	
7	5242400	69	Washer M24	
8	1001097587	33	Bolt M24 x 150 Grade 10.9	
9	1001149823	1	Bearing, Swing	
10	1001193630	1	Bearing Kit (Not Shown - Includes Items 2, 7, 8 & 9)	

**SECTION 2 - TURNTABLE**

**FIGURE 2-6. TURNTABLE LOCK INSTALLATION**



ART\_1001197142

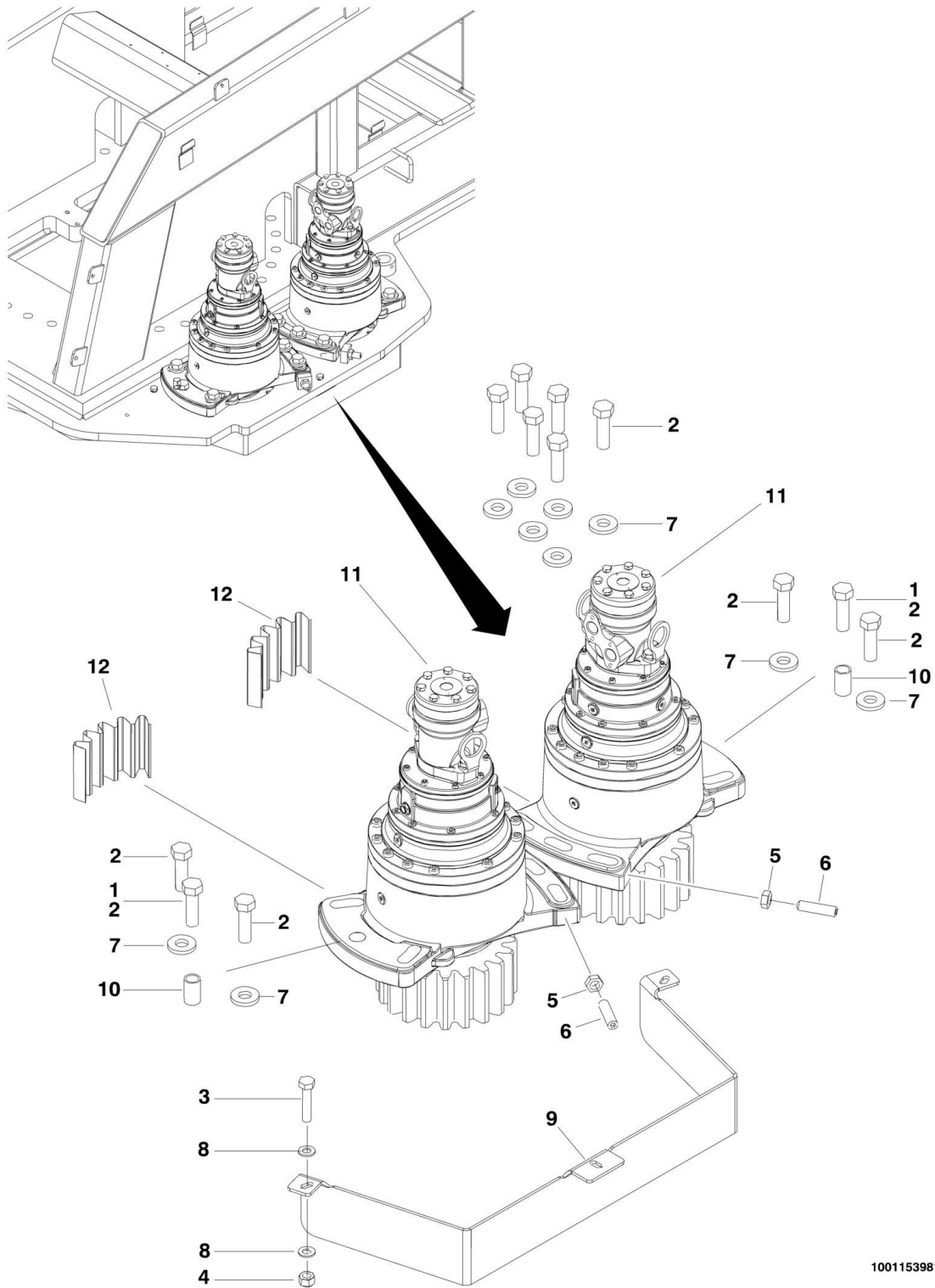
**SECTION 2 - TURNTABLE**

**FIGURE 2-6. TURNTABLE LOCK INSTALLATION**

<b>ITEM</b>	<b>PART NUMBER</b>	<b>QTY</b>	<b>DESCRIPTION</b>	<b>REV</b>
	1001197142	Ref	TURNTABLE LOCK INSTALLATION	A
1	1260017	8 in /20cm	Chain	
2	3421563	1	Pin	
3	3421565	1	Pin	
4	3760170	2	Ring	

# SECTION 2 - TURNTABLE

## FIGURE 2-7. SWING DRIVE INSTALLATION



1001153981

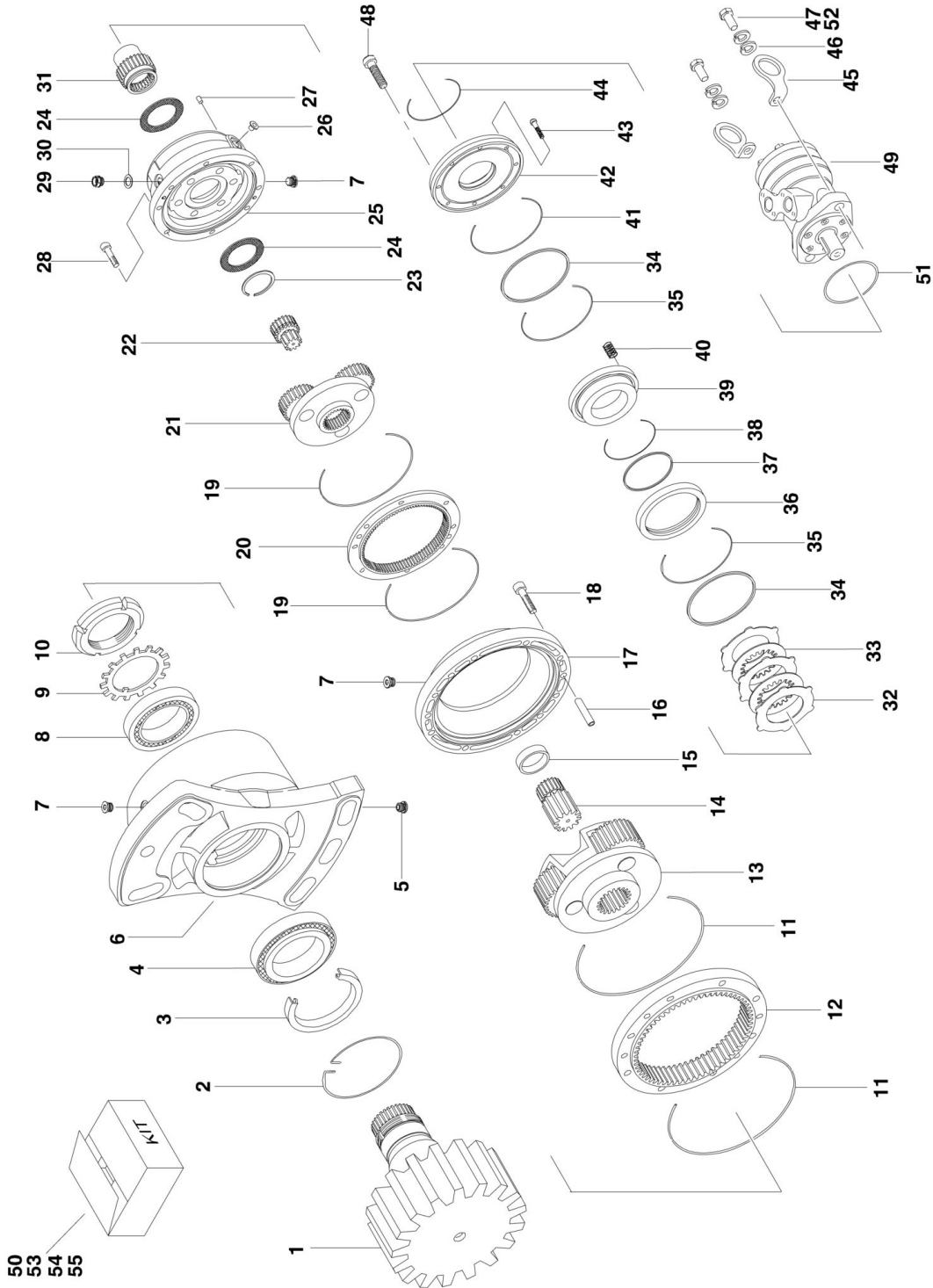
**SECTION 2 - TURNTABLE**

**FIGURE 2-7. SWING DRIVE INSTALLATION**

<b>ITEM</b>	<b>PART NUMBER</b>	<b>QTY</b>	<b>DESCRIPTION</b>	<b>REV</b>
	1001153981	Ref	SWING DRIVE INSTALLATION	C
1	0100019	AR	Compound, Locking	
2	0682220	12	Bolt 3/4 x 2-1/2 Grade 8	
3	0701018	3	Bolt M10 x 50	
4	3291005	3	Nut M10	
5	3312002	2	Nut 5/8	
6	3952020	2	Setscrew 5/8 x 2-1/2	
7	4740057	10	Washer	
8	4812000	6	Washer M10	
9	1001150725	1	Shield	
10	1001153983	2	Bar	
11	1001153984	2	Swing Hub/Brake/Motor Assembly (See Separate Breakdown in this Section)	
12	1001154377	2	Shim	

# SECTION 2 - TURNTABLE

## FIGURE 2-8. SWING HUB/BRAKE/MOTOR ASSEMBLY



1001153984



## SECTION 2 - TURNTABLE

### FIGURE 2-8. SWING HUB/BRAKE/MOTOR ASSEMBLY

ITEM	PART NUMBER	QTY	DESCRIPTION	REV
	1001153984	Ref	HUB/BRAKE/MOTOR - SWING	E
1	70004466	1	Shaft	
2	70004467	1	Ring	
3	See Note	NSS	Seal, Oil (Use p/n 70004489)	
4	70004468	1	Bearing	
5	70004469	1	Plug with O-Ring	
6	70004470	1	Support, Output	
7	70002057	5	Plug with O-Ring	
8	70004471	1	Bearing	
9	70004472	1	Washer	
10	70004473	1	Nut, Ring	
11	See Note	NSS	O-Ring (Use p/n 70004489)	
12	70004474	1	Ring, Planetary	
13	70004475	1	Reduction, Gear - Complete	
14	70004476	1	Pinion	
15	70004477	1	Spacer	
16	70004478	4	Pin, Spring	
17	70004479	1	Spacer	
18	70004480	8	Capscrew M10x55	
19	See Note	NSS	O-Ring (Use p/n 70004489)	
20	70004481	1	Ring, Planetary	
21	70004482	1	Reduction, Gear - Complete	
22	70004483	1	Pinion	
23	See Note	NSS	Ring (Use p/n 70004488)	
24	See Note	NSS	Washer (Use p/n 70004488)	
25	See Note	NSS	Housing, Brake (Use p/n 70004488)	
26	See Note	NSS	Plug (Use p/n 70004488)	
27	See Note	NSS	Plug (Use p/n 70004488)	
28	See Note	NSS	Capscrew M8x35 (Use p/n 70004488)	
29	See Note	NSS	Plug (Use p/n 70004488)	
30	See Note	NSS	Washer (Use p/n 70004488)	
31	See Note	NSS	Shaft, Input (Use p/n 70004488)	
32	See Note	NSS	Disc, Steel (Use p/n 70004488)	
33	See Note	NSS	Disc (Use p/n 70004488)	
34	See Note	NSS	Seal (Use p/n 70004488 or 70004490)	
35	See Note	NSS	O-Ring (Use p/n 70004488 or 70004490)	
36	See Note	NSS	Spacer (Use p/n 70004488)	
37	See Note	NSS	Seal (Use p/n 70004488 or 70004490)	
38	See Note	NSS	O-Ring (Use p/n 70004488 or 70004490)	
39	See Note	NSS	Piston, Brake (Use p/n 70004488)	
40	See Note	NSS	Spring, Brake (Use p/n 70004488)	
41	See Note	NSS	O-Ring (Use p/n 70004488 or 70004490)	
42	See Note	NSS	Cover (Use p/n 70004488 or 70004490)	
43	See Note	NSS	Screw M6x25 (Use p/n 70004488)	
44	See Note	NSS	O-Ring (Use p/n 70004488 or 70004490)	
45	70004484	2	Lug, Lifting	
46	70004485	4	Washer, Lock	
47	70004486	2	Capscrew M12x25	
48	70004487	2	Capscrew M12x35	
49	70004491	1	Motor	

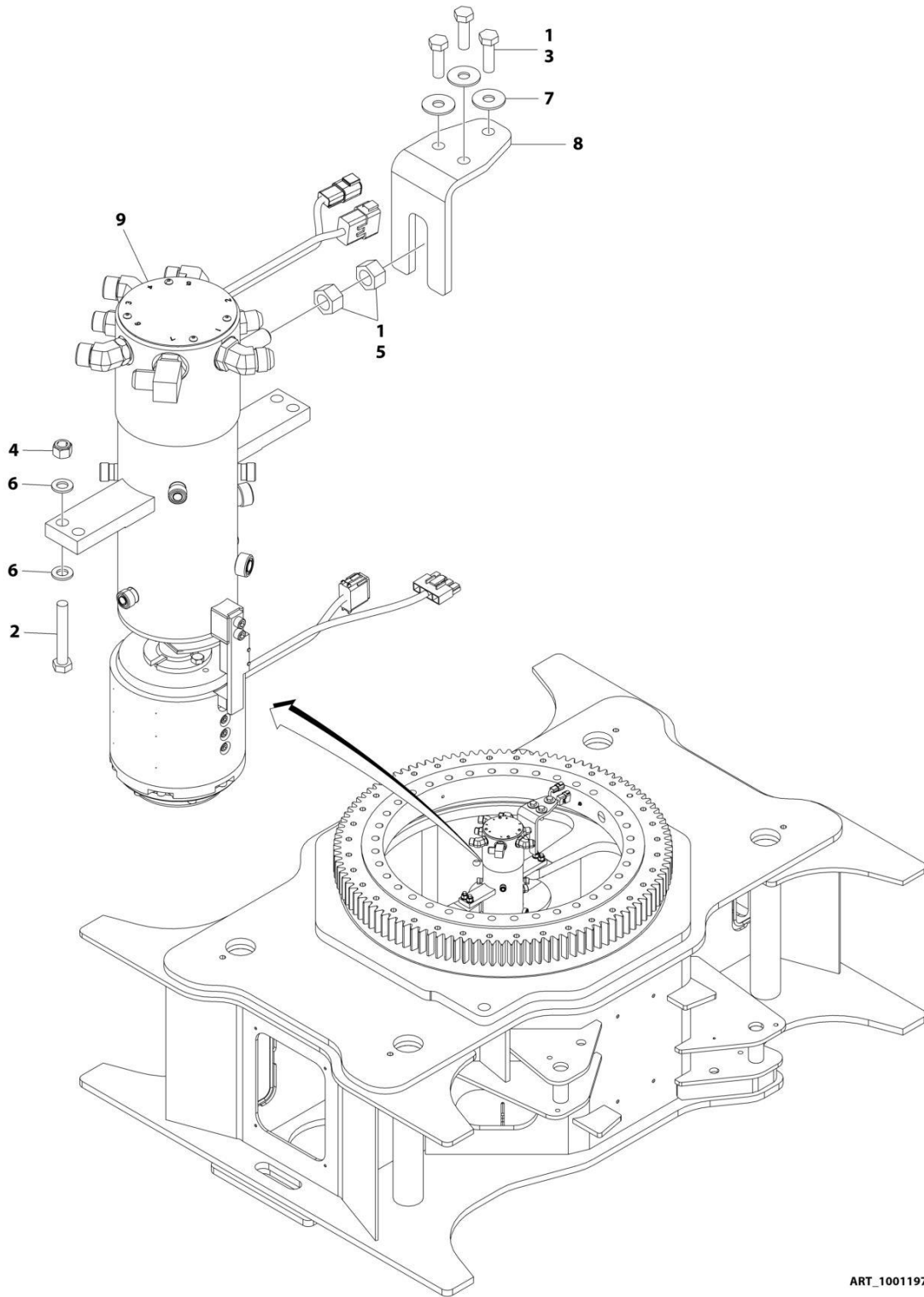
## SECTION 2 - TURNTABLE

ITEM	PART NUMBER	QTY	DESCRIPTION	REV
		Ref	Note: Seal Kit is the only replacement component available. Otherwise, replacement complete motor.	
50	70004492	1	Kit, Seal - Motor	
51	70004493	1	O-Ring	
52	70004494	2	Bolt	
53	70004488	1	Kit, Brake (Includes Items 23-44)	
54	70004489	1	Kit, Seal - Gearbox (Includes Items 3, 11 & 19)	
55	70004490	1	Kit, Brake Seal (Includes Items 34, 35, 37, 38 & 44)	



# SECTION 2 - TURNTABLE

## FIGURE 2-9. COUPLING/COLLECTOR RING INSTALLATION



ART\_1001197118

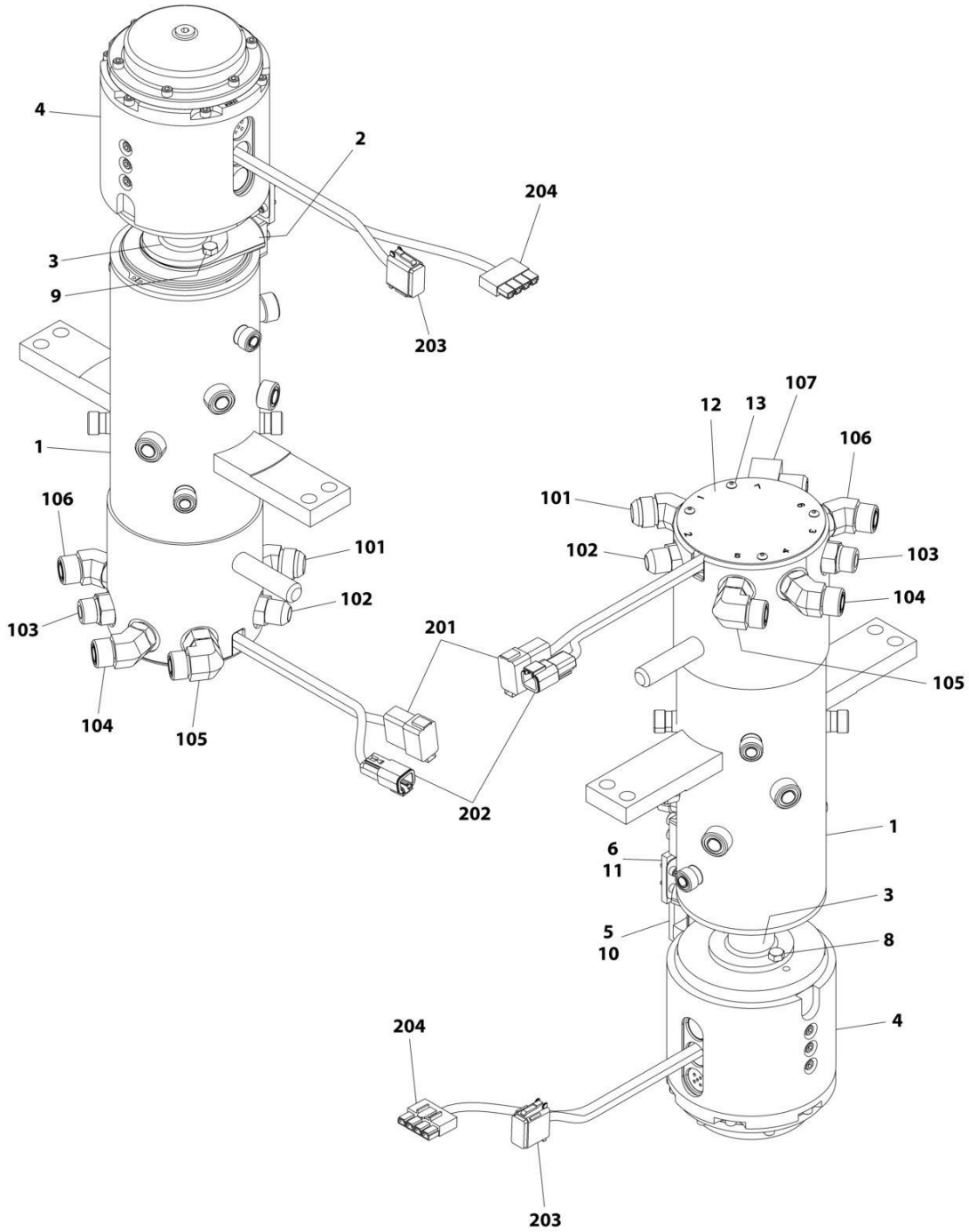
**SECTION 2 - TURNTABLE**

**FIGURE 2-9. COUPLING/COLLECTOR RING INSTALLATION**

<b>ITEM</b>	<b>PART NUMBER</b>	<b>QTY</b>	<b>DESCRIPTION</b>	<b>REV</b>
	1001197118	Ref	COUPLING/COLLECTOR RING INSTALLATION	C
1	0100011	AR	Compound, Locking	
2	0701224	4	Bolt M12 x 80	
3	0761216	3	Bolt M12 x 40	
4	3291205	4	Nut M12	
5	3322201	2	Nut 3/4	
6	4812100	8	Washer M12	
7	4812102	3	Washer M12	
8	1001154196	1	Bracket	
9	1001195588	1	Coupling/Collector Ring Assembly (See Separate Breakdown in this Section)	

# SECTION 2 - TURNTABLE

## FIGURE 2-10. COUPLING/COLLECTOR RING ASSEMBLY



ART\_1001195588

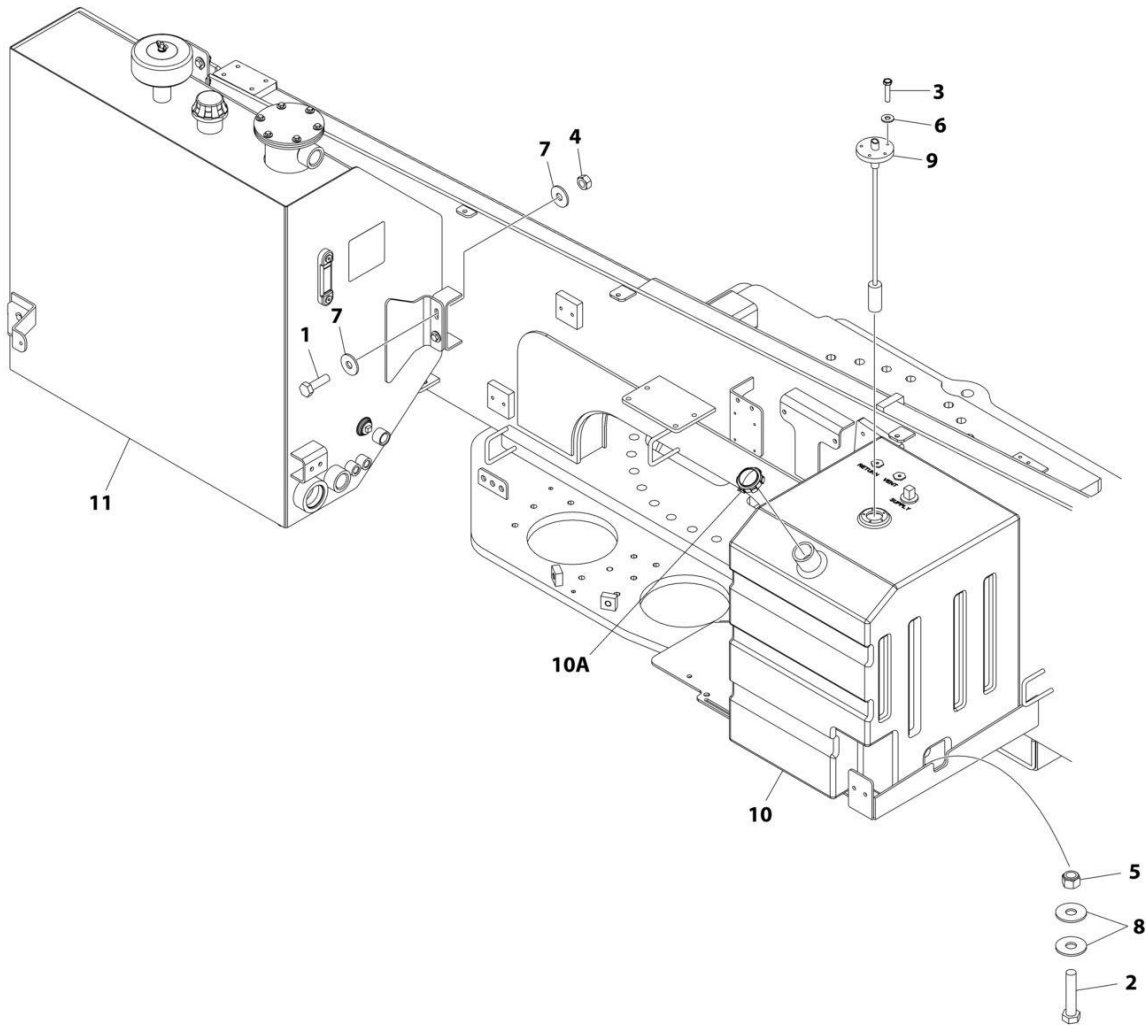
**SECTION 2 - TURNTABLE**

**FIGURE 2-10. COUPLING/COLLECTOR RING ASSEMBLY**

ITEM	PART NUMBER	QTY	DESCRIPTION	REV
	1001195588	Ref	COUPLING/COLLECTOR RING ASSEMBLY	E
1	70005679	1	Coupling, Rotary	
2	7026030	1	Cam	
3	See Note	1	Adapter	
4	70005678	1	Ring, Collector	
5	70003484	1	Arm	
6	7026031	1	Sensor, Proximity	
7	7026032	1	Pin, Dowel (Not Shown)	
8	0641506	2	Bolt 5/16 x 3/4	
9	0641508	2	Bolt 5/16 x 1	
10	3931512	2	Capscrew 5/16 x 3/4	
11	See Note	NSS	Capscrew #10 x 1/2 (Note: Purchase Locally)	
12	See Note	NSS	Cover (Note: Purchase Complete Assembly)	
13	See Note	NSS	Screw #10 x 3/8 (Note: Purchase Locally)	
101	2220498	1	Fitting, 45 JIC/ORB	
102	2220947	1	Fitting, Straight JIC/ORB	
103	2111010	1	Fitting, Straight ORBS/ORB	
104	2151010	1	Fitting, 45 ORBS/ORB	
105	2131010	1	Fitting, 90 ORBS/ORB	
106	2151010	1	Fitting, 45 ORBS/ORB	
107	2220906	1	Fitting, 90 JIC/ORB	
201	4460837	1	Receptacle, Female - 12 Position	
201	4460943	3	Pin, Male	
201	4460516	3	Pin, Male	
201	4460466	6	Plug, Terminal	
202	4461017	1	Receptacle, Female - 2 Position	
202	4460464	2	Pin, Male	
203	4460836	1	Plug, Male - 12 Position	
203	4460944	3	Socket, Female	
203	4460465	5	Socket, Female	
203	4460466	4	Plug, Terminal	
204	4460878	1	Plug, Male - 4 Position	
204	4460887	2	Terminal	

# SECTION 2 - TURNTABLE

## FIGURE 2-11. TANKS INSTALLATION (WITHOUT DIESEL EXHAUST FLUID TANK)



ART\_1001197627



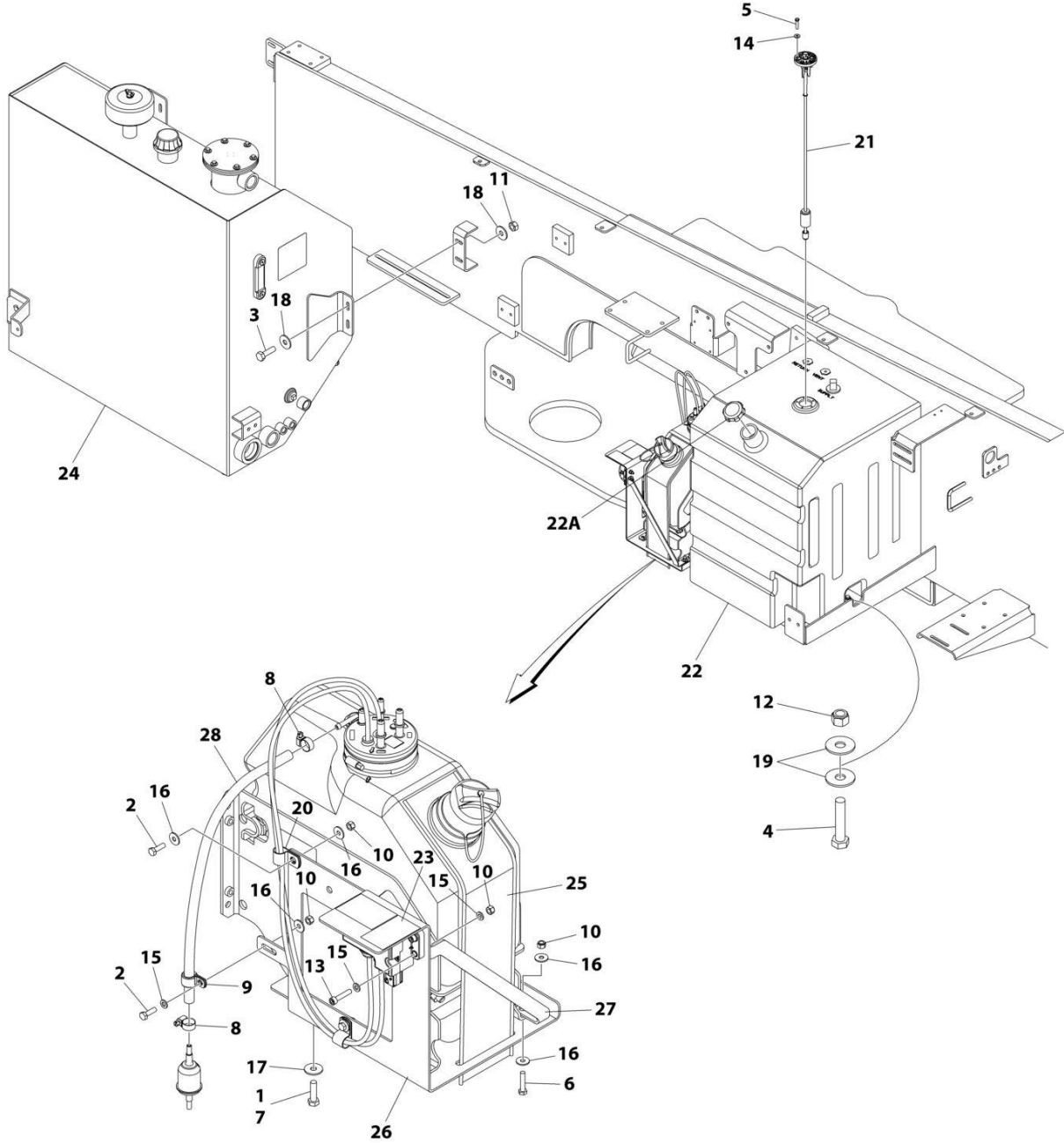
# SECTION 2 - TURNTABLE

**FIGURE 2-11. TANKS INSTALLATION (WITHOUT DIESEL EXHAUST FLUID TANK)**

ITEM	PART NUMBER	QTY	DESCRIPTION	REV
	1001197627	Ref	TANKS INSTALLATION (WITHOUT DIESEL EXHAUST FLUID TANK)	C
1	0701015	4	Bolt M10 x 35	
2	0701220	2	Bolt M12 x 60	
3	0731007	5	Screw #10 x 7/8	
4	3291007	4	Nut M10	
5	3291205	2	Nut M12	
6	4751000	5	Washer #10	
7	4812002	8	Washer M10	
8	4812102	4	Washer M12	
9	1001109048	1	Gauge, Fuel	
9	3960525	1	Gasket (Gauge to Tank)	
10	1001188491	1	Tank, Fuel	
10A	70005565	1	Cap, Fuel	
11	1001197292	1	Hydraulic Tank Assembly (See Separate Breakdown in this Section)	

# SECTION 2 - TURNTABLE

## FIGURE 2-12. TANKS INSTALLATION (WITH DIESEL EXHAUST FLUID TANK)



ART\_1001242390

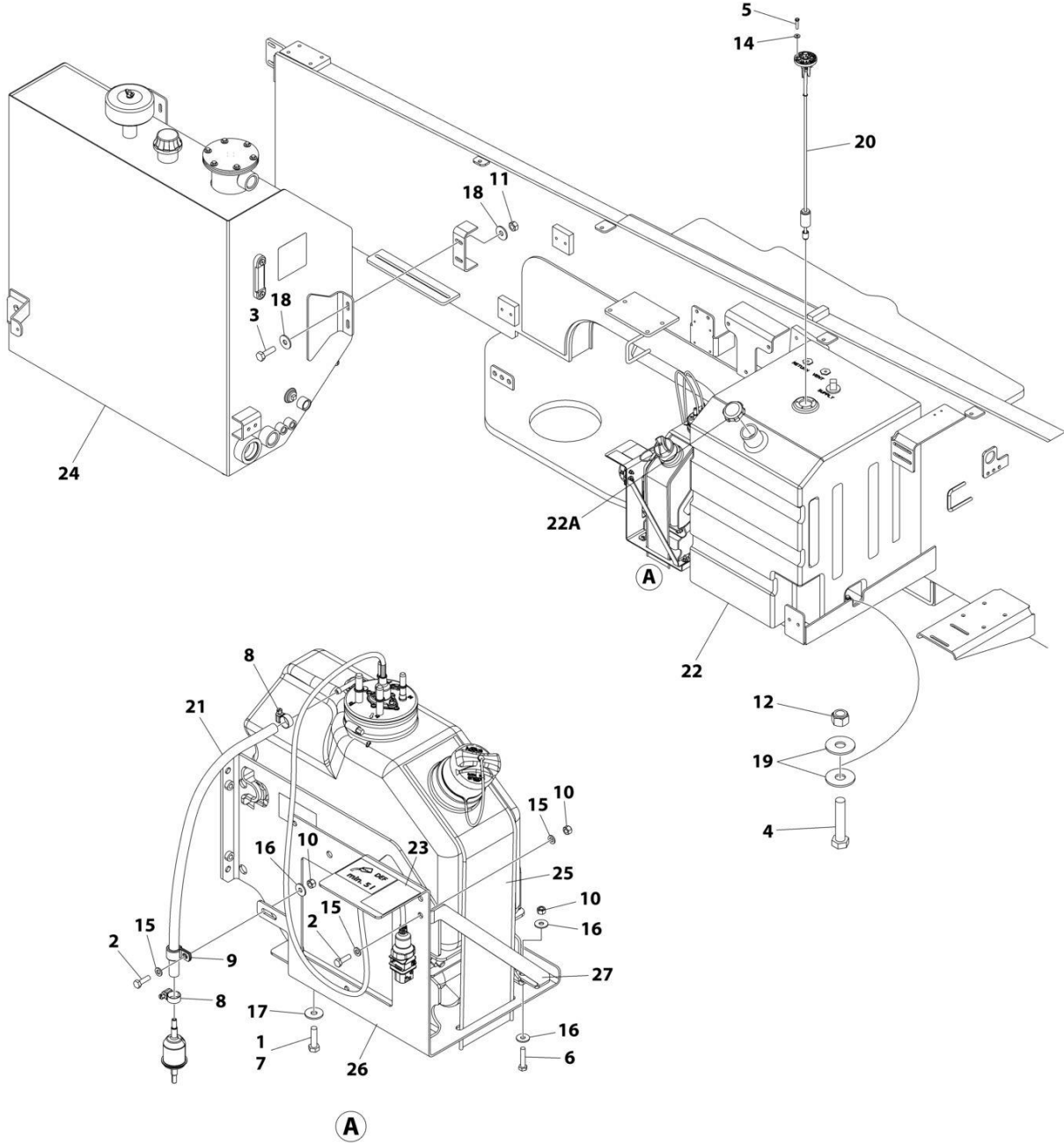
# SECTION 2 - TURNTABLE

**FIGURE 2-12. TANKS INSTALLATION (WITH DIESEL EXHAUST FLUID TANK)**

ITEM	PART NUMBER	QTY	DESCRIPTION	REV
	1001242390	Ref	TANKS INSTALLATION (WITH DIESEL EXHAUST FLUID TANK)	A
1	0100011	AR	Compound, Locking	
2	0700610	3	Bolt M6 x 20	
3	0701015	4	Bolt M10 x 35	
4	0701220	2	Bolt M12 x 60	
5	0731007	5	Screw #10 x 7/8	
6	0760614	1	Bolt M6 x 30	
7	0760814	4	Bolt M8 x 30	
8	1320022	2	Clamp	
9	1320041	1	Clamp	
10	3290605	8	Nut M6	
11	3291007	4	Nut M10	
12	3291205	2	Nut M12	
13	4031710	4	Bolt M6 x 30	
14	4751000	5	Washer #10	
15	4811700	9	Washer M6	
16	4811702	7	Washer M6	
17	4811902	4	Washer M8	
18	4812002	8	Washer M10	
19	4812102	4	Washer M12	
20	8406101	2	Clip	
21	1001109048	1	Gauge, Fuel	
21	3960525	1	Gasket (Gauge to Tank)	
22	1001188491	1	Tank, Fuel	
22A	70005565	1	Cap, Fuel	
23	1001196806	1	Decal - Diesel Exhaust Fluid	
24	1001197292	1	Hydraulic Tank Assembly (See Separate Breakdown in this Section)	
25	1001238158	1	Sleeve, Spill Guard	
26	1001238262	1	Support	
27	1001241631	1	Bracket	
28	1001175201	18 in/ 0.46m	Hose	

# SECTION 2 - TURNTABLE

## FIGURE 2-13. TANKS INSTALLATION (HRC)



ART\_1001297408

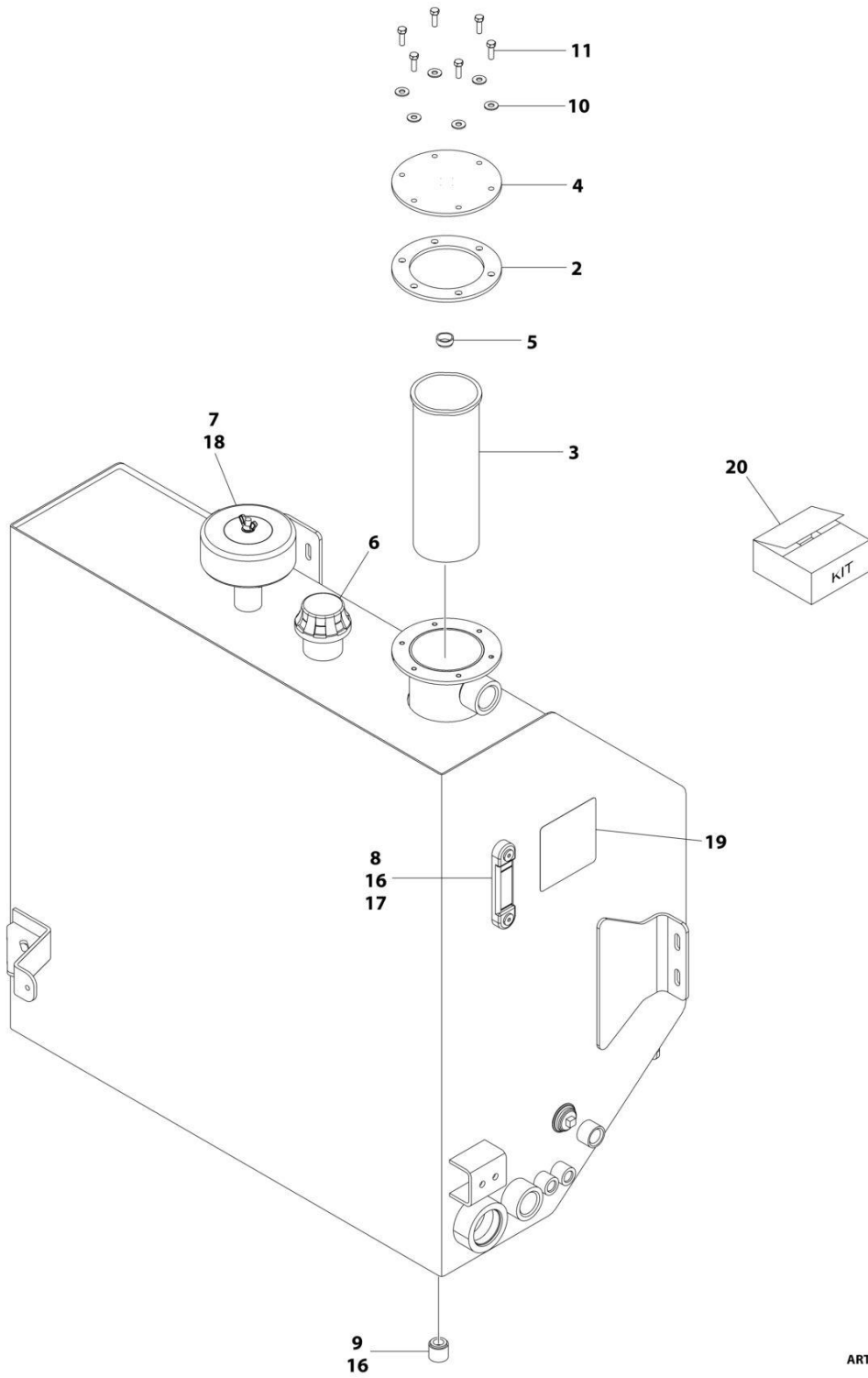
## SECTION 2 - TURNTABLE

**FIGURE 2-13. TANKS INSTALLATION (HRC)**

ITEM	PART NUMBER	QTY	DESCRIPTION	REV
	1001297408	Ref	TANKS INSTALLATION (HRC)	B
1	0100011	AR	Compound, Locking	
2	0700610	2	Bolt M6 x 20	
3	0701015	4	Bolt M10 x 35	
4	0701220	2	Bolt M12 x 60	
5	0731007	5	Screw #10 x 7/8	
6	0760614	1	Bolt M6 x 30	
7	0760814	4	Bolt M8 x 30	
8	1320022	2	Clamp	
9	1320041	1	Clamp	
10	3290605	3	Nut M6	
11	3291007	4	Nut M10	
12	3291205	2	Nut M12	
13	4240099	3	Tie-Strap (Not Shown)	
14	4751000	5	Washer #10	
15	4811700	3	Washer M6	
16	4811702	3	Washer M6	
17	4811902	4	Washer M8	
18	4812002	8	Washer M10	
19	4812102	4	Washer M12	
20	1001109048	1	Gauge, Fuel	
20	3960525	1	Gasket (Gauge to Tank)	
21	1001175201	17 in/ 43 cm	Hose	
22	1001188491	1	Tank, Fuel	
22A	70005565	1	Cap, Fuel	
23	1001196806	1	Decal - Diesel Exhaust Fluid	
24	1001197292	1	Hydraulic Tank Assembly (See Separate Breakdown in this Section)	
25	1001238158	1	Sleeve, Spill Guard	
26	1001238262	1	Support	
27	1001241631	1	Bracket	

# SECTION 2 - TURNTABLE

## FIGURE 2-14. HYDRAULIC TANK ASSEMBLY



ART\_1001197292

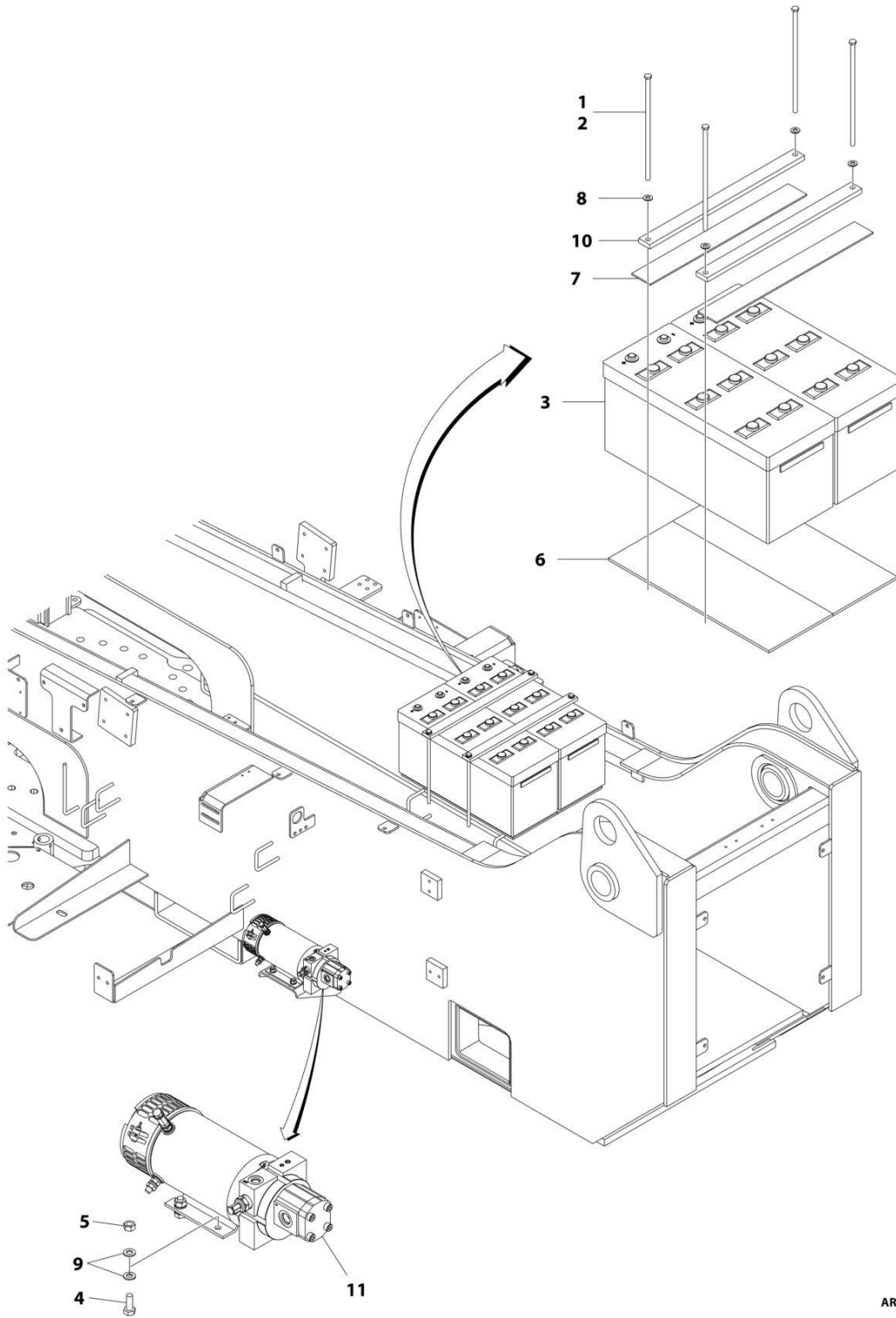
**SECTION 2 - TURNTABLE**

**FIGURE 2-14. HYDRAULIC TANK ASSEMBLY**

ITEM	PART NUMBER	QTY	DESCRIPTION	REV
	1001197292	Ref	HYDRAULIC TANK ASSEMBLY	D
2	See Note	NSS	Gasket (Note: Use Item 20)	
3	See Note	NSS	Element, Filter (Note: Use Item 20)	
4	See Note	NSS	Cover (Note: Not Available for Purchase)	
5	70004412	1	Spring	
6	70002838	1	Cap, Fill	
7	See Note	NSS	Breather (Note: Use Item 20)	
8	7024441	1	Gauge	
9	See Note	NSS	Plug (Note: Purchase Locally)	
10	See Note	NSS	Washer 5/16 Stainless Steel (Note: Purchase Locally)	
11	See Note	NSS	Bolt 5/16 x 1 Stainless Steel (Note: Purchase Locally)	
16	See Note	AR	Loctite #243 (Note: Purchase Locally)	
17	See Note	AR	Lubricant (Note: Purchase Locally)	
18	See Note	AR	Loctite #565 (Note: Purchase Locally)	
19	70004411	1	Decal - Service	
20	70004150	1	Tank Filter/ Breather Kit (Includes Item 2, 3 & 7)	

# SECTION 2 - TURNTABLE

## FIGURE 2-15. AUXILIARY POWER AND BATTERIES INSTALLATIONS



ART\_1001197345



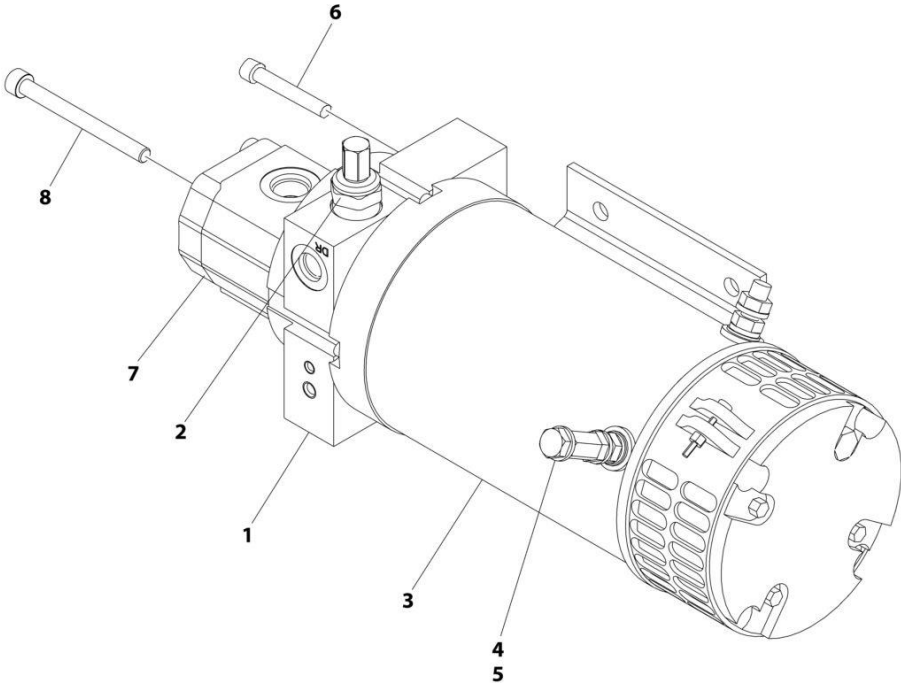
**SECTION 2 - TURNTABLE**

**FIGURE 2-15. AUXILIARY POWER AND BATTERIES INSTALLATIONS**

ITEM	PART NUMBER	QTY	DESCRIPTION	REV
	1001197345	Ref	AUXILIARY POWER AND BATTERIES INSTALLATIONS	A
1	0100011	AR	Compound, Locking	
2	0236768	4	Bolt, Tie-Down	
3	0400020	2	Battery	
4	0701013	4	Bolt M10 x 28	
5	3291007	4	Nut M10	
6	3980006	2	Seat, Battery	
7	4420038	34 in /85cm	Tape	
8	4711600	4	Washer 3/8	
9	4812000	8	Washer M10	
10	1001154035	2	Plate	
11	1001162880	1	Auxiliary Pump/Motor Assembly (See Separate Breakdown in this Section)	

**SECTION 2 - TURNTABLE**

**FIGURE 2-16. AUXILIARY PUMP/MOTOR ASSEMBLY**



ART\_1001162880

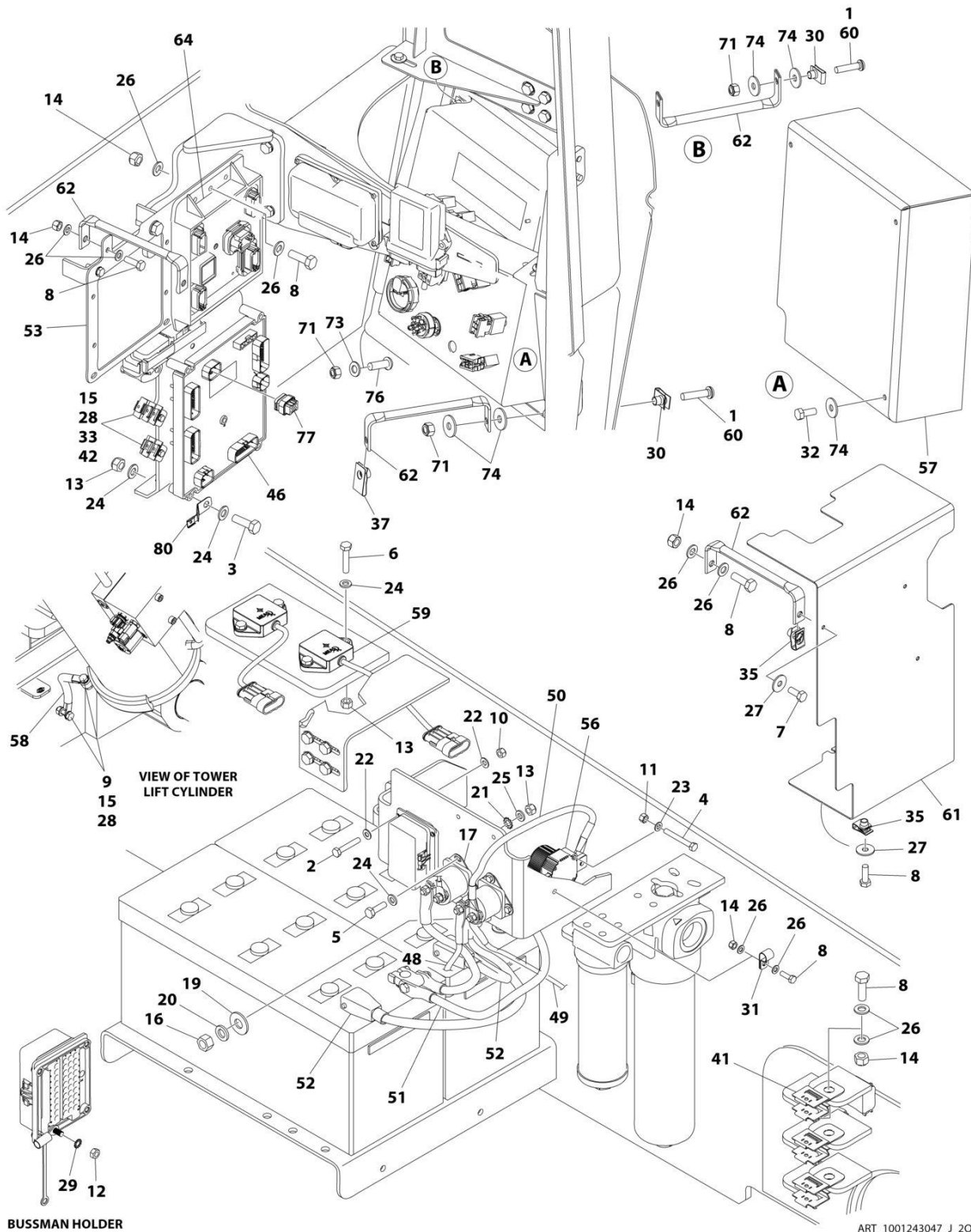
**SECTION 2 - TURNTABLE**

**FIGURE 2-16. AUXILIARY PUMP/MOTOR ASSEMBLY**

ITEM	PART NUMBER	QTY	DESCRIPTION	REV
	1001162880	Ref	AUXILIARY PUMP ASSEMBLY (WITHOUT COLD WEATHER PLUS PACKAGE)	A
1	1001164700	1	Base Assembly	
1	70005618	1	Plug	
1	70005617	1	Spring	
1	70005616	1	Poppet, Check	
2	1001164700	1	Valve, Relief	
3	See Note	1	Motor (Note: Not Available for Purchase)	
4	70004006	1	Nut 3/8	
5	70004007	1	Bolt 3/8x3/4	
6	70004005	4	Capscrew 1/4x3	
6	See Note	1	Sleeve (Note: Not Available for Purchase)	
7	See Note	1	Pump Assembly (Note: Not Available for Purchase)	
7	70005615	1	Seal, Shaft	
7	70005619	1	Bearing	
8	See Note	4	Screw M8 x 85 (Note: Not Available for Purchase)	

# SECTION 2 - TURNTABLE

## FIGURE 2-17. ELECTRICAL COMPONENTS INSTALLATION - TURNTABLE (HRC) (ANSI, ANSI EXPORT, CSA AND JAPANESE SPECS)



## SECTION 2 - TURNTABLE

**FIGURE 2-17. ELECTRICAL COMPONENTS INSTALLATION - TURNTABLE (HRC) (ANSI, ANSI EXPORT, CSA AND JAPANESE SPECS)**

ITEM	PART NUMBER	QTY	DESCRIPTION	REV
	1001243047	Ref	ELECTRICAL COMPONENTS INSTALLATION - TURNTABLE (HRC)	J
1	0100011	AR	Compound, Locking	
2	0700412	4	Bolt M4 x 25	
3	0700620	4	Bolt M6 x 60	
4	0760516	2	Bolt M5 x 40	
5	0760610	4	Bolt M6 x 20	
6	0760613	4	Bolt M6 x 28	
7	0760810	3	Bolt M8 x 20	
8	0760812	12	Bolt M8 x 25	
9	0761015	3	Bolt M10 x 35	
10	3290405	4	Nut M4	
11	3290507	2	Nut M5	
12	3290601	1	Nut M6	
13	3290605	12	Nut M6	
14	3290805	10	Nut M8	
15	3291007	5	Nut M10	
16	3311601	2	Nut 3/8	
17	3740067	2	Relay	
18	4240099	1	Tie-Strap (Not Shown)	
19	4751600	4	Washer 3/8	
20	4761600	2	Washer 3/8	
21	4791400	4	Washer 1/4	
22	4811400	8	Washer M4	
23	4811600	2	Washer M5	
24	4811700	20	Washer M6	
25	4811702	4	Washer M6	
26	4811900	20	Washer M8	
27	4811902	5	Washer M8	
28	4812000	10	Washer M10	
29	4871700	1	Washer M6	
30	8310686	3	Nut, Retainer M8	
31	8406101	1	Clip	
32	0760810001	3	Bolt M8 x 20	
33	0761013001	2	Bolt M10 x 28	
35	100118274	5	Nut, Tinnerman M8	
37	1001149160	3	Nut, Tinnerman M8	
38	1001149970	1	Drive Pump Harness (Not Shown - See Separate Breakdown in ELECTRICAL Section)	
41	1001155967	6	Holder	
42	1001156107	2	Holder	
45	1001187744	AR	Sealant (Not Shown)	
46	1001281500	1	Module, Control (Note: Re-calibration Required when Replaced)	
47	1001258191	1	BLAM Harness (Not Shown - See Separate Breakdown in ELECTRICAL Section)	
48	1001200604	1	Cable, Auxiliary Pump (+)	
49	1001200605	1	Cable, Auxiliary Pump (-)	
50	1001200606	1	Cable, Battery to Auxiliary Relay	
51	1001200726	1	Cable Kit, Battery Positive (Note: Includes Battery Terminal and Qty 4 Cables)	

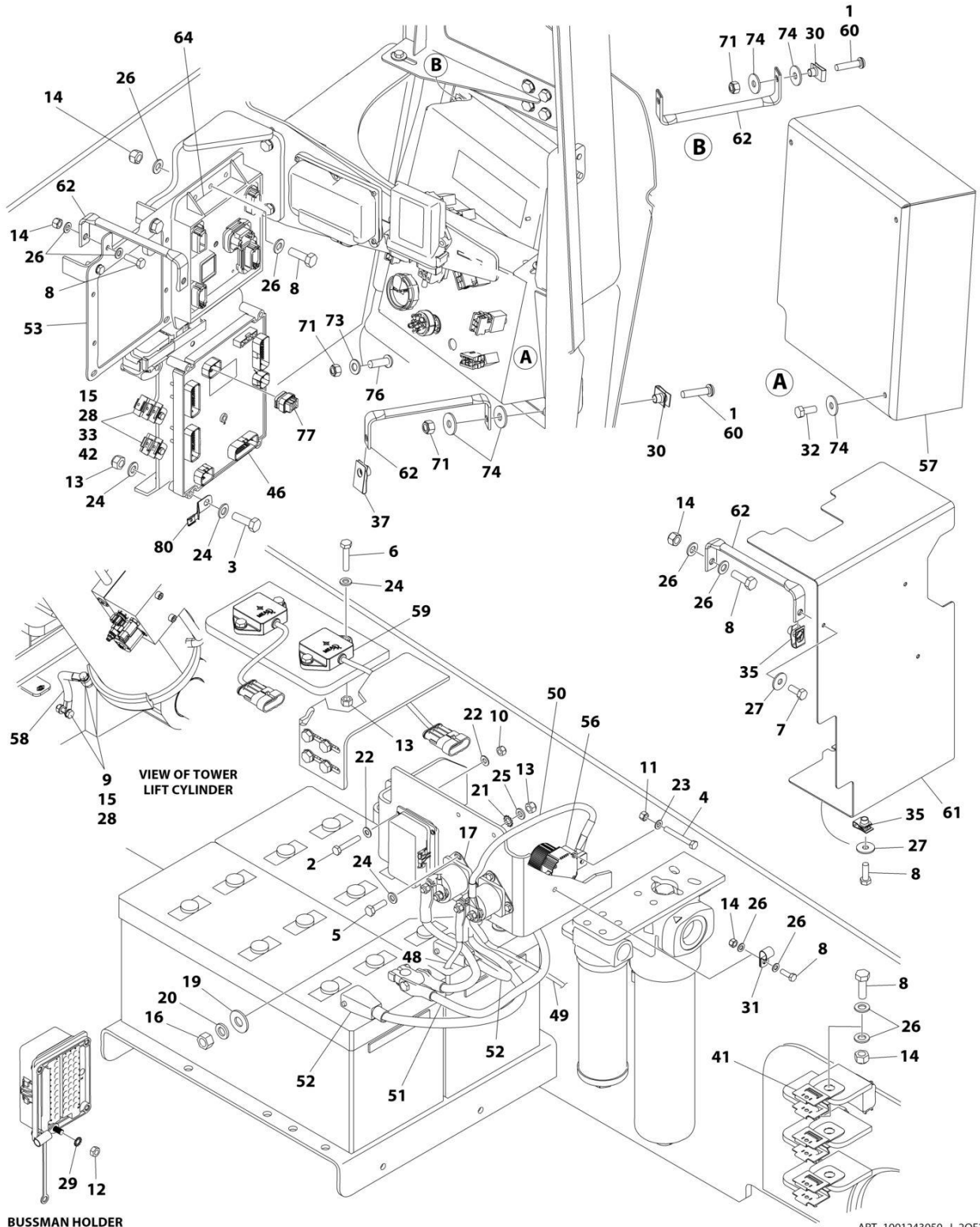
## SECTION 2 - TURNTABLE

ITEM	PART NUMBER	QTY	DESCRIPTION	REV
52	1001200727	1	Cable Kit, Battery Negative (Note: Includes Qty 2 Cables)	
53	1001201103	1	Plate	
54	1001206817	1	Diesel Exhaust Fluid Tank Harness (Not Shown - See Separate Breakdown in ELECTRICAL Section)	
55	1001211885	1	Fuel Pump and WIF Harness (Not Shown - See Separate Breakdown in ELECTRICAL Section)	
56	1001216021	1	Relay	
57	1001216238	1	Cover	
58	1001217007	1	Cable, Ground	
59	1001219601	2	Sensor, Dual Axis	
60	1001221585	3	Screw M8 x 35	
61	1001225167	1	Cover	
62	1001225279	6	Bracket	
63	1001226102	1	Connector, Resistor - 20K Ohm (Not Shown - Located Near Item 12)	
64	1001227960	1	Module, Control (Note: Re-calibration Required when Replaced)	
65	1001228364	1	Wire, Relay Grounding (Not Shown)	
66	1001238483	1	Def Tank Extension Harness (Not Shown - See Separate Breakdown in ELECTRICAL Section)	
67	1001286089	1	Valve Harness (Not Shown - See Separate Breakdown in ELECTRICAL Section)	
68	1001286088	1	Turntable Harness (Not Shown - See Separate Breakdown in ELECTRICAL Section)	
69	1001299829	1	Ground Control Harness (Not Shown - See Separate Breakdown in ELECTRICAL Section)	
70	1001243048	1	Ground Control Box Assembly (Not Shown - See Separate Breakdown in this Section)	
71	3290805001	4	Nut M8	
73	4811900001	1	Washer M8	
74	4811902001	9	Washer M8	
76	8310643001	1	Screw M8 x 25	
77	1001246859	1	Connector	
78	4240032	AR	Tie-Strap (Not Shown)	
79	4460234	AR	Mount, Tie-Strap (Not Shown)	
80	1001120328	1	Mount, Connector	
82	1001213448	1	Connector (Not Shown)	



# SECTION 2 - TURNTABLE

FIGURE 2-18. ELECTRICAL COMPONENTS INSTALLATION - TURNTABLE (HRC) (CE & UK CA SPECS)



ART\_1001243050\_J\_20F2



## SECTION 2 - TURNTABLE

**FIGURE 2-18. ELECTRICAL COMPONENTS INSTALLATION - TURNTABLE (HRC) (CE & UK CA SPECS)**

ITEM	PART NUMBER	QTY	DESCRIPTION	REV
	1001243050	Ref	ELECTRICAL COMPONENTS INSTALLATION - TURNTABLE (HRC)	J
1	0100011	AR	Compound, Locking	
2	0700412	4	Bolt M4 x 25	
3	0700620	4	Bolt M6 x 60	
4	0760516	2	Bolt M5 x 40	
5	0760610	4	Bolt M6 x 20	
6	0760613	4	Bolt M6 x 28	
7	0760810	3	Bolt M8 x 20	
8	0760812	12	Bolt M8 x 25	
9	0761015	3	Bolt M10 x 35	
10	3290405	4	Nut M4	
11	3290507	2	Nut M5	
12	3290601	1	Nut M6	
13	3290605	12	Nut M6	
14	3290805	10	Nut M8	
15	3291007	5	Nut M10	
16	3311601	2	Nut 3/8	
17	3740067	2	Relay	
18	4240099	1	Tie-Strap (Not Shown)	
19	4751600	4	Washer 3/8	
20	4761600	2	Washer 3/8	
21	4791400	4	Washer 1/4	
22	4811400	8	Washer M4	
23	4811600	2	Washer M5	
24	4811700	24	Washer M6	
25	4811702	4	Washer M6	
26	4811900	20	Washer M8	
27	4811902	5	Washer M8	
28	4812000	10	Washer M10	
29	4871700	1	Washer M6	
30	8310686	3	Nut, Retainer M8	
31	8406101	1	Clip	
32	0760810001	3	Bolt M8 x 20	
33	0761013001	2	Bolt M10 x 28	
35	100118274	5	Nut, Tinnerman M8	
37	1001149160	3	Nut, Tinnerman M8	
38	1001149970	1	Drive Pump Harness (Not Shown - See Separate Breakdown in ELECTRICAL Section)	
41	1001155967	6	Holder	
42	1001156107	2	Holder	
45	1001187744	AR	Sealant (Not Shown)	
46	1001281500	1	Module, Control (Note: Re-calibration Required when Replaced)	
47	1001258191	1	BLAM Harness (Not Shown - See Separate Breakdown in ELECTRICAL Section)	
48	1001200604	1	Cable, Auxiliary Pump (+)	
49	1001200605	1	Cable, Auxiliary Pump (-)	
50	1001200606	1	Cable, Battery to Auxiliary Relay	
51	1001200726	1	Cable Kit, Battery Positive (Note: Includes Battery Terminal and Qty 4 Cables)	

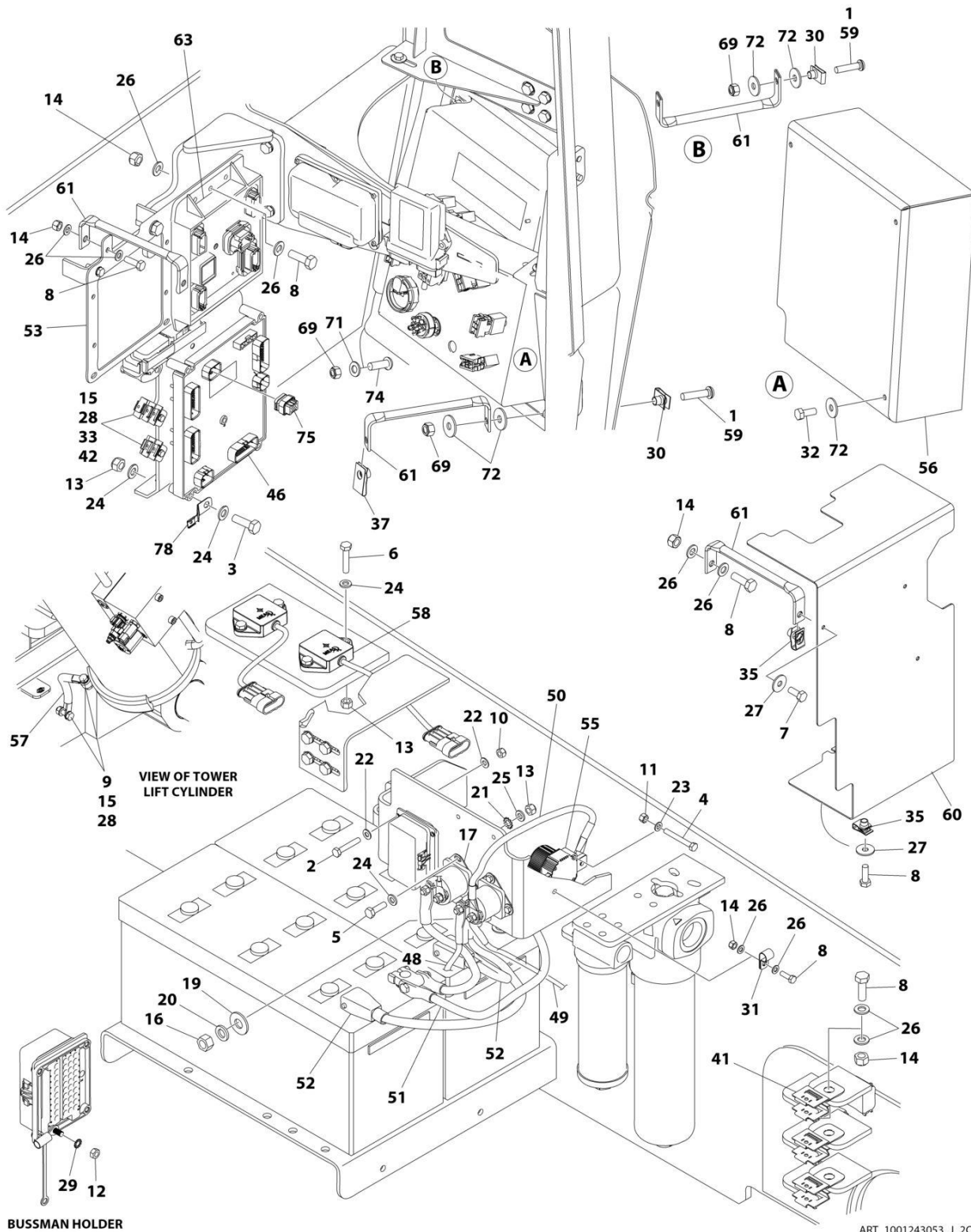
## SECTION 2 - TURNTABLE

ITEM	PART NUMBER	QTY	DESCRIPTION	REV
52	1001200727	1	Cable Kit, Battery Negative (Note: Includes Qty 2 Cables)	
53	1001201103	1	Plate	
54	1001206817	1	Diesel Exhaust Fluid Tank Harness (Not Shown - See Separate Breakdown in ELECTRICAL Section)	
55	1001211885	1	Fuel Pump and WIF Harness (Not Shown - See Separate Breakdown in ELECTRICAL Section)	
56	1001216021	1	Relay	
57	1001216238	1	Cover	
58	1001217007	1	Cable, Ground	
59	1001219601	2	Sensor, Dual Axis	
60	1001221585	3	Screw M8 x 35	
61	1001225167	1	Cover	
62	1001225279	6	Bracket	
63	1001226102	1	Connector, Resistor - 20K Ohm (Not Shown - Located Near Item 12)	
64	1001227960	1	Module, Control (Note: Re-calibration Required when Replaced)	
65	1001228364	1	Wire, Relay Grounding (Not Shown)	
66	1001238483	1	Def Tank Extension Harness (Not Shown - See Separate Breakdown in ELECTRICAL Section)	
67	1001286089	1	Valve Harness (Not Shown - See Separate Breakdown in ELECTRICAL Section)	
68	1001286088	1	Turntable Harness (Not Shown - See Separate Breakdown in ELECTRICAL Section)	
69	1001299829	1	Ground Control Harness (Not Shown - See Separate Breakdown in ELECTRICAL Section)	
70	1001243052	1	Ground Control Box Assembly (Not Shown - See Separate Breakdown in this Section)	
71	3290805001	4	Nut M8	
73	4811900001	1	Washer M8	
74	4811902001	9	Washer M8	
76	8310643001	1	Screw M8 x 25	
77	1001246859	1	Connector	
78	4240032	AR	Tie-Strap (Not Shown)	
79	4460234	AR	Mount, Tie-Strap (Not Shown)	
80	1001120328	1	Mount, Connector	
82	1001213448	1	Connector (Not Shown)	



# SECTION 2 - TURNTABLE

## FIGURE 2-19. ELECTRICAL COMPONENTS INSTALLATION - TURNTABLE (LRC) (ANSI EXPORT, AUSTRALIAN AND CHINA SPECS)



ART\_1001243053\_J\_20F2

## SECTION 2 - TURNTABLE

**FIGURE 2-19. ELECTRICAL COMPONENTS INSTALLATION - TURNTABLE (LRC) (ANSI EXPORT, AUSTRALIAN AND CHINA SPECS)**

ITEM	PART NUMBER	QTY	DESCRIPTION	REV
	1001243053	Ref	ELECTRICAL COMPONENTS INSTALLATION - TURNTABLE (LRC)	J
1	0100011	AR	Compound, Locking	
2	0700412	4	Bolt M4 x 25	
3	0700620	4	Bolt M6 x 60	
4	0760516	2	Bolt M5 x 40	
5	0760610	4	Bolt M6 x 20	
6	0760613	4	Bolt M6 x 28	
7	0760810	3	Bolt M8 x 20	
8	0760812	11	Bolt M8 x 25	
9	0761015	3	Bolt M10 x 35	
10	3290405	4	Nut M4	
11	3290507	2	Nut M5	
12	3290601	1	Nut M6	
13	3290605	12	Nut M6	
14	3290805	9	Nut M8	
15	3291007	5	Nut M10	
16	3311601	2	Nut 3/8	
17	3740067	2	Relay	
18	4240099	AR	Tie-Strap (Not Shown)	
19	4751600	4	Washer 3/8	
20	4761600	2	Washer 3/8	
21	4791400	4	Washer 1/4	
22	4811400	8	Washer M4	
23	4811600	2	Washer M5	
24	4811700	24	Washer M6	
25	4811702	4	Washer M6	
26	4811900	18	Washer M8	
27	4811902	5	Washer M8	
28	4812000	10	Washer M10	
29	4871700	1	Washer M6	
30	8310686	3	Nut, Retainer M8	
31	8406101	1	Clip	
32	0760810001	3	Bolt M8 x 20	
33	0761013001	2	Bolt M10 x 28	
35	100118274	5	Nut, Tinnerman M8	
37	1001149160	3	Nut, Tinnerman M8	
38	1001149970	1	Drive Pump Harness (Not Shown - See Separate Breakdown in ELECTRICAL Section)	
41	1001155967	4	Holder	
42	1001156107	2	Holder	
45	1001187744	AR	Sealant (Not Shown)	
46	1001281500	1	Module, Control (Note: Re-calibration Required when Replaced)	
47	1001258191	1	BLAM Harness (Not Shown - See Separate Breakdown in ELECTRICAL Section)	
48	1001200604	1	Cable, Auxiliary Pump (+)	
49	1001200605	1	Cable, Auxiliary Pump (-)	
50	1001200606	1	Cable, Battery to Auxiliary Relay	
51	1001200726	1	Cable Kit, Battery Positive (Note: Includes Battery Terminal and Qty 4 Cables)	

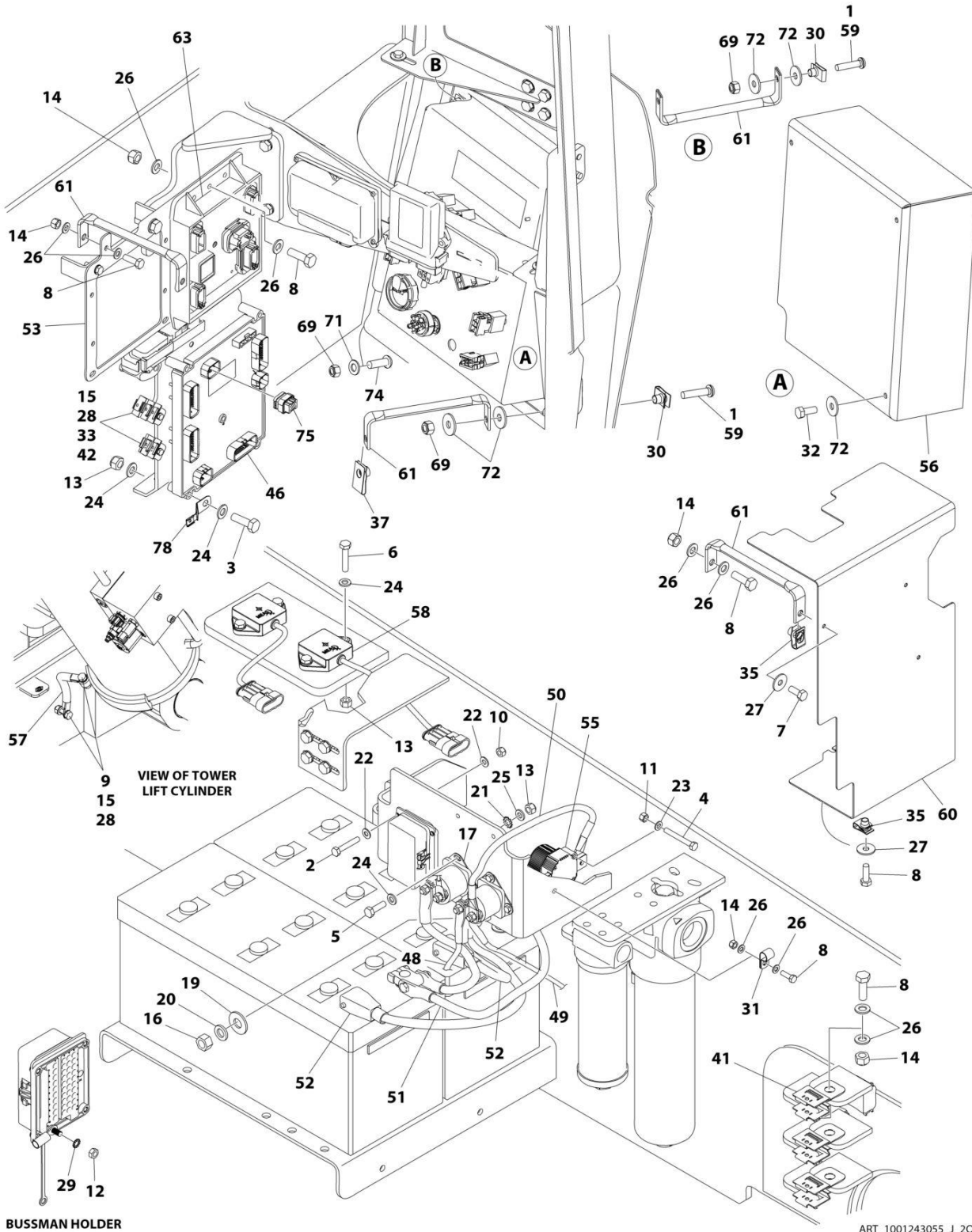
## SECTION 2 - TURNTABLE

ITEM	PART NUMBER	QTY	DESCRIPTION	REV
52	1001200727	1	Cable Kit, Battery Negative (Note: Includes Qty 2 Cables)	
53	1001201103	1	Plate	
54	1001211885	1	Fuel Pump and WIF Harness (Not Shown - See Separate Breakdown in ELECTRICAL Section)	
55	1001216021	1	Relay	
56	1001216238	1	Cover	
57	1001217007	1	Cable, Ground	
58	1001219601	2	Sensor, Dual Axis	
59	1001221585	3	Screw M8 x 35	
60	1001225167	1	Cover	
61	1001225279	6	Bracket	
62	1001226102	1	Connector, Resistor - 20K Ohm (Not Shown - Located Near Item 12)	
63	1001227960	1	Module, Control (Note: Re-calibration Required when Replaced)	
64	1001228364	1	Wire, Relay Grounding (Not Shown)	
65	1001286089	1	Valve Harness (Not Shown - See Separate Breakdown in ELECTRICAL Section)	
66	1001286088	1	Turntable Harness (Not Shown - See Separate Breakdown in ELECTRICAL Section)	
67	1001299829	1	Ground Control Harness (Not Shown - See Separate Breakdown in ELECTRICAL Section)	
68	1001243054	1	Ground Control Box Assembly (Not Shown - See Separate Breakdown in this Section)	
69	3290805001	4	Nut M8	
71	4811900001	1	Washer M8	
72	4811902001	9	Washer M8	
74	8310643001	1	Screw M8 x 25	
75	1001246859	1	Connector	
76	4240032	AR	Tie-Strap (Not Shown)	
77	4460234	AR	Mount, Tie-Strap (Not Shown)	
78	1001120328	1	Mount, Connector	
80	1001213448	1	Connector (Not Shown)	



# SECTION 2 - TURNTABLE

## FIGURE 2-20. ELECTRICAL COMPONENTS INSTALLATION - TURNTABLE (LRC) (CE & UK CA SPECS)





## SECTION 2 - TURNTABLE

**FIGURE 2-20. ELECTRICAL COMPONENTS INSTALLATION - TURNTABLE (LRC) (CE & UK CA SPECS)**

ITEM	PART NUMBER	QTY	DESCRIPTION	REV
	1001243055	Ref	ELECTRICAL COMPONENTS INSTALLATION - TURNTABLE (LRC)	J
1	0100011	AR	Compound, Locking	
2	0700412	4	Bolt M4 x 25	
3	0700620	4	Bolt M6 x 60	
4	0760516	2	Bolt M5 x 40	
5	0760610	4	Bolt M6 x 20	
6	0760613	4	Bolt M6 x 28	
7	0760810	3	Bolt M8 x 20	
8	0760812	11	Bolt M8 x 25	
9	0761015	3	Bolt M10 x 35	
10	3290405	4	Nut M4	
11	3290507	2	Nut M5	
12	3290601	1	Nut M6	
13	3290605	12	Nut M6	
14	3290805	9	Nut M8	
15	3291007	5	Nut M10	
16	3311601	2	Nut 3/8	
17	3740067	2	Relay	
18	4240099	AR	Tie-Strap (Not Shown)	
19	4751600	4	Washer 3/8	
20	4761600	2	Washer 3/8	
21	4791400	4	Washer 1/4	
22	4811400	8	Washer M4	
23	4811600	2	Washer M5	
24	4811700	24	Washer M6	
25	4811702	4	Washer M6	
26	4811900	18	Washer M8	
27	4811902	5	Washer M8	
28	4812000	10	Washer M10	
29	4871700	1	Washer M6	
30	8310686	3	Nut, Retainer M8	
31	8406101	1	Clip	
32	0760810001	3	Bolt M8 x 20	
33	0761013001	2	Bolt M10 x 28	
35	100118274	5	Nut, Tinnerman M8	
37	1001149160	3	Nut, Tinnerman M8	
38	1001149970	1	Drive Pump Harness (Not Shown - See Separate Breakdown in ELECTRICAL Section)	
41	1001155967	4	Holder	
42	1001156107	2	Holder	
45	1001187744	AR	Sealant (Not Shown)	
46	1001281500	1	Module, Control (Note: Re-calibration Required when Replaced)	
47	1001258191	1	BLAM Harness (Not Shown - See Separate Breakdown in ELECTRICAL Section)	
48	1001200604	1	Cable, Auxiliary Pump (+)	
49	1001200605	1	Cable, Auxiliary Pump (-)	
50	1001200606	1	Cable, Battery to Auxiliary Relay	
51	1001200726	1	Cable Kit, Battery Positive (Note: Includes Battery Terminal and Qty 4 Cables)	

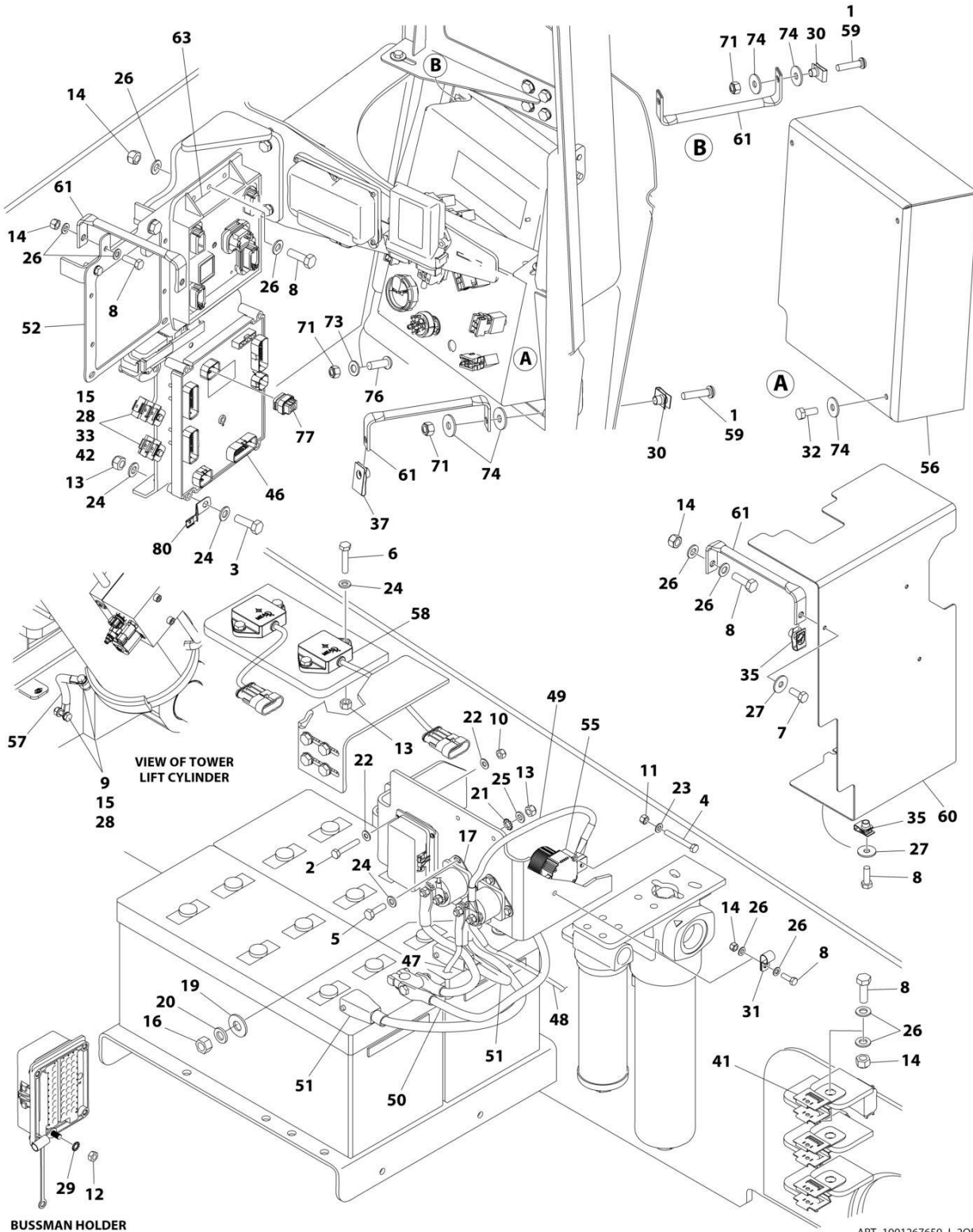
## SECTION 2 - TURNTABLE

ITEM	PART NUMBER	QTY	DESCRIPTION	REV
52	1001200727	1	Cable Kit, Battery Negative (Note: Includes Qty 2 Cables)	
53	1001201103	1	Plate	
54	1001211885	1	Fuel Pump and WIF Harness (Not Shown - See Separate Breakdown in ELECTRICAL Section)	
55	1001216021	1	Relay	
56	1001216238	1	Cover	
57	1001217007	1	Cable, Ground	
58	1001219601	2	Sensor, Dual Axis	
59	1001221585	3	Screw M8 x 35	
60	1001225167	1	Cover	
61	1001225279	6	Bracket	
62	1001226102	1	Connector, Resistor - 20K Ohm (Not Shown - Located Near Item 12)	
63	1001227960	1	Module, Control (Note: Re-calibration Required when Replaced)	
64	1001228364	1	Wire, Relay Grounding (Not Shown)	
65	1001286089	1	Valve Harness (Not Shown - See Separate Breakdown in ELECTRICAL Section)	
66	1001286088	1	Turntable Harness (Not Shown - See Separate Breakdown in ELECTRICAL Section)	
67	1001299829	1	Ground Control Harness (Not Shown - See Separate Breakdown in ELECTRICAL Section)	
68	1001243056	1	Ground Control Box Assembly (Not Shown - See Separate Breakdown in this Section)	
69	3290805001	4	Nut M8	
71	4811900001	1	Washer M8	
72	4811902001	9	Washer M8	
74	8310643001	1	Screw M8 x 25	
75	1001246859	1	Connector	
76	4240032	AR	Tie-Strap (Not Shown)	
77	4460234	AR	Mount, Tie-Strap (Not Shown)	
78	1001120328	1	Mount, Connector	
80	1001213448	1	Connector (Not Shown)	



# SECTION 2 - TURNTABLE

FIGURE 2-21. ELECTRICAL COMPONENTS INSTALLATION WITH TOWER STOW - TURNTABLE (HRC) (ANSI, ANSI EXPORT, CSA AND JAPANESE SPECS)



ART\_1001267659\_I\_20F2

## SECTION 2 - TURNTABLE

**FIGURE 2-21. ELECTRICAL COMPONENTS INSTALLATION WITH TOWER STOW - TURNTABLE (HRC) (ANSI, ANSI EXPORT, CSA AND JAPANESE SPECS)**

ITEM	PART NUMBER	QTY	DESCRIPTION	REV
	1001267659	Ref	ELECTRICAL COMPONENTS INSTALLATION - TURNTABLE (HRC)	I
1	0100011	AR	Compound, Locking	
2	0700412	4	Bolt M4 x 25	
3	0700620	4	Bolt M6 x 60	
4	0760516	2	Bolt M5 x 40	
5	0760610	4	Bolt M6 x 20	
6	0760613	4	Bolt M6 x 28	
7	0760810	3	Bolt M8 x 20	
8	0760812	12	Bolt M8 x 25	
9	0761015	3	Bolt M10 x 35	
10	3290405	4	Nut M4	
11	3290507	2	Nut M5	
12	3290601	1	Nut M6	
13	3290605	12	Nut M6	
14	3290805	10	Nut M8	
15	3291007	5	Nut M10	
16	3311601	2	Nut 3/8	
17	3740067	2	Relay	
18	4240099	1	Tie-Strap (Not Shown)	
19	4751600	4	Washer 3/8	
20	4761600	2	Washer 3/8	
21	4791400	4	Washer 1/4	
22	4811400	8	Washer M4	
23	4811600	2	Washer M5	
24	4811700	20	Washer M6	
25	4811702	4	Washer M6	
26	4811900	20	Washer M8	
27	4811902	5	Washer M8	
28	4812000	10	Washer M10	
29	4871700	1	Washer M6	
30	8310686	3	Nut, Retainer M8	
31	8406101	1	Clip	
32	0760810001	3	Bolt M8 x 20	
33	0761013001	2	Bolt M10 x 28	
35	100118274	5	Nut, Tinnerman M8	
37	1001149160	3	Nut, Tinnerman M8	
38	1001149970	1	Drive Pump Harness (Not Shown - See Separate Breakdown in ELECTRICAL Section)	
41	1001155967	6	Holder	
42	1001156107	2	Holder	
45	1001187744	AR	Sealant (Not Shown)	
46	1001281500	1	Module, Control (Note: Re-calibration Required when Replaced)	
47	1001200604	1	Cable, Auxiliary Pump (+)	
48	1001200605	1	Cable, Auxiliary Pump (-)	
49	1001200606	1	Cable, Battery to Auxiliary Relay	
50	1001200726	1	Cable Kit, Battery Positive (Note: Includes Battery Terminal and Qty 4 Cables)	
51	1001200727	1	Cable Kit, Battery Negative (Note: Includes Qty 2 Cables)	

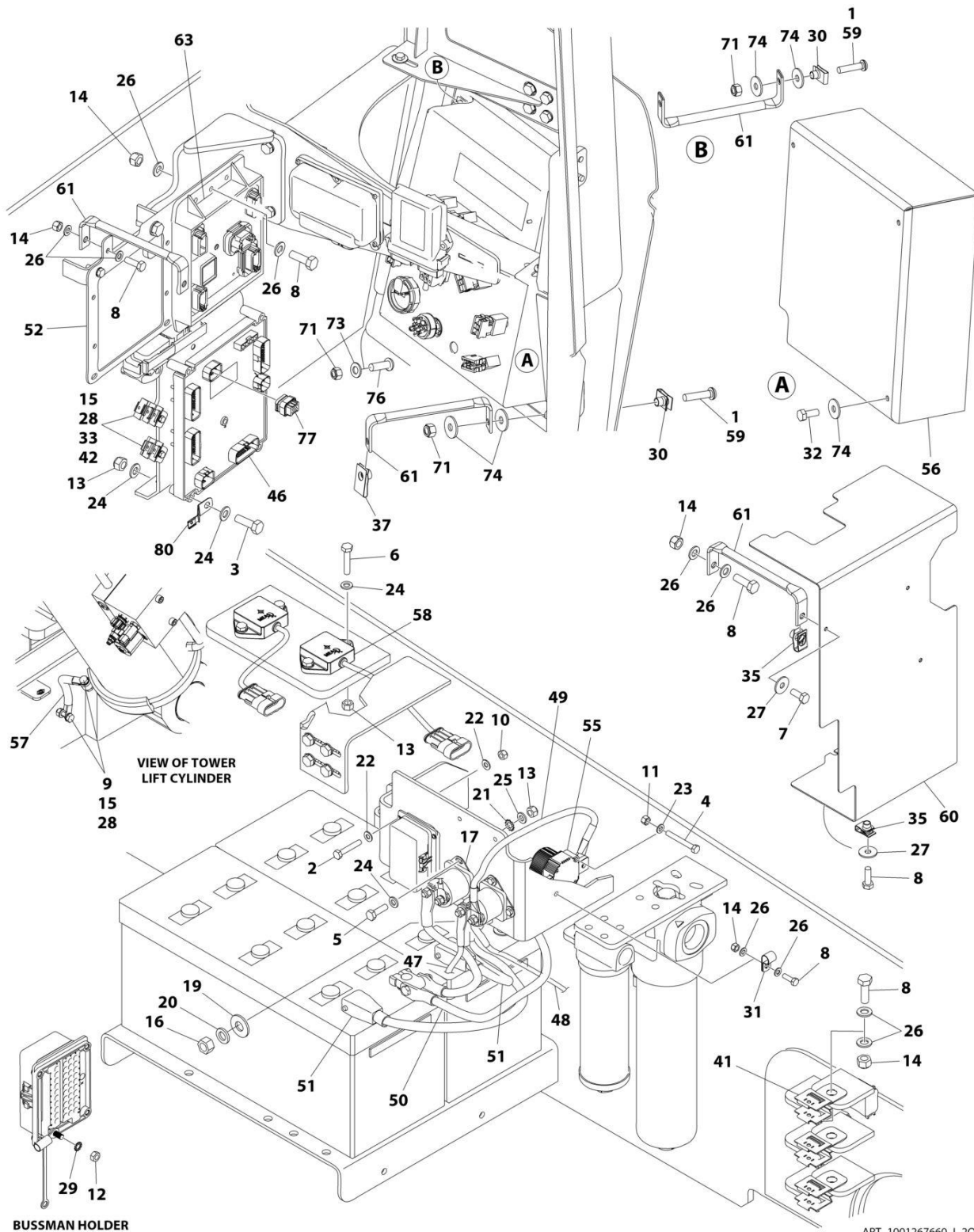
## SECTION 2 - TURNTABLE

ITEM	PART NUMBER	QTY	DESCRIPTION	REV
52	1001201103	1	Plate	
53	1001206817	1	Diesel Exhaust Fluid Tank Harness (Not Shown - See Separate Breakdown in ELECTRICAL Section)	
54	1001211885	1	Fuel Pump and WIF Harness (Not Shown - See Separate Breakdown in ELECTRICAL Section)	
55	1001216021	1	Relay	
56	1001216238	1	Cover	
57	1001217007	1	Cable, Ground	
58	1001219601	2	Sensor, Dual Axis	
59	1001221585	3	Screw M8 x 35	
60	1001225167	1	Cover	
61	1001225279	6	Bracket	
62	1001226102	1	Connector, Resistor - 20K Ohm (Not Shown - Located Near Item 12)	
63	1001227960	1	Module, Control (Note: Re-calibration Required when Replaced)	
64	1001228364	1	Wire, Relay Grounding (Not Shown)	
65	1001238483	1	Def Tank Extension Harness (Not Shown - See Separate Breakdown in ELECTRICAL Section)	
66	1001286089	1	Valve Harness (Not Shown - See Separate Breakdown in ELECTRICAL Section)	
67	1001286088	1	Turntable Harness (Not Shown - See Separate Breakdown in ELECTRICAL Section)	
68	1001299829	1	Ground Control Harness (Not Shown - See Separate Breakdown in ELECTRICAL Section)	
69	1001258191	1	BLAM Harness (Not Shown - See Separate Breakdown in ELECTRICAL Section)	
70	1001265870	1	Ground Control Box Assembly (Not Shown - See Separate Breakdown in this Section)	
71	3290805001	4	Nut M8	
73	4811900001	1	Washer M8	
74	4811902001	9	Washer M8	
76	8310643001	1	Screw M8 x 25	
77	1001246859	1	Connector	
78	4240032	AR	Tie-Strap (Not Shown)	
79	4460234	AR	Mount, Tie-Strap (Not Shown)	
80	1001120328	1	Mount, Connector	
82	1001213448	1	Connector (Not Shown)	



# SECTION 2 - TURNTABLE

FIGURE 2-22. ELECTRICAL COMPONENTS INSTALLATION WITH TOWER STOW - TURNTABLE (HRC) (CE & UK CA SPECS)





## SECTION 2 - TURNTABLE

**FIGURE 2-22. ELECTRICAL COMPONENTS INSTALLATION WITH TOWER STOW - TURNTABLE (HRC) (CE & UK CA SPECS)**

ITEM	PART NUMBER	QTY	DESCRIPTION	REV
	1001267660	Ref	ELECTRICAL COMPONENTS INSTALLATION - TURNTABLE (HRC)	I
1	0100011	AR	Compound, Locking	
2	0700412	4	Bolt M4 x 25	
3	0700620	4	Bolt M6 x 60	
4	0760516	2	Bolt M5 x 40	
5	0760610	4	Bolt M6 x 20	
6	0760613	4	Bolt M6 x 28	
7	0760810	3	Bolt M8 x 20	
8	0760812	12	Bolt M8 x 25	
9	0761015	3	Bolt M10 x 35	
10	3290405	4	Nut M4	
11	3290507	2	Nut M5	
12	3290601	1	Nut M6	
13	3290605	12	Nut M6	
14	3290805	10	Nut M8	
15	3291007	5	Nut M10	
16	3311601	2	Nut 3/8	
17	3740067	2	Relay	
18	4240099	1	Tie-Strap (Not Shown)	
19	4751600	4	Washer 3/8	
20	4761600	2	Washer 3/8	
21	4791400	4	Washer 1/4	
22	4811400	8	Washer M4	
23	4811600	2	Washer M5	
24	4811700	24	Washer M6	
25	4811702	4	Washer M6	
26	4811900	20	Washer M8	
27	4811902	5	Washer M8	
28	4812000	10	Washer M10	
29	4871700	1	Washer M6	
30	8310686	3	Nut, Retainer M8	
31	8406101	1	Clip	
32	0760810001	3	Bolt M8 x 20	
33	0761013001	2	Bolt M10 x 28	
35	100118274	5	Nut, Tinnerman M8	
37	1001149160	3	Nut, Tinnerman M8	
38	1001149970	1	Drive Pump Harness (Not Shown - See Separate Breakdown in ELECTRICAL Section)	
41	1001155967	6	Holder	
42	1001156107	2	Holder	
45	1001187744	AR	Sealant (Not Shown)	
46	1001281500	1	Module, Control (Note: Re-calibration Required when Replaced)	
47	1001200604	1	Cable, Auxiliary Pump (+)	
48	1001200605	1	Cable, Auxiliary Pump (-)	
49	1001200606	1	Cable, Battery to Auxiliary Relay	
50	1001200726	1	Cable Kit, Battery Positive (Note: Includes Battery Terminal and Qty 4 Cables)	
51	1001200727	1	Cable Kit, Battery Negative (Note: Includes Qty 2 Cables)	

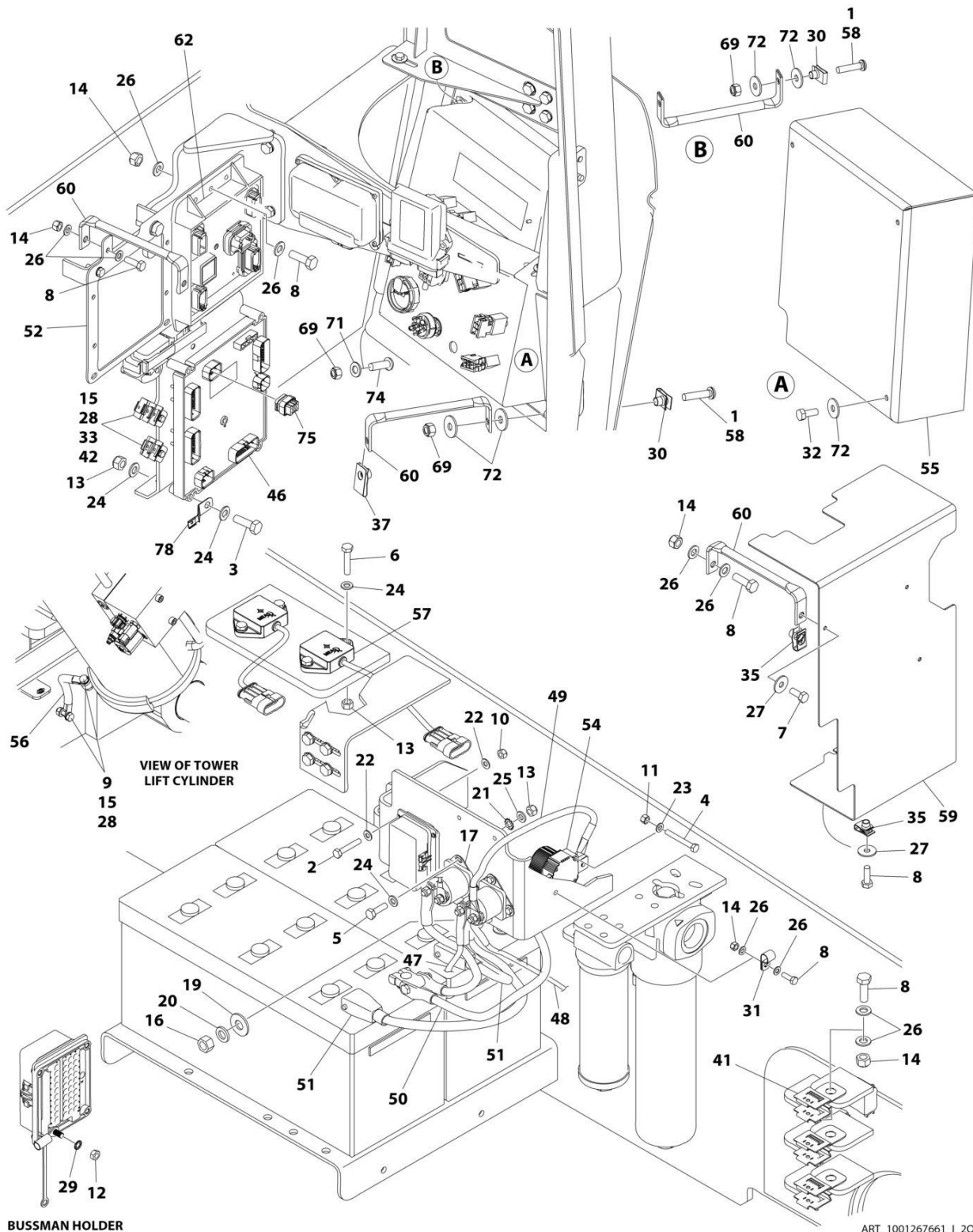
## SECTION 2 - TURNTABLE

ITEM	PART NUMBER	QTY	DESCRIPTION	REV
52	1001201103	1	Plate	
53	1001206817	1	Diesel Exhaust Fluid Tank Harness (Not Shown - See Separate Breakdown in ELECTRICAL Section)	
54	1001211885	1	Fuel Pump and WIF Harness (Not Shown - See Separate Breakdown in ELECTRICAL Section)	
55	1001216021	1	Relay	
56	1001216238	1	Cover	
57	1001217007	1	Cable, Ground	
58	1001219601	2	Sensor, Dual Axis	
59	1001221585	3	Screw M8 x 35	
60	1001225167	1	Cover	
61	1001225279	6	Bracket	
62	1001226102	1	Connector, Resistor - 20K Ohm (Not Shown - Located Near Item 12)	
63	1001227960	1	Module, Control (Note: Re-calibration Required when Replaced)	
64	1001228364	1	Wire, Relay Grounding (Not Shown)	
65	1001238483	1	Def Tank Extension Harness (Not Shown - See Separate Breakdown in ELECTRICAL Section)	
66	1001286089	1	Valve Harness (Not Shown - See Separate Breakdown in ELECTRICAL Section)	
67	1001286088	1	Turntable Harness (Not Shown - See Separate Breakdown in ELECTRICAL Section)	
68	1001299829	1	Ground Control Harness (Not Shown - See Separate Breakdown in ELECTRICAL Section)	
69	1001258191	1	BLAM Harness (Not Shown - See Separate Breakdown in ELECTRICAL Section)	
70	1001265871	1	Ground Control Box Assembly (Not Shown - See Separate Breakdown in this Section)	
71	3290805001	4	Nut M8	
73	4811900001	1	Washer M8	
74	4811902001	9	Washer M8	
76	8310643001	1	Screw M8 x 25	
77	1001246859	1	Connector	
78	4240032	AR	Tie-Strap (Not Shown)	
79	4460234	AR	Mount, Tie-Strap (Not Shown)	
80	1001120328	1	Mount, Connector	
82	1001213448	1	Connector (Not Shown)	



# SECTION 2 - TURNTABLE

FIGURE 2-23. ELECTRICAL COMPONENTS INSTALLATION WITH TOWER STOW - TURNTABLE (LRC) (ANSI EXPORT, AUSTRALIAN AND CHINA SPECS)



## SECTION 2 - TURNTABLE

**FIGURE 2-23. ELECTRICAL COMPONENTS INSTALLATION WITH TOWER STOW - TURNTABLE (LRC) (ANSI EXPORT, AUSTRALIAN AND CHINA SPECS)**

ITEM	PART NUMBER	QTY	DESCRIPTION	REV
	1001267661	Ref	ELECTRICAL COMPONENTS INSTALLATION - TURNTABLE (LRC)	I
1	0100011	AR	Compound, Locking	
2	0700412	4	Bolt M4 x 25	
3	0700620	4	Bolt M6 x 60	
4	0760516	2	Bolt M5 x 40	
5	0760610	4	Bolt M6 x 20	
6	0760613	4	Bolt M6 x 28	
7	0760810	3	Bolt M8 x 20	
8	0760812	11	Bolt M8 x 25	
9	0761015	3	Bolt M10 x 35	
10	3290405	4	Nut M4	
11	3290507	2	Nut M5	
12	3290601	1	Nut M6	
13	3290605	12	Nut M6	
14	3290805	9	Nut M8	
15	3291007	5	Nut M10	
16	3311601	2	Nut 3/8	
17	3740067	2	Relay	
18	4240099	AR	Tie-Strap (Not Shown)	
19	4751600	4	Washer 3/8	
20	4761600	2	Washer 3/8	
21	4791400	4	Washer 1/4	
22	4811400	8	Washer M4	
23	4811600	2	Washer M5	
24	4811700	24	Washer M6	
25	4811702	4	Washer M6	
26	4811900	18	Washer M8	
27	4811902	5	Washer M8	
28	4812000	10	Washer M10	
29	4871700	1	Washer M6	
30	8310686	3	Nut, Retainer M8	
31	8406101	1	Clip	
32	0760810001	3	Bolt M8 x 20	
33	0761013001	2	Bolt M10 x 28	
35	100118274	5	Nut, Tinnerman M8	
37	1001149160	3	Nut, Tinnerman M8	
38	1001149970	1	Drive Pump Harness (Not Shown - See Separate Breakdown in ELECTRICAL Section)	
41	1001155967	4	Holder	
42	1001156107	2	Holder	
45	1001187744	AR	Sealant (Not Shown)	
46	1001281500	1	Module, Control (Note: Re-calibration Required when Replaced)	
47	1001200604	1	Cable, Auxiliary Pump (+)	
48	1001200605	1	Cable, Auxiliary Pump (-)	
49	1001200606	1	Cable, Battery to Auxiliary Relay	
50	1001200726	1	Cable Kit, Battery Positive (Note: Includes Battery Terminal and Qty 4 Cables)	
51	1001200727	1	Cable Kit, Battery Negative (Note: Includes Qty 2 Cables)	

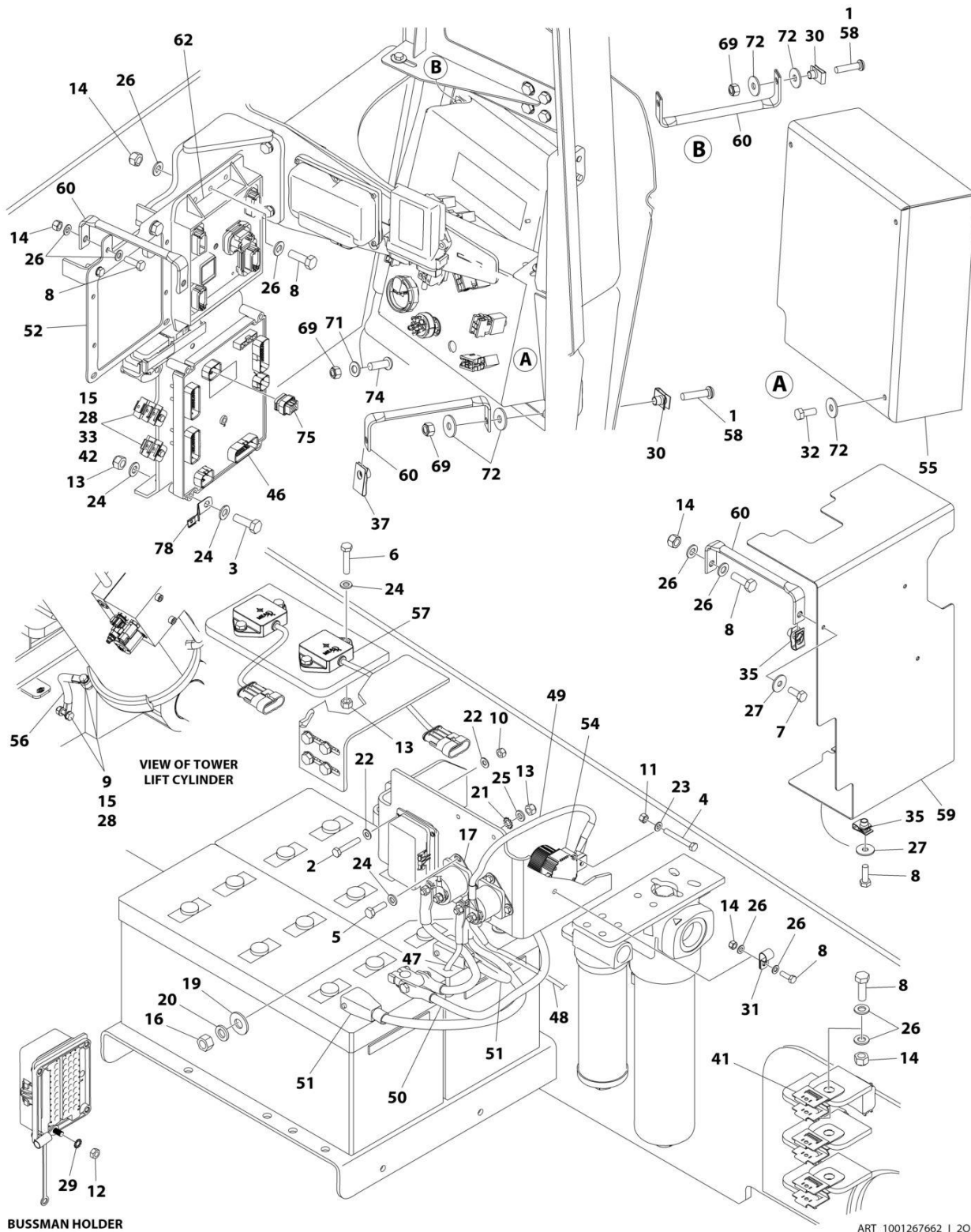
## SECTION 2 - TURNTABLE

ITEM	PART NUMBER	QTY	DESCRIPTION	REV
52	1001201103	1	Plate	
53	1001211885	1	Fuel Pump and WIF Harness (Not Shown - See Separate Breakdown in ELECTRICAL Section)	
54	1001216021	1	Relay	
55	1001216238	1	Cover	
56	1001217007	1	Cable, Ground	
57	1001219601	2	Sensor, Dual Axis	
58	1001221585	3	Screw M8 x 35	
59	1001225167	1	Cover	
60	1001225279	6	Bracket	
61	1001226102	1	Connector, Resistor - 20K Ohm (Not Shown - Located Near Item 12)	
62	1001227960	1	Module, Control (Note: Re-calibration Required when Replaced)	
63	1001228364	1	Wire, Relay Grounding (Not Shown)	
64	1001286089	1	Valve Harness (Not Shown - See Separate Breakdown in ELECTRICAL Section)	
65	1001286088	1	Turntable Harness (Not Shown - See Separate Breakdown in ELECTRICAL Section)	
66	1001299829	1	Ground Control Harness (Not Shown - See Separate Breakdown in ELECTRICAL Section)	
67	1001258191	1	BLAM Harness (Not Shown - See Separate Breakdown in ELECTRICAL Section)	
68	1001265872	1	Ground Control Box Assembly (Not Shown - See Separate Breakdown in this Section)	
69	3290805001	4	Nut M8	
71	4811900001	1	Washer M8	
72	4811902001	9	Washer M8	
74	8310643001	1	Screw M8 x 25	
75	1001246859	1	Connector	
76	4240032	AR	Tie-Strap (Not Shown)	
77	4460234	AR	Mount, Tie-Strap (Not Shown)	
78	1001120328	1	Mount, Connector	
80	1001213448	1	Connector (Not Shown)	



# SECTION 2 - TURNTABLE

## FIGURE 2-24. ELECTRICAL COMPONENTS INSTALLATION WITH TOWER STOW - TURNTABLE (LRC) (CE & UK CA SPECS)





## SECTION 2 - TURNTABLE

**FIGURE 2-24. ELECTRICAL COMPONENTS INSTALLATION WITH TOWER STOW - TURNTABLE  
(LRC) (CE & UK CA SPECS)**

ITEM	PART NUMBER	QTY	DESCRIPTION	REV
	1001267662	Ref	ELECTRICAL COMPONENTS INSTALLATION - TURNTABLE (LRC)	I
1	0100011	AR	Compound, Locking	
2	0700412	4	Bolt M4 x 25	
3	0700620	4	Bolt M6 x 60	
4	0760516	2	Bolt M5 x 40	
5	0760610	4	Bolt M6 x 20	
6	0760613	4	Bolt M6 x 28	
7	0760810	3	Bolt M8 x 20	
8	0760812	11	Bolt M8 x 25	
9	0761015	3	Bolt M10 x 35	
10	3290405	4	Nut M4	
11	3290507	2	Nut M5	
12	3290601	1	Nut M6	
13	3290605	12	Nut M6	
14	3290805	9	Nut M8	
15	3291007	5	Nut M10	
16	3311601	2	Nut 3/8	
17	3740067	2	Relay	
18	4240099	AR	Tie-Strap (Not Shown)	
19	4751600	4	Washer 3/8	
20	4761600	2	Washer 3/8	
21	4791400	4	Washer 1/4	
22	4811400	8	Washer M4	
23	4811600	2	Washer M5	
24	4811700	24	Washer M6	
25	4811702	4	Washer M6	
26	4811900	18	Washer M8	
27	4811902	5	Washer M8	
28	4812000	10	Washer M10	
29	4871700	1	Washer M6	
30	8310686	3	Nut, Retainer M8	
31	8406101	1	Clip	
32	0760810001	3	Bolt M8 x 20	
33	0761013001	2	Bolt M10 x 28	
35	100118274	5	Nut, Tinnerman M8	
37	1001149160	3	Nut, Tinnerman M8	
38	1001149970	1	Drive Pump Harness (Not Shown - See Separate Breakdown in ELECTRICAL Section)	
41	1001155967	4	Holder	
42	1001156107	2	Holder	
45	1001187744	AR	Sealant (Not Shown)	
46	1001281500	1	Module, Control (Note: Re-calibration Required when Replaced)	
47	1001200604	1	Cable, Auxiliary Pump (+)	
48	1001200605	1	Cable, Auxiliary Pump (-)	
49	1001200606	1	Cable, Battery to Auxiliary Relay	
50	1001200726	1	Cable Kit, Battery Positive (Note: Includes Battery Terminal and Qty 4 Cables)	
51	1001200727	1	Cable Kit, Battery Negative (Note: Includes Qty 2 Cables)	

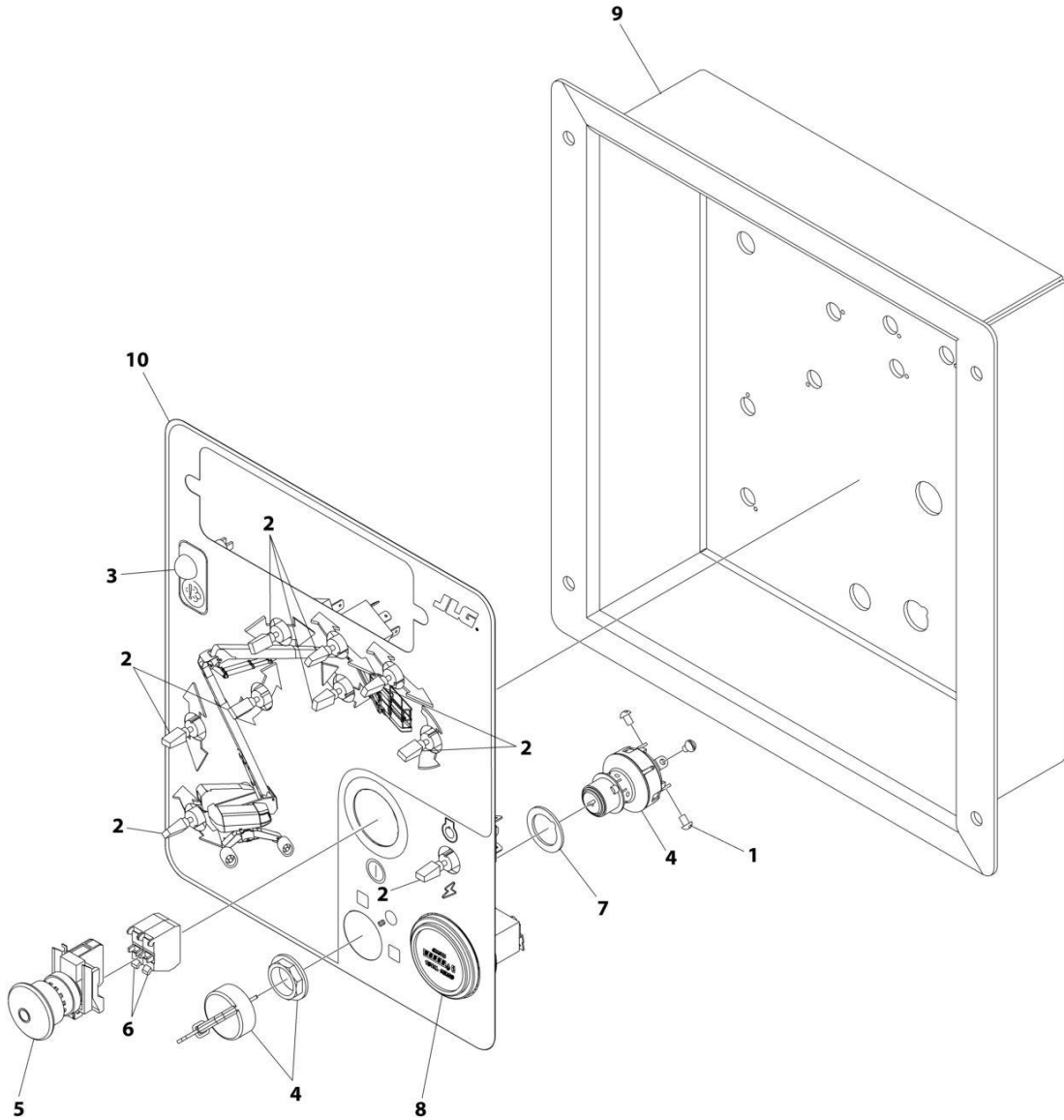
## SECTION 2 - TURNTABLE

ITEM	PART NUMBER	QTY	DESCRIPTION	REV
52	1001201103	1	Plate	
53	1001211885	1	Fuel Pump and WIF Harness (Not Shown - See Separate Breakdown in ELECTRICAL Section)	
54	1001216021	1	Relay	
55	1001216238	1	Cover	
56	1001217007	1	Cable, Ground	
57	1001219601	2	Sensor, Dual Axis	
58	1001221585	3	Screw M8 x 35	
59	1001225167	1	Cover	
60	1001225279	6	Bracket	
61	1001226102	1	Connector, Resistor - 20K Ohm (Not Shown - Located Near Item 12)	
62	1001277208	1	Module, Control (Note: Re-calibration Required when Replaced)	
63	1001228364	1	Wire, Relay Grounding (Not Shown)	
64	1001286089	1	Valve Harness (Not Shown - See Separate Breakdown in ELECTRICAL Section)	
65	1001286088	1	Turntable Harness (Not Shown - See Separate Breakdown in ELECTRICAL Section)	
66	1001299829	1	Ground Control Harness (Not Shown - See Separate Breakdown in ELECTRICAL Section)	
67	1001258191	1	BLAM Harness (Not Shown - See Separate Breakdown in ELECTRICAL Section)	
68	1001265873	1	Ground Control Box Assembly (Not Shown - See Separate Breakdown in this Section)	
69	3290805001	4	Nut M8	
71	4811900001	1	Washer M8	
72	4811902001	9	Washer M8	
74	8310643001	1	Screw M8 x 25	
75	1001246859	1	Connector	
76	4240032	AR	Tie-Strap (Not Shown)	
77	4460234	AR	Mount, Tie-Strap (Not Shown)	
78	1001120328	1	Mount, Connector	
80	1001213448	1	Connector (Not Shown)	



## SECTION 2 - TURNTABLE

FIGURE 2-25. GROUND CONTROL CONSOLE ASSEMBLY (HRC) (ANSI, ANSI EXPORT, CSA AND JAPANESE SPECS)



ART\_1001243048\_B

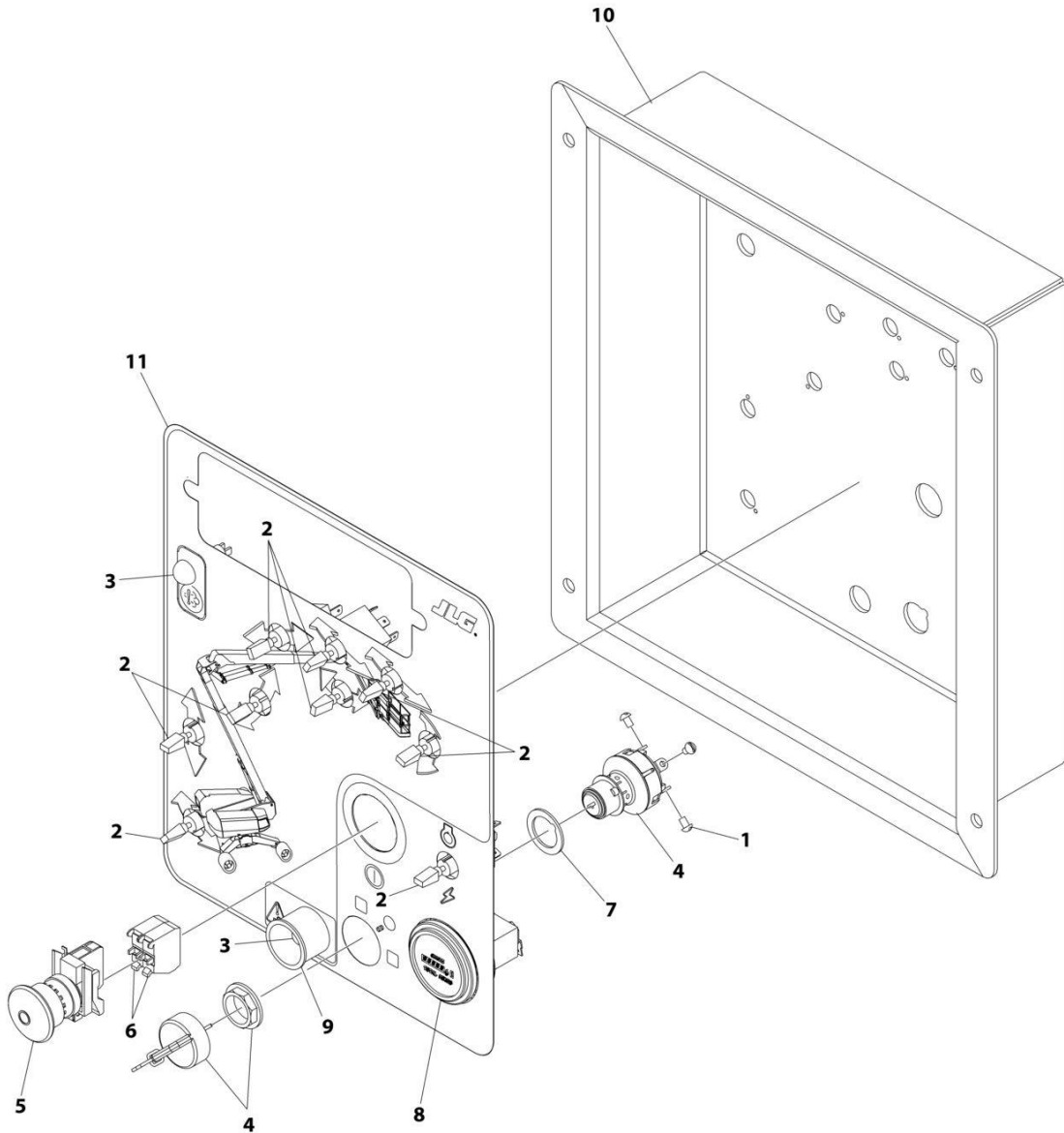
**SECTION 2 - TURNTABLE**

**FIGURE 2-25. GROUND CONTROL CONSOLE ASSEMBLY (HRC) (ANSI, ANSI EXPORT, CSA AND JAPANESE SPECS)**

ITEM	PART NUMBER	QTY	DESCRIPTION	REV
	1001243048	Ref	GROUND CONTROL CONSOLE ASSEMBLY (HRC)	B
1	3910804	6	Screw #8 x 1/4	
2	4360328	9	Switch, Toggle	
3	4360387	1	Switch, Push Button	
4	4360469	1	Switch, Key	
4	2360030	1 Set	Key, Replacement	
5	4360475	1	Switch, Push-Pull Emergency	
5	7020175	1	Cap	
5	7020176	1	Block, Contact	
6	4360476	2	Block, Contact	
7	1001151393	1	Shim	
8	10836804	1	Gauge	
9	1001297399	1	Panel	
10	1001243049	1	Decal - Ground Control	

## SECTION 2 - TURNTABLE

FIGURE 2-26. GROUND CONTROL CONSOLE ASSEMBLY (HRC) (CE & UK CA SPECS)



ART\_1001243052\_B

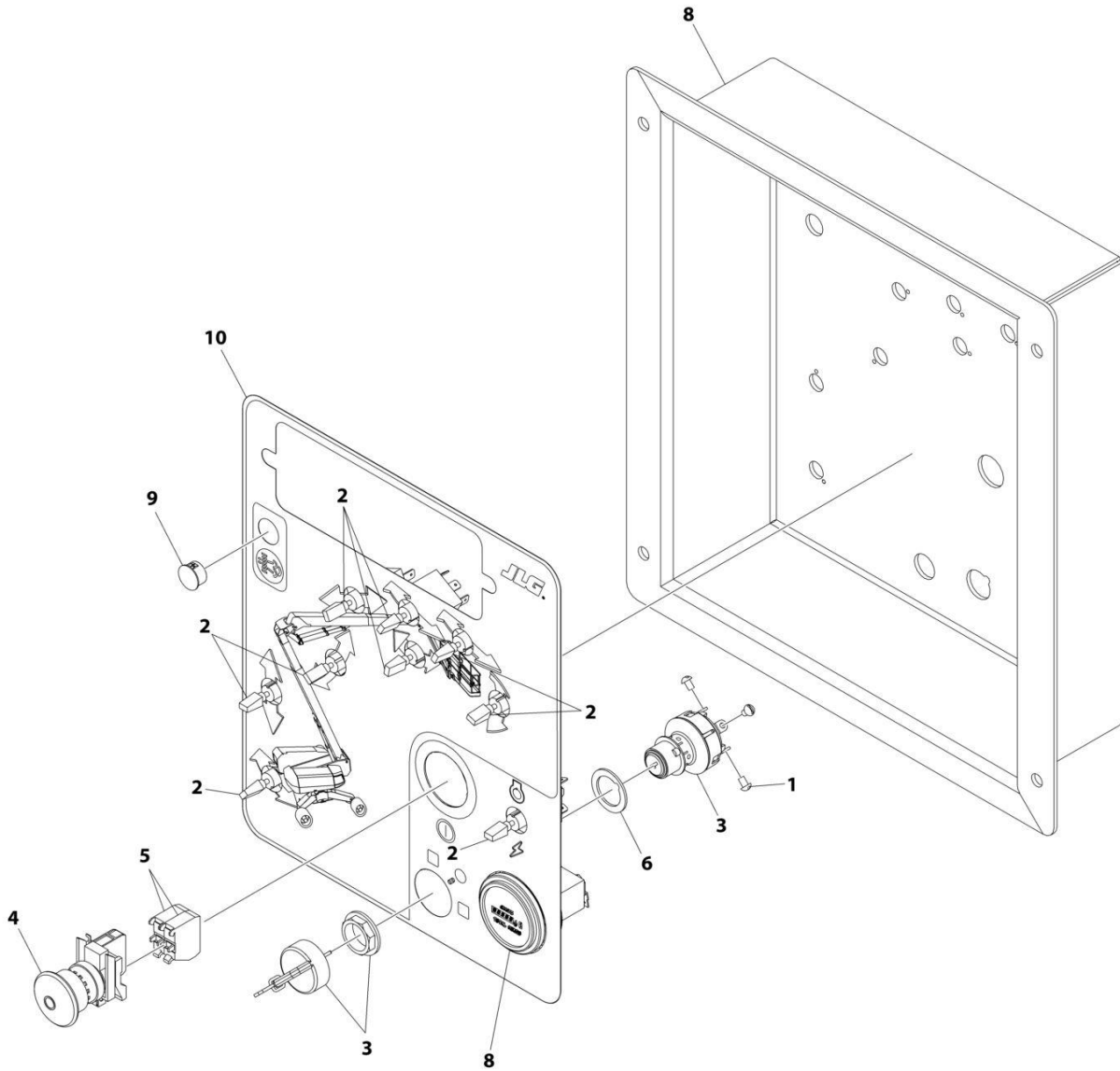
**SECTION 2 - TURNTABLE**

**FIGURE 2-26. GROUND CONTROL CONSOLE ASSEMBLY (HRC) (CE & UK CA SPECS)**

ITEM	PART NUMBER	QTY	DESCRIPTION	REV
	1001243052	Ref	GROUND CONTROL CONSOLE ASSEMBLY (HRC)	B
1	3910804	6	Screw #8 x 1/4	
2	4360328	9	Switch, Toggle	
3	4360387	1	Switch, Push Button	
4	4360469	1	Switch, Key	
4	2360030	1 Set	Key, Replacement	
5	4360475	1	Switch, Push-Pull Emergency	
5	7020175	1	Cap	
5	7020176	1	Block, Contact	
6	4360476	2	Block, Contact	
7	1001151393	1	Shim	
8	10836804	1	Gauge	
9	1001176469	1	Shroud	
10	1001297399	1	Panel	
11	1001243051	1	Decal - Ground Control	

## SECTION 2 - TURNTABLE

FIGURE 2-27. GROUND CONTROL CONSOLE ASSEMBLY (LRC) (ANSI EXPORT, AUSTRALIAN AND CHINA SPECS)



ART\_1001243054\_B



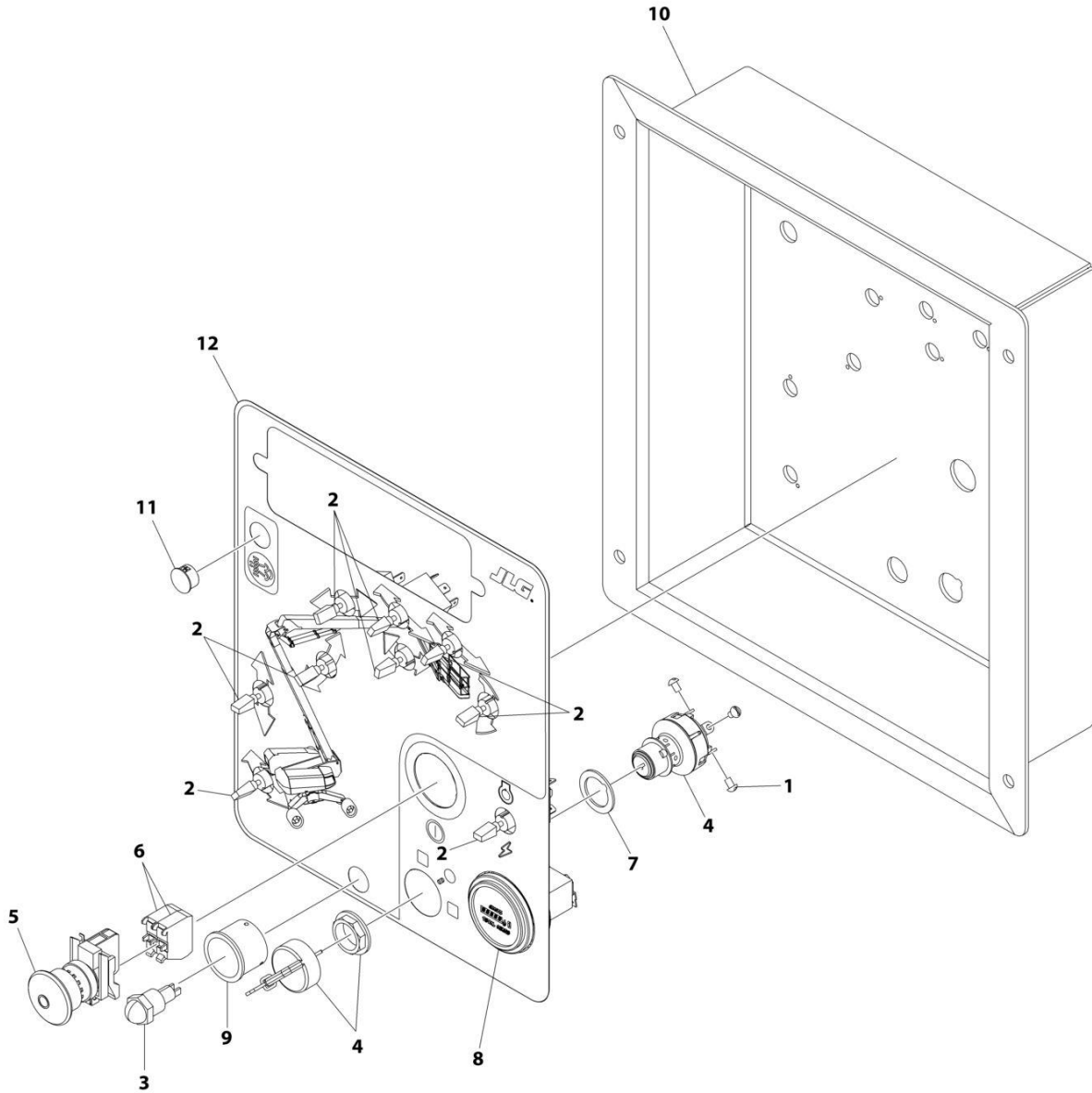
**SECTION 2 - TURNTABLE**

**FIGURE 2-27. GROUND CONTROL CONSOLE ASSEMBLY (LRC) (ANSI EXPORT, AUSTRALIAN AND CHINA SPECS)**

ITEM	PART NUMBER	QTY	DESCRIPTION	REV
	1001243054	Ref	GROUND CONTROL CONSOLE ASSEMBLY (LRC)	B
1	3910804	6	Screw #8 x 1/4	
2	4360328	9	Switch, Toggle	
3	4360469	1	Switch, Key	
3	2360030	1 Set	Key, Replacement	
4	4360475	1	Switch, Push-Pull Emergency	
4	7020175	1	Cap	
4	7020176	1	Block, Contact	
5	4360476	2	Block, Contact	
6	1001151393	1	Shim	
7	10836804	1	Gauge	
8	1001297399	1	Panel	
9	1001207963	1	Plug	
10	1001243049	1	Decal - Ground Control	

# SECTION 2 - TURNTABLE

FIGURE 2-28. GROUND CONTROL CONSOLE ASSEMBLY (LRC) (CE & UK CA SPECS)



ART\_1001243056\_B

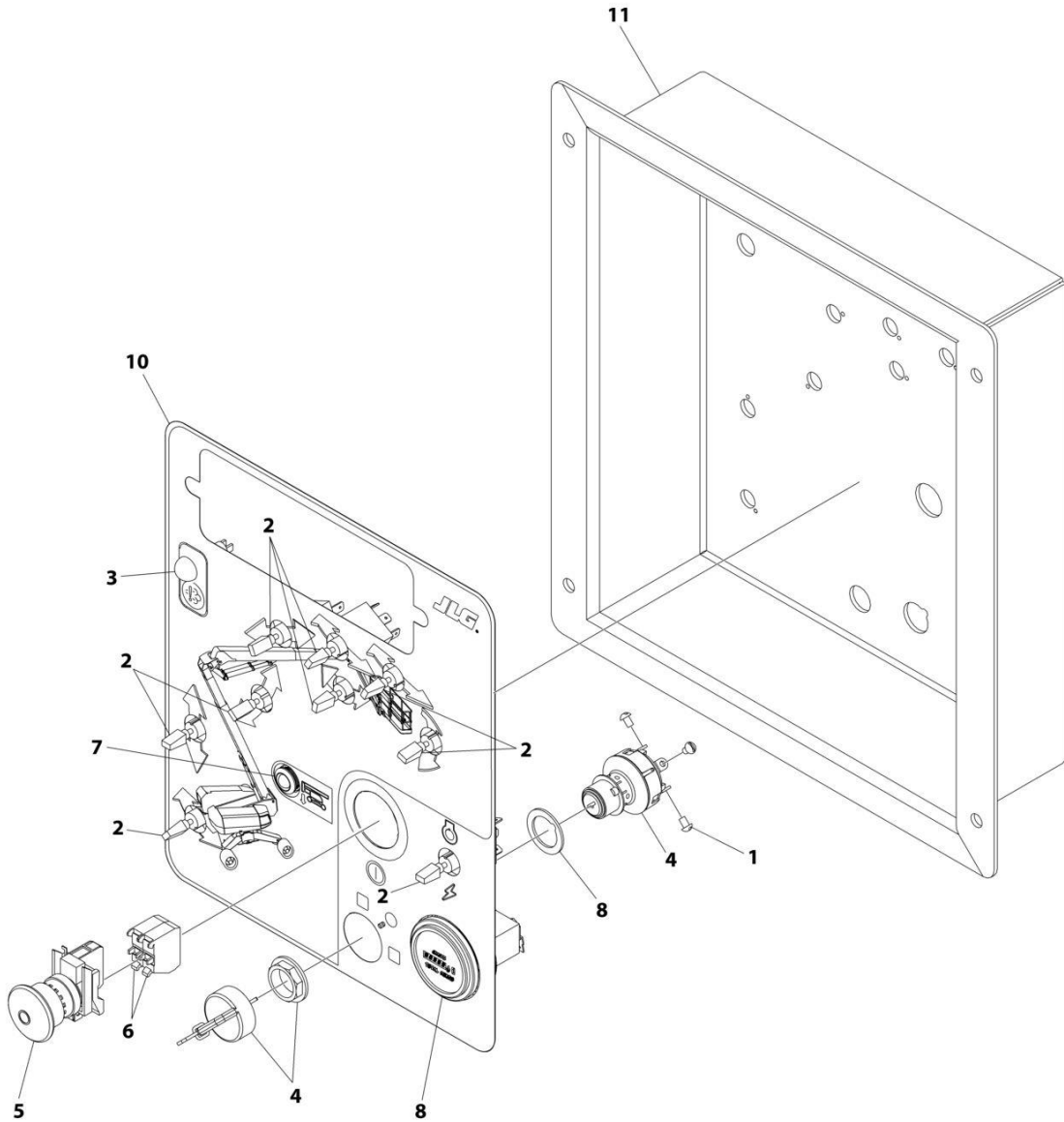
**SECTION 2 - TURNTABLE**

**FIGURE 2-28. GROUND CONTROL CONSOLE ASSEMBLY (LRC) (CE & UK CA SPECS)**

ITEM	PART NUMBER	QTY	DESCRIPTION	REV
	1001243056	Ref	GROUND CONTROL CONSOLE ASSEMBLY (LRC)	B
1	3910804	6	Screw #8 x 1/4	
2	4360328	9	Switch, Toggle	
3	4360387	1	Switch, Push Button	
4	4360469	1	Switch, Key	
4	2360030	1 Set	Key, Replacement	
5	4360475	1	Switch, Push-Pull Emergency	
5	7020175	1	Cap	
5	7020176	1	Block, Contact	
6	4360476	2	Block, Contact	
7	1001151393	1	Shim	
8	10836804	1	Gauge	
9	1001176469	1	Shroud	
10	1001297399	1	Panel	
11	1001207963	1	Plug	
12	1001243051	1	Decal - Ground Control	

## SECTION 2 - TURNTABLE

FIGURE 2-29. GROUND CONTROL CONSOLE ASSEMBLY WITH TOWER STOW (HRC) (ANSI, ANSI EXPORT, CSA AND JAPANESE SPECS)



ART\_1001265870\_B

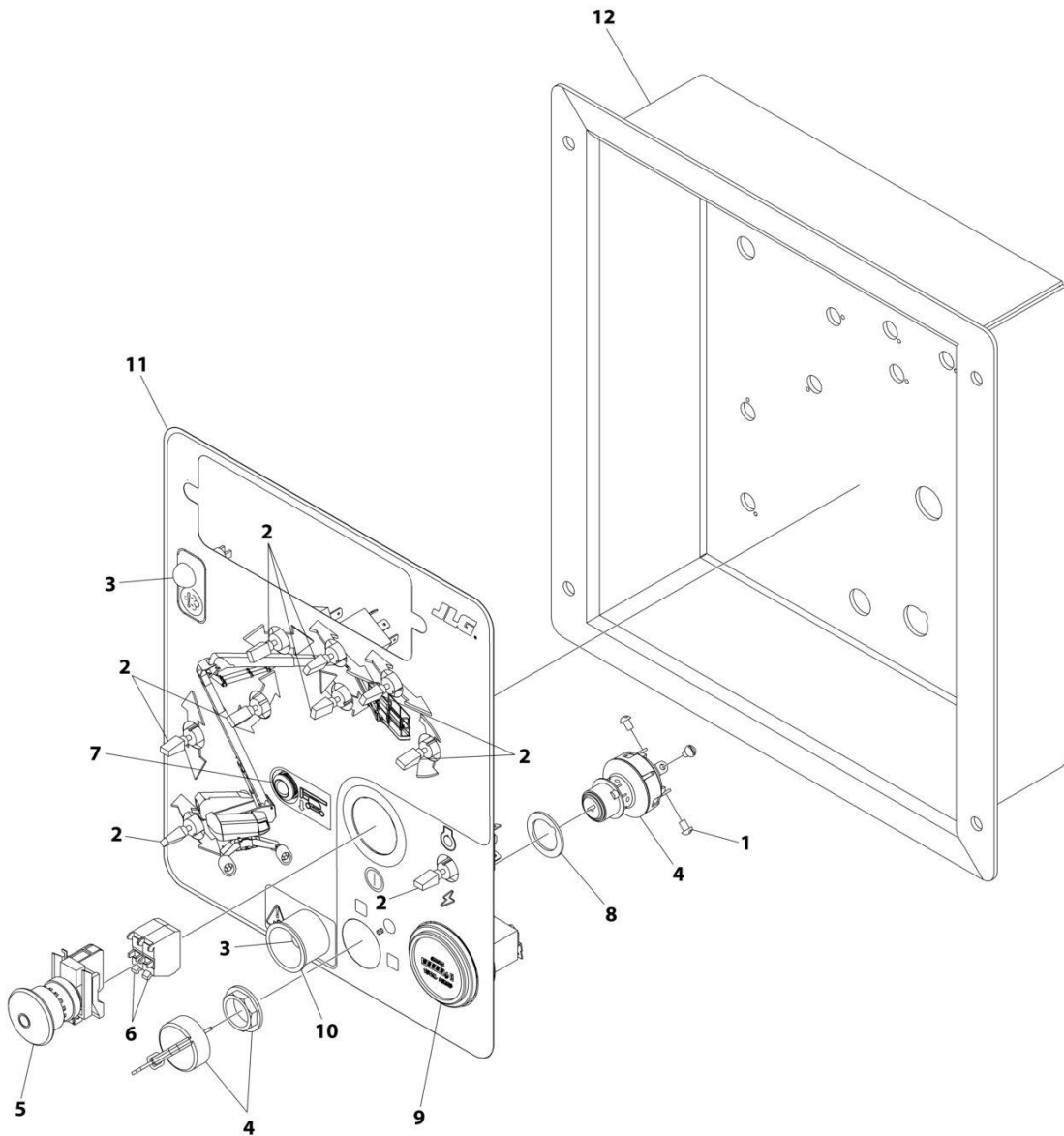
**SECTION 2 - TURNTABLE**

**FIGURE 2-29. GROUND CONTROL CONSOLE ASSEMBLY WITH TOWER STOW (HRC) (ANSI, ANSI EXPORT, CSA AND JAPANESE SPECS)**

ITEM	PART NUMBER	QTY	DESCRIPTION	REV
	1001265870	Ref	GROUND CONTROL CONSOLE ASSEMBLY (HRC)	B
1	3910804	6	Screw #8 x 1/4	
2	4360328	9	Switch, Toggle	
3	4360387	1	Switch, Push Button	
4	4360469	1	Switch, Key	
4	2360030	1 Set	Key, Replacement	
5	4360475	1	Switch, Push-Pull Emergency	
5	7020175	1	Cap	
5	7020176	1	Block, Contact	
6	4360476	2	Block, Contact	
7	1001137364	1	Lamp, Indicator	
8	1001151393	1	Shim	
9	10836804	1	Gauge	
10	1001265857	1	Decal - Ground Control	
11	1001297397	1	Panel	

## SECTION 2 - TURNTABLE

FIGURE 2-30. GROUND CONTROL CONSOLE ASSEMBLY WITH TOWER STOW (HRC) (CE & UK CA SPECS)



ART\_1001265871\_B

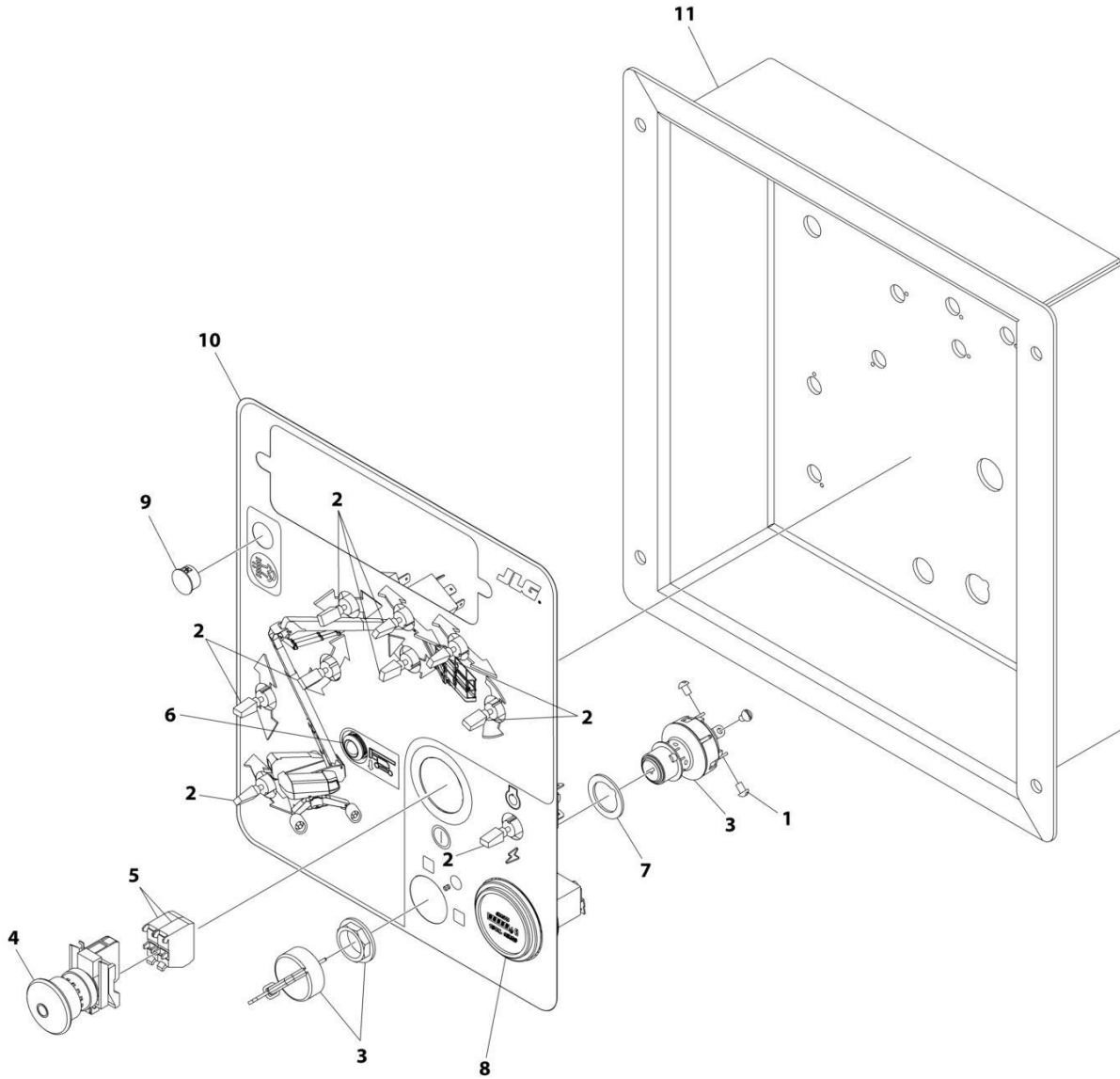
**SECTION 2 - TURNTABLE**

**FIGURE 2-30. GROUND CONTROL CONSOLE ASSEMBLY WITH TOWER STOW (HRC) (CE & UK CA SPECS)**

ITEM	PART NUMBER	QTY	DESCRIPTION	REV
	1001265871	Ref	GROUND CONTROL CONSOLE ASSEMBLY (HRC)	B
1	3910804	6	Screw #8 x 1/4	
2	4360328	9	Switch, Toggle	
3	4360387	1	Switch, Push Button	
4	4360469	1	Switch, Key	
4	2360030	1 Set	Key, Replacement	
5	4360475	1	Switch, Push-Pull Emergency	
5	7020175	1	Cap	
5	7020176	1	Block, Contact	
6	4360476	2	Block, Contact	
7	1001137364	1	Lamp, Indicator	
8	1001151393	1	Shim	
9	10836804	1	Gauge	
10	1001176469	1	Shroud	
11	1001265858	1	Decal - Ground Control	
12	1001297397	1	Panel	

## SECTION 2 - TURNTABLE

FIGURE 2-31. GROUND CONTROL CONSOLE ASSEMBLY WITH TOWER STOW (LRC) (ANSI EXPORT, AUSTRALIAN AND CHINA SPECS)



ART\_1001265872\_B



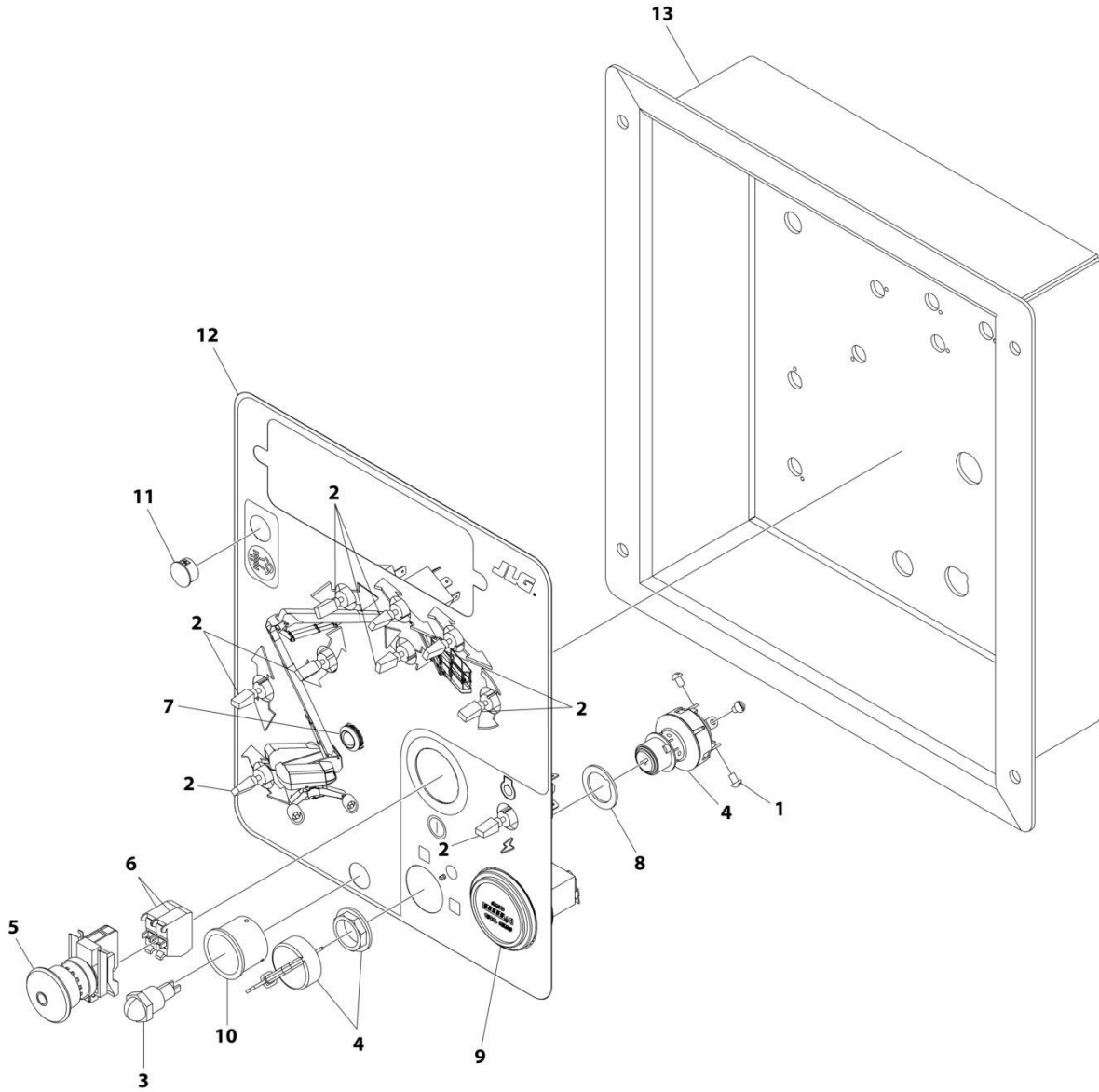
**SECTION 2 - TURNTABLE**

**FIGURE 2-31. GROUND CONTROL CONSOLE ASSEMBLY WITH TOWER STOW (LRC) (ANSI EXPORT, AUSTRALIAN AND CHINA SPECS)**

ITEM	PART NUMBER	QTY	DESCRIPTION	REV
	1001265872	Ref	GROUND CONTROL CONSOLE ASSEMBLY (LRC)	B
1	3910804	6	Screw #8 x 1/4	
2	4360328	9	Switch, Toggle	
3	4360469	1	Switch, Key	
3	2360030	1 Set	Key, Replacement	
4	4360475	1	Switch, Push-Pull Emergency	
4	7020175	1	Cap	
4	7020176	1	Block, Contact	
5	4360476	2	Block, Contact	
6	1001137364	1	Lamp, Indicator	
7	1001151393	1	Shim	
8	10836804	1	Gauge	
9	1001207963	1	Plug	
10	1001265857	1	Decal - Ground Control	
11	1001297397	1	Panel	

## SECTION 2 - TURNTABLE

FIGURE 2-32. GROUND CONTROL CONSOLE ASSEMBLY WITH TOWER STOW (LRC) (CE & UK CA SPECS)



ART\_1001265873\_B

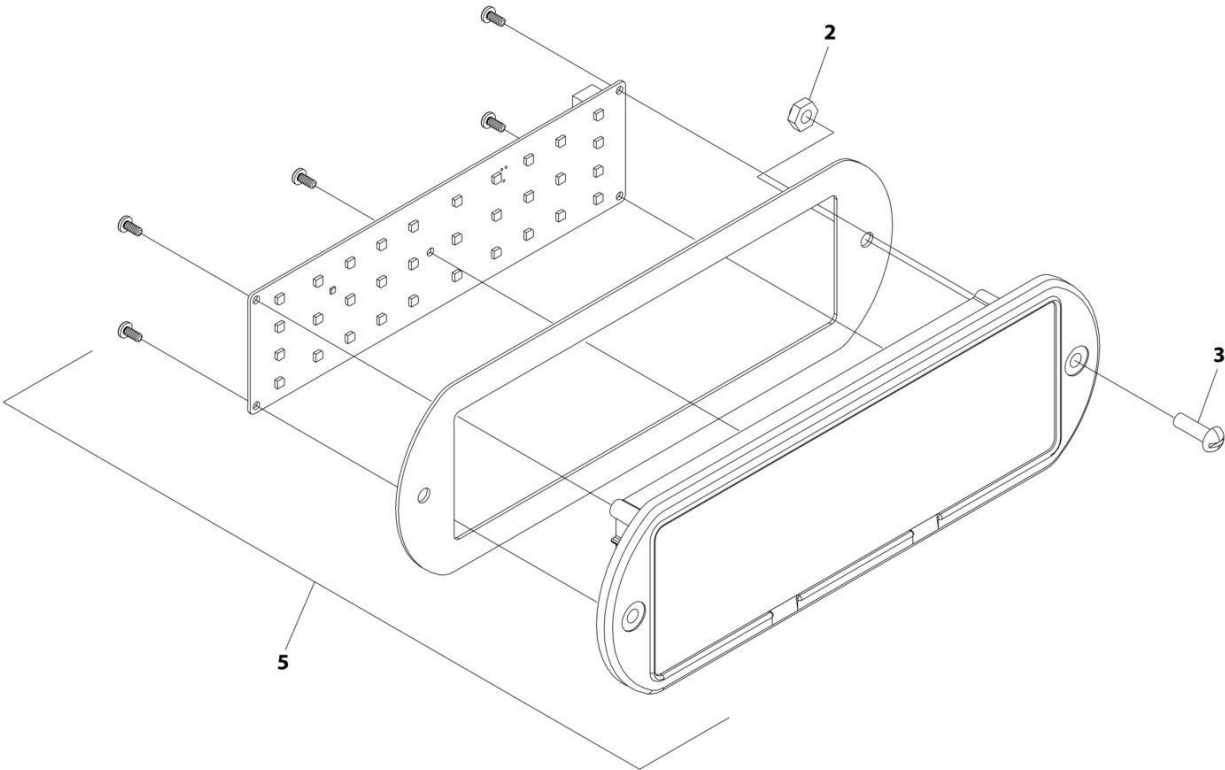
**SECTION 2 - TURNTABLE**

**FIGURE 2-32. GROUND CONTROL CONSOLE ASSEMBLY WITH TOWER STOW (LRC) (CE & UK CA SPECS)**

ITEM	PART NUMBER	QTY	DESCRIPTION	REV
	1001265873	Ref	GROUND CONTROL CONSOLE ASSEMBLY (LRC)	B
1	3910804	6	Screw #8 x 1/4	
2	4360328	9	Switch, Toggle	
3	4360387	1	Switch, Push Button	
4	4360469	1	Switch, Key	
4	2360030	1 Set	Key, Replacement	
5	4360475	1	Switch, Push-Pull Emergency	
5	7020175	1	Cap	
5	7020176	1	Block, Contact	
6	4360476	2	Block, Contact	
7	1001137364	1	Lamp, Indicator	
8	1001151393	1	Shim	
9	10836804	1	Gauge	
10	1001176469	1	Shroud	
11	1001207963	1	Plug	
12	1001265858	1	Decal - Ground Control	
13	1001297397	1	Panel	

**SECTION 2 - TURNTABLE**

**FIGURE 2-33. LIGHT PANEL INSTALLATION**



ART\_1001245176\_10F2

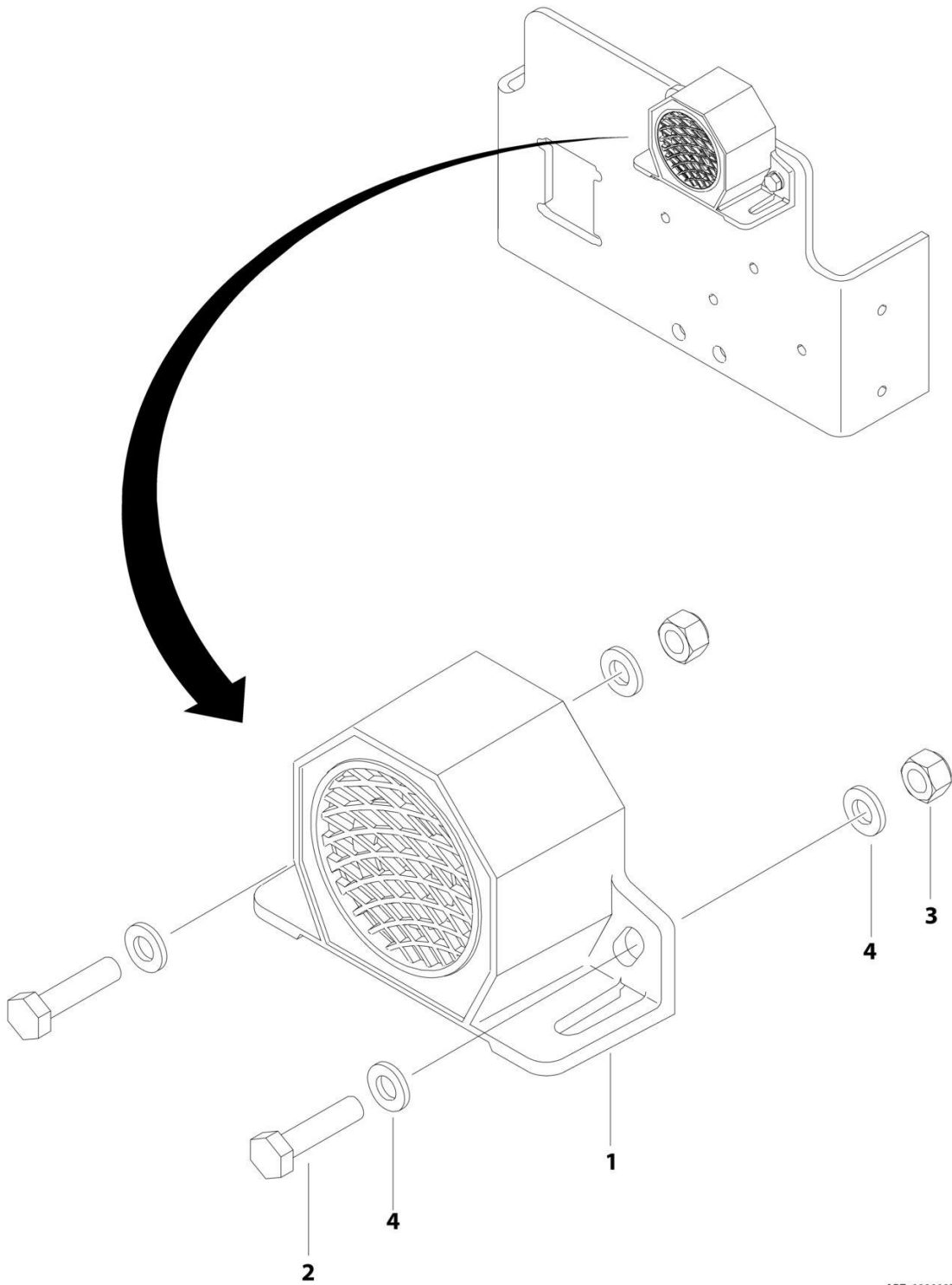
**SECTION 2 - TURNTABLE**

**FIGURE 2-33. LIGHT PANEL INSTALLATION**

<b>ITEM</b>	<b>PART NUMBER</b>	<b>QTY</b>	<b>DESCRIPTION</b>	<b>REV</b>
	1001245176	Ref	LIGHT PANEL INSTALLATION	C
2	3300408	2	Nut	
3	0630518	4	Screw 10 x 3/4	
5	1001245206	1	Light Panel Assembly	
5	1001245160	1	Overlay	
5	1001238732	1	Light Panel	

# SECTION 2 - TURNTABLE

## FIGURE 2-34. ALARM INSTALLATION



ART\_1001197331

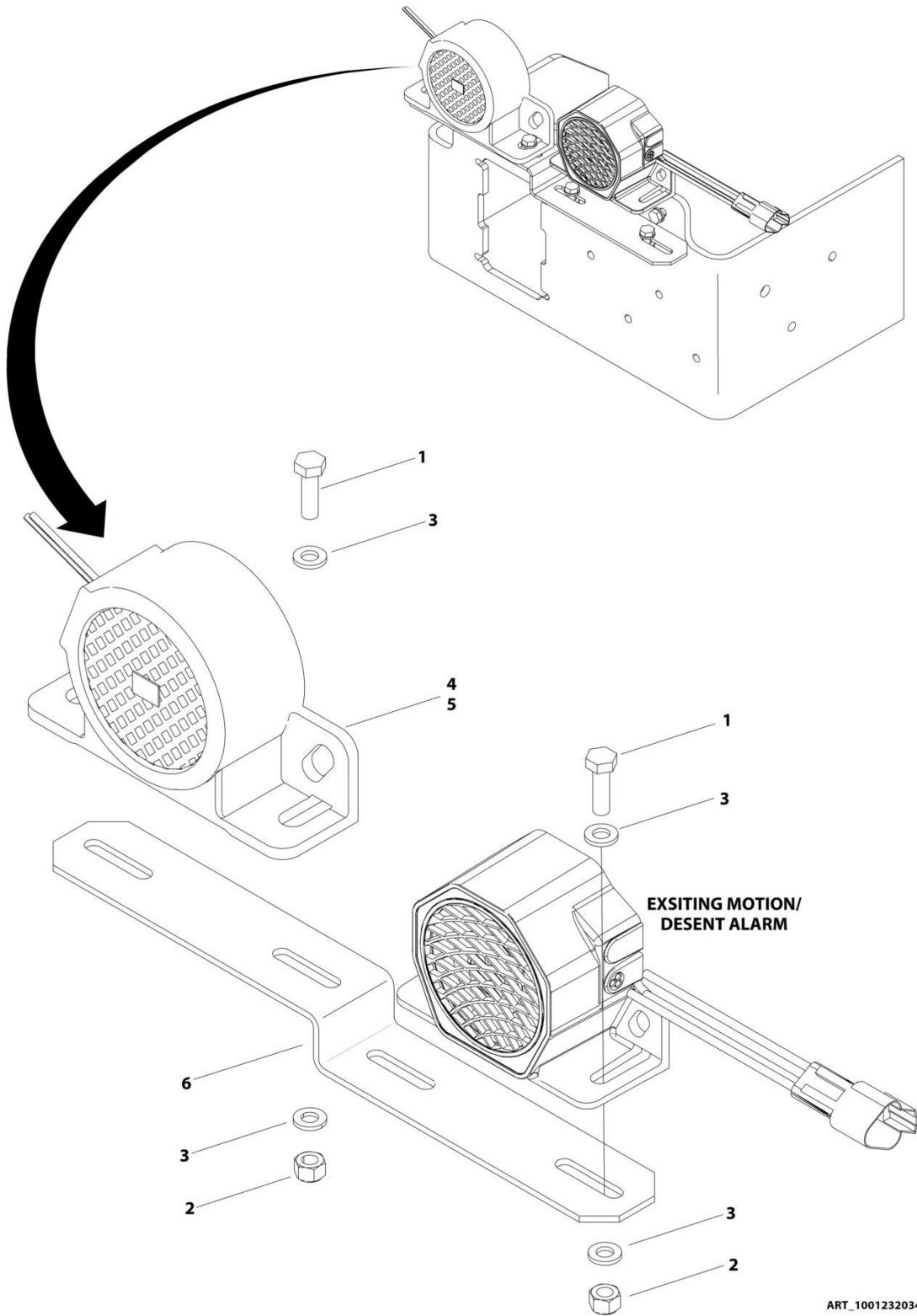
**SECTION 2 - TURNTABLE**

**FIGURE 2-34. ALARM INSTALLATION**

<b>ITEM</b>	<b>PART NUMBER</b>	<b>QTY</b>	<b>DESCRIPTION</b>	<b>REV</b>
	1001197331	Ref	ALARM INSTALLATION	A
1	0140043	1	Alarm	
1	4460536	1	Receptacle, Female - 3 Position	
1	4460943	3	Pin, Male	
2	0700612	2	Bolt M6 x 25	
3	3290605	2	Nut M6	
4	4811700	4	Washer M6	

# SECTION 2 - TURNTABLE

## FIGURE 2-35. WHITE NOISE ALARM INSTALLATION





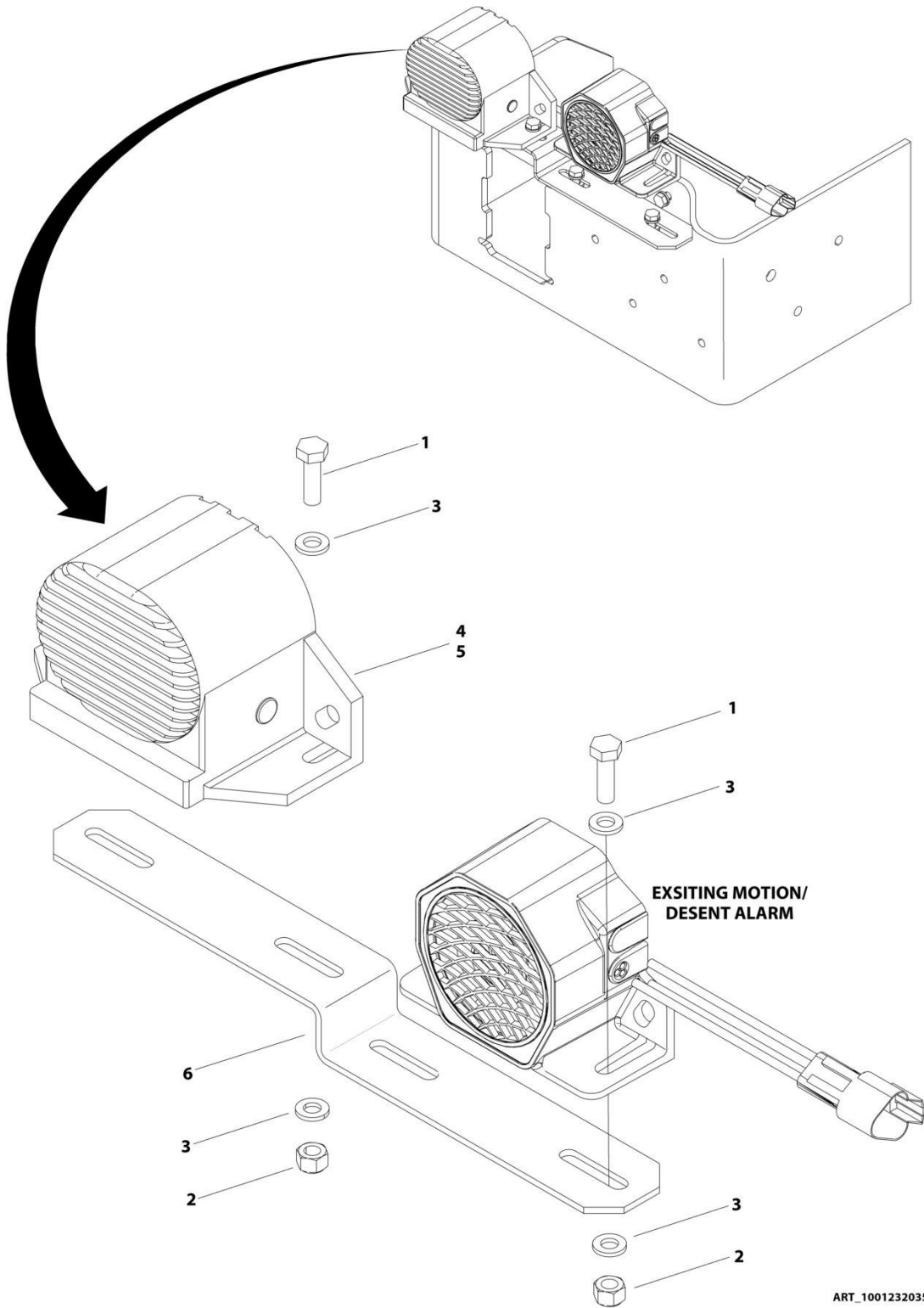
**SECTION 2 - TURNTABLE**

**FIGURE 2-35. WHITE NOISE ALARM INSTALLATION**

<b>ITEM</b>	<b>PART NUMBER</b>	<b>QTY</b>	<b>DESCRIPTION</b>	<b>REV</b>
	1001232034	Ref	WHITE NOISE ALARM INSTALLATION	A
1	0700610	4	Bolt M6 x 20	
2	3290605	4	Nut M6	
3	4811700	8	Washer M6	
4	1001184682	1	Alarm	
5	1001231008	1	White Noise Motion Alarm Harness (Not Shown - See Separate Breakdown in ELECTRICAL SECTION)	
6	1001231711	1	Bracket	

# SECTION 2 - TURNTABLE

## FIGURE 2-36. WHITE NOISE AMBIENT ALARM INSTALLATION



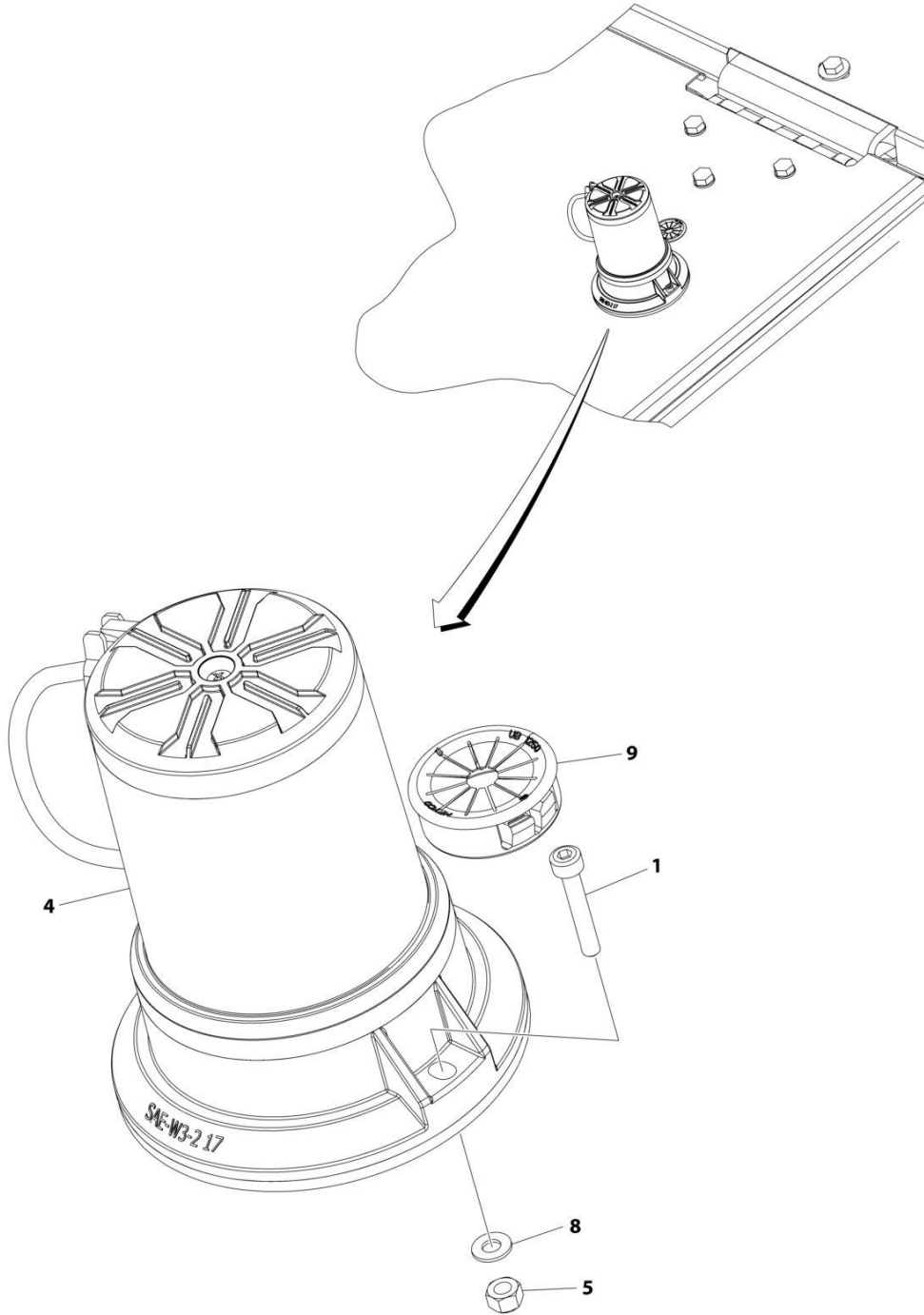
**SECTION 2 - TURNTABLE**

**FIGURE 2-36. WHITE NOISE AMBIENT ALARM INSTALLATION**

<b>ITEM</b>	<b>PART NUMBER</b>	<b>QTY</b>	<b>DESCRIPTION</b>	<b>REV</b>
	1001232035	Ref	WHITE NOISE AMBIENT ALARM INSTALLATION	A
1	0700610	4	Bolt M6 x 20	
2	3290605	4	Nut M6	
3	4811700	8	Washer M6	
4	1001182806	1	Alarm	
5	1001231008	1	White Noise Motion Alarm Harness (Not Shown - See Separate Breakdown in ELECTRICAL SECTION)	
6	1001231711	1	Bracket	

# SECTION 2 - TURNTABLE

## FIGURE 2-37. STROBE LIGHT INSTALLATION - AMBER



ART\_1001203413\_C

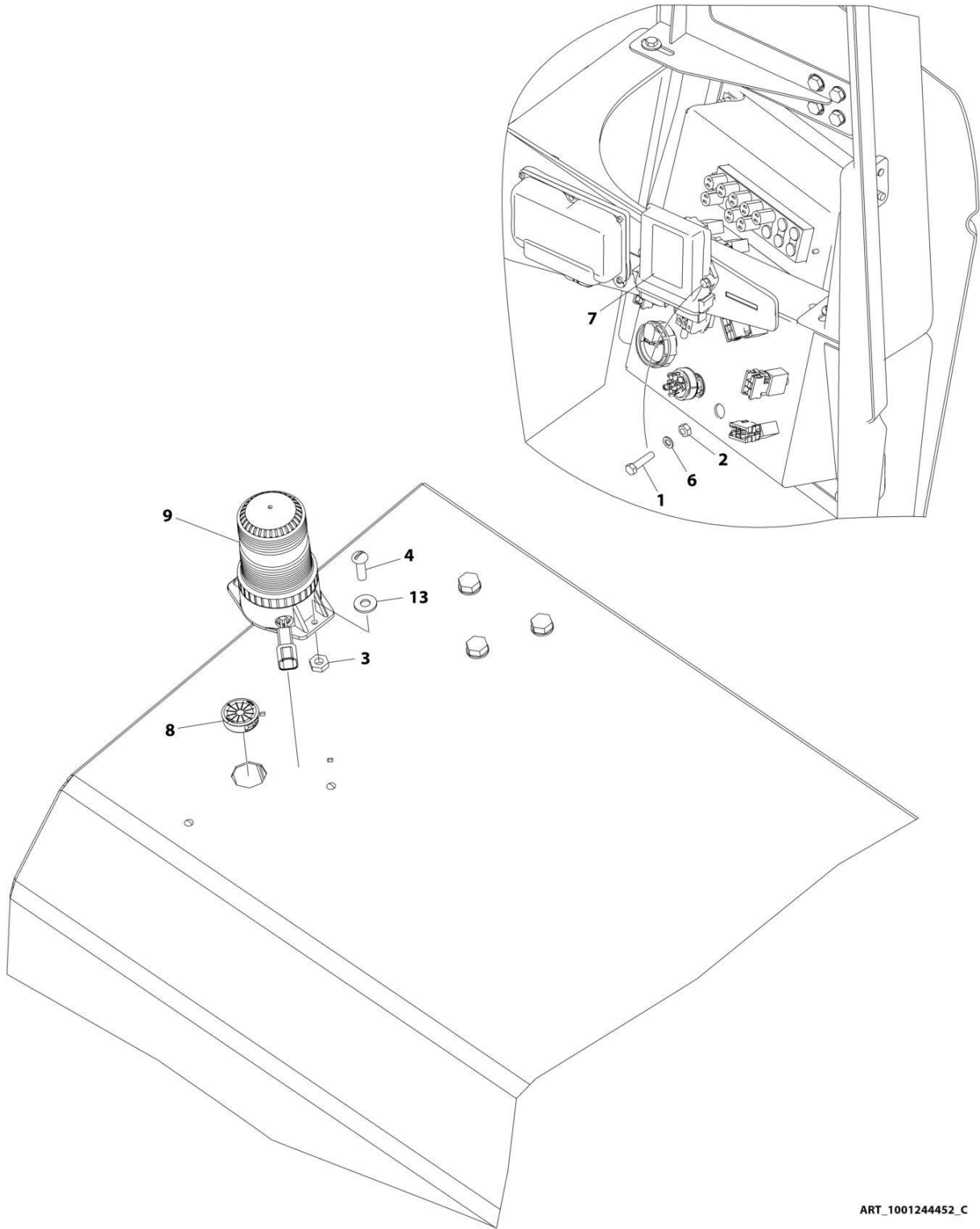
**SECTION 2 - TURNTABLE**

**FIGURE 2-37. STROBE LIGHT INSTALLATION - AMBER**

<b>ITEM</b>	<b>PART NUMBER</b>	<b>QTY</b>	<b>DESCRIPTION</b>	<b>REV</b>
	1001203413	Ref	STROBE LIGHT INSTALLATION - AMBER	C
1	4031509	1	Capscrew M4 x 25	
4	1001270594	1	Strobe Light Assembly	
4	4460891	1	Connector	
4	4460465	2	Socket	
5	3290405	2	Nut M4	
8	4811400	2	Washer M4	
9	1001169085	1	Grommet	
11	1001283776	1	Harness, Jumper (Not Shown - See Separate Breakdown in ELECTRICAL Section)	

# SECTION 2 - TURNTABLE

## FIGURE 2-38. STROBE LIGHT INSTALLATION - BLUE



ART\_1001244452\_C

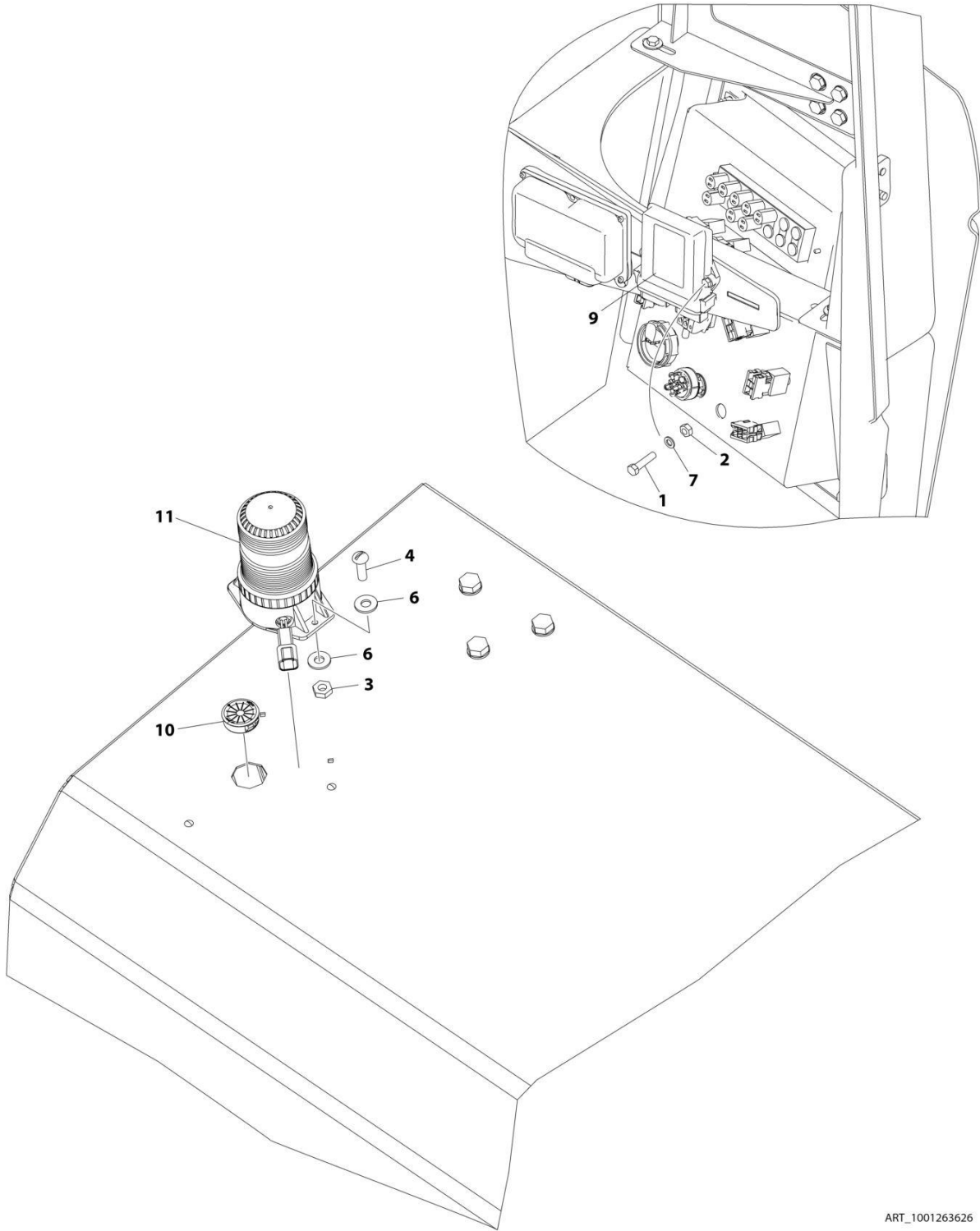
**SECTION 2 - TURNTABLE**

**FIGURE 2-38. STROBE LIGHT INSTALLATION - BLUE**

<b>ITEM</b>	<b>PART NUMBER</b>	<b>QTY</b>	<b>DESCRIPTION</b>	<b>REV</b>
	1001244452	Ref	STROBE LIGHT INSTALLATION - BLUE	C
1	0700615	2	Bolt M6 x 35	
2	3290605	2	Nut M6	
3	3290405	2	Nut, Lock M4	
4	4031509	2	Capscrew M4 x 25	
6	4811700	2	Washer M6	
7	1001142683	1	Module, Beacon Control	
8	1001169085	1	Grommet	
9	1001272681	1	Strobe Light Assembly	
9	4460897	1	Connector	
9	4460464	2	Pin	
10	1001210781	1	Strobe Light Harness (Not Shown - See Separate Breakdown in ELECTRICAL Section)	
11	4460488	3	Mounting Base, Terminal (Not Shown)	
12	1001008559	6	Tie, Strap (Not Shown)	
13	4811400	2	Washer M4	

# SECTION 2 - TURNTABLE

## FIGURE 2-39. STROBE LIGHT INSTALLATION - RED



ART\_1001263626



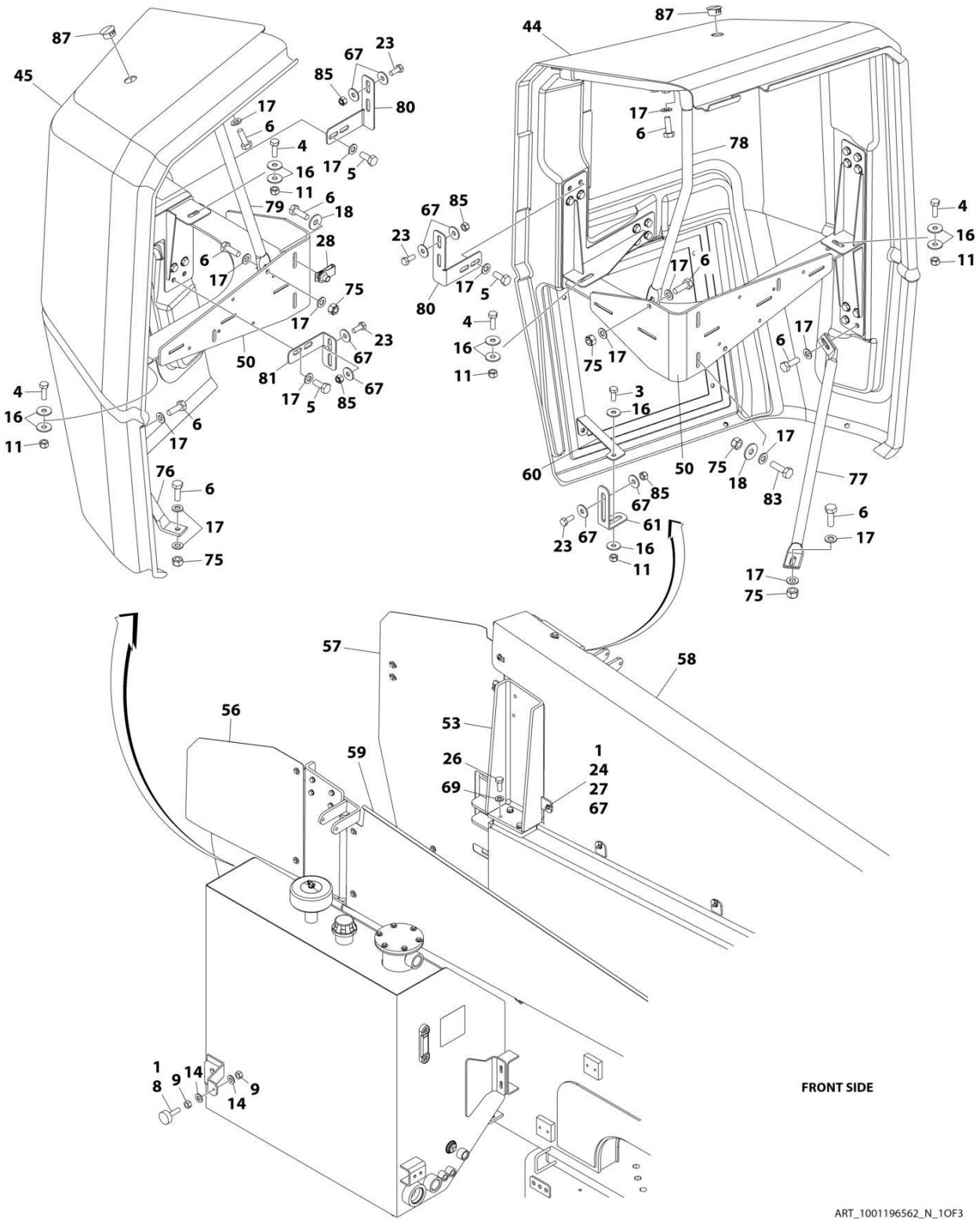
**SECTION 2 - TURNTABLE**

**FIGURE 2-39. STROBE LIGHT INSTALLATION - RED**

ITEM	PART NUMBER	QTY	DESCRIPTION	REV
	1001263626	Ref	STROBE LIGHT INSTALLATION	A
1	0700615	2	Bolt M6 x 35	
2	3290605	2	Nut M6	
3	3311005	2	Nut #10	
4	3911010	2	Screw #10 x 5/8	
5	4460488	3	Mounting Base, Terminal (Not Shown)	
6	4711000	4	Washer #10	
7	4811700	2	Washer M6	
8	1001008559	6	Tie-Strap (Not Shown)	
9	1001142683	1	Module, Beacon Control	
10	1001169085	1	Grommet	
11	1001207004	1	Strobe Light/Harness Assembly	
11	4460897	1	Connector - 2 Position	
11	4460464	2	Pin, Male	
12	1001210781	1	Strobe Light Harness (Not Shown - See Separate Breakdown in ELECTRICAL Section)	

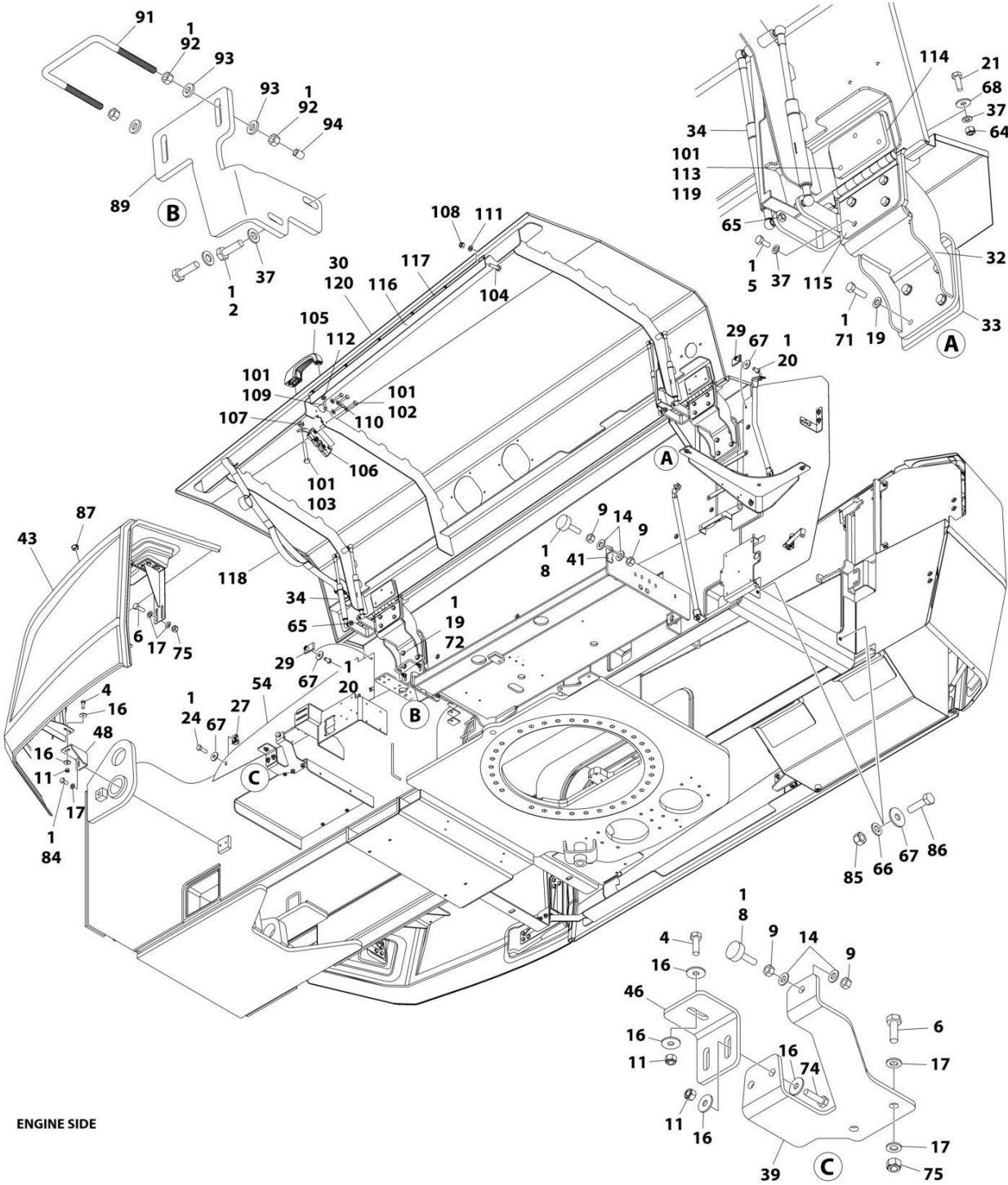
# SECTION 2 - TURNTABLE

## FIGURE 2-40. HOOD INSTALLATION



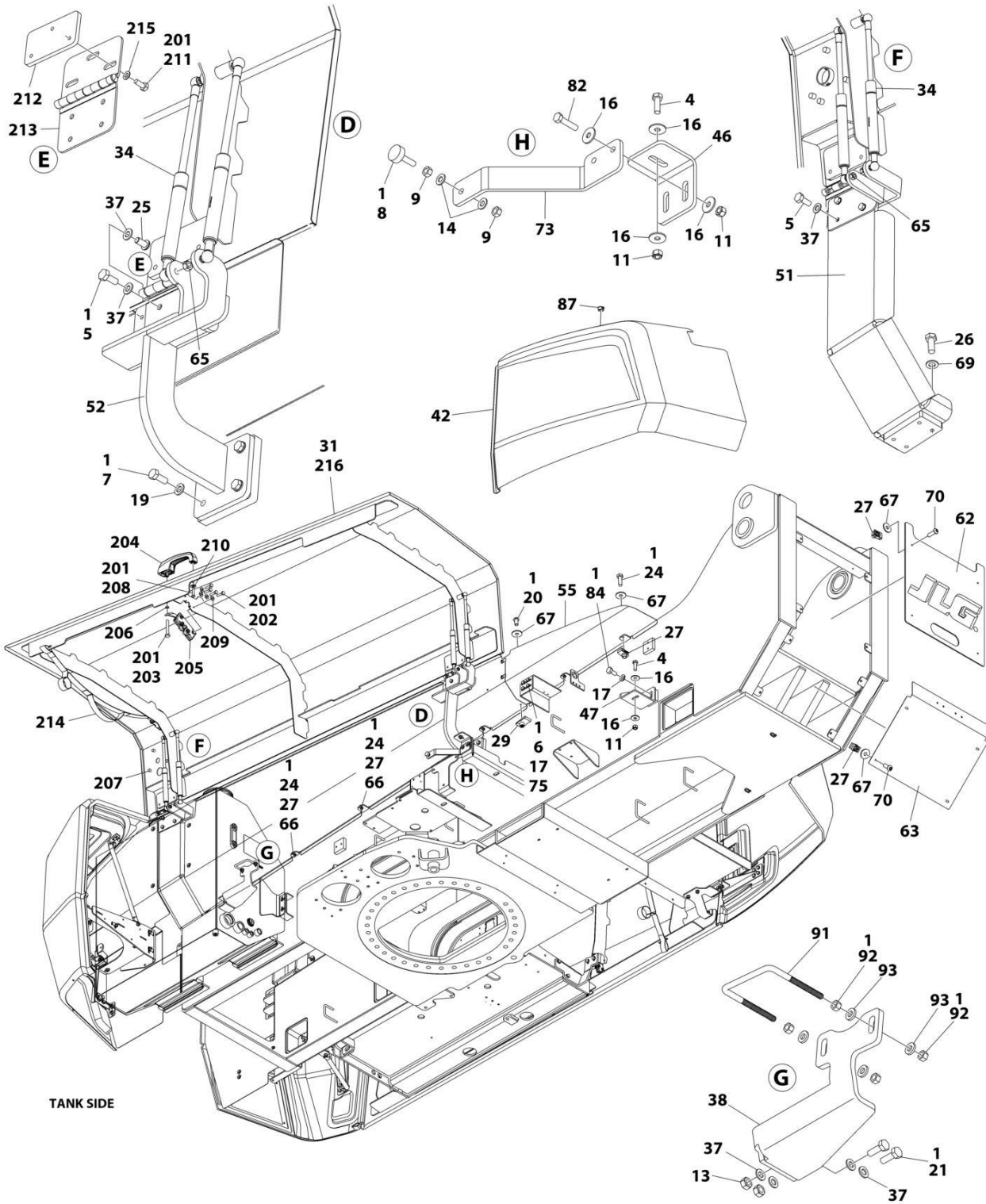
ART\_1001196562\_N\_10F3

# SECTION 2 - TURNTABLE



ART\_1001196562\_N\_20F3

# SECTION 2 - TURNTABLE



ART\_1001196562\_N\_30F3

## SECTION 2 - TURNTABLE

### FIGURE 2-40. HOOD INSTALLATION

ITEM	PART NUMBER	QTY	DESCRIPTION	REV
	1001196562	Ref	HOOD INSTALLATION	N
1	0100011	AR	Compound, Locking	
2	0701015	2	Bolt M10 x 35	
3	0760810	1	Bolt M8 x 20	
4	0760812	8	Bolt M8 x 25	
5	0761012	22	Bolt M10 x 25	
6	0761014	21	Bolt M10 x 35	
7	0761214	4	Bolt M12 x 30	
8	0940049	4	Bumper	
9	3271501	8	Nut 5/16	
11	3290805	12	Nut M8	
13	3291007	2	Nut M10	
14	4711500	8	Washer 5/16	
16	4811902	26	Washer M8	
17	4812000	44	Washer M10	
18	4812002	5	Washer M10	
19	4812100	12	Washer M12	
20	0630615001	6	Screw M8 x 16	
21	0701014001	4	Bolt M10 x 30	
23	0760810001	8	Bolt M8 x 20	
24	0760812001	19	Bolt M8 x 25	
25	0761007001	2	Bolt M10 x 14	
26	0761214001	8	Bolt M12 x 30	
27	1001118274	27	Nut M8	
28	1001118972	3	Nut M10	
29	1001149160	6	Nut M8	
30	1001286281	1	Hood - Engine Side (See Items 101-120 for Breakdown)	
31	1001286284	1	Hood - Tank Side (See Items 201-216 for Breakdown)	
32	1001155591	2	Bracket	
33	1001155832	2	Plate, Spacer	
34	1001227710	8	Spring, Gas	
37	1001172358	26	Washer M10	
39	1001197937	1	Mount, Cover	
41	1001198685	1	Brace	
42	1001199310	1	Cover, Rear Left	
43	1001199319	1	Cover, Rear Right	
44	1001199465	1	Cover, Front Right	
45	1001199468	1	Cover, Front Left	
46	1001199753	2	Support	
47	1001199754	1	Bracket	
48	1001199755	1	Bracket	
50	1001199764	2	Bracket	
51	1001199778	1	Bracket	
52	1001199780	1	Support	
53	1001199782	1	Mount	
54	1001200501	1	Plate	
55	1001200502	1	Plate	
56	1001200519	1	Panel, Turntable Side	
57	1001200522	1	Cover	
58	1001200532	1	Panel, Filter	

## SECTION 2 - TURNTABLE

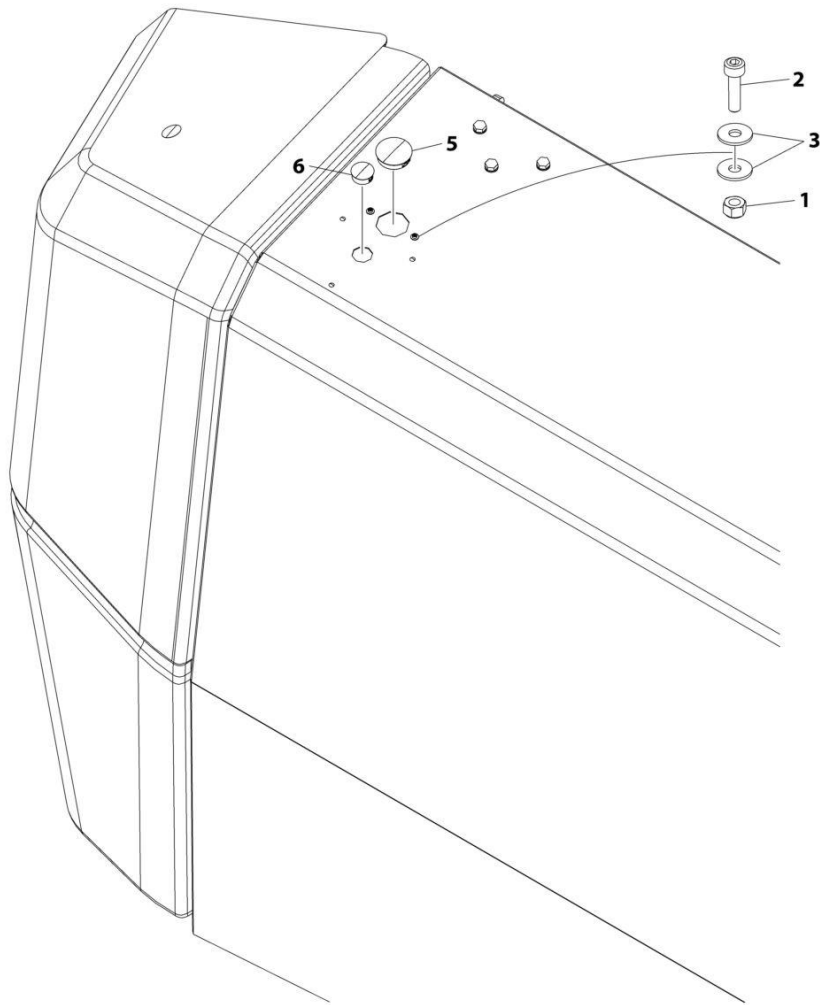
ITEM	PART NUMBER	QTY	DESCRIPTION	REV
59	1001202169	1	Panel, Hood	
60	1001202181	1	Strut	
61	1001202225	1	Bracket	
62	1001202733	1	Cover, Turntable	
63	1001202734	1	Cover, Turntable	
64	3291005001	2	Nut M10	
65	3291007001	8	Nut M10	
66	4811900001	4	Washer M8	
67	4811902001	49	Washer M8	
68	4812002001	2	Washer M10	
69	4812100001	8	Washer M12	
70	8310643001	8	Screw M8 x 25	
71	0761216	4	Bolt M12 x 40	
72	0761217	4	Bolt M12 x 45	
73	1001209961	1	Bracket, Bumper	
74	0760814	2	Bolt M8 x 30	
75	3291005	16	Nut M10	
76	1001209626	1	Brace	
77	1001209935	1	Brace	
78	1001210116	1	Brace	
79	1001210259	1	Brace	
80	1001210283	2	Bracket	
81	1001210294	1	Bracket	
82	0760815	2	Bolt M8 x 35	
83	0761015	2	Bolt M10 x 35	
84	0761011	4	Bolt M10 x 22	
85	3290805001	11	Nut M8	
86	0760814001	2	Bolt M8 x 30	
87	1001131130	4	Plug	
88	1001180620	AR	Compound, Locking	
89	1001250302	1	Bracket	
90	1001250303	1	Bracket	
91	1001243414	2	Bolt U	
92	3311601	8	Nut 3/8	
93	4891600	8	Washer 3/8	
94	1001218572	2	Cap	
	1001286281	Ref	HOOD ASSEMBLY - ENGINE SIDE	A
		Ref	Note: Replacement Decals Must be Ordered Separately - See DECAL Section.	
101	0100011	AR	Compound, Locking	
102	0641408	4	Bolt 1/4 x 1	
103	0700616	1	Bolt M6 x 40	
104	0760612	6	Bolt M6 x 25	
105	2560187	1	Handle, Push Button	
106	2940173	1	Latch	
107	3290601	1	Nut M6	
108	3290605	6	Nut, Lock M6	
109	3900363	2	Capscrew M6 x 25	
110	4711400	4	Washer 1/4	
111	4811700	6	Washer M6	
112	4811900	2	Washer M8	
113	0761012001	6	Bolt M10 x 25	

## SECTION 2 - TURNTABLE

ITEM	PART NUMBER	QTY	DESCRIPTION	REV
114	1001155584	2	Plate	
115	1001156347	2	Hinge	
116	1001157906	1	Seal	
117	1001157907	1	Plate	
118	1001160505	1	Strap	
119	1001172358	6	Washer M10	
120	1001286280	1	Hood	
	1001286284	Ref	HOOD ASSEMBLY - TANK SIDE	A
		Ref	Note: Replacement Decals Must be Ordered Separately - See DECAL Section.	
201	0100011	AR	Compound, Locking	
202	0641408	4	Bolt 1/4 x 1	
203	0700616	1	Bolt M6 x 40	
204	2560187	1	Handle, Push Button	
205	2940173	1	Latch	
206	3290601	1	Nut M6	
207	3520173	3	Plug	
208	3900363	2	Capscrew M6 x 25	
209	4711400	4	Washer 1/4	
210	4811900	2	Washer M8	
211	0761012001	6	Bolt M10 x 25	
212	1001155584	2	Plate	
213	1001156347	2	Hinge	
214	1001160505	1	Strap	
215	1001172358	6	Washer M10	
216	1001286283	1	Hood	

## SECTION 2 - TURNTABLE

FIGURE 2-41. HOOD PLUGS INSTALLATION



ART\_1001287191



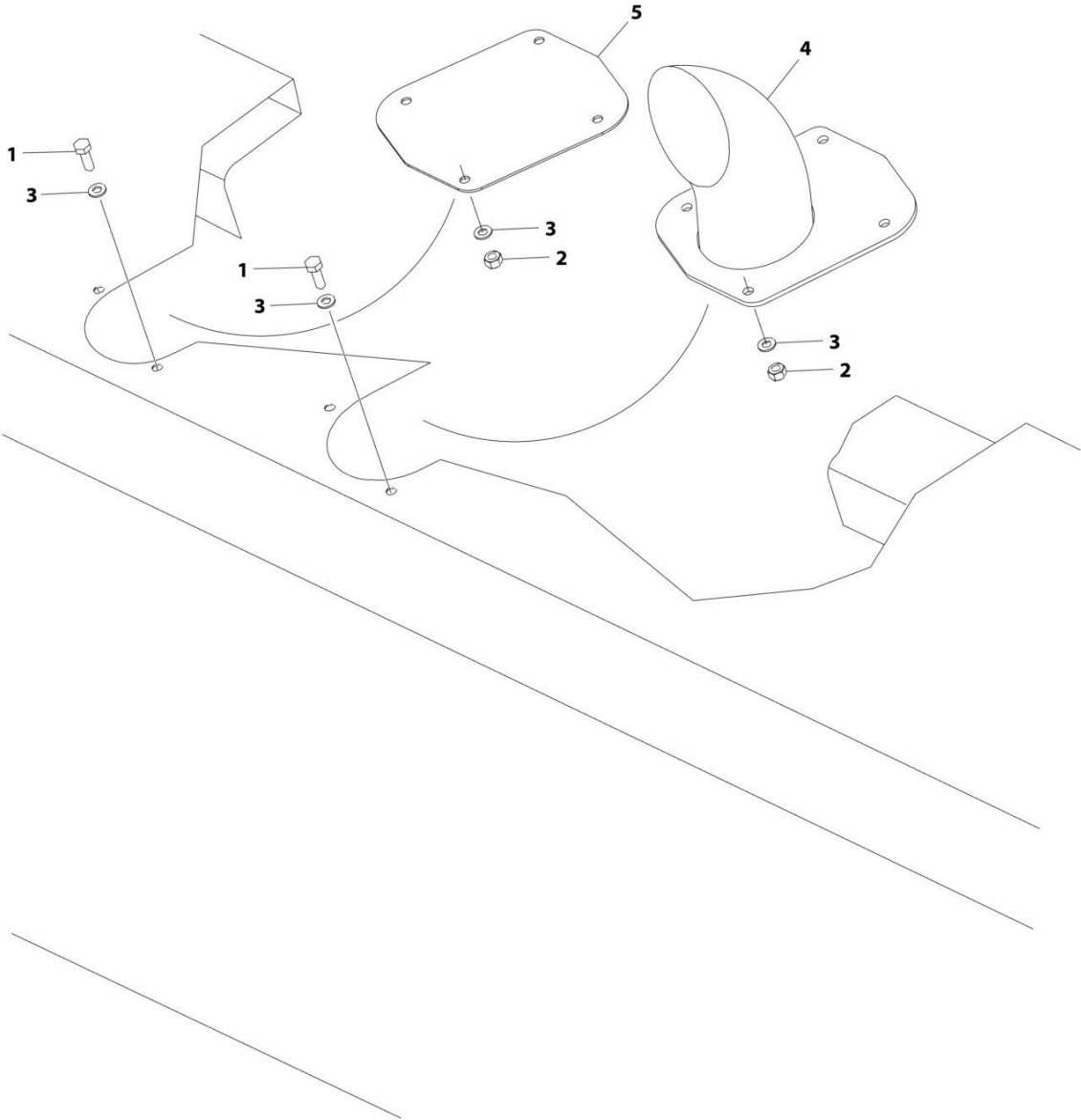
**SECTION 2 - TURNTABLE**

**FIGURE 2-41. HOOD PLUGS INSTALLATION**

<b>ITEM</b>	<b>PART NUMBER</b>	<b>QTY</b>	<b>DESCRIPTION</b>	<b>REV</b>
	1001287191	Ref	HOOD PLUGS INSTALLATION	A
1	3290405	4	Nut, Lock M4	
2	4031507	4	Capscrew M4 x 16	
3	1001091102	8	Washer M4	
4	1001244462	1	Cap, Dust (Not Shown)	
5	1001285891	2	Plug 50mm	
6	1001285892	2	Plug 31mm	

**SECTION 2 - TURNTABLE**

**FIGURE 2-42. VENTURI INSTALLATION (HRC)**



ART\_1001161488

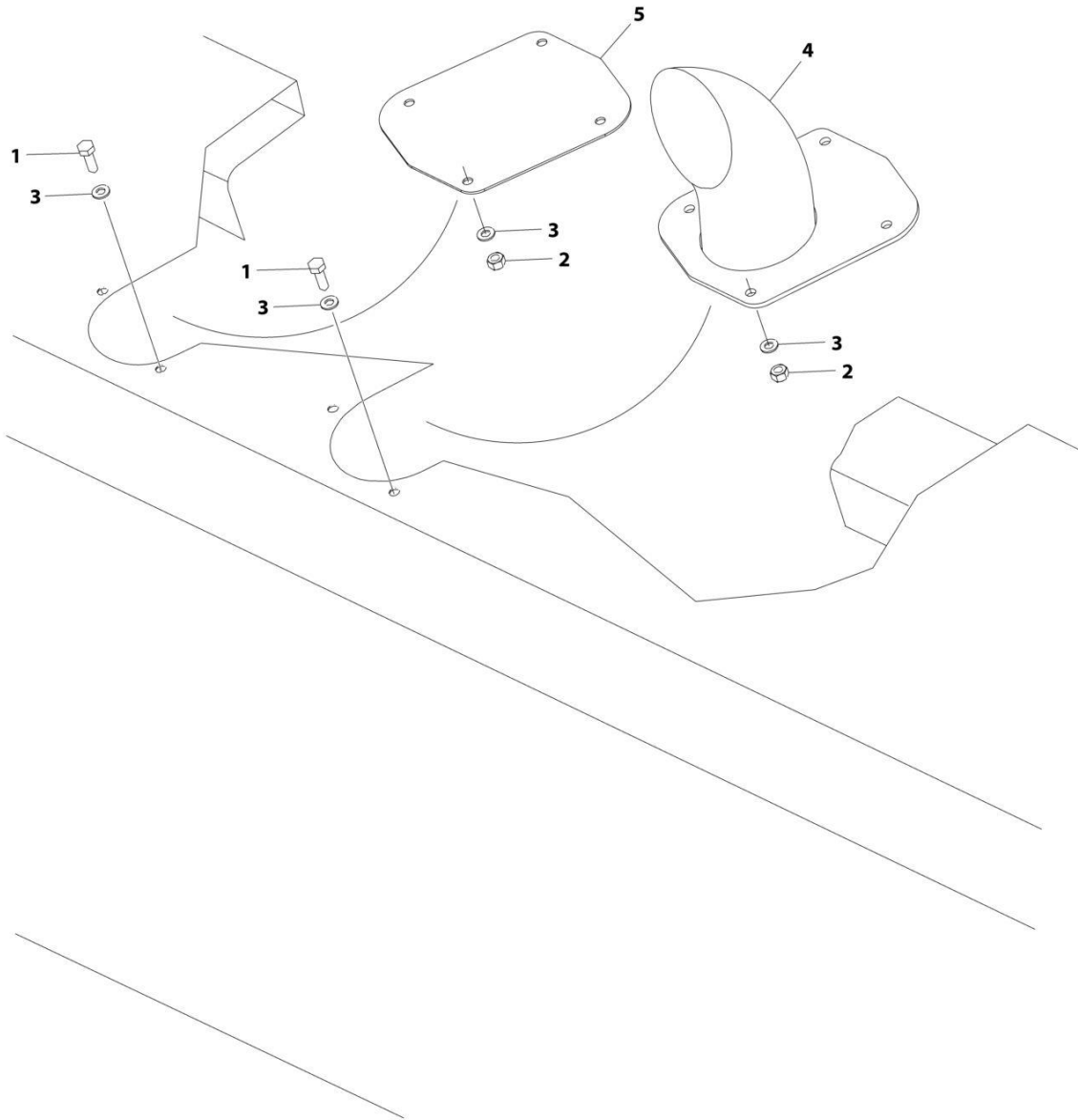
**SECTION 2 - TURNTABLE**

**FIGURE 2-42. VENTURI INSTALLATION (HRC)**

<b>ITEM</b>	<b>PART NUMBER</b>	<b>QTY</b>	<b>DESCRIPTION</b>	<b>REV</b>
	1001161488	Ref	VENTURI INSTALLATION (HRC)	E
1	0701014001	8	Bolt M10 x 30	
2	3291005001	8	Nut M10	
3	1001172358	16	Washer M10	
4	1001155527	1	Venturi, Exhaust	
5	1001190927	1	Panel	

# SECTION 2 - TURNTABLE

## FIGURE 2-43. VENTURI INSTALLATION (LRC)



ART\_1001190032

**SECTION 2 - TURNTABLE**

**FIGURE 2-43. VENTURI INSTALLATION (LRC)**

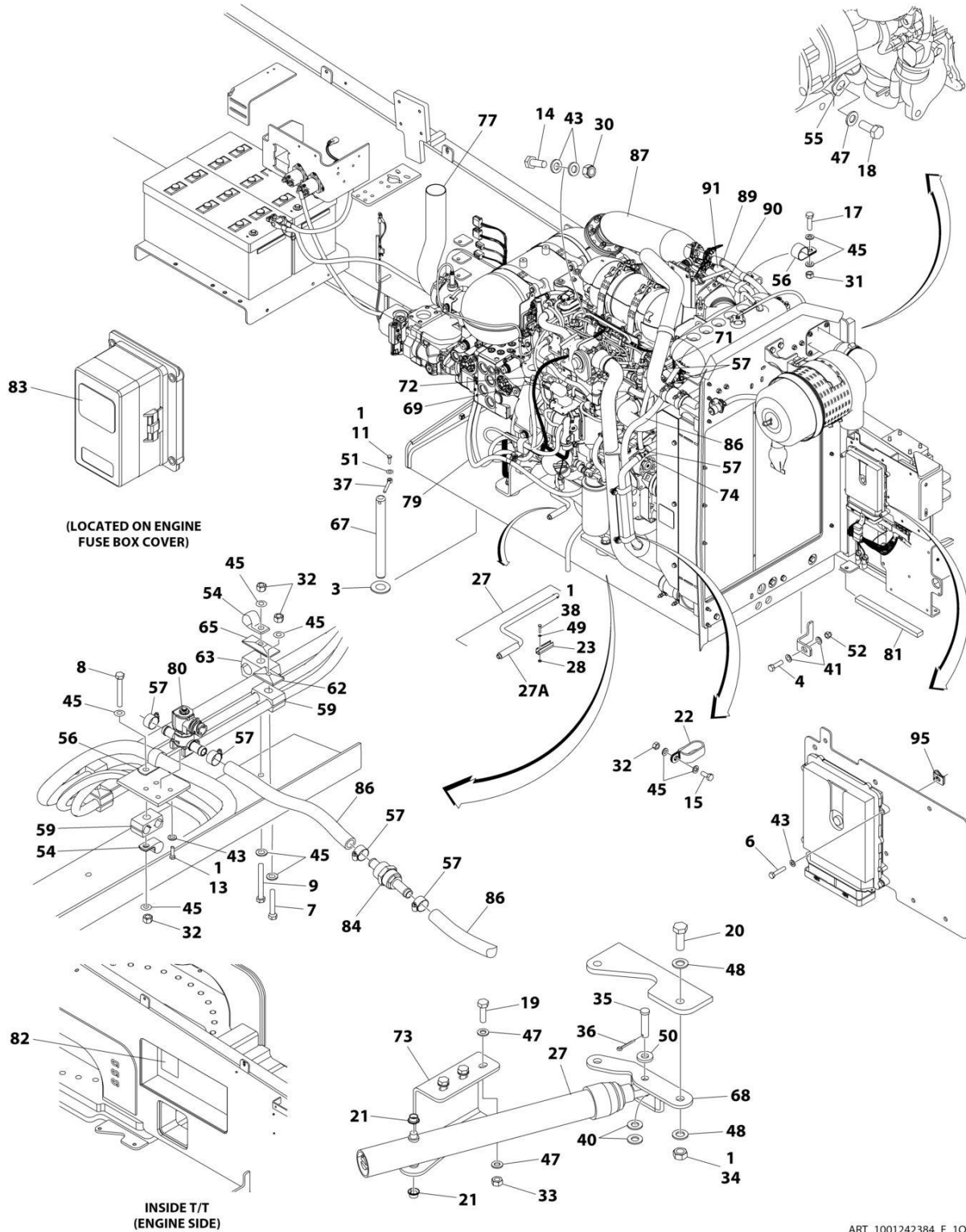
<b>ITEM</b>	<b>PART NUMBER</b>	<b>QTY</b>	<b>DESCRIPTION</b>	<b>REV</b>
	1001190032	Ref	VENTURI INSTALLATION (LRC)	B
1	0701014001	8	Bolt M10 x 30	
2	3291005001	8	Nut M10	
3	1001172358	16	Washer M10	
4	1001161470	1	Venturi, Exhaust	
5	1001190927	1	Panel	



**SECTION 3 - ENGINE**

# SECTION 3 - ENGINE

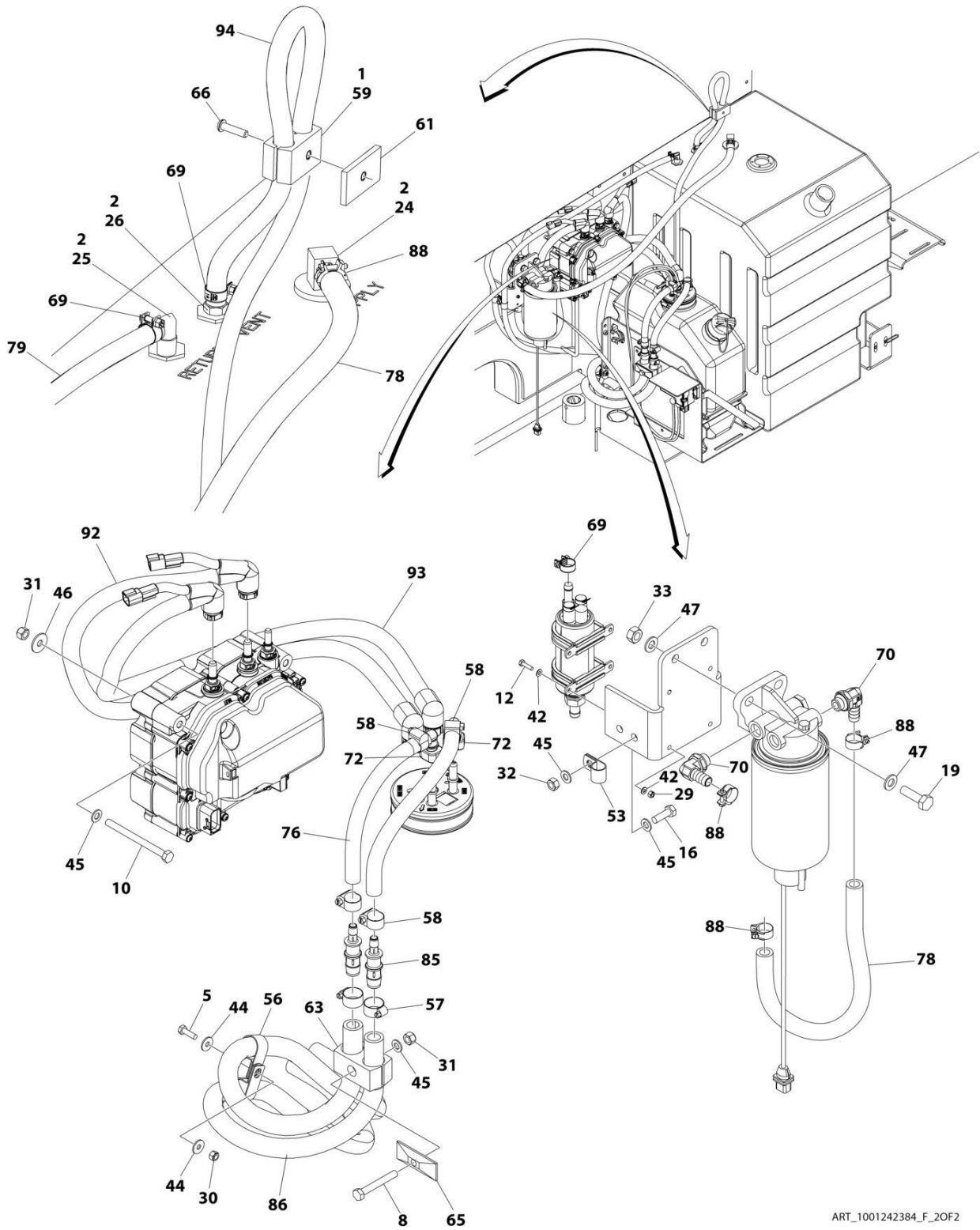
## FIGURE 3-1. ENGINE INSTALLATION (HRC) (WITHOUT COLD WEATHER PACKAGE)



ART\_1001242384\_F\_10F2



# SECTION 3 - ENGINE



ART\_1001242384\_F\_2OF2

## SECTION 3 - ENGINE

FIGURE 3-1. ENGINE INSTALLATION (HRC) (WITHOUT COLD WEATHER PACKAGE)

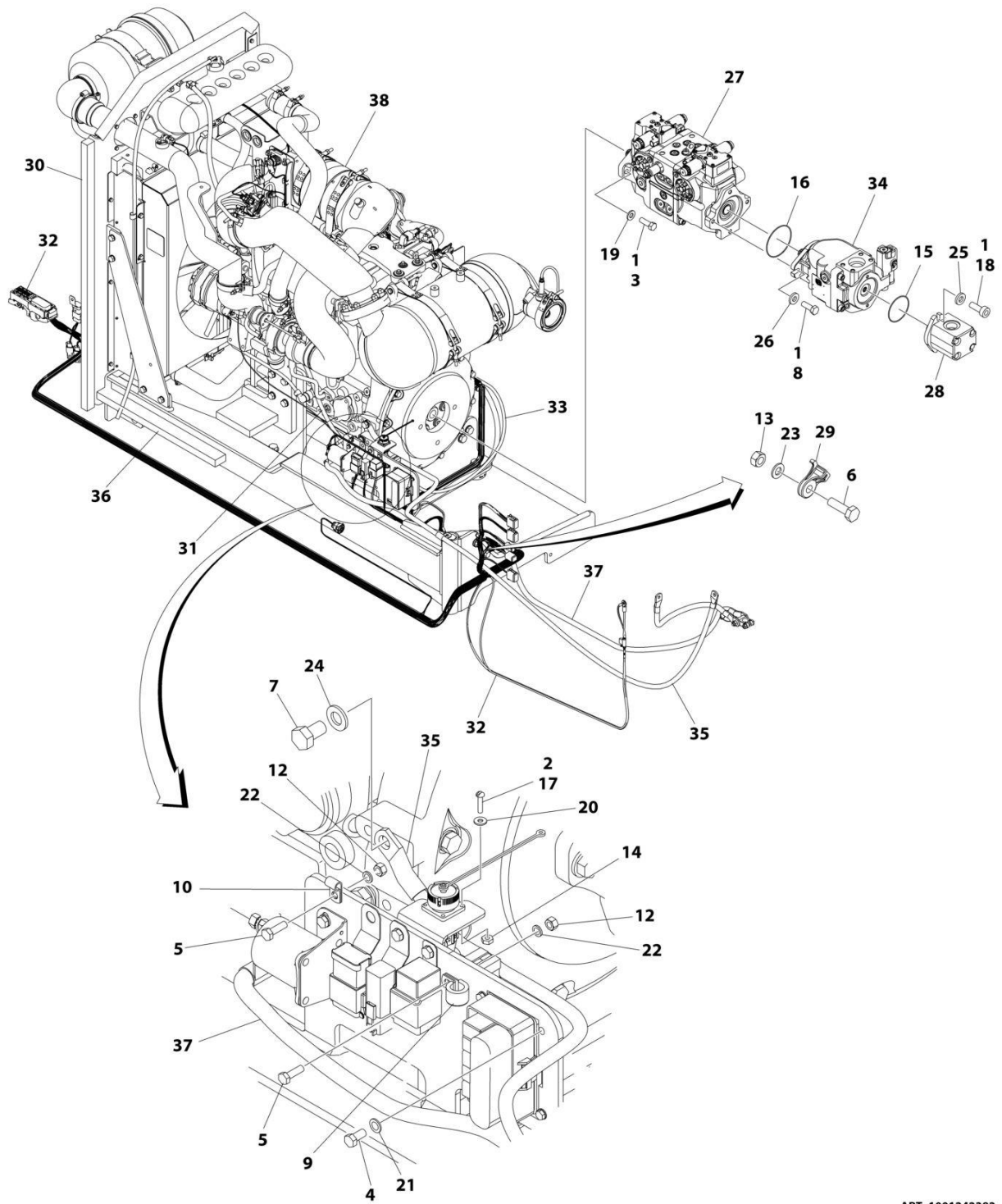
ITEM	PART NUMBER	QTY	DESCRIPTION	REV
	1001242384	Ref	ENGINE INSTALLATION (HRC) (WITHOUT COLD WEATHER PACKAGE)	F
1	0100011	AR	Compound, Locking	
2	0100020	AR	Sealant	
3	0440162	1	Bearing	
4	0642220	1	Bolt 3/4 x 2-1/2	
5	0700610	1	Bolt M6 x 20	
6	0700614	4	Bolt M6 x 30	
7	0700818	2	Bolt M8 x 50	
8	0700820	2	Bolt M8 x 60	
9	0700822	2	Bolt M8 x 70	
10	0700827	3	Bolt M8 x 100	
11	0711015	1	Bolt M10 x 35	
12	0760408	4	Bolt M4 x 16	
13	0760606	4	Bolt M6 x 12	
14	0760608	1	Bolt M6 x 16	
15	0760810	3	Bolt M8 x 20	
16	0760812	2	Bolt M8 x 25	
17	0760814	1	Bolt M8 x 30	
18	0761009	1	Bolt M10 x 18	
19	0761015	5	Bolt M10 x 35	
20	0771416	2	Bolt M14 x 40	
21	0962051	2	Bearing	
22	1321716	3	Clamp	
23	1380147	1	Clip	
24	2180832	1	Fitting, Straight Barbed/NPTF	
25	2220313	1	Fitting, 90 Barbed/NPTF	
26	2221114	1	Fitting, Straight Barbed/NPT	
27	2840016	1	Tray Jack Assembly	
27	7016322	1	Wiper (Burr Brand)	
27A	7016374	1	Handle (Burr Brand)	
27A	7024598	1	Handle (Hammerblow Brand)	
28	3290301	2	Nut M3	
29	3290405	4	Nut M4	
30	3290605	2	Nut M6	
31	3290805	6	Nut M8	
32	3290807	9	Nut M8	
33	3291007	5	Nut M10	
34	3331411	2	Nut M14	
35	3430816	1	Pin	
36	3450404	1	Pin, Cotter 1/8 x 1	
37	3841143	1	Keeper, Pin	
38	4010308	2	Screw M3 x 16	
39	4240099	AR	Tie-Strap (Not Shown)	
40	4711800	2	Washer 1/2	
41	4712200	2	Washer 3/4	
42	4811400	8	Washer M4	
43	4811700	10	Washer M6	
44	4811702	2	Washer M6	
45	4811900	26	Washer M8	

## SECTION 3 - ENGINE

ITEM	PART NUMBER	QTY	DESCRIPTION	REV
46	4811902	3	Washer M8	
47	4812000	11	Washer M10	
48	4812200	4	Washer M14	
49	4871200	2	Washer M3	
50	4891800	1	Washer 1/2	
51	5241000	1	Washer M10	
52	8310067	1	Nut 3/4	
53	8406101	1	Clip	
54	8406102	3	Clip	
55	8406105	1	Clip	
56	8406201	6	Clip	
57	8410009	14	Clamp	
58	8410013	4	Clamp	
59	8750014	4	Clamp	
61	8750031	1	Plate, Clamp	
62	8769123	2	Cover, Clamp	
63	8769127	3	Clamp	
65	77133137	3	Cover, Clamp	
66	1001101580	1	Screw M8 x 30	
67	1001135196	1	Pin	
68	1001135497	1	Support	
69	1001136975	5	Clamp	
70	1001142501	2	Fitting, 90 Barbed	
71	1001154262	2	Fitting, Straight Barbed	
72	1001155823	3	Fitting, 90 Barbed	
73	1001155939	1	Mount	
74	1001162212	2	Fitting, Tee Barbed	
76	1001181625	2 ft/ 0.61m	Hose	
77	1001190475	1	Pipe, Exhaust	
78	1001154405	53 in/ 1.4m	Hose	
79	1001165035	31 ft/ 9.4m	Hose	
80	1001199670	1	Valve, Flow	
81	1001206747	1	Seal	
82	1001212056	1	Decal - Engine Fuse Box	
83	1001224046	1	Decal - Engine Fuse Box Cover	
84	1001228872	1	Filter, Coolant Screen	
85	1001238470	2	Fitting, Reducer Barbed	
86	82033995	378 in/ 9.6m	Hose	
87	1001242382	1	Engine Assembly with Pumps (HRC) (Without Cold Weather Package) (See Separate Breakdown in this Section)	
88	1001186342	4	Clip	
89	1001187518	1	Hose	
90	1001193980	1	Hose, Return	
91	1001212825	1	Hose	
92	1001238401	1	Hose, Backflow	
93	1001238402	1	Hose, Suction	
94	2750532	4 ft/ 1.2m	Hose	
95	8305919	4	Nut, Retainer M6	

# SECTION 3 - ENGINE

## FIGURE 3-2. ENGINE ASSEMBLY WITH PUMPS (HRC) (WITHOUT COLD WEATHER PACKAGE)



ART\_1001242382

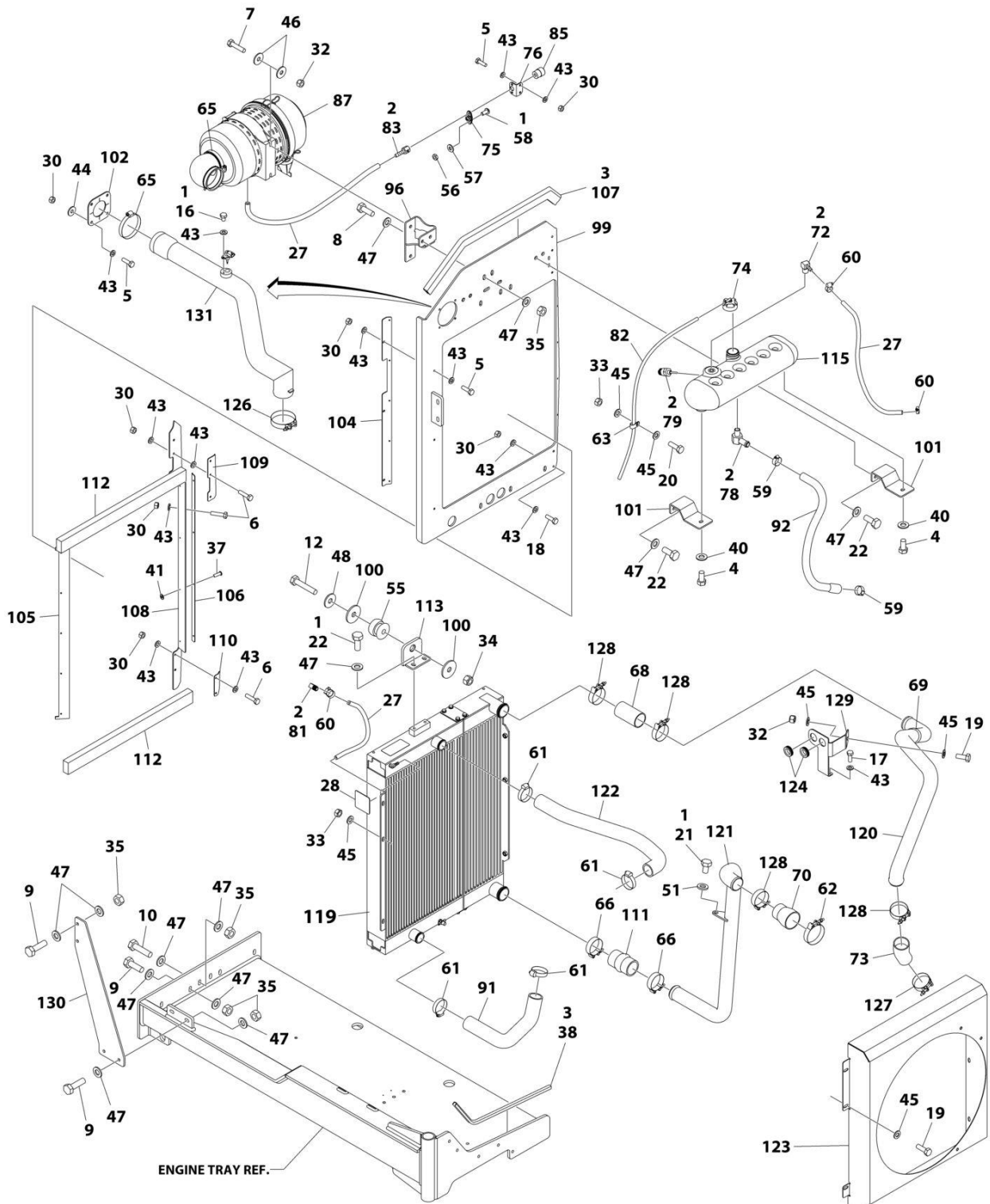
## SECTION 3 - ENGINE

**FIGURE 3-2. ENGINE ASSEMBLY WITH PUMPS (HRC) (WITHOUT COLD WEATHER PACKAGE)**

ITEM	PART NUMBER	QTY	DESCRIPTION	REV
	1001242382	Ref	ENGINE ASSEMBLY WITH PUMPS (HRC) (WITHOUT COLD WEATHER PACKAGE)	C
1	0100011	AR	Compound, Locking	
2	0100035	AR	Compound, Locking	
3	0641812	2	Bolt 1/2 x 1-1/2	
4	0760508	4	Bolt M5 x 16	
5	0760610	2	Bolt M6 x 20	
6	0761015	2	Bolt M10 x 35	
7	0761210	1	Bolt M12 x 20	
8	0761216	2	Bolt M12 x 40	
9	1320041	1	Clamp	
10	1320136	1	Clamp	
12	3290607	2	Nut M6	
13	3291007	2	Nut M10	
14	3310401	3	Nut #4	
15	3790152	1	O-Ring	
16	3790155	1	O-Ring	
17	3910408	3	Screw #4 x 1/2	
18	3931620	2	Capscrew 3/8 x 1-1/4	
19	4740171	2	Washer	
20	4750400	3	Washer #4	
21	4811600	4	Washer M5	
22	4811700	2	Washer M6	
23	4812000	2	Washer M10	
24	4812100	1	Washer M12	
25	4891600	2	Washer 3/8	
26	4891800	2	Washer 1/2	
27	1001108616	1	Tandem Pump Assembly (See Separate Breakdown in this Section)	
28	1001112927	1	Gear Pump Assembly (See Separate Breakdown in this Section)	
29	1001156107	2	Holder, Cable	
30	1001156718	1	Seal	
31	1001157073	1	Cable, Alternator	
32	1001188922	1	Engine Harness (See Separate Breakdown in ELECTRICAL SECTION)	
33	1001197445	1	Cable, Glow Plug	
34	1001199470	1	Piston Pump Assembly (See Separate Breakdown in this Section)	
35	1001202355	1	Cable, Battery Negative	
36	1001206747	1	Seal	
37	1001234791	1	Cable, Battery Positive	
38	1001242378	1	Engine Assembly (HRC) (Without Cold Weather Package) (See Separate Breakdown in this Section)	

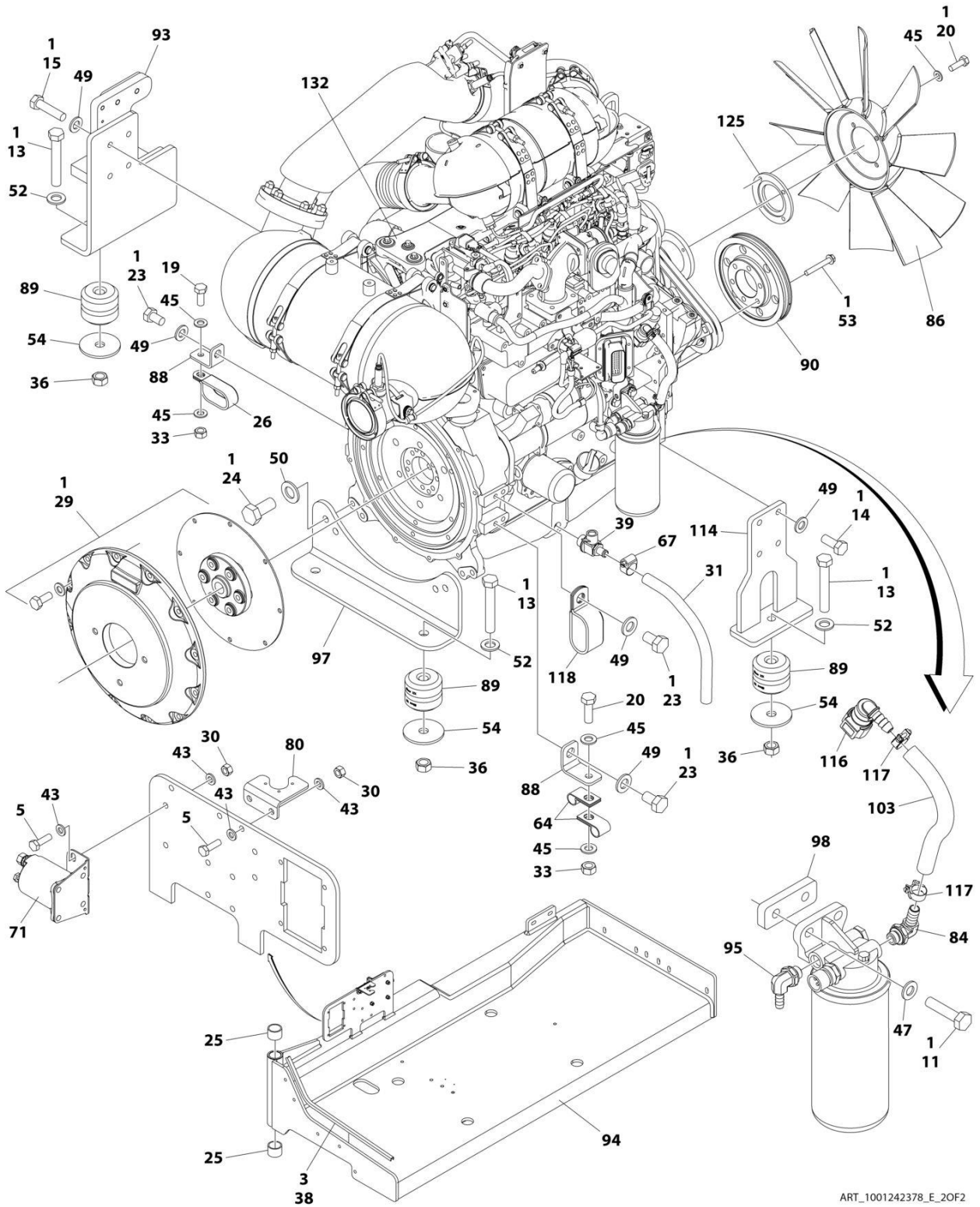
# SECTION 3 - ENGINE

## FIGURE 3-3. ENGINE ASSEMBLY (HRC) (WITHOUT COLD WEATHER PACKAGE)



ART\_1001242378\_E\_10F2

# SECTION 3 - ENGINE



ART\_1001242378\_E\_20F2

## SECTION 3 - ENGINE

**FIGURE 3-3. ENGINE ASSEMBLY (HRC) (WITHOUT COLD WEATHER PACKAGE)**

ITEM	PART NUMBER	QTY	DESCRIPTION	REV
	1001242378	Ref	DEUTZ T4F ENGINE ASSEMBLY	F
1	0100011	AR	Compound, Locking	
2	0100020	AR	Sealant	
3	0100081	AR	Adhesive	
4	0641606	2	Bolt 3/8 x 3/4	
5	0700610	13	Bolt M6 x 20	
6	0700612	7	Bolt M6 x 25	
7	0700815	2	Bolt M8 x 35	
8	0701013	2	Bolt M10 x 28	
9	0701015	6	Bolt M10 x 35	
10	0701016	2	Bolt M10 x 40	
11	0701017	2	Bolt M10 x 45	
12	0701019	1	Bolt M10 x 55	
13	0701627	4	Bolt M16 x 100	
14	0711214	4	Bolt M12 x 30 Grade 10.9	
15	0711218	4	Bolt M12 x 50 Grade 10.9	
16	0760604	1	Bolt M6 x 8	
17	0760608	2	Bolt M6 x 16	
18	0760614	2	Bolt M6 x 30	
19	0760810	6	Bolt M8 x 20	
20	0760812	7	Bolt M8 x 25	
21	0761008	1	Bolt M10 x 16	
22	0761012	6	Bolt M10 x 25	
23	0761210	3	Bolt M12 x 20	
24	0771415	4	Bolt M14 x 35 Grade 10.9	
25	0961951	2	Bushing	
26	1321716	1	Clamp	
27	2720015	5 ft/ 1.5m	Hose	
28	1703162	2	Decal - Fan Blade	
29	2902065	1	Pump Coupling Kit (See Separate Breakdown in this Section)	
30	3290607	22	Nut M6	
31	1001165035	1 ft/ 0.3m	Hose	
32	3290805	3	Nut M8	
33	3290807	5	Nut M8	
34	3291005	1	Nut M10	
35	3291007	10	Nut M10	
36	3291601	4	Nut M16	
37	3820032	9	Rivet	
38	4060807	22 in/ 55cm	Flex-Trim	
39	4640751	1	Valve, Oil Drain	
40	4711600	2	Washer 3/8	
41	4811600	4	Washer M5	
42	4240099	AR	Tie-Strap (Not Shown)	
43	4811700	43	Washer M6	
44	4811702	4	Washer M6	
45	4811900	19	Washer M8	
46	4811902	4	Washer M8	
47	4812000	30	Washer M10	
48	4812002	1	Washer M10	



## SECTION 3 - ENGINE

ITEM	PART NUMBER	QTY	DESCRIPTION	REV
49	4812100	11	Washer M12	
50	4812200	4	Washer M14	
51	5241000	1	Washer M10	
52	5241600	4	Washer M16	
53	5251022	6	Bolt M10 x 70	
54	7300435	4	Washer	
55	8278020	1	Mount	
56	8305401	2	Nut 1/4	
57	8307109	2	Washer 1/4	
58	8310548	2	Screw 1/4 x 1/2	
59	8405007	2	Clamp	
60	8405009	4	Clamp	
61	8405104	4	Clamp	
62	8405211	1	Clamp	
63	8406109	2	Clip	
64	8406110	2	Clip	
65	8410011	2	Clamp	
66	8410012	2	Clamp	
67	8410013	1	Clamp	
68	91563070	1	Coupling, Rubber	
69	1001097588	1	Clip	
70	1001117244	1	Reducer	
71	1001117308	1	Relay, 200Amp	
72	1001134488	1	Fitting, 90 NPT/Barbed	
73	1001135943	1	Coupling	
74	1001136834	1	Cap	
75	1001138173	1	Support	
76	1001138175	1	Bracket	
78	1001138559	1	Fitting, 90 NPT	
79	1001138827	1	Sensor	
80	1001139240	1	Bracket	
81	1001140564	1	Fitting, 90 NPT/Barbed	
82	1001138248	5 ft/ 1.5m	Tubing	
83	1001141995	1	Fitting, Straight NPT/Barbed	
84	1001142501	1	Fitting, 90 NPT/Barbed	
85	1001143390	1	Indicator, Air Restriction	
86	1001147567	1	Fan	
87	1001147847	1	Filter, Air	
87	70023809	1	Element, Primary	
87	70023872	1	Element, Secondary	
87	70024328	1	Elbow, Rubber	
87	70024329	1	Clamp, Mounting	
88	1001148641	2	Bracket	
89	1001149517	4	Mount, Motor	
90	1001149746	1	Pulley	
91	1001150504	1	Hose	
92	1001150553	1	Hose	
93	1001151491	1	Support	
94	1001151749	1	Tray	
95	1001152489	1	Fitting, 90 Barbed	
96	1001155023	1	Plate	

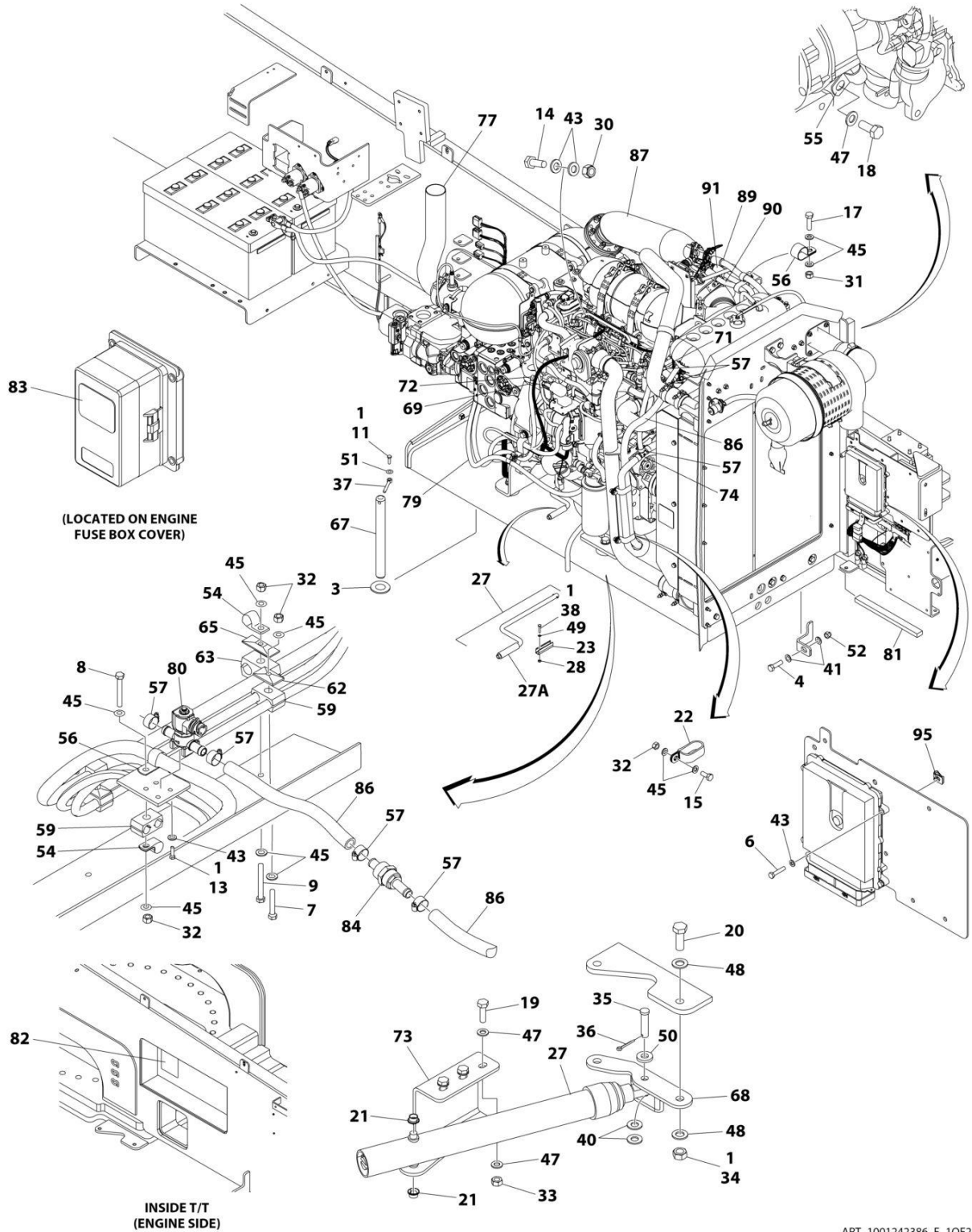
## SECTION 3 - ENGINE

ITEM	PART NUMBER	QTY	DESCRIPTION	REV
97	1001155496	1	Support	
98	1001155498	1	Plate	
99	1001155525	1	Support	
100	1001155540	2	Washer	
101	1001155557	2	Plate	
102	1001155563	1	Seal	
103	1001154405	8.5 in/ 21cm	Hose	
104	1001155564	1	Bracket	
105	1001155565	1	Seal	
106	1001155566	1	Bracket	
107	1001155728	1	Seal	
108	1001156034	1	Seal	
109	1001156035	1	Bracket	
110	1001156062	1	Bracket	
111	1001156091	1	Hose	
112	1001156644	2	Seal	
113	1001157862	1	Bracket	
114	1001160518	1	Support	
115	1001166393	1	Tank	
116	1001170982	1	Fitting, 90 SAE/Barbed	
117	1001175568	2	Clip	
118	1001181899	1	Clamp	
119	1001256862	1	Radiator	
120	1001189291	1	Pipe, Exhaust	
121	1001190418	1	Tube	
122	1001191122	1	Hose, Upper	
123	1001192138	1	Shroud	
124	1001193599	2	Grommet	
125	1001197317	1	Spacer	
126	1001208297	1	Clamp	
127	1001208298	1	Clamp	
128	1001208299	4	Clamp	
129	1001212810	1	Support	
130	1001212817	1	Plate	
131	1001212826	1	Tube, Intake	
132	1001251858	1	Deutz HRC Engine Components (See Separate Breakdown in this Section)	



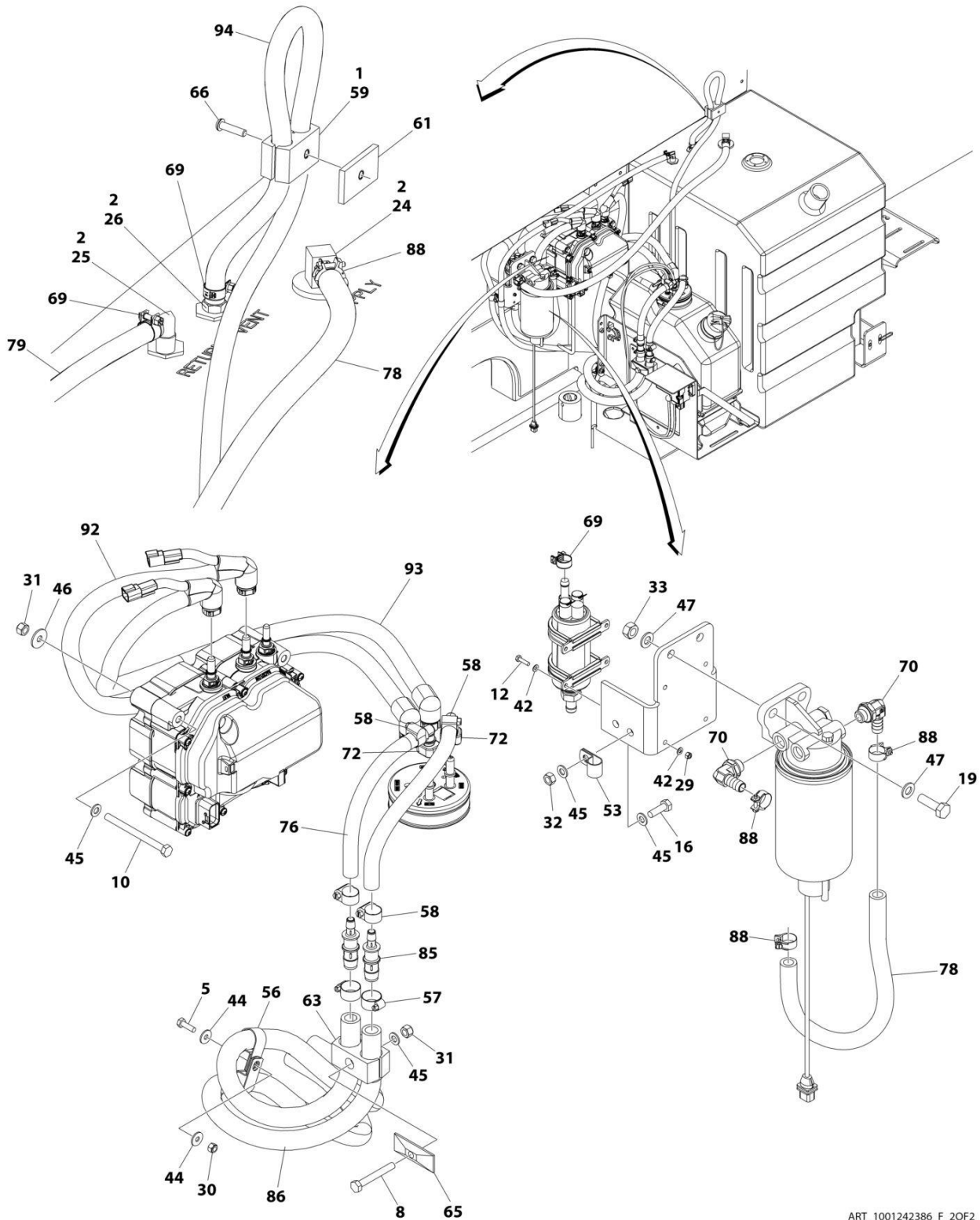
# SECTION 3 - ENGINE

## FIGURE 3-4. ENGINE INSTALLATION (HRC) (WITH COLD WEATHER PACKAGE)



ART\_1001242386\_F\_10F2

# SECTION 3 - ENGINE



ART\_1001242386\_F\_2OF2

## SECTION 3 - ENGINE

**FIGURE 3-4. ENGINE INSTALLATION (HRC) (WITH COLD WEATHER PACKAGE)**

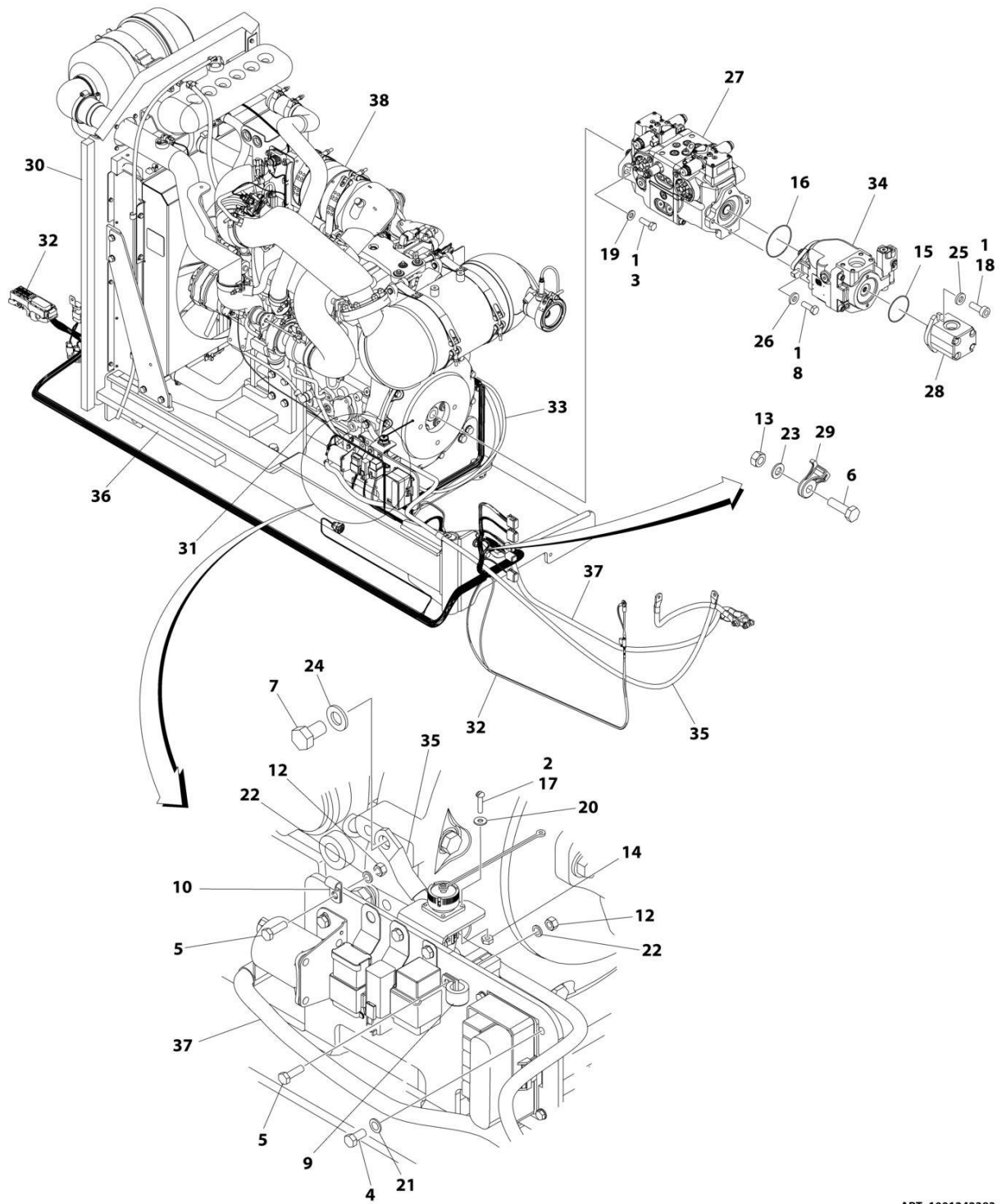
ITEM	PART NUMBER	QTY	DESCRIPTION	REV
	1001242386	Ref	ENGINE INSTALLATION (HRC) (WITH COLD WEATHER PACKAGE)	F
1	0100011	AR	Compound, Locking	
2	0100020	AR	Sealant	
3	0440162	1	Bearing	
4	0642220	1	Bolt 3/4 x 2-1/2	
5	0700610	1	Bolt M6 x 20	
6	0700614	4	Bolt M6 x 30	
7	0700818	2	Bolt M8 x 50	
8	0700820	1	Bolt M8 x 60	
9	0700822	2	Bolt M8 x 70	
10	0700827	3	Bolt M8 x 100	
11	0711015	1	Bolt M10 x 35	
12	0760408	4	Bolt M4 x 16	
13	0760606	4	Bolt M6 x 12	
14	0760608	1	Bolt M6 x 16	
15	0760810	3	Bolt M8 x 20	
16	0760812	2	Bolt M8 x 25	
17	0760814	1	Bolt M8 x 30	
18	0761009	1	Bolt M10 x 18	
19	0761015	5	Bolt M10 x 35	
20	0771416	2	Bolt M14 x 40	
21	0962051	2	Bearing	
22	1321716	3	Clamp	
23	1380147	1	Clip	
24	2180832	1	Fitting, Straight Barbed/NPTF	
25	2220313	1	Fitting, 90 Barbed/NPTF	
26	2221114	1	Fitting, Straight Barbed/NPT	
27	2840016	1	Tray Jack Assembly	
27	7016322	1	Wiper (Burr Brand)	
27A	7016374	1	Handle (Burr Brand)	
27A	7024598	1	Handle (Hammerblow Brand)	
28	3290301	2	Nut M3	
29	3290405	4	Nut M4	
30	3290605	2	Nut M6	
31	3290805	6	Nut M8	
32	3290807	9	Nut M8	
33	3291007	5	Nut M10	
34	3331411	2	Nut M14	
35	3430816	1	Pin	
36	3450404	1	Pin, Cotter 1/8 x 1	
37	3841143	1	Keeper, Pin	
38	4010308	2	Screw M3 x 16	
39	4240099	AR	Tie-Strap (Not Shown)	
40	4711800	2	Washer 1/2	
41	4712200	2	Washer 3/4	
42	4811400	8	Washer M4	
43	4811700	10	Washer M6	
44	4811702	2	Washer M6	
45	4811900	26	Washer M8	

## SECTION 3 - ENGINE

ITEM	PART NUMBER	QTY	DESCRIPTION	REV
46	4811902	3	Washer M8	
47	4812000	11	Washer M10	
48	4812200	4	Washer M14	
49	4871200	2	Washer M3	
50	4891800	1	Washer 1/2	
51	5241000	1	Washer M10	
52	8310067	1	Nut 3/4	
53	8406101	1	Clip	
54	8406102	3	Clip	
55	8406105	1	Clip	
56	8406201	6	Clip	
57	8410009	14	Clamp	
58	8410013	4	Clamp	
59	8750014	4	Clamp	
61	8750031	1	Plate, Clamp	
62	8769123	2	Cover, Clamp	
63	8769127	3	Cover, Clamp	
65	77133137	3	Cover, Clamp	
66	1001101580	1	Screw M8 x 30	
67	1001135196	1	Pin	
68	1001135497	1	Support	
69	1001136975	5	Clamp	
70	1001142501	2	Fitting, 90 Barbed	
71	1001154262	2	Fitting, Straight Barbed	
72	1001155823	3	Fitting, 90 Barbed	
73	1001155939	1	Mount	
74	1001162212	2	Fitting, Tee Barbed	
76	1001181625	2 ft/ 0.61m	Hose	
77	1001190475	1	Pipe, Exhaust	
78	1001154405	53 in/ 1.4m	Hose	
79	1001165035	31 ft/ 9.4m	Hose	
80	1001199670	1	Valve, Flow	
81	1001206747	1	Seal	
82	1001212056	1	Decal - Engine Fuse Box	
83	1001224046	1	Decal - Engine Fuse Box Cover	
84	1001228872	1	Filter, Coolant Screen	
85	1001238470	2	Fitting, Reducer Barbed	
86	82033995	374 in/ 9.5m	Hose	
87	1001242383	1	Engine Assembly with Pumps (HRC) (With Cold Weather Package) (See Separate Breakdown in this Section)	
88	1001186342	4	Clip	
89	1001187518	1	Hose	
90	1001193980	1	Hose, Return	
91	1001212825	1	Hose	
92	1001238401	1	Hose, Backflow	
93	1001238402	1	Hose, Suction	
94	2750532	4 ft/ 1.2m	Hose	
95	8305919	4	Nut, Tinnerman M6	

# SECTION 3 - ENGINE

## FIGURE 3-5. ENGINE ASSEMBLY WITH PUMPS (HRC) (WITH COLD WEATHER PACKAGE)



ART\_1001242383



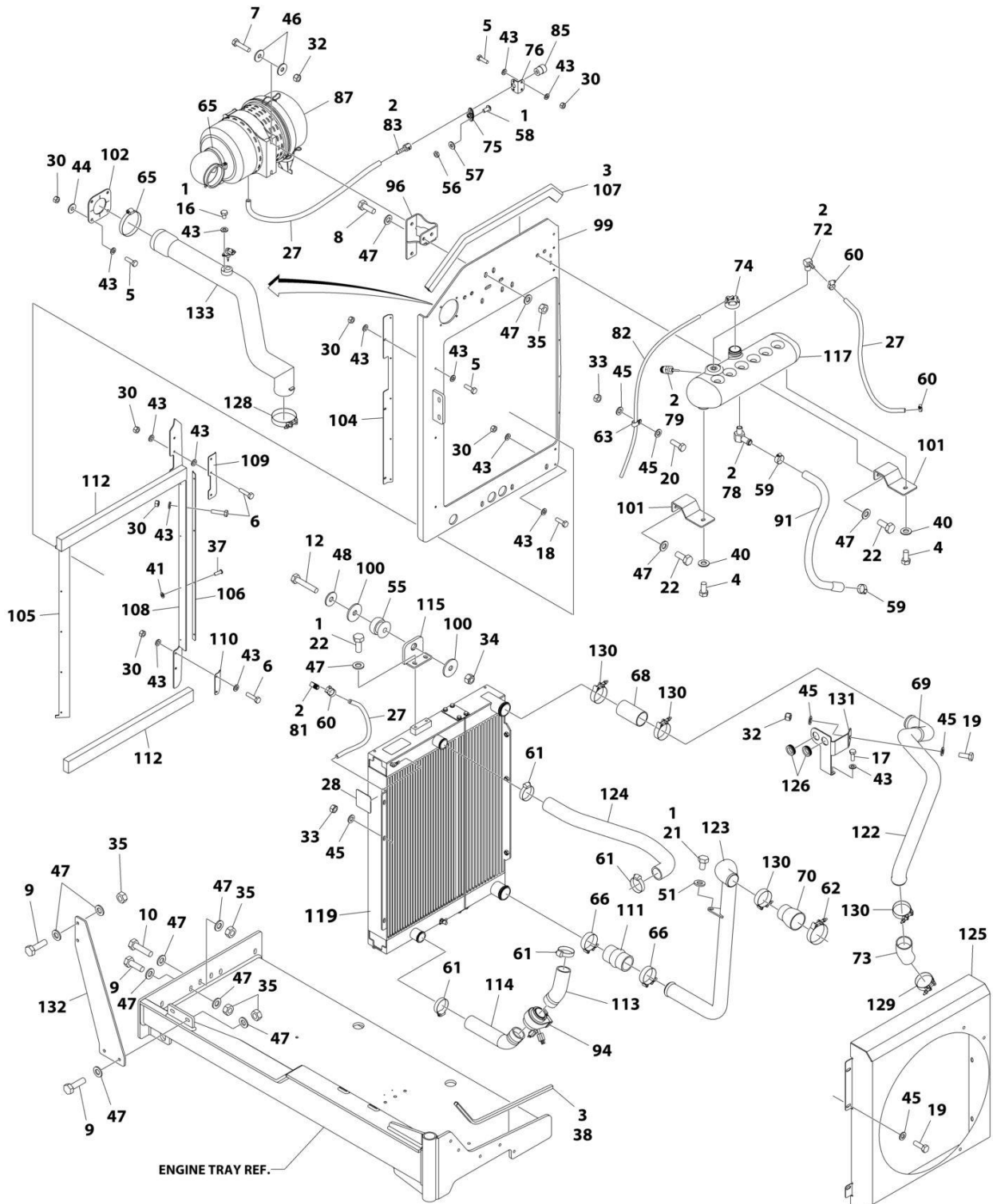
## SECTION 3 - ENGINE

**FIGURE 3-5. ENGINE ASSEMBLY WITH PUMPS (HRC) (WITH COLD WEATHER PACKAGE)**

ITEM	PART NUMBER	QTY	DESCRIPTION	REV
	1001242383	Ref	ENGINE ASSEMBLY WITH PUMPS (HRC) (WITH COLD WEATHER PACKAGE)	C
1	0100011	AR	Compound, Locking	
2	0100035	AR	Compound, Locking	
3	0641812	2	Bolt 1/2 x 1-1/2	
4	0760508	4	Bolt M5 x 16	
5	0760610	2	Bolt M6 x 20	
6	0761015	2	Bolt M10 x 35	
7	0761210	1	Bolt M12 x 20	
8	0761216	2	Bolt M12 x 40	
9	1320041	1	Clamp	
10	1320136	1	Clamp	
12	3290607	2	Nut M6	
13	3291007	2	Nut M10	
14	3310401	3	Nut #4	
15	3790152	1	O-Ring	
16	3790155	1	O-Ring	
17	3910408	3	Screw #4 x 1/2	
18	3931620	2	Capscrew 3/8 x 1-1/4	
19	4740171	2	Washer	
20	4750400	3	Washer #4	
21	4811600	4	Washer M5	
22	4811700	2	Washer M6	
23	4812000	2	Washer M10	
24	4812100	1	Washer M12	
25	4891600	2	Washer 3/8	
26	4891800	2	Washer 1/2	
27	1001108616	1	Tandem Pump Assembly (See Separate Breakdown in this Section)	
28	1001112927	1	Gear Pump Assembly (See Separate Breakdown in this Section)	
29	1001156107	2	Holder, Cable	
30	1001156718	1	Seal	
31	1001157073	1	Cable, Alternator	
32	1001188922	1	Engine Harness (See Separate Breakdown in ELECTRICAL SECTION)	
33	1001197445	1	Cable, Glow Plug	
34	1001199470	1	Piston Pump Assembly (See Separate Breakdown in this Section)	
35	1001202355	1	Cable, Battery Negative	
36	1001206747	1	Seal	
37	1001234791	1	Cable, Battery Positive	
38	1001242380	1	Engine Assembly (HRC) (With Cold Weather Package) (See Separate Breakdown in this Section)	

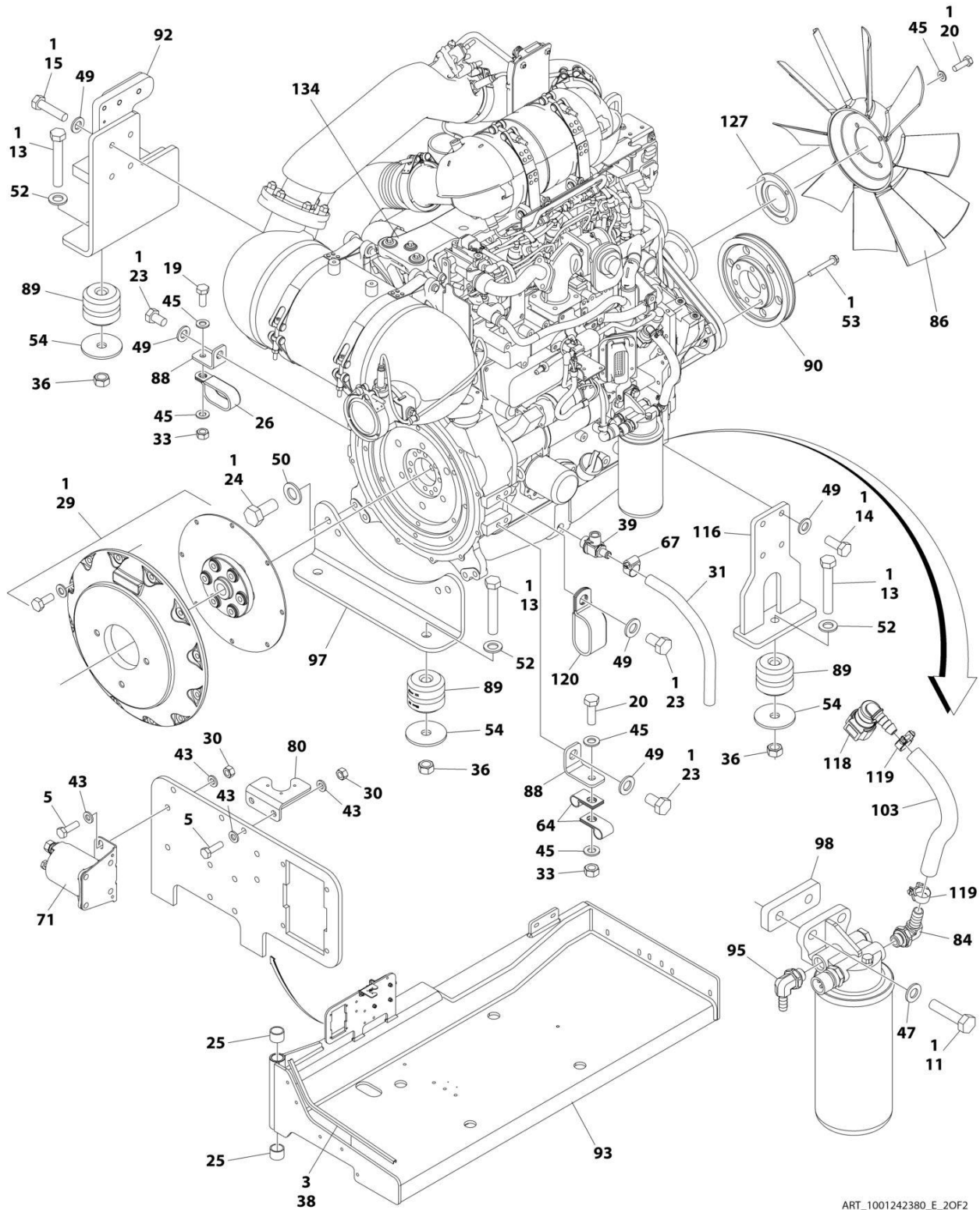
# SECTION 3 - ENGINE

## FIGURE 3-6. ENGINE ASSEMBLY (HRC) (WITH COLD WEATHER PACKAGE)



ART\_1001242380\_E\_1OF2

# SECTION 3 - ENGINE



ART\_1001242380\_E\_20F2

## SECTION 3 - ENGINE

FIGURE 3-6. ENGINE ASSEMBLY (HRC) (WITH COLD WEATHER PACKAGE)

ITEM	PART NUMBER	QTY	DESCRIPTION	REV
	1001242380	Ref	DEUTZ T4F ENGINE ASSEMBLY	F
1	0100011	AR	Compound, Locking	
2	0100020	AR	Sealant	
3	0100081	AR	Adhesive	
4	0641606	2	Bolt 3/8 x 3/4	
5	0700610	13	Bolt M6 x 20	
6	0700612	7	Bolt M6 x 25	
7	0700815	2	Bolt M8 x 35	
8	0701013	2	Bolt M10 x 28	
9	0701015	6	Bolt M10 x 35	
10	0701016	2	Bolt M10 x 40	
11	0701017	2	Bolt M10 x 45	
12	0701019	1	Bolt M10 x 55	
13	0701627	4	Bolt M16 x 100	
14	0711214	4	Bolt M12 x 30 Grade 10.9	
15	0711218	4	Bolt M12 x 50 Grade 10.9	
16	0760604	1	Bolt M6 x 8	
17	0760608	2	Bolt M6 x 16	
18	0760614	2	Bolt M6 x 30	
19	0760810	6	Bolt M8 x 20	
20	0760812	7	Bolt M8 x 25	
21	0761008	1	Bolt M10 x 16	
22	0761012	6	Bolt M10 x 25	
23	0761210	3	Bolt M12 x 20	
24	0771415	4	Bolt M14 x 35 Grade 10.9	
25	0961951	2	Bushing	
26	1321716	1	Clamp	
27	2720015	5 ft/ 1.5m	Hose	
28	1703162	2	Decal - Fan Blade	
29	2902065	1	Pump Coupling Kit (See Separate Breakdown in this Section)	
30	3290607	22	Nut M6	
31	1001165035	1 ft/ 0.3m	Hose	
32	3290805	3	Nut M8	
33	3290807	5	Nut M8	
34	3291005	1	Nut M10	
35	3291007	10	Nut M10	
36	3291601	4	Nut M16	
37	3820032	9	Rivet	
38	4060807	22 in/ 55cm	Flex-Trim	
39	4640751	1	Valve, Oil Drain	
40	4711600	2	Washer 3/8	
41	4811600	4	Washer M5	
42	4240099	AR	Tie-Strap (Not Shown)	
43	4811700	43	Washer M6	
44	4811702	4	Washer M6	
45	4811900	19	Washer M8	
46	4811902	4	Washer M8	
47	4812000	30	Washer M10	
48	4812002	1	Washer M10	

## SECTION 3 - ENGINE

ITEM	PART NUMBER	QTY	DESCRIPTION	REV
49	4812100	11	Washer M12	
50	4812200	4	Washer M14	
51	5241000	1	Washer M10	
52	5241600	4	Washer M16	
53	5251022	6	Bolt M10 x 70	
54	7300435	4	Washer	
55	8278020	1	Mount	
56	8305401	2	Nut 1/4	
57	8307109	2	Washer 1/4	
58	8310548	2	Screw 1/4 x 1/2	
59	8405007	2	Clamp	
60	8405009	4	Clamp	
61	8405104	4	Clamp	
62	8405211	1	Clamp	
63	8406109	2	Clip	
64	8406110	2	Clip	
65	8410011	2	Clamp	
66	8410012	2	Clamp	
67	8410013	1	Clamp	
68	91563070	1	Coupling, Rubber	
69	1001097588	1	Clip	
70	1001117244	1	Reducer	
71	1001117308	1	Relay, 200Amp	
72	1001134488	1	Fitting, 90 NPT/Barbed	
73	1001135943	1	Coupling	
74	1001136834	1	Cap	
75	1001138173	1	Support	
76	1001138175	1	Bracket	
78	1001138559	1	Fitting, 90 NPT	
79	1001138827	1	Sensor	
80	1001139240	1	Bracket	
81	1001140564	1	Fitting, 90 NPT/Barbed	
82	1001138248	5 ft/ 1.5m	Tubing	
83	1001141995	1	Fitting, Straight NPT/Barbed	
84	1001142501	1	Fitting, 90 NPT/Barbed	
85	1001143390	1	Indicator, Air Restriction	
86	1001147567	1	Fan	
87	1001147847	1	Filter, Air	
87	70023809	1	Element, Primary	
87	70023872	1	Element, Secondary	
87	70024328	1	Elbow, Rubber	
87	70024329	1	Clamp, Mounting	
88	1001148641	2	Bracket	
89	1001149517	4	Mount, Motor	
90	1001149746	1	Pulley	
91	1001150553	1	Hose	
92	1001151491	1	Support	
93	1001151749	1	Tray	
94	1001152112	1	Heater	
95	1001152489	1	Fitting, 90 Barbed	
96	1001155023	1	Plate	

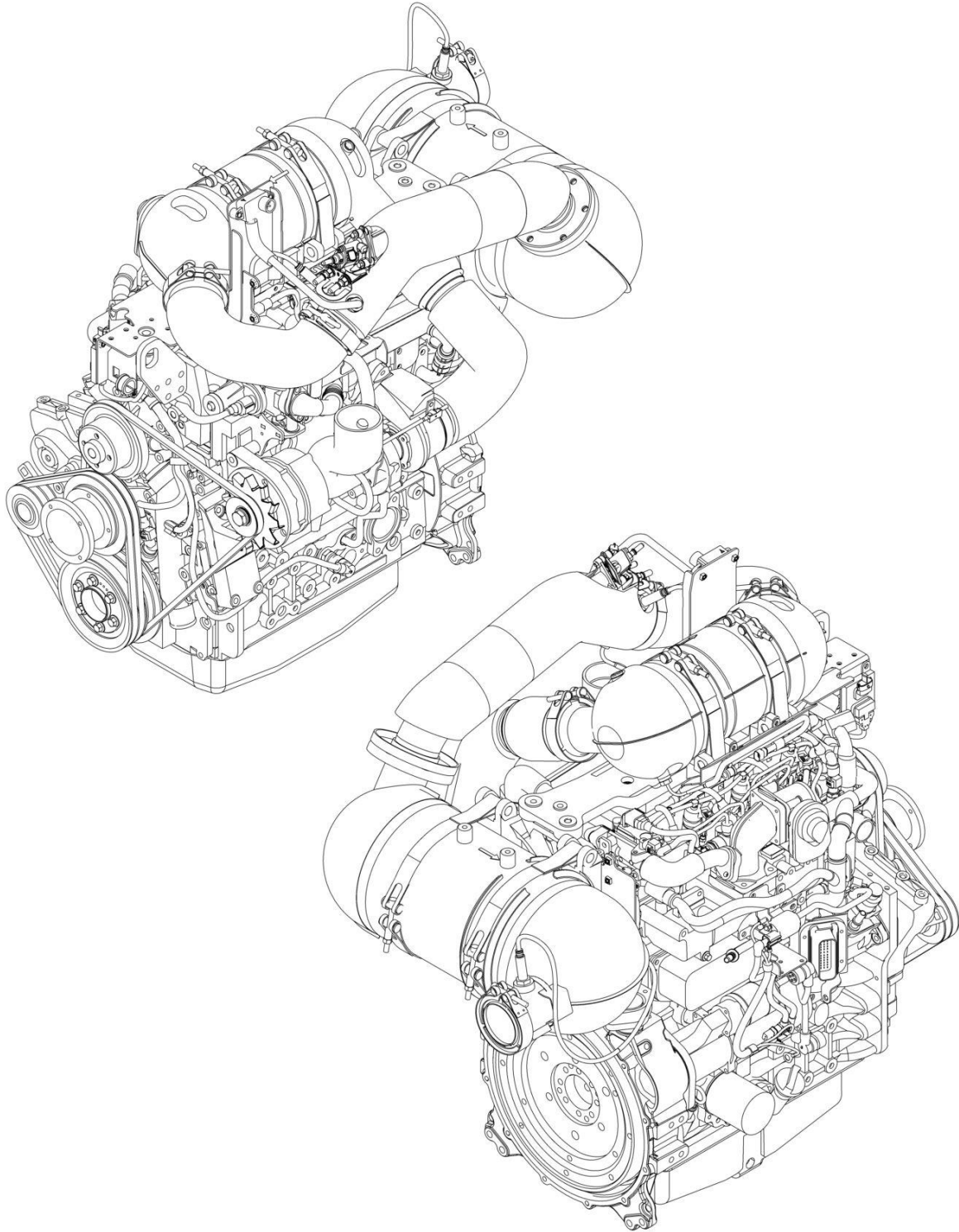
## SECTION 3 - ENGINE

ITEM	PART NUMBER	QTY	DESCRIPTION	REV
97	1001155496	1	Support	
98	1001155498	1	Plate	
99	1001155525	1	Support	
100	1001155540	2	Washer	
101	1001155557	2	Plate	
102	1001155563	1	Seal	
103	1001154405	8.5 in/ 21cm	Hose	
104	1001155564	1	Bracket	
105	1001155565	1	Seal	
106	1001155566	1	Bracket	
107	1001155728	1	Seal	
108	1001156034	1	Seal	
109	1001156035	1	Bracket	
110	1001156062	1	Bracket	
111	1001156091	1	Hose	
112	1001156644	2	Seal	
113	1001157300	1	Hose	
114	1001157301	1	Hose	
115	1001157862	1	Bracket	
116	1001160518	1	Support	
117	1001166393	1	Tank	
118	1001170982	1	Fitting, 90 SAE/Barbed	
119	1001175568	2	Clip	
120	1001181899	1	Clamp	
121	1001256862	1	Radiator	
122	1001189291	1	Pipe, Exhaust	
123	1001190418	1	Tube	
124	1001191122	1	Hose, Upper	
125	1001192138	1	Shroud	
126	1001193599	2	Grommet	
127	1001197317	1	Spacer	
128	1001208297	1	Clamp	
129	1001208298	1	Clamp	
130	1001208299	4	Clamp	
131	1001212810	1	Support	
132	1001212817	1	Plate	
133	1001212826	1	Tube, Intake	
134	1001251858	1	Deutz HRC Engine Components (See Separate Breakdown in this Section)	



## SECTION 3 - ENGINE

FIGURE 3-7. DEUTZ HRC ENGINE COMPONENTS



ART\_1001251858



## SECTION 3 - ENGINE

### FIGURE 3-7. DEUTZ HRC ENGINE COMPONENTS

ITEM	PART NUMBER	QTY	DESCRIPTION	REV
	1001251858	Ref	DEUTZ ENGINE COMPONENTS	B
		Ref	Note: For complete list of parts, contact JLG Parts Department	
		Ref	Air Intake System Components	
	70007083	1	Turbocharger	
		Ref	Cooling System Components	
	70004515	1	Pump, Coolant	
		Ref	Electrical System Components	
	70027420	1	Module, ECU/ECM	
	70029401	1	Generator (Includes Regulator & Fan)	
	70006653	1	Regulator	
	70004520	1	Starter (Includes Solenoid)	
	70025780	1	Relay	
	70007085	1	Harness, Engine	
	70005517	1	Harness, Starter	
	70026210	2	Sender, Tacho-Generator (Speed) (Includes Seal)	
	70005559	1	Sender, Temperature	
	70028540	1	Sender, Temperature (On Thermostat Housing)	
	70027405	2	Sender, Temperature (On Exhaust) (Includes Seal)	
	70005556	1	Sender, Temperature (On Exhaust) (Includes Seal)	
	70005524	1	Sensor (On Exhaust)	
	70005522	1	Sensor, Pressure (O2) (On Exhaust)	
	70005523	1	Sensor, Pressure (O2) (On Exhaust)	
	70024507	1	Sensor, Pressure (Includes Seal) (On Air Intake Manifold)	
	70005504	1	Sensor, Pressure (Includes Seal) (On Exhaust)	
	70024504	1	Sensor, Pressure (Includes Seal) (On Block)	
	70024474	4	Plug, Glow	
	70005544	1	Unit, Exhaust Metering (Includes Gasket)	
		Ref	Exhaust System Components	
	70005513	1	Valve, EGR	
	70005511	1	Gasket, Exhaust (Manifold to Head)	
	70024480	1	Gasket, Exhaust (Manifold to TurboCharger)	
	70007083	1	Turbocharger	
	70027460	1	Tank, DEF (Includes Filter, Cover & Breather)	
	70027464	1	Filter (Inside DEF Tank)	
	70027467	1	Breather (On DEF Tank)	
	70007093	1	Catalyst	
	70008612	1	DEF Tank Assembly (Includes Cap, Filler Filter & Venting Valve)	
	70027495	1	Filter, Filler - DEF Tank	
	70008613	1	Cap/Cover, DEF Tank	
	70027467	1	Valve, Venting - DEF Tank	
	1001293066	1	Sensor, Level - DEF Tank	
	70027463	1	Clip, Level Sensor - DEF Tank	
	70027464	1	Filter, DEF In-line	
		Ref	Fuel System Components	
	70024487	1	Pump, Fuel Injector	
	70024485	4	Injector (Includes Seal, Clamp & O-Ring)	
	70006144	1	Pump, Fuel Supply (Includes Clamps)	
	70025153	1	Filter, Fuel (Pre-Filter)	
	70004512	1	Filter, Fuel	
	70005492	1	Valve, Throttle	

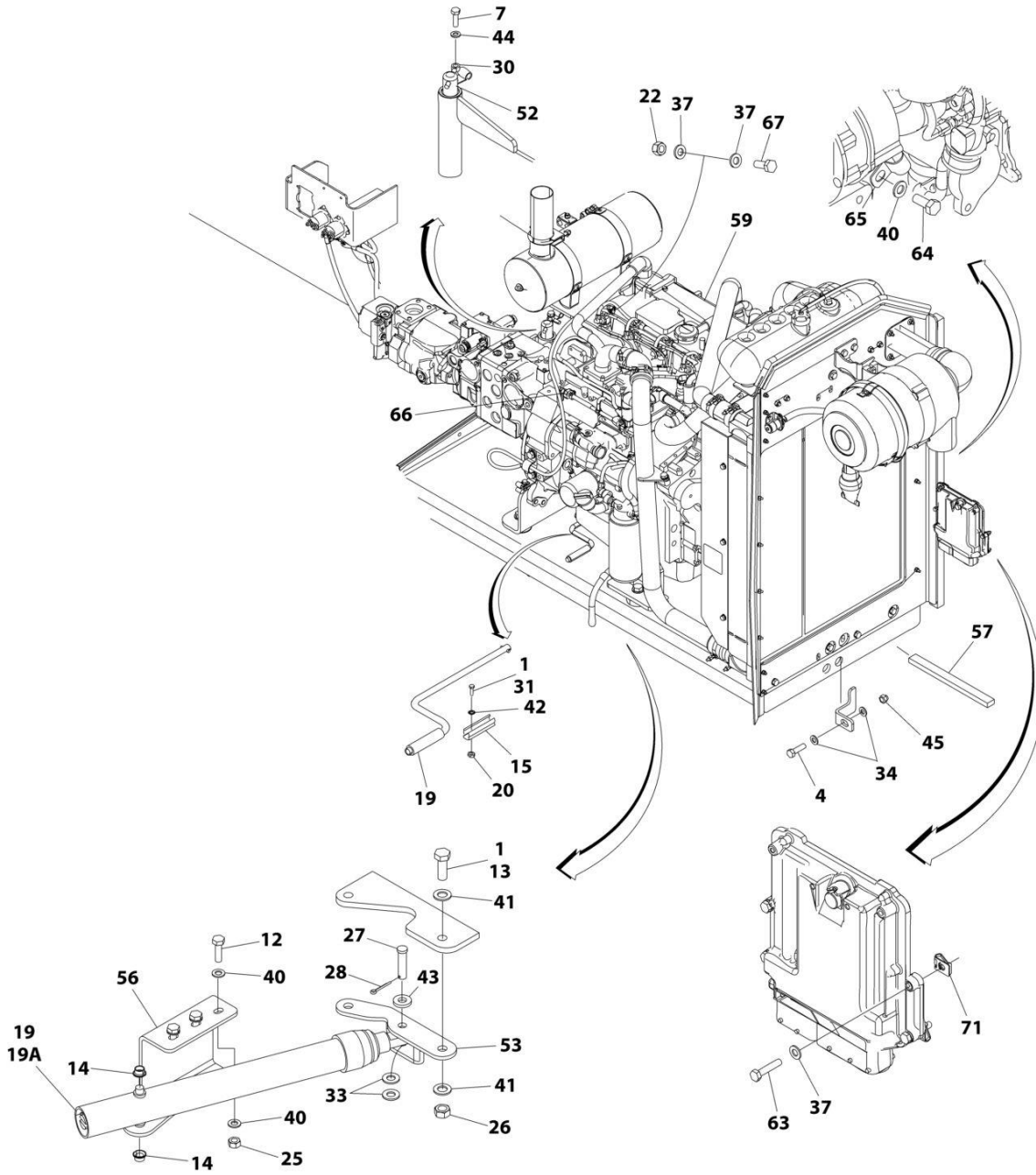
## SECTION 3 - ENGINE

ITEM	PART NUMBER	QTY	DESCRIPTION	REV
	70005548	1	Pump, Fuel Supply (Includes Filter)	
	70005549	1	Filter (Inside Fuel Supply Pump)	
		Ref	Lubricating System Components	
	70025745	1	Dipstick	
	7020465	2	Cap, Oil Fill	
	70025088	1	Plug, Oil Drain	
	7020404	2	Seal, Oil Drain Plug	
		Ref	Pump, Oil (Includes Bolts & Bushing)	
	7016331	1	Filter, Oil	
	70024494	1	Cooler, Oil	
		Ref	Mechanical Components	
	70005498	1	V-Belt (Set of 2)	
	70005516	1	V-Belt (Generator)	
	70024481	1	Gasket, Valve Cover	
	70025789	1	Gasket, Head	
	70025707	1	Gasket Kit - Complete	



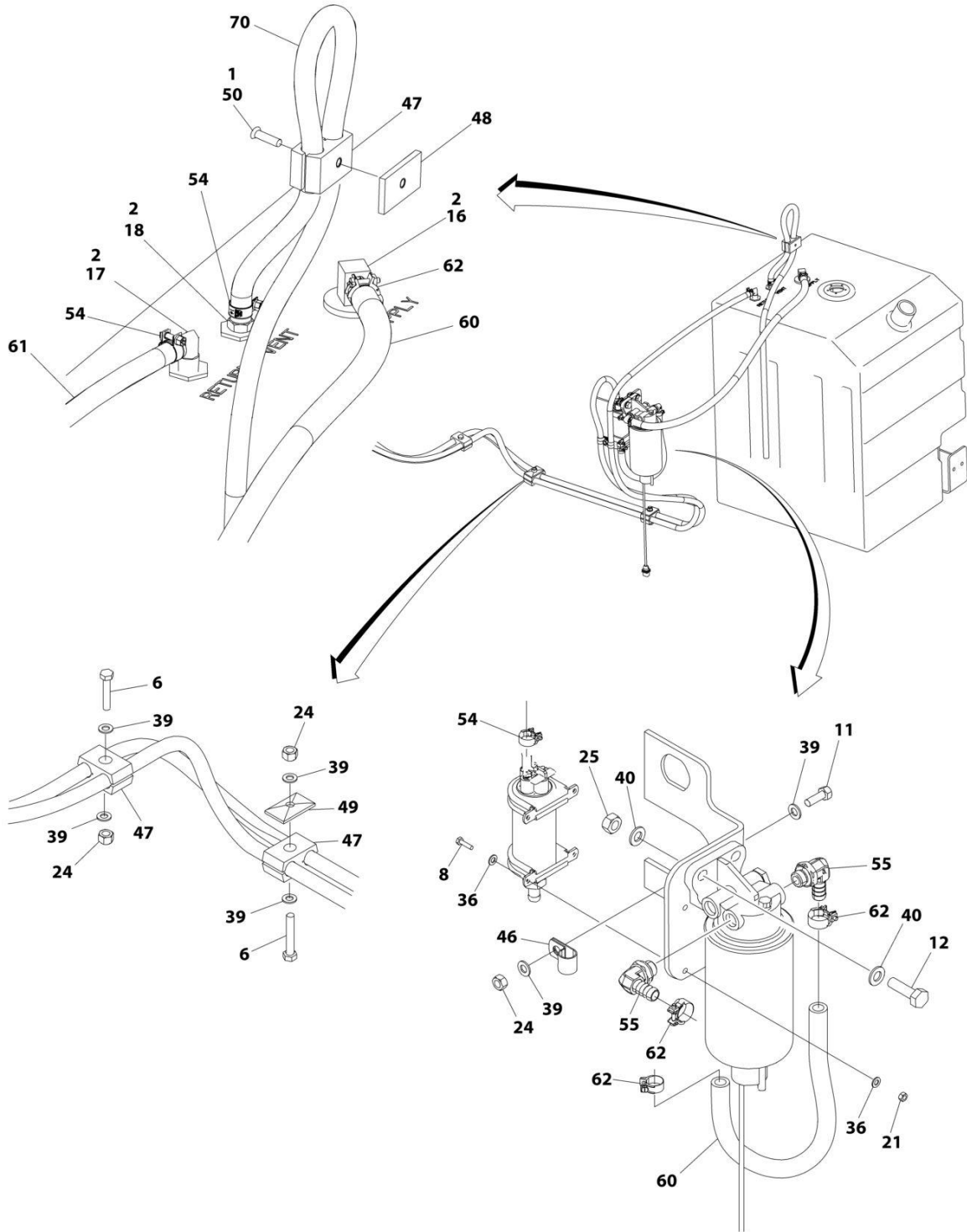
# SECTION 3 - ENGINE

## FIGURE 3-8. ENGINE INSTALLATION (LRC) (WITHOUT COLD WEATHER PACKAGE)



ART\_1001197307\_K\_10F2

# SECTION 3 - ENGINE



ART\_1001197307\_K\_2OF2

## SECTION 3 - ENGINE

**FIGURE 3-8. ENGINE INSTALLATION (LRC) (WITHOUT COLD WEATHER PACKAGE)**

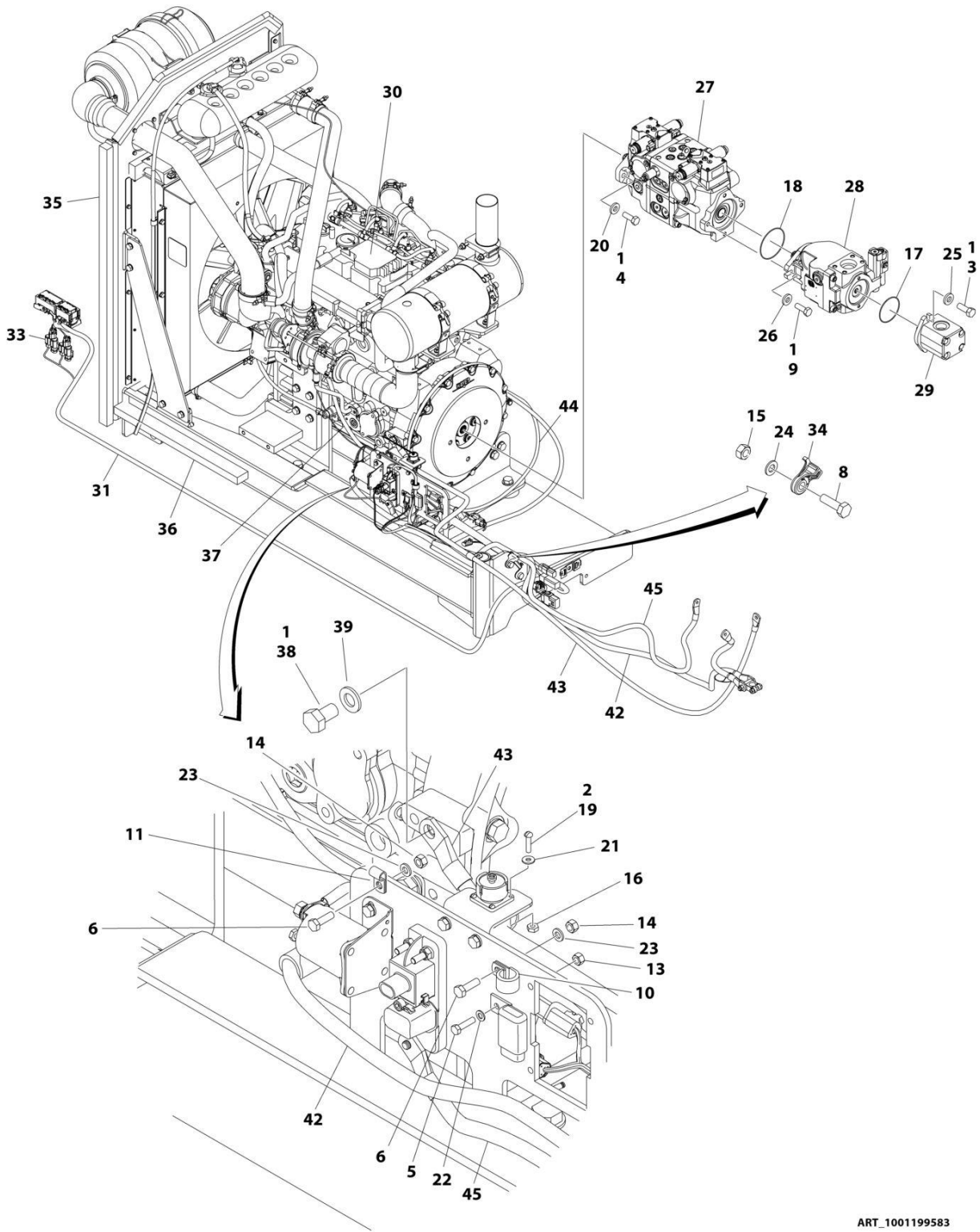
ITEM	PART NUMBER	QTY	DESCRIPTION	REV
	1001197307	Ref	ENGINE INSTALLATION (LRC) (WITHOUT COLD WEATHER PACKAGE)	K
1	0100011	AR	Compound, Locking	
2	0100020	AR	Sealant	
3	0440162	1	Bearing (Not Shown)	
4	0642220	1	Bolt 3/4 x 2-1/2	
6	0700818	3	Bolt M8 x 50	
7	0711015	1	Bolt M10 x 35	
8	0760408	4	Bolt M4 x 16	
11	0760812	1	Bolt M8 x 25	
12	0761015	5	Bolt M10 x 35	
13	0771416	2	Bolt M14 x 40	
14	0962051	2	Bearing	
15	1380147	1	Clip	
16	2180832	1	Fitting, Straight Barbed/NPTF	
17	2220313	1	Fitting, 90 Barbed/NPTF	
18	2221114	1	Fitting, Straight Barbed/NPT	
19	2840016	1	Tray Jack Assembly	
19	7016322	1	Wiper (Burr Brand)	
19A	7016374	1	Handle (Burr Brand)	
19A	7024598	1	Handle (Hammerblow Brand)	
20	3290301	2	Nut M3	
21	3290405	4	Nut M4	
22	3290605	1	Nut M6	
24	3290807	4	Nut M8	
25	3291007	5	Nut M10	
26	3331411	2	Nut M14	
27	3430816	1	Pin	
28	3450404	1	Pin, Cotter 1/8 x 1	
30	3841143	1	Keeper, Pin	
31	4010308	2	Screw M3 x 16	
32	4240099	AR	Tie-Strap (Not Shown)	
33	4711800	2	Washer 1/2	
34	4712200	2	Washer 3/4	
36	4811400	8	Washer M4	
37	4811700	6	Washer M6	
39	4811900	8	Washer M8	
40	4812000	11	Washer M10	
41	4812200	4	Washer M14	
42	4871200	2	Washer M3	
43	4891800	1	Washer 1/2	
44	5241000	1	Washer M10	
45	8310067	1	Nut 3/4	
46	8406101	1	Clip	
47	8750014	4	Clamp	
48	8750031	1	Plate, Clamp	
49	8769123	2	Cover, Clamp	
50	1001101580	1	Screw M8 x 30	
52	1001135196	1	Pin	
53	1001135497	1	Support	

## SECTION 3 - ENGINE

ITEM	PART NUMBER	QTY	DESCRIPTION	REV
54	1001136975	5	Clamp	
55	1001142501	2	Fitting, 90 Barbed	
56	1001155939	1	Mount	
57	1001206747	1	Seal	
59	1001199583	1	Engine Assembly with Pumps (LRC) (Without Cold Weather Package) (See Separate Breakdown in this Section)	
60	1001154405	53 in /1.4m	Hose	
61	1001165035	31 ft /9.4m	Hose	
62	1001186342	4	Clip	
63	0700614	4	Bolt M6 x 30	
64	0761009	1	Bolt M10 x 18	
65	8406105	1	Clip	
66	1001155823	1	Fitting, 90 Barbed	
67	0760608	1	Bolt M6 x 16	
70	2750532	4 ft /1.2m	Hose	
71	8305919	4	Nut, Retainer M6	

# SECTION 3 - ENGINE

## FIGURE 3-9. ENGINE ASSEMBLY WITH PUMPS (LRC) (WITHOUT COLD WEATHER PACKAGE)



ART\_1001199583



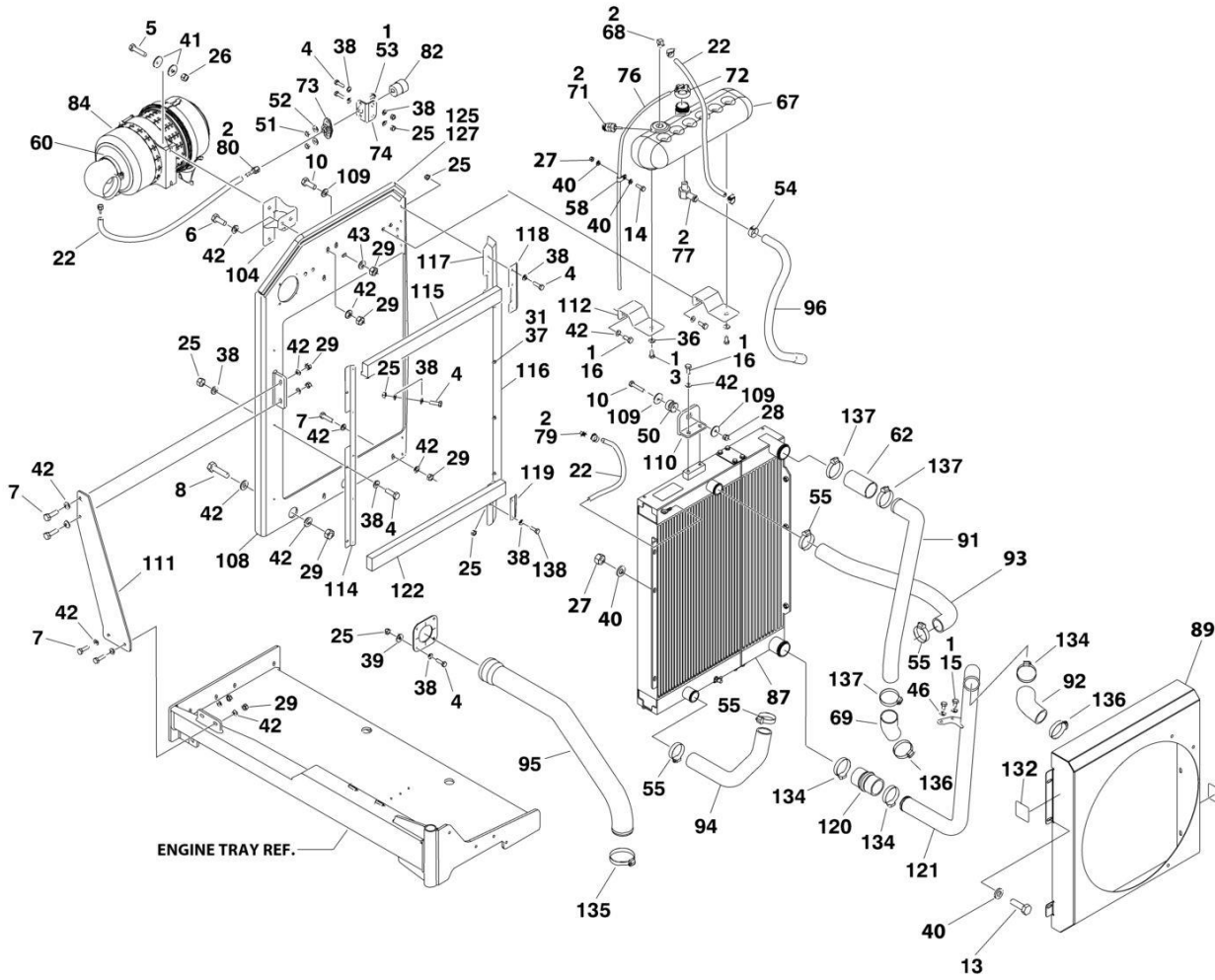
## SECTION 3 - ENGINE

**FIGURE 3-9. ENGINE ASSEMBLY WITH PUMPS (LRC) (WITHOUT COLD WEATHER PACKAGE)**

ITEM	PART NUMBER	QTY	DESCRIPTION	REV
	1001199583	Ref	ENGINE ASSEMBLY WITH PUMPS (LRC) (WITHOUT COLD WEATHER PACKAGE)	J
1	0100011	AR	Compound, Locking	
2	0100035	AR	Compound, Locking	
3	0641608	2	Bolt 3/8 x 1	
4	0641812	2	Bolt 1/2 x 1-1/2	
5	0700510	1	Bolt M5 x 20	
6	0760610	2	Bolt M6 x 20	
8	0761015	2	Bolt M10 x 35	
9	0761216	2	Bolt M12 x 40	
10	1320041	1	Clamp	
11	1320136	1	Clamp	
13	3290507	1	Nut M5	
14	3290607	2	Nut M6	
15	3291007	2	Nut M10	
16	3310401	3	Nut #4	
17	3790152	1	O-Ring	
18	3790155	1	O-Ring	
19	3910408	3	Screw #4 x 1/2	
20	4740171	2	Washer	
21	4750400	3	Washer #4	
22	4811600	2	Washer M5	
23	4811700	2	Washer M6	
24	4812000	2	Washer M10	
25	4891600	2	Washer 3/8	
26	4891800	2	Washer 1/2	
27	1001108616	1	Tandem Pump Assembly (See Separate Breakdown in this Section)	
28	1001199470	1	Piston Pump Assembly (See Separate Breakdown in this Section)	
29	1001112927	1	Gear Pump Assembly (See Separate Breakdown in this Section)	
30	1001149867	1	Engine Assembly (LRC) (Without Cold Weather Package) (See Separate Breakdown in this Section)	
31	1001149971	1	Engine Harness (See Separate Breakdown in ELECTRICAL SECTION)	
33	1001156001	1	Engine Harness Can (See Separate Breakdown in ELECTRICAL SECTION)	
34	1001156107	2	Holder, Cable	
35	1001156718	1	Seal	
36	1001206747	1	Seal	
37	1001157073	1	Cable, Alternator	
38	0761210	1	Bolt M12 x 20	
39	4812100	1	Washer M12	
42	1001234791	1	Cable, Battery Positive	
43	1001202355	1	Cable, Battery Negative	
44	1001168734	1	Cable, Glow Plug	
45	1001222918	1	Cable, System B+	

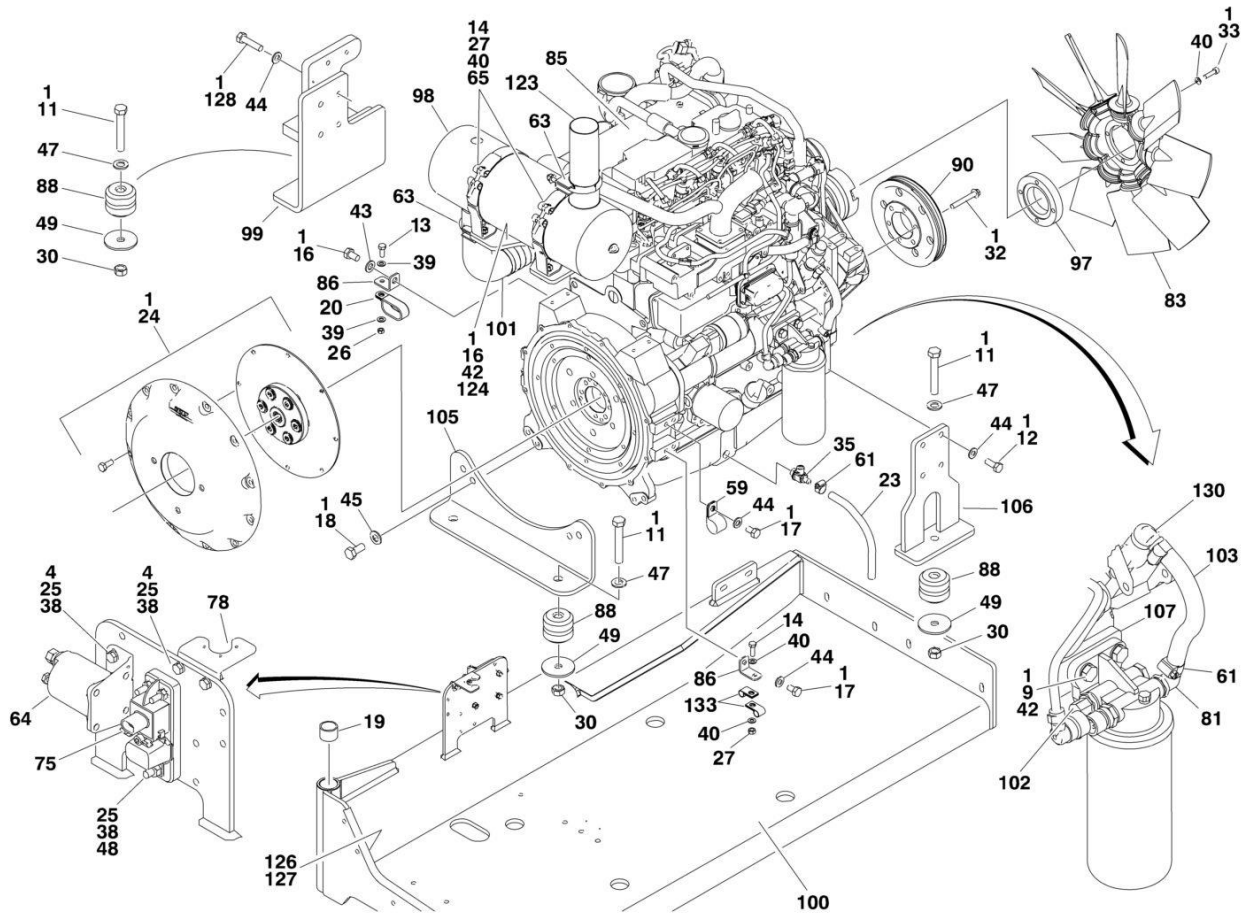
# SECTION 3 - ENGINE

## FIGURE 3-10. ENGINE ASSEMBLY (LRC) (WITHOUT COLD WEATHER PACKAGE)



ART\_1001149867\_S\_10F2

# SECTION 3 - ENGINE



ART\_1001149867\_S\_20F2

## SECTION 3 - ENGINE

**FIGURE 3-10. ENGINE ASSEMBLY (LRC) (WITHOUT COLD WEATHER PACKAGE)**

ITEM	PART NUMBER	QTY	DESCRIPTION	REV
	1001149867	Ref	DEUTZ LRC ENGINE ASSEMBLY	T
1	0100011	AR	Compound, Locking	
2	0100020	AR	Sealant	
3	0641606	2	Bolt 3/8 x 3/4	
4	0700612	20	Bolt M6 x 25	
5	0700815	2	Bolt M8 x 35	
6	0701013	2	Bolt M10 x 28	
7	0701015	6	Bolt M10 x 35	
8	0701016	2	Bolt M10 x 40	
9	0701017	2	Bolt M10 x 45	
10	0701019	1	Bolt M10 x 55	
11	0701627	4	Bolt M16 x 100	
12	0711214	4	Bolt M12 x 30 Grade 10.9	
13	0760810	5	Bolt M8 x 20	
14	0760812	7	Bolt M8 x 25	
15	0761008	2	Bolt M10 x 16	
16	0761012	10	Bolt M10 x 25	
17	0761210	3	Bolt M12 x 20	
18	0771415	4	Bolt M14 x 35 Grade 10.9	
19	0961951	2	Bushing	
20	1321716	1	Clamp	
22	2720015	5 ft/1.5m	Hose	
23	1001165035	1 ft/30.5m	Hose	
24	2902065	1	Pump Coupling Kit (See Separate Breakdown in this Section)	
25	3290607	23	Nut M6	
26	3290805	2	Nut M8	
27	3290807	9	Nut M8	
28	3291005	1	Nut M10	
29	3291007	10	Nut M10	
30	3291601	4	Nut M16	
31	3820032	9	Rivet	
32	5251022	6	Bolt M10 x 70	
33	4031912	4	Capscrew M8 x 40	
34	4240099	AR	Tie-Strap (Not Shown)	
35	4640751	1	Valve, Oil Drain	
36	4711600	2	Washer 3/8	
37	4811600	4	Washer M5	
38	4811700	41	Washer M6	
39	4811702	4	Washer M6	
40	4811900	25	Washer M8	
41	4811902	4	Washer M8	
42	4812000	34	Washer M10	
43	4812002	1	Washer M10	
44	4812100	11	Washer M12	
45	4812200	4	Washer M14	
46	5241000	2	Washer M10	
47	5241600	4	Washer M16	
48	5271614	1	Capscrew M16 x 50	
49	7300435	4	Washer	
50	8278020	1	Mount	

## SECTION 3 - ENGINE

ITEM	PART NUMBER	QTY	DESCRIPTION	REV
51	8305401	2	Nut 1/4	
52	8307109	2	Washer 1/4	
53	8310548	2	Screw 1/4 x 1/2	
54	8405007	2	Clamp	
55	8405104	4	Clamp	
58	8406109	2	Clamp	
59	8406303	1	Clip	
60	8410011	1	Clamp	
61	8410013	3	Clamp	
62	91563070	1	Coupling, Rubber	
63	1001111116	2	Clamp	
64	1001117308	1	Relay	
65	1001119727	2	Clamp	
67	1001166393	1	Tank	
68	1001134488	1	Fitting, 90 NPT/Barbed	
69	1001135943	1	Coupling	
71	1001138827	1	Sensor	
72	1001136834	1	Cap	
73	1001138173	1	Support	
74	1001138175	1	Bracket	
75	1001138228	1	Module, Relay	
75	70023592	1	Fuse 20Amp	
75	70023593	1	Fuse 30Amp	
76	1001138248	5 ft/1.5m	Tubing	
77	1001138559	1	Fitting, 90 NPT	
78	1001139240	1	Bracket	
79	1001140564	1	Fitting, 90 NPT/Barbed	
80	1001141995	1	Fitting, Straight NPT/Barbed	
81	1001142501	1	Fitting, 90 NPT/Barbed	
82	1001143390	1	Indicator, Air Restriction	
83	1001177137	1	Fan	
84	1001147847	1	Filter, Air	
84	70023809	1	Element, Primary	
84	70023872	1	Element, Secondary	
84	70024328	1	Elbow, Rubber	
84	70024329	1	Clamp, Mounting	
85	1001251857	1	Deutz LRC Engine Components (See Separate Breakdown in this Section)	
86	1001148641	2	Bracket	
87	1001256862	1	Radiator	
88	1001149517	4	Mount, Motor	
89	1001192138	1	Shroud	
90	1001149746	1	Pulley	
91	1001150498	1	Tube	
92	1001150499	1	Hose	
93	1001191122	1	Hose	
94	1001150504	1	Hose	
95	1001150505	1	Pipe	
96	1001150553	1	Hose	
97	1001177134	1	Adapter	
98	1001151432	1	Muffler	
99	1001151491	1	Support	

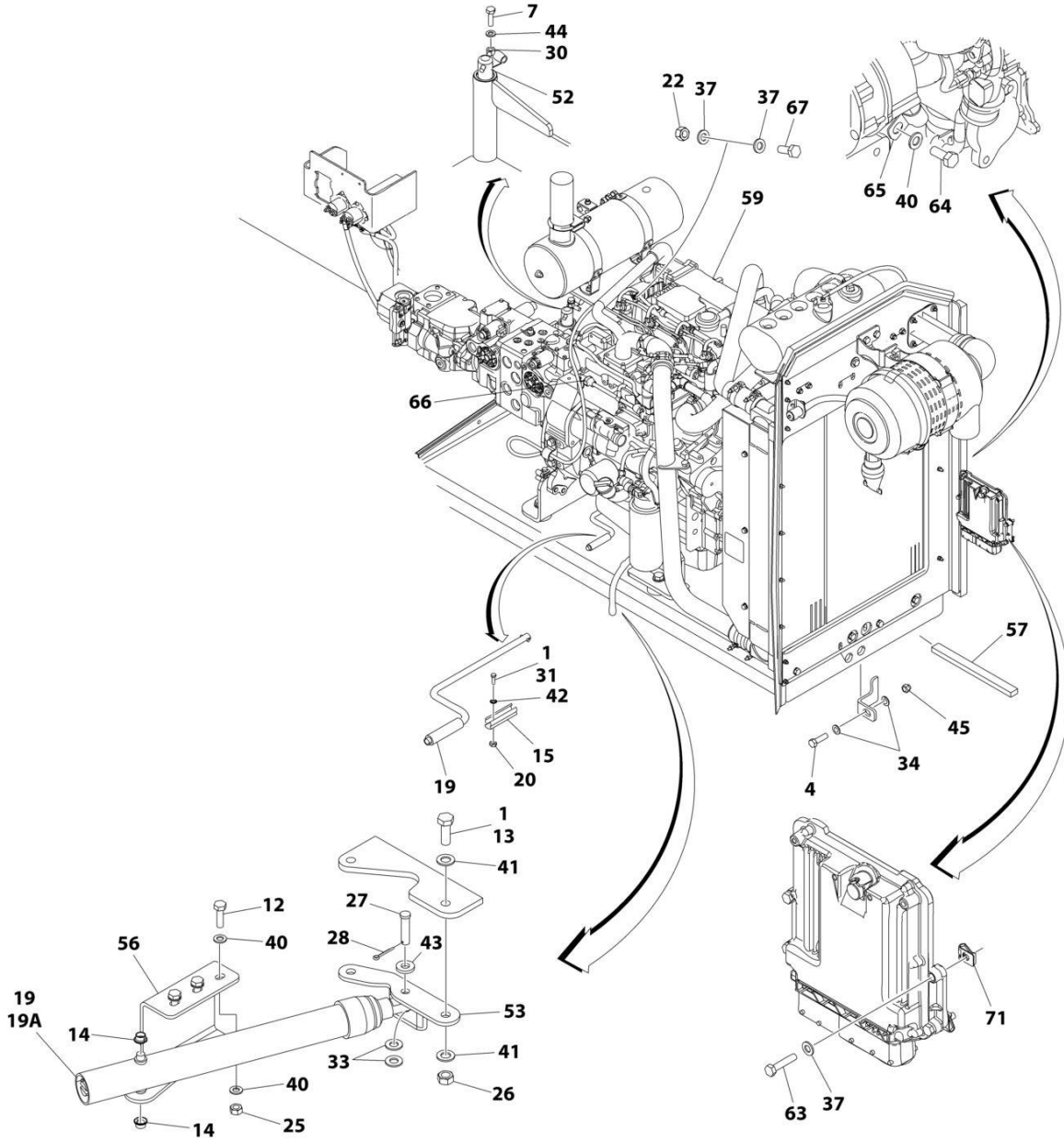
## SECTION 3 - ENGINE

ITEM	PART NUMBER	QTY	DESCRIPTION	REV
100	1001151749	1	Tray	
101	1001151761	1	Pipe, Exhaust	
102	1001152489	1	Fitting, 90 Barbed	
103	1001154405	8.5 in/ 21cm	Hose	
104	1001155023	1	Plate	
105	1001155496	1	Support	
106	1001160518	1	Support	
107	1001155498	1	Plate	
108	1001155525	1	Support	
109	1001155540	2	Washer	
110	1001157862	1	Bracket	
111	1001212817	1	Plate	
112	1001155557	2	Plate	
113	1001155563	1	Seal	
114	1001155564	1	Bracket	
115	1001155565	1	Seal	
116	1001155566	1	Bracket	
117	1001156034	1	Seal	
118	1001156035	1	Bracket	
119	1001156062	1	Bracket	
120	1001156091	1	Hose	
121	1001156112	1	Tube	
122	1001156644	2	Seal	
123	1001158262	1	Pipe, Exhaust	
124	1001158289	1	Bracket	
125	1001155728	1	Seal	
126	4060807	22 in/ 55cm	Flex-Trim	
127	0100081	AR	Adhesive	
128	0711218	4	Bolt M12 x 50 Grade 10.9	
129	1320022	4	Clamp	
130	1001170982	1	Fitting, 90 SAE/Barbed	
132	1703162	2	Decal - Fan Blade	
133	8406110	2	Clip	
134	8410012	3	Clamp	
135	1001208297	1	Clamp	
136	1001208298	2	Clamp	
137	1001208299	3	Clamp	
138	0760614	2	Bolt M6 x 30	



# SECTION 3 - ENGINE

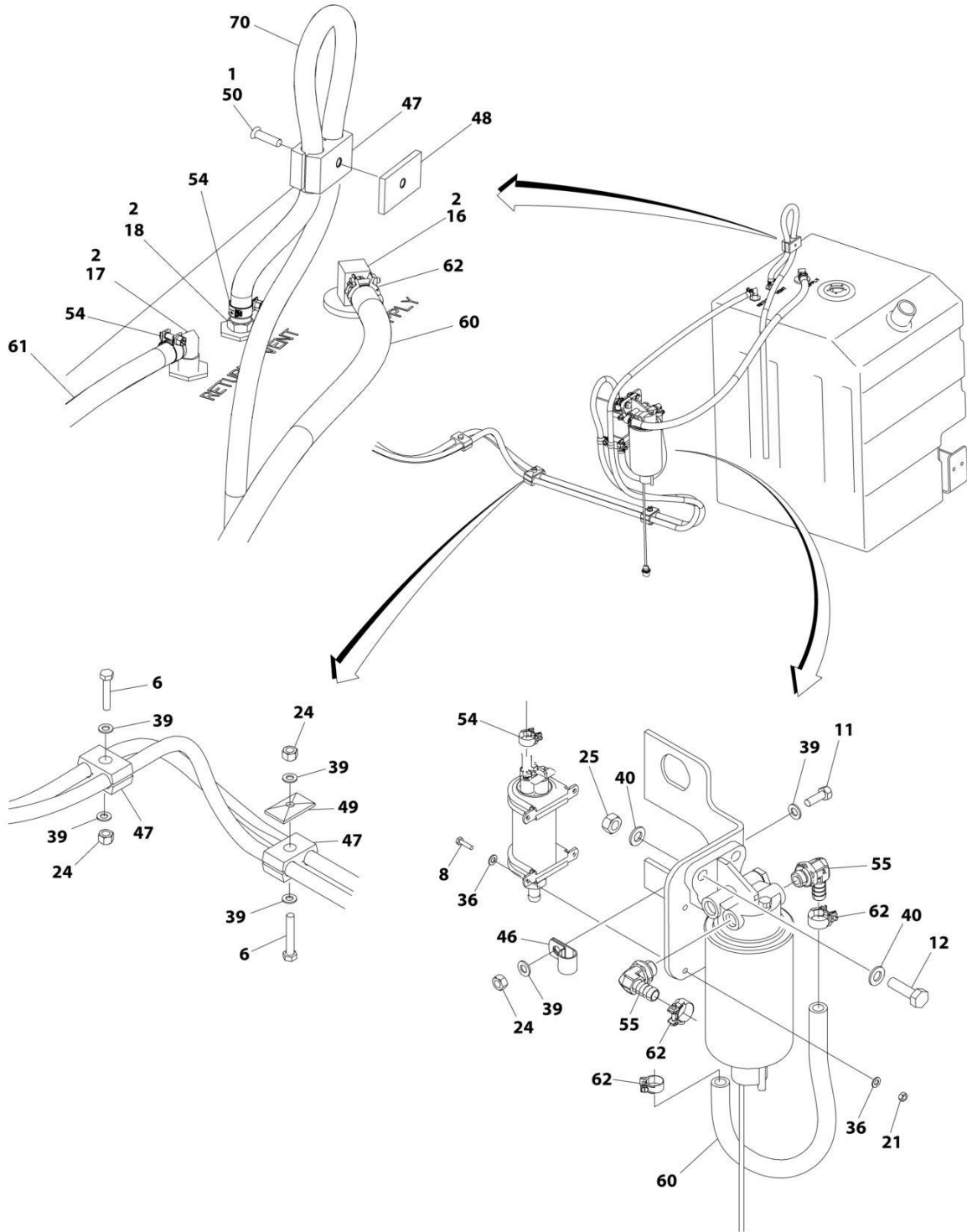
## FIGURE 3-11. ENGINE INSTALLATION (LRC) (WITH COLD WEATHER PACKAGE)



ART\_1001197308\_K\_10F2



# SECTION 3 - ENGINE



ART\_1001197308\_K\_2OF2

## SECTION 3 - ENGINE

FIGURE 3-11. ENGINE INSTALLATION (LRC) (WITH COLD WEATHER PACKAGE)

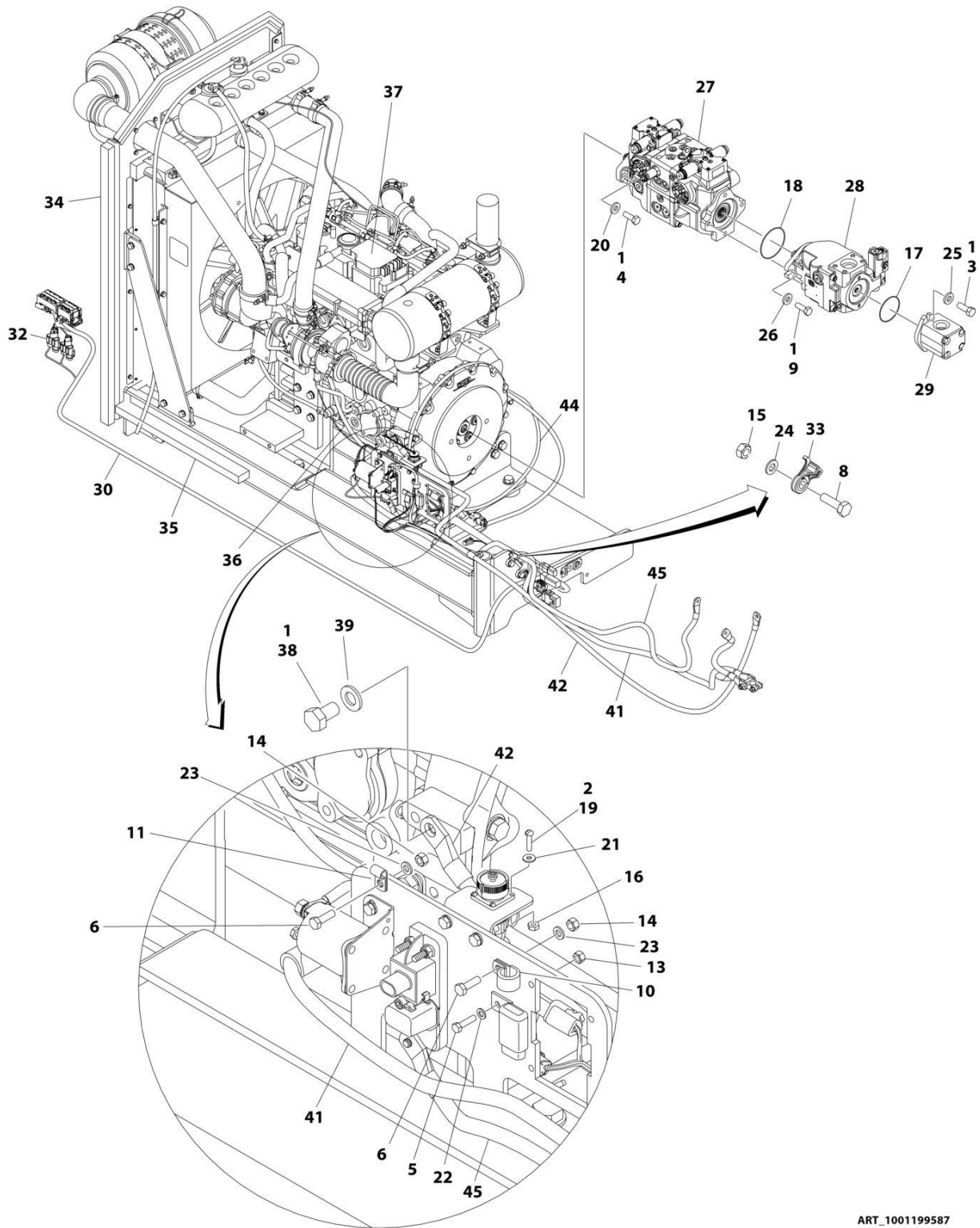
ITEM	PART NUMBER	QTY	DESCRIPTION	REV
	1001197308	Ref	ENGINE INSTALLATION (LRC) (WITH COLD WEATHER PACKAGE)	K
1	0100011	AR	Compound, Locking	
2	0100020	AR	Sealant	
3	0440162	1	Bearing (Not Shown)	
4	0642220	1	Bolt 3/4 x 2-1/2	
6	0700818	3	Bolt M8 x 50	
7	0711015	1	Bolt M10 x 35	
8	0760408	4	Bolt M4 x 16	
11	0760812	1	Bolt M8 x 25	
12	0761015	5	Bolt M10 x 35	
13	0771416	2	Bolt M14 x 40	
14	0962051	2	Bearing	
15	1380147	1	Clip	
16	2180832	1	Fitting, Straight Barbed/NPTF	
17	2220313	1	Fitting, 90 Barbed/NPTF	
18	2221114	1	Fitting, Straight Barbed/NPT	
19	2840016	1	Tray Jack Assembly	
19	7016322	1	Wiper (Burr Brand)	
19A	7016374	1	Handle (Burr Brand)	
19A	7024598	1	Handle (Hammerblow Brand)	
20	3290301	2	Nut M3	
21	3290405	4	Nut M4	
22	3290605	1	Nut M6	
24	3290807	4	Nut M8	
25	3291007	5	Nut M10	
26	3331411	2	Nut M14	
27	3430816	1	Pin	
28	3450404	1	Pin, Cotter 1/8 x 1	
30	3841143	1	Keeper, Pin	
31	4010308	2	Screw M3 x 16	
32	4240099	AR	Tie-Strap (Not Shown)	
33	4711800	2	Washer 1/2	
34	4712200	2	Washer 3/4	
36	4811400	8	Washer M4	
37	4811700	6	Washer M6	
39	4811900	8	Washer M8	
40	4812000	11	Washer M10	
41	4812200	4	Washer M14	
42	4871200	2	Washer M3	
43	4891800	1	Washer 1/2	
44	5241000	1	Washer M10	
45	8310067	1	Nut 3/4	
46	8406101	1	Clip	
47	8750014	4	Clamp	
48	8750031	1	Plate, Clamp	
49	8769123	2	Cover, Clamp	
50	1001101580	1	Screw M8 x 30	
52	1001135196	1	Pin	
53	1001135497	1	Support	

## SECTION 3 - ENGINE

ITEM	PART NUMBER	QTY	DESCRIPTION	REV
54	1001136975	5	Clamp	
55	1001142501	2	Fitting, 90 Barbed	
56	1001155939	1	Mount	
57	1001206747	1	Seal	
59	1001199587	1	Engine Assembly with Pumps (LRC) (With Cold Weather Package) (See Separate Breakdown in this Section)	
60	1001154405	53 in /1.4m	Hose	
61	1001165035	31 ft /9.4m	Hose	
62	1001186342	4	Clip	
63	0700614	4	Bolt M6 x 30	
64	0761009	1	Bolt M10 x 18	
65	8406105	1	Clip	
66	1001155823	1	Fitting, 90 Barbed	
67	0760608	1	Bolt M6 x 16	
70	2750532	4 ft /1.2m	Hose	
71	8305919	4	Nut, Retainer M6	

# SECTION 3 - ENGINE

## FIGURE 3-12. ENGINE ASSEMBLY WITH PUMPS (LRC) (WITH COLD WEATHER PACKAGE)



ART\_1001199587

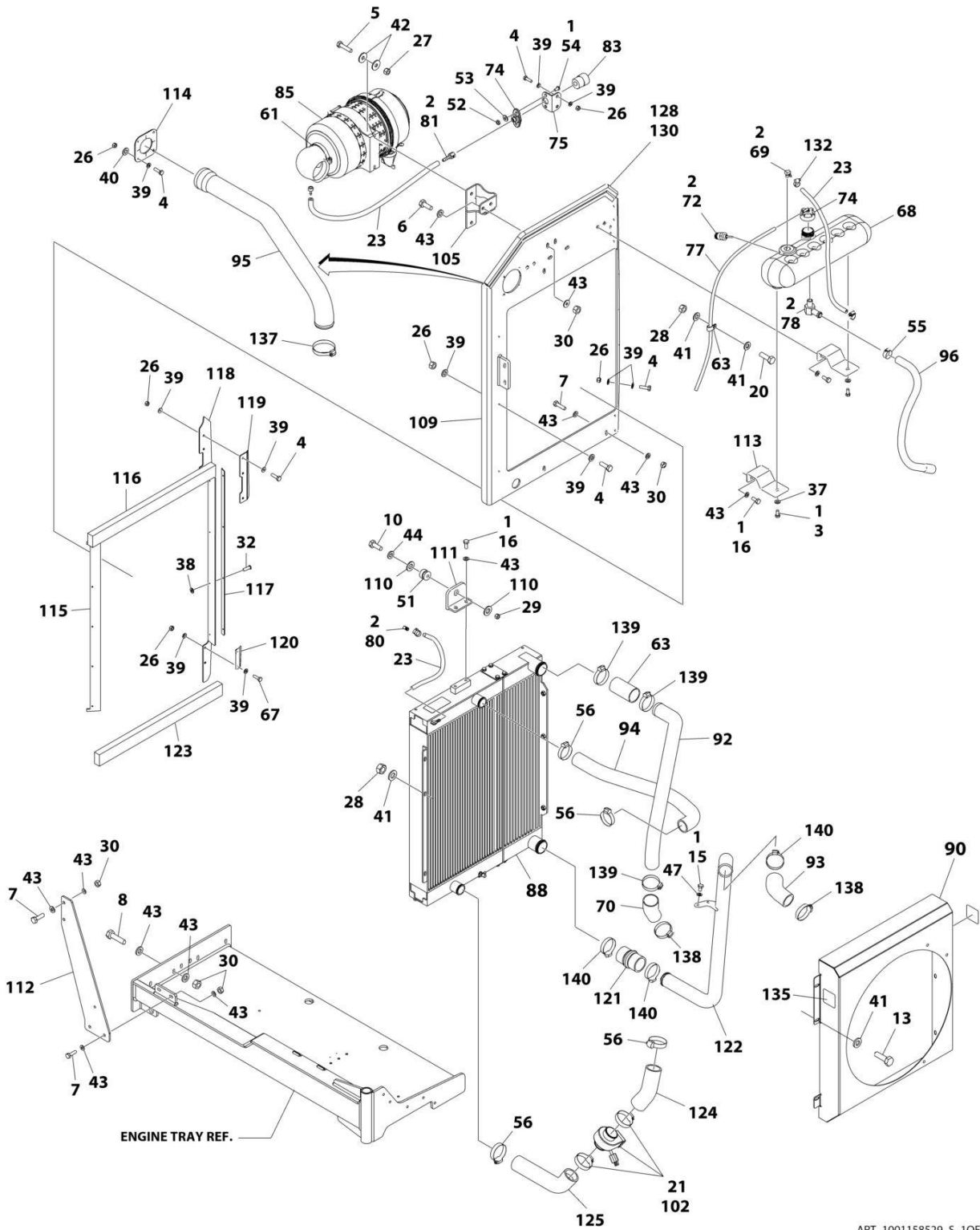
## SECTION 3 - ENGINE

**FIGURE 3-12. ENGINE ASSEMBLY WITH PUMPS (LRC) (WITH COLD WEATHER PACKAGE)**

ITEM	PART NUMBER	QTY	DESCRIPTION	REV
	1001199587	Ref	ENGINE ASSEMBLY WITH PUMPS (LRC) (WITH COLD WEATHER PACKAGE)	J
1	0100011	AR	Compound, Locking	
2	0100035	AR	Compound, Locking	
3	0641608	2	Bolt 3/8 x 1	
4	0641812	2	Bolt 1/2 x 1-1/2	
5	0700510	1	Bolt M5 x 20	
6	0760610	2	Bolt M6 x 20	
8	0761015	2	Bolt M10 x 35	
9	0761216	2	Bolt 12 x 40	
10	1320041	1	Clamp	
11	1320136	1	Clamp	
13	3290507	1	Nut M5	
14	3290607	2	Nut M6	
15	3291007	2	Nut M10	
16	3310401	3	Nut #4	
17	3790152	1	O-Ring	
18	3790155	1	O-Ring	
19	3910408	3	Screw #4 x 1/2	
20	4740171	2	Washer	
21	4750400	3	Washer #4	
22	4811600	2	Washer M5	
23	4811700	2	Washer M6	
24	4812000	2	Washer M10	
25	4891600	2	Washer 3/8	
26	4891800	2	Washer 1/2	
27	1001108616	1	Tandem Pump Assembly (See Separate Breakdown in this Section)	
28	1001199470	1	Piston Pump Assembly (See Separate Breakdown in this Section)	
29	1001112927	1	Gear Pump Assembly (See Separate Breakdown in this Section)	
30	1001149971	1	Engine Harness (See Separate Breakdown in ELECTRICAL SECTION)	
32	1001156001	1	Engine Harness Can (See Separate Breakdown in ELECTRICAL SECTION)	
33	1001156107	2	Holder, Cable	
34	1001156718	1	Seal	
35	1001206747	1	Seal	
36	1001157073	1	Cable, Alternator	
37	1001158529	1	Engine Assembly (LRC) (With Cold Weather Package) (See Separate Breakdown in this Section)	
38	0761210	1	Bolt M12 x 20	
39	4812100	1	Washer M12	
41	1001234791	1	Cable, Battery Positive	
42	1001202355	1	Cable, Battery Negative	
44	1001168734	1	Cable, Glow Plug	
45	1001222918	1	Cable, System B+	

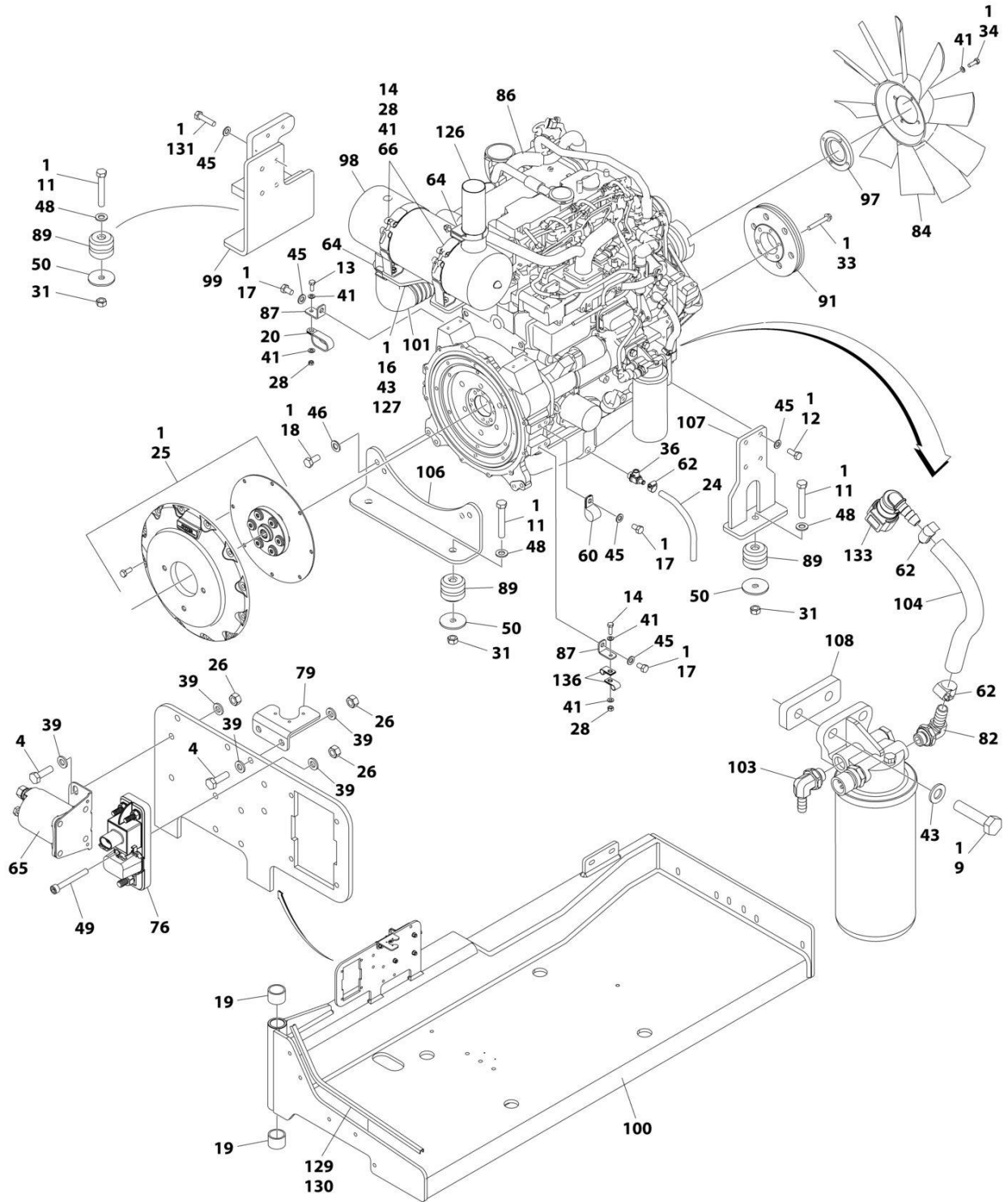
# SECTION 3 - ENGINE

## FIGURE 3-13. ENGINE ASSEMBLY (LRC) (WITH COLD WEATHER PACKAGE)



ART\_1001158529\_S\_10F2

# SECTION 3 - ENGINE



ART\_1001158529\_S\_20F2

## SECTION 3 - ENGINE

**FIGURE 3-13. ENGINE ASSEMBLY (LRC) (WITH COLD WEATHER PACKAGE)**

ITEM	PART NUMBER	QTY	DESCRIPTION	REV
	1001158529	Ref	DEUTZ LRC ENGINE ASSEMBLY - WITH COLD WEATHER PKG	T
1	0100011	AR	Compound, Locking	
2	0100020	AR	Sealant	
3	0641606	2	Bolt 3/8 x 3/4	
4	0700612	20	Bolt M6 x 25	
5	0700815	2	Bolt M8 x 35	
6	0701013	2	Bolt M10 x 28	
7	0701015	6	Bolt M10 x 35	
8	0701016	2	Bolt M10 x 40	
9	0701017	2	Bolt M10 x 45	
10	0701019	1	Bolt M10 x 55	
11	0701627	4	Bolt M16 x 100	
12	0711214	4	Bolt M12 x 30 Grade 10.9	
13	0760810	5	Bolt M8 x 20	
14	0760812	7	Bolt M8 x 25	
15	0761008	2	Bolt M10 x 16	
16	0761012	10	Bolt M10 x 25	
17	0761210	3	Bolt M12 x 20	
18	0771415	4	Bolt M14 x 35 Grade 10.9	
19	0961951	2	Bushing	
20	1321716	1	Clamp	
21	1702942	1	Decal - Engine Block Heater	
23	2720015	5 ft/1.5m	Hose	
24	1001165035	1 ft/30.5m	Hose	
25	2902065	1	Pump Coupling Kit (See Separate Breakdown in this Section)	
26	3290607	23	Nut M6	
27	3290805	2	Nut M8	
28	3290807	9	Nut M8	
29	3291005	1	Nut M10	
30	3291007	10	Nut M10	
31	3291601	4	Nut M16	
32	3820032	9	Rivet	
33	5251022	6	Bolt M10 x 70	
34	4031912	4	Capscrew M8 x 40	
35	4240099	AR	Tie-Strap (Not Shown)	
36	4640751	1	Valve, Oil Drain	
37	4711600	2	Washer 3/8	
38	4811600	4	Washer M5	
39	4811700	41	Washer M6	
40	4811702	4	Washer M6	
41	4811900	25	Washer M8	
42	4811902	4	Washer M8	
43	4812000	34	Washer M10	
44	4812002	1	Washer M10	
45	4812100	11	Washer M12	
46	4812200	4	Washer M14	
47	5241000	2	Washer M10	
48	5241600	4	Washer M16	
49	5271614	1	Capscrew M16 x 50	
50	7300435	4	Washer	



## SECTION 3 - ENGINE

ITEM	PART NUMBER	QTY	DESCRIPTION	REV
51	8278020	1	Mount	
52	8305401	2	Nut 1/4	
53	8307109	2	Washer 1/4	
54	8310548	2	Screw 1/4 x 1/2	
55	8405007	2	Clamp	
56	8405104	4	Clamp	
59	8406109	2	Clamp	
60	8406303	1	Clip	
61	8410011	1	Clamp	
62	8410013	3	Clamp	
63	91563070	1	Coupling, Rubber	
64	1001111116	2	Clamp	
65	1001117308	1	Relay	
66	1001119727	2	Clamp	
67	0760614	2	Bolt M6 x 30	
68	1001166393	1	Tank	
69	1001134488	1	Fitting, 90 NPT/Barbed	
70	1001135943	1	Coupling	
72	1001138827	1	Sensor	
73	1001136834	1	Cap	
74	1001138173	1	Support	
75	1001138175	1	Bracket	
76	1001138228	1	Module, Relay	
76	70023592	1	Fuse 20Amp	
76	70023593	1	Fuse 30Amp	
77	1001138248	5 ft/1.5m	Tubing	
78	1001138559	1	Fitting, 90 NPT	
79	1001139240	1	Bracket	
80	1001140564	1	Fitting, 90 NPT/Barbed	
81	1001141995	1	Fitting, Straight NPT/Barbed	
82	1001142501	1	Fitting, 90 NPT/Barbed	
83	1001143390	1	Indicator, Air Restriction	
84	1001177137	1	Fan	
85	1001147847	1	Filter, Air	
85	70023809	1	Element, Primary	
85	70023872	1	Element, Secondary	
85	70024328	1	Elbow, Rubber	
85	70024329	1	Clamp, Mounting	
86	1001251857	1	Deutz LRC Engine Components (See Separate Breakdown in this Section)	
87	1001148641	2	Bracket	
88	1001256862	1	Radiator	
89	1001149517	4	Mount, Motor	
90	1001192138	1	Shroud	
91	1001149746	1	Pulley	
92	1001150498	1	Tube	
93	1001150499	1	Hose	
94	1001191122	1	Hose	
95	1001150505	1	Pipe	
96	1001150553	1	Hose	
97	1001177134	1	Adapter	
98	1001151432	1	Muffler	

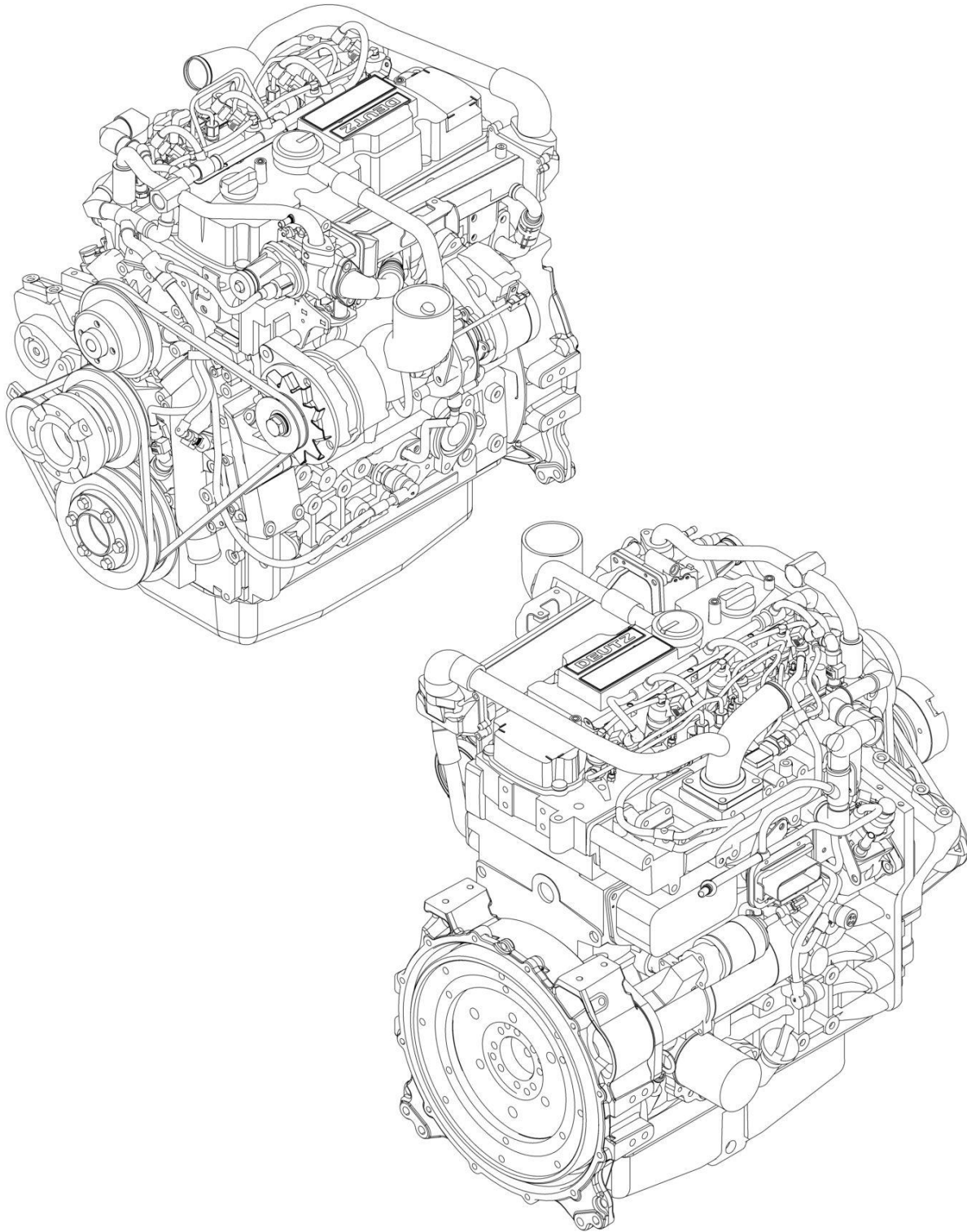
## SECTION 3 - ENGINE

ITEM	PART NUMBER	QTY	DESCRIPTION	REV
99	1001151491	1	Support	
100	1001151749	1	Tray	
101	1001151761	1	Pipe, Exhaust	
102	1001152112	1	Heater, Engine Block	
103	1001152489	1	Fitting, 90 Barbed	
104	1001154405	8.5 in /21cm	Hose	
105	1001155023	1	Plate	
106	1001155496	1	Support	
107	1001160518	1	Support	
108	1001155498	1	Plate	
109	1001155525	1	Support	
110	1001155540	2	Washer	
111	1001157862	1	Bracket	
112	1001212817	1	Plate	
113	1001155557	2	Plate	
114	1001155563	1	Seal	
115	1001155564	1	Bracket	
116	1001155565	1	Seal	
117	1001155566	1	Bracket	
118	1001156034	1	Seal	
119	1001156035	1	Bracket	
120	1001156062	1	Bracket	
121	1001156091	1	Hose	
122	1001156112	1	Tube	
123	1001156644	2	Seal	
124	1001157300	1	Hose, Lower Radiator (Top Section)	
125	1001157301	1	Hose, Lower Radiator (Bottom Section)	
126	1001158262	1	Pipe, Exhaust	
127	1001158289	1	Bracket	
128	1001155728	1	Seal	
129	4060807	22 in/ 55cm	Flex-Trim	
130	0100081	AR	Adhesive	
131	0711218	4	Bolt M12 x 50 Grade 10.9	
132	1320022	4	Clamp	
133	1001170982	1	Fitting, 90 SAE/Barbed	
135	1703162	2	Decal - Fan Blade	
136	8406110	2	Clip	
137	1001208297	1	Clamp	
138	1001208298	2	Clamp	
139	1001208299	3	Clamp	
140	8410012	3	Clamp	



## SECTION 3 - ENGINE

FIGURE 3-14. DEUTZ LRC ENGINE COMPONENTS



ART\_1001251857

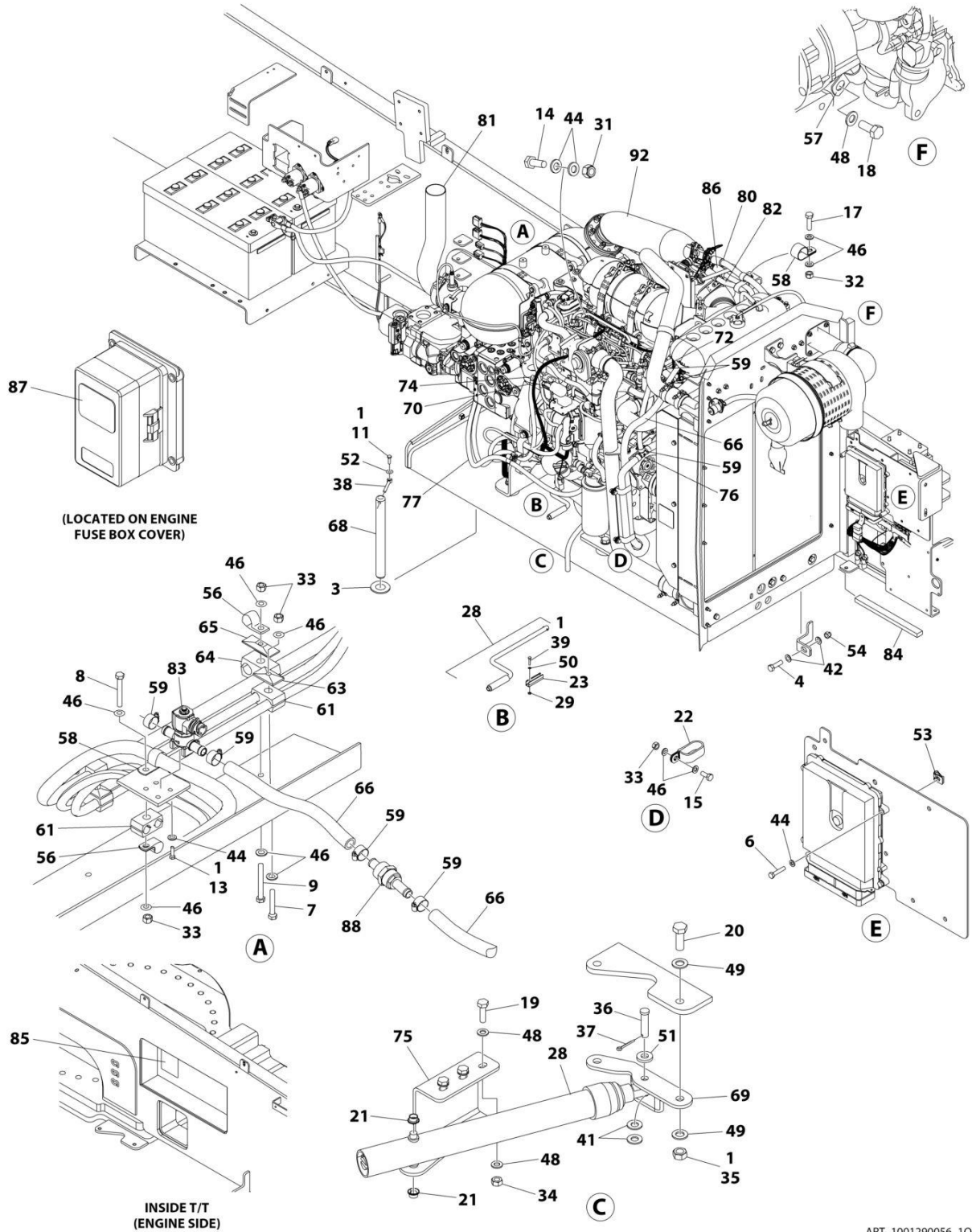
## SECTION 3 - ENGINE

**FIGURE 3-14. DEUTZ LRC ENGINE COMPONENTS**

ITEM	PART NUMBER	QTY	DESCRIPTION	REV
	1001251857	Ref	DEUTZ ENGINE COMPONENTS	A
		Ref	Note: For complete list of parts, contact JLG Parts Department	
		Ref	Air Intake System Components	
	70004518	1	Turbocharger	
		Ref	Cooling System Components	
	70004515	1	Pump, Coolant	
		Ref	Electrical System Components	
	70024472	1	Module, ECU/ECM	
	70029401	1	Generator (Includes Regulator & Fan)	
	70006653	1	Regulator	
	70004520	1	Starter (Includes Solenoid)	
	70025780	1	Relay	
	70005564	1	Harness, Engine	
	70026210	1	Sender, Tacho-Generator (Speed) (On Front Cover) (Includes Seal)	
	70028540	1	Sender, Temperature (On Thermostat Housing)	
	70024507	1	Sensor, Pressure (Includes Seal) (On Air Intake Manifold)	
	70024504	1	Sensor, Pressure (Includes Seal) (On Block)	
	70024474	4	Plug, Glow	
		Ref	Exhaust System Components	
	70027569	1	Valve, EGR	
		Ref	Fuel System Components	
	70024487	1	Pump, Fuel Injector	
	70024485	4	Injector (Includes Seal, Clamp & O-Ring)	
	70006144	1	Pump, Fuel Supply (Includes Clamps)	
	70025153	1	Filter, Fuel (Pre-Filter)	
	70004512	1	Filter, Fuel	
		Ref	Lubricating System Components	
	70025745	1	Dipstick	
	7020465	2	Cap, Oil Fill	
	70025088	1	Plug, Oil Drain	
	7020404	2	Seal, Oil Drain Plug	
		Ref	Pump, Oil (Includes Bolts & Bushing)	
	7016331	1	Filter, Oil	
	70024494	1	Cooler, Oil	
		Ref	Mechanical Components	
	70004517	1	V-Belt	
	70004519	1	V-Belt	
	70024481	1	Gasket, Valve Cover	
	70025789	1	Gasket, Head	

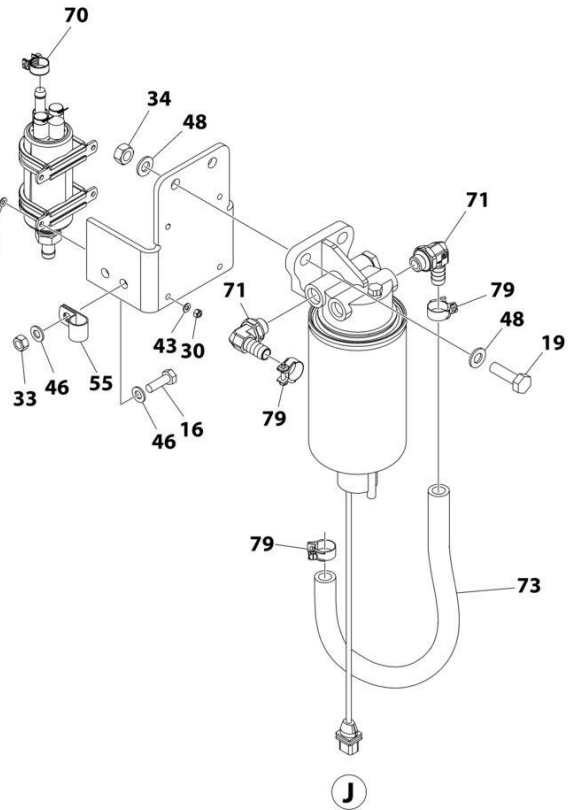
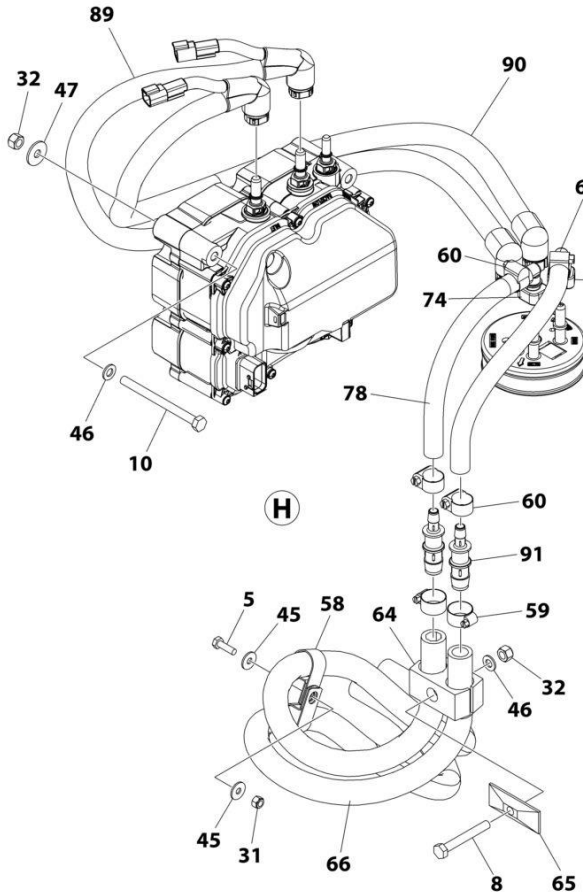
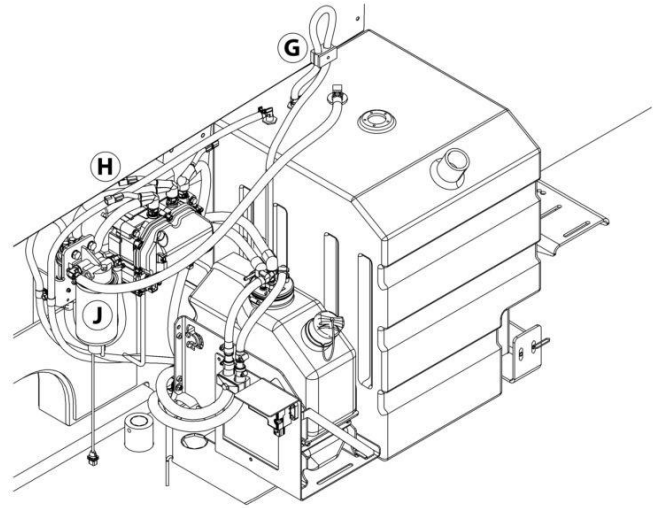
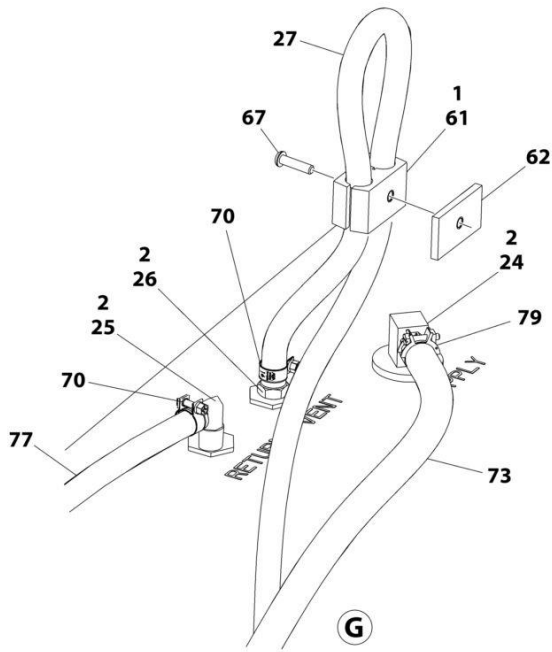
# SECTION 3 - ENGINE

FIGURE 3-15. ENGINE INSTALLATION EMR5 (HRC) (WITH COLD WEATHER PACKAGE)



ART\_1001290056\_1OF2

# SECTION 3 - ENGINE



ART\_1001290056\_20F2

## SECTION 3 - ENGINE

**FIGURE 3-15. ENGINE INSTALLATION EMR5 (HRC) (WITH COLD WEATHER PACKAGE)**

ITEM	PART NUMBER	QTY	DESCRIPTION	REV
	1001290056	Ref	ENGINE INSTALLATION EMR5 (HRC) (WITH COLD WEATHER PACKAGE)	A
1	0100011	AR	Compound, Locking	
2	0100020	AR	Sealant	
3	0440162	1	Bearing	
4	0642220	1	Bolt 3/4 x 2-1/2	
5	0700610	1	Bolt M6 x 20	
6	0700614	4	Bolt M6 x 30	
7	0700818	2	Bolt M8 x 50	
8	0700820	2	Bolt M8 x 60	
9	0700822	2	Bolt M8 x 70	
10	0700827	3	Bolt M8 x 100	
11	0711015	1	Bolt M10 x 35	
12	0760408	4	Bolt M4 x 16	
13	0760606	4	Bolt M6 x 12	
14	0760608	1	Bolt M6 x 16	
15	0760810	3	Bolt M8 x 20	
16	0760812	2	Bolt M8 x 25	
17	0760814	1	Bolt M8 x 30	
18	0761009	1	Bolt M10 x 18	
19	0761015	5	Bolt M10 x 35	
20	0771416	2	Bolt M14 x 40	
21	0962051	2	Bearing	
22	1321716	3	Clamp	
23	1380147	1	Clip	
24	2180832	1	Fitting, Straight Barbed/NPTF	
25	2220313	1	Fitting, 90 Barbed/NPTF	
26	2221114	1	Fitting, Straight Barbed/NPT	
27	2750532	4 ft/1.2 m	Hose	
28	2840016	1	Tray Jack Assembly	
28	7016322	1	Wiper (Burr Brand)	
28	7016374	1	Handle (Burr Brand)	
28	7024598	1	Handle (Hammerblow Brand)	
29	3290301	2	Nut M3	
30	3290405	4	Nut M4	
31	3290605	2	Nut M6	
32	3290805	6	Nut M8	
33	3290807	9	Nut M8	
34	3291007	5	Nut M10	
35	3331411	2	Nut M14	
36	3430816	1	Pin	
37	3450404	1	Pin, Cotter	
38	3841143	1	Keeper, Pin	
39	4010308	2	Screw M3 x 16	
40	4240099	AR	Tie-Strap (Not Shown)	
41	4711800	2	Washer 1/2	
42	4712200	2	Washer 3/4	
43	4811400	8	Washer M4	
44	4811700	10	Washer M6	
45	4811702	2	Washer M6	

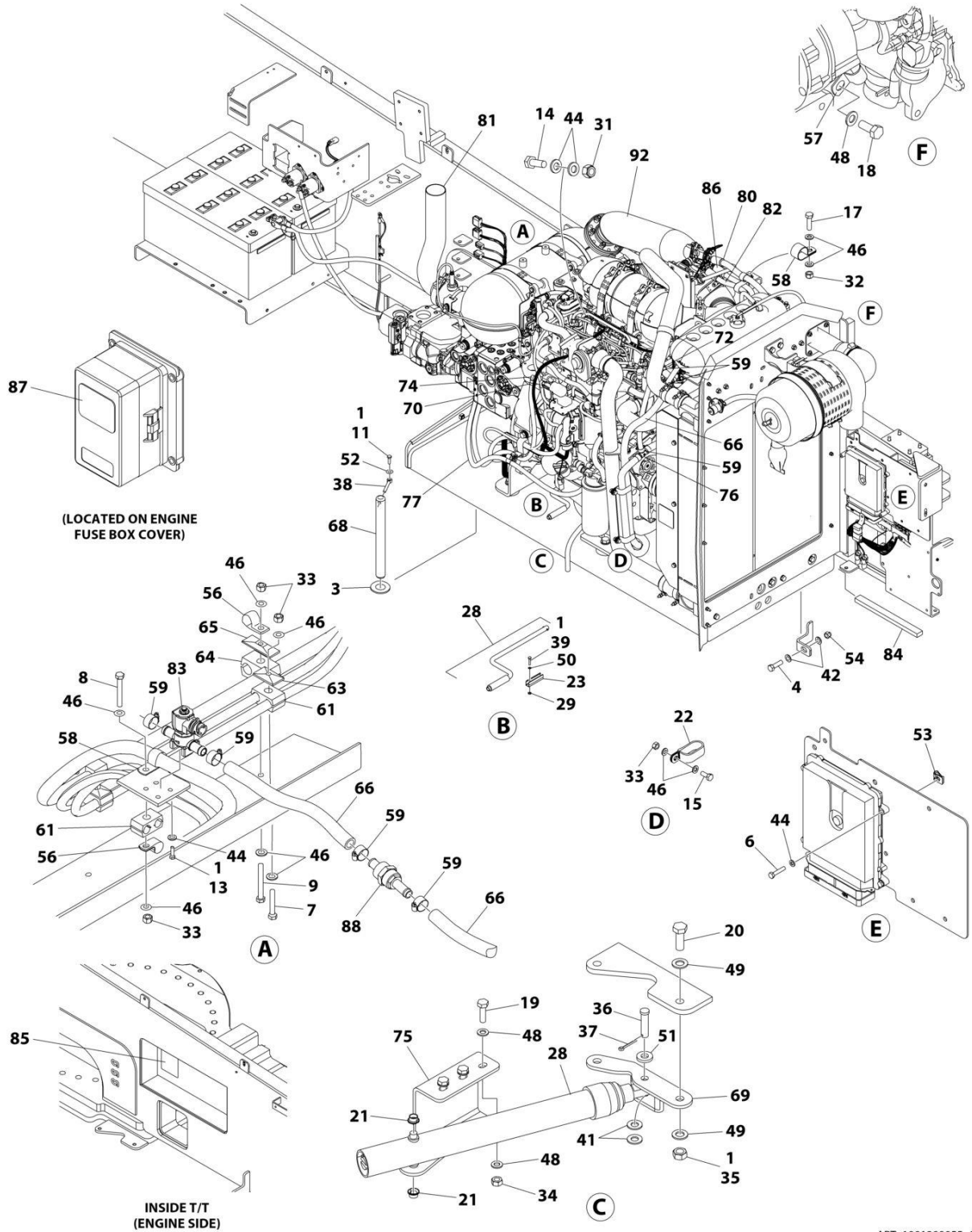


## SECTION 3 - ENGINE

ITEM	PART NUMBER	QTY	DESCRIPTION	REV
46	4811900	26	Washer M8	
47	4811902	3	Washer M8	
48	4812000	11	Washer M10	
49	4812200	4	Washer M14	
50	4871200	2	Washer M3	
51	4891800	1	Washer 1/2	
52	5241000	1	Washer M10	
53	8305919	4	Nut, Tinnerman M6	
54	8310067	1	Nut 3/4	
55	8406101	2	Clip	
56	8406102	3	Clip	
57	8406105	1	Clip	
58	8406201	6	Clip	
59	8410009	14	Clamp	
60	8410013	4	Clamp	
61	8750014	4	Clamp	
62	8750031	1	Plate, Clamp	
63	8769123	2	Cover, Clamp	
64	8769127	3	Cover, Clamp	
65	77133137	3	Cover, Clamp	
66	82033995	31 ft/9.5 m	Hose	
67	1001101580	1	Screw M8 x 30	
68	1001135196	1	Pin	
69	1001135497	1	Support	
70	1001136975	5	Clamp	
71	1001142501	2	Fitting, 90 Barbed	
72	1001154262	2	Fitting, Straight Barbed	
73	1001154405	4 ft/1.3 m	Hose	
74	1001155823	3	Coupling, 90 Quick Connect	
75	1001155939	1	Mount	
76	1001162212	2	Fitting, Tee Barbed	
77	1001165035	31 ft/9.4 m	Hose	
78	1001181625	2 ft/0.6 m	Hose	
79	1001186342	4	Clip	
80	1001187518	1	Hose	
81	1001190475	1	Pipe, Exhaust	
82	1001193980	1	Hose	
83	1001199670	1	Valve, Flow	
84	1001206747	1	Seal	
85	1001212056	1	Decal - Engine Fuse Box	
86	1001212825	1	Hose	
87	1001224046	1	Decal - Engine Fuse Box Cover	
88	1001228872	1	Filter, Coolant Screen	
89	1001238401	1	Hose	
90	1001238402	1	Hose	
91	1001238470	2	Fitting, Reducer Barbed	
92	1001290052	1	Engine Assembly with Pumps (See Separate Breakdown in this Section)	

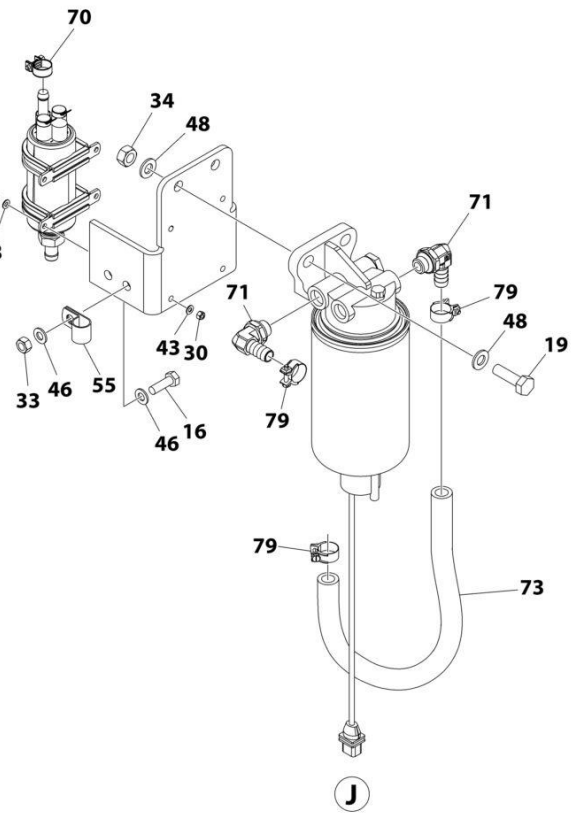
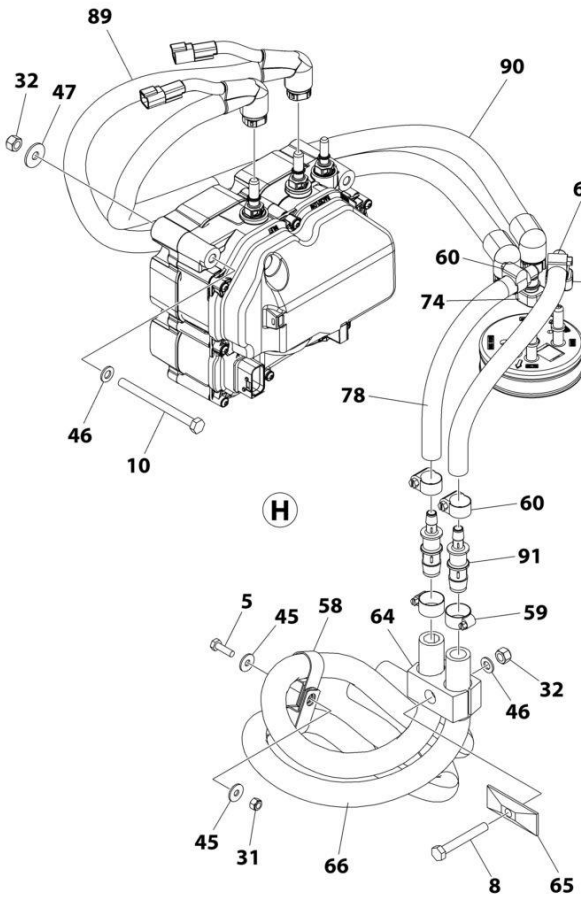
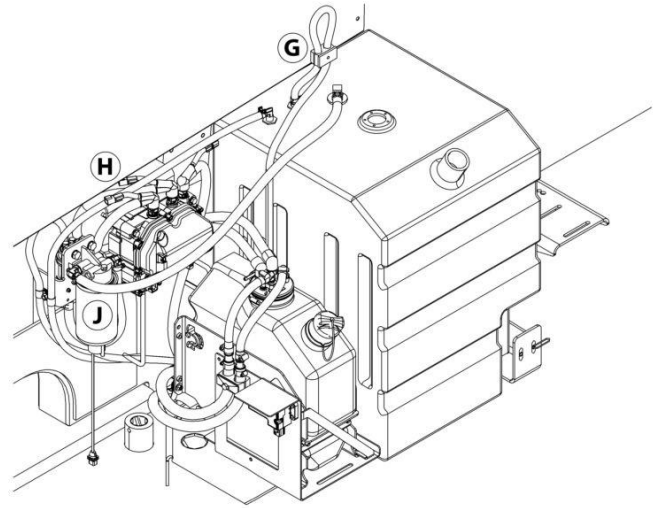
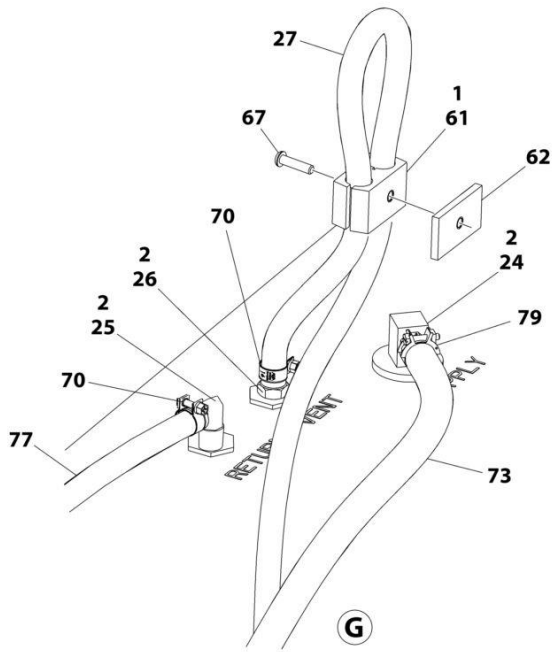
# SECTION 3 - ENGINE

FIGURE 3-16. ENGINE INSTALLATION EMR5 (HRC) (WITHOUT COLD WEATHER PACKAGE)



ART\_1001290055\_10F2

# SECTION 3 - ENGINE



ART\_1001290055\_20F2

## SECTION 3 - ENGINE

FIGURE 3-16. ENGINE INSTALLATION EMR5 (HRC) (WITHOUT COLD WEATHER PACKAGE)

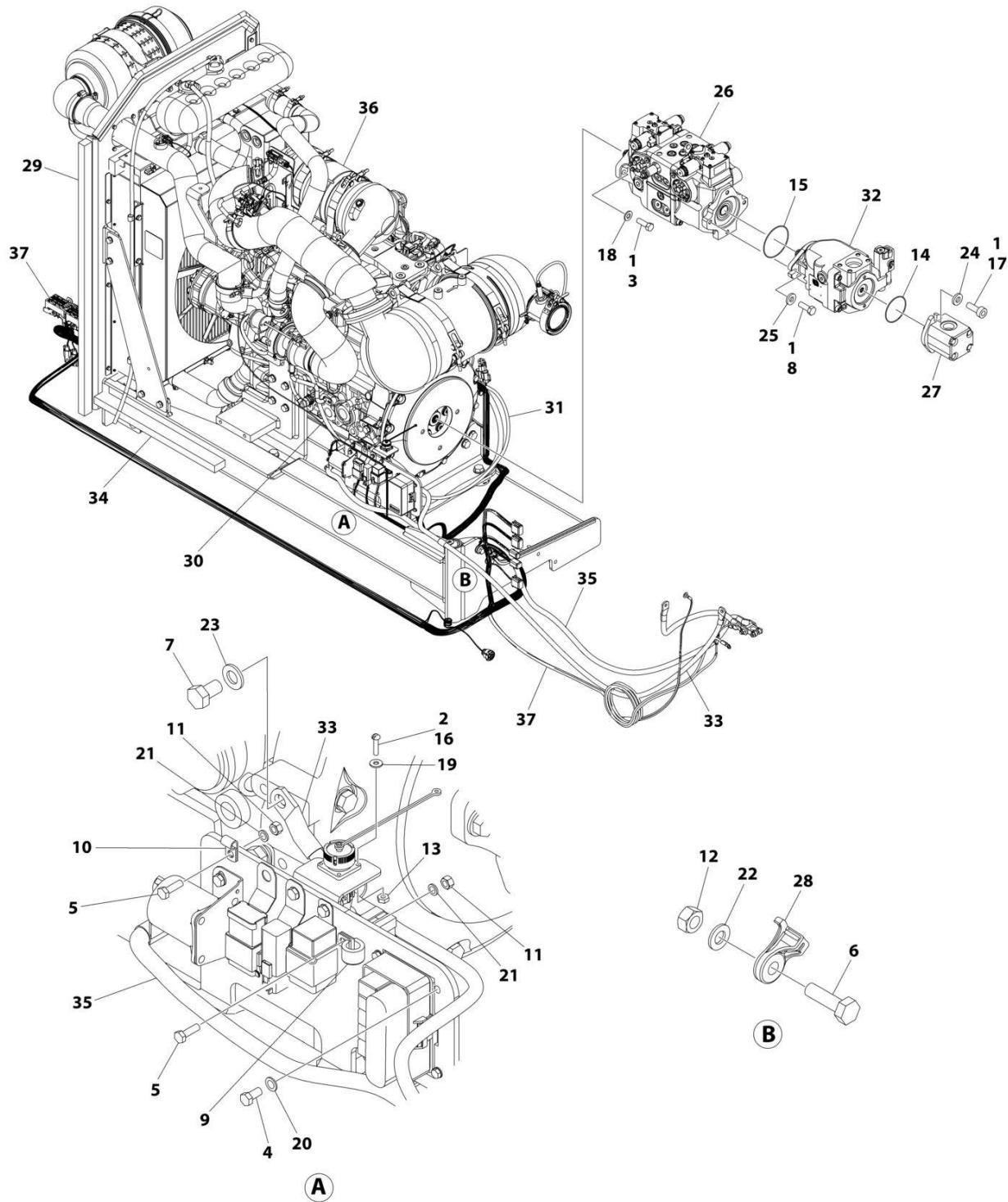
ITEM	PART NUMBER	QTY	DESCRIPTION	REV
	1001290055	Ref	ENGINE INSTALLATION EMR5 (HRC) (WITHOUT COLD WEATHER PACKAGE)	A
1	0100011	AR	Compound, Locking	
2	0100020	AR	Sealant	
3	0440162	1	Bearing	
4	0642220	1	Bolt 3/4 x 2-1/2	
5	0700610	1	Bolt M6 x 20	
6	0700614	4	Bolt M6 x 30	
7	0700818	2	Bolt M8 x 50	
8	0700820	2	Bolt M8 x 60	
9	0700822	2	Bolt M8 x 70	
10	0700827	3	Bolt M8 x 100	
11	0711015	1	Bolt M10 x 35	
12	0760408	4	Bolt M4 x 16	
13	0760606	4	Bolt M6 x 12	
14	0760608	1	Bolt M6 x 16	
15	0760810	3	Bolt M8 x 20	
16	0760812	2	Bolt M8 x 25	
17	0760814	1	Bolt M8 x 30	
18	0761009	1	Bolt M10 x 18	
19	0761015	5	Bolt M10 x 35	
20	0771416	2	Bolt M14 x 40	
21	0962051	2	Bearing	
22	1321716	3	Clamp	
23	1380147	1	Clip	
24	2180832	1	Fitting, Straight Barbed/NPTF	
25	2220313	1	Fitting, 90 Barbed/NPTF	
26	2221114	1	Fitting, Straight Barbed/NPT	
27	2750532	4 ft/1.2 m	Hose	
28	2840016	1	Tray Jack Assembly	
28	7016322	1	Wiper (Burr Brand)	
28	7016374	1	Handle (Burr Brand)	
28	7024598	1	Handle (Hammerblow Brand)	
29	3290301	2	Nut M3	
30	3290405	4	Nut M4	
31	3290605	2	Nut M6	
32	3290805	6	Nut M8	
33	3290807	9	Nut M8	
34	3291007	5	Nut M10	
35	3331411	2	Nut M14	
36	3430816	1	Pin	
37	3450404	1	Pin, Cotter	
38	3841143	1	Keeper, Pin	
39	4010308	2	Screw M3 x 16	
40	4240099	AR	Tie-Strap (Not Shown)	
41	4711800	2	Washer 1/2	
42	4712200	2	Washer 3/4	
43	4811400	8	Washer M4	
44	4811700	10	Washer M6	
45	4811702	2	Washer M6	

## SECTION 3 - ENGINE

ITEM	PART NUMBER	QTY	DESCRIPTION	REV
46	4811900	26	Washer M8	
47	4811902	3	Washer M8	
48	4812000	11	Washer M10	
49	4812200	4	Washer M14	
50	4871200	2	Washer M3	
51	4891800	1	Washer 1/2	
52	5241000	1	Washer M10	
53	8305919	4	Nut, Tinnerman M6	
54	8310067	1	Nut 3/4	
55	8406101	2	Clip	
56	8406102	3	Clip	
57	8406105	1	Clip	
58	8406201	6	Clip	
59	8410009	14	Clamp	
60	8410013	4	Clamp	
61	8750014	4	Clamp	
62	8750031	1	Plate, Clamp	
63	8769123	2	Cover, Clamp	
64	8769127	3	Cover, Clamp	
65	77133137	3	Cover, Clamp	
66	82033995	31 ft/9.5 m	Hose	
67	1001101580	1	Screw M8 x 30	
68	1001135196	1	Pin	
69	1001135497	1	Support	
70	1001136975	5	Clamp	
71	1001142501	2	Fitting, 90 Barbed	
72	1001154262	2	Fitting, Straight Barbed	
73	1001154405	4 ft/1.3 m	Hose	
74	1001155823	3	Coupling, 90 Quick Connect	
75	1001155939	1	Mount	
76	1001162212	2	Fitting, Tee Barbed	
77	1001165035	31 ft/9.4 m	Hose	
78	1001181625	2 ft/0.6 m	Hose	
79	1001186342	4	Clip	
80	1001187518	1	Hose	
81	1001190475	1	Pipe, Exhaust	
82	1001193980	1	Hose, Return	
83	1001199670	1	Valve, Flow	
84	1001206747	1	Seal	
85	1001212056	1	Decal - Engine Fuse Box	
86	1001212825	1	Hose	
87	1001224046	1	Decal - Engine Fuse Box Cover	
88	1001228872	1	Filter, Coolant Screen	
89	1001238401	1	Hose	
90	1001238402	1	Hose	
91	1001238470	2	Fitting, Reducer Barbed	
92	1001290051	1	Engine Assembly with Pumps (See Separate Breakdown in this Section)	

# SECTION 3 - ENGINE

## FIGURE 3-17. ENGINE ASSEMBLY WITH PUMPS EMR5 (HRC) (WITH COLD WEATHER PACKAGE)



ART\_1001290052

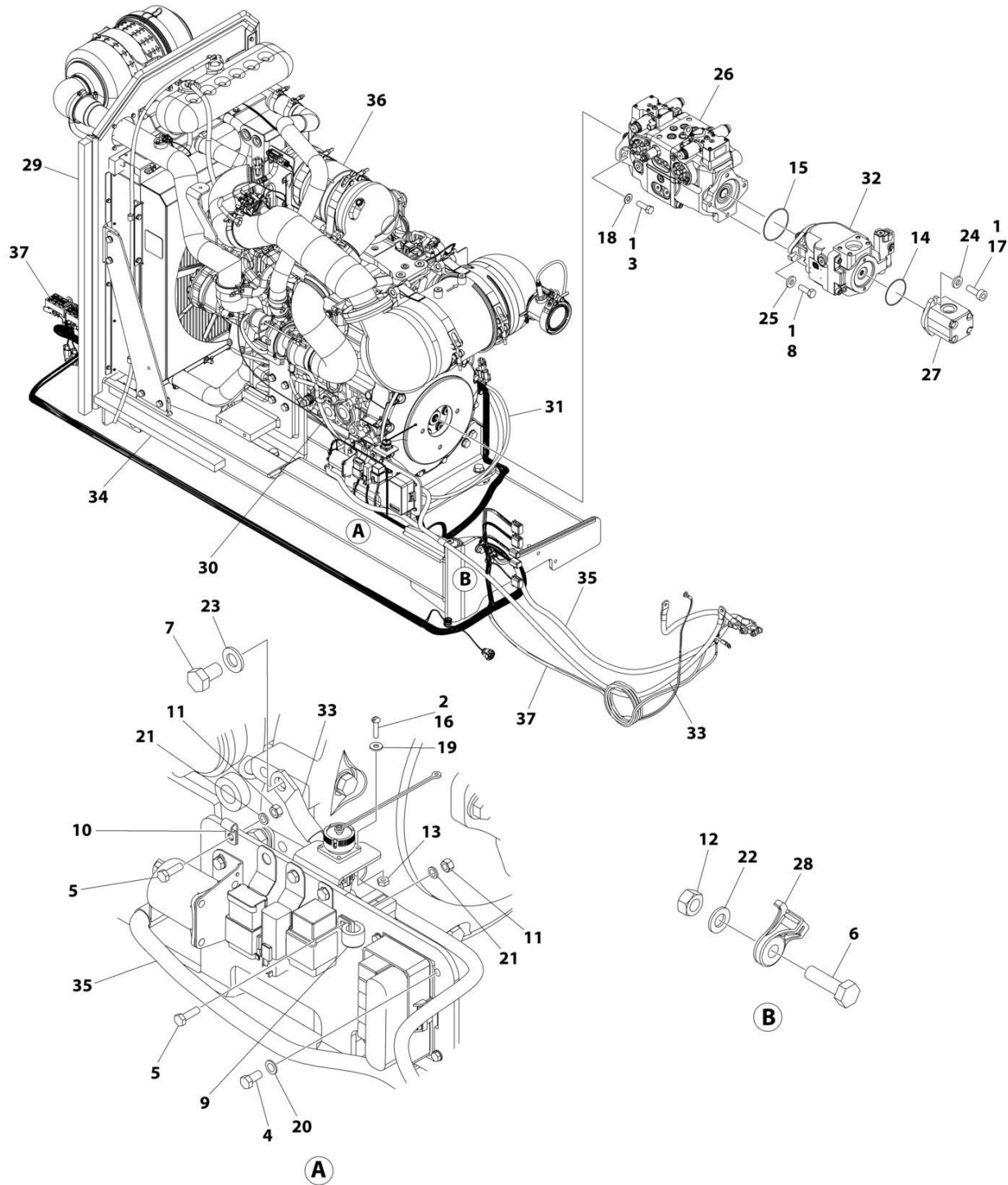
## SECTION 3 - ENGINE

**FIGURE 3-17. ENGINE ASSEMBLY WITH PUMPS EMR5 (HRC) (WITH COLD WEATHER PACKAGE)**

ITEM	PART NUMBER	QTY	DESCRIPTION	REV
	1001290052	Ref	ENGINE ASSEMBLY WITH PUMPS EMR5 (HRC) (WITH COLD WEATHER PACKAGE)	A
1	0100011	AR	Compound, Locking	
2	0100035	AR	Compound, Locking	
3	0641812	2	Bolt 1/2 x 1-1/2	
4	0760508	4	Bolt M5 x 16	
5	0760610	2	Bolt M6 x 20	
6	0761015	2	Bolt M10 x 35	
7	0761210	1	Bolt M12 x 20	
8	0761216	2	Bolt M12 x 40	
9	1320041	1	Clamp	
10	1320136	1	Clamp	
11	3290607	2	Nut M6	
12	3291007	2	Nut M10	
13	3310401	3	Nut #4	
14	3790152	1	O-Ring	
15	3790155	1	O-Ring	
16	3910408	3	Screw #4 x 1/2	
17	3931620	2	Capscrew 3/8 x 1-1/4	
18	4740171	2	Washer	
19	4750400	3	Washer #4	
20	4811600	4	Washer M5	
21	4811700	2	Washer M6	
22	4812000	2	Washer M10	
23	4812100	1	Washer M12	
24	4891600	2	Washer 3/8	
25	4891800	2	Washer 1/2	
26	1001108616	1	Tandem Pump Assembly (See Separate Breakdown in this Section)	
27	1001112927	1	Gear Pump Assembly (See Separate Breakdown in this Section)	
28	1001156107	2	Holder, Cable	
29	1001156718	1	Seal	
30	1001157073	1	Cable, Alternator	
31	1001197445	1	Cable, Glow Plug	
32	1001199470	1	Piston Pump Assembly (See Separate Breakdown in this Section)	
33	1001202355	1	Cable, Battery Negative	
34	1001206747	1	Seal	
35	1001234791	1	Cable, Battery Positive	
36	1001290076	1	Engine Assembly (HRC) (See Separate Breakdown in this Section)	
37	1001291589	1	Engine Harness (See Separate Breakdown in ELECTRICAL Section)	

# SECTION 3 - ENGINE

## FIGURE 3-18. ENGINE ASSEMBLY WITH PUMPS EMR5 (HRC) (WITHOUT COLD WEATHER PACKAGE)



ART\_1001290051



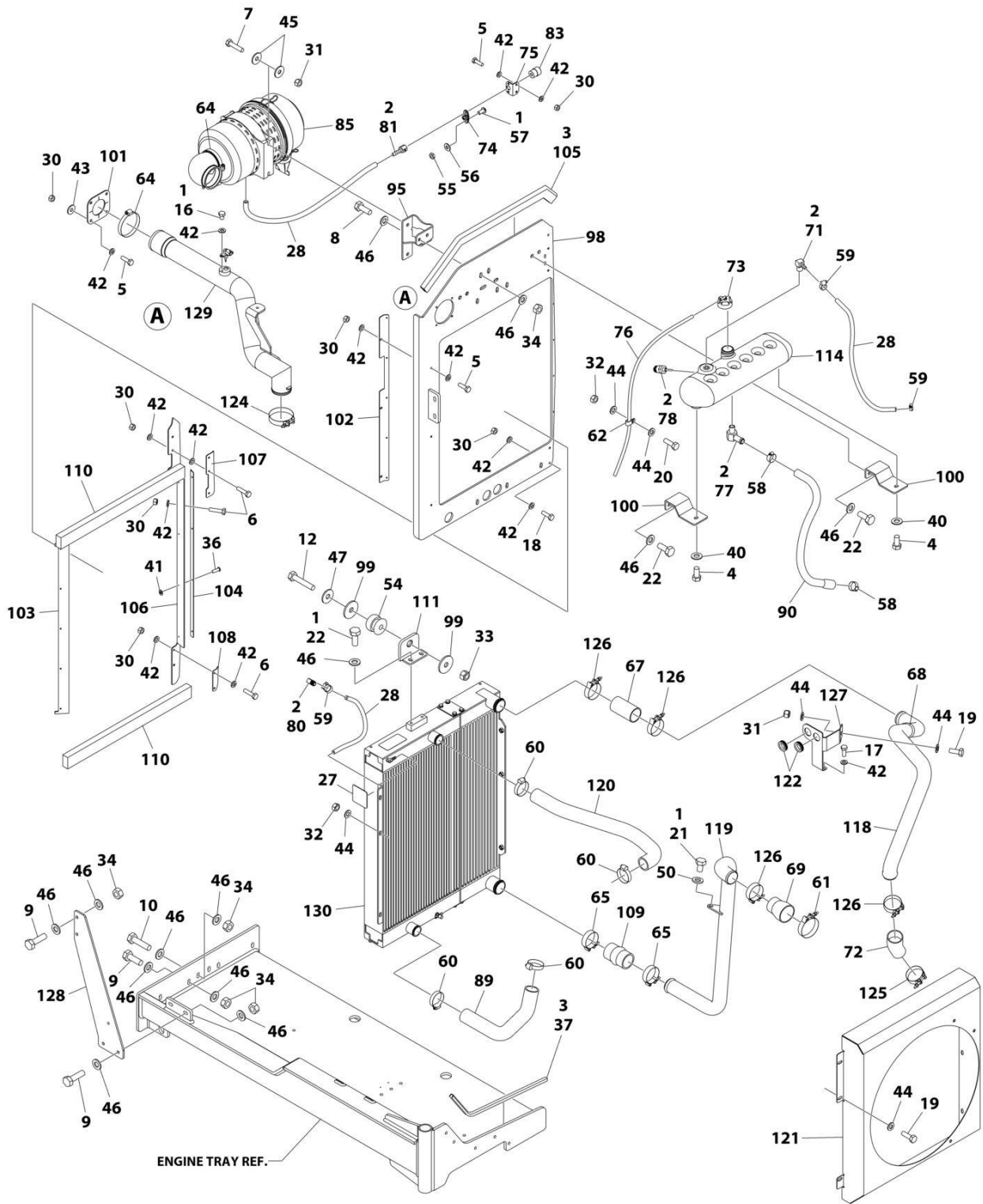
## SECTION 3 - ENGINE

**FIGURE 3-18. ENGINE ASSEMBLY WITH PUMPS EMR5 (HRC) (WITHOUT COLD WEATHER PACKAGE)**

ITEM	PART NUMBER	QTY	DESCRIPTION	REV
	1001290051	Ref	ENGINE ASSEMBLY WITH PUMPS EMR5 (HRC) (WITHOUT COLD WEATHER PACKAGE)	A
1	0100011	AR	Compound, Locking	
2	0100035	AR	Compound, Locking	
3	0641812	2	Bolt 1/2 x 1-1/2	
4	0760508	4	Bolt M5 x 16	
5	0760610	2	Bolt M6 x 20	
6	0761015	2	Bolt M10 x 35	
7	0761210	1	Bolt M12 x 20	
8	0761216	2	Bolt M12 x 40	
9	1320041	1	Clamp	
10	1320136	1	Clamp	
11	3290607	2	Nut M6	
12	3291007	2	Nut M10	
13	3310401	3	Nut #4	
14	3790152	1	O-Ring	
15	3790155	1	O-Ring	
16	3910408	3	Screw #4 x 1/2	
17	3931620	2	Capscrew 3/8 x 1-1/4	
18	4740171	2	Washer	
19	4750400	3	Washer #4	
20	4811600	4	Washer M5	
21	4811700	2	Washer M6	
22	4812000	2	Washer M10	
23	4812100	1	Washer M12	
24	4891600	2	Washer 3/8	
25	4891800	2	Washer 1/2	
26	1001108616	1	Tandem Pump Assembly (See Separate Breakdown in this Section)	
27	1001112927	1	Gear Pump Assembly (See Separate Breakdown in this Section)	
28	1001156107	2	Holder, Cable	
29	1001156718	1	Seal	
30	1001157073	1	Cable, Alternator	
31	1001197445	1	Cable, Glow Plug	
32	1001199470	1	Piston Pump Assembly (See Separate Breakdown in this Section)	
33	1001202355	1	Cable, Battery Negative	
34	1001206747	1	Seal	
35	1001234791	1	Cable, Battery Positive	
36	1001290075	1	Engine Assembly (HRC) (See Separate Breakdown in this Section)	
37	1001291589	1	Engine Harness (See Separate Breakdown in ELECTRICAL Section)	

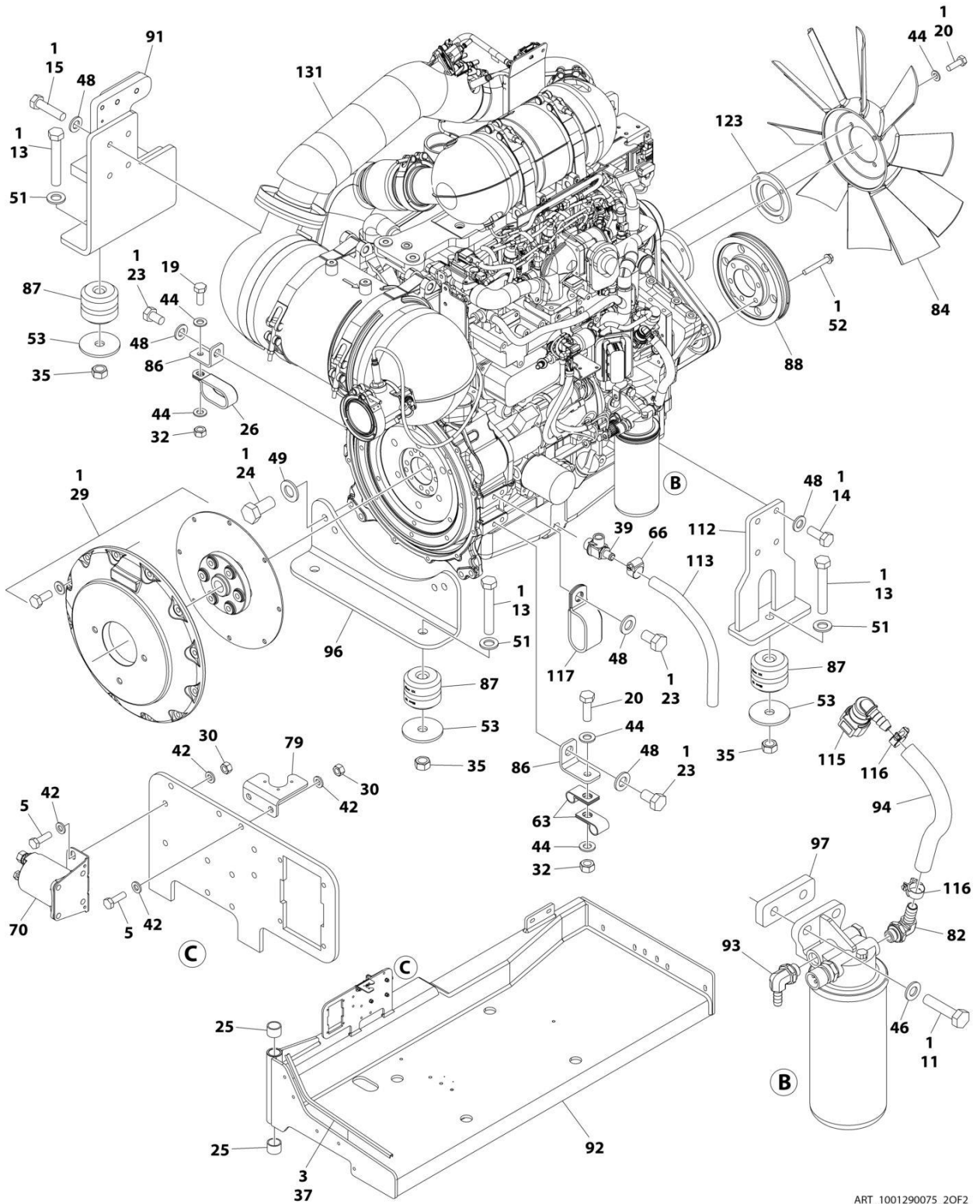
# SECTION 3 - ENGINE

## FIGURE 3-19. ENGINE ASSEMBLY EMR5 (HRC) (WITHOUT COLD WEATHER PACKAGE)



ART\_1001290075\_1OF2

# SECTION 3 - ENGINE



ART\_1001290075\_20F2

## SECTION 3 - ENGINE

**FIGURE 3-19. ENGINE ASSEMBLY EMR5 (HRC) (WITHOUT COLD WEATHER PACKAGE)**

ITEM	PART NUMBER	QTY	DESCRIPTION	REV
	1001290075	Ref	ENGINE ASSEMBLY EMR5 (HRC) (WITHOUT COLD WEATHER PACKAGE)	A
1	0100011	AR	Compound, Locking	
2	0100020	AR	Sealant	
3	0100081	AR	Adhesive	
4	0641606	2	Bolt 3/8 x 3/4	
5	0700610	13	Bolt M6 x 20	
6	0700612	7	Bolt M6 x 25	
7	0700815	2	Bolt M8 x 35	
8	0701013	2	Bolt M10 x 28	
9	0701015	6	Bolt M10 x 35	
10	0701016	2	Bolt M10 x 40	
11	0701017	2	Bolt M10 x 45	
12	0701019	1	Bolt M10 x 55	
13	0701627	4	Bolt M16 x 100	
14	0711214	4	Bolt M12 x 30	
15	0711218	4	Bolt M12 x 50	
16	0760604	1	Bolt M6 x 8	
17	0760608	2	Bolt M6 x 16	
18	0760614	2	Bolt M6 x 30	
19	0760810	6	Bolt M8 x 20	
20	0760812	7	Bolt M8 x 25	
21	0761008	1	Bolt M10 x 16	
22	0761012	6	Bolt M10 x 25	
23	0761210	3	Bolt M12 x 20	
24	0771415	4	Bolt M14 x 35	
25	0961951	2	Bushing	
26	1321716	1	Clamp	
27	1703162	2	Decal - Fan Blade	
28	2720015	5 ft/1.5 m	Hose	
29	2902065	1	Pump Coupling Kit (See Separate Breakdown in this Section)	
30	3290607	22	Nut M6	
31	3290805	3	Nut M8	
32	3290807	5	Nut M8	
33	3291005	1	Nut M10	
34	3291007	10	Nut M10	
35	3291601	4	Nut M16	
36	3820032	9	Rivet	
37	4060807	22 in/55 cm	Flex-Trim	
38	4240099	AR	Tie-Strap (Not Shown)	
39	4640751	1	Valve, Oil Drain	
40	4711600	2	Washer 3/8	
41	4811600	4	Washer M5	
42	4811700	43	Washer M6	
43	4811702	4	Washer M6	
44	4811900	19	Washer M8	
45	4811902	4	Washer M8	
46	4812000	30	Washer M10	
47	4812002	1	Washer M10	

## SECTION 3 - ENGINE

ITEM	PART NUMBER	QTY	DESCRIPTION	REV
48	4812100	11	Washer M12	
49	4812200	4	Washer M14	
50	5241000	1	Washer M10	
51	5241600	4	Washer M16	
52	5251022	6	Bolt M10 x 70	
53	7300435	4	Washer	
54	8278020	1	Mount	
55	8305401	2	Nut 1/4	
56	8307109	2	Washer 1/4	
57	8310548	2	Screw 1/4 x 1/2	
58	8405007	2	Clamp	
59	8405009	4	Clamp	
60	8405104	4	Clamp	
61	8405211	1	Clamp	
62	8406109	2	Clip	
63	8406110	2	Clip	
64	8410011	2	Clamp	
65	8410012	2	Clamp	
66	8410013	1	Clamp	
67	91563070	1	Coupling, Rubber	
68	1001097588	1	Clip	
69	1001117244	1	Reducer	
70	1001117308	1	Relay, 200Amp	
71	1001134488	1	Fitting, 90 Barbed	
72	1001135943	1	Coupling	
73	1001136834	1	Cap	
74	1001138173	1	Support	
75	1001138175	1	Bracket	
76	1001138248	5 ft/1.5 m	Tubing	
77	1001138559	1	Fitting, 90 NPTF/Barbed	
78	1001138827	1	Sensor	
79	1001139240	1	Bracket	
80	1001140564	1	Fitting, 90 Barbed	
81	1001141995	1	Fitting, Straight NPT/Barbed	
82	1001142501	1	Fitting, 90 Barbed	
83	1001143390	1	Indicator, Air Restriction	
84	1001147567	1	Fan	
85	1001147847	1	Filter, Air	
85	70023809	1	Element, Primary	
85	70023872	1	Element, Secondary	
85	70024328	1	Elbow, Rubber	
85	70024329	1	Clamp, Mounting	
86	1001148641	2	Bracket	
87	1001149517	4	Mount, Engine	
88	1001149746	1	Pulley	
89	1001150504	1	Hose	
90	1001150553	1	Hose	
91	1001151491	1	Support	
92	1001151749	1	Tray	
93	1001152489	1	Fitting, 90 Barbed	
94	1001154405	8 in/21 cm	Hose	

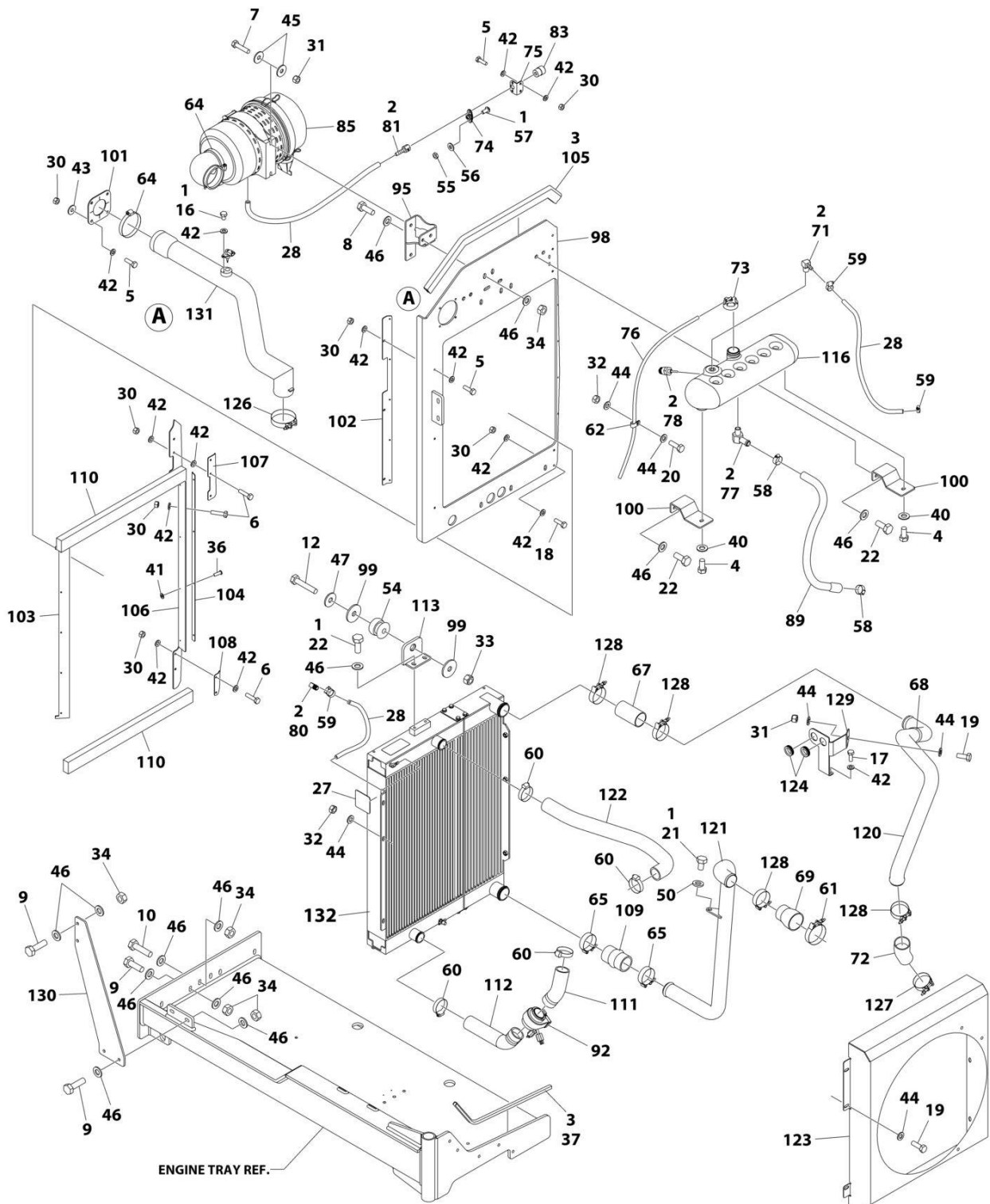
## SECTION 3 - ENGINE

ITEM	PART NUMBER	QTY	DESCRIPTION	REV
95	1001155023	1	Plate	
96	1001155496	1	Support	
97	1001155498	1	Plate	
98	1001155525	1	Support	
99	1001155540	2	Washer	
100	1001155557	2	Plate	
101	1001155563	1	Seal	
102	1001155564	1	Bracket	
103	1001155565	1	Seal	
104	1001155566	1	Bracket	
105	1001155728	1	Seal	
106	1001156034	1	Seal	
107	1001156035	1	Bracket	
108	1001156062	1	Bracket	
109	1001156091	1	Hose	
110	1001156644	2	Seal	
111	1001157862	1	Bracket	
112	1001160518	1	Support	
113	1001165035	12 in/30 cm	Hose	
114	1001166393	1	Tank	
115	1001170982	1	Fitting, 90 SAE/Barbed	
116	1001175568	2	Clip	
117	1001181899	1	Clamp	
118	1001189291	1	Pipe, Exhaust	
119	1001190418	1	Tube	
120	1001191122	1	Hose	
121	1001192138	1	Shroud	
122	1001193599	2	Grommet	
123	1001197317	1	Spacer	
124	1001208297	1	Clamp	
125	1001208298	1	Clamp	
126	1001208299	4	Clamp	
127	1001212810	1	Support	
128	1001212817	1	Plate	
129	1001212826	1	Tube, Intake	
130	1001256862	1	Radiator	
131	1001289693	1	Engine Components (See Separate Breakdown in this Section)	



# SECTION 3 - ENGINE

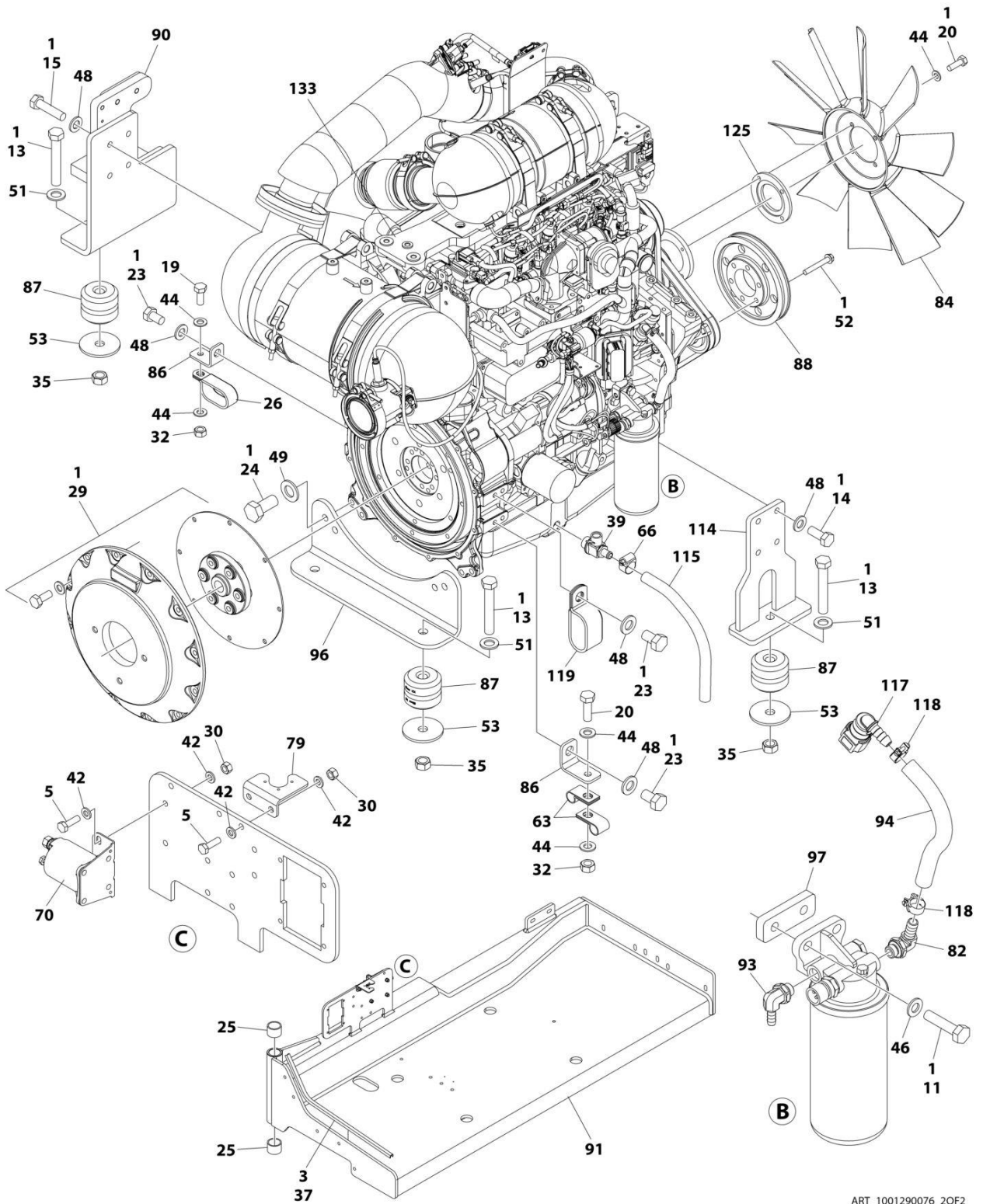
## FIGURE 3-20. ENGINE ASSEMBLY EMR5 (HRC) (WITH COLD WEATHER PACKAGE)



ART\_1001290076\_10F2



# SECTION 3 - ENGINE



ART\_1001290076\_20F2

## SECTION 3 - ENGINE

**FIGURE 3-20. ENGINE ASSEMBLY EMR5 (HRC) (WITH COLD WEATHER PACKAGE)**

ITEM	PART NUMBER	QTY	DESCRIPTION	REV
	1001290076	Ref	ENGINE ASSEMBLY EMR5 (HRC) (WITH COLD WEATHER PACKAGE)	A
1	0100011	AR	Compound, Locking	
2	0100020	AR	Sealant	
3	0100081	AR	Adhesive	
4	0641606	2	Bolt 3/8 x 3/4	
5	0700610	13	Bolt M6 x 20	
6	0700612	7	Bolt M6 x 25	
7	0700815	2	Bolt M8 x 35	
8	0701013	2	Bolt M10 x 28	
9	0701015	6	Bolt M10 x 35	
10	0701016	2	Bolt M10 x 40	
11	0701017	2	Bolt M10 x 45	
12	0701019	1	Bolt M10 x 55	
13	0701627	4	Bolt M16 x 100	
14	0711214	4	Bolt M12 x 30	
15	0711218	4	Bolt M12 x 50	
16	0760604	1	Bolt M6 x 8	
17	0760608	2	Bolt M6 x 16	
18	0760614	2	Bolt M6 x 30	
19	0760810	6	Bolt M8 x 20	
20	0760812	7	Bolt M8 x 25	
21	0761008	1	Bolt M10 x 16	
22	0761012	6	Bolt M10 x 25	
23	0761210	3	Bolt M12 x 20	
24	0771415	4	Bolt M14 x 35	
25	0961951	2	Bushing	
26	1321716	1	Clamp	
27	1703162	2	Decal - Fan Blade	
28	2720015	5 ft/1.5 m	Hose	
29	2902065	1	Pump Coupling Kit (See Separate Breakdown in this Section)	
30	3290607	22	Nut M6	
31	3290805	3	Nut M8	
32	3290807	5	Nut M8	
33	3291005	1	Nut M10	
34	3291007	10	Nut M10	
35	3291601	4	Nut M16	
36	3820032	9	Rivet	
37	4060807	22 in/55 cm	Flex-Trim	
38	4240099	AR	Tie-Strap (Not Shown)	
39	4640751	1	Valve, Oil Drain	
40	4711600	2	Washer 3/8	
41	4811600	4	Washer M5	
42	4811700	43	Washer M6	
43	4811702	4	Washer M6	
44	4811900	19	Washer M8	
45	4811902	4	Washer M8	
46	4812000	30	Washer M10	
47	4812002	1	Washer M10	

## SECTION 3 - ENGINE

ITEM	PART NUMBER	QTY	DESCRIPTION	REV
48	4812100	11	Washer M12	
49	4812200	4	Washer M14	
50	5241000	1	Washer M10	
51	5241600	4	Washer M16	
52	5251022	6	Bolt M10 x 70	
53	7300435	4	Washer	
54	8278020	1	Mount	
55	8305401	2	Nut 1/4	
56	8307109	2	Washer 1/4	
57	8310548	2	Screw 1/4 x 1/2	
58	8405007	2	Clamp	
59	8405009	4	Clamp	
60	8405104	4	Clamp	
61	8405211	1	Clamp	
62	8406109	2	Clip	
63	8406110	2	Clip	
64	8410011	2	Clamp	
65	8410012	2	Clamp	
66	8410013	1	Clamp	
67	91563070	1	Coupling, Rubber	
68	1001097588	1	Clip	
69	1001117244	1	Reducer	
70	1001117308	1	Relay, 200Amp	
71	1001134488	1	Fitting, 90 Barbed	
72	1001135943	1	Coupling	
73	1001136834	1	Cap	
74	1001138173	1	Support	
75	1001138175	1	Bracket	
76	1001138248	5 ft/1.5 m	Tubing	
77	1001138559	1	Fitting, 90 NPTF/Barbed	
78	1001138827	1	Sensor	
79	1001139240	1	Bracket	
80	1001140564	1	Fitting, 90 Barbed	
81	1001141995	1	Fitting, Straight NPT/Barbed	
82	1001142501	1	Fitting, 90 Barbed	
83	1001143390	1	Indicator, Air Restriction	
84	1001147567	1	Fan	
85	1001147847	1	Filter, Air	
85	70023809	1	Element, Primary	
85	70023872	1	Element, Secondary	
85	70024328	1	Elbow, Rubber	
85	70024329	1	Clamp, Mounting	
86	1001148641	2	Bracket	
87	1001149517	4	Mount, Engine	
88	1001149746	1	Pulley	
89	1001150553	1	Hose	
90	1001151491	1	Support	
91	1001151749	1	Tray	
92	1001152112	1	Heater	
93	1001152489	1	Fitting, 90 Barbed	
94	1001154405	8 in/21 cm	Hose	

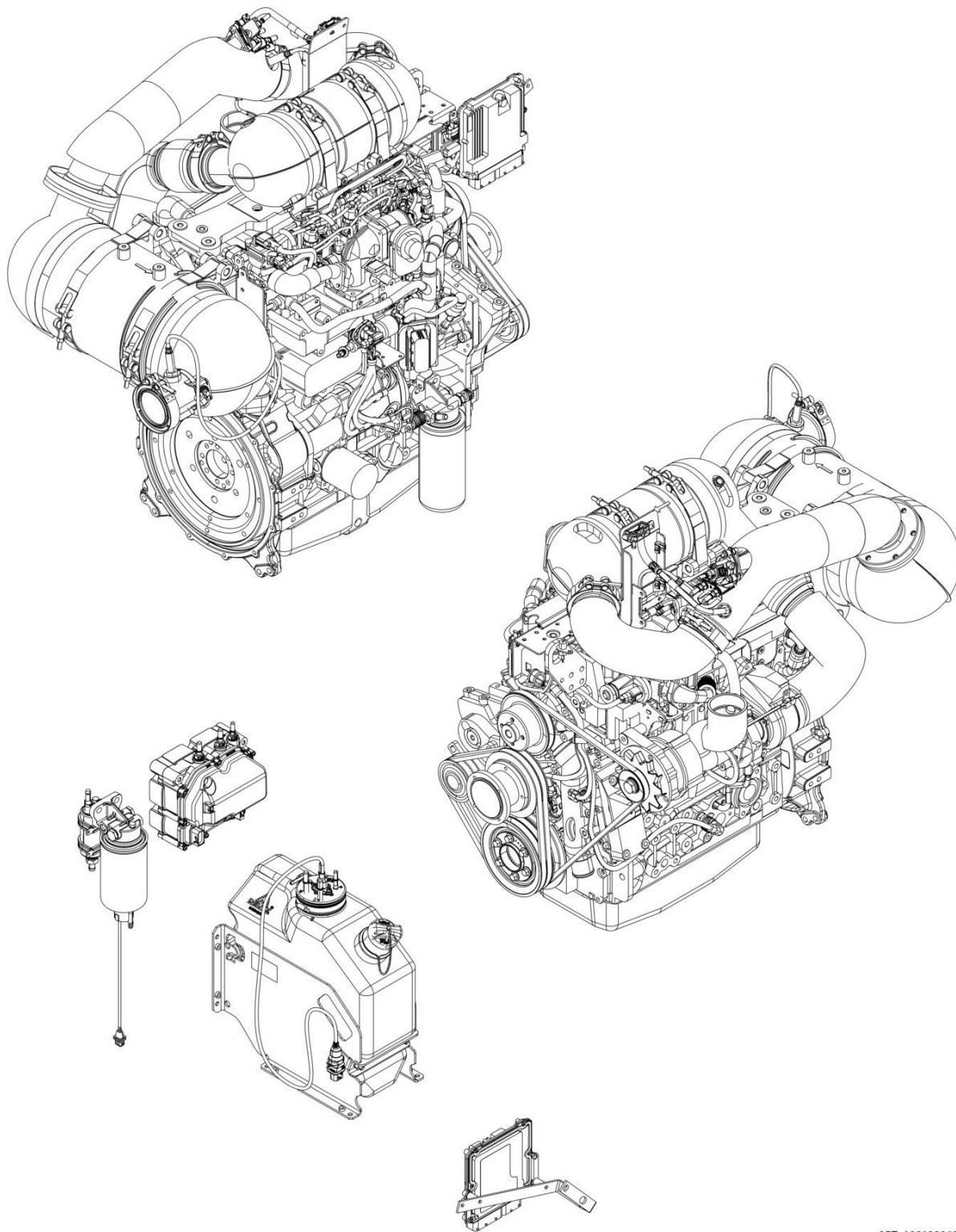
## SECTION 3 - ENGINE

ITEM	PART NUMBER	QTY	DESCRIPTION	REV
95	1001155023	1	Plate	
96	1001155496	1	Support	
97	1001155498	1	Plate	
98	1001155525	1	Support	
99	1001155540	2	Washer	
100	1001155557	2	Plate	
101	1001155563	1	Seal	
102	1001155564	1	Bracket	
103	1001155565	1	Seal	
104	1001155566	1	Bracket	
105	1001155728	1	Seal	
106	1001156034	1	Seal	
107	1001156035	1	Bracket	
108	1001156062	1	Bracket	
109	1001156091	1	Hose	
110	1001156644	2	Seal	
111	1001157300	1	Hose	
112	1001157301	1	Hose	
113	1001157862	1	Bracket	
114	1001160518	1	Support	
115	1001165035	12 in/30 cm	Hose	
116	1001166393	1	Tank	
117	1001170982	1	Fitting, 90 SAE/Barbed	
118	1001175568	2	Clip	
119	1001181899	1	Clamp	
120	1001189291	1	Pipe, Exhaust	
121	1001190418	1	Tube	
122	1001191122	1	Hose	
123	1001192138	1	Shroud	
124	1001193599	2	Grommet	
125	1001197317	1	Spacer	
126	1001208297	1	Clamp	
127	1001208298	1	Clamp	
128	1001208299	4	Clamp	
129	1001212810	1	Support	
130	1001212817	1	Plate	
131	1001212826	1	Tube, Intake	
132	1001256862	1	Radiator	
133	1001289693	1	Engine Components (See Separate Breakdown in this Section)	



# SECTION 3 - ENGINE

## FIGURE 3-21. DEUTZ EMR5 HRC ENGINE COMPONENTS



ART\_1001289693

## SECTION 3 - ENGINE

**FIGURE 3-21. DEUTZ EMR5 HRC ENGINE COMPONENTS**

ITEM	PART NUMBER	QTY	DESCRIPTION	REV
	1001289693	Ref	DEUTZ TCD3.6L - EMR5 ENGINE COMPONENTS	A
	See Note	Ref	Note: Contact JLG Customer Service for availability for addition components.	
		Ref	AIR INTAKE SYSTEM COMPONENTS	
	70028927	1	Charge Air Elbow	
	70124432	1	Breather Line	
	70007083	1	Turbocharger	
		Ref	COOLING SYSTEM COMPONENTS	
	70004515	1	Pump, Water	
		Ref	ELECTRICAL COMPONENTS	
	70008427	1	Module	
	70028538	1	Sensor, Fuel Pressure	
	70030378	1	Generator	
	70004520	1	Starter	
	70028542	4	Plug, Glow	
	70005556	1	Transmitter, Temperature	
	70026210	1	Sensor, Speed	
	7008431	1	Sensor, Pressure	
	70025737	1	Sensor, Wheel	
		Ref	EXHAUST COMPONENTS	
	70027422	1	Pipe, Exhaust	
	NPN	1	Manifold, Exhaust	
	70029379	4	Valve, Exhaust	
	70028989	1	Valve, Shuttle	
	70008612	1	DEF Tank Assembly (Includes Cap, Filler Filter & Venting Valve)	
	70027495	1	Filter, Filler - DEF Tank	
	70008613	1	Cap/Cover, DEF Tank	
	70027467	1	Valve, Venting - DEF Tank	
	1001293066	1	Sensor, Level - DEF Tank	
	70027463	1	Clip, Level Sensor - DEF Tank	
	70027464	1	Filter, DEF In-line	
		Ref	FUEL SYSTEM COMPONENTS	
	70008425	1	Pump, High Pressure	
	70004508	1	Valve, Volume Control	
	70024485	4	Injector, Fuel	
	70006144	1	Pump, Fuel Supply	
	70025153	1	Filter, Fuel (Pre-Filter) Assembly	
	70029580	1	Filter, Fuel	
	70024513	1	Sensor, Cable	
	7016331	1	Filter, Fuel	
		Ref	GASKET AND SEAL COMPONENT	
	7020442	2	Seal, Dipstick	
	7020404	1	Seal, Oil Plug	
	70025789	1	Gasket, Head	
	70030375	1	Gasket, Valve Cover	
	70029386	1	O-Ring, Oil Pump	
	70029385	1	Gasket, Oil Pump	
	70024495	1	Gasket, Oil Cooler	
	70024475	1	Gasket, Charge Air Housing	
	70005497	1	Seal, Coolant Pump	

## SECTION 3 - ENGINE

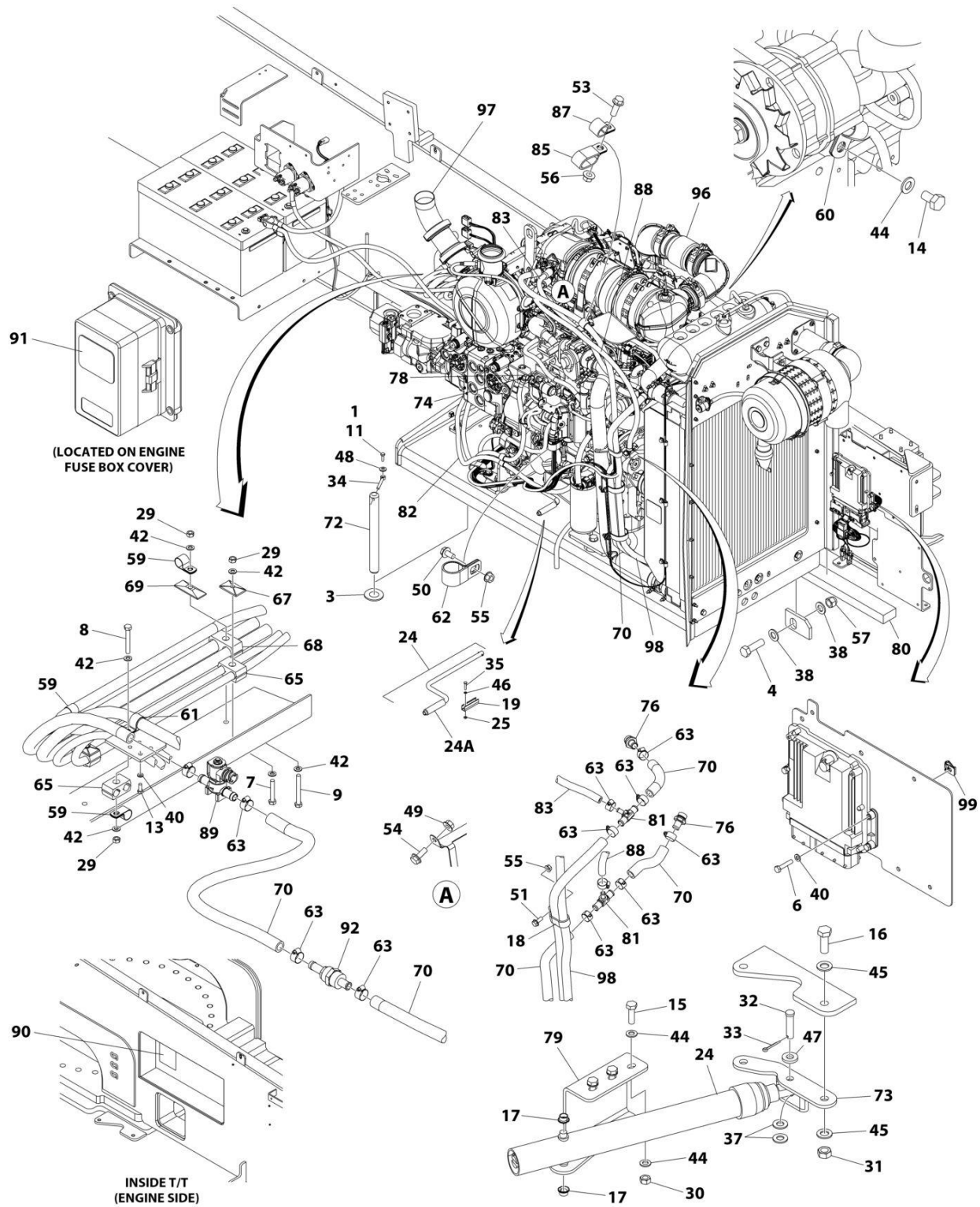
ITEM	PART NUMBER	QTY	DESCRIPTION	REV
	70029399	1	Gasket, Exhaust Manifold	
	70024500	1	Gasket, Exhaust Pipe	
	70007326	1	Gasket, EGR	
		Ref	OTHER COMPONENTS	
	70001870	1	Flywheel (Includes Ring Gear)	
	7024579	1	Gear, Ring	
	70005516	1	V-Belt	
		Ref	OIL LUBE SYSTEMS	
	70025745	1	Dipstick	
	7020465	1	Cap, Filler	
	70005941	1	Plug, Oil	
	70031215	1	Pump, Oil	
	70024494	1	Cooler, Oil	





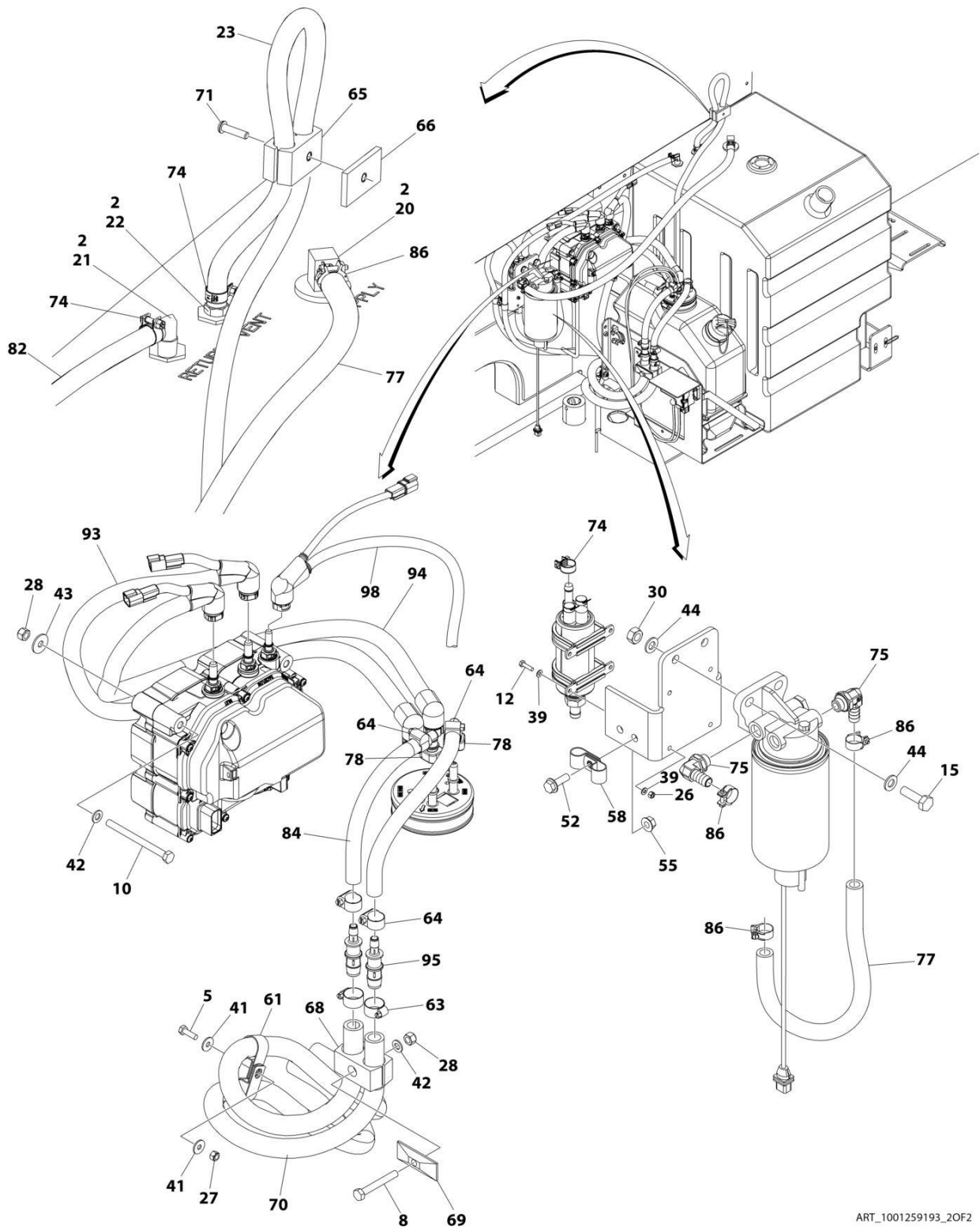
# SECTION 3 - ENGINE

## FIGURE 3-22. ENGINE INSTALLATION (HRC) (STAGE V) (WITHOUT COLD WEATHER PACKAGE)



ART\_1001259193\_10F2

# SECTION 3 - ENGINE



ART\_1001259193\_2OF2

## SECTION 3 - ENGINE

**FIGURE 3-22. ENGINE INSTALLATION (HRC) (STAGE V) (WITHOUT COLD WEATHER PACKAGE)**

ITEM	PART NUMBER	QTY	DESCRIPTION	REV
	1001259193	Ref	ENGINE INSTALLATION (HRC)	D
1	0100011	AR	Compound, Locking	
2	0100020	AR	Sealant	
3	0440162	1	Bearing	
4	0642220	1	Bolt 3/4 x 2-1/2	
5	0700610	1	Bolt M6 x 20	
6	0700614	4	Bolt M6 x 30	
7	0700818	2	Bolt M8 x 50	
8	0700820	2	Bolt M8 x 60	
9	0700822	2	Bolt M8 x 70	
10	0700827	3	Bolt M8 x 100	
11	0711015	1	Bolt M10 x 35	
12	0760408	4	Bolt M4 x 16	
13	0760608	4	Bolt M6 x 16	
14	0761009	1	Bolt M10 x 18	
15	0761015	5	Bolt M10 x 35	
16	0771416	2	Bolt M14 x 40	
17	0962051	2	Bearing	
18	1321716	1	Clamp	
19	1380147	1	Clip	
20	2180832	1	Fitting, Straight Barbed/NPTF	
21	2220313	1	Fitting, 90 Barbed/NPTF	
22	2221114	1	Fitting, Straight Barbed/NPT	
23	2750532	4 ft/ 1.2m	Hose	
24	2840016	1	Tray Jack Assembly	
24	7016322	1	Wiper (Burr Brand)	
24A	7016374	1	Handle (Burr Brand)	
24A	7024598	1	Handle (Hammerblow Brand)	
25	3290301	2	Nut M3	
26	3290405	4	Nut M4	
27	3290605	1	Nut M6	
28	3290805	4	Nut M8	
29	3290807	5	Nut M8	
30	3291007	5	Nut M10	
31	3331411	2	Nut M14	
32	3430816	1	Pin	
33	3450404	1	Pin, Cotter 1/8 x 1	
34	3841143	1	Keeper, Pin	
35	4010308	2	Screw M3 x 16	
36	4240099	AR	Tie-Strap (Not Shown)	
37	4711800	2	Washer 1/2	
38	4712200	2	Washer 3/4	
39	4811400	8	Washer M4	
40	4811700	8	Washer M6	
41	4811702	2	Washer M6	
42	4811900	14	Washer M8	
43	4811902	3	Washer M8	
44	4812000	11	Washer M10	
45	4812200	4	Washer M14	
46	4871200	2	Washer M3	

## SECTION 3 - ENGINE

ITEM	PART NUMBER	QTY	DESCRIPTION	REV
47	4891800	1	Washer 1/2	
48	5241000	1	Washer M10	
49	5250608	1	Bolt M6 x 16	
50	5250808	1	Bolt M8 x 16	
51	5250810	1	Bolt M8 x 20	
52	5250812	1	Bolt M8 x 25	
53	5251215	1	Bolt M12 x 35	
54	5260600	1	Nut M6	
55	5260800	3	Nut M8	
56	5261200	1	Nut M12	
57	8310067	1	Nut 3/4	
58	8406101	2	Clip	
59	8406102	3	Clip	
60	8406105	1	Clip	
61	8406201	3	Clip	
62	8406303	1	Clamp	
63	8410009	14	Clamp	
64	8410013	4	Clamp	
65	8750014	4	Clamp	
66	8750031	1	Plate, Clamp	
67	8769123	2	Cover, Clamp	
68	8769127	3	Cover, Clamp	
69	77133137	3	Cover, Clamp	
70	82033995	374 in/ 9.5m	Hose	
71	1001101580	1	Screw M8 x 30	
72	1001135196	1	Pin	
73	1001135497	1	Support	
74	1001136975	5	Clamp	
75	1001142501	2	Fitting, 90 Barbed	
76	1001154262	2	Fitting, Straight Barbed	
77	1001154405	51 in/ 1.3m	Hose	
78	1001155823	3	Fitting, 90 Barbed	
79	1001155939	1	Mount	
80	1001206747	1	Seal	
81	1001162212	2	Fitting, Tee Barbed	
82	1001165035	28 ft/ 8.4m	Hose	
83	1001169409	1	Hose	
84	1001181625	1.65 ft/ 0.50m	Hose	
85	1001181899	1	Clamp	
86	1001186342	4	Clip	
87	1001191620	1	Clamp	
88	1001193980	1	Hose, Return	
89	1001199670	1	Valve, Flow	
90	1001212056	1	Decal - Engine Fuse Box	
91	1001224046	1	Decal - Engine Fuse Box Cover	
92	1001228872	1	Filter, Coolant Screen	
93	1001238401	1	Hose, Backflow	
94	1001238402	1	Hose, Suction	

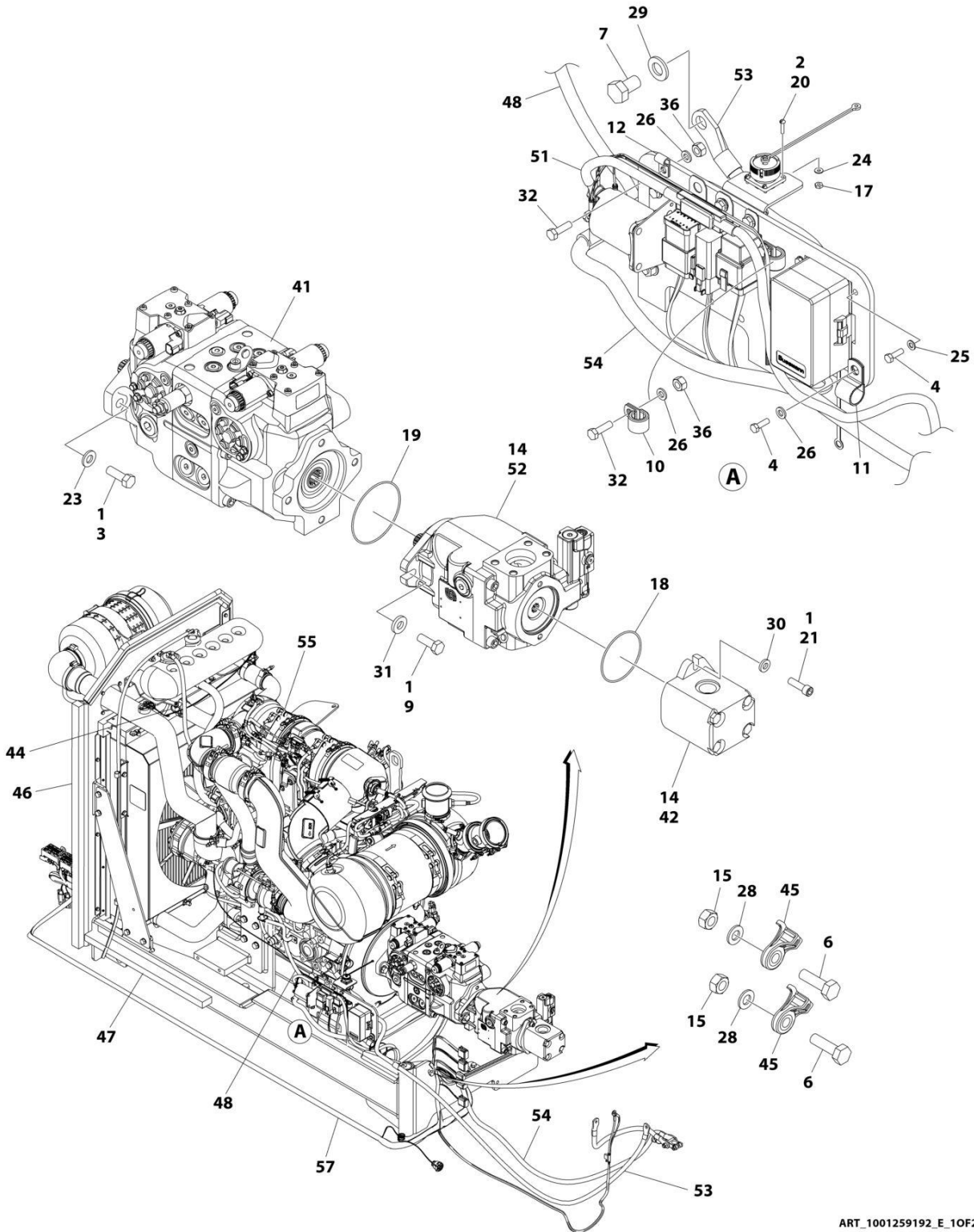
## SECTION 3 - ENGINE

ITEM	PART NUMBER	QTY	DESCRIPTION	REV
95	1001238470	2	Fitting, Reducer Barbed	
96	1001259192	1	Engine Assembly with Pumps (HRC) (Stage V) (With Cold Weather Package) (See Separate Breakdown in this Section)	
97	1001259204	1	Pipe	
98	1001260287	1	Hose	
99	8305919	4	Nut, Retainer	



# SECTION 3 - ENGINE

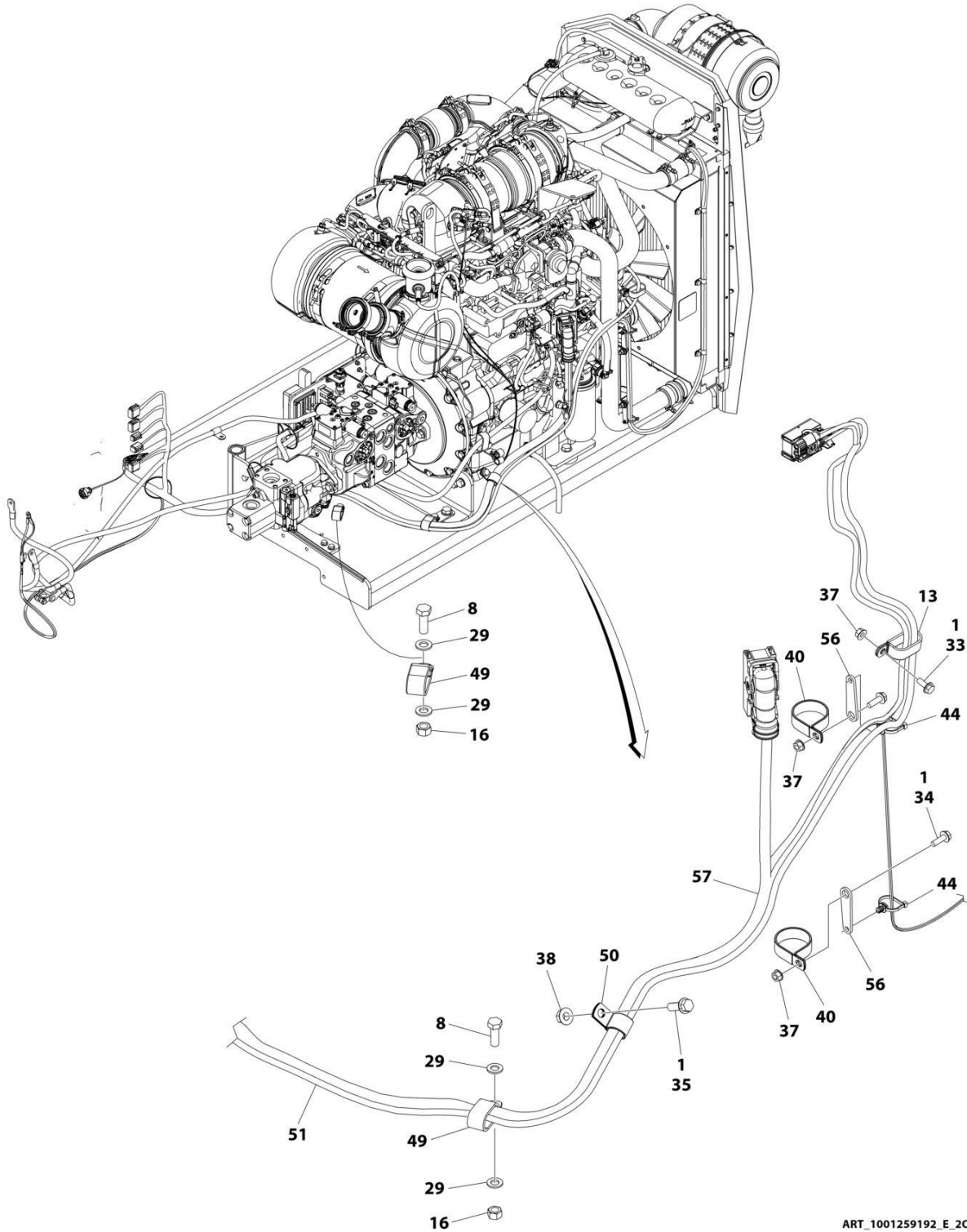
## FIGURE 3-23. ENGINE ASSEMBLY WITH PUMPS (HRC) (STAGE V) (WITHOUT COLD WEATHER PACKAGE)



ART\_1001259192\_E\_10F2



# SECTION 3 - ENGINE



ART\_1001259192\_E\_20F2

## SECTION 3 - ENGINE

**FIGURE 3-23. ENGINE ASSEMBLY WITH PUMPS (HRC) (STAGE V) (WITHOUT COLD WEATHER PACKAGE)**

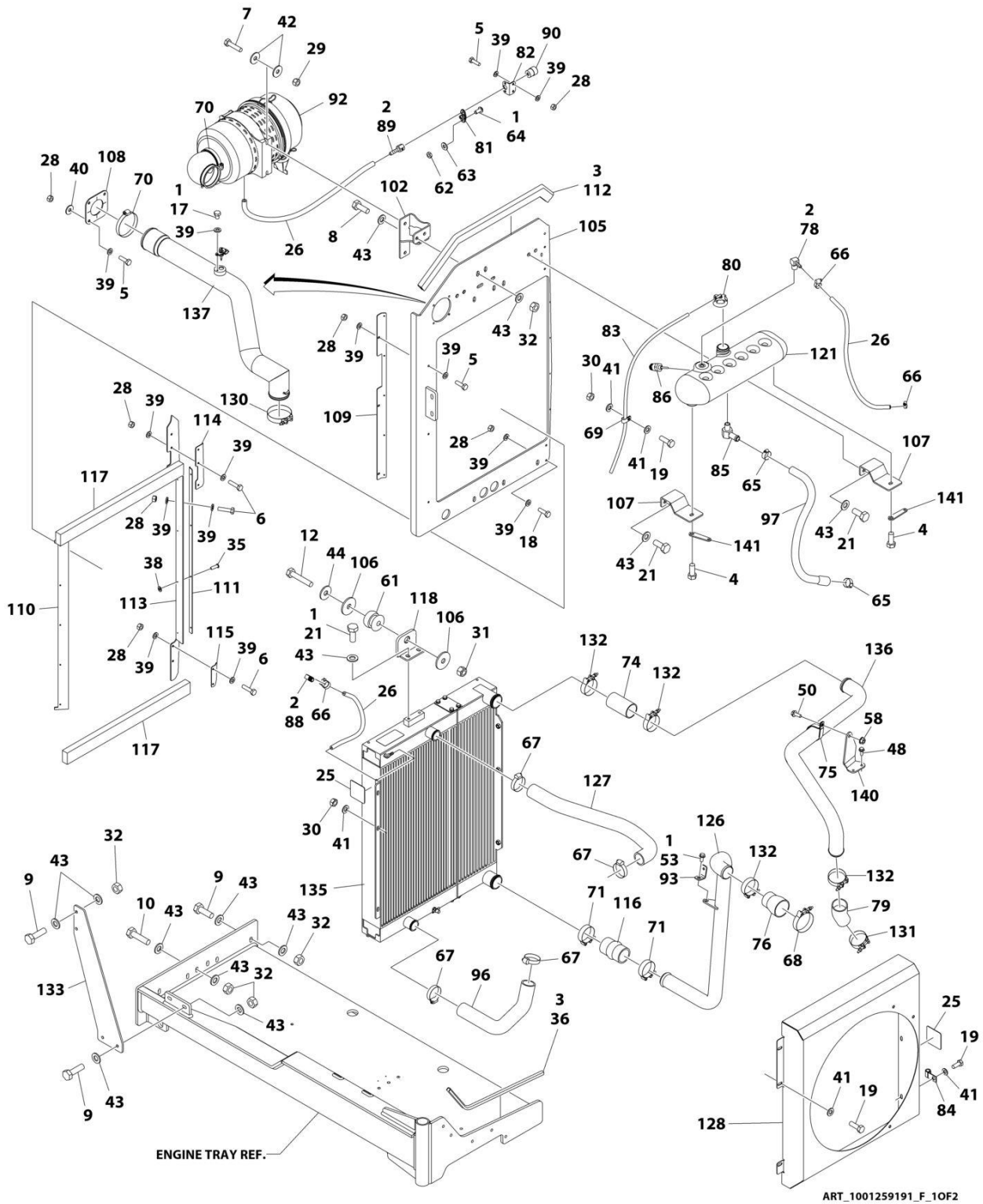
ITEM	PART NUMBER	QTY	DESCRIPTION	REV
	1001259192	Ref	ENGINE ASSEMBLY WITH PUMPS (HRC)	E
1	0100011	AR	Compound, Locking	
2	0100035	AR	Compound, Locking	
3	0641812	2	Bolt 1/2 x 1-1/2	
4	0760508	4	Bolt M5 x 16	
6	0761015	2	Bolt M10 x 35	
7	0761210	1	Bolt M12 x 20	
8	0761215	2	Bolt M12 x 35	
9	0761216	2	Bolt M12 x 40	
10	1320041	1	Clamp	
11	1320061	1	Clamp	
12	1320136	1	Clamp	
13	1321716	1	Clamp	
14	3020037	AR	Lubricant	
15	3291007	2	Nut M10	
16	3291207	2	Nut M12	
17	3310401	3	Nut #4	
18	3790152	1	O-Ring	
19	3790155	1	O-Ring	
20	3910408	3	Screw #4 x 1/2	
21	3931620	2	Capscrew 3/8 x 1-1/4	
22	4240099	AR	Tie-Strap (Not Shown)	
23	4740171	2	Washer	
24	4750400	3	Washer #4	
25	4811600	3	Washer M5	
26	4811700	3	Washer M6	
28	4812000	2	Washer M10	
29	4812100	5	Washer M12	
30	4891600	2	Washer 3/8	
31	4891800	2	Washer 1/2	
32	5250611	2	Screw M6 x 22	
32	0760610	2	Bolt M6 x 20	
33	5250810	1	Bolt M8 x 20	
34	5250812	2	Bolt M8 x 25	
35	5251215	1	Bolt M12 x 35	
36	5260600	2	Nut M6	
36	3290607	2	Nut, Lock M6	
37	5260800	3	Nut M8	
38	5261200	1	Nut M12	
40	1001097588	2	Clamp	
41	1001108616	1	Tandem Pump Assembly (See Separate Breakdown in this Section)	
42	1001112927	1	Gear Pump Assembly (See Separate Breakdown in this Section)	
44	1001146588	4	Tie-Strap	
45	1001156107	2	Holder, Cable	
46	1001156718	1	Seal	
47	1001206747	1	Seal	
48	1001157073	1	Cable, Alternator	
49	1001181899	2	Clamp	

## SECTION 3 - ENGINE

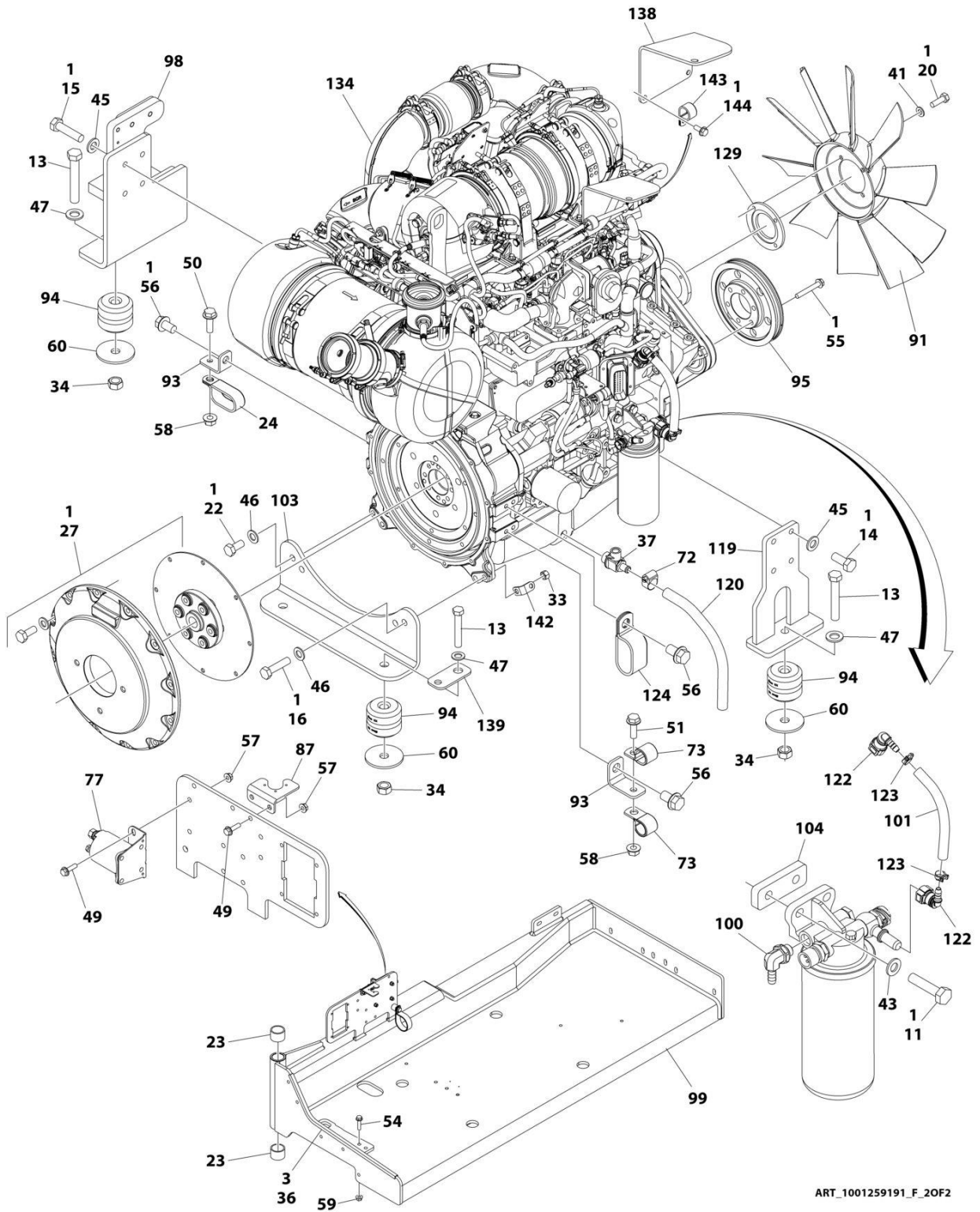
ITEM	PART NUMBER	QTY	DESCRIPTION	REV
50	1001191620	1	Clamp	
51	1001274992	1	Cable, Glow Plug	
52	1001199470	1	Piston Pump Assembly (See Separate Breakdown in this Section)	
53	1001202355	1	Cable, Battery Negative	
54	1001234791	1	Cable, Battery Positive	
55	1001259191	1	Engine Assembly (HRC) (Stage V) (With Cold Weather Package) (See Separate Breakdown in this Section)	
56	1001260307	2	Bracket	
57	1001262056	1	Engine Harness (See Separate Breakdown in ELECTRICAL Section)	

# SECTION 3 - ENGINE

## FIGURE 3-24. ENGINE ASSEMBLY (HRC) (STAGE V) (WITHOUT COLD WEATHER PACKAGE)



# SECTION 3 - ENGINE



ART\_1001259191\_F\_2OF2

## SECTION 3 - ENGINE

**FIGURE 3-24. ENGINE ASSEMBLY (HRC) (STAGE V) (WITHOUT COLD WEATHER PACKAGE)**

ITEM	PART NUMBER	QTY	DESCRIPTION	REV
	1001259191	Ref	DEUTZ T4F ENGINE ASSEMBLY	F
1	0100011	AR	Compound, Locking	
2	0100020	AR	Sealant	
3	0100081	AR	Adhesive	
4	0641607	2	Bolt 3/8 x 7/8	
5	0700610	9	Bolt M6 x 20	
6	0700612	7	Bolt M6 x 25	
7	0700815	2	Bolt M8 x 35	
8	0701013	2	Bolt M10 x 28	
9	0701015	6	Bolt M10 x 35	
10	0701016	2	Bolt M10 x 40	
11	0701017	2	Bolt M10 x 45	
12	0701019	1	Bolt M10 x 55	
13	0701627	4	Bolt M16 x 100	
14	0711214	4	Bolt M12 x 30 Class 10.9	
15	0711218	4	Bolt M12 x 50 Class 10.9	
16	0771419	1	Bolt M14 x 55 Class 10.9	
17	0760604	1	Bolt M6 x 8	
18	0760614	2	Bolt M6 x 30	
19	0760810	6	Bolt M8 x 20	
20	0760812	4	Bolt M8 x 25	
21	0761012	6	Bolt M10 x 25	
22	0771415	3	Bolt M14 x 35 Class 10.9	
23	0961951	2	Bushing	
24	1321716	1	Clamp	
25	1703162	2	Decal - Fan Blade	
26	2720015	5 ft/ 1.5m	Hose	
27	2902065	1	Pump Coupling Kit (See Separate Breakdown in this Section)	
28	3290607	18	Nut M6	
29	3290805	2	Nut M8	
30	3290807	3	Nut M8	
31	3291005	1	Nut M10	
32	3291007	10	Nut M10	
33	3291407	1	Nut M14	
34	3291601	4	Nut M16	
35	3820032	9	Rivet	
36	4060807	22 in/ 56cm	Flex-Trim	
37	4640751	1	Valve, Oil Drain	
38	4811600	4	Washer M5	
39	4811700	33	Washer M6	
40	4811702	4	Washer M6	
41	4811900	13	Washer M8	
42	4811902	4	Washer M8	
43	4812000	30	Washer M10	
44	4812002	1	Washer M10	
45	4812100	8	Washer M12	
46	4812200	4	Washer M14	
47	5241600	4	Washer M16	
48	5250608	2	Bolt M6 x 16	

## SECTION 3 - ENGINE

ITEM	PART NUMBER	QTY	DESCRIPTION	REV
49	5250611	4	Bolt M6 x 22	
50	5250810	2	Bolt M8 x 20 Class 10.9	
51	5250812	1	Bolt M8 x 25 Class 10.9	
53	5251010	1	Bolt M10 x 20 Class 10.9	
54	5251016	2	Bolt M10 x 40 Class 10.9	
55	5251022	6	Bolt M10 x 70 Class 10.9	
56	5251210	3	Bolt M12 x 20 Class 10.9	
57	5260600	4	Nut M6	
58	5260800	3	Nut M8	
59	5261000	2	Nut M10	
60	7300435	4	Washer	
61	8278020	1	Mount	
62	8305401	2	Nut 1/4	
63	8307109	2	Washer 1/4	
64	8310548	2	Screw 1/4 x 1/2	
65	8405007	2	Clamp	
66	8405009	4	Clamp	
67	8405104	4	Clamp	
68	8405211	1	Clamp	
69	8406109	2	Clip	
70	8410011	2	Clamp	
71	8410012	2	Clamp	
72	8410013	1	Clamp	
73	24861170	2	Clamp	
74	91563070	1	Coupling, Rubber	
75	1001097588	1	Clip	
76	1001117244	1	Reducer	
77	1001117308	1	Relay, 200Amp	
78	1001134488	1	Fitting, 90 NPT/Barbed	
79	1001135943	1	Coupling	
80	1001136834	1	Cap	
81	1001138173	1	Support	
82	1001138175	1	Bracket	
83	1001138248	5 ft/ 1.5m	Tubing	
84	1001138253	3	Clamp	
85	1001138559	1	Fitting, 90 NPT	
86	1001138827	1	Sensor	
87	1001139240	1	Bracket	
88	1001140564	1	Fitting, 90 NPT/Barbed	
89	1001141995	1	Fitting, Straight NPT/Barbed	
90	1001143390	1	Indicator, Air Restriction	
91	1001147567	1	Fan	
92	1001147847	1	Filter, Air	
92	70023809	1	Element, Primary	
92	70023872	1	Element, Secondary	
92	70024328	1	Elbow, Rubber	
92	70024329	1	Clamp, Mounting	
93	1001148641	3	Bracket	
94	1001149517	4	Mount, Motor	
95	1001149746	1	Pulley	
96	1001150504	1	Hose	

## SECTION 3 - ENGINE

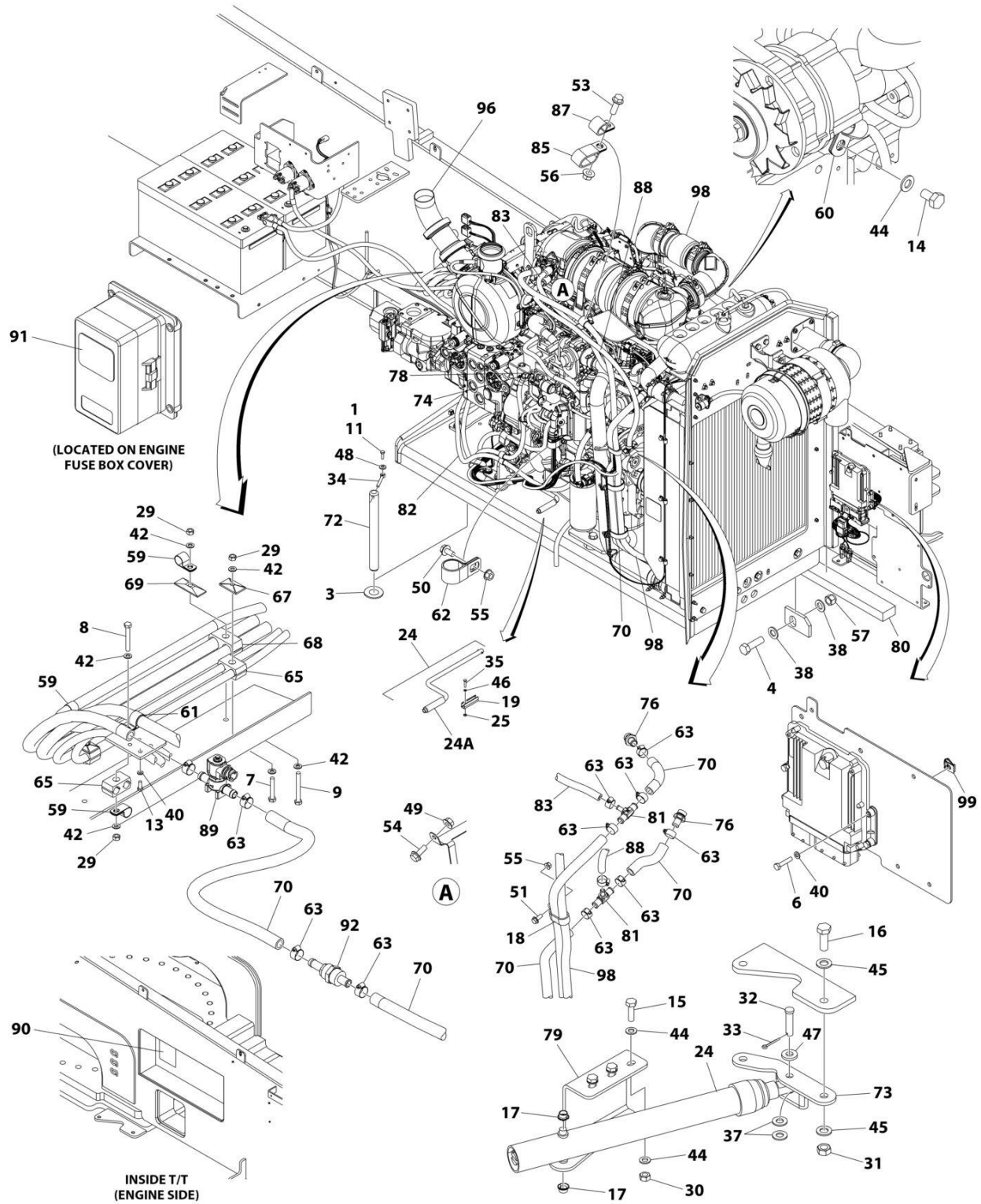
ITEM	PART NUMBER	QTY	DESCRIPTION	REV
97	1001150553	1	Hose	
98	1001151491	1	Support	
99	1001151749	1	Tray	
100	1001152489	1	Fitting, 90 Barbed	
101	1001154405	8.5 in/ 21cm	Hose	
102	1001155023	1	Plate	
103	1001155496	1	Support	
104	1001155498	1	Plate	
105	1001155525	1	Support	
106	1001155540	2	Washer	
107	1001155557	2	Plate	
108	1001155563	1	Seal	
109	1001155564	1	Bracket	
110	1001155565	1	Seal	
111	1001155566	1	Bracket	
112	1001155728	1	Seal	
113	1001156034	1	Seal	
114	1001156035	1	Bracket	
115	1001156062	1	Bracket	
116	1001156091	1	Hose	
117	1001156644	2	Seal	
118	1001157862	1	Bracket	
119	1001160518	1	Support	
120	1001165035	1 ft/ 0.3m	Hose	
121	1001166393	1	Tank	
122	1001170982	2	Fitting, 90 SAE/Barbed	
123	1001175568	2	Clip	
124	1001181899	1	Clamp	
126	1001190418	1	Tube	
127	1001191122	1	Hose, Upper	
128	1001192138	1	Shroud	
129	1001197317	1	Spacer	
130	1001208297	1	Clamp	
131	1001208298	1	Clamp	
132	1001208299	4	Clamp	
133	1001212817	1	Plate	
134	1001256823	1	Deutz HRC (Stage V) Engine Components (See Separate Breakdown in this Section)	
135	1001256862	1	Radiator	
136	1001259203	1	Hose	
137	1001259208	1	Hose	
138	1001259278	1	Bracket	
139	1001259281	1	Bracket	
140	1001291543	1	Support, Hose	
141	1001260307	2	Bracket	
142	1001260889	1	Bracket	
143	1001100319	1	Clip	
144	5250808	2	Bolt M8 X 16 Class 10.9	



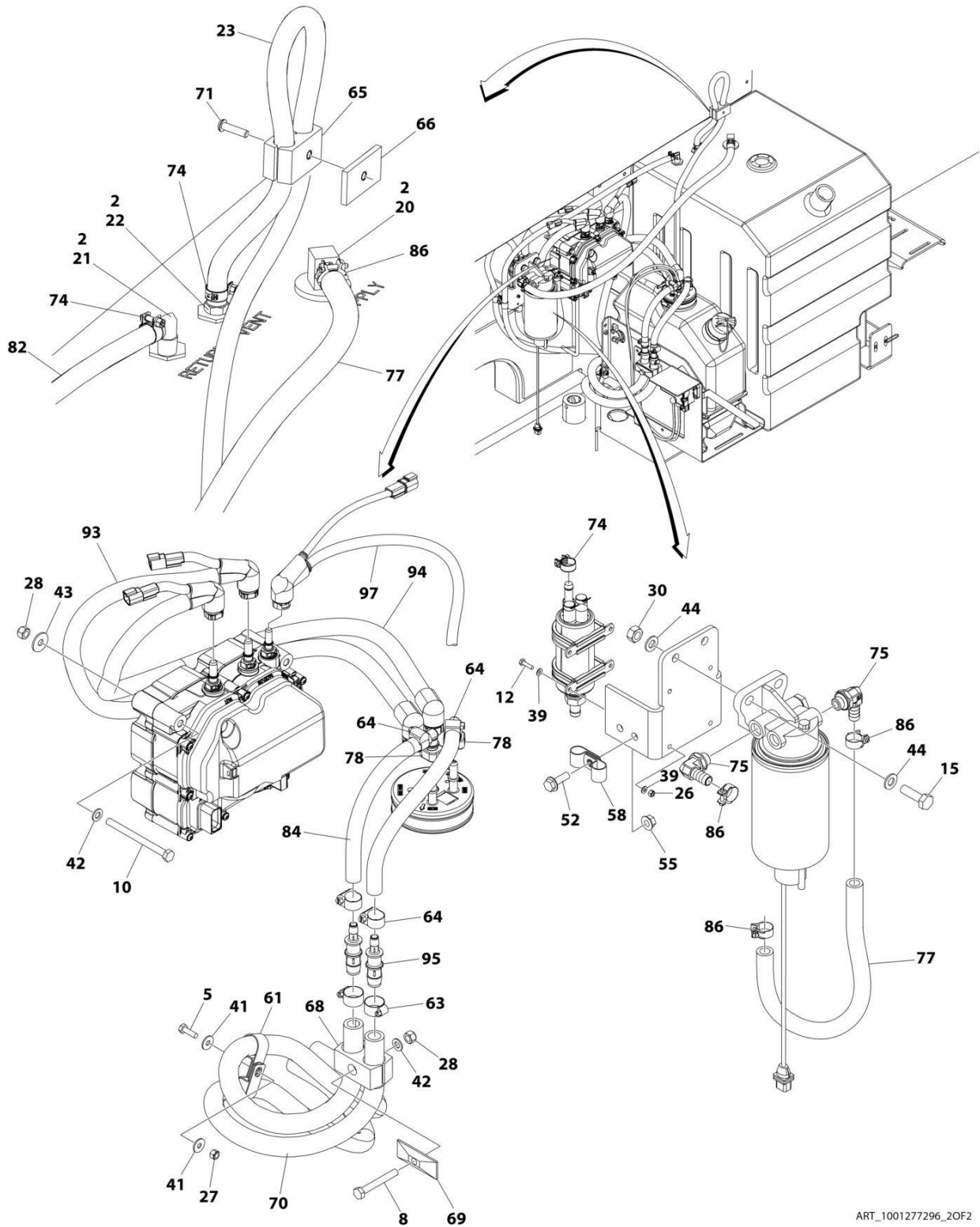


# SECTION 3 - ENGINE

FIGURE 3-25. ENGINE INSTALLATION (HRC) (WITH COLD WEATHER PACKAGE)



# SECTION 3 - ENGINE



ART\_1001277296\_2OF2

## SECTION 3 - ENGINE

**FIGURE 3-25. ENGINE INSTALLATION (HRC) (WITH COLD WEATHER PACKAGE)**

ITEM	PART NUMBER	QTY	DESCRIPTION	REV
	1001277296	Ref	ENGINE INSTALLATION (HRC)	C
1	0100011	AR	Compound, Locking	
2	0100020	AR	Sealant	
3	0440162	1	Bearing	
4	0642220	1	Bolt 3/4 x 2-1/2	
5	0700610	1	Bolt M6 x 20	
6	0700614	4	Bolt M6 x 30	
7	0700818	2	Bolt M8 x 50	
8	0700820	2	Bolt M8 x 60	
9	0700822	2	Bolt M8 x 70	
10	0700827	3	Bolt M8 x 100	
11	0711015	1	Bolt M10 x 35	
12	0760408	4	Bolt M4 x 16	
13	0760608	4	Bolt M6 x 16	
14	0761009	1	Bolt M10 x 18	
15	0761015	5	Bolt M10 x 35	
16	0771416	2	Bolt M14 x 40	
17	0962051	2	Bearing	
18	1321716	1	Clamp	
19	1380147	1	Clip	
20	2180832	1	Fitting, Straight Barbed/NPTF	
21	2220313	1	Fitting, 90 Barbed/NPTF	
22	2221114	1	Fitting, Straight Barbed/NPT	
23	2750532	4 ft/ 1.2m	Hose	
24	2840016	1	Tray Jack Assembly	
24	7016322	1	Wiper (Burr Brand)	
24A	7016374	1	Handle (Burr Brand)	
24A	7024598	1	Handle (Hammerblow Brand)	
25	3290301	2	Nut M3	
26	3290405	4	Nut M4	
27	3290605	1	Nut M6	
28	3290805	4	Nut M8	
29	3290807	5	Nut M8	
30	3291007	5	Nut M10	
31	3331411	2	Nut M14	
32	3430816	1	Pin	
33	3450404	1	Pin, Cotter 1/8 x 1	
34	3841143	1	Keeper, Pin	
35	4010308	2	Screw M3 x 16	
36	4240099	AR	Tie-Strap (Not Shown)	
37	4711800	2	Washer 1/2	
38	4712200	2	Washer 3/4	
39	4811400	8	Washer M4	
40	4811700	8	Washer M6	
41	4811702	2	Washer M6	
42	4811900	14	Washer M8	
43	4811902	3	Washer M8	
44	4812000	11	Washer M10	
45	4812200	4	Washer M14	
46	4871200	2	Washer M3	

## SECTION 3 - ENGINE

ITEM	PART NUMBER	QTY	DESCRIPTION	REV
47	4891800	1	Washer 1/2	
48	5241000	1	Washer M10	
49	5250608	1	Bolt M6 x 16	
50	5250808	1	Bolt M8 x 16	
51	5250810	1	Bolt M8 x 20	
52	5250812	1	Bolt M8 x 25	
53	5251215	1	Bolt M12 x 35	
54	5260600	1	Nut M6	
55	5260800	3	Nut M8	
56	5261200	1	Nut M12	
57	8310067	1	Nut 3/4	
58	8406101	2	Clip	
59	8406102	3	Clip	
60	8406105	1	Clip	
61	8406201	3	Clip	
62	8406303	1	Clamp	
63	8410009	14	Clamp	
64	8410013	4	Clamp	
65	8750014	4	Clamp	
66	8750031	1	Plate, Clamp	
67	8769123	2	Cover, Clamp	
68	8769127	3	Cover, Clamp	
69	77133137	3	Cover, Clamp	
70	82033995	374 in/ 9.5m	Hose	
71	1001101580	1	Screw M8 x 30	
72	1001135196	1	Pin	
73	1001135497	1	Support	
74	1001136975	5	Clamp	
75	1001142501	2	Fitting, 90 Barbed	
76	1001154262	2	Fitting, Straight Barbed	
77	1001154405	51 in/ 1.3m	Hose	
78	1001155823	3	Fitting, 90 Barbed	
79	1001155939	1	Mount	
80	1001156719	1	Seal	
81	1001162212	2	Fitting, Tee Barbed	
82	1001165035	28 ft/ 8.4m	Hose	
83	1001169409	1	Hose	
84	1001181625	1.65 ft/ 0.50m	Hose	
85	1001181899	1	Clamp	
86	1001186342	4	Clip	
87	1001191620	1	Clamp	
88	1001193980	1	Hose, Return	
89	1001199670	1	Valve, Flow	
90	1001212056	1	Decal - Engine Fuse Box	
91	1001224046	1	Decal - Engine Fuse Box Cover	
92	1001228872	1	Filter, Coolant Screen	
93	1001238401	1	Hose, Backflow	
94	1001238402	1	Hose, Suction	

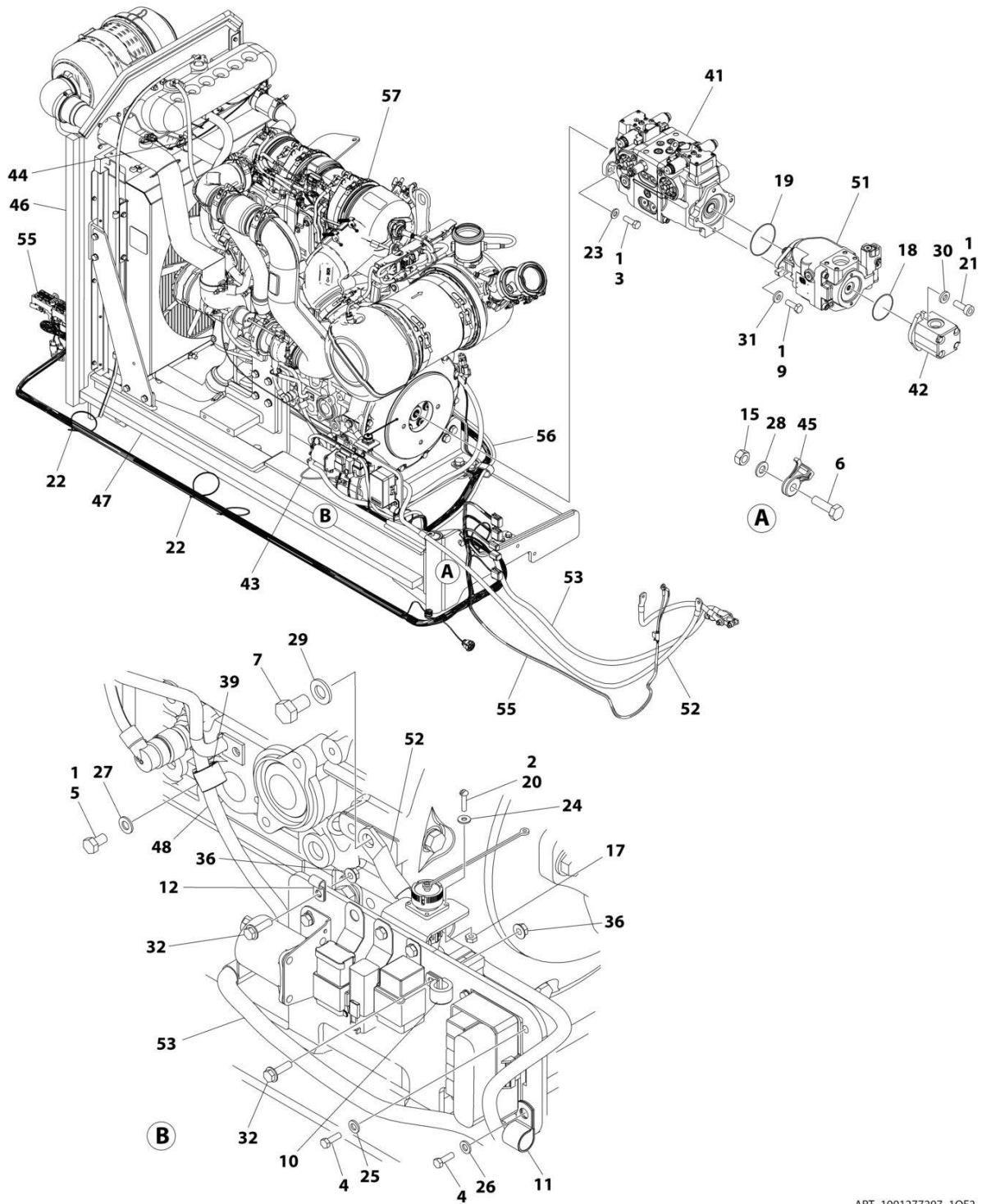
### SECTION 3 - ENGINE

ITEM	PART NUMBER	QTY	DESCRIPTION	REV
95	1001238470	2	Fitting, Reducer Barbed	
96	1001259204	1	Pipe	
97	1001260287	1	Hose	
98	1001277297	1	Engine Assembly with Pumps (HRC) (Stage V) (With Cold Weather Package) (See Separate Breakdown in this Section)	
99	8305919	4	Nut, Retainer	



# SECTION 3 - ENGINE

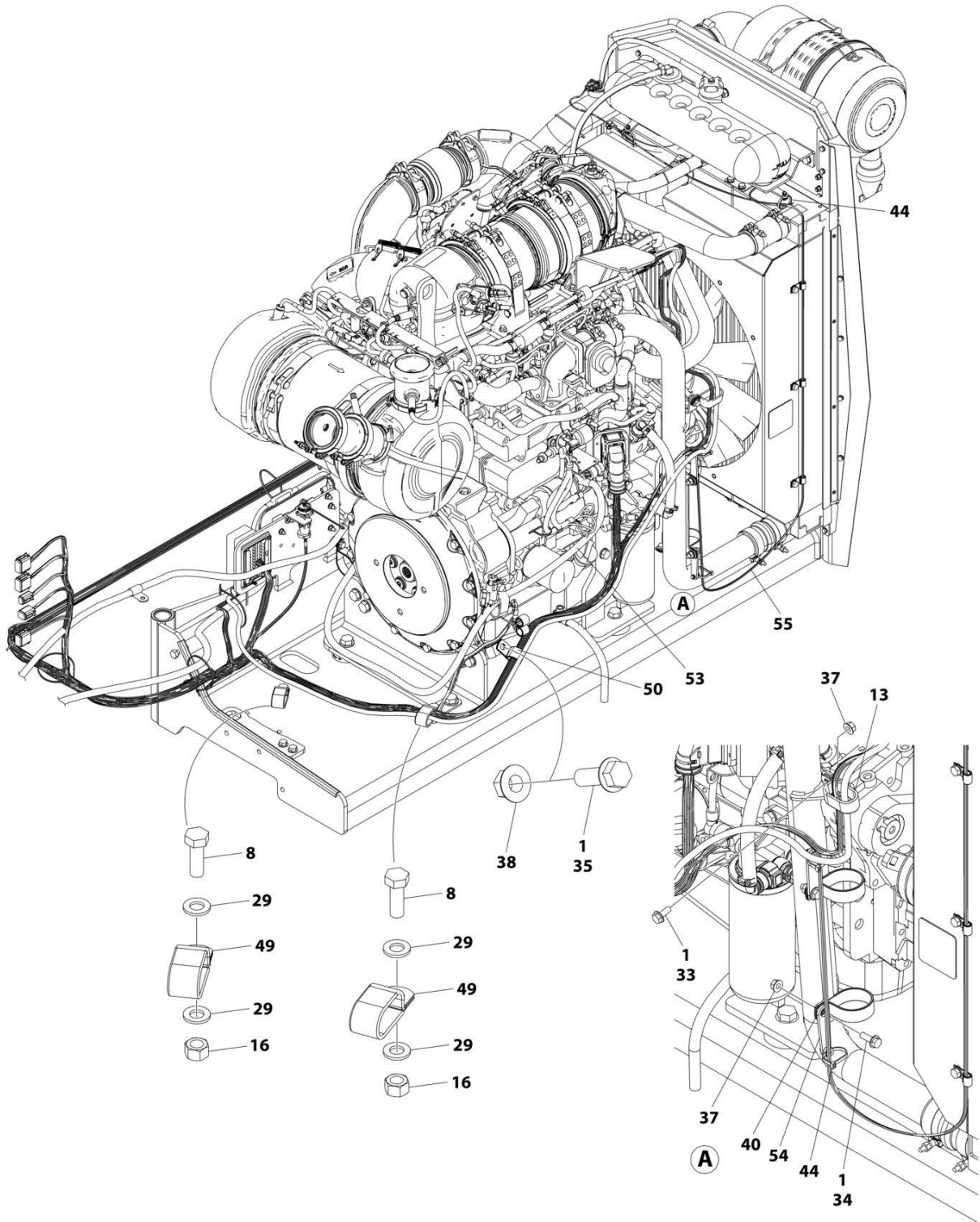
## FIGURE 3-26. ENGINE ASSEMBLY WITH PUMPS (HRC) (WITH COLD WEATHER PACKAGE)



ART\_1001277297\_10F2



# SECTION 3 - ENGINE



ART\_1001277297\_2OF2

## SECTION 3 - ENGINE

**FIGURE 3-26. ENGINE ASSEMBLY WITH PUMPS (HRC) (WITH COLD WEATHER PACKAGE)**

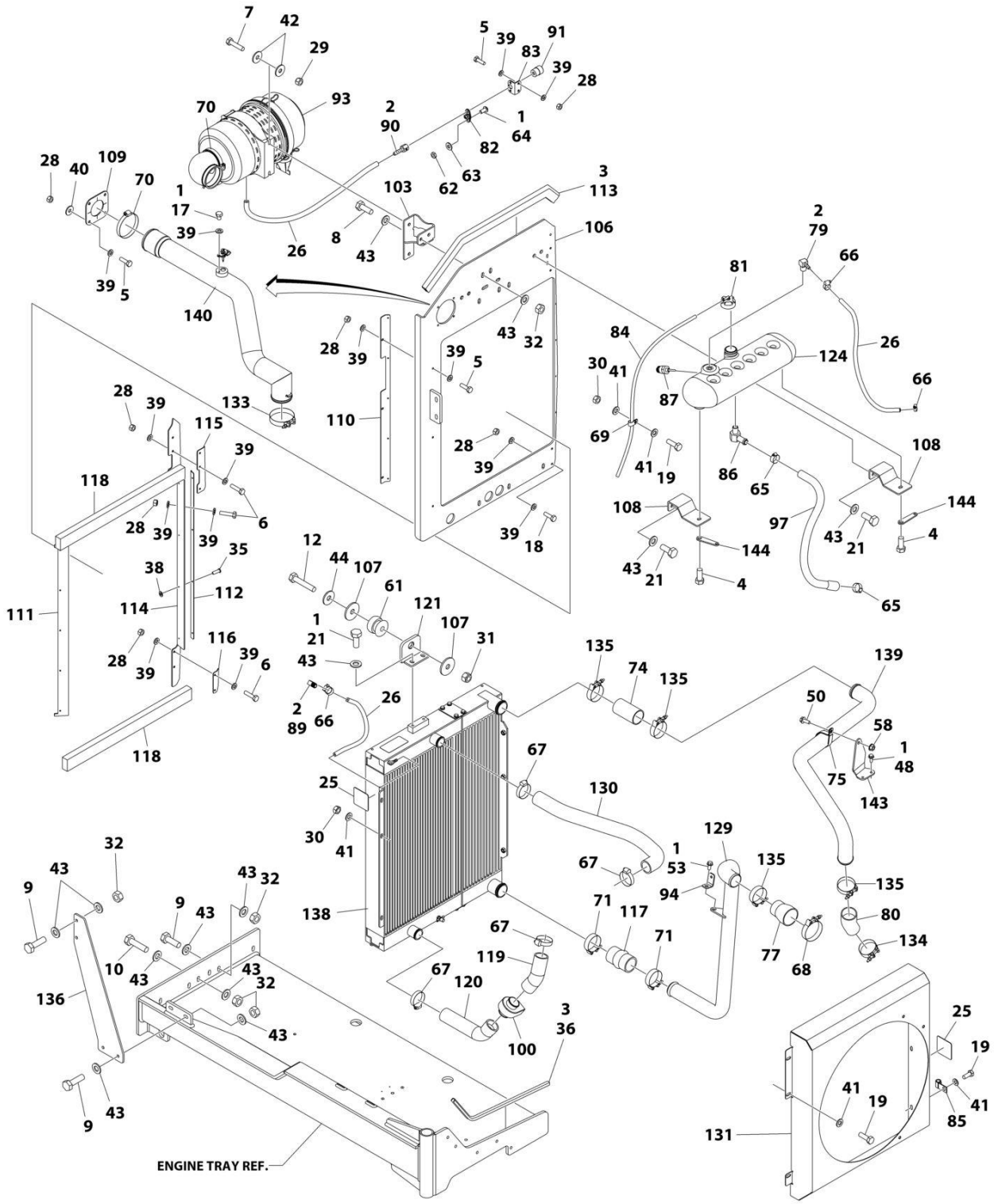
ITEM	PART NUMBER	QTY	DESCRIPTION	REV
	1001277297	Ref	ENGINE ASSEMBLY WITH PUMPS (HRC)	C
1	0100011	AR	Compound, Locking	
2	0100035	AR	Compound, Locking	
3	0641812	2	Bolt 1/2 x 1-1/2	
4	0760508	4	Bolt M5 x 16	
5	0760807	1	Bolt M8 x 14	
6	0761015	2	Bolt M10 x 35	
7	0761210	1	Bolt M12 x 20	
8	0761215	2	Bolt M12 x 35	
9	0761216	2	Bolt M12 x 40	
10	1320041	1	Clamp	
11	1320061	1	Clamp	
12	1320136	1	Clamp	
13	1321716	1	Clamp	
14	3020037	AR	Lubricant	
15	3291007	2	Nut M10	
16	3291207	2	Nut M12	
17	3310401	3	Nut #4	
18	3790152	1	O-Ring	
19	3790155	1	O-Ring	
20	3910408	3	Screw #4 x 1/2	
21	3931620	2	Capscrew 3/8 x 1-1/4	
22	4240099	AR	Tie-Strap (Not Shown)	
23	4740171	2	Washer	
24	4750400	3	Washer #4	
25	4811600	3	Washer M5	
26	4811700	1	Washer M6	
27	4811900	1	Washer M8	
28	4812000	2	Washer M10	
29	4812100	5	Washer M12	
30	4891600	2	Washer 3/8	
31	4891800	2	Washer 1/2	
32	5250611	2	Screw M6 x 22	
33	5250810	1	Bolt M8 x 20	
34	5250812	2	Bolt M8 x 25	
35	5251215	1	Bolt M12 x 35	
36	5260600	2	Nut M6	
37	5260800	3	Nut M8	
38	5261200	1	Nut M12	
39	91043147	1	Clamp	
40	1001097588	2	Clamp	
41	1001108616	1	Tandem Pump Assembly (See Separate Breakdown in this Section)	
42	1001112927	1	Gear Pump Assembly (See Separate Breakdown in this Section)	
43	1001141304	1	Wire, Glow Fuse	
44	1001146588	4	Tie-Strap	
45	1001156107	2	Holder, Cable	
46	1001156718	1	Seal	
47	1001156719	1	Seal	
48	1001157073	1	Cable, Alternator	

## SECTION 3 - ENGINE

ITEM	PART NUMBER	QTY	DESCRIPTION	REV
49	1001181899	2	Clamp	
50	1001191620	1	Clamp	
51	1001199470	1	Piston Pump Assembly (See Separate Breakdown in this Section)	
52	1001202355	1	Cable, Battery Negative	
53	1001234791	1	Cable, Battery Positive	
54	1001260307	2	Bracket	
55	1001262056	1	Engine Harness (See Separate Breakdown in ELECTRICAL Section)	
56	1001274992	1	Cable, Glow Plug	
57	1001277298	1	Engine Assembly (HRC) (Stage V) (With Cold Weather Package) (See Separate Breakdown in this Section)	

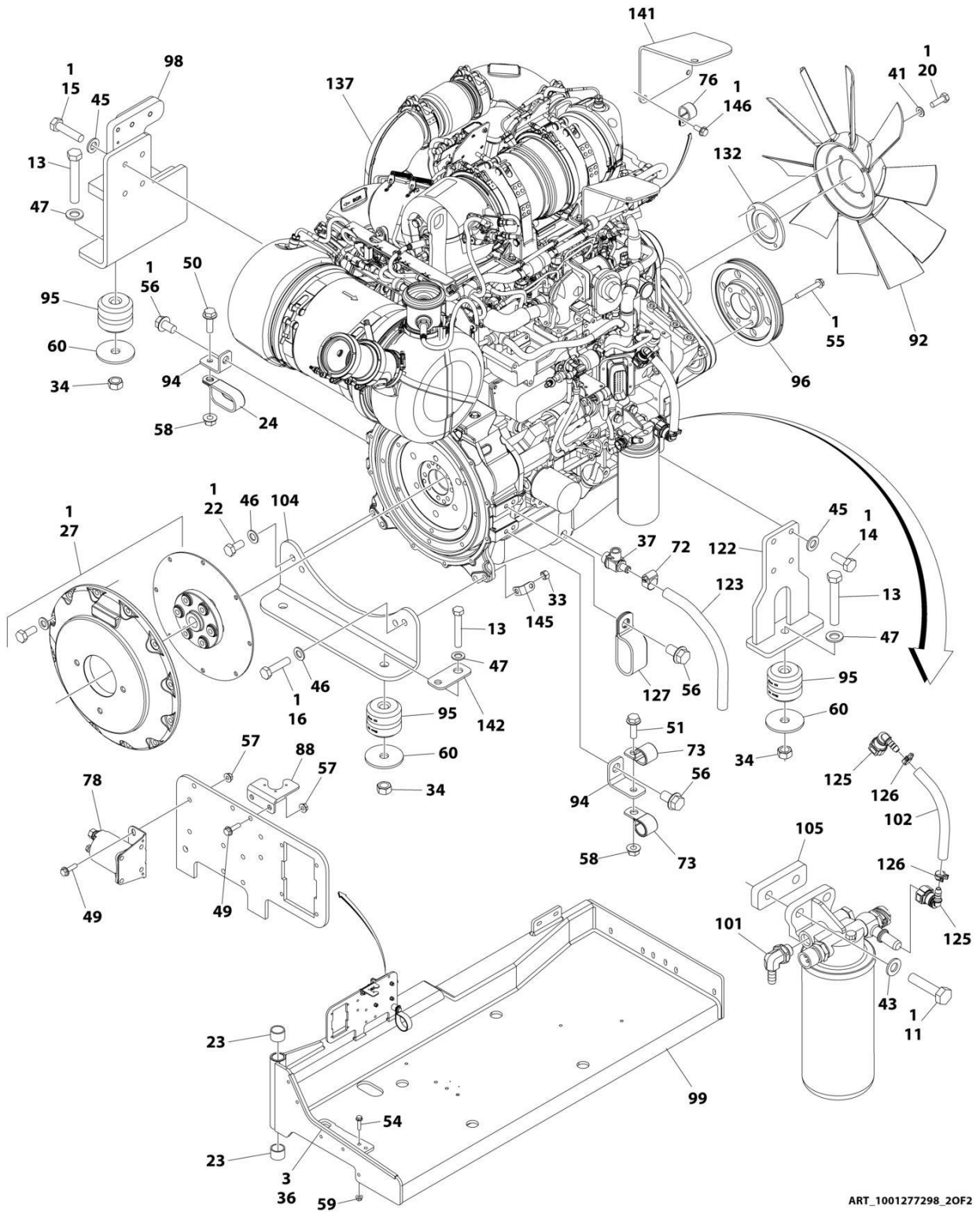
# SECTION 3 - ENGINE

## FIGURE 3-27. ENGINE ASSEMBLY (HRC) (STAGE V) (WITH COLD WEATHER PACKAGE)



ART\_1001277298\_B\_10F2

# SECTION 3 - ENGINE



ART\_1001277298\_20F2

## SECTION 3 - ENGINE

**FIGURE 3-27. ENGINE ASSEMBLY (HRC) (STAGE V) (WITH COLD WEATHER PACKAGE)**

ITEM	PART NUMBER	QTY	DESCRIPTION	REV
	1001277298	Ref	DEUTZ T4F ENGINE ASSEMBLY	B
1	0100011	AR	Compound, Locking	
2	0100020	AR	Sealant	
3	0100081	AR	Adhesive	
4	0641607	2	Bolt 3/8 x 7/8	
5	0700610	9	Bolt M6 x 20	
6	0700612	7	Bolt M6 x 25	
7	0700815	2	Bolt M8 x 35	
8	0701013	2	Bolt M10 x 28	
9	0701015	6	Bolt M10 x 35	
10	0701016	2	Bolt M10 x 40	
11	0701017	2	Bolt M10 x 45	
12	0701019	1	Bolt M10 x 55	
13	0701627	4	Bolt M16 x 100	
14	0711214	4	Bolt M12 x 30 Class 10.9	
15	0711218	4	Bolt M12 x 50 Class 10.9	
16	0771419	1	Bolt M14 x 55 Class 10.9	
17	0760604	1	Bolt M6 x 8	
18	0760614	2	Bolt M6 x 30	
19	0760810	6	Bolt M8 x 20	
20	0760812	4	Bolt M8 x 25	
21	0761012	6	Bolt M10 x 25	
22	0771415	3	Bolt M14 x 35 Grade 10.9	
23	0961951	2	Bushing	
24	1321716	1	Clamp	
25	1703162	2	Decal - Fan Blade	
26	2720015	5 ft/ 1.5m	Hose	
27	2902065	1	Pump Coupling Kit (See Separate Breakdown in this Section)	
28	3290607	18	Nut M6	
29	3290805	2	Nut M8	
30	3290807	3	Nut M8	
31	3291005	1	Nut M10	
32	3291007	10	Nut M10	
33	3291407	1	Nut M14	
34	3291601	4	Nut M16	
35	3820032	9	Rivet	
36	4060807	22 in/ 56cm	Flex-Trim	
37	4640751	1	Valve, Oil Drain	
38	4811600	4	Washer M5	
39	4811700	33	Washer M6	
40	4811702	4	Washer M6	
41	4811900	13	Washer M8	
42	4811902	4	Washer M8	
43	4812000	30	Washer M10	
44	4812002	1	Washer M10	
45	4812100	8	Washer M12	
46	4812200	4	Washer M14	
47	5241600	4	Washer M16	
48	5250608	2	Bolt M6 x 16	

## SECTION 3 - ENGINE

ITEM	PART NUMBER	QTY	DESCRIPTION	REV
49	5250611	4	Bolt M6 x 22	
50	5250810	2	Bolt M8 x 20 Class 10.9	
51	5250812	1	Bolt M8 x 25 Class 10.9	
53	5251010	1	Bolt M10 x 20 Class 10.9	
54	5251016	2	Bolt M10 x 40 Class 10.9	
55	5251022	6	Bolt M10 x 70 Class 10.9	
56	5251210	3	Bolt M12 x 20 Class 10.9	
57	5260600	4	Nut M6	
58	5260800	3	Nut M8	
59	5261000	2	Nut M10	
60	7300435	4	Washer	
61	8278020	1	Mount	
62	8305401	2	Nut 1/4	
63	8307109	2	Washer 1/4	
64	8310548	2	Screw 1/4 x 1/2	
65	8405007	2	Clamp	
66	8405009	4	Clamp	
67	8405104	4	Clamp	
68	8405211	1	Clamp	
69	8406109	2	Clip	
70	8410011	2	Clamp	
71	8410012	2	Clamp	
72	8410013	1	Clamp	
73	24861170	2	Clamp	
74	91563070	1	Coupling, Rubber	
75	1001097588	1	Clip	
76	1001100319	1	Clip	
77	1001117244	1	Reducer	
78	1001117308	1	Relay, 200Amp	
79	1001134488	1	Fitting, 90 NPT/Barbed	
80	1001135943	1	Coupling	
81	1001136834	1	Cap	
82	1001138173	1	Support	
83	1001138175	1	Bracket	
84	1001138248	5 ft/ 1.5m	Tubing	
85	1001138253	3	Clamp	
86	1001138559	1	Fitting, 90 NPT	
87	1001138827	1	Sensor	
88	1001139240	1	Bracket	
89	1001140564	1	Fitting, 90 NPT/Barbed	
90	1001141995	1	Fitting, Straight NPT/Barbed	
91	1001143390	1	Indicator, Air Restriction	
92	1001147567	1	Fan	
93	1001147847	1	Filter, Air	
93	70023809	1	Element, Primary	
93	70023872	1	Element, Secondary	
93	70024328	1	Elbow, Rubber	
93	70024329	1	Clamp, Mounting	
94	1001148641	3	Bracket	
95	1001149517	4	Mount, Motor	
96	1001149746	1	Pulley	

## SECTION 3 - ENGINE

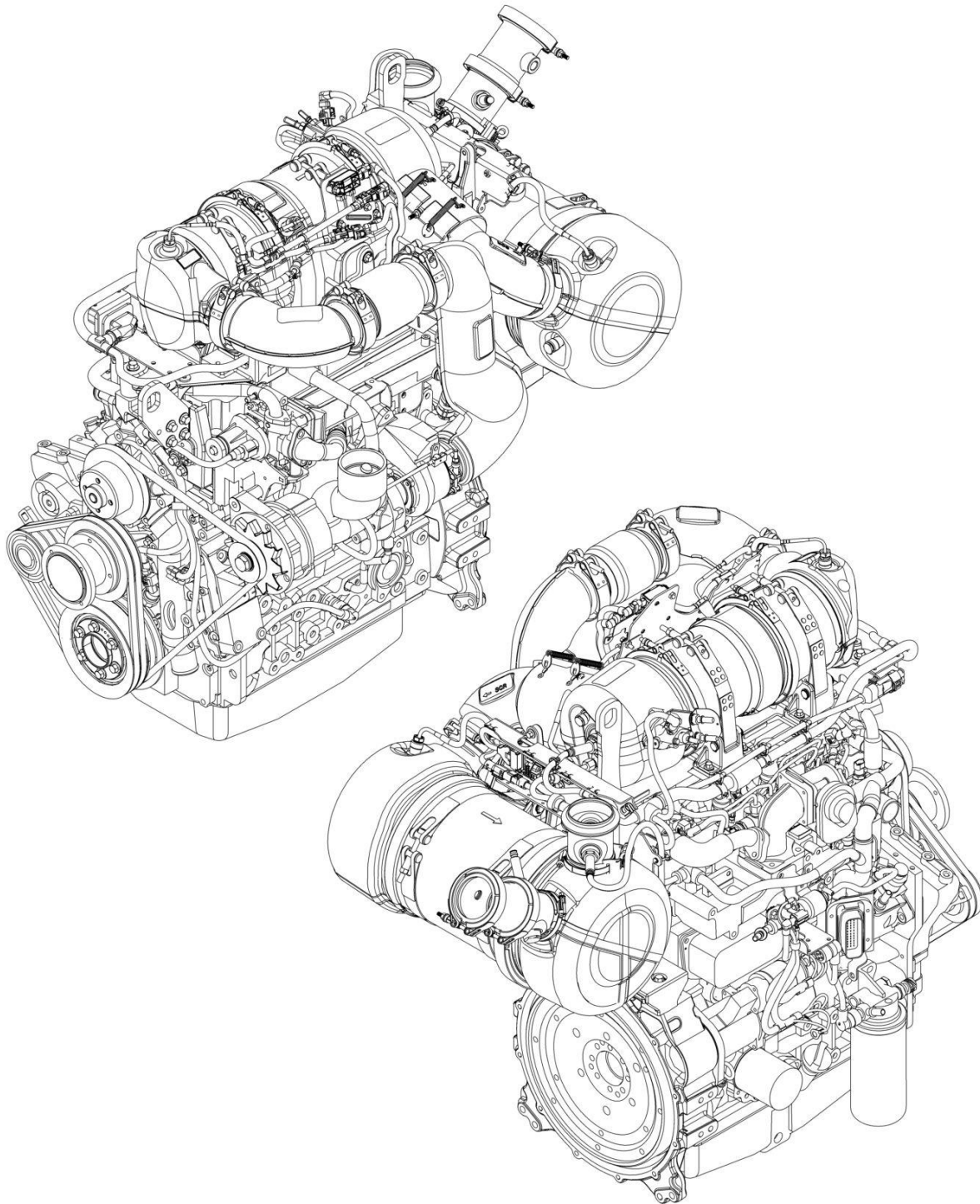
ITEM	PART NUMBER	QTY	DESCRIPTION	REV
97	1001150553	1	Hose	
98	1001151491	1	Support	
99	1001151749	1	Tray	
100	1001152112	1	Heater	
101	1001152489	1	Fitting, 90 Barbed	
102	1001154405	0.5 in/ 21cm	Hose	
103	1001155023	1	Plate	
104	1001155496	1	Support	
105	1001155498	1	Plate	
106	1001155525	1	Support	
107	1001155540	2	Washer	
108	1001155557	2	Plate	
109	1001155563	1	Seal	
110	1001155564	1	Bracket	
111	1001155565	1	Seal	
112	1001155566	1	Bracket	
113	1001155728	1	Seal	
114	1001156034	1	Seal	
115	1001156035	1	Bracket	
116	1001156062	1	Bracket	
117	1001156091	1	Hose	
118	1001156644	2	Seal	
119	1001157300	1	Hose	
120	1001157301	1	Hose	
121	1001157862	1	Bracket	
122	1001160518	1	Support	
123	1001165035	1 ft/ 0.3m	Hose	
124	1001166393	1	Tank	
125	1001170982	2	Fitting, 90 SAE/Barbed	
126	1001175568	2	Clip	
127	1001181899	1	Clamp	
129	1001190418	1	Tube	
130	1001191122	1	Hose, Upper	
131	1001192138	1	Shroud	
132	1001197317	1	Spacer	
133	1001208297	1	Clamp	
134	1001208298	1	Clamp	
135	1001208299	4	Clamp	
136	1001212817	1	Plate	
137	1001256823	1	Deutz T4F Engine Components (See Separate Breakdown in this Section)	
138	1001256862	1	Radiator	
139	1001259203	1	Pipe, Turbo Exhaust	
140	1001259208	1	Pipe, Intake	
141	1001259278	1	Bracket	
142	1001259281	1	Bracket	
143	1001291543	1	Support, Hose	
144	1001260307	2	Bracket	
145	1001260889	1	Bracket	
146	5250808	2	Bolt M8 X 16 Class 10.9	





## SECTION 3 - ENGINE

FIGURE 3-28. DEUTZ HRC (STAGE V) ENGINE COMPONENTS



ART\_1001256823

## SECTION 3 - ENGINE

**FIGURE 3-28. DEUTZ HRC (STAGE V) ENGINE COMPONENTS**

ITEM	PART NUMBER	QTY	DESCRIPTION	REV
	1001256823	Ref	DEUTZ ENGINE COMPONENTS	E
		Ref	Note: For complete list of parts, contact JLG Parts Department	
		Ref	Air Intake System Components	
	70007083	1	Turbocharger	
		Ref	Cooling System Components	
	70004515	1	Pump, Coolant	
		Ref	Electrical System Components	
		Ref	Module, ECU/ECM	
	70029401	1	Generator (Includes Regulator & Fan)	
	70006653	1	Regulator	
	70004520	1	Starter (Includes Solenoid)	
	70025780	1	Relay, Starter	
	70005517	1	Harness, Starter to Relay	
		Ref	Harness, Injector	
	70026210	1	Sender, Tacho-Generator (Speed) (On Rear of Block & Front Cover) (Includes Seal)	
	70005559	1	Sender, Temperature (Includes Seal) (On Air Intake Manifold)	
	70024507	1	Sensor, Pressure (Includes Seal) (On Air Intake Manifold)	
	70024504	1	Sensor, Pressure (Includes Seal) (On Fuel Filter & Side of Block)	
	70029407	1	Sensor, Pressure (Includes Seal) (On Exhaust Manifold)	
	70024474	4	Plug, Glow	
		Ref	Exhaust System Components	
		Ref	Valve, EGR	
	70027425	8	Bolt, Exhaust Manifold	
	70005511	1	Gasket, Exhaust Manifold	
		Ref	Outlet, Muffler	
		Ref	Muffler	
		Ref	Bracket, Muffler Mounting	
		Ref	Compensator, Exhaust	
	70024480	1	Gasket, Turbo to Exhaust Manifold	
	70008612	1	DEF Tank Assembly (Includes Cap, Filler Filter & Venting Valve)	
	70027495	1	Filter, Filler - DEF Tank	
	70008613	1	Cap/Cover, DEF Tank	
	70027467	1	Valve, Venting - DEF Tank	
	1001293066	1	Sensor, Level - DEF Tank	
	70027463	1	Clip, Level Sensor - DEF Tank	
	70027464	1	Filter, DEF In-line	
		Ref	Fuel System Components	
		Ref	Pump, High Pressure	
	70024485	1	Injector (Includes Sealing washer, Clamp & O-Ring)	
	70006144	1	Pump, Fuel Supply (Includes Clamps)	
	70024961	1	Filter, Fuel (Pre-Filter Assembly) (Includes Head, Spin on filter, Sensor Cable & Seal)	
	70025153	1	Filter, Fuel Spin On	
	70024513	1	Sensor Cable (Includes Seal)	
	70004511	1	Filter, Fuel (Assembly) (Includes Head & Spin on Filter)	
	70004512	1	Filter, Fuel Spin On	
	70004508	1	Vol. Control Valve (Includes O-Ring & Gasket)	
	70005548	1	Pump, DEF Supply (Includes Filter, Cover & Fittings)	
		Ref	Lubricating System Components	

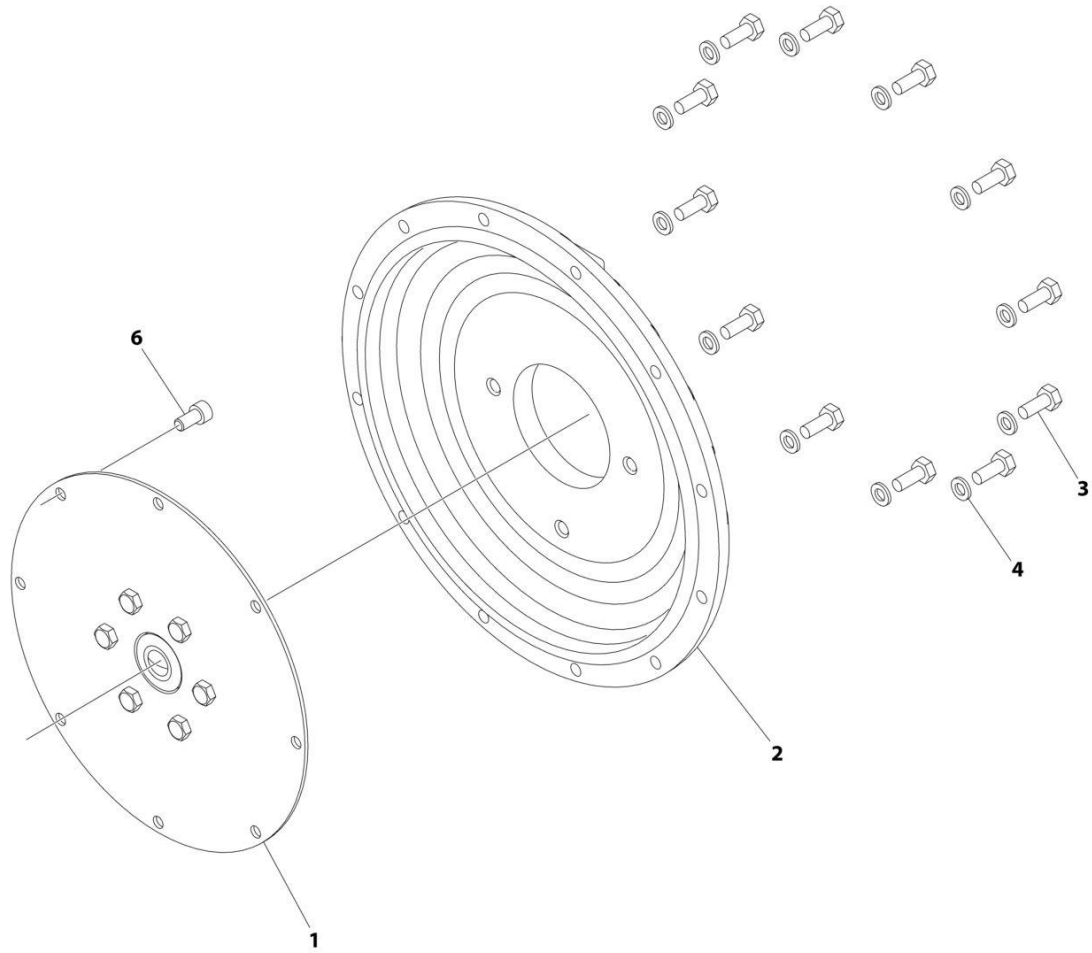
## SECTION 3 - ENGINE

ITEM	PART NUMBER	QTY	DESCRIPTION	REV
	7020465	2	Cap, Oil Fill	
	70025088	2	Plug, Oil Drain	
	7020404	2	Seal, Oil Drain Plug	
		Ref	Pump, Oil (Includes seal 7 Gasket)	
	7016331	1	Filter, Oil	
	70024494	1	Cooler, Oil	
	70024495	1	Gasket, Oil Cooler	
	70025745	1	Dipstick (Includes Seal)	
		Ref	Mechanical Components	
	70001870	1	Flywheel (includes Gear)	
	70005498	1	Set, Narrow V-Belts	
	70005516	1	V-Belt	
	70025707	1	Gasket Set - Complete	



# SECTION 3 - ENGINE

## FIGURE 3-29. PUMP COUPLING KIT



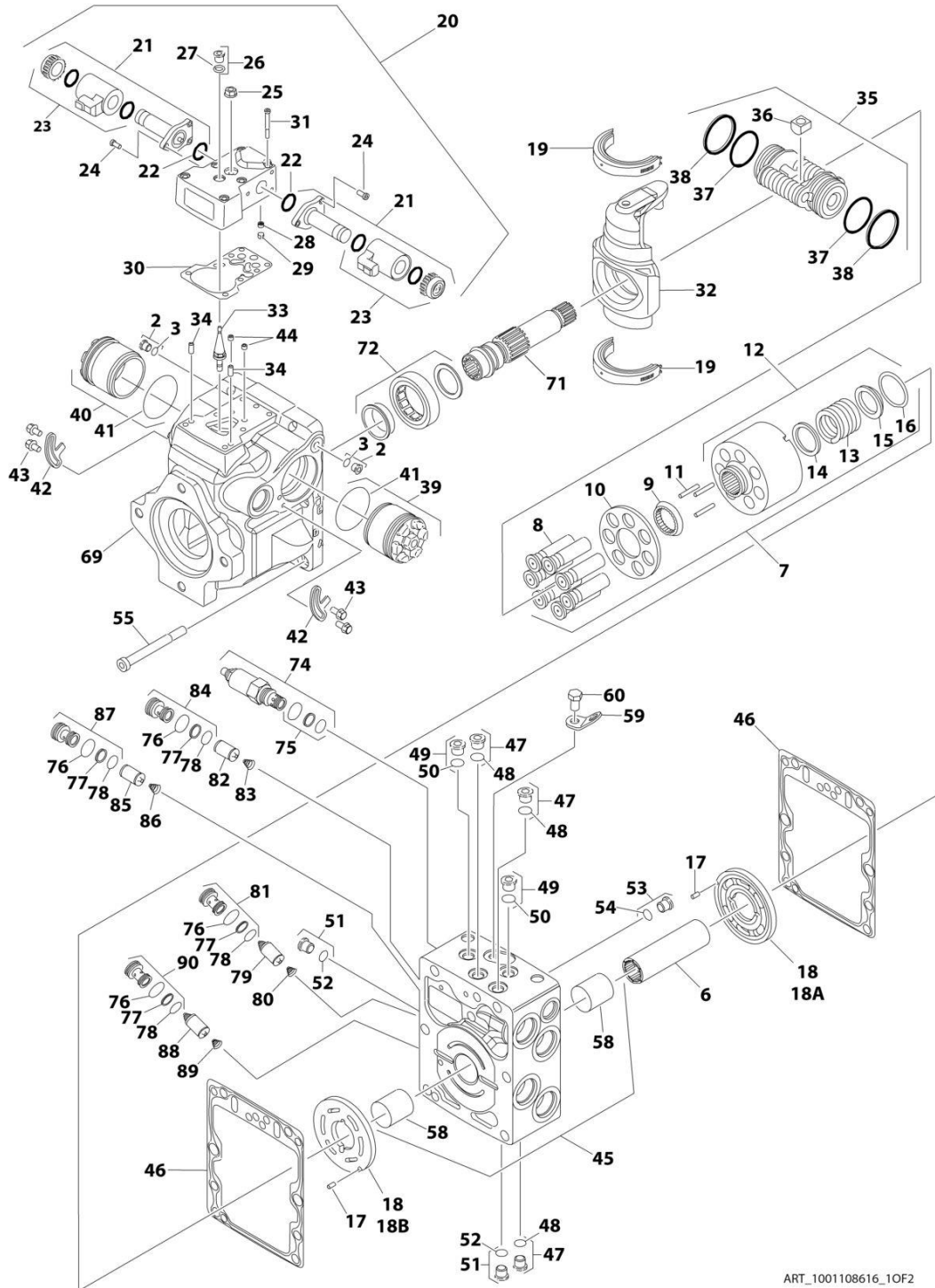
ART\_2902065

FIGURE 3-29. PUMP COUPLING KIT

ITEM	PART NUMBER	QTY	DESCRIPTION	REV
	2902065	Ref	PUMP COUPLING KIT	L
1	70000793	1	Coupling, Hayes	
2	See Note	NSS	Plate, Pump Adapter (Note: Use p/n 2902065)	
3	See Note	NSS	Bolt M10 x 30 Grade 10.9 (Note: Use p/n 2902065)	
4	See Note	NSS	Washer M10 (Note: Use p/n 2902065)	
6	See Note	NSS	Bolt M10 x 20 Grade 10.9 (Note: Use p/n 2902065)	

# SECTION 3 - ENGINE

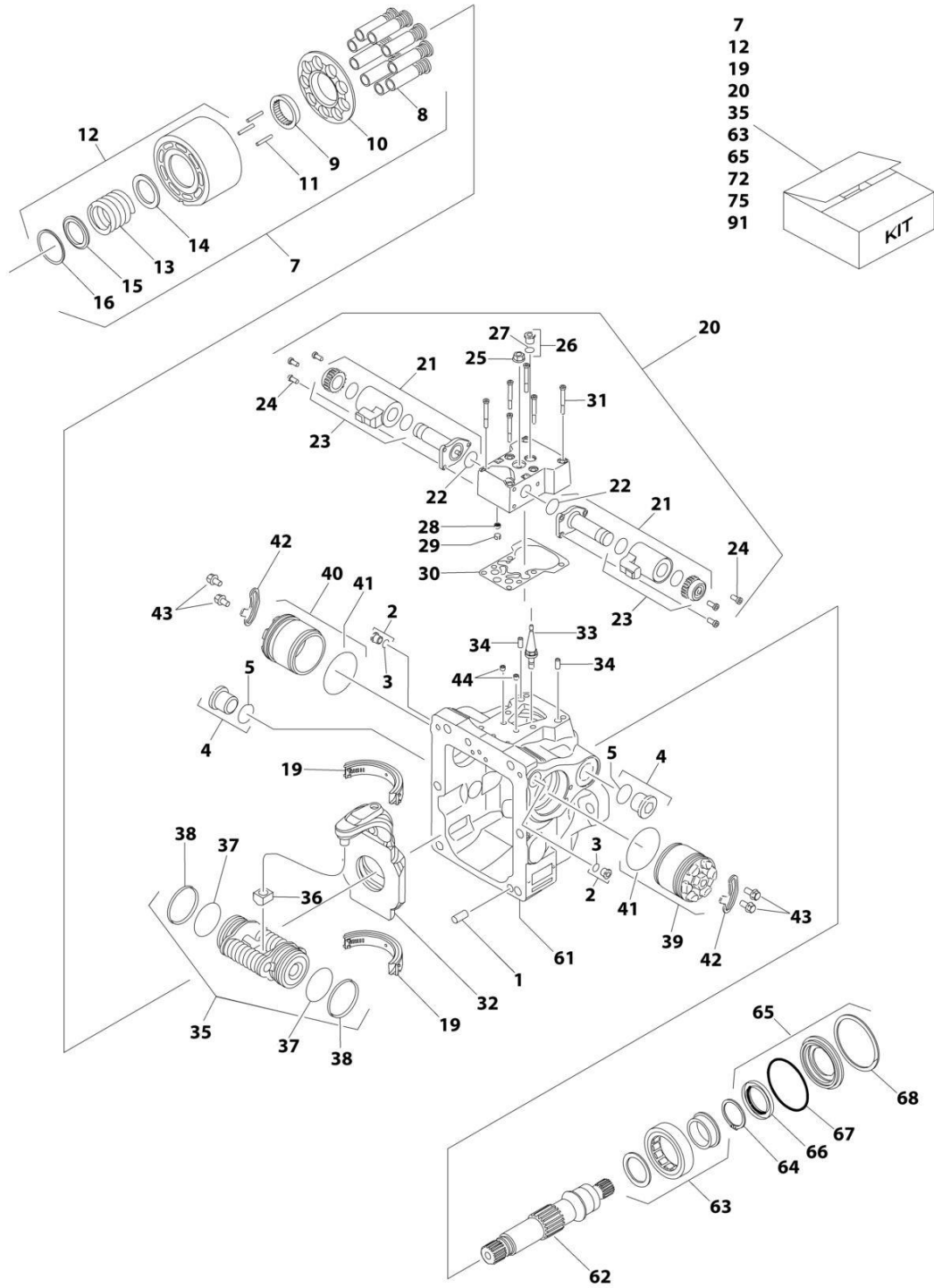
## FIGURE 3-30. TANDEM PUMP ASSEMBLY



ART\_1001108616\_10F2



# SECTION 3 - ENGINE



ART\_1001108616\_20F2

## SECTION 3 - ENGINE

### FIGURE 3-30. TANDEM PUMP ASSEMBLY

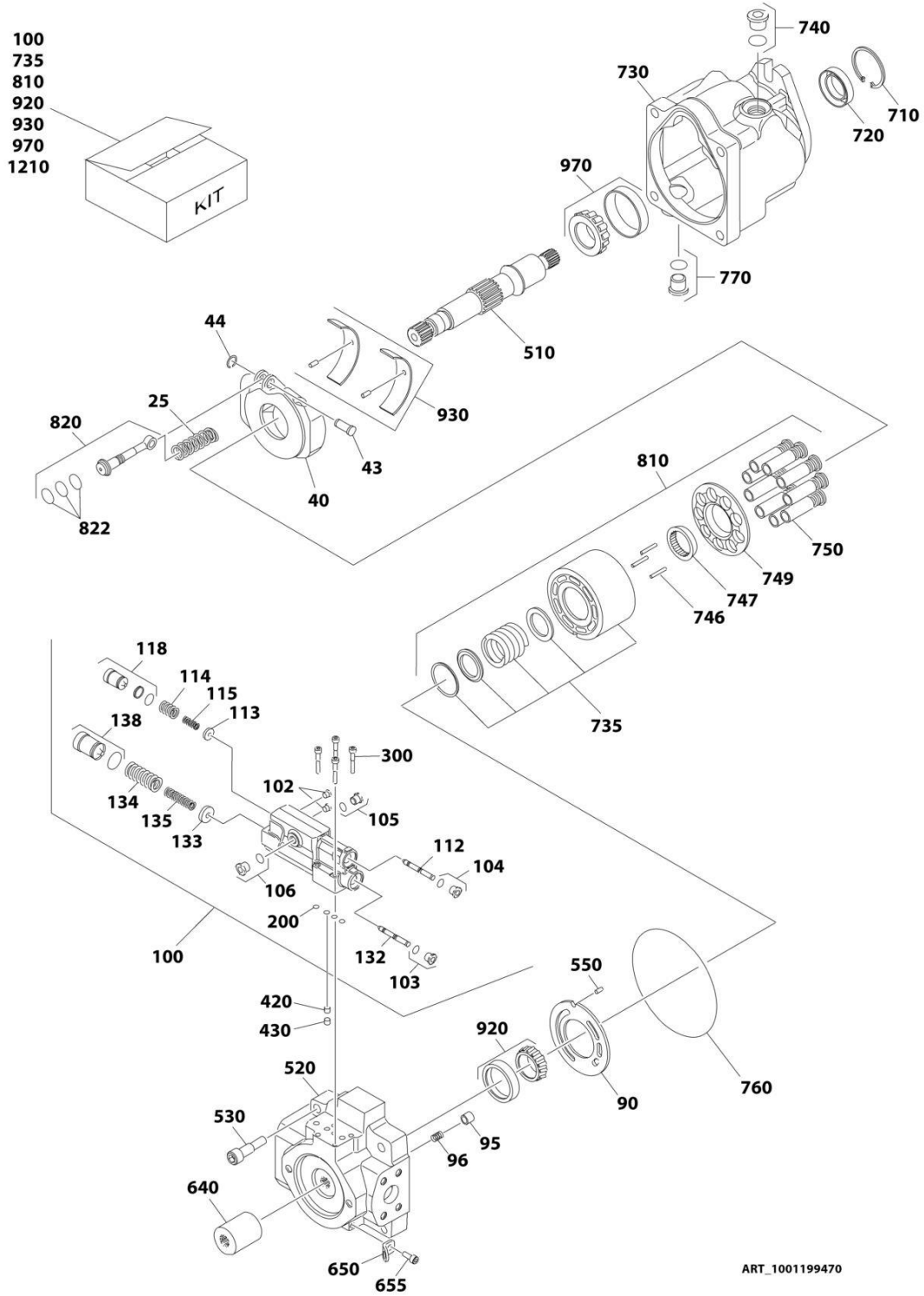
ITEM	PART NUMBER	QTY	DESCRIPTION	REV
	1001108616	Ref	PUMP ASSEMBLY (SAUER TANDEM)	D
1	70002132	4	Pin	
2	70002133	4	Plug Assembly (Includes Item 3)	
3	7007207	4	O-Ring (Part of Item 2)	
4	7007419	2	Plug Assembly (Includes Item 5)	
5	7007418	2	O-Ring (Part of Item 4)	
6	70002600	1	Coupling	
7	70002135	2	Cylinder Block Kit (Each Kit Includes Qty 1 of Items 8-10 & 12-16 & Qty 3 of Item 11)	
8	70002136	2	Piston Assembly Kit (Includes Qty 9 Piston Assemblies) (Part of Item 7)	
9	70002137	2	Guide, Slipper Retainer (Part of Item 7)	
10	70002138	2	Retainer, Slipper (Part of Item 7)	
11	7021275	6	Pin, Slipper Retainer Holddown (Part of Item 7)	
12	70002135	2	Cylinder Block Assembly (Includes Qty 1 of Item 13-16) (Part of Item 7)	
13	70002139	2	Spring (Part of Item 12)	
14	70002140	2	Washer (Part of Item 12)	
15	70002141	2	Washer (Part of Item 12)	
16	70002142	2	Ring, Retaining (Part of Item 12)	
17	7007446	2	Pin	
18		Ref	Plate, Valve Options:	
18A	70002601	1	Plate, CW Valve	
18B	70002602	1	Plate, CCW Valve	
19	70002145	2	Swash Plate Bearing Kit (Includes Qty 2 Bearings)	
20	70002618	2	EDC Kit (Includes Items 21-31)	
21	70002619	4	Solenoid Valve Assembly (Includes Items 22 & 23) (Part of Item 20)	
22	70002148	4	O-Ring (2 Per EDC Assembly) (Part of Item 21)	
23	70002620	4	Coil, Nut and Seals Kit (2 Per EDC Assembly) (Part of Item 21)	
24	70002150	12	Screw (Part of Item 20)	
25	7022301	2	Nut, Seal (Part of Item 20)	
26	70002151	2	Plug Assembly (Part of Item 20) (Includes Item 27)	
27	7007207	2	O-Ring (Part of Item 26)	
28	70002134	2	Screen (Part of Item 20)	
29	70002153	2	Ring, Locking (Part of Item 20)	
30	70002154	2	Gasket, Control (Part of Item 20)	
31	70002156	12	Capscrew (Part of Item 20)	
32	70002152	2	Swash Plate	
33	70002155	2	Link, Swash Plate	
34	70002157	4	Pin, Dowel	
35	70002158	2	Servo Piston Assembly (Includes Items 36-38)	
36	70002159	2	Block, Slider (Part of Item 35)	
37	70002160	2	O-Ring (Part of Item 35)	
38	70002161	2	Ring, Piston (Part of Item 35)	
39	70002162	2	Cylinder, Servo	
40	70002162	2	Cylinder, Servo	
41	70002163	4	O-Ring	
42	70002164	4	Plate, Locking	
43	70002165	8	Screw	

## SECTION 3 - ENGINE

ITEM	PART NUMBER	QTY	DESCRIPTION	REV
44	70002604	4	Orifice	
45	70002605	1	Center Section Assembly (Includes Item 58)	
46	70002168	2	Gasket, End Cap	
47	70001958	2	Plug Assembly (Includes Item 48)	
48	7021256	2	O-Ring (Part of Item 47)	
49	70001958	2	Plug Assembly (Includes Item 50)	
50	7021256	2	O-Ring (Part of Item 49)	
51	70001958	2	Plug Assembly (Includes Item 52)	
52	7021256	2	O-Ring (Part of Item 51)	
53	70001958	2	Plug Assembly (Includes Item 54)	
54	7021256	2	O-Ring (Part of Item 53)	
55	70002606	4	Capscrew	
58	70002607	2	Bearing, Journal (Part of Item 45)	
59	70002608	1	Bracket, Lifting	
60	70002609	1	Screw	
61	See Note	1	Housing (Note: Not Available for Purchase)	
62	70002175	1	Shaft	
63	70002610	1	Ball Bearing Kit	
	7007439	1	Ring, Retaining	
65	70002174	1	Shaft Seal Kit (Includes Items 66-68) (Note: This is a universal kit and will contain extra pieces that are not used on this pump assembly)	
66	70002177	1	Seal, Lip	
67	70002178	1	O-Ring	
68	70002179	1	Ring, Retaining	
69	See Note	1	Housing (Note: Not Available for Purchase)	
71	70002612	1	Shaft	
72	70002610	1	Ball Bearing Kit	
74	70002621	1	High Pressure Relief Valve Cartridge Assembly (Includes Item 75)	
75	70002622	1	Seal Kit - 70002621 Valve (Part of Item 74)	
76	7007415	1	O-Ring (Part of Items 81, 84, 87 & 90)	
77	7021293	1	Ring, Back-up (Part of Items 81, 84, 87 & 90)	
78	7022300	1	O-Ring (Part of Items 81, 84, 87 & 90)	
79	70002616	1	SCR Valve Assembly	
80	7024800	1	Spring	
81	7021265	1	Plug Assembly (Includes Qty 1 of Items 76-78)	
82	70002616	1	SCR Valve Assembly	
83	7024800	1	Spring	
84	7021265	1	Plug Assembly (Includes Qty 1 of Item 76-78)	
85	70002616	1	SCR Valve Assembly	
86	7024800	1	Spring	
87	70002617	1	Plug Assembly (Includes Qty 1 of Item 76-78)	
88	70002616	1	SCR Valve Assembly	
89	7024800	1	Spring	
90	7021265	1	Plug Assembly (Includes Qty 1 of Items 76-78)	
91	70002623	1	Overhaul Seal Kit (Includes Items 3, 5, 22, 27, 30, 37, 38, 41, 46, 48, 50, 52, 54, 66, 67, 75, 76, 77 & 78)	

# SECTION 3 - ENGINE

## FIGURE 3-31. PISTON PUMP ASSEMBLY



## SECTION 3 - ENGINE

### FIGURE 3-31. PISTON PUMP ASSEMBLY

ITEM	PART NUMBER	QTY	DESCRIPTION	REV
	1001199470	Ref	PISTON PUMP ASSEMBLY	E
25	70002580	1	Spring, Bias	
40	70004416	1	Swashplate Assembly	
43	70002582	1	Shaft	
44	70002583	1	Ring, Retaining	
90	70004417	1	Plate, Valve	
95	70001956	1	Poppet, Check Valve	
96	70001955	1	Spring	
100	70022286	1	Kit, Control (Includes Items 102-300)	
102	70023351	1	Setscrew	
103	70002133	1	Plug Assembly (Includes O-Ring)	
103	7007207	1	O-Ring	
104	70002133	1	Plug Assembly (Includes O-Ring)	
104	7007207	1	O-Ring	
105	70002133	1	Plug Assembly (Includes O-Ring)	
105	7007207	1	O-Ring	
106	70002133	1	Plug Assembly (Includes O-Ring)	
106	7007207	1	O-Ring	
112	70004418	1	Spool	
113	70023353	1	Guide, Spring LS	
114	70023354	1	Spring, Outer LS	
115	70023355	1	Spring, Inner LS	
118	70024039	1	Plug, Adjusting LS	
132	70023352	1	Spool, Control	
133	70023357	1	Guide, Spring PC	
134	70023358	1	Spring, Outer PC	
135	70023359	1	Spring, Inner PC	
138	70024040	1	Plug, Adjusting PC (Includes O-Ring)	
138	70023361	1	O-Ring	
200	70023362	4	Ring, Seal	
300	70023363	4	Capscrew	
420	7023377	1	Plug, Orifice	
430	70004419	1	Plug, Orifice	
510	70002586	1	Shaft	
520	70004420	1	Cap, End	
530	70002588	4	Capscrew	
550	7007446	1	Pin, Slotted	
640	70002589	1	Coupling	
650	7022340	1	Bracket, Lifting	
655	70002590	1	Capscrew	
710	7023962	1	Ring, Retaining	
720	70022287	1	Seal, Lip	
730	See Note	NSS	Housing (Note: Not Available for Purchase)	
735	70004421	1	Block, Cylinder	
740	7023964	1	Plug Assembly (Includes O-Ring)	
740	7007415	1	O-Ring	
746	7021275	3	Pin, Hold-down	
747	70002592	1	Guide, Slipper Retainer	
749	70002593	1	Retainer, Slipper	
750	70004422	9	Piston Assembly	

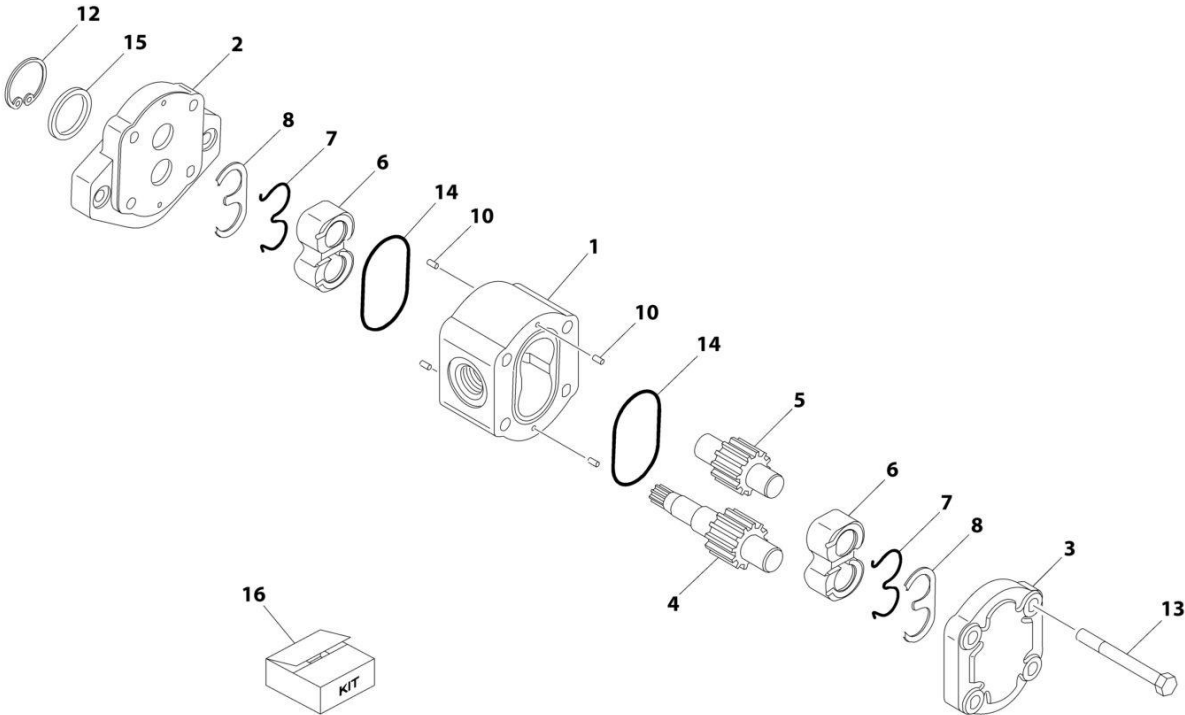
## SECTION 3 - ENGINE

ITEM	PART NUMBER	QTY	DESCRIPTION	REV
760	70002595	1	Seal, End Cap	
770	7023964	1	Plug, O-Ring (Includes O-Ring)	
770	7007415	1	O-Ring	
810	70004423	1	Kit, Cylinder Block (Includes Items 735, 746, 747, 749 & 750)	
820	70025979	1	Piston, Servo (Includes Item 822)	
822	70004425	3	Ring, Piston (Part of Item 820)	
920	70002585	1	Kit, Bearing - Rear (Includes Cup and Cone)	
930	70004426	1	Kit, Swashplate Bearing (Includes Qty 2 Bearings and Retainer Pins)	
970	70002578	1	Bearing Kit - Front (Includes Cup and Cone)	
1210	70002599	1	Kit, Complete Seal (Includes Items 200, 720, 760, 822 and Plug O-Rings)	



**SECTION 3 - ENGINE**

**FIGURE 3-32. GEAR PUMP ASSEMBLY**



ART\_1001112927

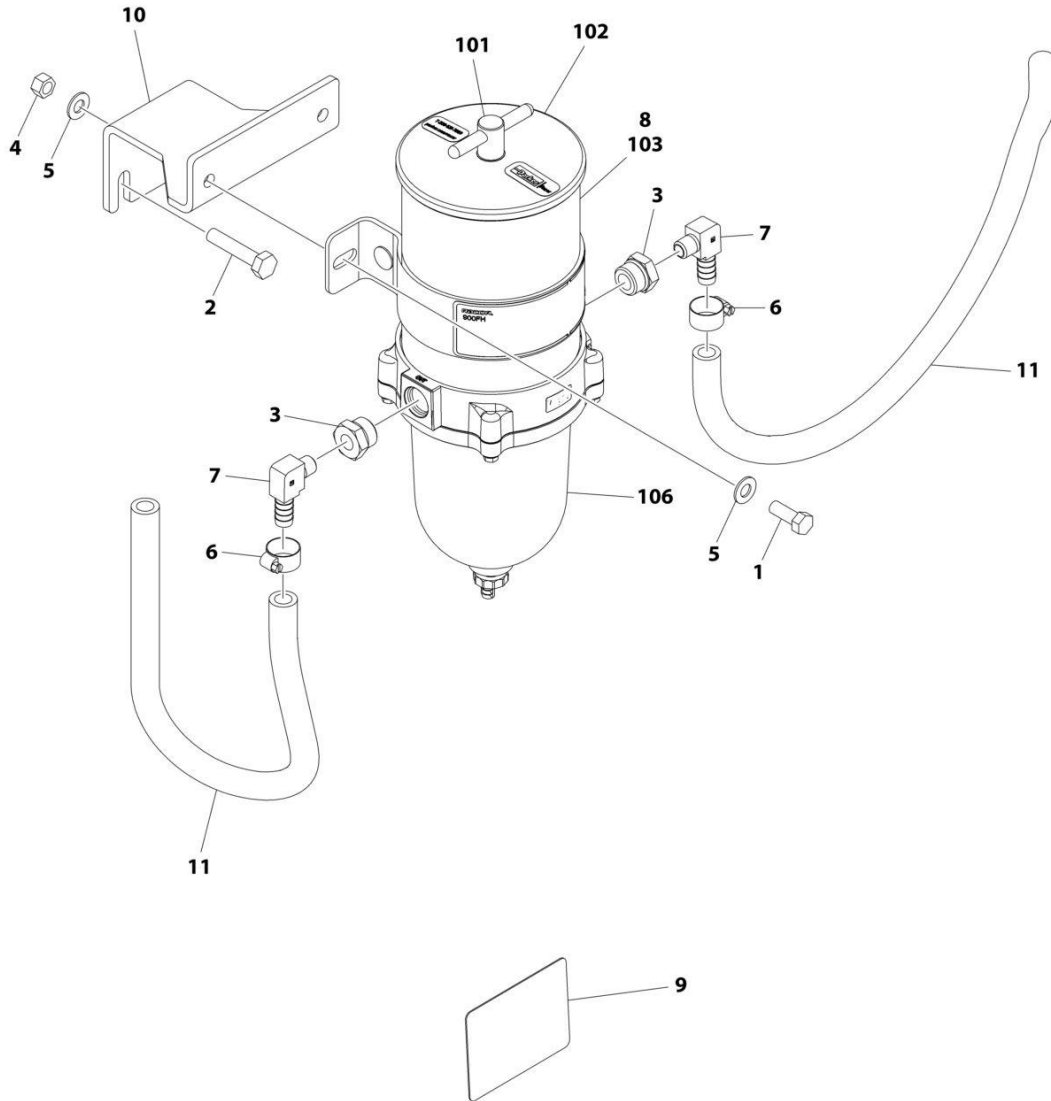


FIGURE 3-32. GEAR PUMP ASSEMBLY

ITEM	PART NUMBER	QTY	DESCRIPTION	REV
	1001112927	Ref	PUMP ASSEMBLY (SAUER GEAR)	A
1	See Note	NSS	Body (Note: Use p/n 1001112927)	
2	See Note	NSS	Cover, Front (Note: Use p/n 1001112927)	
3	See Note	NSS	Cover, Rear (Note: Use p/n 1001112927)	
4	See Note	NSS	Shaft, Gear (Note: Use p/n 1001112927)	
5	See Note	NSS	Gear, Idler (Note: Use p/n 1001112927)	
6	See Note	NSS	Block, Bearing (Note: Use p/n 1001112927)	
7	7007489	2	Ring, Anti-Extrusion	
8	7007489	2	Ring, Seal	
10	See Note	NSS	Pin, Dowel (Note: Use p/n 1001112927)	
12	70002576	1	Ring, Retaining	
13	See Note	NSS	Capscrew (Note: Use p/n 1001112927)	
14	7007489	2	O-Ring	
15	7007489	1	Seal, Lip	
16	7007489	1	Seal Kit - 1001112927 Pump (Includes Items 7, 8, 14 & 15)	

# SECTION 3 - ENGINE

## FIGURE 3-33. FUEL FILTER/WATER SEPARATOR INSTALLATION (LRC)



LOCATED ON TANK SIDE HOOD

ART\_1001227912

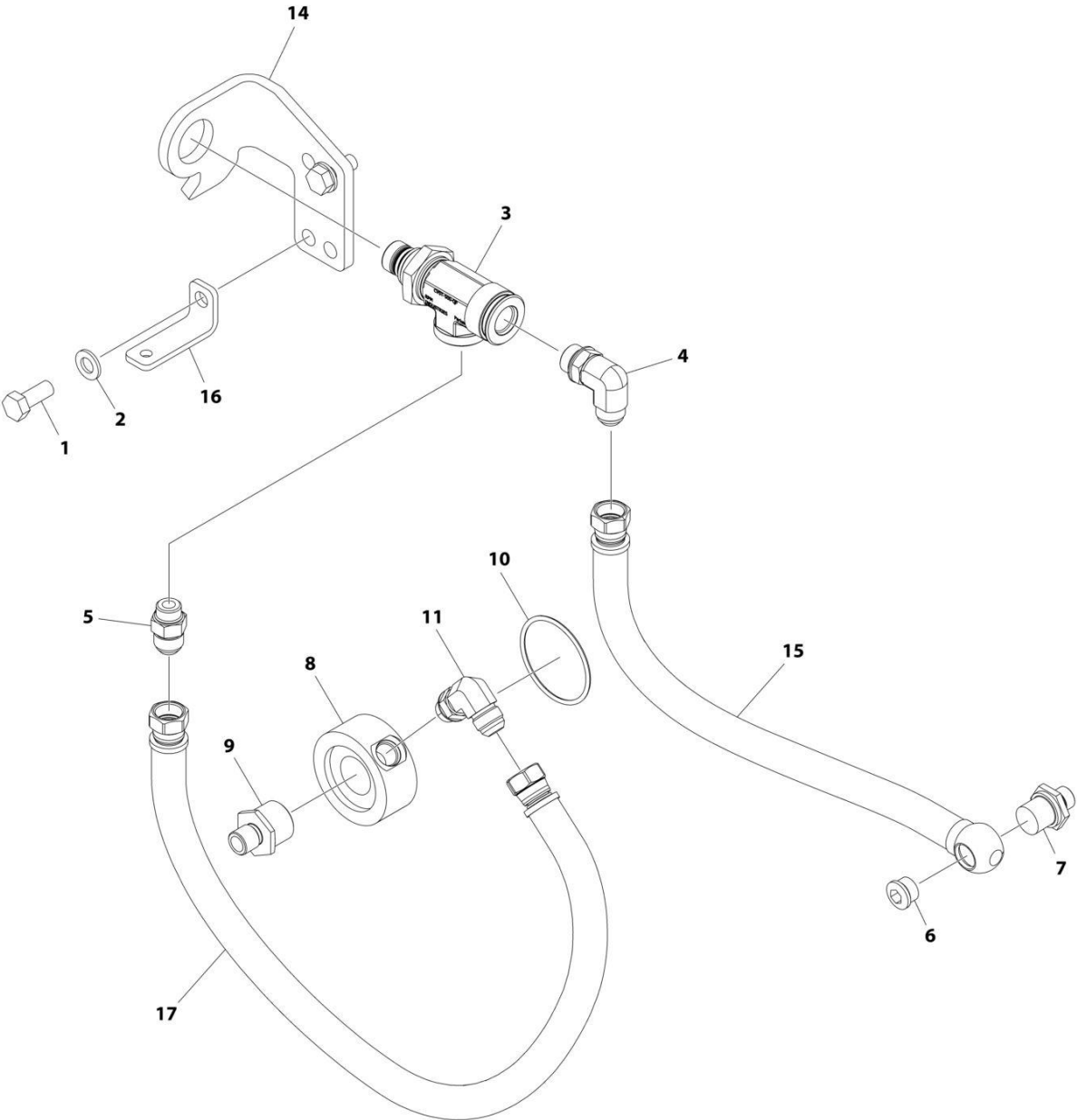
## SECTION 3 - ENGINE

**FIGURE 3-33. FUEL FILTER/WATER SEPARATOR INSTALLATION (LRC)**

ITEM	PART NUMBER	QTY	DESCRIPTION	REV
	1001227912	Ref	FUEL FILTER/WATER SEPARATOR INSTALLATION (LRC)	A
1	0641608	2	Bolt 3/8 x 1	
2	0761018	2	Bolt M10 x 50	
3	2220816	2	Fitting, Adapter FNPTF/ORB	
4	3311605	2	Nut 3/8	
5	4711600	4	Washer 3/8	
6	8405006	2	Clamp	
7	1001178797	2	Fitting, 90 Elbow	
8	1001222817	1	Fuel Filter Assembly (See Items 101-107 for Breakdown)	
9	1001226923	1	Decal - Fuel Water Separator	
10	1001227948	1	Mount, Fuel Filter	
11	1001154405	4 ft/ 1.22m	Hose	
	1001222817	Ref	FUEL FILTER ASSEMBLY	
101	70006403	1	T-Handle Kit (Includes O-Ring)	
102	70006404	1	Lid Kit (Includes Gasket)	
103	70006405	1	Element	
104	70006406	1	Checkball & Gasket Kit (Not Shown)	
105	70006407	1	Centrifuge and Baffle Kit (Not Shown)	
106	70006409	1	Bowl Kit (Includes Gasket, O-Ring and Drain)	
106	70006408	1	Gasket, Bowl	
107	70006410	1	Bowl Ring Kit (Includes Gasket & Hardware) (Not Shown)	

**SECTION 3 - ENGINE**

**FIGURE 3-34. QUICKFIT OIL VALVE**



ART\_1001284139

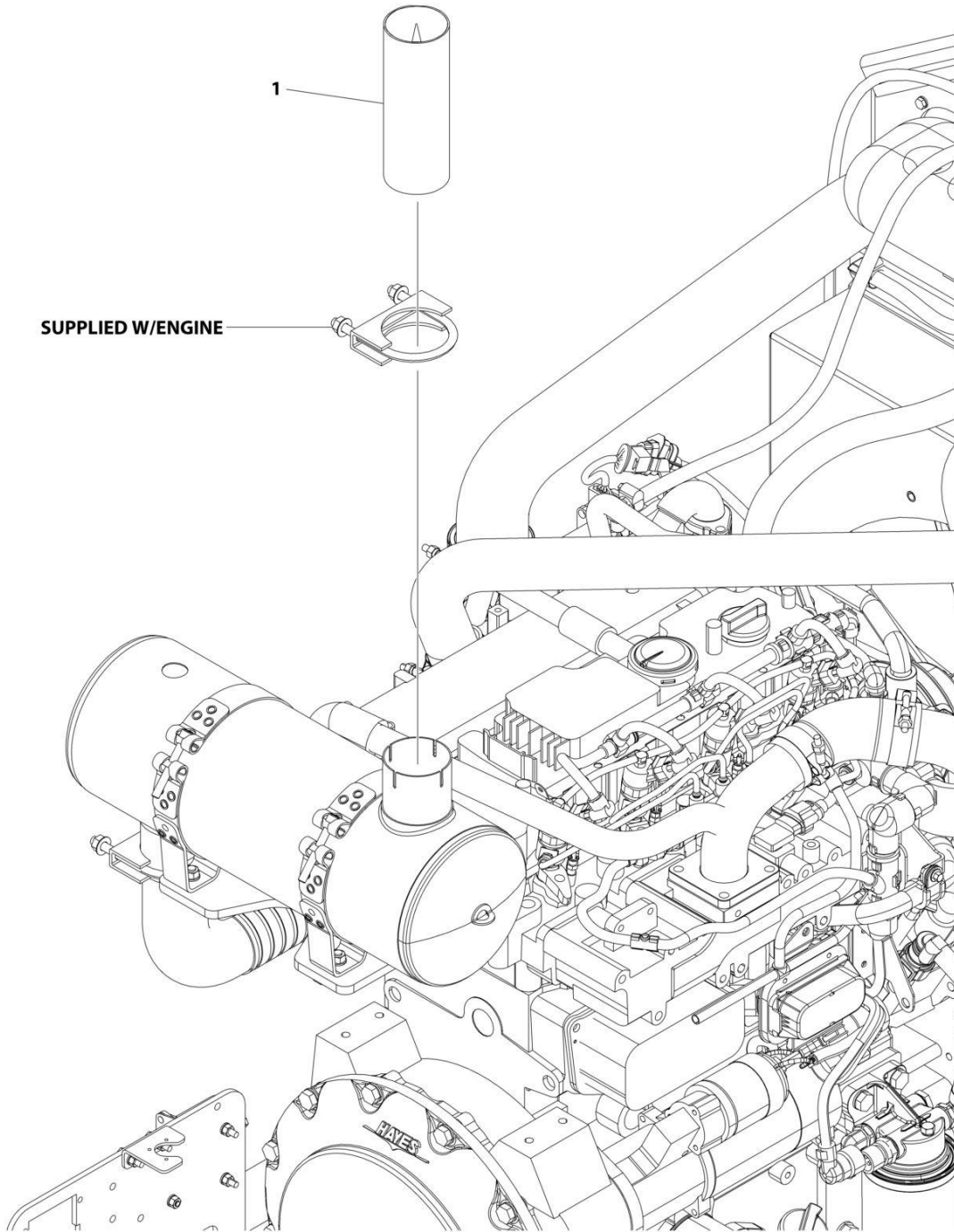
## SECTION 3 - ENGINE

### FIGURE 3-34. QUICKFIT OIL VALVE

ITEM	PART NUMBER	QTY	DESCRIPTION	REV
	1001284139	Ref	QUICKFIT OIL VALVE	A
1	0761214	2	Bolt M12 x 30	
2	4812100	2	Washer M12	
3	1001281298	1	Valve	
4	1001281301	1	Fitting, 90	
5	1001281302	1	Fitting, Quickfit	
6	1001281304	1	Plug	
7	1001281305	1	Fitting, Banjo	
8	1001281309	1	Filter	
9	1001281310	1	Fitting	
10	1001281311	1	O-Ring	
11	1001281359	1	Valve, Check	
12	1001281360	1	Decal (Not Shown - Located On Frame)	
13	1001281656	AR	Tie-strap (Not Shown)	
14	1001282725	1	Bracket	
15	1001284138	1	Hose	
16	1001284257	1	Bracket	
17	1001284272	1	Hose	

# SECTION 3 - ENGINE

## FIGURE 3-35. SPARK ARRESTOR INSTALLATION (LRC) (OPTIONAL)



ART\_1001158607

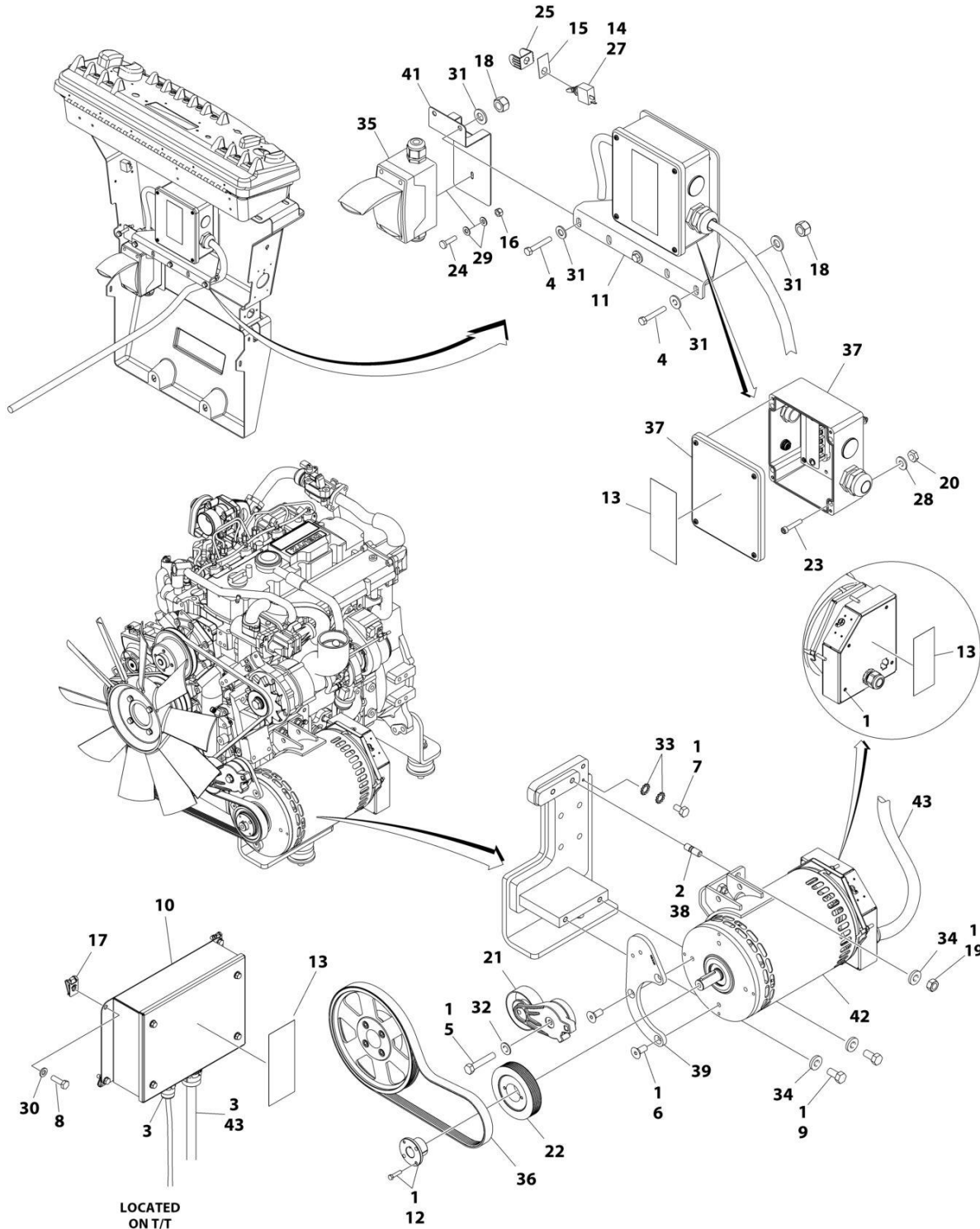
## SECTION 3 - ENGINE

**FIGURE 3-35. SPARK ARRESTOR INSTALLATION (LRC) (OPTIONAL)**

ITEM	PART NUMBER	QTY	DESCRIPTION	REV
1	1001158607 1001158263	Ref 1	SPARK ARRESTOR INSTALLATION Arrestor, Spark	B

# SECTION 3 - ENGINE

## FIGURE 3-36. 4000W GENERATOR INSTALLATION - 50HZ





## SECTION 3 - ENGINE

**FIGURE 3-36. 4000W GENERATOR INSTALLATION - 50HZ**

ITEM	PART NUMBER	QTY	DESCRIPTION	REV
	1001200698	Ref	4000W GENERATOR INSTALLATION - 50HZ	D
1	0100011	AR	Compound, Locking	
2	0100019	AR	Compound, Locking	
3	0100048	AR	Grease, Dielectric	
4	0700819001	4	Bolt M8 x 55	
5	0701018	1	Bolt M10 x 50	
6	0741607	3	Screw 3/8 x 7/8	
7	0760606	1	Bolt M6 x 12	
8	0760610	4	Bolt M6 x 20	
9	0761212	2	Bolt M12 x 25	
10	1001138566	1	Control Box Assembly	
10	77363232	1	Connector - 6 Position	
10	See Note	NSS	Connector - 3 Position (Note: Not Available for Purchase)	
10	70006552	1	Capacitor	
10	70006553	1	Relay	
11	0902888	1	Bracket, Junction Box	
12	0962520	1	Bushing, Split	
13	1705489	3	Decal - Hazardous Voltage	
14	2820031	0.3 ft /0.1m	Heat Shrink	
15	3251102	1	Nameplate, Generator	
16	3290405001	2	Nut M4	
17	8305919	4	Nut, Retainer	
18	3290805001	4	Nut M8	
19	3291201	2	Nut M12	
20	3311005001	4	Nut #10	
21	3580317	1	Tensioner, Belt with Pulley	
22	3580318	1	Pulley, Generator	
23	3931016	4	Capscrew #10 x 1	
24	4010408	2	Screw M4 x 16	
25	4060802	1	Guard, Switch	
26	4240018	AR	Tie-Strap (Not Shown)	
27	4360336	1	Switch, Toggle	
28	4751000001	4	Washer #10	
29	4811400001	4	Washer M4	
30	4811700	4	Washer M6	
31	4811900001	8	Washer M8	
32	4812000	1	Washer M10	
33	4871700	2	Washer M6	
34	5241200	4	Washer M12	
35	1001096612	1	Breaker Box Kit (See Separate Breakdown in ELECTRICAL Section)	
36	1001148059	1	Belt, Generator	
37	1001152458	1	Junction Box Assembly	
37	4460425	1	Connector, Strain Relief (LH Side)	
37	4460426	1	Connector, Strain Relief (RH Side)	
37	1001152530	1	Block, Terminal	
37	1001158363	1	Cover, Terminal Block	
38	1001155041	2	Stud	
39	1001155338	1	Support, Tensioner	

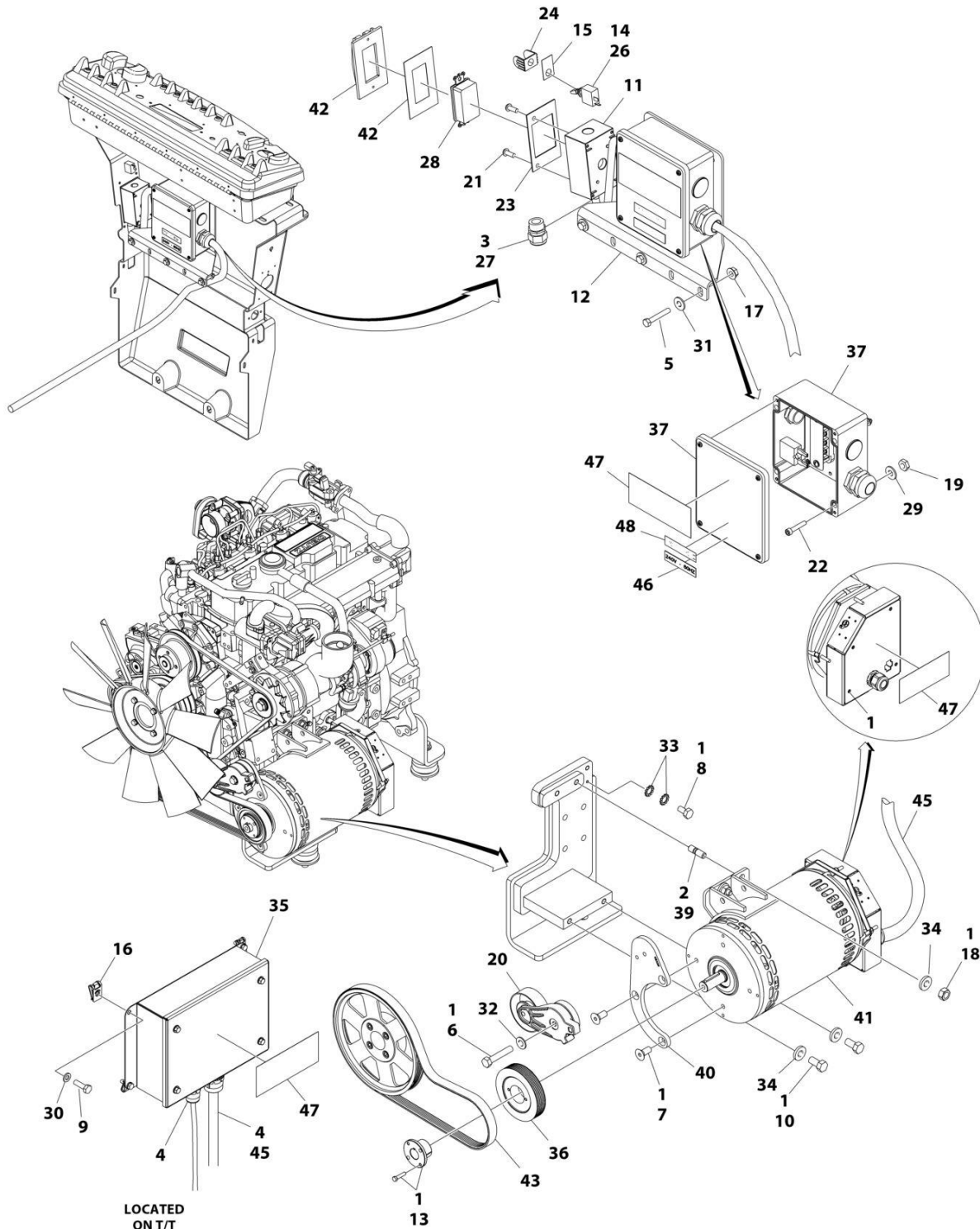
## SECTION 3 - ENGINE

ITEM	PART NUMBER	QTY	DESCRIPTION	REV
41	1001204650	1	Bracket	
42	1001206119	1	Generator Assembly	
42	70003709	1	Ring, Retaining (External)	
42	70003708	1	Ring, Retaining (Internal)	
42	70001966	1	Bearing	
42	70004092	1	Endbell (Shaft End)	
42	70004171	1	Key	
42	70004676	1	Rotor	
42	70005624	1	Stator	
42	70004678	1	Endbell (Rear)	
42	70004679	1	Cover, Endbell (Rear)	
42	70004680	1	Enclosure, Wiring	
42	70004681	1	Cover, Enclosure	
42	70004682	1	Switch, Reset (Located on Enclosure Cover)	
42	70004098	1	Connector, Strain Relief (Located on Enclosure Cover)	
42	70004683	1	Bushing, Connector (Use p/n 70004098)	
42	70001973	1	Decal - Warning Pinch Point	
43	1001152532	1	Generator (See Separate Breakdown in ELECTRICAL Section)	
		Ref	ELECTRICAL DIAGRAM COMPONENTS	
101	1001153259	1	Generator to Platform Harness (Not Shown) (See Separate Breakdown in ELECTRICAL Section)	
103	4922641	1	Generator Switch Harness (Not Shown)	



# SECTION 3 - ENGINE

## FIGURE 3-37. 4000W GENERATOR INSTALLATION - 60HZ



## SECTION 3 - ENGINE

**FIGURE 3-37. 4000W GENERATOR INSTALLATION - 60HZ**

ITEM	PART NUMBER	QTY	DESCRIPTION	REV
	1001200699	Ref	4000W GENERATOR INSTALLATION - 60HZ	B
1	0100011	AR	Compound, Locking	
2	0100019	AR	Compound, Locking	
3	0100020	AR	Sealant	
4	0100048	AR	Grease, Dielectric	
5	0700818001	3	Bolt M8 x 50	
6	0701018	1	Bolt M10 x 50	
7	0741607	3	Screw 3/8 x 7/8	
8	0760606	1	Bolt M6 x 12	
9	0760610	4	Bolt M6 x 20	
10	0761212	2	Bolt M12 x 25	
11	0860038	1	Box, Switch	
12	0902888	1	Bracket, Junction Box	
13	0962520	1	Bushing, Split	
14	2820031	0.3 ft /0.1m	Heat Shrink	
15	3251102	1	Nameplate, Generator	
16	8305919	4	Nut, Retainer	
17	3290805001	3	Nut M8	
18	3291201	2	Nut M12	
19	3311005	4	Nut #10	
20	3580317	1	Tensioner, Belt with Pulley	
21	3910606	4	Screw M6 x 3/8	
22	3931016	4	Capscrew #10 x 1	
23	3960422	1	Gasket, AC Receptacle	
24	4060802	1	Guard, Switch	
25	4240018	AR	Tie-Strap (Not Shown)	
26	4360336	1	Switch, Toggle	
27	4460071	1	Connector, Strain Relief	
28	4460346	1	Receptacle	
29	4751000	4	Washer #10	
30	4811700	4	Washer M6	
31	4811900001	6	Washer M8	
32	4812000	1	Washer M10	
33	4871700	2	Washer M6	
34	5241200	4	Washer M12	
35	1001138566	1	Control Box Assembly	
35	77363232	1	Connector - 6 Position	
35	See Note	NSS	Connector - 3 Position (Note: Not Available for Purchase)	
35	70006552	1	Capacitor	
35	70006553	1	Relay	
36	1001150174	1	Pulley, Generator	
37	1001152457	1	Junction Box Assembly	
37	3300396	1	Cover, Breaker	
37	4360070	1	Breaker, Circuit - 15Amp	
37	1001152530	1	Block, Terminal	
37	1001158363	1	Cover, Terminal Block	
37	4460425	1	Connector, Strain Relief (LH Side)	
37	4460426	1	Connector, Strain Relief (RH Side)	
39	1001155041	2	Stud	

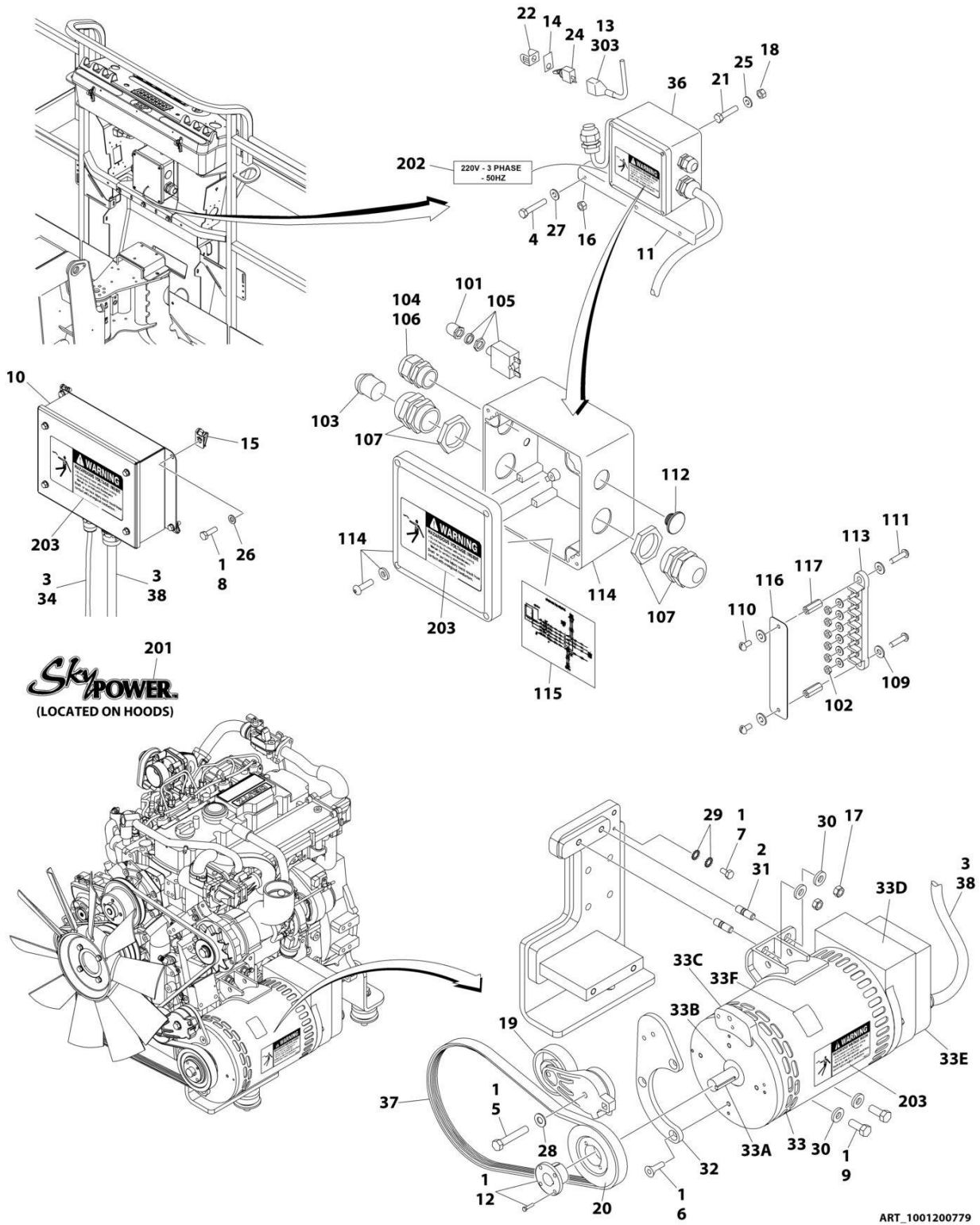
## SECTION 3 - ENGINE

ITEM	PART NUMBER	QTY	DESCRIPTION	REV
40	1001155338	1	Support, Tensioner	
41	1001200565	1	Generator Assembly	
41	70003709	1	Ring, Retaining (External)	
41	70003708	1	Ring, Retaining (Internal)	
41	70001966	1	Bearing	
41	70004092	1	Endbell (Shaft End)	
41	70004171	1	Key	
41	70004676	1	Rotor	
41	70005625	1	Stator	
41	70004678	1	Endbell (Rear)	
41	70004679	1	Cover, Endbell (Rear)	
41	70004680	1	Enclosure, Wiring	
41	70004685	1	Cover, Enclosure	
41	70005624	1	Switch, Reset (Located on Enclosure Cover)	
41	70004098	1	Connector, Strain Relief (Located on Enclosure Cover)	
41	70004683	1	Bushing, Connector (Use with p/n 70004098)	
41	70001973	1	Decal - Warning Pinch Point	
42	1001110873	1	Cover, Receptacle (60Hz)	
43	1001155303	1	Belt, Generator	
45	1001152532	1	Generator Harness (See Separate Breakdown in ELECTRICAL Section)	
46	1705374	1	Decal - 240V	
47	1705387	3	Decal - Hazardous Voltage	
48	3251243	1	Decal - 120V	
		Ref	ELECTRICAL DIAGRAM COMPONENTS	
101	1001153259	1	Generator to Platform Harness (Not Shown) (See Separate Breakdown in ELECTRICAL Section)	
103	4922641	1	Generator Switch Harness (Not Shown)	



# SECTION 3 - ENGINE

## FIGURE 3-38. 7500W SKYPOWER GENERATOR INSTALLATION - 50HZ





## SECTION 3 - ENGINE

**FIGURE 3-38. 7500W SKYPOWER GENERATOR INSTALLATION - 50HZ**

ITEM	PART NUMBER	QTY	DESCRIPTION	REV
	1001200779	Ref	7500W SKYPOWER GENERATOR INSTALLATION - 50HZ	C
		Ref	Note: See ELECTRICAL SECTION for Boom Cable Installation.	
1	0100011	AR	Compound, Locking	
2	0100019	AR	Compound, Locking	
3	0100048	AR	Grease, Dielectric	
4	0700818001	3	Bolt M8 x 50	
5	0701018	1	Bolt M10 x 50	
6	0741607	3	Screw 3/8 x 7/8	
7	0760606	1	Bolt M6 x 12	
8	0760610	4	Bolt M6 x 20	
9	0761212	2	Bolt M12 x 25	
10	0861572	1	Box, Generator Control	
10	7024488	1	Card, Circuit - Generator Power (Not Shown)	
10	See Note	1	Fuse (Note: Not Available Purchase Locally)	
10	7024489	1	Card, Circuit - Control (Not Shown)	
		Ref	Note: When replacing card, rocker switch on card must be set for required application.	
10	70000619	1	Circuit Card Harness	
10	77363232	1	Connector - 6 Position	
10	See Note	NSS	Connector - 3 Position (Note: Not Available for Purchase)	
11	0902888	1	Bracket	
12	0962520	1	Bushing	
13	2820031	AR	Heat Shrink	
14	3251102	1	Nameplate, Generator	
15	8305919	4	Nut, Retainer M6	
16	3290805001	3	Nut M8	
17	3291201	2	Nut M12	
18	3311005	4	Nut #10	
19	3580317	1	Tensioner, Belt with Pulley	
20	3580318	1	Pulley, Generator	
21	3931016	4	Capscrew #10 x 1	
22	4060802	1	Guard, Switch	
23	4240018	AR	Tie-Strap (Not Shown)	
24	4360336	1	Switch, Toggle	
25	4751000	4	Washer #10	
26	4711700	4	Washer M6	
27	4811900001	6	Washer M8	
28	4812000	1	Washer M10	
29	4871700	2	Washer M6	
30	5241200	4	Washer M12	
31	1001155041	2	Stud	
32	1001155338	1	Bracket	
33	1001155348	1	Generator, 7500W	
33	70001100	1	Rotor (Includes p/n 70001384 & 70000863) (Not Shown)	
33	70001384	1	Bearing, Shaft (Rear) (Not Shown)	
33	70000863	1	Fan, Generator (Not Shown)	
33	70005651	1	Stator (Not Shown)	
33	70002297	2	Stud 1/4 x 12-7/8 (Not Shown)	
33	70003631	1	Brushholder Assembly (Not Shown)	
33A	70004171	1	Key	

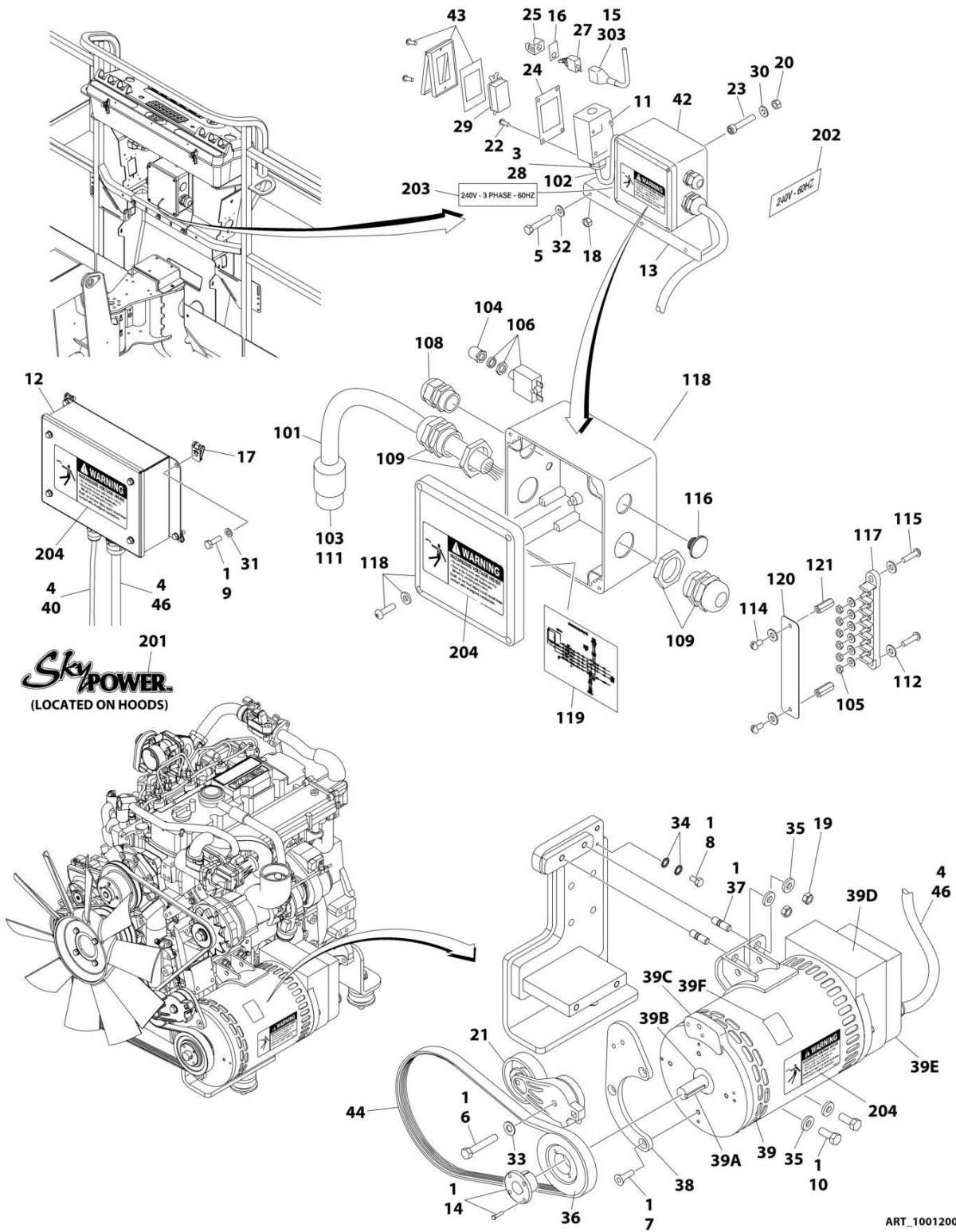
## SECTION 3 - ENGINE

ITEM	PART NUMBER	QTY	DESCRIPTION	REV
33B	70001966	1	Bearing, Ball Radial (Located in Belt Tensioner Endbell)	
33B	70003709	1	Ring, Retaining (Small)	
33B	70003708	1	Ring, Retaining (Large)	
33C	70004092	1	Endbell, Belt Tensioner	
33D	70004094	1	Endbell, Brush Block	
33E	70004096	1	Shroud Assembly	
33E	7027799	1	Block, Connector - 6 Position (Not Shown)	
33E	70002460	6	Nut, Brass (Attaches p/n 7027799 to Cover) (Not Shown)	
33E	7024485	1	Breaker, Circuit 30Amp (Not Shown)	
33E	70001696	1	Boot, Breaker (Not Shown)	
33E	7026597	1	Connector with Leads (Not Shown)	
33E	7026626	1	Connector with Pins (Not Shown)	
33E	70004098	1	Clamp, Cable (Not Shown)	
33E	70005652	1	Plate, End Panel (Not Shown)	
33E	70004097	1	Insulator, End Panel (Not Shown)	
33E	70001974	1	Decal - Terminal Connections (Not Shown)	
33F	70001973	1	Decal - Warning Moving Parts	
34	1001156030	1	Generator Harness (See Separate Breakdown in ELECTRICAL SECTION)	
36	1001157525	1	Junction Box Assembly (See Items 101-117 for Breakdown)	
37	1001148059	1	Belt, Generator	
38	4922925	1	Generator Harness (See Separate Breakdown in ELECTRICAL SECTION)	
	1001157525	Ref	JUNCTION BOX ASSEMBLY	B
101	3300396	1	Cover, Fuse	
102	3311001	6	Nut #10	
103	3520189	1	Plug (50Hz Spec Only)	
104	3520192	1	Plug	
105	4360070	1	Circuit Breaker - 15Amp	
106	4460425	1	Strain Relief, Terminal	
107	4460426	2	Connector, Strain Relief	
109	4711000	10	Washer #10	
110	10702077	2	Screw #10 x 3/8	
111	10702082	2	Screw #10 x 3/4	
112	1001152525	1	Plug	
113	1001157520	1	Block, Terminal	
114	1001157521	1	Box, Junction	
115	1001157528	1	Decal - Wiring Schematic	
116	1001158007	1	Cover, PVC	
117	1001158008	2	Stand-off	
	0272589	Ref	DECAL INSTALLATION	A
201	1705460	2	Decal - SkyPower	
202	1705461	1	Decal - 240V - 3 Phase	
203	1705489	3	Decal - Hazardous Voltage	
		Ref	ELECTRICAL DIAGRAM COMPONENTS	
303	4922641	1	Generator Switch Harness	



# SECTION 3 - ENGINE

## FIGURE 3-39. 7500W SKYPOWER GENERATOR INSTALLATION - 60HZ



## SECTION 3 - ENGINE

**FIGURE 3-39. 7500W SKYPOWER GENERATOR INSTALLATION - 60HZ**

ITEM	PART NUMBER	QTY	DESCRIPTION	REV
	1001200780	Ref	7500W SKYPOWER GENERATOR INSTALLATION - 60HZ	B
1	0100011	AR	Compound, Locking	
2	0100019	AR	Compound, Locking (Not Shown)	
3	0100020	AR	Sealant, Pipe	
4	0100048	AR	Grease, Dielectric	
5	0700818001	3	Bolt M8 x 50	
6	0701018	1	Bolt M10 x 50	
7	0741607	3	Screw 3/8 x 7/8	
8	0760606	1	Bolt M6 x 12	
9	0760610	4	Bolt M6 x 20	
10	0761212	2	Bolt M12 x 25	
11	0860038	1	Box, Switch	
12	0861538	1	Box, Generator Control	
12	7024488	1	Card, Circuit - Generator Power (Not Shown)	
12	See Note	1	Fuse (Note: Not Available Purchase Locally)	
12	7024489	1	Card, Circuit - Control (Not Shown)	
		Ref	Note: When replacing card, rocker switch on card must be set for required application.	
12	70000619	1	Circuit Card Harness	
12	77363232	1	Connector - 6 Position	
12	See Note	1	Connector - 3 Position (Note: Not Available for Purchase)	
13	0902888	1	Bracket, Generator Junction Box	
14	0962520	1	Bushing, Taper	
15	2820031	AR	Insulator, Heat Shrink	
16	3251102	1	Nameplate, Generator	
17	8305919	4	Nut, Retainer M6	
18	3290805001	3	Nut M8	
19	3291201	2	Nut M12	
20	3311005	4	Nut #10	
21	3580317	1	Pulley, Belt Tensioner	
22	3910606	4	Screw #6 x 3/8	
23	3931016	4	Capscrew #10 x 1	
24	3960422	1	Gasket, AC Receptacle	
25	4060802	1	Guard, Switch	
26	4240018	AR	Tie-Strap (Not Shown)	
27	4360336	1	Switch, Toggle	
28	4460071	1	Connector, Strain Relief	
29	4460346	1	Terminal, Receptacle	
30	4751000	4	Washer #10	
31	4711700	4	Washer M6	
32	4811900001	6	Washer M8	
33	4812000	1	Washer M10	
34	4871700	2	Washer M6	
35	5241200	4	Washer M12	
36	1001150174	1	Pulley, Generator	
37	1001155041	2	Stud	
38	1001155338	1	Bracket	
39	1001155348	1	Generator, 7500W	
39	70001100	1	Rotor (Includes p/n 70001384 & 70000863) (Not Shown)	
39	70001384	1	Bearing, Shaft (Rear) (Not Shown)	

## SECTION 3 - ENGINE

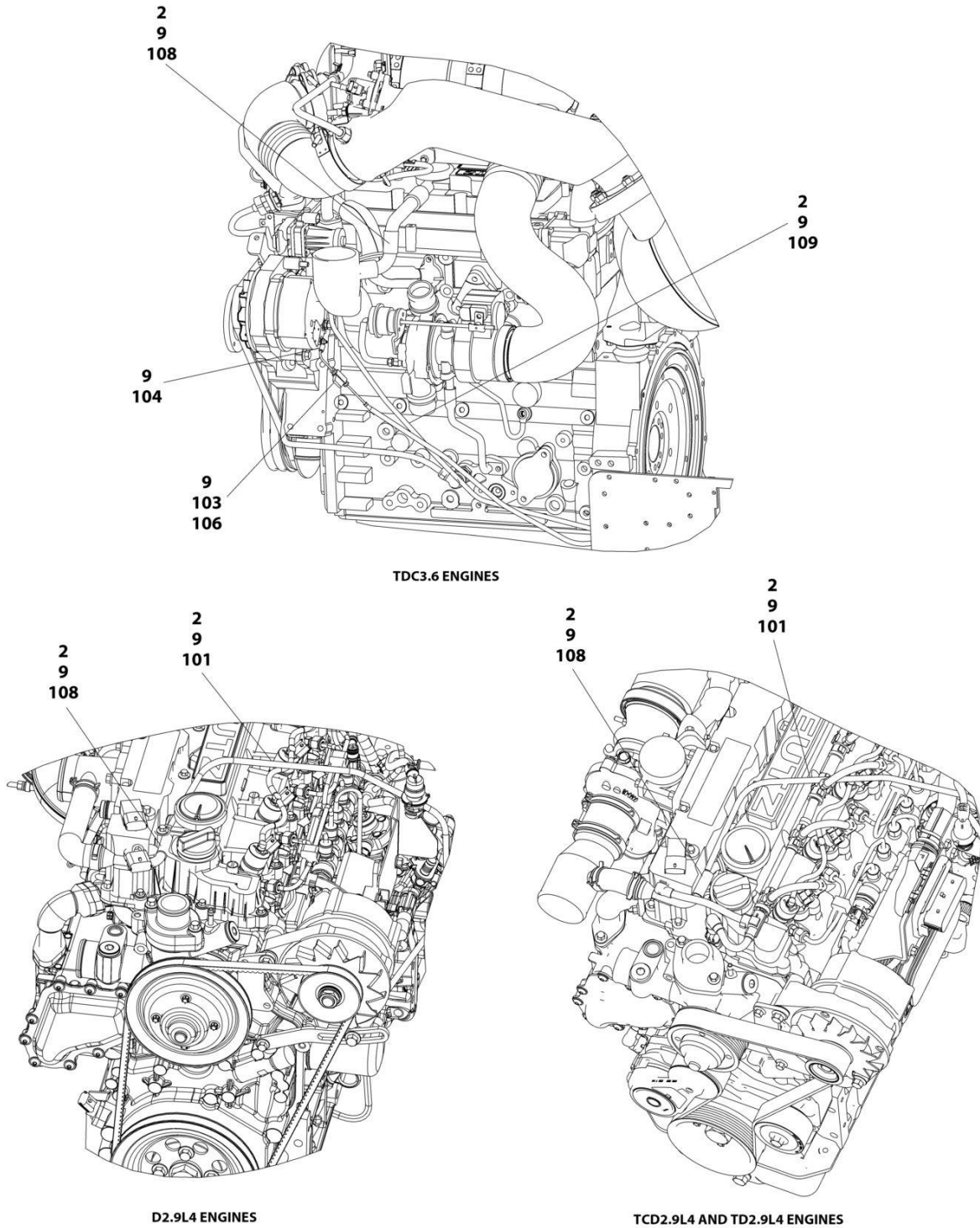
ITEM	PART NUMBER	QTY	DESCRIPTION	REV
39	7000863	1	Fan, Generator (Not Shown)	
39	70004093	1	Stator (Not Shown)	
39	70002297	2	Stud 1/4-20 x 12-7/8 (Not Shown)	
39	70003631	1	Brushholder Assembly (Not Shown)	
39A	70004099	1	Key	
39B	70001966	1	Bearing, Ball Radial (Located in Belt Tensioner Endbell)	
39B	70003709	1	Ring, Retaining (Small)	
39B	70003708	1	Ring, Retaining (Large)	
39C	70004092	1	Endbell, Belt Tensioner	
39D	70004094	1	Endbell, Brush Block	
39E	70004096	1	Shroud Assembly	
39E	7027799	1	Block, Connector - 6 Position (Not Shown)	
39E	70002460	6	Nut, Brass (Attaches p/n 7027799 to Cover) (Not Shown)	
39E	7024485	1	Breaker, Circuit 30Amp (Not Shown)	
39E	70001696	1	Boot, Breaker (Not Shown)	
39E	7026597	1	Connector with Leads (Not Shown)	
39E	7026626	1	Connector with Pins (Not Shown)	
39E	70004098	1	Clamp, Cable (Not Shown)	
39E	70004095	1	Plate, End Panel (Not Shown)	
39E	70004097	1	Insulator, End Panel (Not Shown)	
39E	70001974	1	Decal - Terminal Connections (Not Shown)	
39F	70001973	1	Decal - Warning Moving Parts	
40	1001156030	1	Generator Harness (See Separate Breakdown in ELECTRICAL SECTION)	
42	1001157592	1	Junction Box Assembly (See Items 101-121 for Breakdown)	
43	1001110873	1	Shield, Receptacle Cover	
44	1001155303	1	Belt, Generator	
46	4922925	1	Generator Harness (See Separate Breakdown in ELECTRICAL SECTION)	
	1001157592	Ref	JUNCTION BOX ASSEMBLY	C
101	1060343	1.5 ft /0.5m	Cable, Electrical 10/4	
102	1001179154	2.5 ft /0.8m	Cable, Electrical 12/3	
103	1671092	1	Cover	
104	3300396	1	Cover, Fuse	
105	3311001	6	Nut #10	
106	4360070	1	Circuit Breaker - 15Amp	
108	4460425	1	Strain Relief, Terminal	
109	4460426	2	Connector, Strain Relief	
111	4460963	1	Connector	
112	4711000	10	Washer #10	
114	10702077	2	Screw #10 x 3/8	
115	10702082	2	Screw #10 x 3/4	
116	1001152525	1	Plug	
117	1001157520	1	Block, Terminal	
118	1001157521	1	Box, Junction	
119	1001157528	1	Decal - Wiring Schematic	
120	1001158007	1	Cover, PVC	
121	1001158008	2	Stand-Off	
	0272435	Ref	DECAL INSTALLATION	D
201	1705460	2	Decal - SkyPower	

## SECTION 3 - ENGINE

ITEM	PART NUMBER	QTY	DESCRIPTION	REV
202	3251243	1	Decal - 120V - 60Hz	
203	1705375	1	Decal - 240V - 3 Phase	
204	1705387	3	Decal - Hazardous Voltage	
		Ref	ELECTRICAL DIAGRAM COMPONENTS	
303	4922641	1	Generator Switch Harness	

# SECTION 3 - ENGINE

## FIGURE 3-40. BREATHER HEATER INSTALLATION - MACHINES WITH COLD WEATHER PACKAGE



ART\_1001233763



## SECTION 3 - ENGINE

**FIGURE 3-40. BREATHER HEATER INSTALLATION - MACHINES WITH COLD WEATHER PACKAGE**

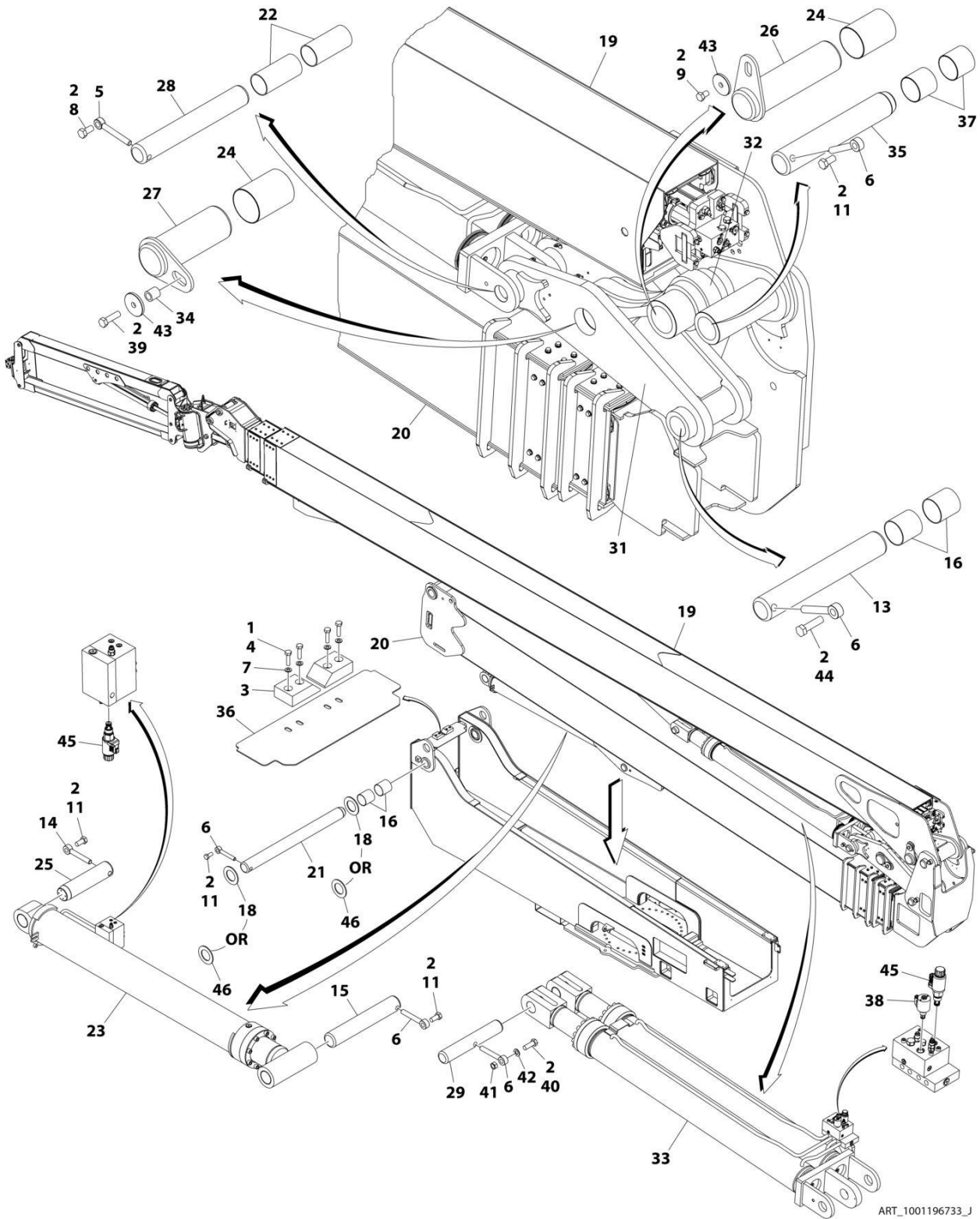
ITEM	PART NUMBER	QTY	DESCRIPTION	REV
	1001233763	Ref	BREATHER HEATER INSTALLATION - DEUTZ ENGINES	D
2	4240099	AR	Tie-Strap	
9	1001243895	1	Breather Heater Harness	C
101	2820035	AR	Insulation	
103	2400060	1	Fuseholder with Cover	
104	4460043	1	Terminal, Ring	
105	4460722	1	Terminal, Ring (Not Shown)	
106	1001196634	1	Fuse - 2 Amp	
108	1001232842	1	Breather Heater Kit	



**SECTION 4 - BOOM**

# SECTION 4 - BOOM

## FIGURE 4-1. BOOM AND CYLINDERS INSTALLATION



ART\_1001196733\_J

## SECTION 4 - BOOM

### FIGURE 4-1. BOOM AND CYLINDERS INSTALLATION

ITEM	PART NUMBER	QTY	DESCRIPTION	REV
	1001196733	Ref	BOOM AND CYLINDERS INSTALLATION	J
1	0100011	AR	Compound, Locking	
2	0100019	AR	Compound, Locking	
3	0561380	2	Block, Boom Rest	
4	0761016001	4	Bolt M10 x 40	
5	3841287	1	Keeper, Pin	
6	3841356	5	Keeper, Pin	
7	1001172358	4	Washer M10	
8	0762016001	1	Bolt M20 x 40	
9	0762014001	1	Bolt M20 x 30	
11	0762418001	4	Bolt M24 x 50	
13	1001134314	1	Pin	
14	1001146940	1	Keeper, Pin	
15	1001156650	1	Pin	
16	1001157887	4	Bearing	
18	1001180153	AR	Washer	
19	1001196917	1	Main Boom and Jib Assembly (See Separate Breakdown in this Section)	
20	1001197902	1	Tower Boom Assembly (See Separate Breakdown in this Section)	
21	1001197969	1	Pivot	
22	1001197973	2	Bearing	
23	1001228090	1	Lift Cylinder Assembly - Tower Boom (See Separate Breakdown in CYLINDER Section)	
24	1001198749	2	Bearing	
25	1001198757	1	Pin	
26	1001198758	1	Pin	
27	1001198759	1	Pin	
28	1001198760	1	Pin	
29	1001198761	1	Pin	
31	1001199804	1	Link	
32	1001199812	1	Link	
33	1001251094	1	Lift Cylinder Assembly - Main Boom (See Separate Breakdown in CYLINDER Section)	
34	1001200154	1	Spacer	
35	1001200574	1	Pin	
36	1001200576	1	Deflector	
37	0440273	2	Bearing	
38	1001201938	1	Cartridge Valve Assembly	
38	70005657	1	Cartridge, Solenoid Valve Less Coil	
38	70026446	1	Seal Kit - 70005657 Valve	
38	70003788	1	Coil	
39	0702022001	1	Bolt M20 x 70	
40	0762422001	1	Bolt M24 x 70	
41	3292401001	1	Nut M24	
42	4812700001	1	Washer M24	
43	1001207937	2	Washer	
44	0702426001	1	Bolt M24 x 90	
45	1001218037	2	Cartridge, Valve Assembly	
45	70006003	2	Cartridge, Solenoid Valve Less Coil	
45	70006005	2	Seal Kit - 70006003 Valve	

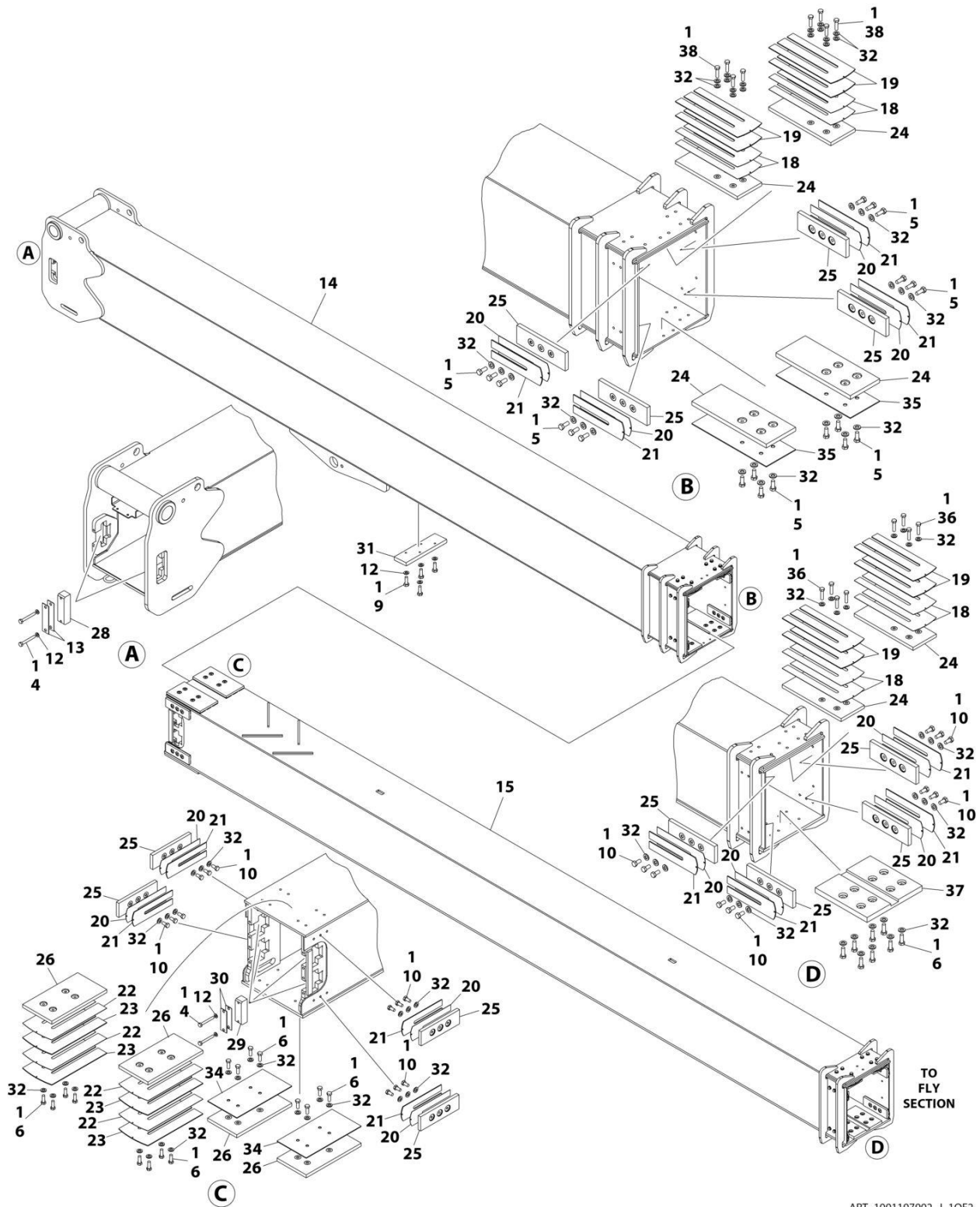
## SECTION 4 - BOOM

ITEM	PART NUMBER	QTY	DESCRIPTION	REV
45	70006004	2	Coil	
45	70006006	2	Nut, Coil	
46	1001221425	AR	Washer	



# SECTION 4 - BOOM

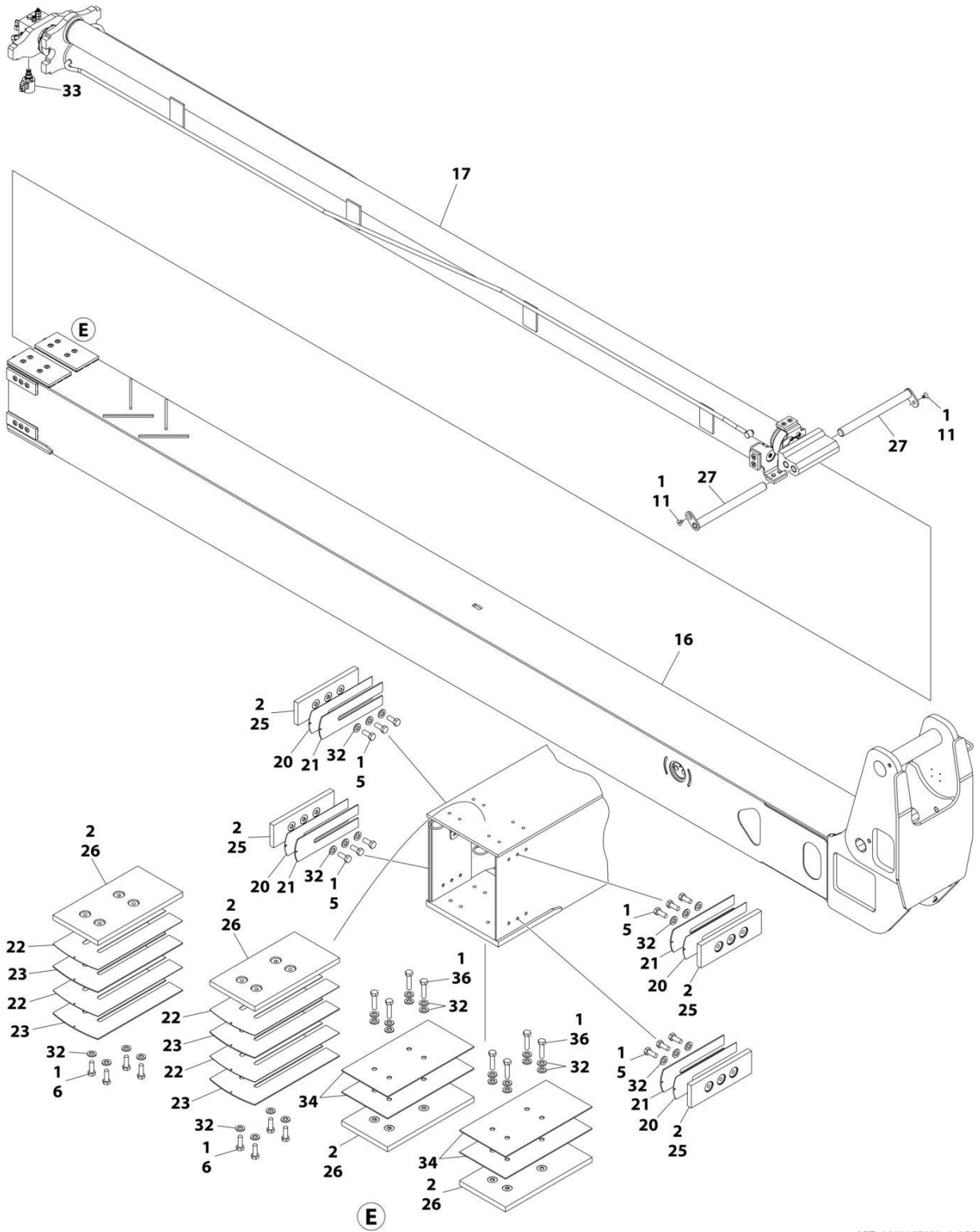
## FIGURE 4-2. TOWER BOOM ASSEMBLY



ART\_1001197902\_J\_10F2



# SECTION 4 - BOOM



ART\_1001197902\_J\_20F2

## SECTION 4 - BOOM

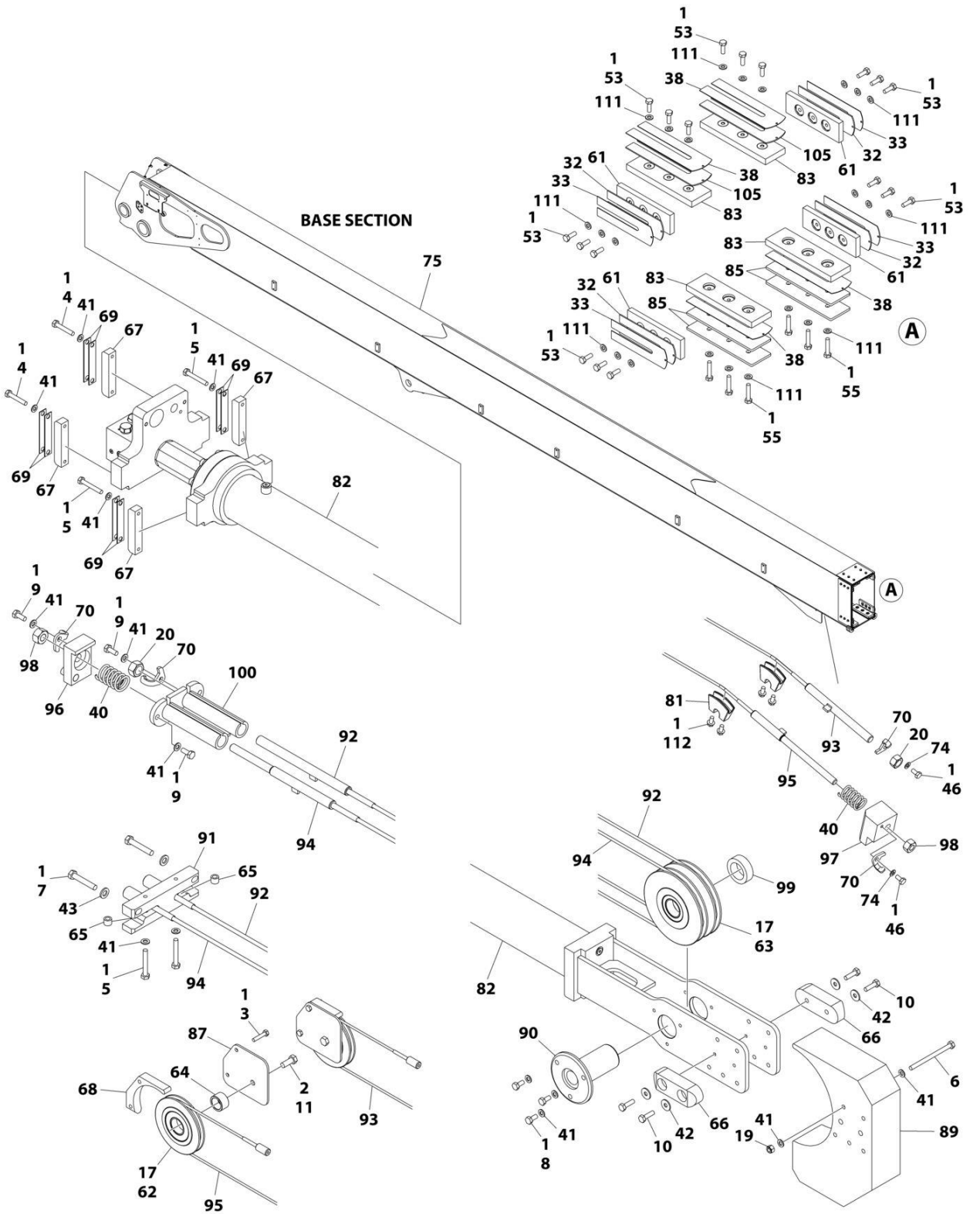
**FIGURE 4-2. TOWER BOOM ASSEMBLY**

ITEM	PART NUMBER	QTY	DESCRIPTION	REV
	1001197902	Ref	TOWER BOOM ASSEMBLY	J
1	0100011	AR	Compound, Locking	
2	3020042	AR	Lubricant	
4	0701024001	12	Bolt M10 x 80	
5	0711214001	32	Bolt M12 x 30	
6	0711215001	32	Bolt M12 x 35	
9	0761014001	4	Bolt M10 x 30	
10	0771212001	24	Bolt M12 x 25	
11	1001137032	2	Screw M10 x 16	
12	1001172358	16	Washer M10	
13	1001173662	4	Shim 16 Gauge	
14	1001197899	1	Base, Boom (Section 1)	
15	1001209368	1	Mid, Boom (Section 2)	
16	1001197901	1	Fly, Boom (Section 3)	
17	1001312091	1	Telescope Cylinder Assembly - Tower (See Separate Breakdown in CYLINDER Section)	
18	1001198640	8	Shim 18 Gauge	
19	1001198641	8	Shim 11 Gauge	
20	1001198642	16	Shim 18 Gauge	
21	1001198643	16	Shim 11 Gauge	
22	1001198644	8	Shim 18 Gauge	
23	1001198645	8	Shim 11 Gauge	
24	1001209375	6	Pad, Wear	
25	1001198732	16	Pad, Wear	
26	1001209374	8	Pad, Wear	
27	1001201007	2	Pin	
28	1001201333	2	Block, Trunnion	
29	1001201334	4	Block, Trunnion	
30	1001201335	8	Shim 16 Gauge	
31	1001204914	1	Pad	
32	5241200001	128	Washer M12	
33	1001201938	1	Cartridge Valve Assembly	
34	1001209372	6	Plate, Spacer	
35	1001209373	2	Plate, Spacer	
36	0771218001	16	Bolt M12 x 50	
37	1001212669	1	Pad, Wear	
38	0711217001	8	Bolt M12 x 45	



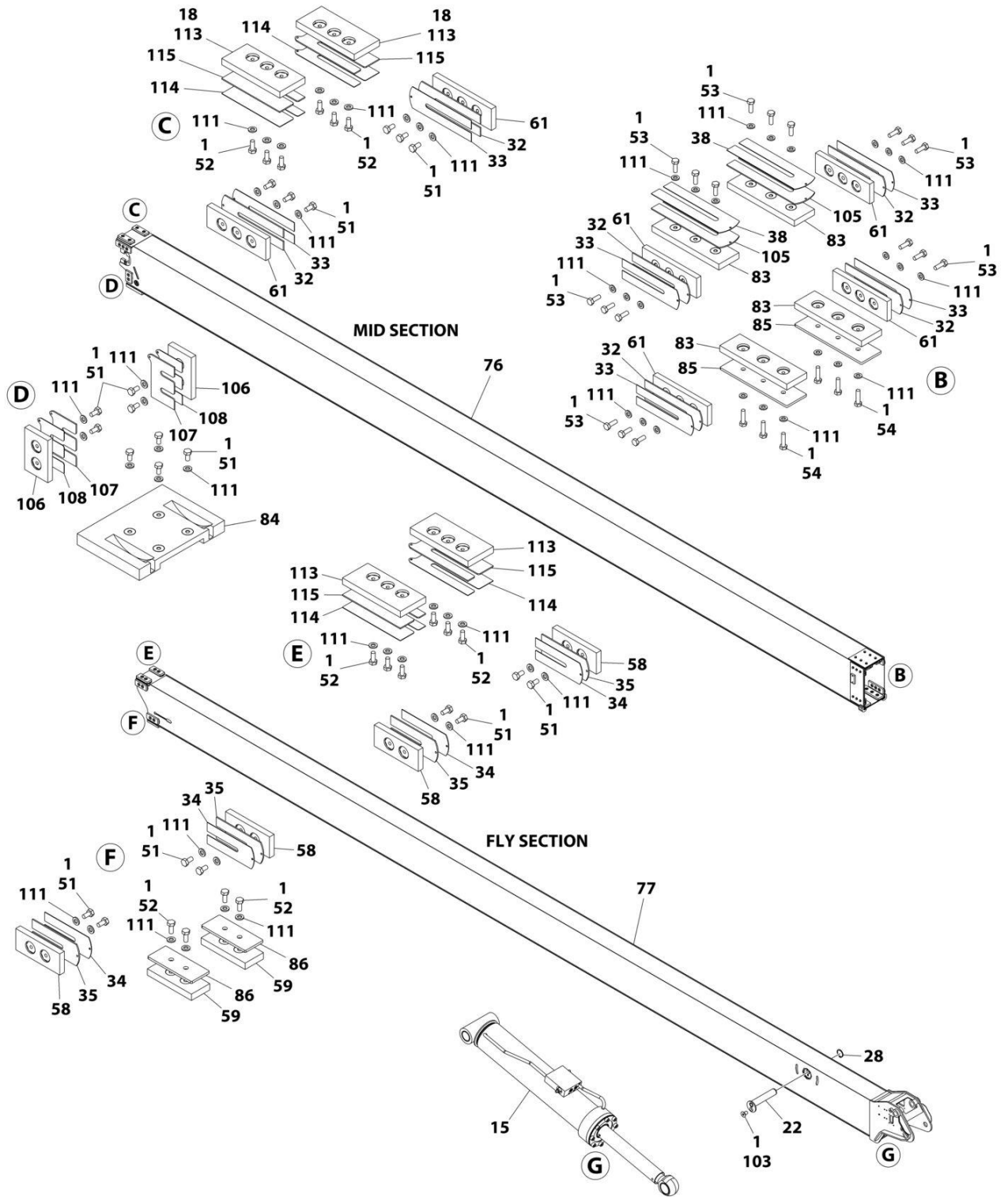
# SECTION 4 - BOOM

## FIGURE 4-3. MAIN BOOM AND JIB ASSEMBLY



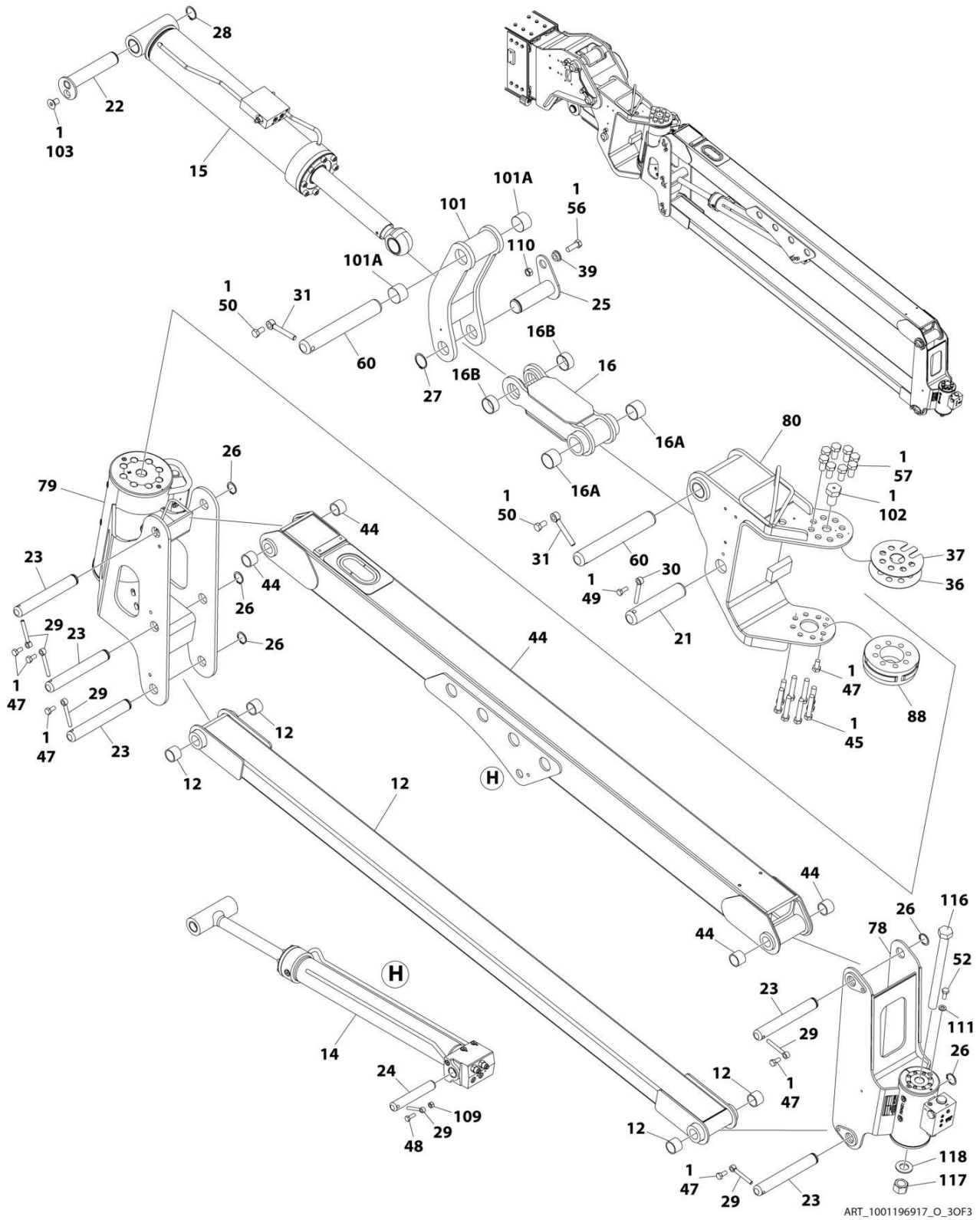
ART\_1001196917\_O\_10F3

# SECTION 4 - BOOM



ART\_1001196917\_O\_20F3

# SECTION 4 - BOOM



ART\_1001196917\_O\_30F3

## SECTION 4 - BOOM

**FIGURE 4-3. MAIN BOOM AND JIB ASSEMBLY**

ITEM	PART NUMBER	QTY	DESCRIPTION	REV
	1001196917	Ref	MAIN BOOM AND JIB ASSEMBLY	O
1	0100011	AR	Compound, Locking	
2	0100019	AR	Compound, Locking	
3	0701018	4	Bolt M10 x 50	
4	0701020	4	Bolt M10 x 60	
5	0701022	6	Bolt M10 x 70	
6	0701031	5	Bolt M10 x 140	
7	0701222	2	Bolt M12 x 70	
8	0761011	3	Bolt M10 x 22	
9	0761012	4	Bolt M10 x 25	
10	0761015	4	Bolt M10 x 35	
11	0761616	2	Bolt M16 x 40	
12	0801550	1	Link, Jib (Lower)	
12	0961951	4	Bushing	
14	1001251025	1	Lift Cylinder Assembly - Jib (See Separate Breakdown in CYLINDER Section)	
15	1001251034	1	Level Cylinder Assembly (See Separate Breakdown in CYLINDER Section)	
16	3010136	1	Link, Level (Outer)	
16A	0962224	2	Bushing	
16B	0962556	2	Bushing	
17	3020039	AR	Lubricant	
18	3020042	AR	Lubricant	
19	3291005	5	Nut M10	
20	3292201	2	Nut M22	
21	3422178	1	Pin	
22	3422937	1	Pin	
23	3422957	5	Pin	
24	3422958	1	Pin	
25	3423190	1	Pin	
26	3760133	5	Ring, Retaining	
27	3760217	1	Ring, Retaining	
28	3760233	1	Ring, Retaining	
29	3841143	6	Keeper, Pin	
30	3841203	1	Keeper, Pin	
31	3841258	2	Keeper, Pin	
32	4070863	10	Shim 11 Gauge	
33	4070864	10	Shim 18 Gauge	
34	4070897	4	Shim 18 Gauge	
35	4070898	4	Shim 11 Gauge	
36	4071044	1	Shim 18 Gauge	
37	4071045	1	Shim 11 Gauge	
38	4071073	4	Shim 18 Gauge	
39	4100101	1	Spacer	
40	4160197	2	Spring	
41	4812000	27	Washer M10	
42	4812002	4	Washer M10	
43	5241200	2	Washer M12	
44	4846482	1	Link, Jib (Upper)	
44	0961951	4	Bushing	

## SECTION 4 - BOOM

ITEM	PART NUMBER	QTY	DESCRIPTION	REV
45	0711626001	8	Bolt M16 x 90 Grade 10.9	
46	0761010001	2	Bolt M10 x 20	
47	0761011001	7	Bolt M10 x 22	
48	0761014001	1	Bolt M10 x 30	
49	0761214001	1	Bolt M12 x 30	
50	0761614001	2	Bolt M16 x 30	
51	0771010001	22	Bolt M10 x 20 Grade 10.9	
52	0771012001	24	Bolt M10 x 25 Grade 10.9	
53	0771014001	36	Bolt M10 x 30 Grade 10.9	
54	0771016001	6	Bolt M10 x 40 Grade 10.9	
55	0771018001	6	Bolt M10 x 50 Grade 10.9	
56	0771617001	1	Bolt M16 x 45 Grade 10.9	
57	0772016001	8	Bolt M20 x 40 Grade 10.9	
58	1001118287	4	Pad, Wear	
59	1001118288	2	Pad, Wear	
60	1001119899	2	Pin	
61	1001136583	10	Pad, Wear	
62	1001222385	2	Sheave	
62	1001153785	1	Bushing	
62	1001154247	1	Ring, Snap	
62	1001222387	1	Bushing	
63	1001222402	2	Sheave	
63	1001153827	1	Bushing	
63	1001154247	1	Ring, Snap	
63	1001222404	1	Bushing	
64	1001156613	2	Bushing	
65	1001157007	2	Sleeve, Spacer, Sensor	
66	1001157454	2	Pad, Wear	
67	1001157872	4	Block, Trunnion	
68	1001157878	2	Retainer, Rope	
69	1001157885	8	Shim 16 Gauge	
70	1001167497	4	Plate, Keeper	
74	1001172358	2	Washer M10	
75	1001195924	1	Boom, Base	
76	1001219583	1	Boom, Mid	
77	1001219590	1	Boom, Fly	
78	1001307721	1	Platform Rotator Assembly (See Separate Breakdown in this Section)	
79	1001195940	1	Jib Rotator Assembly (See Separate Breakdown in this Section)	
80	1001195941	1	Pivot, Jib	
81	1001198864	2	Sheave, Deflector	
82	1001251093	1	Telescope Cylinder Assembly - Main Boom (See Separate Breakdown in CYLINDER Section)	
83	1001199083	8	Pad	
84	1001199084	1	Pad	
85	1001199085	6	Shim 6mm	
86	1001199086	2	Shim 6mm	
87	1001199117	2	Plate, Sheave	
88	1001199320	1	Cam	
89	1001199610	1	Retainer, Rope	
90	1001199641	1	Pin	
91	1001199990	1	Block, Cable Mount	

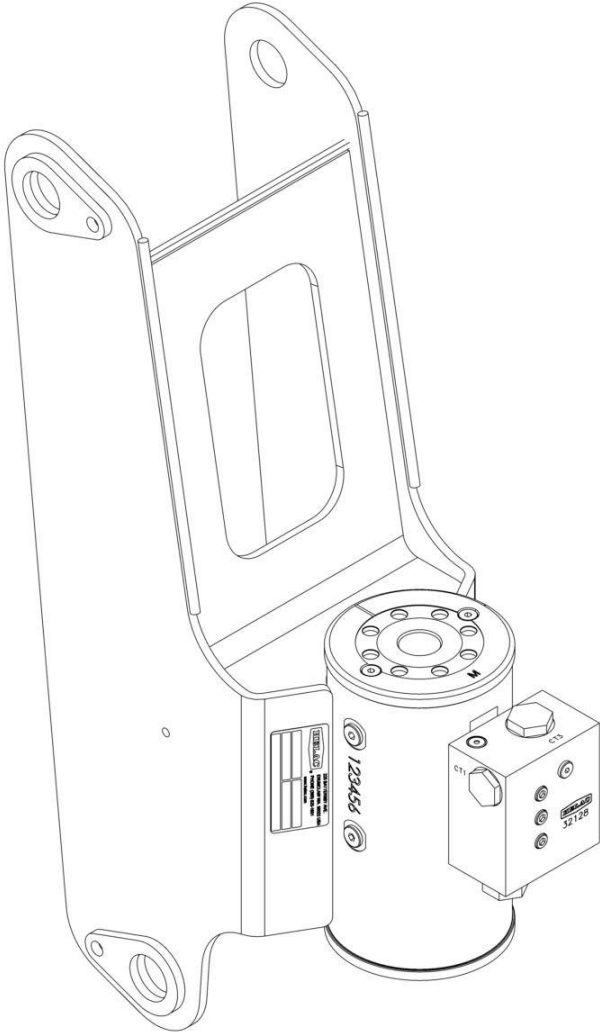


## SECTION 4 - BOOM

ITEM	PART NUMBER	QTY	DESCRIPTION	REV
92	1001200091	1	Rope, Extend	
93	1001200092	1	Rope, Retract	
94	1001200093	1	Rope, Extend	
95	1001200094	1	Rope, Retract	
96	1001200732	1	Block, Mounting	
97	1001200733	1	Block, Mounting	
98	1001200736	2	Nut M18	
99	1001200739	1	Spacer	
100	1001200741	1	Retainer, Rope	
101	1001200839	1	Link, Level (Inner)	
101A	0962224	2	Bushing	
102	1001201485	1	Bolt M30 x 50	
103	1001201846	1	Screw M12 x 20 Grade 10.9	
105	1001202793	4	Shim 11 Gauge	
106	1001203753	2	Pad, Wear	
107	1001203754	2	Shim 11 Gauge	
108	1001203755	2	Shim 18 Gauge	
109	3291005001	1	Nut M10	
110	3331611001	1	Nut M16	
111	5241000001	94	Washer M10	
112	5251010001	4	Bolt M10 x 20	
113	1001148012	4	Pad, Wear	
114	1001219599	8	Shim 18 Gauge	
115	1001219600	4	Shim 11 Gauge	
116	0712445001	1	Bolt M24 x 280	
117	3332415001	1	Nut M24	
118	5242400001	1	Washer M24	

**SECTION 4 - BOOM**

**FIGURE 4-4. PLATFORM ROTATOR ASSEMBLY**



ART\_1001307721

**FIGURE 4-4. PLATFORM ROTATOR ASSEMBLY**

ITEM	PART NUMBER	QTY	DESCRIPTION	REV
	1001307721 See Note	Ref NSS	PLATFORM ROTATOR ASSEMBLY Note: No Service Parts Available at Time of Printing	A

# SECTION 4 - BOOM

## FIGURE 4-5. JIB ROTATOR ASSEMBLY

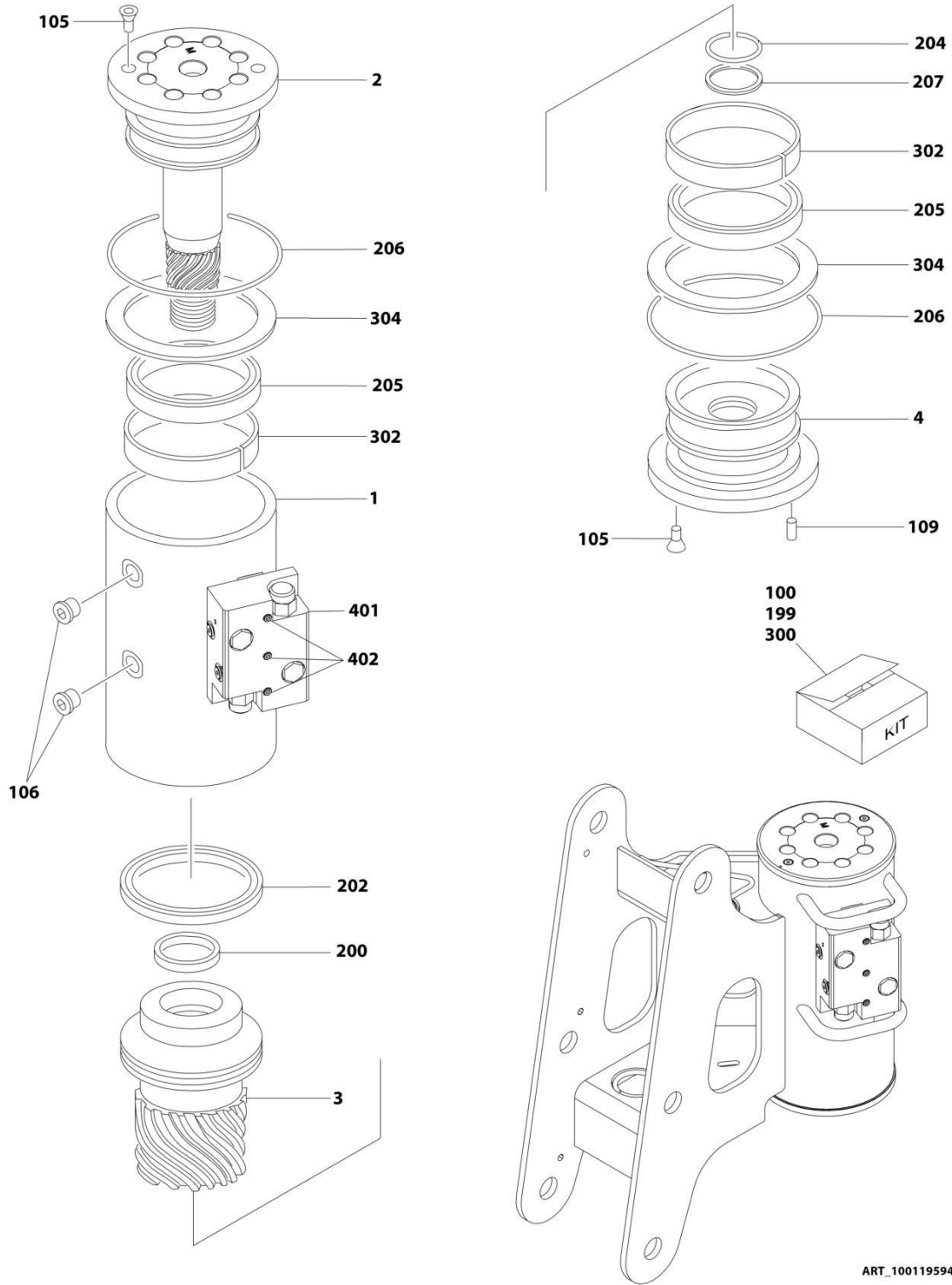
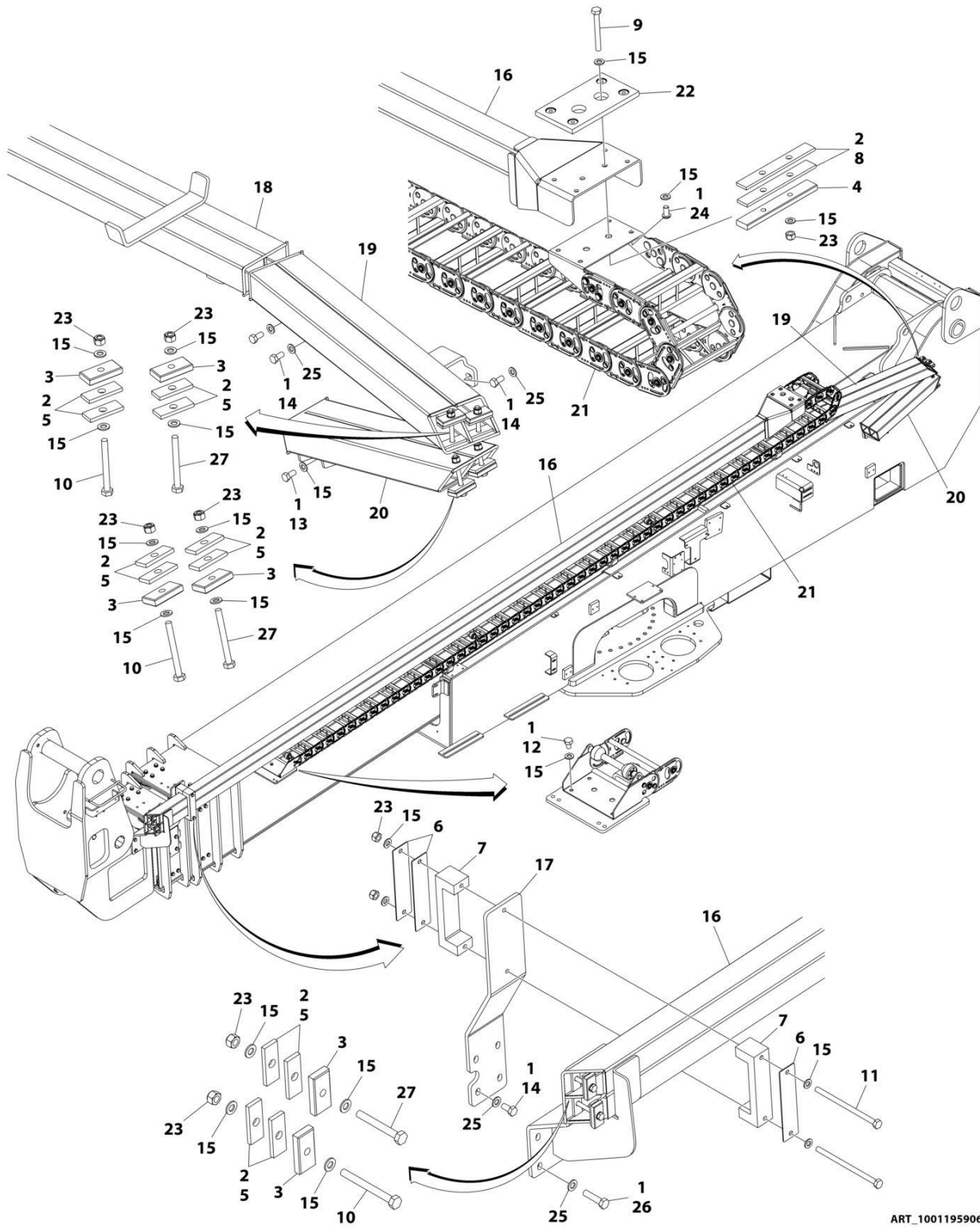


FIGURE 4-5. JIB ROTATOR ASSEMBLY

ITEM	PART NUMBER	QTY	DESCRIPTION	REV
	1001195940	Ref	JIB ROTATOR ASSEMBLY	D
1	See Note	NSS	Housing/Ring Gear (Note: Purchase Complete Assembly)	
2	70005620	1	Shaft	
3	7017187	1	Piston	
4	70005621	1	Cap	
5	7017189	1	Ring, Lock (Not Shown)	
100	70001640	1	Hardware Kit (Includes Items 105-109)	
105	See Note	NSS	Screw (Note: Use Item 100)	
106	See Note	NSS	Plug (Note: Use Item 100)	
109	See Note	NSS	Setscrew (Note: Use Item 100)	
199	70000796	1	Seal Kit (Includes Items 200-207)	
200	See Note	NSS	T-Seal (Note: Use Item 199)	
202	See Note	NSS	T-Seal (Note: Use Item 199)	
204	See Note	NSS	O-Ring (Note: Use Item 199)	
205	See Note	NSS	Seal (Note: Use Item 199)	
206	See Note	NSS	O-Ring (Note: Use Item 199)	
207	See Note	NSS	Ring, Back-up (Note: Use Item 199)	
300	70005622	1	Bearing Kit (Includes Items 302-304)	
302	See Note	NSS	Bearing (Note: Use Item 300)	
304	See Note	2	Washer, Thrust (Note: Use Item 300)	
401	70002859	1	Valve, Control (Note: Sold as Assembly Only)	
402	See Note	NSS	Bolt 1/4 x 1-1/2 Grade 8 (Note: Purchase Locally)	

# SECTION 4 - BOOM

## FIGURE 4-6. POWER TRACK INSTALLATION - TOWER BOOM



ART\_1001195906

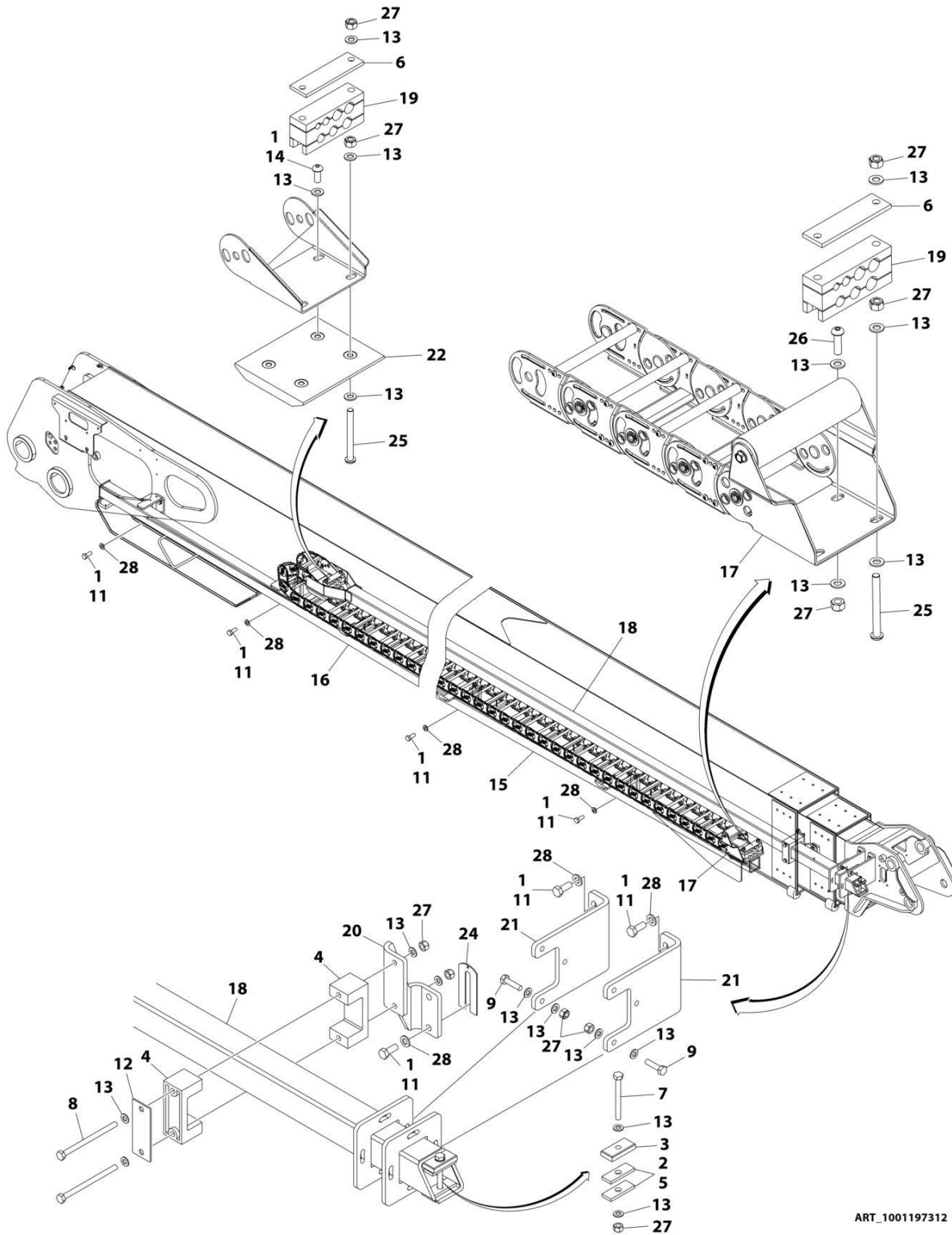
## SECTION 4 - BOOM

**FIGURE 4-6. POWER TRACK INSTALLATION - TOWER BOOM**

ITEM	PART NUMBER	QTY	DESCRIPTION	REV
	1001195906	Ref	POWER TRACK INSTALLATION - TOWER BOOM	D
1	0100011	AR	Compound, Locking	
2	0100081	AR	Adhesive	
3	1320288	6	Clamp	
4	1320328	1	Clamp	
5	3340941	12	Pad	
6	4071076	AR	Shim	
7	4220189	2	Block	
8	4220190	2	Pad	
9	0701026001	2	Bolt M10 x 90	
10	0701027001	3	Bolt M10 x 100	
11	0701034001	2	Bolt M10 x 170	
12	0761007001	4	Bolt M10 x 14	
13	0761012001	2	Bolt M10 x 25	
14	0761212001	16	Bolt M12 x 25	
15	1001172358	30	Washer M10	
16	1001197760	1	Tube, Push	
17	1001197766	1	Plate, Support	
18	1001201997	1	Tube	
19	1001202000	1	Tube	
20	1001202002	1	Tube	
21	1001202005	1	Power Track Assembly	
21	70003919	AR	Repair Kit	
21	70003920	2	Mounting Feet & Roller Kit	
22	1001202245	1	Pad	
23	3291005001	10	Nut M10	
24	3900393001	4	Screw M10 x 20	
25	4812100001	19	Washer M12	
26	0761218001	3	Bolt M12 x 50	
27	0701024001	3	Bolt M10 x 80	

# SECTION 4 - BOOM

## FIGURE 4-7. POWER TRACK INSTALLATION - MAIN BOOM



ART\_1001197312



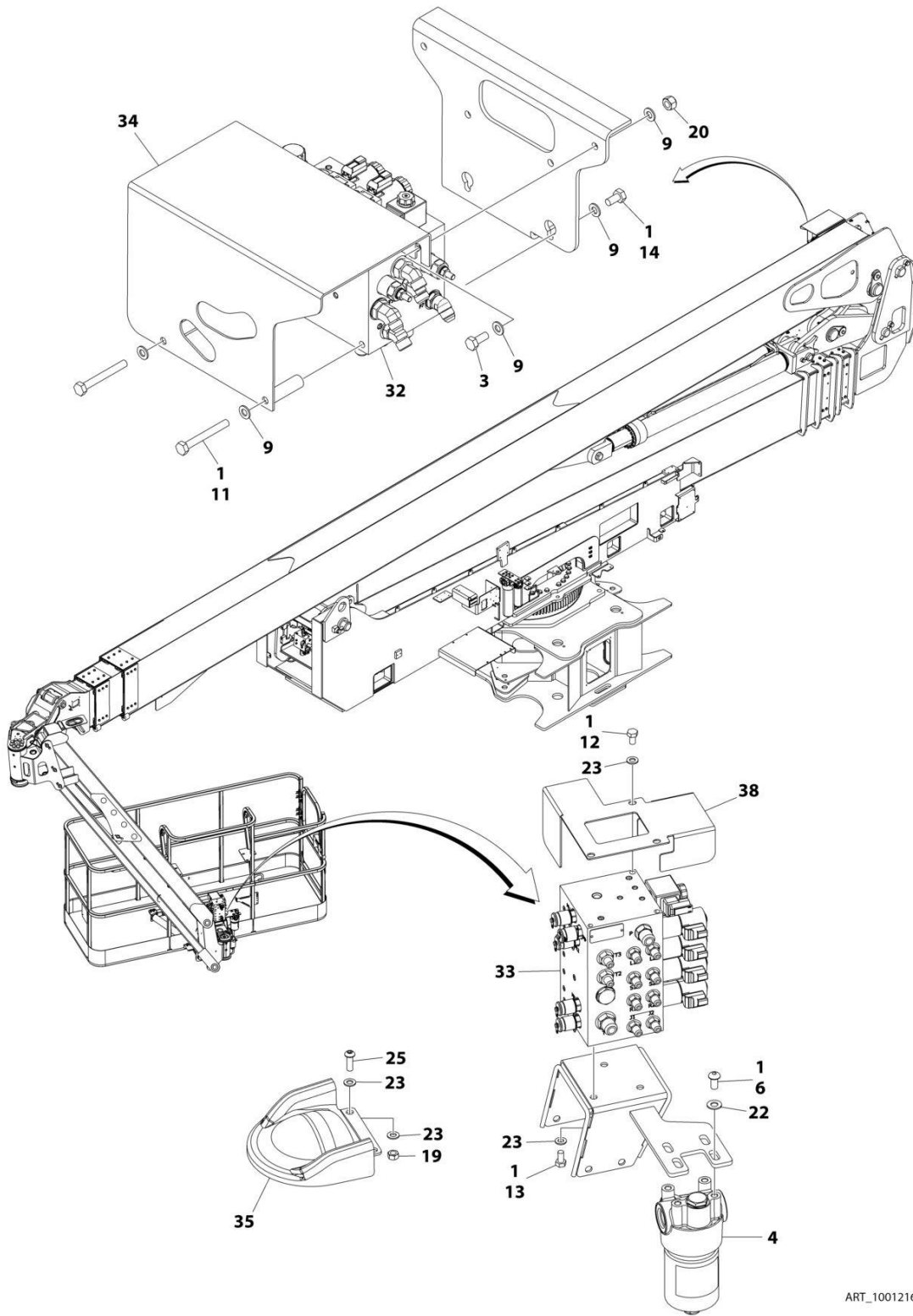
## SECTION 4 - BOOM

### FIGURE 4-7. POWER TRACK INSTALLATION - MAIN BOOM

ITEM	PART NUMBER	QTY	DESCRIPTION	REV
	1001197312	Ref	POWER TRACK INSTALLATION - MAIN BOOM	I
1	0100011	AR	Compound, Locking	
2	0100081	AR	Adhesive	
3	1320288	1	Clamp	
4	3340764	2	Pad	
5	3340941	2	Pad	
6	1001208596	2	Plate, Clamp	
7	0701027001	1	Bolt M10 x 100	
8	0701032001	2	Bolt M10 x 150	
9	0761016001	6	Bolt M10 x 40	
11	0761214001	20	Bolt M12 x 30	
12	3538758	1	Plate, Mounting	
13	1001172358	34	Washer M10	
14	1001173763	2	Screw M10 x 25	
15	1001198376	1	Tube	
16	1001198377	1	Tube	
17	1001198382	1	Power Track Assembly	
17	70004071	AR	Repair Kit	
17	70005666	2	Mounting Feet Kit	
18	1001198383	1	Tube, Push	
19	1001198386	2	Clamp	
20	1001198388	1	Bracket	
21	1001198389	2	Bracket	
22	1001209633	1	Pad	
24	1001199315	AR	Shim	
25	1001199671	4	Screw M10 x 100	
26	1001200686	2	Screw M10 x 35	
27	3291005001	19	Nut M10	
28	4812100001	20	Washer M12	

# SECTION 4 - BOOM

## FIGURE 4-8. VALVES AND FILTERS INSTALLATION - BOOM



ART\_1001216976\_F\_30F3

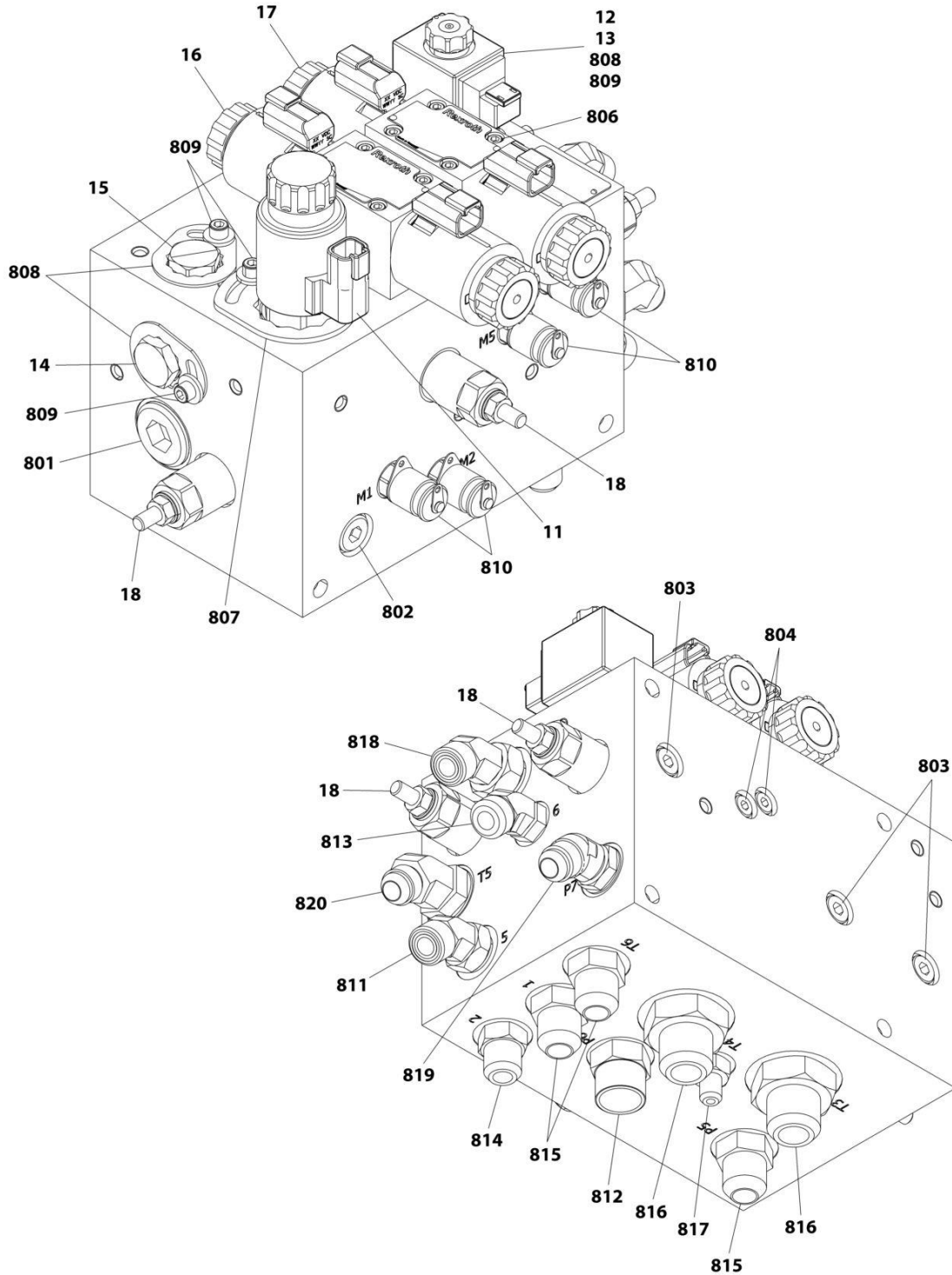
## SECTION 4 - BOOM

**FIGURE 4-8. VALVES AND FILTERS INSTALLATION - BOOM**

ITEM	PART NUMBER	QTY	DESCRIPTION	REV
	1001216976	Ref	VALVES AND FILTERS INSTALLATION - BOOM	F
1	0100011	AR	Compound, Locking	
3	0761012	2	Bolt M10 x 25	
4	2120217	1	Filter	
4	70002097	1	Element	
6	3900283	4	Screw 3/8 x 3/4	
9	4812000	10	Washer M10	
11	0701025001	2	Bolt M10 x 85	
12	0760807001	3	Bolt M8 x 14	
13	0760808001	3	Bolt M8 x 16	
14	0761010001	4	Bolt M10 x 20	
19	3290807001	2	Nut M8	
20	3291005001	2	Nut M10	
22	4711600001	4	Washer 3/8	
23	4811900001	10	Washer M8	
25	8310643001	2	Bolt M8 x 25	
32	1001201503	1	Boom Valve Assembly (See Separate Breakdown in this Section)	
33	1001201986	1	Platform Valve Assembly (See Separate Breakdown in this Section)	
34	1001202692	1	Cover	
35	1001207969	1	Cover	
38	1001214756	1	Cover	

# SECTION 4 - BOOM

## FIGURE 4-9. BOOM VALVE ASSEMBLY



ART\_1001201503

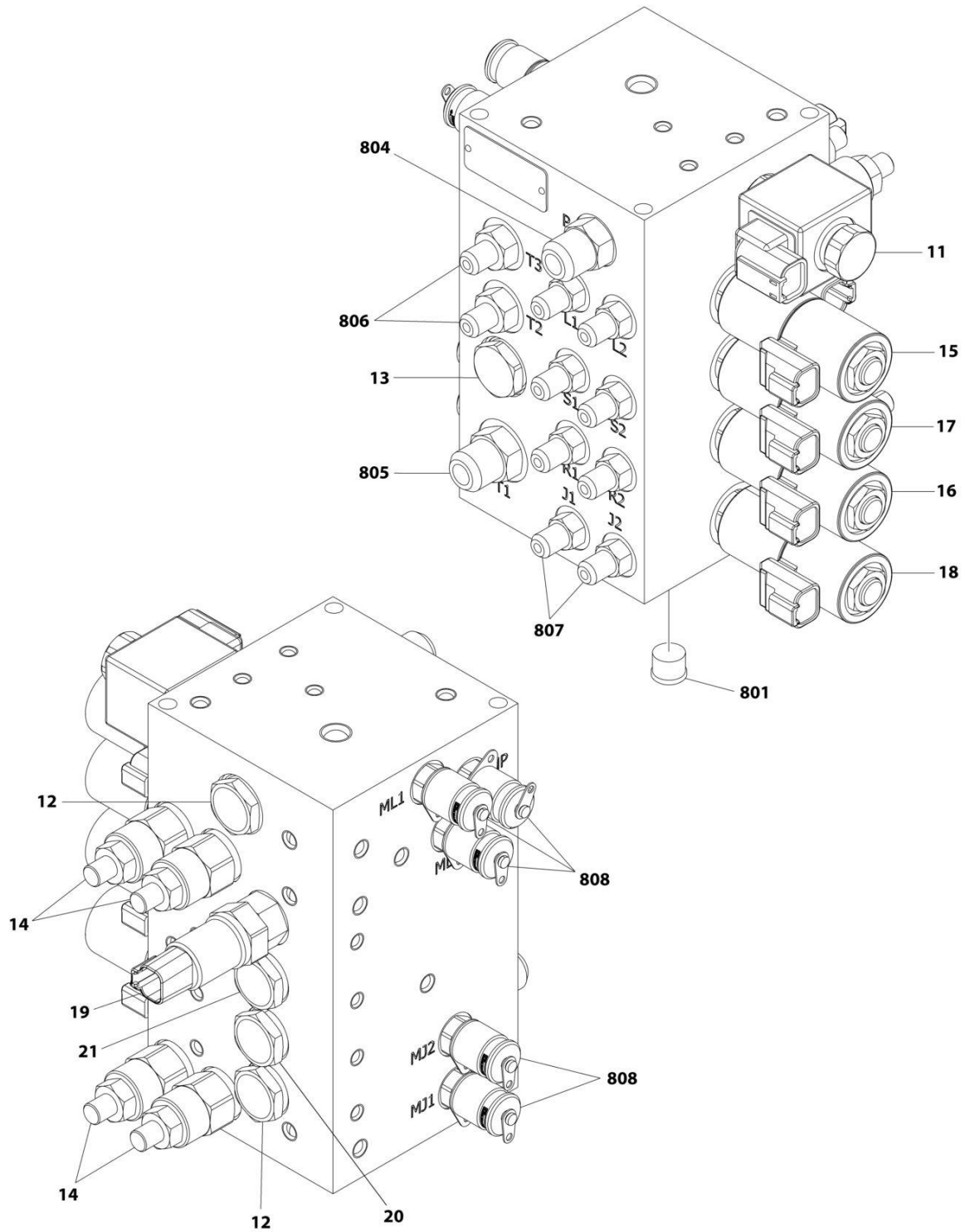
## SECTION 4 - BOOM

### FIGURE 4-9. BOOM VALVE ASSEMBLY

ITEM	PART NUMBER	QTY	DESCRIPTION	REV
	1001201503	Ref	BOOM VALVE ASSEMBLY	K
11	70004593	1	Valve, Solenoid Less Coil (Flow Control)	
11	70004594	1	Seal Kit - 70004593 Valve	
11	70004595	1	Coil	
11	70004597	1	Nut, Coil	
11	70004596	1	O-Ring, Pole Tube	
12	7022523	1	Orifice 1mm	
13	70005962	1	Valve, Solenoid Less Coil (Directional Control)	
13	70004052	1	Seal Kit - 70005962 Valve	
13	70004588	1	Coil	
13	70004456	1	Nut, Coil	
13	70004051	1	O-Ring, Pole Tube	
14	70005963	1	Valve, Cartridge (Check)	
14	70005964	1	Seal Kit - 70005963 Valve	
15	70004585	1	Valve, Cartridge (Check)	
15	70004052	1	Seal Kit - 70004585 Valve	
16	70004459	1	Valve, Solenoid Less Coil (Main Tele)	
16	7012773	1	Seal Kit - 70004459 Valve	
16	70004460	1	Coil	
16	7021375	1	Nut, Coil	
16	70004596	1	O-Ring, Pole Tube	
17	70004459	1	Valve, Solenoid Less Coil (Main Lift)	
17	7012773	1	Seal Kit - 70004459 Valve	
17	70004460	1	Coil	
17	7021375	1	Nut, Coil	
17	70004596	1	O-Ring, Pole Tube	
18	70004601	4	Valve, Cartridge (Relief)	
18	70004602	4	Seal Kit - 70004602 Valve	
801	70005965	1	Plug	
802	70002759	1	Plug	
803	70004617	5	Plug	
804	70002758	2	Plug	
806	7018942	8	Capscrew #10 x 2	
807	70005954	1	Plate, Locking	
808	70005955	1	Plate, Locking	
809	70005958	4	Capscrew	
810	2221086	4	Fitting, Test	
811	2150808	1	Fitting, 45 ORFS/ORB	
812	2111010	1	Fitting, Straight ORFS/ORB	
813	2150806	1	Fitting, 45 ORFS/ORB	
814	2220373	1	Fitting, Straight JIC/ORB	
815	2220947	3	Fitting, Straight JIC/ORB	
816	2220435	2	Fitting, Straight JIC/ORB	
817	2220582	1	Fitting, Straight JIC/ORB	
818	2150810	1	Fitting, 45 JIC/ORB	
819	2220500	1	Fitting, 45 JIC/ORB	
820	2220499	1	Fitting, 45 JIC/ORB	

# SECTION 4 - BOOM

## FIGURE 4-10. PLATFORM VALVE ASSEMBLY



ART\_1001201986

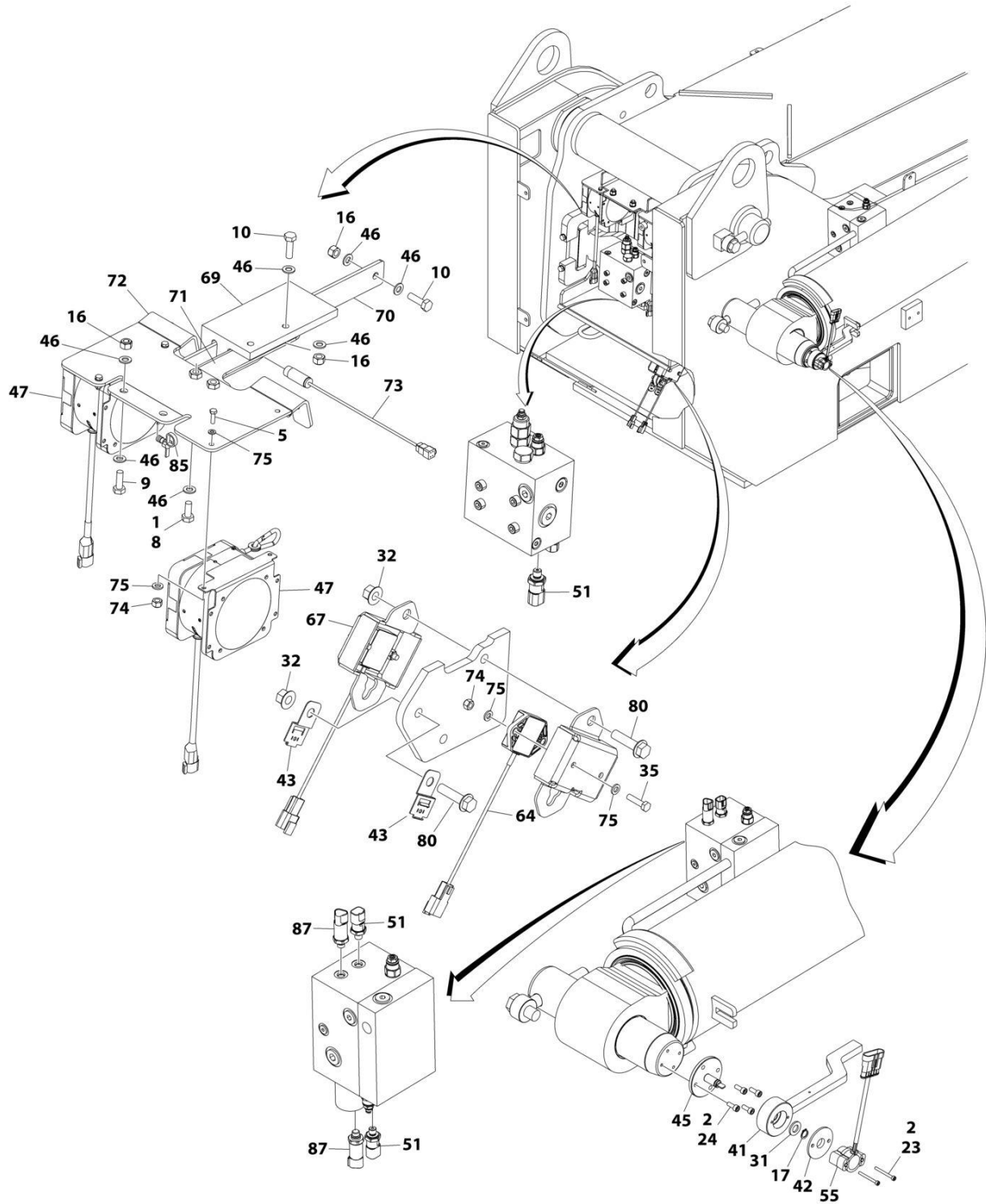
## SECTION 4 - BOOM

### FIGURE 4-10. PLATFORM VALVE ASSEMBLY

ITEM	PART NUMBER	QTY	DESCRIPTION	REV
	1001201986	Ref	PLATFORM VALVE ASSEMBLY	K
11	70004457	1	Valve, Solenoid Less Coil (Dump)	
11	70004050	1	Seal Kit - 70004457 Valve	
11	70004653	1	Coil	
11	70004051	1	Seal Kit - 70004653 Coil	
12	70003021	2	Valve, Cartridge (Flow Control)	
12	70004052	2	Seal Kit - 70003021 Valve	
13	70004585	1	Valve, Cartridge (Check)	
13	70004052	1	Seal Kit - 70004585 Valve	
14	70003019	4	Valve, Cartridge (Pressure Relief)	
14	70004052	4	Seal Kit - 70003019 Valve	
15	7023922	1	Valve, Solenoid Less Coil (Platform Level)	
15	7017402	1	Seal Kit - 7023922 Valve	
15	7024885	2	Coil	
15	7022390	1	Nut, Coil	
15	70003023	1	Spacer, Coil	
16	7024899	1	Valve, Solenoid Less Coil (Platform Rotate)	
16	7017402	1	Seal Kit - 7024899 Valve	
16	7024885	2	Coil	
16	7022390	1	Nut, Coil	
16	70003023	1	Spacer, Coil	
17	7024899	1	Valve, Solenoid Less Coil (Platform Sideswing Rotate)	
17	7017402	1	Seal Kit - 7024899 Valve	
17	7024885	2	Coil	
17	7022390	1	Nut, Coil	
17	70003023	1	Spacer, Coil	
18	7023922	1	Valve, Solenoid Less Coil (Jib)	
18	7017402	1	Seal Kit - 7023922 Valve	
18	7024885	2	Coil	
18	7022390	1	Nut, Coil	
18	70003023	1	Spacer, Coil	
19	70005966	1	Switch, Pressure	
19	70005967	1	Connector	
20	70003027	2	Valve, Cartridge (Flow Control)	
20	70004052	2	Seal Kit - 70003027 Valve	
21	70003020	2	Valve, Cartridge (Flow Control)	
21	70004052	2	Seal Kit - 70003020 Valve	
801	70004617	1	Plug	
804	2220600	1	Fitting, Straight JIC/ORB	
805	2220373	1	Fitting, Straight JIC/ORB	
806	2220582	2	Fitting, Straight JIC/ORB	
807	2220415	8	Fitting, Straight JIC/ORB	
808	2221086	5	Fitting, Test	

# SECTION 4 - BOOM

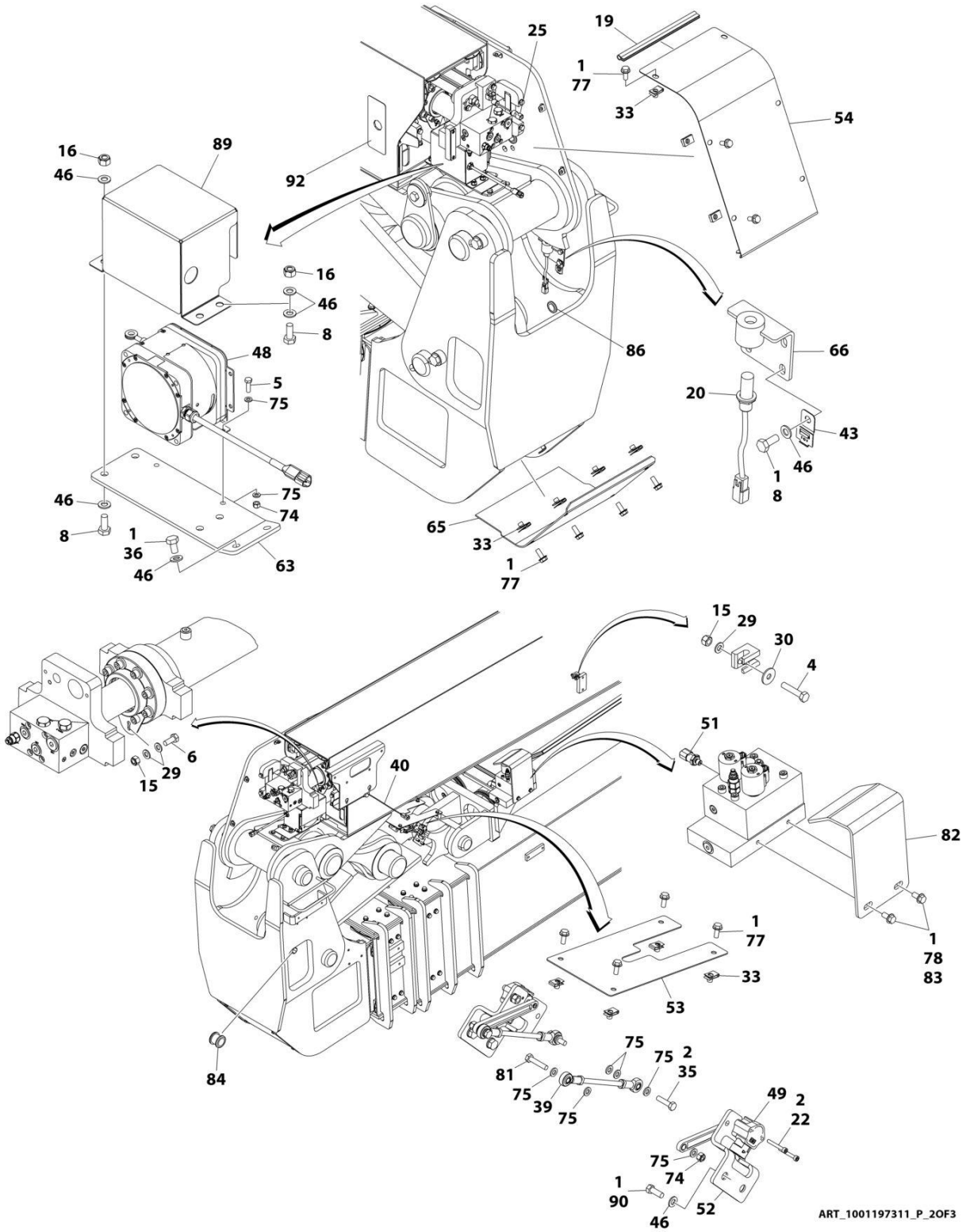
## FIGURE 4-11. BOOM SENSORS AND COVERS INSTALLATION



ART\_1001197311\_P\_10F3

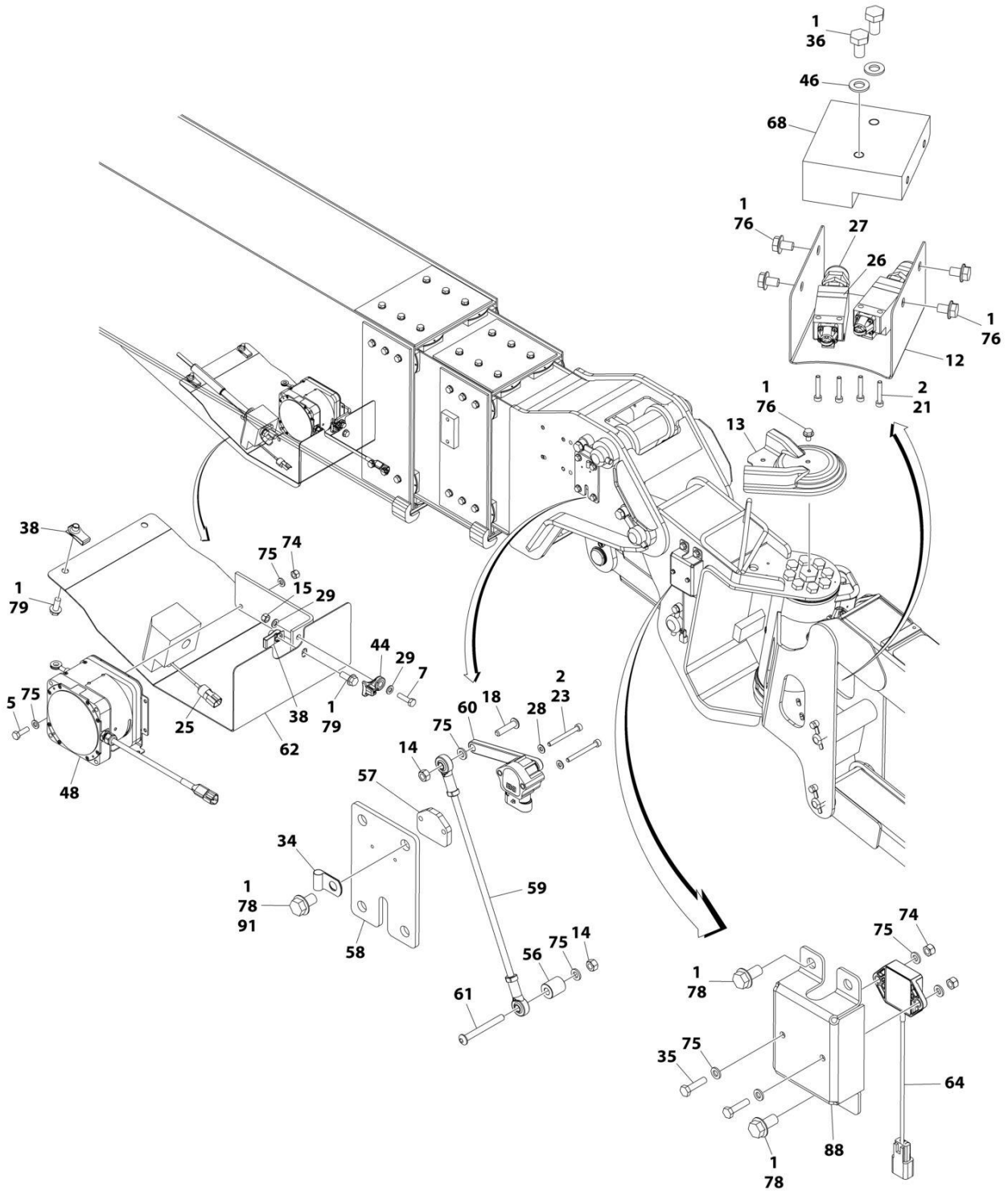


# SECTION 4 - BOOM



ART\_1001197311\_P\_20F3

# SECTION 4 - BOOM



ART\_1001197311\_P\_30F3

## SECTION 4 - BOOM

**FIGURE 4-11. BOOM SENSORS AND COVERS INSTALLATION**

ITEM	PART NUMBER	QTY	DESCRIPTION	REV
	1001197311	Ref	BOOM SENSORS AND COVERS INSTALLATION	P
1	0100011	AR	Compound, Locking	
2	0100035	AR	Compound, Locking	
4	0700816	1	Bolt M8 x 40	
5	0760610	8	Bolt M6 x 20	
6	0760810	1	Bolt M8 x 20	
7	0760814	1	Bolt M8 x 30	
8	0761012001	10	Bolt M10 x 25	
9	0761014	2	Bolt M10 x 30	
10	0761015	4	Bolt M10 x 35	
12	1671039	1	Cover	
13	1671122	1	Cover	
14	3290607	2	Nut M6	
15	3290805	3	Nut M8	
16	3291005	6	Nut M10	
17	3760383	1	Ring	
18	3900363	1	Screw M6 x 25	
19	3960389	1.1 ft/ 0.3m	Seal	
20	4000008	1	Proximity Sensor Assembly (Note: Re-calibration Required when Replaced)	
20	4461076	1	Receptacle, Female - 4 Position	
20	4460917	4	Pin, Male	
21	4031509	4	Capscrew M4 x 25	
22	4031510	4	Capscrew M4 x 30	
23	4031512	4	Capscrew M4 x 40	
24	4031707	4	Capscrew M6 x 16	
25	1001196517	2	Switch, Proximity (Note: Re-calibration Required when Replaced)	
26	4360548	2	Switch, Limit	
27	4460968	2	Connector, Strain Relief	
28	4811400	2	Washer M4	
29	4811900	5	Washer M8	
30	4811902	1	Washer M8	
31	4812100	1	Washer M12	
32	5261018	3	Nut M10 Grade 10.9	
33	8310686	14	Nut, Retainer M8	
34	8406003	1	Clip	
35	0760612001	8	Bolt M6 x 25	
36	0761009001	4	Bolt M10 x 18	
38	1001118972	3	Nut M10	
39	1001216579	2	Link, Sensor	
40	1001285878	1	Proximity Sensor Assembly (Note: Re-calibration Required when Replaced)	
40	4460932	1	Receptacle, Female - 2 Position	
40	4460464	4	Pin, Male	
41	1001155262	1	Link, Sensor	
42	1001155836	1	Adapter	
43	1001155967	3	Holder	
44	1001156107	1	Holder	
45	1001156778	1	Pin	

## SECTION 4 - BOOM

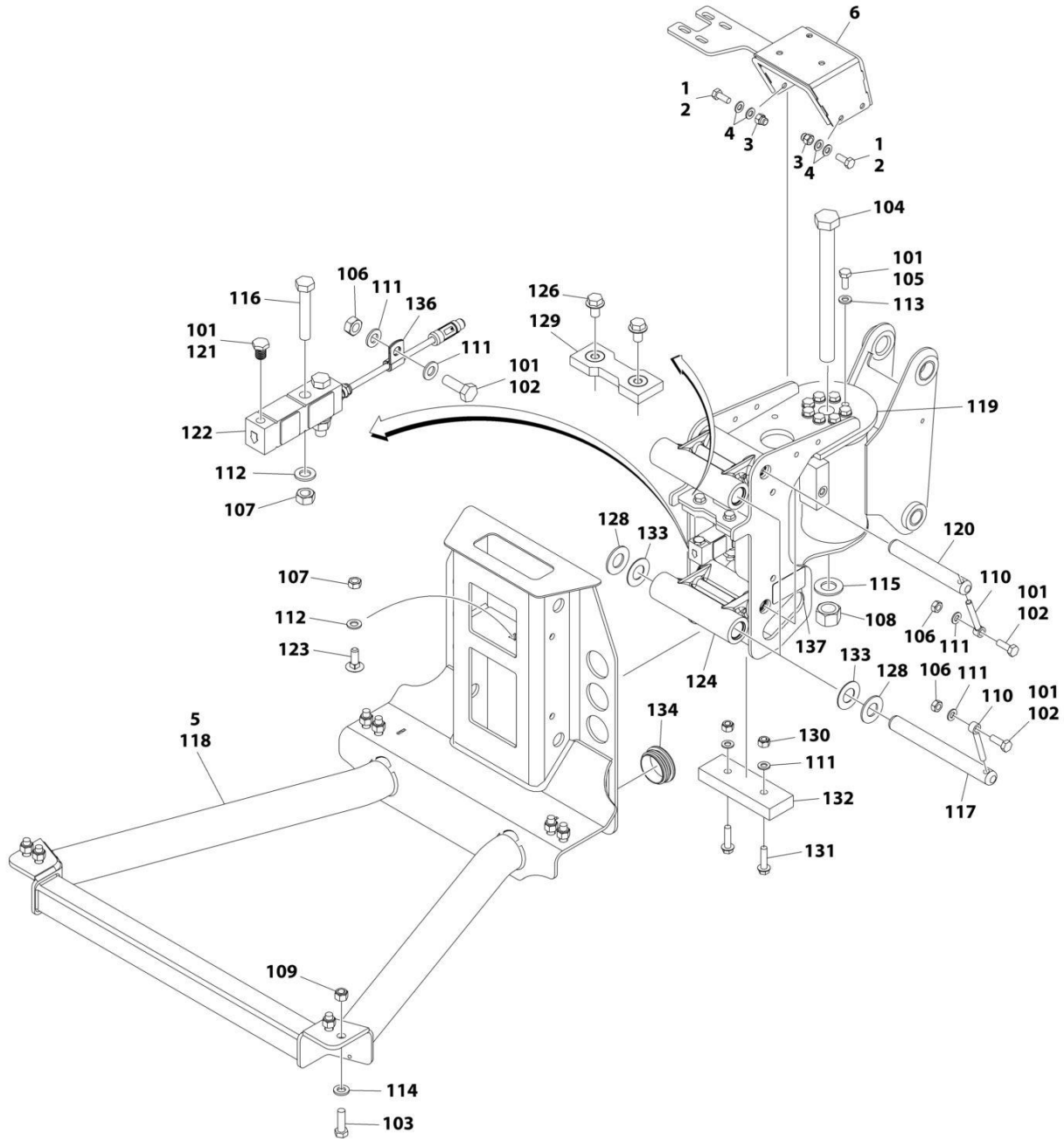
ITEM	PART NUMBER	QTY	DESCRIPTION	REV
46	1001172358	30	Washer M10	
47	1001197960	2	Sensor, Boom Length	
47	4460536	1	Receptacle, Female - 3 Position	
47	4460943	3	Pin, Male	
47	4460539	1	Receptacle, Female - 3 Position	
47	4460466	3	Plug, Terminal	
48	1001197961	2	Sensor, Boom Length	
48	4460536	1	Receptacle, Female - 3 Position	
48	4460943	3	Pin, Male	
48	4460539	1	Receptacle, Female - 3 Position	
48	4460466	3	Plug, Terminal	
49	1001200345	2	Sensor, Angle	
51	1001200550	4	Transducer, Pressure	
52	1001216258	2	Bracket	
53	1001200587	1	Cover	
54	1001200734	1	Panel, Boom Base	
55	1001200764	1	Sensor, BEI Angle	
55	4461228	1	Plug, Male - 6 Position	
55	1001104497	6	Socket, Female	
56	1001200834	1	Spacer	
57	1001200836	1	Plate	
58	1001200837	1	Plate, Mounting	
59	1001200838	1	Link, Sensor	
60	1001200848	1	Sensor, Angle	
61	1001200849	1	Screw M6 x 55	
62	1001201068	1	Cover	
63	1001201069	1	Bracket	
64	1001201095	3	Sensor, Angle Gravity	
64	4460910	1	Receptacle, Female - 3 Position	
64	4460917	3	Pin, Male	
64	4460913	AR	Lock, Wedge	
65	1001202055	1	Cover, Boom Fly	
66	1001202179	1	Bracket	
67	1001202182	2	Shield	
68	1001202950	1	Mount, Switch	
69	1001203898	1	Stop	
70	1001203899	1	Bar	
71	1001203900	1	Plate	
72	1001203904	1	Bracket	
73	1001204043	1	Sensor, Proximity	
73	4461077	1	Plug, Male - 4 Position	
73	4460918	4	Socket, Female	
74	3290605001	16	Nut M6	
75	4811700001	42	Washer M6	
76	5250806001	7	Bolt M8 x 12	
77	5250810001	14	Bolt M8 x 20	
78	5251010001	5	Bolt M10 x 20	
79	5251012001	3	Bolt M10 x 25	
80	5251016001	3	Bolt M10 x 40	
81	0760614001	2	Bolt M6 x 30	
82	1001220470	1	Plate	

## SECTION 4 - BOOM

ITEM	PART NUMBER	QTY	DESCRIPTION	REV
83	0100038	AR	Primer, Locking	
84	1001212663	1	Grommet	
85	7894000042	1	Tie-Strap	
86	1001213053	1	Grommet	
87	1001199043	2	Transducer, Pressure	
88	1001213836	1	Cover	
89	1001214098	1	Cover	
90	8310614	4	Screw M10 x 30	
91	5251008001	4	Bolt M10 x 16	
92	1001171324	1	Cover	

# SECTION 4 - BOOM

## FIGURE 4-12. PLATFORM SUPPORT INSTALLATION - WITH LSS



ART\_1001204911\_F

## SECTION 4 - BOOM

**FIGURE 4-12. PLATFORM SUPPORT INSTALLATION - WITH LSS**

ITEM	PART NUMBER	QTY	DESCRIPTION	REV
	1001204911	Ref	PLATFORM SUPPORT INSTALLATION - WITH LSS	F
1	0100011	AR	Compound, Locking	
2	0760812001	4	Bolt M8 x 25	
3	3290805001	4	Nut M8	
4	4811900001	8	Washer M8	
5	1001207388	1	Platform Support Assembly - With LSS	
6	1001204073	1	Bracket, Mounting	
	1001207388	Ref	PLATFORM SUPPORT ASSEMBLY - WITH LSS	H
101	0100011	AR	Compound, Locking	
102	0761014001	5	Bolt M10 x 30	
103	0761216001	8	Bolt M12 x 40	
104	0712445001	1	Bolt M24 x 280	
105	0771012001	8	Bolt M10 x 25 Grade 10.9	
106	3291001001	5	Nut M10	
107	3291201001	3	Nut M12	
108	3332415001	1	Nut M24 Grade 10.9	
109	3291205001	8	Nut M12	
110	3841143	4	Keeper, Pin	
111	1001172358	8	Washer M10	
112	4812100001	3	Washer M12	
113	5241000001	8	Washer M10	
114	5241200001	8	Washer M12	
115	5242400001	1	Washer M24	
116	0711222001	2	Screw M12 x 70 Grade 10.9	
117	1001167565	2	Pin	
118	1001200494	1	Support, Platform	
119	1001167567	1	Bracket, Actuator	
120	1001168402	2	Pin	
121	1001188622	1	Screw	
122	1001247468	1	Gauge, Load Sensing	
123	1001188844	1	Bolt M12 x 35	
124	1001201351	2	Link	
126	5251008001	2	Bolt M10 x 16	
128	1001189002	8	Bearing	
129	1001190985	1	Pad, Wear	
130	3291005001	2	Nut M10	
131	5251016001	2	Bolt M10 x 40	
132	1001200491	1	Plate, Wear	
133	1001189001	4	Bearing	
134	1001204725	2	Plug	
136	91203039	1	Clamp	
137	1001216630	2	Decal - Tie Down/No Lift	

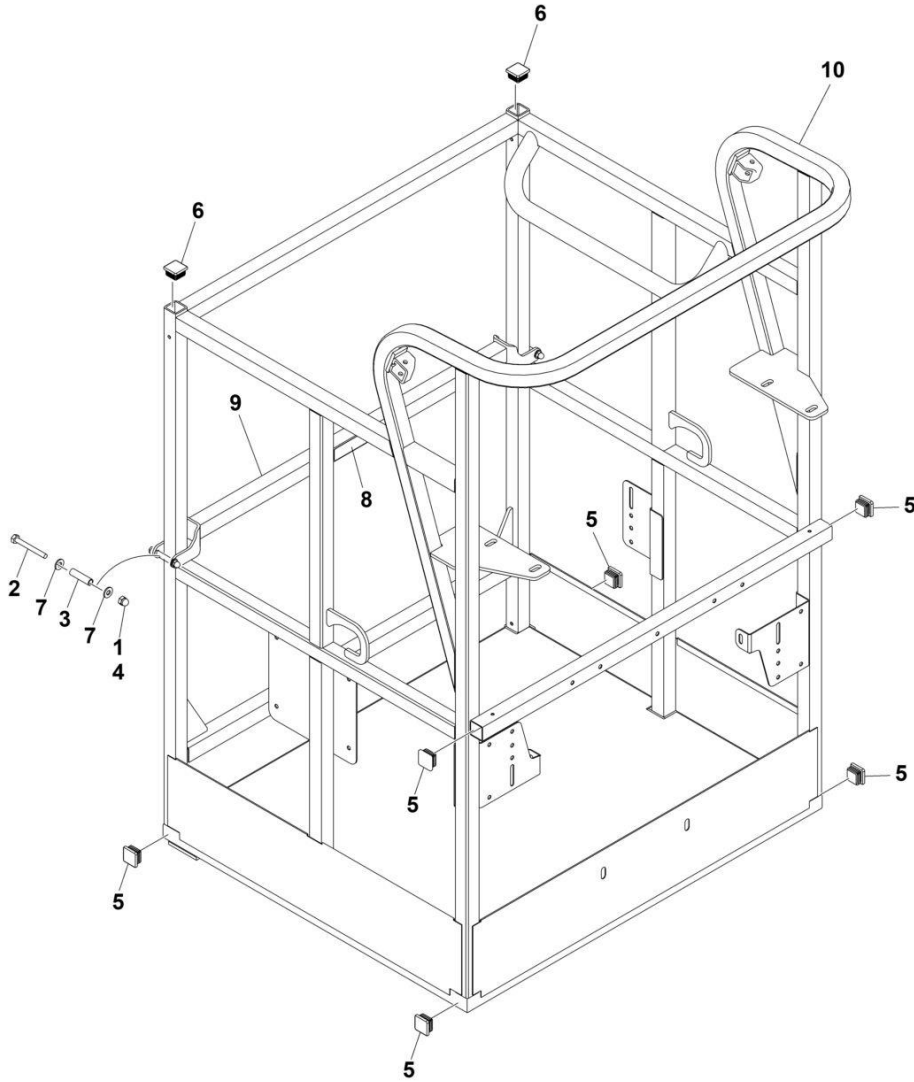




**SECTION 5 - PLATFORM**

# SECTION 5 - PLATFORM

FIGURE 5-1. PLATFORM ASSEMBLY - 30IN X 3FT (76CM X .91M) - DROP BAR ENTRY



ART\_1001228215

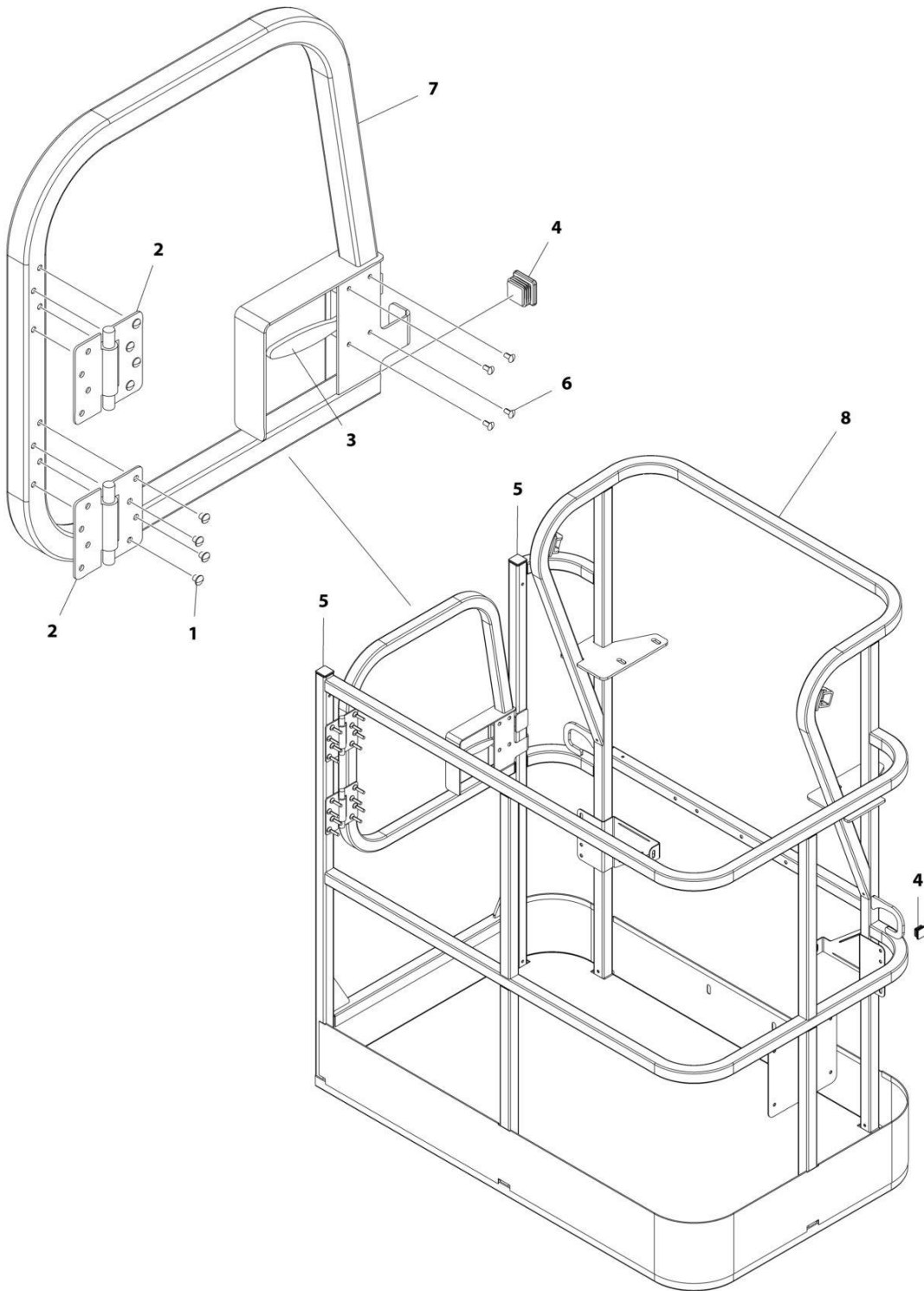
## SECTION 5 - PLATFORM

**FIGURE 5-1. PLATFORM ASSEMBLY - 30IN X 3FT (76CM X .91M) - DROP BAR ENTRY**

ITEM	PART NUMBER	QTY	DESCRIPTION	REV
	1001228215	Ref	PLATFORM ASSEMBLY	A
	See Note	Ref	Note: Platform and Mesh must be ordered separately for Platforms with Mesh. See SPECIAL OPTIONS SECTION for Mesh Installations.	
	See Note	Ref	Note: Replacement Decals Must be Ordered Separately - See DECAL SECTION.	
1	0100011	AR	Compound, Locking	
2	0641418	2	Bolt 1/4 x 2-1/4	
3	0961845	2	Bushing	
4	3300151	2	Nut 1/4	
5	3520072	6	Cap, Plug	
6	3520198	2	Cap, Plug	
7	4711400	4	Washer 1/4	
8	1001140429	1	Decal - Drop Bar	
9	1001226872	1	Bar, Drop	
10	See Note	NSS	Platform (Note: Not Available - Purchase Platform Assembly)	

# SECTION 5 - PLATFORM

FIGURE 5-2. PLATFORM ASSEMBLY - 30IN X 4FT (76.2CM X 1.22M) WITH SWING GATE



ART\_1001186387

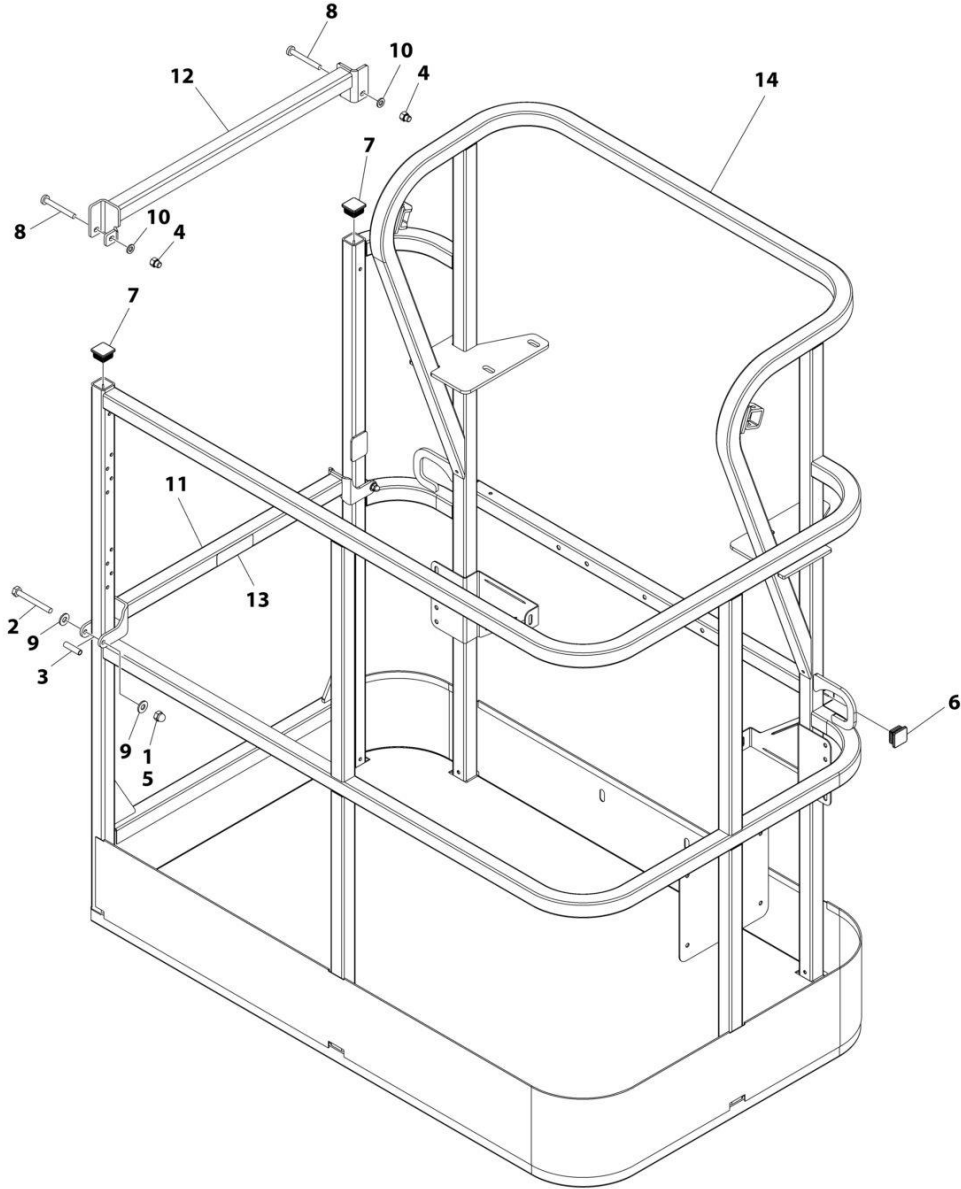
## SECTION 5 - PLATFORM

**FIGURE 5-2. PLATFORM ASSEMBLY - 30IN X 4FT (76.2CM X 1.22M) WITH SWING GATE**

ITEM	PART NUMBER	QTY	DESCRIPTION	REV
	1001186387	Ref	PLATFORM ASSEMBLY	C
		Ref	Note: Platform and Mesh must be ordered separately for Platforms with Mesh. See SPECIAL OPTIONS SECTION for Mesh Installations.	
		Ref	Note: Replacement Decals Must be Ordered Separately - See DECALS SECTION.	
1	2080040	16	Fastener, Huck	
2	2600281	2	Hinge, Self-Closing	
3	2940074	1	Latch	
4	3520072	3	Plug	
5	3520198	2	Plug	
6	3820020	4	Rivet	
7	1001144629	1	Gate	
8	See Note	1	Platform (Note: Not Available - Purchase Platform Assembly)	

# SECTION 5 - PLATFORM

FIGURE 5-3. PLATFORM ASSEMBLY - 30IN X 4FT (76.2CM X 1.22M) WITH DROP BAR



ART\_1001186375

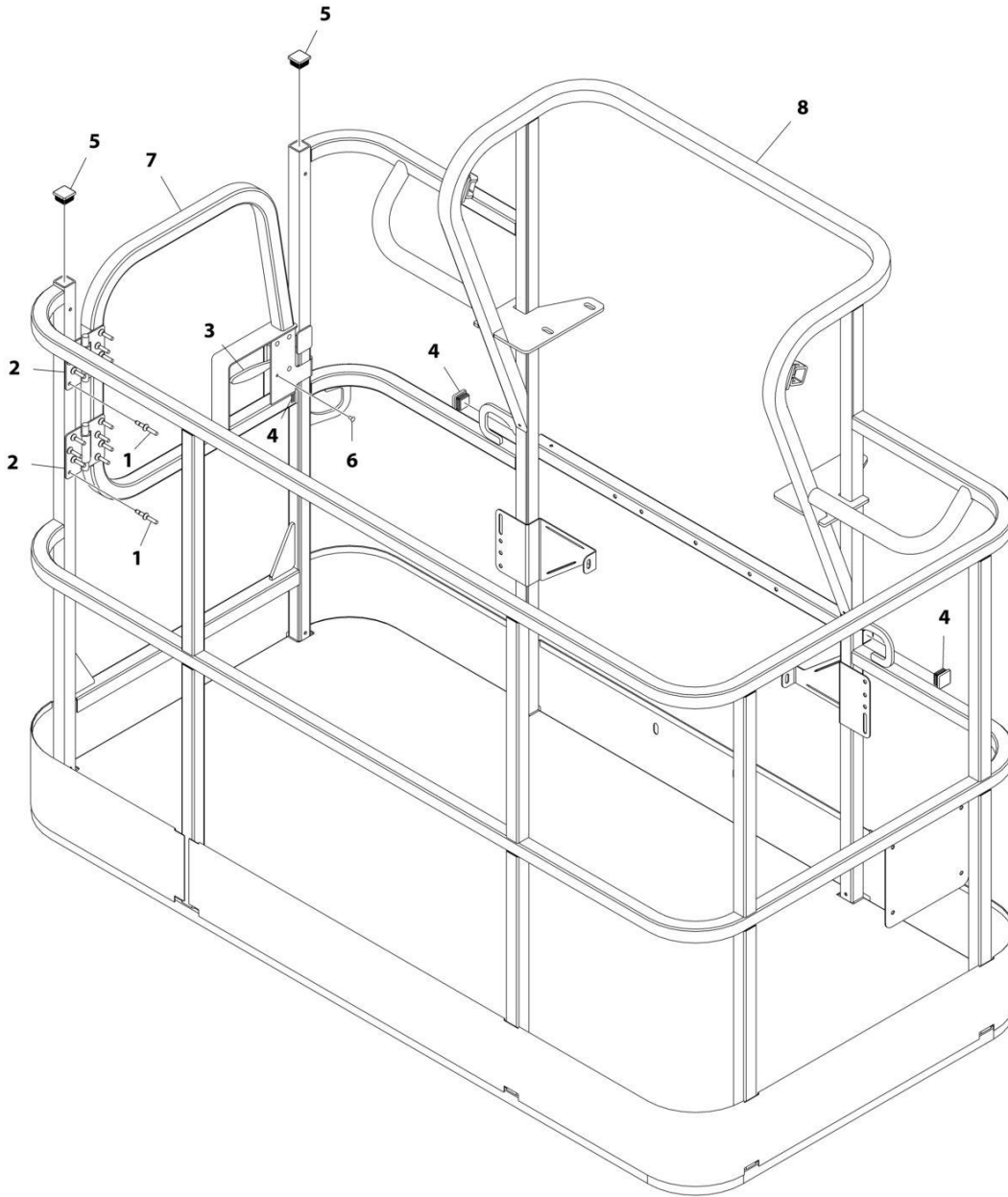
## SECTION 5 - PLATFORM

**FIGURE 5-3. PLATFORM ASSEMBLY - 30IN X 4FT (76.2CM X 1.22M) WITH DROP BAR**

ITEM	PART NUMBER	QTY	DESCRIPTION	REV
	1001186375	Ref	PLATFORM ASSEMBLY	B
		Ref	Note: Platform and Mesh must be ordered separately for Platforms with Mesh. See SPECIAL OPTIONS SECTION for Mesh Installations.	
		Ref	Note: Replacement Decals Must be Ordered Separately - See DECALS SECTION.	
1	0100011	AR	Compound, Locking	
2	0641418	2	Bolt 1/4 x 2-1/4	
3	0961845	2	Bushing	
4	3290606	2	Nut M6	
5	3300151	2	Nut 1/4	
6	3520072	2	Plug	
7	3520198	2	Plug	
8	4010618	2	Screw M6 x 50	
9	4711400	4	Washer 1/4	
10	4811700	2	Washer M6	
11	1001138494	1	Bar, Drop	
12	1001138514	1	Rail - Top	
13	1001140429	1	Decal - Drop Bar	
14	See Note	1	Platform (Note: Not Available - Purchase Platform Assembly)	

# SECTION 5 - PLATFORM

FIGURE 5-4. PLATFORM ASSEMBLY - 36IN X 6FT (91.5CM X 1.83M) WITH SWING GATE



ART\_1001186384



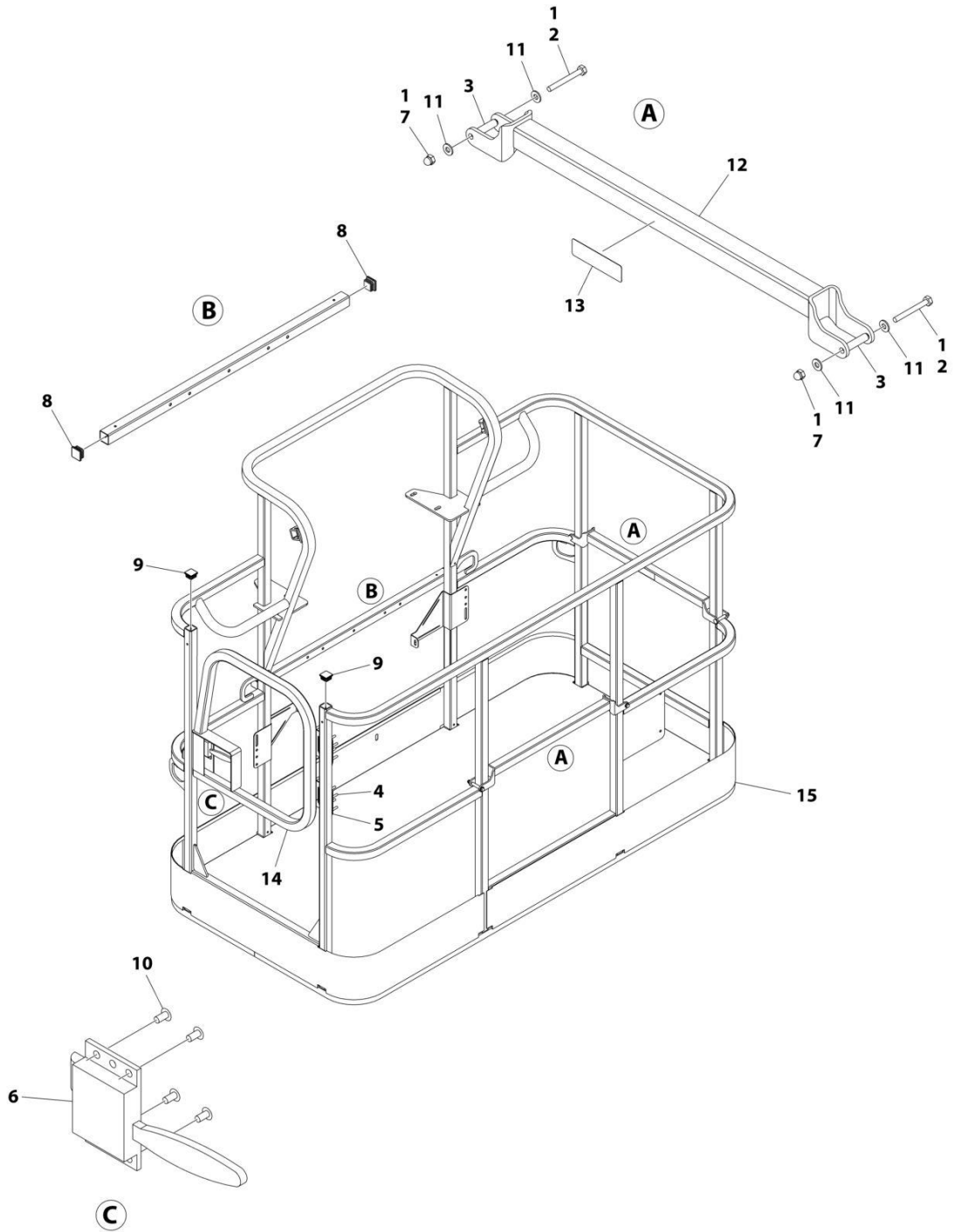
## SECTION 5 - PLATFORM

**FIGURE 5-4. PLATFORM ASSEMBLY - 36IN X 6FT (91.5CM X 1.83M) WITH SWING GATE**

ITEM	PART NUMBER	QTY	DESCRIPTION	REV
	1001186384	Ref	PLATFORM ASSEMBLY - 36IN X 6FT (91.5CM X 1.83M) WITH SWING GATE	C
	See Note	Ref	Note: Platform and Mesh must be ordered separately for Platforms with Mesh. See SPECIAL OPTIONS SECTION for Mesh Installations.	
	See Note	Ref	Note: Replacement Decals Must be Ordered Separately - See DECALS SECTION.	
1	2080040	16	Fastener, Huck	
2	2600281	2	Hinge	
3	2940074	1	Latch	
4	3520072	3	Plug	
5	3520198	2	Plug	
6	3820020	4	Rivet	
7	1001144629	1	Gate	
8	See Note	NSS	Platform (Note: Not Available - Purchase Platform Assembly)	

# SECTION 5 - PLATFORM

FIGURE 5-5. PLATFORM ASSEMBLY - 36IN X 6FT (91.5CM X 1.83M) TRI-ENTRY WITH SWING GATE



ART\_1001228376

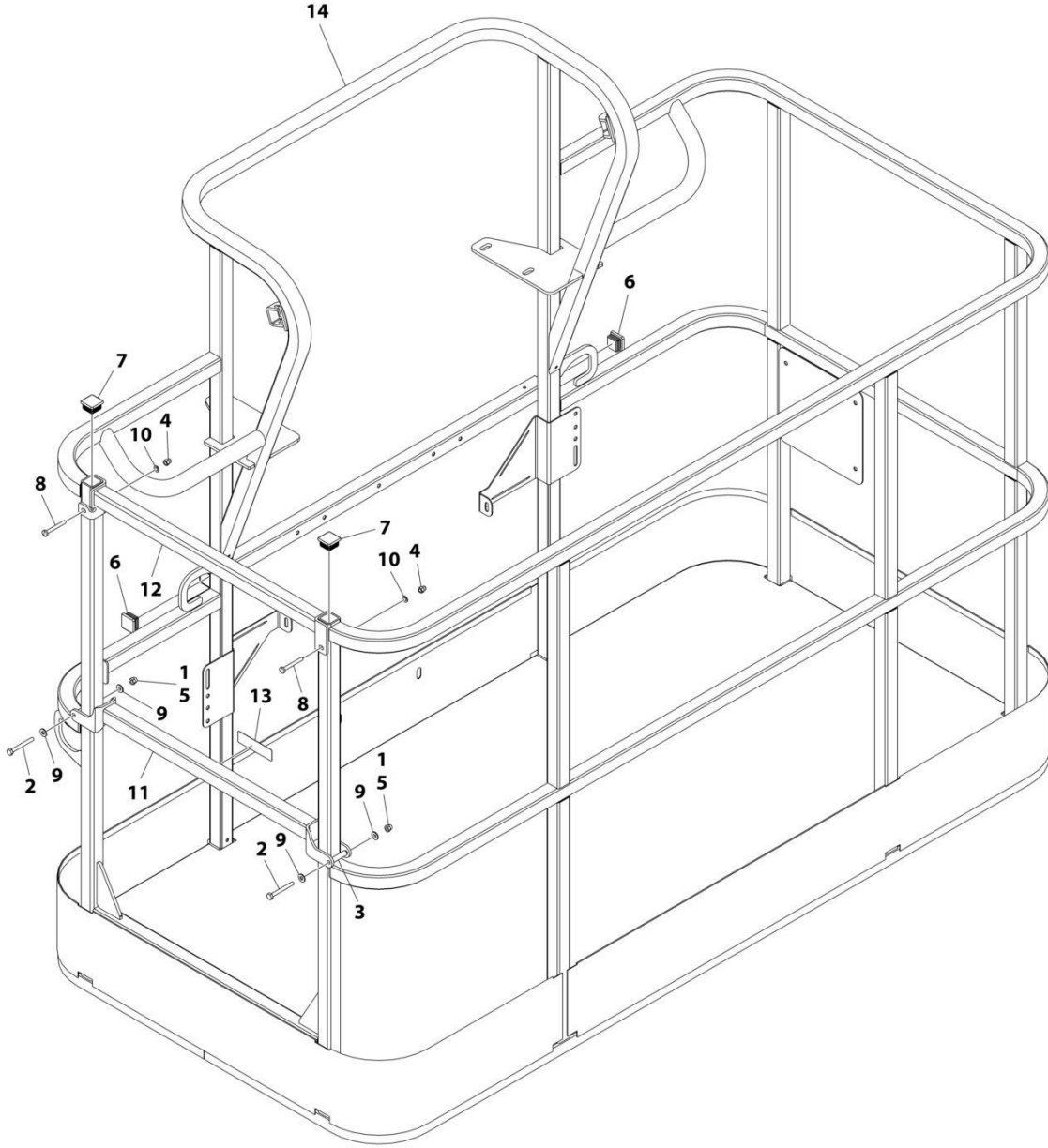
## SECTION 5 - PLATFORM

**FIGURE 5-5. PLATFORM ASSEMBLY - 36IN X 6FT (91.5CM X 1.83M) TRI-ENTRY WITH SWING GATE**

ITEM	PART NUMBER	QTY	DESCRIPTION	REV
	1001228376	Ref	PLATFORM ASSEMBLY - 36IN x 6FT (91.5CM x 1.83M)	B
		Ref	Note: Platform and Mesh must be ordered separately for Platforms with Mesh. See SPECIAL OPTIONS SECTION for Mesh Installations.	
		Ref	Note: Replacement Decals Must be Ordered Separately - See DECAL SECTION.	
1	0100011	AR	Compound, Locking	
2	0641418	4	Bolt 1/4 x 2-1/4	
3	0961845	4	Bushing	
4	2080040	16	Fastener	
5	2600281	2	Hinge	
6	2940074	1	Latch	
7	3300151	4	Nut 1/4	
8	3520072	3	Plug	
9	3520198	2	Plug	
10	3820020	4	Rivet	
11	4711400	8	Washer 1/4	
12	1001138494	2	Bar, Drop	
13	1001140429	2	Decal - Drop Bar	
14	1001144629	1	Gate	
15	See Note	NSS	Platform (Note: Not Available - Purchase Platform Assembly)	

# SECTION 5 - PLATFORM

FIGURE 5-6. PLATFORM ASSEMBLY - 36IN X 6FT (91.5CM X 1.83M) WITH DROP BAR



ART\_1001186379

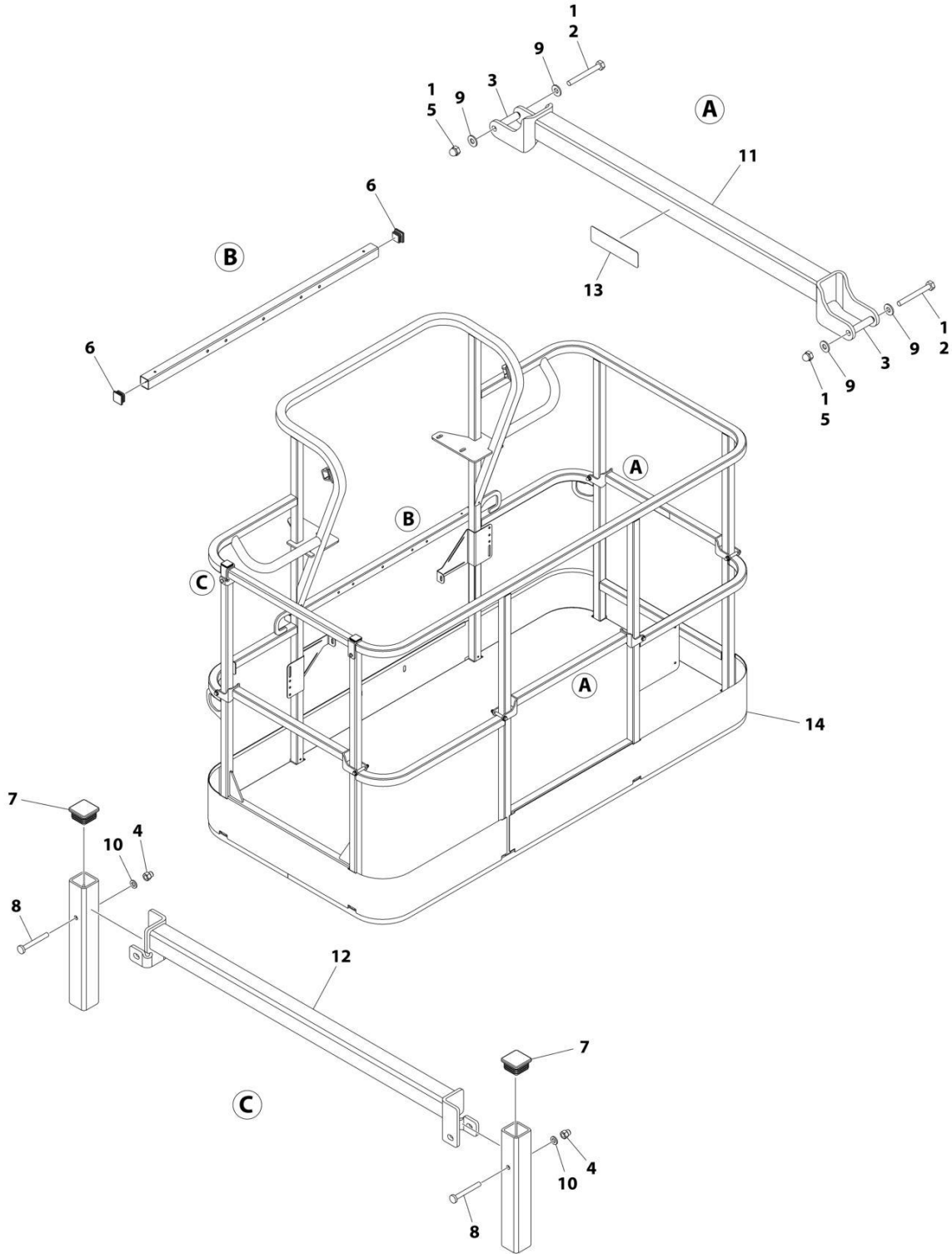
## SECTION 5 - PLATFORM

**FIGURE 5-6. PLATFORM ASSEMBLY - 36IN X 6FT (91.5CM X 1.83M) WITH DROP BAR**

ITEM	PART NUMBER	QTY	DESCRIPTION	REV
	1001186379	Ref	PLATFORM ASSEMBLY - 36IN X 6FT (91.5CM X 1.83M) WITH DROP BAR	B
		Ref	Note: Platform and Mesh must be ordered separately for Platforms with Mesh. See SPECIAL OPTIONS SECTION for Mesh Installations.	
		Ref	Note: Replacement Decals Must be Ordered Separately - See DECALS SECTION.	
1	0100011	AR	Compound, Locking	
2	0641418	2	Bolt 1/4 x 2-1/4	
3	0961845	2	Bushing	
4	3290606	2	Nut M6	
5	3300151	2	Nut 1/4	
6	3520072	2	Plug	
7	3520198	2	Plug	
8	4010618	2	Screw M6 x 50	
9	4711400	4	Washer 1/4	
10	4811700	2	Washer M6	
11	1001138494	1	Bar, Drop	
12	1001138514	1	Rail (Top)	
13	1001140429	1	Decal - Drop Bar	
14	See Note	NSS	Platform (Note: Not Available - Purchase Platform Assembly)	

# SECTION 5 - PLATFORM

FIGURE 5-7. PLATFORM ASSEMBLY - 36IN X 6FT (91.5CM X 1.83M) TRI-ENTRY WITH DROPBAR



ART\_1001228377

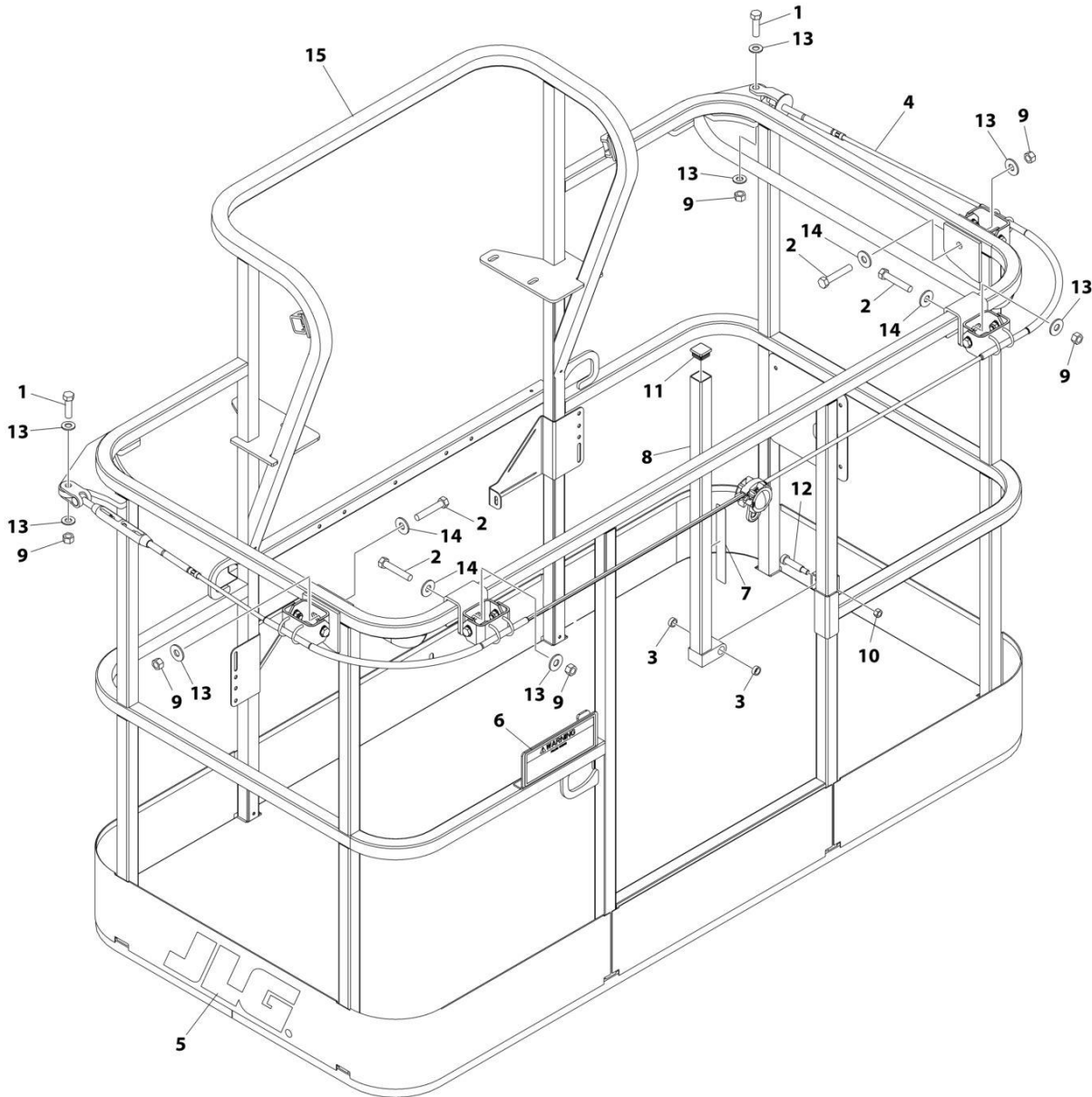
## SECTION 5 - PLATFORM

**FIGURE 5-7. PLATFORM ASSEMBLY - 36IN X 6FT (91.5CM X 1.83M) TRI-ENTRY WITH DROPBAR**

ITEM	PART NUMBER	QTY	DESCRIPTION	REV
	1001228377	Ref	PLATFORM ASSEMBLY - 36IN x 6FT (91.5CM x 1.83M)	B
		Ref	Note: Platform and Mesh must be ordered separately for Platforms with Mesh. See SPECIAL OPTIONS SECTION for Mesh Installations.	
		Ref	Note: Replacement Decals Must be Ordered Separately - See DECAL SECTION.	
1	0100011	1	Compound, Locking	
2	0641418	6	Bolt 1/4 x 2-1/4	
3	0961845	6	Bushing	
4	3290606	2	Nut M6	
5	3300151	6	Nut 1/4	
6	3520072	2	Plug	
7	3520198	2	Plug	
8	4010618	2	Screw M6 x 50	
9	4711400	12	Washer 1/4	
10	4811700	2	Washer M6	
11	1001138494	3	Bar, Drop	
12	1001138514	1	Rail (Top)	
13	1001140429	3	Decal - Drop Bar	
14	See Note	NSS	Platform, Weldment (Note: Not Available - Purchase Platform Assembly)	

# SECTION 5 - PLATFORM

FIGURE 5-8. PLATFORM ASSEMBLY - 36IN X 6FT (91.5CM X 1.83M) WITH FALL ARREST (ANSI, ANSI EXPORT AND CSA SPECS)



ART\_1001186333



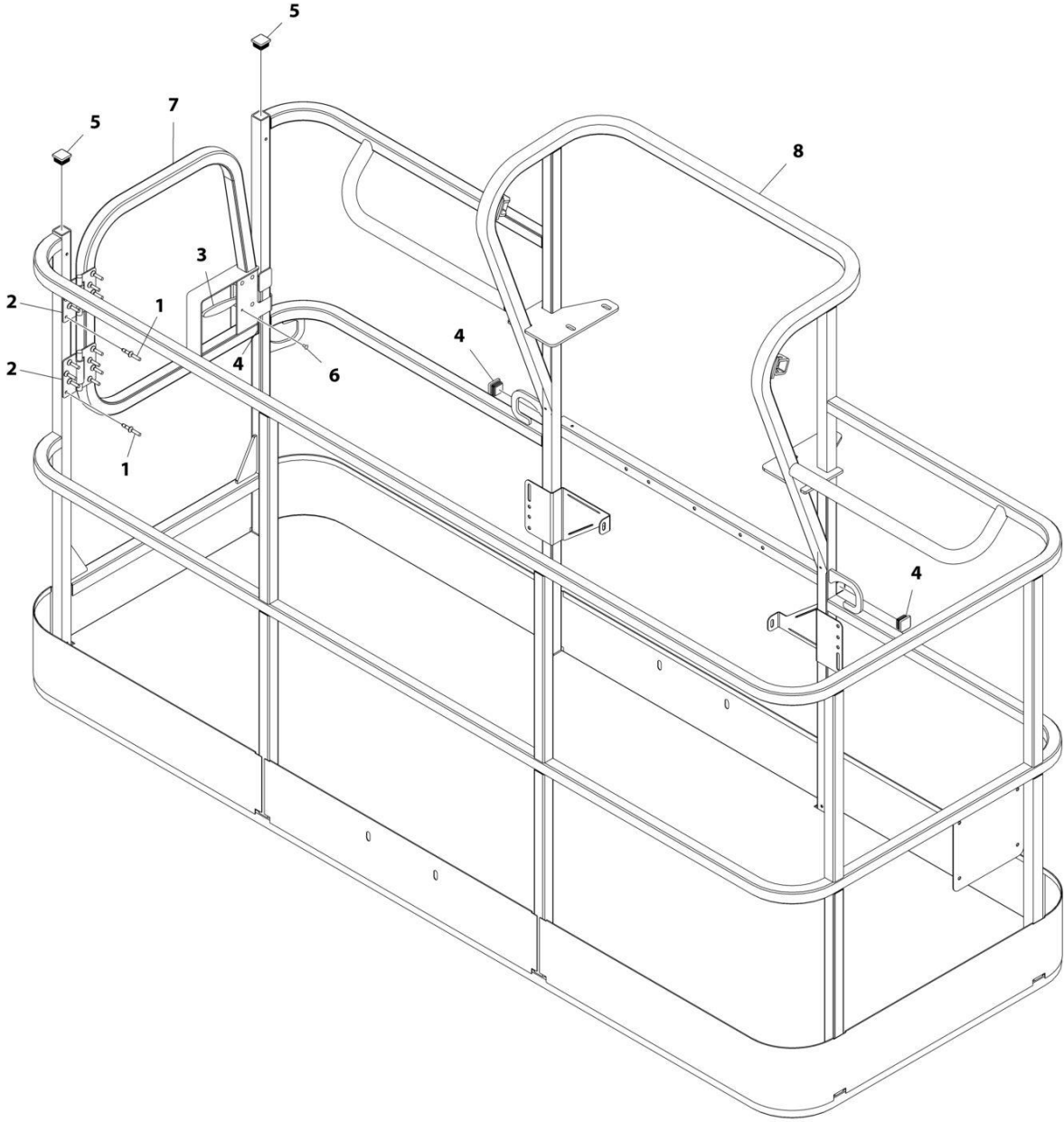
## SECTION 5 - PLATFORM

**FIGURE 5-8. PLATFORM ASSEMBLY - 36IN X 6FT (91.5CM X 1.83M) WITH FALL ARREST (ANSI, ANSI EXPORT AND CSA SPECS)**

ITEM	PART NUMBER	QTY	DESCRIPTION	REV
	1001186333	Ref	PLATFORM ASSEMBLY	C
		Ref	Note: Replacement Decals Must be Ordered Separately - See DECALS SECTION.	
1	0681814	2	Bolt 1/2 x 1-3/4 Grade 8	
2	0681822	4	Bolt 1/2 x 2-3/4 Grade 8	
3	0962270	2	Bearing	
4	1001203655	1	Cable	
5	1702773	1	Decal - JLG	
6	1705014	1	Decal - Safety	
7	1706385	1	Decal - Drop Bar	
8	2410014	1	Bar, Drop	
9	3271805	6	Nut 1/2 Grade 8	
10	3311605	1	Nut 3/8	
11	3520072	1	Plug	
12	3900054	1	Bolt 1/2 x 1-3/4	
13	4711800	8	Washer 1/2	
14	4751800	4	Washer 1/2	
15	See Note	NSS	Platform (Note: Not Available - Purchase Platform Assembly)	

**SECTION 5 - PLATFORM**

**FIGURE 5-9. PLATFORM ASSEMBLY - 36IN X 8FT (91.5CM X 2.44M) WITH SWING GATE**



ART\_1001186383

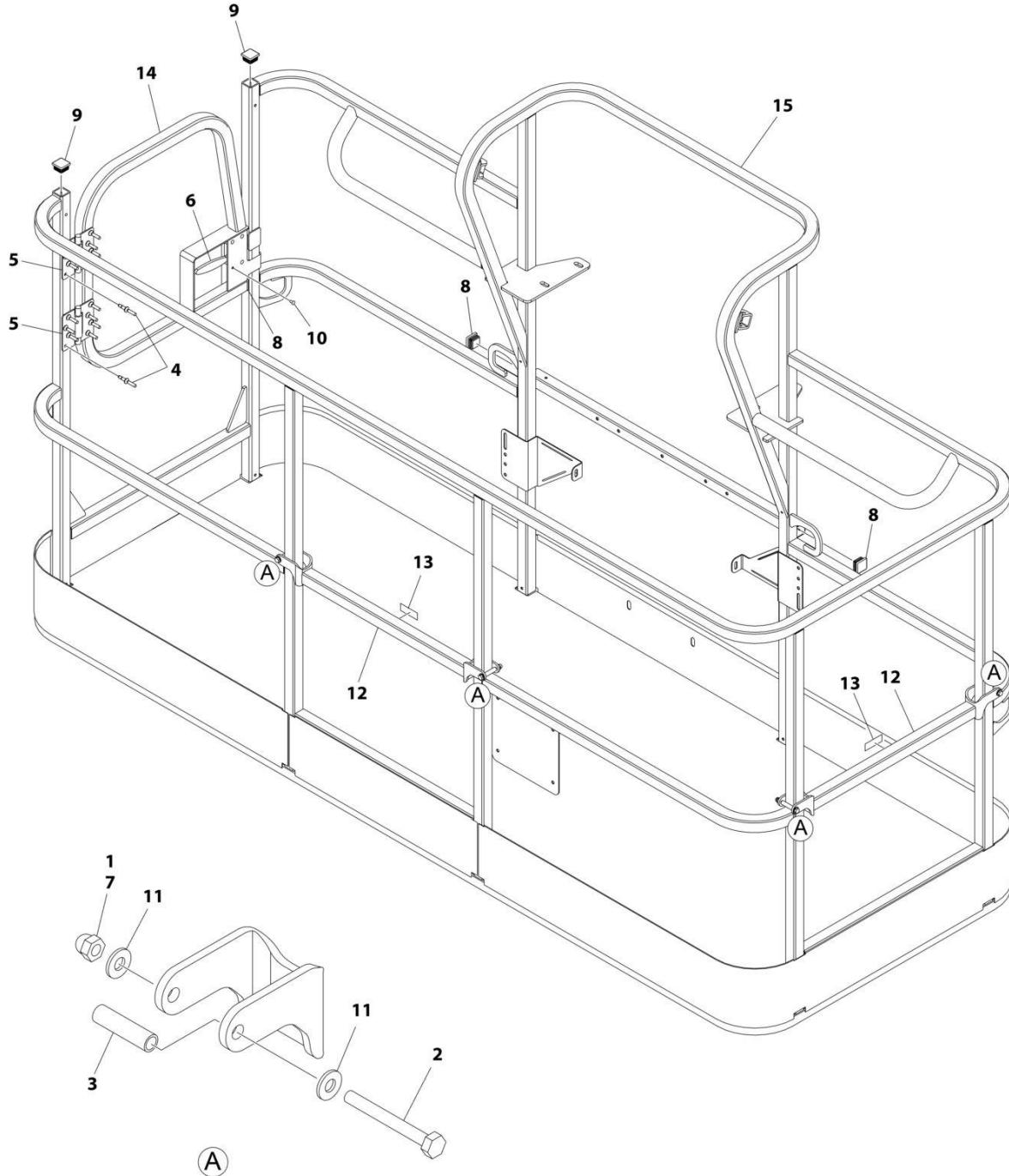
## SECTION 5 - PLATFORM

**FIGURE 5-9. PLATFORM ASSEMBLY - 36IN X 8FT (91.5CM X 2.44M) WITH SWING GATE**

ITEM	PART NUMBER	QTY	DESCRIPTION	REV
	1001186383	Ref	PLATFORM ASSEMBLY - 36IN X 8FT (91.5CM X 2.44M) WITH SWING GATE	D
		Ref	Note: Platform and Mesh must be ordered separately for Platforms with Mesh. See SPECIAL OPTIONS SECTION for Mesh Installations.	
		Ref	Note: Replacement Decals Must be Ordered Separately - See DECALS SECTION.	
1	2080040	16	Fastener, Huck	
2	2600281	2	Hinge	
3	2940074	1	Latch	
4	3520072	3	Plug	
5	3520198	2	Plug	
6	3820020	4	Rivet	
7	1001144629	1	Gate	
8	See Note	NSS	Platform (Note: Not Available - Purchase Platform Assembly)	

# SECTION 5 - PLATFORM

FIGURE 5-10. PLATFORM ASSEMBLY - 36IN X 8FT (91.5CM X 2.44M) WITH TRI-ENTRY (1 GATE/2 DROP BARS)



ART\_1001228243

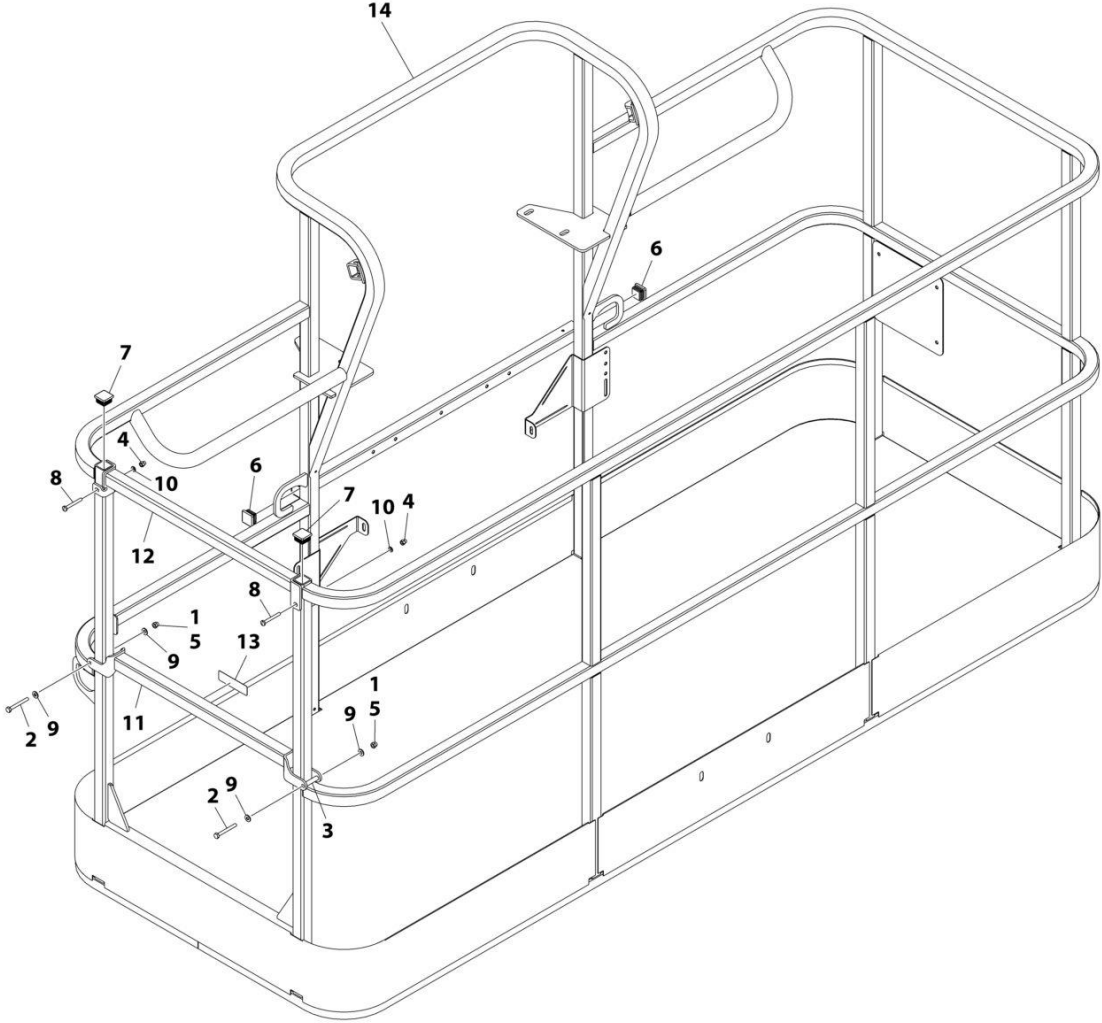
## SECTION 5 - PLATFORM

**FIGURE 5-10. PLATFORM ASSEMBLY - 36IN X 8FT (91.5CM X 2.44M) WITH TRI-ENTRY (1 GATE/2 DROP BARS)**

ITEM	PART NUMBER	QTY	DESCRIPTION	REV
	1001228243	Ref	PLATFORM ASSEMBLY - 36IN X 8FT (91.5CM X 2.44M) WITH TRI-ENTRY	A
		Ref	Note: Platform and Mesh must be ordered separately for Platforms with Mesh. See SPECIAL OPTIONS SECTION for Mesh Installations.	
1	0100011	AR	Compound, Locking	
2	0641418	4	Bolt 1/4 x 2-1/4	
3	0961845	4	Bushing	
4	2080040	16	Fastener, Huck	
5	2600281	2	Hinge, Self-Closing	
6	2940074	1	Latch	
7	3300151	4	Nut 1/4	
8	3520072	3	Cap, Plug	
9	3520198	2	Cap, Plug	
10	3820020	4	Rivet	
11	4711400	8	Washer 1/4	
12	1001138494	2	Bar, Drop	
13	1001140429	2	Decal - Drop Bar	
14	1001144629	1	Gate, Weldment	
15	See Note	1	Platform (Note: Not Available - Purchase Platform Assembly)	

**SECTION 5 - PLATFORM**

**FIGURE 5-11. PLATFORM ASSEMBLY - 36IN X 8FT (91.5CM X 2.44M) WITH DROP BAR**



ART\_1001186382

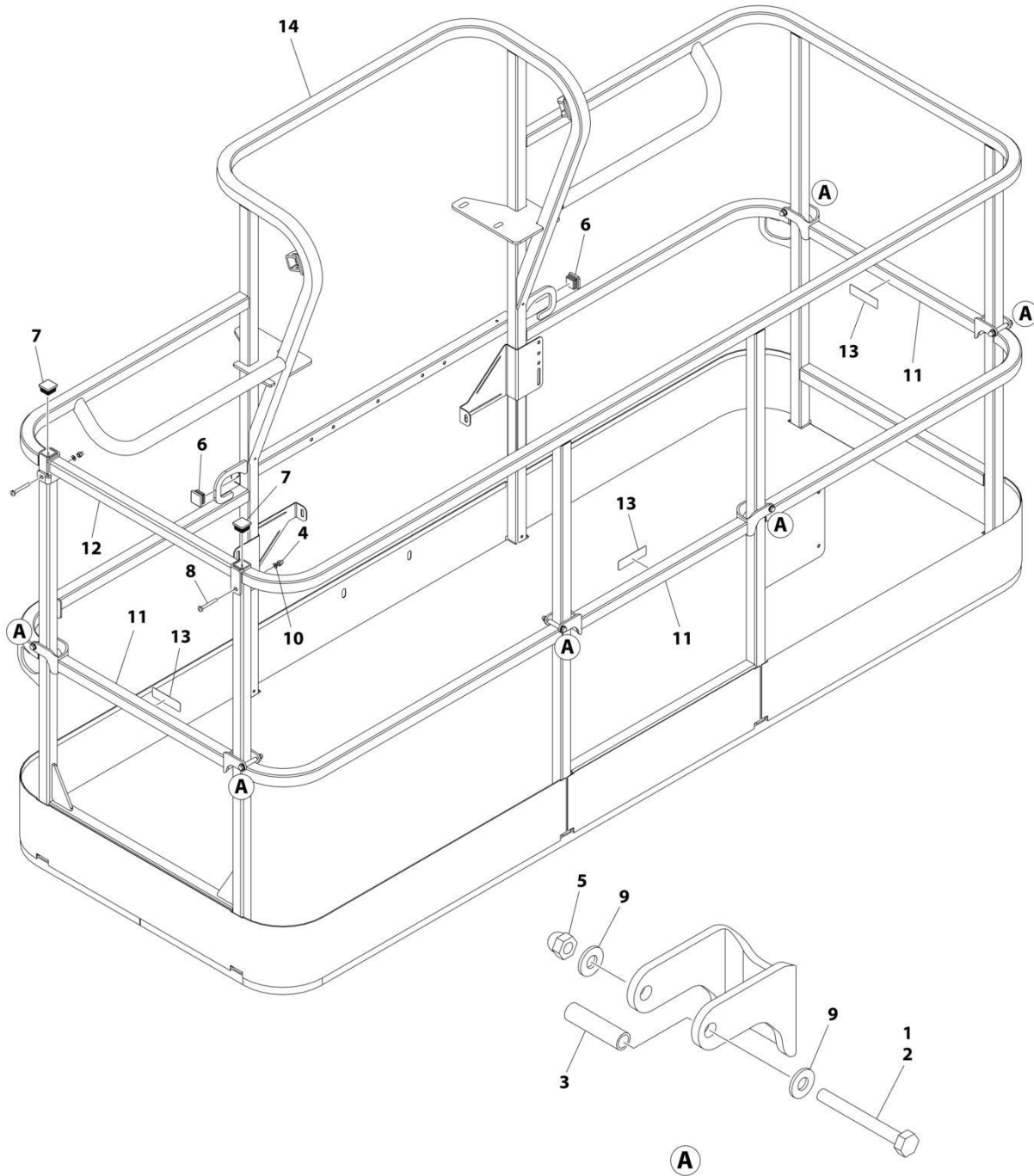
## SECTION 5 - PLATFORM

**FIGURE 5-11. PLATFORM ASSEMBLY - 36IN X 8FT (91.5CM X 2.44M) WITH DROP BAR**

ITEM	PART NUMBER	QTY	DESCRIPTION	REV
	1001186382	Ref	PLATFORM ASSEMBLY - 36IN X 8FT (91.5CM X 2.44M) WITH DROP BAR	C
		Ref	Note: Platform and Mesh must be ordered separately for Platforms with Mesh. See SPECIAL OPTIONS SECTION for Mesh Installations.	
		Ref	Note: Replacement Decals Must be Ordered Separately - See DECALS SECTION.	
1	0100011	AR	Compound, Locking	
2	0641418	2	Bolt 1/4 x 2-1/4	
3	0961845	2	Bushing	
4	3290606	2	Nut M6	
5	3300151	2	Nut 1/4	
6	3520072	2	Plug	
7	3520198	2	Plug	
8	4010618	2	Screw M6 x 50	
9	4711400	4	Washer 1/4	
10	4811700	2	Washer M6	
11	1001138494	1	Bar, Drop	
12	1001138514	1	Rail (Top)	
13	1001140429	1	Decal - Drop Bar	
14	See Note	NSS	Platform (Note: Not Available - Purchase Platform Assembly)	

# SECTION 5 - PLATFORM

FIGURE 5-12. PLATFORM ASSEMBLY - 36IN X 8FT (91.5CM X 2.44M) WITH TRI-ENTRY (3 DROP BARS)



ART\_1001228375



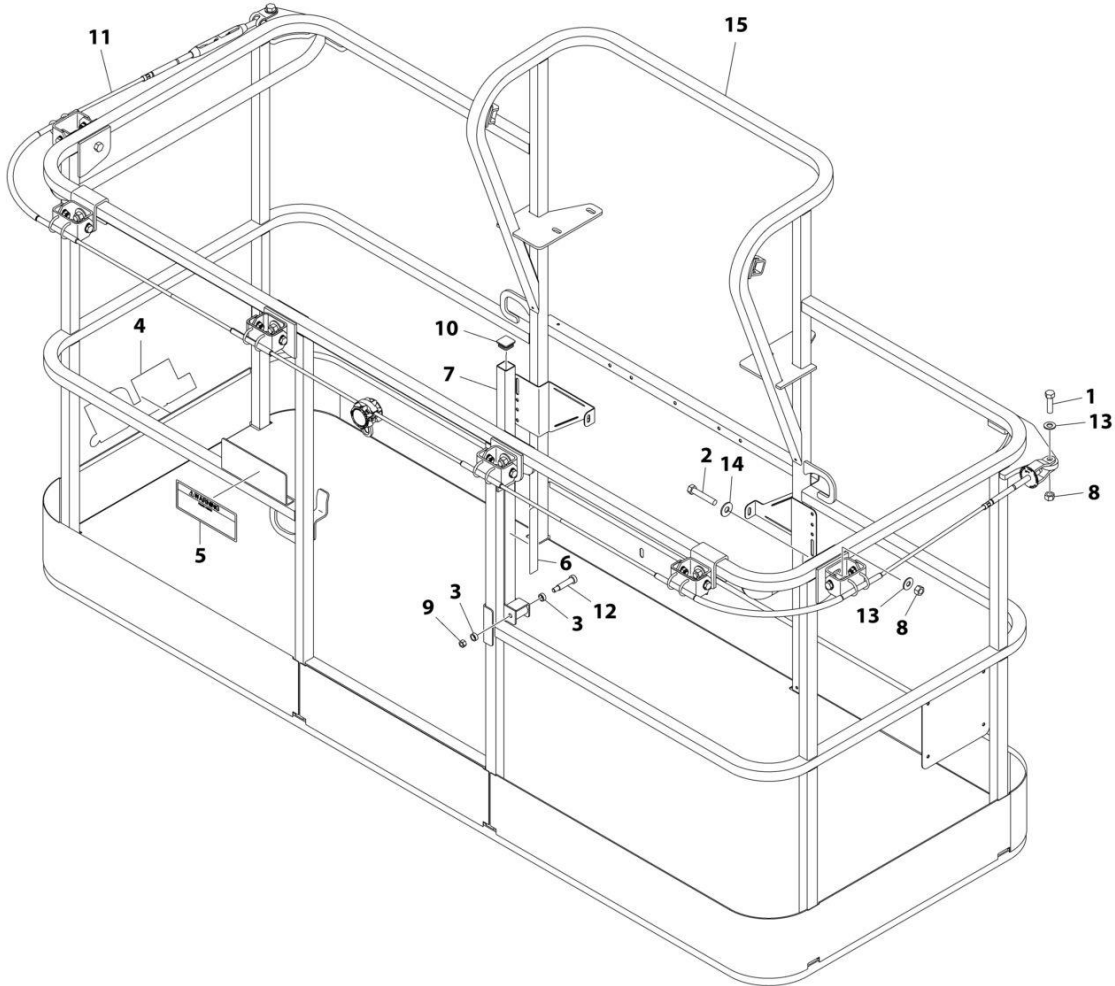
## SECTION 5 - PLATFORM

**FIGURE 5-12. PLATFORM ASSEMBLY - 36IN X 8FT (91.5CM X 2.44M) WITH TRI-ENTRY (3 DROP BARS)**

ITEM	PART NUMBER	QTY	DESCRIPTION	REV
	1001228375	Ref	PLATFORM ASSEMBLY - 36IN X 8FT (91.5CM X 2.44M) WITH TRI-ENTRY	A
		Ref	Note: Platform and Mesh must be ordered separately for Platforms with Mesh. See SPECIAL OPTIONS SECTION for Mesh Installations.	
		Ref	Note: Replacement Decals Must be Ordered Separately - See DECAL SECTION.	
1	0100011	AR	Compound, Locking	
2	0641418	6	Bolt 1/4 x 2-1/4	
3	0961845	6	Bushing	
4	3290606	2	Nut M6 x 1	
5	3300151	6	Nut 1/4	
6	3520072	2	Cap, Plug	
7	3520198	2	Cap, Plug	
8	4010618	2	Screw M6 x 50	
9	4711400	12	Washer 1/4	
10	4811700	2	Washer M6	
11	1001138494	3	Bar, Drop	
12	1001138514	1	Rail (Top)	
13	1001140429	3	Decal - Drop Bar	
14	See Note	1	Platform (Note: Not Available - Purchase Platform Assembly)	

# SECTION 5 - PLATFORM

FIGURE 5-13. PLATFORM ASSEMBLY - 36IN X 8FT (91.5CM X 2.44M) WITH FALL ARREST (ANSI, ANSI EXPORT AND CSA SPECS)



ART\_1001186334

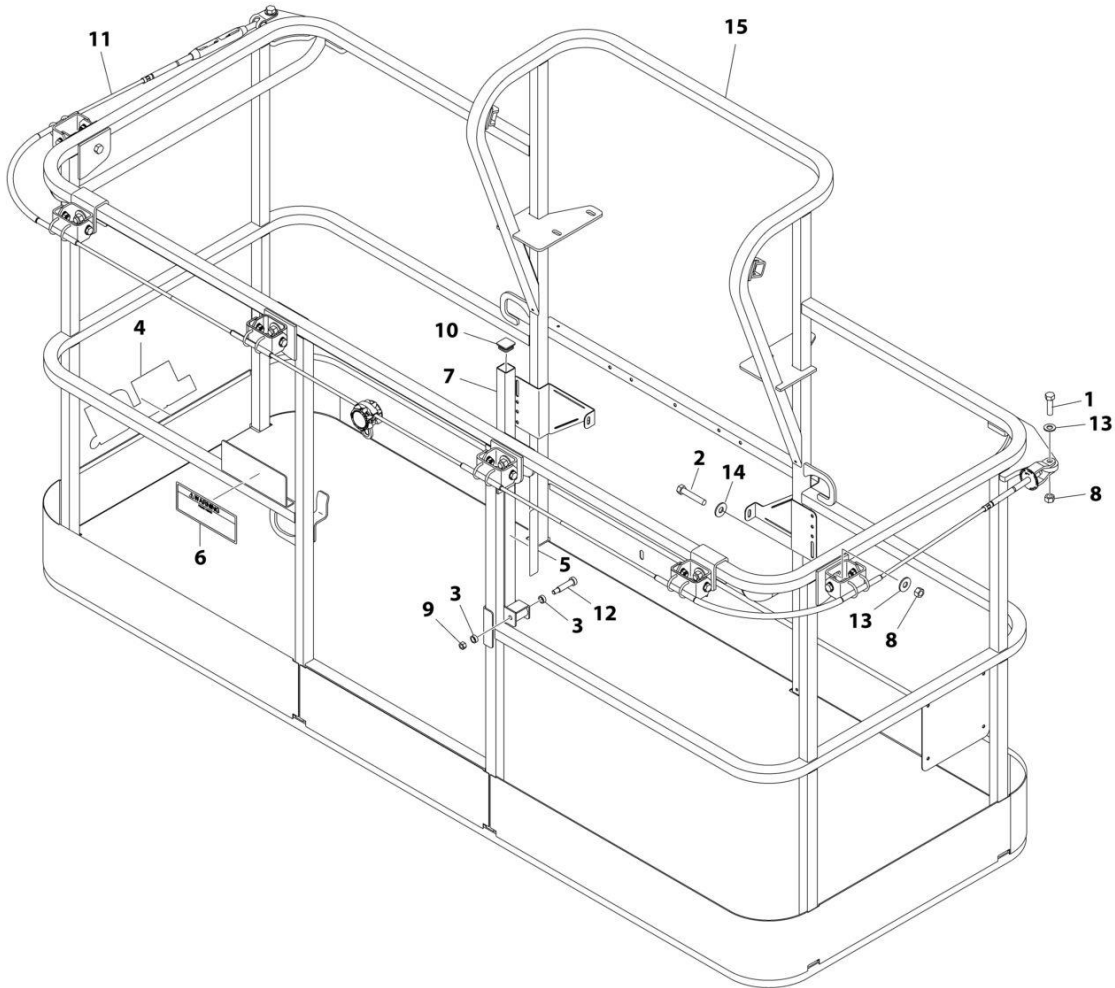
## SECTION 5 - PLATFORM

**FIGURE 5-13. PLATFORM ASSEMBLY - 36IN X 8FT (91.5CM X 2.44M) WITH FALL ARREST (ANSI, ANSI EXPORT AND CSA SPECS)**

ITEM	PART NUMBER	QTY	DESCRIPTION	REV
	1001186334	Ref	PLATFORM ASSEMBLY	D
		Ref	Note: Replacement Decals Must be Ordered Separately - See DECALS SECTION.	
1	0681814	2	Bolt 1/2 x 1-3/4 Grade 8	
2	0681822	6	Bolt 1/2 x 2-3/4 Grade 8	
3	0962270	2	Bearing	
4	1702773	1	Decal - JLG	
5	1705014	1	Decal - Safety	
6	1706385	1	Decal - Drop Bar	
7	2410014	1	Bar, Drop	
8	3271805	8	Nut 1/2 Grade 8	
9	3311605	1	Nut 3/8	
10	3520072	1	Plug	
11	1001203656	1	Cable	
12	3900054	1	Bolt 1/2 x 1-3/4	
13	4711800	2	Washer 1/2	
14	4751800	6	Washer 1/2	
15	See Note	NSS	Platform (Note: Purchase Platform Assembly)	

# SECTION 5 - PLATFORM

FIGURE 5-14. PLATFORM ASSEMBLY - 36IN X 8FT (91.5CM X 2.44M) WITH FALL ARREST (ALL SPECS EXCEPT CSA SPECS)



ART\_1001186389

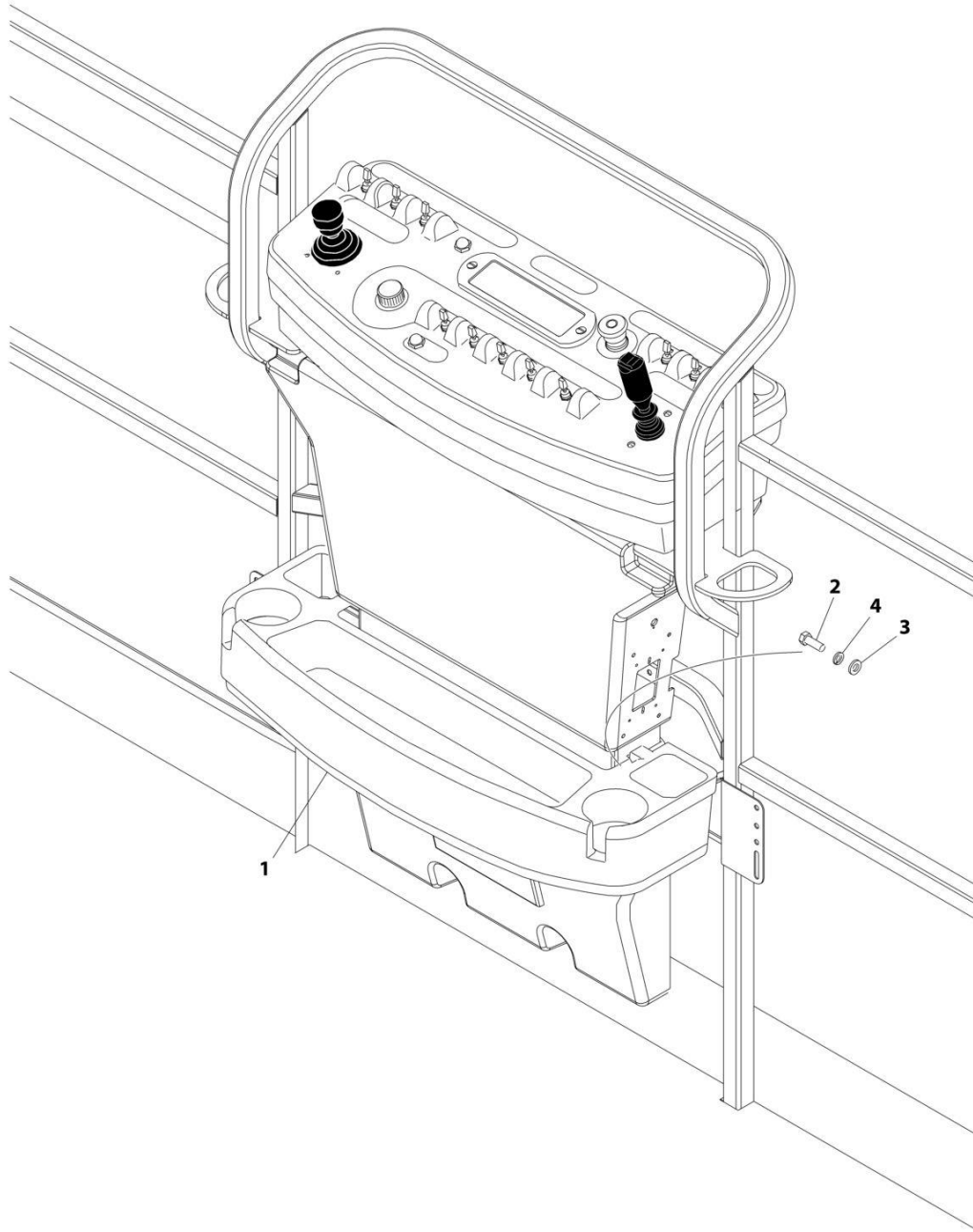
## SECTION 5 - PLATFORM

**FIGURE 5-14. PLATFORM ASSEMBLY - 36IN X 8FT (91.5CM X 2.44M) WITH FALL ARREST (ALL SPECS EXCEPT CSA SPECS)**

ITEM	PART NUMBER	QTY	DESCRIPTION	REV
	1001186389	Ref	PLATFORM ASSEMBLY - 36IN X 8FT (91.5CM X 2.44M) WITH FALL ARREST	D
		Ref	Note: Standard decals must be ordered separately - See DECAL SECTION.	
1	0681814	2	Bolt 1/2 x 1-3/4 Grade 8	
2	0681822	6	Bolt 1/2 x 2-3/4 Grade 8	
3	0962270	2	Bearing	
4	1702773	1	Decal - JLG	
5	1706493	1	Decal - Drop Bar	
6	1706501	1	Decal - Safety	
7	2410014	1	Gate	
8	3271805	8	Nut 1/2 Grade 8	
9	3311605	1	Nut 3/8	
10	3520072	1	Plug	
11	1001203656	1	Cable	
12	3900054	1	Bolt 1/2 x 1-3/4	
13	4711800	8	Washer 1/2	
14	4751800	6	Washer 1/2	
15	1001186318	NSS	Platform (Note: Not Available - Purchase Platform Assembly)	

# SECTION 5 - PLATFORM

## FIGURE 5-15. TRAY ASSEMBLY



ART\_1580012

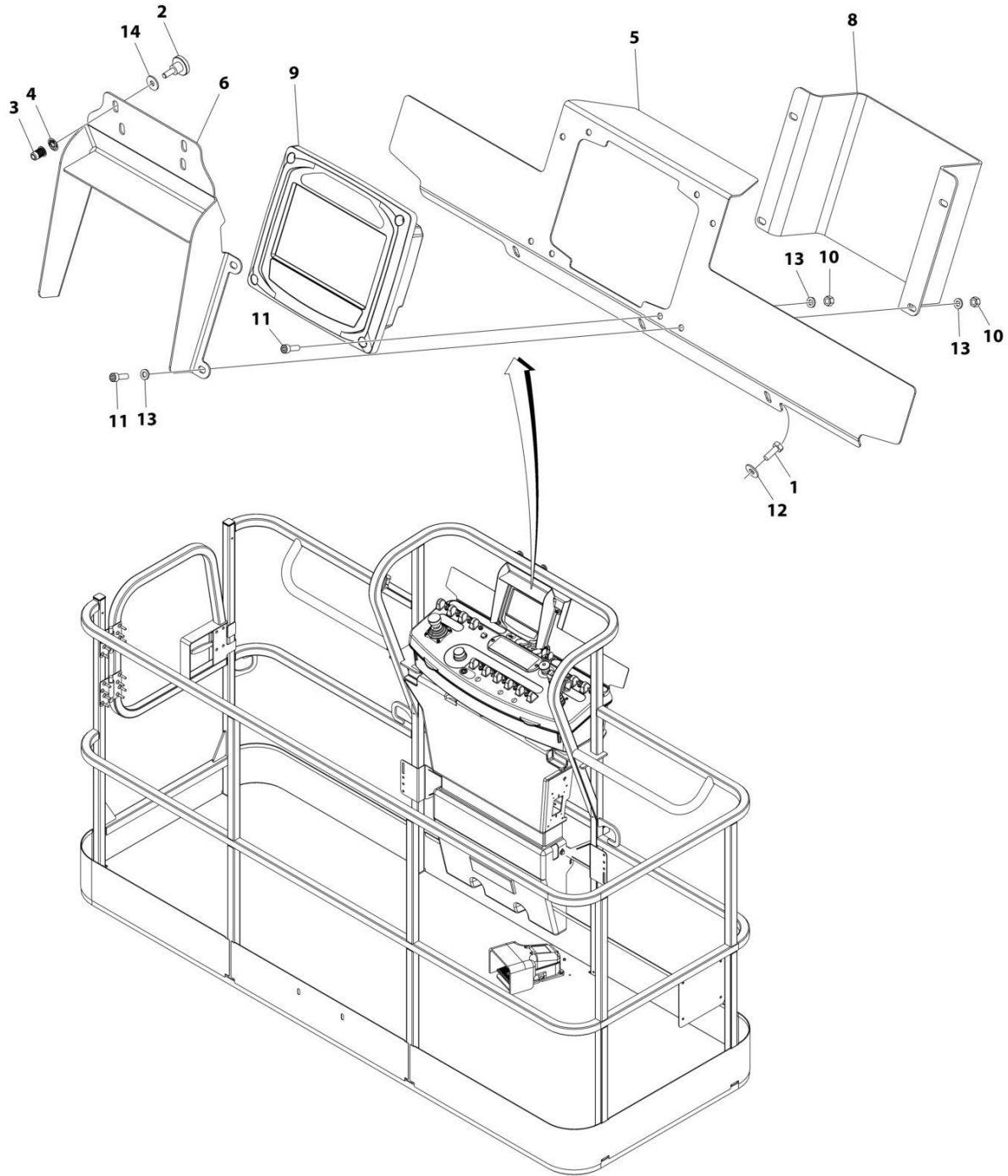
## SECTION 5 - PLATFORM

### FIGURE 5-15. TRAY ASSEMBLY

ITEM	PART NUMBER	QTY	DESCRIPTION	REV
	1580012	Ref	TRAY ASSEMBLY	C
1	See Note	NSS	Tray, Storage (Center) (Note: Purchase p/n 1580012)	
2	0641406	2	Bolt 1/4 x 3/4	
3	4751400	2	Washer 1/4	
4	4761400	2	Washer 1/4	

# SECTION 5 - PLATFORM

## FIGURE 5-16. LCD DISPLAY INSTALLATION



ART\_1001215375



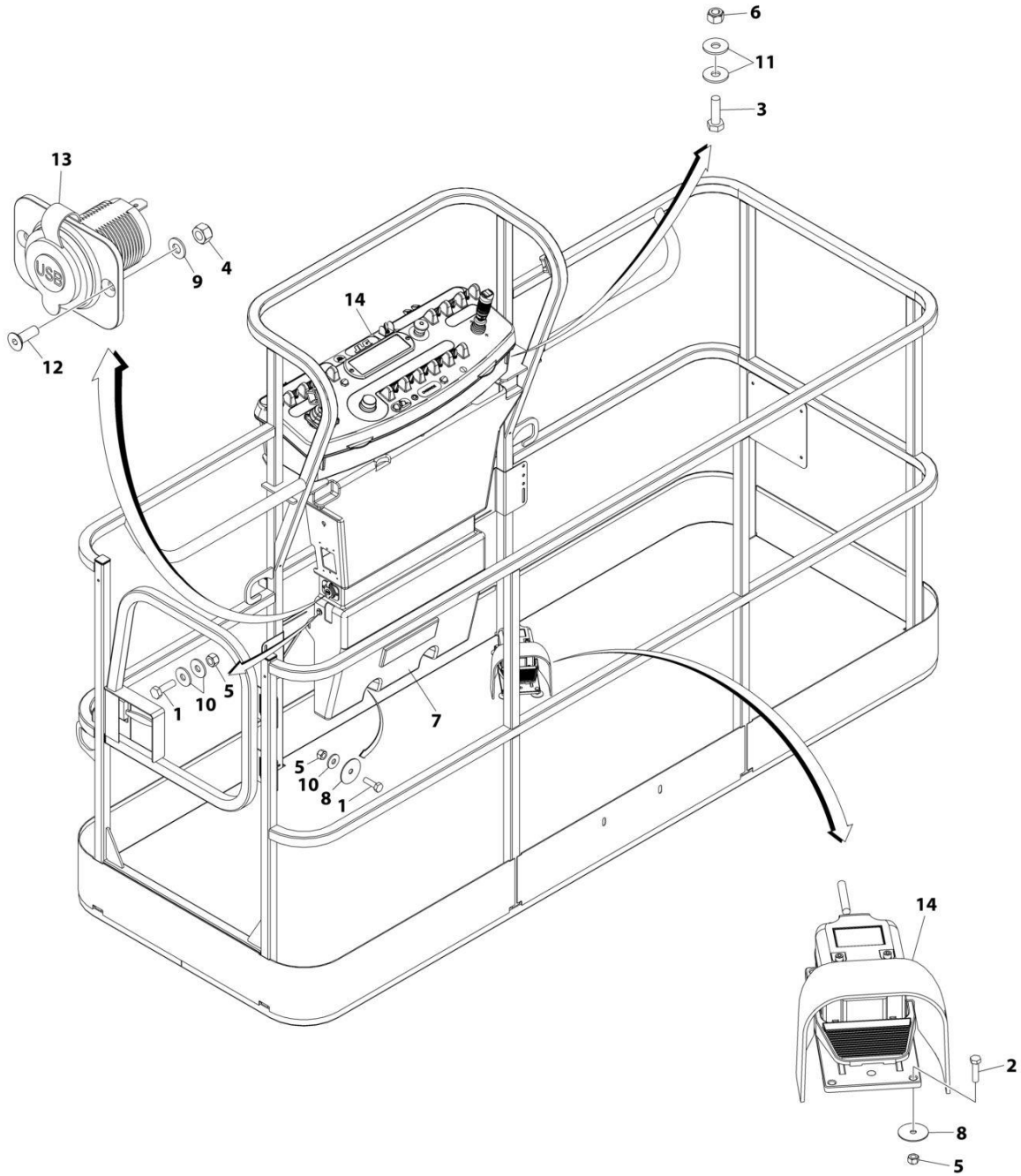
## SECTION 5 - PLATFORM

**FIGURE 5-16. LCD DISPLAY INSTALLATION**

ITEM	PART NUMBER	QTY	DESCRIPTION	REV
	1001215375	Ref	LCD DISPLAY INSTALLATION	A
1	0641406001	3	Bolt 1/4 x 3/4	
2	1001173609	2	Screw, Thumb M6 x 16	
3	1001176636	2	Rivet, Nut M6	
4	1001177635	2	Nut M6	
5	1001215379	1	Bracket, Mounting	
6	1001215380	1	Bracket, Visor	
7	1001220482	1	Harness, LCD Display (Not Shown - See Separate Breakdown in ELECTRICAL SECTION)	
8	1001228976	1	Cover	
9	1001229485	1	Electrical Assembly	
9	1001220955	1	Gauge, LCD Display	
9	1001176582	1	Decal - Platform Display	
9	1001180491	4	Screw #10	
9	1001229922	1	Screen Protector, LCD Display	
10	3290605001	8	Nut M6	
11	4031708001	8	Bolt M6 x 20	
12	4751400001	3	Washer 1/4	
13	4811700001	12	Washer M6	
14	4811702001	2	Washer M6	

# SECTION 5 - PLATFORM

## FIGURE 5-17. CONSOLE BOX AND FOOTSWITCH INSTALLATION



ART\_1001267388

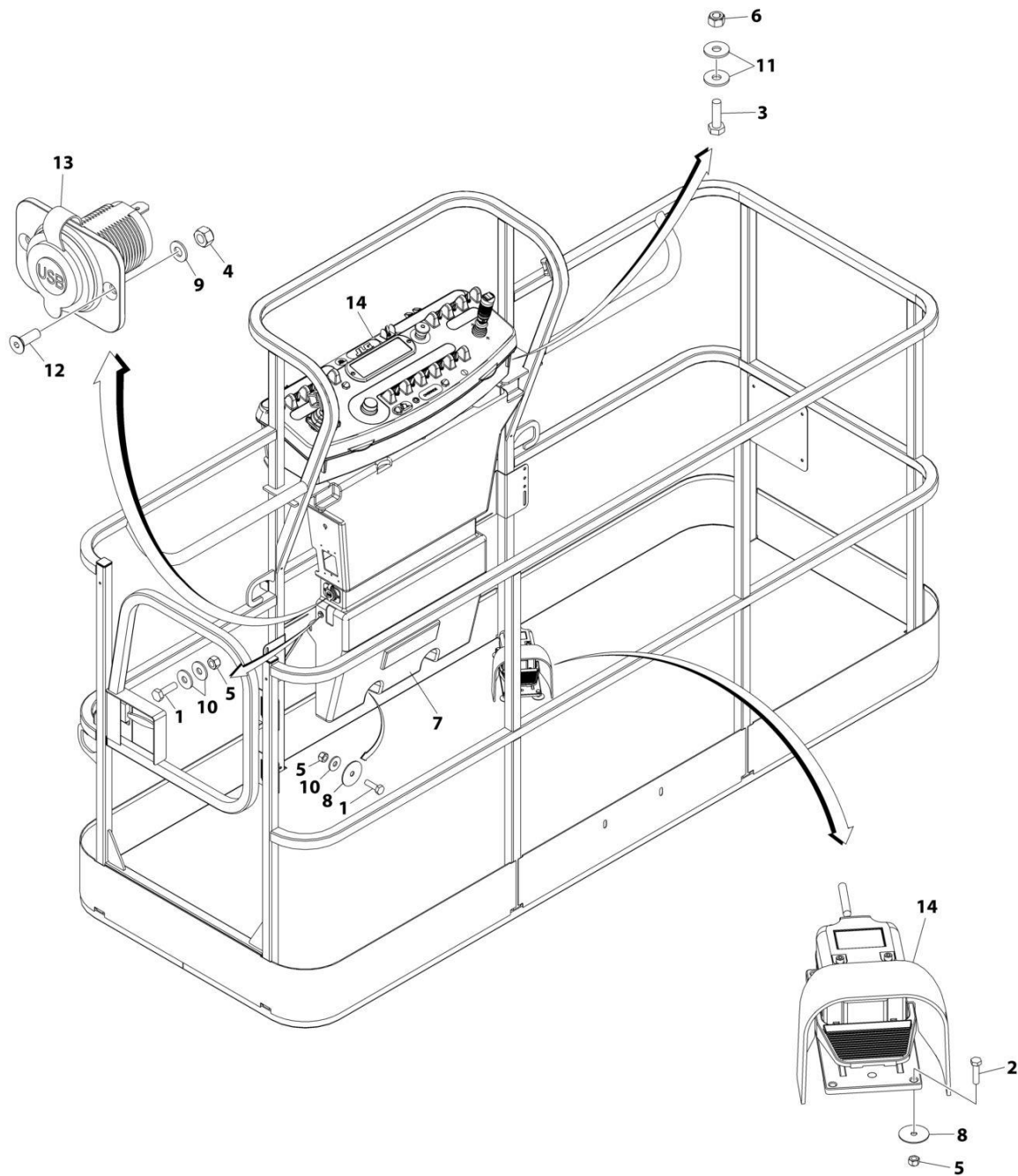
## SECTION 5 - PLATFORM

**FIGURE 5-17. CONSOLE BOX AND FOOTSWITCH INSTALLATION**

ITEM	PART NUMBER	QTY	DESCRIPTION	REV
	1001267388	Ref	CONSOLE BOX AND FOOTSWITCH INSTALLATION	A
1	0760610	4	Bolt M6 x 20	
2	0760612	4	Bolt M6 x 25	
3	0761015	4	Bolt M10 x 35	
4	3290405	2	Nut M4	
5	3290605	8	Nut M6	
6	3291005	4	Nut M10	
7	3380434	1	Panel	
8	4740362	6	Washer	
9	4811400	2	Washer M4	
10	4811702	6	Washer M6	
11	4812002	8	Washer M10	
12	1001097244	2	Screw M4 x 12	
13	1001210636	1	Receptacle	
14	1001267390	1	Platform Console Assembly (See Separate Breakdown in this Section)	

# SECTION 5 - PLATFORM

## FIGURE 5-18. CONSOLE BOX AND FOOTSWITCH INSTALLATION - WITH TOWER STOW



ART\_1001265902

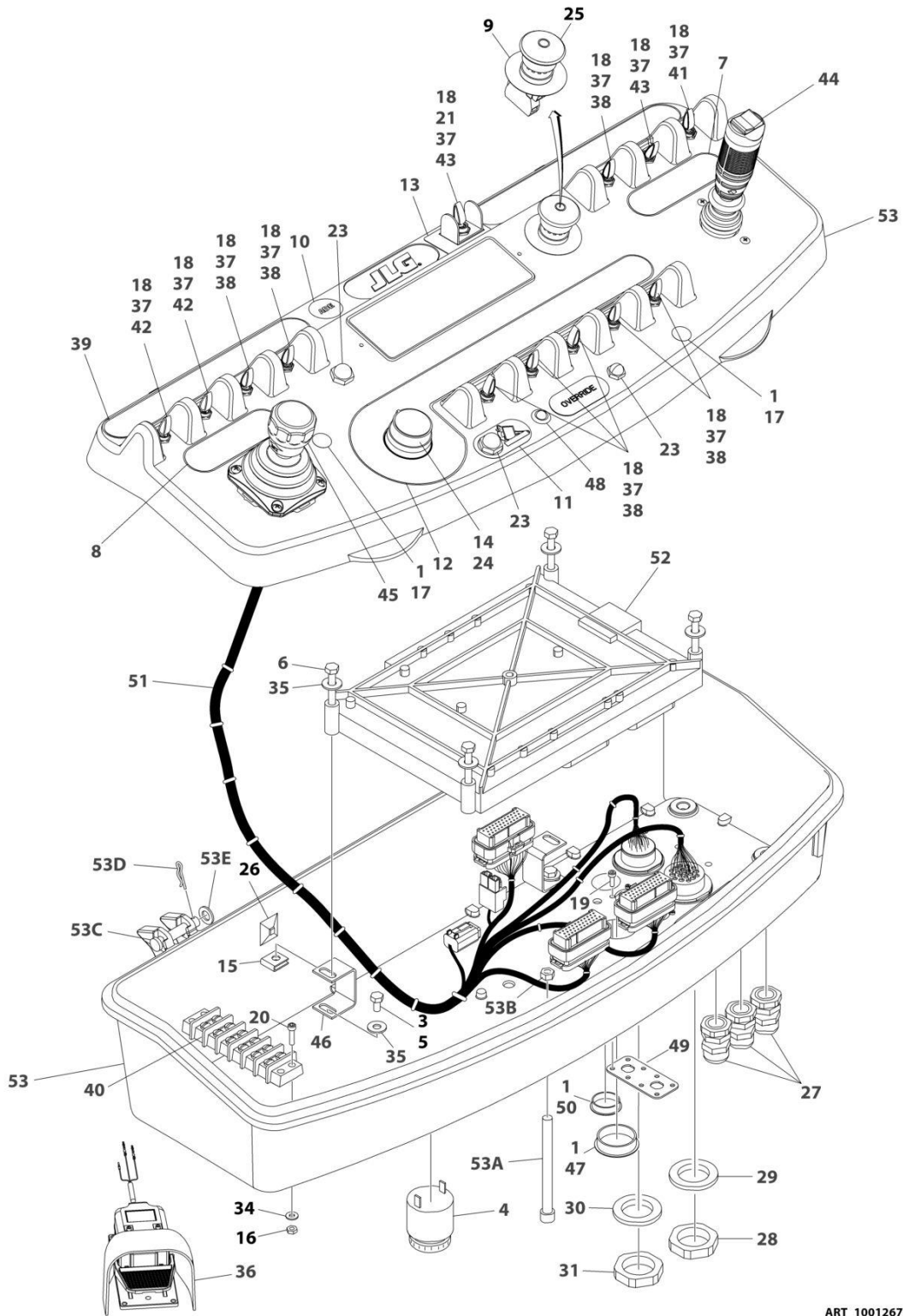
## SECTION 5 - PLATFORM

**FIGURE 5-18. CONSOLE BOX AND FOOTSWITCH INSTALLATION - WITH TOWER STOW**

ITEM	PART NUMBER	QTY	DESCRIPTION	REV
	1001265902	Ref	CONSOLE BOX AND FOOTSWITCH INSTALLATION	A
1	0760610	4	Bolt M6 x 20	
2	0760612	4	Bolt M6 x 25	
3	0761015	4	Bolt M10 x 35	
4	3290405	2	Nut M4	
5	3290605	8	Nut M6	
6	3291005	4	Nut M10	
7	3380434	1	Panel	
8	4740362	6	Washer	
9	4811400	2	Washer M4	
10	4811702	6	Washer M6	
11	4812002	8	Washer M10	
12	1001097244	2	Screw M4 x 12	
13	1001210636	1	Receptacle	
14	1001265904	1	Platform Console Assembly - with Tower Stow (See Separate Breakdown in this Section)	

# SECTION 5 - PLATFORM

## FIGURE 5-19. PLATFORM CONSOLE ASSEMBLY



ART\_1001267390\_D

## SECTION 5 - PLATFORM

**FIGURE 5-19. PLATFORM CONSOLE ASSEMBLY**

ITEM	PART NUMBER	QTY	DESCRIPTION	REV
	1001267390	Ref	PLATFORM CONSOLE ASSEMBLY	D
1	0100009	AR	Sealant	
3	0100035	AR	Compound, Locking	
4	0140011	1	Alarm	
5	0641405	4	Bolt 1/4 x 5/8	
6	0641414	4	Bolt 1/4 x 1-3/4	
7	1702565	1	Decal - Drive and Steer	
8	1702566	1	Decal - Lift and Swing	
9	1704260	1	Decal - EMS	
10	1705132	1	Decal - Control ADE	
11	1705171	1	Decal - Jib Stow	
12	1705745	1	Decal - Function Speed	
13	1706741	1	Decal - Boom Control Select	
14	2560136	1	Handle, Knob	
15	3300353	4	Nut, Tinnerman	
16	3311005	2	Nut #10	
17	3520026	2	Plug	
18	3790012	13	O-Ring	
19	3900349	8	Capscrew M2.5	
20	3931012	2	Capscrew #10 x 3/4	
21	4060906	1	Guard, Switch	
23	4360387	3	Switch, Push Button	
24	4360407	1	Controller, Speed	
24	4460224	1	Receptacle, Female - 6 Position	
24	4460226	1	Socket, Female	
24	See Note	1	Gasket "Top Hat" (Included with Switch) (Note: Not Available - Purchase Complete Controller.)	
24	70003784	1	Seal	
25	1001274559	1	Switch, Emergency Stop	
26	4460234	6	Mount, Tie-Strap	
27	4460428	3	Connector, Strain Relief	
28	4460470	1	Nut, Terminal	
29	4460471	1	Washer, Terminal	
30	4460496	1	Washer, Terminal	
31	4460497	1	Nut, Terminal	
34	4751000	2	Washer #10	
35	4751400	8	Washer 1/4	
36	1001117174	1	Footswitch Assembly (See Separate Breakdown in this Section)	
37	1001155044	13	Nut 15/32	
38	1001155045	8	Switch, Toggle	
39	1001156926	1	Decal - Horn	
40	1001157292	1	Bar, Buss	
41	1001159256	1	Switch, Toggle	
42	1001161709	2	Switch, Toggle	
43	1001161710	2	Switch, Toggle	
44	1001275628	1	Controller Assembly (Drive and Steer)	
45	1001275629	1	Controller Assembly (Lift and Swing)	
46	1001172760	4	Bracket	
47	1001185281	1	Plug	
48	1001206532	1	Lamp, Indicator	

## SECTION 5 - PLATFORM

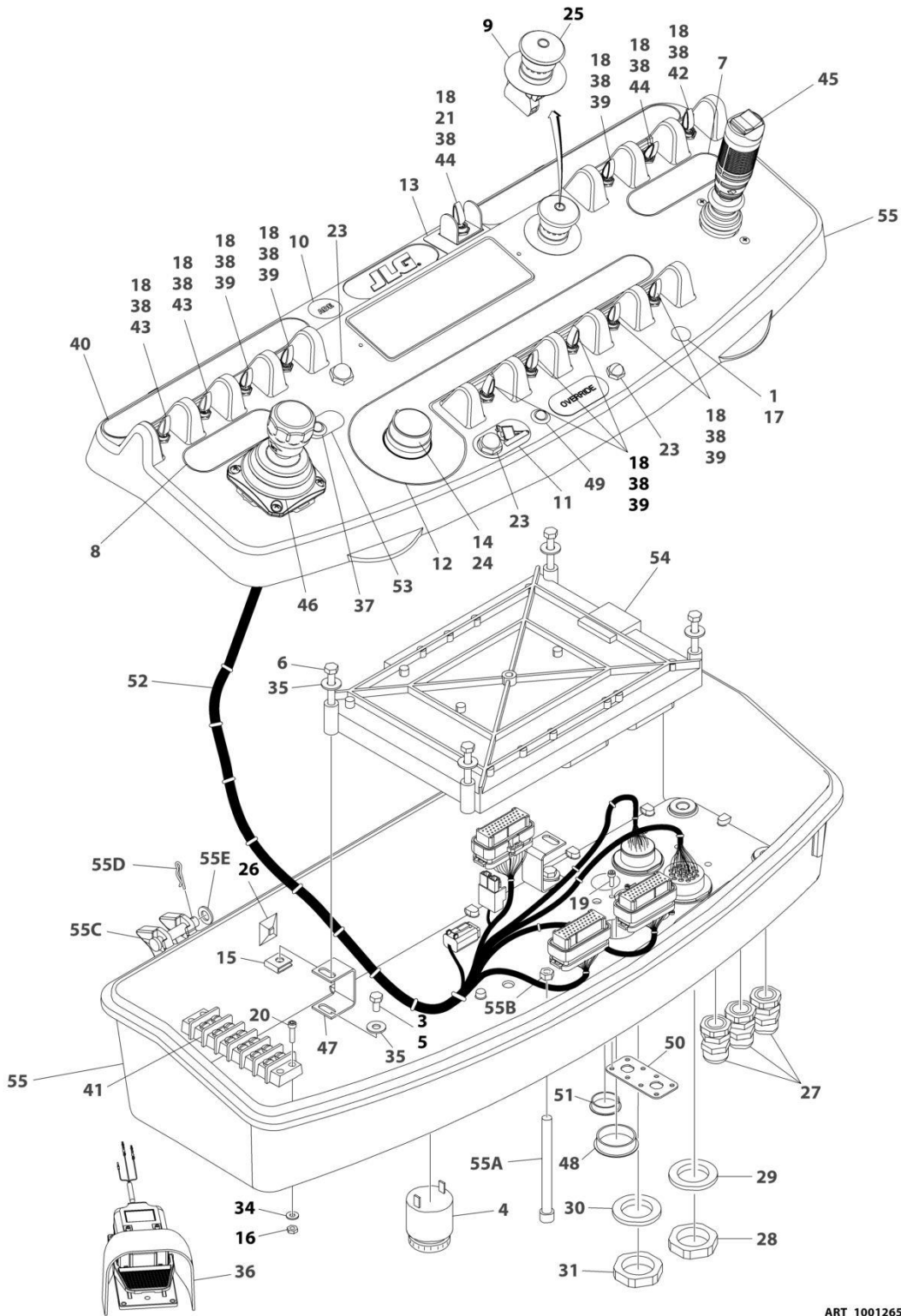
ITEM	PART NUMBER	QTY	DESCRIPTION	REV
49	1001213882	1	Mount, Connector	C
50	1001220486	1	Plug	
51	1001242124	1	Platform Console Harness (See Separate Breakdown in ELECTRICAL Section)	
52	1001199483	1	Module, Platform (Note: Re-calibration Required when Replaced)	
53	1001265905	1	BOX, CONSOLE ASSEMBLY	
53A	0630568	1	Screw 3/8 x 4-1/2	
53B	3311601	1	Nut 3/8	
53C	3430616	2	Pin	
53D	3470003	2	Pin	
53E	4711600	2	Washer 3/8	
54	4240099	AR	Tie-Strap (Not Shown)	





# SECTION 5 - PLATFORM

## FIGURE 5-20. PLATFORM CONSOLE ASSEMBLY - WITH TOWER STOW



ART\_1001265904\_D

## SECTION 5 - PLATFORM

**FIGURE 5-20. PLATFORM CONSOLE ASSEMBLY - WITH TOWER STOW**

ITEM	PART NUMBER	QTY	DESCRIPTION	REV
	1001265904	Ref	PLATFORM CONSOLE ASSEMBLY	D
1	0100009	AR	Sealant	
3	0100035	1	Compound, Locking	
4	0140011	1	Alarm	
5	0641405	4	Bolt 1/4 x 5/8	
6	0641414	4	Bolt 1/4 x 1-3/4	
7	1702565	1	Decal - Drive and Steer	
8	1702566	1	Decal - Lift and Swing	
9	1704260	1	Decal - EMS	
10	1705132	1	Decal - Control ADE	
11	1705171	1	Decal - Jib Stow	
12	1705745	1	Decal - Function Speed	
13	1706741	1	Decal - Boom Control Select	
14	2560136	1	Handle, Knob	
15	3300353	4	Nut, Tinnerman	
16	3311005	2	Nut #10	
17	3520026	1	Plug	
18	3790012	13	O-Ring	
19	3900349	8	Capscrew M2.5	
20	3931012	2	Capscrew #10 x 3/4	
21	4060906	1	Guard, Switch	
23	4360387	3	Switch, Push Button	
24	4360407	1	Controller, Speed	
24	4460224	1	Receptacle, Female - 6 Position	
24	4460226	1	Socket, Female	
24	See Note	1	Gasket "Top Hat" (Included with Switch) (Note: Not Available - Purchase Complete Controller.)	
24	70003784	1	Seal	
25	1001274559	1	Switch, Emergency Stop	
26	4460234	6	Mount, Tie-Strap	
27	4460428	3	Connector, Strain Relief	
28	4460470	1	Nut, Terminal	
29	4460471	1	Washer, Terminal	
30	4460496	1	Washer, Terminal	
31	4460497	1	Nut, Terminal	
34	4751000	2	Washer #10	
35	4751400	8	Washer 1/4	
36	1001117174	1	Footswitch Assembly (See Separate Breakdown in this Section)	
37	1001137364	1	Lamp, Indicator	
38	1001155044	13	Nut 15/32	
39	1001155045	8	Switch, Toggle	
40	1001156926	1	Decal - Horn	
41	1001157292	1	Bar, Buss	
42	1001159256	1	Switch, Toggle	
43	1001161709	2	Switch, Toggle	
44	1001161710	2	Switch, Toggle	
45	1001275628	1	Controller Assembly (Drive and Steer)	
46	1001275629	1	Controller Assembly (Lift and Swing)	
47	1001172760	4	Bracket	
48	1001185281	1	Plug	

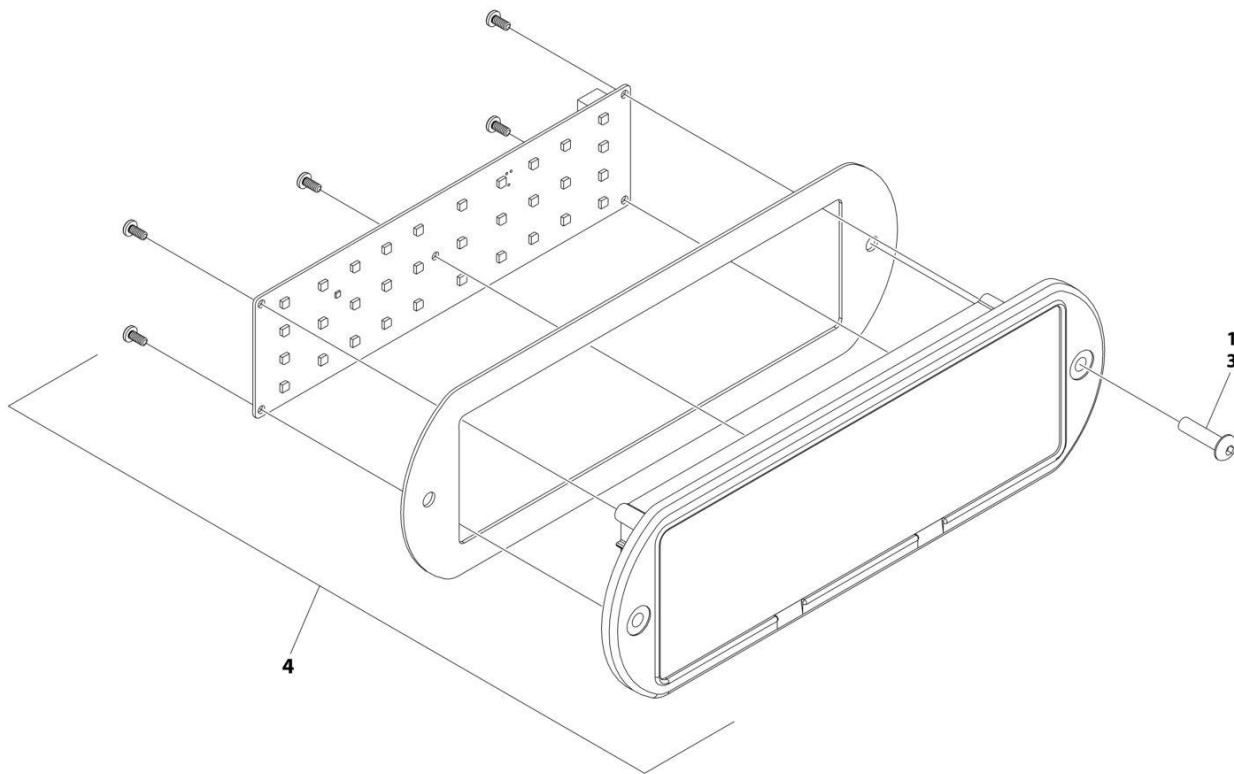
## SECTION 5 - PLATFORM

ITEM	PART NUMBER	QTY	DESCRIPTION	REV
49	1001206532	1	Lamp, Indicator	C
50	1001213882	1	Mount, Connector	
51	1001220486	1	Plug	
52	1001242124	1	Platform Console Harness (See Separate Breakdown in ELECTRICAL Section)	
53	1001260937	1	Decal - Tower Stow	
54	1001199483	1	Module, Platform (Note: Re-calibration Required when Replaced)	
55	1001265905	1	BOX, CONSOLE ASSEMBLY	
55A	0630568	1	Screw 3/8 x 4-1/2	
55B	3311601	1	Nut 3/8	
55C	3430616	2	Pin	
55D	3470003	2	Pin	
55E	4711600	2	Washer 3/8	
56	4240099	AR	Tie-Strap (Not Shown)	



# SECTION 5 - PLATFORM

## FIGURE 5-21. CONSOLE DECAL AND LIGHT PANEL INSTALLATION



ART\_1001245176\_20F2

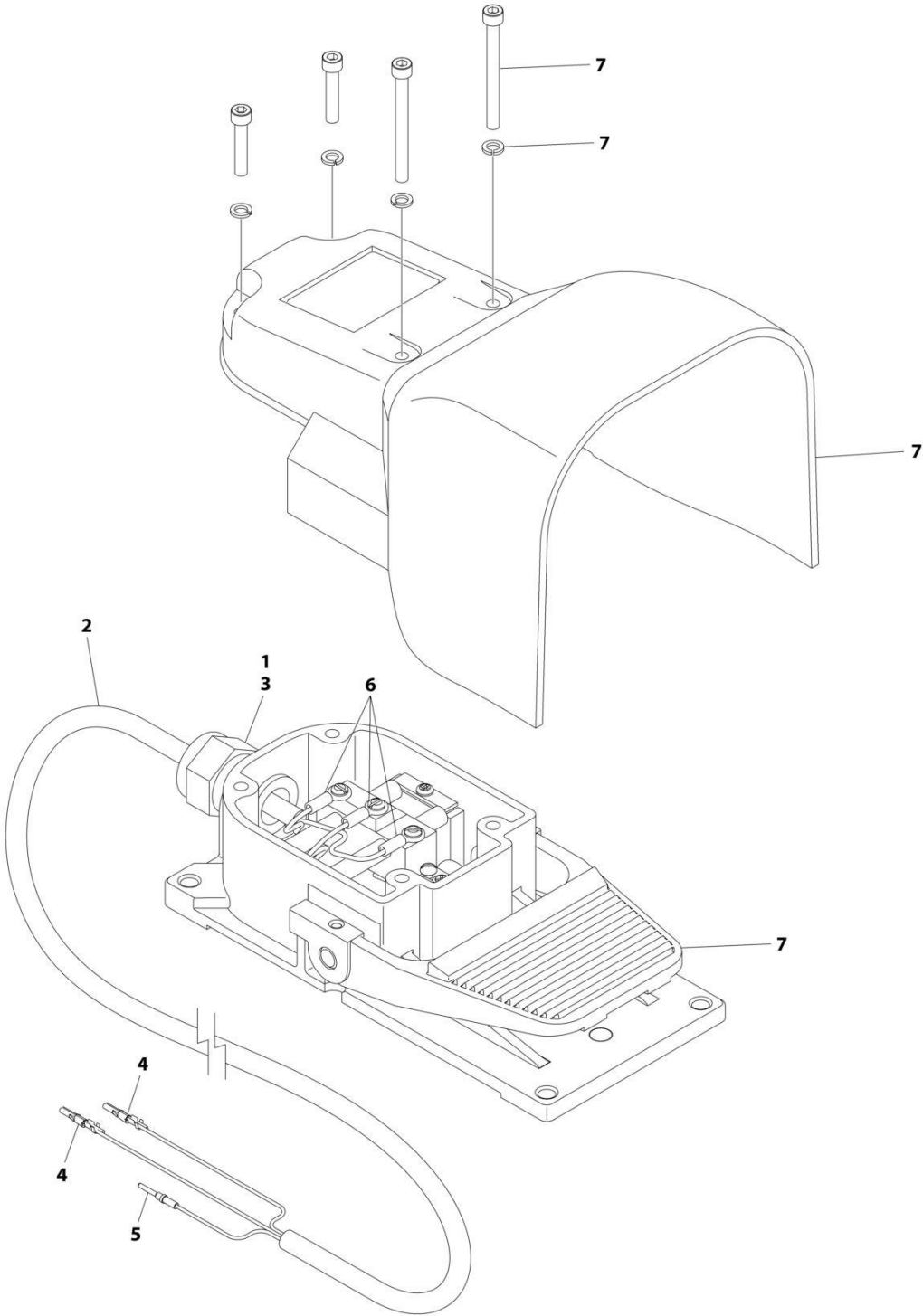
## SECTION 5 - PLATFORM

**FIGURE 5-21. CONSOLE DECAL AND LIGHT PANEL INSTALLATION**

ITEM	PART NUMBER	QTY	DESCRIPTION	REV
	1001245176	Ref	LIGHT PANEL INSTALLATION	C
1	0100035	AR	Compound, Locking	
3	0630518	2	Screw #10 x 3/4	
	1001284588	1	Light Panel Electrical Assembly	
4	1001282106	1	Housing and Seal	
4	1001284587	1	Light Panel (LED)	

**SECTION 5 - PLATFORM**

**FIGURE 5-22. FOOTSWITCH ASSEMBLY**



ART\_1001117174



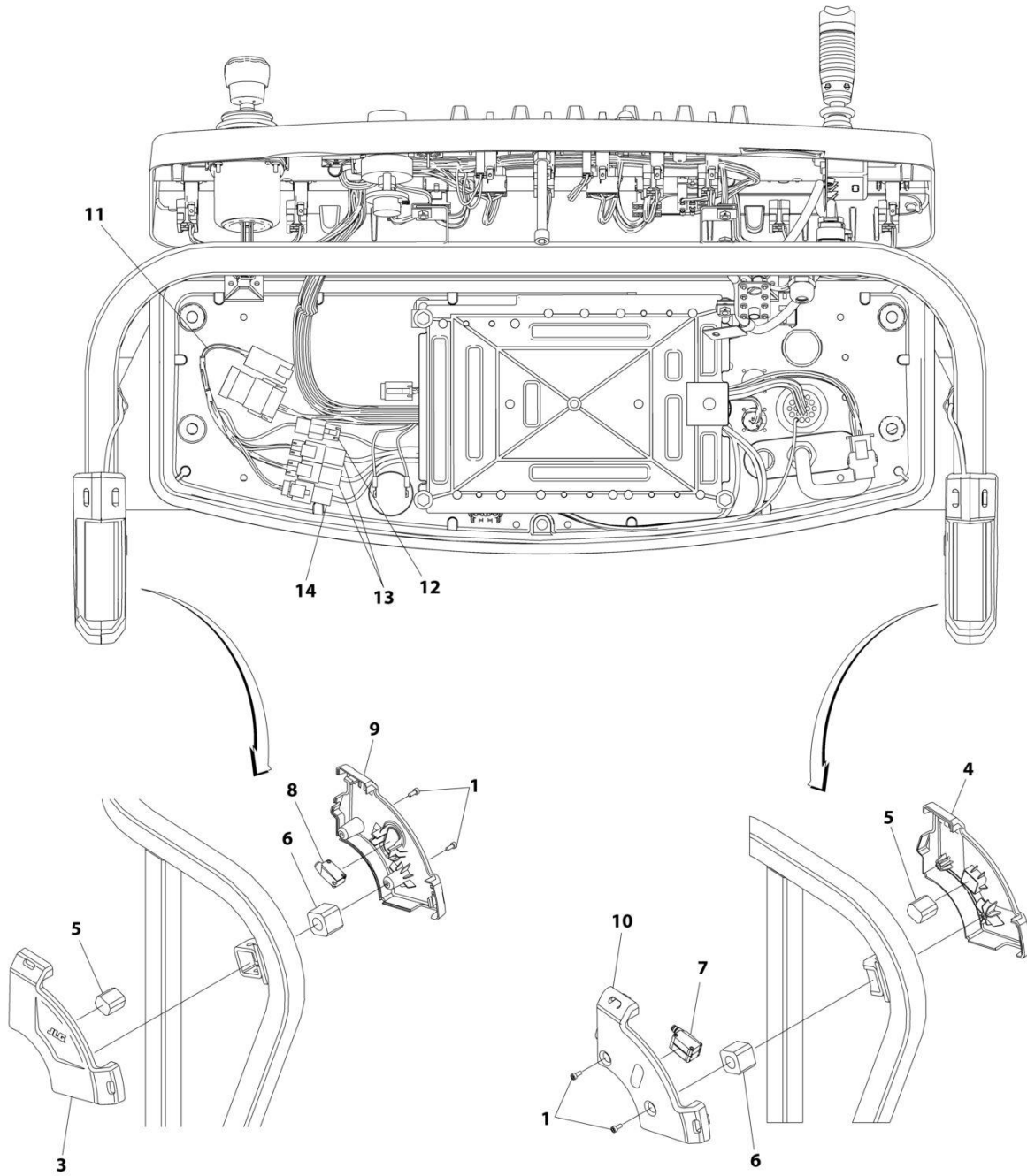
## SECTION 5 - PLATFORM

### FIGURE 5-22. FOOTSWITCH ASSEMBLY

ITEM	PART NUMBER	QTY	DESCRIPTION	REV
	1001117174	Ref	FOOTSWITCH ASSEMBLY	C
1	0100020	AR	Sealant	
2	1060918	7.5 ft/ 2.3m	Cable, Electrical - 18/3	
3	4460071	1	Connector, Strain Relief	
4	4460226	2	Socket, Female	
5	4460464	1	Pin, Male	
6	1001098122	3	Terminal	
7	1001117172	1	Footswitch	
7	70002902	1	Switch, 20Amp	
7	70002903	1	Gasket	
7	70002905	1	Cover	
7	70002904	1	Kit, Replacement Bolt	

# SECTION 5 - PLATFORM

## FIGURE 5-23. SKYEYE INSTALLATION



ART\_1001229341

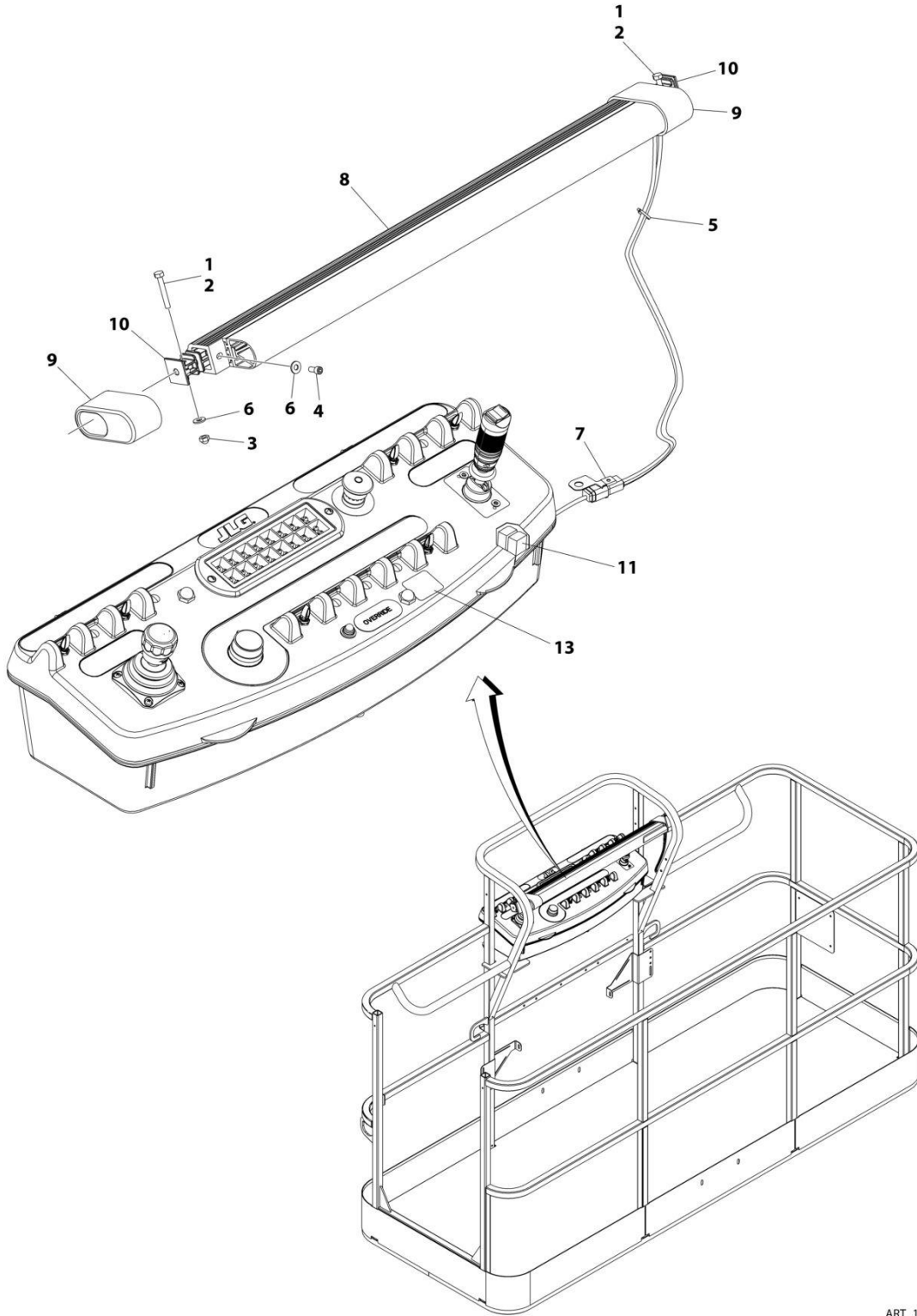
## SECTION 5 - PLATFORM

**FIGURE 5-23. SKYEYE INSTALLATION**

ITEM	PART NUMBER	QTY	DESCRIPTION	REV
	1001229341	Ref	SKYEYE INSTALLATION	B
1	4031505	4	Bolt M4 x 10	
2	4240033	AR	Tie-Strap (Not Shown)	
3	1001227633	1	Housing, LH Outer	
4	1001227634	1	Housing, RH Outer	
5	1001227985	2	Shim	
6	1001227987	2	Shim	
7	1001228224	2	Sensor, Receiver	
8	1001228225	1	Sensor, Emitter	
9	1001232164	1	Housing, LH Inner	
10	1001232165	1	Housing, RH Inner	
11	1001237865	1	Harness, Skyeeye Intermediate (See Separate Breakdown in ELECTRICAL Section)	
12	1001238319	NLA	Harness, Skyeeye Drain Jumper	
12	1001187674	1	Plug, Male - 2 Position	
12	4460942	1	Terminal	
12	4460466	1	Plug, Terminal	
12	4460508	1	Pin, Male	
13	1001237863	2	Harness, Skyeeye Receiver (See Separate Breakdown in ELECTRICAL Section)	
14	1001237864	1	Harness, Skyeeye Emitter (See Separate Breakdown in ELECTRICAL Section)	

# SECTION 5 - PLATFORM

## FIGURE 5-24. SKYGUARD BAR INSTALLATION



ART\_1001238495

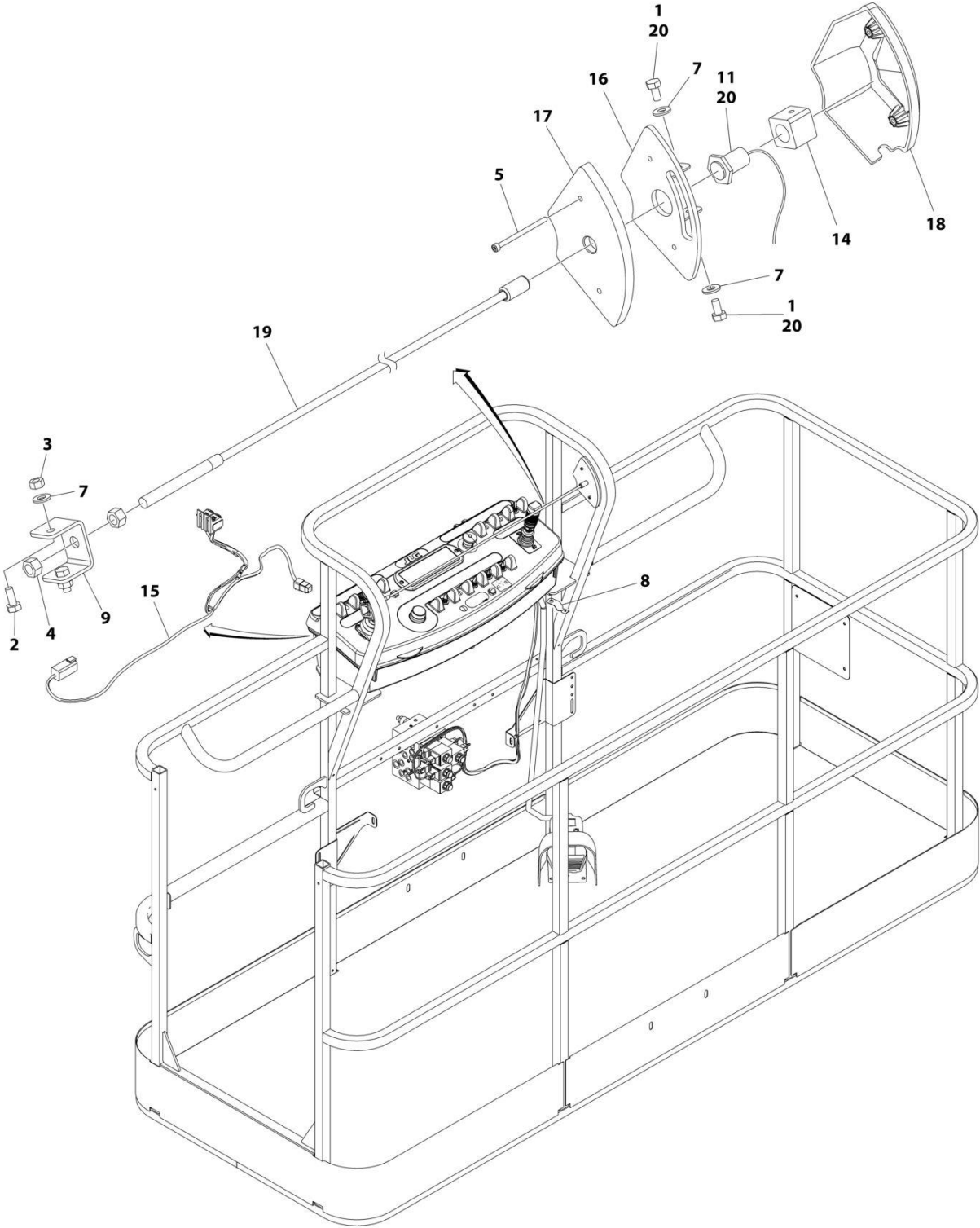
## SECTION 5 - PLATFORM

**FIGURE 5-24. SKYGUARD BAR INSTALLATION**

ITEM	PART NUMBER	QTY	DESCRIPTION	REV
	1001238495	Ref	SKYGUARD BAR INSTALLATION	A
1	0100011	AR	Compound, Locking	
2	0641414	2	Bolt 1/4 x 1-3/4	
3	3300430	2	Nut 1/4	
4	3931408	2	Capscrew 1/4 x 1/2	
5	4240033	8	Tie-Strap	
6	4711400	6	Washer 1/4	
7	1001120328	1	Mount	
8	1001137673	1	SkyGuard Switch Assembly	
9	1001186517	2	Cover, Platform Sensor	
10	1001209664	2	Support, Block	
11	1001186431	2	Relay	
12	1001225580	1	Interface Harness Assembly (Not Shown - Located Inside Console Box) (See Separate Breakdown in ELECTRICAL Section)	
13	1001144433	1	Decal - No Weight SkyGuard	

SECTION 5 - PLATFORM

FIGURE 5-25. SKYLINE INSTALLATION



ART\_1001238559\_D

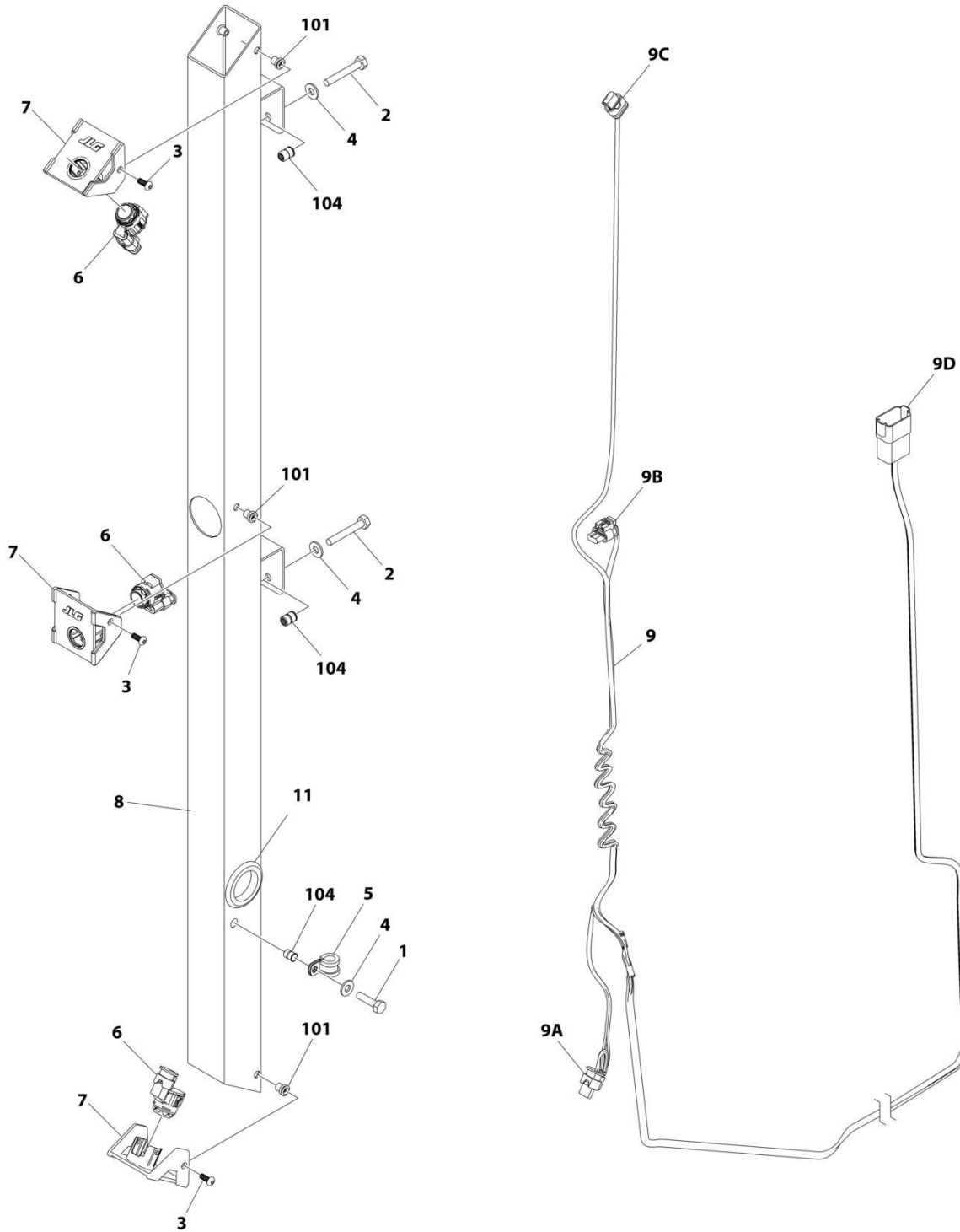
## SECTION 5 - PLATFORM

### FIGURE 5-25. SKYLINE INSTALLATION

ITEM	PART NUMBER	QTY	DESCRIPTION	REV
	1001238559	Ref	SKYLINE INSTALLATION	D
1	0641404	2	Bolt 1/4 x 1/2	
2	0641405	2	Bolt 1/4 x 5/8	
3	3311405	2	Nut 1/4	
4	3311601	2	Nut 3/8	
5	4031516	2	Capscrew M4 x 60	
6	4240033	AR	Tie-Strap (Not Shown)	
7	4711400	4	Washer 1/4	
8	1001120328	1	Mount	
9	1001232642	1	Bracket	
11	1001232667	1	Sensor, Proximity	
11	1001311034	1	Sensor, Proximity	
14	1001236552	1	Block	
15	1001238418	1	Harness, Skyline (See Separate Breakdown in ELECTRICAL Section)	
16	1001238472	1	Mount	
17	1001254473	1	Housing, LH	
18	1001241965	1	Housing, RH	
19	1001254472	1	Rod	
20	0100011	AR	Compound, Locking	

# SECTION 5 - PLATFORM

## FIGURE 5-26. SKYSENSE MID TUBE SENSOR ASSEMBLY



ART\_1001243205



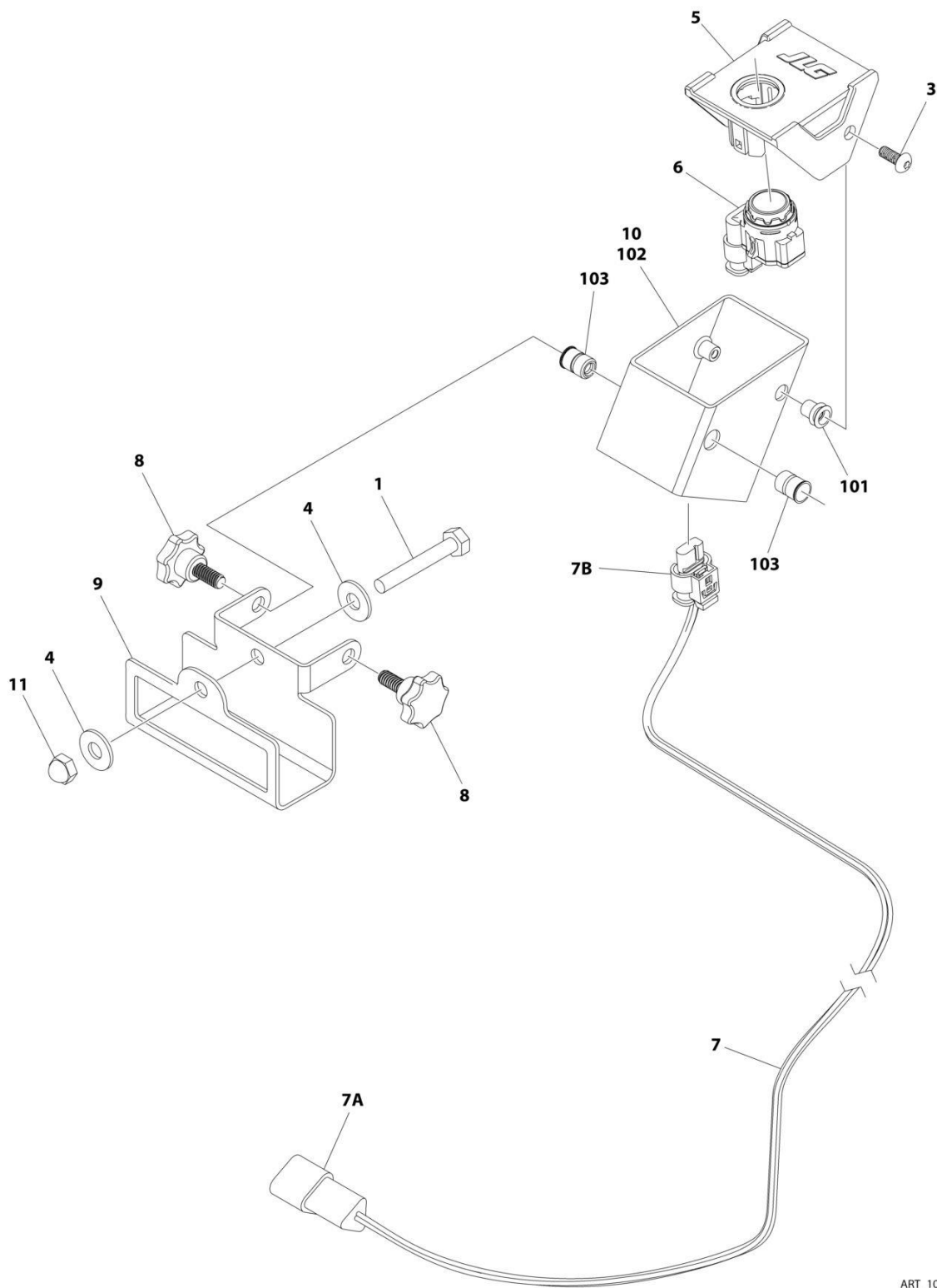
## SECTION 5 - PLATFORM

**FIGURE 5-26. SKYSENSE MID TUBE SENSOR ASSEMBLY**

ITEM	PART NUMBER	QTY	DESCRIPTION	REV
	1001243205	Ref	SKYSENSE MID TUBE SENSOR ASSEMBLY	C
1	0641408	1	Bolt 1/4 x 1	
2	0641414	2	Bolt 1/4 x 1-3/4	
3	1001260525	6	Screw #10 x 1/2	
4	4711400	3	Washer 1/4	
5	1001260524	1	Clamp	
6	1001237902	3	Sensor, SkySense	
7	1001241162	3	Mount, Sensor	
8	1001243092	1	Tube Assembly (Includes items 101 through 104)	C
9	1001244336	1	Harness, SkySense Mid Tube	D
9A	1001237898	1	Connector	
9A	1001237888	3	Terminal	
9B	1001237898	1	Connector	
9B	1001237888	3	Terminal	
9C	1001237898	1	Connector	
9C	1001237888	3	Terminal	
9D	4460931	1	Connector	
9D	4460943	7	Pin	
9D	4460466	1	Plug	
10	1001246389	1	Decal (Not Shown)	
11	1001247252	1	Grommet	
101	2080069	6	Fastener	
104	1001258730	3	Rivnut	

# SECTION 5 - PLATFORM

## FIGURE 5-27. SKYSENSE OVERHEAD SENSOR ASSEMBLY



ART\_1001244733

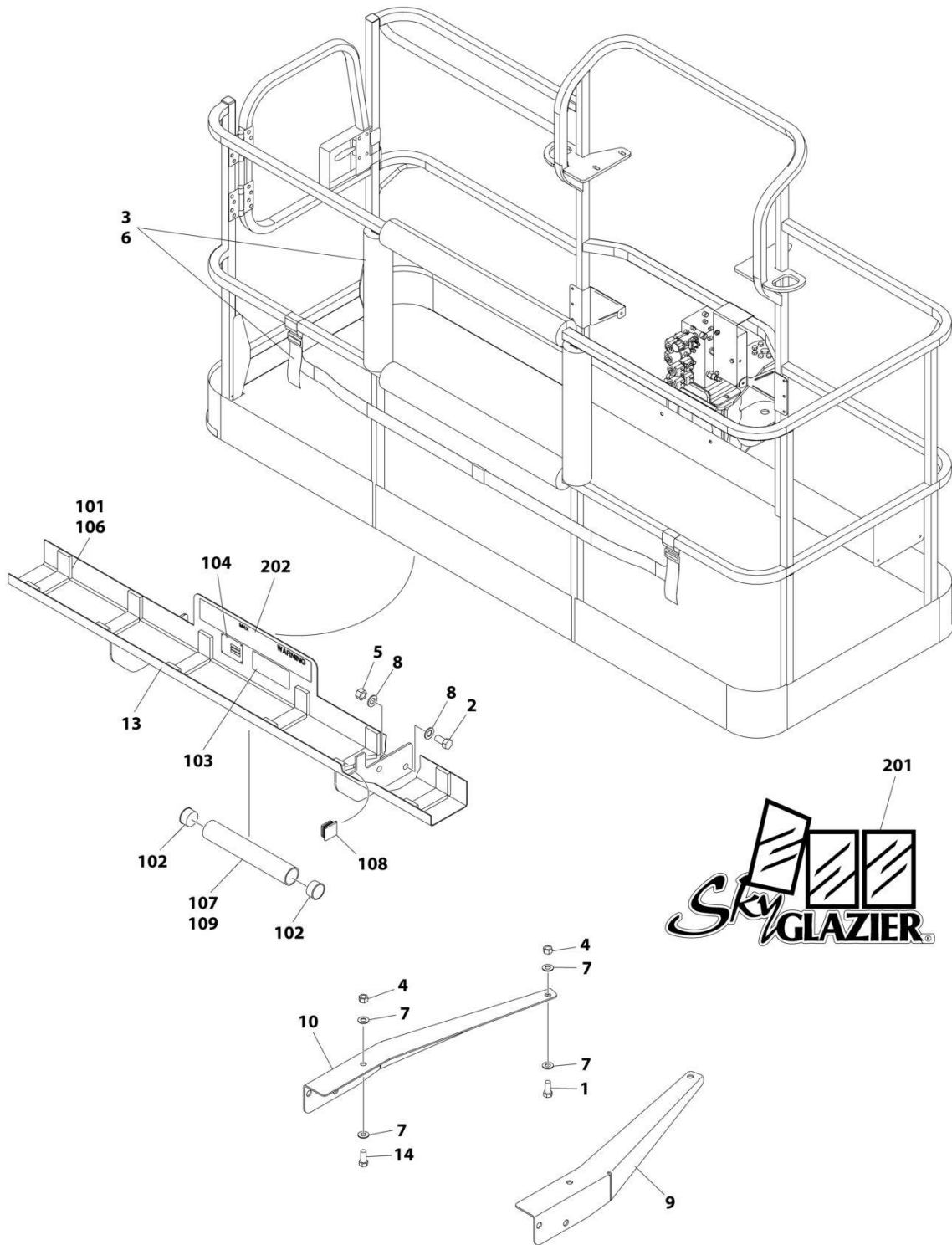
## SECTION 5 - PLATFORM

**FIGURE 5-27. SKYSENSE OVERHEAD SENSOR ASSEMBLY**

ITEM	PART NUMBER	QTY	DESCRIPTION	REV
	1001244733	Ref	SKYSENSE OVERHEAD SENSOR ASSEMBLY	D
1	0641414	1	Bolt 1/4 x 1-3/4	
3	1001260525	2	Screw #10 x 1/2	
4	4751400	2	Washer 1/4	
5	1001237891	1	Mount, Sensor	
6	1001237902	1	Sensor, SkySense	
7	1001244335	1	Harness, SkySense Overhead	D
7A	4460536	1	Connector	
7A	4460943	3	Pin	
7B	1001237898	1	Connector	
7B	1001237888	1	Terminal	
8	1001244671	2	Knob	
9	1001244709	1	Bracket, Mounting	
10	1001244732	1	Housing Assembly (Includes items 101 through 103)	B
11	3300430	1	Nut	
101	2080069	2	Fastener	
102	1001244710	1	Housing, Sensor	
103	1001258730	2	Rivnut	

# SECTION 5 - PLATFORM

FIGURE 5-28. SKYGLAZIER INSTALLATION (ANSI, ANSI EXPORT, AUSTRALIAN, CE AND CSA SPECS)



ART\_1001172578

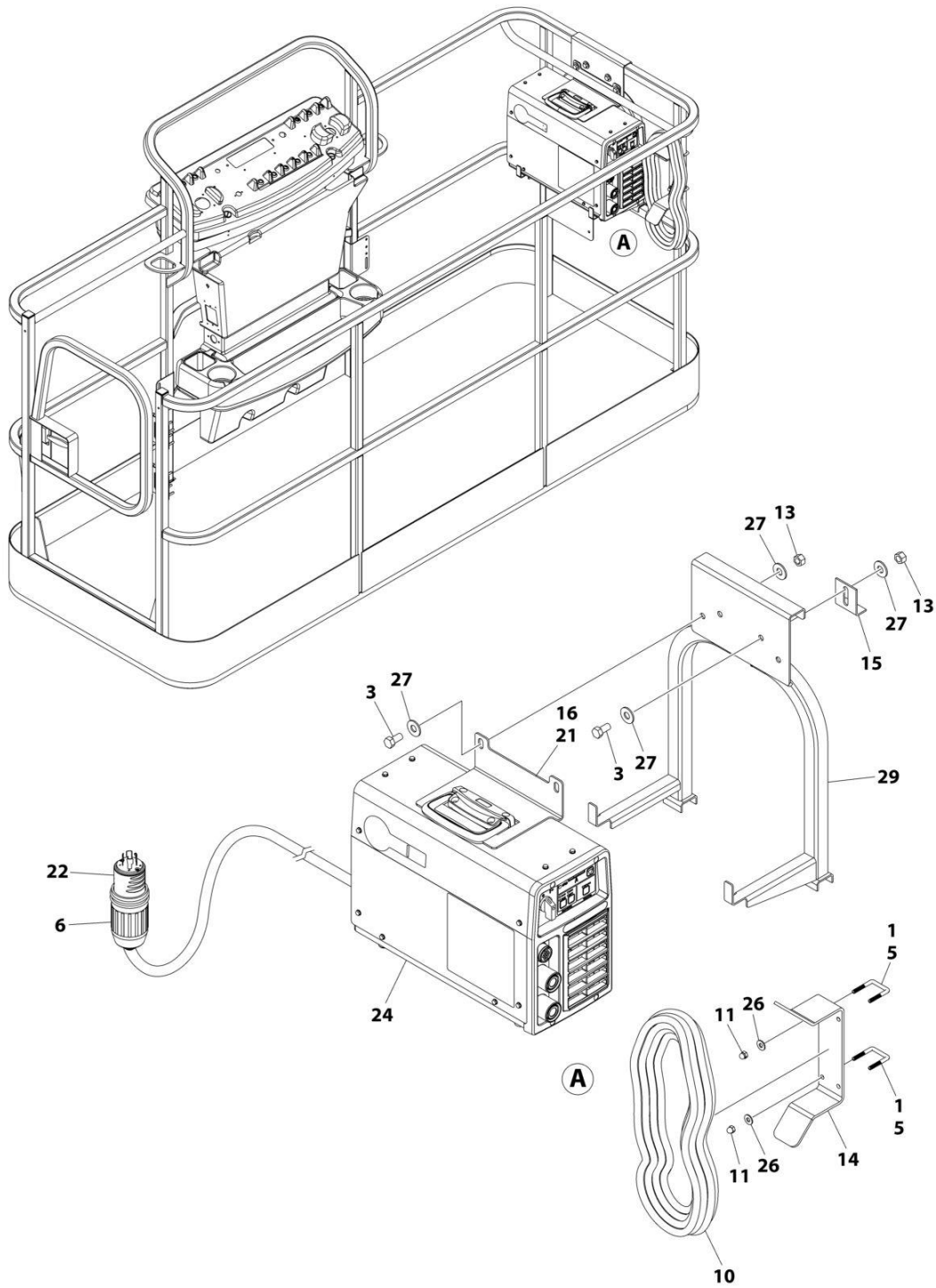
## SECTION 5 - PLATFORM

**FIGURE 5-28. SKYGLAZIER INSTALLATION (ANSI, ANSI EXPORT, AUSTRALIAN, CE AND CSA SPECS)**

ITEM	PART NUMBER	QTY	DESCRIPTION	REV
	1001172578	Ref	SKYGLAZIER INSTALLATION	C
1	0642012	2	Bolt 5/8 x 1-1/2	
2	0642212	4	Bolt 3/4 x 1-1/2	
3	2902212	1	Bumpers and Strap Kit	
3	0940102	1	Bumper Only	
3	4240149	1	Strap Only	
4	3312005	4	Nut 5/8	
5	3312205	4	Nut 3/4	
6	4420014	AR	Tape	
7	4712000	6	Washer 5/8	
8	4712200	8	Washer 3/4	
9	1001099366	1	Support	
10	1001099367	1	Support	
13	1001172577	1	Tray Assembly (See Items 101-109 for Breakdown)	
14	8310129	2	Bolt 3/4 x 2-1/2	
	1001172577	Ref	TRAY ASSEMBLY	C
101	0100081	AR	Adhesive	
102	1120555	2	Cap, Tube	
103	1701509	2	Decal - Manual	
104	See Note	NSS	Nameplate - Serial Number (Note: Not Available for Purchase)	
106	3340956	1	Pad Kit	
107	3460334	1	Tube	
108	3520071	2	Plug	
109	4420066	AR	Tape, Double Sided	
	1001172570	Ref	SKYGLAZIER DECAL INSTALLATION (CSA SPECS) (ENGLISH DECALS)	C
	1001172620	Ref	SKYGLAZIER DECAL INSTALLATION (AUSTRALIAN SPEC) (AUSTRALIAN DECALS)	C
201	1705358	2	Decal - SkyGlazier	
202	1001199035	2	Decal - SkyGlazier Capacity (ANSI Specs)	
202	1001199036	2	Decal - SkyGlazier Capacity (Australian Specs)	

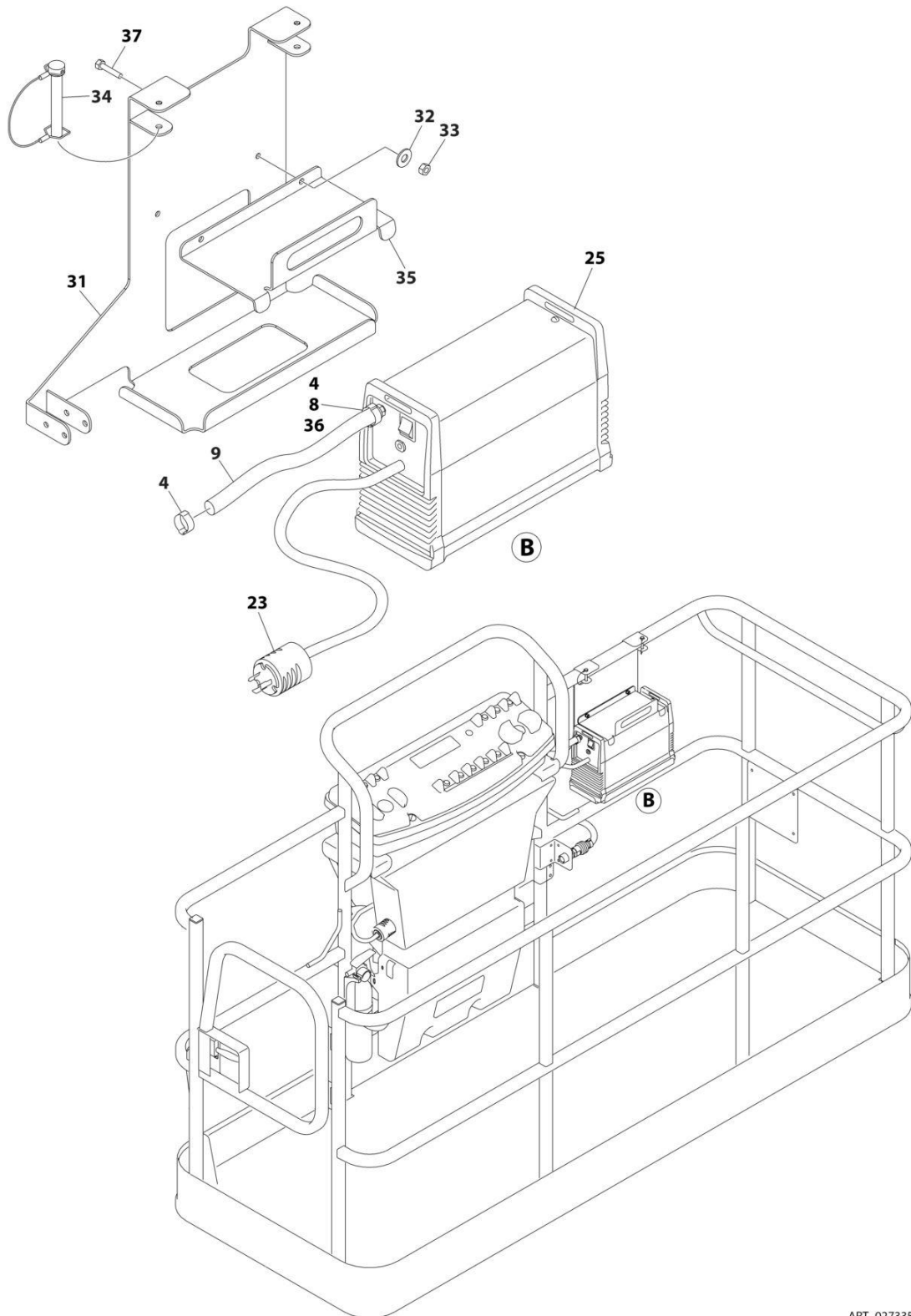
# SECTION 5 - PLATFORM

## FIGURE 5-29. SKYWELDER/SKYCUTTER COMBO INSTALLATION (60HZ)



ART\_0273353\_I\_10F2

# SECTION 5 - PLATFORM



ART\_0273353\_L\_20F2

## SECTION 5 - PLATFORM

**FIGURE 5-29. SKYWELDER/SKYCUTTER COMBO INSTALLATION (60HZ)**

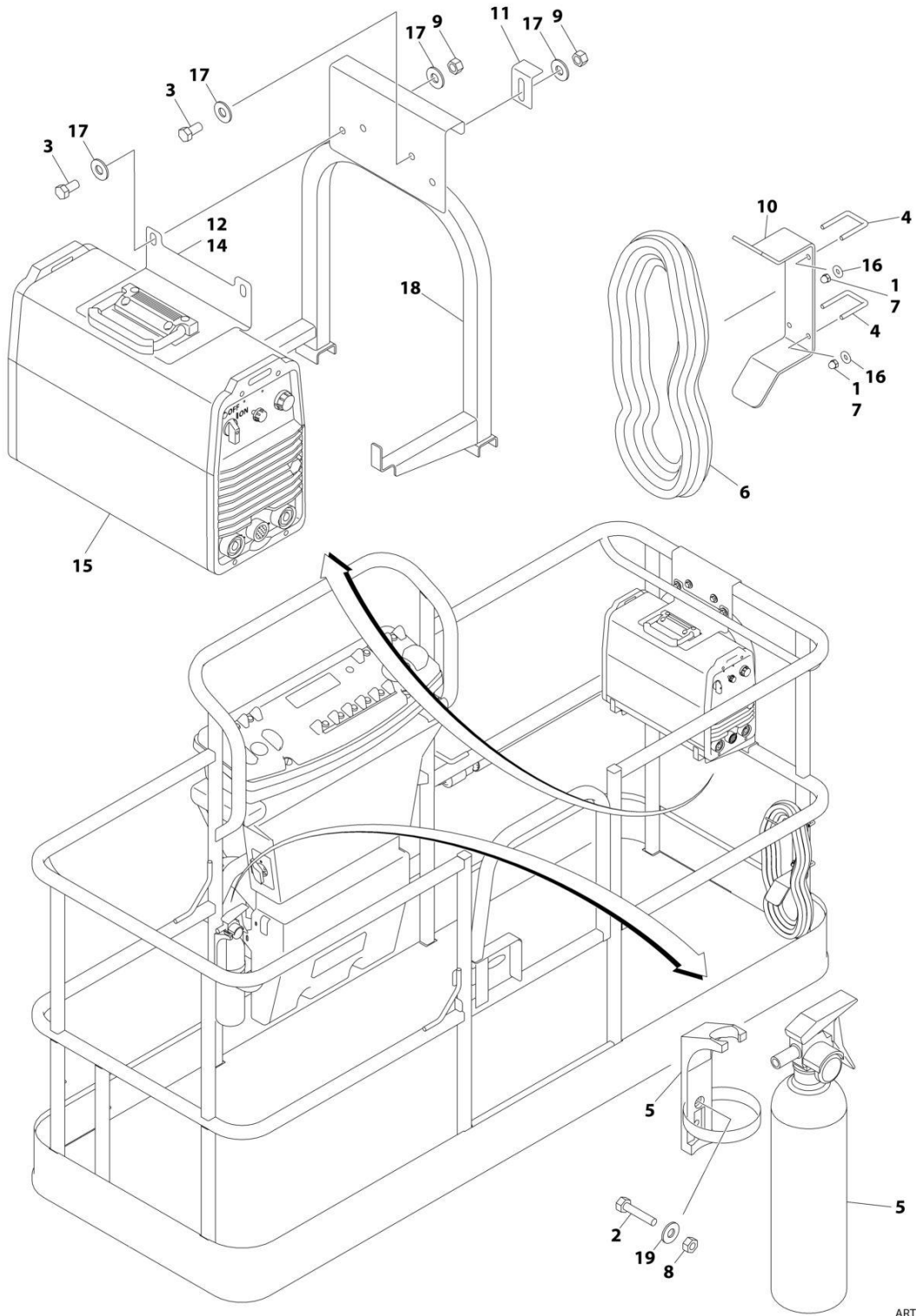
ITEM	PART NUMBER	QTY	DESCRIPTION	REV
	0273353	Ref	SKYWELDER/SKYCUTTER COMBO INSTALLATION (60HZ)	I
1	0100011	AR	Compound, Locking	
3	0641606	4	Bolt 3/8 x 3/4	
4	1320177	2	Clamp	
5	1320302	2	Clamp	
6	1671093	1	Cover, Plug	
8	2180832	1	Fitting, Barbed/NPT	
9	2720160	4.5 ft /2 m	Hose	
10	2902217	1	Weld Leads Kit	
11	3300151	4	Nut 1/4	
13	3311605	4	Nut 3/8	
14	3573400	1	Bracket	
15	3577121	2	Angle	
16	1001269573	1	Plate	
20	4240099	AR	Tie-Strap (Not Shown)	
21	4420037	2.4 ft /1 m	Tape	
22	4460962	1	Plug, Twist Lock	
23	4460971	1	Plug, Twist Lock	
24	1001268820	1	Welder Assembly (See Separate Breakdown in this Section)	
25	1001098012	1	Plasma Cutter Assembly (See Separate Breakdown in this Section)	
26	4751400	4	Washer 1/4	
27	4751600	8	Washer 3/8	
29	1001269322	1	Support	
31	1001145405	1	Bracket	
32	4811700	2	Washer M6	
33	3290605	2	Nut M6	
34	3421453	3	Pin	
35	3576799	1	Plate, Hold-Down	
36	0100020	AR	Sealant	
37	4010608	2	Screw M6 x 16	





# SECTION 5 - PLATFORM

## FIGURE 5-30. SKYWELDER INSTALLATION (50HZ)



ART\_0272521\_F

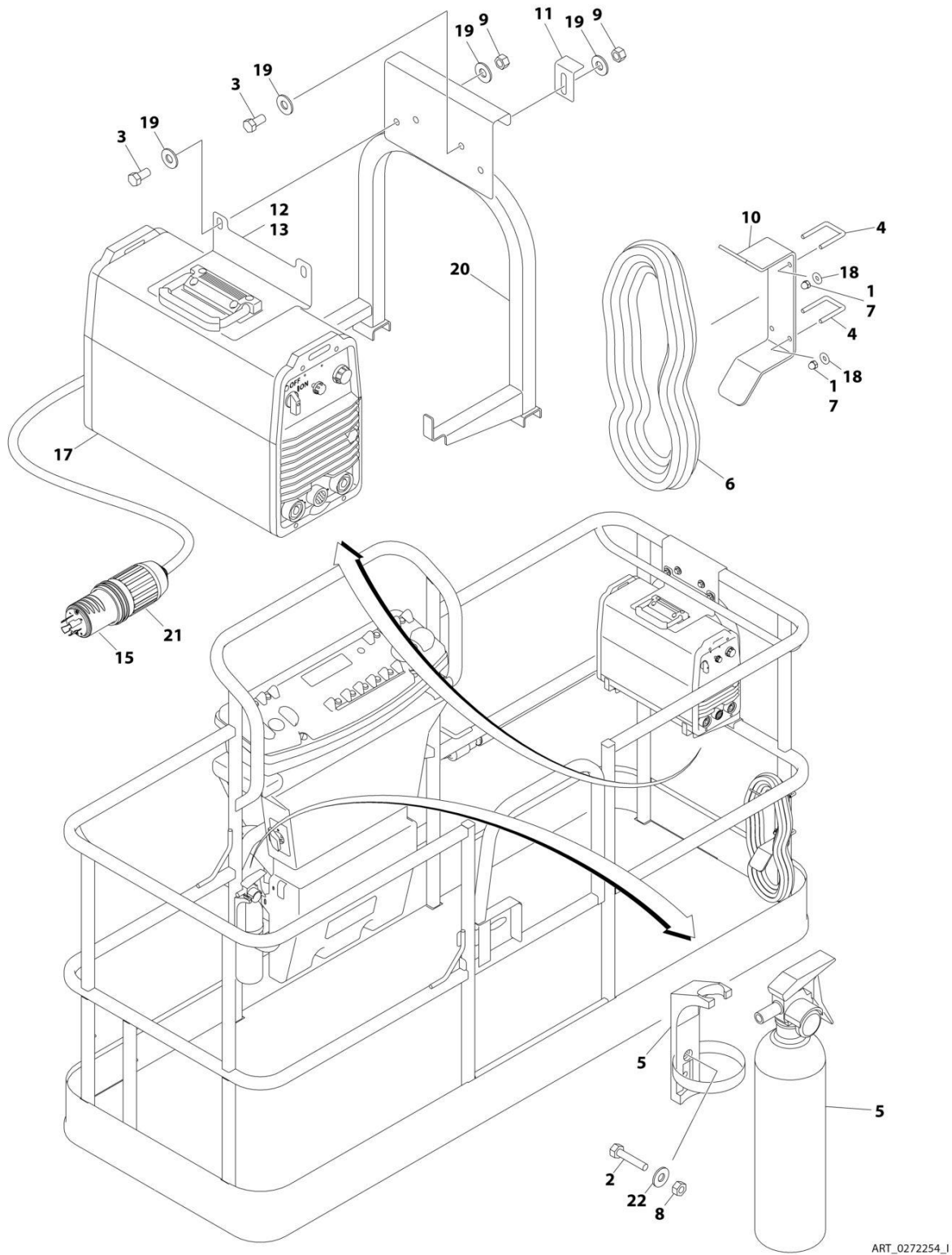
## SECTION 5 - PLATFORM

**FIGURE 5-30. SKYWELDER INSTALLATION (50HZ)**

ITEM	PART NUMBER	QTY	DESCRIPTION	REV
	0272521	Ref	SKYWELDER INSTALLATION	F
1	0100011	AR	Compound, Locking	
2	0630518	2	Screw #10 x 3/4	
3	0641606	4	Bolt 3/8 x 3/4	
4	1320302	2	U-Clamp	
5	2030010	1	Extinguisher, Fire	
6	2902217	1	Weld Leads Kit	
7	3300151	4	Nut 1/4	
8	3311005	2	Nut #10	
9	3311605	4	Nut 3/8	
10	3573400	1	Bracket	
11	3577121	2	Angle	
12	3573642	1	Plate	
13	4240099	AR	Tie-Strap (Not Shown)	
14	4420037	AR	Tape	
15	4530028	1	Welder Assembly (See Separate Breakdown in this Section)	
16	4751400	4	Washer 1/4	
17	4751600	8	Washer 3/8	
18	4846627	1	Support	
19	4751000	2	Washer #10	

# SECTION 5 - PLATFORM

## FIGURE 5-31. SKYWELDER INSTALLATION (60HZ)



ART\_0272254\_I

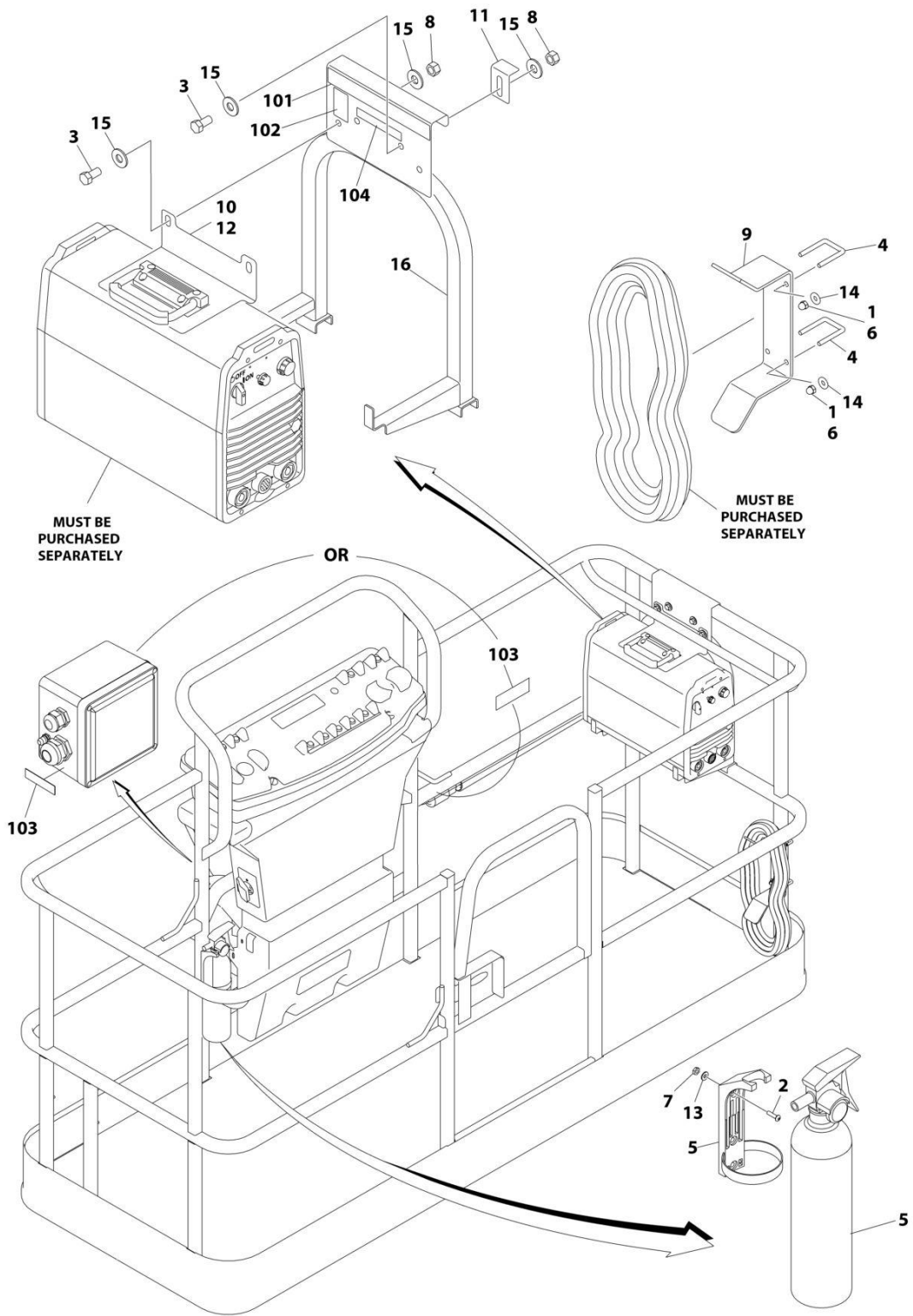
## SECTION 5 - PLATFORM

**FIGURE 5-31. SKYWELDER INSTALLATION (60HZ)**

ITEM	PART NUMBER	QTY	DESCRIPTION	REV
	0272254	Ref	SKYWELDER INSTALLATION	1
1	0100011	AR	Compound, Locking	
2	0630518	2	Screw #10 x 3/4	
3	0641606	4	Bolt 3/8 x 3/4	
4	1320302	2	U-Clamp	
5	2030010	1	Extinguisher, Fire	
6	2902217	1	Weld Leads Kit	
7	3300151	4	Nut 1/4	
8	3311005	2	Nut #10	
9	3311605	4	Nut 3/8	
10	3573400	1	Bracket	
11	3577121	2	Angle	
12	3573642	1	Plate	
13	4420037	AR	Tape	
14	4240099	AR	Tie-Strap (Not Shown)	
15	4460962	1	Plug, Male Twistlock	
17	4530028	1	Welder Assembly (See Separate Breakdown in this Section)	
18	4751400	4	Washer 1/4	
19	4751600	8	Washer 3/8	
20	4846627	1	Support	
21	1671093	1	Cover, Plug	
22	4751000	2	Washer #10	

# SECTION 5 - PLATFORM

## FIGURE 5-32. SKYWELDER PREP PACKAGE (60HZ)



ART\_1001128527\_B

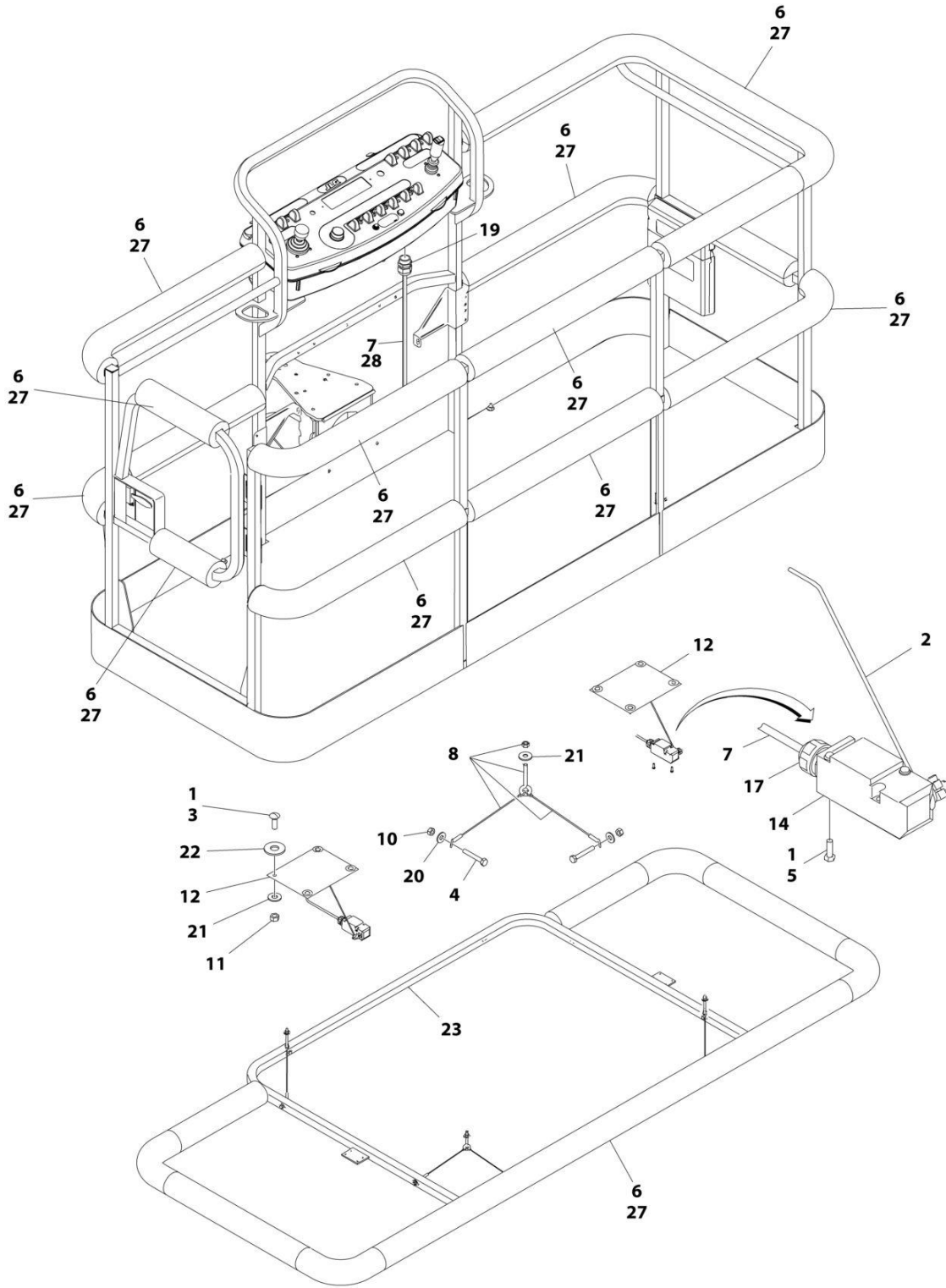
## SECTION 5 - PLATFORM

**FIGURE 5-32. SKYWELDER PREP PACKAGE (60HZ)**

ITEM	PART NUMBER	QTY	DESCRIPTION	REV
	1001128527	Ref	SKYWELDER PREP PACKAGE	B
1	0100011	AR	Compound, Locking	
2	0630518	2	Screw #10 x 3/4	
3	0641606	4	Bolt 3/8 x 3/4	
4	1320302	2	U-Clamp	
5	2030010	1	Extinguisher, Fire	
6	3300151	4	Nut 1/4	
7	3311005	2	Nut #10	
8	3311605	4	Nut 3/8	
9	3573400	1	Bracket	
10	3573642	1	Plate	
11	3577121	2	Angle	
12	4420037	AR	Tape	
13	4751000	2	Washer #10	
14	4751400	4	Washer 1/4	
15	4751600	8	Washer 3/8	
16	4846627	1	Support	
	1001128556	Ref	SKYWELDER DECAL INSTALLATION	C
101	1702868	1	Decal - No Hands	
102	1705305	1	Decal - Weld Lead	
103	1705375	1	Decal - 240V - 3 Phase - 60Hz	
104	1001228988	1	Decal - Weight	

# SECTION 5 - PLATFORM

## FIGURE 5-33. SOFT TOUCH SYSTEM INSTALLATION - 8FT/2.4M PLATFORMS (OPTIONAL)



ART\_0272427\_H



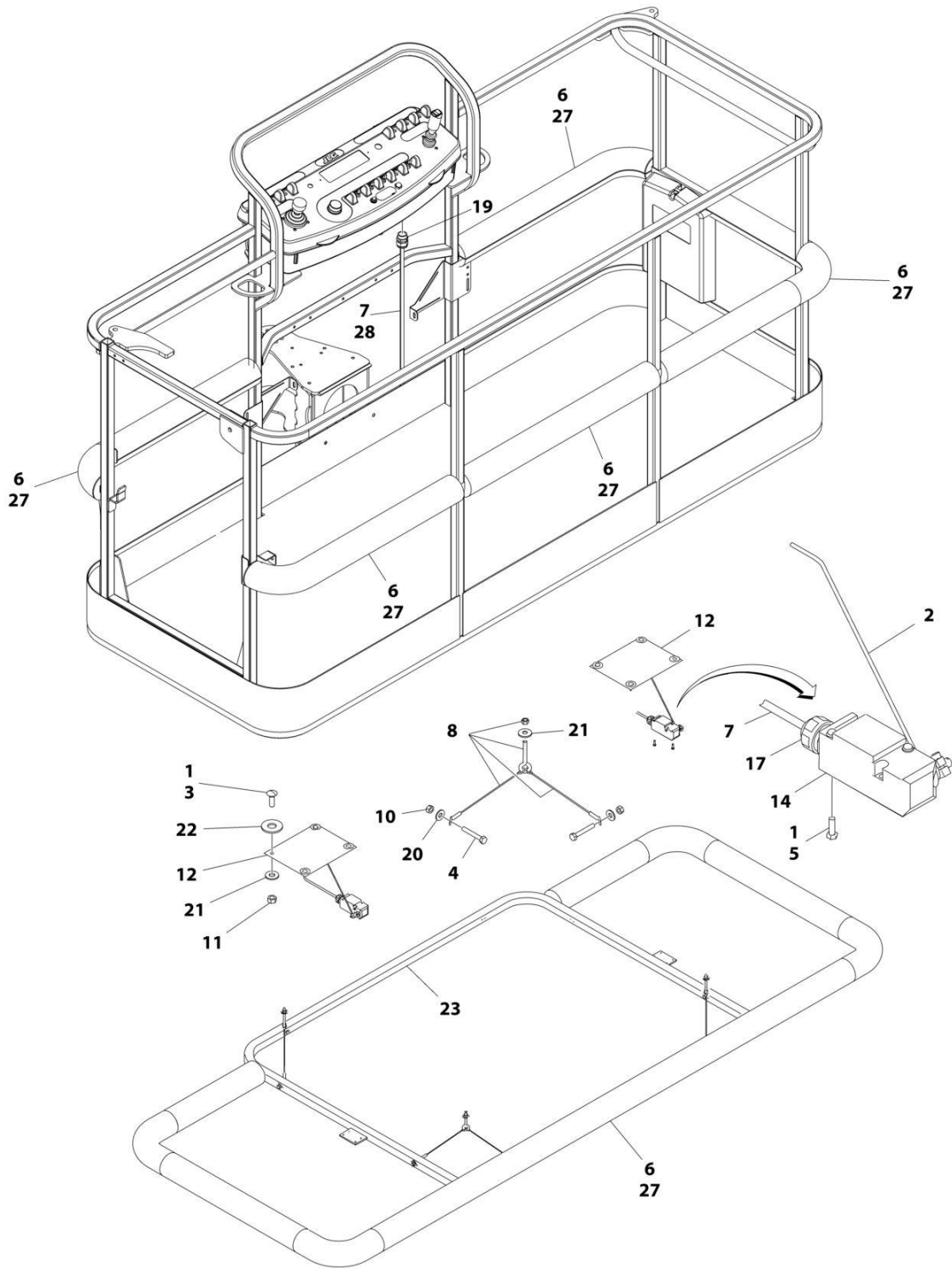
## SECTION 5 - PLATFORM

**FIGURE 5-33. SOFT TOUCH SYSTEM INSTALLATION - 8FT/2.4M PLATFORMS (OPTIONAL)**

ITEM	PART NUMBER	QTY	DESCRIPTION	REV
	0272427	Ref	SOFT TOUCH INSTALLATION - 36IN X 8FT (91.5CM X 2.44M) PLATFORM	H
1	0100011	AR	Compound, Locking	
2	0200048	2	Arm, Switch	
3	0630462	8	Bolt	
4	0641414	8	Bolt 1/4 x 1-3/4	
5	0721005	4	Bolt #10 x 5/8	
6	0940103	1	Bumper Kit (Includes Corners and Enough Straight Material for One Platform)	
6	0940092	12	Bumper (Corner)	
6	0940094	AR	Bumper (12ft Length)	
7	1060341	23 ft/7m	Cable, Soft Touch - 16/2	
8	1060903	4	Wire Rope and Eyebolt Assembly	
10	3311401	8	Nut 1/4	
11	3311501	8	Nut 5/16	
12	3574091	2	Plate, Switch Strike	
13	4240099	7	Tie-Strap (Not Shown)	
14	4360057	2	Switch, Limit	
17	4460049	2	Connector, Strain Relief	
18	4460234	7	Tie-Strap (Not Shown)	
19	4460425	1	Connector, Strain Relief	
20	4751400	8	Washer 1/4	
21	4751500	12	Washer 5/16	
22	4751800	8	Washer 1/2	
23	4846673	1	Rail, Soft Touch	
27	1001197017	AR	Tie-Strap	
28	4460226	1	Socket	

# SECTION 5 - PLATFORM

FIGURE 5-34. SOFT TOUCH SYSTEM INSTALLATION - 8FT/2.44M FALL ARREST PLATFORM



ART\_0273706\_E

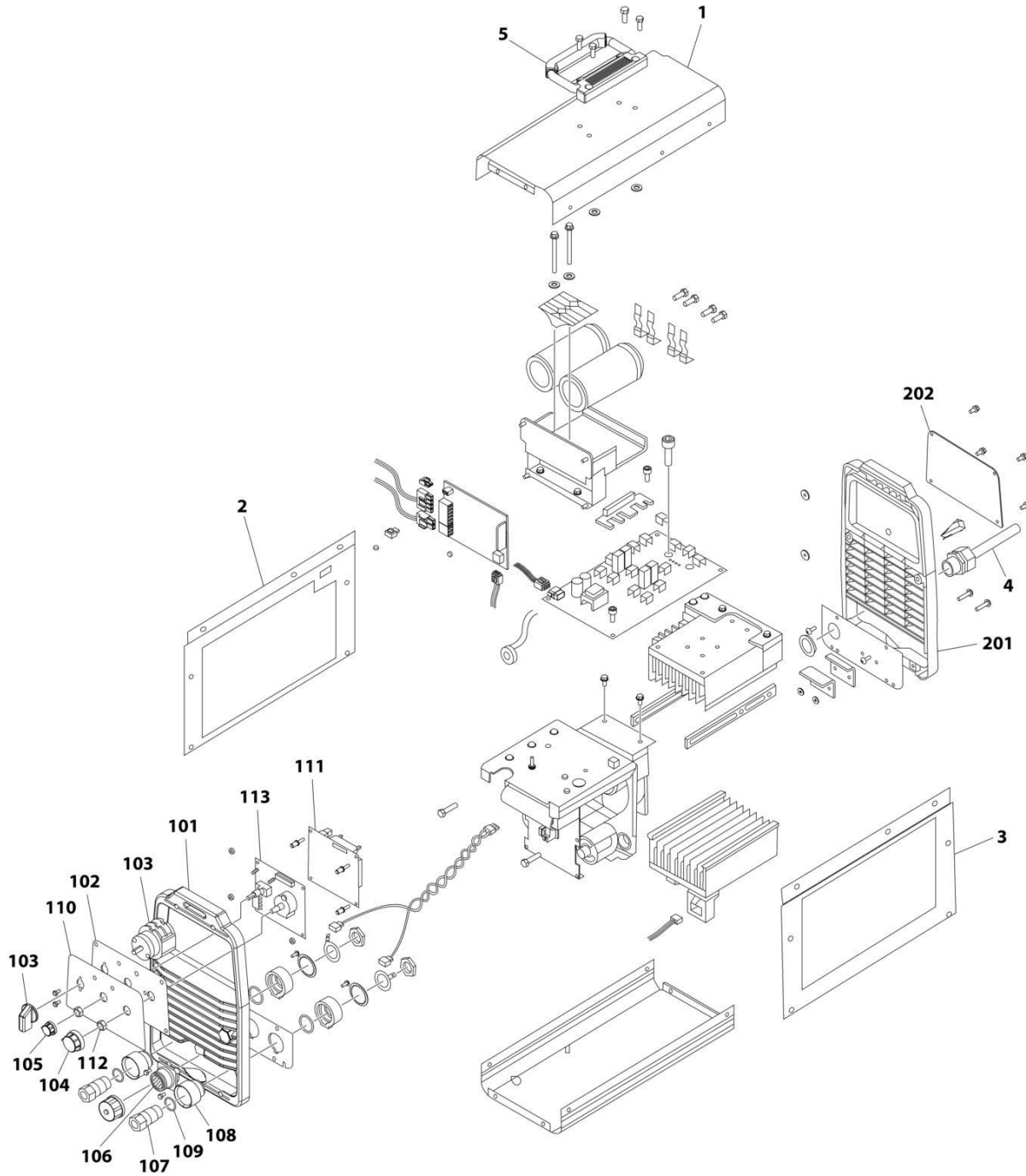
## SECTION 5 - PLATFORM

**FIGURE 5-34. SOFT TOUCH SYSTEM INSTALLATION - 8FT/2.44M FALL ARREST PLATFORM**

ITEM	PART NUMBER	QTY	DESCRIPTION	REV
	0273706	Ref	SOFT TOUCH INSTALLATION	E
1	0100011	AR	Compound, Locking	
2	0200048	2	Arm, Switch	
3	0630462	8	Bolt	
4	0641414	8	Bolt 1/4 x 1-3/4	
5	0721005	4	Bolt #10 x 5/8	
6	0940133	1	Bumper Kit (Includes Corners and Enough Straight Material for One Platform)	
6	0940092	8	Bumper (Corner)	
6	0940094	AR	Bumper (12ft Length)	
7	1060341	23 ft/7m	Cable, Soft Touch - 16/2	
8	1060903	4	Wire Rope and Eyebolt Assembly	
10	3311401	8	Nut 1/4	
11	3311501	8	Nut 5/16	
12	3574091	2	Plate, Switch Strike	
13	4240099	7	Tie-Strap (Not Shown)	
14	4360057	2	Switch, Limit	
17	4460049	2	Connector, Strain Relief	
18	4460234	7	Tie-Strap (Not Shown)	
19	4460425	1	Connector, Strain Relief	
20	4751400	8	Washer 1/4	
21	4751500	12	Washer 5/16	
22	4751800	8	Washer 1/2	
23	4846673	1	Rail, Soft Touch	
27	1001197017	AR	Tie-Strap	
28	4460226	4	Socket	

# SECTION 5 - PLATFORM

## FIGURE 5-35. WELDER ASSEMBLY



ART\_4530028

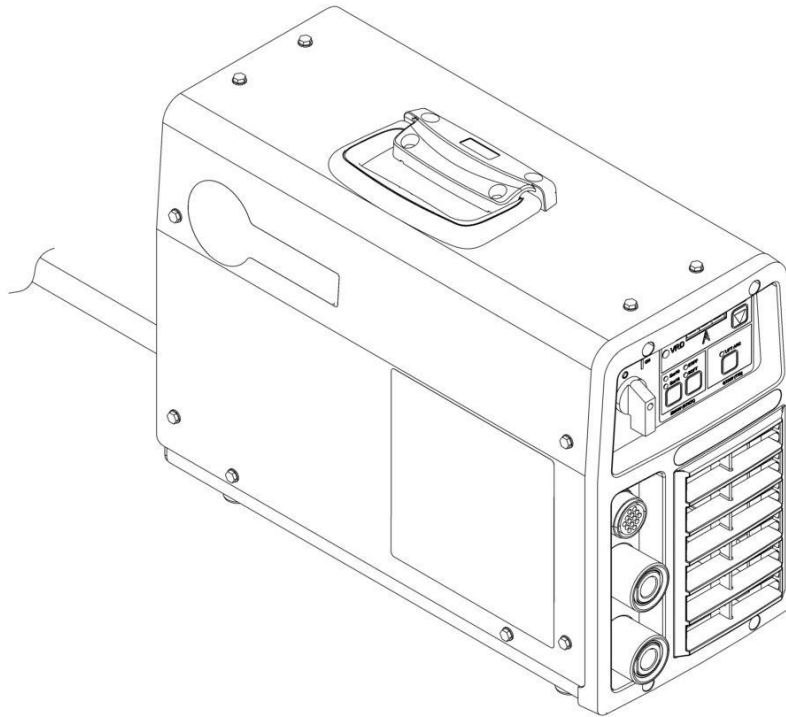
## SECTION 5 - PLATFORM

### FIGURE 5-35. WELDER ASSEMBLY

ITEM	PART NUMBER	QTY	DESCRIPTION	REV
	4530028	Ref	WELDER ASSEMBLY	B
		Ref	Note: For Other Components, contact your Miller Welder Dealer.	
1	7027773	1	Cover, Top	
1	7027774	1	Decal - Static Precautionary Warning	
2	See Note	NSS	Panel, LH Side (Note: Part of Item 1. Purchase Item 1)	
3	See Note	NSS	Panel, RH Side (Note: Part of Item 1. Purchase Item 1)	
4	7024467	1	Cable, Power	
4	7027775	1	Decal - Electrical Shock Warning (Not Shown)	
5	7027776	1	Handle, Carrying	
101	7024462	1	Panel, Front	
102	7024463	1	Panel, Console	
103	7024469	1	Switch with Lead	
104	7024470	1	Knob	
105	7024471	1	Knob	
106	7024472	1	Receptacle with Leads and Plugs	
107	7024473	2	Receptacle, Twistlock Female	
108	7024474	2	Insulator	
109	7024475	2	O-Ring	
110	7027777	1	Nameplate	
111	7027779	1	Circuit Card Assembly (Process Control)	
112	7024478	2	Nut	
113	7027778	1	Circuit Card Assembly (Operator Interface)	
201	7024462	1	Panel, Rear	
202	7027780	1	Panel, Cover	

# SECTION 5 - PLATFORM

## FIGURE 5-36. WELDER ASSEMBLY (CST282)



ART\_1001268820

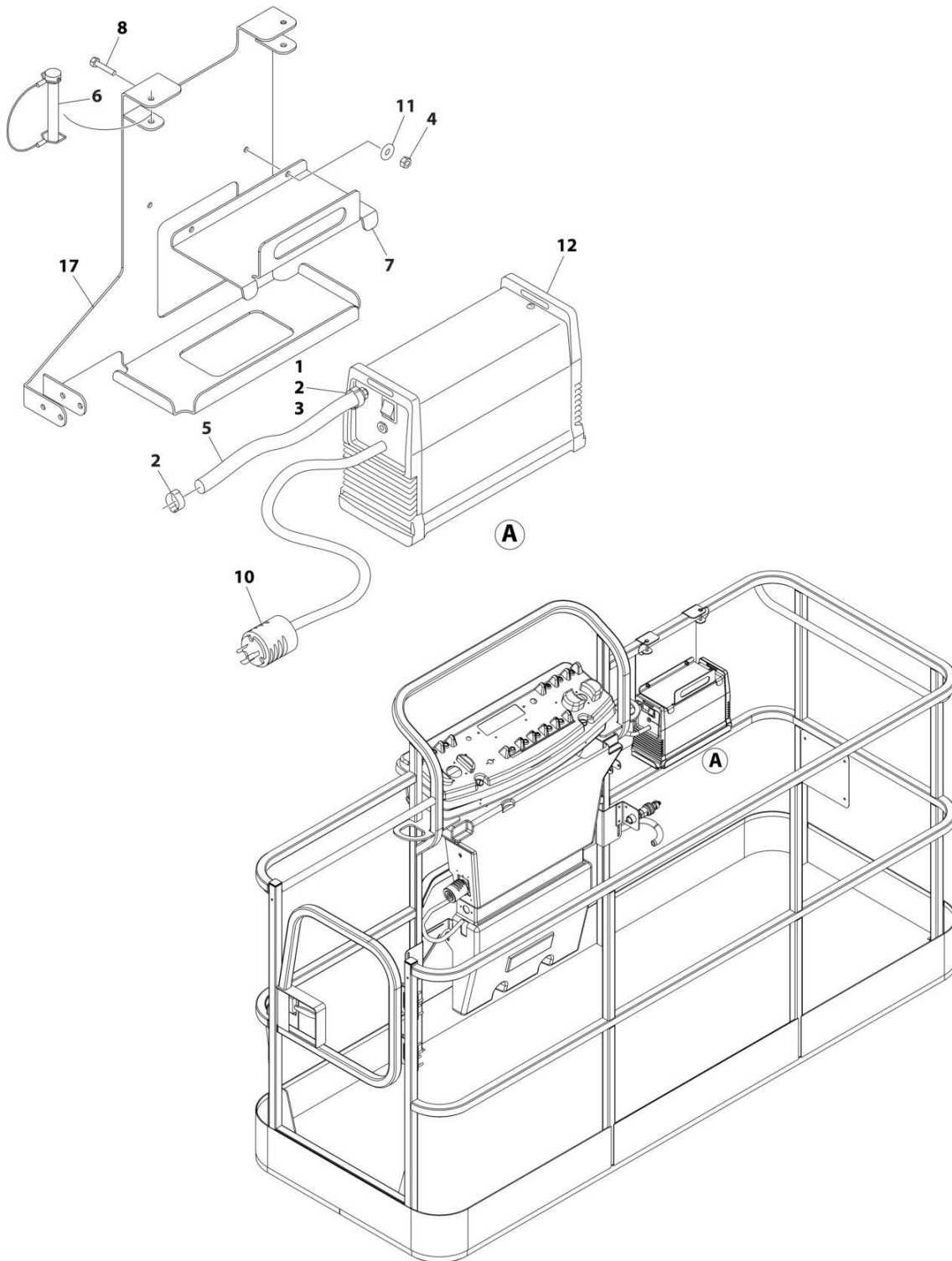
## SECTION 5 - PLATFORM

**FIGURE 5-36. WELDER ASSEMBLY (CST282)**

ITEM	PART NUMBER	QTY	DESCRIPTION	REV
	1001268820	1 Ref	WELDER ASSEMBLY Note: No Service Parts available at time of Printing.	B

# SECTION 5 - PLATFORM

FIGURE 5-37. SKYCUTTER INSTALLATION (ANSI, ANSI EXPORT, CSA, CHINA AND JAPANESE SPECS)



ART\_1001098149\_E



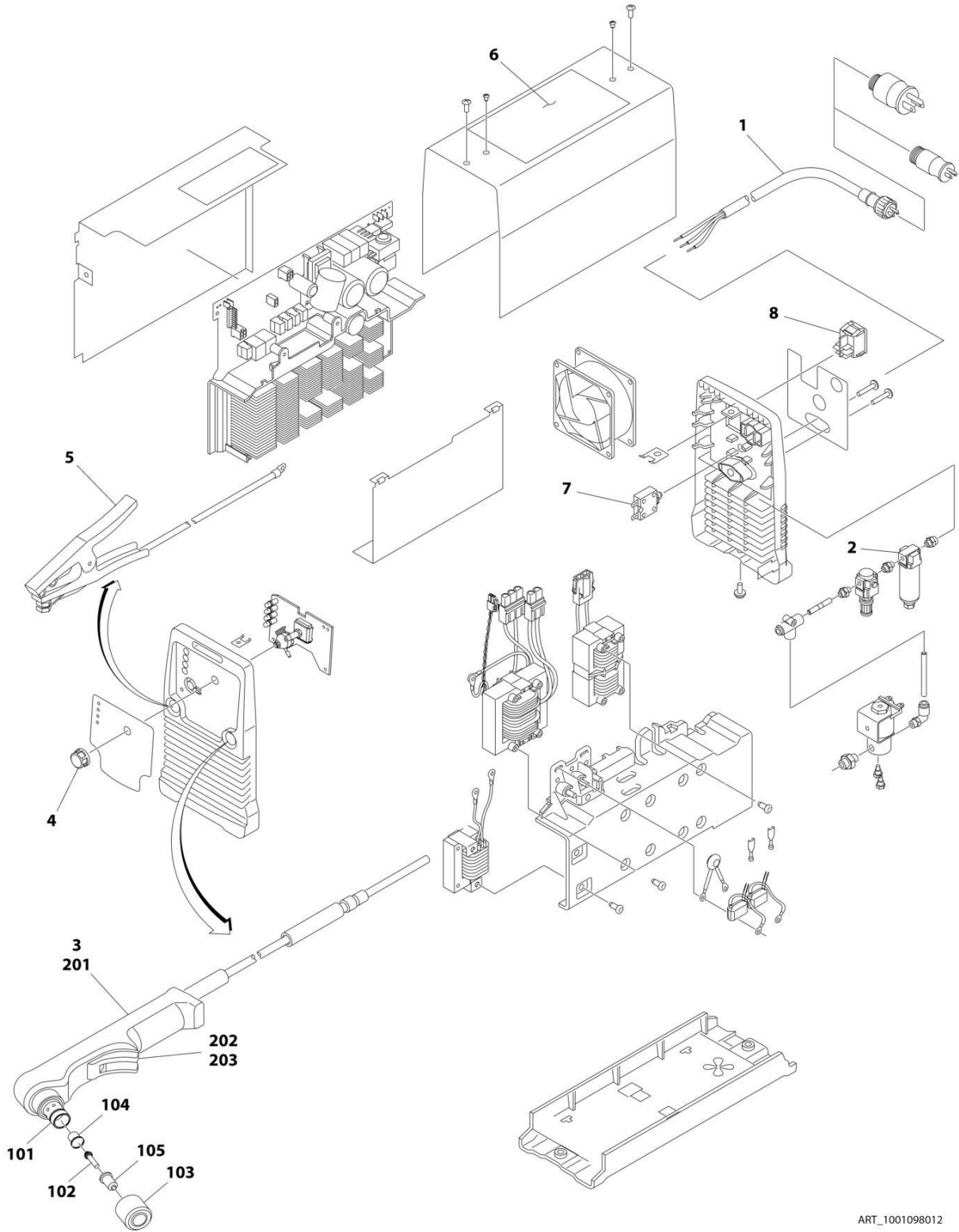
## SECTION 5 - PLATFORM

**FIGURE 5-37. SKYCUTTER INSTALLATION (ANSI, ANSI EXPORT, CSA, CHINA AND JAPANESE SPECS)**

ITEM	PART NUMBER	QTY	DESCRIPTION	REV
	1001098149	Ref	SKYCUTTER INSTALLATION	E
		Ref	Note: When replacing platform on machines with SkyCutter option, new bracket p/n 1001145405 must be purchased to accommodate SkyCutter components.	
1	0100020	AR	Sealant	
2	1320177	2	Clamp, Hose	
3	2180832	1	Fitting, NPT/Barbed	
4	3290605	2	Nut M6	
5	2720160	3 ft	Hose	
6	3421453	3	Pin	
7	3576799	1	Plate, Hold-Down	
8	4010608	2	Screw M6 x 16	
10	4460971	1	Plug, Twistlock	
11	4811700	2	Washer M6	
12	1001098012	1	Plasma Cutter Assembly (See Separate Breakdown in this Section)	
17	1001145405	1	Support	

# SECTION 5 - PLATFORM

## FIGURE 5-38. PLASMA CUTTER ASSEMBLY



ART\_1001098012

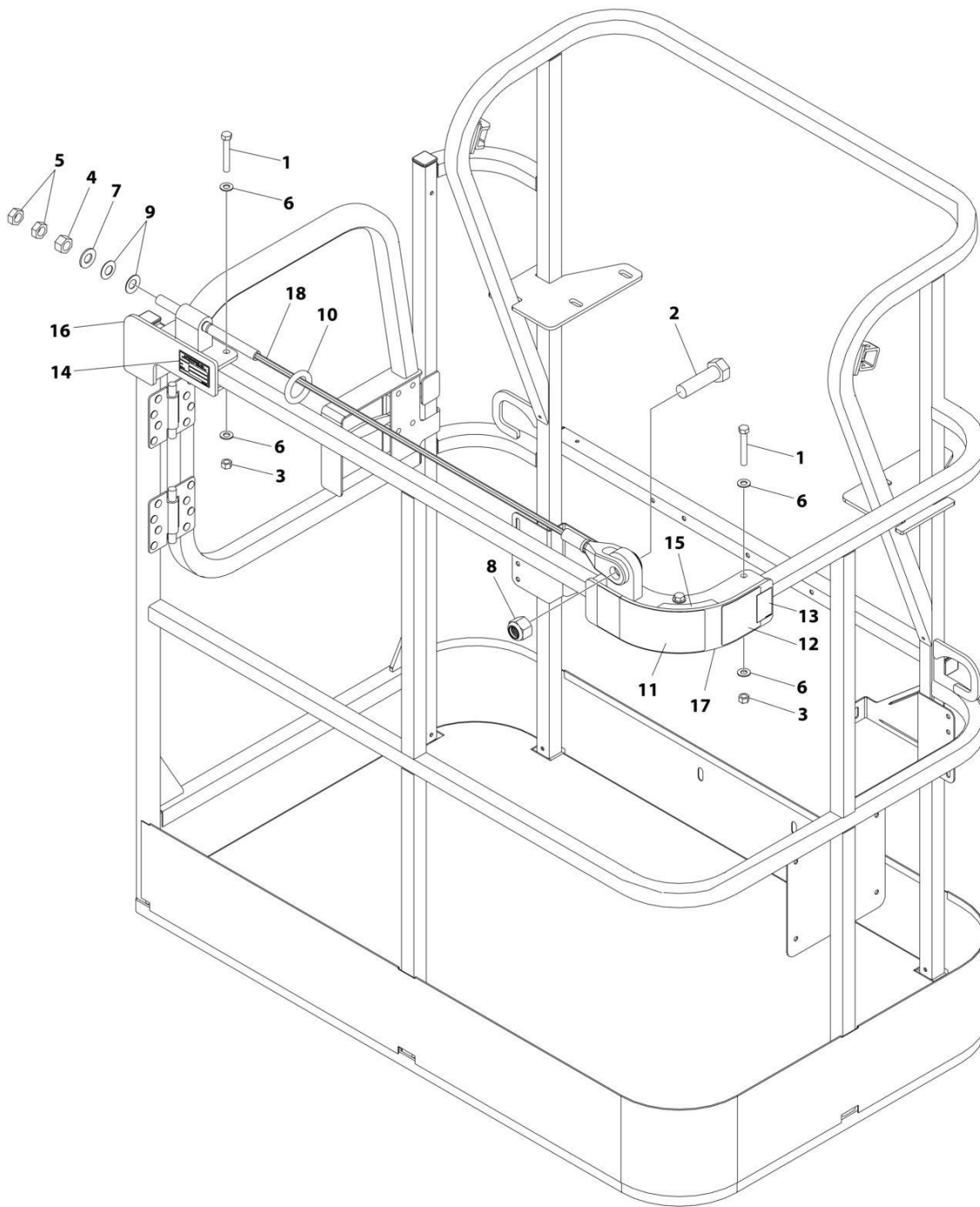
## SECTION 5 - PLATFORM

### FIGURE 5-38. PLASMA CUTTER ASSEMBLY

ITEM	PART NUMBER	QTY	DESCRIPTION	REV
	1001098012	Ref	PLASMA CUTTER ASSEMBLY	A
		Ref	Note: For Other Components, contact your Miller Welder Dealer.	
1	70001424	1	Cable, Power	
1	70001425	1	Decal - Voltage Warning	
2	70001427	1	Filter, Regulator	
3	70001428	1	Torch Assembly (See Items 101-203 for Breakdown)	
4	7024471	1	Knob	
5	70001429	1	Clamp with Cable	
6	70001430	1	Decal - Caution	
7	70001431	1	Breaker, Circuit	
8	70001432	1	Switch, Rocker	
	70001428	Ref	TORCH ASSEMBLY	
101	7024530	1	O-Ring	
102	7024531	1	Electrode	
103	7024532	1	Cup, Retaining	
104	7024533	1	Swirl Ring	
105	7024534	1	Tip	
201	7024535	1	Handle, Torch	
202	7024536	1	Switch	
203	7024537	1	Trigger	

# SECTION 5 - PLATFORM

## FIGURE 5-39. FALL ARREST INSTALLATION (BOLT - ON EXTERNAL) 4FFT/1.22M PLATFORM)



ART\_1001261338

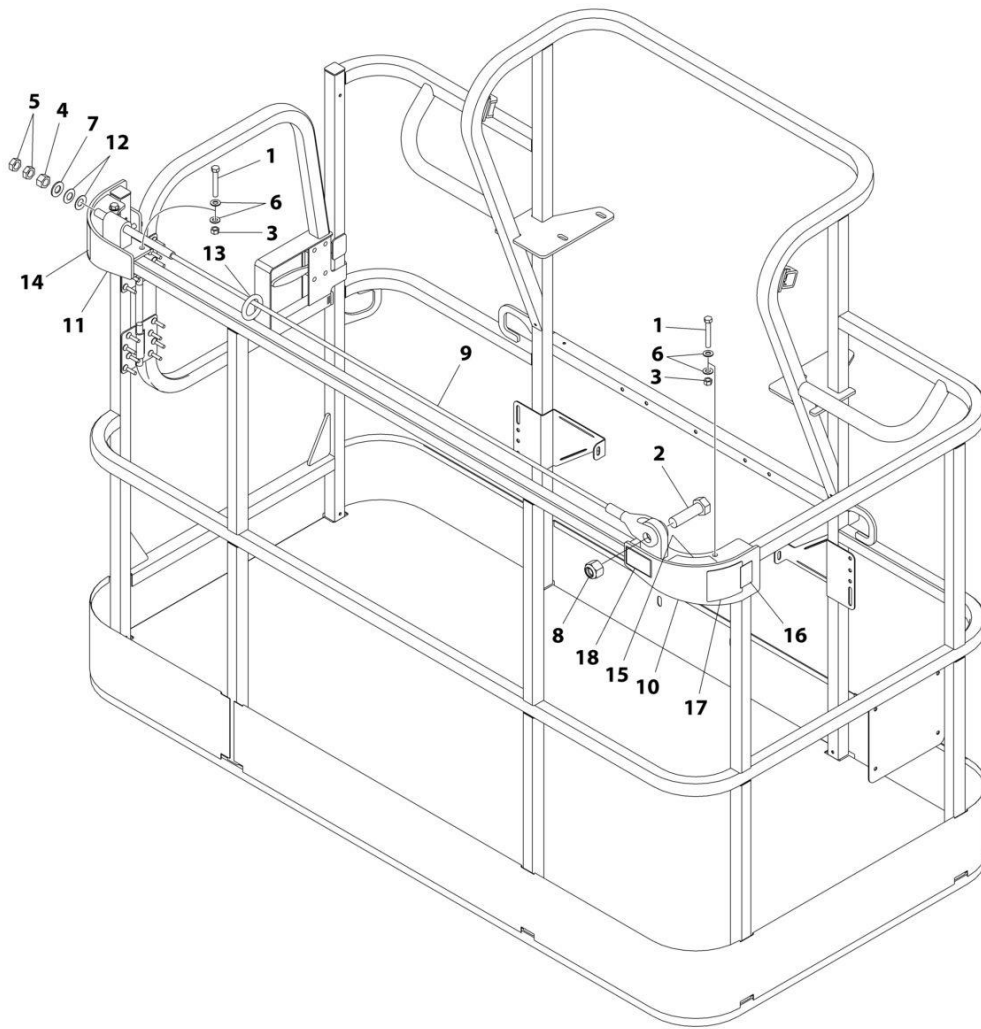
## SECTION 5 - PLATFORM

**FIGURE 5-39. FALL ARREST INSTALLATION (BOLT - ON EXTERNAL) 4FFT/1.22M PLATFORM)**

ITEM	PART NUMBER	QTY	DESCRIPTION	REV
	1001261338	Ref	FALL ARREST INSTALLATION	A
1	0681620	6	Bolt 3/8 x 2-1/2	
2	0682424	1	Bolt 7/8 x 3	
3	3271605	6	Nut 3/8	
4	3272001	1	Nut 5/8	
5	3312002	2	Nut 5/8	
6	4711600	12	Washer 3/8	
7	4712000	1	Washer 5/8	
8	88521214	1	Nut 7/8	
9	1001236891	2	Washer	
10	1001236895	1	Ring	
11	1001238263	1	Decal - Warning Falling Hazard	
12	1001248140	1	Decal - Bolt Fall Arrest Re-Cert	
13	1001248141	1	Decal - Incription	
14	See Note	NSS	Nameplate - Manufacturers Serial Number (Note: Not Available for Purchase)	
15	1001252629	1	Decal - Weight	
16	1001257271	1	Bracket (RH)	
17	1001257274	1	Bracket (LH)	
18	1001261335	1	Rope	

# SECTION 5 - PLATFORM

FIGURE 5-40. FALL ARREST INSTALLATION (BOLT-ON EXTERNAL) (6FT/1.82M PLATFORM)



ART\_1001236747

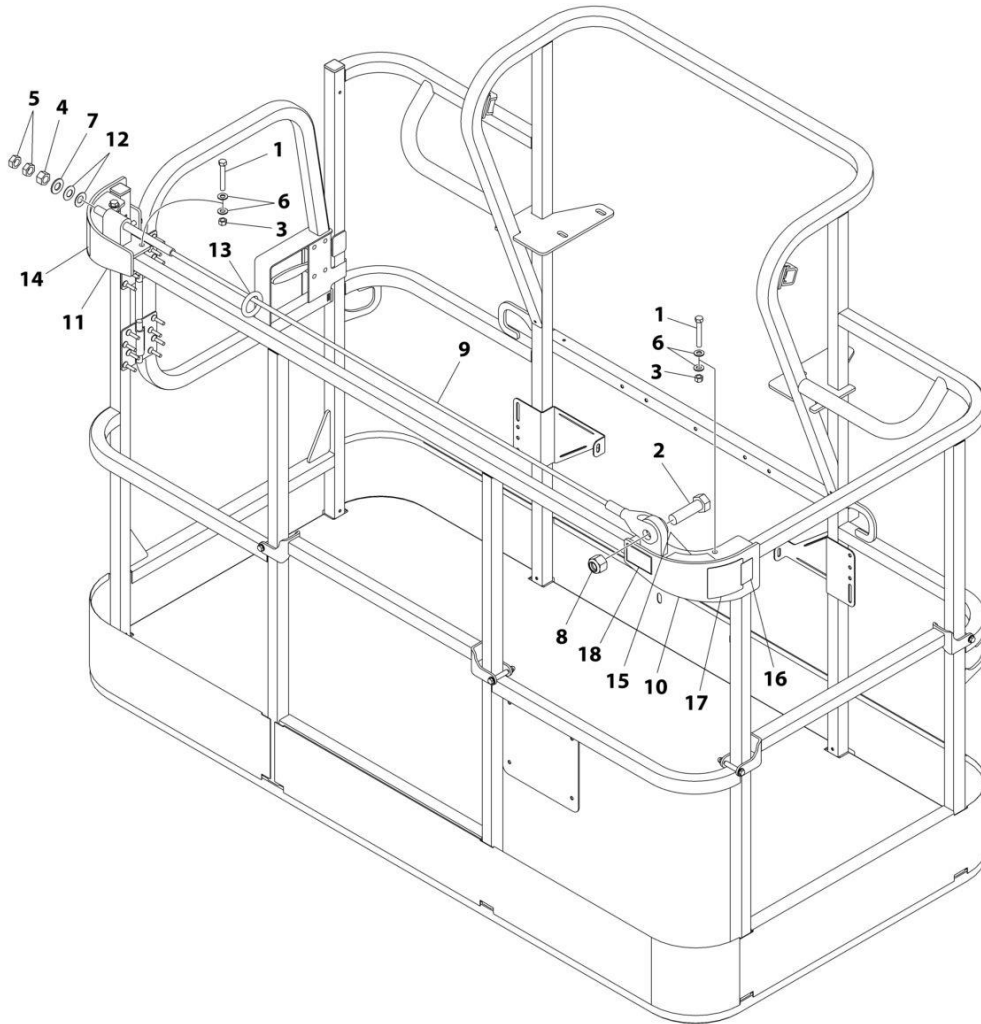
## SECTION 5 - PLATFORM

**FIGURE 5-40. FALL ARREST INSTALLATION (BOLT-ON EXTERNAL) (6FT/1.82M PLATFORM)**

ITEM	PART NUMBER	QTY	DESCRIPTION	REV
	1001236747	Ref	FALL ARREST INSTALLATION (BOLT - ON) 6FT/1.82M PLATFORM	C
1	0681620	6	Bolt 3/8 x 2-1/2	
2	0682424	1	Bolt 7/8 x 3	
3	3271605	6	Nut 3/8	
4	3272001	1	Nut 5/8	
5	3312002	2	Nut 5/8	
6	4711600	12	Washer 3/8	
7	4712000	1	Washer 5/8	
8	88521214	1	Nut 7/8	
9	1001231950	1	Rope	
10	1001232010	1	Bracket (RH)	
11	1001232011	1	Bracket (LH)	
12	1001236891	2	Washer	
13	1001236895	1	Ring	
14	1001238263	1	Decal - Warning Falling Hazard	
15	1001252629	1	Decal - Weight	
16	1001248140	1	Decal - Bolt Fall Arrest Re-Cert	
17	1001248141	1	Decal - Inscription	

# SECTION 5 - PLATFORM

FIGURE 5-41. FALL ARREST INSTALLATION (BOLT-ON EXTERNAL) (6FT/1.82M TRI-ENTRY PLATFORM)



ART\_1001238463



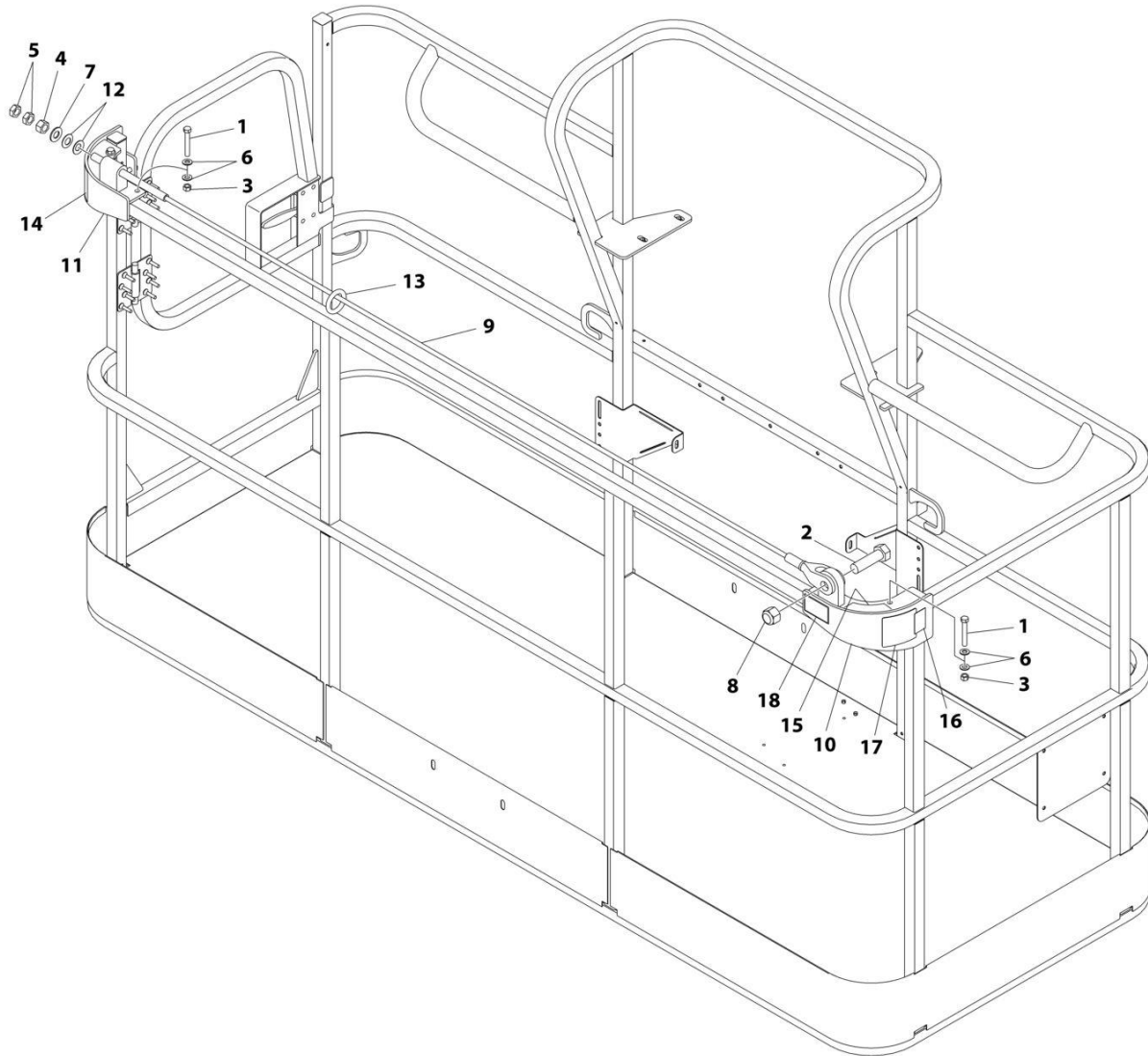
## SECTION 5 - PLATFORM

**FIGURE 5-41. FALL ARREST INSTALLATION (BOLT-ON EXTERNAL) (6FT/1.82M TRI-ENTRY PLATFORM)**

ITEM	PART NUMBER	QTY	DESCRIPTION	REV
	1001238463	Ref	FALL ARREST INSTALLATION (BOLT - ON) 6FT/1.82M PLATFORM	C
1	0681620	6	Bolt 3/8 x 2-1/2	
2	0682424	1	Bolt 7/8 x 3	
3	3271605	6	Nut 3/8	
4	3272001	1	Nut 5/8	
5	3312002	2	Nut 5/8	
6	4711600	12	Washer 3/8	
7	4712000	1	Washer 5/8	
8	88521214	1	Nut 7/8	
9	1001231950	1	Rope	
10	1001232010	1	Bracket (RH)	
11	1001232011	1	Bracket (LH)	
12	1001236891	2	Washer	
13	1001236895	1	Ring	
14	1001238263	1	Decal - Warning Falling Hazard	
15	1001252629	1	Decal - Weight	
16	1001248140	1	Decal - Bolt Fall Arrest Re-Cert	
17	1001248141	1	Decal - Inscription	

# SECTION 5 - PLATFORM

FIGURE 5-42. FALL ARREST INSTALLATION (BOLT-ON EXTERNAL) (8FT/2.4M PLATFORM)



ART\_1001236746

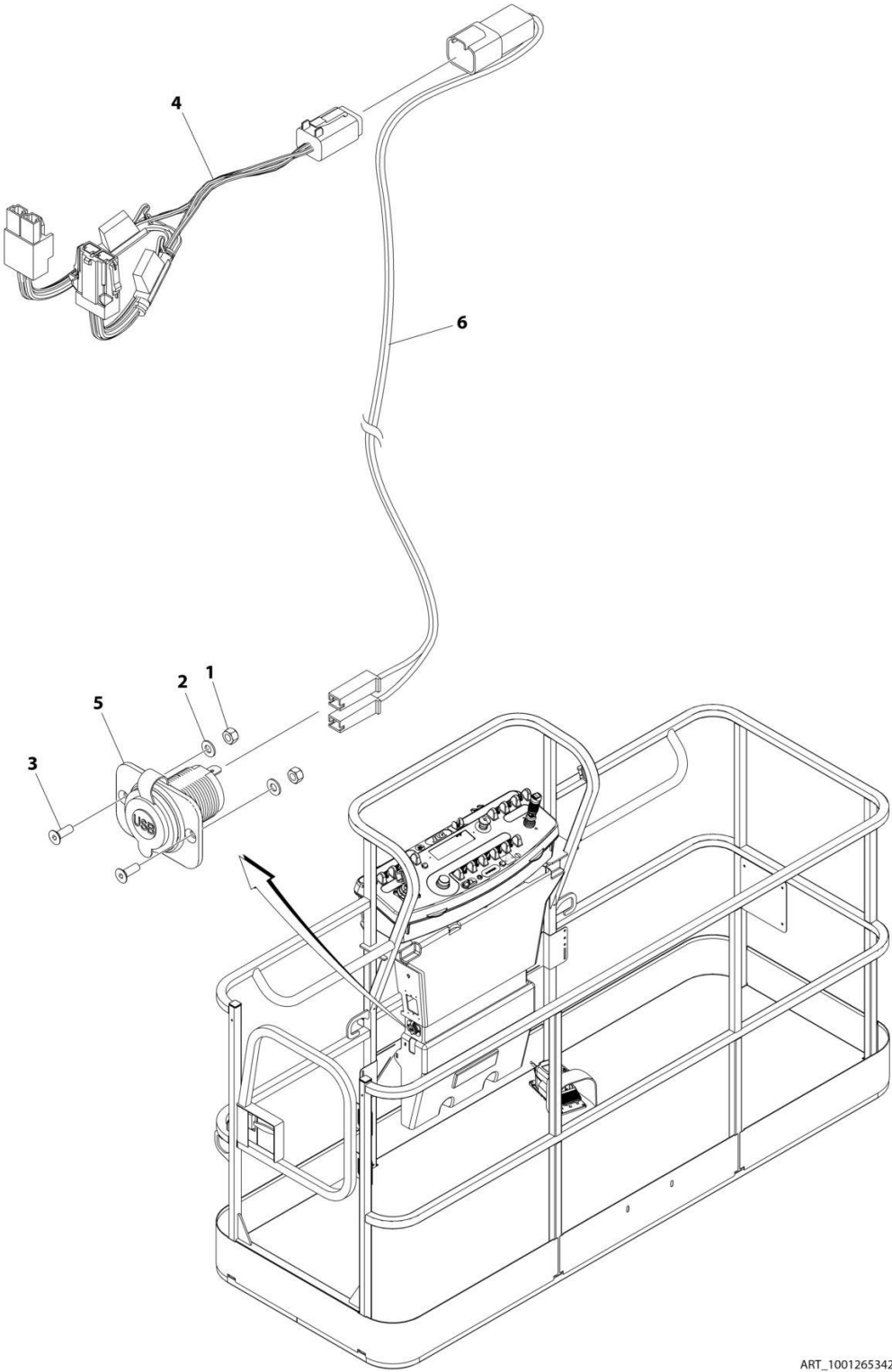
## SECTION 5 - PLATFORM

**FIGURE 5-42. FALL ARREST INSTALLATION (BOLT-ON EXTERNAL) (8FT/2.4M PLATFORM)**

ITEM	PART NUMBER	QTY	DESCRIPTION	REV
	1001236746	Ref	FALL ARREST INSTALLATION (BOLT - ON) 8FT/2.4M PLATFORM	C
1	0681620	6	Bolt 3/8 x 2-1/2	
2	0682424	1	Bolt 7/8 x 3	
3	3271605	6	Nut 3/8	
4	3272001	1	Nut 5/8	
5	3312002	2	Nut 5/8	
6	4711600	12	Washer 3/8	
7	4712000	1	Washer 5/8	
8	88521214	1	Nut 7/8	
9	1001231949	1	Rope	
10	1001232010	1	Bracket (RH)	
11	1001232011	1	Bracket (LH)	
12	1001236891	2	Washer	
13	1001236895	1	Ring	
14	1001238263	1	Decal - Warning Falling Hazard	
15	1001252629	1	Decal - Weight 23LBS/10.4KG	
16	1001248140	1	Decal - Bolt Fall Arrest Re-Cert	
17	1001248141	1	Decal - Inscription	

**SECTION 5 - PLATFORM**

**FIGURE 5-43. USB CHARGER INSTALLATION**



ART\_1001265342

## SECTION 5 - PLATFORM

**FIGURE 5-43. USB CHARGER INSTALLATION**

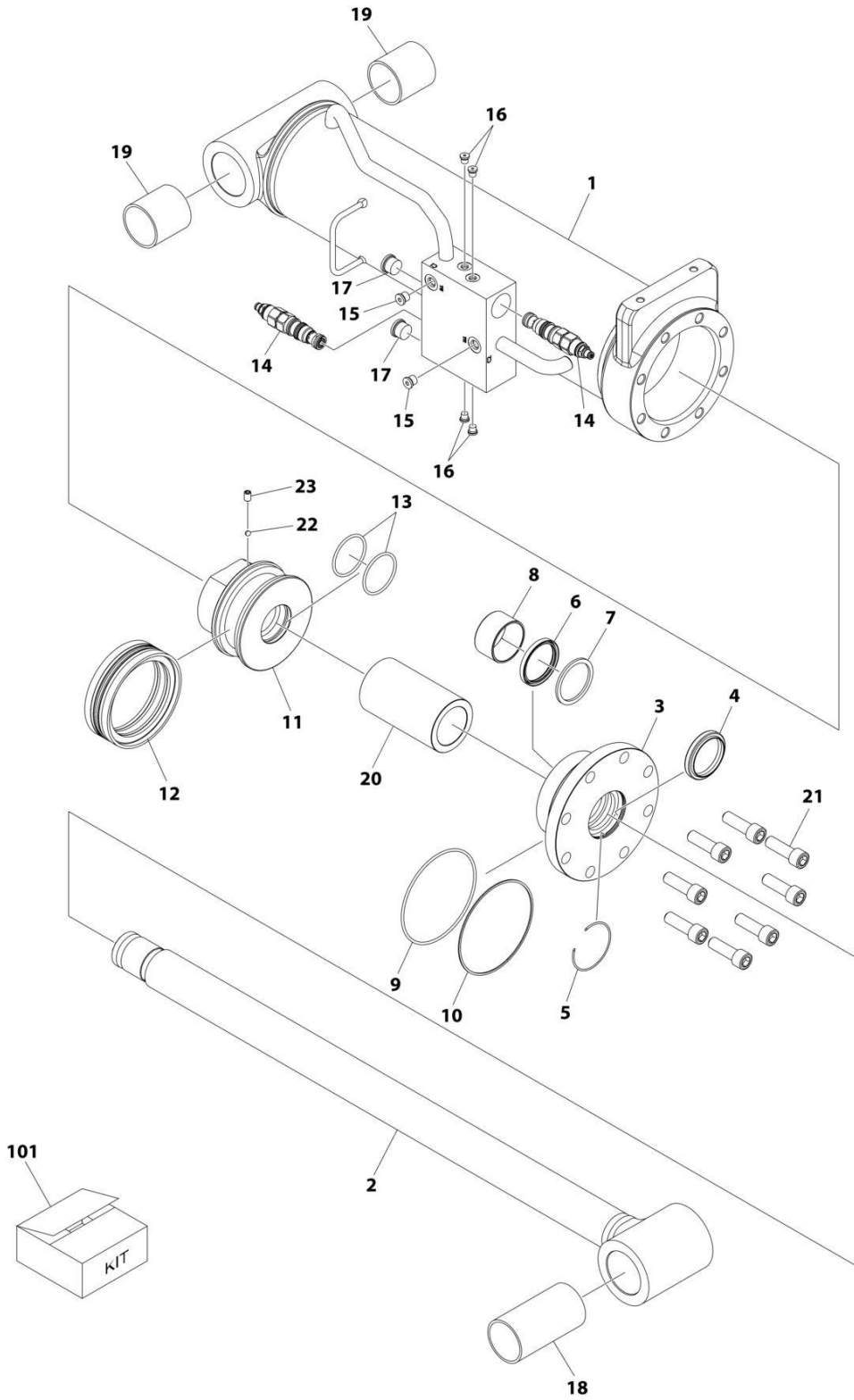
ITEM	PART NUMBER	QTY	DESCRIPTION	REV
	1001265342	Ref	USB CHARGER INSTALLATION	A
1	3290405	2	Nut M4	
2	4811400	2	Washer M4	
3	1001097244	2	Screw M4 x 12	
4	1001120484	1	Harness, Work Lights	
4	4460879	1	Plug, Male - 2 Position	
4	4460887	2	Terminal	
4	2400060	2	Fuseholder Includes Cover	
4	8229249	2	Fuse, 3 Amp	
4	4460884	1	Connector - 4 Position	
4	4460465	4	Socket, Female	
4	1001120471	1	Connector - 2 Position	
4	1001120477	2	Terminal	
5	1001210636	1	Receptacle, USB	
6	1001265163	1	Harness, USB	A
6	4460260	2	Cover, Terminal	
6	4460259	2	Terminal	
6	4460932	1	Receptacle, Bussbar - 4 Position	
6	4460464	2	Pin, Male	
6	4460466	2	Plug, Terminal	



**SECTION 6 - CYLINDER**

# SECTION 6 - CYLINDER

## FIGURE 6-1. AXLE EXTEND CYLINDER ASSEMBLY



ART\_1001251066



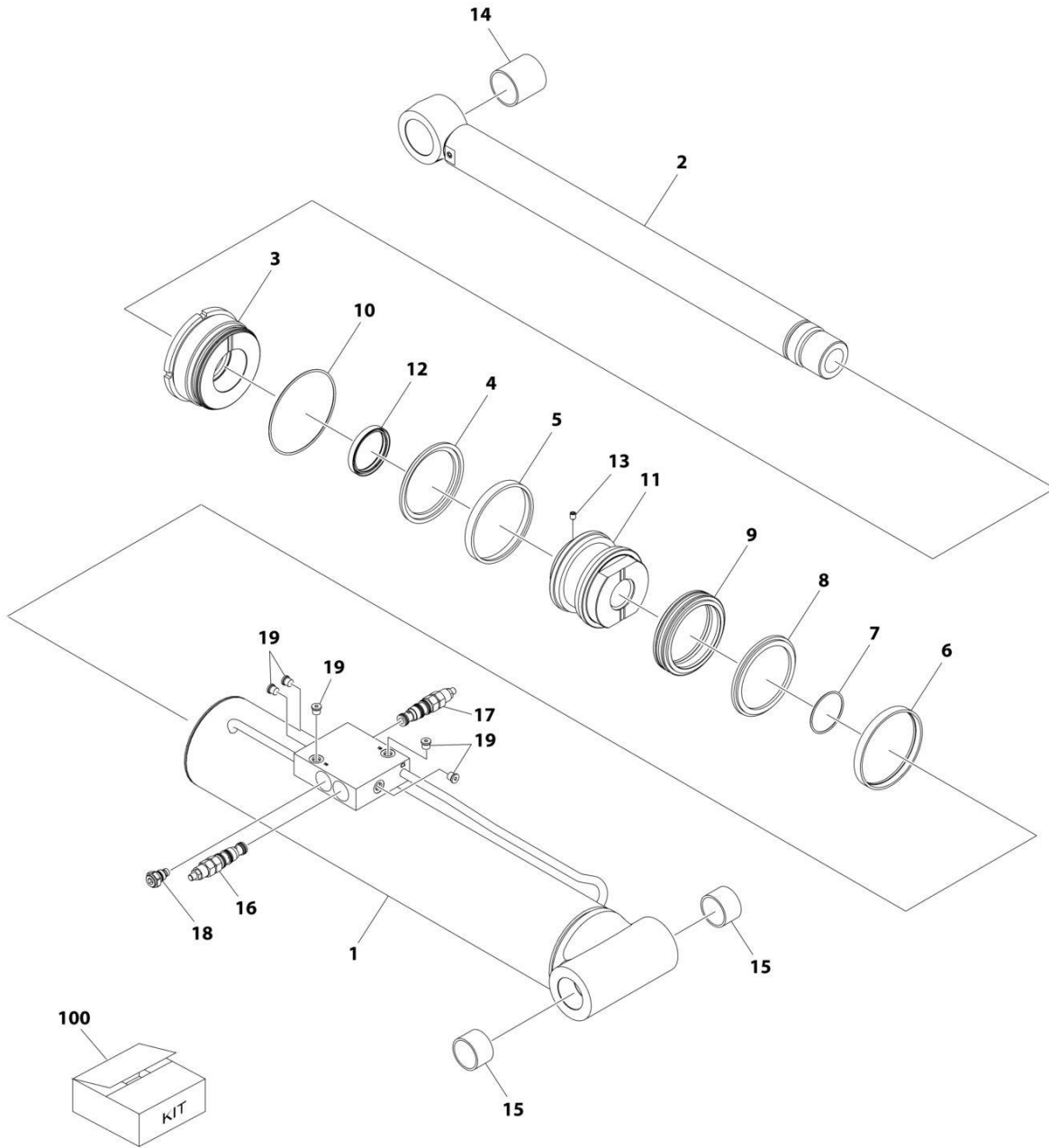
## SECTION 6 - CYLINDER

**FIGURE 6-1. AXLE EXTEND CYLINDER ASSEMBLY**

ITEM	PART NUMBER	QTY	DESCRIPTION	REV
	1001251066	Ref	AXLE EXTEND CYLINDER ASSEMBLY	B
		Ref	Note: Original Cylinder May Have Been Replaced with Service Replacement. Identify PN Stamped on Cylinder Before Ordering Parts.	
1	See Note	NSS	Barrel (Note: Not Available for Purchase)	
2	70008014	1	Rod	
3	70008015	1	Head	
4	See Note	NSS	Wiper (Note: Use Item 101)	
5	7002412	1	Ring, Retaining	
6	See Note	NSS	Seal, Rod (Note: Use Item 101)	
7	See Note	NSS	Ring, Backup (Note: Use Item 101)	
8	70052577	1	Bushing	
9	See Note	NSS	O-Ring (Note: Use Item 101)	
10	See Note	NSS	Ring, Backup (Note: Use Item 101)	
11	70008016	1	Piston	
12	See Note	NSS	Seal, Piston (Note: Use Item 101)	
13	See Note	NSS	O-Ring (Note: Use Item 101)	
14	1001156016	2	Valve, Counterbalance	
14	7011376	2	Seal Kit (Use with 1001156016)	
15	2220883	2	Plug - 7/16	
16	2220881	4	Plug - 5/16	
17	2220886	2	Plug - 3/4	
18	1001157080	1	Bushing	
19	0962561	2	Bushing	
20	70008017	1	Spacer	
21	70008018	8	Bolt M14 x 45	
22	70022564	1	Ball, Steel	
23	70029468	1	Setscrew M8 x 14	
101	70008019	1	Seal Kit (Includes Items 4, 6-7, 9-10 & 12-13)	

# SECTION 6 - CYLINDER

## FIGURE 6-2. LEVEL CYLINDER ASSEMBLY - PLATFORM SLAVE



ART\_1001251034

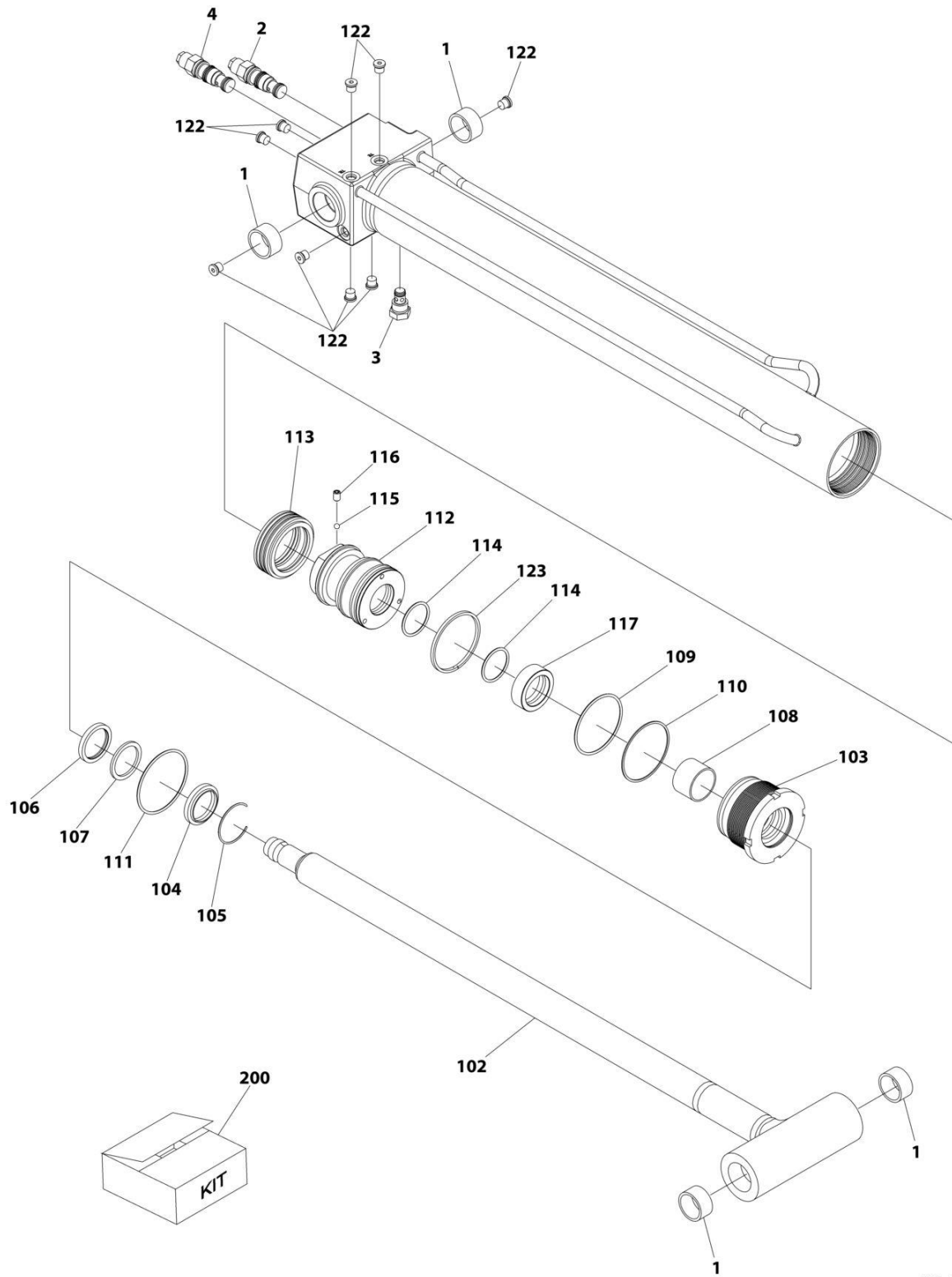
## SECTION 6 - CYLINDER

**FIGURE 6-2. LEVEL CYLINDER ASSEMBLY - PLATFORM SLAVE**

ITEM	PART NUMBER	QTY	DESCRIPTION	REV
	1001251034	Ref	PLATFORM LEVEL CYLINDER	A
		Ref	Note: Original Cylinder May Have Been Replaced with Service Replacement. Identify PN Stamped on Cylinder Before Ordering Parts.	
1	See Note	NSS	Barrel (Note: Not Available for Purchase)	
2	70008067	1	Rod	
3	70008068	1	Head	
4	See Note	NSS	Wiper, Rod (Note: Use Item 100)	
5	See Note	NSS	Seal, Rod (Note: Use Item 100)	
6	See Note	NSS	Ring, Wear (Note: Use Item 100)	
7	See Note	NSS	O-Ring (Note: Use Item 100)	
8	See Note	NSS	Ring, Back-up (Note: Use Item 100)	
9	See Note	NSS	O-Ring (Note: Use Item 100)	
10	See Note	NSS	O-Ring (Note: Use Item 100)	
11	70008069	1	Piston	
12	See Note	NSS	Seal (Note: Use Item 100)	
13	70005839	1	Setscrew M8 x 12	
14	0962561	1	Bushing	
15	0961949	2	Bushing	
16	4641386	1	Cartridge, Counterbalance Valve	
16	7011376	1	Seal Kit - 4641386 Cartridge	
17	4641393	1	Cartridge, Counterbalance Valve	
17	7011376	1	Seal Kit - 4641393 Cartridge	
18	4641388	1	Cartridge, Orifice Valve	
18	7011353	1	Seal Kit - 4641388 Cartridge	
19	2220883	5	Plug	
100	70008070	1	Seal Kit (Includes Items 4-10 & 12)	

# SECTION 6 - CYLINDER

## FIGURE 6-3. LIFT CYLINDER ASSEMBLY - JIB



ART\_1001251025

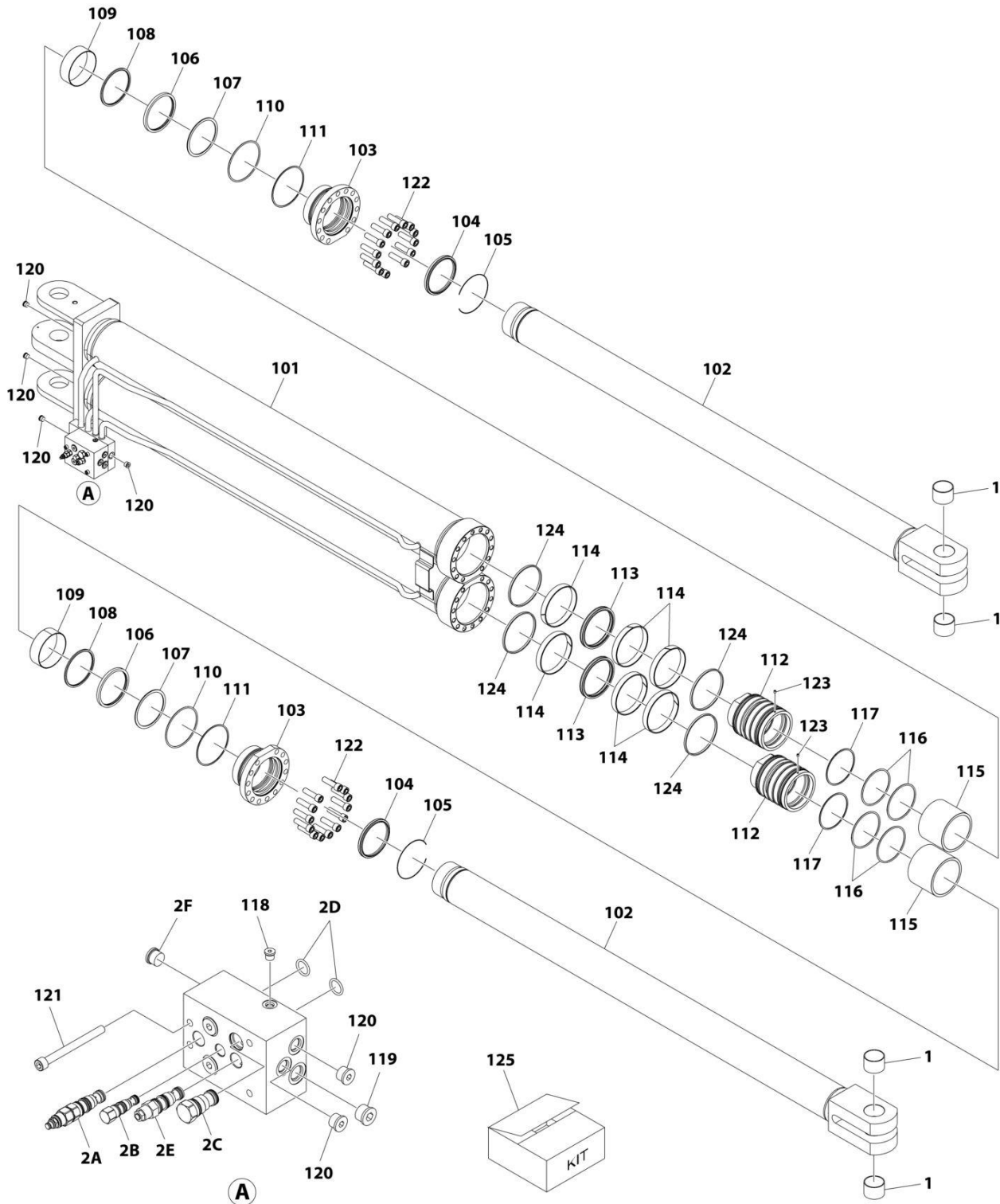
## SECTION 6 - CYLINDER

**FIGURE 6-3. LIFT CYLINDER ASSEMBLY - JIB**

ITEM	PART NUMBER	QTY	DESCRIPTION	REV
	1001251025	Ref	JIB CYLINDER ASSEMBLY	A
		Ref	Note: Original Cylinder May Have Been Replaced with Service Replacement. Identify PN Stamped on Cylinder Before Ordering Parts.	
1	0962257	4	Bushing	
2	4640452	1	Valve, Counterbalance	
2	2900770	1	Seal Kit - For 4640452 Counterbalance Valve	
3	4641114	1	Valve, Check	
3	7012998	1	Seal Kit - For 4641114 Check Valve	
4	4641260	1	Valve, Counterbalance	
4	2900770	1	Seal Kit - For 4641260 Counterbalance Valve	
102	70007993	1	Rod	
103	70007994	1	Head	
104	See Note	NSS	Wiper (Note: Use Item 200)	
105	70002373	1	Ring, Retaining	
106	See Note	NSS	Seal (Note: Use Item 200)	
107	See Note	NSS	Ring (Note: Use Item 200)	
108	70005143	1	Bearing	
109	See Note	NSS	O-Ring (Note: Use Item 200)	
110	See Note	NSS	Ring (Note: Use Item 200)	
111	See Note	NSS	O-Ring (Note: Use Item 200)	
112	70007995	1	Piston	
113	See Note	NSS	Seal (Note: Use Item 200)	
114	See Note	NSS	O-Ring (Note: Use Item 200)	
115	70022564	1	Ball, Steel	
116	70006596	1	Setscrew M8 x 1-1/4	
117	70007996	1	Spacer	
122	2220883	9	Plug	
123	70007997	1	Ring	
200	70007998	1	Seal Kit (Includes Items 104, 106, 107, 109-111, 113 & 114)	

# SECTION 6 - CYLINDER

## FIGURE 6-4. LIFT CYLINDER ASSEMBLY - MAIN BOOM



ART\_1001251094

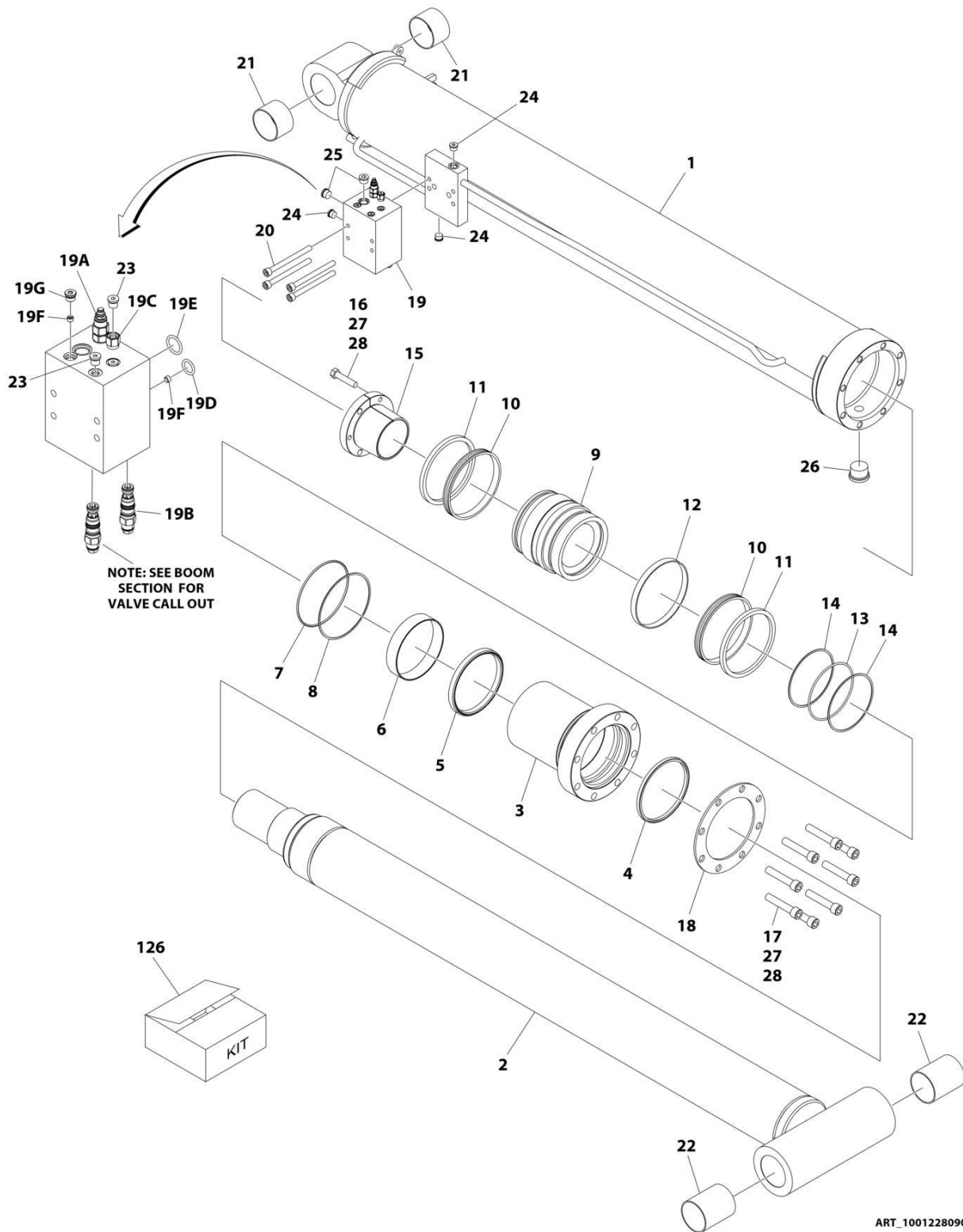
## SECTION 6 - CYLINDER

**FIGURE 6-4. LIFT CYLINDER ASSEMBLY - MAIN BOOM**

ITEM	PART NUMBER	QTY	DESCRIPTION	REV
	1001251094	Ref	LIFT CYLINDER ASSEMBLY	A
		Ref	Note: Original Cylinder May Have Been Replaced with Service Replacement. Identify PN Stamped on Cylinder Before Ordering Parts.	
1	1001198762	4	Bushing	
2	1001204041	1	Valve Assembly	
2A	70005659	1	Cartridge, Valve (Counterbalance)	
2A	7011376	1	Seal Kit - 70005659 Valve	
2B	70005658	1	Cartridge, Valve (Shuttle)	
2B	7026004	1	Seal Kit - 70005658 Valve	
2C	70004406	1	Cartridge, Valve (Check)	
2C	7011351	1	Seal Kit - 70004406 Valve	
2D	70000778	2	O-Ring	
2E	1001156033	1	Cartridge, Valve (Counterbalance)	
2E	7024574	1	Seal Kit - 1001156033 Valve	
2F	70005598	1	Plug #6	
101	See Note	NSS	Tube (Note: Not Available for Purchase)	
102	70008228	2	Rod	
103	70008229	2	Head	
104	See Note	NSS	Wiper, Dust (Note: Use Item 125)	
105	70008230	2	Ring, Retaining	
106	See Note	NSS	Seal, Rod (Note: Use Item 125)	
107	See Note	NSS	Ring, Backup (Note: Use Item 125)	
108	See Note	NSS	Ring, Buffer (Note: Use Item 125)	
109	70008231	2	Bushing	
110	See Note	NSS	O-Ring (Note: Use Item 125)	
111	See Note	NSS	Ring, Backup (Note: Use Item 125)	
112	70008232	2	Piston	
113	See Note	NSS	Seal, Piston (Note: Use Item 125)	
114	See Note	NSS	Ring, Wear (Note: Use Item 125)	
115	70008233	2	Spacer	
116	See Note	NSS	O-Ring (Note: Use Item 125)	
117	See Note	NSS	Ring, Backup (Note: Use Item 125)	
118	2220883	1	Plug 7/16	
119	70005433	3	Plug 7/8	
120	2220886	6	Plug 3/4	
121	70008234	4	Bolt M10 x 110	
122	70008235	26	Bolt M20 x 75	
123	70005839	2	Setscrew	
124	See Note	NSS	Ring, Dust (Note: Use Item 125)	
125	70008236	1	Seal Kit (Includes Items 104, 106-108, 110-111, 113-114, 116-117 & 124)	

# SECTION 6 - CYLINDER

## FIGURE 6-5. LIFT CYLINDER ASSEMBLY - TOWER BOOM



ART\_100128090



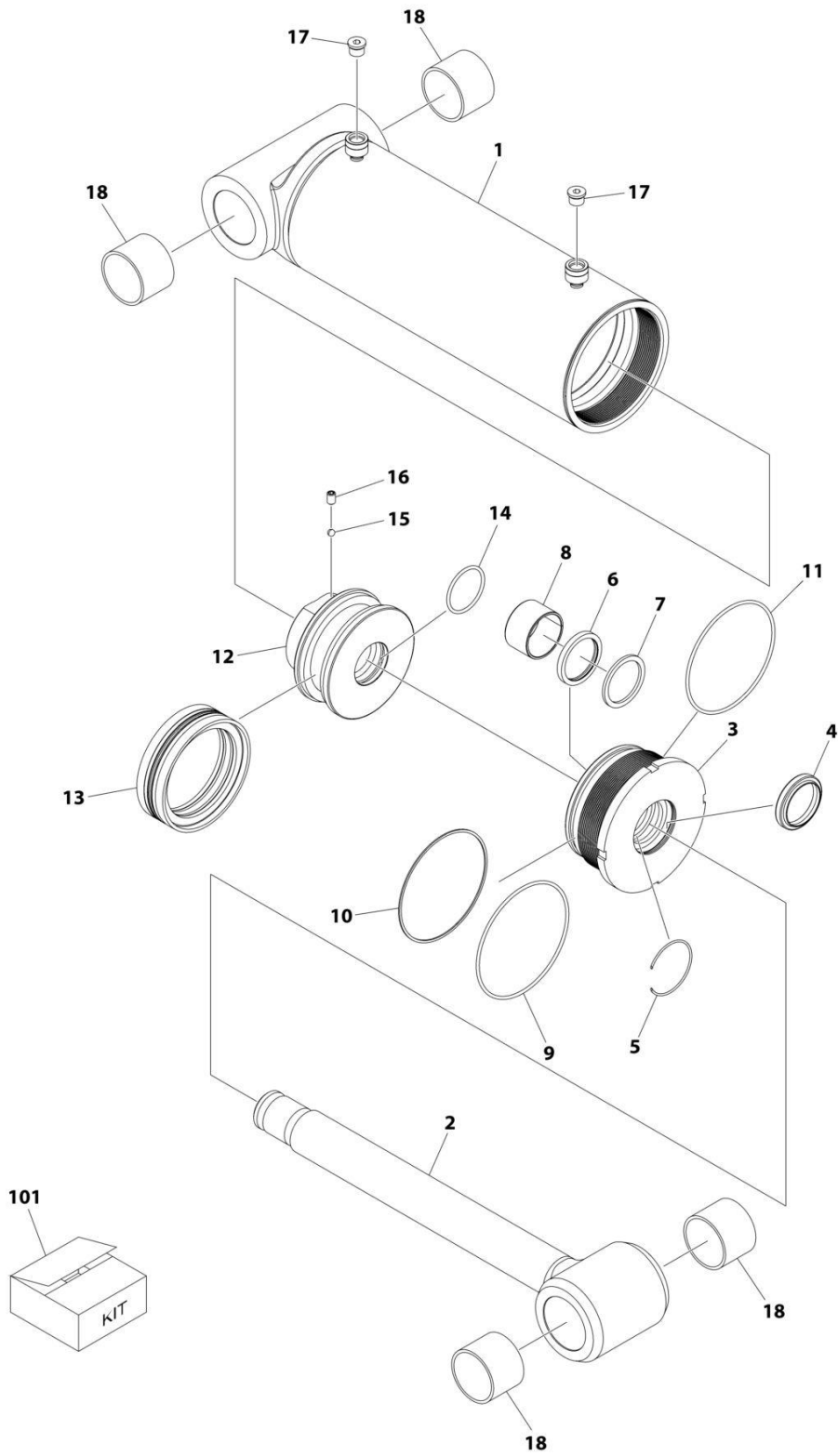
## SECTION 6 - CYLINDER

### FIGURE 6-5. LIFT CYLINDER ASSEMBLY - TOWER BOOM

ITEM	PART NUMBER	QTY	DESCRIPTION	REV
	1001228090	Ref	LIFT CYLINDER ASSEMBLY - TOWER BOOM	C
		Ref	Note: Original Cylinder May Have Been Replaced with Service Replacement. Identify PN Stamped on Cylinder Before Ordering Parts.	
1	See Note	NSS	Barrel Weldment (Note: Not Available for Purchase)	
2	70006512	1	Rod	
3	70006511	1	Head	
4	See Note	NSS	Ring, Wiper (Note: Use Item 126)	
5	See Note	NSS	Seal, Rod (Note: Use Item 126)	
6	See Note	NSS	Ring, Wear (Note: Use Item 126)	
7	See Note	NSS	O-Ring (Note: Use Item 126)	
8	See Note	NSS	Ring, Back-up (Note: Use Item 126)	
9	70006510	1	Piston	
10	See Note	NSS	Ring, Hydrolock (Note: Use Item 126)	
11	See Note	NSS	Ring, Lock (Note: Use Item 126)	
12	See Note	NSS	Ring, Wear (Note: Use Item 126)	
13	See Note	NSS	O-Ring (Note: Use Item 126)	
14	See Note	NSS	Ring, Back-up (Note: Use Item 126)	
15	0962562	1	Bushing, Tapered	
16	1001206184	3	Bolt 5/8 x 2-7/8 Grade 8	
17	3932264	8	Capscrew 3/4 x 4	
18	1001151503	1	Ring, Washer	
19	1001212199	1	Valve Assembly	
19A	70005656	1	Cartridge, Valve (Counterbalance)	
19A	7011376	1	Seal Kit - 70005656 Valve	
19B	70005655	1	Cartridge, Valve (Counterbalance)	
19B	2900770	1	Seal Kit - 70005655 Valve	
19C	7011361	1	Cartridge, Valve (Shuttle)	
19C	7011346	1	Seal Kit - 7011361 Valve	
19D	70005654	1	O-Ring	
19E	70024072	1	O-Ring	
19F	70005633	2	Orifice .031	
19G	70005598	1	Plug #6	
20	5272025	4	Capscrew M10 x 120	
21	1001133927	2	Bearing	
22	1001150942	2	Bushing	
23	2220883	5	Plug #4	
24	2220886	3	Plug #8	
25	2220887	2	Plug #10	
26	2220888	1	Plug #12	
27	0100011	AR	Compound, Locking	
28	0100038	AR	Primer, Locking	
126	1001160169	1	Seal Kit (Includes Items 4-8 & 10-14)	

# SECTION 6 - CYLINDER

## FIGURE 6-6. STEER CYLINDER ASSEMBLY



ART\_1001251065

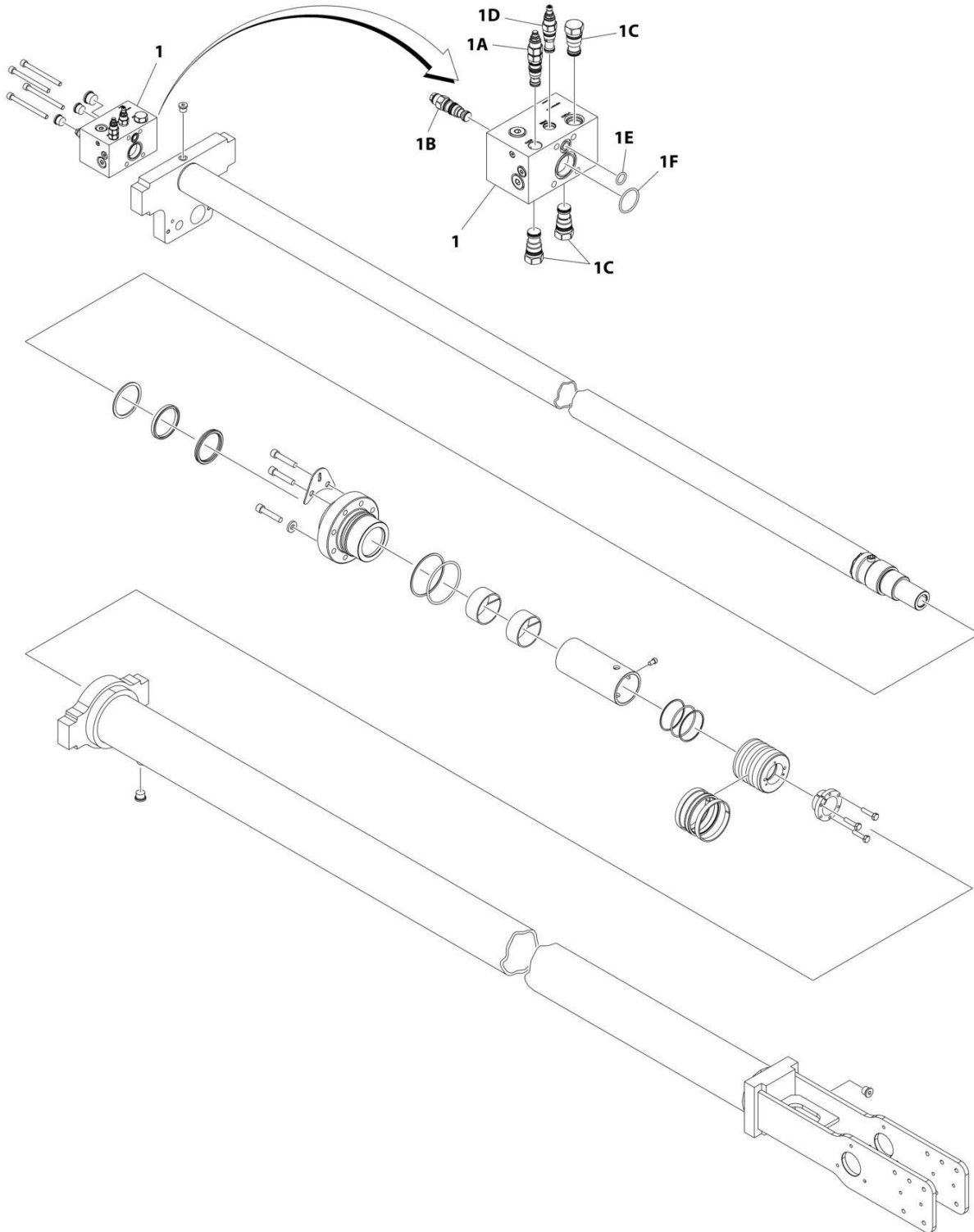
## SECTION 6 - CYLINDER

**FIGURE 6-6. STEER CYLINDER ASSEMBLY**

ITEM	PART NUMBER	QTY	DESCRIPTION	REV
	1001251065	Ref	STEER CYLINDER ASSEMBLY	A
		Ref	Note: Original Cylinder May Have Been Replaced with Service Replacement. Identify PN Stamped on Cylinder Before Ordering Parts.	
1	See Note	NSS	Barrel (Note: Not Available for Purchase)	
2	7008010	1	Rod	
3	7008011	1	Head	
4	See Note	NSS	Wiper (Note: Use Item 101)	
5	70002410	1	Ring, Retaining	
6	See Note	NSS	Seal, Rod (Note: Use Item 101)	
7	See Note	NSS	Ring, Backup (Note: Use Item 101)	
8	7004237	1	Bushing	
9	See Note	NSS	O-Ring (Note: Use Item 101)	
10	See Note	NSS	Ring, Backup (Note: Use Item 101)	
11	See Note	NSS	O-Ring (Note: Use Item 101)	
12	70008012	1	Piston	
13	See Note	NSS	Seal, Piston (Note: Use Item 101)	
14	See Note	NSS	O-Ring (Note: Use Item 101)	
15	70022564	1	Ball, Steel	
16	70006596	1	Setscrew M8 x 12	
17	2220885	2	Plug 9/16	
18	0961950	4	Bushing	
101	70008013	1	Seal Kit (Includes Items 4, 6-7, 9-11 & 13-14)	

# SECTION 6 - CYLINDER

## FIGURE 6-7. TELESCOPE CYLINDER ASSEMBLY - MAIN BOOM



ART\_1001251093

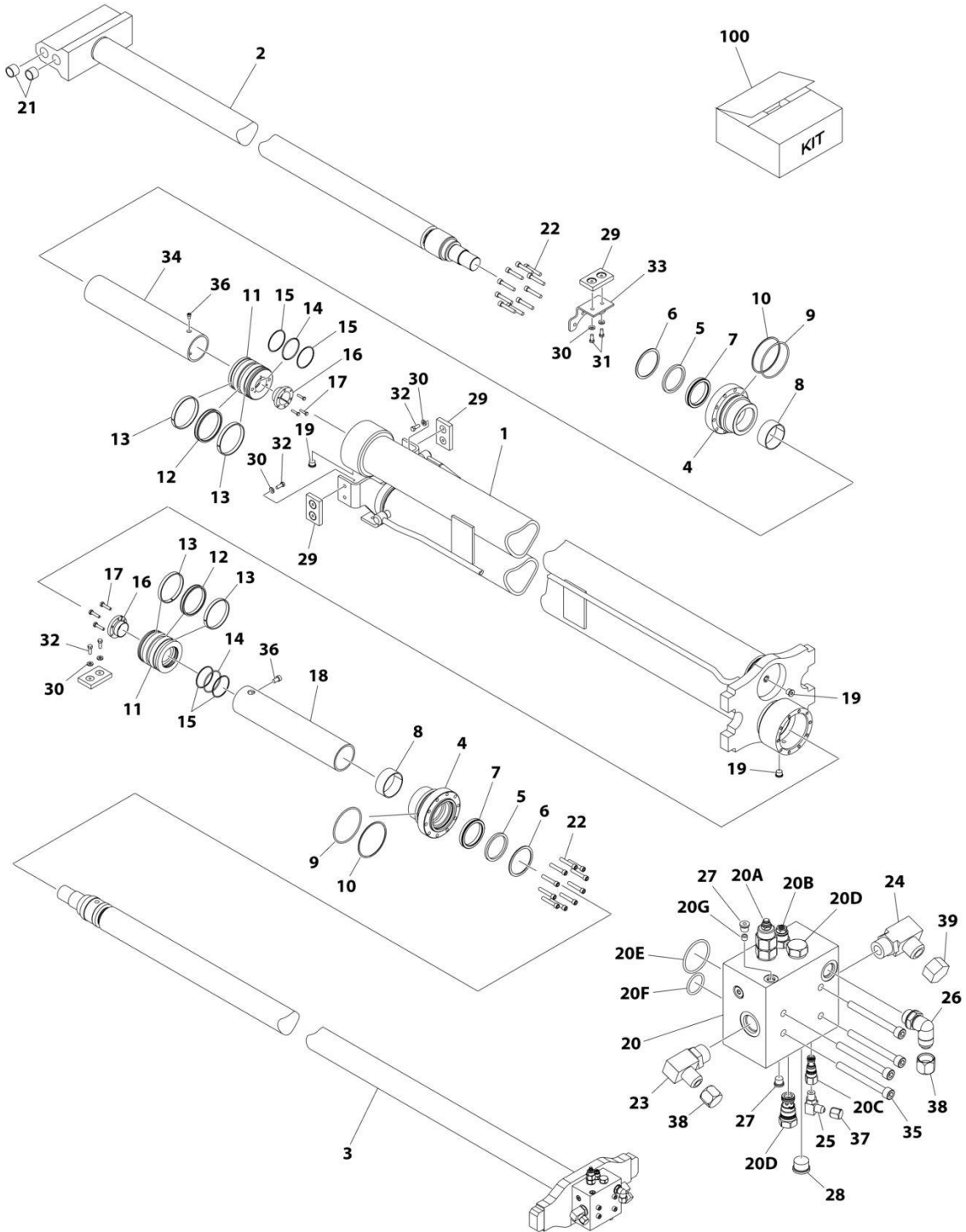
## SECTION 6 - CYLINDER

**FIGURE 6-7. TELESCOPE CYLINDER ASSEMBLY - MAIN BOOM**

ITEM	PART NUMBER	QTY	DESCRIPTION	REV
	1001251093	Ref	TELESCOPE CYLINDER ASSEMBLY - MAIN BOOM	A
		Ref	Note: Original Cylinder May Have Been Replaced with Service Replacement. Identify PN Stamped on Cylinder Before Ordering Parts.	
		Ref	Note: No Other Service Parts Available at Time of Printing.	
1	1001201772	1	Valve Assembly	D
1A	7011381	1	Cartridge, Valve (Counterbalance)	
1A	2900770	1	Seal Kit - 7011381 Valve	
1B	4640746	1	Cartridge, Valve (Counterbalance)	
1B	2900770	1	Seal Kit - 4640746 Valve	
1C	70004406	3	Cartridge, Valve (Check)	
1C	7011351	3	Seal Kit - 70004406 Valve	
1D	70005999	1	Cartridge, Valve (Relief)	
1D	See Note	NSS	Seal Kit - 70005999 Valve (Note: Not Available for Purchase)	
1E	70005654	1	O-Ring	
1F	70004407	1	O-Ring	

# SECTION 6 - CYLINDER

## FIGURE 6-8. TELESCOPE CYLINDER ASSEMBLY - TOWER BOOM



ART\_1001228091

## SECTION 6 - CYLINDER

**FIGURE 6-8. TELESCOPE CYLINDER ASSEMBLY - TOWER BOOM**

ITEM	PART NUMBER	QTY	DESCRIPTION	REV
	1001228091	Ref	TELESCOPE CYLINDER ASSEMBLY - TOWER BOOM	C
		Ref	Note: Original Cylinder May Have Been Replaced with Service Replacement. Identify PN Stamped on Cylinder Before Ordering Parts.	
1	See Note	NSS	Barrel Weldment (Note: Not Available for Purchase)	
2	70006853	1	Rod	
3	70006854	1	Rod	
4	70006867	1	Head	
5	See Note	NSS	Seal, Wiper (Note: Use Item 100)	
6	See Note	NSS	Ring, Retaining (Note: Use Item 100)	
7	See Note	NSS	Seal, Rod (Note: Use Item 100)	
8	See Note	NSS	Ring, Wear (Note: Use Item 100)	
9	See Note	NSS	O-Ring (Note: Use Item 100)	
10	See Note	NSS	Ring, Back-up (Note: Use Item 100)	
11	70006856	1	Piston	
12	See Note	NSS	Seal (Note: Use Item 100)	
13	See Note	NSS	Ring, Wear (Note: Use Item 100)	
14	See Note	NSS	O-Ring (Note: Use Item 100)	
15	See Note	NSS	Ring, Back-up (Note: Use Item 100)	
16	0961897	1	Bushing, Tapered	
17	0630535	3	Capscrew 1/4 x 1-1/8	
18	70006857	1	Spacer	
19	2220885	4	Plug #6	
20	1001205683	1	Valve Assembly	
20A	70005603	1	Cartridge, Valve (Counterbalance)	
20A	7011371	1	Seal Kit - 70005603 Valve	
20B	70005602	1	Cartridge, Valve (Counterbalance)	
20B	2900770	1	Seal Kit - 70005602 Valve	
20C	7011361	1	Cartridge, Valve (Shuttle)	
20C	7011346	1	Seal Kit - 7011361 Valve	
20D	7011368	2	Cartridge, Valve (Check)	
20D	7011351	2	Seal Kit - 7011368 Valve	
20E	70005601	1	O-Ring	
20F	70005600	1	O-Ring	
20G	70005599	2	Orifice .031	
21	0961951	4	Bushing	
22	70006732	20	Bolt	
23	70006858	1	Connector	
24	70006859	1	Connector	
25	70005804	1	Connector	
26	70006860	1	Connector	
27	2220883	2	Plug #4	
28	70005433	1	Plug	
29	3340763	4	Pad, Wear	
30	70006344	8	Washer	
31	0681607	2	Bolt 3/8 x 7/8 Grade 8	
32	0681608	6	Bolt 3/8 x 1 Grade 8	
33	1001198587	1	Plate, Mounting	
34	70006861	1	Spacer	
35	70006862	4	Bolt	

## SECTION 6 - CYLINDER

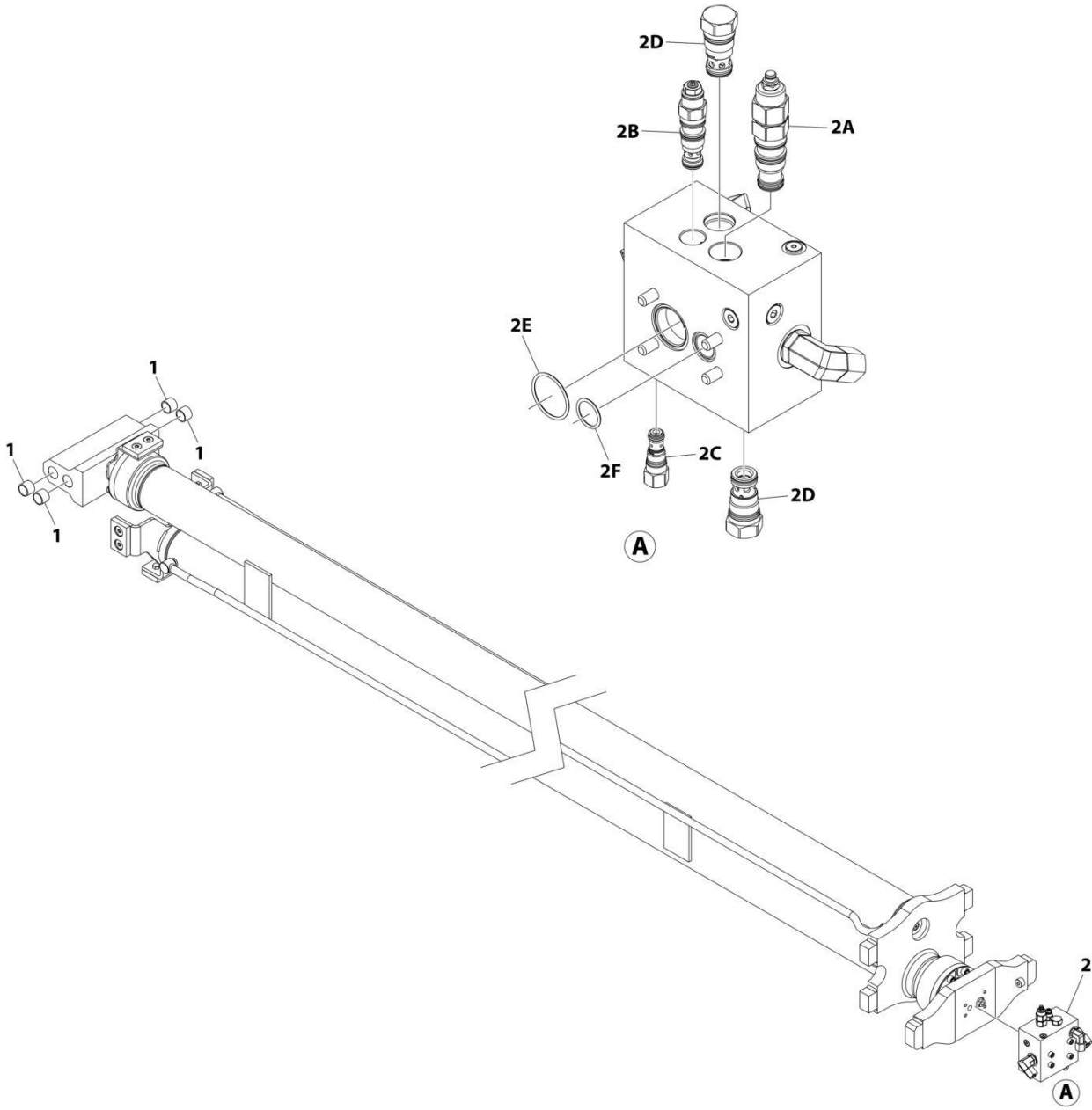
ITEM	PART NUMBER	QTY	DESCRIPTION	REV
36	70006731	2	Bolt	
37	70006863	1	Cap, Dust	
38	70006864	2	Cap, Dust	
39	70006865	1	Cap, Dust	
100	1001198594	1	Seal kit (Includes Items 5-10 & 12-15)	





# SECTION 6 - CYLINDER

## FIGURE 6-9. TELESCOPE CYLINDER ASSEMBLY - TOWER BOOM



ART\_1001312091

## SECTION 6 - CYLINDER

**FIGURE 6-9. TELESCOPE CYLINDER ASSEMBLY - TOWER BOOM**

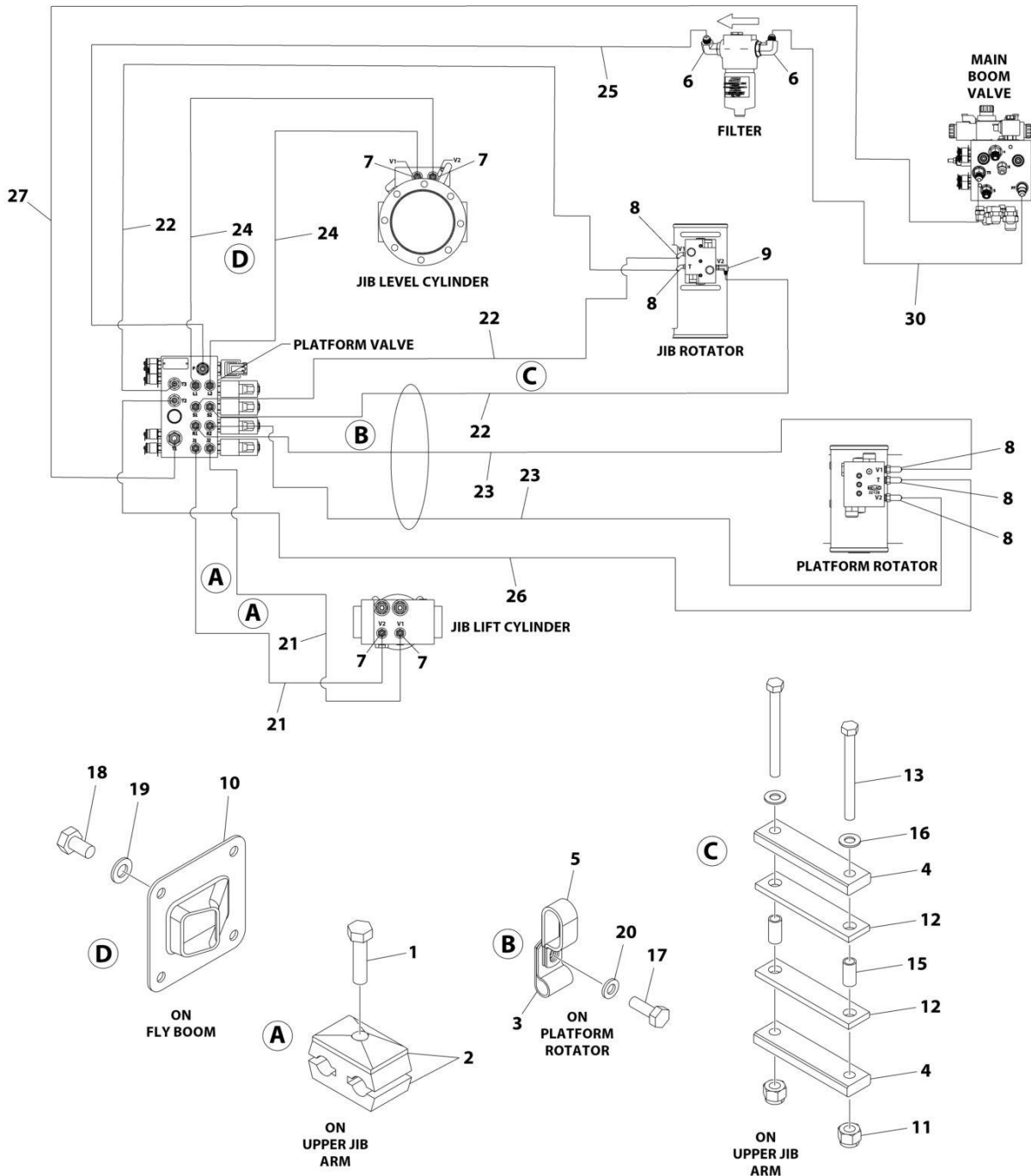
ITEM	PART NUMBER	QTY	DESCRIPTION	REV
	1001312091	Ref	TELESCOPE CYLINDER ASSEMBLY - TOWER BOOM	A
		Ref	Note: Original Cylinder May Have Been Replaced with Service Replacement. Identify PN Stamped on Cylinder Before Ordering Parts.	
1	0961951	4	Bushing	
2	1001205683	1	Valve Assembly	
2A	70005603	1	Cartridge, Valve (Counterbalance)	
2A	7011371	1	Seal Kit - 70005603 Valve	
2B	70005602	1	Cartridge, Valve (Counterbalance)	
2B	2900770	1	Seal Kit - 70005602 Valve	
2C	7011361	1	Cartridge, Valve (Shuttle)	
2C	7011346	1	Seal Kit - 7011361 Valve	
2D	7011368	2	Cartridge, Valve (Check)	
2D	7011351	2	Seal Kit - 7011368 Valve	
2E	70005601	1	O-Ring	
2F	70005600	1	O-Ring	



**SECTION 7 - HYDRAULIC**

# SECTION 7 - HYDRAULIC

## FIGURE 7-1. BOOM AND JIB HYDRAULIC DIAGRAM



ART\_1001197361\_E

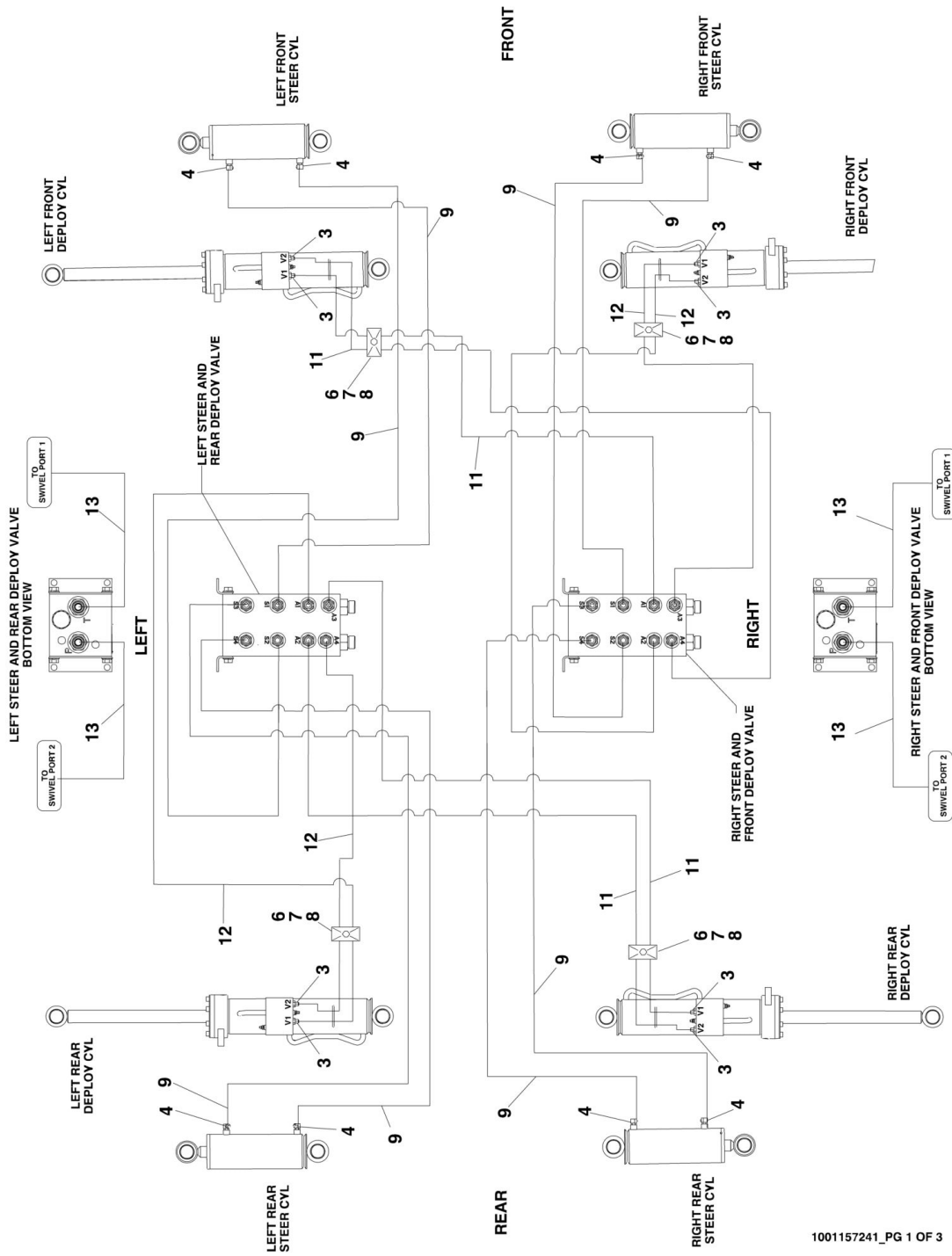
## SECTION 7 - HYDRAULIC

**FIGURE 7-1. BOOM AND JIB HYDRAULIC DIAGRAM**

ITEM	PART NUMBER	QTY	DESCRIPTION	REV
	1001197361	Ref	BOOM AND JIB HYDRAULIC DIAGRAM	E
1	0641510	2	Bolt 5/16 x 1-1/4	
2	1320159	2	Clamp	
3	1320263	1	Clamp	
4	1320296	3	Clamp	
5	1321385	1	Clamp	
6	2220366	2	Fitting, 90 JIC/ORB	
7	2220415	4	Fitting, Straight JIC/ORB	
8	2220502	5	Fitting, 45 JIC/ORB	
9	2220940	1	Fitting, 90 JIC/ORB	
10	2540044	1	Guide, Hose	
11	3300492	2	Nut 3/8	
12	3340934	4	Pad, Rubber	
13	3900260	4	Bolt 3/8 x 4	
14	4240018	11	Tie-Strap (Not Shown)	
15	4562516	4 in/0.1m	Tubing	
16	4711600	4	Washer 3/8	
17	0760610001	1	Bolt M6 x 20	
18	0761009001	4	Bolt M10 x 18	
19	1001172358	4	Washer M10	
20	4811700001	1	Washer M6	
21	1001201130	2	Hose	
22	1001201131	3	Hose	
23	1001201132	2	Hose	
24	1001201133	2	Hose	
25	1001201134	1	Hose	
26	1001201135	1	Hose	
27	1001201136	1	Hose	
28	4100063	1	Protector, Hose Wrap (Not Shown)	
29	4240033	4	Tie-Strap (Not Shown)	
30	1001226902	1	Hose	

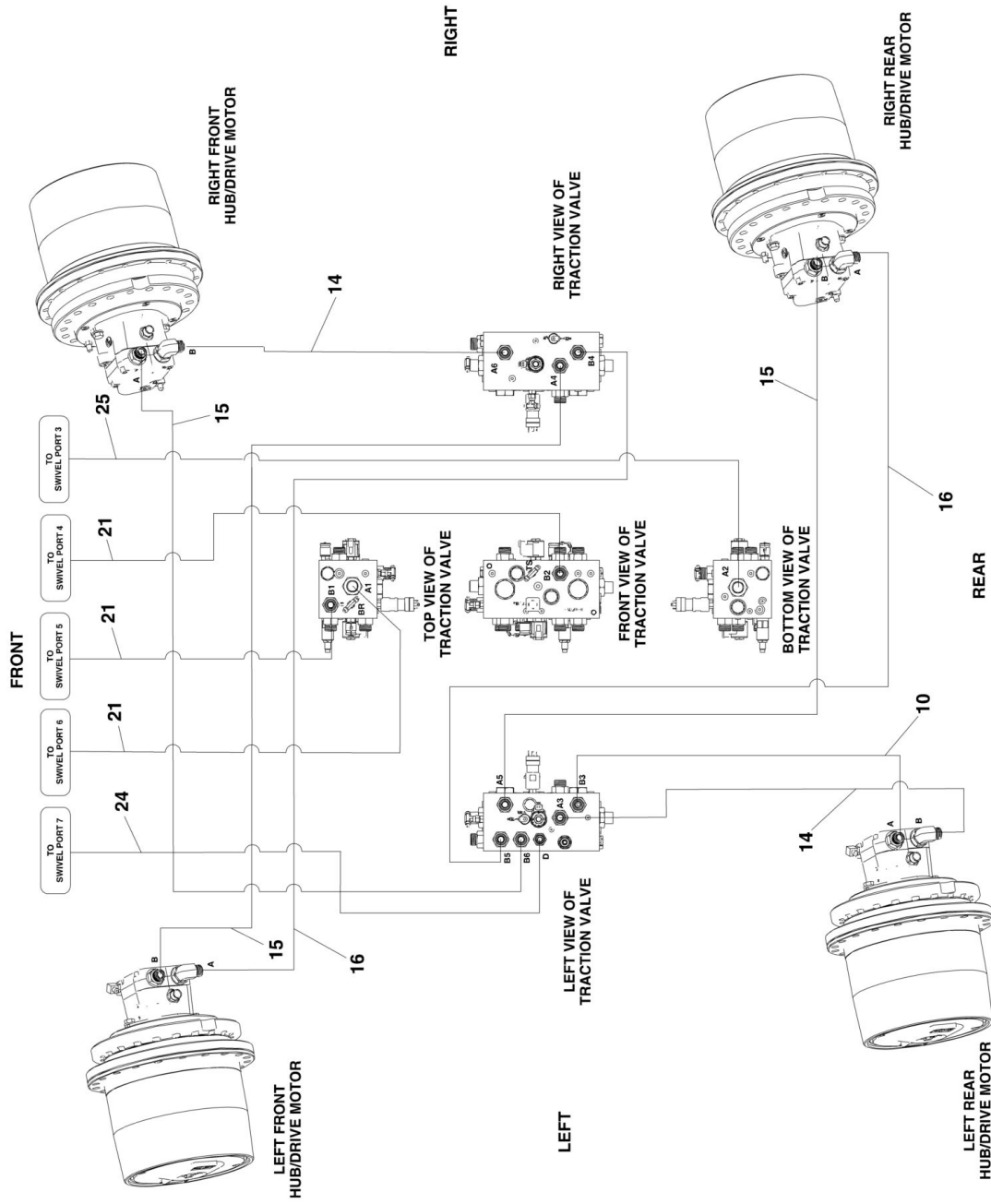
# SECTION 7 - HYDRAULIC

## FIGURE 7-2. CHASSIS HYDRAULIC DIAGRAM



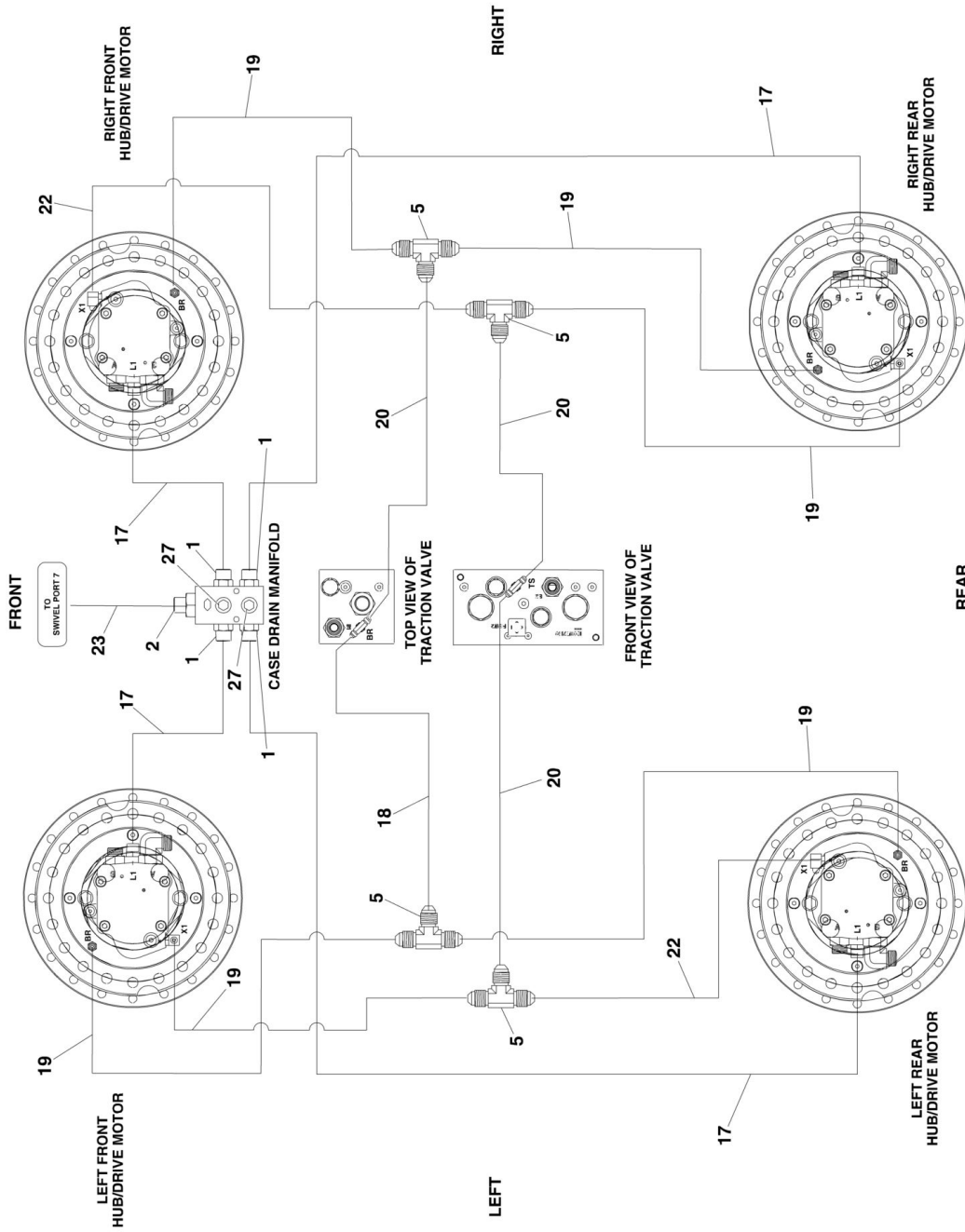


# SECTION 7 - HYDRAULIC



1001157241\_PG 2 OF 3

# SECTION 7 - HYDRAULIC



1001157241\_PG 3 OF 3

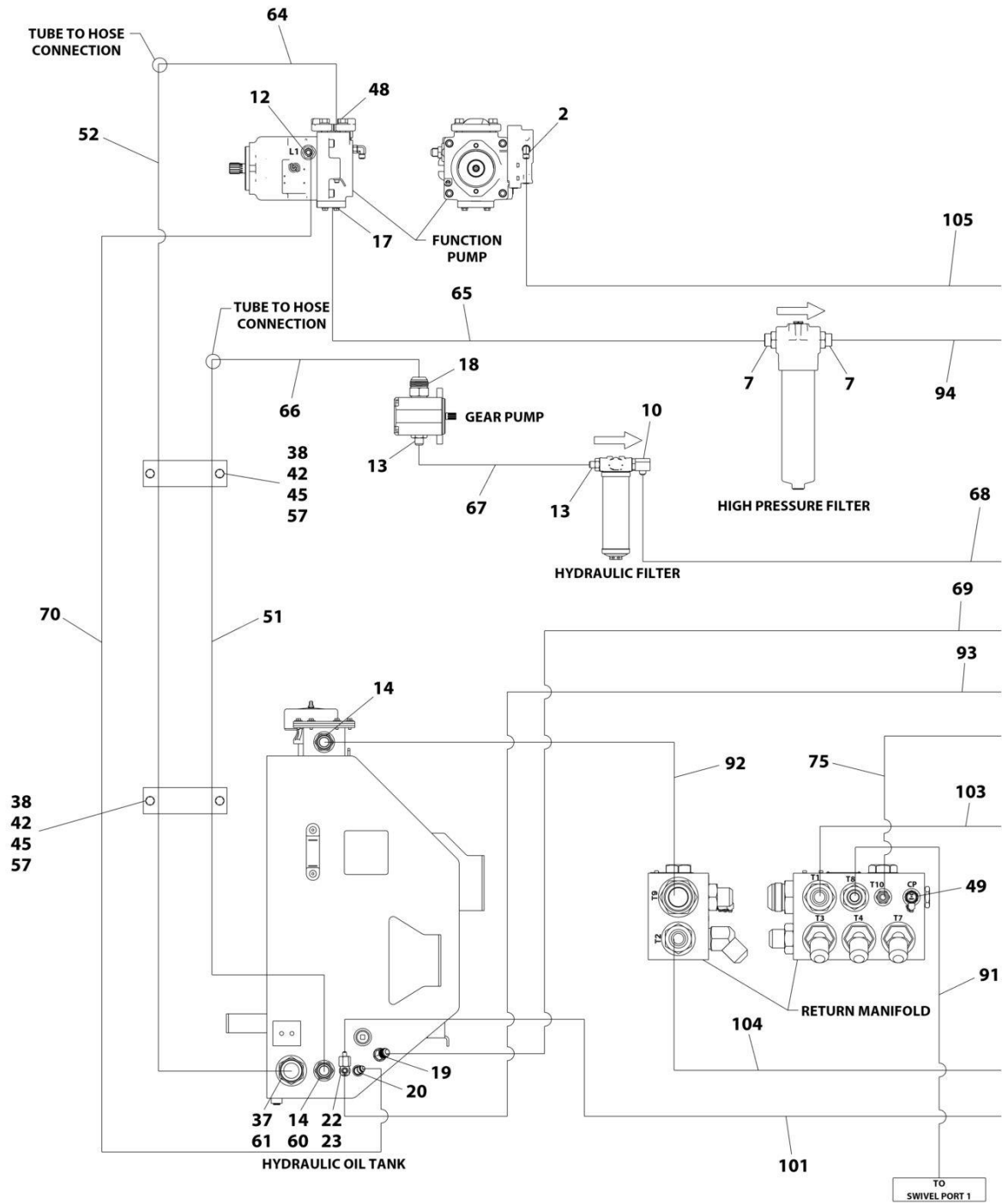
## SECTION 7 - HYDRAULIC

**FIGURE 7-2. CHASSIS HYDRAULIC DIAGRAM**

ITEM	PART NUMBER	QTY	DESCRIPTION	REV
	1001157241	Ref	CHASSIS HYDRAULIC DIAGRAM	D
1	2110808	4	Fitting, Straight ORFS/ORB	
2	2110812	1	Fitting, Straight ORFS/ORB	
3	2220372	8	Fitting, Straight JIC/ORB	
4	2220473	8	Fitting, 90 JIC/ORB	
5	2220504	4	Fitting, Tee JIC/JIC/JIC	
6	8769122	4	Clamp Set	
7	8769128	4	Cover	
8	0641511001	4	Bolt 5/16 x 1-3/8	
9	1001161269	8	Hose	
10	1001161270	1	Hose	
11	1001161271	4	Hose	
12	1001161272	4	Hose	
13	1001161273	4	Hose	
14	1001161274	2	Hose	
15	1001161275	3	Hose	
16	1001161276	2	Hose	
17	1001161277	4	Hose	
18	1001161278	1	Hose	
19	1001161279	6	Hose	
20	1001161280	3	Hose	
21	1001161281	3	Hose	
22	1001161282	2	Hose	
23	1001161283	1	Hose	
24	1001161289	1	Hose	
25	1001161290	1	Hose	
26	4240018	18	Tie-Strap (Not Shown)	
27	2220235	2	Fitting, O-Ring	

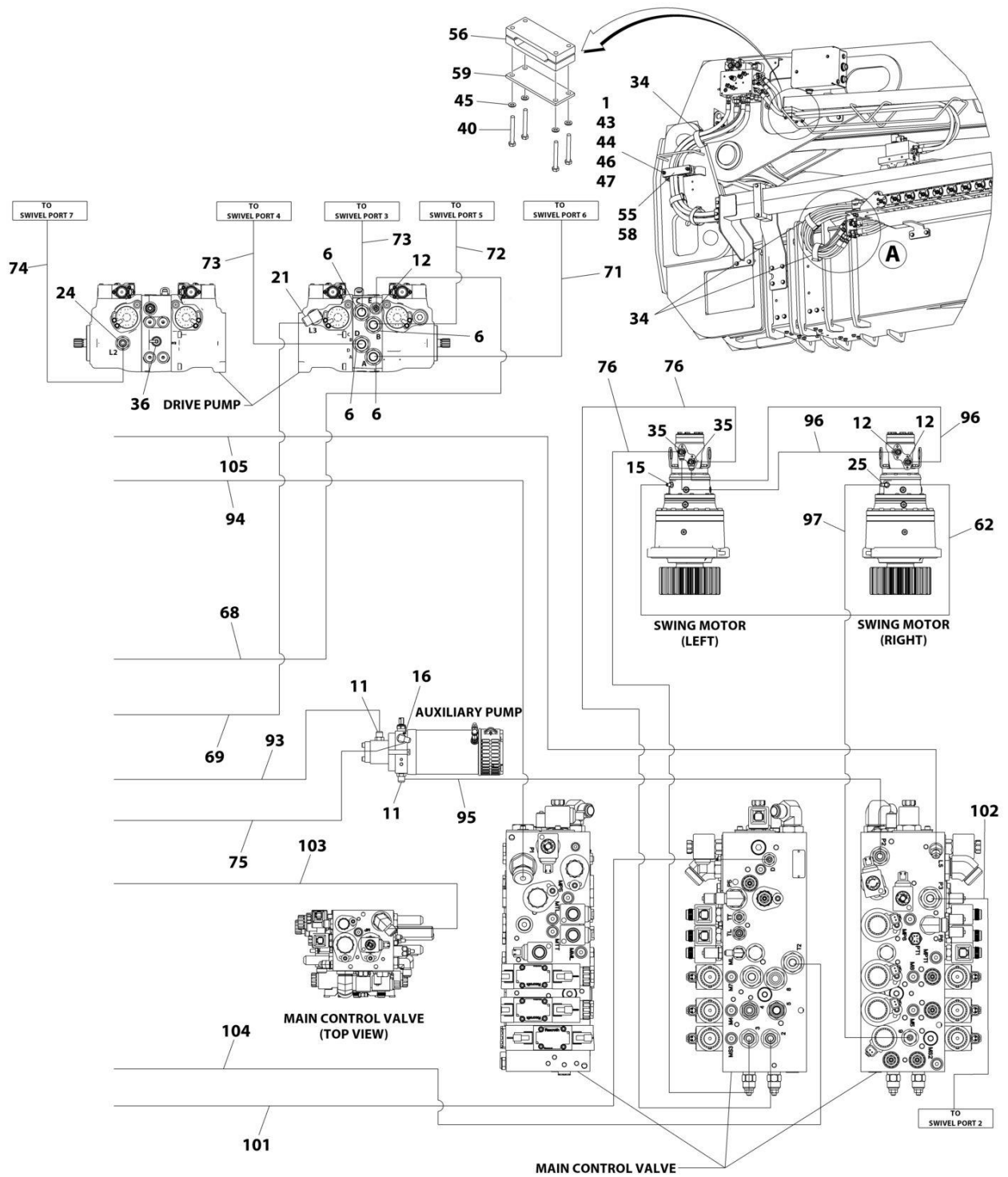
# SECTION 7 - HYDRAULIC

## FIGURE 7-3. TURNTABLE HYDRAULIC DIAGRAM



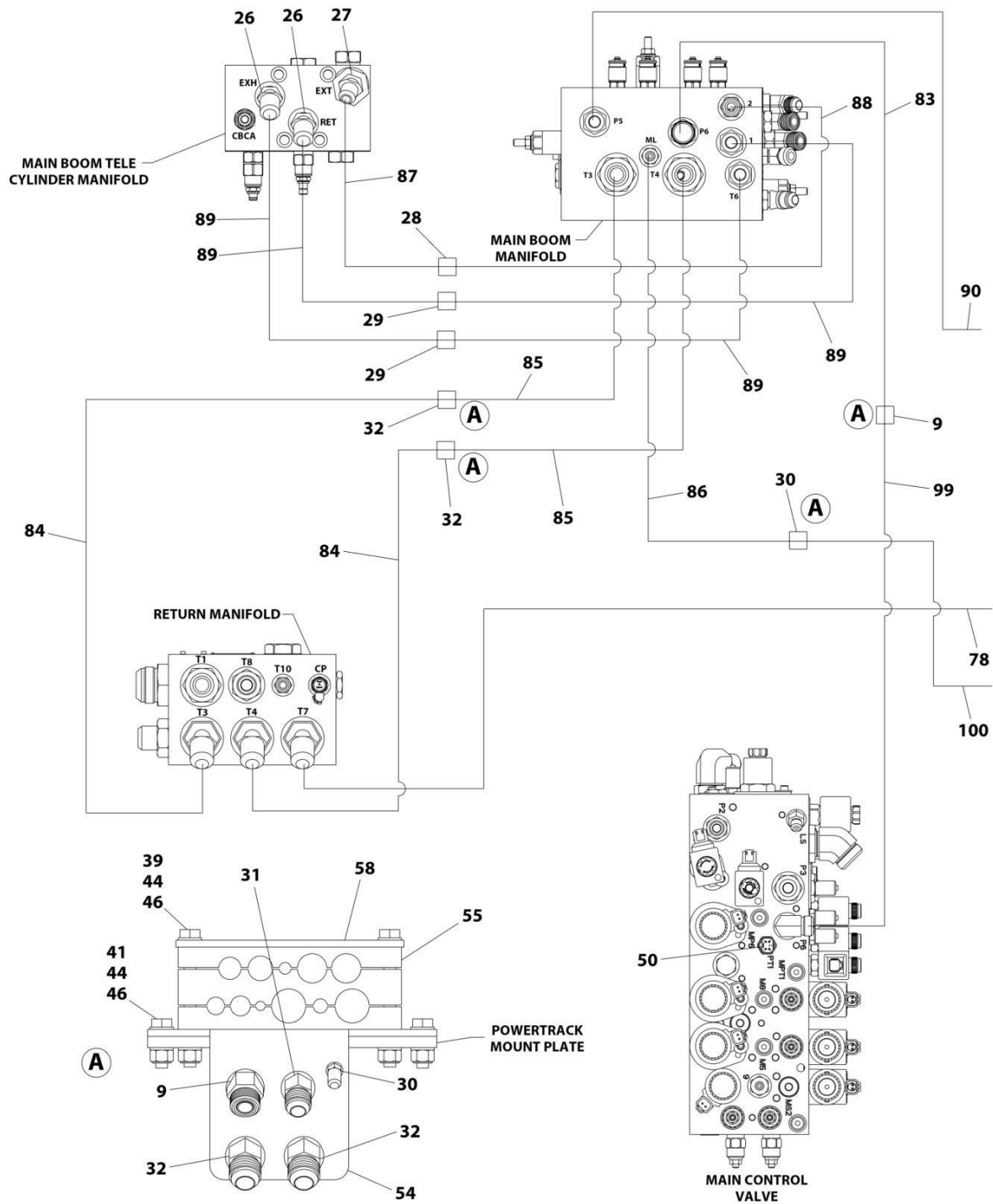
ART\_1001212512\_10F4

# SECTION 7 - HYDRAULIC



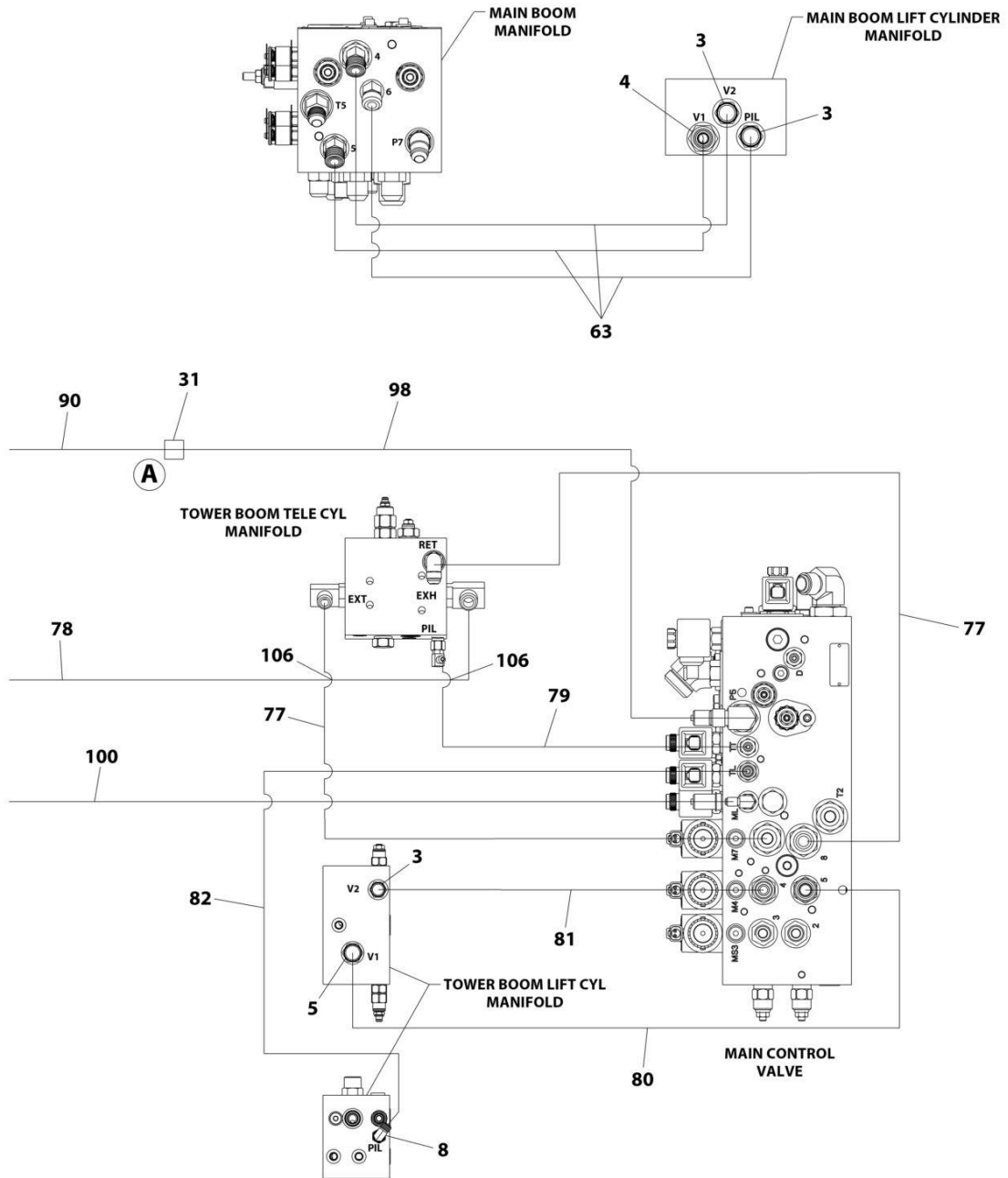
ART\_1001212512\_2OF4

# SECTION 7 - HYDRAULIC



ART\_1001212512\_3OF4

# SECTION 7 - HYDRAULIC



ART\_1001212512\_40F4

# SECTION 7 - HYDRAULIC

## FIGURE 7-3. TURNTABLE HYDRAULIC DIAGRAM

ITEM	PART NUMBER	QTY	DESCRIPTION	REV
	1001212512	Ref	TURNTABLE HYDRAULIC DIAGRAM	G
1	0100019	AR	Compound, Locking	
2	2110604	1	Fitting, 90 ORFS/ORB	
3	2110808	3	Fitting, Straight ORFS/ORB	
4	2110810	1	Fitting, Straight ORFS/ORB	
5	2111010	1	Fitting, Straight ORFS/ORB	
6	2111016	4	Fitting, Straight ORFS/ORB	
7	2111620	2	Fitting, Straight ORFS/ORB	
8	2170204	1	Fitting, 90 ORFS/ORB	
9	2171310	1	Fitting, 45 ORFS	
10	2220366	1	Fitting, 90 JIC/ORB	
11	2220373	2	Fitting, Straight JIC/ORB	
12	2220374	4	Fitting, Straight JIC/ORB	
13	2220375	2	Fitting, Straight JIC/ORB	
14	2220380	2	Fitting, Straight JIC/ORB	
15	2220415	1	Fitting, Straight JIC/ORB	
16	2220473	1	Fitting, 90 JIC/ORB	
17	2220478	1	Fitting Kit - Split Flange	
18	2220479	1	Fitting, Straight JIC/ORB	
19	2220498	1	Fitting, 45 JIC/ORB	
20	2220500	1	Fitting, 45 JIC/ORB	
21	2220578	1	Fitting, 90 JIC/ORB	
22	2220602	1	Fitting, Tee JIC/ORB/JIC	
23	2220618	1	Fitting, Straight JIC/FSJIC	
24	2220865	1	Fitting, Straight JIC/ORB	
25	2221034	1	Fitting, Tee	
26	2221050	2	Fitting, 45 JIC/ORB	
27	2221077	1	Fitting, 45	
28	2230025	1	Fitting, Straight JIC/JIC	
29	2230026	2	Fitting, Straight JIC/JIC	
30	2230031	1	Fitting, 45 JIC/JIC	
31	2230035	1	Fitting, 45 JIC/JIC	
32	2230036	2	Fitting, 45 JIC/JIC	
33	4240018	4	Tie-Strap (Not Shown)	
34	1001137263	AR	Strap, Cinch	
35	8760554	2	Fitting, Tee JIC/ORB/JIC	
36	77133089	1	Valve, Check	
37	88662013	1	Fitting, Straight JIC/ORB	
38	0700823001	4	Bolt M8 x 75	
39	0701028001	2	Bolt M10 x 110	
40	0760822001	4	Bolt M8 x 70	
41	0761015001	2	Bolt M10 x 35	
42	3290801001	4	Nut M8	
43	3291001001	2	Nut M10	
44	3291005001	6	Nut M10	
45	4811900001	12	Washer M8	
46	1001172358	10	Washer M10	
47	1001202136	2	Stud M10 x 115	
48	1001110604	1	Fitting Kit - Split Flange	
49	1001119455	1	Fitting, Test	



## SECTION 7 - HYDRAULIC

ITEM	PART NUMBER	QTY	DESCRIPTION	REV
50	1001200550	1	Sensor, Pressure Transducer	
51	1001202320	1	Tube	
52	1001212328	1	Tube	
53	1001207279	1	Shield (Not Shown)	
54	1001202705	1	Bracket	
55	1001202706	2	Clamp	
56	1001202707	1	Clamp	
57	1001207102	2	Clamp	
58	1001202708	2	Cover, Clamp	
59	1001202709	1	Cover, Clamp	
60	1001217086	1	Seal, Conical	
61	1001217087	1	Seal, Conical	
62	1001161647	1	Hose	
63	1001200977	1	Hose	
64	1001205083	1	Hose	
65	1001205084	1	Hose	
66	1001205086	1	Hose	
67	1001205087	1	Hose	
68	1001205088	1	Hose	
69	1001205089	1	Hose	
70	1001205090	1	Hose	
71	1001205092	1	Hose	
72	1001205093	1	Hose	
73	1001205094	2	Hose	
74	1001205095	1	Hose	
75	1001205096	1	Hose	
76	1001205098	2	Hose	
77	1001205100	2	Hose	
78	1001205102	1	Hose	
79	1001205103	1	Hose	
80	1001205104	1	Hose	
81	1001205105	1	Hose	
82	1001205106	1	Hose	
83	1001205108	1	Hose	
84	1001205110	2	Hose	
85	1001205111	2	Hose	
86	1001205113	1	Hose	
87	1001205114	1	Hose	
88	1001205115	1	Hose	
89	1001205116	4	Hose	
90	1001205117	1	Hose	
91	1001205124	1	Hose	
92	1001205125	1	Hose	
93	1001205949	1	Hose	
94	1001212491	1	Hose	
95	1001212492	1	Hose	
96	1001212494	2	Hose	
97	1001212495	1	Hose	
98	1001212502	1	Hose	
99	1001212503	1	Hose	
100	1001212504	1	Hose	

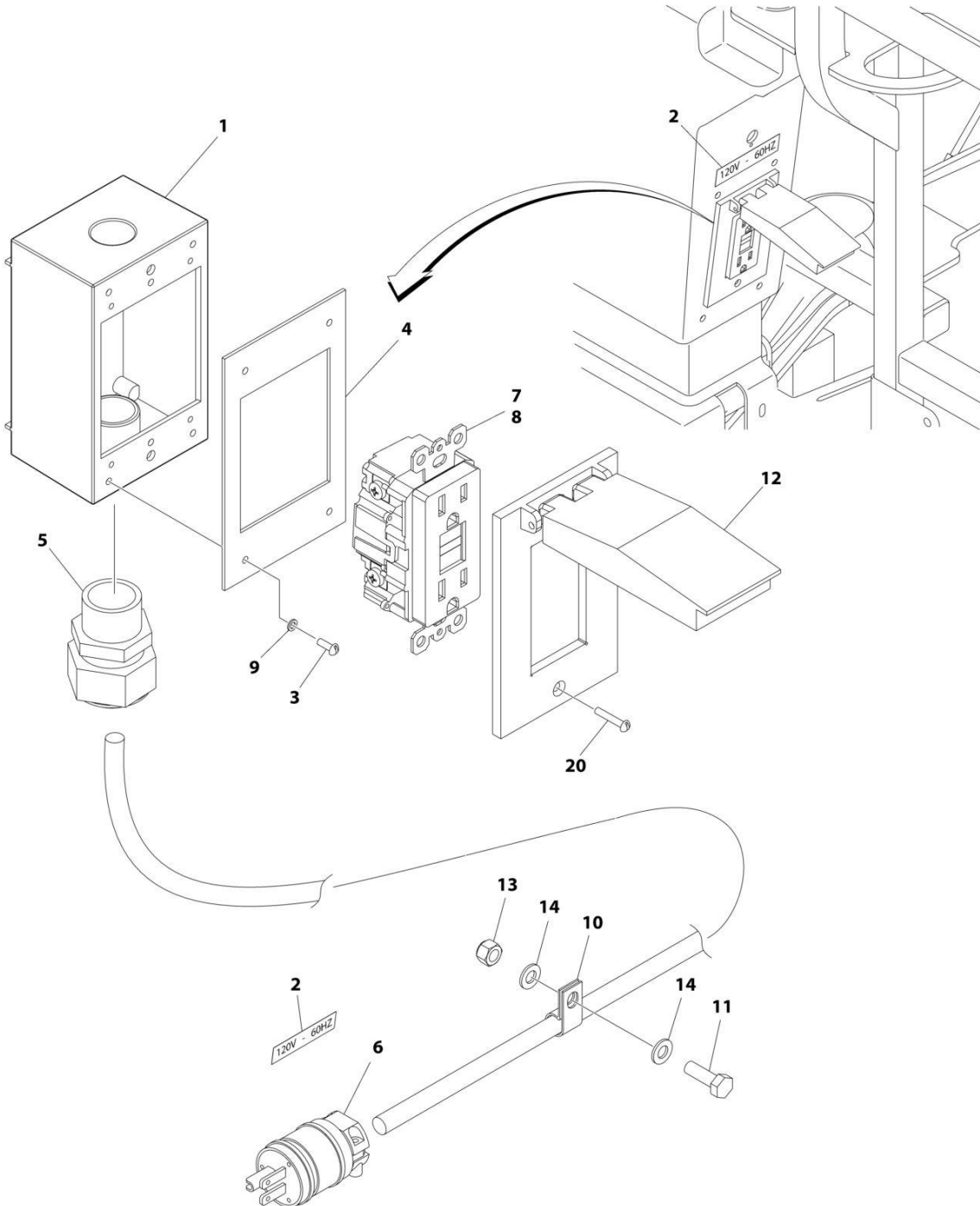
## SECTION 7 - HYDRAULIC

ITEM	PART NUMBER	QTY	DESCRIPTION	REV
101	1001212505	1	Hose	
102	1001212507	1	Hose	
103	1001212509	1	Hose	
104	1001231291	1	Hose	
105	1001232201	1	Hose	
106	4240155	6	Strap, Cinch	

**SECTION 8 - ELECTRICAL**

# SECTION 8 - ELECTRICAL

FIGURE 8-1. AC BOX AT PLATFORM INSTALLATION - 110V GFI (ANSI, CSA AND JAPANESE SPECS)



ART\_1001197333

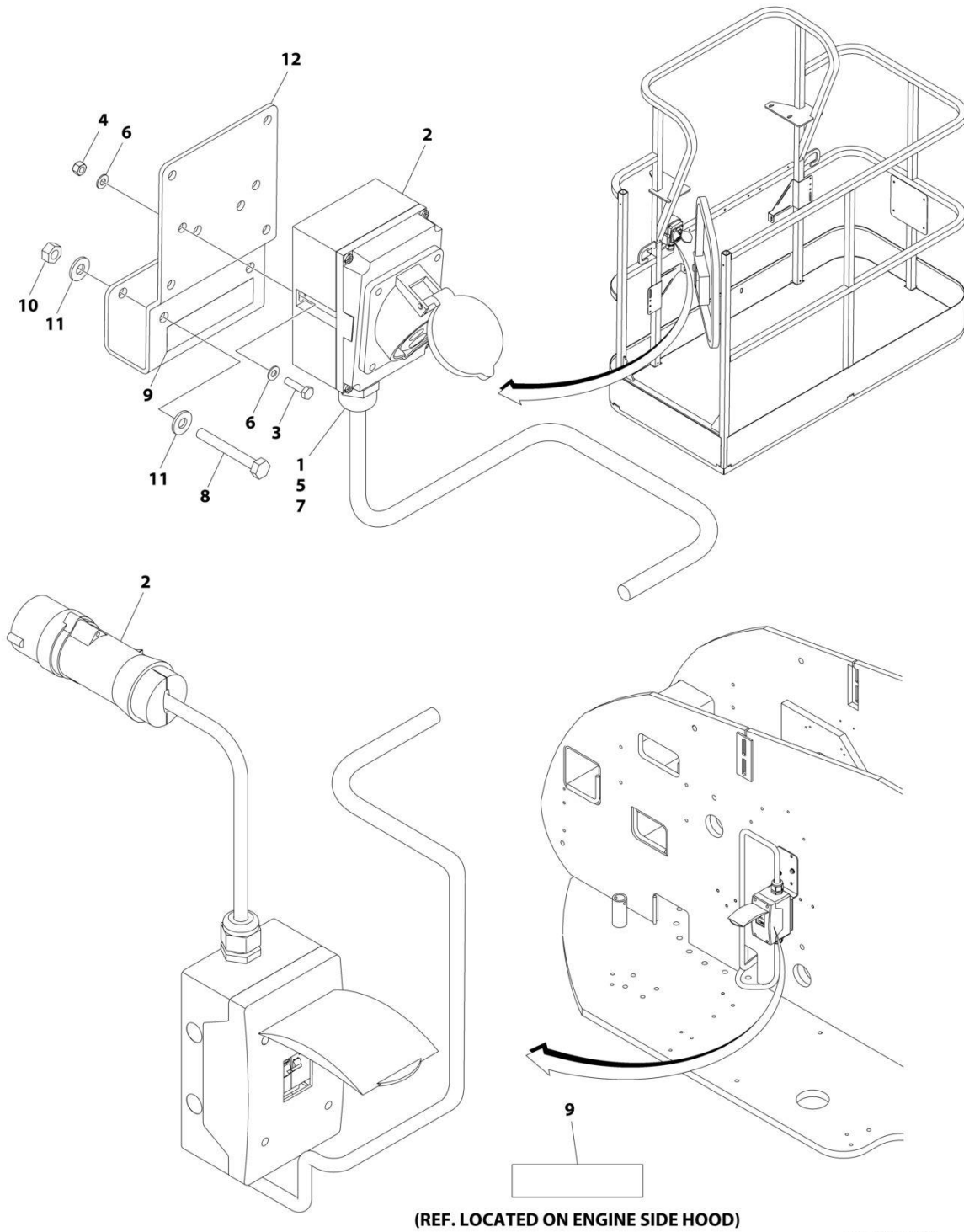
## SECTION 8 - ELECTRICAL

**FIGURE 8-1. AC BOX AT PLATFORM INSTALLATION - 110V GFI (ANSI, CSA AND JAPANESE SPECS)**

ITEM	PART NUMBER	QTY	DESCRIPTION	REV
	1001197333	Ref	AC BOX AT PLATFORM INSTALLATION - 110V GFI	B
1	0860038	1	Box, Switch	
2	3251243	2	Decal - 120V/60Hz	
3	3910606	4	Screw #6 x 3/8	
4	3960422	1	Gasket, AC Receptacle	
5	4460051	1	Connector, Strain Relief	
6	4460205	1	Plug, Male	
7	4460315	3	Terminal, Spade	
8	4460346	1	Terminal, Receptacle	
9	4760600	4	Washer #6	
10	8406109	1	Clamp	
11	0760812001	1	Bolt M8 x 25	
12	1001110873	1	Shield, Receptacle Cover	
13	3290805001	1	Nut M8	
14	4811900001	2	Washer M8	
20	3910612	2	Screw #6 x 3/4	

# SECTION 8 - ELECTRICAL

## FIGURE 8-2. AC BOX AT PLATFORM INSTALLATION - 110V IEC YELLOW WITHOUT GENERATOR (CE & UK CA SPECS)



ART\_1001091969

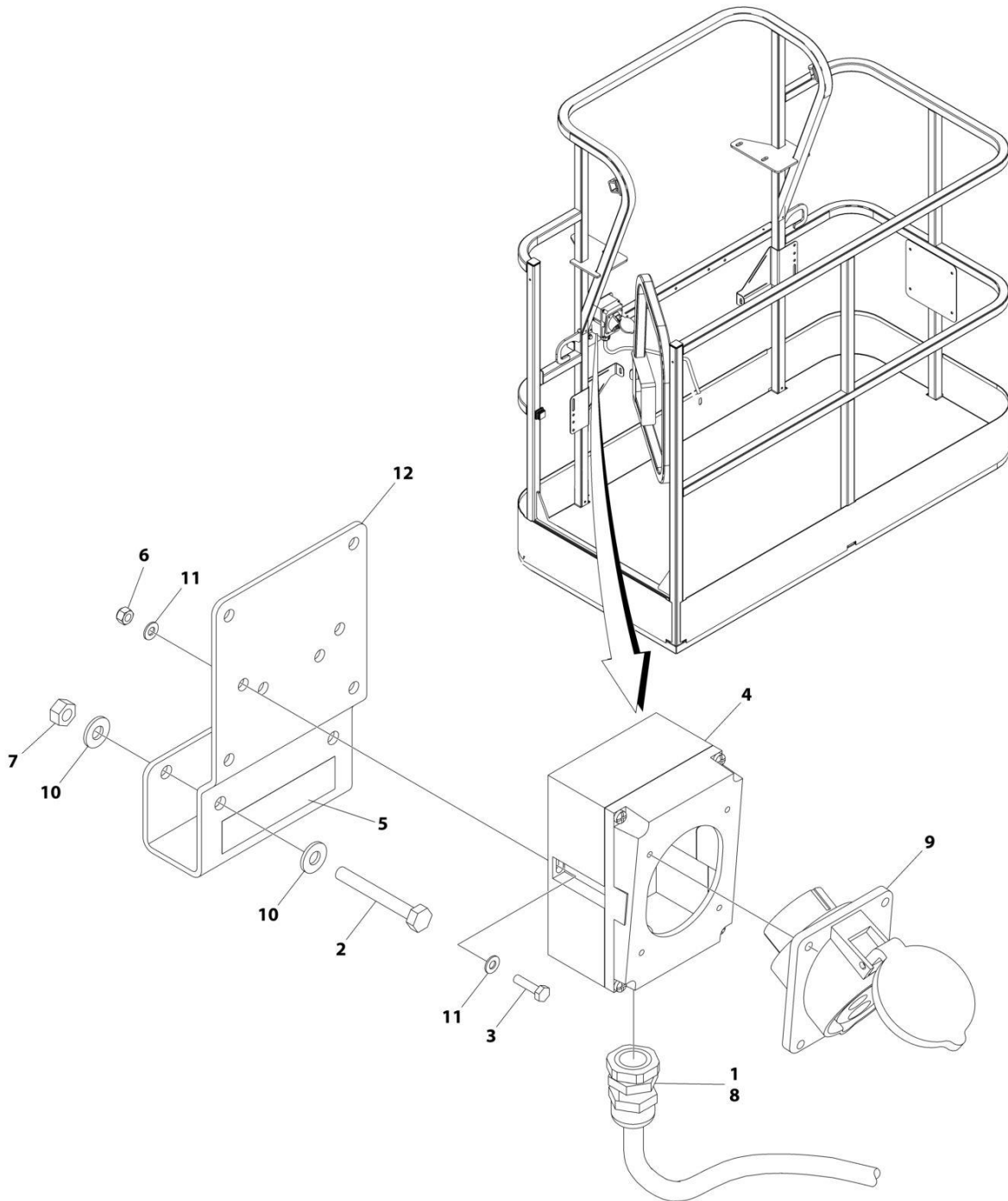
## SECTION 8 - ELECTRICAL

**FIGURE 8-2. AC BOX AT PLATFORM INSTALLATION - 110V IEC YELLOW WITHOUT GENERATOR  
(CE & UK CA SPECS)**

ITEM	PART NUMBER	QTY	DESCRIPTION	REV
	1001091969	Ref	AC BOX AT PLATFORM INSTALLATION - 110V IEC YELLOW	D
1	0100020	AR	Sealant, Pipe	
2	0275216	1	Receptacle Box Kit (See Separate Breakdown in this Section)	
3	0700408	2	Bolt M4 x 16	
4	3290405	2	Nut M4	
5	1001101196	1	Adapter	
6	4811400	4	Washer M4	
7	1001101191	1	Connector, Strain Relief	
8	0641416	2	Bolt 1/4 x 2	
9	1705325	2	Decal - 110V	
10	3311405	2	Nut 1/4	
11	4711400	4	Washer 1/4	
12	1001193018	1	Bracket	

# SECTION 8 - ELECTRICAL

FIGURE 8-3. AC BOX AT PLATFORM INSTALLATION - 110V IEC YELLOW WITH 4000W GENERATOR  
(CE & UK CA SPECS)



ART\_1001194203



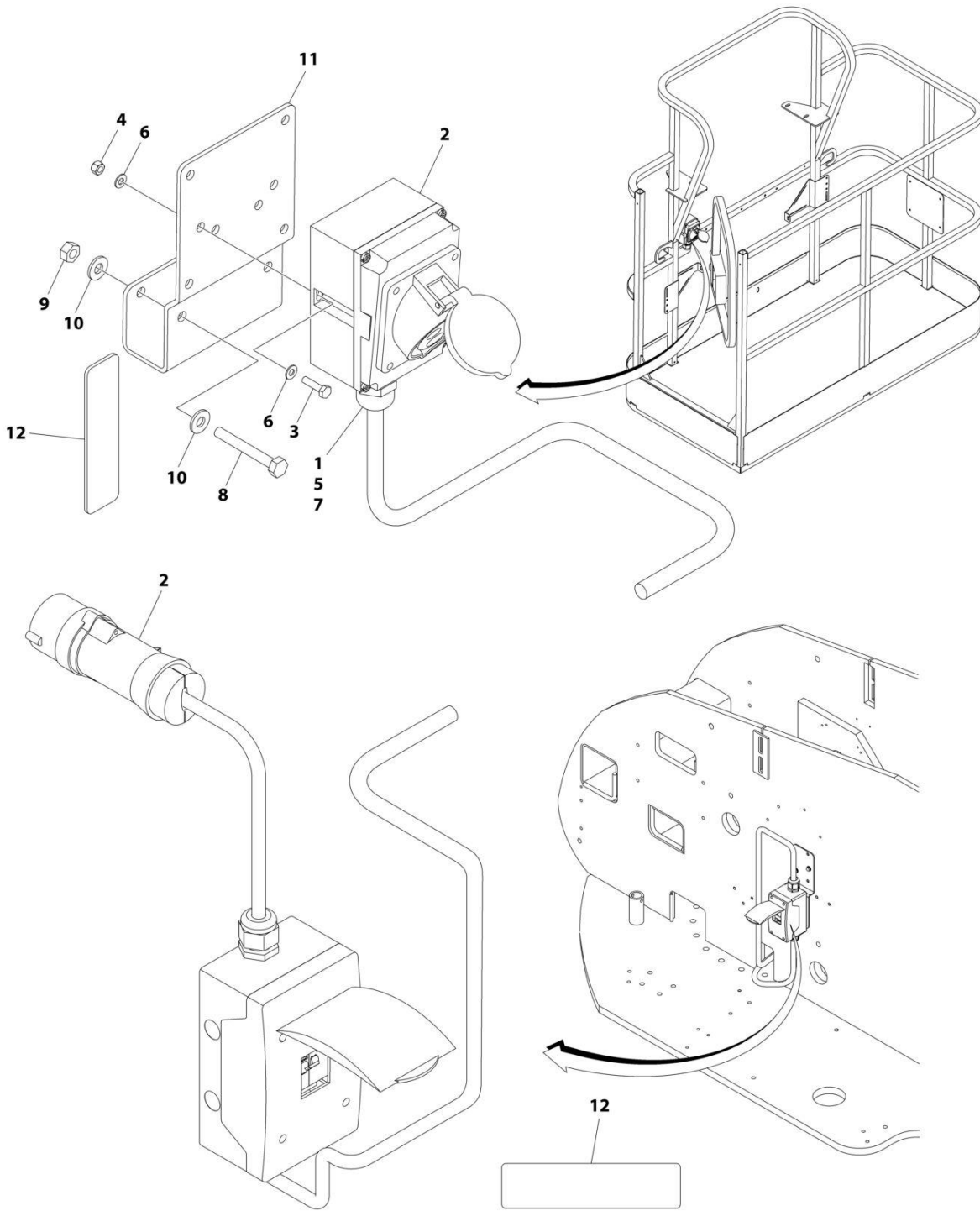
## SECTION 8 - ELECTRICAL

**FIGURE 8-3. AC BOX AT PLATFORM INSTALLATION - 110V IEC YELLOW WITH 4000W GENERATOR  
(CE & UK CA SPECS)**

ITEM	PART NUMBER	QTY	DESCRIPTION	REV
	1001194203	Ref	AC BOX AT PLATFORM INSTALLATION	B
1	0100020	AR	Sealant, Pipe	
2	0641416	2	Bolt 1/4 x 2	
3	0700408	2	Bolt M4 x 16	
4	0861781	1	Box, Switch	
5	1705325	1	Decal - 110V	
6	3290405	2	Nut M4	
7	3311405	2	Nut 1/4	
8	4460968	1	Connector, Strain Relief	
9	4461198	1	Receptacle	
10	4711400	4	Washer 1/4	
11	4811400	4	Washer M4	
12	1001193018	1	Bracket, AC Receptacle	

# SECTION 8 - ELECTRICAL

## FIGURE 8-4. AC BOX AT PLATFORM INSTALLATION - 220V IEC BLUE WITHOUT GENERATOR (CE & UK CA SPECS)



(REF. LOCATED ON ENGINE SIDE HOOD)

ART\_1001091970

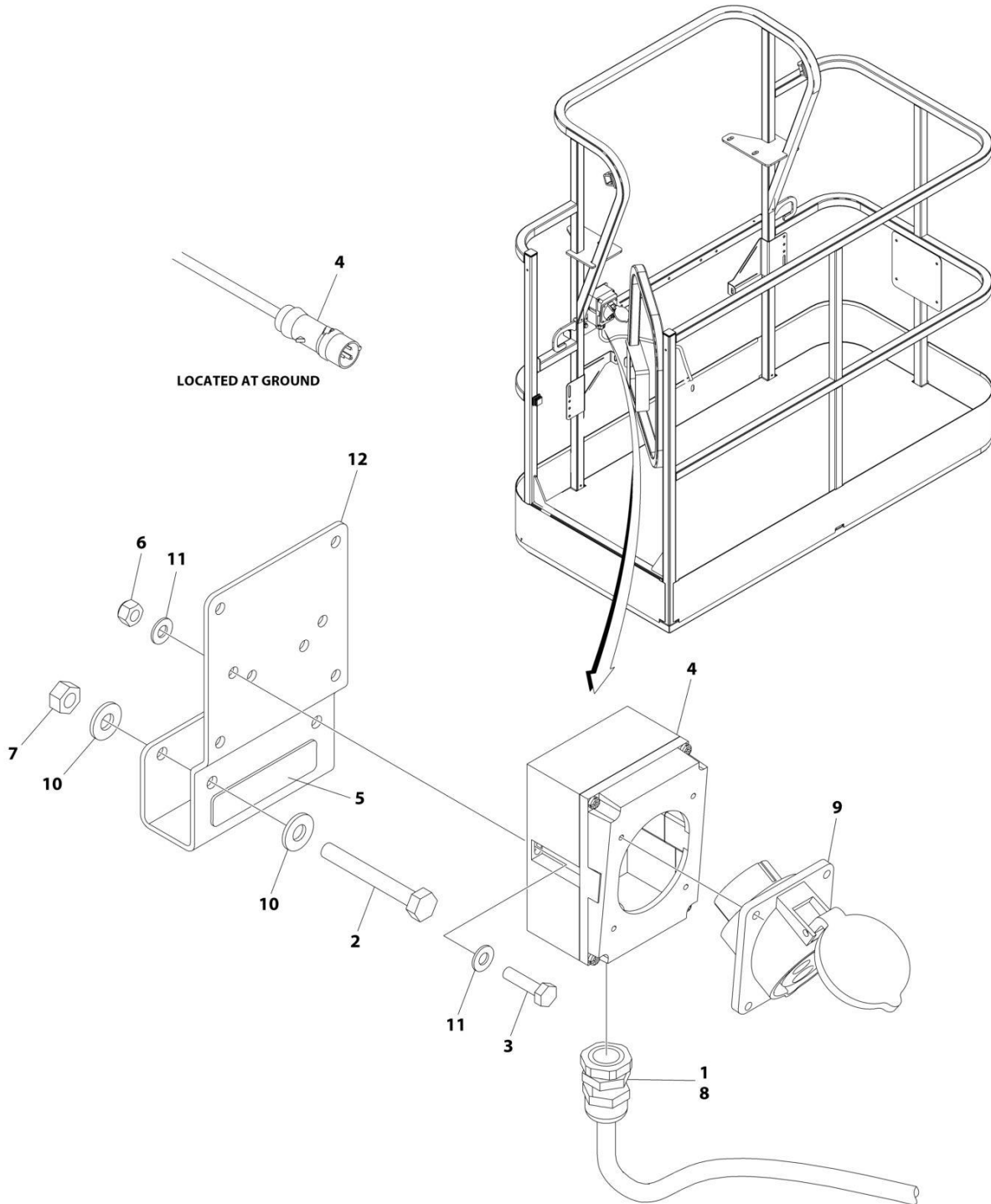
## SECTION 8 - ELECTRICAL

**FIGURE 8-4. AC BOX AT PLATFORM INSTALLATION - 220V IEC BLUE WITHOUT GENERATOR (CE & UK CA SPECS)**

ITEM	PART NUMBER	QTY	DESCRIPTION	REV
	1001091970	Ref	AC BOX AT PLATFORM INSTALLATION - 220V IEC BLUE	D
1	0100020	AR	Sealant, Pipe	
2	0275217	1	Receptacle Box Kit (See Separate Breakdown in this Section)	
3	0700408	2	Bolt M4 x 16	
4	3290405	2	Nut M4	
5	1001101196	1	Adapter	
6	4811400	4	Washer M4	
7	1001101191	1	Connector, Strain Relief	
8	0641416	2	Bolt 1/4 x 2	
9	3311405	2	Nut 1/4	
10	4711400	4	Washer 1/4	
11	1001193018	1	Bracket	
12	3251242	2	Decal - 240V/50Hz	

# SECTION 8 - ELECTRICAL

FIGURE 8-5. AC BOX AT PLATFORM INSTALLATION - 220V IEC BLUE WITH 4000W GENERATOR  
(CE & UK CA SPECS)



ART\_1001194204

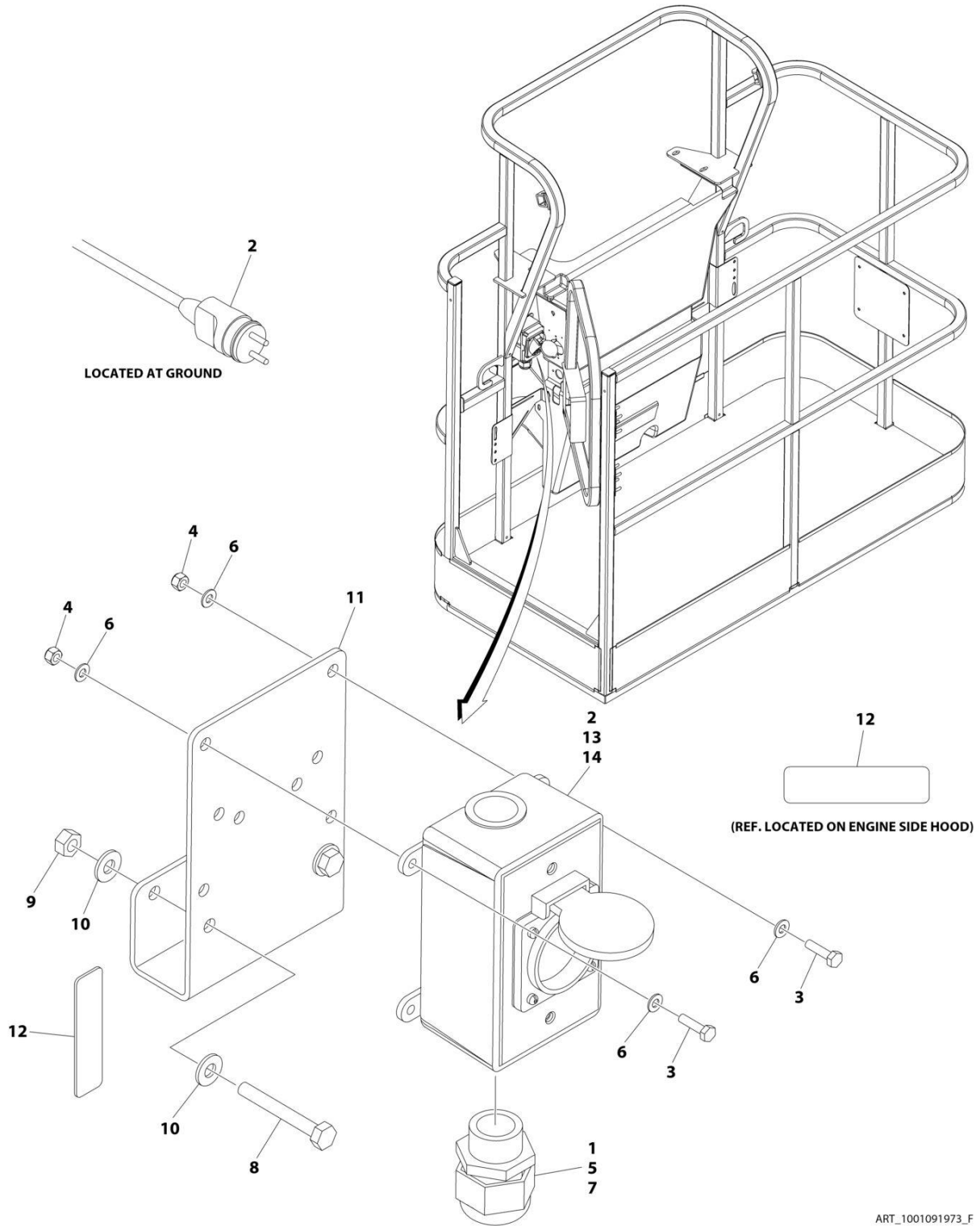
## SECTION 8 - ELECTRICAL

**FIGURE 8-5. AC BOX AT PLATFORM INSTALLATION - 220V IEC BLUE WITH 4000W GENERATOR  
(CE & UK CA SPECS)**

ITEM	PART NUMBER	QTY	DESCRIPTION	REV
	1001194204	Ref	AC BOX AT PLATFORM INSTALLATION	B
1	0100020	AR	Sealant, Pipe	
2	0641416	2	Bolt 1/4 x 2	
3	0700408	2	Bolt M4 x 16	
4	0861781	1	Box, Switch	
5	3251242	1	Decal - 240V/50Hz	
6	3290405	2	Nut M4	
7	3311405	2	Nut 1/4	
8	4460968	1	Connector, Strain Relief	
9	4461201	1	Receptacle	
10	4711400	4	Washer 1/4	
11	4811400	4	Washer M4	
12	1001193018	1	Bracket, AC Receptacle	

# SECTION 8 - ELECTRICAL

## FIGURE 8-6. AC BOX AT PLATFORM INSTALLATION - 220V CEE7 POST GROUND WITHOUT GENERATOR (CE & UK CA SPECS)



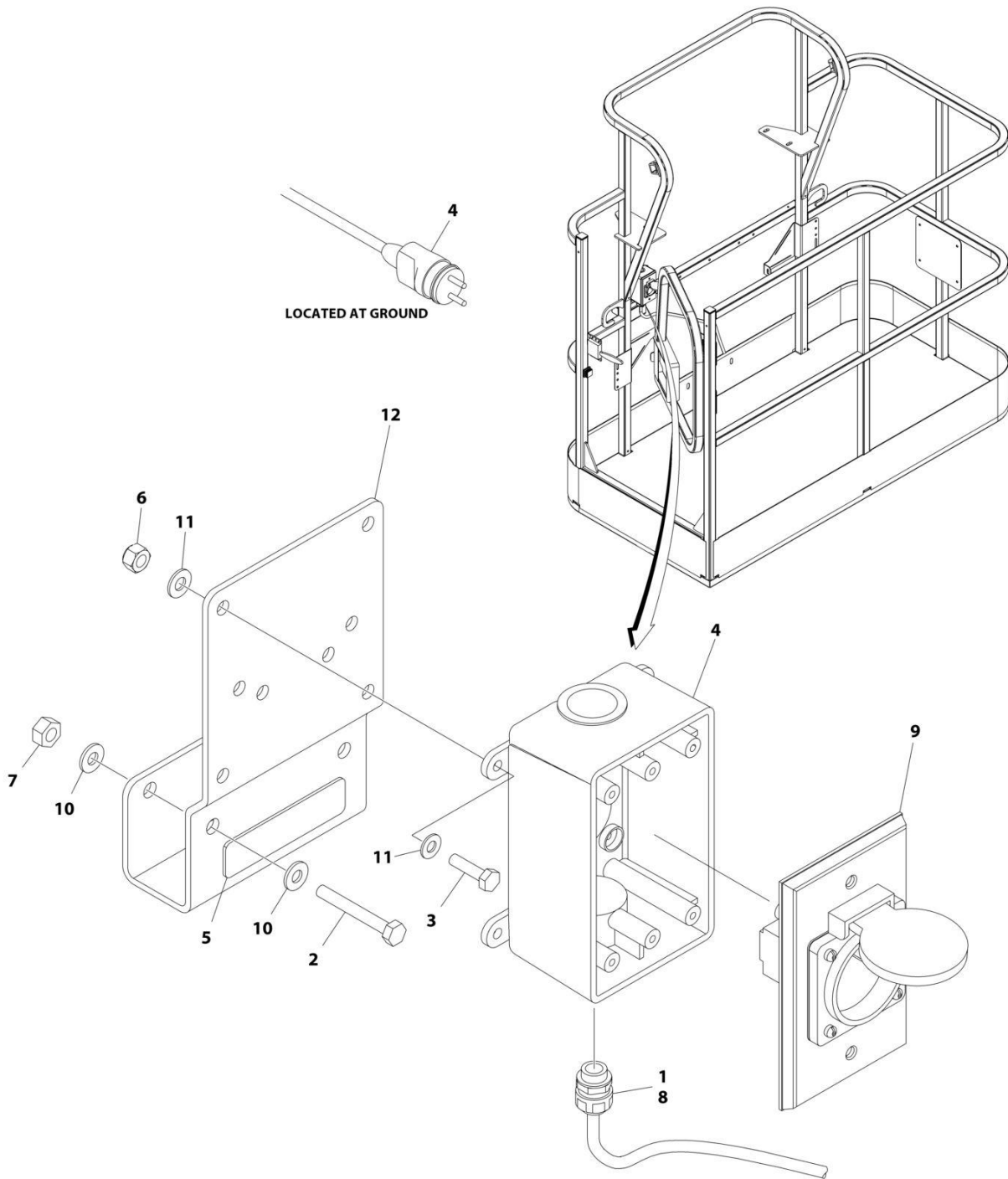
## SECTION 8 - ELECTRICAL

**FIGURE 8-6. AC BOX AT PLATFORM INSTALLATION - 220V CEE7 POST GROUND WITHOUT GENERATOR (CE & UK CA SPECS)**

ITEM	PART NUMBER	QTY	DESCRIPTION	REV
	1001091973	Ref	AC BOX AT PLATFORM INSTALLATION - 220V CEE7 2X4 BOX POST GROUND	F
1	0100020	AR	Sealant, Pipe	
2	0275452	1	Receptacle Box Kit (See Separate Breakdown in this Section)	
3	0700408	4	Bolt M4 x 16	
4	3290405	4	Nut M4	
5	1001101197	1	Adapter	
6	4811400	8	Washer M4	
7	1001101191	1	Connector, Strain Relief	
8	0641416	2	Bolt 1/4 x 2	
9	3311405	2	Nut 1/4	
10	4711400	4	Washer 1/4	
11	1001193018	1	Bracket	
12	3251242	2	Decal - 240V/50Hz	
13	4460806	2	Terminal, Fork (Not Shown)	
14	1001205958	1	Terminal (Not Shown)	

# SECTION 8 - ELECTRICAL

FIGURE 8-7. AC BOX AT PLATFORM INSTALLATION - 220V CEE7 POST GROUND WITH 4000W GENERATOR (CE & UK CA SPECS)



ART\_1001194197



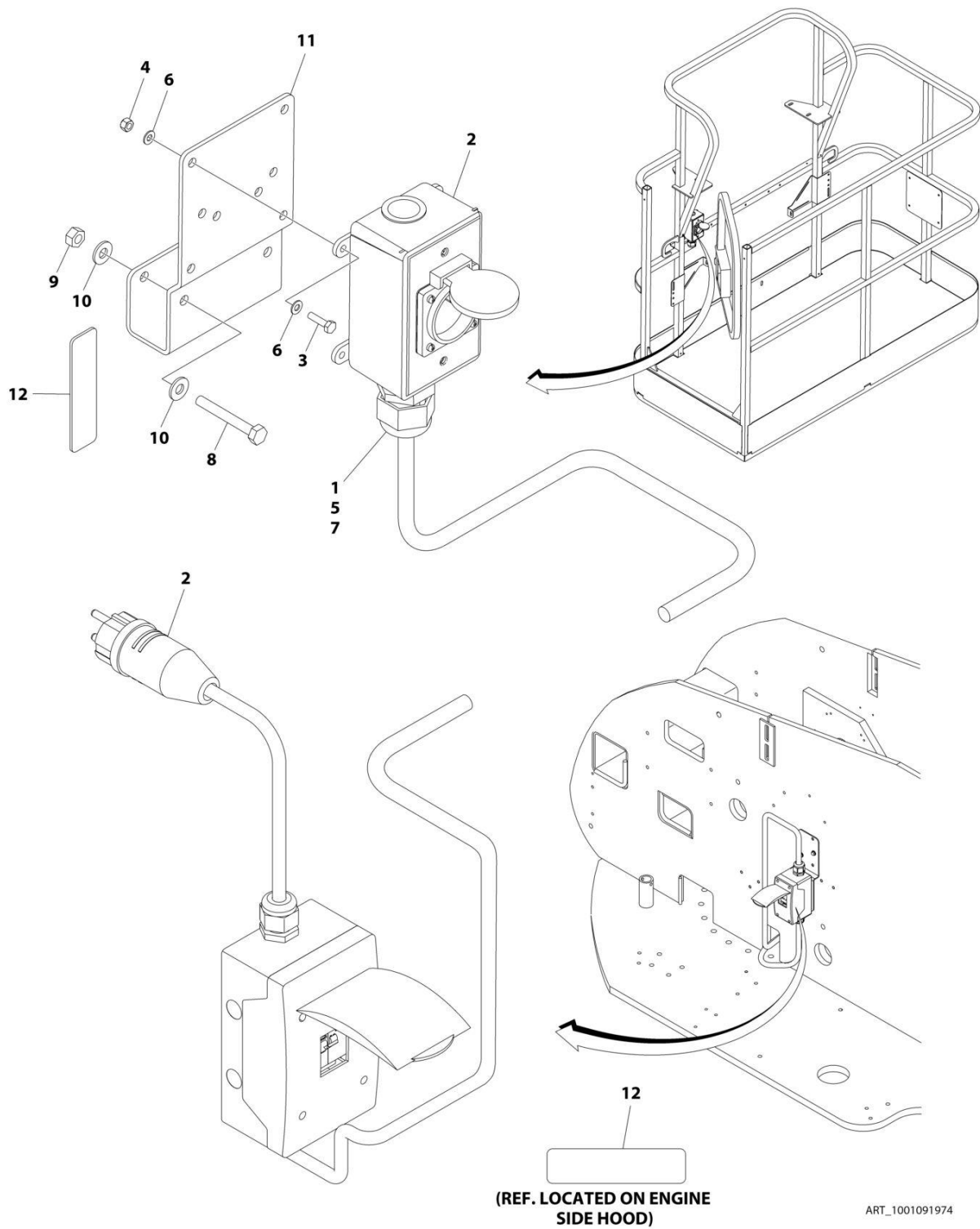
## SECTION 8 - ELECTRICAL

**FIGURE 8-7. AC BOX AT PLATFORM INSTALLATION - 220V CEE7 POST GROUND WITH 4000W GENERATOR (CE & UK CA SPECS)**

ITEM	PART NUMBER	QTY	DESCRIPTION	REV
	1001194197	Ref	AC BOX AT PLATFORM INSTALLATION	B
1	0100020	AR	Sealant, Pipe	
2	0641416	2	Bolt 1/4 x 2	
3	0700408	4	Bolt M4 x 16	
4	0861731	1	Box, Switch	
5	3251242	1	Decal - 240V/50Hz	
6	3290405	4	Nut M4	
7	3311405	2	Nut 1/4	
8	4460662	1	Connector, Strain Relief	
9	4461244	1	Receptacle	
10	4711400	4	Washer 1/4	
11	4811400	8	Washer M4	
12	1001193018	1	Bracket, AC Receptacle	
13	4460806	2	Terminal, Fork (Not Shown)	
14	1001205958	1	Terminal (Not Shown)	

# SECTION 8 - ELECTRICAL

## FIGURE 8-8. AC BOX AT PLATFORM INSTALLATION - 220V CEE7 SIDE GROUND WITHOUT GENERATOR (CE & UK CA SPECS)



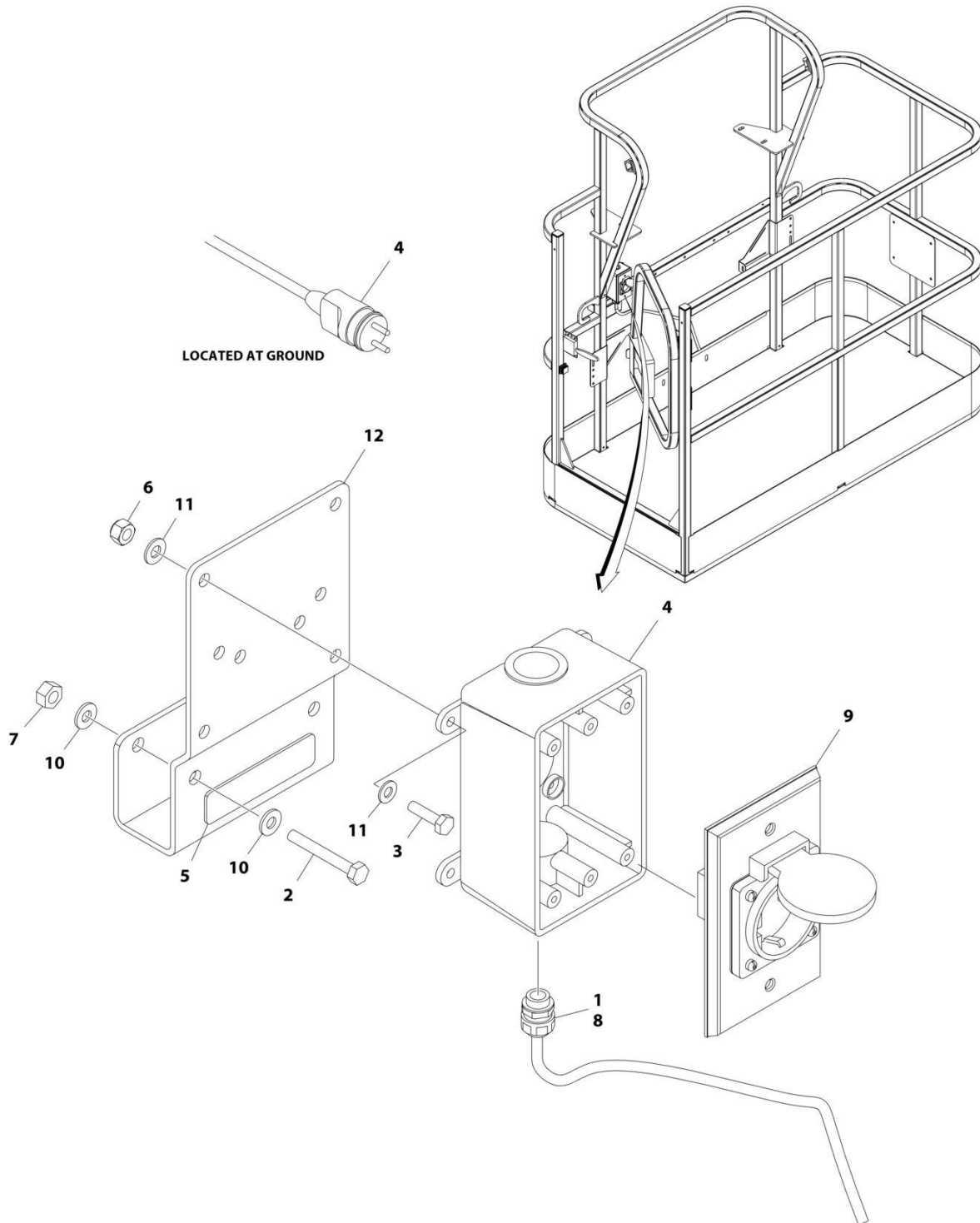
## SECTION 8 - ELECTRICAL

**FIGURE 8-8. AC BOX AT PLATFORM INSTALLATION - 220V CEE7 SIDE GROUND WITHOUT GENERATOR (CE & UK CA SPECS)**

ITEM	PART NUMBER	QTY	DESCRIPTION	REV
	1001091974	Ref	AC BOX AT PLATFORM INSTALLATION - 220V CEE7 2X4 BOX SIDE GROUND	F
1	0100020	AR	Sealant, Pipe	
2	0275453	1	Receptacle Box Kit (See Separate Breakdown in this Section)	
3	0700408	4	Bolt M4 x 16	
4	3290405	4	Nut M4	
5	1001101197	1	Adapter	
6	4811400	8	Washer M4	
7	1001101191	1	Connector, Strain Relief	
8	0641416	2	Bolt 1/4 x 2	
9	3311405	2	Nut 1/4	
10	4711400	4	Washer 1/4	
11	1001193018	1	Bracket	
12	3251242	2	Decal - 240V/50Hz	
13	4460806	2	Terminal, Fork (Not Shown)	
14	1001205958	1	Terminal (Not Shown)	

# SECTION 8 - ELECTRICAL

FIGURE 8-9. AC BOX AT PLATFORM INSTALLATION - 220V CEE7 SIDE GROUND WITH 4000W GENERATOR (CE & UK CA SPECS)



ART\_1001194198

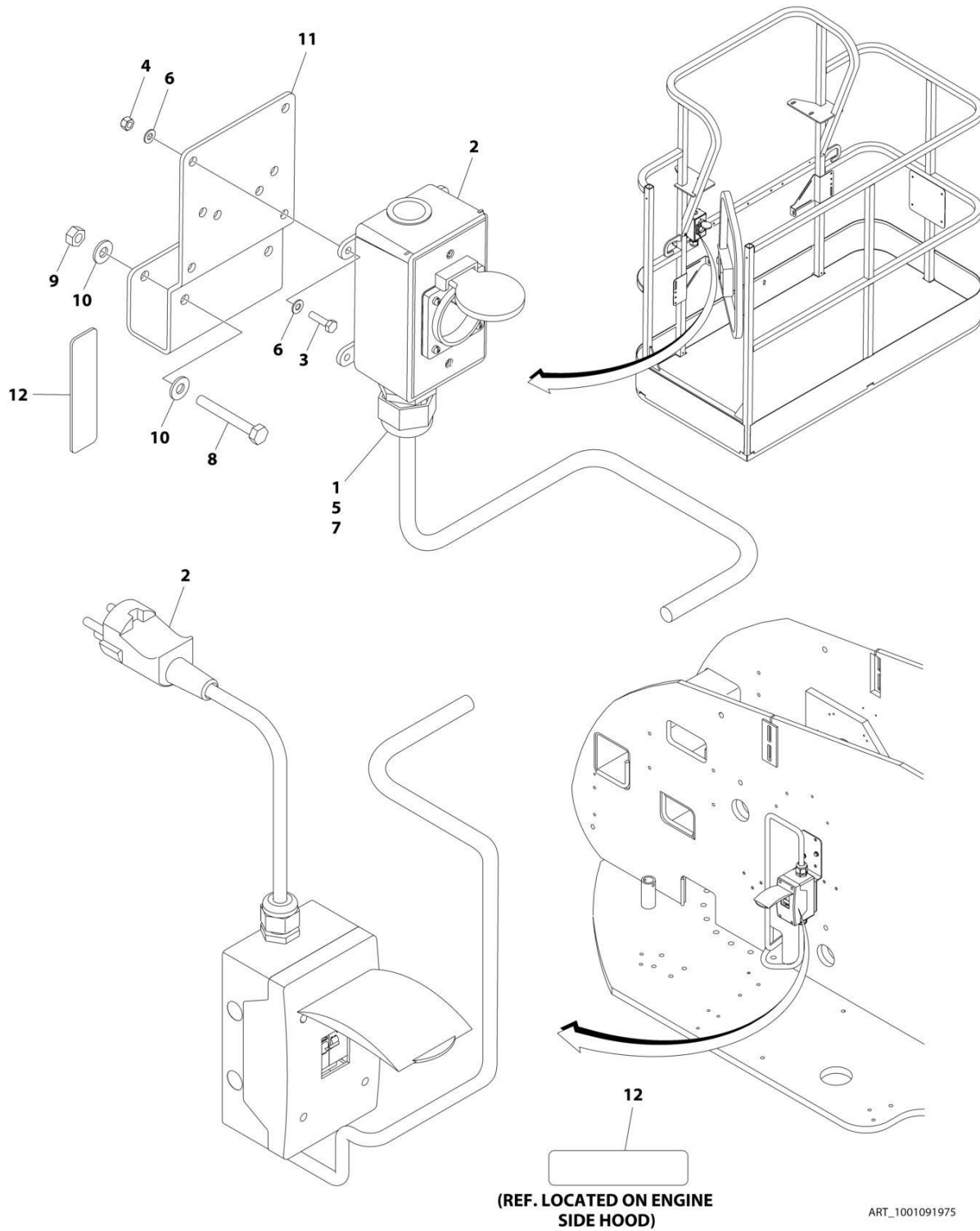
## SECTION 8 - ELECTRICAL

**FIGURE 8-9. AC BOX AT PLATFORM INSTALLATION - 220V CEE7 SIDE GROUND WITH 4000W GENERATOR (CE & UK CA SPECS)**

ITEM	PART NUMBER	QTY	DESCRIPTION	REV
	1001194198	Ref	AC BOX AT PLATFORM INSTALLATION	B
1	0100020	AR	Sealant, Pipe	
2	0641416	2	Bolt 1/4 x 2	
3	0700408	4	Bolt M4 x 16	
4	0861731	1	Box, Switch	
5	3251242	1	Decal - 240V/50Hz	
6	3290405	4	Nut M4	
7	3311405	2	Nut 1/4	
8	4460662	1	Connector, Strain Relief	
9	4461245	1	Receptacle	
10	4711400	4	Washer 1/4	
11	4811400	8	Washer M4	
12	1001193018	1	Bracket, AC Receptacle	
13	4460806	2	Terminal, Fork (Not Shown)	
14	1001205958	1	Terminal (Not Shown)	

# SECTION 8 - ELECTRICAL

## FIGURE 8-10. AC BOX AT PLATFORM INSTALLATION - 220V AFSINT 107 KEYED GROUND WITHOUT GENERATOR (CE & UK CA SPECS)



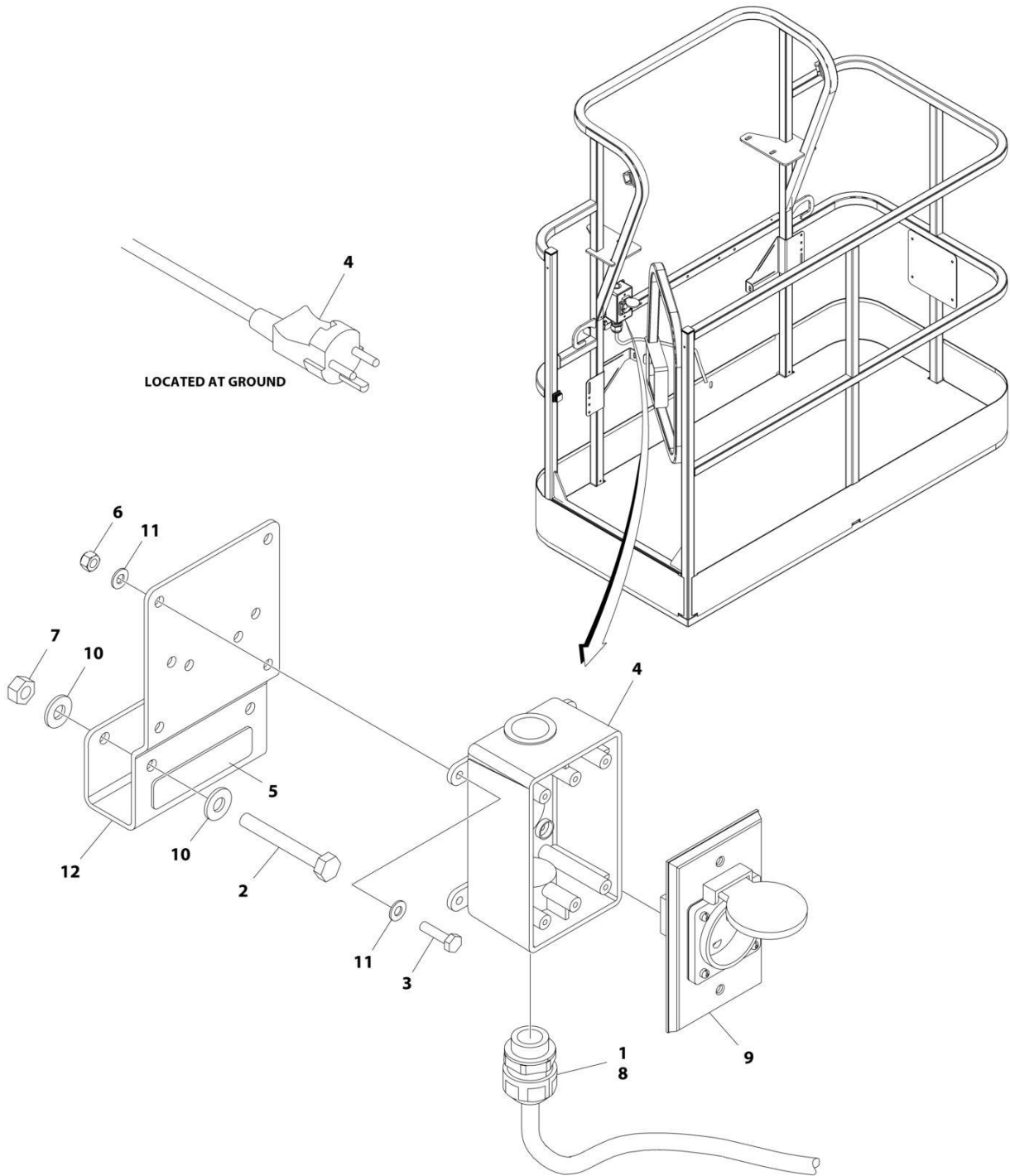
## SECTION 8 - ELECTRICAL

**FIGURE 8-10. AC BOX AT PLATFORM INSTALLATION - 220V AFSINT 107 KEYED GROUND  
WITHOUT GENERATOR (CE & UK CA SPECS)**

ITEM	PART NUMBER	QTY	DESCRIPTION	REV
	1001091975	Ref	AC BOX AT PLATFORM INSTALLATION - 220V AFSINT 107 2X4 BOX KEYED GROUND	F
1	0100020	AR	Sealant, Pipe	
2	0275454	1	Receptacle Box Kit (See Separate Breakdown in this Section)	
3	0700408	4	Bolt M4 x 16	
4	3290405	4	Nut M4	
5	1001101197	1	Adapter	
6	4811400	8	Washer M4	
7	1001101191	1	Connector, Strain Relief	
8	0641416	2	Bolt 1/4 x 2	
9	3311405	2	Nut 1/4	
10	4711400	4	Washer 1/4	
11	1001193018	1	Bracket	
12	3251242	2	Decal - 240V/50Hz	
13	1001205958	3	Terminal (Not Shown)	

# SECTION 8 - ELECTRICAL

**FIGURE 8-11. AC BOX AT PLATFORM INSTALLATION - 220V AFSINT 107 KEYED GROUND WITH 4000W GENERATOR (CE & UK CA SPECS)**



ART\_1001194200



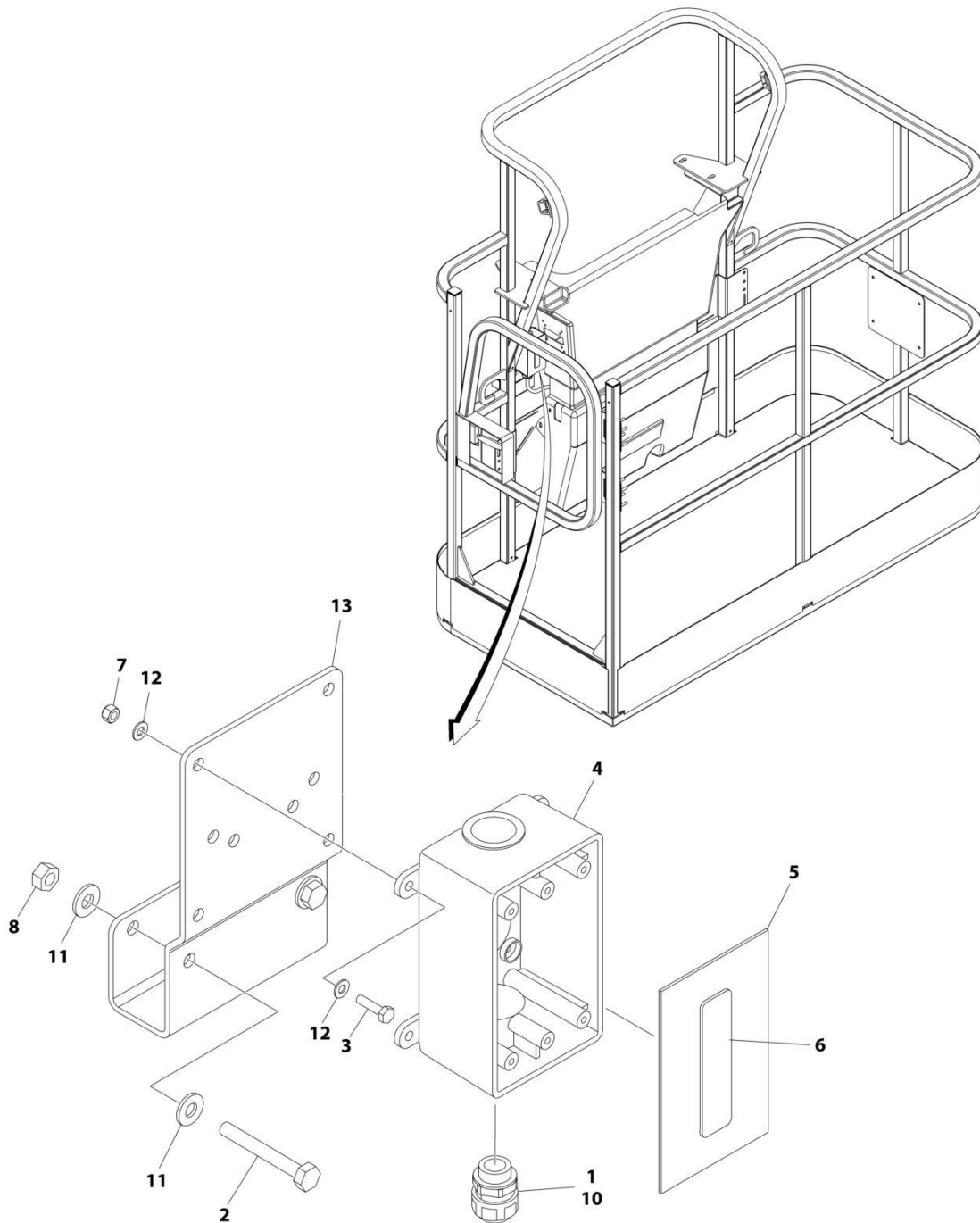
## SECTION 8 - ELECTRICAL

**FIGURE 8-11. AC BOX AT PLATFORM INSTALLATION - 220V AFSINT 107 KEYED GROUND WITH 4000W GENERATOR (CE & UK CA SPECS)**

ITEM	PART NUMBER	QTY	DESCRIPTION	REV
	1001194200	Ref	AC BOX AT PLATFORM INSTALLATION	B
1	0100020	AR	Sealant, Pipe	
2	0641416	2	Bolt 1/4 x 2	
3	0700408	4	Bolt M4 x 16	
4	0861731	1	Box, Switch	
5	3251242	1	Decal - 240V/50Hz	
6	3290405	4	Nut M4	
7	3311405	2	Nut 1/4	
8	4460662	1	Connector, Strain Relief	
9	4461246	1	Receptacle	
10	4711400	4	Washer 1/4	
11	4811400	8	Washer M4	
12	1001193018	1	Bracket, AC Receptacle	
13	1001205958	1	Terminal (Not Shown)	

## SECTION 8 - ELECTRICAL

**FIGURE 8-12. AC BOX AT PLATFORM INSTALLATION - BOX WITH COVER WITH 4000W GENERATOR (ANSI EXPORT, AUSTRALIAN, CHINA, JAPANESE, CE & UK CA SPECS)**



ART\_1001194365

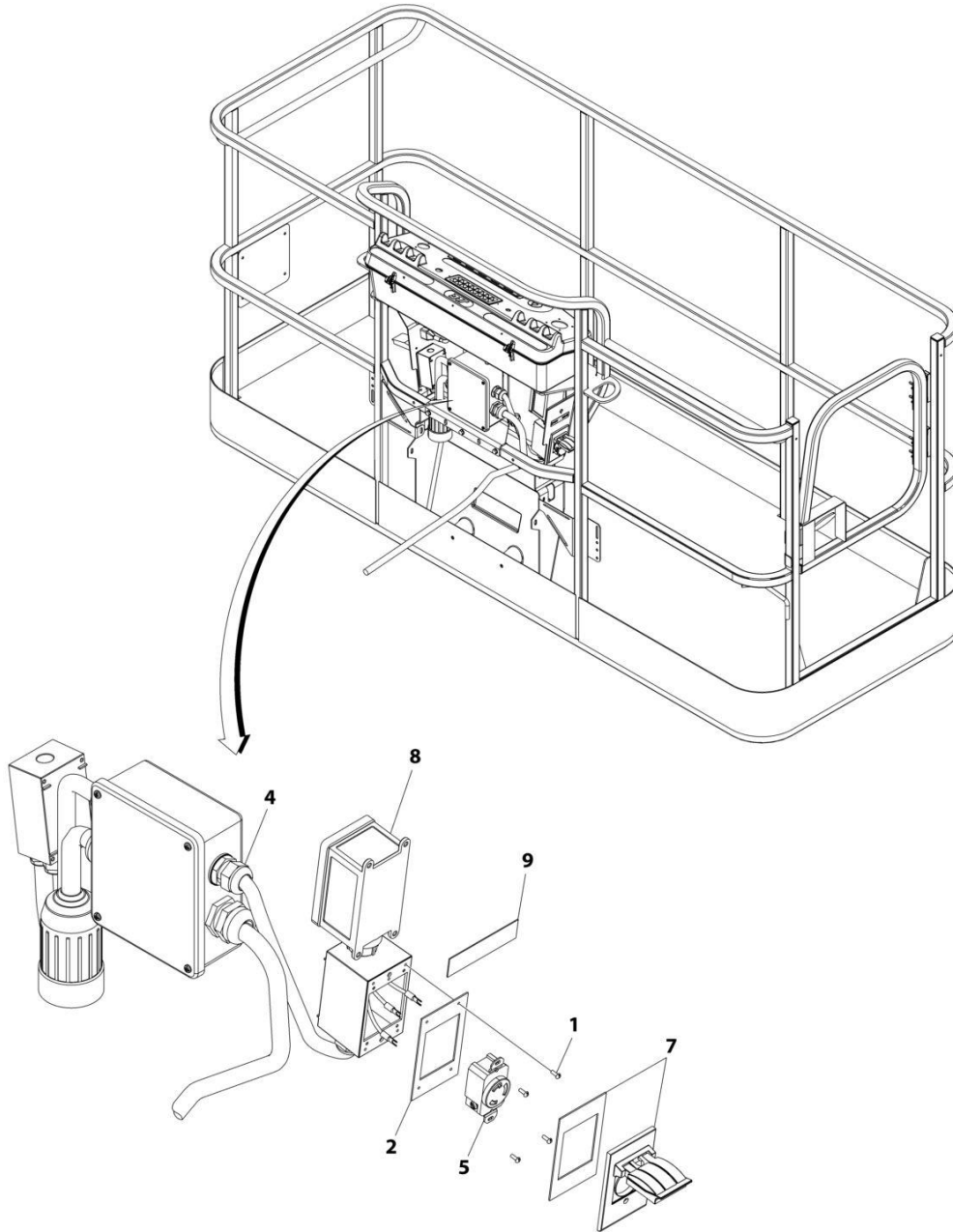
## SECTION 8 - ELECTRICAL

**FIGURE 8-12. AC BOX AT PLATFORM INSTALLATION - BOX WITH COVER WITH 4000W GENERATOR (ANSI EXPORT, AUSTRALIAN, CHINA, JAPANESE, CE & UK CA SPECS)**

ITEM	PART NUMBER	QTY	DESCRIPTION	REV
	1001194365	Ref	AC BOX AT PLATFORM INSTALLATION - BOX WITH COVER (2X4 BOX)	A
1	0100020	AR	Sealant	
2	0641416	2	Bolt 1/4 x 2	
3	0700408	4	Bolt M4 x 16	
4	0861731	1	Box, Switch	
5	1670603	1	Cover	
6	3251242	1	Decal - 240V/50Hz	
7	3290405	4	Nut M4	
8	3311405	2	Nut 1/4	
9	4460384	3	Terminal (Not Shown)	
10	4460662	1	Connector, Strain Relief	
11	4711400	4	Washer 1/4	
12	4811400	8	Washer M4	
13	1001193018	1	Bracket, AC Receptacle	

## SECTION 8 - ELECTRICAL

FIGURE 8-13. AC BOX AT PLATFORM INSTALLATION - 240V (WITH 7500W SKYPOWER GENERATOR) (ANSI & CSA SPECS)



ART\_1001159121

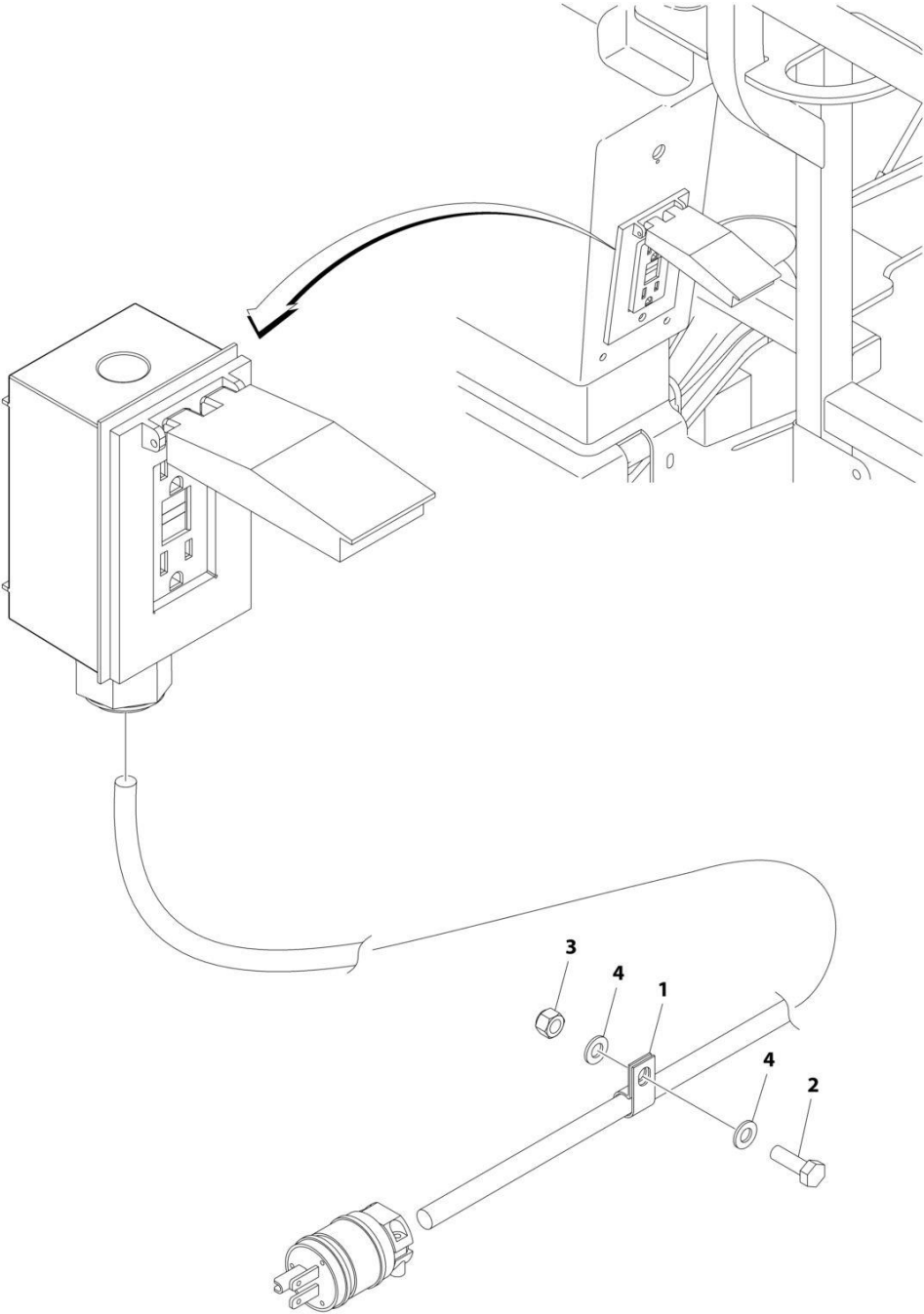
## SECTION 8 - ELECTRICAL

**FIGURE 8-13. AC BOX AT PLATFORM INSTALLATION - 240V (WITH 7500W SKYPOWER GENERATOR) (ANSI & CSA SPECS)**

ITEM	PART NUMBER	QTY	DESCRIPTION	REV
	1001159121	Ref	AC BOX AT PLATFORM INSTALLATION - 240V RECEPTACLE	B
1	3910606	4	Screw 6 x 3/8	
2	3960422	1	Gasket	
3	4240018	AR	Tie-Strap (Not Shown)	
4	4460425	1	Connector, Strain Relief	
5	4460958	1	Receptacle	
7	1001110872	1	Cover, Receptacle	
8	1001159120	1	Receptacle/Breaker Box Assembly	
8	1001148675	1	Box, Receptacle	
8	1001159118	1	Breaker Box Assembly	
8	4460612	1	Connector, Strain Relief	
8	1001159119	1	Connector (Between Boxes)	
9	1705374	1	Decal - 240V/60Hz	

**SECTION 8 - ELECTRICAL**

**FIGURE 8-14. AC LEAD INSTALLATION (ANSI EXPORT, AUSTRALIAN, CHINA, CE & UK CA SPECS)**



ART\_1001197332

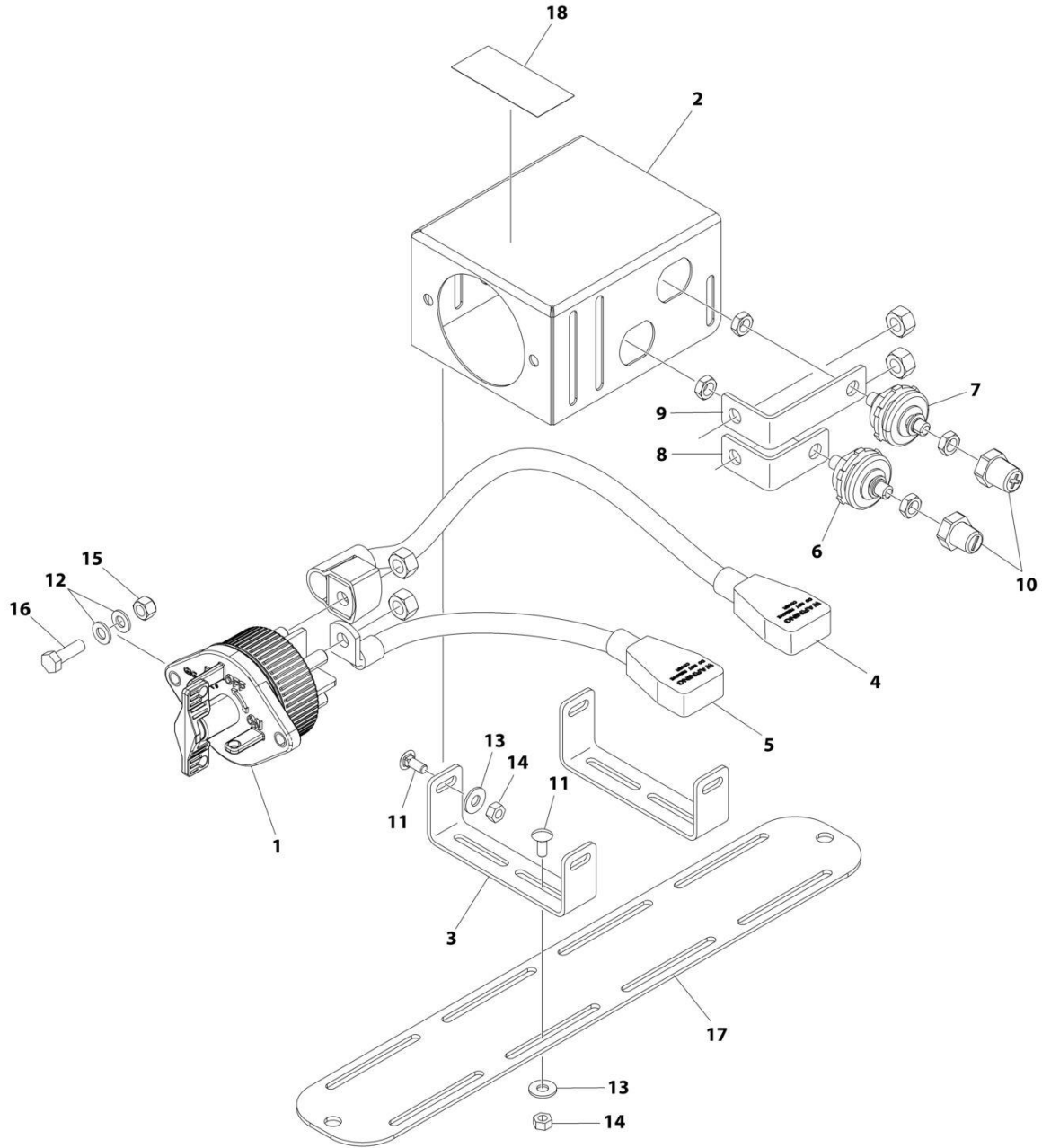
## SECTION 8 - ELECTRICAL

**FIGURE 8-14. AC LEAD INSTALLATION (ANSI EXPORT, AUSTRALIAN, CHINA, CE & UK CA SPECS)**

ITEM	PART NUMBER	QTY	DESCRIPTION	REV
	1001197332	Ref	AC LEAD INSTALLATION	A
1	8406109	1	Clamp	
2	0760812001	1	Bolt M8 x 25	
3	3290805001	1	Nut M8	
4	4811900001	2	Washer M8	

# SECTION 8 - ELECTRICAL

## FIGURE 8-15. BATTERY DISCONNECT INSTALLATION



ART\_1001239874



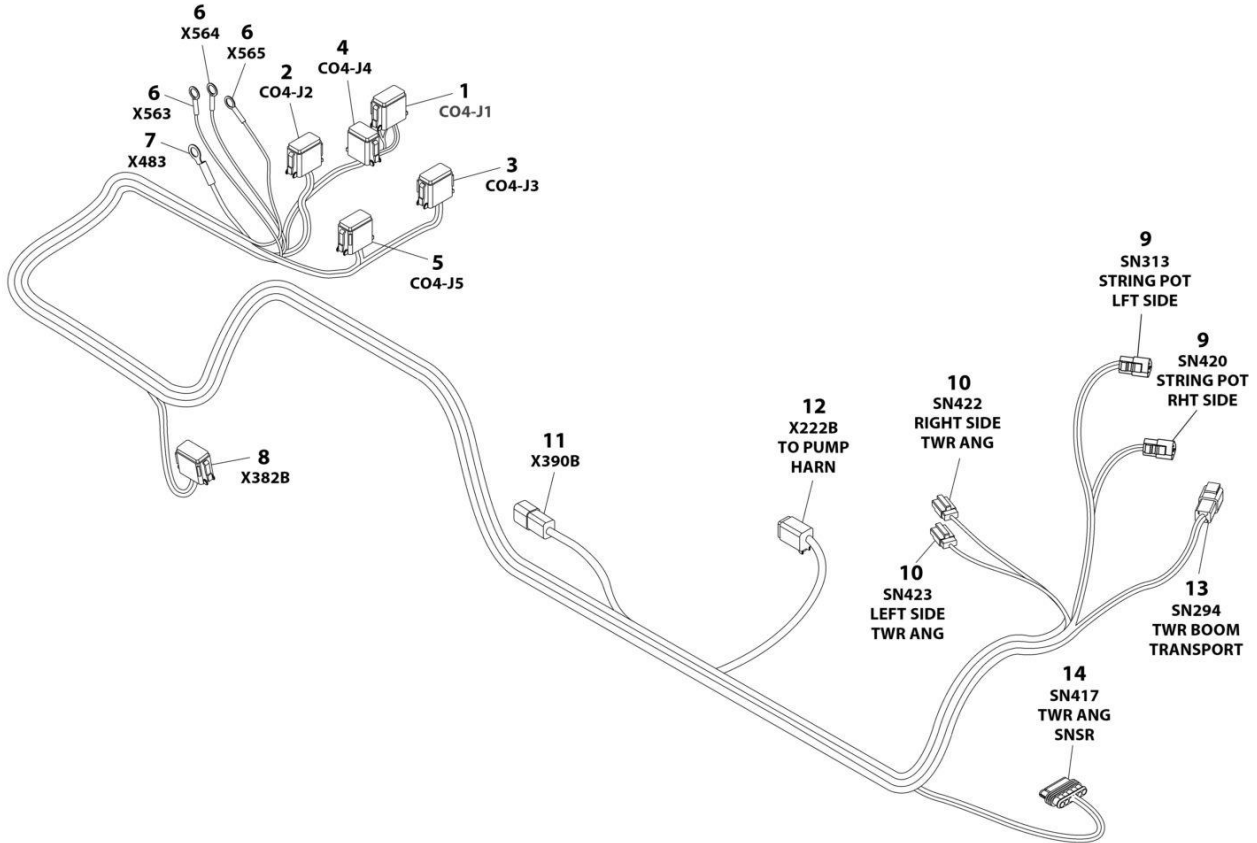
## SECTION 8 - ELECTRICAL

**FIGURE 8-15. BATTERY DISCONNECT INSTALLATION**

ITEM	PART NUMBER	QTY	DESCRIPTION	REV
	1001239874	Ref	BATTERY DISCONNECT INSTALLATION	A
1	1001225346	1	Switch, Disconnect	
2	1001226531	1	Mount	
3	1001239805	2	Mount	
4	1001236504	1	Cable (Positive)	
5	1001236505	1	Cable (Negative)	
6	1001214571	1	Connector (Black)	
7	1001214570	1	Connector (Red)	
8	1001209474	1	Buss bar	
9	1001209432	1	Buss bar	
10	1001206476	1	Connector	
11	88411013	8	Bolt 1/4 x 3/4	
12	4811900	4	Washer M8	
13	4751400	8	Washer 1/4	
14	3311405	8	Nut 1/4	
15	3290805	2	Nut M8	
16	0760812	2	Bolt M8 x 25	
17	1001241586	1	Plate	
18	1001239957	1	Decal - Battery Disconnect	

# SECTION 8 - ELECTRICAL

## FIGURE 8-16. BLAM HARNESS



ART\_1001258191

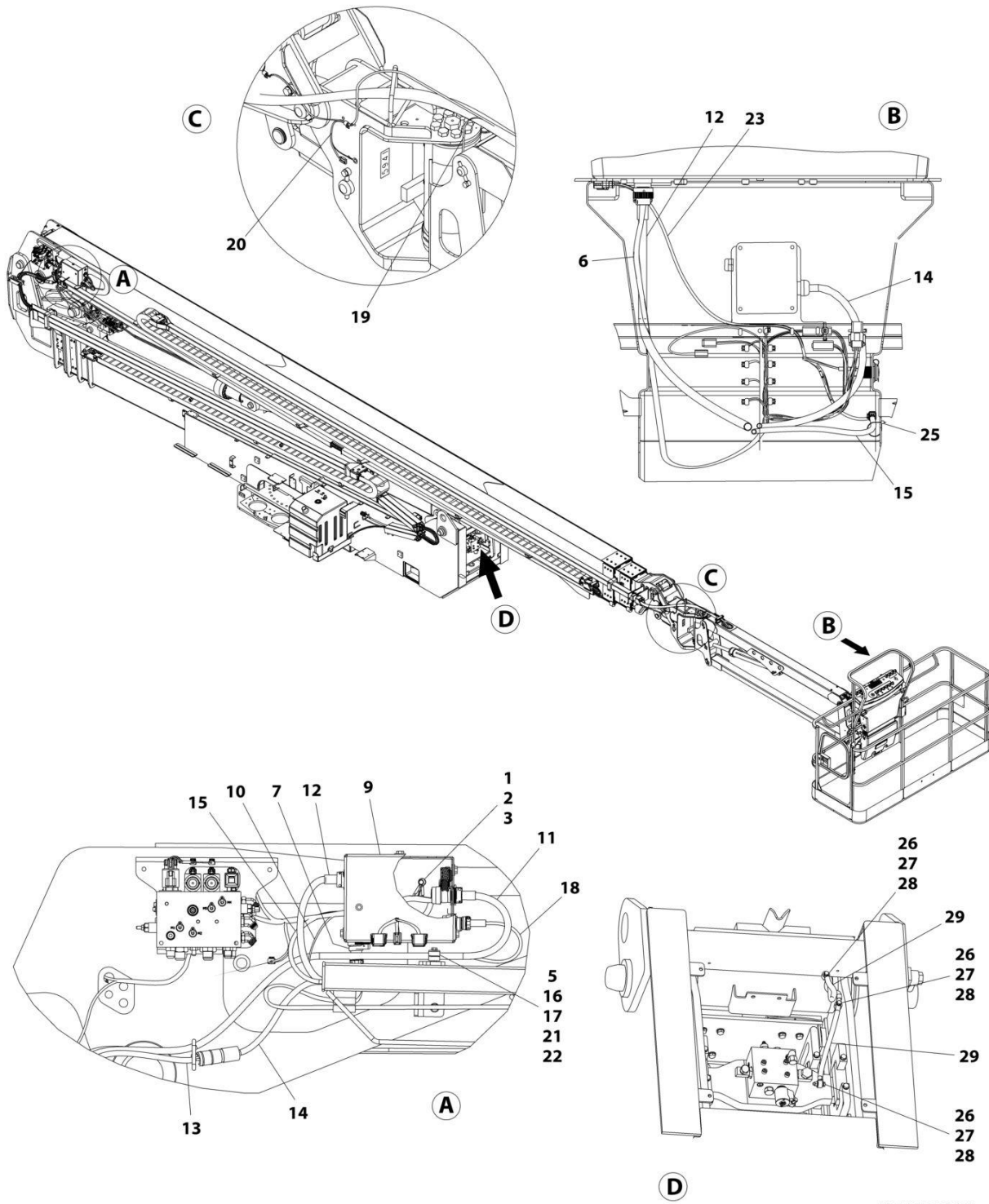
## SECTION 8 - ELECTRICAL

### FIGURE 8-16. BLAM HARNESS

ITEM	PART NUMBER	QTY	DESCRIPTION	REV
	1001258191	Ref	BLAM HARNESS	B
1	1001270339	1	Plug, Male - 12 Position	
1	1001116692	6	Socket, Female	
1	4460944	2	Socket, Female	
1	4460466	4	Plug, Terminal	
2	1001270340	1	Plug, Male - 12 Position	
2	1001116692	10	Socket, Female	
2	4460466	2	Plug, Terminal	
3	1001239344	1	Plug, Male - 12 Position	
3	1001116692	8	Socket, Female	
3	4460466	4	Plug, Terminal	
4	4460930	1	Plug, Male - 8 Position	
4	1001116692	3	Socket, Female	
4	4460466	5	Plug, Terminal	
5	1001239345	1	Plug, Male - 12 Position	
5	1001116692	4	Socket, Female	
5	4460466	8	Plug, Terminal	
6	4460256	3	Terminal, Ring	
7	1001117110	1	Terminal, Ring	
8	4460933	1	Plug, Male - 12 Position	
8	1001116692	10	Socket, Female	
8	4460944	2	Socket, Female	
9	4460539	2	Plug, Male - 3 Position	
9	4460465	6	Socket, Female	
10	4460911	2	Plug, Male - 3 Position	
10	4460912	2	Wedge Lock	
10	1001116694	6	Socket, Female	
11	4460932	1	Receptacle, Female - 4 Position	
11	4460464	4	Pin, Male	
12	4460894	1	Plug, Male - 6 Position	
12	1001116692	5	Socket, Female	
12	4460466	1	Plug, Terminal	
13	1001097051	1	Receptacle, Female - 4 Position	
13	1001116695	4	Terminal	
14	4461117	1	Plug, Male - 6 Position	
14	1001107854	6	Terminal	
14	1001104498	6	Seal	

# SECTION 8 - ELECTRICAL

**FIGURE 8-17. BOOM CABLES INSTALLATION - WITHOUT GENERATOR (ALL SPEC EXCEPT AUSTRALIAN, CHINA, CE & UK CA SPECS)**



ART\_1001197326

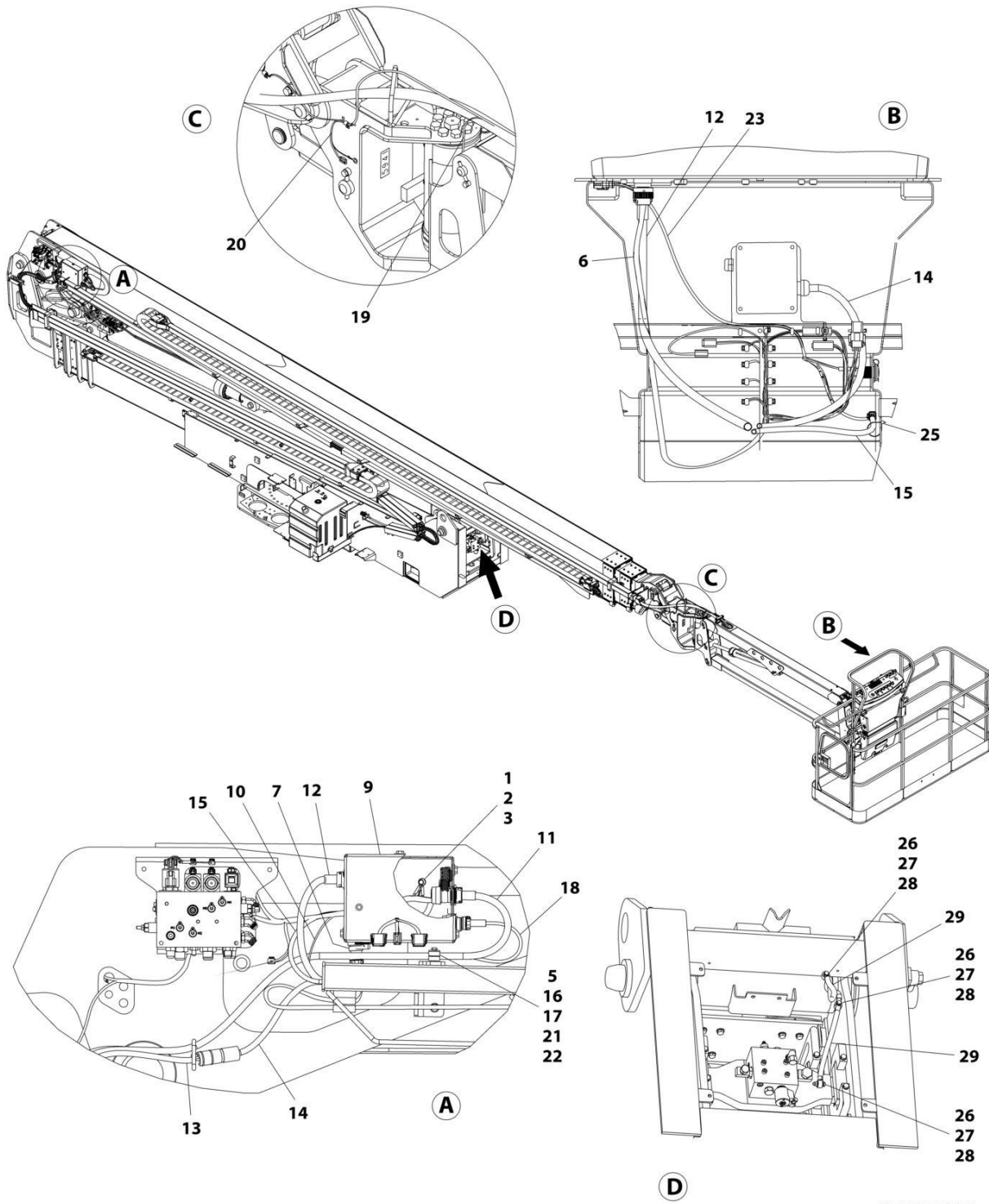
## SECTION 8 - ELECTRICAL

**FIGURE 8-17. BOOM CABLES INSTALLATION - WITHOUT GENERATOR (ALL SPEC EXCEPT AUSTRALIAN, CHINA, CE & UK CA SPECS)**

ITEM	PART NUMBER	QTY	DESCRIPTION	REV
	1001197326	Ref	BOOM CABLES INSTALLATION - WITHOUT GENERATOR	F
1	0100011	AR	Compound, Locking	
2	0761010	3	Bolt M10 x 20	
3	4812000	3	Washer M10	
5	0760818001	2	Bolt M8 x 50	
6	1001196682	1	Valve Harness - Platform (See Separate Breakdown in this Section)	
7	1001216806	1	Valve Harness - Boom (See Separate Breakdown in this Section)	
9	1001200199	1	Boom Control Box Assembly (See Separate Breakdown in this Section)	
10	1001201062	1	Sensor Harness - Boom (See Separate Breakdown in this Section)	
11	1001202259	1	Boom Cable (Tower Boom) (See Separate Breakdown in this Section)	
12	1001202260	1	Boom Cable (Main Boom) (See Separate Breakdown in this Section)	
13	1001202261	1	AC Power to Platform Cable (Tower Boom)	
13	4460134	1	Receptacle, Female	
14	1001202262	1	AC Power to Platform Cable (Main Boom)	
14	4460205	1	Plug, Male	
15	1001202269	1	Main Boom 12/4 Harness	
15	4460932	1	Receptacle, Female - 4 Position	
15	1001157891	7	Pin, Male	
16	1001202742	1	Clamp	
17	1001202743	1	Cover, Clamp	
18	1001202785	1	Secondary Control Harness (See Separate Breakdown in this Section)	
19	1001204027	1	Jib Limit Switch Harness	
19	4460894	1	Plug, Male - 6 Position	
19	4460465	5	Socket, Female	
19	4460466	1	Plug, Terminal	
20	1001204028	1	Sensor Harness - Platform Level (See Separate Breakdown in this Section)	
21	3290805001	2	Nut M8	
22	4811900001	2	Washer M8	
23	1001206506	1	Platform Outlet Harness (See Separate Breakdown in this Section)	
24	1001146588	2	Tie-Strap (Not Shown)	
25	1001008559	3	Tie-Strap	
26	0700815	3	Bolt M8 x 35	
27	3290805	3	Nut M8	
28	4811900	6	Washer M8	
29	1001217007	2	Cable, Stainless Braided Ground	

# SECTION 8 - ELECTRICAL

FIGURE 8-18. BOOM CABLES INSTALLATION - WITHOUT GENERATOR (AUSTRALIAN, CHINA, CE & UK CA SPECS)



ART\_1001197327

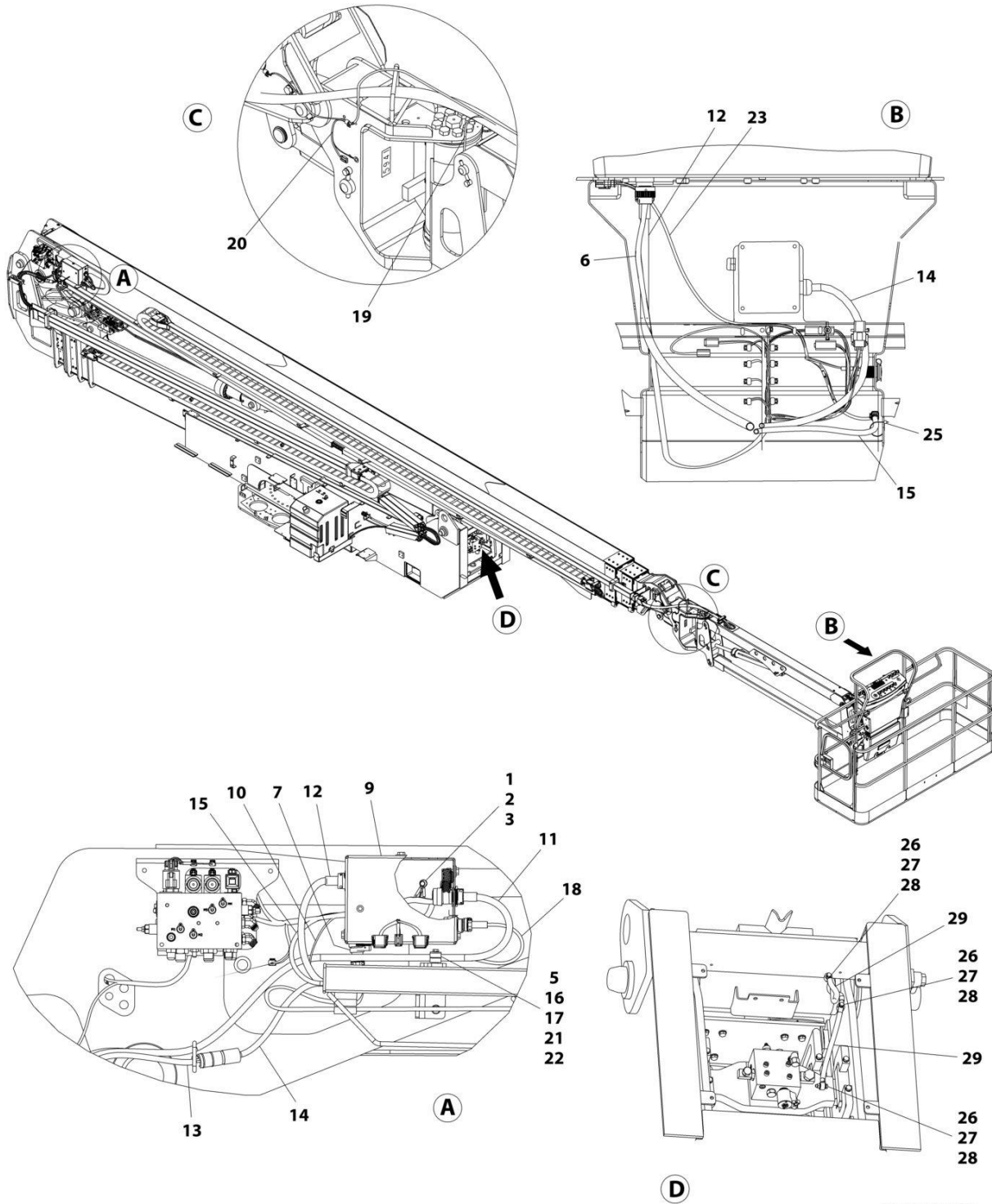
## SECTION 8 - ELECTRICAL

**FIGURE 8-18. BOOM CABLES INSTALLATION - WITHOUT GENERATOR (AUSTRALIAN, CHINA, CE & UK CA SPECS)**

ITEM	PART NUMBER	QTY	DESCRIPTION	REV
	1001197327	Ref	BOOM CABLES INSTALLATION - WITHOUT GENERATOR	F
1	0100011	AR	Compound, Locking	
2	0761010	3	Bolt M10 x 20	
3	4812000	3	Washer M10	
5	0760818001	2	Bolt M8 x 50	
6	1001196682	1	Valve Harness - Platform (See Separate Breakdown in this Section)	
7	1001216806	1	Valve Harness - Boom (See Separate Breakdown in this Section))	
9	1001200199	1	Boom Control Box Assembly (See Separate Breakdown in this Section)	
10	1001201062	1	Sensor Harness - Boom (See Separate Breakdown in this Section)	
11	1001202259	1	Boom Cable (Tower Boom) (See Separate Breakdown in this Section)	
12	1001202260	1	Boom Cable (Main Boom) (See Separate Breakdown in this Section)	
13	1001202263	1	AC Power to Platform Cable (Tower Boom)	
13	4460134	1	Receptacle, Female	
14	1001202264	1	AC Power to Platform Cable (Main Boom)	
14	4460205	1	Plug, Male	
15	1001202269	1	Main Boom 12/4 Harness	
15	4460932	1	Receptacle, Female - 4 Position	
15	1001157891	7	Pin, Male	
16	1001202742	1	Clamp	
17	1001202743	1	Cover, Clamp	
18	1001202785	1	Secondary Control Harness (See Separate Breakdown in this Section)	
19	1001204027	1	Jib Limit Switch Harness	
19	4460894	1	Plug, Male - 6 Position	
19	4460465	5	Socket, Female	
19	4460466	1	Plug, Terminal	
20	1001204028	1	Sensor Harness - Platform Level (See Separate Breakdown in this Section)	
21	3290805001	2	Nut M8	
22	4811900001	2	Washer M8	
23	1001206506	1	Platform - Outlet Harness (See Separate Breakdown in this Section)	
24	1001146588	2	Tie-Strap (Not Shown)	
25	1001008559	3	Tie-Strap	
26	0700815	3	Bolt M8 x 35	
27	3290805	3	Nut M8	
28	4811900	6	Washer M8	
29	1001217007	2	Cable, Stainless Braided Ground	

# SECTION 8 - ELECTRICAL

FIGURE 8-19. BOOM CABLES INSTALLATION - WITH 4000W GENERATOR (ALL SPECS)



ART\_1001201710



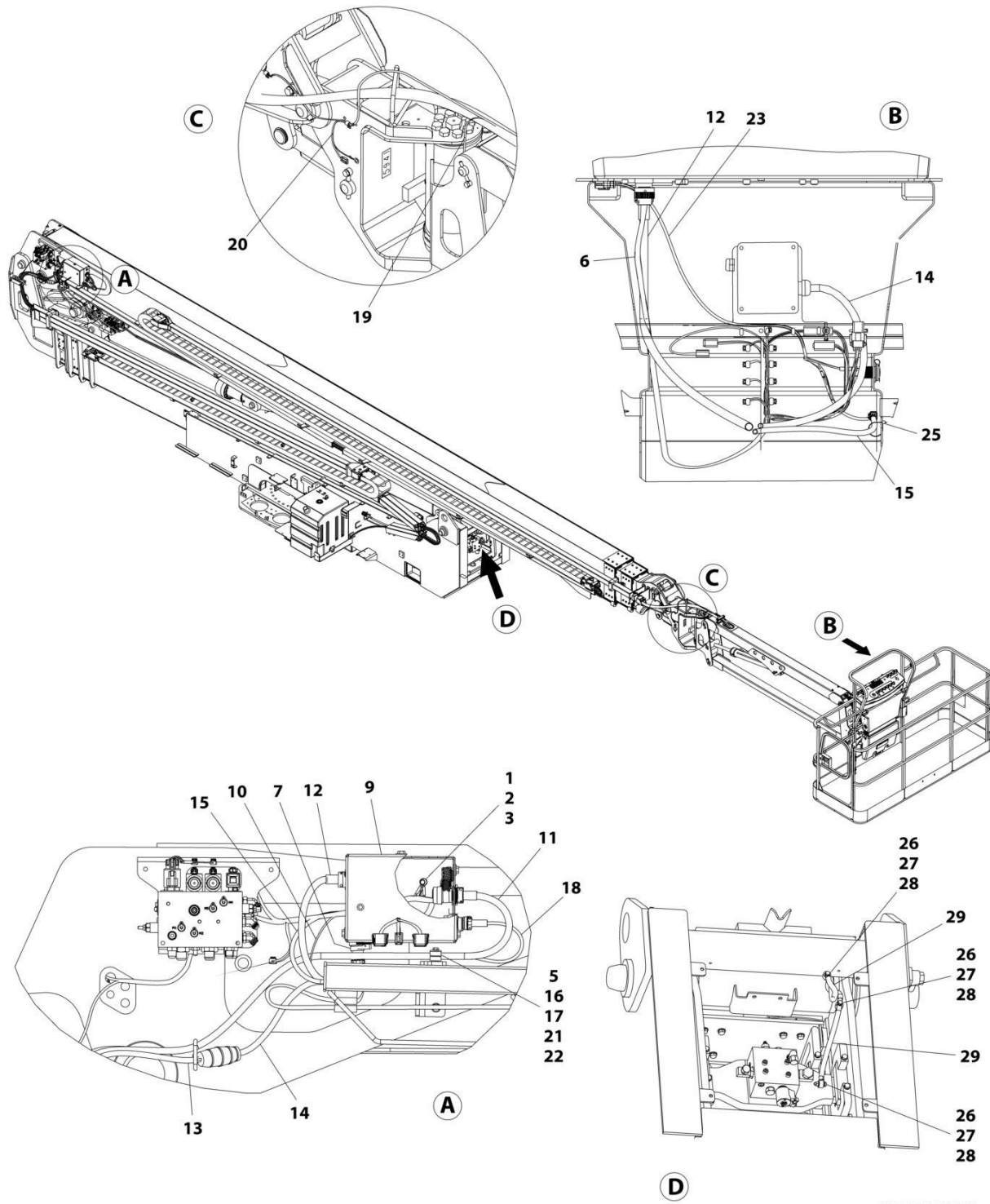
## SECTION 8 - ELECTRICAL

**FIGURE 8-19. BOOM CABLES INSTALLATION - WITH 4000W GENERATOR (ALL SPECS)**

ITEM	PART NUMBER	QTY	DESCRIPTION	REV
	1001201710	Ref	BOOM CABLES INSTALLATION - WITH 4000W GENERATOR	F
1	0100011	AR	Compound, Locking	
2	0761010	3	Bolt M10 x 20	
3	4812000	3	Washer M10	
5	0760818001	2	Bolt M8 x 50	
6	1001196682	1	Valve Harness - Platform (See Separate Breakdown in this Section)	
7	1001216806	1	Valve Harness - Boom (See Separate Breakdown in this Section)	
9	1001200199	1	Boom Control Box Assembly (See Separate Breakdown in this Section)	
10	1001201062	1	Sensor Harness - Boom (See Separate Breakdown in this Section)	
11	1001202259	1	Boom Cable (Tower Boom) (See Separate Breakdown in this Section)	
12	1001202260	1	Boom Cable (Main Boom) (See Separate Breakdown in this Section)	
13	1001202267	1	AC Power to Platform Cable (Tower Boom)	
13	4460963	1	Receptacle, Female	
13	1671093	1	Cover	
14	1001202268	1	AC Power to Platform Cable (Main Boom)	
14	4460962	1	Plug, Male	
14	1671092	1	Cover	
15	1001202269	1	Main Boom 12/4 Harness	
15	4460932	1	Receptacle, Female - 4 Position	
15	1001157891	7	Pin, Male	
16	1001202742	1	Clamp	
17	1001202743	1	Cover, Clamp	
18	1001202785	1	Secondary Control Harness (See Separate Breakdown in this Section)	
19	1001204027	1	Jib Limit Switch Harness	
19	4460894	1	Plug, Male - 6 Position	
19	4460465	5	Socket, Female	
19	4460466	1	Plug, Terminal	
20	1001204028	1	Sensor Harness - Platform Level (See Separate Breakdown in this Section)	
21	3290805001	2	Nut M8	
22	4811900001	2	Washer M8	
23	1001206506	1	Platform Outlet Harness (See Separate Breakdown in this Section)	
24	1001146588	2	Tie-Strap (Not Shown)	
25	1001008559	3	Tie-Strap	
26	0700815	3	Bolt M8 x 35	
27	3290805	3	Nut M8	
28	4811900	6	Washer M8	
29	1001217007	2	Cable, Stainless Braided Ground	

# SECTION 8 - ELECTRICAL

**FIGURE 8-20. BOOM CABLES INSTALLATION - WITH SKYPOWER 7500W GENERATOR (ALL SPECS EXCEPT CE & UK CA SPECS)**



ART\_1001197328

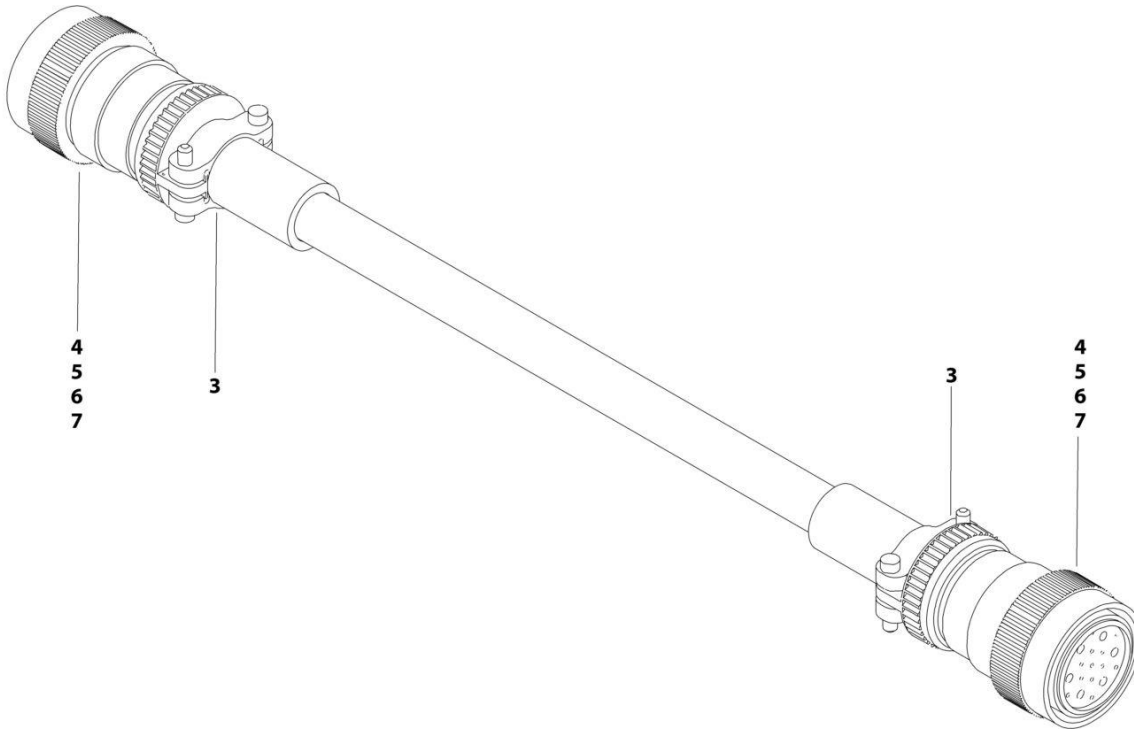
## SECTION 8 - ELECTRICAL

**FIGURE 8-20. BOOM CABLES INSTALLATION - WITH SKYPOWER 7500W GENERATOR (ALL SPECS EXCEPT CE & UK CA SPECS)**

ITEM	PART NUMBER	QTY	DESCRIPTION	REV
	1001197328	Ref	BOOM CABLES INSTALLATION - WITH SKYPOWER 7500W GENERATOR	G
1	0100011	AR	Compound, Locking	
2	0761010	3	Bolt M10 x 20	
3	4812000	3	Washer M10	
5	0760818001	2	Bolt M8 x 50	
6	1001196682	1	Valve Harness - Platform (See Separate Breakdown in this Section)	
7	1001216806	1	Valve Harness - Boom (See Separate Breakdown in this Section)	
9	1001200199	1	Boom Control Box Assembly (See Separate Breakdown in this Section)	
10	1001201062	1	Sensor Harness - Boom (See Separate Breakdown in this Section)	
11	1001202259	1	Boom Cable (Tower Boom) (See Separate Breakdown in this Section)	
12	1001202260	1	Boom Cable (Main Boom) (See Separate Breakdown in this Section)	
13	1001226291	1	AC Power to Platform Cable (Tower Boom)	
13	1060945	1	Cable	
13	1001218623	1	Socket, 30Amp	
14	1001226292	1	AC Power to Platform Cable (Main Boom)	
14	1060945	1	Cable	
14	1001218622	1	Plug, 30Amp	
15	1001202269	1	Main Boom 12/4 Harness	
15	4460932	1	Receptacle, Female - 4 Position	
15	1001157891	7	Pin, Male	
16	1001202742	1	Clamp	
17	1001202743	1	Cover, Clamp	
18	1001202785	1	Secondary Control Harness (See Separate Breakdown in this Section)	
19	1001204027	1	Jib Limit Switch Harness	
19	4460894	1	Plug, Male - 6 Position	
19	4460465	5	Socket, Female	
19	4460466	1	Plug, Terminal	
20	1001204028	1	Sensor Harness - Platform Level (See Separate Breakdown in this Section)	
21	3290805001	2	Nut M8	
22	4811900001	2	Washer M8	
23	1001206506	1	Platform Outlet Harness (See Separate Breakdown in this Section)	
24	1001146588	2	Tie-Strap (Not Shown)	
25	1001008559	3	Tie-Strap	
26	0700815	3	Bolt M8 x 35	
27	3290805	3	Nut M8	
28	4811900	6	Washer M8	
29	1001217007	2	Cable, Stainless Braided Ground	

# SECTION 8 - ELECTRICAL

## FIGURE 8-21. BOOM CABLE (MAIN BOOM)



ART\_1001202260

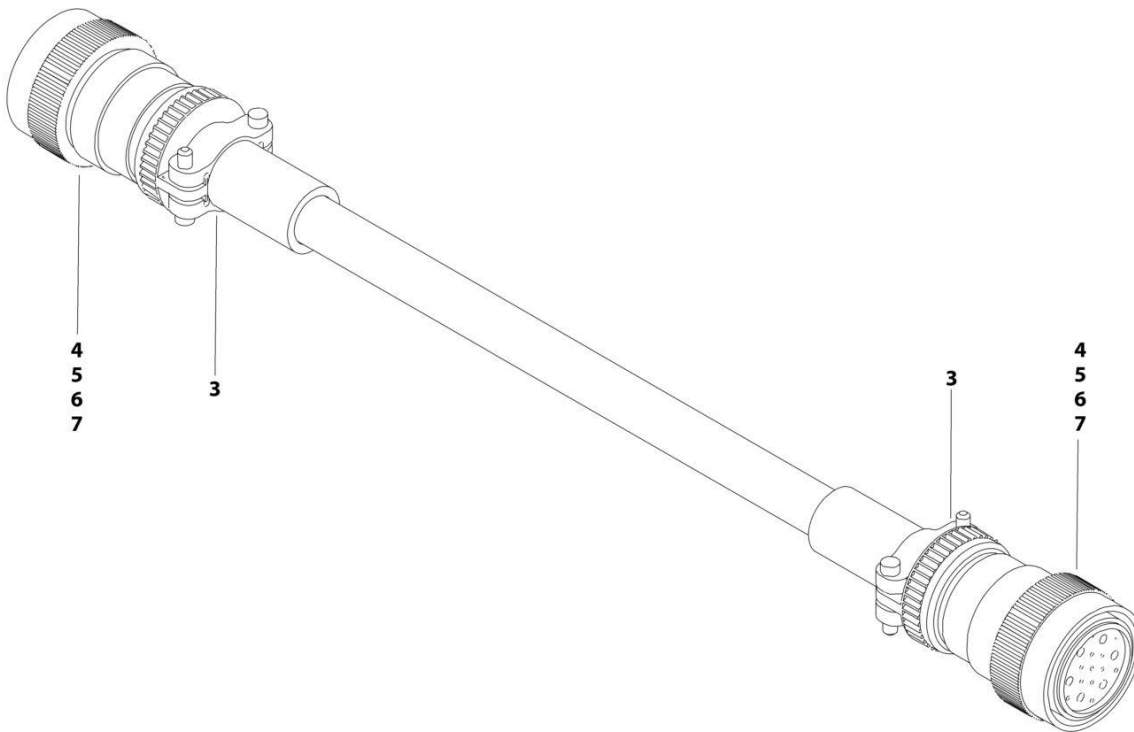
## SECTION 8 - ELECTRICAL

### FIGURE 8-21. BOOM CABLE (MAIN BOOM)

ITEM	PART NUMBER	QTY	DESCRIPTION	REV
	1001202260	Ref	BOOM CABLE (MAIN BOOM)	B
3	4460473	2	Clamp	
4	4460509	8	Socket, Female	
5	4460865	2	Connector - 19 Position	
6	4460465	20	Socket, Female	
7	4460466	10	Plug, Socket	

# SECTION 8 - ELECTRICAL

## FIGURE 8-22. BOOM CABLE (TOWER BOOM)



ART\_1001202259

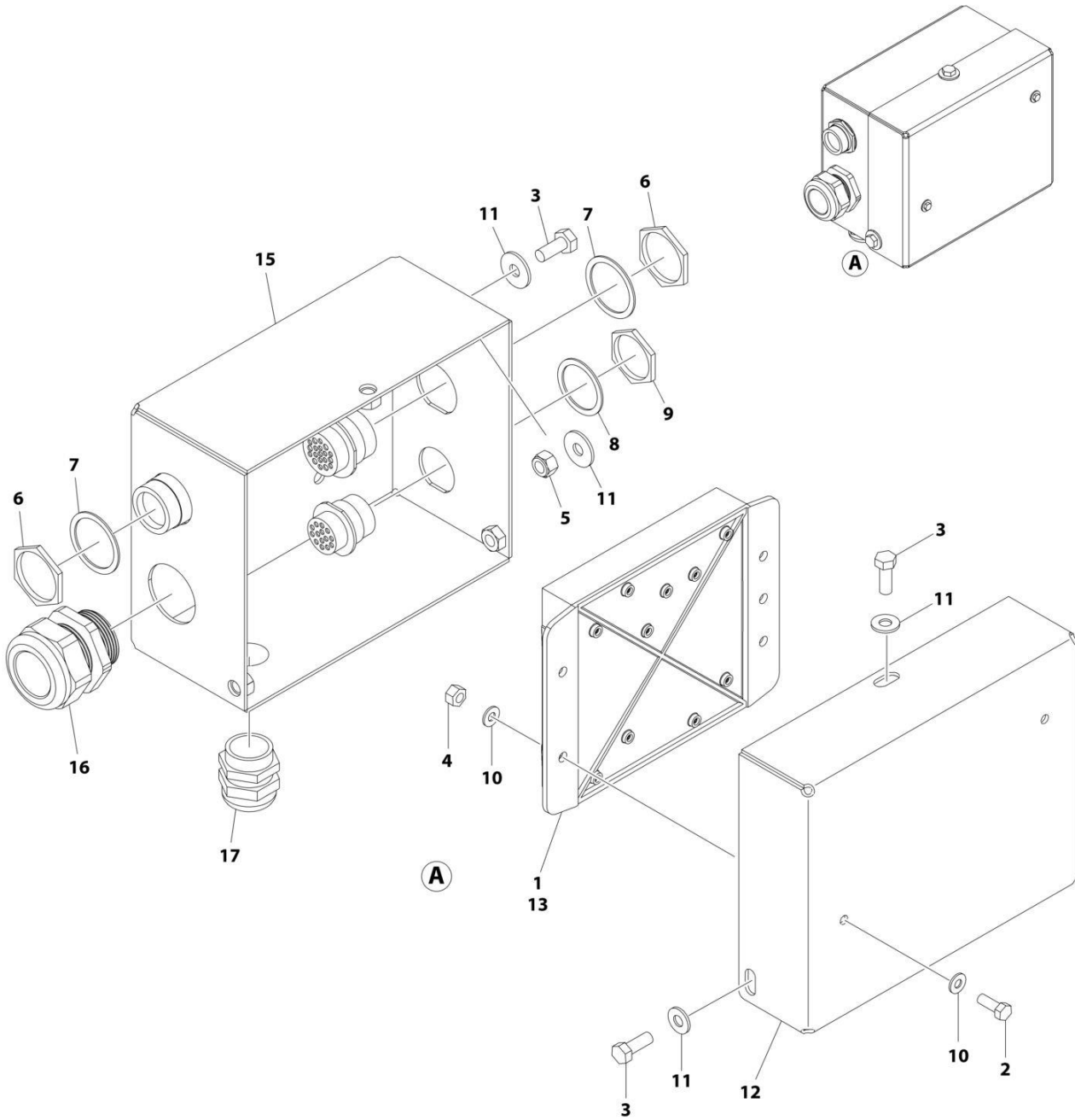
## SECTION 8 - ELECTRICAL

### FIGURE 8-22. BOOM CABLE (TOWER BOOM)

ITEM	PART NUMBER	QTY	DESCRIPTION	REV
	1001202259	Ref	BOOM CABLE (TOWER BOOM)	B
3	4460473	2	Clamp	
4	4460509	8	Socket, Female	
5	4460865	2	Connector - 19 Position	
6	4460465	20	Socket, Female	
7	4460466	10	Plug, Socket	

# SECTION 8 - ELECTRICAL

## FIGURE 8-23. BOOM CONTROL BOX ASSEMBLY



ART\_1001200199\_H



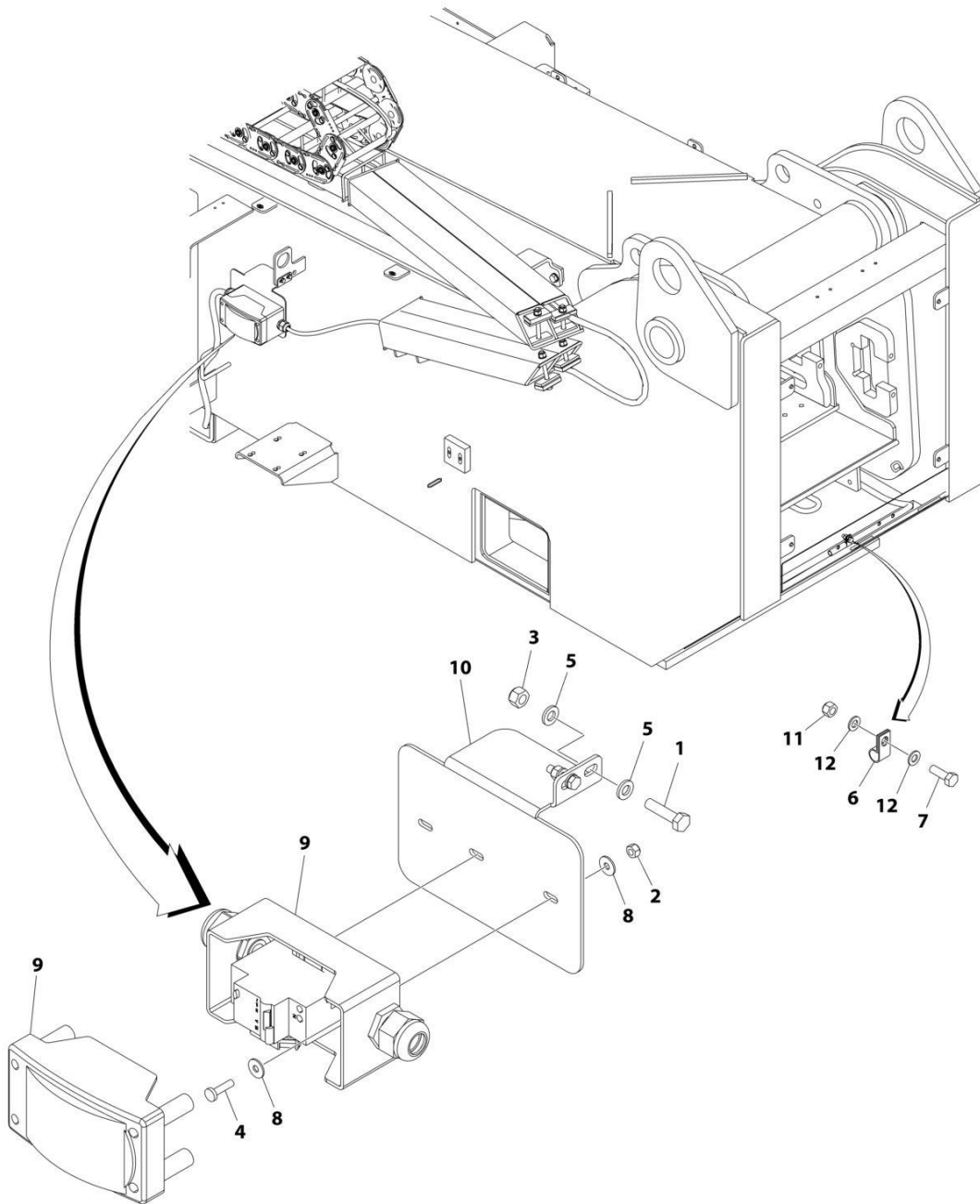
## SECTION 8 - ELECTRICAL

**FIGURE 8-23. BOOM CONTROL BOX ASSEMBLY**

ITEM	PART NUMBER	QTY	DESCRIPTION	REV
	1001200199	Ref	BOOM CONTROL BOX ASSEMBLY	H
1	0100048	AR	Grease, Dielectric	
2	0760610	2	Bolt M6 x 20	
3	0761012	4	Bolt M10 x 25	
4	3290605	2	Nut M6	
5	3291005	1	Nut M10	
6	4460470	2	Nut, Terminal	
7	4460471	2	Washer, Terminal	
8	4460496	1	Washer, Terminal	
9	4460497	1	Nut, Terminal	
10	4811702	4	Washer M6	
11	4812002	5	Washer M10	
12	1001119215	1	Cover	
13	1001306078	1	Module, Control - Boom (Note: Re-calibration Required when Replaced)	
14	1001216638	1	Main Boom Control Box Harness (Not Shown - See Separate Breakdown in this Section)	
15	1001200203	1	Box	
16	1001215836	1	Connector, Strain Relief	
17	4460426	1	Connector, Strain Relief	

# SECTION 8 - ELECTRICAL

## FIGURE 8-24. BREAKER BOX INSTALLATION - WITH 2 BREAKERS (CE & UK CA SPECS)



ART\_1001197335

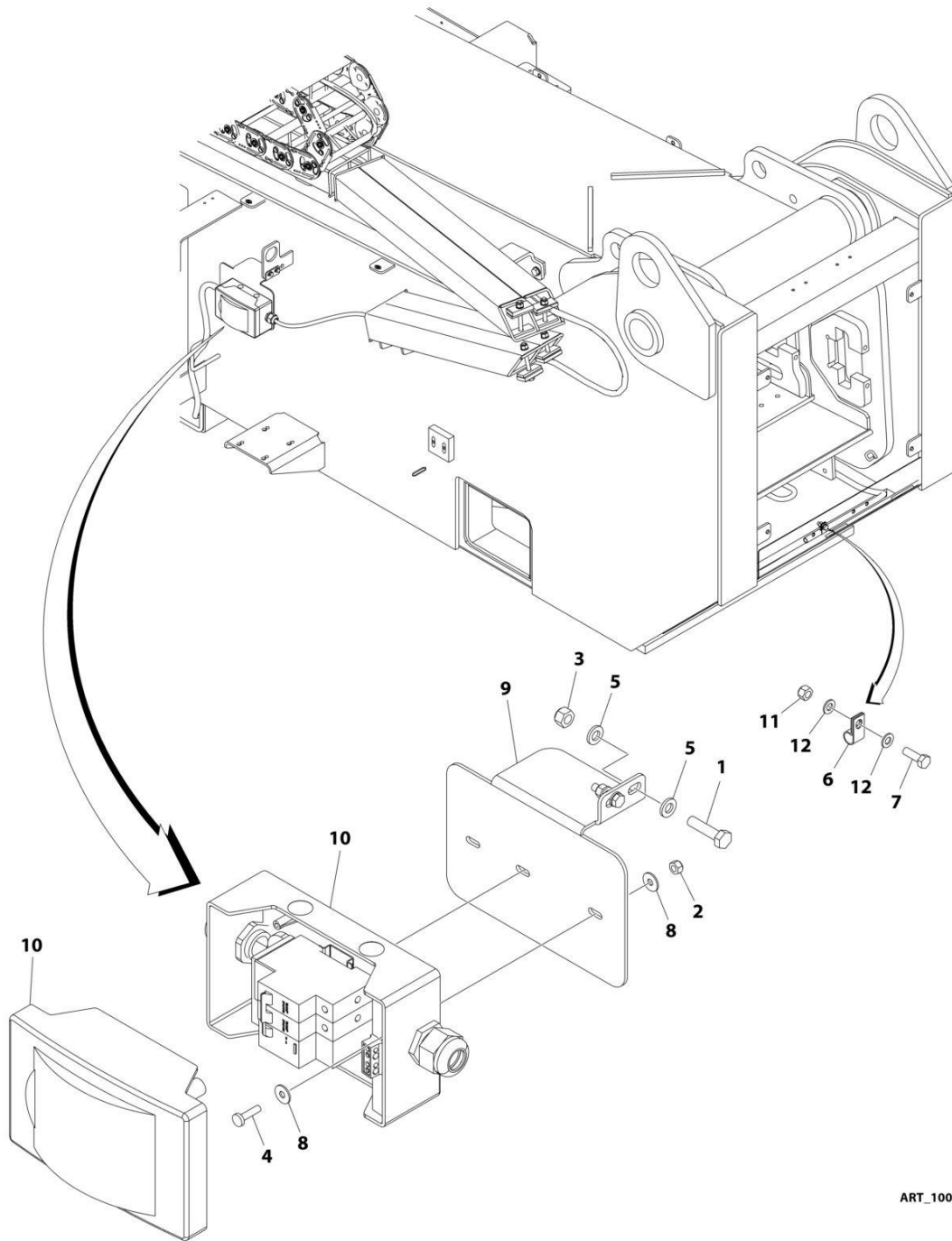
## SECTION 8 - ELECTRICAL

**FIGURE 8-24. BREAKER BOX INSTALLATION - WITH 2 BREAKERS (CE & UK CA SPECS)**

ITEM	PART NUMBER	QTY	DESCRIPTION	REV
	1001197335	Ref	BREAKER BOX INSTALLATION - WITH 2 BREAKERS	D
1	0700612	2	Bolt M6 x 25	
2	3290405	2	Nut M4	
3	3290605	2	Nut M6	
4	4010408	2	Screw M4 x 16	
5	4811700	4	Washer M6	
6	8406109	1	Clamp	
7	0760812001	1	Bolt M8 x 25	
8	1001091102	4	Washer M4	
9	1001109654	1	Breaker Box Kit - With 2 Breakers (See Separate Breakdown in this Section)	
10	1001205660	1	Bracket	
11	3290805001	1	Nut M8	
12	4811900001	2	Washer M8	

# SECTION 8 - ELECTRICAL

FIGURE 8-25. BREAKER BOX INSTALLATION - WITH 3 BREAKERS (CE & UK CA SPECS)



ART\_1001205682

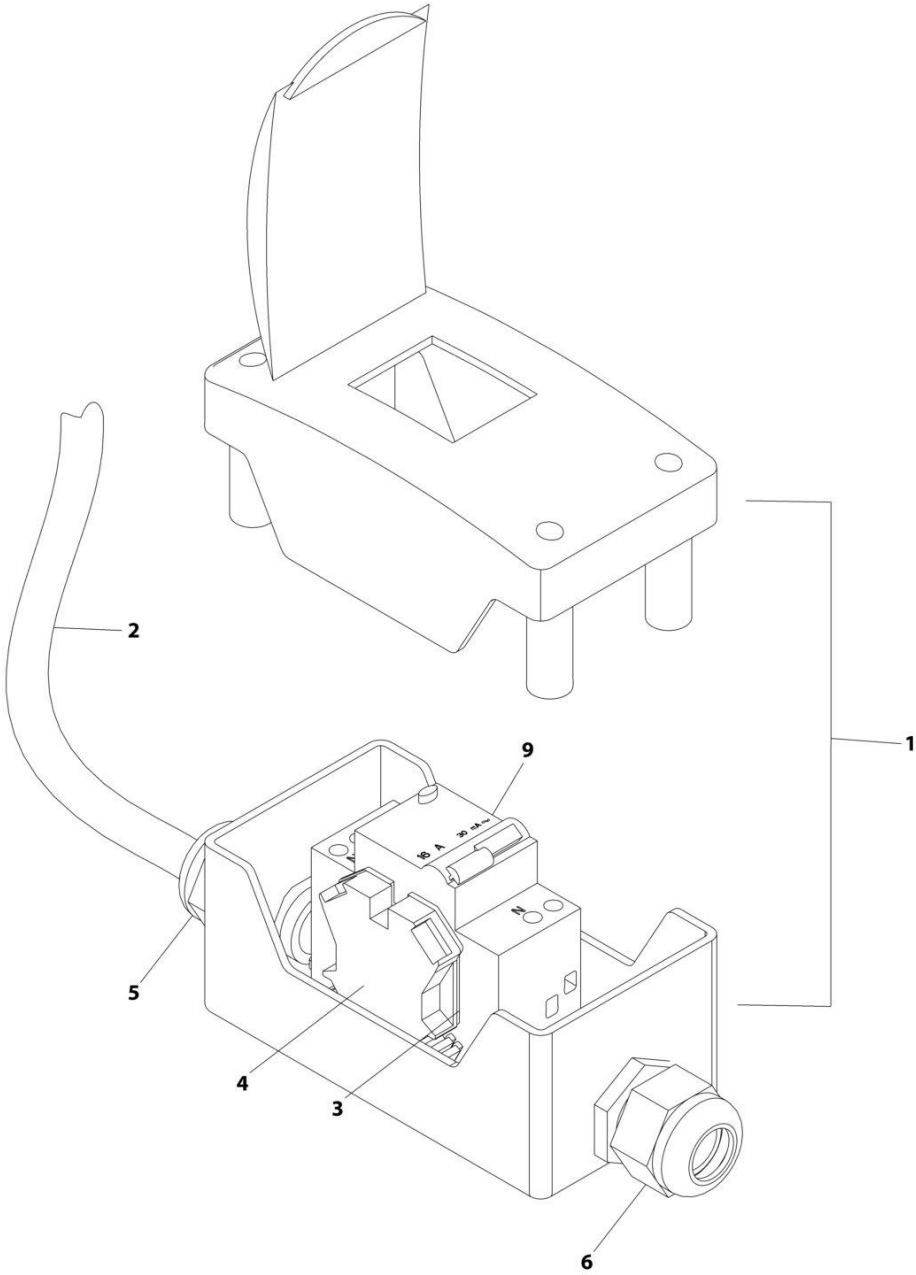
## SECTION 8 - ELECTRICAL

**FIGURE 8-25. BREAKER BOX INSTALLATION - WITH 3 BREAKERS (CE & UK CA SPECS)**

ITEM	PART NUMBER	QTY	DESCRIPTION	REV
	1001205682	Ref	BREAKER BOX INSTALLATION - WITH 3 BREAKERS	B
1	0700612	2	Bolt M6 x 25	
2	3290405	2	Nut M4	
3	3290605	2	Nut M6	
4	4010408	2	Screw M4 x 16	
5	4811700	4	Washer M6	
6	8406109	1	Clamp	
7	0760812001	1	Bolt M8 x 25	
8	1001091102	4	Washer M4	
9	1001205660	1	Bracket	
10	1001205690	1	Breaker Box Kit - With 3 Breakers (See Separate Breakdown in this Section)	
11	3290805001	1	Nut M8	
12	4811900001	2	Washer M8	

**SECTION 8 - ELECTRICAL**

**FIGURE 8-26. BREAKER BOX KIT - WITH 2 BREAKERS (CE & UK CA SPECS)**



ART\_1001109654

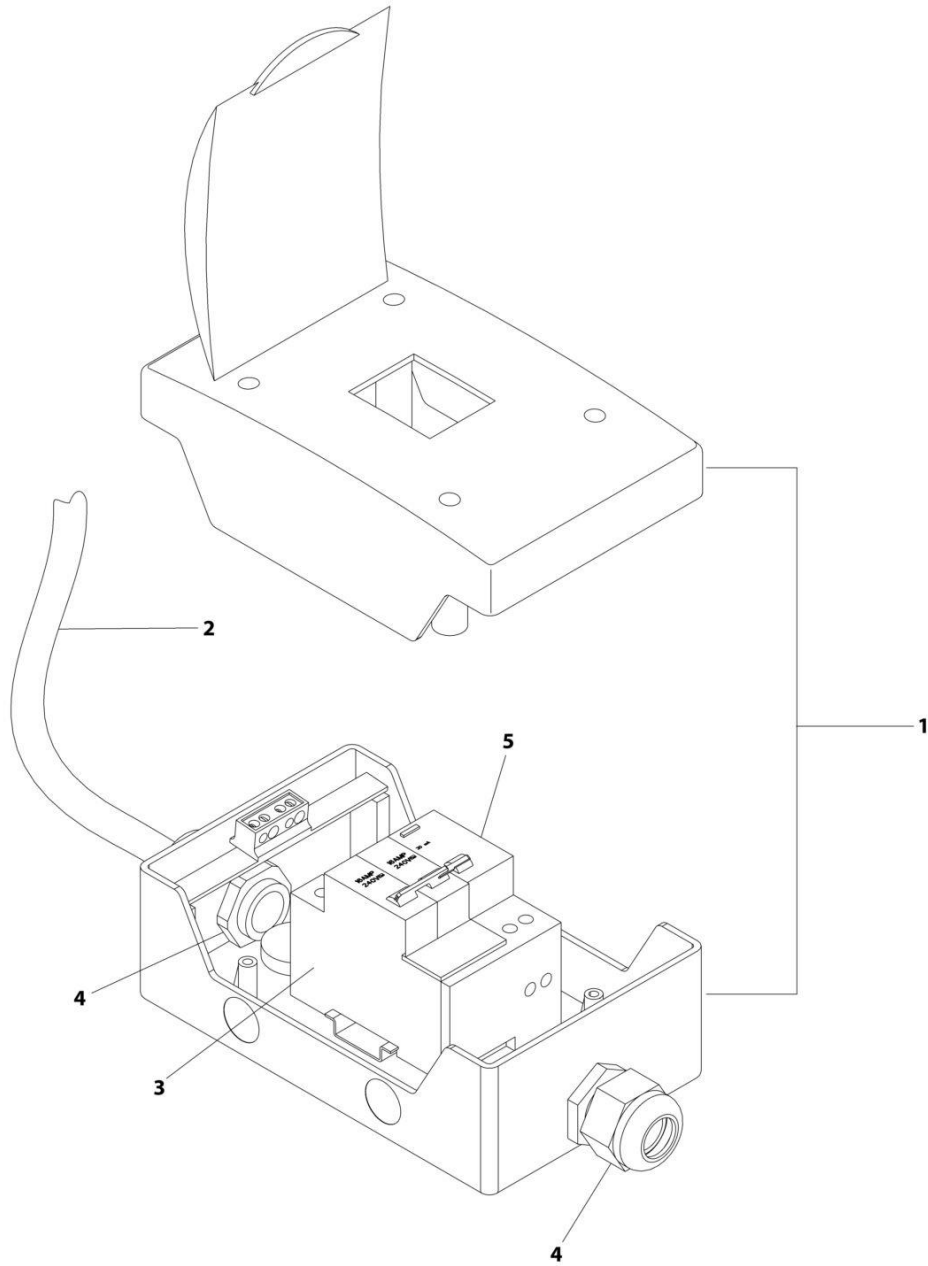
## SECTION 8 - ELECTRICAL

**FIGURE 8-26. BREAKER BOX KIT - WITH 2 BREAKERS (CE & UK CA SPECS)**

ITEM	PART NUMBER	QTY	DESCRIPTION	REV
	1001109654	Ref	BREAKER BOX KIT	C
1	0861880	1	Box, Breaker	
2	1060908	12 ft/ 3.6m	Cable 12/3	
3	4460956	1	Barrier, Terminal Block End	
4	4460957	1	Block, Terminal	
5	1001097150	1	Connector, Strain Relief	
6	1001101191	1	Connector, Strain Relief	
9	1001181045	1	Breaker - 30mA/16Amp	
10	1001100231	3	Terminal (Not Shown)	

# SECTION 8 - ELECTRICAL

## FIGURE 8-27. BREAKER BOX KIT - WITH 3 BREAKERS (CE & UK CA SPECS)



ART\_1001205690



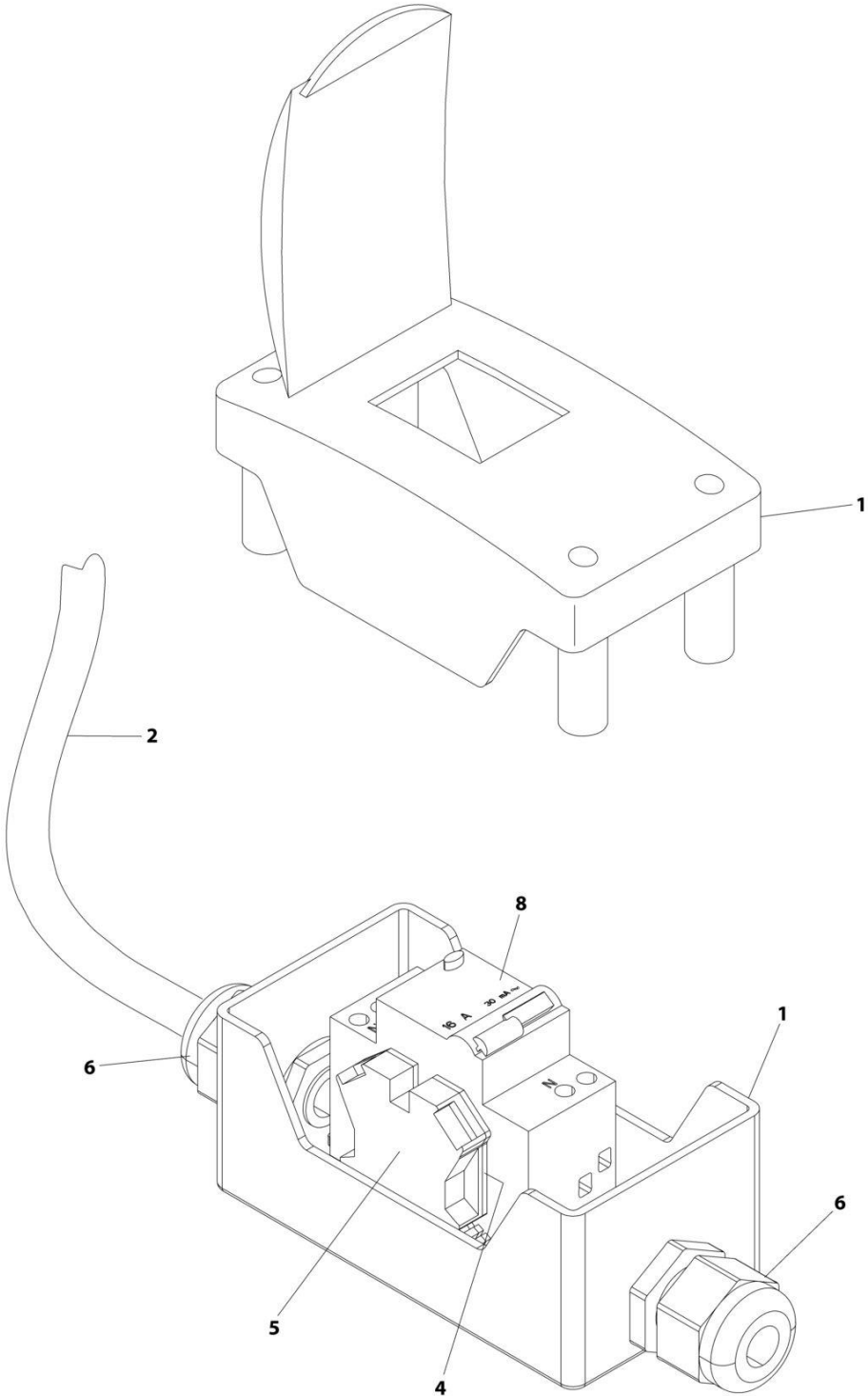
## SECTION 8 - ELECTRICAL

**FIGURE 8-27. BREAKER BOX KIT - WITH 3 BREAKERS (CE & UK CA SPECS)**

ITEM	PART NUMBER	QTY	DESCRIPTION	REV
	1001205690	Ref	BREAKER BOX KIT	B
1	1001152483	1	Box, Breaker	
2	1060545	12 ft / 3.6m	Cable, Electrical 10/3	
3	1001189172	1	Breaker 16Amp Double	
4	1001101191	2	Connector, Strain Relief	
5	1001189171	1	Breaker 30mA	

**SECTION 8 - ELECTRICAL**

**FIGURE 8-28. BREAKER BOX KIT - 4000W 50HZ GENERATOR**



ART\_1001096612

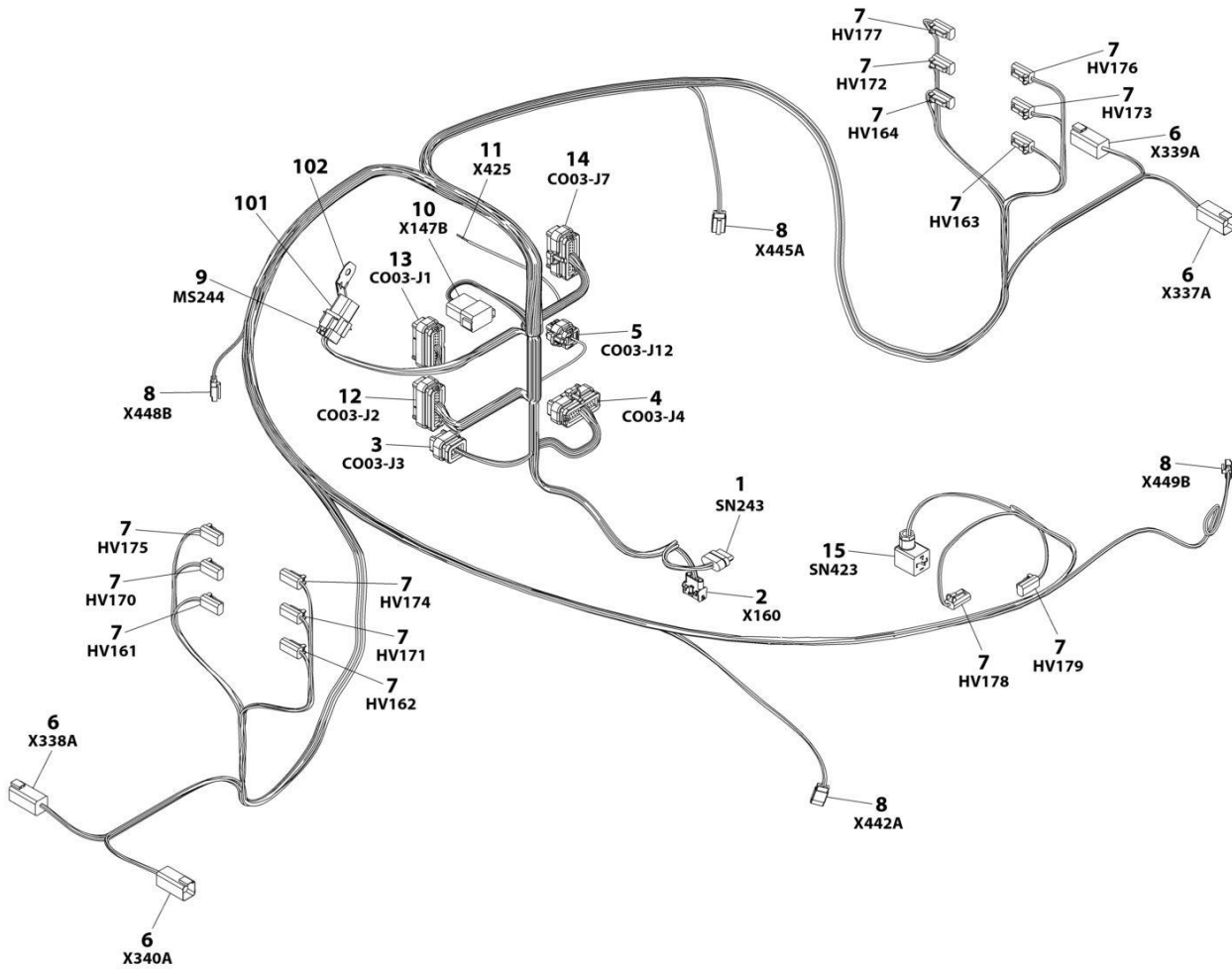
## SECTION 8 - ELECTRICAL

**FIGURE 8-28. BREAKER BOX KIT - 4000W 50HZ GENERATOR**

ITEM	PART NUMBER	QTY	DESCRIPTION	REV
	1001096612	Ref	BREAKER BOX ASSEMBLY	C
1	0861880	1	Box	
2	1060908	4.5 ft /1.4m	Cable, 12/3	
4	4460956	1	Barrier, Terminal	
5	4460957	1	Block, Terminal	
6	1001097150	2	Connector, Strain Relief	
8	1001181045	1	Breaker, Double 30mAmp/16Amp	

# SECTION 8 - ELECTRICAL

## FIGURE 8-29. CHASSIS HARNESS



ART\_1001311998

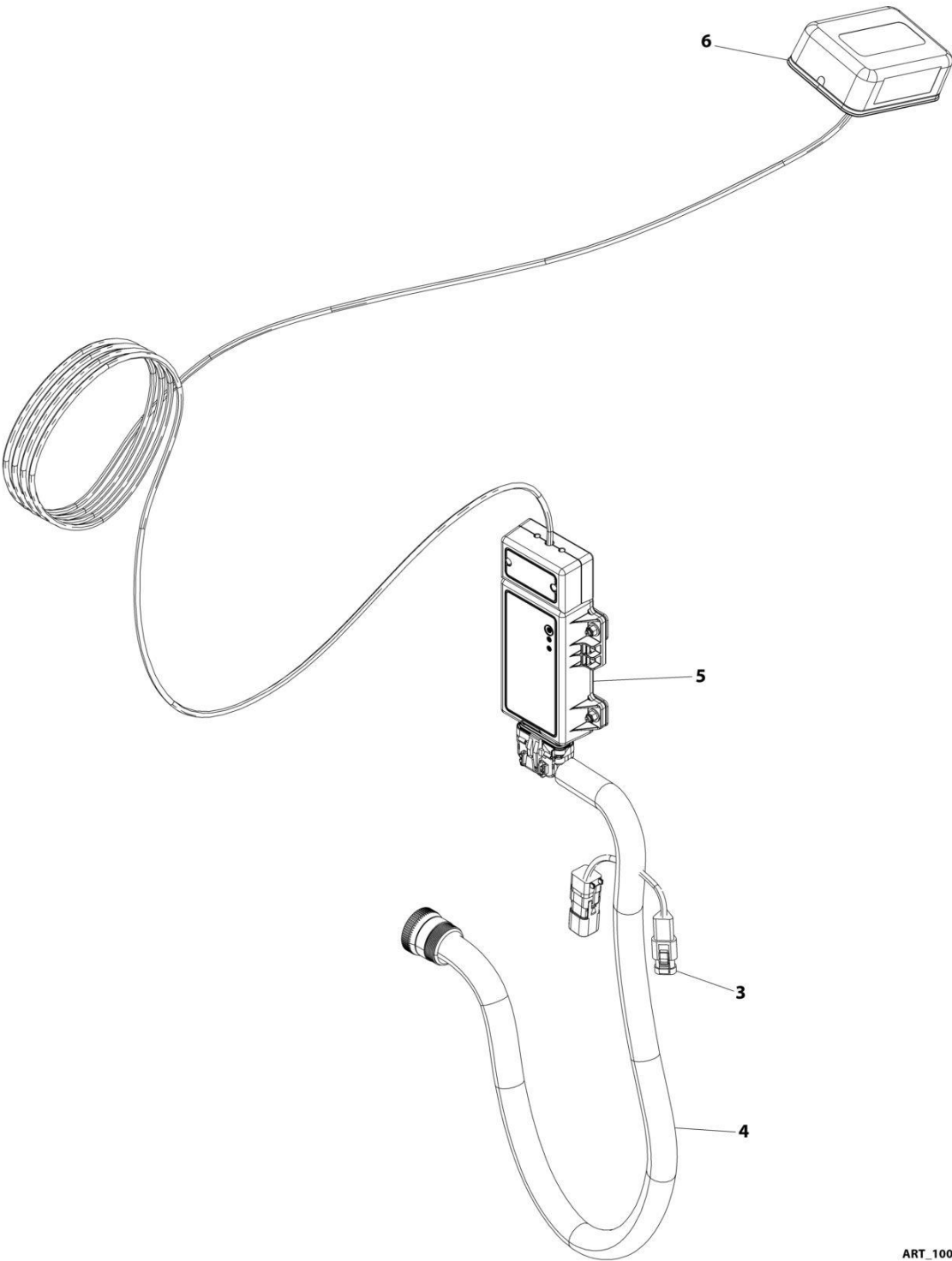
## SECTION 8 - ELECTRICAL

### FIGURE 8-29. CHASSIS HARNESS

ITEM	PART NUMBER	QTY	DESCRIPTION	REV
	1001311998	Ref	CHASSIS HARNESS	A
1	1001230931	1	Connector	
1	1001116748	6	Terminal	
2	4460761	1	Connector	
2	4460227	4	Terminal	
3	4460872	1	Connector	
3	4460871	5	Terminal	
3	4460905	9	Plug	
4	4460876	1	Connector	
4	4460871	4	Terminal	
4	4460905	31	Plug	
5	1001113961	1	Connector	
5	4460871	1	Terminal	
5	4460905	7	Plug	
6	4460899	4	Connector	
6	4460464	16	Terminal	
6	4460466	8	Plug	
7	4460891	14	Connector	
7	4460465	28	Terminal	
8	4460911	4	Connector	
8	1001126009	12	Terminal	
9	4460851	1	Connector	
9	4460465	7	Terminal	
9	4460466	1	Plug	
10	4460950	1	Connector	
10	4460943	3	Terminal	
10	4460464	3	Terminal	
10	4460466	6	Plug	
11	4461271	1	Terminal	
12	4460875	1	Connector	
12	4460871	21	Terminal	
12	4460905	14	Plug	
13	4460874	1	Connector	
13	4460871	10	Terminal	
13	4460905	25	Plug	
14	4460873	1	Connector	
14	4460871	24	Terminal	
14	4460905	11	Plug	
15	1001263923	1	Connector	
101	4460852	1	Connector	
102	1001155743	1	Holder	

**SECTION 8 - ELECTRICAL**

**FIGURE 8-30. CLEARSKY INSTALLATION - 4G CANBUS CONNECTION (ALL SPECS EXCEPT CHINA SPECS)**



ART\_1001227457

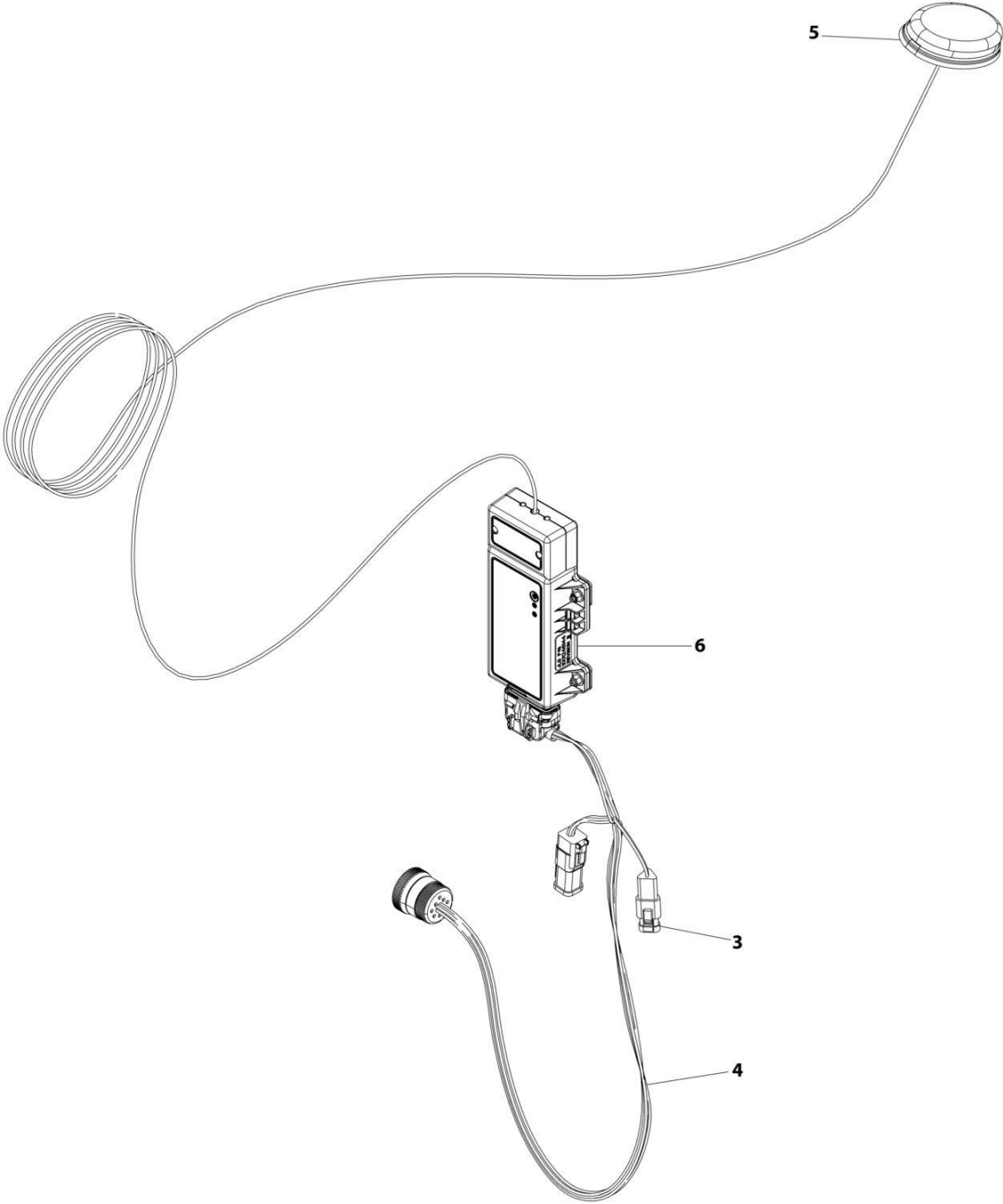
## SECTION 8 - ELECTRICAL

**FIGURE 8-30. CLEARSKY INSTALLATION - 4G CANBUS CONNECTION (ALL SPECS EXCEPT CHINA SPECS)**

ITEM	PART NUMBER	QTY	DESCRIPTION	REV
	1001227457	REF	CLEARSKY INSTALLATION CANBUS CONNECTION	B
1	4240032	AR	Tie-Strap (Not Shown)	
2	4460234	AR	Strap, Cable Tie (Not Shown)	
3	1001129408	1	Connector	
4	1001226739	1	ClearSky Harness (See Separate Breakdown in this Section)	
5	1001262322	1	Telematics Control Module (Note: Re-calibration Required when Replaced)	
6	1001262326	1	Antenna	

**SECTION 8 - ELECTRICAL**

**FIGURE 8-31. CLEARSKY INSTALLATION - 4G CANBUS CONNECTION (CHINA SPECS)**



ART\_1001246472



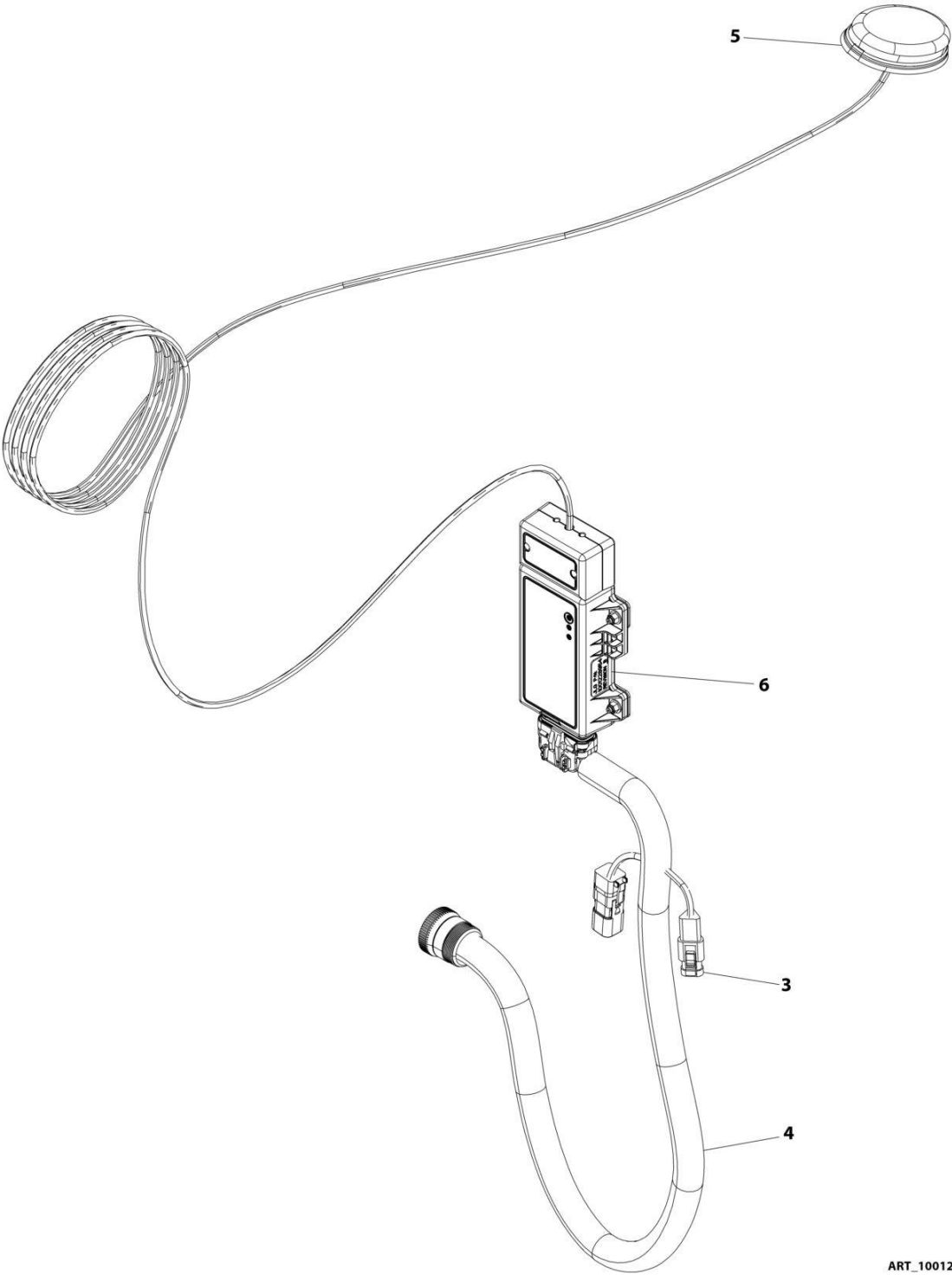
## SECTION 8 - ELECTRICAL

**FIGURE 8-31. CLEARSKY INSTALLATION - 4G CANBUS CONNECTION (CHINA SPECS)**

ITEM	PART NUMBER	QTY	DESCRIPTION	REV
	1001246472	REF	CLEARSKY INSTALLATION CANBUS CONNECTION	A
1	4240032	AR	Tie-Strap (Not Shown)	
2	4460234	AR	Strap, Cable -Tie (Not Shown)	
3	1001129408	1	Connector	
4	1001226739	1	ClearSky Harness (See Separate Breakdown in this Section)	
5	1001226799	1	Antenna	
6	1001246145	1	Telematics Control Module (Note: Re-calibration Required when Replaced)	

**SECTION 8 - ELECTRICAL**

**FIGURE 8-32. CLEARSKY INSTALLATION - 3G CANBUS CONNECTION (ANSI EXPORT, CE, AND UK CA SPECS)**



ART\_1001228959

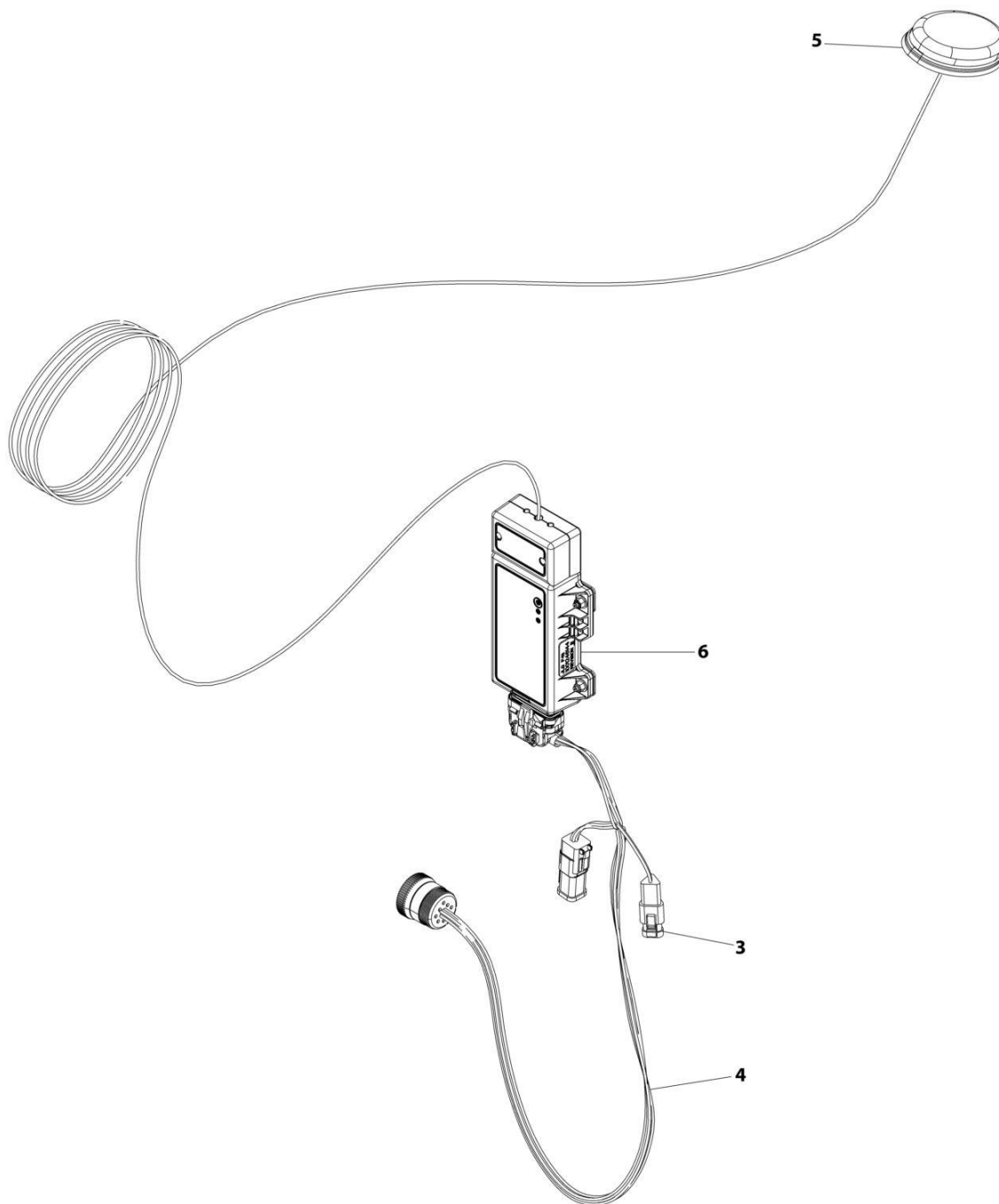
## SECTION 8 - ELECTRICAL

**FIGURE 8-32. CLEARSKY INSTALLATION - 3G CANBUS CONNECTION (ANSI EXPORT, CE, AND UK CA SPECS)**

ITEM	PART NUMBER	QTY	DESCRIPTION	REV
	1001228959	REF	CLEARSKY INSTALLATION CANBUS CONNECTION	A
1	4240032	AR	Tie-Strap (Not Shown)	
2	4460234	AR	Strap, Cable Tie (Not Shown)	
3	1001129408	1	Connector	
4	1001226739	1	ClearSky Harness (See Separate Breakdown in this Section)	
5	1001226799	1	Antenna	
6	1001228954	1	Telematics Control Module (Note: Re-calibration Required when Replaced)	

## SECTION 8 - ELECTRICAL

FIGURE 8-33. CLEARSKY INSTALLATION - 3G CANBUS CONNECTION (AUSTRALIAN SPECS)



ART\_1001246471

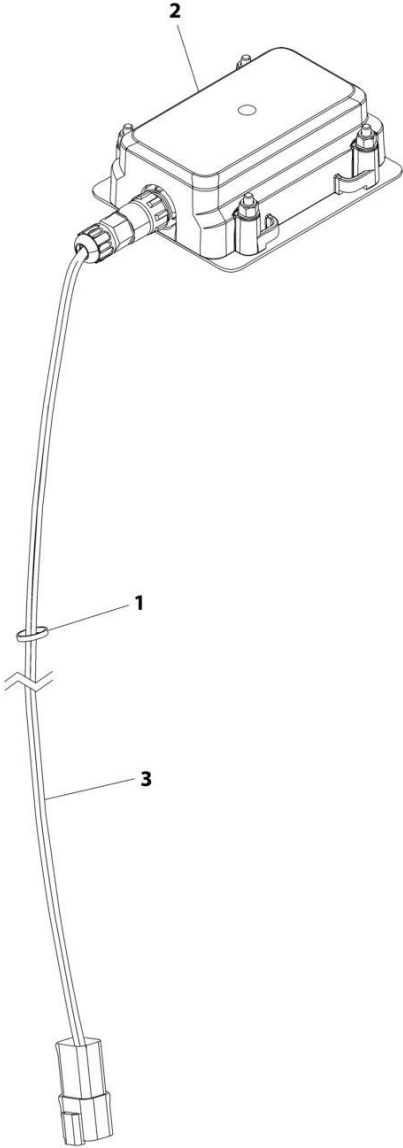
## SECTION 8 - ELECTRICAL

**FIGURE 8-33. CLEARSKY INSTALLATION - 3G CANBUS CONNECTION (AUSTRALIAN SPECS)**

ITEM	PART NUMBER	QTY	DESCRIPTION	REV
	1001246471	REF	CLEARSKY INSTALLATION CANBUS CONNECTION	A
1	4240032	AR	Tie-Strap (Not Shown)	
2	4460234	AR	Strap, Cable -Tie (Not Shown)	
3	1001129408	1	Connector	
4	1001226739	1	ClearSky Harness (See Separate Breakdown in this Section)	
5	1001226799	1	Antenna	
6	1001246144	1	Telematics Control Module (Note: Re-calibration Required when Replaced)	

**SECTION 8 - ELECTRICAL**

**FIGURE 8-34. CLEARSKY INSTALLATION - 3 WIRE GT1030 (ALL SPECS EXCEPT CHINA SPECS)**



ART\_1001276610

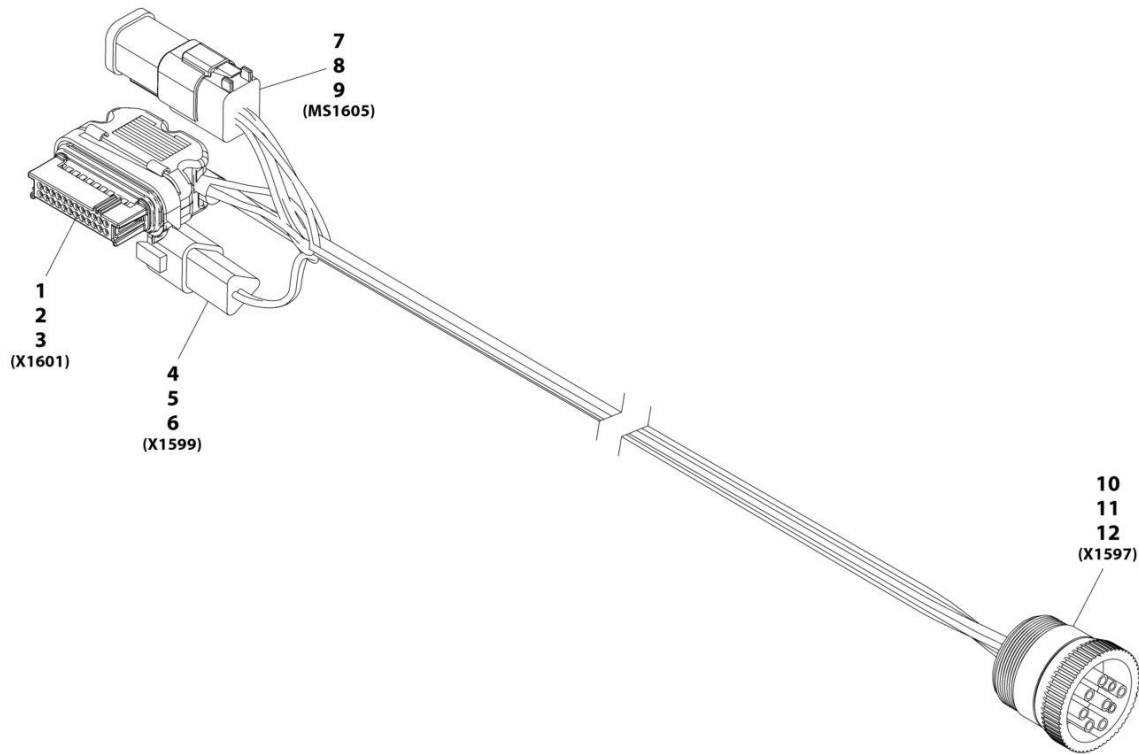
## SECTION 8 - ELECTRICAL

**FIGURE 8-34. CLEARSKY INSTALLATION - 3 WIRE GT1030 (ALL SPECS EXCEPT CHINA SPECS)**

ITEM	PART NUMBER	QTY	DESCRIPTION	REV
1	1001276610 4240032	Ref AR	CLEARSKY INSTALLATION 3-WIRE CONNECTION Tie-Strap	A
2	1001272659	1	Telematics Control Module Assembly (Note: Re-calibration Required when Replaced)	
3	1001273012	1	ClearSky Harness (See Separate Breakdown in this Section)	

# SECTION 8 - ELECTRICAL

## FIGURE 8-35. CLEARSKY HARNESS - 3G & 4G CANBUS CONNECTIONS



ART\_1001226739-A



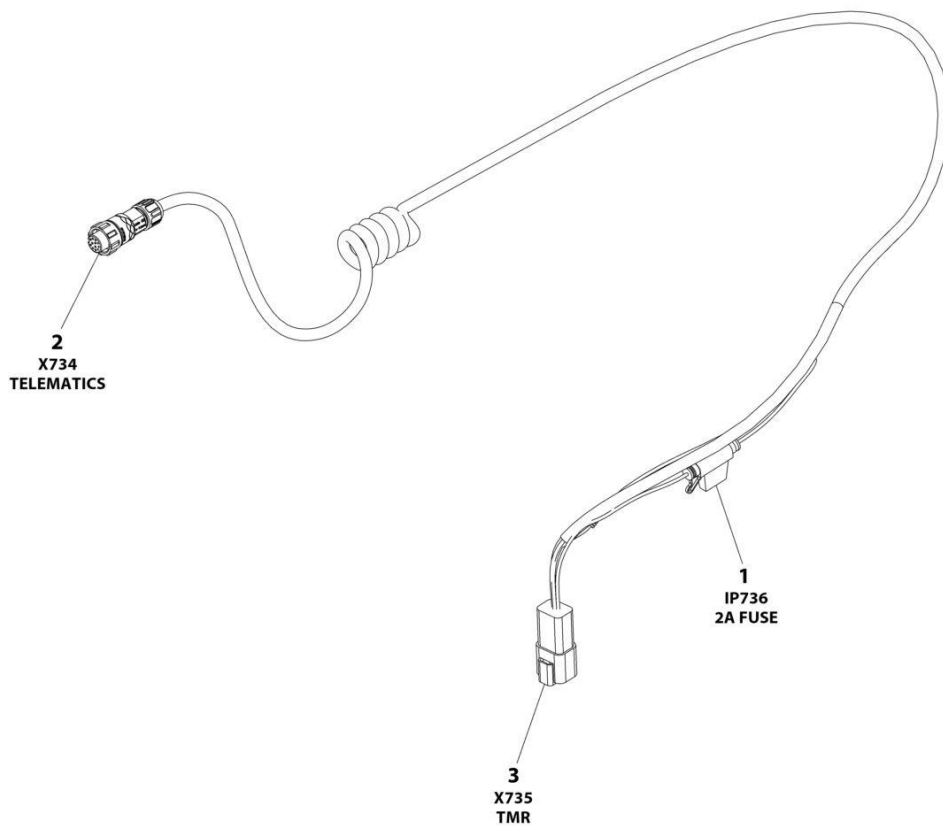
## SECTION 8 - ELECTRICAL

**FIGURE 8-35. CLEARSKY HARNESS - 3G & 4G CANBUS CONNECTIONS**

ITEM	PART NUMBER	QTY	DESCRIPTION	REV
	1001226739	Ref	Clearsky Harness	A
1	1001226636	1	Connector	
2	1001116731	16	Plug, Terminal	
3	1001226637	8	Terminal	
4	1001144147	1	Connector	
5	4460464	2	Terminal	
6	4460466	1	Plug, Terminal	
7	4460894	1	Connector	
8	4460465	6	Terminal	
9	1001226541	1	Connector- 6 Pin Bussbar	
10	1001112796	1	Connector	
11	4460465	8	Terminal	
12	4460466	1	Plug, Terminal	

# SECTION 8 - ELECTRICAL

## FIGURE 8-36. CLEARSKY HARNESS - 3 WIRE GT1030



ART\_1001273012

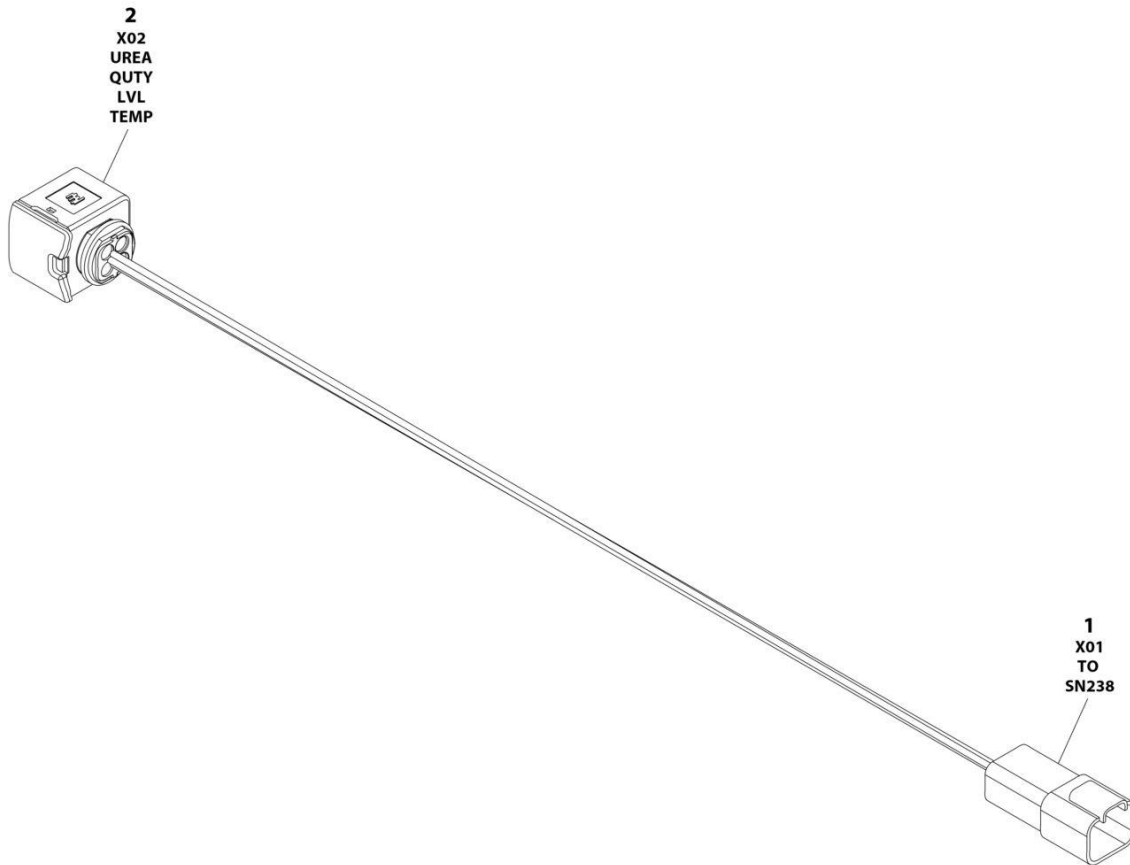
## SECTION 8 - ELECTRICAL

### FIGURE 8-36. CLEARSKY HARNESS - 3 WIRE GT1030

ITEM	PART NUMBER	QTY	DESCRIPTION	REV
	1001273012	Ref	CLEARSKY TELEMATICS HARNESS - GT1030	D
1	1001255901	1	Fuseholder	
1	1001196634	1	Fuse - 2Amp	
2	1001272997	1	Connector - 12 Position	
2		Ref	Terminal	
3	4460932	1	Receptacle, Female - 4 Position	
3	4460464	4	Pin, Male	

# SECTION 8 - ELECTRICAL

## FIGURE 8-37. DEF TANK EXTENSION HARNESS



ART\_1001238483

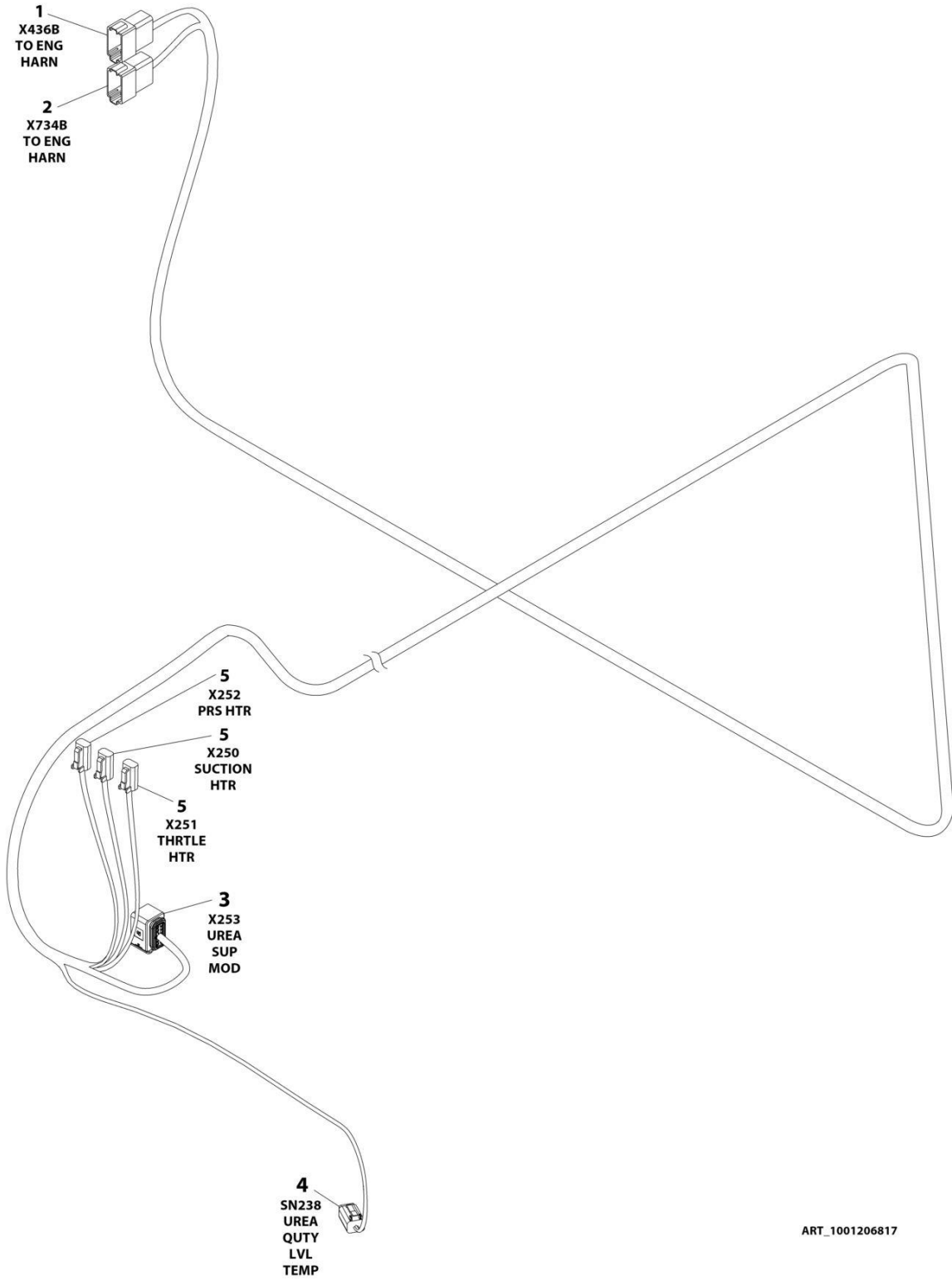
## SECTION 8 - ELECTRICAL

### FIGURE 8-37. DEF TANK EXTENSION HARNESS

ITEM	PART NUMBER	QTY	DESCRIPTION	REV
	1001238483	Ref	DEF TANK EXTENSION HARNESS	A
1	4460932	1	Receptacle, Female - 4 Position	
1	4460464	2	Pin, Male	
1	4460943	2	Pin, Male	
2	1001167528	1	Connector - 4 Position	
2	1001167632	2	Terminal	
2	1001166704	2	Terminal	
2	1001137578	4	Seal	

# SECTION 8 - ELECTRICAL

## FIGURE 8-38. DIESEL EXHAUST FLUID TANK HARNESS



ART\_1001206817

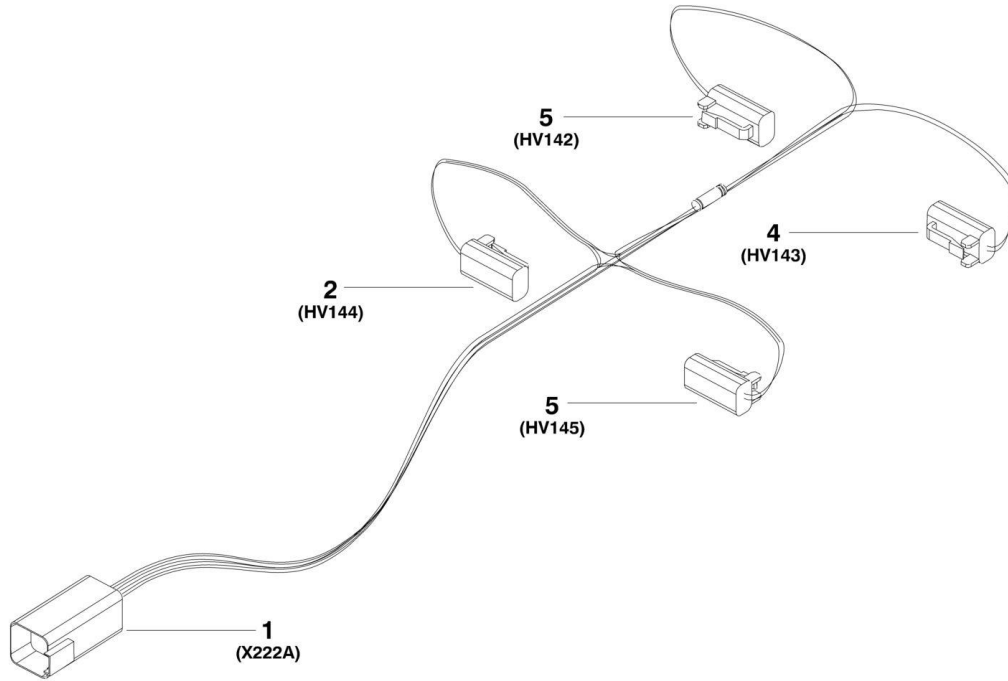
## SECTION 8 - ELECTRICAL

**FIGURE 8-38. DIESEL EXHAUST FLUID TANK HARNESS**

ITEM	PART NUMBER	QTY	DESCRIPTION	REV
	1001206817	Ref	DIESEL EXHAUST FLUID TANK HARNESS	B
1	4460982	1	Receptacle, Female - 12 Position	
1	1001157891	6	Pin, Male	
1	4460464	2	Pin, Male	
1	4460943	2	Pin, Male	
1	4460466	2	Plug, Terminal	
2	1001152742	1	Receptacle, Female - 12 Position	
2	4460941	2	Pin, Male	
2	4460464	8	Pin, Male	
2	4460466	2	Plug, Terminal	
3	1001165194	1	Plug, Male - 12 Position	
3	1001166556	8	Socket, Female	
3	1001166774	2	Socket, Female	
3	1001126391	2	Plug, Terminal	
4	4460884	1	Plug, Male - 4 Position	
4	4460944	2	Socket, Female	
4	4460465	2	Socket, Female	
5	4460891	3	Plug, Male - 2 Position	
5	4460942	6	Socket, Female	

# SECTION 8 - ELECTRICAL

## FIGURE 8-39. DRIVE PUMP HARNESS



1001149970



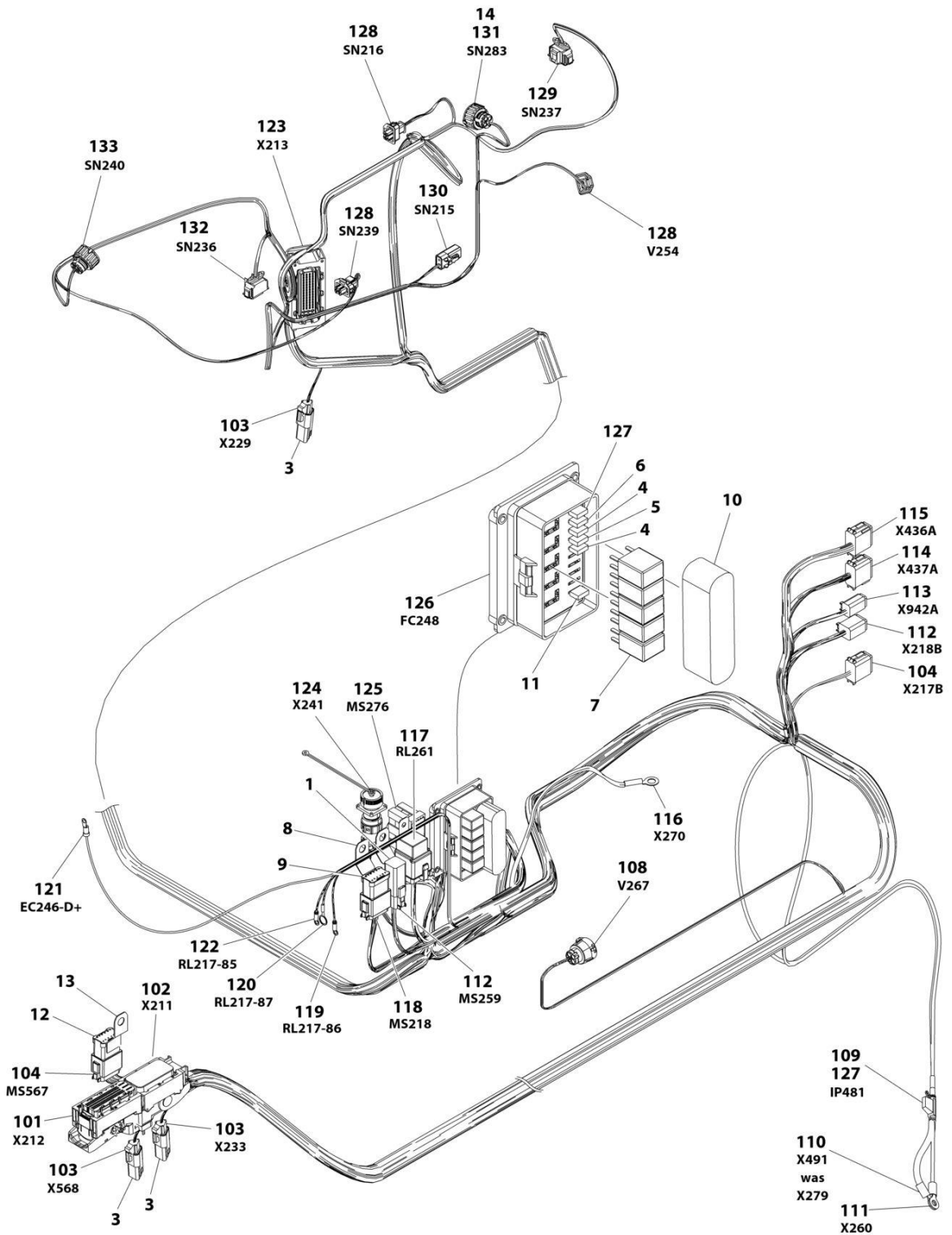
## SECTION 8 - ELECTRICAL

### FIGURE 8-39. DRIVE PUMP HARNESS

ITEM	PART NUMBER	QTY	DESCRIPTION	REV
	1001149970	Ref	DRIVE PUMP HARNESS	B
1	4460899	1	Connector - 6 Position	
1	4460464	5	Pin, Male	
1	4460466	1	Plug, Seal	
2	4460891	1	Connector - 2 Position	
2	4460465	2	Socket, Female	
3	4460891	1	Connector - 2 Position	
3	4460465	2	Socket, Female	
4	4460891	1	Connector - 2 Position	
4	4460465	2	Socket, Female	
5	4460891	1	Connector - 2 Position	
5	4460465	2	Socket, Female	

# SECTION 8 - ELECTRICAL

## FIGURE 8-40. ENGINE HARNESS - DEUTZ (HRC)



ART\_1001188922

## SECTION 8 - ELECTRICAL

### FIGURE 8-40. ENGINE HARNESS - DEUTZ (HRC)

ITEM	PART NUMBER	QTY	DESCRIPTION	REV
	1001188922	Ref	ENGINE HARNESS	K
1	4460892	1	Buss Bar - 6 Position	
3	4461070	3	Connector, Terminating - 3 Position	
4	8229242	2	Fuse, 5 Amp	
5	8229244	1	Fuse, 15 Amp	
6	8229247	1	Fuse, 25 Amp	
7	1001095704	5	Relay	
8	1001120328	2	Mount	
9	1001125677	1	Connector, Bussbar	
10	1001190921	1	Seal	
11	1001197719	1	Resistor 620ohm	
12	4460984	1	Receptacle, Female - 8 Position	
13	1001155743	1	Mount	
14	1001216318	1	Cover	
101	1001167615	1	Connector - 91 Position	
101	1001166551	6	Terminal	
101	1001167621	20	Terminal	
101	1001167622	65	Plug, Terminal	
101	1001126353	6	Seal	
102	1001167625	1	Connector - 105 Position	
102	1001166555	13	Terminal	
102	1001167621	50	Terminal	
102	1001167622	36	Plug, Terminal	
102	1001167623	6	Seal	
103	4461095	3	Connector - 3 Position	
103	4460944	4	Socket, Female	
103	4460465	2	Socket, Female	
103	4460466	3	Plug, Terminal	
104	4460930	2	Connector - 8 Position	
104	4460465	10	Socket, Female	
104	4460466	6	Plug, Terminal	
108	1001167620	1	Connector - 4 Position	
108	1001176004	2	Socket, Female	
108	1001167624	2	Plug, Terminal	
108	1001176002	2	Seal	
109	2400066	1	Fuseholder with Leads	
110	1001117107	1	Terminal, Ring	
111	8220045	1	Terminal, Ring	
112	4460894	2	Plug, Male - 6 Position	
112	4460465	7	Socket, Female	
112	4460944	2	Socket, Female	
112	4460942	1	Socket, Female	
112	4460466	2	Plug, Socket	
113	4460884	1	Plug, Male - 4 Position	
113	4460465	2	Socket, Female	
113	4460942	2	Socket, Female	
114	4460934	1	Plug, Male - 12 Position	
114	4460942	2	Socket, Female	
114	4460465	8	Socket, Female	
114	4460466	2	Plug, Socket	

## SECTION 8 - ELECTRICAL

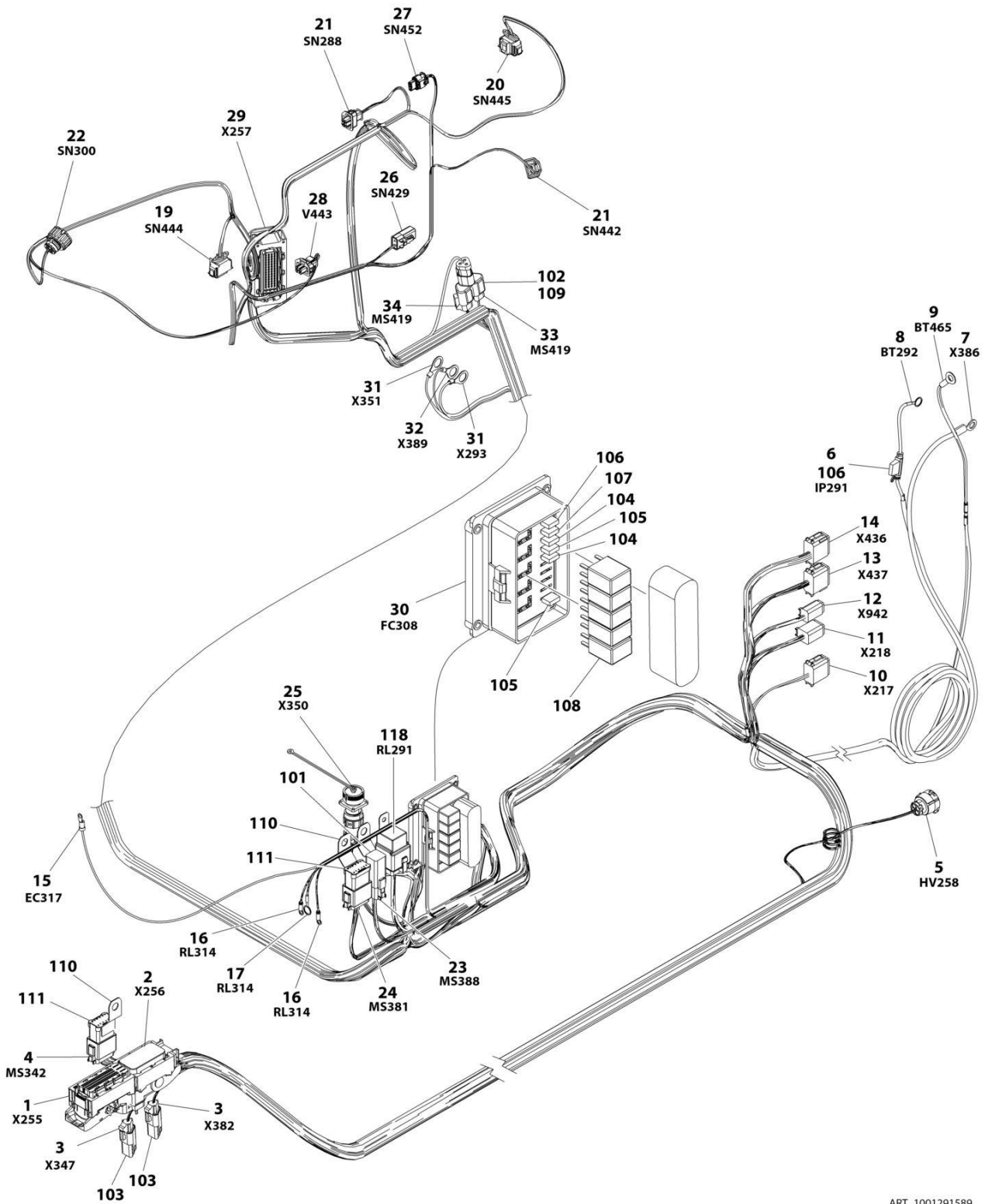
ITEM	PART NUMBER	QTY	DESCRIPTION	REV
115	4460935	1	Plug, Male - 12 Position	
115	1001157890	6	Socket, Female	
115	4460465	2	Socket, Female	
115	4460944	2	Socket, Female	
115	4460466	2	Plug, Socket	
116	1001117108	1	Ring, Terminal	
117	1001118282	1	Connector - 5 Position	
117	1001116734	2	Terminal	
117	1001116733	2	Terminal	
117	1001128128	1	Plug, Socket	
118	4460933	1	Plug, Male - 12 Position	
118	4460944	12	Socket, Female	
119	4460247	1	Terminal, Ring	
120	4460703	1	Terminal, Ring	
121	4460042	1	Terminal, Ring	
122	4460247	1	Terminal, Ring	
123	1001126362	1	Connector - 62 Position	
123	1001166556	30	Socket, Female	
123	1001166774	10	Socket, Female	
123	1001166541	2	Socket, Female	
123	1001166543	2	Socket, Female	
123	1001126391	16	Plug, Terminal	
123	4461008	2	Plug, Terminal	
123	1001166701	30	Seal, Terminal	
123	1001126393	10	Seal, Terminal	
123	4461006	2	Seal, Terminal (Blue)	
123	4461054	2	Seal, Terminal (White)	
124	2902443	1	Kit, Receptacle	
124	4461071	8	Socket, Female	
124	4461072	1	Connector	
124	4461043	1	Cap, Dust	
124	4461074	1	Shell, Back	
125	1001184846	1	Plug, Male - 10 Position	
125	4460509	10	Socket, Female	
126	1001167616	1	Main Fuse Box Assembly	
126	1001116725	6	Socket, Female	
126	8220097	19	Terminal	
126	8220098	7	Terminal	
126	4460748	13	Plug, Terminal	
126	80963067	6	Seal (Blue)	
126	1001175265	12	Seal, Terminal	
126	4460458	14	Seal, Terminal	
127	8229245	2	Fuse, 30 Amp	
128	1001126487	3	Connector - 2 Position	
128	1001167634	4	Socket, Female	
128	1001167635	2	Socket, Female	
128	1001126485	3	Seal, Terminal	
129	1001167629	1	Connector - 4 Position	
129	1001167630	4	Socket, Female	
129	1001126485	4	Seal, Terminal	
130	1001126245	1	Plug, Male - 2 Position	

## SECTION 8 - ELECTRICAL

ITEM	PART NUMBER	QTY	DESCRIPTION	REV
130	1001126008	2	Socket, Female	
131	1001167633	1	Connector - 3 Position	
131	1001133715	3	Socket, Female	
131	1001135650	3	Seal, Terminal	
132	1001167631	1	Connector - 4 Position	
132	1001167630	4	Socket, Female	
132	1001126485	4	Seal, Terminal	
133	1001133714	1	Connector - 4 Position	
133	1001133715	3	Socket, Female	
133	1001135650	3	Seal, Terminal	

# SECTION 8 - ELECTRICAL

## FIGURE 8-41. ENGINE HARNESS - DEUTZ T4F ENGINES (HRC)



ART\_1001291589

## SECTION 8 - ELECTRICAL

### FIGURE 8-41. ENGINE HARNESS - DEUTZ T4F ENGINES (HRC)

ITEM	PART NUMBER	QTY	DESCRIPTION	REV
	1001291589	Ref	ENGINE HARNESS - DEUTZ T4F ENGINES (HRC)	C
1	1001133956	1	Connector	
1	1001182361	6	Socket (14-16AWG)	
1	1001126351	3	Socket (15-18AWG)	
1	1001230934	42	Socket (19AWG)	
1	1001230935	43	Plug	
1	1001182365	6	Seal	
2	1001133957	1	Connector	
2	1001126351	14	Socket (15-18AWG)	
2	1001230934	25	Socket (19AWG)	
2	1001230935	9	Plug	
2	1001230936	12	Plug	
3	4461095	2	Connector	
3	4460465	4	Socket	
3	4460466	2	Plug	
4	4460933	1	Connector	
4	4460465	6	Socket	
5	1001167620	1	Connector	
5	1001176004	2	Socket	
5	1001176002	2	Seal	
5	1001167624	2	Plug	
6	2400066	1	Fuseholder	
7	8220045	1	Terminal, Ring	
8	4460019	1	Terminal, Ring	
9	8220115	1	Terminal, Ring	
10	4460930	1	Connector	
10	4460465	1	Socket (16-20AWG)	
10	4460942	1	Socket (14-16AWG)	
10	4460466	6	Plug	
11	4460894	1	Connector	
11	4460942	1	Socket (14-16AWG) (Nickel)	
11	4460465	2	Socket (16-20AWG) (Nickel)	
11	4460944	2	Socket (16-20AWG) (Gold)	
11	4460466	1	Plug	
12	4460884	1	Connector	
12	4460465	2	Socket (16-20AWG)	
12	1001157890	2	Socket (12-16AWG)	
13	4460934	1	Connector	
13	4460465	8	Socket (12-16AWG)	
13	4460942	2	Socket (14-16AWG)	
13	4460466	2	Plug	
14	4460935	1	Connector	
14	1001157890	6	Socket (12-16AWG) (Nickel)	
14	4460465	2	Socket (16-20AWG) (Nickel)	
14	4460944	2	Socket (16-20AWG) (Gold)	
14	4460466	2	Plug	
15	4460042	1	Terminal, Ring	
16	4460247	2	Terminal, Ring	
17	4460703	1	Terminal, Ring	
18	1001118282	1	Connector	

## SECTION 8 - ELECTRICAL

ITEM	PART NUMBER	QTY	DESCRIPTION	REV
18	1001116733	2	Socket (14-17AWG)	
18	1001116734	2	Socket (12AWG)	
18	1001128128	1	Plug	
19	1001167631	1	Connector	
19	1001167630	4	Socket	
19	1001126485	4	Seal	
20	1001167629	1	Connector	
20	1001167630	4	Socket	
20	1001126485	4	Seal	
21	1001126487	2	Connector	
21	1001167634	4	Socket	
21	1001126485	4	Seal	
22	1001133714	1	Connector	
22	1001133715	3	Socket	
22	1001135650	3	Seal	
23	4460894	1	Connector	
23	4460465	6	Socket	
24	4460933	1	Connector	
24	4460465	8	Socket	
24	4460466	4	Plug	
25	2902443	1	Connector	
25	4461071	6	Socket	
26	1001126245	1	Connector	
26	1001126008	2	Socket	
27	1001291588	1	Connector	
27	1001166795	3	Socket	
27	1001166796	3	Seal	
28	1001126487	1	Connector	
28	1001167635	2	Socket	
28	1001126485	2	Seal	
29	1001126362	1	Connector	
29	1001126363	36	Socket (17-20AWG)	
29	1001126392	12	Socket (16AWG)	
29	1001126365	2	Socket (17-18AWG)	
29	1001126391	8	Plug	
29	4461008	4	Plug	
29	1001126364	36	Seal	
29	1001126393	12	Seal	
29	4461054	2	Seal	
30	1001167616	1	Connector	
30	1001116725	6	Socket (10-12AWG)	
30	8220097	19	Socket (16-18AWG)	
30	4460748	13	Plug	
30	8220098	7	Socket (14AWG)	
30	80963067	6	Seal	
30	4460458	16	Seal	
30	1001175265	10	Seal	
31	1001275151	2	Terminal, Ring	
32	1001275153	1	Terminal, Ring	
33	1001116812	1	Connector	
33	4460465	2	Socket	

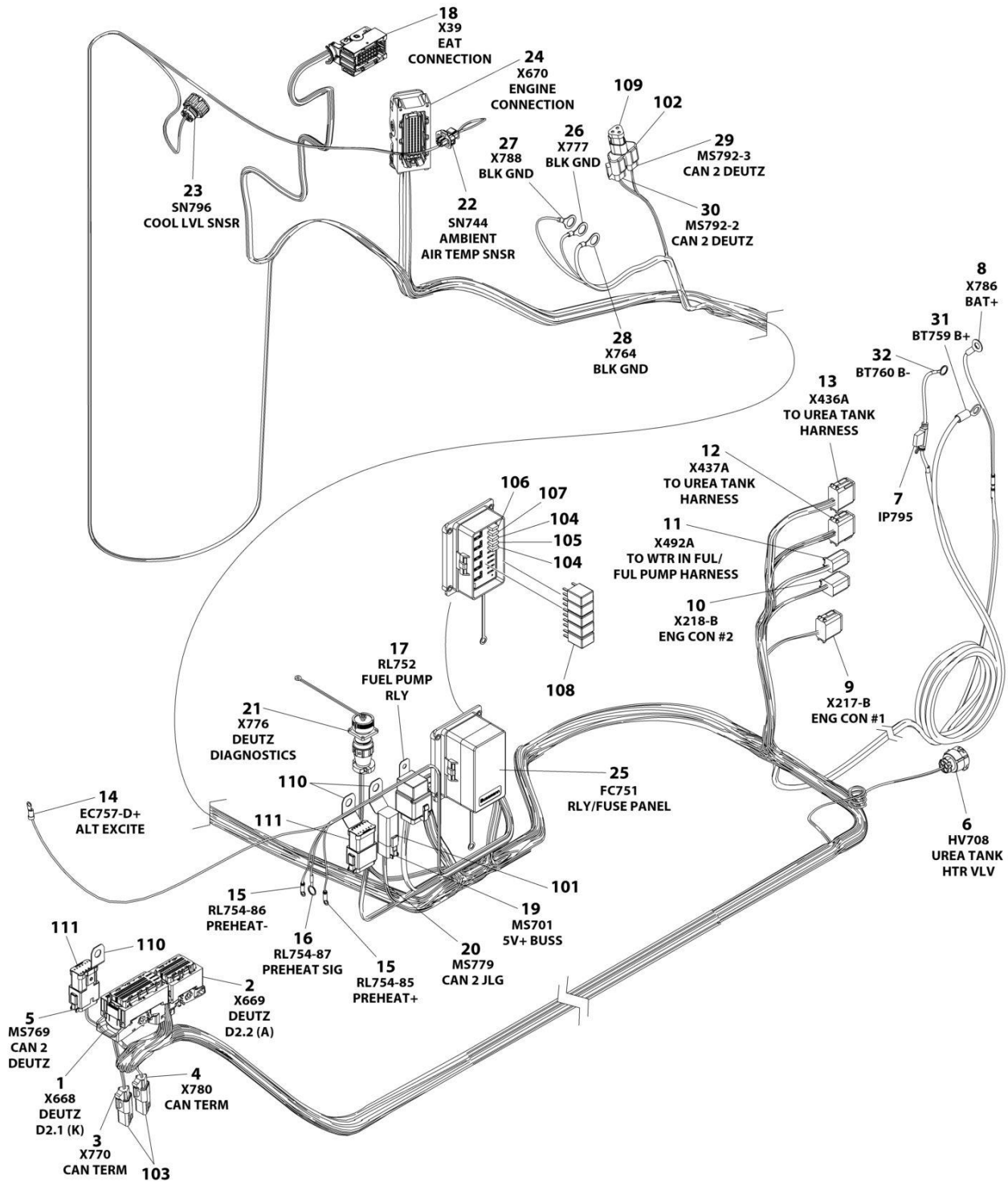


## SECTION 8 - ELECTRICAL

ITEM	PART NUMBER	QTY	DESCRIPTION	REV
33	4460466	1	Plug	
34	4460539	1	Connector	
34	4460465	2	Socket	
34	4460466	1	Plug	
101	4460892	1	Plug	
102	4460945	1	Plug, 3-Way	
103	4461070	2	Connector	
104	8229242	2	Fuse 5Amp	
105	8229244	1	Fuse 15Amp	
106	8229245	1	Fuse 30 Amp	
107	8229247	1	Fuse 25 Amp	
108	1001095704	5	Relay	
109	1001116815	1	Connector	
110	1001120328	3	Mount	
111	1001125677	2	Connector	

# SECTION 8 - ELECTRICAL

## FIGURE 8-42. ENGINE HARNESS STAGE V (HRC)



ART\_1001262056\_F

## SECTION 8 - ELECTRICAL

### FIGURE 8-42. ENGINE HARNESS STAGE V (HRC)

ITEM	PART NUMBER	QTY	DESCRIPTION	REV
	1001262056	Ref	ENGINE HARNESS	F
1	1001133956	1	Connector - 94 Position	
1	1001182361	6	Terminal	
1	1001126351	3	Terminal	
1	1001230934	42	Terminal	
1	1001230935	43	Plug	
1	1001182365	6	Seal	
2	1001133957	1	Connector - 60 Position	
2	1001230936	10	Plug	
2	1001126351	14	Terminal	
2	1001230935	7	Plug	
2	1001230934	27	Terminal	
3	4461095	1	Connector - 3 Position	
3	4460465	2	Socket, Female	
3	4460466	1	Plug, Socket	
4	4461095	1	Connector - 3 Position	
4	4460465	2	Socket, Female	
4	4460466	1	Plug, Socket	
5	4460933	1	Connector - 12 Position	
5	4460465	10	Socket, Female	
5	4460466	2	Plug, Socket	
6	1001167620	1	Connector - 4 Position	
6	1001176004	2	Socket, Female	
6	1001167624	2	Plug, Terminal	
6	1001176002	2	Seal	
7	2400066	1	Fuseholder with Leads	
8	8220045	1	Terminal, Ring	
9	4460930	1	Connector - 8 Position	
9	4460465	1	Socket, Female	
9	4460466	6	Plug, Terminal	
9	4460942	1	Socket, Female	
10	4460894	1	Plug, Male - 6 Position	
10	4460942	1	Socket, Female	
10	4460465	2	Socket, Female	
10	4460944	2	Socket, Female	
10	4460466	1	Plug, Terminal	
11	4460884	1	Plug, Male - 4 Position	
11	4460465	2	Socket, Female	
11	1001157890	2	Socket, Female	
12	4460934	1	Plug, Male - 12 Position	
12	4460465	8	Socket, Female	
12	4460942	2	Terminal	
12	4460466	2	Plug, Terminal	
13	4460935	1	Plug, Male - 12 Position	
13	1001157890	6	Socket, Female	
13	4460465	2	Socket, Female	
13	4460944	2	Socket, Female	
13	4460466	2	Plug, Socket	
14	4460042	1	Terminal, Ring	
15	4460247	2	Terminal, Ring	

## SECTION 8 - ELECTRICAL

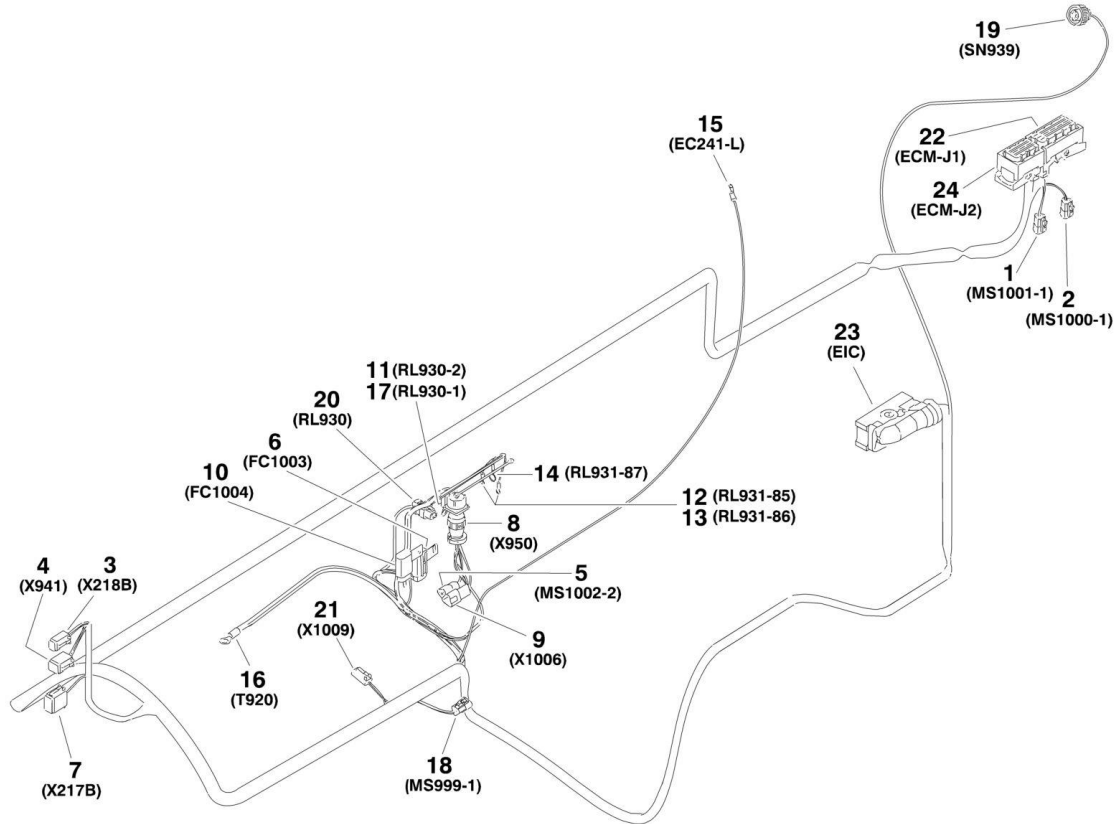
ITEM	PART NUMBER	QTY	DESCRIPTION	REV
16	4460703	1	Terminal, Ring	
17	1001118282	1	Connector - 5 Position	
17	1001116734	2	Terminal	
17	1001116733	2	Terminal	
17	1001128128	1	Plug, Socket	
18	1001268946	1	Connector - 21 Position	
18	1001167632	15	Terminal	
18	4461008	6	Plug	
18	4461054	15	Seal	
19	4460894	1	Plug, Male - 6 Position	
19	4460465	6	Socket, Female	
20	4460933	1	Plug, Male - 12 Position	
20	4460465	8	Socket, Female	
20	4460466	4	Plug, Socket	
21	2902443	1	Kit, Receptacle	
21	4461071	6	Socket, Female	
22	1001126487	1	Connector - 2 Position	
22	1001167634	2	Socket, Female	
22	1001126485	2	Seal, Terminal	
23	1001133714	1	Connector - 4 Position	
23	1001133715	3	Socket, Female	
23	1001135650	3	Seal, Terminal	
24	1001126362	1	Connector - 62 Position	
24	1001126363	36	Terminal	
24	1001126391	8	Plug, Socket	
24	1001126392	12	Terminal	
24	1001126365	2	Terminal	
24	4461008	4	Plug, Socket	
25	1001167616	1	Main Fuse Box Assembly	
25	1001116725	6	Socket, Female	
25	8220097	19	Terminal	
25	4460748	13	Plug, Terminal	
25	8220098	7	Terminal	
26	1001275151	1	Terminal, Ring	
27	1001275153	1	Terminal, Ring	
28	1001275151	1	Terminal, Ring	
29	1001116812	1	Connector - 3 Position	
29	4460465	2	Socket, Female	
29	4460466	1	Plug, Socket	
30	4460539	1	Connector - 3 Position	
30	4460465	2	Socket, Female	
30	4460466	1	Plug, Socket	
31	8220115	1	Terminal, Ring	
32	4460019	1	Terminal, Ring	
101	4460892	1	Receptacle, Female Buss Bar - 6 Position	
102	4460945	1	Receptacle, Female Bussbar - 6 Position	
103	4461070	2	Connector, Terminating - 3 Position	
104	8229242	2	Connector - 3 Position	
105	8229244	1	Fuse 15Amp	
106	8229245	1	Fuse, 30 Amp	
107	8229247	1	Fuse, 25 Amp	

## SECTION 8 - ELECTRICAL

ITEM	PART NUMBER	QTY	DESCRIPTION	REV
108	1001095704	5	Relay	
109	1001116815	1	Connector - 3 Position	
110	1001120328	3	Mount	
111	1001125677	2	Connector, Bussbar	

# SECTION 8 - ELECTRICAL

## FIGURE 8-43. ENGINE HARNESS (LRC)



1001149971

## SECTION 8 - ELECTRICAL

### FIGURE 8-43. ENGINE HARNESS (LRC)

ITEM	PART NUMBER	QTY	DESCRIPTION	REV
	1001149971	Ref	ENGINE HARNESS	F
1	1001116812	1	Connector - 3 Position	
1	4460944	2	Socket, Female	
1	4460466	1	Plug, Socket	
2	1001116812	1	Connector - 3 Position	
2	4460944	2	Socket, Female	
2	4460466	1	Plug, Socket	
3	4460894	1	Connector - 6 Position	
3	4460944	3	Socket, Female	
3	4460466	3	Plug, Socket	
4	1001220379	1	Connector - 4 Position	
4	4460942	2	Socket, Female	
4	4460465	2	Socket, Female	
4	4460466	4	Plug, Socket	
5	4460539	1	Connector - 3 Position	
5	4460944	2	Socket, Female	
5	4460466	1	Plug, Socket	
6	1001119412	1	Fuseholder	
6	See Note	NSS	Fuse 5A (Note: Purchase Locally)	
6	1001116732	1	Terminal	
6	1001128128	1	Plug, Socket	
7	4460930	1	Connector, Female - 8 Position	
7	4460944	1	Socket, Female	
7	4460466	7	Plug, Seal	
8	2902443	1	Kit, Receptacle	
8	4461071	8	Socket, Female	
8	4461072	1	Connector	
8	4461043	1	Cap, Dust	
8	4461074	1	Shell, Back	
9	4460536	1	Connector - 3 Position	
9	4460943	2	Pin, Male	
9	4460466	1	Plug, Socket	
10	1001117023	1	Fuseholder	
10	See Note	NSS	Fuse 10A (Note: Purchase Locally)	
10	1001116732	1	Terminal	
10	1001128128	1	Plug, Socket	
11	1001117106	1	Ring, Terminal	
12	4460247	1	Ring, Terminal	
13	4460247	1	Ring, Terminal	
14	4460703	1	Ring, Terminal	
15	4460042	1	Ring, Terminal	
16	8220115	1	Ring, Terminal	
17	4460043	1	Ring, Terminal	
18	1001116812	1	Connector - 3 Position	
18	4460944	3	Socket, Female	
19	1001133714	1	Connector - 4 Position	
19	1001133715	3	Socket, Female	
20	1001116952	1	Connector - 2 Position	
20	4460465	1	Socket, Female	
20	4460466	1	Seal, Plug	

## SECTION 8 - ELECTRICAL

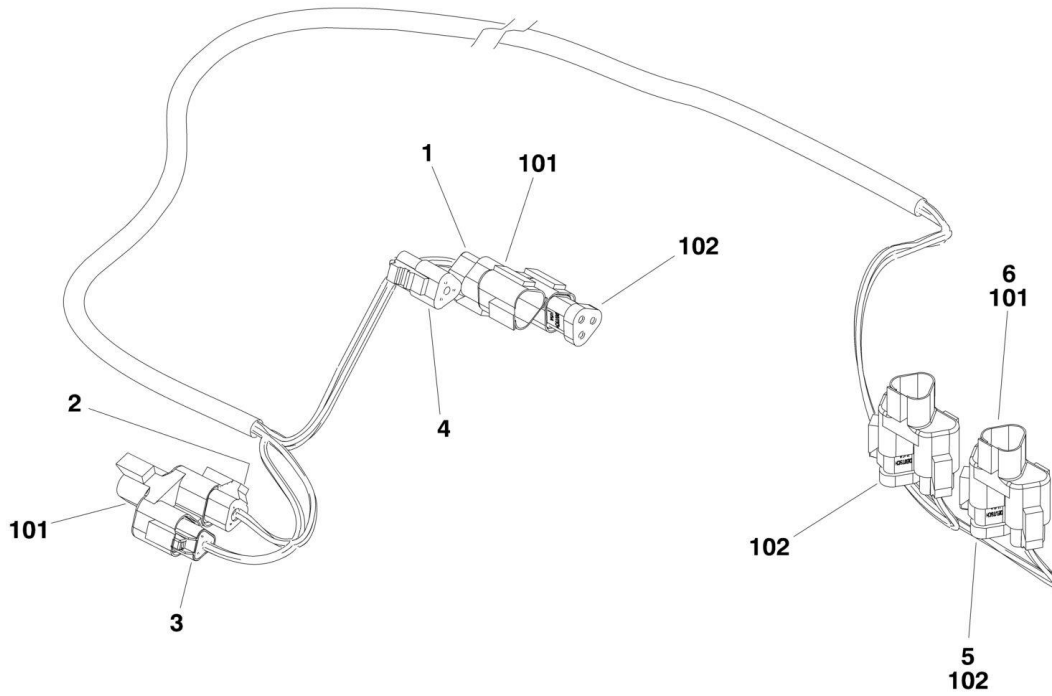
ITEM	PART NUMBER	QTY	DESCRIPTION	REV
21	4460891	1	Connector, Male - 2 Position	
21	4460465	2	Socket, Female	
21	4460897	1	Connector, Female - 2 Position	
21	4460464	2	Pin, Male	
21	See Note	NSS	Resistor 1.5ohm (Note: Not Available for Purchase)	
21	1001156692	AR	Heat Shrink	
22	1001133956	1	Connector - 94 Position	
22	1001126352	6	Terminal 13-17Ga	
22	1001126384	21	Terminal 18-20Ga	
22	1001126351	2	Terminal 15-18Ga	
22	1001126357	2	Plug, Socket	
22	1001126356	63	Plug, Socket	
23	1001126362	1	Connector - 62 Position	
23	1001126365	2	Terminal 17-20Ga	
23	1001126363	35	Terminal 17-20Ga (Gold)	
23	1001126391	21	Plug, Socket	
23	4461008	4	Plug, Socket	
24	1001133957	1	Connector - 60 Position	
24	1001126351	13	Terminal 15-18Ga	
24	1001126384	17	Terminal 18-20Ga	
24	1001126357	11	Plug, Socket	
24	1001126356	19	Plug, Socket	





# SECTION 8 - ELECTRICAL

## FIGURE 8-44. ENGINE CAN HARNESS



1001156001

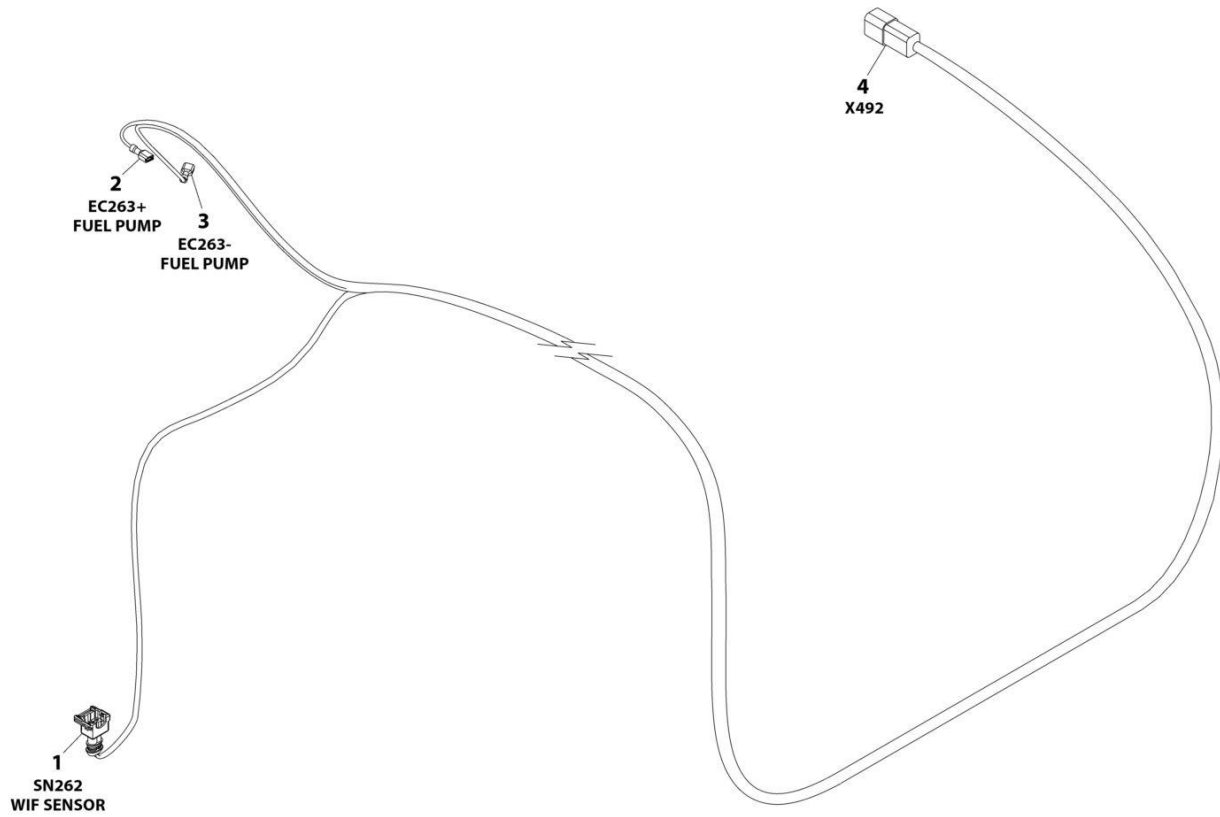
## SECTION 8 - ELECTRICAL

### FIGURE 8-44. ENGINE CAN HARNESS

ITEM	PART NUMBER	QTY	DESCRIPTION	REV
	1001156001	Ref	ENGINE CAN HARNESS	B
1	1001116812	1	Connector - 3 Position	
1	4460944	3	Socket, Female	
2	4460539	1	Connector - 3 Position	
2	4460944	3	Socket, Female	
3	1001116812	1	Connector - 3 Position	
3	4460944	3	Socket, Female	
4	4460539	1	Connector - 3 Position	
4	4460944	3	Socket, Female	
5	4460539	1	Connector - 3 Position	
5	4460944	3	Socket, Female	
6	4460539	1	Connector - 3 Position	
6	4460944	3	Socket, Female	
101	4460945	4	Connector, Tee	
102	1001116815	3	Connector - 3 Position	

# SECTION 8 - ELECTRICAL

## FIGURE 8-45. FUEL PUMP AND WIF HARNESS



ART\_1001211885

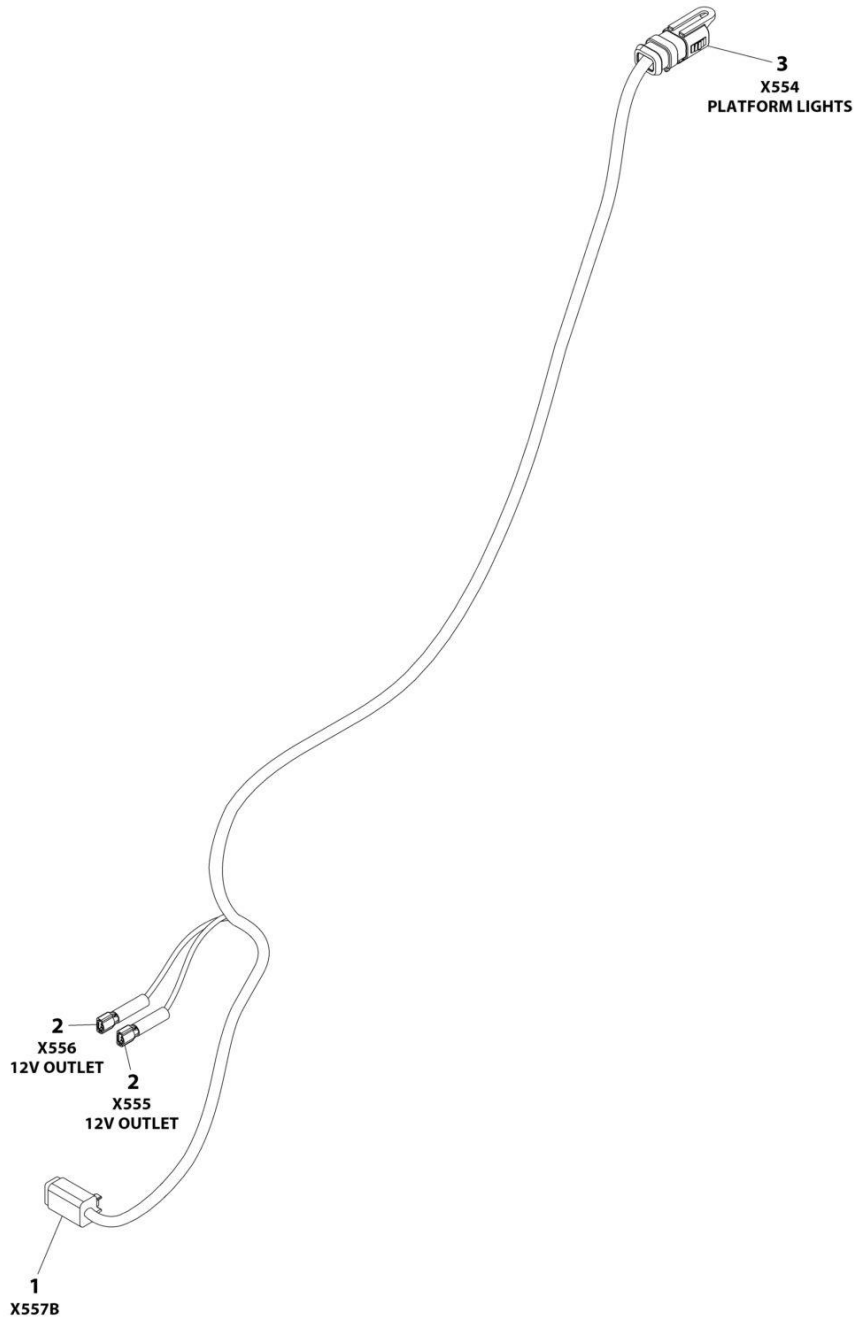
## SECTION 8 - ELECTRICAL

### FIGURE 8-45. FUEL PUMP AND WIF HARNESS

ITEM	PART NUMBER	QTY	DESCRIPTION	REV
	1001211885	Ref	FUEL PUMP AND WIF HARNESS	B
1	1001116983	1	Connector - 2 Position	
1	4461060	2	Pin, Male	
2	8220051	1	Terminal, Ring	
3	8220051	1	Terminal, Ring	
4	4460932	1	Connector - 4 Position	
4	4460464	2	Pin, Male	
4	4460941	2	Pin, Male	

# SECTION 8 - ELECTRICAL

## FIGURE 8-46. PLATFORM OUTLET HARNESS



ART\_1001206506

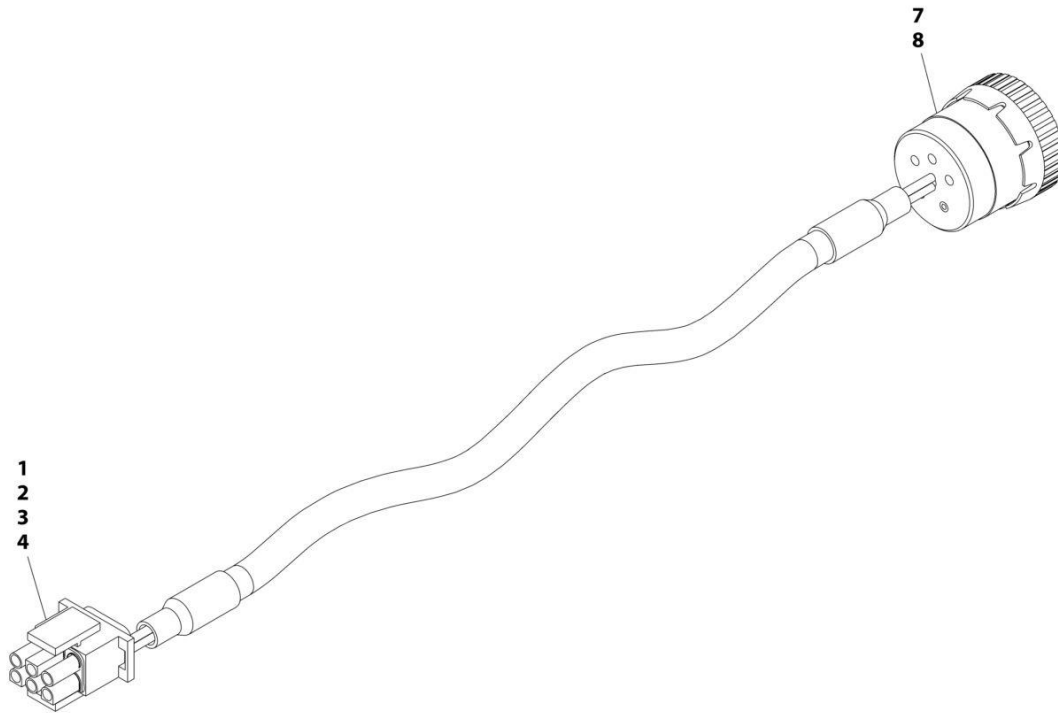
## SECTION 8 - ELECTRICAL

### FIGURE 8-46. PLATFORM OUTLET HARNESS

ITEM	PART NUMBER	QTY	DESCRIPTION	REV
	1001206506	Ref	PLATFORM OUTLET HARNESS	C
1	4460884	1	Plug, Male - 4 Position	
1	4460465	4	Socket, Female	
2	1001206509	2	Terminal	
3	1001210079	1	Plug, Male - 4 Position	
3	4460465	4	Socket, Female	
3	1001192401	1	Cap, Dust	

## SECTION 8 - ELECTRICAL

FIGURE 8-47. GENERATOR TO CONTROL BOX HARNESS (4000W GENERATOR)



ART\_1001152532



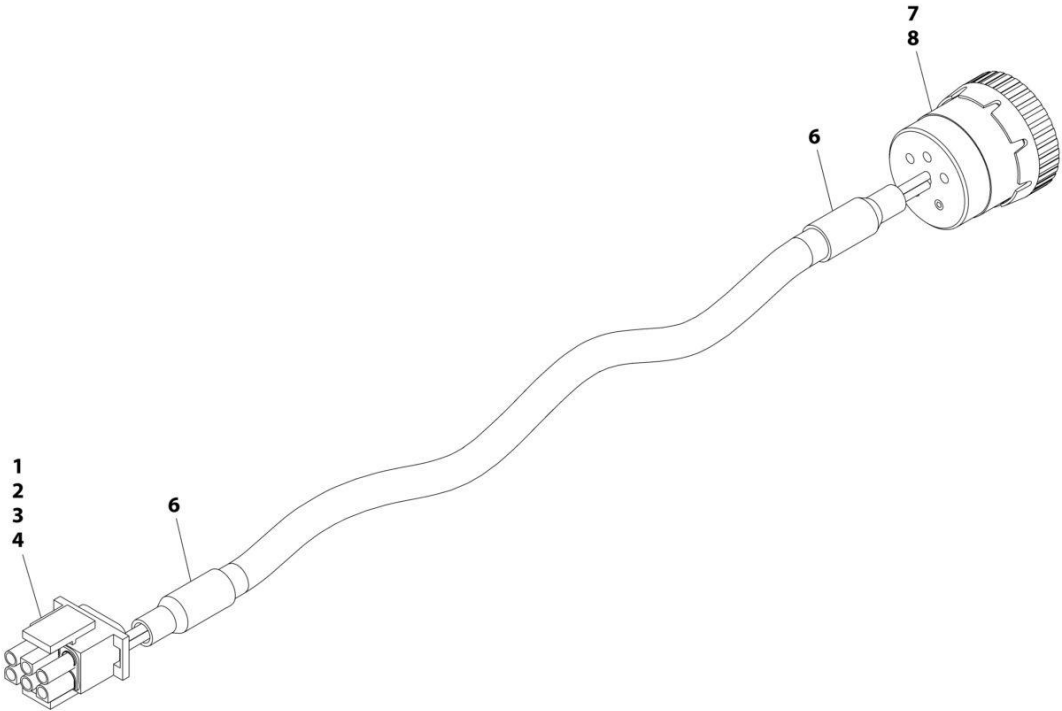
## SECTION 8 - ELECTRICAL

**FIGURE 8-47. GENERATOR TO CONTROL BOX HARNESS (4000W GENERATOR)**

ITEM	PART NUMBER	QTY	DESCRIPTION	REV
	1001152532	Ref	GENERATOR HARNESS	A
1	4460225	1	Connector - 6 Position	
2	4460268	2	Socket, Female	
3	4460807	1	Seal	
4	4460808	1	Seal	
7	4460465	2	Socket, Female	
8	77363233	1	Connector - 6 Position	

**SECTION 8 - ELECTRICAL**

**FIGURE 8-48. GENERATOR TO CONTROL BOX HARNESS (7500W GENERATOR)**



ART\_4922925

## SECTION 8 - ELECTRICAL

**FIGURE 8-48. GENERATOR TO CONTROL BOX HARNESS (7500W GENERATOR)**

ITEM	PART NUMBER	QTY	DESCRIPTION	REV
	4922925	Ref	GENERATOR TO CONTROL BOX HARNESS (7500W GENERATOR)	C
1	4460225	1	Plug, Male - 2 Position	
2	4460268	6	Socket, Female	
3	4460807	1	Seal	
4	4460808	1	Seal	
6	2820019	AR	Heat Shrink	
7	4460465	6	Socket, Female	
8	77363233	1	Connector - 6 Position	

# SECTION 8 - ELECTRICAL

## FIGURE 8-49. GENERATOR TO PLATFORM HARNESS (4000W-60HZ GENERATOR)



ART\_1001153259

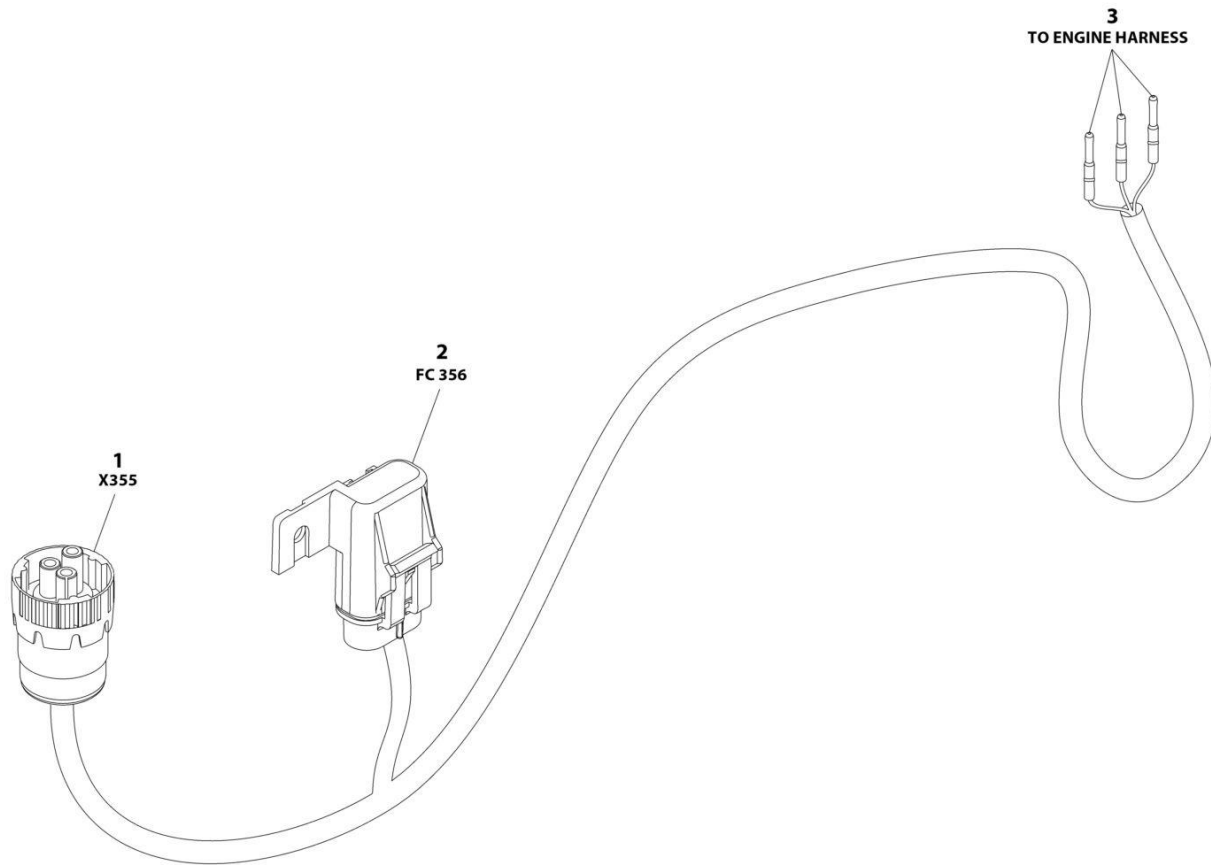
## SECTION 8 - ELECTRICAL

**FIGURE 8-49. GENERATOR TO PLATFORM HARNESS (4000W-60HZ GENERATOR)**

ITEM	PART NUMBER	QTY	DESCRIPTION	REV
	1001153259	Ref	GENERATOR TO PLATFORM HARNESS (4000W-60HZ GENERATOR)	B
1	4460967	1	Connector - 3 Position	
1	4460465	2	Socket, Female	
2	4460465	2	Socket, Female	

# SECTION 8 - ELECTRICAL

FIGURE 8-50. GENERATOR TO PLATFORM HARNESS (4000W-50HZ & 7500W GENERATOR)



ART\_1001156030

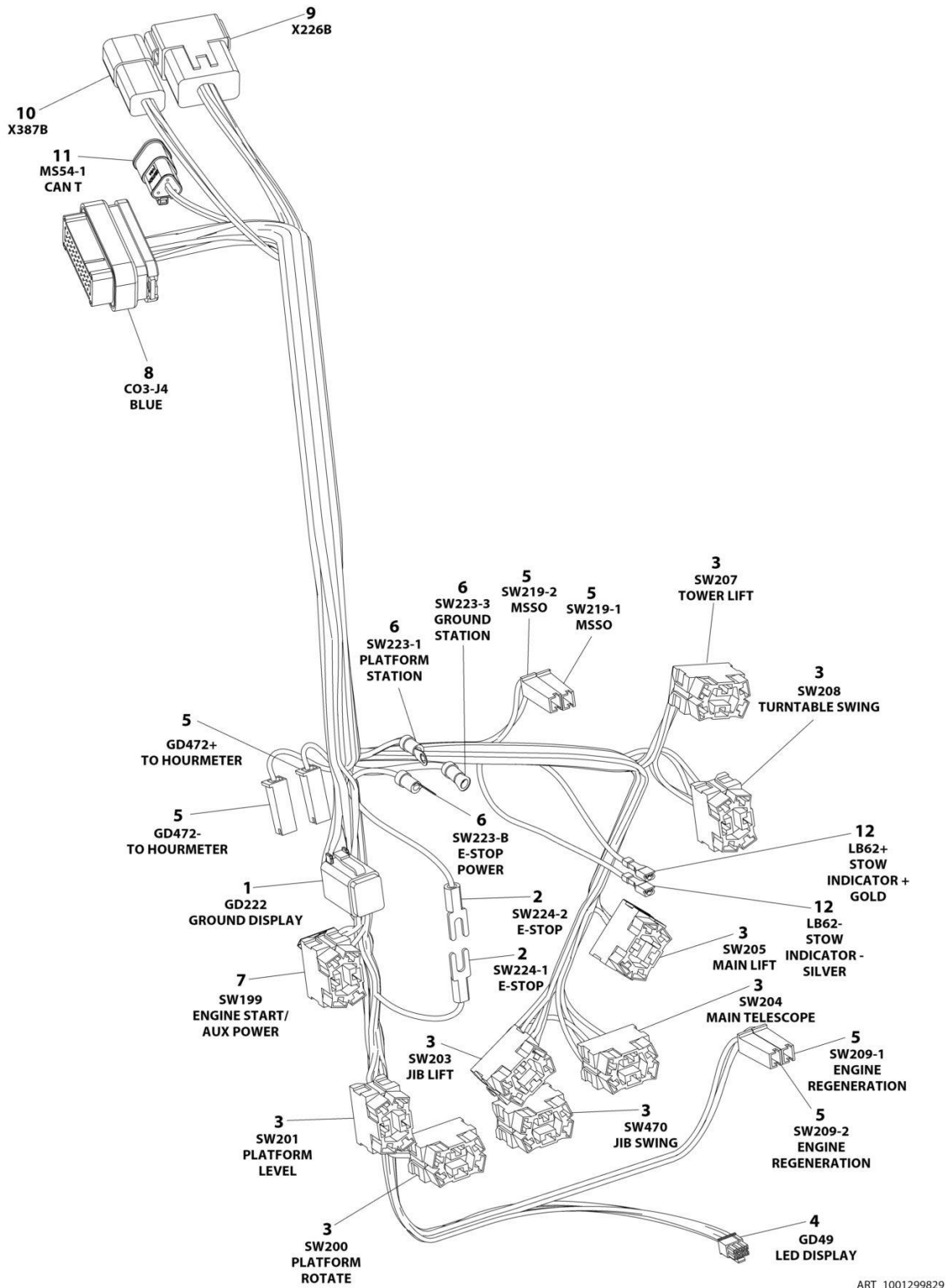
## SECTION 8 - ELECTRICAL

**FIGURE 8-50. GENERATOR TO PLATFORM HARNESS (4000W-50HZ & 7500W GENERATOR)**

ITEM	PART NUMBER	QTY	DESCRIPTION	REV
	1001156030	Ref	GENERATOR ENABLE HARNESS - 7500W GENERATOR	B
1	4460967	1	Connector - 3 Position	
1	4460465	3	Socket, Female	
2	1001119412	1	Connector, Metri-Pack with 5Amp Fuse	
2	1001116733	2	Terminal	
3	4460465	3	Socket, Female	

# SECTION 8 - ELECTRICAL

## FIGURE 8-51. GROUND CONTROL HARNESS



ART\_1001299829



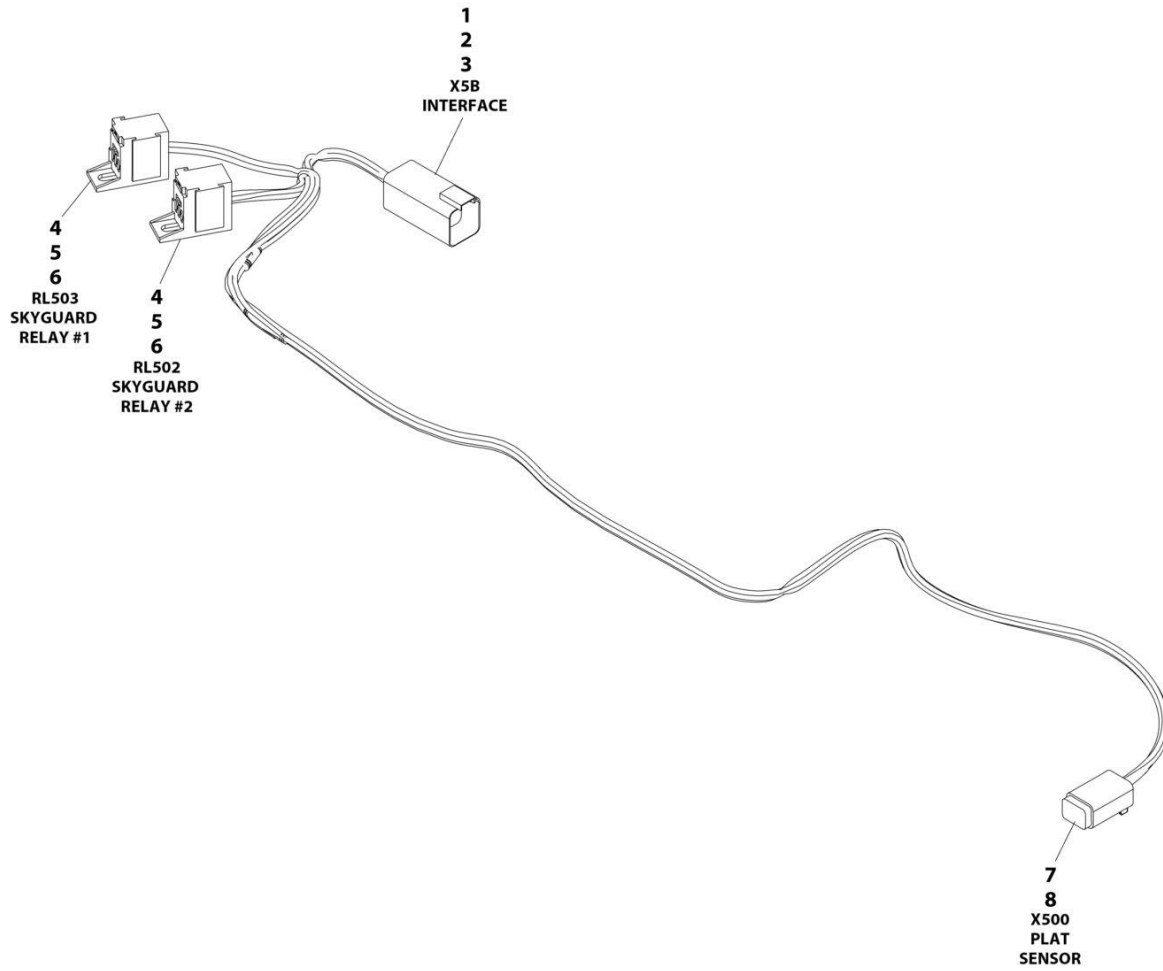
## SECTION 8 - ELECTRICAL

### FIGURE 8-51. GROUND CONTROL HARNESS

ITEM	PART NUMBER	QTY	DESCRIPTION	REV
	1001299829	Ref	GROUND CONTROL HARNESS	A
1	4460894	1	Connector	
1	4460465	2	Socket	
1	4460944	2	Socket	
1	4460466	2	Plug	
2	4460144	2	Terminal, Fork	
3	4460418	8	Connector	
3	1001159186	16	Socket	
3	4460419	8	Socket	
4	1001237667	1	Connector	
4	1001237668	5	Socket	
5	4460260	6	Connector	
5	4460259	6	Socket	
6	4460042	3	Terminal, Ring	
7	4460418	1	Connector	
7	1001159186	3	Socket	
8	4460876	1	Connector	
8	4460871	25	Socket	
8	4460905	10	Plug	
9	4460970	1	Connector	
9	4460464	11	Pin	
9	4460466	1	Plug	
10	4460932	1	Connector	
10	4460464	4	Pin	
11	1001116812	1	Connector	
11	4460944	2	Socket	
11	4460466	1	Plug	
12	1001201885	2	Terminal, Ring	

# SECTION 8 - ELECTRICAL

## FIGURE 8-52. INTERFACE HARNESS - WITH 1 CELL LSS



ART\_1001225580

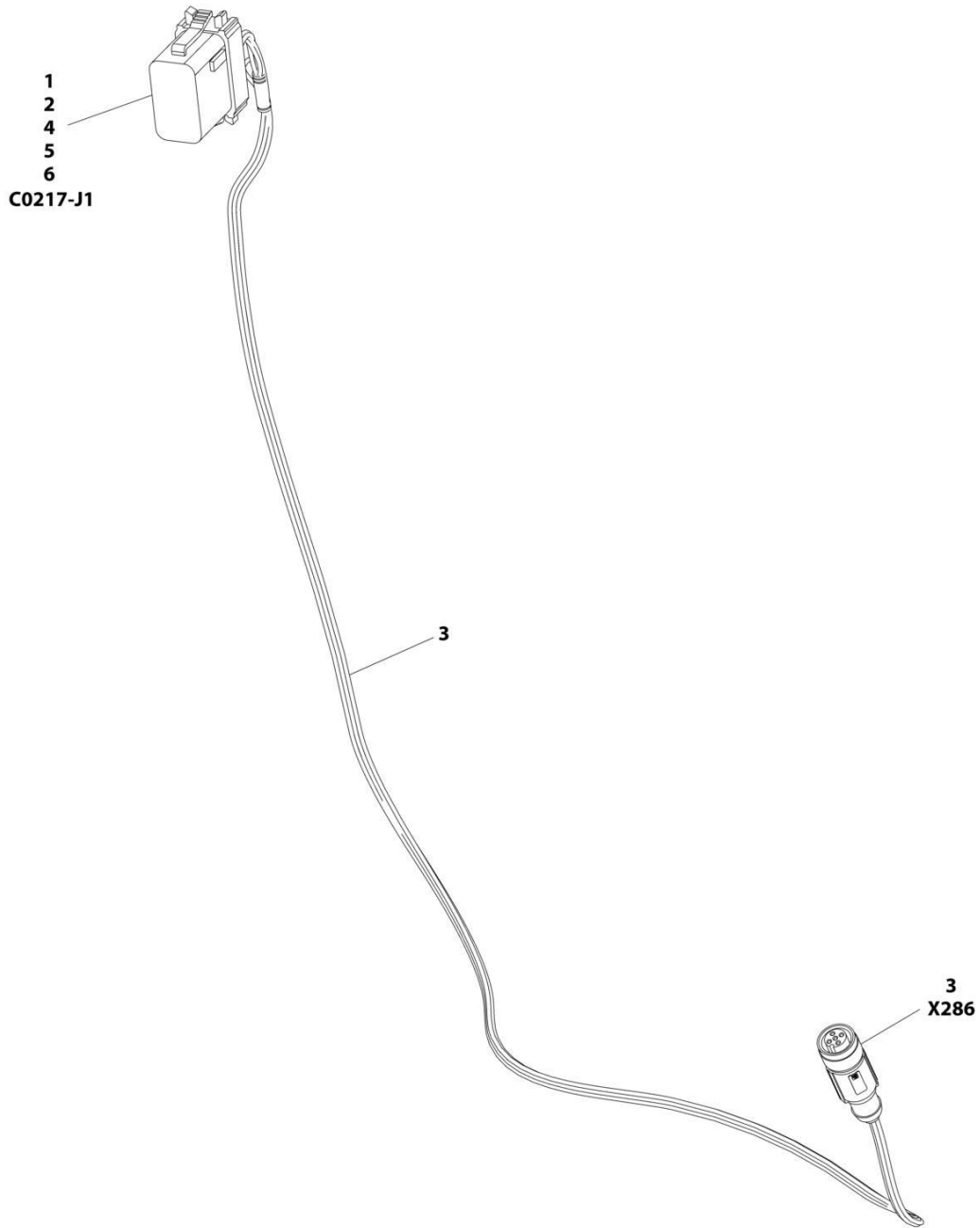
## SECTION 8 - ELECTRICAL

### FIGURE 8-52. INTERFACE HARNESS - WITH 1 CELL LSS

ITEM	PART NUMBER	QTY	DESCRIPTION	REV
	1001225580	Ref	INTERFACE HARNESS - WITH 1 CELL LSS	D
1	4460899	1	Connector	
2	4460464	4	Terminal	
3	4460466	2	Plug	
4	1001186432	2	Connector	
5	1001116720	4	Terminal	
6	1001118388	4	Terminal	
7	4460884	1	Connector	
8	4460465	4	Terminal	

# SECTION 8 - ELECTRICAL

## FIGURE 8-53. LCD DISPLAY HARNESS



ART\_1001220482

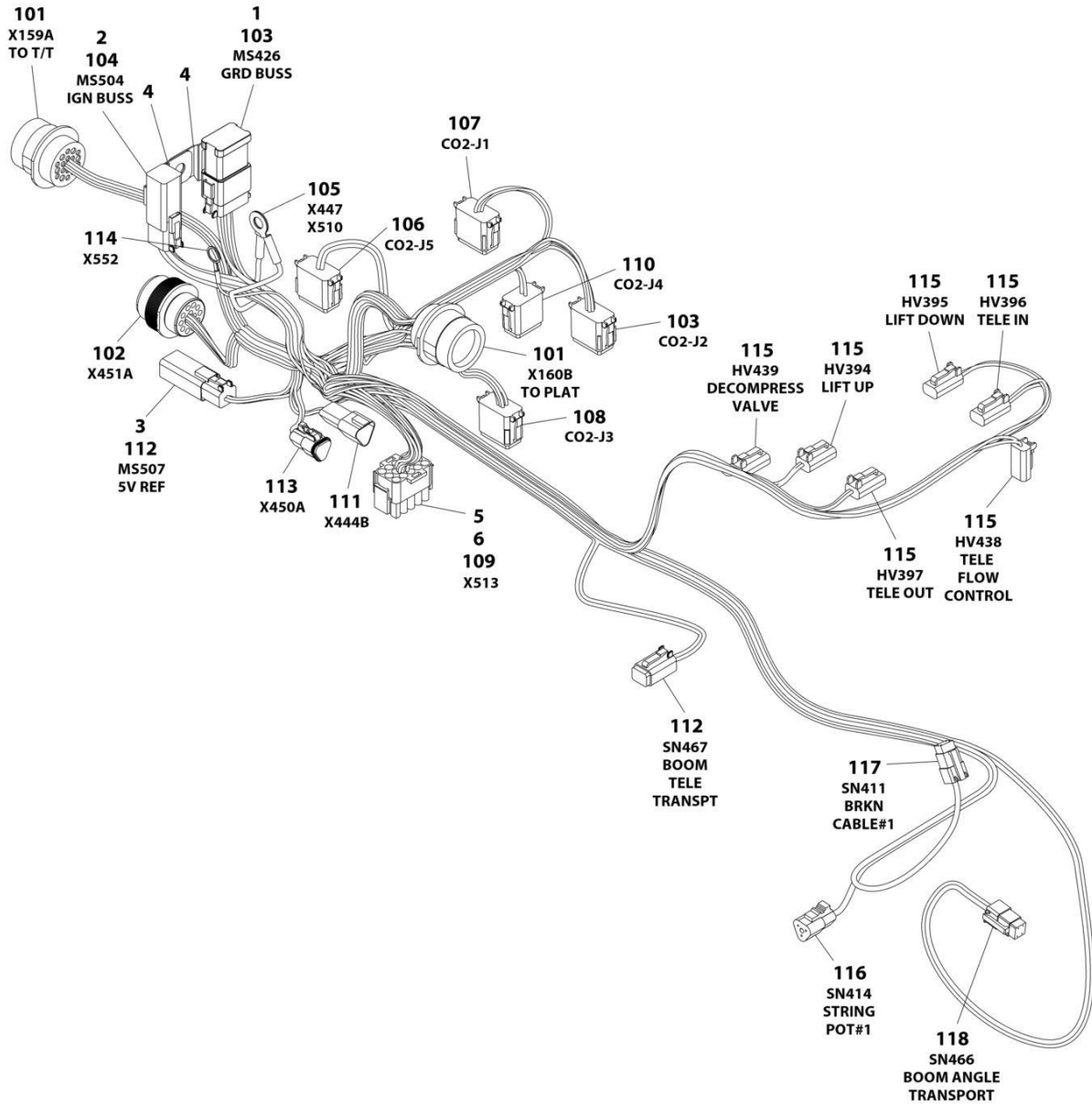
## SECTION 8 - ELECTRICAL

### FIGURE 8-53. LCD DISPLAY HARNESS

ITEM	PART NUMBER	QTY	DESCRIPTION	REV
	1001220482	Ref	LCD DISPLAY HARNESS	A
1	4460465	3	Socket, Female	
2	4460944	2	Socket, Female (Gold)	
3	1001125295	1	Connector with Cable	
4	1001176333	1	Connector - 12 Position	
5	4460466	13	Plug, Seal	
6	2820171	3	Tube, Heat Shrink	

# SECTION 8 - ELECTRICAL

## FIGURE 8-54. MAIN BOOM CONTROL BOX HARNESS



ART\_1001216638

## SECTION 8 - ELECTRICAL

### FIGURE 8-54. MAIN BOOM CONTROL BOX HARNESS

ITEM	PART NUMBER	QTY	DESCRIPTION	REV
	1001216638	Ref	MAIN BOOM CONTROL BOX HARNESS	B
1	4460837	1	Receptacle, Female Termination - 12 Position	
2	4460892	1	Receptacle, Female Buss Bar - 6 Position	
3	4460893	1	Receptacle, Female Buss Bar - 4 Position	
4	1001155967	2	Mount	
5	1001216625	1	Seal	
6	1001216626	1	Seal	
101	4460866	2	Connector - 19 Position	
101	4460943	4	Pin, Male	
101	4460464	16	Pin, Male	
101	4460508	8	Pin, Male	
101	4460466	10	Plug, Terminal	
102	4461016	1	Connector - 12 Position	
102	4460464	9	Pin, Male	
102	4460466	5	Plug, Terminal	
103	4460836	2	Plug, Male - 12 Position	
103	1001157890	4	Socket, Female	
103	4460465	12	Socket, Female	
103	4460466	8	Plug, Terminal	
104	4460894	1	Plug, Male - 6 Position	
104	1001157890	4	Socket, Female	
104	4460465	2	Socket, Female	
105	1001117110	2	Terminal, Ring	
106	4460935	1	Plug, Male - 12 Position	
106	4460465	8	Socket, Female	
106	4460466	4	Plug, Terminal	
107	4460933	1	Plug, Male - 12 Position	
107	4460465	3	Socket, Female	
107	4460944	2	Socket, Female	
107	4460466	7	Plug, Terminal	
108	4460934	1	Plug, Male - 12 Position	
108	4460465	11	Socket, Female	
108	4460466	1	Plug, Terminal	
109	4460434	1	Plug, Male - 15 Position	
109	4460268	13	Socket, Female	
109	4460906	2	Socket, Female	
110	4460930	1	Plug, Male - 8 Position	
110	4460465	2	Socket, Female	
110	4460944	2	Socket, Female	
110	4460466	4	Plug, Terminal	
111	4460536	1	Receptacle, Female - 3 Position	
111	4460464	3	Pin, Male	
112	4460884	2	Plug, Male - 4 Position	
112	4460465	8	Socket, Female	
113	1001116812	1	Plug, Male - 3 Position	
113	4460465	3	Socket, Female	
114	4460722	1	Terminal, Ring	
115	4460891	6	Plug, Male - 2 Position	
115	4460465	12	Socket, Female	
116	4460539	1	Plug, Male - 3 Position	

## SECTION 8 - ELECTRICAL

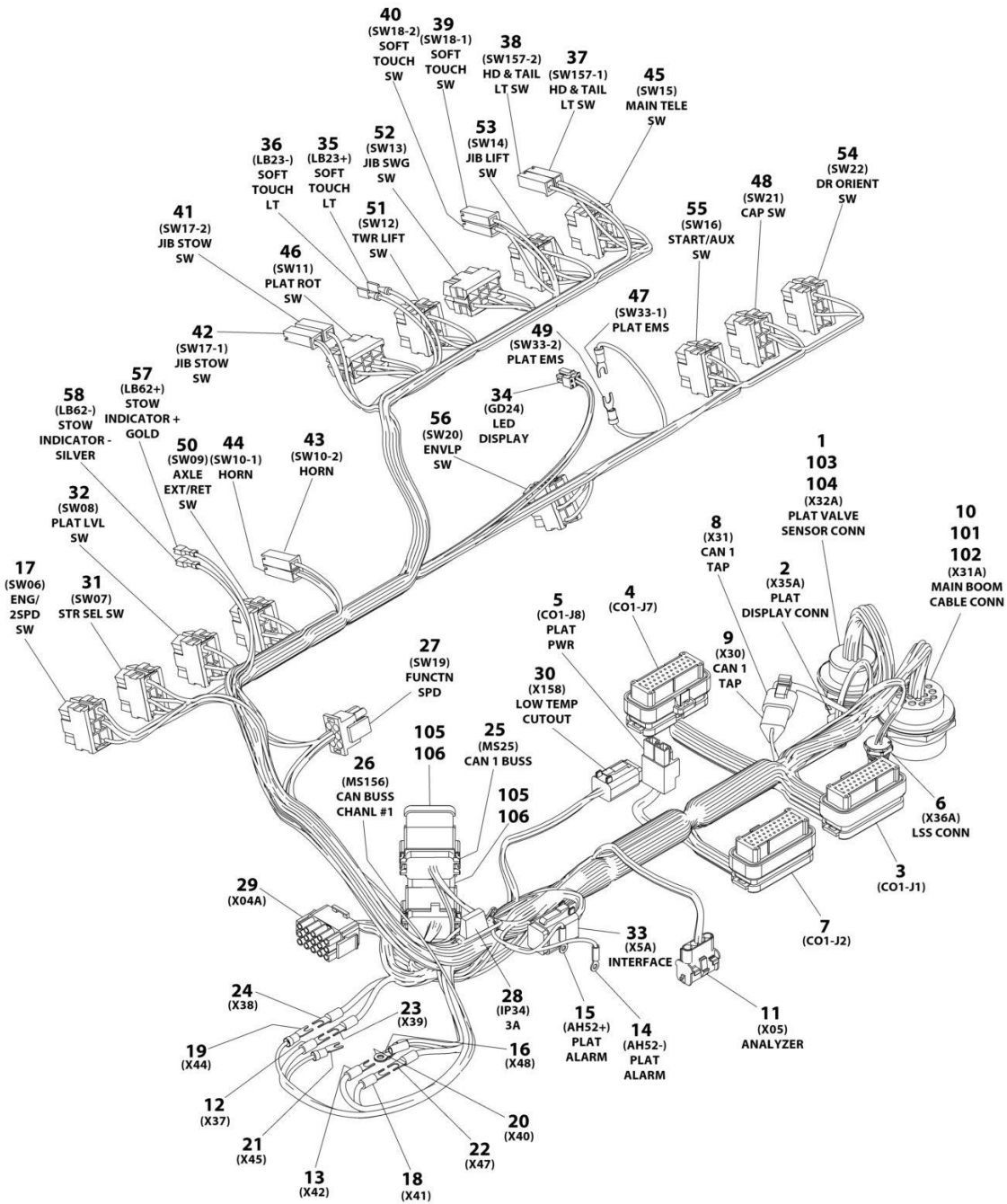
ITEM	PART NUMBER	QTY	DESCRIPTION	REV
116	4460465	2	Socket, Female	
117	4461077	1	Plug, Male - 4 Position	
117	4460928	3	Socket, Female	
117	4460518	1	Plug, Terminal	
118	4461077	1	Plug, Male - 4 Position	
118	1001126008	4	Socket, Female	





# SECTION 8 - ELECTRICAL

## FIGURE 8-55. PLATFORM CONSOLE HARNESS - WITH SKYGUARD



ART\_1001242124

## SECTION 8 - ELECTRICAL

**FIGURE 8-55. PLATFORM CONSOLE HARNESS - WITH SKYGUARD**

ITEM	PART NUMBER	QTY	DESCRIPTION	REV
	1001242124	Ref	PLATFORM CONSOLE HARNESS - WITH SKYGUARD	E
1	4460925	1	Connector - 21 Position	
1	1001126011	20	Pin, Male	
1	4460518	1	Plug, Socket	
2	1001120055	1	Connector - 5 Position with Cable	
3	4460874	1	Connector - 35 Position	
3	4460871	35	Socket, Female	
4	4460873	1	Connector - 35 Position	
4	4460871	28	Socket, Female	
4	4460905	7	Plug, Terminal	
5	4460879	1	Connector - 2 Position	
5	4460887	2	Terminal	
6	1001213447	1	Connector - 5 Position with Cable	
7	4460876	1	Connector - 35 Position	
7	4460871	14	Socket, Female	
7	4460905	21	Plug, Terminal	
8	4460539	1	Connector - 3 Position	
8	4460944	2	Socket, Female	
8	4460466	1	Plug, Socket	
9	4460536	1	Connector - 3 Position	
9	4460943	2	Pin, Male	
9	4460466	1	Plug, Socket	
10	4460866	1	Connector - 19 Position	
10	4460943	2	Pin, Male	
10	4460508	4	Pin, Male	
10	4460464	7	Pin, Male	
10	4460466	5	Plug, Terminal	
11	4460761	1	Receptacle, Female - 4 Position	
11	4460227	4	Pin, Male	
12	4460314	1	Terminal, Fork	
13	4460315	1	Terminal, Fork	
14	1001098122	1	Terminal, Ring	
15	1001098122	1	Terminal, Ring	
16	8220007	1	Terminal, Ring	
17	4460418	1	Connector - 6 Position	
17	1001159186	2	Terminal	
17	4460419	2	Terminal	
18	4460315	1	Terminal, Fork	
19	4460315	1	Terminal, Fork	
20	4460315	1	Terminal, Fork	
21	4460314	1	Terminal, Fork	
22	4460315	1	Terminal, Fork	
23	4460315	1	Terminal, Fork	
24	4460315	1	Terminal, Fork	
25	4460933	1	Connector - 12 Position	
25	4460944	6	Socket, Female	
25	4460466	6	Plug, Terminal	
26	4460933	1	Connector - 12 Position	
26	4460944	12	Socket, Female	
27	4460225	5	Plug, Male - 6 Position	

## SECTION 8 - ELECTRICAL

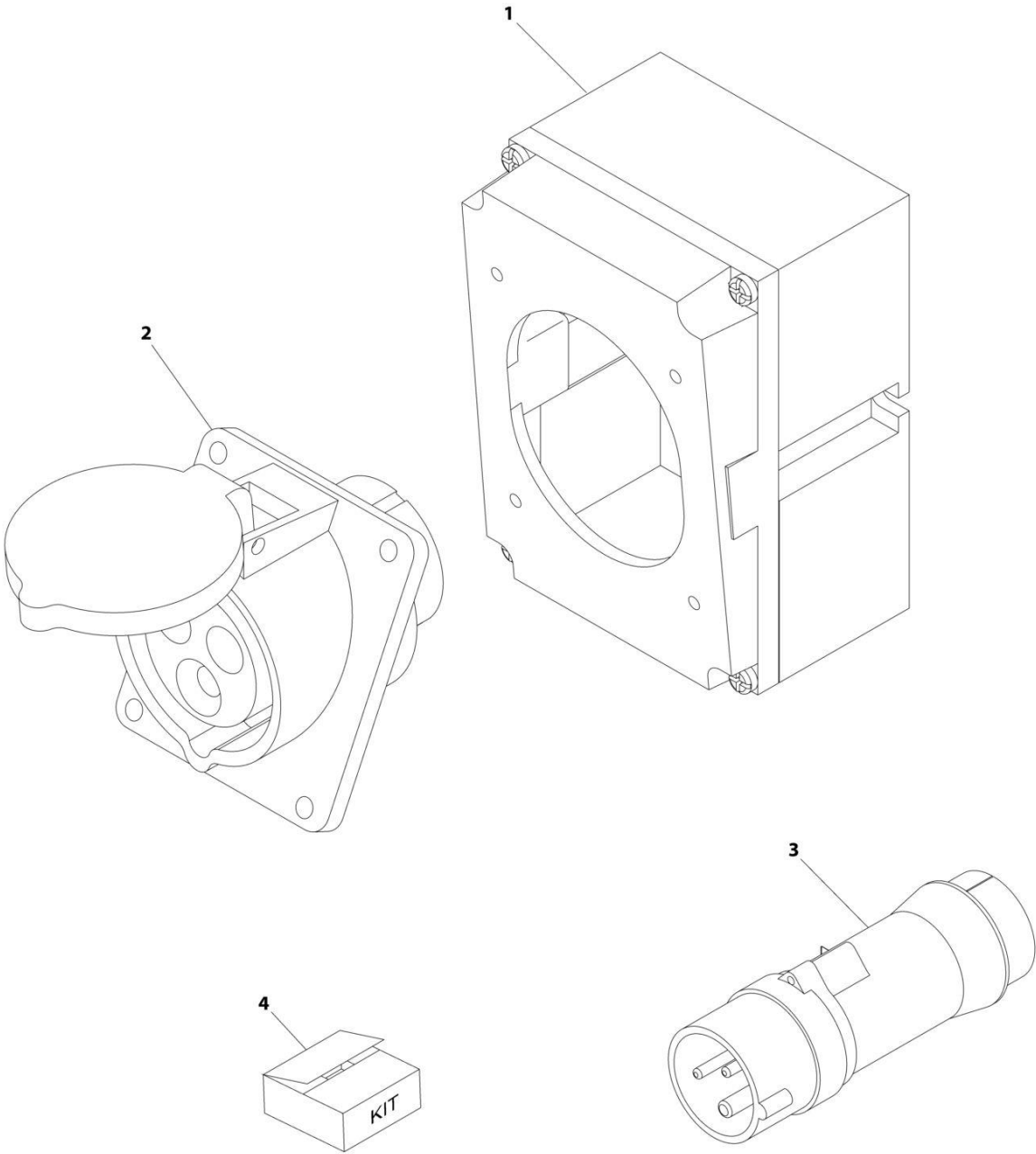
ITEM	PART NUMBER	QTY	DESCRIPTION	REV
27	4460227	4	Pin, Male	
27	4460267	2	Pin, Male	
28	2400060	1	Fuseholder with Cover	
28	2400030	1	Fuse 3 Amp	
29	4460434	1	Plug, Male - 15 Position	
29	4460227	10	Pin, Male	
29	4460267	2	Pin, Male	
30	4460884	1	Plug, Male - 4 Position	
30	4460465	2	Socket, Female	
30	4460944	2	Socket, Female	
31	4460418	1	Connector - 6 Position	
31	1001159186	2	Terminal	
31	4460419	2	Terminal	
32	4460418	1	Connector - 6 Position	
32	1001159186	2	Terminal	
32	4460419	2	Terminal	
33	4460894	1	Connector - 6 Position	
33	4460465	6	Socket, Female	
34	1001237667	1	Plug Male - 6 Position	
34	1001237668	1	Terminal	
35	4460016	1	Terminal	
36	4460016	1	Terminal	
37	4460260	1	Cover, Connector - 1 Position	
37	4460259	1	Terminal	
38	4460260	1	Cover, Connector - 1 Position	
38	4460259	1	Terminal	
39	4460260	1	Cover, Connector - 1 Position	
39	4460259	1	Terminal	
40	4460260	1	Cover, Connector - 1 Position	
40	4460259	1	Terminal	
41	4460260	1	Cover, Connector - 1 Position	
41	4460259	1	Terminal	
42	4460260	1	Cover, Connector - 1 Position	
42	4460259	1	Terminal	
43	4460260	1	Cover, Connector - 1 Position	
43	4460259	1	Terminal	
44	4460260	1	Cover, Connector - 1 Position	
44	4460259	1	Terminal	
45	4460418	1	Connector - 6 Position	
45	1001159186	2	Terminal	
45	4460419	2	Terminal	
46	4460418	1	Connector - 6 Position	
46	1001159186	2	Terminal	
46	4460419	2	Terminal	
47	4460183	1	Terminal, Fork	
48	4460418	1	Connector - 6 Position	
48	1001159186	2	Terminal	
48	4460419	2	Terminal	
49	4460183	1	Terminal, Fork	
50	4460418	1	Connector - 6 Position	
50	1001159186	2	Terminal	

## SECTION 8 - ELECTRICAL

ITEM	PART NUMBER	QTY	DESCRIPTION	REV
50	4460419	2	Terminal	
51	4460418	1	Connector - 6 Position	
51	1001159186	2	Terminal	
51	4460419	2	Terminal	
52	4460418	1	Connector - 6 Position	
52	1001159186	2	Terminal	
52	4460419	2	Terminal	
53	4460418	1	Connector - 6 Position	
53	1001159186	2	Terminal	
53	4460419	2	Terminal	
54	4460418	1	Connector - 6 Position	
54	1001159186	2	Terminal	
55	4460418	1	Connector - 6 Position	
55	1001159186	2	Terminal	
55	4460419	2	Terminal	
56	4460418	1	Connector - 6 Position	
56	1001159186	1	Terminal	
56	4460419	2	Terminal	
57	1001201885	1	Terminal	
58	1001201885	1	Terminal	
101	4460470	1	Nut, Terminal	
102	4460471	1	Washer, Terminal	
103	4460496	1	Washer, Terminal	
104	4460497	1	Nut, Terminal	
105	1001120328	1	Mount	
106	1001125677	1	Bussbar, Female - 12 Position	

**SECTION 8 - ELECTRICAL**

**FIGURE 8-56. RECEPTACLE BOX KIT - 110V IEC YELLOW (CE & UK CA SPEC)**



ART\_0275216

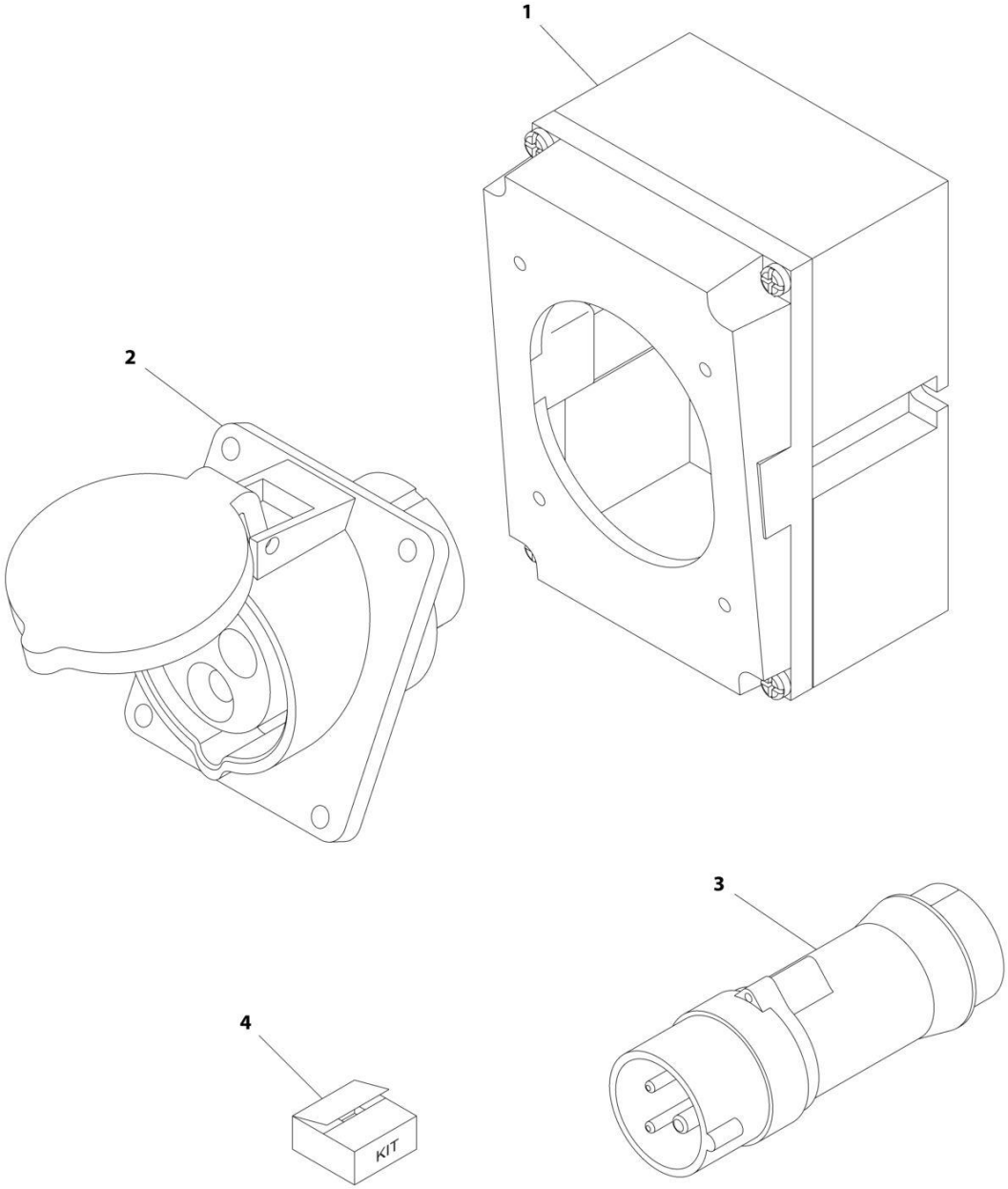
## SECTION 8 - ELECTRICAL

**FIGURE 8-56. RECEPTACLE BOX KIT - 110V IEC YELLOW (CE & UK CA SPEC)**

ITEM	PART NUMBER	QTY	DESCRIPTION	REV
	0275216	Ref	RECEPTACLE BOX KIT - 110V IEC YELLOW	B
1	0861781	1	Box, Switch	
2	4461198	1	Receptacle	
3	4461196	1	Plug, Male	
4	1001100341	1	Plug and Socket Kit (Includes Items 1-3 and Female Plug p/n 4461197)	

**SECTION 8 - ELECTRICAL**

**FIGURE 8-57. RECEPTACLE BOX KIT - 220V IEC BLUE (CE & UK CA SPEC)**



ART\_0275217



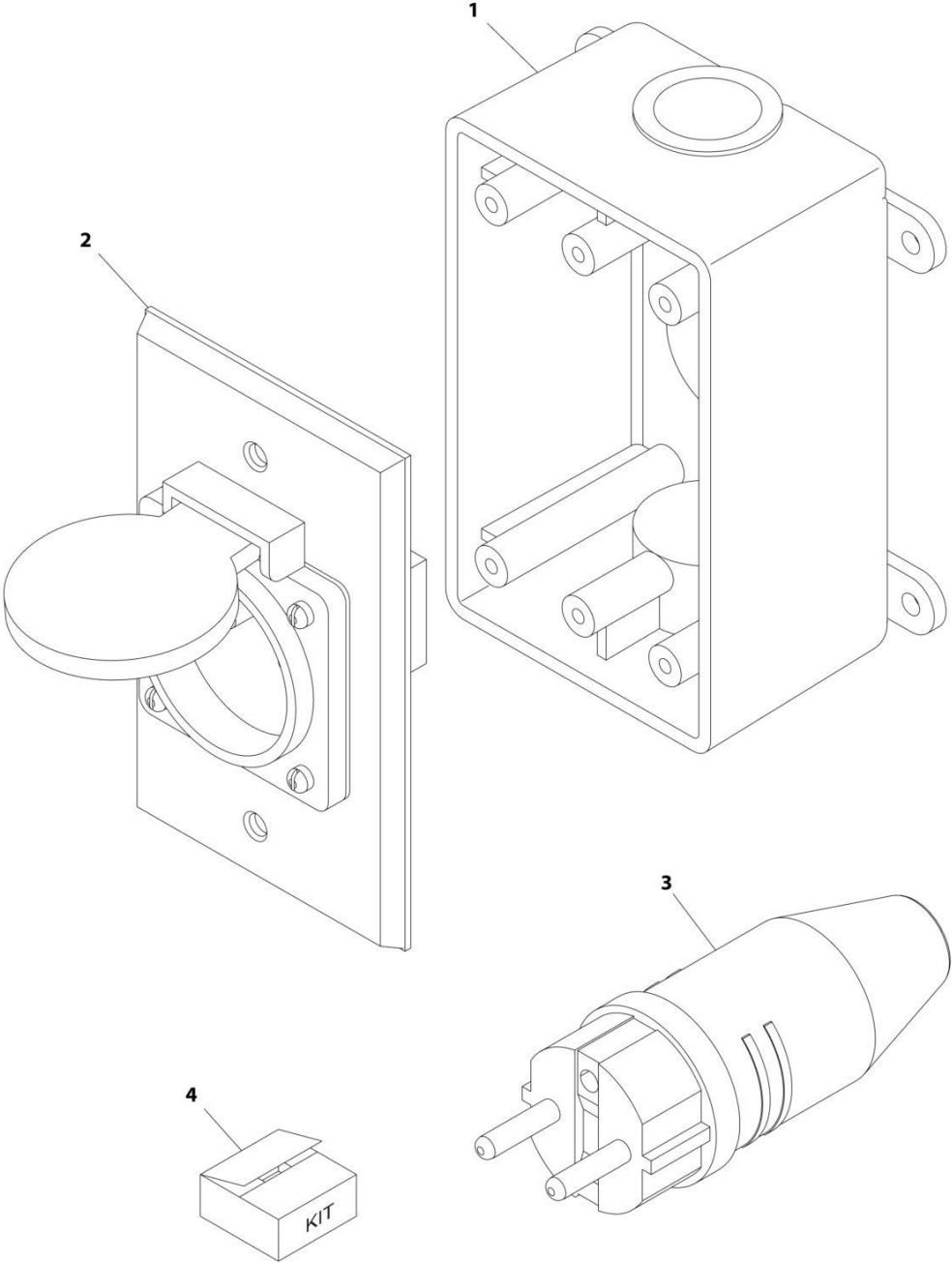
## SECTION 8 - ELECTRICAL

**FIGURE 8-57. RECEPTACLE BOX KIT - 220V IEC BLUE (CE & UK CA SPEC)**

ITEM	PART NUMBER	QTY	DESCRIPTION	REV
	0275217	Ref	RECEPTACLE BOX KIT - 220V IEC BLUE	B
1	0861781	1	Box, Switch	
2	4461201	1	Receptacle	
3	4461199	1	Plug, Male	
4	1001100342	1	Plug and Socket Kit (Includes Items 1-3 and Female Plug p/n 4461200)	

**SECTION 8 - ELECTRICAL**

**FIGURE 8-58. RECEPTACLE BOX KIT - 220V CEE7 POST GROUND (CE & UK CA SPEC)**



ART\_0275452-C

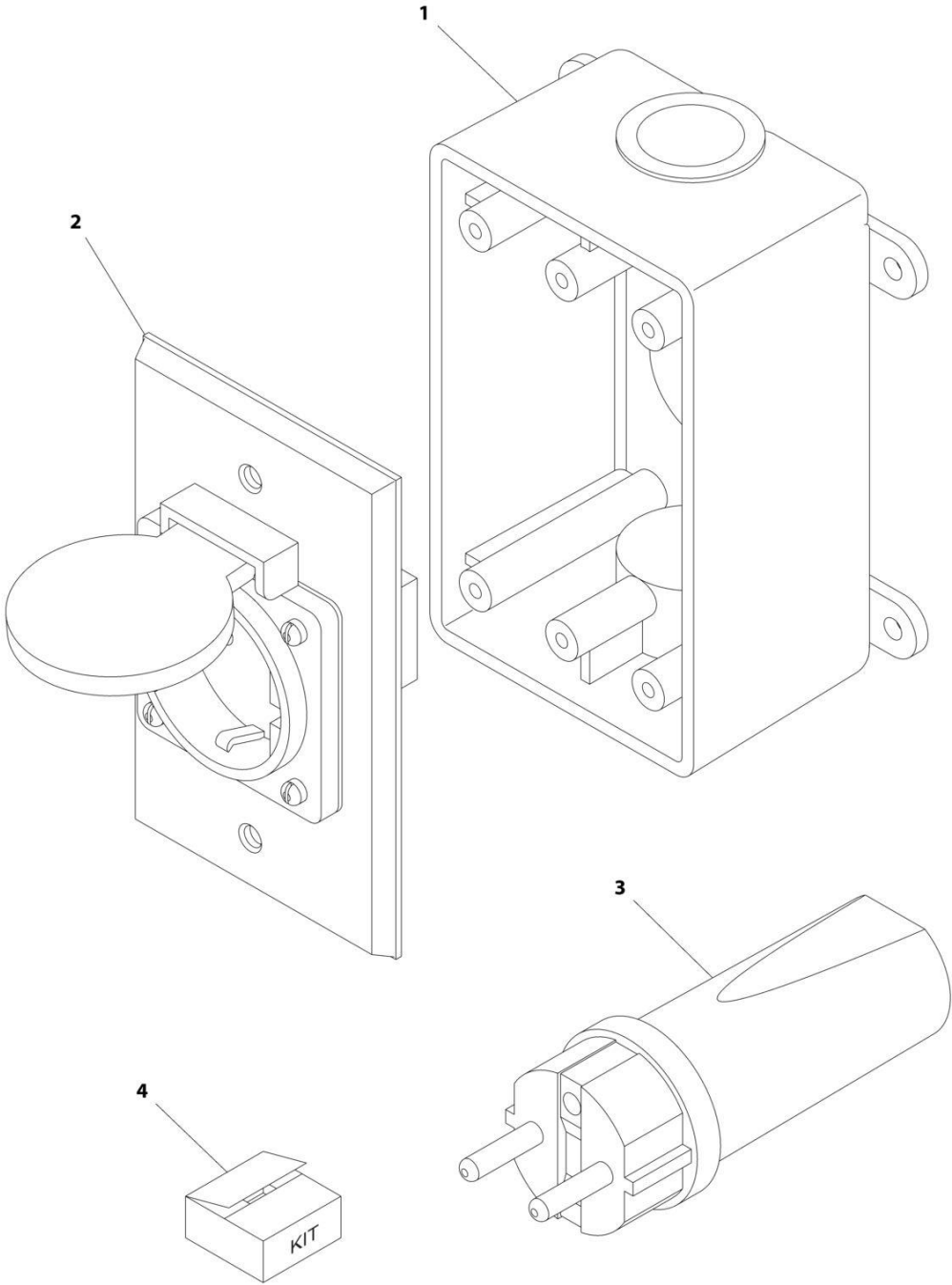
## SECTION 8 - ELECTRICAL

**FIGURE 8-58. RECEPTACLE BOX KIT - 220V CEE7 POST GROUND (CE & UK CA SPEC)**

ITEM	PART NUMBER	QTY	DESCRIPTION	REV
	0275452	Ref	RECEPTACLE BOX KIT - 220V CEE7 POST GROUND 2IN X 4IN BOX	C
1	0861731	1	Box, Switch	
2	4461244	1	Receptacle	
3	4461205	1	Plug, Male	
4	1001100345	1	Plug and Socket Kit (Includes Items 1-3 and Female Plug p/n 4461203)	

**SECTION 8 - ELECTRICAL**

**FIGURE 8-59. RECEPTACLE BOX KIT - 220V CEE7 SIDE GROUND (CE & UK CA SPEC)**



ART\_0275453

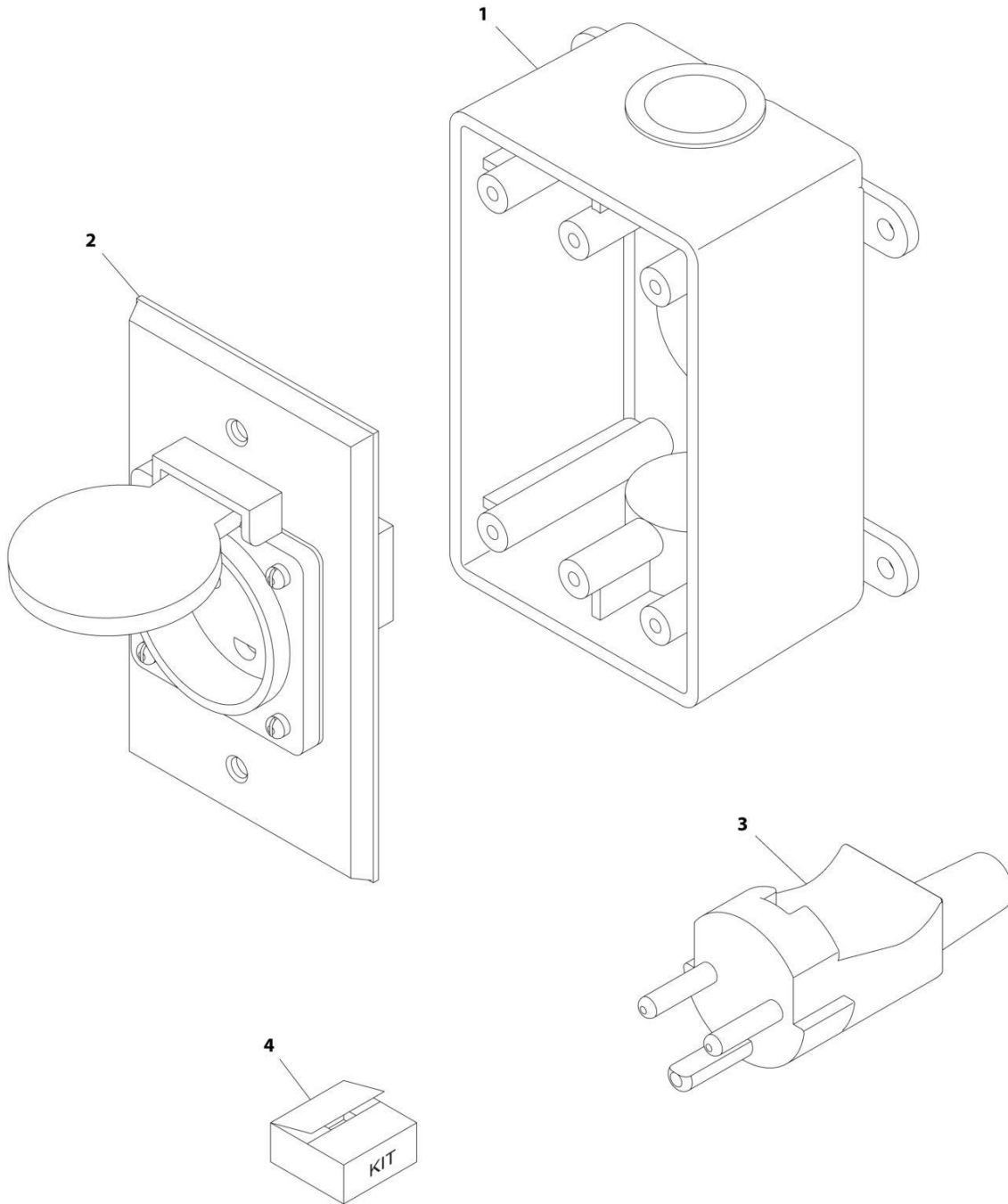
## SECTION 8 - ELECTRICAL

**FIGURE 8-59. RECEPTACLE BOX KIT - 220V CEE7 SIDE GROUND (CE & UK CA SPEC)**

ITEM	PART NUMBER	QTY	DESCRIPTION	REV
	0275453	Ref	RECEPTACLE BOX KIT - 220V CEE7 SIDE GROUND	B
1	0861731	1	Box, Switch	
2	4461245	1	Receptacle	
3	4461205	1	Plug, Male	
4	1001100347	1	Plug and Socket Kit (Includes Items 1-3 and Female Plug p/n 4461206)	

# SECTION 8 - ELECTRICAL

FIGURE 8-60. RECEPTACLE BOX KIT - 220V AFSINT 107 (CE & UK CA SPEC)



ART\_0275454

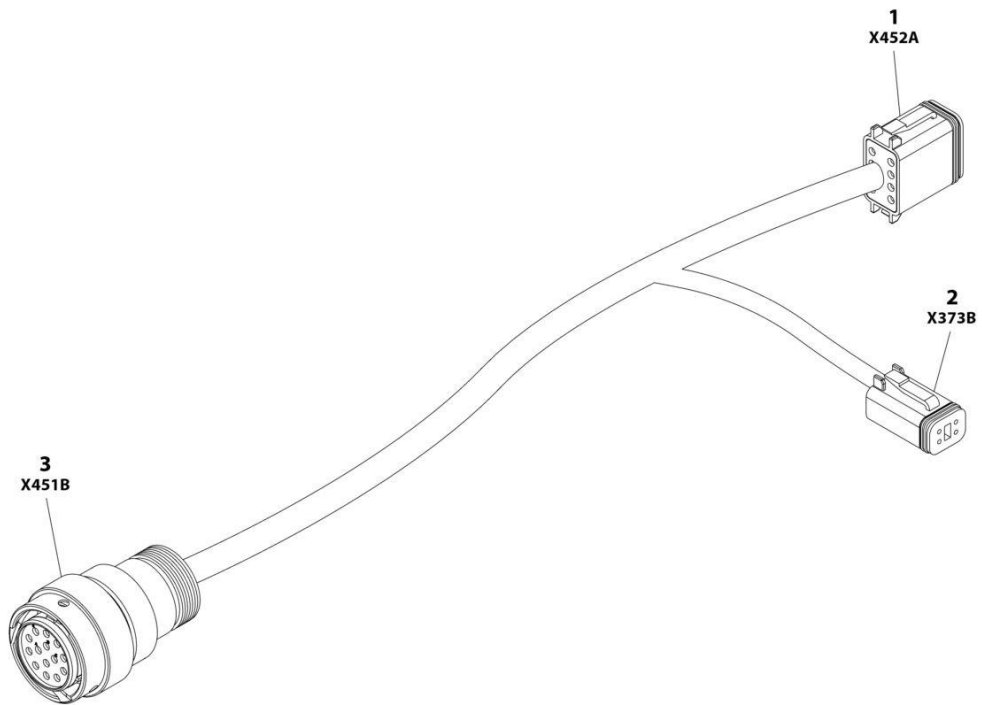
## SECTION 8 - ELECTRICAL

**FIGURE 8-60. RECEPTACLE BOX KIT - 220V AFSINT 107 (CE & UK CA SPEC)**

ITEM	PART NUMBER	QTY	DESCRIPTION	REV
	0275454	Ref	RECEPTACLE BOX KIT - 220V AFSINT 107	B
1	0861731	1	Box, Switch	
2	4461246	1	Receptacle	
3	4461249	1	Plug, Male	
4	1001100346	1	Plug and Socket Kit (Includes Items 1-3 and Female Plug p/n 4461250)	

# SECTION 8 - ELECTRICAL

## FIGURE 8-61. SECONDARY CONTROL HARNESS



ART\_1001202785



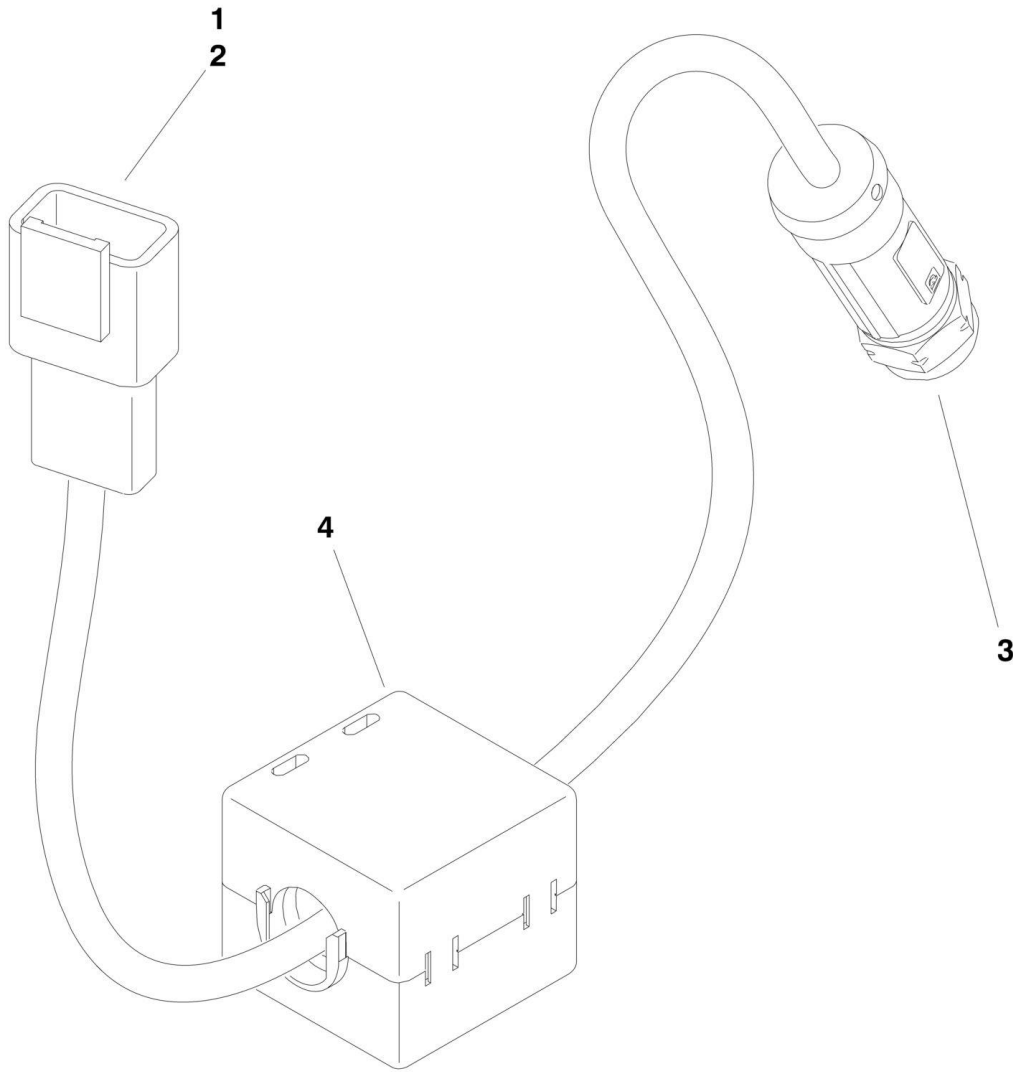
## SECTION 8 - ELECTRICAL

### FIGURE 8-61. SECONDARY CONTROL HARNESS

ITEM	PART NUMBER	QTY	DESCRIPTION	REV
	1001202785	Ref	SECONDARY CONTROL HARNESS	C
1	4460930	1	Plug, Male - 8 Position	
1	4460465	8	Socket, Female	
2	4460884	1	Plug, Male - 4 Position	
2	1001157890	4	Socket, Female	
3	1001212188	1	Connector - 14 Position	
3	4460465	8	Socket, Female	
3	1001157890	4	Socket, Female	
3	4460466	2	Plug, Terminal	

# SECTION 8 - ELECTRICAL

## FIGURE 8-62. SENSOR HARNESS - AXLE



1001163631

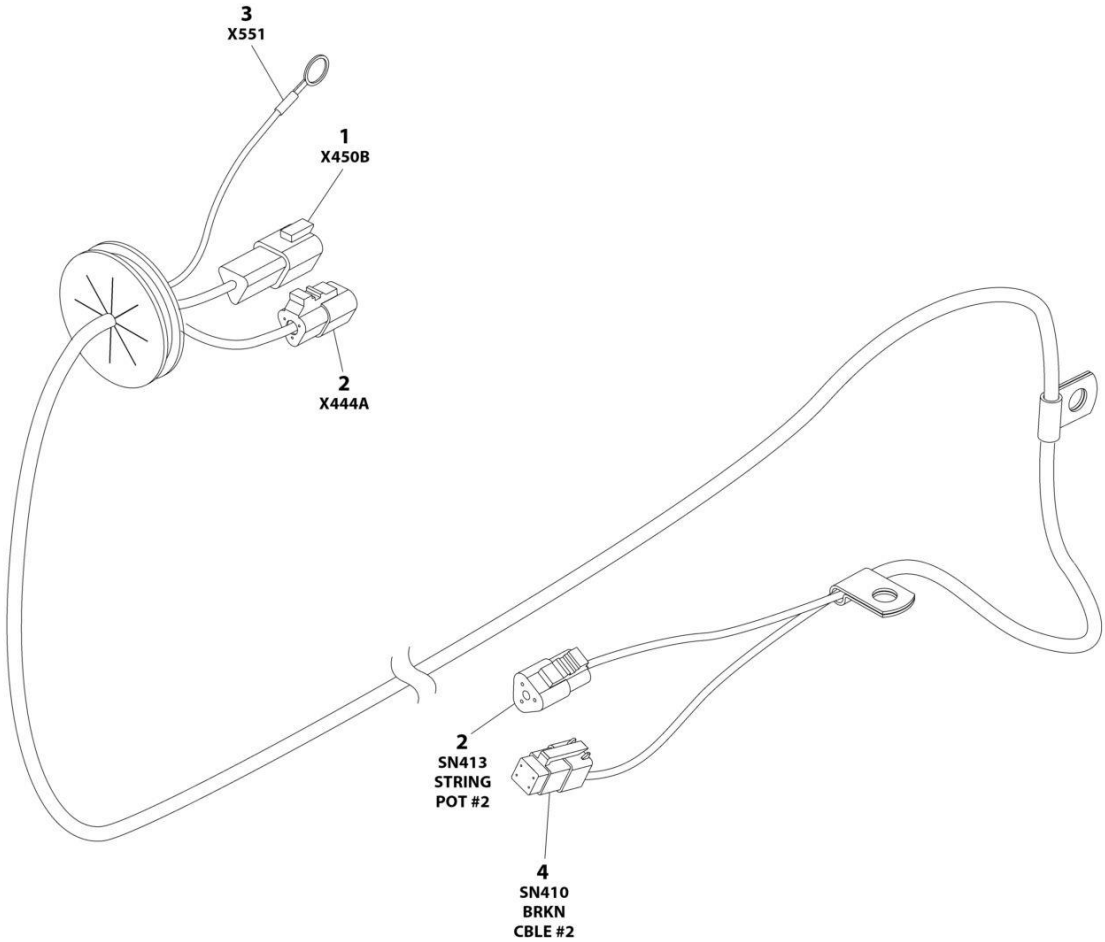
## SECTION 8 - ELECTRICAL

### FIGURE 8-62. SENSOR HARNESS - AXLE

ITEM	PART NUMBER	QTY	DESCRIPTION	REV
	1001163631	Ref	MTS CONNECTION CABLE	B
1	4460910	1	Connector - 3 Position	
2	4460929	3	Pin, Male	
3	See Note	NSS	Sensor with Cable (Note: Purchase p/n 1001163631)	
4	1001102594	1	Ferrite, LMI	

**SECTION 8 - ELECTRICAL**

**FIGURE 8-63. SENSOR HARNESS - BOOM**



ART\_1001201062

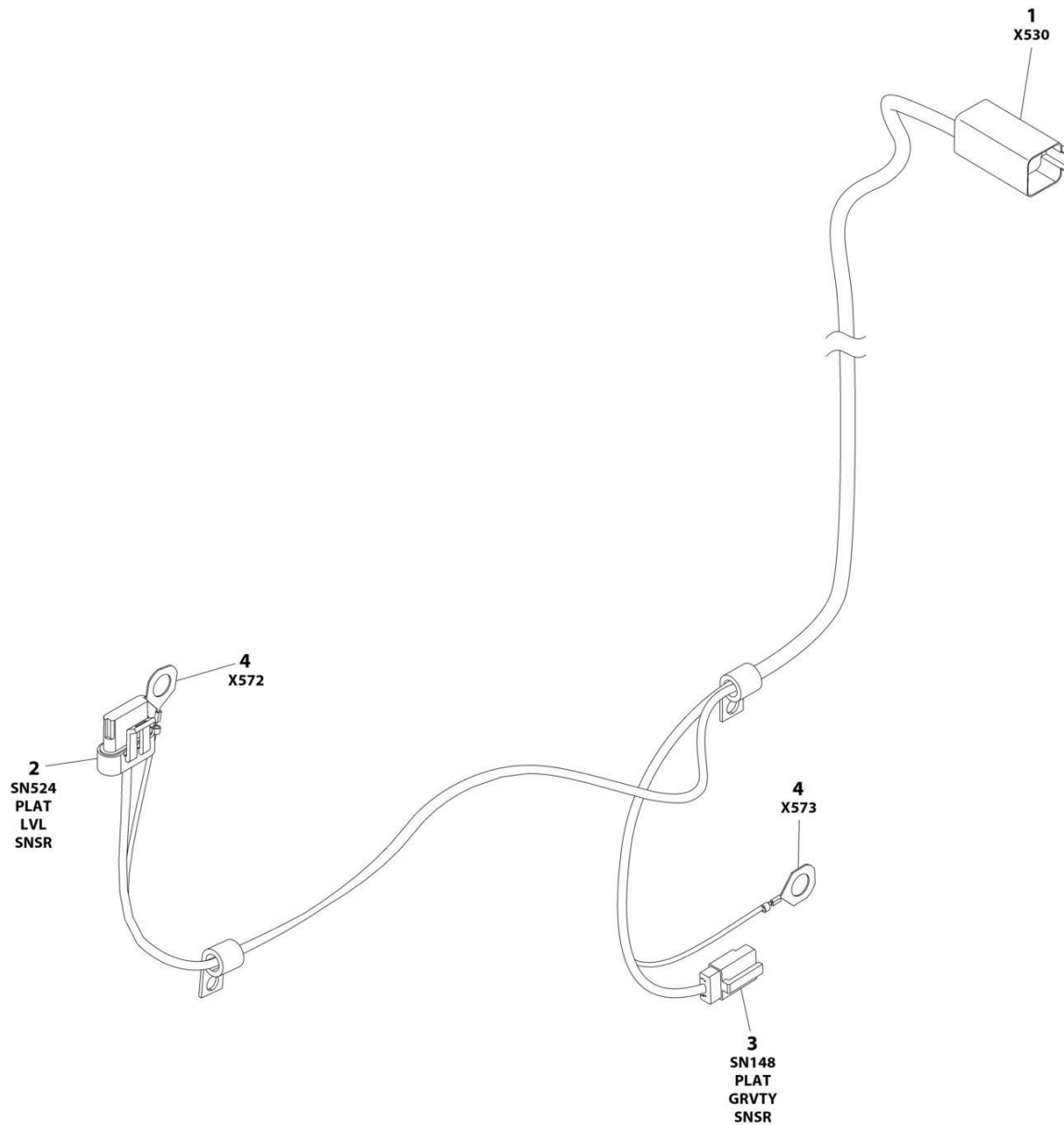
## SECTION 8 - ELECTRICAL

### FIGURE 8-63. SENSOR HARNESS - BOOM

ITEM	PART NUMBER	QTY	DESCRIPTION	REV
	1001201062	Ref	SENSOR HARNESS - BOOM	C
1	1001144147	1	Receptacle, Female - 3 Position	
1	4460464	3	Pin, Male	
2	4460539	2	Plug, Male - 3 Position	
2	4460465	6	Socket, Female	
3	4460722	1	Terminal, Ring	
4	4461077	1	Plug, Male - 4 Position	
4	4460928	3	Socket, Female	
4	4460518	1	Plug, Terminal	

# SECTION 8 - ELECTRICAL

## FIGURE 8-64. SENSOR HARNESS - PLATFORM LEVEL



ART\_1001204028

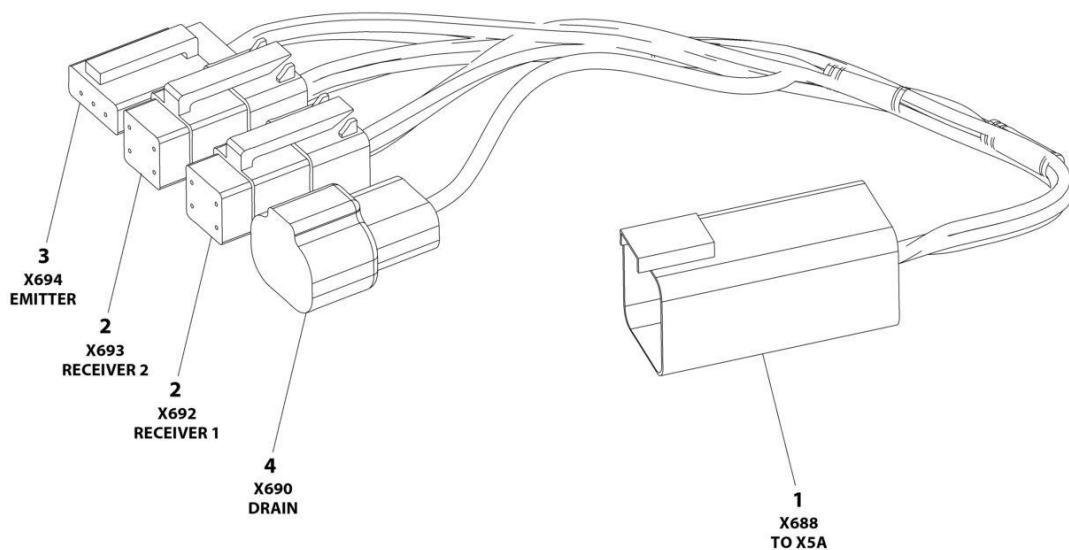
## SECTION 8 - ELECTRICAL

### FIGURE 8-64. SENSOR HARNESS - PLATFORM LEVEL

ITEM	PART NUMBER	QTY	DESCRIPTION	REV
	1001204028	Ref	SENSOR HARNESS - PLATFORM LEVEL	C
1	4460899	1	Receptacle, Female - 6 Position	
1	4460464	6	Pin, Male	
2	1001230931	1	Plug, Male - 6 Position	
2	1001116748	3	Terminal	
2	1001116751	3	Plug, Terminal	
3	4460911	1	Plug, Male - 3 Position	
3	4460918	3	Socket, Female	
4	1001187077	2	Terminal, Ring	

# SECTION 8 - ELECTRICAL

## FIGURE 8-65. SKYEYE INTERMEDIATE HARNESS



ART\_1001237865



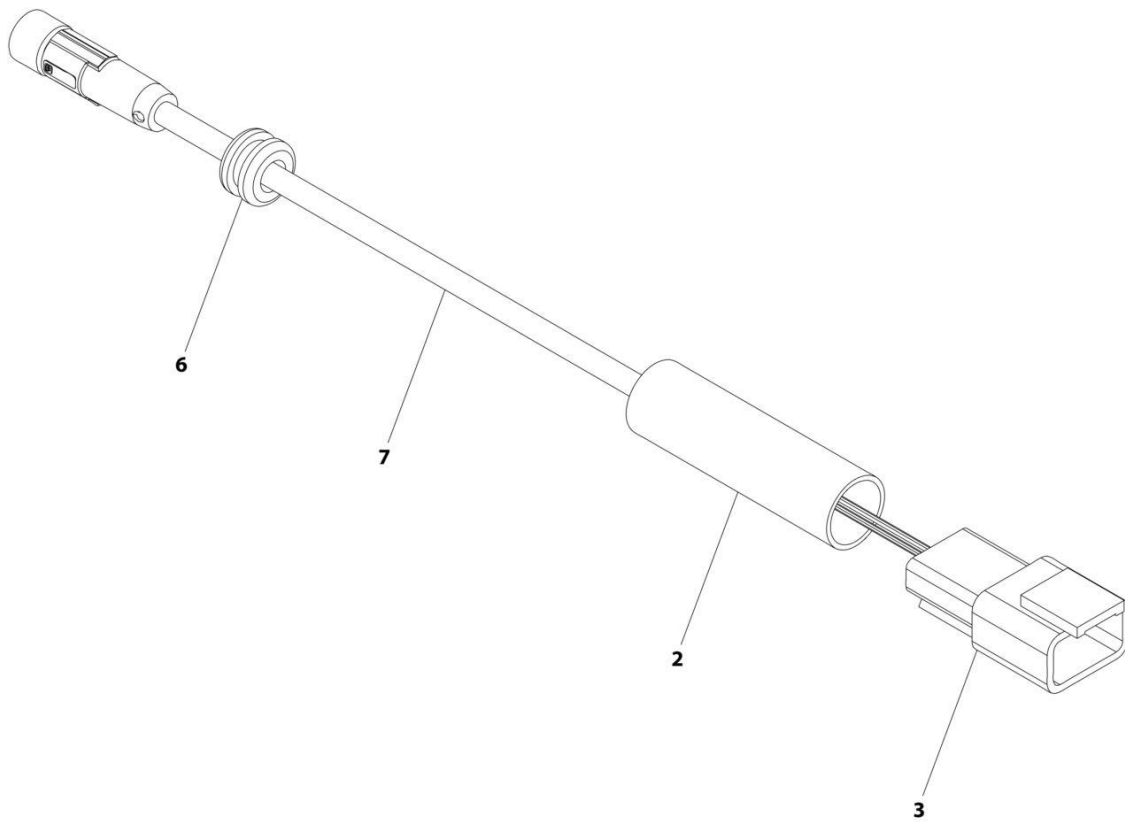
## SECTION 8 - ELECTRICAL

### FIGURE 8-65. SKYEYE INTERMEDIATE HARNESS

ITEM	PART NUMBER	QTY	DESCRIPTION	REV
	1001237865	Ref	SKYEYE INTERMEDIATE HARNESS	A
1	4460899	1	Connector - 6 Position	
1	4460943	4	Pin, Male	
1	4460466	2	Plug, Terminal	
2	4461077	2	Connector - 4 Position	
2	1001119619	8	Socket, Female	
3	4460911	1	Connector - 3 Position	
3	1001119619	3	Socket, Female	
4	1001187681	1	Connector - 2 Position	
4	4460941	1	Pin, Male	
4	4460466	1	Plug, Terminal	

# SECTION 8 - ELECTRICAL

## FIGURE 8-66. SKYEYE EMITTER HARNESS



ART\_1001237864

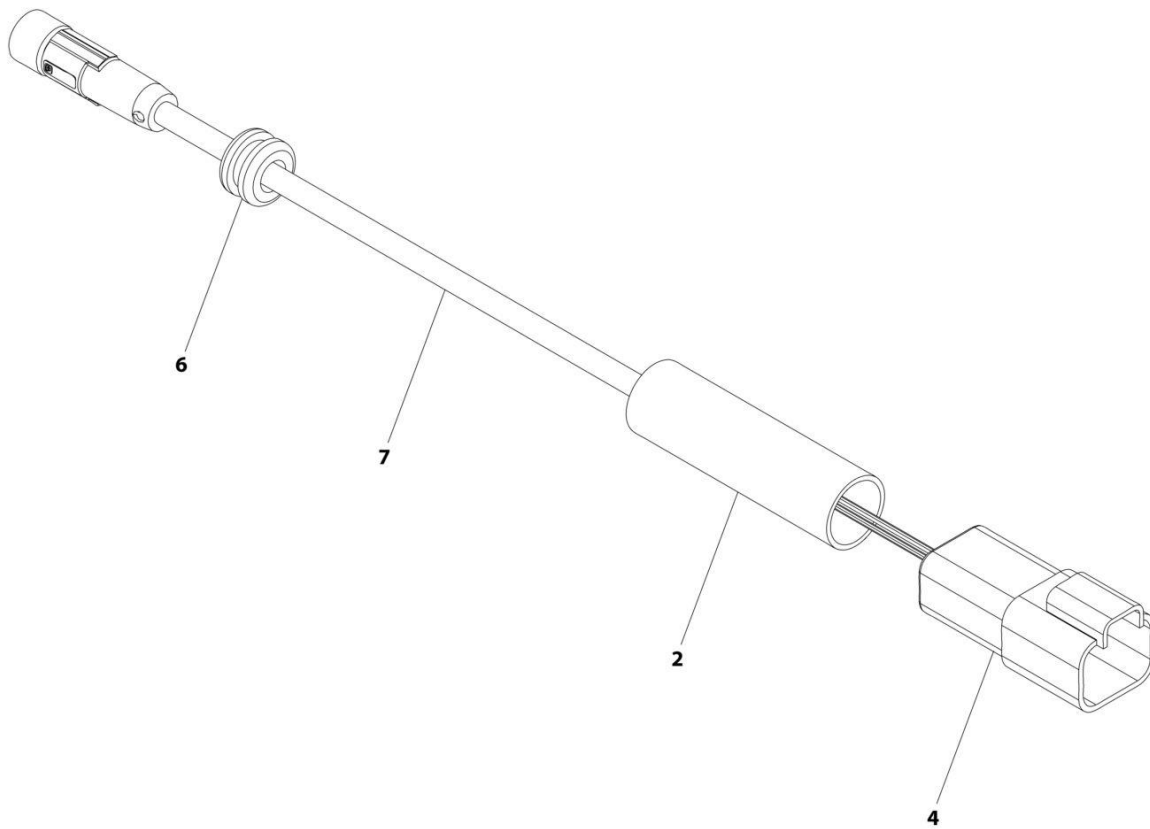
## SECTION 8 - ELECTRICAL

### FIGURE 8-66. SKYEYE EMITTER HARNESS

ITEM	PART NUMBER	QTY	DESCRIPTION	REV
	1001237864	Ref	SKYEYE EMITTER HARNESS	A
2	2820247	AR	Tubing, Heat Shrink	
3	4460910	1	Connector - 3 Position	
3	1001119620	3	Pin, Male	
6	1001227996	1	Grommet	
7	1001237862	1	Cable, M8 Female Cordset	

# SECTION 8 - ELECTRICAL

## FIGURE 8-67. SKYEYE RECEIVER HARNESS



ART\_1001237863

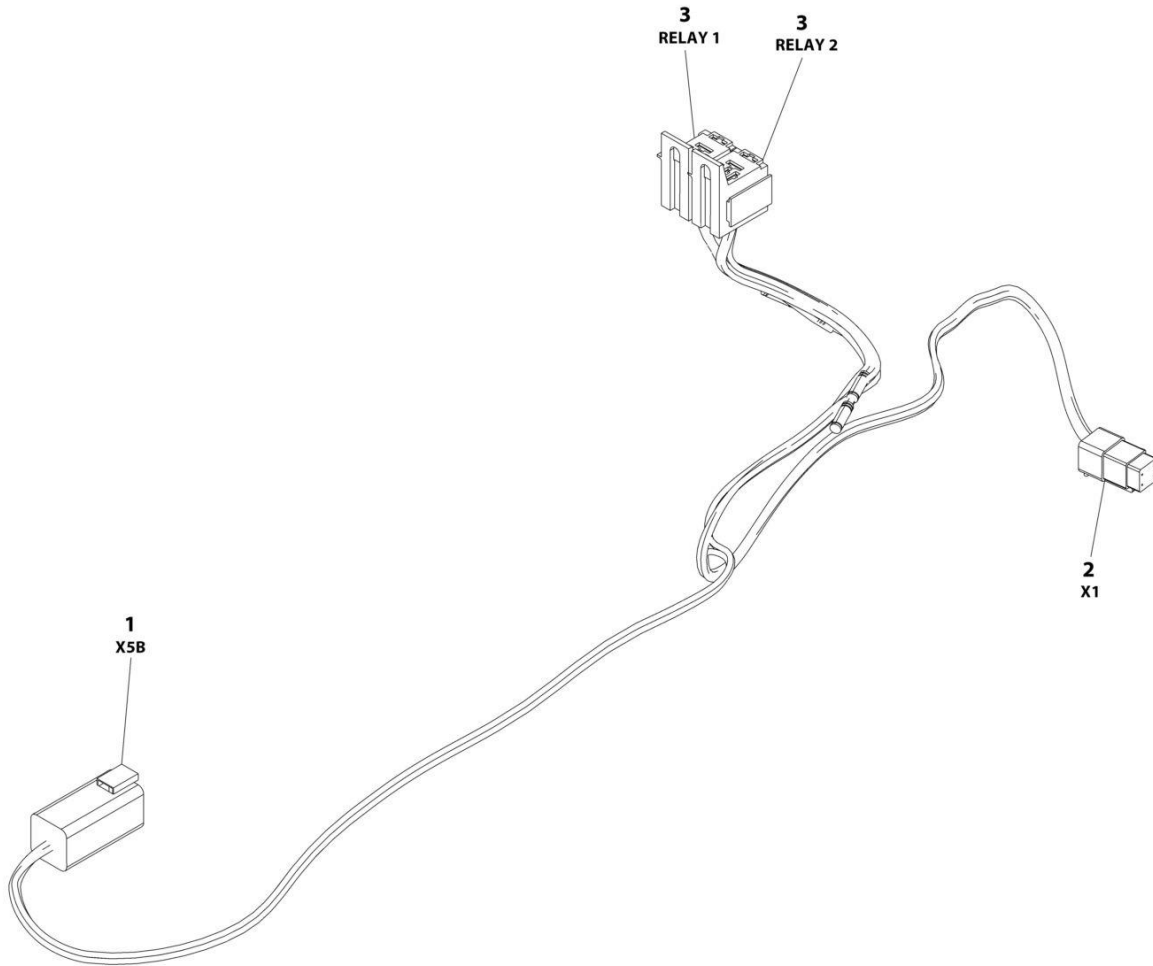
## SECTION 8 - ELECTRICAL

### FIGURE 8-67. SKYEYE RECEIVER HARNESS

ITEM	PART NUMBER	QTY	DESCRIPTION	REV
	1001237863	Ref	SKYEYE RECEIVER HARNESS	A
2	2820247	AR	Tubing, Heat Shrink	
4	1001097051	1	Connector - 4 Position	
4	1001119620	4	Pin, Male	
6	1001227996	1	Grommet	
7	1001237862	1	Cable, M8 Female Cordset	

# SECTION 8 - ELECTRICAL

## FIGURE 8-68. SKYLINE HARNESS



ART\_1001238418

## SECTION 8 - ELECTRICAL

### FIGURE 8-68. SKYLINE HARNESS

ITEM	PART NUMBER	QTY	DESCRIPTION	REV
	1001238418	Ref	SKYLINE HARNESS	B
1	4460899	1	Connector - 6 Position	
1	4460464	4	Pin, Male	
1	4460466	2	Plug, Terminal	
2	4461077	1	Connector - 4 Position	
2	1001126009	4	Socket, Female	
3	1001186432	2	Plug, Relay	
3	1001118388	5	Terminal	
3	1001118384	3	Terminal	
3	3740086	2	Relay	

# SECTION 8 - ELECTRICAL

## FIGURE 8-69. STEER HARNESS



ART\_1001155817



## SECTION 8 - ELECTRICAL

### FIGURE 8-69. STEER HARNESS

ITEM	PART NUMBER	QTY	DESCRIPTION	REV
	1001155817	Ref	STEER HARNESS	B
1	4460894	1	Connector - 6 Position	
1	4460465	4	Socket, Female	
1	4460466	2	Seal, Plug	
2	4460894	1	Connector - 6 Position	
2	4460465	3	Socket, Female	
2	4460466	3	Seal, Plug	

# SECTION 8 - ELECTRICAL

## FIGURE 8-70. STROBE LIGHT HARNESS - AMBER LIGHTS



ART\_1001202787

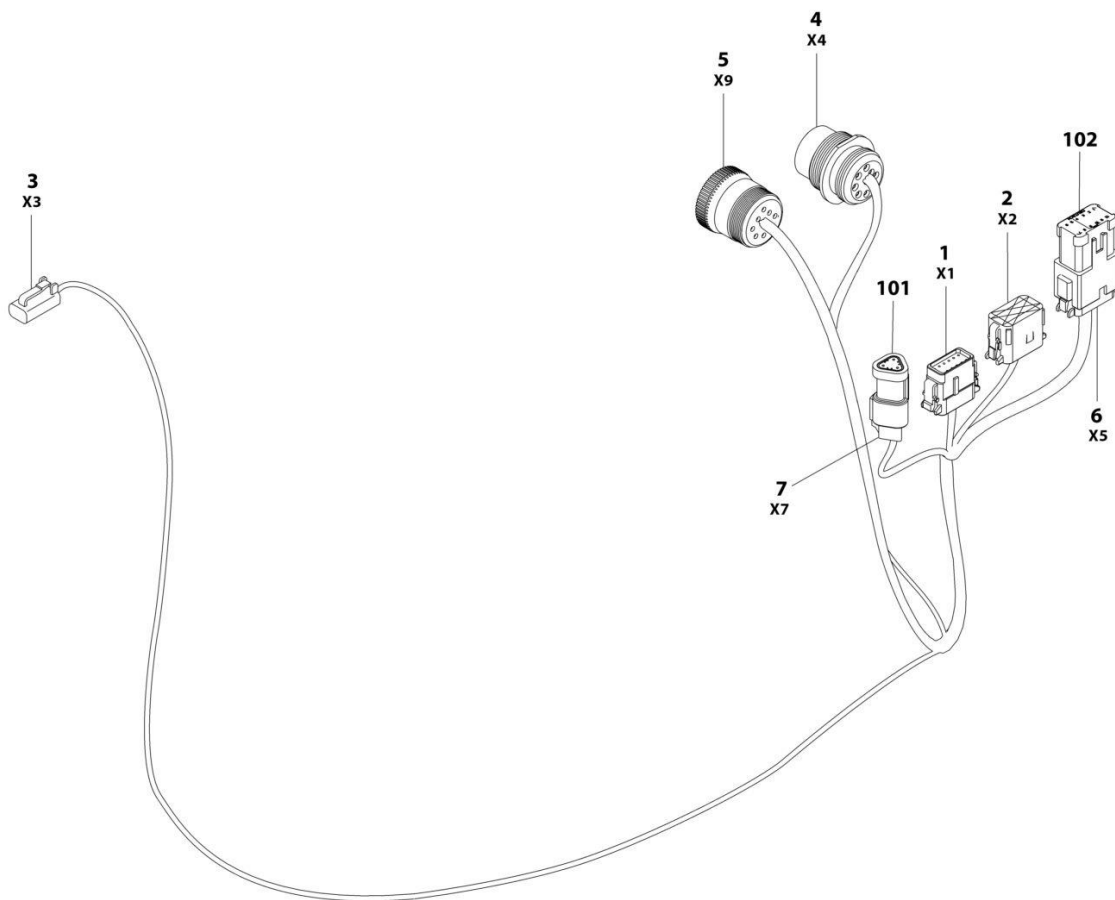
## SECTION 8 - ELECTRICAL

### FIGURE 8-70. STROBE LIGHT HARNESS - AMBER LIGHTS

ITEM	PART NUMBER	QTY	DESCRIPTION	REV
	1001202787	Ref	STROBE LIGHT (AMBER) HARNESS	B
1	4460897	2	Connector	
1	4460464	4	Pin	

# SECTION 8 - ELECTRICAL

## FIGURE 8-71. STROBE LIGHT HARNESS - BLUE & RED LIGHTS



ART\_1001210781

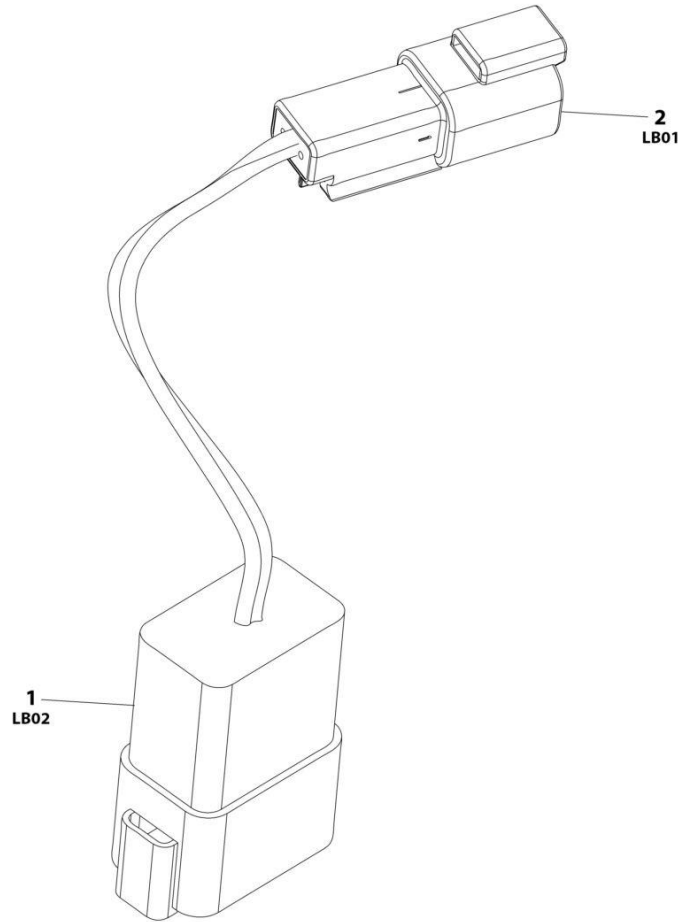
## SECTION 8 - ELECTRICAL

**FIGURE 8-71. STROBE LIGHT HARNESS - BLUE & RED LIGHTS**

ITEM	PART NUMBER	QTY	DESCRIPTION	REV
	1001210781	Ref	STROBE LIGHT HARNESS	C
1	1001116808	1	Connector - 12 Position	
1	1001116694	3	Socket, Female	
1	4460518	9	Plug, Socket	
2	1001116774	1	Connector - 12 Position	
2	1001116694	3	Socket, Female	
2	4460518	9	Plug, Socket	
3	4460891	1	Connector - 2 Position	
3	4460465	2	Socket, Female	
4	1001249095	1	Connector - 9 Position	
4	4460464	6	Pin, Male	
4	4460466	3	Plug, Socket	
5	1001112796	1	Connector - 9 Position	
5	4460465	6	Socket, Female	
5	4460466	3	Plug, Socket	
6	4460933	1	Connector - 12 Position	
6	4460465	12	Socket, Female	
7	4461095	1	Connector - 3 Position	
7	4460465	3	Socket, Female	
101	4461070	1	Connector - 3 Position	
101	1001144296	1	Dust Cap	
102	1001119020	1	Connector, Female Bussbar - 12 Position	

# SECTION 8 - ELECTRICAL

## FIGURE 8-72. STROBE LIGHT JUMPER HARNESS - AMBER



ART\_1001283776

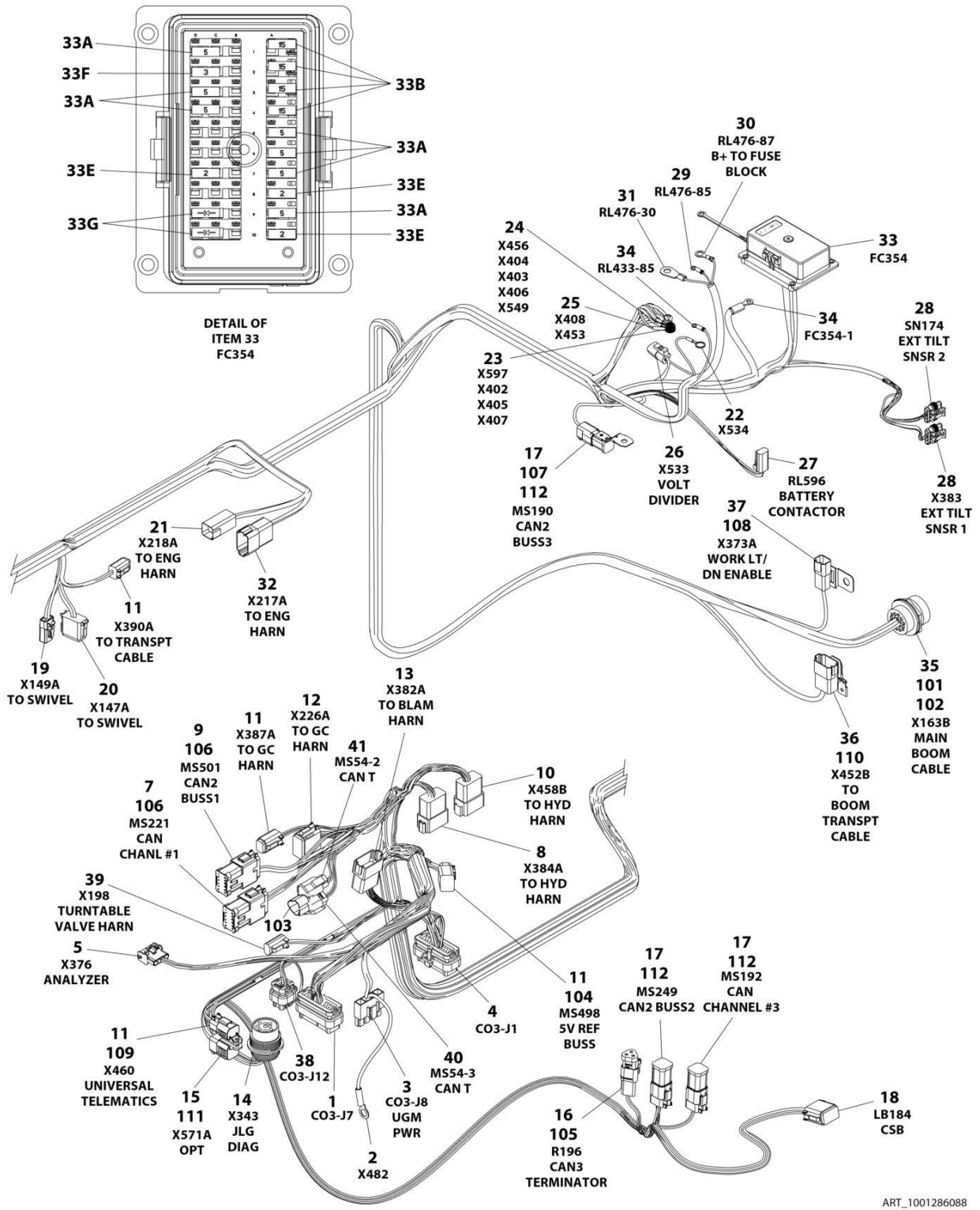
## SECTION 8 - ELECTRICAL

### FIGURE 8-72. STROBE LIGHT JUMPER HARNESS - AMBER

ITEM	PART NUMBER	QTY	DESCRIPTION	REV
	1001283776	Ref	STROBE LIGHT HARNESS (AMBER)	A
1	4460931	1	Connector	
1	4460464	2	Pin	
1	4460466	6	Plug	
2	4460897	1	Connector	
2	4460464	2	Pin	

# SECTION 8 - ELECTRICAL

## FIGURE 8-73. TURNTABLE HARNESS



ART\_1001286088



## SECTION 8 - ELECTRICAL

### FIGURE 8-73. TURNTABLE HARNESS

ITEM	PART NUMBER	QTY	DESCRIPTION	REV
	1001286088	Ref	TURNTABLE HARNESS	B
1	4460873	1	Connector	
1	4460871	27	Socket	
1	4460905	8	Plug	
2	1001117110	1	Terminal, Ring	
3	4460878	1	Connector	
3	4460887	3	Socket	
4	4460874	1	Connector	
4	4460871	26	Socket	
4	4460905	9	Plug	
5	4460761	1	Connector	
5	4460267	4	Socket	
6	1001113961	1	Connector	
6	4460905	1	Plug	
6	4460871	7	Socket	
7	4460933	1	Connector	
7	4460944	12	Socket	
8	4460970	1	Connector	
8	4460464	12	Pin	
9	4460933	1	Connector	
9	4460466	4	Plug	
9	4460944	8	Socket	
10	4460950	1	Connector	
10	4460464	12	Socket	
11	4460884	4	Connector	
11	4460465	4	Socket	
12	4460933	1	Connector	
12	4460465	9	Socket (Nickel)	
12	4460944	2	Socket (Gold)	
12	4460466	1	Plug	
13	4460970	1	Connector	
13	1001116693	10	Pin (Nickel)	
13	4460943	2	Pin (Gold)	
14	1001112612	1	Connector	
14	4460464	3	Socket	
14	4460943	2	Pin	
14	4460466	4	Plug	
15	4460894	1	Connector	
15	4460465	4	Socket (Nickel)	
15	4460944	2	Socket (Gold)	
16	1001144147	1	Connector	
16	4460943	2	Pin	
16	4460466	1	Plug	
17	4460894	2	Connector	
17	4460465	12	Socket	
18	4460930	1	Connector	
18	4460465	8	Socket	
19	4461018	1	Connector	
19	1001150611	2	Socket	
20	4460836	1	Connector	

## SECTION 8 - ELECTRICAL

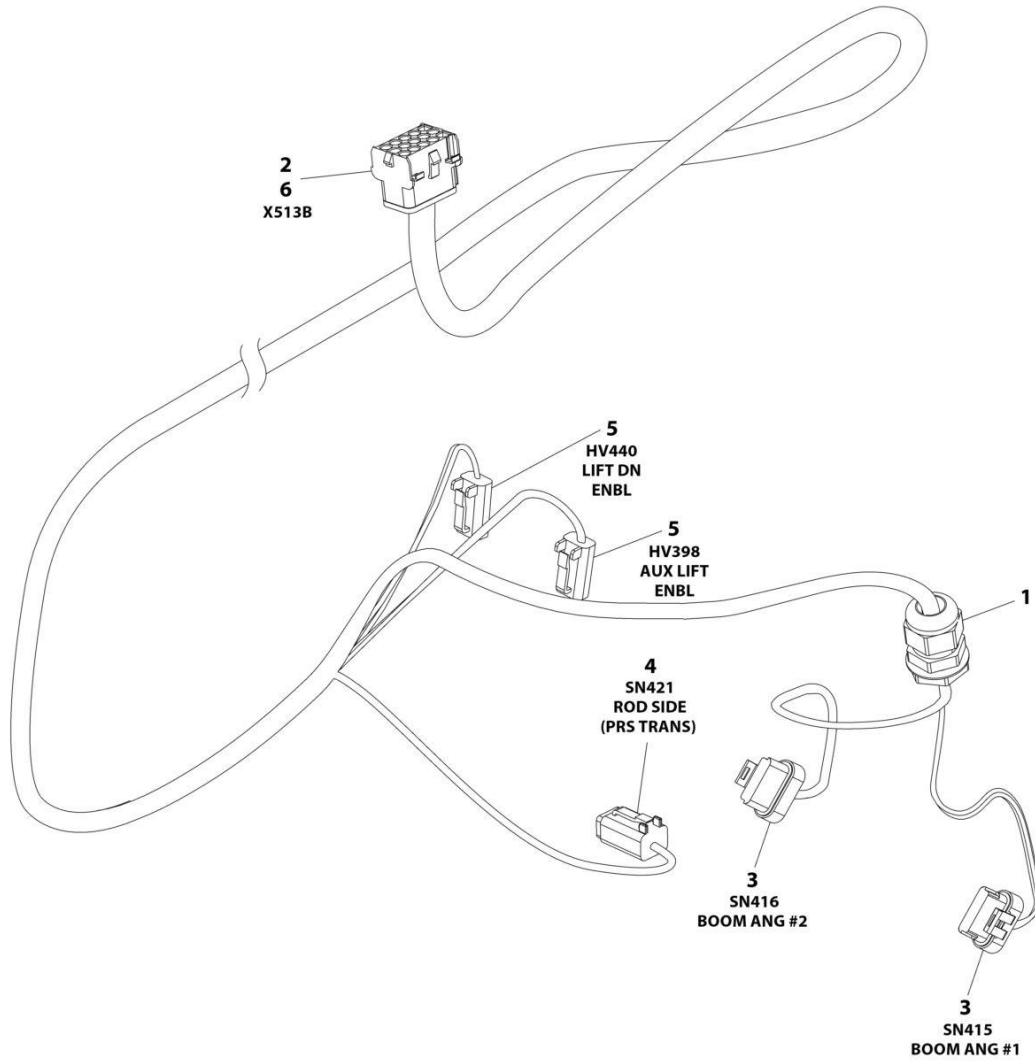
ITEM	PART NUMBER	QTY	DESCRIPTION	REV
20	4460944	2	Socket (Gold)	
20	4460466	9	Plug	
20	4460465	1	Socket (Nickel)	
21	4460899	1	Connector	
21	1001116693	3	Pin (Nickel)	
21	4460943	2	Pin (Gold)	
21	4460466	1	Plug	
22	4460703	1	Terminal, Ring	
23	4460722	4	Terminal, Ring(22-16AWG)	
24	4460019	5	Terminal, Ring(12-10AWG)	
25	4460256	2	Terminal, Ring(16-14AWG)	
26	4460539	1	Connector	
26	4460465	3	Socket	
27	4460891	1	Connector	
27	4460465	2	Socket	
28	1001103012	2	Connector	
28	1001104498	8	Socket	
29	4460247	1	Terminal, Ring	
30	4460670	1	Terminal, Ring	
31	4460443	1	Terminal, Ring	
32	4460931	1	Connector	
32	1001116693	7	Plug	
32	4460466	1	Plug	
33	1001196605	1	Fuse Box Assembly	
33	8220098	6	Socket (14AWG)	
33	1001116725	1	Socket (12-10AWG)	
33	8220097	17	Socket (18AWG)	
33	4460748	11	Plug	
33	4460458	23	Seal (Green)	
33	80963067	1	Seal (Blue)	
33A	8229242	7	Fuse 5AMP	
33B	8229244	4	Fuse 15AMP	
33D	1001196603	1	Cover (Not Shown)	
33E	1001196634	3	Fuse 2AMP	
33F	1001196635	1	Fuse 3AMP	
33G	1001196636	2	Diode 1AMP	
34	8220116	1	Terminal, Ring	
35	4460866	1	Connector	
35	4460466	3	Plug	
35	4460943	2	Pin (20-16AWG, Gold)	
35	4460464	8	Pin (20-16AWG, Nickel)	
35	4460508	4	Pin (14-12AWG, Nickel)	
36	4460931	1	Connector	
36	4460464	8	Pin	
37	4460932	1	Connector	
37	1001157891	3	Pin (16-12AWG)	
37	1001116693	1	Pin (18-14AWG)	
38	1001246859	1	Connector	
38	4460871	4	Socket	
38	4460905	10	Plug	
39	4460891	1	Connector	

## SECTION 8 - ELECTRICAL

ITEM	PART NUMBER	QTY	DESCRIPTION	REV
39	4460465	1	Socket	
39	4460466	1	Plug	
40	1001116812	1	Connector	
40	4460944	2	Socket	
40	4460466	1	Plug	
41	4460539	1	Connector	
41	4460944	2	Socket	
41	4460466	1	Plug	
101	4460470	1	Nut, Terminal	
102	4460471	1	Washer, Lock	
103	4460945	1	Connector	
104	4460893	1	Connector, Buss Bar	
105	1001116815	1	Connector	
106	1001125677	2	Connector, Buss Bar	
107	1001120328	1	Mount	
108	1001155967	1	Mount	
109	1001192401	1	Cap, Dust	
110	1001202914	1	Mount	
111	1001213448	1	Cap, Dust	
112	1001226541	3	Connector, Buss Bar	

# SECTION 8 - ELECTRICAL

## FIGURE 8-74. VALVE HARNESS - BOOM



ART\_1001216806

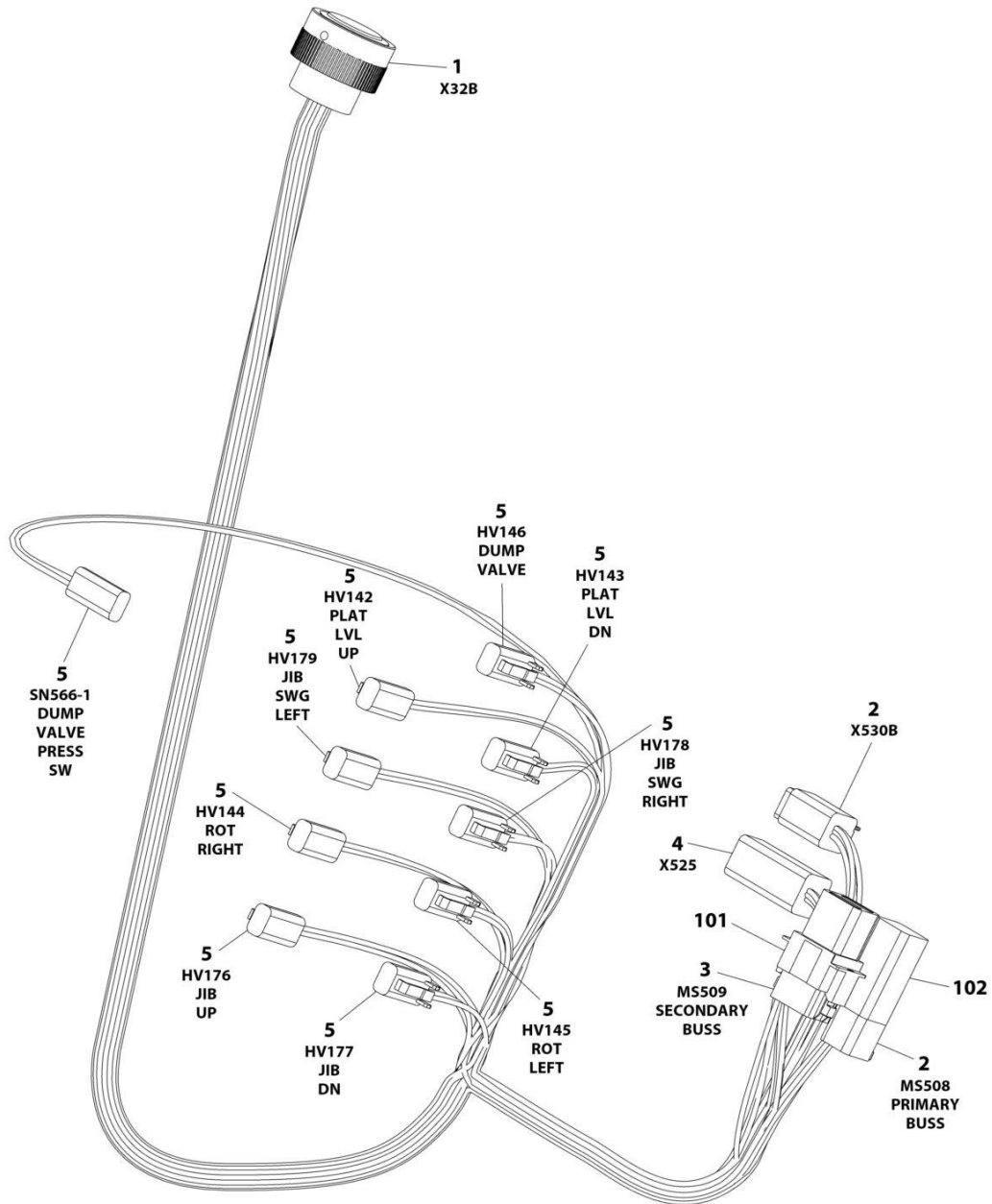
## SECTION 8 - ELECTRICAL

### FIGURE 8-74. VALVE HARNESS - BOOM

ITEM	PART NUMBER	QTY	DESCRIPTION	REV
	1001216806	Ref	VALVE HARNESS - BOOM	C
1	4460633	1	Connector, Strain Relief	
2	1001216626	1	Seal	
3	1001230931	3	Plug, Male - 6 Position	
3	1001116748	3	Terminal	
3	1001116751	3	Plug, Terminal	
4	4460884	1	Plug, Male - 4 Position	
4	4460465	4	Socket, Female	
5	4460891	2	Plug, Male - 2 Position	
5	4460465	4	Socket, Female	
6	4460708	1	Receptacle, Female - 15 Position	
6	4460267	15	Pin, Male	

# SECTION 8 - ELECTRICAL

## FIGURE 8-75. VALVE HARNESS - PLATFORM



ART\_1001196682

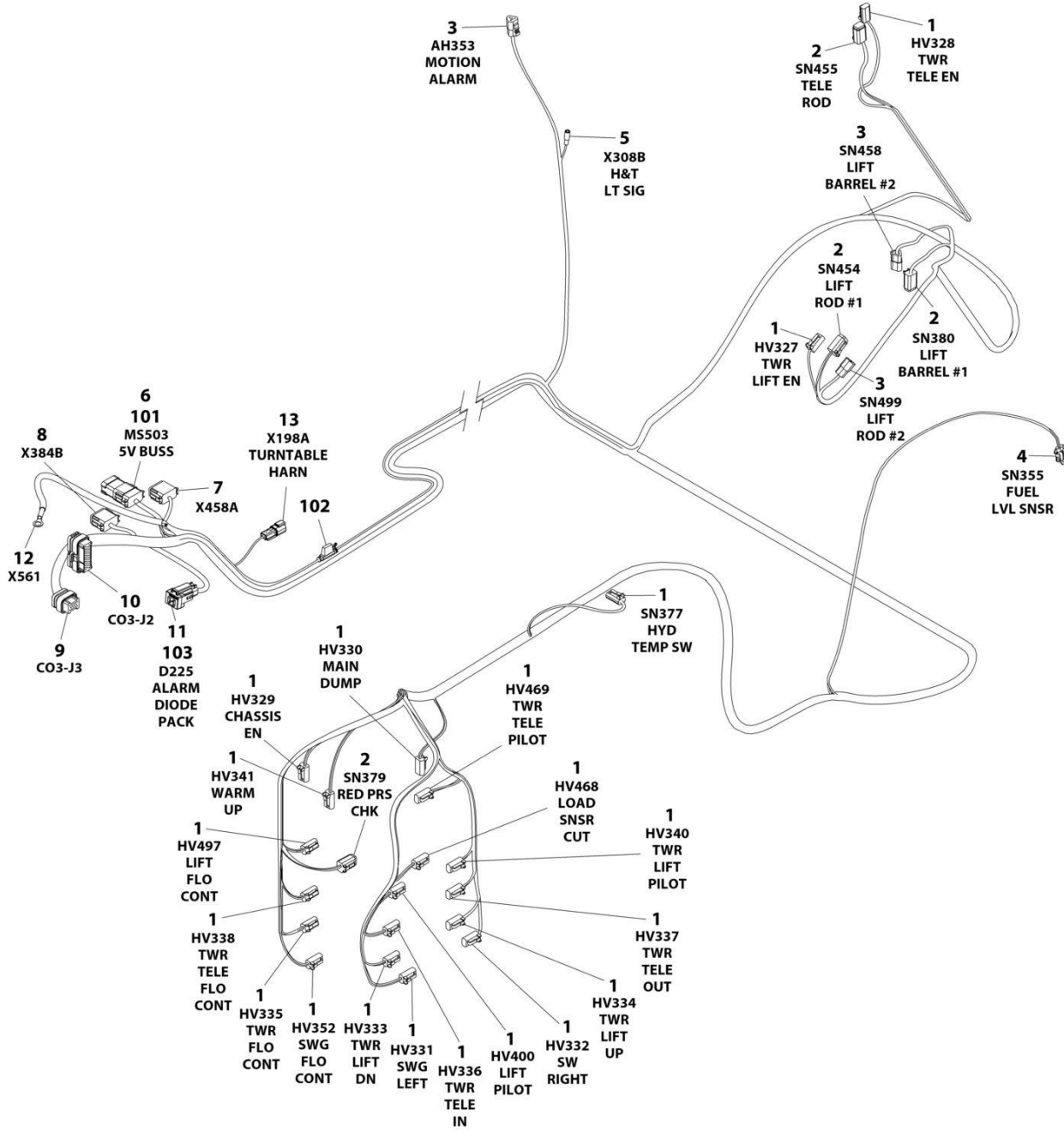
## SECTION 8 - ELECTRICAL

### FIGURE 8-75. VALVE HARNESS - PLATFORM

ITEM	PART NUMBER	QTY	DESCRIPTION	REV
	1001196682	Ref	VALVE HARNESS - PLATFORM	E
1	4460926	1	Connector - 21 Position	
1	1001126008	20	Socket, Female	
1	4460518	1	Plug, Terminal	
2	4460894	2	Plug, Male - 6 Position	
2	4460465	11	Socket, Female	
2	4460466	1	Plug, Terminal	
3	4460851	1	Plug, Male - 8 Position	
3	4460465	7	Socket, Female	
3	4460466	1	Plug, Terminal	
4	4460899	1	Receptacle, Female - 6 Position	
4	4460464	5	Pin, Male	
4	4460466	1	Plug, Terminal	
5	4460891	10	Plug, Male - 2 Position	
5	4460465	20	Socket, Female	
101	4460852	1	Receptacle, Female Termination - 8 Position	
102	4460892	1	Receptacle, Female Bussbar - 6 Position	

# SECTION 8 - ELECTRICAL

## FIGURE 8-76. VALVE HARNESS - TURNTABLE



ART\_1001286089



## SECTION 8 - ELECTRICAL

**FIGURE 8-76. VALVE HARNESS - TURNTABLE**

ITEM	PART NUMBER	QTY	DESCRIPTION	REV
	1001286089	Ref	VALVE HARNESS	C
1	4460891	20	Connector	
1	4460465	40	Socket	
2	4460884	4	Connector	
2	4460465	13	Socket	
2	4460466	4	Plug	
3	4460539	3	Connector	
3	4460465	9	Socket	
4	4460843	1	Connector	
4	91554014	2	Socket	
5	8220068	1	Connector	
5	1001117125	1	Socket	
6	4460930	1	Connector	
6	4460465	6	Socket	
6	4460466	2	Plug	
7	4460836	1	Connector	
7	4460465	12	Socket	
8	4460933	1	Connector	
8	4460465	12	Socket	
9	4460872	1	Connector	
9	4460871	11	Socket	
9	4460905	3	Plug	
10	4460875	1	Connector	
10	4460871	33	Socket	
10	4460905	2	Plug	
11	4460884	1	Connector	
11	4460465	4	Socket	
12	1001128127	1	Terminal, Ring	
13	4460897	1	Connector	
13	4460464	1	Pin	
13	4460466	1	Plug	
101	4460984	1	Cap	
102	1001196636	1	Diode 1Amp	
103	1001152266	1	Connector, Diode	

# SECTION 8 - ELECTRICAL

## FIGURE 8-77. WHITE NOISE MOTION ALARM HARNESS



ART\_1001231008

## SECTION 8 - ELECTRICAL

### FIGURE 8-77. WHITE NOISE MOTION ALARM HARNESS

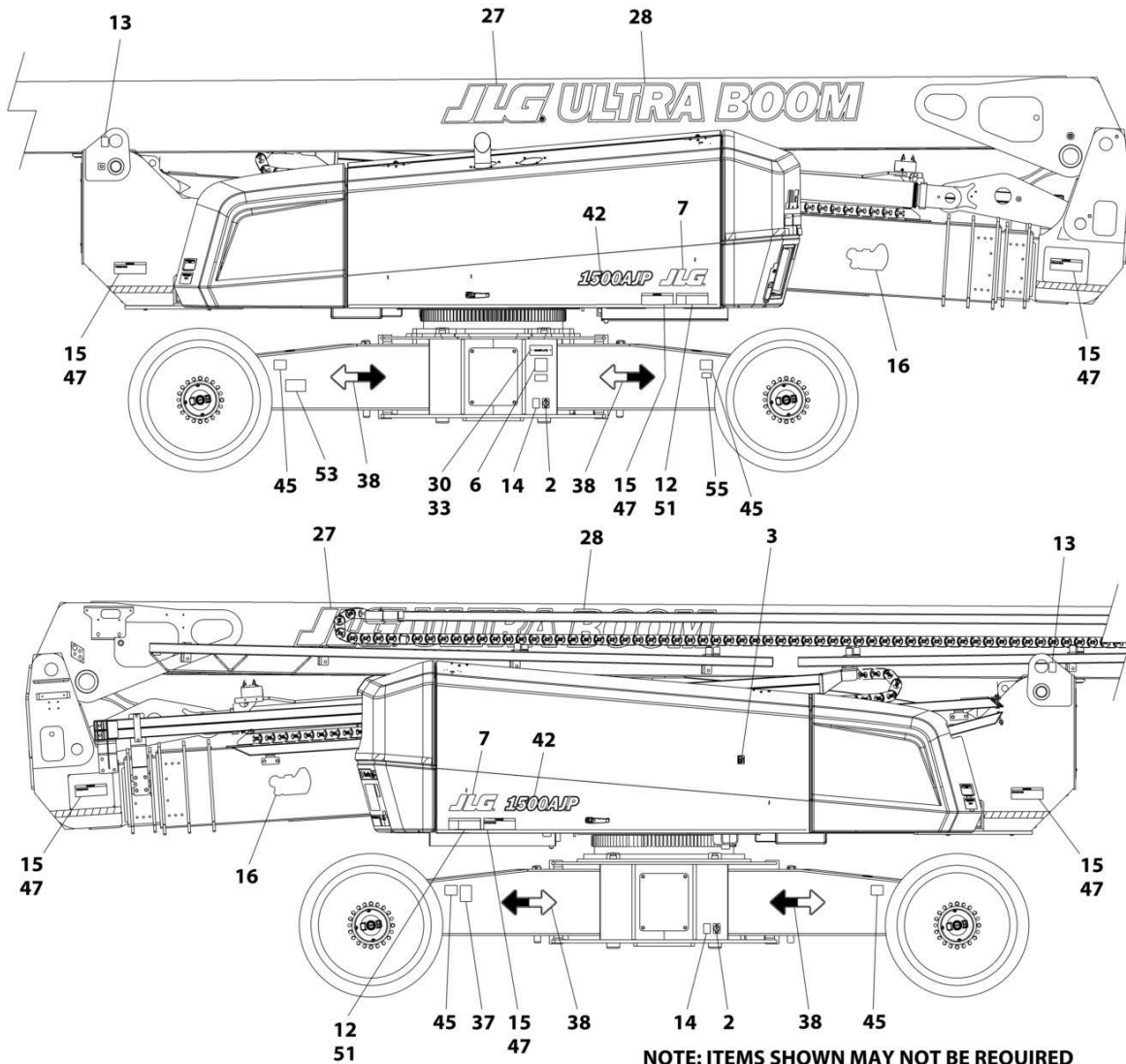
ITEM	PART NUMBER	QTY	DESCRIPTION	REV
	1001231008	Ref	WHITE NOISE MOTION ALARM HARNESS	B
1	4460871	1	Socket, Female	
2	4460891	1	Plug, Male - 2 Position	
2	4460465	2	Socket, Female	
3	4460536	1	Connector - 3 Position	
3	4460464	3	Pin, Male	



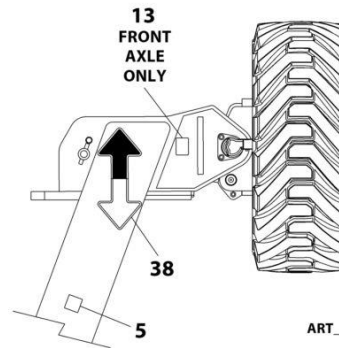
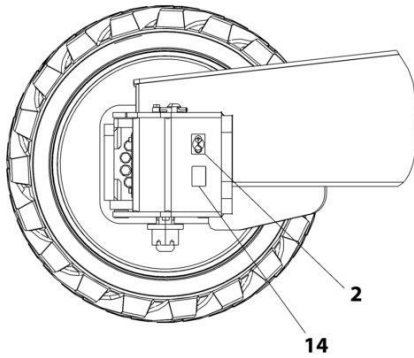
**SECTION 9 - DECALS**

# SECTION 9 - DECALS

## FIGURE 9-1. DECAL INSTALLATION - ANSI SPEC

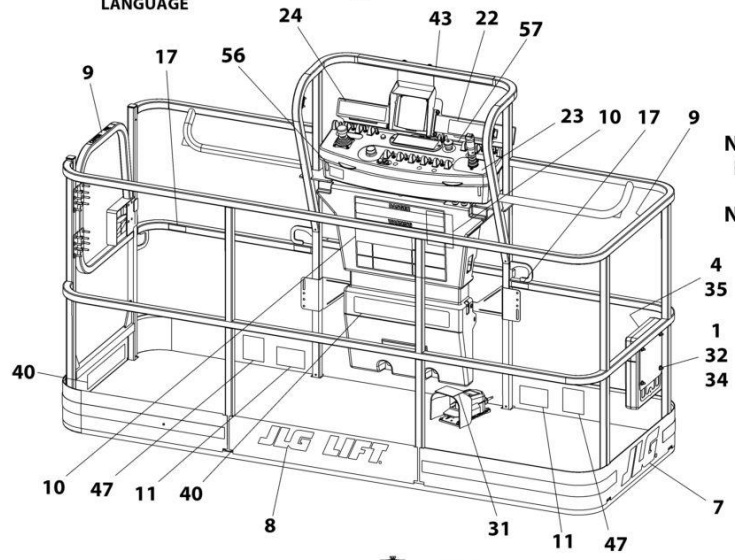
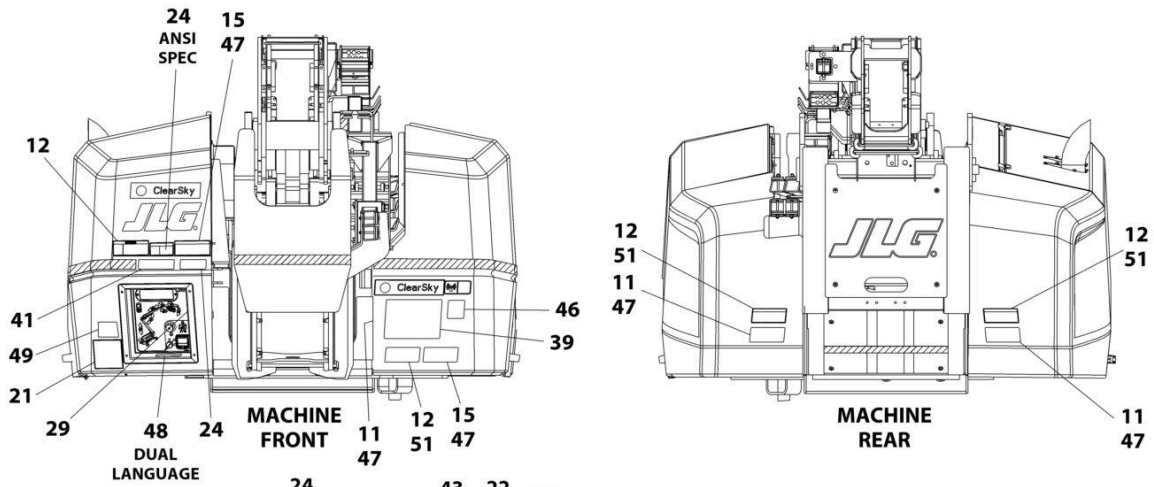


NOTE: ITEMS SHOWN MAY NOT BE REQUIRED FOR ALL SPECS. REFER TO PARTS LISTS FOR USAGE.  
 NOTE: ADDITIONAL DECALS CALLED OUT ON DECAL INSTALLATION - OPTIONS.



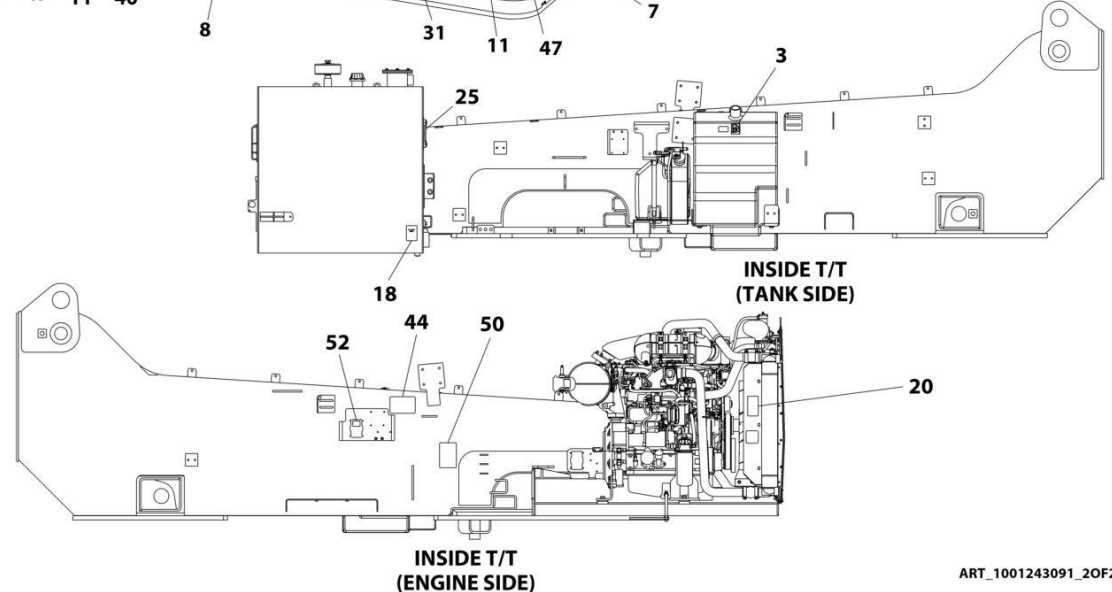
ART\_1001243091\_10F2

# SECTION 9 - DECALS



**NOTE: ITEMS SHOWN MAY NOT BE REQUIRED FOR ALL SPECS. REFER TO PARTS LISTS FOR USAGE.**

**NOTE: ADDITIONAL DECALS CALLED OUT ON DECAL INSTALLATION - OPTIONS.**



ART\_1001243091\_20F2

## SECTION 9 - DECALS

FIGURE 9-1. DECAL INSTALLATION - ANSI SPEC

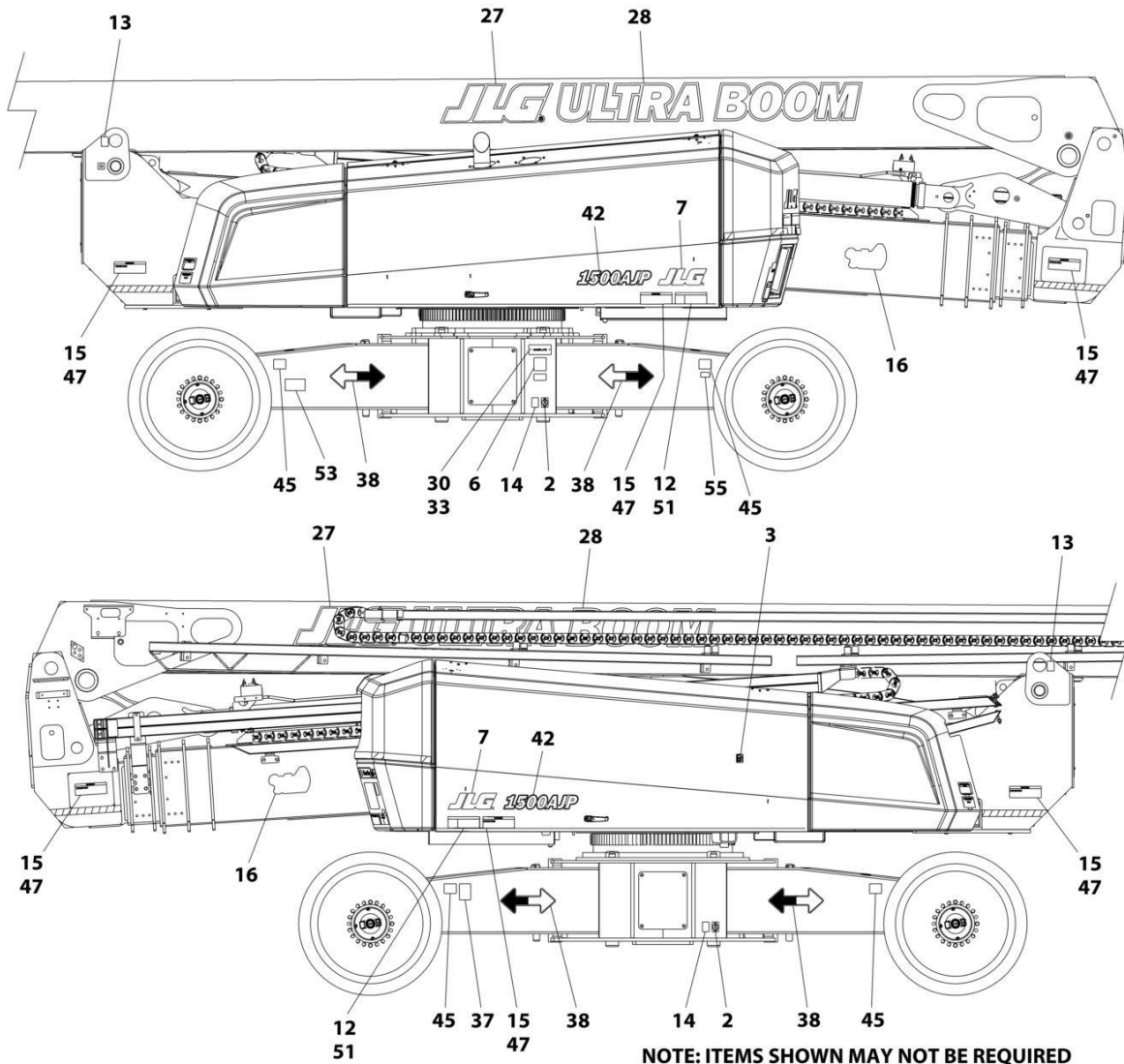
ITEM	PART NUMBER	QTY	DESCRIPTION	REV
	1001243091	Ref	DECAL INSTALLATION - ANSI SPEC	F
	1001197315	Ref	DECAL INSTALLATION - REFERENCE	N
1	0641406	4	Bolt 1/4 x 3/4	
2	1701499	6	Decal - No Tie Down/Lift	
3	1701505	2	Decal - Diesel Fuel	
4	1701509	1	Decal - Manual	
5	1701691	4	Decal - No Step	
6	See Note	NSS	Decal - Bar Code (Note: Not Available for Purchase)	
7	1702773	3	Decal - JLG	
8	1702774	1	Decal - JLG Lift	
9	1702868	2	Decal - No Hands	
10	1001231315	1	Decal - Danger/Warning	
11	1703804	6	Decal - Warning Crushing	
12	1703805	6	Decal - Electrocution	
13	1703811	4	Decal - Lifting Lug	
14	1703814	6	Decal - Tie Down	
15	1703953	8	Decal - Warning Crushing	
16	1703959	2	Decal - Quik Stik	
17	1704277	3	Decal - Lanyard Attach	
18	1704412	1	Decal - Hydraulic Oil	
20	1704972	1	Decal - Glow Plugs Warning	
21	1705336	1	Decal - Danger/Warning	
23	1705351	1	Decal - Drive/Steer Instructions	
24	1705492	1	Decal - Tip-Over	
25	1705511	1	Decal - Oil Level	
27	1705864	2	Decal - JLG	
28	1705865	2	Decal - Ultraboom <b>(Prior to SN 0300281037)</b>	
28	1001267315	2	Decal - Ultraboom <b>(SN 0300281037 to Present)</b>	
29	1001225220	1	Decal - Legend	
31	3252347	1	Nameplate - Footswitch	
32	3311405	4	Nut 1/4	
33	3820001	2	Rivet	
34	4751400	8	Washer 1/4	
35	91403230	1	Box, Manual Storage	
37	1001131269	1	Decal - Patent	
38	1001160445	8	Decal - Arrow	
39	1001284691	1	Decal - Lift Diagram	
40	1001254474	1	Decal - Warning Dual Capacity	
41	1001254475	1	Decal - Warning Dual Capacity	
42	1001200707	2	Decal - 1500AJP <b>(Prior to SN 0300280111)</b>	
42	1001268243	2	Decal - 1500AJP <b>(SN 0300280111 to Present)</b>	
43	1001204096	1	Decal - Legend	
44	1001234789	1	Decal - Jump Start/Dual Battery	
45	1001209896	4	Decal - Maximum Tire Load	
50	1001211904	1	Decal - Fuse Box	
52	1001224045	1	Decal - Fuse Box Cover	
53	1001223055	1	Decal - Decal Yearly Inspection	
55	1001223453	1	Decal - ICES	
57	1001195947	1	Decal - Stop and Auxiliary Power	



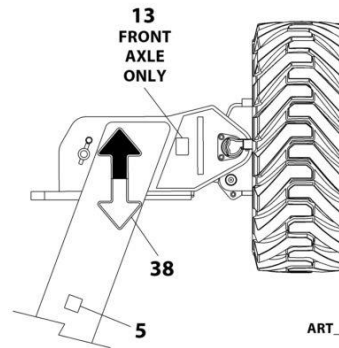
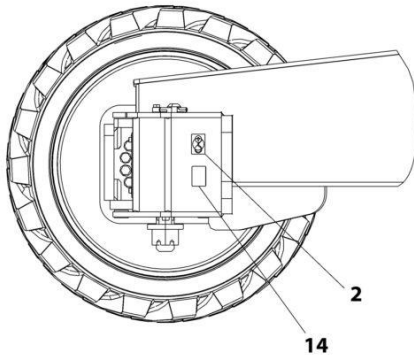


# SECTION 9 - DECALS

## FIGURE 9-2. DECAL INSTALLATION - AUSTRALIAN SPEC

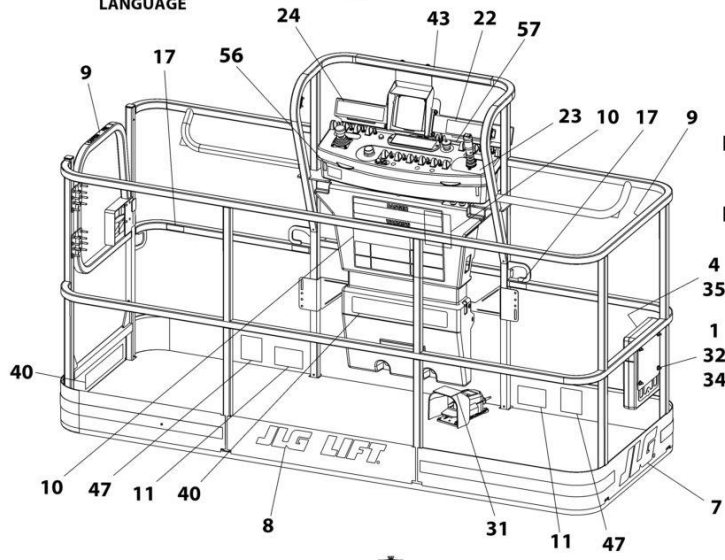
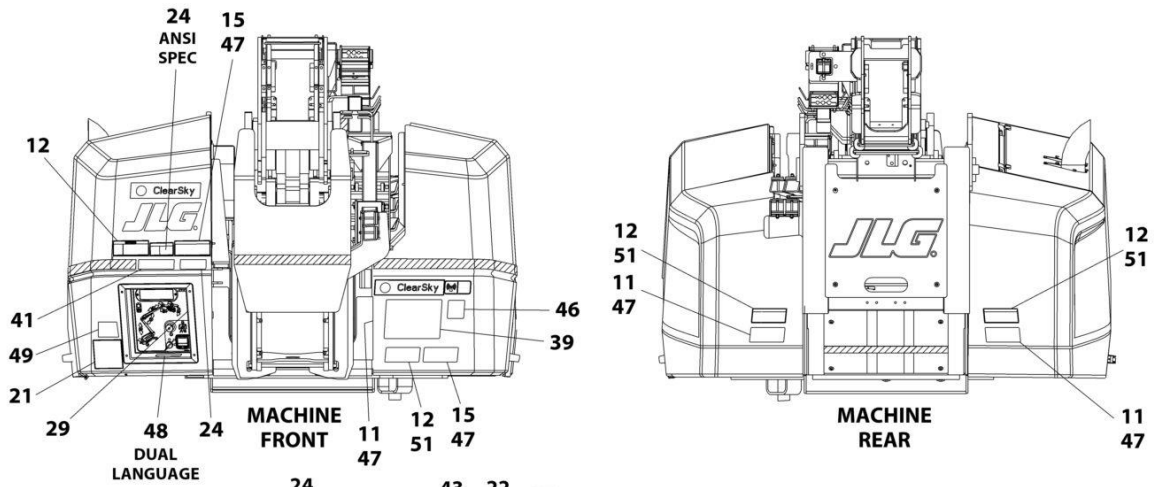


NOTE: ITEMS SHOWN MAY NOT BE REQUIRED FOR ALL SPECS. REFER TO PARTS LISTS FOR USAGE.  
 NOTE: ADDITIONAL DECALS CALLED OUT ON DECAL INSTALLATION - OPTIONS.

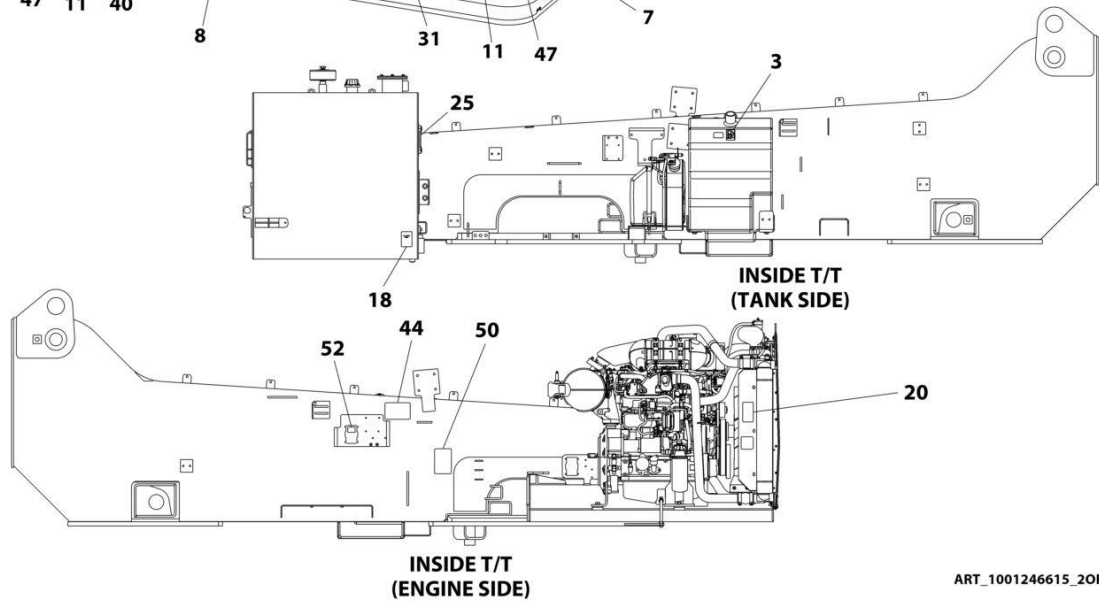


ART\_1001246615\_10F2

# SECTION 9 - DECALS



NOTE: ITEMS SHOWN MAY NOT BE REQUIRED FOR ALL SPECS. REFER TO PARTS LISTS FOR USAGE.  
NOTE: ADDITIONAL DECALS CALLED OUT ON DECAL INSTALLATION - OPTIONS.



ART\_1001246615\_20F2

## SECTION 9 - DECALS

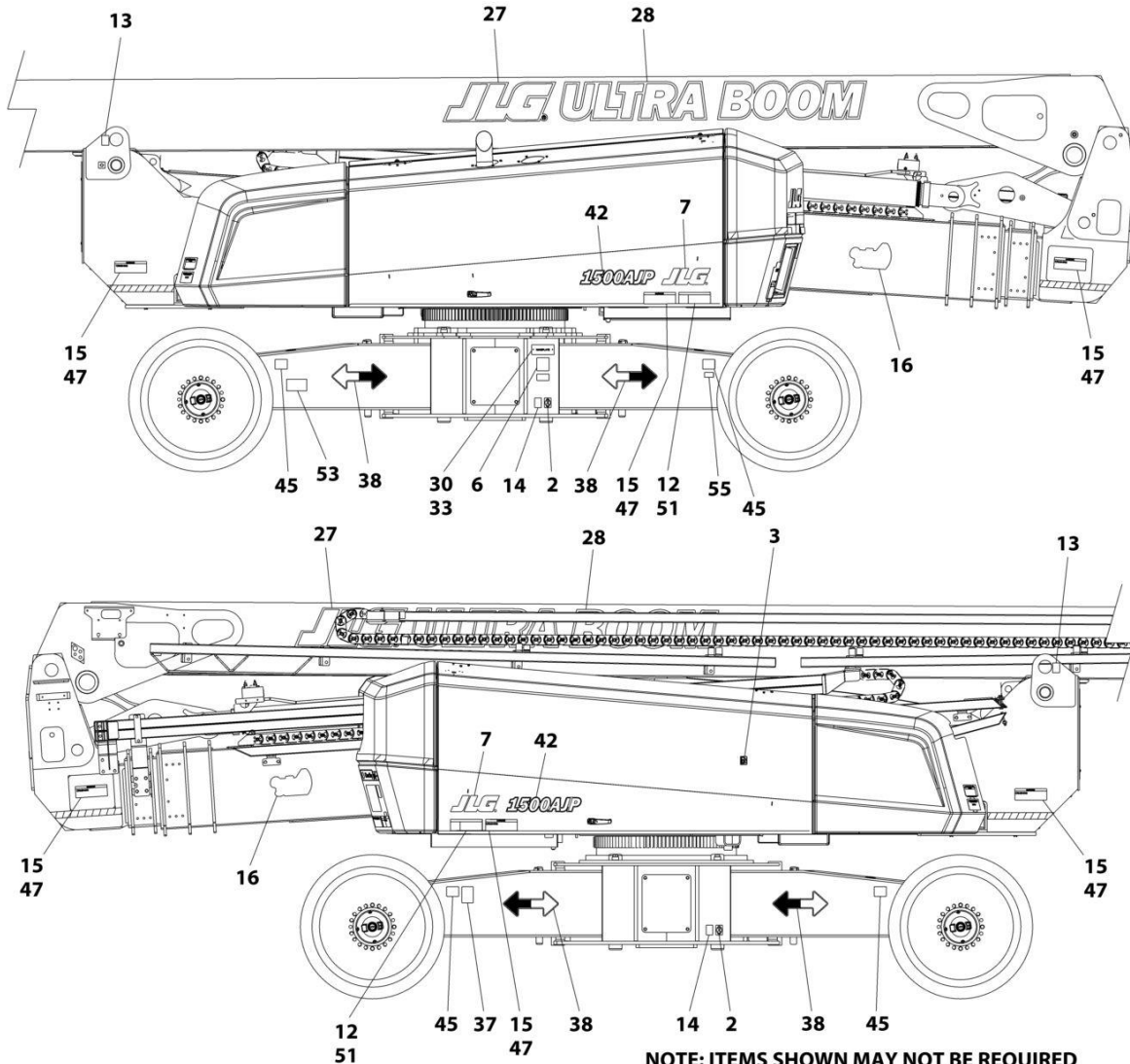
FIGURE 9-2. DECAL INSTALLATION - AUSTRALIAN SPEC

ITEM	PART NUMBER	QTY	DESCRIPTION	REV
	1001246615	Ref	DECAL INSTALLATION - AUSTRALIAN SPEC	F
	1001197315	Ref	DECAL INSTALLATION - REFERENCE	P
1	0641406	4	Bolt 1/4 x 3/4	
2	1701499	6	Decal - No Tie Down/Lift	
3	1701505	2	Decal - Diesel Fuel	
4	1701509	1	Decal - Manual	
5	1701691	4	Decal - No Step	
6	See Note	NSS	Decal - Bar Code (Note: Not Available for Purchase)	
7	1702773	3	Decal - JLG	
8	1702774	1	Decal - JLG Lift	
10	1705921	1	Decal - Tipping/Electrocution	
13	1703811	4	Decal - Lifting Lug	
14	1703814	6	Decal - Tie Down	
16	1703959	2	Decal - Quik Stik	
17	1704277	3	Decal - Lanyard Attach	
18	1704412	1	Decal - Hydraulic Oil	
20	1706098	1	Decal - Warning Ether Start	
21	1705822	1	Decal - Electrical/Safety Manual	
25	1705511	1	Decal - Oil Level	
27	1705864	2	Decal - JLG	
28	1705865	2	Decal - Ultraboom <b>(Prior to SN 0300306809)</b>	
28	1001267315	2	Decal - Ultraboom <b>(SN 0300306809 to Present)</b>	
30	See Note	NSS	Nameplate - Serial Number (Note: Not Available for Purchase)	
31	1705828	1	Nameplate - Footswitch	
32	3311405	4	Nut 1/4	
33	3820001	4	Rivet	
34	4751400	8	Washer 1/4	
35	91403230	1	Box, Manual Storage	
38	1001160445	8	Decal - Arrow	
39	1001284691	1	Decal - Lift Diagram	
40	1001200118	2	Decal - Warning Dual Capacity	
41	1001200117	1	Decal - Warning Dual Capacity	
42	1001200707	1	Decal - 1500AJP <b>(Prior to SN 0300280111)</b>	
42	1001268243	2	Decal - 1500AJP <b>(SN 0300280111 to Present)</b>	
44	1001234789	1	Decal - Jump Start/Dual Battery	
45	1001209896	4	Decal - Maximum Tire Load	
46	1705515	1	Decal - Sound Level	
47	1701518	14	Decal - Crushing	
49	1001112551	1	Decal - Emergency Controls	
50	1001211904	1	Decal - Fuse Box	
51	1705961	5	Decal - Electrocution	
52	1001224045	1	Decal - Fuse Box Cover	
54	1001229782	1	Decal - Wheel Assembly Mass	
57	1001184619	1	Decal - Stop	

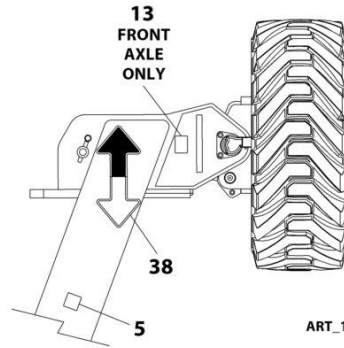
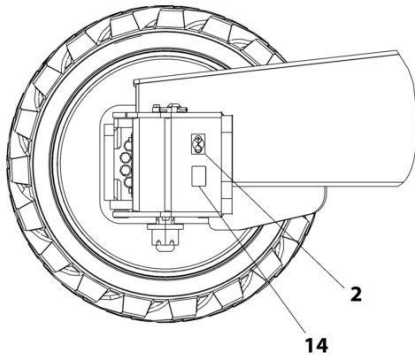


# SECTION 9 - DECALS

FIGURE 9-3. DECAL INSTALLATION - BRAZIL SPEC (ENGLISH/PORTUGUESE)

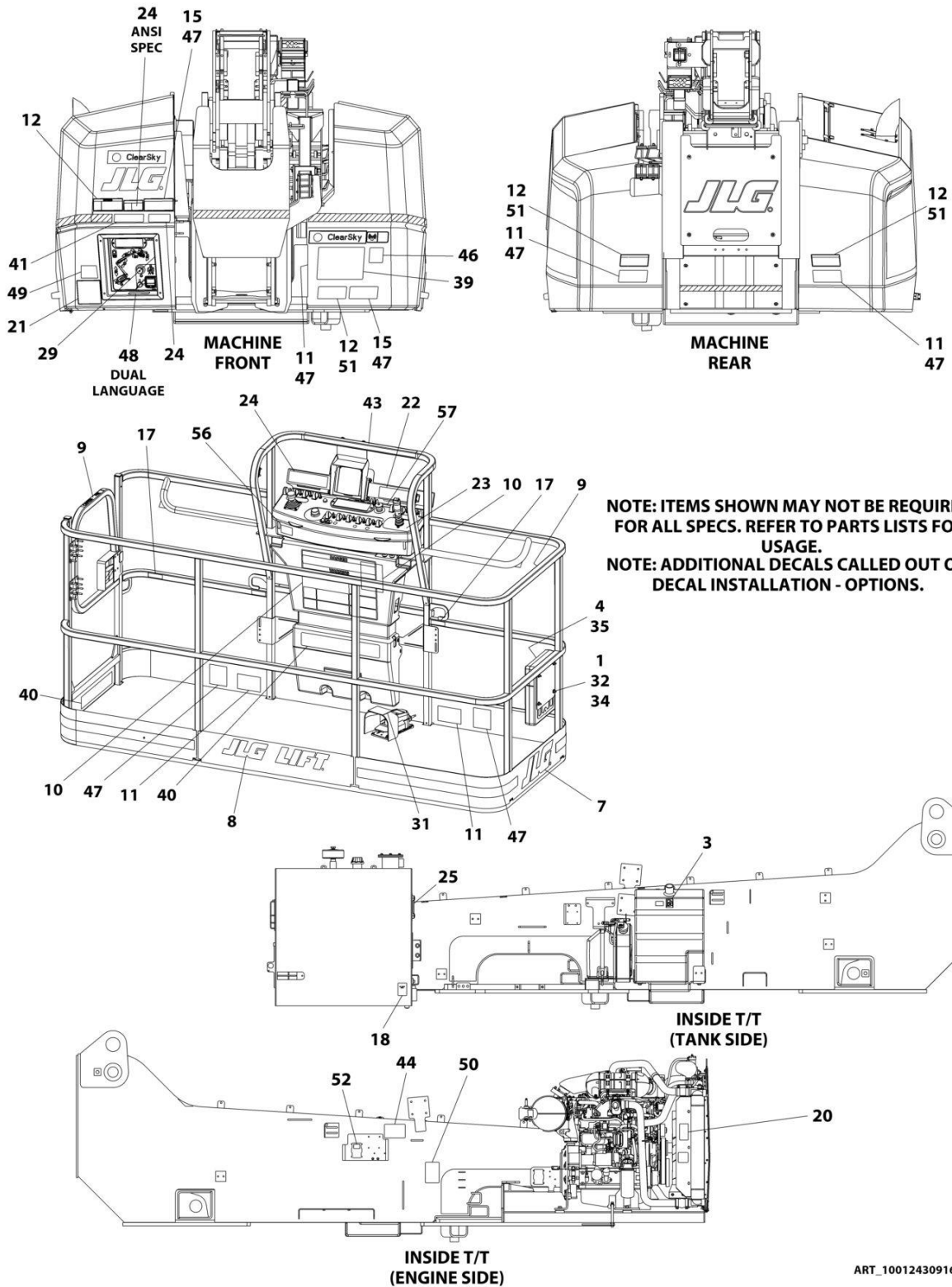


NOTE: ITEMS SHOWN MAY NOT BE REQUIRED FOR ALL SPECS. REFER TO PARTS LISTS FOR USAGE.  
 NOTE: ADDITIONAL DECALS CALLED OUT ON DECAL INSTALLATION - OPTIONS.



ART\_1001243096\_10F2

# SECTION 9 - DECALS



## SECTION 9 - DECALS

FIGURE 9-3. DECAL INSTALLATION - BRAZIL SPEC (ENGLISH/PORTUGUESE)

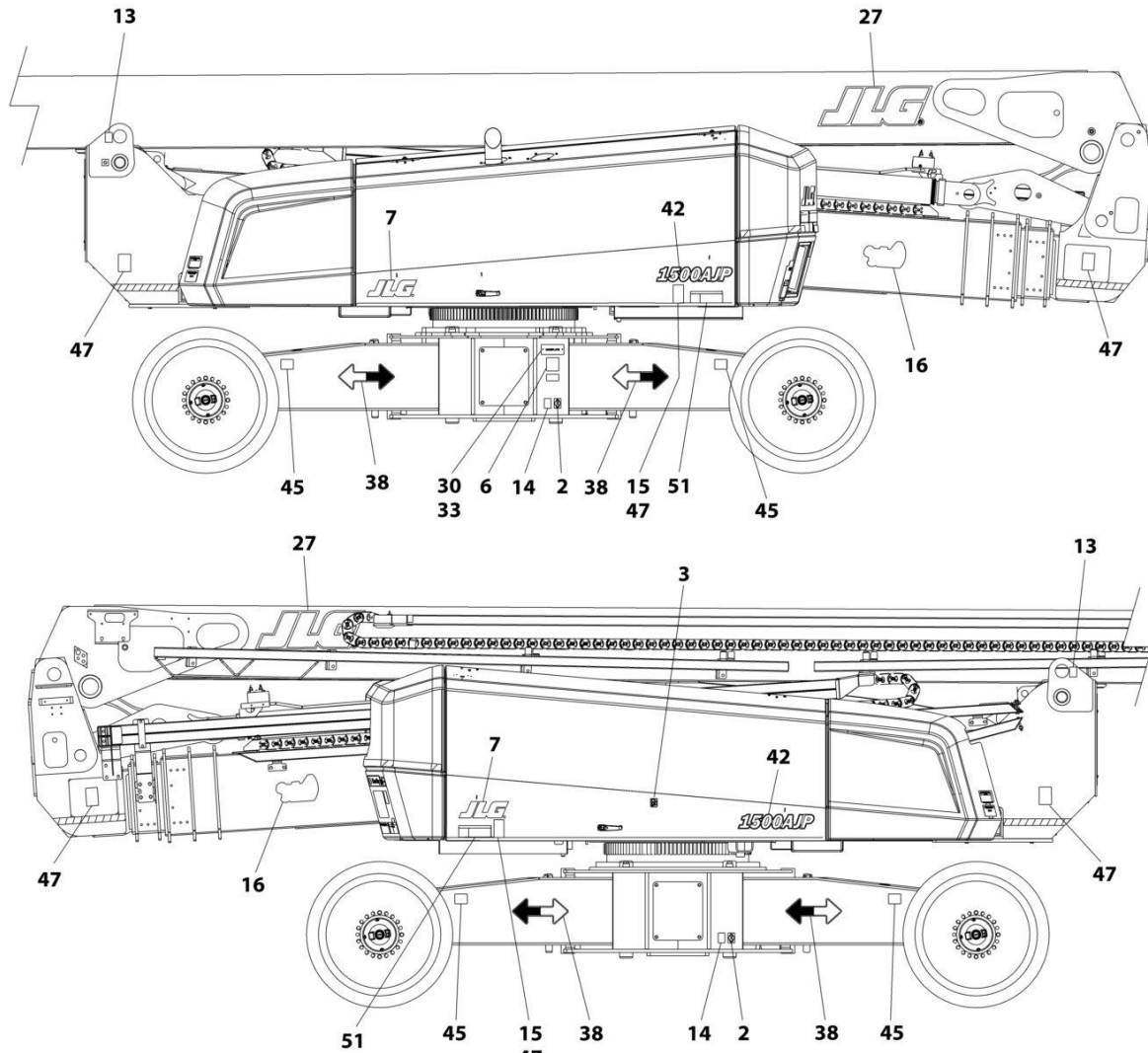
ITEM	PART NUMBER	QTY	DESCRIPTION	REV
	1001243096	Ref	DECAL INSTALLATION - BRAZIL SPEC (ENGLISH/PORTUGUESE)	F
	1001197315	Ref	DECAL INSTALLATION - REFERENCE	N
1	0641406	4	Bolt 1/4 x 3/4	
2	1701499	6	Decal - No Tie Down/Lift	
3	1701505	2	Decal - Diesel Fuel	
4	1701509	1	Decal - Manual	
5	1701691	4	Decal - No Step	
6	See Note	NSS	Decal - Bar Code (Note: Not Available for Purchase)	
7	1702773	3	Decal - JLG	
8	1702774	1	Decal - JLG Lift	
9	1705967	2	Decal - No Hands	
10	1001231319	1	Decal - Danger/Warning	
11	1705898	6	Decal - Crushing	
12	1705897	6	Decal - Danger Electrocution	
13	1703811	4	Decal - Lifting Lug	
14	1703814	6	Decal - Tie Down	
15	1705903	8	Decal - Warning Crushing	
16	1703959	2	Decal - Quik Stik	
17	1704277	3	Decal - Lanyard Attach	
18	1704412	1	Decal - Hydraulic Oil	
20	1706059	1	Decal - Warning Explosion	
21	1705896	1	Decal - Warning Inspection	
23	1705905	1	Decal - Drive/Steer Instruction	
24	1705906	1	Decal - Tip-Over Hazard	
25	1705511	1	Decal - Oil Level	
27	1705864	2	Decal - JLG	
28	1705865	2	Decal - Ultraboom <b>(Prior to SN 0300281037)</b>	
28	1001267315	2	Decal - Ultraboom <b>(SN 0300281037 to Present)</b>	
29	1001225220	1	Decal - Legend	
30	See Note	NSS	Nameplate - Serial Number (Note: Not Available for Purchase)	
31	1705902	1	Decal - Footswitch	
32	3311405	4	Nut 1/4	
33	3820001	2	Rivet	
34	4751400	8	Washer 1/4	
35	91403230	1	Box, Manual Storage	
38	1001160445	8	Decal - Arrow	
39	1001284691	1	Decal - Lift Diagram	
40	1001254482	1	Decal - Warning Dual Capacity	
41	1001254483	1	Decal - Warning Dual Capacity	
42	1001200707	2	Decal - 1500AJP <b>(Prior to SN 0300280111)</b>	
42	1001268243	2	Decal - 1500AJP <b>(SN 0300280111 to Present)</b>	
43	1001204096	1	Decal - Legend	
44	1001234789	1	Decal - Jump Start/Dual Battery	
45	1001209896	4	Decal - Maximum Tire Load	
50	1001211904	1	Decal - Fuse Box	
52	1001224045	1	Decal - Fuse Box Cover	
53	1001224052	1	Decal - Yearly Inspection	
57	1001195947	1	Decal - Stop and Auxiliary Power	



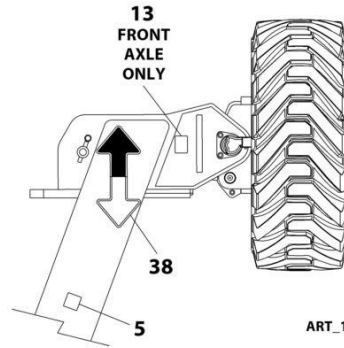
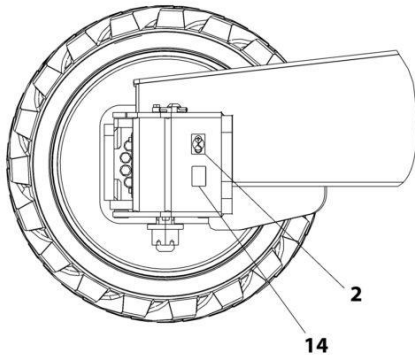


# SECTION 9 - DECALS

## FIGURE 9-4. DECAL INSTALLATION - CE & UK CA SPEC

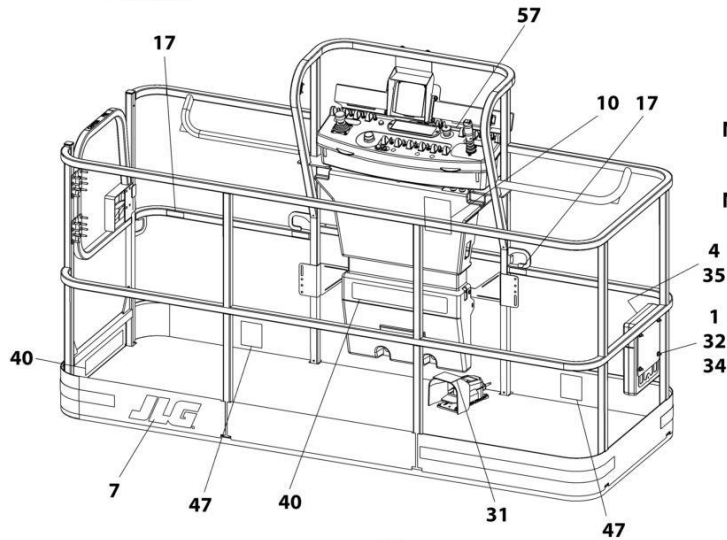
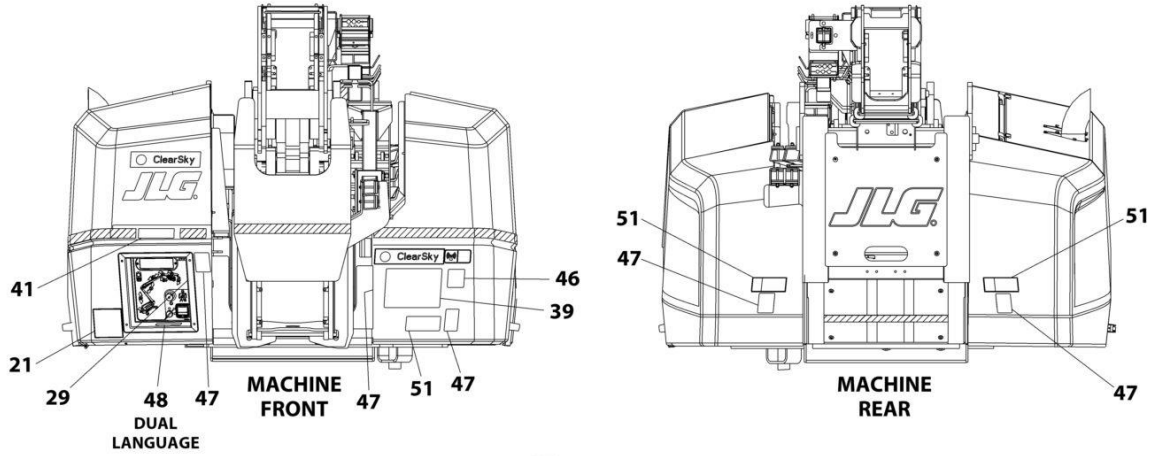


**NOTE: ITEMS SHOWN MAY NOT BE REQUIRED FOR ALL SPECS. REFER TO PARTS LISTS FOR USAGE.**  
**NOTE: ADDITIONAL DECALS CALLED OUT ON DECAL INSTALLATION - OPTIONS.**

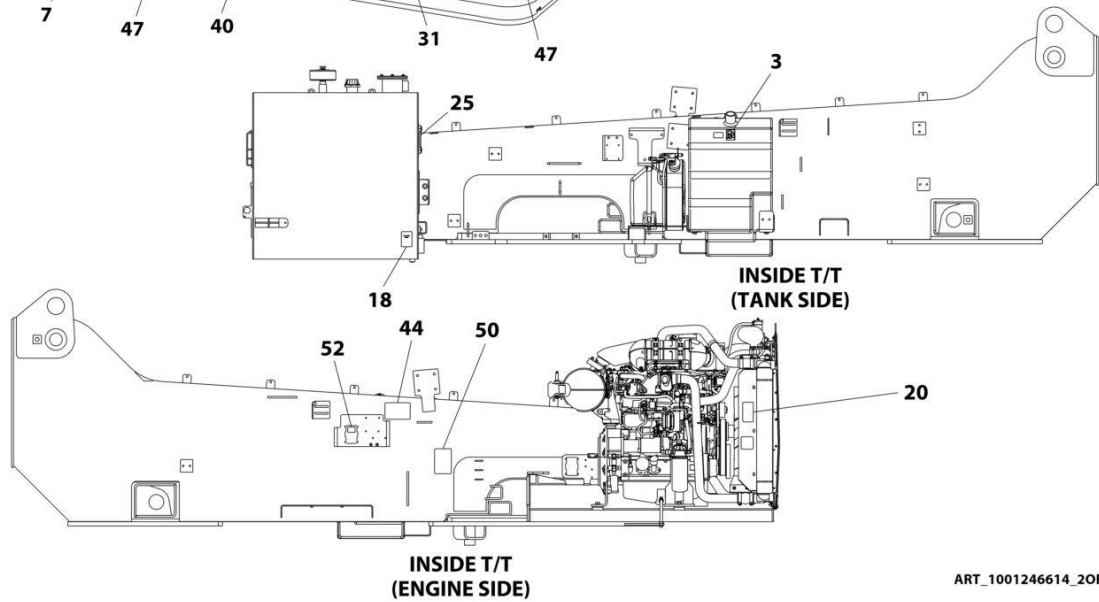


ART\_1001246614\_10F2

# SECTION 9 - DECALS



NOTE: ITEMS SHOWN MAY NOT BE REQUIRED FOR ALL SPECS. REFER TO PARTS LISTS FOR USAGE.  
 NOTE: ADDITIONAL DECALS CALLED OUT ON DECAL INSTALLATION - OPTIONS.



ART\_1001246614\_20F2

## SECTION 9 - DECALS

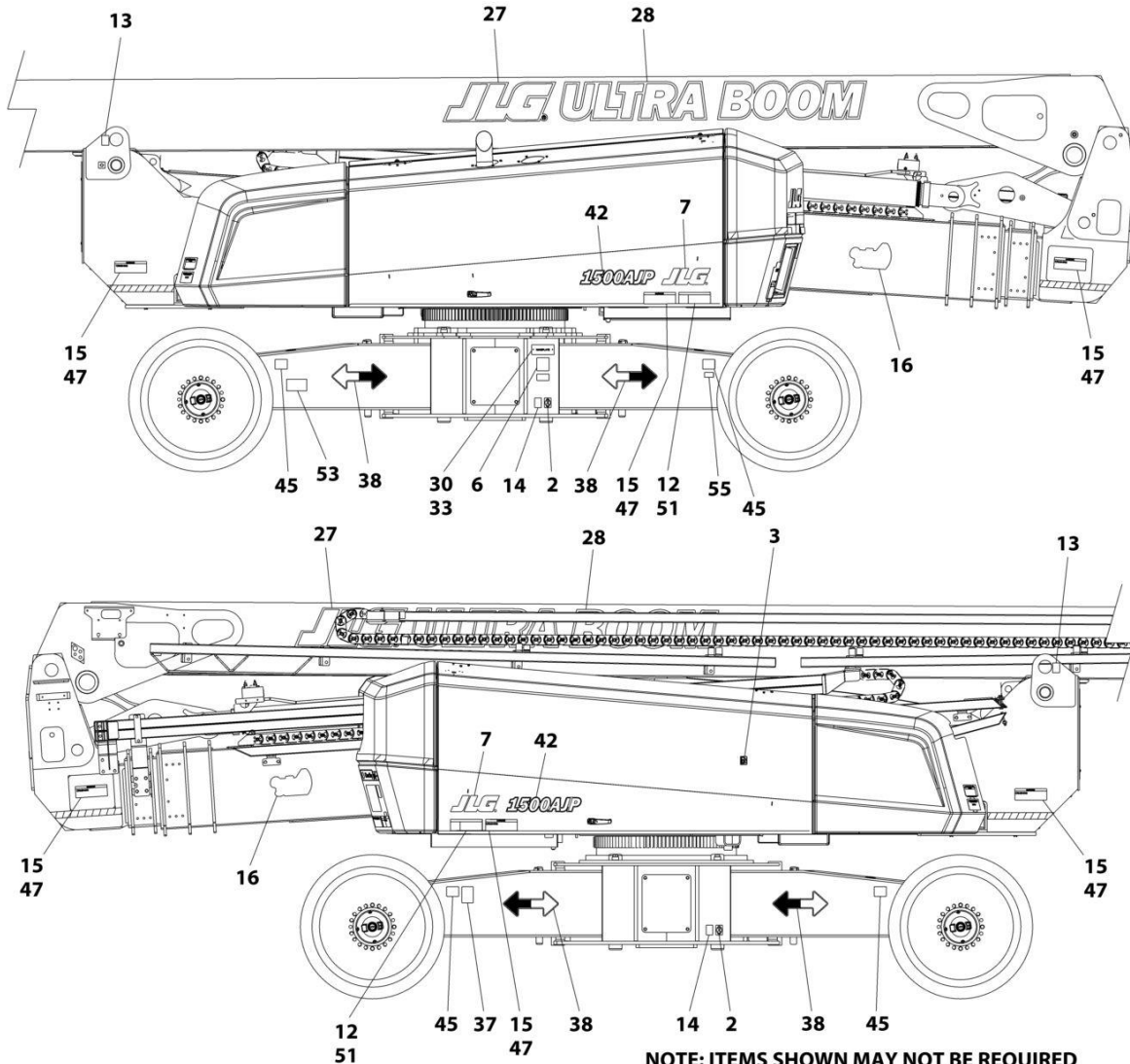
FIGURE 9-4. DECAL INSTALLATION - CE & UK CA SPEC

ITEM	PART NUMBER	QTY	DESCRIPTION	REV
	1001246614	Ref	DECAL INSTALLATION - CE & UK CA SPEC	E
	1001234408	Ref	DECAL INSTALLATION - REFERENCE	D
1	0641406	4	Bolt 1/4 x 3/4	
2	1701499	6	Decal - No Tie Down/Lift	
3	1701505	2	Decal - Diesel Fuel	
4	1701509	1	Decal - Manual	
5	1701691	4	Decal - No Step	
6	See Note	NSS	Decal - Bar Code (Note: Not Available for Purchase)	
7	1702773	3	Decal - JLG	
10	1705921	1	Decal - Tipping/Electrocution	
13	1703811	4	Decal - Lifting Lug	
14	1703814	6	Decal - Tie Down	
16	1703959	2	Decal - Quik Stik	
17	1704277	3	Decal - Lanyard Attach	
18	1704412	1	Decal - Hydraulic Oil	
20	1706098	1	Decal - Warning Ether Start	
21	1705822	1	Decal - Electrical/Safety Manual	
25	1705511	1	Decal - Oil Level	
27	1705864	2	Decal - JLG	
30	See Note	NSS	Decal - Serial Number (Note: Not Available for Purchase)	
31	1705828	1	Nameplate - Footswitch	
32	3311405	4	Nut 1/4	
33	3820001	4	Rivet	
34	4751400	8	Washer 1/4	
35	91403230	1	Box, Manual Storage	
38	1001160445	8	Decal - Arrow	
39	1001284691	1	Decal - Lift Diagram	
40	1001200118	1	Decal - Warning Dual Capacity	
41	1001200117	1	Decal - Warning Dual Capacity	
42	1001200707	1	Decal - 1500AJP ( <b>Prior to SN 0300280111</b> )	
42	1001268243	2	Decal - 1500AJP ( <b>SN 0300280111 to Present</b> )	
44	1001234789	1	Decal - Jump Start/Dual Battery	
45	1001209896	4	Decal - Maximum Tire Load	
46	1705515	1	Decal - Sound Level	
47	1701518	14	Decal - Crushing	
48	1001189882	1	Decal - MSSO Operation	
50	1001211904	1	Decal - Fuse Box	
51	1705961	5	Decal - Electrocution	
52	1001224045	1	Decal - Fuse Box Cover	
57	1001184619	1	Decal - Stop	

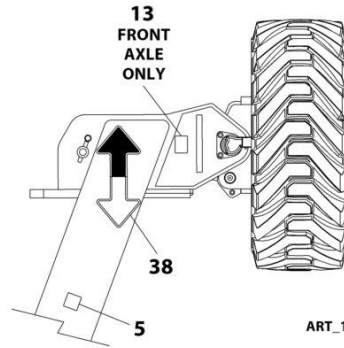
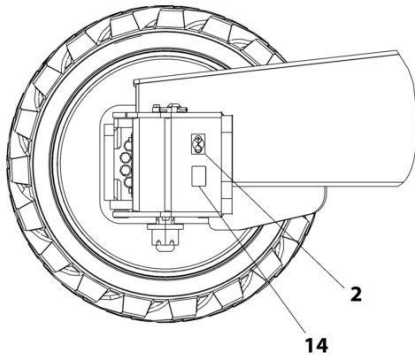


# SECTION 9 - DECALS

FIGURE 9-5. DECAL INSTALLATION - CHINA SPEC (ENGLISH/CHINESE)

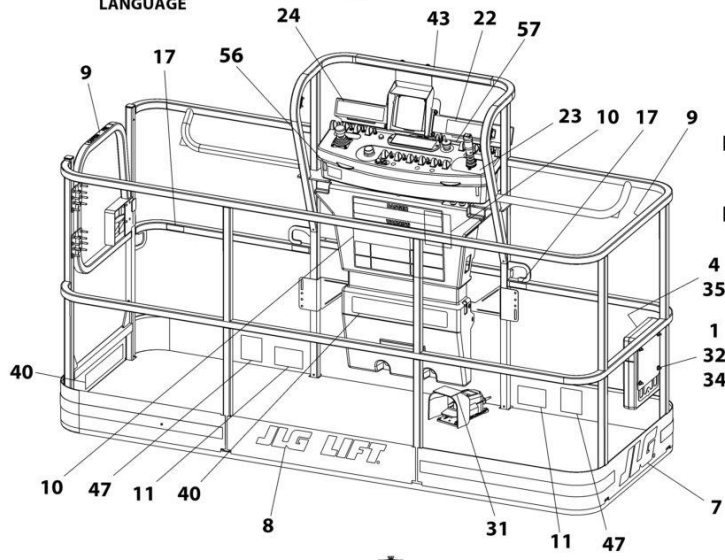
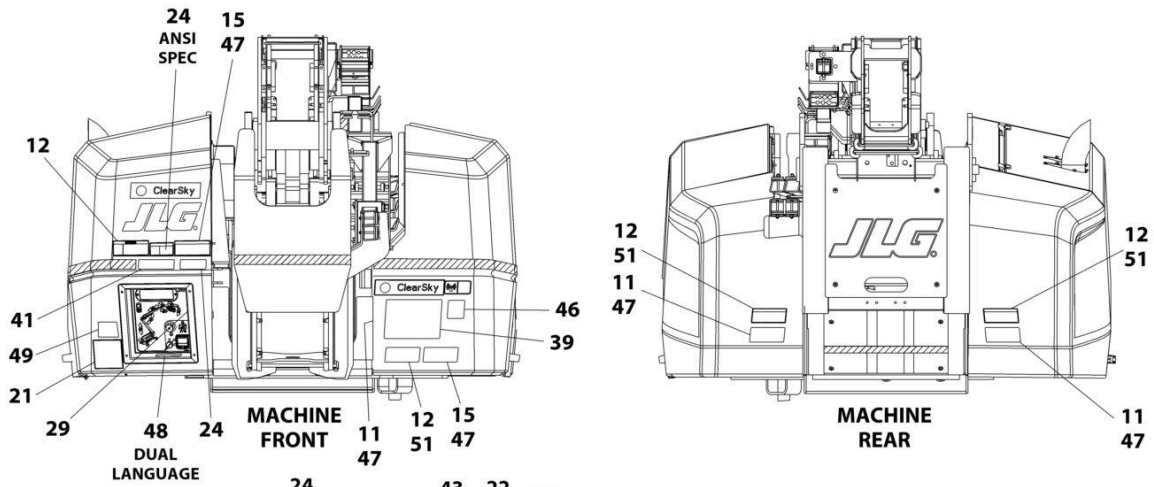


NOTE: ITEMS SHOWN MAY NOT BE REQUIRED FOR ALL SPECS. REFER TO PARTS LISTS FOR USAGE.  
 NOTE: ADDITIONAL DECALS CALLED OUT ON DECAL INSTALLATION - OPTIONS.

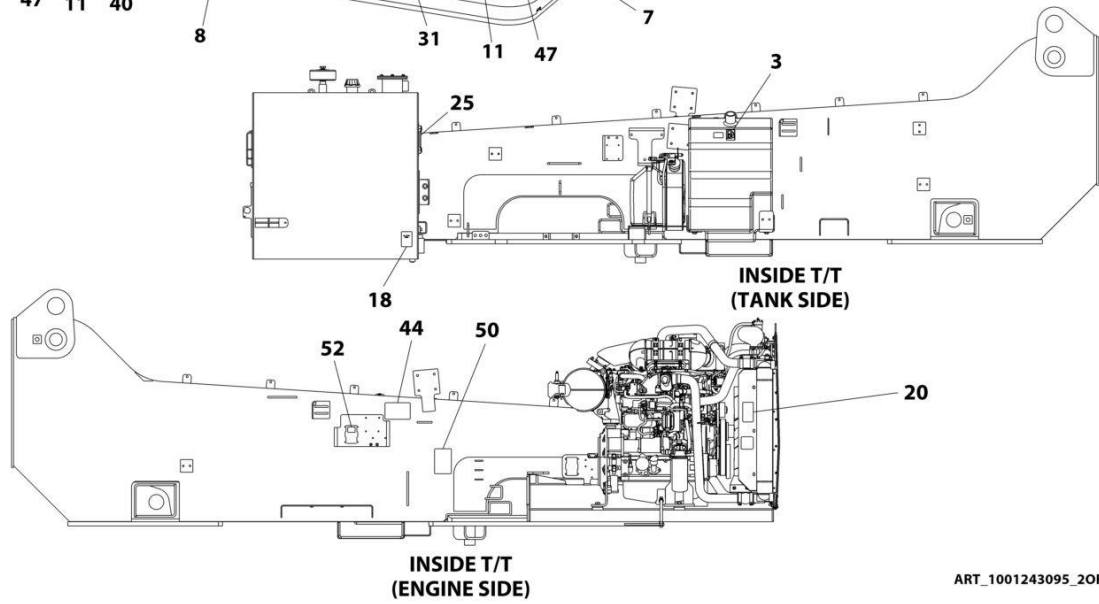


ART\_1001243095\_10F2

# SECTION 9 - DECALS



NOTE: ITEMS SHOWN MAY NOT BE REQUIRED FOR ALL SPECS. REFER TO PARTS LISTS FOR USAGE.  
NOTE: ADDITIONAL DECALS CALLED OUT ON DECAL INSTALLATION - OPTIONS.



ART\_1001243095\_20F2

## SECTION 9 - DECALS

**FIGURE 9-5. DECAL INSTALLATION - CHINA SPEC (ENGLISH/CHINESE)**

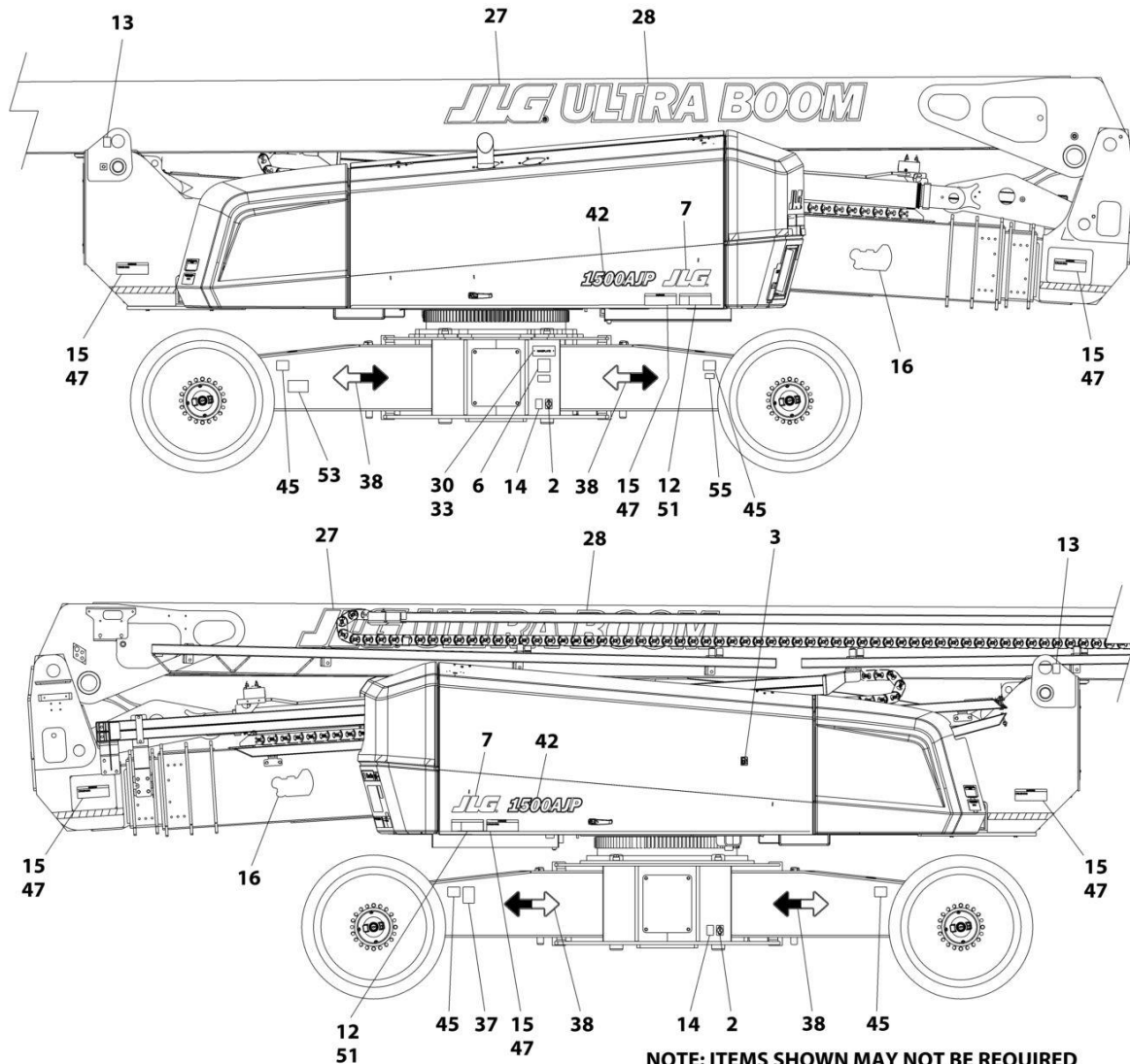
ITEM	PART NUMBER	QTY	DESCRIPTION	REV
	1001243095	Ref	DECAL INSTALLATION - CHINA SPEC (ENGLISH/CHINESE)	F
	1001197315	Ref	DECAL INSTALLATION - REFERENCE	N
1	0641406	4	Bolt 1/4 x 3/4	
2	1701499	6	Decal - No Tie Down/Lift	
3	1701505	2	Decal - Diesel Fuel	
4	1701509	1	Decal - Manual	
5	1701691	4	Decal - No Step	
6	See Note	NSS	Decal - Bar Code (Note: Not Available for Purchase)	
7	1702773	3	Decal - JLG	
8	1702774	1	Decal - JLG Lift	
9	1001116846	2	Decal - Caution No Hands	
10	1001231321	1	Decal - Warning/Danger	
11	1703949	6	Decal - Crushing	
12	1001116851	6	Decal - Electrocution	
13	1703811	4	Decal - Lifting Lug	
14	1703814	6	Decal - Tie Down	
15	1703943	8	Decal - Warning Crushing	
16	1703959	2	Decal - Quik Stik	
17	1704277	3	Decal - Lanyard Attach	
18	1704412	1	Decal - Hydraulic Oil	
20	1706060	1	Decal - Warning Fire Hazard	
21	1001116849	1	Decal - Warning Inspection	
23	1705430	1	Decal - Drive Steer	
24	1001117035	1	Decal - Tip-Over	
25	1705511	1	Decal - Oil Level	
27	1705864	2	Decal - JLG	
28	1705865	2	Decal - Ultraboom <b>(Prior to SN 0300281037)</b>	
28	1001267315	2	Decal - Ultraboom <b>(SN 0300281037 to Present)</b>	
31	1703982	1	Decal - Footswitch	
32	3311405	4	Nut 1/4	
33	3820001	2	Rivet	
34	4751400	8	Washer 1/4	
35	91403230	1	Box, Manual Storage	
38	1001160445	8	Decal - Arrow	
39	1001284691	1	Decal - Lift Diagram	
40	1001254480	1	Decal - Warning Dual Capacity	
41	1001254481	1	Decal - Warning Dual Capacity	
42	1001200707	2	Decal - 1500AJP <b>(Prior to SN 0300280111)</b>	
42	1001268243	2	Decal - 1500AJP <b>(SN 0300280111 to Present)</b>	
44	1001234789	1	Decal - Jump Start/Dual Battery	
45	1001209896	4	Decal - Maximum Tire Load	
50	1001211904	1	Decal - Fuse Box	
52	1001224045	1	Decal - Fuse Box Cover	
53	1001224050	1	Decal - Decal Yearly Inspection	
57	1001195947	1	Decal - Stop and Auxiliary Power	



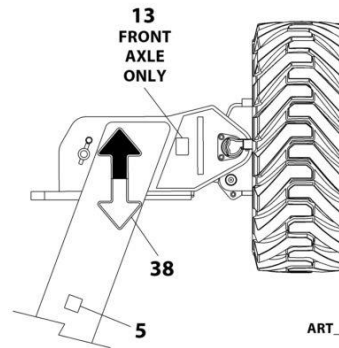
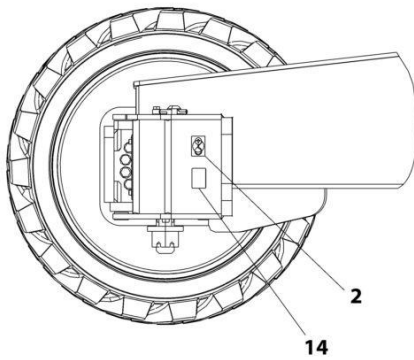


# SECTION 9 - DECALS

FIGURE 9-6. DECAL INSTALLATION - CSA SPEC (ENGLISH/FRENCH)

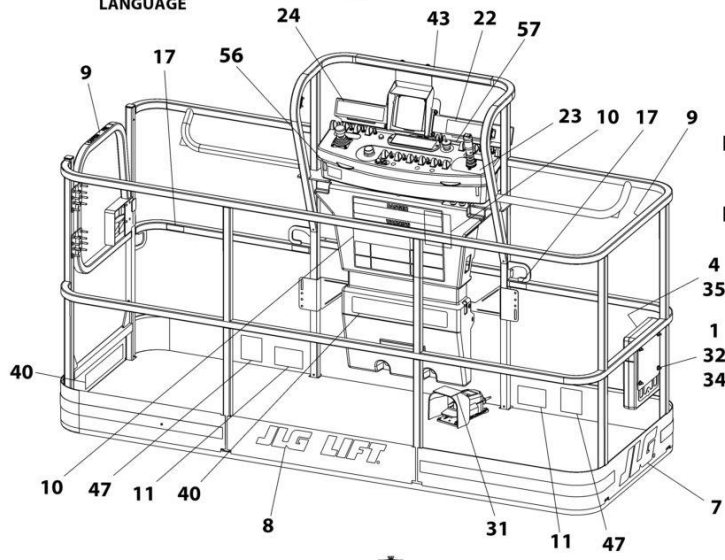
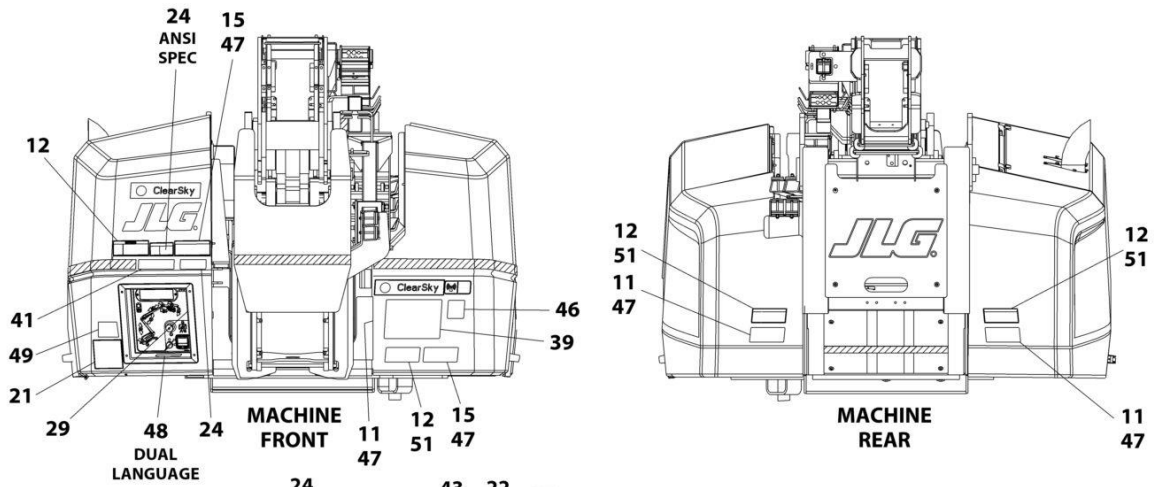


NOTE: ITEMS SHOWN MAY NOT BE REQUIRED FOR ALL SPECS. REFER TO PARTS LISTS FOR USAGE.  
 NOTE: ADDITIONAL DECALS CALLED OUT ON DECAL INSTALLATION - OPTIONS.

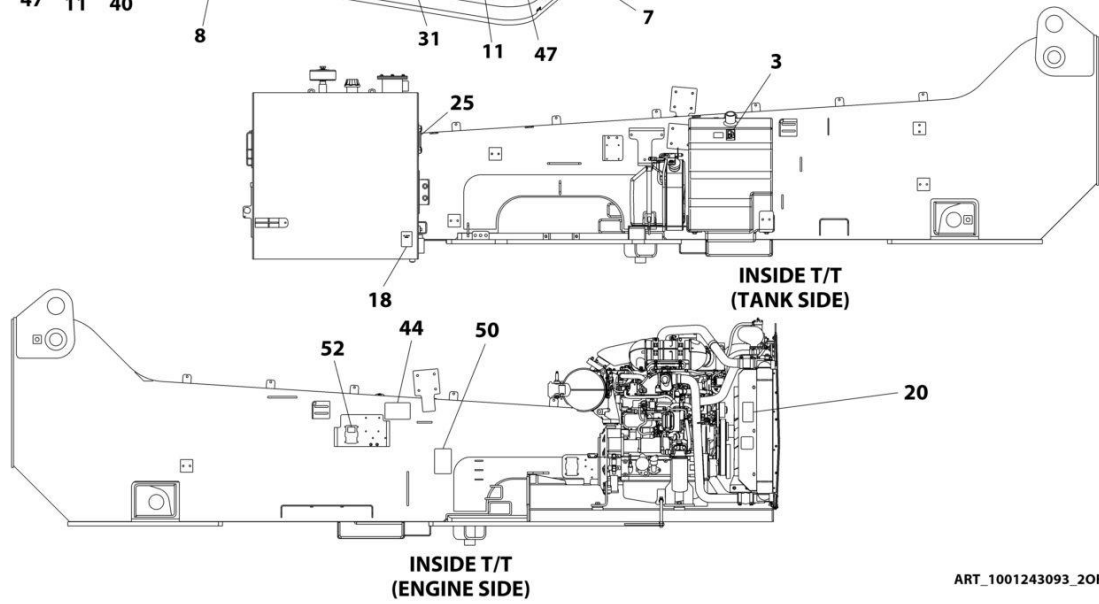


ART\_1001243093\_10F2

# SECTION 9 - DECALS



NOTE: ITEMS SHOWN MAY NOT BE REQUIRED FOR ALL SPECS. REFER TO PARTS LISTS FOR USAGE.  
NOTE: ADDITIONAL DECALS CALLED OUT ON DECAL INSTALLATION - OPTIONS.



ART\_1001243093\_20F2

## SECTION 9 - DECALS

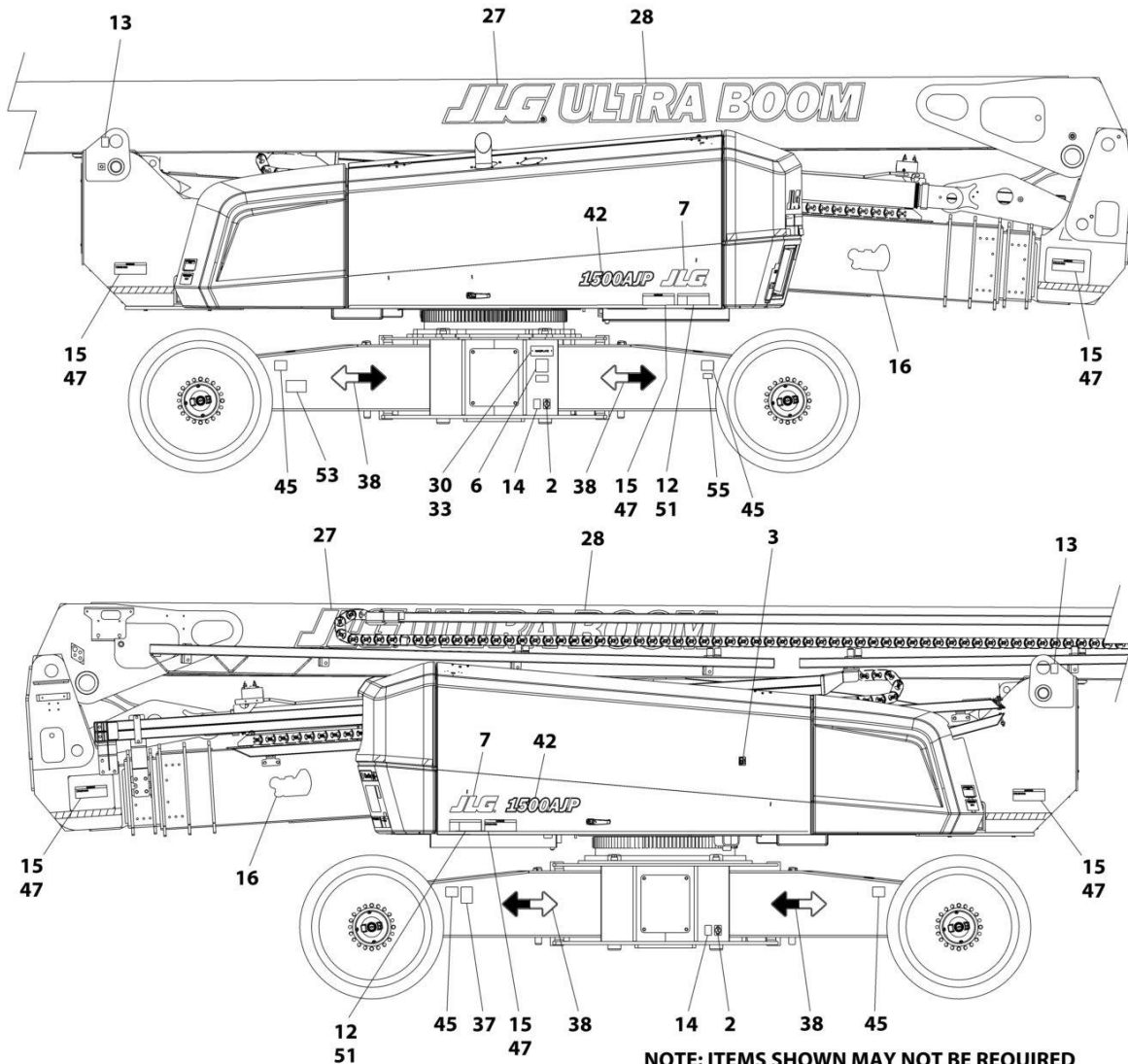
FIGURE 9-6. DECAL INSTALLATION - CSA SPEC (ENGLISH/FRENCH)

ITEM	PART NUMBER	QTY	DESCRIPTION	REV
	1001243093	Ref	DECAL INSTALLATION - CSA SPEC (ENGLISH/FRENCH)	G
	1001197315	Ref	DECAL INSTALLATION - REFERENCE	N
1	0641406	4	Bolt 1/4 x 3/4	
2	1701499	6	Decal - No Tie Down/Lift	
3	1701505	2	Decal - Diesel Fuel	
4	1701509	1	Decal - Manual	
5	1701691	4	Decal - No Step	
6	See Note	NSS	Decal - Bar Code (Note: Not Available for Purchase)	
7	1702773	3	Decal - JLG	
8	1702774	1	Decal - JLG Lift	
9	1704000	2	Decal - No Hands	
10	1001231316	1	Decal - Danger/Warning	
11	1703948	6	Decal - Warning Crushing	
12	1703936	6	Decal - Electrocution	
13	1703811	4	Decal - Lifting Lug	
14	1703814	6	Decal - Tie Down	
15	1703942	8	Decal - Crushing	
16	1703959	2	Decal - Quik Stik	
17	1704277	3	Decal - Lanyard Attach	
18	1704412	1	Decal - Hydraulic Oil	
20	1706064	1	Decal - Warning Fire Hazard	
21	1705347	1	Decal - Warning Inspection	
23	1705429	1	Decal - Drive/Steer Instructions	
24	1705505	1	Decal - Tip-Over	
25	1705511	1	Decal - Oil Level	
27	1705864	2	Decal - JLG	
28	1705865	2	Decal - Ultraboom (Prior to SN 0300281037)	
28	1001267315	2	Decal - Ultraboom (SN 0300281037 to Present)	
31	1703984	1	Decal - Footswitch	
32	3311405	4	Nut 1/4	
33	3820001	2	Rivet	
34	4751400	8	Washer 1/4	
35	91403230	1	Box, Manual Storage	
37	1001131269	1	Decal - Patent	
38	1001160445	8	Decal - Arrow	
39	1001284691	1	Decal - Lift Diagram	
40	1001254476	1	Decal - Warning Dual Capacity	
41	1001254477	1	Decal - Warning Dual Capacity	
42	1001200707	2	Decal - 1500AJP (Prior to SN 0300280111)	
42	1001268243	2	Decal - 1500AJP (SN 0300280111 to Present)	
43	1001204096	1	Decal - Legend	
44	1001234789	1	Decal - Jump Start/Dual Battery	
45	1001209896	4	Decal - Maximum Tire Load	
50	1001211904	1	Decal - Fuse Box	
52	1001224045	1	Decal - Fuse Box Cover	
53	1001223971	1	Decal - Decal Yearly Inspection	
55	1001223453	1	Decal - ICES	
57	1001184619	1	Decal - Stop	

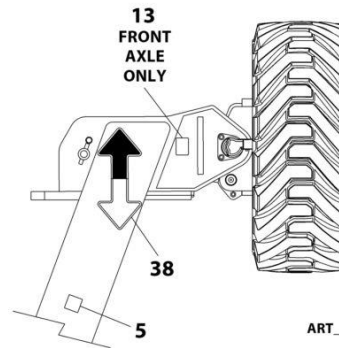
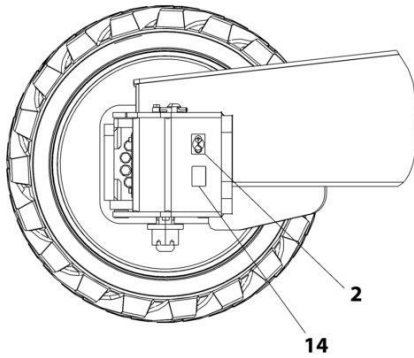


# SECTION 9 - DECALS

FIGURE 9-7. DECAL INSTALLATION - JAPAN SPEC (ENGLISH/JAPANESE)

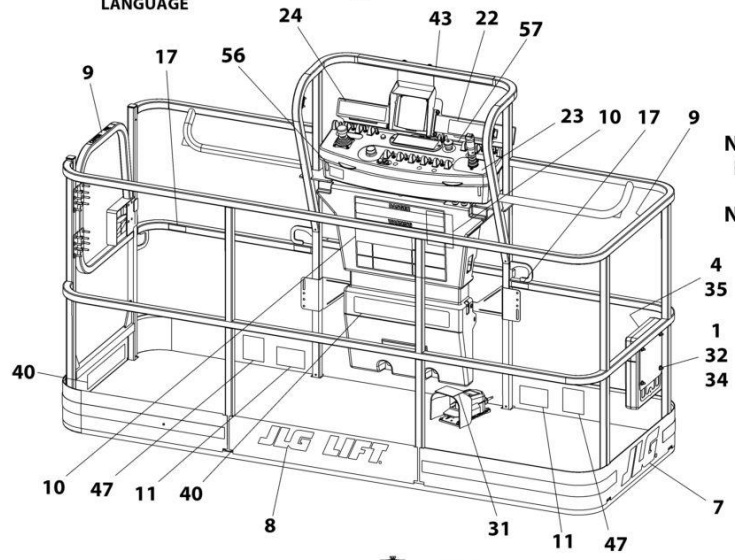
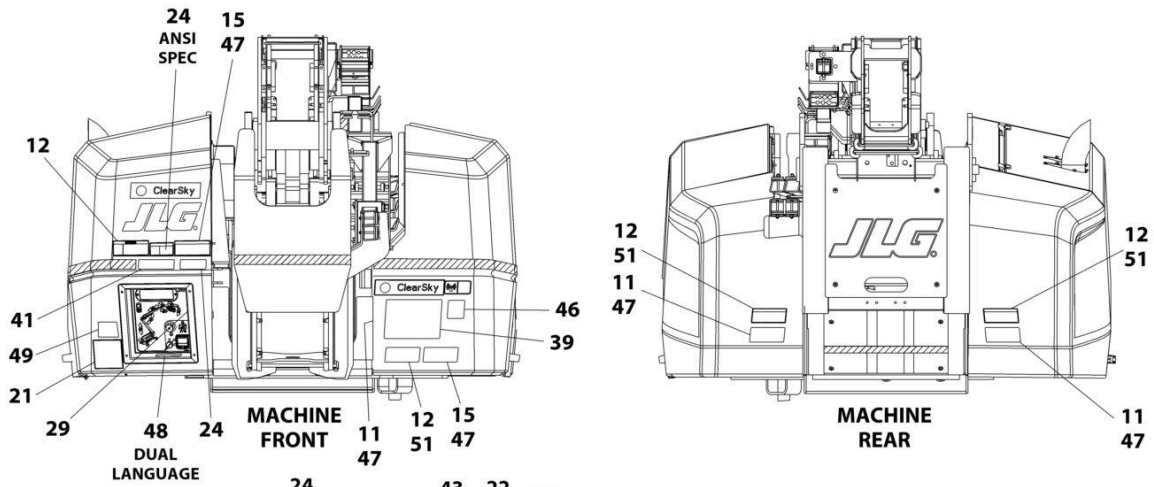


NOTE: ITEMS SHOWN MAY NOT BE REQUIRED FOR ALL SPECS. REFER TO PARTS LISTS FOR USAGE.  
 NOTE: ADDITIONAL DECALS CALLED OUT ON DECAL INSTALLATION - OPTIONS.

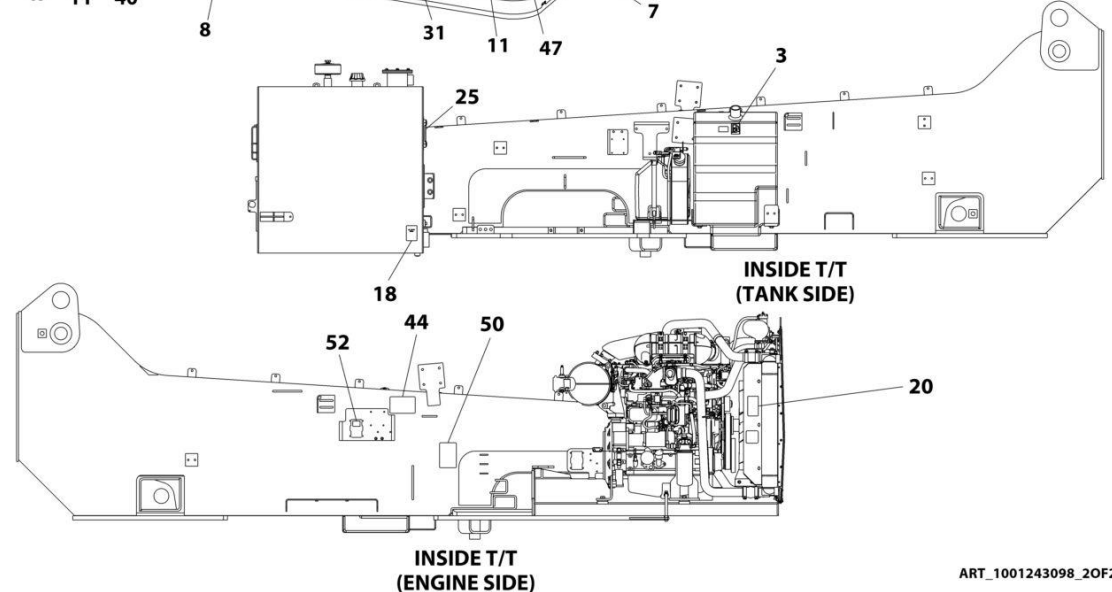


ART\_1001243098\_10F2

# SECTION 9 - DECALS



NOTE: ITEMS SHOWN MAY NOT BE REQUIRED FOR ALL SPECS. REFER TO PARTS LISTS FOR USAGE.  
NOTE: ADDITIONAL DECALS CALLED OUT ON DECAL INSTALLATION - OPTIONS.



ART\_1001243098\_20F2

## SECTION 9 - DECALS

FIGURE 9-7. DECAL INSTALLATION - JAPAN SPEC (ENGLISH/JAPANESE)

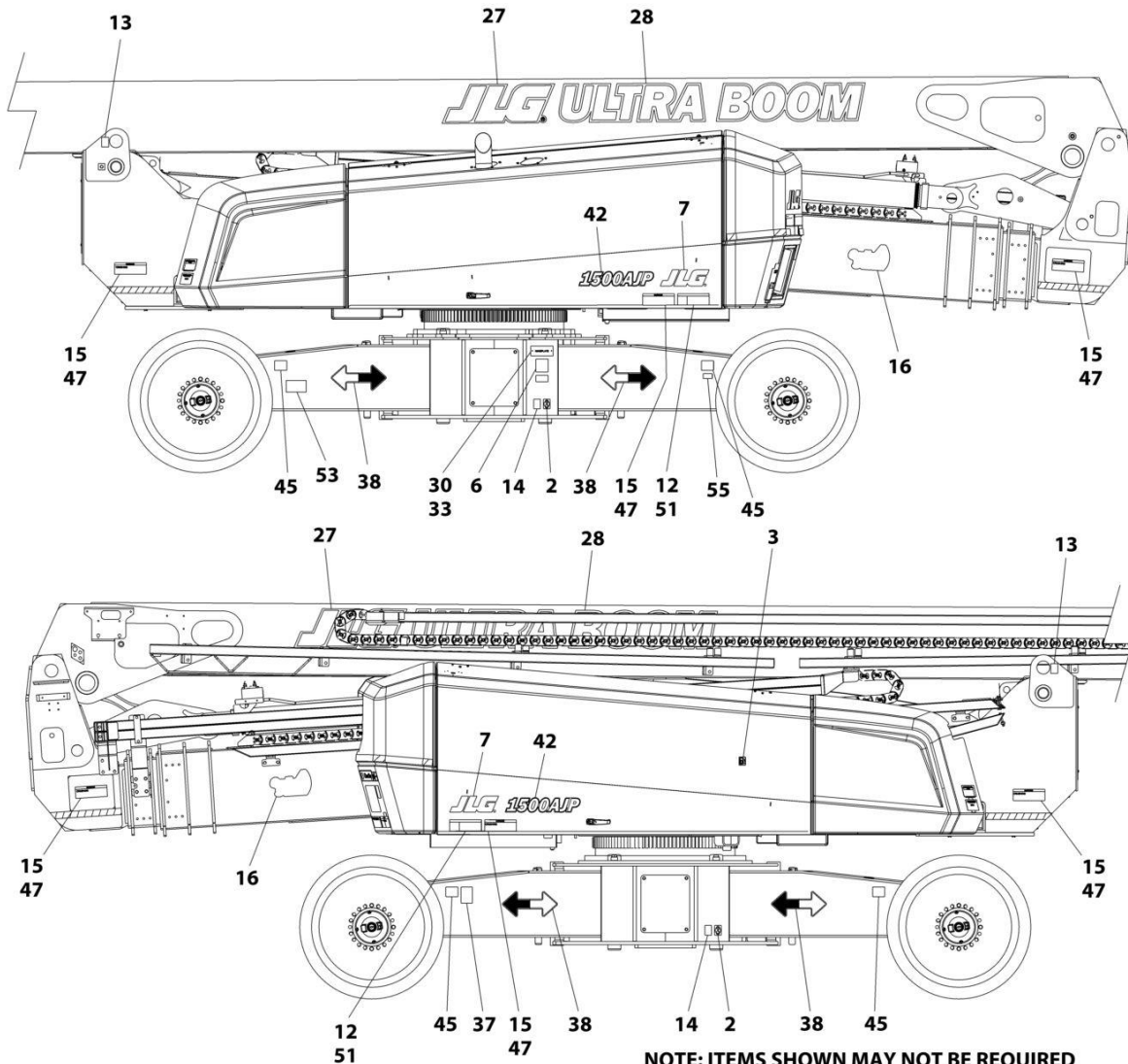
ITEM	PART NUMBER	QTY	DESCRIPTION	REV
	1001243098	Ref	DECAL INSTALLATION - JAPAN SPEC (ENGLISH/JAPANESE)	F
	1001197315	Ref	DECAL INSTALLATION - REFERENCE	N
1	0641406	4	Bolt 1/4 x 3/4	
2	1701499	6	Decal - No Tie Down/Lift	
3	1701505	2	Decal - Diesel Fuel	
4	1701509	1	Decal - Manual	
5	1701691	4	Decal - No Step	
6	See Note	NSS	Decal - Bar Code (Note: Not Available for Purchase)	
7	1702773	3	Decal - JLG	
8	1702774	1	Decal - JLG Lift	
10	1001231320	1	Decal - Danger/Warning	
11	1703950	6	Decal - Crushing	
12	1703938	6	Decal - Electrocution	
13	1703811	4	Decal - Lifting Lug	
14	1703814	6	Decal - Tie Down	
15	1703944	8	Decal - Warning Crushing	
16	1703959	2	Decal - Quik Stik	
17	1704277	3	Decal - Lanyard Attach	
18	1704412	1	Decal - Hydraulic Oil	
20	1704972	1	Decal - Glow Plugs Warning	
21	1705344	1	Decal - Warning Inspection	
23	1705426	1	Decal - Drive/Steer Instruction	
24	1705493	1	Decal - Warning Tip-Over	
25	1705511	1	Decal - Oil Level	
27	1705864	2	Decal - JLG	
28	1705865	2	Decal - Ultraboom <b>(Prior to SN 0300281037)</b>	
28	1001267315	2	Decal - Ultraboom <b>(SN 0300281037 to Present)</b>	
31	1703980	1	Decal - Footswitch	
32	3311405	4	Nut 1/4	
33	3820001	2	Rivet	
34	4751400	8	Washer 1/4	
35	91403230	1	Box, Manual Storage	
38	1001160445	8	Decal - Arrow	
39	1001284691	1	Decal - Lift Diagram	
40	1001254486	1	Decal - Warning Dual Capacity	
41	1001254487	1	Decal - Warning Dual Capacity	
42	1001200707	2	Decal - 1500AJP <b>(Prior to SN 0300280111)</b>	
42	1001268243	2	Decal - 1500AJP <b>(SN 0300280111 to Present)</b>	
44	1001234789	1	Decal - Jump Start/Dual Battery	
45	1001209896	4	Decal - Maximum Tire Load	
50	1001211904	1	Decal - Fuse Box	
52	1001224045	1	Decal - Fuse Box Cover	
53	1001224053	1	Decal - Decal Yearly Inspection	
57	1001195947	1	Decal - Stop and Auxiliary Power	



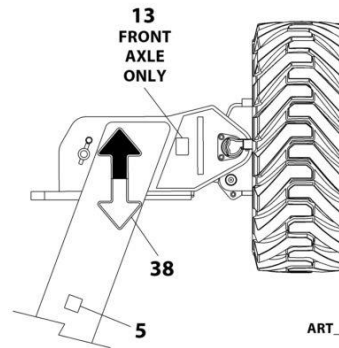
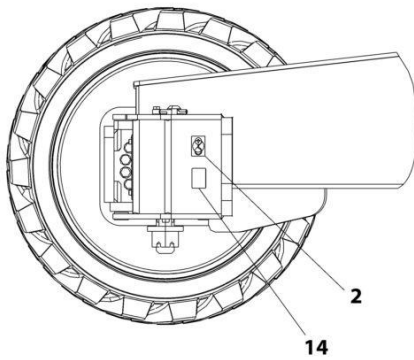


# SECTION 9 - DECALS

FIGURE 9-8. DECAL INSTALLATION - KOREA SPEC (ENGLISH/KOREAN)

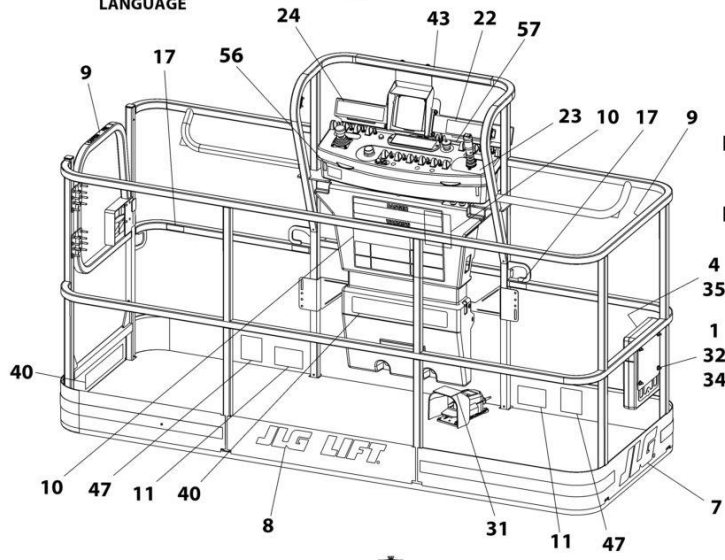
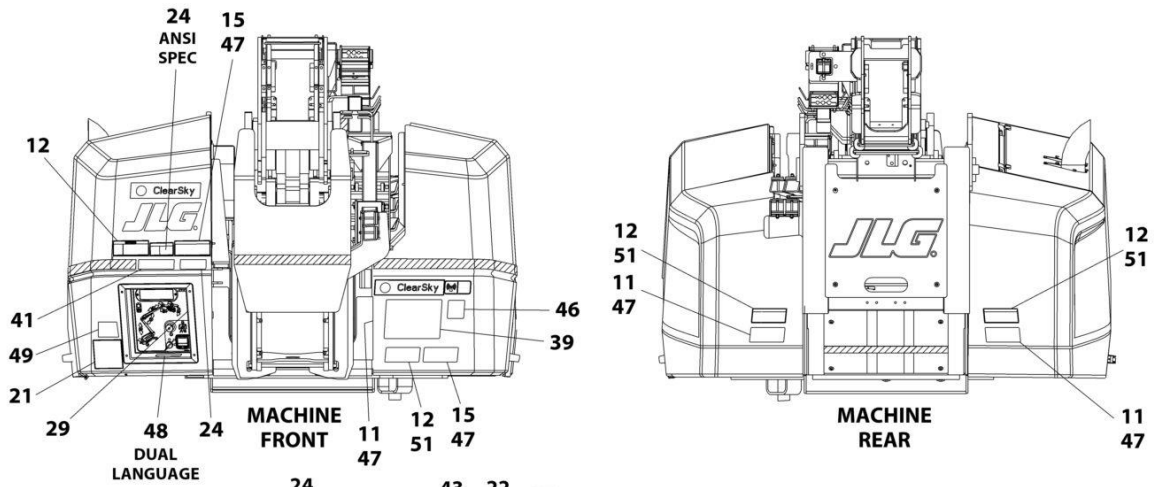


NOTE: ITEMS SHOWN MAY NOT BE REQUIRED FOR ALL SPECS. REFER TO PARTS LISTS FOR USAGE.  
 NOTE: ADDITIONAL DECALS CALLED OUT ON DECAL INSTALLATION - OPTIONS.



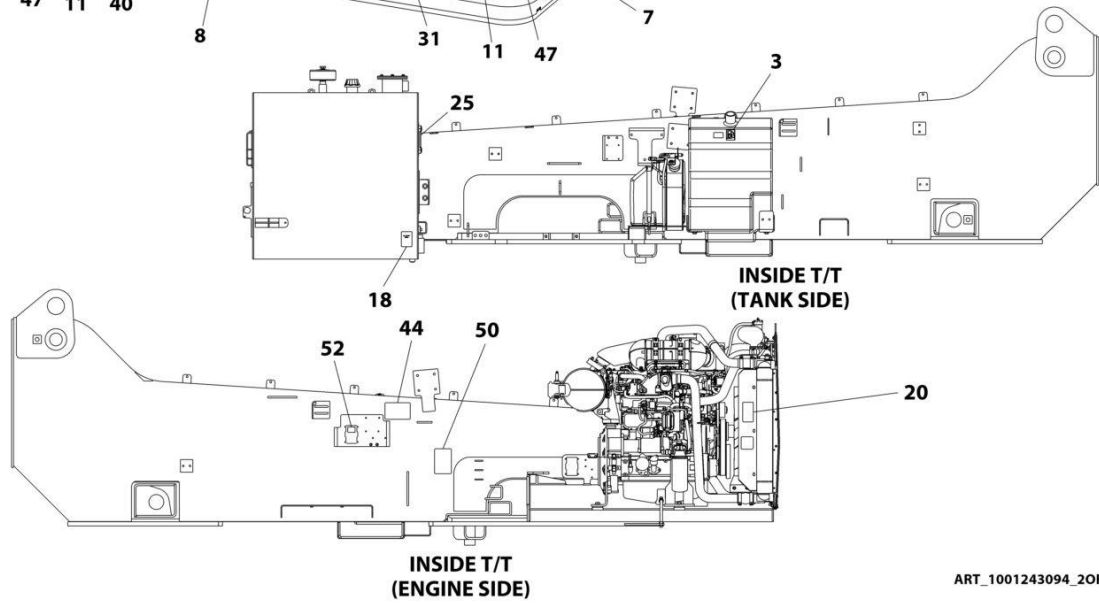
ART\_1001243094\_10F2

# SECTION 9 - DECALS



**NOTE: ITEMS SHOWN MAY NOT BE REQUIRED FOR ALL SPECS. REFER TO PARTS LISTS FOR USAGE.**

**NOTE: ADDITIONAL DECALS CALLED OUT ON DECAL INSTALLATION - OPTIONS.**



ART\_1001243094\_20F2

## SECTION 9 - DECALS

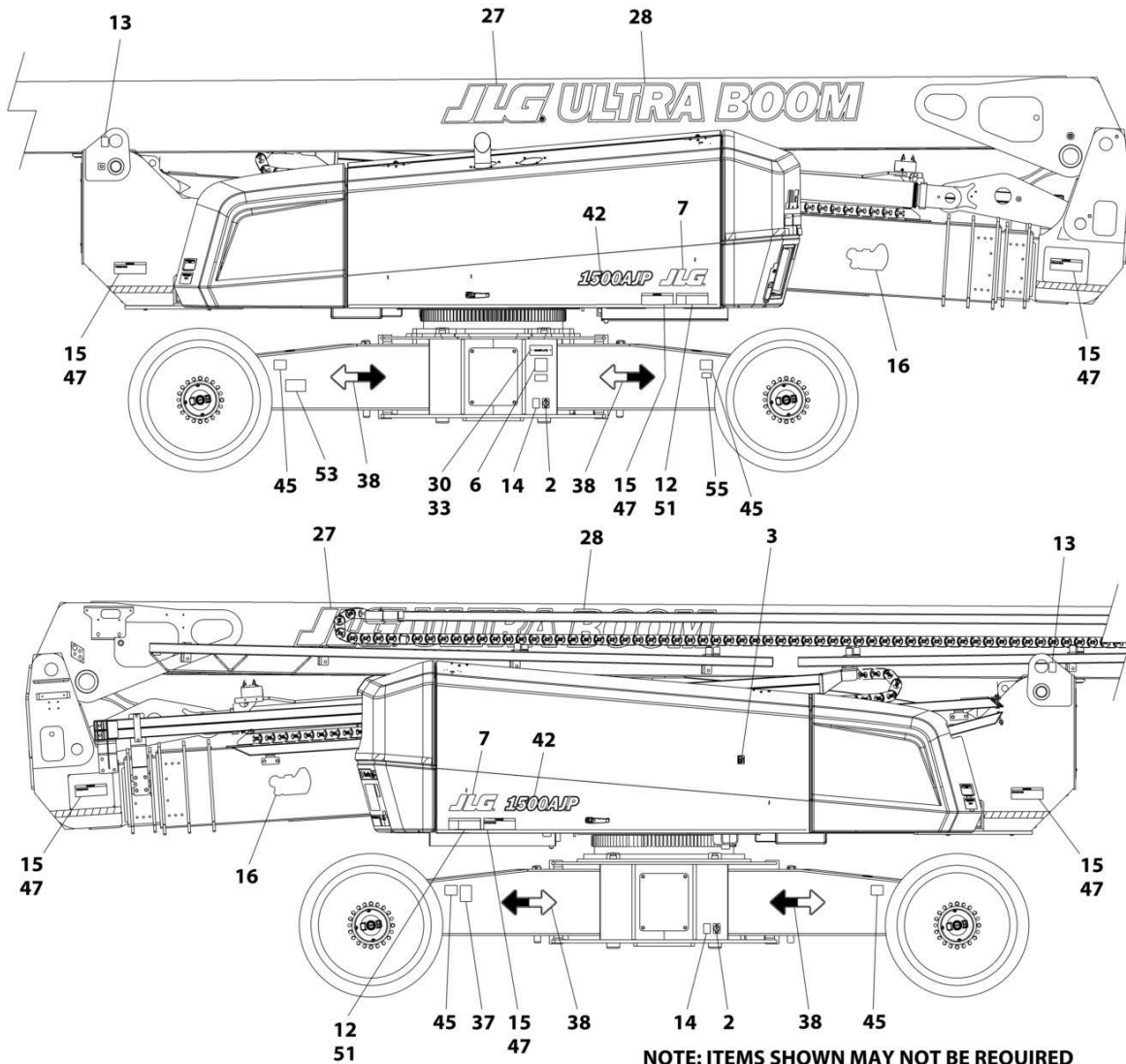
FIGURE 9-8. DECAL INSTALLATION - KOREA SPEC (ENGLISH/KOREAN)

ITEM	PART NUMBER	QTY	DESCRIPTION	REV
	1001243094	Ref	DECAL INSTALLATION - KOREA SPEC (ENGLISH/KOREAN)	F
	1001197315	Ref	DECAL INSTALLATION - REFERENCE	N
1	0641406	4	Bolt 1/4 x 3/4	
2	1701499	6	Decal - No Tie Down/Lift	
3	1701505	2	Decal - Diesel Fuel	
4	1701509	1	Decal - Manual	
5	1701691	4	Decal - No Step	
6	See Note	NSS	Decal - Bar Code (Note: Not Available for Purchase)	
7	1702773	3	Decal - JLG	
8	1702774	1	Decal - JLG Lift	
9	1705969	2	Decal - No Hands	
10	1001231317	1	Decal - Danger/Warning	
11	1703951	6	Decal - Warning Crushing	
12	1703939	6	Decal - Danger Electrocution	
13	1703811	4	Decal - Lifting Lug	
14	1703814	6	Decal - Tie Down	
15	1703945	8	Decal - Warning Crushing	
16	1703959	2	Decal - Quik Stik	
17	1704277	3	Decal - Lanyard Attach	
18	1704412	1	Decal - Hydraulic Oil	
20	1706061	1	Decal - Warning Fire Hazard	
21	1705345	1	Decal - Warning Inspection	
23	1705427	1	Decal - Drive/Steer Instruction	
24	1705503	1	Decal - Warning Tip-Over	
25	1705511	1	Decal - Oil Level	
27	1705864	2	Decal - JLG	
28	1705865	2	Decal - Ultraboom <b>(Prior to SN 0300281037)</b>	
28	1001267315	1	Decal - Ultraboom <b>(SN 0300281037 to Present)</b>	
31	1703981	1	Decal - Footswitch	
32	3311405	4	Nut 1/4	
33	3820001	2	Rivet	
34	4751400	8	Washer 1/4	
35	91403230	1	Box, Manual Storage	
38	1001160445	8	Decal - Arrow	
39	1001284691	1	Decal - Lift Diagram	
40	1001254478	1	Decal - Warning Dual Capacity	
41	1001254479	1	Decal - Warning Dual Capacity	
42	1001200707	2	Decal - 1500AJP <b>(Prior to SN 0300280111)</b>	
42	1001268243	2	Decal - 1500AJP <b>(SN 0300280111 to Present)</b>	
44	1001234789	1	Decal - Jump Start/Dual Battery	
45	1001209896	4	Decal - Maximum Tire Load	
50	1001211904	1	Decal - Fuse Box	
52	1001224045	1	Decal - Fuse Box Cover	
53	1001224048	1	Decal - Decal Yearly Inspection	
57	1001195947	1	Decal - Stop and Auxiliary Power	

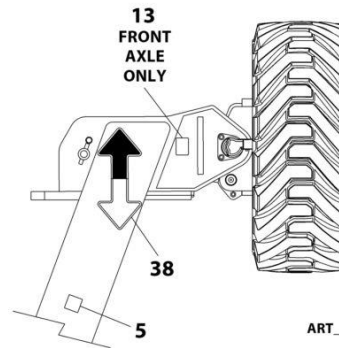
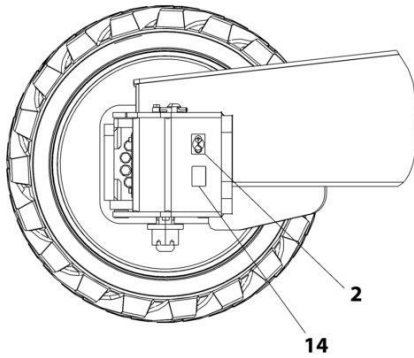


# SECTION 9 - DECALS

## FIGURE 9-9. DECAL INSTALLATION - CSA SPEC (ENGLISH/FRENCH)

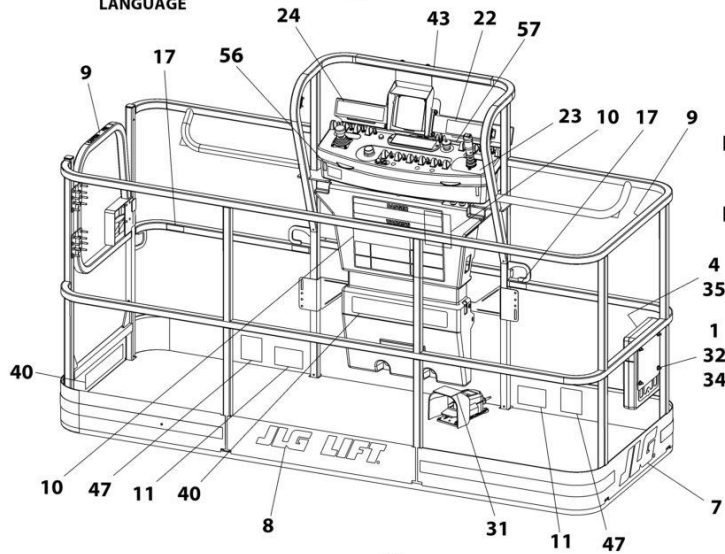
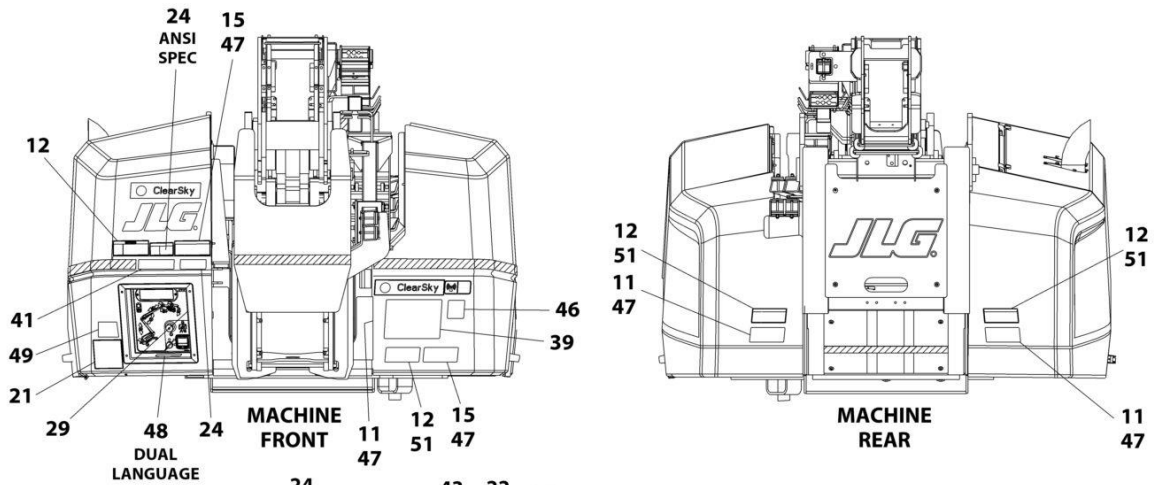


NOTE: ITEMS SHOWN MAY NOT BE REQUIRED FOR ALL SPECS. REFER TO PARTS LISTS FOR USAGE.  
 NOTE: ADDITIONAL DECALS CALLED OUT ON DECAL INSTALLATION - OPTIONS.

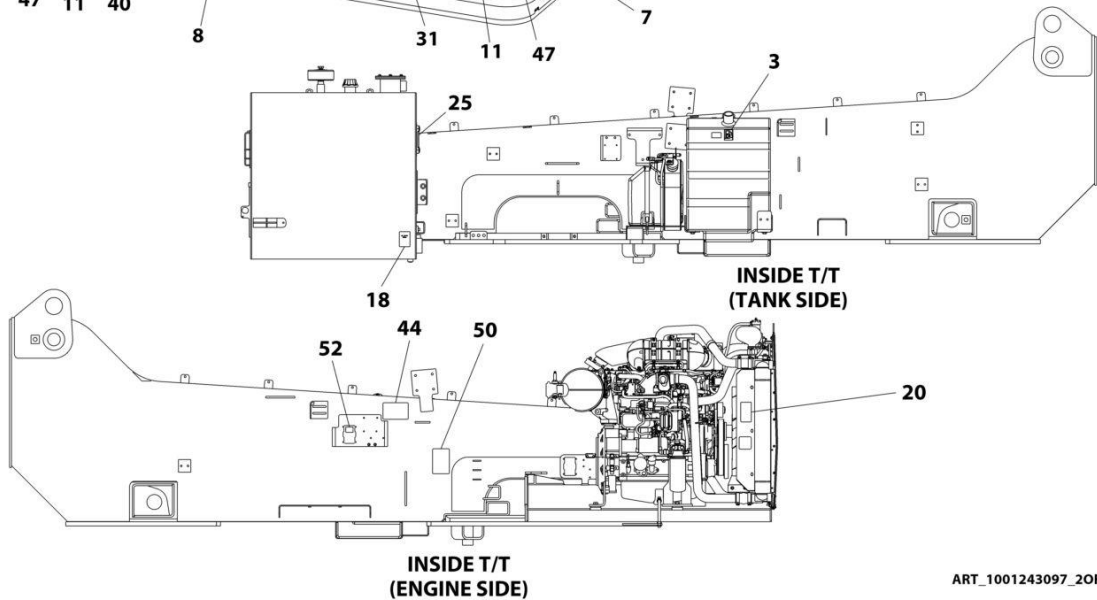


ART\_1001243097\_10F2

# SECTION 9 - DECALS



NOTE: ITEMS SHOWN MAY NOT BE REQUIRED FOR ALL SPECS. REFER TO PARTS LISTS FOR USAGE.  
NOTE: ADDITIONAL DECALS CALLED OUT ON DECAL INSTALLATION - OPTIONS.



ART\_1001243097\_20F2

## SECTION 9 - DECALS

FIGURE 9-9. DECAL INSTALLATION - CSA SPEC (ENGLISH/FRENCH)

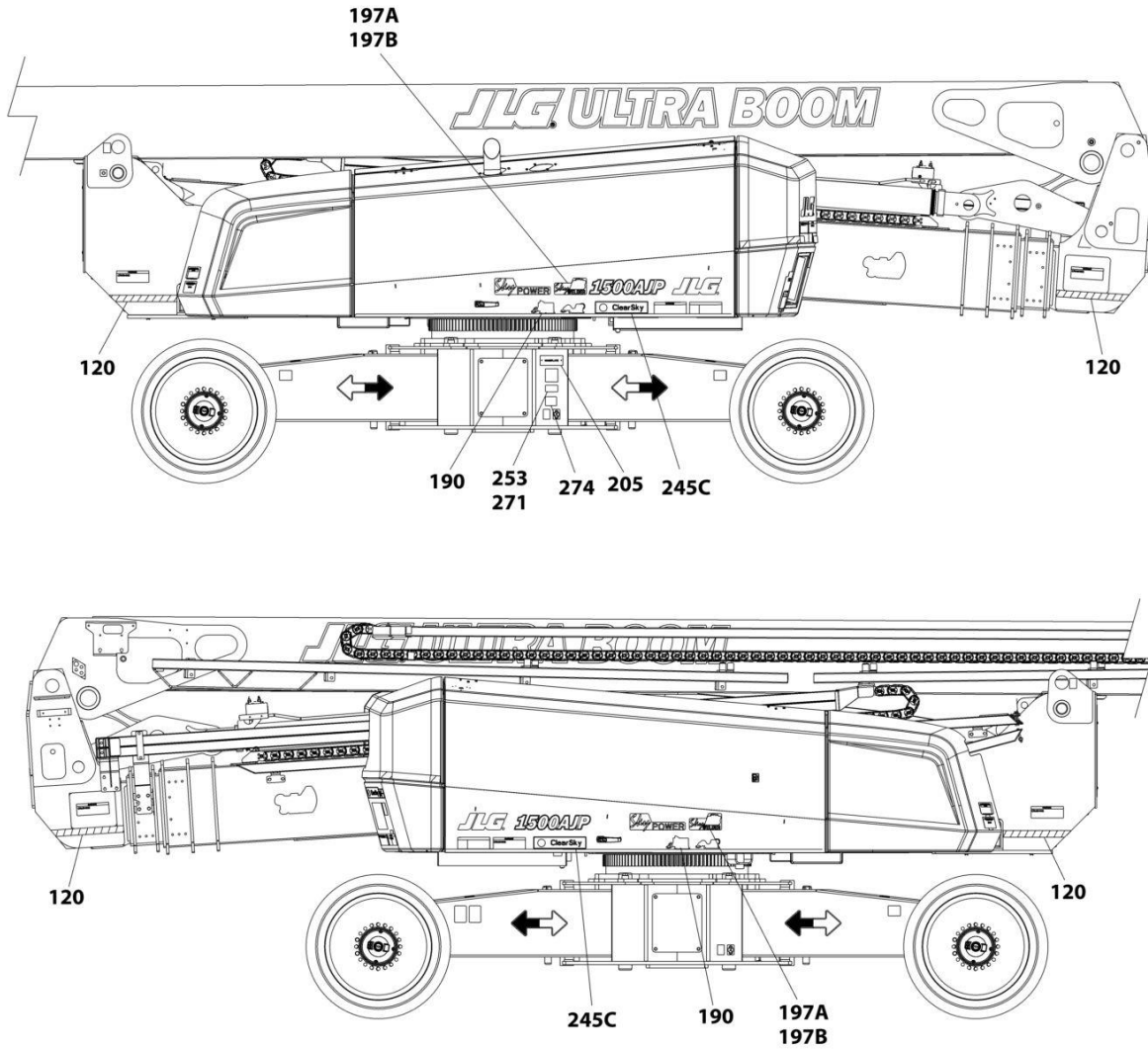
ITEM	PART NUMBER	QTY	DESCRIPTION	REV
	1001243097	Ref	DECAL INSTALLATION - LATIN AMERICA SPEC (ENGLISH/SPANISH)	F
	1001197315	Ref	DECAL INSTALLATION - REFERENCE	N
1	0641406	4	Bolt 1/4 x 3/4	
2	1701499	6	Decal - No Tie Down/Lift	
3	1701505	2	Decal - Diesel Fuel	
4	1701509	1	Decal - Manual	
5	1701691	4	Decal - No Step	
6	See Note	NSS	Decal - Bar Code (Note: Not Available for Purchase)	
7	1702773	3	Decal - JLG	
8	1702774	1	Decal - JLG Lift	
9	1704001	2	Decal - No Hands	
10	1001231318	1	Decal - Danger/Warning	
11	1703947	6	Decal - Warning Crushing	
12	1703935	6	Decal - Electrocutation	
13	1703811	4	Decal - Lifting Lug	
14	1703814	6	Decal - Tie Down	
15	1703941	8	Decal - Warning Crushing	
16	1703959	2	Decal - Quik Stik	
17	1704277	3	Decal - Lanyard Attach	
18	1704412	1	Decal - Hydraulic Oil	
20	1706063	1	Decal - Warning Fire Hazard	
21	1705917	1	Decal - Warning Inspection	
23	1705910	1	Decal - Drive/Steer Instruction	
24	1705915	1	Decal - Tip-Over Hazard	
25	1705511	1	Decal - Oil Level	
27	1705864	2	Decal - JLG	
28	1705865	2	Decal - Ultraboom (Prior to SN 0300281037)	
28	1001267315	2	Decal - Ultraboom (SN 0300281037 to Present)	
31	1703983	1	Decal - Footswitch	
32	3311405	4	Nut 1/4	
33	3820001	2	Rivet	
34	4751400	8	Washer 1/4	
35	91403230	1	Box Manual Storage	
38	1001160445	8	Decal - Arrow	
39	1001284691	1	Decal - Lift Diagram	
40	1001254484	1	Decal - Warning Dual Capacity	
41	1001254485	1	Decal - Warning Dual Capacity	
42	1001200707	2	Decal - 1500AJP (Prior to SN 0300280111)	
42	1001268243	2	Decal - 1500AJP (SN 0300280111 to Present)	
44	1001234789	1	Decal - Jump Start/Dual Battery	
45	1001209896	4	Decal - Max Tire Load	
50	1001211904	1	Decal - Fuse Box	
52	1001224045	1	Decal - Fuse Box Cover	
53	1001224049	1	Decal - Decal Yearly Inspection	
57	1001195947	1	Decal - Stop and Auxiliary Power	





# SECTION 9 - DECALS

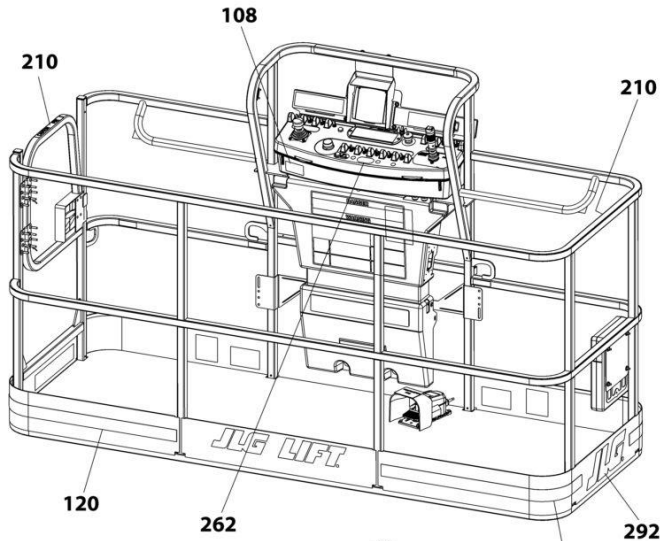
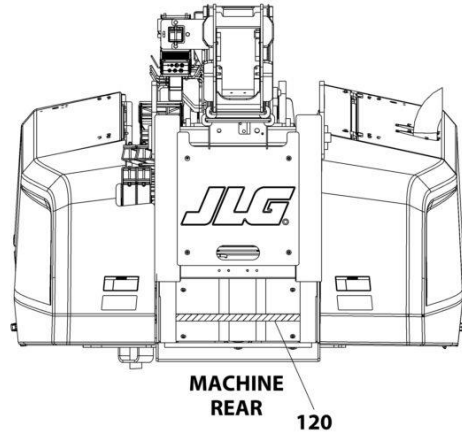
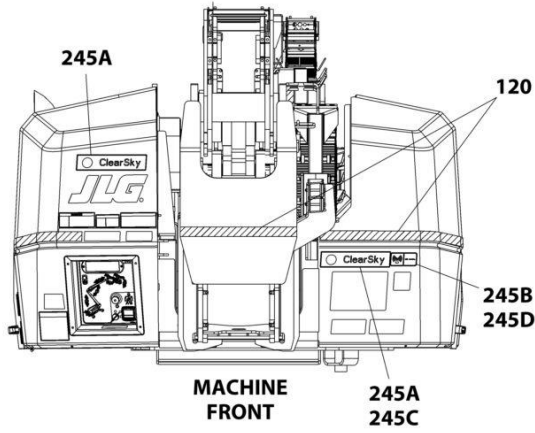
## FIGURE 9-10. DECAL INSTALLATION - OPTIONS



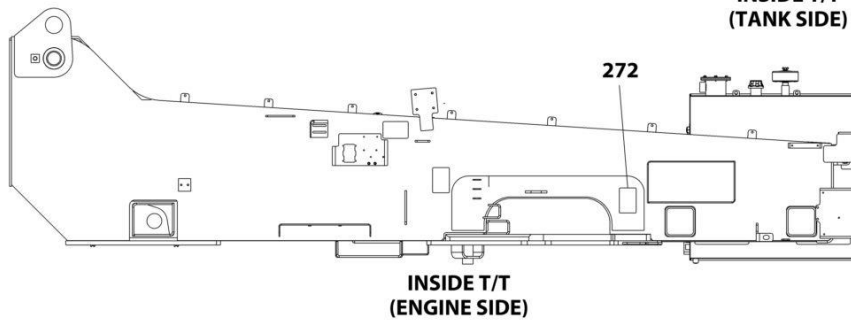
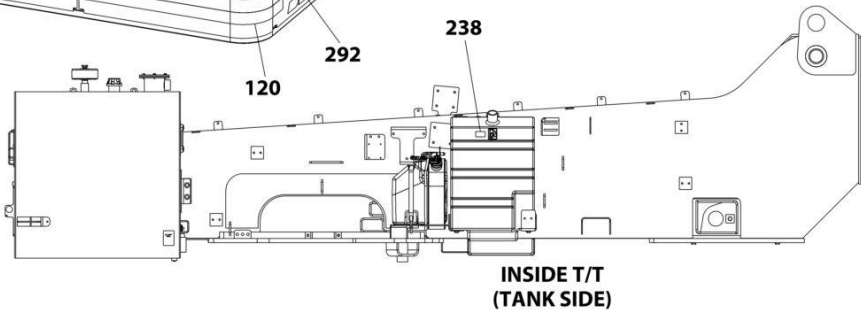
**NOTE: ITEMS SHOWN MAY NOT BE REQUIRED FOR ALL SPECS. REFER TO PARTS LISTS FOR USAGE.**

ART\_DECAL\_OPTIONS\_10F2

# SECTION 9 - DECALS



NOTE: ITEMS SHOWN MAY NOT BE REQUIRED FOR ALL SPECS. REFER TO PARTS LISTS FOR USAGE.



ART\_DECAL\_OPTIONS\_20F2

# SECTION 9 - DECALS

## FIGURE 9-10. DECAL INSTALLATION - OPTIONS

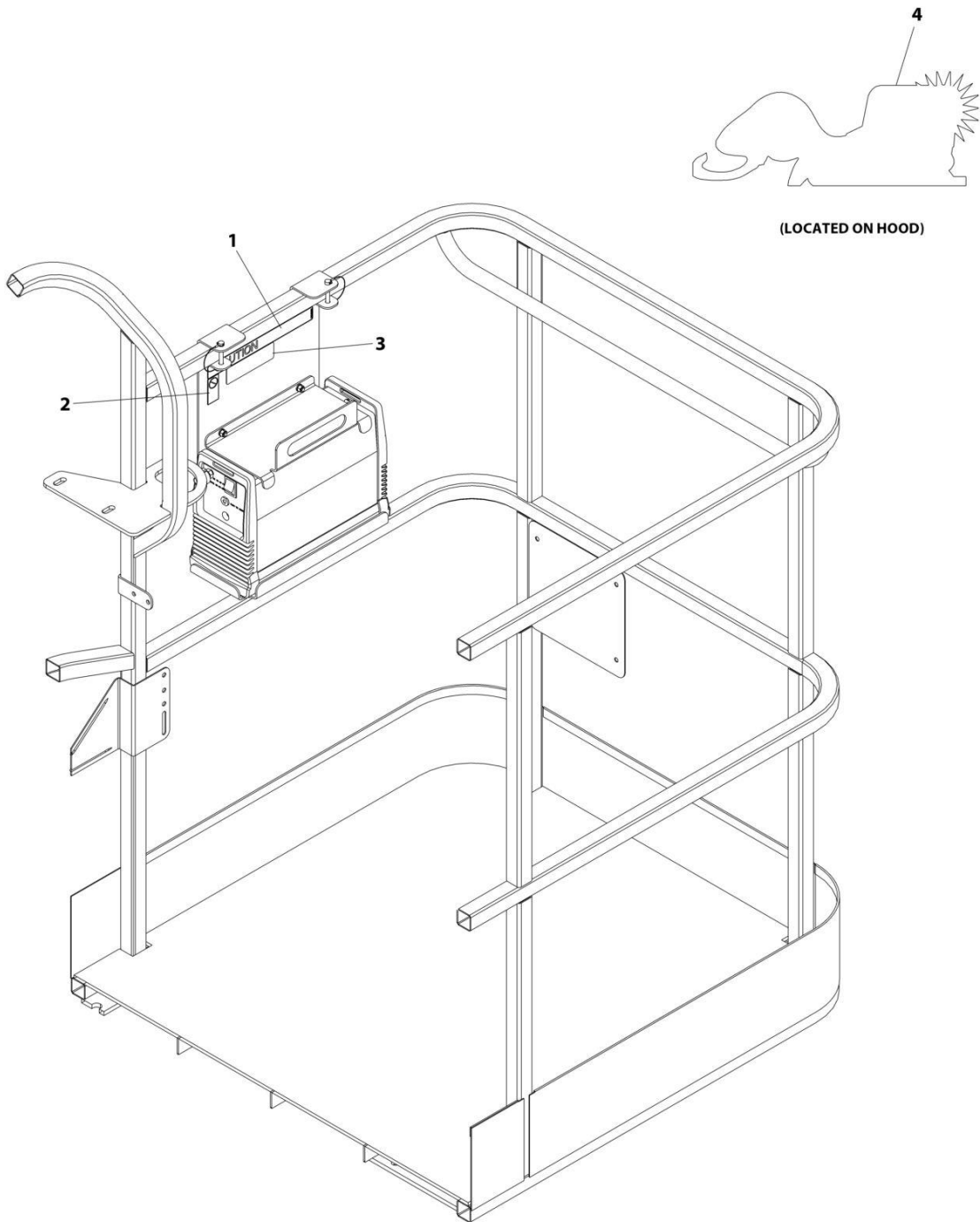
ITEM	PART NUMBER	QTY	DESCRIPTION	REV
		Ref	DECAL INSTALLATION - OPTIONS	
108	1001231801	1	Decal - Warning Prop 65 Diesel (ANSI Specs)	
120	4420051	29 ft /8.8m	Decal - Warning Stripes	
190	1001172570	1	Decal - SkyGlazier (English Language) (ANSI)	
190	1001172620	1	Decal - SkyGlazier (English Language) (Australian)	
190	1001172576	1	Decal - SkyGlazier (English Language) (UK)	
190	1001172573	1	Decal - SkyGlazier (French Language)	
190	1001172574	1	Decal - SkyGlazier (German Language)	
190	1001172575	1	Decal - SkyGlazier (Italian Language)	
190	1001172572	1	Decal - SkyGlazier (Portuguese Language) (Brazil)	
190	1001193136	1	Decal - SkyGlazier (Portuguese Language) (Europe)	
190	1001193135	1	Decal - SkyGlazier (Spanish Language) (Europe)	
190	1001172571	1	Decal - SkyGlazier (Spanish Language) (Latin American)	
197A	0272448	1	Decal - SkyGlazier 60Hz (ANSI, ANSI Export, and CSA Specs)	
197A	1705355	1	Decal - SkyWelder	
197A	1702868	1	Decal - No Hands (Not Shown)	
197A	1705305	1	Decal - Weld Lead (Not Shown)	
197A	1705375	1	Decal - 240V - 3 Phase - 60Hz (Not Shown)	
197A	1001228988	1	Decal - Weight (Not Shown)	
197B	0272588	1	Decal - SkyWelder 50Hz (Australian, Japanese and China Specs)	
197B	1705355	1	Decal - SkyWelder	
197B	1705305	1	Decal - Weld Lead (Not Shown)	
197B	1001228988	1	Decal - Weight (Not Shown)	
205	See Note	1	Nameplate, Serial Number (Note: Not Available for Purchase)	
210		Ref	Decal - No Hands (Required with Soft Touch Platform or Mesh to Top Rail Options Only)	
210	1702868	2	Decal - No Hands (ANSI and Australian Spec) (English)	
210	1705967	2	Decal - No Hands (Brazil Spec) (English/Portuguese)	
210	1001116846	2	Decal - No Hands (China Spec) (English/Chinese)	
210	1704000	2	Decal - No Hands (CSA Spec) (English/French)	
210	1705969	2	Decal - No Hands (Korean Spec) (English/Korean)	
210	1704001	2	Decal - No Hands (Latin American Spec) (English/Spanish)	
210	1001218850	2	Decal - No Hands (CE & UK CA LRC Specs)	
238	1001125387	1	Decal - Ultra Low Sulfur Fuel (ANSI, ANSI Export (HRC) and CSA Specs Only)	
238	1001139654	1	Decal - Ultra Low Sulfur Fuel (ANSI Export (LRC), Australian, China, Japanese, CE & UK CA Specs Only)	
245A	1001216618	Ref	Decal - ClearSky Telematics	A
245A	1001116208	3	Decal - ClearSky	
245A	1001120989	1	Decal - Radio Frequency	
245B	1001294767	Ref	Decal - ClearSky Smart Fleet	A
245B	1001120989	1	Decal - Radio Frequency	
245B	1001294815	1	Decal - ClearSky	
253	1001143852	1	Decal - Emissions Compliance (ANSI Export (LRC), Australian, China, CE & UK CA (LRC) Specs Only)	
262	1001141300	1	Decal - SkyGuard Override	
265	1001271930	1	Decal - Soft Touch (ANSI) (English) (Not Shown)	
265	1001271932	1	Decal - Soft Touch (China Spec) (English/Chinese) (Not Shown)	
265	1001271934	1	Decal - Soft Touch (Latin American Spec) (English/Spanish) (Not Shown)	

## SECTION 9 - DECALS

ITEM	PART NUMBER	QTY	DESCRIPTION	REV
265	1001271936	1	Decal - Soft Touch (CSA Spec) (English/French) (Not Shown)	
265	1001271938	1	Decal - Soft Touch (Japanese Spec) (English/Japanese) (Not Shown)	
265	1001271939	1	Decal - Soft Touch (Korean Spec) (English/Korean) (Not Shown)	
265	1001271940	1	Decal - Soft Touch (Brazil Spec) (English/Portuguese) (Not Shown)	
265	1001271941	1	Decal - Soft Touch (Australian, CE & UK CA Spec) (Not Shown)	
274	1001214029	1	Decal - EAC (CE Russian Spec)	

# SECTION 9 - DECALS

FIGURE 9-11. SKYCUTTER DECAL INSTALLATION (ANSI, ANSI EXPORT AND CSA SPECS)



ART\_0272599

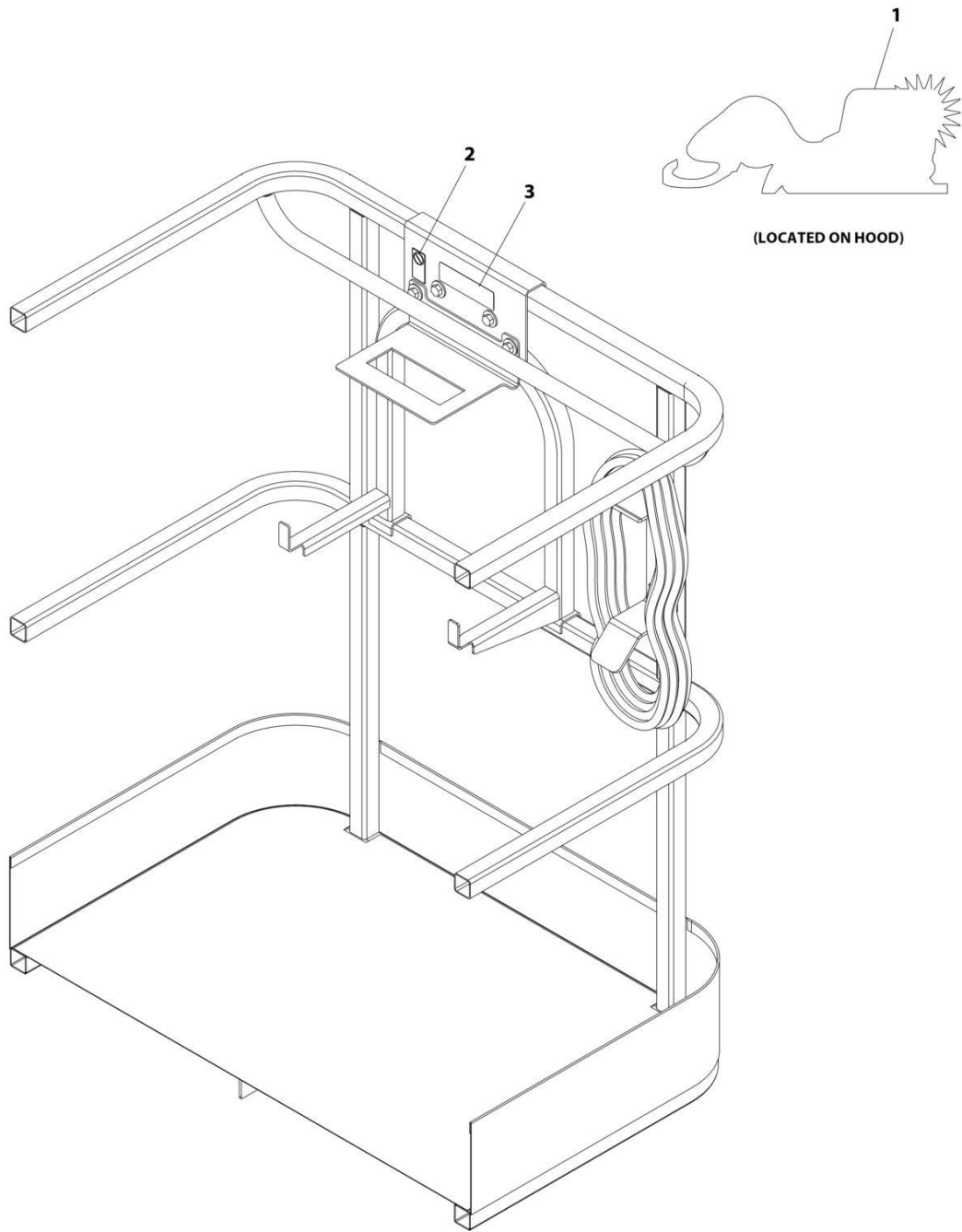
## SECTION 9 - DECALS

**FIGURE 9-11. SKYCUTTER DECAL INSTALLATION (ANSI, ANSI EXPORT AND CSA SPECS)**

ITEM	PART NUMBER	QTY	DESCRIPTION	REV
	0272599	Ref	SKYCUTTER DECAL INSTALLATION	C
1	1702868	1	Decal - No Hands	
2	1705305	1	Decal - Weld Leads	
3	1001252627	1	Decal - Weight	
4	1705490	2	Decal - SkyCutter	

# SECTION 9 - DECALS

## FIGURE 9-12. SKYCUTTER DECAL INSTALLATION (JAPANESE SPECS)



ART\_0272607\_C



## SECTION 9 - DECALS

**FIGURE 9-12. SKYCUTTER DECAL INSTALLATION (JAPANESE SPECS)**

ITEM	PART NUMBER	QTY	DESCRIPTION	REV
	0272607	1	SKYCUTTER DECAL INSTALLATION	C
1	1705490	2	Decal - SkyCutter	
2	1705305	1	Decal - Weld Lead	
3	1001252627	1	Decal - Weight	



## **SECTION 10 - RECOMMENDED SERVICE PARTS STOCK**

## **SECTION 10 - RECOMMENDED SERVICE PARTS STOCK**

# SECTION 10 - RECOMMENDED SERVICE PARTS STOCK

## FIGURE 10-1. RECOMMENDED SERVICE PARTS STOCK

ITEM	PART NUMBER	QTY	DESCRIPTION	REV
		Ref	Note: The following list will service one machine (built to current production per date on the front cover) with emergency repair parts which can be installed in the field. Parts from the list should be replaced when inventory is depleted to keep service parts stock supplied. For further information, contact your JLG dealer or the JLG Industries Parts Department.	
	7024485	1	Breaker, Circuit 30Amp (7500W Generators)	
	1001181045	1	Breaker - 30mA/16Amp (Breaker Box with 2 Breakers and 4000W 50Hz Breaker Box)	
	1001189171	1	Breaker 30mA (Breaker Box with 3 Breakers)	
	1001189172	1	Breaker 16Amp Double (Breaker Box with 3 Breakers)	
	70001431	1	Breaker, Circuit (Plasma Cutter)	
	4360070	1	Breaker, Circuit - 15Amp (4000W 60Hz and all 7500W Generators)	
	70002386	1	Coil (Traction Valve)	
	70004460	1	Coil (Steer/Axle Extend Valve, Main Valve & Boom Valve)	
	70004463	1	Coil (Steer/Axle Extend Valve)	
	70004588	1	Coil (Main Valve & Boom Valve)	
	70004595	1	Coil (Main Valve & Boom Valve)	
	70003788	1	Coil (Boom & Cylinders Installation)	
	70006004	1	Coil (Boom & Cylinders Installation)	
	70004653	1	Coil (Platform Valve)	
	7024885	1	Coil (Platform Valve)	
	1001138566	1	Control, Box (4000w Generator)	
	0861572	1	Control, Box (7500w 50Hz Generator)	
	0861538	1	Control, Box (7500w 60Hz Generator)	
	1001275628	1	Controller, Drive/Steer	
	1001275629	1	Controller, Lift/Swing	
	4360407	1	Controller, Speed (Potentiometer) (Platform Console Box)	
	70008358	12	Element, Hydraulic Filter (Donaldson) (Valves & Filters - Turntable)	
	70002231	12	Element, Hydraulic Filter (Parker) (Valves & Filters - Turntable)	
	1001161232	12	Element, Hydraulic High Pressure Filter (Valves & Filters - Turntable)	
	70002097	12	Element, Hydraulic Pressure (Valves & Filters - Boom)	
	70006405	12	Element, Fuel (LRC Engines)	
	70023809	12	Element, Primary Air (All Engines)	
	70023872	12	Element - Secondary Air (All Engines)	
	1001228872	12	Filter, Coolant Screen (HRC Engines)	
	1001196634	2	Fuse, 2A (Breather Heater)	
	8229249	2	Fuse, 3 Amp (USB Charger)	
	2400030	2	Fuse, 3A (Console Box Harness)	
	8229242	2	Fuse, 5A (Engine Harness HRC)	
	8229244	2	Fuse, 15A (Engine Harness HRC)	
	70023592	2	Fuse, 20A (LRC Engines)	
	8229247	2	Fuse, 25A (Engine Harness HRC)	
	70023593	2	Fuse, 30A (LRC Engines)	
	8229245	2	Fuse, 30A (Engine Harness HRC)	
	2860030	1	Key, Replacement	
	2940074	1	Latch (Platforms with Swing Gate)	
	1001247468	1	Loadcell (Platform Support)	
	1001142683	1	Module, Beacon Control	

## SECTION 10 - RECOMMENDED SERVICE PARTS STOCK

ITEM	PART NUMBER	QTY	DESCRIPTION	REV
	1001150162	1	Module, Control (Frame)	
	1001281500	1	Module, Ground Control	
	1001277209	1	Module, Control (Boom)	
	1001199483	1	Module, Platform	
	1001138228	1	Module, Relay (LRC Engines)	
	3740067	1	Relay (Electrical Components - Turntable)	
	1001216021	1	Relay (Electrical Components - Turntable)	
	70006553	1	Relay (4000W Generators)	
	1001186431	1	Relay (SkyGuard)	
	1001095704	1	Relay (HRC Engines)	
	3740086	1	Relay (SkyLine)	
	1001117308	1	Relay, 200Amp (All Engines)	
	1001146963	1	Sensor, Angle (Steer)	
	1001200345	1	Sensor, Angle (Boom Sensors)	
	1001200848	1	Sensor, Angle (Boom Sensors)	
	1001201095	1	Sensor, Angle Gravity (Boom Sensors)	
	1001200764	1	Sensor, BEI Angle (Boom Sensors)	
	1001197960	1	Sensor, Boom Length (Boom Sensors)	
	1001197961	1	Sensor, Boom Length (Boom Sensors)	
	1001138827	1	Sensor (Engine Coolant Level)	
	1001219601	1	Sensor, Dual Axis	
	1001228225	1	Sensor, Emitter (SkyEye)	
	4360548	1	Sensor, Limit (Boom Sensors)	
	70005966	1	Sensor, Pressure (Platform Valve)	
	1001200550	1	Sensor, Pressure Transducer (Turntable Hydraulics)	
	4000008	1	Sensor, Proximity (Boom Sensors)	
	1001120104	1	Sensor, Proximity (Boom Sensors)	
	1001204043	1	Sensor, Proximity (Boom Sensors)	
	1001232667	1	Sensor, Proximity (SkyLine)	
	1001311034	1	Sensor, Proximity (SkyLine)	
	7026031	1	Sensor, Proximity (Coupling/Collector Ring)	
	1001196517	1	Sensor, Proximity (Boom Sensors)	
	1001228224	1	Sensor, Receiver (SkyEye)	
	1001237902	1	Sensor, SkySense	
	70004614	1	Sensor, Temp (Junction Valve)	
	1001225346	1	Switch, Disconnect (Battery Disconnect)	
	1001117174	1	Switch, Foot	
	4360469	1	Switch, Key	
	4360387	1	Switch, Pushbutton Yellow (Console Box & Ground control Box)	
	4360475	1	Switch, Push-Pull Emergency	
	70001432	1	Switch, Rocker (Plasma Cutter)	
	1001137673	1	Switch, SkyGuard	
	4360336	1	Switch, Toggle (Generators)	
	1001155045	1	Switch, Toggle (Platform Console Box)	
	1001159256	1	Switch, Toggle (Platform Console Box)	
	1001161709	1	Switch, Toggle (Platform Console Box)	
	1001161710	1	Switch, Toggle (Platform Console Box)	
	4360328	1	Switch, Toggle (Ground Control Assembly)	



**SECTION 11 - SPECIAL OPTIONS/ACCESSORIES/KITS**

**SECTION 11 - SPECIAL OPTIONS/ACCESSORIES/KITS**

# SECTION 11 - SPECIAL OPTIONS/ACCESSORIES/KITS

FIGURE 11-1. SPECIAL OPTIONS/ACCESSORIES/KITS

ITEM	PART NUMBER	QTY	DESCRIPTION	REV
		Ref	Note: This list is to accommodate machines ordered with special equipment. Options may not be applicable to all models. For more specific parts information contact JLG Parts Department.	
		Ref	MISCELLANEOUS SPECIAL OPTIONS/ACCESSORIES/KITS	
	1001197342	Ref	Airline Installation - 1/2	
	1001202401	Ref	Air Intake Shut-off Valve (Deutz Engines - HRC) (ANSI and CSA Specs)	
	1001197329	Ref	Bellows Installation - Boom	
	1001158014	Ref	Bellows Installation - Chassis	
	1001197330	Ref	Boom Wipers Installation	
	1001242192	Ref	ClearSky Access Control Add-on Kit	
		Ref	ClearSky Telematics Installation (Dealer Installed)	
	1001293405	Ref	ClearSky (Telematics) Installation CS550	
	1001265378	Ref	ClearSky (Telematics) Add-on Kit (Dealer Installed) (ANSI, ANSI Export and CSA Specs)	
	1001246142	Ref	ClearSky (Telematics) Add-on Kit (Dealer Installed) (Australian Specs)	
	1001243184	Ref	ClearSky (Telematics) Add-on Kit (Dealer Installed) (CE & UK CA Specs)	
	1001276923	Ref	ClearSky (Telematics) Add-on Kit (Contact JLG for Approved Countries)	
	1001197336	Ref	Cold Weather Package (Machines without Arctic Package)	
	1001197336	Ref	Cold Weather Package (Machines with Arctic Package)	
	1001233047	Ref	Crankcase Breather Heater Kit	
	1001200137	Ref	Cribbing Switch Installation (ANSI Spec Only)	
		Ref	Decal Installations	
	1001220864	Ref	Decal - Boom Transport Decals Kit	
	1001241344	Ref	Decal - Platform Console Box Decal Kit	
	1001241335	Ref	Decal - Platform Decal Kit	
		Ref	Electrical Connector Kits	
	1001148902	Ref	Amp/Tyco Electrical Connector Kit	
	1001148903	Ref	Deutsch DT Electrical Connector Kit	
	1001148904	Ref	Deutsch HD Electrical Connector Kit	
	1001148905	Ref	Packard Electrical Connector Kit	
	1001148906	Ref	Various Electrical Connectors Kit	
	1001244863	Ref	DEF Tank Replacement Kit	
	1001235962	Ref	Engine Coolant Strainer Kit	
	1001237883	Ref	Fall Arrest Bolt On Kit (6FT x 1.83M) (ANSI, ANSI Export, China, CSA, and Japanese Specs) (Fits Platform p/ns 1001186384 & 1001228376)	
	1001237882	Ref	Fall Arrest Bolt On Kit (8FT x 2.44M) (ANSI, ANSI Export, China, CSA, and Japanese Specs) (Fits Platform p/ns 1001186383)	
	1001197775	Ref	Fan Guard Installation	
	1001225639	Ref	Combined Filter Kit (Deutz HRC & LRC Engines)	
	1001139099	Ref	Fire Extinguisher(20lbs) Installation	
	1001305520	Ref	Fire Extinguisher(2.5lbs) Installation	
	1001274833	Ref	Floor Mat Add-on Kit (30x48 Platform) (Dealer Installed)	
	1001274830	Ref	Floor Mat Add-on Kit (36x72 Platform) (Dealer Installed)	
	1001274829	Ref	Floor Mat Add-on Kit (36x96 Platform) (Dealer Installed)	
	1001117294	Ref	Foot Switch Shield	
	1001205812	Ref	Fuel Cap Installation - Lockable	



## SECTION 11 - SPECIAL OPTIONS/ACCESSORIES/KITS

ITEM	PART NUMBER	QTY	DESCRIPTION	REV
	1001197340	Ref	Headlight and Taillights Installation	
	1001237402	Ref	Hose/Cable Protection Installation (Boom)	
	1001239627	Ref	Hose Kit - Platform Valve	
	1001239625	Ref	Hose Kit - Upper Powertrack	
	1001241419	Ref	Hostile Environment Kit	
	1001299830	Ref	Hourmeter Gauge Kit	
	1001197341	Ref	Illumination Lights Installation	
	1001236952	Ref	Low Temperature Cut Out Installation	
	1001236268	Ref	Main Control Valve Kit	
	1001253618	Ref	Module Box Assembly Kit (Service Kit for P/N 1001246867)	
	1001253619	Ref	Module Box Assembly Kit (Service Kit for P/N 1001246860)	
	1001155064	Ref	Oil Cooler Installation	
	1001272166	Ref	Pipe Rack Kit	
	1001197436	Ref	Platform Console Cover Installation	
	1001308593	Ref	Platform Console Cover Installation (POLYSTER)	
	1580013	Ref	Platform Corner Storage Tray	
	1001309057	Ref	Console Cover Kit	
		Ref	Platform Entry Kits	
	1001142504	Ref	Drop Bar (Replacing Swing Gate with Drop Bar)	
	1001142505	Ref	Swing Gate (Replacing Drop Bar with Swing Gate)	
	1001202917	Ref	Platform Floodlights Installation	
		Ref	Platform Mesh to Top Rail Add-On Kits: (ANSI, ANSI Export, Australian and CSA Specs)	
	1001281456	Ref	30in x 4ft (76cm x 1.22m) with Gate	
	1001281453	Ref	36in x 6ft (91.5cm x 1.83m) with Gate	
	1001281452	Ref	36in x 8ft (91.5cm x 2.44m) with Gate	
		Ref	Platform Mesh to Top Rail Installations (ANSI, ANSI Export, Australian and CSA Specs)	
	1001272182	Ref	30in x 4ft (76cm x 1.22m)	
	1001271642	Ref	36in x 6ft (91.5cm x 1.83m)	
	1001269187	Ref	36in x 8ft (91.5cm x 2.44m)	
		Ref	Platform Plastic Mesh to Top Rail Installations (ANSI, ANSI Export, Australian and CSA Specs)	
	1001266807	Ref	30in x 4ft (76cm x 1.22m)	
	1001266489	Ref	36in x 6ft (91.5cm x 1.83m)	
	1001266056	Ref	36in x 8ft (91.5cm x 2.44m)	
		Ref	Platform Mesh to Mid Rail Add-On Kits: (ANSI, ANSI Export, Australian and CSA Specs)	
	1001281461	Ref	30in x 4ft (76cm x 1.22m) with Gate	
	1001281458	Ref	36in x 6ft (91.5cm x 1.83m) with Gate	
	1001281457	Ref	36in x 8ft (91.5cm x 2.44m) with Gate	
		Ref	Platform Mesh to Mid Rail Installation (ANSI, ANSI Export, Australian and CSA Specs)	
	1001272274	Ref	30in x 4ft (76cm x 1.22m)	
	1001271760	Ref	36in x 6ft (91.5cm x 1.83m)	
	1001269389	Ref	36in x 8ft (91.5cm x 2.44m)	
		Ref	Platform Plastic Mesh to Mid Rail Installation (ANSI, ANSI Export, Australian and CSA Specs)	
	1001266969	Ref	30in x 4ft (76cm x 1.22m)	
	1001266284	Ref	36in x 6ft (91.5cm x 1.83m)	
	1001266098	Ref	36in x 8ft (91.5cm x 2.44m)	
	0272725	Ref	Platform Rail Extension - 8ft Platform	
	2902217	Ref	Platform Weld Leads	

## SECTION 11 - SPECIAL OPTIONS/ACCESSORIES/KITS

ITEM	PART NUMBER	QTY	DESCRIPTION	REV
	1001303655	Ref	Platform Worklights Installation	S
	1001233732	Ref	Service Tools & Kits	
	1001266828	Ref	Strobe Light Installation Kit - Blue	
	1001266826	Ref	Strobe Light Installation Kit - Red	
	1001293788	Ref	Strobe Light (Red) Kit	
	1001292583	Ref	Strobe Light (Amber) Kit	
	1001247073	Ref	SkyEye Retrofit Kit	
	1001250035	Ref	SkyGuard Platform Sensor Kit	
	1001249052	Ref	SkyGuard Retrofit Kit	
	1001241547	Ref	SkyEye Housing Repair Kit (LH)	
	1001241548	Ref	SkyEye Housing Repair Kit (RH)	
	1001250595	Ref	SkyGuard 6-Pin Retrofit Installation Kit	
	1001262016	Ref	SkyLine Kit	
	1001289905	Ref	SkySense/Enhanced Detection System (EDS) Level 1 (2-Bar) Installation Kit (Dealer Installed)	
	1001289906	Ref	SkySense/Enhanced Detection System (EDS) Level 2 (3-Bar) Installation Kit (Dealer Installed)	
	1001289831	Ref	SkySense/Enhanced Detection System (EDS) Level 1 (2-Bar) Installation Kit (Factory Installed)	
	1001289832	Ref	SkySense/Enhanced Detection System (EDS) Level 2 (3-Bar) Installation Kit (Factory Installed)	
	1001282461	Ref	SkySense Padding Installation - For 36 x 48 Platforms equipped with SkySense	
	1001282434	Ref	SkySense Pre-cut Bumper Kit (use with 1001282461)	
	1001275642	Ref	SkySense Padding Installation - For 36 x 72 Platforms equipped with SkySense	
	1001275650	Ref	SkySense Pre-cut Bumper Kit (use with 1001275642)	
	1001269655	Ref	SkySense Padding Installation - For 36 x 96 Platforms equipped with SkySense	
	1001276062	Ref	SkySense Pre-cut Bumper Kit (use with 1001269655)	
	4530028	Ref	SkyWelder (Welder Assembly only)	
	1001231235	Ref	SkyWelder Locking Bracket Installation	
	1001303167	Ref	SkyWelder Extension Cord Cable	
		Ref	Tools For Service:	
	2901443	Ref	Analyzer Kit	
	1001249695	Ref	Analyzer, Machine System with Cable	
	1001249941	Ref	Analyzer, Machine System with Cable (Battery Powered)	
	1001197359	Ref	Boom Cable Adjustment Socket Installation	
	7002821	Ref	Crimper, Wire	
	7002823	Ref	Pin Extractor - Universal (For Electrical Connectors with Pins and Sockets)	
	4460467	Ref	Extractor - 16-18 Gauge (For Removal of Pin/Sockets from Deutsch Connectors)	
	4460510	Ref	Extractor - 12-14 Gauge (For Removal of Pin/Sockets from Deutsch Connectors)	
	7016654	Ref	Screwdriver, Magnetic	
	7002822	Ref	Screwdriver, Potentiometer	
	7004275	Ref	Seal Tool 1 in (For Cylinders)	
	7004276	Ref	Seal Tool 1-1/2 in (For Cylinders)	
	1001137005	Ref	Software Cable Kit (Service Kit)	
	7002828	Ref	Stripper, Wire	
	70004185	Ref	Torque Multiplier	
	7016655	Ref	Wire Rope Sheave Gauge	
	1001193630	Ref	Turntable Bearing Kit	

## SECTION 11 - SPECIAL OPTIONS/ACCESSORIES/KITS

ITEM	PART NUMBER	QTY	DESCRIPTION	REV
	1001241273	Ref	Tower Boom Wear Pad Kit	
	1001265328	Ref	Tower Stow Sensor Kit	
	1001278007	Ref	UCM Replacement Kit	
	1001277846	Ref	UGM Kit	
	1001274249	Ref	USB Charger Add-on Kit (Dealer Installed)	
	1001262959	Ref	Voltage Regulator Relocation Kit (ClearSky)	
	1001277341	Ref	White Noise Alarm Kit	
	1001277285	Ref	White Noise Ambient Alarm Kit	
	1001241673	Ref	Wire Rope Kit	



# SECTION 11 - SPECIAL OPTIONS/ACCESSORIES/KITS

## PART NUMBER INDEX

## SECTION 11 - SPECIAL OPTIONS/ACCESSORIES/KITS

0100009.....399, 403	0561380 ..... 325	0700815 ... 176, 188, 204,	0741607.... 305, 309, 313,
0100011.... 17, 19, 21, 31,	0630462 ..... 433, 435	216, 236, 242, 262,	317
53, 57, 59, 77, 83, 85,	0630518... 141, 407, 427,	278, 525, 527, 529, 531	0760408.... 170, 182, 198,
89, 93, 97, 101, 105,	429, 431	0700816 ..... 355	210, 224, 228, 252, 268
109, 113, 117, 121,	0630535 ..... 471	0700818 ... 170, 182, 198,	0760508.... 173, 185, 231,
157, 158, 159, 170,	0630568 ..... 400, 404	210, 224, 228, 252, 268	233, 258, 274
173, 176, 182, 185,	0630615001 ..... 157	0700818001 ..... 309, 313,	076051693, 97, 101, 105,
188, 198, 201, 204,	0641404 ..... 415	317	109, 113, 117, 121
210, 213, 216, 224,	0641405 .... 399, 403, 415	0700819001 ..... 305	0760604.... 176, 188, 236,
228, 231, 233, 236,	0641406... 391, 664, 668,	0700820 ... 170, 182, 224,	242, 262, 278
242, 252, 258, 262,	672, 676, 680, 684,	228, 252, 268	0760606.... 170, 182, 224,
268, 274, 278, 305,	688, 692, 696	0700822 ... 170, 182, 224,	228, 305, 309, 313, 317
309, 313, 317, 325,	0641406001 ..... 393	228, 252, 268	0760608.... 170, 176, 182,
330, 335, 343, 345,	0641408 .... 158, 159, 417	0700823001 ..... 488	188, 199, 211, 224,
347, 355, 359, 363,	0641414 ... 399, 403, 413,	0700827 ... 170, 182, 224,	228, 236, 242, 252, 268
367, 371, 373, 375,	417, 419, 433, 435	228, 252, 268	076061093, 97, 101, 105,
381, 383, 385, 413,	0641416... 495, 497, 499,	0701013 ..... 89, 176, 188,	109, 113, 117, 121,
415, 424, 427, 429,	501, 503, 505, 507,	204, 216, 236, 242,	173, 185, 201, 213,
431, 433, 435, 465,	509, 511, 513, 515	262, 278	231, 233, 258, 305,
525, 527, 529, 531	0641418 ... 363, 367, 371,	0701014001 ..... 157, 163,	309, 313, 317, 355,
0100019.... 19, 21, 67, 71,	373, 375, 381, 383, 385	165	395, 397, 537
305, 309, 313, 317,	0641504 ..... 35	0701015 . 81, 83, 85, 157,	0760610001..... 479
325, 335, 488	0641506 ..... 79	176, 188, 204, 216,	0760612.... 158, 395, 397
0100020.... 170, 176, 182,	0641508 ..... 79	236, 242, 262, 278	0760612001..... 355
188, 198, 204, 210,	0641510 ..... 479	0701016 ... 176, 188, 204,	076061393, 97, 101, 105,
216, 224, 228, 236,	0641511001 ..... 483	216, 236, 242, 262, 278	109, 113, 117, 121
242, 252, 262, 268,	0641606... 176, 188, 204,	0701017 ... 176, 188, 204,	076061483, 85, 176, 188,
278, 309, 317, 409,	216, 236, 242, 424,	216, 236, 242, 262, 278	206, 217, 236, 242,
424, 441, 495, 497,	427, 429, 431	0701018 ..... 71, 305, 309,	262, 278
499, 501, 503, 505,	0641607 ..... 262, 278	313, 317, 335	0760614001..... 356
507, 509, 511, 513, 515	0641608 .... 201, 213, 299	0701019 ... 176, 188, 204,	0760807..... 274
0100035..... 19, 173, 185,	0641812 ... 173, 185, 201,	216, 236, 242, 262, 278	0760807001..... 347
201, 213, 231, 233,	213, 231, 233, 258, 274	0701020 ..... 335	0760808001..... 19, 347
258, 274, 355, 399,	0642012 ..... 421	0701022 ..... 335	076081093, 97, 101, 105,
403, 407	0642212 ..... 421	0701024001 ..... 330, 343	109, 113, 117, 121,
0100038..... 357, 465	0642220 ... 170, 182, 198,	0701025001 ..... 347	157, 170, 176, 182,
0100048.... 305, 309, 313,	210, 224, 228, 252, 268	0701026001 ..... 343	188, 204, 216, 224,
317, 537	0681607 ..... 471	0701027001 ..... 343, 345	228, 236, 242, 262,
0100071 ..... 17	0681608 ..... 471	0701028001 ..... 488	278, 355
0100081.... 176, 188, 206,	0681620 ... 445, 447, 449,	0701031 ..... 335	0760810001.. 93, 97, 101,
218, 236, 242, 262,	451	0701032001 ..... 345	105, 109, 113, 117,
278, 343, 345, 421	0681814 .... 377, 387, 389	0701034001 ..... 343	121, 157
0140011 ..... 399, 403	0681822 .... 377, 387, 389	0701220 ..... 81, 83, 85	0760812.. 31, 93, 97, 101,
0140043 ..... 143	0682220 ..... 71	0701222 ..... 335	105, 109, 113, 117,
0200048 ..... 433, 435	0682424 ... 445, 447, 449,	0701224 ..... 77	121, 157, 170, 176,
0236768 ..... 89	451	0701420001 ..... 17	182, 188, 198, 204,
0272254 ..... 429	0700408 ... 495, 497, 499,	0701422001 ..... 19	210, 216, 224, 228,
0272427 ..... 433	501, 503, 505, 507,	0701619001 ..... 29	236, 242, 262, 278, 521
0272435 ..... 318	509, 511, 513, 515	0701627 ... 176, 188, 204,	0760812001..... 157, 359,
0272448 ..... 700	070041293, 97, 101, 105,	216, 236, 242, 262, 278	493, 519, 539, 541
0272521 ..... 427	109, 113, 117, 121	0702022001 ..... 325	076081483, 85, 158, 170,
0272588 ..... 700	0700510 ..... 201, 213	0702426001 ..... 325	182, 224, 228, 355
0272589 ..... 314	070061083, 85, 145, 147,	0711015 ... 170, 182, 198,	0760814001..... 158
0272599 ..... 703	170, 176, 182, 188,	210, 224, 228, 252, 268	0760815..... 158
0272607 ..... 705	224, 228, 236, 242,	0711214 ... 176, 188, 204,	0760815001..... 19
0272725 ..... 713	252, 262, 268, 278	216, 236, 242, 262, 278	0760818001..... 525, 527,
0273353 ..... 424	0700612 ... 143, 176, 188,	0711214001 ..... 330	529, 531
0273706 ..... 435	204, 216, 236, 242,	0711215001 ..... 330	0760822001..... 488
0275216 ..... 495, 615	262, 278, 539, 541	0711217001 ..... 330	0761007001..... 157, 343
0275217 ..... 499, 617	0700614 ... 170, 182, 199,	0711218 ... 176, 188, 206,	0761008.... 176, 188, 204,
0275452 ..... 503, 619	211, 224, 228, 252, 268	218, 236, 242, 262, 278	216, 236, 242
0275453 ..... 507, 621	0700615 ..... 151, 153	0711222001 ..... 359	0761009.... 170, 182, 199,
0275454 ..... 511, 623	0700616 ..... 158, 159	0711626001 ..... 336	211, 224, 228, 252, 268
0400020 ..... 89	070062093, 97, 101, 105,	0712435 ..... 67	0761009001..... 355, 479
0440162.... 170, 182, 198,	109, 113, 117, 121	0712445001 ..... 337, 359	0761010.... 525, 527, 529,
210, 224, 228, 252, 268		0721005 ..... 433, 435	531
0440273..... 17, 325		0731007 ..... 81, 83, 85	

## SECTION 11 - SPECIAL OPTIONS/ACCESSORIES/KITS

0761010001 . 57, 59, 336, 347	0861538 ..... 317, 708	1001100347 ..... 621	1001117125 ..... 657
0761011 ..... 158, 335	0861572 ..... 313, 708	1001101191 ..... 495, 499, 503, 507, 511, 543, 545	1001117172 ..... 409
0761011001 ..... 336	0861731 ... 505, 509, 513, 515, 619, 621, 623	1001101196 ..... 495, 499	1001117174 ..... 399, 403, 409, 709
0761012 . 31, 57, 59, 157, 176, 188, 204, 216, 236, 242, 262, 278, 335, 347, 537	0861781 ... 497, 501, 615, 617	1001101197 ..... 503, 507, 511	1001117244 ..... 177, 189, 237, 243, 263, 279
0761012001 59, 158, 159, 343, 355	0861880 ..... 543, 547	1001101580 ..... 171, 183, 198, 210, 225, 229, 253, 269	1001117294 ..... 712
0761013001 . 93, 97, 101, 105, 109, 113, 117, 121	0902888 ... 305, 309, 313, 317	1001102594 ..... 627	1001117308 ..... 177, 189, 205, 217, 237, 243, 263, 279, 709
0761014 ..... 157, 355	0940049 ..... 157	1001103012 ..... 650	1001118274 ... 31, 93, 97, 101, 105, 109, 113, 117, 121, 157
0761014001 ..... 330, 336, 359	0940092 ..... 433, 435	1001104497 ..... 356	1001118282 ..... 572, 575, 580
076101593, 97, 101, 105, 109, 113, 117, 121, 158, 170, 173, 182, 185, 198, 201, 210, 213, 224, 228, 231, 233, 252, 258, 268, 274, 335, 355, 395, 397	0940094 ..... 433, 435	1001104498 ..... 523, 650	1001118287 ..... 336
0761015001 ..... 17, 488	0940102 ..... 421	1001107854 ..... 523	1001118288 ..... 336
0761016001 17, 325, 345	0940103 ..... 433	1001108616 ..... 173, 185, 201, 213, 231, 233, 258, 274, 290	1001118384 ..... 639
0761018 ..... 299	0940133 ..... 435	1001108617 ..... 57	1001118388 ..... 603, 639
0761210 ... 173, 176, 185, 188, 201, 204, 213, 216, 231, 233, 236, 242, 258, 274	0961845 ... 363, 367, 371, 373, 375, 381, 383, 385	1001109048 ..... 81, 83, 85	1001118878 ... 37, 39, 41, 43, 45, 47, 49, 51
0761212 ... 305, 309, 313, 317	0961897 ..... 471	1001109654 ..... 539, 543	1001118972 ..... 157, 355
0761212001 ..... 343	0961949 ..... 459	1001110604 ..... 488	1001119020 ..... 645
0761214 ..... 21, 157, 301	0961950 ..... 467	1001110872 ..... 517	1001119215 ..... 537
0761214001 ..... 157, 336, 345	0961951 ... 176, 188, 204, 216, 236, 242, 262, 278, 335, 471, 475	1001110873 ..... 310, 318, 493	1001119412 ..... 583, 599
0761215 ..... 258, 274	0962051 ... 170, 182, 198, 210, 224, 228, 252, 268	1001111116 ..... 205, 217	1001119455 ..... 488
0761216 ..... 77, 158, 173, 185, 201, 213, 231, 233, 258, 274	0962224 ..... 335, 337	1001112551 ..... 668	1001119619 ..... 633
0761216001 ..... 359	0962257 ..... 461	1001112612 ..... 649	1001119620 ..... 635, 637
0761217 ..... 158	0962270 ... 377, 387, 389	1001112796 ..... 561, 645	1001119727 ..... 205, 217
0761218001 ... 31, 37, 39, 41, 43, 45, 47, 49, 51, 343	0962423 ..... 19	1001112927 ..... 173, 185, 201, 213, 231, 233, 258, 274, 297	1001119899 ..... 336
0761614001 ..... 336	0962520 ... 305, 309, 313, 317	1001113961 ..... 549, 649	1001120000 ..... 17
0761616 ..... 335	0962556 ..... 335	1001116208 ..... 700	1001120055 ..... 611
0762014001 ..... 325	0962561 ..... 457, 459	1001116692 ..... 523	1001120104 ..... 709
0762016001 ..... 325	0962562 ..... 465	1001116693 ..... 649, 650	1001120328 . 94, 98, 102, 106, 110, 114, 118, 122, 413, 415, 571, 577, 581, 613, 651
0762018001 ..... 21	1001008559 ..... 151, 153, 525, 527, 529, 531	1001116694 ..... 523, 645	1001120471 ..... 453
0762418001 ..... 17, 325	1001091102 ..... 161, 539, 541	1001116695 ..... 523	1001120477 ..... 453
0762422001 ..... 325	1001091969 ..... 495	1001116720 ..... 603	1001120484 ..... 453
0771010001 ..... 336	1001091970 ..... 499	1001116725 ..... 572, 576, 580, 650	1001120989 ..... 700
0771012001 ..... 336, 359	1001091973 ..... 503	1001116731 ..... 561	1001125295 ..... 605
0771014001 ..... 336	1001091974 ..... 507	1001116732 ..... 583	1001125387 ..... 700
0771016001 ..... 336	1001091975 ..... 511	1001116733 ..... 572, 576, 580, 599	1001125677 ... 571, 577, 581, 613, 651
0771018001 ..... 336	1001095704 ..... 571, 577, 581, 709	1001116734 ..... 572, 576, 580	1001126008 ..... 573, 576, 608, 655
0771212001 ..... 330	1001096612 ..... 305, 547	1001116748 ..... 549, 631, 653	1001126009 ..... 549, 639
0771218001 ..... 330	1001096653 ..... 31	1001116751 ..... 631, 653	1001126011 ..... 611
0771415 ... 176, 188, 204, 216, 236, 242, 262, 278	1001097051 ..... 523, 637	1001116774 ..... 645	1001126245 ..... 572, 576
0771416 ... 170, 182, 198, 210, 224, 228, 252, 268	1001097150 ..... 543, 547	1001116808 ..... 645	1001126351 ..... 575, 579, 584
0771419 ..... 262, 278	1001097244 ..... 395, 397, 453	1001116812 ..... 576, 580, 583, 587, 601, 607, 651	1001126352 ..... 584
0771617001 ..... 336	1001097587 ..... 67	1001116815 ..... 577, 581, 587, 651	1001126353 ..... 571
0772016001 ..... 336	1001097588 ..... 177, 189, 237, 243, 258, 263, 274, 279	1001116846 ..... 680, 700	1001126356 ..... 584
0801550 ..... 335	1001098012 ..... 424, 441, 443	1001116849 ..... 680	1001126357 ..... 584
0860038 ... 309, 317, 493	1001098122 ..... 409, 611	1001116851 ..... 680	1001126362 ..... 572, 576, 580, 584
	1001098149 ..... 441	1001116952 ..... 583	1001126363 ..... 576, 580, 584
	1001099366 ..... 421	1001116983 ..... 589	1001126364 ..... 576
	1001099367 ..... 421	1001117023 ..... 583	1001126365 ..... 576, 580, 584
	1001100231 ..... 543	1001117035 ..... 680	1001126384 ..... 584
	1001100319 ..... 264, 279	1001117106 ..... 583	1001126391 ..... 567, 572, 576, 580, 584
	1001100341 ..... 615	1001117107 ..... 571	1001126392 ..... 576, 580
	1001100342 ..... 617	1001117108 ..... 572	
	1001100345 ..... 619	1001117110 ..... 523, 607, 649	
	1001100346 ..... 623		

## SECTION 11 - SPECIAL OPTIONS/ACCESSORIES/KITS

1001126393.....572, 576	1001138514 ..... 367, 373, 375, 383, 385	1001148906 ..... 712	1001154247.....336
1001126485.....572, 573, 576, 580	1001138559 ..... 177, 189, 205, 217, 237, 243, 263, 279	1001149160 ..... 93, 97, 101, 105, 109, 113, 117, 121, 157	1001154262..... 171, 183, 225, 229, 253, 269
1001126487 .....572, 576, 580	1001138566 ..... 305, 309, 708	1001149517 ..... 177, 189, 205, 217, 237, 243, 263, 279	1001154377..... 71
1001128127.....657	1001138827 ..... 177, 189, 205, 217, 237, 243, 263, 279, 709	1001149711 ..... 29	1001154405..... 171, 178, 183, 190, 199, 206, 211, 218, 225, 229, 237, 243, 253, 264, 269, 280, 299
1001128128.....572, 576, 580, 583	1001139099 ..... 712	1001149746 ..... 177, 189, 205, 217, 237, 243, 263, 279	1001154759..... 21
1001128527.....431	1001139240 ..... 177, 189, 205, 217, 237, 243, 263, 279	1001149823 ..... 67	1001154772..... 21
1001128556.....431	1001139654 ..... 700	1001149867 ..... 201, 204	1001155023..... 177, 189, 206, 218, 238, 244, 264, 280
1001129408.....551, 553, 555, 557	1001140429 ..... 363, 367, 371, 373, 375, 381, 383, 385	1001149921 ..... 21, 25	1001155041..... 305, 309, 313, 317
1001131130..... 158	1001140564 ..... 177, 189, 205, 217, 237, 243, 263, 279	1001149970 ..... 93, 97, 101, 105, 109, 113, 117, 121, 569	1001155044..... 399, 403
1001131269.....664, 684	1001141300 ..... 700	1001149971 ..... 201, 213, 583	1001155045..... 399, 403, 709
1001133714.....573, 576, 580, 583	1001141304 ..... 274	1001150162 ..... 709	1001155064..... 713
1001133715.....573, 576, 580, 583	1001141995 ..... 177, 189, 205, 217, 237, 243, 263, 279	1001150174 ..... 309, 317	1001155133..... 17
1001133927 .....465	1001142501 ..... 171, 177, 183, 189, 199, 205, 211, 217, 225, 229, 237, 243, 253, 269	1001150498 ..... 205, 217	1001155262..... 355
1001133956.....575, 579, 584	1001142504 ..... 713	1001150499 ..... 205, 217	1001155303..... 310, 318
1001133957 .....575, 579, 584	1001142505 ..... 713	1001150504 ..... 177, 205, 237, 263	1001155338..... 305, 310, 313, 317
1001134314.....325	1001142683 ..... 151, 153, 708	1001150505 ..... 205, 217	1001155348..... 313, 317
1001134488..... 177, 189, 205, 217, 237, 243, 263, 279	1001143390 ..... 177, 189, 205, 217, 237, 243, 263, 279	1001150553 ..... 177, 189, 205, 217, 237, 243, 264, 280	1001155363..... 17
1001135196..... 171, 183, 198, 210, 225, 229, 253, 269	1001143852 ..... 700	1001150611 ..... 649	1001155496..... 178, 190, 206, 218, 238, 244, 264, 280
1001135497..... 171, 183, 198, 210, 225, 229, 253, 269	1001144147 ..... 561, 629, 649	1001150725 ..... 71	1001155498..... 178, 190, 206, 218, 238, 244, 264, 280
1001135650.....573, 576, 580	1001144296 ..... 645	1001150942 ..... 465	1001155525..... 178, 190, 206, 218, 238, 244, 264, 280
1001135943..... 177, 189, 205, 217, 237, 243, 263, 279	1001144433 ..... 413	1001151393 ..... 125, 127, 129, 131, 133, 135, 137, 139	1001155527..... 163
1001136583.....336	1001144629 ..... 365, 369, 371, 379, 381	1001151432 ..... 205, 217	1001155540..... 178, 190, 206, 218, 238, 244, 264, 280
1001136834..... 177, 189, 205, 217, 237, 243, 263, 279	1001145405 ..... 424, 441	1001151491 ..... 177, 189, 205, 218, 237, 243, 264, 280	1001155557..... 178, 190, 206, 218, 238, 244, 264, 280
1001136975..... 171, 183, 199, 211, 225, 229, 253, 269	1001146588 ..... 258, 274, 525, 527, 529, 531	1001151503 ..... 465	1001155561..... 53
1001137005..... 714	1001146940 ..... 325	1001151749 ..... 177, 189, 206, 218, 237, 243, 264, 280	1001155563..... 178, 190, 206, 218, 238, 244, 264, 280
1001137032.....330	1001146963 ..... 19, 709	1001151761 ..... 206, 218	1001155574..... 178, 190, 206, 218, 238, 244, 264, 280
1001137263.....488	1001147567 ..... 177, 189, 237, 243, 263, 279	1001152112 ..... 189, 218, 243, 280	1001155584..... 159
1001137364..... 133, 135, 137, 139, 403	1001147616 ..... 29	1001152266 ..... 657	1001155591..... 157
1001137578.....565	1001147617 ..... 29	1001152457 ..... 309	1001155728..... 178, 190, 206, 218, 238, 244, 264, 280
1001137673..... 413, 709	1001147618 ..... 29	1001152458 ..... 305	1001155832..... 157
1001138173..... 177, 189, 205, 217, 237, 243, 263, 279	1001147847 ..... 177, 189, 205, 217, 237, 243, 263, 279	1001152483 ..... 545	
1001138175..... 177, 189, 205, 217, 237, 243, 263, 279	1001148012 ..... 337	1001152489 ..... 177, 189, 206, 218, 237, 243, 264, 280	
1001138228.....205, 217, 709	1001148059 ..... 305, 314	1001152525 ..... 314, 318	
1001138248..... 177, 189, 205, 217, 237, 243, 263, 279	1001148641 ..... 177, 189, 205, 217, 237, 243, 263, 279	1001152530 ..... 305, 309	
1001138253.....263, 279	1001148675 ..... 517	1001152532 ..... 306, 310, 593	
1001138494.....367, 371, 373, 375, 381, 383, 385	1001148902 ..... 712	1001152742 ..... 567	
	1001148903 ..... 712	1001153259 ..... 306, 310, 597	
	1001148904 ..... 712	1001153785 ..... 336	
	1001148905 ..... 712	1001153827 ..... 336	
		1001153981 ..... 71	
		1001153983 ..... 71	
		1001153984 ..... 71, 73	
		1001154035 ..... 89	
		1001154196 ..... 77	



## SECTION 11 - SPECIAL OPTIONS/ACCESSORIES/KITS

1001155836 ..... 19, 355	1001157467.....29	1001161470.....165	1001172356 ..... 29
1001155939 ..... 171, 183, 199, 211, 225, 229, 253, 269	1001157520.....314, 318	1001161488.....163	1001172358. 17, 59, 157, 159, 163, 165, 325, 330, 336, 343, 345, 356, 359, 479, 488
1001155967 . 93, 97, 101, 105, 109, 113, 117, 121, 355, 607, 651	1001157521.....314, 318	1001161647.....489	
1001156001 ..... 201, 213, 587	1001157525.....314	1001161709.....399, 403, 709	1001172570 ..... 421, 700
1001156016 ..... 457	1001157528.....314, 318	1001161710.....399, 403, 709	1001172571 ..... 700
1001156030 ..... 314, 318, 599	1001157592.....318	1001162212.....171, 183, 225, 229, 253, 269	1001172572 ..... 700
1001156033 ..... 463	1001157670.....53	1001162880.....89, 91	1001172573 ..... 700
1001156034 ..... 178, 190, 206, 218, 238, 244, 264, 280	1001157849.....21	1001163631.....37, 39, 41, 43, 45, 47, 49, 51, 627	1001172574 ..... 700
1001156035 ..... 178, 190, 206, 218, 238, 244, 264, 280	1001157850.....21	1001164354.....31, 37, 39, 41, 43, 45, 47, 49, 51	1001172575 ..... 700
1001156062 ..... 178, 190, 206, 218, 238, 244, 264, 280	1001157862.....178, 190, 206, 218, 238, 244, 264, 280	1001164700.....91	1001172576 ..... 700
1001156091 ..... 178, 190, 206, 218, 238, 244, 264, 280	1001157872.....336	1001165035.....171, 176, 183, 188, 199, 204, 211, 216, 225, 229, 238, 244, 253, 264, 269, 280	1001172577 ..... 421
1001156107 . 93, 97, 101, 105, 109, 113, 117, 121, 173, 185, 201, 213, 231, 233, 258, 274, 355	1001157878.....336	1001165194.....567	1001172578 ..... 421
1001156112 ..... 206, 218	1001157885.....336	1001166393.....178, 190, 205, 217, 238, 244, 264, 280	1001172620 ..... 421, 700
1001156347 ..... 159	1001157887.....325	1001166541.....572	1001172760 ..... 399, 403
1001156606 ..... 19	1001157890.....572, 575, 579, 607, 625	1001166543.....572	1001173609 ..... 393
1001156613 ..... 336	1001157891.....525, 527, 529, 531, 567, 650	1001166551.....571	1001173662 ..... 330
1001156644 ..... 178, 190, 206, 218, 238, 244, 264, 280	1001157906.....159	1001166555.....571	1001173763 ..... 345
1001156650 ..... 325	1001157907.....159	1001166556.....567, 572	1001173846 ..... 57
1001156678 ..... 19	1001158007.....314, 318	1001166701.....572	1001174345 ..... 19
1001156679 ..... 19	1001158008.....314, 318	1001166704.....565	1001175201 ..... 83, 85
1001156692 ..... 584	1001158014.....712	1001166774.....567, 572	1001175265 ..... 572, 576
1001156718 ..... 173, 185, 201, 213, 231, 233, 258, 274	1001158017.....17	1001166795.....576	1001175568 ..... 178, 190, 238, 244, 264, 280
1001156719 ..... 269, 274	1001158262.....206, 218	1001166796.....576	1001176002 ..... 571, 575, 579
1001156778 ..... 19, 355	1001158263.....303	1001166797.....336	1001176004 ..... 571, 575, 579
1001156785 ..... 19	1001158289.....206, 218	1001167528.....565	1001176333 ..... 605
1001156815 ..... 19	1001158363.....305, 309	1001167565.....359	1001176469 ..... 127, 131, 135, 139
1001156867 ..... 53	1001158412.....57, 59	1001167567.....359	1001176582 ..... 393
1001156926 ..... 399, 403	1001158529.....213, 216	1001167615.....571	1001176636 ..... 393
1001156991 ..... 19	1001158607.....303	1001167616.....572, 576, 580	1001177134 ..... 205, 217
1001156996 ..... 19	1001159118.....517	1001167620.....571, 575, 579	1001177137 ..... 205, 217
1001157007 ..... 17, 336	1001159119.....517	1001167621.....571	1001177635 ..... 393
1001157073 ..... 173, 185, 201, 213, 231, 233, 258, 274	1001159120.....517	1001167622.....571	1001177915 ..... 318
1001157080 ..... 457	1001159121.....517	1001167623.....571	1001180153 ..... 325
1001157084 ..... 17	1001159186.....601, 611, 612, 613	1001167624.....571, 575, 579	1001180491 ..... 393
1001157207 ..... 31, 35	1001159256.....399, 403, 709	1001167625.....571	1001180620 ..... 158
1001157216 ..... 29	1001160169.....465	1001167626.....571	1001181045 ..... 543, 547, 708
1001157241 ..... 483	1001160445.....664, 668, 672, 676, 680, 684, 688, 692, 696	1001167627.....571	1001181625 ..... 171, 183, 225, 229, 253, 269
1001157292 ..... 399, 403	1001160505.....159	1001167628.....571	1001181899 ..... 178, 190, 238, 244, 253, 258, 264, 269, 275, 280
1001157300 ..... 190, 218, 244, 280	1001160518.....178, 190, 206, 218, 238, 244, 264, 280	1001167629.....572, 576	1001182361 ..... 575, 579
1001157301 ..... 190, 218, 244, 280	1001161232...57, 59, 708	1001167630.....572, 573, 576	1001182365 ..... 575, 579
1001157454 ..... 336	1001161269.....483	1001167631.....573, 576	1001182806 ..... 147
	1001161270.....483	1001167632.....565, 580	1001184619 ..... 668, 676, 684
	1001161271.....483	1001167633.....573	1001184682 ..... 145
	1001161272.....483	1001167634.....572, 576, 580	1001184846 ..... 572
	1001161273.....483	1001167635.....572, 576	1001185281 ..... 399, 403
	1001161274.....483	1001168402.....359	1001186318 ..... 389
	1001161275.....483	1001168734.....201, 213	1001186333 ..... 377
	1001161276.....483	1001169085.....149, 151, 153	1001186334 ..... 387
	1001161277.....483	1001169409.....253, 269	1001186342 ..... 171, 183, 199, 211, 225, 229, 253, 269
	1001161278.....483	1001170982.....178, 190, 206, 218, 238, 244, 264, 280	1001186375 ..... 367
	1001161279.....483	1001171324.....357	1001186379 ..... 373
	1001161280.....483		1001186382 ..... 383
	1001161281.....483		1001186383 ..... 379
	1001161282.....483		
	1001161283.....483		
	1001161289.....483		
	1001161290.....483		

## SECTION 11 - SPECIAL OPTIONS/ACCESSORIES/KITS

1001186384.....369	1001195941 ..... 336	1001198386 ..... 345	1001200203.....537
1001186387.....365	1001195947 .... 664, 672, 680, 688, 692, 696	1001198388 ..... 345	1001200345.....356, 709
1001186389.....389	1001196517 ..... 355, 709	1001198389 ..... 345	1001200491.....359
1001186431.....413, 709	1001196562 ..... 157	1001198587 ..... 471	1001200494.....359
1001186432.....603, 639	1001196603 ..... 650	1001198594 ..... 472	1001200501.....157
1001186517.....413	1001196605 ..... 650	1001198640 ..... 330	1001200502.....157
1001187077.....631	1001196634 .... 321, 563, 650, 708	1001198641 ..... 330	1001200519.....157
1001187518.....171, 183, 225, 229	1001196635 ..... 650	1001198642 ..... 330	1001200522.....157
1001187674.....411	1001196636 ..... 650, 657	1001198643 ..... 330	1001200532.....157
1001187681.....633	1001196682 .... 525, 527, 529, 531, 655	1001198644 ..... 330	1001200550.....356, 489, 709
1001187744..93, 97, 101, 105, 109, 113, 117, 121	1001196733 ..... 325	1001198645 ..... 330	1001200565.....310
1001188491.....81, 83, 85	1001196806 ..... 83, 85	1001198685 ..... 157	1001200574.....325
1001188622.....359	1001196917 ..... 325, 335	1001198732 ..... 330	1001200576.....325
1001188844.....359	1001197017 ..... 433, 435	1001198749 ..... 325	1001200587.....356
1001188922.....173, 185, 571	1001197118 ..... 77	1001198757 ..... 325	1001200604..93, 97, 101, 105, 109, 113, 117, 121
1001189001.....359	1001197142 ..... 69	1001198759 ..... 325	1001200605..93, 97, 101, 105, 109, 113, 117, 121
1001189002.....359	1001197292... 81, 83, 85, 87	1001198760 ..... 325	1001200606..93, 97, 101, 105, 109, 113, 117, 121
1001189171.....545, 708	1001197307 ..... 198	1001198761 ..... 325	1001200686.....345
1001189172.....545, 708	1001197308 ..... 210	1001198762 ..... 463	1001200698.....305
1001189291.....178, 190, 238, 244	1001197311 ..... 355	1001198864 ..... 336	1001200699.....309
1001189882.....676	1001197312 ..... 345	1001199035 ..... 421	1001200707.....664, 668, 672, 676, 680, 684, 688, 692, 696
1001190032.....165	1001197315 .... 664, 668, 672, 680, 684, 688, 692, 696	1001199036 ..... 421	1001200726..93, 97, 101, 105, 109, 113, 117, 121
1001190418.....178, 190, 238, 244, 264, 280	1001197317 .... 178, 190, 238, 244, 264, 280	1001199043 ..... 357	1001200727..94, 98, 102, 106, 109, 113, 117, 121
1001190475.....171, 183, 225, 229	1001197326 ..... 525	1001199083 ..... 336	1001200732.....337
1001190921.....571	1001197327 ..... 527	1001199084 ..... 336	1001200733.....337
1001190927.....163, 165	1001197328 ..... 531	1001199085 ..... 336	1001200734.....356
1001190949.....17	1001197329 ..... 712	1001199086 ..... 336	1001200736.....337
1001190950.....17	1001197330 ..... 712	1001199117 ..... 336	1001200739.....337
1001190951.....17	1001197331 ..... 143	1001199310 ..... 157	1001200741.....337
1001190952.....17	1001197332 ..... 519	1001199315 ..... 345	1001200764.....356, 709
1001190953.....17	1001197333 ..... 493	1001199319 ..... 157	1001200779.....313
1001190985.....359	1001197335 ..... 539	1001199320 ..... 336	1001200780.....317
1001191122.....178, 190, 205, 217, 238, 244, 264, 280	1001197336 ..... 712	1001199465 ..... 157	1001200834.....356
1001191620.....253, 259, 269, 275	1001197340 ..... 713	1001199468 ..... 157	1001200836.....356
1001192138.....178, 190, 205, 217, 238, 244, 264, 280	1001197341 ..... 713	1001199470 .... 173, 185, 201, 213, 231, 233, 259, 275, 293	1001200837.....356
1001192401.....591, 651	1001197342 ..... 712	1001199483 .... 400, 404, 709	1001200838.....356
1001193018.....495, 497, 499, 501, 503, 505, 507, 509, 511, 513, 515	1001197345 ..... 89	1001199583 ..... 199, 201	1001200839.....337
1001193135.....700	1001197349 ..... 714	1001199587 ..... 211, 213	1001200848.....356, 709
1001193136.....700	1001197359 ..... 479	1001199610 ..... 336	1001200849.....356
1001193599.....178, 190, 238, 244	1001197361 ..... 479	1001199641 ..... 336	1001200977.....489
1001193630.....67, 714	1001197436 ..... 713	1001199670 .... 171, 183, 225, 229, 253, 269	1001200988.....57, 59, 65
1001193980.....171, 183, 225, 229, 253, 269	1001197445 .... 173, 185, 231, 233	1001199671 ..... 345	1001201007.....330
1001194197.....505	1001197627 ..... 81	1001199753 ..... 157	1001201062.....525, 527, 529, 531, 629
1001194198.....509	1001197719 ..... 571	1001199754 ..... 157	1001201068.....356
1001194200.....513	1001197760 ..... 343	1001199755 ..... 157	1001201069.....356
1001194203.....497	1001197761 ..... 67	1001199764 ..... 157	1001201095.....356, 709
1001194204.....501	1001197766 ..... 343	1001199778 ..... 157	1001201103..94, 98, 102, 106, 110, 114, 118, 122
1001194365.....515	1001197775 ..... 712	1001199780 ..... 157	1001201130.....479
1001195588.....77, 79	1001197776 ..... 343	1001199782 ..... 157	1001201131.....479
1001195906.....343	1001197775 ..... 712	1001199804 ..... 325	1001201132.....479
1001195924.....336	1001197899 ..... 330	1001199812 ..... 325	1001201133.....479
1001195940.....336, 341	1001197901 ..... 330	1001199878 ..... 325	1001201134.....479
	1001197902 ..... 325, 330	1001199882 ..... 325	1001201135.....479
	1001197937 ..... 157	1001199899 ..... 336	1001201136.....479
	1001197960 .... 356, 709	1001200091 ..... 337	1001201333.....330
	1001197961 .... 356, 709	1001200092 ..... 337	1001201334.....330
	1001197969 ..... 325	1001200093 ..... 337	1001201335.....330
	1001197973 ..... 325	1001200094 ..... 337	
	1001198376 ..... 345	1001200117 ..... 668, 676	
	1001198377 ..... 345	1001200118 ..... 668, 676	
	1001198382 ..... 345	1001200137 ..... 712	
	1001198383 ..... 345	1001200154 ..... 325	
		1001200199 .... 525, 527, 529, 531, 537	

## SECTION 11 - SPECIAL OPTIONS/ACCESSORIES/KITS

1001201351 ..... 359	1001204027..... 525, 527, 529, 531	1001207937..... 325	1001212825 ..... 171, 183, 225, 229
1001201485 ..... 337	1001204028..... 525, 527, 529, 531, 631	1001207963..... 129, 131, 137, 139	1001212826 ..... 178, 190, 238, 244
1001201503 ..... 347, 349	1001204041..... 463	1001207969..... 347	1001213053 ..... 357
1001201710 ..... 529	1001204043..... 356, 709	1001208297..... 178, 190, 206, 218, 238, 244, 264, 280	1001213292 ..... 62
1001201772 ..... 469	1001204073..... 359	1001208298..... 178, 190, 206, 218, 238, 244, 264, 280	1001213293 ..... 62
1001201846 ..... 337	1001204096..... 664, 672, 684	1001208299..... 178, 190, 206, 218, 238, 244, 264, 280	1001213294 ..... 62
1001201885 ..... 601, 613	1001204650..... 306	1001208596..... 345	1001213295 ..... 62
1001201938 ..... 325, 330	1001204725..... 359	1001209368..... 330	1001213296 ..... 62
1001201986 ..... 347, 351	1001204911..... 359	1001209372..... 330	1001213297 ..... 62
1001201997 ..... 343	1001204914..... 330	1001209373..... 330	1001213298 ..... 62
1001202000 ..... 343	1001205083..... 489	1001209374..... 330	1001213392 ..... 57, 59
1001202002 ..... 343	1001205084..... 489	1001209375..... 330	1001213447 ..... 611
1001202005 ..... 343	1001205086..... 489	1001209432..... 521	1001213448 .. 94, 98, 102, 106, 110, 114, 118, 122, 651
1001202055 ..... 356	1001205087..... 489	1001209474..... 521	1001213836 ..... 357
1001202136 ..... 488	1001205088..... 489	1001209626..... 158	1001213882 ..... 400, 404
1001202169 ..... 158	1001205089..... 489	1001209633..... 345	1001214029 ..... 701
1001202179 ..... 356	1001205090..... 489	1001209664..... 413	1001214098 ..... 357
1001202181 ..... 158	1001205092..... 489	1001209896..... 664, 668, 672, 676, 680, 684, 688, 692, 696	1001214570 ..... 521
1001202182 ..... 356	1001205093..... 489	1001209935..... 158	1001214571 ..... 521
1001202225 ..... 158	1001205094..... 489	1001209961..... 158	1001214756 ..... 347
1001202245 ..... 343	1001205095..... 489	1001210079..... 591	1001215375 ..... 393
1001202259 ..... 525, 527, 529, 531, 535	1001205096..... 489	1001210116..... 158	1001215379 ..... 393
1001202260 ..... 525, 527, 529, 531, 533	1001205098..... 489	1001210259..... 158	1001215380 ..... 393
1001202261 ..... 525	1001205099..... 489	1001210283..... 158	1001215836 ..... 537
1001202262 ..... 525	1001205100..... 489	1001210294..... 158	1001216021 .. 94, 98, 102, 106, 110, 114, 118, 122, 709
1001202263 ..... 527	1001205102..... 489	1001210636..... 395, 397, 453	1001216238 .. 94, 98, 102, 106, 110, 114, 118, 122
1001202264 ..... 527	1001205103..... 489	1001210781 ..... 151, 153, 645	1001216258 ..... 356
1001202267 ..... 529	1001205104..... 489	1001211885 .. 94, 98, 102, 106, 110, 114, 118, 122, 589	1001216318 ..... 571
1001202268 ..... 529	1001205105..... 489	1001211904..... 664, 668, 672, 676, 680, 684, 688, 692, 696	1001216579 ..... 355
1001202269 ..... 525, 527, 529, 531	1001205106..... 489	1001212056..... 171, 183, 225, 229, 253, 269	1001216618 ..... 700
1001202320 ..... 489	1001205108..... 489	1001212188..... 625	1001216625 ..... 607
1001202355 ..... 173, 185, 201, 213, 231, 233, 259, 275	1001205110..... 489	1001212199..... 465	1001216626 ..... 607, 653
1001202401 ..... 712	1001205111..... 489	1001212328..... 489	1001216630 ..... 359
1001202692 ..... 347	1001205113..... 489	1001212491..... 489	1001216638 ..... 537, 607
1001202705 ..... 489	1001205114..... 489	1001212492..... 489	1001216806 ..... 525, 527, 529, 531, 653
1001202706 ..... 489	1001205115..... 489	1001212494..... 489	1001216976 ... 31, 57, 59, 347
1001202707 ..... 489	1001205116..... 489	1001212495..... 489	1001217007 .. 94, 98, 102, 106, 110, 114, 118, 122, 525, 527, 529, 531
1001202708 ..... 489	1001205117..... 489	1001212502..... 489	1001217086 ..... 489
1001202709 ..... 489	1001205124..... 489	1001212503..... 489	1001217087 ..... 489
1001202733 ..... 158	1001205125..... 489	1001212504..... 489	1001218037 ..... 325
1001202734 ..... 158	1001205660..... 539, 541	1001212505..... 490	1001218572 ..... 158
1001202742 ..... 525, 527, 529, 531	1001205682..... 541	1001212507..... 490	1001218622 ..... 531
1001202743 ..... 525, 527, 529, 531	1001205683..... 471, 475	1001212509..... 490	1001218623 ..... 531
1001202785 ..... 525, 527, 529, 531, 625	1001205690..... 541, 545	1001212512..... 488	1001218850 ..... 700
1001202787 ..... 643	1001205812..... 712	1001212663..... 357	1001219110 ..... 31, 33
1001202793 ..... 337	1001205949..... 489	1001212669..... 330	1001219583 ..... 336
1001202914 ..... 651	1001205958..... 503, 505, 507, 509, 511, 513	1001212810..... 178, 190, 238, 244	1001219590 ..... 336
1001202917 ..... 713	1001206119..... 306	1001212817..... 178, 190, 206, 218, 238, 244, 264, 280	1001219599 ..... 337
1001202950 ..... 356	1001206184..... 465		1001219600 ..... 337
1001203413 ..... 149	1001206476..... 521		1001219601 .. 94, 98, 102, 106, 110, 114, 118, 122, 709
1001203655 ..... 377	1001206506..... 525, 527, 529, 531, 591		1001220379 ..... 583
1001203656 ..... 387, 389	1001206509..... 591		1001220470 ..... 356
1001203753 ..... 337	1001206532..... 399, 404		1001220482 ..... 393, 605
1001203754 ..... 337	1001206747..... 171, 173, 183, 185, 199, 201, 211, 213, 225, 229, 231, 233, 253, 258		1001220486 ..... 400, 404
1001203755 ..... 337	1001206817.. 94, 98, 110, 114, 567		
1001203898 ..... 356	1001207004..... 153		
1001203899 ..... 356	1001207102..... 489		
1001203900 ..... 356	1001207279..... 489		
1001203904 ..... 356	1001207388..... 359		

## SECTION 11 - SPECIAL OPTIONS/ACCESSORIES/KITS

1001220864.....712	1001228376.....371	1001237402.....713	1001243052.....98, 127
1001220955.....393	1001228377.....375	1001237667.....601, 612	1001243053.....41, 101
1001221425.....326	1001228872.....171, 183, 225, 229, 253, 269, 708	1001237668.....601, 612	1001243054.....102, 129
1001221585.....94, 98, 102, 106, 110, 114, 118, 122	1001228954.....555	1001237862.....635, 637	1001243055.....43, 105
1001222385.....336	1001228959.....555	1001237863.....411, 637	1001243056.....106, 131
1001222387.....336	1001228976.....393	1001237864.....411, 635	1001243091.....664
1001222402.....336	1001228988.....431, 700	1001237865.....411, 633	1001243092.....417
1001222404.....336	1001229341.....411	1001237882.....712	1001243093.....684
1001222817.....299	1001229485.....393	1001237883.....712	1001243094.....692
1001222918.....201, 213	1001229782.....668	1001237888.....417, 419	1001243095.....680
1001223055.....664	1001229922.....393	1001237891.....419	1001243096.....672
1001223453.....664, 684	1001230931.....549, 631, 653	1001237898.....417, 419	1001243097.....696
1001223971.....684	1001230934.....575, 579	1001237902.....417, 419, 709	1001243098.....688
1001224045.....664, 668, 672, 676, 680, 684, 688, 692, 696	1001230935.....575, 579	1001238158.....83, 85	1001243184.....712
1001224046.....171, 183, 225, 229, 253, 269	1001230936.....575, 579	1001238236.....57	1001243205.....417
1001224048.....692	1001231008.....145, 147, 659	1001238262.....83, 85	1001243414.....158
1001224049.....696	1001231235.....714	1001238263.....445, 447, 449, 451	1001243895.....321
1001224050.....680	1001231291.....490	1001238319.....411	1001244335.....419
1001224052.....672	1001231315.....664	1001238401.....171, 183, 225, 229, 253, 269	1001244336.....417
1001224053.....688	1001231316.....684	1001238402.....171, 183, 225, 229, 253, 269	1001244452.....151
1001225167.....94, 98, 102, 106, 110, 114, 118, 122	1001231317.....692	1001238418.....415, 639	1001244462.....161
1001225220.....664, 672	1001231318.....696	1001238463.....449	1001244671.....419
1001225279.....94, 98, 102, 106, 110, 114, 118, 122	1001231319.....672	1001238470.....171, 183, 225, 229, 254, 270	1001244709.....419
1001225346.....521, 709	1001231320.....688	1001238472.....415	1001244710.....419
1001225580.....413, 603	1001231321.....680	1001238483.....94, 98, 110, 114, 565	1001244732.....419
1001225639.....712	1001231711.....145, 147	1001238495.....413	1001244733.....419
1001226102.....94, 98, 102, 106, 110, 114, 118, 122	1001231801.....700	1001238559.....415	1001244863.....712
1001226291.....531	1001231949.....451	1001238732.....141	1001245160.....141
1001226292.....531	1001231950.....447, 449	1001239344.....523	1001245176.....141, 407
1001226531.....521	1001232010.....447, 449, 451	1001239345.....523	1001245206.....141
1001226541.....561, 651	1001232011.....447, 449, 451	1001239625.....713	1001246142.....712
1001226636.....561	1001232034.....145	1001239627.....713	1001246144.....557
1001226637.....561	1001232035.....147	1001239805.....521	1001246145.....553
1001226739.....551, 553, 555, 557, 561	1001232164.....411	1001239874.....521	1001246389.....417
1001226799.....553, 555, 557	1001232165.....411	1001239957.....521	1001246471.....557
1001226872.....363	1001232201.....490	1001241162.....417	1001246472.....553
1001226902.....479	1001232642.....415	1001241273.....715	1001246614.....676
1001226923.....299	1001232667.....415, 709	1001241335.....712	1001246615.....668
1001227457.....551	1001232842.....321	1001241344.....712	1001246859.....94, 98, 102, 106, 110, 114, 118, 122, 650
1001227633.....411	1001233047.....712	1001241419.....713	1001247073.....714
1001227634.....411	1001233732.....714	1001241547.....714	1001247252.....417
1001227710.....157	1001233763.....321	1001241548.....714	1001247468.....359, 708
1001227912.....299	1001234247.....57, 59, 61	1001241586.....521	1001248140.....445, 447, 449, 451
1001227948.....299	1001234408.....676	1001241631.....83, 85	1001248141.....445, 447, 449, 451
1001227960.....94, 98, 102, 106, 110, 114, 118	1001234789.....664, 668, 672, 676, 680, 684, 688, 692, 696	1001241673.....715	1001249052.....714
1001227985.....411	1001234791.....173, 185, 201, 213, 231, 233, 259, 275	1001241965.....415	1001249095.....645
1001227987.....411	1001235962.....712	1001242124.....400, 404, 611	1001249695.....714
1001227996.....635, 637	1001236268.....713	1001242192.....712	1001249941.....714
1001228090.....325, 465	1001236504.....521	1001242378.....173, 176	1001250035.....714
1001228091.....471	1001236505.....521	1001242380.....185, 188	1001250302.....158
1001228215.....363	1001236552.....415	1001242382.....171, 173	1001250303.....158
1001228224.....411, 709	1001236746.....451	1001242383.....183, 185	1001250595.....714
1001228225.....411, 709	1001236747.....447	1001242384.....170	1001251025.....335, 461
1001228243.....381	1001236891.....445, 447, 449, 451	1001242386.....182	1001251034.....335, 459
1001228364.....94, 98, 102, 106, 110, 114, 118, 122	1001236895.....445, 447, 449, 451	1001242390.....83	1001251065.....19, 467
1001228375.....385	1001236952.....713	1001243047.....37, 93	1001251066.....17, 457
		1001243048.....94, 125	1001251093.....336, 469
		1001243049.....125, 129	1001251094.....325, 463
		1001243050.....39, 97	1001251857.....205, 217, 221
		1001243051.....127, 131	1001251858.....178, 190, 193
			1001252627.....703, 705

## SECTION 11 - SPECIAL OPTIONS/ACCESSORIES/KITS

1001252629 ..... 445, 447, 449, 451	1001265902..... 397	1001277132....37, 39, 41, 43, 45, 47, 49, 51	1001290055 ..... 228
1001253618 ..... 713	1001265904..... 397, 403	1001277208.....122	1001290056 ..... 224
1001253619 ..... 713	1001265905..... 400, 404	1001277209.....709	1001290075 ..... 233, 236
1001254472 ..... 415	1001266056..... 713	1001277285.....715	1001290076 ..... 231, 242
1001254473 ..... 415	1001266098..... 713	1001277296.....268	1001291543 ..... 264, 280
1001254474 ..... 664	1001266284..... 713	1001277297.....270, 274	1001291588 ..... 576
1001254475 ..... 664	1001266489..... 713	1001277298.....275, 278	1001291589 ..... 231, 233, 575
1001254476 ..... 684	1001266807..... 713	1001277341.....715	1001292583 ..... 714
1001254477 ..... 684	1001266826..... 714	1001277846.....715	1001293066 ..... 193, 247, 283
1001254478 ..... 692	1001266828..... 714	1001278007.....715	1001293405 ..... 712
1001254479 ..... 692	1001266969..... 713	1001281298.....301	1001293701 ..... 59
1001254480 ..... 680	1001267315..... 664, 668, 672, 680, 684, 688, 692, 696	1001281301.....301	1001293788 ..... 714
1001254481 ..... 680	1001267388..... 395	1001281302.....301	1001294767 ..... 700
1001254482 ..... 672	1001267390..... 395, 399	1001281304.....301	1001294815 ..... 700
1001254483 ..... 672	1001267659..... 45, 109	1001281305.....301	1001297397 ..... 133, 135, 137, 139
1001254484 ..... 696	1001267660..... 47, 113	1001281309.....301	1001297399 ..... 125, 127, 129, 131
1001254485 ..... 696	1001267661..... 49, 117	1001281310.....301	1001297408 ..... 85
1001254486 ..... 688	1001267662..... 51, 121	1001281311.....301	1001299829. 94, 98, 102, 106, 110, 114, 118, 122, 601
1001254487 ..... 688	1001268243..... 664, 668, 672, 676, 680, 684, 688, 692, 696	1001281359.....301	1001299830 ..... 713
1001255901 ..... 563	1001268820..... 424, 439	1001281360.....301	1001303167 ..... 714
1001256823 ..... 264, 280, 283	1001268946..... 580	1001281452.....713	1001303655 ..... 714
1001256862 ..... 178, 190, 205, 217, 238, 244, 264, 280	1001269187..... 713	1001281453.....713	1001305520 ..... 712
1001257271 ..... 445	1001269322..... 424	1001281456.....713	1001306078 ..... 537
1001257274 ..... 445	1001269389..... 713	1001281457.....713	1001307721 ..... 336, 339
1001258191 . 93, 97, 101, 105, 110, 114, 118, 122, 523	1001269573..... 424	1001281458.....713	1001308593 ..... 713
1001258730 ..... 417, 419	1001269655..... 714	1001281461.....713	1001309057 ..... 713
1001259191 ..... 259, 262	1001270339..... 523	1001281500..93, 97, 101, 105, 109, 113, 117, 121, 709	1001311034 ..... 415, 709
1001259192 ..... 254, 258	1001270340..... 523	1001281656.....301	1001311998 ... 37, 39, 41, 43, 45, 47, 49, 51, 549
1001259193 ..... 252	1001270594..... 149	1001282106.....407	1001312091 ..... 330, 475
1001259203 ..... 264, 280	1001271642..... 713	1001282434.....714	1060341 ..... 433, 435
1001259204 ..... 254, 270	1001271760..... 713	1001282461.....714	1060343 ..... 318
1001259208 ..... 264, 280	1001271930..... 700	1001282725.....301	1060545 ..... 545
1001259208 ..... 264, 280	1001271932..... 700	1001283776.....149, 647	1060903 ..... 433, 435
1001259278 ..... 264, 280	1001271934..... 700	1001284138.....301	1060908 ..... 543, 547
1001259281 ..... 264, 280	1001271936..... 701	1001284139.....301	1060918 ..... 409
1001260287 ..... 254, 270	1001271938..... 701	1001284257.....301	1060945 ..... 531
1001260307 ..... 259, 264, 275, 280	1001271938..... 701	1001284272.....301	10702077 ..... 314, 318
1001260524 ..... 417	1001271939..... 701	1001284587.....407	10702082 ..... 314, 318
1001260525 ..... 417, 419	1001271940..... 701	1001284588.....407	10836804. 125, 127, 129, 131, 133, 135, 137, 139
1001260889 ..... 264, 280	1001271941..... 701	1001284691..... 664, 668, 672, 676, 680, 684, 688, 692, 696	1120549 ..... 19
1001260937 ..... 404	1001272166..... 713	1001285878 ..... 355	1120555 ..... 421
1001261335 ..... 445	1001272182..... 713	1001285891 ..... 161	1260017 ..... 69
1001261338 ..... 445	1001272274..... 713	1001285892 ..... 161	1320022.83, 85, 206, 218
1001262016 ..... 714	1001272659..... 559	1001286088..94, 98, 102, 106, 110, 114, 118, 122, 649	132004183, 85, 173, 185, 201, 213, 231, 233, 258, 274
1001262056 ..... 259, 275, 579	1001272681..... 151	1001286089..94, 98, 102, 106, 110, 114, 118, 122, 657	1320061 ..... 258, 274
1001262322 ..... 551	1001272997..... 563	1001286280.....159	1320136 ... 173, 185, 201, 213, 231, 233, 258, 274
1001262326 ..... 551	1001273012..... 559, 563	1001286283.....159	1320159 ..... 479
1001262959 ..... 715	1001274249..... 715	1001286284.....157, 159	1320177 ..... 424, 441
1001263626 ..... 153	1001274559..... 399, 403	1001287191 ..... 161	1320263 ..... 479
1001263923 ..... 549	1001274829..... 712	1001288693.....238, 244, 247	1320288 ..... 343, 345
1001265163 ..... 453	1001274830..... 712	1001289831.....714	1320296 ..... 479
1001265328 ..... 715	1001274833..... 712	1001286281 ..... 157, 158	1320302 ... 424, 427, 429, 431
1001265342 ..... 453	1001274992..... 259, 275	1001286288.....159	1320328 ..... 343
1001265378 ..... 712	1001275151..... 576, 580	1001286284.....157, 159	1321385 ..... 479
1001265857 ..... 133, 137	1001275153..... 576, 580	1001287191 ..... 161	
1001265858 ..... 135, 139	1001275628..... 399, 403, 708	1001288905.....714	
1001265870 ..... 110, 133	1001275629..... 399, 403, 708	1001289906.....714	
1001265871 ..... 114, 135	1001275642..... 714	1001290051 ..... 229, 233	
1001265872 ..... 118, 137	1001275650..... 714	1001290052 ..... 225, 231	
1001265873 ..... 122, 139	1001276062..... 714		
	1001276610..... 559		
	1001276923..... 712		

## SECTION 11 - SPECIAL OPTIONS/ACCESSORIES/KITS

1321716.....170, 176, 182, 188, 204, 216, 224, 228, 236, 242, 252, 258, 262, 268, 274, 278	1703982 ..... 680	1706059 ..... 672	2220618.....488
1380147 .... 170, 182, 198, 210, 224, 228, 252, 268	1703983 ..... 696	1706060 ..... 680	2220816.....299
1580012.....391	1703984 ..... 684	1706061 ..... 692	2220861.....33
1580013.....713	1704000 ..... 684, 700	1706063 ..... 696	2220865.....62, 65, 488
1670603.....515	1704001 ..... 696, 700	1706064 ..... 684	2220881.....33, 457
1671039.....355	1704260 ..... 399, 403	1706098 ..... 668, 676	2220883.....33, 457, 459, 461, 463, 465, 471
1671040.....19	1704277 ... 664, 668, 672, 676, 680, 684, 688, 692, 696	1706385 ..... 377, 387	2220885.....33, 467, 471
1671092.....318, 529	1704412 ... 664, 668, 672, 676, 680, 684, 688, 692, 696	1706493 ..... 389	2220886.....457, 463, 465
1671093.....424, 429, 529	1704972 ..... 664, 688	1706501 ..... 389	2220887.....465
1671122.....355	1705014 ..... 377, 387	1706741 ..... 399, 403	2220888.....465
1701499....664, 668, 672, 676, 680, 684, 688, 692, 696	1705132 ..... 399, 403	2030010 .... 427, 429, 431	2220906.....62, 79
1701505....664, 668, 672, 676, 680, 684, 688, 692, 696	1705171 ..... 399, 403	2080040 ... 365, 369, 371, 379, 381	2220940.....479
1701509....421, 664, 668, 672, 676, 680, 684, 688, 692, 696	1705305 ... 431, 700, 703, 705	2080069 ..... 417, 419	2220947.....79, 349
1701518.....668, 676	1705325 ..... 495, 497	2080091 ..... 19	2221034.....488
1701691 ....664, 668, 672, 676, 680, 684, 688, 692, 696	1705336 ..... 664	2110406 ..... 62	2221050.....488
1702565.....399, 403	1705344 ..... 688	2110604 ..... 488	2221077.....488
1702566.....399, 403	1705345 ..... 692	2110808 ..... 21, 483, 488	2221086..33, 35, 62, 349, 351
1702773....377, 387, 389, 664, 668, 672, 676, 680, 684, 688, 692, 696	1705347 ..... 684	2110810 ..... 33, 35, 488	2221114....170, 182, 198, 210, 224, 228, 252, 268
1702774....664, 668, 672, 680, 684, 688, 692, 696	1705351 ..... 664	2110812 ..... 483	2221155.....65
1702868....431, 664, 700, 703	1705355 ..... 700	2111010 ..... 79, 349, 488	2230025.....488
1702942.....216	1705358 ..... 421	2111012 ..... 21, 33	2230026.....488
1703162....176, 188, 206, 218, 236, 242, 262, 278	1705374 ..... 310, 517	2111016 ..... 33, 488	2230031.....488
1703804.....664	1705375 .... 319, 431, 700	2111620 ..... 488	2230035.....488
1703805.....664	1705387 ..... 310, 319	2120217 ..... 347	2230036.....488
1703811....664, 668, 672, 676, 680, 684, 688, 692, 696	1705426 ..... 688	2131010 ..... 62, 79	2360030....125, 127, 129, 131, 133, 135, 137, 139
1703814....664, 668, 672, 676, 680, 684, 688, 692, 696	1705427 ..... 692	2131012 ..... 21	2400030.....612, 708
1703935.....696	1705429 ..... 684	2150606 ..... 62	2400060....321, 453, 612
1703936.....684	1705430 ..... 680	2150806 ..... 349	2400066....571, 575, 579
1703938.....688	1705460 ..... 314, 318	2150808 ..... 349	2410014....377, 387, 389
1703939.....692	1705461 ..... 314	2151010 ..... 79	24861170.....263, 279
1703941.....696	1705489 ..... 305, 314	2151616 ..... 62	2540044.....479
1703942.....684	1705490 ..... 703, 705	2160002 ..... 67	2560136.....399, 403
1703943.....680	1705492 ..... 664	2170204 ..... 488	2560187.....158, 159
1703944.....688	1705493 ..... 688	2171310 ..... 488	2600281....365, 369, 371, 379, 381
1703945.....692	1705503 ..... 692	2180344 ..... 67	2720015....176, 188, 204, 216, 236, 242, 262, 278
1703947.....696	1705505 ..... 684	2180832 ... 170, 182, 198, 210, 224, 228, 252, 268, 424, 441	2720160.....424, 441
1703948.....684	1705511 ... 664, 668, 672, 676, 680, 684, 688, 692, 696	2220235 ..... 483	2750528.....67
1703949.....680	1705515 ..... 668, 676	2220313 ... 170, 182, 198, 210, 224, 228, 252, 268	2750532....171, 183, 199, 211, 224, 228, 252, 268
1703950.....688	1705745 ..... 399, 403	2220366 ..... 479, 488	2751032.....67
1703951.....692	1705822 ..... 668, 676	2220371 ..... 35, 65	2820019.....595
1703953.....664	1705828 ..... 668, 676	2220372 ..... 483	2820031....305, 309, 313, 317
1703959....664, 668, 672, 676, 680, 684, 688, 692, 696	1705864 ... 664, 668, 672, 676, 680, 684, 688, 692, 696	2220373 .... 349, 351, 488	2820035.....321
1703980.....688	1705865 ... 664, 668, 672, 680, 684, 688, 692, 696	2220374 ..... 62, 488	2820171.....605
1703981.....692	1705896 ..... 672	2220375 ..... 488	2820247.....635, 637
	1705897 ..... 672	2220380 ..... 65, 488	2840016....170, 182, 198, 210, 224, 228, 252, 268
	1705898 ..... 672	2220415 21, 33, 351, 479, 488	2860030.....708
	1705902 ..... 672	2220435 ..... 65, 349	2900770....461, 465, 469, 471, 475
	1705903 ..... 672	2220465 ..... 62	2901443.....714
	1705905 ..... 672	2220472 ..... 21, 62	2902065....176, 188, 204, 216, 236, 242, 262, 278, 287
	1705906 ..... 672	2220473 ..... 483, 488	2902212.....421
	1705910 ..... 696	2220478 ..... 488	2902217....424, 427, 429, 713
	1705915 ..... 696	2220479 ..... 488	2902443....572, 576, 580, 583
	1705917 ..... 696	2220498 ..... 79, 488	
	1705921 ..... 668, 676	2220499 ..... 349	
	1705961 ..... 668, 676	2220500 ..... 349, 488	
	1705967 ..... 672, 700	2220502 ..... 479	
	1705969 ..... 692, 700	2220504 ..... 483	
		2220507 ..... 488	
		2220578 ..... 488	
		2220582 ..... 62, 349, 351	
		2220600 ..... 351	
		2220602 ..... 488	

## SECTION 11 - SPECIAL OPTIONS/ACCESSORIES/KITS

2940074 ... 365, 369, 371, 379, 381, 708	309, 313, 317, 359, 493, 519, 525, 527, 529, 531, 539, 541	3311605....299, 377, 387, 389, 424, 427, 429, 431	3790152... 173, 185, 201, 213, 231, 233, 258, 274
2940173 ..... 158, 159	3290807 ... 170, 176, 182, 188, 198, 204, 210, 216, 224, 228, 236, 242, 252, 262, 268, 278	3312002.....71, 445, 447, 449, 451	3790155 ... 173, 185, 201, 213, 231, 233, 258, 274
3010136 ..... 335	3291001001..... 359, 488	3312005.....421	3790158 ..... 21
3020037 ..... 258, 274	3291005 .... 71, 158, 176, 188, 204, 216, 236, 242, 262, 278, 335, 355, 395, 397, 537	3312205.....421	3820001 ... 664, 668, 672, 676, 680, 684, 688, 692, 696
3020039 ..... 17, 335	3291005001..... 158, 163, 165, 337, 343, 345, 347, 359, 488	3322201 .....77	3820020... 365, 369, 371, 379, 381
3020042 ..... 330, 335	3291007 ... 81, 83, 85, 89, 93, 97, 101, 105, 109, 113, 117, 121, 157, 170, 173, 176, 182, 185, 188, 198, 201, 204, 210, 213, 216, 224, 228, 231, 233, 236, 242, 252, 258, 262, 268, 274, 278	3331411.... 170, 182, 198, 210, 224, 228, 252, 268	3820032 ... 176, 188, 204, 216, 236, 242, 262, 278
3160339 ..... 21, 23	3291201 ... 305, 309, 313, 317	3331611001.....337	3841143 ... 170, 182, 198, 210, 224, 228, 252, 268, 335, 359
3251102 ... 305, 309, 313, 317	3291201001..... 359	3332415001.....337, 359	3841203 ..... 335
3251242 ... 499, 501, 503, 505, 507, 509, 511, 513, 515	3291205 .... 77, 81, 83, 85	3340763.....471	3841258 ..... 17, 19, 335
3251243 .... 310, 319, 493	3291205001.... 31, 37, 39, 41, 43, 45, 47, 49, 51, 359	3340764.....345	3841287 ..... 325
3252347 ..... 664	3291207 ..... 258, 274	3340934.....479	3841356 ..... 17, 325
3271501 ..... 157	3291407 ..... 262, 278	3340941.....343, 345	3900054 .... 377, 387, 389
3271605 ... 445, 447, 449, 451	3291407001..... 17, 19	3340956 .....421	3900260 ..... 479
3271805 .... 377, 387, 389	3291601 ... 176, 188, 204, 216, 236, 242, 262, 278	3380434.....395, 397	3900283 ..... 347
3272001 ... 445, 447, 449, 451	3292201 ..... 335	3421453.....424, 441	3900349 ..... 399, 403
3290301 ... 170, 182, 198, 210, 224, 228, 252, 268	3292401001..... 325	3421563.....69	3900363 ... 158, 159, 355
329040593, 97, 101, 105, 109, 113, 117, 121, 149, 151, 161, 170, 182, 198, 210, 224, 228, 252, 268, 395, 397, 453, 495, 497, 499, 501, 503, 505, 507, 509, 511, 513, 515, 539, 541	3300151 ... 363, 367, 371, 373, 375, 381, 383, 385, 424, 427, 429, 431	3421565.....69	3900393001 ..... 343
3290405001 ..... 305	3300353 ..... 399, 403	3422178 ..... 335	3910408 ... 173, 185, 201, 213, 231, 233, 258, 274
329050793, 97, 101, 105, 109, 113, 117, 121, 201, 213	3300396 ... 309, 314, 318	3422912.....17	3910606 ... 309, 317, 493, 517
329060193, 97, 101, 105, 109, 113, 117, 121, 158, 159	3300408 ..... 141	3422917.....335	3910612 ..... 493
3290605 ... 37, 39, 41, 43, 45, 47, 49, 51, 83, 85, 93, 97, 101, 105, 109, 113, 117, 121, 143, 145, 147, 151, 153, 158, 170, 182, 198, 210, 224, 228, 252, 268, 395, 397, 424, 441, 537, 539, 541	3300430 ..... 413, 419	3422957.....335	3910804 ... 125, 127, 129, 131, 133, 135, 137, 139
3290605001 ..... 356, 393	3300464001..... 19	3422958.....335	3911010 ..... 153
3290606 ... 367, 373, 375, 383, 385	3300492 ..... 479	3423190.....335	3931012 ..... 399, 403
3290607 ..... 31, 173, 176, 185, 188, 201, 204, 213, 216, 231, 233, 236, 242, 258, 262, 278, 355	3310401 ... 173, 185, 201, 213, 231, 233, 258, 274	3430616.....400, 404	3931016 ... 305, 309, 313, 317
3290801001 ..... 488	3311001 ..... 314, 318	3430816.... 170, 182, 198, 210, 224, 228, 252, 268	3931408 ..... 413
329080593, 97, 101, 105, 109, 113, 117, 121, 157, 170, 176, 182, 188, 204, 216, 224, 228, 236, 242, 252, 262, 268, 278, 355, 521, 525, 527, 529, 531	3311005 ... 153, 309, 313, 317, 399, 403, 427, 429, 431	3450404.... 170, 182, 198, 210, 224, 228, 252, 268	3931512 ..... 79
3290805001 ... 19, 94, 98, 102, 106, 110, 114, 118, 122, 158, 305,	3311005001..... 305	3451214..... 19	3931620 ... 173, 185, 231, 233, 258, 274
	3311401 ..... 433, 435	3460334.....421	3932264 ..... 465
	3311405 ... 415, 495, 497, 499, 501, 503, 505, 507, 509, 511, 513, 515, 521, 664, 668, 672, 676, 680, 684, 688, 692, 696	3470003.....400, 404	3952020 ..... 71
	3311501 ..... 433, 435	3520026.....399, 403	3960389 ..... 355
	331160193, 97, 101, 105, 109, 113, 117, 121, 158, 400, 404, 415	3520071 .....421	3960422 ... 309, 317, 493, 517
		3520072....363, 365, 367, 369, 371, 373, 375, 377, 379, 381, 383, 385, 387, 389	3960525 ..... 81, 83, 85
		3520173.....159	3960551 ..... 19
		3520189.....314	3980006 ..... 89
		3520192.....314	4000008 ..... 355, 709
		3520198....363, 365, 367, 369, 371, 373, 375, 379, 381, 383, 385	4010308 ... 170, 182, 198, 210, 224, 228, 252, 268
		3538758.....345	4010408 .... 305, 539, 541
		3573400....424, 427, 429, 431	4010608 ..... 424, 441
		3573642....427, 429, 431	4010618 ... 367, 373, 375, 383, 385
		3574091.....433, 435	4031505 ..... 411
		3576799.....424, 441	4031507 ..... 161
		3577121.... 424, 427, 429, 431	4031509.... 149, 151, 355
		3580317....305, 309, 313, 317	4031510 ..... 355
		3580318.....305, 313	4031512 ..... 19, 355
		374006793, 97, 101, 105, 109, 113, 117, 121, 709	4031516 ..... 415
		3740086.....639, 709	4031707 ..... 19, 355
		3760133.....335	4031708001 ..... 393
		3760170.....69	4031710 ..... 83
		3760217.....335	4031912 ..... 204, 216
		3760233.....335	4032311001 ..... 19
		3760383..... 19, 355	
		3790012.....399, 403	

## SECTION 11 - SPECIAL OPTIONS/ACCESSORIES/KITS

4060802.....305, 309, 313, 317	4460049 ..... 433, 435	639, 641, 645, 647, 649, 650, 651, 655, 657	4460891.....149, 549, 567, 569, 584, 607, 645, 650, 653, 655, 657, 659
4060807....176, 188, 206, 218, 236, 242, 262, 278	4460051 ..... 493	4460467 ..... 714	4460892.....571, 577, 580, 607, 655
4060906.....399, 403	4460071 .... 309, 317, 409	4460470 ... 399, 403, 537, 613, 651	4460893.....607, 651
4070863.....335	4460134 ..... 525, 527	4460471 ... 399, 403, 537, 613, 651	4460894.....523, 525, 527, 529, 531, 561, 571, 575, 576, 579, 580, 583, 601, 607, 612, 641, 649, 655
4070864.....335	4460144 ..... 601	4460473 ..... 533, 535	4460897....151, 153, 584, 643, 647, 657
4070897.....335	4460183 ..... 612	4460488 ..... 151, 153	4460899.....19, 549, 569, 603, 631, 633, 639, 650, 655
4070898.....335	4460205 .... 493, 525, 527	4460496 ... 399, 403, 537, 613	4460905....549, 601, 611, 649, 650, 657
4071044.....335	4460224 ..... 399, 403	4460497 ... 399, 403, 537, 613	4460906.....607
4071045.....335	4460225 .... 593, 595, 611	4460508 ... 411, 607, 611, 650	4460910.....17, 356, 627, 635
4071073.....335	4460226 ... 399, 403, 409, 433, 435	4460509 .... 533, 535, 572	4460911....523, 549, 631, 633
4071076.....343	4460227 .... 549, 611, 612	4460510 ..... 714	4460912.....523
4100063.....479	4460234 94, 98, 102, 106, 110, 114, 118, 122, 399, 403, 433, 435, 551, 553, 555, 557	4460516 ..... 79	4460913.....356
4100101.....335	4460247 ... 572, 575, 579, 583, 650	4460518 ... 608, 611, 629, 645, 655	4460914.....19
4160197.....335	4460256 ..... 523, 650	4460536 ... 143, 356, 419, 583, 607, 611, 659	4460917.....17, 355, 356
4220189.....343	4460259 .... 453, 601, 612	4460539 ... 356, 523, 577, 580, 583, 587, 607, 611, 629, 650, 651, 657	4460918.....356, 631
4220190.....343	4460260 .... 453, 601, 612	4460612 ..... 517	4460925.....611
4240018....305, 309, 313, 317, 479, 483, 488, 517	4460267 ... 612, 649, 653	4460633 ..... 653	4460926.....655
4240032 94, 98, 102, 106, 110, 114, 118, 122, 551, 553, 555, 557, 559	4460268 .... 593, 595, 607	4460662 ... 505, 509, 513, 515	4460928.....608, 629
4240033....411, 413, 415, 479	4460314 ..... 611	4460670 ..... 650	4460929.....627
4240099..85, 93, 97, 101, 105, 109, 113, 117, 121, 170, 176, 182, 188, 198, 204, 210, 216, 224, 228, 236, 242, 252, 258, 268, 274, 321, 400, 404, 424, 427, 429, 433, 435	4460315 ..... 493, 611	4460703 ... 572, 575, 580, 583, 650	4460930....523, 571, 575, 579, 583, 607, 625, 649, 657
4240149.....421	4460346 .... 309, 317, 493	4460708 ..... 653	4460931....417, 647, 650
4240155.....490	4460384 ..... 515	4460722 ... 321, 607, 629, 650	4460932....355, 453, 523, 525, 527, 529, 531, 563, 565, 589, 601, 650
4360057.....433, 435	4460418 ... 601, 611, 612, 613	4460748 ... 572, 576, 580, 650	4460933....523, 572, 575, 576, 579, 580, 607, 611, 645, 649, 657
4360070....309, 314, 318, 708	4460419 ... 601, 611, 612, 613	4460761 .... 549, 611, 649	4460934....571, 575, 579, 607
4360328....125, 127, 129, 131, 133, 135, 137, 139, 709	4460425 ... 305, 309, 314, 318, 433, 435, 517	4460806 ... 503, 505, 507, 509	4460935....572, 575, 579, 607
4360336....305, 309, 313, 317, 709	4460426 ... 305, 309, 314, 318, 537	4460807 ..... 593, 595	4460941....567, 589, 633
4360387....125, 127, 131, 133, 135, 139, 399, 403, 709	4460428 ..... 399, 403	4460808 ..... 593, 595	4460942....411, 567, 571, 575, 579, 583
4360407.....399, 403, 708	4460434 ..... 607, 612	4460836 ..... 79, 607, 649, 657	4460943.....79, 143, 356, 417, 419, 549, 565, 567, 583, 607, 611, 633, 649, 650
4360469....125, 127, 129, 131, 133, 135, 137, 139, 709	4460443 ..... 650	4460837 ..... 79, 607	4460944.....79, 523, 567, 571, 572, 575, 579, 583, 587, 601, 605, 607, 611, 612, 649, 650, 651
4360475....125, 127, 129, 131, 133, 135, 137, 139, 709	4460458 .... 572, 576, 650	4460843 ..... 657	4460945....577, 580, 587, 651
4360476....125, 127, 129, 131, 133, 135, 137, 139	4460464 19, 79, 151, 153, 355, 409, 453, 523, 549, 561, 563, 565, 567, 569, 584, 589, 601, 603, 607, 611, 629, 631, 639, 643, 645, 647, 649, 650, 655, 657, 659	4460851 ..... 549, 655	4460950.....549, 649
4360548.....355, 709	4460465 .... 79, 149, 453, 523, 525, 527, 529, 531, 533, 535, 549, 561, 567, 569, 571, 572, 575, 576, 577, 579, 580, 583, 584, 591, 593, 595, 597, 599, 601, 603, 605, 607, 608, 612, 625, 629, 641, 645, 649, 650, 651, 653, 655, 657, 659	4460852 ..... 549, 655	4460956.....543, 547
4420014.....421	4460466 .... 79, 356, 411, 417, 453, 523, 525, 527, 529, 531, 533, 535, 549, 561, 567, 569, 571, 572, 575, 576, 577, 579, 580, 583, 601, 603, 605, 607, 611, 625, 633,	4460865 ..... 533, 535	4460957.....543, 547
4420037....424, 427, 429, 431	4460467 ..... 612	4460866 .... 607, 611, 650	4460958.....517
4420038.....89	4460019....575, 580, 650	4460871 ... 549, 601, 611, 649, 650, 657, 659	4460962....424, 429, 529
4420051.....700	4460042....572, 575, 579, 583, 601	4460872 ..... 549, 657	4460963.....318, 529
4420066.....421	4460043.....321, 583	4460873 .... 549, 611, 649	4460967.....597, 599
4460016.....612		4460874 .... 549, 611, 649	
4460019....575, 580, 650		4460875 ..... 549, 657	
4460042....572, 575, 579, 583, 601		4460876 .... 549, 601, 611	
4460043.....321, 583		4460878 ..... 79, 649	
		4460879 ..... 453, 611	
		4460884 ... 453, 567, 571, 575, 579, 591, 603, 607, 612, 625, 649, 653, 657	
		4460887 .... 79, 453, 611, 649	





## SECTION 11 - SPECIAL OPTIONS/ACCESSORIES/KITS

70000796.....	341	70002160.....	290	70003628.....	23	70004444.....	25
70000803.....	33	70002161.....	290	70003631.....	313, 318	70004445.....	25
70000804.....	33	70002162.....	290	70003708 .	306, 310, 314, 318	70004446.....	25
70000805.....	33	70002163.....	290	70003709 .	306, 310, 314, 318	70004447.....	25
70000852.....	23	70002164.....	290	70003784.....	399, 403	70004448.....	25
70000853.....	23	70002165.....	290	70003788.....	325, 708	70004449.....	26
70000854.....	23	70002168.....	291	70003919.....	343	70004450.....	26
70000855.....	23	70002174.....	291	70003920.....	343	70004451.....	26
70000856.....	23	70002175.....	291	70004005.....	91	70004452.....	26
70000857.....	23	70002177.....	291	70004006.....	91	70004453.....	26
70000858.....	23	70002178.....	291	70004007.....	91	70004456.....	349
70000859.....	23	70002179.....	291	70004017.....	33	70004457.....	62, 351
70000860.....	23	70002231.....	57, 708	70004050.....	62, 351	70004459.....	35, 61, 349
70000861.....	23	70002297.....	313, 318	70004051.....	349, 351	70004460.....	35, 61, 349, 708
70000862.....	23	70002373.....	461	70004052.....	61, 62, 349, 351	70004461.....	35
70000863.....	313, 318	70002386.....	33, 708	70004055.....	35, 61	70004462.....	35
70001100.....	313, 317	70002410.....	467	70004071.....	345	70004463.....	35, 708
70001384.....	313, 317	70002460.....	314, 318	70004092 .	306, 310, 314, 318	70004464.....	35
70001424.....	443	70002576.....	297	70004093.....	318	70004465.....	35
70001425.....	443	70002578.....	294	70004094.....	314, 318	70004466.....	73
70001427.....	443	70002580.....	293	70004095.....	318	70004467.....	73
70001428.....	443	70002582.....	293	70004096.....	314, 318	70004468.....	73
70001429.....	443	70002583.....	293	70004097.....	314, 318	70004471.....	73
70001430.....	443	70002585.....	294	70004098 .	306, 310, 314, 318	70004472.....	73
70001431.....	443, 708	70002586.....	293	70004099.....	318	70004473.....	73
70001432.....	443, 709	70002588.....	293	70004109.....	87	70004474.....	73
70001640.....	341	70002589.....	293	70004150.....	35	70004475.....	73
70001696.....	314, 318	70002590.....	293	70004164.....	35	70004476.....	73
70001870.....	248, 284	70002592.....	293	70004171 ..	306, 310, 313	70004477.....	73
70001955.....	293	70002593.....	293	70004185.....	714	70004478.....	73
70001956.....	293	70002595.....	294	70004363.....	25	70004479.....	73
70001958.....	291	70002599.....	294	70004383.....	33	70004480.....	73
70001966..	306, 310, 314, 318	70002600.....	290	70004384.....	33	70004481.....	73
70001973..	306, 310, 314, 318	70002601.....	290	70004386.....	33	70004482.....	73
70001974.....	314, 318	70002602.....	290	70004406.....	463, 469	70004483.....	73
70002028.....	25	70002604.....	291	70004407.....	469	70004484.....	73
70002031.....	25	70002605.....	291	70004411.....	87	70004485.....	73
70002032.....	25	70002606.....	291	70004412.....	87	70004486.....	73
70002036.....	25	70002607.....	291	70004416.....	293	70004487.....	73
70002052.....	25	70002608.....	291	70004417.....	293	70004488.....	74
70002057.....	25, 73	70002609.....	291	70004418.....	293	70004489.....	74
70002097.....	347, 708	70002610.....	291	70004419.....	293	70004490.....	74
70002132.....	290	70002612.....	291	70004420.....	293	70004491.....	73
70002133.....	290, 293	70002616.....	291	70004421.....	293	70004492.....	74
70002134.....	290	70002617.....	291	70004422.....	293	70004493.....	74
70002135.....	290	70002618.....	290	70004423.....	294	70004494.....	74
70002136.....	290	70002619.....	290	70004425.....	294	70004508.....	247, 283
70002137.....	290	70002620.....	290	70004426.....	294	70004511.....	283
70002138.....	290	70002621.....	291	70004429.....	25	70004512..	193, 221, 283
70002139.....	290	70002622.....	291	70004430.....	25	70004515..	193, 221, 247, 283
70002140.....	290	70002623.....	291	70004431.....	25	70004517.....	221
70002141.....	290	70002758.....	62, 349	70004432.....	25	70004518.....	221
70002142.....	290	70002759.....	62, 349	70004433.....	25	70004519.....	221
70002145.....	290	70002838.....	87	70004434.....	25	70004520..	193, 221, 247, 283
70002148.....	290	70002859.....	341	70004435.....	25	70004583.....	61
70002150.....	290	70002902.....	409	70004436.....	25	70004584.....	61
70002151.....	290	70002903.....	409	70004437.....	25	70004585.....	61, 349, 351
70002152.....	290	70002905.....	409	70004438.....	25	70004586.....	61
70002153.....	290	70002908.....	409	70004439.....	25	70004587.....	61
70002154.....	290	70002909.....	409	70004440.....	25	70004588.....	61, 62, 349, 708
70002155.....	290	70002962.....	62	70004441.....	25	70004589.....	61
70002156.....	290	70003019.....	351	70004442.....	25		
70002157.....	290	70003020.....	351	70004443.....	25		
70002158.....	290	70003021.....	351				
70002159.....	290	70003023.....	351				
		70003027.....	351				
		70003408.....	33				
		70003484.....	79				

## SECTION 11 - SPECIAL OPTIONS/ACCESSORIES/KITS

70004590 .....	61	70005633 .....	465	70006857 .....	471	70023859 .....	61
70004591 .....	61	70005651 .....	313	70006858 .....	471	70023860 .....	61, 62
70004592 .....	61	70005652 .....	314	70006859 .....	471	70023862 .....	61
70004593 .....	61, 349	70005654 .....	465, 469	70006860 .....	471	70023866 .....	65
70004594 .....	61, 62, 349	70005655 .....	465	70006861 .....	471	70023867 .....	65
70004595 .....	61, 62, 349, 708	70005656 .....	465	70006862 .....	471	70023872 .....	177, 189, 205, 217, 237, 243, 263, 279, 708
70004596 .....	61, 62, 349	70005657 .....	325	70006863 .....	472	70024039 .....	293
70004597 .....	61, 62, 349	70005658 .....	463	70006864 .....	472	70024040 .....	293
70004600 .....	61	70005659 .....	463	70006865 .....	471	70024072 .....	465
70004601 .....	62, 349	70005666 .....	345	70006867 .....	471	7002412 .....	457
70004602 .....	62, 349	70005678 .....	79	70007083 .....	193, 247, 283	70024328 .....	177, 189, 205, 217, 237, 243, 263, 279
70004603 .....	62	70005679 .....	79	70007085 .....	193	70024329 .....	177, 189, 205, 217, 237, 243, 263, 279
70004609 .....	61	70005804 .....	471	70007093 .....	193	70024472 .....	221
70004610 .....	62	70005839 .....	459, 463	70007326 .....	248	70024474 .....	193, 221, 283
70004613 .....	62	70005941 .....	248	70007993 .....	461	70024475 .....	247
70004614 .....	65, 709	70005943 .....	61	70007994 .....	461	70024480 .....	193, 283
70004615 .....	65	70005944 .....	61	70007995 .....	461	70024481 .....	194, 221
70004617 .....	62, 349, 351	70005945 .....	61	70007996 .....	461	70024485 .....	193, 221, 247, 283
70004618 .....	62	70005946 .....	61	70007997 .....	461	70024487 .....	193, 221
70004619 .....	62	70005947 .....	61, 62	70007998 .....	461	70024494 .....	194, 221, 248, 284
70004653 .....	351, 708	70005948 .....	61	70008012 .....	467	70024495 .....	247, 284
70004676 .....	306, 310	70005950 .....	62	70008013 .....	467	70024500 .....	248
70004678 .....	306, 310	70005951 .....	62	70008014 .....	457	70024504 .....	193, 221, 283
70004679 .....	306, 310	70005952 .....	62	70008015 .....	457	70024507 .....	193, 221, 283
70004680 .....	306, 310	70005953 .....	62	70008016 .....	457	70024513 .....	247, 283
70004681 .....	306	70005954 .....	349	70008017 .....	457	70024961 .....	283
70004682 .....	306	70005955 .....	349	70008018 .....	457	70025088 .....	194, 221, 284
70004683 .....	306, 310	70005958 .....	62, 65, 349	70008019 .....	457	70025153 .....	193, 221, 247, 283
70004685 .....	310	70005959 .....	65	70008067 .....	459	70025707 .....	194, 284
70005143 .....	461	70005961 .....	65	70008068 .....	459	70025737 .....	247
70005199 .....	65	70005962 .....	349	70008069 .....	459	70025745 .....	194, 221, 248, 284
70005433 .....	463, 471	70005963 .....	349	70008070 .....	459	70025780 .....	193, 221, 283
70005492 .....	193	70005964 .....	349	70008228 .....	463	70025789 .....	194, 221, 247
70005497 .....	247	70005965 .....	349	70008229 .....	463	70025979 .....	294
70005498 .....	194, 284	70005966 .....	351, 709	70008230 .....	463	70026210 .....	193, 221, 247, 283
70005504 .....	193	70005967 .....	351	70008231 .....	463	70026446 .....	325
70005511 .....	193, 283	70005999 .....	469	70008232 .....	463	70027405 .....	193
70005513 .....	193	70006003 .....	325	70008233 .....	463	70027420 .....	193
70005516 .....	194, 248, 284	70006004 .....	326, 708	70008234 .....	463	70027422 .....	247
70005517 .....	193, 283	70006005 .....	325	70008235 .....	463	70027425 .....	283
70005522 .....	193	70006006 .....	326	70008236 .....	463	70027460 .....	193
70005523 .....	193	70006137 .....	57, 59	70008358 .....	59, 708	70027463 .....	193, 247, 283
70005524 .....	193	70006144 .....	193, 221, 247, 283	70008368 .....	59	70027464 .....	193, 247, 283
70005544 .....	193	70006344 .....	471	70008369 .....	59	70027495 .....	193, 247, 283
70005548 .....	194, 283	70006403 .....	299	70008425 .....	247	70027569 .....	221
70005549 .....	194	70006404 .....	299	70008427 .....	247	7002821 .....	714
70005556 .....	193, 247	70006405 .....	299, 708	70008612 .....	193, 247, 283	7002822 .....	714
70005559 .....	193, 283	70006406 .....	299	70008613 .....	193, 247, 283	7002823 .....	714
70005564 .....	221	70006407 .....	299	70022286 .....	293	7002828 .....	714
70005565 .....	81, 83, 85	70006408 .....	299	70022287 .....	293	70028538 .....	247
70005598 .....	463, 465	70006409 .....	299	70022564 .....	457, 461, 467	70028540 .....	193, 221
70005599 .....	471	70006410 .....	299	70023351 .....	293	70028542 .....	247
70005600 .....	471, 475	70006411 .....	299	70023352 .....	293	70028927 .....	247
70005601 .....	471, 475	70006510 .....	465	70023353 .....	293	70028989 .....	247
70005602 .....	471, 475	70006511 .....	465	70023354 .....	293	70029379 .....	247
70005603 .....	471, 475	70006512 .....	465	70023355 .....	293	70029385 .....	247
70005615 .....	91	70006552 .....	305, 309	70023357 .....	293	70029386 .....	247
70005616 .....	91	70006553 .....	305, 309, 709	70023358 .....	293		
70005617 .....	91	70006596 .....	461, 467	70023359 .....	293		
70005618 .....	91	70006653 .....	193, 221, 283	70023361 .....	293		
70005619 .....	91	70006707 .....	61	70023362 .....	293		
70005620 .....	341	70006708 .....	61	70023363 .....	293		
70005621 .....	341	70006731 .....	472	70023592 .....	205, 217, 708		
70005622 .....	341	70006732 .....	471	70023593 .....	205, 217, 708		
70005624 .....	306, 310	70006853 .....	471	70023809 .....	177, 189, 205, 217, 237, 243, 263, 279, 708		
70005625 .....	310	70006854 .....	471				
		70006856 .....	471				

## SECTION 11 - SPECIAL OPTIONS/ACCESSORIES/KITS

70029399.....248	7020465 ... 194, 221, 248, 284	7026626 ..... 314, 318	8405006.....299
70029401... 193, 221, 283	7021249 ..... 23	7027740 ..... 23	8405007... 177, 189, 205, 217, 237, 243, 263, 279
70029407.....283	7021256 ..... 291	7027773 ..... 437	8405009... 177, 189, 237, 243, 263, 279
70029468.....457	7021265 ..... 291	7027774 ..... 437	8405104... 177, 189, 205, 217, 237, 243, 263, 279
70029580.....247	7021275 ..... 23, 290, 293	7027775 ..... 437	8405211... 177, 189, 237, 243, 263, 279
70030375.....247	7021293 ..... 291	7027776 ..... 437	8406003.....355
70030378.....247	7021293 ..... 291	7027777 ..... 437	8406101..83, 93, 97, 101, 105, 109, 113, 117, 121, 171, 183, 198, 210, 225, 229, 253, 269
70031215.....248	7021375 ..... 35, 61, 349	7027778 ..... 437	8406102.... 171, 183, 225, 229, 253, 269
7004237.....467	7021625 ..... 33	7027779 ..... 437	8406105.... 171, 183, 199, 211, 225, 229, 253, 269
7004275.....714	7022300 ..... 291	7027780 ..... 437	8406109.... 177, 189, 205, 217, 237, 243, 263, 279, 493, 519, 539, 541
7004276.....714	7022301 ..... 290	7027799 ..... 314, 318	8406110.... 177, 189, 206, 218, 237, 243
70052577.....457	7022311 ..... 23	7300435 ... 177, 189, 204, 216, 237, 243, 263, 279	8406201.... 171, 183, 225, 229, 253, 269
7007207..... 290, 293	7022314 ..... 23	77133089 ..... 488	8406303.... 205, 217, 253, 269
7007415.... 291, 293, 294	7022321 ..... 23	77133137 . 171, 183, 225, 229, 253, 269	8410009.... 171, 183, 225, 229, 253, 269
7007418.....290	7022340 ..... 293	77363232 . 305, 309, 313, 317	8410011.... 177, 189, 205, 217, 237, 243, 263, 279
7007419.....290	7022368 ..... 23	77363233 ..... 593, 595	8410012.... 177, 189, 206, 218, 237, 243, 263, 279
7007420.....23	7022371 ..... 23	7894000042 ..... 357	8410013.... 171, 177, 183, 189, 205, 217, 225, 229, 237, 243, 253, 263, 269, 279
7007437.....23	7022390 ..... 351	80963067 .. 572, 576, 650	8750014.... 171, 183, 198, 210, 225, 229, 253, 269
7007438.....23	7022399 ..... 33	82033995 . 171, 183, 225, 229, 253, 269	8750031.... 171, 183, 198, 210, 225, 229, 253, 269
7007439..... 23, 291	7022523 ..... 349	8220007 ..... 611	8760554.....488
7007446.... 23, 290, 293	7023377 ..... 293	8220045 .... 571, 575, 579	8769122.....483
7007489.....297	7023922 ..... 351	8220051 ..... 589	8769123.... 171, 183, 198, 210, 225, 229, 253, 269
7008010.....467	7023962 ..... 293	8220068 ..... 657	8769127.... 171, 183, 225, 229, 253, 269
7008011.....467	7023964 ..... 293, 294	8220097 ... 572, 576, 580, 650	8769128.....483
7008431.....247	7024441 ..... 87	8220098 ... 572, 576, 580, 650	88261128.....57, 59
7010543.....33	7024462 ..... 437	8220115 .... 575, 580, 583	88411013.....521
7011346.... 465, 471, 475	7024463 ..... 437	8220116 ..... 650	88521214.. 445, 447, 449, 451
7011351.... 463, 469, 471, 475	7024467 ..... 437	8229242 ... 571, 577, 580, 650, 708	88662013.....488
7011353.....459	7024469 ..... 437	8229244 ... 571, 577, 580, 650, 708	91043147.....274
7011361.... 465, 471, 475	7024470 ..... 437	8229245 ... 572, 577, 580, 708	91203039.....359
7011368.....471, 475	7024471 ..... 437, 443	8229247 ... 571, 577, 580, 708	91403230.. 664, 668, 672, 676, 680, 684, 688, 692, 696
7011371.....471, 475	7024472 ..... 437	8229249 ..... 453, 708	91554014.....657
7011376.... 457, 459, 463, 465	7024473 ..... 437	8278020 ... 177, 189, 204, 217, 237, 243, 263, 279	91563070.. 177, 189, 205, 217, 237, 243, 263, 279
7011381.....469	7024474 ..... 437	8305401 ... 177, 189, 205, 217, 237, 243, 263, 279	
70124432.....247	7024475 ..... 437	8305919 ... 171, 183, 199, 211, 225, 229, 254, 270, 305, 309, 313, 317	
7012773..... 35, 61, 349	7024478 ..... 437	8307109 ... 177, 189, 205, 217, 237, 243, 263, 279	
7012941.....33	7024485 ... 314, 318, 708	8310067 ... 171, 183, 198, 210, 225, 229, 253, 269	
7012973.....33	7024488 ..... 313, 317	8310129 ..... 421	
7012998..... 33, 461	7024489 ..... 313, 317	8310548 ... 177, 189, 205, 217, 237, 243, 263, 279	
7016322.... 170, 182, 198, 210, 224, 228, 252, 268	7024530 ..... 443	8310614 ..... 357	
7016331.... 194, 221, 247, 284	7024531 ..... 443	8310643001 . 94, 98, 102, 106, 110, 114, 118, 122, 158, 347	
7016374.... 170, 182, 198, 210, 224, 228, 252, 268	7024532 ..... 443	8310686 93, 97, 101, 105, 109, 113, 117, 121, 355	
7016654.....714	7024533 ..... 443		
7016655.....714	7024534 ..... 443		
7017187.....341	7024535 ..... 443		
7017189.....341	7024536 ..... 443		
7017402.....351	7024537 ..... 443		
7017493.....33	7024574 ..... 463		
7018942..... 62, 349	7024579 ..... 248		
7020175.... 125, 127, 129, 131, 133, 135, 137, 139	7024598 ... 170, 182, 198, 210, 224, 228, 252, 268		
7020176.... 125, 127, 129, 131, 133, 135, 137, 139	7024800 ..... 291		
7020404.... 194, 221, 247, 284	7024865 ..... 23		
7020442.....247	7024867 ..... 23		
	7024868 ..... 23		
	7024885 ..... 351, 708		
	7024899 ..... 351		
	7026004 ..... 463		
	7026030 ..... 79		
	7026031 ..... 79, 709		
	7026032 ..... 79		
	7026597 ..... 314, 318		





**Corporate Office  
JLG Industries, Inc.  
1 JLG Drive  
McConnellsburg, PA 17233-9533 USA  
☎ (717) 485-5161 (Corporate)  
☎ (877) 554-5438 (Customer Support)  
📠 (717) 485-6417**

**Visit our website for JLG Worldwide Locations.  
[www.jlg.com](http://www.jlg.com)**



**OSHKOSH™**