



Illustrated Parts Manual

1850SJ

PVC 2407

3122322200

July 1, 2024 - Rev A

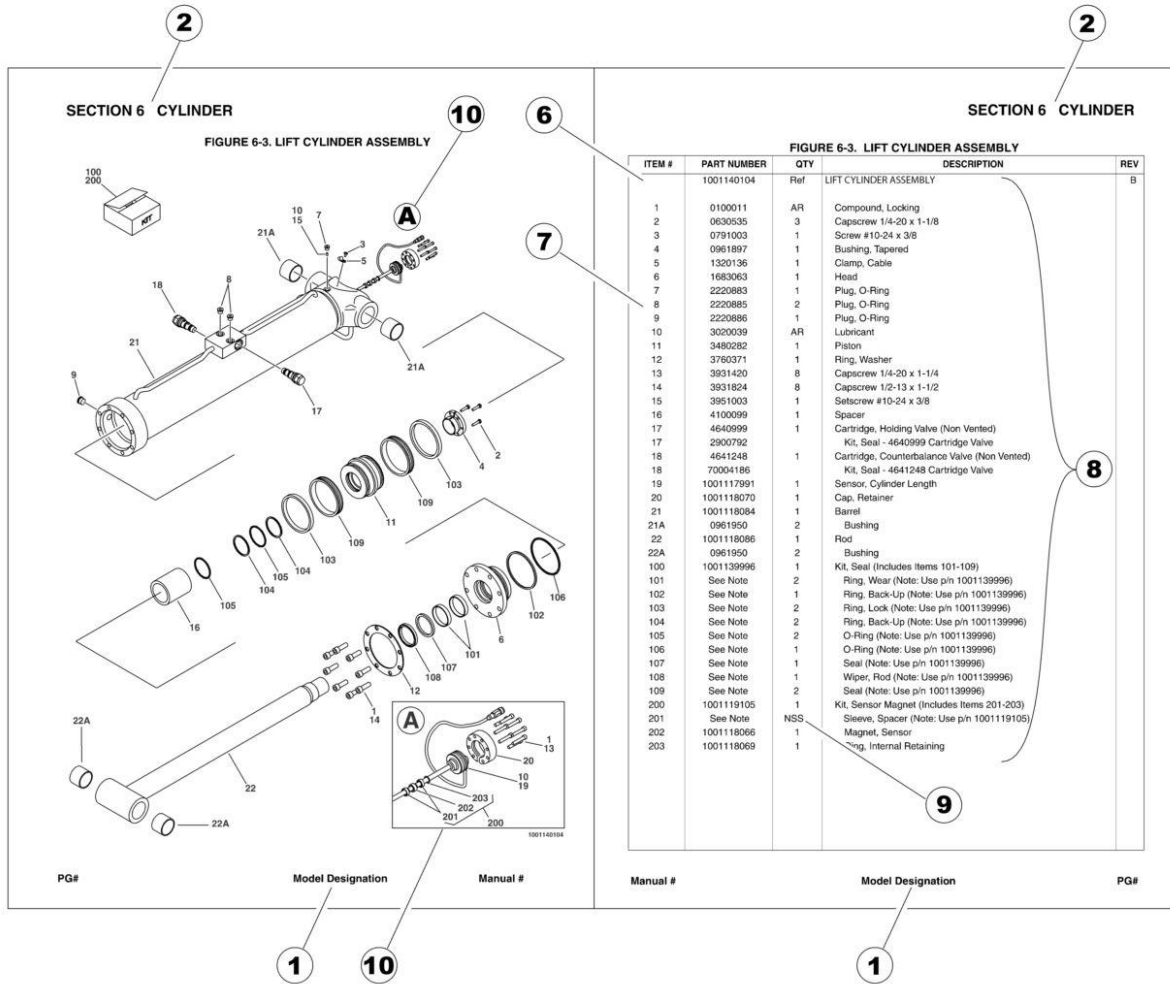
ANSI  **CE** 
AS/NZS

English (en-US)

REVISION LOG

July 1, 2024 - A - Original Issue of Manual (Edited to B/M 1001261850 Revision U)

GENERAL INFORMATION



1) MACHINE IDENTIFICATION

Machines are identified by model and in some cases a combination of models, serial number (SN) or regional standard (i.e ANSI, CE, CSA). Components may also be identified by SN or manufacturer. Common components that may be identified by these characteristics are engines and hydraulic components.

2) PARTS MANUAL ORGANIZATION

Product information in this manual is organized under section titles. Frame, Cylinder, Hydraulic and Electrical are a few examples. Each section is organized by figure and page number. The information within the Figure is then organized by item number, part number, description and corresponding illustration (s).

3) TABLE OF CONTENTS (NOT SHOWN)

A table of contents is found toward the beginning of the manual. Figure number, description and page number are provided for quick reference to the page containing the related information.

4) RECOMMENDED SPARE PARTS (NOT SHOWN)

The Recommended Spare Parts List, located near the end of the manual, reference most frequently used maintenance parts.

5) PART NUMBER INDEX (NOT SHOWN)

A numerical index listing all part numbers and the corresponding page number(s) appears at the back of the manual.

GENERAL INFORMATION

6) NON-SERVICED PARTS

In some instances, it is necessary to display non-serviced parts, assemblies or installations. In the case of assemblies and installations there will be a Ref in the Qty. column. In case of parts that are not available for service within assemblies or components, there will be a NSS (Not Sold Separately) or NLA (No Longer Available) listed in the Qty. column of the manual.

7) PARTS LIST ITEM NUMBERS

Numbers shown in the item# column correspond to numbers used in the associated illustration (s). Item numbers which are missing from the sequence in the parts list are not used on that page.

8) INDENTED PARTS DESCRIPTION

An indented part description is included in the item under which it is indented.

9) ABBREVIATION AND SYMBOLS

AC.....	Alternating Current	L.....	Liter
ADE.....	Advanced Design Electronics	LB(LBS).....	Pounds
AG.....	Agricultural	LCD.....	Liquid Crystal Display
ANSI.....	American National Standards Institute	LED.....	Light Emitting Diodes
AR.....	As Required	LH.....	Left Hand
ASSY.....	Assembly	LRC.....	Low Rated Countries
AUS.....	Australia	LSS.....	Load Sensing System
AUX.....	Auxiliary	M(m).....	Metric/Meter
AWG.....	American Wire Gauge	MM(mm).....	Milimeter
B/M.....	Bill of Material	mA.....	Miliamps
CAC.....	Charge Air Cooler	NLA.....	No Longer Available
CE.....	European Conformity	NPT.....	National Pipe Threads
CCW.....	Counter Clockwise	NSS.....	Not Sold Separately
CM.....	Centimeter	OD.....	Outside Diameter
CW.....	Clockwise	ORB.....	O-Ring Boss
CSA.....	Canadian Standards Association	ORFS.....	O-Ring Face Seal
CYL.....	Cylinder	OZ (oz).....	Ounces
DIA.....	Diameter	PG.....	Page
DC.....	Direct Current	PN.....	Part Number
DEF.....	Diesel Exhaust Fluid	QT(qt.).....	Quarts
EMS.....	Emergency Stop	QTY.....	Quantity
ENG.....	Engine	REF.....	Reference
FT(ft).....	Feet	REV.....	Revision Level
GA(Ga).....	Gauge	RH.....	Right Hand
HRC.....	High Rated Countries	SAE.....	Society of Automotive Engineers
HVAC.....	Heating, Ventilating, and Air Conditioning	SN.....	Serial Number
HYD.....	Hydraulic	SPEC(S).....	Specifications
Hz.....	Hertz	T/T.....	Turntable
ID.....	Inside Diameter	UGM.....	Universal Ground Module
IN.....	inches	V.....	Volts
ISO.....	International Organization for Standards	W.....	Watts
JIC.....	Joint Industry Council	#.....	Number
KG.....	Kilogram		

10) ILLUSTRATION REFERENCE LETTERS

When necessary, illustrations may contain reference letters that are intended to track information (i. e. hoses, harnesses) from one point to another or to track visual enlargement of components to show details that may be located in another area on the illustration.

Note: Due to continuous product improvements, JLG Industries, Inc. reserves the right to make specification changes without prior notification. Contact JLG Industries, Inc. for updated information.

TABLE OF CONTENTS

SECTION 1 - FRAME.....	15
FIGURE 1-1. AXLES INSTALLATION	16
FIGURE 1-2. STEERING INSTALLATION	18
FIGURE 1-3. WHEEL DRIVE INSTALLATION	20
FIGURE 1-4. DRIVE MOTOR ASSEMBLY	22
FIGURE 1-5. DRIVE HUB ASSEMBLY	24
FIGURE 1-6. TIRE/WHEEL INSTALLATION - IN445/50D710 FOAM-FILLED.....	28
FIGURE 1-7. VALVES INSTALLATION - FRAME (WITH LSS).....	30
FIGURE 1-8. TRACTION VALVE ASSEMBLY	32
FIGURE 1-9. STEER/AXLE EXTEND VALVE ASSEMBLY.....	34
FIGURE 1-10. COVERS INSTALLATION - FRAME.....	36
FIGURE 1-11. ELECTRICAL COMPONENTS INSTALLATION - FRAME (ANSI EXPORT (LRC), AUSTRALIAN AND CHINA SPECS)	38
FIGURE 1-12. ELECTRICAL COMPONENTS INSTALLATION - FRAME (ANSI, ANSI EXPORT (HRC), CSA AND JAPANESE SPECS)	40
FIGURE 1-13. ELECTRICAL COMPONENTS INSTALLATION - FRAME (CE & UK CA SPECS) (LRC)	42
FIGURE 1-14. ELECTRICAL COMPONENTS INSTALLATION - FRAME (CE & UK CA SPECS).....	44
FIGURE 1-15. ELECTRICAL COMPONENTS INSTALLATION - FRAME (DUETZ TCD3.6L (CHINA IV) ENGINES) (CHINA SPECS ONLY).....	46
SECTION 2 - TURNTABLE	49
FIGURE 2-1. VALVES AND FILTERS INSTALLATION - TURNTABLE (PARKER HYDRAULIC FILTER)	50
FIGURE 2-2. VALVES AND FILTERS INSTALLATION - TURNTABLE (DONALDSON HYDRAULIC FILTER)	52
FIGURE 2-3. MAIN VALVE ASSEMBLY	54
FIGURE 2-4. TURNTABLE BEARING INSTALLATION	58
FIGURE 2-5. TURNTABLE LOCK INSTALLATION.....	60
FIGURE 2-6. SWING DRIVE INSTALLATION	62
FIGURE 2-7. SWING HUB/BRAKE/ MOTOR ASSEMBLY.....	64
FIGURE 2-8. COUPLING AND COLLECTOR RING INSTALLATION.....	68
FIGURE 2-9. COUPLING AND COLLECTOR RING ASSEMBLY	70
FIGURE 2-10. TANKS INSTALLATION.....	72
FIGURE 2-11. TANKS INSTALLATION - WITH DIESEL EXHAUST FLUID TANK.....	74
FIGURE 2-12. TANKS INSTALLATION (HRC)	76
FIGURE 2-13. HYDRAULIC TANK ASSEMBLY.....	78
FIGURE 2-14. AUXILIARY POWER/BATTERIES INSTALLATIONS	80
FIGURE 2-15. AUXILIARY PUMP AND MOTOR ASSEMBLY	82
FIGURE 2-16. TURNTABLE ELECTRICAL COMPONENTS INSTALLATION (ANSI EXPORT (LRC), AUSTRALIAN AND CHINA SPECS)	84
FIGURE 2-17. TURNTABLE ELECTRICAL COMPONENTS INSTALLATION (ANSI, ANSI EXPORT (HRC), CSA AND JAPTURNTABLE ELECTRICAL COMPONENTS INSTALLATION (ANSI, ANSI EXPORT (HRC), CSA AND JAPANESE SPECS)ANESE SPECS)	88
FIGURE 2-18. TURNTABLE ELECTRICAL COMPONENTS INSTALLATION (CE & UK CA (LRC) SPECS)	92
FIGURE 2-19. TURNTABLE ELECTRICAL COMPONENTS INSTALLATION (CE & UK CA SPECS)	96
FIGURE 2-20. TURNTABLE ELECTRICAL COMPONENTS INSTALLATION - DUETZ TCD3.6L (CHINA IV) ENGINES (CHINA SPECS ONLY).....	100
FIGURE 2-21. GROUND CONTROL CONSOLE ASSEMBLY (ANSI EXPORT (LRC), AUSTRALIAN AND CHINA SPECS).....	104
FIGURE 2-22. GROUND CONTROL CONSOLE ASSEMBLY (ANSI, ANSI EXPORT (HRC), CSA AND JAPANESE SPECS) .	106

TABLE OF CONTENTS

FIGURE 2-23. GROUND CONTROL CONSOLE ASSEMBLY (CE & UK CA (LRC) SPECS)	108
FIGURE 2-24. GROUND CONTROL CONSOLE ASSEMBLY (CE & UK CA SPECS).....	110
FIGURE 2-25. KEY SWITCH	112
FIGURE 2-26. LIGHT PANEL	114
FIGURE 2-27. ELECTRICAL PANEL ASSEMBLY	116
FIGURE 2-28. ALARM INSTALLATION.....	118
FIGURE 2-29. BEACON LIGHT INSTALLATION - AMBER.....	120
FIGURE 2-30. STROBE LIGHT INSTALLATION - BLUE	122
FIGURE 2-31. STROBE LIGHT INSTALLATION - RED	124
FIGURE 2-32. HOOD INSTALLATION	126
FIGURE 2-33. VENTURI INSTALLATION (HRC) (ANSI, ANSI EXPORT, CSA, JAPANESE, CE & UK CA)	132
FIGURE 2-34. VENTURI INSTALLATION (LRC) (ANSI EXPORT, AUSTRALIAN, CHINA, CE & UK CA).....	134
SECTION 3 - ENGINE	137
FIGURE 3-1. DEUTZ LRC ENGINE INSTALLATION - WITHOUT COLD WEATHER PKG	138
FIGURE 3-2. DEUTZ LRC ENGINE/PUMP ASSEMBLY - WITHOUT COLD WEATHER PKG.....	142
FIGURE 3-3. DEUTZ LRC ENGINE ASSEMBLY - WITHOUT COLD WEATHER PKG	144
FIGURE 3-4. DEUTZ LRC ENGINE INSTALLATION - WITH COLD WEATHER PKG.....	150
FIGURE 3-5. DEUTZ LRC ENGINE/PUMP ASSEMBLY - WITH COLD WEATHER PKG.....	154
FIGURE 3-6. DEUTZ LRC ENGINE ASSEMBLY - WITH COLD WEATHER PKG	156
FIGURE 3-7. DEUTZ LRC ENGINE COMPONENTS	162
FIGURE 3-8. DEUTZ HRC EMR5 ENGINE INSTALLATION - WITH COLD WEATHER PACKAGE.....	164
FIGURE 3-9. DEUTZ HRC EMR5 ENGINE INSTALLATION - WITHOUT COLD WEATHER PACKAGE.....	168
FIGURE 3-10. DEUTZ HRC EMR5 ENGINE/PUMP ASSEMBLY - WITH COLD WEATHER PACKAGE	172
FIGURE 3-11. DEUTZ HRC EMR5 ENGINE/PUMP ASSEMBLY - WITHOUT COLD WEATHER PACKAGE.....	174
FIGURE 3-12. ENGINE ASSEMBLY EMR5 (HRC) (WITH COLD WEATHER PACKAGE)	176
FIGURE 3-13. ENGINE ASSEMBLY EMR5 (HRC) (WITHOUT COLD WEATHER PACKAGE)	182
FIGURE 3-14. DEUTZ HRC EMR5 ENGINE COMPONENTS.....	188
FIGURE 3-15. DEUTZ HRC (STAGE V) ENGINE INSTALLATION - WITHOUT COLD WEATHER PKG.....	192
FIGURE 3-16. DEUTZ HRC (STAGE V) ENGINE/PUMP ASSEMBLY - WITHOUT COLD WEATHER PKG.....	196
FIGURE 3-17. DEUTZ HRC (STAGE V) ENGINE ASSEMBLY - WITHOUT COLD WEATHER PKG	200
FIGURE 3-18. DEUTZ HRC (STAGE V) ENGINE COMPONENTS.....	206
FIGURE 3-19. DEUTZ TCD3.6L ENGINE INSTALLATION (CHINA IV)	210
FIGURE 3-20. DEUTZ TCD3.6L ENGINE AND PUMPS ASSEMBLY (CHINA IV)	214
FIGURE 3-21. DEUTZ TCD3.6L ENGINE ASSEMBLY (CHINA IV)	218
FIGURE 3-22. DEUTZ TCD3.6L ENGINE COMPONENTS (CHINA IV)	224
FIGURE 3-23. EXHAUST TEMPERATURE SENSOR INSTALLATION (DEUTZ TCD3.6L (CHINA IV) ENGINE)	226
FIGURE 3-24. EXHAUST TEMPERATRUE SENSOR ASSEMBLY (DEUTZ TCD3.6L (CHINA IV) ENGINE)	228
FIGURE 3-25. PUMP COUPLING KIT	230
FIGURE 3-26. TANDEM PUMP ASSEMBLY	232
FIGURE 3-27. PISTON PUMP ASSEMBLY.....	236
FIGURE 3-28. GEAR PUMP ASSEMBLY	240
FIGURE 3-29. FUEL FILTER/WATER SEPARATOR INSTALLATION.....	242
FIGURE 3-30. FUEL FILTER ASSEMBLY	244
FIGURE 3-31. SPARK ARRESTOR INSTALLATION - DEUTZ LRC (OPTIONAL)	246
FIGURE 3-32. SPARK ARRESTOR INSTALLATION - DEUTZ T4F (OPTIONAL)	248

TABLE OF CONTENTS

FIGURE 3-33. 4000W GENERATOR INSTALLATION - 50HZ SPEC (OPTIONAL).....	250
FIGURE 3-34. 7500W SKYPOWER GENERATOR INSTALLATION - 60HZ (OPTIONAL).....	254
FIGURE 3-35. 7500W SKYPOWER GENERATOR INSTALLATION - 50HZ (OPTIONAL).....	258
SECTION 4 - BOOM.....	261
FIGURE 4-1. BOOM INSTALLATION.....	262
FIGURE 4-2. BOOM ASSEMBLY.....	264
FIGURE 4-3. JIB INSTALLATION	272
FIGURE 4-4. JIB ASSEMBLY	276
FIGURE 4-5. PLATFORM ROTATOR ASSEMBLY.....	278
FIGURE 4-6. JIB ROTATOR ASSEMBLY	280
FIGURE 4-7. PLATFORM SUPPORT INSTALLATION.....	282
FIGURE 4-8. BOOM CABLES INSTALLATION - 4000W 50HZ GENERATOR (ANSI EXPORT, AUSTRALIAN, CHINA, JAPANESE, CE & UK CA SPECS)	284
FIGURE 4-9. BOOM CABLES (AUSTRALIAN, CHINA, CE & UK CA SPECS).....	286
FIGURE 4-10. BOOM CABLES - ANSI, ANSI EXPORT, CSA AND JAPANESE SPECS.....	288
FIGURE 4-11. BOOM CABLES - SKYPOWER	290
FIGURE 4-12. BOOM SENSORS AND SWITCHES INSTALLATION.....	292
FIGURE 4-13. JIB ENCLOSURE BOX ASSEMBLY.....	298
FIGURE 4-14. POWER TRACK INSTALLATION - BOOM.....	300
FIGURE 4-15. VALVES INSTALLATION - BOOM (WITH LSS)	304
FIGURE 4-16. JIB VALVE ASSEMBLY	306
FIGURE 4-17. PLATFORM VALVE ASSEMBLY.....	308
SECTION 5 - PLATFORM.....	311
FIGURE 5-1. PLATFORM ASSEMBLY - 30IN X 3FT (76CM X 91.5CM) DROP BAR ENTRY	312
FIGURE 5-2. PLATFORM ASSEMBLY - 36IN X 6FT (91.5CM X 1.83M) SIDE GATE ENTRY	314
FIGURE 5-3. PLATFORM ASSEMBLY - 36IN X 6FT (91.5CM X 1.83M) SIDE GATE/DROP BAR TRI-ENTRY.....	316
FIGURE 5-4. PLATFORM ASSEMBLY - 36IN X 6FT (91.5CM X 1.83M) DROP BAR TRI-ENTRY	318
FIGURE 5-5. PLATFORM ASSEMBLY - 36IN X 8FT (91.5CM X 2.44M) SIDE GATE ENTRY	320
FIGURE 5-6. PLATFORM ASSEMBLY - 36IN X 8FT (91.5CM X 2.44M) DROP BAR ENTRY	322
FIGURE 5-7. PLATFORM ASSEMBLY - 36IN X 8FT (91.5CM X 2.44M) WITH TRI-ENTRY (1 GATE/2 DROP BARS)	324
FIGURE 5-8. PLATFORM ASSEMBLY - 36IN X 8FT (91.5CM X 2.44M) WITH TRI-ENTRY (3 DROP BARS)	326
FIGURE 5-9. PLATFORM ASSEMBLY - 36IN X 8FT (91.5CM X 2.44M) FALL ARREST - ANSI SPEC	328
FIGURE 5-10. TRAY INSTALLATION	330
FIGURE 5-11. LCD DISPLAY INSTALLATION	332
FIGURE 5-12. PLATFORM CONTROLS INSTALLATION - WITH SKYGUARD.....	334
FIGURE 5-13. PLATFORM CONSOLE ASSEMBLY - WITH SKYGUARD	336
FIGURE 5-14. LIGHT PANEL.....	340
FIGURE 5-15. FOOTSWITCH ASSEMBLY.....	342
FIGURE 5-16. SKYGUARD BAR INSTALLATION	344
FIGURE 5-17. SKYCUTTER INSTALLATION (ANSI, ANSI EXPORT, CHINA, CSA AND JAPANESE SPECS)	346
FIGURE 5-18. SKYEYE INSTALLATION	348
FIGURE 5-19. SKYGLAZIER INSTALLATION (ANSI AND CSA SPECS)	350
FIGURE 5-20. SKYGLAZIER INSTALLATION (DANISH SPECS)	352
FIGURE 5-21. SKYGLAZIER INSTALLATION (ENGLISH/FRENCH SPECS)	354

TABLE OF CONTENTS

FIGURE 5-22. SKYGLAZIER INSTALLATION (GERMAN SPECS)	356
FIGURE 5-23. SKYGLAZIER INSTALLATION (ITALIAN SPECS).....	358
FIGURE 5-24. SKYGLAZIER INSTALLATION (PORTUGUESE SPECS)	360
FIGURE 5-25. SKYGLAZIER INSTALLATION (SPANISH SPECS)	362
FIGURE 5-26. SKYGLAZIER INSTALLATION (SWEDISH SPECS).....	364
FIGURE 5-27. SKYGLAZIER INSTALLATION (UK SPECS)	366
FIGURE 5-28. SKYLINE INSTALLATION	368
FIGURE 5-29. SKYSENSE MID TUBE SENSOR ASSEMBLY	370
FIGURE 5-30. SKYSENSE OVERHEAD SENSOR ASSEMBLY	372
FIGURE 5-31. SKYWELDER INSTALLATION (50HZ).....	374
FIGURE 5-32. SKYWELDER INSTALLATION (60HZ).....	376
FIGURE 5-33. SKYWELDER PREP PACKAGE (60HZ)	378
FIGURE 5-34. SKYWELDER/SKYCUTTER COMBO INSTALLATION (60HZ) (ANSI, ANSI EXPORT, CHINA, CSA & JAPANESE SPECS).....	380
FIGURE 5-35. SKYWELDER/SKYCUTTER COMBO INSTALLATION (60HZ) (ANSI, ANSI EXPORT, CHINA, CSA & JAPANESE SPECS).....	382
FIGURE 5-36. SOFT TOUCH INSTALLATION - 8FT (2.4M) PLATFORM (OPTIONAL)	384
FIGURE 5-37. SOFT TOUCH INSTALLATION - 8FT (2.4M) FALL ARREST PLATFORM (OPTIONAL)	386
FIGURE 5-38. PLASMA CUTTER ASSEMBLY	388
FIGURE 5-39. WELDER ASSEMBLY	390
FIGURE 5-40. WELDER ASSEMBLY (CST282)	392
FIGURE 5-41. FALL ARREST INSTALLATION (BOLT - ON) (6FT/1.82M PLATFORM).....	394
FIGURE 5-42. FALL ARREST INSTALLATION (BOLT-ON) (6FT/1.82M TRI-ENTRY PLATFORM).....	396
FIGURE 5-43. FALL ARREST INSTALLATION (BOLT - ON) (8FT/2.4M PLATFORM).....	398
FIGURE 5-44. USB CHARGER INSTALLATION	400
SECTION 6 - CYLINDER.....	403
FIGURE 6-1. AXLE EXTEND CYLINDER ASSEMBLY.....	404
FIGURE 6-2. LEVEL CYLINDER ASSEMBLY - JIB SLAVE	406
FIGURE 6-3. LEVEL CYLINDER ASSEMBLY - PLATFORM SLAVE	408
FIGURE 6-4. LIFT CYLINDER ASSEMBLY - BOOM.....	410
FIGURE 6-5. LIFT CYLINDER ASSEMBLY - JIB	412
FIGURE 6-6. LOCK CYLINDER ASSEMBLY - JIB	414
FIGURE 6-7. STEER CYLINDER ASSEMBLY	416
FIGURE 6-8. TELESCOPE CYLINDER ASSEMBLY - BOOM.....	418
FIGURE 6-9. TELESCOPE CYLINDER ASSEMBLY - JIB	420
SECTION 7 - HYDRAULIC	423
FIGURE 7-1. BOOM AND JIB HYDRAULIC DIAGRAM.....	424
FIGURE 7-2. CHASSIS HYDRAULIC DIAGRAM	426
FIGURE 7-3. TURNTABLE HYDRAULIC DIAGRAM	430
FIGURE 7-4. HYDRAULIC DIAGRAM LIST.....	434
SECTION 8 - ELECTRICAL.....	435
FIGURE 8-1. ELECTRICAL DIAGRAM LIST	436
FIGURE 8-2. AC BOX AT PLATFORM INSTALLATION - 110V IEC 60309 YELLOW WITHOUT 4000W GENERATOR (CE & UK CA SPECS).....	438

TABLE OF CONTENTS

FIGURE 8-3. AC BOX AT PLATFORM INSTALLATION - 110V IEC 60309 YELLOW WITH 4000W GENERATOR (CE & UK CA SPECS)	440
FIGURE 8-4. AC BOX AT PLATFORM INSTALLATION - 220V IEC 60309 BLUE WITHOUT 4000W GENERATOR (CE & UK CA SPECS)	442
FIGURE 8-5. AC BOX AT PLATFORM INSTALLATION - 220V IEC 60309 BLUE WITH 4000W GENERATOR (CE & UK CA SPECS)	444
FIGURE 8-6. AC BOX AT PLATFORM INSTALLATION - 220V CEE7 POST GROUND (2X4 BOX) WITHOUT 4000W GENERATOR (CE & UK CA SPECS)	446
FIGURE 8-7. AC BOX AT PLATFORM INSTALLATION - 220V CEE7 POST GROUND (2X4 BOX) WITH 4000W GENERATOR (CE & UK CA SPECS).....	448
FIGURE 8-8. AC BOX AT PLATFORM INSTALLATION - 220V AFSINT 107 KEYED GROUND (2X4 BOX) WITHOUT 4000W GENERATOR (CE & UK CA SPECS)	450
FIGURE 8-9. AC BOX AT PLATFORM INSTALLATION - 220V AFSINT 107 KEYED GROUND (2X4 BOX) WITH 4000W GENERATOR (CE & UK CA SPECS)	452
FIGURE 8-10. AC BOX AT PLATFORM INSTALLATION - 220V CEE7 SIDE GROUND (2X4 BOX) WITHOUT 4000W GENERATOR (CE & UK CA SPECS)	454
FIGURE 8-11. AC BOX AT PLATFORM INSTALLATION - 220V CEE7 SIDE GROUND (2X4 BOX) WITH 4000W GENERATOR (CE & UK CA SPECS).....	456
FIGURE 8-12. AC BOX AT PLATFORM INSTALLATION - BOX WITH COVER (2X4 BOX) WITH 4000W GENERATOR (ANSI EXPORT, AUSTRALIAN, CHINA, JAPANESE, CE & UK CA SPECS)	458
FIGURE 8-13. AC BOX AT PLATFORM INSTALLATION - 240V (WITH 7500W SKYPOWER GENERATOR) (ALL SPECS EXCEPT AUSTRALIAN, CE & UK CA SPECS)	460
FIGURE 8-14. BATTERY CABLE KIT - DEUTZ LRC ENGINES.....	462
FIGURE 8-15. BATTERY CABLE KIT - DEUTZ HRC ENGINES	464
FIGURE 8-16. BATTERY DISCONNECT INSTALLATION	466
FIGURE 8-17. BEACON CONTROL HARNESS	468
FIGURE 8-18. BEACON HARNESS - AMBER.....	470
FIGURE 8-19. BEACON JUMPER HARNESS - AMBER	472
FIGURE 8-20. BEACON JUMPER HARNESS - BLUE & RED	474
FIGURE 8-21. BLAM HARNESS	476
FIGURE 8-22. BOOM AC CABLE - ANSI, ANSI EXPORT, CSA AND JAPANESE SPECS	478
FIGURE 8-23. BOOM AC CABLE – AUSTRALIAN, CHINA, CE & UK CA SPECS.....	480
FIGURE 8-24. BOOM AC CABLE - SKYPOWER.....	482
FIGURE 8-25. BOOM AC CABLE - MAIN BOOM WITH 4000W 50HZ GENERATOR (ANSI EXPORT, AUSTRALIAN, CHINA, JAPANESE, CE & UK CA SPECS)	484
FIGURE 8-26. BOOM AC CABLE - JIB BOOM WITH 4000W 50HZ GENERATOR (ANSI EXPORT, AUSTRALIAN, CHINA, JAPANESE, CE & UK CA SPECS)	486
FIGURE 8-27. BOOM SENSOR HARNESS.....	488
FIGURE 8-28. BREAKER BOX ASSEMBLY - AC CABLE (CE & UK CA SPEC).....	490
FIGURE 8-29. BREAKER BOX KIT - AC CABLE	492
FIGURE 8-30. BREAKER BOX KIT - 4000W 50HZ GENERATOR.....	494
FIGURE 8-31. CLEARSKY INSTALLATION - 3G CANBUS CONNECTION (ANSI EXPORT, CE & UK CA SPECS).....	496
FIGURE 8-32. CLEARSKY INSTALLATION - 3G CANBUS CONNECTION (AUSTRALIAN SPECS).....	498
FIGURE 8-33. CLEARSKY INSTALLATION - 4G CANBUS CONNECTION (ALL SPECS EXCEPT CHINA SPECS)	500
FIGURE 8-34. CLEARSKY INSTALLATION - 4G CANBUS CONNECTION (CHINA SPECS)	502
FIGURE 8-35. CLEARSKY INSTALLATION 3-WIRE CONNECTION (ALL SPECS EXCEPT CHINA SPECS).....	504
FIGURE 8-36. CLEARSKY INSTALLATION - WITH DEUTZ TD2.9L4 (CHINA IV) ENGINES (CHINA SPECS)	506
FIGURE 8-37. CLEARSKY HARNESS - 3G & 4G CANBUS CONNECTIONS	508
FIGURE 8-38. CLEARSKY HARNESS - 3 WIRE GT1030	510
FIGURE 8-39. CLEARSKY HARNESS - WITH DEUTZ TD2.9L4 (CHINA IV) ENGINES.....	512

TABLE OF CONTENTS

FIGURE 8-40. CLEARSKY TELEMATICS JUMPER HARNESS	514
FIGURE 8-41. TELEMATICS CONTROL MODULE ASSEMBLY	516
FIGURE 8-42. CHASSIS HARNESS.....	518
FIGURE 8-43. DEF TANK EXTENSION HARNESS	520
FIGURE 8-44. DRIVE PUMP HARNESS.....	522
FIGURE 8-45. ENGINE CAN HARNESS	524
FIGURE 8-46. ENGINE HARNESS - DEUTZ LRC ENGINES	526
FIGURE 8-47. ENGINE HARNESS - DEUTZ HRC ENGINES.....	530
FIGURE 8-48. ENGINE HARNESS - DEUTZ HRC EMR5 ENGINES.....	534
FIGURE 8-49. ENGINE HARNESS - DEUTZ HRC STAGE V ENGINES	538
FIGURE 8-50. ENGINE HARNESS - DEUTZ TCD3.6L (CHINA IV)	542
FIGURE 8-51. FUEL PUMP AND WIF HARNESS.....	546
FIGURE 8-52. GENERATOR HARNESS - 4000W GENERATOR	548
FIGURE 8-53. GENERATOR ENABLE HARNESS - 7500W GENERATOR	550
FIGURE 8-54. GROUND CONTROL PANEL HARNESS	552
FIGURE 8-55. JIB AC CABLE - ANSI, ANSI EXPORT, CSA AND JAPANESE SPECS.....	554
FIGURE 8-56. JIB AC CABLE – AUSTRALIAN, CHINA, CE & UK CA SPECS.....	556
FIGURE 8-57. JIB AC CABLE - SKYPOWER.....	558
FIGURE 8-58. JIB CONTROL CABLE	560
FIGURE 8-59. JIB VALVE HARNESS.....	562
FIGURE 8-60. LCD DISPLAY HARNESS	566
FIGURE 8-61. LOAD SENSOR CABLE	568
FIGURE 8-62. MAIN BOOM 16/4 CABLE	570
FIGURE 8-63. MAIN BOOM CONTROL CABLE	572
FIGURE 8-64. MAIN VALVE HARNESS.....	574
FIGURE 8-65. MAIN VALVE BANK HARNESS	576
FIGURE 8-66. MTS CONNECTION CABLE	580
FIGURE 8-67. PLATFORM CONSOLE HARNESS - WITH SKYGUARD	582
FIGURE 8-68. PLATFORM INTERFACE HARNESS.....	586
FIGURE 8-69. PLATFORM VALVE HARNESS	588
FIGURE 8-70. RECEPTACLE BOX KIT - 110V IEC YELLOW (CE & UK CA SPEC).....	590
FIGURE 8-71. RECEPTACLE BOX KIT - 220V IEC BLUE (CE & UK CA SPEC)	592
FIGURE 8-72. RECEPTACLE BOX KIT - 220V CEE7 POST GROUND 2IN X 4IN (CE & UK CA SPEC)	594
FIGURE 8-73. RECEPTACLE BOX KIT - 220V CEE7 SIDE GROUND 2IN X 4IN (CE & UK CA SPEC).....	596
FIGURE 8-74. RECEPTACLE BOX KIT - 220V AFSINT 107 (CE & UK CA SPEC)	598
FIGURE 8-75. RECEPTACLE AND CLAMP INSTALLATION - 110V - ANSI, CSA AND JAPANESE SPECS.....	600
FIGURE 8-76. RECEPTACLE AND CLAMP INSTALLATION - 220V – ANSI, CSA AND JAPANESE SPECS.....	602
FIGURE 8-77. RECEPTACLE AND CLAMP INSTALLATION - SUPPLIED LOCALLY.....	604
FIGURE 8-78. SKYEYE INTERMEDIATE HARNESS	606
FIGURE 8-79. SKYEYE RECEIVER HARNESS.....	608
FIGURE 8-80. SKYEYE EMITTER HARNESS	610
FIGURE 8-81. SKYLINE HARNESS	612
FIGURE 8-82. STEER HARNESS	614
FIGURE 8-83. TURNTABLE HARNESS.....	616
FIGURE 8-84. TURNTABLE HARNESS	620

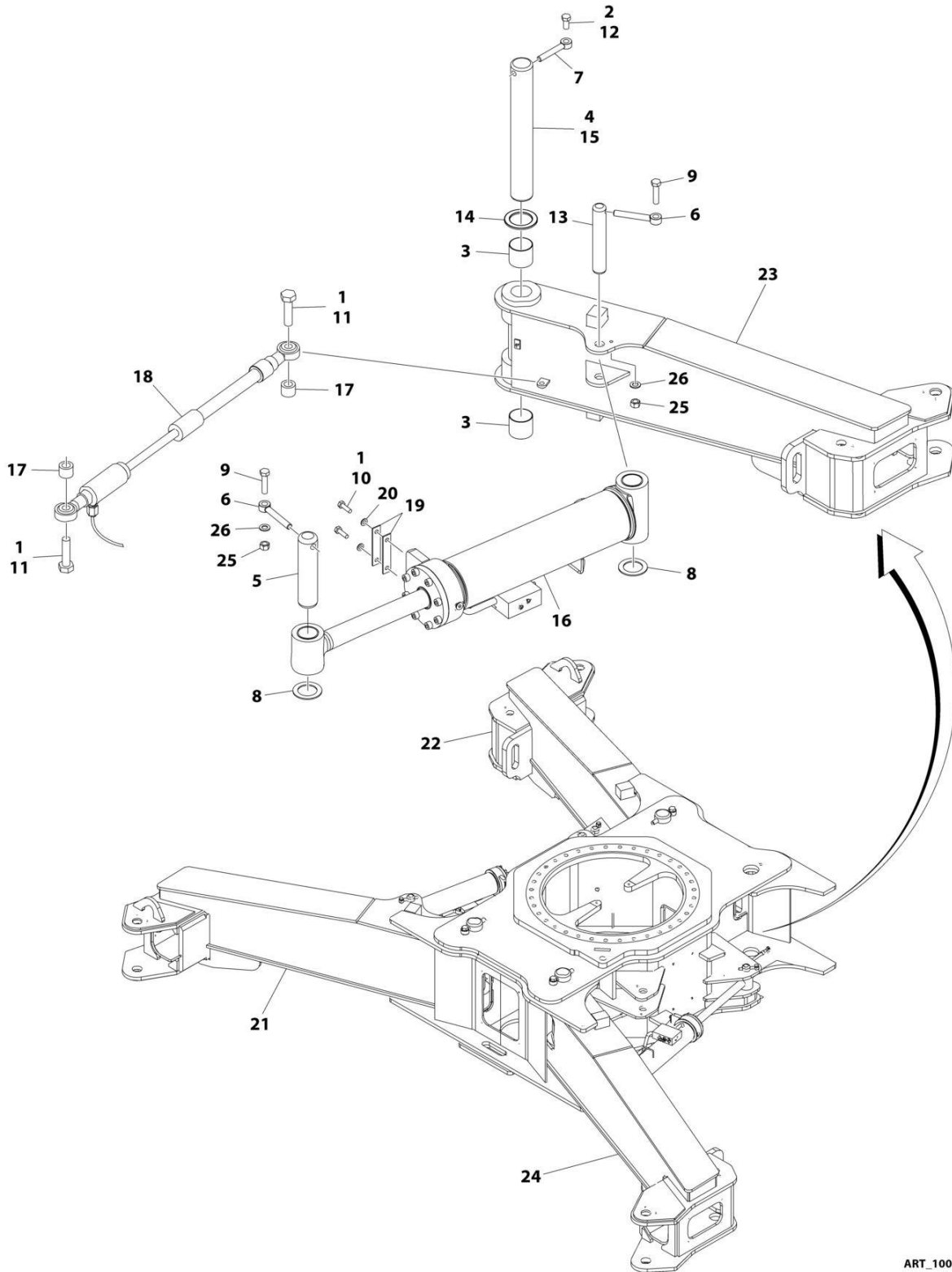
TABLE OF CONTENTS

FIGURE 8-85. TRANSPORT SWITCH HARNESS.....	624
FIGURE 8-86. UREA TANK HARNESS	626
SECTION 9 - DECALS.....	629
FIGURE 9-1. DECAL INSTALLATION - ANSI SPECS	630
FIGURE 9-2. DECAL INSTALLATION - ANSI EXPORT SPECS (DUAL LANGUAGE - ENGLISH AND SPANISH)	632
FIGURE 9-3. DECAL INSTALLATION - AUSTRALIAN SPECS.....	634
FIGURE 9-4. DECAL INSTALLATION - BRAZIL SPECS (DUAL LANGUAGE - ENGLISH AND PORTUGUESE)	636
FIGURE 9-5. DECAL INSTALLATION - CE & UK CA SPECS	638
FIGURE 9-6. DECAL INSTALLATION - CHINA SPECS (DUAL LANGUAGE - ENGLISH AND CHINESE)	640
FIGURE 9-7. DECAL INSTALLATION - CSA SPECS (DUAL LANGUAGE - ENGLISH AND FRENCH)	642
FIGURE 9-8. DECAL INSTALLATION - JAPANESE SPECS (DUAL LANGUAGE – ENGLISH AND JAPANESE)	644
FIGURE 9-9. DECAL INSTALLATION - KOREAN SPECS (DUAL LANGUAGE - ENGLISH AND KOREAN)	646
FIGURE 9-10. DECALS INSTALLATION - OPTIONS.....	648
FIGURE 9-11. SKYCUTTER DECAL INSTALLATION	652
FIGURE 9-12. SKYWELDER DECAL INSTALLATION - 50HZ	654
FIGURE 9-13. SKYWELDER DECAL INSTALLATION - 60HZ	656
FIGURE 9-14. SKYCUTTER DECAL INSTALLATION	658
SECTION 10 - RECOMMENDED SERVICE PARTS STOCK	661
FIGURE 10-1. RECOMMENDED SERVICE PARTS STOCK	662
SECTION 11 - SPECIAL OPTIONS.....	665
FIGURE 11-1. SPECIAL OPTIONS/ACCESSORIES/KITS	666
PART NUMBER INDEX	671

SECTION 1 - FRAME

SECTION 1 - FRAME

FIGURE 1-1. AXLES INSTALLATION



ART_1001195541_D

SECTION 1 - FRAME

FIGURE 1-1. AXLES INSTALLATION

ITEM	PART NUMBER	QTY	DESCRIPTION	REV
	1001195541	Ref	AXLES INSTALLATION	D
1	0100011	AR	Compound, Locking	
2	0100071	AR	Compound, Locking	
3	0440273	8	Bushing	
4	3020039	AR	Lubricant	
5	3422912	4	Pin	
6	3841258	8	Keeper, Pin	
7	3841356	4	Keeper, Pin	
8	4740229	8	Washer, Thrust	
9	0701420001	8	Bolt M14 x 60	
10	0761015001	8	Bolt M10 x 35	
11	0761016001	8	Bolt M10 x 40	
12	0762418001	4	Bolt M24 x 50	
13	1001120000	4	Pin	
14	1001155133	4	Washer, Thrust	
15	1001155363	4	Pin	
16	1001251066	4	Axle Extend Cylinder Assembly (See Separate Breakdown in CYLINDER Section)	
17	1001157007	8	Sleeve	
18	1001157084	4	Axle Sensor and Harness Assembly	
18	4460910	1	Receptacle, Female - 3 Position	
18	4460917	6	Pin, Male	
19	1001158017	AR	Shim	
20	1001172358	8	Washer M10	
21	1001197553	1	Axle - Front RH	
22	1001197554	1	Axle - Front LH	
23	1001197555	1	Axle - Rear RH	
24	1001197556	1	Axle - Rear LH	
25	3291407001	8	Nut M14	
26	4812200001	8	Washer M14	

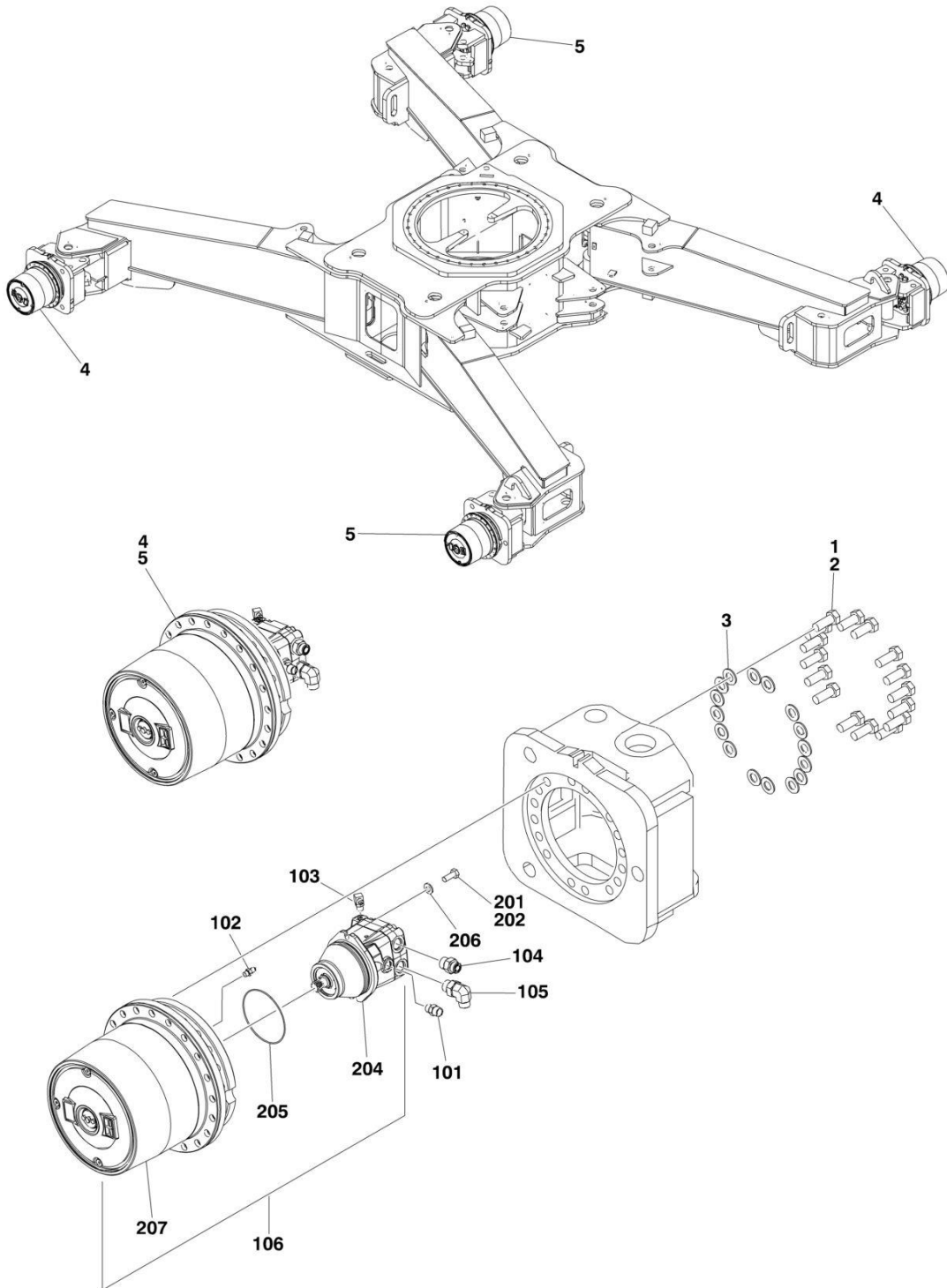
SECTION 1 - FRAME

FIGURE 1-2. STEERING INSTALLATION

ITEM	PART NUMBER	QTY	DESCRIPTION	REV
	1001156606	Ref	STEER INSTALLATION	G
1	0100011	AR	Compound, Locking	
2	0100019	AR	Compound, Locking	
3	0100035	AR	Compound, Locking	
4	0701422001	8	Bolt M14 x 70	
5	0760808001	4	Bolt M8 x 16	
6	0760815001	4	Bolt M8 x 35	
7	0962423	8	Bushing	
8	1120549	4	Cap	
9	1671040	4	Cover	
10	2080091	4	Screw M4 x 16	
11	3290805001	4	Nut M8	
12	3300464001	4	Nut	
13	3291407001	8	Nut M14	
14	3451214	4	Pin, Cotter	
15	3760383	4	Ring	
16	3841258	8	Keeper, Pin	
17	3960551	4	Seal	
18	4031512	8	Capscrew M4 x 40	
19	4031707	16	Capscrew M6 x 16	
20	4032311001	8	Capscrew M16 x 35	
21	4460914	4	Base, Terminal	
22	4711800	4	Washer 1/2	
23	4740229	8	Washer, Thrust	
24	4740505	8	Washer, Thrust	
25	4755000001	18	Washer 2-1/2	
26	4811900001	12	Washer M8	
27	4812200001	8	Washer M14	
28	1001146963	4	Sensor Assembly	
28	4460899	1	Connector - 6 Position	
28	4460464	6	Socket, Female	
29	1001174345	4	Screw M20 x 20	
30	1001155836	4	Adapter	
31	1001251065	4	Steer Cylinder Assembly (See Separate Breakdown in CYLINDER Section)	
32	1001156678	2	Spindle - Front LH and Rear RH	
33	1001156679	2	Spindle - Front RH and Rear LH	
34	1001156778	4	Pin	
35	1001156785	4	Link	
36	1001156815	4	Kingpin	
37	1001156991	4	Pin	
38	1001156996	4	Pin	
39	1001155817	4	Steer Harness (Not Shown - See Separate Breakdown in ELECTRICAL SECTION)	

SECTION 1 - FRAME

FIGURE 1-3. WHEEL DRIVE INSTALLATION



ART_1001157850

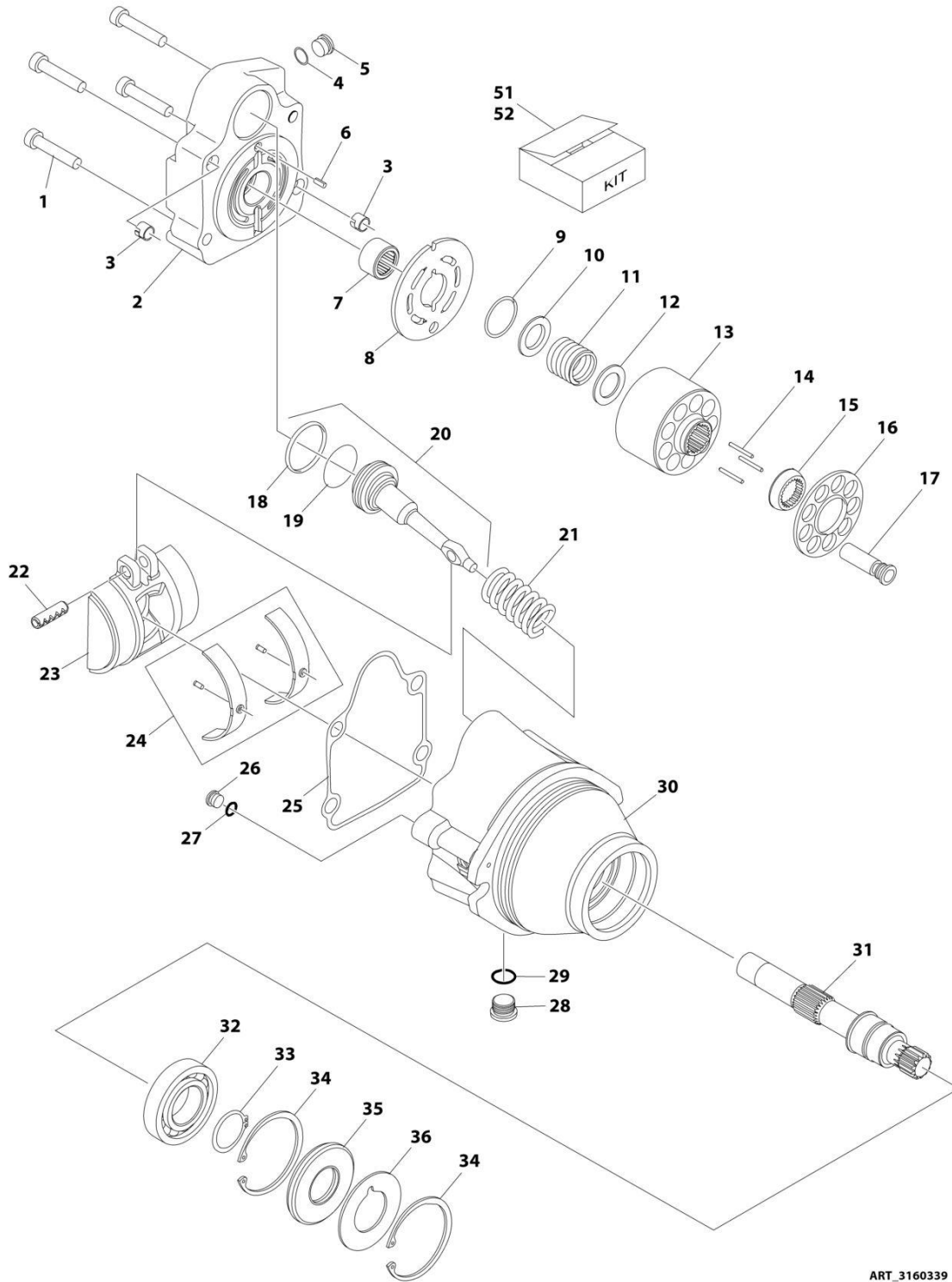
SECTION 1 - FRAME

FIGURE 1-3. WHEEL DRIVE INSTALLATION

ITEM	PART NUMBER	QTY	DESCRIPTION	REV
	1001157850	Ref	WHEEL DRIVE INSTALLATION	F
1	0100019	AR	Compound, Locking	
2	0762018001	64	Bolt M20 x 50	
3	5242000001	64	Washer M20	
4	1001154759	2	Drive Hub/Motor with Fittings - Front LH and Rear RH (See Items 101-106 for Breakdown)	
5	1001157849	2	Drive Hub/Motor with Fittings - Front RH and Rear LH (See Items 101-106 for Breakdown)	
	1001154759	Ref	HUB/MOTOR ASSEMBLY WITH FITTINGS - FRONT LH AND REAR RH	E
	1001157849	Ref	HUB/MOTOR ASSEMBLY WITH FITTINGS - FRONT RH AND REAR LH	E
101	2110808	1	Fitting, Straight ORFS/ORB	
102	2220415	1	Fitting, Straight JIC/ORB	
103	2220472	1	Fitting, 90 JIC/ORB	
104	2111012	1	Fitting, Straight ORFS/ORB	
105	2131012	1	Fitting, 90 ORFS/ORB	
106	1001154772	1	Drive Hub/Motor (See Items 201-207 for Breakdown)	
	1001154772	Ref	DRIVE HUB/MOTOR ASSEMBLY	E
201	0100011	AR	Compound, Locking	
202	0761214	2	Bolt M12 x 30	
204	3160339	1	Motor - Drive (See Separate Breakdown in this Section)	
205	3790158	1	O-Ring	
206	5241200	2	Washer M12	
207	1001149921	1	Hub - Drive (See Separate Breakdown in this Section)	

SECTION 1 - FRAME

FIGURE 1-4. DRIVE MOTOR ASSEMBLY



ART_3160339

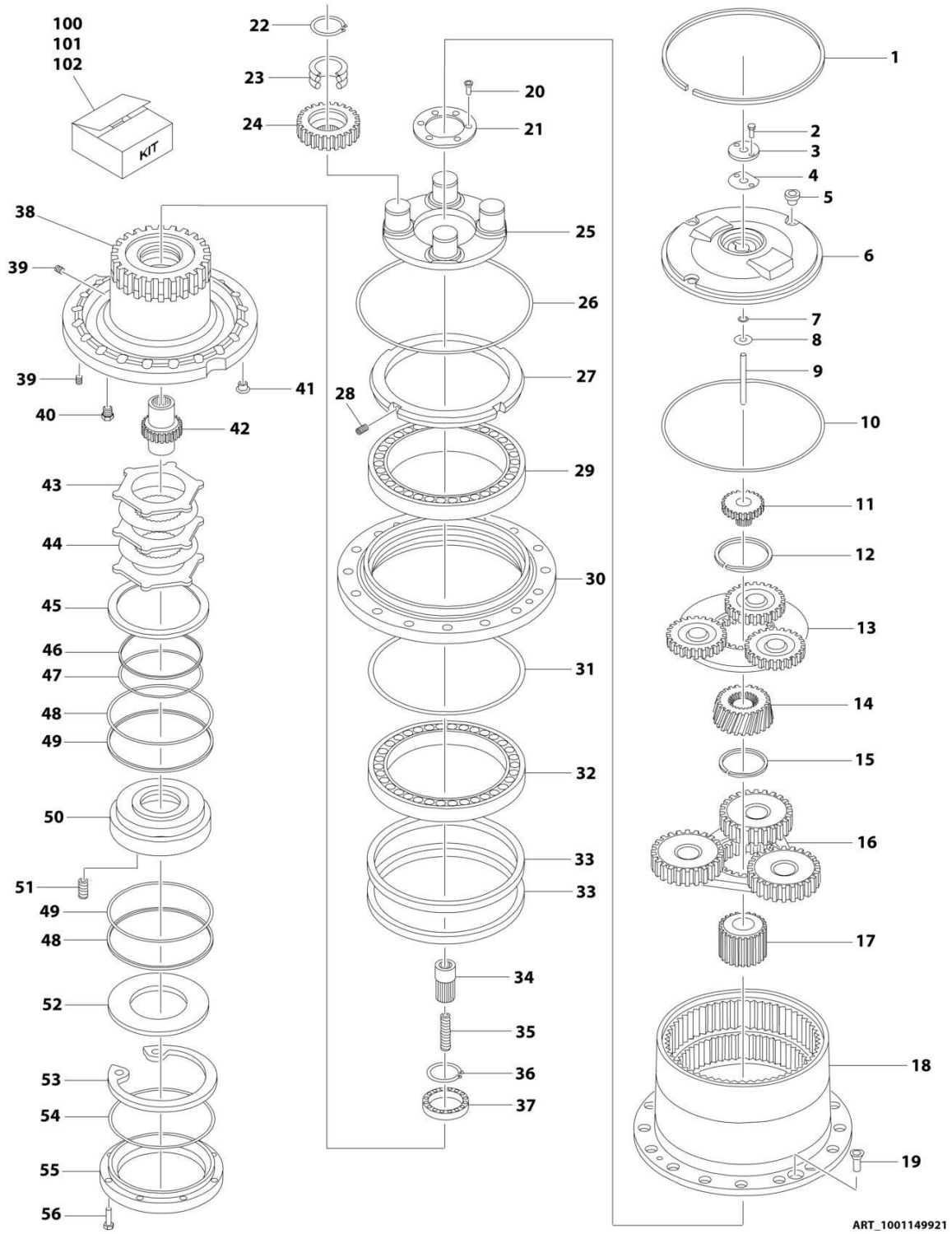
SECTION 1 - FRAME

FIGURE 1-4. DRIVE MOTOR ASSEMBLY

ITEM	PART NUMBER	QTY	DESCRIPTION	REV
	3160339	Ref	DRIVE MOTOR ASSEMBLY	D
1	7022368	4	Bolt	
2	70000859	1	End Cap, Motor	
3	70003628	2	Locating Pin	
4	See Note	NSS	O-Ring (Note: Use Item 51)	
5	7007420	1	Plug (Includes Item 4)	
6	7007446	1	Pin, Dowel	
7	7021249	1	Bearing, Needle	
8	70000854	1	Plate, Valve	
9	7022311	1	Snap Ring	
10	7022314	1	Retainer, Spring	
11	7024867	1	Spring	
12	7024868	1	Washer	
13	70000855	1	Block, Cylinder	
14	7021275	3	Pin, Slipper	
15	70000856	1	Guide	
16	70000857	1	Retainer, Slipper	
17	7024865	9	Piston, Cylinder	
18	See Note	NSS	Ring, Piston (Note: Use Item 51)	
19	See Note	NSS	O-Ring (Note: Use Item 51)	
20	70000860	1	Piston, Servo (Includes Items 18 & 19)	
21	70000861	1	Spring	
22	See Note	NSS	Pin (Note: Not Available for Purchase)	
23	70000853	1	Swash Plate	
24	70000852	1	Bearing Kit	
25	See Note	NSS	Gasket (Note: Use Item 51)	
26	See Note	NSS	Plug (Note: Not Available for Purchase)	
27	See Note	NSS	O-Ring (Note: Use Item 51)	
28	7022321	1	Plug (Includes Item 29)	
29	See Note	NSS	O-Ring (Note: Use Item 51)	
30	See Note	NSS	Housing (Note: Not Available - Purchase Complete Motor)	
31	70000858	1	Shaft	
32	7007437	1	Bearing	
33	7007439	1	Snap Ring	
34	7007438	2	Snap Ring	
35	See Note	NSS	Seal (Note: Use Item 51)	
36	7022371	1	Washer, Seal Support	
51	70000862	1	Kit 1 - Motor Seal Kit (Includes Items 4, 18, 19, 25, 27, 29 & 35)	
52	7027740	1	Kit 2 - Cylinder Block Kit (Includes Items 9-17)	

SECTION 1 - FRAME

FIGURE 1-5. DRIVE HUB ASSEMBLY



SECTION 1 - FRAME

FIGURE 1-5. DRIVE HUB ASSEMBLY

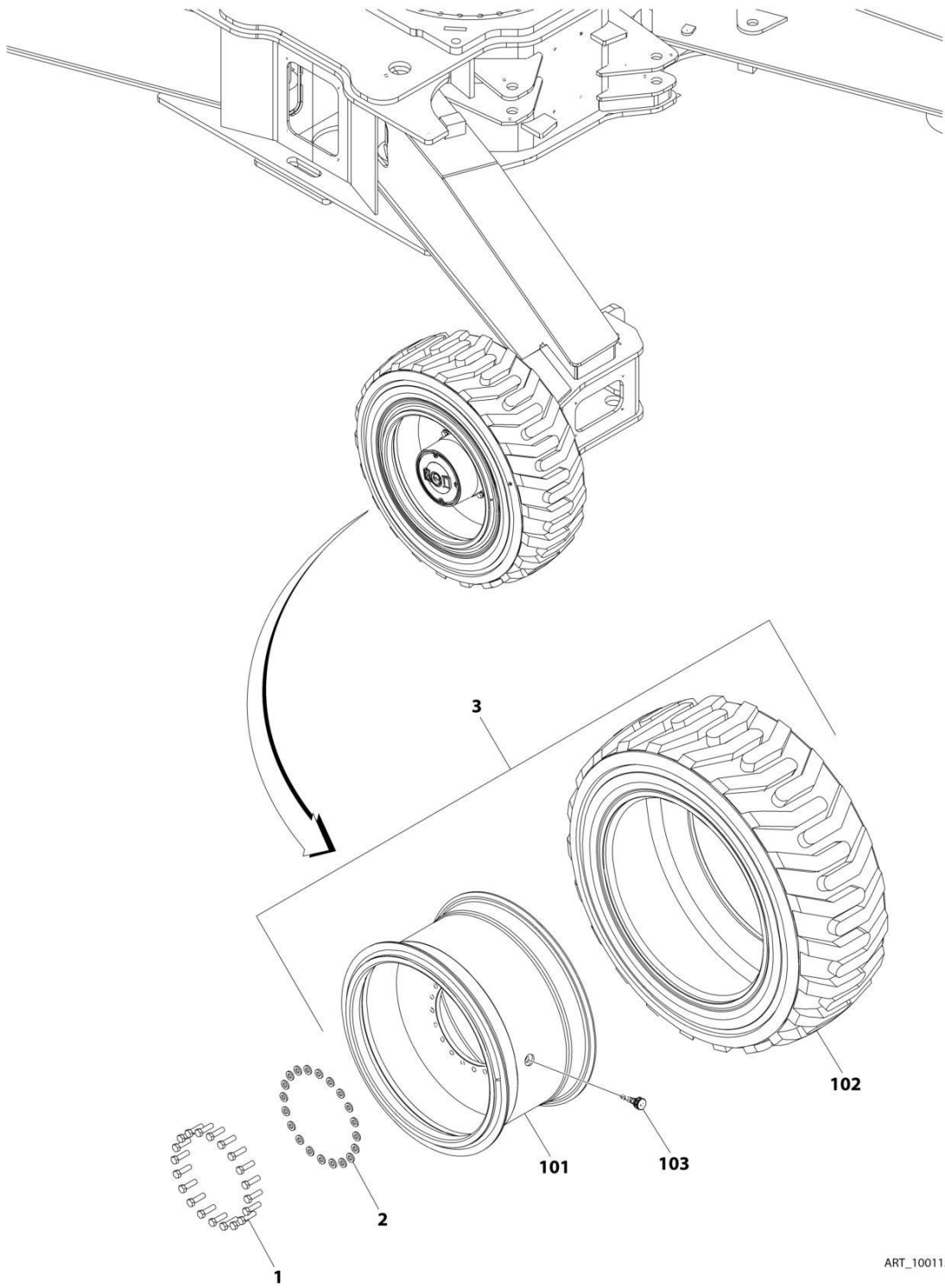
ITEM	PART NUMBER	QTY	DESCRIPTION	REV
	1001149921	Ref	DRIVE HUB ASSEMBLY	G
1	70004429	1	Ring	
2	See Note	NSS	Screw M6 x 20 (Note: Use Item 101)	
3	See Note	NSS	Cover (Note: Use Item 101)	
4	70004429	1	Gasket	
5	70002057	3	Plug	
6	See Note	NSS	Cover (Note: Use Item 101)	
7	See Note	NSS	O-Ring (Note: Use Item 100 or 101)	
8	See Note	NSS	Shim (Note: Use Item 101)	
9	See Note	NSS	Pin (Note: Use Item 101)	
10	See Note	NSS	O-Ring (Note: Use Item 100 or 101)	
11	70004430	1	Pinion	
12	70004431	1	Ring, Retaining	
13	70004432	1	Assembly, Gear Reduction	
14	70004433	1	Pinion	
15	70004434	1	Ring	
16	70004435	1	Assembly, Gear Reduction	
17	70004436	1	Pinion	
18	See Note	NSS	Housing, Hub (Note: Use p/n 1001149921)	
19	70002052	2	Screw M10 x 25	
20	70004437	6	Screw M6 x 14	
21	70004438	1	Plug	
22	70002032	4	Ring, Retaining	
23	70002031	4	Bearing	
24	70004439	4	Wheel, Planet	
25	70004440	1	Flange	
26	See Note	NSS	O-Ring (Note: Use Item 100)	
27	70004441	1	Nut	
28	70004363	2	Screw M6 x 10	
29	70004442	1	Bearing	
30	See Note	NSS	Support, Hub (Note: Use p/n 1001149921)	
31	See Note	NSS	O-Ring (Note: Use Item 100)	
32	70004443	1	Bearing	
33	See Note	1	Seal (Note: Use Item 100)	
34	70004444	1	Coupling	
35	70002036	1	Spring	
36	70004445	1	Ring, Retaining	
37	70004446	1	Bearing	
38	See Note	NSS	Axle (Note: Use p/n 1001149921)	
39	70004447	3	Plug	
40	70002057	3	Plug (Includes O-Ring)	
41	70002028	1	Plug, Plastic	
42	70004448	1	Shaft, Input	
43	See Note	NSS	Disc, Iron (Note: Use Item 102)	
44	See Note	NSS	Disc, Brake (Note: Use Item 102)	
45	See Note	NSS	Spacer (Note: Use Item 102)	
46	See Note	NSS	Seal (Note: Use Item 100 or 102)	
47	See Note	NSS	O-Ring (Note: Use Item 100 or 102)	
48	See Note	NSS	Seal (Note: Use Item 100 or 102)	
49	See Note	NSS	O-Ring (Note: Use Item 100 or 102)	

SECTION 1 - FRAME

ITEM	PART NUMBER	QTY	DESCRIPTION	REV
50	See Note	NSS	Piston, Brake (Note: Use Item 102)	
51	See Note	NSS	Spring, Brake (Note: Use Item 102)	
52	See Note	NSS	Spacer (Note: Use Item 102)	
53	See Note	NSS	Ring, Retaining (Note: Use Item 102)	
54	See Note	NSS	O-Ring (Note: Use Item 100)	
55	70004449	1	Support, Motor	
56	70004450	6	Screw M8 x 25	
100	70004451	1	Kit, Seal (Includes Items 4, 7, 10, 26, 31, 33, 46-49 & 54)	
101	70004452	1	Kit, Cover (Includes Items 2-10)	
102	70004453	1	Kit, Brake (Includes Items 43-53)	

SECTION 1 - FRAME

FIGURE 1-6. TIRE/WHEEL INSTALLATION - IN445/50D710 FOAM-FILLED



ART_1001157216

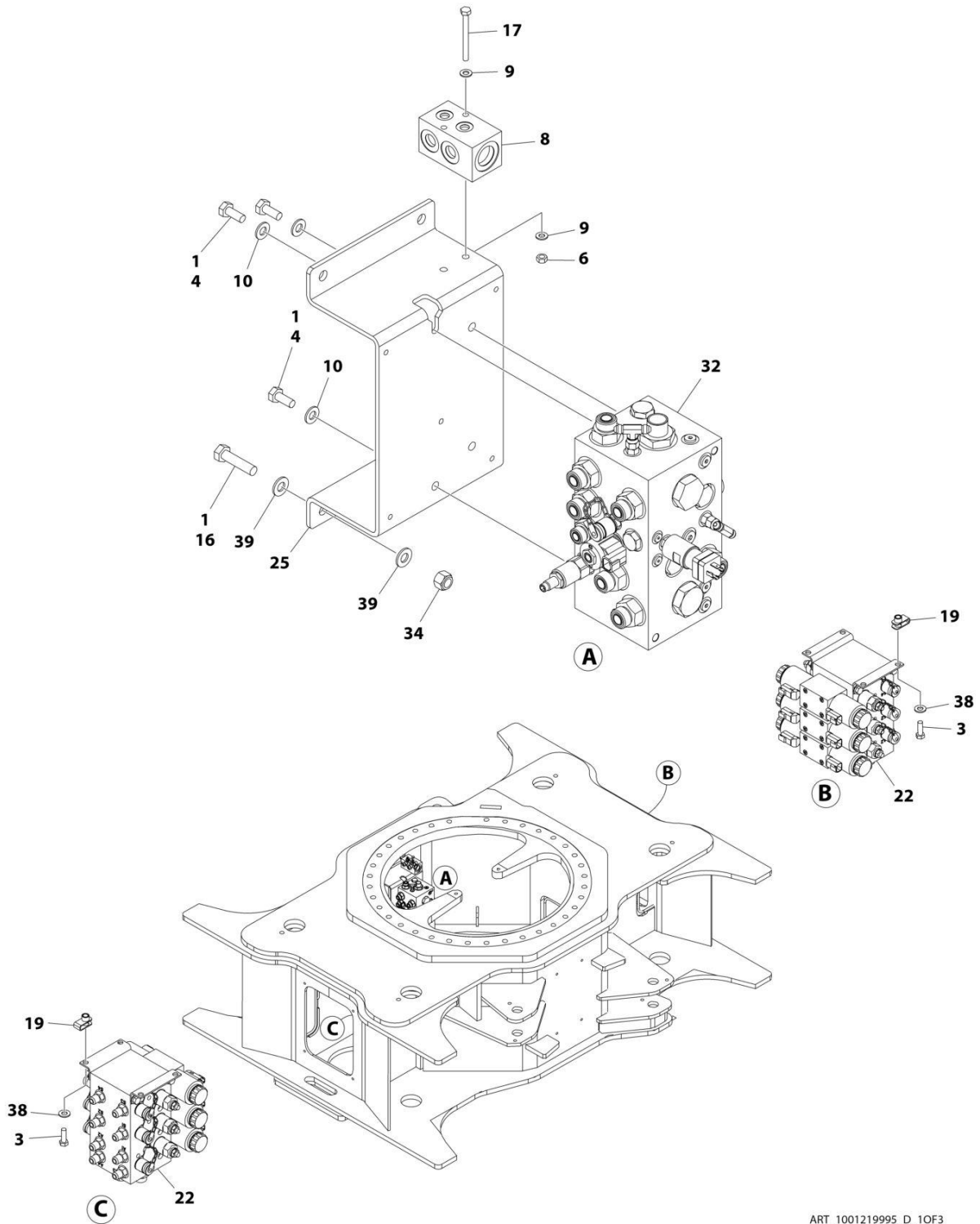
SECTION 1 - FRAME

FIGURE 1-6. TIRE/WHEEL INSTALLATION - IN445/50D710 FOAM-FILLED

ITEM	PART NUMBER	QTY	DESCRIPTION	REV
	1001157216	Ref	TIRE/WHEEL INSTALLATION	F
		Ref	Note: Requires ballast/foam filling to manufacturer's specifications prior to installing on a machine. Refer to Service and Maintenance Manuals. Purchase individual tire and/or rim only if able to foam fill tire and wheel assembly, otherwise, purchase complete.	
1	0701619001	80	Bolt M16 x 55 (20 Per Wheel)	
2	1001172356	80	Washer 5/8 (20 Per Wheel)	
3	1001147616	2	Tire/Wheel (RH Side)	
3	1001149711	2	Tire/Wheel (LH Side)	
	1001147616	Ref	TIRE/WHEEL ASSEMBLY (RH SIDE)	I
	1001149711	Ref	TIRE/WHEEL ASSEMBLY (LH SIDE)	I
101	1001147617	4	Wheel (1 per Tire/Wheel)	
102	1001147618	4	Tire (1 per Tire/Wheel)	
103	1001157467	4	Valve (1 per Tire/Wheel)	

SECTION 1 - FRAME

FIGURE 1-7. VALVES INSTALLATION - FRAME (WITH LSS)



ART_1001219995_D_10F3

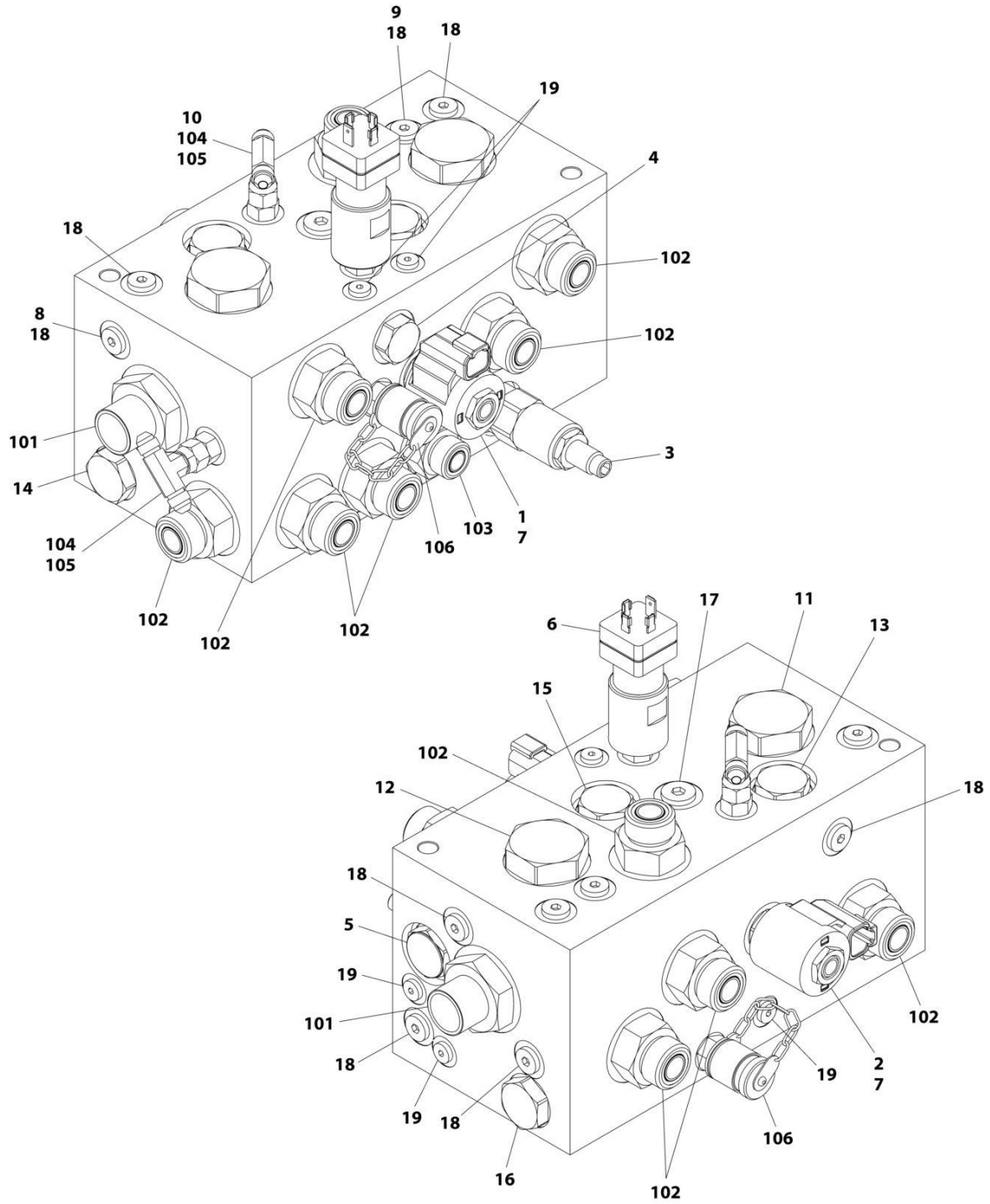
SECTION 1 - FRAME

FIGURE 1-7. VALVES INSTALLATION - FRAME (WITH LSS)

ITEM	PART NUMBER	QTY	DESCRIPTION	REV
	1001219995	Ref	VALVES INSTALLATION - FRAME (WITH LSS)	D
1	0100011	AR	Compound, Locking	
3	0760812	8	Bolt M8 x 25	
4	0761012	4	Bolt M10 x 25	
6	3290607	2	Nut M6	
8	4641155	1	Manifold, Junction	
9	4811700	4	Washer M6	
10	4812000	4	Washer M10	
16	0761218001	4	Bolt M12 x 50	
17	1001096653	2	Bolt M6 x 70	
19	1001118274	8	Nut M8	
22	1001157207	2	Steer/Axle Extend Valve Assembly (See Separate Breakdown in this Section)	
25	1001164354	1	Bracket	
32	1001219110	1	Traction Valve Assembly (See Separate Breakdown in this Section)	
34	3291205001	4	Nut M12	
38	4811900001	8	Washer M8	
39	4812100001	8	Washer M12	

SECTION 1 - FRAME

FIGURE 1-8. TRACTION VALVE ASSEMBLY



ART_1001219110

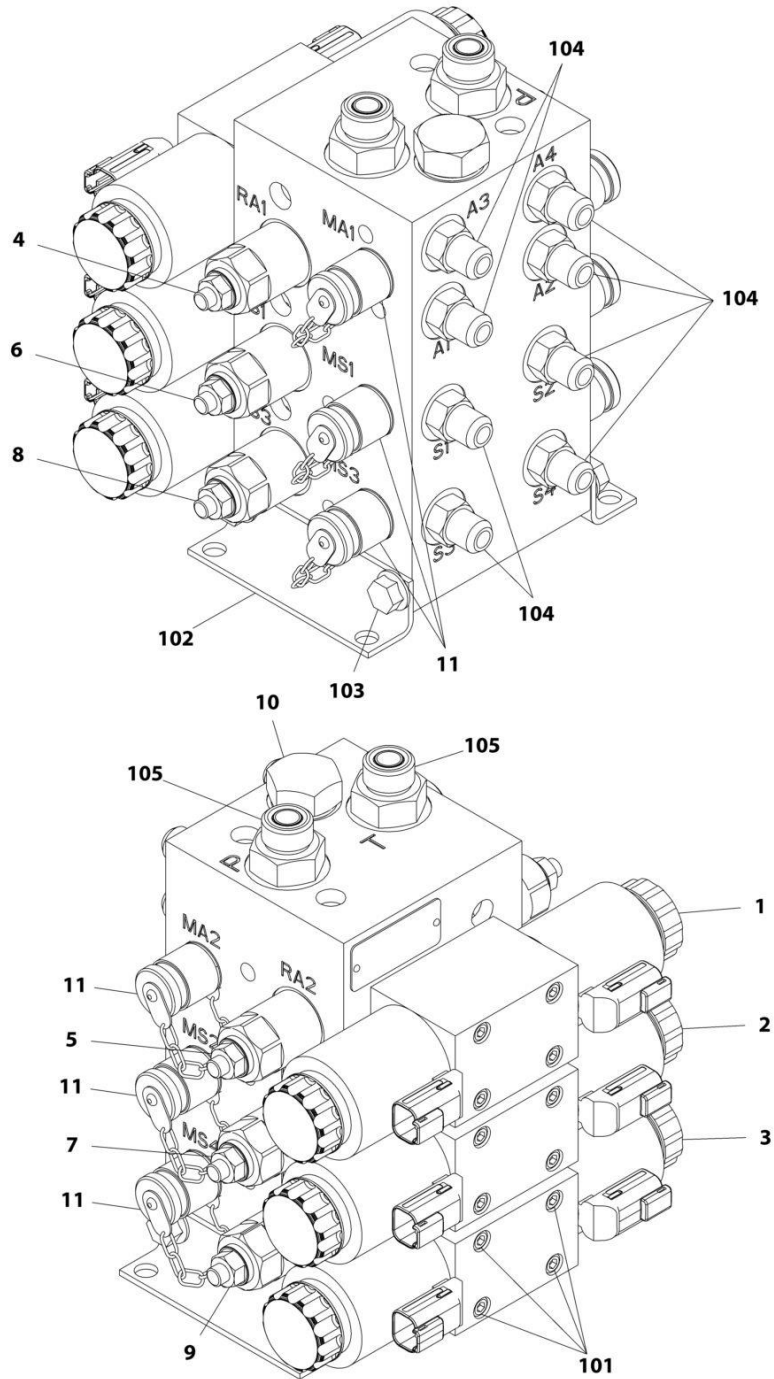
SECTION 1 - FRAME

FIGURE 1-8. TRACTION VALVE ASSEMBLY

ITEM	PART NUMBER	QTY	DESCRIPTION	REV
	1001219110	Ref	TRACTION VALVE ASSEMBLY	B
1	7012941	1	Cartridge, Solenoid Less Coil	
1	7010543	1	Kit, Seal	
2	7012941	1	Cartridge, Solenoid Less Coil	
2	7010543	1	Kit, Seal	
3	70004383	1	Cartridge, Relief	
3	7012998	1	Kit, Seal	
4	70004384	1	Cartridge, Load Shuttle	
4	7012973	1	Kit, Seal	
5	70000804	1	Cartridge	
5	70000805	1	Kit, Seal	
6	70000803	1	Cartridge, Pressure Switch	
7	70002386	2	Coil	
8	7017493	1	Orifice	
9	7017493	1	Orifice	
10	70004386	1	Orifice	
11	70004017	1	Cartridge, Flow Divider	
11	7021625	1	Kit, Seal	
12	70004017	1	Cartridge, Flow Divider	
12	7021625	1	Kit, Seal	
13	70003408	1	Cartridge, Check	
13	7022399	1	Kit, Seal	
14	70003408	1	Cartridge, Check	
14	7022399	1	Kit, Seal	
15	70003408	1	Cartridge, Check	
15	7022399	1	Kit, Seal	
16	70003408	1	Cartridge, Check	
16	7022399	1	Kit, Seal	
17	2220885	1	Plug	
18	2220883	9	Plug	
19	2220881	8	Plug	
101	2111016	2	Fitting, Straight ORB/ORFS	
102	2111012	10	Fitting, Straight ORB/ORFS	
103	2110810	1	Fitting, Straight ORB/ORFS	
104	2220415	2	Fitting, Straight JIC/ORB	
105	2220861	2	Fitting, Tee JIC/ORB	
106	2221086	2	Fitting, Test	

SECTION 1 - FRAME

FIGURE 1-9. STEER/AXLE EXTEND VALVE ASSEMBLY



ART_1001157207

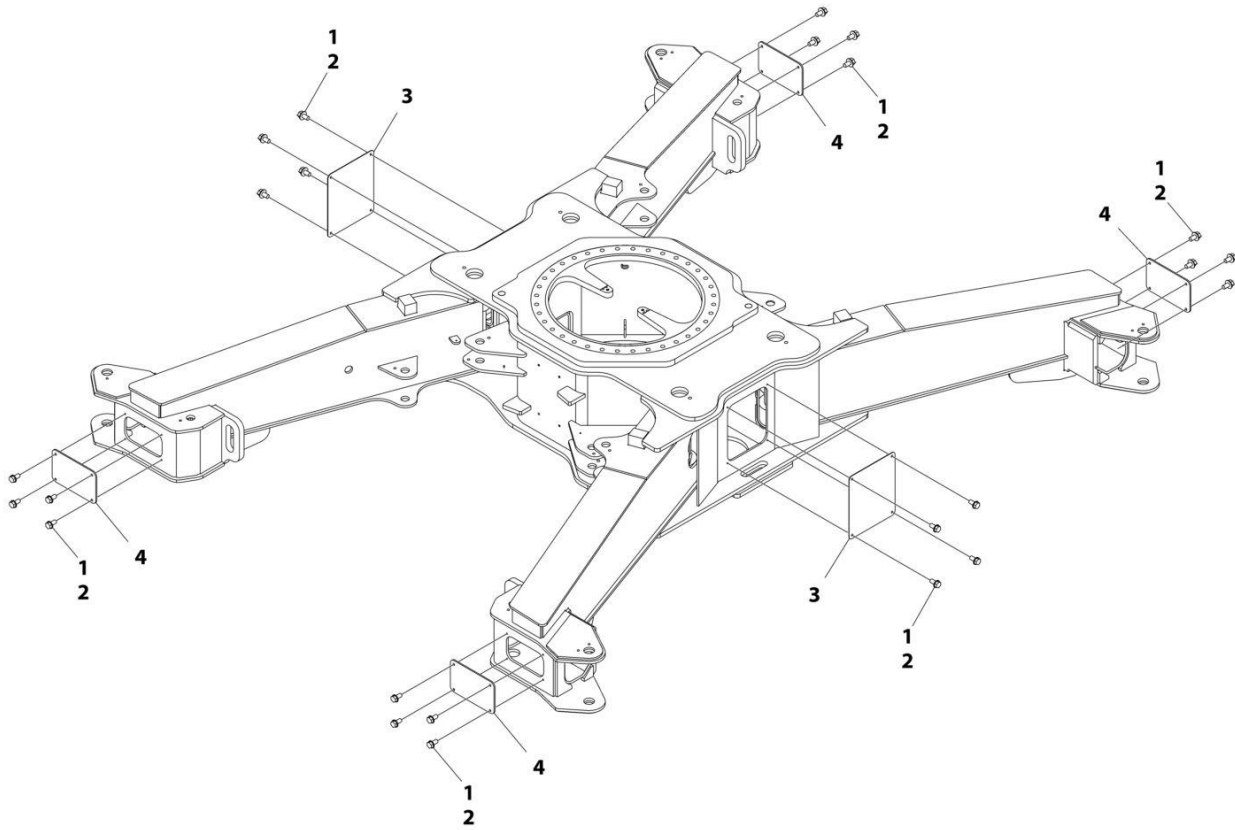
SECTION 1 - FRAME

FIGURE 1-9. STEER/AXLE EXTEND VALVE ASSEMBLY

ITEM	PART NUMBER	QTY	DESCRIPTION	REV
	1001157207	Ref	STEER/AXLE EXTEND VALVE ASSEMBLY	G
1	70004459	1	Valve, Direction Control	
1	7012773	1	Kit, Seal	
1	70004460	2	Coil	
1	7021375	2	Nut, Coil	
1	70004461	2	O-Ring, Solenoid Pole	
2	70004462	1	Valve, Direction Control	
2	7012773	1	Kit, Seal	
2	70004463	2	Coil	
2	7021375	2	Nut, Coil	
2	70004461	2	O-Ring, Solenoid Pole	
3	70004462	1	Valve, Direction Control	
3	7012773	1	Kit, Seal	
3	70004463	2	Coil	
3	7021375	2	Nut, Coil	
3	70004461	2	O-Ring, Solenoid Pole	
4	70004464	1	Cartridge, Relief	
4	70004055	1	Kit, Seal	
5	70004464	1	Cartridge, Relief	
5	70004055	1	Kit, Seal	
6	70004464	1	Cartridge, Relief	
6	70004055	1	Kit, Seal	
7	70004464	1	Cartridge, Relief	
7	70004055	1	Kit, Seal	
8	70004464	1	Cartridge, Relief	
8	70004055	1	Kit, Seal	
9	70004464	1	Cartridge, Relief	
9	70004055	1	Kit, Seal	
10	70004465	1	Cartridge, Flow Divider	
10	70004164	1	Kit, Seal	
11	2221086	6	Fitting, Test	
101	See Note	NSS	Capscrew #10 x 2 (Note: Purchase Locally)	
102	See Note	NSS	Bracket (Note: Not Available for Purchase)	
103	0641504	4	Bolt 5/16 x 1/2	
104	2220371	8	Fitting, Straight JIC/ORB	
105	2110810	2	Fitting, Straight ORB/ORFS	

SECTION 1 - FRAME

FIGURE 1-10. COVERS INSTALLATION - FRAME



ART_1001157670

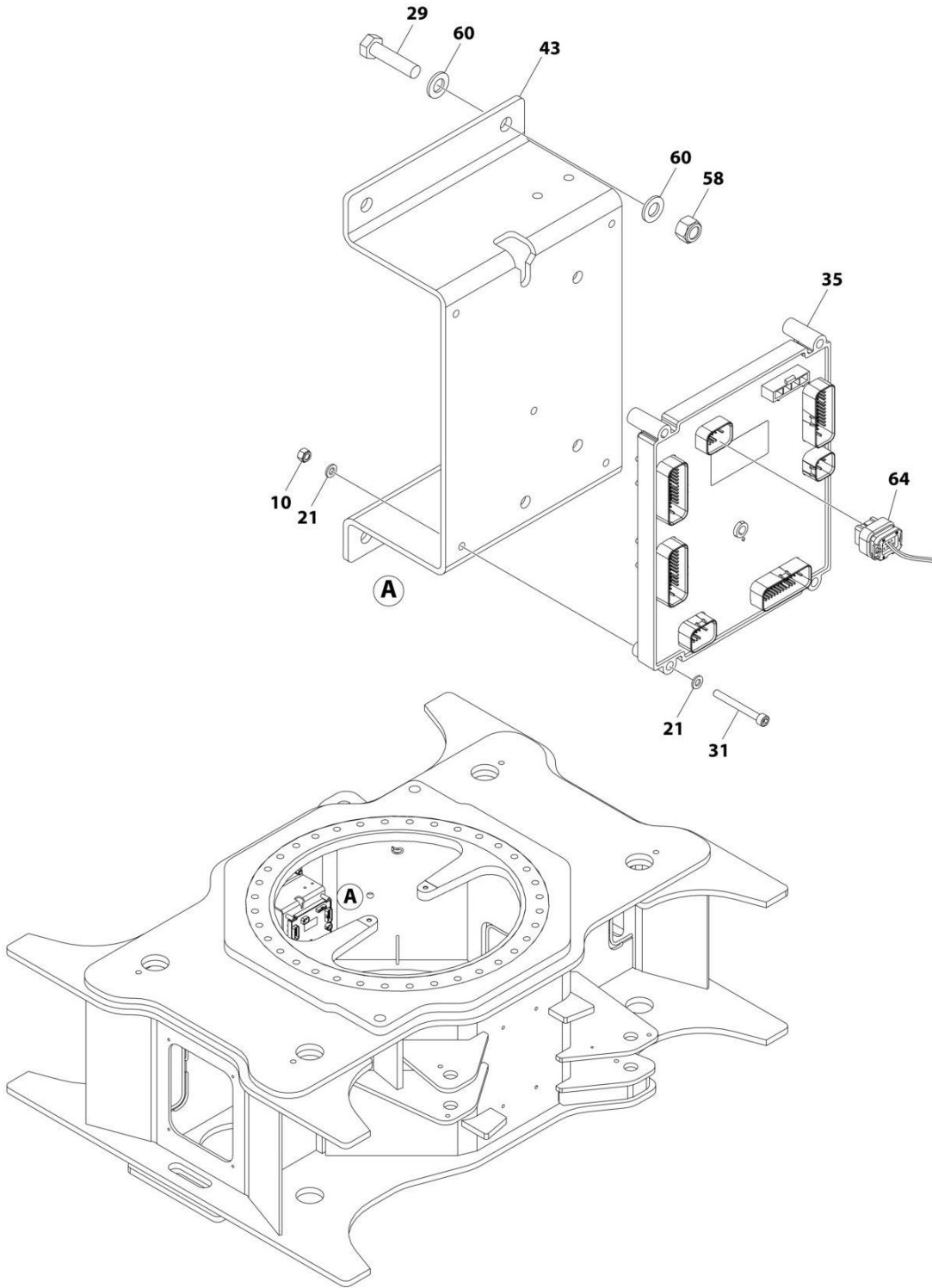
SECTION 1 - FRAME

FIGURE 1-10. COVERS INSTALLATION - FRAME

ITEM	PART NUMBER	QTY	DESCRIPTION	REV
	1001157670	Ref	COVERS INSTALLATION - FRAME	B
1	0100011	AR	Compound, Locking	
2	5251210001	24	Bolt M12 x 20	
3	1001155561	2	Cover	
4	1001156867	4	Cover	

SECTION 1 - FRAME

FIGURE 1-11. ELECTRICAL COMPONENTS INSTALLATION - FRAME (ANSI EXPORT (LRC), AUSTRALIAN AND CHINA SPECS)



ART_1001223250_J_1OF2

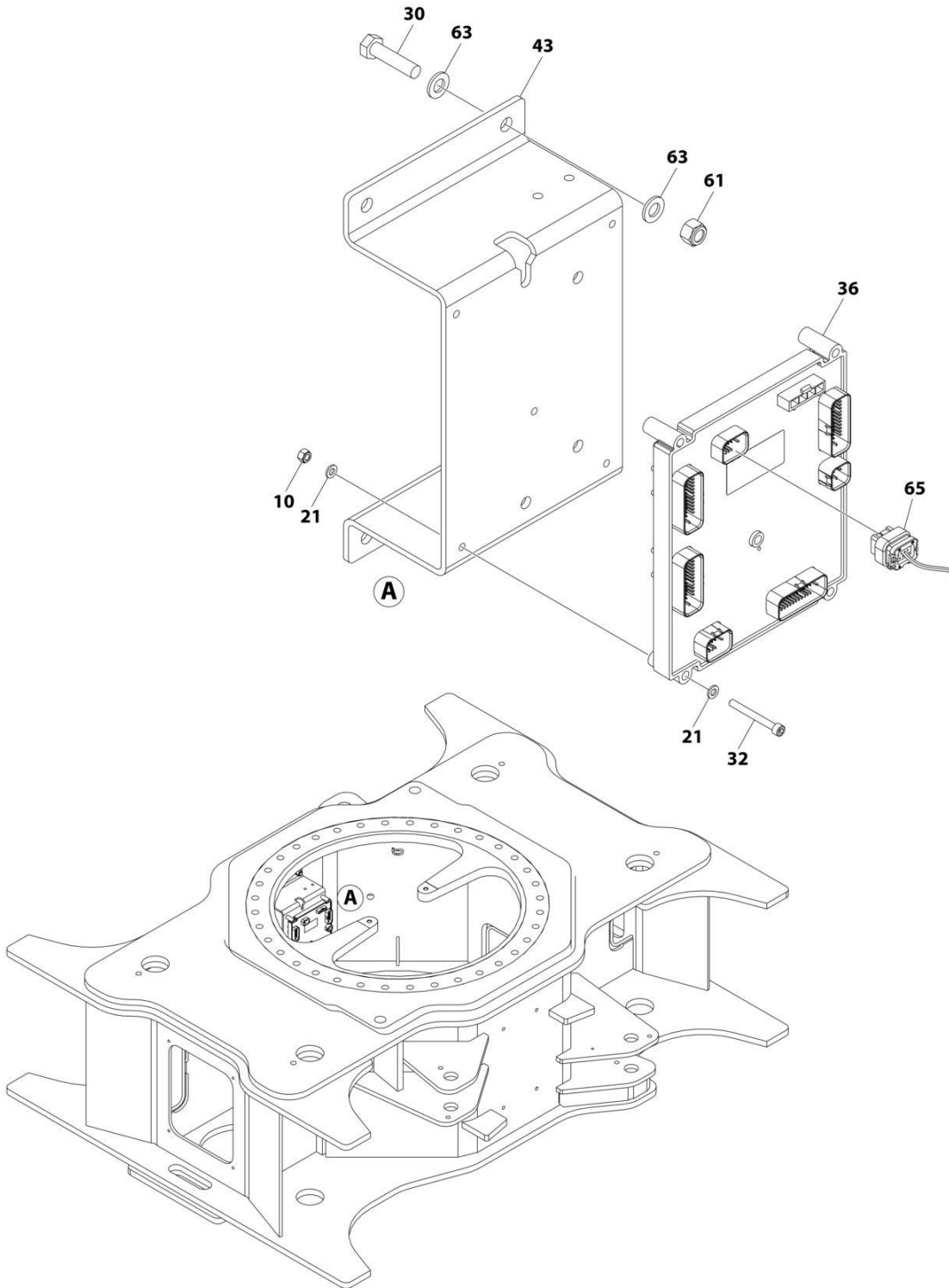
SECTION 1 - FRAME

FIGURE 1-11. ELECTRICAL COMPONENTS INSTALLATION - FRAME (ANSI EXPORT (LRC), AUSTRALIAN AND CHINA SPECS)

ITEM	PART NUMBER	QTY	DESCRIPTION	REV
	1001223250	Ref	ELECTRICAL COMPONENTS INSTALLATION - FRAME	J
10	3290605	6	Nut M6	
21	4811700	10	Washer M6	
29	0761218001	4	Bolt M12 x 50	
31	1001118878	5	Capscrew M6 x 55	
34	1001311998	1	Chassis Harness (Not Shown - See Separate Breakdown in ELECTRICAL Section)	
35	1001277132	1	Module, Control (Note: Re-calibration Required When Replaced)	
43	1001164354	1	Bracket	
58	3291205001	4	Nut M12	
60	4812100001	8	Washer M12	
64	1001246859	1	Connector	

SECTION 1 - FRAME

FIGURE 1-12. ELECTRICAL COMPONENTS INSTALLATION - FRAME (ANSI, ANSI EXPORT (HRC), CSA AND JAPANESE SPECS)



ART_1001242681_H_10F2

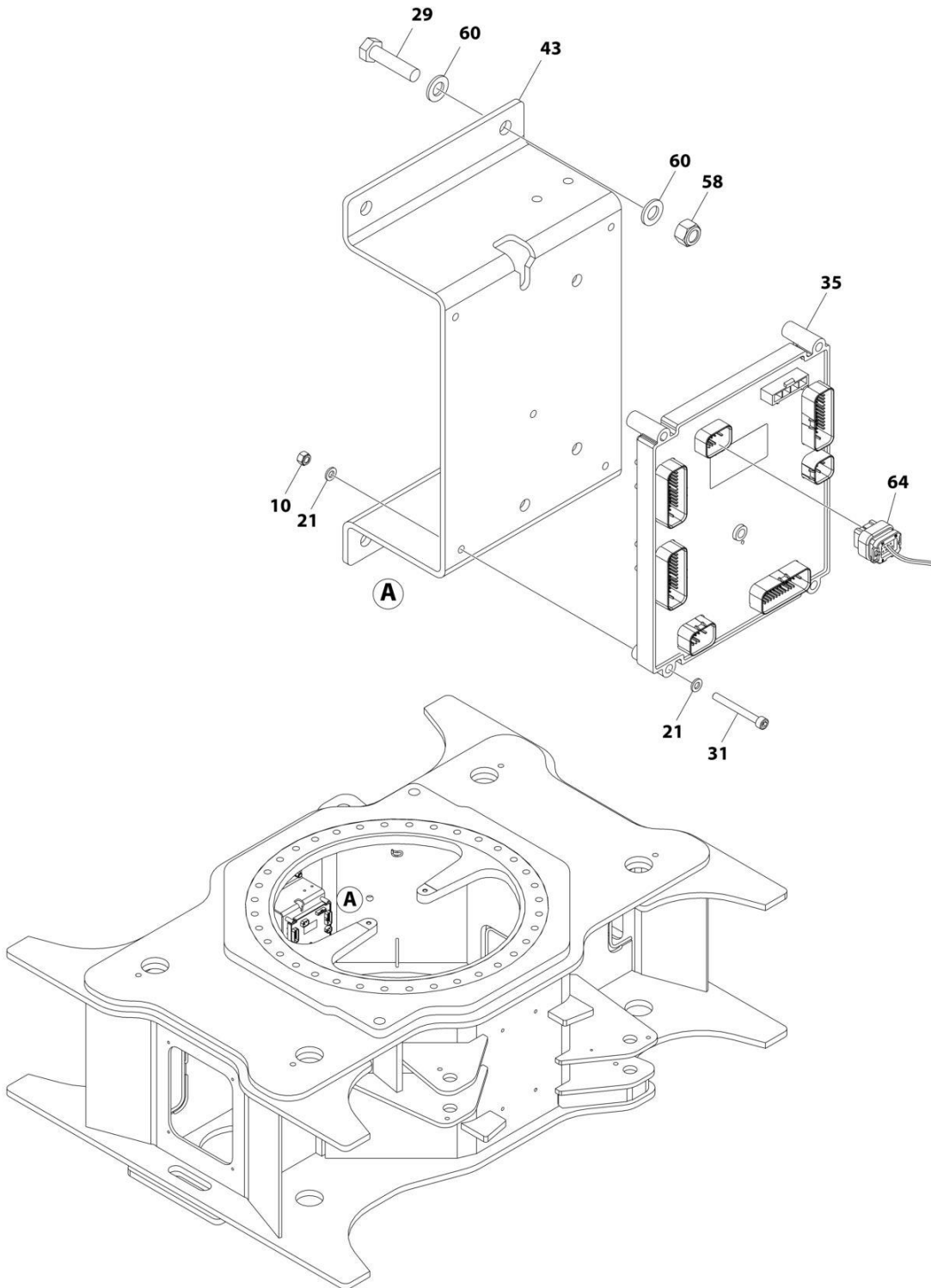
SECTION 1 - FRAME

FIGURE 1-12. ELECTRICAL COMPONENTS INSTALLATION - FRAME (ANSI, ANSI EXPORT (HRC), CSA AND JAPANESE SPECS)

ITEM	PART NUMBER	QTY	DESCRIPTION	REV
	1001242681	Ref	ELECTRICAL COMPONENTS INSTALLATION - FRAME	H
10	3290605	5	Nut M6	
21	4811700	10	Washer M6	
30	0761218001	4	Bolt M12 x 50	
32	1001118878	5	Capscrew M6 x 55	
35	1001311998	1	Chassis Harness (Not Shown - See Separate Breakdown in ELECTRICAL Section)	
36	1001277132	1	Module, Control (Note: Re-calibration Required When Replaced)	
43	1001164354	1	Bracket	
61	3291205001	4	Nut M12	
63	4812100001	8	Washer M12	
65	1001246859	1	Connector	

SECTION 1 - FRAME

FIGURE 1-13. ELECTRICAL COMPONENTS INSTALLATION - FRAME (CE & UK CA SPECS) (LRC)



ART_1001223251_J_10F2

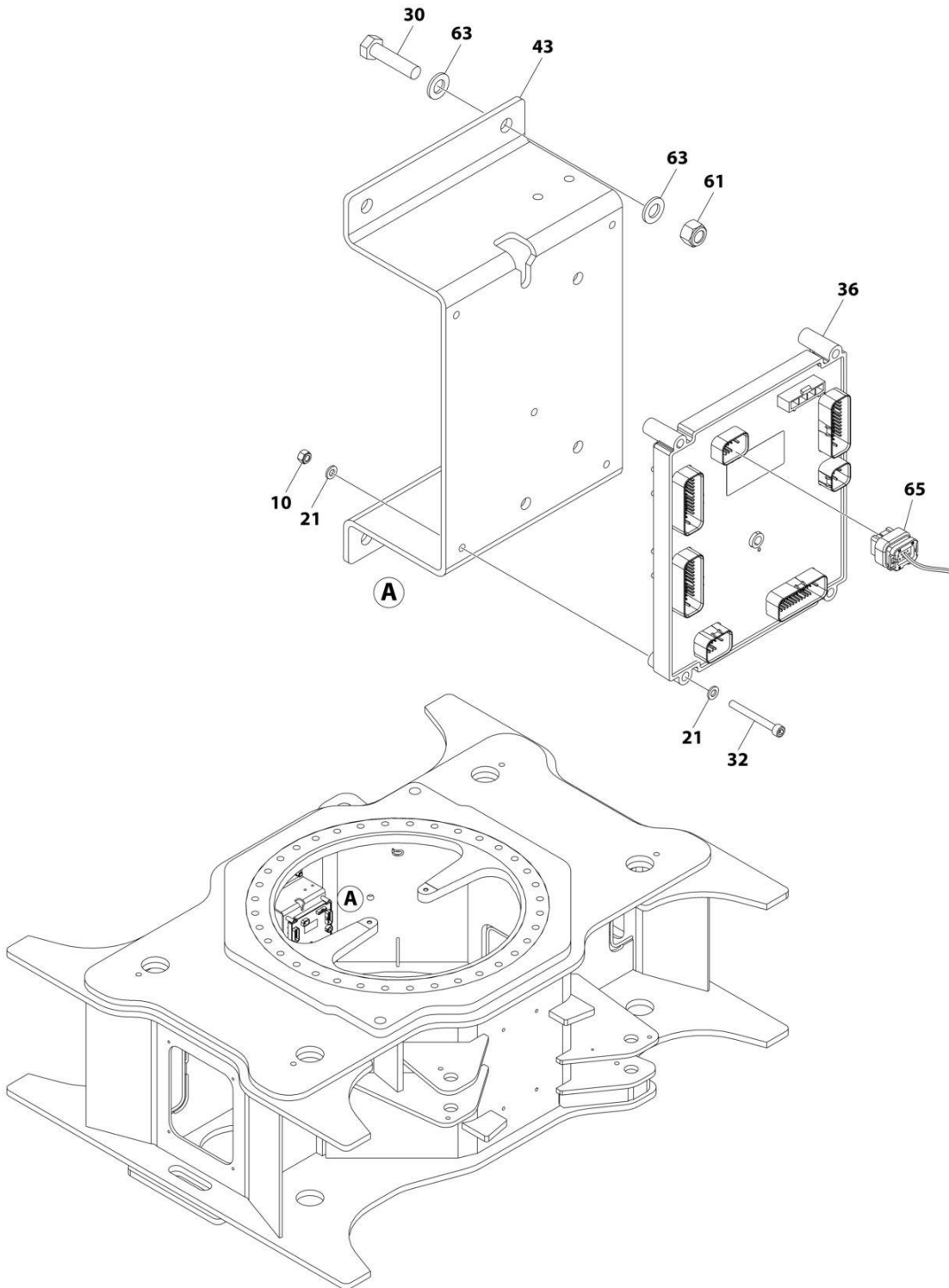
SECTION 1 - FRAME

FIGURE 1-13. ELECTRICAL COMPONENTS INSTALLATION - FRAME (CE & UK CA SPECS) (LRC)

ITEM	PART NUMBER	QTY	DESCRIPTION	REV
	1001223251	Ref	ELECTRICAL COMPONENTS INSTALLATION - FRAME	J
10	3290605	5	Nut M6	
21	4811700	10	Washer M6	
29	0761218001	4	Bolt M12 x 50	
31	1001118878	5	Capscrew M6 x 55	
34	1001311998	1	Chassis Harness (Not Shown - See Separate Breakdown in ELECTRICAL Section)	
35	1001277132	1	Module, Control (Note: Re-calibration Required When Replaced)	
43	1001164354	1	Bracket	
58	3291205001	4	Nut M12	
60	4812100001	8	Washer M12	
64	1001246859	1	Connector	

SECTION 1 - FRAME

FIGURE 1-14. ELECTRICAL COMPONENTS INSTALLATION - FRAME (CE & UK CA SPECS)



ART_1001242861_H_10F2

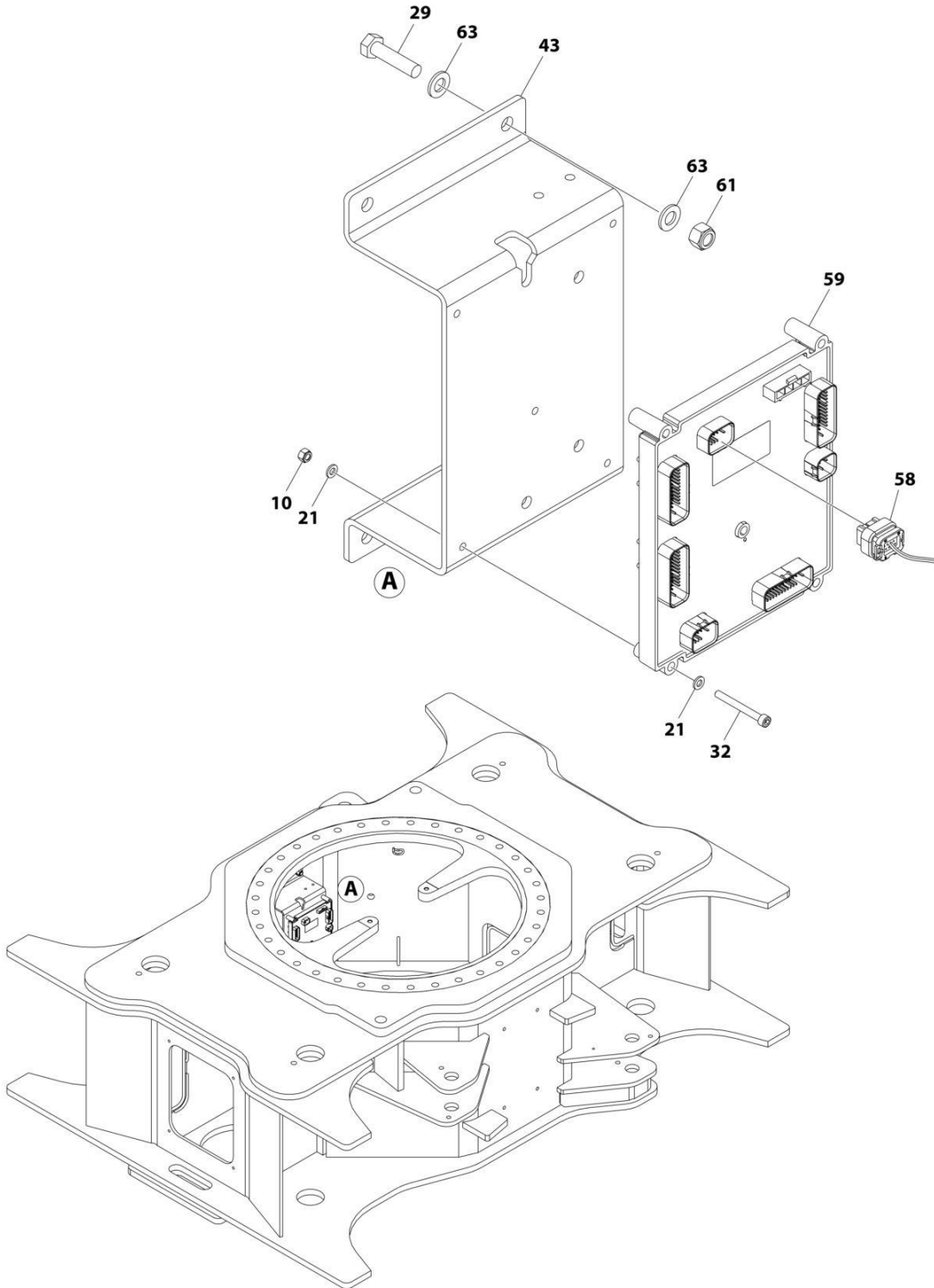
SECTION 1 - FRAME

FIGURE 1-14. ELECTRICAL COMPONENTS INSTALLATION - FRAME (CE & UK CA SPECS)

ITEM	PART NUMBER	QTY	DESCRIPTION	REV
	1001242861	Ref	ELECTRICAL COMPONENTS INSTALLATION - FRAME	H
10	3290605	5	Nut M6	
21	4811700	10	Washer M6	
30	0761218001	4	Bolt M12 x 50	
32	1001118878	5	Capscrew M6 x 55	
35	1001311998	1	Chassis Harness (Not Shown - See Separate Breakdown in ELECTRICAL Section)	
36	1001277132	1	Module, Control (Note: Re-calibration Required When Replaced)	
43	1001164354	1	Bracket	
61	3291205001	4	Nut M12	
63	4812100001	8	Washer M12	
65	1001246859	1	Connector	

SECTION 1 - FRAME

FIGURE 1-15. ELECTRICAL COMPONENTS INSTALLATION - FRAME (DUETZ TCD3.6L (CHINA IV) ENGINES) (CHINA SPECS ONLY)



ART_1001286018_F_10F2

SECTION 1 - FRAME

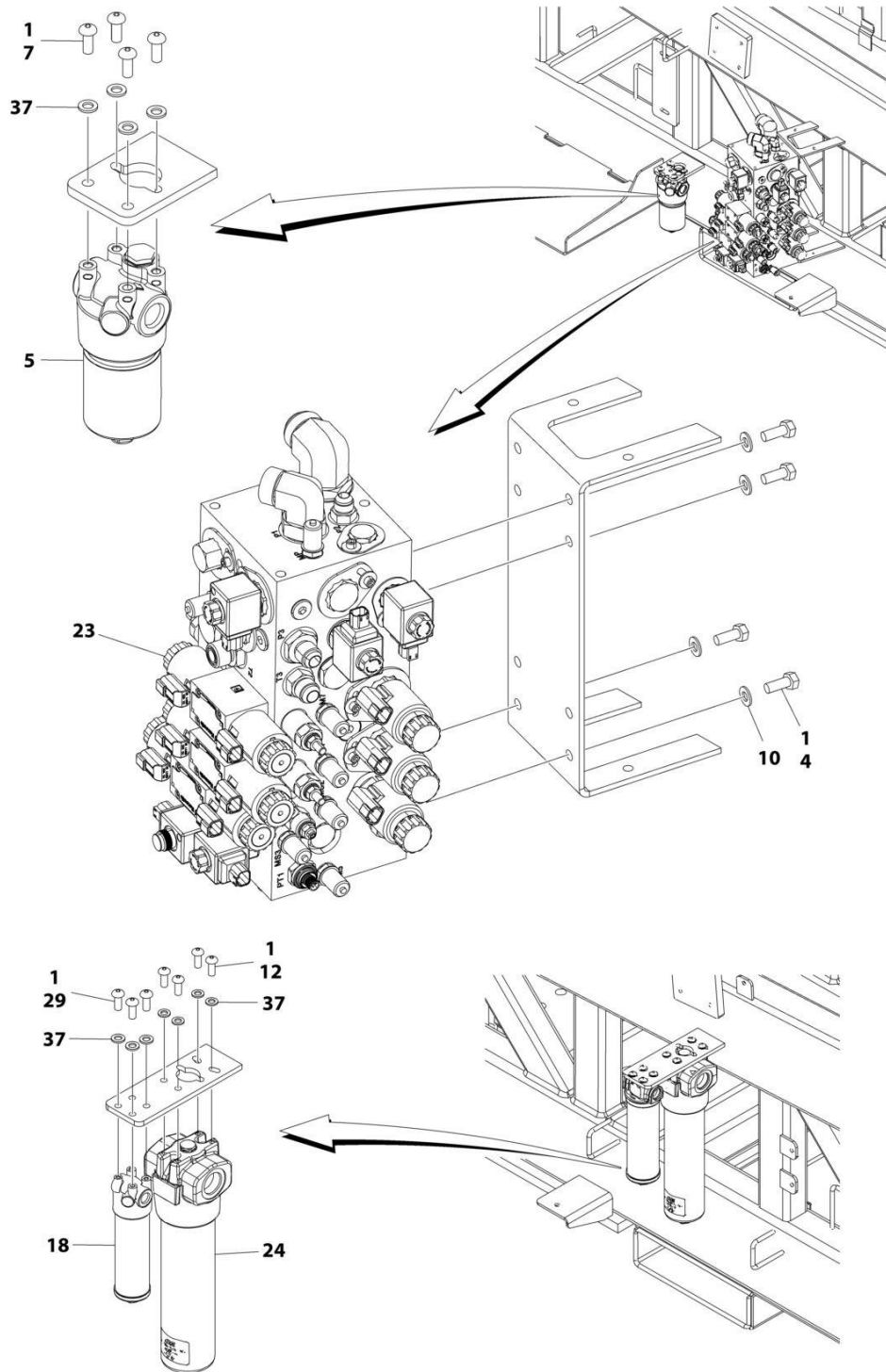
FIGURE 1-15. ELECTRICAL COMPONENTS INSTALLATION - FRAME (DUETZ TCD3.6L (CHINA IV) ENGINES) (CHINA SPECS ONLY)

ITEM	PART NUMBER	QTY	DESCRIPTION	REV
	1001286018	Ref	ELECTRICAL COMPONENTS INSTALLATION - FRAME	F
10	3290605	6	Nut M6	
21	4811700	10	Washer M6	
29	0761218001	4	Bolt M12 x 50	
32	1001118878	5	Capscrew M6 x 55	
35	1001311998	1	Chassis Harness (Not Shown - See Separate Breakdown in ELECTRICAL Section)	
43	1001164354	1	Bracket	
58	1001246859	1	Connector	
59	1001277132	1	Module, Control (Note: Re-calibration Required When Replaced)	
61	3291205001	4	Nut M12	
63	4812100001	8	Washer M12	

SECTION 2 - TURNTABLE

SECTION 2 - TURNTABLE

FIGURE 2-1. VALVES AND FILTERS INSTALLATION - TURNTABLE (PARKER HYDRAULIC FILTER)



ART_1001219995_20F3

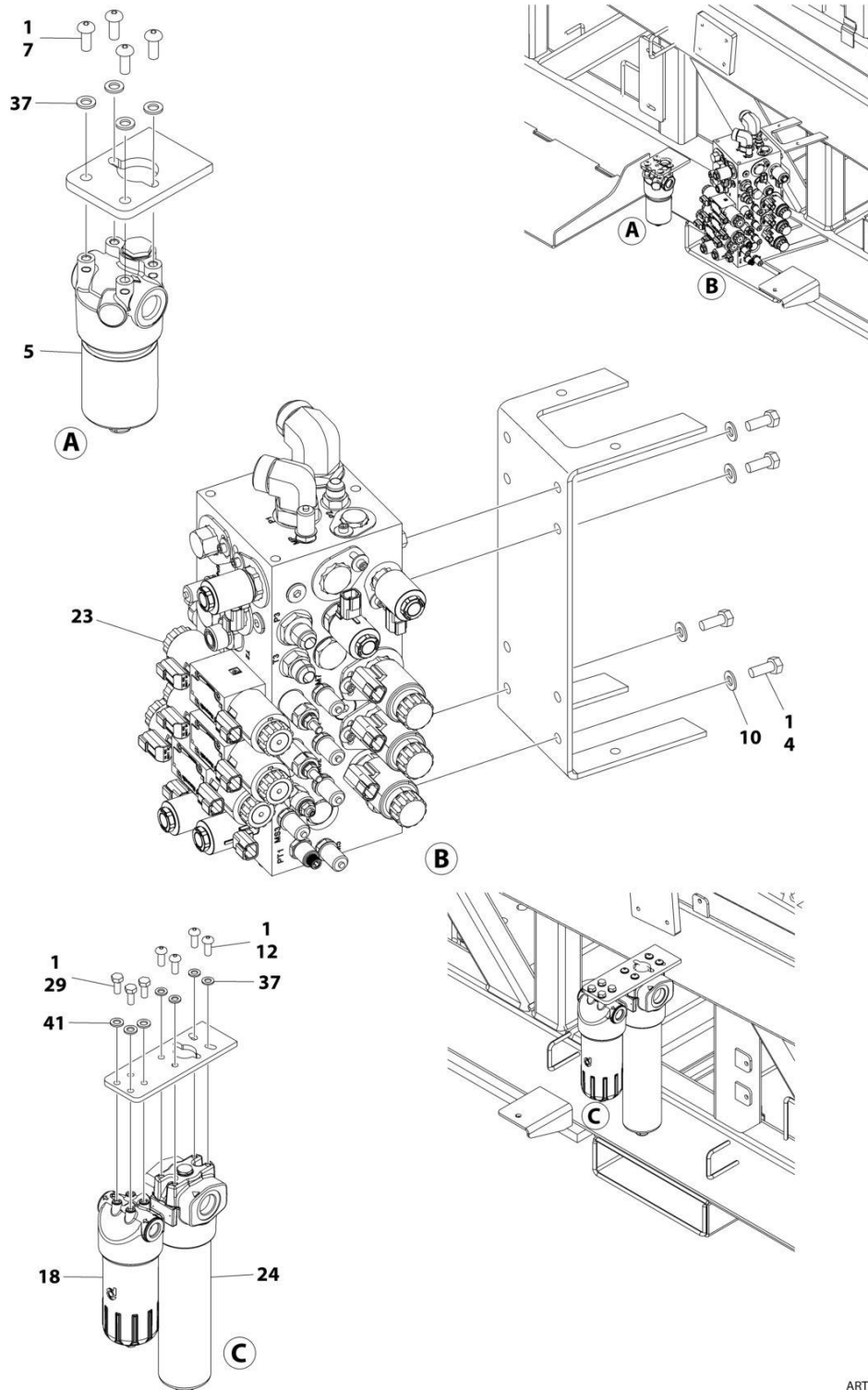
SECTION 2 - TURNTABLE

FIGURE 2-1. VALVES AND FILTERS INSTALLATION - TURNTABLE (PARKER HYDRAULIC FILTER)

ITEM	PART NUMBER	QTY	DESCRIPTION	REV
	1001219995	Ref	VALVES AND HYDRAULIC FILTERS INSTALLATION - TURNTABLE (WITH LSS)	B
1	0100011	AR	Compound, Locking	
4	0761012	4	Bolt M10 x 25	
5	2120217	1	Filter, High Pressure (Tank Side)	
5	70002097	1	Element, High Pressure Filter (Tank Side)	
5	70001499	1	Kit, Seal	
7	3900316	4	Screw 3/8 x 1	
10	4812000	4	Washer M10	
12	88261128	4	Screw 3/8 x 1	
18	1001108617	1	Filter	
18	70002231	1	Element, Filter	
23	1001234548	1	Main Valve Assembly (See Separate Breakdown in this Section)	
24	1001158412	1	Filter, High Pressure (Engine Side)	
24	1001161232	1	Element, High Pressure Filter (Engine Side)	
24	70006137	1	Seal Kit - 1001158412 Filter	
29	1001173846	4	Screw 3/8 x 3/4	
29	1001238236	4	Screw 3/8 x 7/8	
37	4711600001	12	Washer 3/8	

SECTION 2 - TURNTABLE

FIGURE 2-2. VALVES AND FILTERS INSTALLATION - TURNTABLE (DONALDSON HYDRAULIC FILTER)



ART_1001219995_D_20F3

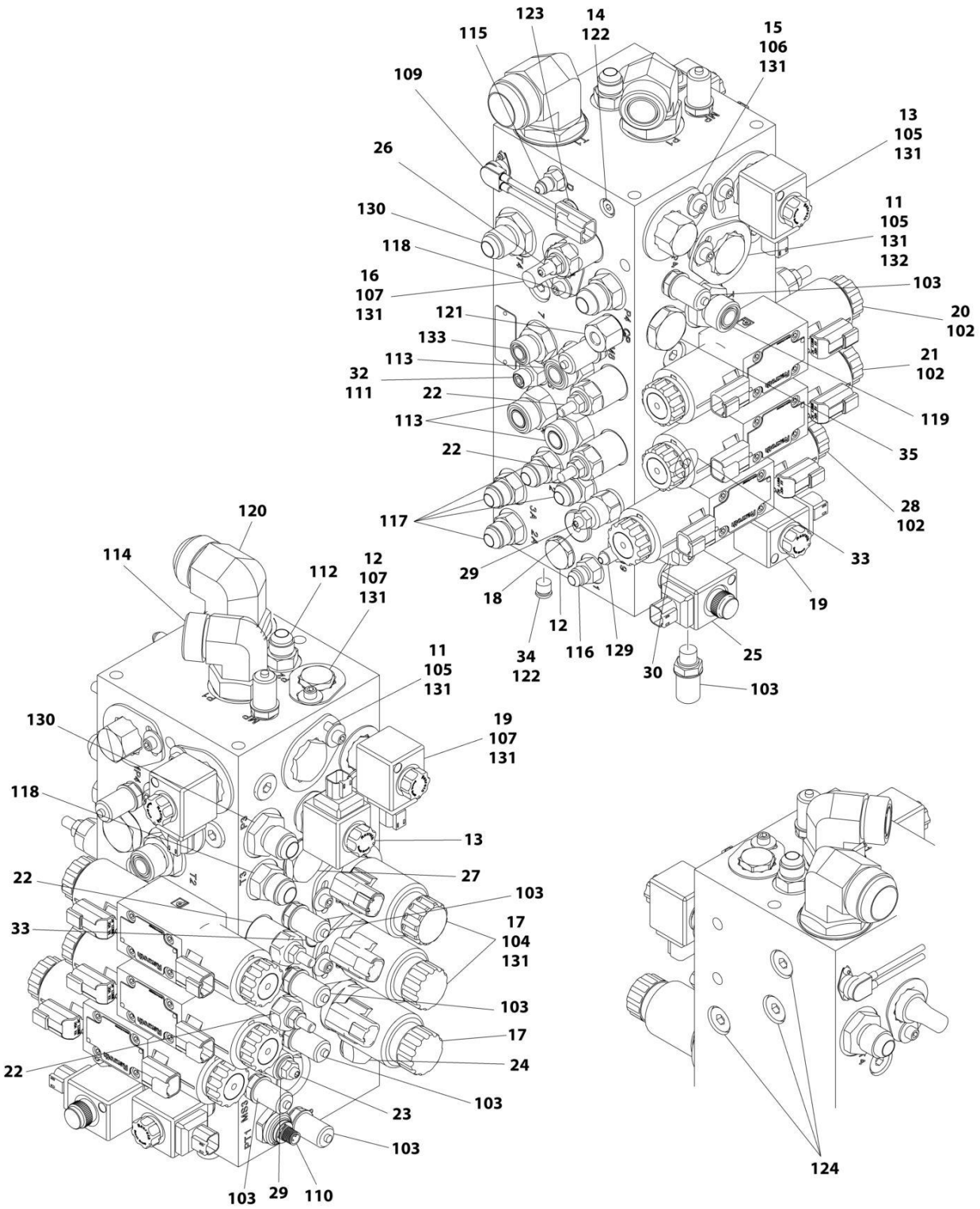
SECTION 2 - TURNTABLE

FIGURE 2-2. VALVES AND FILTERS INSTALLATION - TURNTABLE (DONALDSON HYDRAULIC FILTER)

ITEM	PART NUMBER	QTY	DESCRIPTION	REV
	1001219995	Ref	VALVES AND HYDRAULIC FILTERS INSTALLATION - TURNTABLE (WITH LSS)	D
1	0100011	AR	Compound, Locking	
4	0761012	4	Bolt M10 x 25	
5	2120217	1	Filter, High Pressure (Tank Side)	
5	70002097	1	Element, High Pressure Filter (Tank Side)	
5	70001499	1	Kit, Seal	
7	3900316	4	Screw 3/8 x 1	
10	4812000	4	Washer M10	
12	88261128	4	Screw 3/8 x 1	
18	1001293701	1	Filter	
18	70008358	1	Element, Filter	
18	70008368	1	Head, Filter	
18	70008369	1	Housing, Filter	
23	1001234548	1	Main Valve Assembly (See Separate Breakdown in this Section)	
24	1001158412	1	Filter, High Pressure (Engine Side)	
24	1001161232	1	Element, High Pressure Filter (Engine Side)	
24	70006137	1	Seal Kit - 1001158412 Filter	
29	0761012001	4	Screw M10 x 25	
37	4711600001	8	Washer 3/8	
41	1001172358	4	Washer M10	

SECTION 2 - TURNTABLE

FIGURE 2-3. MAIN VALVE ASSEMBLY



ART_1001234548

SECTION 2 - TURNTABLE

FIGURE 2-3. MAIN VALVE ASSEMBLY

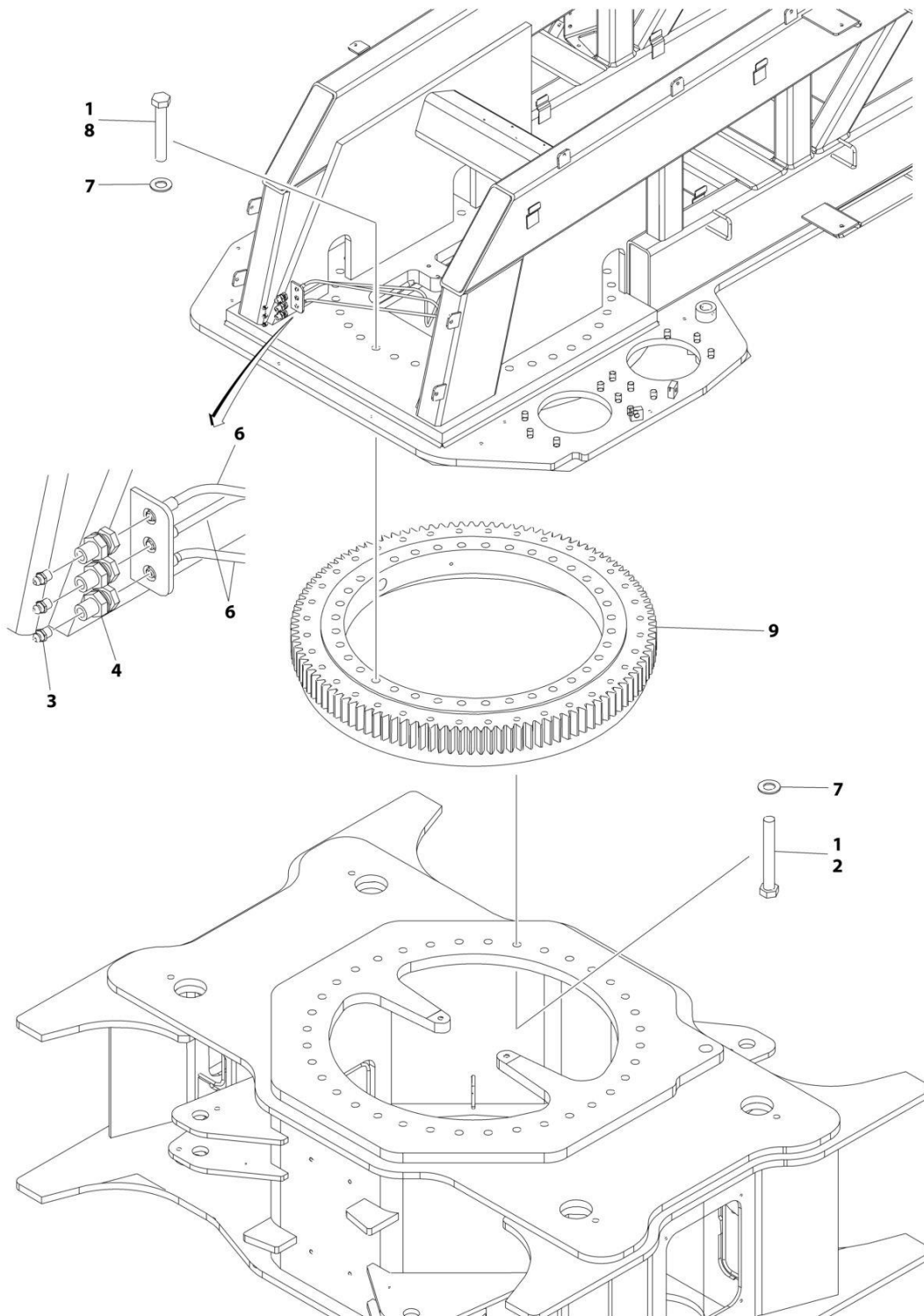
ITEM	PART NUMBER	QTY	DESCRIPTION	REV
	1001234548	Ref	MAIN VALVE ASSEMBLY	C
11	70004583	3	Cartridge, Check	
11	70004584	3	Kit, Seal	
12	70004585	2	Cartridge, Check	
12	70004052	2	Kit, Seal	
13	70004586	2	Cartridge, Solenoid	
13	70004587	2	Kit, Seal	
13	70004588	5	Coil	
14	70004589	1	Orifice	
15	70004590	1	Cartridge, Directional	
15	70023862	1	Kit, Seal	
16	70004591	1	Cartridge, Pressure Reducing	
16	70004592	1	Kit, Seal	
17	70004593	3	Cartridge, Solenoid	
17	70004594	3	Kit, Seal	
17	70004595	3	Coil	
18	70023859	1	Cartridge, Shuttle	
18	70023860	1	Kit, Seal	
19	70004598	2	Cartridge, Dump	
19	70004055	2	Kit, Seal	
19	70004588	2	Coil	
20	70004459	1	Valve	
20	7012773	1	Kit, Seal	
20	70004460	2	Coil	
20	7021375	2	Nut	
21	70004600	1	Valve	
21	7012773	1	Kit, Seal	
21	70004463	2	Coil	
21	7021375	2	Nut	
22	70004601	4	Cartridge, Relief Valve	
22	70004602	4	Kit, Seal	
23	70023866	1	Valve, Cartridge (Check)	
23	70023867	1	Kit, Seal	
24	70004604	1	Cartridge, Pilot Check	
24	70004605	1	Kit, Seal	
25	70004606	1	Cartridge, Solenoid	
25	70004053	1	Kit, Seal	
25	70004599	1	Coil	
26	70004607	1	Cartridge, Relief Valve	
26	70004602	1	Kit, Seal	
27	70004608	1	Cartridge, Check	
27	70004584	1	Kit, Seal	
28	70004609	1	Valve	
28	7012773	1	Kit, Seal	
28	70004463	2	Coil	
28	7021375	2	Nut	
29	70004610	2	Cartridge, Counterbalance	
29	70004611	1	Kit, Seal	
30	70004612	1	Cartridge, Throttle	
30	70004052	1	Kit, Seal	

SECTION 2 - TURNTABLE

ITEM	PART NUMBER	QTY	DESCRIPTION	REV
32	7023821	1	Orifice	
33	70004613	2	Cartridge, Shuttle	
34	70004668	1	Plug, Orifice	
35	10837489	NLA	Cartridge, Check Valve (Use p/n 1001235159)	
102	7018942	12	Capscrew #10 x 2	
103	2221086	9	Fitting, Test	
104	70000781	2	Kit, Locking	
105	70002962	3	Kit, Locking	
106	70004618	1	Kit, Locking	
107	70004619	3	Kit, Locking	
109	70004614	1	Sensor, Thermostat	
109	70004615	2	Capscrew #6 x 3/8-16	
109	70005961	2	Insert, Threaded	
110	70004616	1	Switch, Transducer Switch	
111	2110406	1	Fitting, Straight ORB/ORFS	
112	2220373	1	Fitting, Straight JIC/ORB	
113	2111010	3	Fitting, Straight ORB/ORFS	
114	2131616	1	Fitting, Elbow ORFS/ORB	
115	2220415	1	Fitting, Straight JIC/ORB	
116	2220371	1	Fitting, Straight JIC/ORB	
117	2220373	4	Fitting, Straight JIC/ORB	
118	2220947	2	Fitting, Straight JIC/ORB	
119	2111012	1	Fitting, Straight JIC/ORB	
120	88662070	1	Fitting, 90 JIC/ORB	
121	See Note	NSS	Fitting, Straight (Note: Not Available for Purchase)	
122	70002758	2	Plug, Zero Leak	
123	70004617	1	Plug, Zero Leak	
124	70002759	AR	Plug, Zero Leak	
129	2220582	1	Fitting, Straight JIC/ORB	
130	2220865	2	Fitting, Straight JIC/ORB	
131	70005958	9	Capscrew	
132	4751400	1	Washer 1/4	
133	2110810	1	Fitting, Straight ORB/ORFS	

SECTION 2 - TURNTABLE

FIGURE 2-4. TURNTABLE BEARING INSTALLATION



ART_1001153979

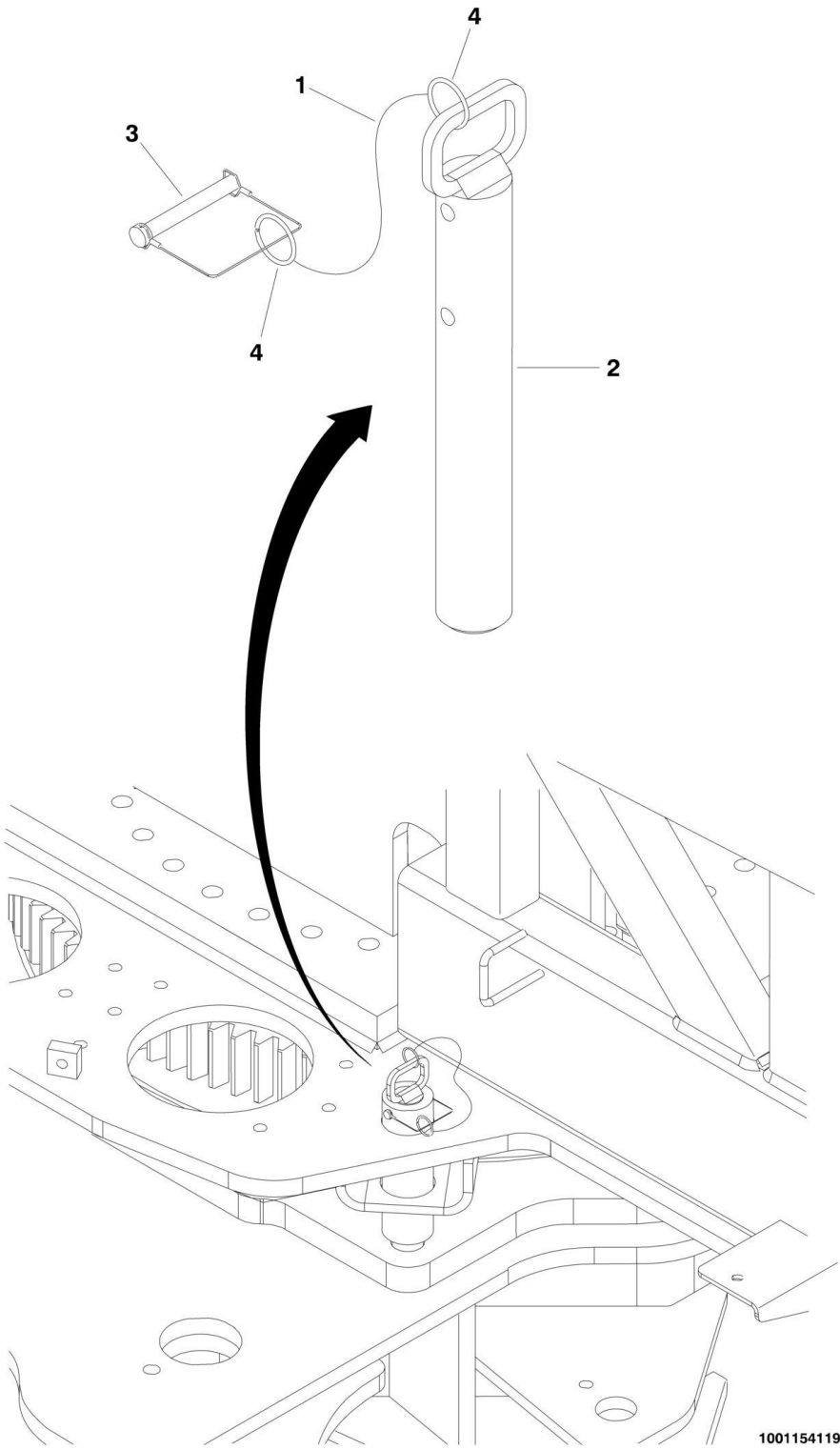
SECTION 2 - TURNTABLE

FIGURE 2-4. TURNTABLE BEARING INSTALLATION

ITEM	PART NUMBER	QTY	DESCRIPTION	REV
	1001153979	Ref	TURNTABLE BEARING INSTALLATION	C
1	0100019	AR	Compound, Locking	
2	0712435	36	Bolt M24 x 180 Grade 10.9	
3	2160002	1	Fitting, Grease	
4	2180344	3	Fitting, Bulkhead NPT	
6	2751032	1	Hose	
7	5242400	71	Washer M24	
8	1001097587	35	Bolt M24 x 150 Grade 10.9	
9	1001149823	1	Bearing, Swing	

SECTION 2 - TURNTABLE

FIGURE 2-5. TURNTABLE LOCK INSTALLATION



1001154119

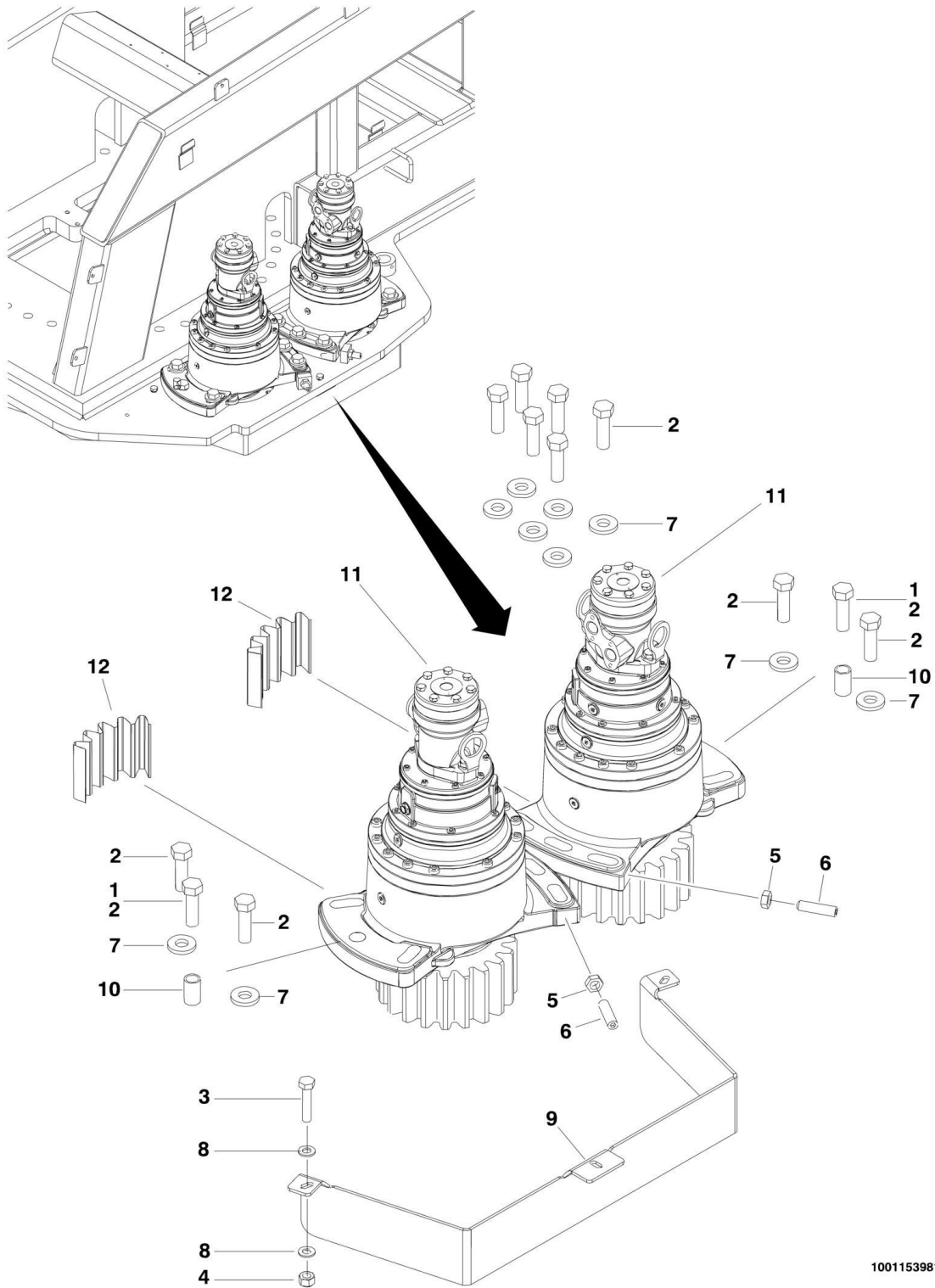
SECTION 2 - TURNTABLE

FIGURE 2-5. TURNTABLE LOCK INSTALLATION

ITEM	PART NUMBER	QTY	DESCRIPTION	REV
	1001154119	Ref	TURNTABLE LOCK INSTALLATION	A
1	1260017	8 in/20cm	Chain	
2	3421563	1	Pin	
3	3421565	1	Pin	
4	3760170	2	Ring	

SECTION 2 - TURNTABLE

FIGURE 2-6. SWING DRIVE INSTALLATION



1001153981

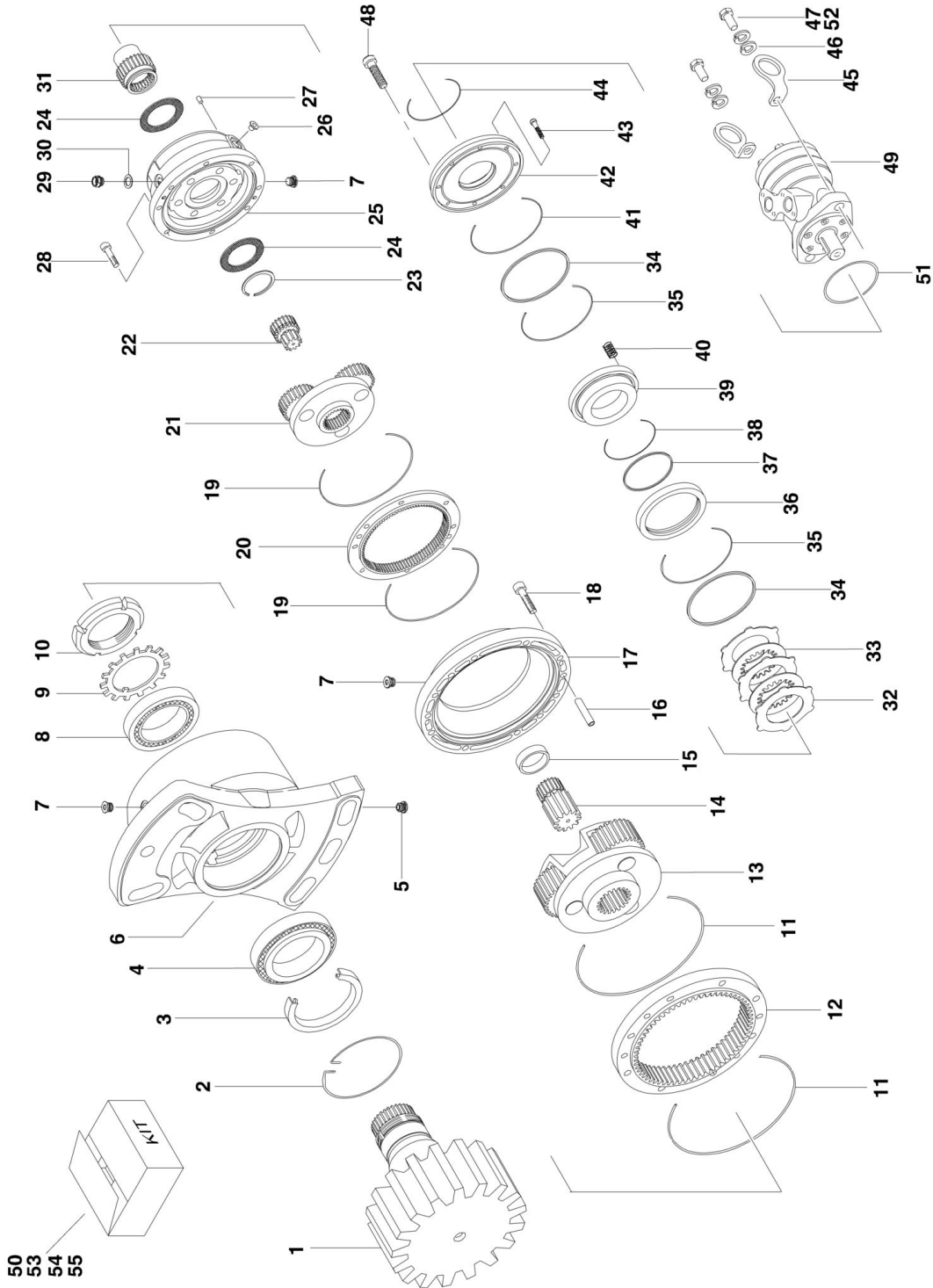
SECTION 2 - TURNTABLE

FIGURE 2-6. SWING DRIVE INSTALLATION

ITEM	PART NUMBER	QTY	DESCRIPTION	REV
	1001153981	Ref	SWING DRIVE INSTALLATION	C
1	0100019	AR	Compound, Locking	
2	0682220	12	Bolt 3/4 x 2-1/2 Grade 8	
3	0701018	3	Bolt M10 x 50	
4	3291005	3	Nut M10	
5	3312002	2	Nut 5/8	
6	3952020	2	Setscrew 5/8 x 2-1/2	
7	4740057	10	Washer	
8	4812000	6	Washer M10	
9	1001150725	1	Shield	
10	1001153983	2	Bar	
11	1001153984	2	Swing Hub/Brake/Motor Assembly (See Separate Breakdown in this Section)	
12	1001154377	2	Shim	

SECTION 2 - TURNTABLE

FIGURE 2-7. SWING HUB/BRAKE/ MOTOR ASSEMBLY



1001153984

SECTION 2 - TURNTABLE

FIGURE 2-7. SWING HUB/BRAKE/ MOTOR ASSEMBLY

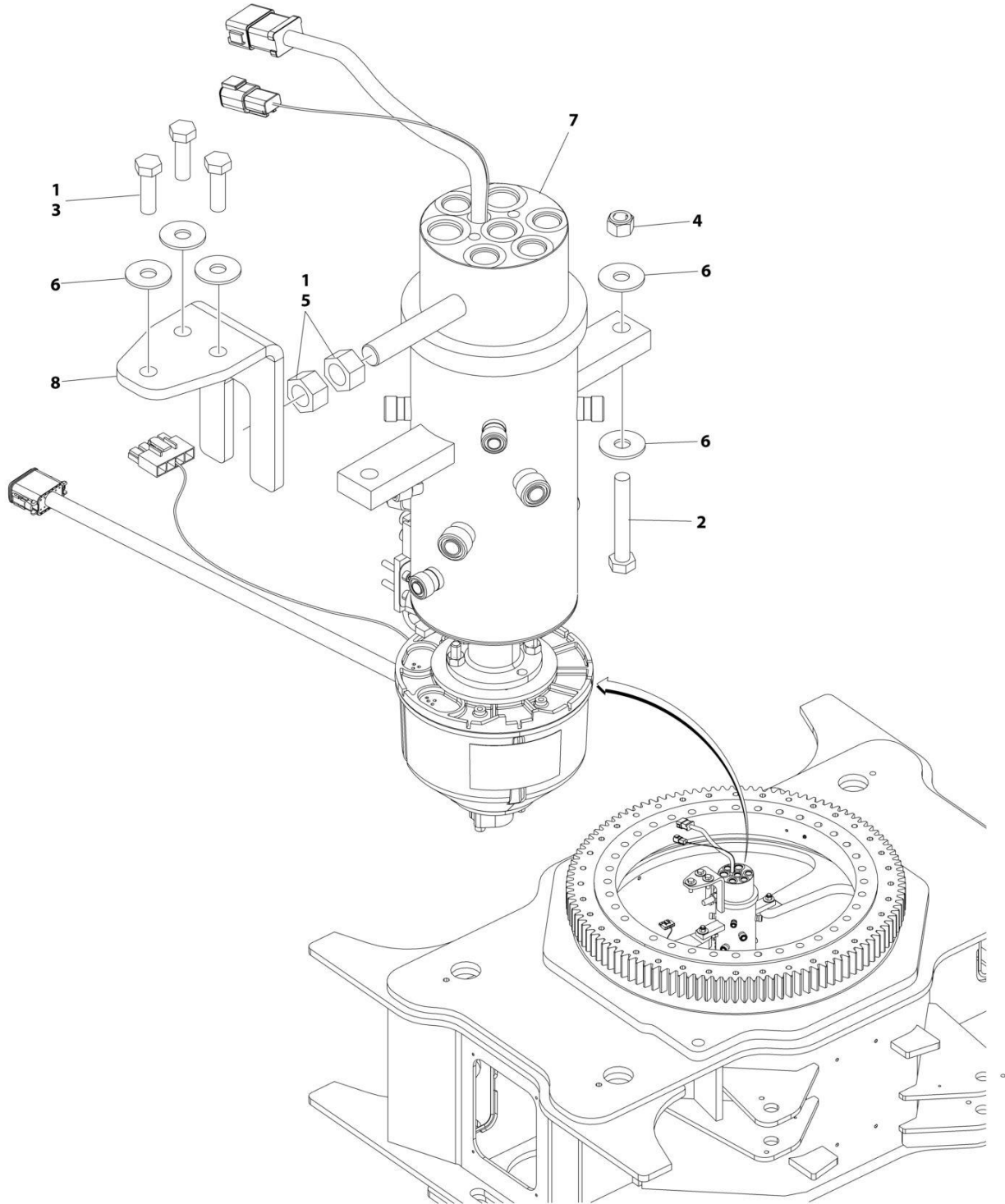
ITEM	PART NUMBER	QTY	DESCRIPTION	REV
	1001153984	Ref	HUB/BRAKE/MOTOR - SWING	E
1	70004466	1	Shaft	
2	70004467	1	Ring	
3	See Note	NSS	Seal, Oil (Use p/n 70004489)	
4	70004468	1	Bearing	
5	70004469	1	Plug with O-Ring	
6	70004470	1	Support, Output	
7	70002057	5	Plug with O-Ring	
8	70004471	1	Bearing	
9	70004472	1	Washer	
10	70004473	1	Nut, Ring	
11	See Note	NSS	O-Ring (Use p/n 70004489)	
12	70004474	1	Ring, Planetary	
13	70004475	1	Reduction, Gear - Complete	
14	70004476	1	Pinion	
15	70004477	1	Spacer	
16	70004478	4	Pin, Spring	
17	70004479	1	Spacer	
18	70004480	8	Capscrew M10x55	
19	See Note	NSS	O-Ring (Use p/n 70004489)	
20	70004481	1	Ring, Planetary	
21	70004482	1	Reduction, Gear - Complete	
22	70004483	1	Pinion	
23	See Note	NSS	Ring (Use p/n 70004488)	
24	See Note	NSS	Washer (Use p/n 70004488)	
25	See Note	NSS	Housing, Brake (Use p/n 70004488)	
26	See Note	NSS	Plug (Use p/n 70004488)	
27	See Note	NSS	Plug (Use p/n 70004488)	
28	See Note	NSS	Capscrew M8x35 (Use p/n 70004488)	
29	See Note	NSS	Plug (Use p/n 70004488)	
30	See Note	NSS	Washer (Use p/n 70004488)	
31	See Note	NSS	Shaft, Input (Use p/n 70004488)	
32	See Note	NSS	Disc, Steel (Use p/n 70004488)	
33	See Note	NSS	Disc (Use p/n 70004488)	
34	See Note	NSS	Seal (Use p/n 70004488 or 70004490)	
35	See Note	NSS	O-Ring (Use p/n 70004488 or 70004490)	
36	See Note	NSS	Spacer (Use p/n 70004488)	
37	See Note	NSS	Seal (Use p/n 70004488 or 70004490)	
38	See Note	NSS	O-Ring (Use p/n 70004488 or 70004490)	
39	See Note	NSS	Piston, Brake (Use p/n 70004488)	
40	See Note	NSS	Spring, Brake (Use p/n 70004488)	
41	See Note	NSS	O-Ring (Use p/n 70004488 or 70004490)	
42	See Note	NSS	Cover (Use p/n 70004488 or 70004490)	
43	See Note	NSS	Screw M6x25 (Use p/n 70004488)	
44	See Note	NSS	O-Ring (Use p/n 70004488 or 70004490)	
45	70004484	2	Lug, Lifting	
46	70004485	4	Washer, Lock	
47	70004486	2	Capscrew M12x25	
48	70004487	2	Capscrew M12x35	
49	70004491	1	Motor	

SECTION 2 - TURNTABLE

ITEM	PART NUMBER	QTY	DESCRIPTION	REV
		Ref	Note: Seal Kit is the only replacement component available. Otherwise, replacement complete motor.	
50	70004492	1	Kit, Seal - Motor	
51	70004493	1	O-Ring	
52	70004494	2	Bolt	
53	70004488	1	Kit, Brake (Includes Items 23-44)	
54	70004489	1	Kit, Seal - Gearbox (Includes Items 3, 11 & 19)	
55	70004490	1	Kit, Brake Seal (Includes Items 34, 35, 37, 38 & 44)	

SECTION 2 - TURNTABLE

FIGURE 2-8. COUPLING AND COLLECTOR RING INSTALLATION



ART_1001154192_B

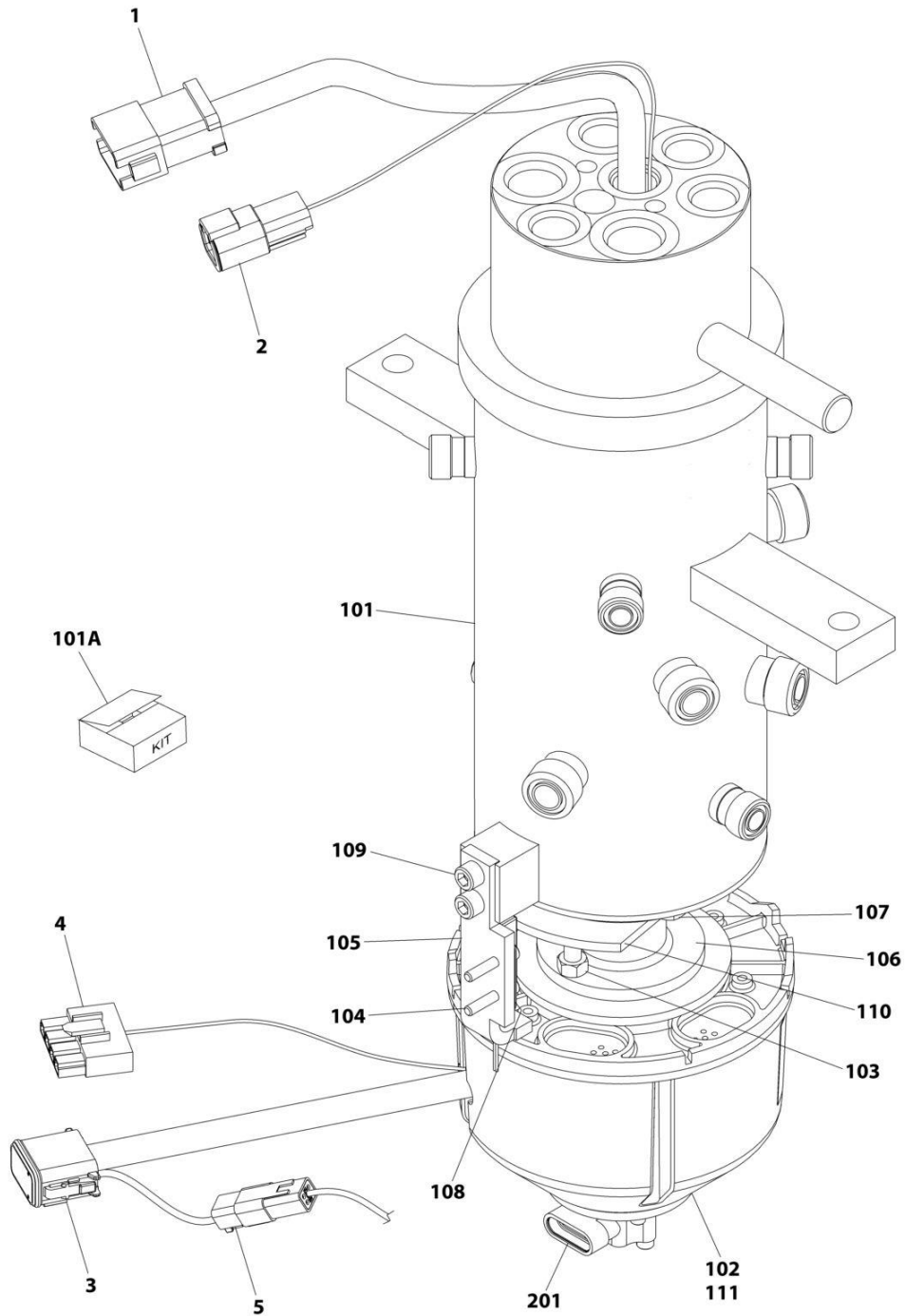
SECTION 2 - TURNTABLE

FIGURE 2-8. COUPLING AND COLLECTOR RING INSTALLATION

ITEM	PART NUMBER	QTY	DESCRIPTION	REV
	1001154192	Ref	COUPLING/COLLECTOR RING INSTALLATION	B
1	0100011	AR	Compound, Locking	
2	0701224	2	Bolt M12 x 80	
3	0761216	3	Bolt M12 x 40	
4	3291205	2	Nut M12	
5	3322201	2	Nut 3/4	
6	4812102	7	Washer M12	
7	1001278610	1	Coupling/Collector Ring Assembly (See Separate Breakdown in this Section)	
8	1001154196	1	Bracket	

SECTION 2 - TURNTABLE

FIGURE 2-9. COUPLING AND COLLECTOR RING ASSEMBLY



ART_1001278610

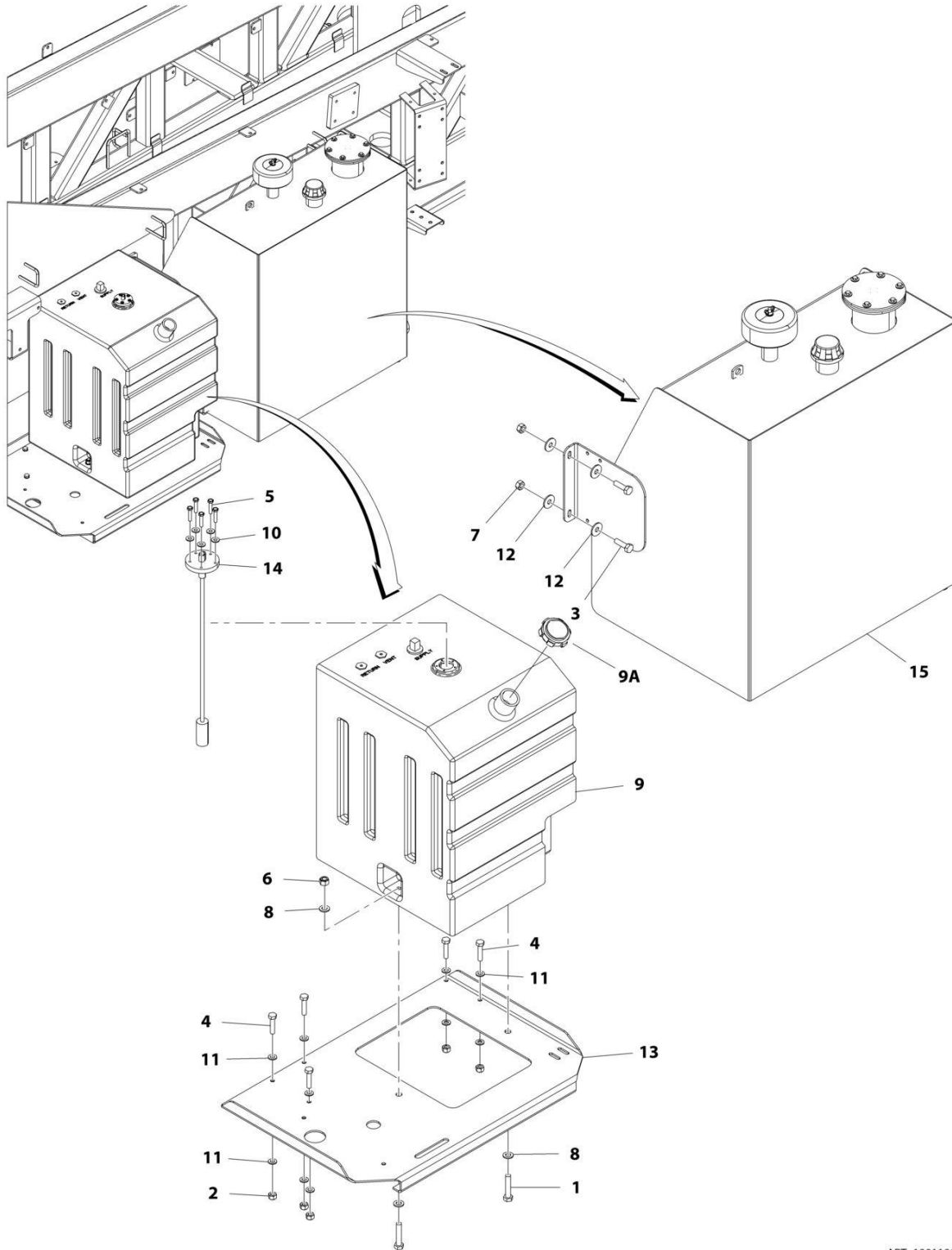
SECTION 2 - TURNTABLE

FIGURE 2-9. COUPLING AND COLLECTOR RING ASSEMBLY

ITEM	PART NUMBER	QTY	DESCRIPTION	REV
	1001278610	Ref	ROTARY COUPLING AND RING ASSEMBLY	A
1	4460837	1	Connector	
1	4460943	3	Pin	
1	4460464	3	Pin	
1	4460466	6	Plug	
1	80604015	1	Wedge Lock	
2	4461017	1	Connector	
2	4460508	2	Pin	
3	4460836	1	Connector	
3	4460944	5	Socket	
3	4460465	3	Socket	
3	4460466	4	Plug	
3	80604016	1	Wedge Lock	
4	4460878	1	Connector	
4	4460887	1	Terminal	
5	4460884	1	Connector	
5	80604021	1	Wedge Lock	
101	70004324	1	Rotary Coupling Assembly	
101A	70004325	1	Seal Kit - 70004324 Coupling	
102	70008366	1	Collector Ring Assembly	
103	70008360	2	Nut 5/16	
104	70007510	2	Capscrew #10 x 1/2	
105	70008361	1	Arm	
106	70008362	1	Adaptor, Spool	
107	70008363	2	Bolt 5/16 x 1	
108	70008364	1	Sensor	
109	3931512	2	Capscrew 5/16 x 3/4	
110	70008365	1	Plate, Cam	
111	0100048	AR	Silicone	
201	70008629	1	Sensor, Rotary Angle	

SECTION 2 - TURNTABLE

FIGURE 2-10. TANKS INSTALLATION



ART_1001191215

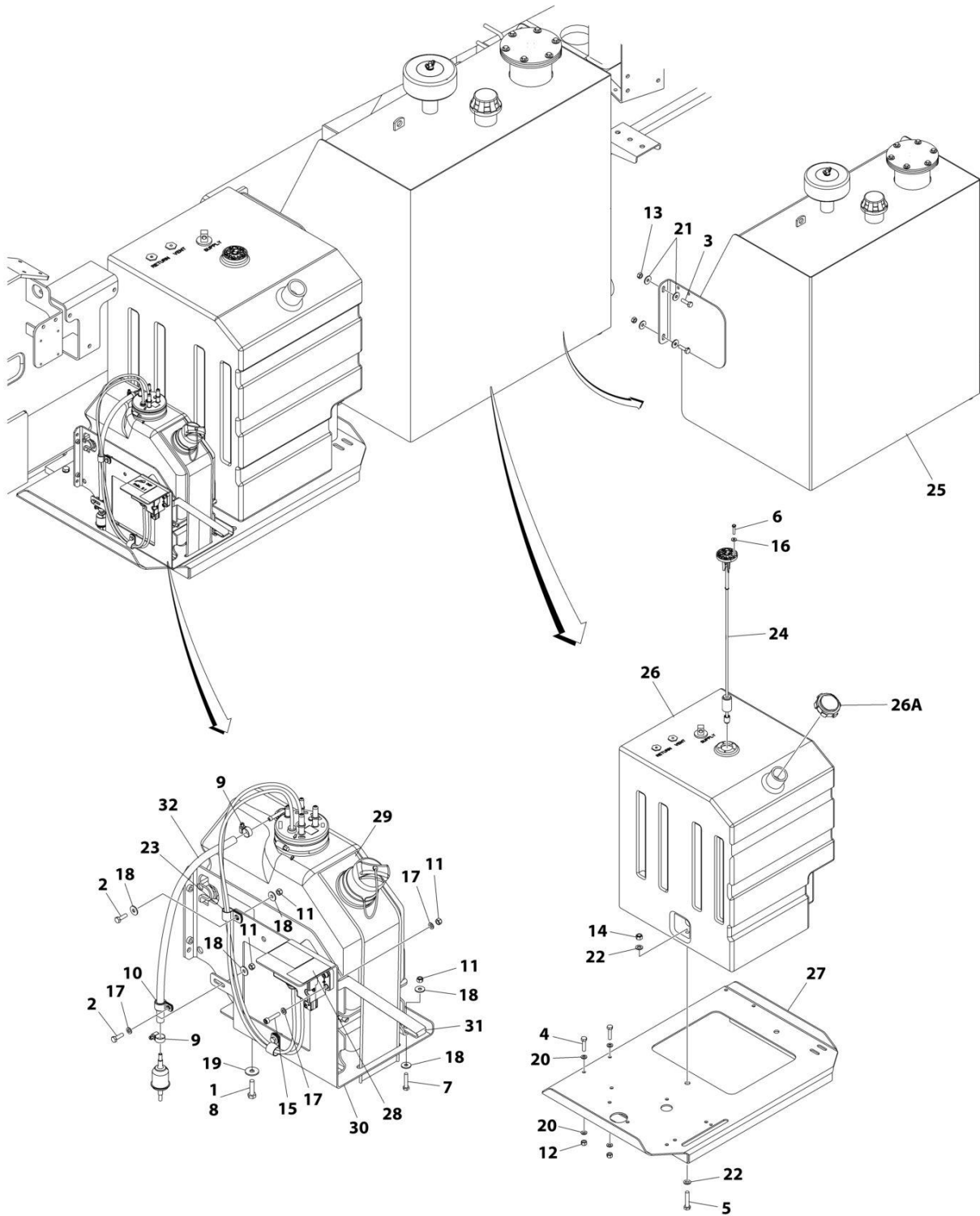
SECTION 2 - TURNTABLE

FIGURE 2-10. TANKS INSTALLATION

ITEM	PART NUMBER	QTY	DESCRIPTION	REV
	1001191215	Ref	TANKS INSTALLATION	A
1	0701220	2	Bolt M12 x 60	
2	3291005	5	Nut M10	
3	0701015	4	Bolt M10 x 35	
4	0701017	5	Bolt M10 x 45	
5	0731007	5	Screw, Machine #10 x 7/8	
6	3291205	2	Nut M12	
7	3291007	4	Nut M10	
8	4812100	4	Washer M12	
9	1001188491	1	Tank, Fuel	
9A	70005565	1	Cap, Fuel	
10	4751000	5	Washer #10	
11	4812000	10	Washer M10	
12	4812002	8	Washer M10	
13	1001189008	1	Tray	
14	1001109048	1	Gauge, Fuel	
14	3960525	1	Gasket (Gauge to Tank)	
15	1001147879	1	Tank, Hydraulic (See Separate Breakdown in this Section)	

SECTION 2 - TURNTABLE

FIGURE 2-11. TANKS INSTALLATION - WITH DIESEL EXHAUST FLUID TANK



ART_1001242389

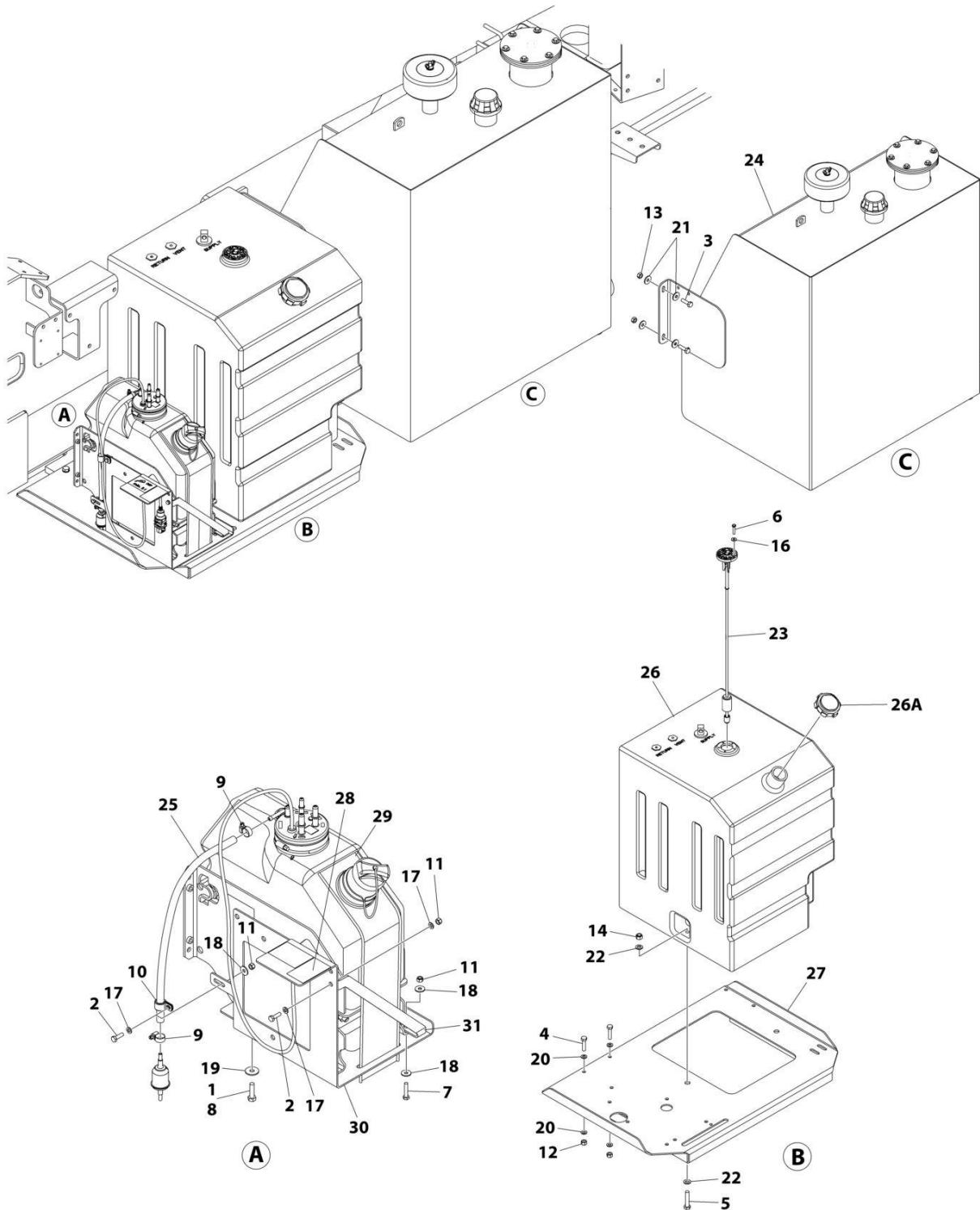
SECTION 2 - TURNTABLE

FIGURE 2-11. TANKS INSTALLATION - WITH DIESEL EXHAUST FLUID TANK

ITEM	PART NUMBER	QTY	DESCRIPTION	REV
	1001242389	Ref	TANKS INSTALLATION - WITH DIESEL EXHAUST FLUID TANK	A
1	0100011	AR	Compound, Locking (Not Shown)	
2	0700610	3	Bolt M6 x 20	
3	0701015	4	Bolt M10 x 35	
4	0701017	5	Bolt M10 x 45	
5	0701220	2	Bolt M12 x 60	
6	0731007	5	Screw, Machine #10 x 7/8	
7	0760614	1	Bolt M6 X 30	
8	0760814	4	Bolt M8 x 30	
9	1320022	2	Clamp	
10	1320041	1	Clamp	
11	3290605	8	Nut, M6	
12	3291005	5	Nut M10	
13	3291007	4	Nut M10	
14	3291205	2	Nut M12	
15	4031710	4	Bolt M6 x 30	
16	4751000	5	Washer #10	
17	4811700	9	Washer M6	
18	4811702	7	Washer M6	
19	4811902	4	Washer M8	
20	4812000	12	Washer M10	
21	4812002	8	Washer M10	
22	4812100	4	Washer M12	
23	8406101	2	Clip	
24	1001109048	1	Gauge, Fuel	
24	3960525	1	Gasket (Gauge to Tank)	
25	1001147879	1	Tank, Hydraulic (See Separate Breakdown in this Section)	
26	1001188491	1	Tank, Fuel	
26A	70005565	1	Cap, Fuel	
27	1001189008	1	Tray	
28	1001196806	1	Decal, Exhaust Fluid	
29	1001238158	1	Sleeve, Spill Guard	
30	1001238262	1	Support	
31	1001241631	1	Brace	
32	1001175201	17 in/ 0.43m	Hose	

SECTION 2 - TURNTABLE

FIGURE 2-12. TANKS INSTALLATION (HRC)



ART_1001297407

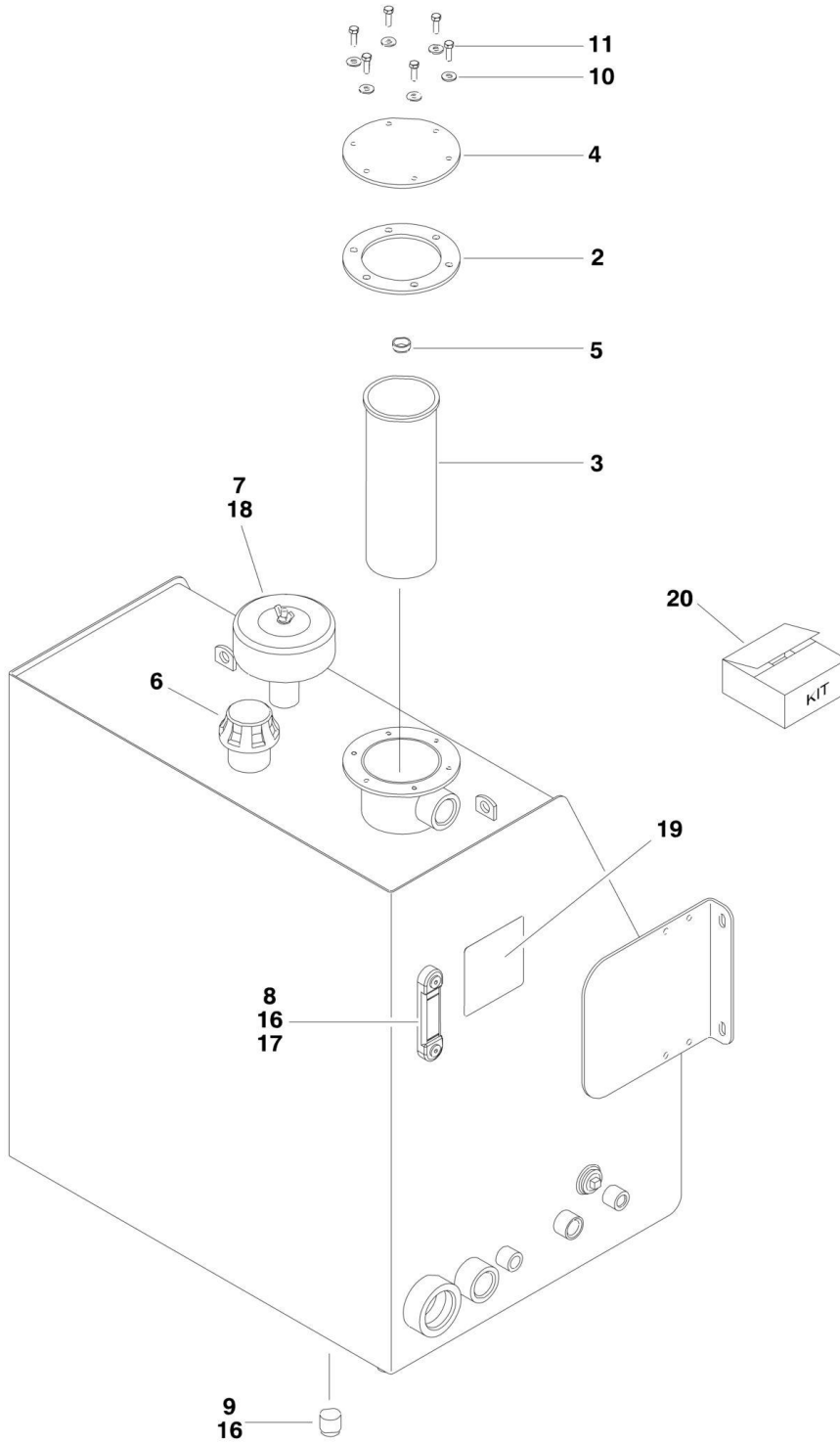
SECTION 2 - TURNTABLE

FIGURE 2-12. TANKS INSTALLATION (HRC)

ITEM	PART NUMBER	QTY	DESCRIPTION	REV
	1001297407	Ref	TANKS INSTALLATION (HRC)	B
1	0100011	AR	Compound, Locking	
2	0700610	2	Bolt M6 x 20	
3	0701015	4	Bolt M10 x 35	
4	0701017	5	Bolt M10 x 45	
5	0701220	2	Bolt M12 x 60	
6	0731007	5	Screw #10 x 7/8	
7	0760614	1	Bolt M6 x 30	
8	0760814	4	Bolt M8 x 30	
9	1320022	2	Clamp	
10	1320041	1	Clamp	
11	3290605	3	Nut M6	
12	3291005	5	Nut M10	
13	3291007	4	Nut M10	
14	3291205	2	Nut M12	
15	4240099	3	Tie-Strap (Not Shown)	
16	4751000	5	Washer #10	
17	4811700	3	Washer M6	
18	4811702	3	Washer M6	
19	4811902	4	Washer M8	
20	4812000	10	Washer M10	
21	4812002	8	Washer M10	
22	4812100	4	Washer M12	
23	1001109048	1	Gauge, Fuel	
23	3960525	1	Gasket (Gauge to Tank)	
24	1001147879	1	Tank, Hydraulic (See Separate Breakdown in this Section)	
25	1001175201	17 in/ 43cm	Hose	
26	1001188491	1	Tank, Fuel	
26A	70005565	1	Cap, Fuel	
27	1001189008	1	Tray	
28	1001196806	1	Decal - Diesel Exhaust Fluid	
29	1001238158	1	Sleeve, Spill Guard	
30	1001238262	1	Support	
31	1001241631	1	Brace	

SECTION 2 - TURNTABLE

FIGURE 2-13. HYDRAULIC TANK ASSEMBLY



1001147879

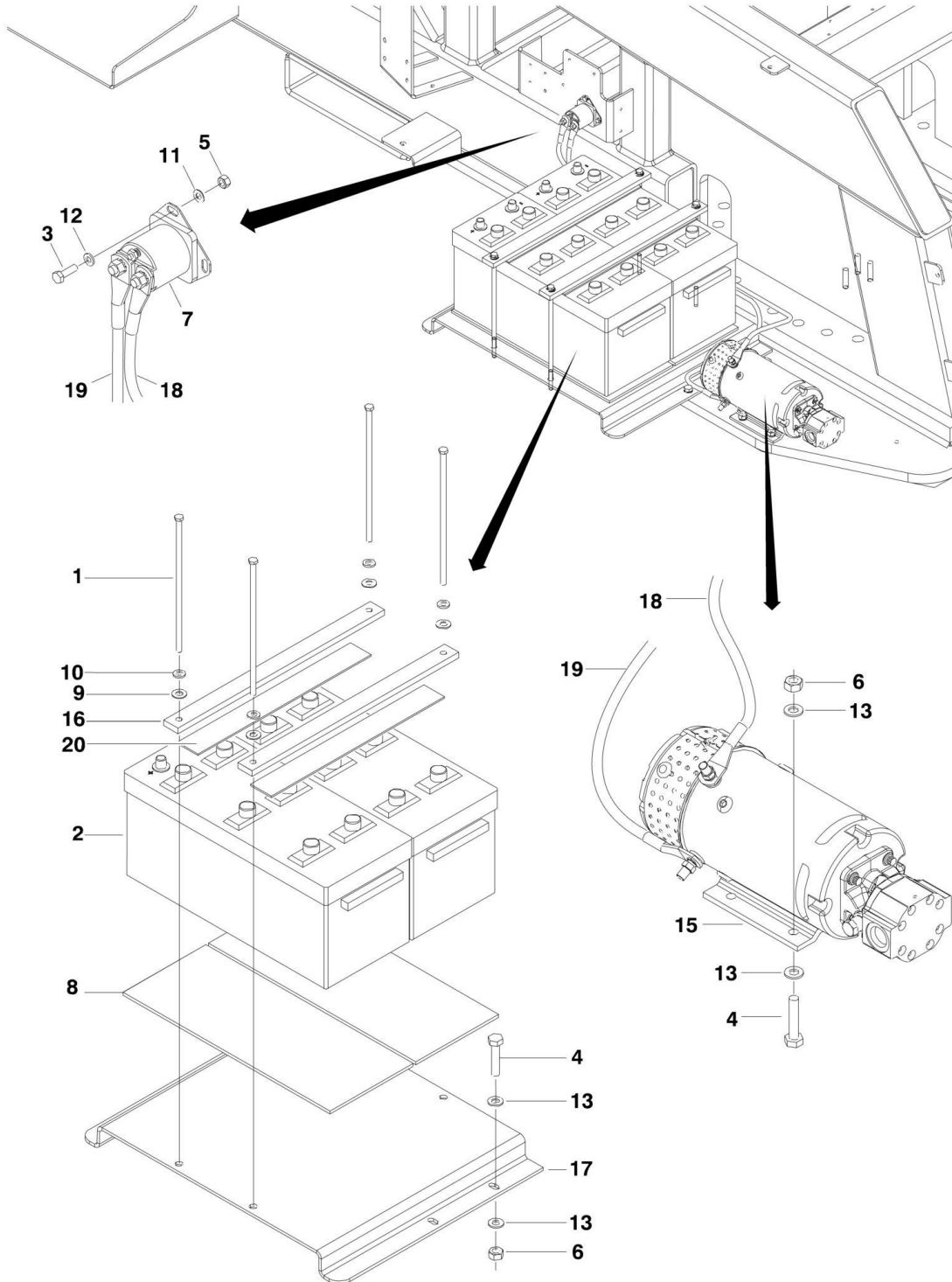
SECTION 2 - TURNTABLE

FIGURE 2-13. HYDRAULIC TANK ASSEMBLY

ITEM	PART NUMBER	QTY	DESCRIPTION	REV
	1001147879	Ref	HYDRAULIC TANK ASSEMBLY	G
2	See Note	NSS	Gasket (Use p/n 70004150)	
3	See Note	NSS	Element, Filter (Use p/n 70004150)	
4	See Note	NSS	Cover (Note: Not Available for Purchase)	
5	70004412	1	Spring	
6	70002838	1	Cap, Fill	
7	See Note	NSS	Breather (Use p/n 70004150)	
8	7024441	1	Gauge	
9	See Note	NSS	Plug (Note: Purchase Locally)	
10	See Note	NSS	Washer 5/16in Stainless Steel (Note: Purchase Locally)	
11	See Note	NSS	Bolt 5/16-18 x 1 Stainless Steel (Note: Purchase Locally)	
16	See Note	AR	Loctite #243 (Note: Purchase Locally)	
17	See Note	AR	Lubricant (Note: Purchase Locally)	
18	See Note	AR	Loctite #565 (Note: Purchase Locally)	
19	70004411	1	Decal, Service	
20	70004150	1	Kit, Service (Includes Item 2, 3 & 7)	

SECTION 2 - TURNTABLE

FIGURE 2-14. AUXILIARY POWER/BATTERIES INSTALLATIONS



1001154034

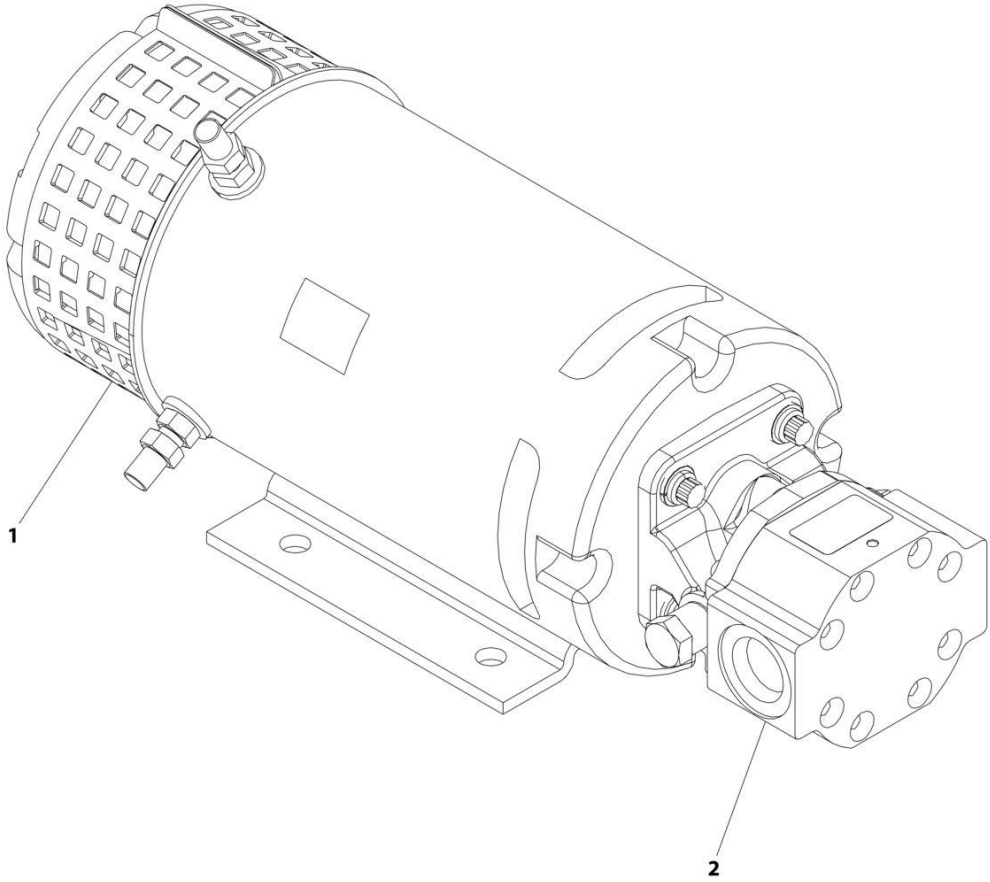
SECTION 2 - TURNTABLE

FIGURE 2-14. AUXILIARY POWER/BATTERIES INSTALLATIONS

ITEM	PART NUMBER	QTY	DESCRIPTION	REV
	1001154034	Ref	AUXILIARY POWER/BATTERIES INSTALLATIONS	D
1	0236768	4	Bolt, Tie-Down	
2	0400020	2	Battery	
3	0700610	2	Bolt M6 x 20	
4	0701018	8	Bolt M10 x 50	
5	3290607	2	Nut M6	
6	3291007	8	Nut M10	
7	3740067	1	Relay	
8	3980006	2	Seat, battery	
9	4711600	4	Washer 3/8	
10	4761600	4	Washer 3/8	
11	4791400	2	Washer 1/4	
12	4811700	2	Washer M6	
13	4812000	16	Washer M10	
15	1001224066	1	Pump/Motor, Auxiliary (See Separate Breakdown in this Section)	
16	1001154035	2	Plate	
17	1001164056	1	Bracket	
18	1001154144	1	Cable, Electrical (Positive)	
19	1001154145	1	Cable, Electrical (Negative)	
20	4420038	34 in /85cm	Tape	

SECTION 2 - TURNTABLE

FIGURE 2-15. AUXILIARY PUMP AND MOTOR ASSEMBLY



ART_1001224066

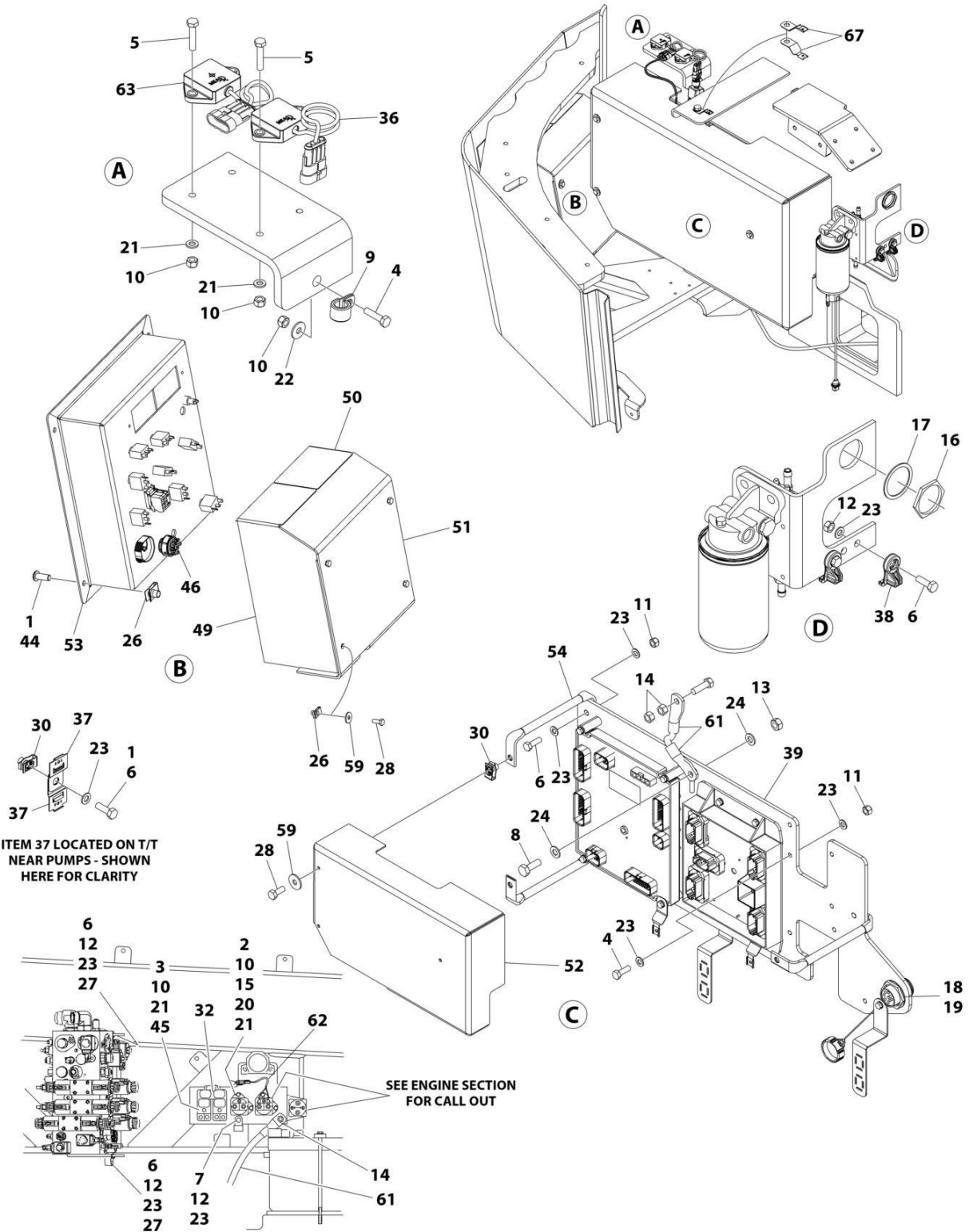
SECTION 2 - TURNTABLE

FIGURE 2-15. AUXILIARY PUMP AND MOTOR ASSEMBLY

ITEM	PART NUMBER	QTY	DESCRIPTION	REV
	1001224066	Ref	AUXILIARY PUMP ASSEMBLY	B
1	7010924	1	Motor	
1	7010639	2	Brush	
1	7010640	8	Spring, Brush	
1	7011044	1	Gasket, Adapter to Motor	
2	70001001	1	Pump Kit (Includes Pump, Adapter to Motor Gasket p/n 7011044 and Mounting Hardware)	
2	70001000	1	Seal Kit (Includes Adapter to Motor Gasket p/n 7011044, Pump to Adapter Gasket, Shaft Seal and O-Rings for Hex Caps on Adapter)	

SECTION 2 - TURNTABLE

FIGURE 2-16. TURNTABLE ELECTRICAL COMPONENTS INSTALLATION (ANSI EXPORT (LRC), AUSTRALIAN AND CHINA SPECS)



ART_1001223250_J_2OF2

SECTION 2 - TURNTABLE

FIGURE 2-16. TURNTABLE ELECTRICAL COMPONENTS INSTALLATION (ANSI EXPORT (LRC), AUSTRALIAN AND CHINA SPECS)

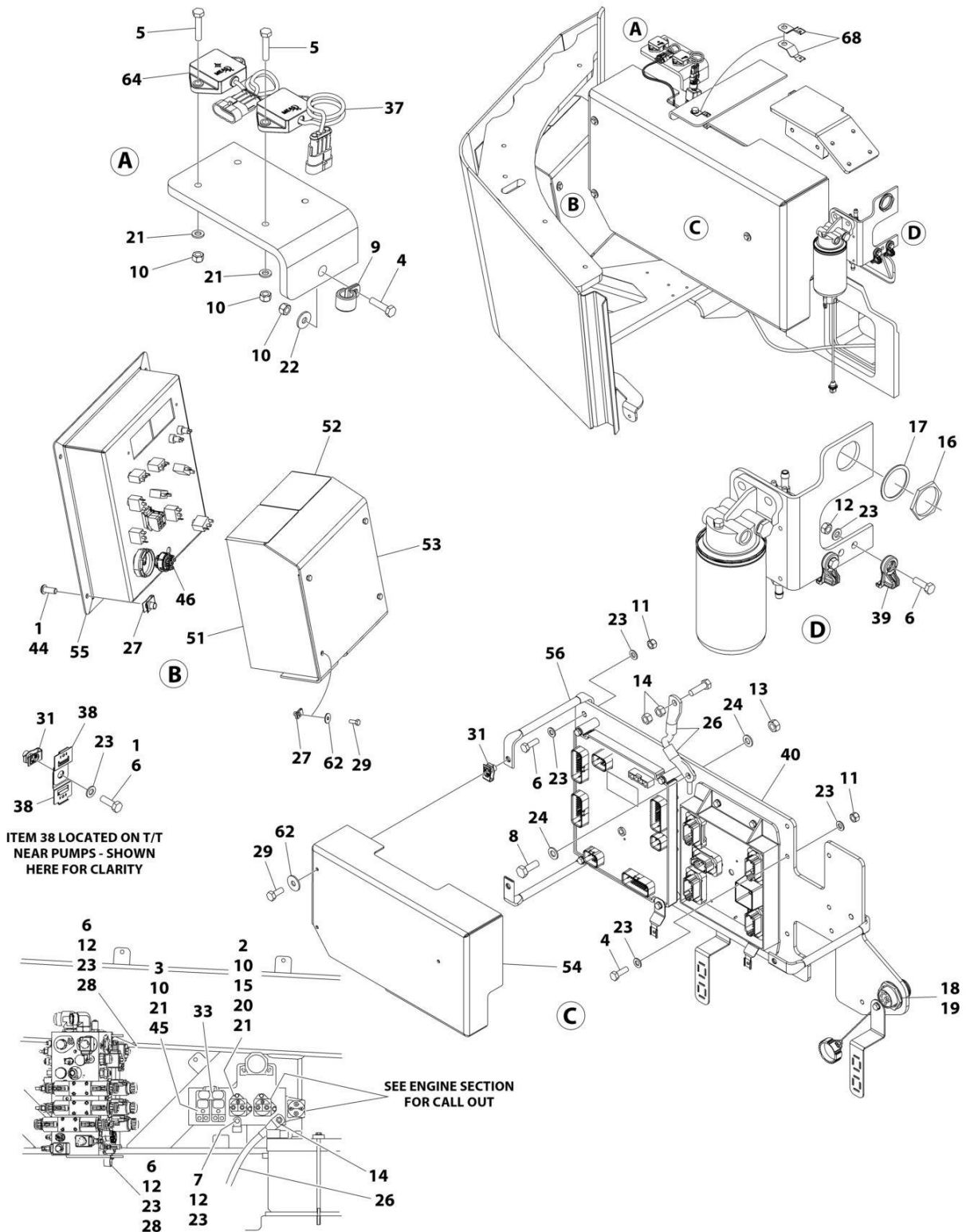
ITEM	PART NUMBER	QTY	DESCRIPTION	REV
	1001223250	Ref	TURNTABLE ELECTRICAL COMPONENTS INSTALLATION	J
1	0100035	AR	Compound, Locking	
2	0700610	2	Bolt M6 x 20	
3	0700618	2	Bolt M6 x 50	
4	0760612	5	Bolt M6 x 25	
5	0760614	4	Bolt M6 x 30	
6	0760812	13	Bolt M8 x 25	
7	0760815	1	Bolt M8 x 35	
8	0761014	1	Bolt M10 x 30	
9	1320041	1	Clamp	
10	3290605	13	Nut M6	
11	3290805	3	Nut M8	
12	3290807	9	Nut M8	
13	3291007	1	Nut M10	
14	3311601	4	Nut 3/8	
15	3740067	1	Relay	
16	4460470	1	Nut	
17	4460471	1	Washer	
18	4460496	1	Washer, Terminal	
19	4460497	1	Nut, Terminal	
20	4791400	2	Washer 1/4	
21	4811700	16	Washer M6	
22	4811702	1	Washer M6	
23	4811900	19	Washer M8	
24	4812000	2	Washer M10	
26	8310686	8	Nut, Retainer, M8	
27	8406201	2	Clip	
28	0760810001	7	Bolt M8 x 20	
30	1001118274	5	Nut M8	
32	1001135027	1	Bussbar	
33	1001149970	1	Harness - Drive Pump (Not Shown - See Separate Breakdown in ELECTRICAL Section)	
36	1001151895	1	Sensor, Tilt	
37	1001155967	4	Holder, Side Mount	
38	1001156107	6	Holder, Cable	
38		Ref	Note: Qty 4 Not Shown - Located Behind Hydraulic Tank	
39	1001156859	1	Panel, Electrical (See Separate Breakdown in this Section)	
40	1001157646	1	Cable, Load Sensor (Not Shown - Runs from Item 36 RH Module to Lift Cylinder) (See Separate Breakdown in ELECTRICAL Section)	
41	1001158922	1	Kit, Battery Cable (Not Shown - See Separate Breakdown in ELECTRICAL Section)	
42	1001163631	4	Cable, MTS Connection (Not Shown - See Separate Breakdown in ELECTRICAL Section)	
44	1001164726	4	Capscrew M8 X 20	
45	1001174871	2	Fuse, Power Module	
46	1001187744	AR	Chemical, Battery Protector and Sealer	
47	1001285583	1	Harness - Main Valve (Not Shown - See Separate Breakdown in ELECTRICAL Section)	

SECTION 2 - TURNTABLE

ITEM	PART NUMBER	QTY	DESCRIPTION	REV
48	1001211885	1	Harness - Fuel Pump (Not Shown - See Separate Breakdown in ELECTRICAL Section)	
49	1001223167	1	Cover	
50	1001223168	1	Cover	
51	1001223169	1	Cover	
52	1001223170	1	Cover	
53	1001266006	1	Ground Control Panel Assembly (See Separate Breakdown in this Section)	
54	1001225279	3	Brace	
55	1001241865	1	Harness - Blam (Not Shown - See Separate Breakdown in ELECTRICAL Section)	
56	1001285582	1	Harness - Turntable (Not Shown - See Separate Breakdown in ELECTRICAL Section)	
57	1001299872	1	Harness - Ground Control Panel (Not Shown - See Separate Breakdown in ELECTRICAL Section)	
59	4811902001	7	Washer M8	
61	6611172	2	Cable, Ground to Frame	
62	1001114999	1	Harness, Fuel Sensor	
63	1001219601	1	Sensor, Tilt Dual Axis CAN	
65	4240032	AR	Tie-Strap (Not Shown)	
66	4460234	AR	Mount, Tie-Strap (Not Shown)	
67	1001120328	2	Mount, Connector	
69	1001213448	1	Connector (Not Shown)	

SECTION 2 - TURNTABLE

FIGURE 2-17. TURNTABLE ELECTRICAL COMPONENTS INSTALLATION (ANSI, ANSI EXPORT (HRC), CSA AND JAPTURNTABLE ELECTRICAL COMPONENTS INSTALLATION (ANSI, ANSI EXPORT (HRC), CSA AND JAPANESE SPECS)ANESE SPECS)



ART_1001242681_H_20F2

SECTION 2 - TURNTABLE

FIGURE 2-17. TURNTABLE ELECTRICAL COMPONENTS INSTALLATION (ANSI, ANSI EXPORT (HRC), CSA AND JAPTURNTABLE ELECTRICAL COMPONENTS INSTALLATION (ANSI, ANSI EXPORT (HRC), CSA AND JAPANESE SPECS)ANESE SPECS)

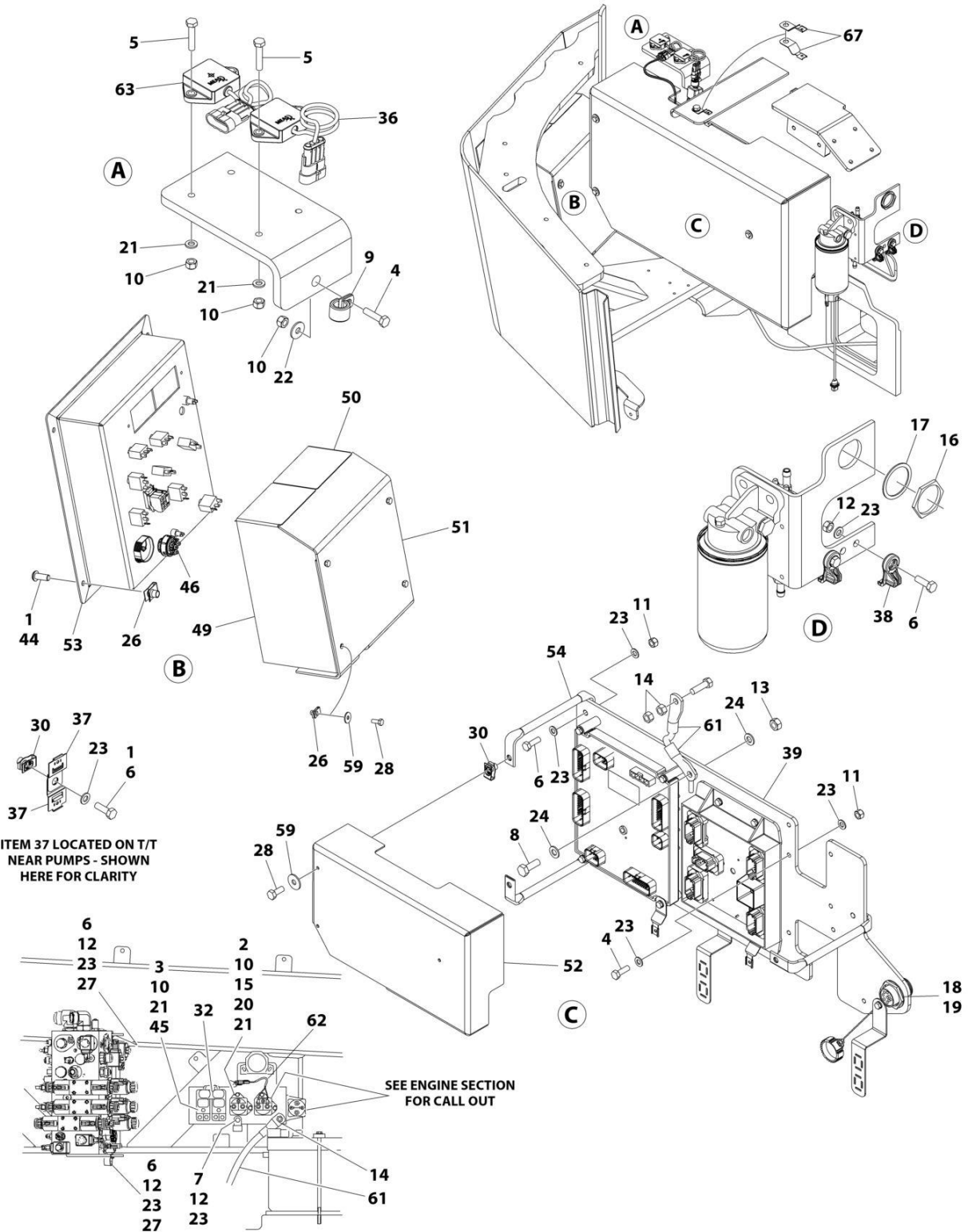
ITEM	PART NUMBER	QTY	DESCRIPTION	REV
	1001242681	Ref	TURNTABLE ELECTRICAL COMPONENTS INSTALLATION	H
1	0100035	AR	Compound, Locking	
2	0700610	2	Bolt M6 x 20	
3	0700618	2	Bolt M6 x 50	
4	0760612	5	Bolt M6 x 25	
5	0760614	4	Bolt M6 x 30	
6	0760812	13	Bolt M8 x 25	
7	0760815	1	Bolt M8 x 35	
8	0761014	1	Bolt M10 x 30	
9	1320041	1	Clamp	
10	3290605	13	Nut M6	
11	3290805	3	Nut M8	
12	3290807	9	Nut M8	
13	3291007	1	Nut M10	
14	3311601	4	Nut 3/8	
15	3740067	1	Relay	
16	4460470	1	Nut	
17	4460471	1	Washer	
18	4460496	1	Washer, Terminal	
19	4460497	1	Nut, Terminal	
20	4791400	2	Washer 1/4	
21	4811700	16	Washer M6	
22	4811702	1	Washer M6	
23	4811900	19	Washer M8	
24	4812000	2	Washer M10	
26	6611172	2	Cable, Ground to Frame	
27	8310686	8	Nut, Retainer, M8	
28	8406201	2	Clip	
29	0760810001	7	Bolt M8 x 20	
31	1001118274	5	Nut M8	
33	1001135027	1	Bussbar	
37	1001149970	1	Harness - Drive Pump (Not Shown - See Separate Breakdown in ELECTRICAL Section)	
37	1001151895	1	Sensor, Tilt	
38	1001155967	4	Holder, Side Mount	
39	1001156107	6	Holder, Cable	
39		Ref	Note: Qty 4 Not Shown - Located Behind Hydraulic Tank	
40	1001156859	1	Panel, Electrical (See Separate Breakdown in this Section)	
41	1001157646	1	Cable, Load Sensor (Not Shown - Runs from Item 36 RH Module to Lift Cylinder) (See Separate Breakdown in ELECTRICAL Section)	
42	1001163631	4	Cable, MTS Connection (Not Shown - See Separate Breakdown in ELECTRICAL Section)	
44	1001164726	4	Capscrew M8 x 20	
45	1001174871	2	Fuse, Power Module	
46	1001187744	AR	Chemical, Battery Protector and Sealer	
47	1001191166	1	Harness, UREA Tank (Not Shown - See Separate Breakdown in ELECTRICAL Section)	

SECTION 2 - TURNTABLE

ITEM	PART NUMBER	QTY	DESCRIPTION	REV
48	1001197442	1	Kit, Battery Cable (Not Shown - See Separate Breakdown in ELECTRICAL Section)	
49	1001285583	1	Harness - Main Valve (Not Shown - See Separate Breakdown in ELECTRICAL Section)	
50	1001211885	1	Harness - Fuel Pump (Not Shown - See Separate Breakdown in ELECTRICAL Section)	
51	1001223167	1	Cover	
52	1001223168	1	Cover	
53	1001223169	1	Cover	
54	1001223170	1	Cover	
55	1001223248	1	Panel, Ground Control (See Separate Breakdown in this Section)	
56	1001225279	3	Brace	
57	1001238483	1	Harness, Def Tank Extension (Not Shown - See Separate Breakdown in ELECTRICAL Section)	
58	1001241865	1	Harness - Blam (Not Shown - See Separate Breakdown in ELECTRICAL Section)	
59	1001285582	1	Harness - Turntable (Not Shown - See Separate Breakdown in ELECTRICAL Section)	
60	1001299872	1	Harness - Ground Control Panel (Not Shown - See Separate Breakdown in ELECTRICAL Section)	
62	4811902001	7	Washer M8	
64	1001219601	1	Sensor, Tilt Dual Axis CAN	
66	4240032	AR	Tie-Strap (Not Shown)	
67	4460234	AR	Mount, Tie-Strap (Not Shown)	
68	1001120328	2	Mount, Connector	
70	1001213448	1	Connector (Not Shown)	

SECTION 2 - TURNTABLE

FIGURE 2-18. TURNTABLE ELECTRICAL COMPONENTS INSTALLATION (CE & UK CA (LRC) SPECS)



ART_1001223251_J_20F2

SECTION 2 - TURNTABLE

FIGURE 2-18. TURNTABLE ELECTRICAL COMPONENTS INSTALLATION (CE & UK CA (LRC) SPECS)

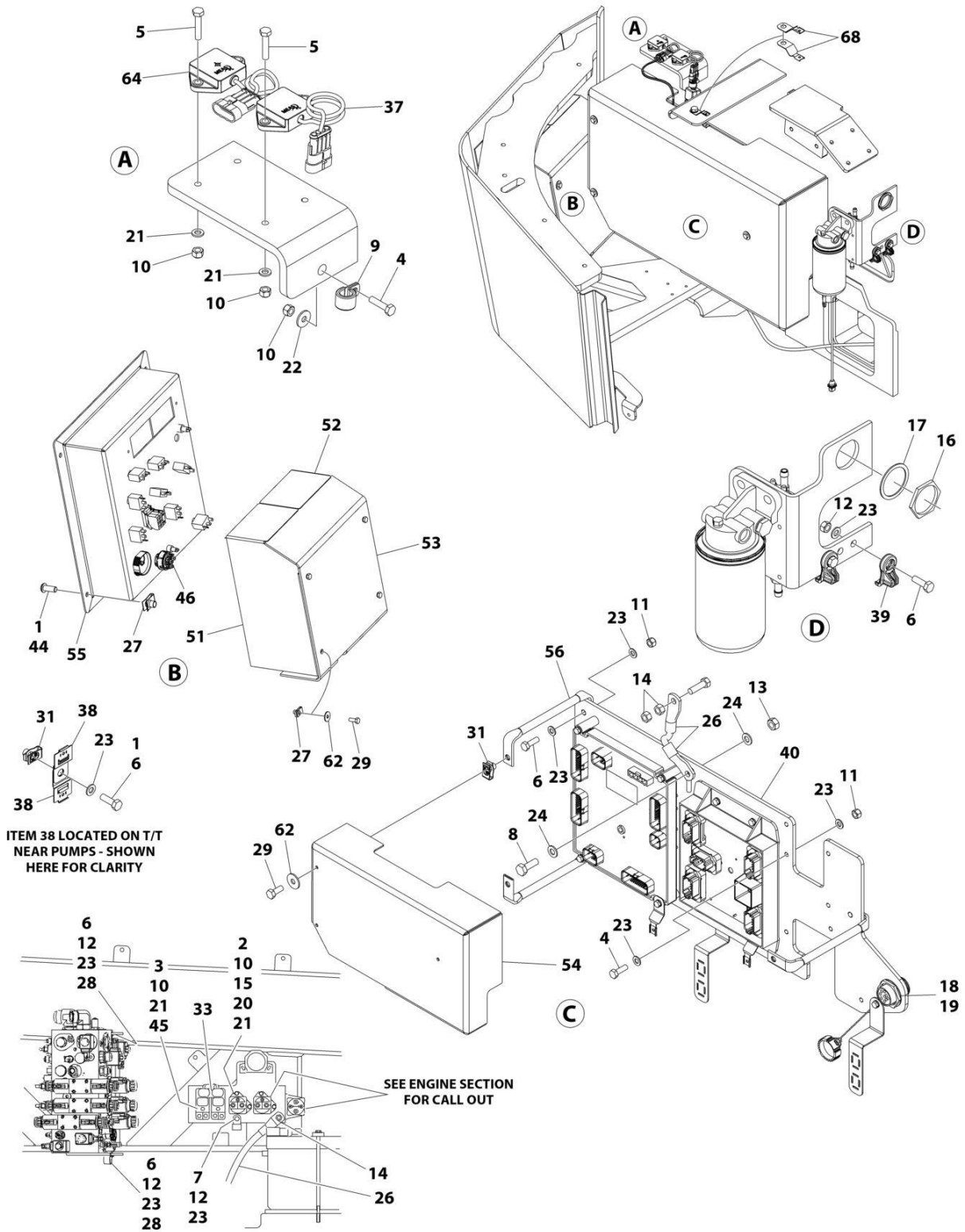
ITEM	PART NUMBER	QTY	DESCRIPTION	REV
	1001223251	Ref	TURNTABLE ELECTRICAL COMPONENTS INSTALLATION	J
1	0100035	AR	Compound, Locking	
2	0700610	2	Bolt M6 x 20	
3	0700618	2	Bolt M6 x 50	
4	0760612	5	Bolt M6 x 25	
5	0760614	4	Bolt M6 x 30	
6	0760812	13	Bolt M8 x 25	
7	0760815	1	Bolt M8 x 35	
8	0761014	1	Bolt M10 x 30	
9	1320041	1	Clamp	
10	3290605	13	Nut M6	
11	3290805	3	Nut M8	
12	3290807	9	Nut M8	
13	3291007	1	Nut M10	
14	3311601	4	Nut 3/8	
15	3740067	1	Relay	
16	4460470	1	Nut	
17	4460471	1	Washer	
18	4460496	1	Washer, Terminal	
19	4460497	1	Nut, Terminal	
20	4791400	2	Washer 1/4	
21	4811700	16	Washer M6	
22	4811702	1	Washer M6	
23	4811900	19	Washer M8	
24	4812000	2	Washer M10	
26	8310686	8	Nut, Retainer, M8	
27	8406201	2	Clip	
28	0760810001	7	Bolt M8 x 20	
30	1001118274	5	Nut M8	
32	1001135027	1	Bussbar	
33	1001149970	1	Harness - Drive Pump (Not Shown - See Separate Breakdown in ELECTRICAL Section)	
36	1001151895	1	Sensor, Tilt	
37	1001155967	4	Holder, Side Mount	
38	1001156107	6	Holder, Cable	
38		Ref	Note: Qty 4 Not Shown - Located Behind Hydraulic Tank	
39	1001156859	1	Panel, Electrical (See Separate Breakdown in this Section)	
40	1001157646	1	Cable, Load Sensor (Not Shown - Runs from Item 36 RH Module to Lift Cylinder) (See Separate Breakdown in ELECTRICAL Section)	
41	1001158922	1	Kit, Battery Cable (Not Shown - See Separate Breakdown in ELECTRICAL Section)	
42	1001163631	4	Cable, MTS Connection (Not Shown - See Separate Breakdown in ELECTRICAL Section)	
44	1001164726	4	Capscrew M8 X 20	
45	1001174871	2	Fuse, Power Module	
46	1001187744	AR	Chemical, Battery Protector and Sealer	
47	1001285583	1	Harness - Main Valve (Not Shown - See Separate Breakdown in ELECTRICAL Section)	

SECTION 2 - TURNTABLE

ITEM	PART NUMBER	QTY	DESCRIPTION	REV
48	1001211885	1	Harness - Fuel Pump (Not Shown - See Separate Breakdown in ELECTRICAL Section)	
49	1001223167	1	Cover	
50	1001223168	1	Cover	
51	1001223169	1	Cover	
52	1001223170	1	Cover	
53	1001266007	1	Ground Control Panel Assembly (See Separate Breakdown in this Section)	
54	1001225279	3	Brace	
55	1001241865	1	Harness - Blam (Not Shown - See Separate Breakdown in ELECTRICAL Section)	
56	1001285582	1	Harness - Turntable (Not Shown - See Separate Breakdown in ELECTRICAL Section)	
57	1001299872	1	Harness - Ground Control Panel (Not Shown - See Separate Breakdown in ELECTRICAL Section)	
59	4811902001	7	Washer M8	
61	6611172	2	Cable, Ground to Frame	
62	1001114999	1	Harness, Fuel Sensor	
63	1001219601	1	Sensor, Tilt Dual Axis CAN	
65	4240032	AR	Tie-Strap (Not Shown)	
66	4460234	AR	Mount, Tie-Strap (Not Shown)	
67	1001120328	2	Mount, Connector	
69	1001213448	1	Connector (Not Shown)	

SECTION 2 - TURNTABLE

FIGURE 2-19. TURNTABLE ELECTRICAL COMPONENTS INSTALLATION (CE & UK CA SPECS)



ART_1001242861_H_20F2

SECTION 2 - TURNTABLE

FIGURE 2-19. TURNTABLE ELECTRICAL COMPONENTS INSTALLATION (CE & UK CA SPECS)

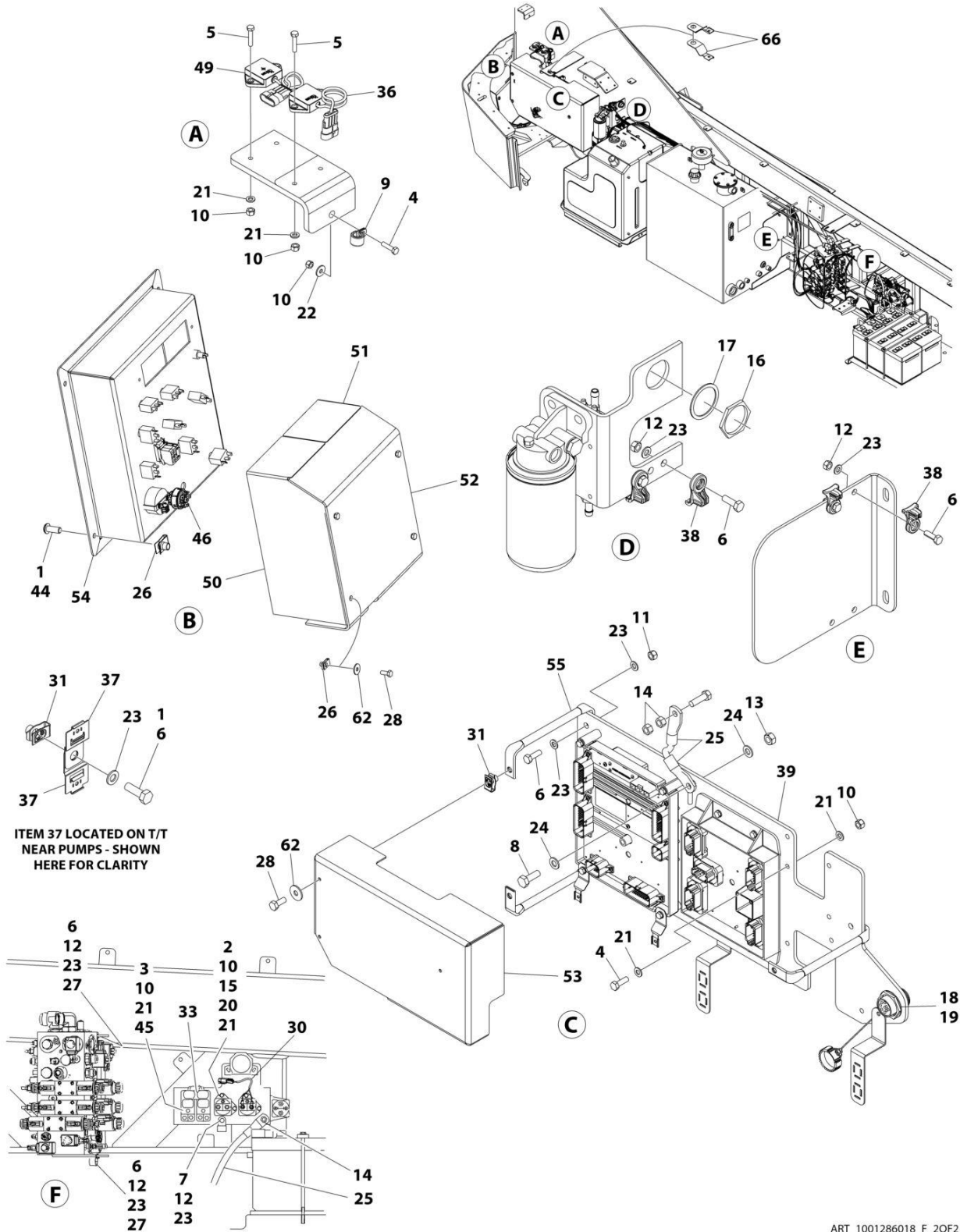
ITEM	PART NUMBER	QTY	DESCRIPTION	REV
	1001242861	Ref	TURNTABLE ELECTRICAL COMPONENTS INSTALLATION	H
1	0100035	AR	Compound, Locking	
2	0700610	2	Bolt M6 x 20	
3	0700618	2	Bolt M6 x 50	
4	0760612	5	Bolt M6 x 25	
5	0760614	4	Bolt M6 x 30	
6	0760812	13	Bolt M8 x 25	
7	0760815	1	Bolt M8 x 35	
8	0761014	1	Bolt M10 x 30	
9	1320041	1	Clamp	
10	3290605	13	Nut M6	
11	3290805	3	Nut M8	
12	3290807	9	Nut M8	
13	3291007	1	Nut M10	
14	3311601	4	Nut 3/8	
15	3740067	1	Relay	
16	4460470	1	Nut	
17	4460471	1	Washer	
18	4460496	1	Washer, Terminal	
19	4460497	1	Nut, Terminal	
20	4791400	2	Washer 1/4	
21	4811700	16	Washer M6	
22	4811702	1	Washer M6	
23	4811900	19	Washer M8	
24	4812000	2	Washer M10	
26	6611172	2	Cable, Ground to Frame	
27	8310686	8	Nut, Retainer, M8	
28	8406201	2	Clip	
29	0760810001	7	Bolt M8 x 20	
31	1001118274	5	Nut M8	
33	1001135027	1	Bussbar	
34	1001149970	1	Harness - Drive Pump (Not Shown - See Separate Breakdown in ELECTRICAL Section)	
37	1001151895	1	Sensor, Tilt	
38	1001155967	4	Holder, Side Mount	
39	1001156107	6	Holder, Cable	
39		Ref	Note: Qty 4 Not Shown - Located Behind Hydraulic Tank	
40	1001156859	1	Panel, Electrical (See Separate Breakdown in this Section)	
41	1001157646	1	Cable, Load Sensor (Not Shown - Runs from Item 36 RH Module to Lift Cylinder) (See Separate Breakdown in ELECTRICAL Section)	
42	1001163631	4	Cable, MTS Connection (Not Shown - See Separate Breakdown in ELECTRICAL Section)	
44	1001164726	4	Capscrew M8 x 20	
45	1001174871	2	Fuse, Power Module	
46	1001187744	AR	Chemical, Battery Protector and Sealer	
47	1001191166	1	Harness, UREA Tank (Not Shown - See Separate Breakdown in ELECTRICAL Section)	
48	1001197442	1	Kit, Battery Cable (Not Shown - See Separate Breakdown in ELECTRICAL Section)	

SECTION 2 - TURNTABLE

ITEM	PART NUMBER	QTY	DESCRIPTION	REV
49	1001285583	1	Harness - Main Valve (Not Shown - See Separate Breakdown in ELECTRICAL Section)	
50	1001211885	1	Harness - Fuel Pump (Not Shown - See Separate Breakdown in ELECTRICAL Section)	
51	1001223167	1	Cover	
52	1001223168	1	Cover	
53	1001223169	1	Cover	
54	1001223170	1	Cover	
55	1001223249	1	Ground Control Panel Assembly (See Separate Breakdown in this Section)	
56	1001225279	3	Brace	
57	1001238483	1	Harness, Def Tank Extension (Not Shown - See Separate Breakdown in ELECTRICAL Section)	
58	1001241865	1	Harness - Blam (Not Shown - See Separate Breakdown in ELECTRICAL Section)	
59	1001285582	1	Harness - Turntable (Not Shown - See Separate Breakdown in ELECTRICAL Section)	
60	1001299872	1	Harness - Ground Control Panel (Not Shown - See Separate Breakdown in ELECTRICAL Section)	
62	4811902001	7	Washer M8	
64	1001219601	1	Sensor, Tilt Dual Axis CAN	
66	4240032	AR	Tie-Strap (Not Shown)	
67	4460234	AR	Mount, Tie-Strap (Not Shown)	
68	1001120328	2	Mount, Connector	
70	1001213448	1	Connector (Not Shown)	

SECTION 2 - TURNTABLE

FIGURE 2-20. TURNTABLE ELECTRICAL COMPONENTS INSTALLATION - DUETZ TCD3.6L (CHINA IV) ENGINES (CHINA SPECS ONLY)



ART_1001286018_F_2OF2

SECTION 2 - TURNTABLE

FIGURE 2-20. TURNTABLE ELECTRICAL COMPONENTS INSTALLATION - DUETZ TCD3.6L (CHINA IV) ENGINES (CHINA SPECS ONLY)

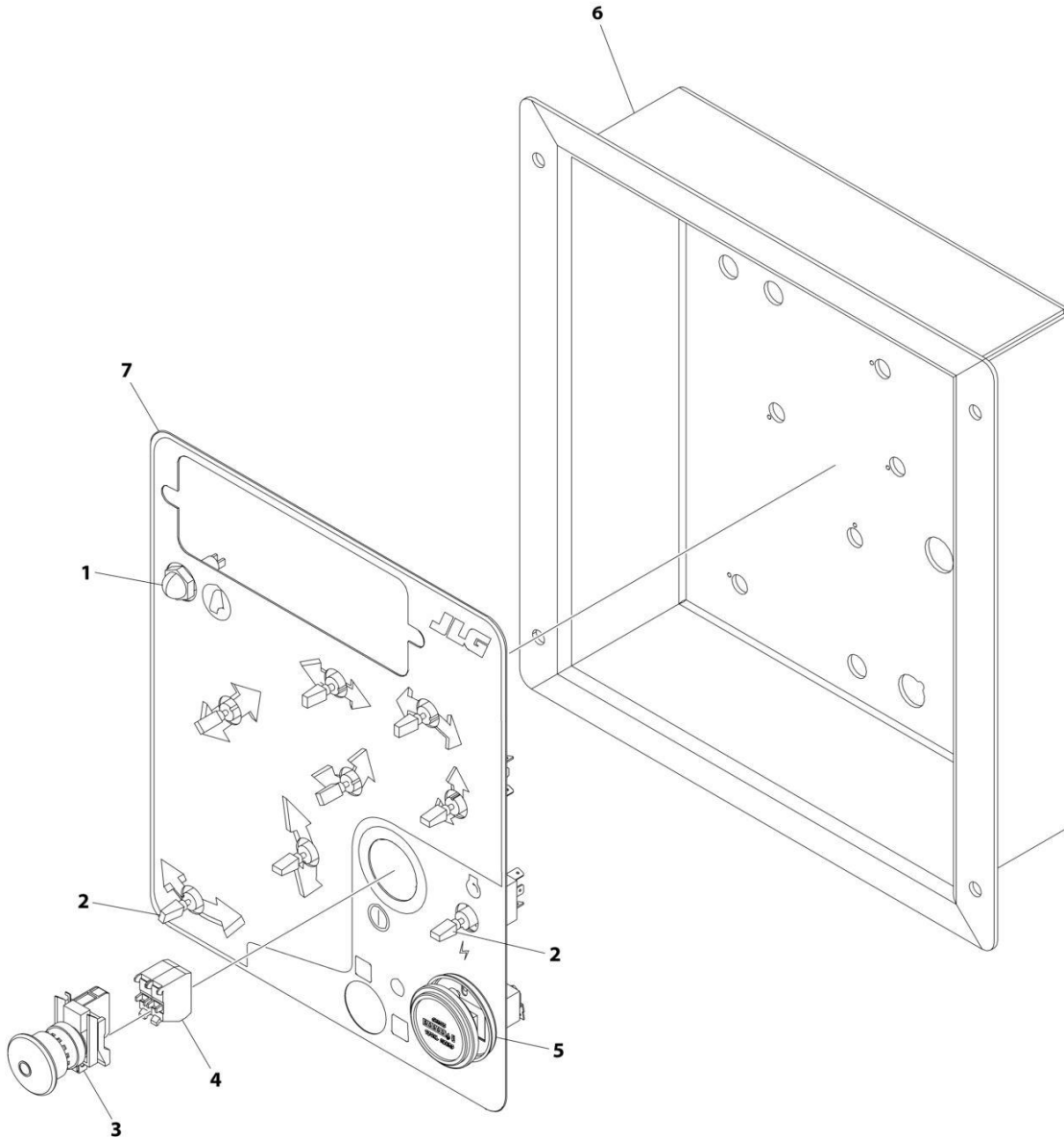
ITEM	PART NUMBER	QTY	DESCRIPTION	REV
	1001286018	Ref	TURNTABLE ELECTRICAL COMPONENTS INSTALLATION	F
1	0100035	AR	Compound, Locking	
2	0700610	2	Bolt M6 x 20	
3	0700618	2	Bolt M6 x 50	
4	0760612	5	Bolt M6 x 25	
5	0760614	4	Bolt M6 x 30	
6	0760812	13	Bolt M8 x 25	
7	0760815	1	Bolt M8 x 35	
8	0761014	1	Bolt M10 x 30	
9	1320041	1	Clamp	
10	3290605	12	Nut, Lock M6	
11	3290805	3	Nut, Lock M8	
12	3290807	9	Nut, Lock M8	
13	3291007	1	Nut, Lock M10	
14	3311601	4	Nut 3/8	
15	3740067	1	Relay	
16	4460470	1	Nut, Terminal	
17	4460471	1	Washer, Terminal	
18	4460496	1	Washer, Terminal	
19	4460497	1	Nut, Terminal	
20	4791400	2	Washer 1/4	
21	4811700	16	Washer M6	
22	4811702	1	Washer M6	
23	4811900	19	Washer M8	
24	4812000	2	Washer M10	
25	6611172	2	Cable, Ground to Frame	
26	8310686	8	Nut, Retainer M8	
27	8406201	2	Clip	
28	0760810001	7	Bolt M8 x 20	
30	1001114999	1	Harness, Fuel Sensor	
31	1001118274	5	Nut, Tinnerman M8	
33	1001135027	1	Bussbar	
34	1001149970	1	Harness - Drive Pump (Not Shown - See Separate Breakdown in ELECTRICAL Section)	
36	1001151895	1	Sensor, Tilt	
37	1001155967	4	Holder, Side Mount	
38	1001156107	6	Holder, Cable	
39	1001156859	1	Panel, Electrical (See Separate Breakdown in this Section)	
40	1001157646	1	Cable, Load Sensor (Not Shown - Runs from Item 36 RH Module to Lift Cylinder) (See Separate Breakdown in ELECTRICAL Section)	
41	1001158922	1	Kit, Battery Cable (Not Shown - See Separate Breakdown in ELECTRICAL Section)	
42	1001163631	4	Cable, MTS Connection (Not Shown - See Separate Breakdown in ELECTRICAL Section)	
44	1001164726	4	Capscrew M8 X 20	
45	1001174871	2	Fuse, Power Module	
46	1001187744	AR	Chemical, Battery Protector and Sealer	
47	1001285583	1	Harness - Main Valve (Not Shown - See Separate Breakdown in ELECTRICAL Section)	

SECTION 2 - TURNTABLE

ITEM	PART NUMBER	QTY	DESCRIPTION	REV
48	1001211885	1	Harness - Fuel Pump (Not Shown - See Separate Breakdown in ELECTRICAL Section)	
49	1001219601	1	Sensor, Tilt Dual Axis CAN	
50	1001223167	1	Cover	
51	1001223168	1	Cover	
52	1001223169	1	Cover	
53	1001223170	1	Cover	
54	1001223248	1	Ground Control Panel Assembly (See Separate Breakdown in this Section)	
55	1001225279	3	Brace	
56	1001241865	1	Harness - Blam (Not Shown - See Separate Breakdown in ELECTRICAL Section)	
57	1001299872	1	Harness - Ground Control Panel (Not Shown - See Separate Breakdown in ELECTRICAL Section)	
60	1001285582	1	Harness - Turntable (Not Shown - See Separate Breakdown in ELECTRICAL Section)	
62	4811902001	7	Washer M8	
64	4240032	AR	Tie-Strap (Not Shown)	
65	4460234	AR	Mount, Tie-Strap (Not Shown)	
66	1001120328	2	Mount, Connector	
68	1001213448	1	Connector (Not Shown)	

SECTION 2 - TURNTABLE

FIGURE 2-21. GROUND CONTROL CONSOLE ASSEMBLY (ANSI EXPORT (LRC), AUSTRALIAN AND CHINA SPECS)



ART_1001266006_B

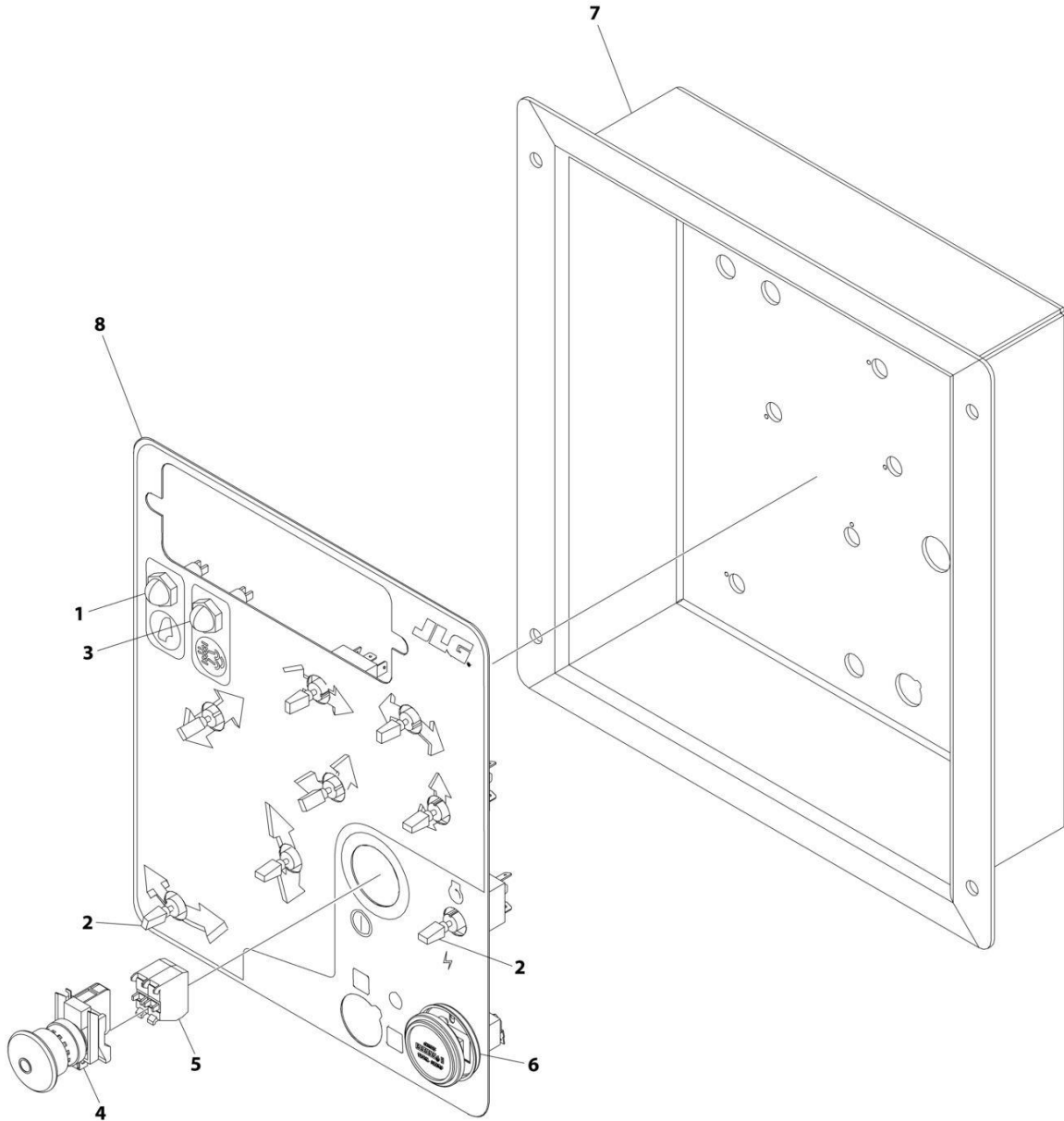
SECTION 2 - TURNTABLE

FIGURE 2-21. GROUND CONTROL CONSOLE ASSEMBLY (ANSI EXPORT (LRC), AUSTRALIAN AND CHINA SPECS)

ITEM	PART NUMBER	QTY	DESCRIPTION	REV
	1001266006	Ref	GROUND CONTROL CONSOLE ASSEMBLY	B
1	4360274	1	Switch, Pushbutton	
2	4360328	8	Switch, Toggle	
3	4360475	1	Switch, Push-Pull Emergency	
3	7020175	1	Cap	
3	7020176	1	Block, Contact	
4	4360476	2	Block, Contact	
5	10836804	1	Gauge	
6	1001297398	1	Panel	
7	1001266008	1	Decal - Ground Control	

SECTION 2 - TURNTABLE

FIGURE 2-22. GROUND CONTROL CONSOLE ASSEMBLY (ANSI, ANSI EXPORT (HRC), CSA AND JAPANESE SPECS)



ART_1001223248_B

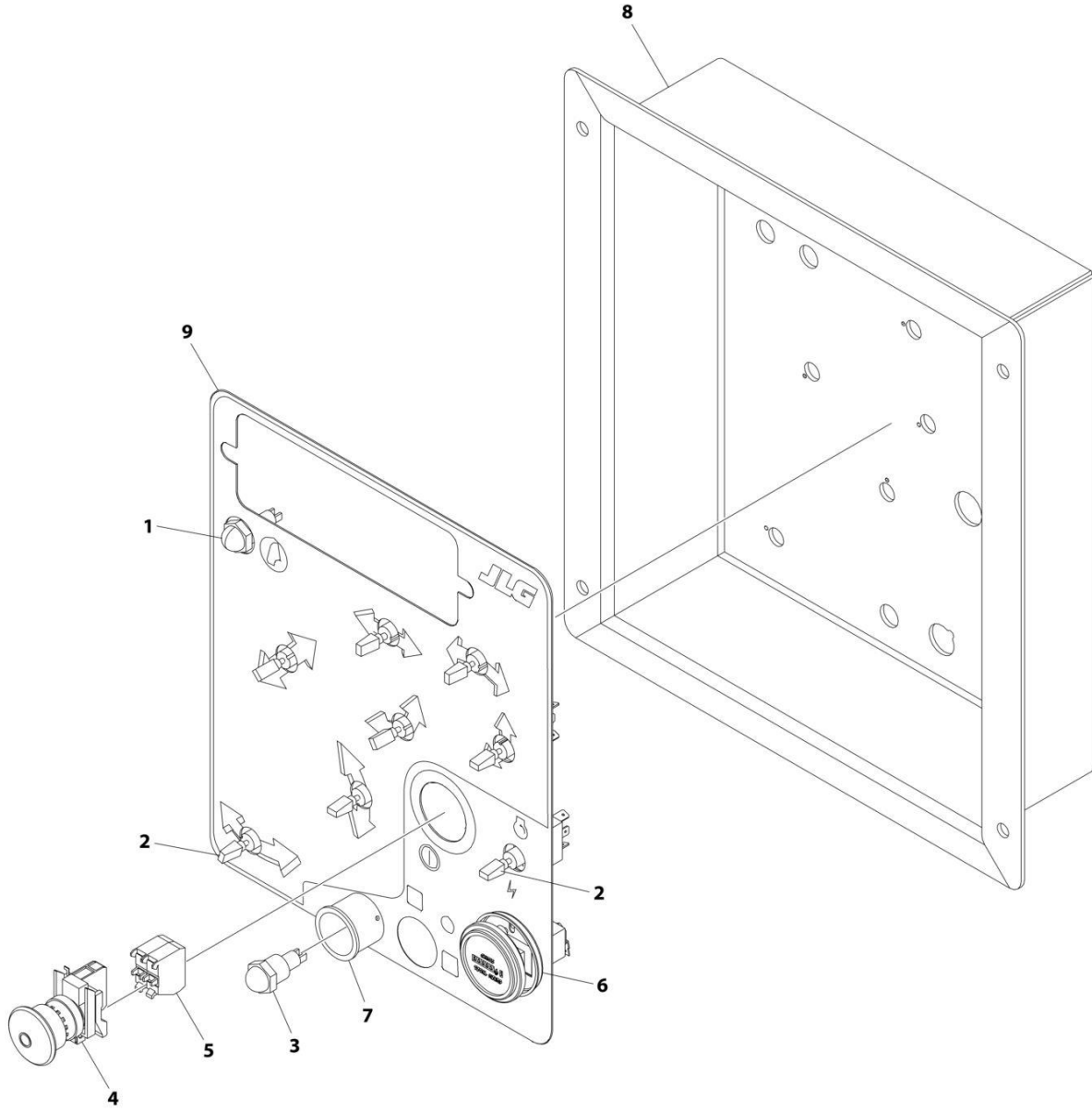
SECTION 2 - TURNTABLE

FIGURE 2-22. GROUND CONTROL CONSOLE ASSEMBLY (ANSI, ANSI EXPORT (HRC), CSA AND JAPANESE SPECS)

ITEM	PART NUMBER	QTY	DESCRIPTION	REV
	1001223248	Ref	GROUND CONTROL CONSOLE ASSEMBLY	B
1	4360274	1	Switch, Pushbutton	
2	4360328	8	Switch, Toggle	
3	4360387	1	Switch, Push Button	
4	4360475	1	Switch, Push-Pull Emergency	
4	7020175	1	Cap	
4	7020176	1	Block, Contact	
5	4360476	2	Block, Contact	
6	10836804	1	Gauge	
7	1001297398	1	Panel	
8	1001221445	1	Decal - Ground Control	

SECTION 2 - TURNTABLE

FIGURE 2-23. GROUND CONTROL CONSOLE ASSEMBLY (CE & UK CA (LRC) SPECS)



ART_1001266007_B

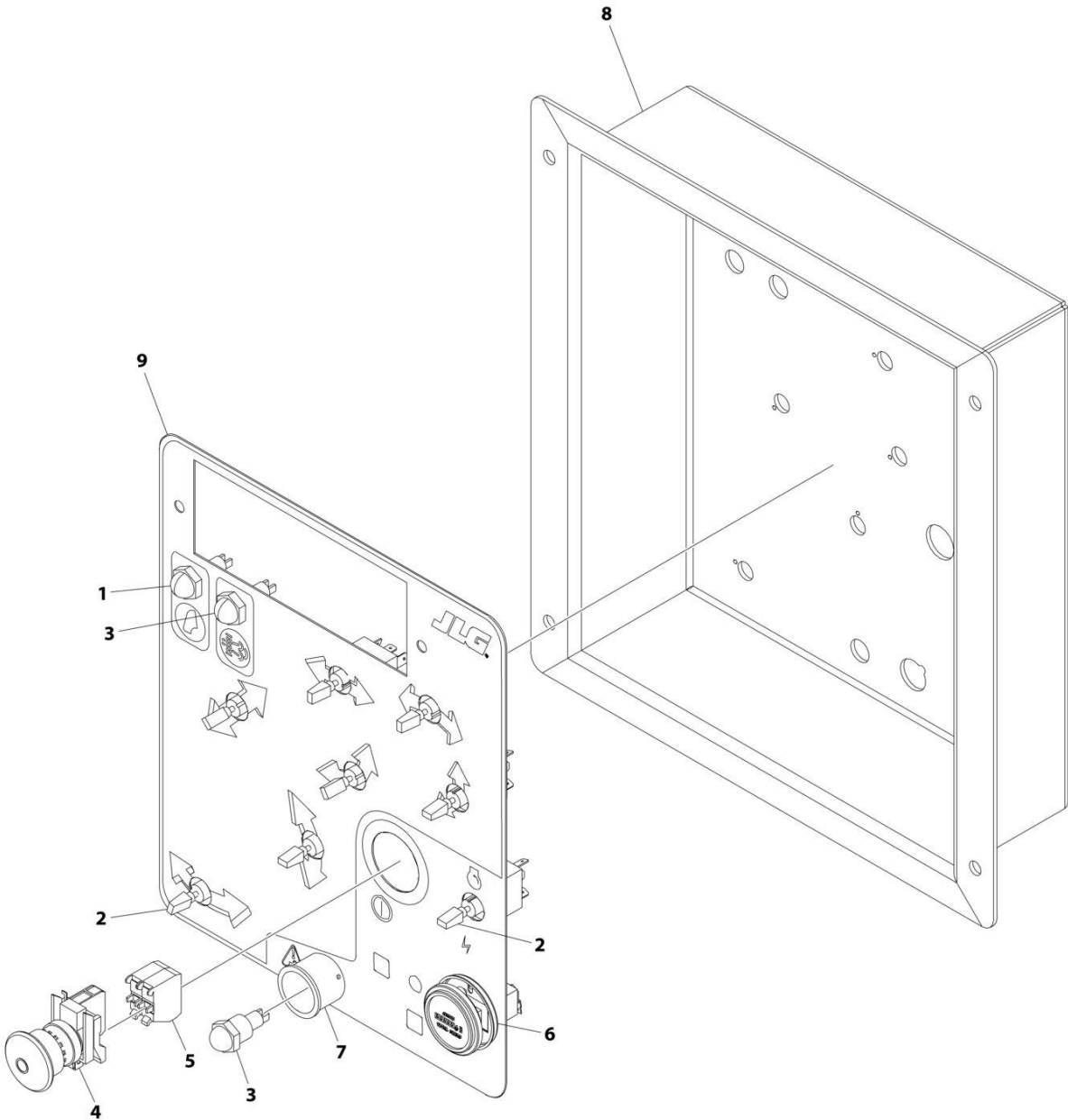
SECTION 2 - TURNTABLE

FIGURE 2-23. GROUND CONTROL CONSOLE ASSEMBLY (CE & UK CA (LRC) SPECS)

ITEM	PART NUMBER	QTY	DESCRIPTION	REV
	1001266007	Ref	GROUND CONTROL CONSOLE ASSEMBLY	B
1	4360274	1	Switch, Pushbutton	
2	4360328	8	Switch, Toggle	
3	4360387	1	Switch, Push Button	
4	4360475	1	Switch, Push-Pull Emergency	
4	7020175	1	Cap	
4	7020176	1	Block, Contact	
5	4360476	2	Block, Contact	
6	10836804	1	Gauge	
7	1001176469	1	Shroud	
8	1001297398	1	Panel	
9	1001266009	1	Decal - Ground Control	

SECTION 2 - TURNTABLE

FIGURE 2-24. GROUND CONTROL CONSOLE ASSEMBLY (CE & UK CA SPECS)



ART_1001223249_B

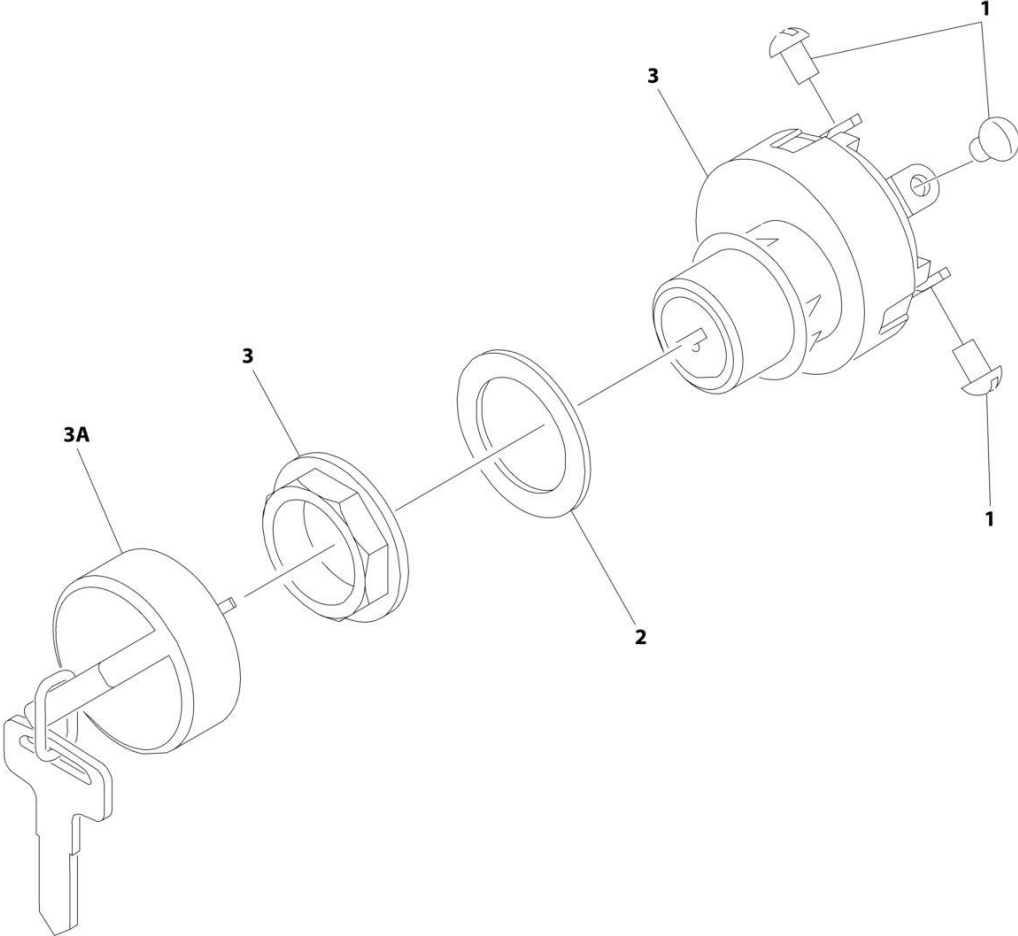
SECTION 2 - TURNTABLE

FIGURE 2-24. GROUND CONTROL CONSOLE ASSEMBLY (CE & UK CA SPECS)

ITEM	PART NUMBER	QTY	DESCRIPTION	REV
	1001223249	Ref	GROUND CONTROL CONSOLE ASSEMBLY	B
1	4360274	1	Switch, Pushbutton	
2	4360328	8	Switch, Toggle	
3	4360387	2	Switch, Push Button	
4	4360475	1	Switch, Push-Pull Emergency	
4	7020175	1	Cap	
4	7020176	1	Block, Contact	
5	4360476	2	Block, Contact	
6	10836804	1	Gauge	
7	1001176469	1	Shroud	
8	1001297398	1	Panel	
9	1001221446	1	Decal - Ground Control	

SECTION 2 - TURNTABLE

FIGURE 2-25. KEY SWITCH



ART_0259666

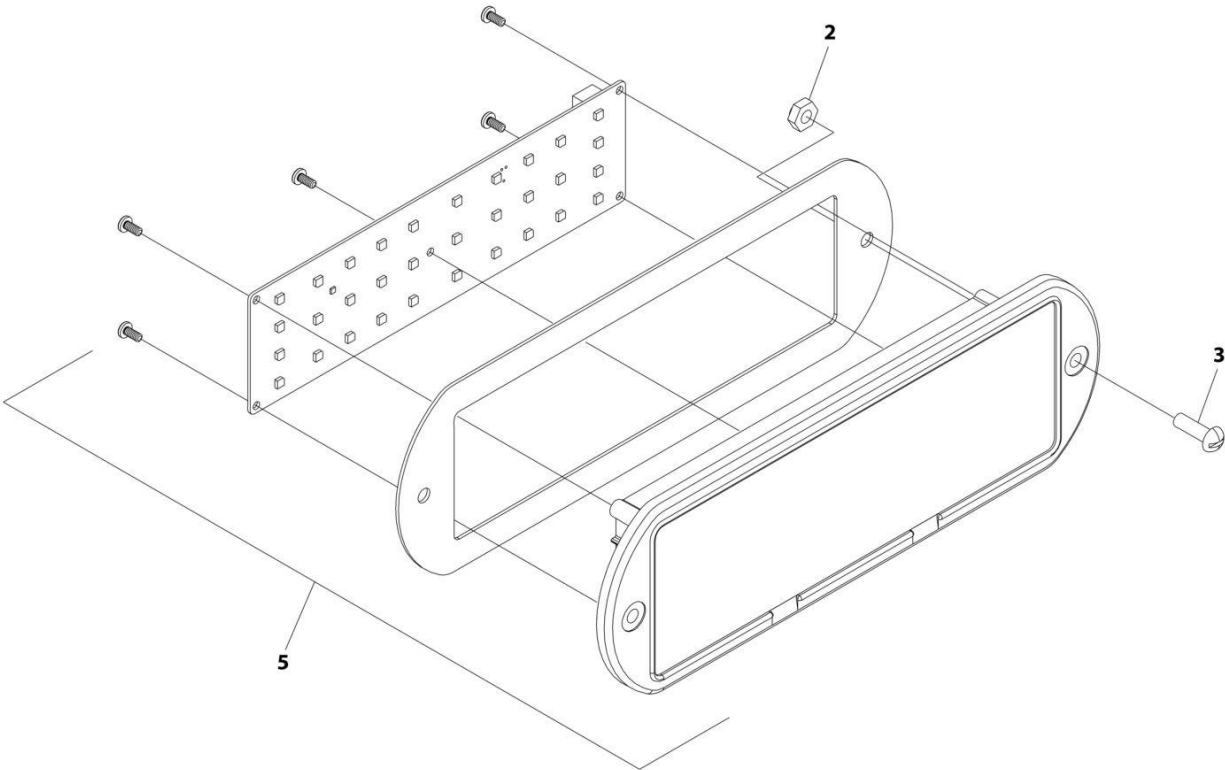
SECTION 2 - TURNTABLE

FIGURE 2-25. KEY SWITCH

ITEM	PART NUMBER	QTY	DESCRIPTION	REV
	0259666	Ref	KEYSWITCH INSTALLATION	B
1	3910804	6	Screw #8 x 1/8	
2	1001151393	1	Shim .063	
3	4360469	1	Keyswitch	
3A	2860030	1	Key, Replacement	

SECTION 2 - TURNTABLE

FIGURE 2-26. LIGHT PANEL



ART_1001245176_10F2

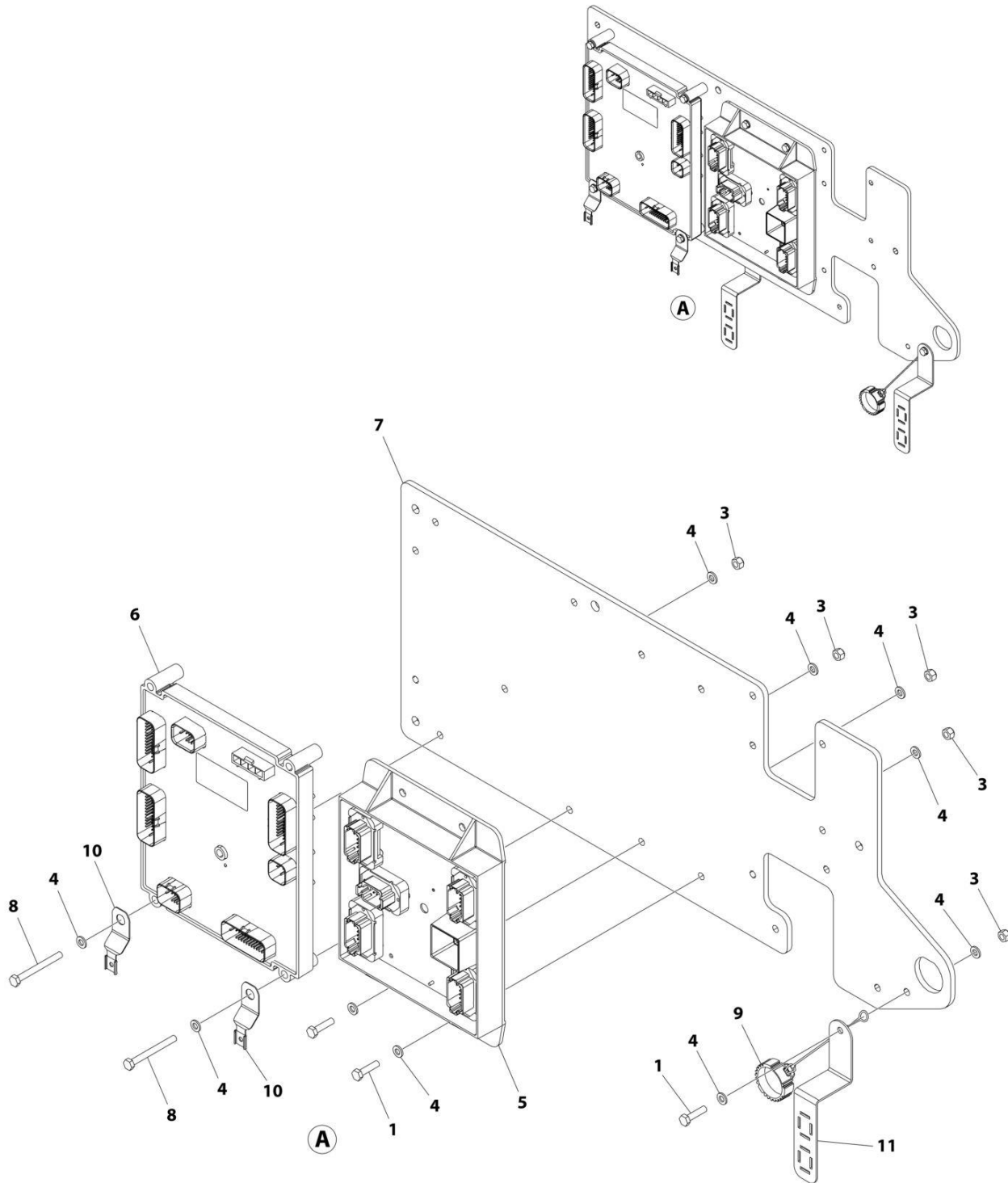
SECTION 2 - TURNTABLE

FIGURE 2-26. LIGHT PANEL

ITEM	PART NUMBER	QTY	DESCRIPTION	REV
	1001245176	Ref	LIGHT PANEL INSTALLATION	C
2	3300408	2	Nut	
3	0630518	4	Screw 10 x 3/4	
5	1001245206	1	Light Panel Assembly	
5	1001245160	1	Overlay	
5	1001238732	1	Light Panel	

SECTION 2 - TURNTABLE

FIGURE 2-27. ELECTRICAL PANEL ASSEMBLY



ART_1001156859_J

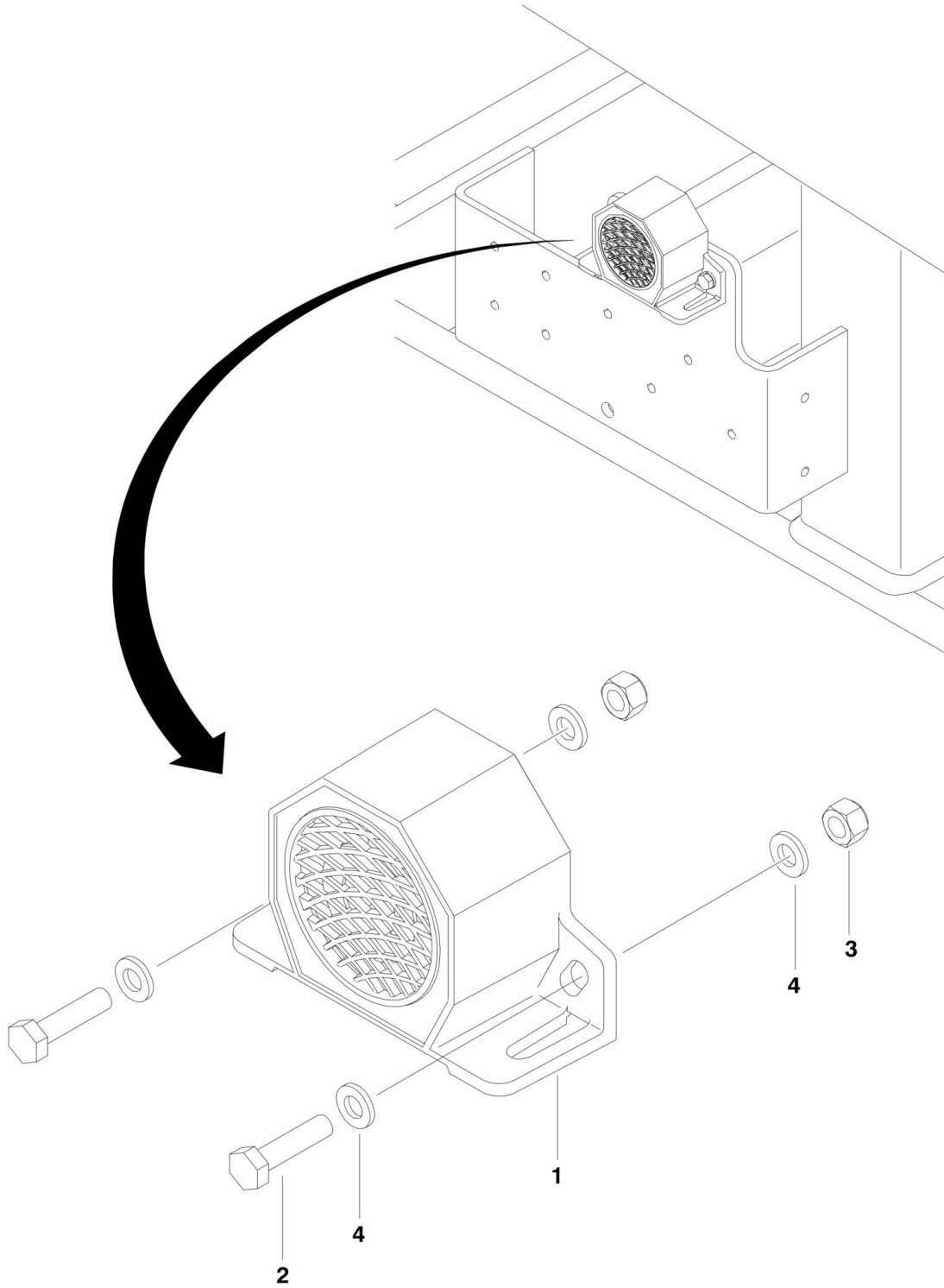
SECTION 2 - TURNTABLE

FIGURE 2-27. ELECTRICAL PANEL ASSEMBLY

ITEM	PART NUMBER	QTY	DESCRIPTION	REV
	1001156859	Ref	ELECTRICAL PANEL ASSEMBLY	J
1	0760612	5	Bolt M6 x 25	
3	3290605	9	Nut M6	
4	4811700	18	Washer M6	
5	1001306077	1	Module, Controller (Note: Control System Must Be Recalibrated When Controller is Replaced.)	
6	1001281100	1	Module, Controller (Note: Control System Must Be Recalibrated When Controller is Replaced.)	
7	1001227704	1	Plate	
8	0700620	4	Bolt M6 x 60	
9	1001106736	1	Cap, Dust	
10	1001120328	2	Mount, Connector	
11	1001159162	2	Bracket	

SECTION 2 - TURNTABLE

FIGURE 2-28. ALARM INSTALLATION



1001147879

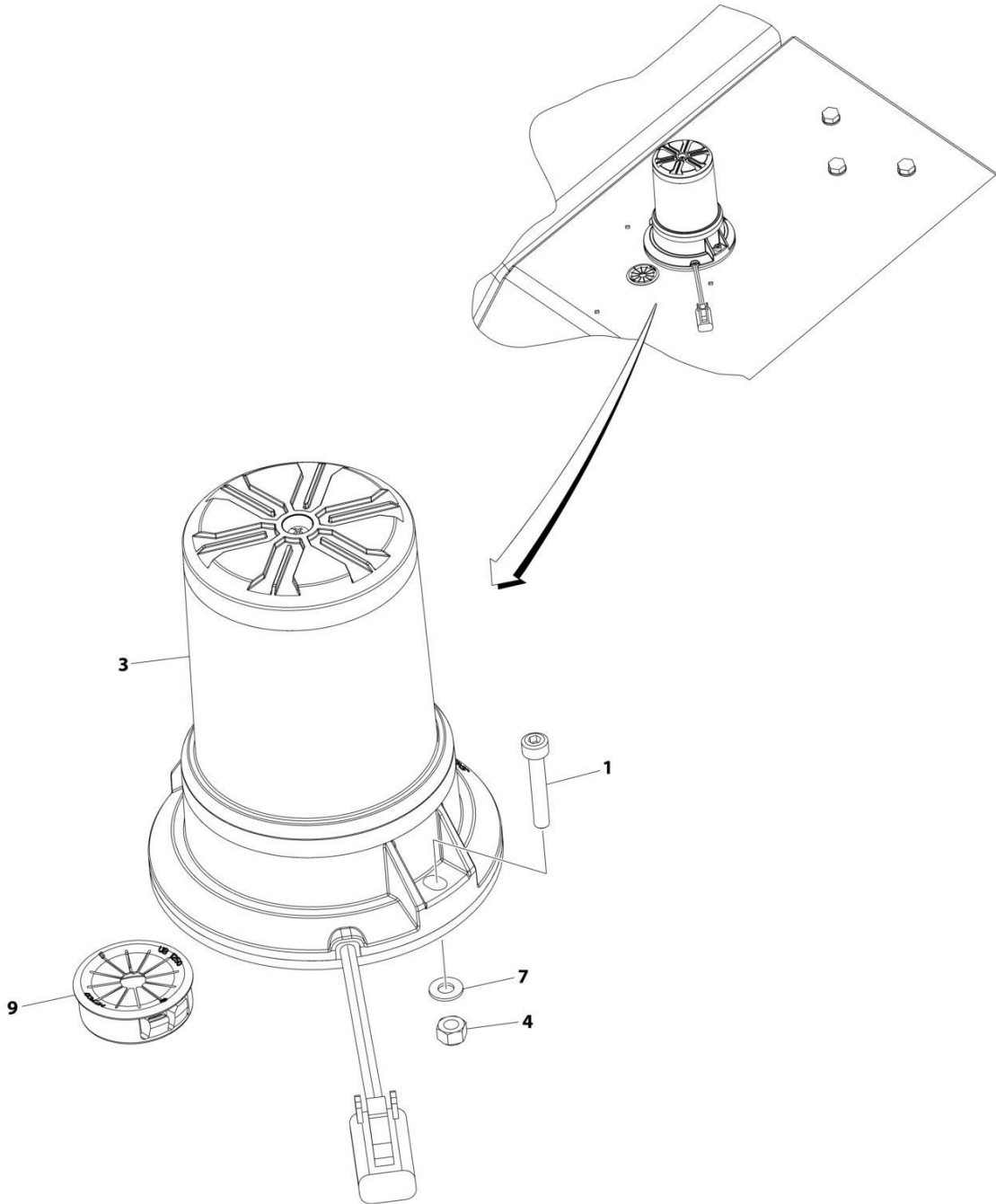
SECTION 2 - TURNTABLE

FIGURE 2-28. ALARM INSTALLATION

ITEM	PART NUMBER	QTY	DESCRIPTION	REV
	1001154030	Ref	ALARM INSTALLATION	A
1	0140043	1	Alarm	
1	4460536	1	Receptacle, Female - 3 Position	
1	4460943	3	Pin, Male	
2	0700612	2	Bolt M6 x 25	
3	3290605	2	Nut M6	
4	4811700	4	Washer M6	

SECTION 2 - TURNTABLE

FIGURE 2-29. BEACON LIGHT INSTALLATION - AMBER



ART_1001157031_E

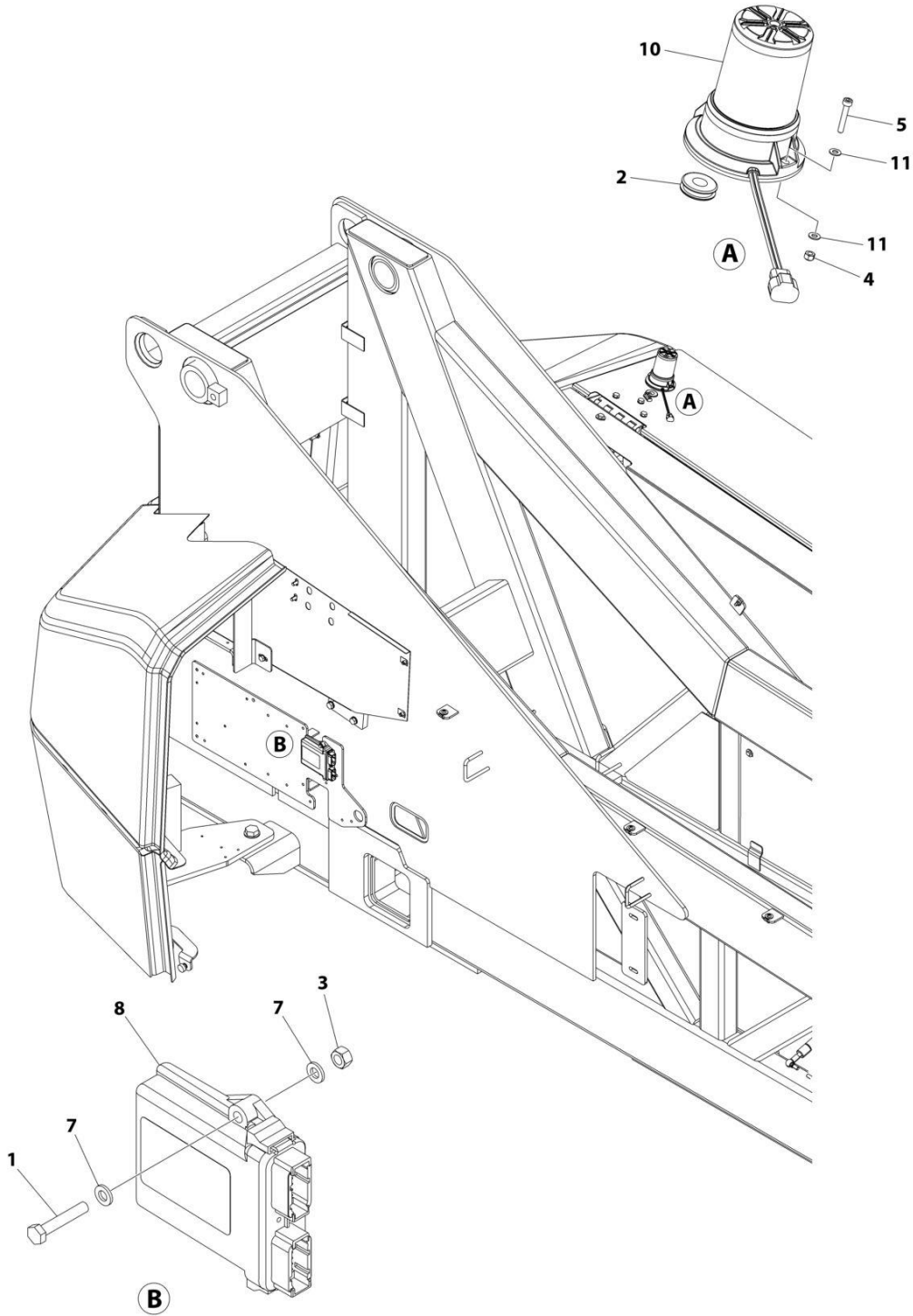
SECTION 2 - TURNTABLE

FIGURE 2-29. BEACON LIGHT INSTALLATION - AMBER

ITEM	PART NUMBER	QTY	DESCRIPTION	REV
	1001157031	Ref	BEACON LIGHT INSTALLATION - AMBER	E
1	4031509	2	Bolt M4 x 25	
3	1001270594	1	Strobe Light Assembly	
3	4460891	1	Connector	
3	4460465	2	Socket	
4	3290405	2	Nut M4	
7	4811400	2	Washer M4	
9	1001169085	1	Grommet	
10	1001283776	1	Harness, Jumper (Not Shown - See Separate Breakdown in ELECTRICAL Section)	

SECTION 2 - TURNTABLE

FIGURE 2-30. STROBE LIGHT INSTALLATION - BLUE



ART_1001244453_C

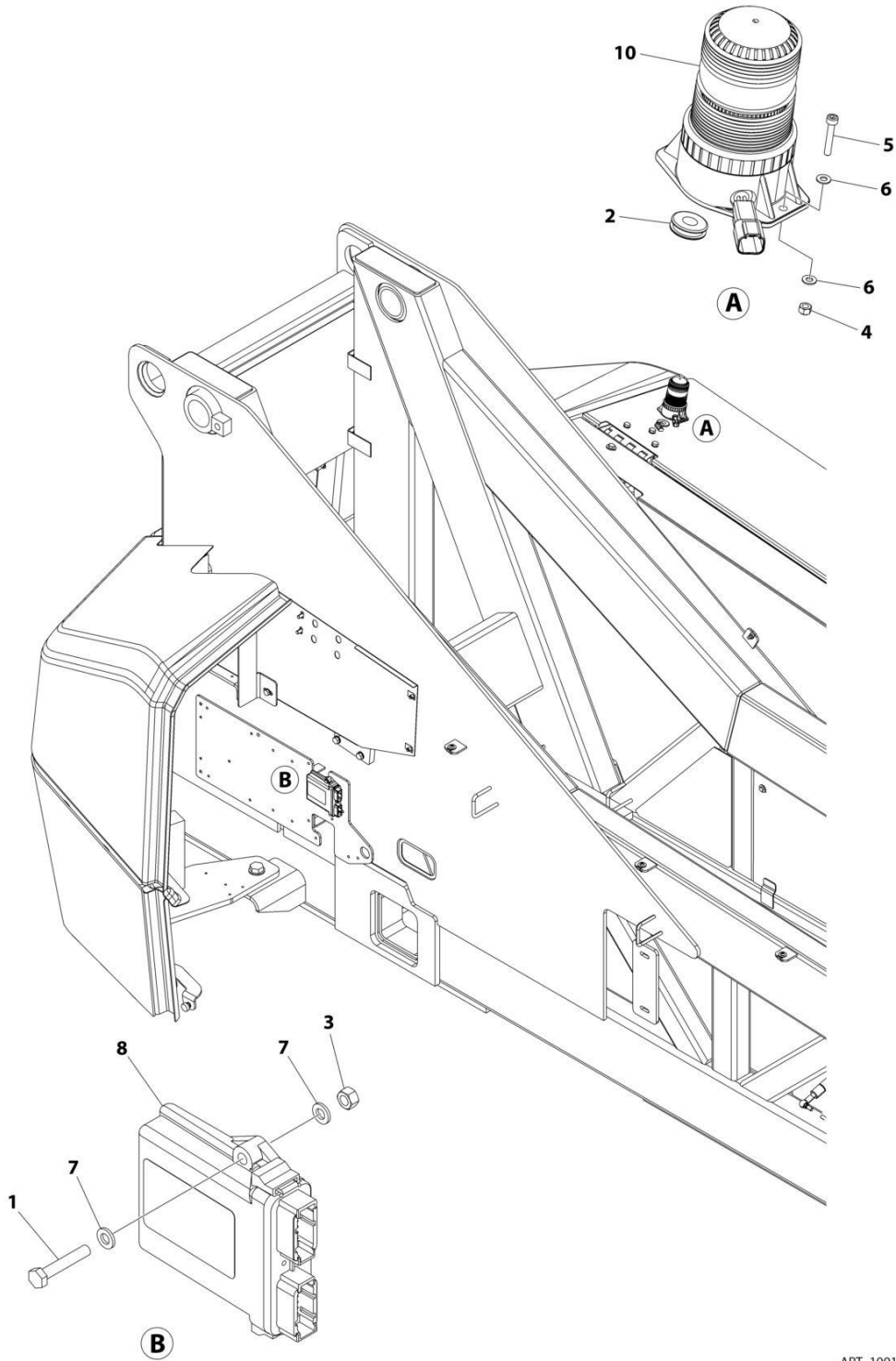
SECTION 2 - TURNTABLE

FIGURE 2-30. STROBE LIGHT INSTALLATION - BLUE

ITEM	PART NUMBER	QTY	DESCRIPTION	REV
	1001244453	Ref	STROBE LIGHT INSTALLATION - BLUE	C
1	0700615	2	Bolt M6 x 35	
2	2540020	1	Grommet	
3	3290607	2	Nut M6	
4	3290405	2	Nut, Lock M4	
5	4031509	2	Bolt M4 x 25	
7	4811700	4	Washer M6	
8	1001142683	1	Module, Control Beacon	
9	1001142736	1	Beacon Control Harness (Not Shown - See Separate Breakdown in ELECTRICAL Section)	
10	1001272681	1	Lamp, Blue Beacon	
10	4460897	1	Connector	
10	4460464	2	Pin	
11	4811400	4	Washer M4	
12	1001285733	1	Harness, Jumper (Not Shown - See Separate Breakdown in ELECTRICAL Section)	

SECTION 2 - TURNTABLE

FIGURE 2-31. STROBE LIGHT INSTALLATION - RED



ART_100124454_B

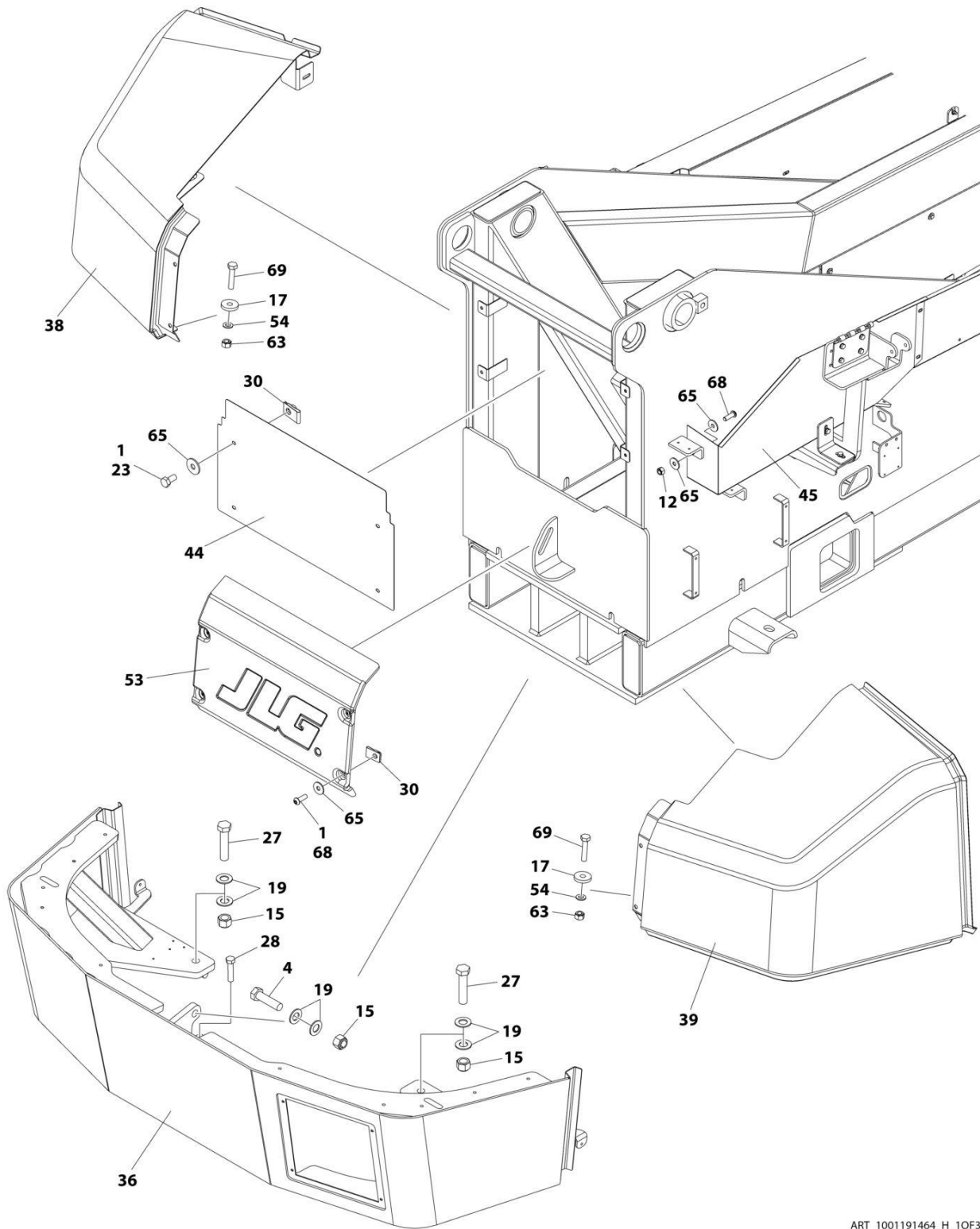
SECTION 2 - TURNTABLE

FIGURE 2-31. STROBE LIGHT INSTALLATION - RED

ITEM	PART NUMBER	QTY	DESCRIPTION	REV
	1001244454	Ref	STROBE LIGHT INSTALLATION - RED	B
1	0700615	2	Bolt M6 x 35	
2	2540020	1	Grommet	
3	3290607	2	Nut M6	
4	3290405	2	Nut, Lock M4	
5	4031509	2	Bolt M4 x 25	
6	4811400	4	Washer M4	
7	4811700	4	Washer M6	
8	1001142683	1	Module, Beacon Control	
9	1001142736	1	Beacon Control Harness (Not Shown - See Separate Breakdown in ELECTRICAL Section)	
10	1001207004	1	Light, Strobe	
10	7028909	1	Connector	
10	4460943	2	Pin	
11	1001285733	1	Harness, Jumper (Not Shown - See Separate Breakdown in ELECTRICAL Section)	

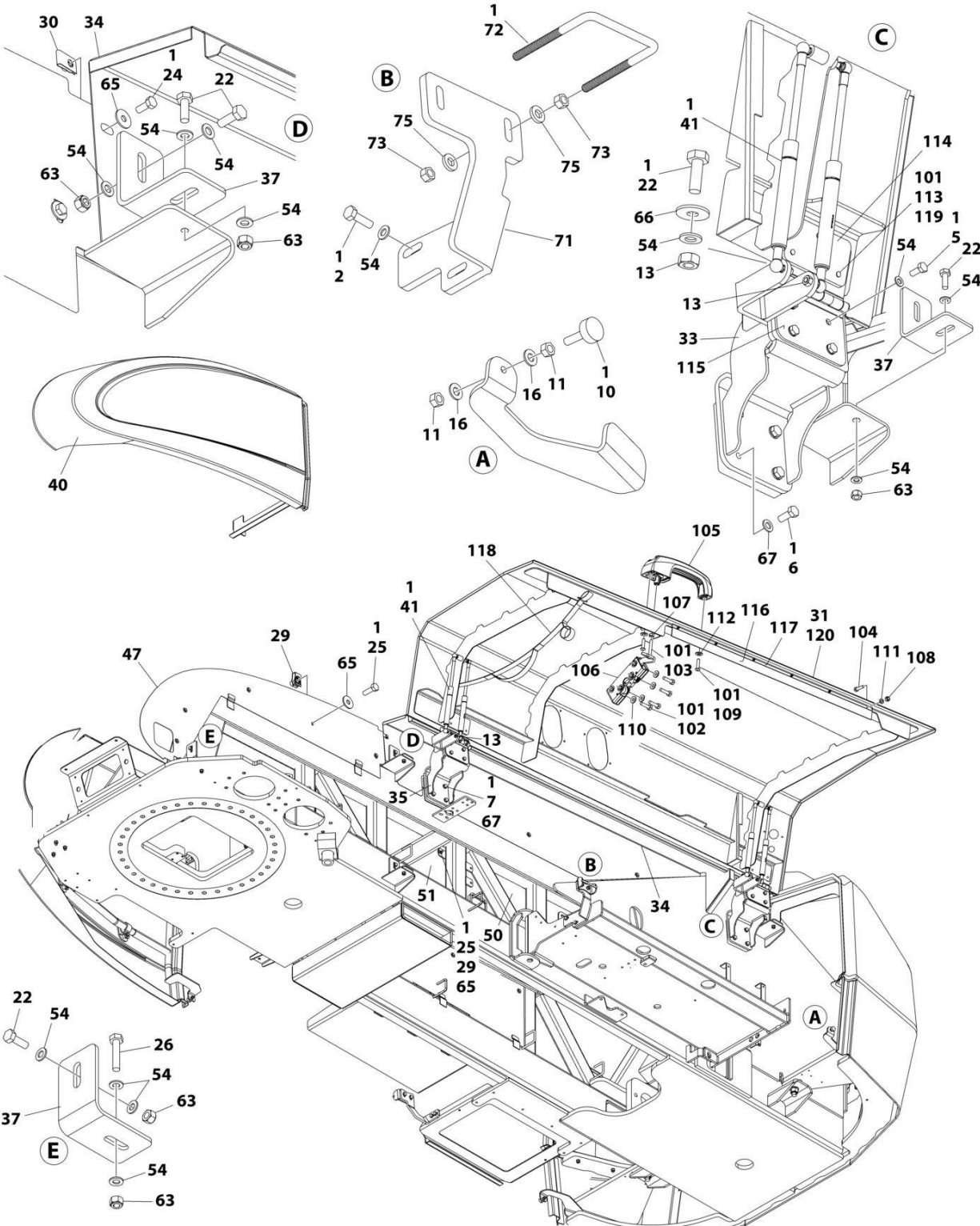
SECTION 2 - TURNTABLE

FIGURE 2-32. HOOD INSTALLATION



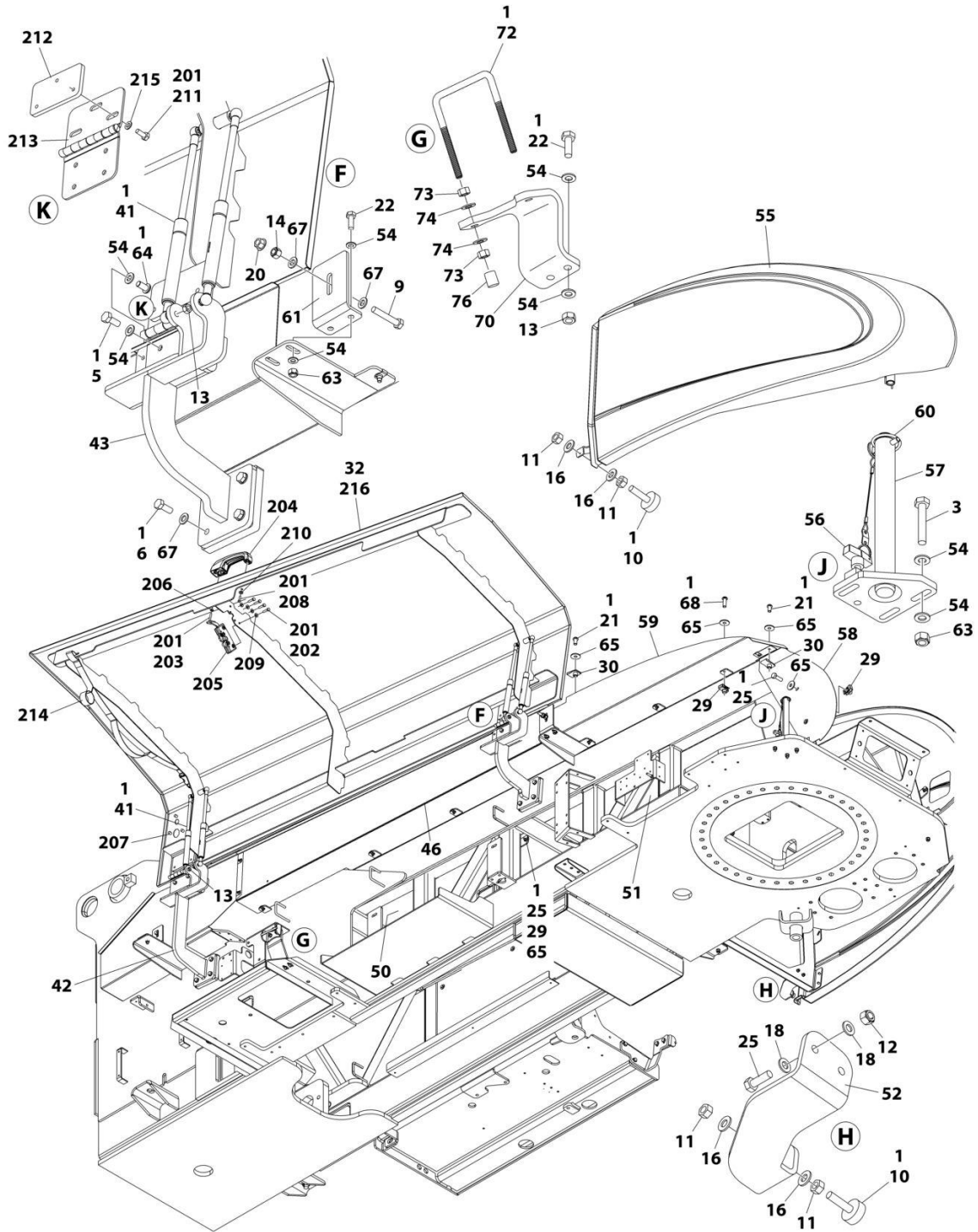
ART_1001191464_H_10F3

SECTION 2 - TURNTABLE



ART_1001191464_H_20F3

SECTION 2 - TURNTABLE



ART_1001191464_H_30F3

SECTION 2 - TURNTABLE

FIGURE 2-32. HOOD INSTALLATION

ITEM	PART NUMBER	QTY	DESCRIPTION	REV
	1001191464	Ref	HOOD INSTALLATION	H
		Ref	Note: Replacement Decals Must Be Ordered Separately - See DECALS Section.	
1	0100011	AR	Compound, Locking	
2	0701015	2	Bolt M10 x 35	
3	0701020	3	Bolt M10 x 60	
4	0712426	1	Bolt M24 x 90 Grade 10.9	
5	0761012	16	Bolt M10 x 25	
6	0761214	12	Bolt M12 x 30	
7	0761216	4	Bolt M12 x 40	
9	0761222	1	Bolt M12 x 70	
10	0940049	4	Stopper	
11	3271501	8	Nut 5/16 Grade 8	
12	3290805	3	Nut M8	
13	3291007	11	Nut M10	
14	3291205	1	Nut, Lock M12	
15	3292405	3	Nut M24	
16	4711500	8	Washer 5/16	
17	4740572	10	Washer M10	
18	4811900	4	Washer M8	
19	5242400	6	Washer M24	
20	5261200	1	Nut M12	
21	0630615001	8	Bolt M8 x 16	
22	0701014001	15	Bolt M10 x 30	
23	0760808001	4	Bolt M8 x 16	
24	0760810001	2	Bolt M8 x 20	
25	0760812001	24	Bolt M8 x 25	
26	0761018001	1	Bolt M10 x 50	
27	1001095136	2	Screw M24 x 110 Grade 10.9	
28	1001110853	1	Bolt M16 x 70	
29	1001118274	28	Nut M8	
30	1001149160	18	Nut, Tinnerman	
31	1001286281	1	Hood - Engine Side (See Items 101-120 for Breakdown)	
32	1001286284	1	Hood - Tank Side (See Items 201-216 for Breakdown)	
33	1001155591	2	Bracket	
34	1001155734	1	Cover	
35	1001155832	1	Plate	
36	1001196553	1	Cover, Counterweight	
37	1001155902	5	Bracket	
38	1001155908	1	Cover	
39	1001155909	1	Cover	
40	1001155918	1	Cover	
41	1001227710	8	Spring, Gas	
42	1001156456	1	Bracket	
43	1001156457	1	Bracket	
44	1001156520	1	Panel	
45	1001157217	1	Trough	
46	1001157218	1	Trough	
47	1001157224	1	Panel	
50	1001159652	2	Cover	

SECTION 2 - TURNTABLE

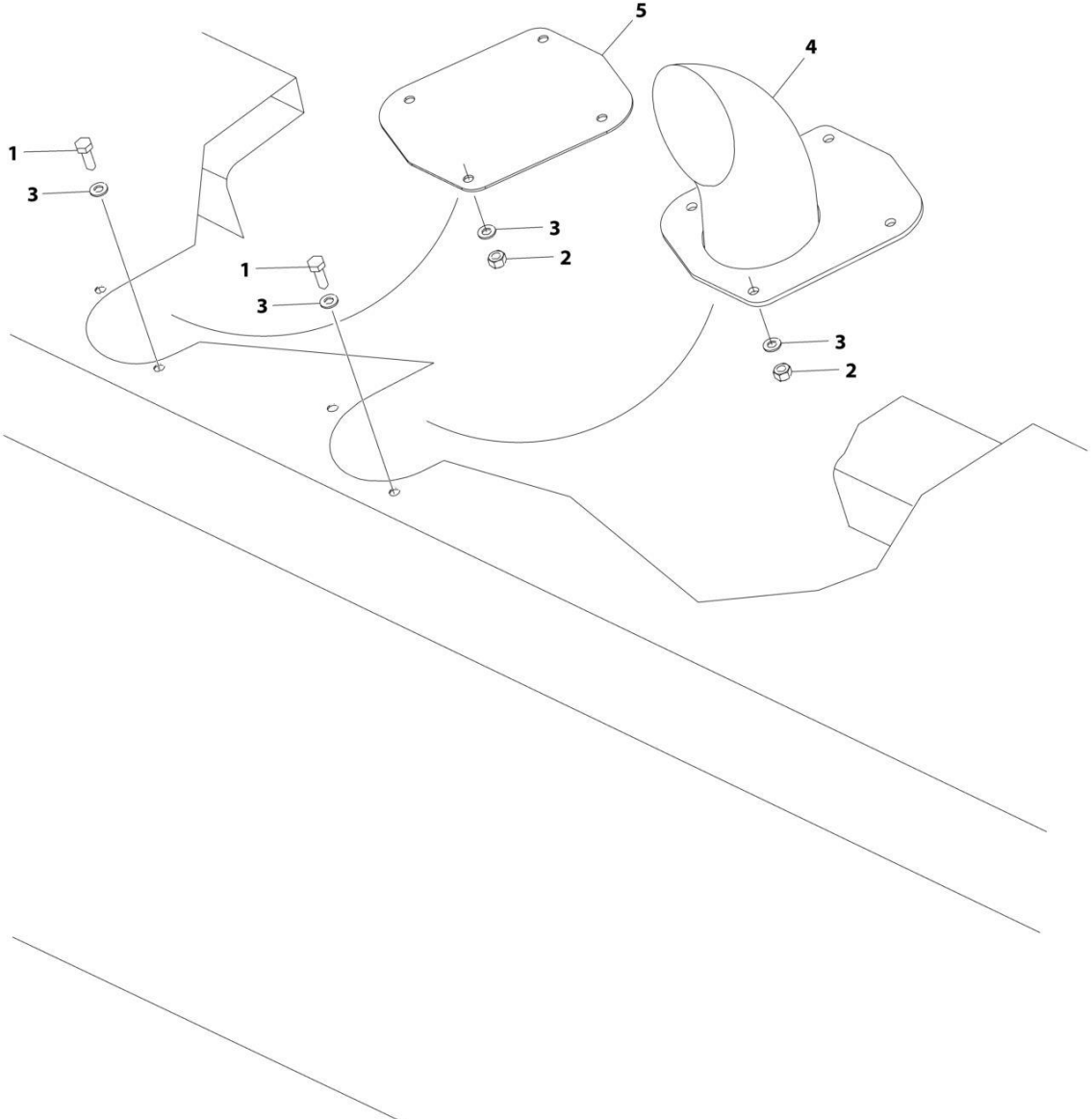
ITEM	PART NUMBER	QTY	DESCRIPTION	REV
51	1001159653	2	Cover	
52	1001165306	1	Brace	
53	1001169081	1	Cover	
54	1001172358	68	Washer M10	
55	1001172781	1	Cover	
55	1001174516	1	Receiver	
55	1001183003	2	Bearing, Flange	
56	1001174514	1	Pin, T-Handle	
57	1001174520	1	Pin, Hood Hinge	
58	1001174596	1	Panel	
59	1001174597	1	Though	
60	1001183022	1	Pin	
61	1001183047	1	Bracket	
63	3291005001	25	Nut, Lock M10	
64	3900393001	4	Screw M10 x 20	
65	4811902001	48	Washer M8	
66	4812002001	2	Washer M10	
67	4812100001	18	Washer M12	
68	8310643001	11	Bolt M8 x 25	
69	0761016001	10	Bolt M10 x 40	
70	1001250304	1	Bracket	
71	1001250302	1	Bracket	
72	1001243414	2	Bolt 3/8 x 4 x 4 5/8	
73	3311601	8	Nut 3/8	
74	4711600	4	Washer 3/8	
75	4891600	4	Washer 3/8	
76	1001218572	2	Cap, Vinyl	
	1001286281	Ref	HOOD ASSEMBLY - ENGINE SIDE	A
		Ref	Note: Replacement Decals Must be Ordered Separately - See DECAL Section.	
101	0100011	AR	Compound, Locking	
102	0641408	4	Bolt 1/4 x 1	
103	0700616	1	Bolt M6 x 40	
104	0760612	6	Bolt M6 x 25	
105	2560187	1	Handle, Push Button	
106	2940173	1	Latch	
107	3290601	1	Nut M6	
108	3290605	6	Nut, Lock M6	
109	3900363	2	Capscrew M6 x 25	
110	4711400	4	Washer 1/4	
111	4811700	6	Washer M6	
112	4811900	2	Washer M8	
113	0761012001	6	Bolt M10 x 25	
114	1001155584	2	Plate	
115	1001156347	2	Hinge	
116	1001157906	1	Seal	
117	1001157907	1	Plate	
118	1001160505	1	Strap	
119	1001172358	6	Washer M10	
120	1001286280	1	Hood	
	1001286284	Ref	HOOD ASSEMBLY - TANK SIDE	A

SECTION 2 - TURNTABLE

ITEM	PART NUMBER	QTY	DESCRIPTION	REV
		Ref	Note: Replacement Decals Must be Ordered Separately - See DECAL Section.	
201	0100011	AR	Compound, Locking	
202	0641408	4	Bolt 1/4 x 1	
203	0700616	1	Bolt M6 x 40	
204	2560187	1	Handle, Push Button	
205	2940173	1	Latch	
206	3290601	1	Nut M6	
207	3520173	3	Plug	
208	3900363	2	Capscrew M6 x 25	
209	4711400	4	Washer 1/4	
210	4811900	2	Washer M8	
211	0761012001	6	Bolt M10 x 25	
212	1001155584	2	Plate	
213	1001156347	2	Hinge	
214	1001160505	1	Strap	
215	1001172358	6	Washer M10	
216	1001286283	1	Hood	

SECTION 2 - TURNTABLE

FIGURE 2-33. VENTURI INSTALLATION (HRC) (ANSI, ANSI EXPORT, CSA, JAPANESE, CE & UK CA)



ART_1001161488

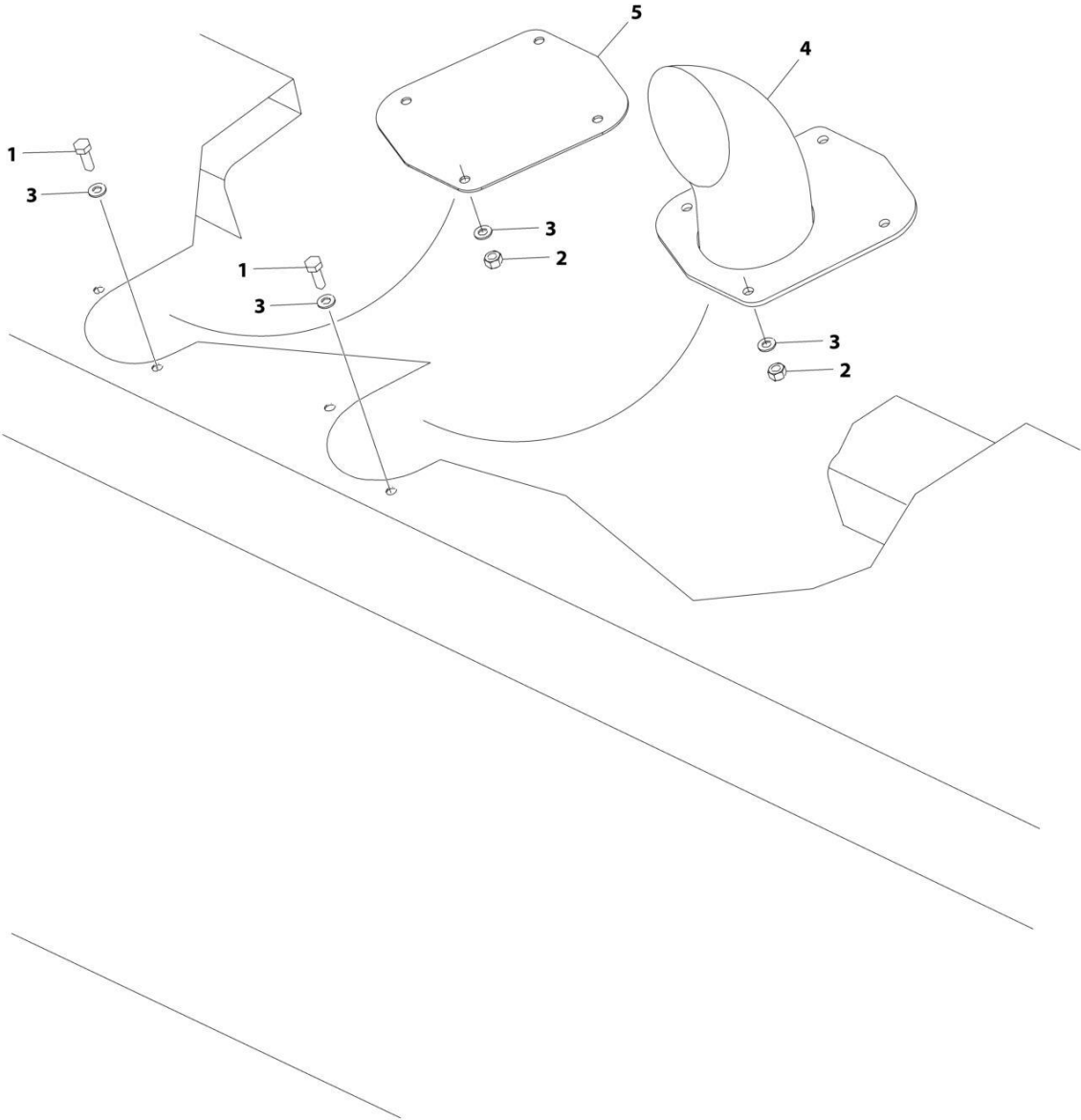
SECTION 2 - TURNTABLE

FIGURE 2-33. VENTURI INSTALLATION (HRC) (ANSI, ANSI EXPORT, CSA, JAPANESE, CE & UK CA)

ITEM	PART NUMBER	QTY	DESCRIPTION	REV
	1001161488	Ref	VENTURI INSTALLATION (HRC)	E
1	0701014001	8	Bolt M10 x 30	
2	3291005001	8	Nut M10	
3	1001172358	16	Washer M10	
4	1001155527	1	Venturi, Exhaust	
5	1001190927	1	Panel	

SECTION 2 - TURNTABLE

FIGURE 2-34. VENTURI INSTALLATION (LRC) (ANSI EXPORT, AUSTRALIAN, CHINA, CE & UK CA)



ART_1001190032

SECTION 2 - TURNTABLE

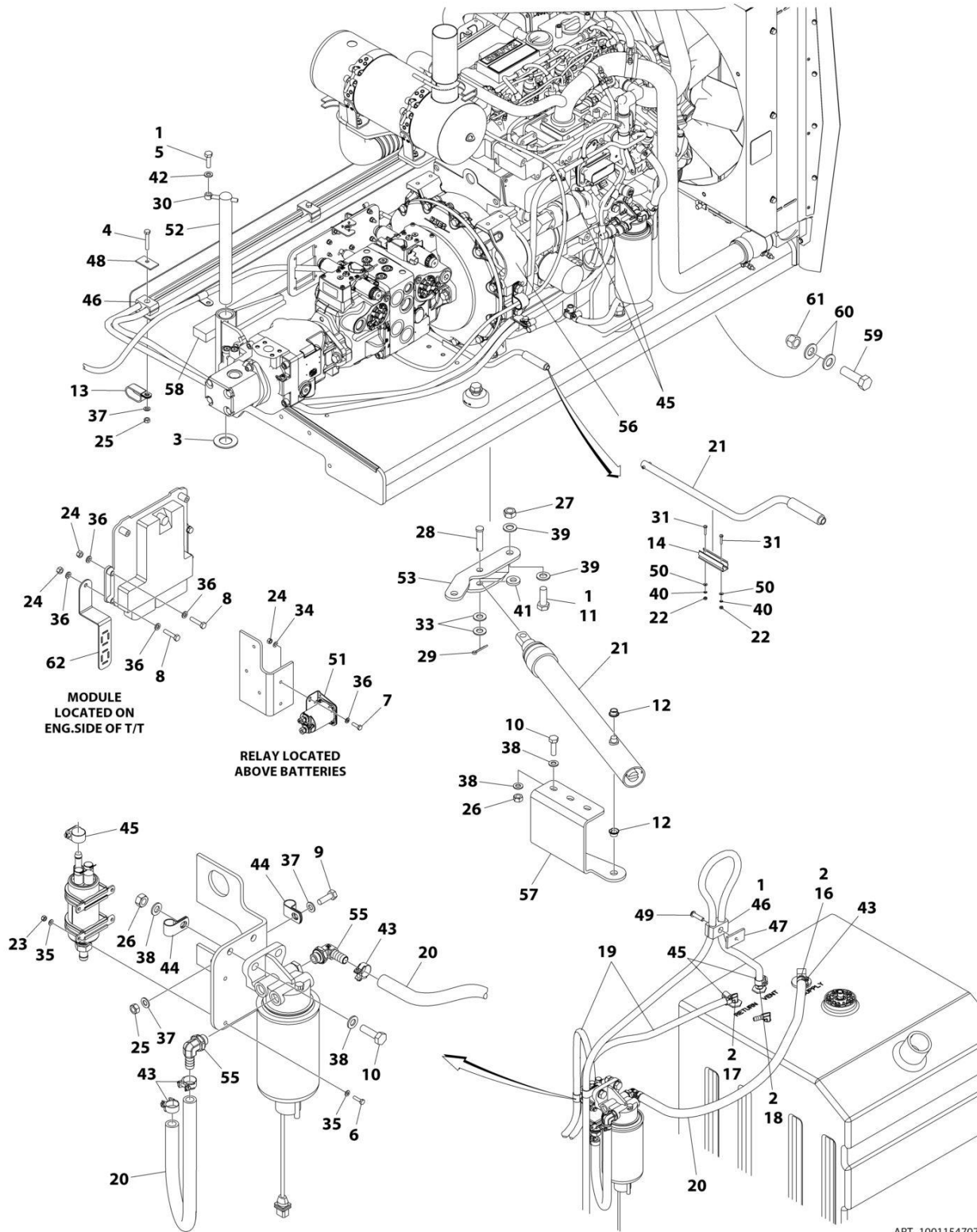
FIGURE 2-34. VENTURI INSTALLATION (LRC) (ANSI EXPORT, AUSTRALIAN, CHINA, CE & UK CA)

ITEM	PART NUMBER	QTY	DESCRIPTION	REV
	1001190032	Ref	VENTURI INSTALLATION (LRC)	B
1	0701014001	8	Bolt M10 x 30	
2	3291005001	8	Nut M10	
3	1001172358	16	Washer M10	
4	1001161470	1	Venturi, Exhaust	
5	1001190927	1	Panel	

SECTION 3 - ENGINE

SECTION 3 - ENGINE

FIGURE 3-1. DEUTZ LRC ENGINE INSTALLATION - WITHOUT COLD WEATHER PKG



SECTION 3 - ENGINE

FIGURE 3-1. DEUTZ LRC ENGINE INSTALLATION - WITHOUT COLD WEATHER PKG

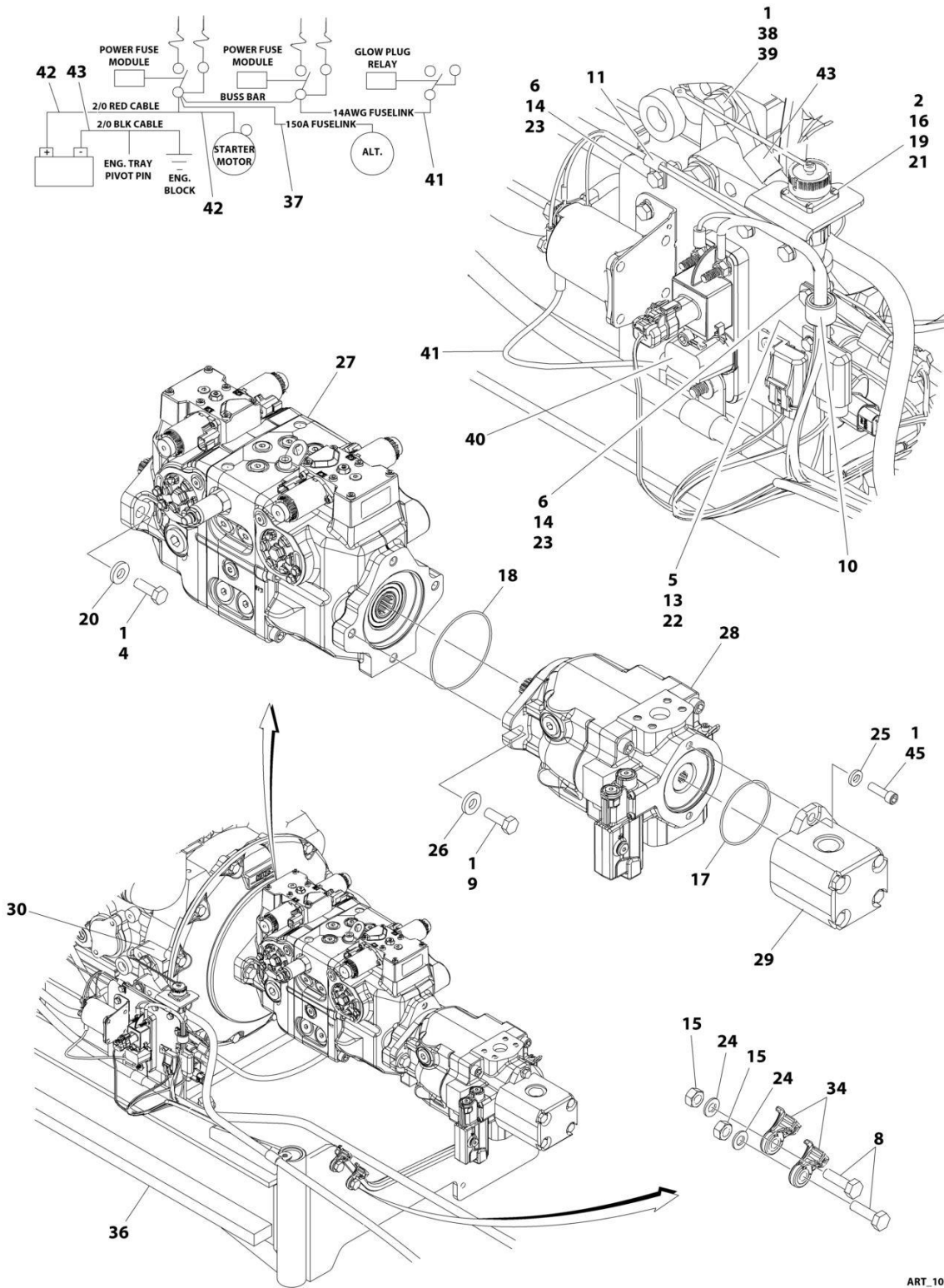
ITEM	PART NUMBER	QTY	DESCRIPTION	REV
	1001154707	Ref	DEUTZ LRC ENGINE INSTALLATION	M
1	0100011	AR	Compound, Locking	
2	0100020	AR	Sealant	
3	0440162	1	Bearing, Thrust	
4	0700818	3	Bolt M8 x 50	
5	0711015	1	Bolt M10 x 35 Grade 10.9	
6	0760408	4	Bolt M4 x 16	
7	0760610	2	Bolt M6 x 20	
8	0760613	4	Bolt M6 x 28	
9	0760812	1	Bolt M8 x 25	
10	0761015	5	Bolt M10 x 35	
11	0771416	2	Bolt M14 x 40 Grade 10.9	
12	0962051	2	Bearing, Flange	
13	1321716	3	Clamp	
14	1380147	1	Clip	
16	2180832	1	Fitting, Straight NPT/Barbed	
17	2220313	1	Fitting, 90 NPT/Barbed	
18	2221114	1	Fitting, Straight NPT/Barbed	
19	1001165035	34.5 ft /10.5m	Hose	
20	1001154405	4.5 ft /1.37m	Hose	
21	2840016	1	Jack with Handle	
21	7016374	1	Handle (Burr Manufacturing Brand)	
21	7024598	1	Handle (Hammerblow Corp Brand)	
21	7016322	1	Wiper (Burr Manufacturing Brand Only)	
22	3290301	2	Nut M3	
23	3290405	4	Nut M4	
24	3290607	6	Nut M6	
25	3290807	4	Nut M8	
26	3291007	5	Nut M10	
27	3331411	2	Nut M14	
28	3430816	1	Pin	
29	3450404	1	Pin, Cotter 1/8 x 1	
30	3841143	1	Keeper	
31	4010308	2	Screw M3 x16	
32	4240099	AR	Tie-Strap (Not Shown)	
33	4711800	2	Washer 1/2	
34	4791400	2	Washer 1/4	
35	4811400	8	Washer M4	
36	4811700	10	Washer M6	
37	4811900	5	Washer M8	
38	4812000	10	Washer M10	
39	4812200	4	Washer M14	
40	4871200	2	Washer M3	
41	4891800	1	Washer 1/2	
42	5241000	1	Washer M10	
43	1001186342	4	Clamp	
44	8406101	2	Clip	
45	8410013	5	Clamp	

SECTION 3 - ENGINE

ITEM	PART NUMBER	QTY	DESCRIPTION	REV
46	8750014	4	Clamp	
47	8750031	1	Plate	
48	8769128	3	Cover	
49	1001101580	1	Screw M8 x 30	
50	1001110544	2	Washer M3	
51	1001117308	1	Relay	
52	1001135196	1	Pin	
53	1001135497	1	Support	
55	1001142501	AR	Fitting, 90 NPT/Barbed	
56	1001154706	1	Deutz LRC Engine and Pump Assembly – Without Cold Weather Package (See Separate Breakdown in this Section)	
57	1001155939	1	Plate	
58	1001156719	1	Seal	
59	0642220	1	Bolt 3/4 x 2-1/2	
60	4712200	2	Washer 3/4	
61	8310067	1	Nut 3/4	
62	1001159162	1	Bracket, Support	
63	2750532	7 ft/2.1m	Hose	

SECTION 3 - ENGINE

FIGURE 3-2. DEUTZ LRC ENGINE/PUMP ASSEMBLY - WITHOUT COLD WEATHER PKG



ART_1001154706

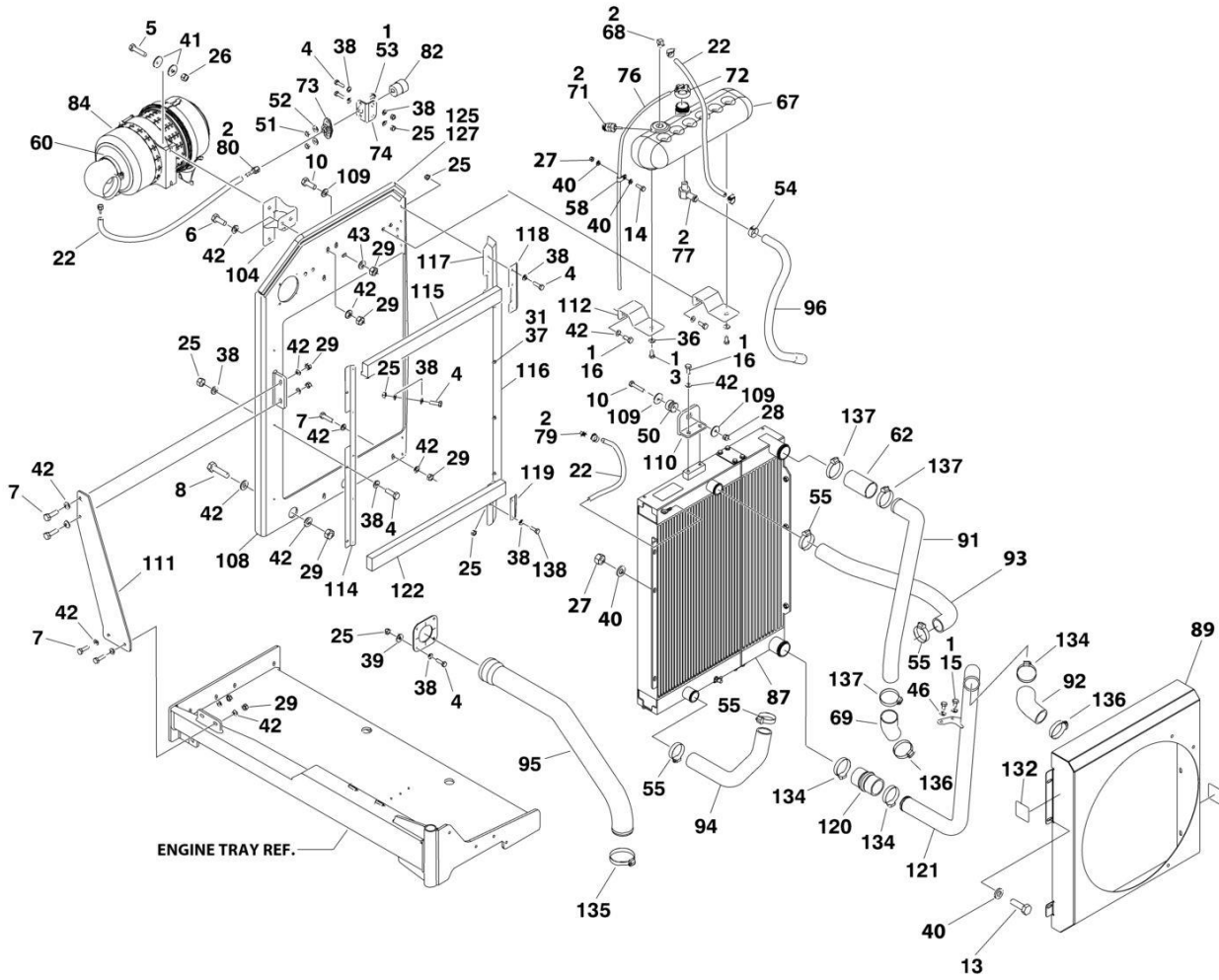
SECTION 3 - ENGINE

FIGURE 3-2. DEUTZ LRC ENGINE/PUMP ASSEMBLY - WITHOUT COLD WEATHER PKG

ITEM	PART NUMBER	QTY	DESCRIPTION	REV
	1001154706	Ref	DEUTZ LRC ENGINE/PUMP ASSEMBLY	K
1	0100011	AR	Compound, Locking	
2	0100035	AR	Compound, Locking	
4	0841812	2	Bolt 1/2 x 1-1/2	
5	0700510	1	Bolt M5 x 20	
6	0760610	2	Bolt M6 x 20	
8	0761015	2	Bolt M10 x 35	
9	0761215	2	Bolt M12 x 35	
10	1320041	1	Clamp	
11	1320136	1	Clamp	
13	3290507	1	Nut M5	
14	3290607	2	Nut M6	
15	3291007	2	Nut M10	
16	3310401	3	Nut #4	
17	3790152	1	O-Ring	
18	3790155	1	O-Ring	
19	3910408	3	Screw #4 x 1/2	
20	4740171	2	Washer	
21	4750400	3	Washer #4	
22	4811600	2	Washer M5	
23	4811700	2	Washer M6	
24	4812000	2	Washer M10	
25	4891600	2	Washer 3/8	
26	4891800	2	Washer 1/2	
27	1001108616	1	Tandem Pump Assembly (See Separate Breakdown in this Section)	
28	1001169892	1	Piston Pump Assembly (See Separate Breakdown in this Section)	
29	1001112927	1	Gear Pump Assembly (See Separate Breakdown in this Section)	
30	1001149867	1	Deutz LRC Engine Assembly – Without Cold Weather Package (See Separate Breakdown in this Section)	
31	1001149971	1	Harness, Engine (Not Shown - See Separate Breakdown in ELECTRICAL SECTION)	
33	1001156001	1	Harness Can (Not Shown - See Separate Breakdown in ELECTRICAL SECTION)	
34	1001156107	2	Holder, Cable	
35	1001156718	1	Seal (Not Shown - Located on Side of Radiator Mounting Plate)	
36	1001156719	1	Seal	
37	1001157073	1	Cable, Alternator Power	
38	0761210	1	Bolt M12 x 20	
39	4812100	1	Washer M12	
40	1001135027	1	Insulator	
41	1001141304	1	Wire, Glow Plug	
42	1001154142	1	Cable, Battery (Positive)	
43	1001154143	1	Cable, Battery (Negative)	
44	1001168734	1	Wire, Glow Plug (Not Shown)	
45	3931620	2	Screw 3/8 x 1-1/4	

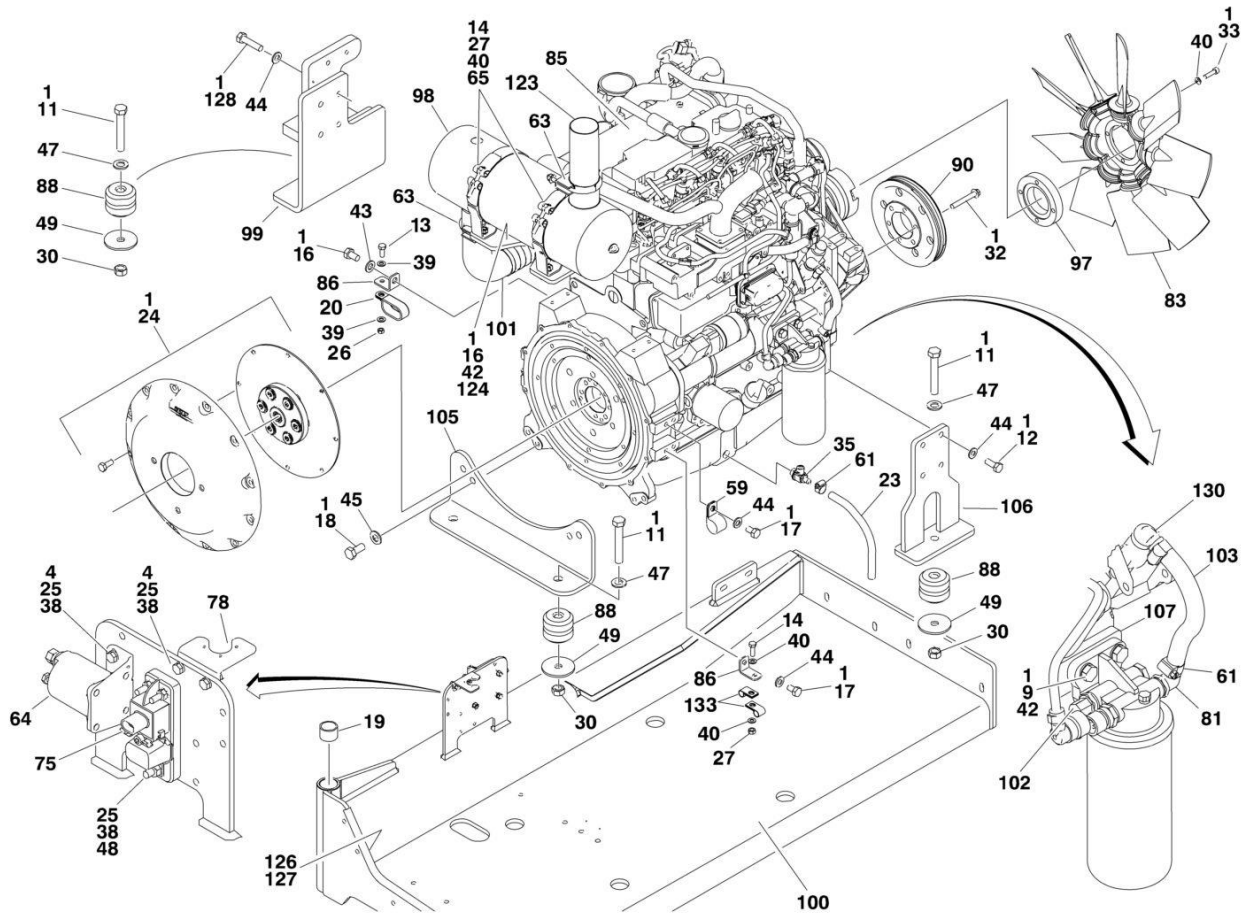
SECTION 3 - ENGINE

FIGURE 3-3. DEUTZ LRC ENGINE ASSEMBLY - WITHOUT COLD WEATHER PKG



ART_1001149867_S_10F2

SECTION 3 - ENGINE



ART_1001149867_S_20F2

SECTION 3 - ENGINE

FIGURE 3-3. DEUTZ LRC ENGINE ASSEMBLY - WITHOUT COLD WEATHER PKG

ITEM	PART NUMBER	QTY	DESCRIPTION	REV
	1001149867	Ref	DEUTZ LRC ENGINE ASSEMBLY	T
1	0100011	AR	Compound, Locking	
2	0100020	AR	Sealant	
3	0641606	2	Bolt 3/8 x 3/4	
4	0700612	20	Bolt M6 x 25	
5	0700815	2	Bolt M8 x 35	
6	0701013	2	Bolt M10 x 28	
7	0701015	6	Bolt M10 x 35	
8	0701016	2	Bolt M10 x 40	
9	0701017	2	Bolt M10 x 45	
10	0701019	1	Bolt M10 x 55	
11	0701627	4	Bolt M16 x 100	
12	0711214	4	Bolt M12 x 30 Grade 10.9	
13	0760810	5	Bolt M8 x 20	
14	0760812	7	Bolt M8 x 25	
15	0761008	2	Bolt M10 x 16	
16	0761012	10	Bolt M10 x 25	
17	0761210	3	Bolt M12 x 20	
18	0771415	4	Bolt M14 x 35 Grade 10.9	
19	0961951	2	Bushing	
20	1321716	1	Clamp	
22	2720015	5 ft/1.5m	Hose	
23	1001165035	1 ft/30.5m	Hose	
24	2902065	1	Pump Coupling Kit (See Separate Breakdown in this Section)	
25	3290607	23	Nut M6	
26	3290805	2	Nut M8	
27	3290807	9	Nut M8	
28	3291005	1	Nut M10	
29	3291007	10	Nut M10	
30	3291601	4	Nut M16	
31	3820032	9	Rivet	
32	5251022	6	Bolt M10 x 70	
33	4031912	4	Capscrew M8 x 40	
34	4240099	AR	Tie-Strap (Not Shown)	
35	4640751	1	Valve, Oil Drain	
36	4711600	2	Washer 3/8	
37	4811600	4	Washer M5	
38	4811700	41	Washer M6	
39	4811702	4	Washer M6	
40	4811900	25	Washer M8	
41	4811902	4	Washer M8	
42	4812000	34	Washer M10	
43	4812002	1	Washer M10	
44	4812100	11	Washer M12	
45	4812200	4	Washer M14	
46	5241000	2	Washer M10	
47	5241600	4	Washer M16	
48	5271614	1	Capscrew M16 x 50	
49	7300435	4	Washer	
50	8278020	1	Mount	

SECTION 3 - ENGINE

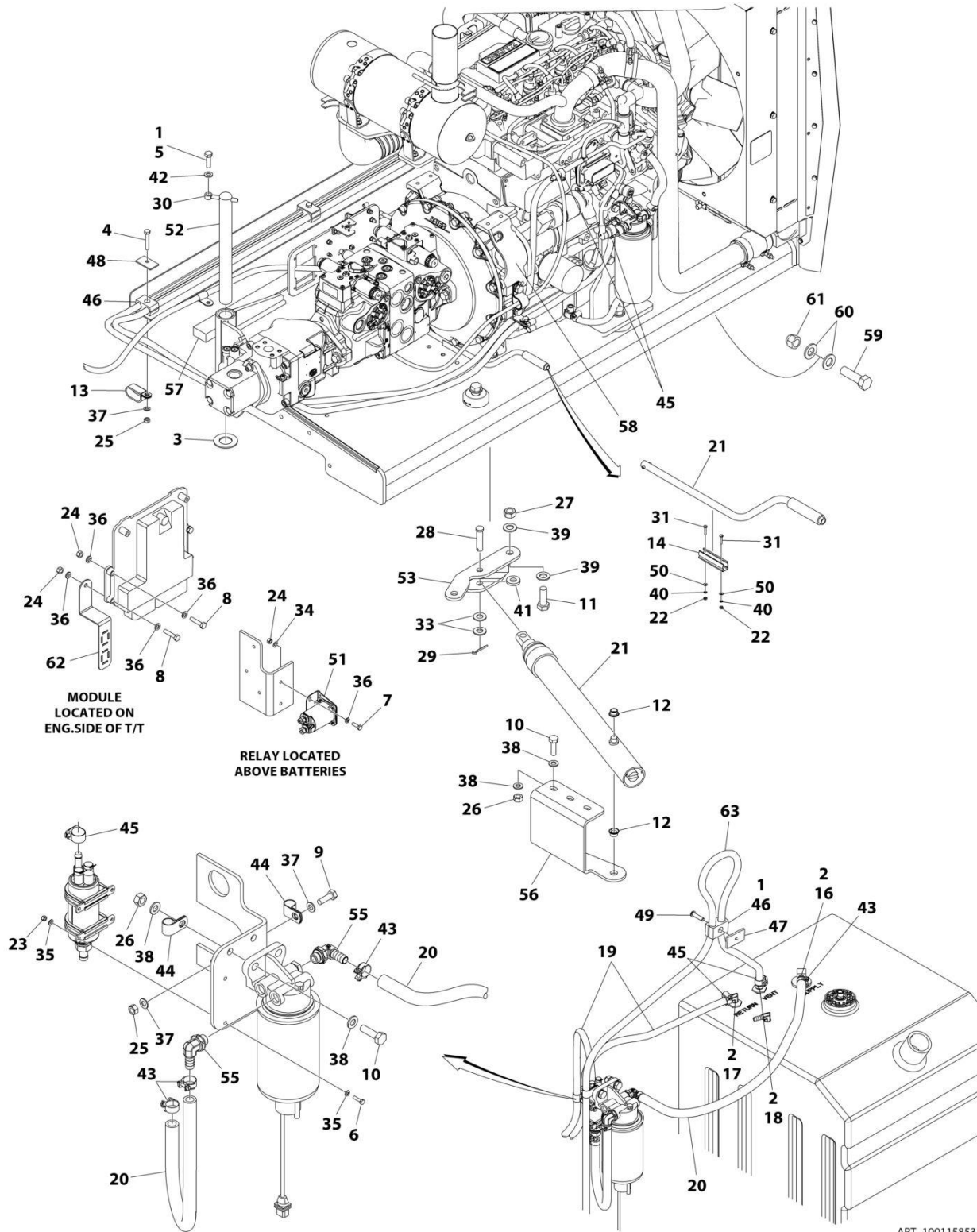
ITEM	PART NUMBER	QTY	DESCRIPTION	REV
51	8305401	2	Nut 1/4	
52	8307109	2	Washer 1/4	
53	8310548	2	Screw 1/4 x 1/2	
54	8405007	2	Clamp	
55	8405104	4	Clamp	
58	8406109	2	Clamp	
59	8406303	1	Clip	
60	8410011	1	Clamp	
61	8410013	3	Clamp	
62	91563070	1	Coupling, Rubber	
63	1001111116	2	Clamp	
64	1001117308	1	Relay	
65	1001119727	2	Clamp	
67	1001166393	1	Tank	
68	1001134488	1	Fitting, 90 NPT/Barbed	
69	1001135943	1	Coupling	
71	1001138827	1	Sensor	
72	1001136834	1	Cap	
73	1001138173	1	Support	
74	1001138175	1	Bracket	
75	1001138228	1	Module, Relay	
75	70023592	1	Fuse 20Amp	
75	70023593	1	Fuse 30Amp	
76	1001138248	5 ft/1.5m	Tubing	
77	1001138559	1	Fitting, 90 NPT	
78	1001139240	1	Bracket	
79	1001140564	1	Fitting, 90 NPT/Barbed	
80	1001141995	1	Fitting, Straight NPT/Barbed	
81	1001142501	1	Fitting, 90 NPT/Barbed	
82	1001143390	1	Indicator, Air Restriction	
83	1001177137	1	Fan	
84	1001147847	1	Filter, Air	
84	70023809	1	Element, Primary	
84	70023872	1	Element, Secondary	
84	70024328	1	Elbow, Rubber	
84	70024329	1	Clamp, Mounting	
85	1001251857	1	Deutz LRC Engine Components (See Separate Breakdown in this Section)	
86	1001148641	2	Bracket	
87	1001256862	1	Radiator	
88	1001149517	4	Mount, Motor	
89	1001192138	1	Shroud	
90	1001149746	1	Pulley	
91	1001150498	1	Tube	
92	1001150499	1	Hose	
93	1001191122	1	Hose	
94	1001150504	1	Hose	
95	1001150505	1	Pipe	
96	1001150553	1	Hose	
97	1001177134	1	Adapter	
98	1001151432	1	Muffler	
99	1001151491	1	Support	

SECTION 3 - ENGINE

ITEM	PART NUMBER	QTY	DESCRIPTION	REV
100	1001151749	1	Tray	
101	1001151761	1	Pipe, Exhaust	
102	1001152489	1	Fitting, 90 Barbed	
103	1001154405	8.5 in/ 21cm	Hose	
104	1001155023	1	Plate	
105	1001155496	1	Support	
106	1001160518	1	Support	
107	1001155498	1	Plate	
108	1001155525	1	Support	
109	1001155540	2	Washer	
110	1001157862	1	Bracket	
111	1001212817	1	Plate	
112	1001155557	2	Plate	
113	1001155563	1	Seal	
114	1001155564	1	Bracket	
115	1001155565	1	Seal	
116	1001155566	1	Bracket	
117	1001156034	1	Seal	
118	1001156035	1	Bracket	
119	1001156062	1	Bracket	
120	1001156091	1	Hose	
121	1001156112	1	Tube	
122	1001156644	2	Seal	
123	1001158262	1	Pipe, Exhaust	
124	1001158289	1	Bracket	
125	1001155728	1	Seal	
126	4060807	22 in/ 55cm	Flex-Trim	
127	0100081	AR	Adhesive	
128	0711218	4	Bolt M12 x 50 Grade 10.9	
129	1320022	4	Clamp	
130	1001170982	1	Fitting, 90 SAE/Barbed	
132	1703162	2	Decal - Fan Blade	
133	8406110	2	Clip	
134	8410012	3	Clamp	
135	1001208297	1	Clamp	
136	1001208298	2	Clamp	
137	1001208299	3	Clamp	
138	0760614	2	Bolt M6 x 30	

SECTION 3 - ENGINE

FIGURE 3-4. DEUTZ LRC ENGINE INSTALLATION - WITH COLD WEATHER PKG



ART_1001158531

SECTION 3 - ENGINE

FIGURE 3-4. DEUTZ LRC ENGINE INSTALLATION - WITH COLD WEATHER PKG

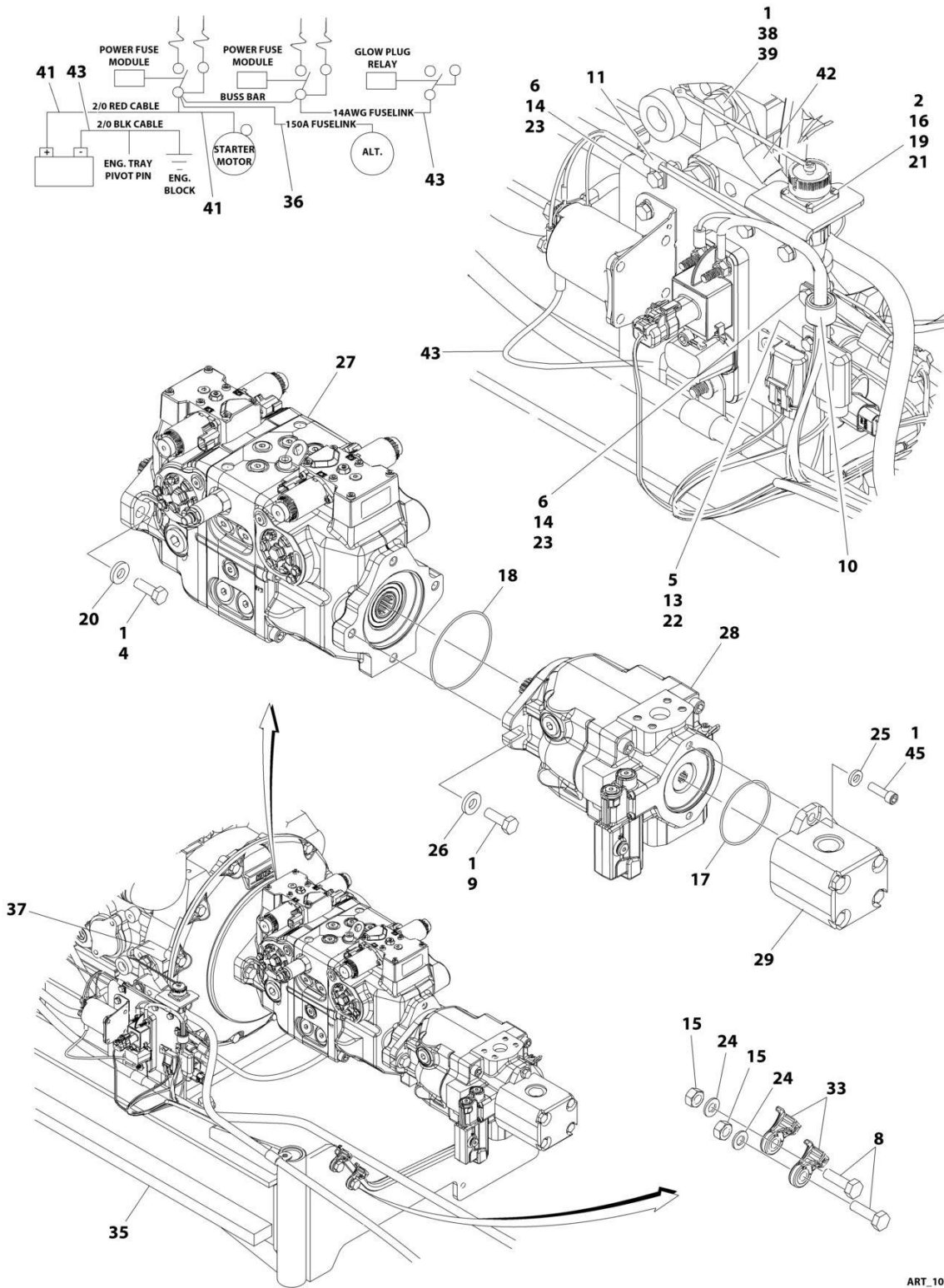
ITEM	PART NUMBER	QTY	DESCRIPTION	REV
	1001158531	Ref	DEUTZ LRC ENGINE INSTALLATION	M
1	0100011	AR	Compound, Locking	
2	0100020	AR	Sealant	
3	0440162	1	Bearing, Thrust	
4	0700818	3	Bolt M8 x 50	
5	0711015	1	Bolt M10 x 35 Grade 10.9	
6	0760408	4	Bolt M4 x 16	
7	0760610	2	Bolt M6 x 20	
8	0760613	4	Bolt M6 x 28	
9	0760812	1	Bolt M8 x 25	
10	0761015	5	Bolt M10 x 35	
11	0771416	2	Bolt M14 x 40 Grade 10.9	
12	0962051	2	Bearing, Flange	
13	1321716	3	Clamp	
14	1380147	1	Clip	
16	2180832	1	Fitting, Straight NPT/Barbed	
17	2220313	1	Fitting, 90 NPT/Barbed	
18	2221114	1	Fitting, Straight NPT/Barbed	
19	1001165035	35 ft/10.5m	Hose	
20	1001154405	4.5 ft /1.37m	Hose	
21	2840016	1	Jack with Handle	
21	7016374	1	Handle (Burr Manufacturing Brand)	
21	7024598	1	Handle (Hammerblow Corp Brand)	
21	7016322	1	Wiper (Burr Manufacturing Brand Only)	
22	3290301	2	Nut M3	
23	3290405	4	Nut M4	
24	3290607	6	Nut M6	
25	3290807	4	Nut M8	
26	3291007	5	Nut M10	
27	3331411	2	Nut M14	
28	3430816	1	Pin	
29	3450404	1	Pin, Cotter 1/8 x 1	
30	3841143	1	Keeper	
31	4010308	2	Screw M3 x16	
32	4240099	AR	Tie-Strap (Not Shown)	
33	4711800	2	Washer 1/2	
34	4791400	2	Washer 1/4	
35	4811400	8	Washer M4	
36	4811700	10	Washer M6	
37	4811900	5	Washer M8	
38	4812000	10	Washer M10	
39	4812200	4	Washer M14	
40	4871200	2	Washer M3	
41	4891800	1	Washer 1/2	
42	5241000	1	Washer M10	
43	1001186342	4	Clamp	
44	8406101	2	Clip	
45	8410013	5	Clamp	

SECTION 3 - ENGINE

ITEM	PART NUMBER	QTY	DESCRIPTION	REV
46	8750014	4	Clamp	
47	8750031	1	Plate	
48	8769128	3	Cover	
49	1001101580	1	Screw M8 x 30	
50	1001110544	2	Washer M3	
51	1001117308	1	Relay	
52	1001135196	1	Pin	
53	1001135497	1	Support	
55	1001142501	2	Fitting, 90 NPT/Barbed	
56	1001155939	1	Plate	
57	1001156719	1	Seal	
58	1001158530	1	Deutz LRC Engine/Pump Assembly – With Cold Weather Package (See Separate Breakdown in this Section)	
59	0642220	1	Bolt 3/4 x 2-1/2	
60	4712200	2	Washer 3/4	
61	8310067	1	Nut 3/4	
62	1001159162	1	Bracket, Support	
63	2750532	7 ft/2.1m	Hose	

SECTION 3 - ENGINE

FIGURE 3-5. DEUTZ LRC ENGINE/PUMP ASSEMBLY - WITH COLD WEATHER PKG



ART_1001158530

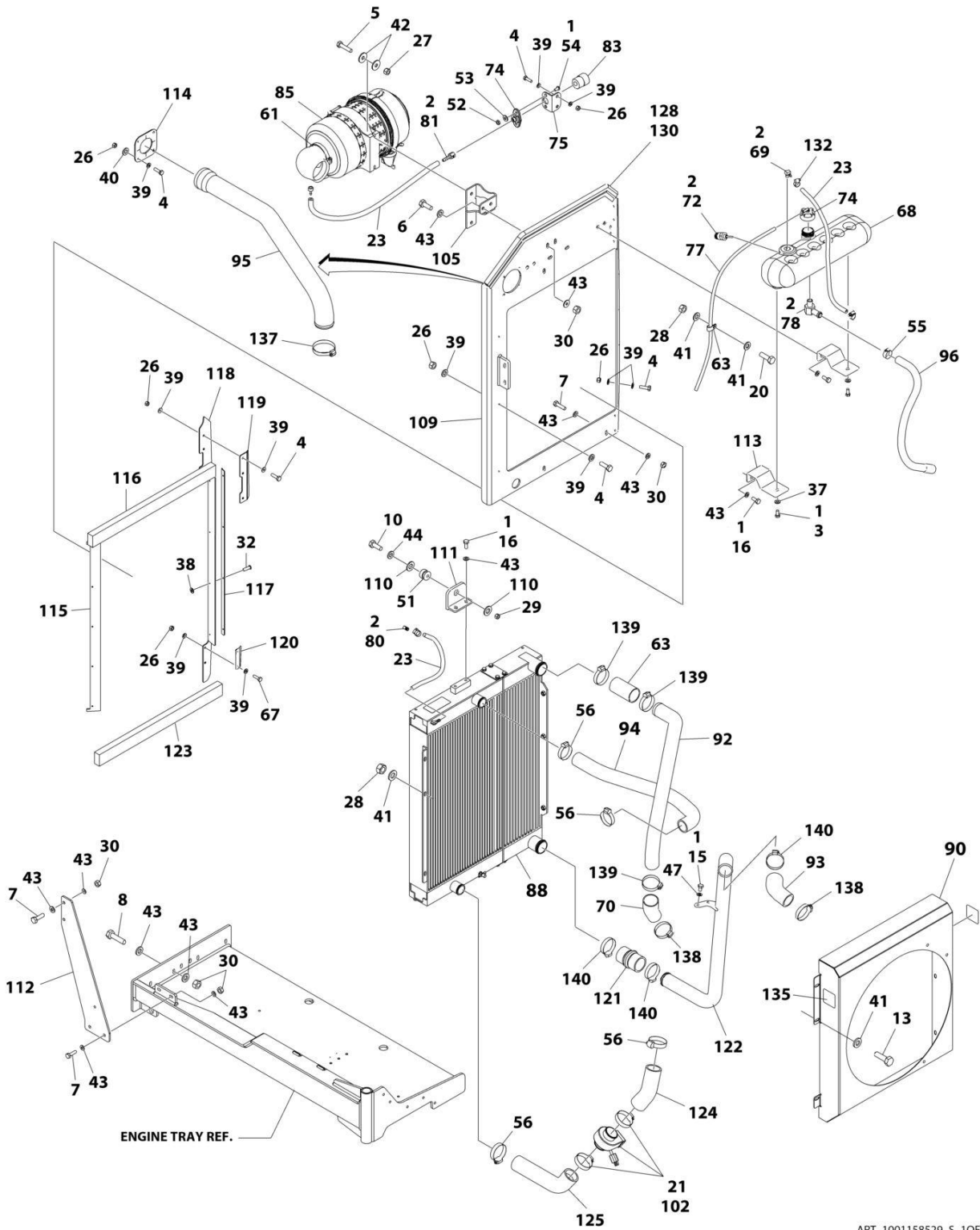
SECTION 3 - ENGINE

FIGURE 3-5. DEUTZ LRC ENGINE/PUMP ASSEMBLY - WITH COLD WEATHER PKG

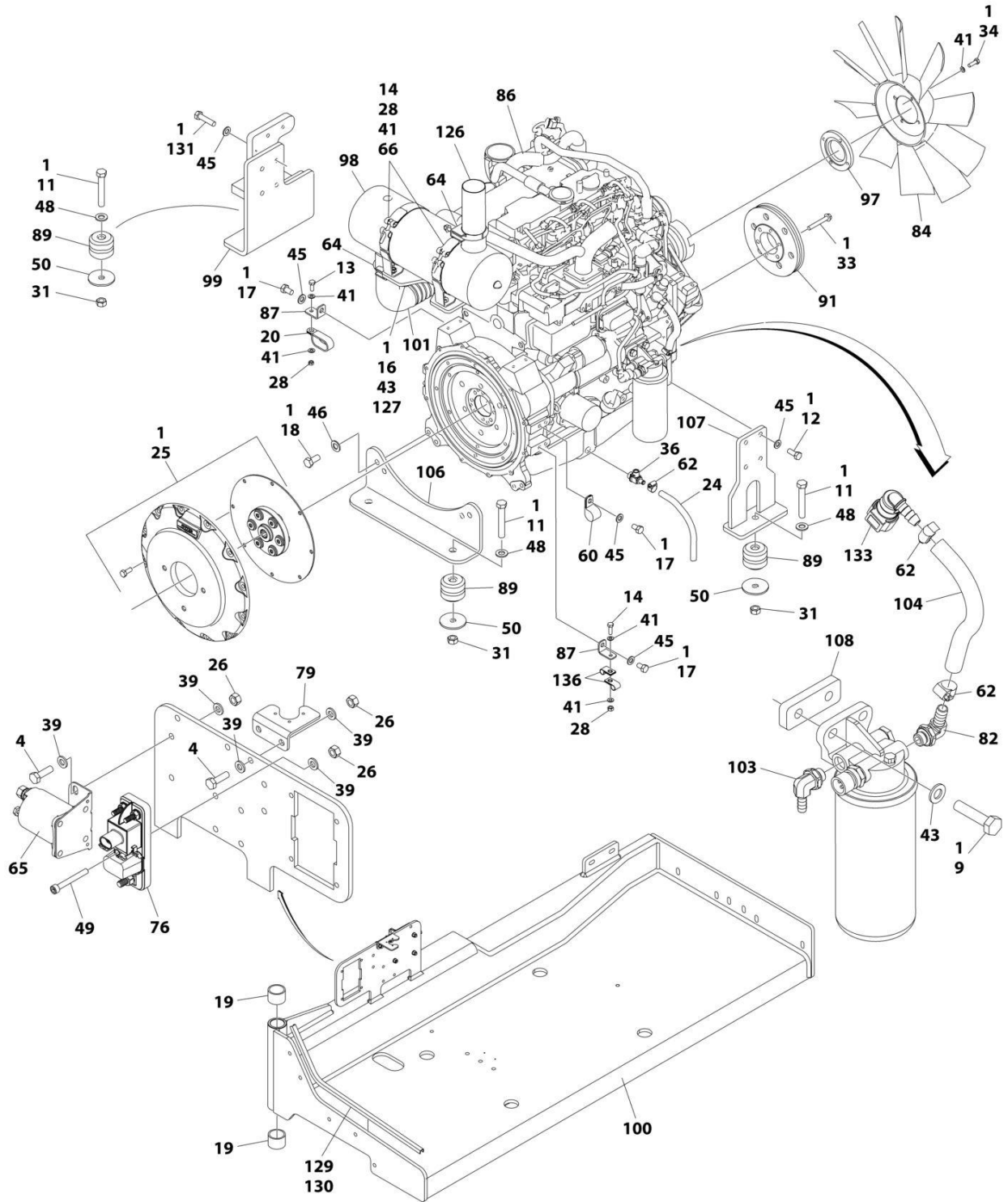
ITEM	PART NUMBER	QTY	DESCRIPTION	REV
	1001158530	Ref	DEUTZ LRC ENGINE/PUMP ASSEMBLY	K
1	0100011	AR	Compound, Locking	
2	0100035	AR	Compound, Locking	
4	0841812	2	Bolt 1/2 x 1-1/2	
5	0700510	1	Bolt M5 x 20	
6	0760610	2	Bolt M6 x 20	
8	0761015	2	Bolt M10 x 35	
9	0761215	2	Bolt M12 x 35	
10	1320041	1	Clamp	
11	1320136	1	Clamp	
13	3290507	1	Nut M5	
14	3290607	2	Nut M6	
15	3291007	2	Nut M10	
16	3310401	3	Nut #4	
17	3790152	1	O-Ring	
18	3790155	1	O-Ring	
19	3910408	3	Screw #4 x 1/2	
20	4740171	2	Washer	
21	4750400	3	Washer #4	
22	4811600	2	Washer M5	
23	4811700	2	Washer M6	
24	4812000	2	Washer M10	
25	4891600	2	Washer 3/8	
26	4891800	2	Washer 1/2	
27	1001108616	1	Pump, Tandem (See Separate Breakdown in this Section)	
28	1001169892	1	Pump, Piston (See Separate Breakdown in this Section)	
29	1001112927	1	Pump, Gear (See Separate Breakdown in this Section)	
30	1001149971	1	Harness, Engine (Not Shown - See Separate Breakdown in ELECTRICAL SECTION)	
32	1001156001	1	Harness Can (Not Shown - See Separate Breakdown in ELECTRICAL SECTION)	
33	1001156107	2	Holder, Cable	
34	1001156718	1	Seal (Not Shown - Located on Side of Radiator Mounting Plate)	
35	1001156719	1	Seal	
36	1001157073	1	Cable, Alternator Power	
37	1001158529	1	Deutz LRC Engine Assembly – With Cold Weather Package (See Separate Breakdown in this Section)	
38	0761210	1	Bolt M12 x 20	
39	4812100	1	Washer M12	
41	1001154142	1	Cable, Battery (Positive)	
42	1001154143	1	Cable, Battery (Negative)	
43	1001141304	1	Wire, Glow Plug	
44	1001168734	1	Wire, Glow Plug (Not Shown)	
45	3931620	2	Screw 3/8 x 1-1/4	

SECTION 3 - ENGINE

FIGURE 3-6. DEUTZ LRC ENGINE ASSEMBLY - WITH COLD WEATHER PKG



SECTION 3 - ENGINE



ART_1001158529_S_20F2

SECTION 3 - ENGINE

FIGURE 3-6. DEUTZ LRC ENGINE ASSEMBLY - WITH COLD WEATHER PKG

ITEM	PART NUMBER	QTY	DESCRIPTION	REV
	1001158529	Ref	DEUTZ LRC ENGINE ASSEMBLY - WITH COLD WEATHER PKG	T
1	0100011	AR	Compound, Locking	
2	0100020	AR	Sealant	
3	0641606	2	Bolt 3/8 x 3/4	
4	0700612	20	Bolt M6 x 25	
5	0700815	2	Bolt M8 x 35	
6	0701013	2	Bolt M10 x 28	
7	0701015	6	Bolt M10 x 35	
8	0701016	2	Bolt M10 x 40	
9	0701017	2	Bolt M10 x 45	
10	0701019	1	Bolt M10 x 55	
11	0701627	4	Bolt M16 x 100	
12	0711214	4	Bolt M12 x 30 Grade 10.9	
13	0760810	5	Bolt M8 x 20	
14	0760812	7	Bolt M8 x 25	
15	0761008	2	Bolt M10 x 16	
16	0761012	10	Bolt M10 x 25	
17	0761210	3	Bolt M12 x 20	
18	0771415	4	Bolt M14 x 35 Grade 10.9	
19	0961951	2	Bushing	
20	1321716	1	Clamp	
21	1702942	1	Decal - Engine Block Heater	
23	2720015	5 ft/1.5m	Hose	
24	1001165035	1 ft/30.5m	Hose	
25	2902065	1	Pump Coupling Kit (See Separate Breakdown in this Section)	
26	3290607	23	Nut M6	
27	3290805	2	Nut M8	
28	3290807	9	Nut M8	
29	3291005	1	Nut M10	
30	3291007	10	Nut M10	
31	3291601	4	Nut M16	
32	3820032	9	Rivet	
33	5251022	6	Bolt M10 x 70	
34	4031912	4	Capscrew M8 x 40	
35	4240099	AR	Tie-Strap (Not Shown)	
36	4640751	1	Valve, Oil Drain	
37	4711600	2	Washer 3/8	
38	4811600	4	Washer M5	
39	4811700	41	Washer M6	
40	4811702	4	Washer M6	
41	4811900	25	Washer M8	
42	4811902	4	Washer M8	
43	4812000	34	Washer M10	
44	4812002	1	Washer M10	
45	4812100	11	Washer M12	
46	4812200	4	Washer M14	
47	5241000	2	Washer M10	
48	5241600	4	Washer M16	
49	5271614	1	Capscrew M16 x 50	
50	7300435	4	Washer	

SECTION 3 - ENGINE

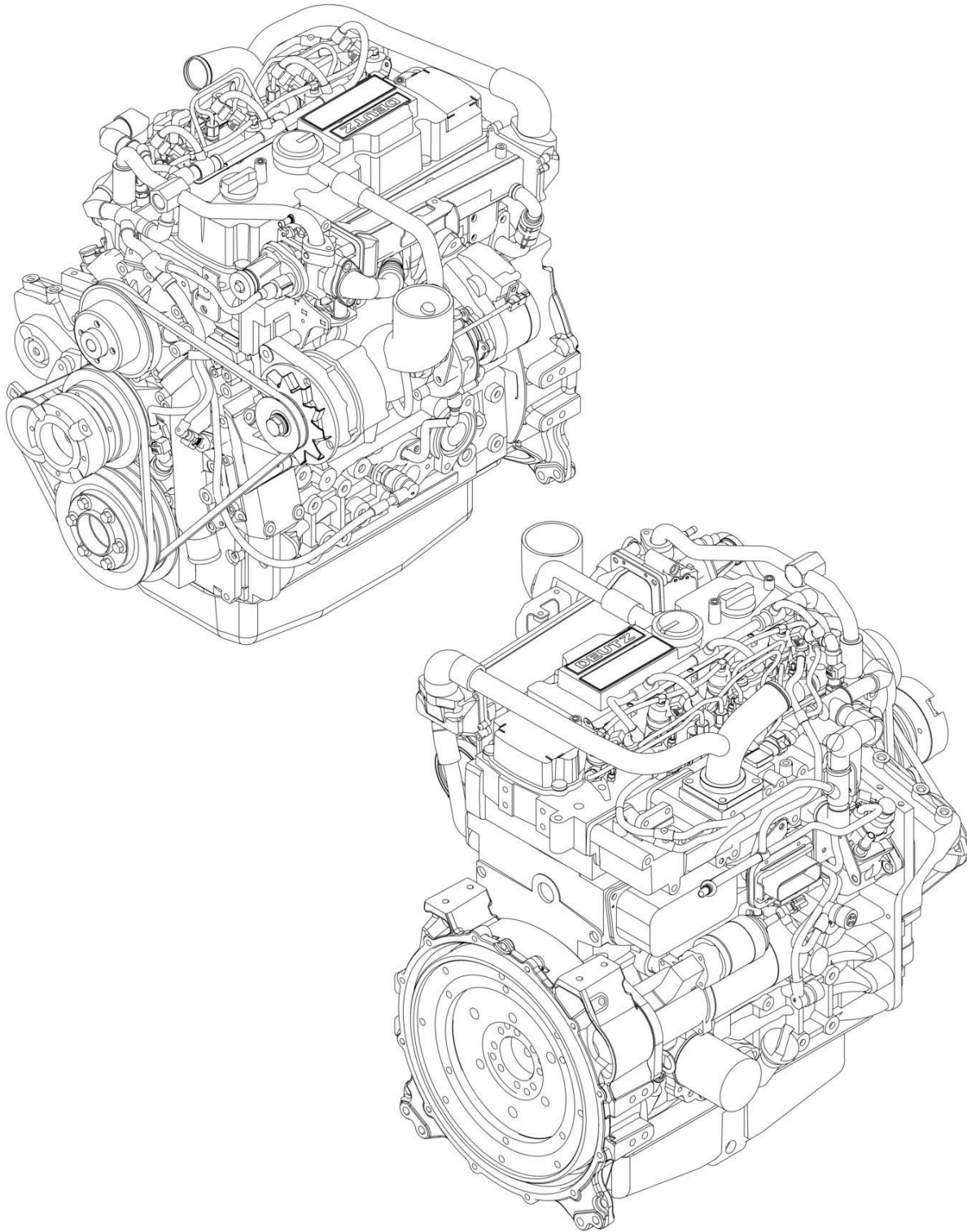
ITEM	PART NUMBER	QTY	DESCRIPTION	REV
51	8278020	1	Mount	
52	8305401	2	Nut 1/4	
53	8307109	2	Washer 1/4	
54	8310548	2	Screw 1/4 x 1/2	
55	8405007	2	Clamp	
56	8405104	4	Clamp	
59	8406109	2	Clamp	
60	8406303	1	Clip	
61	8410011	1	Clamp	
62	8410013	3	Clamp	
63	91563070	1	Coupling, Rubber	
64	1001111116	2	Clamp	
65	1001117308	1	Relay	
66	1001119727	2	Clamp	
67	0760614	2	Bolt M6 x 30	
68	1001166393	1	Tank	
69	1001134488	1	Fitting, 90 NPT/Barbed	
70	1001135943	1	Coupling	
72	1001138827	1	Sensor	
73	1001136834	1	Cap	
74	1001138173	1	Support	
75	1001138175	1	Bracket	
76	1001138228	1	Module, Relay	
76	70023592	1	Fuse 20Amp	
76	70023593	1	Fuse 30Amp	
77	1001138248	5 ft/1.5m	Tubing	
78	1001138559	1	Fitting, 90 NPT	
79	1001139240	1	Bracket	
80	1001140564	1	Fitting, 90 NPT/Barbed	
81	1001141995	1	Fitting, Straight NPT/Barbed	
82	1001142501	1	Fitting, 90 NPT/Barbed	
83	1001143390	1	Indicator, Air Restriction	
84	1001177137	1	Fan	
85	1001147847	1	Filter, Air	
85	70023809	1	Element, Primary	
85	70023872	1	Element, Secondary	
85	70024328	1	Elbow, Rubber	
85	70024329	1	Clamp, Mounting	
86	1001251857	1	Deutz LRC Engine Components (See Separate Breakdown in this Section)	
87	1001148641	2	Bracket	
88	1001256862	1	Radiator	
89	1001149517	4	Mount, Motor	
90	1001192138	1	Shroud	
91	1001149746	1	Pulley	
92	1001150498	1	Tube	
93	1001150499	1	Hose	
94	1001191122	1	Hose	
95	1001150505	1	Pipe	
96	1001150553	1	Hose	
97	1001177134	1	Adapter	
98	1001151432	1	Muffler	

SECTION 3 - ENGINE

ITEM	PART NUMBER	QTY	DESCRIPTION	REV
99	1001151491	1	Support	
100	1001151749	1	Tray	
101	1001151761	1	Pipe, Exhaust	
102	1001152112	1	Heater, Engine Block	
103	1001152489	1	Fitting, 90 Barbed	
104	1001154405	8.5 in /21cm	Hose	
105	1001155023	1	Plate	
106	1001155496	1	Support	
107	1001160518	1	Support	
108	1001155498	1	Plate	
109	1001155525	1	Support	
110	1001155540	2	Washer	
111	1001157862	1	Bracket	
112	1001212817	1	Plate	
113	1001155557	2	Plate	
114	1001155563	1	Seal	
115	1001155564	1	Bracket	
116	1001155565	1	Seal	
117	1001155566	1	Bracket	
118	1001156034	1	Seal	
119	1001156035	1	Bracket	
120	1001156062	1	Bracket	
121	1001156091	1	Hose	
122	1001156112	1	Tube	
123	1001156644	2	Seal	
124	1001157300	1	Hose, Lower Radiator (Top Section)	
125	1001157301	1	Hose, Lower Radiator (Bottom Section)	
126	1001158262	1	Pipe, Exhaust	
127	1001158289	1	Bracket	
128	1001155728	1	Seal	
129	4060807	22 in/ 55cm	Flex-Trim	
130	0100081	AR	Adhesive	
131	0711218	4	Bolt M12 x 50 Grade 10.9	
132	1320022	4	Clamp	
133	1001170982	1	Fitting, 90 SAE/Barbed	
135	1703162	2	Decal - Fan Blade	
136	8406110	2	Clip	
137	1001208297	1	Clamp	
138	1001208298	2	Clamp	
139	1001208299	3	Clamp	
140	8410012	3	Clamp	

SECTION 3 - ENGINE

FIGURE 3-7. DEUTZ LRC ENGINE COMPONENTS



ART_1001251857

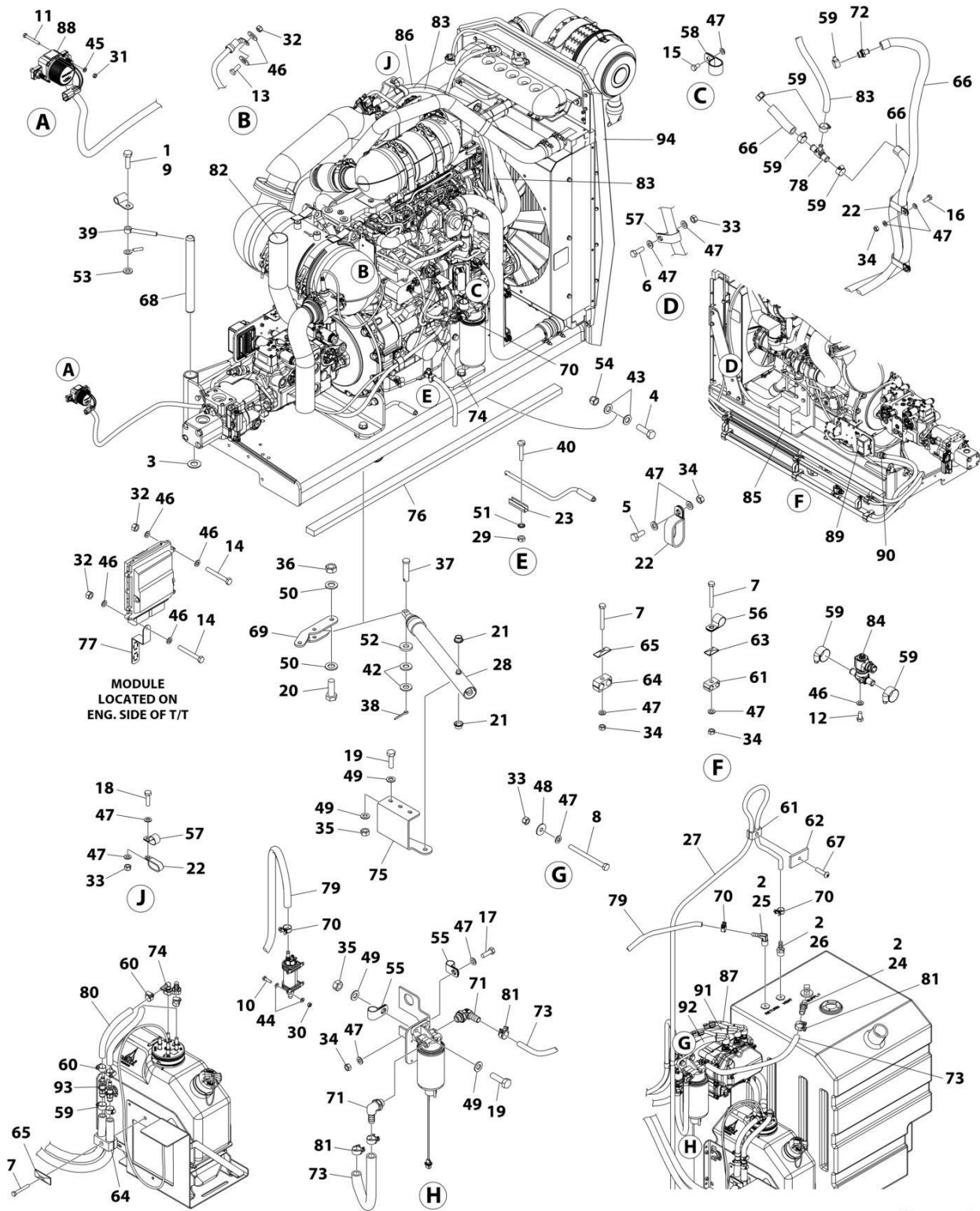
SECTION 3 - ENGINE

FIGURE 3-7. DEUTZ LRC ENGINE COMPONENTS

ITEM	PART NUMBER	QTY	DESCRIPTION	REV
	1001251857	Ref	DEUTZ ENGINE COMPONENTS	A
		Ref	Note: For complete list of parts, contact JLG Parts Department	
		Ref	Air Intake System Components	
	70004518	1	Turbocharger	
		Ref	Cooling System Components	
	70004515	1	Pump, Coolant	
		Ref	Electrical System Components	
	70024472	1	Module, ECU/ECM	
	70029401	1	Generator (Includes Regulator & Fan)	
	70006653	1	Regulator	
	70004520	1	Starter (Includes Solenoid)	
	70025780	1	Relay	
	70005564	1	Harness, Engine	
	70026210	1	Sender, Tacho-Generator (Speed) (On Front Cover) (Includes Seal)	
	70028540	1	Sender, Temperature (On Thermostat Housing)	
	70024507	1	Sensor, Pressure (Includes Seal) (On Air Intake Manifold)	
	70024504	1	Sensor, Pressure (Includes Seal) (On Block)	
	70024474	4	Plug, Glow	
		Ref	Exhaust System Components	
	70027569	1	Valve, EGR	
		Ref	Fuel System Components	
	70024487	1	Pump, Fuel Injector	
	70024485	4	Injector (Includes Seal, Clamp & O-Ring)	
	70006144	1	Pump, Fuel Supply (Includes Clamps)	
	70025153	1	Filter, Fuel (Pre-Filter)	
	70004512	1	Filter, Fuel	
		Ref	Lubricating System Components	
	70025745	1	Dipstick	
	7020465	2	Cap, Oil Fill	
	70025088	1	Plug, Oil Drain	
	7020404	2	Seal, Oil Drain Plug	
		Ref	Pump, Oil (Includes Bolts & Bushing)	
	7016331	1	Filter, Oil	
	70024494	1	Cooler, Oil	
		Ref	Mechanical Components	
	70004517	1	V-Belt	
	70004519	1	V-Belt	
	70024481	1	Gasket, Valve Cover	
	70025789	1	Gasket, Head	

SECTION 3 - ENGINE

FIGURE 3-8. DEUTZ HRC EMR5 ENGINE INSTALLATION - WITH COLD WEATHER PACKAGE



ART_1001290058

SECTION 3 - ENGINE

FIGURE 3-8. DEUTZ HRC EMR5 ENGINE INSTALLATION - WITH COLD WEATHER PACKAGE

ITEM	PART NUMBER	QTY	DESCRIPTION	REV
	1001290058	Ref	DEUTZ HRC EMR5 ENGINE INSTALLATION - WITH COLD WEATHER PACKAGE	A
1	0100011	AR	Compound, Locking	
2	0100020	AR	Sealant	
3	0440162	1	Bearing, Thrust	
4	0642220	1	Bolt 3/4 x 2-1/2	
5	0700810	3	Bolt M8 x 20	
6	0700812	1	Bolt M8 x 25	
7	0700820	7	Bolt M8 x 60	
8	0700827	3	Bolt M8 x 100	
9	0711015	1	Bolt M10 x 35	
10	0760408	4	Bolt M4 x 16	
11	0760516	2	Bolt M5 x 40	
12	0760606	4	Bolt M6 x 12	
13	0760608	1	Bolt M6 x 16	
14	0760613	4	Bolt M6 x 28	
15	0760807	1	Bolt M8 x 14	
16	0760810	2	Bolt M8 x 20	
17	0760812	1	Bolt M8 x 25	
18	0760814	1	Bolt M8 x 30	
19	0761015	5	Bolt M10 x 35	
20	0771416	2	Bolt M14 x 40	
21	0962051	2	Bearing, Flange	
22	1321716	6	Clamp	
23	1380147	1	Clip	
24	2180832	1	Fitting, Straight Barbed	
25	2220313	1	Fitting, 90 NPTF/Barbed	
26	2221114	1	Fitting, Straight NPT/Barbed	
27	2750532	7 ft/ 2m	Hose	
28	2840016	1	Jack with Handle	
29	3290301	2	Nut M3	
30	3290405	4	Nut M4	
31	3290501	2	Nut M5	
32	3290605	5	Nut M6	
33	3290805	6	Nut M8	
34	3290807	12	Nut M8	
35	3291007	5	Nut M10	
36	3331411	2	Nut M14	
37	3430816	1	Pin	
38	3450404	1	Pin, Cotter	
39	3841143	1	Keeper	
40	4010308	2	Screw M3 x 16	
41	4240099	AR	Tie-Strap (Not Shown)	
42	4711800	2	Washer 1/2	
43	4712200	2	Washer 3/4	
44	4811400	8	Washer M4	
45	4811600	2	Washer M5	
46	4811700	14	Washer M6	
47	4811900	30	Washer M8	
48	4811902	3	Washer M8	

SECTION 3 - ENGINE

ITEM	PART NUMBER	QTY	DESCRIPTION	REV
49	4812000	10	Washer M10	
50	4812200	4	Washer M14	
51	4871200	2	Washer M3	
52	4891800	1	Washer 1/2	
53	5241000	1	Washer M10	
54	8310067	1	Nut 3/4	
55	8406101	2	Clip	
56	8406102	3	Clip	
57	8406201	2	Clip	
58	8406303	1	Clip	
59	8410009	14	Clamp	
60	8410013	4	Clamp	
61	8750014	4	Clamp	
62	8750031	1	Plate	
63	8769123	3	Cover	
64	8769127	4	Clamp	
65	77133137	4	Cover	
66	82033995	41 ft/ 12.5m	Hose	
67	1001101580	1	Screw M8 x 30	
68	1001135196	1	Pin	
69	1001135497	1	Support	
70	1001136975	5	Clamp	
71	1001142501	2	Fitting, 90 Barbed	
72	1001154262	2	Fitting, Straight Barbed	
73	1001154405	5 ft /1.5m	Hose	
74	1001155823	3	Coupling	
75	1001155939	1	Plate	
76	1001156719	1	Seal	
77	1001159162	1	Bracket, Support	
78	1001162212	2	Fitting, Tee Barbed	
79	1001165035	34 ft/ 10.5m	Hose	
80	1001181625	2 ft/ 0.6m	Hose	
81	1001186342	4	Clip	
82	1001190475	1	Pipe, Exhaust	
83	1001193980	1	Hose, Coolant	
84	1001199670	1	Valve, Tank Coolant	
85	1001212056	1	Decal - Engine Fuse Box	
86	1001212825	1	Hose, Coolant	
87	1001213643	1	Hose	
88	1001216021	1	Relay	
89	1001224046	1	Decal - Engine Fuse Box Cover	
90	1001228872	1	Filter, Coolant Screen	
91	1001238401	1	Hose	
92	1001238402	1	Hose	
93	1001238470	2	Fitting, Straight Barbed	
94	1001290054	1	Deutz HRC EMR5 Engine Assembly with Pumps - With Cold Weather Package (See Separate Breakdown in this Section)	

SECTION 3 - ENGINE

FIGURE 3-9. DEUTZ HRC EMR5 ENGINE INSTALLATION - WITHOUT COLD WEATHER PACKAGE

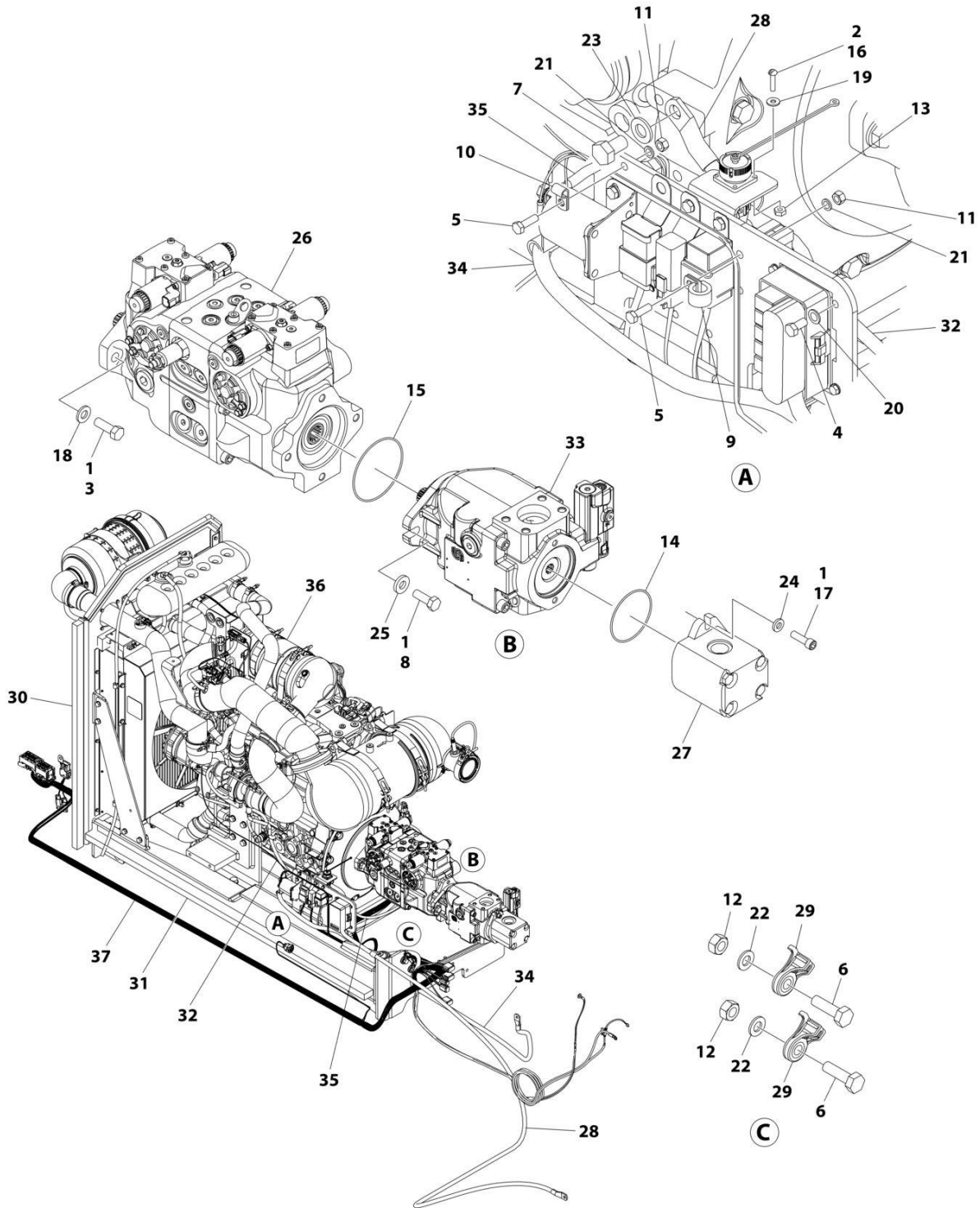
ITEM	PART NUMBER	QTY	DESCRIPTION	REV
	1001290057	Ref	DEUTZ HRC EMR5 ENGINE INSTALLATION - WITHOUT COLD WEATHER PACKAGE	A
1	0100011	AR	Compound, Locking	
2	0100020	AR	Sealant	
3	0440162	1	Bearing, Thrust	
4	0642220	1	Bolt 3/4 x 2-1/2	
5	0700810	3	Bolt M8 x 20	
6	0700812	1	Bolt M8 x 25	
7	0700820	7	Bolt M8 x 60	
8	0700827	3	Bolt M8 x 100	
9	0711015	1	Bolt M10 x 35	
10	0760408	4	Bolt M4 x 16	
11	0760516	2	Bolt M5 x 40	
12	0760606	4	Bolt M6 x 12	
13	0760608	1	Bolt M6 x 16	
14	0760613	4	Bolt M6 x 28	
15	0760807	1	Bolt M8 x 14	
16	0760810	2	Bolt M8 x 20	
17	0760812	1	Bolt M8 x 25	
18	0760814	1	Bolt M8 x 30	
19	0761015	5	Bolt M10 x 35	
20	0771416	2	Bolt M14 x 40	
21	0962051	2	Bearing, Flange	
22	1321716	6	Clamp	
23	1380147	1	Clip	
24	2180832	1	Fitting, Straight Barbed	
25	2220313	1	Fitting, 90 NPTF/Barbed	
26	2221114	1	Fitting, Straight NPT/Barbed	
27	2750532	7 ft/ 2m	Hose	
28	2840016	1	Jack with Handle	
29	3290301	2	Nut M3	
30	3290405	4	Nut M4	
31	3290501	2	Nut M5	
32	3290605	5	Nut M6	
33	3290805	6	Nut M8	
34	3290807	12	Nut M8	
35	3291007	5	Nut M10	
36	3331411	2	Nut M14	
37	3430816	1	Pin	
38	3450404	1	Pin, Cotter	
39	3841143	1	Keeper	
40	4010308	2	Screw M3 x 16	
41	4240099	AR	Tie-Strap (Not Shown)	
42	4711800	2	Washer 1/2	
43	4712200	2	Washer 3/4	
44	4811400	8	Washer M4	
45	4811600	2	Washer M5	
46	4811700	14	Washer M6	
47	4811900	30	Washer M8	
48	4811902	3	Washer M8	

SECTION 3 - ENGINE

ITEM	PART NUMBER	QTY	DESCRIPTION	REV
49	4812000	10	Washer M10	
50	4812200	4	Washer M14	
51	4871200	2	Washer M3	
52	4891800	1	Washer 1/2	
53	5241000	1	Washer M10	
54	8310067	1	Nut 3/4	
55	8406101	2	Clip	
56	8406102	3	Clip	
57	8406201	2	Clip	
58	8406303	1	Clip	
59	8410009	14	Clamp	
60	8410013	4	Clamp	
61	8750014	4	Clamp	
62	8750031	1	Plate	
63	8769123	3	Cover	
64	8769127	4	Clamp	
65	77133137	4	Cover	
66	82033995	41 ft/ 12.5m	Hose	
67	1001101580	1	Screw M8 x 30	
68	1001135196	1	Pin	
69	1001135497	1	Support	
70	1001136975	5	Clamp	
71	1001142501	2	Fitting, 90 NPT/Barbed	
72	1001154262	2	Fitting, Straight Barbed	
73	1001154405	5 ft/ 1.5m	Hose	
74	1001155823	3	Coupling	
75	1001155939	1	Plate	
76	1001156719	1	Seal	
77	1001159162	1	Bracket, Support	
78	1001162212	2	Fitting, Tee Barbed	
79	1001165035	34 ft/ 10.5m	Hose	
80	1001181625	2 ft/ 0.6m	Hose	
81	1001186342	4	Clip	
82	1001190475	1	Pipe, Exhaust	
83	1001193980	1	Hose, Coolant	
84	1001199670	1	Valve, Tank Coolant	
85	1001212056	1	Decal - Engine Fuse Box	
86	1001212825	1	Hose, Coolant	
87	1001213643	1	Hose	
88	1001216021	1	Relay	
89	1001224046	1	Decal - Engine Fuse Box Cover	
90	1001228872	1	Filter, Coolant Screen	
91	1001238401	1	Hose	
92	1001238402	1	Hose	
93	1001238470	2	Fitting, Straight Barbed	
94	1001290053	1	Deutz HRC EMR5 Engine Assembly with Pumps - Without Cold Weather Package (See Separate Breakdown in this Section)	

SECTION 3 - ENGINE

FIGURE 3-10. DEUTZ HRC EMR5 ENGINE/PUMP ASSEMBLY - WITH COLD WEATHER PACKAGE



ART_1001290054

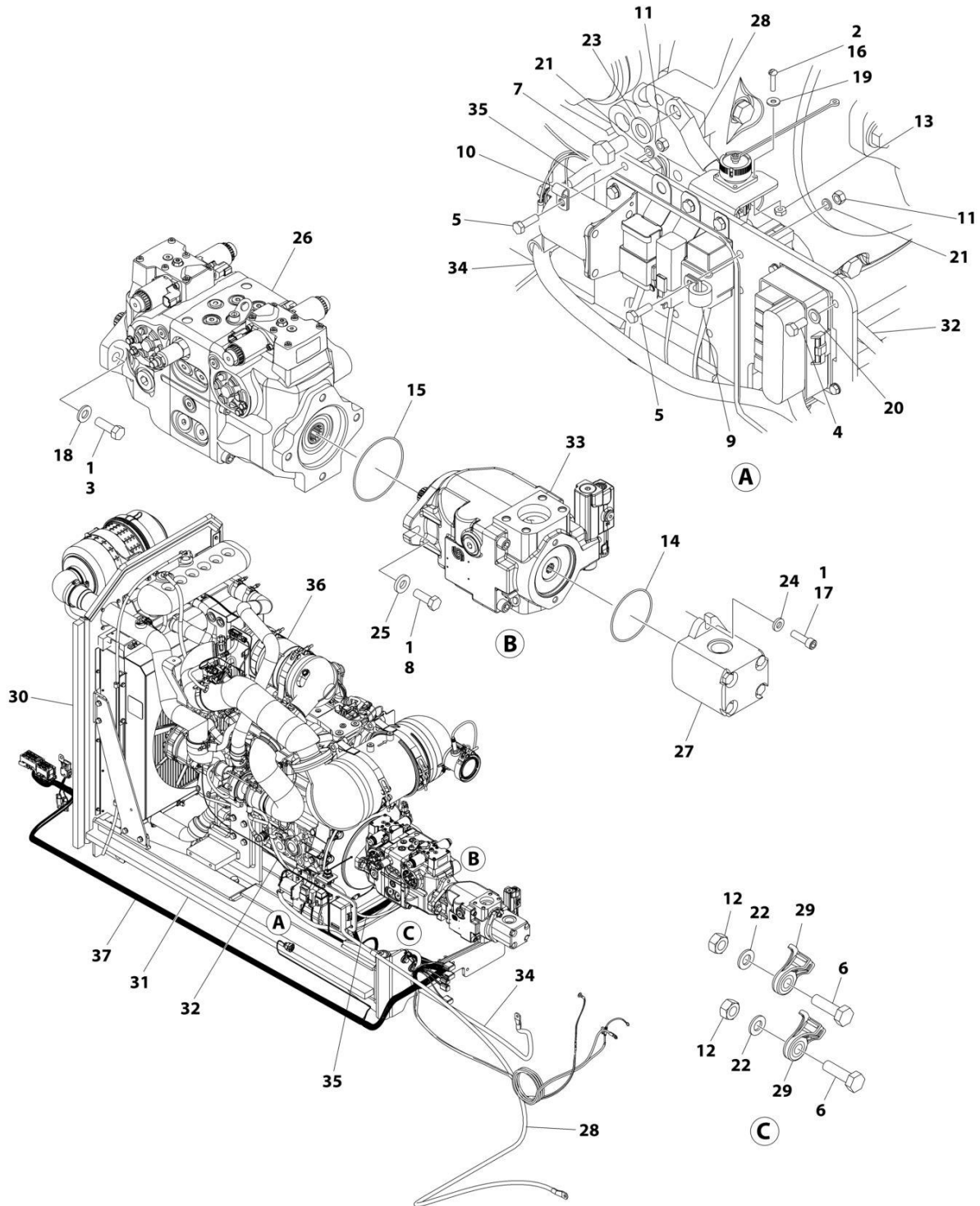
SECTION 3 - ENGINE

FIGURE 3-10. DEUTZ HRC EMR5 ENGINE/PUMP ASSEMBLY - WITH COLD WEATHER PACKAGE

ITEM	PART NUMBER	QTY	DESCRIPTION	REV
	1001290054	Ref	DEUTZ HRC EMR5 ENGINE/PUMP ASSEMBLY - WITH COLD WEATHER PACKAGE	A
1	0100011	AR	Compound, Locking	
2	0100035	AR	Compound, Locking	
3	0641812	2	Bolt 1/2 x 1-1/2	
4	0760508	4	Bolt M5 x 16	
5	0760610	2	Bolt M6 x 20	
6	0761015	2	Bolt M10 x 35	
7	0761210	1	Bolt M12 x 20	
8	0761215	2	Bolt M12 x 35	
9	1320041	1	Clamp	
10	1320136	1	Clamp	
11	3290607	2	Nut M6	
12	3291007	2	Nut M10	
13	3310401	3	Nut #4	
14	3790152	1	O-Ring	
15	3790155	1	O-Ring	
16	3910408	3	Screw #4 x 1/2	
17	3931620	2	Capscrew 3/8 x 1-1/4	
18	4740171	2	Washer	
19	4750400	3	Washer #4	
20	4811600	4	Washer M5	
21	4811700	2	Washer M6	
22	4812000	2	Washer M10	
23	4812100	1	Washer M12	
24	4891600	2	Washer 3/8	
25	4891800	2	Washer 1/2	
26	1001108616	1	Tandem Pump Assembly (See Separate Breakdown in this Section)	
27	1001112927	1	Gear Pump Assembly (See Separate Breakdown in this Section)	
28	1001154143	1	Cable, Battery Negative	
29	1001156107	2	Holder, Cable	
30	1001156718	1	Seal	
31	1001156719	1	Seal	
32	1001157073	1	Cable, Alternator	
33	1001169892	1	Piston Pump Assembly (See Separate Breakdown in this Section)	
34	1001197443	1	Cable, Battery Positive	
35	1001197445	1	Cable, Glow Plug	
36	1001290076	1	Engine Assembly (HRC) (See Separate Breakdown in this Section)	
37	1001291589	1	Engine Harness (See Separate Breakdown in ELECTRICAL Section)	

SECTION 3 - ENGINE

FIGURE 3-11. DEUTZ HRC EMR5 ENGINE/PUMP ASSEMBLY - WITHOUT COLD WEATHER PACKAGE



ART_1001290053

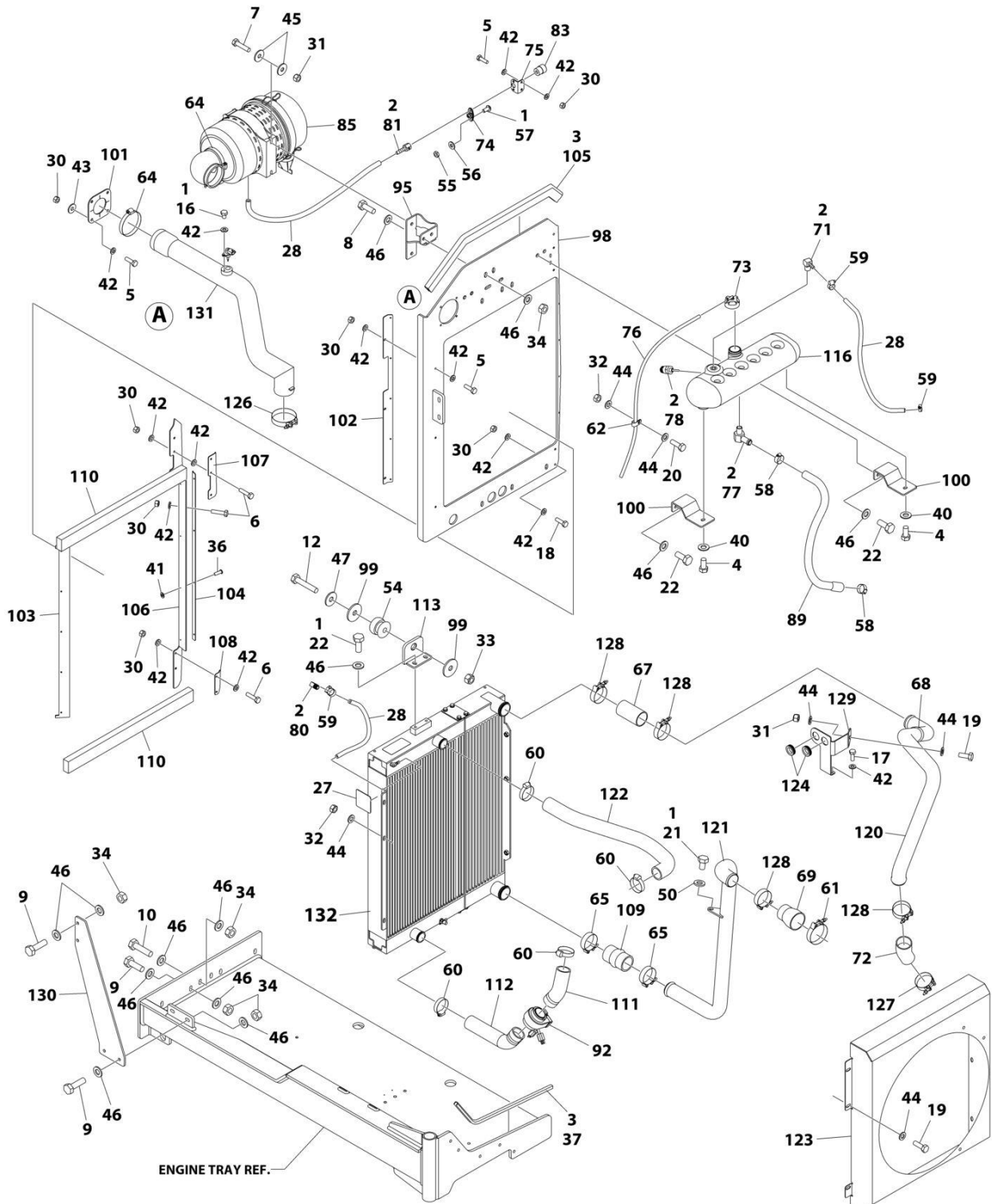
SECTION 3 - ENGINE

FIGURE 3-11. DEUTZ HRC EMR5 ENGINE/PUMP ASSEMBLY - WITHOUT COLD WEATHER PACKAGE

ITEM	PART NUMBER	QTY	DESCRIPTION	REV
	1001290053	Ref	DEUTZ HRC EMR5 ENGINE/PUMP ASSEMBLY - WITHOUT COLD WEATHER PACKAGE	A
1	0100011	AR	Compound, Locking	
2	0100035	AR	Compound, Locking	
3	0641812	2	Bolt 1/2 x 1-1/2	
4	0760508	4	Bolt M5 x 16	
5	0760610	2	Bolt M6 x 20	
6	0761015	2	Bolt M10 x 35	
7	0761210	1	Bolt M12 x 20	
8	0761215	2	Bolt M12 x 35	
9	1320041	1	Clamp	
10	1320136	1	Clamp	
11	3290607	2	Nut M6	
12	3291007	2	Nut M10	
13	3310401	3	Nut #4	
14	3790152	1	O-Ring	
15	3790155	1	O-Ring	
16	3910408	3	Screw #4 x 1/2	
17	3931620	2	Capscrew 3/8 x 1-1/4	
18	4740171	2	Washer	
19	4750400	3	Washer #4	
20	4811600	4	Washer M5	
21	4811700	2	Washer M6	
22	4812000	2	Washer M10	
23	4812100	1	Washer M12	
24	4891600	2	Washer 3/8	
25	4891800	2	Washer 1/2	
26	1001108616	1	Tandem Pump Assembly (See Separate Breakdown in this Section)	
27	1001112927	1	Gear Pump Assembly (See Separate Breakdown in this Section)	
28	1001154143	1	Cable, Battery Negative	
29	1001156107	2	Holder, Cable	
30	1001156718	1	Seal	
31	1001156719	1	Seal	
32	1001157073	1	Cable, Alternator	
33	1001169892	1	Piston Pump Assembly (See Separate Breakdown in this Section)	
34	1001197443	1	Cable, Battery Positive	
35	1001197445	1	Cable, Glow Plug	
36	1001290075	1	Engine Assembly (HRC) (See Separate Breakdown in this Section)	
37	1001291589	1	Engine Harness (See Separate Breakdown in ELECTRICAL Section)	

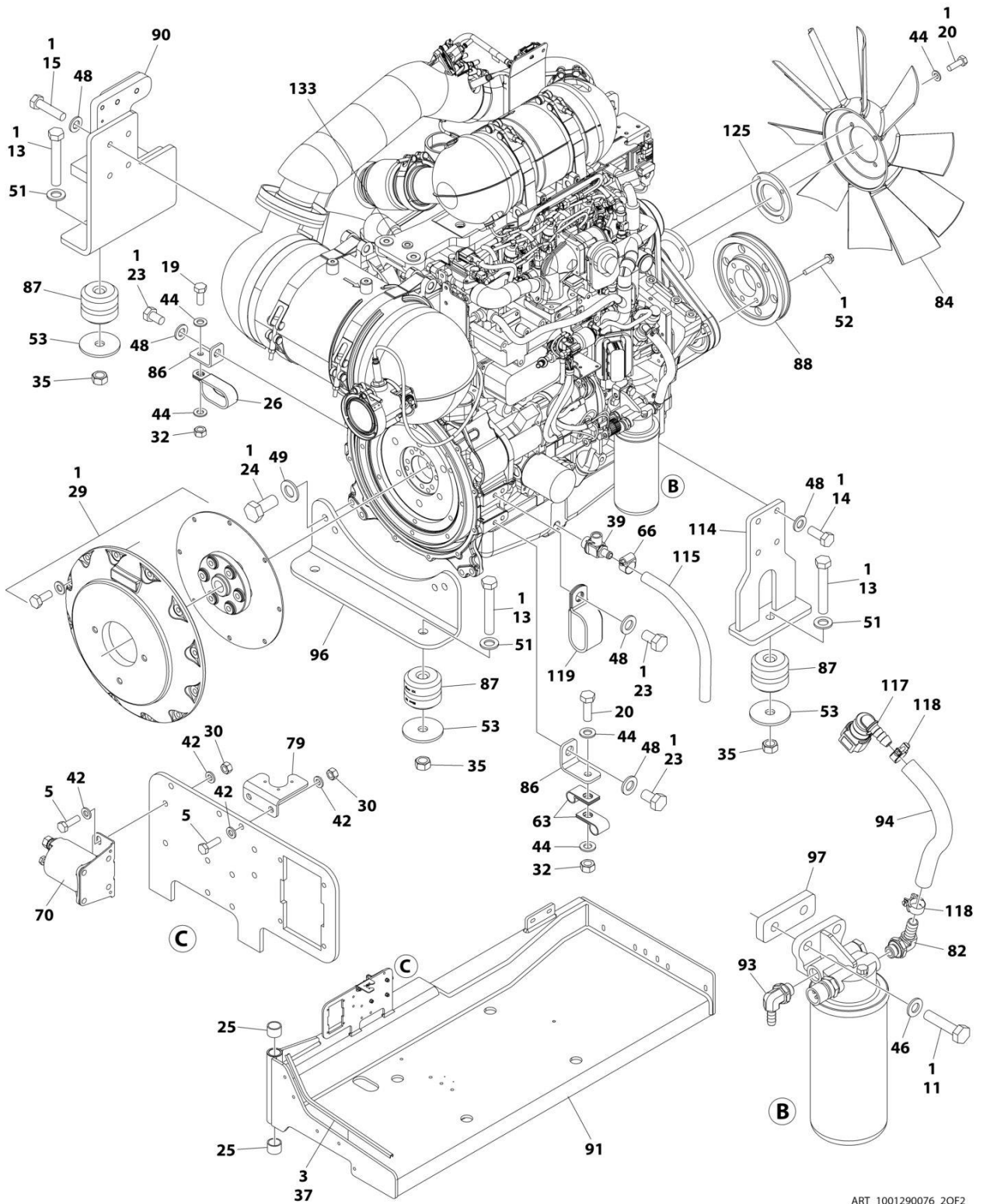
SECTION 3 - ENGINE

FIGURE 3-12. ENGINE ASSEMBLY EMR5 (HRC) (WITH COLD WEATHER PACKAGE)



ART_1001290076_10F2

SECTION 3 - ENGINE



ART_1001290076_20F2

SECTION 3 - ENGINE

FIGURE 3-12. ENGINE ASSEMBLY EMR5 (HRC) (WITH COLD WEATHER PACKAGE)

ITEM	PART NUMBER	QTY	DESCRIPTION	REV
	1001290076	Ref	ENGINE ASSEMBLY EMR5 (HRC) (WITH COLD WEATHER PACKAGE)	A
1	0100011	AR	Compound, Locking	
2	0100020	AR	Sealant	
3	0100081	AR	Adhesive	
4	0641606	2	Bolt 3/8 x 3/4	
5	0700610	13	Bolt M6 x 20	
6	0700612	7	Bolt M6 x 25	
7	0700815	2	Bolt M8 x 35	
8	0701013	2	Bolt M10 x 28	
9	0701015	6	Bolt M10 x 35	
10	0701016	2	Bolt M10 x 40	
11	0701017	2	Bolt M10 x 45	
12	0701019	1	Bolt M10 x 55	
13	0701627	4	Bolt M16 x 100	
14	0711214	4	Bolt M12 x 30	
15	0711218	4	Bolt M12 x 50	
16	0760604	1	Bolt M6 x 8	
17	0760608	2	Bolt M6 x 16	
18	0760614	2	Bolt M6 x 30	
19	0760810	6	Bolt M8 x 20	
20	0760812	7	Bolt M8 x 25	
21	0761008	1	Bolt M10 x 16	
22	0761012	6	Bolt M10 x 25	
23	0761210	3	Bolt M12 x 20	
24	0771415	4	Bolt M14 x 35	
25	0961951	2	Bushing	
26	1321716	1	Clamp	
27	1703162	2	Decal - Fan Blade	
28	2720015	5 ft/1.5 m	Hose	
29	2902065	1	Pump Coupling Kit (See Separate Breakdown in this Section)	
30	3290607	22	Nut M6	
31	3290805	3	Nut M8	
32	3290807	5	Nut M8	
33	3291005	1	Nut M10	
34	3291007	10	Nut M10	
35	3291601	4	Nut M16	
36	3820032	9	Rivet	
37	4060807	22 in/55 cm	Flex-Trim	
38	4240099	AR	Tie-Strap (Not Shown)	
39	4640751	1	Valve, Oil Drain	
40	4711600	2	Washer 3/8	
41	4811600	4	Washer M5	
42	4811700	43	Washer M6	
43	4811702	4	Washer M6	
44	4811900	19	Washer M8	
45	4811902	4	Washer M8	
46	4812000	30	Washer M10	
47	4812002	1	Washer M10	

SECTION 3 - ENGINE

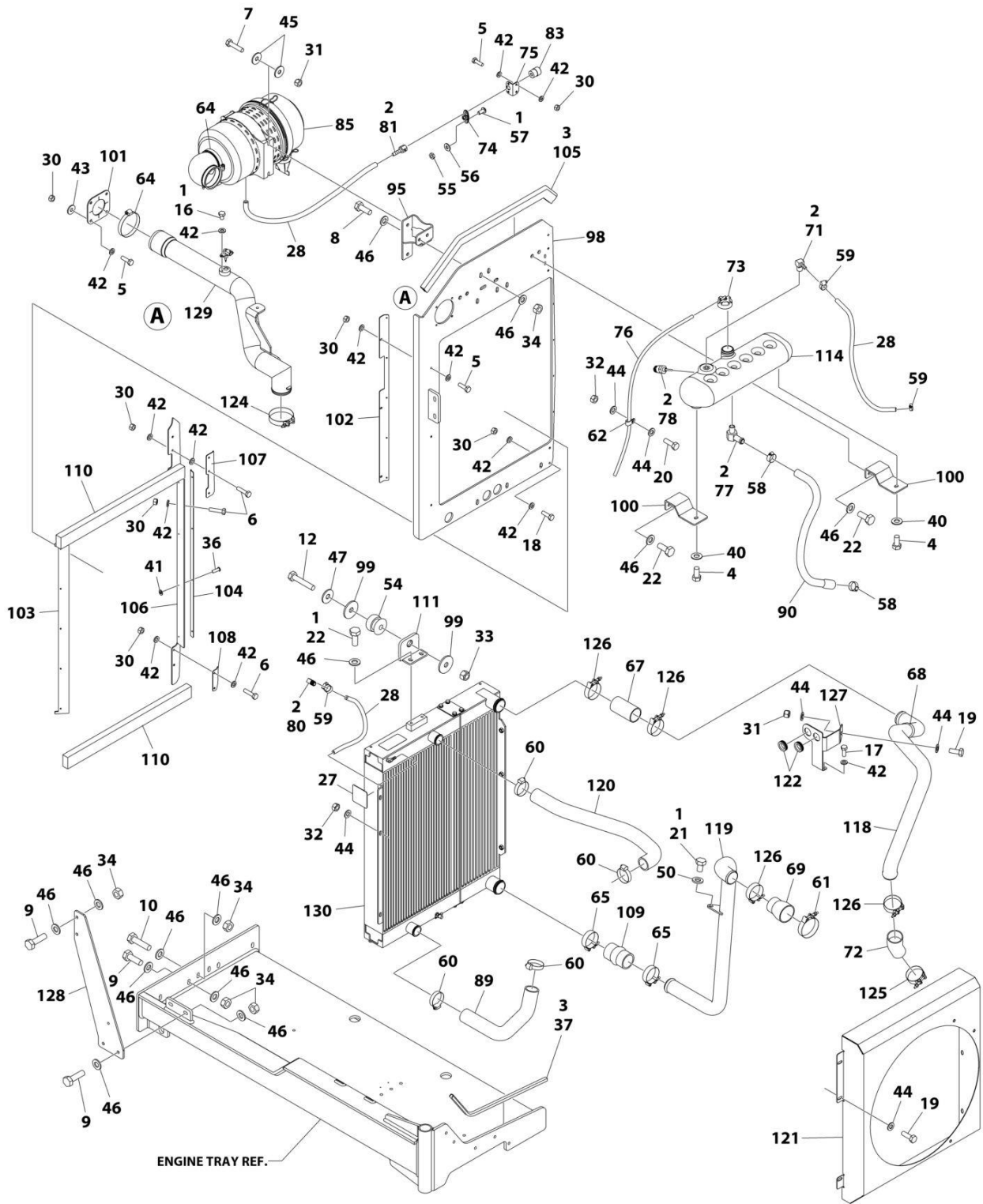
ITEM	PART NUMBER	QTY	DESCRIPTION	REV
48	4812100	11	Washer M12	
49	4812200	4	Washer M14	
50	5241000	1	Washer M10	
51	5241600	4	Washer M16	
52	5251022	6	Bolt M10 x 70	
53	7300435	4	Washer	
54	8278020	1	Mount	
55	8305401	2	Nut 1/4	
56	8307109	2	Washer 1/4	
57	8310548	2	Screw 1/4 x 1/2	
58	8405007	2	Clamp	
59	8405009	4	Clamp	
60	8405104	4	Clamp	
61	8405211	1	Clamp	
62	8406109	2	Clip	
63	8406110	2	Clip	
64	8410011	2	Clamp	
65	8410012	2	Clamp	
66	8410013	1	Clamp	
67	91563070	1	Coupling, Rubber	
68	1001097588	1	Clip	
69	1001117244	1	Reducer	
70	1001117308	1	Relay, 200Amp	
71	1001134488	1	Fitting, 90 Barbed	
72	1001135943	1	Coupling	
73	1001136834	1	Cap	
74	1001138173	1	Support	
75	1001138175	1	Bracket	
76	1001138248	5 ft/1.5 m	Tubing	
77	1001138559	1	Fitting, 90 NPTF/Barbed	
78	1001138827	1	Sensor	
79	1001139240	1	Bracket	
80	1001140564	1	Fitting, 90 Barbed	
81	1001141995	1	Fitting, Straight NPT/Barbed	
82	1001142501	1	Fitting, 90 Barbed	
83	1001143390	1	Indicator, Air Restriction	
84	1001147567	1	Fan	
85	1001147847	1	Filter, Air	
85	70023809	1	Element, Primary	
85	70023872	1	Element, Secondary	
85	70024328	1	Elbow, Rubber	
85	70024329	1	Clamp, Mounting	
86	1001148641	2	Bracket	
87	1001149517	4	Mount, Engine	
88	1001149746	1	Pulley	
89	1001150553	1	Hose	
90	1001151491	1	Support	
91	1001151749	1	Tray	
92	1001152112	1	Heater	
93	1001152489	1	Fitting, 90 Barbed	
94	1001154405	8 in/21 cm	Hose	

SECTION 3 - ENGINE

ITEM	PART NUMBER	QTY	DESCRIPTION	REV
95	1001155023	1	Plate	
96	1001155496	1	Support	
97	1001155498	1	Plate	
98	1001155525	1	Support	
99	1001155540	2	Washer	
100	1001155557	2	Plate	
101	1001155563	1	Seal	
102	1001155564	1	Bracket	
103	1001155565	1	Seal	
104	1001155566	1	Bracket	
105	1001155728	1	Seal	
106	1001156034	1	Seal	
107	1001156035	1	Bracket	
108	1001156062	1	Bracket	
109	1001156091	1	Hose	
110	1001156644	2	Seal	
111	1001157300	1	Hose	
112	1001157301	1	Hose	
113	1001157862	1	Bracket	
114	1001160518	1	Support	
115	1001165035	12 in/30 cm	Hose	
116	1001166393	1	Tank	
117	1001170982	1	Fitting, 90 SAE/Barbed	
118	1001175568	2	Clip	
119	1001181899	1	Clamp	
120	1001189291	1	Pipe, Exhaust	
121	1001190418	1	Tube	
122	1001191122	1	Hose	
123	1001192138	1	Shroud	
124	1001193599	2	Grommet	
125	1001197317	1	Spacer	
126	1001208297	1	Clamp	
127	1001208298	1	Clamp	
128	1001208299	4	Clamp	
129	1001212810	1	Support	
130	1001212817	1	Plate	
131	1001212826	1	Tube, Intake	
132	1001256862	1	Radiator	
133	1001289693	1	Engine Components (See Separate Breakdown in this Section)	

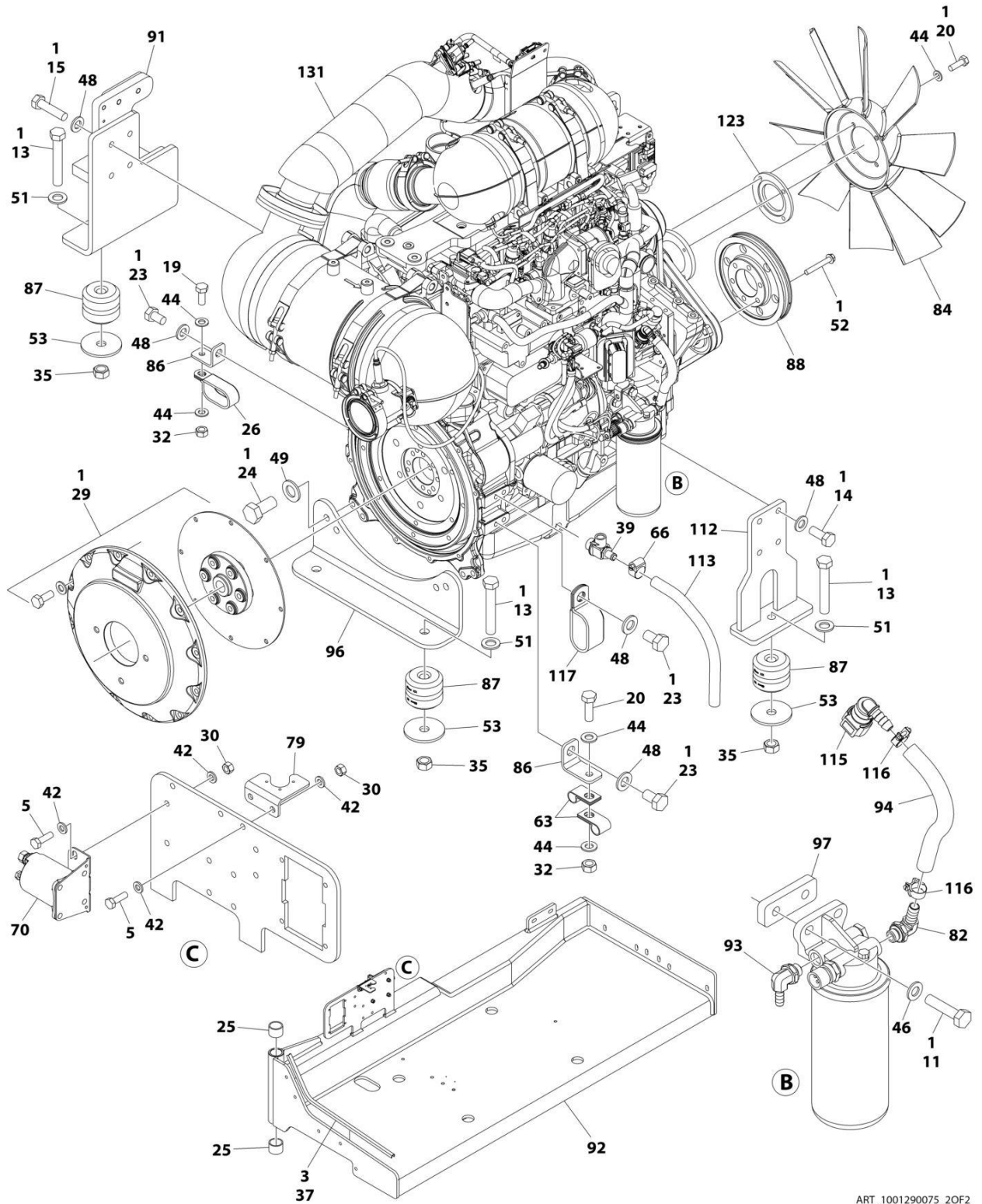
SECTION 3 - ENGINE

FIGURE 3-13. ENGINE ASSEMBLY EMR5 (HRC) (WITHOUT COLD WEATHER PACKAGE)



ART_1001290075_1OF2

SECTION 3 - ENGINE



ART_1001290075_20F2

SECTION 3 - ENGINE

FIGURE 3-13. ENGINE ASSEMBLY EMR5 (HRC) (WITHOUT COLD WEATHER PACKAGE)

ITEM	PART NUMBER	QTY	DESCRIPTION	REV
	1001290075	Ref	ENGINE ASSEMBLY EMR5 (HRC) (WITHOUT COLD WEATHER PACKAGE)	A
1	0100011	AR	Compound, Locking	
2	0100020	AR	Sealant	
3	0100081	AR	Adhesive	
4	0641606	2	Bolt 3/8 x 3/4	
5	0700610	13	Bolt M6 x 20	
6	0700612	7	Bolt M6 x 25	
7	0700815	2	Bolt M8 x 35	
8	0701013	2	Bolt M10 x 28	
9	0701015	6	Bolt M10 x 35	
10	0701016	2	Bolt M10 x 40	
11	0701017	2	Bolt M10 x 45	
12	0701019	1	Bolt M10 x 55	
13	0701627	4	Bolt M16 x 100	
14	0711214	4	Bolt M12 x 30	
15	0711218	4	Bolt M12 x 50	
16	0760604	1	Bolt M6 x 8	
17	0760608	2	Bolt M6 x 16	
18	0760614	2	Bolt M6 x 30	
19	0760810	6	Bolt M8 x 20	
20	0760812	7	Bolt M8 x 25	
21	0761008	1	Bolt M10 x 16	
22	0761012	6	Bolt M10 x 25	
23	0761210	3	Bolt M12 x 20	
24	0771415	4	Bolt M14 x 35	
25	0961951	2	Bushing	
26	1321716	1	Clamp	
27	1703162	2	Decal - Fan Blade	
28	2720015	5 ft/1.5 m	Hose	
29	2902065	1	Pump Coupling Kit (See Separate Breakdown in this Section)	
30	3290607	22	Nut M6	
31	3290805	3	Nut M8	
32	3290807	5	Nut M8	
33	3291005	1	Nut M10	
34	3291007	10	Nut M10	
35	3291601	4	Nut M16	
36	3820032	9	Rivet	
37	4060807	22 in/55 cm	Flex-Trim	
38	4240099	AR	Tie-Strap (Not Shown)	
39	4640751	1	Valve, Oil Drain	
40	4711600	2	Washer 3/8	
41	4811600	4	Washer M5	
42	4811700	43	Washer M6	
43	4811702	4	Washer M6	
44	4811900	19	Washer M8	
45	4811902	4	Washer M8	
46	4812000	30	Washer M10	
47	4812002	1	Washer M10	

SECTION 3 - ENGINE

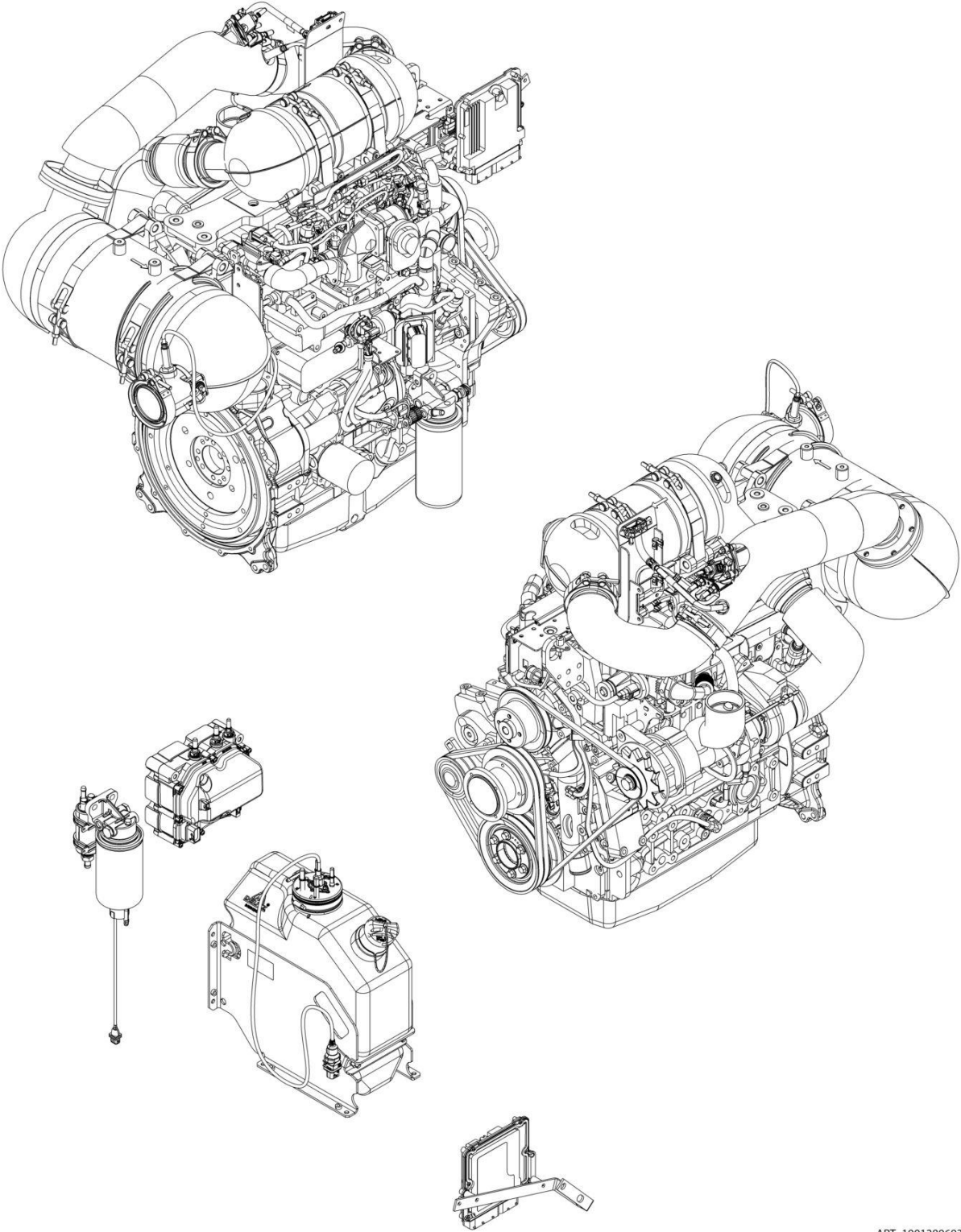
ITEM	PART NUMBER	QTY	DESCRIPTION	REV
48	4812100	11	Washer M12	
49	4812200	4	Washer M14	
50	5241000	1	Washer M10	
51	5241600	4	Washer M16	
52	5251022	6	Bolt M10 x 70	
53	7300435	4	Washer	
54	8278020	1	Mount	
55	8305401	2	Nut 1/4	
56	8307109	2	Washer 1/4	
57	8310548	2	Screw 1/4 x 1/2	
58	8405007	2	Clamp	
59	8405009	4	Clamp	
60	8405104	4	Clamp	
61	8405211	1	Clamp	
62	8406109	2	Clip	
63	8406110	2	Clip	
64	8410011	2	Clamp	
65	8410012	2	Clamp	
66	8410013	1	Clamp	
67	91563070	1	Coupling, Rubber	
68	1001097588	1	Clip	
69	1001117244	1	Reducer	
70	1001117308	1	Relay, 200Amp	
71	1001134488	1	Fitting, 90 Barbed	
72	1001135943	1	Coupling	
73	1001136834	1	Cap	
74	1001138173	1	Support	
75	1001138175	1	Bracket	
76	1001138248	5 ft/1.5 m	Tubing	
77	1001138559	1	Fitting, 90 NPTF/Barbed	
78	1001138827	1	Sensor	
79	1001139240	1	Bracket	
80	1001140564	1	Fitting, 90 Barbed	
81	1001141995	1	Fitting, Straight NPT/Barbed	
82	1001142501	1	Fitting, 90 Barbed	
83	1001143390	1	Indicator, Air Restriction	
84	1001147567	1	Fan	
85	1001147847	1	Filter, Air	
85	70023809	1	Element, Primary	
85	70023872	1	Element, Secondary	
85	70024328	1	Elbow, Rubber	
85	70024329	1	Clamp, Mounting	
86	1001148641	2	Bracket	
87	1001149517	4	Mount, Engine	
88	1001149746	1	Pulley	
89	1001150504	1	Hose	
90	1001150553	1	Hose	
91	1001151491	1	Support	
92	1001151749	1	Tray	
93	1001152489	1	Fitting, 90 Barbed	
94	1001154405	8 in/21 cm	Hose	

SECTION 3 - ENGINE

ITEM	PART NUMBER	QTY	DESCRIPTION	REV
95	1001155023	1	Plate	
96	1001155496	1	Support	
97	1001155498	1	Plate	
98	1001155525	1	Support	
99	1001155540	2	Washer	
100	1001155557	2	Plate	
101	1001155563	1	Seal	
102	1001155564	1	Bracket	
103	1001155565	1	Seal	
104	1001155566	1	Bracket	
105	1001155728	1	Seal	
106	1001156034	1	Seal	
107	1001156035	1	Bracket	
108	1001156062	1	Bracket	
109	1001156091	1	Hose	
110	1001156644	2	Seal	
111	1001157862	1	Bracket	
112	1001160518	1	Support	
113	1001165035	12 in/30 cm	Hose	
114	1001166393	1	Tank	
115	1001170982	1	Fitting, 90 SAE/Barbed	
116	1001175568	2	Clip	
117	1001181899	1	Clamp	
118	1001189291	1	Pipe, Exhaust	
119	1001190418	1	Tube	
120	1001191122	1	Hose	
121	1001192138	1	Shroud	
122	1001193599	2	Grommet	
123	1001197317	1	Spacer	
124	1001208297	1	Clamp	
125	1001208298	1	Clamp	
126	1001208299	4	Clamp	
127	1001212810	1	Support	
128	1001212817	1	Plate	
129	1001212826	1	Tube, Intake	
130	1001256862	1	Radiator	
131	1001289693	1	Engine Components (See Separate Breakdown in this Section)	

SECTION 3 - ENGINE

FIGURE 3-14. DEUTZ HRC EMR5 ENGINE COMPONENTS



ART_1001289693

SECTION 3 - ENGINE

FIGURE 3-14. DEUTZ HRC EMR5 ENGINE COMPONENTS

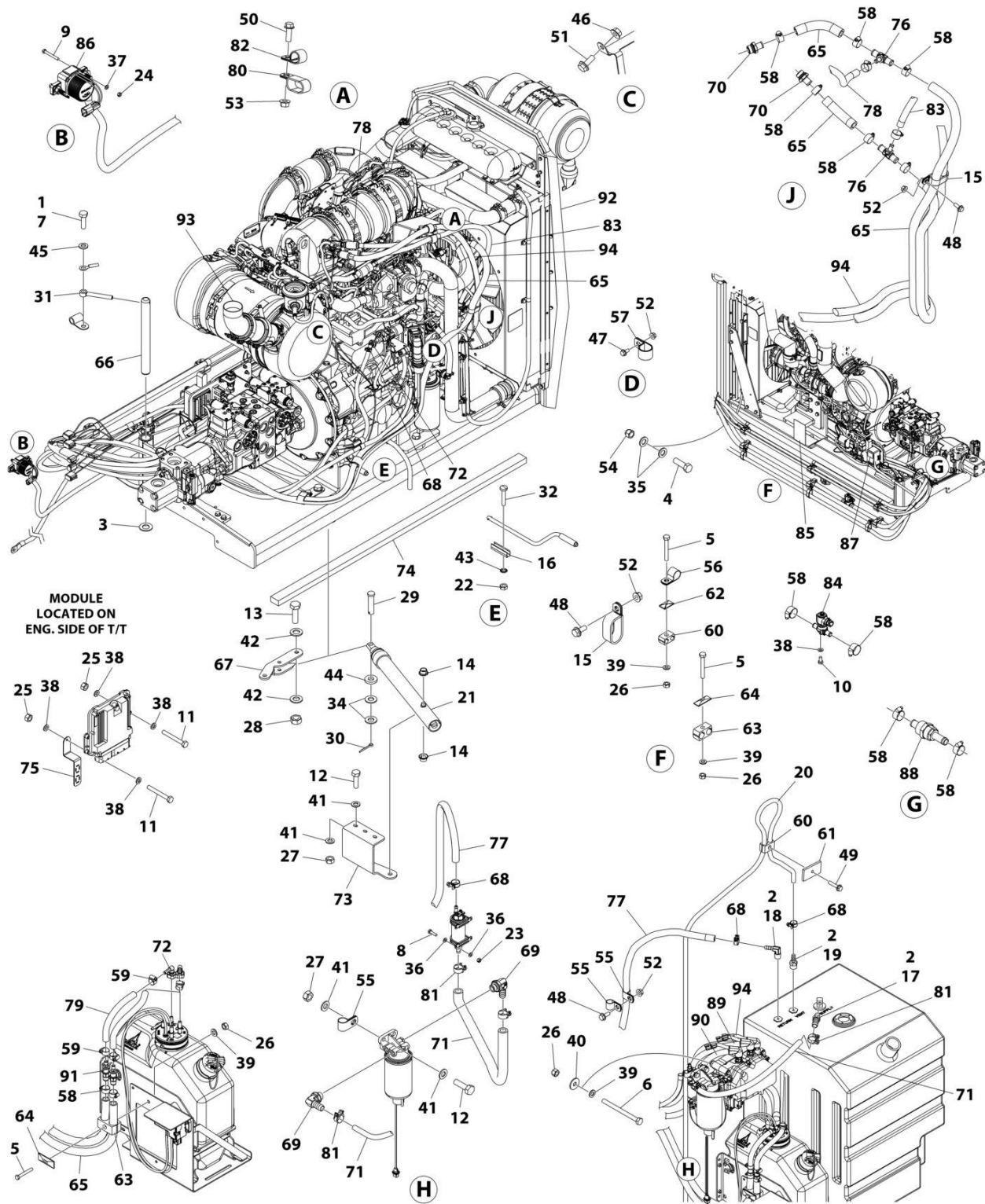
ITEM	PART NUMBER	QTY	DESCRIPTION	REV
	1001289693	Ref	DEUTZ TCD3.6L - EMR5 ENGINE COMPONENTS	A
	See Note	Ref	Note: Contact JLG Customer Service for availability for addition components.	
		Ref	AIR INTAKE SYSTEM COMPONENTS	
	70028927	1	Charge Air Elbow	
	70124432	1	Breather Line	
	70007083	1	Turbocharger	
		Ref	COOLING SYSTEM COMPONENTS	
	70004515	1	Pump, Water	
		Ref	ELECTRICAL COMPONENTS	
	70008427	1	Module	
	70028538	1	Sensor, Fuel Pressure	
	70030378	1	Generator	
	70004520	1	Starter	
	70028542	4	Plug, Glow	
	70005556	1	Transmitter, Temperature	
	70026210	1	Sensor, Speed	
	7008431	1	Sensor, Pressure	
	70025737	1	Sensor, Wheel	
		Ref	EXHAUST COMPONENTS	
	70027422	1	Pipe, Exhaust	
	NPN	1	Manifold, Exhaust	
	70029379	4	Valve, Exhaust	
	70028989	1	Valve, Shuttle	
	70008612	1	DEF Tank Assembly (Includes Cap, Filler Filter & Venting Valve)	
	70027495	1	Filter, Filler - DEF Tank	
	70008613	1	Cap/Cover, DEF Tank	
	70027467	1	Valve, Venting - DEF Tank	
	1001293066	1	Sensor, Level - DEF Tank	
	70027463	1	Clip, Level Sensor - DEF Tank	
	70027464	1	Filter, DEF In-line	
		Ref	FUEL SYSTEM COMPONENTS	
	70008425	1	Pump, High Pressure	
	70004508	1	Valve, Volume Control	
	70024485	4	Injector, Fuel	
	70006144	1	Pump, Fuel Supply	
	70025153	1	Filter, Fuel (Pre-Filter) Assembly	
	70029580	1	Filter, Fuel	
	70024513	1	Sensor, Cable	
	7016331	1	Filter, Fuel	
		Ref	GASKET AND SEAL COMPONENT	
	7020442	2	Seal, Dipstick	
	7020404	1	Seal, Oil Plug	
	70025789	1	Gasket, Head	
	70030375	1	Gasket, Valve Cover	
	70029386	1	O-Ring, Oil Pump	
	70029385	1	Gasket, Oil Pump	
	70024495	1	Gasket, Oil Cooler	
	70024475	1	Gasket, Charge Air Housing	
	70005497	1	Seal, Coolant Pump	

SECTION 3 - ENGINE

ITEM	PART NUMBER	QTY	DESCRIPTION	REV
	70029399	1	Gasket, Exhaust Manifold	
	70024500	1	Gasket, Exhaust Pipe	
	70007326	1	Gasket, EGR	
		Ref	OTHER COMPONENTS	
	70001870	1	Flywheel (Includes Ring Gear)	
	7024579	1	Gear, Ring	
	70005516	1	V-Belt	
		Ref	OIL LUBE SYSTEMS	
	70025745	1	Dipstick	
	7020465	1	Cap, Filler	
	70005941	1	Plug, Oil	
	70031215	1	Pump, Oil	
	70024494	1	Cooler, Oil	

SECTION 3 - ENGINE

FIGURE 3-15. DEUTZ HRC (STAGE V) ENGINE INSTALLATION - WITHOUT COLD WEATHER PKG



ART_1001259195

SECTION 3 - ENGINE

FIGURE 3-15. DEUTZ HRC (STAGE V) ENGINE INSTALLATION - WITHOUT COLD WEATHER PKG

ITEM	PART NUMBER	QTY	DESCRIPTION	REV
	1001259195	Ref	DEUTZ T4F ENGINE INSTALLATION	B
1	0100011	AR	Compound, Locking	
2	0100020	AR	Sealant	
3	0440162	1	Bearing, Thrust	
4	0642220	1	Bolt 3/4 x 2-1/2	
5	0700820	7	Bolt M8 x 60	
6	0700827	3	Bolt M8 x 100	
7	0711015	1	Bolt M10 x 35 Grade 10.9	
8	0760408	4	Bolt M4 x 16	
9	0760516	2	Bolt M5 x 40	
10	0760606	4	Bolt M6 x 12	
11	0760613	4	Bolt M6 x 28	
12	0761015	5	Bolt M10 x 35	
13	0771416	2	Bolt M14 x 40 Grade 10.9	
14	0962051	2	Bearing, Flange	
15	1321716	4	Clamp	
16	1380147	1	Clip	
17	2180832	1	Fitting, Straight NPT/Barbed	
18	2220313	1	Fitting, 90 NPT/Barbed	
19	2221114	1	Fitting, Straight NPT/Barbed	
20	2750532	6.9 ft/ 2.1m	Hose	
21	2840016	1	Jack with Handle	
21	7016322	1	Wiper (Burr Manufacturing Brand Only)	
21	7016374	1	Handle (Burr Manufacturing Brand)	
21	7024598	1	Handle (Hammerblow Corp Brand)	
22	3290301	2	Nut M3	
23	3290405	4	Nut M4	
24	3290501	2	Nut M5	
25	3290605	4	Nut M6 x 1	
26	3290805	10	Nut M8	
27	3291007	5	Nut M10	
28	3331411	2	Nut M14	
29	3430816	1	Pin	
30	3450404	1	Pin, Cotter 1/8 x 1	
31	3841143	1	Keeper	
32	4010308	2	Screw M3 x16	
33	4240099	AR	Tie-Strap (Not Shown)	
34	4711800	2	Washer 1/2	
35	4712200	2	Washer 3/4	
36	4811400	8	Washer M4	
37	4811600	2	Washer M5	
38	4811700	12	Washer M6	
39	4811900	13	Washer M8	
40	4811902	3	Washer M8	
41	4812000	10	Washer M10	
42	4812200	4	Washer M14	
43	4871200	2	Washer M3	
44	4891800	1	Washer 1/2	
45	5241000	1	Washer M10	

SECTION 3 - ENGINE

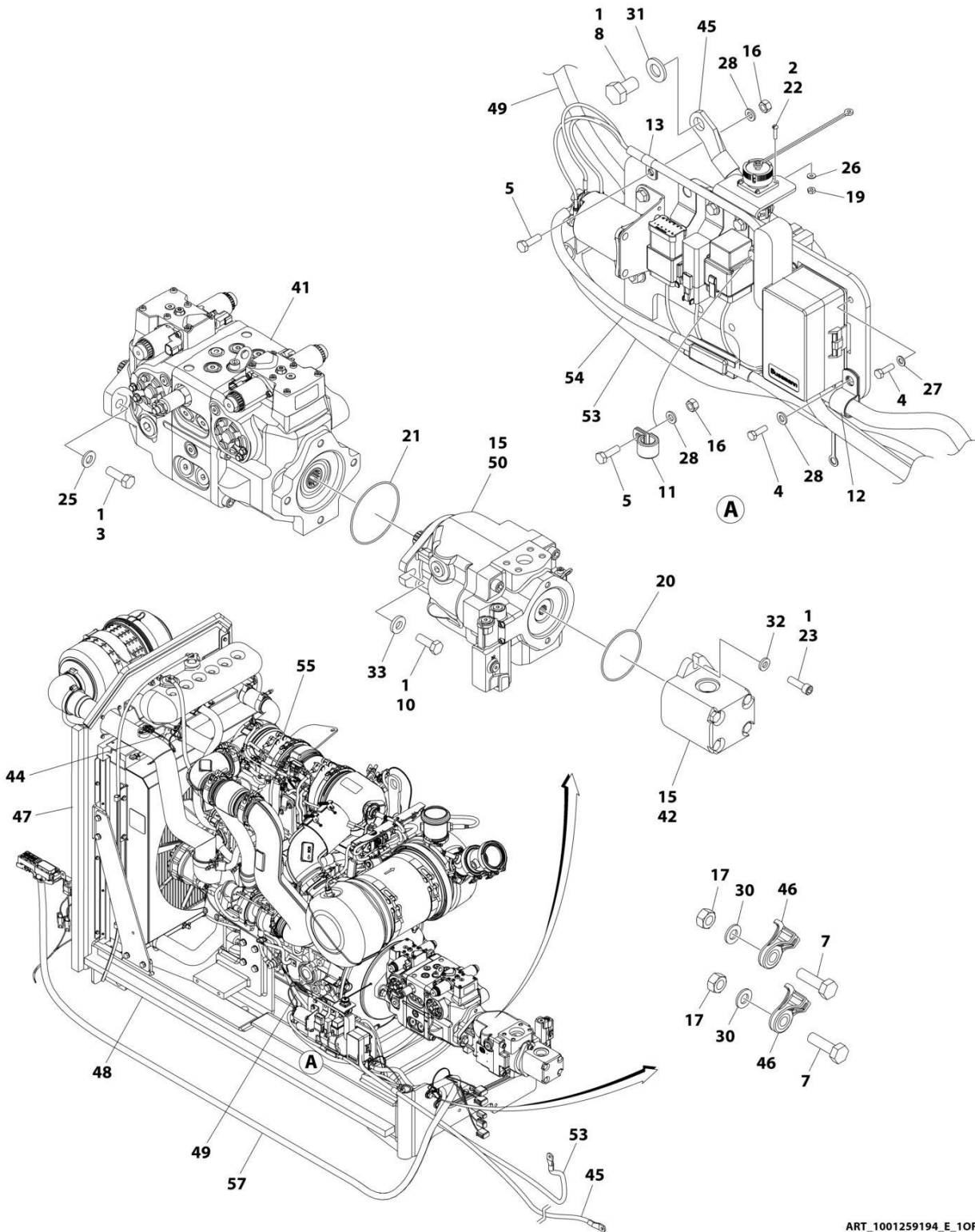
ITEM	PART NUMBER	QTY	DESCRIPTION	REV
46	5250608	1	Bolt M6 x 16	
47	5250808	1	Bolt M8 x 16	
48	5250810	5	Bolt M8 x 20	
49	5250814	1	Bolt M8 x 30	
50	5251215	1	Bolt M12 x 35	
51	5260600	1	Nut M6	
52	5260800	6	Nut M8	
53	5261200	1	Nut M12	
54	8310067	1	Nut 3/4	
55	8406101	3	Clip	
56	8406102	3	Clip	
57	8406303	1	Clip	
58	8410009	14	Clamp	
59	8410013	4	Clamp	
60	8750014	4	Clamp	
61	8750031	1	Plate	
62	8769123	3	Cover	
63	8769127	4	Clamp	
64	77133137	4	Cover	
65	82033995	46 ft/ 14m	Hose	
66	1001135196	1	Pin	
67	1001135497	1	Support	
68	1001136975	5	Clamp	
69	1001142501	2	Fitting, 90 NPT/Barbed	
70	1001154262	2	Fitting, Adaptor	
71	1001154405	3.6 ft/ 1.1m	Hose	
72	1001155823	3	Coupling	
73	1001155939	1	Plate	
74	1001156719	1	Seal	
75	1001159162	1	Bracket, Support	
76	1001162212	2	Fitting, Tee	
77	1001165035	37.4 ft/ 11.4m	Hose	
78	1001169409	1	Hose	
79	1001181625	1.3 ft/ 0.4m	Hose	
80	1001181899	1	Clamp	
81	1001186342	4	Clip	
82	1001191620	1	Clamp	
83	1001193980	1	Hose, Coolant	
84	1001199670	1	Valve, Tank Coolant	
85	1001212056	1	Decal - Engine Fuse Box	
86	1001216021	1	Relay	
87	1001224046	1	Decal – Engine Fuse Box Cover	
88	1001228872	1	Filter, Coolant Screen	
89	1001238401	1	Hose, Backflow	
90	1001238402	1	Hose, Suction	
91	1001238470	2	Adapter	
92	1001259194	1	Deutz HRC (Stage V) Engine Assembly – Without Cold Weather Package (See Separate Breakdown in this Section)	
93	1001259204	1	Pipe	

SECTION 3 - ENGINE

ITEM	PART NUMBER	QTY	DESCRIPTION	REV
94	1001260943	1	Hose	

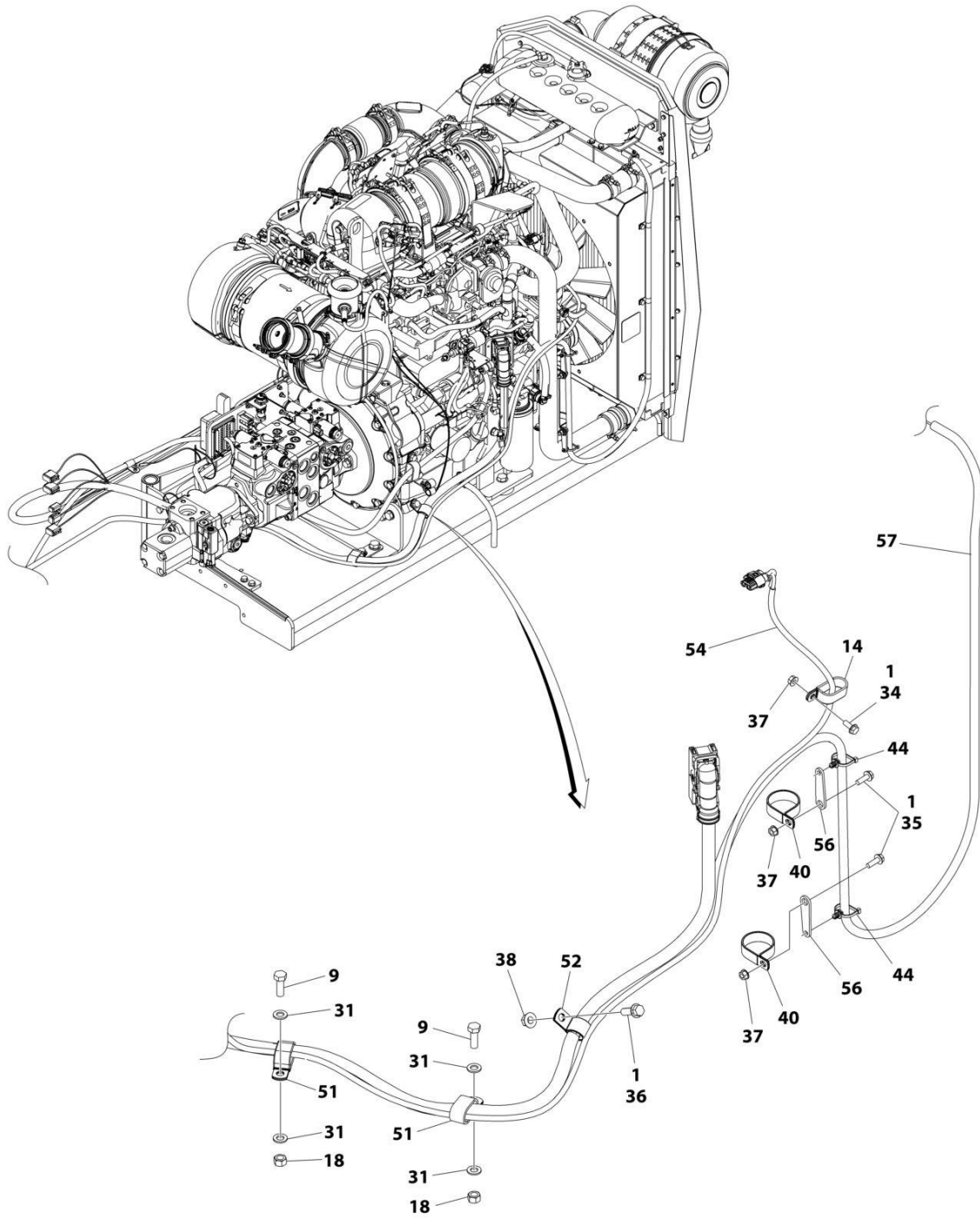
SECTION 3 - ENGINE

FIGURE 3-16. DEUTZ HRC (STAGE V) ENGINE/PUMP ASSEMBLY - WITHOUT COLD WEATHER PKG



ART_1001259194_E_10F2

SECTION 3 - ENGINE



ART_1001259194_E_20F2

SECTION 3 - ENGINE

FIGURE 3-16. DEUTZ HRC (STAGE V) ENGINE/PUMP ASSEMBLY - WITHOUT COLD WEATHER PKG

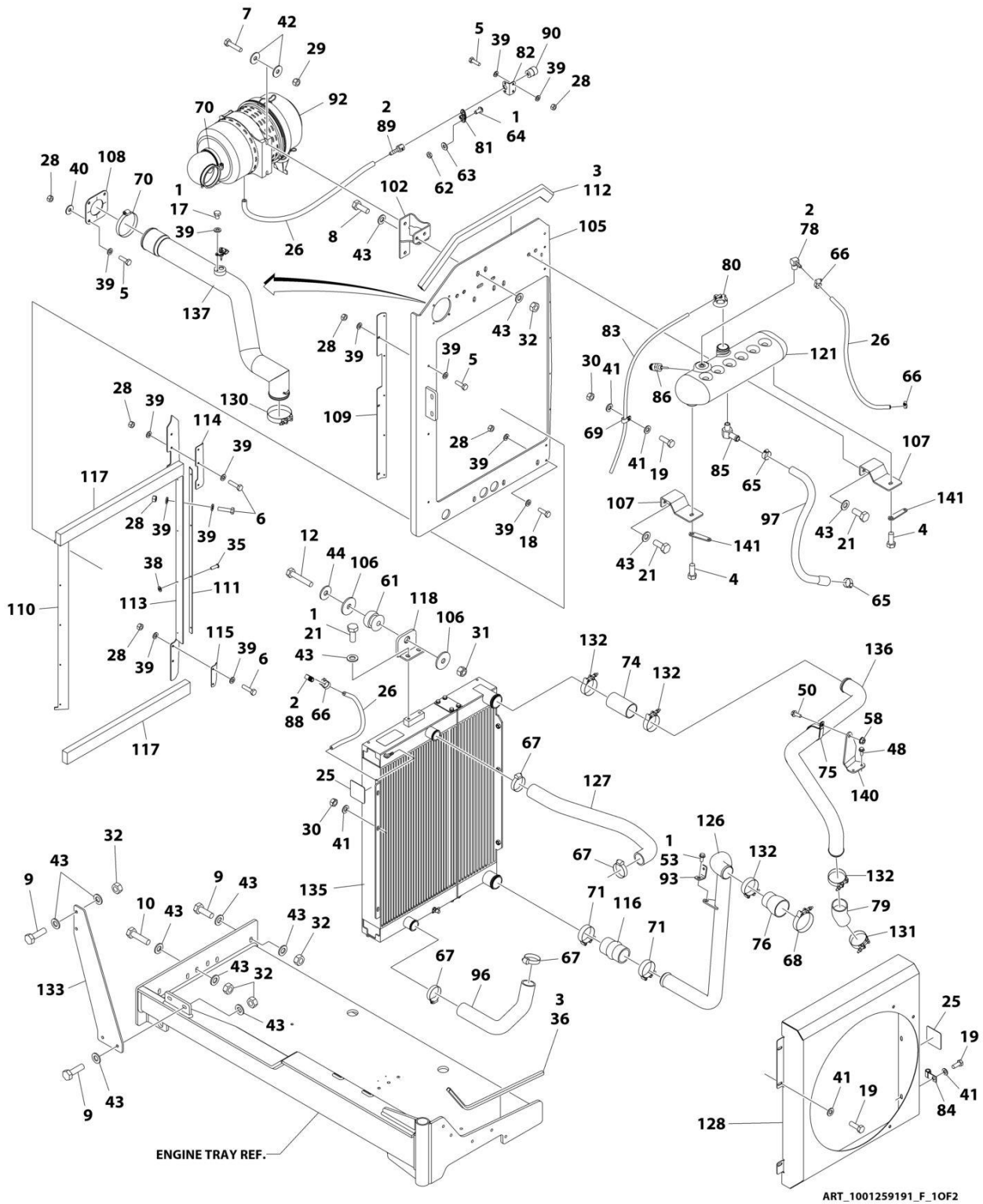
ITEM	PART NUMBER	QTY	DESCRIPTION	REV
	1001259194	Ref	DEUTZ T4F ENGINE/PUMP ASSEMBLY	E
1	0100011	AR	Compound, Locking	
2	0100035	AR	Compound, Locking	
3	0641812	2	Bolt 1/2 x 1-1/2	
4	0760508	4	Bolt M5 x 16	
5	0760610	2	Bolt M6 x 20	
7	0761015	2	Bolt M10 x 35	
8	0761210	1	Bolt M12 x 20	
9	0761215	2	Bolt M12 x 35	
10	0761216	2	Bolt M12 x 40	
11	1320041	1	Clamp	
12	1320061	1	Clamp	
13	1320136	1	Clamp	
14	1321716	1	Clamp	
15	3020037	AR	Grease, Dielectric	
16	3290607	2	Nut M6	
17	3291007	2	Nut M10	
18	3291207	2	Nut M12	
19	3310401	3	Nut #4	
20	3790152	1	O-Ring	
21	3790155	1	O-Ring	
22	3910408	3	Screw #4 x 1/2	
23	3931620	2	Screw 3/8 x 1-1/4	
24	4240099	AR	Tie-Strap (Not Shown)	
25	4740171	2	Washer	
26	4750400	3	Washer #4	
27	4811600	3	Washer M5	
28	4811700	3	Washer M6	
30	4812000	2	Washer M10	
31	4812100	5	Washer M12	
32	4891600	2	Washer 3/8	
33	4891800	2	Washer 1/2	
34	5250810	1	Bolt M8 x 20	
35	5250812	2	Bolt M8 x 25	
36	5251215	1	Bolt M12 x 35	
37	5260800	3	Nut M8	
38	5261200	1	Nut M10	
40	1001097588	2	Clamp	
41	1001108616	1	Pump, Tandem (See Separate Breakdown in this Section)	
42	1001112927	1	Pump, Gear (See Separate Breakdown in this Section)	
44	1001146588	4	Tie-Strap	
45	1001154143	1	Cable, Battery (Negative)	
46	1001156107	2	Holder, Cable	
47	1001156718	1	Seal	
48	1001156719	1	Seal	
49	1001157073	1	Cable, Alternator Power	
50	1001169892	1	Pump, Piston (See Separate Breakdown in this Section)	
51	1001181899	2	Clamp	
52	1001191620	1	Clamp	
53	1001197443	1	Cable, Battery (Positive)	

SECTION 3 - ENGINE

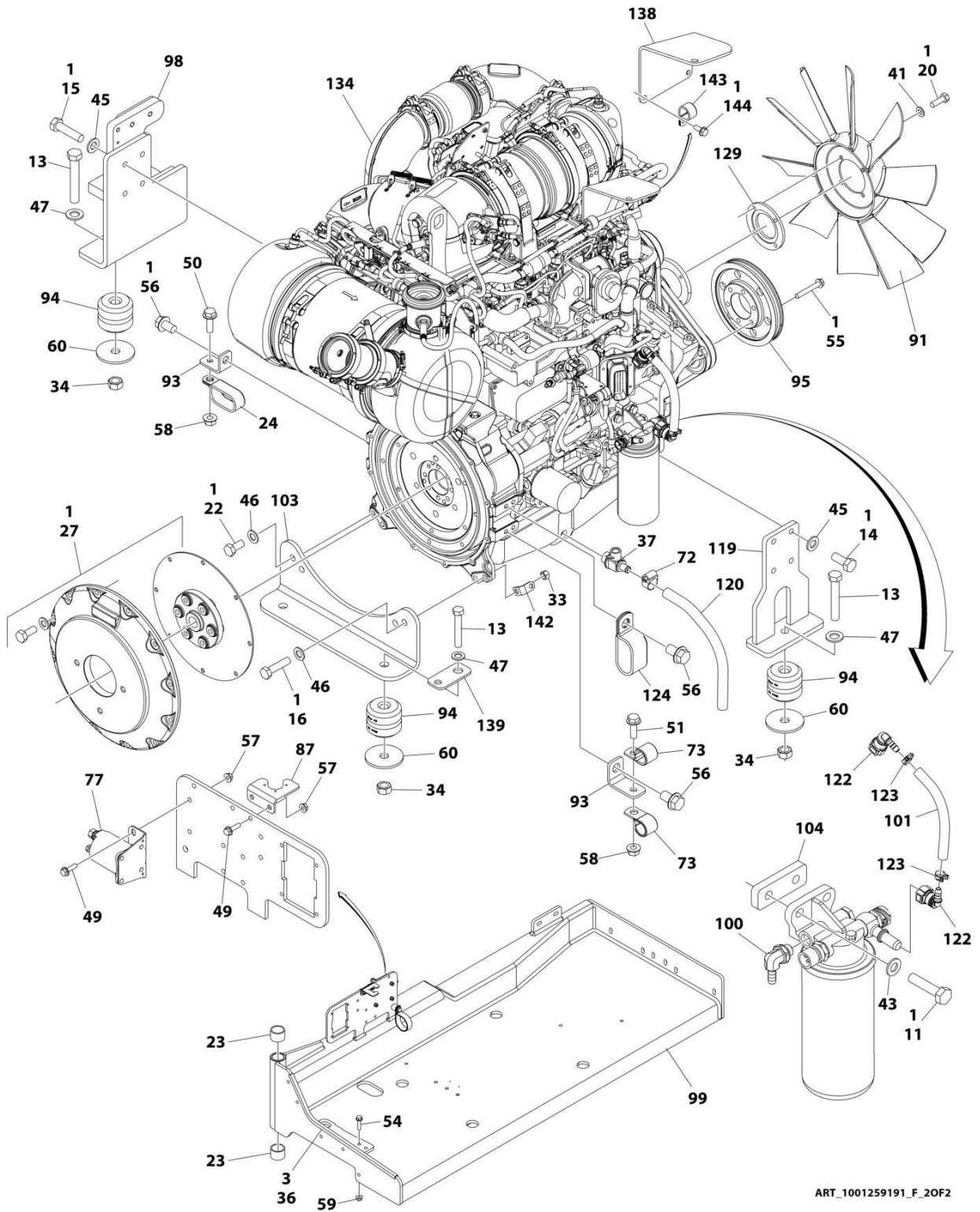
ITEM	PART NUMBER	QTY	DESCRIPTION	REV
54	1001274992	1	Cable, Glow Plug	
55	1001259191	1	Deutz HRC Engine Assembly – With Cold Weather Package (See Separate Breakdown in this Section)	
56	1001260307	2	Bracket	
57	1001262056	1	Harness, Engine (See Separate Breakdown in ELECTRICAL Section)	

SECTION 3 - ENGINE

FIGURE 3-17. DEUTZ HRC (STAGE V) ENGINE ASSEMBLY - WITHOUT COLD WEATHER PKG



SECTION 3 - ENGINE



ART_1001259191_F_2OF2

SECTION 3 - ENGINE

FIGURE 3-17. DEUTZ HRC (STAGE V) ENGINE ASSEMBLY - WITHOUT COLD WEATHER PKG

ITEM	PART NUMBER	QTY	DESCRIPTION	REV
	1001259191	Ref	DEUTZ T4F ENGINE ASSEMBLY	F
1	0100011	AR	Compound, Locking	
2	0100020	AR	Sealant	
3	0100081	AR	Adhesive	
4	0641607	2	Bolt 3/8 x 7/8	
5	0700610	9	Bolt M6 x 20	
6	0700612	7	Bolt M6 x 25	
7	0700815	2	Bolt M8 x 35	
8	0701013	2	Bolt M10 x 28	
9	0701015	6	Bolt M10 x 35	
10	0701016	2	Bolt M10 x 40	
11	0701017	2	Bolt M10 x 45	
12	0701019	1	Bolt M10 x 55	
13	0701627	4	Bolt M16 x 100	
14	0711214	4	Bolt M12 x 30 Class 10.9	
15	0711218	4	Bolt M12 x 50 Class 10.9	
16	0771419	1	Bolt M14 x 55 Class 10.9	
17	0760604	1	Bolt M6 x 8	
18	0760614	2	Bolt M6 x 30	
19	0760810	6	Bolt M8 x 20	
20	0760812	4	Bolt M8 x 25	
21	0761012	6	Bolt M10 x 25	
22	0771415	3	Bolt M14 x 35 Class 10.9	
23	0961951	2	Bushing	
24	1321716	1	Clamp	
25	1703162	2	Decal - Fan Blade	
26	2720015	5 ft/ 1.5m	Hose	
27	2902065	1	Pump Coupling Kit (See Separate Breakdown in this Section)	
28	3290607	18	Nut M6	
29	3290805	2	Nut M8	
30	3290807	3	Nut M8	
31	3291005	1	Nut M10	
32	3291007	10	Nut M10	
33	3291407	1	Nut M14	
34	3291601	4	Nut M16	
35	3820032	9	Rivet	
36	4060807	22 in/ 56cm	Flex-Trim	
37	4640751	1	Valve, Oil Drain	
38	4811600	4	Washer M5	
39	4811700	33	Washer M6	
40	4811702	4	Washer M6	
41	4811900	13	Washer M8	
42	4811902	4	Washer M8	
43	4812000	30	Washer M10	
44	4812002	1	Washer M10	
45	4812100	8	Washer M12	
46	4812200	4	Washer M14	
47	5241600	4	Washer M16	
48	5250608	2	Bolt M6 x 16	

SECTION 3 - ENGINE

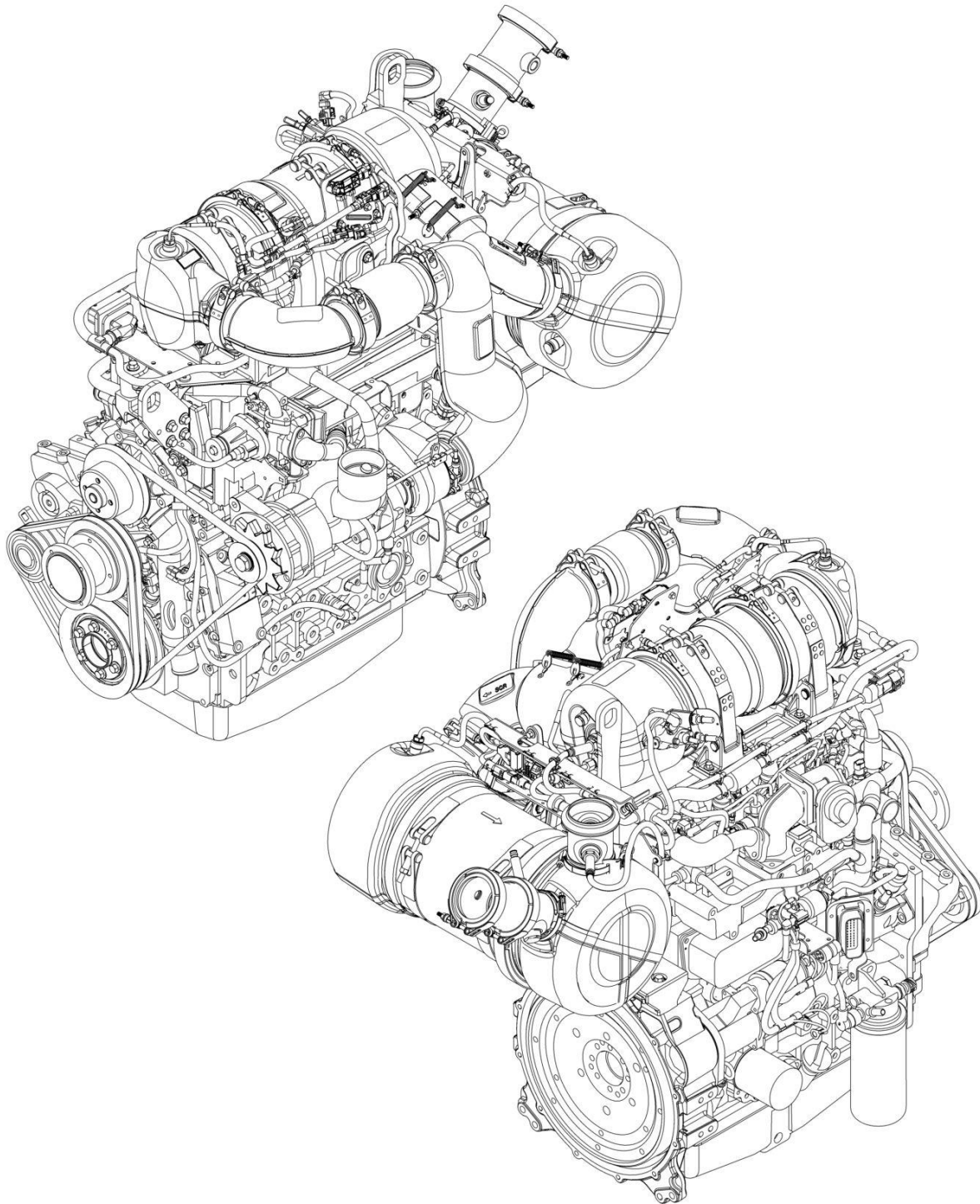
ITEM	PART NUMBER	QTY	DESCRIPTION	REV
49	5250611	4	Bolt M6 x 22	
50	5250810	2	Bolt M8 x 20 Class 10.9	
51	5250812	1	Bolt M8 x 25 Class 10.9	
53	5251010	1	Bolt M10 x 20 Class 10.9	
54	5251016	2	Bolt M10 x 40 Class 10.9	
55	5251022	6	Bolt M10 x 70 Class 10.9	
56	5251210	3	Bolt M12 x 20 Class 10.9	
57	5260600	4	Nut M6	
58	5260800	3	Nut M8	
59	5261000	2	Nut M10	
60	7300435	4	Washer	
61	8278020	1	Mount	
62	8305401	2	Nut 1/4	
63	8307109	2	Washer 1/4	
64	8310548	2	Screw 1/4 x 1/2	
65	8405007	2	Clamp	
66	8405009	4	Clamp	
67	8405104	4	Clamp	
68	8405211	1	Clamp	
69	8406109	2	Clip	
70	8410011	2	Clamp	
71	8410012	2	Clamp	
72	8410013	1	Clamp	
73	24861170	2	Clamp	
74	91563070	1	Coupling, Rubber	
75	1001097588	1	Clip	
76	1001117244	1	Reducer	
77	1001117308	1	Relay, 200Amp	
78	1001134488	1	Fitting, 90 NPT/Barbed	
79	1001135943	1	Coupling	
80	1001136834	1	Cap	
81	1001138173	1	Support	
82	1001138175	1	Bracket	
83	1001138248	5 ft/ 1.5m	Tubing	
84	1001138253	3	Clamp	
85	1001138559	1	Fitting, 90 NPT	
86	1001138827	1	Sensor	
87	1001139240	1	Bracket	
88	1001140564	1	Fitting, 90 NPT/Barbed	
89	1001141995	1	Fitting, Straight NPT/Barbed	
90	1001143390	1	Indicator, Air Restriction	
91	1001147567	1	Fan	
92	1001147847	1	Filter, Air	
92	70023809	1	Element, Primary	
92	70023872	1	Element, Secondary	
92	70024328	1	Elbow, Rubber	
92	70024329	1	Clamp, Mounting	
93	1001148641	3	Bracket	
94	1001149517	4	Mount, Motor	
95	1001149746	1	Pulley	
96	1001150504	1	Hose	

SECTION 3 - ENGINE

ITEM	PART NUMBER	QTY	DESCRIPTION	REV
97	1001150553	1	Hose	
98	1001151491	1	Support	
99	1001151749	1	Tray	
100	1001152489	1	Fitting, 90 Barbed	
101	1001154405	8.5 in/ 21cm	Hose	
102	1001155023	1	Plate	
103	1001155496	1	Support	
104	1001155498	1	Plate	
105	1001155525	1	Support	
106	1001155540	2	Washer	
107	1001155557	2	Plate	
108	1001155563	1	Seal	
109	1001155564	1	Bracket	
110	1001155565	1	Seal	
111	1001155566	1	Bracket	
112	1001155728	1	Seal	
113	1001156034	1	Seal	
114	1001156035	1	Bracket	
115	1001156062	1	Bracket	
116	1001156091	1	Hose	
117	1001156644	2	Seal	
118	1001157862	1	Bracket	
119	1001160518	1	Support	
120	1001165035	1 ft/ 0.3m	Hose	
121	1001166393	1	Tank	
122	1001170982	2	Fitting, 90 SAE/Barbed	
123	1001175568	2	Clip	
124	1001181899	1	Clamp	
126	1001190418	1	Tube	
127	1001191122	1	Hose, Upper	
128	1001192138	1	Shroud	
129	1001197317	1	Spacer	
130	1001208297	1	Clamp	
131	1001208298	1	Clamp	
132	1001208299	4	Clamp	
133	1001212817	1	Plate	
134	1001256823	1	Deutz HRC (Stage V) Engine Components (See Separate Breakdown in this Section)	
135	1001256862	1	Radiator	
136	1001259203	1	Hose	
137	1001259208	1	Hose	
138	1001259278	1	Bracket	
139	1001259281	1	Bracket	
140	1001291543	1	Support, Hose	
141	1001260307	2	Bracket	
142	1001260889	1	Bracket	
143	1001100319	1	Clip	
144	5250808	2	Bolt M8 X 16 Class 10.9	

SECTION 3 - ENGINE

FIGURE 3-18. DEUTZ HRC (STAGE V) ENGINE COMPONENTS



ART_1001256823

SECTION 3 - ENGINE

FIGURE 3-18. DEUTZ HRC (STAGE V) ENGINE COMPONENTS

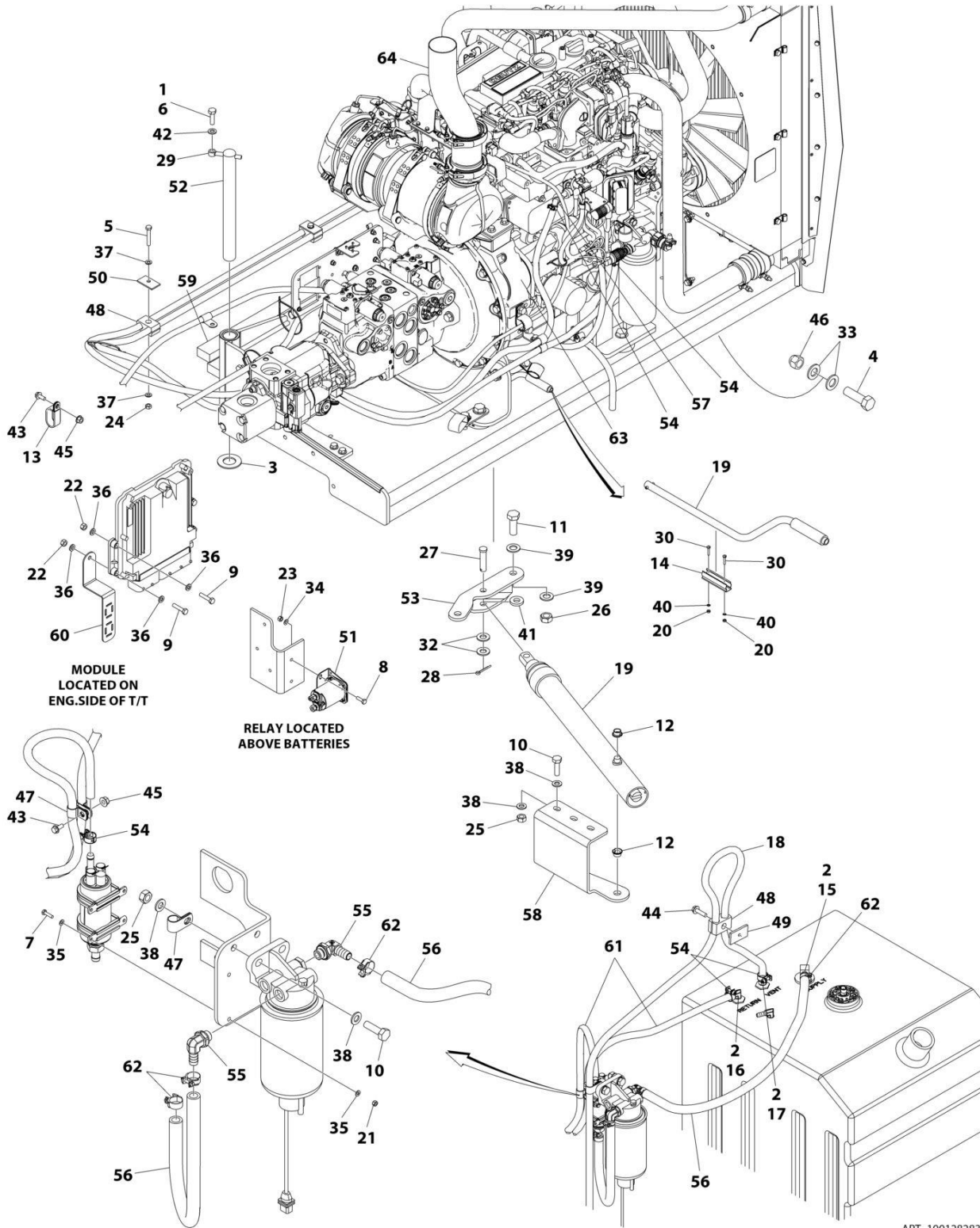
ITEM	PART NUMBER	QTY	DESCRIPTION	REV
	1001256823	Ref	DEUTZ ENGINE COMPONENTS	E
		Ref	Note: For complete list of parts, contact JLG Parts Department	
		Ref	Air Intake System Components	
	70007083	1	Turbocharger	
		Ref	Cooling System Components	
	70004515	1	Pump, Coolant	
		Ref	Electrical System Components	
		Ref	Module, ECU/ECM	
	70029401	1	Generator (Includes Regulator & Fan)	
	70006653	1	Regulator	
	70004520	1	Starter (Includes Solenoid)	
	70025780	1	Relay, Starter	
	70005517	1	Harness, Starter to Relay	
		Ref	Harness, Injector	
	70026210	1	Sender, Tacho-Generator (Speed) (On Rear of Block & Front Cover) (Includes Seal)	
	70005559	1	Sender, Temperature (Includes Seal) (On Air Intake Manifold)	
	70024507	1	Sensor, Pressure (Includes Seal) (On Air Intake Manifold)	
	70024504	1	Sensor, Pressure (Includes Seal) (On Fuel Filter & Side of Block)	
	70029407	1	Sensor, Pressure (Includes Seal) (On Exhaust Manifold)	
	70024474	4	Plug, Glow	
		Ref	Exhaust System Components	
		Ref	Valve, EGR	
	70027425	8	Bolt, Exhaust Manifold	
	70005511	1	Gasket, Exhaust Manifold	
		Ref	Outlet, Muffler	
		Ref	Muffler	
		Ref	Bracket, Muffler Mounting	
		Ref	Compensator, Exhaust	
	70024480	1	Gasket, Turbo to Exhaust Manifold	
	70008612	1	DEF Tank Assembly (Includes Cap, Filler Filter & Venting Valve)	
	70027495	1	Filter, Filler - DEF Tank	
	70008613	1	Cap/Cover, DEF Tank	
	70027467	1	Valve, Venting - DEF Tank	
	1001293066	1	Sensor, Level - DEF Tank	
	70027463	1	Clip, Level Sensor - DEF Tank	
	70027464	1	Filter, DEF In-line	
		Ref	Fuel System Components	
		Ref	Pump, High Pressure	
	70024485	1	Injector (Includes Sealing washer, Clamp & O-Ring)	
	70006144	1	Pump, Fuel Supply (Includes Clamps)	
	70024961	1	Filter, Fuel (Pre-Filter Assembly) (Includes Head, Spin on filter, Sensor Cable & Seal)	
	70025153	1	Filter, Fuel Spin On	
	70024513	1	Sensor Cable (Includes Seal)	
	70004511	1	Filter, Fuel (Assembly) (Includes Head & Spin on Filter)	
	70004512	1	Filter, Fuel Spin On	
	70004508	1	Vol. Control Valve (Includes O-Ring & Gasket)	
	70005548	1	Pump, DEF Supply (Includes Filter, Cover & Fittings)	
		Ref	Lubricating System Components	

SECTION 3 - ENGINE

ITEM	PART NUMBER	QTY	DESCRIPTION	REV
	7020465	2	Cap, Oil Fill	
	70025088	2	Plug, Oil Drain	
	7020404	2	Seal, Oil Drain Plug	
		Ref	Pump, Oil (Includes seal 7 Gasket)	
	7016331	1	Filter, Oil	
	70024494	1	Cooler, Oil	
	70024495	1	Gasket, Oil Cooler	
	70025745	1	Dipstick (Includes Seal)	
		Ref	Mechanical Components	
	70001870	1	Flywheel (includes Gear)	
	70005498	1	Set, Narrow V-Belts	
	70005516	1	V-Belt	
	70025707	1	Gasket Set - Complete	

SECTION 3 - ENGINE

FIGURE 3-19. DEUTZ TCD3.6L ENGINE INSTALLATION (CHINA IV)



ART_1001282837

SECTION 3 - ENGINE

FIGURE 3-19. DEUTZ TCD3.6L ENGINE INSTALLATION (CHINA IV)

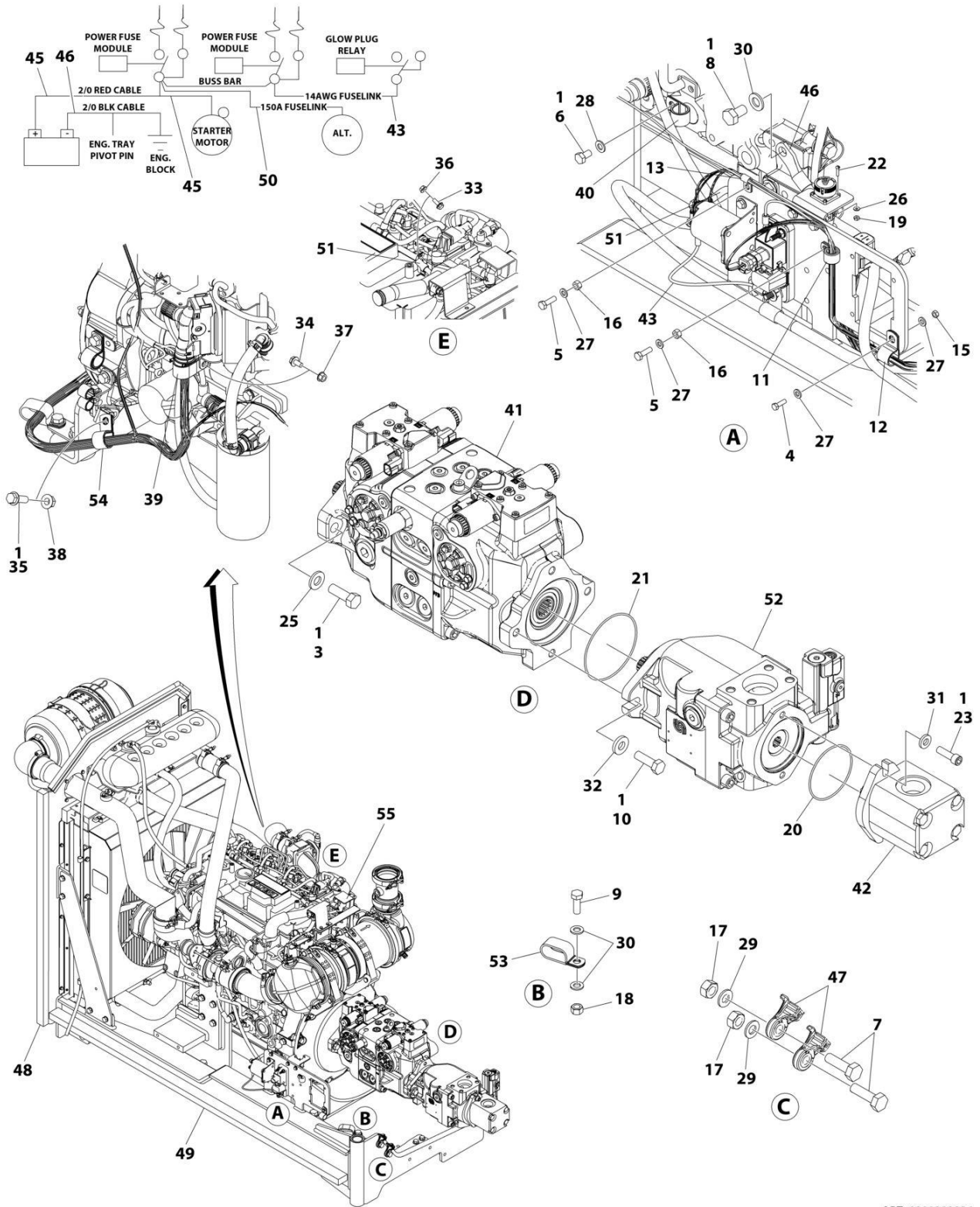
ITEM	PART NUMBER	QTY	DESCRIPTION	REV
	1001282837	Ref	DEUTZ TCD3.6L ENGINE INSTALLATION	C
1	0100011	AR	Compound, Locking	
2	0100020	AR	Sealant	
3	0440162	1	Bearing, Thrust	
4	0642220	1	Bolt 3/4 x 2-1/2	
5	0700818	3	Bolt M8 x 50	
6	0711015	1	Bolt M10 x 35 Class 10.9	
7	0760408	4	Bolt M4 x 16	
8	0760610	2	Bolt M6 x 20	
9	0760613	4	Bolt M6 x 28	
10	0761015	5	Bolt M10 x 35	
11	0771416	2	Bolt M14 x 40 Class 10.9	
12	0962051	2	Bearing, Flange	
13	1321716	3	Clamp	
14	1380147	1	Clip	
15	2180832	1	Fitting, Straight NPT/Barbed	
16	2220313	1	Fitting, 90 NPT/Barbed	
17	2221114	1	Fitting, Straight NPT/Barbed	
18	2750532	7 ft/2.1m	Hose	
19	2840016	1	Jack with Handle	
19	7016374	1	Handle (Burr Manufacturing Brand)	
19	7024598	1	Handle (Hammerblow Corp Brand)	
19	7016322	1	Wiper (Burr Manufacturing Brand Only)	
20	3290301	2	Nut M3	
21	3290405	4	Nut, Lock M4	
22	3290605	4	Nut, Lock M6	
23	3290607	2	Nut, Lock M6	
24	3290805	3	Nut, Lock M8	
25	3291007	5	Nut, Lock M10	
26	3331411	2	Nut M14 Class 10	
27	3430816	1	Pin	
28	3450404	1	Pin, Cotter 1/8 x 1	
29	3841143	1	Keeper	
30	4010308	2	Screw M3 x16	
31	4240099	AR	Tie-Strap (Not Shown)	
32	4711800	2	Washer 1/2	
33	4712200	2	Washer 3/4	
34	4791400	2	Washer 1/4	
35	4811400	8	Washer M4	
36	4811700	10	Washer M6	
37	4811900	6	Washer M8	
38	4812000	10	Washer M10	
39	4812200	4	Washer M14	
40	4871200	2	Washer, Lock M3	
41	4891800	1	Washer 1/2	
42	5241000	1	Washer M10	
43	5250810	4	Bolt M8 x 20	
44	5250814	1	Bolt M8 x 30	
45	5260800	4	Nut M8 Class 10	
46	8310067	1	Nut, lock 3/4	

SECTION 3 - ENGINE

ITEM	PART NUMBER	QTY	DESCRIPTION	REV
47	8406101	3	Clip	
48	8750014	4	Clamp	
49	8750031	1	Plate	
50	8769128	3	Cover	
51	1001117308	1	Relay	
52	1001135196	1	Pin	
53	1001135497	1	Support	
54	1001136975	5	Clamp	
55	1001142501	2	Fitting, 90 NPT/Barbed	
56	1001154405	4.5 ft /1.37m	Hose	
57	1001155823	1	Coupling	
58	1001155939	1	Plate	
59	1001156719	1	Seal	
60	1001159162	1	Bracket, Support	
61	1001165035	37.75 ft /1.37m	Hose	
62	1001186342	4	Clamp	
63	1001282836	1	Deutz TCD3.6L Engine and Pumps Assembly (See Separate Breakdown in this Section)	
64	1001288430	1	Pipe, Exhaust	
65	1001211885	1	Fuel Harness (Not Shown - See Separate Breakdown in ELECTRICAL Section)	

SECTION 3 - ENGINE

FIGURE 3-20. DEUTZ TCD3.6L ENGINE AND PUMPS ASSEMBLY (CHINA IV)



ART_1001282836

SECTION 3 - ENGINE

FIGURE 3-20. DEUTZ TCD3.6L ENGINE AND PUMPS ASSEMBLY (CHINA IV)

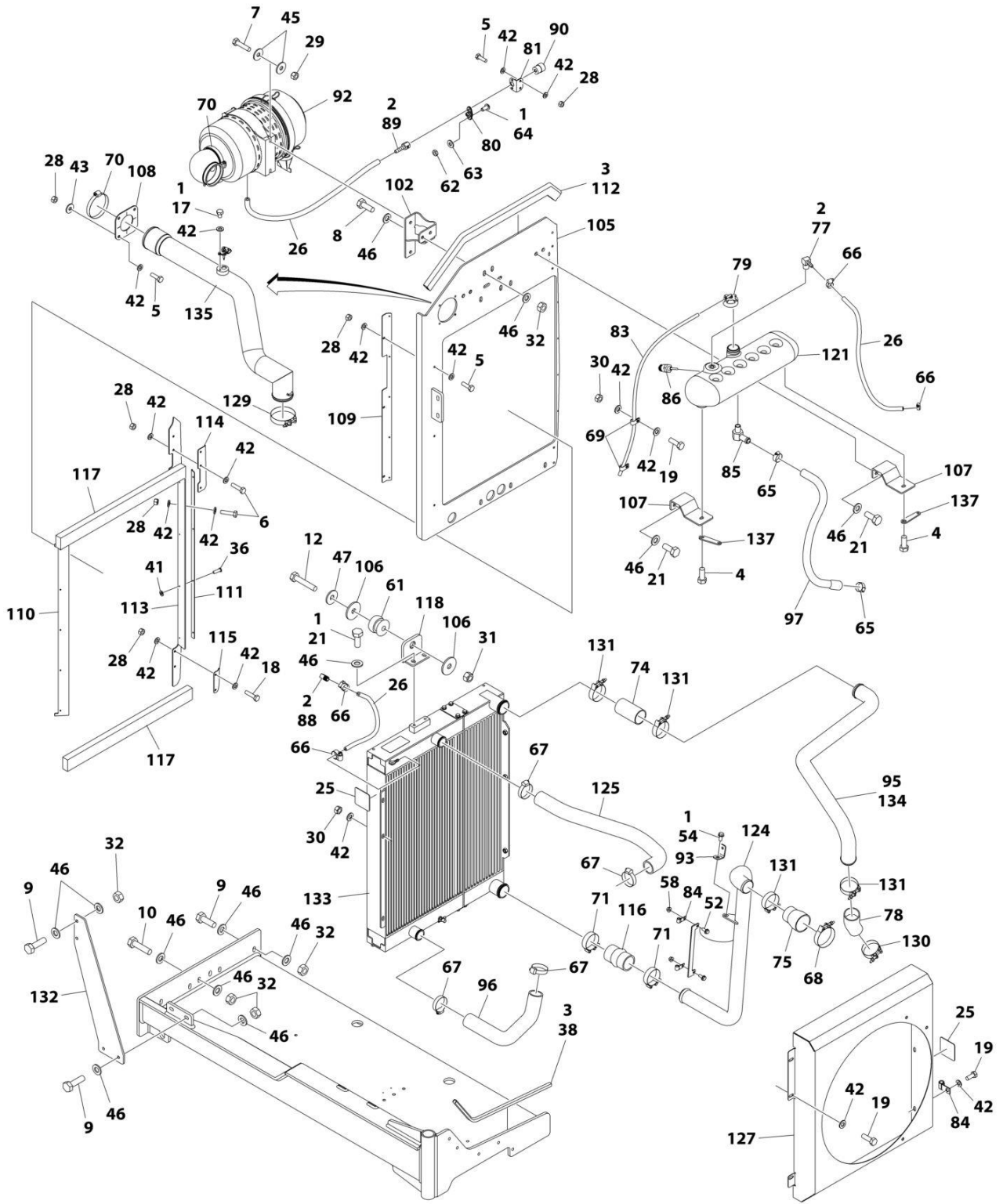
ITEM	PART NUMBER	QTY	DESCRIPTION	REV
	1001282836	Ref	DEUTZ TCD3.6L ENGINE/PUMPS ASSEMBLY	C
1	0100011	AR	Compound, Locking	
2	0100035	AR	Compound, Locking	
3	0641812	2	Bolt 1/2 x 1-1/2	
4	0760508	1	Bolt M5 x 16	
5	0760610	2	Bolt M6 x 20	
6	0760807	1	Bolt M8 x 14	
7	0761015	2	Bolt M10 x 35	
8	0761210	1	Bolt M12 x 20	
9	0761215	2	Bolt M12 x 35	
10	0761216	2	Bolt M12 x 40	
11	1320041	1	Clamp	
12	1320061	1	Clamp	
13	1320136	1	Clamp	
15	3290501	1	Nut M5	
16	3290607	2	Nut, Lock M6	
17	3291007	2	Nut, Lock M10	
18	3291207	2	Nut, Lock M12	
19	3310401	3	Nut #4	
20	3790152	1	O-Ring	
21	3790155	1	O-Ring	
22	3910408	3	Screw #4 x 1/2	
23	3931620	2	Bolt 3/8 x 1-1/4	
24	4240099	AR	Tie-Strap (Not Shown)	
25	4740171	2	Washer	
26	4750400	3	Washer #4	
27	4811700	4	Washer M6	
28	4811900	1	Washer M8	
29	4812000	2	Washer M10	
30	4812100	5	Washer M12	
31	4891600	2	Washer 3/8	
32	4891800	2	Washer 1/2	
33	5250608	1	Bolt M6 x 16 Class 10.9	
34	5250808	1	Bolt M8 x 16 Class 10.9	
35	5251215	1	Bolt M12 x 35 Class 10.9	
36	5260600	1	Nut M6 Class 10	
38	5261200	1	Nut M12 Class 10	
39	8406303	1	Clip	
40	91043147	1	Clamp	
41	1001108616	1	Tandem Pump Assembly (See Separate Breakdown in this Section)	
42	1001112927	1	Gear Pump Assembly (See Separate Breakdown in this Section)	
43	1001141304	1	Wire, Glow Plug	
44	1001146588	AR	Fir Tree (Not Shown)	
45	1001154142	1	Cable, Battery (Positive)	
46	1001154143	1	Cable, Battery (Negative)	
47	1001156107	2	Holder, Cable	
48	1001156718	1	Seal	
49	1001156719	1	Seal	
50	1001157073	1	Cable, Alternator Power	

SECTION 3 - ENGINE

ITEM	PART NUMBER	QTY	DESCRIPTION	REV
51	1001168734	1	Wire, Glow Plug	
52	1001169892	1	Piston Pump Assembly (See Separate Breakdown in this Section)	
53	1001181899	2	Clamp	
54	1001191620	1	Clamp	
55	1001282835	1	Deutz TCD3.6L Engine Assembly (See Separate Breakdown in this Section)	
56	1001285004	1	Harness, Engine (Not Shown) (See Separate Separate Breakdown in this Section)	

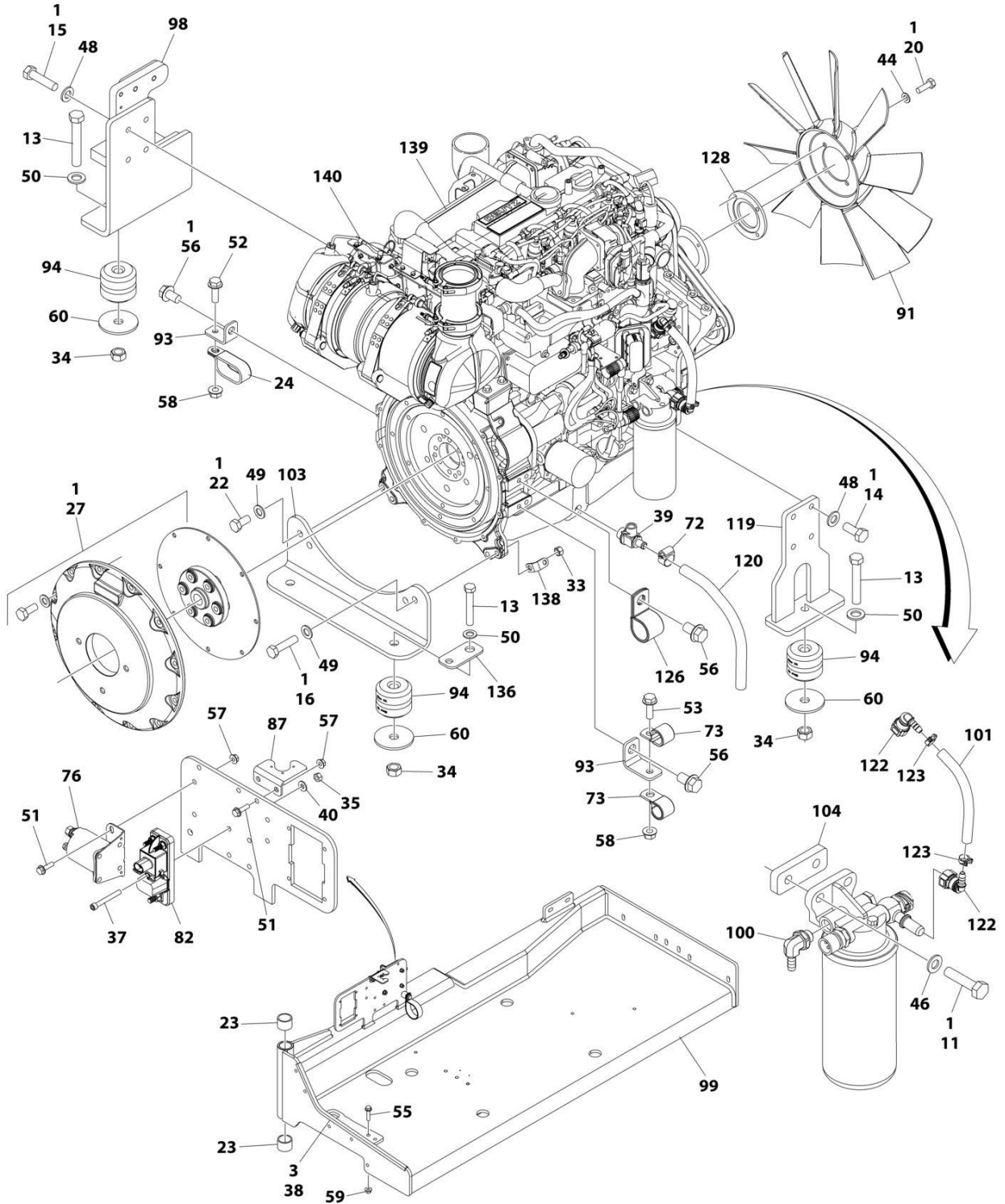
SECTION 3 - ENGINE

FIGURE 3-21. DEUTZ TCD3.6L ENGINE ASSEMBLY (CHINA IV)



ART_1001282835_10F2

SECTION 3 - ENGINE



ART_1001282835_20F2

SECTION 3 - ENGINE

FIGURE 3-21. DEUTZ TCD3.6L ENGINE ASSEMBLY (CHINA IV)

ITEM	PART NUMBER	QTY	DESCRIPTION	REV
	1001282835	Ref	DEUTZ TCD3.6L ENGINE ASSEMBLY	C
1	0100011	AR	Compound, Locking	
2	0100020	AR	Sealant	
3	0100081	AR	Adhesive	
4	0641607	2	Bolt 3/8 x 7/8	
5	0700610	9	Bolt M6 x 20	
6	0700612	7	Bolt M6 x 25	
7	0700815	2	Bolt M8 x 35	
8	0701013	2	Bolt M10 x 28	
9	0701015	6	Bolt M10 x 35	
10	0701016	2	Bolt M10 x 40	
11	0701017	2	Bolt M10 x 45	
12	0701019	1	Bolt M10 x 55	
13	0701627	4	Bolt M16 x 100	
14	0711214	4	Bolt M12 x 30 Class 10.9	
15	0711218	4	Bolt M12 x 50 Class 10.9	
16	0711419	1	Bolt M14 x 55 Class 10.9	
17	0760604	1	Bolt M6 x 8	
18	0760614	2	Bolt M6 x 30	
19	0760810	6	Bolt M8 x 20	
20	0760812	4	Bolt M8 x 25	
21	0761012	6	Bolt M10 x 25	
22	0771415	3	Bolt M14 x 35 Class 10.9	
23	0961951	2	Bushing	
24	1321716	1	Clamp	
25	1703162	2	Decal - Fan Blade	
26	2720015	5 ft/ 1.5m	Hose	
27	2902065	1	Pump Coupling Kit (See Separate Breakdown in this Section)	
28	3290607	18	Nut, Lock M8	
29	3290805	2	Nut, Lock M8	
30	3290807	3	Nut, Lock M8	
31	3291005	1	Nut, Lock M10	
32	3291007	10	Nut, Lock M10	
33	3291407	1	Nut, Lock M14	
34	3291601	4	Nut M16	
35	3311405	1	Nut, Lock 1/4	
36	3820032	9	Rivet	
37	3931432	1	Bolt 1/4 x 2	
38	4060807	22 in/ 56cm	Flex-Trim	
39	4640751	1	Valve, Oil Drain	
40	4711400	1	Washer 1/4	
41	4811600	4	Washer M5	
42	4811700	33	Washer M6	
43	4811702	4	Washer M6	
44	4811900	13	Washer M8	
45	4811902	4	Washer M8	
46	4812000	30	Washer M10	
47	4812002	1	Washer M10	
48	4812100	8	Washer M12	

SECTION 3 - ENGINE

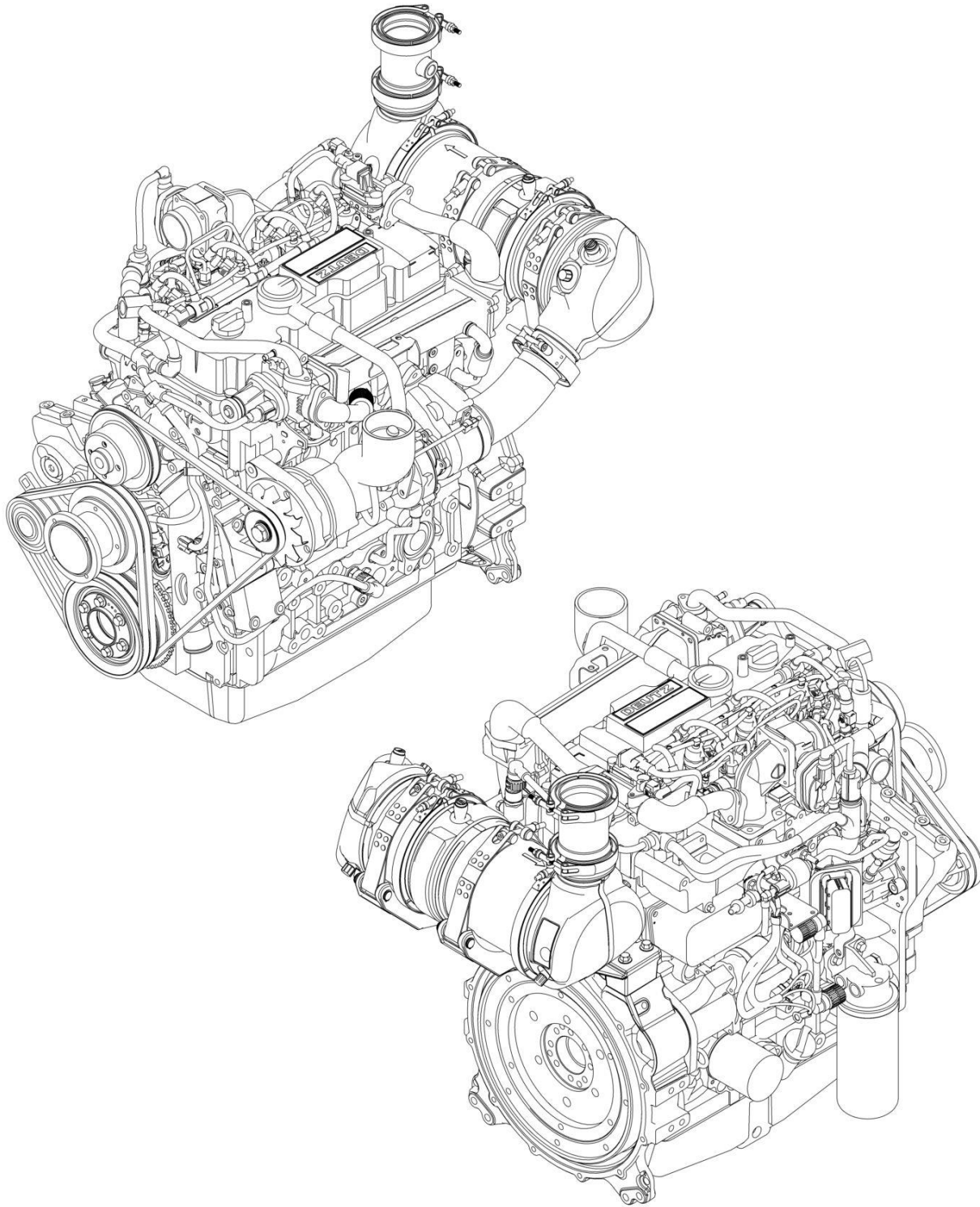
ITEM	PART NUMBER	QTY	DESCRIPTION	REV
49	4812200	4	Washer M14	
50	5241600	4	Washer M16	
51	5250611	4	Bolt M6 x 22 Class 10.9	
52	5250810	3	Bolt M8 x 20 Class 10.9	
53	5250812	1	Bolt M8 x 25 Class 10.9	
54	5251008	1	Bolt M10 x 16 Class 10.9	
55	5251016	2	Bolt M10 x 40 Class 10.9	
56	5251210	3	Bolt M12 x 20 Class 10.9	
57	5260600	4	Nut M6 Class 10	
58	5260800	4	Nut M8 Class 10	
59	5261000	2	Nut M10 Class 10	
60	7300435	4	Washer	
61	8278020	1	Mount	
62	8305401	2	Nut 1/4	
63	8307109	2	Washer 1/4	
64	8310548	2	Bolt 1/4 x 1/2	
65	8405007	2	Clamp	
66	1320022	4	Clamp	
67	8405104	4	Clamp	
68	8405211	1	Clamp	
69	8406109	2	Clip	
70	8410011	2	Clamp	
71	8410012	2	Clamp	
72	8410013	1	Clamp	
73	24861170	2	Clamp	
74	91563070	1	Coupling, Rubber	
75	1001117244	1	Reducer	
76	1001117308	1	Relay, 200Amp	
77	1001134488	1	Fitting, 90 NPT/Barbed	
78	1001135943	1	Coupling	
79	1001136834	1	Cap	
80	1001138173	1	Support	
81	1001138175	1	Bracket	
82	1001138228	1	Relay	
83	1001138248	5 ft/ 1.5m	Tubing	
84	1001138253	5	Clamp	
85	1001138559	1	Fitting, 90 NPT	
86	1001138827	1	Sensor	
87	1001139240	1	Bracket	
88	1001140564	1	Fitting, 90 NPT/Barbed	
89	1001141995	1	Fitting, Straight NPT/Barbed	
90	1001143390	1	Indicator, Air Restriction	
91	1001147567	1	Fan	
92	1001147847	1	Filter, Air	
92	70023809	1	Element, Primary	
92	70023872	1	Element, Secondary	
92	70024328	1	Elbow, Rubber	
92	70024329	1	Clamp, Mounting	
93	1001148641	3	Bracket	
94	1001149517	4	Mount, Motor	
95	1001150498	1	Tube	

SECTION 3 - ENGINE

ITEM	PART NUMBER	QTY	DESCRIPTION	REV
96	1001150504	1	Hose	
97	1001150553	1	Hose	
98	1001151491	1	Support	
99	1001151749	1	Tray	
100	1001152489	1	Fitting, 90 Barbed	
101	1001154405	8.5 in/ 21cm	Hose	
102	1001155023	1	Plate	
103	1001155496	1	Support	
104	1001155498	1	Plate	
105	1001155525	1	Support	
106	1001155540	2	Washer	
107	1001155557	2	Plate	
108	1001155563	1	Seal	
109	1001155564	1	Bracket	
110	1001155565	1	Seal	
111	1001155566	1	Bracket	
112	1001155728	1	Seal	
113	1001156034	1	Seal	
114	1001156035	1	Bracket	
115	1001156062	1	Bracket	
116	1001156091	1	Hose	
117	1001156644	2	Seal	
118	1001157862	1	Bracket	
119	1001160518	1	Support	
120	1001165035	1 ft/ 0.3m	Hose	
121	1001166393	1	Tank	
122	1001170982	2	Fitting, 90 SAE/Barbed	
123	1001175568	2	Clip	
124	1001190418	1	Tube	
125	1001191122	1	Hose, Upper	
126	1001191620	1	Clamp	
127	1001192138	1	Shroud	
128	1001197317	1	Spacer	
129	1001208297	1	Clamp	
130	1001208298	1	Clamp	
131	1001208299	4	Clamp	
132	1001212817	1	Plate	
133	1001256862	1	Radiator	
134	1001259203	1	Hose	
135	1001259208	1	Hose	
136	1001259281	1	Bracket	
137	1001260307	2	Bracket	
138	1001260889	1	Bracket	
139	1001282834	1	Deutz TCD3.6L Engine Components (See Separate Breakdown in this Section)	
140	1001288463	1	Exhaust Sensor Installation (See Separate Breakdown in this Section)	

SECTION 3 - ENGINE

FIGURE 3-22. DUETZ TCD3.6L ENGINE COMPONENTS (CHINA IV)



ART_1001282834

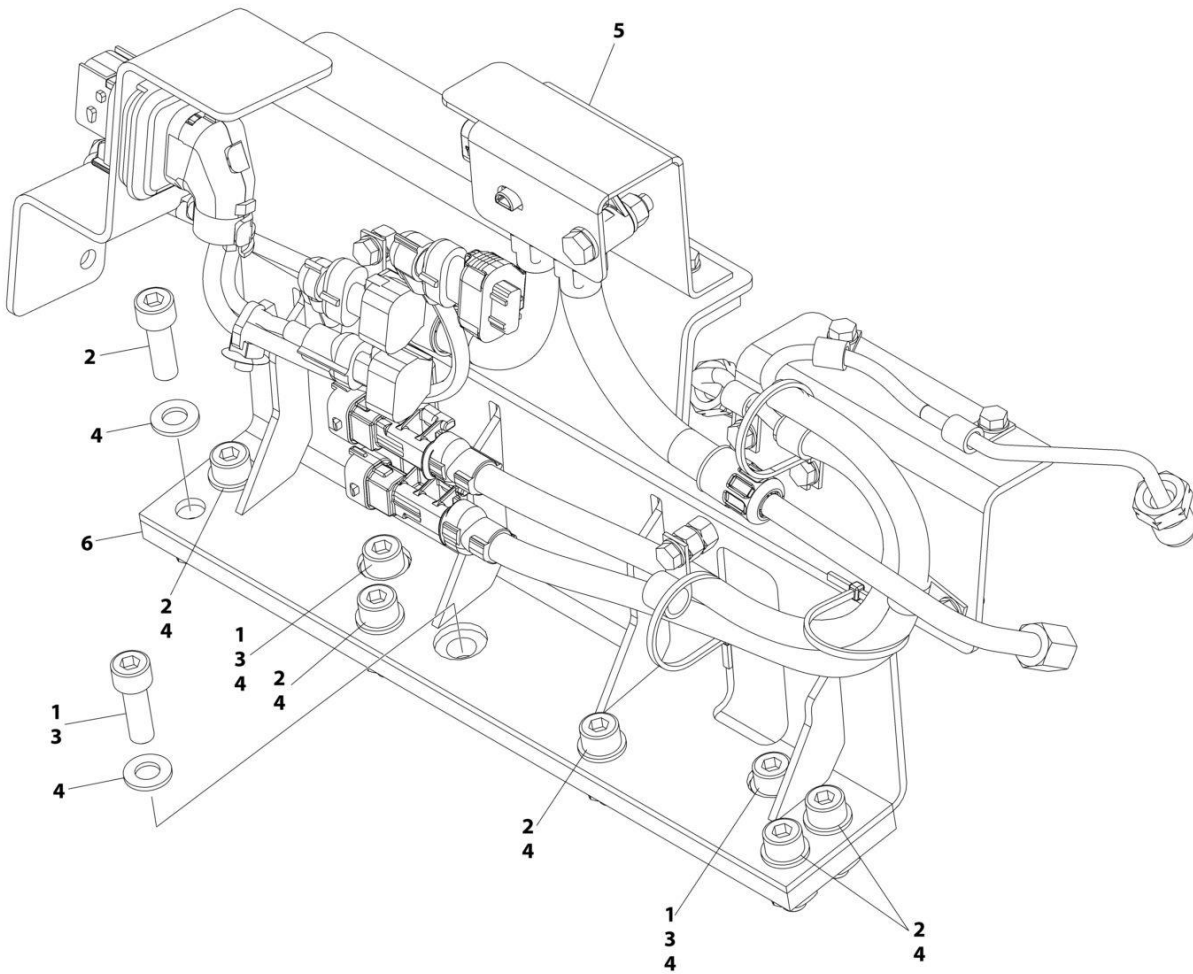
SECTION 3 - ENGINE

FIGURE 3-22. DEUTZ TCD3.6L ENGINE COMPONENTS (CHINA IV)

ITEM	PART NUMBER	QTY	DESCRIPTION	REV
	1001282834 SEE NOTE	Ref Ref	DEUTZ TCD3.6L ENGINE COMPONENTS Note: No Service Parts Available at Time of Printing.	A

SECTION 3 - ENGINE

FIGURE 3-23. EXHAUST TEMPERATURE SENSOR INSTALLATION (DEUTZ TCD3.6L (CHINA IV) ENGINE)



ART_1001288463_B

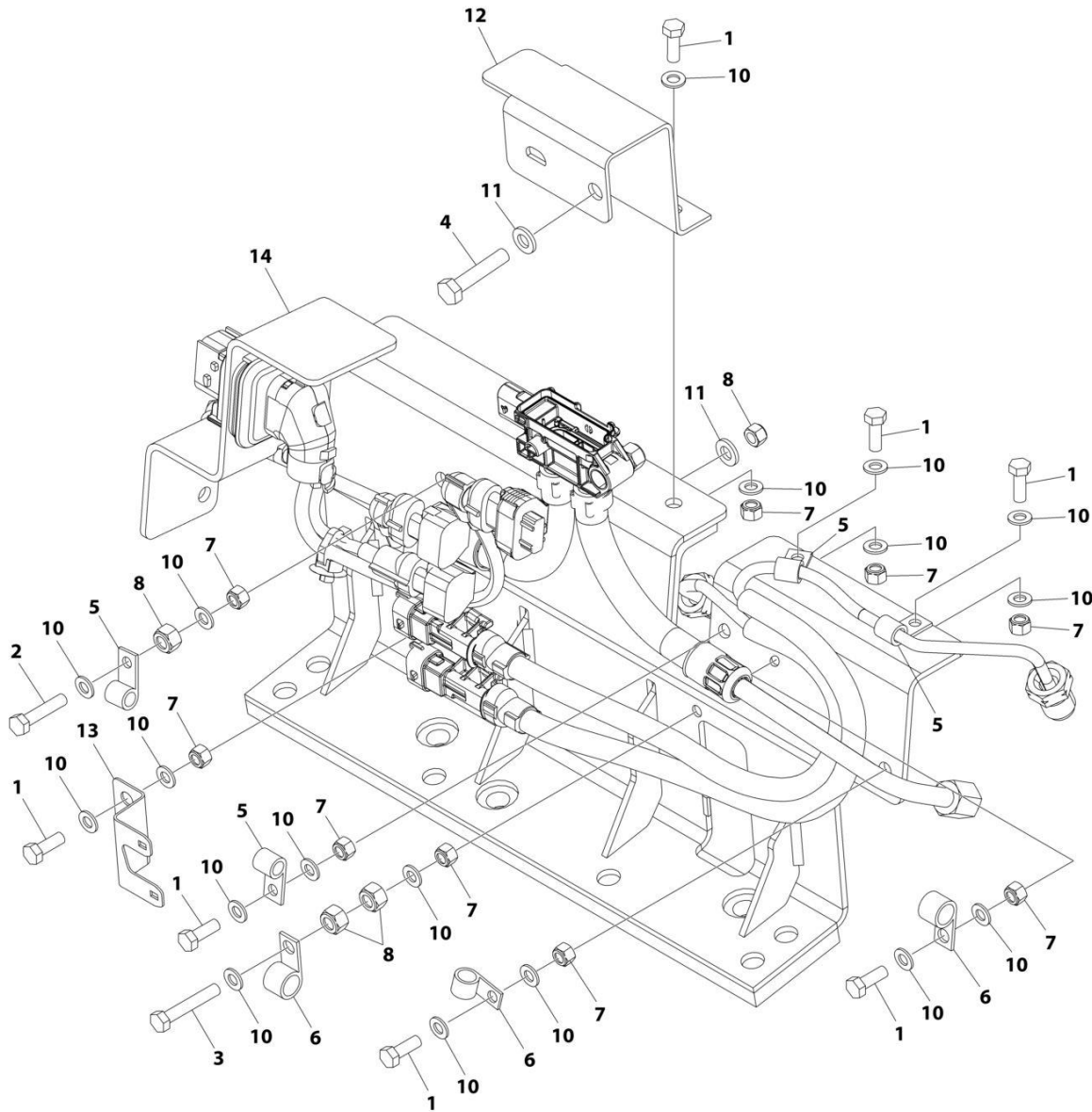
SECTION 3 - ENGINE

FIGURE 3-23. EXHAUST TEMPERATURE SENSOR INSTALLATION (DEUTZ TCD3.6L (CHINA IV) ENGINE)

ITEM	PART NUMBER	QTY	DESCRIPTION	REV
	1001288463	Ref	EXHAUST TEMPERATURE SENSOR INSTALLATION	B
1	0100011	AR	Compound, Locking	
2	4031909	6	Bolt M8 x 25	
3	4031910	3	Bolt M8 x 30	
4	4811900	9	Washer M8	
5	1001293499	1	Exhaust Temperature Sensor Assembly (See Separate Breakdown in this Section)	
6	1001288464	1	Plate, Mounting	

SECTION 3 - ENGINE

FIGURE 3-24. EXHAUST TEMPERATURE SENSOR ASSEMBLY (DEUTZ TCD3.6L (CHINA IV) ENGINE)



ART_1001293499

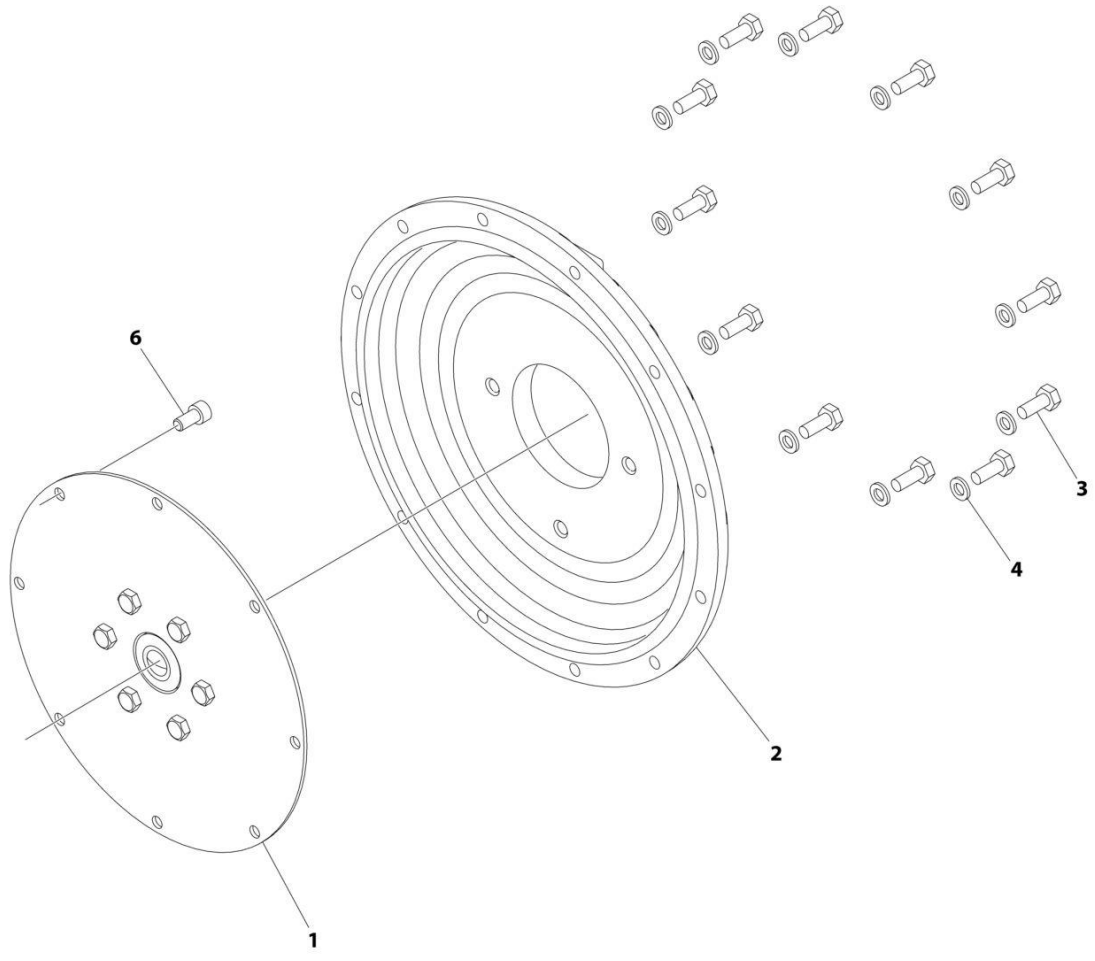
SECTION 3 - ENGINE

FIGURE 3-24. EXHAUST TEMPERATURE SENSOR ASSEMBLY (DEUTZ TCD3.6L (CHINA IV) ENGINE)

ITEM	PART NUMBER	QTY	DESCRIPTION	REV
	1001293499	Ref	EXHAUST TEMPERATURE SENSOR ASSEMBLY	C
1	0760507	6	Bolt M5 x 14	
2	0760512	1	Bolt M5 x 25	
3	0760514	1	Bolt M5 x 30	
4	0760614	1	Bolt M6 x 30	
5	1320040	1	Clamp	
6	1320043	3	Clamp	
7	3290505	8	Nut M5	
8	3290605	4	Nut M6	
9	4240099	AR	Tie Strap (Not Shown)	
10	4811600	16	Washer M5	
11	4811700	2	Washer M6	
12	1001288445	1	Cover	
13	1001288446	1	Bracket	
14	1001293498	1	Mount	

SECTION 3 - ENGINE

FIGURE 3-25. PUMP COUPLING KIT



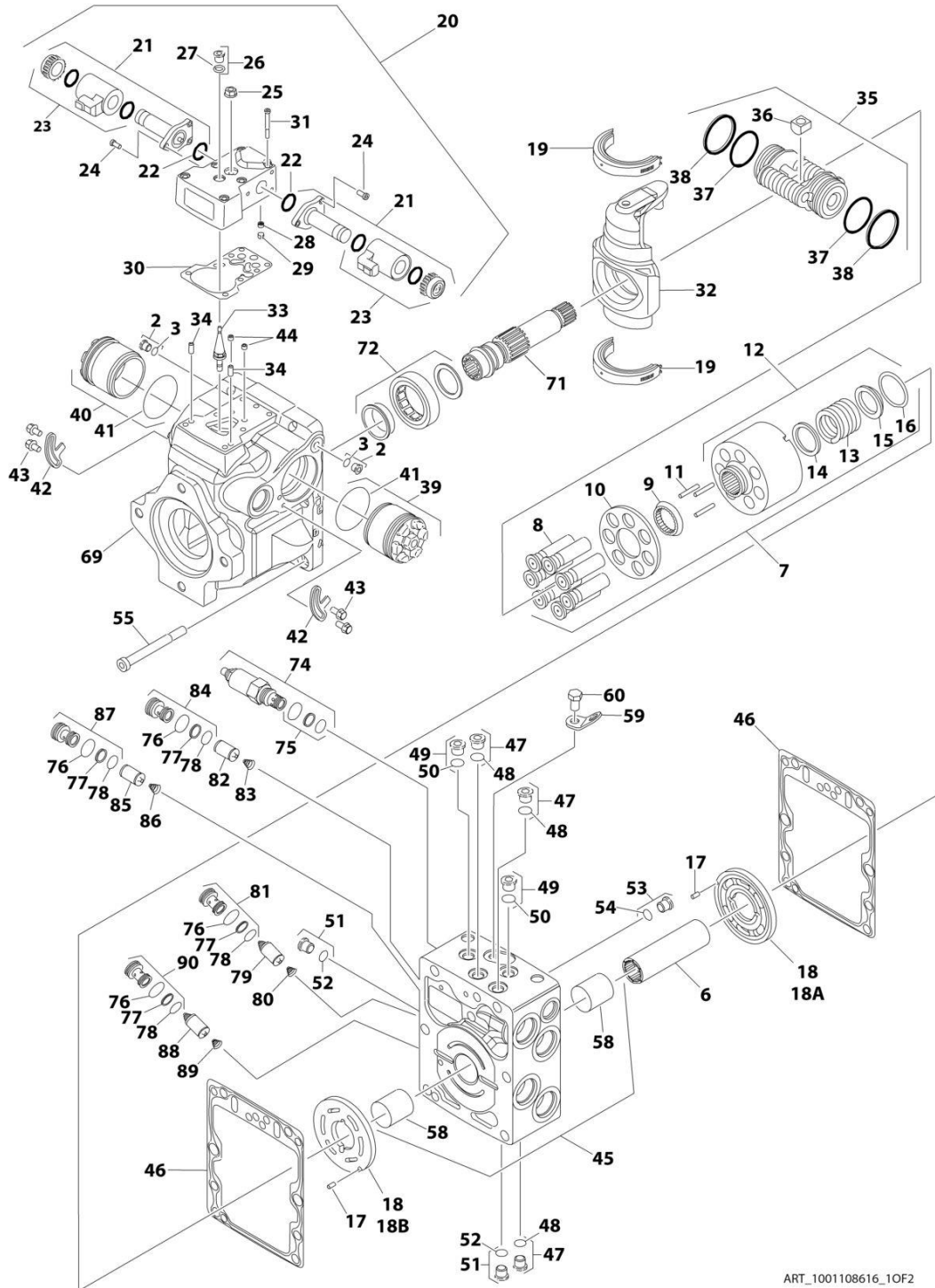
ART_2902065

FIGURE 3-25. PUMP COUPLING KIT

ITEM	PART NUMBER	QTY	DESCRIPTION	REV
	2902065	Ref	PUMP COUPLING KIT	L
1	70000793	1	Coupling, Hayes	
2	See Note	NSS	Plate, Pump Adapter (Note: Use p/n 2902065)	
3	See Note	NSS	Bolt M10 x 30 Grade 10.9 (Note: Use p/n 2902065)	
4	See Note	NSS	Washer M10 (Note: Use p/n 2902065)	
6	See Note	NSS	Bolt M10 x 20 Grade 10.9 (Note: Use p/n 2902065)	

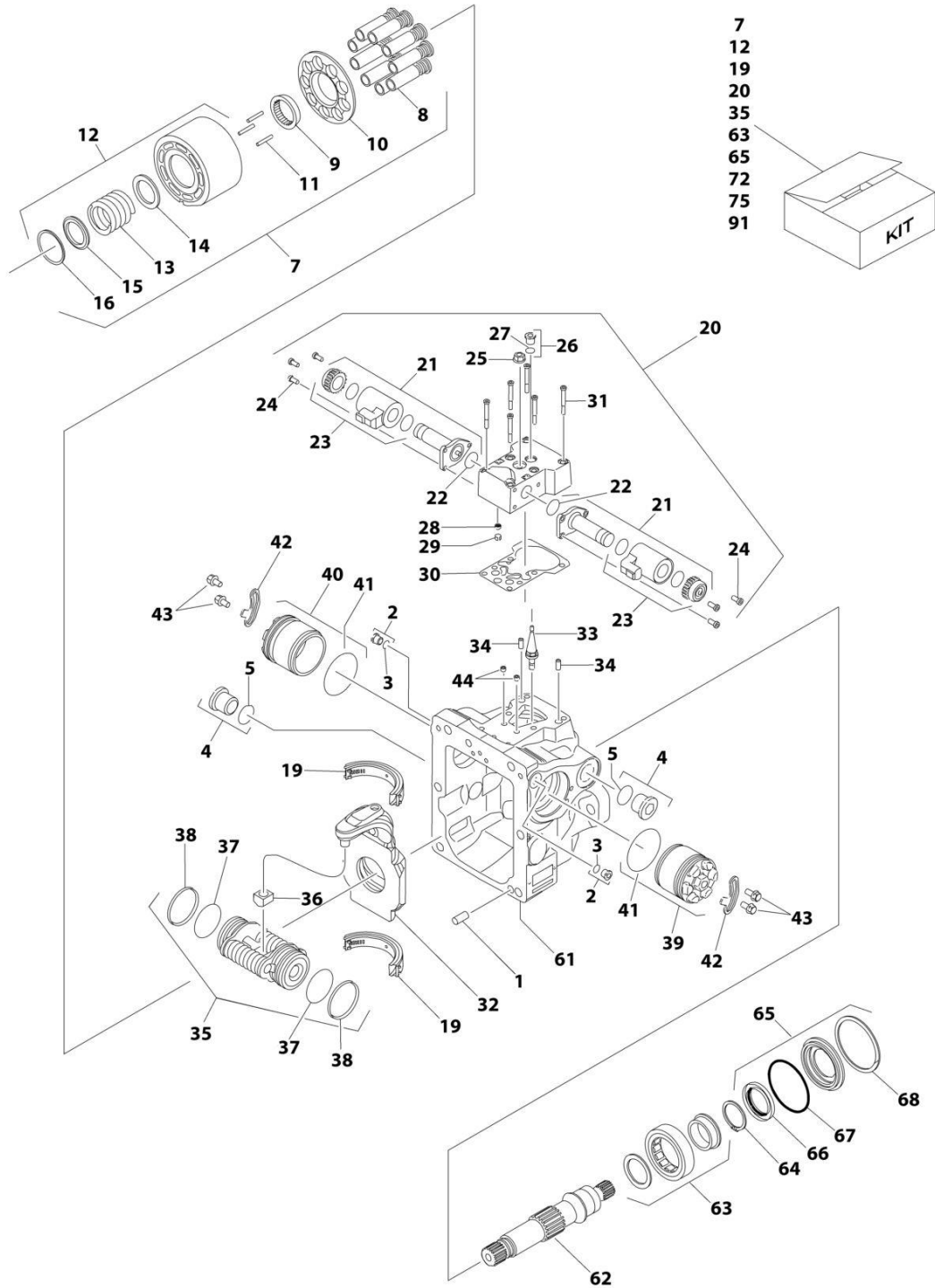
SECTION 3 - ENGINE

FIGURE 3-26. TANDEM PUMP ASSEMBLY



ART_1001108616_10F2

SECTION 3 - ENGINE



ART_1001108616_20F2

SECTION 3 - ENGINE

FIGURE 3-26. TANDEM PUMP ASSEMBLY

ITEM	PART NUMBER	QTY	DESCRIPTION	REV
	1001108616	Ref	PUMP ASSEMBLY (SAUER TANDEM)	D
1	70002132	4	Pin	
2	70002133	4	Plug Assembly (Includes Item 3)	
3	7007207	4	O-Ring (Part of Item 2)	
4	7007419	2	Plug Assembly (Includes Item 5)	
5	7007418	2	O-Ring (Part of Item 4)	
6	70002600	1	Coupling	
7	70002135	2	Cylinder Block Kit (Each Kit Includes Qty 1 of Items 8-10 & 12-16 & Qty 3 of Item 11)	
8	70002136	2	Piston Assembly Kit (Includes Qty 9 Piston Assemblies) (Part of Item 7)	
9	70002137	2	Guide, Slipper Retainer (Part of Item 7)	
10	70002138	2	Retainer, Slipper (Part of Item 7)	
11	7021275	6	Pin, Slipper Retainer Holddown (Part of Item 7)	
12	70002135	2	Cylinder Block Assembly (Includes Qty 1 of Item 13-16) (Part of Item 7)	
13	70002139	2	Spring (Part of Item 12)	
14	70002140	2	Washer (Part of Item 12)	
15	70002141	2	Washer (Part of Item 12)	
16	70002142	2	Ring, Retaining (Part of Item 12)	
17	7007446	2	Pin	
18		Ref	Plate, Valve Options:	
18A	70002601	1	Plate, CW Valve	
18B	70002602	1	Plate, CCW Valve	
19	70002145	2	Swash Plate Bearing Kit (Includes Qty 2 Bearings)	
20	70002618	2	EDC Kit (Includes Items 21-31)	
21	70002619	4	Solenoid Valve Assembly (Includes Items 22 & 23) (Part of Item 20)	
22	70002148	4	O-Ring (2 Per EDC Assembly) (Part of Item 21)	
23	70002620	4	Coil, Nut and Seals Kit (2 Per EDC Assembly) (Part of Item 21)	
24	70002150	12	Screw (Part of Item 20)	
25	7022301	2	Nut, Seal (Part of Item 20)	
26	70002151	2	Plug Assembly (Part of Item 20) (Includes Item 27)	
27	7007207	2	O-Ring (Part of Item 26)	
28	70002134	2	Screen (Part of Item 20)	
29	70002153	2	Ring, Locking (Part of Item 20)	
30	70002154	2	Gasket, Control (Part of Item 20)	
31	70002156	12	Capscrew (Part of Item 20)	
32	70002152	2	Swash Plate	
33	70002155	2	Link, Swash Plate	
34	70002157	4	Pin, Dowel	
35	70002158	2	Servo Piston Assembly (Includes Items 36-38)	
36	70002159	2	Block, Slider (Part of Item 35)	
37	70002160	2	O-Ring (Part of Item 35)	
38	70002161	2	Ring, Piston (Part of Item 35)	
39	70002162	2	Cylinder, Servo	
40	70002162	2	Cylinder, Servo	
41	70002163	4	O-Ring	
42	70002164	4	Plate, Locking	
43	70002165	8	Screw	

SECTION 3 - ENGINE

ITEM	PART NUMBER	QTY	DESCRIPTION	REV
44	70002604	4	Orifice	
45	70002605	1	Center Section Assembly (Includes Item 58)	
46	70002168	2	Gasket, End Cap	
47	70001958	2	Plug Assembly (Includes Item 48)	
48	7021256	2	O-Ring (Part of Item 47)	
49	70001958	2	Plug Assembly (Includes Item 50)	
50	7021256	2	O-Ring (Part of Item 49)	
51	70001958	2	Plug Assembly (Includes Item 52)	
52	7021256	2	O-Ring (Part of Item 51)	
53	70001958	2	Plug Assembly (Includes Item 54)	
54	7021256	2	O-Ring (Part of Item 53)	
55	70002606	4	Capscrew	
58	70002607	2	Bearing, Journal (Part of Item 45)	
59	70002608	1	Bracket, Lifting	
60	70002609	1	Screw	
61	See Note	1	Housing (Note: Not Available for Purchase)	
62	70002175	1	Shaft	
63	70002610	1	Ball Bearing Kit	
	7007439	1	Ring, Retaining	
65	70002174	1	Shaft Seal Kit (Includes Items 66-68) (Note: This is a universal kit and will contain extra pieces that are not used on this pump assembly)	
66	70002177	1	Seal, Lip	
67	70002178	1	O-Ring	
68	70002179	1	Ring, Retaining	
69	See Note	1	Housing (Note: Not Available for Purchase)	
71	70002612	1	Shaft	
72	70002610	1	Ball Bearing Kit	
74	70002621	1	High Pressure Relief Valve Cartridge Assembly (Includes Item 75)	
75	70002622	1	Seal Kit - 70002621 Valve (Part of Item 74)	
76	7007415	1	O-Ring (Part of Items 81, 84, 87 & 90)	
77	7021293	1	Ring, Back-up (Part of Items 81, 84, 87 & 90)	
78	7022300	1	O-Ring (Part of Items 81, 84, 87 & 90)	
79	70002616	1	SCR Valve Assembly	
80	7024800	1	Spring	
81	7021265	1	Plug Assembly (Includes Qty 1 of Items 76-78)	
82	70002616	1	SCR Valve Assembly	
83	7024800	1	Spring	
84	7021265	1	Plug Assembly (Includes Qty 1 of Item 76-78)	
85	70002616	1	SCR Valve Assembly	
86	7024800	1	Spring	
87	70002617	1	Plug Assembly (Includes Qty 1 of Item 76-78)	
88	70002616	1	SCR Valve Assembly	
89	7024800	1	Spring	
90	7021265	1	Plug Assembly (Includes Qty 1 of Items 76-78)	
91	70002623	1	Overhaul Seal Kit (Includes Items 3, 5, 22, 27, 30, 37, 38, 41, 46, 48, 50, 52, 54, 66, 67, 75, 76, 77 & 78)	

SECTION 3 - ENGINE

FIGURE 3-27. PISTON PUMP ASSEMBLY

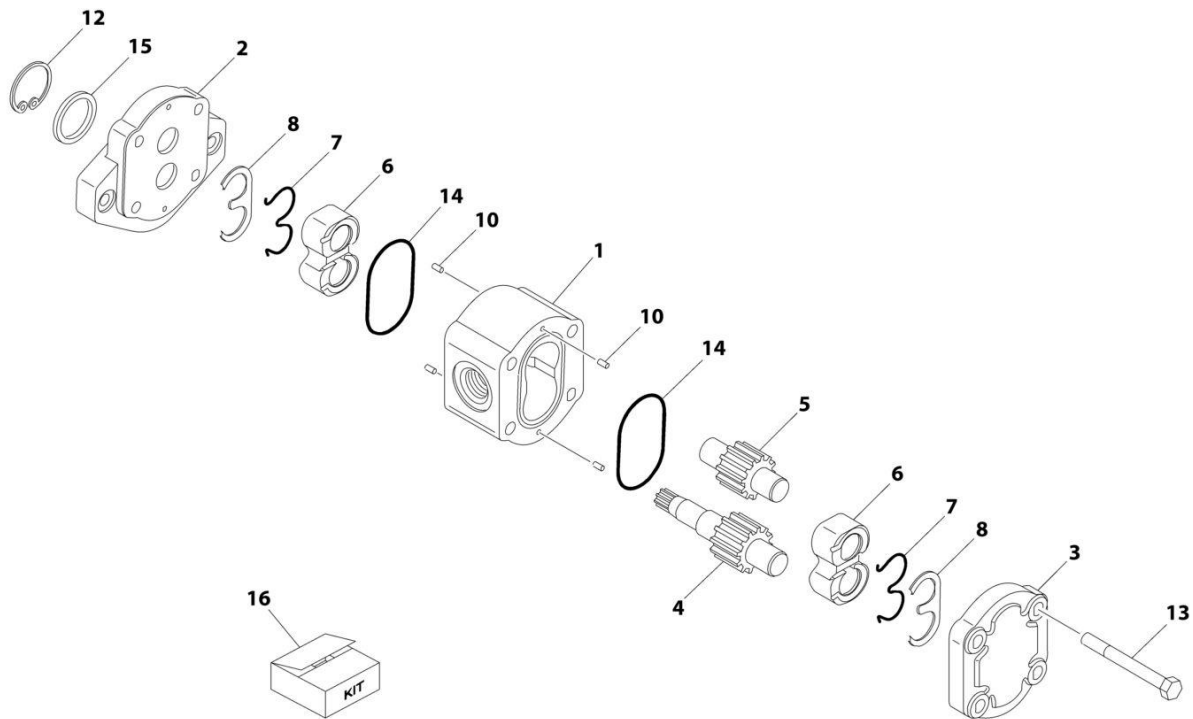
ITEM	PART NUMBER	QTY	DESCRIPTION	REV
	1001169892	Ref	PISTON PUMP ASSEMBLY	D
25	70002580	1	Spring, Bias	
40	70004416	1	Swashplate Assembly	
43	70002582	1	Shaft	
44	70002583	1	Ring, Retaining	
90	70004417	1	Plate, Valve	
95	70001956	1	Poppet, Check Valve	
96	70001955	1	Spring	
100	70022286	1	Kit, Control (Includes Items 102 - 300)	
102	70023351	1	Setscrew	
103	70002133	1	Plug Assembly (Includes O-Ring)	
103	7007207	1	O-Ring	
104	70002133	1	Plug Assembly (Includes O-Ring)	
104	7007207	1	O-Ring	
105	70002133	1	Plug Assembly (Includes O-Ring)	
105	7007207	1	O-Ring	
106	70002133	1	Plug Assembly (Includes O-Ring)	
106	7007207	1	O-Ring	
112	70004418	1	Spool	
113	70023353	1	Guide, Spring LS	
114	70023354	1	Spring, Outer LS	
115	70023355	1	Spring, Inner LS	
118	70024039	1	Plug, Adjusting LS	
132	70023352	1	Spool, Control	
133	70023357	1	Guide, Spring PC	
134	70023358	1	Spring, Outer PC	
135	70023359	1	Spring, Inner PC	
138	70024040	1	Plug, Adjusting PC (Includes O-Ring)	
138	70023361	1	O-Ring	
200	70023362	4	Ring, Seal	
300	70023363	4	Capscrew	
420	7023377	1	Plug, Orifice	
430	70004419	1	Plug, Orifice	
510	70023364	1	Shaft	
520	70004420	1	Cap, End	
530	70002588	4	Capscrew	
550	7007446	1	Pin, Slotted	
640	70002589	1	Coupling	
650	7022340	1	Bracket, Lifting	
655	70002590	1	Capscrew	
710	7023962	1	Ring, Retaining	
720	70022287	1	Seal, Lip	
730	See Note	NSS	Housing (Note: Not Available for Purchase)	
735	70002596	1	Block, Cylinder	
740	7023964	1	Plug Assembly (Includes O-Ring)	
740	7007415	1	O-Ring	
746	7021275	3	Pin, Hold-down	
747	70002592	1	Guide, Slipper Retainer	
749	70002593	1	Retainer, Slipper	
750	70004422	9	Piston Assembly	

SECTION 3 - ENGINE

ITEM	PART NUMBER	QTY	DESCRIPTION	REV
760	70002595	1	Seal, End Cap	
770	7023964	1	Plug, O-Ring (Includes O-Ring)	
770	7007415	1	O-Ring	
810	70004423	1	Kit, Cylinder Block (Includes Items 735, 746, 747, 749 & 750)	
820	70004424	1	Piston, Servo (Includes Item 822)	
822	70004425	3	Ring, Piston (Part of Item 820)	
920	70002585	1	Kit, Bearing - Rear (Includes Cup and Cone)	
930	70004426	1	Kit, Swashplate Bearing (Includes Qty 2 Bearings and Retainer Pins)	
970	70002578	1	Bearing Kit - Front (Includes Cup and Cone)	
1210	70002599	1	Kit, Complete Seal (Includes Items 200, 720, 760, 822 and Plug O-Rings)	

SECTION 3 - ENGINE

FIGURE 3-28. GEAR PUMP ASSEMBLY



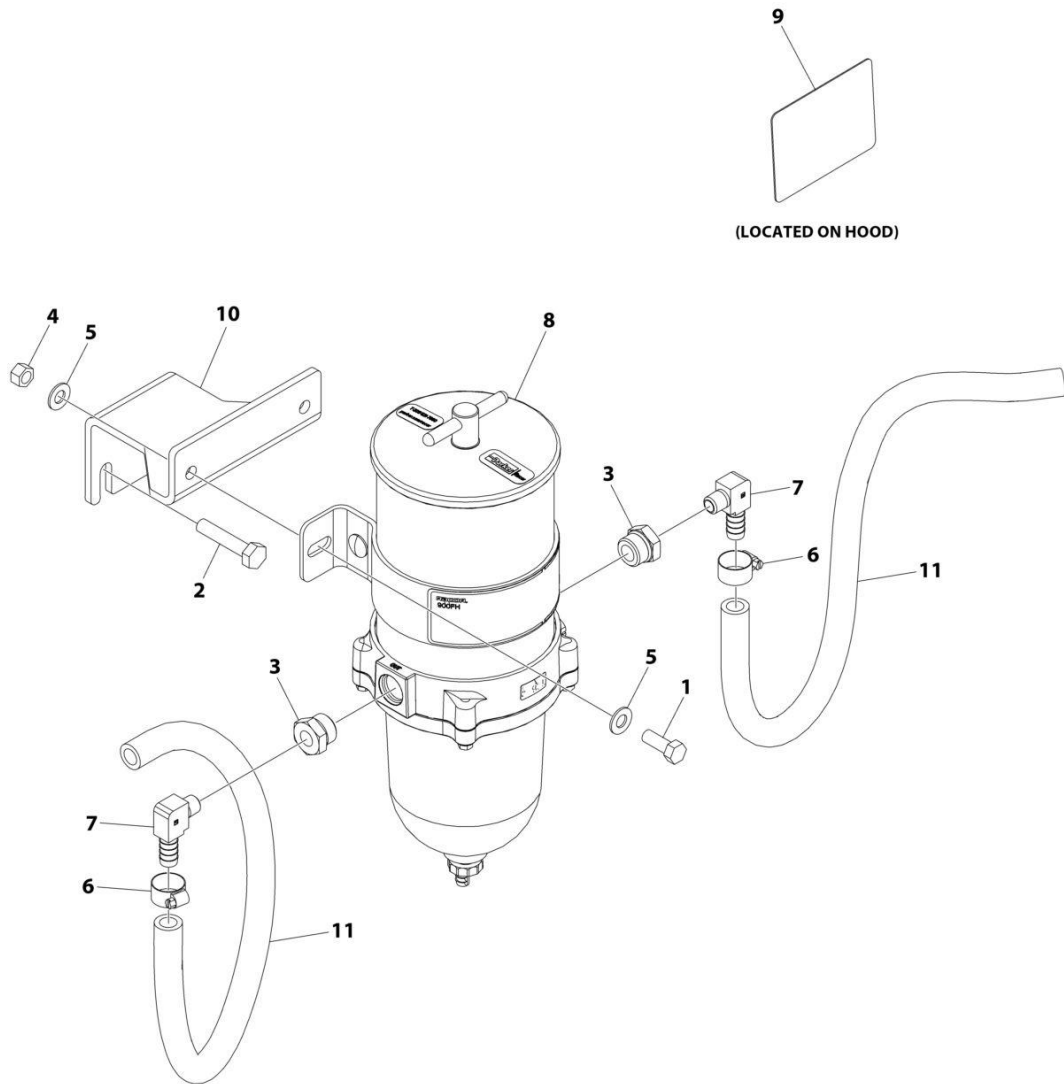
ART_1001112927

FIGURE 3-28. GEAR PUMP ASSEMBLY

ITEM	PART NUMBER	QTY	DESCRIPTION	REV
	1001112927	Ref	PUMP ASSEMBLY (SAUER GEAR)	A
1	See Note	NSS	Body (Note: Use p/n 1001112927)	
2	See Note	NSS	Cover, Front (Note: Use p/n 1001112927)	
3	See Note	NSS	Cover, Rear (Note: Use p/n 1001112927)	
4	See Note	NSS	Shaft, Gear (Note: Use p/n 1001112927)	
5	See Note	NSS	Gear, Idler (Note: Use p/n 1001112927)	
6	See Note	NSS	Block, Bearing (Note: Use p/n 1001112927)	
7	7007489	2	Ring, Anti-Extrusion	
8	7007489	2	Ring, Seal	
10	See Note	NSS	Pin, Dowel (Note: Use p/n 1001112927)	
12	70002576	1	Ring, Retaining	
13	See Note	NSS	Capscrew (Note: Use p/n 1001112927)	
14	7007489	2	O-Ring	
15	7007489	1	Seal, Lip	
16	7007489	1	Seal Kit - 1001112927 Pump (Includes Items 7, 8, 14 & 15)	

SECTION 3 - ENGINE

FIGURE 3-29. FUEL FILTER/WATER SEPARATOR INSTALLATION



ART_1001227913-A

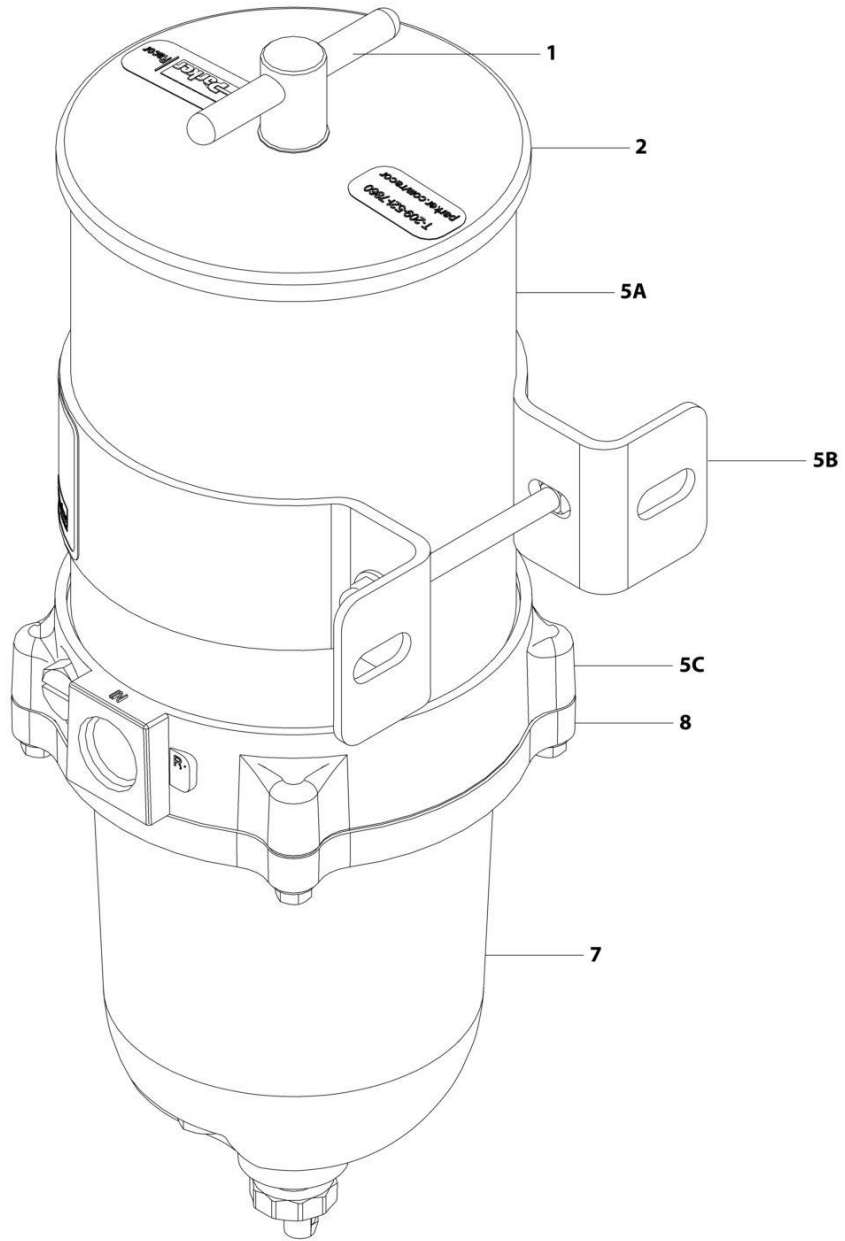
SECTION 3 - ENGINE

FIGURE 3-29. FUEL FILTER/WATER SEPARATOR INSTALLATION

ITEM	PART NUMBER	QTY	DESCRIPTION	REV
	1001227913	Ref	FUEL FILTER/WATER INSTALLATION	A
1	0641608	2	Bolt 3/8 x 1	
2	0761018	2	Bolt M10 x 50	
3	2220816	2	Adapter, Straight FNPTF/ORB	
4	3311605	2	Nut 3/8	
5	4711600	4	Washer 3/8	
6	8405006	2	Clamp	
7	1001178797	2	Fitting, 90 NPTF/Barbed	
8	1001222817	1	Filter, Fuel (See Separate Breakdown in this Section)	
9	1001226923	1	Decal - Fuel Water Separator	
10	1001227948	1	Mount	
11	1001154405	1	Hose	

SECTION 3 - ENGINE

FIGURE 3-30. FUEL FILTER ASSEMBLY



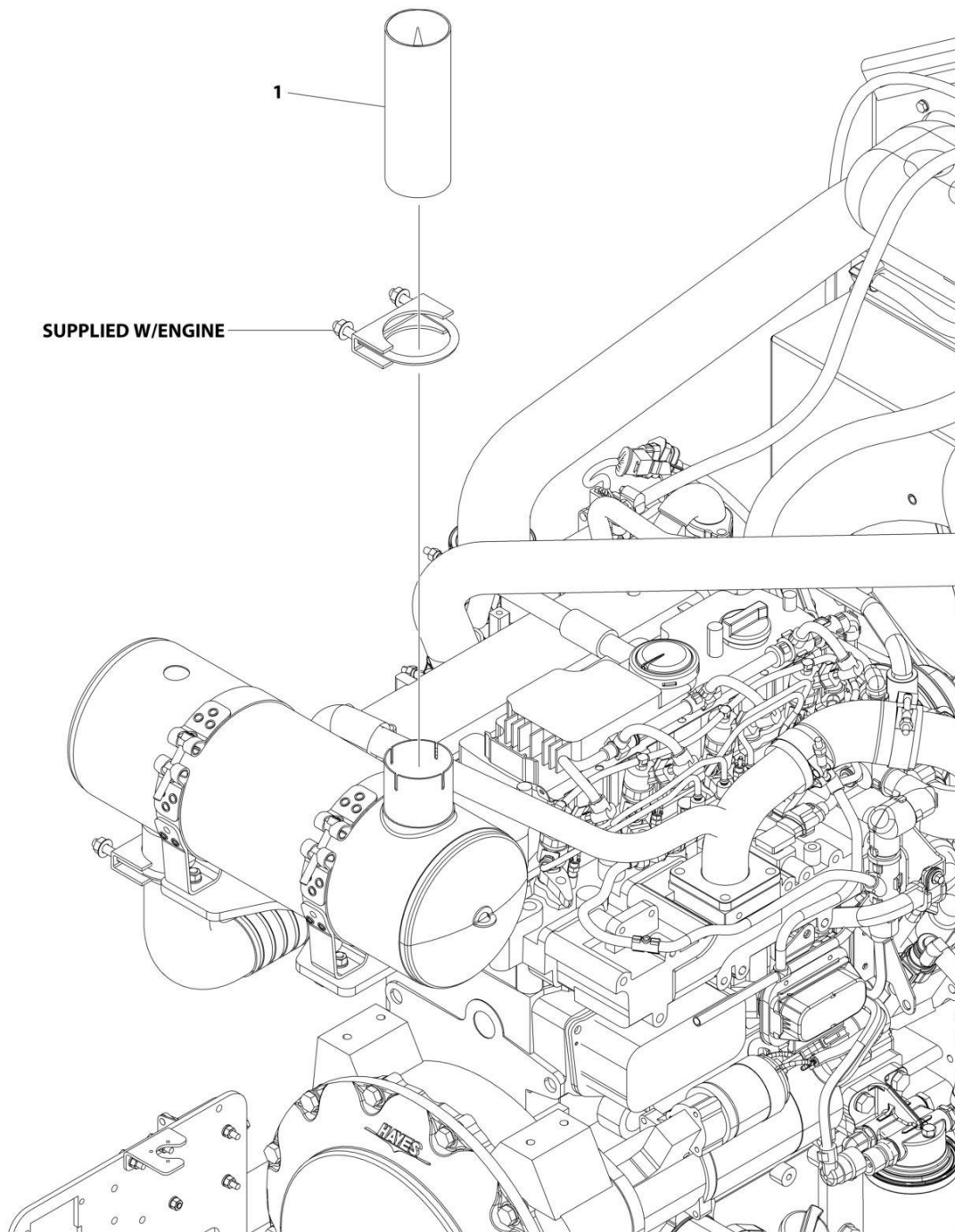
ART_1001222817

FIGURE 3-30. FUEL FILTER ASSEMBLY

ITEM	PART NUMBER	QTY	DESCRIPTION	REV
	1001222817	Ref	FUEL FILTER ASSEMBLY	A
1	70006403	1	Handle Kit (Includes Handle, Handle O-Ring & Lid Gasket)	
2	70006404	1	Lid Kit (Includes Lid, Handle O-Ring & Lid Gasket)	
3	70006405	1	Element, Filter (Not Shown)	
5A	See Note	NSS	Housing (Note: Use p/n 1001222817)	
5B	See Note	NSS	Bracket (Note: Use p/n 1001222817)	
5C	See Note	NSS	Tube, Return (Note: Use p/n 1001222817)	
6	70006407	1	Certrfuge & Baffle Kit (Not Shown - Located at Bottom of 5C) (Also Includes p/n 70006406 & Bowl Gasket)	
6	70006406	1	Checkball & Gasket Kit (Not Shown - Located at Bottom of 5C)	
7	70006409	1	Bowl Kit (Includes Bowl Gasket, Plug with O-Ring & Drain)	
7	70006408	1	Gasket, Bowl	
8	70006410	1	Bowl Ring Kit (Includes Bowl Gasket & Bolts)	

SECTION 3 - ENGINE

FIGURE 3-31. SPARK ARRESTOR INSTALLATION - DEUTZ LRC (OPTIONAL)



ART_1001158607

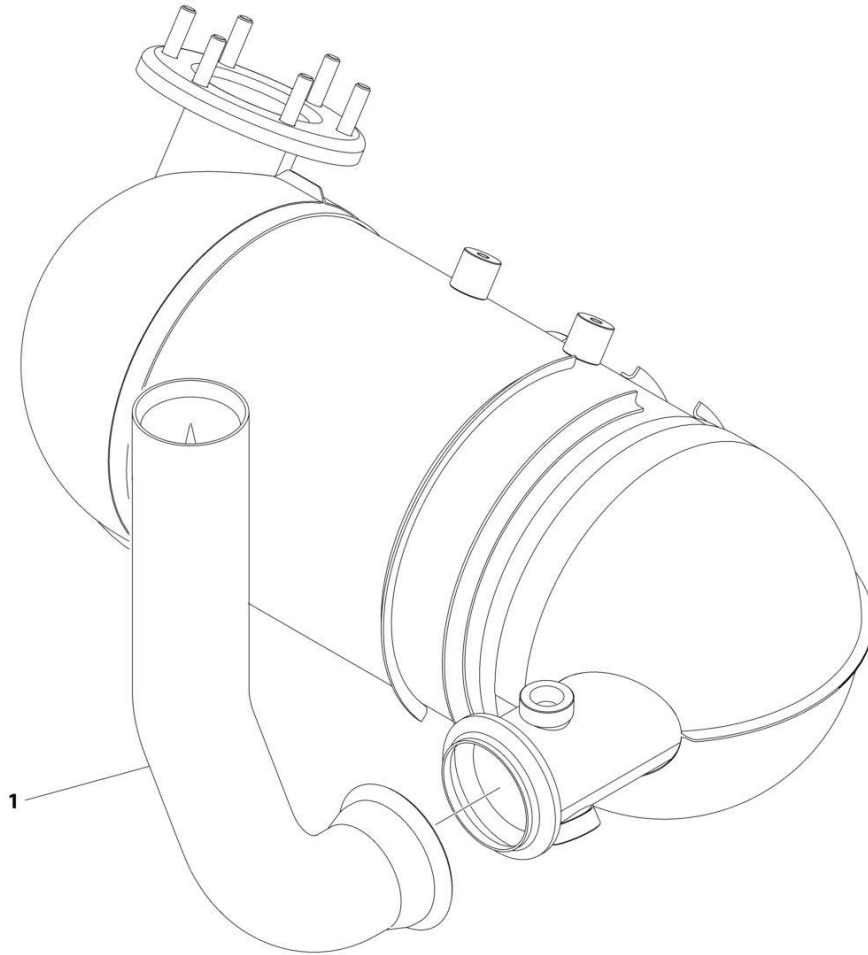
SECTION 3 - ENGINE

FIGURE 3-31. SPARK ARRESTOR INSTALLATION - DEUTZ LRC (OPTIONAL)

ITEM	PART NUMBER	QTY	DESCRIPTION	REV
1	1001158607 1001158263	Ref 1	SPARK ARRESTOR INSTALLATION Arrestor, Spark	B

SECTION 3 - ENGINE

FIGURE 3-32. SPARK ARRESTOR INSTALLATION - DEUTZ T4F (OPTIONAL)



ART_1001191390

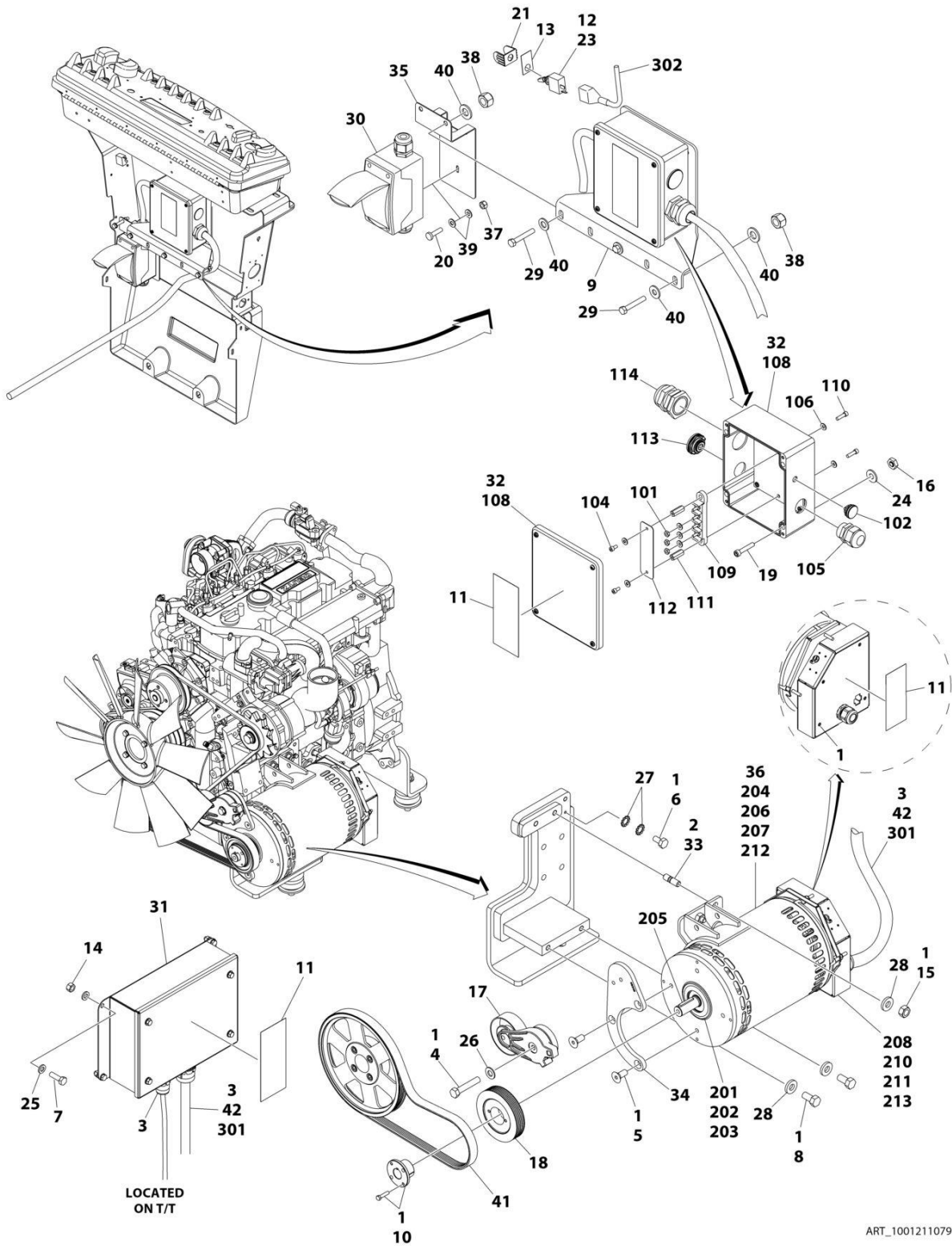
SECTION 3 - ENGINE

FIGURE 3-32. SPARK ARRESTOR INSTALLATION - DEUTZ T4F (OPTIONAL)

ITEM	PART NUMBER	QTY	DESCRIPTION	REV
1	1001191390 1001191368	Ref 1	SPARK ARRESTOR INSTALLATION Arrestor, Spark	A

SECTION 3 - ENGINE

FIGURE 3-33. 4000W GENERATOR INSTALLATION - 50HZ SPEC (OPTIONAL)



ART_1001211079

SECTION 3 - ENGINE

FIGURE 3-33. 4000W GENERATOR INSTALLATION - 50HZ SPEC (OPTIONAL)

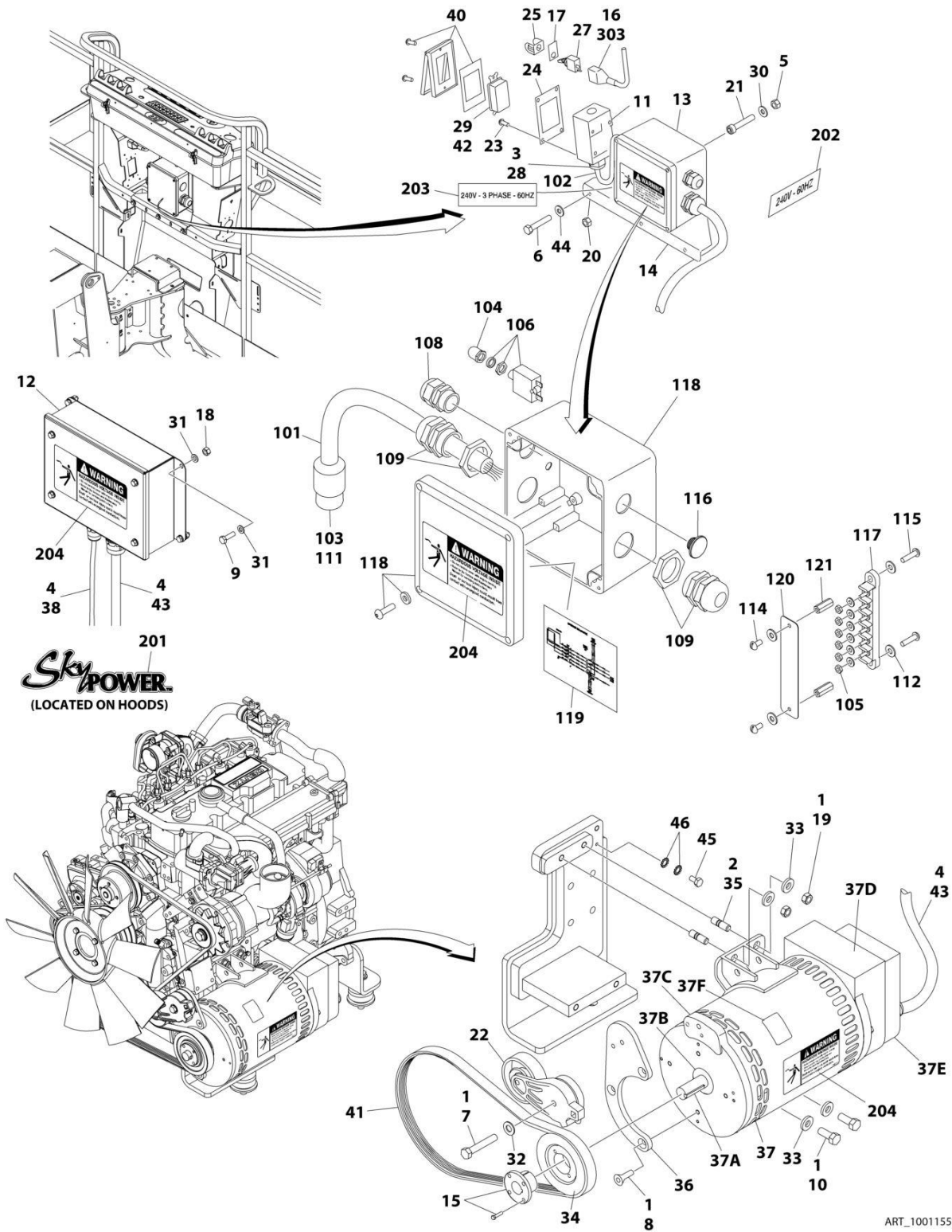
ITEM	PART NUMBER	QTY	DESCRIPTION	REV
	1001211079	Ref	4000W GENERATOR INSTALLATION	A
		Ref	Note: See ELECTRICAL SECTION for Boom Cable Installation.	
1	0100011	AR	Compound, Locking	
2	0100019	AR	Compound, Locking	
3	0100048	AR	Grease, Dielectric	
4	0701018	1	Bolt M10 x 50	
5	0741607	3	Screw 3/8 x 0.88	
6	0760606	1	Bolt M6 x 12	
7	0760610	4	Bolt M6 x 20	
8	0761212	2	Bolt M12 x 25	
9	0902888	1	Bracket, Generator Junction Box	
10	0962520	1	Bushing, Taper	
11	1705489	3	Decal - Hazardous Voltage	
12	2820031	AR	Insulator, Heat Shrink	
13	3251102	1	Nameplate, Generator	
14	3290607	4	Nut M6	
15	3291201	2	Nut M10	
16	3311005	4	Nut #10	
17	3580317	1	Pulley, Belt Tensioner	
18	3580318	1	Pulley, Generator	
19	3931016	4	Screw 1/4 x 1	
20	4010408	2	Screw M4 x 16	
21	4060802	1	Guard, Switch	
22	4240018	AR	Strap, Tie (Not Shown)	
23	4360336	1	Switch, Toggle	
24	4751000	4	Washer #10	
25	4811700	8	Washer M6	
26	4812000	1	Washer M10	
27	4871700	2	Washer M6	
28	5241200	4	Washer M12	
29	0700819001	4	Bolt M8 x 55	
30	1001096612	1	Kit, Box and Breaker (See Separate Breakdown in ELECTRICAL SECTION)	
31	1001138566	1	Box, Generator Control	
31	70006552	1	Capacitor	
31	70006553	1	Relay	
32	1001152458	1	Box, Junction Assembly (See Items 101-113 for Breakdown)	
33	1001155041	2	Stud	
34	1001155338	1	Bracket	
35	1001204650	1	Plate, Mounting	
36	1001206119	1	Generator, 4000W Assembly (See Items 200-213 for Breakdown)	
37	3290405001	2	Nut M4	
38	3290805001	4	Nut M8	
39	4811400001	4	Washer M4	
40	4811900001	8	Washer M8	
41	1001148059	1	Belt	
42	1001152532	1	Harness, Generator Cable (See Separate Breakdown in ELECTRICAL SECTION)	
	1001152458	Ref	JUNCTION BOX ASSEMBLY	C
101	3311001	3	Nut #10	

SECTION 3 - ENGINE

ITEM	PART NUMBER	QTY	DESCRIPTION	REV
102	1001155813	1	Plug, Hole Pluggit	
104	3900300	2	Screw, Spec, Cap	
105	4460425	1	Terminal, Strain Relief	
106	4711000	7	Washer #10	
108	1001152456	1	Box, Junction	
109	1001152530	1	Terminal, Block, 4 Pole	
110	3900267	2	Screw, Spec, Cap	
111	1001158008	2	Stand-Off, Female, Threaded	
112	1001158363	1	Plate, Cover, PVC	
113	1001152525	1	Plug	
114	4460426	1	Connector, Strain Relief	
	1001206119	Ref	4000W GENERATOR ASSEMBLY	
201	70003709	1	Ring, Retaining	
202	70003708	1	Ring, Retaining	
203	70001966	1	Bearing, Ball	
204	70004092	1	Endbell	
205	70004171	1	Key	
206	70004676	1	Rotor Assembly	
207	70005624	1	Stator, Generator 4000W	
208	70004678	1	Endbell	
210	70004680	1	Enclosure	
211	70004681	1	Cover, Enclosure	
212	70004282	1	Switch, Reset	
213	70004683	1	Bushing, Strain Relief	
		Ref	ELECTRICAL DIAGRAM COMPONENTS	
301	1001156030	1	Generator Harness (See Separate Breakdown in ELECTRICAL SECTION)	
302	4922641	1	Generator Switch Harness	
303	1001164091	1	Generator Ground Harness (Not Shown) (ANSI Export, CE and Japanese Specs)	
303	1001154121	1	Generator Ground Harness (Not Shown) (Australian Specs)	

SECTION 3 - ENGINE

FIGURE 3-34. 7500W SKYPOWER GENERATOR INSTALLATION - 60HZ (OPTIONAL)



ART_1001155066

SECTION 3 - ENGINE

FIGURE 3-34. 7500W SKYPOWER GENERATOR INSTALLATION - 60HZ (OPTIONAL)

ITEM	PART NUMBER	QTY	DESCRIPTION	REV
	1001155066	Ref	7500W SKYPOWER GENERATOR INSTALLATION - 60HZ (OPTIONAL)	F
1	0100011	AR	Compound, Locking	
2	0100019	AR	Compound, Locking	
3	0100020	AR	Sealant, Pipe	
4	0100048	AR	Grease, Dielectric	
5	3311005	4	Nut #10	
6	0700818	3	Bolt M8 x 50	
7	0701018	1	Bolt M10 x 50	
8	0741607	3	Screw 3/8 x 7/8	
9	0760610	4	Bolt M6 x 20	
10	0761212	2	Bolt M12 x 25	
11	0860038	1	Box, Switch	
12	0861538	1	Box, Generator Control	
12	7024488	1	Card, Circuit - Generator Power (Not Shown)	
12	See Note	1	Fuse (Note: Not Available Purchase Locally)	
12	7024489	1	Card, Circuit - Control (Not Shown)	
12		Ref	Note: When replacing card, rocker switch on card must be set for required application.	
12	70000619	1	Circuit Card Harness	
12	77363232	1	Connector - 6 Position	
12	See Note	1	Connector - 3 Position (Note: Not Available for Purchase)	
13	1001157592	1	Junction Box Assembly (See Items 101-121 for Breakdown)	
14	0902888	1	Bracket, Generator Junction Box	
15	0962520	1	Bushing, Taper	
16	2820031	AR	Insulator, Heat Shrink	
17	3251102	1	Nameplate, Generator	
18	3290607	4	Nut M6	
19	3291201	2	Nut M10	
20	3290805	3	Nut M8	
21	3931016	4	Capscrew #10 x 1	
22	3580317	1	Tensioner, Belt with Pulley	
23	3910606	4	Screw #6 x 3/8	
24	3960422	1	Gasket, AC Receptacle	
25	4060802	1	Guard, Switch	
26	4240018	AR	Tie-Strap (Not Shown)	
27	4360336	1	Switch, Toggle	
28	4460071	1	Connector, Strain Relief	
29	4460346	1	Terminal, Receptacle	
30	4751000	4	Washer #10	
31	4811700	8	Washer M6	
32	4812000	1	Washer M10	
33	5241200	4	Washer M12	
34	1001150174	1	Pulley, Generator	
35	1001155041	2	Stud	
36	1001155338	1	Bracket	
37	1001155348	1	Generator, 7500W	
37	70001100	1	Rotor (Includes p/n 70001384 & 70000863) (Not Shown)	
37	70001384	1	Bearing, Shaft (Rear) (Not Shown)	
37	70000863	1	Fan, Generator (Not Shown)	

SECTION 3 - ENGINE

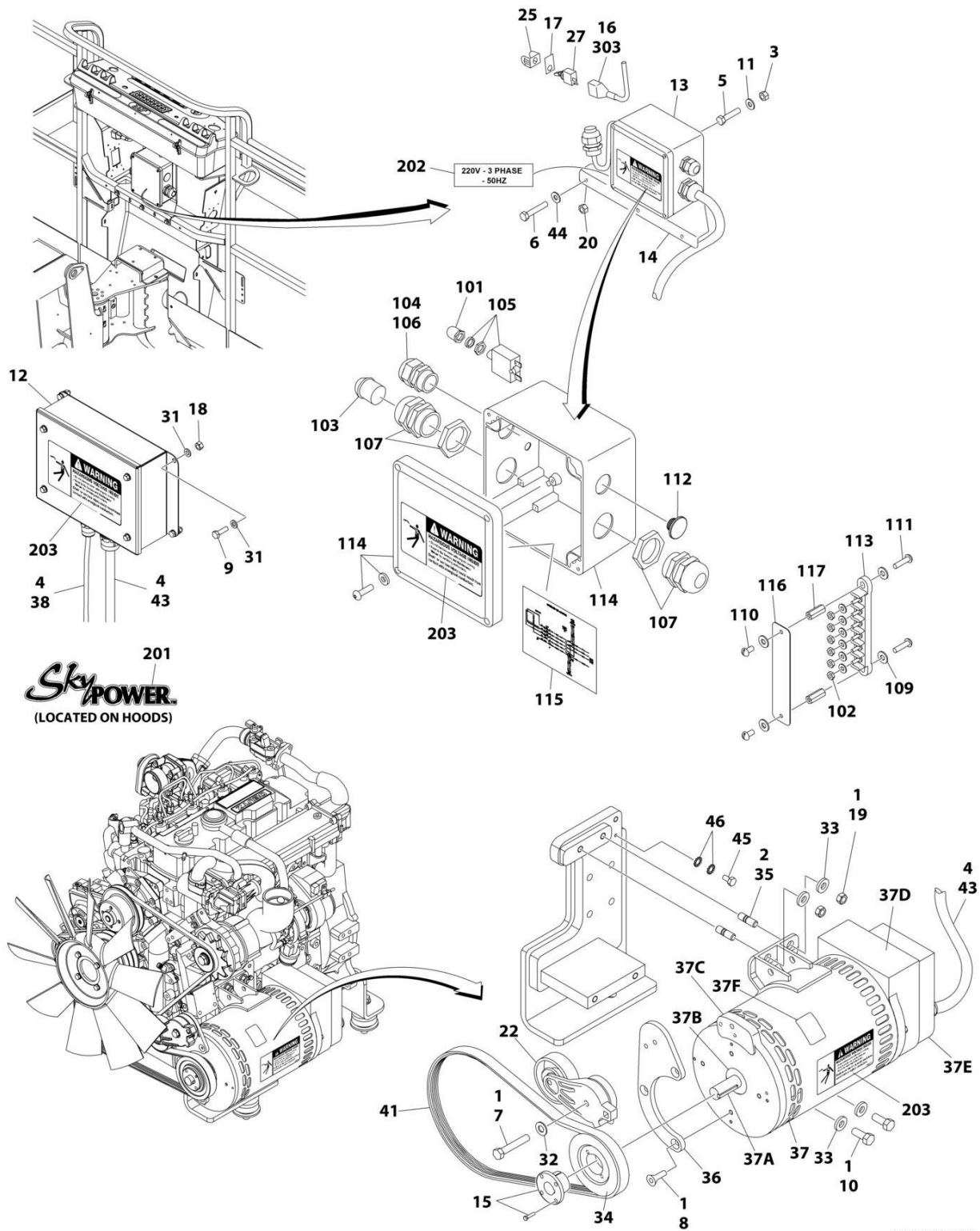
ITEM	PART NUMBER	QTY	DESCRIPTION	REV
37	70004093	1	Stator (Not Shown)	
37	70002297	2	Stud 1/4-20 x 12-7/8 (Not Shown)	
37	70003631	1	Brushholder Assembly (Not Shown)	
37A	70004099	1	Key	
37B	70001966	1	Bearing, Ball Radial (Located in Belt Tensioner Endbell)	
37B	70003709	1	Ring, Retaining (Small)	
37B	70003708	1	Ring, Retaining (Large)	
37C	70004092	1	Endbell, Belt Tensioner	
37D	70004094	1	Endbell, Brush Block	
37E	70004096	1	Shroud Assembly	
37E	7027799	1	Block, Connector - 6 Position (Not Shown)	
37E	70002460	6	Nut, Brass (Attaches p/n 7027799 to Cover) (Not Shown)	
37E	7024485	1	Breaker, Circuit 30Amp (Not Shown)	
37E	70001696	1	Boot, Breaker (Not Shown)	
37E	7026597	1	Connector with Leads (Not Shown)	
37E	7026626	1	Connector with Pins (Not Shown)	
37E	70004098	1	Clamp, Cable (Not Shown)	
37E	70004095	1	Plate, End Panel (Not Shown)	
37E	70004097	1	Insulator, End Panel (Not Shown)	
37E	70001974	1	Decal - Terminal Connections (Not Shown)	
37F	70001973	1	Decal - Warning Moving Parts	
38	1001156030	1	Generator Harness (See Separate Breakdown in ELECTRICAL SECTION)	
40	1001110873	1	Shield, Receptacle Cover	
41	1001155303	1	Belt, Generator	
42	4460315	2	Terminal, Spade	
43	4922925	1	Generator Harness	
43	4460225	1	Plug, Male 6 Position (Plugs into Generator)	
43	See Note	NSS	Socket, Female (Use with 4460225)	
43	See Note	NSS	Seal, Plug (Use with 4460225)	
43	See Note	NSS	Seal, Interface (Use with 4460225)	
44	4811900	6	Washer M8	
45	0760606	1	Bolt M6 x 12	
46	4871700	2	Washer M6	
	1001157592	Ref	JUNCTION BOX ASSEMBLY	C
101	1060343	1.5 ft /0.5m	Cable, Electrical 10/4	
102	1001179154	2.5 ft /0.8m	Cable, Electrical 12/3	
103	1671092	1	Cover	
104	3300396	1	Cover, Fuse	
105	3311001	6	Nut #10	
106	4360070	1	Circuit Breaker - 15Amp	
108	4460425	1	Strain Relief, Terminal	
109	4460426	2	Connector, Strain Relief	
111	4460963	1	Connector	
112	4711000	10	Washer #10	
114	10702077	2	Screw #10 x 3/8	
115	10702082	2	Screw #10 x 3/4	
116	1001152525	1	Plug	
117	1001157520	1	Block, Terminal	
118	1001157521	1	Box, Junction	

SECTION 3 - ENGINE

ITEM	PART NUMBER	QTY	DESCRIPTION	REV
119	1001157528	1	Decal - Wiring Schematic	D
120	1001158007	1	Cover, PVC	
121	1001158008	2	Stand-Off	
	0272435	Ref	DECAL INSTALLATION	
201	1705460	2	Decal - SkyPower	
202	3251243	1	Decal - 120-60Hz	
203	1705375	1	Decal - 240V - 3 Phase	
204	1705387	3	Decal - Hazardous Voltage	
		Ref	ELECTRICAL DIAGRAM COMPONENTS	
303	4922641	1	Generator Switch Harness	

SECTION 3 - ENGINE

FIGURE 3-35. 7500W SKYPOWER GENERATOR INSTALLATION - 50HZ (OPTIONAL)



ART_1001155067

SECTION 3 - ENGINE

FIGURE 3-35. 7500W SKYPOWER GENERATOR INSTALLATION - 50HZ (OPTIONAL)

ITEM	PART NUMBER	QTY	DESCRIPTION	REV
	1001155067	Ref	7500W SKYPOWER GENERATOR INSTALLATION - 50HZ (OPTIONAL)	J
1	0100011	AR	Compound, Locking	
2	0100019	AR	Compound, Locking	
3	3311005	4	Nut #10	
4	0100048	AR	Grease, Dielectric	
5	3931016	4	Capscrew #10 x 1	
6	0700818	3	Bolt M8 x 50	
7	0701018	1	Bolt M10 x 50	
8	0741607	3	Screw 3/8 x 7/8	
9	0760610	4	Bolt M6 x 20	
10	0761212	2	Bolt M12 x 25	
11	4751000	4	Washer #10	
12	0861572	1	Box, Generator Control	
12	7024488	1	Card, Circuit - Generator Power (Not Shown)	
12	See Note	1	Fuse (Note: Not Available Purchase Locally)	
12	7024489	1	Card, Circuit - Control (Not Shown)	
12		Ref	Note: When replacing card, rocker switch on card must be set for required application.	
12	70000619	1	Circuit Card Harness	
12	77363232	1	Connector - 6 Position	
12	See Note	NSS	Connector - 3 Position (Note: Not Available for Purchase)	
13	1001157525	1	Junction Box Assembly (See Items 101-117 for Breakdown)	
14	0902888	1	Bracket	
15	0962520	1	Bushing	
16	2820031	AR	Heat Shrink	
17	3251102	1	Nameplate, Generator	
18	3290607	4	Nut M6	
19	3291201	2	Nut M12	
20	3290805	3	Nut M8	
22	3580317	1	Tensioner, Belt with Pulley	
25	4060802	1	Guard, Switch	
26	4240018	AR	Tie-Strap (Not Shown)	
27	4360336	1	Switch, Toggle	
31	4811700	8	Washer M6	
32	4812000	1	Washer M10	
33	5241200	4	Washer M12	
34	3580318	1	Pulley, Generator	
35	1001155041	2	Stud	
36	1001155338	1	Bracket	
37	1001155348	1	Generator, 7500W	
37	70001100	1	Rotor (Includes p/n 70001384 & 70000863) (Not Shown)	
37	70001384	1	Bearing, Shaft (Rear) (Not Shown)	
37	70000863	1	Fan, Generator (Not Shown)	
37	70005651	1	Stator (Not Shown)	
37	70002297	2	Stud 1/4 x 12-7/8 (Not Shown)	
37	70003631	1	Brushholder Assembly (Not Shown)	
37A	70004171	1	Key	
37B	70001966	1	Bearing, Ball Radial (Located in Belt Tensioner Endbell)	
37B	70003709	1	Ring, Retaining (Small)	

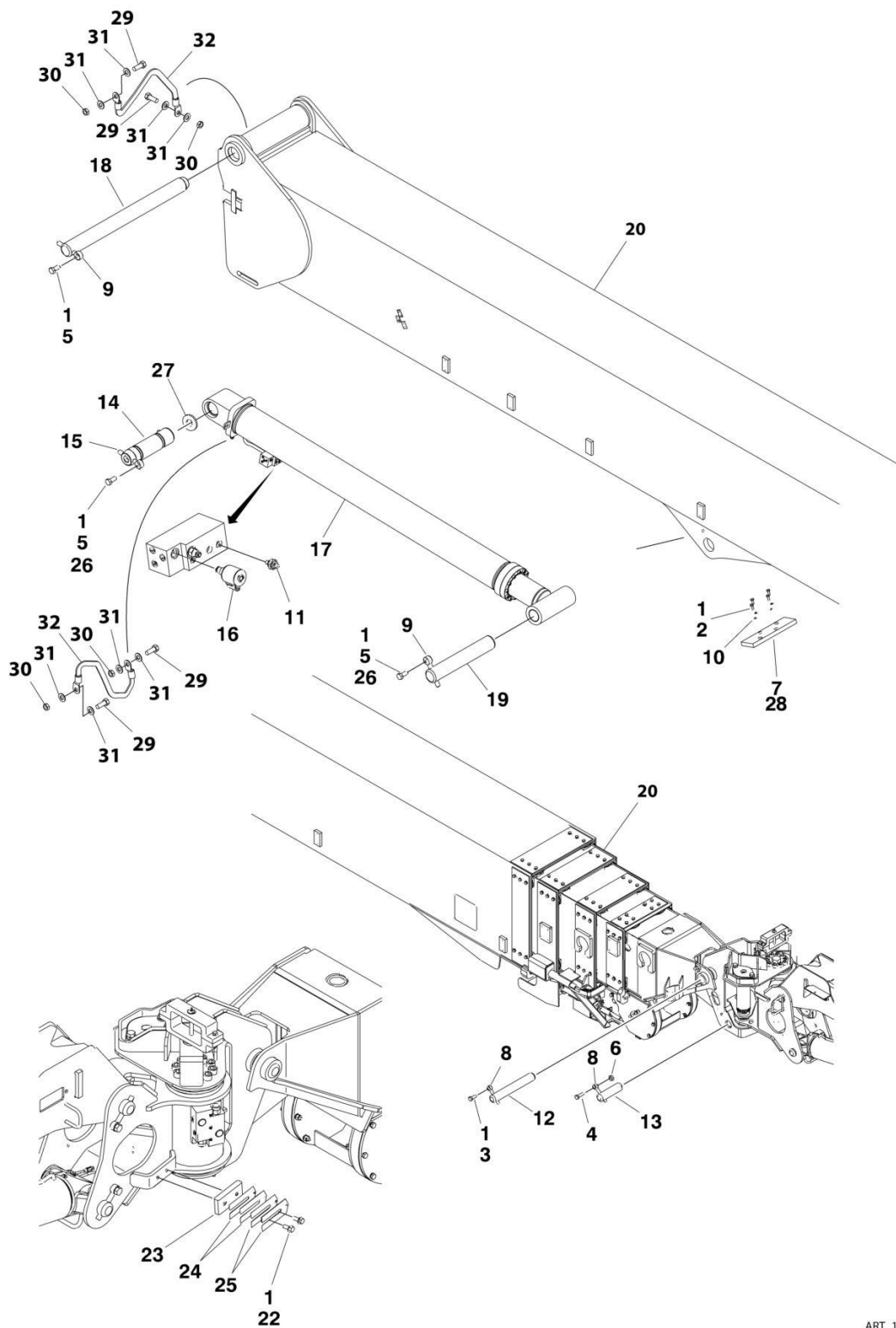
SECTION 3 - ENGINE

ITEM	PART NUMBER	QTY	DESCRIPTION	REV
37B	70003708	1	Ring, Retaining (Large)	
37C	70004092	1	Endbell, Belt Tensioner	
37D	70004094	1	Endbell, Brush Block	
37E	70004096	1	Shroud Assembly	
37E	7027799	1	Block, Connector - 6 Position (Not Shown)	
37E	70002460	6	Nut, Brass (Attaches p/n 7027799 to Cover) (Not Shown)	
37E	7024485	1	Breaker, Circuit 30Amp (Not Shown)	
37E	70001696	1	Boot, Breaker (Not Shown)	
37E	7026597	1	Connector with Leads (Not Shown)	
37E	7026626	1	Connector with Pins (Not Shown)	
37E	70004098	1	Clamp, Cable (Not Shown)	
37E	70005652	1	Plate, End Panel (Not Shown)	
37E	70004097	1	Insulator, End Panel (Not Shown)	
37E	70001974	1	Decal - Terminal Connections (Not Shown)	
37F	70001973	1	Decal - Warning Moving Parts	
38	1001156030	1	Generator Harness (See Separate Breakdown in ELECTRICAL SECTION)	
41	1001148059	1	Belt, Generator	
43	4922925	1	Generator Harness	
43	4460225	1	Plug, Male 6 Position (Plugs into Generator)	
43	See Note	NSS	Socket, Female (Use with 4460225)	
43	See Note	NSS	Seal, Plug (Use with 4460225)	
43	See Note	NSS	Seal, Interface (Use with 4460225)	
44	4811900	6	Washer M8	
45	0760606	1	Bolt M6 x 12	
46	4871700	2	Washer M6	
	1001157525	Ref	JUNCTION BOX ASSEMBLY	B
101	3300396	1	Cover, Fuse	
102	3311001	6	Nut #10	
103	3520189	1	Plug (50Hz Spec Only)	
104	3520192	1	Plug	
105	4360070	1	Circuit Breaker - 15Amp	
106	4460425	1	Strain Relief, Terminal	
107	4460426	2	Connector, Strain Relief	
109	4711000	10	Washer #10	
110	10702077	2	Screw #10 x 3/8	
111	10702082	2	Screw #10 x 3/4	
112	1001152525	1	Plug	
113	1001157520	1	Block, Terminal	
114	1001157521	1	Box, Junction	
115	1001157528	1	Decal - Wiring Schematic	
116	1001158007	1	Cover, PVC	
117	1001158008	2	Stand-Off	
	0272589	Ref	DECAL INSTALLATION	A
201	1705460	2	Decal - SkyPower	
202	1705461	1	Decal - 240V - 3 Phase	
203	1705489	3	Decal - Hazardous Voltage	
		Ref	ELECTRICAL DIAGRAM COMPONENTS	
303	4922641	1	Generator Switch Harness	

SECTION 4 - BOOM

SECTION 4 - BOOM

FIGURE 4-1. BOOM INSTALLATION



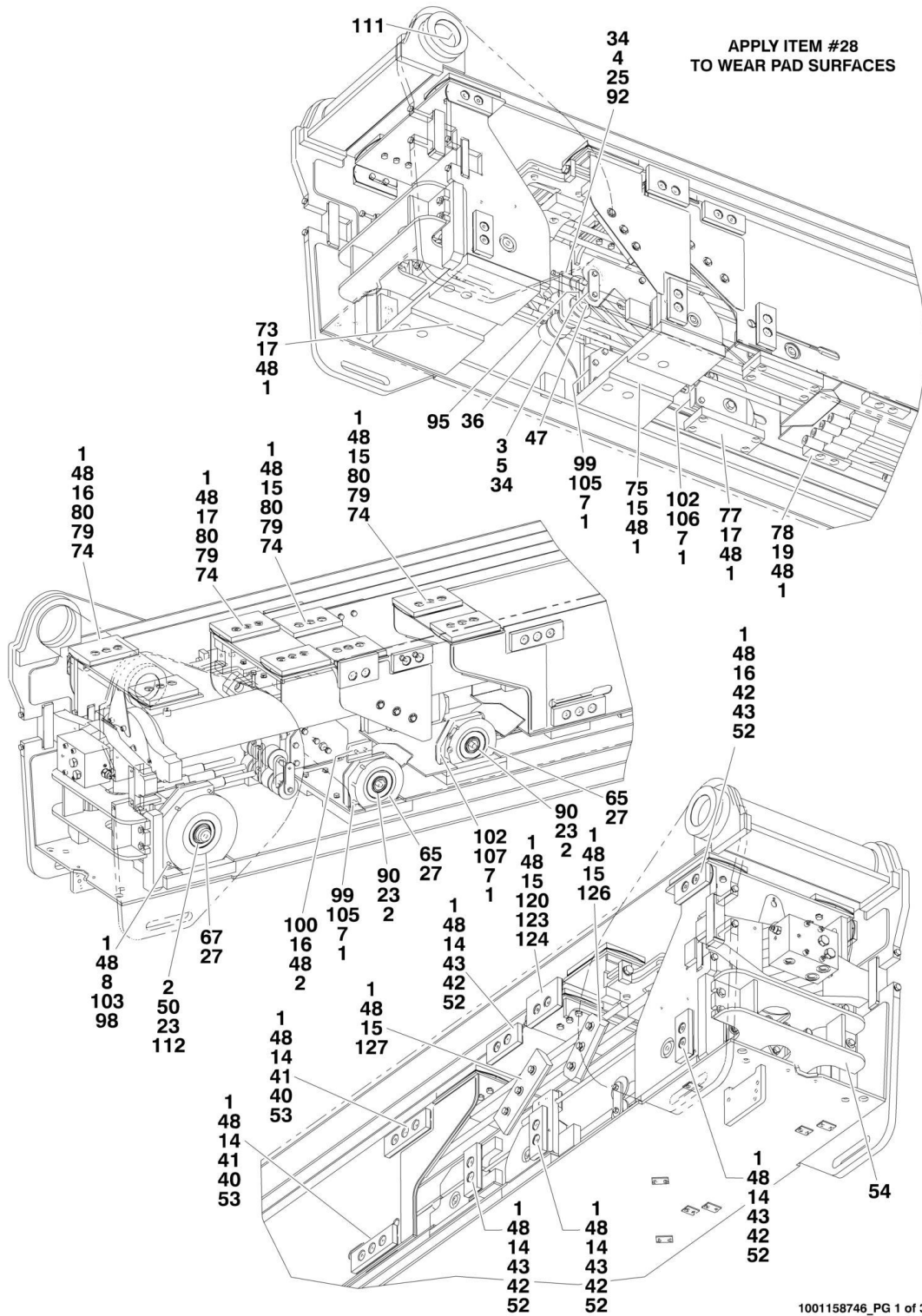
ART_1001154085

FIGURE 4-1. BOOM INSTALLATION

ITEM	PART NUMBER	QTY	DESCRIPTION	REV
	1001154085	Ref	BOOM INSTALLATION	N
1	0100011	AR	Compound, Locking	
2	0771015001	8	Bolt M10 x 35 (Grade 10.9)	
3	0701616	1	Bolt M16	
4	0701618	1	Bolt M16 X 50	
5	0762418	3	Bolt M24 X 50	
6	3291605	1	Nut M16	
7	1001203653	1	Pad	
8	3841258	2	Keeper, Pin	
9	3841356	2	Keeper, Pin	
10	5241000001	8	Washer, M10	
11	1001119614	1	Switch, Pressure Transducer	
12	1001119899	1	Pin	
13	1001119999	1	Pin	
14	1001146896	1	Pin	
15	1001146940	1	Keeper, Pin	
16	1001148972	1	Valve, Solenoid Cartridge	
16	70002401	1	Cartridge Less Coil	
16	7017496	1	Kit, Seal - 70002401 & 1001148972 Valve	
16	70003788	1	Coil	
17	1001228072	1	Boom Lift Cylinder Assembly (See Separate Breakdown in CYLINDER SECTION)	
18	1001197969	1	Pin	
19	1001156650	1	Pin	
20	1001158746	1	Boom Assembly (See Separate Breakdown in this Section)	
22	0811610001	2	Screw 3/8 X 1-1/4	
23	1001118369	1	Pad	
24	91471226	1	Shim 16Ga	
25	91471227	3	Shim 11Ga	
26	0100071	AR	Compound, Locking	
27	1001180153	1	Washer, Thrust	
28	3020039	AR	Lubricant	
29	0761015	4	Bolt M10 x 35	
30	3291007	4	Nut M10	
31	4812000	8	Washer M10	
32	1001217007	2	Cable, Ground Strap	

SECTION 4 - BOOM

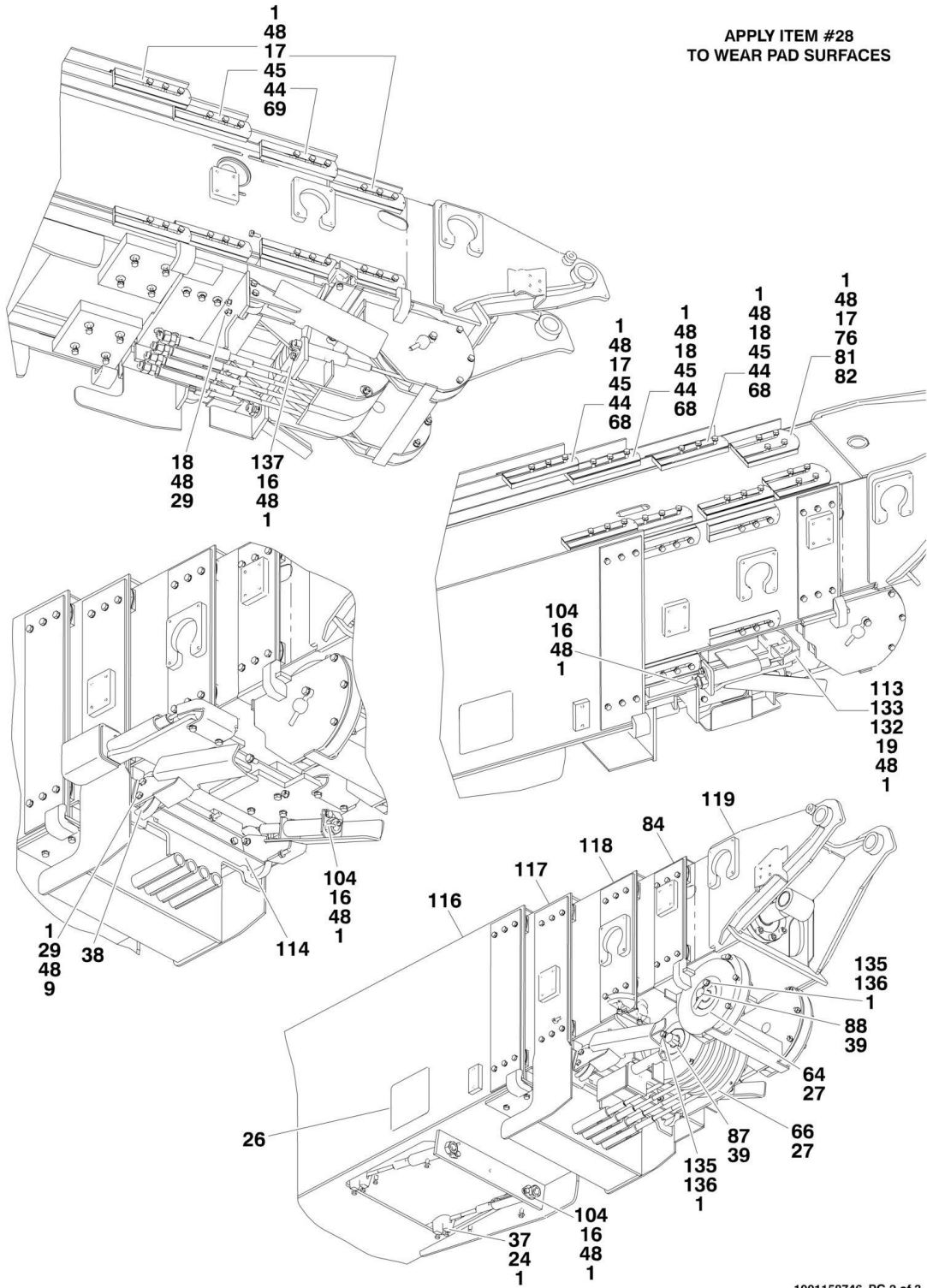
FIGURE 4-2. BOOM ASSEMBLY



1001158746_PG 1 of 3

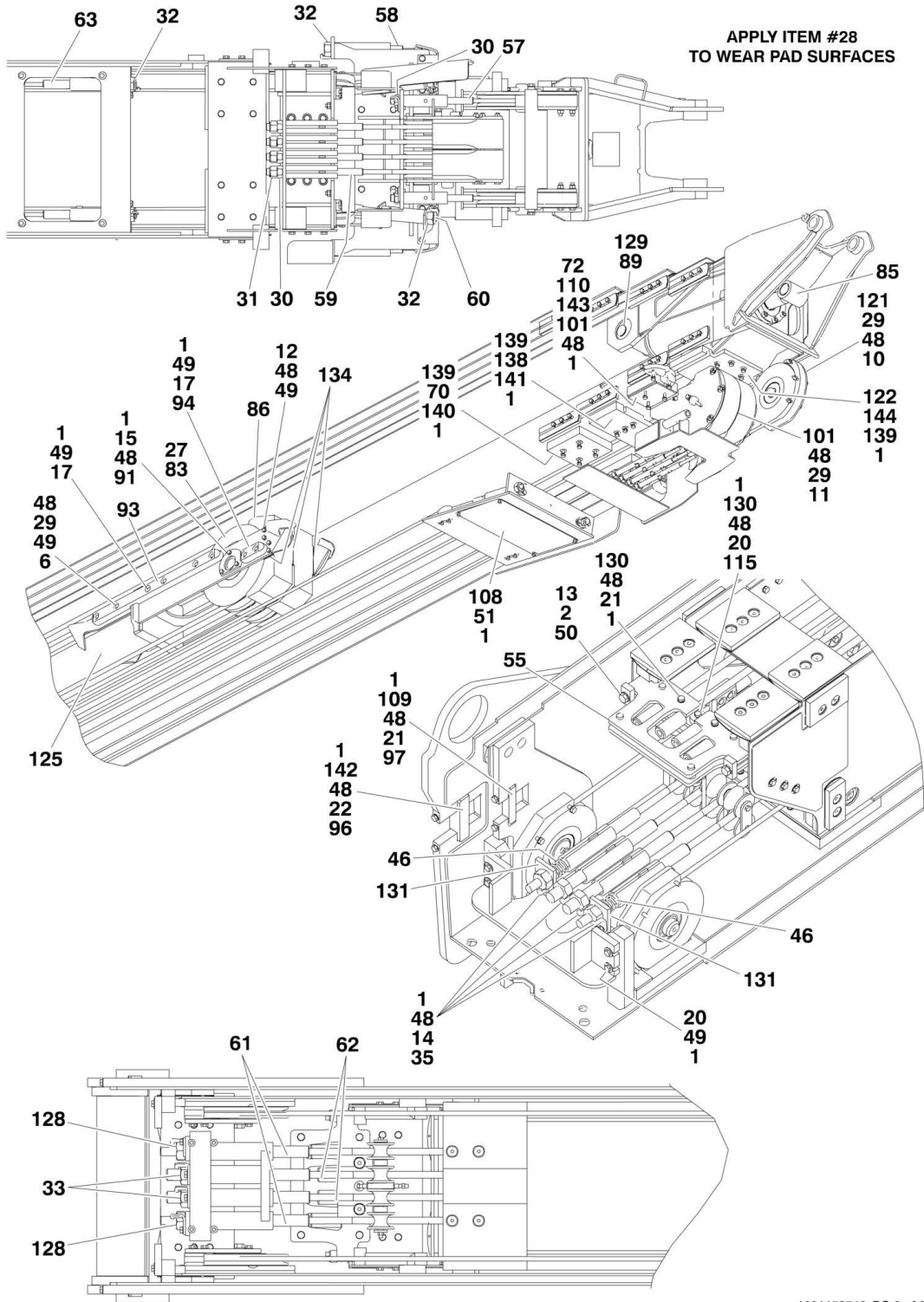
SECTION 4 - BOOM

APPLY ITEM #28
TO WEAR PAD SURFACES



1001158746_PG 2 of 3

SECTION 4 - BOOM



1001158746_PG 3 of 3

SECTION 4 - BOOM

FIGURE 4-2. BOOM ASSEMBLY

ITEM	PART NUMBER	QTY	DESCRIPTION	REV
	1001158746	Ref	BOOM ASSEMBLY	L
1	0100011	AR	Compound, Locking	
2	0100019	AR	Compound, Locking	
3	0363066	2	Bar, Stabilizer	
4	0641644	1	Bolt 3/8 X 5-1/2	
5	0641688	2	Bolt 3/8 X 11	
6	0701017	4	Bolt M10 x 45	
7	0701018	10	Bolt M10 x 50	
8	0701021	6	Bolt M10 X 65	
9	0701022001	4	Bolt M10 X 70	
10	0701024001	6	Bolt M10 X 80	
11	0701039	3	Bolt M10 X 220	
12	0701047	4	Bolt M10 X 300	
13	0701628	2	Bolt M16 X 110	
14	0761009	24	Bolt M10 X 18	
15	0761011001	27	Bolt M10 X 22	
16	0761012001	32	Bolt M10 x 25	
17	0761014001	74	Bolt M10 X 30	
18	0761015001	16	Bolt M10 x 35	
19	0761016001	8	Bolt M10 X 40	
20	0761018001	5	Bolt M10 X 50	
21	0761020	6	Bolt M10 X 60	
22	0761027	4	Bolt M10 X 100	
23	0761616	6	Bolt M16 X 40	
24	0811607001	4	Screw 3/8 X 7/8	
25	0962447	2	Bearing, Flanged	
26	1671033	1	Cover	
27	3020039	AR	Lubricant	
28	3020042	AR	Lubricant	
29	3291005001	25	Nut M10	
30	3292201	6	Nut M22	
31	3292205	4	Nut M22	
32	3292701	6	Nut M27	
33	3293301	2	Nut M33	
34	3311605	3	Nut 3/8	
35	3573444	4	Plate, Lock	
36	3580306	8	Pulley	
37	3580341	2	Deflector	
38	3580342	2	Deflector	
39	3841203	3	Keeper, Pin	
40	4070863	4	Shim 11Ga	
41	4070864	4	Shim 18Ga	
42	4070897	10	Shim .05	
43	4070898	10	Shim .12	
44	4071028	22	Shim 16Ga	
45	4071029	22	Shim 11Ga	
46	4160197	2	Spring, Proximity Switch	
47	4568423	8	Tube, Spacer	
48	1001172358	AR	Washer M10	
49	4812002	AR	Washer M10	

SECTION 4 - BOOM

ITEM	PART NUMBER	QTY	DESCRIPTION	REV
50	4812300	AR	Washer M16	
51	5251210001	4	Bolt M12 x 20	
52	1001123044	10	Pad, Wear	
53	1001136583	4	Pad, Wear	
54	1001151117	1	Mount, Switch/Adjuster	
55	1001151124	1	Support, Extend Rope	
57	1001153433	2	Rope, Section 5 Extend	
58	1001153437	2	Rope, Section 5 Retract	
59	1001153443	4	Rope, Section 4 Extend	
60	1001153450	2	Rope, Section 4 Retract	
61	1001153452	2	Rope, Section 3 Extend	
62	1001153453	2	Rope, Section 3 Extend	
63	1001153465	2	Rope, Section 3 Retract	
64	1001153760	2	Sheave	B
64	1001153692	2	Bearing, Bronze (1 Per Assembly)	
64	1001153710	2	Bearing, Composite (1 Per Assembly)	
65	1001153797	4	Sheave	B
65	1001153786	4	Bearing, Bronze (1 Per Assembly)	
65	1001153785	4	Bearing, Composite (1 Per Assembly)	
66	1001153817	4	Sheave	B
66	1001153815	4	Bearing, Bronze (1 Per Assembly)	
66	1001153816	4	Bearing, Composite (1 Per Assembly)	
66	1001154247	4	Ring, Retaining (1 Per Assembly)	
67	1001153846	2	Sheave	B
67	1001153828	2	Bearing, Bronze (1 Per Assembly)	
67	1001153827	2	Bearing, Composite (1 Per Assembly)	
68	1001154086	6	Pad	
69	1001154087	16	Pad	
70	1001154088	2	Pad	
72	1001154091	2	Pad	
73	1001154092	1	Pad	
74	1001154093	8	Pad	
75	1001154094	1	Pad	
76	1001154095	2	Pad	
77	1001154097	2	Pad	
78	1001154099	2	Pad	
79	1001154232	8	Shim 18Ga	
80	1001154233	8	Shim 11Ga	
81	1001154234	2	Shim 18Ga	
82	1001154235	2	Shim 11Ga	
83	1001154260	4	Sheave	C
83	1001154306	4	Bearing, Bronze (1 Per Assembly)	
83	1001154304	4	Bearing, Composite (1 Per Assembly)	
83	1001154294	4	Ring, Retaining (1 Per Assembly)	
84	1001155523	1	Boom, Section 4	
85	1001228064	1	Jib Level (Slave) Cylinder Assembly (See Separate Breakdown in CYLINDER Section)	
86	1001155900	2	Block, Rope Retainer	
87	1001156549	1	Pin	
88	1001156562	2	Pin	
89	1001156565	1	Pin	
90	1001156613	4	Bushing, Sheave	

SECTION 4 - BOOM

ITEM	PART NUMBER	QTY	DESCRIPTION	REV
91	1001157097	1	Pin	
92	1001157412	1	Plate	
93	1001157453	2	Pad, Wear	
94	1001157454	2	Pad, Wear	
95	1001157459	2	Plate, Spacer	
96	1001177591	2	Block, Trunnion Keeper	
97	1001157872	2	Block, Trunnion Keeper	
98	1001157873	2	Block, Cable Retainer	
99	1001157874	2	Block, Rope Retainer	
100	1001157875	2	Block, Cable Keeper	
101	1001157876	2	Block, Rope Retainer	
102	1001157878	2	Block, Rope Retainer	
103	1001157879	2	Plate, Sheave	
104	1001157880	6	Plate, Keeper	
105	1001157881	2	Plate, Sheave	
106	1001157882	1	Plate, Sheave	
107	1001157883	1	Plate, heave	
108	1001157884	1	Panel, Adjuster	
109	1001157885	4	Shim, Trunnion Block	
110	1001157886	2	Shim, Wear Pad	
111	1001157887	2	Bearing, Boom Pivot	
112	1001157888	2	Socket, Sheave	
113	1001157889	2	Shield, Sheave	
114	1001158355	1	Bracket, Rope Adjustment	
115	1001158517	1	Pad, Wear	
116	1001158757	1	Boom, Section 1	
117	1001158771	1	Boom, Section 2	
118	1001158772	1	Boom, Section 3	
119	1001158774	1	Boom, Section 5	
120	1001159061	2	Pad, Wear	
121	1001159167	2	Block, Rope Retainer	
122	1001159168	1	Pad, Wear	
123	1001159169	2	Shim 18Ga	
124	1001159170	2	Shim 11Ga	
125	1001228082	1	Boom Telescope Cylinder Assembly (See Separate Breakdown in CYLINDER Section)	
126	1001159245	2	Pad, Wear	
127	1001159875	2	Pad, Wear	
128	1001160138	2	Nut M24	
129	1001160589	1	Capscrew M12 X 20	
130	1001160743	3	Disc, Rope Spacer	
131	1001160744	2	Block, Switch Adjuster	
132	1001160989	2	Sheave, Deflector	
133	1001160990	2	Sheave, Deflector	
134	1001163429	3	Plate, Spacer	
135	0761212001	3	Bolt M12 X 25	
136	4812100001	3	Washer M12	
137	1001167497	2	Plate, Keeper	
138	1001169679	1	Pad, Wear	
139	5241000001	AR	Washer M10	
140	0771016001	8	Bolt M10 x 40 Grade 10.9	
141	0771014001	6	Bolt M10 X 30 Grade 10.9	

SECTION 4 - BOOM

ITEM	PART NUMBER	QTY	DESCRIPTION	REV
142	1001173662	2	Shim	
143	0771018001	6	Bolt M10 X 50 Grade 10.9	
144	0771012001	22	Bolt M10 X 25 Grade 10.9	

FIGURE 4-3. JIB INSTALLATION

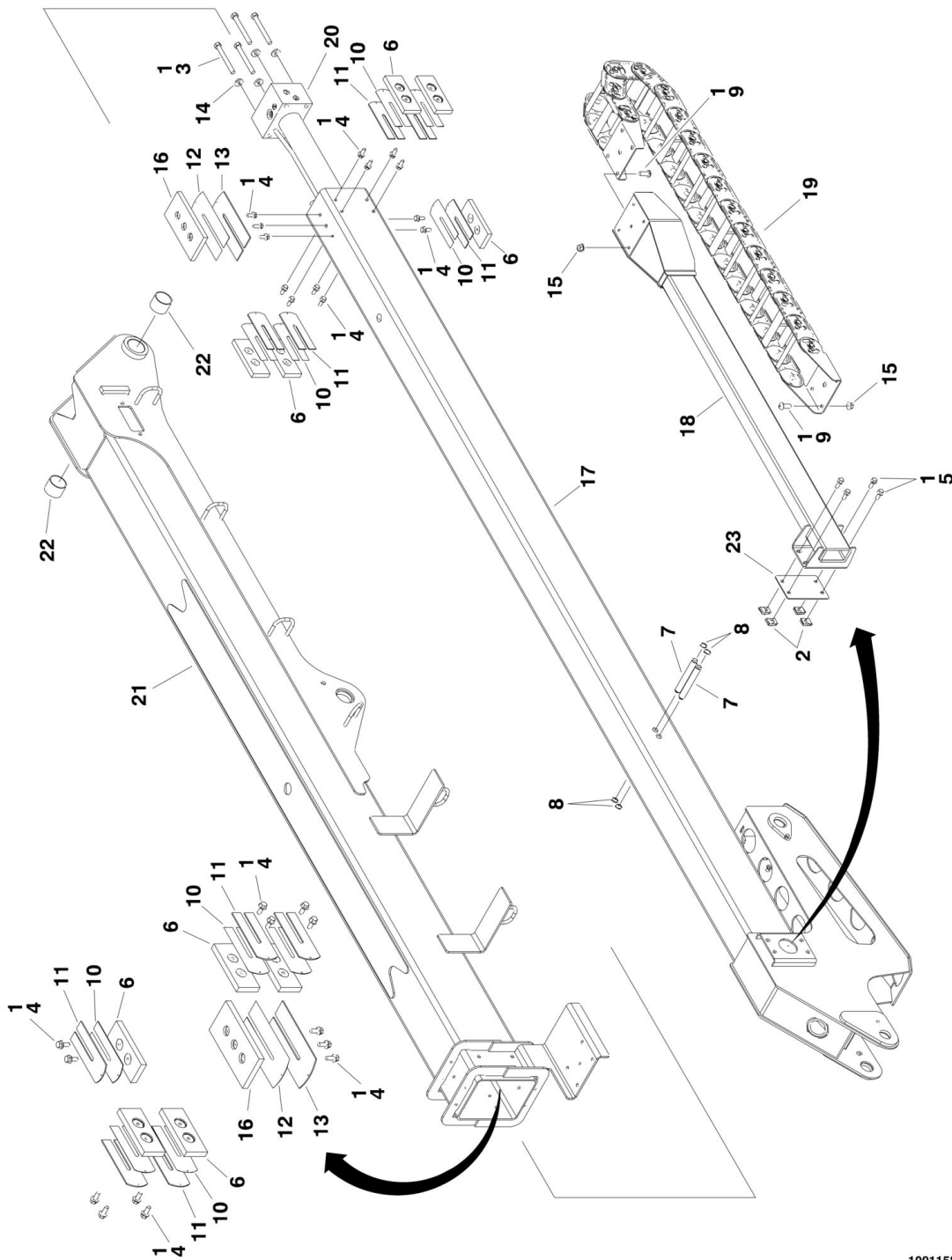
ITEM	PART NUMBER	QTY	DESCRIPTION	REV
	1001158944	Ref	JIB INSTALLATION	M
1	0100011	AR	Compound, Locking	
2	0100019	AR	Compound, Locking	
3	0100063	AR	Compound, Locking	
4	0641606001	1	Bolt 3/8 x 3/4	
5	0641808001	2	Bolt 1/2 x 1	
6	0642010001	2	Bolt 5/8 x 1-1/4	
7	0642014001	1	Bolt 5/8 x 1-3/4	
8	0682022001	2	Bolt 5/8 x 2-3/4	
9	0683020001	1	Bolt 1-1/4 x 2-1/2	
10	0811608001	2	Screw 3/8 X 1	
11	0961950	2	Bearing, Composite	
12	0962181	2	Bushing, Composite	
13	3272001001	2	Nut 5/8	
14	3312001001	1	Nut 5/8	
15	3841143	1	Keeper	
16	3841203	2	Keeper	
17	3841258	3	Keeper	
18	3932016	10	Capscrew 5/8 x 1	
19	3932224	10	Capscrew 3/4 x 1-1/2	
20	1001172356	4	Washer 5/8	
21	1001251058	1	Jib Lift Cylinder Assembly (See Separate Breakdown in CYLINDER Section)	
22	1001118369	1	Pad, Wear	
23	1001118564	1	Pivot, Jib	
24	1001119042	1	Cap	
25	1001251046	1	Jib Lock Cylinder Assembly (See Separate Breakdown in CYLINDER Section)	
26	1001181063	1	Jib Rotator Assembly (See Separate Breakdown in this Section)	
27	1001119985	1	Pin	
28	1001119990	1	Pin	
29	1001119991	1	Pin	
30	1001119998	1	Pin	
31	1001120000	2	Pin	
32	1001120014	1	Shim 11Ga	
33	1001120015	1	Shim 18Ga	
34	1001120037	1	Bearing	
35	1001120038	1	Bearing	
36	1001120039	1	Bearing	
37	1001251057	1	Platform Level (Slave) Cylinder Assembly (See Separate Breakdown in CYLINDER Section)	
38	1001158923	1	Jib Assembly (See Separate Breakdown in this Section)	
39	1001307718	1	Platform Rotator Assembly (See Separate Breakdown in this Section)	
40	91471226	1	Shim 16Ga	
41	91471227	2	Shim 20Ga	
42	0100081	AR	Adhesive	
44	0791516001	2	Screw 5/16 x 2	
45	0791609001	2	Screw 3/8 x 1-1/8	
46	0791622001	2	Screw 3/8 x 2-3/4	

SECTION 4 - BOOM

ITEM	PART NUMBER	QTY	DESCRIPTION	REV
47	1320294	1	Clamp, Bar	
48	1320298	1	Clamp, Hose	
50	3271601001	1	Nut 3/8	
51	1001173663	2	Nut 3/8	
52	3311508001	2	Nut 5/16	
53	3311608001	2	Nut 3/8	
54	3340939	2	Pad, Rubber	
55	3340942	2	Pad, Rubber	
57	4711800001	1	Washer 1/2	
58	1001173666	1	Washer	
59	4891600001	11	Washer 3/8	
60	1001173680	1	Setscrew 1/2 x 3/8	
61	1001120209	1	Bracket, Guide Block	
62	1001120257	2	Pad	
63	1001225266	1	Shim	
64	0681608001	8	Bolt 3/8 x 1	
65	1001174040	1	Nut	
66	1001255133	1	Bolt 1 x 11	
67	4892600001	1	Washer	

SECTION 4 - BOOM

FIGURE 4-4. JIB ASSEMBLY



1001158923

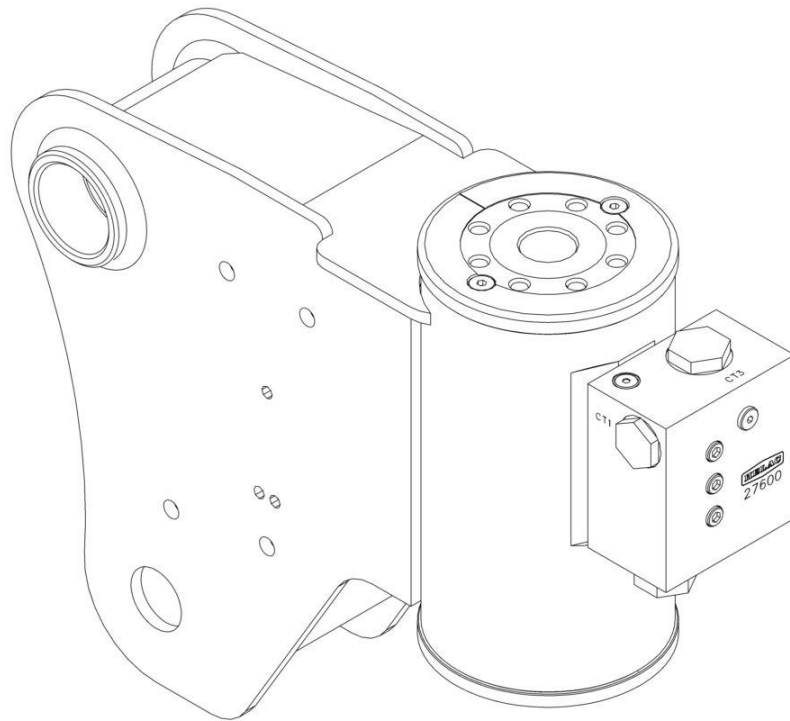
SECTION 4 - BOOM

FIGURE 4-4. JIB ASSEMBLY

ITEM	PART NUMBER	QTY	DESCRIPTION	REV
	1001158923	Ref	JIB ASSEMBLY	Q
1	0100011	AR	Compound, Locking	
2	88662523	4	Nut, Retainer	
3	0681836001	4	Bolt 1/2 X 4-1/2	
4	0811607001	26	Bolt 3/8 X 7/8	
5	0811608001	4	Bolt 3/8 X 1	
6	3340881	10	Pad, Wear	
7	3423161	2	Pin	
8	3760351	4	Ring, Retaining	
9	1001173763	8	Screw M10 X 25	
10	4070897	10	Shim 18Ga	
11	4070898	10	Shim 11Ga	
12	4071039	2	Shim 18Ga	
13	4071040	2	Shim 11Ga	
14	4891800001	4	Washer 1/2	
15	5261012	8	Nut M10 Grade 10.9	
16	1001129961	2	Pad, Wear	
17	1001158933	1	Boom, Fly	
18	1001158993	1	Tube, Push	
19	1001158992	1	Power Track Assembly	D
19	70004409	AR	Repair Section	
19	70004410	2	Mounting Feet Kit	
20	1001158991	1	Jib Telescope Cylinder Assembly (See Separate Breakdown in CYLINDER SECTION)	
21	1001158925	1	Boom, Base	
22	0961950	2	Bearing	
23	1001119710	1	Shim .125	

SECTION 4 - BOOM

FIGURE 4-5. PLATFORM ROTATOR ASSEMBLY



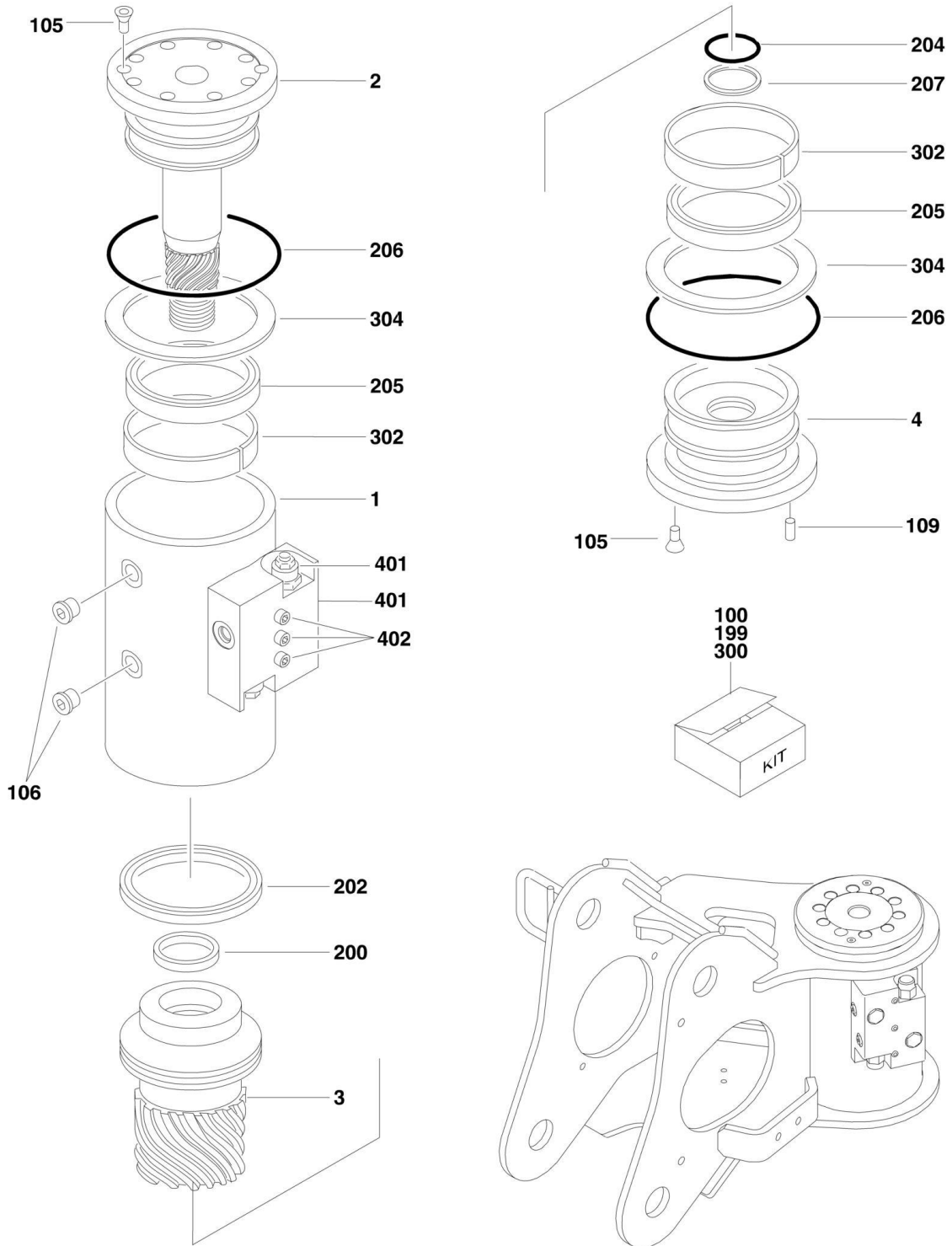
ART_1001307718

FIGURE 4-5. PLATFORM ROTATOR ASSEMBLY

ITEM	PART NUMBER	QTY	DESCRIPTION	REV
	1001307718 See Note	Ref NSS	PLATFORM ROTATOR ASSEMBLY Note: No Service Parts Available at Time of Printing	A

SECTION 4 - BOOM

FIGURE 4-6. JIB ROTATOR ASSEMBLY



ART_1001181063

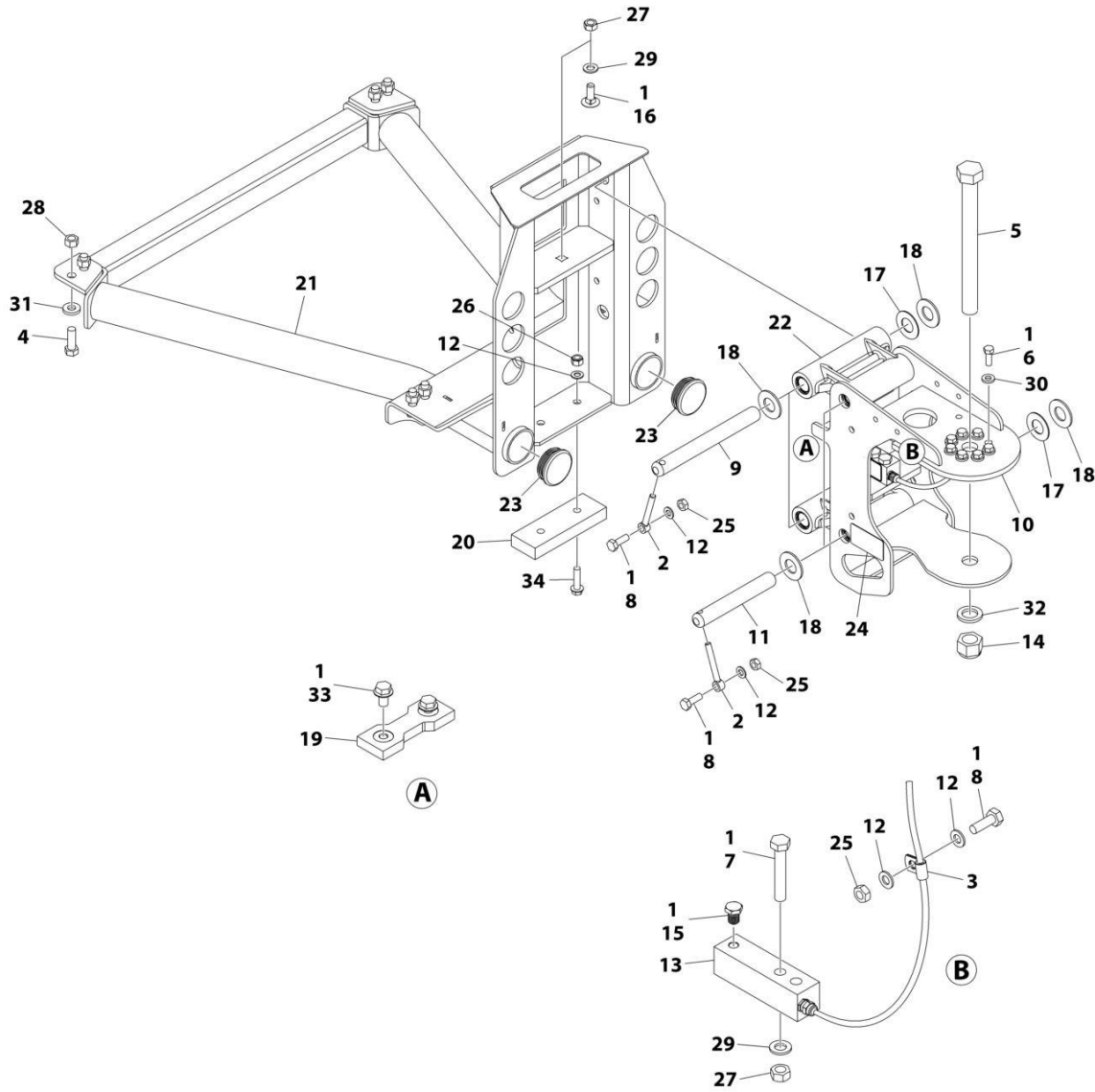
SECTION 4 - BOOM

FIGURE 4-6. JIB ROTATOR ASSEMBLY

ITEM	PART NUMBER	QTY	DESCRIPTION	REV
	1001181063	Ref	JIB ROTATOR ASSEMBLY	A
1	See Note	NSS	Housing/Ring Gear (Note: Purchase Complete Assembly)	
2	70002853	1	Shaft	
3	70002854	1	Piston	
4	70002855	1	Cap	
5	70004403	1	Nut	
100	70002858	1	Hardware Kit (Includes Items 105-109)	
105	See Note	NSS	Screw (Note: Use p/n 70002858)	
106	See Note	NSS	Plug (Note: Use p/n 70002858)	
109	See Note	NSS	Setscrew (Note: Use p/n 70002858)	
199	70005170	1	Seal Kit - Low Temperature (Includes Items 200-207)	
200	See Note	NSS	T-Seal (Note: Use p/n 70005170)	
202	See Note	NSS	T-Seal (Note: Use p/n 70005170)	
204	See Note	NSS	O-Ring (Note: Use p/n 70005170)	
205	See Note	NSS	Seal (Note: Use p/n 70005170)	
206	See Note	NSS	O-Ring (Note: Use p/n 70005170)	
207	See Note	NSS	Ring, Back-up (Note: Use p/n 70005170)	
300	70002857	1	Bearing Kit (Includes Items 302-304)	
302	See Note	NSS	Bearing (Note: Use p/n 70002857)	
304	See Note	2	Washer, Thrust (Note: Use p/n 70002857)	
401	70002859	1	Valve, Control	
401	See Note	NSS	Cartridge, Valve (Note: Use p/n 70002859)	
401	See Note	NSS	Seal Kit - Cartridge (Note: Use p/n 70002859)	
402	See Note	NSS	Capscrew 1/4 x 1-1/2 Grade 8 (Note: Purchase Locally)	

SECTION 4 - BOOM

FIGURE 4-7. PLATFORM SUPPORT INSTALLATION



ART_1001219996_F

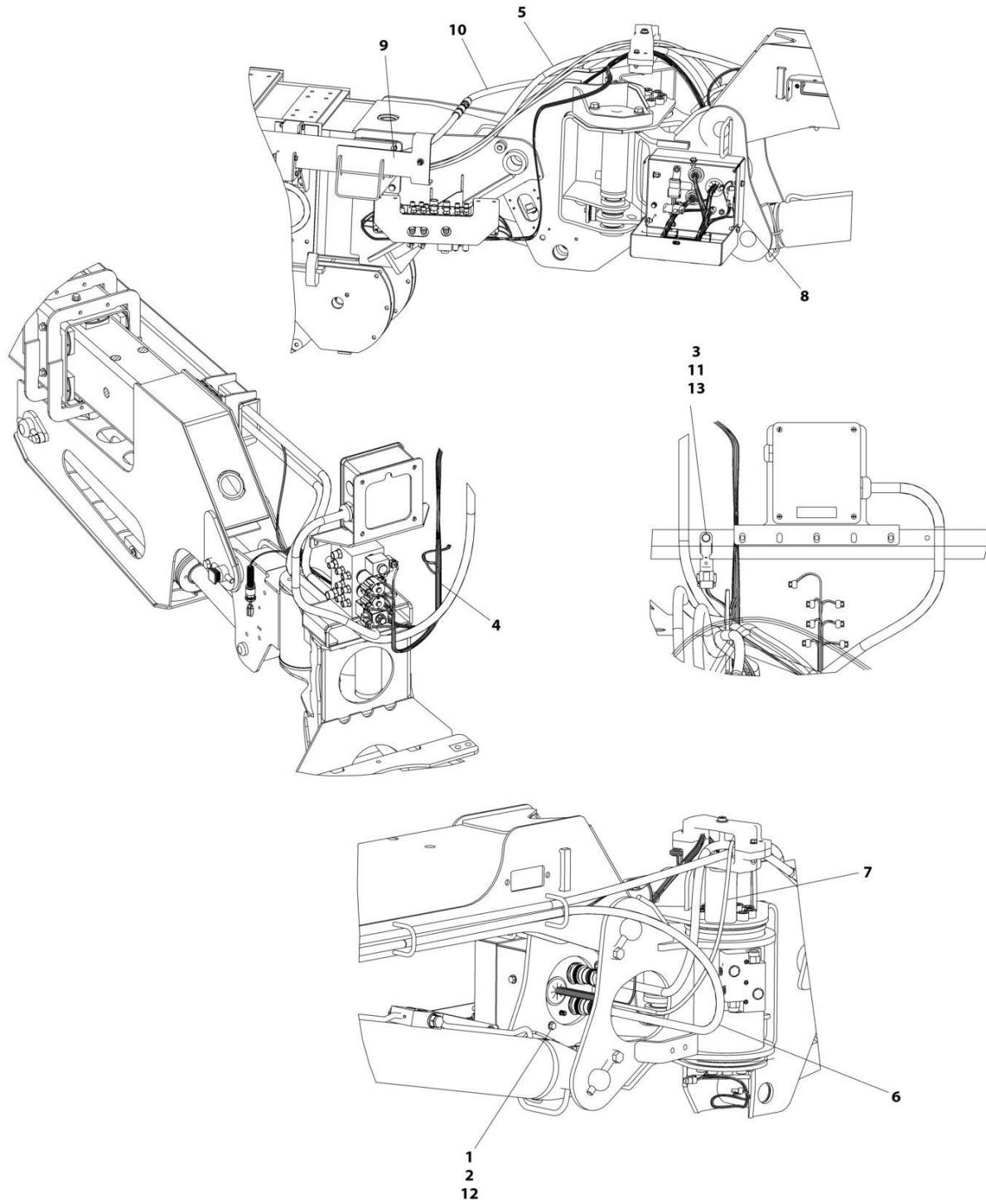
SECTION 4 - BOOM

FIGURE 4-7. PLATFORM SUPPORT INSTALLATION

ITEM	PART NUMBER	QTY	DESCRIPTION	REV
	1001219996	Ref	PLATFORM SUPPORT INSTALLATION - WITH 1 CELL LSS	F
1	0100011	AR	Compound, Locking	
2	3841143	4	Keeper	
3	91203039	1	Clamp	
4	0761216001	8	Bolt M12 x 40	
5	1001255133	1	Bolt 1 x 11	
6	0681608001	8	Bolt 3/8 x 1 Grade 8	
7	0711222001	2	Bolt M12 x 70 Grade 10.9	
8	0761014001	5	Bolt M10 x 30	
9	1001167565	2	Pin	
10	1001167567	1	Support, Rotary Side	
11	1001168402	2	Pin	
12	1001172358	8	Washer M10	
13	1001247468	1	Cell, Load Sensing	
14	1001174040	1	Nut 1	
15	1001188622	1	Screw	
16	1001188844	1	Bolt M12 x 35	
17	1001189001	4	Bearing	
18	1001189002	8	Bearing	
19	1001190985	1	Wear Pad	
20	1001200491	1	Plate	
21	1001200494	1	Support	
22	1001201351	2	Link, LSS Assembly	
22	1001187382	4	Bearing	
22	1001187383	4	Seal	
23	1001204725	2	Plug	
24	1001216630	2	Decal - Tie Down/No Lift	
25	3291001001	5	Nut M10	
26	3291005001	2	Nut M10	
27	3291201001	3	Nut M12	
28	3291205001	8	Nut M12	
29	4812100001	3	Washer M12	
30	4891600001	8	Washer 3/8	
31	5241200001	8	Washer M12	
32	4892600001	1	Washer 1	
33	5251008001	2	Bolt M10 x 16	
34	5251016001	2	Bolt M10 x 40	

SECTION 4 - BOOM

FIGURE 4-8. BOOM CABLES INSTALLATION - 4000W 50HZ GENERATOR (ANSI EXPORT, AUSTRALIAN, CHINA, JAPANESE, CE & UK CA SPECS)



ART_1001211129

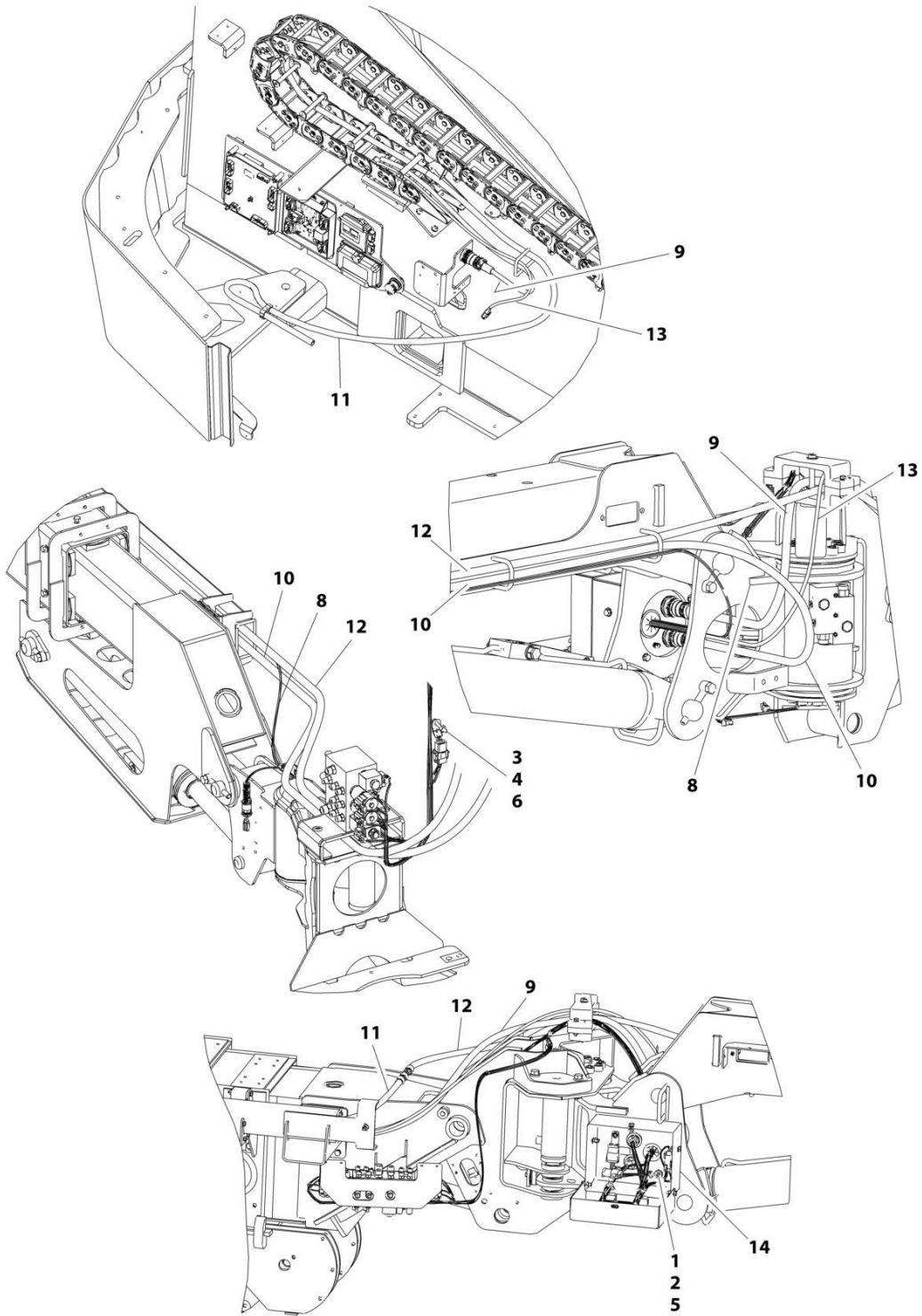
SECTION 4 - BOOM

FIGURE 4-8. BOOM CABLES INSTALLATION - 4000W 50HZ GENERATOR (ANSI EXPORT, AUSTRALIAN, CHINA, JAPANESE, CE & UK CA SPECS)

ITEM	PART NUMBER	QTY	DESCRIPTION	REV
	1001211129	Ref	BOOM CABLES INSTALLATION - 4000W 50HZ GENERATOR	A
1	0100011	AR	Compound, Locking	
2	0641608001	2	Bolt 3/8 x 1	
3	0700818001	1	Bolt M8 x 50	
4	1001149977	1	Harness, Platform Valve (See Separate Breakdown in ELECTRICAL SECTION)	
5	1001156893	1	Cable, Main Boom Control (See Separate Breakdown in ELECTRICAL SECTION)	
6	1001156897	1	Cable, Jib Control (See Separate Breakdown in ELECTRICAL SECTION)	
7	1001158207	1	Cable, Main Boom 16/4 (See Separate Breakdown in ELECTRICAL SECTION)	
8	1001159621	1	Box, Jib Enclosure (See Separate Breakdown in this Section)	
9	1001211130	1	Cable, Main Boom AC (See Separate Breakdown in ELECTRICAL SECTION)	
10	1001211131	1	Cable, Jib AC (See Separate Breakdown in ELECTRICAL SECTION)	
11	3290805001	1	Nut M8	
12	4711600001	2	Washer 3/8	
13	4811900001	2	Washer M8	

SECTION 4 - BOOM

FIGURE 4-9. BOOM CABLES (AUSTRALIAN, CHINA, CE & UK CA SPECS)



ART_1001156217

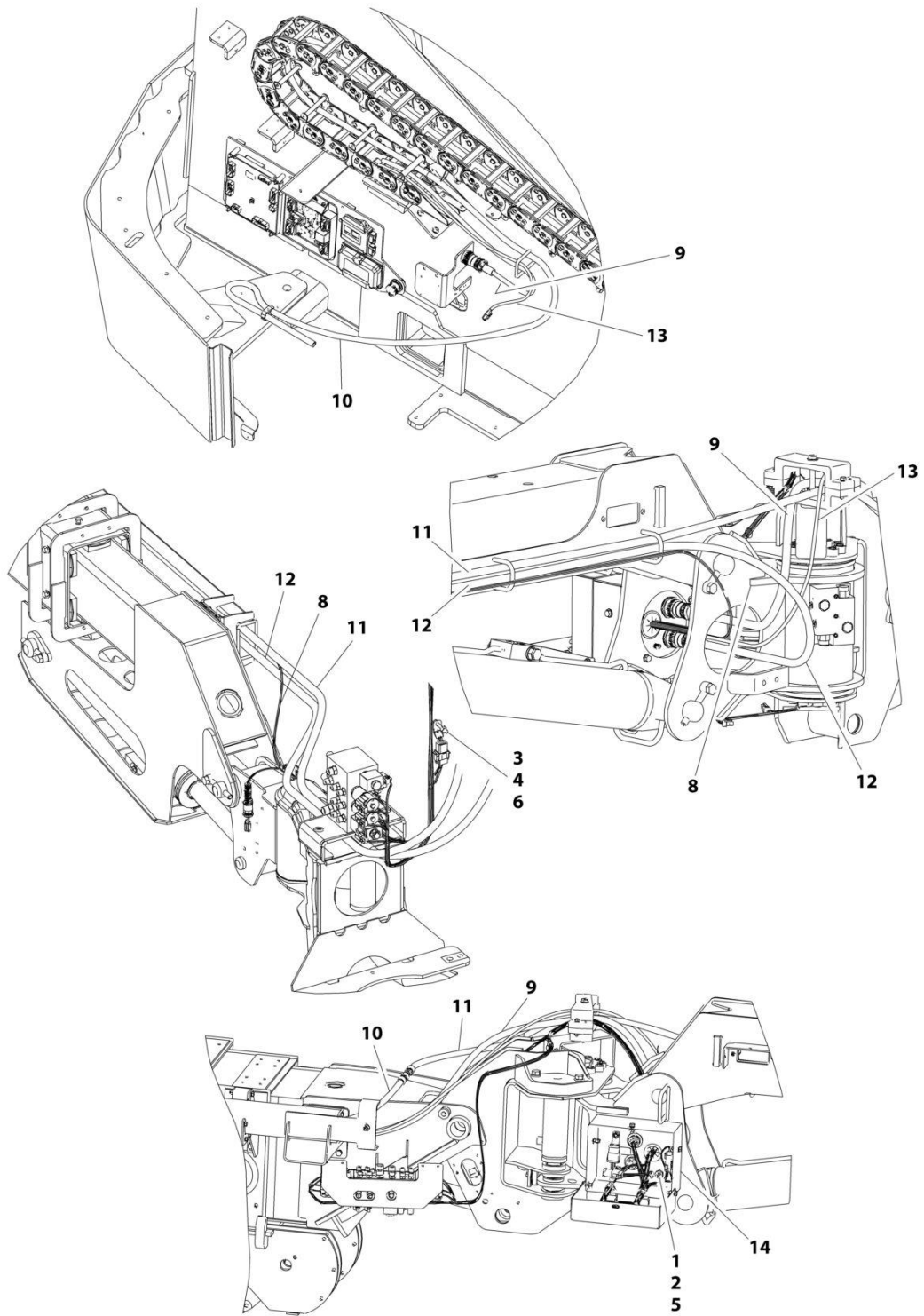
SECTION 4 - BOOM

FIGURE 4-9. BOOM CABLES (AUSTRALIAN, CHINA, CE & UK CA SPECS)

ITEM	PART NUMBER	QTY	DESCRIPTION	REV
	1001156217	Ref	BOOM CABLES INSTALLATION	D
1	0100011	AR	Compound, Locking	
2	0641608001	2	Bolt 3/8-16 x 1	
3	0700818001	1	Bolt M8 x 50	
4	3290805001	1	Nut M8	
5	4711600001	2	Washer 3/8	
6	4811900001	2	Washer M8	
8	1001149977	1	Harness, Platform Valve (See Separate Breakdown in ELECTRICAL SECTION)	
9	1001156893	1	Cable, Main Boom Control (See Separate Breakdown in ELECTRICAL SECTION)	
10	1001156897	1	Cable, Jib Control (See Separate Breakdown in ELECTRICAL SECTION)	
11	1001157636	1	Cable, Main Boom AC (See Separate Breakdown in ELECTRICAL SECTION)	
12	1001157637	1	Cable, Jib AC (See Separate Breakdown in ELECTRICAL SECTION)	
13	1001158207	1	Cable, Main Boom 16/4 (See Separate Breakdown in ELECTRICAL SECTION)	
14	1001159621	1	Box, Jib Enclosure (See Separate Breakdown in this Section)	

SECTION 4 - BOOM

FIGURE 4-10. BOOM CABLES - ANSI, ANSI EXPORT, CSA AND JAPANESE SPECS



ART_1001156216

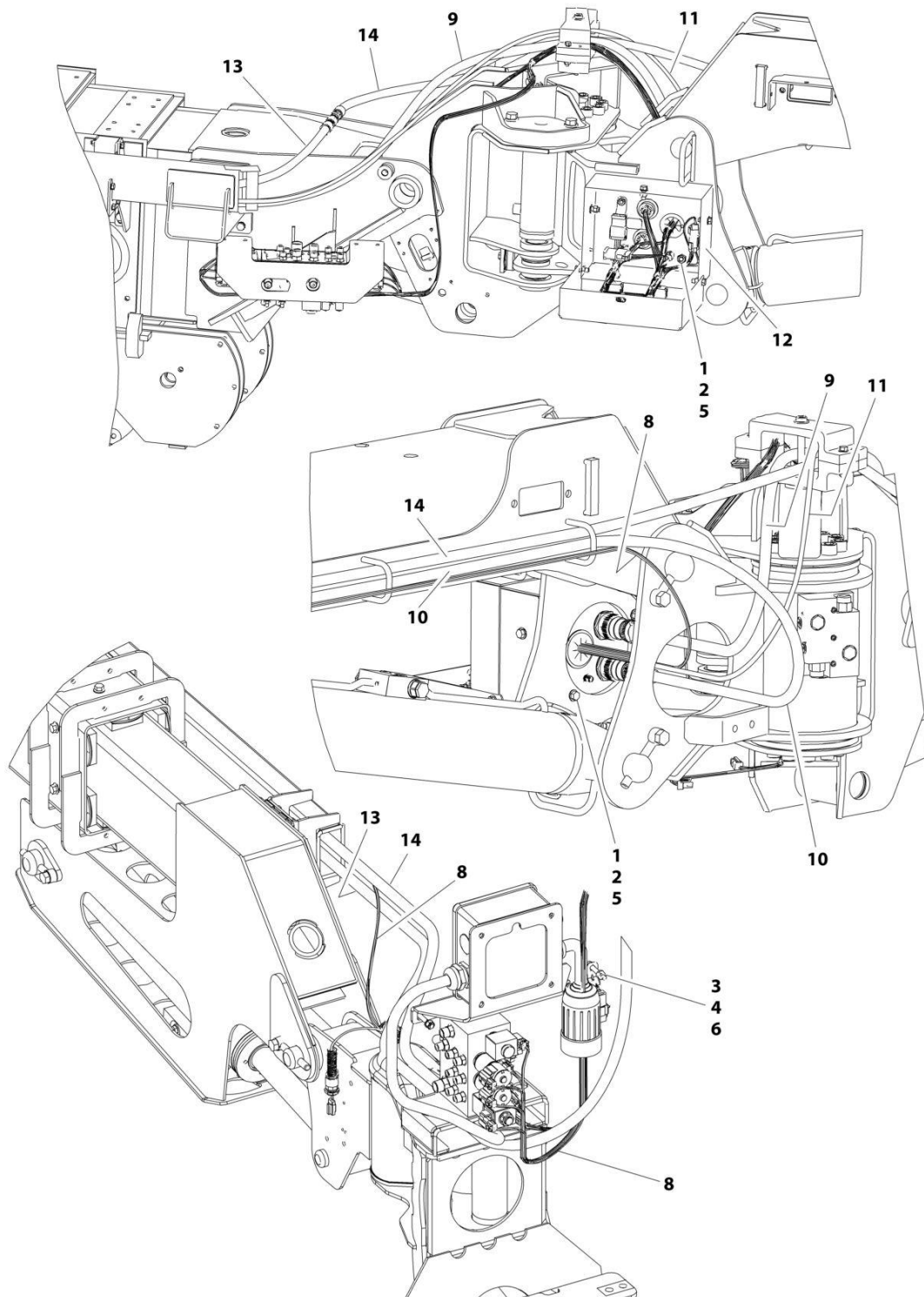
SECTION 4 - BOOM

FIGURE 4-10. BOOM CABLES - ANSI, ANSI EXPORT, CSA AND JAPANESE SPECS

ITEM	PART NUMBER	QTY	DESCRIPTION	REV
	1001156216	Ref	BOOM CABLES INSTALLATION	D
1	0100011	AR	Compound, Locking	
2	0641608001	2	Bolt 3/8 x 1	
3	0700818001	1	Bolt M8 x 50	
4	3290805001	1	Nut M8	
5	4711600001	2	Washer 3/8	
6	4811900001	2	Washer M8	
8	1001149977	1	Harness, Platform Valve (See Separate Breakdown in ELECTRICAL SECTION)	
9	1001156893	1	Cable, Main Boom Control (See Separate Breakdown in ELECTRICAL SECTION)	
10	1001156894	1	Cable, Main Boom AC (See Separate Breakdown in ELECTRICAL SECTION)	
11	1001156896	1	Cable, Jib AC (See Separate Breakdown in ELECTRICAL SECTION)	
12	1001156897	1	Cable, Jib Control (See Separate Breakdown in ELECTRICAL SECTION)	
13	1001158207	1	Cable, Main Boom 16/4 (See Separate Breakdown in ELECTRICAL SECTION)	
14	1001159621	1	Box, Jib Enclosure (See Separate Breakdown in this Section)	

SECTION 4 - BOOM

FIGURE 4-11. BOOM CABLES - SKYPOWER



ART_1001161729

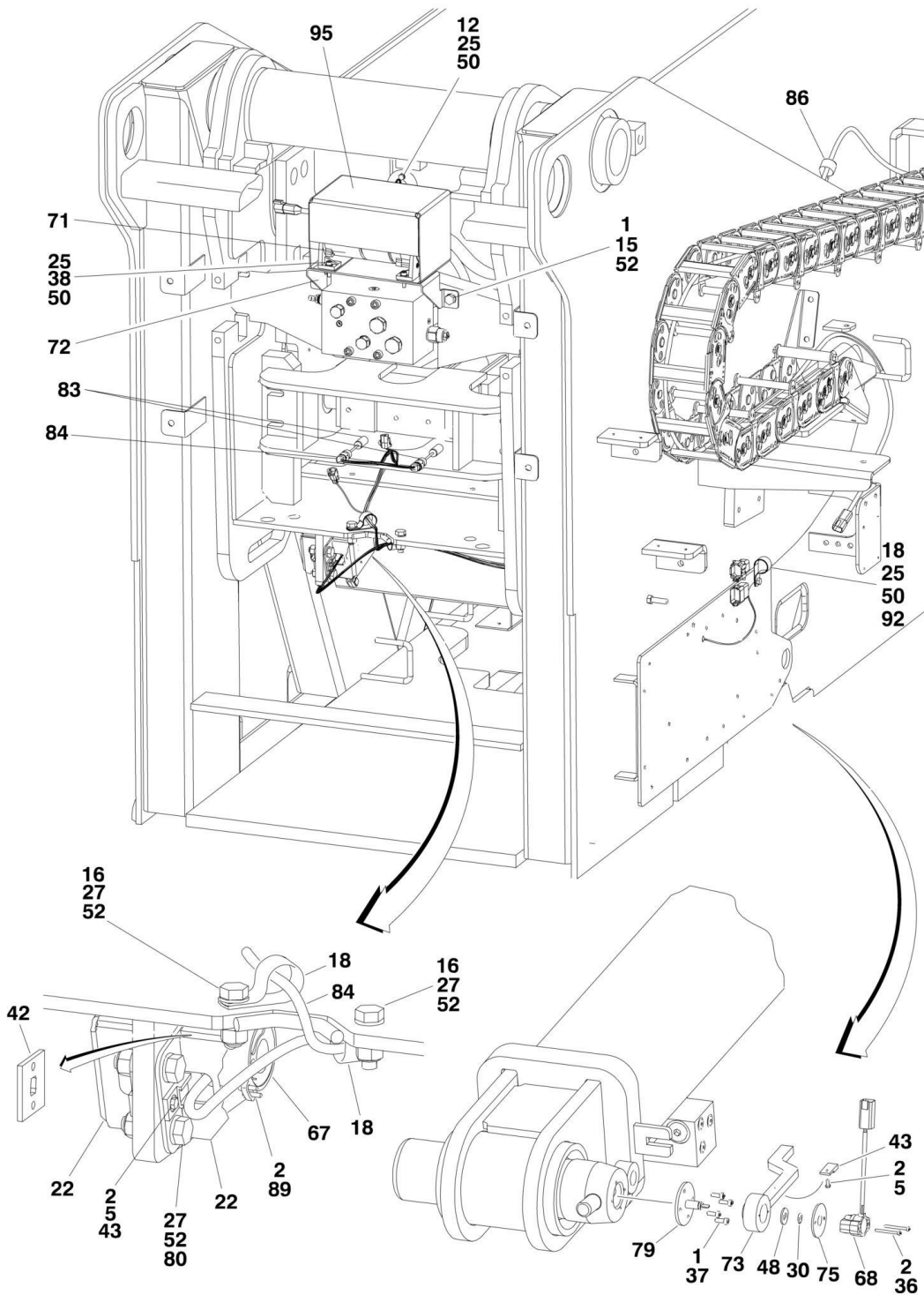
SECTION 4 - BOOM

FIGURE 4-11. BOOM CABLES - SKYPOWER

ITEM	PART NUMBER	QTY	DESCRIPTION	REV
	1001161729	Ref	BOOM CABLES INSTALLATION - SKYPOWER	D
1	0100011	AR	Compound, Locking	
2	0641608001	2	Bolt 3/8 x 1	
3	0700818001	1	Bolt M8 x 50	
4	3290805001	1	Nut M8	
5	4711600001	2	Washer 3/8	
6	4811900001	2	Washer M8	
8	1001149977	1	Harness, Platform Valve (See Separate Breakdown in ELECTRICAL SECTION)	
9	1001156893	1	Cable, Main Boom Control (See Separate Breakdown in ELECTRICAL SECTION)	
10	1001156897	1	Cable, Jib Control (See Separate Breakdown in ELECTRICAL SECTION)	
11	1001158207	1	Cable, Main Boom 16/4 (See Separate Breakdown in ELECTRICAL SECTION)	
12	1001159621	1	Box, Jib Enclosure (See Separate Breakdown in this Section)	
13	1001226287	1	Cable, Main Boom Generator Power (See Separate Breakdown in ELECTRICAL SECTION)	
14	1001226288	1	Cable, Jib Generator Power (See Separate Breakdown in ELECTRICAL SECTION)	

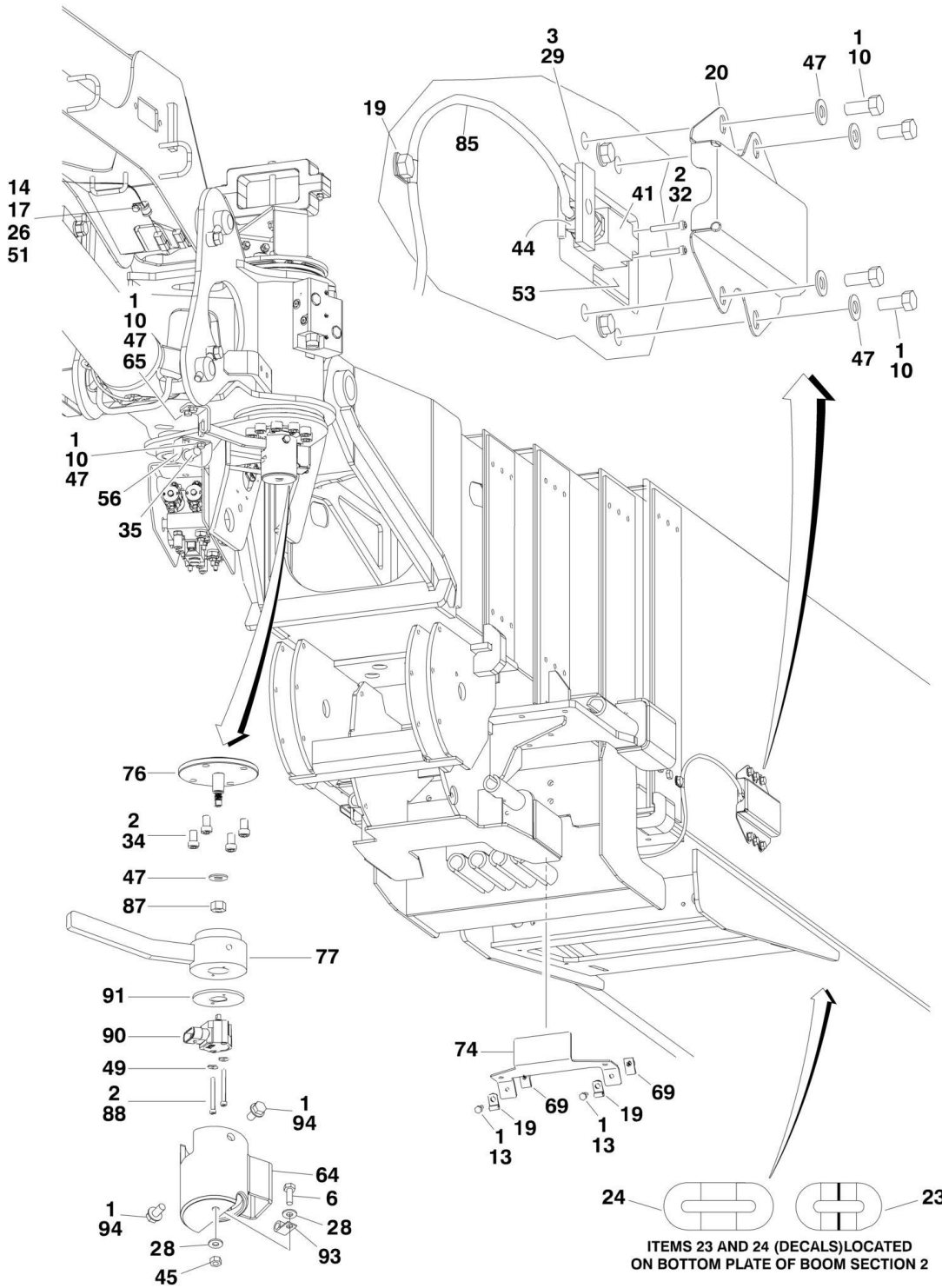
SECTION 4 - BOOM

FIGURE 4-12. BOOM SENSORS AND SWITCHES INSTALLATION



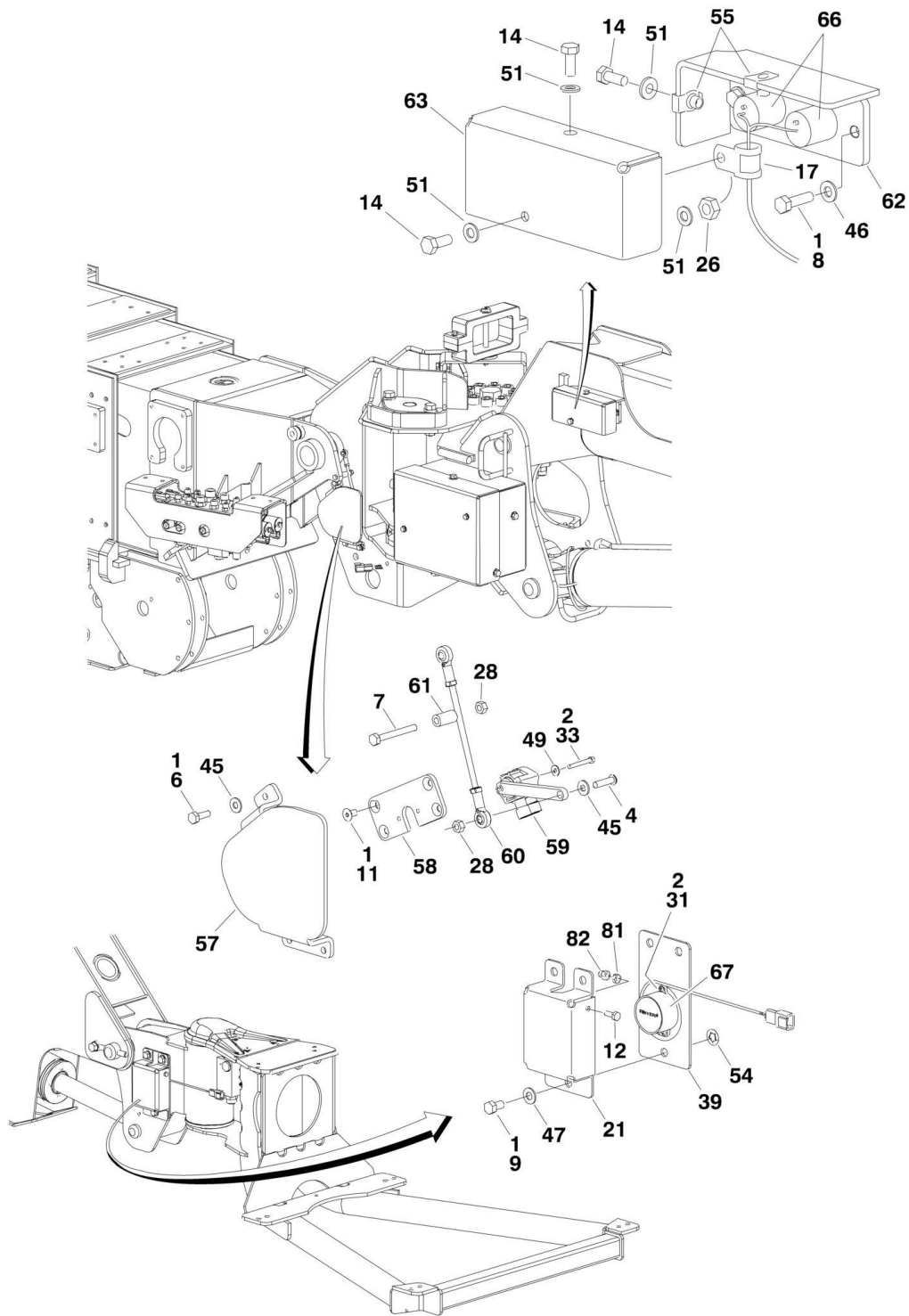
ART_1001155440_10F3

SECTION 4 - BOOM



ART_1001155440_2OF3

SECTION 4 - BOOM



ART_1001155440_3OF3

SECTION 4 - BOOM

FIGURE 4-12. BOOM SENSORS AND SWITCHES INSTALLATION

ITEM	PART NUMBER	QTY	DESCRIPTION	REV
	1001155440	Ref	BOOM SENSORS AND SWITCHES INSTALLATIONS	P
1	0100011	AR	Compound, Locking	
2	0100035	AR	Compound, Locking	
3	0100081	AR	Adhesive	
4	0630457	1	Screw 1/4 X 1	
5	0760405	3	Bolt M4 X 10	
6	0641406001	4	Bolt 1/4 x 3/4	
7	0641418001	1	Bolt 1/4 x 2-1/4	
8	0641509	2	Bolt 5/16 X 1-1/8	
9	0641605001	6	Bolt 3/8 x 5/8	
10	0641607001	10	Bolt 3/8 x 7/8	
11	1001177609	4	Screw 1/4 X 1/2	
12	0760608001	3	Bolt M6 X 16	
13	0760808001	2	Bolt M8 X 16	
14	0760810001	4	Bolt M8 x 20	
15	0761010	2	Bolt M10 X 20	
16	0761015	2	Bolt M10 x 35	
17	1320061	2	Clamp, Hose	
18	1320130	3	Clamp, Hose	
19	1320301	3	Clamp, Cable	
20	1671031	1	Cover	
21	1671044	2	Cover	
22	1001167262	2	Plate	
23	1705366	1	Decal - Boom Length (500lb Cap)	
24	1705367	1	Decal - Boom Length (1000lb Cap)	
25	3290605	6	Nut M6	
26	3290805001	2	Nut M8	
27	3291005	5	Nut M10	
28	3311405001	3	Nut 1/4	
29	3340941	1	Pad	
30	3760383	1	Ring	
31	3930606	6	Capscrew #6 X 3/8	
32	3930816	2	Capscrew #8 x 1	
33	3930820	2	Capscrew #8- X 1-1/4	
34	3931508	4	Capscrew 5/16 x 1/2	
35	4000008	1	Proximity Sensor Assembly (Note: Control System must be recalibrated when Switch is replaced.)	
35	4461076	1	Connector - 4 Position	
35	4460917	4	Pin, Male	
36	4031512	2	Capscrew M4 x 40	
37	4031707	4	Capscrew M6 x 16	
38	4031709	4	Capscrew M6 X 25	
39	4341158	2	Mount, Sensor	
41	4360578	1	Limit Switch Assembly (Note: Control System must be recalibrated when Switch is replaced.)	
42	4460234	2	Mount, Cable Tie	
43	4460914	3	Terminal, Base	
44	4460968	1	Connector, Strain Relief	
45	4711400001	6	Washer 1/4	
46	4711500	2	Washer 5/16	

SECTION 4 - BOOM

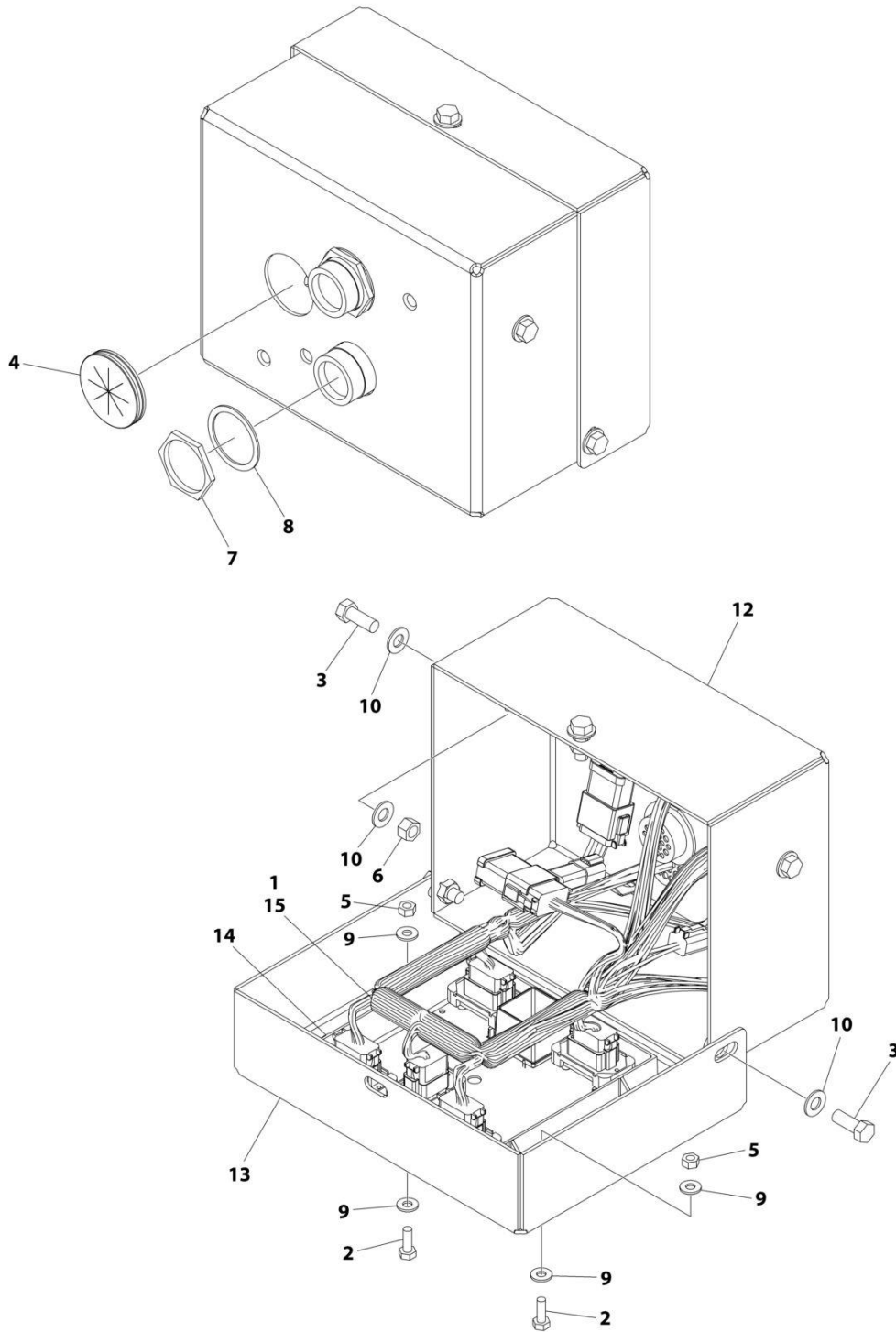
ITEM	PART NUMBER	QTY	DESCRIPTION	REV
47	471160001	17	Washer 3/8	
48	4711800	1	Washer 1/2	
49	4750800	4	Washer #8	
50	4811700	12	Washer M6	
51	481190001	6	Washer M8	
52	4812000	13	Washer M10	
53	4846484	1	Mount, Switch	
54	8310070	6	Pushnut 3/8	
55	1001118274	2	Nut, Tinnerman M8	
56	1001118373	1	Bracket	
57	1001118930	1	Cover	
58	1001118931	1	Mount	
59	1001118971	1	Sensor, Angle (Note: Control System must be recalibrated when Switch is replaced.)	
60	1001119033	1	Link, Sensor	
61	1001119137	1	Sleeve, Spacer	
62	1001120028	1	Mount, Sensor	
63	1001120048	1	Cover	
64	1001179510	1	Cover	
65	1001120084	1	Bracket	
66	1001285878	1	Proximity Sensor Assembly (Note: Control System must be recalibrated when Switch is replaced.)	
66	4460932	1	Connector - 4 Position	
66	4460464	4	Socket, Female	
67	1001147479	4	Angle Sensor Switch Assembly (Note: Control System must be recalibrated when Switch is replaced.)	
67	4460910	1	Connector - 3 Position	
67	4460917	3	Pin, Male	
67	4460913	1	Lock, Wedge	
68	1001146963	1	BEI Angle Sensor Assembly (Note: Control System must be recalibrated when Switch is replaced.)	
68	4460899	1	Connector - 6 Position	
68	4460464	6	Socket, Female	
69	1001149160	2	Nut, Tinnerman M8	
71	1001150999	1	Boom Length Sensor Assembly (Note: Control System must be recalibrated when Switch is replaced.)	
71	4460536	1	Receptacle, Female - 3 Position	
71	4460464	1	Pin, Male	
72	1001151000	1	Mount, Switch	
73	1001155262	1	Link, Angle Sensor (Note: Control System must be recalibrated when Switch is replaced.)	
74	1001155835	1	Plate	
75	1001155836	1	Adapter, Sensor	
76	1001135483	1	Pin	
77	1001120076	1	Mount, Sensor	
79	1001156778	1	Pin	
80	0761016	3	Bolt M10 X 40	
81	3290601	2	Nut M6	
82	3290606	2	Nut M6	
83	1001196517	2	Cable, Sensor	
83	1001097051	2	Connector - 4 Position	
83	1001116695	6	Socket, Female	
83	4460518	2	Plug, Socket	

SECTION 4 - BOOM

ITEM	PART NUMBER	QTY	DESCRIPTION	REV
84	1001215949	1	Harness, Base Boom (See Separate Breakdown in ELECTRICAL SECTION)	
85	1001159363	1	Cable, Transport Switch (See Separate Breakdown in ELECTRICAL SECTION)	
86	1321385	3	Clamp	
87	3281601	1	Nut 3/8	
88	3930824	2	Capscrew #8 X 1-1/2	
89	4031205	6	Capscrew M3 X 10	
90	1001135479	1	Sensor, Angle (Note: Control System must be recalibrated when Switch is replaced.)	
91	1001135484	1	Adapter, Sensor	
92	0760612	1	Bolt, M6 x 25	
93	1321293	1	Clamp, Cable	
94	0791505001	2	Screw, 5/16 x 5/8	
95	1001216790	1	Cover	

SECTION 4 - BOOM

FIGURE 4-13. JIB ENCLOSURE BOX ASSEMBLY



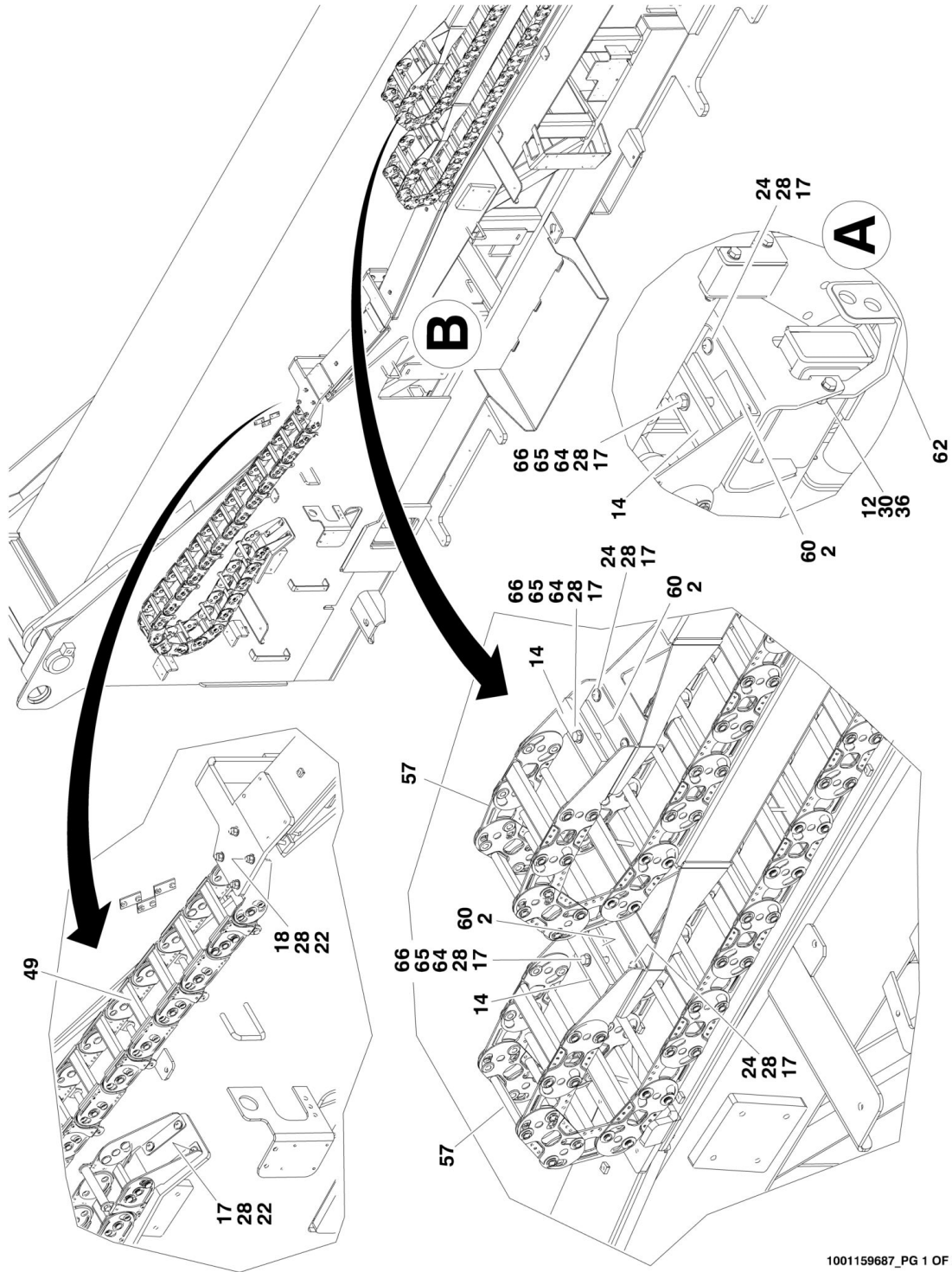
ART_1001159621_H

FIGURE 4-13. JIB ENCLOSURE BOX ASSEMBLY

ITEM	PART NUMBER	QTY	DESCRIPTION	REV
	1001159621	Ref	JIB ENCLOSURE BOX ASSEMBLY	H
1	0100048	AR	Grease, Dielectric	
2	0641406001	2	Bolt 1/4 x 3/4	
3	0641608001	5	Bolt 3/8 x 1	
4	1001227254	1	Grommet	
5	3311405001	2	Nut 1/4	
6	3311605001	2	Nut 3/8	
7	4460470	2	Nut, Terminal	
8	4460471	2	Washer, Terminal	
9	4711400001	4	Washer 1/4	
10	4711600001	7	Washer 3/8	
12	1001119214	1	Box	
13	1001119215	1	Cover	
14	1001306080	1	Module, Jib Control (Note: Control System Must Be Recalibrated When Controller is Replaced)	
15	1001149978	1	Harness - Jib Valve (See Separate Breakdown in ELECTRICAL Section)	

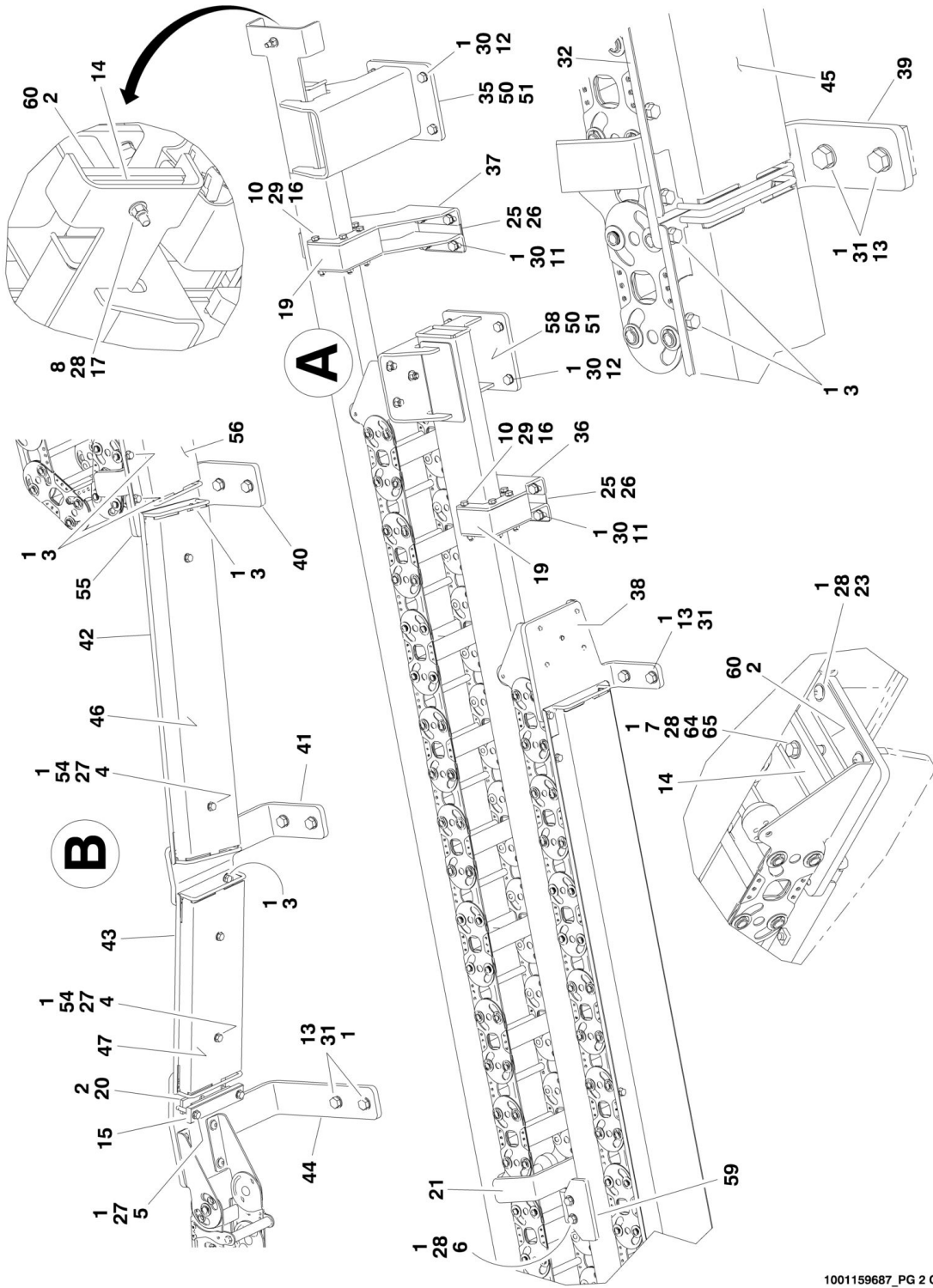
SECTION 4 - BOOM

FIGURE 4-14. POWER TRACK INSTALLATION - BOOM



1001159687_PG 1 OF 2

SECTION 4 - BOOM



1001159687_PG 2 OF 2

SECTION 4 - BOOM

FIGURE 4-14. POWER TRACK INSTALLATION - BOOM

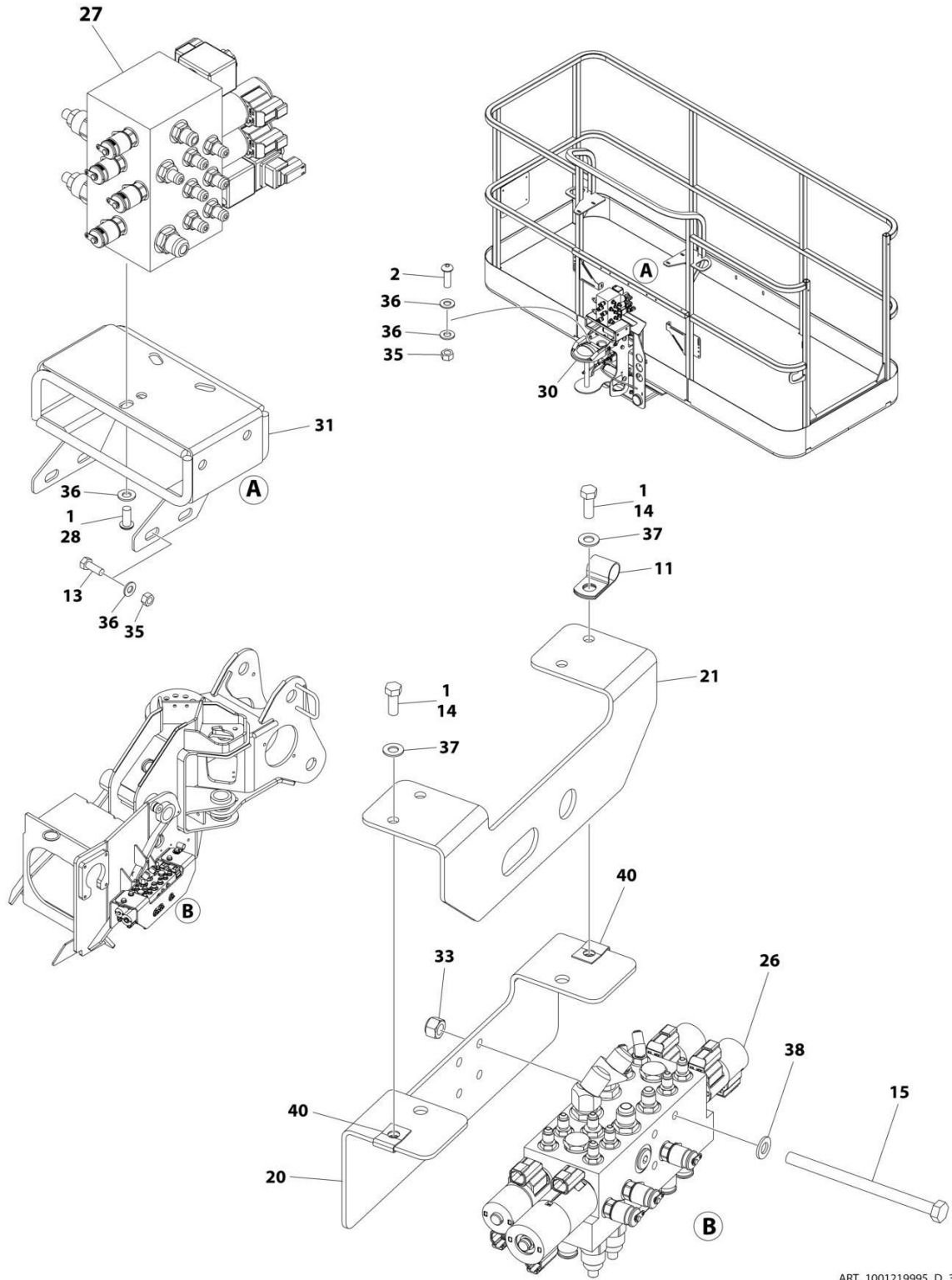
ITEM	PART NUMBER	QTY	DESCRIPTION	REV
	1001159687	Ref	POWER TRACK INSTALLATION - BOOM	L
1	0100011	AR	Compound, Locking	
2	0100019	AR	Compound, Locking	
3	0791504001	66	Screw 5/16 X 1/2	
4	0641516001	4	Bolt 5/16 X 2	
5	0641520001	2	Bolt 5/16 X 2-1/2	
6	0641607001	10	Bolt 3/8 X 7/8	
7	0641626001	2	Bolt, 3/8 X 3-1/4	
8	0641622001	1	Bolt 3/8 X 2-3/4	
10	0700823001	12	Bolt M8 X 75	
11	0761012001	8	Bolt M10 x 25	
12	0761014001	10	Bolt M10 X 30	
13	0761214001	18	Bolt M12 X 30	
14	1001162869	1	Plate, Clamp	
15	1320295	1	Clamp, Bar	
16	3290805001	12	Nut M8	
17	1001173663	17	Nut 3/8	
18	3311605001	4	Nut 3/8	
19	3340925	2	Pad	
20	3340940	2	Pad	
21	1001175817	5	Plate, Support	
22	3900232001	8	Screw 3/8 X 1-1/4	
23	1001173846	2	Screw 3/8 X 3/4	
24	3900316001	6	Screw 3/8 X 1	
25	4071021	AR	Shim 16Ga	
26	4071022	AR	Shim 11Ga	
27	4711500001	6	Washer 5/16	
28	4711600001	56	Washer 3/8	
29	4811900001	24	Washer M8	
30	1001172358	20	Washer M10	
31	4812100001	18	Washer M12	
32	4846423	5	Cover	
35	1001154751	1	Tube, Push (Upper)	
36	1001154768	2	Plate, Mounting	
37	1001154769	2	Plate, Mounting	
	1001180825	1	Bracket, Support	
39	1001154816	5	Bracket, Support	
40	1001154817	1	Bracket, Support	
41	1001154818	1	Bracket, Support	
42	1001154824	1	Support, Power Track	
43	1001154825	1	Support, Power Track	
44	1001154826	1	Bracket, Support	
45	1001154869	5	Cover	
46	1001154871	1	Cover	
47	1001154872	1	Cover	
49	1001155142	1	Power Track Assembly	
49	70004454	1	Section, 6 Link Repair	
49	70004455	1	Mounting Feet Kit	
50	1001156103	AR	Shim 16Ga	
51	1001156104	AR	Shim 11Ga	

SECTION 4 - BOOM

ITEM	PART NUMBER	QTY	DESCRIPTION	REV
54	1001157665	4	Tube, Spacer	
55	1001154823	1	Support, Power Track	
56	1001154870	1	Cover	
57	1001162745	Ref	Power Track Assembly	
57	70004649	2	Repair Section	
57	70004650	2	Mounting Feet Kit	
58	1001159255	1	Tube, Push (Lower)	
59	0100040	AR	Adhesive	
60	1001167907	10	Pad, Rubber	
61	9141453	AR	Shim	
62	1001182134	1	Bracket, Bulkhead	
63	3291005001	2	Nut M10	
64	1001180947	4	Plate, Clamp	
65	1001180816	4	Clamp, Powertrack hoses	
66	0641628001	6	Bolt 3/8 X 3 1/2	

SECTION 4 - BOOM

FIGURE 4-15. VALVES INSTALLATION - BOOM (WITH LSS)



ART_1001219995_D_30F3

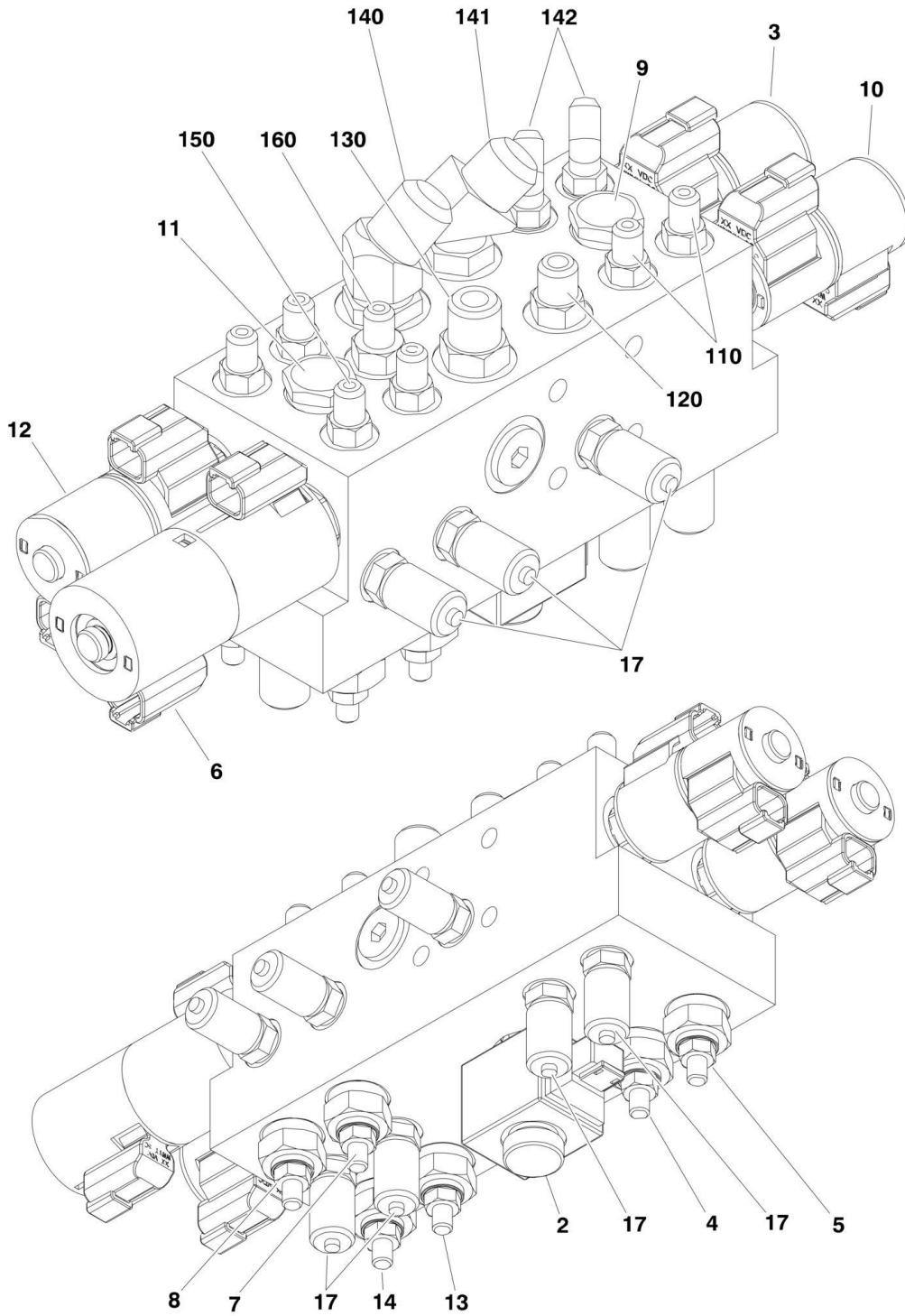
SECTION 4 - BOOM

FIGURE 4-15. VALVES INSTALLATION - BOOM (WITH LSS)

ITEM	PART NUMBER	QTY	DESCRIPTION	REV
	1001219995	Ref	VALVES INSTALLATION - BOOM (WITH LSS)	D
1	0100011	AR	Compound, Locking	
2	0630468	2	Screw 5/16 x 1	
11	8406105	1	Clip	
13	0641507001	4	Bolt 5/16 x 7/8	
14	0641608001	4	Bolt 1/2 x 1	
15	0700829001	4	Bolt M8 x 120	
20	1001119703	1	Plate	
21	1001119704	1	Plate	
26	1001168283	1	Jib Valve Assembly (See Separate Breakdown in this Section)	
27	1001168284	1	Platform Valve Assembly (See Separate Breakdown in this Section)	
28	1001173845	3	Screw 5/16 x 3/4	
30	1001207969	1	Cover	
31	1001208994	1	Mount	
33	3290805001	4	Nut M8	
35	3311505001	6	Nut 5/16	
36	4711500001	15	Washer 5/16	
37	4711600001	4	Washer 3/8	
38	4811900001	8	Washer M8	
40	88662523	4	Nut, Retainer	

SECTION 4 - BOOM

FIGURE 4-16. JIB VALVE ASSEMBLY



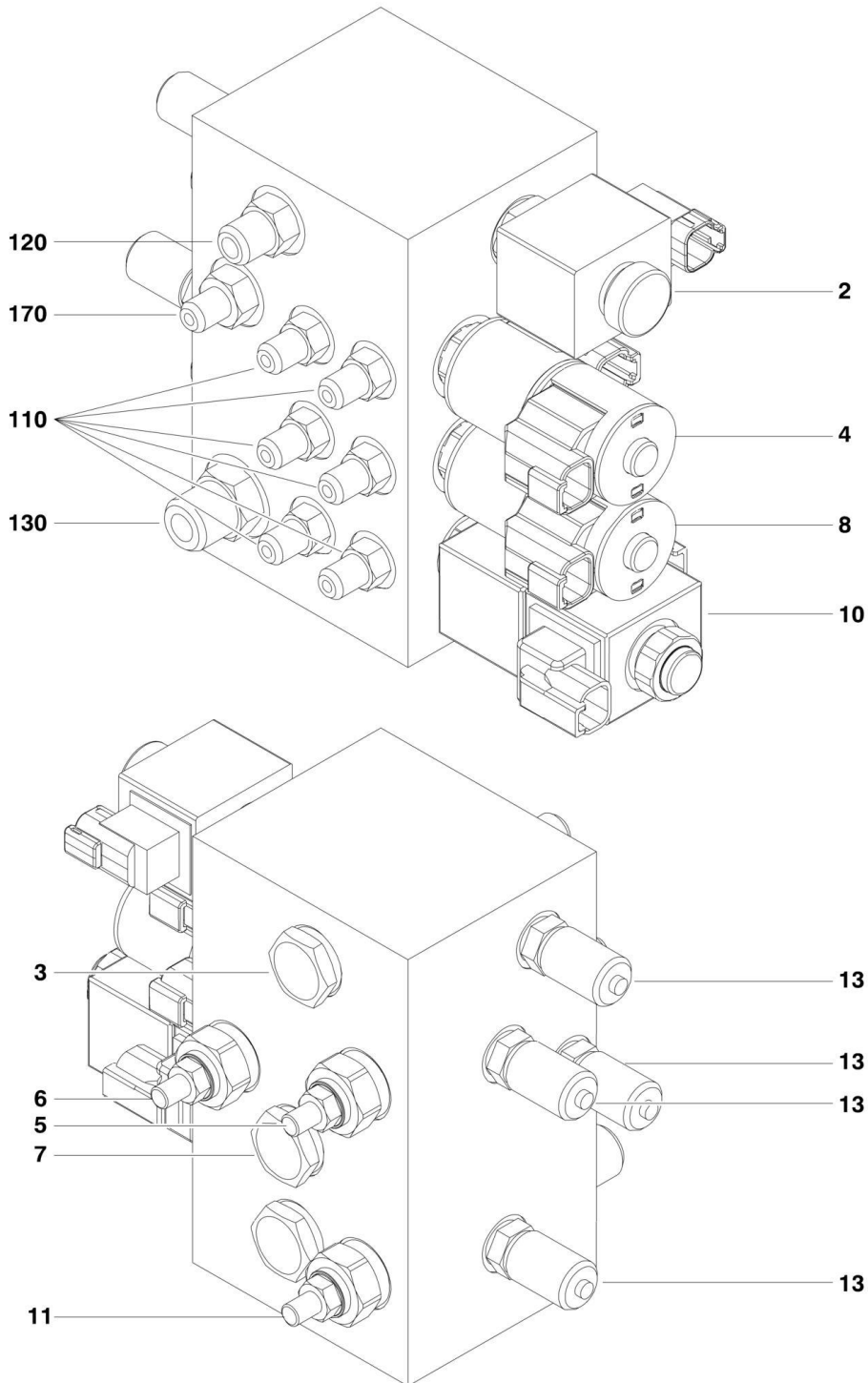
1001168283

FIGURE 4-16. JIB VALVE ASSEMBLY

ITEM	PART NUMBER	QTY	DESCRIPTION	REV
	1001168283	Ref	JIB VALVE ASSEMBLY	D
2	70003017	1	Valve, Solenoid (Inlet)	
2	70004055	1	Kit, Seal - Valve	
2	70022147	1	Coil	
2	70004051	1	Nut, Coil	
3	7023922	1	Valve, Solenoid (Level Up/Down)	
3	7017402	1	Kit, Seal - Valve	
3	7024885	2	Coil	
3	7022390	1	Nut, Coil	
3	70003023	1	Spacer, Coil	
4	70003019	1	Valve, Relief	
4	70004052	1	Kit, Seal - Valve	
5	70003019	1	Valve, Relief	
5	70004052	1	Kit, Seal - Valve	
6	70003022	1	Valve, Solenoid (Tele In/Out)	
6	7012903	1	Kit, Seal - Valve	
6	7024883	2	Coil	
6	70003024	1	Spacer, Coil	
6	70003019	1	Valve, Relief	
7	70003019	1	Valve, Relief	
7	70004052	1	Kit, Seal - Valve	
8	70003019	1	Valve, Relief	
8	70004052	1	Kit, Seal - Valve	
9	70003020	1	Valve, Flow Control	
9	70004052	1	Kit, Seal - Valve	
10	7024899	1	Valve, Solenoid (Swing Left/Right)	
10	7017402	1	Kit, Seal - Valve	
10	7024885	2	Coil	
10	7022390	1	Nut, Coil	
10	70003023	1	Spacer, Coil	
11	70003021	1	Valve, Flow Control	
11	70004052	1	Kit, Seal - Valve	
12	7023922	1	Valve, Solenoid (Lift Up/Down)	
12	7017402	1	Kit, Seal - Valve	
12	7024885	2	Coil	
12	7022390	1	Nut, Coil	
12	70003023	1	Spacer, Coil	
13	70003019	1	Valve, Relief	
13	70004052	1	Kit, Seal - Valve	
14	70003019	1	Valve, Relief	
14	70004052	1	Kit, Seal - Valve	
17	2221086	7	Valve, Check, Pressure	
110	2220415	2	Fitting, Straight JIC/ORB	
120	2220371	1	Fitting, Straight JIC/ORB	
130	2220373	1	Fitting, Straight JIC/ORB	
140	2221050	1	Fitting, 45 JIC/ORB	
141	2220950	1	Fitting, 45 JIC/ORB	
142	2220502	2	Fitting, 45 JIC/ORB	
150	2220415	4	Fitting, Straight JIC/ORB	
160	2220582	1	Fitting, Straight JIC/ORB	

SECTION 4 - BOOM

FIGURE 4-17. PLATFORM VALVE ASSEMBLY



1001168284

SECTION 4 - BOOM

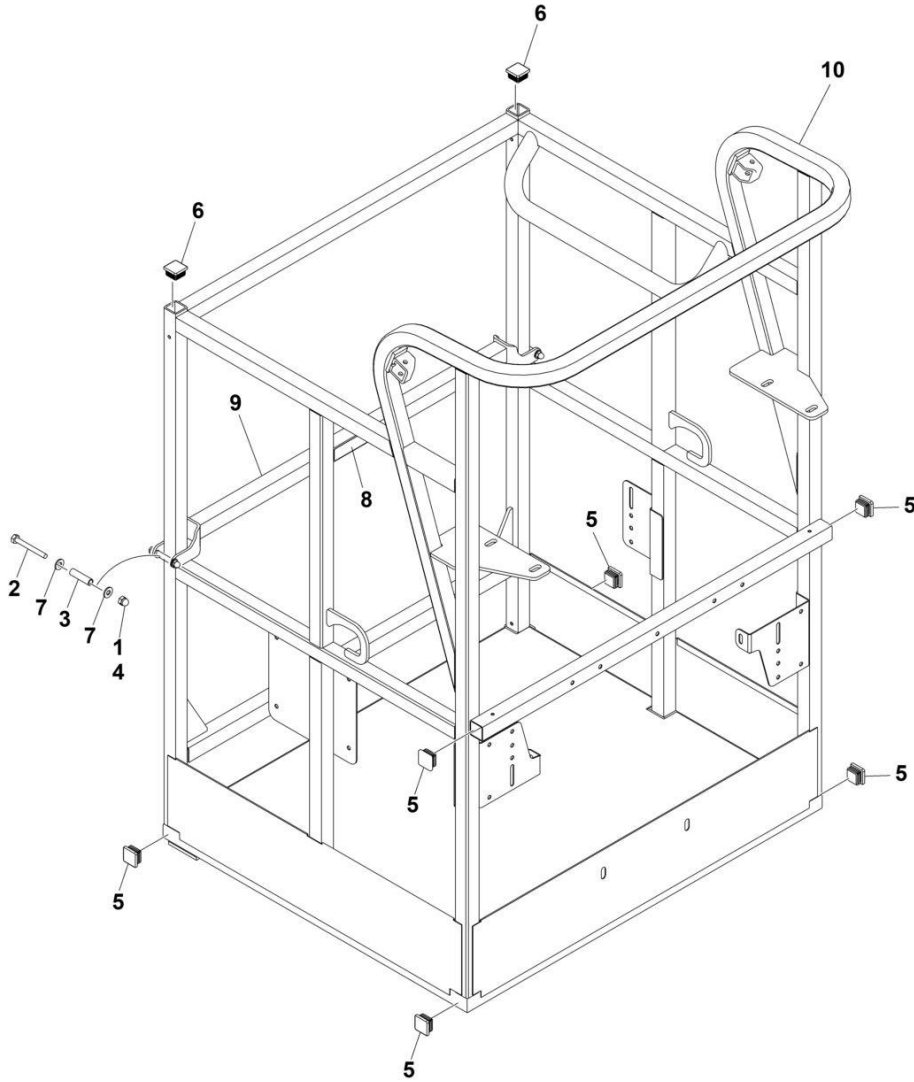
FIGURE 4-17. PLATFORM VALVE ASSEMBLY

ITEM	PART NUMBER	QTY	DESCRIPTION	REV
	1001168284	Ref	PLATFORM VALVE ASSEMBLY	C
2	70004457	1	Valve, Solenoid (Inlet)	
2	70004050	1	Seal Kit - Valve	
2	70003026	1	Coil	
2	70004051	1	Nut, Coil	
3	70003021	1	Valve, Flow Control	
3	70004052	1	Seal Kit - Valve	
4	7024899	1	Valve, Solenoid (Level Up/Down)	
4	7017402	1	Seal Kit - Valve	
4	7024885	2	Coil	
4	7022390	1	Nut, Coil	
4	70003023	1	Spacer, Coil	
5	70003019	1	Valve, Relief	
5	70004052	1	Seal Kit - Valve	
6	70003019	1	Valve, Relief	
6	70004052	1	Seal Kit - Valve	
7	70003027	1	Valve, Flow Control	
7	70004052	1	Seal Kit - Valve	
8	7024899	1	Valve, Solenoid (Rotate Left/Right)	
8	7017402	1	Seal Kit - Valve	
8	7024885	2	Coil	
8	7022390	1	Nut, Coil	
8	70003023	1	Spacer, Coil	
10	70003028	1	Valve, Solenoid (Jib Lock In/Out)	
10	70004053	1	Seal Kit - Valve	
10	70003026	2	Coil	
10	70004051	1	Nut, Coil	
11	70003019	1	Valve, Relief	
11	70004052	1	Seal Kit - Valve	
13	2221086	4	Valve, Check, Pressure	
110	2220415	6	Fitting, Straight JIC/ORB	
120	2220371	1	Fitting, Straight JIC/ORB	
130	2220373	1	Fitting, Straight JIC/ORB	
170	2220582	1	Fitting, Straight JIC/ORB	

SECTION 5 - PLATFORM

SECTION 5 - PLATFORM

FIGURE 5-1. PLATFORM ASSEMBLY - 30IN X 3FT (76CM X 91.5CM) DROP BAR ENTRY



ART_1001228215

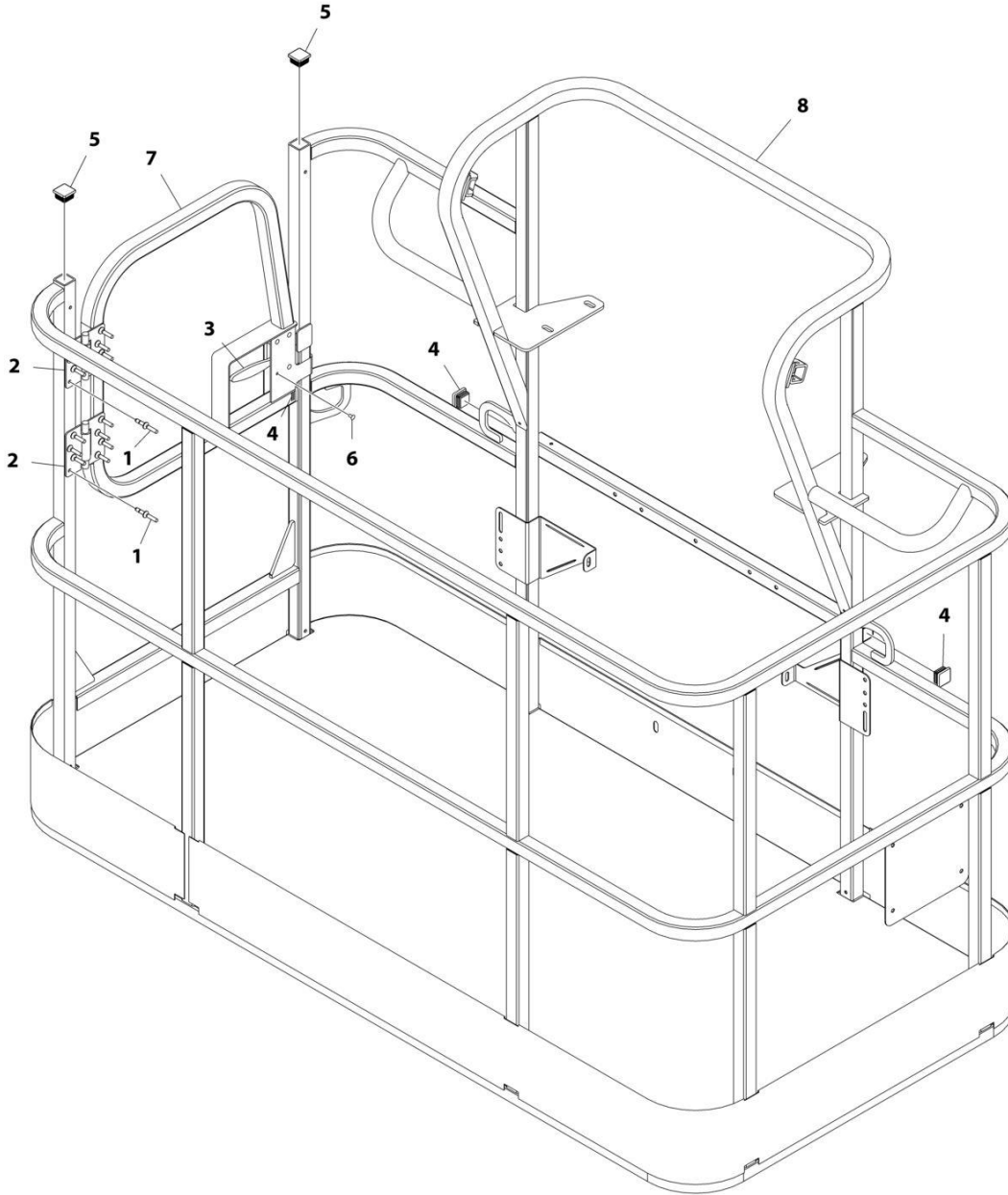
SECTION 5 - PLATFORM

FIGURE 5-1. PLATFORM ASSEMBLY - 30IN X 3FT (76CM X 91.5CM) DROP BAR ENTRY

ITEM	PART NUMBER	QTY	DESCRIPTION	REV
	1001228215	Ref	PLATFORM ASSEMBLY	A
	See Note	Ref	Note: Platform and Mesh must be ordered separately for Platforms with Mesh. See SPECIAL OPTIONS SECTION for Mesh Installations.	
	See Note	Ref	Note: Replacement Decals Must be Ordered Separately - See DECAL SECTION.	
1	0100011	AR	Compound, Locking	
2	0641418	2	Bolt 1/4 x 2-1/4	
3	0961845	2	Bushing	
4	3300151	2	Nut 1/4	
5	3520072	6	Cap, Plug	
6	3520198	2	Cap, Plug	
7	4711400	4	Washer 1/4	
8	1001140429	1	Decal - Drop Bar	
9	1001226872	1	Bar, Drop	
10	See Note	NSS	Platform (Note: Not Available - Purchase Platform Assembly)	

SECTION 5 - PLATFORM

FIGURE 5-2. PLATFORM ASSEMBLY - 36IN X 6FT (91.5CM X 1.83M) SIDE GATE ENTRY



ART_1001186384

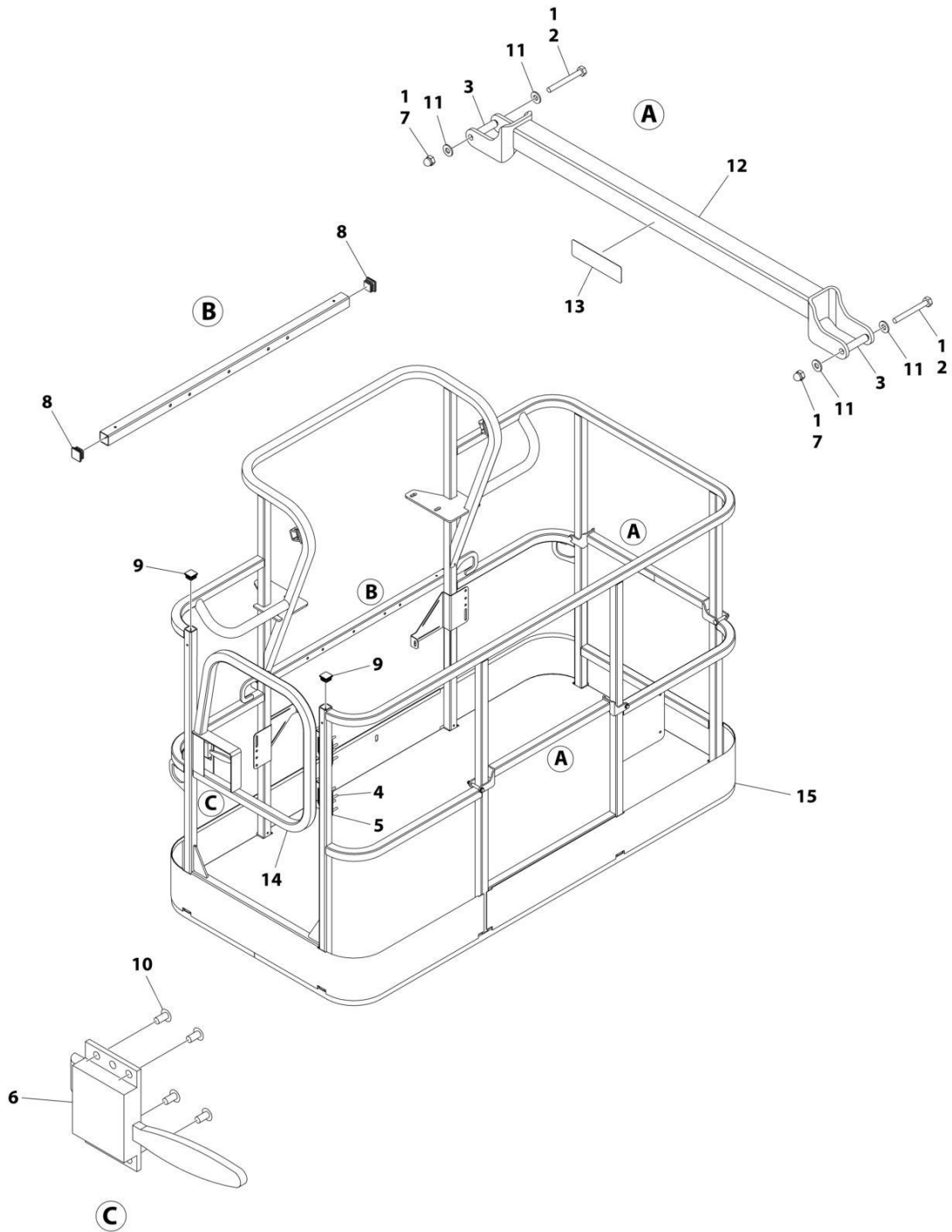
SECTION 5 - PLATFORM

FIGURE 5-2. PLATFORM ASSEMBLY - 36IN X 6FT (91.5CM X 1.83M) SIDE GATE ENTRY

ITEM	PART NUMBER	QTY	DESCRIPTION	REV
	1001186384	Ref	PLATFORM ASSEMBLY - 36IN X 6FT (91.5CM X 1.83M) WITH SWING GATE	C
	See Note	Ref	Note: Platform and Mesh must be ordered separately for Platforms with Mesh. See SPECIAL OPTIONS SECTION for Mesh Installations.	
	See Note	Ref	Note: Replacement Decals Must be Ordered Separately - See DECALS SECTION.	
1	2080040	16	Fastener, Huck	
2	2600281	2	Hinge	
3	2940074	1	Latch	
4	3520072	3	Plug	
5	3520198	2	Plug	
6	3820020	4	Rivet	
7	1001144629	1	Gate	
8	See Note	NSS	Platform (Note: Not Available - Purchase Platform Assembly)	

SECTION 5 - PLATFORM

FIGURE 5-3. PLATFORM ASSEMBLY - 36IN X 6FT (91.5CM X 1.83M) SIDE GATE/DROP BAR TRI-ENTRY



ART_1001228376

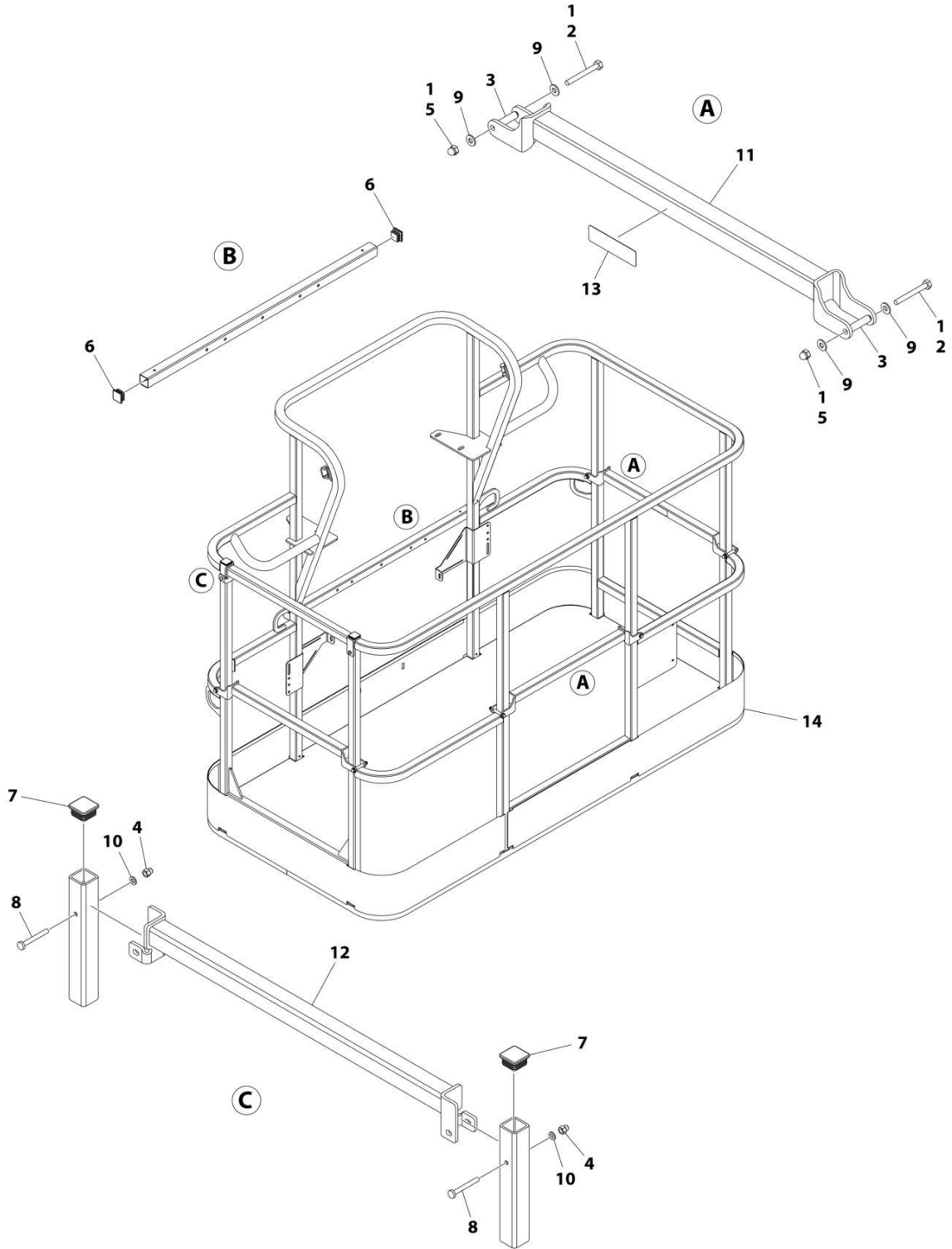
SECTION 5 - PLATFORM

FIGURE 5-3. PLATFORM ASSEMBLY - 36IN X 6FT (91.5CM X 1.83M) SIDE GATE/DROP BAR TRI-ENTRY

ITEM	PART NUMBER	QTY	DESCRIPTION	REV
	1001228376	Ref	PLATFORM ASSEMBLY - 36IN x 6FT (91.5CM x 1.83M)	B
		Ref	Note: Platform and Mesh must be ordered separately for Platforms with Mesh. See SPECIAL OPTIONS SECTION for Mesh Installations.	
		Ref	Note: Replacement Decals Must be Ordered Separately - See DECAL SECTION.	
1	0100011	AR	Compound, Locking	
2	0641418	4	Bolt 1/4 x 2-1/4	
3	0961845	4	Bushing	
4	2080040	16	Fastener	
5	2600281	2	Hinge	
6	2940074	1	Latch	
7	3300151	4	Nut 1/4	
8	3520072	3	Plug	
9	3520198	2	Plug	
10	3820020	4	Rivet	
11	4711400	8	Washer 1/4	
12	1001138494	2	Bar, Drop	
13	1001140429	2	Decal - Drop Bar	
14	1001144629	1	Gate	
15	See Note	NSS	Platform (Note: Not Available - Purchase Platform Assembly)	

SECTION 5 - PLATFORM

FIGURE 5-4. PLATFORM ASSEMBLY - 36IN X 6FT (91.5CM X 1.83M) DROP BAR TRI-ENTRY



ART_1001228377

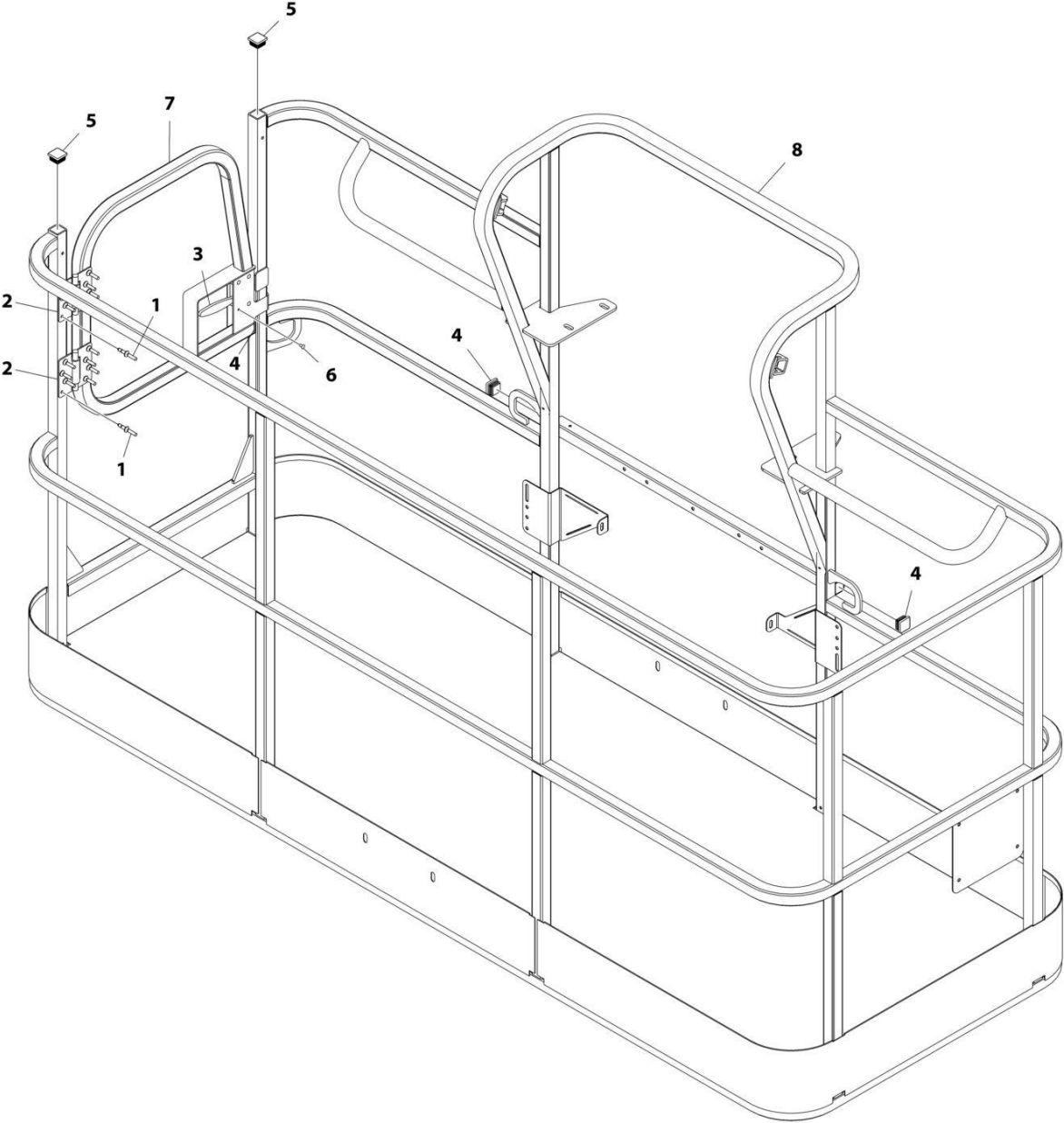
SECTION 5 - PLATFORM

FIGURE 5-4. PLATFORM ASSEMBLY - 36IN X 6FT (91.5CM X 1.83M) DROP BAR TRI-ENTRY

ITEM	PART NUMBER	QTY	DESCRIPTION	REV
	1001228377	Ref	PLATFORM ASSEMBLY - 36IN x 6FT (91.5CM x 1.83M)	B
		Ref	Note: Platform and Mesh must be ordered separately for Platforms with Mesh. See SPECIAL OPTIONS SECTION for Mesh Installations.	
		Ref	Note: Replacement Decals Must be Ordered Separately - See DECAL SECTION.	
1	0100011	1	Compound, Locking	
2	0641418	6	Bolt 1/4 x 2-1/4	
3	0961845	6	Bushing	
4	3290606	2	Nut M6	
5	3300151	6	Nut 1/4	
6	3520072	2	Plug	
7	3520198	2	Plug	
8	4010618	2	Screw M6 x 50	
9	4711400	12	Washer 1/4	
10	4811700	2	Washer M6	
11	1001138494	3	Bar, Drop	
12	1001138514	1	Rail (Top)	
13	1001140429	3	Decal - Drop Bar	
14	See Note	NSS	Platform, Weldment (Note: Not Available - Purchase Platform Assembly)	

SECTION 5 - PLATFORM

FIGURE 5-5. PLATFORM ASSEMBLY - 36IN X 8FT (91.5CM X 2.44M) SIDE GATE ENTRY



ART_1001186383

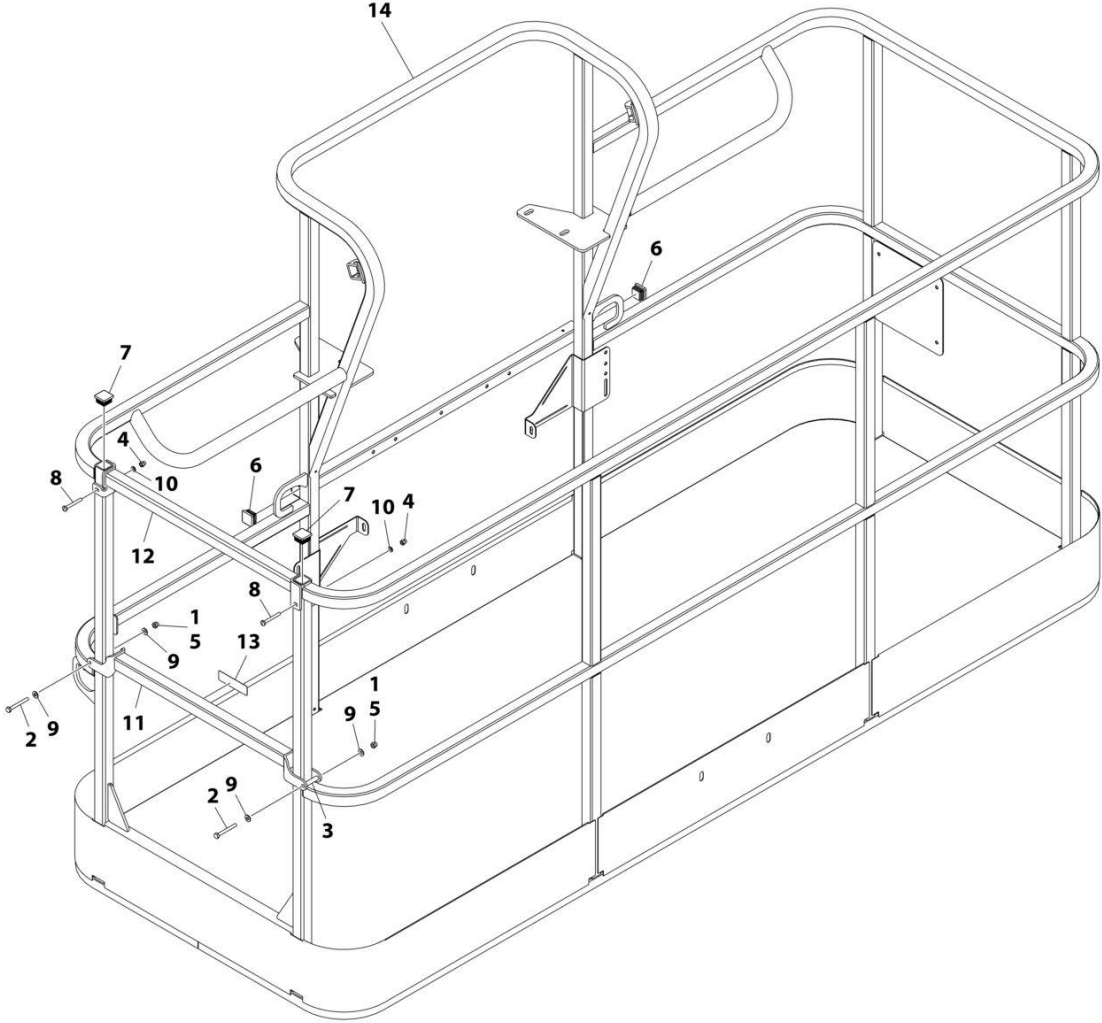
SECTION 5 - PLATFORM

FIGURE 5-5. PLATFORM ASSEMBLY - 36IN X 8FT (91.5CM X 2.44M) SIDE GATE ENTRY

ITEM	PART NUMBER	QTY	DESCRIPTION	REV
	1001186383	Ref	PLATFORM ASSEMBLY - 36IN X 8FT (91.5CM X 2.44M) WITH SWING GATE	D
		Ref	Note: Platform and Mesh must be ordered separately for Platforms with Mesh. See SPECIAL OPTIONS SECTION for Mesh Installations.	
		Ref	Note: Replacement Decals Must be Ordered Separately - See DECALS SECTION.	
1	2080040	16	Fastener, Huck	
2	2600281	2	Hinge	
3	2940074	1	Latch	
4	3520072	3	Plug	
5	3520198	2	Plug	
6	3820020	4	Rivet	
7	1001144629	1	Gate	
8	See Note	NSS	Platform (Note: Not Available - Purchase Platform Assembly)	

SECTION 5 - PLATFORM

FIGURE 5-6. PLATFORM ASSEMBLY - 36IN X 8FT (91.5CM X 2.44M) DROP BAR ENTRY



ART_1001186382

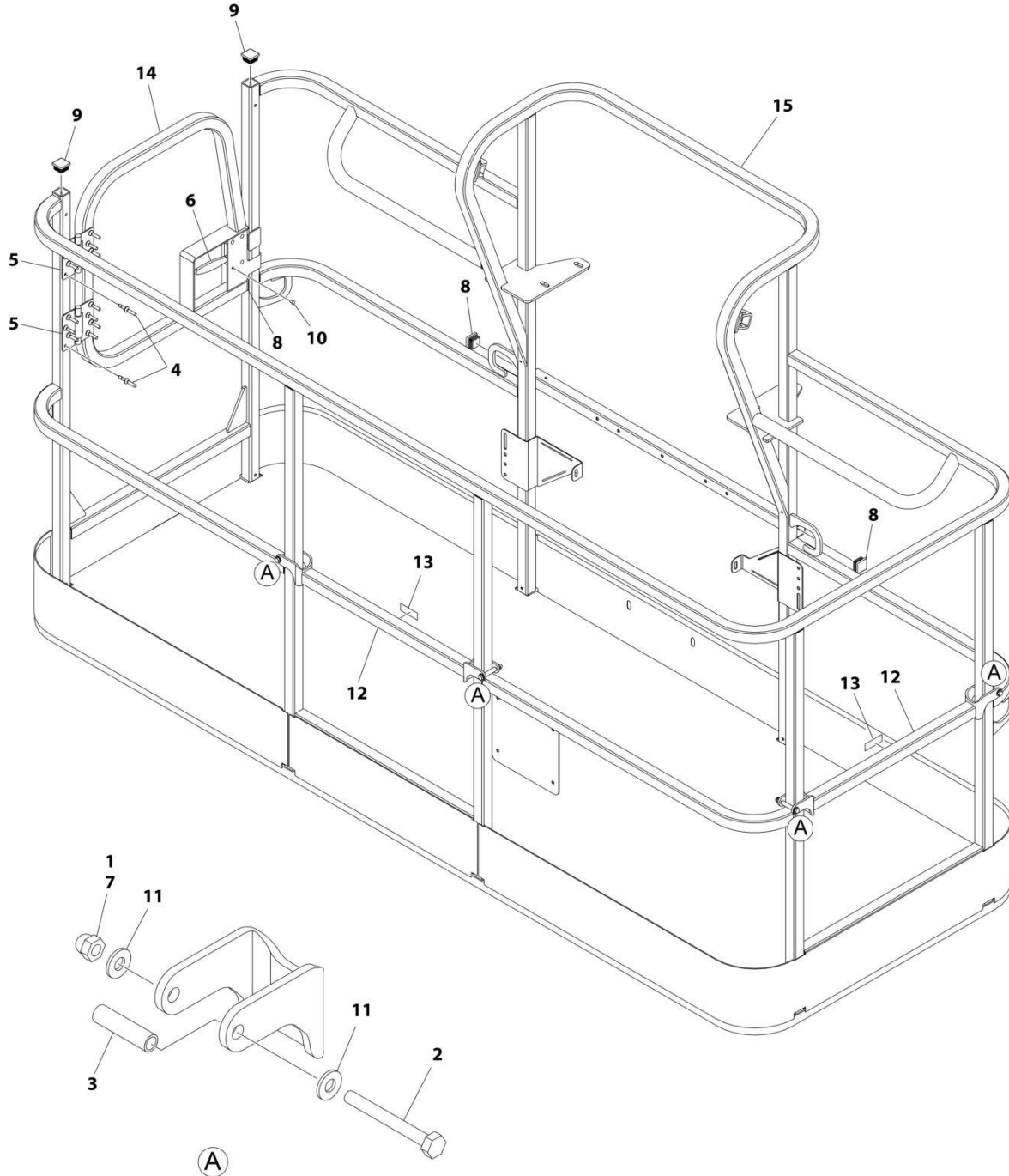
SECTION 5 - PLATFORM

FIGURE 5-6. PLATFORM ASSEMBLY - 36IN X 8FT (91.5CM X 2.44M) DROP BAR ENTRY

ITEM	PART NUMBER	QTY	DESCRIPTION	REV
	1001186382	Ref	PLATFORM ASSEMBLY - 36IN X 8FT (91.5CM X 2.44M) WITH DROP BAR	C
		Ref	Note: Platform and Mesh must be ordered separately for Platforms with Mesh. See SPECIAL OPTIONS SECTION for Mesh Installations.	
		Ref	Note: Replacement Decals Must be Ordered Separately - See DECALS SECTION.	
1	0100011	AR	Compound, Locking	
2	0641418	2	Bolt 1/4 x 2-1/4	
3	0961845	2	Bushing	
4	3290606	2	Nut M6	
5	3300151	2	Nut 1/4	
6	3520072	2	Plug	
7	3520198	2	Plug	
8	4010618	2	Screw M6 x 50	
9	4711400	4	Washer 1/4	
10	4811700	2	Washer M6	
11	1001138494	1	Bar, Drop	
12	1001138514	1	Rail (Top)	
13	1001140429	1	Decal - Drop Bar	
14	See Note	NSS	Platform (Note: Not Available - Purchase Platform Assembly)	

SECTION 5 - PLATFORM

FIGURE 5-7. PLATFORM ASSEMBLY - 36IN X 8FT (91.5CM X 2.44M) WITH TRI-ENTRY (1 GATE/2 DROP BARS)



ART_1001228243

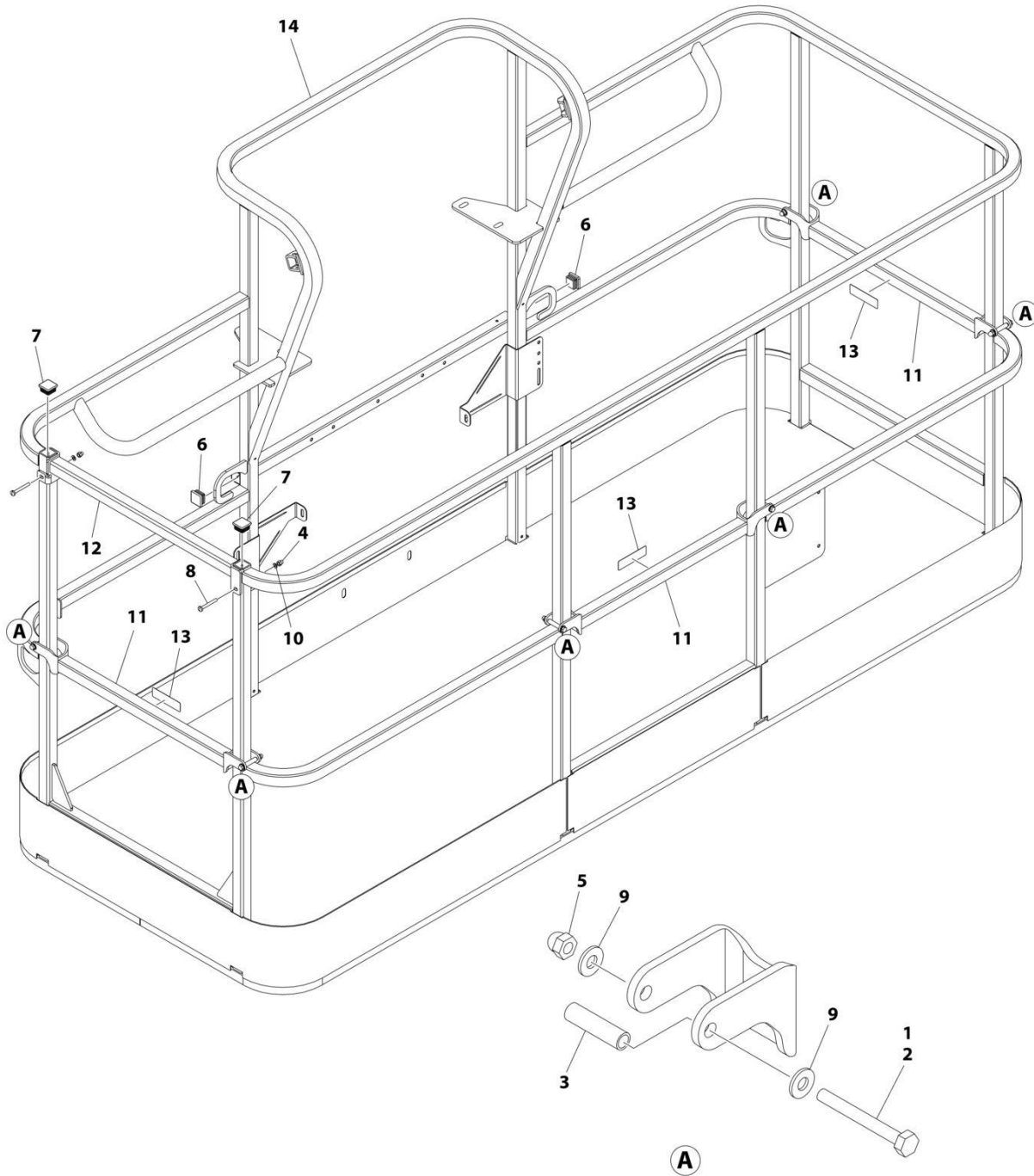
SECTION 5 - PLATFORM

FIGURE 5-7. PLATFORM ASSEMBLY - 36IN X 8FT (91.5CM X 2.44M) WITH TRI-ENTRY (1 GATE/2 DROP BARS)

ITEM	PART NUMBER	QTY	DESCRIPTION	REV
	1001228243	Ref	PLATFORM ASSEMBLY - 36IN X 8FT (91.5CM X 2.44M) WITH TRI-ENTRY	A
		Ref	Note: Platform and Mesh must be ordered separately for Platforms with Mesh. See SPECIAL OPTIONS SECTION for Mesh Installations.	
1	0100011	AR	Compound, Locking	
2	0641418	4	Bolt 1/4 x 2-1/4	
3	0961845	4	Bushing	
4	2080040	16	Fastener, Huck	
5	2600281	2	Hinge, Self-Closing	
6	2940074	1	Latch	
7	3300151	4	Nut 1/4	
8	3520072	3	Cap, Plug	
9	3520198	2	Cap, Plug	
10	3820020	4	Rivet	
11	4711400	8	Washer 1/4	
12	1001138494	2	Bar, Drop	
13	1001140429	2	Decal - Drop Bar	
14	1001144629	1	Gate, Weldment	
15	See Note	1	Platform (Note: Not Available - Purchase Platform Assembly)	

SECTION 5 - PLATFORM

FIGURE 5-8. PLATFORM ASSEMBLY - 36IN X 8FT (91.5CM X 2.44M) WITH TRI-ENTRY (3 DROP BARS)



ART_1001228375

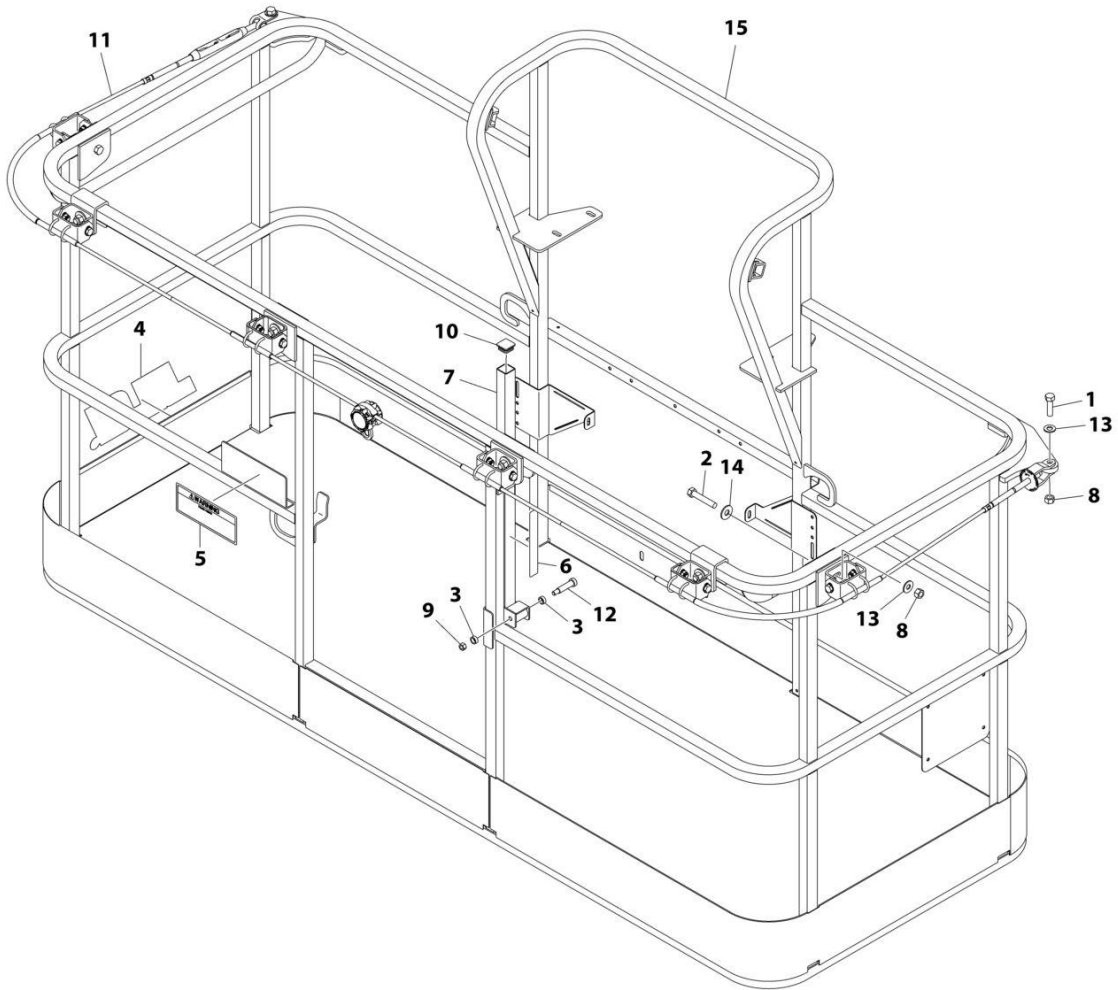
SECTION 5 - PLATFORM

FIGURE 5-8. PLATFORM ASSEMBLY - 36IN X 8FT (91.5CM X 2.44M) WITH TRI-ENTRY (3 DROP BARS)

ITEM	PART NUMBER	QTY	DESCRIPTION	REV
	1001228375	Ref	PLATFORM ASSEMBLY - 36IN X 8FT (91.5CM X 2.44M) WITH TRI-ENTRY	A
		Ref	Note: Platform and Mesh must be ordered separately for Platforms with Mesh. See SPECIAL OPTIONS SECTION for Mesh Installations.	
		Ref	Note: Replacement Decals Must be Ordered Separately - See DECAL SECTION.	
1	0100011	AR	Compound, Locking	
2	0641418	6	Bolt 1/4 x 2-1/4	
3	0961845	6	Bushing	
4	3290606	2	Nut M6 x 1	
5	3300151	6	Nut 1/4	
6	3520072	2	Cap, Plug	
7	3520198	2	Cap, Plug	
8	4010618	2	Screw M6 x 50	
9	4711400	12	Washer 1/4	
10	4811700	2	Washer M6	
11	1001138494	3	Bar, Drop	
12	1001138514	1	Rail (Top)	
13	1001140429	3	Decal - Drop Bar	
14	See Note	1	Platform (Note: Not Available - Purchase Platform Assembly)	

SECTION 5 - PLATFORM

FIGURE 5-9. PLATFORM ASSEMBLY - 36IN X 8FT (91.5CM X 2.44M) FALL ARREST - ANSI SPEC



ART_1001186334

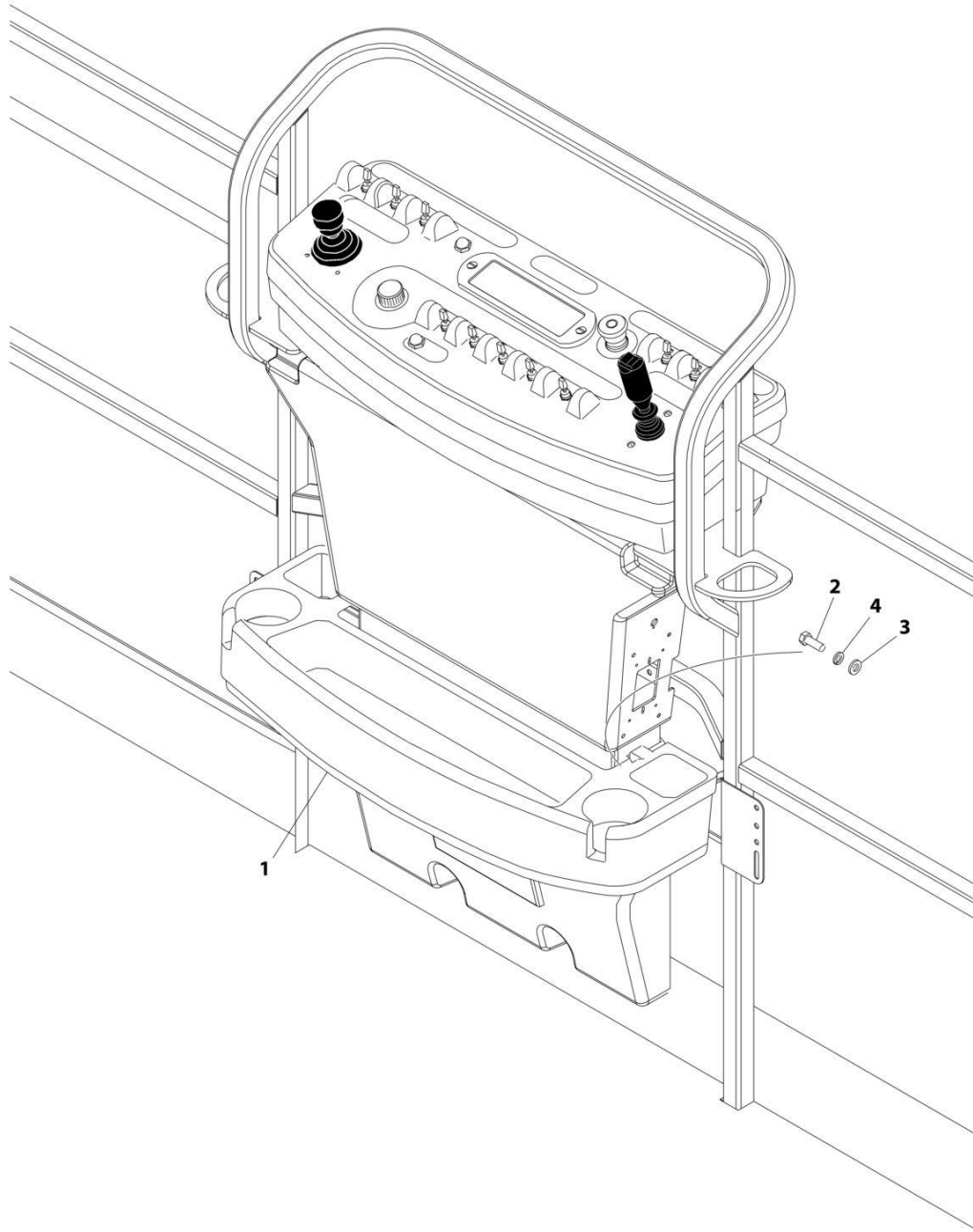
SECTION 5 - PLATFORM

FIGURE 5-9. PLATFORM ASSEMBLY - 36IN X 8FT (91.5CM X 2.44M) FALL ARREST - ANSI SPEC

ITEM	PART NUMBER	QTY	DESCRIPTION	REV
	1001186334	Ref	PLATFORM ASSEMBLY	D
		Ref	Note: Replacement Decals Must be Ordered Separately - See DECALS SECTION.	
1	0681814	2	Bolt 1/2 x 1-3/4 Grade 8	
2	0681822	6	Bolt 1/2 x 2-3/4 Grade 8	
3	0962270	2	Bearing	
4	1702773	1	Decal - JLG	
5	1705014	1	Decal - Safety	
6	1706385	1	Decal - Drop Bar	
7	2410014	1	Bar, Drop	
8	3271805	8	Nut 1/2 Grade 8	
9	3311605	1	Nut 3/8	
10	3520072	1	Plug	
11	1001203656	1	Cable	
12	3900054	1	Bolt 1/2 x 1-3/4	
13	4711800	2	Washer 1/2	
14	4751800	6	Washer 1/2	
15	See Note	NSS	Platform (Note: Purchase Platform Assembly)	

SECTION 5 - PLATFORM

FIGURE 5-10. TRAY INSTALLATION



ART_1580012

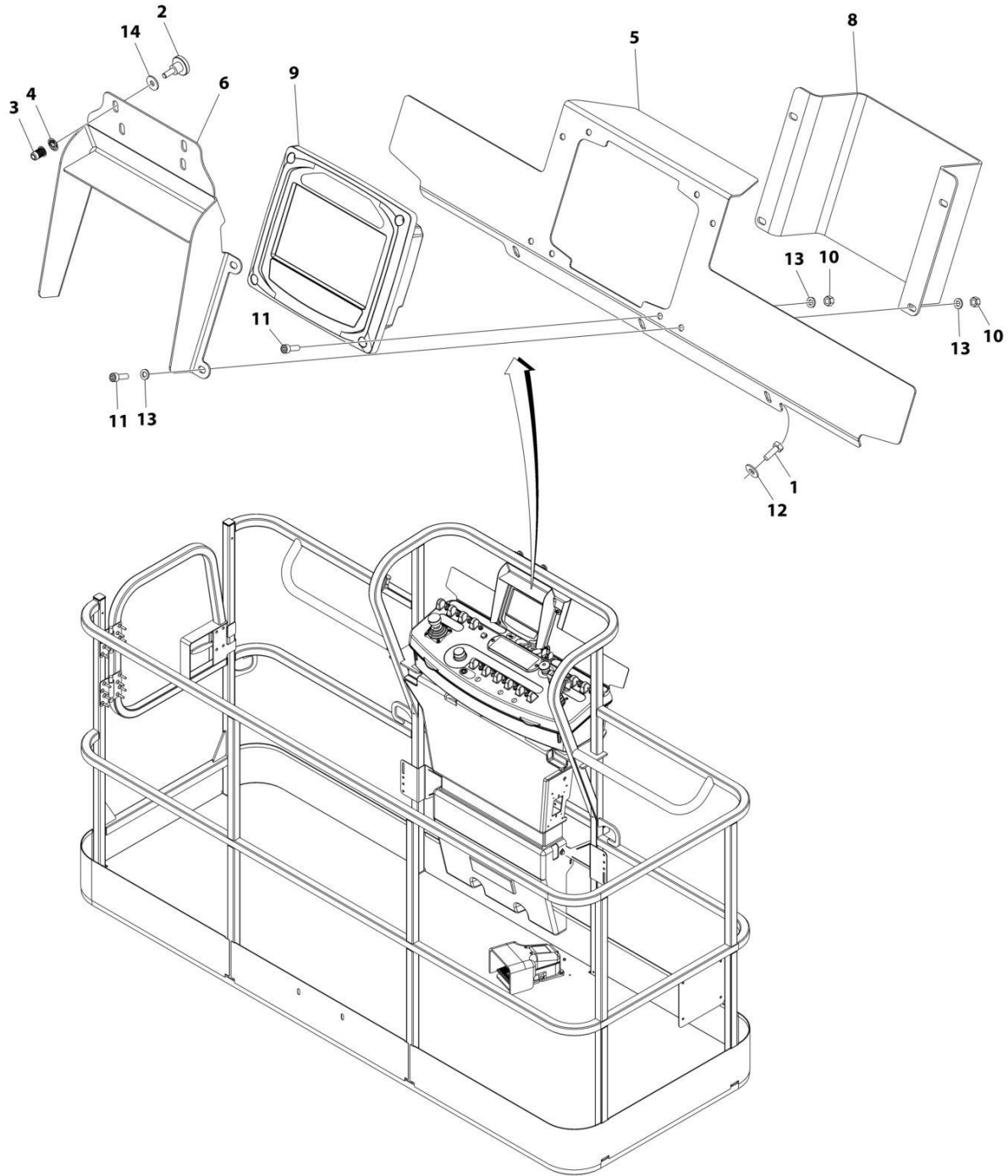
SECTION 5 - PLATFORM

FIGURE 5-10. TRAY INSTALLATION

ITEM	PART NUMBER	QTY	DESCRIPTION	REV
	1580012	Ref	TRAY ASSEMBLY	C
1	See Note	NSS	Tray, Storage (Center) (Note: Purchase p/n 1580012)	
2	0641406	2	Bolt 1/4 x 3/4	
3	4751400	2	Washer 1/4	
4	4761400	2	Washer 1/4	

SECTION 5 - PLATFORM

FIGURE 5-11. LCD DISPLAY INSTALLATION



ART_1001215375

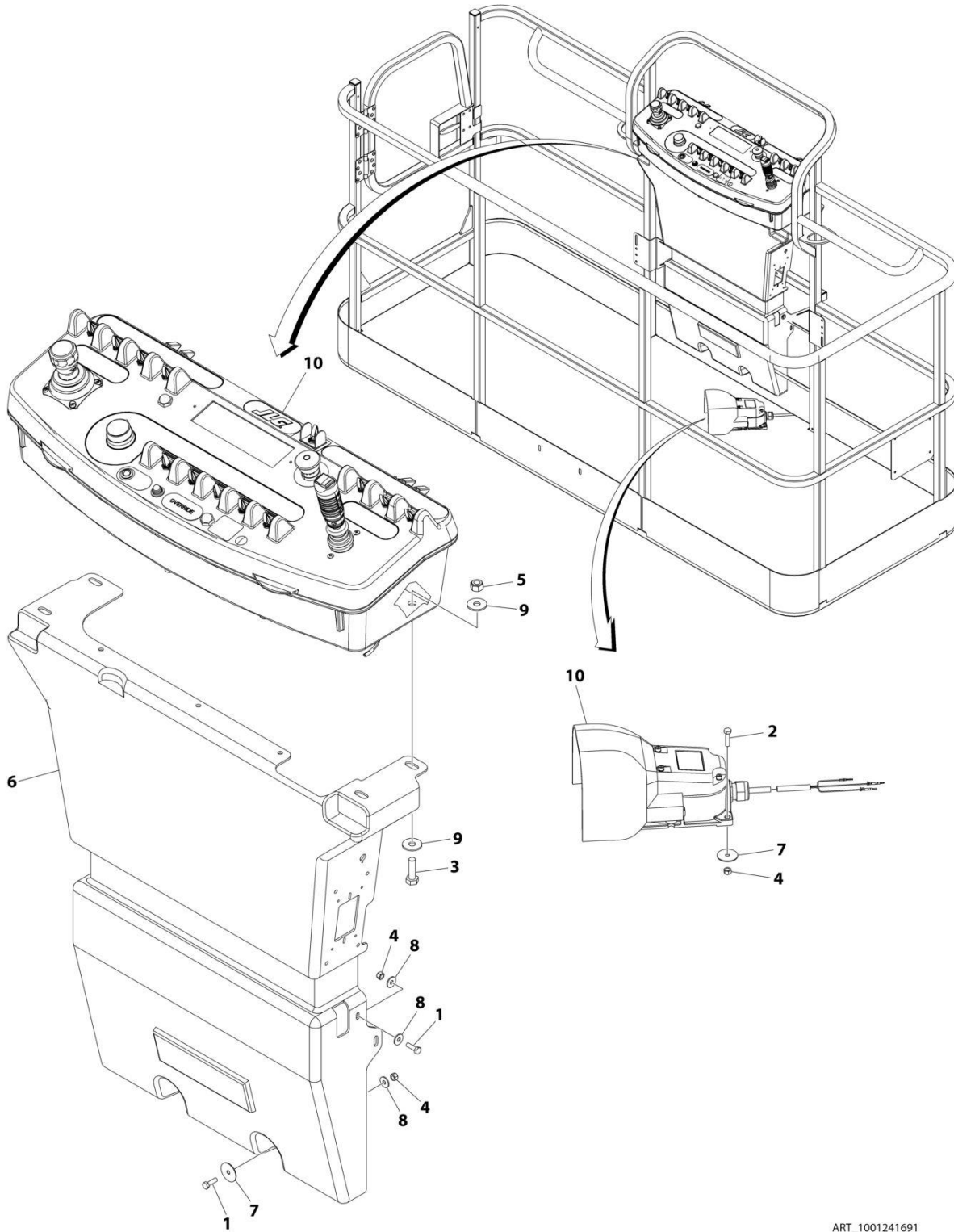
SECTION 5 - PLATFORM

FIGURE 5-11. LCD DISPLAY INSTALLATION

ITEM	PART NUMBER	QTY	DESCRIPTION	REV
	1001215375	Ref	LCD DISPLAY INSTALLATION	A
1	0641406001	3	Bolt 1/4 x 3/4	
2	1001173609	2	Screw, Thumb M6 x 16	
3	1001176636	2	Rivet, Nut M6	
4	1001177635	2	Nut M6	
5	1001215379	1	Bracket, Mounting	
6	1001215380	1	Bracket, Visor	
7	1001220482	1	Harness, LCD Display (Not Shown - See Separate Breakdown in ELECTRICAL SECTION)	
8	1001228976	1	Cover	
9	1001229485	1	Electrical Assembly	
9	1001220955	1	Gauge, LCD Display	
9	1001176582	1	Decal - Platform Display	
9	1001180491	4	Screw #10	
9	1001229922	1	Screen Protector, LCD Display	
10	3290605001	8	Nut M6	
11	4031708001	8	Bolt M6 x 20	
12	4751400001	3	Washer 1/4	
13	4811700001	12	Washer M6	
14	4811702001	2	Washer M6	

SECTION 5 - PLATFORM

FIGURE 5-12. PLATFORM CONTROLS INSTALLATION - WITH SKYGUARD



ART_1001241691

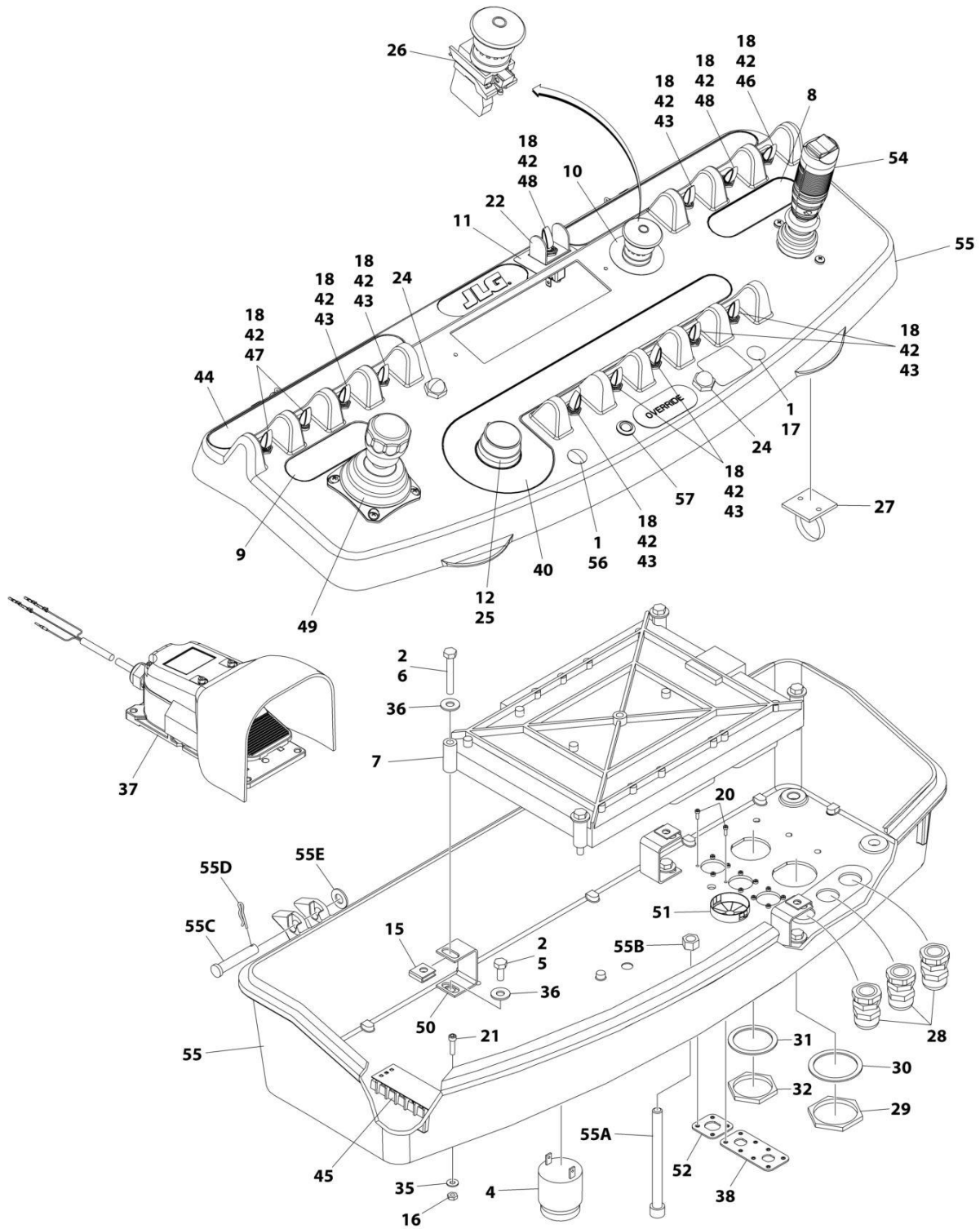
SECTION 5 - PLATFORM

FIGURE 5-12. PLATFORM CONTROLS INSTALLATION - WITH SKYGUARD

ITEM	PART NUMBER	QTY	DESCRIPTION	REV
	1001241691	Ref	PLATFORM CONTROLS INSTALLATION - WITH SKYGUARD	A
1	0760610	4	Bolt M6 x 20	
2	0760612	4	Bolt M6 x 25	
3	0761015	4	Bolt M10 x 35	
4	3290605	8	Locknut M6	
5	3291005	4	Locknut M10	
6	3380434	1	Panel, Molded	
7	4740362	6	Washer, Fender	
8	4811702	6	Flatwasher M6	
9	4812002	8	Washer M10	
10	1001241690	1	Platform Console Assembly - With SkyGuard (See Separate Breakdown in this Section)	

SECTION 5 - PLATFORM

FIGURE 5-13. PLATFORM CONSOLE ASSEMBLY - WITH SKYGUARD



ART_1001241690_F

SECTION 5 - PLATFORM

FIGURE 5-13. PLATFORM CONSOLE ASSEMBLY - WITH SKYGUARD

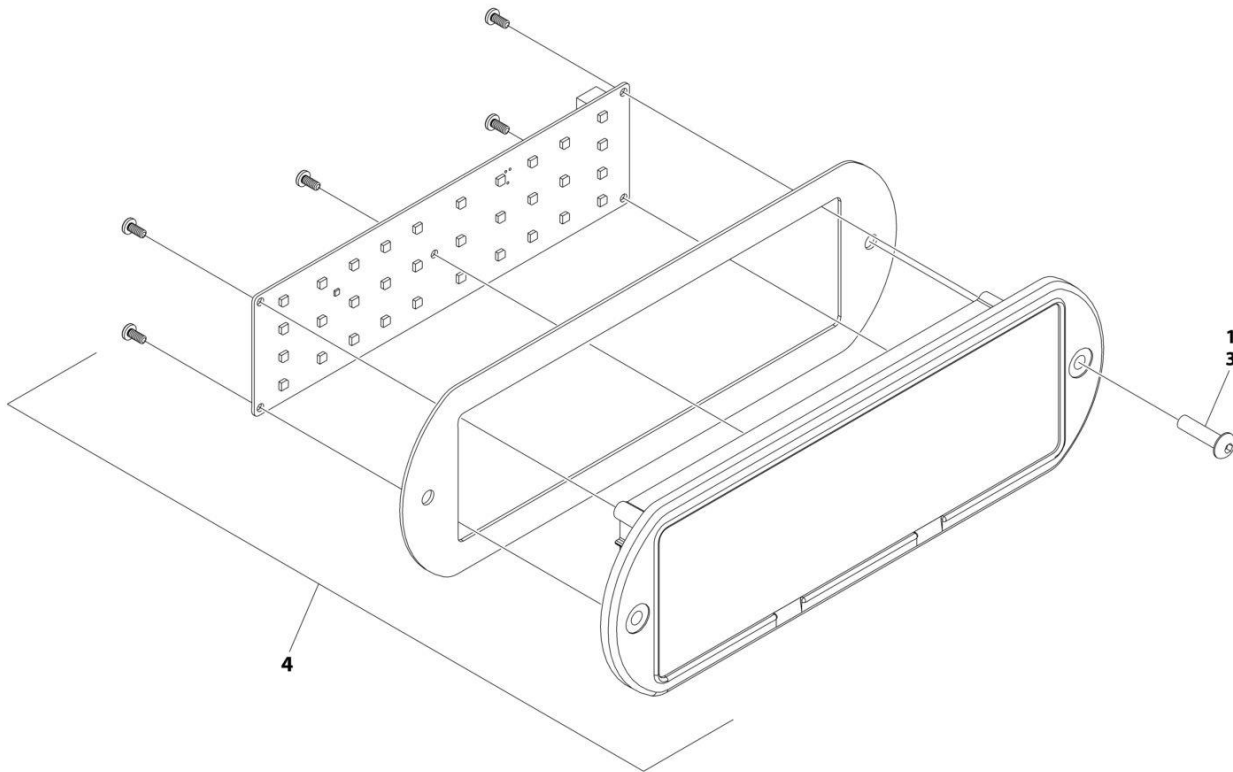
ITEM	PART NUMBER	QTY	DESCRIPTION	REV
	1001241690	Ref	PLATFORM CONSOLE ASSEMBLY - WITH SKYGUARD	F
1	0100009	AR	Sealant	
2	0100035	AR	Compound, Locking	
4	0140011	1	Alarm	
5	0641405	4	Bolt 1/4 x 5/8	
6	0641414	4	Bolt 1/4 x 1-3/4	
7	1600343	1	Module, Control (Note: Control System needs recalibrated when replaced)	
8	1702565	1	Decal - Drive and Steer	
9	1702566	1	Decal - Lift and Swing	
10	1704260	1	Decal - EMS	
11	1706741	1	Decal - Boom Control Select	
12	2560136	1	Handle, Knob	
15	3300353	4	Nut, Tinnerman	
16	3311005	2	Nut #10	
17	3520026	1	Plug	
18	3790012	13	O-Ring	
20	3900349	12	Capscrew M2.5	
21	3931012	2	Bolt #10 x 3/4	
22	4060906	1	Guard, Switch	
24	4360387	2	Switch, Push Button	
25	4360407	1	Switch, Flow Control	
26	1001274559	1	Switch, Emergency Stop	
27	4460234	AR	Mount, Tie-Strap	
28	4460428	3	Connector, Strain Relief	
29	4460470	1	Nut, Terminal	
30	4460471	1	Washer, Terminal	
31	4460496	1	Washer, Terminal	
32	4460497	1	Nut, Terminal	
35	4751000	2	Washer #10	
36	4751400	8	Washer 1/4	
37	1001117174	1	Footswitch Assembly (See Separate Breakdown in this Section)	
38	1001120338	1	Mount, Connector	
40	1001125195	1	Decal - Function Speed	
42	1001155044	13	Nut 15/32	
43	1001155045	8	Switch, Toggle	
44	1001156926	1	Decal - Horn	
45	1001157292	1	Bussbar	
46	1001159256	1	Switch, Toggle	
47	1001161709	2	Switch, Toggle	
48	1001161710	2	Switch, Toggle	
49	1001275629	1	Lift and Swing Controller Assembly	
50	1001172760	4	Bracket	
51	1001185281	1	Plug, Bushing	
52	1001220929	1	Connector	
53	1001241864	1	Harness, Console Box (Not Shown - See Separate Breakdown in ELECTRICAL Section)	
54	1001275628	1	Drive and Steer Controller Assembly	
55	1001245916	1	Box, Console Assembly	C
55A	0630568	1	Bolt 3/8 x 4-1/2	

SECTION 5 - PLATFORM

ITEM	PART NUMBER	QTY	DESCRIPTION	REV
55B	3311601	1	Nut 3/8	
55C	3430616	2	Pin	
55D	3470003	2	Pin	
55E	4711600	2	Washer 3/8	
56	3520027	1	Plug, Hole	
57	1001206532	1	Light, Indicator	
58	4240099	AR	Tie-strap (Not Shown)	

SECTION 5 - PLATFORM

FIGURE 5-14. LIGHT PANEL



ART_1001245176_20F2

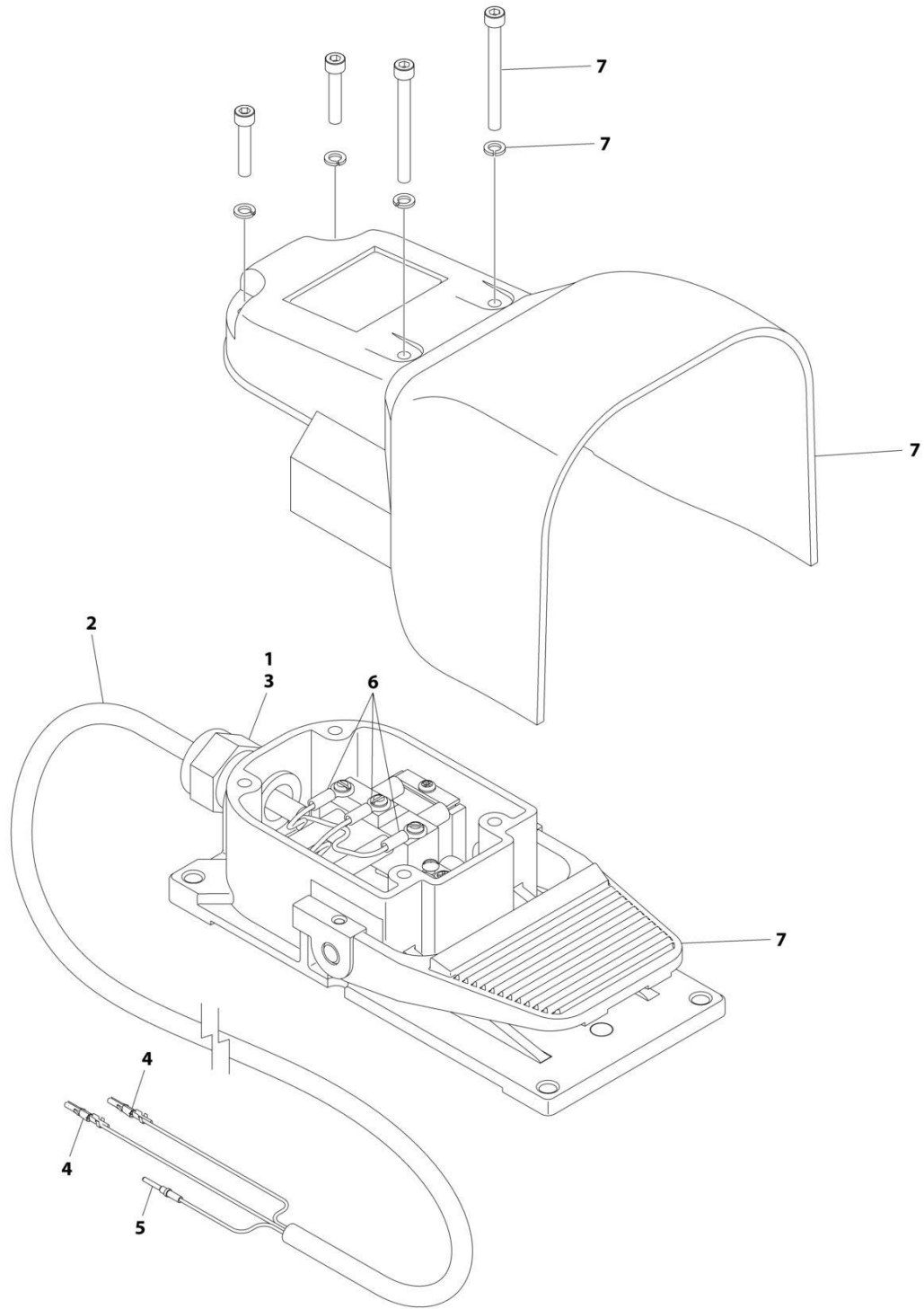
SECTION 5 - PLATFORM

FIGURE 5-14. LIGHT PANEL

ITEM	PART NUMBER	QTY	DESCRIPTION	REV
	1001245176	Ref	LIGHT PANEL INSTALLATION	C
1	0100035	AR	Compound, Locking	
3	0630518	2	Screw #10 x 3/4	
	1001284588	1	Light Panel Electrical Assembly	
4	1001282106	1	Housing and Seal	
4	1001284587	1	Light Panel (LED)	

SECTION 5 - PLATFORM

FIGURE 5-15. FOOTSWITCH ASSEMBLY



ART_1001117174

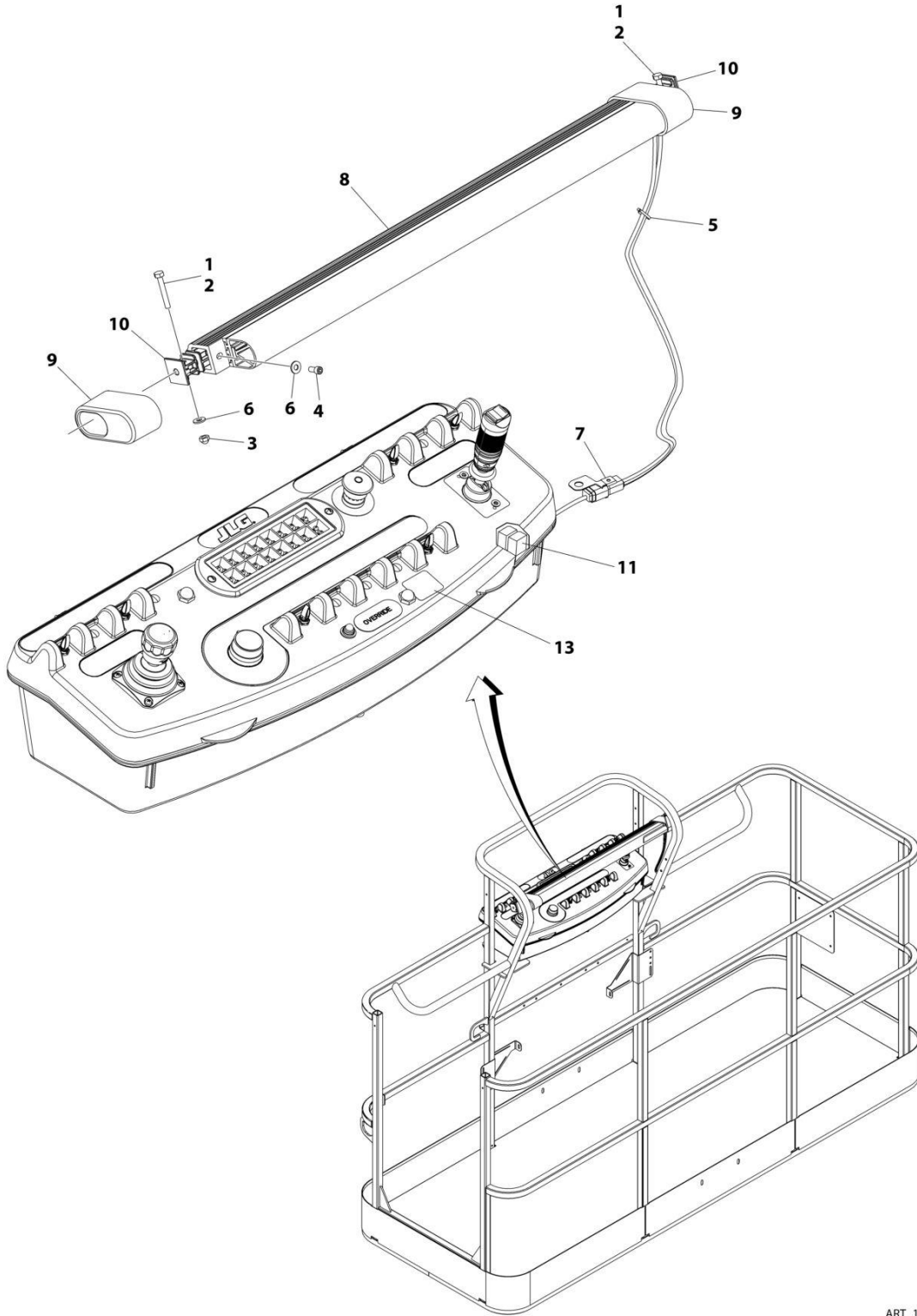
SECTION 5 - PLATFORM

FIGURE 5-15. FOOTSWITCH ASSEMBLY

ITEM	PART NUMBER	QTY	DESCRIPTION	REV
	1001117174	Ref	FOOTSWITCH ASSEMBLY	C
1	0100020	AR	Sealant	
2	1060918	7.5 ft/ 2.3m	Cable, Electrical - 18/3	
3	4460071	1	Connector, Strain Relief	
4	4460226	2	Socket, Female	
5	4460464	1	Pin, Male	
6	1001098122	3	Terminal	
7	1001117172	1	Footswitch	
7	70002902	1	Switch, 20Amp	
7	70002903	1	Gasket	
7	70002905	1	Cover	
7	70002904	1	Kit, Replacement Bolt	

SECTION 5 - PLATFORM

FIGURE 5-16. SKYGUARD BAR INSTALLATION



ART_1001238495

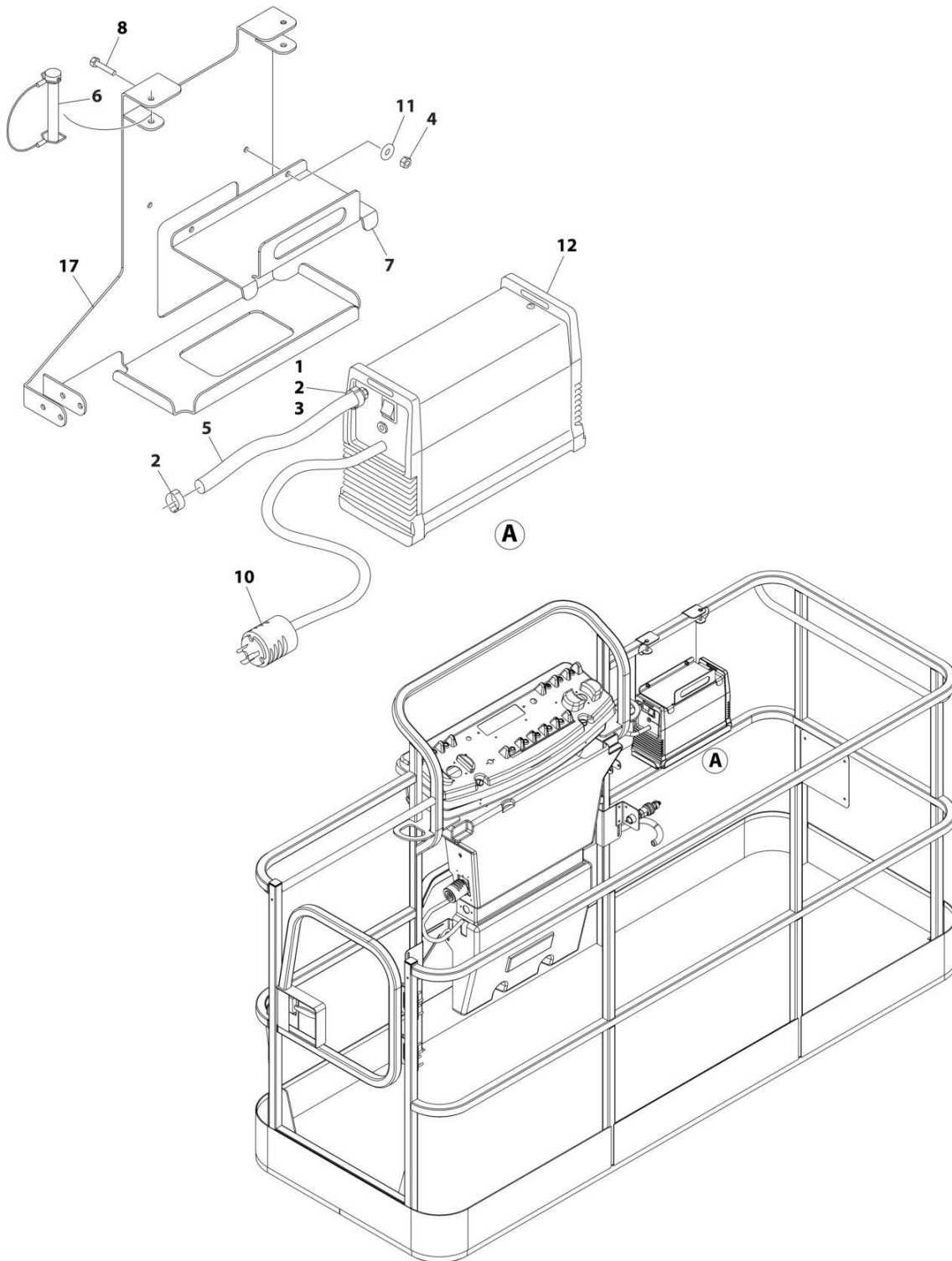
SECTION 5 - PLATFORM

FIGURE 5-16. SKYGUARD BAR INSTALLATION

ITEM	PART NUMBER	QTY	DESCRIPTION	REV
	1001238495	Ref	SKYGUARD BAR INSTALLATION	A
1	0100011	AR	Compound, Locking	
2	0641414	2	Bolt 1/4 x 1-3/4	
3	3300430	2	Nut 1/4	
4	3931408	2	Capscrew 1/4 x 1/2	
5	4240033	8	Tie-Strap	
6	4711400	6	Washer 1/4	
7	1001120328	1	Mount	
8	1001137673	1	SkyGuard Switch Assembly	
9	1001186517	2	Cover, Platform Sensor	
10	1001209664	2	Support, Block	
11	1001186431	2	Relay	
12	1001225580	1	Interface Harness Assembly (Not Shown - Located Inside Console Box) (See Separate Breakdown in ELECTRICAL Section)	
13	1001144433	1	Decal - No Weight SkyGuard	

SECTION 5 - PLATFORM

FIGURE 5-17. SKYCUTTER INSTALLATION (ANSI, ANSI EXPORT, CHINA, CSA AND JAPANESE SPECS)



ART_1001098149_E

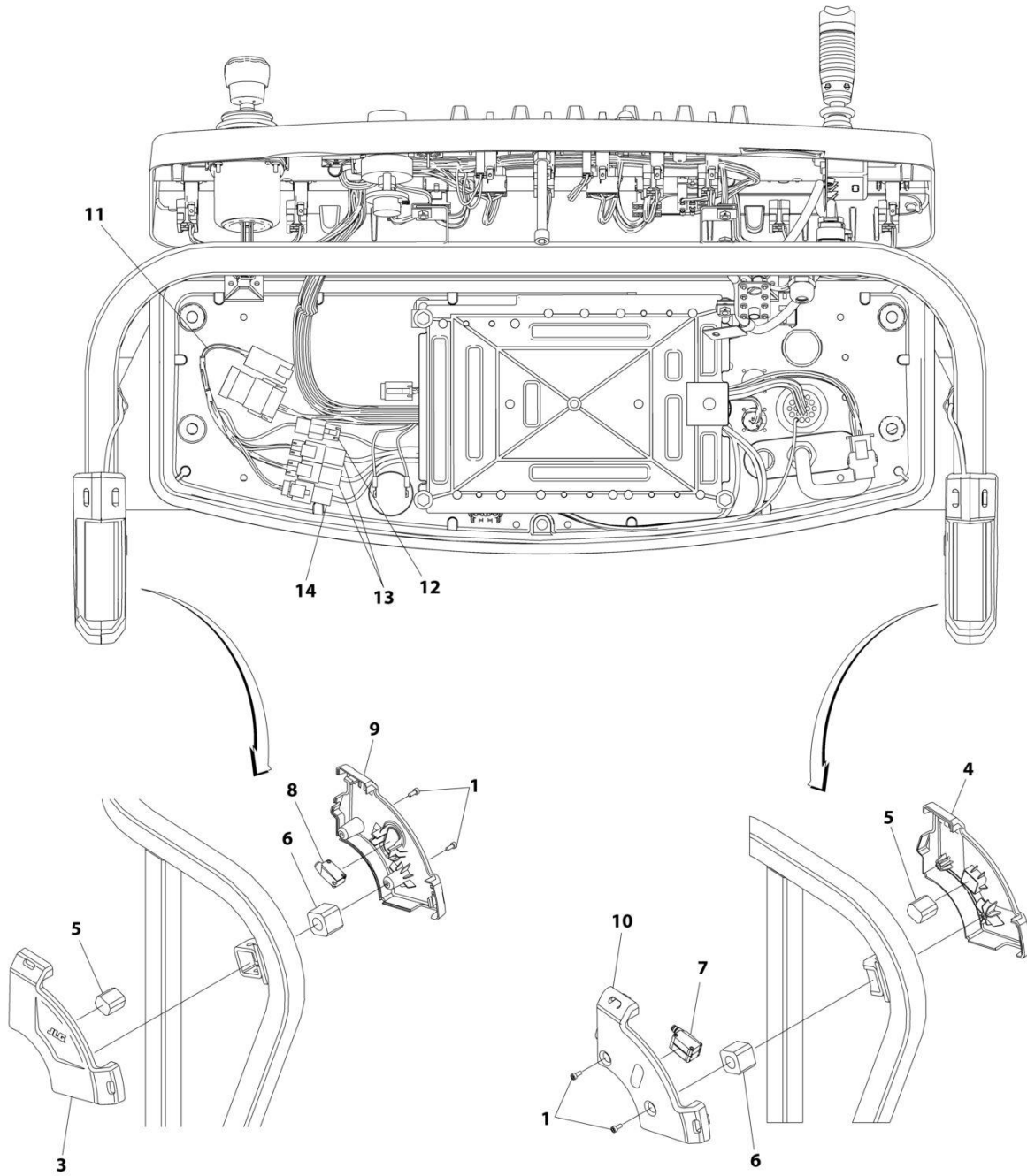
SECTION 5 - PLATFORM

FIGURE 5-17. SKYCUTTER INSTALLATION (ANSI, ANSI EXPORT, CHINA, CSA AND JAPANESE SPECS)

ITEM	PART NUMBER	QTY	DESCRIPTION	REV
	1001098149	Ref	SKYCUTTER INSTALLATION	E
		Ref	Note: When replacing platform on machines with SkyCutter option, new bracket p/n 1001145405 must be purchased to accommodate SkyCutter components.	
1	0100020	AR	Sealant	
2	1320177	2	Clamp, Hose	
3	2180832	1	Fitting, NPT/Barbed	
4	3290605	2	Nut M6	
5	2720160	3 ft	Hose	
6	3421453	3	Pin	
7	3576799	1	Plate, Hold-Down	
8	4010608	2	Screw M6 x 16	
10	4460971	1	Plug, Twistlock	
11	4811700	2	Washer M6	
12	1001098012	1	Plasma Cutter Assembly (See Separate Breakdown in this Section)	
17	1001145405	1	Support	

SECTION 5 - PLATFORM

FIGURE 5-18. SKYEYE INSTALLATION



ART_1001229341

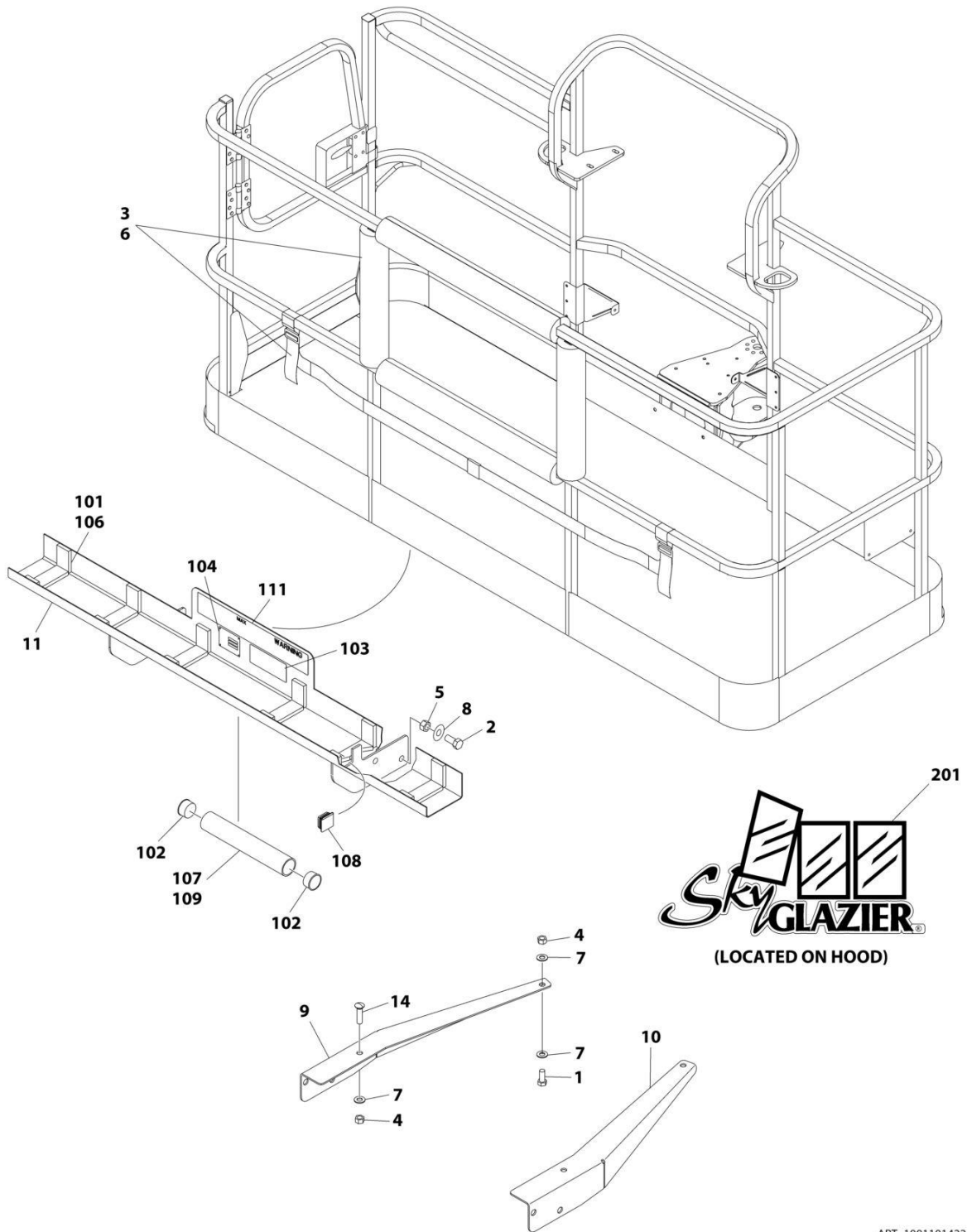
SECTION 5 - PLATFORM

FIGURE 5-18. SKYEYE INSTALLATION

ITEM	PART NUMBER	QTY	DESCRIPTION	REV
	1001229341	Ref	SKYEYE INSTALLATION	B
1	4031505	4	Bolt M4 x 10	
2	4240033	AR	Tie-Strap (Not Shown)	
3	1001227633	1	Housing, LH Outer	
4	1001227634	1	Housing, RH Outer	
5	1001227985	2	Shim	
6	1001227987	2	Shim	
7	1001228224	2	Sensor, Receiver	
8	1001228225	1	Sensor, Emitter	
9	1001232164	1	Housing, LH Inner	
10	1001232165	1	Housing, RH Inner	
11	1001237865	1	Harness, Skyeeye Intermediate (See Separate Breakdown in ELECTRICAL Section)	
12	1001238319	NLA	Harness, Skyeeye Drain Jumper	
12	1001187674	1	Plug, Male - 2 Position	
12	4460942	1	Terminal	
12	4460466	1	Plug, Terminal	
12	4460508	1	Pin, Male	
13	1001237863	2	Harness, Skyeeye Receiver (See Separate Breakdown in ELECTRICAL Section)	
14	1001237864	1	Harness, Skyeeye Emitter (See Separate Breakdown in ELECTRICAL Section)	

SECTION 5 - PLATFORM

FIGURE 5-19. SKYGLAZIER INSTALLATION (ANSI AND CSA SPECS)



ART_1001101422

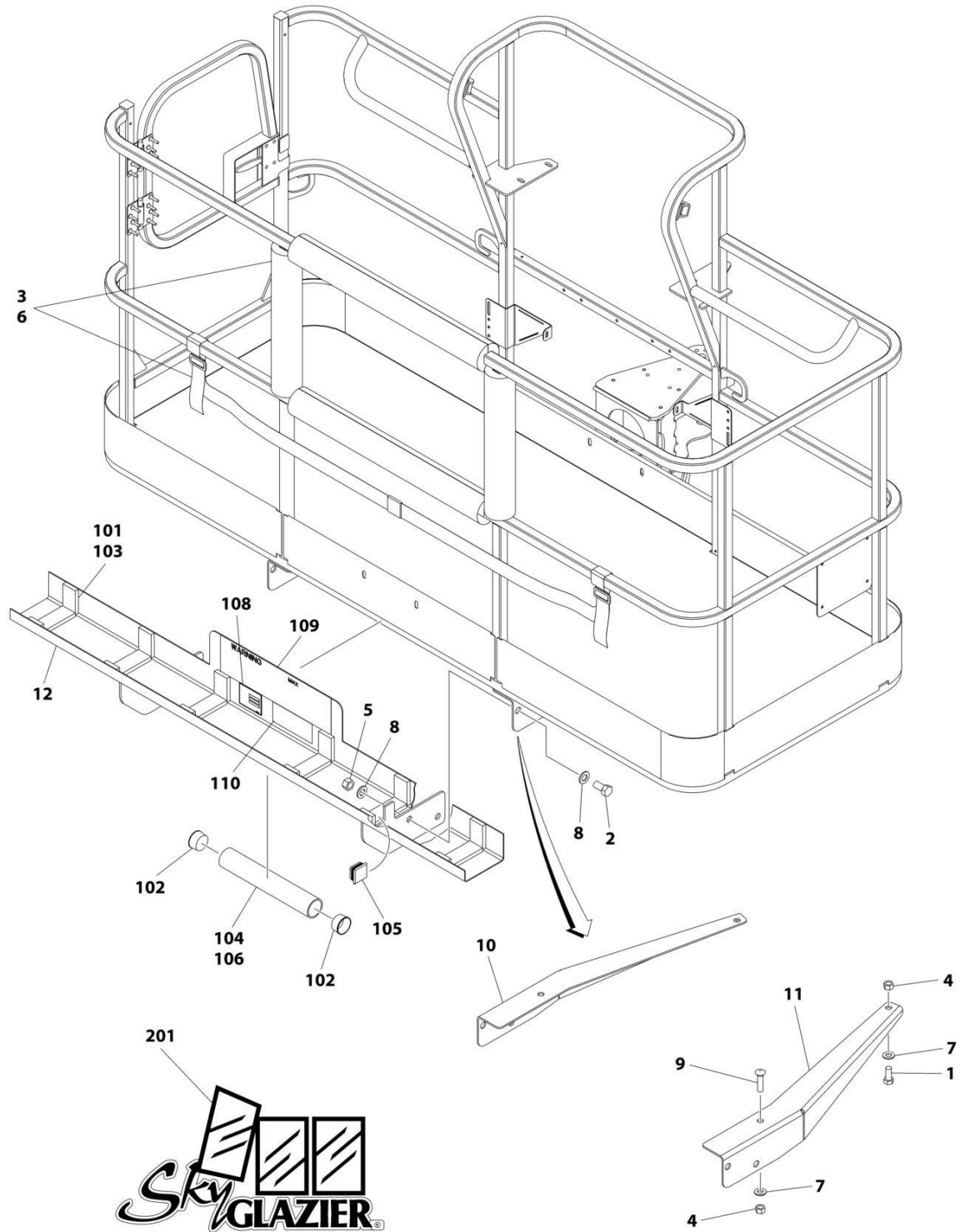
SECTION 5 - PLATFORM

FIGURE 5-19. SKYGLAZIER INSTALLATION (ANSI AND CSA SPECS)

ITEM	PART NUMBER	QTY	DESCRIPTION	REV
	1001101422	Ref	SKYGLAZIER INSTALLATION	C
1	0642012	2	Bolt 5/8 x 1-1/2	
2	0642212	4	Bolt 3/4 x 1-1/2	
3	2902212	1	Bumpers and Strap Kit	
3	0940102	1	Bumper Only	
3	4240149	1	Strap Only	
4	3312005	4	Nut 5/8	
5	3312205	4	Nut 3/4	
6	4420014	AR	Tape	
7	4712000	6	Washer 5/8	
8	4712200	8	Washer 3/4	
9	1001099366	1	Support	
10	1001099367	1	Support	
11	1001101421	1	Tray Assembly (See Items 101-111 for Breakdown)	
14	8310129	2	Bolt 3/4 x 2-1/2	
	1001101421	Ref	TRAY ASSEMBLY	F
101	0100081	AR	Adhesive	
102	1120555	2	Cap, Tube	
103	1701509	1	Decal - Manual	
104	See Note	NSS	Nameplate - Serial Number (Note: Not Available for Purchase)	
106	3340956	1	Pad Kit	
107	3460334	1	Tube	
108	3520071	2	Plug	
109	4420066	AR	Tape, Double Sided	
111	1001163131	2	Decal - Glazier Capacity	
	0272418	Ref	SKYGLAZIER DECAL INSTALLATION	4
201	1705358	2	Decal - SkyGlazier	

SECTION 5 - PLATFORM

FIGURE 5-20. SKYGLAZIER INSTALLATION (DANISH SPECS)



ART_1001238462

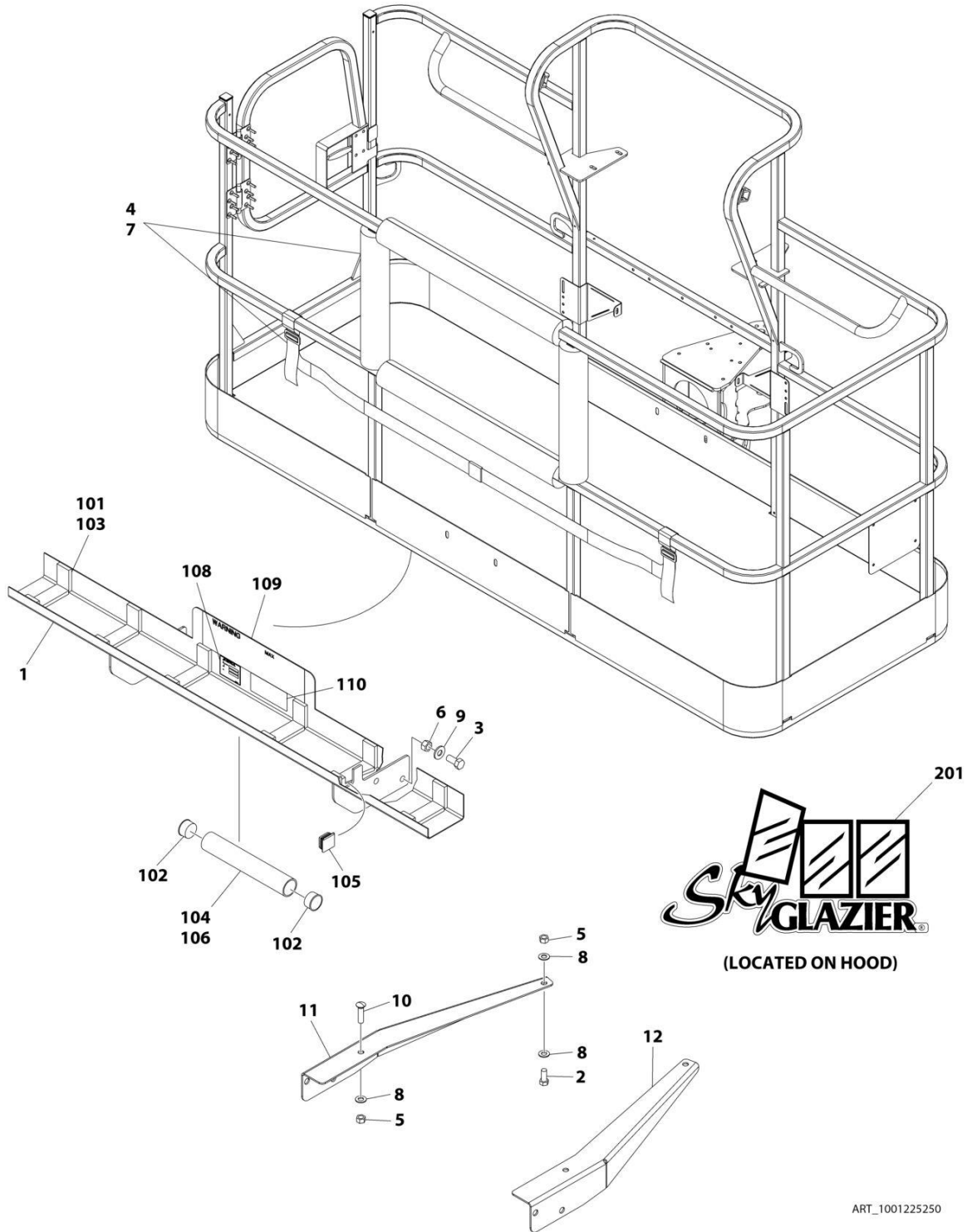
SECTION 5 - PLATFORM

FIGURE 5-20. SKYGLAZIER INSTALLATION (DANISH SPECS)

ITEM	PART NUMBER	QTY	DESCRIPTION	REV
	1001238462	Ref	SKYGLAZIER INSTALLATION	A
1	0642012	2	Bolt 5/8 x 1-1/2	
2	0642212	4	Bolt 3/4 x 1-1/2	
3	2902212	1	Bumpers and Strap Kit	
3	0940102	1	Bumper Only	
3	4240149	1	Strap Only	
4	3312005	4	Nut 5/8	
5	3312205	4	Nut 3/4	
6	4420014	AR	Tape	
7	4712000	4	Washer 5/8	
8	4712200	8	Washer 3/4	
9	8310129	2	Bolt 5/8 x 2-1/2	
10	1001099366	1	Support	
11	1001099367	1	Support	
12	1001238423	1	Tray Assembly (See Items 101-110 for Breakdown)	
	1001238423	Ref	TRAY ASSEMBLY	B
101	0100081	AR	Adhesive	
102	1120555	2	Cap, Tube	
103	3340956	1	Pad Kit	
104	3460334	1	Tube	
105	3520071	2	Plug	
106	4420066	AR	Tape, Double Sided	
108	See Note	NSS	Nameplate - Serial Number (Note: Not Available for Purchase)	
109	1001237705	2	Decal - Glazier Capacity	
110	1701509	1	Decal - Manual	
	0272418	Ref	SKYGLAZIER DECAL INSTALLATION	4
201	1705358	2	Decal - SkyGlazier	

SECTION 5 - PLATFORM

FIGURE 5-21. SKYGLAZIER INSTALLATION (ENGLISH/FRENCH SPECS)



ART_1001225250

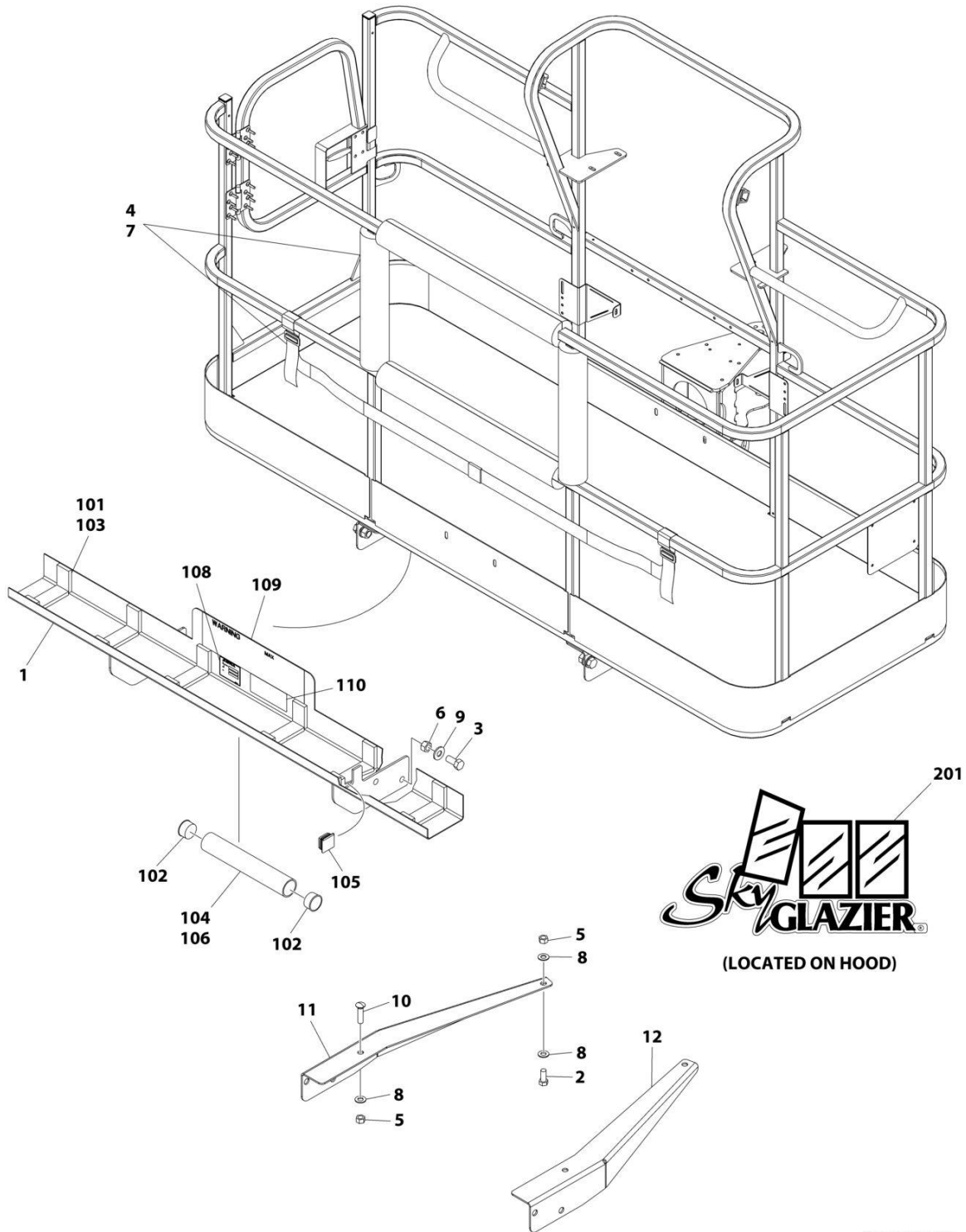
SECTION 5 - PLATFORM

FIGURE 5-21. SKYGLAZIER INSTALLATION (ENGLISH/FRENCH SPECS)

ITEM	PART NUMBER	QTY	DESCRIPTION	REV
	1001225250	Ref	SKYGLAZIER INSTALLATION	A
1	0272949	1	Tray Assembly (See Items 101-110 for Breakdown)	
2	0642012	2	Bolt 5/8 x 1-1/2	
3	0642212	4	Bolt 3/4 x 1-1/2	
4	2902212	1	Bumpers and Strap Kit	
4	0940102	1	Bumper Only	
4	4240149	1	Strap Only	
5	3312005	4	Nut 5/8	
6	3312205	4	Nut 3/4	
7	4420014	AR	Tape	
8	4712000	6	Washer 5/8	
9	4712200	8	Washer 3/4	
10	8310129	2	Bolt 5/8 x 2-1/2	
11	1001099366	1	Support	
12	1001099367	1	Support	
	0272949	Ref	TRAY ASSEMBLY	E
101	0100081	AR	Adhesive	
102	1120555	2	Cap, Tube	
103	3340956	1	Pad Kit	
104	3460334	1	Tube	
105	3520071	2	Plug	
106	4420066	AR	Tape, Double Sided	
108	See Note	NSS	Nameplate - Serial Number (Note: Not Available for Purchase)	
109	1001163293	2	Decal - Glazier Capacity	
110	1701509	1	Decal - Manual	
	0272418	Ref	SKYGLAZIER DECAL INSTALLATION	4
201	1705358	2	Decal - SkyGlazier	

SECTION 5 - PLATFORM

FIGURE 5-22. SKYGLAZIER INSTALLATION (GERMAN SPECS)



ART_1001225249

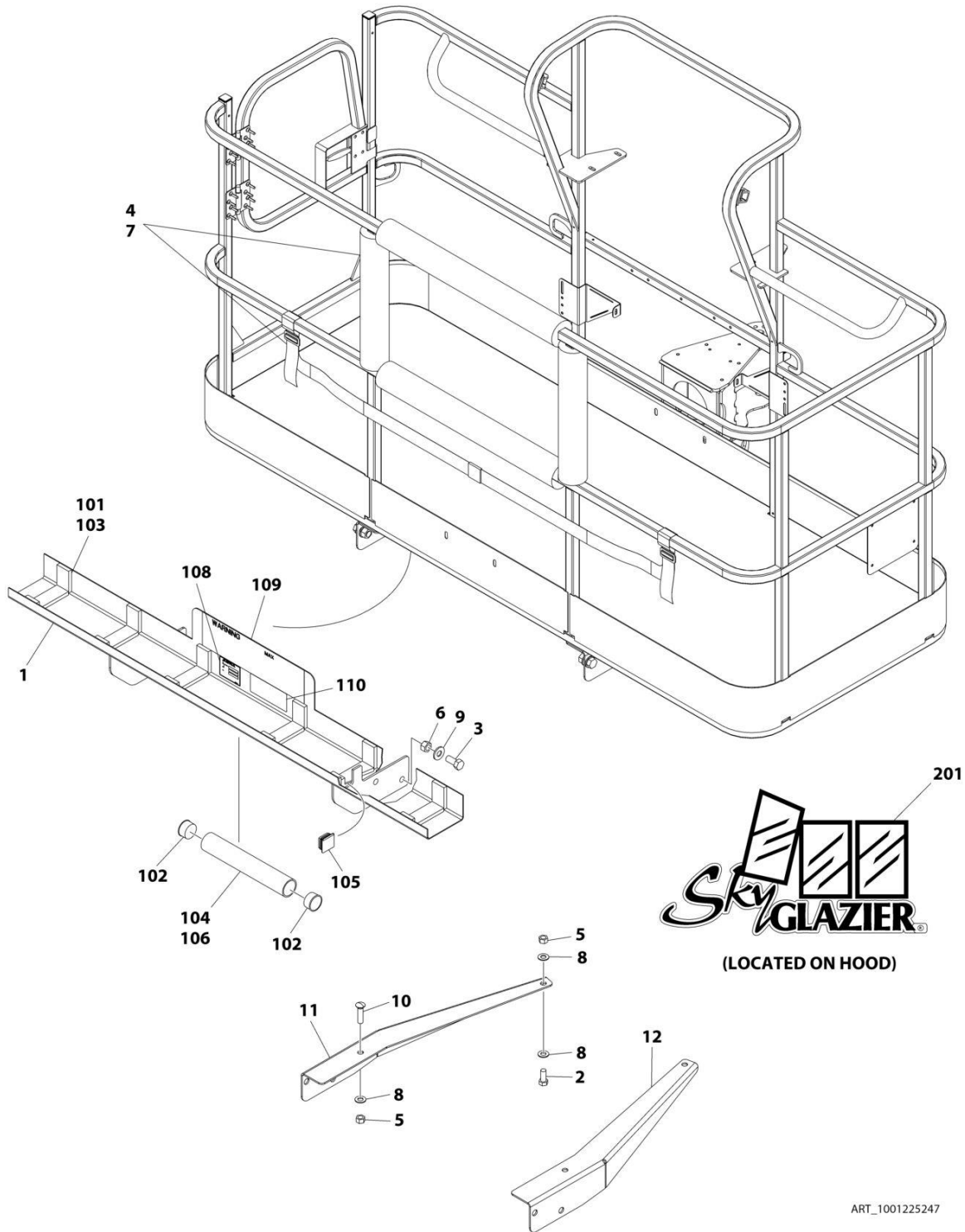
SECTION 5 - PLATFORM

FIGURE 5-22. SKYGLAZIER INSTALLATION (GERMAN SPECS)

ITEM	PART NUMBER	QTY	DESCRIPTION	REV
	1001225249	Ref	SKYGLAZIER INSTALLATION	A
1	0272950	1	Tray Assembly (See Items 101-110 for Breakdown)	
2	0642012	2	Bolt 5/8 x 1-1/2	
3	0642212	4	Bolt 3/4 x 1-1/2	
4	2902212	1	Bumpers and Strap Kit	
4	0940102	1	Bumper Only	
4	4240149	1	Strap Only	
5	3312005	4	Nut 5/8	
6	3312205	4	Nut 3/4	
7	4420014	AR	Tape	
8	4712000	6	Washer 5/8	
9	4712200	8	Washer 3/4	
10	8310129	2	Bolt 5/8 x 2-1/2	
11	1001099366	1	Support	
12	1001099367	1	Support	
	0272950	Ref	TRAY ASSEMBLY	E
101	0100081	AR	Adhesive	
102	1120555	2	Cap, Tube	
103	3340956	1	Pad Kit	
104	3460334	1	Tube	
105	3520071	2	Plug	
106	4420066	AR	Tape, Double Sided	
108	See Note	NSS	Nameplate - Serial Number (Note: Not Available for Purchase)	
109	1001163298	2	Decal - Glazier Capacity	
110	1701509	1	Decal - Manual	
	0272418	Ref	SKYGLAZIER DECAL INSTALLATION	4
201	1705358	2	Decal - SkyGlazier	

SECTION 5 - PLATFORM

FIGURE 5-23. SKYGLAZIER INSTALLATION (ITALIAN SPECS)



ART_1001225247

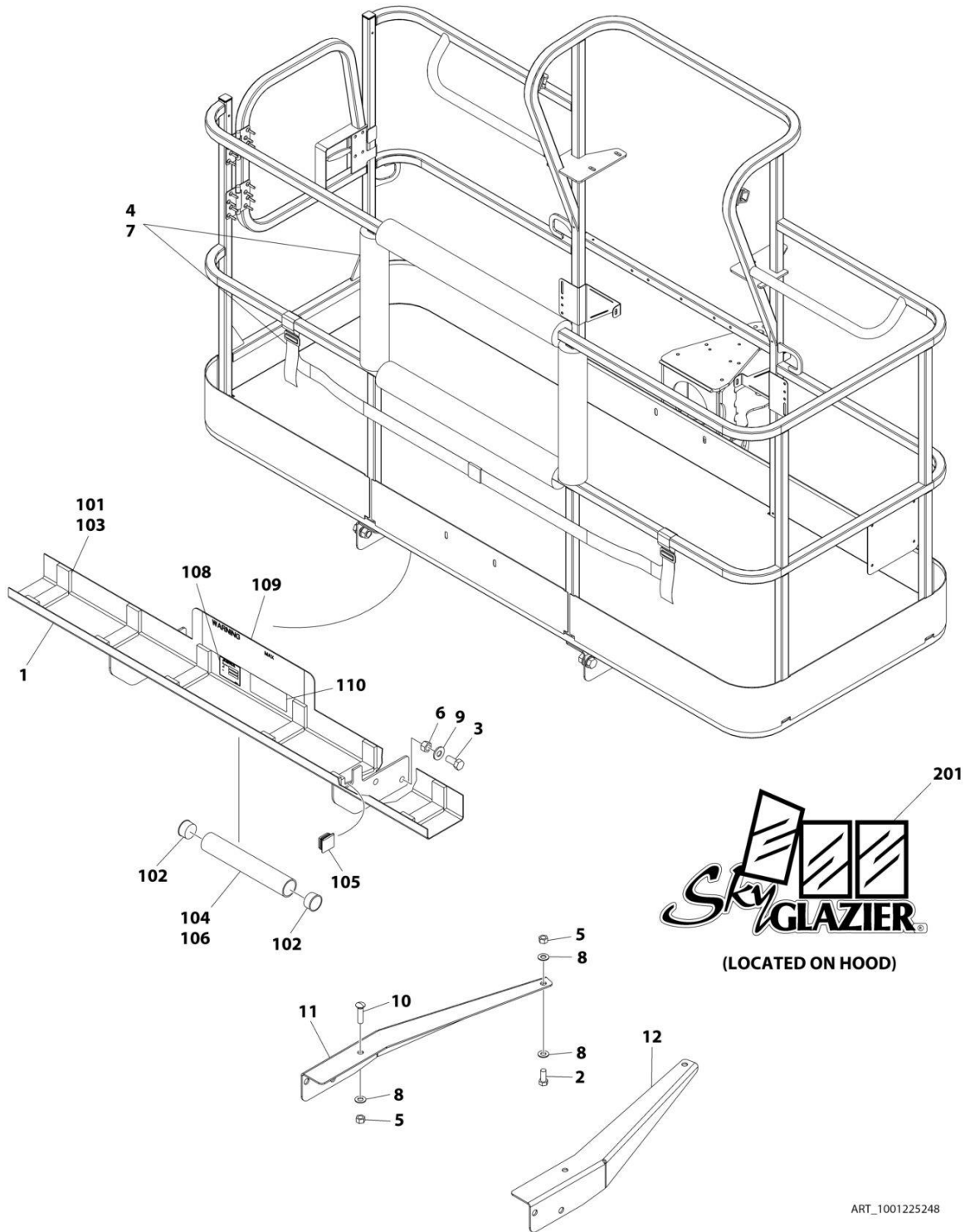
SECTION 5 - PLATFORM

FIGURE 5-23. SKYGLAZIER INSTALLATION (ITALIAN SPECS)

ITEM	PART NUMBER	QTY	DESCRIPTION	REV
	1001225247	Ref	SKYGLAZIER INSTALLATION	A
1	0272952	1	Tray Assembly (See Items 101-110 for Breakdown)	
2	0642012	2	Bolt 5/8 x 1-1/2	
3	0642212	4	Bolt 3/4 x 1-1/2	
4	2902212	1	Bumpers and Strap Kit	
4	0940102	1	Bumper Only	
4	4240149	1	Strap Only	
5	3312005	4	Nut 5/8	
6	3312205	4	Nut 3/4	
7	4420014	AR	Tape	
8	4712000	6	Washer 5/8	
9	4712200	8	Washer 3/4	
10	8310129	2	Bolt 5/8 x 2-1/2	
11	1001099366	1	Support	
12	1001099367	1	Support	
	0272952	Ref	TRAY ASSEMBLY	E
101	0100081	AR	Adhesive	
102	1120555	2	Cap, Tube	
103	3340956	1	Pad Kit	
104	3460334	1	Tube	
105	3520071	2	Plug	
106	4420066	AR	Tape, Double Sided	
108	See Note	NSS	Nameplate - Serial Number (Note: Not Available for Purchase)	
109	1001163287	2	Decal - Glazier Capacity	
110	1701509	1	Decal - Manual	
	0272418	Ref	SKYGLAZIER DECAL INSTALLATION	4
201	1705358	2	Decal - SkyGlazier	

SECTION 5 - PLATFORM

FIGURE 5-24. SKYGLAZIER INSTALLATION (PORTUGUESE SPECS)



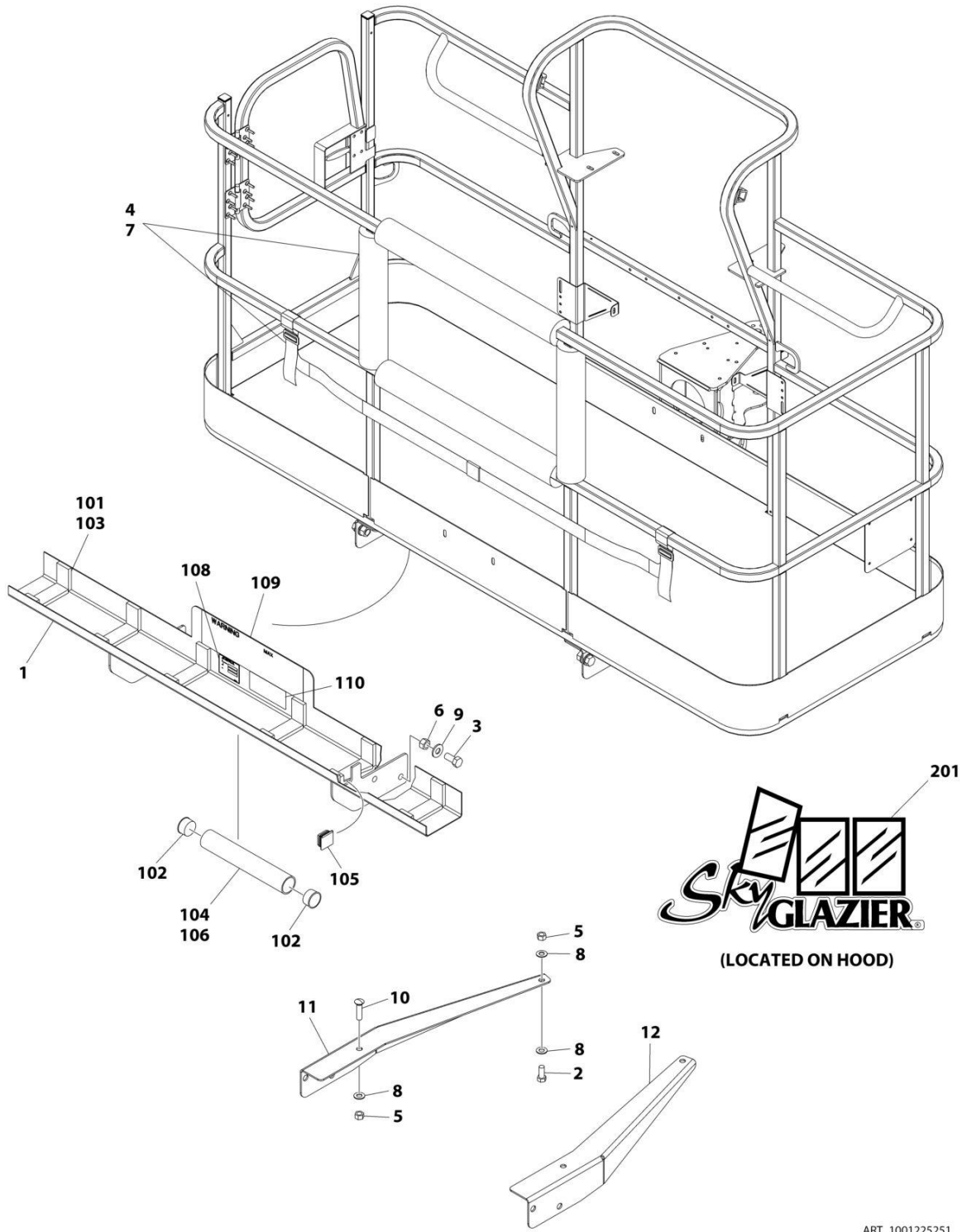
SECTION 5 - PLATFORM

FIGURE 5-24. SKYGLAZIER INSTALLATION (PORTUGUESE SPECS)

ITEM	PART NUMBER	QTY	DESCRIPTION	REV
	1001225248	Ref	SKYGLAZIER INSTALLATION	A
1	0273406	1	Tray Assembly (See Items 101-110 for Breakdown)	
2	0642012	2	Bolt 5/8 x 1-1/2	
3	0642212	4	Bolt 3/4 x 1-1/2	
4	2902212	1	Bumpers and Strap Kit	
4	0940102	1	Bumper Only	
4	4240149	1	Strap Only	
5	3312005	4	Nut 5/8	
6	3312205	4	Nut 3/4	
7	4420014	AR	Tape	
8	4712000	6	Washer 5/8	
9	4712200	8	Washer 3/4	
10	8310129	2	Bolt 5/8 x 2-1/2	
11	1001099366	1	Support	
12	1001099367	1	Support	
	0273406	Ref	TRAY ASSEMBLY	E
101	0100081	AR	Adhesive	
102	1120555	2	Cap, Tube	
103	3340956	1	Pad Kit	
104	3460334	1	Tube	
105	3520071	2	Plug	
106	4420066	AR	Tape, Double Sided	
108	See Note	NSS	Nameplate - Serial Number (Note: Not Available for Purchase)	
109	1001163289	2	Decal - Glazier Capacity	
110	1701509	1	Decal - Manual	
	0272418	Ref	SKYGLAZIER DECAL INSTALLATION	4
201	1705358	2	Decal - SkyGlazier	

SECTION 5 - PLATFORM

FIGURE 5-25. SKYGLAZIER INSTALLATION (SPANISH SPECS)



ART_1001225251

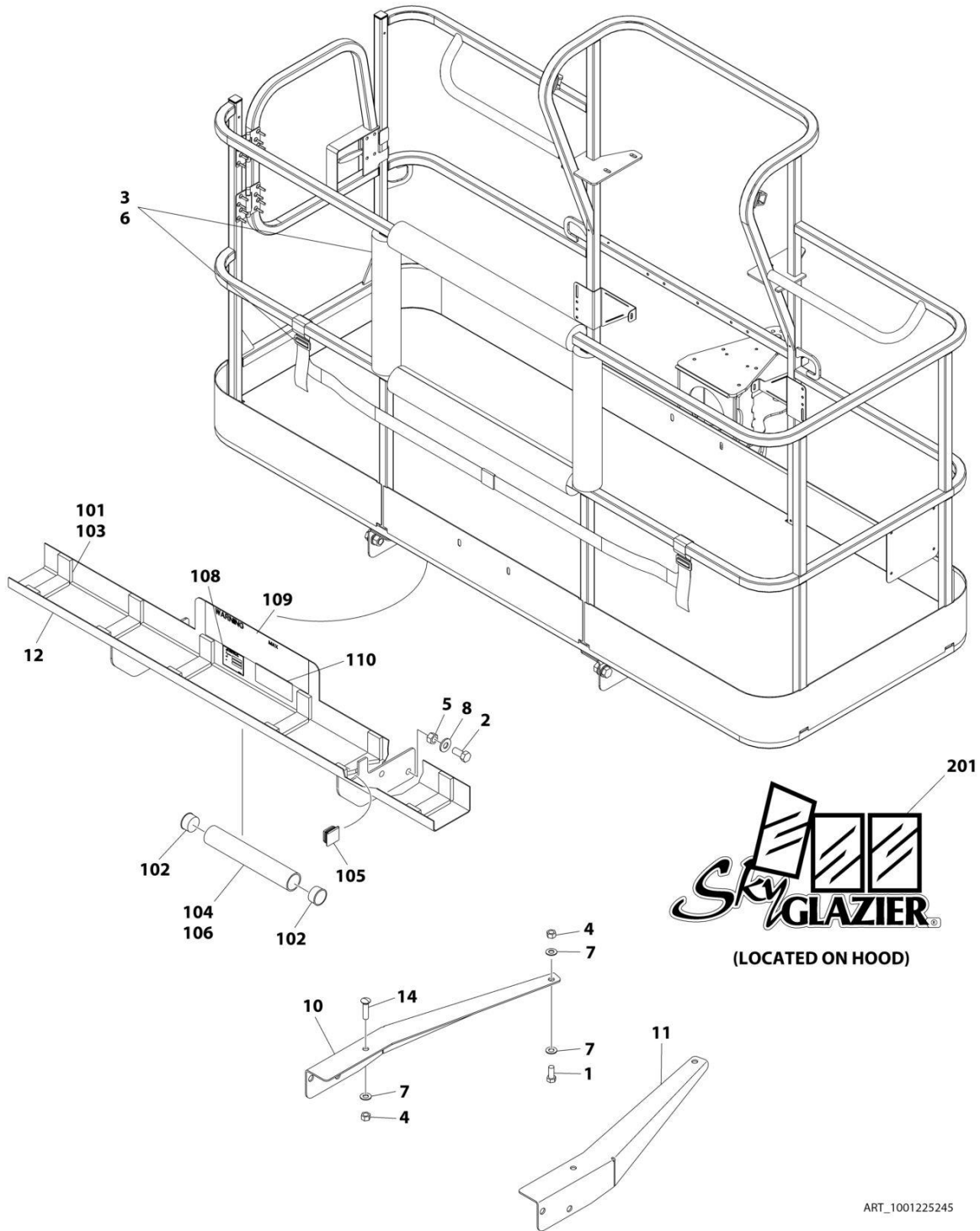
SECTION 5 - PLATFORM

FIGURE 5-25. SKYGLAZIER INSTALLATION (SPANISH SPECS)

ITEM	PART NUMBER	QTY	DESCRIPTION	REV
	1001225251	Ref	SKYGLAZIER INSTALLATION	A
1	0273405	1	Tray Assembly (See Items 101-110 for Breakdown)	
2	0642012	2	Bolt 5/8 x 1-1/2	
3	0642212	4	Bolt 3/4 x 1-1/2	
4	2902212	1	Bumpers and Strap Kit	
4	0940102	1	Bumper Only	
4	4240149	1	Strap Only	
5	3312005	4	Nut 5/8	
6	3312205	4	Nut 3/4	
7	4420014	AR	Tape	
8	4712000	6	Washer 5/8	
9	4712200	8	Washer 3/4	
10	8310129	2	Bolt 5/8 x 2-1/2	
11	1001099366	1	Support	
12	1001099367	1	Support	
	0273405	Ref	TRAY ASSEMBLY	E
101	0100081	AR	Adhesive	
102	1120555	2	Cap, Tube	
103	3340956	1	Pad Kit	
104	3460334	1	Tube	
105	3520071	2	Plug	
106	4420066	AR	Tape, Double Sided	
108	See Note	NSS	Nameplate - Serial Number (Note: Not Available for Purchase)	
109	1001163288	2	Decal - Glazier Capacity	
110	1701509	1	Decal - Manual	
	0272418	Ref	SKYGLAZIER DECAL INSTALLATION	4
201	1705358	2	Decal - SkyGlazier	

SECTION 5 - PLATFORM

FIGURE 5-26. SKYGLAZIER INSTALLATION (SWEDISH SPECS)



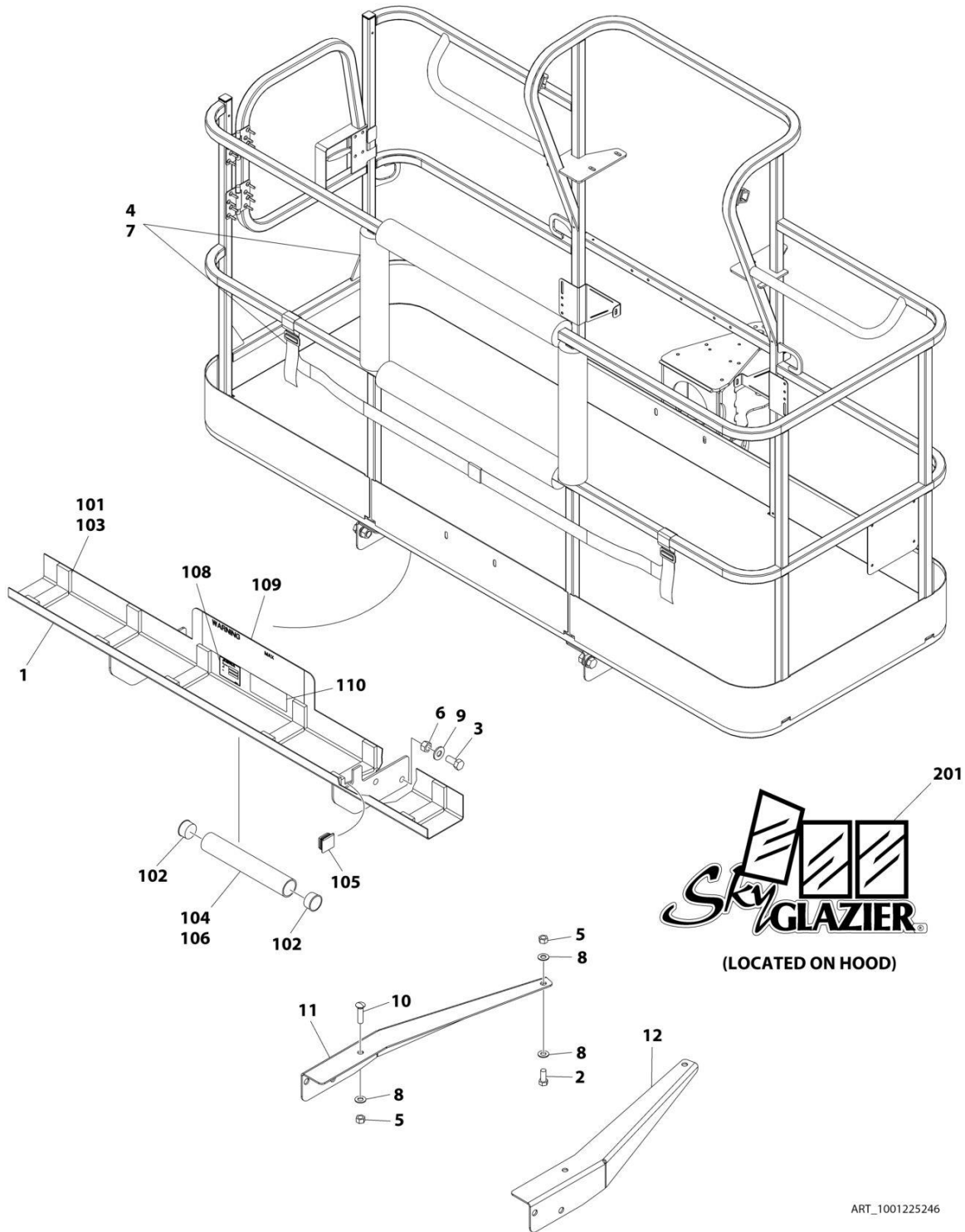
SECTION 5 - PLATFORM

FIGURE 5-26. SKYGLAZIER INSTALLATION (SWEDISH SPECS)

ITEM	PART NUMBER	QTY	DESCRIPTION	REV
	1001225245	Ref	SKYGLAZIER INSTALLATION	B
1	0642012	2	Bolt 5/8 x 1-1/2	
2	0642212	4	Bolt 3/4 x 1-1/2	
3	2902212	1	Bumpers and Strap Kit	
3	0940102	1	Bumper Only	
3	4240149	1	Strap Only	
4	3312005	4	Nut 5/8	
5	3312205	4	Nut 3/4	
6	4420014	AR	Tape	
7	4712000	6	Washer 5/8	
8	4712200	8	Washer 3/4	
9	8310129	2	Bolt 5/8 x 2-1/2	
10	1001099366	1	Support	
11	1001099367	1	Support	
12	1001115603	1	Tray Assembly (See Items 101-110 for Breakdown)	
	1001115603	Ref	TRAY ASSEMBLY	D
101	0100081	AR	Adhesive	
102	1120555	2	Cap, Tube	
103	3340956	1	Pad Kit	
104	3460334	1	Tube	
105	3520071	2	Plug	
106	4420066	AR	Tape, Double Sided	
108	See Note	NSS	Nameplate - Serial Number (Note: Not Available for Purchase)	
109	1001163292	2	Decal - Glazier Capacity	
110	1701509	1	Decal - Manual	
	0272418	Ref	SKYGLAZIER DECAL INSTALLATION	4
201	1705358	2	Decal - SkyGlazier	

SECTION 5 - PLATFORM

FIGURE 5-27. SKYGLAZIER INSTALLATION (UK SPECS)



ART_1001225246

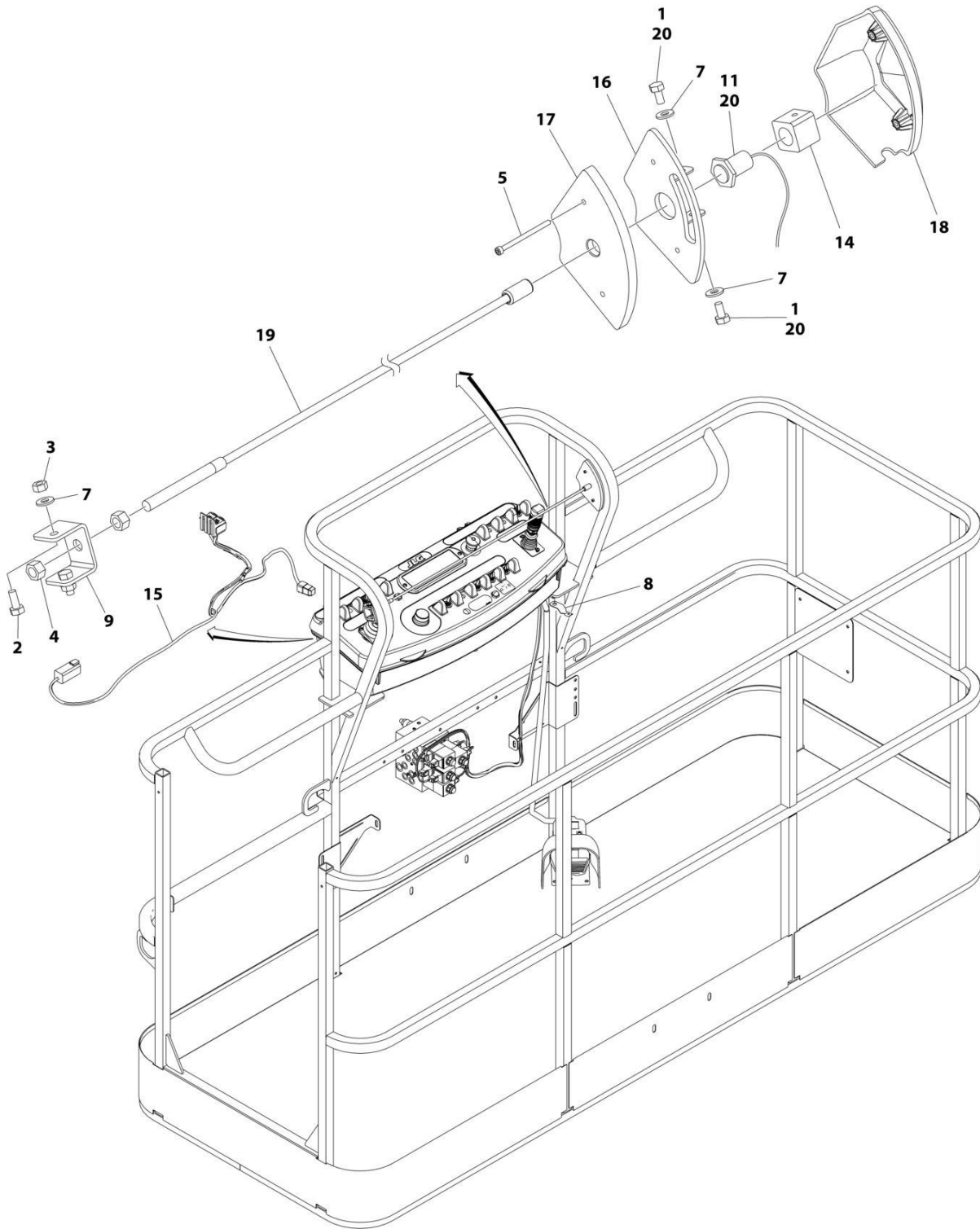
SECTION 5 - PLATFORM

FIGURE 5-27. SKYGLAZIER INSTALLATION (UK SPECS)

ITEM	PART NUMBER	QTY	DESCRIPTION	REV
	1001225246	Ref	SKYGLAZIER INSTALLATION	A
1	0273404	1	Tray Assembly (See Items 101-110 for Breakdown)	
2	0642012	2	Bolt 5/8 x 1-1/2	
3	0642212	4	Bolt 3/4 x 1-1/2	
4	2902212	1	Bumpers and Strap Kit	
4	0940102	1	Bumper Only	
4	4240149	1	Strap Only	
5	3312005	4	Nut 3/4	
6	3312205	4	Nut 3/4	
7	4420014	AR	Tape	
8	4712000	6	Washer 5/8	
9	4712200	8	Washer 3/4	
10	8310129	2	Bolt 5/8 x 2-1/2	
11	1001099366	1	Support	
12	1001099367	1	Support	
	0273404	Ref	TRAY ASSEMBLY	F
101	0100081	AR	Adhesive	
102	1120555	2	Cap, Tube	
103	3340956	1	Pad Kit	
104	3460334	1	Tube	
105	3520071	2	Plug	
106	4420066	AR	Tape, Double Sided	
108	See Note	NSS	Nameplate - Serial Number (Note: Not Available for Purchase)	
109	1001163295	2	Decal - Glazier Capacity	
110	1701509	1	Decal - Manual	
	0272418	Ref	SKYGLAZIER DECAL INSTALLATION	4
201	1705358	2	Decal - SkyGlazier	

SECTION 5 - PLATFORM

FIGURE 5-28. SKYLINE INSTALLATION



ART_1001238559_D

SECTION 5 - PLATFORM

FIGURE 5-28. SKYLINE INSTALLATION

ITEM	PART NUMBER	QTY	DESCRIPTION	REV
	1001238559	Ref	SKYLINE INSTALLATION	D
1	0641404	2	Bolt 1/4 x 1/2	
2	0641405	2	Bolt 1/4 x 5/8	
3	3311405	2	Nut 1/4	
4	3311601	2	Nut 3/8	
5	4031516	2	Capscrew M4 x 60	
6	4240033	AR	Tie-Strap (Not Shown)	
7	4711400	4	Washer 1/4	
8	1001120328	1	Mount	
9	1001232642	1	Bracket	
11	1001232667	1	Sensor, Proximity	
11	1001311034	1	Sensor, Proximity	
14	1001236552	1	Block	
15	1001238418	1	Harness, Skyline (See Separate Breakdown in ELECTRICAL Section)	
16	1001238472	1	Mount	
17	1001254473	1	Housing, LH	
18	1001241965	1	Housing, RH	
19	1001254472	1	Rod	
20	0100011	AR	Compound, Locking	

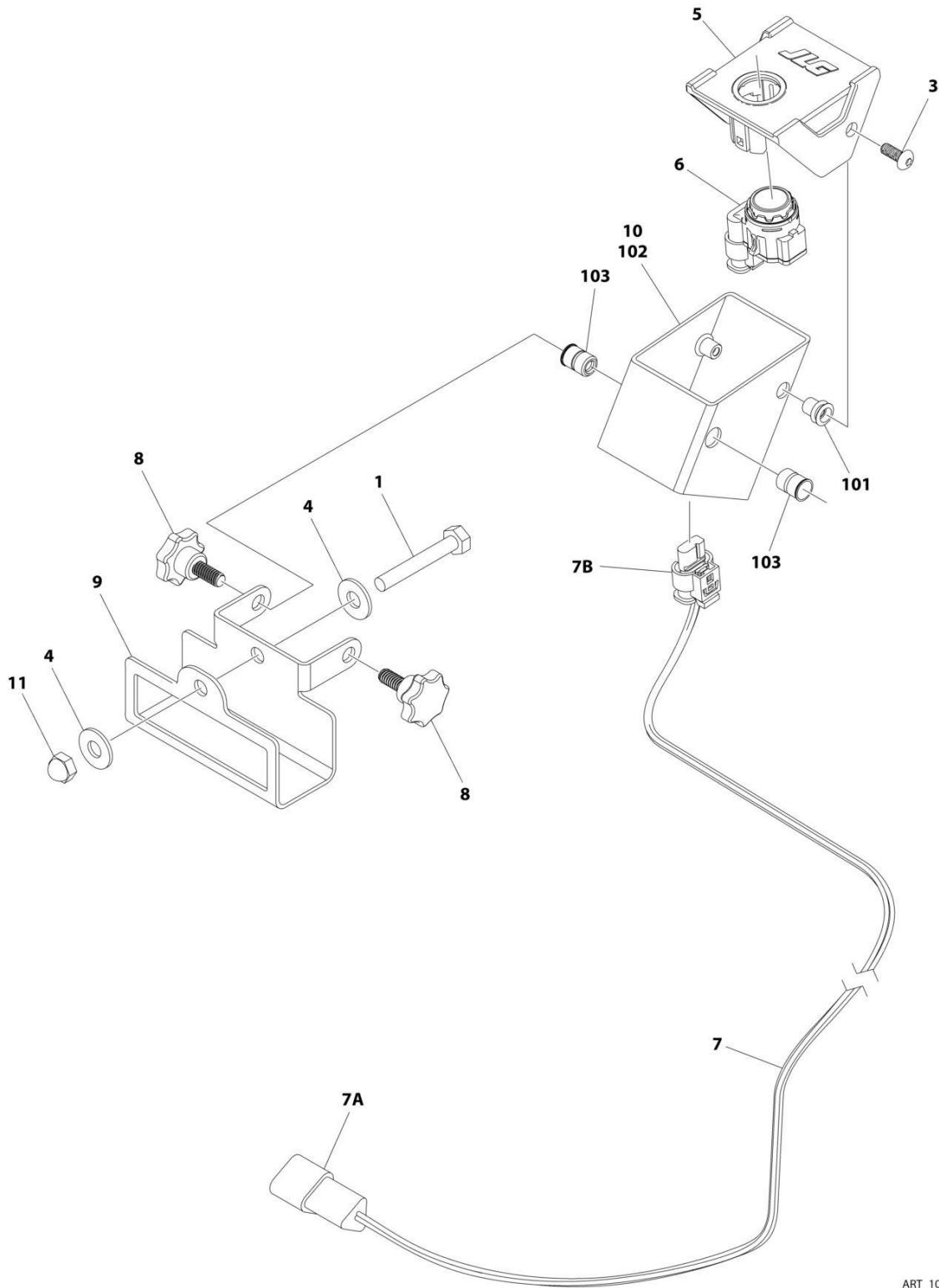
SECTION 5 - PLATFORM

FIGURE 5-29. SKYSENSE MID TUBE SENSOR ASSEMBLY

ITEM	PART NUMBER	QTY	DESCRIPTION	REV
	1001243205	Ref	SKYSENSE MID TUBE SENSOR ASSEMBLY	C
1	0641408	1	Bolt 1/4 x 1	
2	0641414	2	Bolt 1/4 x 1-3/4	
3	1001260525	6	Screw #10 x 1/2	
4	4711400	3	Washer 1/4	
5	1001260524	1	Clamp	
6	1001237902	3	Sensor, SkySense	
7	1001241162	3	Mount, Sensor	
8	1001243092	1	Tube Assembly (Includes items 101 through 104)	C
9	1001244336	1	Harness, SkySense Mid Tube	D
9A	1001237898	1	Connector	
9A	1001237888	3	Terminal	
9B	1001237898	1	Connector	
9B	1001237888	3	Terminal	
9C	1001237898	1	Connector	
9C	1001237888	3	Terminal	
9D	4460931	1	Connector	
9D	4460943	7	Pin	
9D	4460466	1	Plug	
10	1001246389	1	Decal (Not Shown)	
11	1001247252	1	Grommet	
101	2080069	6	Fastener	
104	1001258730	3	Rivnut	

SECTION 5 - PLATFORM

FIGURE 5-30. SKYSENSE OVERHEAD SENSOR ASSEMBLY



ART_1001244733

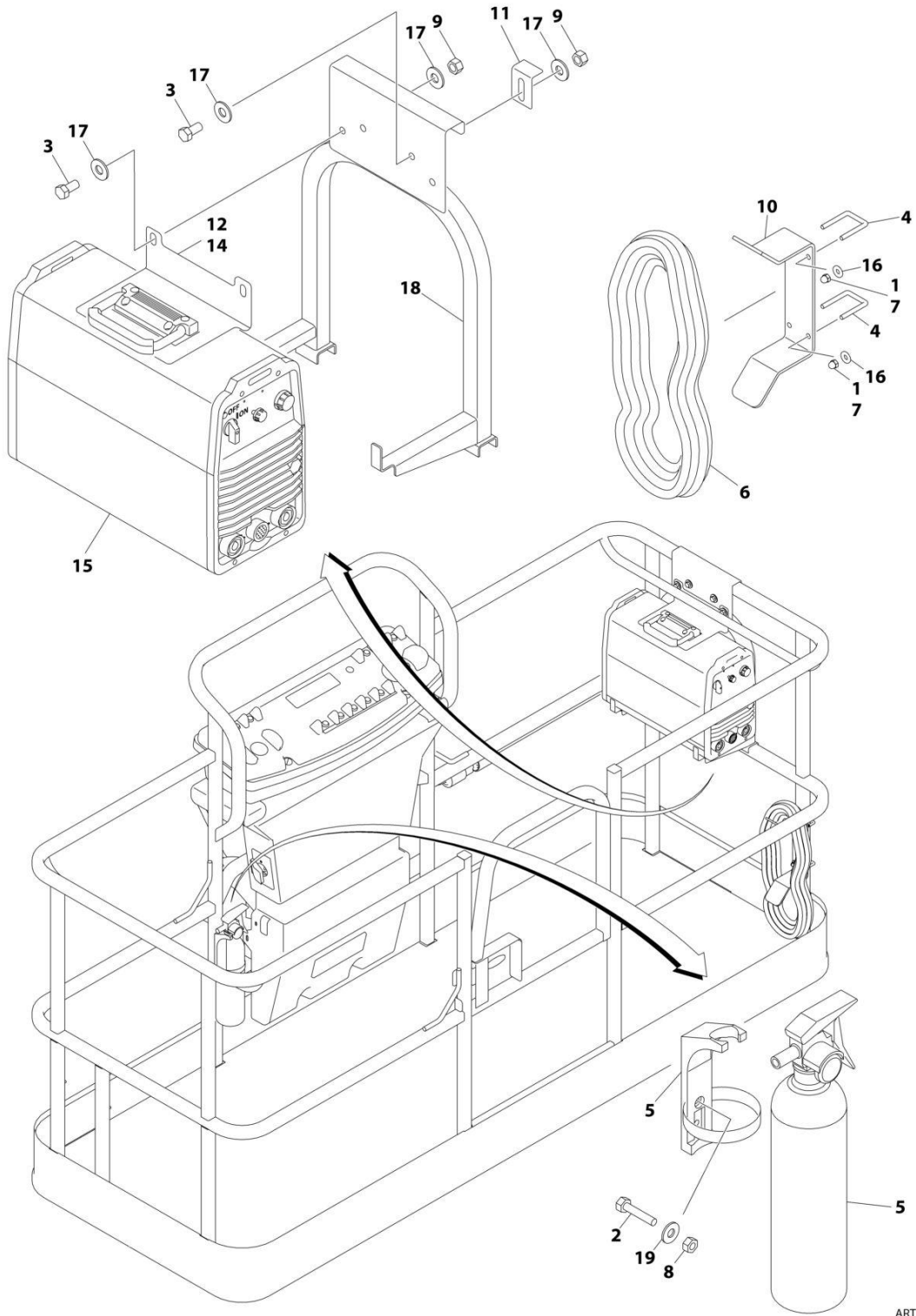
SECTION 5 - PLATFORM

FIGURE 5-30. SKYSENSE OVERHEAD SENSOR ASSEMBLY

ITEM	PART NUMBER	QTY	DESCRIPTION	REV
	1001244733	Ref	SKYSENSE OVERHEAD SENSOR ASSEMBLY	D
1	0641414	1	Bolt 1/4 x 1-3/4	
3	1001260525	2	Screw #10 x 1/2	
4	4751400	2	Washer 1/4	
5	1001237891	1	Mount, Sensor	
6	1001237902	1	Sensor, SkySense	
7	1001244335	1	Harness, SkySense Overhead	D
7A	4460536	1	Connector	
7A	4460943	3	Pin	
7B	1001237898	1	Connector	
7B	1001237888	1	Terminal	
8	1001244671	2	Knob	
9	1001244709	1	Bracket, Mounting	
10	1001244732	1	Housing Assembly (Includes items 101 through 103)	B
11	3300430	1	Nut	
101	2080069	2	Fastener	
102	1001244710	1	Housing, Sensor	
103	1001258730	2	Rivnut	

SECTION 5 - PLATFORM

FIGURE 5-31. SKYWELDER INSTALLATION (50HZ)



ART_0272521_F

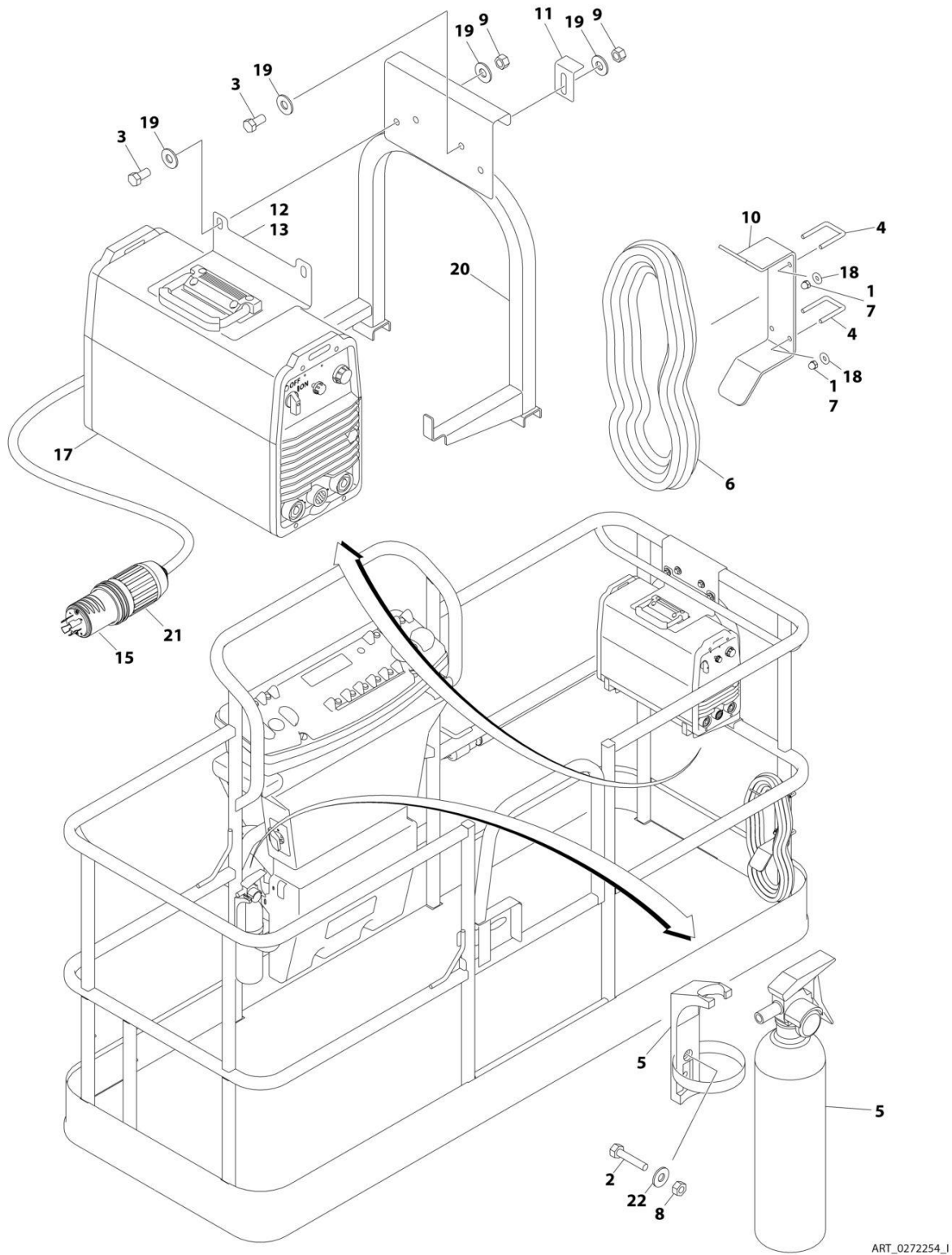
SECTION 5 - PLATFORM

FIGURE 5-31. SKYWELDER INSTALLATION (50HZ)

ITEM	PART NUMBER	QTY	DESCRIPTION	REV
	0272521	Ref	SKYWELDER INSTALLATION	F
1	0100011	AR	Compound, Locking	
2	0630518	2	Screw #10 x 3/4	
3	0641606	4	Bolt 3/8 x 3/4	
4	1320302	2	U-Clamp	
5	2030010	1	Extinguisher, Fire	
6	2902217	1	Weld Leads Kit	
7	3300151	4	Nut 1/4	
8	3311005	2	Nut #10	
9	3311605	4	Nut 3/8	
10	3573400	1	Bracket	
11	3577121	2	Angle	
12	3573642	1	Plate	
13	4240099	AR	Tie-Strap (Not Shown)	
14	4420037	AR	Tape	
15	4530028	1	Welder Assembly (See Separate Breakdown in this Section)	
16	4751400	4	Washer 1/4	
17	4751600	8	Washer 3/8	
18	4846627	1	Support	
19	4751000	2	Washer #10	

SECTION 5 - PLATFORM

FIGURE 5-32. SKYWELDER INSTALLATION (60HZ)



ART_0272254_I

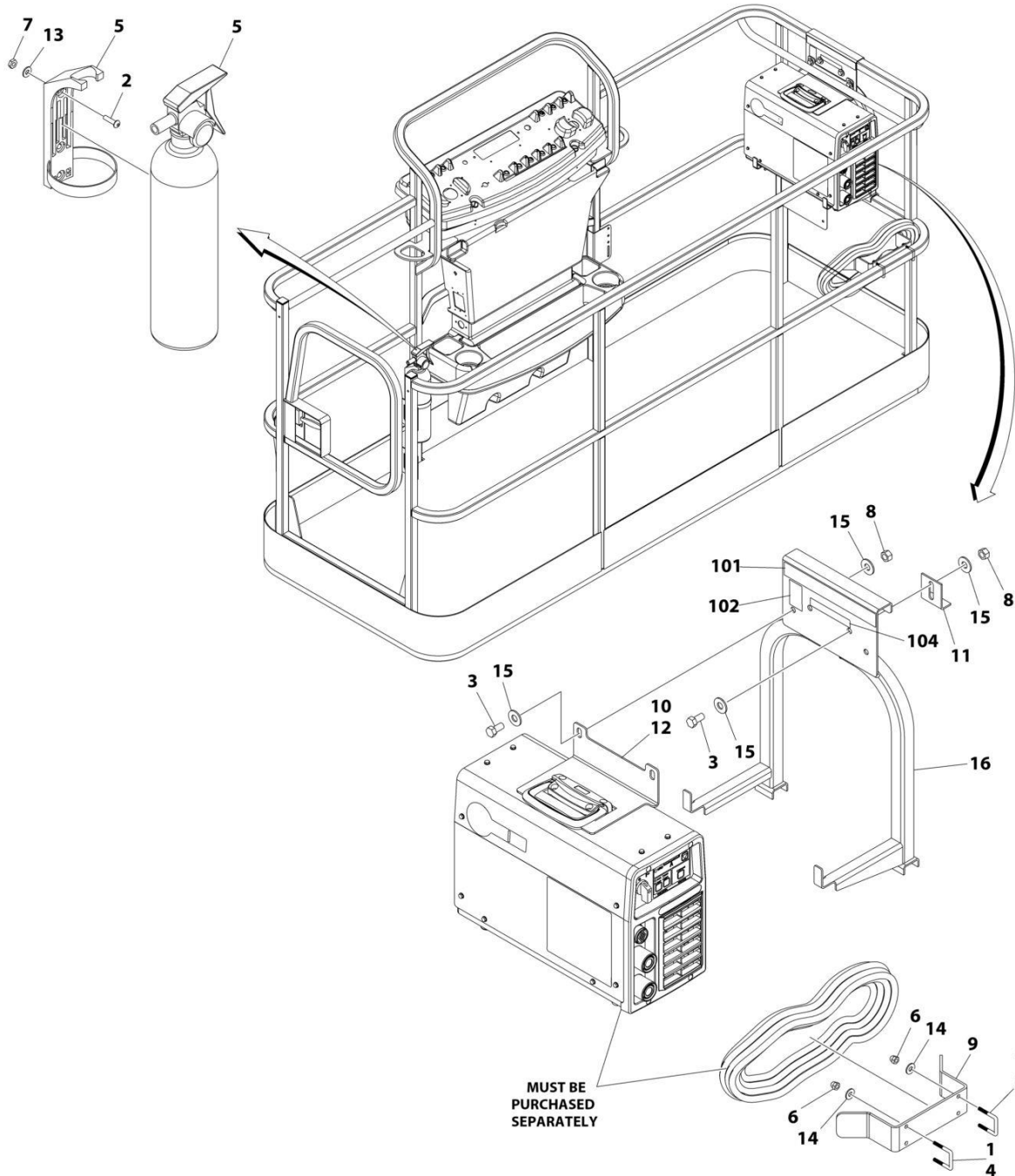
SECTION 5 - PLATFORM

FIGURE 5-32. SKYWELDER INSTALLATION (60HZ)

ITEM	PART NUMBER	QTY	DESCRIPTION	REV
	0272254	Ref	SKYWELDER INSTALLATION	1
1	0100011	AR	Compound, Locking	
2	0630518	2	Screw #10 x 3/4	
3	0641606	4	Bolt 3/8 x 3/4	
4	1320302	2	U-Clamp	
5	2030010	1	Extinguisher, Fire	
6	2902217	1	Weld Leads Kit	
7	3300151	4	Nut 1/4	
8	3311005	2	Nut #10	
9	3311605	4	Nut 3/8	
10	3573400	1	Bracket	
11	3577121	2	Angle	
12	3573642	1	Plate	
13	4420037	AR	Tape	
14	4240099	AR	Tie-Strap (Not Shown)	
15	4460962	1	Plug, Male Twistlock	
17	4530028	1	Welder Assembly (See Separate Breakdown in this Section)	
18	4751400	4	Washer 1/4	
19	4751600	8	Washer 3/8	
20	4846627	1	Support	
21	1671093	1	Cover, Plug	
22	4751000	2	Washer #10	

SECTION 5 - PLATFORM

FIGURE 5-33. SKYWELDER PREP PACKAGE (60HZ)



ART_1001128527_C

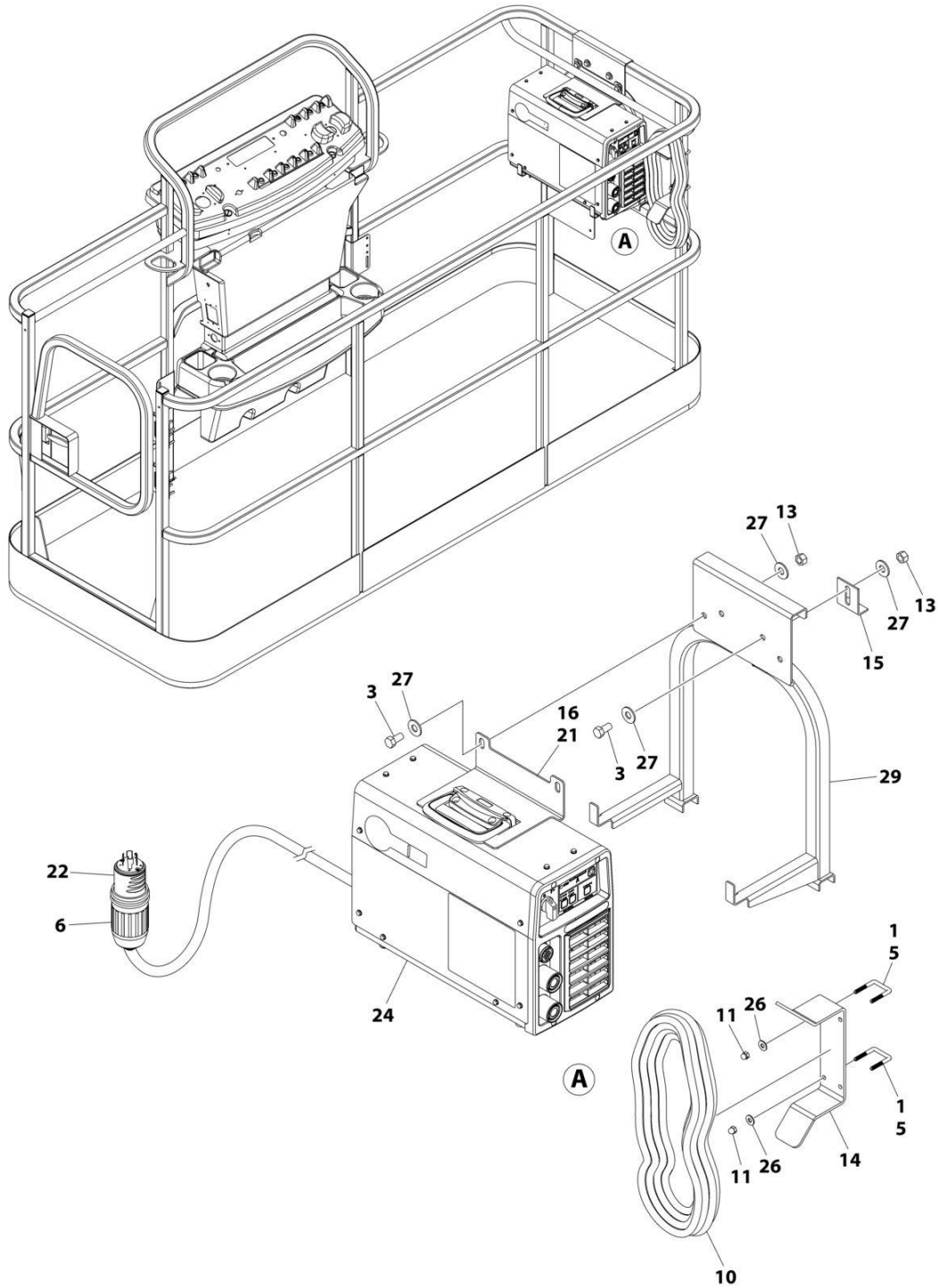
SECTION 5 - PLATFORM

FIGURE 5-33. SKYWELDER PREP PACKAGE (60HZ)

ITEM	PART NUMBER	QTY	DESCRIPTION	REV
	1001128527	Ref	SKYWELDER PREP PACKAGE	C
1	0100011	AR	Compound, Locking	
2	0630518	2	Screw #10 x 3/4	
3	0641606	4	Bolt 3/8 x 3/4	
4	1320302	2	U-Clamp	
5	2030010	1	Extinguisher, Fire	
6	3300151	4	Nut 1/4	
7	3311005	2	Nut #10	
8	3311605	4	Nut 3/8	
9	3573400	1	Bracket	
10	1001269573	1	Plate	
11	3577121	2	Angle	
12	4420037	AR	Tape	
13	4751000	2	Washer #10	
14	4751400	4	Washer 1/4	
15	4751600	8	Washer 3/8	
16	1001269322	1	Support	
	1001128556	Ref	SKYWELDER DECAL INSTALLATION	D
101	1702868	1	Decal - No Hands	
102	1705305	1	Decal - Weld Lead	
104	1001228988	1	Decal - Weight	

SECTION 5 - PLATFORM

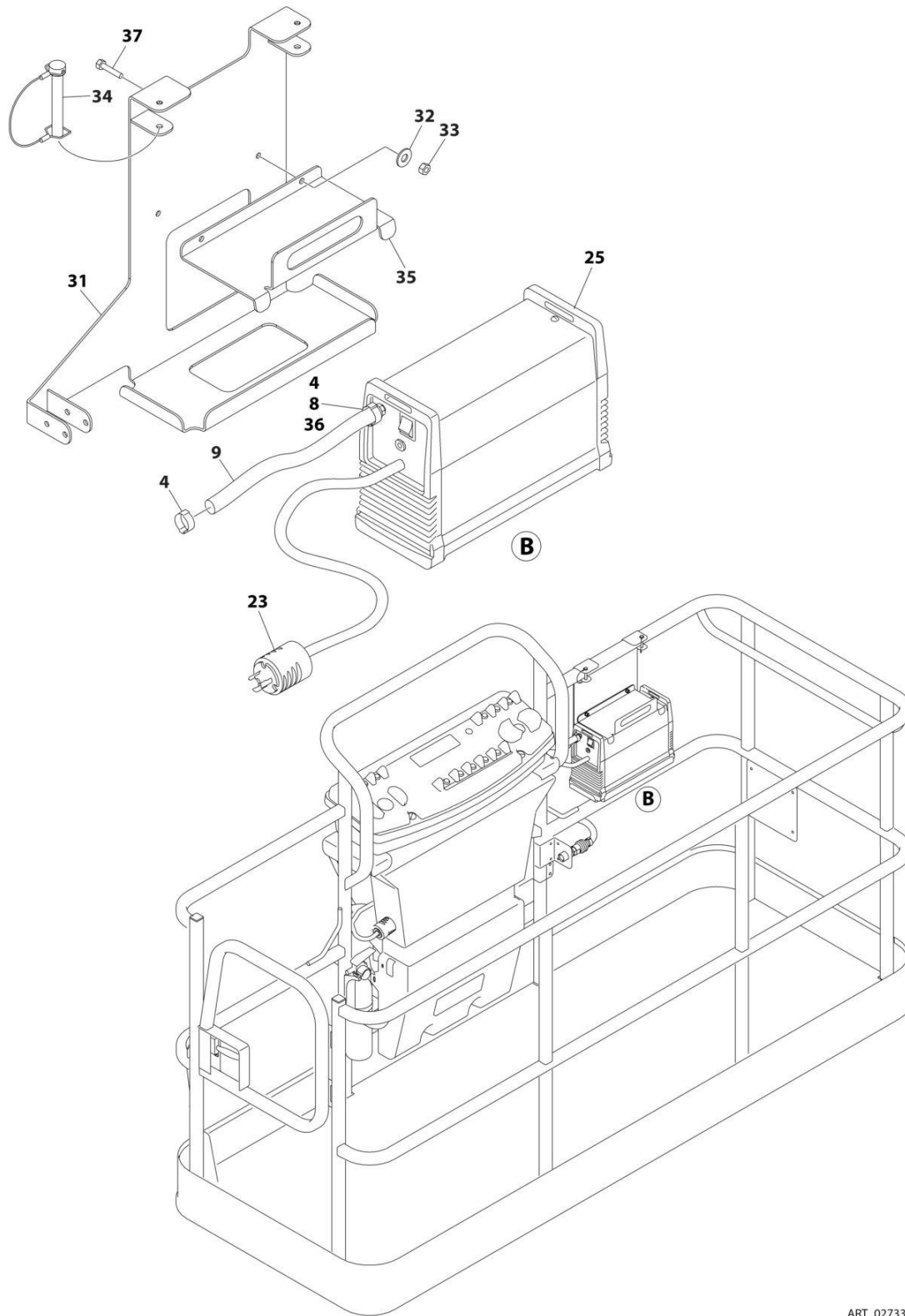
FIGURE 5-34. SKYWELDER/SKYCUTTER COMBO INSTALLATION (60HZ) (ANSI, ANSI EXPORT, CHINA, CSA & JAPANESE SPECS)



ART_0273353_I_1OF2

SECTION 5 - PLATFORM

FIGURE 5-35. SKYWELDER/SKYCUTTER COMBO INSTALLATION (60HZ) (ANSI, ANSI EXPORT, CHINA, CSA & JAPANESE SPECS)



ART_0273353_I_20F2

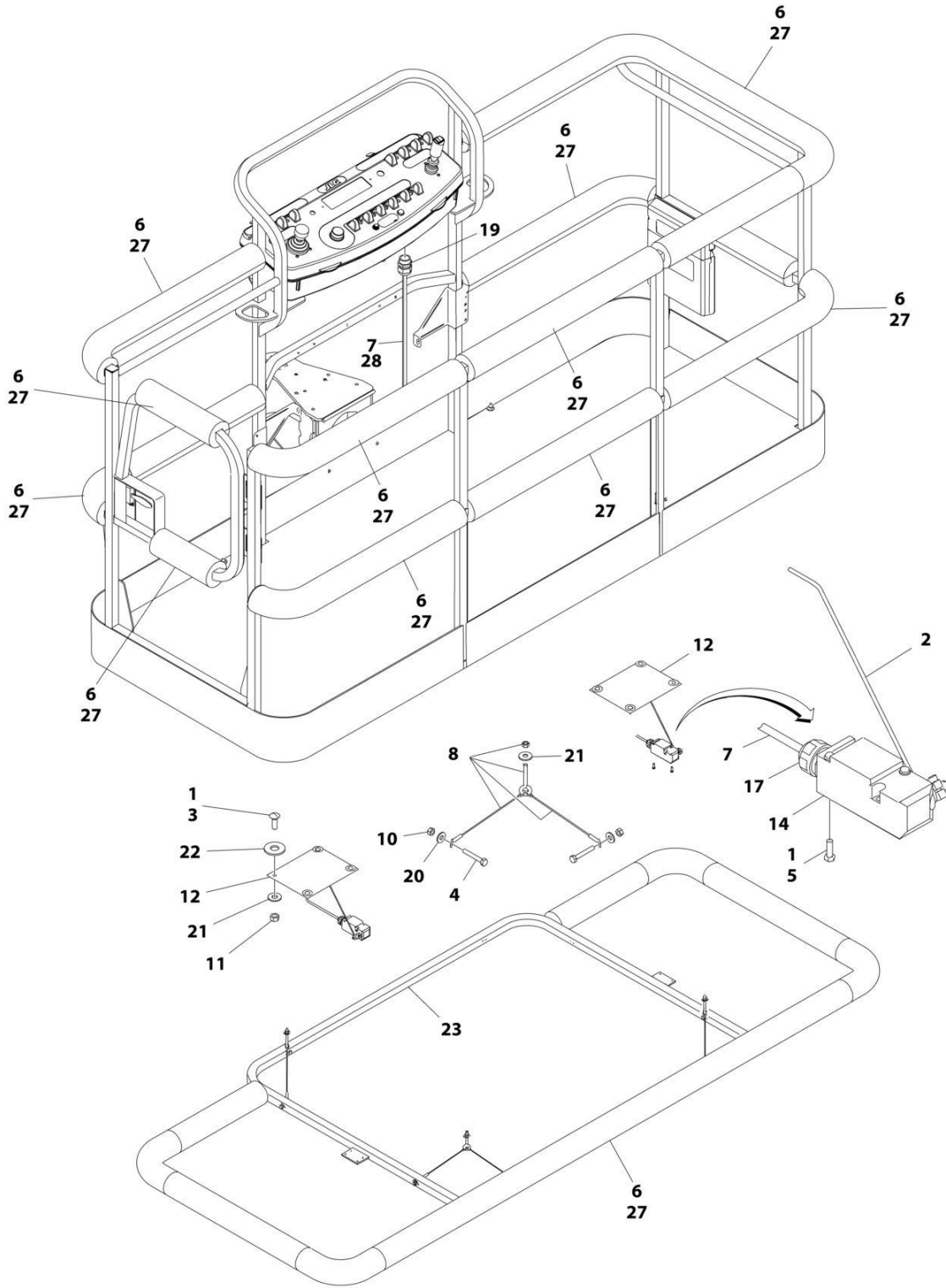
SECTION 5 - PLATFORM

FIGURE 5-35. SKYWELDER/SKYCUTTER COMBO INSTALLATION (60HZ) (ANSI, ANSI EXPORT, CHINA, CSA & JAPANESE SPECS)

ITEM	PART NUMBER	QTY	DESCRIPTION	REV
	0273353	Ref	SKYWELDER/SKYCUTTER COMBO INSTALLATION (60HZ)	I
1	0100011	AR	Compound, Locking	
3	0641606	4	Bolt 3/8 x 3/4	
4	1320177	2	Clamp	
5	1320302	2	Clamp	
6	1671093	1	Cover, Plug	
8	2180832	1	Fitting, Barbed/NPT	
9	2720160	4.5 ft /2 m	Hose	
10	2902217	1	Weld Leads Kit	
11	3300151	4	Nut 1/4	
13	3311605	4	Nut 3/8	
14	3573400	1	Bracket	
15	3577121	2	Angle	
16	1001269573	1	Plate	
20	4240099	AR	Tie-Strap (Not Shown)	
21	4420037	2.4 ft /1 m	Tape	
22	4460962	1	Plug, Twist Lock	
23	4460971	1	Plug, Twist Lock	
24	1001268820	1	Welder Assembly (See Separate Breakdown in this Section)	
25	1001098012	1	Plasma Cutter Assembly (See Separate Breakdown in this Section)	
26	4751400	4	Washer 1/4	
27	4751600	8	Washer 3/8	
29	1001269322	1	Support	
31	1001145405	1	Bracket	
32	4811700	2	Washer M6	
33	3290605	2	Nut M6	
34	3421453	3	Pin	
35	3576799	1	Plate, Hold-Down	
36	0100020	AR	Sealant	
37	4010608	2	Screw M6 x 16	

SECTION 5 - PLATFORM

FIGURE 5-36. SOFT TOUCH INSTALLATION - 8FT (2.4M) PLATFORM (OPTIONAL)



ART_0272427_H

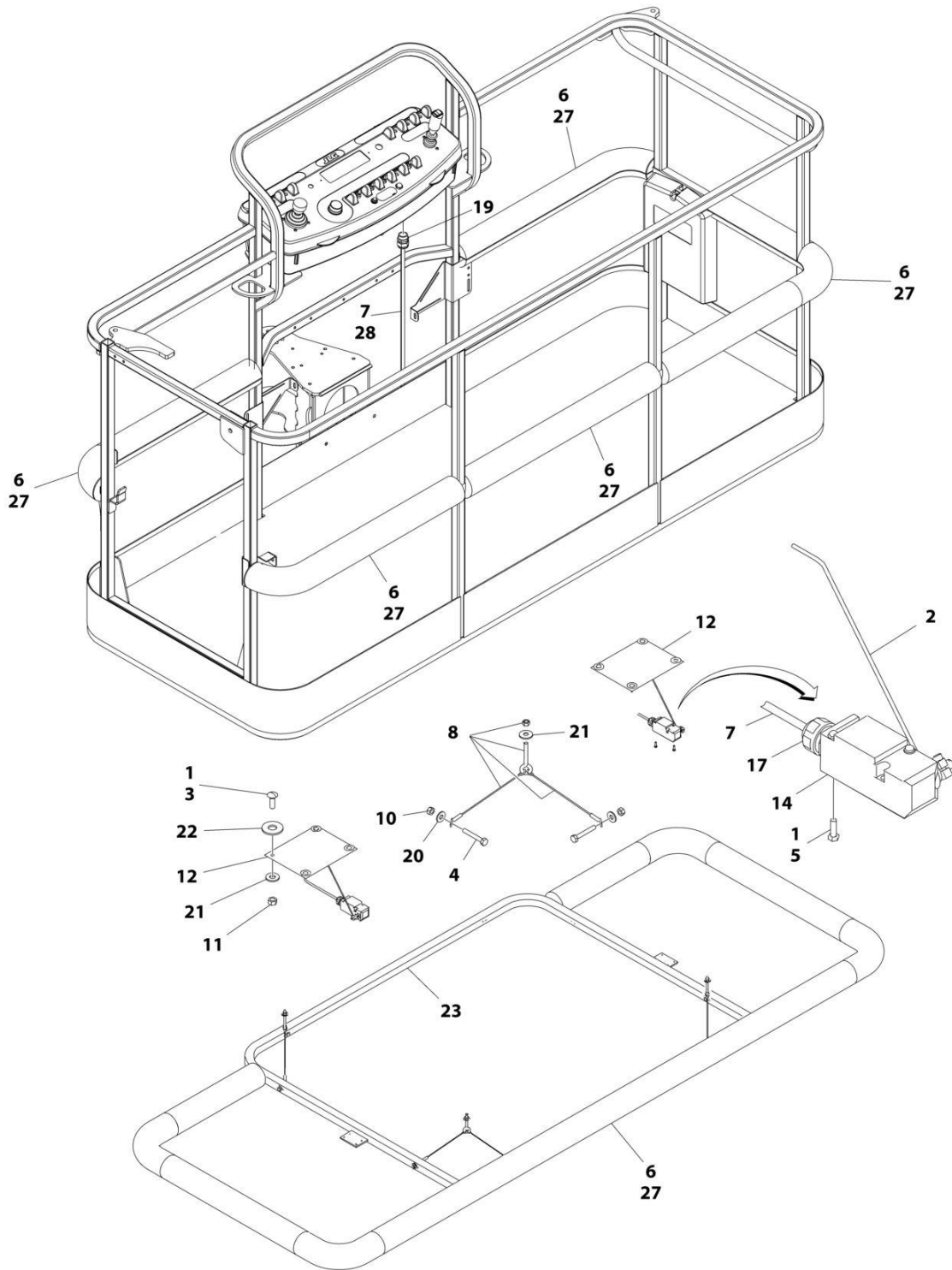
SECTION 5 - PLATFORM

FIGURE 5-36. SOFT TOUCH INSTALLATION - 8FT (2.4M) PLATFORM (OPTIONAL)

ITEM	PART NUMBER	QTY	DESCRIPTION	REV
	0272427	Ref	SOFT TOUCH INSTALLATION - 36IN X 8FT (91.5CM X 2.44M) PLATFORM	H
1	0100011	AR	Compound, Locking	
2	0200048	2	Arm, Switch	
3	0630462	8	Bolt	
4	0641414	8	Bolt 1/4 x 1-3/4	
5	0721005	4	Bolt #10 x 5/8	
6	0940103	1	Bumper Kit (Includes Corners and Enough Straight Material for One Platform)	
6	0940092	12	Bumper (Corner)	
6	0940094	AR	Bumper (12ft Length)	
7	1060341	23 ft/7m	Cable, Soft Touch - 16/2	
8	1060903	4	Wire Rope and Eyebolt Assembly	
10	3311401	8	Nut 1/4	
11	3311501	8	Nut 5/16	
12	3574091	2	Plate, Switch Strike	
13	4240099	7	Tie-Strap (Not Shown)	
14	4360057	2	Switch, Limit	
17	4460049	2	Connector, Strain Relief	
18	4460234	7	Tie-Strap (Not Shown)	
19	4460425	1	Connector, Strain Relief	
20	4751400	8	Washer 1/4	
21	4751500	12	Washer 5/16	
22	4751800	8	Washer 1/2	
23	4846673	1	Rail, Soft Touch	
27	1001197017	AR	Tie-Strap	
28	4460226	1	Socket	

SECTION 5 - PLATFORM

FIGURE 5-37. SOFT TOUCH INSTALLATION - 8FT (2.4M) FALL ARREST PLATFORM (OPTIONAL)



ART_0273706_E

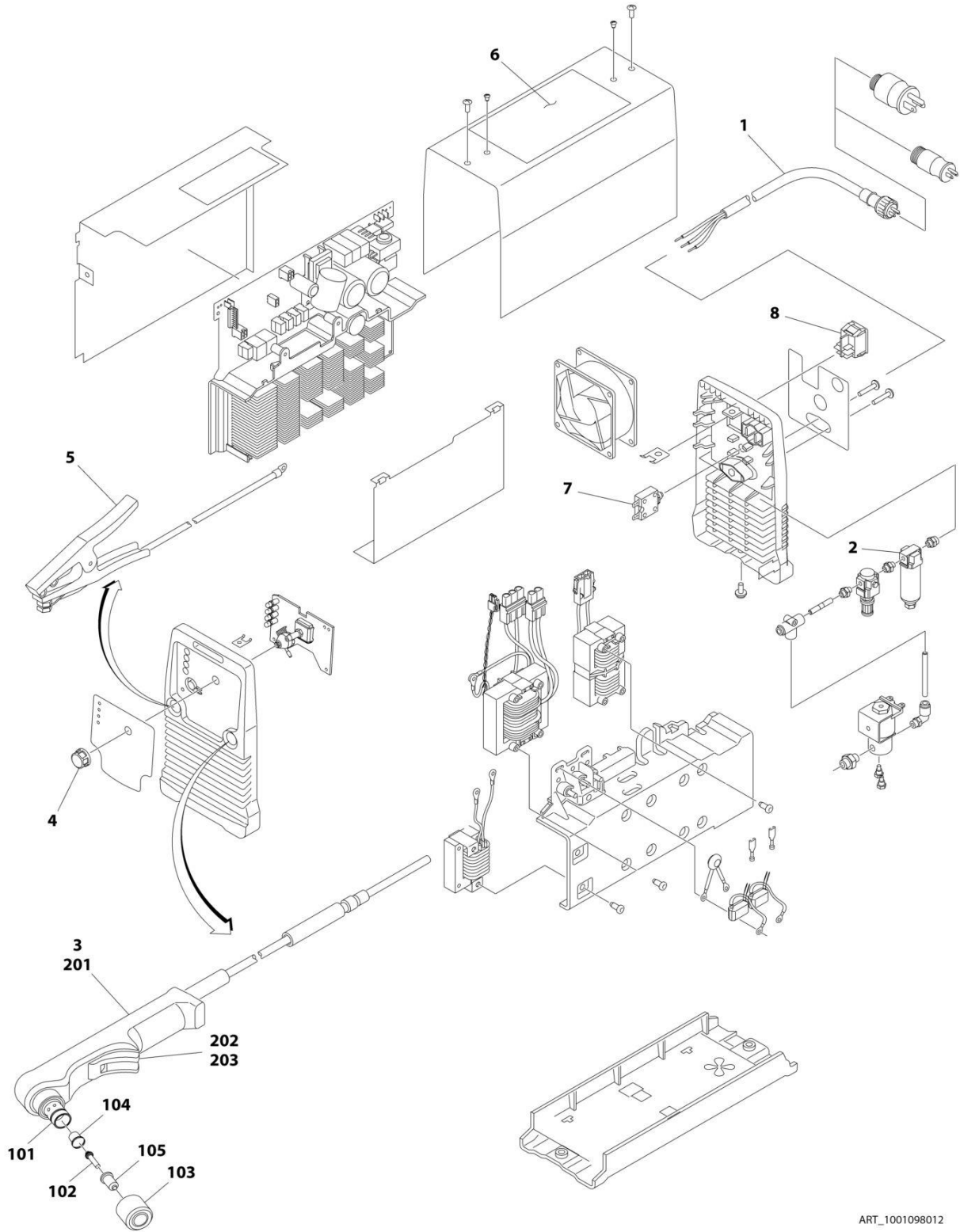
SECTION 5 - PLATFORM

FIGURE 5-37. SOFT TOUCH INSTALLATION - 8FT (2.4M) FALL ARREST PLATFORM (OPTIONAL)

ITEM	PART NUMBER	QTY	DESCRIPTION	REV
	0273706	Ref	SOFT TOUCH INSTALLATION	E
1	0100011	AR	Compound, Locking	
2	0200048	2	Arm, Switch	
3	0630462	8	Bolt	
4	0641414	8	Bolt 1/4 x 1-3/4	
5	0721005	4	Bolt #10 x 5/8	
6	0940133	1	Bumper Kit (Includes Corners and Enough Straight Material for One Platform)	
6	0940092	8	Bumper (Corner)	
6	0940094	AR	Bumper (12ft Length)	
7	1060341	23 ft/7m	Cable, Soft Touch - 16/2	
8	1060903	4	Wire Rope and Eyebolt Assembly	
10	3311401	8	Nut 1/4	
11	3311501	8	Nut 5/16	
12	3574091	2	Plate, Switch Strike	
13	4240099	7	Tie-Strap (Not Shown)	
14	4360057	2	Switch, Limit	
17	4460049	2	Connector, Strain Relief	
18	4460234	7	Tie-Strap (Not Shown)	
19	4460425	1	Connector, Strain Relief	
20	4751400	8	Washer 1/4	
21	4751500	12	Washer 5/16	
22	4751800	8	Washer 1/2	
23	4846673	1	Rail, Soft Touch	
27	1001197017	AR	Tie-Strap	
28	4460226	4	Socket	

SECTION 5 - PLATFORM

FIGURE 5-38. PLASMA CUTTER ASSEMBLY



ART_1001098012

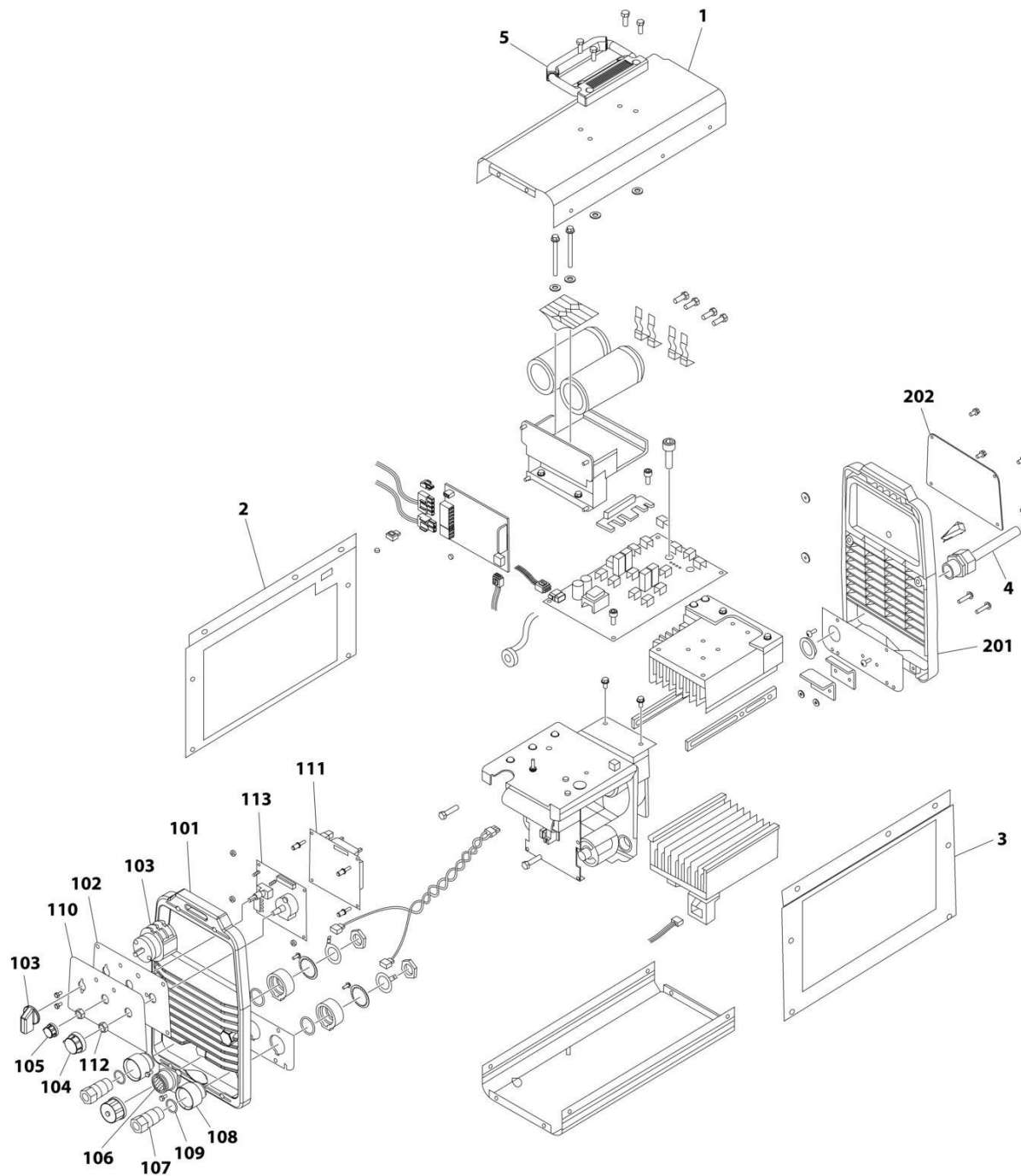
SECTION 5 - PLATFORM

FIGURE 5-38. PLASMA CUTTER ASSEMBLY

ITEM	PART NUMBER	QTY	DESCRIPTION	REV
	1001098012	Ref	PLASMA CUTTER ASSEMBLY	A
		Ref	Note: For Other Components, contact your Miller Welder Dealer.	
1	70001424	1	Cable, Power	
1	70001425	1	Decal - Voltage Warning	
2	70001427	1	Filter, Regulator	
3	70001428	1	Torch Assembly (See Items 101-203 for Breakdown)	
4	7024471	1	Knob	
5	70001429	1	Clamp with Cable	
6	70001430	1	Decal - Caution	
7	70001431	1	Breaker, Circuit	
8	70001432	1	Switch, Rocker	
	70001428	Ref	TORCH ASSEMBLY	
101	7024530	1	O-Ring	
102	7024531	1	Electrode	
103	7024532	1	Cup, Retaining	
104	7024533	1	Swirl Ring	
105	7024534	1	Tip	
201	7024535	1	Handle, Torch	
202	7024536	1	Switch	
203	7024537	1	Trigger	

SECTION 5 - PLATFORM

FIGURE 5-39. WELDER ASSEMBLY



ART_4530028

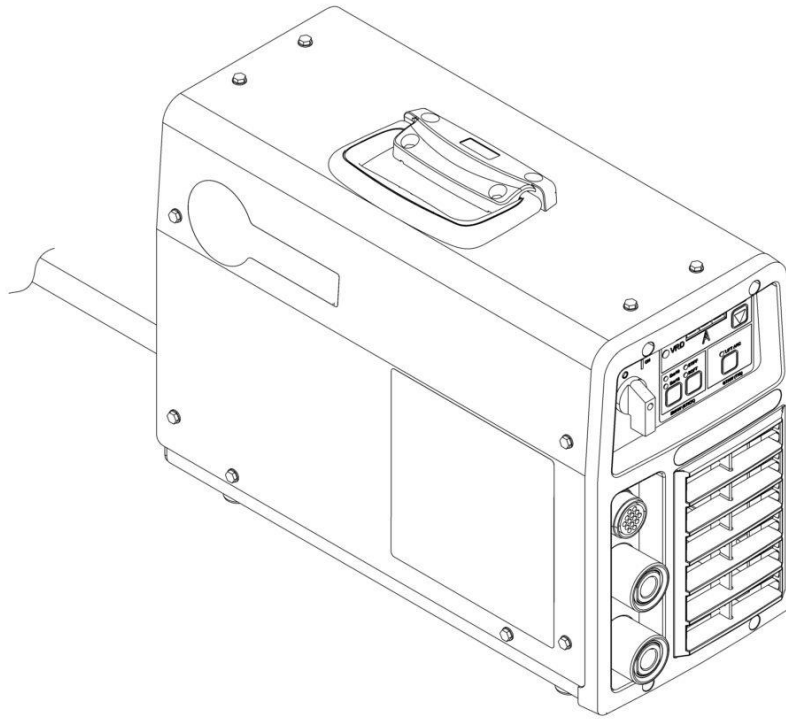
SECTION 5 - PLATFORM

FIGURE 5-39. WELDER ASSEMBLY

ITEM	PART NUMBER	QTY	DESCRIPTION	REV
	4530028	Ref	WELDER ASSEMBLY	B
		Ref	Note: For Other Components, contact your Miller Welder Dealer.	
1	7027773	1	Cover, Top	
1	7027774	1	Decal - Static Precautionary Warning	
2	See Note	NSS	Panel, LH Side (Note: Part of Item 1. Purchase Item 1)	
3	See Note	NSS	Panel, RH Side (Note: Part of Item 1. Purchase Item 1)	
4	7024467	1	Cable, Power	
4	7027775	1	Decal - Electrical Shock Warning (Not Shown)	
5	7027776	1	Handle, Carrying	
101	7024462	1	Panel, Front	
102	7024463	1	Panel, Console	
103	7024469	1	Switch with Lead	
104	7024470	1	Knob	
105	7024471	1	Knob	
106	7024472	1	Receptacle with Leads and Plugs	
107	7024473	2	Receptacle, Twistlock Female	
108	7024474	2	Insulator	
109	7024475	2	O-Ring	
110	7027777	1	Nameplate	
111	7027779	1	Circuit Card Assembly (Process Control)	
112	7024478	2	Nut	
113	7027778	1	Circuit Card Assembly (Operator Interface)	
201	7024462	1	Panel, Rear	
202	7027780	1	Panel, Cover	

SECTION 5 - PLATFORM

FIGURE 5-40. WELDER ASSEMBLY (CST282)



ART_1001268820

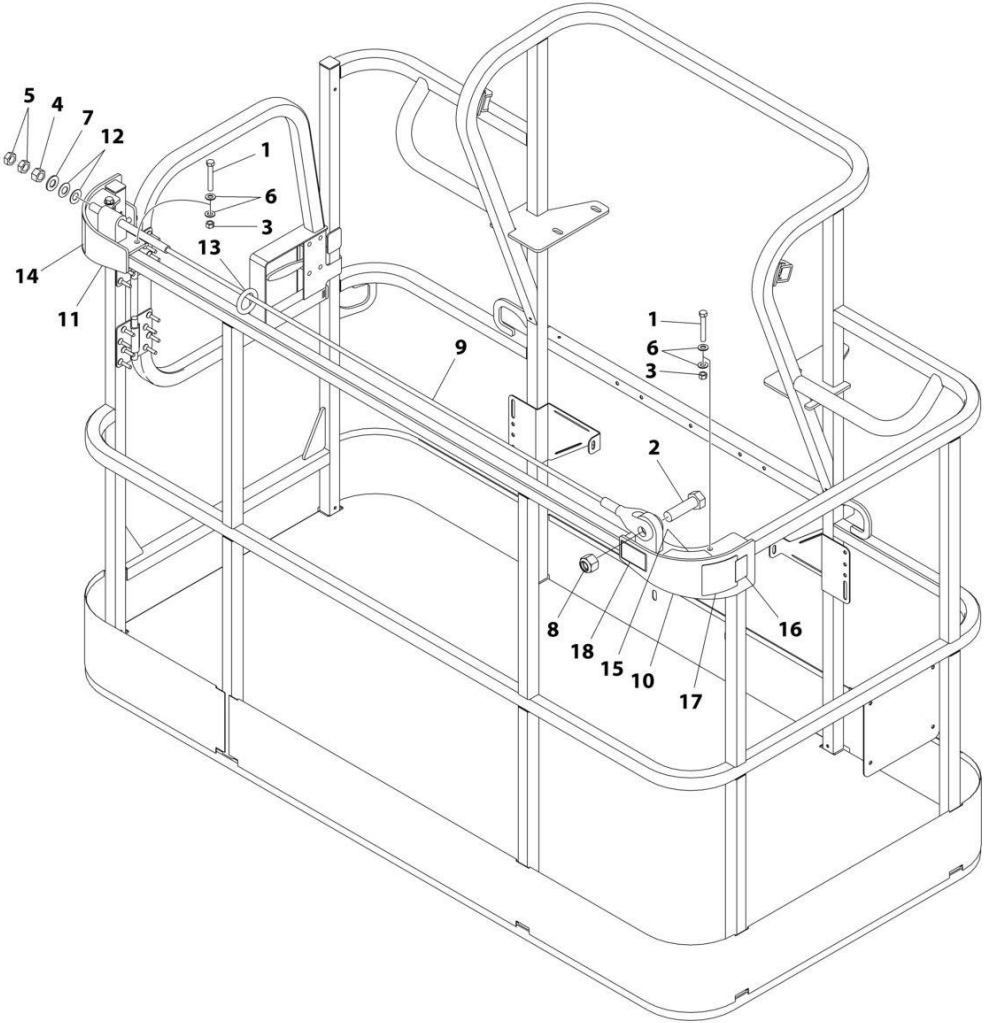
SECTION 5 - PLATFORM

FIGURE 5-40. WELDER ASSEMBLY (CST282)

ITEM	PART NUMBER	QTY	DESCRIPTION	REV
	1001268820	1 Ref	WELDER ASSEMBLY Note: No Service Parts available at time of Printing.	B

SECTION 5 - PLATFORM

FIGURE 5-41. FALL ARREST INSTALLATION (BOLT - ON) (6FT/1.82M PLATFORM)



ART_1001236747

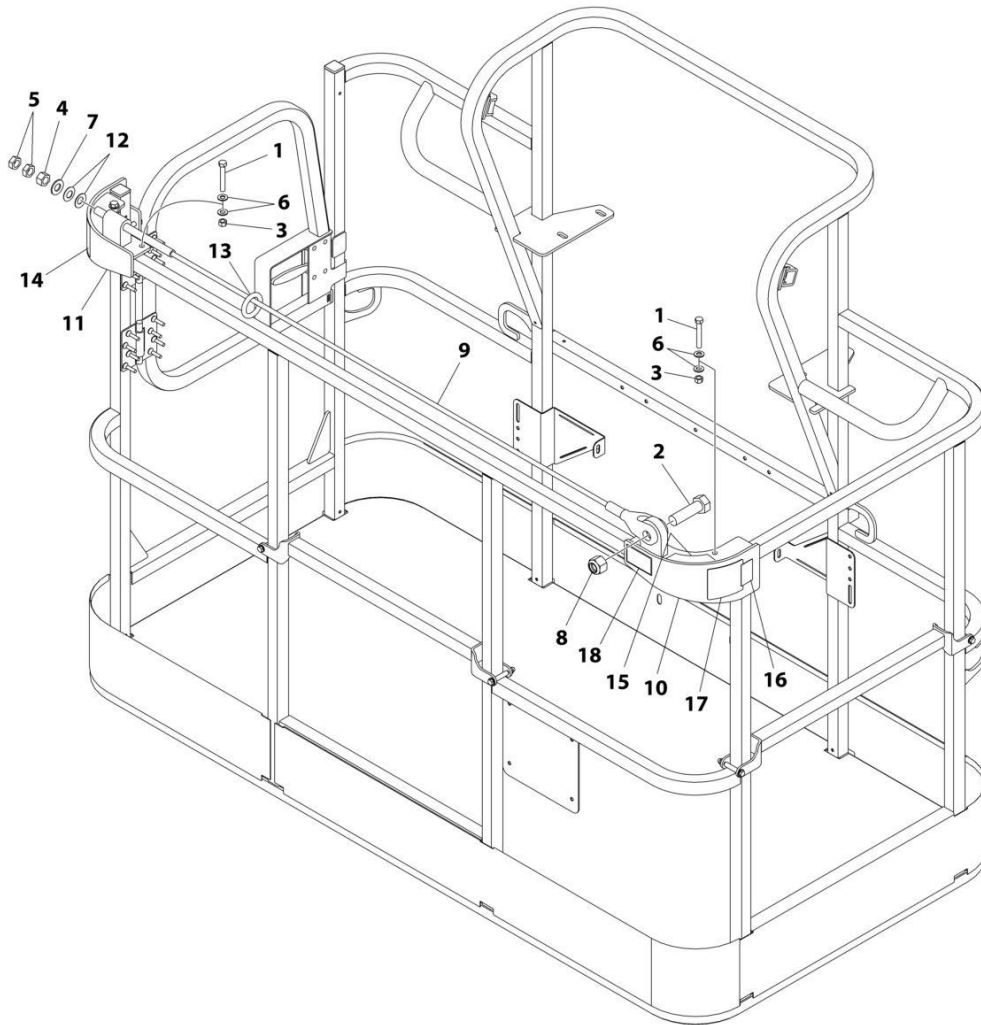
SECTION 5 - PLATFORM

FIGURE 5-41. FALL ARREST INSTALLATION (BOLT - ON) (6FT/1.82M PLATFORM)

ITEM	PART NUMBER	QTY	DESCRIPTION	REV
	1001236747	Ref	FALL ARREST INSTALLATION (BOLT - ON) 6FT/1.82M PLATFORM	C
1	0681620	6	Bolt 3/8 x 2-1/2	
2	0682424	1	Bolt 7/8 x 3	
3	3271605	6	Nut 3/8	
4	3272001	1	Nut 5/8	
5	3312002	2	Nut 5/8	
6	4711600	12	Washer 3/8	
7	4712000	1	Washer 5/8	
8	88521214	1	Nut 7/8	
9	1001231950	1	Rope	
10	1001232010	1	Bracket (RH)	
11	1001232011	1	Bracket (LH)	
12	1001236891	2	Washer	
13	1001236895	1	Ring	
14	1001238263	1	Decal - Warning Falling Hazard	
15	1001252629	1	Decal - Weight	
16	1001248140	1	Decal - Bolt Fall Arrest Re-Cert	
17	1001248141	1	Decal - Inscription	

SECTION 5 - PLATFORM

FIGURE 5-42. FALL ARREST INSTALLATION (BOLT-ON) (6FT/1.82M TRI-ENTRY PLATFORM)



ART_1001238463

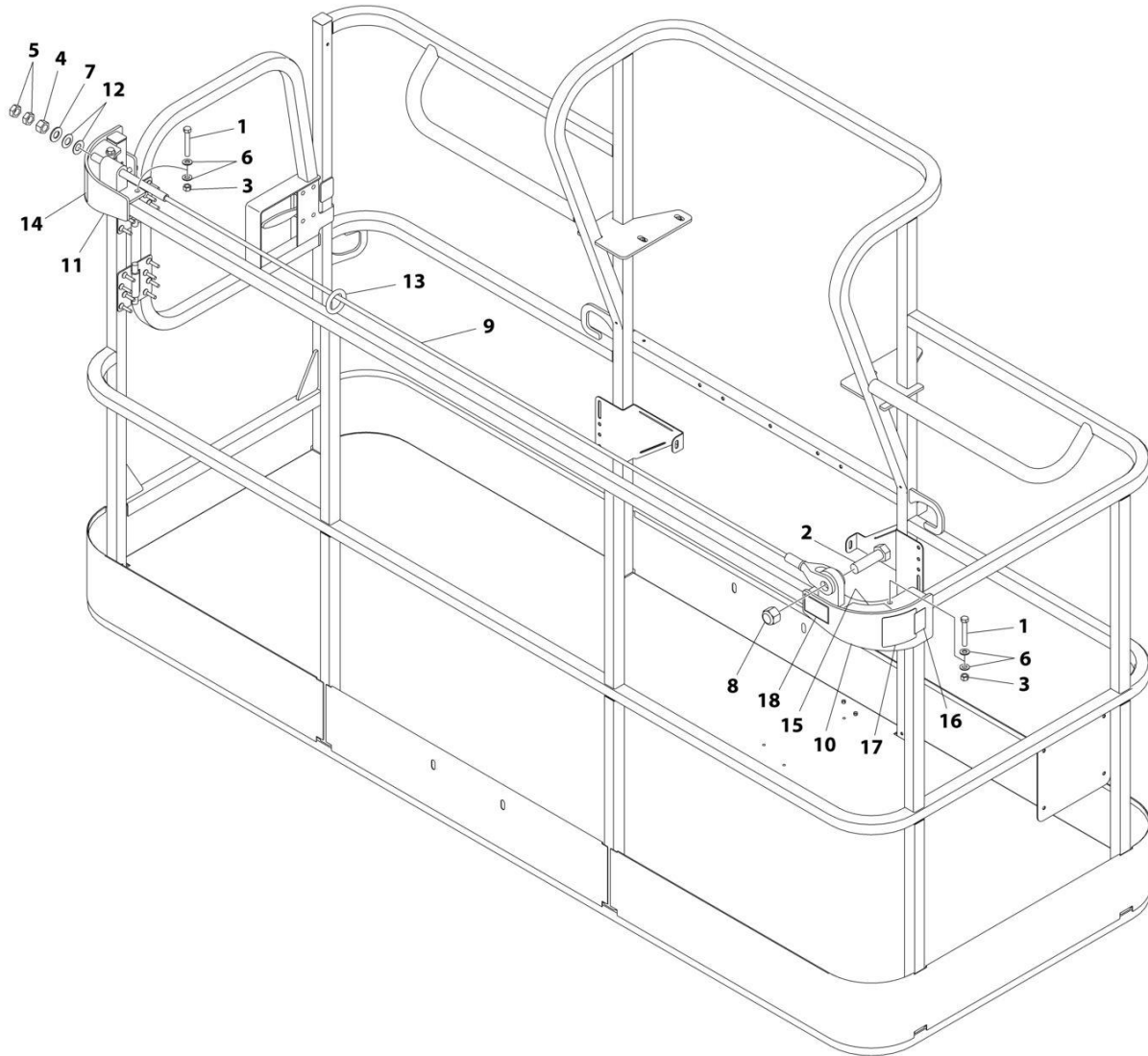
SECTION 5 - PLATFORM

FIGURE 5-42. FALL ARREST INSTALLATION (BOLT-ON) (6FT/1.82M TRI-ENTRY PLATFORM)

ITEM	PART NUMBER	QTY	DESCRIPTION	REV
	1001238463	Ref	FALL ARREST INSTALLATION (BOLT - ON) 6FT/1.82M PLATFORM	C
1	0681620	6	Bolt 3/8 x 2-1/2	
2	0682424	1	Bolt 7/8 x 3	
3	3271605	6	Nut 3/8	
4	3272001	1	Nut 5/8	
5	3312002	2	Nut 5/8	
6	4711600	12	Washer 3/8	
7	4712000	1	Washer 5/8	
8	88521214	1	Nut 7/8	
9	1001231950	1	Rope	
10	1001232010	1	Bracket (RH)	
11	1001232011	1	Bracket (LH)	
12	1001236891	2	Washer	
13	1001236895	1	Ring	
14	1001238263	1	Decal - Warning Falling Hazard	
15	1001252629	1	Decal - Weight	
16	1001248140	1	Decal - Bolt Fall Arrest Re-Cert	
17	1001248141	1	Decal - Inscription	

SECTION 5 - PLATFORM

FIGURE 5-43. FALL ARREST INSTALLATION (BOLT - ON) (8FT/2.4M PLATFORM)



ART_1001236746

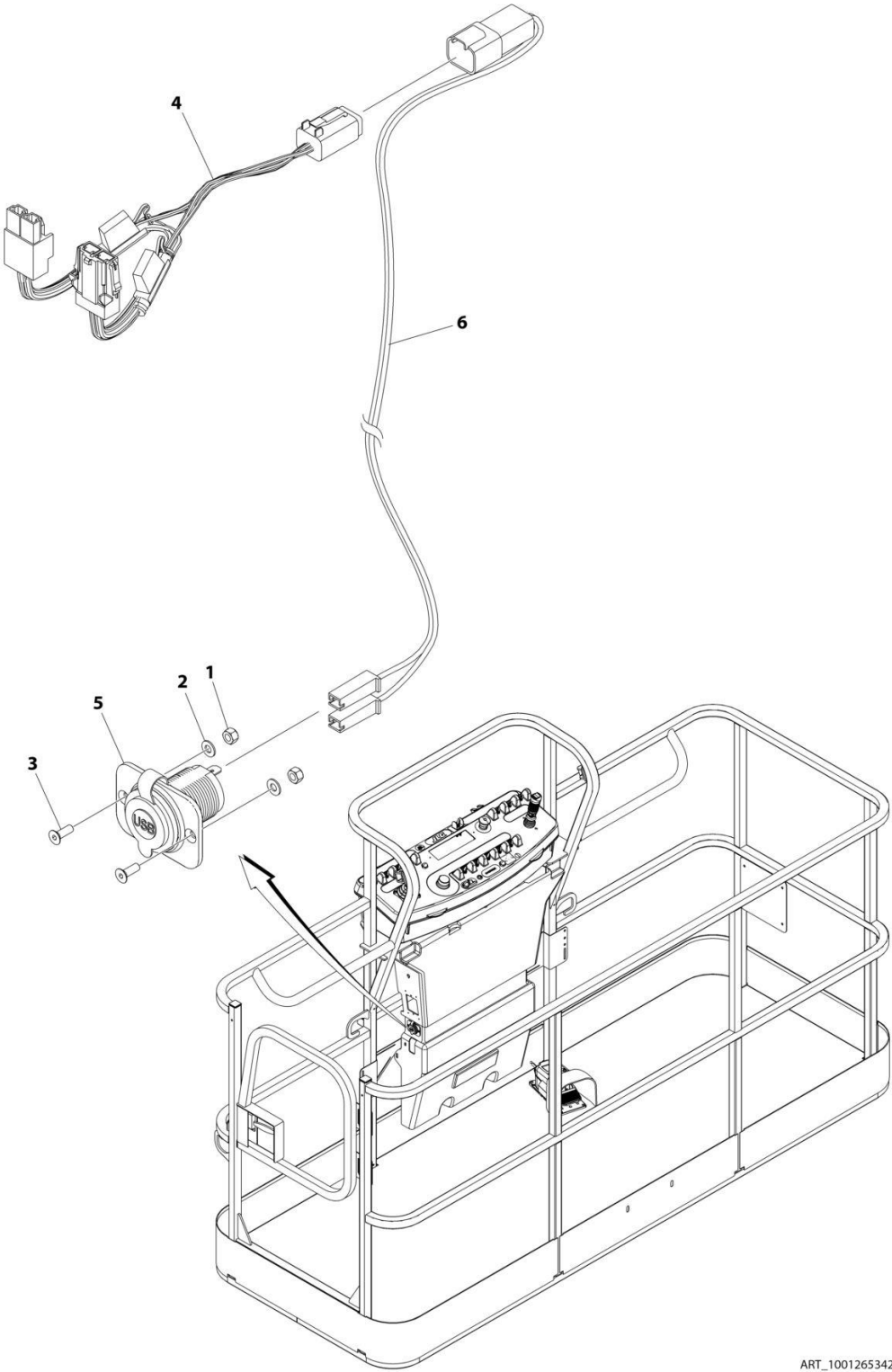
SECTION 5 - PLATFORM

FIGURE 5-43. FALL ARREST INSTALLATION (BOLT - ON) (8FT/2.4M PLATFORM)

ITEM	PART NUMBER	QTY	DESCRIPTION	REV
	1001236746	Ref	FALL ARREST INSTALLATION (BOLT - ON) 8FT/2.4M PLATFORM	C
1	0681620	6	Bolt 3/8 x 2-1/2	
2	0682424	1	Bolt 7/8 x 3	
3	3271605	6	Nut 3/8	
4	3272001	1	Nut 5/8	
5	3312002	2	Nut 5/8	
6	4711600	12	Washer 3/8	
7	4712000	1	Washer 5/8	
8	88521214	1	Nut 7/8	
9	1001231949	1	Rope	
10	1001232010	1	Bracket (RH)	
11	1001232011	1	Bracket (LH)	
12	1001236891	2	Washer	
13	1001236895	1	Ring	
14	1001238263	1	Decal - Warning Falling Hazard	
15	1001252629	1	Decal - Weight 23LBS/10.4KG	
16	1001248140	1	Decal - Bolt Fall Arrest Re-Cert	
17	1001248141	1	Decal - Inscription	

SECTION 5 - PLATFORM

FIGURE 5-44. USB CHARGER INSTALLATION



ART_1001265342

SECTION 5 - PLATFORM

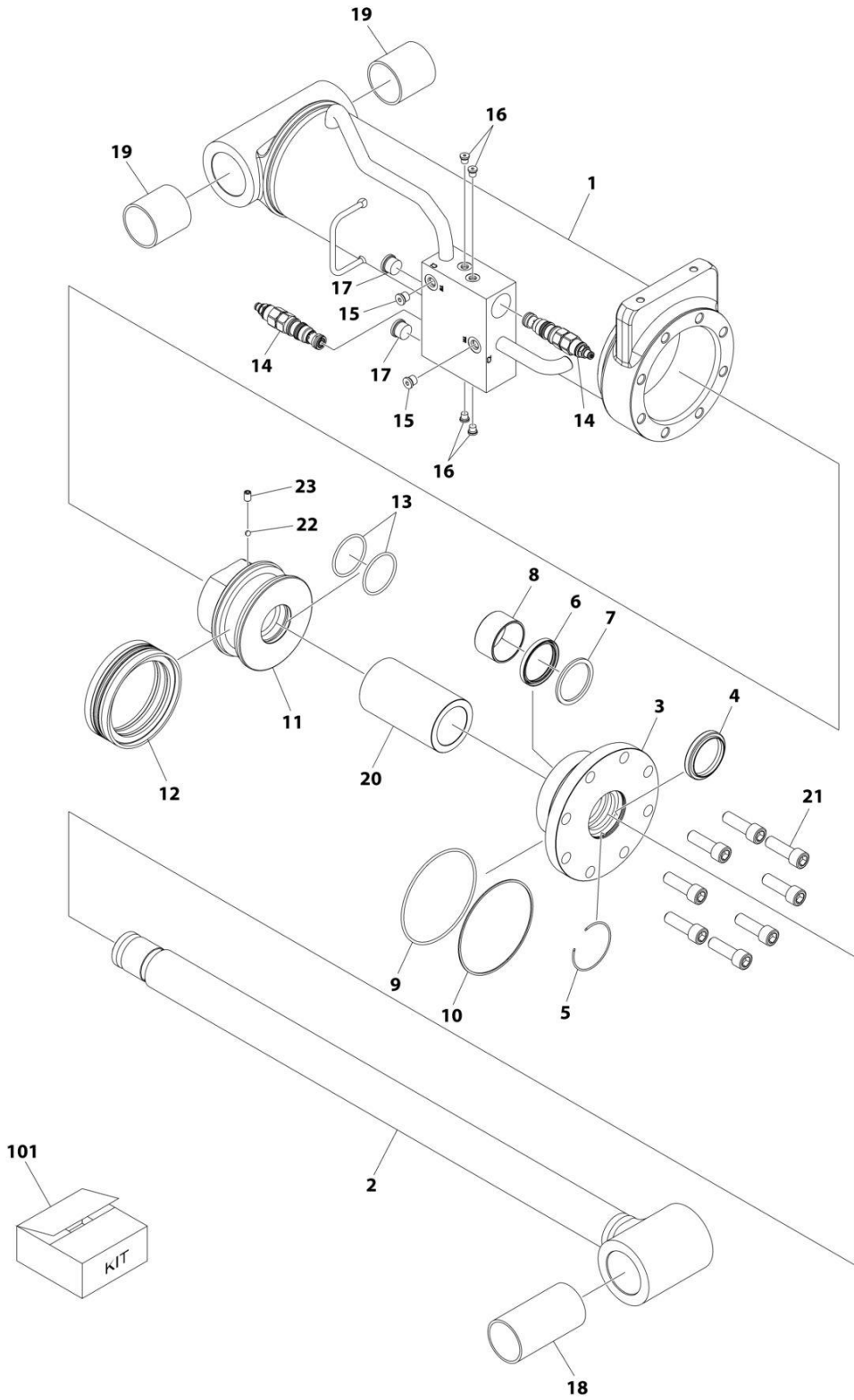
FIGURE 5-44. USB CHARGER INSTALLATION

ITEM	PART NUMBER	QTY	DESCRIPTION	REV
	1001265342	Ref	USB CHARGER INSTALLATION	A
1	3290405	2	Nut M4	
2	4811400	2	Washer M4	
3	1001097244	2	Screw M4 x 12	
4	1001120484	1	Harness, Work Lights	
4	4460879	1	Plug, Male - 2 Position	
4	4460887	2	Terminal	
4	2400060	2	Fuseholder Includes Cover	
4	8229249	2	Fuse, 3 Amp	
4	4460884	1	Connector - 4 Position	
4	4460465	4	Socket, Female	
4	1001120471	1	Connector - 2 Position	
4	1001120477	2	Terminal	
5	1001210636	1	Receptacle, USB	
6	1001265163	1	Harness, USB	A
6	4460260	2	Cover, Terminal	
6	4460259	2	Terminal	
6	4460932	1	Receptacle, Bussbar - 4 Position	
6	4460464	2	Pin, Male	
6	4460466	2	Plug, Terminal	

SECTION 6 - CYLINDER

SECTION 6 - CYLINDER

FIGURE 6-1. AXLE EXTEND CYLINDER ASSEMBLY



ART_1001251066

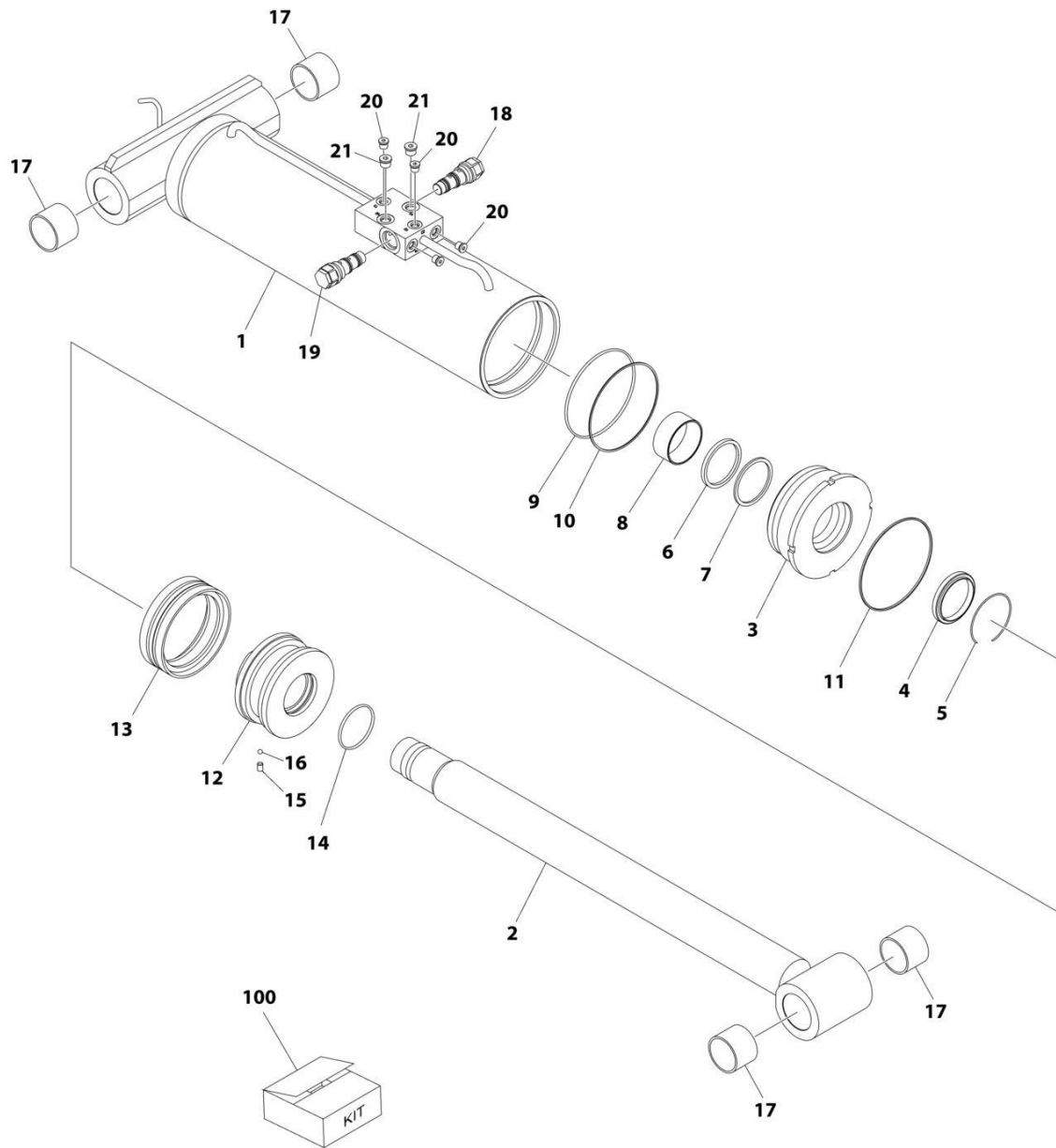
SECTION 6 - CYLINDER

FIGURE 6-1. AXLE EXTEND CYLINDER ASSEMBLY

ITEM	PART NUMBER	QTY	DESCRIPTION	REV
	1001251066	Ref	AXLE EXTEND CYLINDER ASSEMBLY	B
		Ref	Note: Original Cylinder May Have Been Replaced with Service Replacement. Identify PN Stamped on Cylinder Before Ordering Parts.	
1	See Note	NSS	Barrel (Note: Not Available for Purchase)	
2	70008014	1	Rod	
3	70008015	1	Head	
4	See Note	NSS	Wiper (Note: Use Item 101)	
5	7002412	1	Ring, Retaining	
6	See Note	NSS	Seal, Rod (Note: Use Item 101)	
7	See Note	NSS	Ring, Backup (Note: Use Item 101)	
8	70052577	1	Bushing	
9	See Note	NSS	O-Ring (Note: Use Item 101)	
10	See Note	NSS	Ring, Backup (Note: Use Item 101)	
11	70008016	1	Piston	
12	See Note	NSS	Seal, Piston (Note: Use Item 101)	
13	See Note	NSS	O-Ring (Note: Use Item 101)	
14	1001156016	2	Valve, Counterbalance	
14	7011376	2	Seal Kit (Use with 1001156016)	
15	2220883	2	Plug - 7/16	
16	2220881	4	Plug - 5/16	
17	2220886	2	Plug - 3/4	
18	1001157080	1	Bushing	
19	0962561	2	Bushing	
20	70008017	1	Spacer	
21	70008018	8	Bolt M14 x 45	
22	70022564	1	Ball, Steel	
23	70029468	1	Setscrew M8 x 14	
101	70008019	1	Seal Kit (Includes Items 4, 6-7, 9-10 & 12-13)	

SECTION 6 - CYLINDER

FIGURE 6-2. LEVEL CYLINDER ASSEMBLY - JIB SLAVE



ART_1001228064

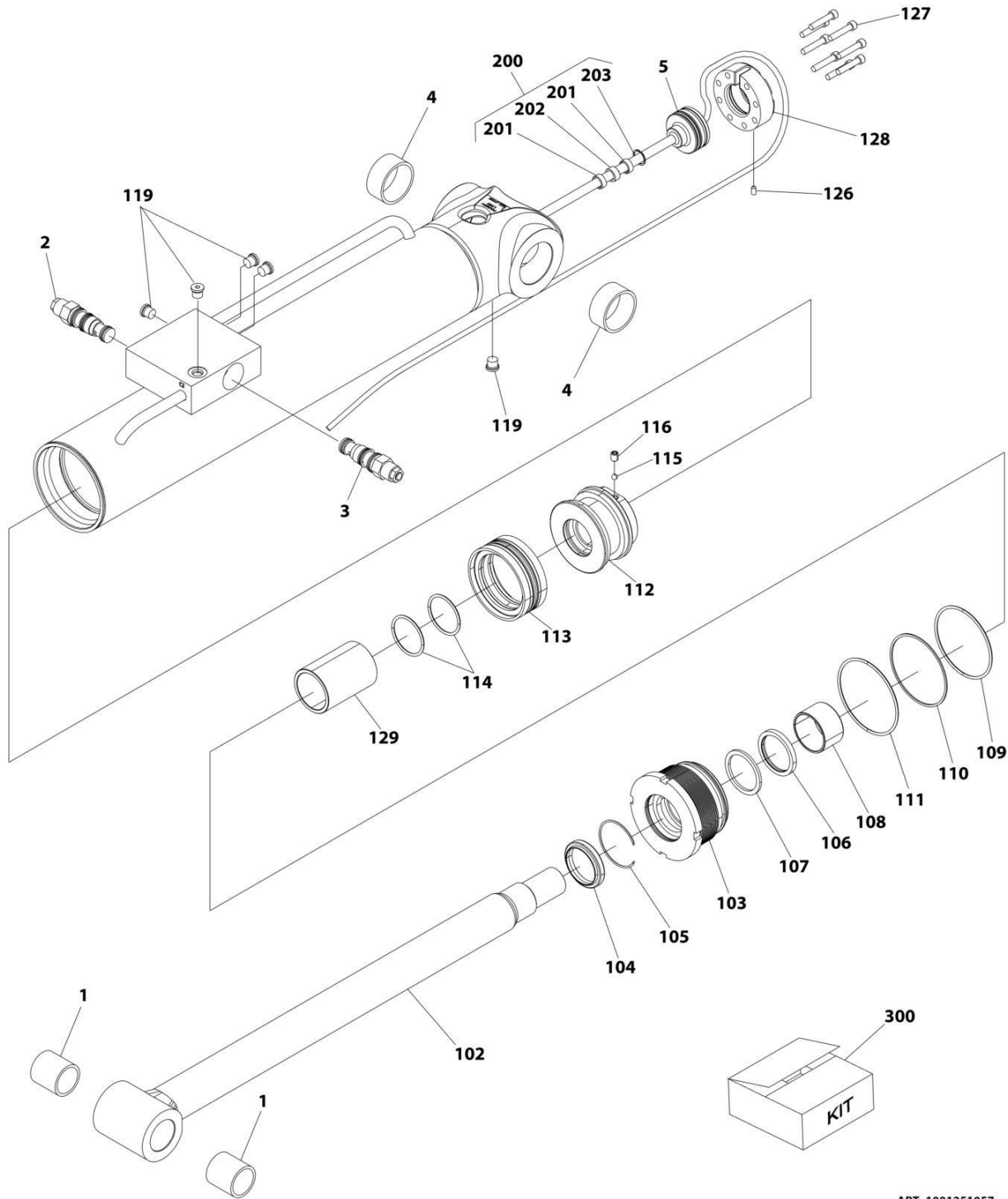
SECTION 6 - CYLINDER

FIGURE 6-2. LEVEL CYLINDER ASSEMBLY - JIB SLAVE

ITEM	PART NUMBER	QTY	DESCRIPTION	REV
	1001228064	Ref	LEVEL CYLINDER ASSEMBLY - JIB SLAVE	C
		Ref	Note: Original Cylinder May Have Been Replaced with Service Replacement. Identify PN Stamped on Cylinder Before Ordering Parts.	
1	See Note	NSS	Barrel Weldment (Note: Not Available for Purchase)	
2	70006634	1	Rod Weldment	
3	70006635	1	Head	
4	See Note	NSS	Wiper, Rod (Note: Use Item 100)	
5	70050795	1	Retainer	
6	See Note	NSS	Seal, Rod (Note: Use Item 100)	
7	See Note	NSS	Ring, Back-up (Note: Use Item 100)	
8	See Note	NSS	Ring, Wear (Note: Use Item 100)	
9	See Note	NSS	O-Ring (Note: Use Item 100)	
10	See Note	NSS	Ring, Back-up (Note: Use Item 100)	
11	See Note	NSS	O-Ring (Note: Use Item 100)	
12	70006637	1	Piston	
13	See Note	NSS	Seal, Piston (Note: Use Item 100)	
14	See Note	NSS	O-Ring (Note: Use Item 100)	
15	70006596	1	Setscrew M8 x 12	
16	70022564	1	Ball, Steel	
17	0961950	4	Bushing	
18	4640999	1	Valve, Counterbalance Non-Vented	
18	2900792	1	Seal Kit - 4640999 Valve	
19	4641248	1	Valve, Counterbalance Non-Vented	
19	70004186	1	Seal Kit - 4641248 Valve	
20	2220883	4	Plug	
21	2220885	2	Plug	
100	2900792	1	Seal Kit (Includes Items 4-11, 13 & 14)	

SECTION 6 - CYLINDER

FIGURE 6-3. LEVEL CYLINDER ASSEMBLY - PLATFORM SLAVE



ART_1001251057

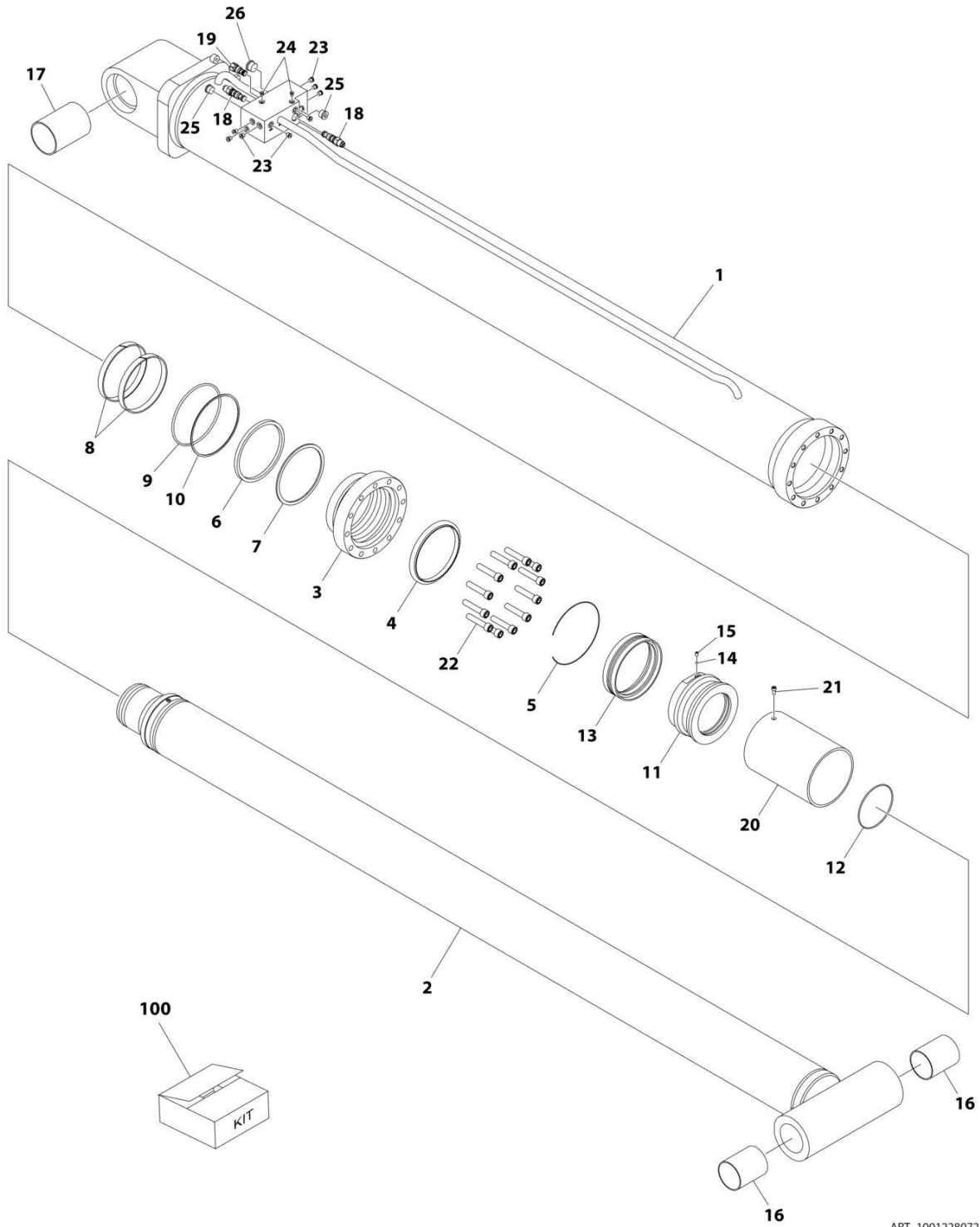
SECTION 6 - CYLINDER

FIGURE 6-3. LEVEL CYLINDER ASSEMBLY - PLATFORM SLAVE

ITEM	PART NUMBER	QTY	DESCRIPTION	REV
	1001251057	Ref	LEVEL (PLATFORM) CYLINDER ASSEMBLY	A
		Ref	Note: Original Cylinder May Have Been Replaced with Service Replacement. Identify PN Stamped on Cylinder Before Ordering Parts.	
1	0962006	2	Bushing	
2	4640489	1	Cartridge, Counterbalance Valve	
2	2900770	1	Seal Kit - For 4640489 Counterbalance Valve	
3	4641260	1	Cartridge, Counterbalance Valve	
3	2900770	1	Seal Kit - For 4641260 Counterbalance Valve	
4	1001117969	2	Bushing	
5	1001117990	1	Sensor, Cylinder Length	
102	70008028	1	Rod	
103	70008029	1	Head	
104	See Note	NSS	Wiper (Note: Use Item 300)	
105	70002410	1	Ring, Retaining	
106	See Note	NSS	Seal (Note: Use Item 300)	
107	See Note	NSS	Ring (Note: Use Item 300)	
108	70004237	1	Bearing	
109	See Note	NSS	O-Ring (Note: Use Item 300)	
110	See Note	NSS	Ring (Note: Use Item 300)	
111	See Note	NSS	O-Ring (Note: Use Item 300)	
112	70008030	1	Piston	
113	See Note	NSS	Seal (Note: Use Item 300)	
114	See Note	NSS	O-Ring (Note: Use Item 300)	
115	70022564	1	Ball, Steel	
116	70023369	1	Setscrew M8 x 1-1/4	
119	2220883	5	Plug	
126	70006464	1	Setscrew M5 x 10	
127	70008031	8	Bolt M6 x 35	
128	70008024	1	Cover	
129	70008032	1	Spacer	
200	1001119105	1	Sensor Magnet Kit (Includes Items 201-203)	
201	1001117994	2	Sleeve, Spacer	
202	1001118066	1	Magnet, Sensor	
203	1001118069	1	Ring, Internal Retaining	
300	70008033	1	Seal Kit (Includes Items 104, 106, 107, 109-111, 113 & 114)	

SECTION 6 - CYLINDER

FIGURE 6-4. LIFT CYLINDER ASSEMBLY - BOOM



ART_1001228072

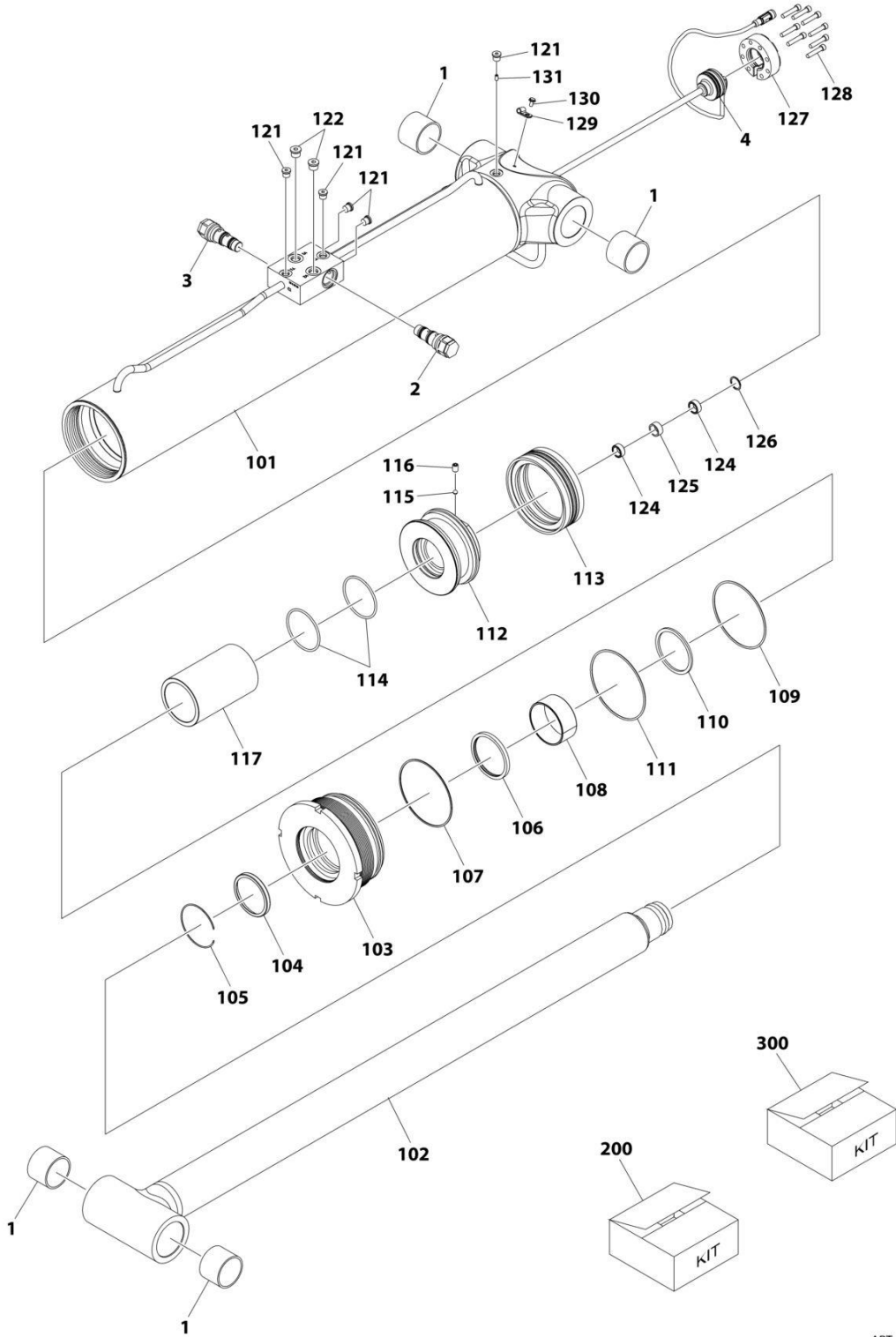
SECTION 6 - CYLINDER

FIGURE 6-4. LIFT CYLINDER ASSEMBLY - BOOM

ITEM	PART NUMBER	QTY	DESCRIPTION	REV
	1001228072	Ref	LIFT CYLINDER ASSEMBLY - BOOM	B
		Ref	Note: Original Cylinder May Have Been Replaced with Service Replacement. Identify PN Stamped on Cylinder Before Ordering Parts.	
1	See Note	NSS	Barrel Weldment (Note: Not Available for Purchase)	
2	70006624	1	Rod Weldment	
3	70006625	1	Head	
4	See Note	NSS	Wiper (Note: Use Item 100)	
5	70006626	1	Retainer	
6	See Note	NSS	Seal, Rod (Note: Use Item 100)	
7	See Note	NSS	Ring, Back-up (Note: Use Item 100)	
8	See Note	NSS	Ring, Wear (Note: Use Item 100)	
9	See Note	NSS	O-Ring (Note: Use Item 100)	
10	See Note	NSS	Ring, Back-up (Note: Use Item 100)	
11	70006627	1	Piston	
12	See Note	NSS	O-Ring (Note: Use Item 100)	
13	See Note	NSS	Seal, Piston (Note: Use Item 100)	
14	70006628	1	Ball, Steel	
15	70006629	1	Setscrew	
16	1001150942	2	Bushing	
17	1001150887	1	Bushing	
18	1001156016	2	Valve, Counterbalance	
18	7011376	1	Seal Kit - 1001156016 Cartridge	
19	4641285	1	Valve, Shuttle	
19	7011311	1	Seal Kit - 4641285 Cartridge	
20	70006630	1	Spacer	
21	70006631	1	Capscrew M8 x 16	
22	70006632	12	Capscrew M16 x 80	
23	2220883	9	Plug	
24	2220881	2	Plug	
25	2220887	2	Plug	
26	2220888	1	Plug	
100	70006633	1	Seal Kit (Includes Items 4, 6-10, 12 & 13)	

SECTION 6 - CYLINDER

FIGURE 6-5. LIFT CYLINDER ASSEMBLY - JIB



ART_1001251058

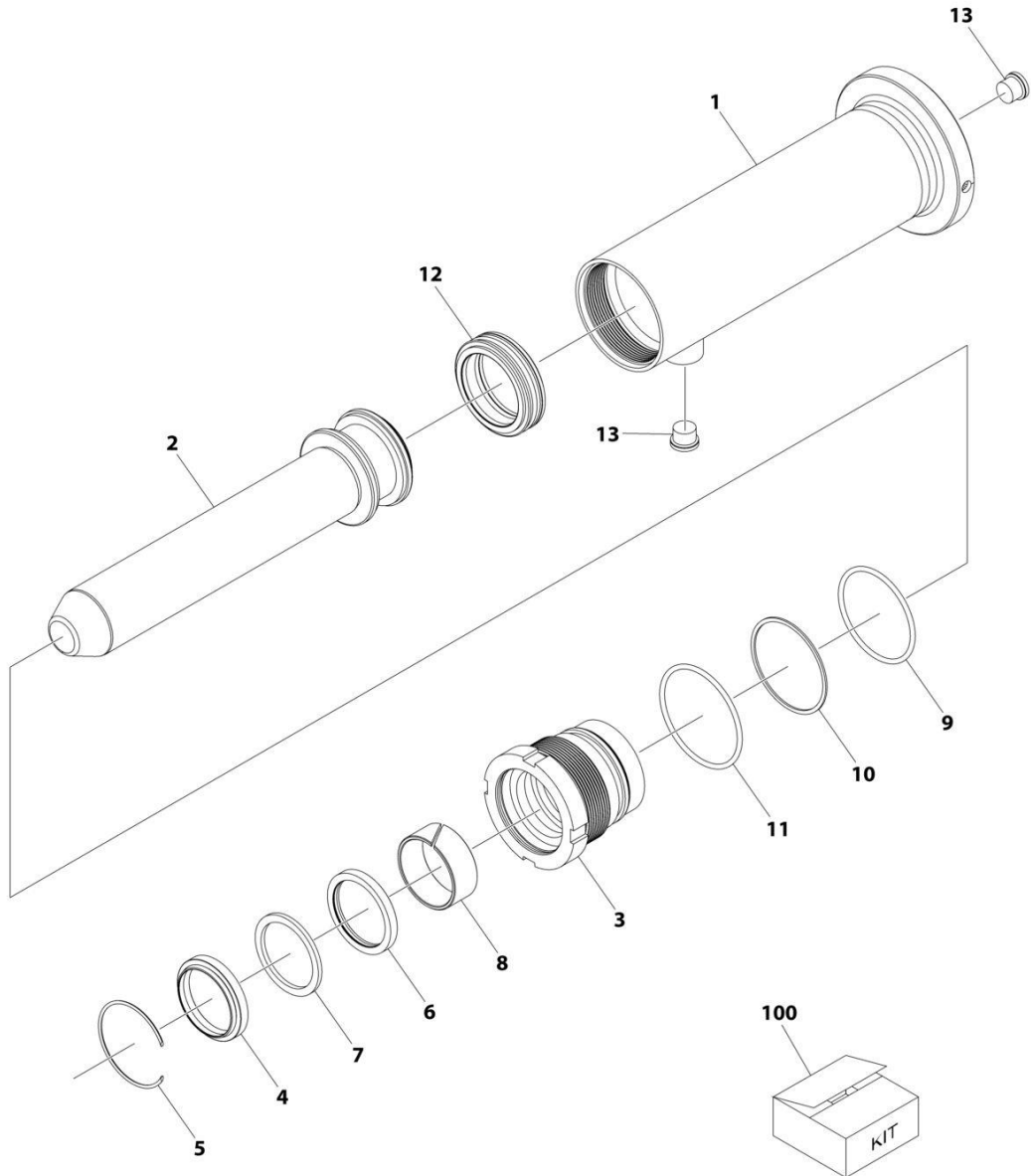
SECTION 6 - CYLINDER

FIGURE 6-5. LIFT CYLINDER ASSEMBLY - JIB

ITEM	PART NUMBER	QTY	DESCRIPTION	REV
	1001251058	Ref	LIFT (JIB) CYLINDER ASSEMBLY	A
		Ref	Note: Original Cylinder May Have Been Replaced with Service Replacement. Identify PN Stamped on Cylinder Before Ordering Parts.	
1	0961950	4	Bushing	
2	4641248	1	Cartridge, Counterbalance Valve	
2	70004186	1	Seal Kit - 4641248 Counterbalance Valve	
3	4640999	1	Cartridge, Holding Valve	
3	2900792	1	Seal Kit - 4640999 Cartridge Valve	
4	1001117991	1	Sensor	
101	See Note	NSS	Barrel (Note: Not available for Purchase)	
102	70008020	1	Rod	
103	70008021	1	Head	
104	See Note	NSS	Wiper (Note: Use Item 200)	
105	70050795	1	Ring, Retaining	
106	See Note	NSS	Seal, Rod (Note: Use Item 200)	
107	See Note	NSS	Ring, Backup (Note: Use Item 200)	
108	70006636	1	Bushing	
109	See Note	NSS	O-Ring (Note: Use Item 200)	
110	See Note	NSS	Ring, Backup (Note Use Item 200)	
111	See Note	NSS	O-Ring (Note: Use Item 200)	
112	70008022	1	Piston	
113	See Note	NSS	Seal, Piston (Note: Use Item 200)	
114	See Note	NSS	O-Ring (Note: Use Item 200)	
115	70022564	1	Ball, Steel	
116	70006596	1	Setscrew M8 x 12	
117	70008023	1	Spacer	
121	2220883	5	Plug 7/16	
122	2220885	2	Plug 9/16	
124	See Note	2	Sleeve (Note: Use Item 300)	
125	See Note	1	Magnet (Note: Use Item 300)	
126	See Note	1	Ring, Retaining (Note: Use Item 300)	
127	70008024	1	Cover	
128	70008025	8	Bolt M6 x 35	
129	70008026	1	Clamp	
130	70006462	1	Bolt M5 x 8	
131	70006464	1	Set Screw M5 X 10	
200	70008027	1	Seal Kit (Includes Items 104, 106-107, 109-111, 113-114)	
300	1001119105	1	Magnet Kit (Includes Items 124-126)	

SECTION 6 - CYLINDER

FIGURE 6-6. LOCK CYLINDER ASSEMBLY - JIB



ART_1001251046

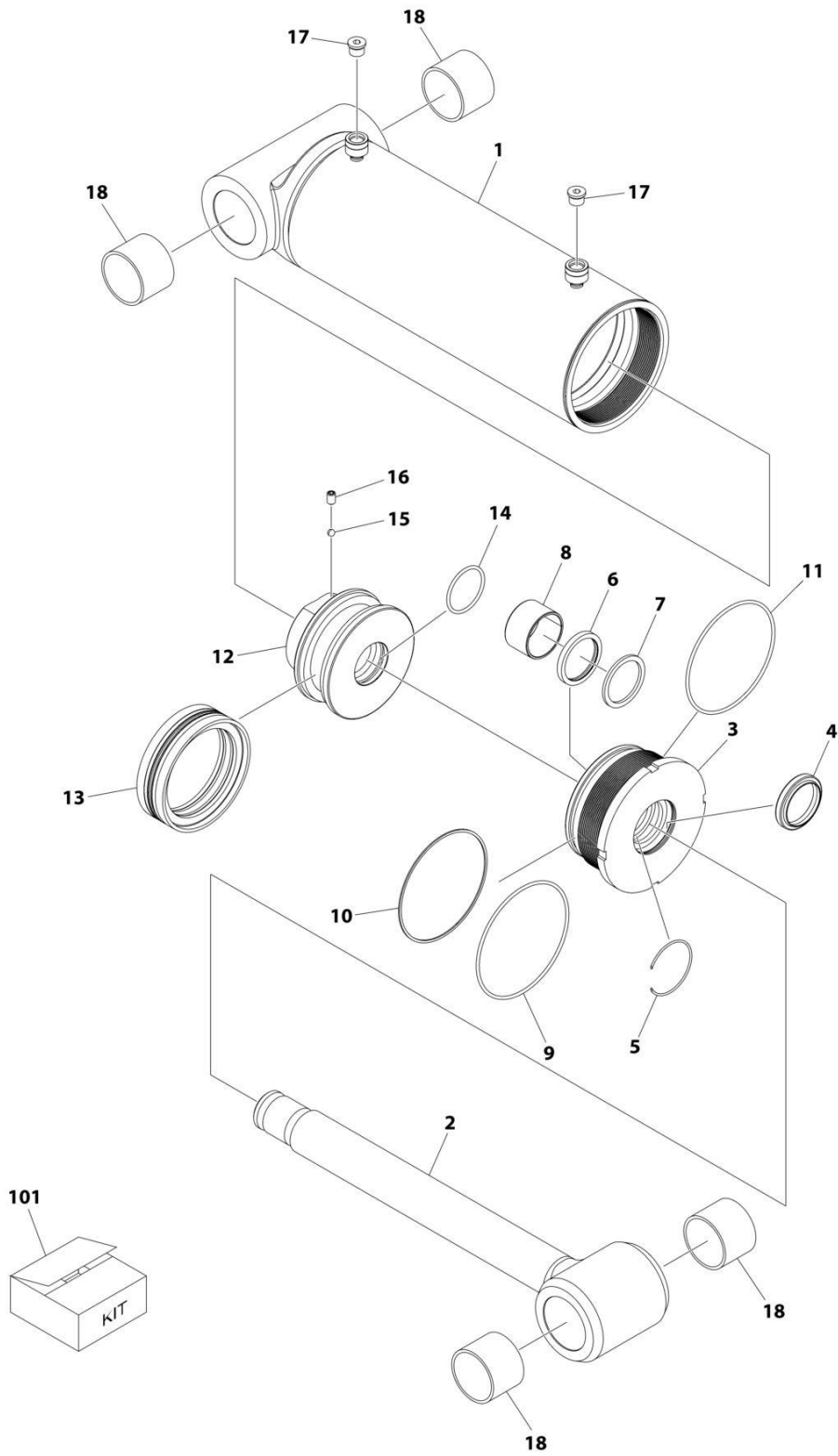
SECTION 6 - CYLINDER

FIGURE 6-6. LOCK CYLINDER ASSEMBLY - JIB

ITEM	PART NUMBER	QTY	DESCRIPTION	REV
	1001251046	Ref	LOCK (JIB) CYLINDER ASSEMBLY	A
		Ref	Note: Original Cylinder May Have Been Replaced with Service Replacement. Identify PN Stamped on Cylinder Before Ordering Parts.	
1	See Note	NSS	Barrel (Note: Not Available for Purchase)	
2	70008036	1	Rod	
3	70008037	1	Gland	
4	See Note	1	Dust Wiper (Note: Use Item 100)	
5	70002410	1	Ring, Retaining	
6	See Note	1	Rod Seal (Note: Use Item 100)	
7	See Note	1	Ring, Backup (Note: Use Item 100)	
8	See Note	1	Ring, Wear (Note: Use Item 100)	
9	See Note	1	O-Ring (Note: Use Item 100)	
10	See Note	1	Ring, Backup (Note: Use Item 100)	
11	See Note	1	O-Ring (Note: Use Item 100)	
12	See Note	1	Seal, Piston (Note: Use Item 100)	
13	2220885	2	Plug 9/16	
100	70008038	1	Seal Kit (Includes Items 4 & 6-12)	

SECTION 6 - CYLINDER

FIGURE 6-7. STEER CYLINDER ASSEMBLY



ART_1001251065

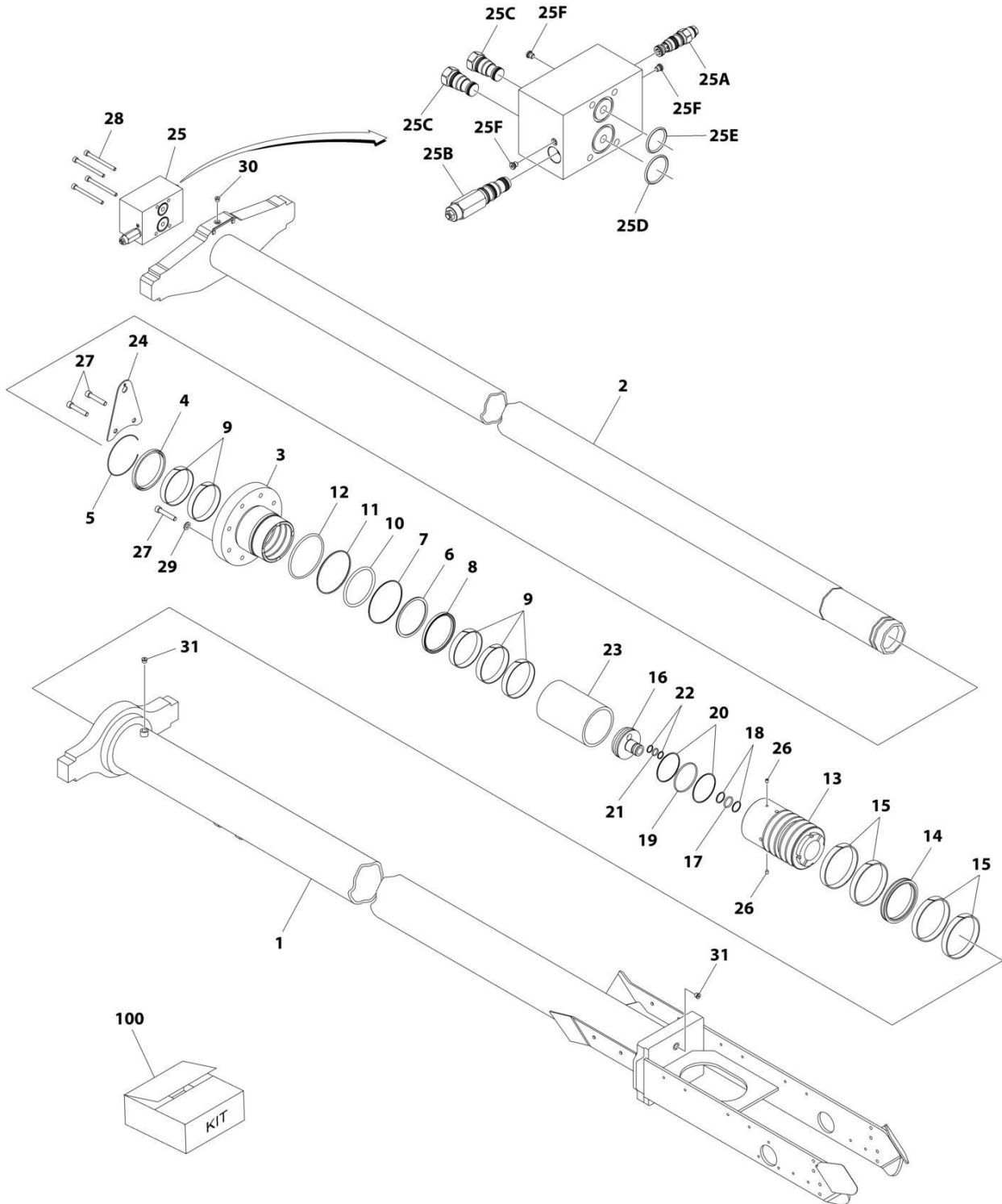
SECTION 6 - CYLINDER

FIGURE 6-7. STEER CYLINDER ASSEMBLY

ITEM	PART NUMBER	QTY	DESCRIPTION	REV
	1001251065	Ref	STEER CYLINDER ASSEMBLY	A
		Ref	Note: Original Cylinder May Have Been Replaced with Service Replacement. Identify PN Stamped on Cylinder Before Ordering Parts.	
1	See Note	NSS	Barrel (Note: Not Available for Purchase)	
2	7008010	1	Rod	
3	7008011	1	Head	
4	See Note	NSS	Wiper (Note: Use Item 101)	
5	70002410	1	Ring, Retaining	
6	See Note	NSS	Seal, Rod (Note: Use Item 101)	
7	See Note	NSS	Ring, Backup (Note: Use Item 101)	
8	7004237	1	Bushing	
9	See Note	NSS	O-Ring (Note: Use Item 101)	
10	See Note	NSS	Ring, Backup (Note: Use Item 101)	
11	See Note	NSS	O-Ring (Note: Use Item 101)	
12	70008012	1	Piston	
13	See Note	NSS	Seal, Piston (Note: Use Item 101)	
14	See Note	NSS	O-Ring (Note: Use Item 101)	
15	70022564	1	Ball, Steel	
16	70006596	1	Setscrew M8 x 12	
17	2220885	2	Plug 9/16	
18	0961950	4	Bushing	
101	70008013	1	Seal Kit (Includes Items 4, 6-7, 9-11 & 13-14)	

SECTION 6 - CYLINDER

FIGURE 6-8. TELESCOPE CYLINDER ASSEMBLY - BOOM



ART_1001228082

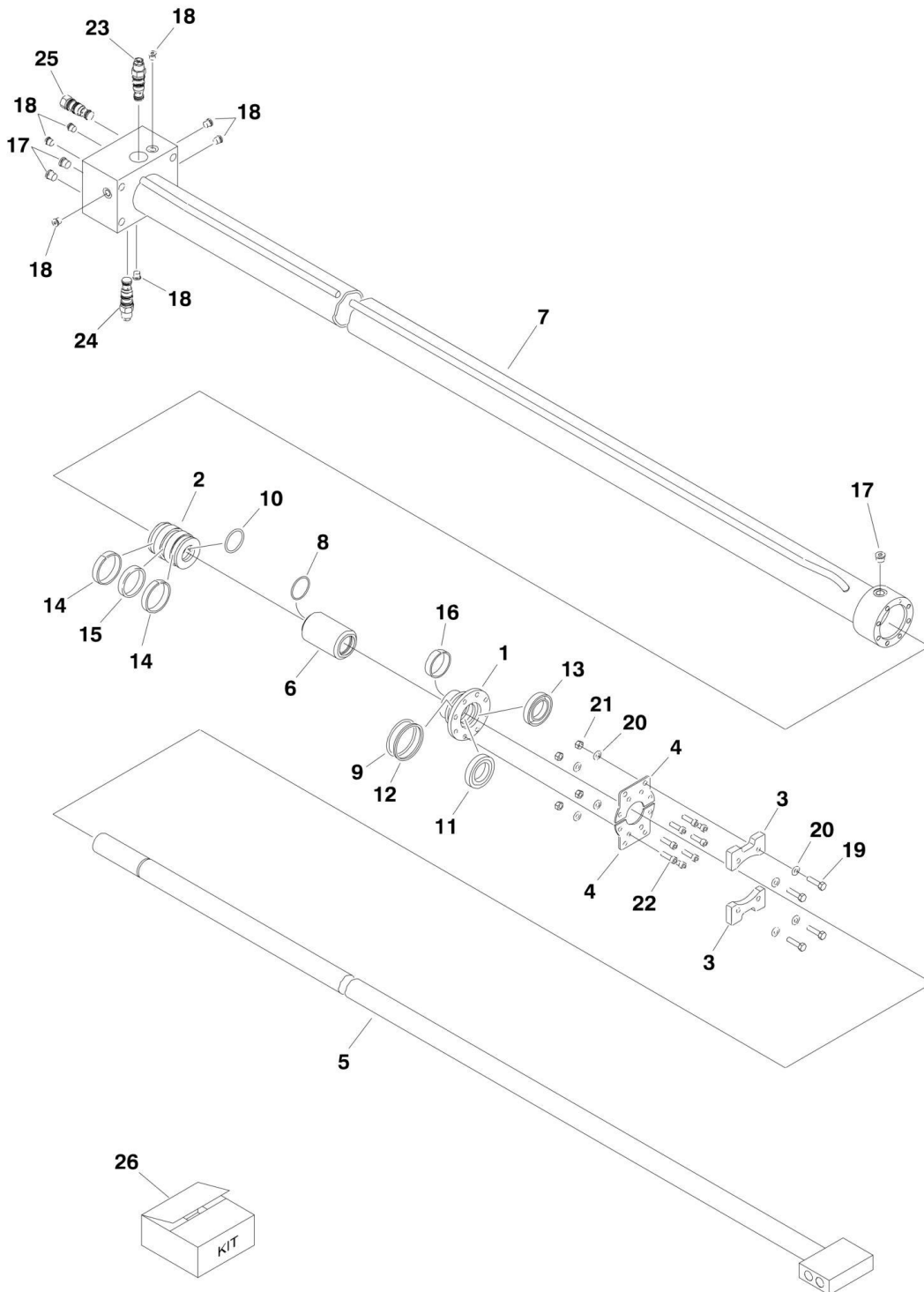
SECTION 6 - CYLINDER

FIGURE 6-8. TELESCOPE CYLINDER ASSEMBLY - BOOM

ITEM	PART NUMBER	QTY	DESCRIPTION	REV
	1001228082	Ref	TELESCOPE CYLINDER ASSEMBLY - BOOM	D
		Ref	Note: Original Cylinder May Have Been Replaced with Service Replacement. Identify PN Stamped on Cylinder Before Ordering Parts.	
1	See Note	NSS	Barrel Weldment (Note: Not Available for Purchase)	
2	70006834	1	Rod Weldment	
3	70006835	1	Head	
4	See Note	NSS	Wiper (Note: Use Item 100)	
5	70006836	1	Ring, Retaining	
6	See Note	NSS	Seal, Rod (Note: Use Item 100)	
7	See Note	NSS	Ring, Back-up (Note: Use Item 100)	
8	See Note	NSS	Ring, Buffer (Note: Use Item 100)	
9	See Note	NSS	Ring, Wear (Note: Use Item 100)	
10	See Note	NSS	O-Ring (Note: Use Item 100)	
11	See Note	NSS	Ring, Back-up (Note: Use Item 100)	
12	See Note	NSS	O-Ring (Note: Use Item 100)	
13	70006837	1	Piston	
14	See Note	NSS	Seal, Piston (Note: Use Item 100)	
15	See Note	NSS	Ring, Wear (Note: Use Item 100)	
16	70006838	1	End, Rod	
17	See Note	NSS	O-Ring (Note: Use Item 100)	
18	See Note	NSS	Ring, Back-up (Note: Use Item 100)	
19	See Note	NSS	O-Ring (Note: Use Item 100)	
20	See Note	NSS	Ring, Back-up (Note: Use Item 100)	
21	See Note	NSS	O-Ring (Note: Use Item 100)	
22	See Note	NSS	Ring, Back-up (Note: Use Item 100)	
23	70006839	1	Spacer	
24	70006840	1	Bracket	
25	1001155378	1	Valve	D
25A	70004404	1	Cartridge, Counterbalance	
25A	2900770	1	Seal Kit - 70004404 Cartridge	
25B	1001182256	1	Cartridge, Counterbalance	
25B	7011367	1	Seal Kit - 1001182256 Cartridge	
25C	70004406	2	Cartridge, Check	
25C	2900770	2	Seal Kit - 70004406 Cartridge	
25D	70004407	1	O-Ring	
25E	70004408	1	O-Ring	
25F	70003031	3	Plug	
26	3951405	2	Setscrew	
27	70005882	8	Plug	
28	70006841	4	Bolt	
29	70005883	6	Washer	
30	2220883	1	Plug	
31	2220885	2	Plug	
100	70006842	1	Seal Kit - Cylinder (Includes Items 4, 6-12, 14, 15 & 17-22)	

SECTION 6 - CYLINDER

FIGURE 6-9. TELESCOPE CYLINDER ASSEMBLY - JIB



1001158991

SECTION 6 - CYLINDER

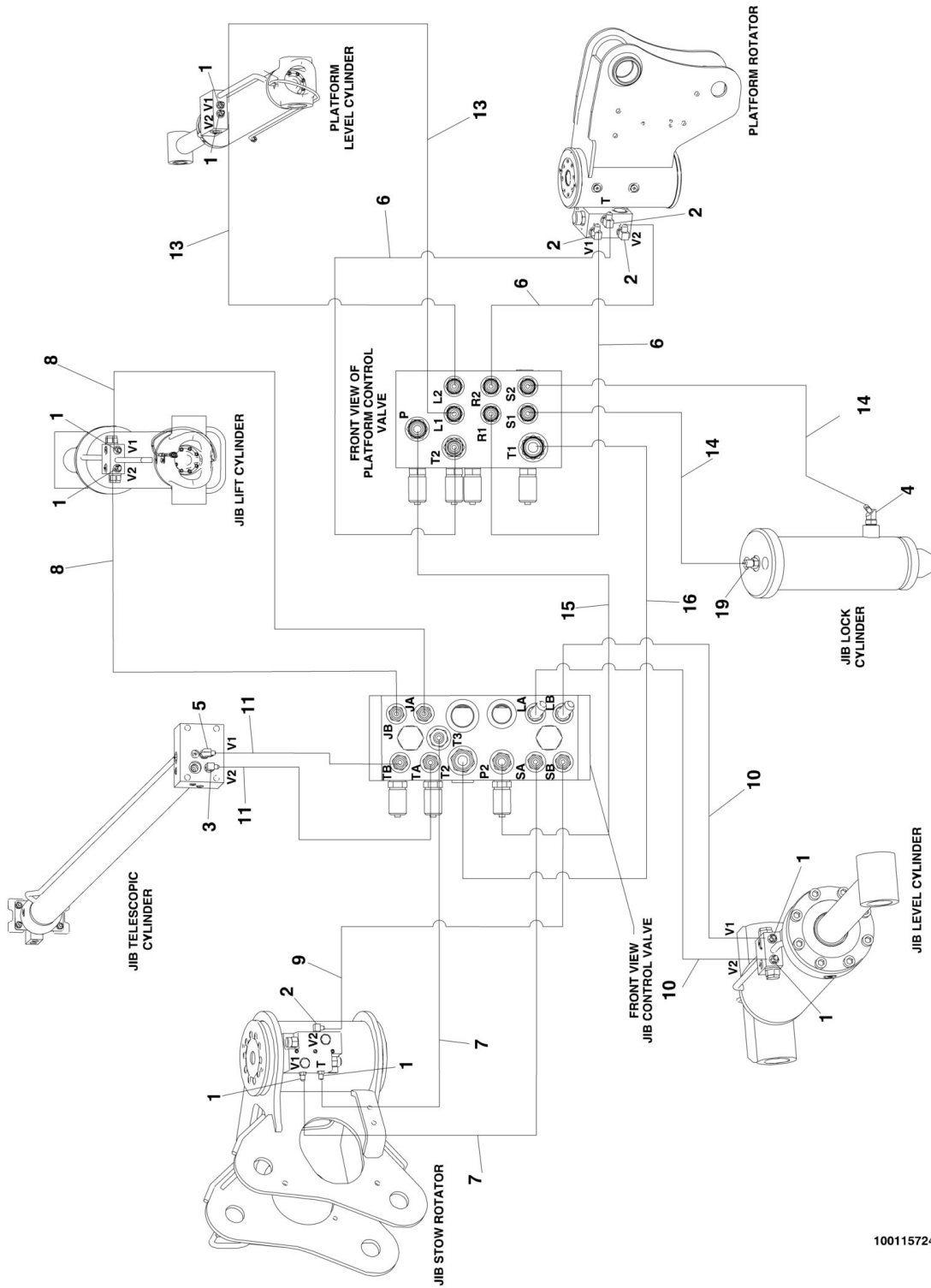
FIGURE 6-9. TELESCOPE CYLINDER ASSEMBLY - JIB

ITEM	PART NUMBER	QTY	DESCRIPTION	REV
	1001158991	Ref	TELESCOPE CYLINDER ASSEMBLY - JIB	D
		Ref	Note: Original Cylinder May Have Been Replaced with Service Replacement. Identify PN Stamped on Cylinder Before Ordering Parts.	
1	70003050	1	Head	
2	70003046	1	Piston	
2	0100011	AR	Compound, Locking	
3	70003047	2	Pad, Wear	
4	70004498	2	Support, Pad	
5	70004497	1	Rod	
6	70004496	1	Spacer	
7	70004495	1	Barrel	
8	See Note	NSS	O-Ring (Note: Use Item 26)	
9	See Note	NSS	O-Ring (Note: Use Item 26)	
10	See Note	NSS	O-Ring (Note: Use Item 26)	
11	See Note	NSS	Seal (Note: Use Item 26)	
12	See Note	NSS	Ring, Back-up (Note: Use Item 26)	
13	See Note	NSS	Wiper (Note: Use Item 26)	
14	See Note	NSS	Ring, Wear (Note: Use Item 26)	
15	See Note	NSS	Seal (Note: Use Item 26)	
16	See Note	1	Ring, Wear (Note: Use Item 26)	
17	See Note	NSS	Plug #6 (Note: Not Available for Purchase)	
18	See Note	NSS	Plug #4 (Note: Not Available for Purchase)	
19	0641510	4	Bolt 5/16 x 1-1/4	
20	4711500	8	Washer 5/16	
21	3311505	4	Nut 5/16	
22	3931516	8	Capscrew 5/16 x 1	
22	0100011	AR	Compound, Locking	
23	4640771	1	Valve, Cartridge	
23	2900770	1	Seal Kit - 4640771 Valve	
24	70003045	1	Valve, Cartridge	
24	2900770	1	Seal Kit- 70003045 Valve	
25	10837580	1	Valve, Cartridge	
25	7010543	1	Seal Kit - 10837580 Valve	
26	70004499	1	Seal Kit - Cylinder (Includes Items 8-16)	

SECTION 7 - HYDRAULIC

SECTION 7 - HYDRAULIC

FIGURE 7-1. BOOM AND JIB HYDRAULIC DIAGRAM



1001157243

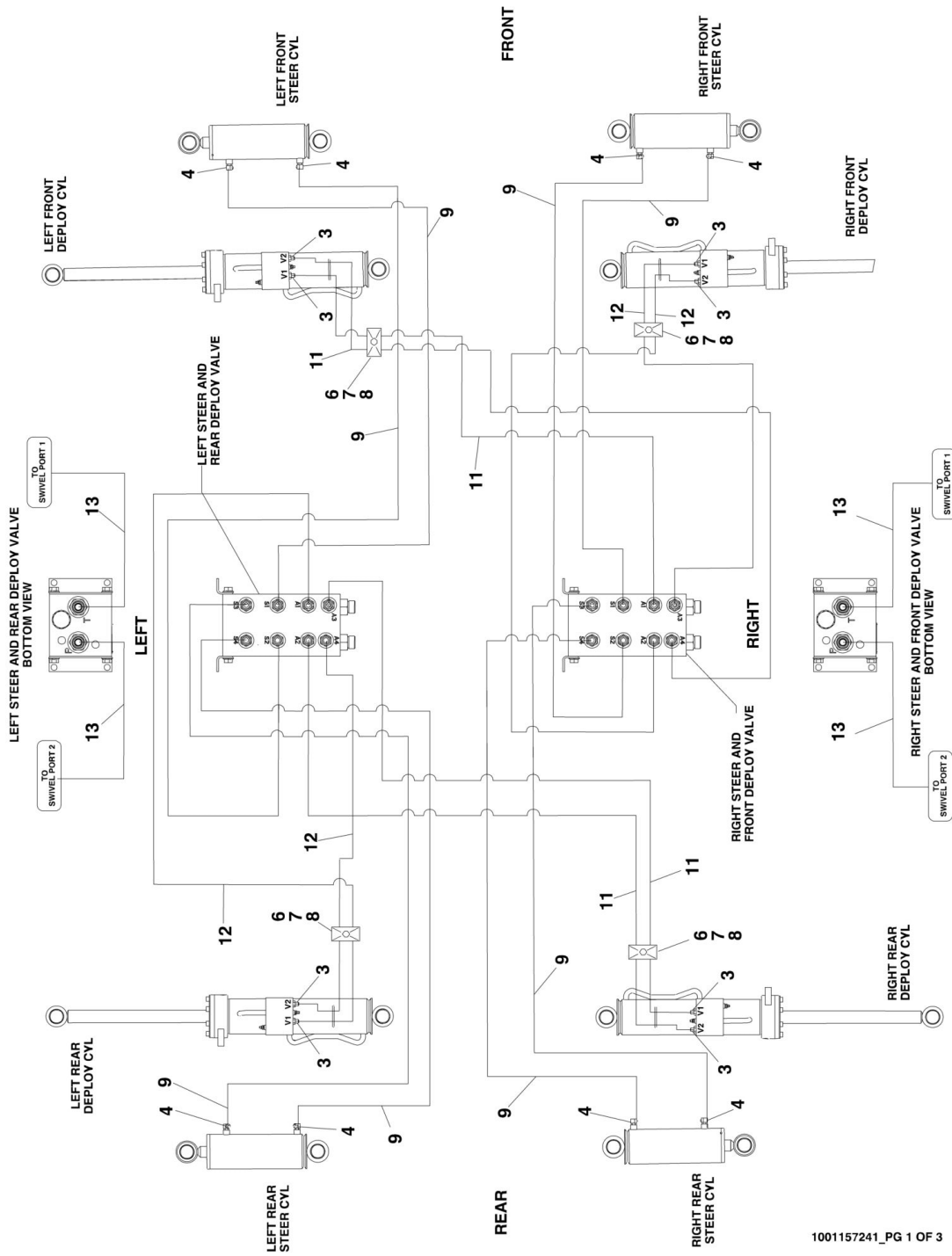
SECTION 7 - HYDRAULIC

FIGURE 7-1. BOOM AND JIB HYDRAULIC DIAGRAM

ITEM	PART NUMBER	QTY	DESCRIPTION	REV
	1001157243	Ref	HYDRAULIC DIAGRAM - BOOM AND JIB	C
1	2220415	8	Fitting, Straight JIC/ORB	
2	2220466	4	Fitting, 90 JIC/ORB	
3	2220472	1	Fitting, 90 JIC/ORB	
4	2221040	1	Fitting, 45 JIC/ORB	
5	1001160955	1	Fitting, 90 JIC/ORB	
6	1001161626	3	Hose	
7	1001161627	2	Hose	
8	1001161628	2	Hose	
9	1001161629	1	Hose	
10	1001161630	2	Hose	
11	1001161631	2	Hose	
13	1001161633	2	Hose	
14	1001161634	2	Hose	
15	1001161635	1	Hose	
16	1001161636	1	Hose	
17	4240018	2	Tie-Strap (Not Shown)	
18	4240155	15	Strap, Cinch (Not Shown)	
19	2220582	1	Fitting, Straight JIC/ORB	

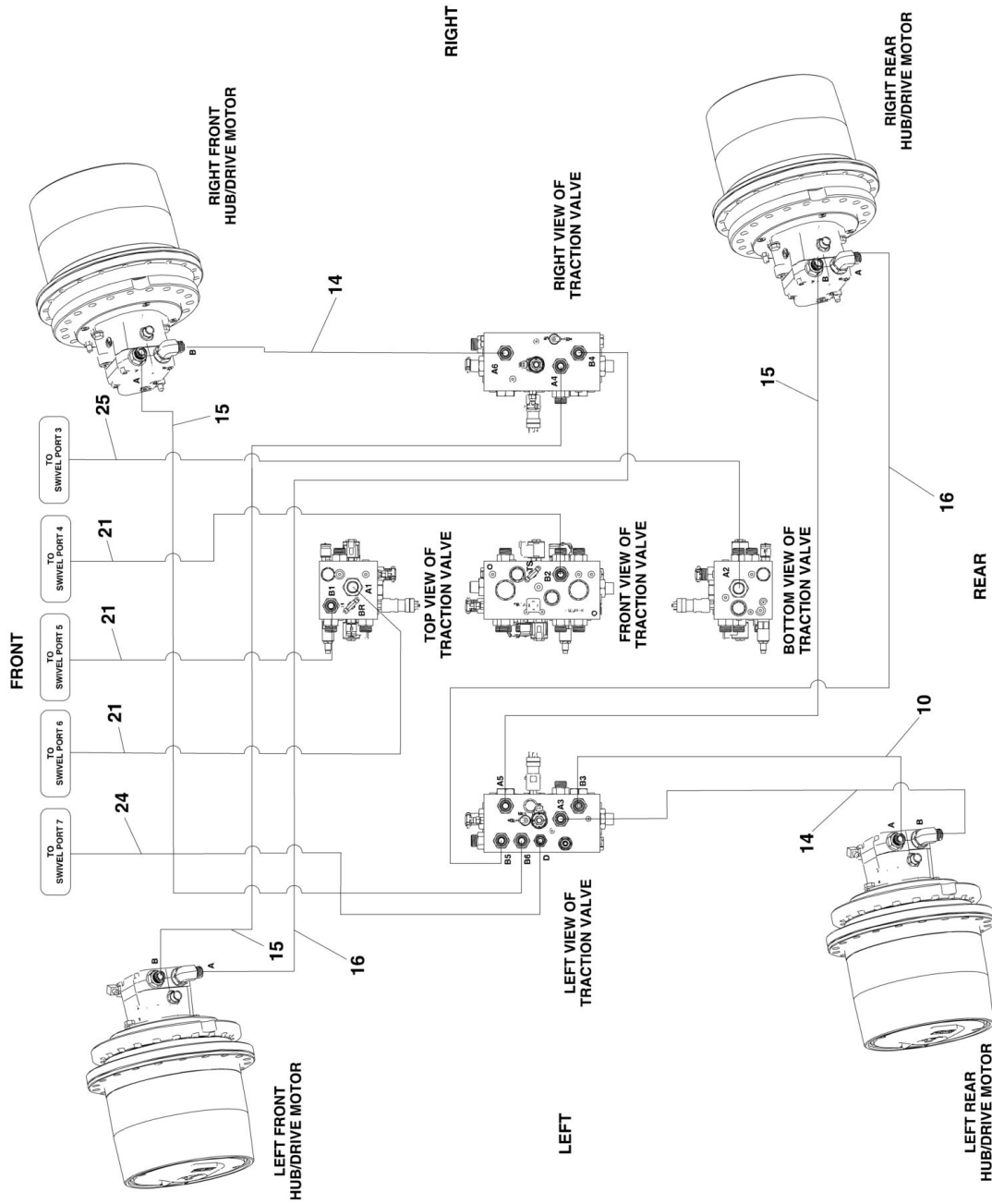
SECTION 7 - HYDRAULIC

FIGURE 7-2. CHASSIS HYDRAULIC DIAGRAM



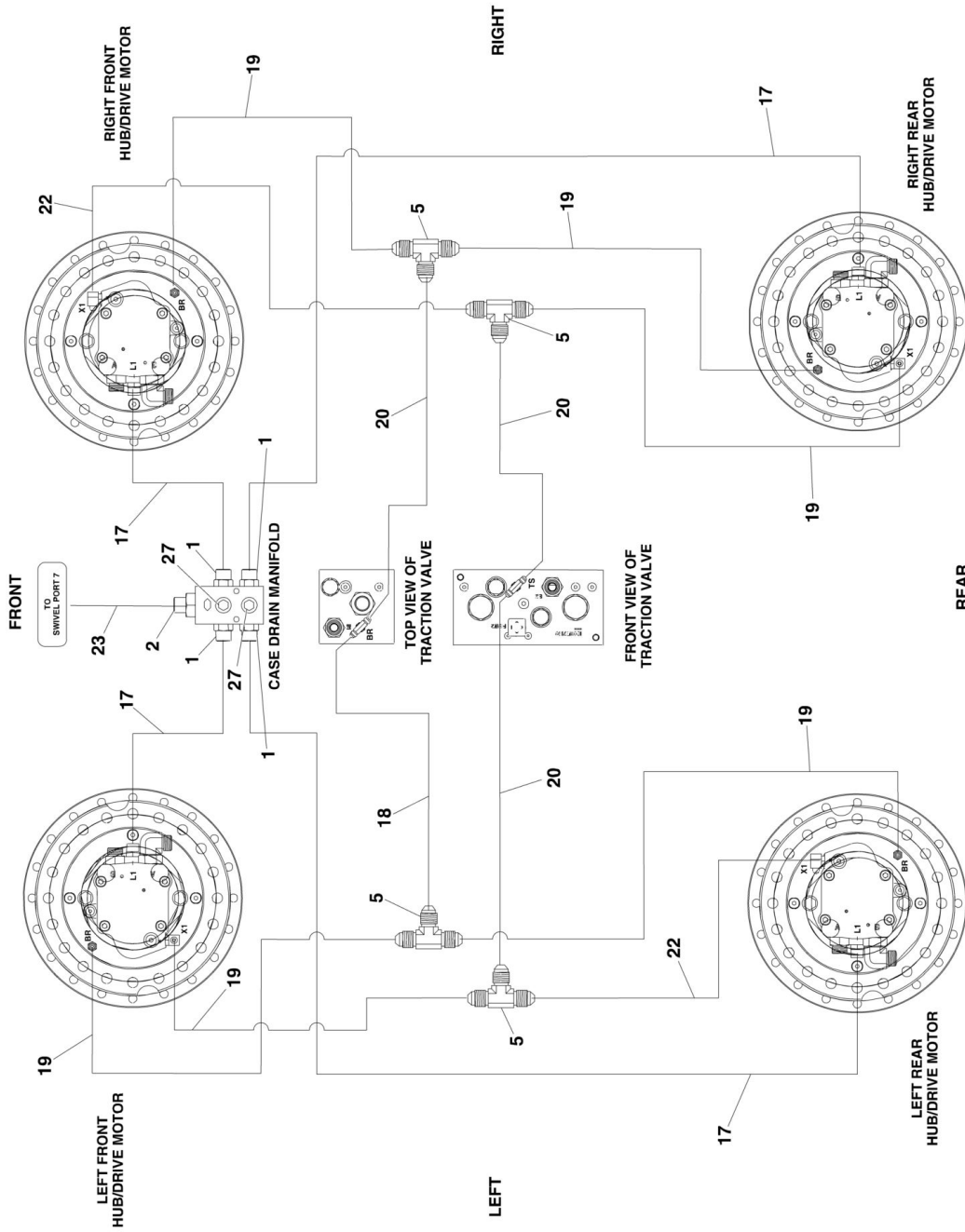
1001157241_PG 1 OF 3

SECTION 7 - HYDRAULIC



1001157241_PG 2 OF 3

SECTION 7 - HYDRAULIC



1001157241_PG 3 OF 3

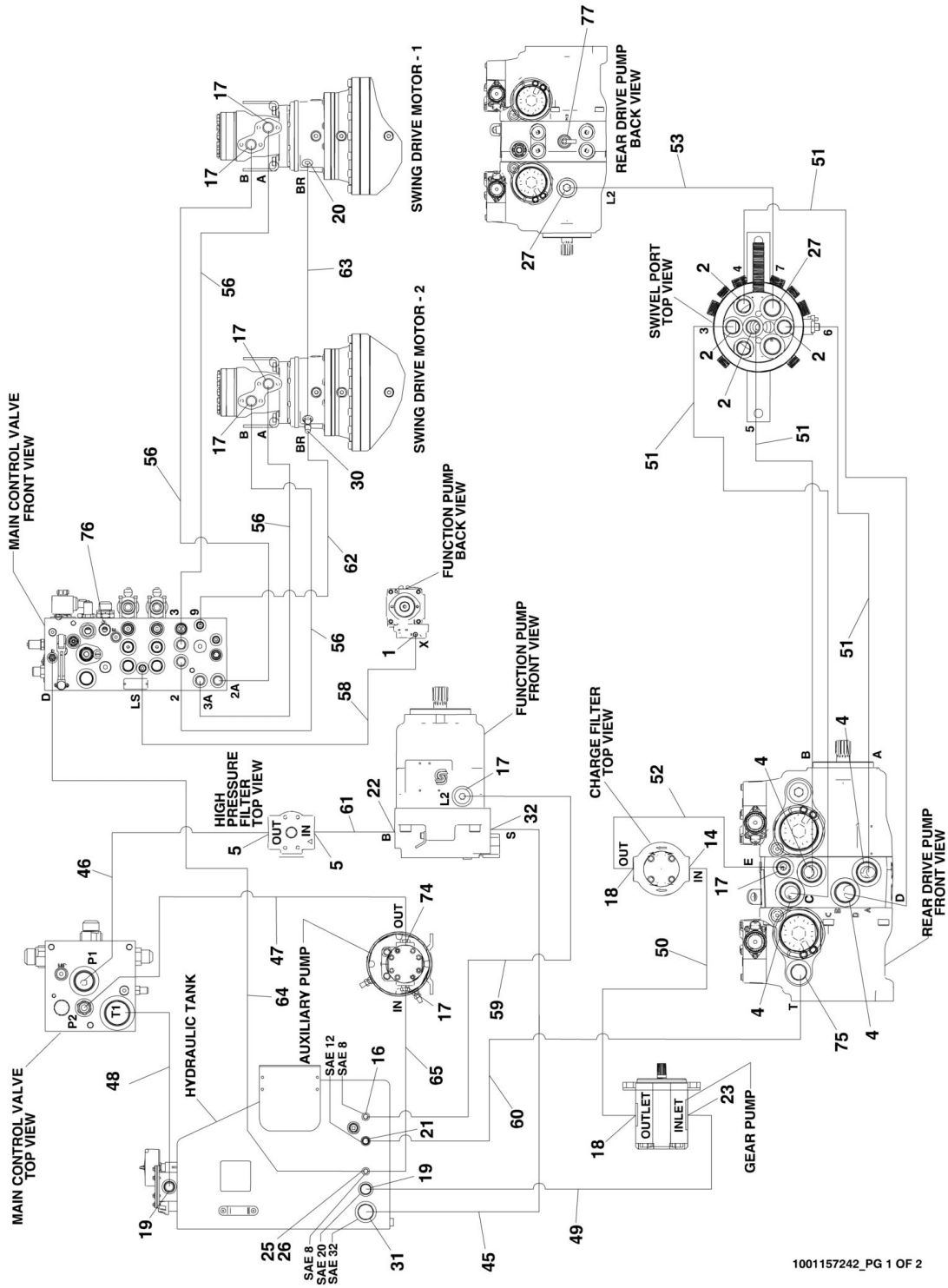
SECTION 7 - HYDRAULIC

FIGURE 7-2. CHASSIS HYDRAULIC DIAGRAM

ITEM	PART NUMBER	QTY	DESCRIPTION	REV
	1001157241	Ref	CHASSIS HYDRAULIC DIAGRAM	D
1	2110808	4	Fitting, Straight ORFS/ORB	
2	2110812	1	Fitting, Straight ORFS/ORB	
3	2220372	8	Fitting, Straight JIC/ORB	
4	2220473	8	Fitting, 90 JIC/ORB	
5	2220504	4	Fitting, Tee JIC/JIC/JIC	
6	8769122	4	Clamp Set	
7	8769128	4	Cover	
8	0641511001	4	Bolt 5/16 x 1-3/8	
9	1001161269	8	Hose	
10	1001161270	1	Hose	
11	1001161271	4	Hose	
12	1001161272	4	Hose	
13	1001161273	4	Hose	
14	1001161274	2	Hose	
15	1001161275	3	Hose	
16	1001161276	2	Hose	
17	1001161277	4	Hose	
18	1001161278	1	Hose	
19	1001161279	6	Hose	
20	1001161280	3	Hose	
21	1001161281	3	Hose	
22	1001161282	2	Hose	
23	1001161283	1	Hose	
24	1001161289	1	Hose	
25	1001161290	1	Hose	
26	4240018	18	Tie-Strap (Not Shown)	
27	2220235	2	Fitting, O-Ring	

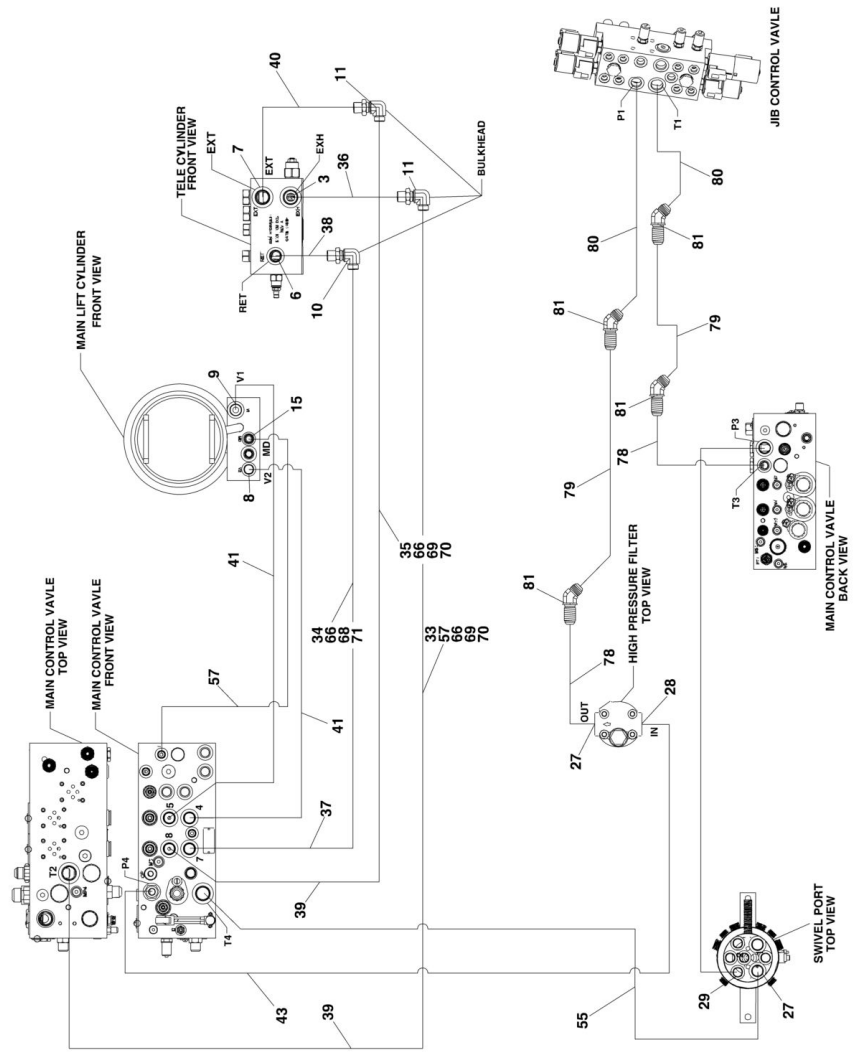
SECTION 7 - HYDRAULIC

FIGURE 7-3. TURNTABLE HYDRAULIC DIAGRAM



1001157242_PG 1 OF 2

SECTION 7 - HYDRAULIC



1001157242_PG 2 OF 2

SECTION 7 - HYDRAULIC

FIGURE 7-3. TURNTABLE HYDRAULIC DIAGRAM

ITEM	PART NUMBER	QTY	DESCRIPTION	REV
	1001157242	Ref	HYDRAULIC DIAGRAM - TURNTABLE	H
1	2110404	1	Fitting, Straight ORFS/ORB	
2	2111010	4	Fitting, Straight ORFS/ORB	
3	2111012	1	Fitting, Straight ORFS/ORB	
4	2111016	4	Fitting, Straight ORFS/ORB	
5	2111620	2	Fitting, Straight ORFS/ORB	
6	2130810	1	Fitting, 90 ORFS/ORB	
7	2131012	1	Fitting, 90 ORFS/ORB	
8	2151010	1	Fitting, 45 ORFS/ORB	
9	2151012	1	Fitting, 45 ORFS/ORB	
10	2171208	1	Fitting, 90 ORFS/ORFS	
11	2171210	2	Fitting, 90 ORFS/ORFS	
14	2220366	1	Fitting, 90 JIC/ORB	
15	2220603	1	Fitting, Straight JIC/ORB	
16	2220373	1	Fitting, Straight JIC/ORB	
17	2220374	7	Fitting, Straight JIC/ORB	
18	2220375	2	Fitting, Straight JIC/ORB	
19	2220380	2	Fitting, Straight JIC/ORB	
20	2220415	1	Fitting, Straight JIC/ORB	
21	2220451	1	Fitting, Straight JIC/ORB	
22	2220478	1	Kit, Split Flange	
23	2220479	1	Fitting, Straight JIC/ORB	
25	2220602	1	Fitting, Tee JIC/ORB/JIC	
26	2220618	1	Fitting, Straight JIC/FSJIC	
27	2220865	4	Fitting, Straight JIC/ORB	
28	2220906	1	Fitting, 90 JIC/ORB	
29	2220947	1	Fitting, Straight JIC/ORB	
30	2221034	1	Fitting, Tee JIC/ORB/JIC	
31	88662013	1	Fitting, Straight JIC/ORB	
32	1001110604	1	Kit, Split Flange	
33	1001158817	1	Pipe, Low Pressure	
34	1001158818	1	Pipe, High Pressure	
35	1001158819	1	Pipe, High Pressure	
36	1001161609	1	Hose	
37	1001161610	1	Hose	
38	1001161611	1	Hose	
39	1001161612	2	Hose	
40	1001161613	1	Hose	
41	1001161614	2	Hose	
43	1001161616	1	Hose	
45	1001161618	1	Hose	
46	1001161619	1	Hose	
47	1001161620	1	Hose	
48	1001161621	1	Hose	
49	1001161622	1	Hose	
50	1001161623	1	Hose	
51	1001161624	4	Hose	
52	1001161625	1	Hose	
53	1001161637	1	Hose	
54	1001161638	1	Hose	

SECTION 7 - HYDRAULIC

ITEM	PART NUMBER	QTY	DESCRIPTION	REV
55	1001161639	1	Hose	
56	1001161640	4	Hose	
57	1001161641	1	Hose	
58	1001161642	1	Hose	
59	1001161643	1	Hose	
60	1001161644	1	Hose	
61	1001161645	1	Hose	
62	1001161646	1	Hose	
63	1001161647	1	Hose	
64	1001161837	1	Hose	
65	1001161869	1	Hose	
66	0641412001	17	Bolt 1/4 x 1-1/2	
67	0641413001	3	Bolt 1/4 X 1-5/8	
68	8769146	3	Cover	
69	8769153	7	Cover	
70	8769154	7	Clamp Set	
71	8769199	3	Clamp Set	
72	4240018	AR	Tie-Strap (Not Shown)	
73	4240155	1	Strap, Cinch (Not Shown)	
74	2220500	1	Fitting, 45 S JIC/ORB	
75	2220578	1	Fitting, 90 S JIC/ORB	
76	1001119455	1	Valve, Oil Sampling	
77	77133089	1	Mini-Check	
78	1001184111	2	Hose	
79	1001184112	2	Hose	
80	1001184113	2	Hose	
81	2230035	4	Fitting, BH 45, JIC/JIC	

SECTION 7 - HYDRAULIC

FIGURE 7-4. HYDRAULIC DIAGRAM LIST

ITEM	PART NUMBER	QTY	DESCRIPTION	REV
		Ref	Note: Diagrams are available from JLG Service/Parts Department.	
	1001157243	Ref	Hydraulic Diagram - Boom and Jib	
	1001157241	Ref	Hydraulic Diagram - Chassis	
	1001157242	Ref	Hydraulic Diagram - Turntable	
	1001149709	Ref	Hydraulic Schematic	

SECTION 8 - ELECTRICAL

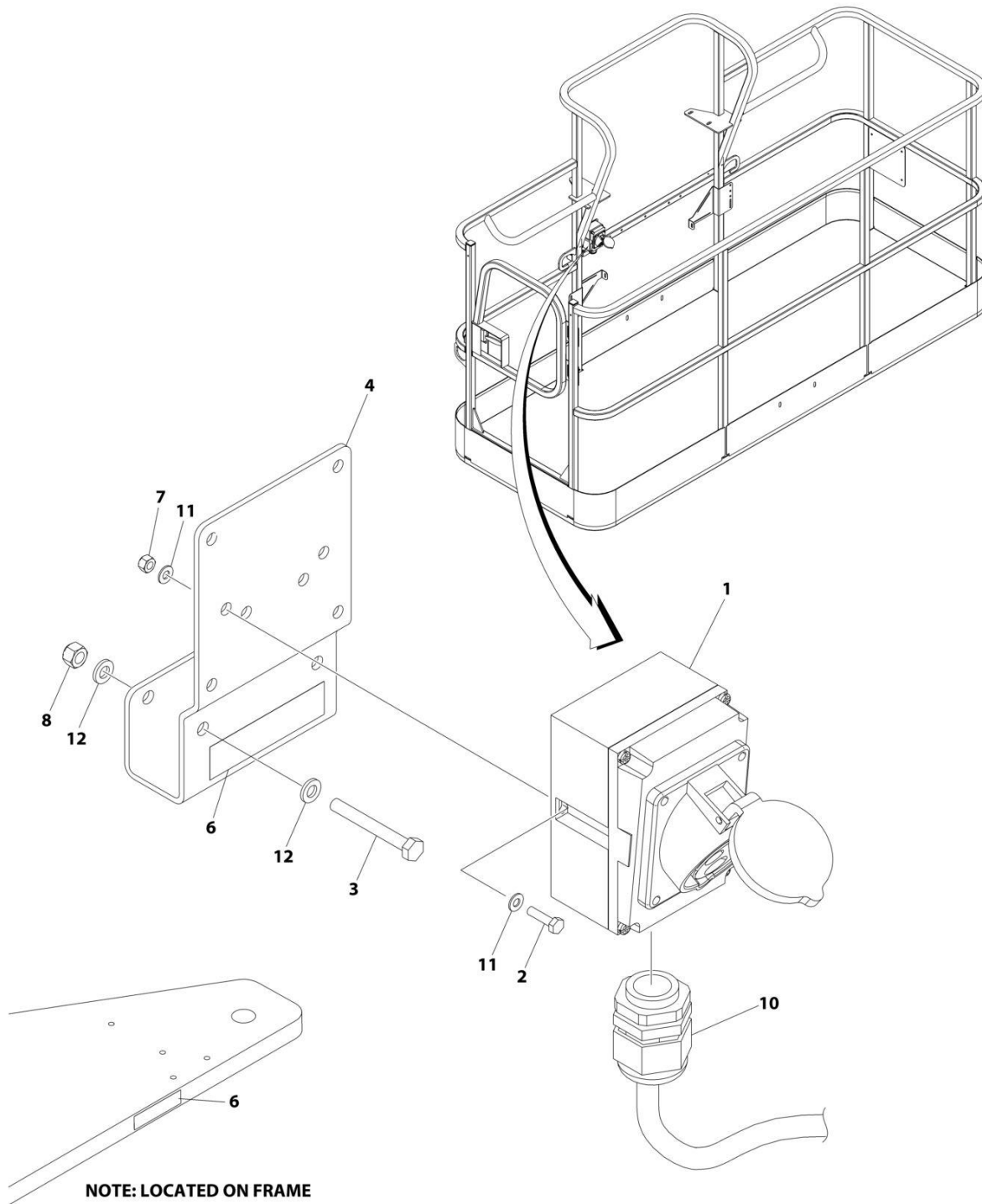
SECTION 8 - ELECTRICAL

FIGURE 8-1. ELECTRICAL DIAGRAM LIST

ITEM	PART NUMBER	QTY	DESCRIPTION	REV
		Ref	Note: Diagrams are available from JLG Service/Parts Departments.	
	1001205405	Ref	GENERATOR ELECTRICAL DIAGRAM - 4000W (ANSI Export, CE, China and Japanese Specs)	
	1001205406	Ref	GENERATOR ELECTRICAL DIAGRAM - 4000W (Australian Specs)	
	1001205407	Ref	GENERATOR ELECTRICAL DIAGRAM - 4000W (CE/UK Specs)	
	1001156083	Ref	GENERATOR ELECTRICAL DIAGRAM - 7500W	
	4933218	Ref	SOFT-TOUCH PLATFORM ELECTRICAL DIAGRAM	
	1001241868	Ref	STANDARD ELECTRICAL SCHEMATIC	

SECTION 8 - ELECTRICAL

FIGURE 8-2. AC BOX AT PLATFORM INSTALLATION - 110V IEC 60309 YELLOW WITHOUT 4000W GENERATOR (CE & UK CA SPECS)



ART_1001161667

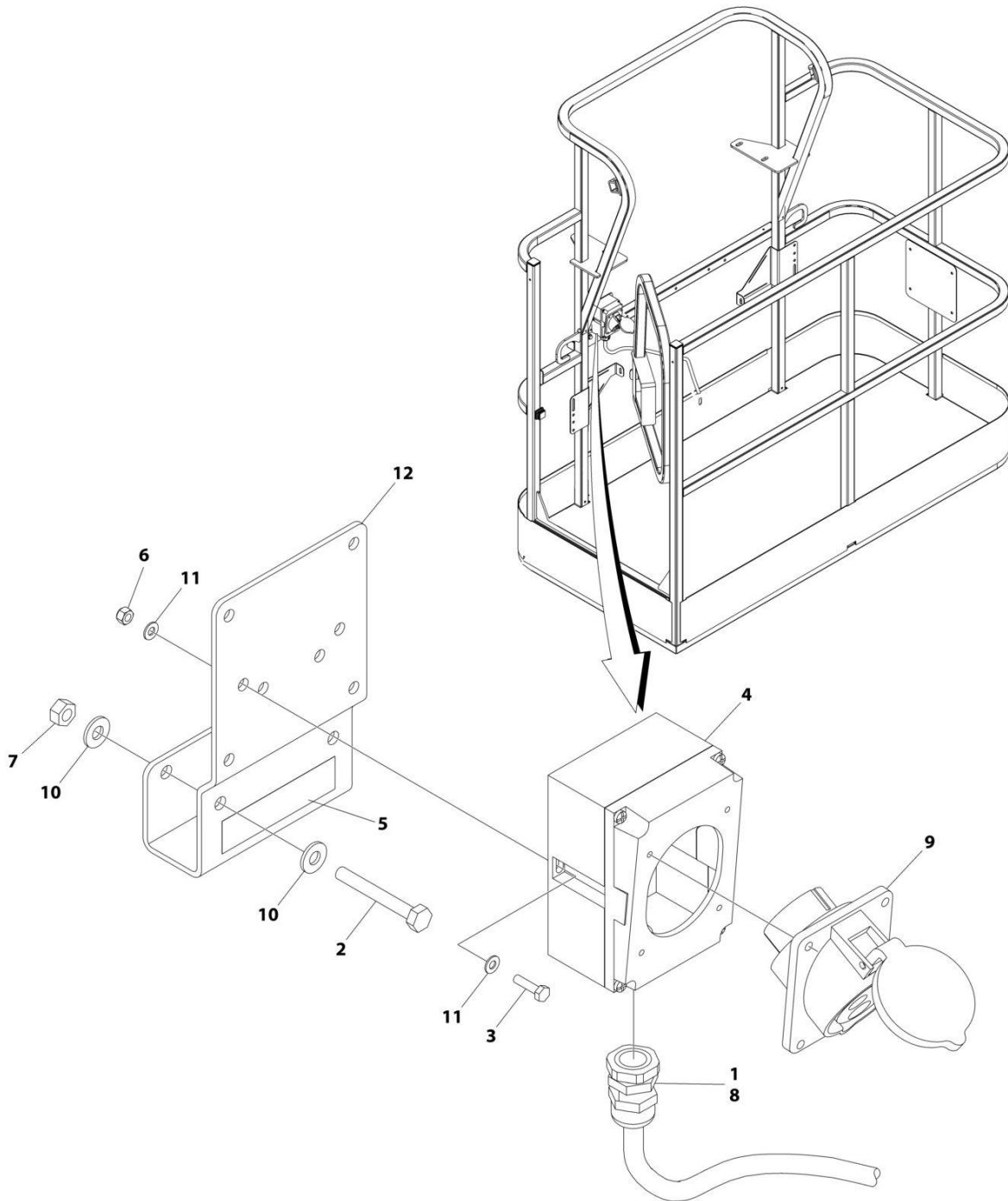
SECTION 8 - ELECTRICAL

FIGURE 8-2. AC BOX AT PLATFORM INSTALLATION - 110V IEC 60309 YELLOW WITHOUT 4000W GENERATOR (CE & UK CA SPECS)

ITEM	PART NUMBER	QTY	DESCRIPTION	REV
	1001161667	Ref	AC BOX AT PLATFORM INSTALLATION	C
1	0275216	1	Receptacle Box Kit - 110V IEC Yellow (See Separate Breakdown in this Section)	
2	0700408	2	Bolt M4 x 16	
3	0700618	2	Bolt M6 x 50	
4	1001193018	1	Bracket	
6	1705325	2	Decal - 110V	
7	3290405	2	Nut M4	
8	3290605	2	Nut M6	
10	1001101191	1	Connector, Strain Relief	
11	4811400	4	Washer M4	
12	4811700	4	Washer M6	

SECTION 8 - ELECTRICAL

FIGURE 8-3. AC BOX AT PLATFORM INSTALLATION - 110V IEC 60309 YELLOW WITH 4000W GENERATOR (CE & UK CA SPECS)



ART_1001194203

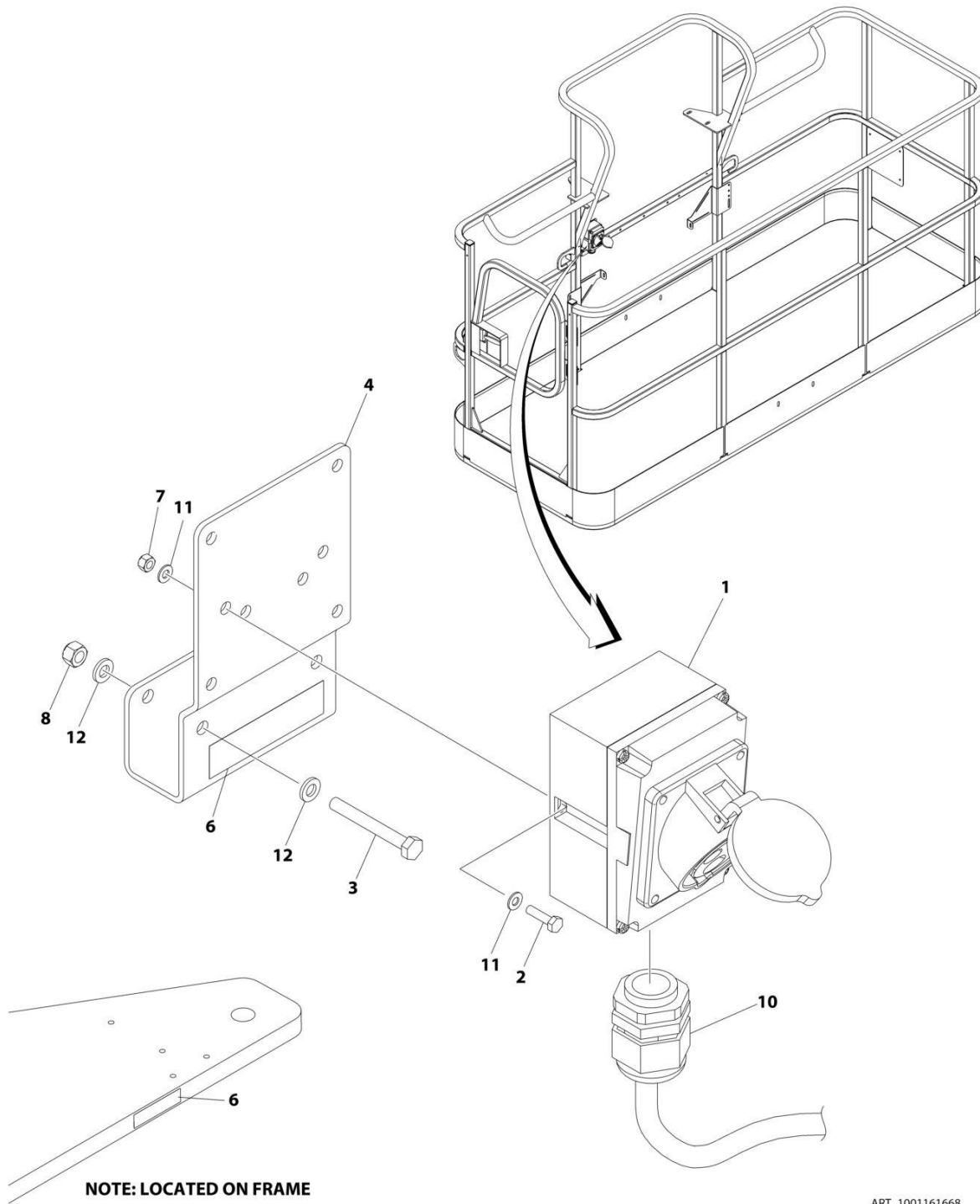
SECTION 8 - ELECTRICAL

FIGURE 8-3. AC BOX AT PLATFORM INSTALLATION - 110V IEC 60309 YELLOW WITH 4000W GENERATOR (CE & UK CA SPECS)

ITEM	PART NUMBER	QTY	DESCRIPTION	REV
	1001194203	Ref	AC BOX AT PLATFORM INSTALLATION	B
1	0100020	AR	Sealant, Pipe	
2	0641416	2	Bolt 1/4 x 2	
3	0700408	2	Bolt M4 x 16	
4	0861781	1	Box, Switch	
5	1705325	1	Decal - 110V	
6	3290405	2	Nut M4	
7	3311405	2	Nut 1/4	
8	4460968	1	Connector, Strain Relief	
9	4461198	1	Receptacle	
10	4711400	4	Washer 1/4	
11	4811400	4	Washer M4	
12	1001193018	1	Bracket, AC Receptacle	

SECTION 8 - ELECTRICAL

FIGURE 8-4. AC BOX AT PLATFORM INSTALLATION - 220V IEC 60309 BLUE WITHOUT 4000W GENERATOR (CE & UK CA SPECS)



ART_1001161668

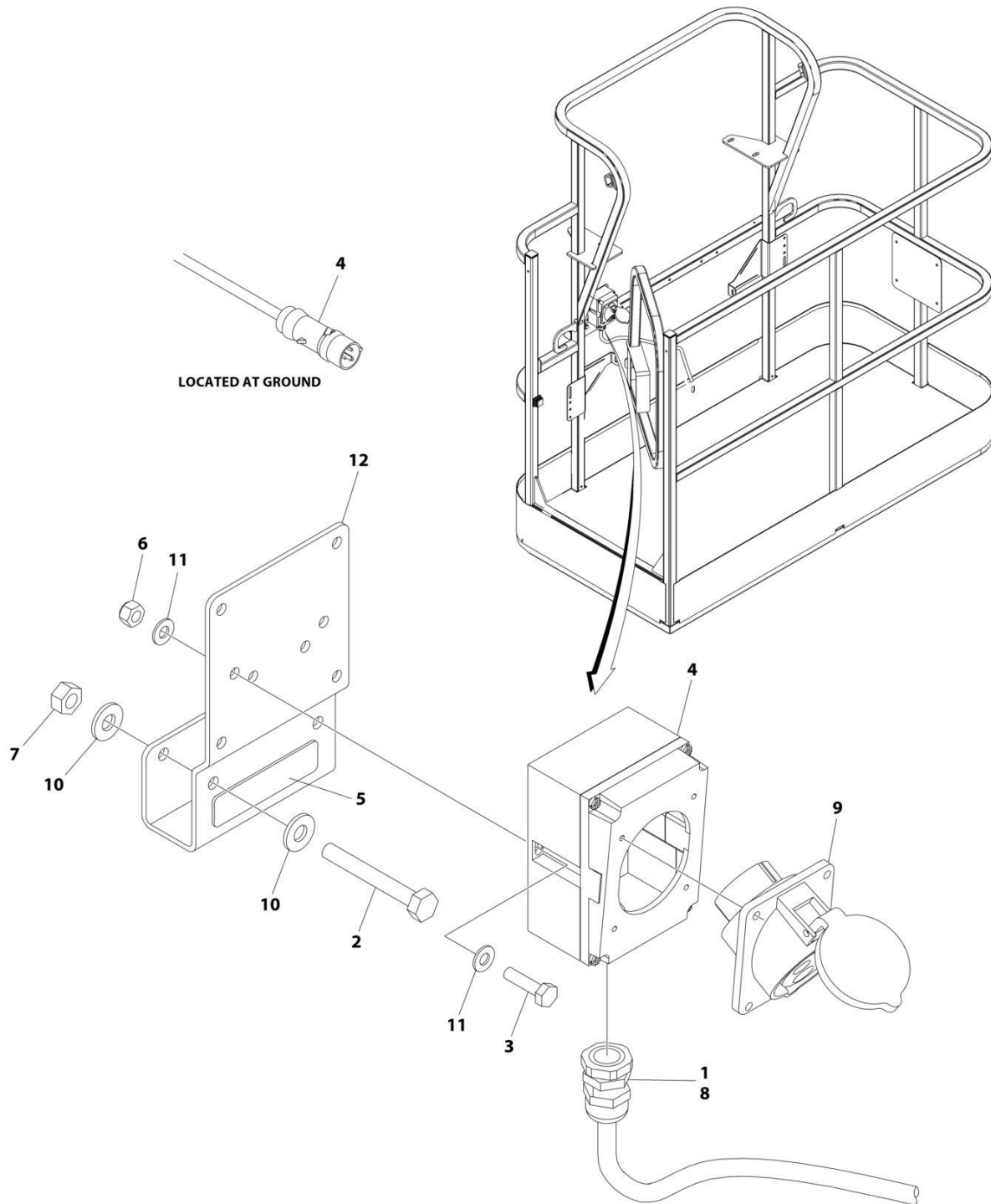
SECTION 8 - ELECTRICAL

FIGURE 8-4. AC BOX AT PLATFORM INSTALLATION - 220V IEC 60309 BLUE WITHOUT 4000W GENERATOR (CE & UK CA SPECS)

ITEM	PART NUMBER	QTY	DESCRIPTION	REV
	1001161668	Ref	AC BOX AT PLATFORM INSTALLATION	C
1	0275217	1	Receptacle Box Kit (See Separate Breakdown in this Section)	
2	0700408	2	Bolt M4 x 16	
3	0700618	2	Bolt M6 x 50	
4	1001193018	1	Bracket	
6	3252507	2	Decal - 110V	
7	3290405	2	Nut M4	
8	3290605	2	Nut M6	
10	1001101191	1	Connector, Strain Relief	
11	4811400	4	Washer M4	
12	4811700	4	Washer M6	

SECTION 8 - ELECTRICAL

FIGURE 8-5. AC BOX AT PLATFORM INSTALLATION - 220V IEC 60309 BLUE WITH 4000W GENERATOR (CE & UK CA SPECS)



ART_1001194204

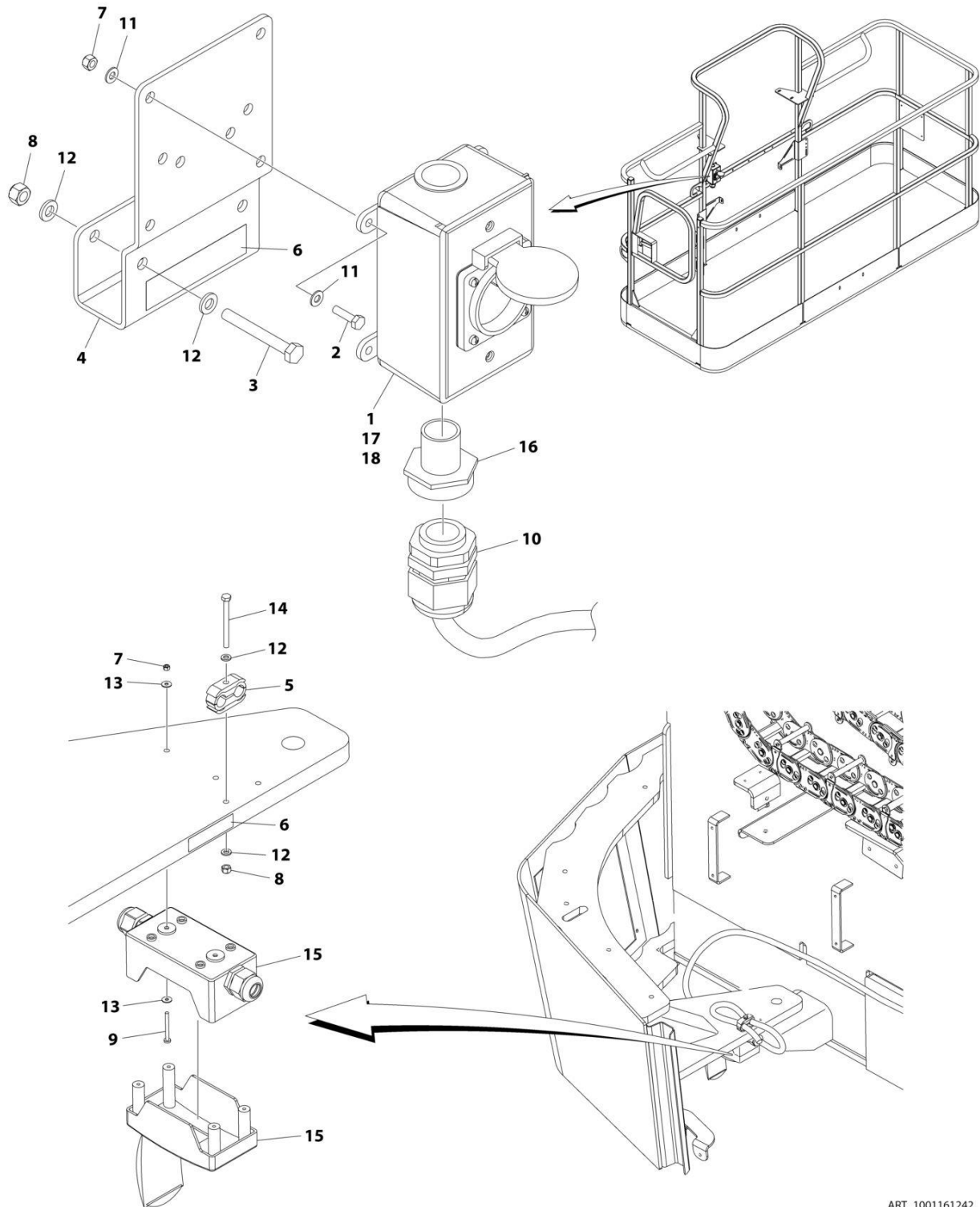
SECTION 8 - ELECTRICAL

FIGURE 8-5. AC BOX AT PLATFORM INSTALLATION - 220V IEC 60309 BLUE WITH 4000W GENERATOR (CE & UK CA SPECS)

ITEM	PART NUMBER	QTY	DESCRIPTION	REV
	1001194204	Ref	AC BOX AT PLATFORM INSTALLATION	B
1	0100020	AR	Sealant, Pipe	
2	0641416	2	Bolt 1/4 x 2	
3	0700408	2	Bolt M4 x 16	
4	0861781	1	Box, Switch	
5	3251242	1	Decal - 240V/50Hz	
6	3290405	2	Nut M4	
7	3311405	2	Nut 1/4	
8	4460968	1	Connector, Strain Relief	
9	4461201	1	Receptacle	
10	4711400	4	Washer 1/4	
11	4811400	4	Washer M4	
12	1001193018	1	Bracket, AC Receptacle	

SECTION 8 - ELECTRICAL

FIGURE 8-6. AC BOX AT PLATFORM INSTALLATION - 220V CEE7 POST GROUND (2X4 BOX) WITHOUT 4000W GENERATOR (CE & UK CA SPECS)



ART_1001161242

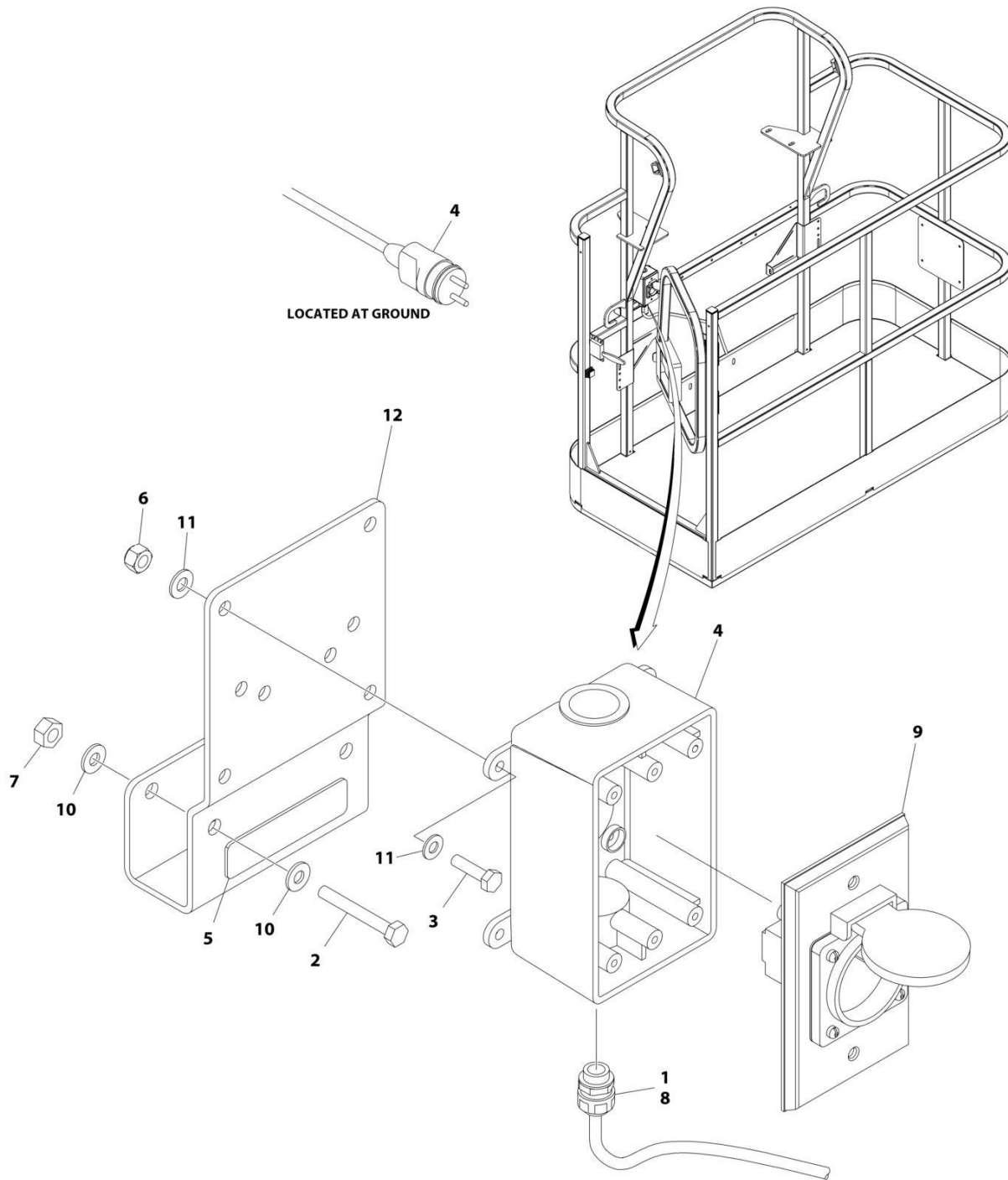
SECTION 8 - ELECTRICAL

**FIGURE 8-6. AC BOX AT PLATFORM INSTALLATION - 220V CEE7 POST GROUND (2X4 BOX)
WITHOUT 4000W GENERATOR (CE & UK CA SPECS)**

ITEM	PART NUMBER	QTY	DESCRIPTION	REV
	1001161242	Ref	AC BOX AT PLATFORM INSTALLATION	D
1	0275452	1	Receptacle Box Kit (See Separate Breakdown in this Section)	
2	0700408	2	Bolt M4 x 16	
3	0700618	2	Bolt M6 x 50	
4	1001193018	1	Bracket	
5	1320146	1	Clamp	
6	3252507	2	Decal - 240V-50Hz	
7	3290405	2	Nut M4	
8	3290605	2	Nut M6	
9	4010416	2	Screw M4 x 40	
10	1001101191	1	Connector, Strain Relief	
11	4811400	4	Washer M4	
12	4811700	4	Washer M6	
13	1001091102	4	Washer M4	
14	1001096653	1	Bolt M6 x 70	
15	1001158080	1	Kit, Breaker Box (See Separate Breakdown in this Section)	
16	1001101197	1	Adapter	
17	4460806	2	Terminal, Fork	
18	1001205958	1	Terminal	

SECTION 8 - ELECTRICAL

FIGURE 8-7. AC BOX AT PLATFORM INSTALLATION - 220V CEE7 POST GROUND (2X4 BOX) WITH 4000W GENERATOR (CE & UK CA SPECS)



ART_1001194197

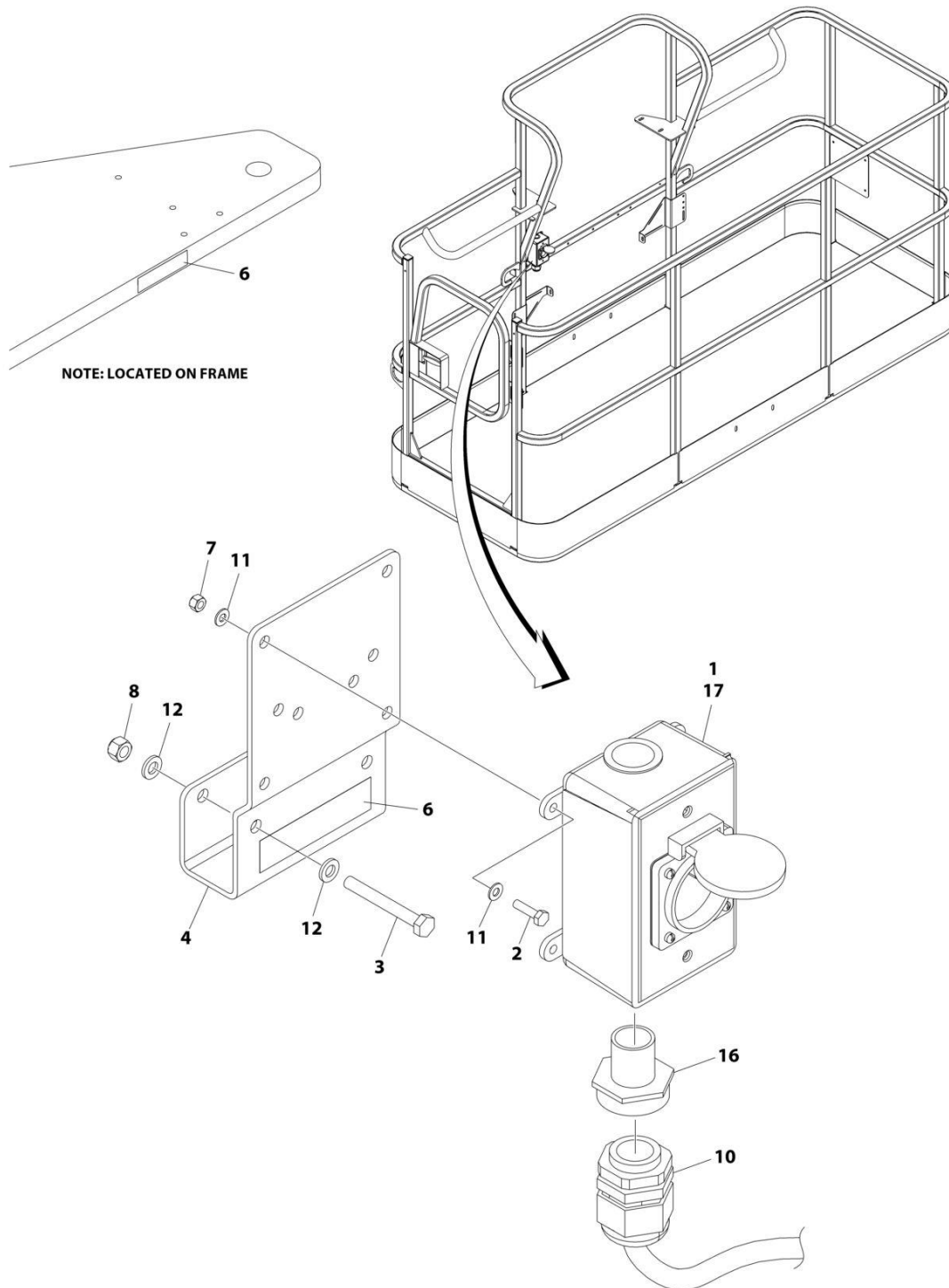
SECTION 8 - ELECTRICAL

FIGURE 8-7. AC BOX AT PLATFORM INSTALLATION - 220V CEE7 POST GROUND (2X4 BOX) WITH 4000W GENERATOR (CE & UK CA SPECS)

ITEM	PART NUMBER	QTY	DESCRIPTION	REV
	1001194197	Ref	AC BOX AT PLATFORM INSTALLATION	B
1	0100020	AR	Sealant, Pipe	
2	0641416	2	Bolt 1/4 x 2	
3	0700408	4	Bolt M4 x 16	
4	0861731	1	Box, Switch	
5	3251242	1	Decal - 240V/50Hz	
6	3290405	4	Nut M4	
7	3311405	2	Nut 1/4	
8	4460662	1	Connector, Strain Relief	
9	4461244	1	Receptacle	
10	4711400	4	Washer 1/4	
11	4811400	8	Washer M4	
12	1001193018	1	Bracket, AC Receptacle	
13	4460806	2	Terminal, Fork (Not Shown)	
14	1001205958	1	Terminal (Not Shown)	

SECTION 8 - ELECTRICAL

**FIGURE 8-8. AC BOX AT PLATFORM INSTALLATION - 220V AFSINT 107 KEYED GROUND (2X4 BOX)
WITHOUT 4000W GENERATOR (CE & UK CA SPECS)**



ART_1001161244

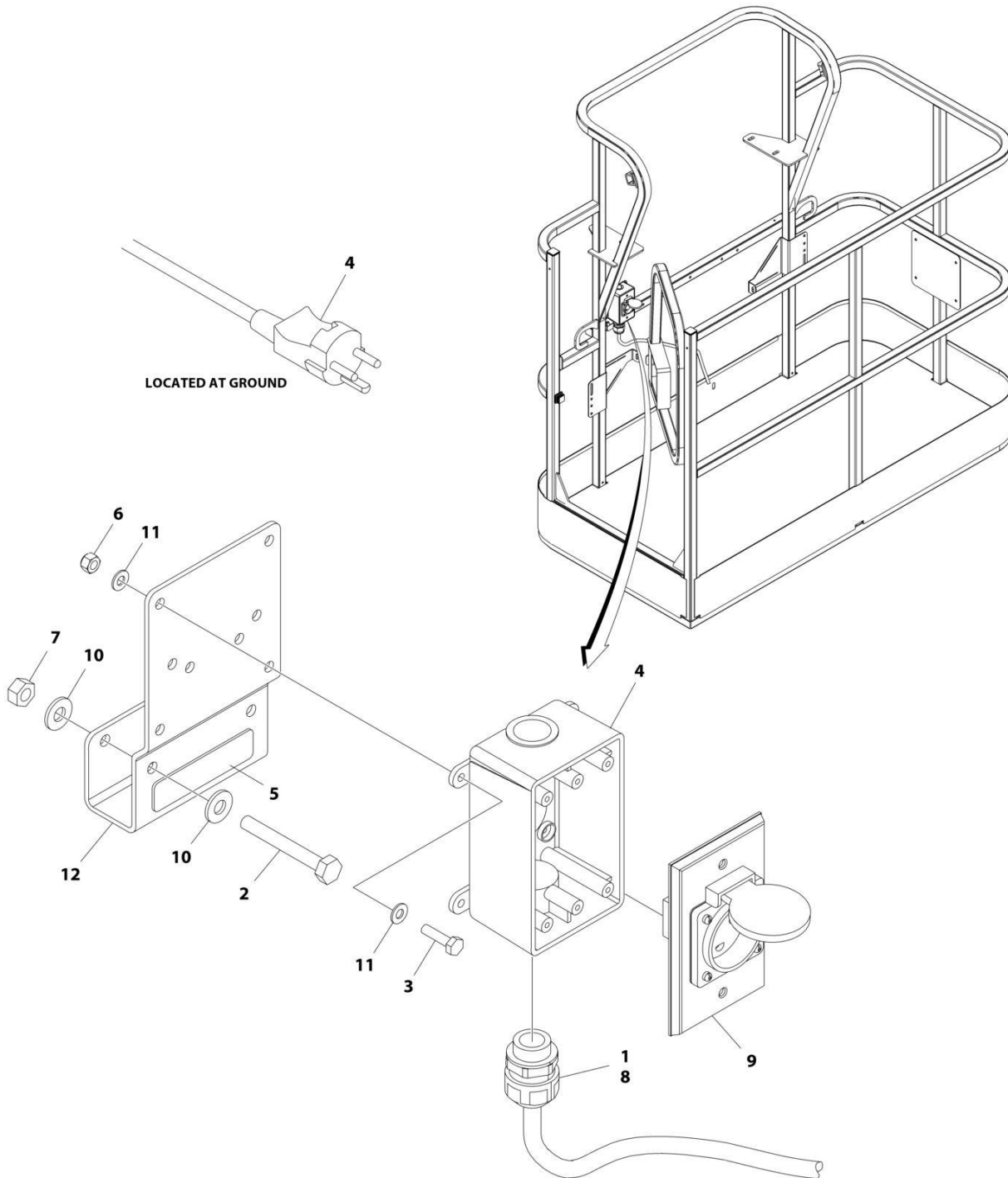
SECTION 8 - ELECTRICAL

**FIGURE 8-8. AC BOX AT PLATFORM INSTALLATION - 220V AFSINT 107 KEYED GROUND (2X4 BOX)
WITHOUT 4000W GENERATOR (CE & UK CA SPECS)**

ITEM	PART NUMBER	QTY	DESCRIPTION	REV
	1001161244	Ref	AC BOX AT PLATFORM INSTALLATION	E
1	0275454	1	Receptacle Box Kit (See Separate Breakdown in this Section)	
2	0700408	4	Bolt M4 x 16	
3	0700618	2	Bolt M6 x 50	
4	1001193018	1	Bracket	
6	3252507	2	Decal - 240V-50Hz	
7	3290405	4	Nut M4	
8	3290605	2	Nut M6	
10	1001101191	1	Connector, Strain Relief	
11	4811400	8	Washer M4	
12	4811700	4	Washer M6	
16	1001101197	1	Adapter	
17	1001205958	3	Terminal	

SECTION 8 - ELECTRICAL

FIGURE 8-9. AC BOX AT PLATFORM INSTALLATION - 220V AFSINT 107 KEYED GROUND (2X4 BOX) WITH 4000W GENERATOR (CE & UK CA SPECS)



ART_1001194200

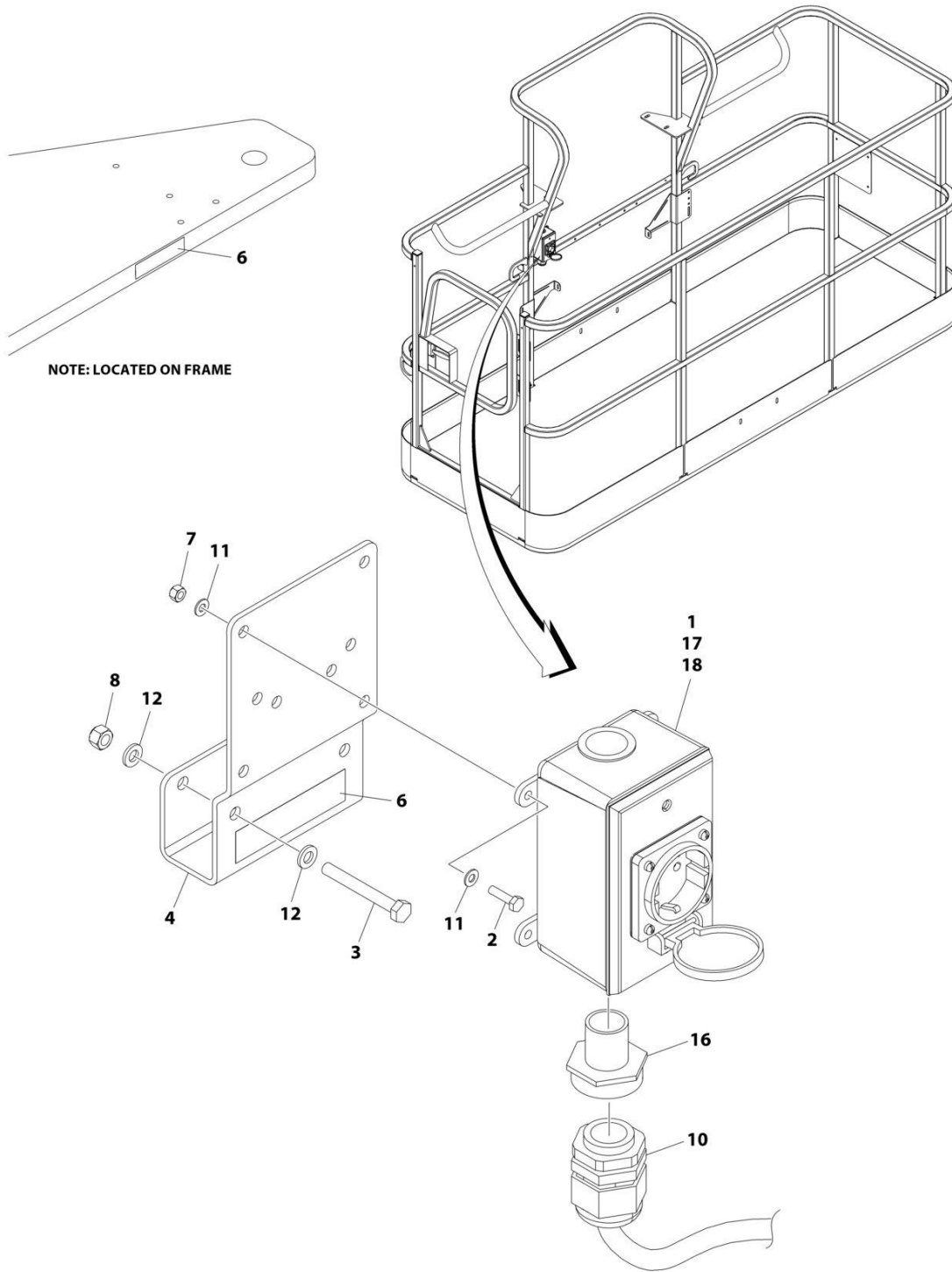
SECTION 8 - ELECTRICAL

**FIGURE 8-9. AC BOX AT PLATFORM INSTALLATION - 220V AFSINT 107 KEYED GROUND (2X4 BOX)
WITH 4000W GENERATOR (CE & UK CA SPECS)**

ITEM	PART NUMBER	QTY	DESCRIPTION	REV
	1001194200	Ref	AC BOX AT PLATFORM INSTALLATION	B
1	0100020	AR	Sealant, Pipe	
2	0641416	2	Bolt 1/4 x 2	
3	0700408	4	Bolt M4 x 16	
4	0861731	1	Box, Switch	
5	3251242	1	Decal - 240V/50Hz	
6	3290405	4	Nut M4	
7	3311405	2	Nut 1/4	
8	4460662	1	Connector, Strain Relief	
9	4461246	1	Receptacle	
10	4711400	4	Washer 1/4	
11	4811400	8	Washer M4	
12	1001193018	1	Bracket, AC Receptacle	
13	1001205958	1	Terminal (Not Shown)	

SECTION 8 - ELECTRICAL

FIGURE 8-10. AC BOX AT PLATFORM INSTALLATION - 220V CEE7 SIDE GROUND (2X4 BOX) WITHOUT 4000W GENERATOR (CE & UK CA SPECS)



ART_1001161243

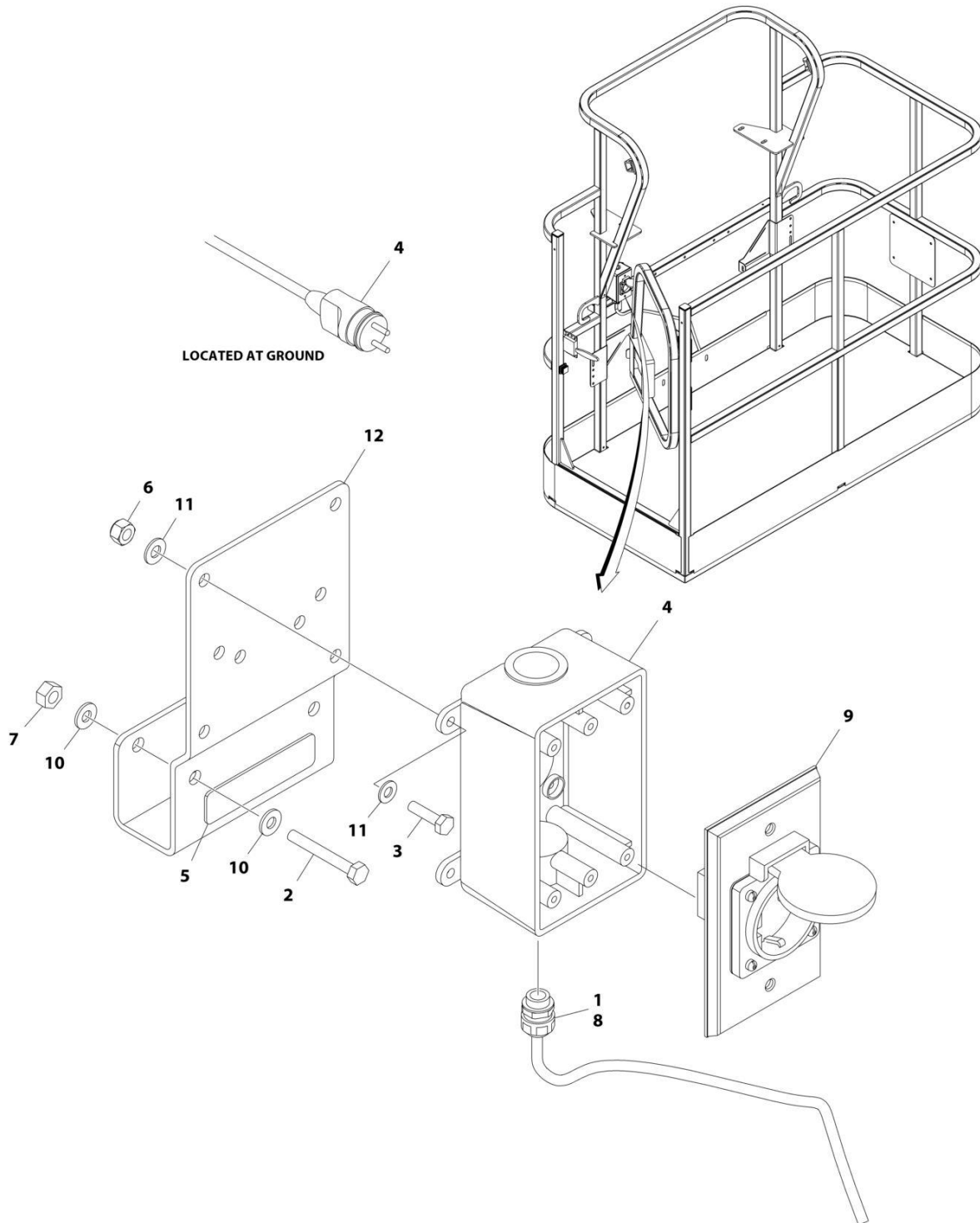
SECTION 8 - ELECTRICAL

**FIGURE 8-10. AC BOX AT PLATFORM INSTALLATION - 220V CEE7 SIDE GROUND (2X4 BOX)
WITHOUT 4000W GENERATOR (CE & UK CA SPECS)**

ITEM	PART NUMBER	QTY	DESCRIPTION	REV
	1001161243	Ref	AC BOX AT PLATFORM INSTALLATION	E
1	0275453	1	Receptacle Box Kit (See Separate Breakdown in this Section)	
2	0700408	4	Bolt M4 x 16	
3	0700618	2	Bolt M6 x 50	
4	1001193018	1	Bracket	
6	3252507	2	Decal - 240V-50Hz	
7	3290405	4	Nut M4	
8	3290605	2	Nut M6	
10	1001101191	1	Connector, Strain Relief	
11	4811400	8	Washer M4	
12	4811700	4	Washer M6	
16	1001101197	1	Adapter	
17	4460806	2	Terminal, Fork	
18	1001205958	1	Terminal	

SECTION 8 - ELECTRICAL

FIGURE 8-11. AC BOX AT PLATFORM INSTALLATION - 220V CEE7 SIDE GROUND (2X4 BOX) WITH 4000W GENERATOR (CE & UK CA SPECS)



ART_1001194198

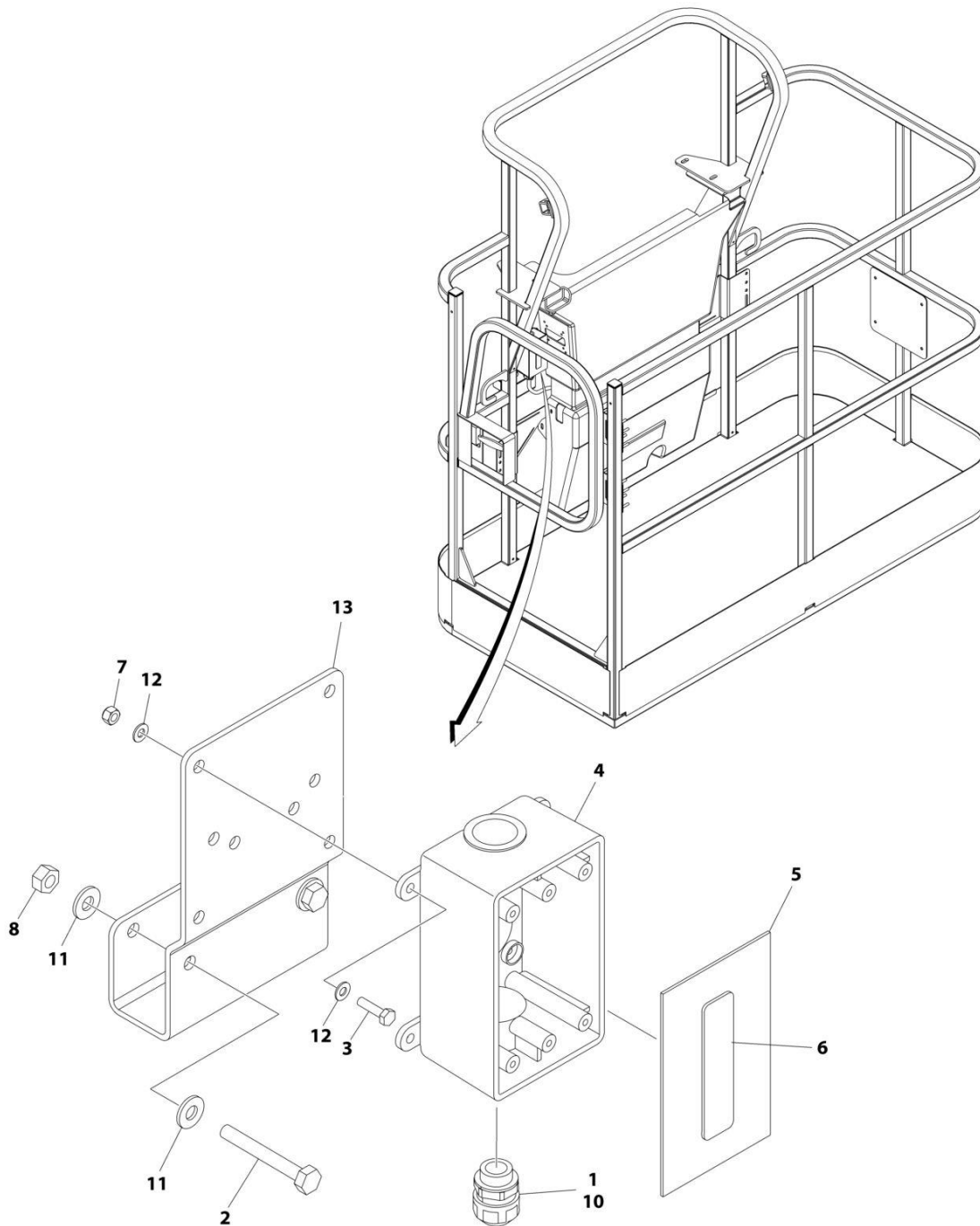
SECTION 8 - ELECTRICAL

FIGURE 8-11. AC BOX AT PLATFORM INSTALLATION - 220V CEE7 SIDE GROUND (2X4 BOX) WITH 4000W GENERATOR (CE & UK CA SPECS)

ITEM	PART NUMBER	QTY	DESCRIPTION	REV
	1001194198	Ref	AC BOX AT PLATFORM INSTALLATION	B
1	0100020	AR	Sealant, Pipe	
2	0641416	2	Bolt 1/4 x 2	
3	0700408	4	Bolt M4 x 16	
4	0861731	1	Box, Switch	
5	3251242	1	Decal - 240V/50Hz	
6	3290405	4	Nut M4	
7	3311405	2	Nut 1/4	
8	4460662	1	Connector, Strain Relief	
9	4461245	1	Receptacle	
10	4711400	4	Washer 1/4	
11	4811400	8	Washer M4	
12	1001193018	1	Bracket, AC Receptacle	
13	4460806	2	Terminal, Fork (Not Shown)	
14	1001205958	1	Terminal (Not Shown)	

SECTION 8 - ELECTRICAL

FIGURE 8-12. AC BOX AT PLATFORM INSTALLATION - BOX WITH COVER (2X4 BOX) WITH 4000W GENERATOR (ANSI EXPORT, AUSTRALIAN, CHINA, JAPANESE, CE & UK CA SPECS)



ART_1001194365

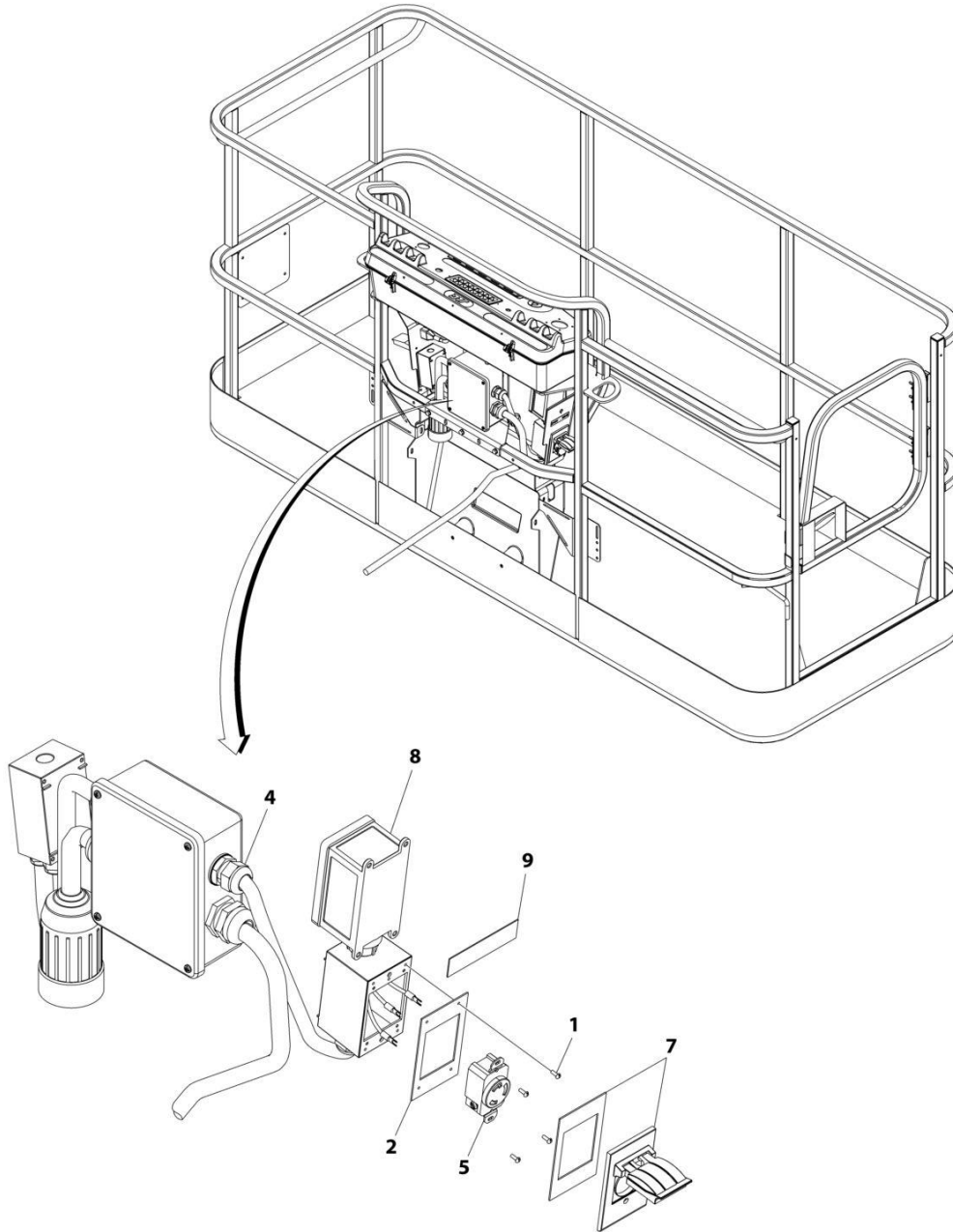
SECTION 8 - ELECTRICAL

FIGURE 8-12. AC BOX AT PLATFORM INSTALLATION - BOX WITH COVER (2X4 BOX) WITH 4000W GENERATOR (ANSI EXPORT, AUSTRALIAN, CHINA, JAPANESE, CE & UK CA SPECS)

ITEM	PART NUMBER	QTY	DESCRIPTION	REV
	1001194365	Ref	AC BOX AT PLATFORM INSTALLATION - BOX WITH COVER (2X4 BOX)	A
1	0100020	AR	Sealant	
2	0641416	2	Bolt 1/4 x 2	
3	0700408	4	Bolt M4 x 16	
4	0861731	1	Box, Switch	
5	1670603	1	Cover	
6	3251242	1	Decal - 240V/50Hz	
7	3290405	4	Nut M4	
8	3311405	2	Nut 1/4	
9	4460384	3	Terminal (Not Shown)	
10	4460662	1	Connector, Strain Relief	
11	4711400	4	Washer 1/4	
12	4811400	8	Washer M4	
13	1001193018	1	Bracket, AC Receptacle	

SECTION 8 - ELECTRICAL

FIGURE 8-13. AC BOX AT PLATFORM INSTALLATION - 240V (WITH 7500W SKYPOWER GENERATOR) (ALL SPECS EXCEPT AUSTRALIAN, CE & UK CA SPECS)



ART_1001159121

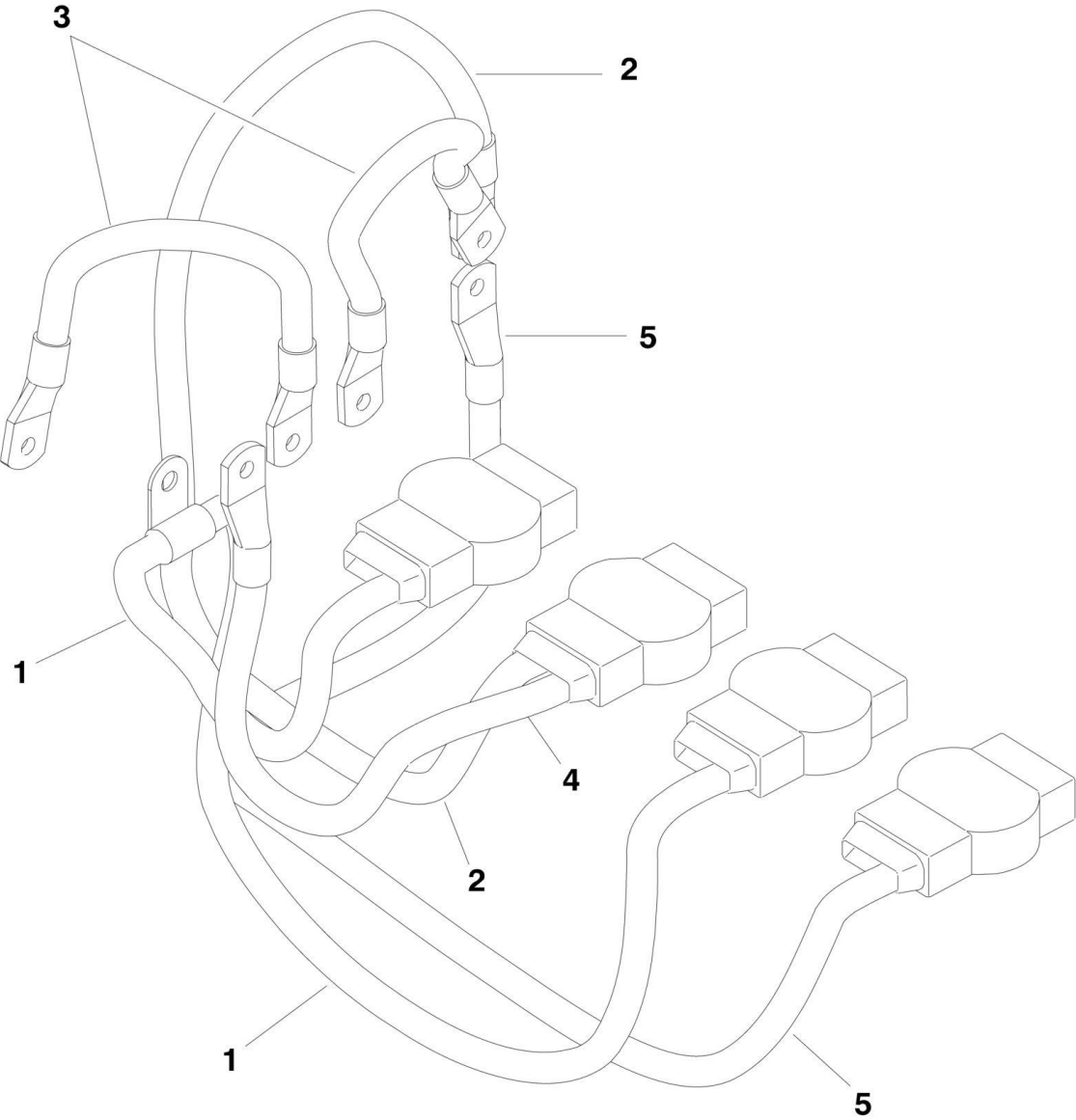
SECTION 8 - ELECTRICAL

FIGURE 8-13. AC BOX AT PLATFORM INSTALLATION - 240V (WITH 7500W SKYPOWER GENERATOR) (ALL SPECS EXCEPT AUSTRALIAN, CE & UK CA SPECS)

ITEM	PART NUMBER	QTY	DESCRIPTION	REV
	1001159121	Ref	AC BOX AT PLATFORM INSTALLATION - 240V RECEPTACLE	B
1	3910606	4	Screw 6 x 3/8	
2	3960422	1	Gasket	
3	4240018	AR	Tie-Strap (Not Shown)	
4	4460425	1	Connector, Strain Relief	
5	4460958	1	Receptacle	
7	1001110872	1	Cover, Receptacle	
8	1001159120	1	Receptacle/Breaker Box Assembly	
8	1001148675	1	Box, Receptacle	
8	1001159118	1	Breaker Box Assembly	
8	4460612	1	Connector, Strain Relief	
8	1001159119	1	Connector (Between Boxes)	
9	1705374	1	Decal - 240V/60Hz	

SECTION 8 - ELECTRICAL

FIGURE 8-14. BATTERY CABLE KIT - DEUTZ LRC ENGINES



1001158922

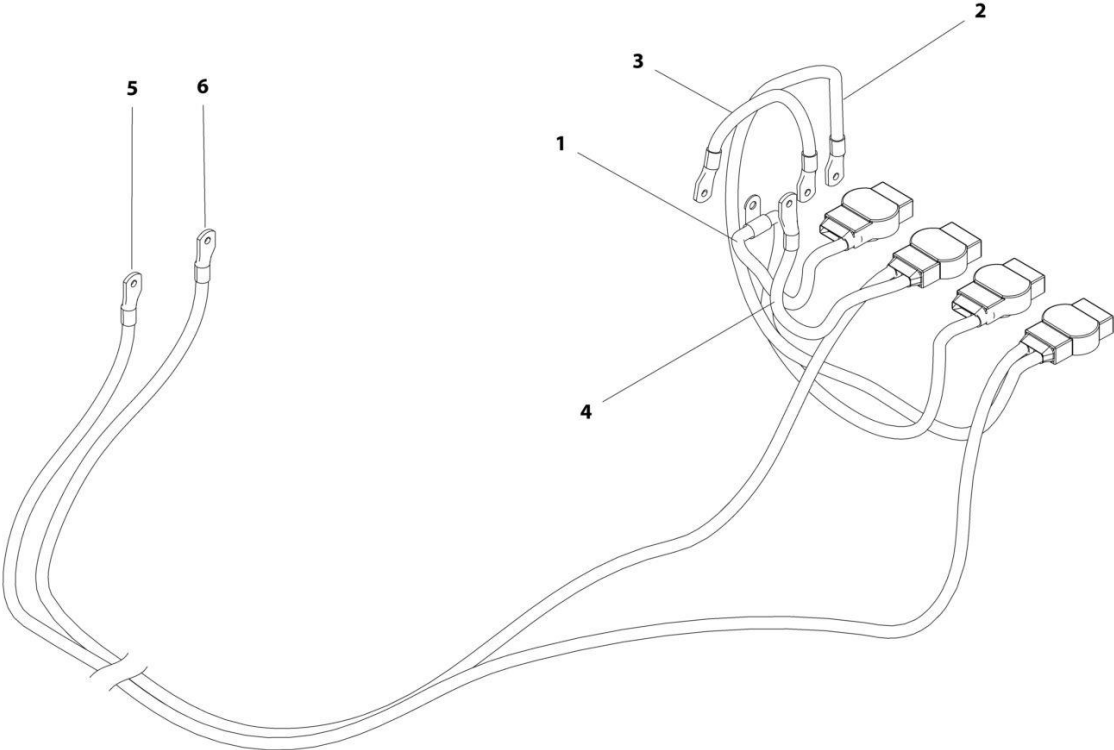
SECTION 8 - ELECTRICAL

FIGURE 8-14. BATTERY CABLE KIT - DEUTZ LRC ENGINES

ITEM	PART NUMBER	QTY	DESCRIPTION	REV
	1001158922	Ref	BATTERY CABLE KIT	B
1	7027096	1	Cable, Negative Battery	
2	7027097	1	Cable, Positive Battery	
3	7027098	2	Cable, Battery	
4	7027099	1	Cable, Battery	
5	70009000	1	Cable, Battery	

SECTION 8 - ELECTRICAL

FIGURE 8-15. BATTERY CABLE KIT - DEUTZ HRC ENGINES



ART_1001197442

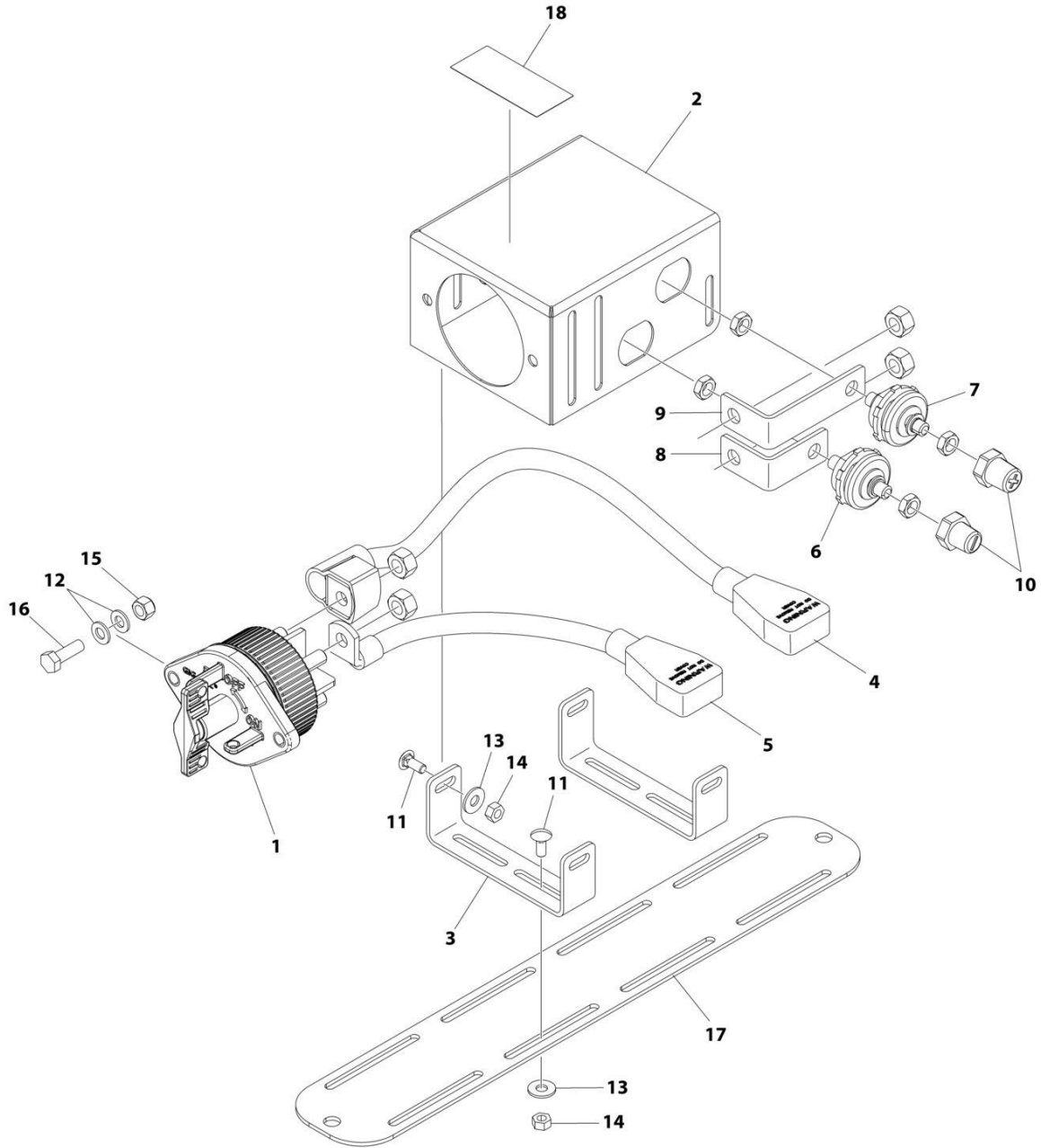
SECTION 8 - ELECTRICAL

FIGURE 8-15. BATTERY CABLE KIT - DEUTZ HRC ENGINES

ITEM	PART NUMBER	QTY	DESCRIPTION	REV
	1001197442	Ref	BATTERY CABLE KIT	B
1	70009012	1	Cable, Negative Battery	
2	70009013	1	Cable, Positive Battery	
3	70009014	1	Cable, Battery	
4	70009015	1	Cable, Battery	
5	70009016	1	Cable, Battery	
6	70009017	1	Cable, Battery	

SECTION 8 - ELECTRICAL

FIGURE 8-16. BATTERY DISCONNECT INSTALLATION



ART_1001239874

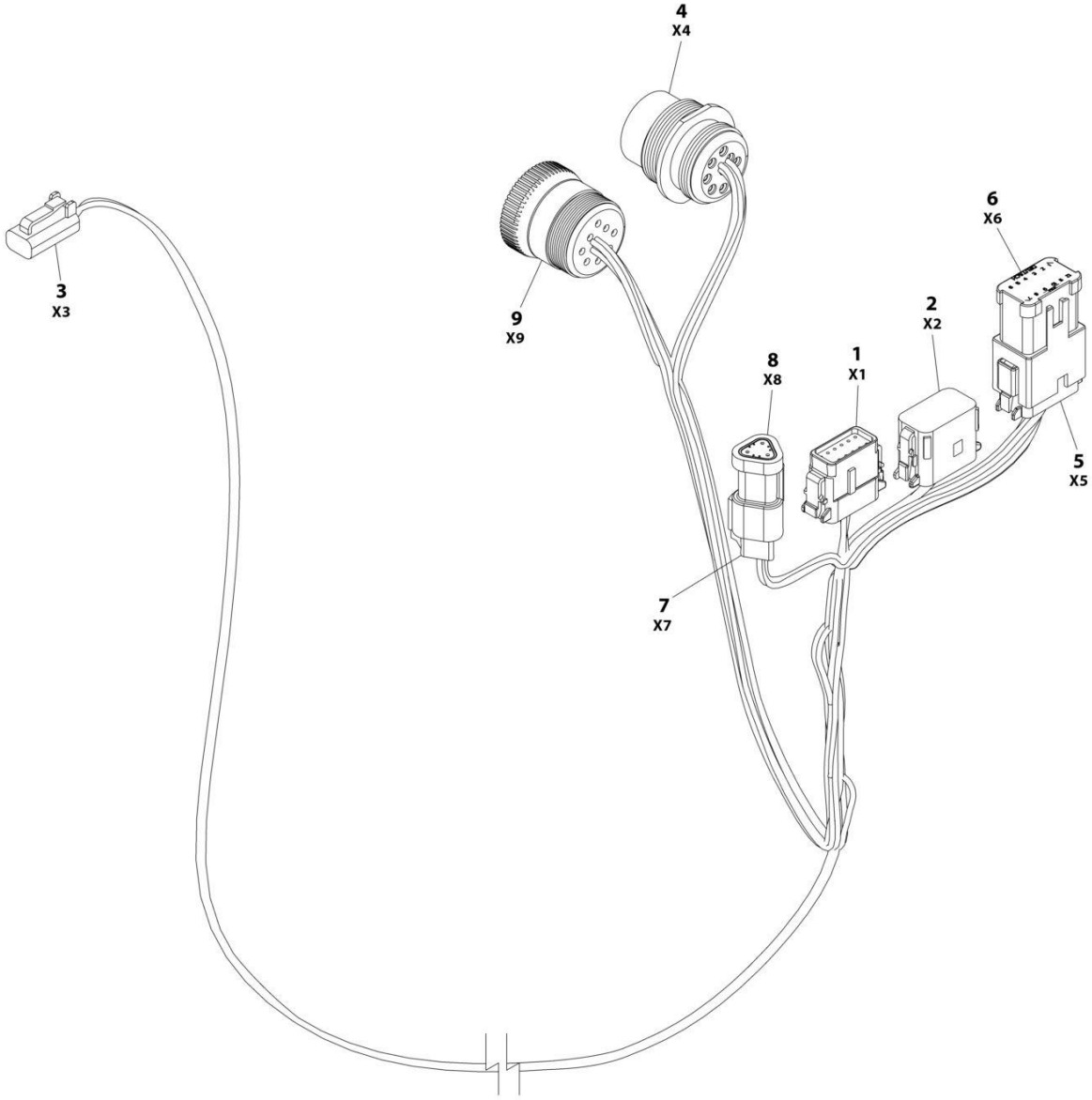
SECTION 8 - ELECTRICAL

FIGURE 8-16. BATTERY DISCONNECT INSTALLATION

ITEM	PART NUMBER	QTY	DESCRIPTION	REV
	1001239874	Ref	BATTERY DISCONNECT INSTALLATION	A
1	1001225346	1	Switch, Disconnect	
2	1001226531	1	Mount	
3	1001239805	2	Mount	
4	1001236504	1	Cable (Positive)	
5	1001236505	1	Cable (Negative)	
6	1001214571	1	Connector (Black)	
7	1001214570	1	Connector (Red)	
8	1001209474	1	Buss bar	
9	1001209432	1	Buss bar	
10	1001206476	1	Connector	
11	88411013	8	Bolt 1/4 x 3/4	
12	4811900	4	Washer M8	
13	4751400	8	Washer 1/4	
14	3311405	8	Nut 1/4	
15	3290805	2	Nut M8	
16	0760812	2	Bolt M8 x 25	
17	1001241586	1	Plate	
18	1001239957	1	Decal - Battery Disconnect	

SECTION 8 - ELECTRICAL

FIGURE 8-17. BEACON CONTROL HARNESS



ART_1001142736

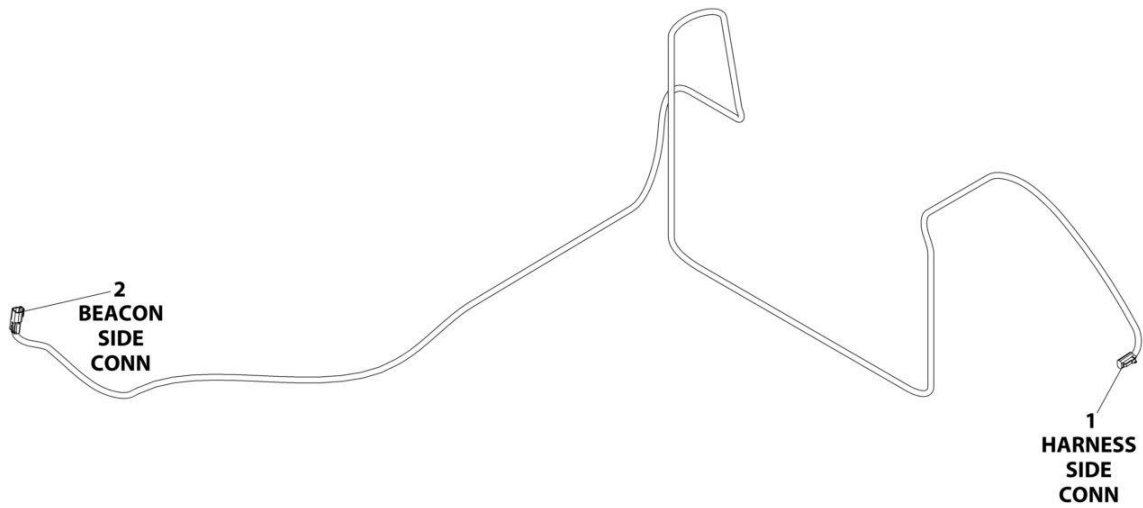
SECTION 8 - ELECTRICAL

FIGURE 8-17. BEACON CONTROL HARNESS

ITEM	PART NUMBER	QTY	DESCRIPTION	REV
	1001142736	Ref	STROBE LIGHT HARNESS	F
1	1001116808	1	Plug, Male - 12 Position	
1	4460928	3	Socket, Female	
1	4460518	9	Plug, Terminal	
2	1001116774	1	Plug, Male - 12 Position	
2	4460928	3	Socket, Female	
2	4460518	9	Plug, Terminal	
3	4460891	1	Plug, Male - 2 Position	
3	4460465	2	Socket, Female	
4	1001112612	1	Connector - 9 Position	
4	4460464	6	Pin, Male	
4	4460466	3	Plug, Terminal	
5	4460933	1	Plug, Male - 12 Position	
5	4460465	12	Socket, Female	
6	1001119020	1	Bussbar - 12 Position	
7	4461095	1	Plug, Male - 3 Position	
7	4460465	3	Socket, Female	
8	4461070	1	Bussbar - 3 Position	
9	1001112796	1	Connector - 9 Position	
9	4460465	6	Socket, Female	
9	4460466	3	Plug, Terminal	

SECTION 8 - ELECTRICAL

FIGURE 8-18. BEACON HARNESS - AMBER



ART_1001158989

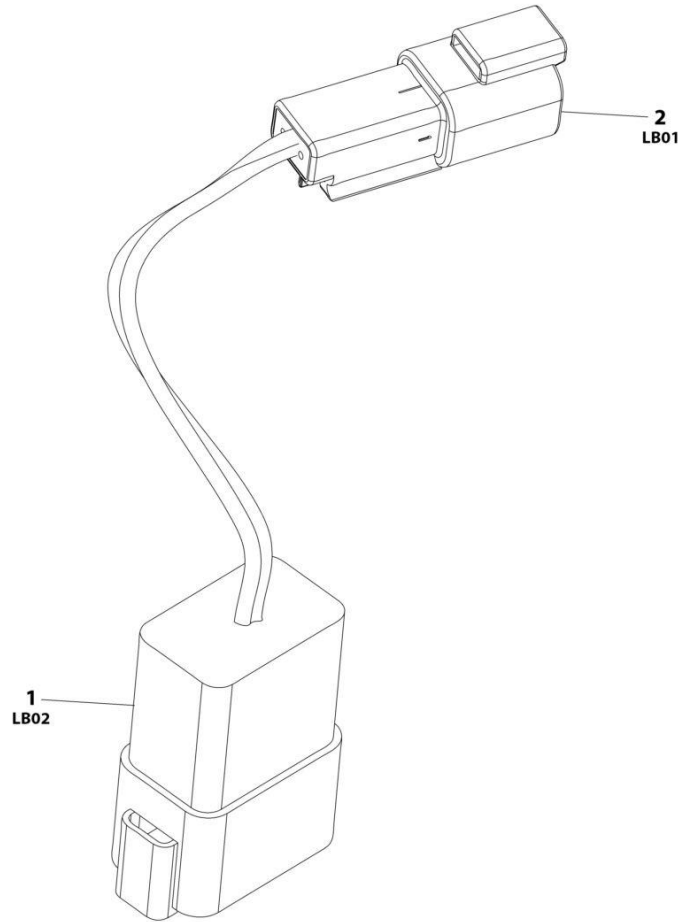
SECTION 8 - ELECTRICAL

FIGURE 8-18. BEACON HARNESS - AMBER

ITEM	PART NUMBER	QTY	DESCRIPTION	REV
	1001158989	Ref	BEACON HARNESS	A
1	4460891	1	Connector	
1	4460465	2	Socket	
2	4460897	1	Connector	
2	4460464	2	Pin	

SECTION 8 - ELECTRICAL

FIGURE 8-19. BEACON JUMPER HARNESS - AMBER



ART_1001283776

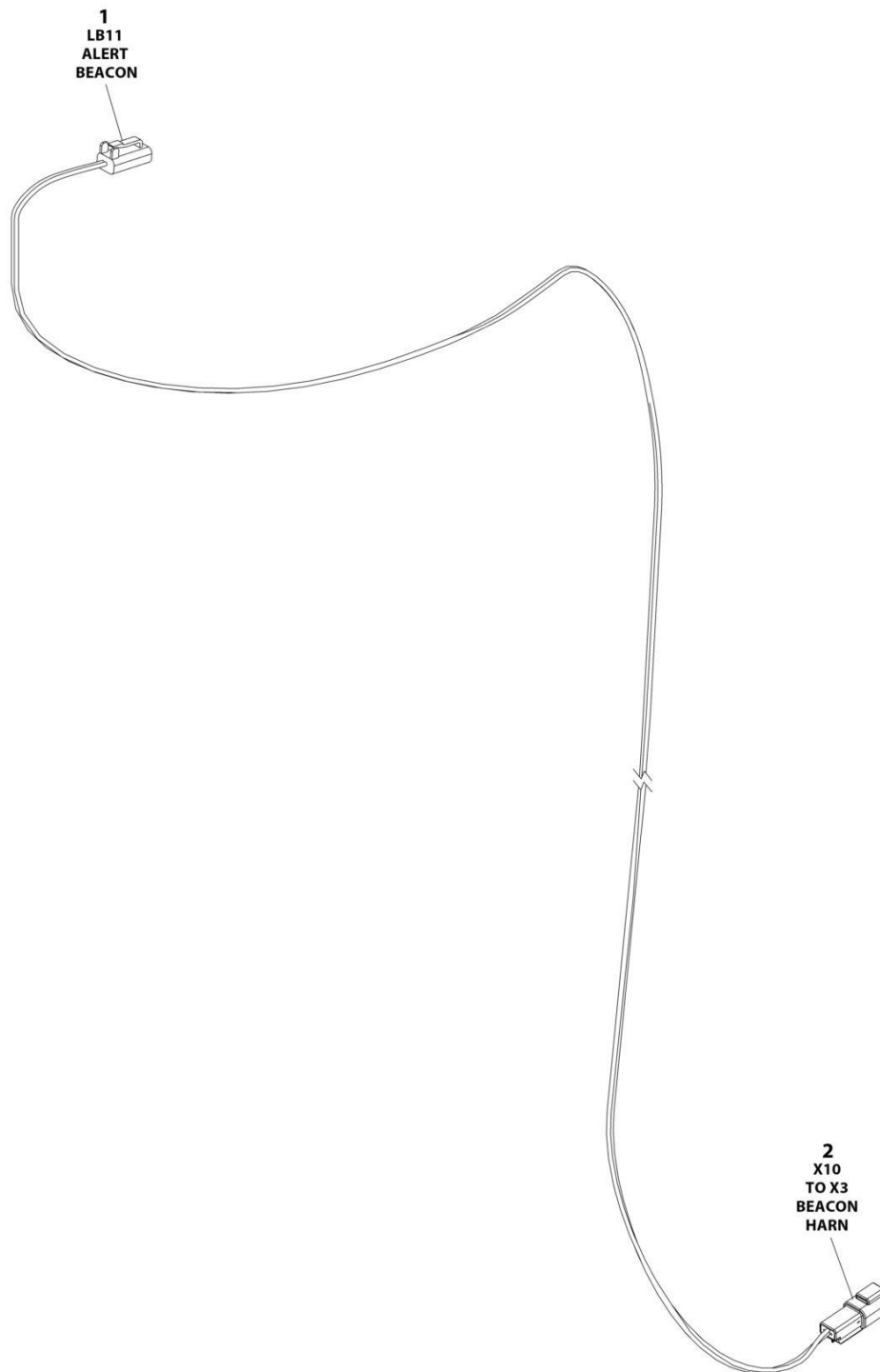
SECTION 8 - ELECTRICAL

FIGURE 8-19. BEACON JUMPER HARNESS - AMBER

ITEM	PART NUMBER	QTY	DESCRIPTION	REV
	1001283776	Ref	STROBE LIGHT HARNESS (AMBER)	A
1	4460931	1	Connector	
1	4460464	2	Pin	
1	4460466	6	Plug	
2	4460897	1	Connector	
2	4460464	2	Pin	

SECTION 8 - ELECTRICAL

FIGURE 8-20. BEACON JUMPER HARNESS - BLUE & RED



ART_1001285733

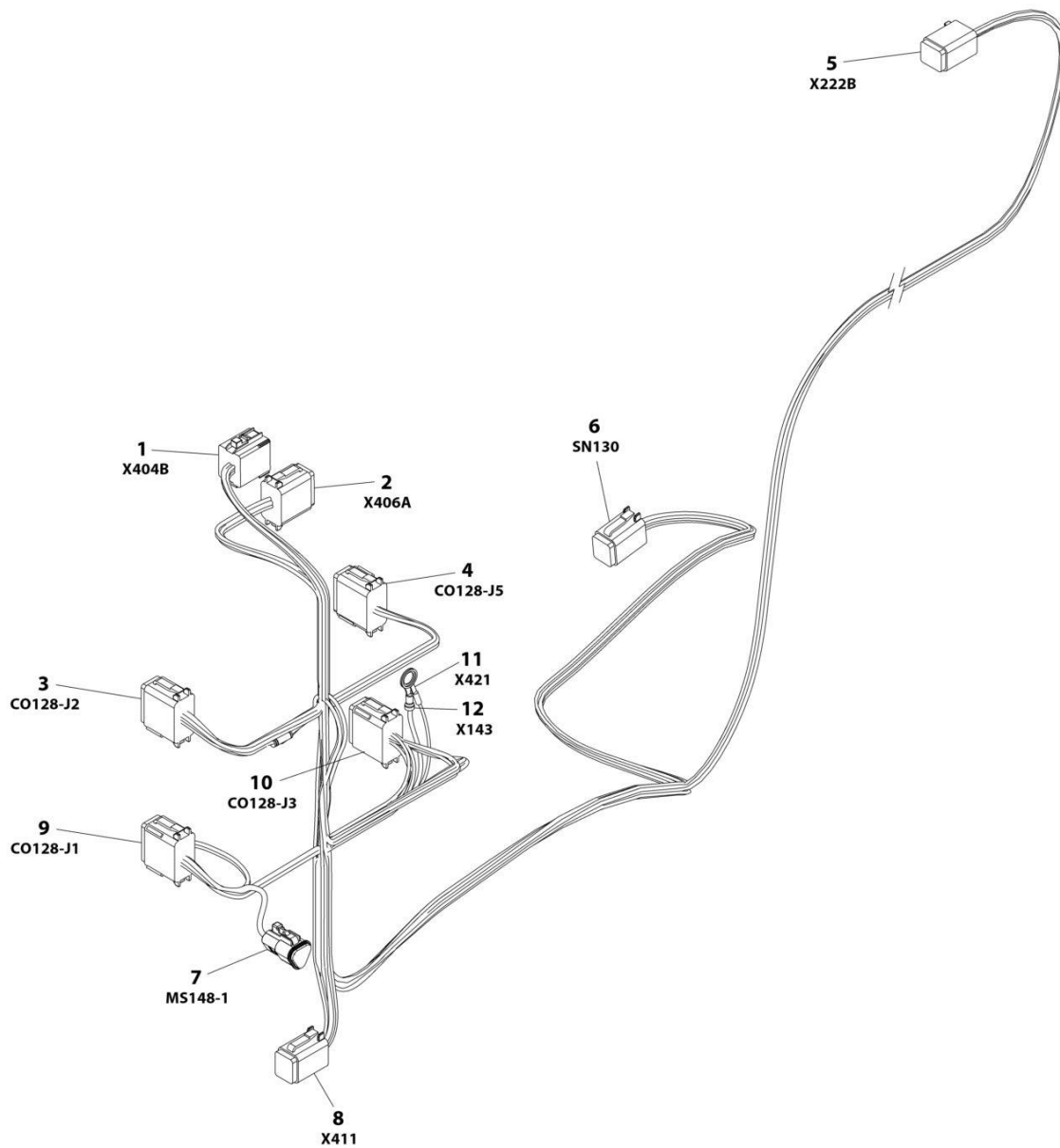
SECTION 8 - ELECTRICAL

FIGURE 8-20. BEACON JUMPER HARNESS - BLUE & RED

ITEM	PART NUMBER	QTY	DESCRIPTION	REV
	1001285733	Ref	BEACON JUMPER HARNESS	A
1	4460891	1	Connector	
1	4460465	2	Socket	
2	4460897	1	Connector	
2	4460464	2	Pin	

SECTION 8 - ELECTRICAL

FIGURE 8-21. BLAM HARNESS



ART_1001241865

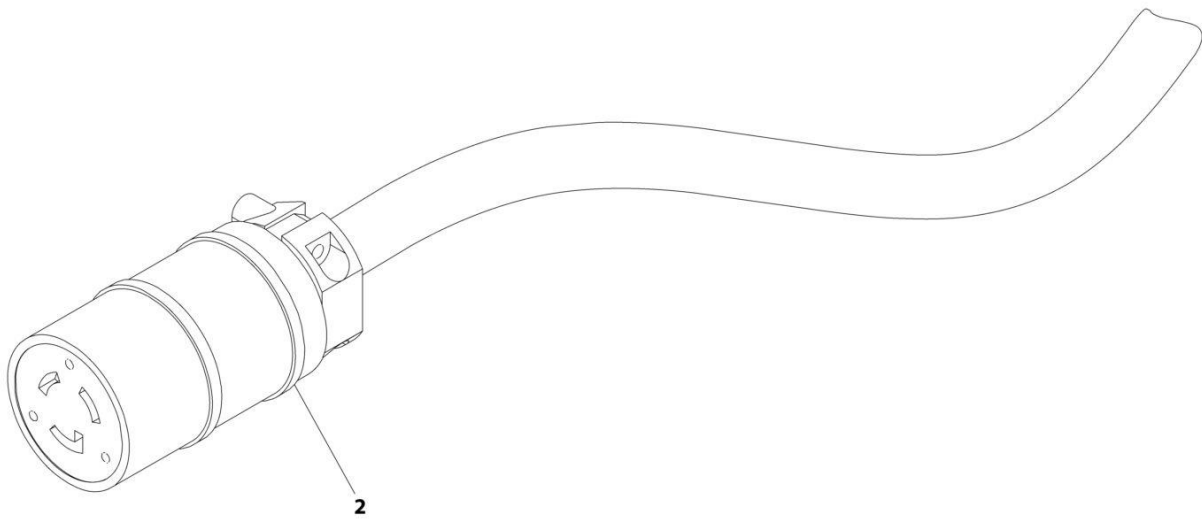
SECTION 8 - ELECTRICAL

FIGURE 8-21. BLAM HARNESS

ITEM	PART NUMBER	QTY	DESCRIPTION	REV
	1001241865	Ref	BLAM HARNESS	C
1	4460851	1	Connector - 8 Position	
1	4460465	7	Socket, Female	
1	4460466	1	Plug, Socket	
2	4460930	1	Connector - 8 Position	
2	4460465	6	Socket, Female	
2	4460466	2	Plug, Socket	
3	1001270340	1	Connector - 12 Position	
3	4460465	8	Socket, Female	
3	4460466	4	Plug, Socket	
4	1001239345	1	Connector - 12 Position	
4	4460465	4	Socket, Female	
4	4460466	8	Plug, Socket	
5	4460894	1	Connector - 6 Position	
5	4460465	5	Socket, Female	
5	4460466	1	Plug, Socket	
6	4460894	1	Connector - 6 Position	
6	4460465	6	Socket, Female	
7	1001116812	1	Connector - 3 Position	
7	4460944	2	Socket, Female	
7	4460466	1	Plug, Socket	
8	4460894	1	Connector - 6 Position	
8	4460465	4	Socket, Female	
8	4460942	2	Socket, Female	
9	1001270339	1	Connector - 12 Position	
9	4460465	6	Socket, Female	
9	4460942	2	Socket, Female	
9	4460466	4	Plug, Socket	
10	1001239344	1	Connector - 12 Position	
10	4460465	11	Socket, Female	
10	4460466	1	Plug, Socket	
11	4460703	1	Terminal, Ring	
12	4460670	1	Terminal, Ring	

SECTION 8 - ELECTRICAL

FIGURE 8-22. BOOM AC CABLE - ANSI, ANSI EXPORT, CSA AND JAPANESE SPECS



ART_1001156894

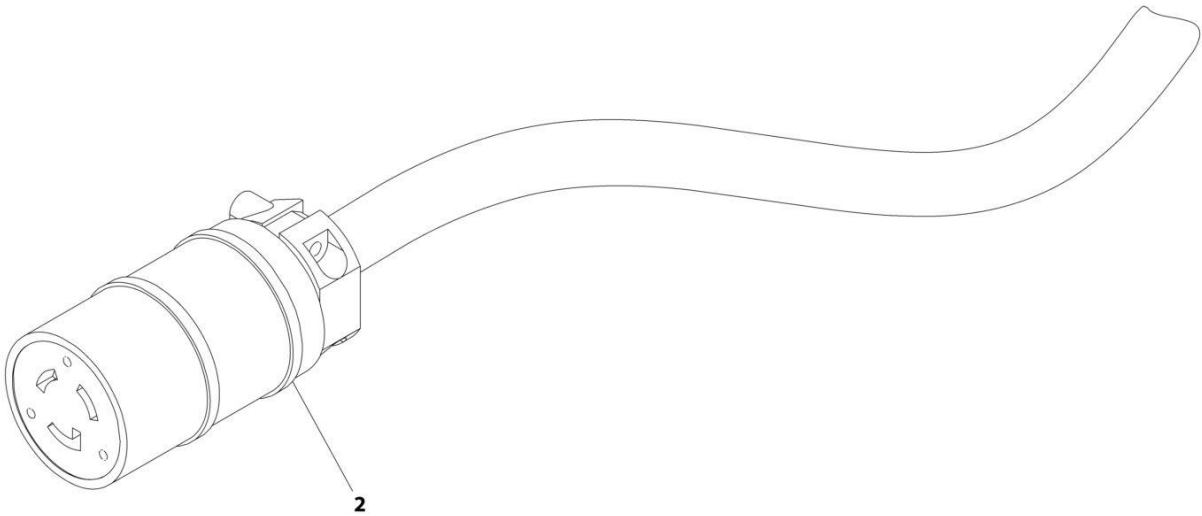
SECTION 8 - ELECTRICAL

FIGURE 8-22. BOOM AC CABLE - ANSI, ANSI EXPORT, CSA AND JAPANESE SPECS

ITEM	PART NUMBER	QTY	DESCRIPTION	REV
2	1001156894 4460134	Ref 1	BOOM AC CABLE Receptacle	A

SECTION 8 - ELECTRICAL

FIGURE 8-23. BOOM AC CABLE – AUSTRALIAN, CHINA, CE & UK CA SPECS



ART_1001157636

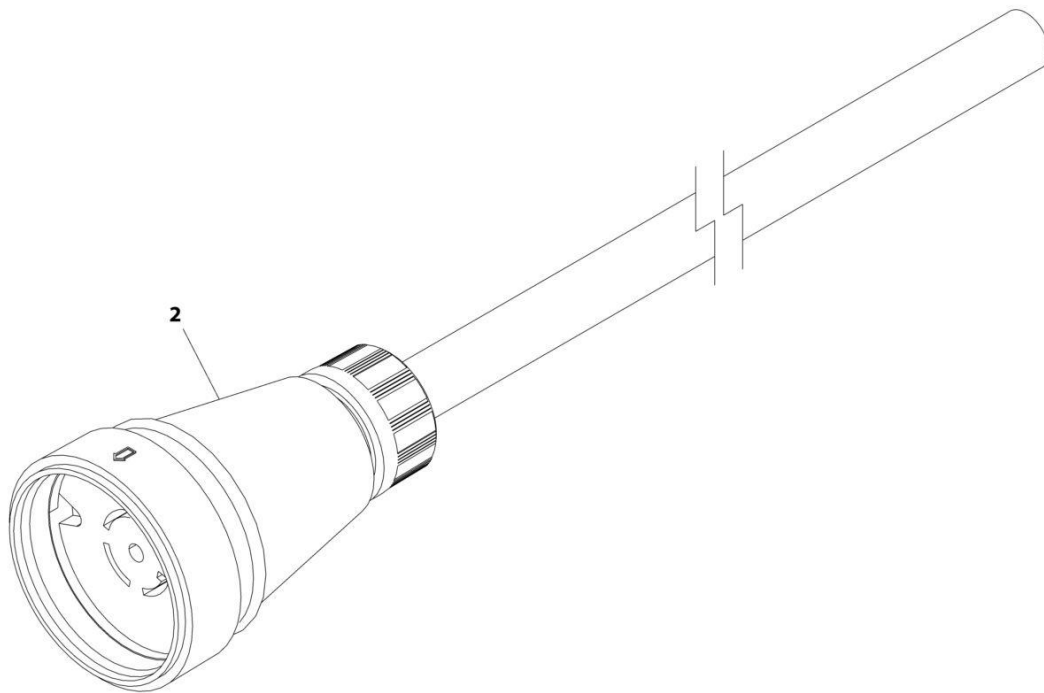
SECTION 8 - ELECTRICAL

FIGURE 8-23. BOOM AC CABLE – AUSTRALIAN, CHINA, CE & UK CA SPECS

ITEM	PART NUMBER	QTY	DESCRIPTION	REV
2	1001157636 4460134	Ref 1	BOOM AC CABLE Receptacle	A

SECTION 8 - ELECTRICAL

FIGURE 8-24. BOOM AC CABLE - SKYPOWER



ART_1001226287

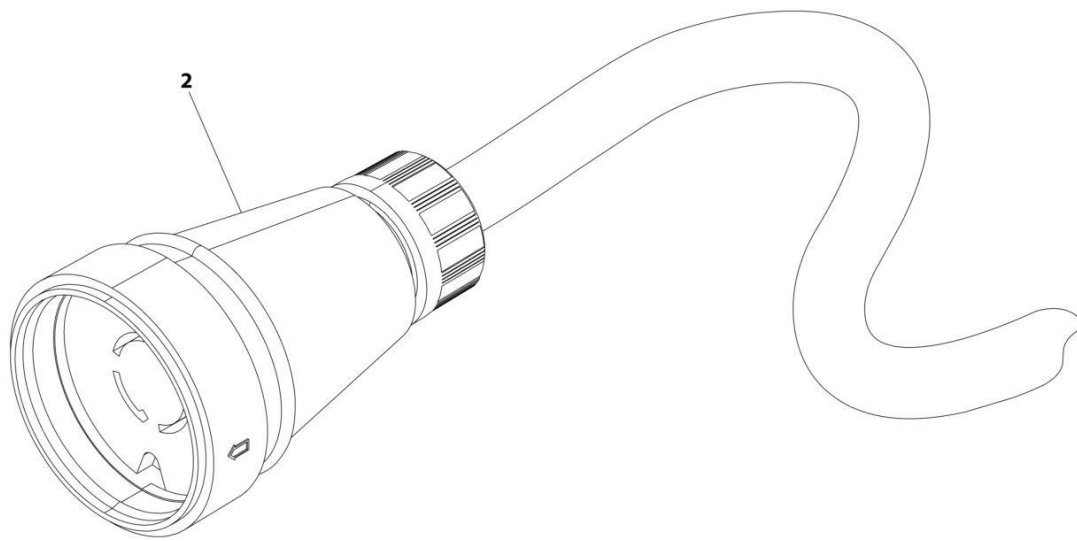
SECTION 8 - ELECTRICAL

FIGURE 8-24. BOOM AC CABLE - SKYPOWER

ITEM	PART NUMBER	QTY	DESCRIPTION	REV
2	1001226287	Ref	BOOM AC CABLE - SKYPOWER	A
	1001218623	1	Receptacle	

SECTION 8 - ELECTRICAL

FIGURE 8-25. BOOM AC CABLE - MAIN BOOM WITH 4000W 50HZ GENERATOR (ANSI EXPORT, AUSTRALIAN, CHINA, JAPANESE, CE & UK CA SPECS)



ART_1001211130

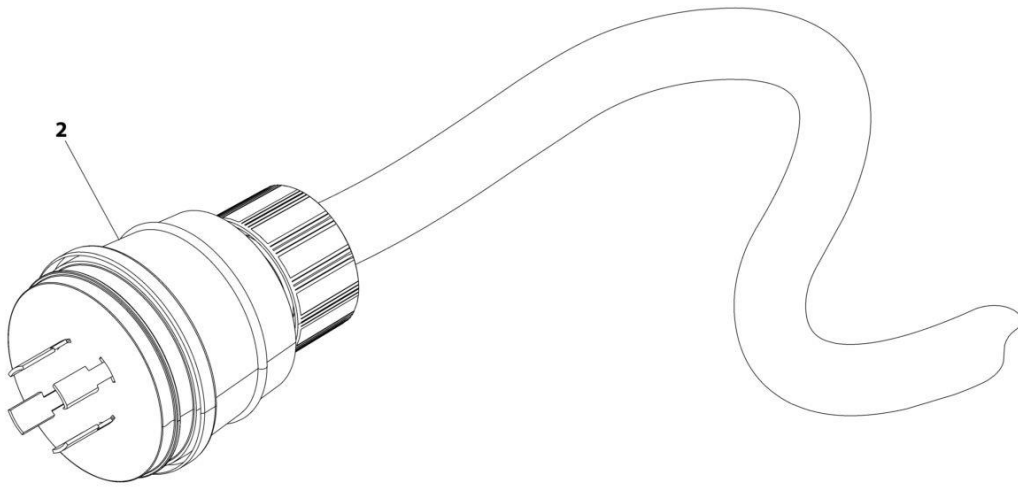
SECTION 8 - ELECTRICAL

FIGURE 8-25. BOOM AC CABLE - MAIN BOOM WITH 4000W 50HZ GENERATOR (ANSI EXPORT, AUSTRALIAN, CHINA, JAPANESE, CE & UK CA SPECS)

ITEM	PART NUMBER	QTY	DESCRIPTION	REV
	1001211130	Ref	BOOM AC CABLE - MAIN BOOM WITH 4000W 50HZ GENERATOR	A
2	1001211315	1	Receptacle	

SECTION 8 - ELECTRICAL

FIGURE 8-26. BOOM AC CABLE - JIB BOOM WITH 4000W 50HZ GENERATOR (ANSI EXPORT, AUSTRALIAN, CHINA, JAPANESE, CE & UK CA SPECS)



ART_1001211131

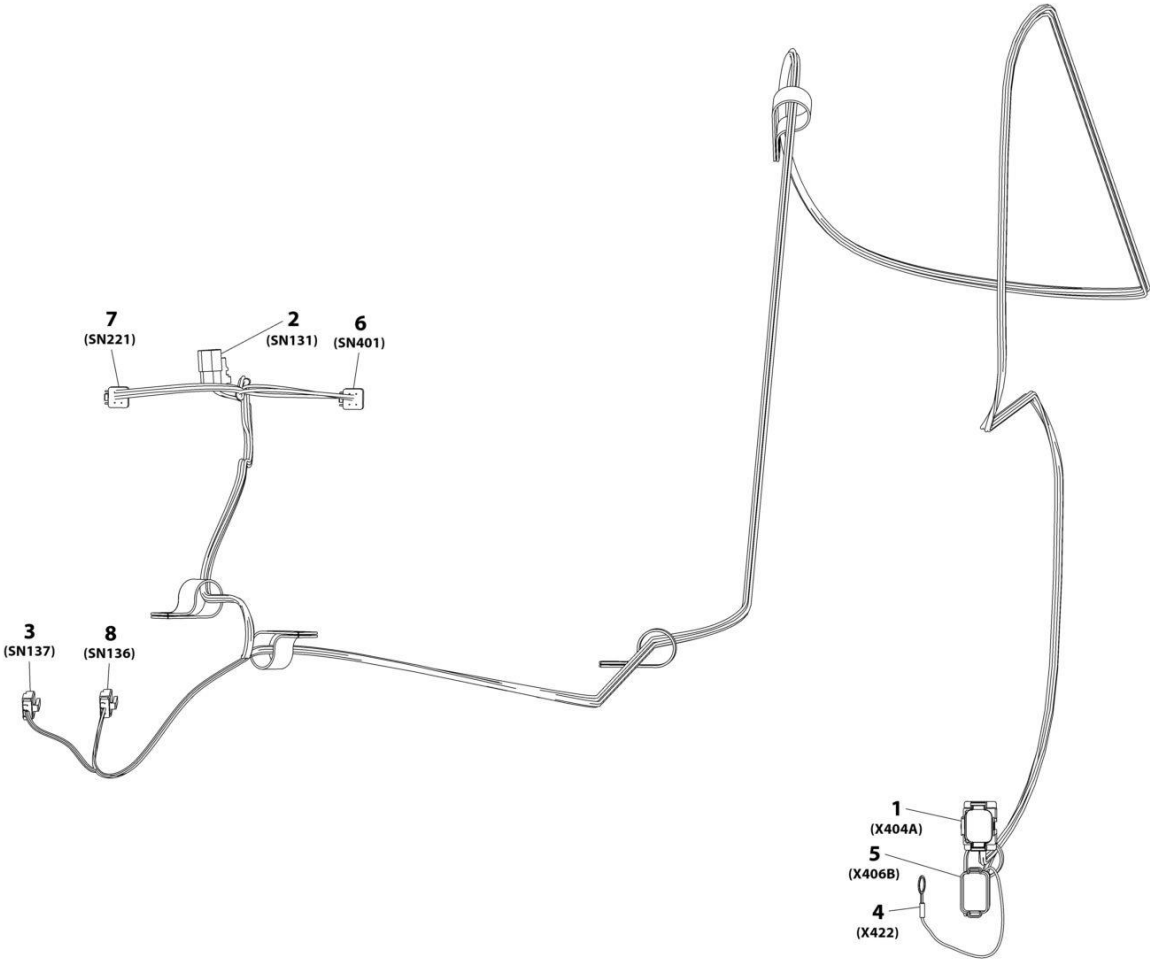
SECTION 8 - ELECTRICAL

FIGURE 8-26. BOOM AC CABLE - JIB BOOM WITH 4000W 50HZ GENERATOR (ANSI EXPORT, AUSTRALIAN, CHINA, JAPANESE, CE & UK CA SPECS)

ITEM	PART NUMBER	QTY	DESCRIPTION	REV
2	1001211131	Ref	BOOM AC CABLE - JIB BOOM WITH 4000W 50HZ GENERATOR	A
	1001211314	1	Receptacle	

SECTION 8 - ELECTRICAL

FIGURE 8-27. BOOM SENSOR HARNESS



ART_1001215949

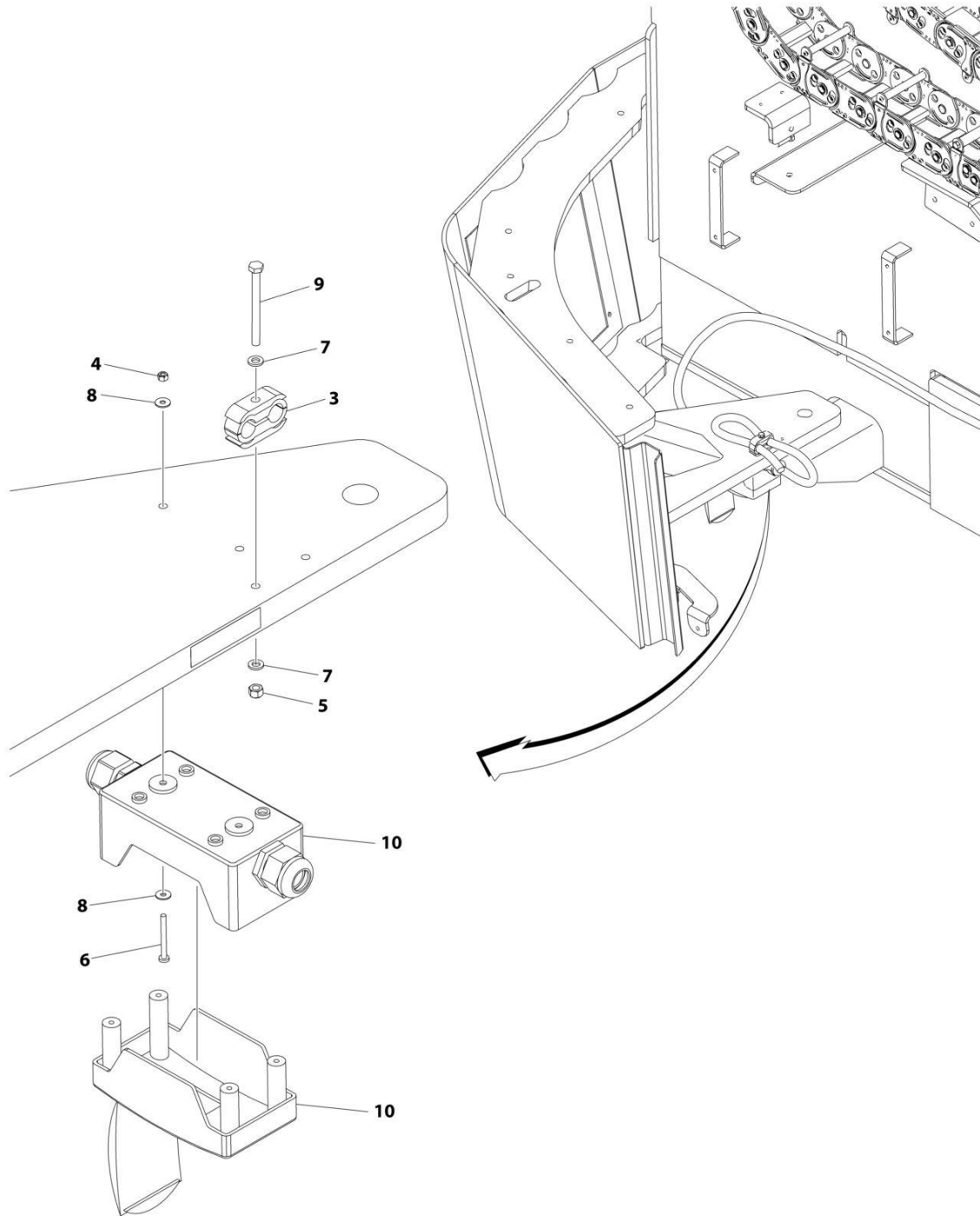
SECTION 8 - ELECTRICAL

FIGURE 8-27. BOOM SENSOR HARNESS

ITEM	PART NUMBER	QTY	DESCRIPTION	REV
	1001215949	Ref	BOOM SENSOR HARNESS	E
1	1001116813	1	Connector - 8 Position	
1	4460464	4	Pin, Male	
1	4460943	3	Pin, Male	
1	4460941	1	Pin, Male	
2	4460539	1	Connector - 3 Position	
2	4460944	3	Socket, Female	
3	4460911	1	Connector - 3 Position	
3	1001126008	3	Socket, Female	
3	4460912	1	Wedge, Locking	
4	4460703	1	Ring, Terminal	
5	4460931	1	Connector - 8 Position	
5	4460464	6	Pin, Male	
5	4460466	2	Seal, Plug	
6	4461077	1	Connector - 4 Position	
6	1001126008	3	Socket, Female	
7	4461077	1	Connector - 4 Position	
7	1001126008	3	Socket, Female	
8	4460911	1	Connector - 3 Position	
8	1001126008	3	Socket, Female	
8	4460912	1	Wedge, Locking	

SECTION 8 - ELECTRICAL

FIGURE 8-28. BREAKER BOX ASSEMBLY - AC CABLE (CE & UK CA SPEC)



ART_1001156221

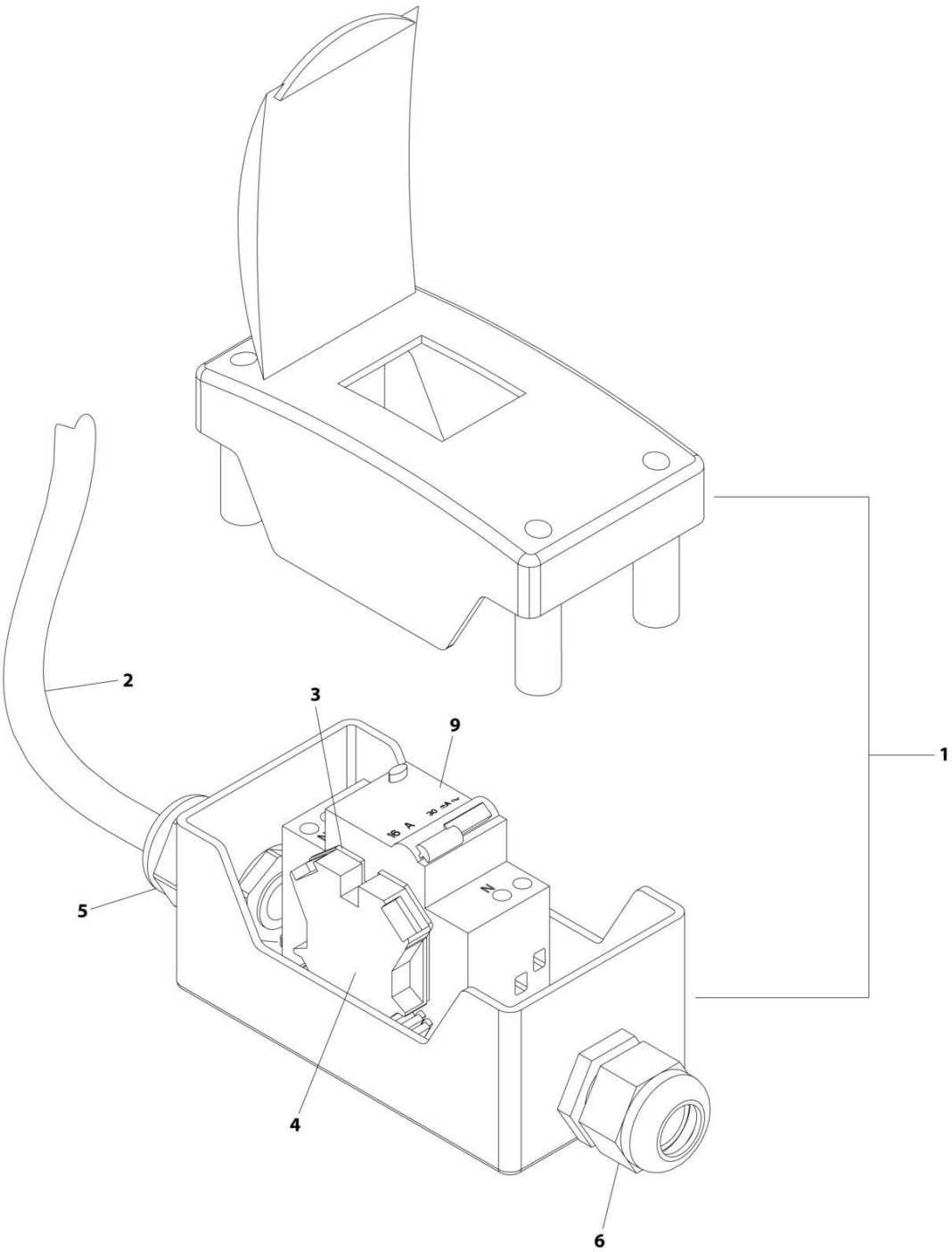
SECTION 8 - ELECTRICAL

FIGURE 8-28. BREAKER BOX ASSEMBLY - AC CABLE (CE & UK CA SPEC)

ITEM	PART NUMBER	QTY	DESCRIPTION	REV
	1001156221	Ref	BREAKER BOX ASSEMBLY - AC CABLE	B
3	1320146	1	Clamp	
4	3290405	2	Locknut M4	
5	3290605	AR	Locknut M6	
6	4010416	2	Screw M4 x 40	
7	4811700	AR	Washer M6	
8	1001091102	4	Washer M4	
9	1001096653	1	Bolt M6 x 70	
10	1001158080	1	Kit, Breaker Box (See Separate Breakdown in this Section)	

SECTION 8 - ELECTRICAL

FIGURE 8-29. BREAKER BOX KIT - AC CABLE



ART_1001158080

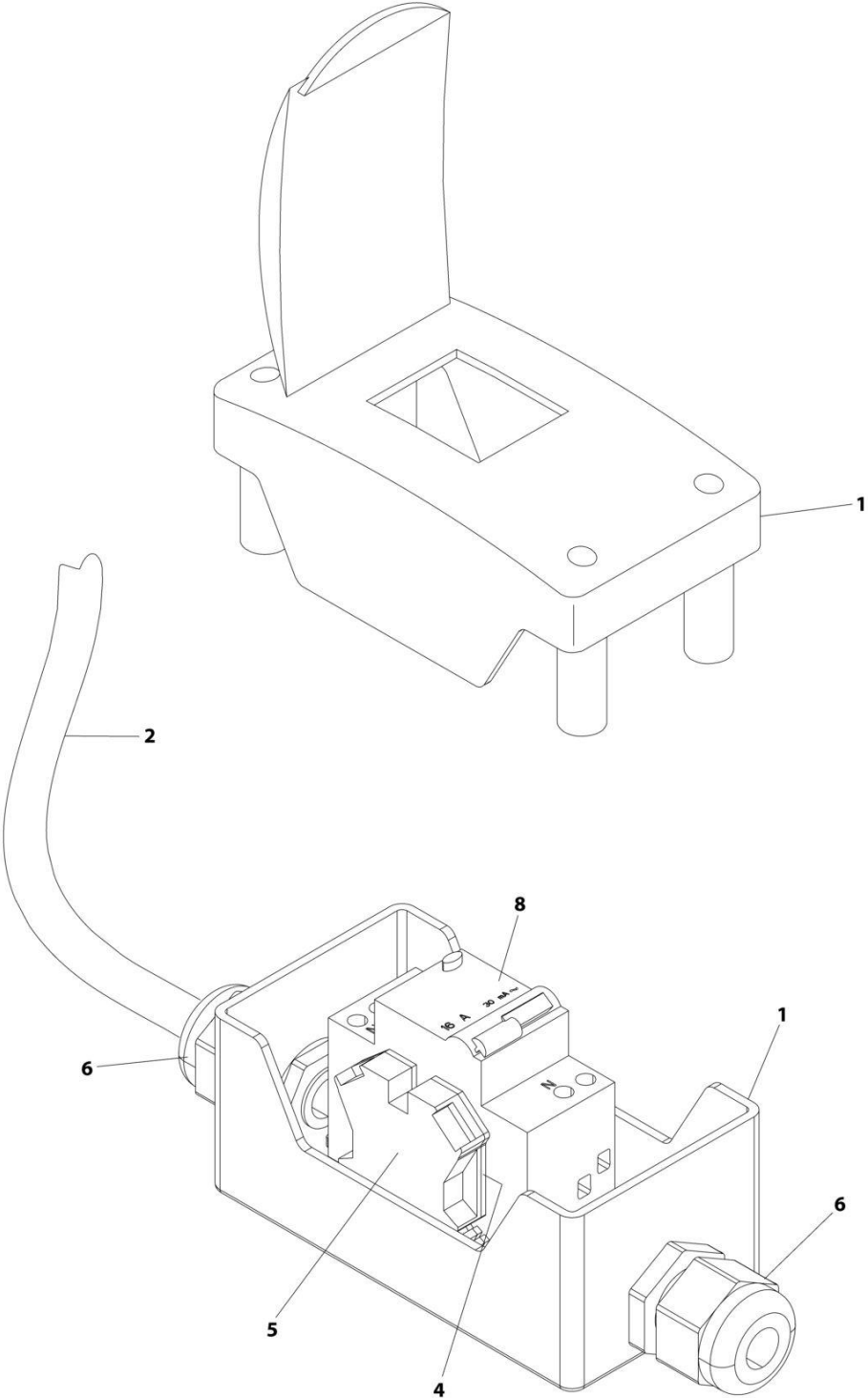
SECTION 8 - ELECTRICAL

FIGURE 8-29. BREAKER BOX KIT - AC CABLE

ITEM	PART NUMBER	QTY	DESCRIPTION	REV
	1001158080	Ref	BREAKER BOX KIT - AC CABLE	B
1	0861880	1	Box	
2	1060908	39 in/1m	Cable, 12/3	
3	4460956	1	Barrier, Terminal	
4	4460957	1	Block, Terminal	
5	1001097150	1	Connector, Strain Relief	
6	1001101191	1	Connector, Strain Relief	
9	1001181045	1	Breaker, Double 30mAmp/16Amp	

SECTION 8 - ELECTRICAL

FIGURE 8-30. BREAKER BOX KIT - 4000W 50HZ GENERATOR



ART_1001096612

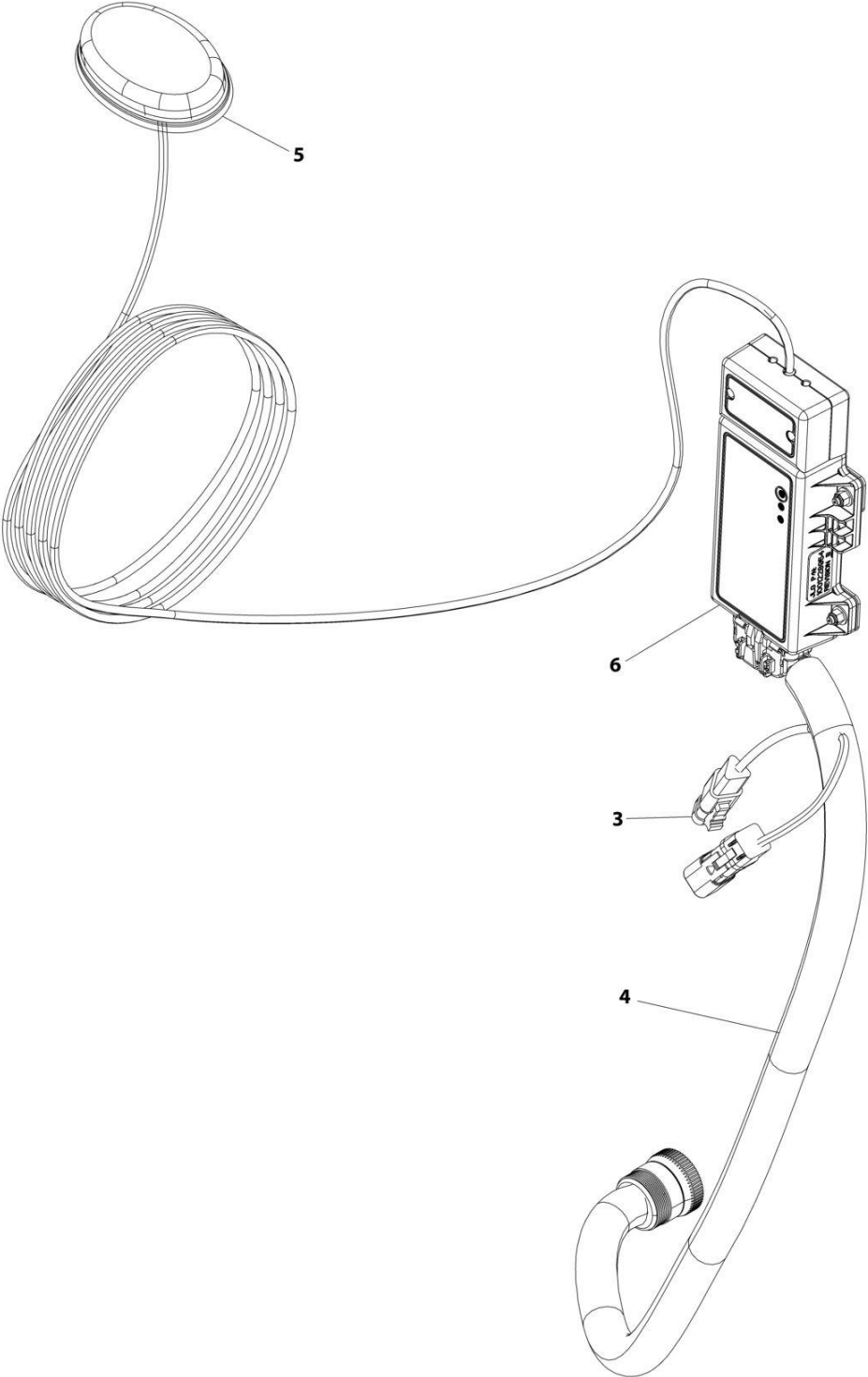
SECTION 8 - ELECTRICAL

FIGURE 8-30. BREAKER BOX KIT - 4000W 50HZ GENERATOR

ITEM	PART NUMBER	QTY	DESCRIPTION	REV
	1001096612	Ref	BREAKER BOX ASSEMBLY	C
1	0861880	1	Box	
2	1060908	4.5 ft /1.4m	Cable, 12/3	
4	4460956	1	Barrier, Terminal	
5	4460957	1	Block, Terminal	
6	1001097150	2	Connector, Strain Relief	
8	1001181045	1	Breaker, Double 30mAmp/16Amp	

SECTION 8 - ELECTRICAL

FIGURE 8-31. CLEARSKY INSTALLATION - 3G CANBUS CONNECTION (ANSI EXPORT, CE & UK CA SPECS)



ART_1001228958

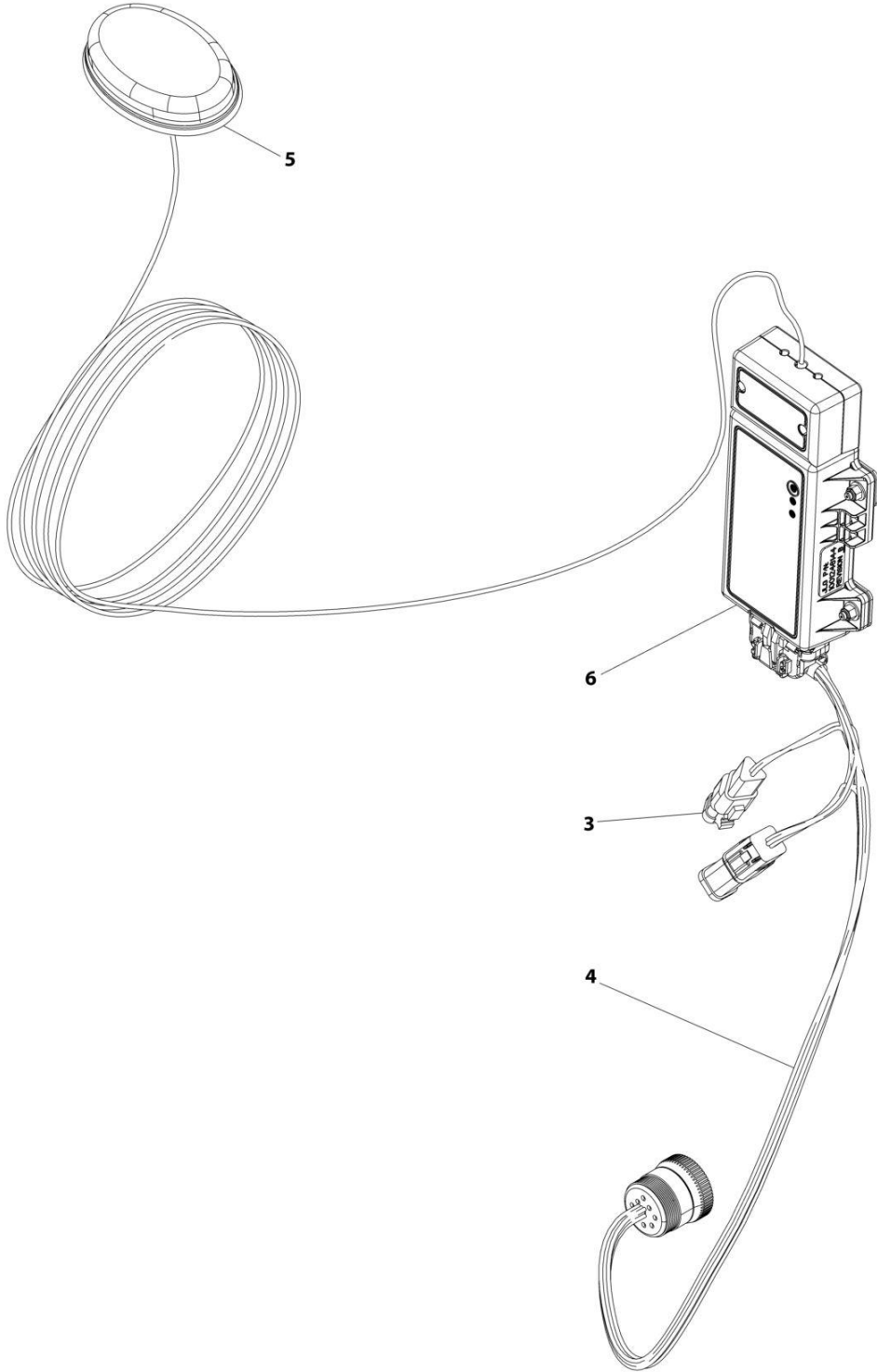
SECTION 8 - ELECTRICAL

FIGURE 8-31. CLEARSKY INSTALLATION - 3G CANBUS CONNECTION (ANSI EXPORT, CE & UK CA SPECS)

ITEM	PART NUMBER	QTY	DESCRIPTION	REV
	1001228958	Ref	CLEARSKY INSTALLATION CANBUS CONNECTION	A
1	4240032	AR	Tie-Strap (Not Shown)	
2	4460234	AR	Strap, Cable Tie (Not Shown)	
3	1001129408	1	Connector	
4	1001226739	1	ClearSky Harness (See Separate Breakdown in this Section)	
5	1001226799	1	Antenna	
6	1001228954	1	Telematics Control Module (Note: Re-calibration Required when Replaced)	

SECTION 8 - ELECTRICAL

FIGURE 8-32. CLEARSKY INSTALLATION - 3G CANBUS CONNECTION (AUSTRALIAN SPECS)



ART_1001246437

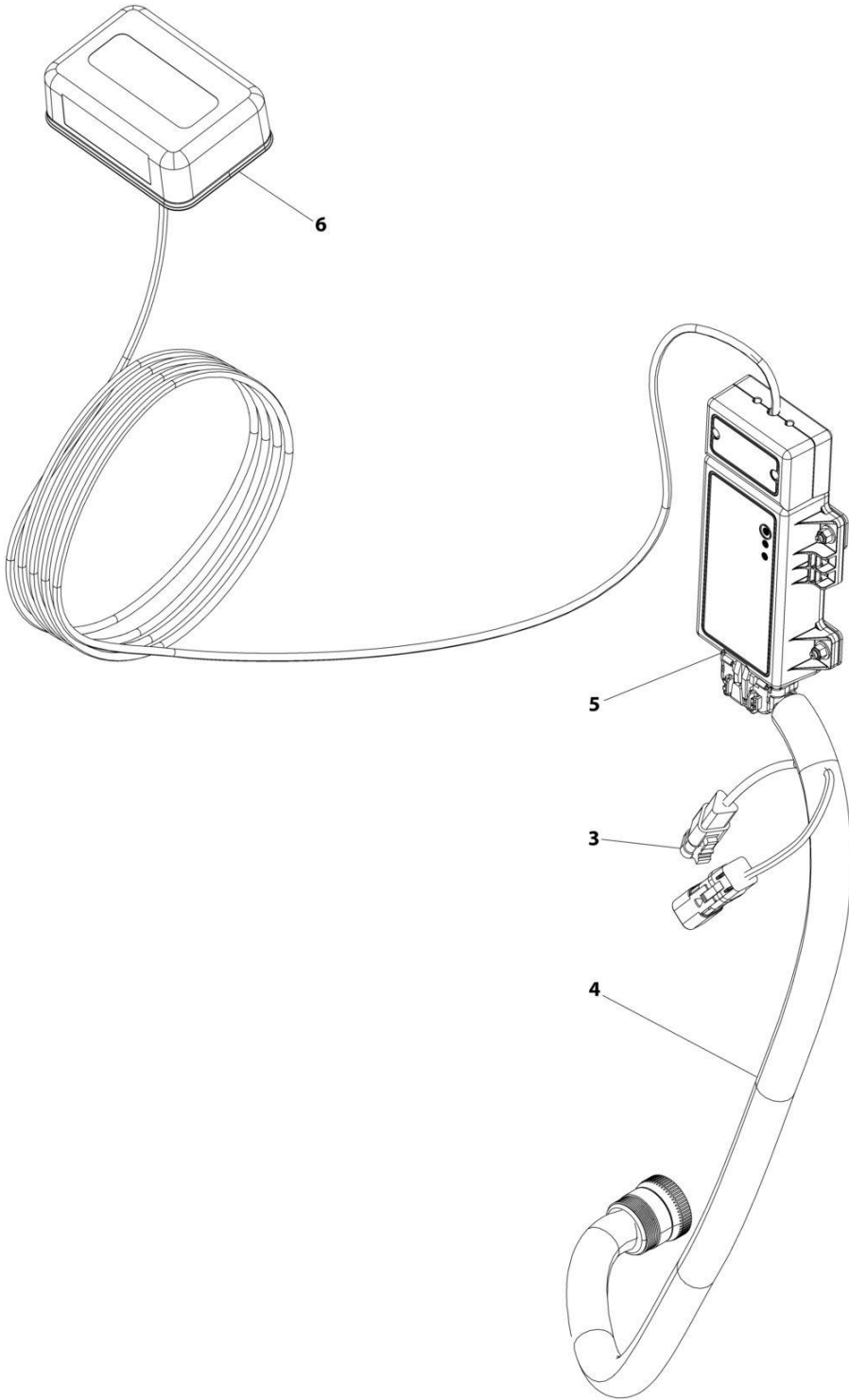
SECTION 8 - ELECTRICAL

FIGURE 8-32. CLEARSKY INSTALLATION - 3G CANBUS CONNECTION (AUSTRALIAN SPECS)

ITEM	PART NUMBER	QTY	DESCRIPTION	REV
	1001246437	Ref	CLEARSKY INSTALLATION CANBUS CONNECTION	A
1	4240032	AR	Tie-Strap (Not Shown)	
2	4460234	AR	Strap, Cable Tie (Not Shown)	
3	1001129408	1	Connector	
4	1001226739	1	ClearSky Harness (See Separate Breakdown in this Section)	
5	1001226799	1	Antenna	
6	1001246144	1	Telematics Control Module (Note: Re-calibration Required when Replaced)	

SECTION 8 - ELECTRICAL

FIGURE 8-33. CLEARSKY INSTALLATION - 4G CANBUS CONNECTION (ALL SPECS EXCEPT CHINA SPECS)



ART_1001227456

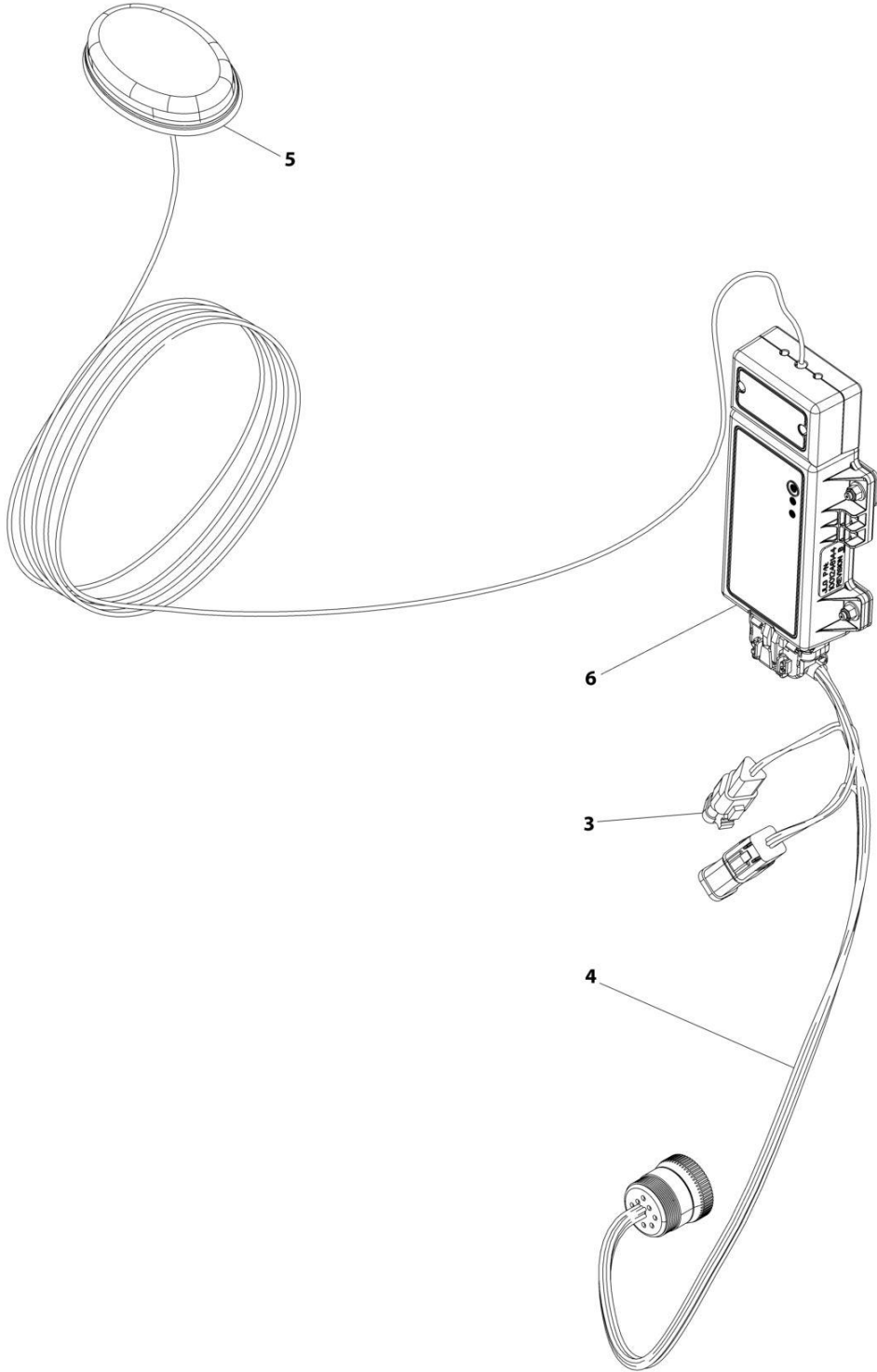
SECTION 8 - ELECTRICAL

FIGURE 8-33. CLEARSKY INSTALLATION - 4G CANBUS CONNECTION (ALL SPECS EXCEPT CHINA SPECS)

ITEM	PART NUMBER	QTY	DESCRIPTION	REV
	1001227456	Ref	CLEARSKY INSTALLATION CANBUS CONNECTION	B
1	4240032	AR	Tie-Strap (Not Shown)	
2	4460234	AR	Strap, Cable Tie (Not Shown)	
3	1001129408	1	Connector	
4	1001226739	1	ClearSky Harness (See Separate Breakdown in this Section)	
5	1001262322	1	Telematics Control Module (Note: Re-calibration Required when Replaced)	
6	1001262326	1	Antenna	

SECTION 8 - ELECTRICAL

FIGURE 8-34. CLEARSKY INSTALLATION - 4G CANBUS CONNECTION (CHINA SPECS)



ART_1001246438

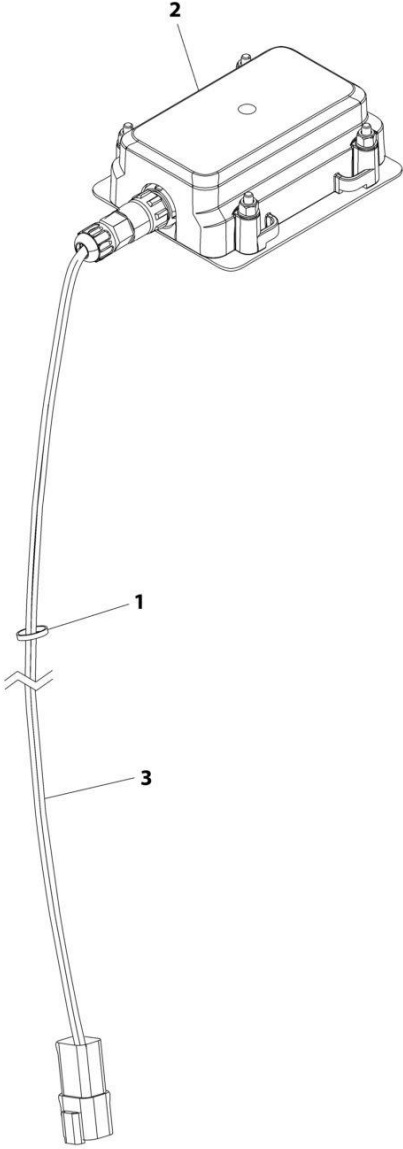
SECTION 8 - ELECTRICAL

FIGURE 8-34. CLEARSKY INSTALLATION - 4G CANBUS CONNECTION (CHINA SPECS)

ITEM	PART NUMBER	QTY	DESCRIPTION	REV
	1001246438	Ref	CLEARSKY INSTALLATION CANBUS CONNECTION	A
1	4240032	AR	Tie-Strap (Not Shown)	
2	4460234	AR	Strap, Cable Tie (Not Shown)	
3	1001129408	1	Connector	
4	1001226739	1	ClearSky Harness (See Separate Breakdown in this Section)	
5	1001226799	1	Antenna	
6	1001246145	1	Telematics Control Module (Note: Re-calibration Required when Replaced)	

SECTION 8 - ELECTRICAL

FIGURE 8-35. CLEARSKY INSTALLATION 3-WIRE CONNECTION (ALL SPECS EXCEPT CHINA SPECS)



ART_1001276610

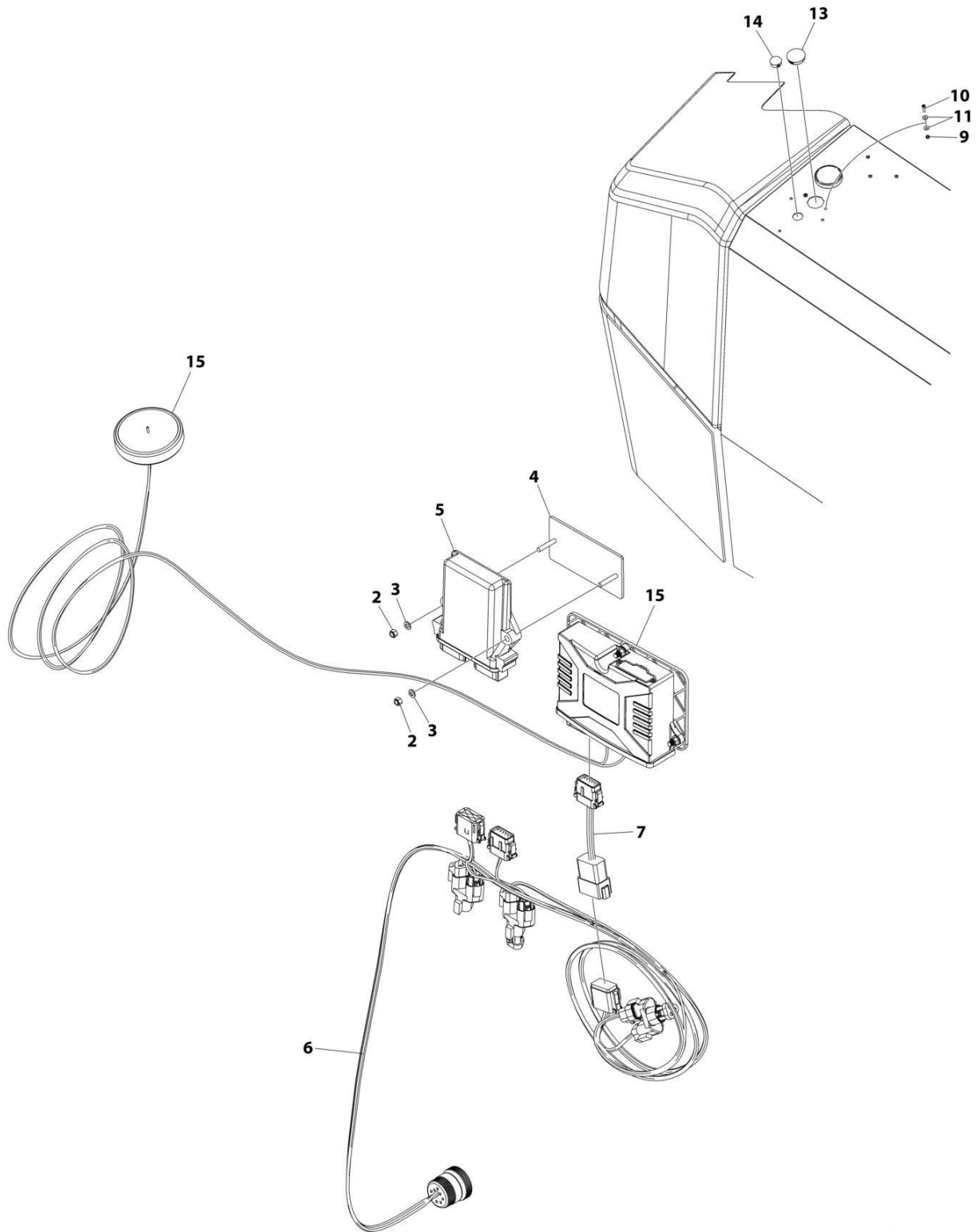
SECTION 8 - ELECTRICAL

FIGURE 8-35. CLEARSKY INSTALLATION 3-WIRE CONNECTION (ALL SPECS EXCEPT CHINA SPECS)

ITEM	PART NUMBER	QTY	DESCRIPTION	REV
	1001276610	Ref	CLEARSKY INSTALLATION 3-WIRE CONNECTION	A
1	4240032	AR	Tie-Strap	
2	1001272659	1	Telematics Control Module Assembly (Note: Re-calibration Required when Replaced)	
3	1001273012	1	ClearSky Harness (See Separate Breakdown in this Section)	

SECTION 8 - ELECTRICAL

FIGURE 8-36. CLEARSKY INSTALLATION - WITH DEUTZ TD2.9L4 (CHINA IV) ENGINES (CHINA SPECS)



ART_1001289786_D

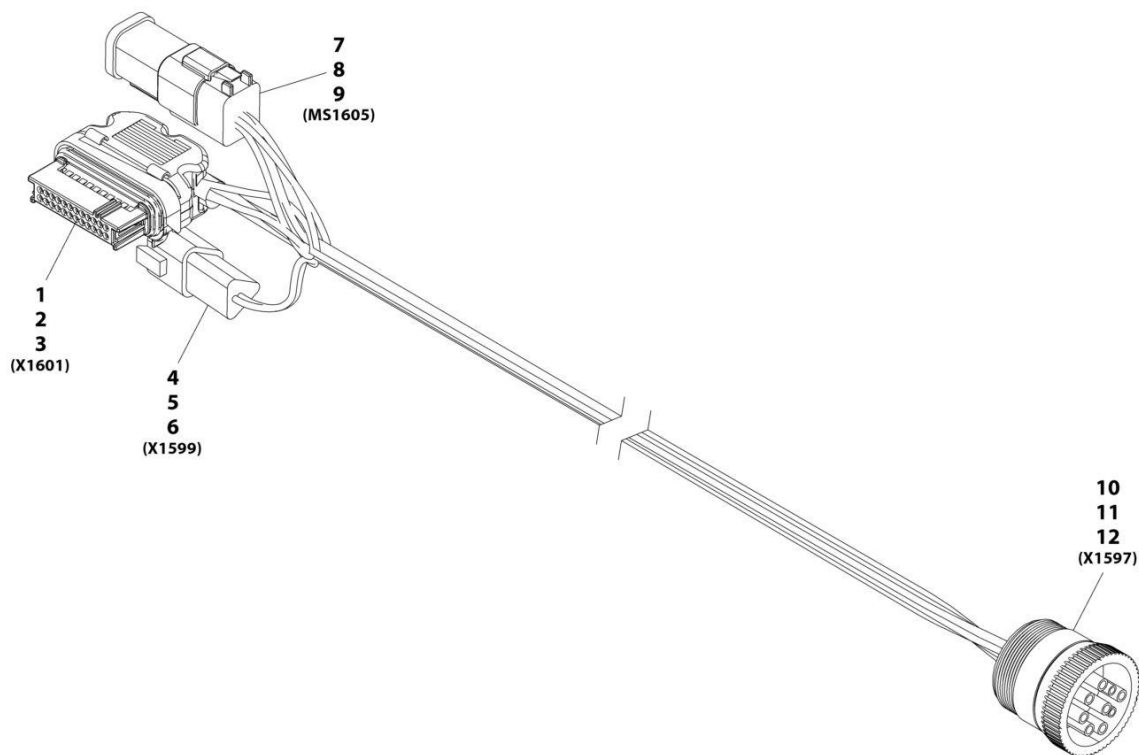
SECTION 8 - ELECTRICAL

FIGURE 8-36. CLEARSKY INSTALLATION - WITH DEUTZ TD2.9L4 (CHINA IV) ENGINES (CHINA SPECS)

ITEM	PART NUMBER	QTY	DESCRIPTION	REV
	1001289786	Ref	CLEARSKY INSTALLATION	D
1	1062255	AR	Tie-Strap (Not Shown)	
2	3290505	2	Nut M5	
3	4811600	2	Washer M5	
4	1001219082	1	Bracket	
5	1001229458	1	Gateway Controller	
6	1001226831	1	ClearSky Harness (See Separate Breakdown in this Section)	
7	1001282406	1	Telematics Jumper Harness (See Separate Breakdown in this Section)	
9	3290405	4	Nut M4	
10	4031507	4	Bolt M4 x 16	
11	1001091102	8	Washer M4	
12	1001244462	1	Connector (Not Shown)	
13	1001285891	2	Plug	
14	1001285892	2	Plug	
15	1001289138	1	Telematics Control Module Assembly (Note: Re-calibration Required when Replaced) (See Separate Breakdown in this Section)	

SECTION 8 - ELECTRICAL

FIGURE 8-37. CLEARSKY HARNESS - 3G & 4G CANBUS CONNECTIONS



ART_1001226739-A

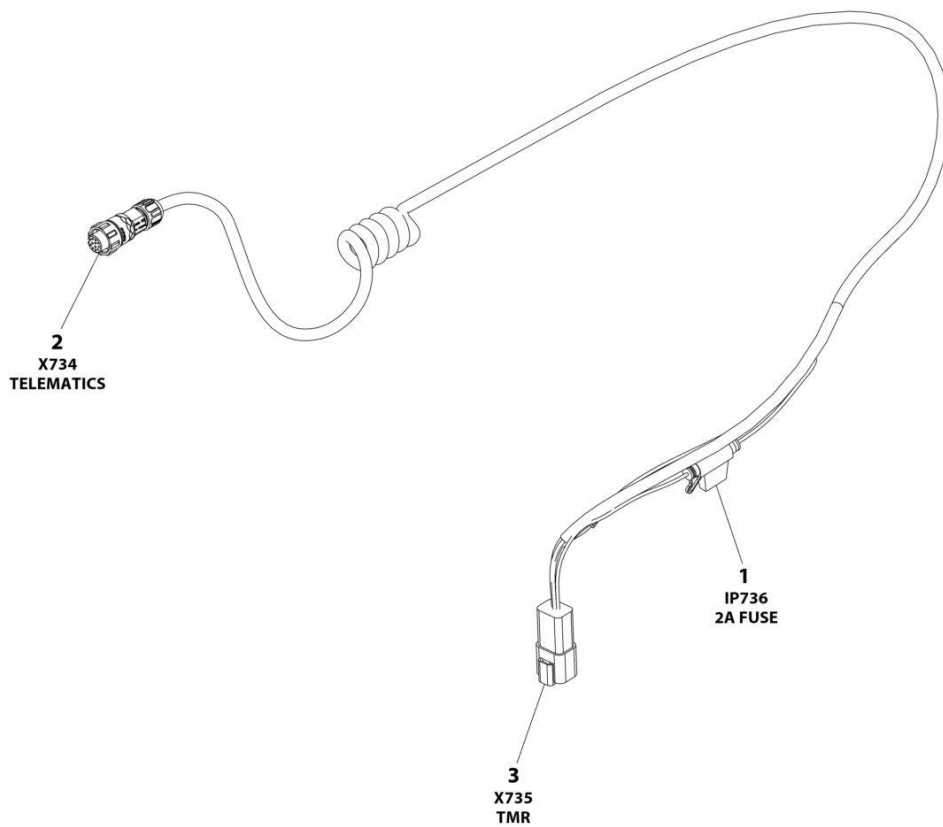
SECTION 8 - ELECTRICAL

FIGURE 8-37. CLEARSKY HARNESS - 3G & 4G CANBUS CONNECTIONS

ITEM	PART NUMBER	QTY	DESCRIPTION	REV
	1001226739	Ref	Clearsky Harness	A
1	1001226636	1	Connector	
2	1001116731	16	Plug, Terminal	
3	1001226637	8	Terminal	
4	1001144147	1	Connector	
5	4460464	2	Terminal	
6	4460466	1	Plug, Terminal	
7	4460894	1	Connector	
8	4460465	6	Terminal	
9	1001226541	1	Connector- 6 Pin Bussbar	
10	1001112796	1	Connector	
11	4460465	8	Terminal	
12	4460466	1	Plug, Terminal	

SECTION 8 - ELECTRICAL

FIGURE 8-38. CLEARSKY HARNESS - 3 WIRE GT1030



ART_1001273012

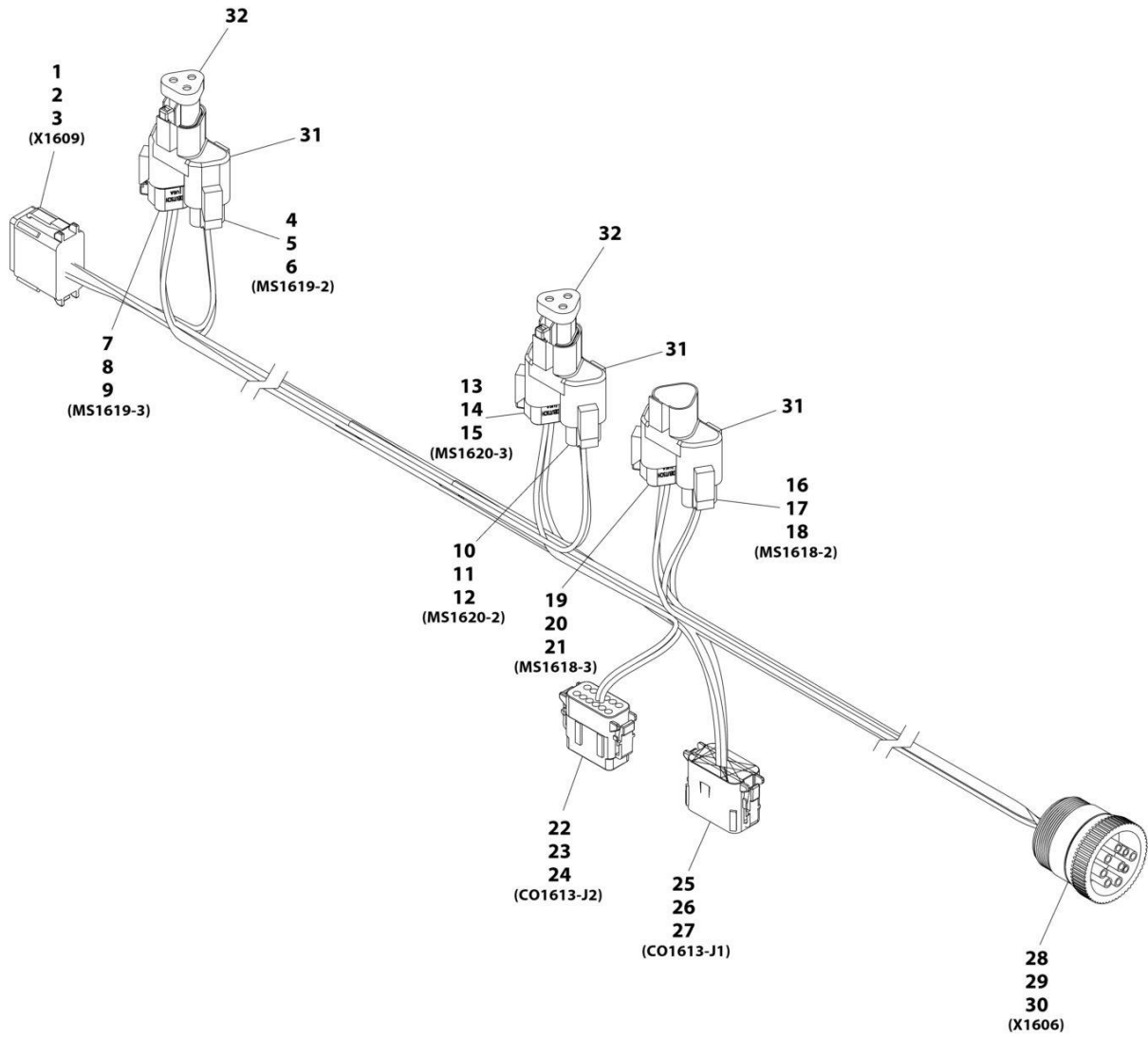
SECTION 8 - ELECTRICAL

FIGURE 8-38. CLEARSKY HARNESS - 3 WIRE GT1030

ITEM	PART NUMBER	QTY	DESCRIPTION	REV
	1001273012	Ref	CLEARSKY TELEMATICS HARNESS - GT1030	D
1	1001255901	1	Fuseholder	
1	1001196634	1	Fuse - 2Amp	
2	1001272997	1	Connector - 12 Position	
2		Ref	Terminal	
3	4460932	1	Receptacle, Female - 4 Position	
3	4460464	4	Pin, Male	

SECTION 8 - ELECTRICAL

FIGURE 8-39. CLEARSKY HARNESS - WITH DEUTZ TD2.9L4 (CHINA IV) ENGINES



ART_1001226831-A

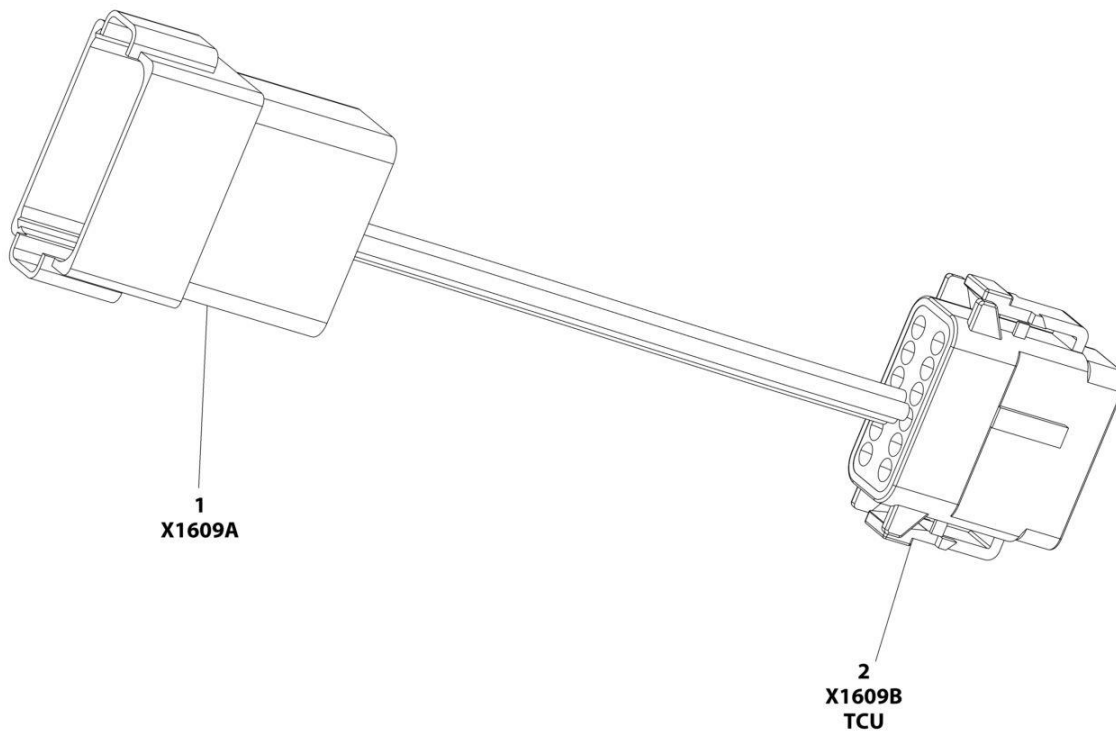
SECTION 8 - ELECTRICAL

FIGURE 8-39. CLEARSKY HARNESS - WITH DEUTZ TD2.9L4 (CHINA IV) ENGINES

ITEM	PART NUMBER	QTY	DESCRIPTION	REV
	1001226831	Ref	Telematics Gateway Harness	A
1	4460933	1	Connector	
2	1001116692	5	Terminal	
3	4460466	7	Plug	
4	4460539	1	Connector	
5	4460465	2	Terminal	
6	4460466	1	Plug	
7	1001116812	1	Connector	
8	4460465	2	Terminal	
9	4460466	1	Plug	
10	4460539	1	Connector	
11	4460465	2	Terminal	
12	4460466	1	Plug	
13	1001116812	1	Connector	
14	4460465	2	Terminal	
15	4460466	1	Plug	
16	4460539	1	Connector	
17	4460465	2	Terminal	
18	4460466	1	Plug	
19	1001116812	1	Connector	
20	4460465	2	Terminal	
21	4460466	1	Plug	
22	1001116808	1	Connector	
23	1001116694	2	Terminal	
24	4460518	10	Plug	
25	1001116774	1	Connector	
26	1001116694	4	Terminal	
27	4460518	8	Plug	
28	1001112796	1	Connector	
29	1001116692	5	Terminal	
30	4460466	3	Plug	
31	4460945	3	Terminal, 3 Way "T" Receptacle	
32	1001116815	2	Connector, Plug 3-Pin	

SECTION 8 - ELECTRICAL

FIGURE 8-40. CLEARSKY TELEMATICS JUMPER HARNESS



ART_1001282406

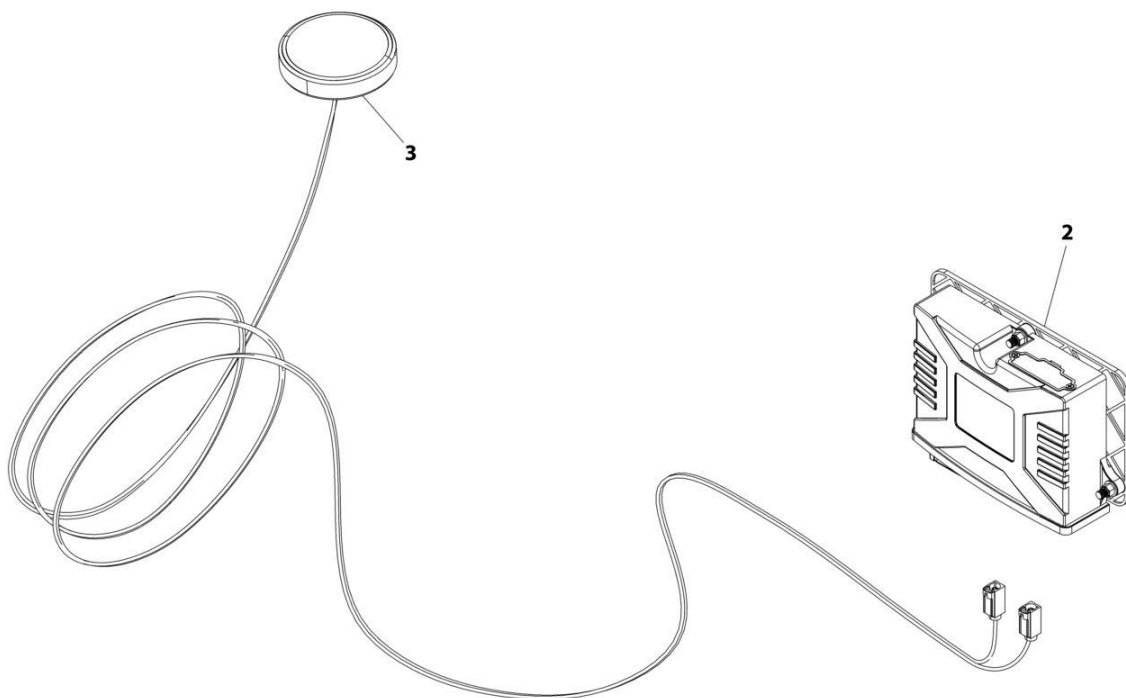
SECTION 8 - ELECTRICAL

FIGURE 8-40. CLEARSKY TELEMATICS JUMPER HARNESS

ITEM	PART NUMBER	QTY	DESCRIPTION	REV
	1001282406	REF	TELEMATICS JUMPER HARNESS	B
1	4460970	1	Connector	
1	1001116693	5	Socket	
1	4460466	7	Plug, Sealing	
2	1001116774	1	Connector	
2	4460518	5	Plug Sealing	
2	1001116694	7	Socket	

SECTION 8 - ELECTRICAL

FIGURE 8-41. TELEMATICS CONTROL MODULE ASSEMBLY



ART_1001289138

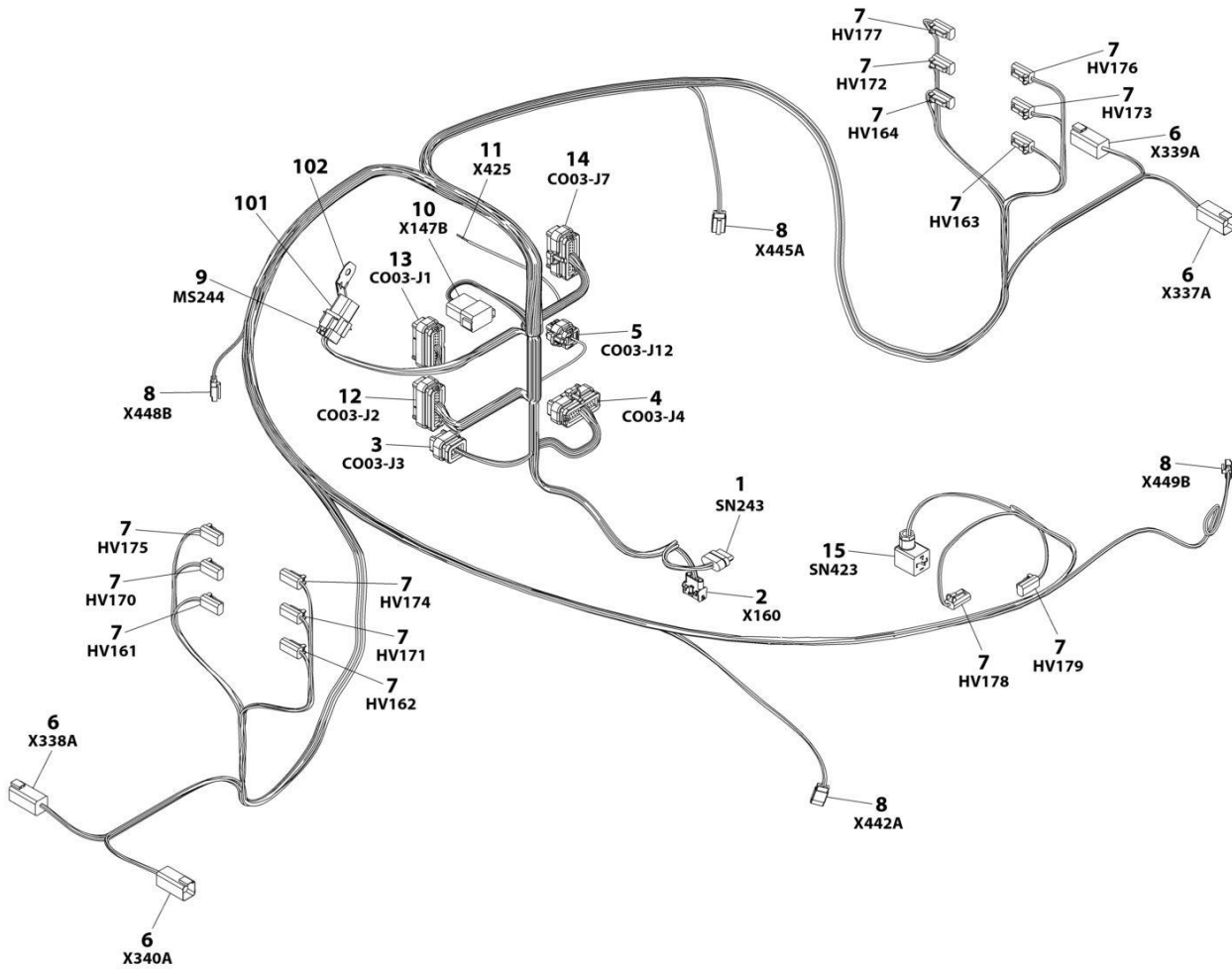
SECTION 8 - ELECTRICAL

FIGURE 8-41. TELEMATICS CONTROL MODULE ASSEMBLY

ITEM	PART NUMBER	QTY	DESCRIPTION	REV
	1001289138	Ref	CLEARSKY CONTROL MODULE ASSEMBLY	A
2	1001289140	1	ClearSky Control Module	
3	1001289199	1	Antenna	

SECTION 8 - ELECTRICAL

FIGURE 8-42. CHASSIS HARNESS



ART_1001311998

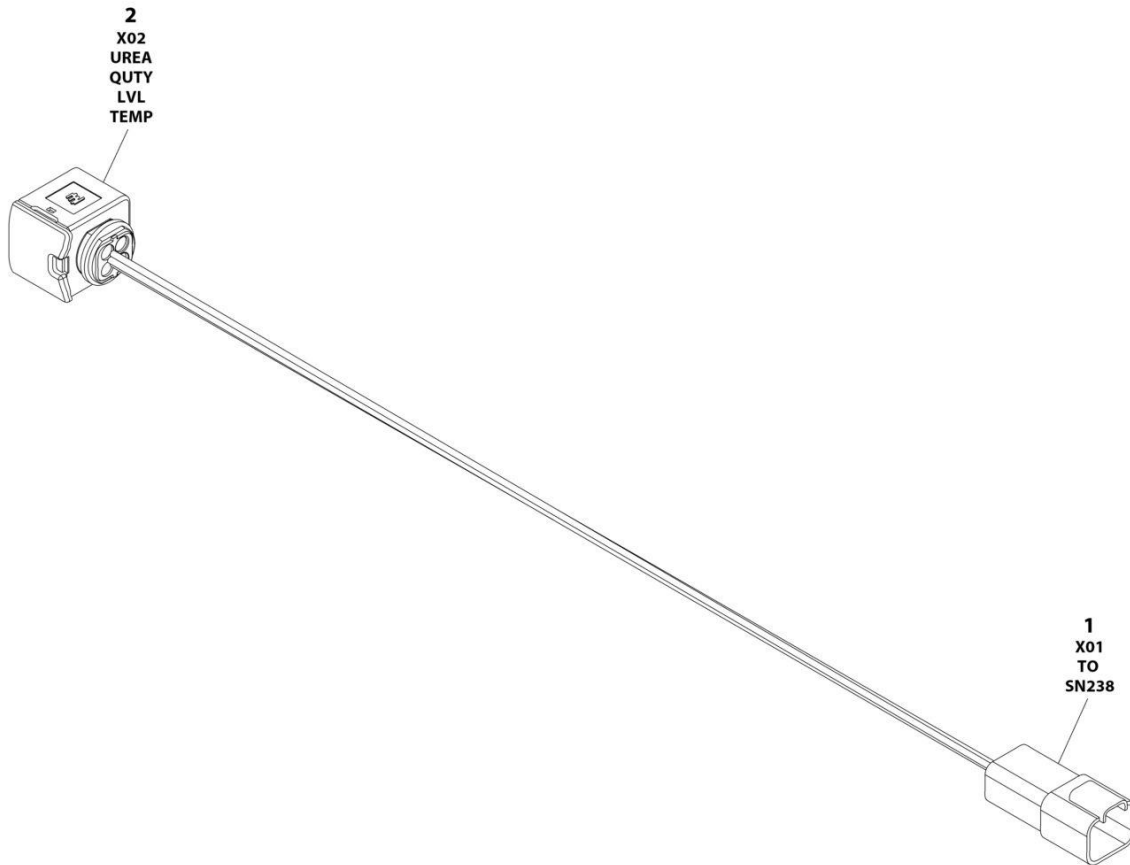
SECTION 8 - ELECTRICAL

FIGURE 8-42. CHASSIS HARNESS

ITEM	PART NUMBER	QTY	DESCRIPTION	REV
	1001311998	Ref	CHASSIS HARNESS	A
1	1001230931	1	Connector	
1	1001116748	6	Terminal	
2	4460761	1	Connector	
2	4460227	4	Terminal	
3	4460872	1	Connector	
3	4460871	5	Terminal	
3	4460905	9	Plug	
4	4460876	1	Connector	
4	4460871	4	Terminal	
4	4460905	31	Plug	
5	1001113961	1	Connector	
5	4460871	1	Terminal	
5	4460905	7	Plug	
6	4460899	4	Connector	
6	4460464	16	Terminal	
6	4460466	8	Plug	
7	4460891	14	Connector	
7	4460465	28	Terminal	
8	4460911	4	Connector	
8	1001126009	12	Terminal	
9	4460851	1	Connector	
9	4460465	7	Terminal	
9	4460466	1	Plug	
10	4460950	1	Connector	
10	4460943	3	Terminal	
10	4460464	3	Terminal	
10	4460466	6	Plug	
11	4461271	1	Terminal	
12	4460875	1	Connector	
12	4460871	21	Terminal	
12	4460905	14	Plug	
13	4460874	1	Connector	
13	4460871	10	Terminal	
13	4460905	25	Plug	
14	4460873	1	Connector	
14	4460871	24	Terminal	
14	4460905	11	Plug	
15	1001263923	1	Connector	
101	4460852	1	Connector	
102	1001155743	1	Holder	

SECTION 8 - ELECTRICAL

FIGURE 8-43. DEF TANK EXTENSION HARNESS



ART_1001238483

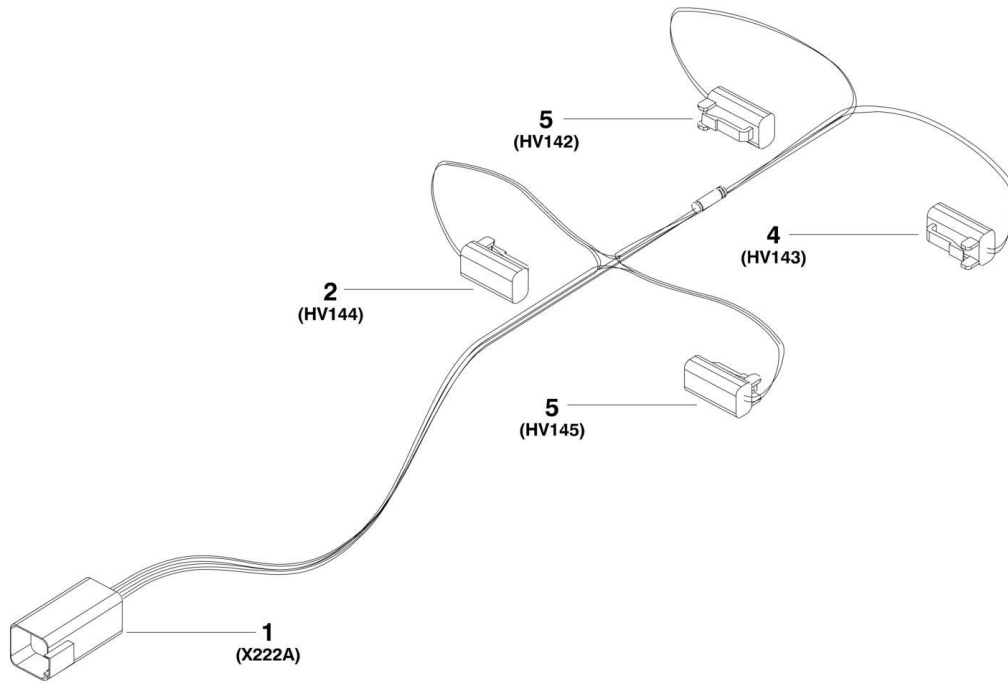
SECTION 8 - ELECTRICAL

FIGURE 8-43. DEF TANK EXTENSION HARNESS

ITEM	PART NUMBER	QTY	DESCRIPTION	REV
	1001238483	Ref	DEF TANK EXTENSION HARNESS	A
1	4460932	1	Receptacle, Female - 4 Position	
1	4460464	2	Pin, Male	
1	4460943	2	Pin, Male	
2	1001167528	1	Connector - 4 Position	
2	1001167632	2	Terminal	
2	1001166704	2	Terminal	
2	1001137578	4	Seal	

SECTION 8 - ELECTRICAL

FIGURE 8-44. DRIVE PUMP HARNESS



1001149970

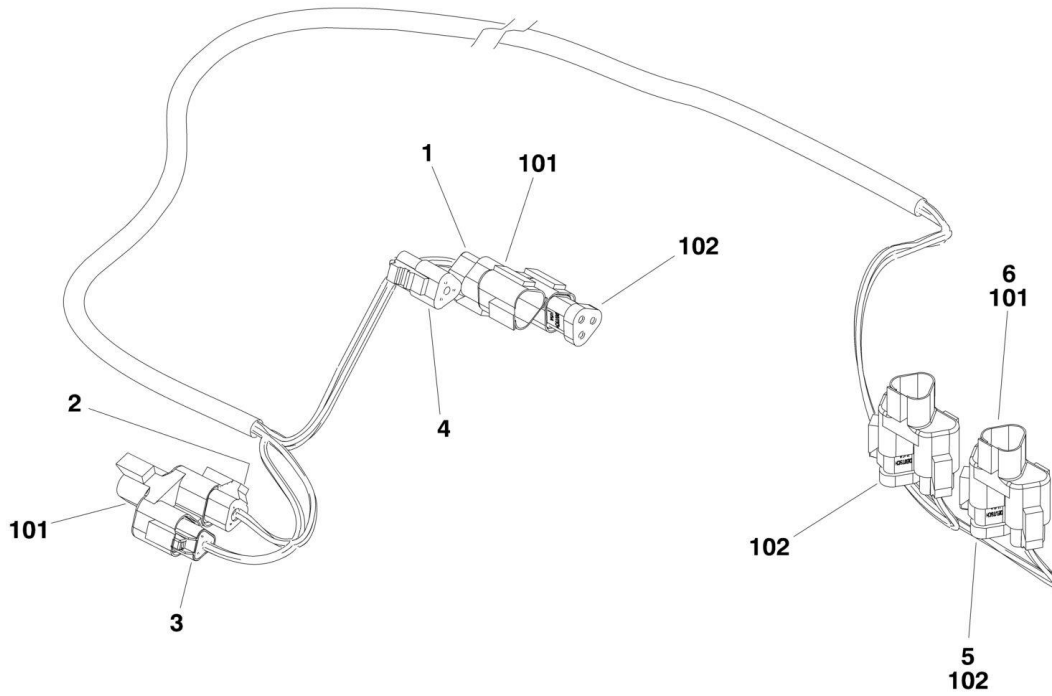
SECTION 8 - ELECTRICAL

FIGURE 8-44. DRIVE PUMP HARNESS

ITEM	PART NUMBER	QTY	DESCRIPTION	REV
	1001149970	Ref	DRIVE PUMP HARNESS	B
1	4460899	1	Connector - 6 Position	
1	4460464	5	Pin, Male	
1	4460466	1	Plug, Seal	
2	4460891	1	Connector - 2 Position	
2	4460465	2	Socket, Female	
3	4460891	1	Connector - 2 Position	
3	4460465	2	Socket, Female	
4	4460891	1	Connector - 2 Position	
4	4460465	2	Socket, Female	
5	4460891	1	Connector - 2 Position	
5	4460465	2	Socket, Female	

SECTION 8 - ELECTRICAL

FIGURE 8-45. ENGINE CAN HARNESS



1001156001

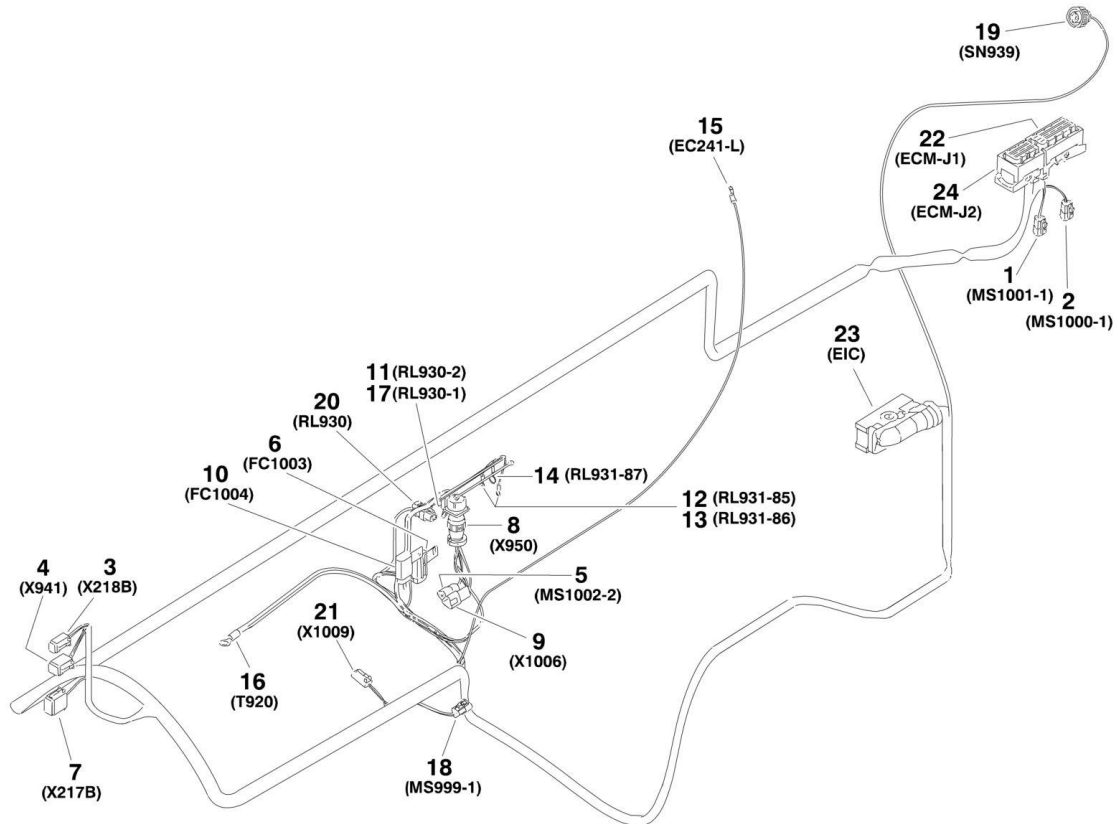
SECTION 8 - ELECTRICAL

FIGURE 8-45. ENGINE CAN HARNESS

ITEM	PART NUMBER	QTY	DESCRIPTION	REV
	1001156001	Ref	ENGINE CAN HARNESS	B
1	1001116812	1	Connector - 3 Position	
1	4460944	3	Socket, Female	
2	4460539	1	Connector - 3 Position	
2	4460944	3	Socket, Female	
3	1001116812	1	Connector - 3 Position	
3	4460944	3	Socket, Female	
4	4460539	1	Connector - 3 Position	
4	4460944	3	Socket, Female	
5	4460539	1	Connector - 3 Position	
5	4460944	3	Socket, Female	
6	4460539	1	Connector - 3 Position	
6	4460944	3	Socket, Female	
101	4460945	4	Connector, Tee	
102	1001116815	3	Connector - 3 Position	

SECTION 8 - ELECTRICAL

FIGURE 8-46. ENGINE HARNESS - DEUTZ LRC ENGINES



1001149971

SECTION 8 - ELECTRICAL

FIGURE 8-46. ENGINE HARNESS - DEUTZ LRC ENGINES

ITEM	PART NUMBER	QTY	DESCRIPTION	REV
	1001149971	Ref	ENGINE HARNESS	F
1	1001116812	1	Connector - 3 Position	
1	4460944	2	Socket, Female	
1	4460466	1	Plug, Socket	
2	1001116812	1	Connector - 3 Position	
2	4460944	2	Socket, Female	
2	4460466	1	Plug, Socket	
3	4460894	1	Connector - 6 Position	
3	4460944	3	Socket, Female	
3	4460466	3	Plug, Socket	
4	1001220379	1	Connector - 4 Position	
4	4460942	2	Socket, Female	
4	4460465	2	Socket, Female	
4	4460466	4	Plug, Socket	
5	4460539	1	Connector - 3 Position	
5	4460944	2	Socket, Female	
5	4460466	1	Plug, Socket	
6	1001119412	1	Fuseholder	
6	See Note	NSS	Fuse 5A (Note: Purchase Locally)	
6	1001116732	1	Terminal	
6	1001128128	1	Plug, Socket	
7	4460930	1	Connector, Female - 8 Position	
7	4460944	1	Socket, Female	
7	4460466	7	Plug, Seal	
8	2902443	1	Kit, Receptacle	
8	4461071	8	Socket, Female	
8	4461072	1	Connector	
8	4461043	1	Cap, Dust	
8	4461074	1	Shell, Back	
9	4460536	1	Connector - 3 Position	
9	4460943	2	Pin, Male	
9	4460466	1	Plug, Socket	
10	1001117023	1	Fuseholder	
10	See Note	NSS	Fuse 10A (Note: Purchase Locally)	
10	1001116732	1	Terminal	
10	1001128128	1	Plug, Socket	
11	1001117106	1	Ring, Terminal	
12	4460247	1	Ring, Terminal	
13	4460247	1	Ring, Terminal	
14	4460703	1	Ring, Terminal	
15	4460042	1	Ring, Terminal	
16	8220115	1	Ring, Terminal	
17	4460043	1	Ring, Terminal	
18	1001116812	1	Connector - 3 Position	
18	4460944	3	Socket, Female	
19	1001133714	1	Connector - 4 Position	
19	1001133715	3	Socket, Female	
20	1001116952	1	Connector - 2 Position	
20	4460465	1	Socket, Female	
20	4460466	1	Seal, Plug	

SECTION 8 - ELECTRICAL

ITEM	PART NUMBER	QTY	DESCRIPTION	REV
21	4460891	1	Connector, Male - 2 Position	
21	4460465	2	Socket, Female	
21	4460897	1	Connector, Female - 2 Position	
21	4460464	2	Pin, Male	
21	See Note	NSS	Resistor 1.5ohm (Note: Not Available for Purchase)	
21	1001156692	AR	Heat Shrink	
22	1001133956	1	Connector - 94 Position	
22	1001126352	6	Terminal 13-17Ga	
22	1001126384	21	Terminal 18-20Ga	
22	1001126351	2	Terminal 15-18Ga	
22	1001126357	2	Plug, Socket	
22	1001126356	63	Plug, Socket	
23	1001126362	1	Connector - 62 Position	
23	1001126365	2	Terminal 17-20Ga	
23	1001126363	35	Terminal 17-20Ga (Gold)	
23	1001126391	21	Plug, Socket	
23	4461008	4	Plug, Socket	
24	1001133957	1	Connector - 60 Position	
24	1001126351	13	Terminal 15-18Ga	
24	1001126384	17	Terminal 18-20Ga	
24	1001126357	11	Plug, Socket	
24	1001126356	19	Plug, Socket	

SECTION 8 - ELECTRICAL

FIGURE 8-47. ENGINE HARNESS - DEUTZ HRC ENGINES

ITEM	PART NUMBER	QTY	DESCRIPTION	REV
	1001188922	Ref	ENGINE HARNESS	K
1	4460892	1	Buss Bar - 6 Position	
3	4461070	3	Connector, Terminating - 3 Position	
4	8229242	2	Fuse, 5 Amp	
5	8229244	1	Fuse, 15 Amp	
6	8229247	1	Fuse, 25 Amp	
7	1001095704	5	Relay	
8	1001120328	2	Mount	
9	1001125677	1	Connector, Bussbar	
10	1001190921	1	Seal	
11	1001197719	1	Resistor 620ohm	
12	4460984	1	Receptacle, Female - 8 Position	
13	1001155743	1	Mount	
14	1001216318	1	Cover	
101	1001167615	1	Connector - 91 Position	
101	1001166551	6	Terminal	
101	1001167621	20	Terminal	
101	1001167622	65	Plug, Terminal	
101	1001126353	6	Seal	
102	1001167625	1	Connector - 105 Position	
102	1001166555	13	Terminal	
102	1001167621	50	Terminal	
102	1001167622	36	Plug, Terminal	
102	1001167623	6	Seal	
103	4461095	3	Connector - 3 Position	
103	4460944	4	Socket, Female	
103	4460465	2	Socket, Female	
103	4460466	3	Plug, Terminal	
104	4460930	2	Connector - 8 Position	
104	4460465	10	Socket, Female	
104	4460466	6	Plug, Terminal	
108	1001167620	1	Connector - 4 Position	
108	1001176004	2	Socket, Female	
108	1001167624	2	Plug, Terminal	
108	1001176002	2	Seal	
109	2400066	1	Fuseholder with Leads	
110	1001117107	1	Terminal, Ring	
111	8220045	1	Terminal, Ring	
112	4460894	2	Plug, Male - 6 Position	
112	4460465	7	Socket, Female	
112	4460944	2	Socket, Female	
112	4460942	1	Socket, Female	
112	4460466	2	Plug, Socket	
113	4460884	1	Plug, Male - 4 Position	
113	4460465	2	Socket, Female	
113	4460942	2	Socket, Female	
114	4460934	1	Plug, Male - 12 Position	
114	4460942	2	Socket, Female	
114	4460465	8	Socket, Female	
114	4460466	2	Plug, Socket	

SECTION 8 - ELECTRICAL

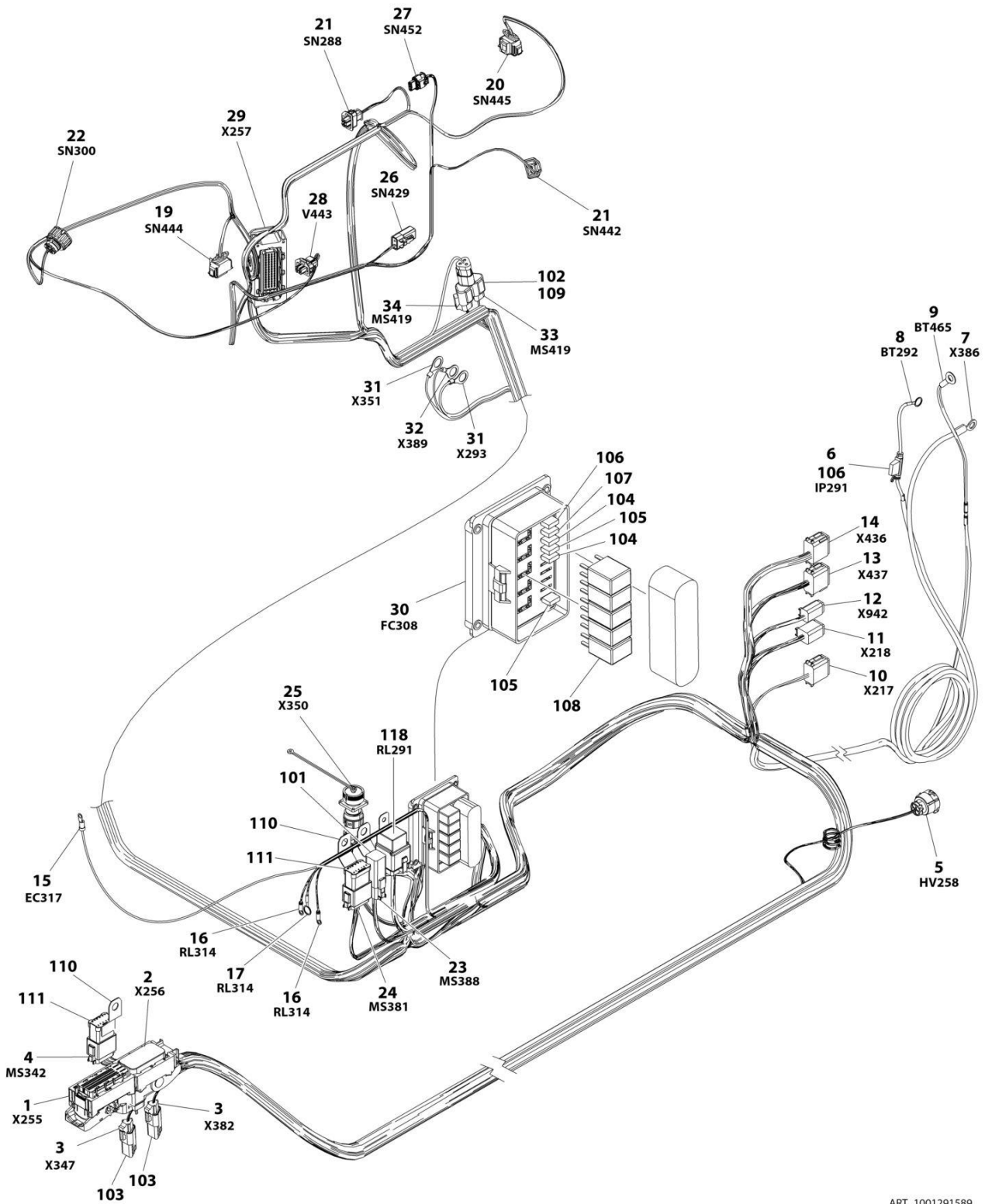
ITEM	PART NUMBER	QTY	DESCRIPTION	REV
115	4460935	1	Plug, Male - 12 Position	
115	1001157890	6	Socket, Female	
115	4460465	2	Socket, Female	
115	4460944	2	Socket, Female	
115	4460466	2	Plug, Socket	
116	1001117108	1	Ring, Terminal	
117	1001118282	1	Connector - 5 Position	
117	1001116734	2	Terminal	
117	1001116733	2	Terminal	
117	1001128128	1	Plug, Socket	
118	4460933	1	Plug, Male - 12 Position	
118	4460944	12	Socket, Female	
119	4460247	1	Terminal, Ring	
120	4460703	1	Terminal, Ring	
121	4460042	1	Terminal, Ring	
122	4460247	1	Terminal, Ring	
123	1001126362	1	Connector - 62 Position	
123	1001166556	30	Socket, Female	
123	1001166774	10	Socket, Female	
123	1001166541	2	Socket, Female	
123	1001166543	2	Socket, Female	
123	1001126391	16	Plug, Terminal	
123	4461008	2	Plug, Terminal	
123	1001166701	30	Seal, Terminal	
123	1001126393	10	Seal, Terminal	
123	4461006	2	Seal, Terminal (Blue)	
123	4461054	2	Seal, Terminal (White)	
124	2902443	1	Kit, Receptacle	
124	4461071	8	Socket, Female	
124	4461072	1	Connector	
124	4461043	1	Cap, Dust	
124	4461074	1	Shell, Back	
125	1001184846	1	Plug, Male - 10 Position	
125	4460509	10	Socket, Female	
126	1001167616	1	Main Fuse Box Assembly	
126	1001116725	6	Socket, Female	
126	8220097	19	Terminal	
126	8220098	7	Terminal	
126	4460748	13	Plug, Terminal	
126	80963067	6	Seal (Blue)	
126	1001175265	12	Seal, Terminal	
126	4460458	14	Seal, Terminal	
127	8229245	2	Fuse, 30 Amp	
128	1001126487	3	Connector - 2 Position	
128	1001167634	4	Socket, Female	
128	1001167635	2	Socket, Female	
128	1001126485	3	Seal, Terminal	
129	1001167629	1	Connector - 4 Position	
129	1001167630	4	Socket, Female	
129	1001126485	4	Seal, Terminal	
130	1001126245	1	Plug, Male - 2 Position	

SECTION 8 - ELECTRICAL

ITEM	PART NUMBER	QTY	DESCRIPTION	REV
130	1001126008	2	Socket, Female	
131	1001167633	1	Connector - 3 Position	
131	1001133715	3	Socket, Female	
131	1001135650	3	Seal, Terminal	
132	1001167631	1	Connector - 4 Position	
132	1001167630	4	Socket, Female	
132	1001126485	4	Seal, Terminal	
133	1001133714	1	Connector - 4 Position	
133	1001133715	3	Socket, Female	
133	1001135650	3	Seal, Terminal	

SECTION 8 - ELECTRICAL

FIGURE 8-48. ENGINE HARNESS - DEUTZ HRC EMR5 ENGINES



ART_1001291589

SECTION 8 - ELECTRICAL

FIGURE 8-48. ENGINE HARNESS - DEUTZ HRC EMR5 ENGINES

ITEM	PART NUMBER	QTY	DESCRIPTION	REV
	1001291589	Ref	ENGINE HARNESS - DEUTZ T4F ENGINES (HRC)	C
1	1001133956	1	Connector	
1	1001182361	6	Socket (14-16AWG)	
1	1001126351	3	Socket (15-18AWG)	
1	1001230934	42	Socket (19AWG)	
1	1001230935	43	Plug	
1	1001182365	6	Seal	
2	1001133957	1	Connector	
2	1001126351	14	Socket (15-18AWG)	
2	1001230934	25	Socket (19AWG)	
2	1001230935	9	Plug	
2	1001230936	12	Plug	
3	4461095	2	Connector	
3	4460465	4	Socket	
3	4460466	2	Plug	
4	4460933	1	Connector	
4	4460465	6	Socket	
5	1001167620	1	Connector	
5	1001176004	2	Socket	
5	1001176002	2	Seal	
5	1001167624	2	Plug	
6	2400066	1	Fuseholder	
7	8220045	1	Terminal, Ring	
8	4460019	1	Terminal, Ring	
9	8220115	1	Terminal, Ring	
10	4460930	1	Connector	
10	4460465	1	Socket (16-20AWG)	
10	4460942	1	Socket (14-16AWG)	
10	4460466	6	Plug	
11	4460894	1	Connector	
11	4460942	1	Socket (14-16AWG) (Nickel)	
11	4460465	2	Socket (16-20AWG) (Nickel)	
11	4460944	2	Socket (16-20AWG) (Gold)	
11	4460466	1	Plug	
12	4460884	1	Connector	
12	4460465	2	Socket (16-20AWG)	
12	1001157890	2	Socket (12-16AWG)	
13	4460934	1	Connector	
13	4460465	8	Socket (12-16AWG)	
13	4460942	2	Socket (14-16AWG)	
13	4460466	2	Plug	
14	4460935	1	Connector	
14	1001157890	6	Socket (12-16AWG) (Nickel)	
14	4460465	2	Socket (16-20AWG) (Nickel)	
14	4460944	2	Socket (16-20AWG) (Gold)	
14	4460466	2	Plug	
15	4460042	1	Terminal, Ring	
16	4460247	2	Terminal, Ring	
17	4460703	1	Terminal, Ring	
18	1001118282	1	Connector	

SECTION 8 - ELECTRICAL

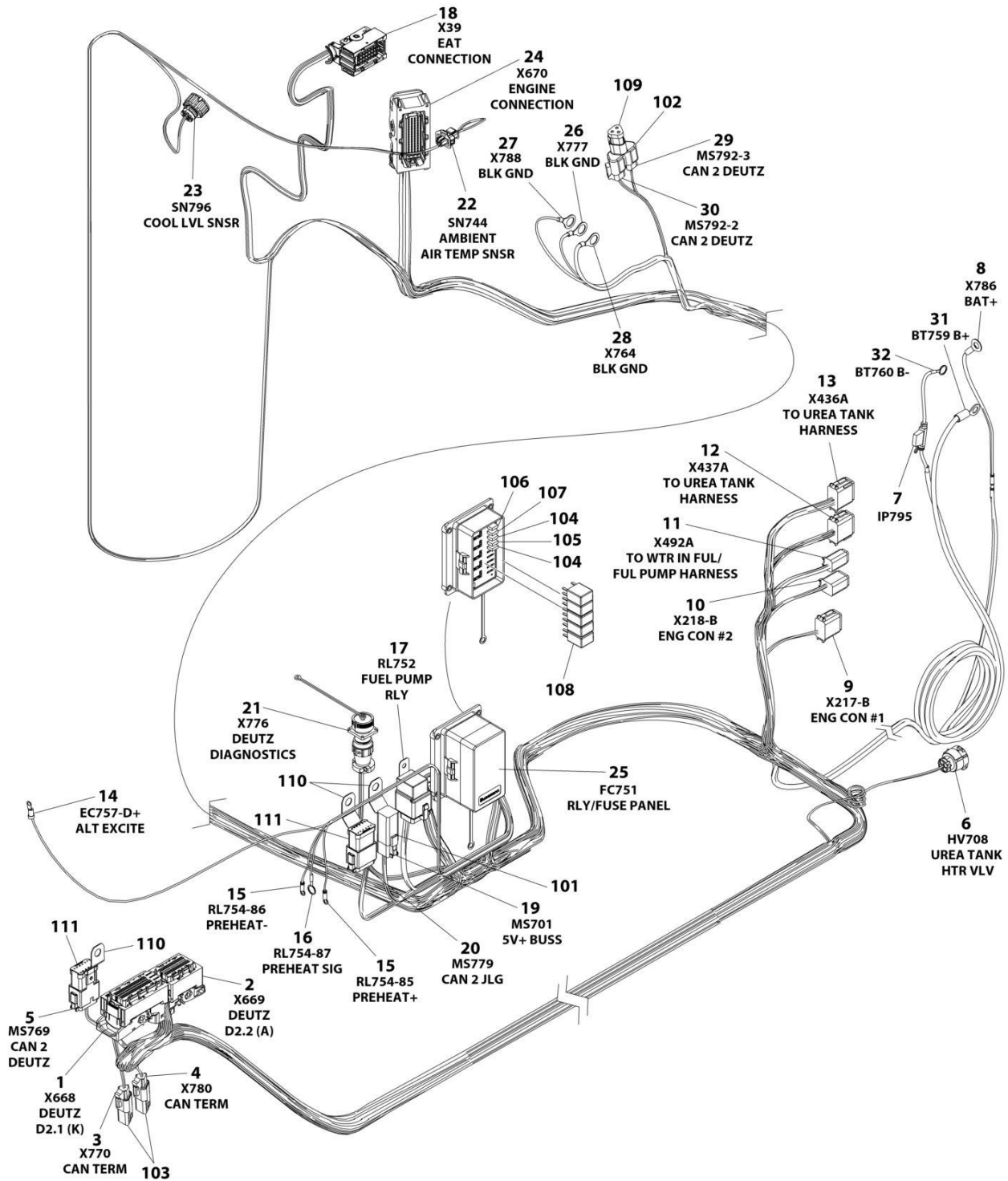
ITEM	PART NUMBER	QTY	DESCRIPTION	REV
18	1001116733	2	Socket (14-17AWG)	
18	1001116734	2	Socket (12AWG)	
18	1001128128	1	Plug	
19	1001167631	1	Connector	
19	1001167630	4	Socket	
19	1001126485	4	Seal	
20	1001167629	1	Connector	
20	1001167630	4	Socket	
20	1001126485	4	Seal	
21	1001126487	2	Connector	
21	1001167634	4	Socket	
21	1001126485	4	Seal	
22	1001133714	1	Connector	
22	1001133715	3	Socket	
22	1001135650	3	Seal	
23	4460894	1	Connector	
23	4460465	6	Socket	
24	4460933	1	Connector	
24	4460465	8	Socket	
24	4460466	4	Plug	
25	2902443	1	Connector	
25	4461071	6	Socket	
26	1001126245	1	Connector	
26	1001126008	2	Socket	
27	1001291588	1	Connector	
27	1001166795	3	Socket	
27	1001166796	3	Seal	
28	1001126487	1	Connector	
28	1001167635	2	Socket	
28	1001126485	2	Seal	
29	1001126362	1	Connector	
29	1001126363	36	Socket (17-20AWG)	
29	1001126392	12	Socket (16AWG)	
29	1001126365	2	Socket (17-18AWG)	
29	1001126391	8	Plug	
29	4461008	4	Plug	
29	1001126364	36	Seal	
29	1001126393	12	Seal	
29	4461054	2	Seal	
30	1001167616	1	Connector	
30	1001116725	6	Socket (10-12AWG)	
30	8220097	19	Socket (16-18AWG)	
30	4460748	13	Plug	
30	8220098	7	Socket (14AWG)	
30	80963067	6	Seal	
30	4460458	16	Seal	
30	1001175265	10	Seal	
31	1001275151	2	Terminal, Ring	
32	1001275153	1	Terminal, Ring	
33	1001116812	1	Connector	
33	4460465	2	Socket	

SECTION 8 - ELECTRICAL

ITEM	PART NUMBER	QTY	DESCRIPTION	REV
33	4460466	1	Plug	
34	4460539	1	Connector	
34	4460465	2	Socket	
34	4460466	1	Plug	
101	4460892	1	Plug	
102	4460945	1	Plug, 3-Way	
103	4461070	2	Connector	
104	8229242	2	Fuse 5Amp	
105	8229244	1	Fuse 15Amp	
106	8229245	1	Fuse 30 Amp	
107	8229247	1	Fuse 25 Amp	
108	1001095704	5	Relay	
109	1001116815	1	Connector	
110	1001120328	3	Mount	
111	1001125677	2	Connector	

SECTION 8 - ELECTRICAL

FIGURE 8-49. ENGINE HARNESS - DEUTZ HRC STAGE V ENGINES



ART_1001262056_F

SECTION 8 - ELECTRICAL

FIGURE 8-49. ENGINE HARNESS - DEUTZ HRC STAGE V ENGINES

ITEM	PART NUMBER	QTY	DESCRIPTION	REV
	1001262056	Ref	ENGINE HARNESS	F
1	1001133956	1	Connector - 94 Position	
1	1001182361	6	Terminal	
1	1001126351	3	Terminal	
1	1001230934	42	Terminal	
1	1001230935	43	Plug	
1	1001182365	6	Seal	
2	1001133957	1	Connector - 60 Position	
2	1001230936	10	Plug	
2	1001126351	14	Terminal	
2	1001230935	7	Plug	
2	1001230934	27	Terminal	
3	4461095	1	Connector - 3 Position	
3	4460465	2	Socket, Female	
3	4460466	1	Plug, Socket	
4	4461095	1	Connector - 3 Position	
4	4460465	2	Socket, Female	
4	4460466	1	Plug, Socket	
5	4460933	1	Connector - 12 Position	
5	4460465	10	Socket, Female	
5	4460466	2	Plug, Socket	
6	1001167620	1	Connector - 4 Position	
6	1001176004	2	Socket, Female	
6	1001167624	2	Plug, Terminal	
6	1001176002	2	Seal	
7	2400066	1	Fuseholder with Leads	
8	8220045	1	Terminal, Ring	
9	4460930	1	Connector - 8 Position	
9	4460465	1	Socket, Female	
9	4460466	6	Plug, Terminal	
9	4460942	1	Socket, Female	
10	4460894	1	Plug, Male - 6 Position	
10	4460942	1	Socket, Female	
10	4460465	2	Socket, Female	
10	4460944	2	Socket, Female	
10	4460466	1	Plug, Terminal	
11	4460884	1	Plug, Male - 4 Position	
11	4460465	2	Socket, Female	
11	1001157890	2	Socket, Female	
12	4460934	1	Plug, Male - 12 Position	
12	4460465	8	Socket, Female	
12	4460942	2	Terminal	
12	4460466	2	Plug, Terminal	
13	4460935	1	Plug, Male - 12 Position	
13	1001157890	6	Socket, Female	
13	4460465	2	Socket, Female	
13	4460944	2	Socket, Female	
13	4460466	2	Plug, Socket	
14	4460042	1	Terminal, Ring	
15	4460247	2	Terminal, Ring	

SECTION 8 - ELECTRICAL

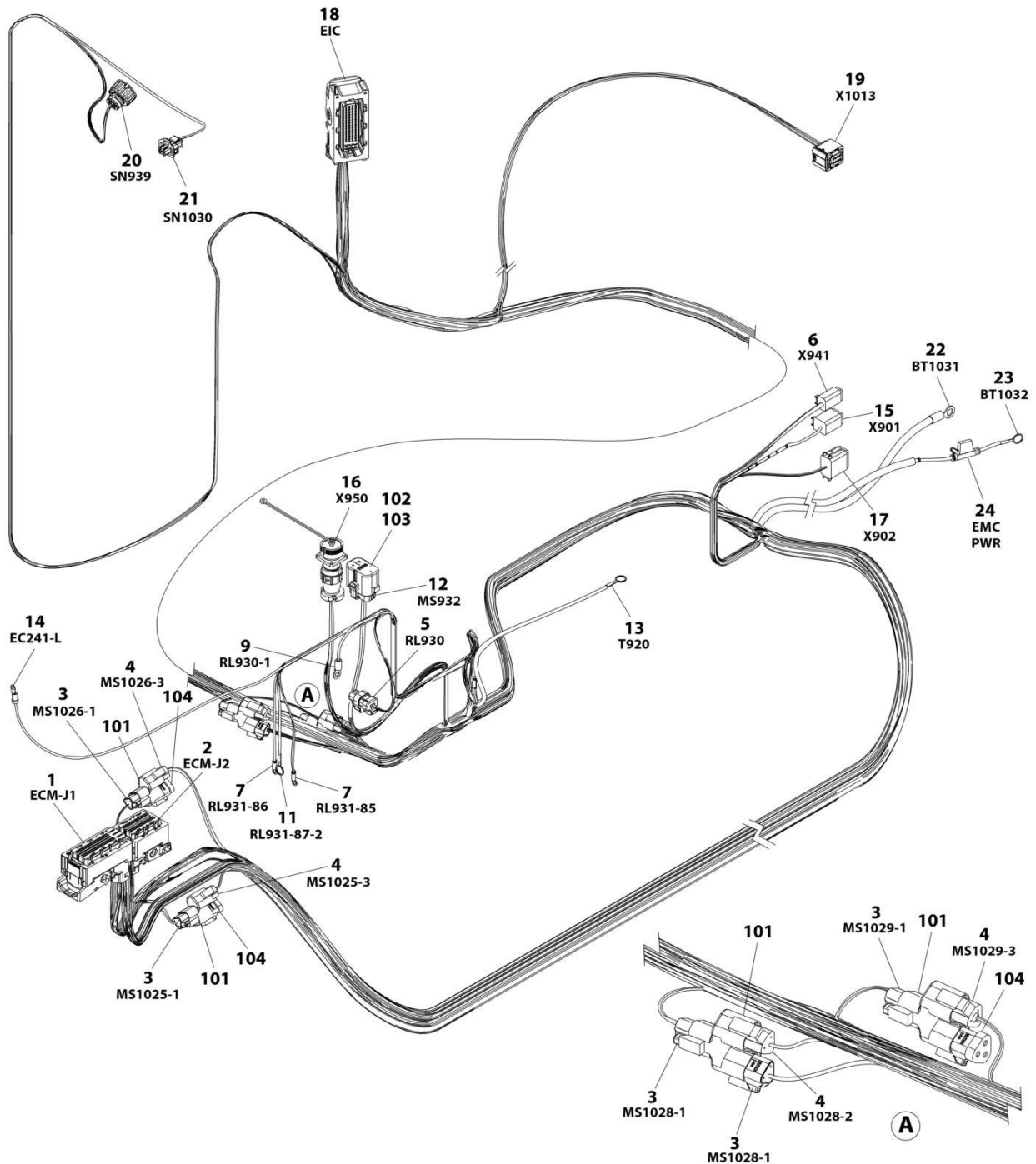
ITEM	PART NUMBER	QTY	DESCRIPTION	REV
16	4460703	1	Terminal, Ring	
17	1001118282	1	Connector - 5 Position	
17	1001116734	2	Terminal	
17	1001116733	2	Terminal	
17	1001128128	1	Plug, Socket	
18	1001268946	1	Connector - 21 Position	
18	1001167632	15	Terminal	
18	4461008	6	Plug	
18	4461054	15	Seal	
19	4460894	1	Plug, Male - 6 Position	
19	4460465	6	Socket, Female	
20	4460933	1	Plug, Male - 12 Position	
20	4460465	8	Socket, Female	
20	4460466	4	Plug, Socket	
21	2902443	1	Kit, Receptacle	
21	4461071	6	Socket, Female	
22	1001126487	1	Connector - 2 Position	
22	1001167634	2	Socket, Female	
22	1001126485	2	Seal, Terminal	
23	1001133714	1	Connector - 4 Position	
23	1001133715	3	Socket, Female	
23	1001135650	3	Seal, Terminal	
24	1001126362	1	Connector - 62 Position	
24	1001126363	36	Terminal	
24	1001126391	8	Plug, Socket	
24	1001126392	12	Terminal	
24	1001126365	2	Terminal	
24	4461008	4	Plug, Socket	
25	1001167616	1	Main Fuse Box Assembly	
25	1001116725	6	Socket, Female	
25	8220097	19	Terminal	
25	4460748	13	Plug, Terminal	
25	8220098	7	Terminal	
26	1001275151	1	Terminal, Ring	
27	1001275153	1	Terminal, Ring	
28	1001275151	1	Terminal, Ring	
29	1001116812	1	Connector - 3 Position	
29	4460465	2	Socket, Female	
29	4460466	1	Plug, Socket	
30	4460539	1	Connector - 3 Position	
30	4460465	2	Socket, Female	
30	4460466	1	Plug, Socket	
31	8220115	1	Terminal, Ring	
32	4460019	1	Terminal, Ring	
101	4460892	1	Receptacle, Female Buss Bar - 6 Position	
102	4460945	1	Receptacle, Female Bussbar - 6 Position	
103	4461070	2	Connector, Terminating - 3 Position	
104	8229242	2	Connector - 3 Position	
105	8229244	1	Fuse 15Amp	
106	8229245	1	Fuse, 30 Amp	
107	8229247	1	Fuse, 25 Amp	

SECTION 8 - ELECTRICAL

ITEM	PART NUMBER	QTY	DESCRIPTION	REV
108	1001095704	5	Relay	
109	1001116815	1	Connector - 3 Position	
110	1001120328	3	Mount	
111	1001125677	2	Connector, Bussbar	

SECTION 8 - ELECTRICAL

FIGURE 8-50. ENGINE HARNESS - DEUTZ TCD3.6L (CHINA IV)



ART_1001285004_B

SECTION 8 - ELECTRICAL

FIGURE 8-50. ENGINE HARNESS - DEUTZ TCD3.6L (CHINA IV)

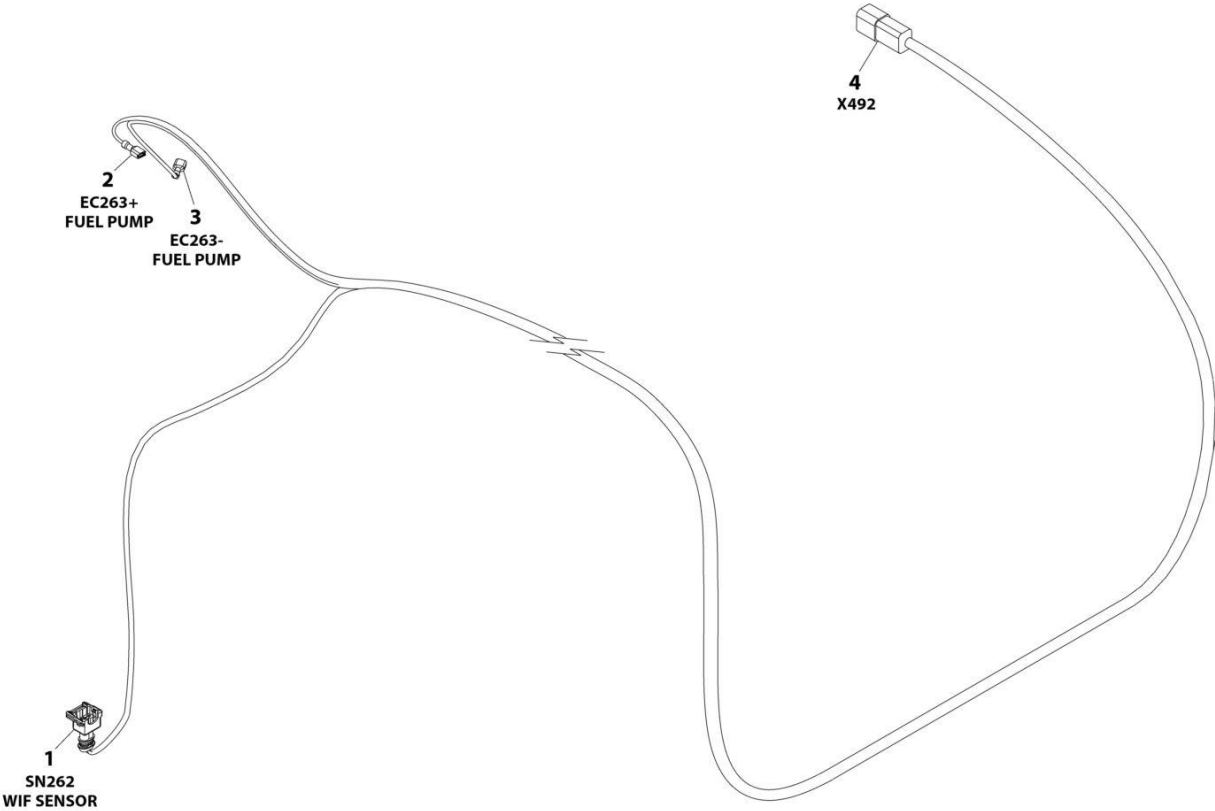
ITEM	PART NUMBER	QTY	DESCRIPTION	REV
	1001285004	Ref	ENGINE HARNESS	B
1	1001133956	1	Connector	
1	1001182361	6	Socket	
1	1001126351	3	Socket	
1	1001230934	23	Socket	
1	1001230935	57	Pin	
1	1001230936	1	Pin	
1	1001252527	4	Socket	
1	1001182365	6	Seal	
2	1001133957	1	Connector	
2	1001230936	11	Pin	
2	1001126351	13	Socket	
2	1001230935	10	Pin	
2	1001230934	26	Socket	
3	1001116812	5	Connector	
3	4460944	10	Socket	
3	4460466	5	Plug, Terminal	
4	4460539	4	Connector	
4	4460944	8	Socket	
4	4460466	4	Plug, Terminal	
5	1001116952	1	Connector	
5	4460465	2	Socket	
6	4460884	1	Connector	
6	4460465	2	Socket	
6	4460942	2	Socket	
7	4460247	2	Terminal, Ring	
9	4460043	1	Terminal, Ring	
11	4460703	1	Terminal, Ring	
12	80484084	1	Connector	
12	4460748	7	Plug, Socket	
12	1001234800	1	Socket	
12	4460458	4	Seal	
13	4460019	1	Terminal, Ring	
14	4460042	1	Terminal, Ring	
15	4460894	1	Connector	
15	4460466	2	Plug, Terminal	
15	4460465	2	Socket	
15	4460944	2	Socket	
16	2902443	1	Connector	
16	4461071	6	Socket	
17	4460930	1	Connector	
17	4460465	1	Socket	
17	4460466	7	Plug, Terminal	
18	1001126362	1	Connector	
18	1001126363	37	Socket	
18	1001126391	7	Plug, Terminal	
18	1001126392	12	Socket	
18	4461008	4	Plug, Terminal	
18	1001167632	2	Connector	
18	1001126364	37	Plug, Terminal	

SECTION 8 - ELECTRICAL

ITEM	PART NUMBER	QTY	DESCRIPTION	REV
18	1001223459	12	Seal	
18	4461054	2	Seal	
19	1001239202	1	Connector	
19	1001126363	7	Socket	
19	1001135651	1	Plug, Terminal	
19	1001126364	7	Plug, Terminal	
20	1001133714	1	Connector	
20	1001133715	3	Socket	
20	1001135651	1	Plug, Terminal	
20	1001135650	3	Seal	
21	1001126487	1	Connector	
21	1001167635	2	Socket	
21	1001126485	2	Seal	
22	8220115	1	Terminal, Ring	
23	4460019	1	Terminal, Ring	
24	1001172064	1	Fuseholder	
24	1001172065	1	Fuse 30 Amp	
101	4460945	4	Socket	
102	8229242	1	Fuse 5 Amp	
103	80983191	1	Fuse 10 Amp	
104	1001116815	3	Connector	

SECTION 8 - ELECTRICAL

FIGURE 8-51. FUEL PUMP AND WIF HARNESS



ART_1001211885

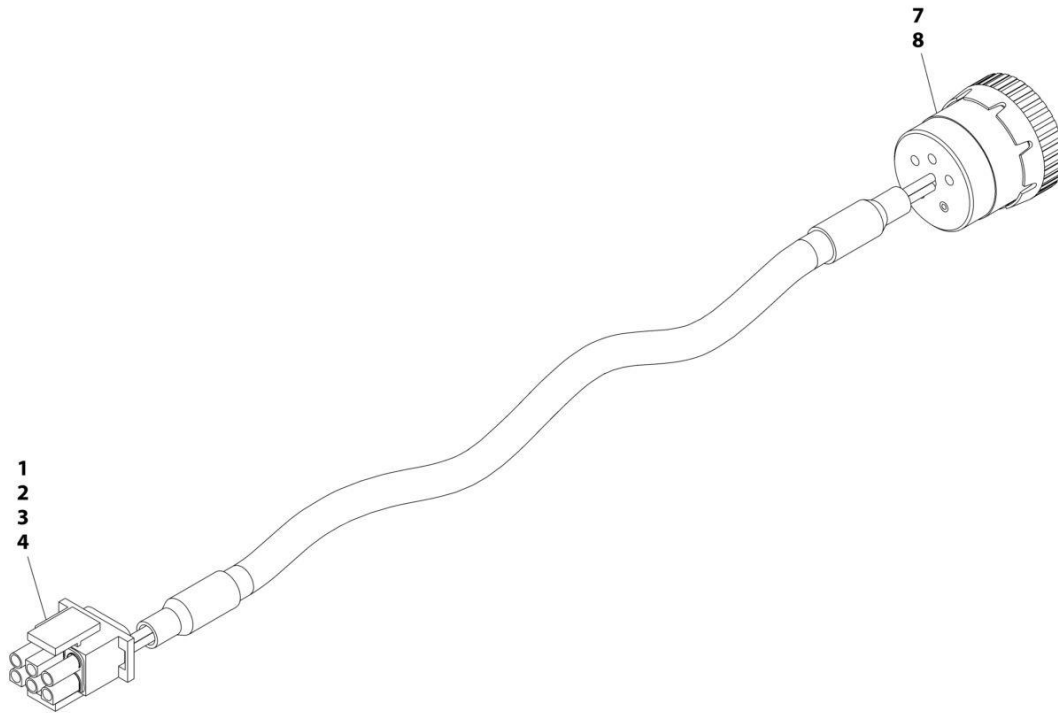
SECTION 8 - ELECTRICAL

FIGURE 8-51. FUEL PUMP AND WIF HARNESS

ITEM	PART NUMBER	QTY	DESCRIPTION	REV
	1001211885	Ref	FUEL PUMP AND WIF HARNESS	B
1	1001116983	1	Connector - 2 Position	
1	4461060	2	Pin, Male	
2	8220051	1	Terminal, Ring	
3	8220051	1	Terminal, Ring	
4	4460932	1	Connector - 4 Position	
4	4460464	2	Pin, Male	
4	4460941	2	Pin, Male	

SECTION 8 - ELECTRICAL

FIGURE 8-52. GENERATOR HARNESS - 4000W GENERATOR



ART_1001152532

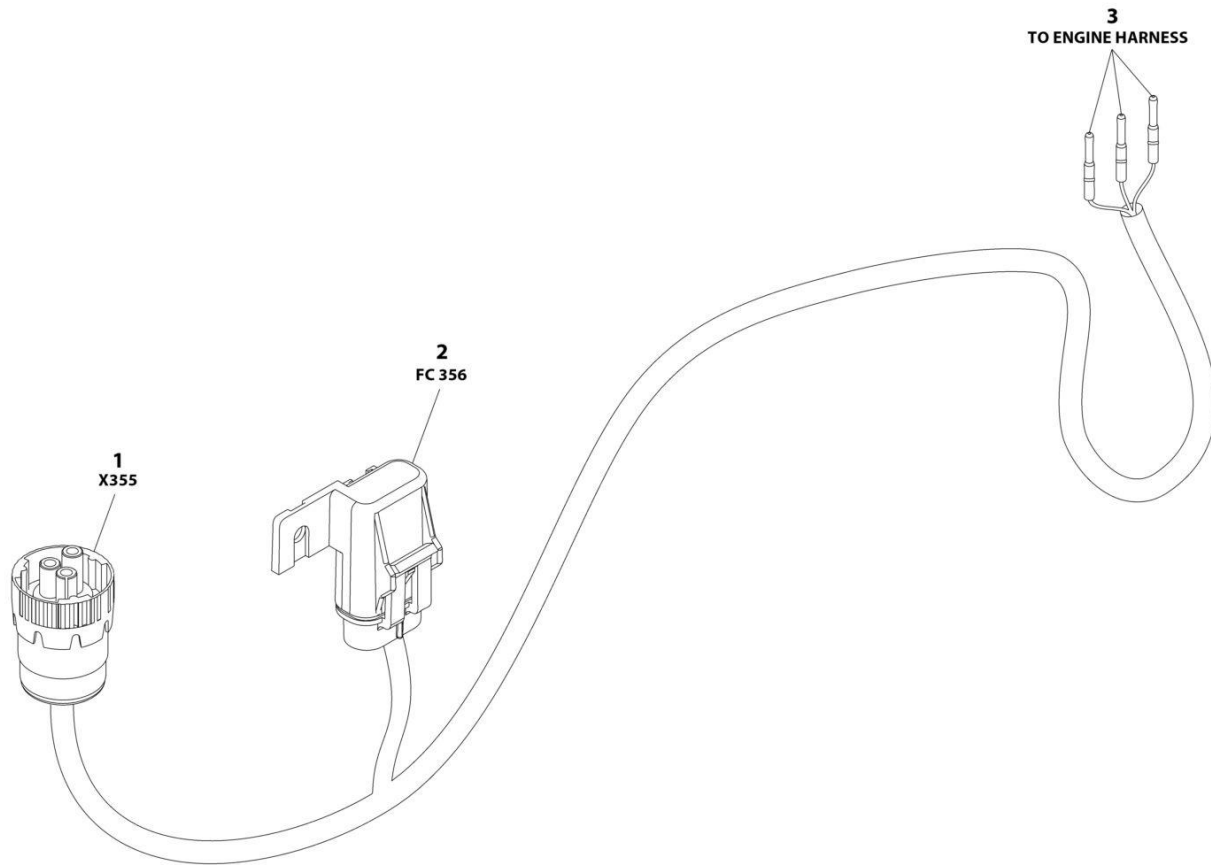
SECTION 8 - ELECTRICAL

FIGURE 8-52. GENERATOR HARNESS - 4000W GENERATOR

ITEM	PART NUMBER	QTY	DESCRIPTION	REV
	1001152532	Ref	GENERATOR HARNESS	A
1	4460225	1	Connector - 6 Position	
2	4460268	2	Socket, Female	
3	4460807	1	Seal	
4	4460808	1	Seal	
7	4460465	2	Socket, Female	
8	77363233	1	Connector - 6 Position	

SECTION 8 - ELECTRICAL

FIGURE 8-53. GENERATOR ENABLE HARNESS - 7500W GENERATOR



ART_1001156030

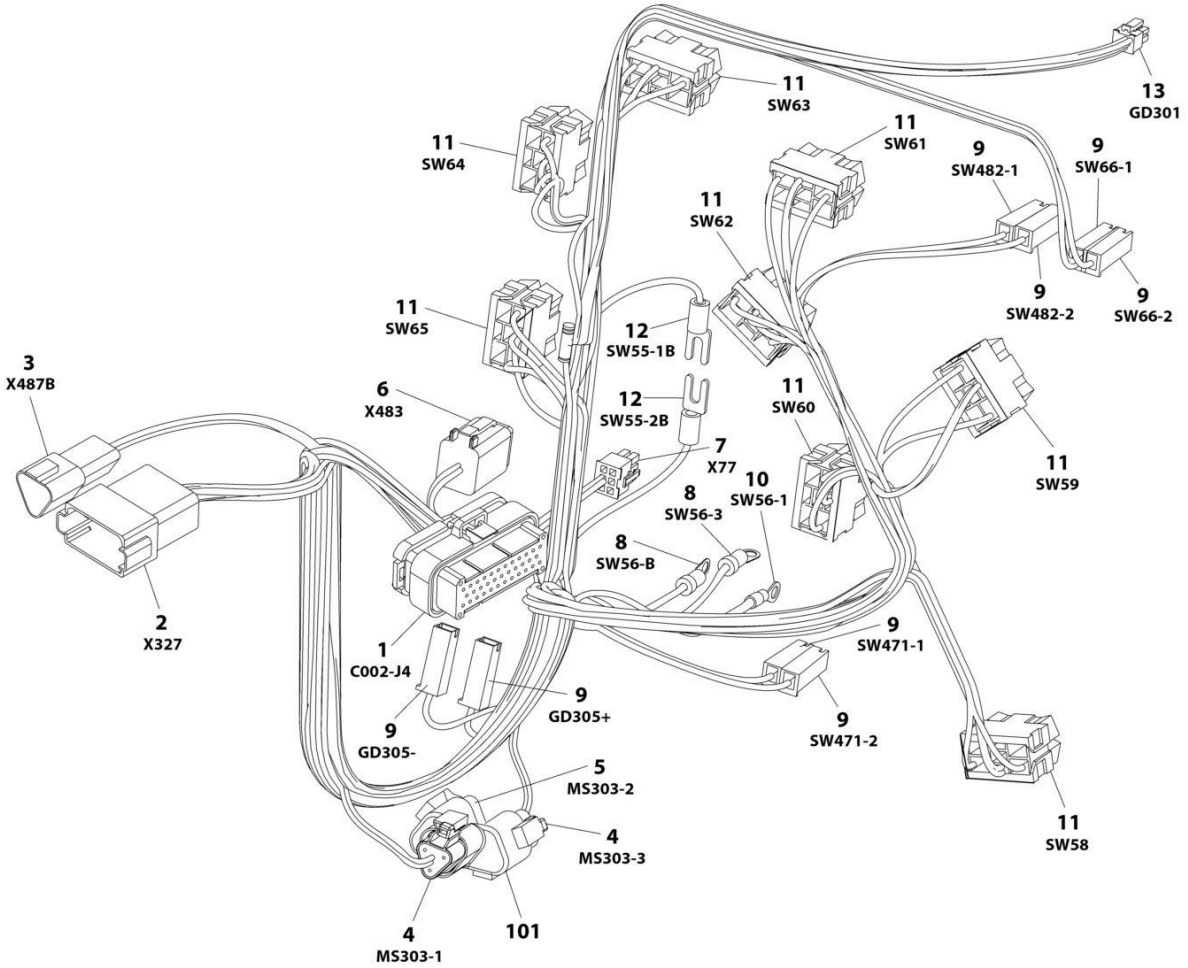
SECTION 8 - ELECTRICAL

FIGURE 8-53. GENERATOR ENABLE HARNESS - 7500W GENERATOR

ITEM	PART NUMBER	QTY	DESCRIPTION	REV
	1001156030	Ref	GENERATOR ENABLE HARNESS - 7500W GENERATOR	B
1	4460967	1	Connector - 3 Position	
1	4460465	3	Socket, Female	
2	1001119412	1	Connector, Metri-Pack with 5Amp Fuse	
2	1001116733	2	Terminal	
3	4460465	3	Socket, Female	

SECTION 8 - ELECTRICAL

FIGURE 8-54. GROUND CONTROL PANEL HARNESS



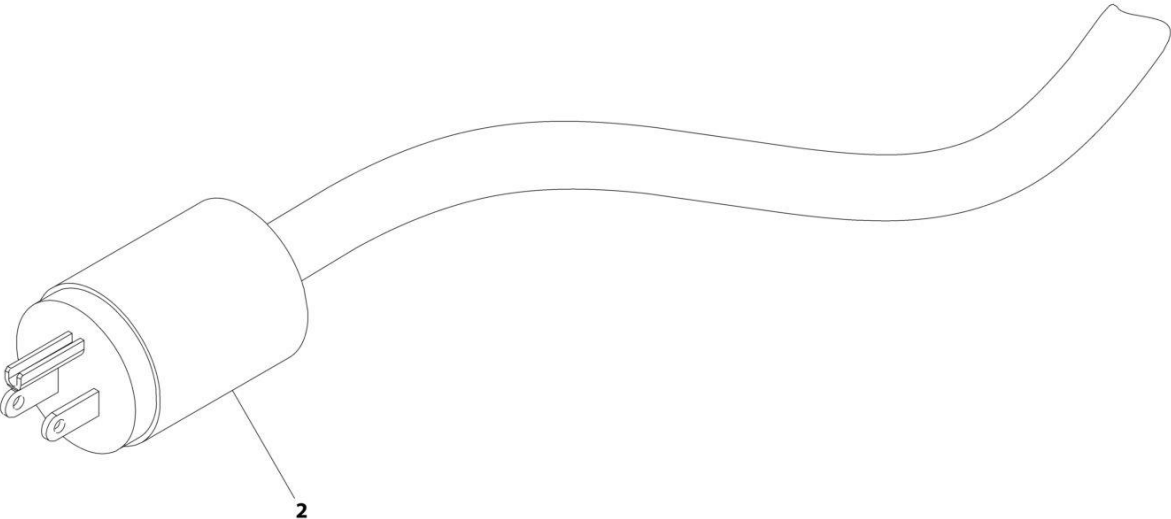
SECTION 8 - ELECTRICAL

FIGURE 8-54. GROUND CONTROL PANEL HARNESS

ITEM	PART NUMBER	QTY	DESCRIPTION	REV
	1001299872	Ref	GROUND CONTROL PANEL HARNESS	A
1	4460876	1	Connector - 35 Position	
1	4460871	22	Socket, Female	
1	4460905	13	Plug	
2	4460970	1	Connector - 12 Position	
2	4460464	11	Pin, Male	
2	4460466	1	Plug, Socket	
3	4460536	1	Connector - 3 Position	
3	4460464	2	Pin, Male	
3	4460466	1	Plug, Socket	
4	1001116812	2	Connector - 4 Position	
4	4460944	4	Socket, Female	
4	4460466	2	Plug, Socket	
5	4460539	1	Connector - 4 Position	
5	4460944	2	Socket, Female	
5	4460466	1	Plug, Socket	
6	4460894	1	Connector - 6 Position	
6	4460465	4	Socket, Female	
6	4460466	2	Plug, Socket	
7	4460868	1	Connector - 6 Position	
7	4460877	4	Socket, Female	
8	4460042	2	Ring, Terminal	
9	4460260	8	Connector - 1 Position	
9	4460259	8	Terminal	
10	4460313	1	Ring, Terminal	
11	4460418	8	Connector - 3 Position	
11	1001159186	16	Terminal	
11	4460419	8	Terminal	
11	8220101	24	Plug	
12	4460144	2	Terminal	
13	1001237667	1	Connector - 6 Position	
13	1001237668	5	Socket, Female	
101	4460945	1	Plug, 3-Way	

SECTION 8 - ELECTRICAL

FIGURE 8-55. JIB AC CABLE - ANSI, ANSI EXPORT, CSA AND JAPANESE SPECS



ART_1001156896

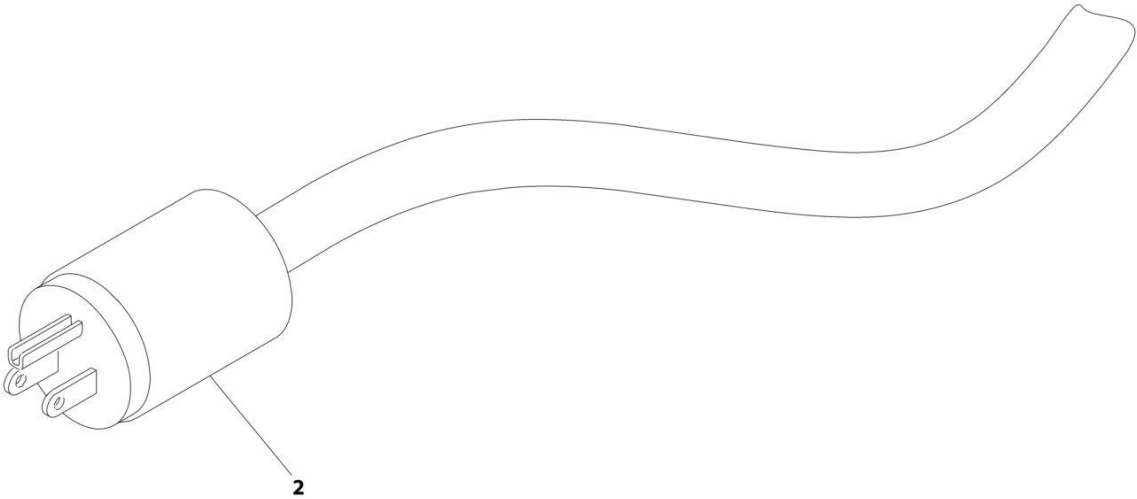
SECTION 8 - ELECTRICAL

FIGURE 8-55. JIB AC CABLE - ANSI, ANSI EXPORT, CSA AND JAPANESE SPECS

ITEM	PART NUMBER	QTY	DESCRIPTION	REV
2	1001156896 4460205	Ref 1	JIB AC CABLE Plug	A

SECTION 8 - ELECTRICAL

FIGURE 8-56. JIB AC CABLE – AUSTRALIAN, CHINA, CE & UK CA SPECS



ART_1001157637

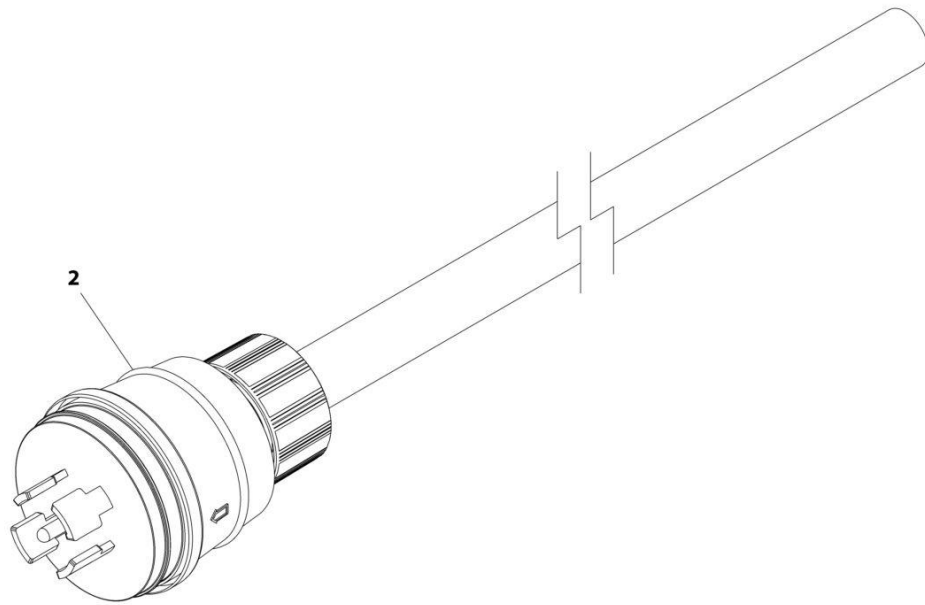
SECTION 8 - ELECTRICAL

FIGURE 8-56. JIB AC CABLE – AUSTRALIAN, CHINA, CE & UK CA SPECS

ITEM	PART NUMBER	QTY	DESCRIPTION	REV
2	1001157637 4460205	Ref 1	JIB AC CABLE Plug	A

SECTION 8 - ELECTRICAL

FIGURE 8-57. JIB AC CABLE - SKYPOWER



ART_1001226288

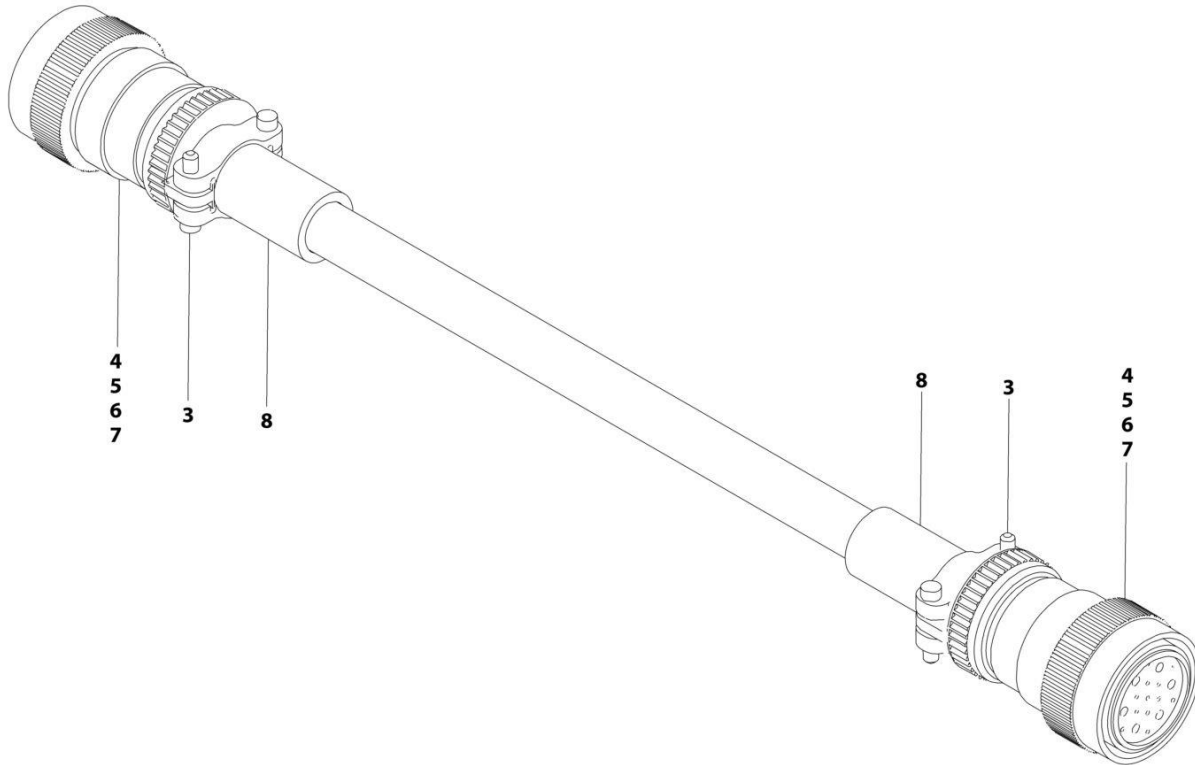
SECTION 8 - ELECTRICAL

FIGURE 8-57. JIB AC CABLE - SKYPOWER

ITEM	PART NUMBER	QTY	DESCRIPTION	REV
2	1001226288	Ref	JIB AC CABLE - SKYPOWER	A
	1001218622	1	Plug	

SECTION 8 - ELECTRICAL

FIGURE 8-58. JIB CONTROL CABLE



ART_1001156897

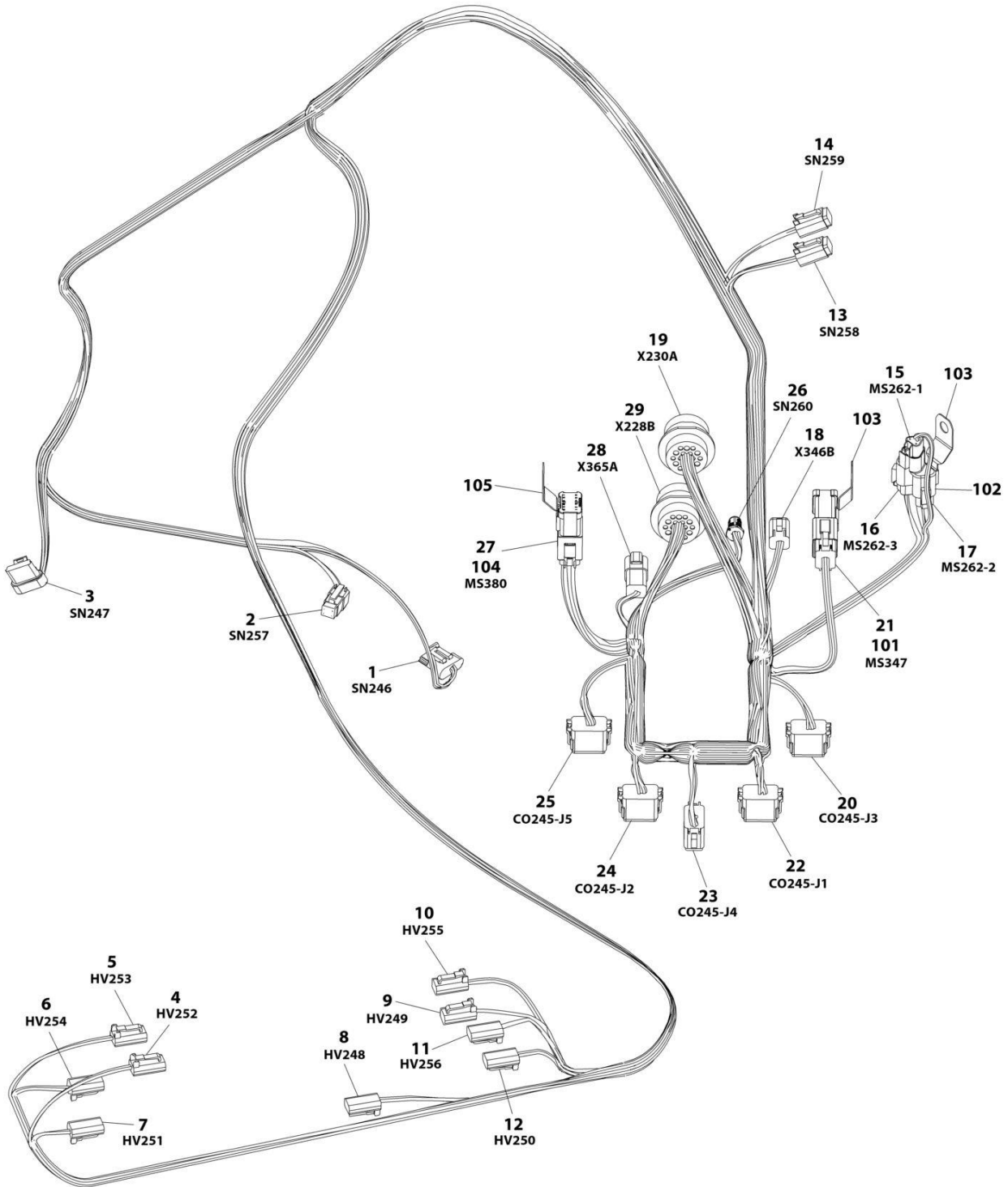
SECTION 8 - ELECTRICAL

FIGURE 8-58. JIB CONTROL CABLE

ITEM	PART NUMBER	QTY	DESCRIPTION	REV
	1001156897	Ref	JIB CONTROL CABLE	C
3	4460473	2	Clamp	
4	4460509	8	Socket, Female	
5	4460865	2	Connector - 19 Position	
6	4460465	20	Socket, Female	
7	4460466	10	Plug, Socket	
8	1001226400	2	Insulator, Heat Shrink	

SECTION 8 - ELECTRICAL

FIGURE 8-59. JIB VALVE HARNESS



ART_1001149978_I

SECTION 8 - ELECTRICAL

FIGURE 8-59. JIB VALVE HARNESS

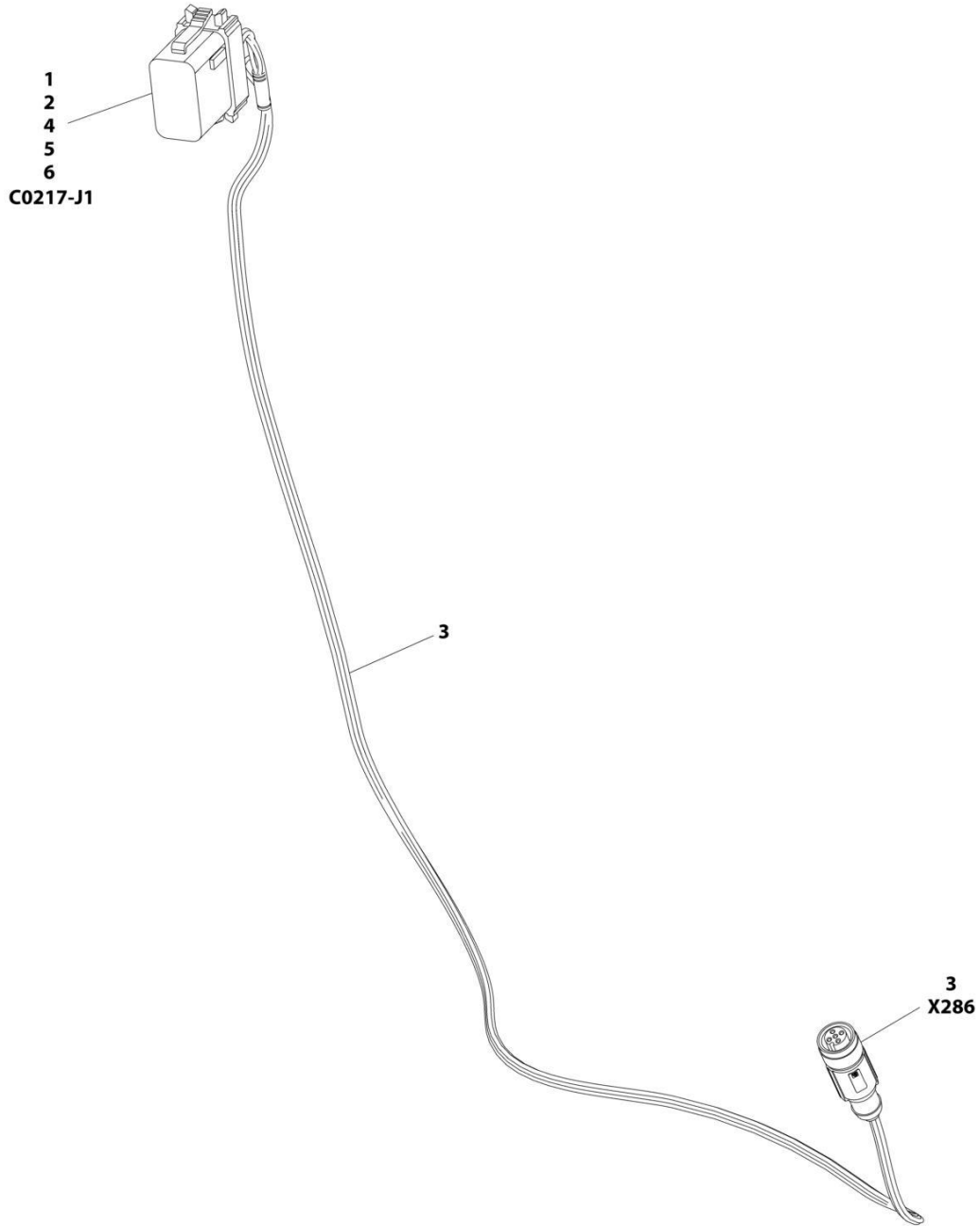
ITEM	PART NUMBER	QTY	DESCRIPTION	REV
	1001149978	Ref	JIB VALVE HARNESS	I
1	1001230931	1	Connector - 6 Position	
1	91554014	6	Terminal	
2	4461077	1	Connector - 4 Position	
2	1001116694	4	Socket, Female	
3	1001230931	1	Connector - 6 Position	
3	1001116748	6	Terminal	
4	4460891	1	Connector - 2 Position	
4	4460465	2	Socket, Female	
5	4460891	1	Connector - 2 Position	
5	4460465	2	Socket, Female	
6	4460891	1	Connector - 2 Position	
6	4460465	2	Socket, Female	
7	4460891	1	Connector - 2 Position	
7	4460465	2	Socket, Female	
8	4460891	1	Connector - 2 Position	
8	4460465	2	Socket, Female	
9	4460891	1	Connector - 2 Position	
9	4460465	2	Socket, Female	
10	4460891	1	Connector - 2 Position	
10	4460465	2	Socket, Female	
11	4460891	1	Connector - 2 Position	
11	4460465	2	Socket, Female	
12	4460891	1	Connector - 2 Position	
12	4460465	2	Socket, Female	
13	4460884	1	Connector - 4 Position	
13	4460465	4	Socket, Female	
14	4460884	1	Connector - 4 Position	
14	4460465	4	Socket, Female	
15	1001116812	1	Connector - 4 Position	
15	4460944	4	Socket, Female	
16	1001116812	1	Connector - 4 Position	
16	4460944	4	Socket, Female	
17	4460539	1	Connector - 4 Position	
17	4460944	4	Socket, Female	
18	4460884	1	Connector - 4 Position	
18	4460465	4	Socket, Female	
19	4460866	1	Connector - 19 Position	
19	4460508	4	Pin, Male	
19	4460464	11	Pin, Male	
19	4460466	4	Plug, Socket	
20	4460934	1	Connector - 12 Position	
20	4460465	12	Socket, Female	
21	4460836	1	Connector - 12 Position	
21	4460465	10	Socket, Female	
21	4460466	2	Plug, Socket	
22	4460933	1	Connector - 12 Position	
22	4460465	4	Socket, Female	
22	4460944	3	Socket, Female	
22	4460942	2	Socket, Female	

SECTION 8 - ELECTRICAL

ITEM	PART NUMBER	QTY	DESCRIPTION	REV
22	4460466	3	Plug, Socket	
23	4460930	1	Connector - 8 Position	
23	4460465	4	Socket, Female	
23	4460944	3	Socket, Female	
23	4460466	1	Plug, Socket	
24	4460836	1	Connector - 12 Position	
24	4460465	11	Socket, Female	
24	4460466	3	Plug, Socket	
25	4460935	1	Connector - 12 Position	
25	4460465	7	Socket, Female	
25	4460466	5	Plug, Socket	
26	1001120055	1	Connector - 5 Position	
26	4460944	3	Socket, Female	
27	4460933	1	Connector - 12 Position	
27	4460465	2	Socket, Female	
27	1001157890	8	Socket, Female	
27	4460942	2	Socket, Female	
28	4460932	1	Connector - 4 Position	
28	4460464	3	Pin, Male	
28	4460466	1	Plug, Socket	
29	4460866	1	Connector - 19 Position	
29	4460508	4	Pin, Male	
29	4460464	11	Pin, Male	
29	4460466	4	Plug, Socket	
101	1001249244	1	Connector, Housing	
102	4460945	1	Connector, 3 Way	
103	1001120328	2	Mount, Connector	
104	1001125677	1	Connector, Bussbar	
105	1001157028	1	Holder, Connector	

SECTION 8 - ELECTRICAL

FIGURE 8-60. LCD DISPLAY HARNESS



ART_1001220482

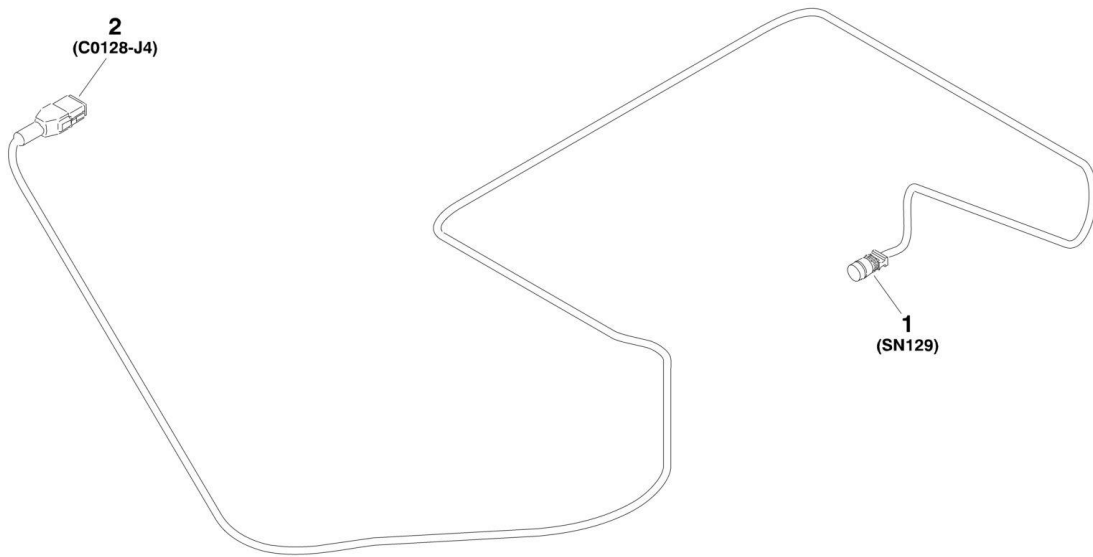
SECTION 8 - ELECTRICAL

FIGURE 8-60. LCD DISPLAY HARNESS

ITEM	PART NUMBER	QTY	DESCRIPTION	REV
	1001220482	Ref	LCD DISPLAY HARNESS	A
1	4460465	3	Socket, Female	
2	4460944	2	Socket, Female (Gold)	
3	1001125295	1	Connector with Cable	
4	1001176333	1	Connector - 12 Position	
5	4460466	13	Plug, Seal	
6	2820171	3	Tube, Heat Shrink	

SECTION 8 - ELECTRICAL

FIGURE 8-61. LOAD SENSOR CABLE



1001157646

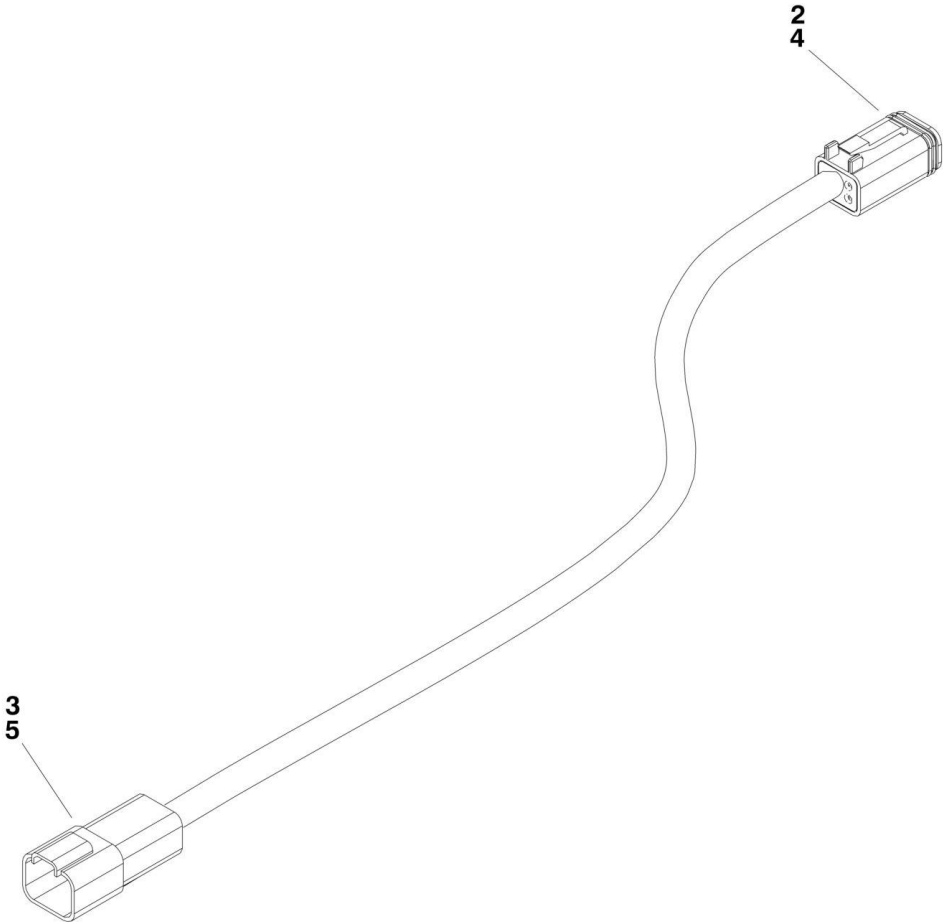
SECTION 8 - ELECTRICAL

FIGURE 8-61. LOAD SENSOR CABLE

ITEM	PART NUMBER	QTY	DESCRIPTION	REV
	1001157646	Ref	LOAD SENSOR CABLE	A
1	1001157649	1	Connector - 6 Position	
1	1001157723	2	Terminal	
2	4460930	1	Connector - 8 Position	
2	4460465	2	Socket, Female	
2	4460944	3	Socket, Female	
2	4460466	3	Plug, Socket	
2	0840062	1	Boot	

SECTION 8 - ELECTRICAL

FIGURE 8-62. MAIN BOOM 16/4 CABLE



1001158207

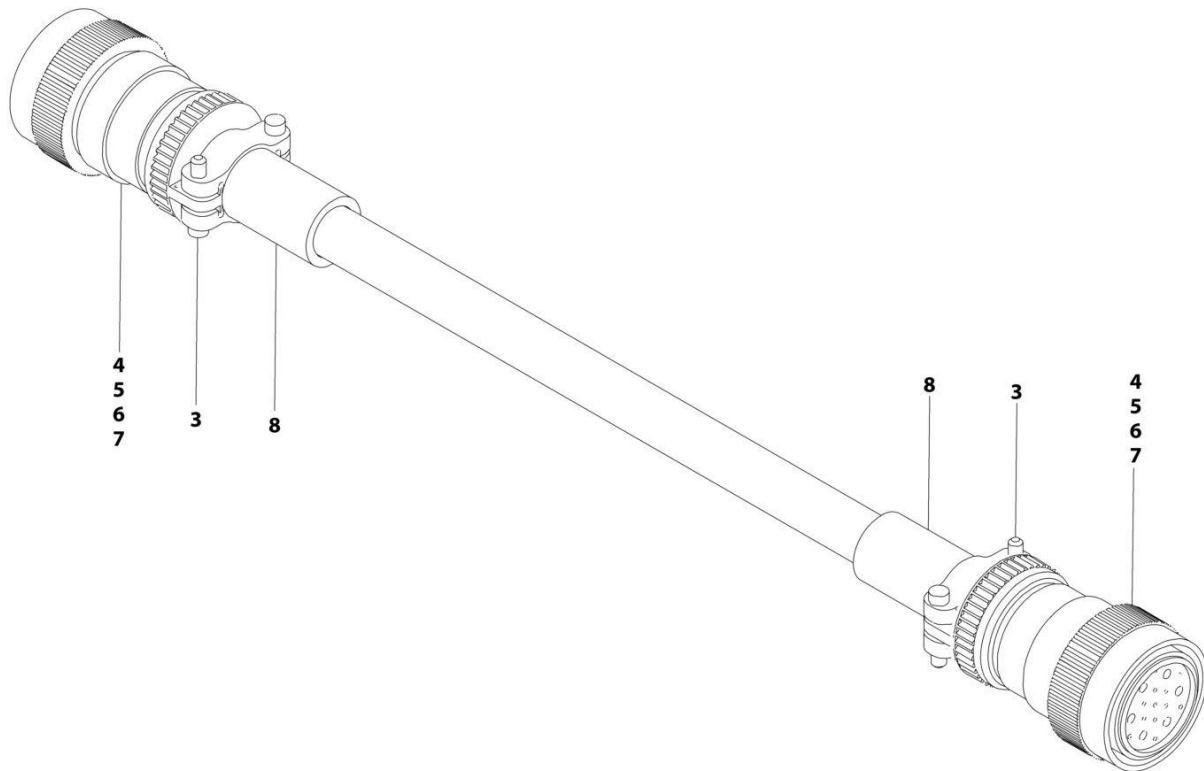
SECTION 8 - ELECTRICAL

FIGURE 8-62. MAIN BOOM 16/4 CABLE

ITEM	PART NUMBER	QTY	DESCRIPTION	REV
	1001158207	Ref	MAIN BOOM 16/4 CABLE	B
2	4460884	1	Connector - 4 Position	
3	4460932	1	Connector - 4 Position	
4	4460465	4	Socket, Female	
5	4460464	4	Pin, Male	

SECTION 8 - ELECTRICAL

FIGURE 8-63. MAIN BOOM CONTROL CABLE



ART_1001156893

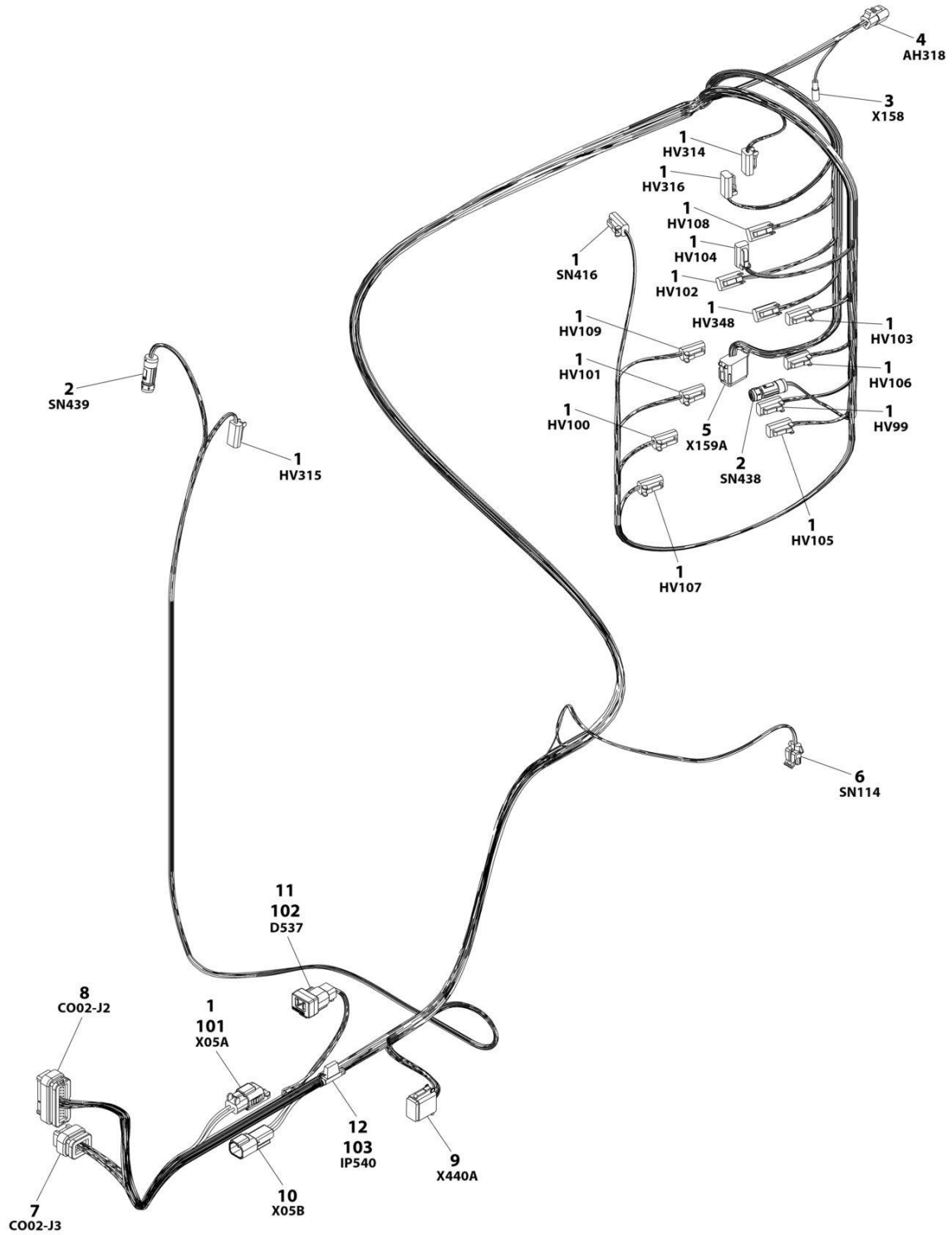
SECTION 8 - ELECTRICAL

FIGURE 8-63. MAIN BOOM CONTROL CABLE

ITEM	PART NUMBER	QTY	DESCRIPTION	REV
	1001156893	Ref	MAIN BOOM CONTROL CABLE	C
3	4460473	2	Clamp	
4	4460509	8	Socket, Female	
5	4460865	2	Connector - 19 Position	
6	4460465	20	Socket, Female	
7	4460466	10	Plug, Socket	
8	1001226400	2	Insulator, Heat Shrink	

SECTION 8 - ELECTRICAL

FIGURE 8-64. MAIN VALVE HARNESS



ART_1001285583

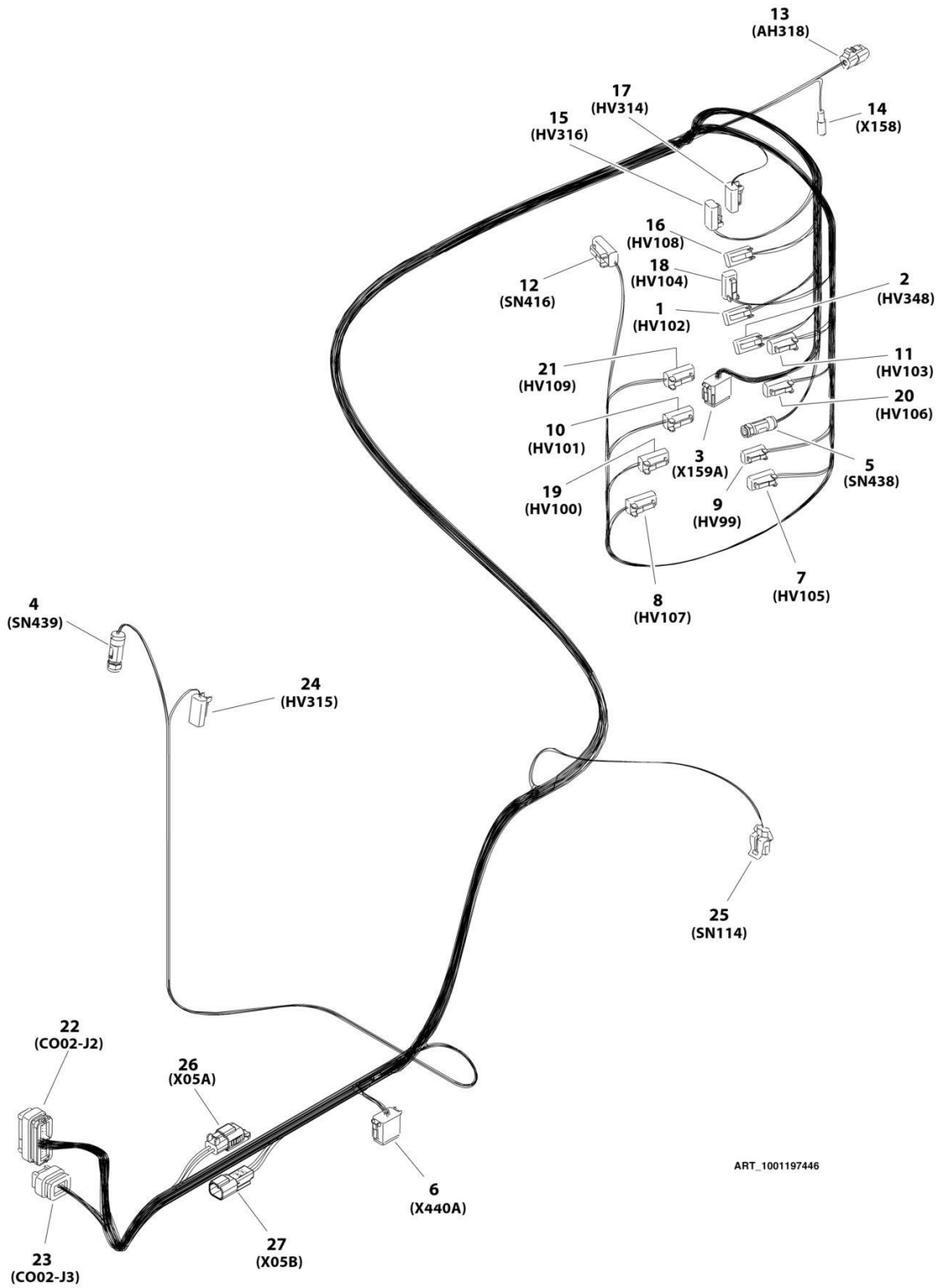
SECTION 8 - ELECTRICAL

FIGURE 8-64. MAIN VALVE HARNESS

ITEM	PART NUMBER	QTY	DESCRIPTION	REV
	1001285583	Ref	MAIN VALVE HARNESS	A
1	4460891	17	Connector	
1	4460465	34	Socket	
2	1001163747	2	Sensor	
3	8220068	1	Connector	
4	4460539	1	Connector	
4	4460465	3	Socket	
5	4460836	1	Connector	
5	4460465	10	Socket	
5	4460466	2	Plug	
6	4460843	1	Connector	
6	91554014	2	Socket	
7	4460872	1	Connector	
7	4460871	8	Socket	
7	4460905	6	Plug	
8	4460875	1	Connector	
8	4460871	28	Socket	
8	4460905	7	Plug	
9	4460930	1	Connector	
9	4460465	8	Socket	
10	4460897	1	Connector	
10	4460464	2	Socket	
11	4460884	1	Connector	
11	4460465	4	Socket	
12	1001170764	1	Fuse Holder (Includes Fuse)	
101	1001144295	1	Cap	
102	1001152266	1	Connector	
103	1001196636	1	Diode 1 Amp	

SECTION 8 - ELECTRICAL

FIGURE 8-65. MAIN VALVE BANK HARNESS



SECTION 8 - ELECTRICAL

FIGURE 8-65. MAIN VALVE BANK HARNESS

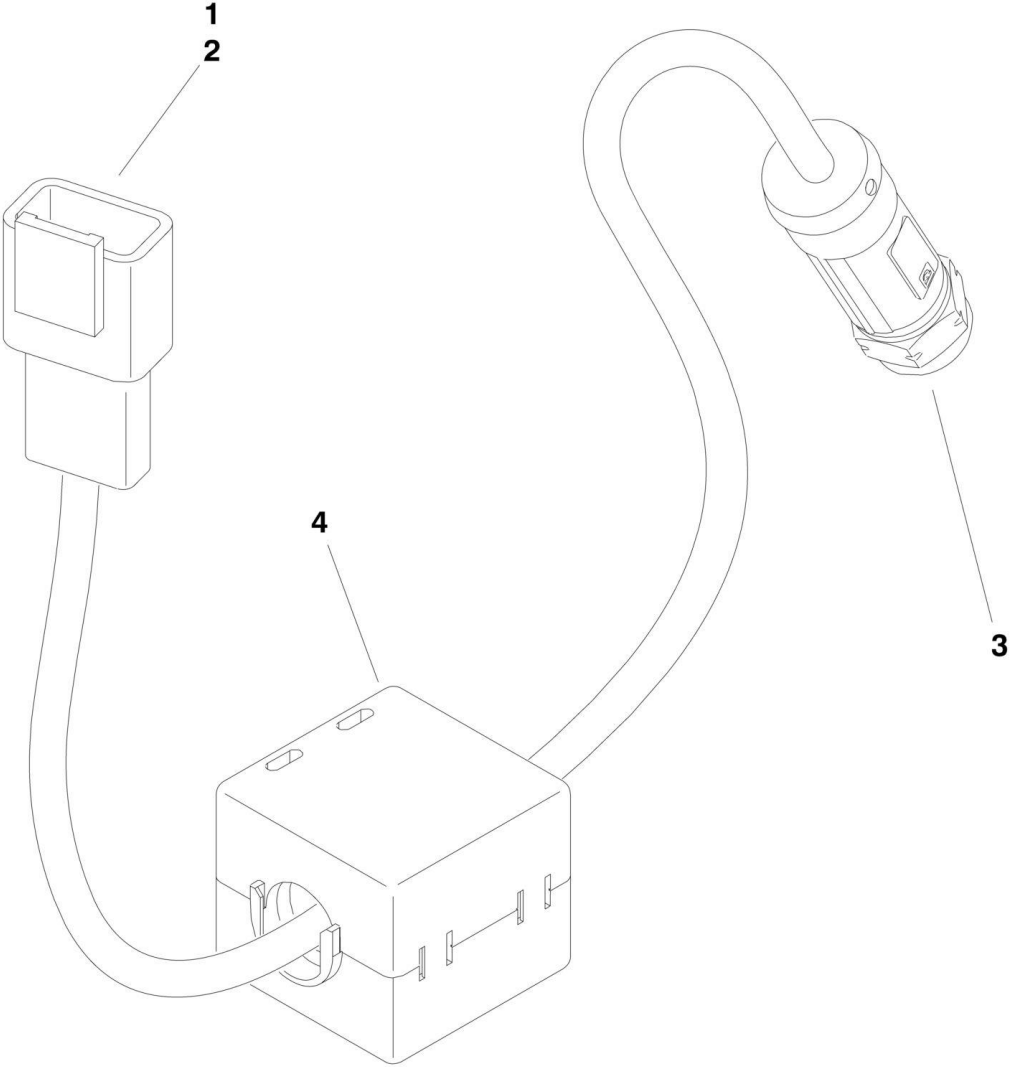
ITEM	PART NUMBER	QTY	DESCRIPTION	REV
	1001197446	Ref	VALVE BANK HARNESS	B
1	4460891	1	Connector - 2 Position	
1	4460465	2	Socket, Female	
2	4460891	1	Connector - 2 Position	
2	4460465	2	Socket, Female	
3	4460836	1	Connector - 12 Position	
3	4460465	9	Socket, Female	
3	4460466	3	Plug, Socket	
4	1001163747	1	Connector - 4 Position (Includes Cable)	
5	1001163747	1	Connector - 4 Position (Includes Cable)	
6	4460930	1	Connector - 8 Position	
6	4460465	8	Socket, Female	
7	4460891	1	Connector - 2 Position	
7	4460465	2	Socket, Female	
8	4460891	1	Connector - 2 Position	
8	4460465	2	Socket, Female	
9	4460891	1	Connector - 2 Position	
9	4460465	2	Socket, Female	
10	4460891	1	Connector - 2 Position	
10	4460465	2	Socket, Female	
11	4460891	1	Connector - 2 Position	
11	4460465	2	Socket, Female	
12	4460891	1	Connector - 2 Position	
12	4460465	2	Socket, Female	
13	4460539	1	Connector - 3 Position	
13	4460465	3	Socket, Female	
14	8220068	1	Connector - 1 Position	
15	4460891	1	Connector - 2 Position	
15	4460465	2	Socket, Female	
16	4460891	1	Connector - 2 Position	
16	4460465	2	Socket, Female	
17	4460891	1	Connector - 2 Position	
17	4460465	2	Socket, Female	
18	4460891	1	Connector - 2 Position	
18	4460465	2	Socket, Female	
19	4460891	1	Connector - 2 Position	
19	4460465	2	Socket, Female	
20	4460891	1	Connector - 2 Position	
20	4460465	2	Socket, Female	
21	4460891	1	Connector - 2 Position	
21	4460465	2	Socket, Female	
22	4460875	1	Connector - 35 Position	
22	4460871	28	Socket, Female	
22	4460905	7	Plug	
23	4460872	1	Connector - 14 Position	
23	4460871	8	Socket, Female	
23	4460905	6	Plug	
24	4460891	1	Connector - 2 Position	
24	4460465	2	Socket, Female	
25	4460843	1	Connector - 2 Position	

SECTION 8 - ELECTRICAL

ITEM	PART NUMBER	QTY	DESCRIPTION	REV
25	91554014	2	Socket, Female	
26	4460891	1	Connector - 2 Position	
26	4460465	2	Socket, Female	
27	4460891	1	Connector - 2 Position	
27	4460464	2	Pin, Male	

SECTION 8 - ELECTRICAL

FIGURE 8-66. MTS CONNECTION CABLE



1001163631

SECTION 8 - ELECTRICAL

FIGURE 8-66. MTS CONNECTION CABLE

ITEM	PART NUMBER	QTY	DESCRIPTION	REV
	1001163631	Ref	MTS CONNECTION CABLE	B
1	4460910	1	Connector - 3 Position	
2	4460929	3	Pin, Male	
3	See Note	NSS	Sensor with Cable (Note: Purchase p/n 1001163631)	
4	1001102594	1	Ferrite, LMI	

SECTION 8 - ELECTRICAL

FIGURE 8-67. PLATFORM CONSOLE HARNESS - WITH SKYGUARD

ITEM	PART NUMBER	QTY	DESCRIPTION	REV
	1001241864	Ref	PLATFORM CONSOLE HARNESS - WITH SKYGUARD	F
1	4460925	1	Connector - 21 Position	
1	1001126011	20	Pin, Male	
1	4460518	1	Plug, Socket	
2	4460884	1	Connector - 4 Position	
2	4460465	4	Socket, Female	
3	1001120055	1	Connector - 5 Position with Cable	
4	1001120055	1	Connector - 5 Position with Cable	
5	4460866	1	Connector - 19 Position	
5	4460943	3	Pin, Male	
5	4460508	4	Pin, Male	
5	4460464	8	Pin, Male	
5	4460466	4	Plug, Socket	
6	4460894	1	Connector - 6 Position	
6	4460465	5	Socket, Female	
6	4460466	1	Seal, Plug	
7	4460315	1	Terminal, Spade	
8	4460315	1	Terminal, Spade	
9	4460874	1	Connector - 35 Position	
9	4460871	34	Socket, Female	
9	4460905	1	Plug, Socket	
10	10011213447	1	Connector - 5 Position with Cable	
11	4460873	1	Connector - 35 Position	
11	4460871	24	Socket, Female	
11	4460905	11	Plug, Socket	
12	4460933	1	Connector - 12 Position	
12	4460465	10	Socket, Female	
12	4460466	2	Seal, Plug	
13	4460879	1	Connector - 2 Position	
13	4460887	2	Terminal	
14	4460876	1	Connector - 35 Position	
14	4460871	12	Socket, Female	
14	4460905	23	Plug, Socket	
15	4460761	1	Connector - 4 Position	
15	4460227	4	Pin, Male	
16	4460539	1	Plug, Male - 3 Position	
16	4460944	3	Socket, Female	
17	4460314	1	Terminal, Spade (16-14AWG)	
17	4460183	1	Terminal, Spade (22-16AWG)	
18	4460536	1	Receptacle, Female - 3 Position	
18	4460943	3	Pin, Male	
19	1001098122	1	Terminal, Ring	
20	8220035	1	Terminal, Ring	
21	4460933	1	Connector - 12 Position	
21	4460465	12	Socket, Female	
22	4460315	1	Terminal, Spade	
23	4460315	1	Terminal, Spade	
24	4460315	1	Terminal, Spade	
25	4460315	1	Terminal, Spade	
26	4460315	1	Terminal, Spade	

SECTION 8 - ELECTRICAL

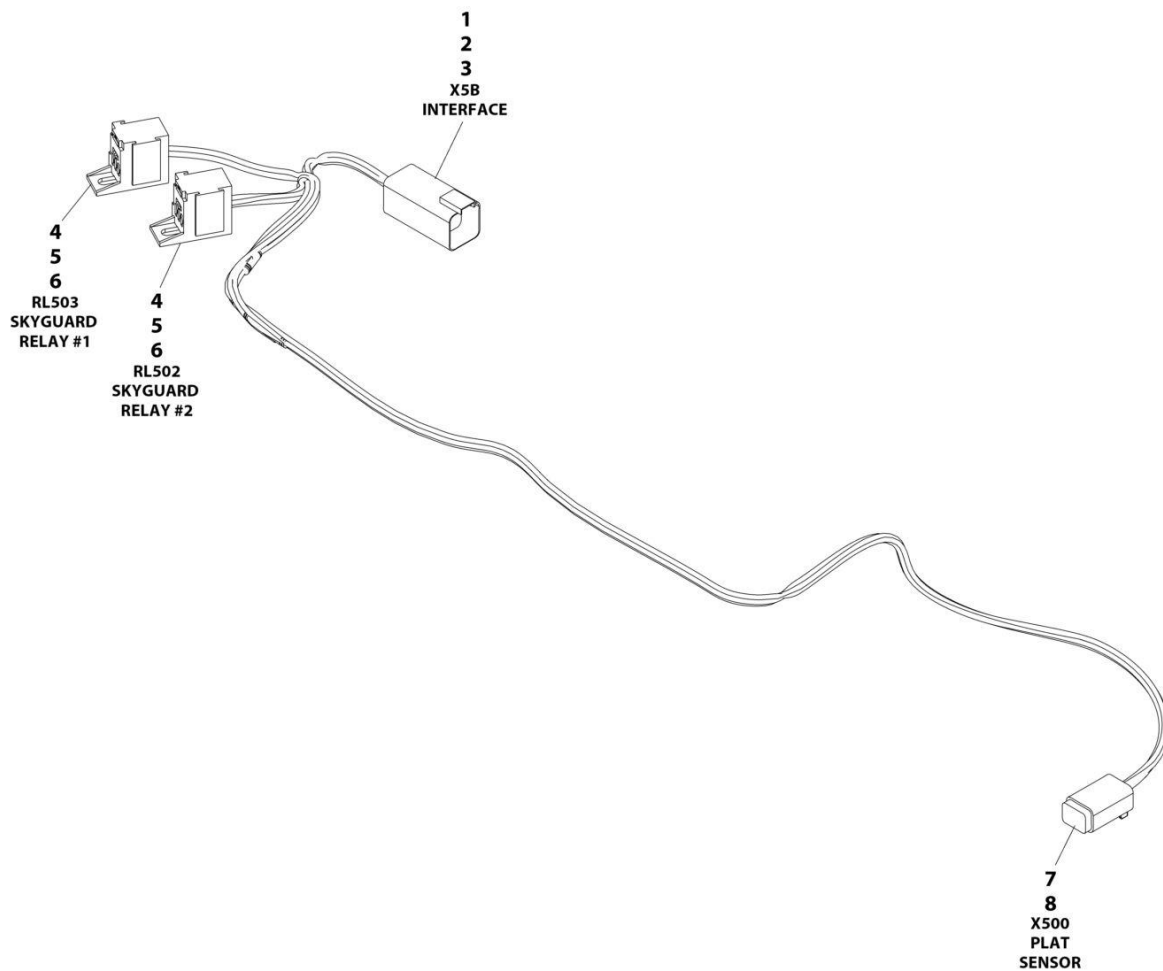
ITEM	PART NUMBER	QTY	DESCRIPTION	REV
27	4460434	1	Connector - 15 Position	
27	4460227	9	Pin, Male	
27	4460267	2	Pin, Male	
28	8220007	1	Terminal, Ring	
29	4460315	1	Terminal, Spade	
30	4460225	1	Connector - 6 Position	
30	4460227	4	Pin, Male	
30	4460267	2	Pin, Male	
31	4460418	1	Connector - 6 Position	
31	1001159186	2	Terminal	
31	4460419	2	Terminal	
32	4460418	1	Connector - 6 Position	
32	1001159186	2	Terminal	
32	4460419	2	Terminal	
33	4460418	1	Connector - 6 Position	
33	1001159186	2	Terminal	
33	4460419	2	Terminal	
34	4460418	1	Connector - 6 Position	
34	1001159186	2	Terminal	
34	4460419	2	Terminal	
35	4460260	1	Connector - 1 Position	
35	4460259	1	Terminal	
36	4460260	1	Connector - 1 Position	
36	4460259	1	Terminal	
37	4460708	1	Connector - 15 Position	
37	4460226	2	Socket, Female	
40	4460016	1	Terminal	
41	4460016	1	Terminal	
42	4460260	1	Connector - 1 Position	
42	4460259	1	Terminal	
43	4460260	1	Connector - 1 Position	
43	4460259	1	Terminal	
44	4460260	1	Connector - 1 Position	
44	4460259	1	Terminal	
45	4460260	1	Connector - 1 Position	
45	4460259	1	Terminal	
46	4460418	1	Connector - 6 Position	
46	1001159186	2	Terminal	
46	4460419	2	Terminal	
47	4460418	1	Connector - 6 Position	
47	1001159186	2	Terminal	
47	4460419	2	Terminal	
48	4460418	1	Connector - 6 Position	
48	1001159186	2	Terminal	
48	4460419	2	Terminal	
49	4460418	1	Connector - 6 Position	
49	1001159186	2	Terminal	
49	4460419	2	Terminal	
50	4460418	1	Connector - 6 Position	
50	1001159186	2	Terminal	
50	4460419	2	Terminal	

SECTION 8 - ELECTRICAL

ITEM	PART NUMBER	QTY	DESCRIPTION	REV
51	4460418	1	Connector - 6 Position	
51	1001159186	1	Terminal	
51	4460419	2	Terminal	
52	1001237668	4	Socket, Female	
52	1001237667	1	Connector - 6 Position	
53	4460183	1	Terminal, Spade	
54	4460183	1	Terminal, Spade	
55	4460418	1	Connector - 6 Position	
55	1001159186	2	Terminal	
55	4460419	2	Terminal	
56	4460418	1	Connector - 6 Position	
56	1001159186	1	Terminal	
56	4460419	2	Terminal	
57	4460418	1	Connector - 6 Position	
57	1001159186	2	Terminal	

SECTION 8 - ELECTRICAL

FIGURE 8-68. PLATFORM INTERFACE HARNESS



ART_1001225580

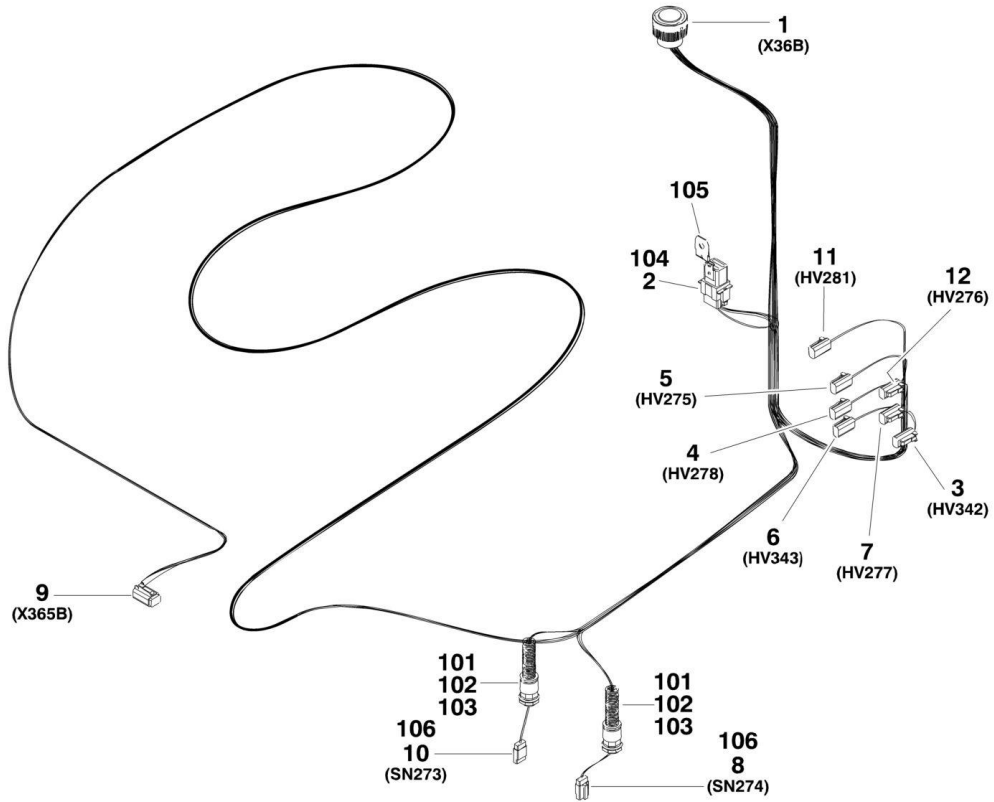
SECTION 8 - ELECTRICAL

FIGURE 8-68. PLATFORM INTERFACE HARNESS

ITEM	PART NUMBER	QTY	DESCRIPTION	REV
	1001225580	Ref	INTERFACE HARNESS - WITH 1 CELL LSS	D
1	4460899	1	Connector	
2	4460464	4	Terminal	
3	4460466	2	Plug	
4	1001186432	2	Connector	
5	1001116720	4	Terminal	
6	1001118388	4	Terminal	
7	4460884	1	Connector	
8	4460465	4	Terminal	

SECTION 8 - ELECTRICAL

FIGURE 8-69. PLATFORM VALVE HARNESS



1001149977

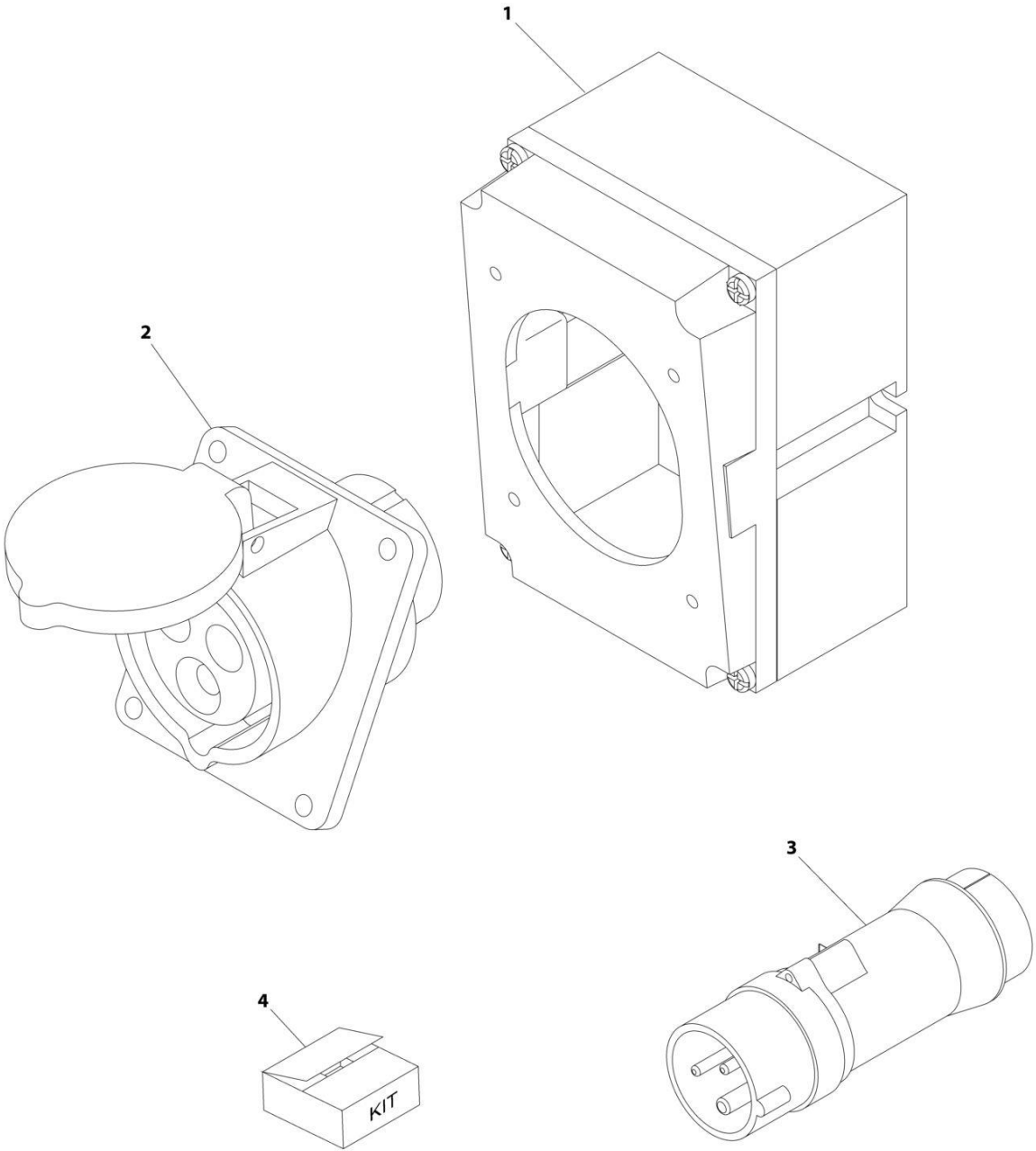
SECTION 8 - ELECTRICAL

FIGURE 8-69. PLATFORM VALVE HARNESS

ITEM	PART NUMBER	QTY	DESCRIPTION	REV
	1001149977	Ref	PLATFORM VALVE HARNESS	F
1	4460926	1	Connector - 21 Position	
1	1001126008	16	Socket, Female	
1	1001249206	4	Socket, Female	
1	4460518	1	Plug, Socket	
2	4460458	1	Connector - 8 Position	
2	4460465	3	Socket, Female	
2	4460466	1	Plug, Socket	
3	4460891	1	Connector - 2 Position	
3	4460465	2	Socket, Female	
4	4460891	1	Connector - 2 Position	
4	4460465	2	Socket, Female	
5	4460891	1	Connector - 2 Position	
5	4460465	2	Socket, Female	
6	4460891	1	Connector - 2 Position	
6	4460465	2	Socket, Female	
7	4460891	1	Connector - 2 Position	
7	4460465	2	Socket, Female	
8	4460911	1	Connector - 3 Position	
8	1001126008	3	Socket, Female	
9	4460884	1	Connector - 3 Position	
9	4460465	3	Socket, Female	
10	4460911	1	Connector - 3 Position	
10	1001126008	3	Socket, Female	
11	4460891	1	Connector - 2 Position	
11	4460465	2	Socket, Female	
12	4460891	1	Connector - 2 Position	
12	4460465	2	Socket, Female	
101	1560010	2	Conduit	
102	1560011	2	Connector, Conduit	
103	1560012	2	Nut, Conduit	
104	4460852	1	Connector - 8 Position	
105	1001155743	1	Clip, Mounting	
106	4460912	AR	Wedge, Locking	

SECTION 8 - ELECTRICAL

FIGURE 8-70. RECEPTACLE BOX KIT - 110V IEC YELLOW (CE & UK CA SPEC)



ART_0275216

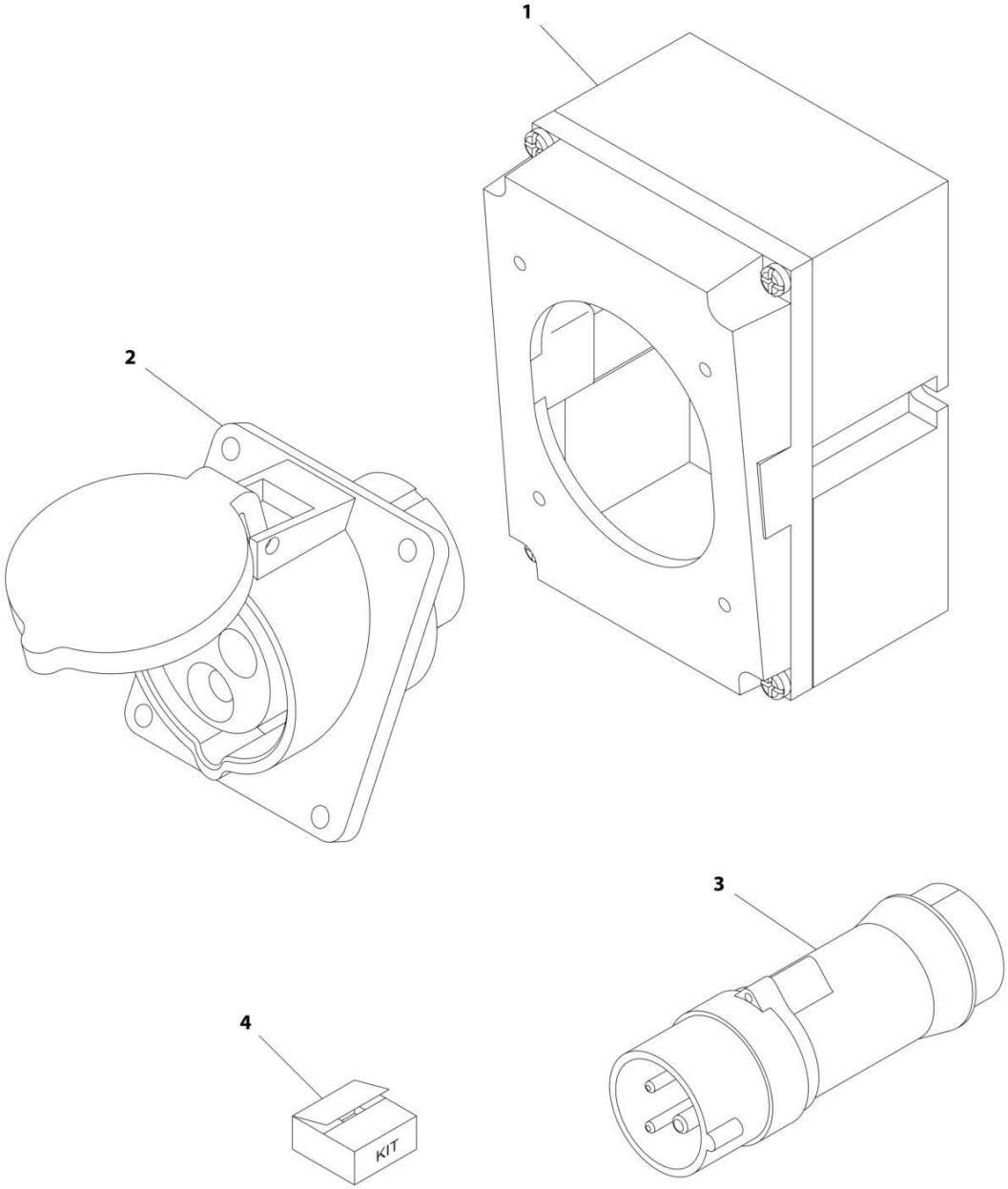
SECTION 8 - ELECTRICAL

FIGURE 8-70. RECEPTACLE BOX KIT - 110V IEC YELLOW (CE & UK CA SPEC)

ITEM	PART NUMBER	QTY	DESCRIPTION	REV
	0275216	Ref	RECEPTACLE BOX KIT - 110V IEC YELLOW	B
1	0861781	1	Box, Switch	
2	4461198	1	Receptacle	
3	4461196	1	Plug, Male	
4	1001100341	1	Plug and Socket Kit (Includes Items 1-3 and Female Plug p/n 4461197)	

SECTION 8 - ELECTRICAL

FIGURE 8-71. RECEPTACLE BOX KIT - 220V IEC BLUE (CE & UK CA SPEC)



ART_0275217

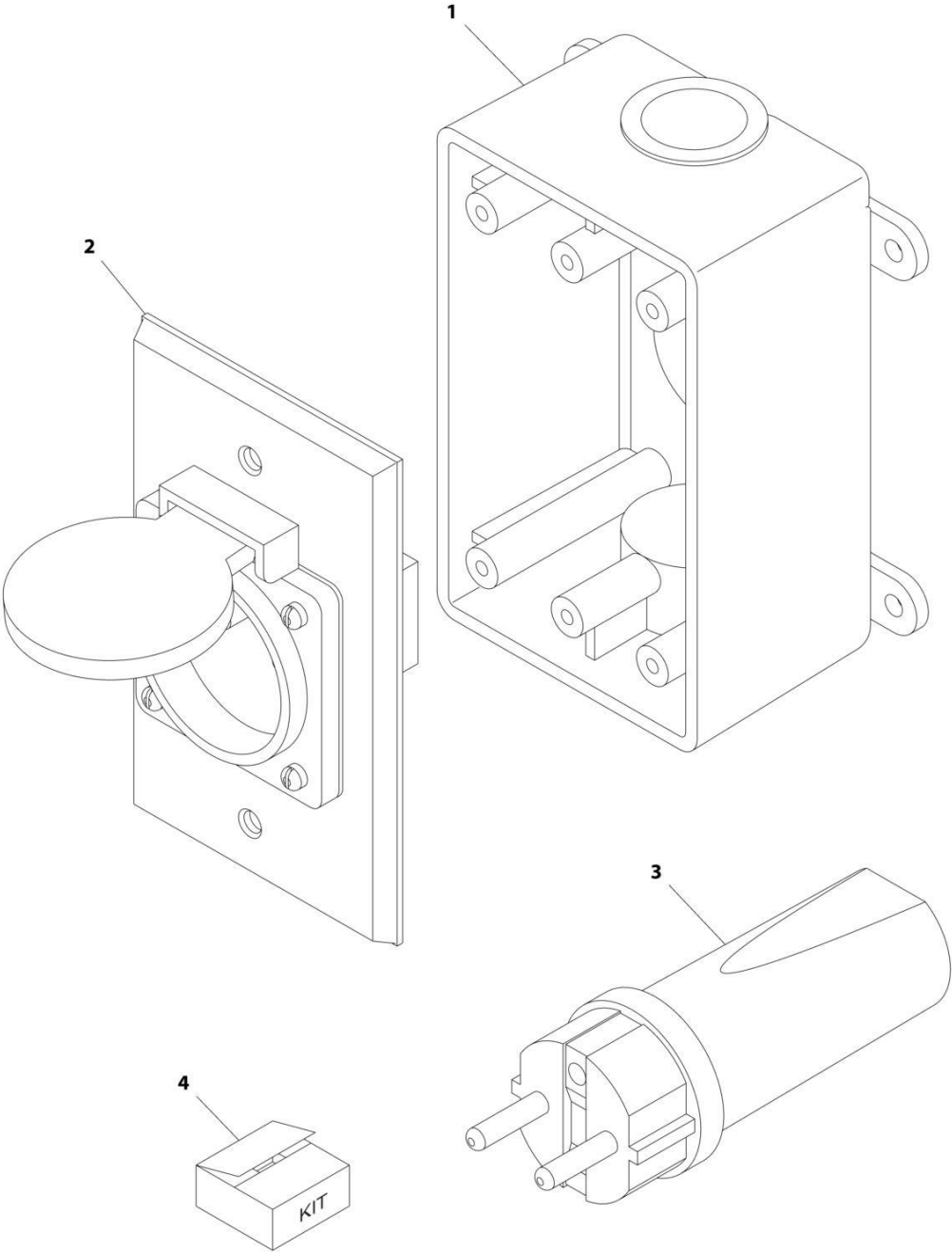
SECTION 8 - ELECTRICAL

FIGURE 8-71. RECEPTACLE BOX KIT - 220V IEC BLUE (CE & UK CA SPEC)

ITEM	PART NUMBER	QTY	DESCRIPTION	REV
	0275217	Ref	RECEPTACLE BOX KIT - 220V IEC BLUE	B
1	0861781	1	Box, Switch	
2	4461201	1	Receptacle	
3	4461199	1	Plug, Male	
4	1001100342	1	Plug and Socket Kit (Includes Items 1-3 and Female Plug p/n 4461200)	

SECTION 8 - ELECTRICAL

FIGURE 8-72. RECEPTACLE BOX KIT - 220V CEE7 POST GROUND 2IN X 4IN (CE & UK CA SPEC)



ART_0275452

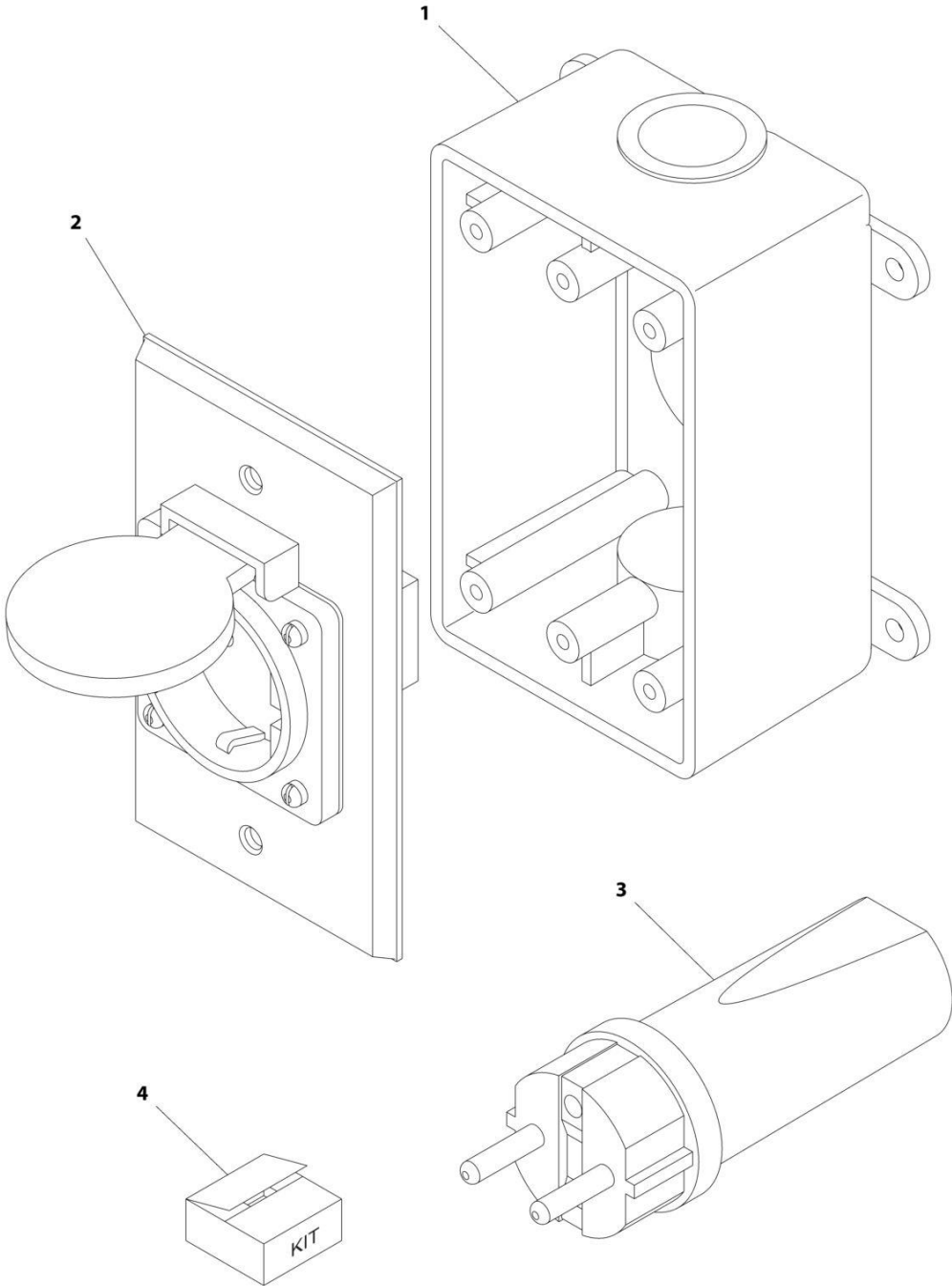
SECTION 8 - ELECTRICAL

FIGURE 8-72. RECEPTACLE BOX KIT - 220V CEE7 POST GROUND 2IN X 4IN (CE & UK CA SPEC)

ITEM	PART NUMBER	QTY	DESCRIPTION	REV
	0275452	Ref	RECEPTACLE BOX KIT - 220V CEE7 POST GROUND	C
1	0861731	1	Box, Switch	
2	4461244	1	Receptacle	
3	4461205	1	Plug, Male	
4	1001100345	1	Plug and Socket Kit (Includes Items 1-3 and Female Plug p/n 4461206)	

SECTION 8 - ELECTRICAL

FIGURE 8-73. RECEPTACLE BOX KIT - 220V CEE7 SIDE GROUND 2IN X 4IN (CE & UK CA SPEC)



ART_0275453

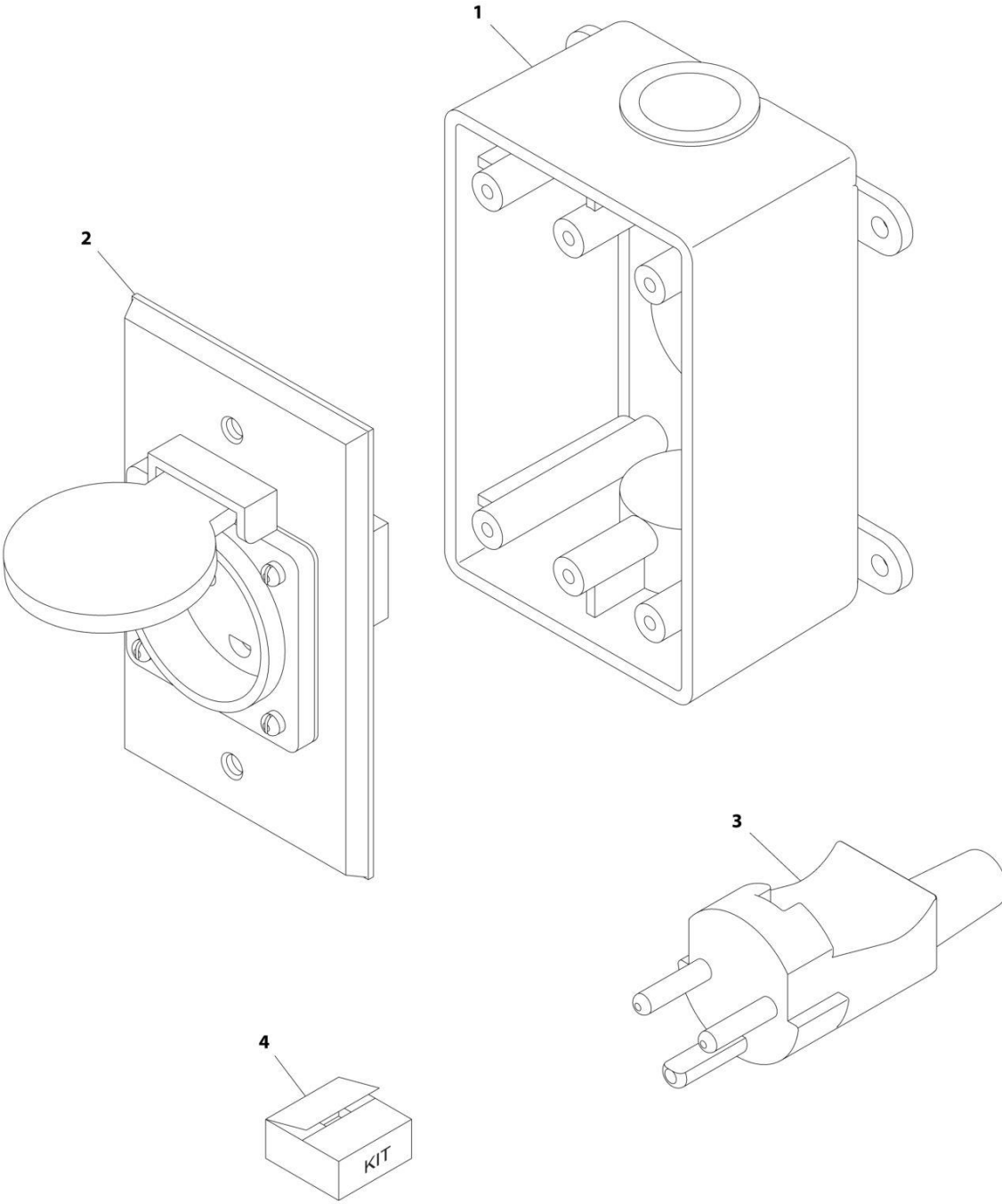
SECTION 8 - ELECTRICAL

FIGURE 8-73. RECEPTACLE BOX KIT - 220V CEE7 SIDE GROUND 2IN X 4IN (CE & UK CA SPEC)

ITEM	PART NUMBER	QTY	DESCRIPTION	REV
	0275453	Ref	RECEPTACLE BOX KIT - 220V CEE7 SIDE GROUND	B
1	0861731	1	Box, Switch	
2	4461245	1	Receptacle	
3	4461205	1	Plug, Male	
4	1001100347	1	Plug and Socket Kit (Includes Items 1-3 and Female Plug p/n 4461206)	

SECTION 8 - ELECTRICAL

FIGURE 8-74. RECEPTACLE BOX KIT - 220V AFSINT 107 (CE & UK CA SPEC)



ART_0275454

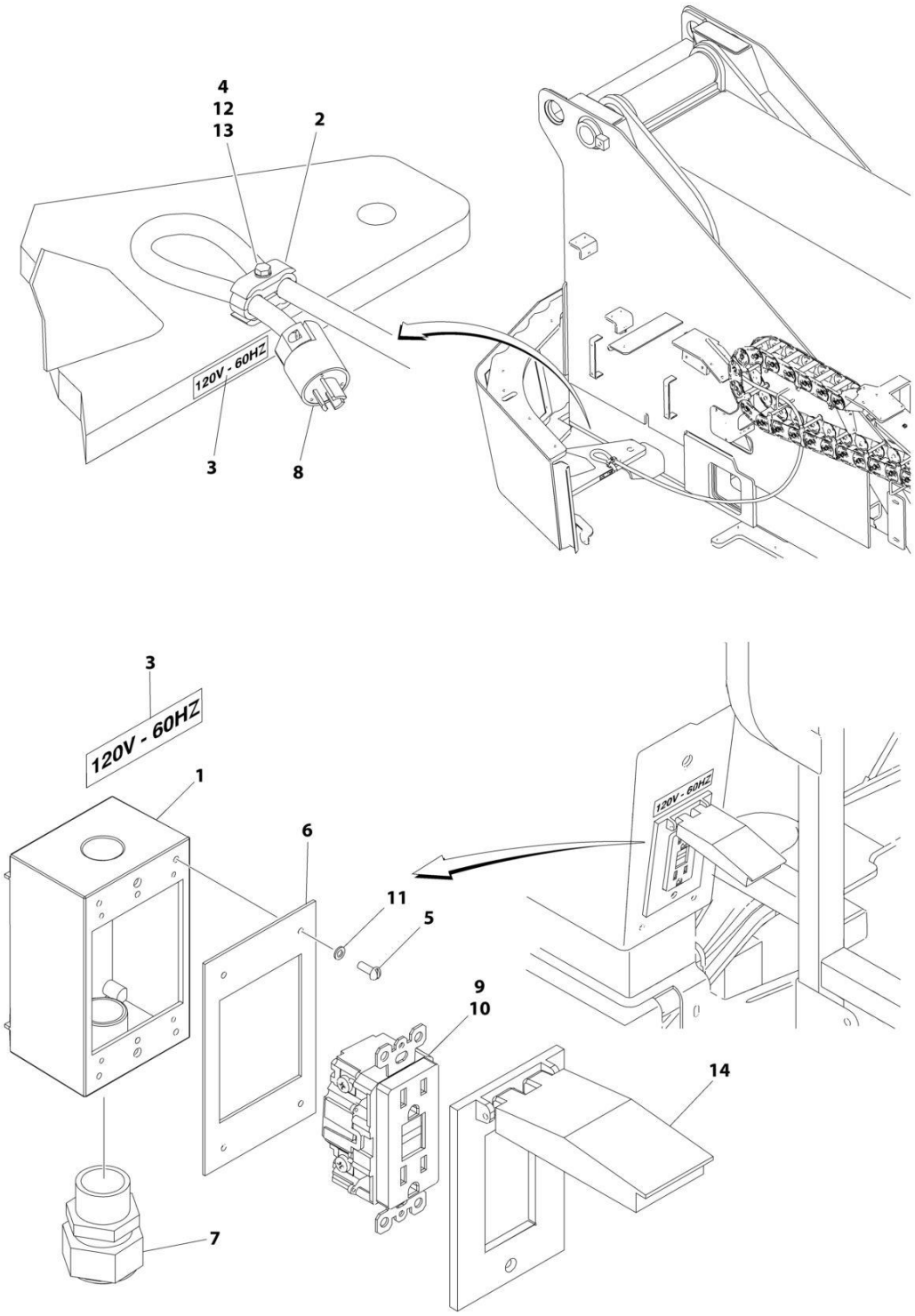
SECTION 8 - ELECTRICAL

FIGURE 8-74. RECEPTACLE BOX KIT - 220V AFSINT 107 (CE & UK CA SPEC)

ITEM	PART NUMBER	QTY	DESCRIPTION	REV
	0275454	Ref	RECEPTACLE BOX KIT - 220V AFSINT 107	B
1	0861731	1	Box, Switch	
2	4461246	1	Receptacle	
3	4461249	1	Plug, Male	
4	1001100346	1	Plug and Socket Kit (Includes Items 1-3 and Female Plug p/n 4461250)	

SECTION 8 - ELECTRICAL

FIGURE 8-75. RECEPTACLE AND CLAMP INSTALLATION - 110V - ANSI, CSA AND JAPANESE SPECS



ART_1001156219

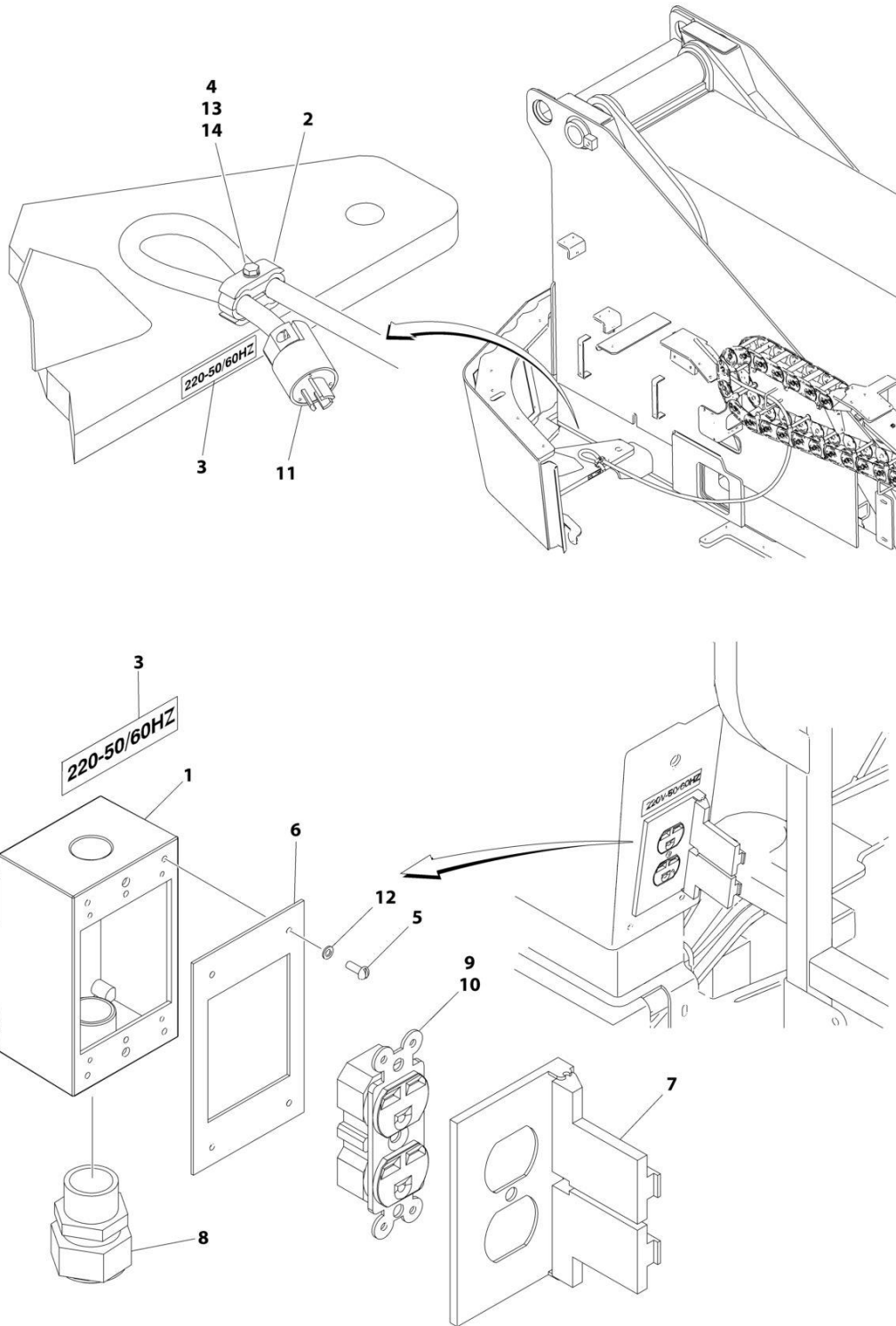
SECTION 8 - ELECTRICAL

FIGURE 8-75. RECEPTACLE AND CLAMP INSTALLATION - 110V - ANSI, CSA AND JAPANESE SPECS

ITEM	PART NUMBER	QTY	DESCRIPTION	REV
	1001156219	Ref	RECEPTACLE AND CLAMP INSTALLATION - 110V	A
1	0860038	1	Box, Switch	
2	1320146	1	Clamp	
3	3251243	2	Decal - 120V-60HZ	
4	3290605	1	Nut M6	
5	3910606	4	Screw #6 x 3/8	
6	3960422	1	Gasket, Receptacle Cover	
7	4460051	1	Connector, Strain Relief	
8	4460205	1	Plug	
9	4460315	3	Terminal, Spade	
10	4460346	1	Receptacle, GFI	
11	4760600	4	Washer #6	
12	4811700	2	Washer M6	
13	1001096653	1	Bolt M6 x 70	
14	1001110873	1	Cover, Receptacle Box	

SECTION 8 - ELECTRICAL

FIGURE 8-76. RECEPTACLE AND CLAMP INSTALLATION - 220V – ANSI, CSA AND JAPANESE SPECS



ART_1001156224

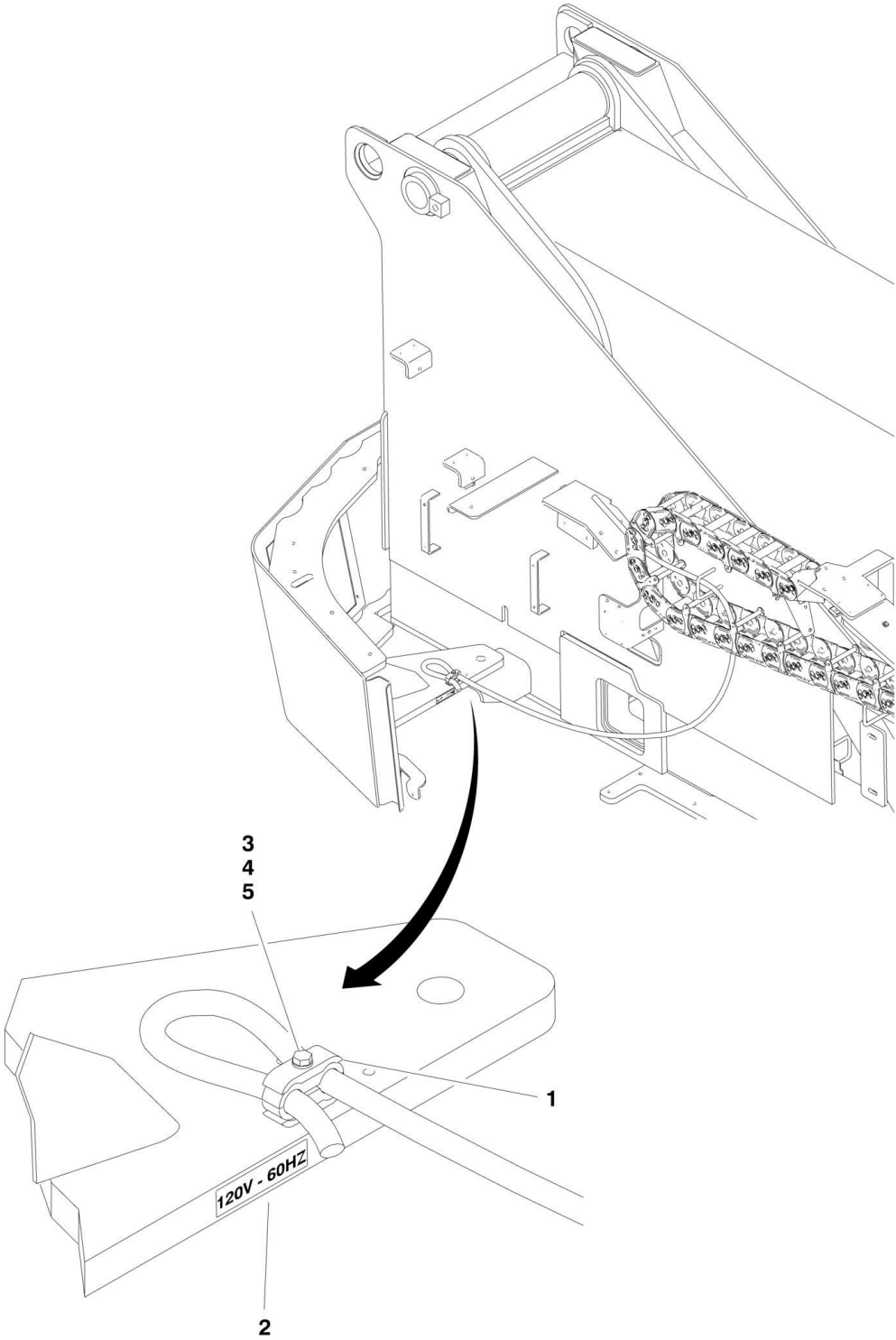
SECTION 8 - ELECTRICAL

FIGURE 8-76. RECEPTACLE AND CLAMP INSTALLATION - 220V – ANSI, CSA AND JAPANESE SPECS

ITEM	PART NUMBER	QTY	DESCRIPTION	REV
	1001156224	Ref	RECEPTACLE AND CLAMP INSTALLATION - 220V	A
1	0860038	1	Box, Switch	
2	1320146	1	Clamp	
3	3252507	2	Decal - 220V-50/60Hz	
4	3290605	1	Nut M6	
5	3910606	4	Screw #6 x 3/8	
6	3960422	1	Gasket, Receptacle Cover	
7	4060092	1	Cover, Receptacle Box	
8	4460051	1	Connector, Strain Relief	
9	4460125	1	Receptacle	
10	4460315	3	Terminal, Spade	
11	4460709	1	Plug	
12	4760600	4	Washer #6	
13	4811700	2	Washer M6	
14	1001096653	1	Bolt M6 x 70	

SECTION 8 - ELECTRICAL

FIGURE 8-77. RECEPTACLE AND CLAMP INSTALLATION - SUPPLIED LOCALLY



1001156218

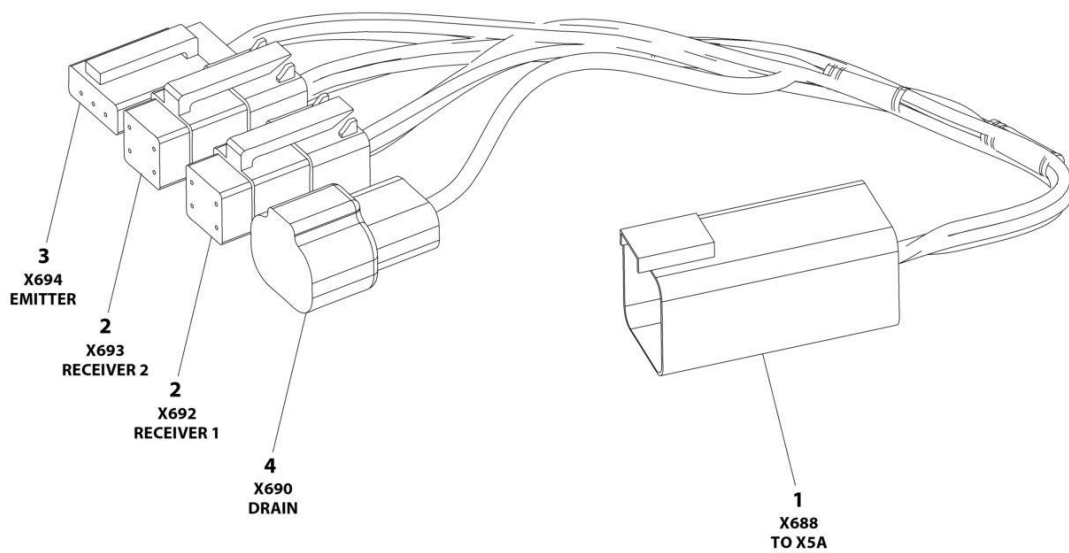
SECTION 8 - ELECTRICAL

FIGURE 8-77. RECEPTACLE AND CLAMP INSTALLATION - SUPPLIED LOCALLY

ITEM	PART NUMBER	QTY	DESCRIPTION	REV
	1001156218	Ref	RECEPTACLE AND CLAMP INSTALLATION	A
1	1320146	1	Clamp	
2	3251243	1	Decal - 120V-60HZ	
3	3290605	1	Nut M6	
4	4811700	2	Washer M6	
5	1001096653	1	Bolt M6 x 70	

SECTION 8 - ELECTRICAL

FIGURE 8-78. SKYEYE INTERMEDIATE HARNESS



ART_1001237865

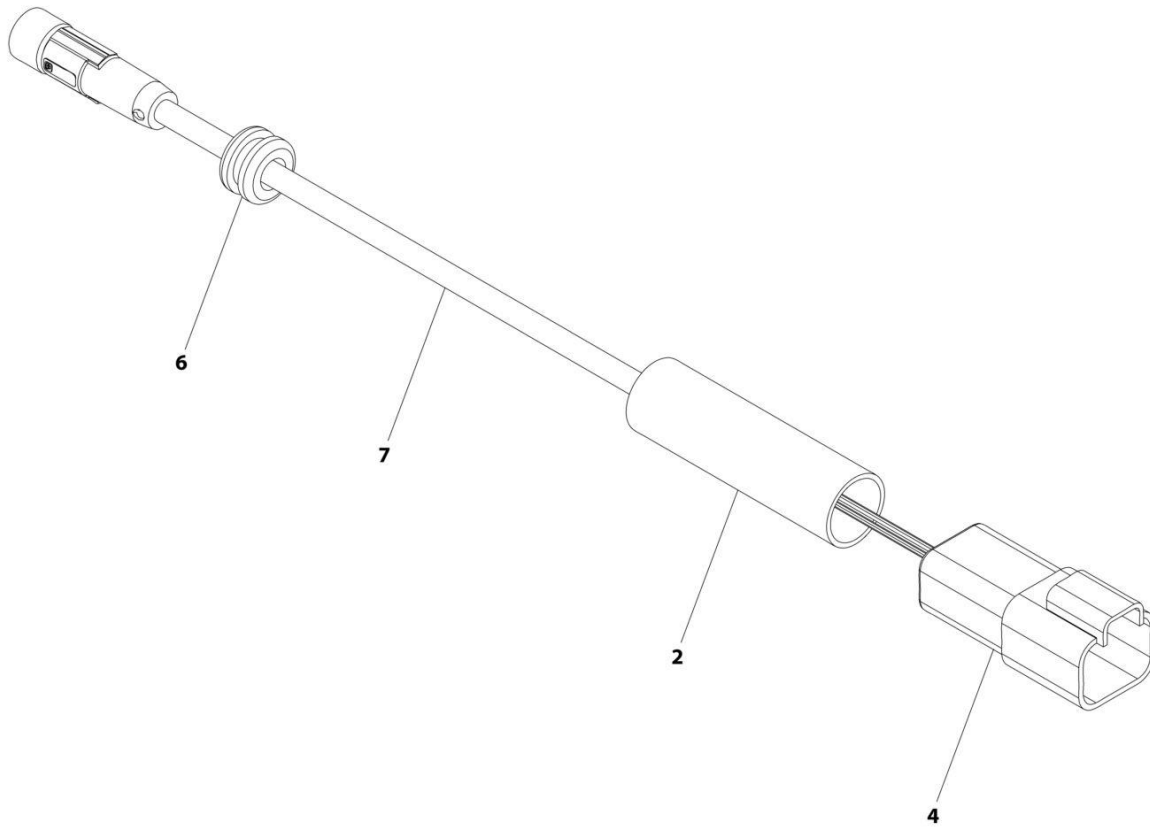
SECTION 8 - ELECTRICAL

FIGURE 8-78. SKYEYE INTERMEDIATE HARNESS

ITEM	PART NUMBER	QTY	DESCRIPTION	REV
	1001237865	Ref	SKYEYE INTERMEDIATE HARNESS	A
1	4460899	1	Connector - 6 Position	
1	4460943	4	Pin, Male	
1	4460466	2	Plug, Terminal	
2	4461077	2	Connector - 4 Position	
2	1001119619	8	Socket, Female	
3	4460911	1	Connector - 3 Position	
3	1001119619	3	Socket, Female	
4	1001187681	1	Connector - 2 Position	
4	4460941	1	Pin, Male	
4	4460466	1	Plug, Terminal	

SECTION 8 - ELECTRICAL

FIGURE 8-79. SKYEYE RECEIVER HARNESS



ART_1001237863

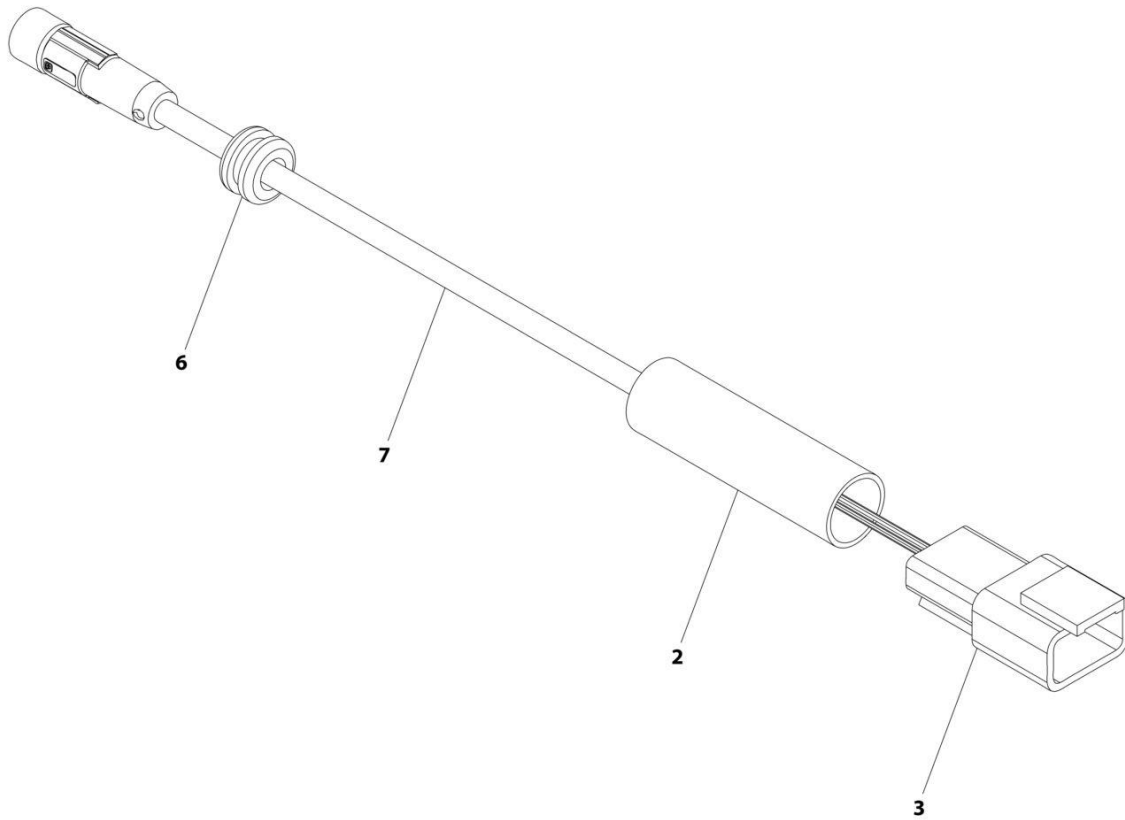
SECTION 8 - ELECTRICAL

FIGURE 8-79. SKYEYE RECEIVER HARNESS

ITEM	PART NUMBER	QTY	DESCRIPTION	REV
	1001237863	Ref	SKYEYE RECEIVER HARNESS	A
2	2820247	AR	Tubing, Heat Shrink	
4	1001097051	1	Connector - 4 Position	
4	1001119620	4	Pin, Male	
6	1001227996	1	Grommet	
7	1001237862	1	Cable, M8 Female Cordset	

SECTION 8 - ELECTRICAL

FIGURE 8-80. SKYEYE EMITTER HARNESS



ART_1001237864

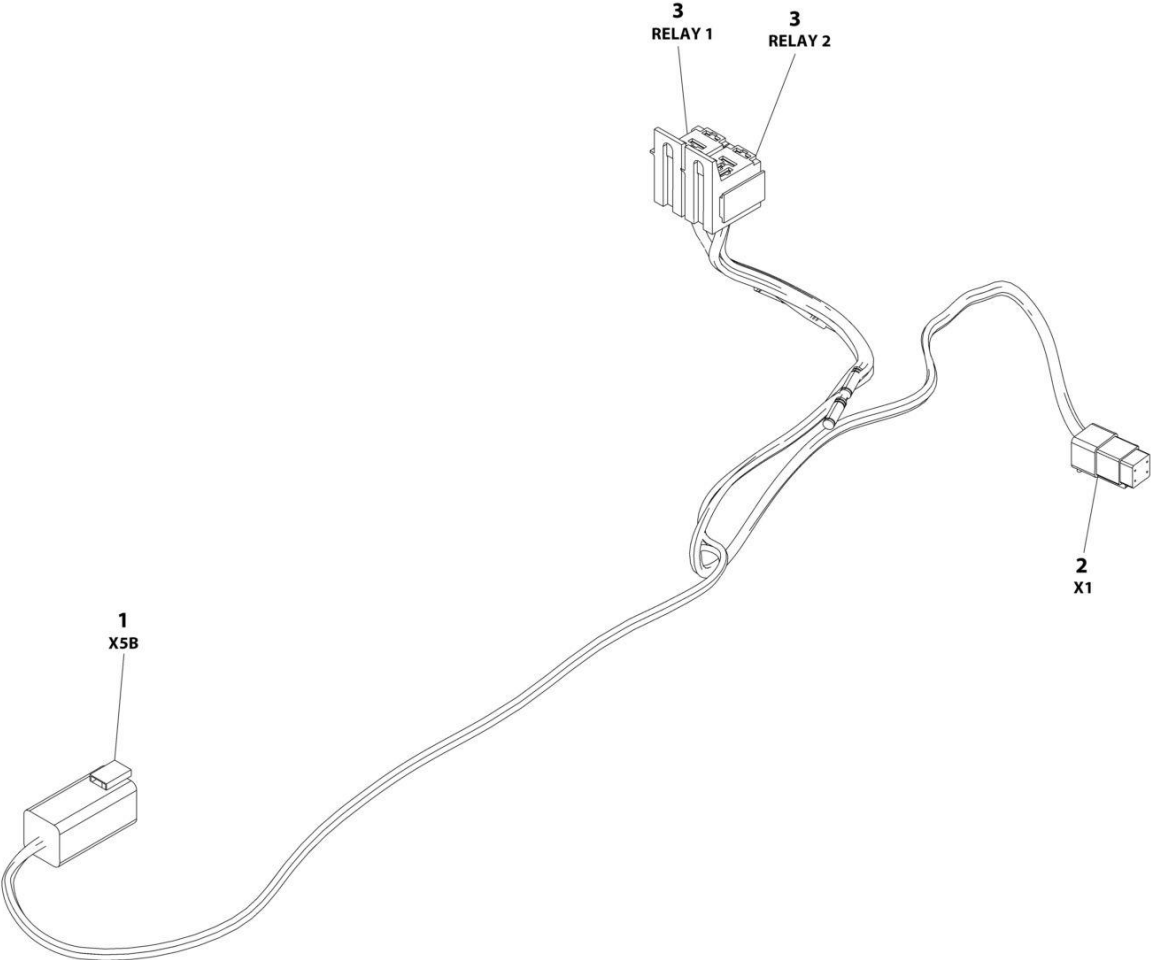
SECTION 8 - ELECTRICAL

FIGURE 8-80. SKYEYE EMITTER HARNESS

ITEM	PART NUMBER	QTY	DESCRIPTION	REV
	1001237864	Ref	SKYEYE EMITTER HARNESS	A
2	2820247	AR	Tubing, Heat Shrink	
3	4460910	1	Connector - 3 Position	
3	1001119620	3	Pin, Male	
6	1001227996	1	Grommet	
7	1001237862	1	Cable, M8 Female Cordset	

SECTION 8 - ELECTRICAL

FIGURE 8-81. SKYLINE HARNESS



ART_1001238418

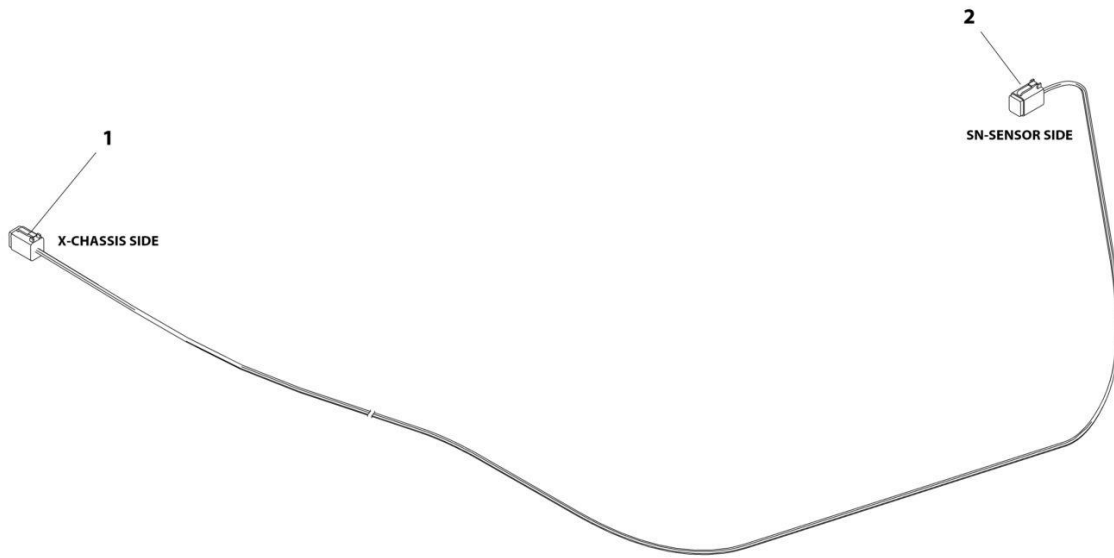
SECTION 8 - ELECTRICAL

FIGURE 8-81. SKYLINE HARNESS

ITEM	PART NUMBER	QTY	DESCRIPTION	REV
	1001238418	Ref	SKYLINE HARNESS	B
1	4460899	1	Connector - 6 Position	
1	4460464	4	Pin, Male	
1	4460466	2	Plug, Terminal	
2	4461077	1	Connector - 4 Position	
2	1001126009	4	Socket, Female	
3	1001186432	2	Plug, Relay	
3	1001118388	5	Terminal	
3	1001118384	3	Terminal	
3	3740086	2	Relay	

SECTION 8 - ELECTRICAL

FIGURE 8-82. STEER HARNESS



ART_1001155817

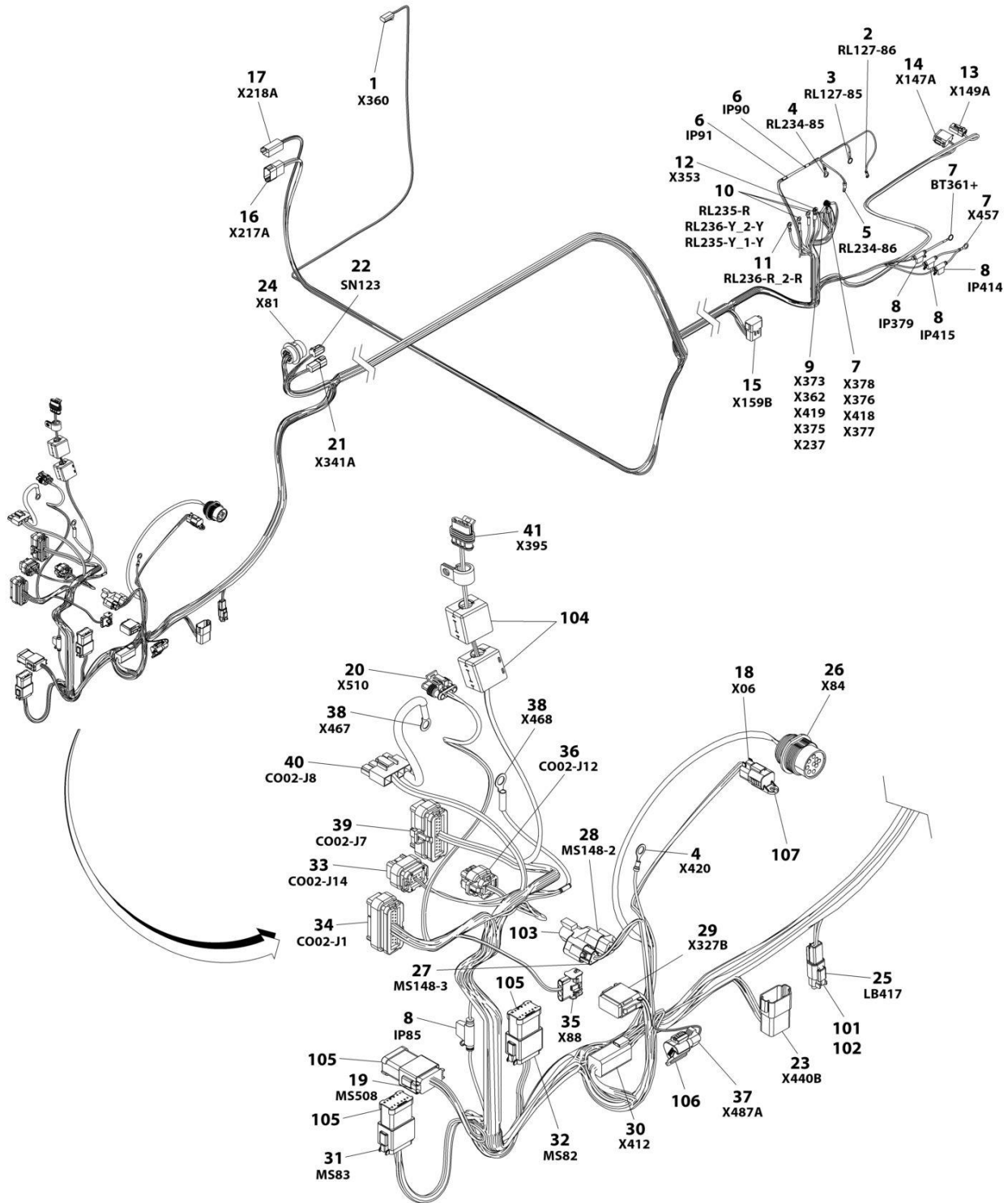
SECTION 8 - ELECTRICAL

FIGURE 8-82. STEER HARNESS

ITEM	PART NUMBER	QTY	DESCRIPTION	REV
	1001155817	Ref	STEER HARNESS	B
1	4460894	1	Connector - 6 Position	
1	4460465	4	Socket, Female	
1	4460466	2	Seal, Plug	
2	4460894	1	Connector - 6 Position	
2	4460465	3	Socket, Female	
2	4460466	3	Seal, Plug	

SECTION 8 - ELECTRICAL

FIGURE 8-83. TURNTABLE HARNESS



ART_1001279152

SECTION 8 - ELECTRICAL

FIGURE 8-83. TURNTABLE HARNESS

ITEM	PART NUMBER	QTY	DESCRIPTION	REV
	1001279152	Ref	TURNTABLE HARNESS	A
1	4460891	1	Connector - 2 Position	
1	4460465	2	Socket, Female	
2	4460247	1	Ring, Terminal	
3	4460703	1	Ring, Terminal	
4	4460670	2	Ring, Terminal	
5	4460042	1	Ring, Terminal	
6	IN4004	2	Diode 6A	
7	4460019	6	Ring, Terminal	
8	2400066	1	Fuseholder with Leads	
8	2400066	3	Fuseholder with Leads	
9	4460256	5	Ring, Terminal	
10	1001117106	3	Ring, Terminal	
11	4460312	1	Ring, Terminal	
12	4460043	1	Ring, Terminal	
13	4461018	1	Connector - 2 Position	
13	4460509	2	Socket, Female	
14	4460836	1	Connector - 12 Position	
14	4460944	3	Socket, Female	
14	4460466	8	Plug, Socket	
14	4460465	1	Socket, Female	
15	4460950	1	Connector, Female - 12 Position	
15	4460464	9	Pin, Male	
15	4460466	3	Plug, Socket	
16	4460931	1	Connector - 8 Position	
16	4460464	7	Pin, Male	
16	4460466	1	Plug, Socket	
17	4460899	1	Connector, Female - 6 Position	
17	4460464	3	Pin, Male	
17	4460943	3	Pin, Male (Gold)	
18	4460884	1	Connector - 4 Position	
18	4460465	4	Socket, Female	
19	4460933	1	Connector - 12 Position	
19	4460944	8	Socket, Female	
19	4460466	4	Plug, Socket	
20	1001103012	1	Connector - 4 Position	
20	1001107854	4	Terminal	
20	1001104498	4	Seal	
21	4460932	1	Connector - 4 Position	
21	4460464	4	Pin, Male	
22	4460884	1	Connector - 4 Position	
22	4460465	3	Socket, Female	
22	4460466	1	Seal, Plug	
23	4460931	1	Connector	
23	4460464	8	Pin, Male	
24	4460866	1	Connector - 19 Position	
24	4460943	3	Pin, Male	
24	4460464	8	Pin, Male	
24	4460466	4	Plug, Socket	
24	4460508	4	Pin, Male	

SECTION 8 - ELECTRICAL

ITEM	PART NUMBER	QTY	DESCRIPTION	REV
25	4460897	1	Connector - 2 Position	
25	4460464	2	Pin, Male	
26	1001112612	1	Connector - 3 Position	
26	4460464	3	Pin, Male	
26	4460943	3	Pin, Male (Gold)	
26	4460466	3	Plug, Socket	
27	1001116812	1	Connector - 3 Position	
27	4460944	3	Socket, Female	
28	4460539	1	Connector - 3 Position	
28	4460944	3	Socket, Female	
29	4460933	1	Connector - 12 Position	
29	4460465	11	Socket, Female	
29	4460466	1	Plug, Socket	
30	4460899	1	Connector, Female - 6 Position	
30	4460464	6	Pin, Male	
31	4460933	1	Connector - 12 Position	
31	4460944	11	Socket, Female	
31	4460466	1	Plug, Socket	
32	4460933	1	Connector - 12 Position	
32	4460944	11	Socket, Female	
32	4460466	1	Plug, Socket	
33	1001246859	1	Connector	
33	4460905	12	Plug	
33	4460871	2	Socket, Female	
34	4460874	1	Connector - 35 Position	
34	4460871	18	Socket, Female	
34	4460905	17	Plug	
35	4460761	1	Connector - 4 Position	
35	4460267	4	Pin, Male	
36	1001113961	1	Connector - 8 Position	
36	4460905	2	Plug	
36	4460871	6	Socket, Female	
37	4460539	1	Connector - 3 Position	
37	4460465	2	Socket, Female	
37	4460466	1	Plug, Socket	
38	1001187079	2	Ring, Terminal	
39	4460873	1	Connector - 35 Position	
39	4460871	25	Socket, Female	
39	4460905	10	Plug	
40	4460878	1	Connector - 4 Position	
40	4460887	3	Terminal	
41	1001103012	1	Connector - 4 Position	
41	1001107854	4	Terminal	
41	1001104498	4	Seal	
101	4460466	2	Plug, Socket	
102	4460891	1	Connector - 2 Position	
103	4460945	1	Connector, Tee	
104	1001102594	2	Ferrite, LMI	
105	1001119020	3	Connector - LMI Harness	
106	1001144296	1	Cap	
107	1001192401	1	Cap, Dust	

SECTION 8 - ELECTRICAL

FIGURE 8-84. TURNTABLE HARNESS

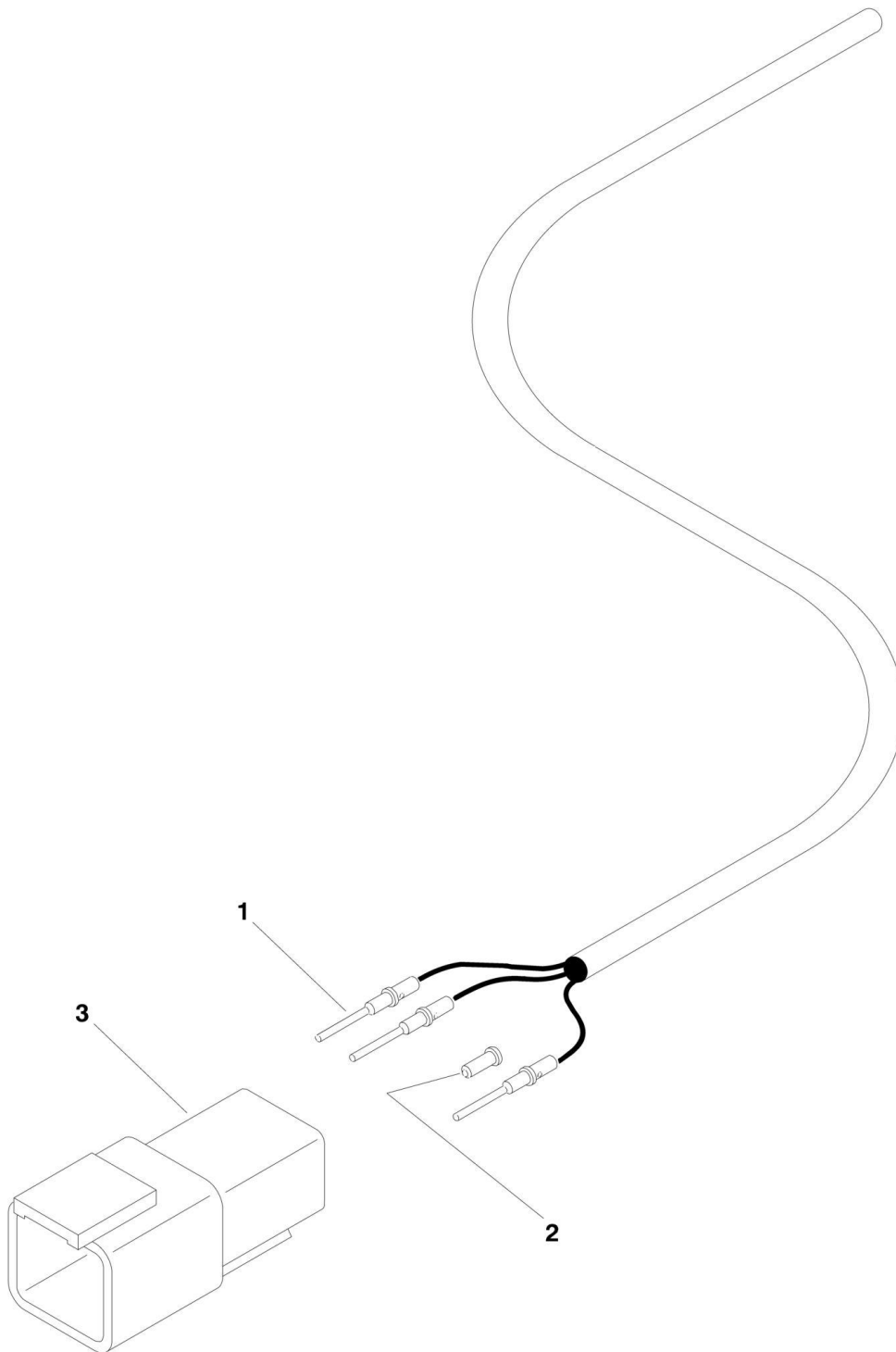
ITEM	PART NUMBER	QTY	DESCRIPTION	REV
	1001285582	Ref	TURNTABLE HARNESS	A
1	4460891	1	Connector	
1	4460465	2	Socket	
2	4460247	1	Terminal, Ring (3/16)	
3	4460703	1	Terminal, Ring (5/16)	
4	4460670	2	Terminal, Ring (5/16)	
5	4460042	1	Terminal, Ring (3/16)	
6	IN4004	2	Diode 6Amp	
7	4460019	6	Terminal, Ring (3/8)	
8	2400066	4	Fuse Holder	
9	4460256	5	Terminal, Ring (3/8)	
10	1001117106	3	Terminal, Ring (1/4)	
11	4460312	1	Terminal, Ring (1/4)	
12	4460043	1	Terminal, Ring (1/4)	
13	4461018	1	Connector	
13	4460509	2	Socket	
14	4460836	1	Connector	
14	4460944	3	Socket (Gold)	
14	4460465	1	Socket (Nickel)	
14	4460466	8	Plug	
15	4460950	1	Connector	
15	4460464	10	Pin	
15	4460466	2	Plug	
16	4460931	1	Connector	
16	4460464	1	Pin	
16	4460466	1	Plug	
17	4460899	1	Connector	
17	4460464	3	Pin (Nickel)	
17	4460943	3	Pin (Gold)	
18	4460884	1	Connector	
18	4460465	4	Socket	
19	4460933	1	Connector	
19	4460944	10	Socket	
19	4460466	2	Plug	
20	1001103012	2	Connector	
20	1001107854	4	Socket	
20	1001104498	4	Seal	
21	4460932	1	Connector	
21	4460465	4	Socket	
22	4460884	1	Connector	
22	4460465	3	Pin	
22	4460466	1	Plug	
23	4460931	1	Connector	
23	4460464	8	Pin	
24	1001144147	1	Connector	
24	4460943	2	Pin	
24	4460466	1	Plug	
25	4460894	1	Connector	
25	4460465	6	Socket	
26	4460930	1	Connector	

SECTION 8 - ELECTRICAL

ITEM	PART NUMBER	QTY	DESCRIPTION	REV
26	4460465	8	Socket	
27	4460866	1	Connector	
27	4460943	3	Pin (Gold 20-16 AWG)	
27	4460464	8	Pin (Nickel 20-16 AWG)	
27	4460508	4	Pin (Nickel 14-12 AWG)	
27	4460466	4	Plug	
28	1001112612	1	Connector	
28	4460464	3	Pin (Nickel)	
28	4460943	3	Pin (Gold)	
28	4460466	3	Plug	
29	1001116812	1	Connector	
29	4460944	3	Socket	
30	4460539	1	Connector	
30	4460944	3	Socket	
31	4460933	3	Connector	
31	4460465	33	Socket	
31	4460466	3	Plug	
32	4460899	1	Connector	
32	4460464	11	Pin	
33	4460874	1	Connector	
33	4460871	18	Socket	
33	4460905	16	Plug	
34	4460761	1	Connector	
34	4460267	4	Pin	
35	1001113961	1	Connector	
35	4460871	6	Socket	
35	4460905	2	Plug	
36	1001246859	1	Connector	
36	4460871	6	Socket	
36	4460905	8	Plug	
37	4460539	1	Connector	
37	4460465	2	Socket	
37	4460466	1	Plug	
38	1001187079	2	Terminal, Ring	
39	4460873	1	Connector	
39	4460871	25	Socket	
39	4460905	10	Plug	
40	4460878	1	Connector	
40	4460887	3	Socket	
101	4460945	1	Connector	
102	1001102594	2	Ferrite	
103	1001116815	1	Connector	
104	1001119020	3	Connector	
105	1001144296	1	Cap	
106	1001192401	1	Cap, Dust	
107	1001226541	1	Connector	
108	8229249	1	Fuse 3Amp	
109	8229242	3	Fuse 5Amp	

SECTION 8 - ELECTRICAL

FIGURE 8-85. TRANSPORT SWITCH HARNESS



1001159363

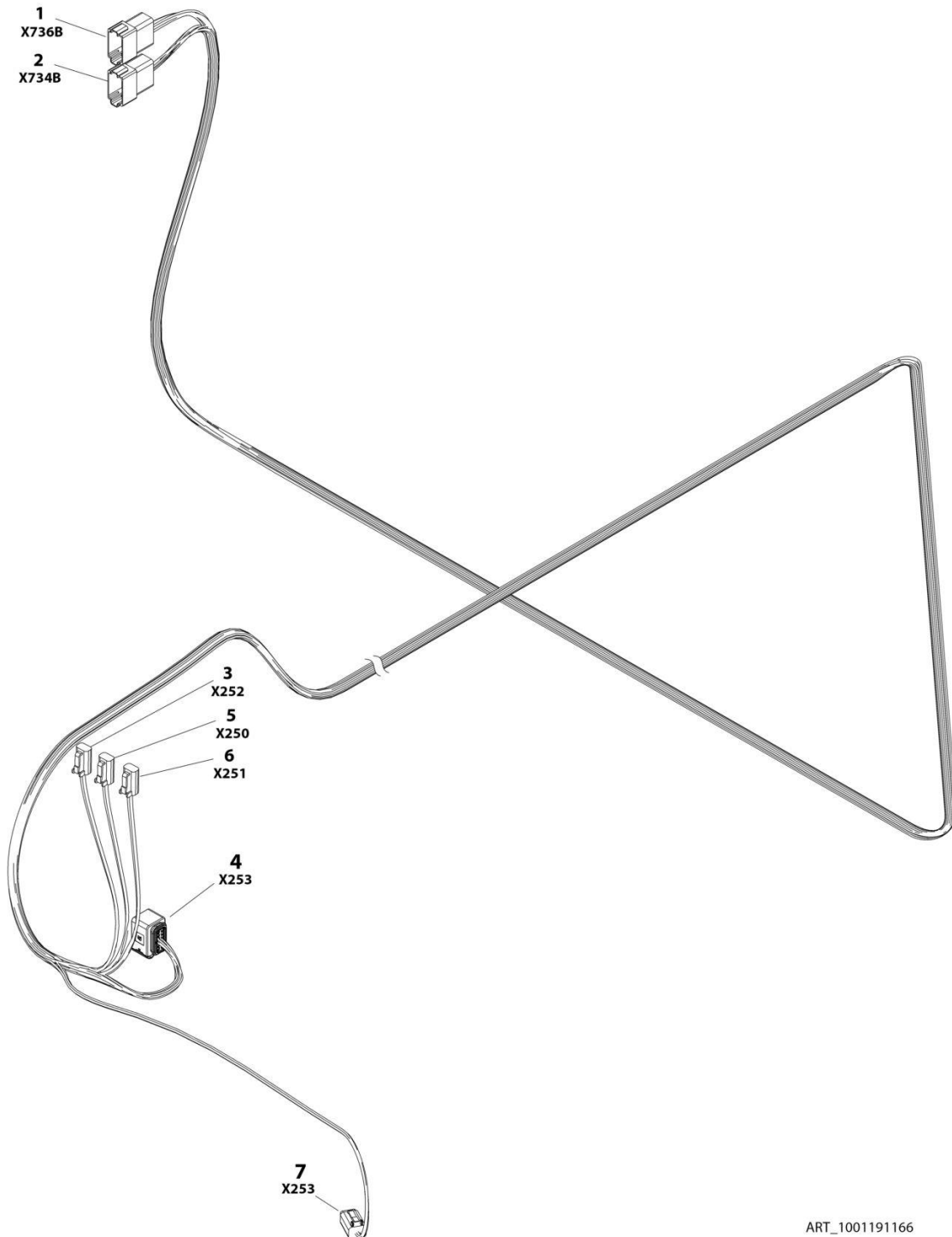
SECTION 8 - ELECTRICAL

FIGURE 8-85. TRANSPORT SWITCH HARNESS

ITEM	PART NUMBER	QTY	DESCRIPTION	REV
	1001159363	Ref	TRANSPORT CABLE HARNESS	B
1	4460464	3	Pin, Male	
2	4460466	1	Plug, Socket	
3	4460932	1	Connector - 4 Position	

SECTION 8 - ELECTRICAL

FIGURE 8-86. UREA TANK HARNESS



ART_1001191166

SECTION 8 - ELECTRICAL

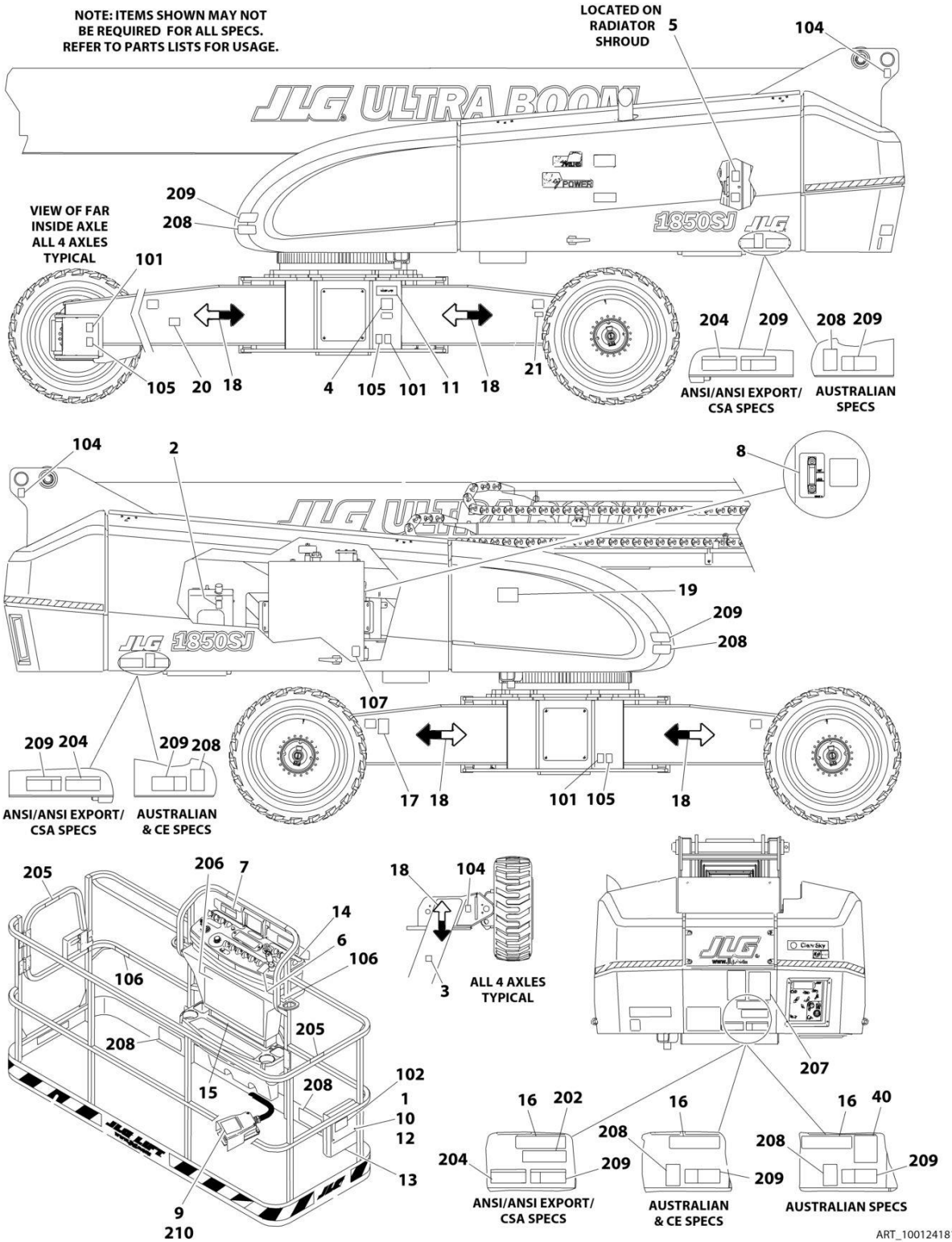
FIGURE 8-86. UREA TANK HARNESS

ITEM	PART NUMBER	QTY	DESCRIPTION	REV
	1001191166	Ref	UREA TANK HARNESS	C
1	4460982	1	Connector - 12 Position	
1	1001157891	6	Pin, Male	
1	4460464	2	Pin, Male	
1	4460943	2	Pin, Male (Gold)	
1	4460466	2	Seal, Plug	
2	1001152742	1	Connector - 12 Position	
2	4460941	2	Pin, Male 14-16GA	
2	4460464	8	Pin, Male	
2	4460466	2	Plug, Socket	
3	4460891	1	Connector - 2 Position	
3	4460942	2	Socket, Female	
4	1001165194	1	Connector - 12 Position	
4	1001166556	8	Socket, Female	
4	1001166774	2	Socket, Female	
4	1001126391	2	Seal, Plug	
5	4460891	1	Connector - 2 Position	
5	4460942	2	Socket, Female	
6	4460891	1	Connector - 2 Position	
6	4460942	2	Socket, Female	
7	4460884	1	Connector - 4 Position	
7	4460944	2	Socket, Female	
7	4460465	2	Socket, Female	

SECTION 9 - DECALS

SECTION 9 - DECALS

FIGURE 9-1. DECAL INSTALLATION - ANSI SPECS



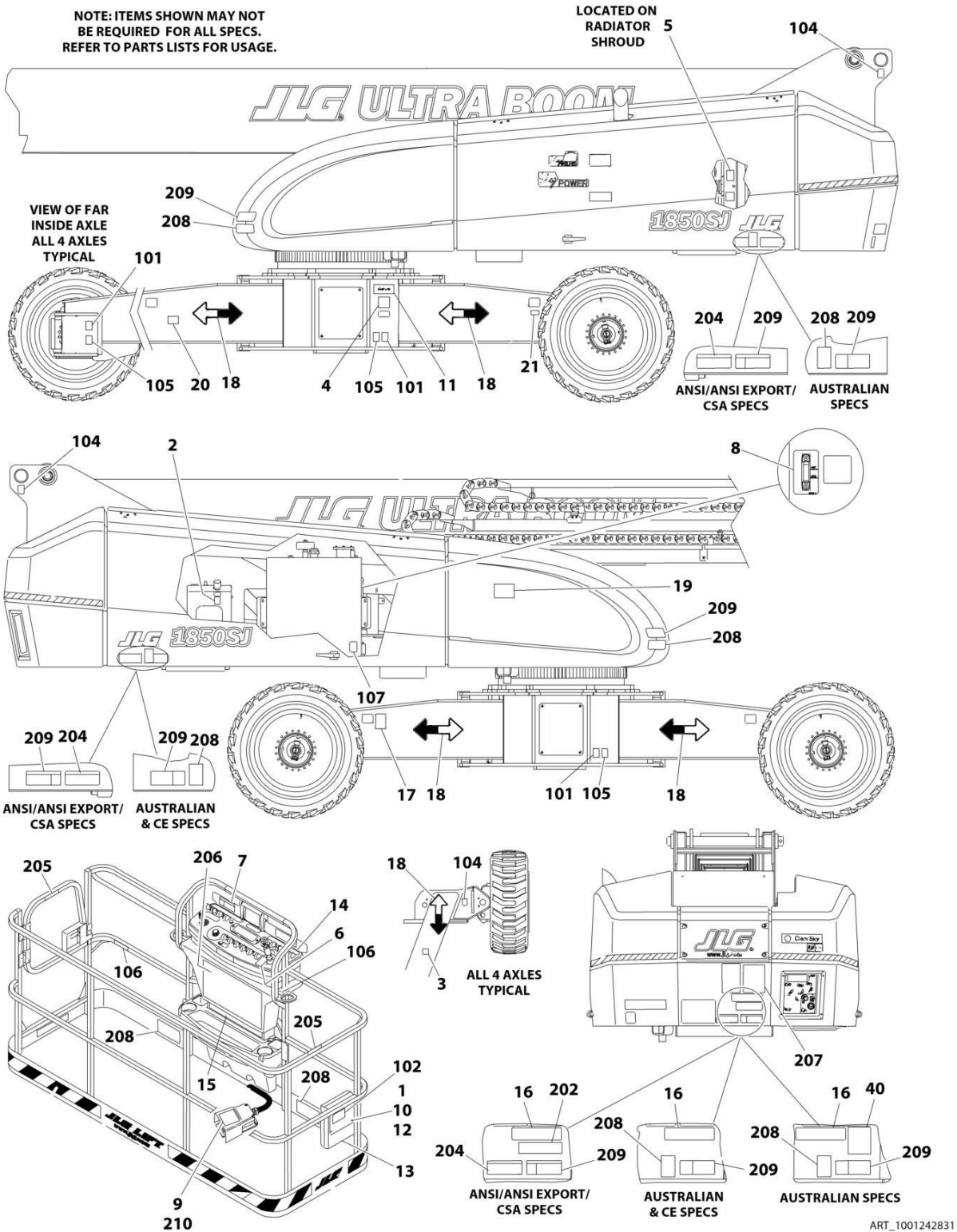
SECTION 9 - DECALS

FIGURE 9-1. DECAL INSTALLATION - ANSI SPECS

ITEM	PART NUMBER	QTY	DESCRIPTION	REV
	1001248556	Ref	DECAL INSTALLATION - REFERENCE CHART	A
	1001241814	Ref	Decal Installation	B
1	0641406	4	Bolt 1/4 x 3/4	
2	1701505	2	Decal - Fuel	
3	1701691	4	Decal - No Step	
4	See Note	NSS	Decal - Bar Code (Note: Not Available for Purchase)	
5	1704972	1	Decal - Warning Explosion/Fire	
6	1705351	1	Decal - Drive/Steer Instruction	
7	1705492	1	Decal - Tip-Over Hazard	
8	1705511	1	Decal - Oil Level	
9	3252347	1	Decal - Footswitch	
10	3311405	4	Nut 1/4	
11	3820001	2	Rivet	
12	4751400	4	Washer 1/4	
13	91403230	1	Box, Manual Storage	
14	1001122611	1	Decal - Stop	
15	1001253543	1	Decal - 500 Lbs/227 kg and 1000 Lbs/454 kg Capacity (Platform)	
16	1001253544	1	Decal - 500 Lbs/227 kg and 1000 Lbs/454 kg Capacity (Ground)	
17	1001131269	1	Decal - Patent	
18	1001160445	8	Decal - Arrow	
19	1001178165	1	Decal - Jump Start, Dual Battery	
20	1001223055	1	Decal - Yearly Inspection	
21	1001223453	1	Decal - ICES	
100	1001248541	1	Decal - Master Kit (Not Shown - Includes Items 101-107)	D
101	1701499	6	Decal - No Lift	
102	1701509	1	Decal - Manual	
104	1703811	4	Decal - Lift	
105	1703814	6	Decal - Tie Down	
106	1704277	4	Decal - Lanyard Attach	
107	1704412	1	Decal - Hydraulic Oil Chart	
200	1001248547	1	Decal - Kit (Not Shown - Includes Items 204-209)	
204	1703953	7	Decal - Warning Crushing (Rotate)	
205	1702868	2	Decal - No Hands	
206	1001231315	1	Decal - Warning/Danger	
207	1705336	1	Decal - Warning Inspection	
208	1703804	5	Decal - Warning Crushing	
209	1703805	5	Decal - Danger Electrocution	

SECTION 9 - DECALS

FIGURE 9-2. DECAL INSTALLATION - ANSI EXPORT SPECS (DUAL LANGUAGE - ENGLISH AND SPANISH)



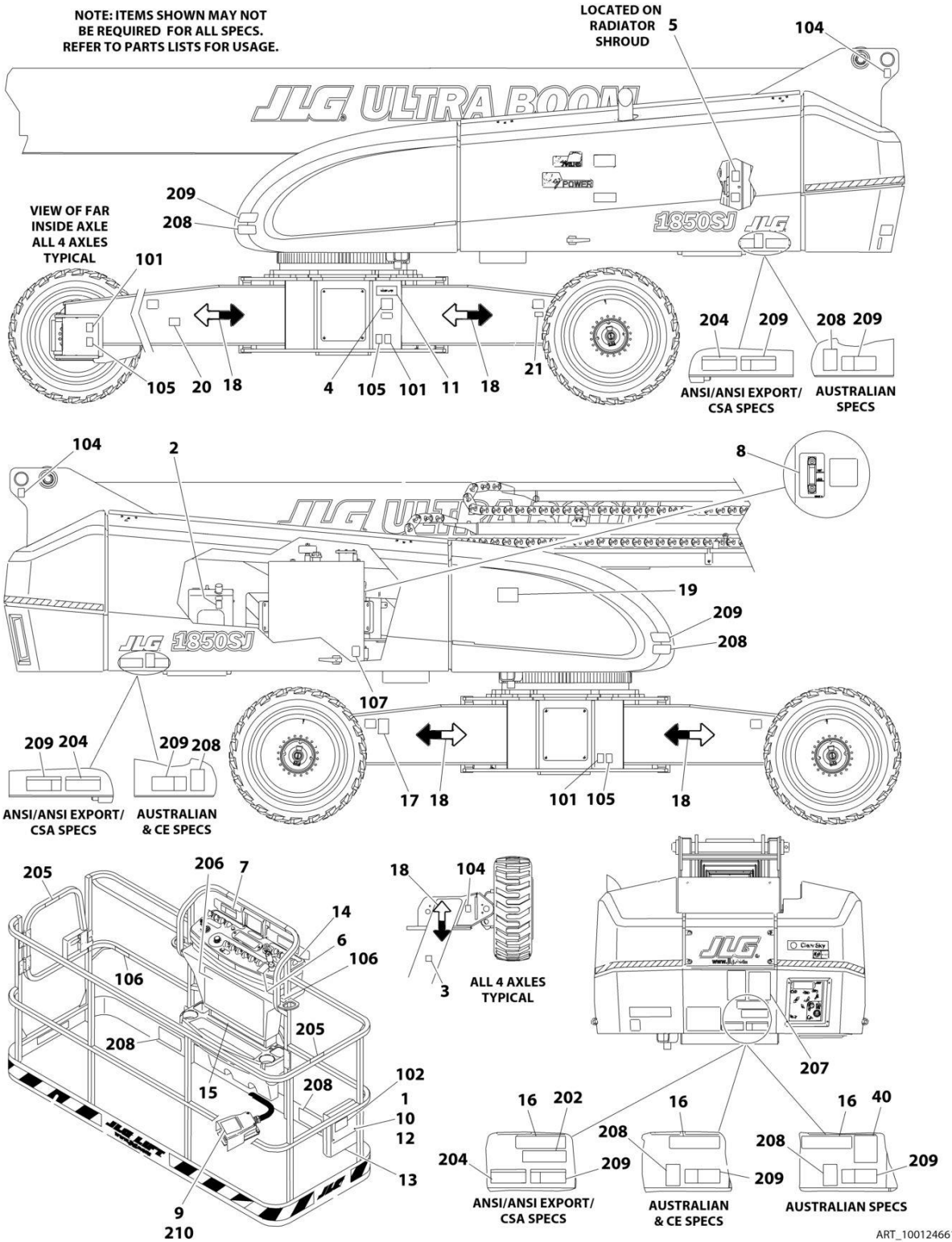
SECTION 9 - DECALS

FIGURE 9-2. DECAL INSTALLATION - ANSI EXPORT SPECS (DUAL LANGUAGE - ENGLISH AND SPANISH)

ITEM	PART NUMBER	QTY	DESCRIPTION	REV
	1001248556	Ref	DECAL INSTALLATION - REFERENCE CHART	A
	1001242831	Ref	Decal Installation	B
1	0641406	4	Bolt 1/4 x 3/4	
2	1701505	2	Decal - Fuel	
3	1701691	4	Decal - No Step	
4	See Note	NSS	Decal - Bar Code (Note: Not Available for Purchase)	
5	1706063	1	Decal - Warning Explosion/Fire	
6	1705910	1	Decal - Drive/Steer	
8	1705511	1	Decal - Oil Level	
9	3252347	1	Decal - Footswitch	
10	3311405	4	Nut 1/4	
11	3820001	2	Rivet	
12	4751400	4	Washer 1/4	
13	91403230	1	Box, Manual Storage	
14	1001122611	1	Decal - Stop	
15	1001253553	1	Decal, 500 Lbs/227 kg and 1000 Lbs/454 kg Capacity (Platform)	
16	1001253554	1	Decal, 500 Lbs/227 kg and 1000 Lbs/454 kg Capacity (Ground)	
18	1001160445	8	Decal - Arrow	
19	1001178165	1	Decal, Jump Start, Dual Battery	
20	1001224049	1	Decal - Yearly Inspection	
100	1001248541	1	Decal - Master Kit (Not Shown - Includes Items 101-107)	D
101	1701499	6	Decal - No Lift	
102	1701509	1	Decal - Manual	
104	1703811	4	Decal - Lift	
105	1703814	6	Decal - Tie Down	
106	1704277	4	Decal - Lanyard Attach	
107	1704412	1	Decal - Hydraulic Oil Chart	
200	1001248550	1	Decal - Kit (Not Shown - Includes Items 204-209)	
202	1705915	1	Decal - Warning Tip Over	
204	1703941	7	Decal - Warning Crushing	
205	1704001	2	Decal - Caution No Hands	
206	1001231318	1	Decal - Warning Platform	
207	1705917	1	Decal - Warning Inspection	
208	1703947	5	Decal - Warning Crushing	
209	1703935	5	Decal - Danger Electrocution	
210	1703983	1	Decal - Footswitch	

SECTION 9 - DECALS

FIGURE 9-3. DECAL INSTALLATION - AUSTRALIAN SPECS



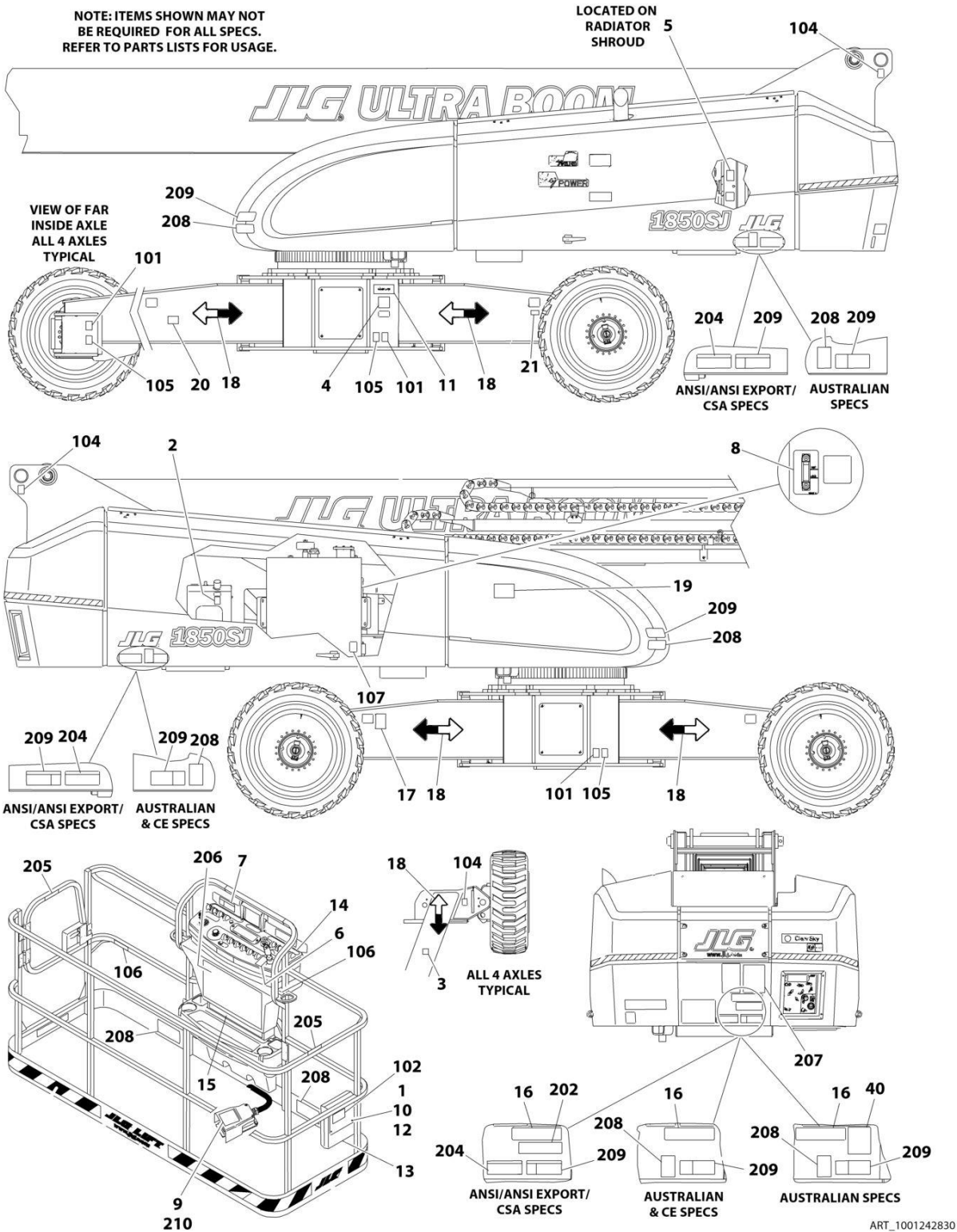
SECTION 9 - DECALS

FIGURE 9-3. DECAL INSTALLATION - AUSTRALIAN SPECS

ITEM	PART NUMBER	QTY	DESCRIPTION	REV
	1001248556	Ref	DECAL INSTALLATION - REFERENCE CHART	A
	1001246617	Ref	Decal Installation	A
1	0641406	4	Bolt 1/4 x 3/4	
2	1701505	2	Decal - Fuel	
3	1701691	4	Decal - No Step	
4	See Note	NSS	Decal - Bar Code (Note: Not Available for Purchase)	
5	1706098	1	Decal - Warning Explosion/Fire	
8	1705511	1	Decal - Oil Level	
10	3311405	4	Nut 1/4	
11	3820001	2	Rivet	
12	4751400	4	Washer 1/4	
13	91403230	1	Box, Manual Storage	
14	1001122611	1	Decal - Stop	
15	1001125177	1	Decal - 230 kg and 450 kg Capacity (Platform)	
16	1001125178	1	Decal - 230 kg and 450 kg Capacity (Ground)	
18	1001160445	8	Decal - Arrow	
19	1001178165	1	Decal - Jump Start, Dual Battery	
40	1001112551	1	Decal - Emergency Controls (Aus)	
100	1001248541	1	Decal - Master Kit (Not Shown - Includes Items 101-107)	D
101	1701499	6	Decal - No Lift	
102	1701509	1	Decal - Manual	
104	1703811	4	Decal - Lift	
105	1703814	6	Decal - Tie Down	
106	1704277	4	Decal - Lanyard Attach	
107	1704412	1	Decal - Hydraulic Oil Chart	
200	1001248546	1	Decal - Kit (Not Shown - Includes Items 206-2010)	
206	1705921	1	Decal - Tipping/Electrocution	
207	1705822	1	Decal - Safety Manual	
208	1701518	10	Decal - Crushing	
209	1705961	5	Decal - Electrocution	
210	1705828	1	Decal - Footswitch	

SECTION 9 - DECALS

FIGURE 9-4. DECAL INSTALLATION - BRAZIL SPECS (DUAL LANGUAGE - ENGLISH AND PORTUGUESE)



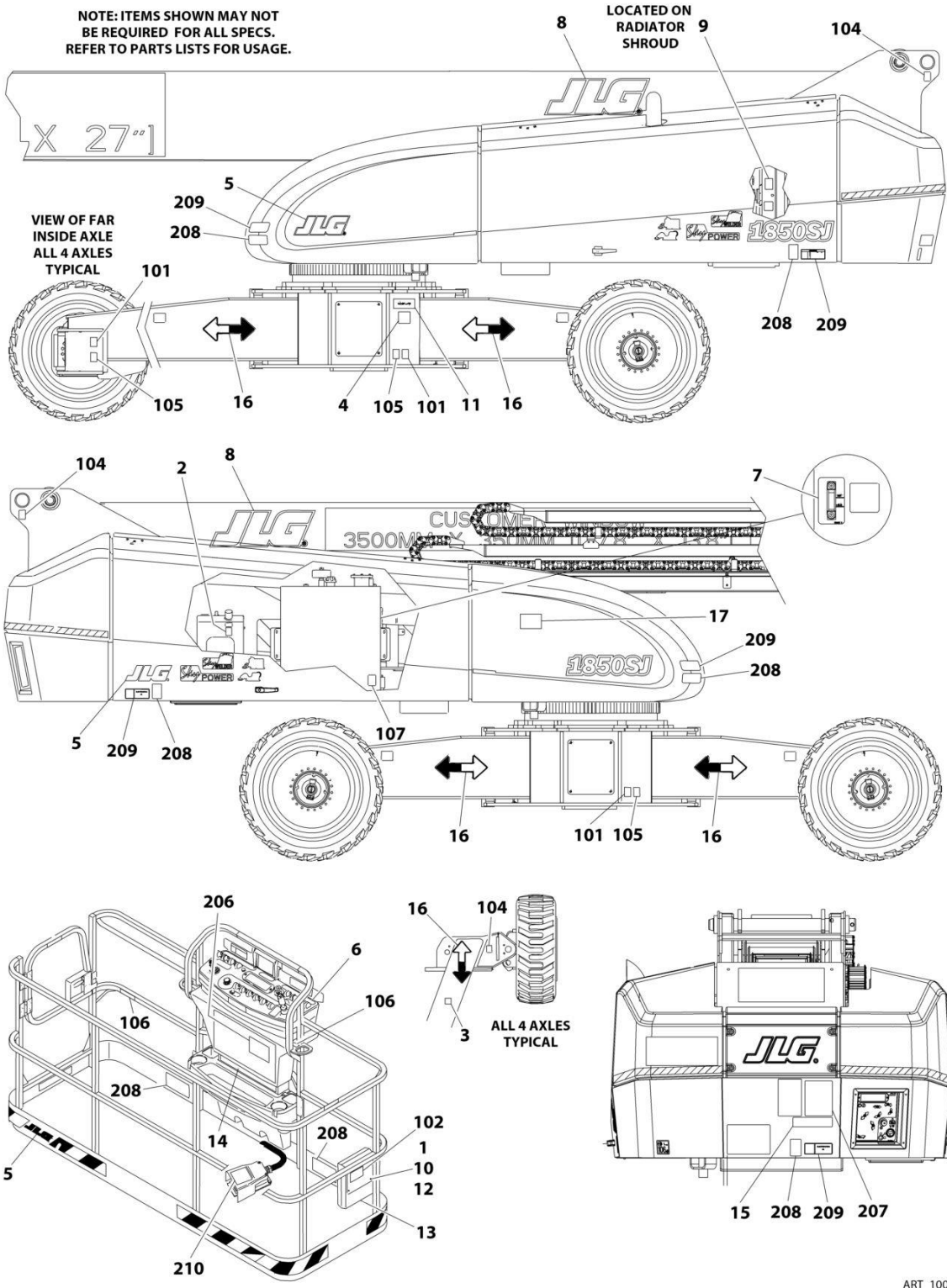
SECTION 9 - DECALS

FIGURE 9-4. DECAL INSTALLATION - BRAZIL SPECS (DUAL LANGUAGE - ENGLISH AND PORTUGUESE)

ITEM	PART NUMBER	QTY	DESCRIPTION	REV
	1001248556	Ref	DECAL INSTALLATION - REFERENCE CHART	A
	1001242830	Ref	Decal Installation	B
1	0641406	4	Bolt 1/4 x 3/4	
2	1701505	2	Decal - Fuel	
3	1701691	4	Decal - No Step	
4	See Note	NSS	Decal - Bar Code (Note: Not Available for Purchase)	
5	1706059	1	Decal, Warning Explosion/Fire	
8	1705511	1	Decal - Oil Level	
10	3311405	4	Nut 1/4	
11	3820001	2	Rivet	
12	4751400	4	Washer 1/4	
13	91403230	1	Box, Manual Storage	
14	1001122611	1	Decal - Stop	
15	1001253551	1	Decal, 500 Lbs/227 kg and 1000 Lbs/454 kg Capacity (Platform)	
16	1001253552	1	Decal, 500 Lbs/227 kg and 1000 Lbs/454 kg Capacity (Ground)	
18	1001160445	8	Decal - Arrow	
19	1001178165	1	Decal - Jump Start, Dual Battery	
20	1001224052	1	Decal - Yearly Inspection	
100	1001248541	1	Decal - Master Kit (Not Shown - Includes Items 101-107)	D
101	1701499	6	Decal - No Lift	
102	1701509	1	Decal - Manual	
104	1703811	4	Decal - Lift	
105	1703814	6	Decal - Tie Down	
106	1704277	4	Decal - Lanyard Attach	
107	1704412	1	Decal - Hydraulic Oil Chart	
200	1001248551	1	Decal - Kit (Not Shown - Includes Items 202-210)	
202	1705906	1	Decal, Tip-Over Hazard	
204	1705903	7	Decal, Warning - Crushing	
205	1705967	2	Decal, No Hands	
206	1001231319	1	Decal, Danger/Warning	
207	1705896	1	Decal, Warning - Inspection	
208	1705898	5	Decal, Warning/Crushing	
209	1705897	5	Decal, Danger/Electrocution	
210	1705902	1	Decal, Footswitch	

SECTION 9 - DECALS

FIGURE 9-5. DECAL INSTALLATION - CE & UK CA SPECS



ART_1001246616

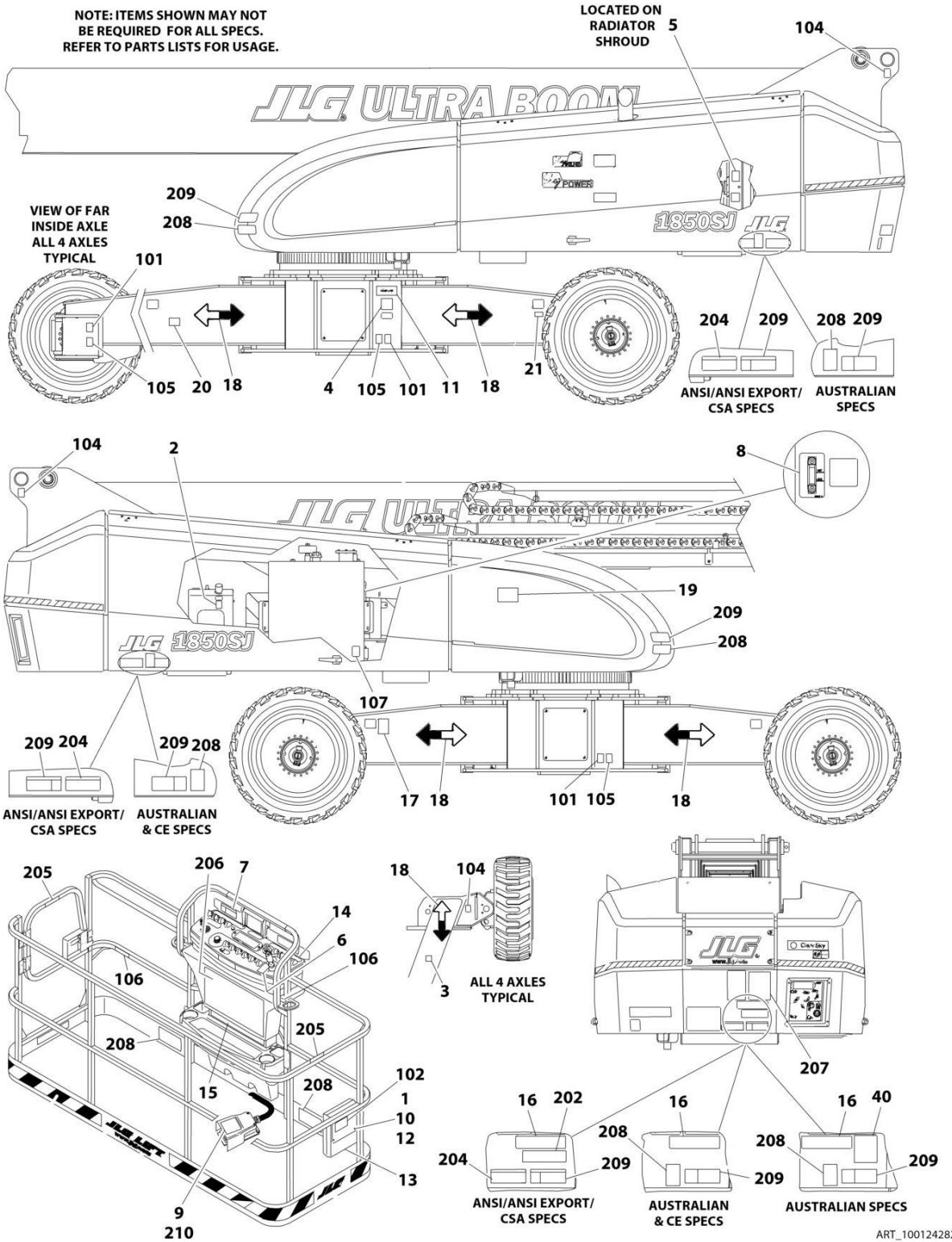
SECTION 9 - DECALS

FIGURE 9-5. DECAL INSTALLATION - CE & UK CA SPECS

ITEM	PART NUMBER	QTY	DESCRIPTION	REV
	1001248560	Ref	DECAL INSTALLATION - REFERENCE CHART	A
	1001246616	Ref	Decal Installation	A
1	0641406	4	Bolt 1/4 x 3/4	
2	1701505	2	Decal - Fuel	
3	1701691	4	Decal - No Step	
4	See Note	NSS	Decal - Bar Code (Note: Not Available for Purchase)	
5	1702773	3	Decal, JLG	
6	1705174	1	Decal - Stop	
7	1705511	1	Decal - Oil Level	
8	1705864	2	Decal - JLG	
9	1706098	1	Decal - Warning Explosion/Fire	
10	3311405	4	Nut 1/4	
11	3820001	2	Rivet	
12	4751400	4	Washer 1/4	
13	91403230	1	Box, Manual Storage	
14	1001125177	1	Decal - 230 kg and 450 kg Capacity (Platform)	
15	1001125178	1	Decal - 230 kg and 450 kg Capacity (Ground)	
16	1001160445	8	Decal - Arrow	
17	1001178165	1	Decal - Jump Start, Dual Battery	
100	1001248541	1	Decal - Master Kit (Not Shown - Includes Items 101-107)	D
101	1701499	6	Decal - No Lift	
102	1701509	1	Decal - Manual	
104	1703811	4	Decal - Lift	
105	1703814	6	Decal - Tie Down	
106	1704277	4	Decal - Lanyard Attach	
107	1704412	1	Decal - Hydraulic Oil Chart	
200	1001248546	1	Decal - Kit (Not Shown - Includes Items 206-2010)	
206	1705921	1	Decal - Tipping/Electrocution	
207	1705822	1	Decal - Safety Manual	
208	1701518	10	Decal - Crushing	
209	1705961	5	Decal - Electrocution	
210	1705828	1	Decal - Footswitch	

SECTION 9 - DECALS

FIGURE 9-6. DECAL INSTALLATION - CHINA SPECS (DUAL LANGUAGE - ENGLISH AND CHINESE)



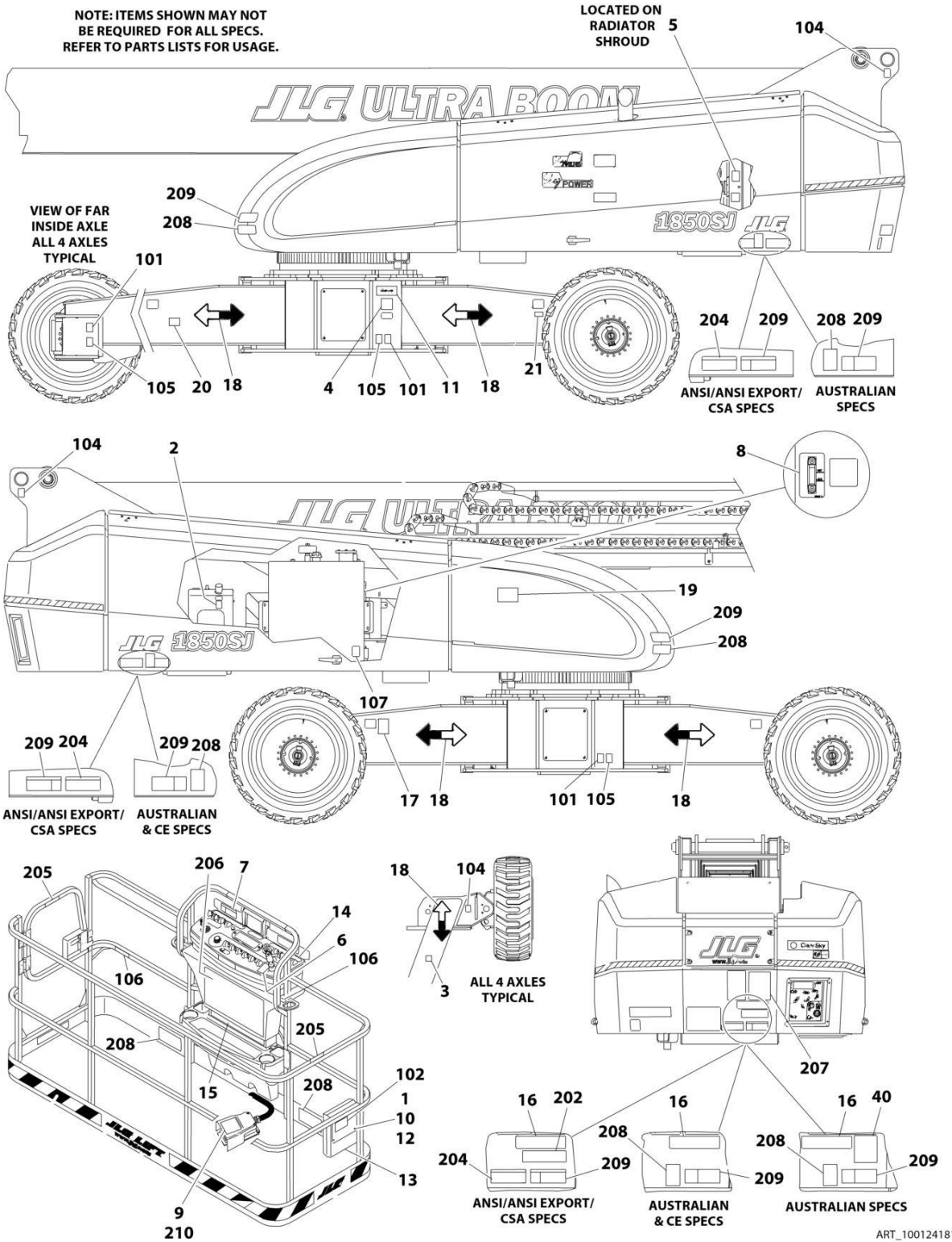
SECTION 9 - DECALS

FIGURE 9-6. DECAL INSTALLATION - CHINA SPECS (DUAL LANGUAGE - ENGLISH AND CHINESE)

ITEM	PART NUMBER	QTY	DESCRIPTION	REV
	1001248556	Ref	DECAL INSTALLATION - REFERENCE CHART	A
	1001242829	Ref	Decal Installation	B
1	0641406	4	Bolt 1/4 x 3/4	
2	1701505	2	Decal - Fuel	
3	1701691	4	Decal - No Step	
4	See Note	NSS	Decal - Bar Code (Note: Not Available for Purchase)	
5	1706060	1	Decal, Warning Explosion/Fire	
6	1705430	1	Decal, Drive/Steer Instructions	
8	1705511	1	Decal - Oil Level	
10	3311405	4	Nut 1/4	
11	3820001	2	Rivet	
12	4751400	4	Washer 1/4	
13	91403230	1	Box, Manual Storage	
14	1001122611	1	Decal - Stop	
15	1001253549	1	Decal, 500 Lbs/227 kg and 1000 Lbs/454 kg Capacity (Platform)	
16	1001253550	1	Decal, 500 Lbs/227 kg and 1000 Lbs/454 kg Capacity (Ground)	
18	1001160445	8	Decal - Arrow	
19	1001178165	1	Decal - Jump Start, Dual Battery	
20	1001224050	1	Decal - Yearly Inspection	
100	1001248541	1	Decal - Master Kit (Not Shown - Includes Items 101-107)	D
101	1701499	6	Decal - No Lift	
102	1701509	1	Decal - Manual	
104	1703811	4	Decal - Lift	
105	1703814	6	Decal - Tie Down	
106	1704277	4	Decal - Lanyard Attach	
107	1704412	1	Decal - Hydraulic Oil Chart	
200	1001248553	1	Decal - Kit (Not Shown - Includes Items 202-210)	
202	1001117035	1	Decal, Warning Tip Over	
204	1703943	7	Decal, Warning/Crushing	
205	1001116846	2	Decal, No Hands	
206	1001231321	1	Decal, Warning/Danger	
207	1001116849	2	Decal, Warning Inspection	
208	1703949	5	Decal, Crushing	
209	1001116851	5	Decal, Electrocution	
210	1703982	1	Decal, Footswitch	

SECTION 9 - DECALS

FIGURE 9-7. DECAL INSTALLATION - CSA SPECS (DUAL LANGUAGE - ENGLISH AND FRENCH)



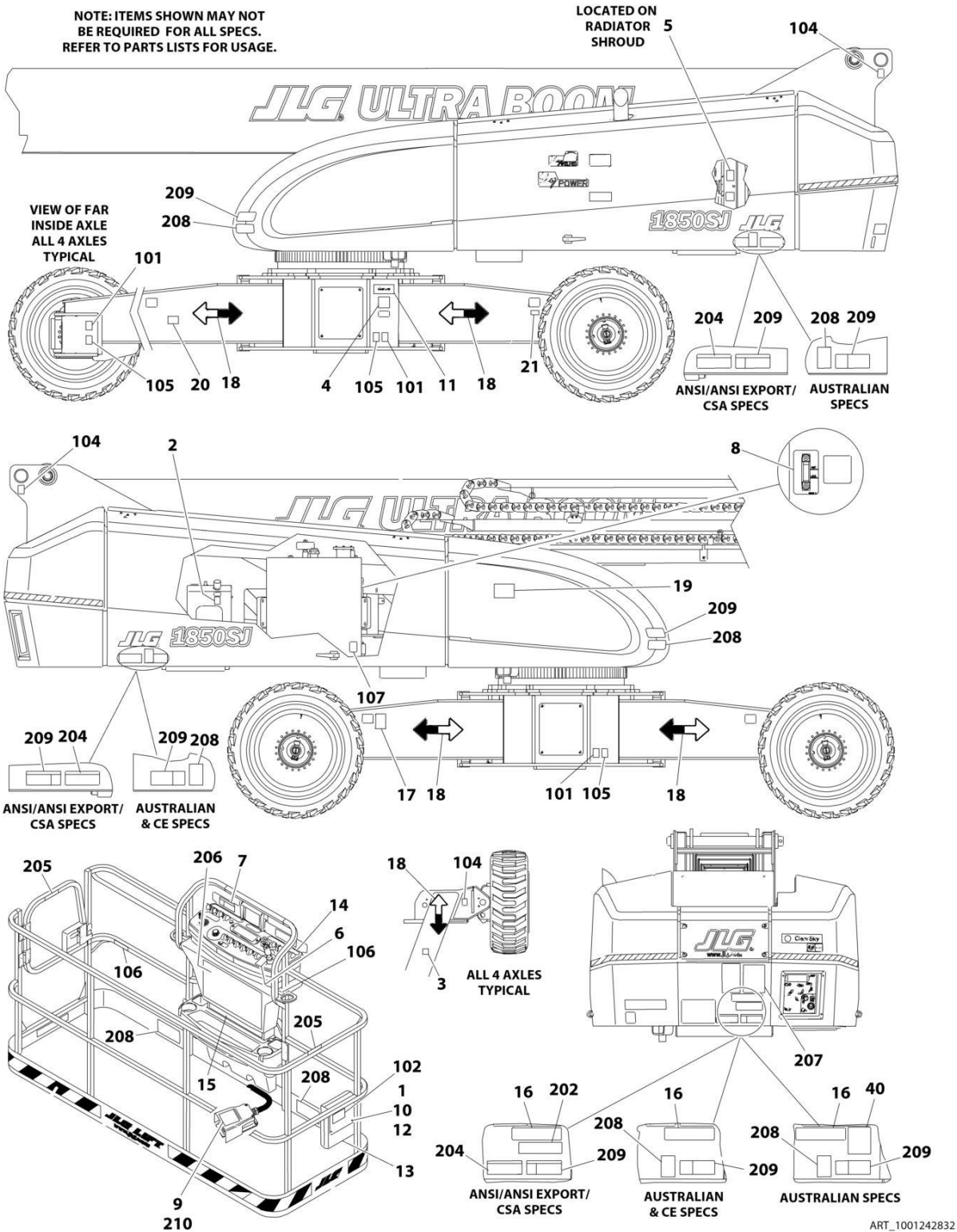
SECTION 9 - DECALS

FIGURE 9-7. DECAL INSTALLATION - CSA SPECS (DUAL LANGUAGE - ENGLISH AND FRENCH)

ITEM	PART NUMBER	QTY	DESCRIPTION	REV
	1001248556	Ref	DECAL INSTALLATION - REFERENCE CHART	A
	1001241816	Ref	Decal Installation	C
1	0641406	4	Bolt 1/4 x 3/4	
2	1701505	2	Decal - Fuel	
3	1701691	4	Decal - No Step	
4	See Note	NSS	Decal - Bar Code (Note: Not Available for Purchase)	
5	1706064	1	Decal, Warning Explosion/fire	
6	1705429	1	Decal, Drive/Steer Instruction	
8	1705511	1	Decal - Oil Level	
10	3311405	4	Nut 1/4	
11	3820001	2	Rivet	
12	4751400	4	Washer 1/4	
13	91403230	1	Box, Manual Storage	
14	1001122611	1	Decal - Stop	
15	1001253545	1	Decal, 500 Lbs/227 kg and 1000 Lbs/454 kg Capacity (Platform)	
16	1001253546	1	Decal, 500 Lbs/227 kg and 1000 Lbs/454 kg Capacity (Ground)	
17	1001131269	1	Decal - Patent	
18	1001160445	8	Decal - Arrow	
19	1001178165	1	Decal - Jump Start, Dual Battery	
20	1001223971	1	Decal - Yearly Inspection	
21	1001223453	1	Decal - ICES	
100	1001248541	1	Decal - Master Kit (Not Shown - Includes Items 101-107)	D
101	1701499	6	Decal - No Lift	
102	1701509	1	Decal - Manual	
104	1703811	4	Decal - Lift	
105	1703814	6	Decal - Tie Down	
106	1704277	4	Decal - Lanyard Attach	
107	1704412	1	Decal - Hydraulic Oil Chart	
200	1001248548	1	Decal - Kit (Not Shown - Includes Items 202-210)	
202	1705505	1	Decal, Tip-Over Hazard	
204	1703942	7	Decal, Warning/Crushing	
205	1704000	2	Decal, No Hands	
206	1001231316	1	Decal, Warning/Danger	
207	1705347	1	Decal, Warning Inspection	
208	1703948	5	Decal, Warning Crushing	
209	1703936	5	Decal, Danger Electrocution	
210	1703984	1	Decal, Footswitch	

SECTION 9 - DECALS

FIGURE 9-8. DECAL INSTALLATION - JAPANESE SPECS (DUAL LANGUAGE – ENGLISH AND JAPANESE)



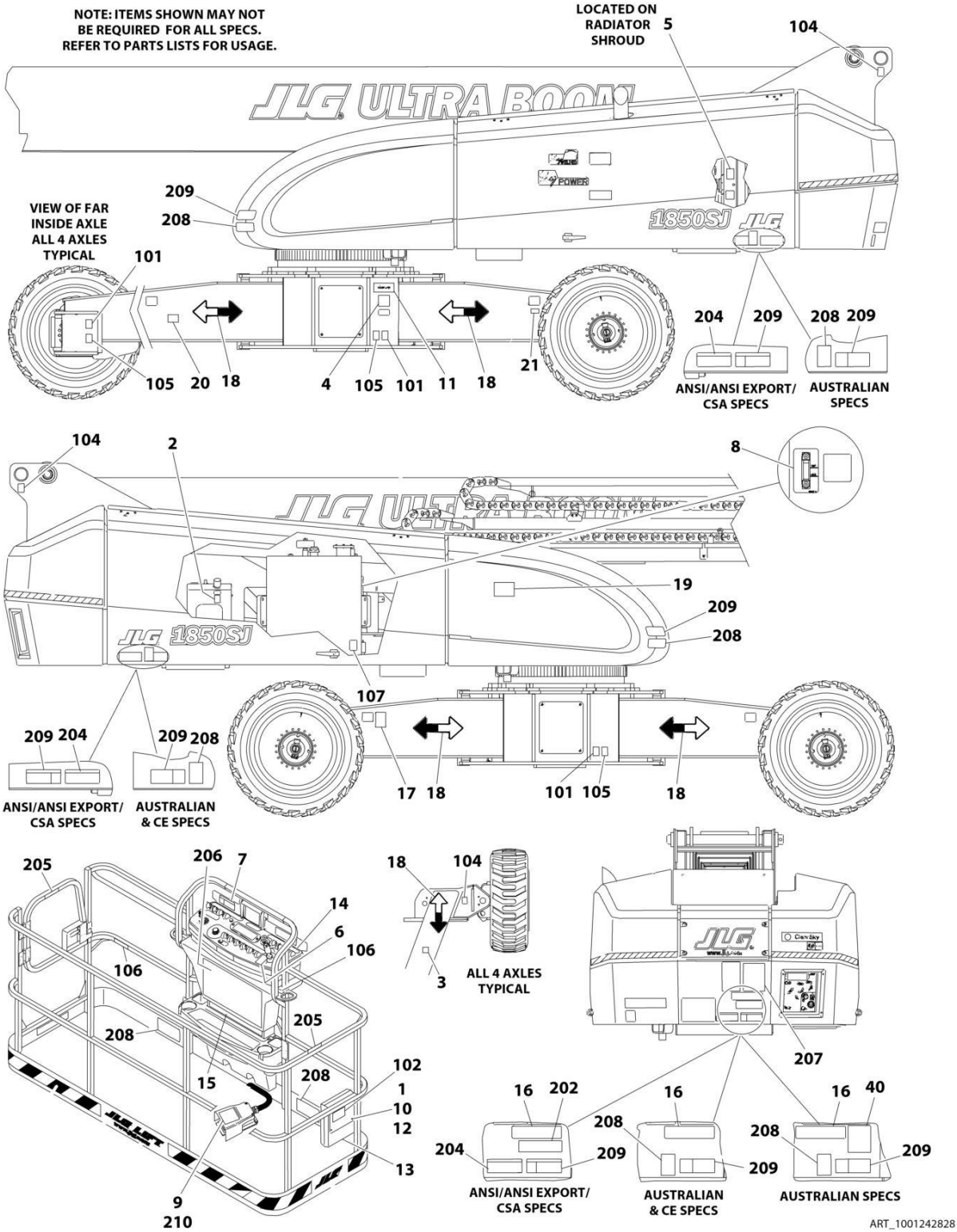
SECTION 9 - DECALS

FIGURE 9-8. DECAL INSTALLATION - JAPANESE SPECS (DUAL LANGUAGE – ENGLISH AND JAPANESE)

ITEM	PART NUMBER	QTY	DESCRIPTION	REV
	1001248556	Ref	DECAL INSTALLATION - REFERENCE CHART	A
	1001242832	Ref	Decal Installation	B
1	0641406	4	Bolt 1/4 x 3/4	
2	1701505	2	Decal - Fuel	
3	1701691	4	Decal - No Step	
4	See Note	NSS	Decal - Bar Code (Note: Not Available for Purchase)	
5	1704972	1	Decal, Warning Explosion/fire	
6	1705426	1	Decal, Drive/Steer Instructions	
8	1705511	1	Decal - Oil Level	
10	3311405	4	Nut 1/4-20	
11	3820001	2	Rivet	
12	4751400	4	Washer 1/4	
13	91403230	1	Box, Manual Storage	
14	1001122611	1	Decal - Stop	
15	1001253555	1	Decal, 500 Lbs/227 kg and 1000 Lbs/454 kg Capacity (Platform)	
16	1001253556	1	Decal, 500 Lbs/227 kg and 1000 Lbs/454 kg Capacity (Ground)	
18	1001160445	8	Decal - Arrow	
19	1001178165	1	Decal - Jump Start, Dual Battery	
20	1001224053	1	Decal - Yearly Inspection	
100	1001248541	1	Decal - Master Kit (Not Shown - Includes Items 101-107)	D
101	1701499	6	Decal - No Lift	
102	1701509	1	Decal - Manual	
104	1703811	4	Decal - Lift	
105	1703814	6	Decal - Tie Down	
106	1704277	4	Decal - Lanyard Attach	
107	1704412	1	Decal - Hydraulic Oil Chart	
200	1001248552	1	Decal - Kit (Not Shown – Includes Items 202-210)	
202	1705493	1	Decal, Warning Tip Over	
204	1703944	7	Decal, Warning/Crushing	
206	1001231320	1	Decal, Warning/Danger	
207	1705344	1	Decal, Warning Inspection	
208	1703950	5	Decal, Crushing	
209	1703938	5	Decal, Electrocution	
210	1703980	1	Decal, Footswitch	

SECTION 9 - DECALS

FIGURE 9-9. DECAL INSTALLATION - KOREAN SPECS (DUAL LANGUAGE - ENGLISH AND KOREAN)



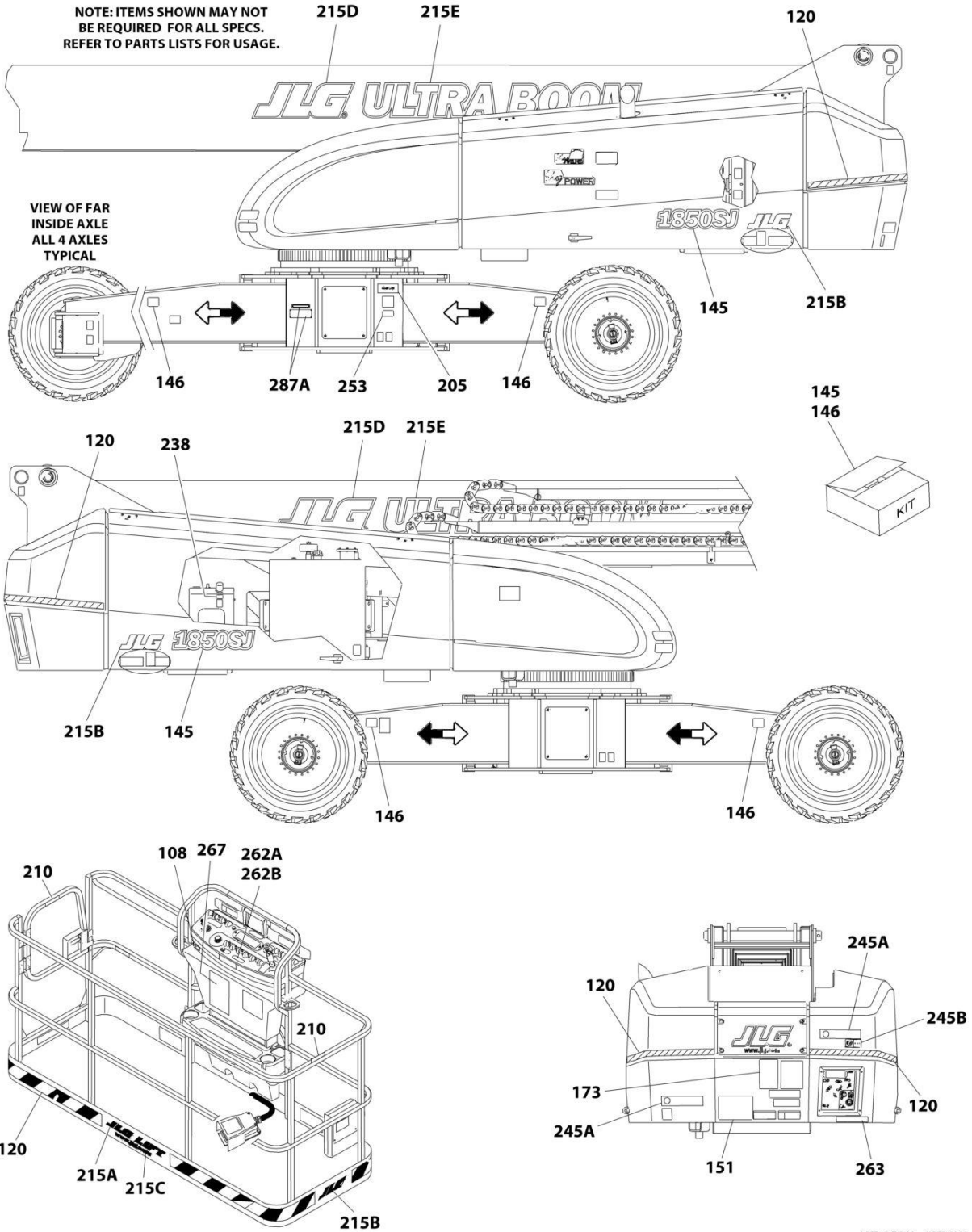
SECTION 9 - DECALS

FIGURE 9-9. DECAL INSTALLATION - KOREAN SPECS (DUAL LANGUAGE - ENGLISH AND KOREAN)

ITEM	PART NUMBER	QTY	DESCRIPTION	REV
	1001248556	Ref	DECAL INSTALLATION - REFERENCE CHART	A
	1001242828	Ref	Decal Installation	B
1	0641406	4	Bolt 1/4 x 3/4	
2	1701505	2	Decal - Fuel	
3	1701691	4	Decal - No Step	
4	See Note	NSS	Decal - Bar Code (Note: Not Available for Purchase)	
5	1706061	1	Decal, Warning Explosion/Fire	
6	1705427	1	Decal, Drive/Steer Instructions	
8	1705511	1	Decal - Oil Level	
10	3311405	4	Nut 1/4-20	
11	3820001	2	Rivet	
12	4751400	4	Washer 1/4	
13	91403230	1	Box, Manual Storage	
14	1001122611	1	Decal - Stop	
15	1001253547	1	Decal, 500 Lbs/227 kg and 1000 Lbs/454 kg Capacity (Platform)	
16	1001253548	1	Decal, 500 Lbs/227 kg and 1000 Lbs/454 kg Capacity (Ground)	
18	1001160445	8	Decal - Arrow	
19	1001178165	1	Decal - Jump Start, Dual Battery	
20	1001224048	1	Decal - Yearly Inspection	
100	1001248541	1	Decal - Master Kit (Not Shown - Includes Items 101-107)	D
101	1701499	6	Decal - No Lift	
102	1701509	1	Decal - Manual	
104	1703811	4	Decal - Lift	
105	1703814	6	Decal - Tie Down	
106	1704277	4	Decal - Lanyard Attach	
107	1704412	1	Decal - Hydraulic Oil Chart	
200	1001248549	1	Decal - Kit (Not Shown - Includes Items 202-210)	
202	1705503	1	Decal, Warning Tip Over	
204	1703945	7	Decal, Warning/Crushing	
205	1705969	2	Decal, No Hands	
206	1001231317	1	Decal, Warning/Danger	
207	1705345	1	Decal, Warning Inspection	
208	1703951	5	Decal, Crushing	
209	1703939	5	Decal, Electrocution	
210	1703981	1	Decal, Footswitch	

SECTION 9 - DECALS

FIGURE 9-10. DECALS INSTALLATION - OPTIONS



SECTION 9 - DECALS

FIGURE 9-10. DECALS INSTALLATION - OPTIONS

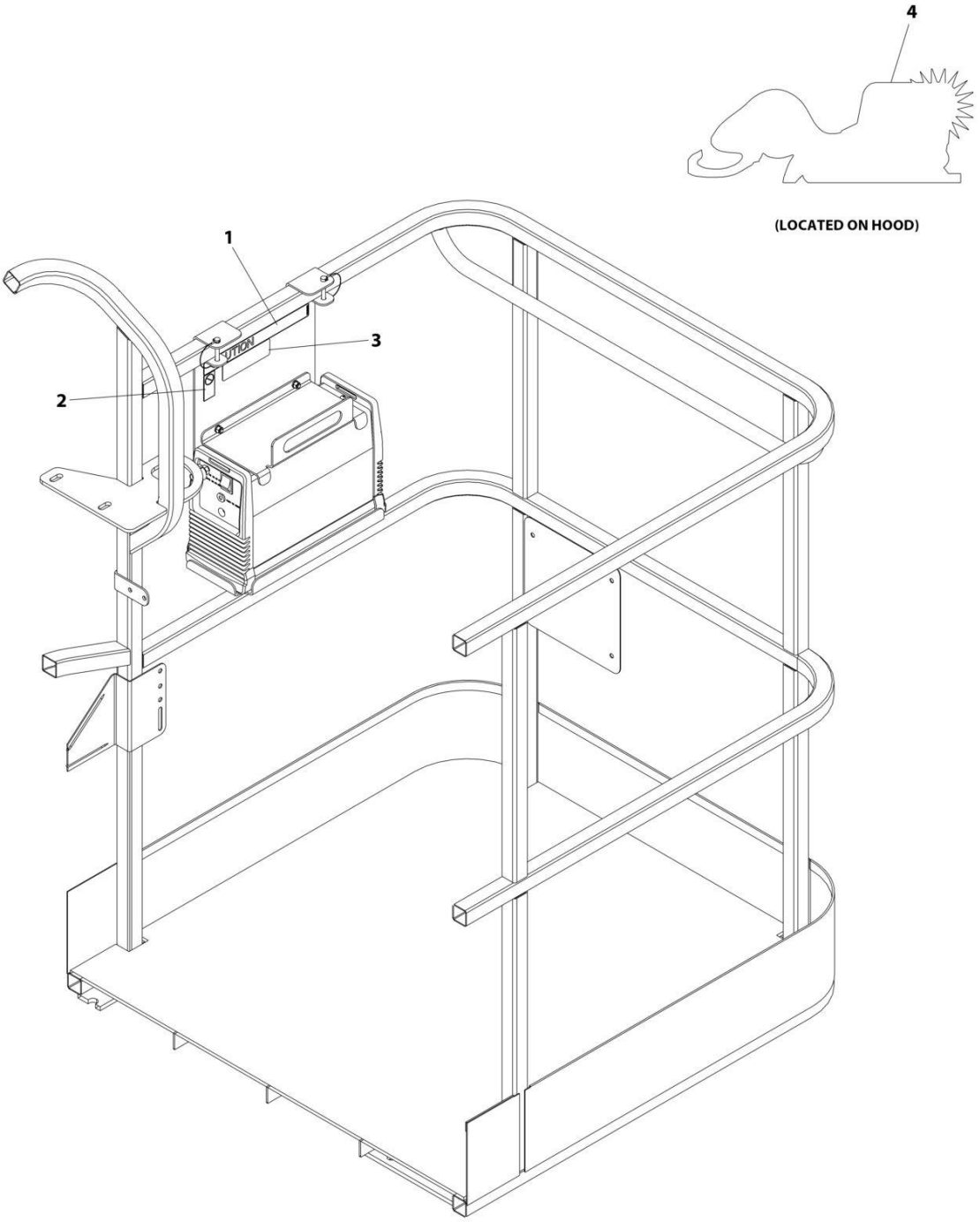
ITEM	PART NUMBER	QTY	DESCRIPTION	REV
	1001248556	Ref	DECAL INSTALLATION - REFERENCE CHART	A
	1001261850	Ref	Decal Installation - Options	
108	1001231801	1	Decal - Warning Prop 65 Diesel (ANSI Specs)	
120	4420051	20 ft /6m	Tape, Warning Stripes	
145	1001159981	Ref	Kit, Decal Model Designation	
145	1001159980	2	Decal, 1850SJ (Prior to SN 0300280594)	
145	1001267322	2	Decal, 1850SJ (SN 0300280594 to Present)	
146	1001160443	Ref	Kit, Decal Max Tire Load	
146	1001159855	4	Decal, Max Tire Load	
151	1001159983	1	Decal, Lift Diagram	
173	1001125209	1	Decal, Daily Check List (Danish Language)	
173	1001125203	1	Decal, Daily Check List (Dutch Language)	
173	1001125198	1	Decal, Daily Check List (English and Chinese Languages)	
173	1001125196	1	Decal, Daily Check List (English Language)	
173	1001125201	1	Decal, Daily Check List (English and French Languages)	
173	1001125202	1	Decal, Daily Check List (English and Japanese Languages)	
173	1001125197	1	Decal, Daily Check List (English and Korean Languages)	
173	1001125199	1	Decal, Daily Check List (English and Spanish Languages)	
173	1001125207	1	Decal, Daily Check List (Finnish Languages)	
173	1001125204	1	Decal, Daily Check List (French Languages)	
173	1001125211	1	Decal, Daily Check List (German Languages)	
173	1001125205	1	Decal, Daily Check List (Italian Languages)	
173	1001125210	1	Decal, Daily Check List (Norwegian Languages)	
173	1001125212	1	Decal, Daily Check List (Polish Language)	
173	1001125200	1	Decal, Daily Check List (Portuguese Language)	
173	1001125206	1	Decal, Daily Check List (Spanish Languages)	
173	1001125208	1	Decal, Daily Check List (Swedish Languages)	
205	See Note	NSS	Nameplate, Serial Number (Note: Not Available for Purchase)	
210	1702868	2	Decal - No Hands (English Language)	
210	1001116846	2	Decal - No Hands (English and Chinese Languages)	
210	1704000	2	Decal - No Hands (English and French Languages)	
210	1705969	2	Decal - No Hands (English and Korean Languages)	
210	1705967	2	Decal - No Hands (English and Portuguese Languages)	
210	1704001	2	Decal - No Hands (English and Spanish Languages)	
210	1001218850	1	Decal - No Hands (CE and UK CA Specs)	
215	1001116025	Ref	Kit, JLG Decal (Includes items 215A - 215E)	
215A	1702774	1	Decal, JLG Lift	
215B	1702773	3	Decal, JLG	
215C	1704885	1	Decal, WWW.JLG.COM	
215D	1705864	2	Decal, JLG	
215E	1705865	2	Decal, Ultra Boom	
238	1001125387	1	Decal, Ultra Low Sulfur Fuel (ANSI and CSA Specs)	
238	1001139654	1	Decal, Ultra Low Sulfur Fuel (ANSI Export, Australian, China, Japanese, CE & UK CA Specs)	
245A	1001160444	Ref	Decal - ClearSky	
245A	1001116208	2	Decal - ClearSky	
245A	1001120989	1	Decal - Radio Frequency	
245B	1001294768	Ref	Decal - ClearSky Smart Fleet	
245B	1001120989	1	Decal - Radio Frequency	
245B	1001294815	1	Decal - ClearSky	

SECTION 9 - DECALS

ITEM	PART NUMBER	QTY	DESCRIPTION	REV
253	1001143852	1	Decal, LRC EPA (ANSI Export, China, Australian, CE and UK CA Specs Only)	
262A	1001141300	1	Decal - SkyGuard Override	
262B	1001141302	1	Decal - SkyGuard Soft Touch Override	
263	1001197408	1	Decal - MSSO	
267	1001200065	1	Decal - Quick Reference (Dutch) (Lomax Rentals)	
267	1001200067	1	Decal - Quick Reference (Danish) (Lomax Rentals)	
267	1001177562	1	Decal - Quick Reference (English) (Lomax Rentals)	
267	1001200064	1	Decal - Quick Reference (French) (Lomax Rentals)	
267	1001200066	1	Decal - Quick Reference (German) (Lomax Rentals)	
267	1001200071	1	Decal - Quick Reference (Norwegian) (Lomax Rentals)	
267	1001200070	1	Decal - Quick Reference (Spanish) (Lomax Rentals)	
267	1001200069	1	Decal - Quick Reference (Swedish) (Lomax Rentals)	
287A	1001292241	1	Decal Installation - ECO	
287A	3820001	8	Rivet	
287A	See Note	NSS	Plate - Mein Code (Note: Not available for purchase)	
287A	See Note	NSS	Plate - Environmental Protection (Note: Not Available for purchase)	

SECTION 9 - DECALS

FIGURE 9-11. SKYCUTTER DECAL INSTALLATION



ART_0272599

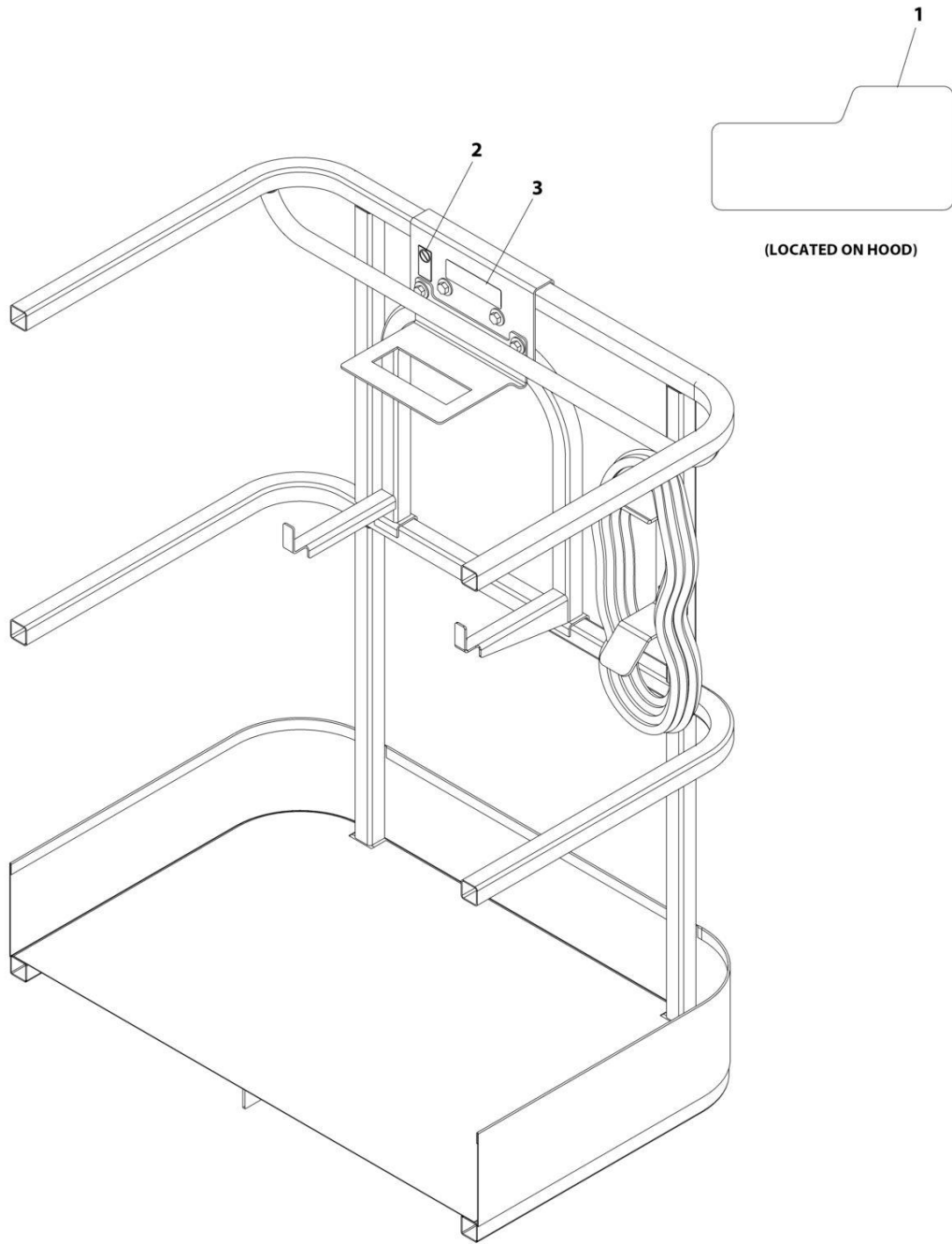
SECTION 9 - DECALS

FIGURE 9-11. SKYCUTTER DECAL INSTALLATION

ITEM	PART NUMBER	QTY	DESCRIPTION	REV
	0272599	Ref	SKYCUTTER DECAL INSTALLATION	C
1	1702868	1	Decal - No Hands	
2	1705305	1	Decal - Weld Leads	
3	1001252627	1	Decal - Weight	
4	1705490	2	Decal - SkyCutter	

SECTION 9 - DECALS

FIGURE 9-12. SKYWELDER DECAL INSTALLATION - 50HZ



ART_0272588

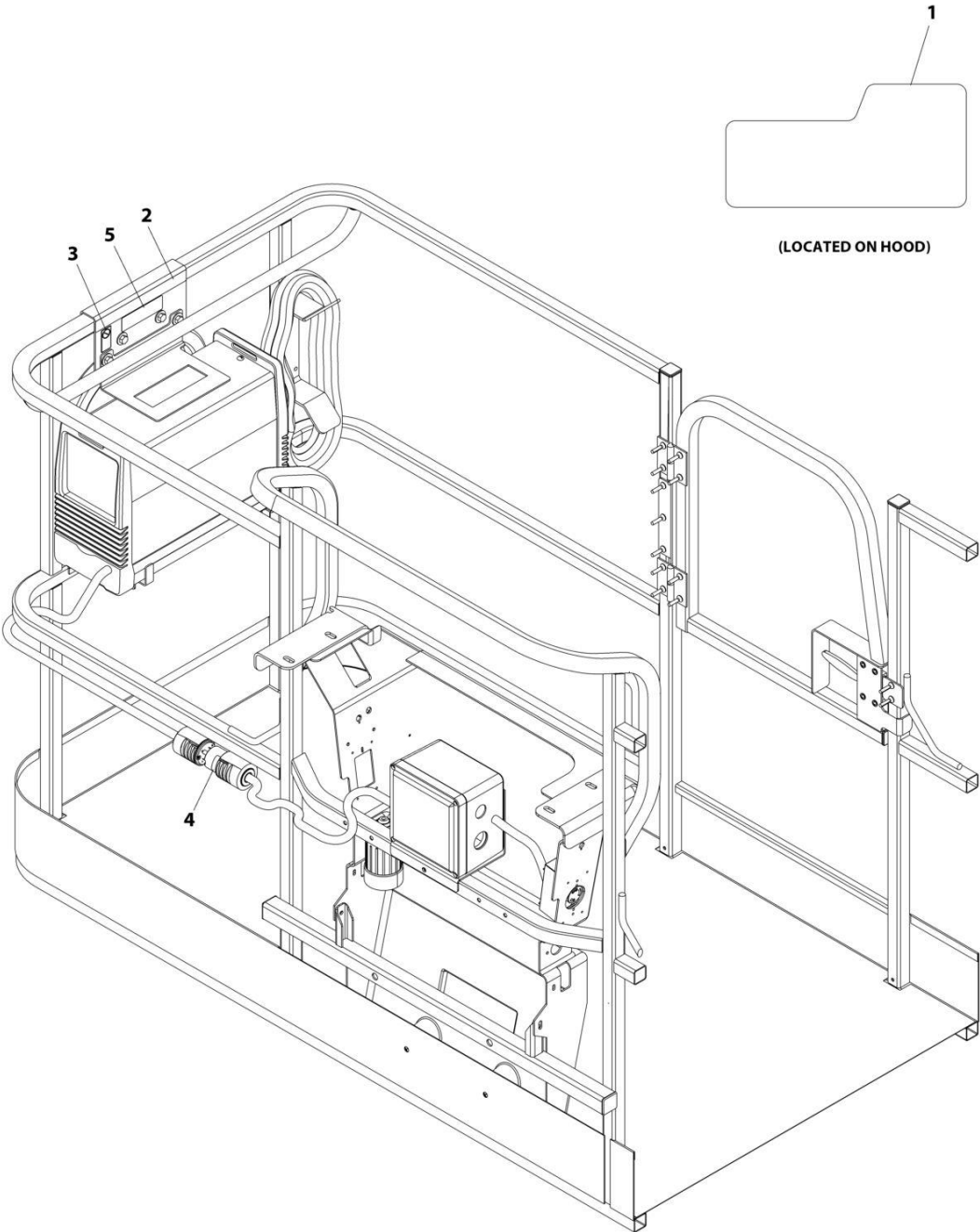
SECTION 9 - DECALS

FIGURE 9-12. SKYWELDER DECAL INSTALLATION - 50HZ

ITEM	PART NUMBER	QTY	DESCRIPTION	REV
	0272588	Ref	SKYWELDER DECAL INSTALLATION - 50Hz	B
1	1705355	2	Decal - SkyWelder	
2	1705305	1	Decal - Weld Lead	
3	1001228988	1	Decal - Weight	

SECTION 9 - DECALS

FIGURE 9-13. SKYWELDER DECAL INSTALLATION - 60HZ



ART_0272448

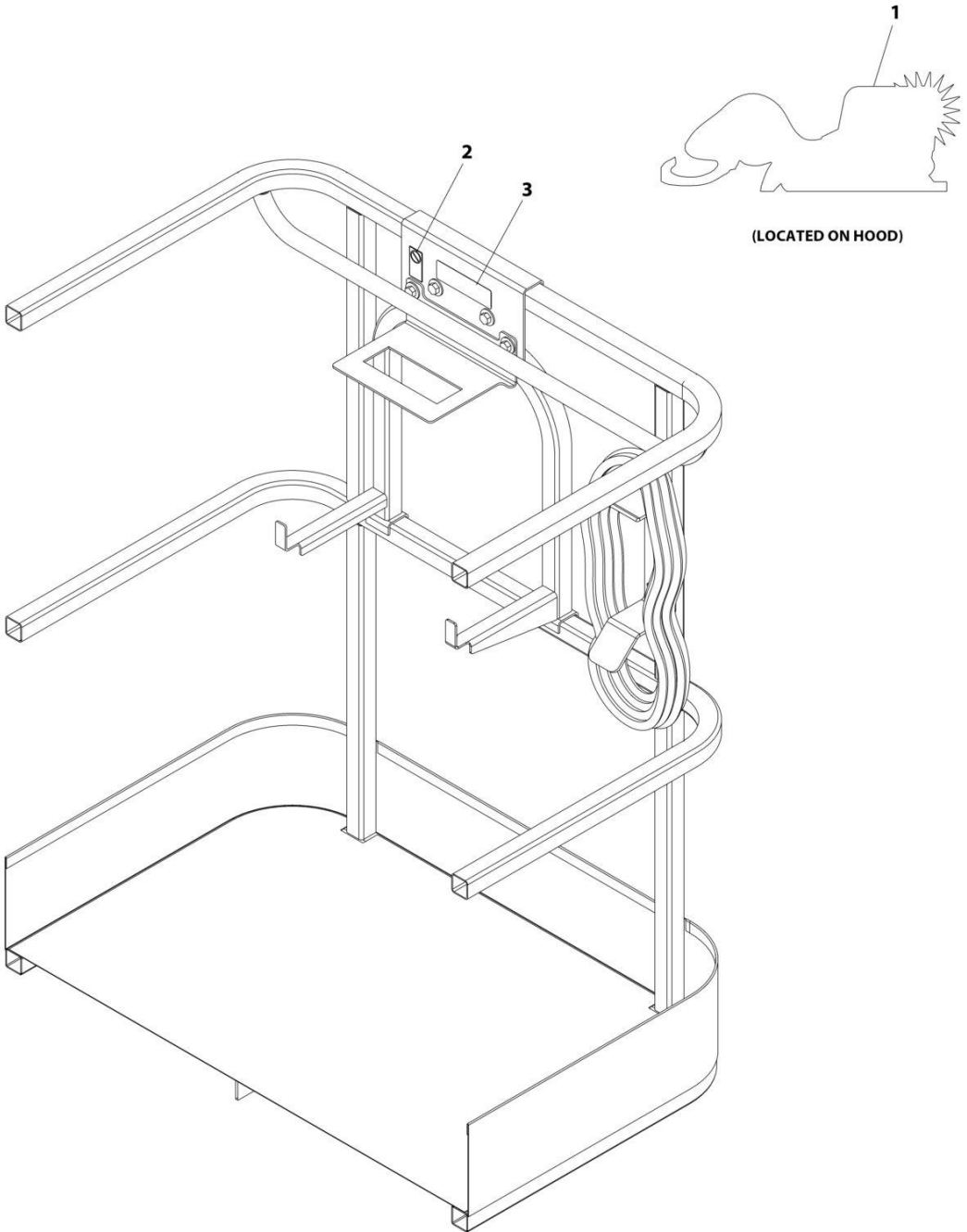
SECTION 9 - DECALS

FIGURE 9-13. SKYWELDER DECAL INSTALLATION - 60HZ

ITEM	PART NUMBER	QTY	DESCRIPTION	REV
	0272448	Ref	SKYWELDER DECAL INSTALLATION - 60Hz	B
1	1705355	2	Decal - SkyWelder	
2	1702868	1	Decal - No Hands	
3	1705305	1	Decal - Weld Lead	
4	1705375	1	Decal - 240V - 3 Phase - 60Hz	
5	1001228988	1	Decal - Weight	

SECTION 9 - DECALS

FIGURE 9-14. SKYCUTTER DECAL INSTALLATION



ART_0272588

SECTION 9 - DECALS

FIGURE 9-14. SKYCUTTER DECAL INSTALLATION

ITEM	PART NUMBER	QTY	DESCRIPTION	REV
	0272607	1	SKYCUTTER DECAL INSTALLATION	B
1	1705490	2	Decal - SkyCutter	
2	1705305	1	Decal - Weld Lead	
3	1001228988	1	Decal - Weight	

SECTION 10 - RECOMMENDED SERVICE PARTS STOCK

SECTION 10 - RECOMMENDED SERVICE PARTS STOCK

SECTION 10 - RECOMMENDED SERVICE PARTS STOCK

FIGURE 10-1. RECOMMENDED SERVICE PARTS STOCK

ITEM	PART NUMBER	QTY	DESCRIPTION	REV
		Ref	Note: The following list will service one machine (built to current production per date on the front cover) with emergency repair parts which can be installed in the field. Parts from the list should be replaced when inventory is depleted to keep service parts stock supplied. For further information, contact your JLG dealer or the JLG Industries Parts Department.	
	70001431	1	Breaker, Circuit (Plasma Cutter)	
	4360070	1	Breaker, Circuit 15Amp (7500W Generators)	
	7024485	1	Breaker, Circuit 30Amp (7500W Generators)	
	1001181045	1	Breaker, Double 30mAmp/16Amp (4000W Generator and AC Box at Platform (CE & UK CA Specs))	
	70003788	1	Coil (Boom Installation)	
	70022147	1	Coil (Jib Valve)	
	7024883	1	Coil (Jib Valve)	
	7024885	1	Coil (Jib Valve & Platform Valve)	
	70004588	1	Coil (Main Control Valve)	
	70004595	1	Coil (Main Control Valve)	
	70004599	1	Coil (Main Control Valve)	
	70003026	1	Coil (Platform Valve)	
	70004460	1	Coil (Steer/Axle Extend Valve & Main Control Valve)	
	70004463	1	Coil (Steer/Axle Extend Valve & Main Control Valve)	
	70002386	1	Coil (Traction Valve)	
	70003485	1	Contact, Circuit (Coupler/Collector Ring)	
	1001138566	1	Control, Generator Box (4000w Generator)	
	0861538	1	Control, Generator Box (7500w 60Hz Generator)	
	0861572	1	Control, Generator Box (7500w 50Hz Generator)	
	1001275628	1	Controller, Drive/Steer (Note: Use p/n 1001212415)	
	1001275629	1	Controller, Lift/Swing (Note: Use p/n 1001129555)	
	70006405	12	Element, Fuel Filter (Fuel Filter Assembly)	
	70008358	12	Element, Hydraulic Filter (Donaldson) (Valves & Filters - Turntable)	
	70002231	12	Element, Hydraulic Filter (Parker) (Valves & Filters - Turntable)	
	1001161232	12	Element, Hydraulic High Pressure Filter (Engine Side) (Valves & Filters - Turntable)	
	70002097	12	Element, Hydraulic High Pressure Filter (Tank Side) (Valves & Filters - Turntable)	
	70023809	12	Element, Primary Air	
	70023872	12	Element, Secondary Air	
	8229249	2	Fuse, 3A (USB Charger)	
	8229242	2	Fuse 5A (HRC Engine Harness)	
	8229244	2	Fuse, 15A (HRC Engine Harness)	
	70023592	2	Fuse 20A (Deutz LRC Engine)	
	8229247	2	Fuse, 25A (HRC Engine Harness)	
	70023593	2	Fuse 30A (Deutz LRC Engine)	
	8229245	2	Fuse, 30A (HRC Engine Harness)	
	1001174871	2	Fuse, Power Module (Turntable Electrical Installation)	
	2860030	1	Key, Replacement	
	2940074	1	Latch (Platforms with Gate)	
	1001247468	1	Loadcell (Platform Support)	
	1001277132	1	Module, Control (Electrical Components - Frame)	
	1001227960	1	Module, Controller (Electrical Panel)	

SECTION 10 - RECOMMENDED SERVICE PARTS STOCK

ITEM	PART NUMBER	QTY	DESCRIPTION	REV
	1001281100	1	Module, Controller (Electrical Panel)	
	1001142683	1	Module, Control Beacon (Blue and Red Beacons)	
	1001277211	1	Module, Jib Control (Jib Enclosure Box)	
	1001261326	1	Module, Control (Platform Console Box)	
	3740067	1	Relay (Aux Power/Batteries & Turntable Electrical)	
	1001117308	1	Relay (Deutz Engines)	
	1001216021	1	Relay (Deutz HRC and StageV Engines)	
	1001186431	1	Relay (SkyGuard)	
	1001095704	1	Relay (Deutz HRC and StageV Engines)	
	3740086	1	Relay (SkyLine)	
	1001138228	1	Relay, Module (Deutz LRC Engine)	
	1001118971	1	Sensor, Angle (Boom Sensors & Switches)	
	1001135479	1	Sensor, Angle (Boom Sensors & Switches)	
	1001133759	1	Sensor, Angle (Coupler/Collector Ring)	
	1001157084	1	Sensor, Axle (Axle Installation)	
	1001146963	1	Sensor, BEI Angle (Boom Sensors & Switches)	
	1001150999	1	Sensor, Boom Length (Boom Sensors & Switches)	
	1001138827	1	Sensor, Coolant (All Deutz Engines)	
	1001117990	1	Sensor, Cylinder Length (Level Cylinder)	
	1001117991	1	Sensor, Cylinder Length (Lift Cylinder)	
	1001228225	1	Sensor, Emitter (SkyEye)	
	4000008	1	Sensor, Proximity (Boom Sensors & Switches)	
	1001232667	1	Sensor, Proximity (SkyLine)	
	1001311034	1	Sensor, Proximity (SkyLine)	
	1001228224	1	Sensor, Receiver (SkyEye)	
	1001237902	1	Sensor, SkySense	
	1001146963	1	Sensor, Steer	
	70004614	1	Sensor, Thermostat (Main Valve)	
	1001151895	1	Sensor, Tilt (Turntable Electrical Components)	
	1001219601	1	Sensor, Tilt Dual Axis CAN	
	1001225346	1	Switch, Disconnect (Battery Disconnect)	
	4360407	1	Switch, Flow Control (Platform Control Box)	
	1001117172	1	Switch, Foot (Footswitch Assembly)	
	4360469	1	Switch, Key	
	4360274	1	Switch, Pushbutton Gray (Ground Control)	
	4360387	1	Switch, Pushbutton Yellow (Ground Control, Platform Control Box & Soft Touch)	
	4360475	1	Switch, Emergency Stop	
	70004282	1	Switch, Reset (4000w Generator)	
	70001432	1	Switch, Rocker (Plasma Cutter)	
	1001137673	1	Switch, SkyGuard Bar	
	4360328	1	Switch, Toggle (Ground Control)	
	4360336	1	Switch, Toggle (Generator)	
	1001155045	1	Switch, Toggle (Platform Control Box)	
	1001159256	1	Switch, Toggle (Platform Control Box)	
	1001161709	1	Switch, Toggle (Platform Control Box)	
	1001161710	1	Switch, Toggle (Platform Control Box)	

SECTION 11 - SPECIAL OPTIONS

SECTION 11 - SPECIAL OPTIONS

FIGURE 11-1. SPECIAL OPTIONS/ACCESSORIES/KITS

ITEM	PART NUMBER	QTY	DESCRIPTION	REV
		Ref	Note: This list is to accommodate machines ordered with special equipment. Options may not be applicable to all models. For more specific parts information contact JLG Parts Department.	
	1001156330	Ref	Airline Installation	
	1001202401	Ref	Air Intake Shut-off Valve (Deutz HRC Engines) (ANSI and CSA Specs)	
	1001232865	Ref	Battery Isolator Replacement Kit	
	1001158180	Ref	Bellows Installations - Boom Cylinders	
	1001158014	Ref	Bellows Installations - Chassis Cylinders	
	1001206793	Ref	Belt and Fan Shield Kit - Deutz T4I Engine	
	1001206795	Ref	Belt and Fan Shield Kit - Deutz T4F Engine	
	1001208900	Ref	Boom Rest Replacement Kit	
	1001187507	Ref	Boom Wear Pad Kit (ANSI Specs)	
	1001160266	Ref	Boom Wipers Installation - Boom Only	
	1001156271	Ref	Boom Wipers Installation - Jib Only	
	1001187506	Ref	Boom Wire Rope Kit (ANSI Specs)	
	1001261338	Ref	Bolt-On Fall Arrest - 30in X 4ft (76cm x 1.22m)	
	1001261339	Ref	Bolt-On Fall Arrest - 30in X 6ft (76cm x 1.83m)	
	1001236746	Ref	Bolt-On Fall Arrest - 36in X 8ft (91cm x 2.44m)	
	1001236747	Ref	Bolt-On Fall Arrest - 36in X 6ft (91cm x 1.83m)	
	1001237883	Ref	Bolt-On Fall Arrest (6FT x 1.83M) (ANSI, ANSI Export, China, CSA, and Japanese Specs) (Fits Platform p/ns1001228376)	
	1001237882	Ref	Bolt-On Fall Arrest (8FT x 2.44M) (ANSI, ANSI Export, China, CSA, and Japanese Specs) (Fits Platform p/ns 1001186383 & 1001144023)	
	1001238463	Ref	Bolt-On Fall Arrest - 36in X 6ft (91cm x 1.83m) Tri-Entry	
	1001232149	Ref	Capping Service Kit (Used to cap Turntable Harness unused connector RL 360-85 and RL 360-86)	
		Ref	ClearSky Telematics Add-on Kits (Dealer Installed):	
	1001246142	Ref	ClearSky Telematics Add-on Kit (Australian Spec)	
	1001276923	Ref	ClearSky (Telematics) Add-on Kit (Contact JLG for Approved Countries)	
	1001243183	Ref	ClearSky Telematics Access Control Add-on Kit (ANSI, ANSI Export and CSA Specs)	
	1001243184	Ref	ClearSky Telematics Access Control Add-on Kit (CE & UK CA Specs)	
	1001242192	Ref	ClearSky Telematics Access Control Add-on Kit (ANSI, ANSI Export, CE and CSA Specs)	
	1001293224	Ref	ClearSky (Telematics) CS550 Installation	
	1001180171	Ref	Cold Weather/Cold Weather Plus Package	
	1001233047	Ref	Crankcase Breather Heater Kit - Deutz T4F Engine	
	1001216361	Ref	Cribbing Enable Installation	
		Ref	Decal Kits	
	1001248541	Ref	Decal Kit- Master (All Specs)	
	1001248547	Ref	Decal Kit - Country Spec (ANSI Spec)	
	1001248550	Ref	Decal Kit - Country Spec (ANSI Export Spec)	
	1001248546	Ref	Decal Kit- Country Spec (Australian Spec)	
	1001248551	Ref	Decal Kit- Country Spec (Brazil Spec)	
	1001248546	Ref	Decal Kit - Country Spec (CE & UK CA Spec)	
	1001248553	Ref	Decal Kit - Country Spec (Chinese Spec)	
	1001248548	Ref	Decal Kit - Country Spec (CSA Spec)	

SECTION 11 - SPECIAL OPTIONS

ITEM	PART NUMBER	QTY	DESCRIPTION	REV
	1001248552	Ref	Decal Kit - Country Spec (Japanese Spec)	
	1001248549	Ref	Decal Kit - Country Spec (Korean Spec)	
	1001270522	Ref	Decal Kit - Machine (ANSI Specs)	
	1001272092	Ref	Decal Kit - Console Box (ANSI Specs)	
	1001272204	Ref	Decal Kit - Platform (ANSI Specs)	
	1001244863	Ref	DEF Tank Replacement Kit	
	1001233763	Ref	Deutz Breather Heater Installation (ANSI, ANSI Export (HRC), CE, CSA and Japanese Specs)	
		Ref	Electrical Connector Kits	
	1001148902	Ref	Electrical Connector Kit - Amp/Tyco Electrical Connectors	
	1001148903	Ref	Electrical Connector Kit - Deutsch DT Electrical Connectors	
	1001148904	Ref	Electrical Connector Kit - Deutsch HD Electrical Connectors	
	1001148905	Ref	Electrical Connector Kit - Packard Electrical Connectors	
	1001148906	Ref	Electrical Connector Kit - Various Electrical Connectors	
	1001253618	Ref	Electrical Assembly Module Box 4/8 Kit	
	1001253619	Ref	Electrical Assembly Module Box 12 Kit	
	1001235962	Ref	Engine Coolant Strainer Kit	
	1001197775	Ref	Fan Guard Installation - Deutz HRC Engine	
	1001225639	Ref	Filter Combined Kit – Deutz T4I Engine (Hydraulic/Air and Fuel/Engine Oil)	
	1001139099	Ref	Fire Extinguisher (20lbs) Installation	
	1001305520	Ref	Fire Extinguisher (2.5lbs) Installation	
	1001274830	Ref	Floor Mat Add-on Kit (36x72 Platform) (Dealer Installed)	
	1001274829	Ref	Floor Mat Add-on Kit (36x96 Platform) (Dealer Installed)	
	1001117294	Ref	Footswitch Shield (ANSI, ANSI Export and CSA Specs)	
	1001191395	Ref	Fuel Cap Cover - Lockable (Green) (Note: p/n 1001102157 must be Purchase Separately)	
	1001202749	Ref	Fuel Cap Cover - Lockable (Black) (Note: p/n 1001102157 must be Purchase Separately)	
	1001230650	Ref	Fuel Filter/Water Separator Kit (China Specs)	
	1001287191	Ref	Hood Plug Installtion	
	1001187505	Ref	Hose Kit - Boom (Upper)	
	1001239640	Ref	Hose Kit - Jib Valve	
	1001239638	Ref	Hose Kit - Platform Valve	
	1001241422	Ref	Hostile Environment Kit	
	1001299797	Ref	Hourmeter Gauge Kit	
	1001148971	Ref	Lanyard (Bolt-On) Add-on Kit	
	1001158083	Ref	Lights Installation - Chassis Illumination Lights	
	1001202453	Ref	Lights Installation - Headlights and Taillights	
	1001303640	Ref	Lights Installation - Platform Work Lights	
	1001220137	Ref	Lights Installation - Platform Floodlights	
	1001236951	Ref	Low Temperature Cutout Installation (Russian Specs)	
	1001237930	Ref	Main Control Valve Kit	
	1001155064	Ref	Oil Cooler Installation - Deutz Engines	
	1001272166	Ref	Pipe Rack Kit	
	1001197436	Ref	Platform Console Cover Installation (Plastic)	
	1001308593	Ref	Platform Console Cover Installation (Fabric)	
	1001309057	Ref	Platform Console Cover Kit	
	1580013	Ref	Platform Corner Storage Tray	
	1001142504	Ref	Platform Entry Kit - Drop Bar (Replaces Swing Gate with Drop Bar)	
	1001142505	Ref	Platform Entry Kit - Swing Gate (Replaces Drop Bar with Swing Gate)	

SECTION 11 - SPECIAL OPTIONS

ITEM	PART NUMBER	QTY	DESCRIPTION	REV
	1001269389	Ref	Platform Mesh to Mid Rail Installation - 36in X 6ft (91.5cm x 1.83m) (ANSI, ANSI Export, Australian and China Specs)	
	1001269187	Ref	Platform Mesh to Top Rail Installation - 36in X 6ft (91.5cm x 1.83m) (ANSI, ANSI Export, CSA and China Specs)	
	1001266098	Ref	Platform Plastic Mesh to Mid Rail Installation - 36in X 6ft (91.5cm x 1.83m) (ANSI, ANSI Export, CSA and China Specs)	
	1001266056	Ref	Platform Plastic Mesh to Top Rail Installation - 36in X 6ft (91.5cm x 1.83m) (ANSI, ANSI Export, Australian and China Specs)	
	1001281457	Ref	Platform Mesh (Steel) to Top Rail Add-On Kit - 36in x 8ft (91.5cm x 2.44m) with Gate (ANSI, ANSI EXPORT, CSA, AND CHINA SPECS)	
	1001281452	Ref	Platform Mesh (Steel) to Top Rail Add-On Kit - 36in x 8ft (91.5cm x 2.44m) with Gate (ANSI, ANSI EXPORT, AUSTRALIAN, AND CHINA SPECS)	
	1001149730	Ref	Platform Mid Rail Repair Kit	
	0272725	Ref	Platform Rail Extensions Installation (8ft Platform)	
	1001209059	Ref	Platform Work Surface	
	1001190894	Ref	Service Kits	AB
	1001247073	Ref	SkyEye Retrofit Kit	
	1001241547	Ref	SkyEye Housing Repair Kit - LH	
	1001241548	Ref	SkyEye Housing Repair Kit - RH	
	1001206825	Ref	SkyGuard Installation Add-on Kit - Complete (Blue Beacon) (Dealer Installed)	
	1001210031	Ref	SkyGuard Installation Add-on Kit - Complete (Red Beacon) (Dealer Installed)	
	1001206884	Ref	SkyGuard Blue Beacon Add-on Kit (Dealer Installed)	
	1001210030	Ref	SkyGuard Red Beacon Add-on Kit (Dealer Installed)	
	1001249052	Ref	SkyGuard Retrofit Kit	
	1001250035	Ref	SkyGuard Platform Sensor Retrofit Kit	
	1001137672	Ref	SkyGuard Platform Sensor Add-on Kit (Dealer Installed)	
	1001137440	Ref	Platform Sensor Harness	
	1001186431	Ref	Relay	
	1001250595	Ref	6 Pin SkyGuard Retrofit Kit	
	1001232643	Ref	SkyLine Add-on Kit	
	1001262016	Ref	SkyLine Installation Kit	
	1001289905	Ref	SkySense (EDS) Level 1 Booms Installation (Factory Installed)	
	1001289906	Ref	SkySense (EDS) Level 2 Booms Installation (Factory Installed)	
	1001246867	Ref	SkySense (EDS) Level 1 Booms Add-on Kit (Dealer Installed)	
	1001246860	Ref	SkySense (EDS) Level 2 Booms Add-on Kit (Dealer Installed)	
	1001289831	Ref	SkySense Level 1 Booms Installation	
	1001289832	Ref	SkySense Level 2 Booms installation	
	1001275642	Ref	SkySense Padding Installation - For 36 x 72 Platforms equipped with SkySense	
	1001275650	Ref	SkySense Pre-cut Bumper Kit (use with 1001275642)	
	1001269655	Ref	SkySense Padding Installation - For 36 x 96 Platforms equipped with SkySense	
	1001276062	Ref	SkySense Pre-cut Bumper Kit (use with 1001269655)	
	1001231235	Ref	SkyWelder Locking Bracket Installation	
	1001303167	Ref	SkyWelder Extension Cord Cable	
	1001292583	Ref	Strobe Light (Amber) Kit	
	1001294064	Ref	Strobe Light (Blue) Kit	
	1001293787	Ref	Strobe Light (Red) Kit	
	1001284520	Ref	Telematics Gateway (Dealer Installed)	
		Ref	Tools for Service	

SECTION 11 - SPECIAL OPTIONS

ITEM	PART NUMBER	QTY	DESCRIPTION	REV
	2901443	Ref	Analyzer Kit	
	1001249941	Ref	Analyzer Kit (Battery Powered)	
	1001249695	Ref	Analyzer & Cable Kit	
	1001162227	Ref	Boom Cable Adjustment Tools Installation	
	1001137005	Ref	Cable Kit, Software (Not Shown)	
	7002821	Ref	Crimper, Wire	
	4460510	Ref	Pin Extractor - 12-14 Gauge (For Removal of Pin/Sockets from Deutsch Connectors)	
	4460467	Ref	Pin Extractor - 16-18 Gauge (For Removal of Pin/Sockets from Deutsch Connectors)	
	7002823	Ref	Pin Extractor - Universal (For Electrical Connectors with Pins and Sockets)	
	7016654	Ref	Screwdriver, Magnetic	
	7002822	Ref	Screwdriver, Potentiometer	
	7004275	Ref	Seal Tool 1in (For Cylinders)	
	7004276	Ref	Seal Tool 1-1/2in (For Cylinders)	
	1001162216	Ref	Socket 32mm	
	1001162217	Ref	Socket 41mm	
	1001162218	Ref	Socket 55mm	
	7002828	Ref	Stripper, Wire	
	4921850	Ref	Throttle Service Harness	
	70004185	Ref	Torque Multiplier	
	7016655	Ref	Wire Rope Sheave Gauge	
	1001193630	Ref	Turntable Bearing Kit	
	1001278007	Ref	UCM Retrofit Kit	
	1001277847	Ref	UGM2 Retrofit Kit	
	1001274249	Ref	USB Charger Add-on Kit (Dealer Installed)	
	1001262959	Ref	Voltage Regulator Clearsky Locate Kit	
	1001232037	Ref	White Noise Alarm (Factory Installed)	
	1001232038	Ref	White Noise Ambient Alarm (Factory Installed)	
	1001277398	1	White Noise Alarm Kit (Dealer Installed)	
	1001277420	1	White Noise Ambient Alarm Kit (Dealer Installed)	

PART NUMBER INDEX

SECTION 11 - SPECIAL OPTIONS

0100009.....337	0275452 447, 595	0681620 395, 397, 399	0701628.....267
0100011....17, 19, 21, 31, 37, 51, 53, 69, 75, 77, 129, 130, 131, 139, 143, 146, 151, 155, 158, 165, 169, 173, 175, 178, 184, 193, 198, 202, 211, 215, 220, 227, 251, 255, 259, 263, 267, 273, 277, 283, 285, 287, 289, 291, 295, 302, 305, 313, 317, 319, 323, 325, 327, 345, 369, 375, 377, 379, 383, 385, 387, 421	0275453 455, 597	0681814 329	0711015....139, 151, 165, 169, 193, 211
0100019....19, 21, 59, 63, 251, 255, 259, 267, 273, 302	0275454 451, 599	0681822 329	0711214....146, 158, 178, 184, 202, 220
0100020....139, 146, 151, 158, 165, 169, 178, 184, 193, 202, 211, 220, 255, 343, 347, 383, 441, 445, 449, 453, 457, 459	0363066 267	0681836001 277	0711218....148, 160, 178, 184, 202, 220
0100035....19, 85, 89, 93, 97, 101, 143, 155, 173, 175, 198, 215, 295, 337, 341	0400020 81	0682022001 273	0711222001.....283
0100040.....303	0440162... 139, 151, 165, 169, 193, 211	0682220 63	0711419.....220
0100048.....71, 251, 255, 259, 299	0440273 17	0682424 395, 397, 399	0712426.....129
0100063.....273	0630457 295	0683020001 273	0712435.....59
0100071.....17, 263	0630462 385, 387	0700408 ... 439, 441, 443, 445, 447, 449, 451, 453, 455, 457, 459	0721005.....385, 387
0100081....148, 160, 178, 184, 202, 220, 273, 295, 351, 353, 355, 357, 359, 361, 363, 365, 367	0630468 305	0700510 143, 155	0731007.....73, 75, 77
0140011.....337	0630518 ... 115, 341, 375, 377, 379	0700610 ... 75, 77, 81, 85, 89, 93, 97, 101, 178, 184, 202, 220	0741607.....251, 255, 259
0140043.....119	0630568 337	0700612 ... 119, 146, 158, 178, 184, 202, 220	0760405.....295
0200048.....385, 387	0630615001 129	0700615 123, 125	0760408....139, 151, 165, 169, 193, 211
0236768.....81	0641404 369	0700616 130, 131	0760507.....229
0259666.....113	0641405 337, 369	0700618 ... 85, 89, 93, 97, 101, 439, 443, 447, 451, 455	0760508....173, 175, 198, 215
0272254.....377	0641406... 331, 631, 633, 635, 637, 639, 641, 643, 645, 647	0700620 117	0760512.....229
0272418....351, 353, 355, 357, 359, 361, 363, 365, 367	0641408 130, 131, 371	0700810 165, 169	0760514.....229
0272427.....385	0641412001 433	0700812 165, 169	0760516....165, 169, 193
0272435.....257	0641413001 433	0700815 ... 146, 158, 178, 184, 202, 220	0760604....178, 184, 202, 220
0272448.....657	0641414 ... 337, 345, 371, 373, 385, 387	0700818 ... 139, 151, 211, 255, 259	0760606....165, 169, 193, 251, 256, 260
0272521.....375	0641416... 441, 445, 449, 453, 457, 459	0700818001 285, 287, 289, 291	0760608....165, 169, 178, 184
0272588.....655	0641418 ... 313, 317, 319, 323, 325, 327	0700819001 251	0760608001.....295
0272589.....260	0641418001 295	0700820 165, 169, 193	0760610....139, 143, 151, 155, 173, 175, 198, 211, 215, 251, 255, 259, 335
0272599.....653	0641504 35	0700823001 302	0760612....85, 89, 93, 97, 101, 117, 130, 297, 335
0272607.....659	0641507001 305	0700827 165, 169, 193	0760613....139, 151, 165, 169, 193, 211
0272725.....668	0641509 295	0700829001 305	0760614....75, 77, 85, 89, 93, 97, 101, 148, 159, 178, 184, 202, 220, 229
0272949.....355	0641510 421	0701013 ... 146, 158, 178, 184, 202, 220	0760807....165, 169, 215
0272950.....359	0641511001 429	0701015 . 73, 75, 77, 129, 146, 158, 178, 184, 202, 220	0760808001.19, 129, 295
0273353.....383	0641520001 302	0701016 ... 146, 158, 178, 184, 202, 220	0760810....146, 158, 165, 169, 178, 184, 202, 220
0273404.....367	0641605001 295	0701017 . 73, 75, 77, 146, 158, 178, 184, 202, 220, 267	0760810001....85, 89, 93, 97, 101, 129, 295
0273405.....363	0641606 ... 146, 158, 178, 184, 375, 377, 379, 383	0701018 63, 81, 251, 255, 259, 267	0760812....31, 85, 89, 93, 97, 101, 139, 146, 151, 158, 165, 169, 178, 184, 202, 220, 467
0273406.....361	0641606001 273	0701019 ... 146, 158, 178, 184, 202, 220	0760812001.....129
0273706.....387	0641607 202, 220	0701020 129	0760814.75, 77, 165, 169
0275216.....439, 591	0641607001 295, 302	0701021 267	0760815....85, 89, 93, 97, 101
0275217.....443, 593	0641608 243	0701022001 267	0760815001.....19
	0641608001 285, 287, 289, 291, 299, 305	0701024001 267	0761008....146, 158, 178, 184
	0641622001 302	0701039 267	0761009.....267
	0641626001 302	0701047 267	0761010.....295
	0641628001 303	0701220 73, 75, 77	0761011001.....267
	0641644 267	0701224 69	0761012..31, 51, 53, 129, 146, 158, 178, 184, 202, 220
	0641688 267	0701420001 17	0761012001 53, 130, 131, 267, 302
	0641808001 273	0701422001 19	
	0641812 ... 173, 175, 198, 215	0701616 263	
	0642010001 273	0701618 263	
	0642012 ... 351, 353, 355, 357, 359, 361, 363, 365, 367	0701619001 29	
	0642014001 273	0701627 ... 146, 158, 178, 184, 202, 220	
	0642212 ... 351, 353, 355, 357, 359, 361, 363, 365, 367		
	0642220 ... 140, 152, 165, 169, 193, 211		
	0681608001 274, 283		

SECTION 11 - SPECIAL OPTIONS

0761014 ... 85, 89, 93, 97, 101	0940102 ... 351, 353, 355, 357, 359, 361, 363, 365, 367	1001108616 143, 155, 173, 175, 198, 215, 234	1001117990 409, 663
0761014001 267, 283, 302	0940103 385	1001108617 51	1001117991 413, 663
0761015 ... 139, 143, 151, 155, 165, 169, 173, 175, 193, 198, 211, 215, 263, 295, 335	0940133 387	1001109048 73, 75, 77	1001117994 409
0761015001 17, 267	0961845 ... 313, 317, 319, 323, 325, 327	1001110544 140, 152	1001118066 409
0761016 296	0961950 ... 273, 277, 407, 413, 417	1001110604 432	1001118069 409
0761016001 17, 130, 267	0961951 ... 146, 158, 178, 184, 202, 220	1001110853 129	1001118274 ... 31, 85, 89, 93, 97, 101, 129, 296
0761018 243	0962006 409	1001110872 461	1001118282 532, 535, 540
0761018001 129, 267	0962051 ... 139, 151, 165, 169, 193, 211	1001110873 256, 601	1001118369 263, 273
0761020 267	0962181 273	1001111116 147, 159	1001118373 296
0761027 267	0962270 329	1001112551 635	1001118384 613
0761210 ... 143, 146, 155, 158, 173, 175, 178, 184, 198, 215	0962423 19	1001112612 469, 618, 622	1001118388 587, 613
0761212 ... 251, 255, 259	0962447 267	1001112796 469, 509, 513	1001118564 273
0761212001 269	0962520 ... 251, 255, 259	1001112927 143, 155, 173, 175, 198, 215, 241	1001118878 ... 39, 41, 43, 45, 47
0761214 21, 129	0962561 405	1001113961 519, 618, 622	1001118930 296
0761214001 302	1001091102 447, 491, 507	1001114999 ... 86, 94, 101	1001118931 296
0761215 ... 143, 155, 173, 175, 198, 215	1001095136 129	1001115603 365	1001118971 296, 663
0761216 69, 129, 198, 215	1001095704 531, 537, 541, 663	1001116025 649	1001119020 469, 618, 622
0761216001 283	1001096612 251, 495	1001116208 649	1001119033 296
0761218001 ... 31, 39, 41, 43, 45, 47	1001096653 31, 447, 491, 601, 603, 605	1001116692 513	1001119042 273
0761222 129	1001097051 296, 609	1001116693 515	1001119105 409, 413
0761616 267	1001097150 493, 495	1001116694 513, 515, 563	1001119137 296
0762018001 21	1001097244 401	1001116695 296	1001119214 299
0762418 263	1001097587 59	1001116720 587	1001119215 299
0762418001 17	1001097588 179, 185, 198, 203	1001116725 532, 536, 540	1001119412 527, 551
0771012001 270	1001098012 347, 383, 389	1001116731 509	1001119455 433
0771014001 269	1001098122 343, 583	1001116732 527	1001119614 263
0771015001 263	1001098149 347	1001116733 532, 536, 540, 551	1001119619 607
0771016001 269	1001099366 351, 353, 355, 357, 359, 361, 363, 365, 367	1001116734 532, 536, 540	1001119620 609, 611
0771018001 270	1001099367 351, 353, 355, 357, 359, 361, 363, 365, 367	1001116748 519, 563	1001119703 305
0771415 ... 146, 158, 178, 184, 202, 220	1001100319 204	1001116774 469, 513, 515	1001119704 305
0771416 ... 139, 151, 165, 169, 193, 211	1001100341 591	1001116808 469, 513	1001119710 277
0771419 202	1001100342 593	1001116812 477, 513, 525, 527, 536, 540, 543, 553, 563, 618, 622	1001119727 147, 159
0791504001 302	1001100345 595	1001116813 489	1001119899 263
0791505001 297	1001100346 599	1001116815 513, 525, 537, 541, 544, 622	1001119955 273
0791516001 273	1001100347 597	1001116846 641, 649	1001119990 273
0791609001 273	1001101191 439, 443, 447, 451, 455, 493	1001116849 641	1001119991 273
0791622001 273	1001101197 447, 451, 455	1001116851 641	1001119998 273
0811607001 267, 277	1001101421 351	1001116952 527, 543	1001119999 263
0811608001 273, 277	1001101422 351	1001116983 547	1001120000 17, 273
0811610001 263	1001101580 140, 152, 166, 170	1001117023 527	1001120014 273
0840062 569	1001102594 581, 618, 622	1001117035 641	1001120015 273
0841812 143, 155	1001103012 617, 618, 621	1001117106 527, 617, 621	1001120028 296
0860038 ... 255, 601, 603	1001104498 617, 618, 621	1001117107 531	1001120037 273
0861538 255, 662	1001106736 117	1001117108 532	1001120038 273
0861572 259, 662	1001107854 617, 618, 621	1001117172 343, 663	1001120039 273
0861731 ... 449, 453, 457, 459, 595, 597, 599		1001117174 337, 343	1001120048 296
0861781 ... 441, 445, 591, 593		1001117244 179, 185, 203, 221	1001120055 564, 583
0861880 493, 495		1001117294 667	1001120076 296
0902888 ... 251, 255, 259		1001117308 140, 147, 152, 159, 179, 185, 203, 212, 221, 663	1001120084 296
0940049 129		1001117969 409	1001120209 274
0940092 385, 387			1001120257 274
0940094 385, 387			1001120328 ... 86, 90, 94, 98, 102, 117, 345, 369, 531, 537, 541, 564

SECTION 11 - SPECIAL OPTIONS

1001123044.....268	1001133956 528, 535, 539, 543	1001142683 123, 125, 663	1001150887.....411
1001125177.....635, 639	1001133957 528, 535, 539, 543	1001142736 123, 125, 469	1001150942.....411
1001125178.....635, 639	1001134488 147, 159, 179, 185, 203, 221	1001143390 147, 159, 179, 185, 203, 221	1001150999.....296, 663
1001125195.....337	1001135027 ... 85, 89, 93, 97, 101, 143	1001143852 650	1001151000.....296
1001125196.....649	1001135196 140, 152, 166, 170, 194, 212	1001144147 509, 621	1001151117.....268
1001125197.....649	1001135479 297, 663	1001144295 575	1001151124.....268
1001125198.....649	1001135483 296	1001144296 618, 622	1001151393.....113
1001125199.....649	1001135484 297	1001144433 345	1001151432.....147, 159
1001125200.....649	1001135497 140, 152, 166, 170, 194, 212	1001144629 315, 317, 321, 325	1001151491.....147, 160, 179, 185, 204, 222
1001125201.....649	1001135650 533, 536, 540, 544	1001145405 347, 383	1001151749.....148, 160, 179, 185, 204, 222
1001125202.....649	1001135651 544	1001146588 198, 215	1001151761.....148, 160
1001125203.....649	1001135943 147, 159, 179, 185, 203, 221	1001146896 263	1001151895.....85, 89, 93, 97, 101, 663
1001125204.....649	1001136583 268	1001146896 263	1001152112.....160, 179
1001125205.....649	1001136834 147, 159, 179, 185, 203, 221	1001146940 263	1001152266.....575
1001125206.....649	1001136975 166, 170, 194, 212	1001146963 19, 296, 663	1001152456.....252
1001125207.....649	1001137005 669	1001147479 296	1001152458.....251
1001125208.....649	1001137440 668	1001147567 179, 185, 203, 221	1001152489.....148, 160, 179, 185, 204, 222
1001125209.....649	1001137578 521	1001147616 29	1001152525.....252, 256, 260
1001125210.....649	1001137672 668	1001147617 29	1001152530.....252
1001125211.....649	1001137673 345, 663	1001147618 29	1001152532.....251, 549
1001125212.....649	1001138173 147, 159, 179, 185, 203, 221	1001147847 147, 159, 179, 185, 203, 221	1001152742.....627
1001125295.....567	1001138175 147, 159, 179, 185, 203, 221	1001147879 ... 73, 75, 77, 79	1001153433.....268
1001125387.....649	1001138228 147, 159, 221, 663	1001148059 251, 260	1001153437.....268
1001125677531, 537, 541, 564	1001138248 147, 159, 179, 185, 203, 221	1001148641 147, 159, 179, 185, 203, 221	1001153443.....268
1001126008.....489, 533, 536, 589	1001138253 203, 221	1001148675 461	1001153450.....268
1001126009.....519, 613	1001138494 317, 319, 323, 325, 327	1001148902 667	1001153452.....268
1001126011.....583	1001138514 319, 323, 327	1001148903 667	1001153453.....268
1001126245532, 536	1001138559 147, 159, 179, 185, 203, 221	1001148904 667	1001153465.....268
1001126351528, 535, 539, 543	1001138566 251, 662	1001148905 667	1001153692.....268
1001126352.....528	1001138827 147, 159, 179, 185, 203, 221, 663	1001148906 667	1001153710.....268
1001126353.....531	1001139099 667	1001148971 667	1001153760.....268
1001126356.....528	1001139240 147, 159, 179, 185, 203, 221	1001148972 263	1001153785.....268
1001126357.....528	1001139654 649	1001149160 129, 296	1001153786.....268
1001126362528, 532, 536, 540, 543	1001140429 313, 317, 319, 323, 325, 327	1001149517 147, 159, 179, 185, 203, 221	1001153797.....268
1001126363528, 536, 540, 543, 544	1001140564 147, 159, 179, 185, 203, 221	1001149709 434	1001153815.....268
1001126364536, 543, 544	1001141300 650	1001149711 29	1001153816.....268
1001126365528, 536, 540	1001141302 650	1001149730 668	1001153827.....268
1001126384.....528	1001141304 143, 155, 215	1001149746 147, 159, 179, 185, 203	1001153828.....268
1001126391528, 532, 536, 540, 543, 627	1001141995 147, 159, 179, 185, 203, 221	1001149823 59	1001153846.....268
1001126392536, 540, 543	1001142501 140, 147, 152, 159, 166, 170, 179, 185, 194, 212	1001149867 143, 146	1001153979.....59
1001126393532, 536	1001142504 667	1001149921 21, 25	1001153981.....63
1001126485532, 533, 536, 540, 544	1001142505 667	1001149970 ... 85, 89, 93, 97, 101, 523	1001153983.....63
1001126487532, 536, 540, 544		1001149971 143, 155, 527	1001153984.....63, 65
1001128128527, 532, 536, 540		1001149977 285, 287, 289, 291, 589	1001154030.....119
1001128527379		1001149978 299, 563	1001154034.....81
1001128556.....379		1001150174 255	1001154035.....81
1001129408497, 499, 501, 503		1001150498 147, 159, 221	1001154085.....263
1001129961277		1001150499 147, 159	1001154086.....268
1001131269.....631, 643		1001150504 147, 185, 203, 222	1001154087.....268
1001133714527, 533, 536, 540, 544		1001150505 147, 159	1001154088.....268
1001133715527, 533, 536, 540, 544		1001150553 147, 159, 179, 185, 204, 222	1001154091.....268
1001133759.....663		1001150725 63	1001154092.....268
			1001154093.....268
			1001154094.....268
			1001154095.....268
			1001154097.....268
			1001154099.....268
			1001154119.....61
			1001154121.....252
			1001154142.....143, 155, 215

SECTION 11 - SPECIAL OPTIONS

1001154143 143, 155, 173, 175, 198, 215	1001155540..... 148, 160, 180, 186, 204, 222	1001156520..... 129	1001157665 303
1001154144 81	1001155557..... 148, 160, 180, 186, 204, 222	1001156549..... 268	1001157670 37
1001154145 81	1001155561..... 37	1001156562..... 268	1001157723 569
1001154192 69	1001155563..... 148, 160, 180, 186, 204, 222	1001156565..... 268	1001157849 21
1001154196 69	1001155564..... 148, 160, 180, 186, 204, 222	1001156606..... 19	1001157850 21
1001154232 268	1001155565..... 148, 160, 180, 186, 204, 222	1001156613..... 268	1001157862..... 148, 160, 180, 186, 204, 222
1001154233 268	1001155566..... 148, 160, 180, 186, 204, 222	1001156644..... 148, 160, 180, 186, 204, 222	1001157872 269
1001154234 268	1001155572..... 148, 160, 180, 186, 204, 222	1001156650..... 263	1001157873 269
1001154235 268	1001155584..... 130, 131	1001156678..... 19	1001157874 269
1001154247 268	1001155591..... 129	1001156679..... 19	1001157875 269
1001154260 268	1001155728..... 148, 160, 180, 186, 204, 222	1001156692..... 528	1001157876 269
1001154262 166, 170, 194	1001155734..... 129	1001156718..... 143, 155, 173, 175, 198, 215	1001157878 269
1001154294 268	1001155743..... 519, 531, 589	1001156719..... 140, 143, 152, 155, 166, 170, 173, 175, 194, 198, 212, 215	1001157879 269
1001154304 268	1001155813..... 252	1001156778..... 19, 296	1001157880 269
1001154306 268	1001155817..... 19, 615	1001156785..... 19	1001157881 269
1001154377 63	1001155823..... 166, 170, 194, 212	1001156815..... 19	1001157882 269
1001154405 139, 148, 151, 160, 166, 170, 179, 185, 194, 204, 212, 222, 243	1001155832..... 129	1001156859..... 85, 89, 93, 97, 101, 117	1001157883 269
1001154706 140, 143	1001155835..... 296	1001156867..... 37	1001157888 269
1001154707 139	1001155836..... 19, 296	1001156893..... 285, 287, 289, 291, 573	1001157889 269
1001154751 302	1001155900..... 268	1001156894..... 289, 479	1001157890 532, 535, 539, 564
1001154759 21	1001155902..... 129	1001156896..... 289, 555	1001157891 627
1001154768 302	1001155908..... 129	1001156897..... 285, 287, 289, 291, 561	1001157906 130
1001154769 302	1001155909..... 129	1001156926..... 337	1001157907 130
1001154772 21	1001155918..... 129	1001156991..... 19	1001158007 257, 260
1001154816 302	1001155939..... 140, 152, 166, 170, 194, 212	1001156996..... 19	1001158008 252, 257, 260
1001154817 302	1001155967..... 85, 89, 93, 97, 101	1001157007..... 17	1001158014 666
1001154818 302	1001156001..... 143, 155, 525	1001157028..... 564	1001158017 17
1001154823 303	1001156016..... 405, 411	1001157031..... 121	1001158080 447, 491, 493
1001154824 302	1001156030..... 252, 256, 260, 551	1001157073..... 143, 155, 173, 175, 198, 215	1001158083 667
1001154825 302	1001156034..... 148, 160, 180, 186, 204, 222	1001157080..... 405	1001158180 666
1001154826 302	1001156035..... 148, 160, 180, 186, 204, 222	1001157084..... 17, 663	1001158207 285, 287, 289, 291, 571
1001154869 302	1001156062..... 148, 160, 180, 186, 204, 222	1001157097..... 269	1001158262 148, 160
1001154870 303	1001156083..... 436	1001157207..... 31, 35	1001158263 247
1001154871 302	1001156091..... 148, 160, 180, 186, 204, 222	1001157216..... 29	1001158289 148, 160
1001154872 302	1001156103..... 302	1001157217..... 129	1001158355 269
1001155023 148, 160, 180, 186, 204, 222	1001156104..... 302	1001157218..... 129	1001158363 252
1001155041 251, 255, 259	1001156107..... 85, 89, 93, 97, 101, 143, 155, 173, 175, 198, 215	1001157224..... 129	1001158412 51, 53
1001155044 337	1001156112..... 148, 160	1001157241..... 429, 434	1001158517 269
1001155045 337, 663	1001156216..... 289	1001157242..... 432, 434	1001158529 155, 158
1001155064 667	1001156217..... 287	1001157243..... 425, 434	1001158530 152, 155
1001155066 255	1001156218..... 605	1001157292..... 337	1001158531 151
1001155067 259	1001156219..... 601	1001157300..... 160, 180	1001158607 247
1001155133 17	1001156221..... 491	1001157301..... 160, 180	1001158746 263, 267
1001155142 302	1001156222..... 603	1001157412..... 269	1001158757 269
1001155262 296	1001156271..... 666	1001157453..... 269	1001158771 269
1001155303 256	1001156330..... 666	1001157454..... 269	1001158772 269
1001155338 251, 255, 259	1001156347..... 130, 131	1001157459..... 269	1001158774 269
1001155348 255, 259	1001156456..... 129	1001157467..... 29	1001158817 432
1001155363 17	1001156457..... 129	1001157520..... 256, 260	1001158818 432
1001155378 419		1001157521..... 256, 260	1001158819 432
1001155440 295		1001157525..... 259, 260	1001158922 85, 93, 101, 463
1001155496 148, 160, 180, 186, 204, 222		1001157528..... 257, 260	1001158923 273, 277
1001155498 148, 160, 180, 186, 204, 222		1001157592..... 255, 256	1001158925 277
1001155523 268		1001157636..... 287, 481	1001158933 277
1001155525 148, 160, 180, 186, 204, 222		1001157637..... 287, 557	1001158944 273
1001155527 133		1001157646..... 85, 89, 93, 97, 101, 569	1001158989 471
		1001157649..... 569	1001158991 277, 421

SECTION 11 - SPECIAL OPTIONS

1001158992.....277	1001161488..... 133	1001164354 ... 31, 39, 41, 43, 45, 47	1001172358.. 17, 53, 130, 131, 133, 135, 267, 283, 302
1001158993.....277	1001161609.....432	1001164726 ... 85, 89, 93, 97, 101	1001172760.....337
1001159061.....269	1001161610.....432	1001165035 139, 146, 151, 158, 166, 170, 180, 186, 194, 204, 212, 222	1001172781.....130
1001159118.....461	1001161611.....432	1001165194 627	1001173609.....333
1001159119.....461	1001161612.....432	1001165306 130	1001173662.....270
1001159120.....461	1001161613.....432	1001166393 147, 159, 180, 186, 204, 222	1001173663.....274, 302
1001159121.....461	1001161614.....432	1001166541 532	1001173666.....274
1001159162.....117, 140, 152, 166, 170, 194, 212	1001161616.....432	1001166543 532	1001173680.....274
1001159167.....269	1001161618.....432	1001166551 531	1001173763.....277
1001159168.....269	1001161619.....432	1001166555 531	1001173845.....305
1001159169.....269	1001161620.....432	1001166556 532, 627	1001173846.....51, 302
1001159170.....269	1001161621.....432	1001166701 532	1001174040.....274, 283
1001159186.....553, 584, 585	1001161622.....432	1001166704 521	1001174345.....19
1001159245.....269	1001161623.....432	1001166774 532, 627	1001174514.....130
1001159255.....303	1001161624.....432	1001166795 536	1001174516.....130
1001159256.....337, 663	1001161625.....432	1001166796 536	1001174520.....130
1001159363.....297, 625	1001161626.....425	1001167262 295	1001174596.....130
1001159621.....285, 287, 289, 291, 299	1001161627.....425	1001167497 269	1001174597.....130
1001159652.....129	1001161628.....425	1001167528 521	1001174871.... 85, 89, 93, 97, 101, 662
1001159653.....130	1001161629.....425	1001167565 283	1001175201.....75, 77
1001159687.....302	1001161630.....425	1001167567 283	1001175265.....532, 536
1001159855.....649	1001161631.....425	1001167615 531	1001175568.....180, 186, 204, 222
1001159875.....269	1001161633.....425	1001167616 532, 536, 540	1001175817.....302
1001159980.....649	1001161634.....425	1001167620 531, 535, 539	1001176002.....531, 535, 539
1001159981.....649	1001161635.....425	1001167621 531	1001176004.....531, 535, 539
1001159983.....649	1001161636.....425	1001167622 531	1001176333.....567
1001160138.....269	1001161637.....432	1001167623 531	1001176469.....109, 111
1001160266.....666	1001161638.....432	1001167624 531, 535, 539	1001176582.....333
1001160443.....649	1001161639.....433	1001167625 531	1001176636.....333
1001160444.....649	1001161640.....433	1001167629 532, 536	1001177134.....147, 159
1001160445.....631, 633, 635, 637, 639, 641, 643, 645, 647	1001161641.....433	1001167630 532, 533, 536	1001177137.....147, 159
1001160505.....130, 131	1001161642.....433	1001167631 533, 536	1001177562.....650
1001160518.....148, 160, 180, 186, 204, 222	1001161643.....433	1001167632 521, 540, 543	1001177591.....269
1001160589.....269	1001161644.....433	1001167633 533	1001177609.....295
1001160743.....269	1001161645.....433	1001167634 532, 536, 540	1001177635.....333
1001160744.....269	1001161646.....433	1001167635 532, 536, 544	1001178165.....631, 633, 635, 637, 639, 641, 643, 645, 647
1001160955.....425	1001161647.....433	1001167907 303	1001178797.....243
1001160989.....269	1001161667.....439	1001168283 305, 307	1001179154.....256
1001160990.....269	1001161668.....443	1001168284 305, 309	1001179510.....296
1001161232...51, 53, 662	1001161709 337, 663	1001168402 283	1001180153.....263
1001161242.....447	1001161710 337, 663	1001168734 143, 155, 216	1001180171.....666
1001161243.....455	1001161729.....291	1001169081 130	1001180491.....333
1001161244.....451	1001161837.....433	1001169085 121	1001180816.....303
1001161269.....429	1001161869.....433	1001169409 194	1001180825.....302
1001161270.....429	1001162212 166, 170, 194	1001169679 269	1001180947.....303
1001161271.....429	1001162216 669	1001169892 143, 155, 173, 175, 198, 216, 237	1001181045.....493, 495, 662
1001161272.....429	1001162217 669	1001170764 575	1001181063.....273, 281
1001161273.....429	1001162218 669	1001170982 148, 160, 180, 186, 204, 222	1001181625.....166, 170, 194
1001161274.....429	1001162227 669	1001172064 544	1001181899.....180, 186, 194, 198, 204, 216
1001161275.....429	1001162745 303	1001172065 544	1001182134.....303
1001161276.....429	1001162869 302	1001172356 29, 273	1001182256.....419
1001161277.....429	1001163131 351		1001182361.....535, 539, 543
1001161278.....429	1001163287 359		1001182365.....535, 539, 543
1001161279.....429	1001163288 363		1001183003.....130
1001161280.....429	1001163289 361		
1001161281.....429	1001163292 365		
1001161282.....429	1001163293 355		
1001161283.....429	1001163295 367		
1001161289.....429	1001163298 357		
1001161290.....429	1001163429 269		
1001161470.....135	1001163631 ... 85, 89, 93, 97, 101, 581		
	1001163747 575, 577		
	1001164056 81		
	1001164091 252		

SECTION 11 - SPECIAL OPTIONS

1001183022	130	1001194204.....	445	1001209432.....	467	1001223250	39, 85
1001183047	130	1001194365.....	459	1001209474.....	467	1001223251	43, 93
1001184111	433	1001195541.....	17	1001209664.....	345	1001223453	631, 643
1001184112	433	1001196517.....	296	1001210030.....	668	1001223459	544
1001184113	433	1001196553.....	129	1001210031.....	668	1001223971	643
1001184846	532	1001196634.....	511	1001210636.....	401	1001224046	166, 170, 194
1001185281	337	1001196636.....	575	1001211079.....	251	1001224048	647
1001186334	329	1001196806.....	75, 77	1001211129.....	285	1001224049	633
1001186342	139, 151, 166, 170, 194, 212	1001197017.....	385, 387	1001211130.....	285, 485	1001224050	641
1001186382	323	1001197317.....	180, 186, 204, 222	1001211131.....	285, 487	1001224052	637
1001186383	321	1001197408.....	650	1001211314.....	487	1001224053	645
1001186384	315	1001197436.....	667	1001211315.....	485	1001224066	81, 83
1001186431	345, 663, 668	1001197442.....	90, 97, 465	1001211885.....	86, 90, 94, 98, 102, 212, 547	1001225245	365
1001186432	587, 613	1001197443.....	173, 175, 198	1001212056.....	166, 170, 194	1001225246	367
1001186517	345	1001197445.....	173, 175	10012121810.....	180, 186	1001225247	359
1001187079	618, 622	1001197446.....	577	10012121817.....	148, 160, 180, 186, 204, 222	1001225248	361
1001187382	283	1001197553.....	17	10012121825.....	166, 170	1001225249	357
1001187383	283	1001197554.....	17	1001212825.....	166, 170	1001225250	355
1001187505	667	1001197555.....	17	1001212826.....	180, 186	1001225251	363
1001187506	666	1001197556.....	17	1001212826.....	180, 186	1001225266	274
1001187507	666	1001197719.....	531	1001213448.....	86, 90, 94, 98, 102	1001225279	86, 90, 94, 98, 102
1001187674	349	1001197775.....	667	1001213643.....	166, 170	1001225346	467, 663
1001187681	607	1001197969.....	263	1001214570.....	467	1001225580	345, 587
1001187744	85, 89, 93, 97, 101	1001199670.....	166, 170, 194	1001214571.....	467	1001225639	667
1001188491	73, 75, 77	1001200064.....	650	1001215375.....	333	1001226287	291, 483
1001188622	283	1001200065.....	650	1001215379.....	333	1001226288	291, 559
1001188844	283	1001200066.....	650	1001215380.....	333	1001226400	561, 573
1001188922	531	1001200067.....	650	1001215949.....	297, 489	1001226531	467
1001189001	283	1001200069.....	650	1001216021.....	166, 170, 194, 663	1001226541	509, 622
1001189002	283	1001200070.....	650	1001216318.....	531	1001226636	509
1001189008	73, 75, 77	1001200071.....	650	1001216361.....	666	1001226637	509
1001189291	180, 186	1001200491.....	283	1001216630.....	283	1001226739	497, 499, 501, 503, 509
1001190032	135	1001200494.....	283	1001216790.....	297	1001226799	497, 499, 503
1001190418	180, 186, 204, 222	1001201351.....	283	1001217007.....	263	1001226831	507, 513
1001190475	166, 170	1001202401.....	666	1001218572.....	130	1001226872	313
1001190894	668	1001202453.....	667	1001218622.....	559	1001226923	243
1001190921	531	1001202749.....	667	1001218623.....	483	1001227254	299
1001190927	133, 135	1001203653.....	263	1001218850.....	649	1001227456	501
1001190985	283	1001203656.....	329	1001219082.....	507	1001227633	349
1001191122	147, 159, 180, 186, 204, 222	1001204650.....	251	1001219110.....	31, 33	1001227634	349
1001191166	89, 97, 627	1001204725.....	283	1001219601.....	86, 90, 94, 98, 102, 663	1001227704	117
1001191215	73	1001205405.....	436	1001219995.....	31, 51, 53, 305	1001227710	129
1001191368	249	1001205406.....	436	1001219996.....	283	1001227913	243
1001191390	249	1001205407.....	436	1001220137.....	667	1001227948	243
1001191395	667	1001205958.....	447, 449, 451, 453, 455, 457	1001220379.....	527	1001227960	662
1001191464	129	1001206119.....	251, 252	1001220482.....	333, 567	1001227985	349
1001191620	194, 198, 216, 222	1001206476.....	467	1001220482.....	333, 567	1001227987	349
1001192138	147, 159, 180, 186, 204, 222	1001206532.....	338	1001220929.....	337	1001227996	609, 611
1001192401	618, 622	1001206793.....	666	1001220955.....	333	1001228064	268, 407
1001193018	439, 441, 443, 445, 447, 449, 451, 453, 455, 457, 459	1001206795.....	666	1001221445.....	107	1001228072	263, 411
1001193599	180, 186	1001206825.....	668	1001221446.....	111	1001228082	269, 419
1001193630	669	1001206884.....	668	1001222817.....	243, 245	1001228215	313
1001193980	166, 170, 194	1001207004.....	125	1001223055.....	631	1001228224	349, 663
1001194197	449	1001207969.....	305	1001223167.....	86, 90, 94, 98, 102	1001228225	349, 663
1001194198	457	1001208297.....	148, 160, 180, 186, 204, 222	1001223168.....	86, 90, 94, 98, 102	1001228243	325
1001194200	453	1001208298.....	148, 160, 180, 186, 204, 222	1001223169.....	86, 90, 94, 98, 102	1001228375	327
1001194203	441	1001208299.....	148, 160, 180, 186, 204, 222	1001223170.....	86, 90, 94, 98, 102	1001228376	317
		1001208900.....	666	1001223248.....	90, 102, 107	1001228377	319
		1001208994.....	305	1001223249.....	98, 111	1001228872	166, 170, 194
		1001209059.....	668			1001228954	497
						1001228958	497
						1001228976	333

SECTION 11 - SPECIAL OPTIONS

1001228988.....379, 655, 657, 659	1001237930..... 667	1001244732..... 373	1001253548..... 647
1001229341..... 349	1001238158..... 75, 77	1001244733..... 373	1001253549..... 641
1001229458..... 507	1001238236..... 51	1001244863..... 667	1001253550..... 641
1001229485..... 333	1001238262..... 75, 77	1001245160..... 115	1001253551..... 637
1001229922..... 333	1001238263..... 395, 397, 399	1001245176..... 115, 341	1001253552..... 637
1001230650..... 667	1001238319..... 349	1001245206..... 115	1001253553..... 633
1001230931..... 519, 563	1001238401..... 166, 170, 194	1001245916..... 337	1001253554..... 633
1001230934..... 535, 539, 543	1001238402..... 166, 170, 194	1001246142..... 666	1001253555..... 645
1001230935..... 535, 539, 543	1001238418..... 369, 613	1001246144..... 499	1001253556..... 645
1001230936..... 535, 539, 543	1001238423..... 353	1001246145..... 503	1001253618..... 667
1001231235..... 668	1001238462..... 353	1001246389..... 371	1001253619..... 667
1001231315..... 631	1001238463..... 397, 666	1001246437..... 499	1001254472..... 369
1001231316..... 643	1001238470..... 166, 170, 194	1001246438..... 503	1001254473..... 369
1001231317..... 647	1001238472..... 369	1001246616..... 639	1001255133..... 274, 283
1001231318..... 633	1001238483..... 90, 98, 521	1001246617..... 635	1001255901..... 511
1001231319..... 637	1001238495..... 345	1001246859..... 39, 41, 43, 45, 47, 618, 622	1001256823..... 204, 207
1001231320..... 645	1001238559..... 369	1001246860..... 668	1001256862..... 147, 159, 180, 186, 204, 222
1001231321..... 641	1001238732..... 115	1001246867..... 668	1001258730..... 371, 373
1001231801..... 649	1001239202..... 544	1001247073..... 668	1001259191..... 199, 202
1001231949..... 399	1001239344..... 477	1001247252..... 371	1001259194..... 194, 198
1001231950..... 395, 397	1001239345..... 477	1001247468..... 283, 662	1001259195..... 193
1001232010..... 395, 397, 399	1001239638..... 667	1001248140..... 395, 397, 399	1001259203..... 204, 222
1001232011..... 395, 397, 399	1001239640..... 667	1001248141..... 395, 397, 399	1001259204..... 194
1001232037..... 669	1001239805..... 467	1001248541..... 631, 633, 635, 637, 639, 641, 643, 645, 647, 666	1001259208..... 204, 222
1001232038..... 669	1001239874..... 467	1001248546..... 635, 639, 666	1001259278..... 204
1001232149..... 666	1001241162..... 371	1001248547..... 631, 666	1001259281..... 204, 222
1001232164..... 349	1001241422..... 667	1001248548..... 643, 666	1001260307..... 199, 204, 222
1001232165..... 349	1001241547..... 668	1001248549..... 647, 667	1001260524..... 371
1001232642..... 369	1001241548..... 668	1001248550..... 633, 666	1001260525..... 371, 373
1001232643..... 668	1001241586..... 467	1001248551..... 637, 666	1001260889..... 204, 222
1001232667..... 369, 663	1001241631..... 75, 77	1001248552..... 645, 667	1001260943..... 195
1001232865..... 666	1001241690..... 335, 337	1001248553..... 641, 666	1001261326..... 663
1001233047..... 666	1001241814..... 631	1001248556..... 631, 633, 635, 637, 641, 643, 645, 647, 649	1001261338..... 666
1001233763..... 667	1001241816..... 643	1001248560..... 639	1001261339..... 666
1001234548..... 51, 53, 55	1001241864..... 337, 583	1001249052..... 668	1001261850..... 649
1001234800..... 543	1001241865..... 86, 90, 94, 98, 102, 477	1001249206..... 589	1001262016..... 668
1001235962..... 667	1001241868..... 436	1001249244..... 564	1001262056..... 199, 539
1001236504..... 467	1001241965..... 369	1001249695..... 669	1001262322..... 501
1001236505..... 467	1001242192..... 666	1001249941..... 669	1001262326..... 501
1001236552..... 369	1001242389..... 75	1001250035..... 668	1001262959..... 669
1001236746..... 399, 666	1001242681..... 41, 89	1001250302..... 130	1001263923..... 519
1001236747..... 395, 666	1001242828..... 647	1001250304..... 130	1001265163..... 401
1001236891..... 395, 397, 399	1001242829..... 641	1001250595..... 668	1001265342..... 401
1001236895..... 395, 397, 399	1001242830..... 637	1001251046..... 273, 415	1001266006..... 86, 105
1001236951..... 667	1001242832..... 645	1001251057..... 273, 409	1001266007..... 94, 109
1001237667..... 553, 585	1001242861..... 45, 97	1001251058..... 273, 413	1001266008..... 105
1001237668..... 553, 585	1001243092..... 371	1001251065..... 19, 417	1001266009..... 109
1001237705..... 353	1001243183..... 666	1001251066..... 17, 405	1001266056..... 668
1001237862..... 609, 611	1001243184..... 666	1001251857..... 147, 159, 163	1001266098..... 668
1001237863..... 349, 609	1001243205..... 371	1001252527..... 543	1001267322..... 649
1001237864..... 349, 611	1001243414..... 130	1001252627..... 653	1001268820..... 383, 393
1001237865..... 349, 607	1001244335..... 373	1001252629..... 395, 397, 399	1001268946..... 540
1001237882..... 666	1001244336..... 371	1001253543..... 631	1001269187..... 668
1001237883..... 666	1001244453..... 123	1001253544..... 631	1001269322..... 379, 383
1001237888..... 371, 373	1001244454..... 125	1001253545..... 643	1001269389..... 668
1001237891..... 373	1001244462..... 507	1001253546..... 643	1001269573..... 379, 383
1001237898..... 371, 373	1001244671..... 373	1001253547..... 647	1001269655..... 668
1001237902..... 371, 373, 663	1001244709..... 373		1001270339..... 477
	1001244710..... 373		1001270340..... 477
			1001270522..... 667
			1001270594..... 121
			1001272092..... 667
			1001272166..... 667
			1001272204..... 667
			1001272659..... 505

SECTION 11 - SPECIAL OPTIONS

1001272681	123	1001289832.....	668	1320136....	143, 155, 173,	1703939	647
1001272997	511	1001289905.....	668	175, 198, 215		1703941	633
1001273012	505, 511	1001289906.....	668	1320146....	447, 491, 601,	1703942	643
1001274249	669	1001290053.....	170, 175	603, 605		1703943	641
1001274559	337	1001290054.....	166, 173	1320177.....	347, 383	1703944	645
1001274829	667	1001290057.....	169	1320294.....	274	1703945	647
1001274830	667	1001290058.....	165	1320295.....	302	1703947	633
1001274992	199	1001290075.....	175, 184	1320298.....	274	1703948	643
1001275151	536, 540	1001290076.....	173, 178	1320301.....	295	1703949	641
1001275153	536, 540	1001291543.....	204	1320302....	375, 377, 379,	1703950	645
1001275628	337, 662	1001291588.....	536	383		1703951	647
1001275629	337, 662	1001291589.....	173, 175,	1321293.....	297	1703953	631
1001275642	668	535		1321385.....	297	1703980	645
1001275650	668	1001292241.....	650	1321716....	139, 146, 151,	1703981	647
1001276062	668	1001292583.....	668	158, 165, 169, 178,		1703982	641
1001276610	505	1001293066.....	189, 207	184, 193, 198, 202,		1703983	633
1001276923	666	1001293224.....	666	211, 220		1703984	643
1001277132 ...	39, 41, 43,	1001293498.....	229	1380147....	139, 151, 165,	1704000	643, 649
45, 47, 662		1001293499.....	227, 229	169, 193, 211		1704001	633, 649
1001277211	663	1001293701.....	53	1560010.....	589	1704260	337
1001277398	669	1001293787.....	668	1560011.....	589	1704277 ...	631, 633, 635,
1001277420	669	1001294064.....	668	1560012.....	589	637, 639, 641, 643,	
1001277847	669	1001294768.....	649	1580012.....	331	645, 647	
1001278007	669	1001294815.....	649	1580013.....	667	1704412 ...	631, 633, 635,
1001278610	69, 71	1001297398.....	105, 107,	1600343.....	337	637, 639, 641, 643,	
1001279152	617	109, 111		1670603.....	459	645, 647	
1001281100	117, 663	1001297407.....	77	1671031.....	295	1704885	649
1001281452	668	1001299797.....	667	1671033.....	267	1704972	631, 645
1001281457	668	1001299872....	86, 90, 94,	1671040.....	19	1705014	329
1001282106	341	98, 102, 553		1671044.....	295	1705174	639
1001282406	507, 515	1001303167.....	668	1671092.....	256	1705305 ...	379, 653, 655,
1001282834	222, 225	1001303640.....	667	1671093.....	377, 383	657, 659	
1001282835	216, 220	1001305520.....	667	1701499....	631, 633, 635,	1705325	439, 441
1001282836	212, 215	1001306077.....	117	637, 639, 641, 643,		1705336	631
1001282837	211	1001306080.....	299	645, 647		1705344	645
1001283776	121, 473	1001307718.....	273, 279	1701505....	631, 633, 635,	1705345	647
1001284520	668	1001308593.....	667	637, 639, 641, 643,		1705347	643
1001284587	341	1001309057.....	667	645, 647		1705351	631
1001284588	341	1001311034.....	369, 663	1701509....	351, 353, 355,	1705355	655, 657
1001285004	216, 543	1001311998....	39, 41, 43,	357, 359, 361, 363,		1705358 ...	351, 353, 355,
1001285582 ...	86, 90, 94,	45, 47, 519		365, 367, 631, 633,		357, 359, 361, 363,	
98, 102, 621		1060341	385, 387	635, 637, 639, 641,		365, 367	
1001285583 ...	85, 90, 93,	1060343	256	643, 645, 647		1705366	295
98, 101, 575		1060903	385, 387	1701518.....	635, 639	1705367	295
1001285733	123, 125,	1060908	493, 495	1701691....	631, 633, 635,	1705374	461
475		1060918	343	637, 639, 641, 643,		1705375	257, 657
1001285878	296	1062255	507	645, 647		1705387	257
1001285891	507	10702077	256, 260	1702565.....	337	1705426	645
1001285892	507	10702082	256, 260	1702566.....	337	1705427	647
1001286018	47, 101	10836804 .	105, 107, 109,	1702773....	329, 639, 649	1705429	643
1001286280	130	111		1702774.....	649	1705430	641
1001286281	129, 130	10837489	56	1702868....	379, 631, 649,	1705460	257, 260
1001286283	131	10837580	421	653, 657		1705461	260
1001286284	129, 130	1120549	19	1702942.....	158	1705489	251, 260
1001287191	667	1120555 ...	351, 353, 355,	1703162....	148, 160, 178,	1705490	653, 659
1001288430	212	357, 359, 361, 363,		184, 202, 220		1705492	631
1001288445	229	365, 367		1703804.....	631	1705493	645
1001288446	229	1260017	61	1703805.....	631	1705503	647
1001288463	222, 227	132002275, 77, 148, 160,		1703811....	631, 633, 635,	1705505	643
1001288464	227	221		637, 639, 641, 643,		1705511 ...	631, 633, 635,
1001289138	507, 517	1320040	229	645, 647		637, 639, 641, 643,	
1001289140	517	1320041 ...	75, 77, 85, 89,	1703814....	631, 633, 635,	645, 647	
1001289199	517	93, 97, 101, 143, 155,		637, 639, 641, 643,		1705822	635, 639
1001289693	180, 186,	173, 175, 198, 215		645, 647		1705828	635, 639
189		1320043	229	1703935.....	633	1705864	639, 649
1001289786	507	1320061 ...	198, 215, 295	1703936.....	643	1705865	649
1001289831	668	1320130	295	1703938.....	645	1705896	637

SECTION 11 - SPECIAL OPTIONS

1705897.....637	2220504.....429	3020042.....267	129, 139, 143, 146,
1705898.....637	2220578.....433	3160339.....21, 23	151, 155, 158, 165,
1705902.....637	2220582.....56, 307, 309,	3251102....251, 255, 259	169, 173, 175, 178,
1705903.....637	425	3251242...445, 449, 453,	184, 193, 198, 202,
1705906.....637	2220602.....432	457, 459	211, 215, 220, 263
1705910.....633	2220603.....432	3251243....257, 601, 605	3291201....251, 255, 259
1705915.....633	2220618.....432	3252347.....631, 633	3291201001.....283
1705917.....633	2220816.....243	3252507...443, 447, 451,	3291205....69, 73, 75, 77,
1705921.....635, 639	2220861.....33	455, 603	129
1705961.....635, 639	2220865.....56, 432	3271501.....129	3291205001....31, 39, 41,
1705967.....637, 649	2220881.....33, 405, 411	3271601001.....274	43, 45, 47, 283
1705969.....647, 649	2220883.....33, 405, 407,	3271605....395, 397, 399	3291207.....198, 215
1706059.....637	409, 411, 413, 419	3271805.....329	3291407.....202, 220
1706060.....641	2220885.....33, 407, 413,	3272001....395, 397, 399	3291407001.....17, 19
1706061.....647	415, 417, 419	3272001001.....273	3291601....146, 158, 178,
1706063.....633	2220886.....405	3281601.....297	184, 202, 220
1706064.....643	2220887.....411	3290301...139, 151, 165,	3291605.....263
1706098.....635, 639	2220888.....411	169, 193, 211	3292201.....267
1706385.....329	2220906.....432	3290405...121, 123, 125,	3292205.....267
1706741.....337	2220947.....56, 432	139, 151, 165, 169,	3292405.....129
2030010....375, 377, 379	2220950.....307	193, 211, 401, 439,	3292701.....267
2080040....315, 317, 321,	2221034.....432	441, 443, 445, 447,	3293301.....267
325	2221040.....425	449, 451, 453, 455,	3300151....313, 317, 319,
2080069.....371, 373	2221050.....307	457, 459, 491, 507	323, 325, 327, 375,
2080091.....19	2221086.33, 35, 56, 307,	3290405001.....251	377, 379, 383
2110404.....432	309	3290501...165, 169, 193,	3300353.....337
2110406.....56	2221114...139, 151, 165,	215	3300396.....256, 260
2110808.....21, 429	169, 193, 211	3290505.....229, 507	3300408.....115
2110810.....33, 35, 56	2230035.....433	3290507.....143, 155	3300430.....345, 373
2110812.....429	2400060.....401	3290601....130, 131, 296	3300464001.....19
2111010.....56, 432	2400066...531, 535, 539,	3290605...39, 41, 43, 45,	3310401....143, 155, 173,
2111012...21, 33, 56, 432	617, 621	47, 75, 77, 85, 89, 93,	175, 198, 215
2111016.....33, 432	2410014.....329	97, 101, 117, 119, 130,	3311001....251, 256, 260
2111620.....432	24861170.....203, 221	165, 169, 193, 211,	3311005....251, 255, 259,
2120217.....51, 53	2540020.....123, 125	229, 295, 335, 347,	337, 375, 377, 379
2130810.....432	2560136.....337	383, 439, 443, 447,	3311401.....385, 387
2131012.....21, 432	2560187.....130, 131	451, 455, 491, 601,	3311405....220, 369, 441,
2131616.....56	2600281...315, 317, 321,	603, 605	445, 449, 453, 457,
2151010.....432	325	3290605001.....333	459, 467, 631, 633,
2151012.....432	2720015...146, 158, 178,	3290606...296, 319, 323,	635, 637, 639, 641,
2160002.....59	184, 202, 220	327	643, 645, 647
2171208.....432	2720160.....347, 383	329060731, 81, 123, 125,	3311405001.....295, 299
2171210.....432	2750532...140, 152, 165,	139, 143, 146, 151,	3311501.....385, 387
2180344.....59	169, 193, 211	155, 158, 173, 175,	3311505.....421
2180832....139, 151, 165,	2751032.....59	178, 184, 198, 202,	3311505001.....305
169, 193, 211, 347, 383	2820031....251, 255, 259	211, 215, 220, 251,	3311508001.....274
2220235.....429	2820171.....567	255, 259	3311601....85, 89, 93, 97,
2220313....139, 151, 165,	2820247.....609, 611	3290805...85, 89, 93, 97,	101, 130, 338, 369
169, 193, 211	2840016...139, 151, 165,	101, 129, 146, 158,	3311605....243, 267, 329,
2220366.....432	169, 193, 211	165, 169, 178, 184,	375, 377, 379, 383
2220371.35, 56, 307, 309	2860030.....113, 662	193, 202, 211, 220,	3311605001.....299, 302
2220372.....429	2900770....409, 419, 421	255, 259, 467	3311608001.....274
2220373....56, 307, 309,	2900792.....407, 413	329080500119, 251, 285,	3312001001.....273
432	2901443.....669	287, 289, 291, 295,	3312002.....63, 395, 397,
2220374.....432	2902065...146, 158, 178,	302, 305	399
2220375.....432	184, 202, 220, 231	3290807...85, 89, 93, 97,	3312005....351, 353, 355,
2220380.....432	2902212...351, 353, 355,	101, 139, 146, 151,	357, 359, 361, 363,
2220415...21, 33, 56, 307,	357, 359, 361, 363,	158, 165, 169, 178,	365, 367
309, 425, 432	365, 367	184, 202, 220	3312205....351, 353, 355,
2220451.....432	2902217....375, 377, 383	3291001001.....283	357, 359, 361, 363,
2220466.....425	2902443...527, 532, 536,	3291005...63, 73, 75, 77,	365, 367
2220472.....21, 425	540, 543	146, 158, 178, 184,	3322201.....69
2220473.....429	2940074...315, 317, 321,	202, 220, 295, 335	3331411....139, 151, 165,
2220478.....432	325, 662	3291005001....130, 133,	169, 193, 211
2220479.....432	2940173.....130, 131	135, 267, 283, 303	3340881.....277
2220500.....433	3020037.....198	3291007...73, 75, 77, 81,	3340925.....302
2220502.....307	3020039....17, 263, 267	85, 89, 93, 97, 101,	3340939.....274

SECTION 11 - SPECIAL OPTIONS

3340940	302	3841143 ...	139, 151, 165,	4070863.....	267	4460183	583, 585
3340941	295	169, 193, 211,	273, 283	4070864.....	267	4460205	555, 557, 601
3340942	274	3841203	267, 273	4070897.....	267, 277	4460225 ...	256, 260, 549,
3340956 ...	351, 353, 355,	3841258 17, 19,	263, 273	4070898.....	267, 277	584	
357, 359, 361,	363,	3841356	17, 263	4071021.....	302	4460226 ...	343, 385, 387,
365, 367		3900054	329	4071022.....	302	584	
3380434	335	3900232001.....	302	4071028.....	267	4460227	519, 583, 584
3421453	347, 383	3900267	252	4071029.....	267	4460234 ...	86, 90, 94, 98,
3421563	61	3900300	252	4071039.....	277	102, 295, 337, 385,	
3421565	61	3900316	51, 53	4071040.....	277	387, 497, 499, 501,	503
3422912	17	3900316001.....	302	4160197.....	267	4460247 ...	527, 532, 535,
3423161	277	3900349	337	4240018.....	251, 255, 259,	539, 543, 617, 621	
3430616	338	3900363	130, 131	425, 429, 433, 461		4460256	617, 621
3430816 ...	139, 151, 165,	3900393001.....	130	4240032....	86, 90, 94, 98,	4460259	401, 553, 584
169, 193, 211		3910408 ...	143, 155, 173,	102, 497, 499, 501,		4460260	401, 553, 584
3450404 ...	139, 151, 165,	175, 198, 215		503, 505		4460267 ...	584, 618, 622
169, 193, 211		3910606 ...	255, 461, 601,	4240033....	345, 349, 369	4460268	549
3451214	19	603		4240099.....	77, 139, 146,	4460312	617, 621
3460334 ...	351, 353, 355,	3910804	113	151, 158, 165, 169,		4460313	553
357, 359, 361,	363,	3930606	295	178, 184, 193, 198,		4460314	583
365, 367		3930816	295	211, 215, 229, 338,		4460315 ...	256, 583, 584,
3470003	338	3930820	295	375, 377, 383, 385, 387		601, 603	
3520026	337	3930824	297	4240149....	351, 353, 355,	4460346	255, 601
3520027	338	3931012	337	357, 359, 361, 363,		4460384	459
3520071 ...	351, 353, 355,	3931016	251, 255, 259	365, 367		4460418	553, 584, 585
357, 359, 361,	363,	3931408	345	4240155.....	425, 433	4460419	553, 584, 585
365, 367		3931432	220	4341158.....	295	4460425 ...	252, 256, 260,
3520072 ...	313, 315, 317,	3931508	295	4360057.....	385, 387	385, 387, 461	
319, 321, 323,	325,	3931512	71	4360070....	256, 260, 662	4460426	252, 256, 260
327, 329		3931516	421	4360274....	105, 107, 109,	4460428	337
3520173	131	3931620 ...	143, 155, 173,	111, 663		4460434	584
3520189	260	175, 198, 215		4360328....	105, 107, 109,	4460458 ...	532, 536, 543,
3520192	260	3932016	273	111, 663		589	
3520198 ...	313, 315, 317,	3932224	273	4360336....	251, 255, 259,	4460464 19,	71, 123, 296,
319, 321, 323,	325, 327	3951405	419	663		343, 401, 469, 471,	
3573400 ...	375, 377, 379,	3952020	63	4360387....	107, 109, 111,	473, 475, 489, 509,	
383		3960422 ...	255, 461, 601,	337, 663		511, 519, 521, 523,	
3573444	267	603		4360407.....	337, 663	528, 547, 553, 563,	
3573642	375, 377	3960525	73, 75, 77	4360469.....	113, 663	564, 571, 575, 578,	
3574091	385, 387	3960551	19	4360475....	105, 107, 109,	583, 587, 613, 617,	
3576799	347, 383	3980006	81	111, 663		618, 621, 622, 625, 627	
3577121 ...	375, 377, 379,	4000008	295, 663	4360476....	105, 107, 109,	4460465	71, 121, 401,
383		4010308 ...	139, 151, 165,	111		469, 471, 475, 477,	
3580306	267	169, 193, 211		4360578.....	295	509, 513, 519, 523,	
3580317	251, 255, 259	4010408	251	4420014....	351, 353, 355,	527, 528, 531, 532,	
3580318	251, 259	4010416	447, 491	357, 359, 361, 363,		535, 536, 537, 539,	
3580341	267	4010608	347, 383	365, 367		540, 543, 549, 551,	
3580342	267	4010618	319, 323, 327	4420037....	375, 377, 379,	553, 561, 563, 564,	
3740067 ...	81, 85, 89, 93,	4031205	297	383		567, 569, 571, 573,	
97, 101, 663		4031505	349	4420038.....	81	575, 577, 578, 583,	
3740086	613, 663	4031507	507	4420051.....	649	587, 589, 615, 617,	
3760170	61	4031509	121, 123, 125	4420066....	351, 353, 355,	618, 621, 622, 627	
3760351	277	4031512	19, 295	357, 359, 361, 363,		4460466	71, 349, 371,
3760383	19, 295	4031516	369	365, 367		401, 469, 473, 477,	
3790012	337	4031707	19, 295	4460016.....	584	489, 509, 513, 515,	
3790152 ...	143, 155, 173,	4031708001.....	333	4460019....	535, 540, 543,	519, 523, 527, 531,	
175, 198, 215		4031709	295	544, 617, 621		532, 535, 536, 537,	
3790155 ...	143, 155, 173,	4031710	75	4460042....	527, 532, 535,	539, 540, 543, 553,	
175, 198, 215		4031909	227	539, 543, 553, 617, 621		561, 563, 564, 567,	
3790158	21	4031910	227	4460043....	527, 543, 617,	569, 573, 575, 577,	
3820001 ...	631, 633, 635,	4031912	146, 158	621		583, 587, 589, 607,	
637, 639, 641,	643,	4032311001.....	19	4460049.....	385, 387	613, 615, 617, 618,	
645, 647, 650		4060092	603	4460051.....	601, 603	621, 622, 625, 627	
3820020 ...	315, 317, 321,	4060802	251, 255, 259	4460071.....	255, 343	4460467	669
325		4060807 ...	148, 160, 178,	4460125.....	603	4460470 ...	85, 89, 93, 97,
3820032 ...	146, 158, 178,	184, 202, 220		4460134.....	479, 481	101, 299, 337	
184, 202, 220		4060906	337	4460144.....	553		

SECTION 11 - SPECIAL OPTIONS

4460471.....85, 89, 93, 97, 101, 299, 337	563, 575, 577, 578, 589, 617, 618, 621, 627	4460968 295, 441, 445	4712000..... 351, 353, 355, 357, 359, 361, 363, 365, 367, 395, 397, 399
4460473.....561, 573	4460892 531, 537, 540	4460970 515, 553	4712200.... 140, 152, 165, 169, 193, 211, 351, 353, 355, 357, 359, 361, 363, 365, 367
4460496.... 85, 89, 93, 97, 101, 337	4460894 ... 477, 509, 527, 531, 535, 536, 539, 540, 543, 553, 583, 615, 621	4460971 347, 383	4740057..... 63
4460497.... 85, 89, 93, 97, 101, 337	4460897 ... 123, 471, 473, 475, 528, 575, 618	4460982 627	4740171.... 143, 155, 173, 175, 198, 215
4460508..... 71, 349, 563, 564, 583, 617, 622	4460899 19, 296, 519, 523, 587, 607, 613, 617, 618, 621, 622	4460984 531	4740229..... 17, 19
4460509.... 532, 561, 573, 617, 621	4460905 ... 519, 553, 575, 577, 583, 618, 622	4461006 532	4740362..... 335
4460510..... 669	4460910 17, 296, 581, 611	4461008 ... 528, 532, 536, 540, 543	4740505..... 19
4460518.... 296, 469, 513, 515, 583, 589	4460911 ... 489, 519, 589, 607	4461017 71	4740572..... 129
4460536.... 119, 296, 373, 527, 553, 583	4460912 489, 589	4461018 617, 621	4750400.... 143, 155, 173, 175, 198, 215
4460539.... 489, 513, 525, 527, 537, 540, 543, 553, 563, 575, 577, 583, 618, 622	4460913 296	4461043 527, 532	4750800..... 296
4460612..... 461	4460914 19, 295	4461054 ... 532, 536, 540, 544	4751000.. 73, 75, 77, 251, 255, 259, 337, 375, 377, 379
4460662.... 449, 453, 457, 459	4460917 17, 295, 296	4461074 527, 532	4751400..... 56, 331, 337, 373, 375, 377, 379, 383, 385, 387, 467, 631, 633, 635, 637, 639, 641, 643, 645, 647
4460670.... 477, 617, 621	4460925 583	4461076 295	4751400001..... 333
4460703.... 477, 489, 527, 532, 535, 540, 543, 617, 621	4460926 589	4461077 ... 489, 563, 607, 613	4751500..... 385, 387
4460708..... 584	4460928 469	4461095 ... 469, 531, 535, 539	4751600.... 375, 377, 379, 383
4460709..... 603	4460929 581	4461196 591	4751800.... 329, 385, 387
4460748.... 532, 536, 540, 543	4460930 ... 477, 527, 531, 535, 539, 543, 564, 569, 575, 577, 621	4461198 441, 591	4755000001..... 19
4460761.... 519, 583, 618, 622	4460931 ... 371, 473, 489, 617, 621	4461199 593	4760600..... 601, 603
4460806.... 447, 449, 455, 457	4460932 ... 296, 401, 511, 521, 547, 564, 571, 617, 621, 625	4461201 445, 593	4761400..... 331
4460807..... 549	4460933... 469, 513, 532, 535, 536, 539, 540, 563, 564, 583, 617, 618, 621, 622	4461205 595, 597	4761600..... 81
4460808..... 549	4460934 ... 531, 535, 539, 563	4461244 449, 595	4791400.... 81, 85, 89, 93, 97, 101, 139, 151, 211
4460836.... 71, 563, 564, 575, 577, 617, 621	4460935 ... 532, 535, 539, 564	4461245 457, 597	4811400.... 121, 123, 125, 139, 151, 165, 169, 193, 211, 401, 439, 441, 443, 445, 447, 449, 451, 453, 455, 457, 459
4460837..... 71	4460941 ... 489, 547, 607, 627	4461246 453, 599	4811400001..... 251
4460843..... 575, 577	4460942 ... 349, 477, 527, 531, 535, 539, 543, 563, 564, 627	4461249 599	4811600.... 143, 146, 155, 158, 165, 169, 173, 175, 178, 184, 193, 198, 202, 220, 229, 507
4460851..... 477, 519	4460943 71, 119, 125, 371, 373, 489, 519, 521, 527, 583, 607, 617, 618, 621, 622, 627	4461271 519	4811700.... 31, 39, 41, 43, 45, 47, 75, 77, 81, 85, 89, 93, 97, 101, 117, 119, 123, 125, 130, 139, 143, 146, 151, 155, 158, 165, 169, 173, 175, 178, 184, 193, 198, 202, 211, 215, 220, 229, 251, 255, 259, 296, 319, 323, 327, 347, 383, 439, 443, 447, 451, 455, 491, 601, 603, 605
4460852..... 519, 589	4460944 71, 477, 489, 525, 527, 531, 532, 535, 539, 543, 553, 563, 564, 567, 569, 583, 617, 618, 621, 622, 627	4461285 411	4811700001..... 333
4460865..... 561, 573	4460945 ... 513, 525, 537, 540, 544, 553, 564, 618, 622	4711000 252, 256, 260	4811702.... 75, 77, 85, 89, 93, 97, 101, 146, 158, 178, 184, 202, 220, 335
4460866.... 563, 564, 583, 617, 622	4460950 519, 617, 621	4711400 ... 130, 131, 220, 313, 317, 319, 323, 325, 327, 345, 369, 371, 441, 445, 449, 453, 457, 459	4811702001..... 333
4460868..... 553	4460956 493, 495	4711400001 295, 299	4811900.... 85, 89, 93, 97, 101, 129, 130, 131,
4460871.... 519, 553, 575, 577, 583, 618, 622	4460957 493, 495	4711500 129, 295, 421	
4460872.... 519, 575, 577	4460958 461	4711500001 302, 305	
4460873.... 519, 583, 618, 622	4460962 377, 383	4711600 81, 130, 146, 158, 178, 184, 243, 338, 395, 397, 399	
4460874.... 519, 583, 618, 622	4460963 256	4711600001 . 51, 53, 285, 287, 289, 291, 296, 299, 302, 305	
4460875.... 519, 575, 577	4460967 551	4711800 19, 139, 151, 165, 169, 193, 211, 296, 329	
4460876.... 519, 553, 583		4711800001 274	
4460877..... 553			
4460878.... 71, 618, 622			
4460879..... 401, 583			
4460884.... 71, 401, 531, 535, 539, 543, 563, 571, 575, 583, 587, 589, 617, 621, 627			
4460887.... 71, 401, 583, 618, 622			
4460891.... 121, 469, 471, 475, 519, 523, 528,			

SECTION 11 - SPECIAL OPTIONS

139, 146, 151, 158, 165, 169, 178, 184, 193, 202, 211, 215, 220, 227, 256, 260, 467	5250608 194, 202, 215	70002028.....25	70002606..... 235
4811900001 . 19, 31, 251, 285, 287, 289, 291, 296, 302, 305	5250611 203, 221	70002031.....25	70002607..... 235
481190275, 77, 146, 158, 165, 169, 178, 184, 193, 202, 220	5250808 194, 204, 215	70002032.....25	70002608..... 235
4811902001 ... 86, 90, 94, 98, 102, 130	5250810 ... 194, 198, 203, 211, 221	70002036.....25	70002609..... 235
4812000 ... 31, 51, 53, 63, 73, 75, 77, 81, 85, 89, 93, 97, 101, 139, 143, 146, 151, 155, 158, 166, 170, 173, 175, 178, 184, 193, 198, 202, 211, 215, 220, 251, 255, 259, 263, 296	5250812 198, 203, 221	70002052.....25	70002610..... 235
4812002 . 73, 75, 77, 146, 158, 178, 184, 202, 220, 267, 335	5250814 194, 211	70002057.....25, 65	70002612..... 235
4812002001 130	5251008 221	70002097.....51, 53, 662	70002616..... 235
4812100 . 73, 75, 77, 143, 146, 155, 158, 173, 175, 179, 185, 198, 202, 215, 220	525100801.....283	70002132.....234	70002617..... 235
4812100001 ... 31, 39, 41, 43, 45, 47, 130, 269, 283, 302	5251010 203	70002133..... 234, 237	70002618..... 234
4812102 69	5251016 203, 221	70002134..... 234	70002619..... 234
4812200 ... 139, 146, 151, 158, 166, 170, 179, 185, 193, 202, 211, 221	5251016001.....283	70002135.....234	70002620..... 234
4812200001 17, 19	5251022 ... 146, 158, 179, 185, 203	70002136.....234	70002621..... 235
4812300 268	5251210 203, 221	70002137..... 234	70002622..... 235
4846423 302	5251210001..... 37, 268	70002138.....234	70002623..... 235
4846484 296	5251215 194, 198, 215	70002139..... 234	70002758..... 56
4846627 375, 377	5260600 ... 194, 203, 215, 221	70002140.....234	70002759..... 56
4846673 385, 387	5260800 ... 194, 198, 203, 211, 221	70002141.....234	70002838..... 79
4871200 ... 139, 151, 166, 170, 193, 211	5261000 203, 221	70002142.....234	70002853..... 281
4871700 251, 256, 260	5261012277	70002145.....234	70002854..... 281
4891600 ... 130, 143, 155, 173, 175, 198, 215	5261200 ... 129, 194, 198, 215	70002148.....234	70002855..... 281
4891600001 274, 283	5271614 146, 158	70002150.....234	70002857..... 281
4891800 ... 139, 143, 151, 155, 166, 170, 173, 175, 193, 198, 211, 215	6611172 ... 86, 89, 94, 97, 101	70002151.....234	70002858..... 281
4891800001 277	70000619 255, 259	70002152.....234	70002859..... 281
4892600001 274, 283	70000781 56	70002153.....234	70002902..... 343
4921850 669	70000793 231	70002154.....234	70002903..... 343
4922641 252, 257, 260	70000803 33	70002155.....234	70002904..... 343
4922925 256, 260	70000804 33	70002156.....234	70002905..... 343
4933218 436	70000805 33	70002157.....234	70002962..... 56
5241000 ... 139, 146, 151, 158, 166, 170, 179, 185, 193, 211	70000852 23	70002158.....234	70003017..... 307
5241000001 263, 269	70000853 23	70002159.....234	70003019..... 307, 309
5241200 21, 251, 255, 259	70000854 23	70002160.....234	70003020..... 307
5241200001 283	70000855 23	70002161.....234	70003021..... 307, 309
5241600 ... 146, 158, 179, 185, 202, 221	70000856 23	70002162.....234	70003022..... 307
5242000001 21	70000857 23	70002163.....234	70003023..... 307, 309
5242400 59, 129	70000858 23	70002164.....234	70003024..... 307
	70000859 23	70002165.....234	70003026..... 309, 662
	70000860 23	70002168.....235	70003027..... 309
	70000861 23	70002174.....235	70003028..... 309
	70000862 23	70002175.....235	70003031..... 419
	70000863 255, 259	70002177.....235	70003045..... 421
	70001000 83	70002178.....235	70003046..... 421
	70001001 83	70002179.....235	70003047..... 421
	70001001 83	70002231..... 51, 662	70003050..... 421
	70001100 255, 259	70002297..... 256, 259	70003408..... 33
	70001384 255, 259	70002386..... 33, 662	70003485..... 662
	70001424 389	70002401.....263	70003628..... 23
	70001425 389	70002410...409, 415, 417	70003631..... 256, 259
	70001427 389	70002460.....256, 260	70003708.. 252, 256, 260
	70001428 389	70002576.....241	70003709.. 252, 256, 259
	70001429 389	70002578.....238	70003788..... 263, 662
	70001430 389	70002580.....237	70004017..... 33
	70001431 389, 662	70002582.....237	70004050..... 309
	70001432 389, 663	70002583.....237	70004051..... 307, 309
	70001499 51, 53	70002585.....238	70004052.... 55, 307, 309
	70001696 256, 260	70002588.....237	70004053..... 55, 309
	70001870 190, 208	70002589.....237	70004055..... 35, 55, 307
	70001955 237	70002590.....237	70004092.. 252, 256, 260
	70001956 237	70002592.....237	70004093..... 256
	70001958 235	70002593.....237	70004094..... 256, 260
	70001966 .. 252, 256, 259	70002595.....238	70004095..... 256
	70001973 256, 260	70002596.....237	70004096..... 256, 260
	70001974 256, 260	70002599.....238	70004097..... 256, 260
		70002600.....234	70004098..... 256, 260
		70002601.....234	70004099..... 256
		70002602.....234	70004150..... 79
		70002604.....235	70004164..... 35
		70002605.....235	70004171..... 252, 259

SECTION 11 - SPECIAL OPTIONS

70004185.....	669	70004469.....	65	70004614.....	56, 663	70006838.....	419
70004186.....	407, 413	70004470.....	65	70004615.....	56	70006839.....	419
70004237.....	409	70004471.....	65	70004616.....	56	70006840.....	419
70004282.....	252, 663	70004472.....	65	70004617.....	56	70006841.....	419
70004324.....	71	70004473.....	65	70004618.....	56	70006842.....	419
70004325.....	71	70004474.....	65	70004619.....	56	70007083.....	189, 207
70004363.....	25	70004475.....	65	70004649.....	303	70007326.....	190
70004383.....	33	70004476.....	65	70004650.....	303	70007510.....	71
70004384.....	33	70004477.....	65	70004668.....	56	70008012.....	417
70004386.....	33	70004478.....	65	70004676.....	252	70008013.....	417
70004403.....	281	70004479.....	65	70004678.....	252	70008014.....	405
70004404.....	419	70004480.....	65	70004680.....	252	70008015.....	405
70004406.....	419	70004481.....	65	70004681.....	252	70008016.....	405
70004407.....	419	70004482.....	65	70004683.....	252	70008017.....	405
70004408.....	419	70004483.....	65	70005170.....	281	70008018.....	405
70004409.....	277	70004484.....	65	70005497.....	189	70008019.....	405
70004410.....	277	70004485.....	65	70005498.....	208	70008020.....	413
70004411.....	79	70004486.....	65	70005511.....	207	70008021.....	413
70004412.....	79	70004487.....	65	70005516.....	190, 208	70008022.....	413
70004416.....	237	70004488.....	66	70005517.....	207	70008023.....	413
70004417.....	237	70004489.....	66	70005548.....	207	70008024.....	409, 413
70004418.....	237	70004490.....	66	70005556.....	189	70008025.....	413
70004419.....	237	70004491.....	65	70005559.....	207	70008026.....	413
70004420.....	237	70004492.....	66	70005564.....	163	70008027.....	413
70004422.....	237	70004493.....	66	70005565.....	73, 75, 77	70008028.....	409
70004423.....	238	70004494.....	66	70005624.....	252	70008029.....	409
70004424.....	238	70004495.....	421	70005624.....	252	70008030.....	409
70004425.....	238	70004496.....	421	70005651.....	259	70008030.....	409
70004425.....	238	70004496.....	421	70005652.....	260	70008031.....	409
70004426.....	238	70004497.....	421	70005882.....	419	70008032.....	409
70004429.....	25	70004498.....	421	70005883.....	419	70008033.....	409
70004430.....	25	70004499.....	421	70005941.....	190	70008036.....	415
70004431.....	25	70004508.....	189, 207	70005958.....	56	70008037.....	415
70004432.....	25	70004511.....	207	70005961.....	56	70008038.....	415
70004433.....	25	70004512.....	163, 207	70006137.....	51, 53	70008358.....	53, 662
70004434.....	25	70004515.....	163, 189, 207	70006144.....	163, 189, 207	70008360.....	71
70004435.....	25	70004517.....	163	70006403.....	245	70008361.....	71
70004436.....	25	70004518.....	163	70006404.....	245	70008362.....	71
70004437.....	25	70004519.....	163	70006405.....	245, 662	70008363.....	71
70004438.....	25	70004520.....	163, 189, 207	70006406.....	245	70008364.....	71
70004439.....	25	70004583.....	55	70006407.....	245	70008365.....	71
70004440.....	25	70004584.....	55	70006408.....	245	70008366.....	71
70004441.....	25	70004585.....	55	70006408.....	245	70008366.....	71
70004442.....	25	70004585.....	55	70006409.....	245	70008368.....	53
70004442.....	25	70004586.....	55	70006410.....	245	70008369.....	53
70004443.....	25	70004587.....	55	70006462.....	413	70008369.....	53
70004444.....	25	70004588.....	55, 662	70006464.....	409, 413	70008425.....	189
70004444.....	25	70004588.....	55, 662	70006464.....	409, 413	70008427.....	189
70004445.....	25	70004589.....	55	70006552.....	251	70008612.....	189, 207
70004446.....	25	70004590.....	55	70006553.....	251	70008613.....	189, 207
70004447.....	25	70004591.....	55	70006553.....	251	70008629.....	71
70004447.....	25	70004591.....	55	70006596.....	407, 413, 417	70008629.....	71
70004448.....	25	70004592.....	55	70006624.....	411	70009000.....	463
70004448.....	25	70004592.....	55	70006625.....	411	70009012.....	465
70004449.....	26	70004593.....	55	70006625.....	411	70009012.....	465
70004450.....	26	70004594.....	55	70006626.....	411	70009013.....	465
70004451.....	26	70004595.....	55, 662	70006627.....	411	70009014.....	465
70004452.....	26	70004595.....	55, 662	70006627.....	411	70009015.....	465
70004452.....	26	70004598.....	55	70006628.....	411	70009016.....	465
70004453.....	26	70004599.....	55, 662	70006629.....	411	70009017.....	465
70004454.....	302	70004600.....	55	70006630.....	411	70022147.....	307, 662
70004455.....	302	70004601.....	55	70006631.....	411	70022286.....	237
70004457.....	309	70004602.....	55	70006632.....	411	70022287.....	237
70004459.....	35, 55	70004604.....	55	70006633.....	411	70022564.....	405, 407, 409, 413, 417
70004460.....	35, 55, 662	70004605.....	55	70006634.....	407	70023351.....	237
70004461.....	35	70004606.....	55	70006635.....	407	70023352.....	237
70004462.....	35	70004607.....	55	70006636.....	413	70023353.....	237
70004463.....	35, 55, 662	70004608.....	55	70006637.....	407	70023354.....	237
70004464.....	35	70004609.....	55	70006653.....	163, 207	70023355.....	237
70004465.....	35	70004610.....	55	70006834.....	419	70023357.....	237
70004466.....	65	70004611.....	55	70006835.....	419	70023358.....	237
70004467.....	65	70004612.....	55	70006836.....	419		
70004468.....	65	70004613.....	56	70006837.....	419		

SECTION 11 - SPECIAL OPTIONS

70023359	237	70029407	207	7022321	23	80484084	543
70023361	237	70029468	405	7022340	237	80604015	71
70023362	237	70029580	189	7022368	23	80604016	71
70023363	237	70030375	189	7022371	23	80604021	71
70023364	237	70030378	189	7022390	307, 309	80963067	532, 536
70023369	409	70031215	190	7022399	33	80983191	544
70023592 .. 147, 159, 662		7004237	417	7023377	237	82033995 .. 166, 170, 194	
70023593 .. 147, 159, 662		7004275	669	7023821	56	8220007	584
70023809 .. 147, 159, 179, 185, 203, 221, 662		7004276	669	7023922	307	8220035	583
70023859	55	70050795	407, 413	7023962	237	8220045 531, 535, 539	
70023860	55	70052577	405	7023964	237, 238	8220051	547
70023862	55	7007207	234, 237	7024441	79	8220068	575, 577
70023866	55	7007415 235, 237, 238		7024462	391	8220097 532, 536, 540	
70023867	55	7007418	234	7024463	391	8220098 532, 536, 540	
70023872 .. 147, 159, 179, 185, 203, 221, 662		7007419	234	7024467	391	8220101	553
70024039	237	7007420	23	7024469	391	8220115 ... 527, 535, 540, 544	
70024040	237	7007437	23	7024470	391	8229242 ... 531, 537, 540, 544, 622, 662	
7002412	405	7007438	23	7024471	389, 391	8229244 ... 531, 537, 540, 662	
70024328 .. 147, 159, 179, 185, 203, 221		7007439	23, 235	7024472	391	8229245 ... 532, 537, 540, 662	
70024329 .. 147, 159, 179, 185, 203, 221		7007446 23, 234, 237		7024473	391	8229247 ... 531, 537, 540, 662	
70024472	163	7007489	241	7024474	391	8229249 401, 622, 662	
70024474	163, 207	7008010	417	7024475	391	8278020 ... 146, 159, 179, 185, 203, 221	
70024475	189	7008011	417	7024478	391	8305401 ... 147, 159, 179, 185, 203, 221	
70024480	207	7008431	189	7024485 256, 260, 662		8307109 ... 147, 159, 179, 185, 203, 221	
70024481	163	7010543	33, 421	7024488	255, 259	8310067 ... 140, 152, 166, 170, 194, 211	
70024485 .. 163, 189, 207		7010639	83	7024489	255, 259	8310070	296
70024487	163	7010640	83	7024530	389	8310129 ... 351, 353, 355, 357, 359, 361, 363, 365, 367	
70024494 .. 163, 190, 208		7010924	83	7024531	389	8310548 ... 147, 159, 179, 185, 203, 221	
70024495	189, 208	7011044	83	7024532	389	8310643001	130
70024500	190	7011311	411	7024533	389	8310686 ... 85, 89, 93, 97, 101	
70024504	163, 207	7011367	419	7024534	389	8405006	243
70024507	163, 207	7011376	405, 411	7024535	389	8405007 ... 147, 159, 179, 185, 203, 221	
70024513	189, 207	70124432	189	7024536	389	8405009 179, 185, 203	
70024961	207	7012773	35, 55	7024537	389	8405104 ... 147, 159, 179, 185, 203, 221	
70025088	163, 208	7012903	307	7024579	190	8405211 ... 179, 185, 203, 221	
70025153 .. 163, 189, 207		7012941	33	7024598 139, 151, 193, 211		8406101 75, 139, 151, 166, 170, 194, 212	
70025707	208	7012973	33	7024800	235	8406102 166, 170, 194	
70025737	189	7012998	33	7024865	23	8406105	305
70025745 .. 163, 190, 208		7016322 ... 139, 151, 193, 211		7024867	23	8406109 ... 147, 159, 179, 185, 203, 221	
70025780	163, 207	7016331 163, 189, 208		7024868	23	8406110 ... 148, 160, 179, 185	
70025789	163, 189	7016374 ... 139, 151, 193, 211		7024883	307, 662	8406201 ... 85, 89, 93, 97, 101, 166, 170	
70026210 .. 163, 189, 207		7016654	669	7024885 307, 309, 662		8406303 ... 147, 159, 166, 170, 194, 215	
70027422	189	7016655	669	7024899	307, 309	8410009 166, 170, 194	
70027425	207	7017402	307, 309	7026597	256, 260	8410011 ... 147, 159, 179, 185, 203, 221	
70027463	189, 207	7017493	33	7026626	256, 260		
70027464	189, 207	7017496	263	7027096	463		
70027465	189, 207	7017496	263	7027097	463		
70027495	189, 207	7018942	56	7027098	463		
70027569	163	7020175 ... 105, 107, 109, 111		7027099	463		
7002821	669	7020176 ... 105, 107, 109, 111		7027740	23		
7002822	669	7020404 163, 189, 208		7027773	391		
7002823	669	7020442	189	7027774	391		
7002828	669	7020465 163, 190, 208		7027775	391		
70028538	189	7021249	23	7027776	391		
70028540	163	7021256	235	7027777	391		
70028542	189	7021265	235	7027778	391		
70028927	189	7021275 23, 234, 237		7027779	391		
70028989	189	7021293	235	7027780	391		
70029379	189	7021375	35, 55	7027799	256, 260		
70029385	189	7021625	33	7028909	125		
70029386	189	7022300	235	7300435 146, 158, 179, 185, 203, 221			
70029399	190	7022301	234	77133089	433		
70029401	163, 207	7022311	23	77133137 ... 166, 170, 194			
		7022314	23	77363232	255, 259		
				77363233	549		

SECTION 11 - SPECIAL OPTIONS

8410012....148, 160, 179, 185, 203, 221	8769123 166, 170, 194	88521214 ..395, 397, 399	91471226.....263, 273
8410013....139, 147, 151, 159, 166, 170, 179, 185, 194, 203, 221	8769127 166, 170, 194	88662013 432	91471227.....263, 273
8750014....140, 152, 166, 170, 194, 212	8769128 ... 140, 152, 212, 429	88662070 56	91554014...563, 575, 578
8750031140, 152, 166, 170, 194, 212	8769146 433	88662523 277, 305	91563070..147, 159, 179, 185, 203, 221
8769122.....429	8769153 433	91043147 215	IN4004.....617, 621
	8769154 433	91203039 283	SEE NOTE225
	8769199 433	91403230 . 631, 633, 635, 637, 639, 641, 643, 645, 647	
	88261128 51, 53	9141453 303	
	88411013 467		



**Corporate Office
JLG Industries, Inc.
1 JLG Drive
McConnellsburg, PA 17233-9533 USA
☎ (717) 485-5161 (Corporate)
☎ (877) 554-5438 (Customer Support)
📠 (717) 485-6417**

**Visit our website for JLG Worldwide Locations.
www.jlg.com**



OSHKOSH™