



Illustrated Parts Manual

800AJ HC3

PVC 2407

3122324000

July 1, 2024 - Rev A

ANSI  **CE** 
AS/NZS

English (en-US)

REVISION LOG

July1, 2024 - A - Original Issue Of Manual (Edited to B/M 1001248000 Rev Z)

GENERAL INFORMATION

SECTION 6 CYLINDER

FIGURE 6-3. LIFT CYLINDER ASSEMBLY

PG# Model Designation Manual #

SECTION 6 CYLINDER

FIGURE 6-3. LIFT CYLINDER ASSEMBLY

| ITEM # | PART NUMBER | QTY | DESCRIPTION | REV |
|--------|-------------|-----|---|-----|
| | 1001140104 | Ref | LIFT CYLINDER ASSEMBLY | B |
| 1 | 0100011 | AR | Compound, Locking | |
| 2 | 0630305 | 3 | Capscrew 1/4-20 x 1-1/8 | |
| 3 | 0791003 | 1 | Screw #10-24 x 3/8 | |
| 4 | 0961897 | 1 | Bushing, Tapered | |
| 5 | 1320136 | 1 | Clamp, Cable | |
| 6 | 1683063 | 1 | Head | |
| 7 | 2220683 | 1 | Plug, O-Ring | |
| 8 | 2220685 | 2 | Plug, O-Ring | |
| 9 | 2220686 | 1 | Plug, O-Ring | |
| 10 | 3020039 | AR | Lubricant | |
| 11 | 3480282 | 1 | Piston | |
| 12 | 3760371 | 1 | Ring, Washer | |
| 13 | 3931420 | 8 | Capscrew 1/4-20 x 1-1/4 | |
| 14 | 3931824 | 8 | Capscrew 1/2-13 x 1-1/2 | |
| 15 | 3951003 | 1 | Setscrew #10-24 x 3/8 | |
| 16 | 4100099 | 1 | Spacer | |
| 17 | 4640999 | 1 | Cartridge, Holding Valve (Non Vented) | |
| 17 | 2900792 | 1 | Kit, Seal - 4640999 Cartridge Valve | |
| 18 | 4641248 | 1 | Cartridge, Countbalance Valve (Non Vented) | |
| 18 | 70004186 | 1 | Kit, Seal - 4641248 Cartridge Valve | |
| 19 | 1001117991 | 1 | Sensor, Cylinder Length | |
| 20 | 1001118070 | 1 | Cap, Retainer | |
| 21 | 1001119084 | 1 | Barrel | |
| 21A | 0961950 | 2 | Bushing | |
| 22 | 1001118086 | 1 | Rod | |
| 22A | 0961950 | 2 | Bushing | |
| 100 | 1001139996 | 1 | Kit, Seal (Includes Items 101-109) | |
| 101 | See Note | 2 | Ring, Wear (Note: Use p/n 1001139996) | |
| 102 | See Note | 1 | Ring, Back-Up (Note: Use p/n 1001139996) | |
| 103 | See Note | 2 | Ring, Lock (Note: Use p/n 1001139996) | |
| 104 | See Note | 2 | Ring, Back-Up (Note: Use p/n 1001139996) | |
| 105 | See Note | 2 | O-Ring (Note: Use p/n 1001139996) | |
| 106 | See Note | 1 | O-Ring (Note: Use p/n 1001139996) | |
| 107 | See Note | 1 | Seal (Note: Use p/n 1001139996) | |
| 108 | See Note | 1 | Wiper, Rod (Note: Use p/n 1001139996) | |
| 109 | See Note | 2 | Seal (Note: Use p/n 1001139996) | |
| 200 | 1001119105 | 1 | Kit, Sensor Magnet (Includes Items 201-203) | |
| 201 | See Note | | Sleeve, Spacer (Note: Use p/n 1001119105) | |
| 202 | 1001118066 | | Magnet, Sensor | |
| 203 | 1001118069 | 1 | Ring, Internal Retaining | |

Manual # Model Designation PG#

1) MACHINE IDENTIFICATION

Machines are identified by model and in some cases a combination of models, serial number (SN) or regional standard (i.e ANSI, CE, CSA). Components may also be identified by SN or manufacturer. Common components that may be identified by these characteristics are engines and hydraulic components.

2) PARTS MANUAL ORGANIZATION

Product information in this manual is organized under section titles. Frame, Cylinder, Hydraulic and Electrical are a few examples. Each section is organized by figure and page number. The information within the Figure is then organized by item number, part number, description and corresponding illustration (s).

3) TABLE OF CONTENTS (NOT SHOWN)

A table of contents is found toward the beginning of the manual. Figure number, description and page number are provided for quick reference to the page containing the related information.

4) RECOMMENDED SPARE PARTS (NOT SHOWN)

The Recommended Spare Parts List, located near the end of the manual, reference most frequently used maintenance parts.

5) PART NUMBER INDEX (NOT SHOWN)

A numerical index listing all part numbers and the corresponding page number(s) appears at the back of the manual.

GENERAL INFORMATION

6) NON-SERVICED PARTS

In some instances, it is necessary to display non-serviced parts, assemblies or installations. In the case of assemblies and installations there will be a Ref in the Qty. column. In case of parts that are not available for service within assemblies or components, there will be a NSS (Not Sold Separately) or NLA (No Longer Available) listed in the Qty. column of the manual.

7) PARTS LIST ITEM NUMBERS

Numbers shown in the item# column correspond to numbers used in the associated illustration (s). Item numbers which are missing from the sequence in the parts list are not used on that page.

8) INDENTED PARTS DESCRIPTION

An indented part description is included in the item under which it is indented.

9) ABBREVIATION AND SYMBOLS

| | | | |
|-------------|--|--------------|---------------------------------|
| AC..... | Alternating Current | L..... | Liter |
| ADE..... | Advanced Design Electronics | LB(LBS)..... | Pounds |
| AG..... | Agricultural | LCD..... | Liquid Crystal Display |
| ANSI..... | American National Standards Institute | LED..... | Light Emitting Diodes |
| AR..... | As Required | LH..... | Left Hand |
| ASSY..... | Assembly | LRC..... | Low Rated Countries |
| AUS..... | Australia | LSS..... | Load Sensing System |
| AUX..... | Auxiliary | M(m)..... | Metric/Meter |
| AWG..... | American Wire Gauge | MM(mm)..... | Milimeter |
| B/M..... | Bill of Material | mA..... | Miliamps |
| CAC..... | Charge Air Cooler | NLA..... | No Longer Available |
| CE..... | European Conformity | NPT..... | National Pipe Threads |
| CCW..... | Counter Clockwise | NSS..... | Not Sold Separately |
| CM..... | Centimeter | OD..... | Outside Diameter |
| CW..... | Clockwise | ORB..... | O-Ring Boss |
| CSA..... | Canadian Standards Association | ORFS..... | O-Ring Face Seal |
| CYL..... | Cylinder | OZ (oz)..... | Ounces |
| DIA..... | Diameter | PG..... | Page |
| DC..... | Direct Current | PN..... | Part Number |
| DEF..... | Diesel Exhaust Fluid | QT(qt.)..... | Quarts |
| EMS..... | Emergency Stop | QTY..... | Quantity |
| ENG..... | Engine | REF..... | Reference |
| FT(ft)..... | Feet | REV..... | Revision Level |
| GA(Ga)..... | Gauge | RH..... | Right Hand |
| HRC..... | High Rated Countries | SAE..... | Society of Automotive Engineers |
| HVAC..... | Heating, Ventilating, and Air Conditioning | SN..... | Serial Number |
| HYD..... | Hydraulic | SPEC(S)..... | Specifications |
| Hz..... | Hertz | T/T..... | Turntable |
| ID..... | Inside Diameter | UGM..... | Universal Ground Module |
| IN..... | inches | V..... | Volts |
| ISO..... | International Organization for Standards | W..... | Watts |
| JIC..... | Joint Industry Council | #..... | Number |
| KG..... | Kilogram | | |

10) ILLUSTRATION REFERENCE LETTERS

When necessary, illustrations may contain reference letters that are intended to track information (i. e. hoses, harnesses) from one point to another or to track visual enlargement of components to show details that may be located in another area on the illustration.

Note: Due to continuous product improvements, JLG Industries, Inc. reserves the right to make specification changes without prior notification. Contact JLG Industries, Inc. for updated information.

TABLE OF CONTENTS

| | |
|---|----|
| SECTION 1 - FRAME..... | 17 |
| FIGURE 1-1. AXLE INSTALLATION - OSCILLATING..... | 18 |
| FIGURE 1-2. AXLE INSTALLATION - OSCILLATING WITH TOW PACKAGE..... | 20 |
| FIGURE 1-3. STEER INSTALLATION - 2WS..... | 22 |
| FIGURE 1-4. STEER INSTALLATION - 2WS WITH TOW PACKAGE..... | 24 |
| FIGURE 1-5. WHEEL DRIVE AND FRAME VALVES INSTALLATION - 4WD/2WS..... | 26 |
| FIGURE 1-6. DRIVE HUB/BRAKE ASSEMBLY..... | 28 |
| FIGURE 1-7. DRIVE MOTOR ASSEMBLY - 4WD..... | 30 |
| FIGURE 1-8. TIRE AND WHEEL INSTALLATION 18-625 NHS FOAM-FILLED TIRE..... | 32 |
| FIGURE 1-9. TIRE AND WHEEL INSTALLATION 18-625 NHS FOAM-FILLED NON-MARKING TIRE..... | 34 |
| FIGURE 1-10. TIRE AND WHEEL INSTALLATION 18-625 NHS FOAM-FILLED SAND TIRE..... | 36 |
| FIGURE 1-11. LP TANK BRACKETS INSTALLATIONS..... | 38 |
| FIGURE 1-12. FRAME SHIELDS INSTALLATION - 2WS..... | 40 |
| FIGURE 1-13. TOW PACKAGE INSTALLATION - 2WS (ENGLISH LANGUAGE DECALS)..... | 42 |
| FIGURE 1-14. TOW PACKAGE INSTALLATION - 2WS (CE & UK CA SPECS)..... | 44 |
| FIGURE 1-15. TOW BAR ASSEMBLY..... | 46 |
| SECTION 2 - TURNTABLE..... | 49 |
| FIGURE 2-1. CONTROL VALVES INSTALLATION - WITH 2WS..... | 50 |
| FIGURE 2-2. CONTROL VALVE ASSEMBLY - 2WS MACHINES..... | 52 |
| FIGURE 2-3. SWING DRIVE INSTALLATION..... | 56 |
| FIGURE 2-4. SWING MOTOR/HUB ASSEMBLY..... | 58 |
| FIGURE 2-5. TURNTABLE BEARING INSTALLATION..... | 60 |
| FIGURE 2-6. TURNTABLE LOCK INSTALLATION..... | 62 |
| FIGURE 2-7. ROTARY COUPLING INSTALLATION - 2WS MACHINES..... | 64 |
| FIGURE 2-8. TANK INSTALLATION - DIESEL MACHINE (FUEL TANK WITHOUT SIGHT GLASS) (HELGESEN 6IN DIA BREATHER HYDRAULIC TANK - 25 GAL CAPACITY)..... | 66 |
| FIGURE 2-9. TANK INSTALLATION - DIESEL MACHINE (FUEL TANK WITHOUT SIGHT GLASS) (JIANGYING 4IN DIA BREATHER HYDRAULIC TANK - 25 GAL CAPACITY)..... | 68 |
| FIGURE 2-10. TANK INSTALLATION - DIESEL MACHINE (FUEL TANK WITHOUT SIGHT GLASS) (HYDRAULIC TANK - 47.8 GAL CAPACITY)..... | 70 |
| FIGURE 2-11. TANK INSTALLATION - DIESEL MACHINE (FUEL TANK WITH SIGHT GLASS) (HELGESEN 6IN DIA BREATHER HYDRAULIC TANK - 25 GAL CAPACITY)..... | 72 |
| FIGURE 2-12. TANK INSTALLATION - DIESEL MACHINE (FUEL TANK WITH SIGHT GLASS) (JIANGYING 4IN DIA BREATHER HYDRAULIC TANK - 25 GAL CAPACITY)..... | 74 |
| FIGURE 2-13. TANK INSTALLATION - DIESEL MACHINE (FUEL TANK WITH SIGHT GLASS) (HYDRAULIC TANK - 47.8 GAL CAPACITY)..... | 76 |
| FIGURE 2-14. TANK INSTALLATION - GAS ENGINES (HELGESEN 6IN DIA BREATHER HYDRAULIC TANK - 25 GAL CAPACITY)..... | 78 |
| FIGURE 2-15. TANK INSTALLATION - GAS ENGINES (JIANGYING 4IN DIA BREATHER HYDRAULIC TANK - 25 GAL CAPACITY)..... | 80 |
| FIGURE 2-16. TANK INSTALLATION - GAS ENGINES (HYDRAULIC TANK - 47.8 GAL CAPACITY)..... | 82 |
| FIGURE 2-17. HYDRAULIC TANK ASSEMBLY (HELGESEN 6IN DIA BREATHER HYDRAULIC TANK - 25 GAL CAPACITY)..... | 84 |
| FIGURE 2-18. HYDRAULIC TANK ASSEMBLY (JIANGYING 4IN DIA BREATHER HYDRAULIC TANK - 25 GAL CAPACITY)..... | 86 |
| FIGURE 2-19. HYDRAULIC TANK ASSEMBLY (HYDRAULIC TANK - 47.8 GAL CAPACITY)..... | 88 |
| FIGURE 2-20. AUXILIARY POWER INSTALLATION - WITHOUT BATTERY DISCONNECT..... | 90 |
| FIGURE 2-21. AUXILIARY POWER INSTALLATION - WITH BATTERY DISCONNECT..... | 92 |

TABLE OF CONTENTS

| | |
|---|-----|
| FIGURE 2-22. AUXILIARY POWER PUMP/MOTOR ASSEMBLY | 94 |
| FIGURE 2-23. GROUND CONTROL BOX ASSEMBLY - WITH DEUTZ D2011 ENGINES - WITH MECHANICAL HOUR METER (ANSI EXPORT LRC AND AUSTRALIAN SPECS)..... | 96 |
| FIGURE 2-24. GROUND CONTROL BOX ASSEMBLY - WITH DEUTZ D2011 AND TOWER STOW - WITH MECHANICAL HOUR METER (ANSI EXPORT LRC AND AUSTRALIAN SPECS) | 100 |
| FIGURE 2-25. GROUND CONTROL BOX ASSEMBLY - WITH DEUTZ D2011 ENGINES (CE & UK CA SPECS)..... | 104 |
| FIGURE 2-26. GROUND CONTROL BOX ASSEMBLY - WITH DEUTZ D2011 ENGINES - WITH FORD ENGINES - WITH MECHANICAL HOUR METER..... | 108 |
| FIGURE 2-27. GROUND CONTROL BOX ASSEMBLY - WITH DEUTZ D2011 ENGINES AND WITH TOWER STOW (CE & UK CA LRC SPECS)..... | 112 |
| FIGURE 2-28. GROUND CONTROL BOX ASSEMBLY - WITH DEUTZ TD2.9L4 ENGINES - WITH MECHANICAL HOUR METER (ANSI, ANSI EXPORT, CSA, CHINA & JAPANESE SPECS) | 116 |
| FIGURE 2-29. GROUND CONTROL BOX ASSEMBLY - WITH DEUTZ TD2.9L4 AND TOWER STOW - WITH MECHANICAL HOUR METER (ANSI, ANSI EXPORT, CSA, CHINA & JAPANESE SPECS)..... | 120 |
| FIGURE 2-30. GROUND CONTROL BOX ASSEMBLY - WITH DEUTZ TD2.9L4 (STAGE V) ENGINES (CE & UK CA SPECS) | 124 |
| FIGURE 2-31. GROUND CONTROL BOX ASSEMBLY - WITH DEUTZ TD2.9L4 (STAGE V) ENGINES AND WITH TOWER STOW (CE & UK CA SPECS)..... | 128 |
| FIGURE 2-32. GROUND CONTROL BOX ASSEMBLY - WITH FORD ENGINES AND TOWER STOW - WITH MECHANICAL HOUR METER | 132 |
| FIGURE 2-33. LIGHT PANEL INSTALLATION..... | 136 |
| FIGURE 2-34. ALARM INSTALLATION..... | 138 |
| FIGURE 2-35. WHITE NOISE ALARM INSTALLATION - ADJUSTABLE AMBIENT | 140 |
| FIGURE 2-36. WHITE NOISE MOTION ALARM INSTALLATION - AMBIENT..... | 142 |
| FIGURE 2-37. STROBE LIGHT INSTALLATION (AMBER)..... | 144 |
| FIGURE 2-38. STROBE LIGHT INSTALLATION (BLUE) | 146 |
| FIGURE 2-39. STROBE LIGHT INSTALLATION (RED)..... | 148 |
| FIGURE 2-40. HOODS INSTALLATION - ABS (DEUTZ D2011 ENGINES)..... | 150 |
| FIGURE 2-41. HOODS INSTALLATION - ABS (DEUTZ TD2.9L4 ENGINES)..... | 154 |
| FIGURE 2-42. HOODS INSTALLATION - ABS (DEUTZ TD2.9L4 (STAGE V) ENGINES)..... | 158 |
| FIGURE 2-43. HOODS INSTALLATION - STEEL (DEUTZ D2011 ENGINES)..... | 162 |
| FIGURE 2-44. HOODS INSTALLATION - STEEL (DEUTZ TD2.9L4 ENGINES) | 166 |
| FIGURE 2-45. HOODS INSTALLATION - STEEL (FORD ENGINES) | 170 |
| FIGURE 2-46. EXHAUST COVER AND HEAT SHIELDS INSTALLATION - STEEL HOODS (DEUTZ D2011 ENGINES)..... | 174 |
| FIGURE 2-47. EXHAUST COVER AND HEAT SHIELDS INSTALLATION - STEEL HOODS (DEUTZ TD2.9L4 ENGINES)..... | 176 |
| FIGURE 2-48. EXHAUST COVER INSTALLATION - STEEL HOODS (FORD ENGINES) | 178 |
| FIGURE 2-49. SKYAIR AIR COMPRESSOR INSTALLATION | 180 |
| FIGURE 2-50. SKYAIR AIR COMPRESSOR INSTALLATION | 182 |
| FIGURE 2-51. AIR COMPRESSOR ASSEMBLY | 184 |
| SECTION 3 - ENGINE..... | 187 |
| FIGURE 3-1. DEUTZ D2011 ENGINE INSTALLATION (WITHOUT ARCTIC PACKAGE) | 188 |
| FIGURE 3-2. DEUTZ D2011 ENGINE INSTALLATION (WITH ARCTIC PACKAGE)..... | 190 |
| FIGURE 3-3. DEUTZ D2011 ENGINE/PUMP SUB ASSEMBLY (WITHOUT ARCTIC PACKAGE)..... | 194 |
| FIGURE 3-4. DEUTZ TD2.9L4 ENGINE/PUMP SUB ASSEMBLY (WITH ARCTIC PACKAGE) | 196 |
| FIGURE 3-5. DEUTZ D2011 ENGINE ASSEMBLY (WITHOUT ARCTIC PACKAGE)..... | 198 |
| FIGURE 3-6. DEUTZ D2011 ENGINE ASSEMBLY (WITH ARCTIC PACKAGE) | 202 |
| FIGURE 3-7. DEUTZ D2011 ENGINE COMPONENTS..... | 206 |
| FIGURE 3-8. DEUTZ TD2.9L4 ENGINE INSTALLATION (STAGE V)..... | 210 |

TABLE OF CONTENTS

| | |
|--|-----|
| FIGURE 3-9. DEUTZ TD2.9L4 ENGINE INSTALLATION (CHINA III)..... | 214 |
| FIGURE 3-10. DEUTZ TD2.9L4 ENGINE INSTALLATION (CHINA IV) | 218 |
| FIGURE 3-11. DEUTZ TD2.9L4 ENGINE COMPONENTS (CHINA IV) | 222 |
| FIGURE 3-12. DEUTZ TD2.9L4 ENGINE/PUMP SUB ASSEMBLY (CHINA III) | 224 |
| FIGURE 3-13. DEUTZ TD2.9L4 ENGINE/PUMP SUB ASSEMBLY (CHINA IV)..... | 226 |
| FIGURE 3-14. DEUTZ TD2.9L4 ENGINE ASSEMBLY (CHINA IV)..... | 228 |
| FIGURE 3-15. DEUTZ TD2.9L4 ENGINE ASSEMBLY (CHINA IV)..... | 230 |
| FIGURE 3-16. DEUTZ TD2.9L4 ENGINE ASSEMBLY (STAGE V)..... | 234 |
| FIGURE 3-17. DEUTZ TD2.9L4 ENGINE ASSEMBLY (CHINA III SPECS)..... | 240 |
| FIGURE 3-18. DEUTZ TD2.9L4 ENGINE/PUMP SUB ASSEMBLY (STAGE V)..... | 246 |
| FIGURE 3-19. DEUTZ TD2.9L4 ENGINE COMPONENTS (STAGE V) | 248 |
| FIGURE 3-20. DEUTZ TD2.9L4 ENGINE COMPONENTS (CHINA III SPECS) | 252 |
| FIGURE 3-21. DEUTZ D2.9L4 - EMR5 ENGINE INSTALLATION WITH ARCTIC PACKAGE..... | 256 |
| FIGURE 3-22. DEUTZ D2.9L4 - EMR5 ENGINE AND PUMP SUB-ASSEMBLY WITH ARCTIC PACKAGE | 260 |
| FIGURE 3-23. ENGINE ASSEMBLY - DEUTZ D2.9L4 EMR5 ENGINE (WITH ARCTIC PACKAGE)..... | 262 |
| FIGURE 3-24. DEUTZ D2.9L4 - EMR5 ENGINE INSTALLATION WITHOUT ARCTIC PACKAGE | 268 |
| FIGURE 3-25. DEUTZ D2.9L4 - EMR5 ENGINE AND PUMP SUB-ASSEMBLY WITHOUT ARCTIC PACKAGE | 272 |
| FIGURE 3-26. ENGINE ASSEMBLY - DEUTZ D2.9L4 EMR5 ENGINE (WITHOUT ARCTIC PACKAGE) | 274 |
| FIGURE 3-27. ENGINE COMPONENTS - DEUTZ D2.9L4 EMR5 ENGINE | 280 |
| FIGURE 3-28. DEUTZ TD 2.9L4 (UN R96) ENGINE INSTALLATION - WITHOUT ARCTIC PACKAGE (WITH STEEL HOODS) | 284 |
| FIGURE 3-29. DEUTZ TD 2.9L4 (UN R96) ENGINE INSTALLATION - WITHOUT ARCTIC PACKAGE (WITH PLASTIC HOODS) | 288 |
| FIGURE 3-30. DEUTZ TD 2.9L4 (UN R96) ENGINE AND PUMP SUB-ASSEMBLY - WITHOUT ARCTIC PACKAGE..... | 292 |
| FIGURE 3-31. DEUTZ TD 2.9L4 (UN R96) ENGINE ASSEMBLY - WITHOUT ARCTIC PACKAGE | 294 |
| FIGURE 3-32. DEUTZ TD 2.9L4 (UN R96) ENGINE INSTALLATION - WITH ARCTIC PACKAGE (WITH COLD WEATHER PACKAGE AND STEEL HOODS) | 300 |
| FIGURE 3-33. DEUTZ TD 2.9L4 (UN R96) ENGINE INSTALLATION - WITH ARCTIC PACKAGE (WITH COLD WEATHER PACKAGE AND PLASTIC HOODS)..... | 304 |
| FIGURE 3-34. DEUTZ TD 2.9L4 (UN R96) ENGINE AND PUMP SUB-ASSEMBLY - WITH ARCTIC PACKAGE | 308 |
| FIGURE 3-35. DEUTZ TD 2.9L4 (UN R96) ENGINE ASSEMBLY - WITH ARCTIC PACKAGE | 310 |
| FIGURE 3-36. DEUTZ TD2.9L4 (UN R96) ENGINE COMPONENTS | 316 |
| FIGURE 3-37. FUEL PUMP/FILTER BRACKET ASSEMBLY (DEUTZ TD2.9L4 ENGINES) | 318 |
| FIGURE 3-38. FUEL PUMP/FILTER BRACKET ASSEMBLY (DEUTZ TD2.9L4 (STAGE V) ENGINES) | 320 |
| FIGURE 3-39. FUEL PUMP/FILTER BRACKET ASSEMBLY (DEUTZ TD2.9L4 ENGINES) (CHINA III ENGINES) | 322 |
| FIGURE 3-40. BREATHER HEATER INST (DEUTZ TD2.9L4 ENGINES)..... | 324 |
| FIGURE 3-41. FORD ENGINE INSTALLATION (WITHOUT ARCTIC PACKAGE) | 326 |
| FIGURE 3-42. FORD ENGINE INSTALLATION (WITH ARCTIC PACKAGE)..... | 330 |
| FIGURE 3-43. FORD ENGINE AND PUMP SUB-ASSEMBLY (WITHOUT ARCTIC PACKAGE) | 334 |
| FIGURE 3-44. FORD ENGINE AND PUMP SUB-ASSEMBLY (WITH ARCTIC PACKAGE) | 336 |
| FIGURE 3-45. FORD ENGINE ASSEMBLY (WITHOUT ARCTIC PACKAGE) | 338 |
| FIGURE 3-46. FORD ENGINE ASSEMBLY (WITH ARCTIC PACKAGE)..... | 344 |
| FIGURE 3-47. FORD ENGINE PREP ASSEMBLY | 350 |
| FIGURE 3-48. FORD ENGINE BRACKETS AND EXHAUST MANIFOLD INSTALLATION..... | 352 |
| FIGURE 3-49. FORD ENGINE DRIVE BELT INSTALLATION (MACHINES WITHOUT GENERATOR) | 354 |
| FIGURE 3-50. FORD ENGINE COMPONENTS..... | 356 |
| FIGURE 3-51. PUMP COUPLING KIT (DEUTZ ENGINES)..... | 360 |

TABLE OF CONTENTS

| | |
|---|-----|
| FIGURE 3-52. HYDROSTATIC PUMP ASSEMBLY | 362 |
| FIGURE 3-53. VARIABLE PUMP ASSEMBLY | 364 |
| FIGURE 3-54. VARIABLE PUMP ASSEMBLY - HENGLI | 368 |
| FIGURE 3-55. HYDROSTATIC PUMP ASSEMBLY | 370 |
| FIGURE 3-56. EXHAUST PIPE INSTALLATION - DEUTZ TD2.9L4 ENGINES | 372 |
| FIGURE 3-57. EXHAUST PIPE INSTALLATION - DEUTZ TD2.9L4 (STAGE V) ENGINES | 374 |
| FIGURE 3-58. EXHAUST PIPE INSTALLATION - FORD ENGINES..... | 376 |
| FIGURE 3-59. SPARK ARRESTOR MUFFLER INSTALLATION - DEUTZ D2011 ENGINES..... | 378 |
| FIGURE 3-60. SPARK ARRESTOR INSTALLATION (WITH STEEL HOODS) | 380 |
| FIGURE 3-61. SPARK ARRESTOR INSTALLATION (WITH PLASTIC HOODS)..... | 382 |
| FIGURE 3-62. FUEL-WATER SEPARATOR INSTALLATION - DEUTZ D2011 ENGINES | 384 |
| FIGURE 3-63. FUEL-WATER SEPARATOR INSTALLATION - DEUTZ TD2.9L4 ENGINES | 386 |
| FIGURE 3-64. RIGHT ENGINE SUPPORT INSTALLATION (DEUTZ D2011 ENGINES MACHINES WITHOUT GENERATORS) | 388 |
| FIGURE 3-65. RIGHT ENGINE SUPPORT INSTALLATION (DEUTZ D2011 ENGINES MACHINES WITH GENERATORS) ... | 390 |
| FIGURE 3-66. ENGINE HOOD Baffle INSTALLATION - DEUTZ TD2.9L4 ENGINES AND DEUTZ TD2.9L4 (STAGE V) ENGINES WITH ABS HOODS..... | 392 |
| FIGURE 3-67. ENGINE HOOD Baffle INSTALLATION - DEUTZ TD2.9L4 ENGINES WITH STEEL HOODS..... | 394 |
| FIGURE 3-68. ENGINE TRAY JACK INSTALLATION - DEUTZ ENGINES..... | 396 |
| FIGURE 3-69. ENGINE TRAY JACK INSTALLATION - FORD ENGINES | 398 |
| FIGURE 3-70. 2500W/110V/60HZ GENERATOR INSTALLATION - DEUTZ D2011 ENGINES | 400 |
| FIGURE 3-71. 2500W/110V/60HZ GENERATOR INSTALLATION - DEUTZ TD2.9L4 ENGINES | 402 |
| FIGURE 3-72. 2500W/110V/60HZ GENERATOR INSTALLATION - FORD ENGINES..... | 406 |
| FIGURE 3-73. 2500W/220V/50HZ GENERATOR INSTALLATION - DEUTZ D2011 ENGINES | 410 |
| FIGURE 3-74. 4000W/50HZ GENERATOR INSTALLATION - DEUTZ D2011 ENGINES..... | 412 |
| FIGURE 3-75. 4000W/50HZ GENERATOR INSTALLATION - DEUTZ TD2.9L4 ENGINES AND DEUTZ TD2.9L4 (STAGE V) ENGINES | 416 |
| FIGURE 3-76. 4000W/60HZ GENERATOR INSTALLATION - DEUTZ D2011 ENGINES..... | 420 |
| FIGURE 3-77. 4000W/60HZ GENERATOR INSTALLATION - DEUTZ TD2.9L4 ENGINES..... | 424 |
| FIGURE 3-78. 7500W/50HZ SKYPOWER GENERATOR INSTALLATION - DEUTZ D2011 ENGINES | 428 |
| FIGURE 3-79. 7500W/50HZ SKYPOWER GENERATOR INSTALLATION - DEUTZ TD2.9L4 ENGINES AND DEUTZ TD2.9L4 (STAGE V) ENGINES | 432 |
| FIGURE 3-80. 7500W/60HZ SKYPOWER GENERATOR INSTALLATION - DEUTZ D2011 ENGINES | 436 |
| FIGURE 3-81. 7500W/60HZ SKYPOWER GENERATOR INSTALLATION - DEUTZ TD2.9L4 ENGINES..... | 440 |
| FIGURE 3-82. 7500W/60HZ SKYPOWER GENERATOR INSTALLATION - FORD ENGINES | 444 |
| FIGURE 3-83. QUICKFIT OIL VALVE (DEUTZ ENGINES) | 448 |
| SECTION 4 - BOOM..... | 451 |
| FIGURE 4-1. BOOM AND CYLINDER INSTALLATION..... | 452 |
| FIGURE 4-2. MAIN BOOM ASSEMBLY | 454 |
| FIGURE 4-3. TOWER BOOM ASSEMBLY | 456 |
| FIGURE 4-4. JIB ASSEMBLY | 458 |
| FIGURE 4-5. PLATFORM ROTATOR ASSEMBLY | 460 |
| FIGURE 4-6. SUPPORT, PLATFORM INSTALLATION | 462 |
| FIGURE 4-7. POWER TRACK INSTALLATION - MAIN BOOM | 464 |
| FIGURE 4-8. POWER TRACK INSTALLATION - TOWER BOOM | 466 |
| FIGURE 4-9. CONTROL VALVES INSTALLATION - WITH 2WS..... | 468 |

TABLE OF CONTENTS

| | |
|--|-----|
| FIGURE 4-10. CONTROL VALVE ASSEMBLY..... | 470 |
| FIGURE 4-11. BOOM VALVES AND PROXIMITY SWITCHES INSTALLATION..... | 472 |
| FIGURE 4-12. BOOM VALVES AND PROXIMITY SWITCHES INSTALLATION WITH TOWER STOW..... | 476 |
| FIGURE 4-13. TRANSPORT POSITION SWITCH INSTALLATION | 480 |
| SECTION 5 - PLATFORM..... | 483 |
| FIGURE 5-1. PLATFORM ASSEMBLY WITH DROP-BAR - 30IN X 3FT (76CM X 1M)..... | 484 |
| FIGURE 5-2. PLATFORM ASSEMBLY WITH GATE - 30IN X 4FT (76CM X 1.22M)..... | 486 |
| FIGURE 5-3. PLATFORM ASSEMBLY WITH DROP-BAR - 30IN X 4FT (76CM X 1.22M)..... | 488 |
| FIGURE 5-4. PLATFORM ASSEMBLY WITH GATE - 30IN X 6FT (76CM X 1.83M)..... | 490 |
| FIGURE 5-5. PLATFORM ASSEMBLY WITH GATE- 36IN X 6FT (91.5CM X 1.83M)..... | 492 |
| FIGURE 5-6. PLATFORM ASSEMBLY WITH DROP-BAR - 30IN X 6FT (76CM X 1.83M)..... | 494 |
| FIGURE 5-7. PLATFORM ASSEMBLY WITH DROP-BAR - 36IN X 6FT (91.5CM X 1.83M)..... | 496 |
| FIGURE 5-8. PLATFORM ASSEMBLY WITH 1 GATE / 2 DROP BARS (TRI-ENTRY) - 36IN X 6FT (91.5CM X 1.83M) | 498 |
| FIGURE 5-9. PLATFORM ASSEMBLY WITH 3 DROP BARS (TRI-ENTRY) - 36IN X 6FT (91.5CM X 1.83M) | 500 |
| FIGURE 5-10. PLATFORM ASSEMBLY WITH FALL ARREST (6FT) | 502 |
| FIGURE 5-11. PLATFORM ASSEMBLY WITH GATE - 36IN X 8FT (91.5CM X 2.44M)..... | 504 |
| FIGURE 5-12. PLATFORM ASSEMBLY WITH DROP-BAR - 36IN X 8FT (91.5CM X 2.44M)..... | 506 |
| FIGURE 5-13. PLATFORM ASSEMBLY WITH 1 GATE / 2 DROP BARS (TRI-ENTRY) - 36IN X 8FT (91.5CM X 2.44M) | 508 |
| FIGURE 5-14. PLATFORM ASSEMBLY WITH 3 DROP BARS (TRI-ENTRY) - 36IN X 8FT (91.5CM X 2.44M) | 510 |
| FIGURE 5-15. PLATFORM ASSEMBLY WITH FALL ARREST (8FT) | 512 |
| FIGURE 5-16. CONSOLE AND FOOT SWITCH INSTALLATION..... | 514 |
| FIGURE 5-17. CONSOLE AND FOOT SWITCH INSTALLATION WITH TOWER STOW | 516 |
| FIGURE 5-18. CONSOLE BOX ASSEMBLY WITH FOOTSWITCH (WITHOUT TOWER STOW)..... | 518 |
| FIGURE 5-19. CONSOLE BOX ASSEMBLY WITH FOOTSWITCH (WITH TOWER STOW) | 522 |
| FIGURE 5-20. LIGHT PANEL INSTALLATION | 526 |
| FIGURE 5-21. FOOTSWITCH ASSEMBLY..... | 528 |
| FIGURE 5-22. JIB SWITCH INSTALLATION | 530 |
| FIGURE 5-23. SKYEYE INSTALLATION | 532 |
| FIGURE 5-24. SKYGUARD BAR INSTALLATION | 534 |
| FIGURE 5-25. SKYLINE INSTALLATION | 536 |
| FIGURE 5-26. STORAGE TRAY INSTALLATION - CENTER..... | 538 |
| FIGURE 5-27. MANUAL STORAGE BOX INSTALLATION..... | 540 |
| FIGURE 5-28. SKYCUTTER INSTALLATION..... | 542 |
| FIGURE 5-29. SKYWELDER/SKYCUTTER COMBO INSTALLATION (60HZ)..... | 544 |
| FIGURE 5-30. PLASMA CUTTER ASSEMBLY..... | 548 |
| FIGURE 5-31. SKYWELDER INSTALLATION (50HZ)..... | 550 |
| FIGURE 5-32. SKYWELDER INSTALLATION (60HZ)..... | 552 |
| FIGURE 5-33. WELDER ASSEMBLY | 554 |
| FIGURE 5-34. SKYWELDER PREP PACKAGE (60HZ) | 556 |
| FIGURE 5-35. SKYGLAZIER INSTALLATION (ALL SPECS EXCEPT CHINA AND JAPANESES SPECS) | 558 |
| FIGURE 5-36. SKYGLAZIER INSTALLATION (ENGLISH LANGUAGE DECALS)..... | 560 |
| FIGURE 5-37. SOFT TOUCH SYSTEM INSTALLATION - 6FT/1.83M PLATFORM..... | 562 |
| FIGURE 5-38. SOFT TOUCH SYSTEM INSTALLATION - 6FT/1.83M FALL ARREST PLATFORM..... | 564 |
| FIGURE 5-39. SOFT TOUCH SYSTEM INSTALLATION - 8FT/2.44M PLATFORM..... | 566 |
| FIGURE 5-40. SOFT TOUCH SYSTEM INSTALLATION - 8FT/2.44M FALL ARREST PLATFORM..... | 568 |

TABLE OF CONTENTS

| | |
|--|------------|
| FIGURE 5-41. FALL ARREST INSTALLATION (BOLT-ON) 30IN X 4FT (76CM X 1.22M) PLATFORM | 570 |
| FIGURE 5-42. FALL ARREST INSTALLATION (BOLT-ON) 36IN X 6FT (91.2CM X 1.82M) PLATFORM | 572 |
| FIGURE 5-43. FALL ARREST INSTALLATION (BOLT-ON) 30IN X 6FT (76CM X 1.83M) PLATFORM | 574 |
| FIGURE 5-44. FALL ARREST INSTALLATION (BOLT-ON) 36IN X 8FT (91.5CM X 2.4M) PLATFORM | 576 |
| FIGURE 5-45. FALL ARREST INSTALLATION (BOLT-ON) 36IN X 6FT (91.5CM X 1.82M) TRI-ENTRY PLATFORM)..... | 578 |
| FIGURE 5-46. USB CHARGER INSTALLATION | 580 |
| SECTION 6 - CYLINDER..... | 583 |
| FIGURE 6-1. AXLE LOCKOUT CYLINDER ASSEMBLY | 584 |
| FIGURE 6-2. LEVEL CYLINDER ASSEMBLY - PLATFORM SLAVE | 586 |
| FIGURE 6-3. LEVEL CYLINDER ASSEMBLY - UPRIGHT | 588 |
| FIGURE 6-4. LIFT CYLINDER ASSEMBLY - JIB | 590 |
| FIGURE 6-5. LIFT CYLINDER ASSEMBLY - MAIN BOOM..... | 592 |
| FIGURE 6-6. LIFT CYLINDER ASSEMBLY - TOWER BOOM | 594 |
| FIGURE 6-7. MASTER CYLINDER ASSEMBLY | 596 |
| FIGURE 6-8. STEER CYLINDER ASSEMBLY | 598 |
| FIGURE 6-9. TELESCOPE CYLINDER ASSEMBLY - MAIN BOOM..... | 600 |
| FIGURE 6-10. TELESCOPE CYLINDER ASSEMBLY - TOWER BOOM | 602 |
| SECTION 7 - HYDRAULIC | 605 |
| FIGURE 7-1. HYDRAULIC DIAGRAM - AXLE (OSCILLATING)..... | 606 |
| FIGURE 7-2. HYDRAULIC DIAGRAM - DRIVE (4WD/2WS WITHOUT TOW PACKAGE/WITHOUT ARCTIC PACKAGE)..... | 608 |
| FIGURE 7-3. HYDRAULIC DIAGRAM - DRIVE (4WD/2WS WITHOUT TOW PACKAGE/WITH ARCTIC PACKAGE) | 614 |
| FIGURE 7-4. HYDRAULIC DIAGRAM - DRIVE (4WD/2WS WITH TOW PACKAGE/WITHOUT ARCTIC PACKAGE) | 620 |
| FIGURE 7-5. HYDRAULIC DIAGRAM - DRIVE (4WD/2WS WITH TOW PACKAGE/WITH ARCTIC PACKAGE)..... | 626 |
| FIGURE 7-6. HYDRAULIC DIAGRAM - DRIVE (4WD/2WS WITH TOW PACKAGE)(CE & UK CA SPECS ONLY) | 632 |
| FIGURE 7-7. HYDRAULIC DIAGRAM - DRIVE (4WD/2WS WITH TOW PACKAGE AND ARCTIC PACKAGE)(ANSI SPEC ONLY) | 638 |
| FIGURE 7-8. HYDRAULIC DIAGRAM - DRIVE (4WD/2WS WITHOUT TOW PACKAGE AND WITHOUT ARCTIC PACKAGE)(ALL SPECS)..... | 644 |
| FIGURE 7-9. HYDRAULIC DIAGRAM - DRIVE (4WD/2WS WITHOUT TOW PACKAGE AND WITH ARCTIC PACKAGE)(CSA AND ANSI SPECS)..... | 650 |
| FIGURE 7-10. HYDRAULIC DIAGRAM - STANDARD | 656 |
| SECTION 8 - ELECTRICAL..... | 661 |
| FIGURE 8-1. 800AJ HC3 ELECTRICAL LAYOUT | 662 |
| FIGURE 8-2. AC BOX AT PLATFORM INSTALLATION - 110V GFI RECEPTACLE (ALL SPECS EXCEPT AUSTRALIAN, CE & UK CA SPECS)..... | 676 |
| FIGURE 8-3. AC BOX AT PLATFORM INSTALLATION - 220V (ANSI, CSA & JAPANESE SPECS)..... | 678 |
| FIGURE 8-4. AC BOX AT PLATFORM MID-BOOM PLUG INSTALLATION (WITH 4000W/60HZ GENERATOR) (ANSI, ANSI EXPORT, CSA & JAPANESE SPECS)..... | 680 |
| FIGURE 8-5. AC BOX AT PLATFORM MID-BOOM PLUG INSTALLATION (WITHOUT 7500W SKYPOWER GENERATOR) (ALL SPECS EXCEPT ANSI, JAPANESE & CSA SPECS)..... | 682 |
| FIGURE 8-6. AC BOX AT PLATFORM MID-BOOM PLUG INSTALLATION (WITH 7500W SKYPOWER GENERATOR) | 684 |
| FIGURE 8-7. AC BOX AT PLATFORM INSTALLATION - 110V IEC YELLOW (CE & UK CA SPECS) (MACHINES WITH 2500W GENERATOR OR NO GENERATOR OPTION) | 686 |
| FIGURE 8-8. AC BOX AT PLATFORM INSTALLATION - 110V IEC YELLOW (CE & UK CA SPECS) (MACHINES WITH 4000W GENERATOR) | 688 |

TABLE OF CONTENTS

| | |
|--|-----|
| FIGURE 8-9. AC BOX AT PLATFORM INSTALLATION - 220V IEC BLUE (CE & UK CA SPECS) (MACHINES WITH 2500W GENERATOR OR NO GENERATOR OPTION)..... | 690 |
| FIGURE 8-10. AC BOX AT PLATFORM INSTALLATION - 220V IEC BLUE (CE & UK CA SPECS) (MACHINES WITH 4000W GENERATOR)..... | 692 |
| FIGURE 8-11. AC BOX AT PLATFORM INSTALLATION - 220V CEE7 POST GROUND (CE & UK CA SPECS) (MACHINES WITH 2500W GENERATOR OR NO GENERATOR OPTION) | 694 |
| FIGURE 8-12. AC BOX AT PLATFORM INSTALLATION - 220V CEE7 POST GROUND (CE & UK CA SPECS) (MACHINES WITH 4000W GENERATOR) | 696 |
| FIGURE 8-13. AC BOX AT PLATFORM INSTALLATION - 220V CEE7 SIDE GROUND (CE & UK CA SPECS) (MACHINES WITH 2500W GENERATOR OR NO GENERATOR OPTION) | 698 |
| FIGURE 8-14. AC BOX AT PLATFORM INSTALLATION - 220V CEE7 SIDE GROUND (CE & UK CA SPECS) (MACHINES WITH 4000W GENERATOR) | 700 |
| FIGURE 8-15. AC BOX AT PLATFORM INSTALLATION - 220V AFSINT 107 KEYED GROUND (CE & UK CA SPECS) (MACHINES WITH 2500W GENERATOR OR NO GENERATOR OPTION) | 702 |
| FIGURE 8-16. AC BOX AT PLATFORM INSTALLATION - 220V AFSINT 107 KEYED GROUND (CE & UK CA SPECS) (MACHINES WITH 4000W GENERATOR) | 704 |
| FIGURE 8-17. AC BOX AT PLATFORM INSTALLATION - 220V (2X4 BOX & COVER ONLY - LOCALLY SUPPLIED RECEPTACLE) (4000W GENERATOR) | 706 |
| FIGURE 8-18. AC BOX AT PLATFORM INSTALLATION - 240V GFCI RECEPTACLE (ALL SPECS EXCEPT CE, UK CA, AUSTRALIAN & CHINESE SPECS WITH 4000W SKYPOWER GENERATOR) | 708 |
| FIGURE 8-19. AC BOX AT PLATFORM INSTALLATION - 240V GFCI RECEPTACLE (ALL SPECS EXCEPT CE, UK CA, AUSTRALIAN & CHINESE SPECS WITH 7500W SKYPOWER GENERATOR)..... | 710 |
| FIGURE 8-20. BEACON CONTROL HARNESS (BLUE AND RED STROBE LIGHTS)..... | 712 |
| FIGURE 8-21. BATTERY DISCONNECT | 714 |
| FIGURE 8-22. BOOM CABLES INSTALLATION - WITH 2500W GENERATOR | 716 |
| FIGURE 8-23. BOOM CABLES INSTALLATION - WITH 4000W GENERATOR (50HZ) | 718 |
| FIGURE 8-24. BOOM CABLES INSTALLATION - WITH 4000W GENERATOR (60HZ) | 720 |
| FIGURE 8-25. BOOM CABLES INSTALLATION - WITH 7500W SKYPOWER GENERATOR..... | 722 |
| FIGURE 8-26. BOOM CABLE - MAIN BOOM | 724 |
| FIGURE 8-27. BOOM CABLE (TOWER BOOM)..... | 726 |
| FIGURE 8-28. BOOM VALVE HARNESS | 728 |
| FIGURE 8-29. BREAKER BOX INSTALLATION (BRAZIL SPECS)..... | 730 |
| FIGURE 8-30. BREAKER BOX INSTALLATION (CE & UK CA SPECS WITHOUT 4000W GENERATOR)..... | 732 |
| FIGURE 8-31. BREAKER BOX KIT - ONE DOUBLE 16AMP BREAKER (BRAZIL, CE & UK CA SPECS WITHOUT 4000W GENERATOR)..... | 734 |
| FIGURE 8-32. BREAKER BOX KIT - WITH 3 BREAKERS (CE & UK CA SPECS WITH 4000W GENERATOR) | 736 |
| FIGURE 8-33. BREAKER BOX KIT - ONE DOUBLE 16AMP BREAKER (CE & UK CA SPECS WITH 4000W GENERATOR).. | 738 |
| FIGURE 8-34. CBS HARNESS | 740 |
| FIGURE 8-35. CLEARSKY INSTALLATION - CANBUS (ANSI SPECS)..... | 742 |
| FIGURE 8-36. CLEARSKY INSTALLATION - CANBUS (AUSTRALIAN SPECS) | 744 |
| FIGURE 8-37. CLEARSKY INSTALLATION - CANBUS (CE SPECS)..... | 746 |
| FIGURE 8-38. CLEARSKY INSTALLATION - CANBUS (CHINA SPECS)..... | 748 |
| FIGURE 8-39. CLEARSKY INSTALLATION - 3-WIRE (ANSI & CSA SPECS) | 750 |
| FIGURE 8-40. CLEARSKY INSTALLATION - 3-WIRE (ANSI EXPORT, CE & UK CA SPECS)..... | 752 |
| FIGURE 8-41. CLEARSKY INSTALLATION 3-WIRE CONNECTION (ALL SPECS) | 754 |
| FIGURE 8-42. CLEARSKY TELEMATCIS HARNESS (3-WIRE) | 756 |
| FIGURE 8-43. CLEARSKY TELEMATICS HARNESS | 758 |
| FIGURE 8-44. CLEARSKY TELEMATCIS HARNESS (CANBUS)..... | 760 |
| FIGURE 8-45. ECU POWER JUMPER HARNESS..... | 762 |

TABLE OF CONTENTS

| | |
|--|-----|
| FIGURE 8-46. ENGINE HARNESS - DEUTZ D2011 ENGINES..... | 764 |
| FIGURE 8-47. GROUND CONTROL ENGINE HARNESS - DEUTZ TD2.9L4 (STAGE V) ENGINE | 766 |
| FIGURE 8-48. ENGINE HARNESS - DEUTZ TD2.9L4 ENGINES AND DEUTZ TD2.9L4 (STAGE V PRE-BUY) ENGINES..... | 768 |
| FIGURE 8-49. ENGINE HARNESS - DEUTZ TD2.9L4 (STAGE V) ENGINES | 772 |
| FIGURE 8-50. ENGINE HARNESS - FORD ENGINES | 776 |
| FIGURE 8-51. FUEL PUMP HARNESS - DEUTZ TD2.9L4 ENGINES | 778 |
| FIGURE 8-52. FUEL HARNESS - DEUTZ TD2.9L4 (STAGE V) ENGINE..... | 780 |
| FIGURE 8-53. GENERATOR HARNESS - 4000W GENERATOR | 782 |
| FIGURE 8-54. GENERATOR HARNESS - 7500W SKYPOWER GENERATOR..... | 784 |
| FIGURE 8-55. GENERATOR TO ENGINE HARNESS - 2500W (FORD ENGINES)..... | 786 |
| FIGURE 8-56. GENERATOR TO ENGINE HARNESS - 4000W (DEUTZ D2011 ENGINES)..... | 788 |
| FIGURE 8-57. GENERATOR TO ENGINE HARNESS - 4000W (DEUTZ TD2.9L4 ENGINES) | 790 |
| FIGURE 8-58. GENERATOR TO ENGINE HARNESS - 7500W SKYPOWER GENERATOR (DEUTZ D2011 ENGINES) | 792 |
| FIGURE 8-59. GENERATOR TO ENGINE HARNESS - 7500W SKYPOWER (FORD DF 2.5L ENGINES)..... | 794 |
| FIGURE 8-60. GENERATOR HARNESS - 7500W SKYPOWER (DEUTZ TD2.9L4 T4F ENGINES) | 796 |
| FIGURE 8-61. GENERATOR TO REAR OF BOOM HARNESS - 110V | 798 |
| FIGURE 8-62. GENERATOR TO REAR OF BOOM HARNESS - 220V | 800 |
| FIGURE 8-63. GROUND CONTROL BOX HARNESS | 802 |
| FIGURE 8-64. MID BOOM PROXIMITY SENSOR HARNESS | 806 |
| FIGURE 8-65. PLATFORM CONSOLE BOX HARNESS..... | 808 |
| FIGURE 8-66. RECEPTACLE BOX KIT - 110V IEC YELLOW (CE & UK CA SPECS)..... | 810 |
| FIGURE 8-67. RECEPTACLE BOX KIT - 220V IEC BLUE (CE & UK CA SPECS)..... | 812 |
| FIGURE 8-68. RECEPTACLE BOX KIT - 220V CEE7 POST GROUND 2X4 BOX (CE & UK CA SPEC)..... | 814 |
| FIGURE 8-69. RECEPTACLE BOX KIT - 220V CEE7 SIDE GROUND 2X4 BOX (CE & UK CA SPEC) | 816 |
| FIGURE 8-70. RECEPTACLE BOX KIT - 220V AFSINT107 KEYED GROUND (CE & UK CA SPECS)..... | 818 |
| FIGURE 8-71. SKYEYE EMITTER HARNESS | 820 |
| FIGURE 8-72. SKYEYE INTERMEDIATE HARNESS | 822 |
| FIGURE 8-73. SKYEYE RECEIVER HARNESS..... | 824 |
| FIGURE 8-74. SKYLINE HARNESS | 826 |
| FIGURE 8-75. SKYGUARD INTERFACE HARNESS..... | 828 |
| FIGURE 8-76. STROBE LIGHT JUMPER HARNESS | 830 |
| FIGURE 8-77. TOWER STOW HARNESS | 832 |
| FIGURE 8-78. VALVE HARNESS..... | 834 |
| FIGURE 8-79. WHITE NOISE ALARM HARNESS | 836 |
| SECTION 9 - DECALS | 839 |
| FIGURE 9-1. DECAL INSTALLATION (ANSI SPECS) | 840 |
| FIGURE 9-2. DECAL INSTALLATION (AUSTRALIAN SPECS) | 844 |
| FIGURE 9-3. DECAL INSTALLATION (BRAZILIAN SPECS) | 848 |
| FIGURE 9-4. DECAL INSTALLATION (CE & UK CA SPECS) | 852 |
| FIGURE 9-5. DECAL INSTALLATION (CHINA SPECS)..... | 856 |
| FIGURE 9-6. DECAL INSTALLATION (CSA SPECS) | 860 |
| FIGURE 9-7. DECAL INSTALLATION (JAPANESE SPECS)..... | 864 |
| FIGURE 9-8. DECAL INSTALLATION (KOREAN SPECS)..... | 868 |
| FIGURE 9-9. DECAL INSTALLATION (LATIN AMERICAN SPECS)..... | 872 |
| FIGURE 9-10. DECAL INSTALLATION - OPTIONS..... | 876 |

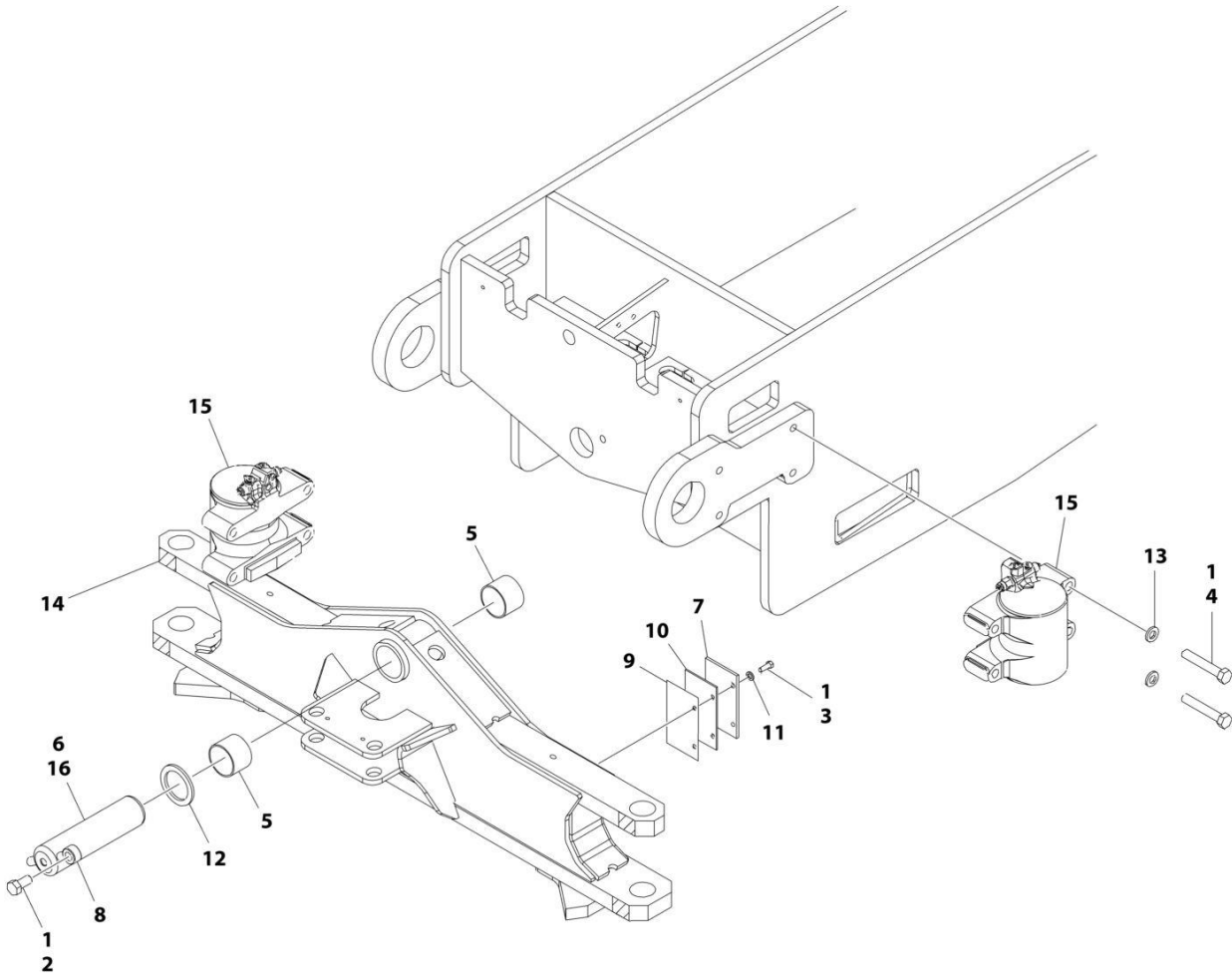
TABLE OF CONTENTS

| | |
|--|-----|
| FIGURE 9-11. SKYCUTTER DECAL INSTALLATION | 880 |
| FIGURE 9-12. SKYWELDER DECAL INSTALLATION - 50HZ | 882 |
| FIGURE 9-13. DECAL INSTALLATION - SKYWELDER (60HZ) | 884 |
| SECTION 10 - RECOMMENDED SERVICE PARTS STOCK | 887 |
| FIGURE 10-1. RECOMMENDED SERVICE PARTS STOCK | 888 |
| SECTION 11 - SPECIAL OPTIONS | 891 |
| FIGURE 11-1. SPECIAL OPTIONS/ACCESSORES/KITS | 892 |
| PART NUMBER INDEX | 897 |

SECTION 1 - FRAME

SECTION 1 - FRAME

FIGURE 1-1. AXLE INSTALLATION - OSCILLATING



ART_1001154584

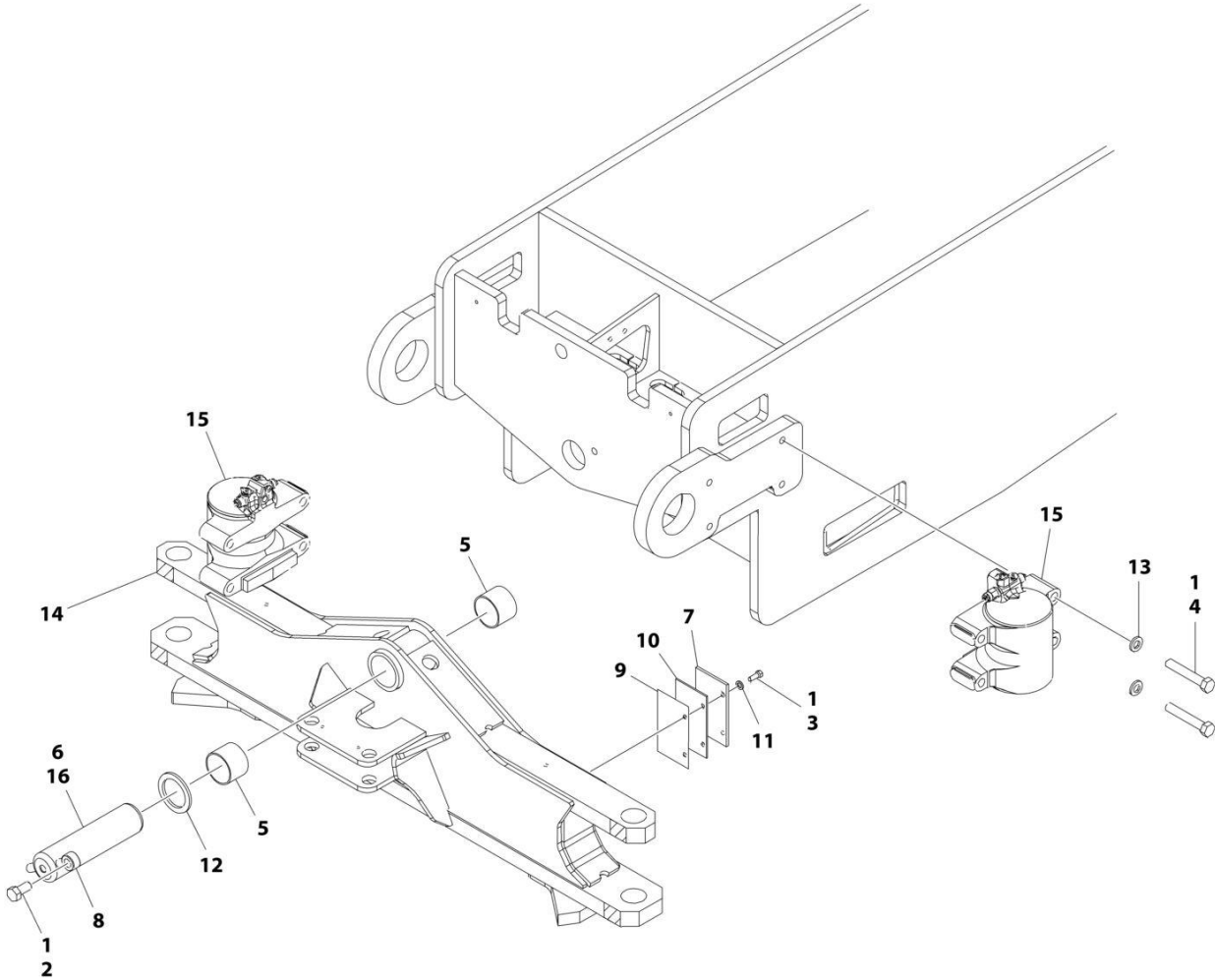
SECTION 1 - FRAME

FIGURE 1-1. AXLE INSTALLATION - OSCILLATING

| ITEM | PART NUMBER | QTY | DESCRIPTION | REV |
|------|-------------|-----|---|-----|
| | 1001154584 | Ref | AXLE INSTALLATION | D |
| 1 | 0100011 | AR | Compound, Locking | |
| 2 | 0642212 | 1 | Bolt 3/4 x 1-1/2 | |
| 3 | 0681608 | 4 | Bolt 3/8 x 1 Grade 8 | |
| 4 | 0682236 | 8 | Bolt 3/4 x 4-1/2 Grade 8 | |
| 5 | 0962102 | 2 | Bushing | |
| 6 | 3020039 | AR | Lubricant | |
| 7 | 3538047 | 2 | Shim .25 | |
| 8 | 3841287 | 1 | Keeper, Pin | |
| 9 | 4070878 | AR | Shim 16 Gauge | |
| 10 | 4070879 | AR | Shim 11 Gauge | |
| 11 | 4711600 | 4 | Washer 3/8 | |
| 12 | 4740472 | 1 | Washer | |
| 13 | 4892200 | 8 | Washer 3/4 | |
| 14 | 1001152719 | 1 | Axle | |
| 15 | 1001204560 | 2 | Axle Lockout Cylinder Assembly (See Separate Breakdown in CYLINDER SECTION) | |
| 16 | 1001156710 | 1 | Pin | |

SECTION 1 - FRAME

FIGURE 1-2. AXLE INSTALLATION - OSCILLATING WITH TOW PACKAGE



ART_1001155194

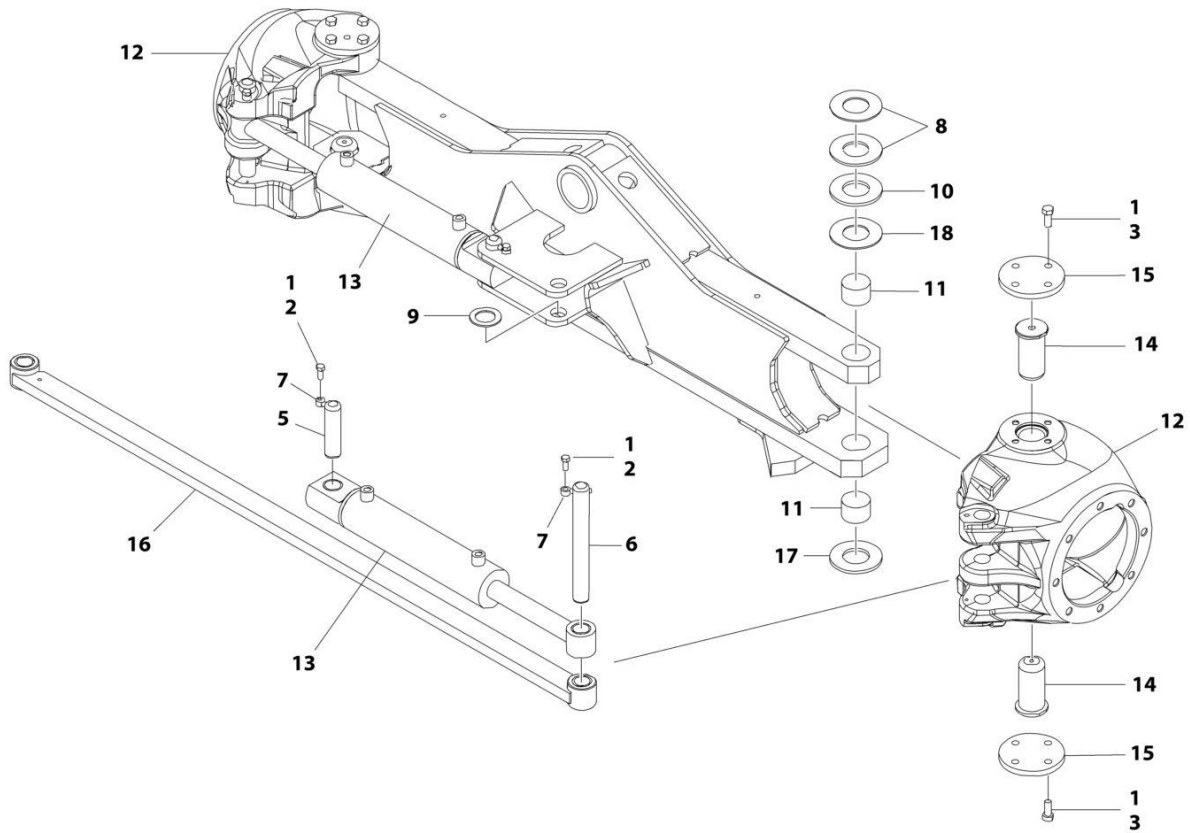
SECTION 1 - FRAME

FIGURE 1-2. AXLE INSTALLATION - OSCILLATING WITH TOW PACKAGE

| ITEM | PART NUMBER | QTY | DESCRIPTION | REV |
|------|-------------|-----|---|-----|
| | 1001155194 | Ref | AXLE INSTALLATION | D |
| 1 | 0100011 | AR | Compound, Locking | |
| 2 | 0642212 | 1 | Bolt 3/4 x 1-1/2 | |
| 3 | 0681608 | 4 | Bolt 3/8 x 1 Grade 8 | |
| 4 | 0682236 | 8 | Bolt 3/4 x 4-1/2 Grade 8 | |
| 5 | 0962102 | 2 | Bushing | |
| 6 | 3020039 | AR | Lubricant | |
| 7 | 3538047 | 2 | Shim .25 | |
| 8 | 3841287 | 1 | Keeper, Pin | |
| 9 | 4070878 | AR | Shim 16 Gauge | |
| 10 | 4070879 | AR | Shim 11 Gauge | |
| 11 | 4711600 | 4 | Washer 3/8 | |
| 12 | 4740472 | 1 | Washer | |
| 13 | 4892200 | 8 | Washer 3/4 | |
| 14 | 1001154875 | 1 | Axle | |
| 15 | 1001204560 | 2 | Axle Lockout Cylinder Assembly (See Separate Breakdown in CYLINDER SECTION) | |
| 16 | 1001156710 | 1 | Pin | |

SECTION 1 - FRAME

FIGURE 1-3. STEER INSTALLATION - 2WS



ART_1001151034

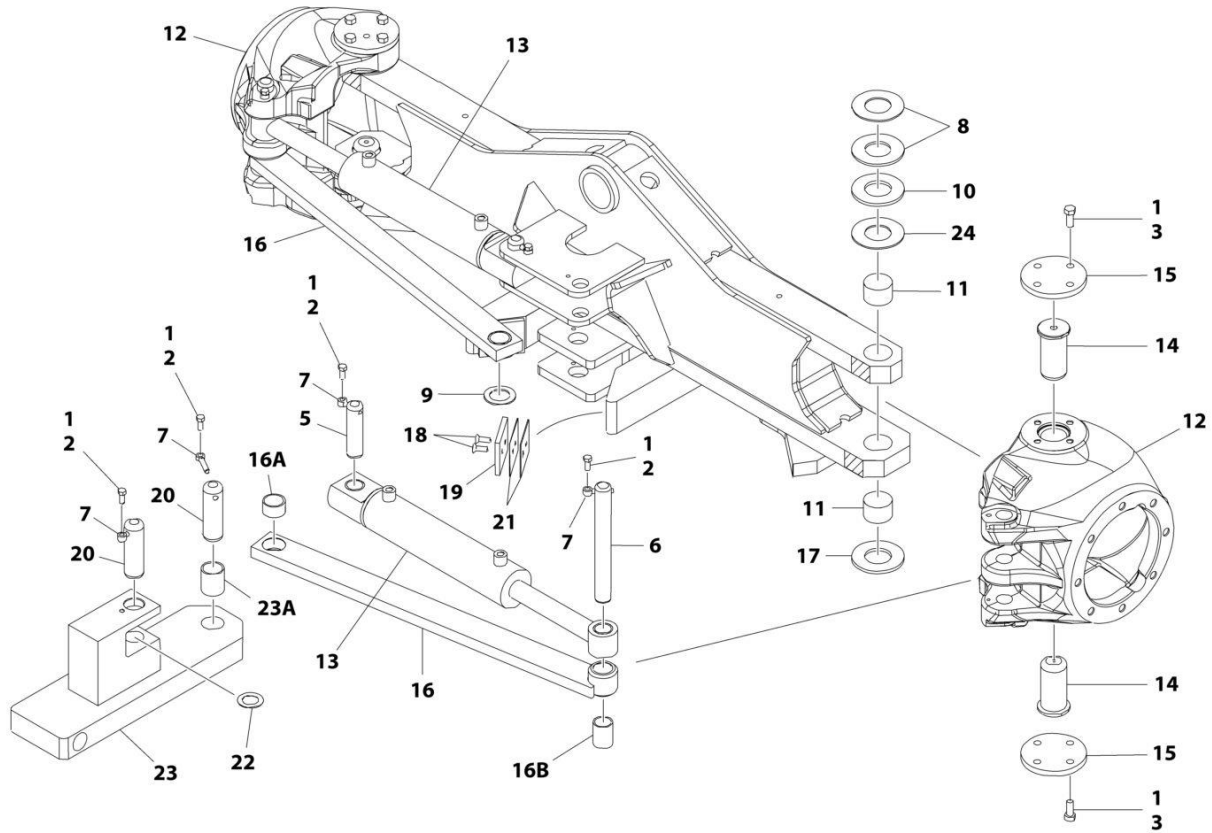
SECTION 1 - FRAME

FIGURE 1-3. STEER INSTALLATION - 2WS

| ITEM | PART NUMBER | QTY | DESCRIPTION | REV |
|------|-------------|-----|--|-----|
| | 1001151034 | Ref | STEER INSTALLATION | H |
| 1 | 0100011 | AR | Compound, Locking | |
| 2 | 0641607 | 4 | Bolt 3/8 x 7/8 | |
| 3 | 0641810 | 16 | Bolt 1/2 x 1-1/4 | |
| 5 | 3422417 | 2 | Pin | |
| 6 | 3422790 | 2 | Pin | |
| 7 | 3841520 | 4 | Keeper, Pin | |
| 8 | 4740256 | AR | Washer, Thrust | |
| 9 | 4740473 | 2 | Washer | |
| 10 | 1001103810 | AR | Washer, Thrust | |
| 11 | 1001165657 | 4 | Bearing | |
| 12 | 1001150372 | 2 | Spindle | |
| 13 | 1001150539 | 2 | Steer Cylinder Assembly (See Separate Breakdown in CYLINDER SECTION) | |
| 14 | 1001161355 | 4 | Kingpin | |
| 15 | 1001150937 | 4 | Plate | |
| 16 | 1001151980 | 1 | Tie-Rod | |
| 17 | 1001161399 | 2 | Washer, Thrust | |
| 18 | 4740463 | AR | Washer, Thrust | |

SECTION 1 - FRAME

FIGURE 1-4. STEER INSTALLATION - 2WS WITH TOW PACKAGE



ART_1001155192

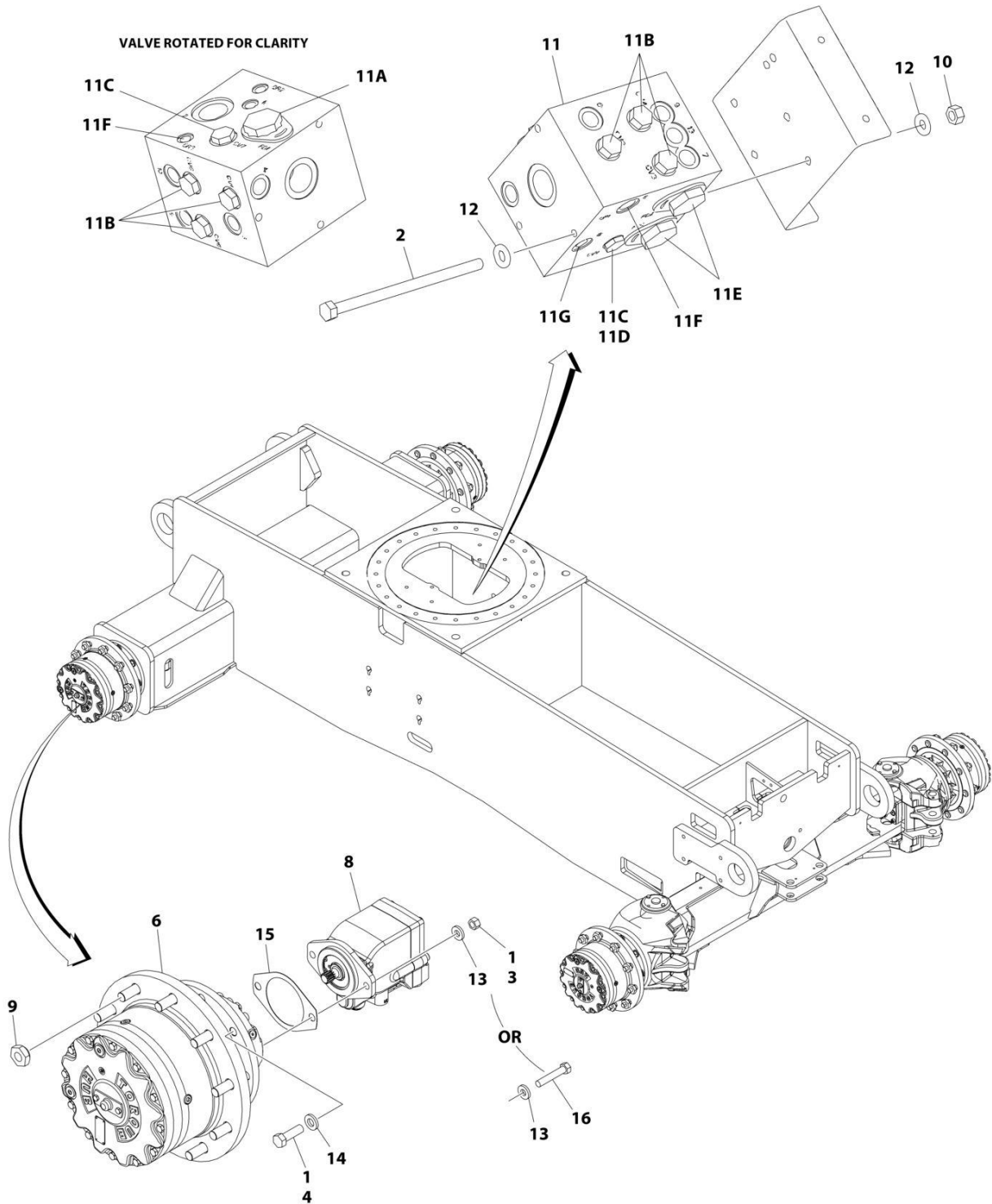
SECTION 1 - FRAME

FIGURE 1-4. STEER INSTALLATION - 2WS WITH TOW PACKAGE

| ITEM | PART NUMBER | QTY | DESCRIPTION | REV |
|------|-------------|-----|--|-----|
| | 1001155192 | Ref | STEER INSTALLATION | G |
| 1 | 0100011 | AR | Compound, Locking | |
| 2 | 0641607 | 6 | Bolt 3/8 x 7/8 | |
| 3 | 0641810 | 16 | Bolt 1/2 x 1-1/4 | |
| 5 | 3422417 | 2 | Pin | |
| 6 | 3422790 | 2 | Pin | |
| 7 | 3841520 | 6 | Keeper, Pin | |
| 8 | 4740256 | AR | Washer, Thrust | |
| 9 | 4740473 | 2 | Washer | |
| 10 | 1001103810 | AR | Washer, Thrust | |
| 11 | 1001165657 | 4 | Bearing | |
| 12 | 1001150372 | 2 | Spindle | |
| 13 | 1001150539 | 2 | Steer Cylinder Assembly (See Separate Breakdown in CYLINDER SECTION) | |
| 14 | 1001161355 | 4 | Kingpin | |
| 15 | 1001150937 | 4 | Plate | |
| 16 | 1001154931 | 2 | Tie-Rod | |
| 16A | 0962181 | 1 | Bushing | |
| 16B | 0962152 | 1 | Bushing | |
| 17 | 1001161399 | 2 | Washer, Thrust | |
| 18 | 0741609 | 4 | Screw 3/8 x 1-1/8 | |
| 19 | 3340966 | 2 | Pad, Stop | |
| 20 | 3422848 | 2 | Pin, Hitch | |
| 21 | 4071059 | AR | Shim 16 Gauge | |
| 22 | 4740155 | 3 | Washer, Thrust | |
| 23 | 1001155035 | 1 | Link | |
| 23A | 0962348 | 1 | Bushing | |
| 24 | 4740463 | AR | Washer, Thrust | |

SECTION 1 - FRAME

FIGURE 1-5. WHEEL DRIVE AND FRAME VALVES INSTALLATION - 4WD/2WS



ART_1001157016

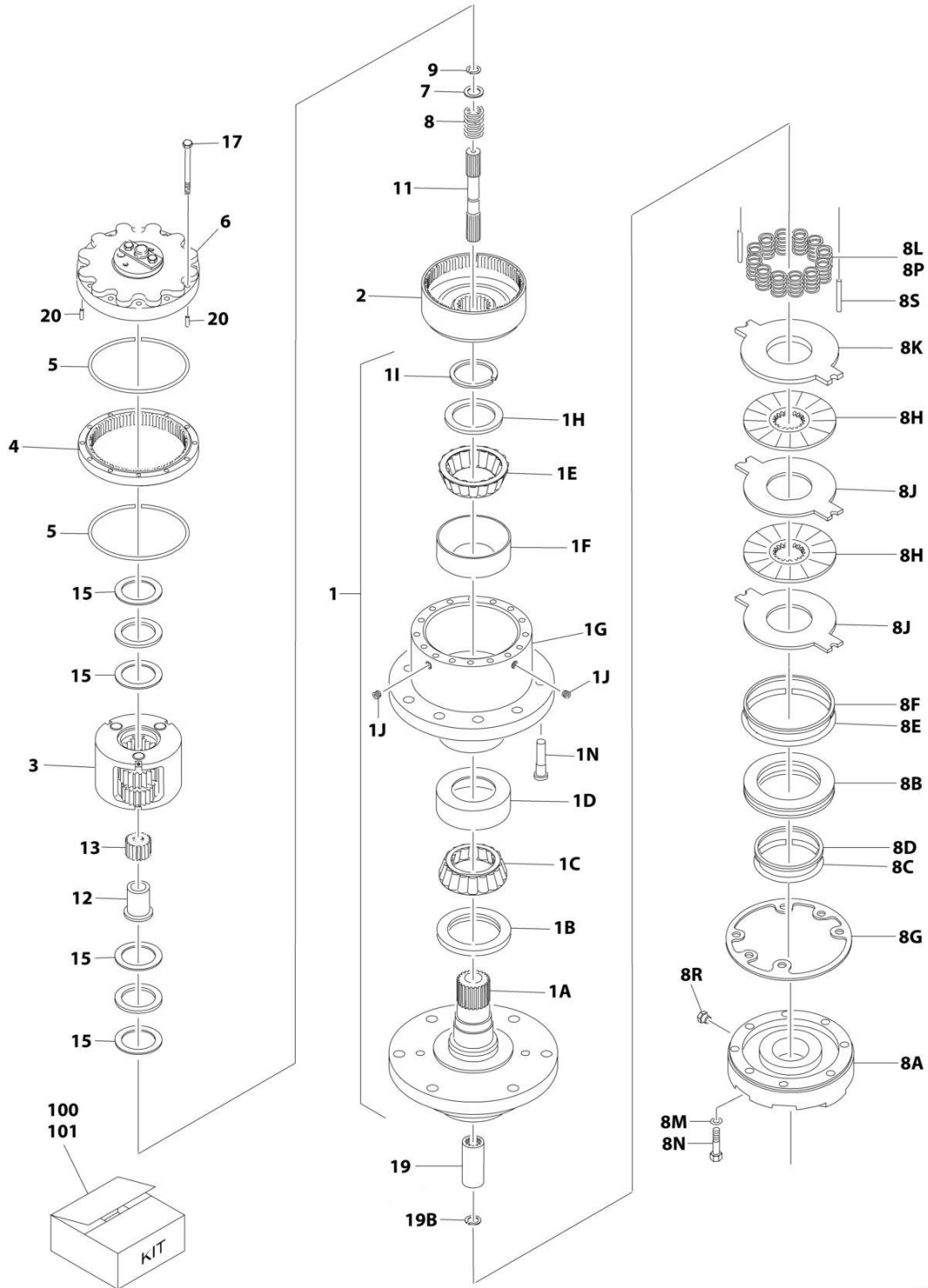
SECTION 1 - FRAME

FIGURE 1-5. WHEEL DRIVE AND FRAME VALVES INSTALLATION - 4WD/2WS

| ITEM | PART NUMBER | QTY | DESCRIPTION | REV |
|------|-------------|-----|---|-----|
| | 1001157016 | Ref | WHEEL DRIVE AND FRAME VALVES INSTALLATION | E |
| 1 | 0100011 | AR | Compound, Locking | |
| 2 | 0641560 | 3 | Bolt 5/16 x 7-1/2 | |
| 3 | 3311801 | 8 | Nut 1/2 | |
| 4 | 0682016 | 32 | Bolt 5/8 x 2 Grade 8 | |
| 5 | 2300016 | AR | Fluid, Hydraulic (Not Shown) | |
| 6 | 1001219219 | 4 | Drive Hub Assembly (See Separate Breakdown in this Section) | |
| 8 | 3160348 | 4 | Drive Motor Assembly (See Separate Breakdown in this Section) | |
| 9 | 3300007 | 40 | Nut, Wheel | |
| 10 | 3311505 | 3 | Nut 5/16 | |
| 11 | 4641303 | 1 | Flow Divider Valve Assembly | C |
| 11A | 7023933 | 1 | Cartridge, Flow Divider | |
| 11A | 7021625 | 1 | Seal Kit - 7023933 Cartridge | |
| 11B | 7022397 | 6 | Cartridge, Check | |
| 11B | 7022399 | 6 | Seal Kit - 7022397 Cartridge | |
| 11C | 7021639 | 2 | Cartridge, Check Valves | |
| 11C | 2900756 | 2 | Seal Kit - 7021639 Cartridge | |
| 11D | 7024881 | 1 | Piston, Pilot | |
| 11E | 7023917 | 2 | Cartridge, Flow Divider | |
| 11E | 7021625 | 2 | Seal Kit - 7023917 Cartridge | |
| 11F | 70003935 | 2 | Orifice | |
| 11G | 70003936 | 1 | Orifice | |
| 12 | 4711500 | 6 | Washer 5/16 | |
| 13 | 4891800 | 8 | Washer 1/2 | |
| 14 | 4892000 | 32 | Washer 5/8 | |
| 15 | 3960526 | 2 | Gasket | |
| 16 | 0681822 | 4 | Bolt 1/2 x 2-3/4 | |

SECTION 1 - FRAME

FIGURE 1-6. DRIVE HUB/BRAKE ASSEMBLY



ART_1001219219

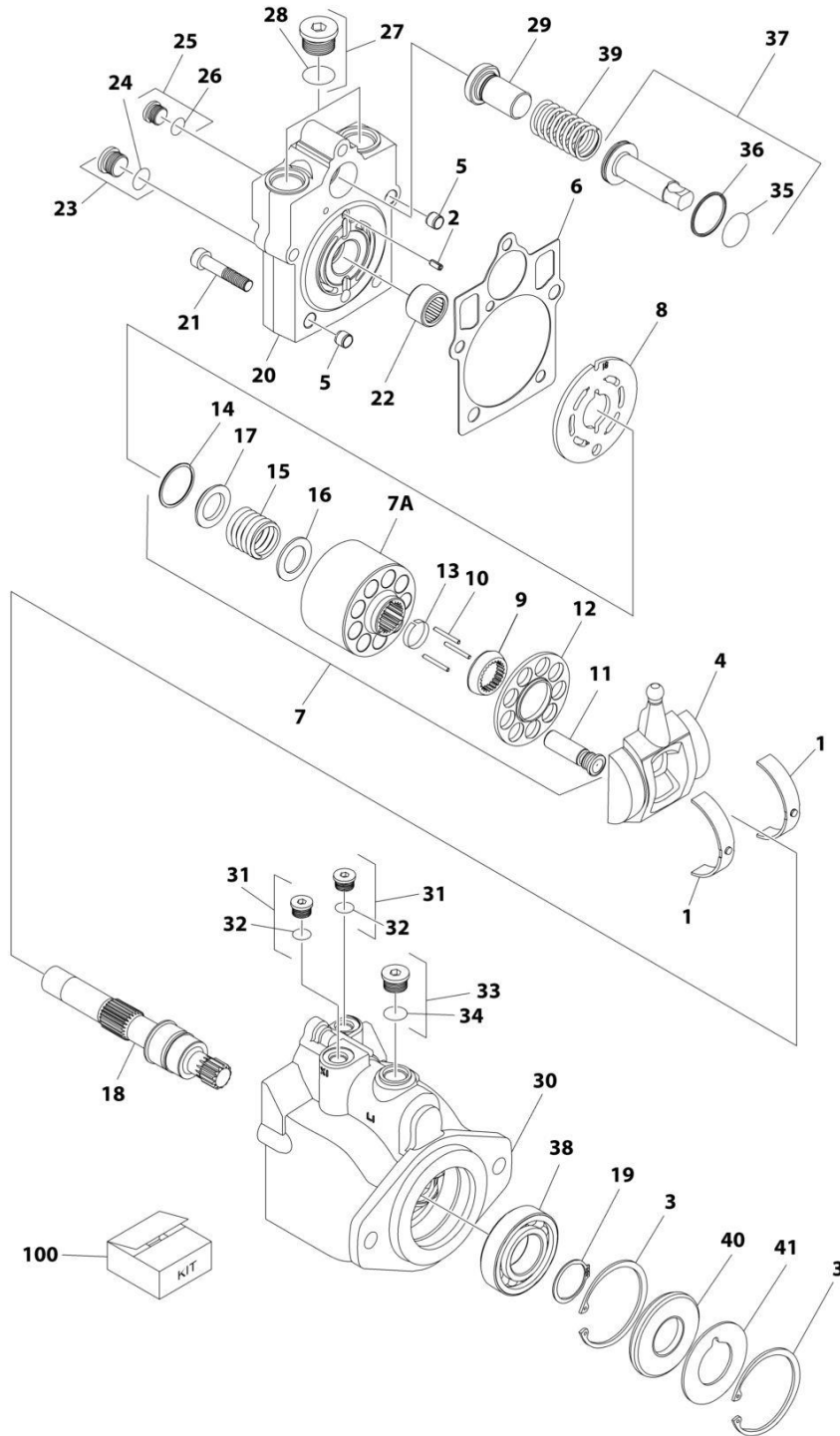
SECTION 1 - FRAME

FIGURE 1-6. DRIVE HUB/BRAKE ASSEMBLY

| ITEM | PART NUMBER | QTY | DESCRIPTION | REV |
|------|-------------|-----|---|-----|
| | 1001219219 | Ref | DRIVE HUB/BRAKE ASSEMBLY | C |
| 1 | See Note | NSS | Spindle/Housing Assembly (Note: Not Available - Purchase Individual Components) | |
| 1A | 70006677 | 1 | Spindle | |
| 1B | 70006678 | 1 | Seal | |
| 1C | 1001091460 | 1 | Cone, Bearing | |
| 1D | 1001091460 | 1 | Cup, Bearing | |
| 1E | 1001091461 | 1 | Cone, Bearing | |
| 1F | 1001091461 | 1 | Cup, Bearing | |
| 1G | See Note | NSS | Housing (Note: Not Available - Not Available for Purchase) | |
| 1H | 7000239 | 1 | Thrustwasher | |
| 1I | 7000240 | 1 | Ring, Retaining | |
| 1J | 7001928 | 1 | Plug, Pipe | |
| 1N | See Note | NSS | Stud, Wheel (Note: Not Available - Not Available for Purchase) | |
| 2 | 7024782 | 1 | Gear, Ring | |
| 3 | 70006673 | 1 | Carrier Assembly | |
| 4 | 7024151 | 1 | Gear, Internal | |
| 5 | 7000224 | 2 | O-Ring | |
| 6 | 70006674 | NSS | Cover Assembly (Note: Not Available - Not Available for Purchase) | |
| 7 | 70006691 | 1 | Thrustwasher | |
| 8 | 7000283 | 1 | Spring | |
| 8A | 7024191 | 1 | Housing, Piston | |
| 8B | 70006684 | 1 | Piston | |
| 8C | See Note | NSS | O-Ring (Note: Use Item 101) | |
| 8D | See Note | NSS | Ring, Back-up (Note: Use Item 101) | |
| 8E | See Note | NSS | O-Ring (Note: Use Item 101) | |
| 8F | See Note | NSS | Ring, Back-up (Note: Use Item 101) | |
| 8G | See Note | NSS | Gasket (Note: Use Items 100 & 101) | |
| 8H | See Note | NSS | Brake, Stator (Note: Use Item 100) | |
| 8J | See Note | NSS | Brake, Rotor (Note: Use Item 100) | |
| 8K | See Note | NSS | Plate, Pressure (Note: Use Item 100) | |
| 8L | 80344004 | 10 | Spring | |
| 8M | 70006685 | 6 | Capscrew | |
| 8N | 70006690 | 6 | Lockwasher | |
| 8P | 70006680 | 2 | Spring | |
| 8R | 7017082 | 2 | Plug | |
| 8S | 7024190 | 2 | Pin, Dowel | |
| 9 | 7000284 | 1 | Ring, Retaining | |
| 11 | 70006675 | 1 | Shaft, Input | |
| 12 | 7024154 | 1 | Spacer, Input | |
| 13 | 7024149 | 1 | Gear, Sun | |
| 15 | 70006692 | 2 | Thrustwasher | |
| 17 | 7000289 | 12 | Bolt 3/8 x 2-1/2in (Grade 8) | |
| 19 | 70006676 | 1 | Coupling | |
| 19B | 7017028 | 1 | Ring, Retaining | |
| 20 | 7017047 | 2 | Pin, Dowel | |
| 100 | 70006832 | 1 | Friction Disc Kit (Includes Items 8G, 8H, 8J & 8K) | |
| 101 | 70006833 | 1 | Seal Kit (Includes Items - 8C-8G) | |

SECTION 1 - FRAME

FIGURE 1-7. DRIVE MOTOR ASSEMBLY - 4WD



ART_3160348

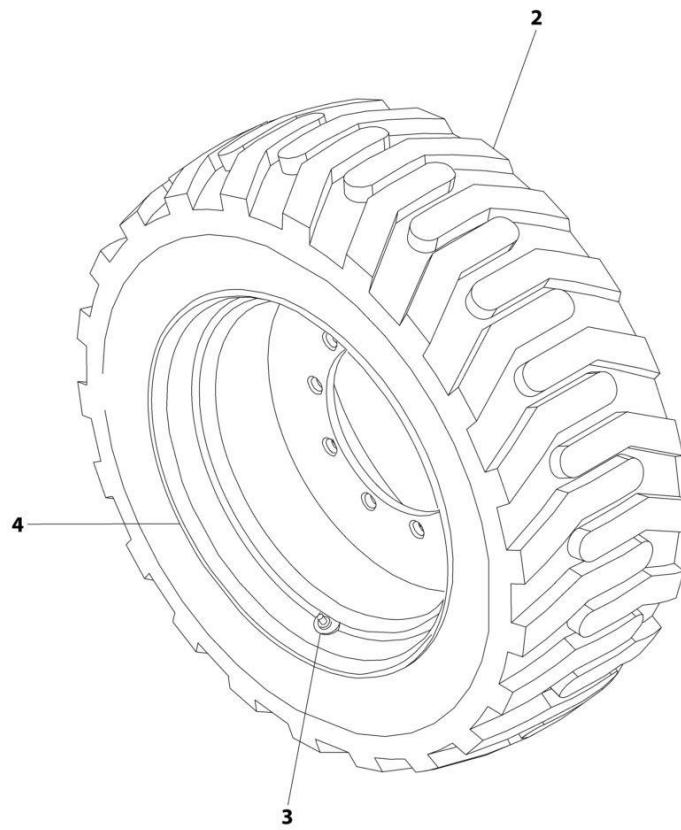
SECTION 1 - FRAME

FIGURE 1-7. DRIVE MOTOR ASSEMBLY - 4WD

| ITEM | PART NUMBER | QTY | DESCRIPTION | REV |
|------|-------------|-----|--|-----|
| | 3160348 | Ref | DRIVE MOTOR ASSEMBLY | D |
| 1 | 7022302 | 2 | Bearing, Journal | |
| 2 | 7007446 | 1 | Pin | |
| 3 | 7007438 | 2 | Ring, Retaining | |
| 4 | 7022305 | 1 | Swash Plate | |
| 5 | See Note | 2 | Pin (Note: Not Available for Purchase) | |
| 6 | See Note | NSS | Gasket (Note: Use Item 100) | |
| 7 | 7023907 | 1 | Cylinder Block Kit (Includes Items 7A & 9-17) | |
| 7A | See Note | NSS | Block, Cylinder (Note: Use Item 7) | |
| 8 | 7023908 | 1 | Plate, Valve | |
| 9 | 7021277 | 1 | Guide, Slipper Retainer | |
| 10 | 7021275 | 3 | Pin, Slipper Hold Down | |
| 11 | See Note | NSS | Piston Assembly (Note: Use Item 7) | |
| 12 | 7022310 | 1 | Retainer, Slipper | |
| 13 | 7021276 | 1 | Retainer, Hold Down Pin | |
| 14 | 7022311 | 1 | Ring, Retaining | |
| 15 | 7022312 | 1 | Spring | |
| 16 | 7024868 | 1 | Washer | |
| 17 | 7022314 | 1 | Retainer, Spring | |
| 18 | 7023910 | 1 | Shaft | |
| 19 | 7007439 | 1 | Ring, Retaining | |
| 20 | 70000797 | 1 | Cap, End - Axial | |
| 21 | 7022368 | 5 | Screw | |
| 22 | 7021249 | 1 | Bearing, Needle | |
| 23 | 2220886 | 1 | Plug (Includes Item 24) | |
| 24 | See Note | 1 | O-Ring (Note: Use Item 23 or 100) | |
| 25 | 2220883 | 1 | Plug (Includes Item 26) | |
| 26 | See Note | NSS | O-Ring (Note: Use Item 25 or 100) | |
| 27 | 2220888 | 2 | Plug (Includes Item 28) | |
| 28 | See Note | NSS | O-Ring (Note: Use Item 27 or 100) | |
| 29 | 7022372 | 1 | Seat, Spring | |
| 30 | See Note | NSS | Housing (Note: Not Available - Purchase Complete Assembly) | |
| 31 | 2220883 | 2 | Plug (Includes Item 32) | |
| 32 | See Note | NSS | O-Ring (Note: Use Item 31 or 100) | |
| 33 | 2220886 | 1 | Plug (Includes Item 34) | |
| 34 | See Note | NSS | O-Ring (Note: Use Item 33 or 100) | |
| 35 | See Note | NSS | O-Ring (Note: Use Item 100) | |
| 36 | See Note | NSS | Ring, Seal (Note: Use Item 100) | |
| 37 | 7024854 | 1 | Piston, Servo (Includes Items 35 & 36) | |
| 38 | 7007437 | 1 | Bearing | |
| 39 | 7022326 | 1 | Spring | |
| 40 | See Note | 1 | Seal, Lip (Note: Use Item 100) | |
| 41 | 7022371 | 1 | Washer, Support | |
| | | Ref | KIT OPTIONS: | |
| 100 | 7022328 | 1 | Seal Kit (Includes Items 6, 24, 26, 28, 32, 34, 35, 36 & 40) | |

SECTION 1 - FRAME

FIGURE 1-8. TIRE AND WHEEL INSTALLATION 18-625 NHS FOAM-FILLED TIRE



ART_0270888

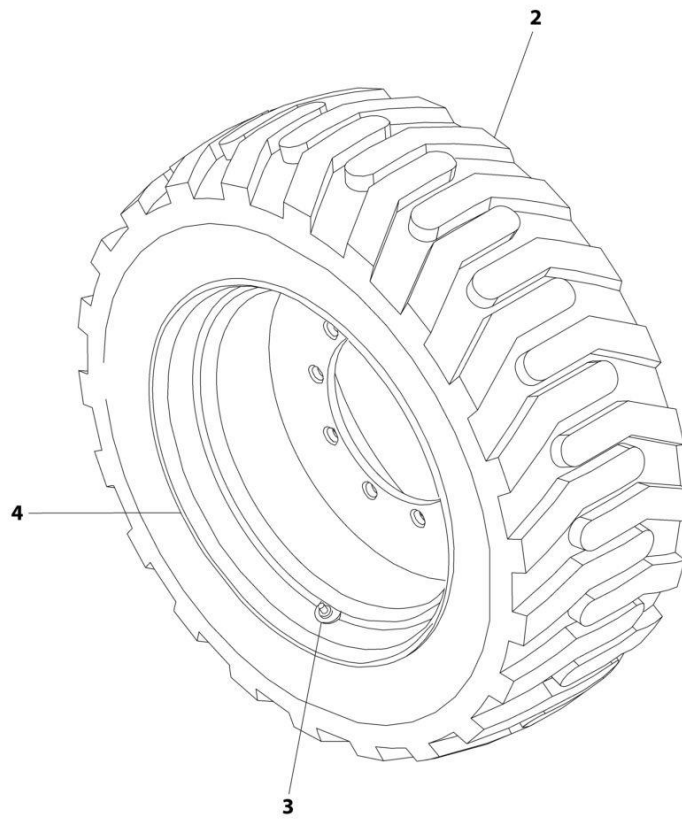
SECTION 1 - FRAME

FIGURE 1-8. TIRE AND WHEEL INSTALLATION 18-625 NHS FOAM-FILLED TIRE

| ITEM | PART NUMBER | QTY | DESCRIPTION | REV |
|------|-------------|-----|--|-----|
| | 0270888 | Ref | TIRE AND WHEEL INSTALLATION | C |
| | 0271090 | 2 | Tire and Wheel Assembly - 18-625 NHS Foam-Filled LH Side | G |
| | 0271091 | 2 | Tire and Wheel Assembly - 18-625 NHS Foam-Filled RH Side | G |
| | | Ref | Note: Assemblies may require ballast/foam filling to manufacturer's specifications prior to installing on a machine. Refer to Operation and Safety or Service and Maintenance Manuals. | |
| | | Ref | Purchase individual tire and/or rim only if able to foam fill tire and wheel assembly, otherwise, purchase complete assembly. | |
| 2 | 4520253 | 1 | Tire 18-625 | |
| 3 | 4641122 | 1 | Valve, Air | |
| 4 | 4860225 | 1 | Rim, Wheel - 15 x 24.5 Rim | |

SECTION 1 - FRAME

FIGURE 1-9. TIRE AND WHEEL INSTALLATION 18-625 NHS FOAM-FILLED NON-MARKING TIRE



ART_1001169757

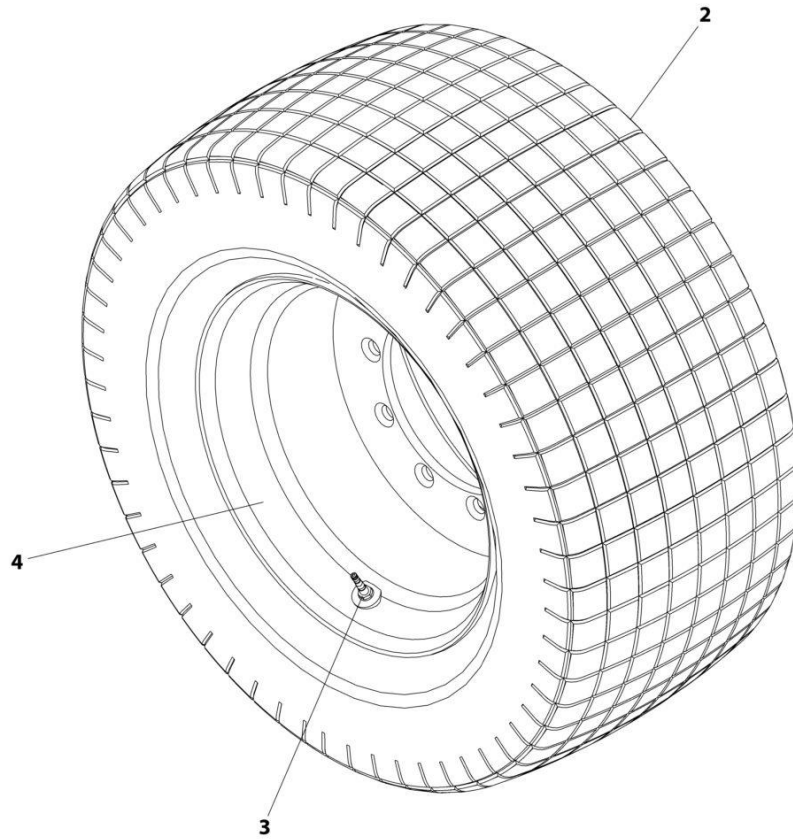
SECTION 1 - FRAME

FIGURE 1-9. TIRE AND WHEEL INSTALLATION 18-625 NHS FOAM-FILLED NON-MARKING TIRE

| ITEM | PART NUMBER | QTY | DESCRIPTION | REV |
|------|-------------|-----|--|-----|
| | 1001169757 | Ref | TIRE AND WHEEL INSTALLATION | A |
| | 1001169755 | 2 | Tire and Wheel Assembly - 18-625 NHS Foam-Filled Non-Marking LH Side | D |
| | 1001169756 | 2 | Tire and Wheel Assembly - 18-625 NHS Foam-Filled Non-Marking RH Side | D |
| | | Ref | Note: Assemblies may require ballast/foam filling to manufacturer's specifications prior to installing on a machine. Refer to Operation and Safety or Service and Maintenance Manuals. | |
| | | Ref | Purchase individual tire and/or rim only if able to foam fill tire and wheel assembly, otherwise, purchase complete assembly. | |
| 2 | 1001169754 | 1 | Tire 18-625 Non-Marking | |
| 3 | 4641122 | 1 | Valve, Air | |
| 4 | 4860225 | 1 | Rim, Wheel - 15 x 24.5 Rim | |

SECTION 1 - FRAME

FIGURE 1-10. TIRE AND WHEEL INSTALLATION 18-625 NHS FOAM-FILLED SAND TIRE



ART_1001243645

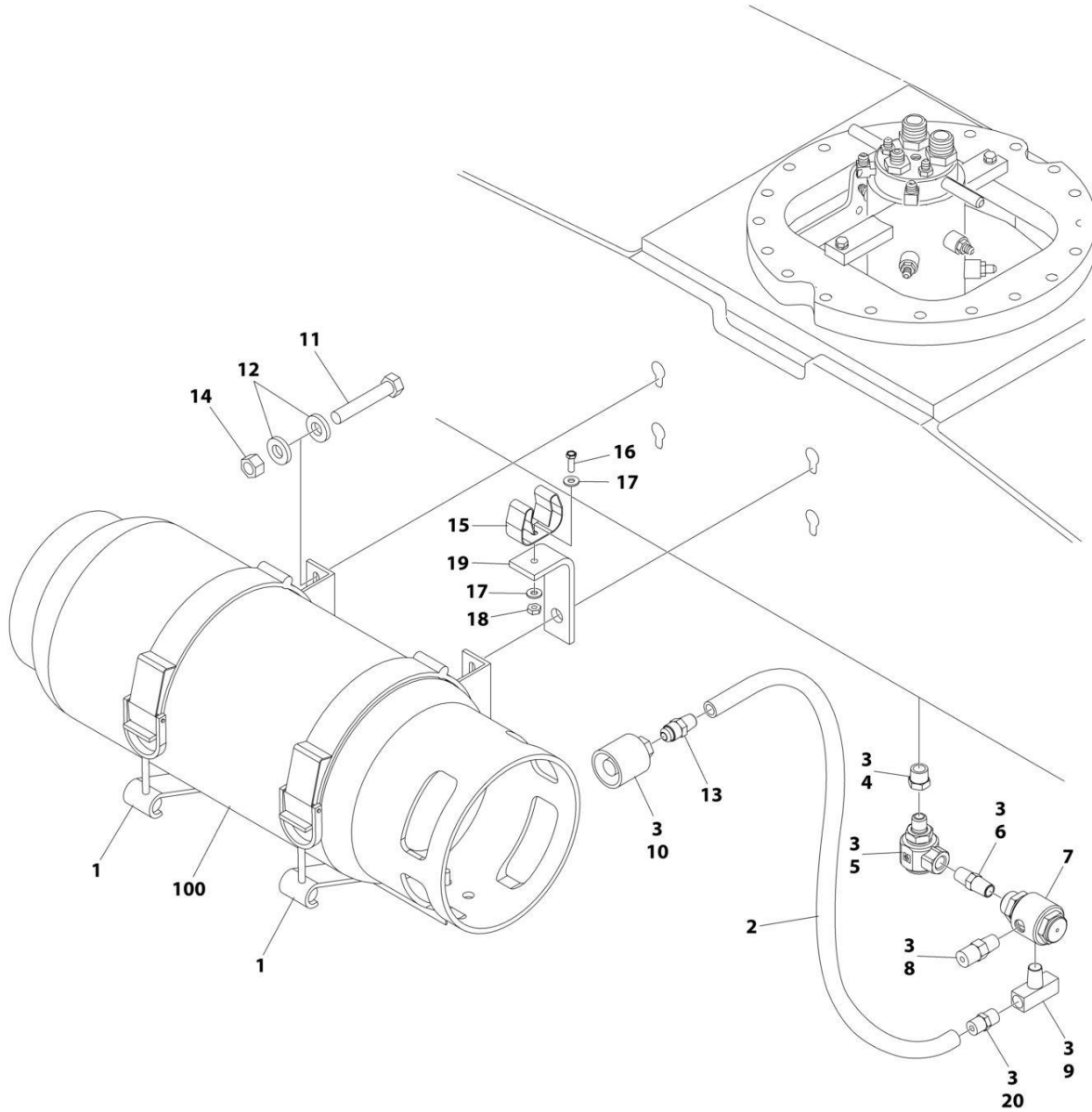
SECTION 1 - FRAME

FIGURE 1-10. TIRE AND WHEEL INSTALLATION 18-625 NHS FOAM-FILLED SAND TIRE

| ITEM | PART NUMBER | QTY | DESCRIPTION | REV |
|------|-------------|-----|--|-----|
| | 1001243645 | Ref | TIRE AND WHEEL INSTALLATION | A |
| | 1001245049 | 4 | Tire and Wheel Assembly - 18-625 NHS Foam-Filled Sand | B |
| | | Ref | Note: Assemblies may require ballast/foam filling to manufacturer's specifications prior to installing on a machine. Refer to Operation and Safety or Service and Maintenance Manuals. | |
| | | Ref | Purchase individual tire and/or rim only if able to foam fill tire and wheel assembly, otherwise, purchase complete assembly. | |
| 2 | 4520256 | 1 | Tire 18-625 Non-Marking | |
| 3 | 4641122 | 1 | Valve, Air | |
| 4 | 1001209982 | 1 | Rim, Wheel - 22.5 x 14 | |

SECTION 1 - FRAME

FIGURE 1-11. LP TANK BRACKETS INSTALLATIONS



ART_1001151010_E

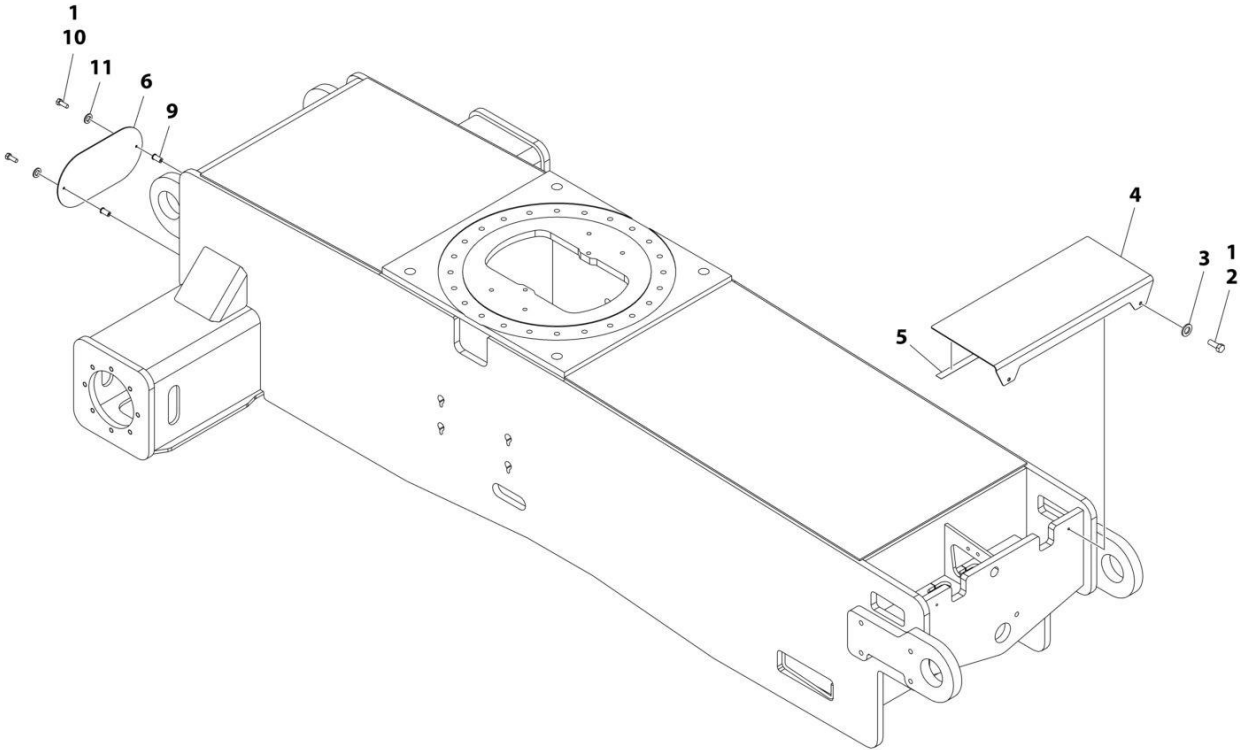
SECTION 1 - FRAME

FIGURE 1-11. LP TANK BRACKETS INSTALLATIONS

| ITEM | PART NUMBER | QTY | DESCRIPTION | REV |
|------|-------------|-----|---------------------------------|-----|
| | 1001151010 | Ref | LP TANK BRACKETS INSTALLATION | E |
| 1 | 1320220 | 2 | Clamp | |
| 1 | 1320127 | 2 | Clamp, Toggle (1 Per Clamp) | |
| 2 | 2720144 | 2 | Hose | |
| 3 | 0100020 | AR | Sealant, Pipe | |
| 4 | 2221197 | 1 | Fitting, Reducer | |
| 5 | 1001247358 | 1 | Fitting, 90 Swivel | |
| 6 | 2220261 | 1 | Fitting, Nipple | |
| 7 | 2180388 | 1 | Fitting, Bulkhead | |
| 8 | 2180389 | 1 | Valve, Relief | |
| 9 | 2220418 | 1 | Fitting, Tee | |
| 10 | 2180387 | 2 | Fitting, Straight | |
| 11 | 0641617 | 8 | Bolt 3/8 x 2-1/8 | |
| 12 | 4751600 | 16 | Washer 3/8 | |
| 13 | 2180418 | 2 | Fitting, Connector | |
| 14 | 3311605 | 8 | Nut 3/8 | |
| 15 | 1320218 | 2 | Clamp, Spring | |
| 16 | 0720804 | 2 | Screw #8 x 1/2 | |
| 17 | 4750800 | 4 | Washer #8 | |
| 18 | 3310805 | 2 | Nut #8 | |
| 19 | 0181949 | 2 | Angle, Support | |
| 20 | 2221024 | 2 | Fitting, Union Ball Check | |
| 100 | 4400275 | 1 | Tank, LP - 43.5 Lbs. (Aluminum) | |
| 100 | 4400420 | 1 | Tank, LP - 43.5 Lbs. (Steel) | |

SECTION 1 - FRAME

FIGURE 1-12. FRAME SHIELDS INSTALLATION - 2WS



ART_1001158203

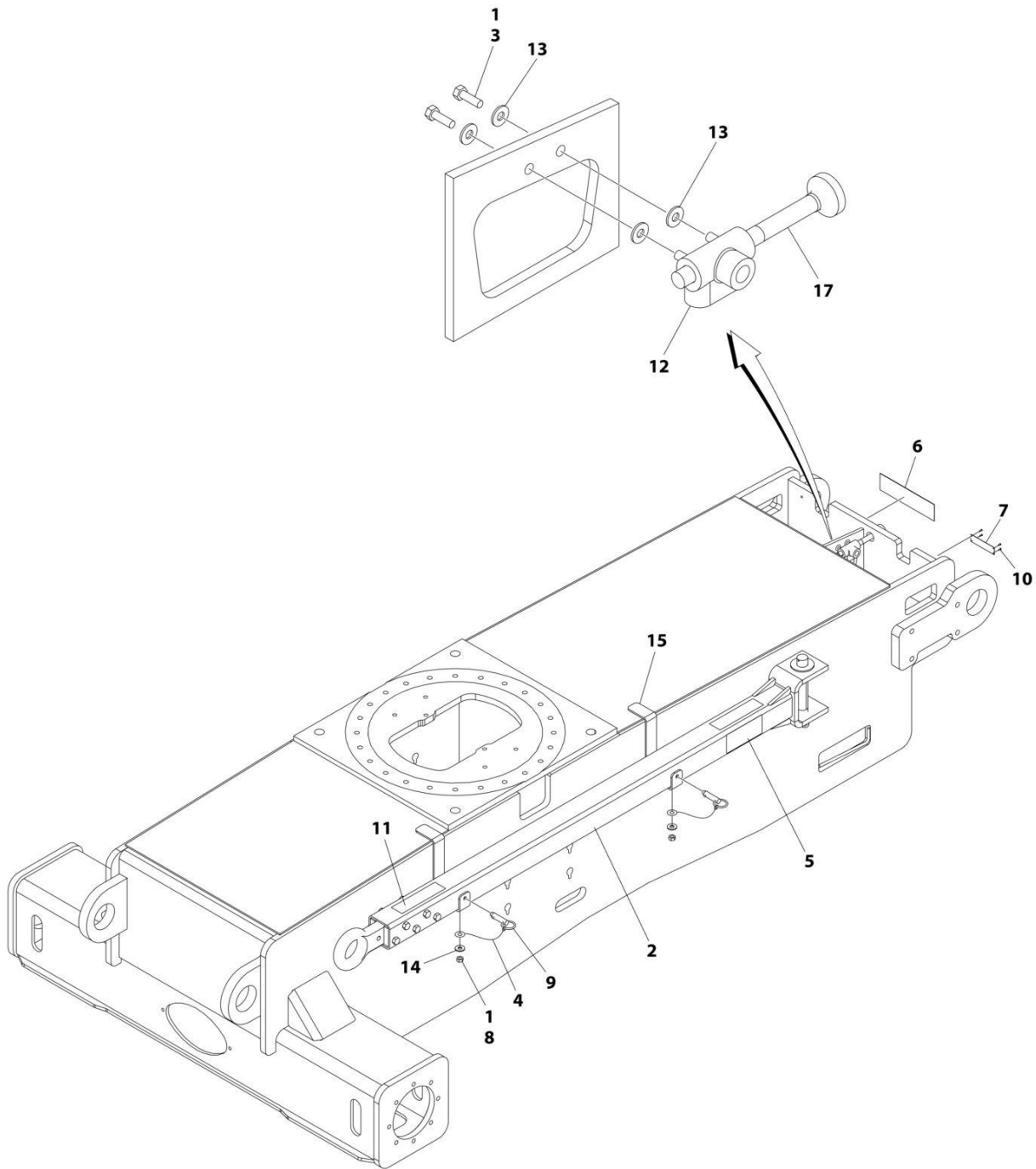
SECTION 1 - FRAME

FIGURE 1-12. FRAME SHIELDS INSTALLATION - 2WS

| ITEM | PART NUMBER | QTY | DESCRIPTION | REV |
|------|-------------|----------------|----------------------------|-----|
| | 1001158203 | Ref | FRAME SHIELDS INSTALLATION | D |
| 1 | 0100011 | AR | Compound, Locking | |
| 2 | 0641606 | 2 | Bolt 3/8 x 3/4 | |
| 3 | 4751600 | 2 | Washer 3/8 | |
| 4 | 1001158187 | 1 | Cover | |
| 5 | 4280296 | 27 in/ 68cm | Trim | |
| 6 | 1001158188 | 1 | Cover | |
| 9 | 8580420 | 2 | Nut, Well | |
| 10 | 0641410 | 2 | Bolt 1/4 x 1-1/4 | |
| 11 | 4751400 | 2 | Washer 1/4 | |

SECTION 1 - FRAME

FIGURE 1-13. TOW PACKAGE INSTALLATION - 2WS (ENGLISH LANGUAGE DECALS)



ART_1001158258

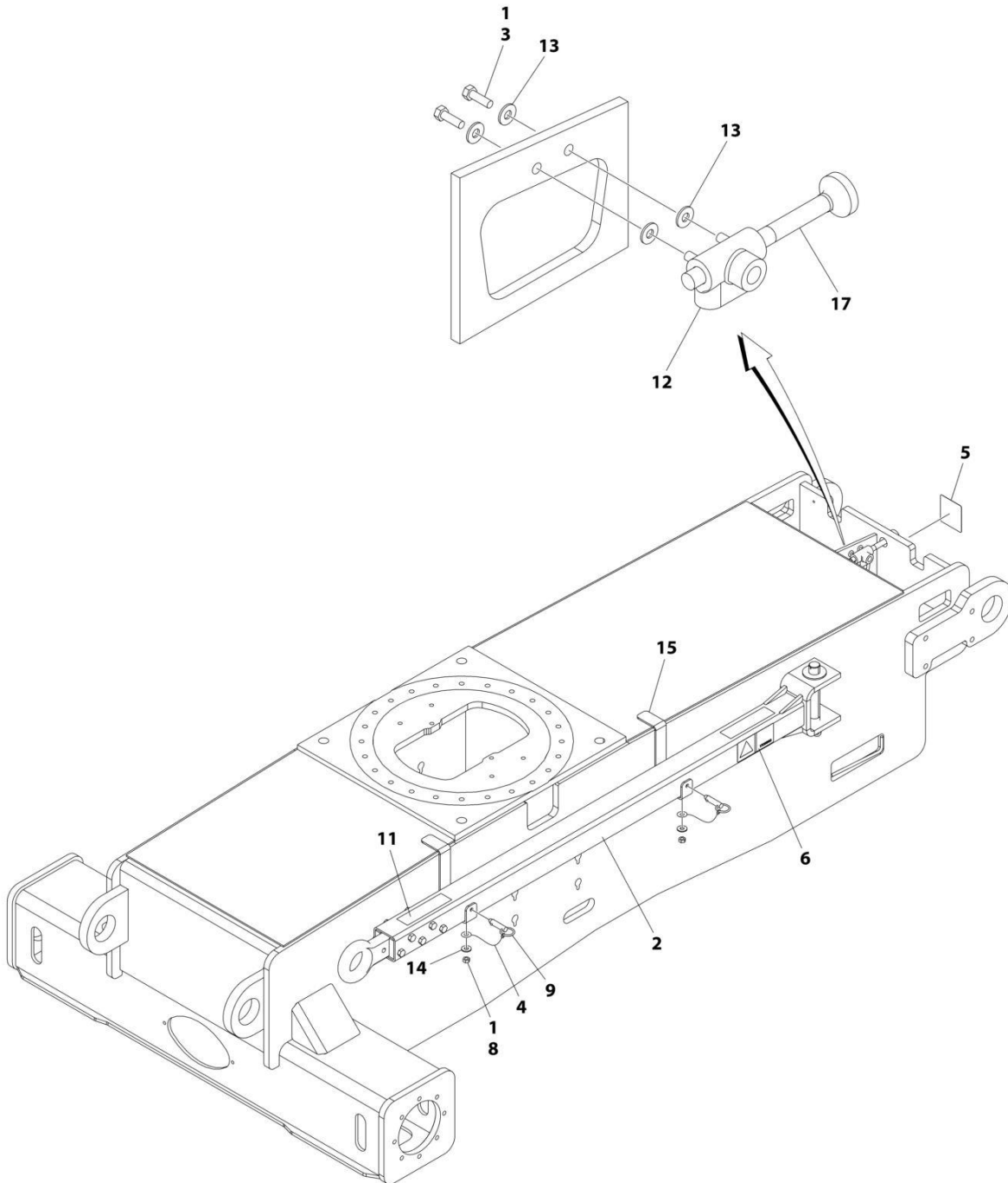
SECTION 1 - FRAME

FIGURE 1-13. TOW PACKAGE INSTALLATION - 2WS (ENGLISH LANGUAGE DECALS)

| ITEM | PART NUMBER | QTY | DESCRIPTION | REV |
|------|-------------|-----------|---|-----|
| | 1001158258 | Ref | TOW PACKAGE INSTALLATION | B |
| 1 | 0100011 | AR | Compound, Locking | |
| 2 | 0232121 | 1 | Tow Bar Assembly (See Separate Breakdown in this Section) | |
| 3 | 0641508 | 2 | Bolt 5/16 x 1 | |
| 4 | 1260017 | 2 ft/0.3m | Chain | |
| 5 | 1704578 | 2 | Decal - Crushing | |
| 6 | 1705090 | 1 | Decal - Towing Instructions | |
| 7 | 3250872 | 1 | Nameplate - Steer/Tow Valve | |
| 8 | 3311401 | 2 | Nut 1/4 | |
| 9 | 3420292 | 2 | Pin | |
| 10 | 3820001 | 4 | Rivet, Pop | |
| 11 | 4420051 | 2 ft/0.3m | Tape | |
| 12 | 4640261 | 1 | Valve, Float Position | |
| 13 | 4751500 | 4 | Washer 5/16 | |
| 14 | 4751400 | 2 | Washer 1/4 | |
| 15 | 1001158522 | 2 | Bracket | |
| 17 | 1001160780 | 1 | Rod, Extension | |

SECTION 1 - FRAME

FIGURE 1-14. TOW PACKAGE INSTALLATION - 2WS (CE & UK CA SPECS)



ART_1001166806

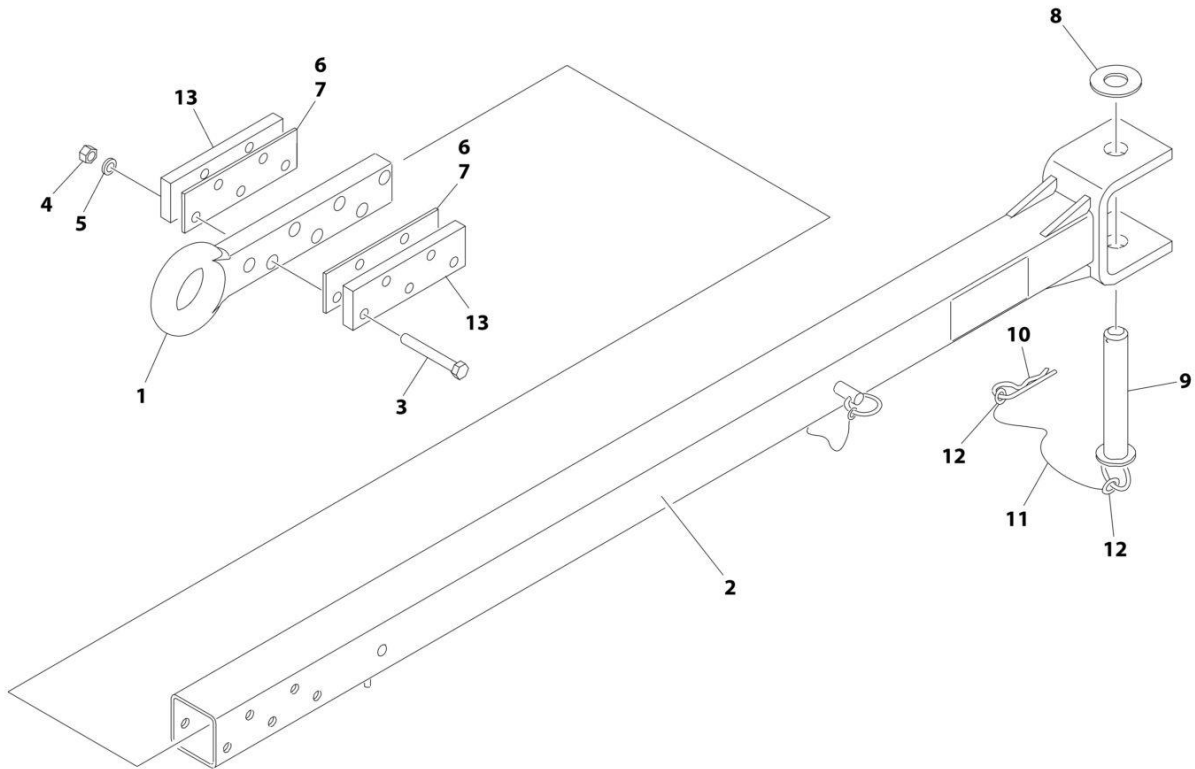
SECTION 1 - FRAME

FIGURE 1-14. TOW PACKAGE INSTALLATION - 2WS (CE & UK CA SPECS)

| ITEM | PART NUMBER | QTY | DESCRIPTION | REV |
|------|-------------|-----------|---|-----|
| | 1001166806 | Ref | TOW BAR INSTALLATION | B |
| 1 | 0100011 | AR | Compound, Locking | |
| 2 | 0232121 | 1 | Tow Bar Assembly (See Separate Breakdown in this Section) | |
| 3 | 0641508 | 2 | Bolt 5/16 x 1 | |
| 4 | 1260017 | 2 ft/0.3m | Chain | |
| 5 | 1706957 | 1 | Decal - Tow Bar and Steer Select | |
| 6 | 1706960 | 2 | Decal - Crushing | |
| 7 | 2792700 | 1 | Hydraulic Diagram, Tow Bar Circuit (Not Shown) | |
| 8 | 3311401 | 2 | Nut 1/4 | |
| 9 | 3420292 | 2 | Pin | |
| 11 | 4420051 | 2 ft/0.3m | Tape | |
| 12 | 4640261 | 1 | Valve, Float Position | |
| 13 | 4751500 | AR | Washer 5/16 | |
| 14 | 4751400 | 2 | Washer 1/4 | |
| 15 | 1001158522 | 1 | Bracket | |
| 17 | 1001160780 | 1 | Rod, Extension | |

SECTION 1 - FRAME

FIGURE 1-15. TOW BAR ASSEMBLY



ART_232121

SECTION 1 - FRAME

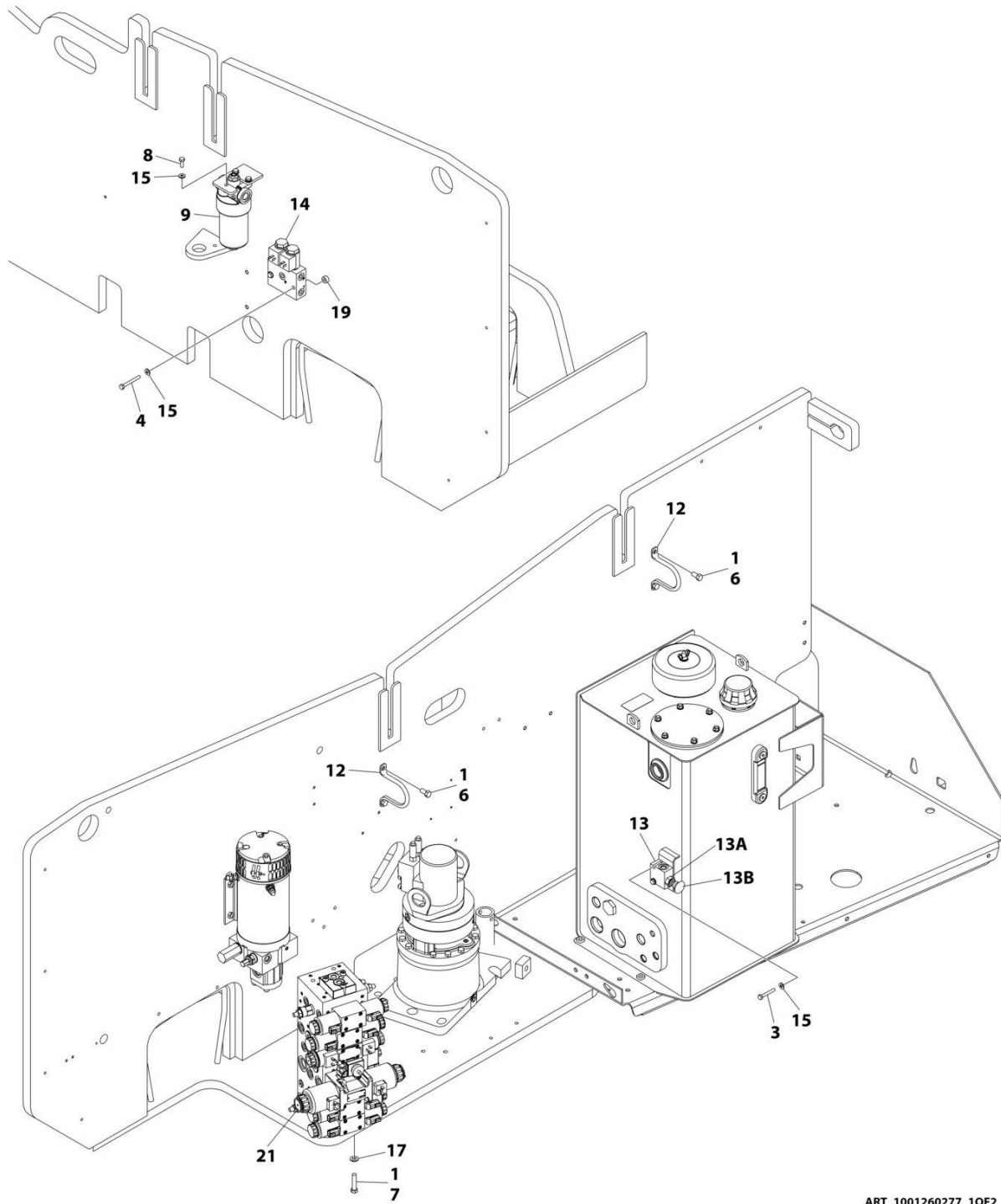
FIGURE 1-15. TOW BAR ASSEMBLY

| ITEM | PART NUMBER | QTY | DESCRIPTION | REV |
|-------------|--------------------|------------|--------------------|------------|
| | 0232121 | Ref | TOW BAR ASSEMBLY | 7-G |
| 1 | 0360406 | 1 | Bar, Draw | |
| 2 | 4843777 | 1 | Bar, Tow | |
| 3 | 0642038 | 5 | Bolt 5/8 x 4-3/4 | |
| 4 | 3312001 | 5 | Nut 5/8 | |
| 5 | 4762000 | 5 | Washer 5/8 | |
| 6 | 4070450 | AR | Shim | |
| 7 | 4070561 | AR | Shim | |
| 8 | 4740036 | 1 | Washer 1-1/2 | |
| 9 | 3420447 | 1 | Pin | |
| 10 | 3420372 | 1 | Pin | |
| 11 | 1260135 | 1 | Chain | |
| 12 | 3760170 | 2 | Ring | |
| 13 | 4070560 | 2 | Shim | |

SECTION 2 - TURNTABLE

SECTION 2 - TURNTABLE

FIGURE 2-1. CONTROL VALVES INSTALLATION - WITH 2WS



ART_1001260277_10F2

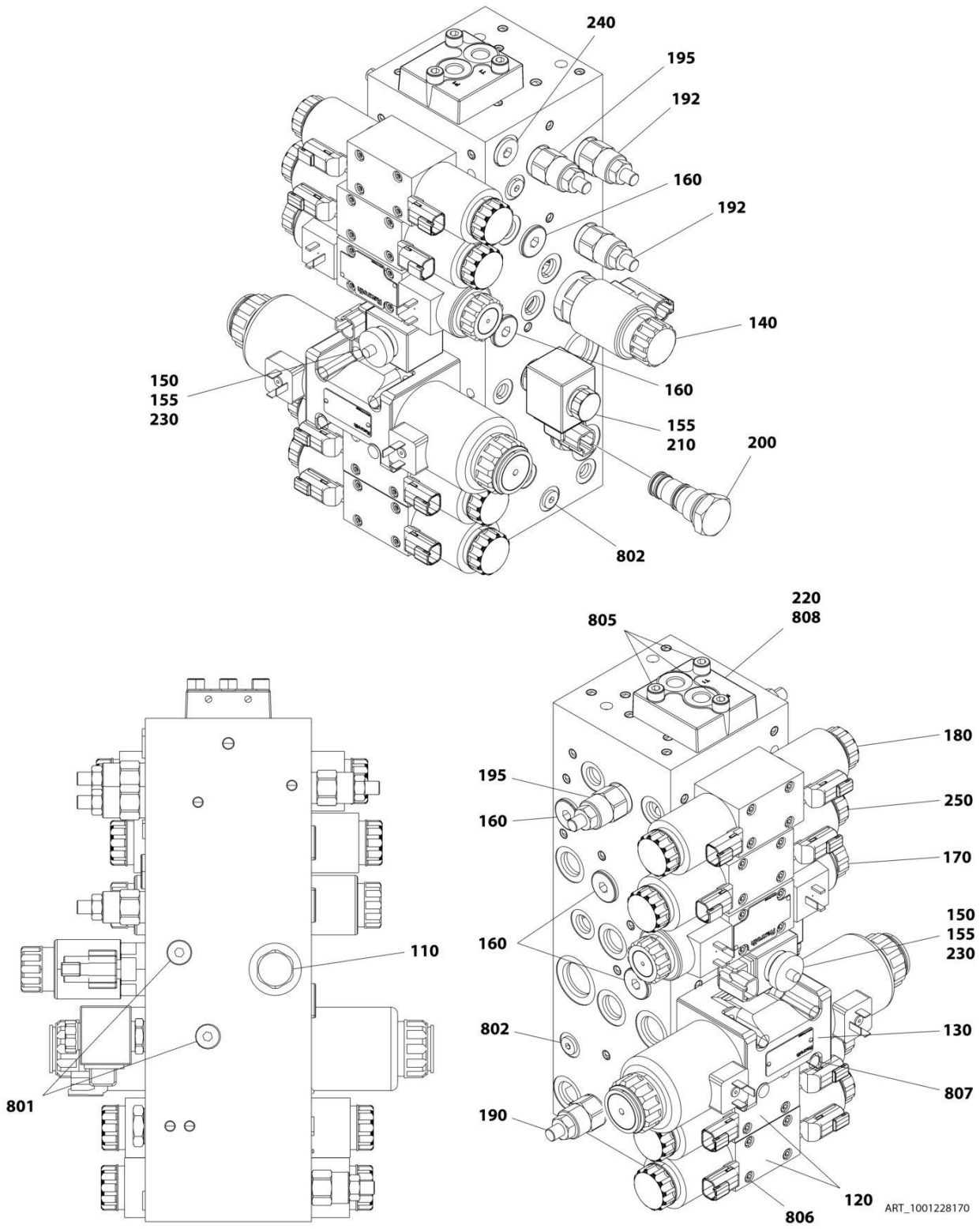
SECTION 2 - TURNTABLE

FIGURE 2-1. CONTROL VALVES INSTALLATION - WITH 2WS

| ITEM | PART NUMBER | QTY | DESCRIPTION | REV |
|------|-------------|-----|--|-----|
| | 1001260277 | Ref | BOOM VALVES INSTALLATION | A |
| 1 | 0100011 | AR | Compound, Locking | |
| 3 | 0641414 | 2 | Bolt 1/4 x 1-3/4 | |
| 4 | 0641418 | 4 | Bolt 1/4 x 2-1/4 | |
| 6 | 0641606 | 4 | Bolt 3/8 x 3/4 | |
| 7 | 0641614 | 3 | Bolt 3/8 x 1-3/4 | |
| 8 | 0651406 | 3 | Bolt 1/4 x 3/4 | |
| 9 | 2120209 | 1 | Pressure Filter Assembly | |
| 9 | 2120210 | 1 | Element, Filter | |
| 12 | 3841340 | 2 | Loop, Hose | |
| 13 | 4640866 | 1 | Level Valve Assembly | |
| 13A | 7017466 | 1 | Cartridge | |
| 13A | 2900708 | 1 | Seal Kit | |
| 13B | 7012959 | 1 | Knob | |
| 14 | 4641317 | 1 | Brake/2 Speed Valve Assembly | |
| 14 | 7012944 | 1 | Coil | |
| 14 | 7012941 | 1 | Cartridge without Coil | |
| 14 | 7010543 | 1 | Seal Kit- 7012941 Cartridge (1 Per Cartridge) | |
| 15 | 4711400 | 11 | Washer 1/4 | |
| 17 | 4711600 | 3 | Washer 3/8 | |
| 19 | 1001110425 | 2 | Spacer | |
| 21 | 1001228170 | 1 | Main Valve Assembly (See Separate Breakdown in this Section) | |

SECTION 2 - TURNTABLE

FIGURE 2-2. CONTROL VALVE ASSEMBLY - 2WS MACHINES



SECTION 2 - TURNTABLE

FIGURE 2-2. CONTROL VALVE ASSEMBLY - 2WS MACHINES

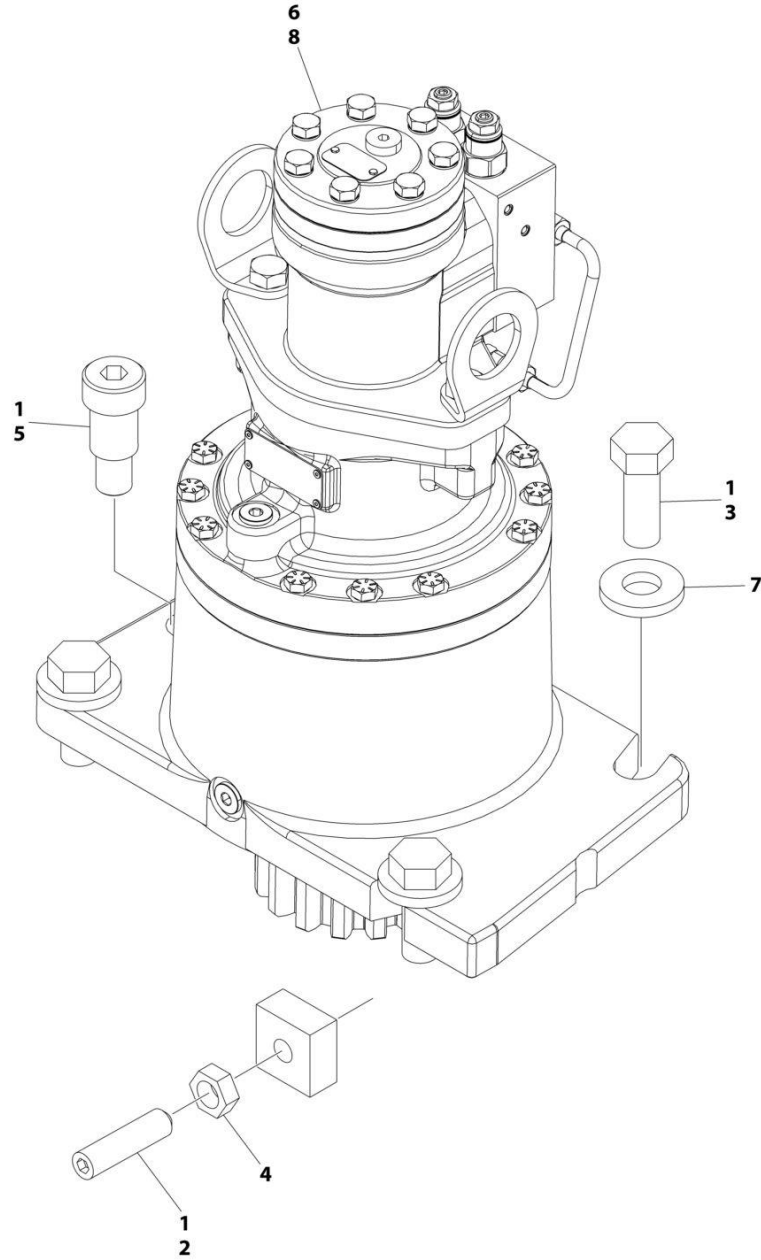
| ITEM | PART NUMBER | QTY | DESCRIPTION | REV |
|------|-------------|-----|---|-----|
| | 1001228170 | Ref | MAIN VALVE ASSEMBLY | E |
| 110 | 70005194 | 1 | Valve, Check Cartridge | |
| 110 | 70004584 | 1 | Seal Kit - 70005194 Valve | |
| 120 | 70004459 | 2 | Valve Assembly (Tower Tele and Tower Lift) | |
| 120 | 7012773 | 2 | Seal Kit - 70004459 Valve | |
| 120 | 70004460 | 4 | Coil | |
| 120 | 7021375 | 4 | Nut, Coil | |
| 120 | 70004461 | 4 | O-Ring, Pole Tube | |
| 130 | 70006955 | 1 | Valve Assembly (Upper Tele) | |
| 130 | 70006957 | 1 | Seal Kit - 70006955 Valve | |
| 130 | 70006956 | 2 | Coil | |
| 140 | 70004657 | 1 | Valve, Cartridge (Flow Control) | |
| 140 | 70004594 | 1 | Seal Kit - 70004657 Valve | |
| 140 | 70004595 | 1 | Coil | |
| 140 | 70004596 | 1 | O-Ring, Pole Tube | |
| 140 | 70004597 | 1 | Nut, Coil | |
| 150 | 70004598 | 1 | Valve, Cartridge Less Coil (Steer Dump) | |
| 150 | 70004055 | 1 | Seal Kit - 70004598 Valve | |
| 155 | 70004653 | 2 | Coil | |
| 155 | 70004051 | 2 | Nut, Coil | |
| 160 | 70023859 | 5 | Valve, Shuffle Cartridge | |
| 160 | 70023860 | 5 | Seal Kit - 70023859 Valve | |
| 170 | 7018992 | 1 | Valve Assembly (Upper Lift) | |
| 170 | 7024021 | 1 | Seal Kit - 7018992 Valve | |
| 170 | 7018991 | 2 | Coil | |
| 170 | 7021375 | 2 | Nut, Coil | |
| 170 | 70004461 | 2 | O-Ring, Pole Tube | |
| 180 | 70005195 | 1 | Valve Assembly (Front Steer) | |
| 180 | 7012773 | 1 | Seal Kit - 70005195 Valve | |
| 180 | 70004463 | 2 | Coil | |
| 180 | 7021375 | 2 | Nut, Coil | |
| 180 | 70004461 | 2 | O-Ring, Pole Tube | |
| 190 | 70003019 | 1 | Valve, Relief Catridge (was PN 70006959) | |
| 190 | See Note | NSS | Seal Kit - Valve (Note: Not Available for Purchase) | |
| 192 | 70003019 | 1 | Valve, Relief Catridge (was PN 70006960) | |
| 192 | See Note | NSS | Seal Kit - Valve (Note: Not Available for Purchase) | |
| 195 | 70003019 | 1 | Valve, Relief Catridge (was PN 70006958) | |
| 195 | See Note | NSS | Seal Kit - Valve (Note: Not Available for Purchase) | |
| 200 | 70004665 | 1 | Valve, Check - Catridge | |
| 200 | 70023862 | 1 | Seal Kit - 70004665 Valve | |
| 210 | 70004457 | 1 | Valve, Cartridge Less Coil (Main Dump) | |
| 210 | 70004050 | 1 | Seal Kit - 70004665 Valve | |
| 210 | 70004653 | 1 | Coil | |
| 220 | 70004667 | 1 | Cover | |
| 230 | 70005196 | 1 | Orifice .118 | |
| 240 | 70005197 | 1 | Plug (2WS) | |
| 240 | 70004052 | 1 | Seal Kit - 70005197 Plug | |
| 250 | 70005198 | 1 | Valve Assembly (Swing) | |
| 250 | 70006961 | 1 | Seal Kit - 70005198 Valve | |
| 250 | 70004463 | 2 | Coil | |

SECTION 2 - TURNTABLE

| ITEM | PART NUMBER | QTY | DESCRIPTION | REV |
|------|-------------|-----|-------------------|-----|
| 250 | 7021375 | 2 | Nut, Coil | |
| 250 | 70004461 | 2 | O-Ring, Pole Tube | |
| 801 | 70005199 | 2 | Plug | |
| 802 | 70005200 | 4 | Plug | |
| 805 | 70005201 | 3 | Capscrew | |
| 806 | 7018942 | 20 | Capscrew | |
| 807 | 7018951 | 4 | Capscrew | |
| 808 | 70005202 | 2 | O-Ring | |

SECTION 2 - TURNTABLE

FIGURE 2-3. SWING DRIVE INSTALLATION



ART_1001156136_C

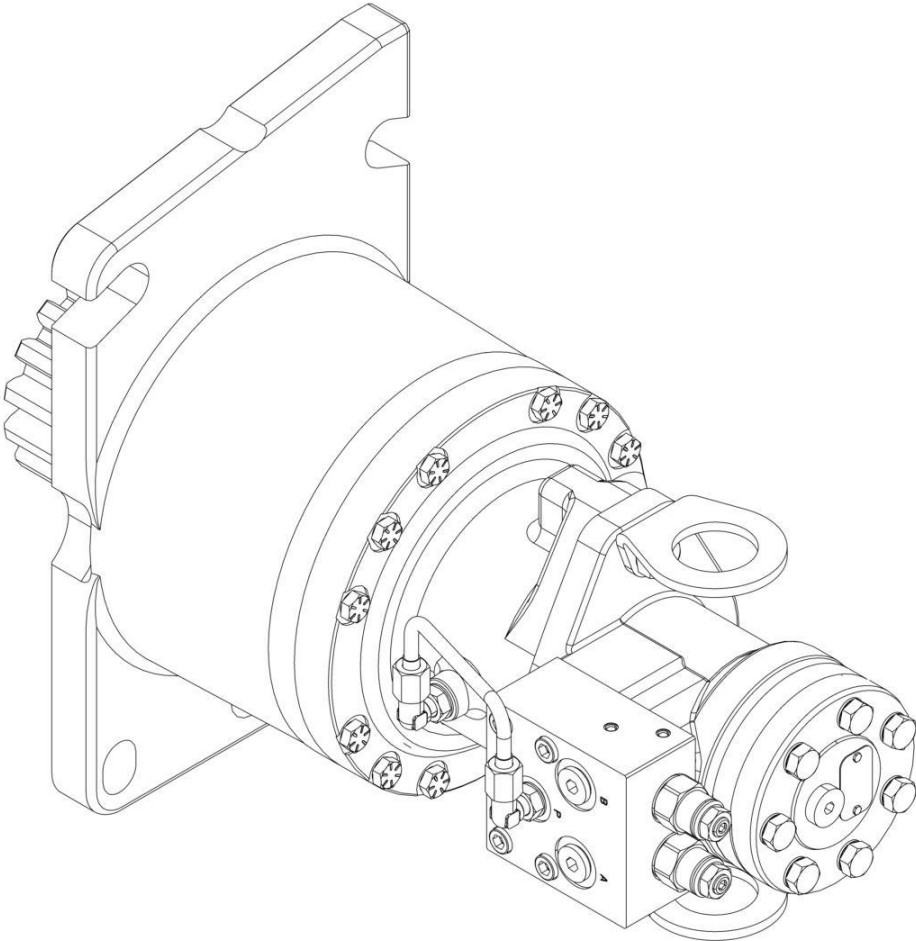
SECTION 2 - TURNTABLE

FIGURE 2-3. SWING DRIVE INSTALLATION

| ITEM | PART NUMBER | QTY | DESCRIPTION | REV |
|-------------|--------------------|------------|---|------------|
| | 1001156136 | Ref | SWING DRIVE INSTALLATION | C |
| 1 | 0100019 | AR | Compound, Locking | |
| 2 | 3952020 | 1 | Setscrew 5/8 x 2-1/2 | |
| 3 | 0682216 | 4 | Bolt 3/4 x 2 Grade 8 | |
| 4 | 3312002 | 1 | Nut 5/8 | |
| 5 | 3900293 | 1 | Screw 1 x 1-1/4 | |
| 6 | 1001125492 | 1 | Shim | |
| 7 | 4740057 | 4 | Washer | |
| 8 | 1001306803 | 1 | Swing Motor/Hub Assembly (See Separate Breakdown in this Section) | |

SECTION 2 - TURNTABLE

FIGURE 2-4. SWING MOTOR/HUB ASSEMBLY



ART_1001306803

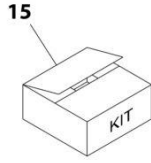
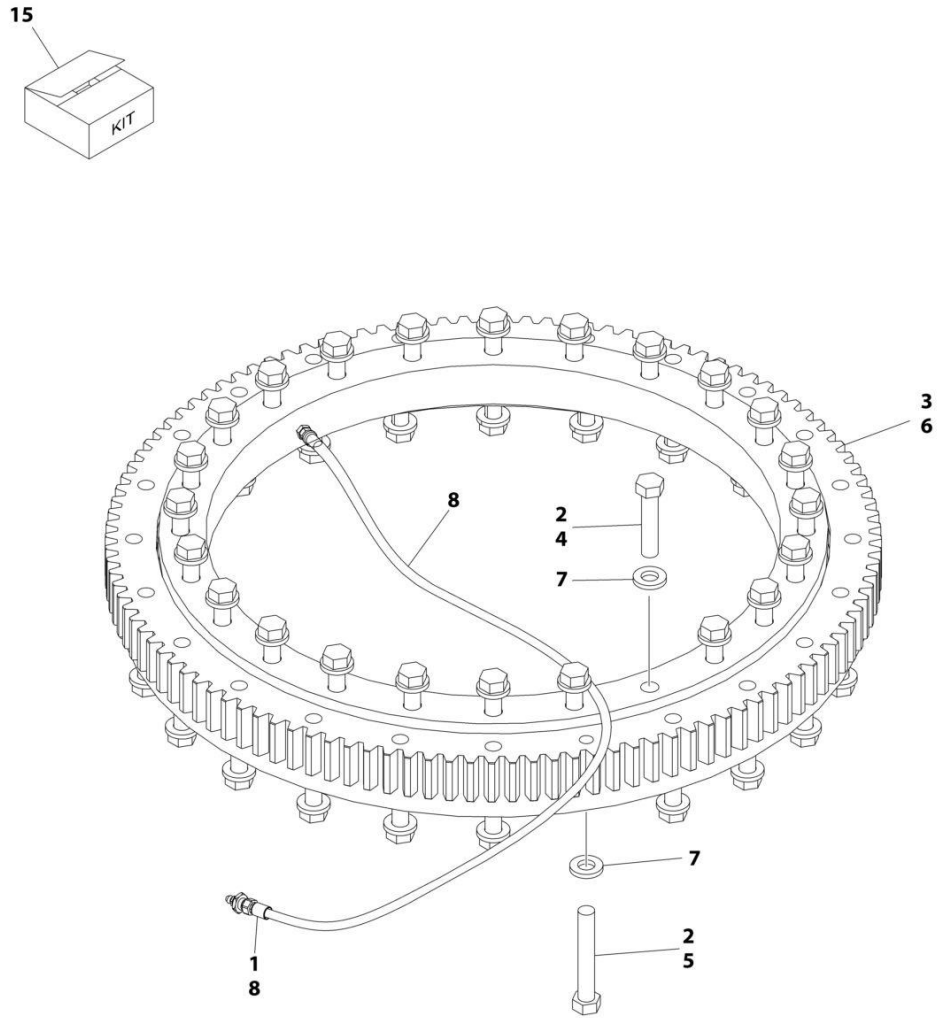
SECTION 2 - TURNTABLE

FIGURE 2-4. SWING MOTOR/HUB ASSEMBLY

| ITEM | PART NUMBER | QTY | DESCRIPTION | REV |
|------|------------------------|------------|--|-----|
| | 1001306803 See Note | Ref NSS | SWING MOTOR/HUB ASSEMBLY Note: No Service Parts Available at Time of Printing | A |

SECTION 2 - TURNTABLE

FIGURE 2-5. TURNTABLE BEARING INSTALLATION



ART_1001157049

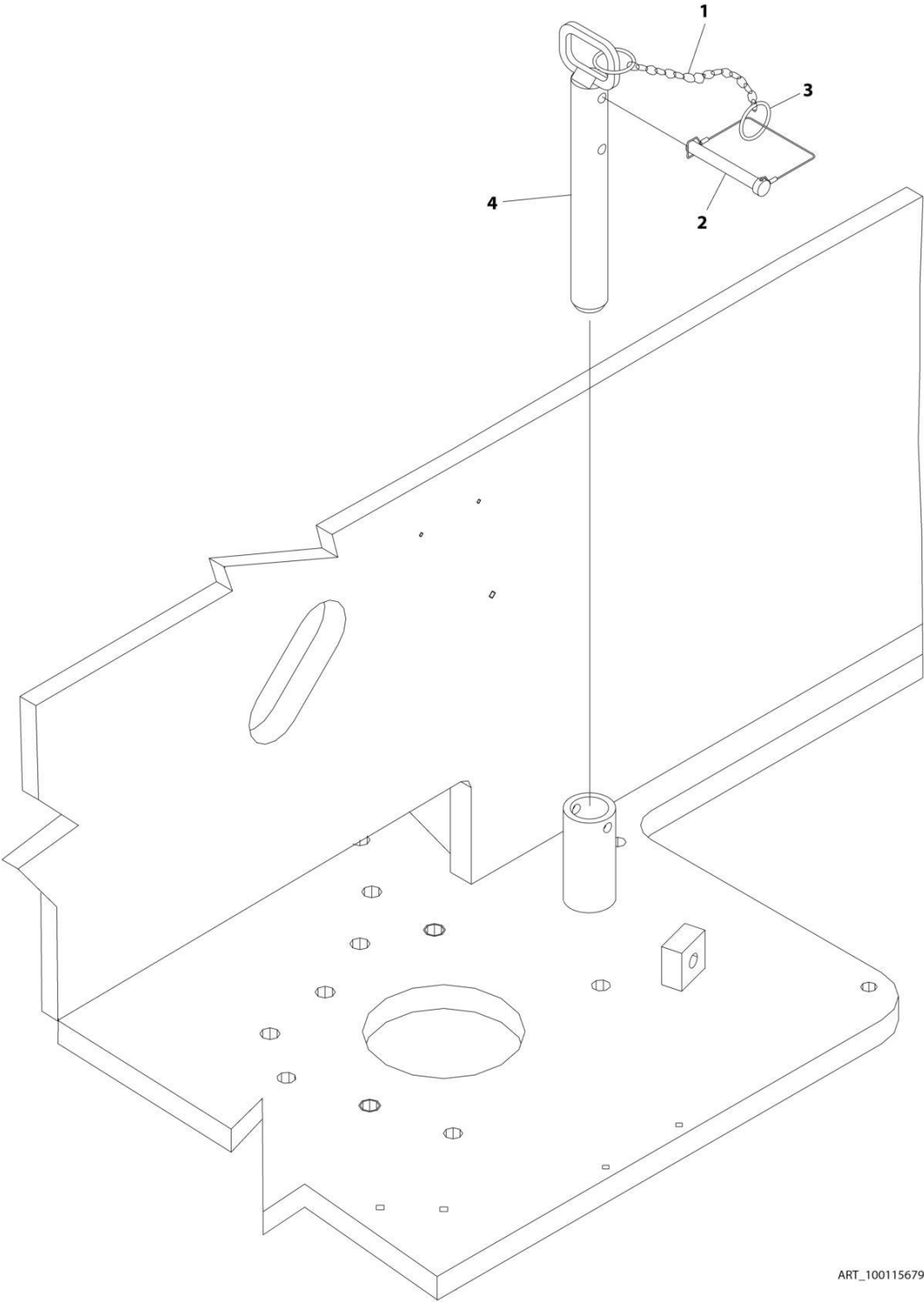
SECTION 2 - TURNTABLE

FIGURE 2-5. TURNTABLE BEARING INSTALLATION

| ITEM | PART NUMBER | QTY | DESCRIPTION | REV |
|-------------|--------------------|------------|---|------------|
| | 1001157049 | Ref | TURNTABLE BEARING AND LUBE INSTALLATION | B |
| 1 | 0100011 | AR | Compound, Locking | |
| 2 | 0100019 | AR | Compound, Locking | |
| 3 | 0440244 | 1 | Bearing, Turntable | |
| 4 | 0682023 | 24 | Bolt 5/8 x 2-7/8 Grade 8 | |
| 5 | 0682032 | 24 | Bolt 5/8 x 4 Grade 8 | |
| 6 | 3020029 | AR | Lubricant | |
| 7 | 4892000 | 48 | Washer 5/8 | |
| 8 | 1001157058 | 1 | Hose | |
| 15 | 2915094 | 1 | Turntable Bearing Kit | |

SECTION 2 - TURNTABLE

FIGURE 2-6. TURNTABLE LOCK INSTALLATION



ART_1001156798

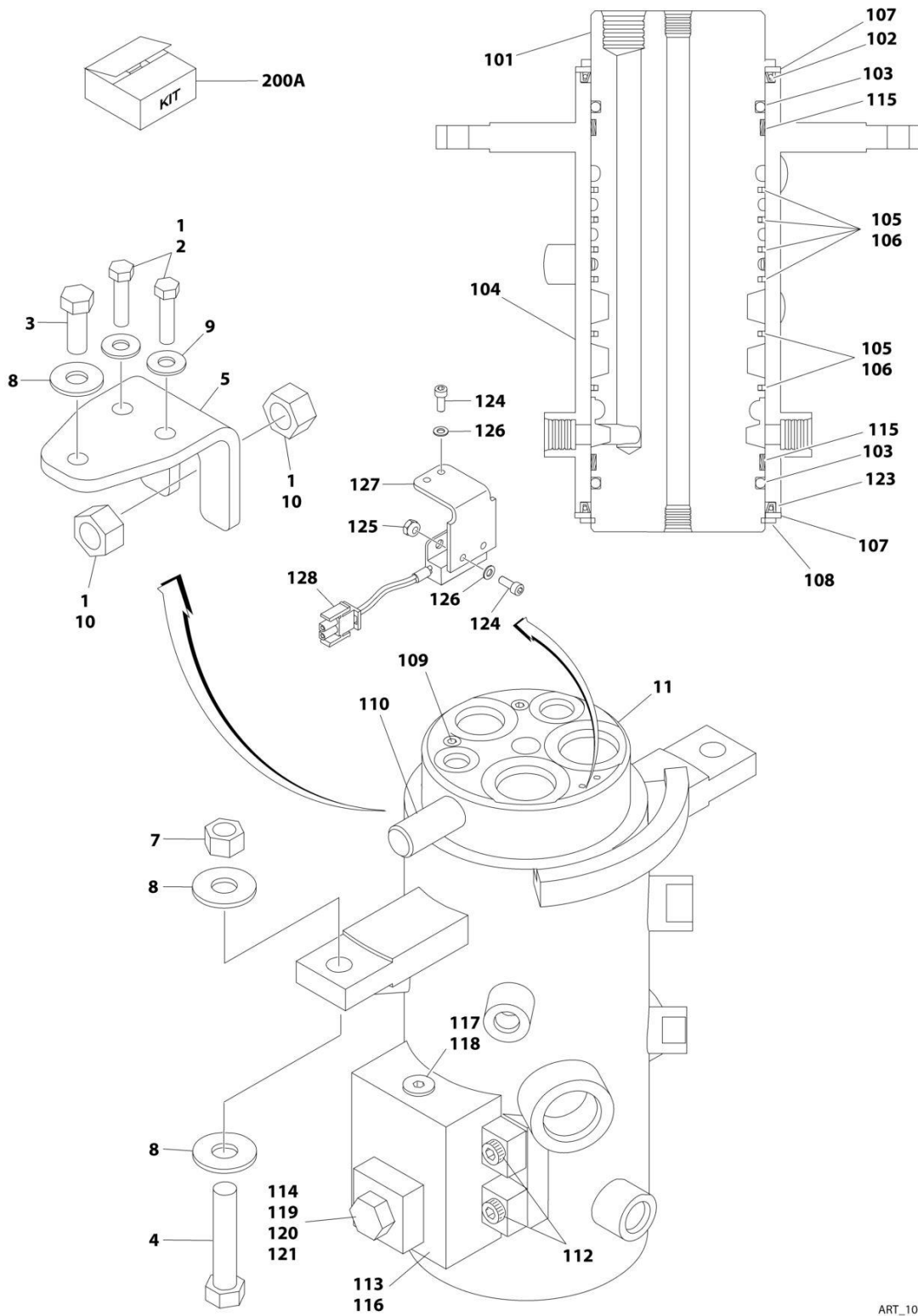
SECTION 2 - TURNTABLE

FIGURE 2-6. TURNTABLE LOCK INSTALLATION

| ITEM | PART NUMBER | QTY | DESCRIPTION | REV |
|-------------|--------------------|------------|-----------------------------|------------|
| | 1001156798 | Ref | TURNTABLE LOCK INSTALLATION | A |
| 1 | 1260017 | 9 in/23cm | Chain | |
| 2 | 3421565 | 1 | Pin, Snap | |
| 3 | 3760170 | 2 | Ring, Quick Release | |
| 4 | 4844958 | 1 | Pin | |

SECTION 2 - TURNTABLE

FIGURE 2-7. ROTARY COUPLING INSTALLATION - 2WS MACHINES



ART_1001107529

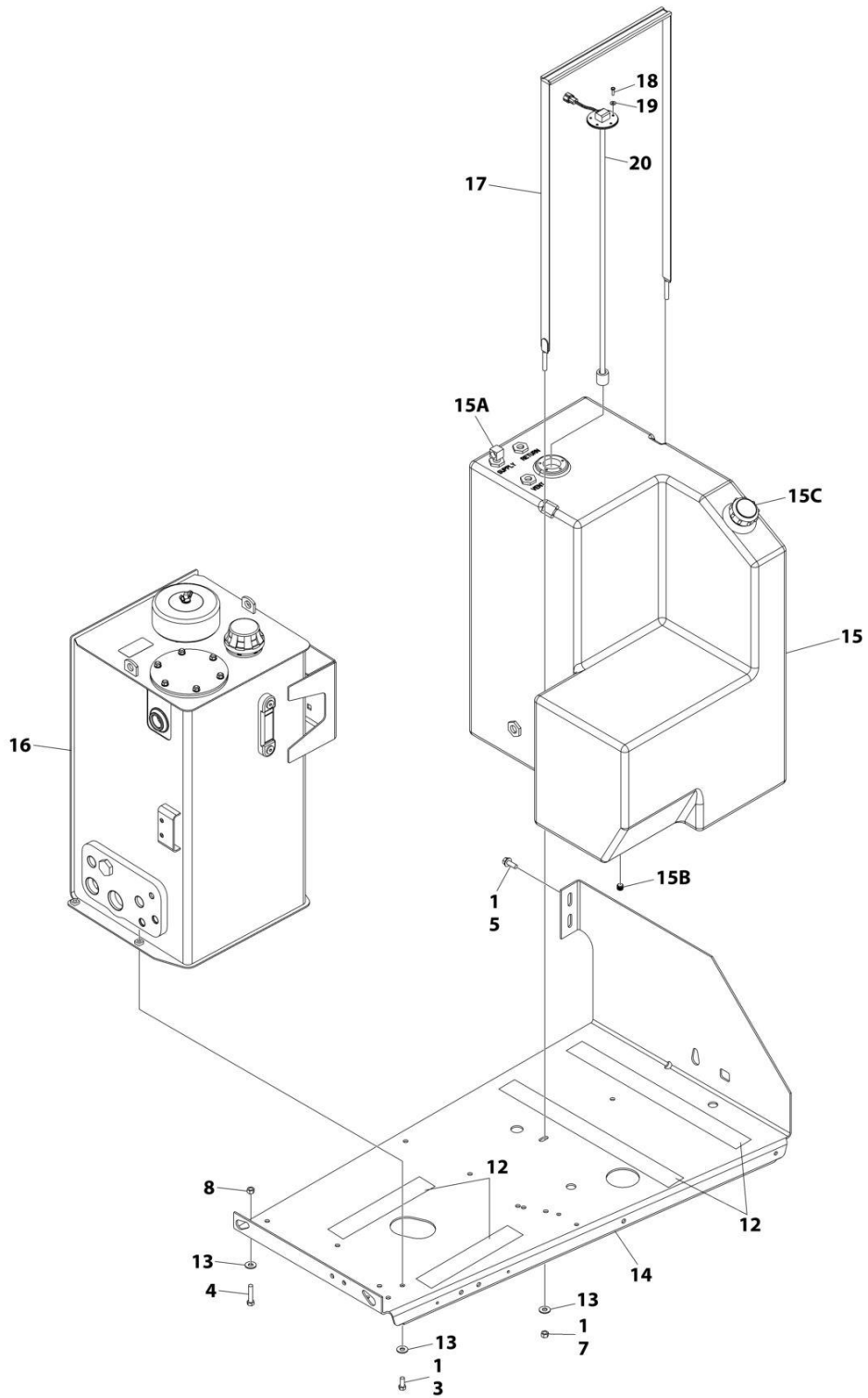
SECTION 2 - TURNTABLE

FIGURE 2-7. ROTARY COUPLING INSTALLATION - 2WS MACHINES

| ITEM | PART NUMBER | QTY | DESCRIPTION | REV |
|------|-------------|-----|---|-----|
| | 1001107529 | Ref | ROTARY COUPLING INSTALLATION | B |
| 1 | 0100011 | AR | Compound, Locking | |
| 2 | 0641611 | 2 | Bolt 3/8 x 1-3/8 | |
| 3 | 0641812 | 1 | Bolt 1/2 x 1-1/2 | |
| 4 | 0641820 | 2 | Bolt 1/2 x 2-1/2 | |
| 5 | 0903242 | 1 | Bracket | |
| 7 | 3271805 | 2 | Nut 1/2 | |
| 8 | 4751800 | 5 | Washer 1/2 | |
| 9 | 4891600 | 2 | Washer 3/8 | |
| 10 | 3322201 | 2 | Nut 3/4 | |
| 11 | 1001106974 | 1 | Coupling, Rotary Assembly (See Items 101-128 for Breakdown) | |
| | 1001106974 | Ref | ROTARY COUPLING ASSEMBLY | B |
| 101 | See Note | NSS | Body (Note: Not Available - Purchase Complete Assembly) | |
| 102 | See Note | NSS | Seal (Note: Use Item 200A) | |
| 103 | See Note | NSS | O-Ring (Note: Use Item 200A) | |
| 104 | See Note | NSS | Housing (Note: Not Available - Purchase Complete Assembly) | |
| 105 | See Note | NSS | Seal, Cap (Note: Use Item 200A) | |
| 106 | See Note | NSS | O-Ring (Note: Use Item 200A) | |
| 107 | 7026503 | 2 | Ring | |
| 108 | 7026504 | 1 | Ring, Retaining | |
| 109 | 80934561 | AR | Plug | |
| 110 | See Note | NSS | Lug, Torque (Note: Not Available for Purchase) | |
| 112 | 7026197 | 4 | Bolt 5/16 x 1-1/4 | |
| 113 | See Note | NSS | O-Ring (Note: Use Item 200A) | |
| 114 | See Note | NSS | O-Ring (Note: Use Item 200A) | |
| 115 | See Note | NSS | Bearing (Note: Use Item 200A) | |
| 116 | 7024404 | 1 | Block Valve Assembly | |
| 117 | 7026505 | 1 | Plug | |
| 118 | 7026506 | 1 | Valve, Check | |
| 119 | 7026507 | 1 | Plug | |
| 120 | See Note | NSS | Plunger, Valve (Note: Use p/n 7024404) | |
| 121 | 7026509 | 1 | Spring, Compression | |
| 123 | See Note | NSS | Seal (Note: Use Item 200A) | |
| 124 | See Note | NSS | Capscrew #10 x 1/2 (Note: Not Available for Purchase) | |
| 125 | See Note | NSS | Nut #10 (Note: Not Available for Purchase) | |
| 126 | See Note | NSS | Flatwasher #10 (Note: Not Available for Purchase) | |
| 127 | 70003454 | 1 | Bracket, Switch Mounting | |
| 128 | 4360517 | 1 | Switch, Proximity | |
| 200A | 70001248 | 1 | Seal Kit (Includes Items 102, 103, 105, 106, 113, 114, 115 & 123) | |

SECTION 2 - TURNTABLE

FIGURE 2-8. TANK INSTALLATION - DIESEL MACHINE (FUEL TANK WITHOUT SIGHT GLASS)
(HELGESEN 6IN DIA BREATHER HYDRAULIC TANK - 25 GAL CAPACITY)



ART_1001178174_E

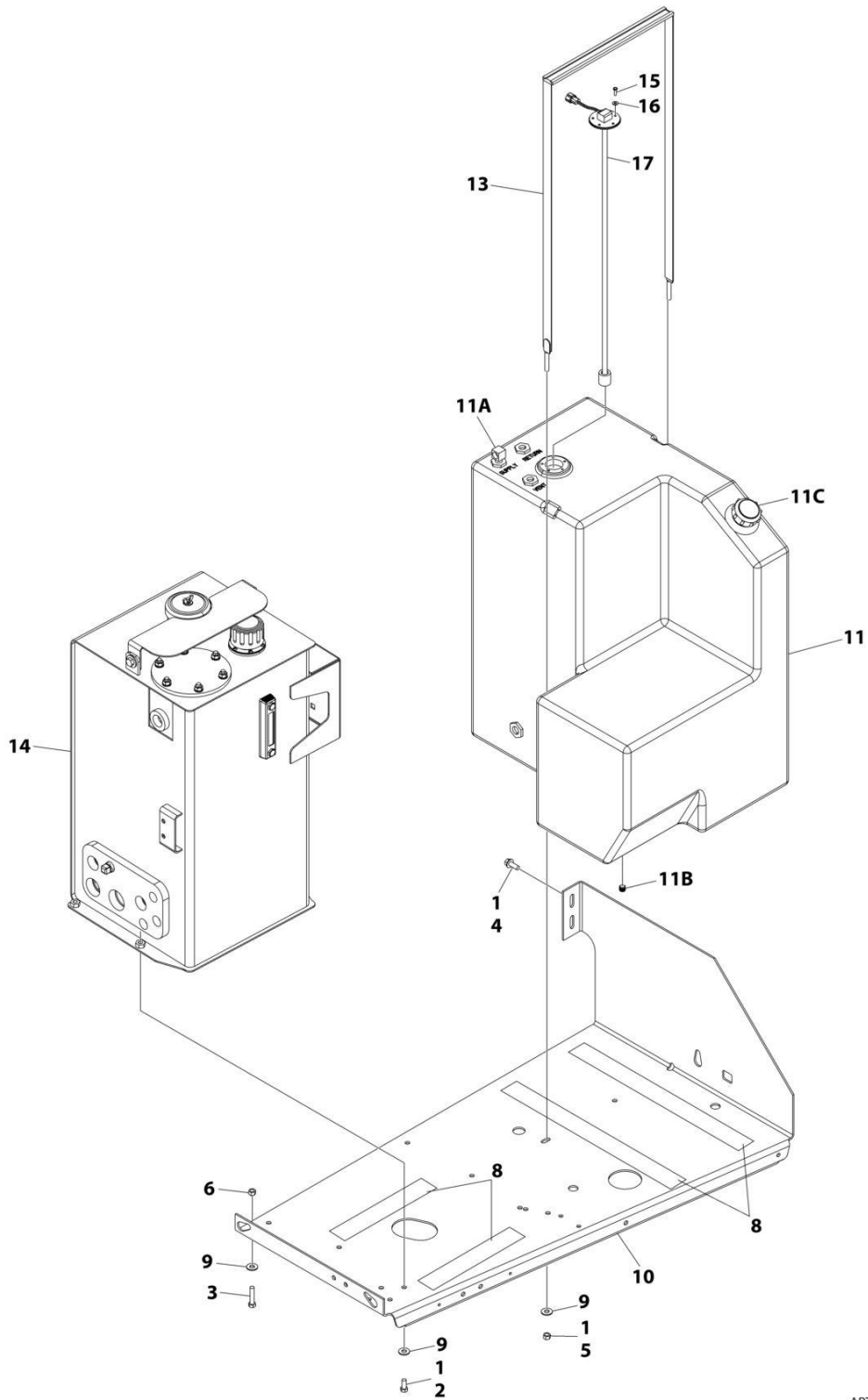
SECTION 2 - TURNTABLE

**FIGURE 2-8. TANK INSTALLATION - DIESEL MACHINE (FUEL TANK WITHOUT SIGHT GLASS)
(HELGESEN 6IN DIA BREATHER HYDRAULIC TANK - 25 GAL CAPACITY)**

| ITEM | PART NUMBER | QTY | DESCRIPTION | REV |
|------|-------------|-----------------|--|-----|
| | 1001178174 | Ref | TANK INSTALLATION | E |
| 1 | 0100011 | AR | Compound, Locking | |
| 2 | 1001182997 | AR | Adhesive (Not Shown) | |
| 3 | 0641607 | 4 | Bolt 3/8 x 7/8 | |
| 4 | 0641614 | 2 | Bolt 3/8 x 1-3/4 | |
| 5 | 0811608 | 2 | Bolt 3/8 x 1 | |
| 7 | 3311601 | 2 | Nut 3/8 | |
| 8 | 3311605 | 2 | Nut 3/8 | |
| 12 | 4420038 | 73 in /1.85m | Tape, Rubber | |
| 13 | 4751600 | 8 | Washer 3/8 | |
| 14 | 1001156190 | 1 | Tray | |
| 15 | 1001284962 | 1 | Tank, Fuel (Includes Non-Locking Cap) (Diesel Machines) | |
| 15A | 70004184 | 1 | Fitting and Pick-up Tube (Diesel Machines) | |
| 15B | 2200222 | 1 | Fitting (Diesel Machines Only) | |
| 15B | 0100020 | AR | Sealant | |
| 15C | 7016314 | 1 | Cap | |
| 16 | 1001178057 | 1 | Hydraulic Tank Assembly (See Separate Breakdown in this Section) | |
| 17 | 1001231888 | 1 | Strap Assembly (Includes Strap & Protective Strip) | |
| 17 | 4240113 | 1 | Strap, Tank | |
| 18 | 0731005 | 5 | Bolt #10 x 5/8 | |
| 19 | 4751000 | 5 | Washer #10 | |
| 20 | 1001274219 | 1 | Gauge, Fuel | |

SECTION 2 - TURNTABLE

FIGURE 2-9. TANK INSTALLATION - DIESEL MACHINE (FUEL TANK WITHOUT SIGHT GLASS)
(JIANGYING 4IN DIA BREATHER HYDRAULIC TANK - 25 GAL CAPACITY)



ART_1001284873_B

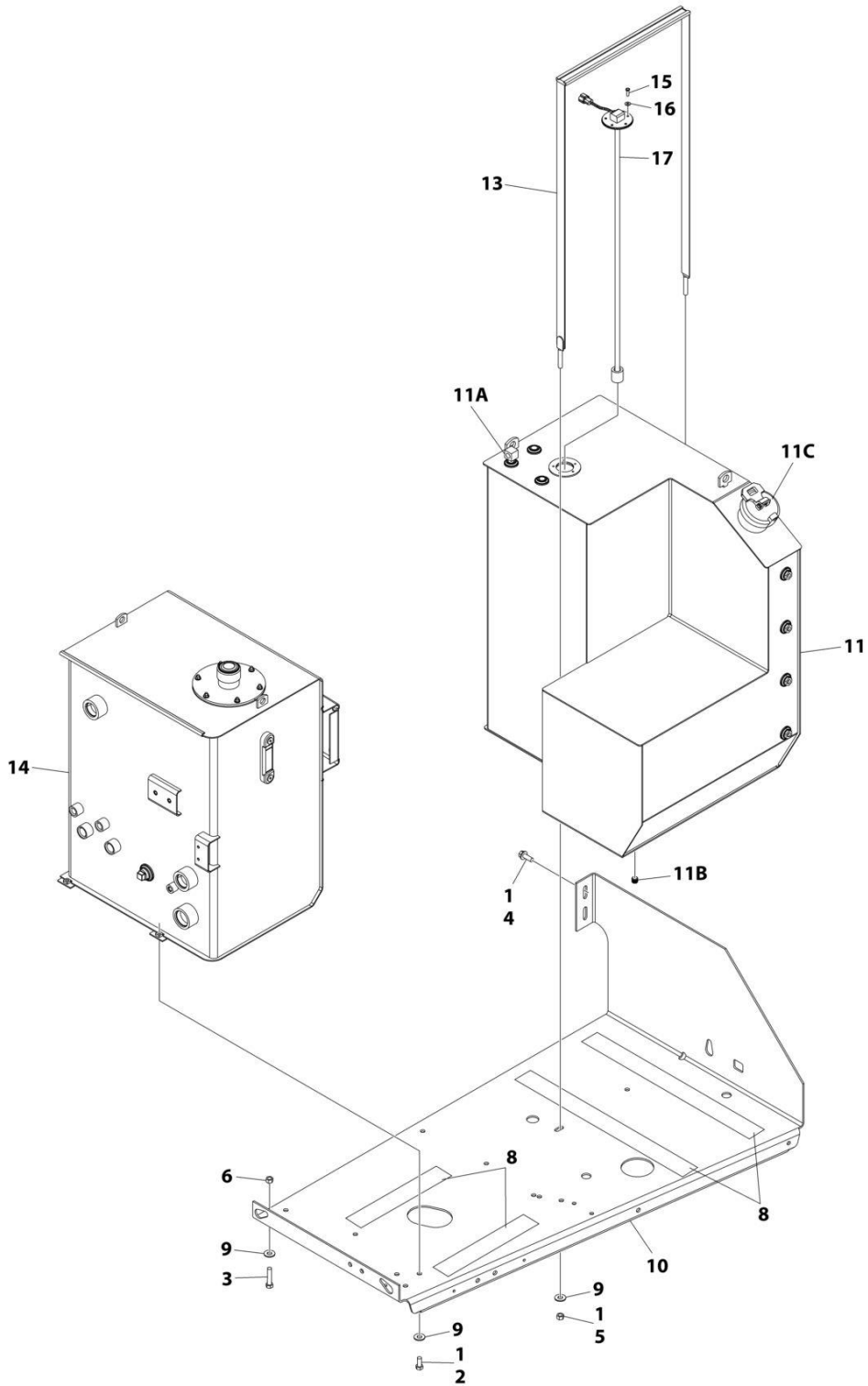
SECTION 2 - TURNTABLE

**FIGURE 2-9. TANK INSTALLATION - DIESEL MACHINE (FUEL TANK WITHOUT SIGHT GLASS)
(JIANGYING 4IIN DIA BREATHER HYDRAULIC TANK - 25 GAL CAPACITY)**

| ITEM | PART NUMBER | QTY | DESCRIPTION | REV |
|------|-------------|-----------------|--|-----|
| | 1001284873 | Ref | TANK INSTALLATION | B |
| 1 | 0100011 | AR | Compound, Locking | |
| 2 | 0641607 | 4 | Bolt 3/8 x 7/8 | |
| 3 | 0641614 | 2 | Bolt 3/8 x 1-3/4 | |
| 4 | 0811608 | 2 | Bolt 3/8 x 1 | |
| 5 | 3311601 | 2 | Nut 3/8 | |
| 6 | 3311605 | 2 | Nut 3/8 | |
| 8 | 4420038 | 73 in /1.85m | Tape, Rubber | |
| 9 | 4751600 | 8 | Washer 3/8 | |
| 10 | 1001156190 | 1 | Tray | |
| 11 | 1001284962 | 1 | Tank, Fuel (Includes Non-Locking Cap) (Diesel Machines) | |
| 11A | 70004184 | 1 | Fitting and Pick-up Tube (Diesel Machines) | |
| 11B | 2200222 | 1 | Fitting (Diesel Machines Only) | |
| 11B | 0100020 | AR | Sealant | |
| 11C | 7016314 | 1 | Cap | |
| 13 | 1001231888 | 1 | Strap Assembly (Includes Strap & Protective Strip) | |
| 13 | 4240113 | 1 | Strap, Tank | |
| 14 | 1001267678 | 1 | Hydraulic Tank Assembly (See Separate Breakdown in this Section) | |
| 15 | 0731005 | 5 | Bolt #10 x 5/8 | |
| 16 | 4751000 | 5 | Washer #10 | |
| 17 | 1001274219 | 1 | Guage, Fuel | |

SECTION 2 - TURNTABLE

FIGURE 2-10. TANK INSTALLATION - DIESEL MACHINE (FUEL TANK WITHOUT SIGHT GLASS)
(HYDRAULIC TANK - 47.8 GAL CAPACITY)



ART_1001285832_B

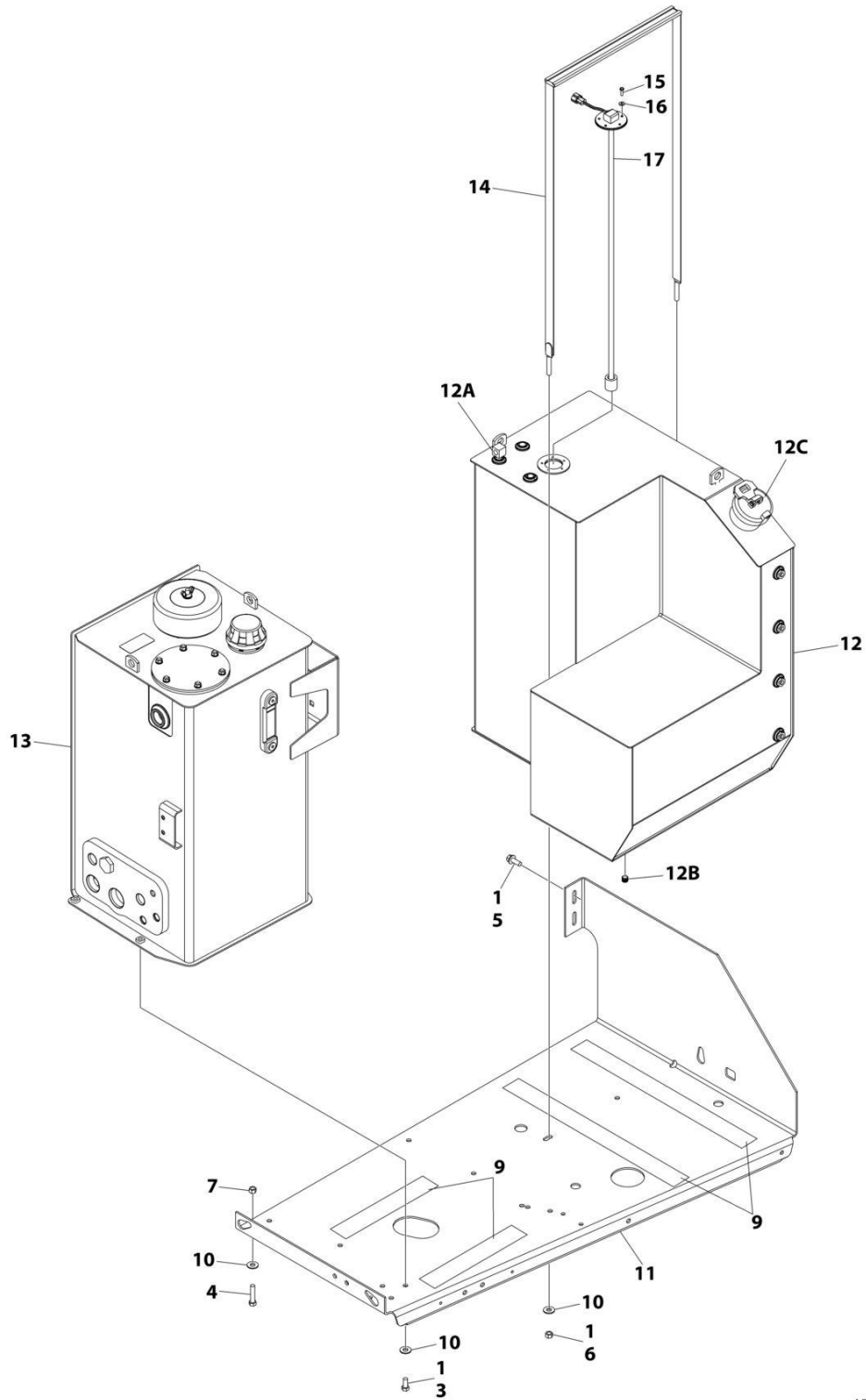
SECTION 2 - TURNTABLE

**FIGURE 2-10. TANK INSTALLATION - DIESEL MACHINE (FUEL TANK WITHOUT SIGHT GLASS)
(HYDRAULIC TANK - 47.8 GAL CAPACITY)**

| ITEM | PART NUMBER | QTY | DESCRIPTION | REV |
|------|-------------|-----------------|--|-----|
| | 1001285832 | Ref | TANK INSTALLATION | B |
| 1 | 0100011 | AR | Compound, Locking | |
| 2 | 0641607 | 4 | Bolt 3/8 x 7/8 | |
| 3 | 0641614 | 2 | Bolt 3/8 x 1-3/4 | |
| 4 | 0811608 | 2 | Bolt 3/8 x 1 | |
| 5 | 3311601 | 2 | Nut 3/8 | |
| 6 | 3311605 | 2 | Nut 3/8 | |
| 8 | 4420038 | 73 in /1.85m | Tape, Rubber | |
| 9 | 4751600 | 8 | Washer 3/8 | |
| 10 | 1001156190 | 1 | Tray | |
| 11 | 1001284963 | 1 | Tank, Fuel (Includes Non-Locking Cap) (Diesel Machines) | |
| 11A | 70004184 | 1 | Fitting and Pick-up Tube (Diesel Machines) | |
| 11B | 2200222 | 1 | Fitting (Diesel Machines Only) | |
| 11B | 0100020 | AR | Sealant | |
| 11C | 7016314 | 1 | Cap | |
| 13 | 1001231888 | 1 | Strap Assembly (Includes Strap & Protective Strip) | |
| 13 | 4240113 | 1 | Strap, Tank | |
| 14 | 1001285677 | 1 | Hydraulic Tank Assembly (See Separate Breakdown in this Section) | |
| 15 | 0731005 | 5 | Bolt #10 x 5/8 | |
| 16 | 4751000 | 5 | Washer #10 | |
| 17 | 1001274219 | 1 | Gauge, Fuel | |

SECTION 2 - TURNTABLE

FIGURE 2-11. TANK INSTALLATION - DIESEL MACHINE (FUEL TANK WITH SIGHT GLASS)
(HELGESEN 6IN DIA BREATHER HYDRAULIC TANK - 25 GAL CAPACITY)



ART_1001250643_B

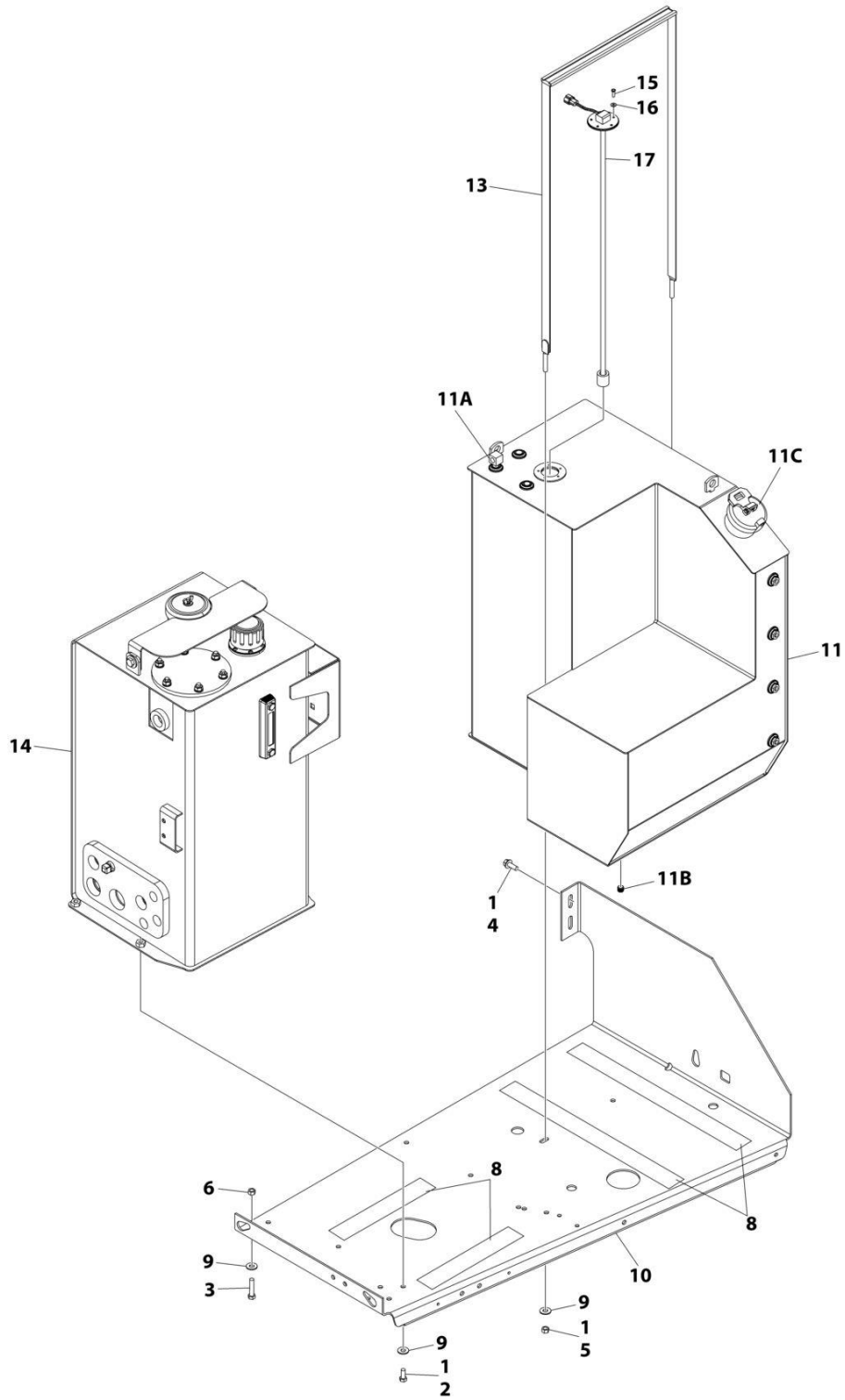
SECTION 2 - TURNTABLE

**FIGURE 2-11. TANK INSTALLATION - DIESEL MACHINE (FUEL TANK WITH SIGHT GLASS)
(HELGESEN 6IIN DIA BREATHER HYDRAULIC TANK - 25 GAL CAPACITY)**

| ITEM | PART NUMBER | QTY | DESCRIPTION | REV |
|------|-------------|-----------------|--|-----|
| | 1001250643 | Ref | TANK INSTALLATION | B |
| 1 | 0100011 | AR | Compound, Locking | |
| 2 | 1001182997 | AR | Adhesive (Not Shown) | |
| 3 | 0641607 | 4 | Bolt 3/8 x 7/8 | |
| 4 | 0641614 | 2 | Bolt 3/8 x 1-3/4 | |
| 5 | 0811608 | 2 | Bolt 3/8 x 1 | |
| 6 | 3311601 | 2 | Nut 3/8 | |
| 7 | 3311605 | 2 | Nut 3/8 | |
| 9 | 4420038 | 73 in /1.85m | Tape, Rubber | |
| 10 | 4751600 | 8 | Washer 3/8 | |
| 11 | 1001156190 | 1 | Tray | |
| 12 | 1001284963 | 1 | Tank, Fuel (Includes Non-Locking Cap) (Diesel Machines) | |
| 12A | 70007508 | 1 | Fitting and Pick-up Tube (Diesel Machines) | |
| 12B | 70002112 | 1 | Fitting (Diesel Machines Only) | |
| 12C | 1001080707 | 1 | Cap | |
| 13 | 1001178057 | 1 | Hydraulic Tank Assembly (See Separate Breakdown in this Section) | |
| 14 | 1001231888 | 1 | Strap Assembly (Includes Strap & Protective Strip) | |
| 14 | 4240113 | 1 | Strap, Tank | |
| 15 | 0731005 | 5 | Bolt #10 x 5/8 | |
| 16 | 4751000 | 5 | Washer #10 | |
| 17 | 1001274219 | 1 | Gauge, Fuel | |

SECTION 2 - TURNTABLE

FIGURE 2-12. TANK INSTALLATION - DIESEL MACHINE (FUEL TANK WITH SIGHT GLASS)
(JIANGYING 4IN DIA BREATHER HYDRAULIC TANK - 25 GAL CAPACITY)



ART_1001284872_B

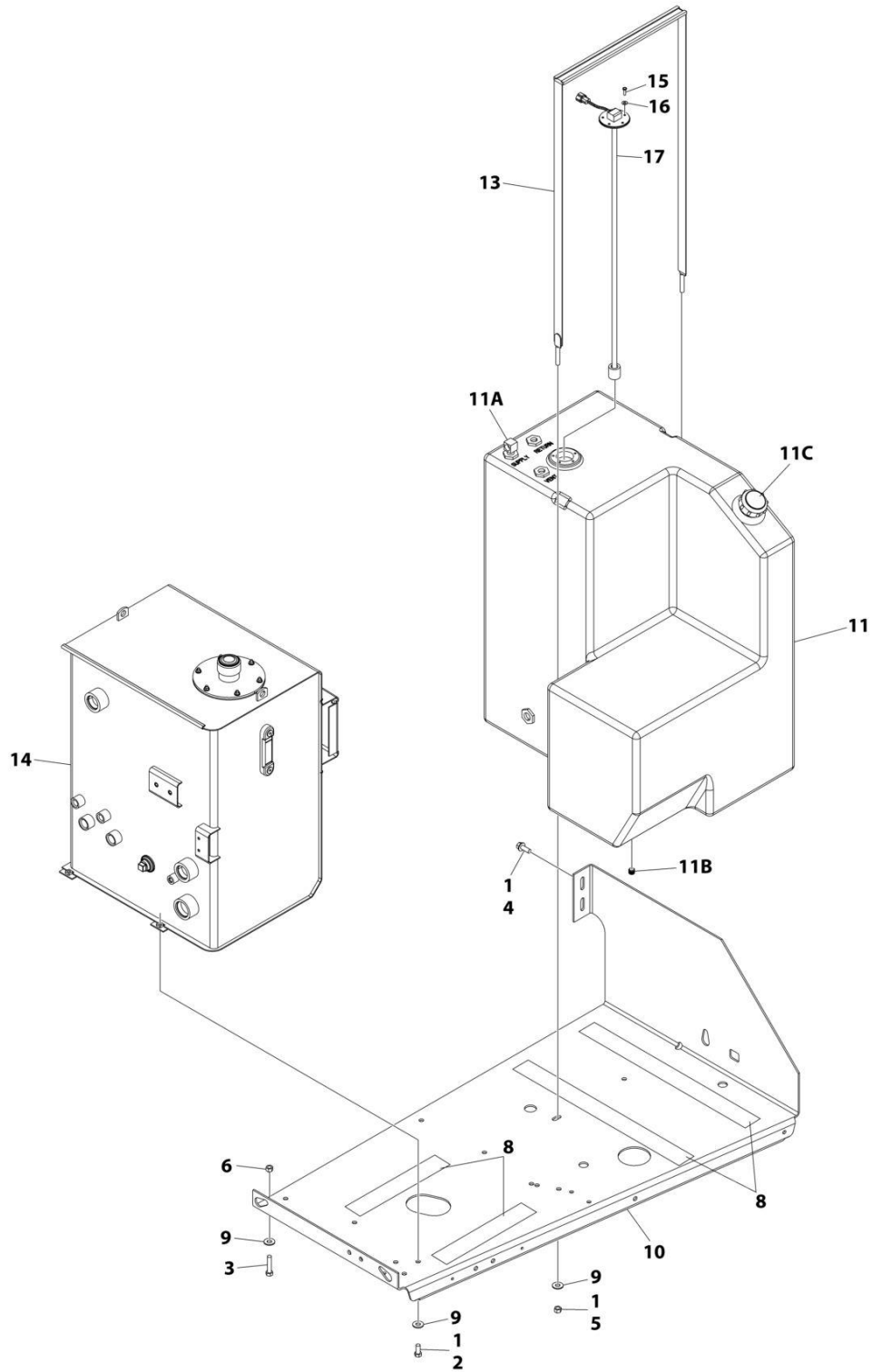
SECTION 2 - TURNTABLE

**FIGURE 2-12. TANK INSTALLATION - DIESEL MACHINE (FUEL TANK WITH SIGHT GLASS)
(JIANGYING 4IN DIA BREATHER HYDRAULIC TANK - 25 GAL CAPACITY)**

| ITEM | PART NUMBER | QTY | DESCRIPTION | REV |
|------|-------------|-----------------|--|-----|
| | 1001284872 | Ref | TANK INSTALLATION | B |
| 1 | 0100011 | AR | Compound, Locking | |
| 2 | 0641607 | 4 | Bolt 3/8 x 7/8 | |
| 3 | 0641614 | 2 | Bolt 3/8 x 1-3/4 | |
| 4 | 0811608 | 2 | Bolt 3/8 x 1 | |
| 5 | 3311601 | 2 | Nut 3/8 | |
| 6 | 3311605 | 2 | Nut 3/8 | |
| 8 | 4420038 | 73 in /1.85m | Tape, Rubber | |
| 9 | 4751600 | 8 | Washer 3/8 | |
| 10 | 1001156190 | 1 | Tray | |
| 11 | 1001284963 | 1 | Tank, Fuel (Includes Non-Locking Cap) (Diesel Machines) | |
| 11A | 70007508 | 1 | Fitting and Pick-up Tube (Diesel Machines) | |
| 11B | 70002112 | 1 | Fitting (Diesel Machines Only) | |
| 11C | 1001080707 | 1 | Cap | |
| 13 | 1001231888 | 1 | Strap Assembly (Includes Strap & Protective Strip) | |
| 13 | 4240113 | 1 | Strap, Tank | |
| 14 | 1001267678 | 1 | Hydraulic Tank Assembly (See Separate Breakdown in this Section) | |
| 15 | 0731005 | 5 | Bolt #10 x 5/8 | |
| 16 | 4751000 | 5 | Washer #10 | |
| 17 | 1001274219 | 1 | Gauge, Fuel | |

SECTION 2 - TURNTABLE

FIGURE 2-13. TANK INSTALLATION - DIESEL MACHINE (FUEL TANK WITH SIGHT GLASS)
(HYDRAULIC TANK - 47.8 GAL CAPACITY)



ART_1001285834_B

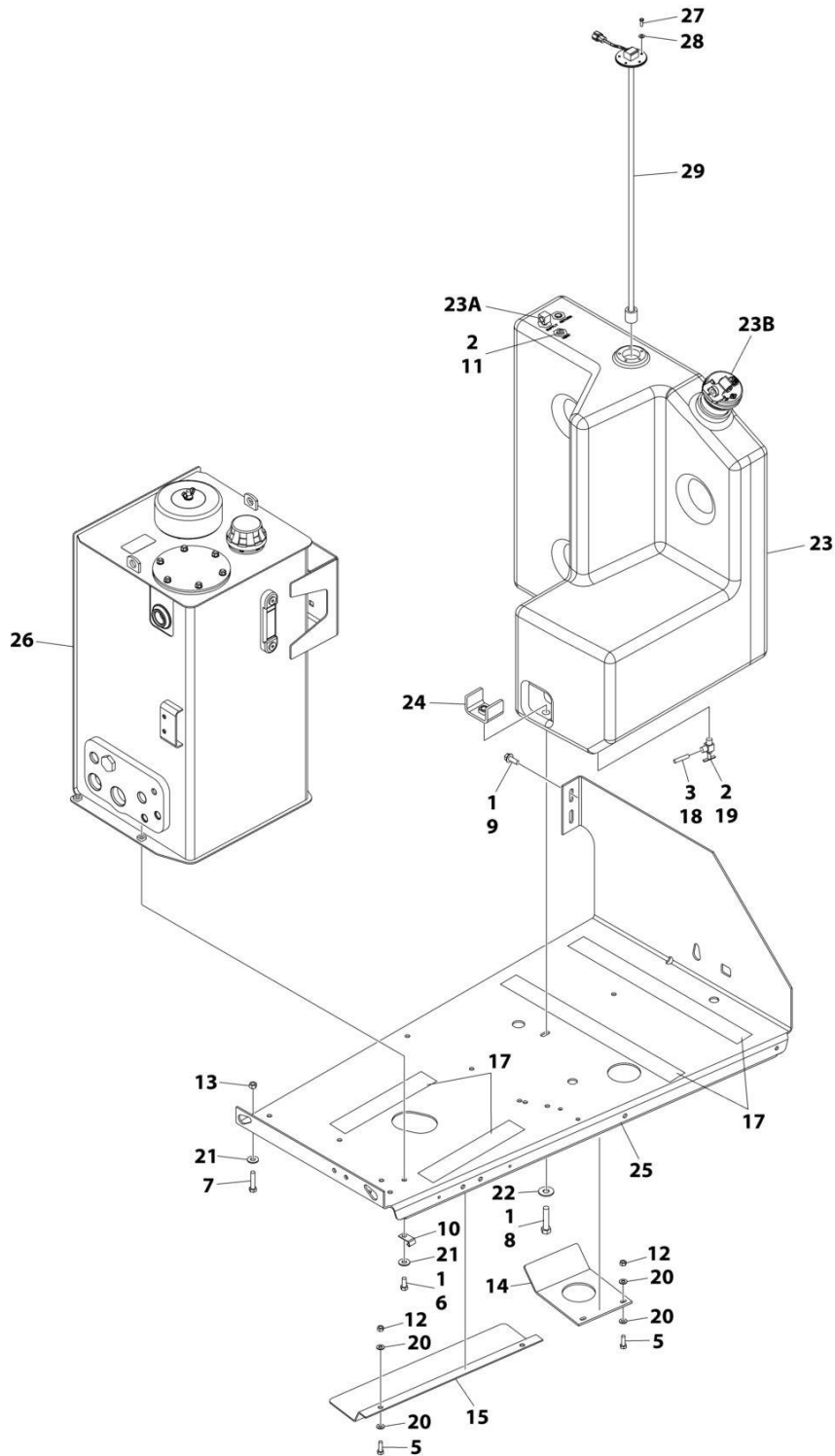
SECTION 2 - TURNTABLE

**FIGURE 2-13. TANK INSTALLATION - DIESEL MACHINE (FUEL TANK WITH SIGHT GLASS)
(HYDRAULIC TANK - 47.8 GAL CAPACITY)**

| ITEM | PART NUMBER | QTY | DESCRIPTION | REV |
|------|-------------|-----------------|--|-----|
| | 1001285834 | Ref | TANK INSTALLATION | B |
| 1 | 0100011 | AR | Compound, Locking | |
| 2 | 0641607 | 4 | Bolt 3/8 x 7/8 | |
| 3 | 0641614 | 2 | Bolt 3/8 x 1-3/4 | |
| 4 | 0811608 | 2 | Bolt 3/8 x 1 | |
| 5 | 3311601 | 2 | Nut 3/8 | |
| 6 | 3311605 | 2 | Nut 3/8 | |
| 8 | 4420038 | 73 in /1.85m | Tape, Rubber | |
| 9 | 4751600 | 8 | Washer 3/8 | |
| 10 | 1001156190 | 1 | Tray | |
| 11 | 1001284962 | 1 | Tank, Fuel (Includes Non-Locking Cap) (Diesel Machines) | |
| 11A | 70007508 | 1 | Fitting and Pick-up Tube (Diesel Machines) | |
| 11B | 70002112 | 1 | Fitting (Diesel Machines Only) | |
| 11C | 1001080707 | 1 | Cap | |
| 13 | 1001231888 | 1 | Strap Assembly (Includes Strap & Protective Strip) | |
| 13 | 4240113 | 1 | Strap, Tank | |
| 14 | 1001285677 | 1 | Hydraulic Tank Assembly (See Separate Breakdown in this Section) | |
| 15 | 0731005 | 5 | Bolt #10 x 5/8 | |
| 16 | 4751000 | 5 | Washer #10 | |
| 17 | 1001274219 | 1 | Gauge, Fuel | |

SECTION 2 - TURNTABLE

FIGURE 2-14. TANK INSTALLATION - GAS ENGINES (HELGESEN 6IN DIA BREATHER HYDRAULIC TANK - 25 GAL CAPACITY)



ART_1001178175_D

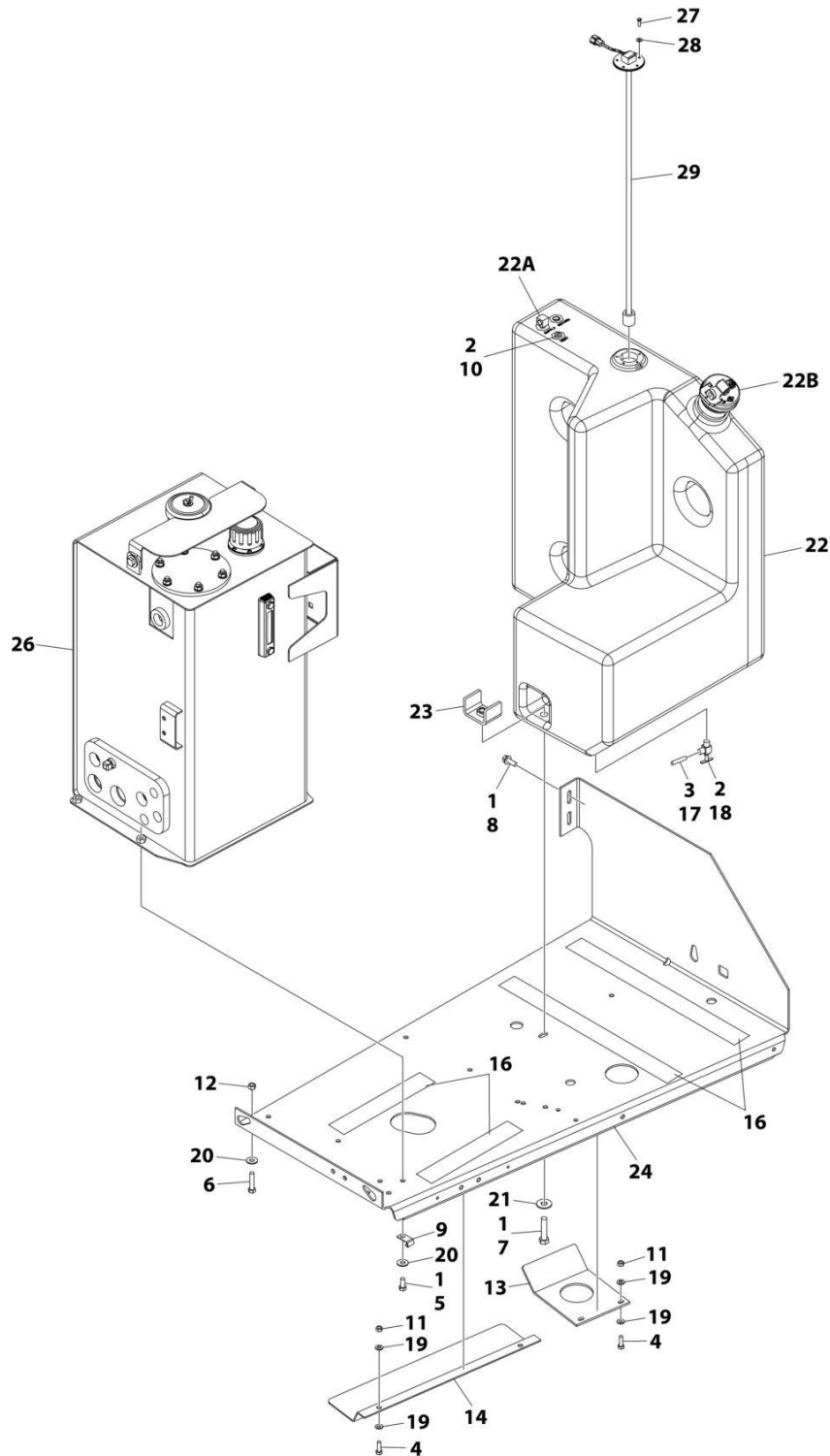
SECTION 2 - TURNTABLE

FIGURE 2-14. TANK INSTALLATION - GAS ENGINES (HELGESEN 6IN DIA BREATHER HYDRAULIC TANK - 25 GAL CAPACITY)

| ITEM | PART NUMBER | QTY | DESCRIPTION | REV |
|------|-------------|-------------|--|-----|
| | 1001178175 | Ref | TANK INSTALLATION | D |
| 1 | 0100011 | AR | Compound, Locking | |
| 2 | 0100020 | AR | Sealant, Pipe | |
| 3 | 0100062 | AR | Compound, Locking | |
| 4 | 1001182997 | AR | Adhesive (Not Shown) | |
| 5 | 0641508 | 4 | Bolt 5/16 x 1 | |
| 6 | 0641607 | 4 | Bolt 3/8 x 7/8 | |
| 7 | 0641614 | 2 | Bolt 3/8 x 1-3/4 | |
| 8 | 0641818 | 2 | Bolt 1/2 x 2-1/4 | |
| 9 | 0811608 | 2 | Bolt 3/8 x 1 | |
| 10 | 1320223 | 1 | Clamp | |
| 11 | 2200233 | 1 | Plug | |
| 12 | 3311505 | 4 | Nut 5/16 | |
| 13 | 3311605 | 2 | Nut 3/8 | |
| 14 | 3572423 | 1 | Plate, Valve Needle | |
| 15 | 3576755 | 1 | Cover, Fuel Pump | |
| 17 | 4420038 | 4 ft /1.2 m | Tape, Rubber (Gas Machines) | |
| 18 | 4568119 | 1 | Tube, Fuel | |
| 19 | 4641022 | 1 | Valve, Needle | |
| 20 | 4711500 | 8 | Washer 5/16 | |
| 21 | 4751600 | 2 | Washer 3/8 | |
| 22 | 4751800 | 2 | Washer 1/2 | |
| 23 | 1001296788 | 1 | Tank, Fuel (Includes Non-Locking Cap) (Gas Machines) | |
| 23A | 70004149 | 1 | Fitting and Pick-up Tube (Gas Machines) | |
| 23B | 70002715 | 1 | Cap | |
| 23B | 70002716 | 1 | Adapter, Cap | |
| 24 | 1001118133 | 2 | Bracket | |
| 25 | 1001156190 | 1 | Tray | |
| 26 | 1001178057 | 1 | Hydraulic Tank Assembly (See Separate Breakdown in this Section) | |
| 27 | 0731005 | 5 | Bolt #10 x 5/8 | |
| 28 | 4751000 | 5 | Washer #10 | |
| 29 | 1001274219 | 1 | Gauge, Fuel | |

SECTION 2 - TURNTABLE

FIGURE 2-15. TANK INSTALLATION - GAS ENGINES (JIANGYING 4IN DIA BREATHER HYDRAULIC TANK - 25 GAL CAPACITY)



ART_1001284874_B

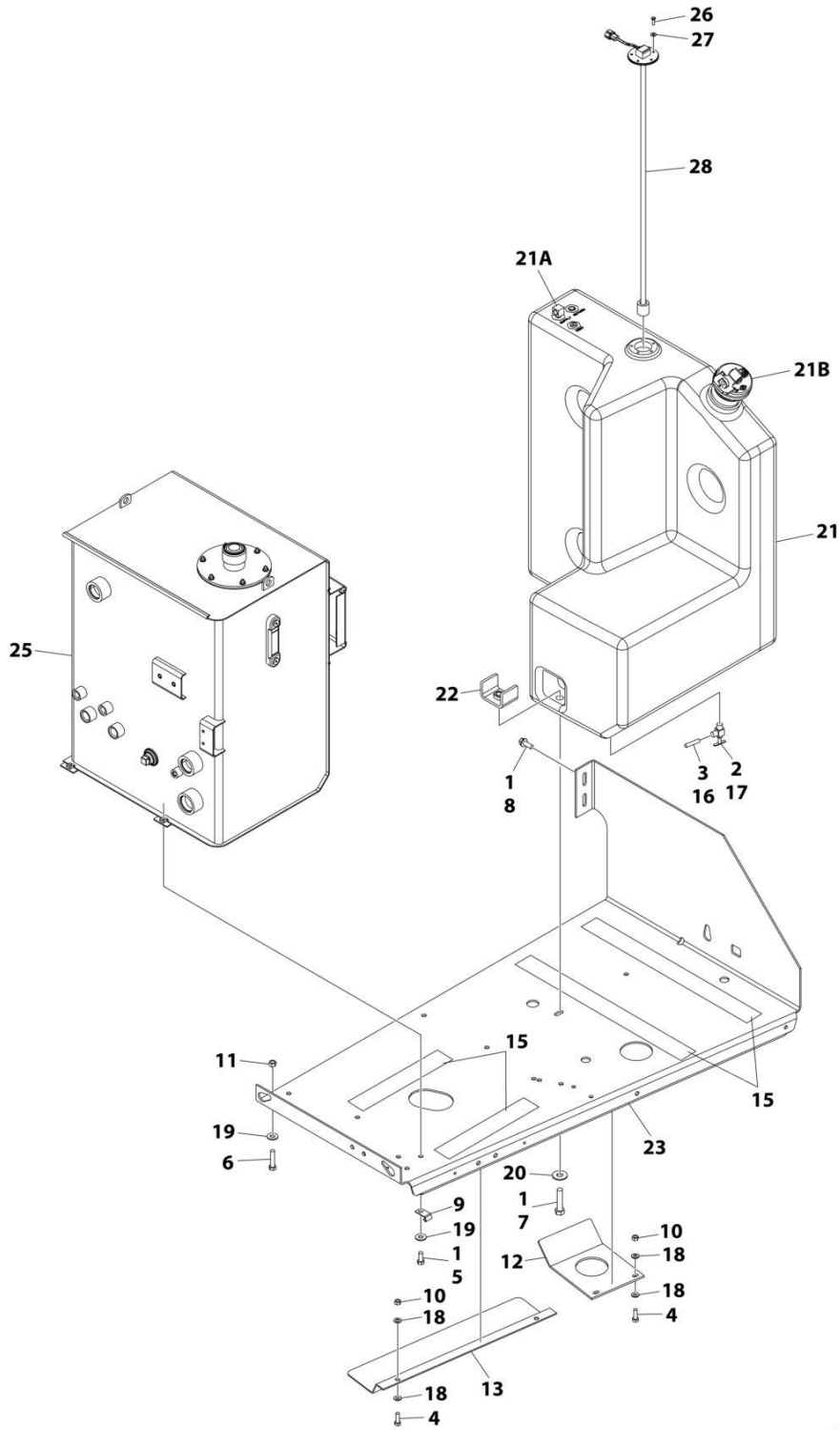
SECTION 2 - TURNTABLE

FIGURE 2-15. TANK INSTALLATION - GAS ENGINES (JIANGYING 4IN DIA BREATHER HYDRAULIC TANK - 25 GAL CAPACITY)

| ITEM | PART NUMBER | QTY | DESCRIPTION | REV |
|------|-------------|-----------------|--|-----|
| | 1001284874 | Ref | TANK INSTALLATION | B |
| 1 | 0100011 | AR | Compound, Locking | |
| 2 | 0100020 | AR | Sealant, Pipe | |
| 3 | 0100062 | AR | Compound, Locking | |
| 4 | 0641508 | 4 | Bolt 5/16 x 1 | |
| 5 | 0641607 | 4 | Bolt 3/8 x 7/8 | |
| 6 | 0641614 | 2 | Bolt 3/8 x 1-3/4 | |
| 7 | 0641818 | 2 | Bolt 1/2 x 2-1/4 | |
| 8 | 0811608 | 2 | Bolt 3/8 x 1 | |
| 9 | 1320223 | 1 | Clamp | |
| 10 | 2200233 | 1 | Plug | |
| 11 | 3311505 | 4 | Nut 5/16 | |
| 12 | 3311605 | 2 | Nut 3/8 | |
| 13 | 3572423 | 1 | Plate, Valve Needle | |
| 14 | 3576755 | 1 | Cover, Fuel Pump | |
| 16 | 4420038 | 45 in /1.14m | Tape, Rubber (Gas Machines) | |
| 17 | 4568119 | 1 | Tube, Fuel | |
| 18 | 4641022 | 1 | Valve, Needle | |
| 19 | 4711500 | 8 | Washer 5/16 | |
| 20 | 4751600 | 6 | Washer 3/8 | |
| 21 | 4751800 | 2 | Washer 1/2 | |
| 22 | 1001284961 | 1 | Tank, Fuel (Includes Non-Locking Cap) (Gas Machines) | |
| 22A | 70004149 | 1 | Fitting and Pick-up Tube (Gas Machines) | |
| 22B | 70002715 | 1 | Cap | |
| 22B | 70002716 | 1 | Adapter, Cap | |
| 23 | 1001118133 | 2 | Bracket | |
| 24 | 1001156190 | 1 | Tray | |
| 26 | 1001267678 | 1 | Hydraulic Tank Assembly (See Separate Breakdown in this Section) | |
| 27 | 0731005 | 5 | Bolt #10 x 5/8 | |
| 28 | 4751000 | 5 | Washer #10 | |
| 29 | 1001274219 | 1 | Gauge, Fuel | |

SECTION 2 - TURNTABLE

FIGURE 2-16. TANK INSTALLATION - GAS ENGINES (HYDRAULIC TANK - 47.8 GAL CAPACITY)



ART_1001285833_C

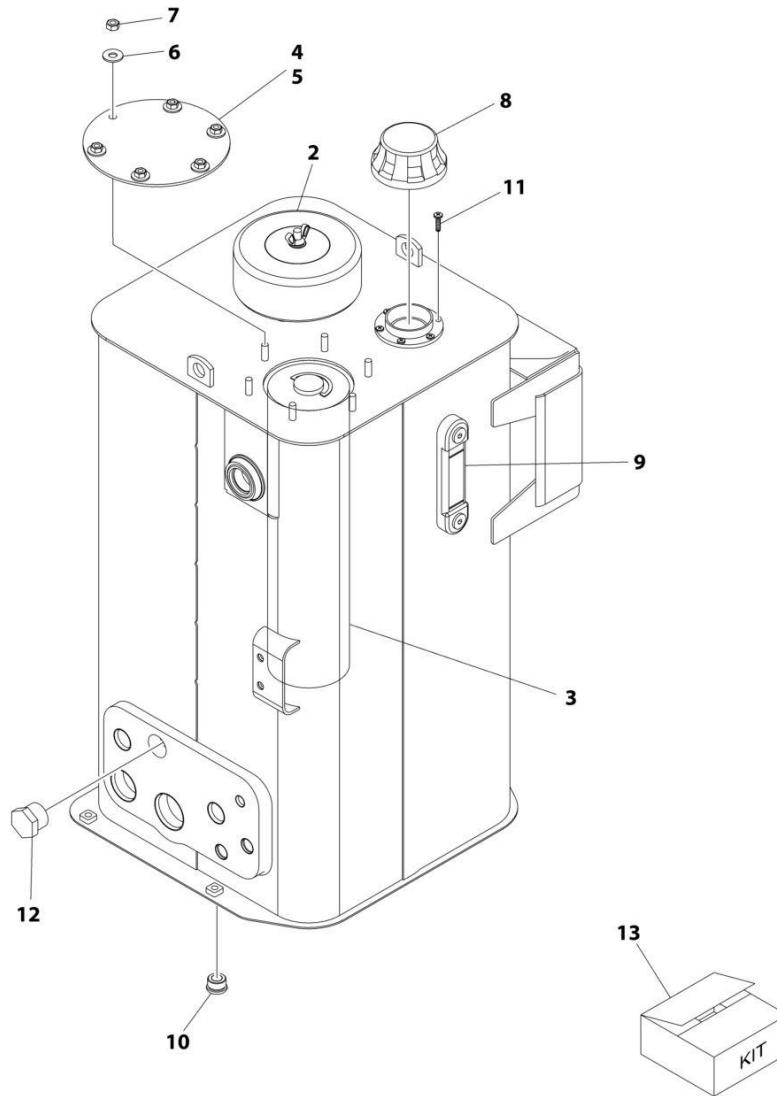
SECTION 2 - TURNTABLE

FIGURE 2-16. TANK INSTALLATION - GAS ENGINES (HYDRAULIC TANK - 47.8 GAL CAPACITY)

| ITEM | PART NUMBER | QTY | DESCRIPTION | REV |
|------|-------------|-----------|--|-----|
| | 1001285833 | Ref | TANK INSTALLATION | C |
| 1 | 0100011 | AR | Compound, Locking | |
| 2 | 0100020 | AR | Sealant, Pipe | |
| 3 | 0100062 | AR | Compound, Locking | |
| 4 | 0641508 | 4 | Bolt 5/16 x 1 | |
| 5 | 0641607 | 4 | Bolt 3/8 x 7/8 | |
| 6 | 0641614 | 2 | Bolt 3/8 x 1-3/4 | |
| 7 | 0641818 | 2 | Bolt 1/2 x 2-1/4 | |
| 8 | 0811608 | 2 | Bolt 3/8 x 1 | |
| 9 | 1320223 | 1 | Clamp | |
| 10 | 3311505 | 4 | Nut 5/16 | |
| 11 | 3311605 | 2 | Nut 3/8 | |
| 12 | 3572423 | 1 | Plate, Valve Needle | |
| 13 | 3576755 | 1 | Cover, Fuel Pump | |
| 15 | 4420038 | 5 ft /2 m | Tape, Rubber (Gas Machines) | |
| 16 | 4568119 | 1 | Tube, Fuel | |
| 17 | 4641022 | 1 | Valve, Needle | |
| 18 | 4711500 | 8 | Washer 5/16 | |
| 19 | 4751600 | 6 | Washer 3/8 | |
| 20 | 4751800 | 2 | Washer 1/2 | |
| 21 | 1001296788 | 1 | Tank, Fuel (Includes Non-Locking Cap) (Gas Machines) | |
| 21A | 70004149 | 1 | Fitting and Pick-up Tube (Gas Machines) | |
| 21B | 70002715 | 1 | Cap | |
| 21B | 70002716 | 1 | Adapter, Cap | |
| 22 | 1001118133 | 2 | Bracket | |
| 23 | 1001156190 | 1 | Tray | |
| 24 | 1001182997 | AR | Adhesive (Not Shown) | |
| 25 | 1001285677 | 1 | Hydraulic Tank Assembly (See Separate Breakdown in this Section) | |
| 26 | 0731005 | 5 | Bolt #10 x 5/8 | |
| 27 | 4751000 | 5 | Washer #10 | |
| 28 | 1001274219 | 1 | Guage, Fuel | |

SECTION 2 - TURNTABLE

FIGURE 2-17. HYDRAULIC TANK ASSEMBLY (HELGESEN 6IN DIA BREATHER HYDRAULIC TANK - 25 GAL CAPACITY)



ART_1001178057

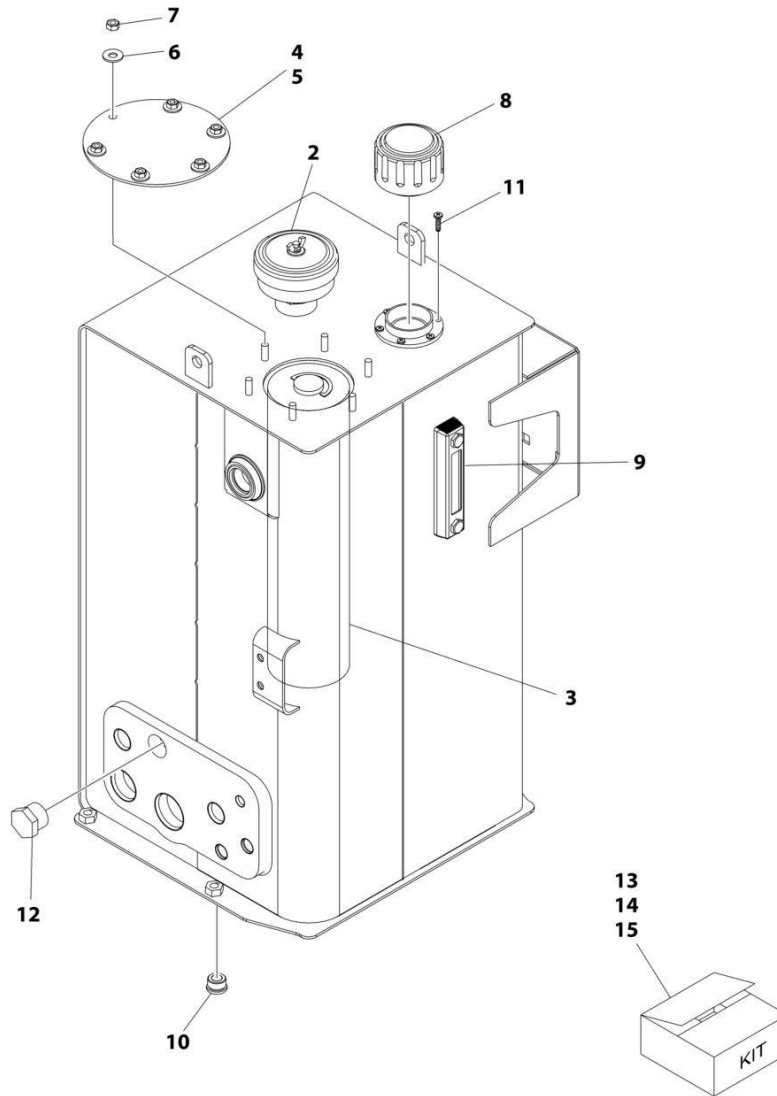
SECTION 2 - TURNTABLE

FIGURE 2-17. HYDRAULIC TANK ASSEMBLY (HELGESEN 6IN DIA BREATHER HYDRAULIC TANK - 25 GAL CAPACITY)

| ITEM | PART NUMBER | QTY | DESCRIPTION | REV |
|------|-------------|-----|--|-----|
| | 1001178057 | Ref | HYDRAULIC TANK ASSEMBLY | D |
| 2 | 70005708 | 1 | Breather Assembly (Includes Breather, Element and Wingnut) | |
| 2 | See Note | NSS | Element, Breather (Note: Use p/n 70005708 or Item 13) | |
| 3 | See Note | NSS | Element, Hydraulic (Note: Use Item 13) | |
| 4 | 70002839 | 1 | Gasket | |
| 5 | See Note | NSS | Cover (Note: Not Available for Purchase) | |
| 6 | 83304173 | 6 | Washer 5/16 | |
| 7 | 70004199 | 6 | Nut 5/16 | |
| 8 | 70002838 | 1 | Cap, Fill | |
| 9 | 7024441 | 1 | Gauge, Level | |
| 10 | 70002112 | 1 | Plug | |
| 11 | 70004795 | 6 | Screw #10 x 3/4 | |
| 12 | See Note | NSS | Plug (Note: Not Available - Purchase Locally) | |
| 13 | 70002814 | 1 | Hydraulic Tank Service Kit (Includes Items 2-4) | |

SECTION 2 - TURNTABLE

FIGURE 2-18. HYDRAULIC TANK ASSEMBLY (JIANGYING 4IN DIA BREATHER HYDRAULIC TANK - 25 GAL CAPACITY)



ART_1001267678

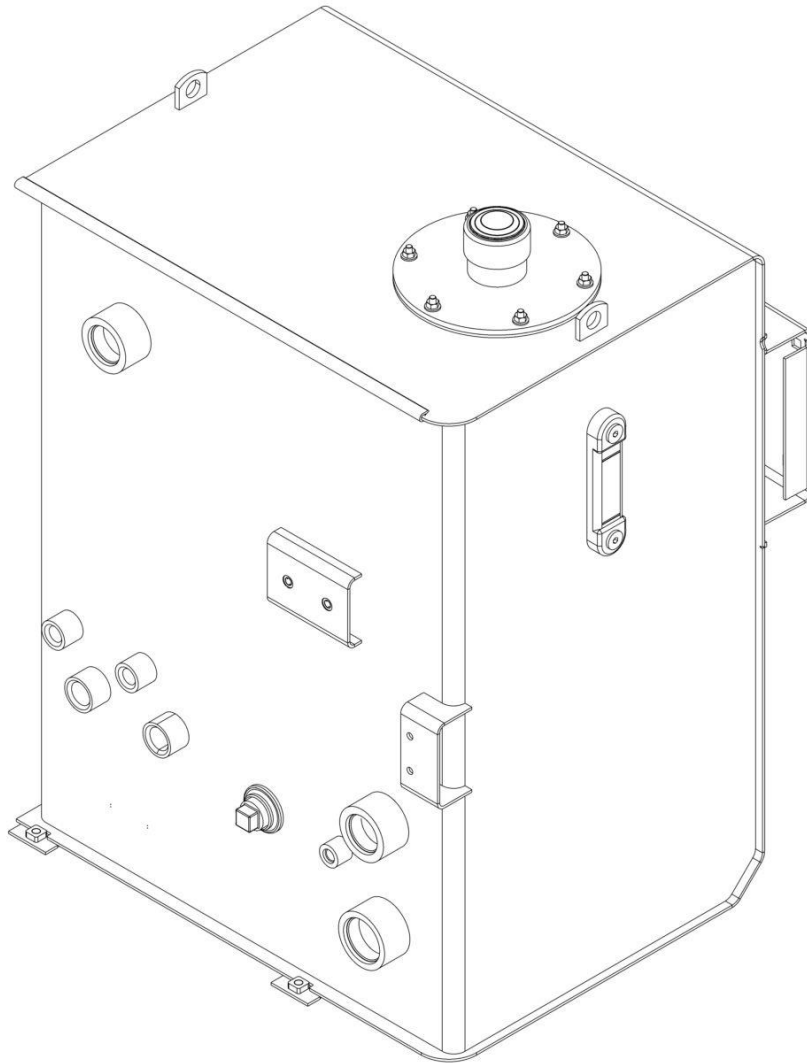
SECTION 2 - TURNTABLE

FIGURE 2-18. HYDRAULIC TANK ASSEMBLY (JIANGYING 4IN DIA BREATHER HYDRAULIC TANK - 25 GAL CAPACITY)

| ITEM | PART NUMBER | QTY | DESCRIPTION | REV |
|------|-------------|-----|--|-----|
| | 1001267678 | REF | HYDRAULIC TANK ASSEMBLY | A |
| 1 | See Note | NSS | Hydraulic Tank Weldment (Not Shown) (Note: Not Available for Purchase) | |
| 2 | See Note | NSS | Breather Assembly (Note: Use Item 13) | |
| 3 | See Note | NSS | Element, Filter (Note: Use Item Use Item 14) | |
| 4 | 70002839 | 1 | Gasket | |
| 5 | See Note | NSS | Cover (Note: Not Available for Purchase) | |
| 6 | 83304173 | 6 | Washer 1/4 | |
| 7 | 70004199 | 6 | Nut 5/16 | |
| 8 | 70002838 | 1 | Cap, Fill | |
| 9 | 70024441 | 1 | Gauge, Level | |
| 10 | 70002112 | 1 | Plug | |
| 11 | 70004795 | 6 | Screw 10 x 3/4 | |
| 12 | See Note | NSS | Plug (Note: Not Available for Purchase) | |
| 13 | 70007726 | 1 | Breather Kit (Note: Includes Item 2) | |
| 14 | 70007727 | 1 | Return Filter Kit (Note: Includes Item 3) | |
| 15 | 70007725 | 1 | Level Gauge Kit | |

SECTION 2 - TURNTABLE

FIGURE 2-19. HYDRAULIC TANK ASSEMBLY (HYDRAULIC TANK - 47.8 GAL CAPACITY)



ART_1001285677

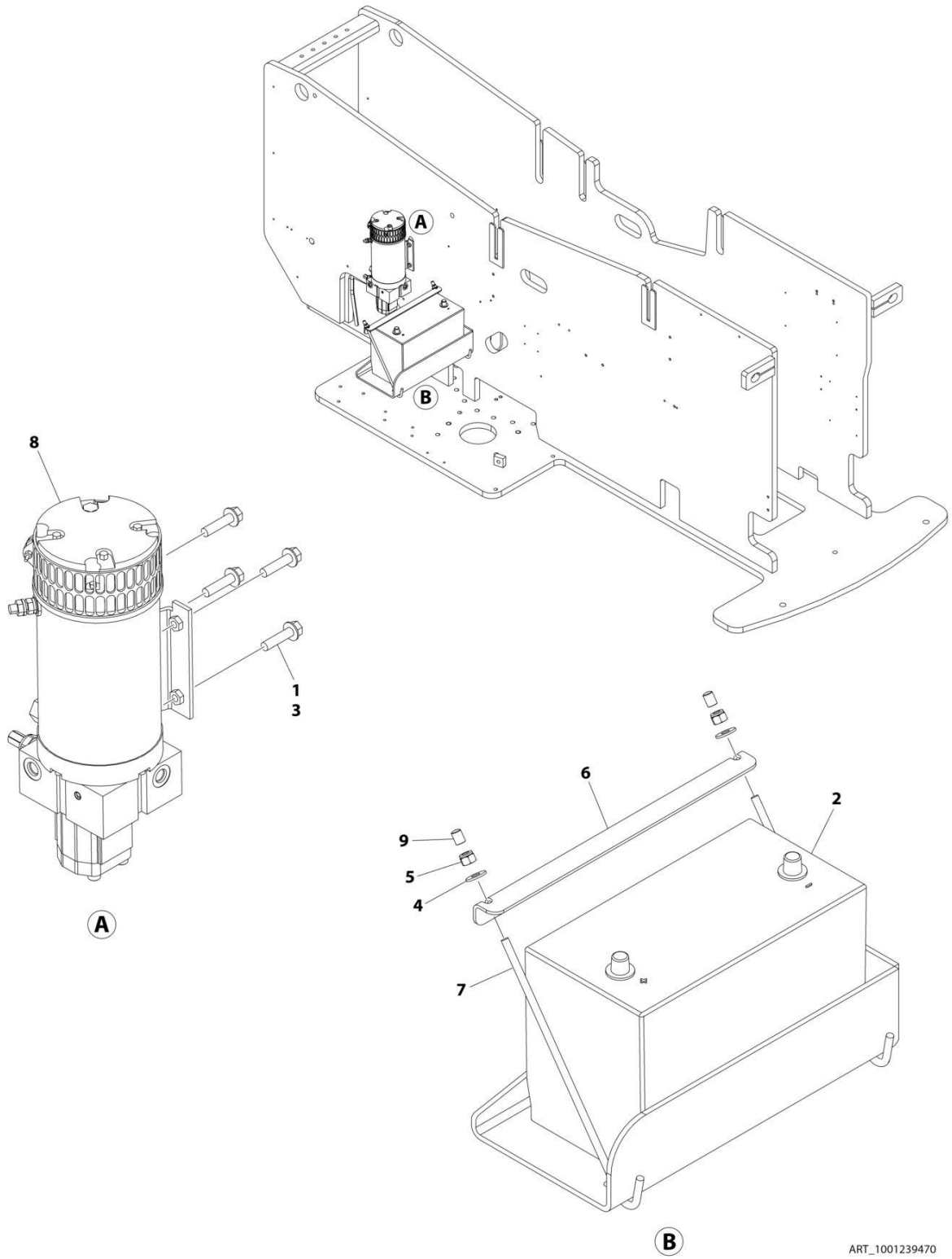
SECTION 2 - TURNTABLE

FIGURE 2-19. HYDRAULIC TANK ASSEMBLY (HYDRAULIC TANK - 47.8 GAL CAPACITY)

| ITEM | PART NUMBER | QTY | DESCRIPTION | REV |
|------|------------------------|------------|---|-----|
| | 1001285677 See Note | Ref Ref | HYDRAULIC TANK ASSEMBLY Note: No Service Parts Available at Time of Printing | B |

SECTION 2 - TURNTABLE

FIGURE 2-20. AUXILIARY POWER INSTALLATION - WITHOUT BATTERY DISCONNECT



ART_1001239470

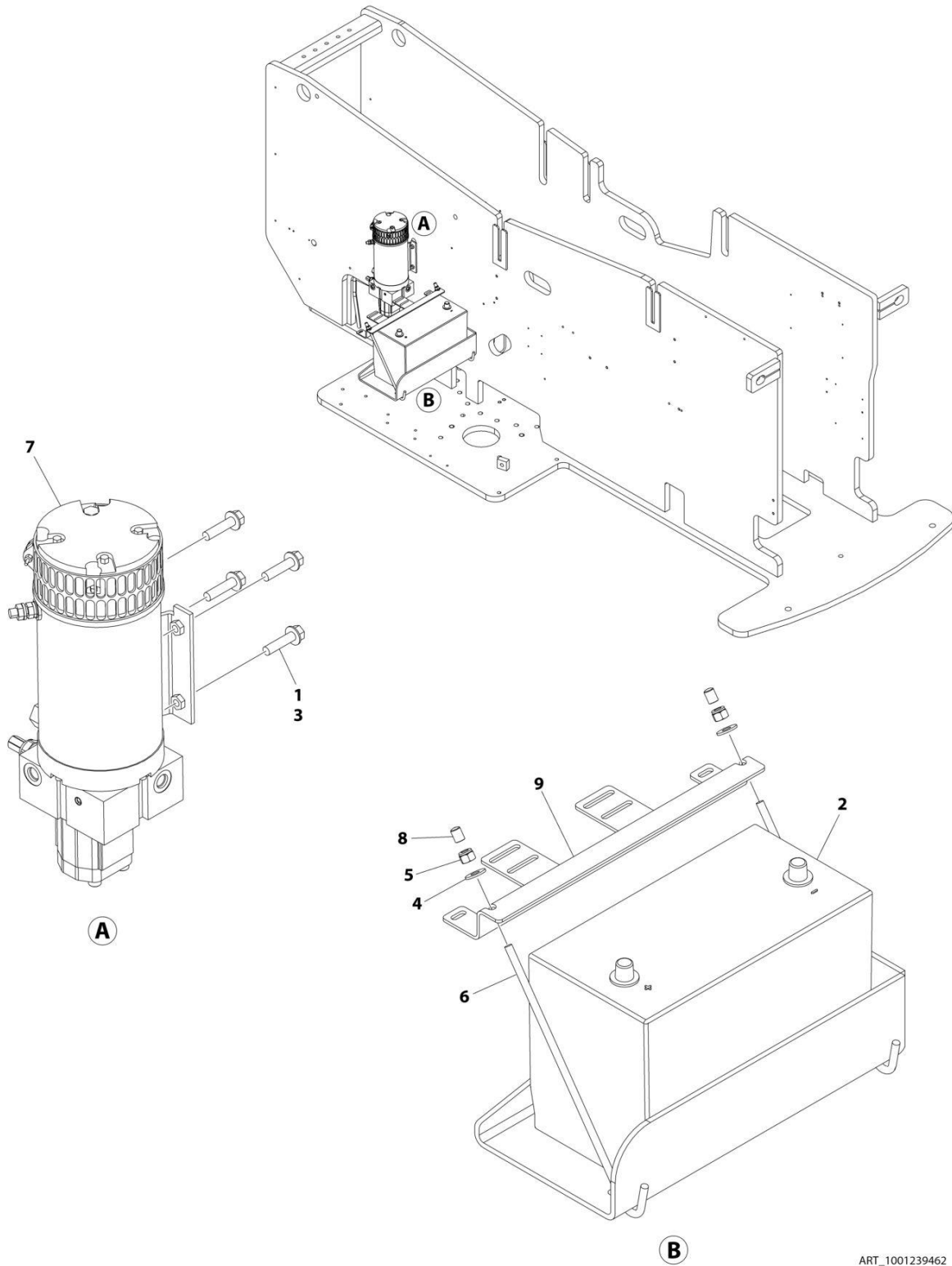
SECTION 2 - TURNTABLE

FIGURE 2-20. AUXILIARY POWER INSTALLATION - WITHOUT BATTERY DISCONNECT

| ITEM | PART NUMBER | QTY | DESCRIPTION | REV |
|------|-------------|-----|---|-----|
| | 1001239470 | Ref | AUXILIARY POWER INSTALLATION | A |
| 1 | 0100011 | AR | Compound, Locking | |
| 2 | 0400075 | 1 | Battery | |
| 3 | 0811612 | 4 | Screw 3/8 x 1-1/2 | |
| 4 | 4751500 | 2 | Washer 5/16 | |
| 5 | 88521205 | 2 | Nut 5/16 | |
| 6 | 91401281 | 1 | Bracket, Battery Hold Down | |
| 7 | 1001093382 | 2 | J - Bolt | |
| 8 | 1001137460 | 1 | Auxillary Power Pump/ Motor Assembly (See Separate Breakdown in this Section) | |
| 9 | 1001218572 | 2 | Cap | |

SECTION 2 - TURNTABLE

FIGURE 2-21. AUXILIARY POWER INSTALLATION - WITH BATTERY DISCONNECT



ART_1001239462

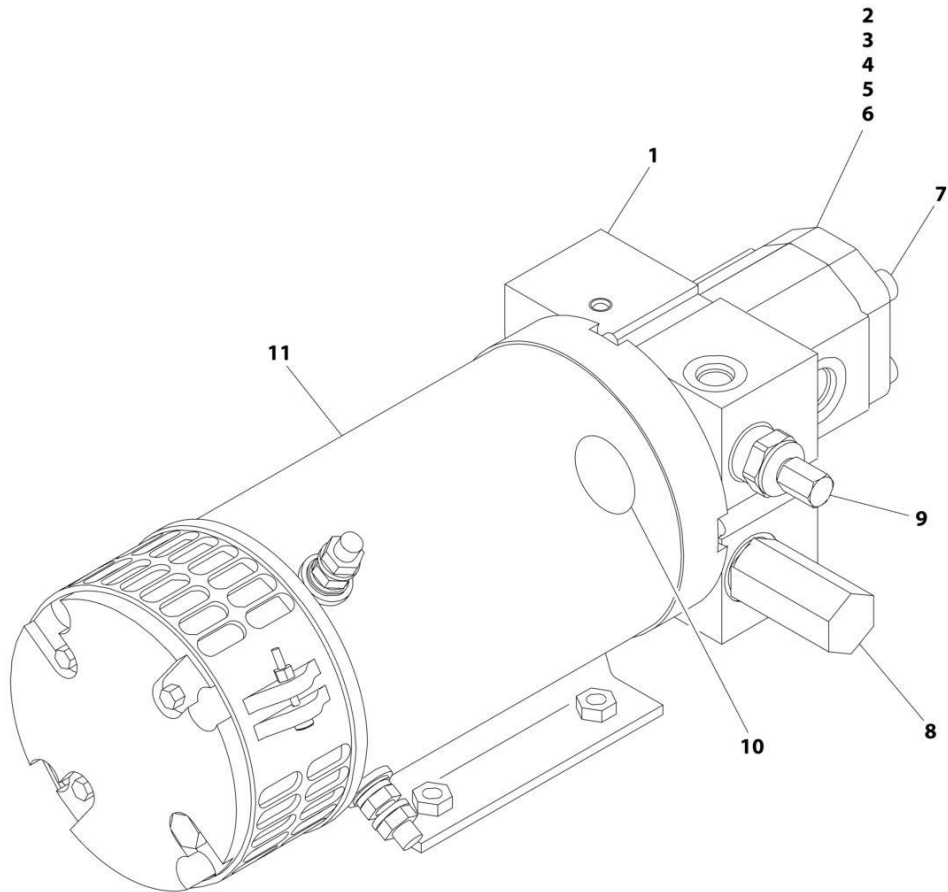
SECTION 2 - TURNTABLE

FIGURE 2-21. AUXILIARY POWER INSTALLATION - WITH BATTERY DISCONNECT

| ITEM | PART NUMBER | QTY | DESCRIPTION | REV |
|-------------|--------------------|------------|--|------------|
| | 1001239462 | Ref | AUXILIARY POWER INSTALLATION | A |
| 1 | 0100011 | AR | Compound, Locking | |
| 2 | 0400075 | 1 | Battery | |
| 3 | 0811612 | 4 | Screw 3/8 x 1-1/2 | |
| 4 | 4751500 | 2 | Washer 5/16 | |
| 5 | 88521205 | 2 | Nut 5/16 | |
| 6 | 1001093382 | 2 | J - Bolt | |
| 7 | 1001137460 | 1 | Auxiliary Power Pump/Motor Assembly (See Separate Breakdown in this Section) | |
| 8 | 1001218572 | 2 | Cap | |
| 9 | 1001236303 | 1 | Bracket, Battery Hold Down | |

SECTION 2 - TURNTABLE

FIGURE 2-22. AUXILIARY POWER PUMP/MOTOR ASSEMBLY



ART_1001137460

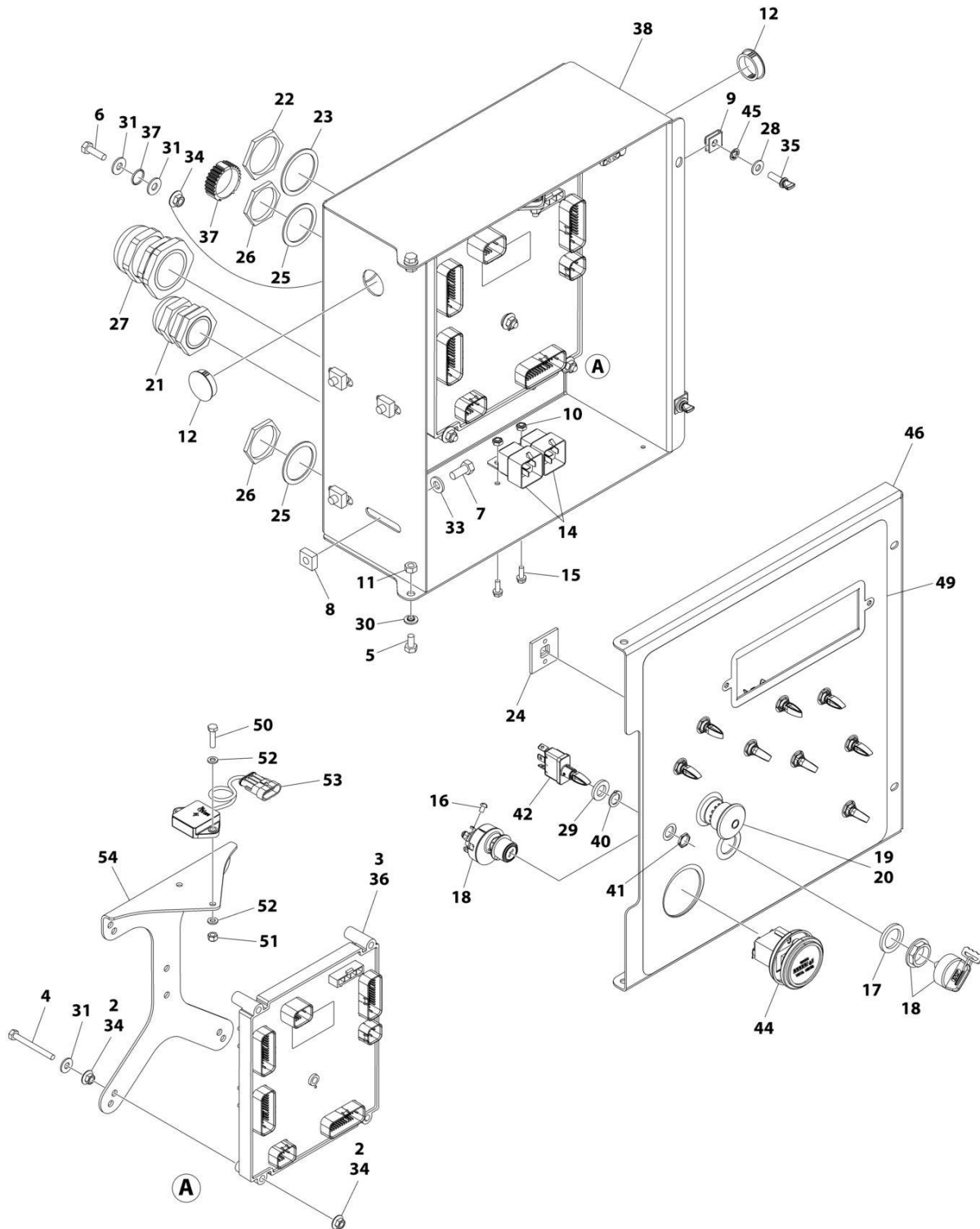
SECTION 2 - TURNTABLE

FIGURE 2-22. AUXILIARY POWER PUMP/MOTOR ASSEMBLY

| ITEM | PART NUMBER | QTY | DESCRIPTION | REV |
|------|-------------|-----|--|-----|
| | 1001137460 | Ref | AUXILIARY PUMP ASSEMBLY | A |
| 1 | 70004125 | 1 | Base Assembly | |
| 1 | 70003993 | 1 | Seal, Shaft | |
| 2 | See Note | NSS | Pin, Dowel (Note: Use Item 1) | |
| 3 | See Note | NSS | O-Ring (Note: Use Item 1) | |
| 4 | See Note | NSS | Pump (Note: Use Item 1) | |
| 5 | See Note | NSS | O-Ring (Note: Use Item 1) | |
| 6 | See Note | NSS | Cover, Rear (Note: Use Item 1) | |
| 7 | See Note | NSS | Screw (Note: Use Item 1) | |
| 8 | 70003989 | 1 | Valve, Logic | |
| 9 | See Note | 1 | Valve, Relief (Note: Use Item 1) | |
| 10 | See Note | 1 | Shaft, Intermediate (Note: Use Item 1) | |
| 11 | 70003992 | 1 | Motor | |

SECTION 2 - TURNTABLE

FIGURE 2-23. GROUND CONTROL BOX ASSEMBLY - WITH DEUTZ D2011 ENGINES - WITH MECHANICAL HOUR METER (ANSI EXPORT LRC AND AUSTRALIAN SPECS)



ART_1001266893_F

SECTION 2 - TURNTABLE

FIGURE 2-23. GROUND CONTROL BOX ASSEMBLY - WITH DEUTZ D2011 ENGINES - WITH MECHANICAL HOUR METER (ANSI EXPORT LRC AND AUSTRALIAN SPECS)

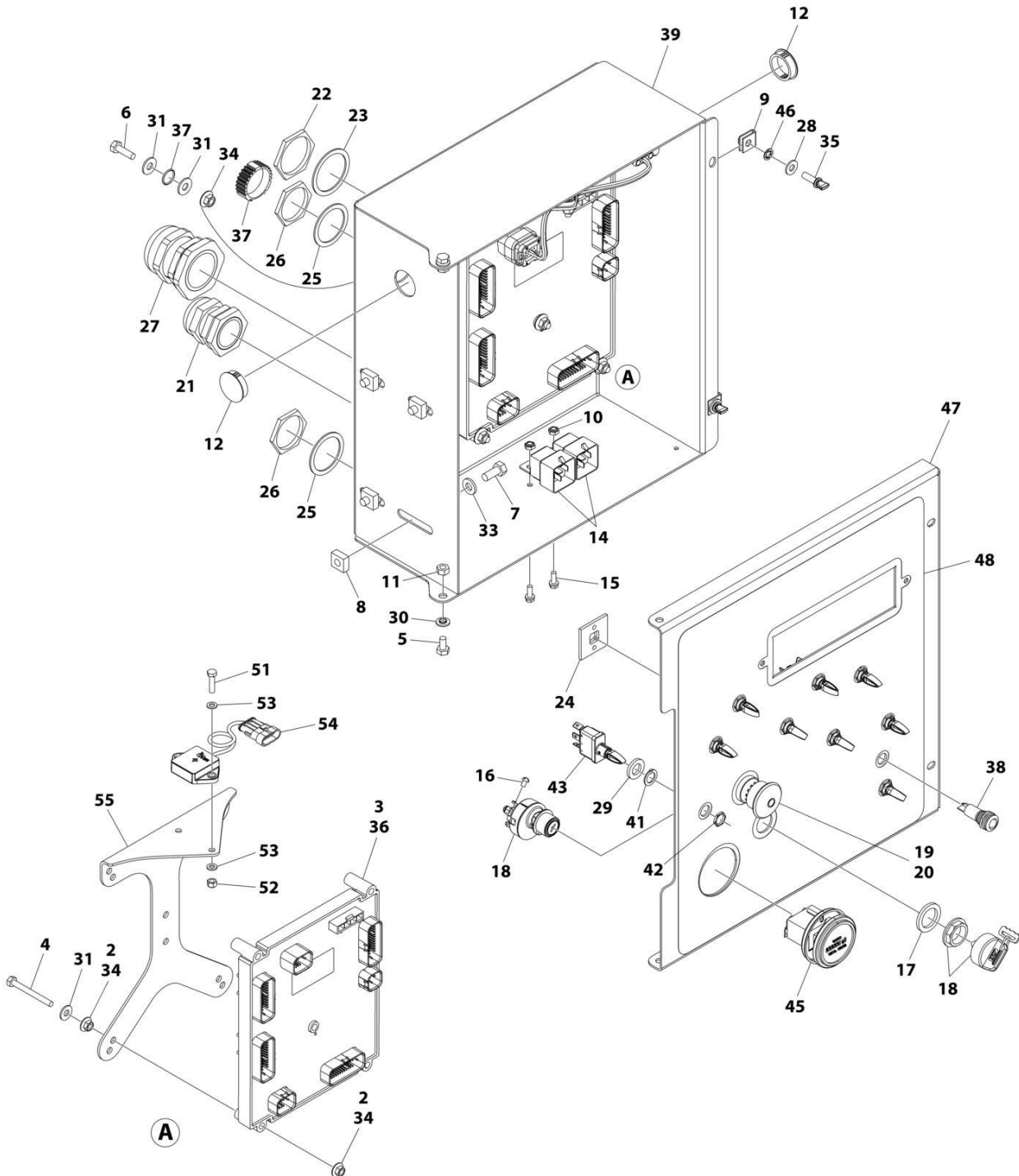
| ITEM | PART NUMBER | QTY | DESCRIPTION | REV |
|------|-------------|-------|--|-----|
| | 1001266893 | Ref | GROUND CONTROL BOX ASSEMBLY | F |
| 2 | 0100011 | AR | Compound, Locking | |
| 3 | 0100048 | AR | Grease, Dielectric | |
| 4 | 0630548 | 5 | Bolt 2-1/2 | |
| 5 | 0641404 | 2 | Bolt 1/4 x 1/2 | |
| 6 | 0641407 | 1 | Bolt 1/4 x 7/8 | |
| 7 | 0641506 | 4 | Bolt 5/16 x 3/4 | |
| 8 | 3300205 | 4 | Nut, Retainer | |
| 9 | 3300353 | 2 | Nut, Tinnerman | |
| 10 | 3300408 | 2 | Nut, Nylon Insert | |
| 11 | 3311405 | 2 | Nut 1/4 | |
| 12 | 3520031 | 2 | Plug | |
| 14 | 3740049 | 2 | Relay | |
| 15 | 3900268 | 2 | Screw #10x1/2 | |
| 16 | 3910804 | 6 | Screw #8 x 1/4 | |
| 17 | 4070991 | 1 | Shim | |
| 18 | 4360469 | 1 | Switch, Key | |
| 18 | 2860030 | 1 Set | Key Replacement | |
| 19 | 4360475 | 1 | Switch, Emergency Stop | |
| 19 | 7020175 | 1 | Cap, Mushroom | |
| 19 | 7020176 | 1 | Block, Contact | |
| 20 | 4360476 | 1 | Switch, Contact Block | |
| 21 | 4460426 | 1 | Connector, Strain Relief | |
| 22 | 4460470 | 1 | Nut, Terminal | |
| 23 | 4460471 | 1 | Lockwasher, Terminal | |
| 24 | 4460488 | 6 | Mounting Base, Terminal | |
| 25 | 4460496 | 2 | Washer, Terminal | |
| 26 | 4460497 | 2 | Nut, Terminal | |
| 27 | 4460526 | 1 | Connector, Strain Relief | |
| 28 | 4711400 | 2 | Washer 1/4 | |
| 29 | 4740397 | 9 | Spacer | |
| 30 | 4740518 | 2 | Washer | |
| 31 | 4751400 | 7 | Washer 1/4 | |
| 33 | 4891500 | 4 | Washer 5/16 | |
| 34 | 77143013 | 11 | Nut 1/4 | |
| 35 | 1001103308 | 2 | Thumbscrew 1/4 x 3/4 | |
| 36 | 1001280600 | 1 | Module, Ground Control (Note: Recalibration Required When Replaced) | |
| 37 | 1001106736 | 1 | Cap, Dust | |
| 38 | 1001287467 | 1 | Box | |
| 39 | 1001286032 | 1 | Engine Harness (Not Shown - See Separate Breakdown in ELECTRICAL Section) | |
| 40 | 1001155043 | 9 | Washer | |
| 41 | 1001155044 | 9 | Nut 15/32 | |
| 42 | 1001155045 | 9 | Switch, Toggle | |
| 43 | 1001285016 | 1 | Control Valve Harness (Not Shown - See Separate Breakdown in ELECTRICAL Section) | |
| 44 | 10836804 | 1 | Hour Meter | |
| 45 | 1001188874 | 2 | Nut | |

SECTION 2 - TURNTABLE

| ITEM | PART NUMBER | QTY | DESCRIPTION | REV |
|------|-------------|-----|---|-----|
| 46 | 1001280403 | 1 | Lid | |
| 47 | 1001306145 | 1 | Ground Control Box Harness (Not Shown - See Separate Breakdown in ELECTRICAL Section) | |
| 49 | 1001266876 | 1 | Decal - Ground Control Box | |
| 50 | 0760612 | 2 | Bolt M6 x 25 | |
| 51 | 3290605 | 2 | Nut M6 | |
| 52 | 4811700 | 4 | Washer M6 | |
| 53 | 1001219601 | 1 | Sensor, Tilt Dual Axis CAN | |
| 54 | 1001271794 | 1 | Bracket, Tilt Sensor | |

SECTION 2 - TURNTABLE

FIGURE 2-24. GROUND CONTROL BOX ASSEMBLY - WITH DEUTZ D2011 AND TOWER STOW - WITH MECHANICAL HOUR METER (ANSI EXPORT LRC AND AUSTRALIAN SPECS)



ART_1001263361_F

SECTION 2 - TURNTABLE

FIGURE 2-24. GROUND CONTROL BOX ASSEMBLY - WITH DEUTZ D2011 AND TOWER STOW - WITH MECHANICAL HOUR METER (ANSI EXPORT LRC AND AUSTRALIAN SPECS)

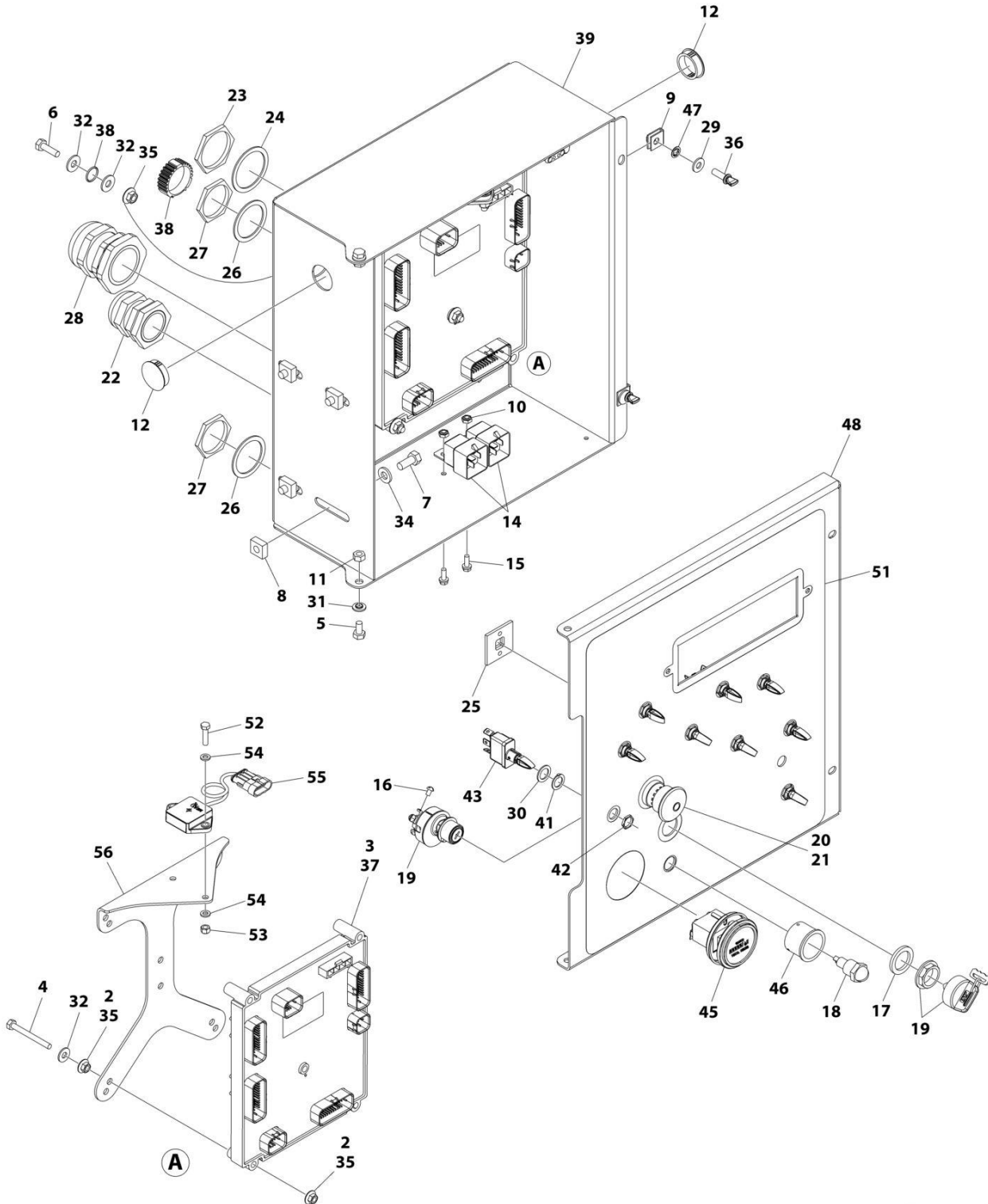
| ITEM | PART NUMBER | QTY | DESCRIPTION | REV |
|------|-------------|-------|--|-----|
| | 1001263361 | Ref | GROUND CONTROL BOX ASSEMBLY | F |
| 2 | 0100011 | AR | Compound, Locking | |
| 3 | 0100048 | AR | Grease, Dielectric | |
| 4 | 0630548 | 5 | Bolt 2-1/2 | |
| 5 | 0641404 | 2 | Bolt 1/4 x 1/2 | |
| 6 | 0641407 | 1 | Bolt 1/4 x 7/8 | |
| 7 | 0641506 | 4 | Bolt 5/16 x 3/4 | |
| 8 | 3300205 | 4 | Nut, Retainer | |
| 9 | 3300353 | 2 | Nut, Tinnerman | |
| 10 | 3300408 | 2 | Nut, Nylon Insert | |
| 11 | 3311405 | 2 | Nut 1/4 | |
| 12 | 3520031 | 2 | Plug | |
| 14 | 3740049 | 2 | Relay | |
| 15 | 3900268 | 2 | Screw #10x1/2 | |
| 16 | 3910804 | 6 | Screw #8 x 1/4 | |
| 17 | 4070991 | 1 | Shim | |
| 18 | 4360469 | 1 | Switch, Key | |
| 18 | 2860030 | 1 Set | Key Replacement | |
| 19 | 4360475 | 1 | Switch, Emergency Stop | |
| 19 | 7020175 | 1 | Cap, Mushroom | |
| 19 | 7020176 | 1 | Block, Contact | |
| 20 | 4360476 | 1 | Switch, Contact Block | |
| 21 | 4460426 | 1 | Connector, Strain Relief | |
| 22 | 4460470 | 1 | Nut, Terminal | |
| 23 | 4460471 | 1 | Lockwasher, Terminal | |
| 24 | 4460488 | 6 | Mounting Base, Terminal | |
| 25 | 4460496 | 2 | Washer, Terminal | |
| 26 | 4460497 | 2 | Nut, Terminal | |
| 27 | 4460526 | 1 | Connector, Strain Relief | |
| 28 | 4711400 | 2 | Washer 1/4 | |
| 29 | 4740397 | 9 | Spacer | |
| 30 | 4740518 | 2 | Washer | |
| 31 | 4751400 | 7 | Washer 1/4 | |
| 33 | 4891500 | 4 | Washer 5/16 | |
| 34 | 77143013 | 11 | Nut 1/4 | |
| 35 | 1001103308 | 2 | Thumbscrew 1/4 x 3/4 | |
| 36 | 1001280600 | 1 | Module, Ground Control (Note: Recalibration Required When Replaced) | |
| 37 | 1001106736 | 1 | Cap, Dust | |
| 38 | 1001137364 | 1 | Light, Indicator | |
| 39 | 1001287467 | 1 | Box | |
| 40 | 1001286032 | 1 | Engine Harness (Not Shown - See Separate Breakdown in ELECTRICAL Section) | |
| 41 | 1001155043 | 9 | Washer | |
| 42 | 1001155044 | 9 | Nut 15/32 | |
| 43 | 1001155045 | 9 | Switch, Toggle | |
| 44 | 1001285016 | 1 | Control Valve Harness (Not Shown - See Separate Breakdown in ELECTRICAL Section) | |
| 45 | 10836804 | 1 | Hour Meter | |

SECTION 2 - TURNTABLE

| ITEM | PART NUMBER | QTY | DESCRIPTION | REV |
|------|-------------|-----|---|-----|
| 46 | 1001188874 | 2 | Nut | |
| 47 | 1001280403 | 1 | Lid | |
| 48 | 1001263356 | 1 | Decal - Ground Control Box | |
| 49 | 1001306145 | 1 | Ground Control Box Harness (Not Shown - See Separate Breakdown in ELECTRICAL Section) | |
| 51 | 0760612 | 2 | Bolt M6 x 25 | |
| 52 | 3290605 | 2 | Nut M6 | |
| 53 | 4811700 | 4 | Washer M6 | |
| 54 | 1001219601 | 1 | Sensor, Tilt Dual Axis CAN | |
| 55 | 1001271794 | 1 | Bracket, Tilt Sensor | |

SECTION 2 - TURNTABLE

FIGURE 2-25. GROUND CONTROL BOX ASSEMBLY - WITH DEUTZ D2011 ENGINES (CE & UK CA SPECS)



ART_1001266894_F

SECTION 2 - TURNTABLE

FIGURE 2-25. GROUND CONTROL BOX ASSEMBLY - WITH DEUTZ D2011 ENGINES (CE & UK CA SPECS)

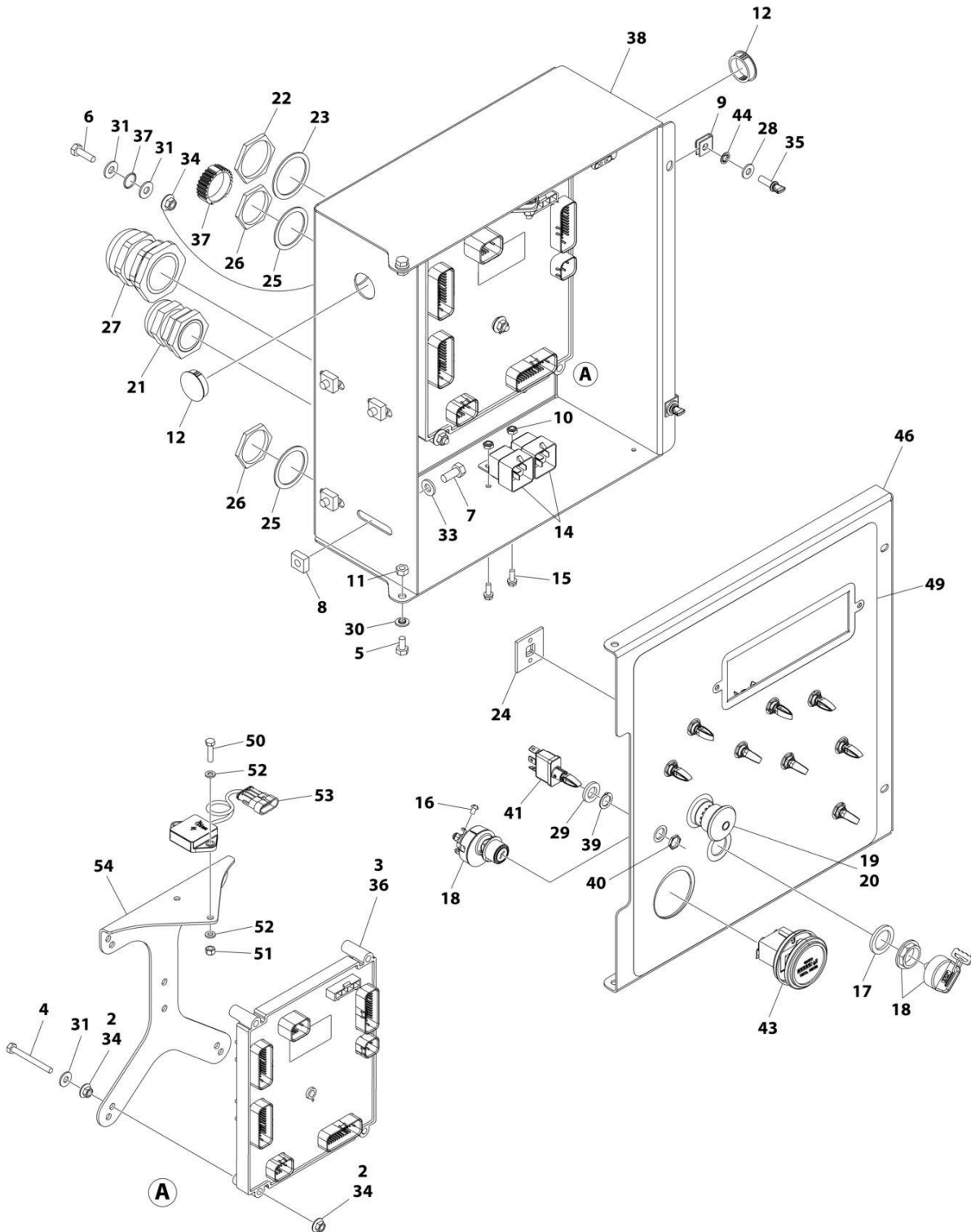
| ITEM | PART NUMBER | QTY | DESCRIPTION | REV |
|------|-------------|-------|--|-----|
| | 1001266894 | Ref | GROUND CONTROL BOX ASSEMBLY | F |
| 2 | 0100011 | AR | Compound, Locking | |
| 3 | 0100048 | AR | Grease, Dielectric | |
| 4 | 0630548 | 5 | Bolt 2-1/2 | |
| 5 | 0641404 | 2 | Bolt 1/4 x 1/2 | |
| 6 | 0641407 | 1 | Bolt 1/4 x 7/8 | |
| 7 | 0641506 | 4 | Bolt 5/16 x 3/4 | |
| 8 | 3300205 | 4 | Nut, Retainer | |
| 9 | 3300353 | 2 | Nut, Tinnerman | |
| 10 | 3300408 | 2 | Nut, Nylon Insert | |
| 11 | 3311405 | 2 | Nut 1/4 | |
| 12 | 3520031 | 2 | Plug | |
| 14 | 3740049 | 2 | Relay | |
| 15 | 3900268 | 2 | Screw #10x1/2 | |
| 16 | 3910804 | 6 | Screw #8 x 1/4 | |
| 17 | 4070991 | 1 | Shim | |
| 18 | 4360387 | 1 | Switch, Push Button | |
| 19 | 4360469 | 1 | Switch, Key | |
| 19 | 2860030 | 1 Set | Key Replacement | |
| 20 | 4360475 | 1 | Switch, Emergency Stop | |
| 20 | 7020175 | 1 | Cap, Mushroom | |
| 20 | 7020176 | 1 | Block, Contact | |
| 21 | 4360476 | 1 | Switch, Contact Block | |
| 22 | 4460426 | 1 | Connector, Strain Relief | |
| 23 | 4460470 | 1 | Nut, Terminal | |
| 24 | 4460471 | 1 | Lockwasher, Terminal | |
| 25 | 4460488 | 6 | Mounting Base, Terminal | |
| 26 | 4460496 | 2 | Washer, Terminal | |
| 27 | 4460497 | 2 | Nut, Terminal | |
| 28 | 4460526 | 1 | Connector, Strain Relief | |
| 29 | 4711400 | 2 | Washer 1/4 | |
| 30 | 4740397 | 9 | Spacer | |
| 31 | 4740518 | 2 | Washer | |
| 32 | 4751400 | 7 | Washer 1/4 | |
| 34 | 4891500 | 4 | Washer 5/16 | |
| 35 | 77143013 | 11 | Nut 1/4 | |
| 36 | 1001103308 | 2 | Thumbscrew 1/4 x 3/4 | |
| 37 | 1001280600 | 1 | Module, Ground Control (Note: Recalibration Required When Replaced) | |
| 38 | 1001106736 | 1 | Cap, Dust | |
| 39 | 1001287467 | 1 | Box | |
| 40 | 1001286032 | 1 | Engine Harness (Not Shown - See Separate Breakdown in ELECTRICAL Section) | |
| 41 | 1001155043 | 9 | Washer | |
| 42 | 1001155044 | 9 | Nut 15/32 | |
| 43 | 1001155045 | 9 | Switch, Toggle | |
| 44 | 1001285016 | 1 | Control Valve Harness (Not Shown - See Separate Breakdown in ELECTRICAL Section) | |
| 45 | 10836804 | 1 | Gauge, Display | |

SECTION 2 - TURNTABLE

| ITEM | PART NUMBER | QTY | DESCRIPTION | REV |
|------|-------------|-----|---|-----|
| 46 | 1001176469 | 1 | Shroud | |
| 47 | 1001188874 | 2 | Nut | |
| 48 | 1001297391 | 1 | Lid | |
| 49 | 1001306145 | 1 | Ground Control Box Harness (Not Shown - See Separate Breakdown in ELECTRICAL Section) | |
| 51 | 1001266874 | 1 | Decal - Ground Control Box | |
| 52 | 0760612 | 2 | Bolt M6 x 25 | |
| 53 | 3290605 | 2 | Nut M6 | |
| 54 | 4811700 | 4 | Washer M6 | |
| 55 | 1001219601 | 1 | Sensor, Tilt Dual Axis CAN | |
| 56 | 1001271794 | 1 | Bracket, Tilt Sensor | |

SECTION 2 - TURNTABLE

FIGURE 2-26. GROUND CONTROL BOX ASSEMBLY - WITH DEUTZ D2011 ENGINES - WITH FORD ENGINES - WITH MECHANICAL HOUR METER



ART_1001266895_F

SECTION 2 - TURNTABLE

FIGURE 2-26. GROUND CONTROL BOX ASSEMBLY - WITH DEUTZ D2011 ENGINES - WITH FORD ENGINES - WITH MECHANICAL HOUR METER

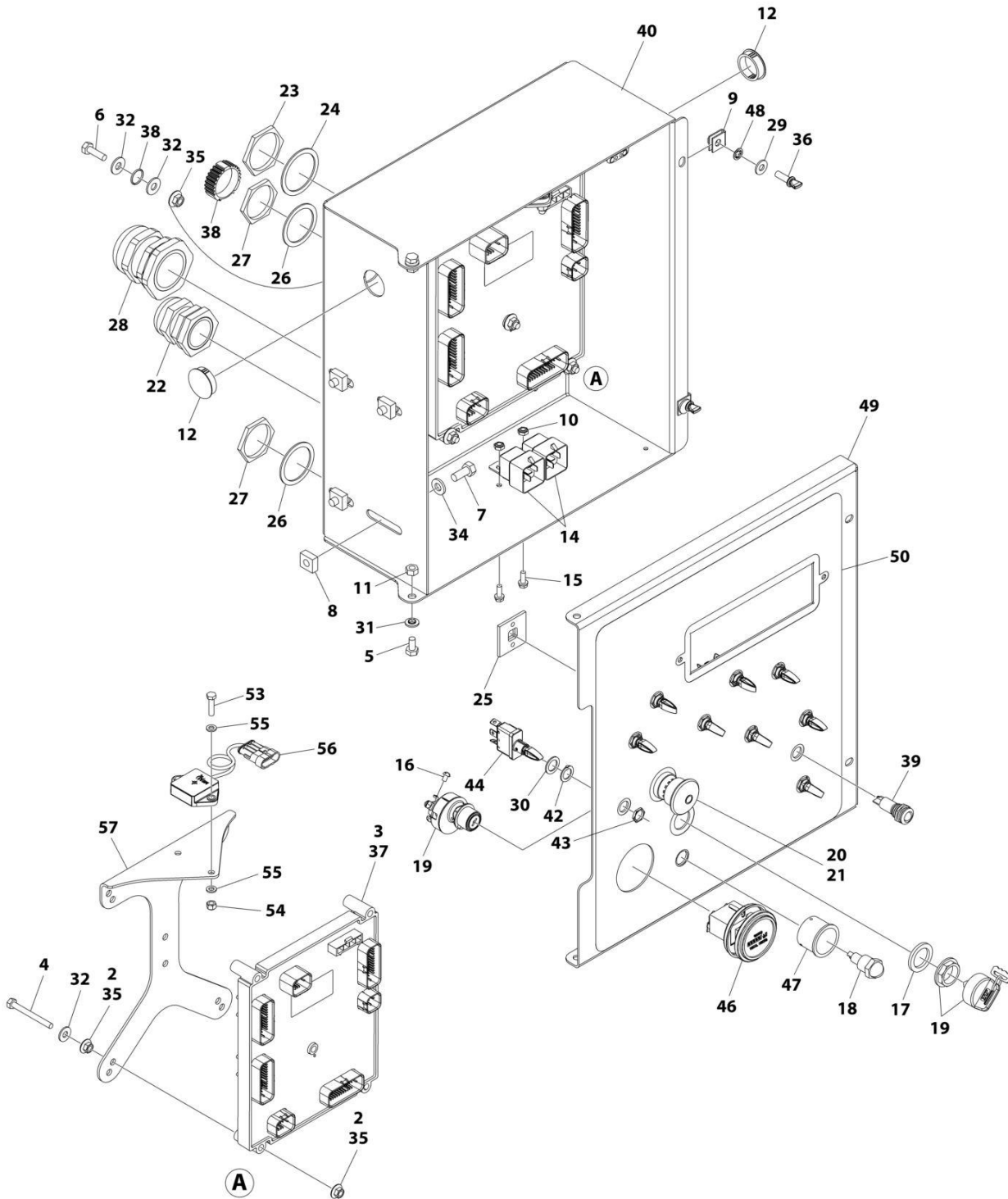
| ITEM | PART NUMBER | QTY | DESCRIPTION | REV |
|------|-------------|-------|--|-----|
| | 1001266895 | Ref | GROUND CONTROL BOX ASSEMBLY | F |
| 2 | 0100011 | AR | Compound, Locking | |
| 3 | 0100048 | AR | Grease, Dielectric | |
| 4 | 0630548 | 5 | Bolt 2-1/2 | |
| 5 | 0641404 | 2 | Bolt 1/4 x 1/2 | |
| 6 | 0641407 | 1 | Bolt 1/4 x 7/8 | |
| 7 | 0641506 | 4 | Bolt 5/16 x 3/4 | |
| 8 | 3300205 | 4 | Nut, Retainer | |
| 9 | 3300353 | 2 | Nut, Tinnerman | |
| 10 | 3300408 | 2 | Nut, Nylon Insert | |
| 11 | 3311405 | 2 | Nut 1/4 | |
| 12 | 3520031 | 2 | Plug | |
| 14 | 3740049 | 2 | Relay | |
| 15 | 3900268 | 2 | Screw #10 x 1/2 | |
| 16 | 3910804 | 6 | Screw #8 x 1/4 | |
| 17 | 4070991 | 1 | Shim | |
| 18 | 4360469 | 1 | Switch, Key | |
| 18 | 2860030 | 1 Set | Key Replacement | |
| 19 | 4360475 | 1 | Switch, Emergency Stop | |
| 19 | 7020175 | 1 | Cap, Mushroom | |
| 19 | 7020176 | 1 | Block, Contact | |
| 20 | 4360476 | 1 | Switch, Contact Block | |
| 21 | 4460426 | 1 | Connector, Strain Relief | |
| 22 | 4460470 | 1 | Nut, Terminal | |
| 23 | 4460471 | 1 | Lockwasher, Terminal | |
| 24 | 4460488 | 6 | Mounting Base, Terminal | |
| 25 | 4460496 | 2 | Washer, Terminal | |
| 26 | 4460497 | 2 | Nut, Terminal | |
| 27 | 4460526 | 1 | Connector, Strain Relief | |
| 28 | 4711400 | 2 | Washer 1/4 | |
| 29 | 4740397 | 9 | Spacer | |
| 30 | 4740518 | 2 | Washer | |
| 31 | 4751400 | 7 | Washer 1/4 | |
| 33 | 4891500 | 4 | Washer 5/16 | |
| 34 | 77143013 | 11 | Nut 1/4 | |
| 35 | 1001103308 | 2 | Thumbscrew 1/4 x 3/4 | |
| 36 | 1001280600 | 1 | Module, Ground Control (Note: Recalibration Required When Replaced) | |
| 37 | 1001106736 | 1 | Cap, Dust | |
| 38 | 1001287467 | 1 | Box | |
| 39 | 1001155043 | 9 | Washer | |
| 40 | 1001155044 | 9 | Nut 15/32 | |
| 41 | 1001155045 | 9 | Switch, Toggle | |
| 42 | 1001285016 | 1 | Control Valve Harness (Not Shown - See Separate Breakdown in ELECTRICAL Section) | |
| 43 | 10836804 | 1 | Hour Meter | |
| 44 | 1001188874 | 2 | Nut | |
| 45 | 1001286033 | 1 | Engine Harness (Not Shown - See Separate Breakdown in ELECTRICAL Section) | |

SECTION 2 - TURNTABLE

| ITEM | PART NUMBER | QTY | DESCRIPTION | REV |
|------|-------------|-----|---|-----|
| 46 | 1001280403 | 1 | Lid | |
| 47 | 1001306145 | 1 | Ground Control Box Harness (Not Shown - See Separate Breakdown in ELECTRICAL Section) | |
| 49 | 1001266876 | 1 | Decal - Ground Control Box | |
| 50 | 0760612 | 2 | Bolt M6 x 25 | |
| 51 | 3290605 | 2 | Nut M6 | |
| 52 | 4811700 | 4 | Washer M6 | |
| 53 | 1001219601 | 1 | Sensor, Tilt Dual Axis CAN | |
| 54 | 1001271794 | 1 | Bracket, Tilt Sensor | |

SECTION 2 - TURNTABLE

FIGURE 2-27. GROUND CONTROL BOX ASSEMBLY - WITH DEUTZ D2011 ENGINES AND WITH TOWER STOW (CE & UK CA LRC SPECS)



ART_1001263362_F

SECTION 2 - TURNTABLE

FIGURE 2-27. GROUND CONTROL BOX ASSEMBLY - WITH DEUTZ D2011 ENGINES AND WITH TOWER STOW (CE & UK CA LRC SPECS)

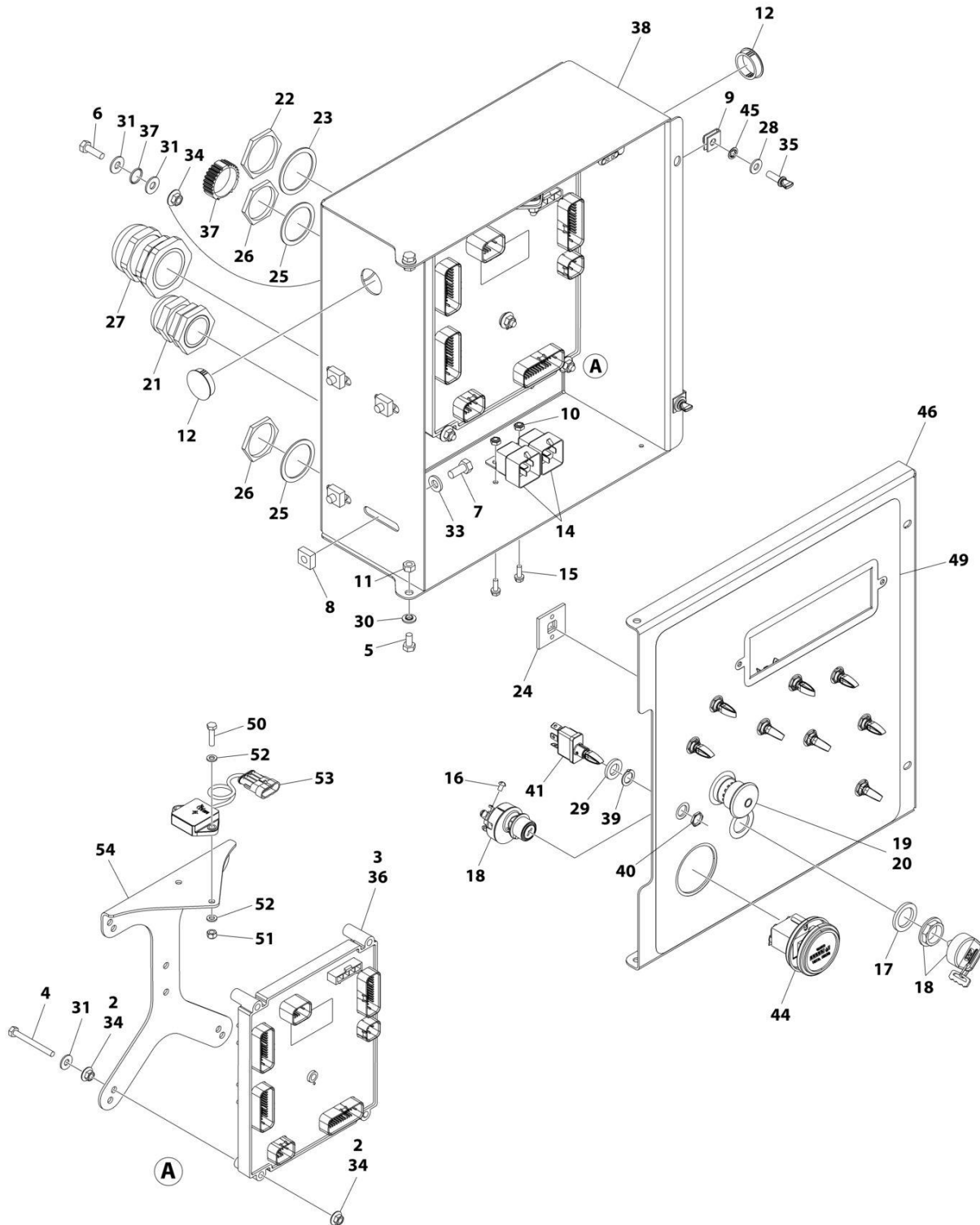
| ITEM | PART NUMBER | QTY | DESCRIPTION | REV |
|------|-------------|-------|--|-----|
| | 1001263362 | Ref | GROUND CONTROL BOX ASSEMBLY | F |
| 2 | 0100011 | AR | Compound, Locking | |
| 3 | 0100048 | AR | Grease, Dielectric | |
| 4 | 0630548 | 5 | Bolt 2-1/2 | |
| 5 | 0641404 | 2 | Bolt 1/4 x 1/2 | |
| 6 | 0641407 | 1 | Bolt 1/4 x 7/8 | |
| 7 | 0641506 | 4 | Bolt 5/16 x 3/4 | |
| 8 | 3300205 | 4 | Nut, Retainer | |
| 9 | 3300353 | 2 | Nut, Tinnerman | |
| 10 | 3300408 | 2 | Nut, Nylon Insert | |
| 11 | 3311405 | 2 | Nut 1/4 | |
| 12 | 3520031 | 2 | Plug | |
| 14 | 3740049 | 2 | Relay | |
| 15 | 3900268 | 2 | Screw #10x1/2 | |
| 16 | 3910804 | 6 | Screw #8 x 1/4 | |
| 17 | 4070991 | 1 | Shim | |
| 18 | 4360387 | 1 | Switch, Push Button | |
| 19 | 4360469 | 1 | Switch, Key | |
| 19 | 2860030 | 1 Set | Key Replacement | |
| 20 | 4360475 | 1 | Switch, Emergency Stop | |
| 20 | 7020175 | 1 | Cap, Mushroom | |
| 20 | 7020176 | 1 | Block, Contact | |
| 21 | 4360476 | 1 | Switch, Contact Block | |
| 22 | 4460426 | 1 | Connector, Strain Relief | |
| 23 | 4460470 | 1 | Nut, Terminal | |
| 24 | 4460471 | 1 | Lockwasher, Terminal | |
| 25 | 4460488 | 6 | Mounting Base, Terminal | |
| 26 | 4460496 | 2 | Washer, Terminal | |
| 27 | 4460497 | 2 | Nut, Terminal | |
| 28 | 4460526 | 1 | Connector, Strain Relief | |
| 29 | 4711400 | 2 | Washer 1/4 | |
| 30 | 4740397 | 9 | Spacer | |
| 31 | 4740518 | 2 | Washer | |
| 32 | 4751400 | 7 | Washer 1/4 | |
| 34 | 4891500 | 4 | Washer 5/16 | |
| 35 | 77143013 | 11 | Nut 1/4 | |
| 36 | 1001103308 | 2 | Thumbscrew 1/4 x 3/4 | |
| 37 | 1001280600 | 1 | Module, Ground Control (Note: Recalibration Required When Replaced) | |
| 38 | 1001106736 | 1 | Cap, Dust | |
| 39 | 1001137364 | 1 | Light, Indicator | |
| 40 | 1001287467 | 1 | Box | |
| 41 | 1001286032 | 1 | Engine Harness (Not Shown - See Separate Breakdown in ELECTRICAL Section) | |
| 42 | 1001155043 | 9 | Washer | |
| 43 | 1001155044 | 9 | Nut 15/32 | |
| 44 | 1001155045 | 9 | Switch, Toggle | |
| 45 | 1001285016 | 1 | Control Valve Harness (Not Shown - See Separate Breakdown in ELECTRICAL Section) | |

SECTION 2 - TURNTABLE

| ITEM | PART NUMBER | QTY | DESCRIPTION | REV |
|------|-------------|-----|---|-----|
| 46 | 10836804 | 1 | Gauge, Display | |
| 47 | 1001176469 | 1 | Shroud | |
| 48 | 1001188874 | 2 | Nut | |
| 49 | 1001297391 | 1 | Lid | |
| 50 | 1001263355 | 1 | Decal - Ground Control Box | |
| 51 | 1001306145 | 1 | Ground Control Box Harness (Not Shown - See Separate Breakdown in ELECTRICAL Section) | |
| 53 | 0760612 | 2 | Bolt M6 x 25 | |
| 54 | 3290605 | 2 | Nut M6 | |
| 55 | 4811700 | 4 | Washer M6 | |
| 56 | 1001219601 | 1 | Sensor, Tilt Dual Axis CAN | |
| 57 | 1001271794 | 1 | Bracket, Tilt Sensor | |

SECTION 2 - TURNTABLE

FIGURE 2-28. GROUND CONTROL BOX ASSEMBLY - WITH DEUTZ TD2.9L4 ENGINES - WITH MECHANICAL HOUR METER (ANSI, ANSI EXPORT, CSA, CHINA & JAPANESE SPECS)



ART_1001266875_G

SECTION 2 - TURNTABLE

FIGURE 2-28. GROUND CONTROL BOX ASSEMBLY - WITH DEUTZ TD2.9L4 ENGINES - WITH MECHANICAL HOUR METER (ANSI, ANSI EXPORT, CSA, CHINA & JAPANESE SPECS)

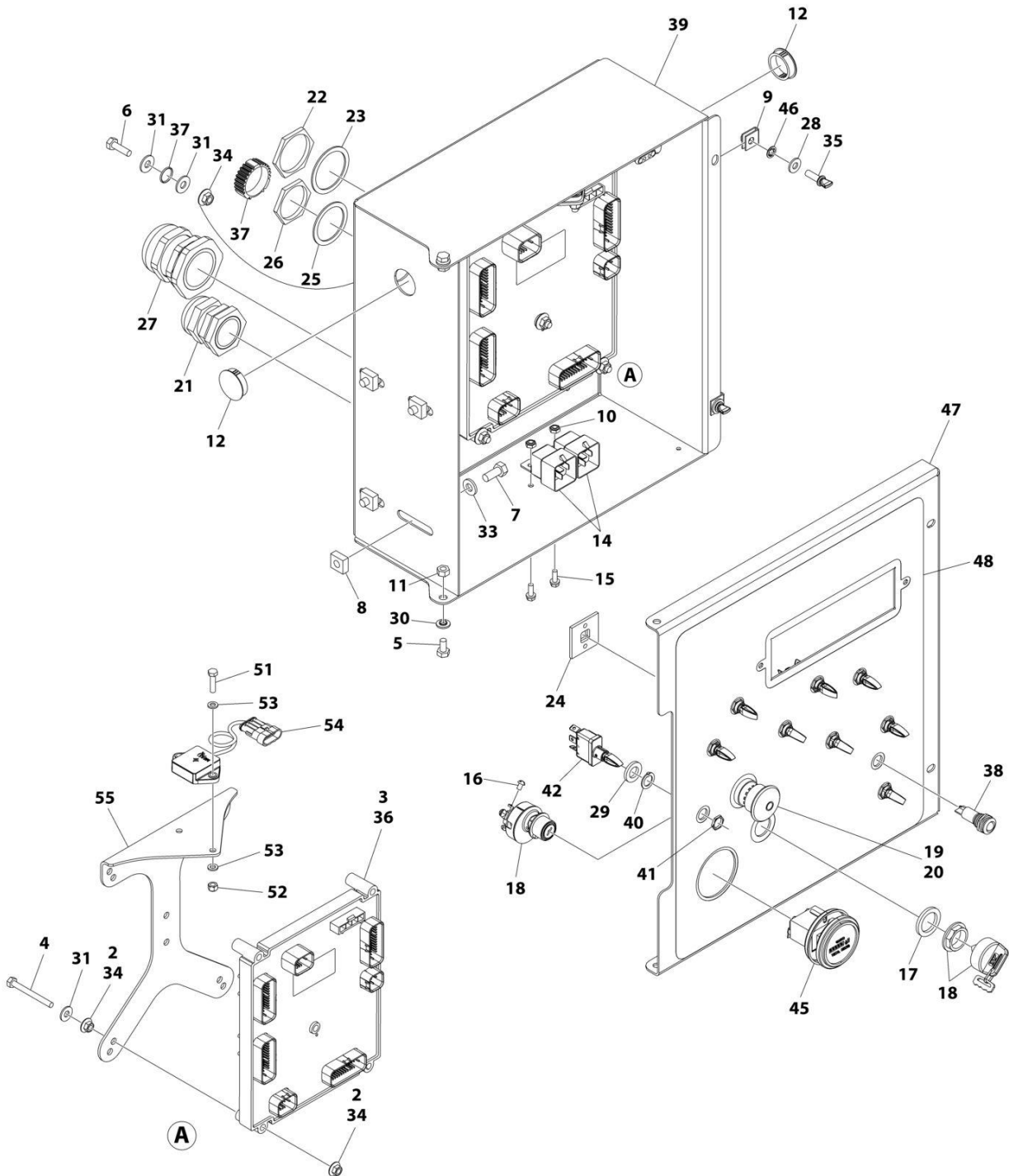
| ITEM | PART NUMBER | QTY | DESCRIPTION | REV |
|------|-------------|-------|---|-----|
| | 1001266875 | Ref | GROUND CONTROL BOX ASSEMBLY | G |
| 2 | 0100011 | AR | Compound, Locking | |
| 3 | 0100048 | AR | Grease, Dielectric | |
| 4 | 0630548 | 5 | Bolt 2-1/2 | |
| 5 | 0641404 | 2 | Bolt 1/4 x 1/2 | |
| 6 | 0641407 | 1 | Bolt 1/4 x 7/8 | |
| 7 | 0641506 | 4 | Bolt 5/16 x 3/4 | |
| 8 | 3300205 | 4 | Nut, Retainer | |
| 9 | 3300353 | 2 | Nut, Tinnerman | |
| 10 | 3300408 | 2 | Nut, Nylon Insert | |
| 11 | 3311405 | 2 | Nut 1/4 | |
| 12 | 3520031 | 2 | Plug | |
| 14 | 3740049 | 2 | Relay | |
| 15 | 3900268 | 2 | Screw #10x1/2 | |
| 16 | 3910804 | 6 | Screw #8 x 1/4 | |
| 17 | 4070991 | 1 | Shim | |
| 18 | 4360469 | 1 | Switch, Key | |
| 18 | 2860030 | 1 Set | Key Replacement | |
| 19 | 1001274559 | 1 | Switch, Emergency Stop | |
| 20 | 4360476 | 1 | Switch, Contact Block | |
| 21 | 4460426 | 1 | Connector, Strain Relief | |
| 22 | 4460470 | 1 | Nut, Terminal | |
| 23 | 4460471 | 1 | Lockwasher, Terminal | |
| 24 | 4460488 | 6 | Mounting Base, Terminal | |
| 25 | 4460496 | 2 | Washer, Terminal | |
| 26 | 4460497 | 2 | Nut, Terminal | |
| 27 | 4460526 | 1 | Connector, Strain Relief | |
| 28 | 4711400 | 2 | Washer 1/4 | |
| 29 | 4740397 | 9 | Spacer | |
| 30 | 4740518 | 2 | Washer | |
| 31 | 4751400 | 7 | Washer 1/4 | |
| 33 | 4891500 | 4 | Washer 5/16 | |
| 34 | 77143013 | 11 | Nut 1/4 | |
| 35 | 1001103308 | 2 | Thumbscrew 1/4 x 3/4 | |
| 36 | 1001280600 | 1 | Module, Ground Control (Note: Recalibration Required When Replaced) | |
| 37 | 1001106736 | 1 | Cap, Dust | |
| 38 | 1001287467 | 1 | Box | |
| 39 | 1001155043 | 9 | Washer | |
| 40 | 1001155044 | 9 | Nut 15/32 | |
| 41 | 1001155045 | 9 | Switch, Toggle | |
| 42 | 1001295732 | 1 | Engine Harness (Not Shown - See Separate Breakdown in ELECTRICAL Section) | |
| 43 | 1001285016 | 1 | Control Valve Harness (Not Shown - See Separate Breakdown in ELECTRICAL Section) | |
| 44 | 10836804 | 1 | Hour Meter | |
| 45 | 1001188874 | 2 | Nut | |
| 46 | 1001280403 | 1 | Lid | |
| 47 | 1001306145 | 1 | Ground Control Box Harness (Not Shown - See Separate Breakdown in ELECTRICAL Section) | |

SECTION 2 - TURNTABLE

| ITEM | PART NUMBER | QTY | DESCRIPTION | REV |
|------|-------------|-----|----------------------------|-----|
| 49 | 1001266876 | 1 | Decal - Ground Control Box | |
| 50 | 0760612 | 2 | Bolt M6 x 25 | |
| 51 | 3290605 | 2 | Nut M6 | |
| 52 | 4811700 | 4 | Washer M6 | |
| 53 | 1001219601 | 1 | Sensor, Tilt Dual Axis CAN | |
| 54 | 1001271794 | 1 | Bracket, Tilt Sensor | |

SECTION 2 - TURNTABLE

FIGURE 2-29. GROUND CONTROL BOX ASSEMBLY - WITH DEUTZ TD2.9L4 AND TOWER STOW - WITH MECHANICAL HOUR METER (ANSI, ANSI EXPORT, CSA, CHINA & JAPANESE SPECS)



ART_1001263360_G

SECTION 2 - TURNTABLE

FIGURE 2-29. GROUND CONTROL BOX ASSEMBLY - WITH DEUTZ TD2.9L4 AND TOWER STOW - WITH MECHANICAL HOUR METER (ANSI, ANSI EXPORT, CSA, CHINA & JAPANESE SPECS)

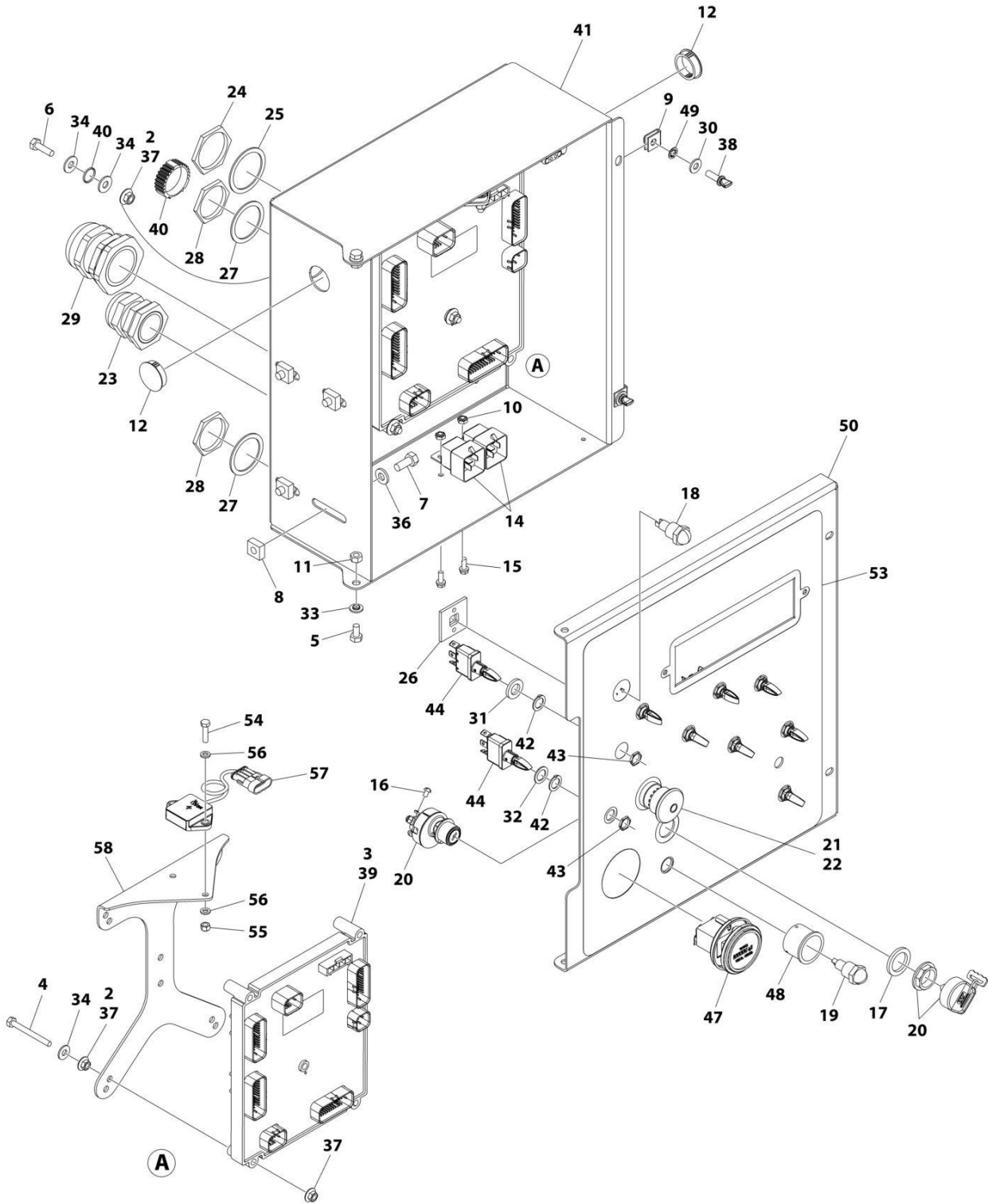
| ITEM | PART NUMBER | QTY | DESCRIPTION | REV |
|------|-------------|-------|--|-----|
| | 1001263360 | Ref | GROUND CONTROL BOX ASSEMBLY | G |
| 2 | 0100011 | AR | Compound, Locking | |
| 3 | 0100048 | AR | Grease, Dielectric | |
| 4 | 0630548 | 5 | Bolt 2-1/2 | |
| 5 | 0641404 | 2 | Bolt 1/4 x 1/2 | |
| 6 | 0641407 | 1 | Bolt 1/4 x 7/8 | |
| 7 | 0641506 | 4 | Bolt 5/16 x 3/4 | |
| 8 | 3300205 | 4 | Nut, Retainer | |
| 9 | 3300353 | 2 | Nut, Tinnerman | |
| 10 | 3300408 | 2 | Nut, Nylon Insert | |
| 11 | 3311405 | 2 | Nut 1/4 | |
| 12 | 3520031 | 2 | Plug | |
| 14 | 3740049 | 2 | Relay | |
| 15 | 3900268 | 2 | Screw #10x1/2 | |
| 16 | 3910804 | 6 | Screw #8 x 1/4 | |
| 17 | 4070991 | 1 | Shim | |
| 18 | 4360469 | 1 | Switch, Key | |
| 18 | 2860030 | 1 Set | Key Replacement | |
| 19 | 1001274559 | 1 | Switch, Emergency Stop | |
| 20 | 4360476 | 1 | Switch, Contact Block | |
| 21 | 4460426 | 1 | Connector, Strain Relief | |
| 22 | 4460470 | 1 | Nut, Terminal | |
| 23 | 4460471 | 1 | Lockwasher, Terminal | |
| 24 | 4460488 | 6 | Mounting Base, Terminal | |
| 25 | 4460496 | 2 | Washer, Terminal | |
| 26 | 4460497 | 2 | Nut, Terminal | |
| 27 | 4460526 | 1 | Connector, Strain Relief | |
| 28 | 4711400 | 2 | Washer 1/4 | |
| 29 | 4740397 | 9 | Spacer | |
| 30 | 4740518 | 2 | Washer | |
| 31 | 4751400 | 7 | Washer 1/4 | |
| 33 | 4891500 | 4 | Washer 5/16 | |
| 34 | 77143013 | 11 | Nut 1/4 | |
| 35 | 1001103308 | 2 | Thumbscrew 1/4 x 3/4 | |
| 36 | 1001280600 | 1 | Module, Ground Control (Note: Recalibration Required When Replaced) | |
| 37 | 1001106736 | 1 | Cap, Dust | |
| 38 | 1001137364 | 1 | Light, Indicator | |
| 39 | 1001287467 | 1 | Box | |
| 40 | 1001155043 | 9 | Washer | |
| 41 | 1001155044 | 9 | Nut 15/32 | |
| 42 | 1001155045 | 9 | Switch, Toggle | |
| 43 | 1001295732 | 1 | Engine Harness (Not Shown - See Separate Breakdown in ELECTRICAL Section) | |
| 44 | 1001285016 | 1 | Control Valve Harness (Not Shown - See Separate Breakdown in ELECTRICAL Section) | |
| 45 | 10836804 | 1 | Hour Meter | |
| 46 | 1001188874 | 2 | Nut | |
| 47 | 1001280403 | 1 | Lid | |

SECTION 2 - TURNTABLE

| ITEM | PART NUMBER | QTY | DESCRIPTION | REV |
|------|-------------|-----|---|-----|
| 48 | 1001263356 | 1 | Decal - Ground Control Box | |
| 49 | 1001306145 | 1 | Ground Control Box Harness (Not Shown - See Separate Breakdown in ELECTRICAL Section) | |
| 51 | 0760612 | 2 | Bolt M6 x 25 | |
| 52 | 3290605 | 2 | Nut M6 | |
| 53 | 4811700 | 4 | Washer M6 | |
| 54 | 1001219601 | 1 | Sensor, Tilt Dual Axis CAN | |
| 55 | 1001271794 | 1 | Bracket, Tilt Sensor | |

SECTION 2 - TURNTABLE

FIGURE 2-30. GROUND CONTROL BOX ASSEMBLY - WITH DEUTZ TD2.9L4 (STAGE V) ENGINES (CE & UK CA SPECS)



ART_1001266896_G

SECTION 2 - TURNTABLE

**FIGURE 2-30. GROUND CONTROL BOX ASSEMBLY - WITH DEUTZ TD2.9L4 (STAGE V) ENGINES
(CE & UK CA SPECS)**

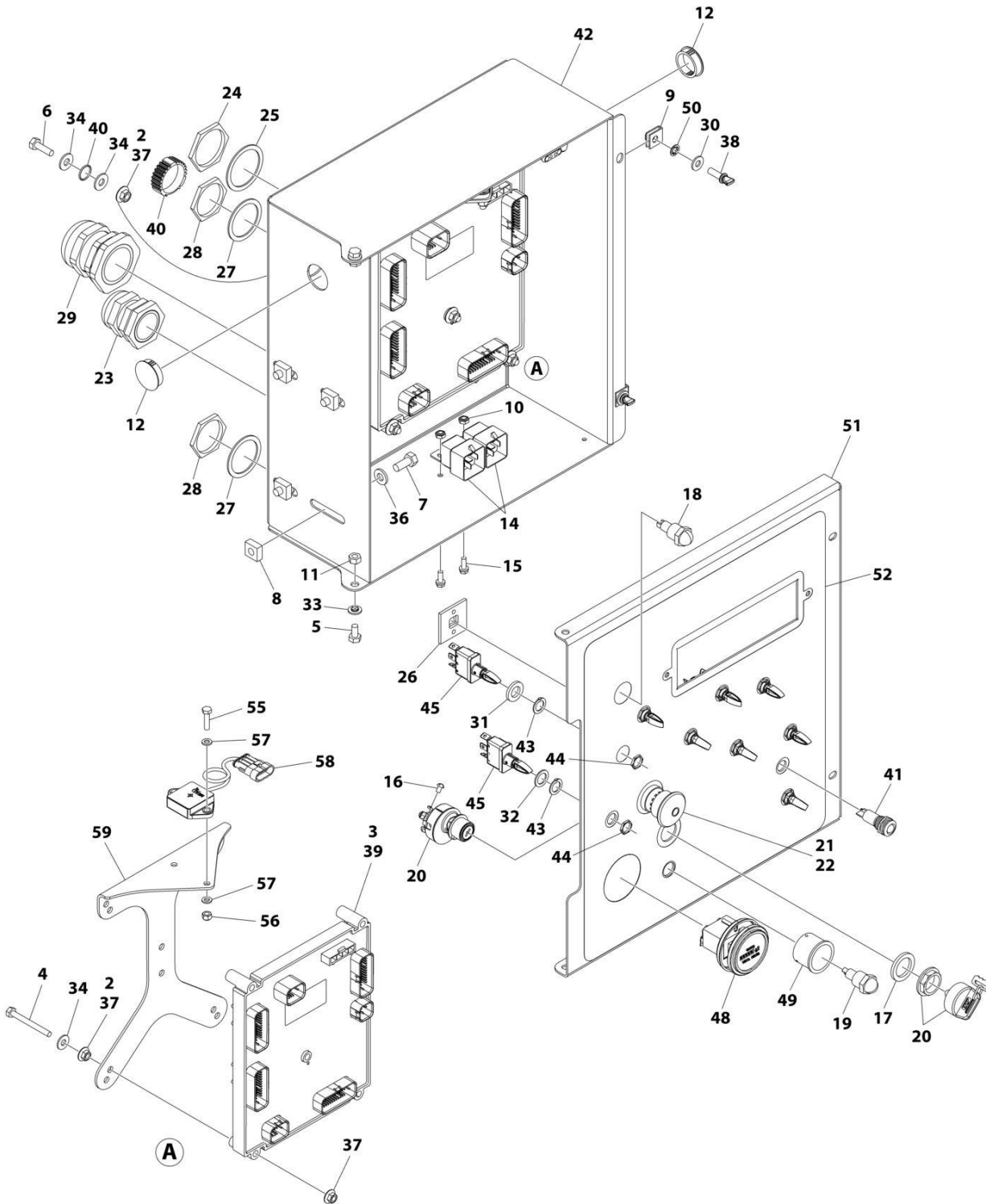
| ITEM | PART NUMBER | QTY | DESCRIPTION | REV |
|------|-------------|-------|--|-----|
| | 1001266896 | Ref | GROUND CONTROL BOX ASSEMBLY | G |
| 2 | 0100011 | AR | Compound, Locking | |
| 3 | 0100048 | AR | Grease, Dielectric | |
| 4 | 0630548 | 5 | Bolt 2-1/2 | |
| 5 | 0641404 | 2 | Bolt 1/4 x 1/2 | |
| 6 | 0641407 | 1 | Bolt 1/4 x 7/8 | |
| 7 | 0641506 | 4 | Bolt 5/16 x 3/4 | |
| 8 | 3300205 | 4 | Nut, Retainer | |
| 9 | 3300353 | 2 | Nut, Tinnerman | |
| 10 | 3300408 | 2 | Nut, Nylon Insert | |
| 11 | 3311405 | 2 | Nut 1/4 | |
| 12 | 3520031 | 2 | Plug | |
| 14 | 3740049 | 2 | Relay | |
| 15 | 3900268 | 2 | Screw #10x1/2 | |
| 16 | 3910804 | 6 | Screw #8 x 1/4 | |
| 17 | 4070991 | 1 | Shim | |
| 18 | 4360274 | 1 | Switch, Push Button | |
| 19 | 4360387 | 1 | Switch, Push Button | |
| 20 | 4360469 | 1 | Switch, Key | |
| 20 | 2860030 | 1 Set | Key Replacement | |
| 21 | 1001274559 | 1 | Switch, Emergency Stop | |
| 22 | 4360476 | 1 | Switch, Contact Block | |
| 23 | 4460426 | 1 | Connector, Strain Relief | |
| 24 | 4460470 | 1 | Nut, Terminal | |
| 25 | 4460471 | 1 | Lockwasher, Terminal | |
| 26 | 4460488 | 6 | Mounting Base, Terminal | |
| 27 | 4460496 | 2 | Washer, Terminal | |
| 28 | 4460497 | 2 | Nut, Terminal | |
| 29 | 4460526 | 1 | Connector, Strain Relief | |
| 30 | 4711400 | 2 | Washer 1/4 | |
| 31 | 4740397 | 8 | Spacer | |
| 32 | 4740444 | 1 | Washer | |
| 33 | 4740518 | 2 | Washer | |
| 34 | 4751400 | 7 | Washer 1/4 | |
| 36 | 4891500 | 4 | Washer 5/16 | |
| 37 | 77143013 | 11 | Nut 1/4 | |
| 38 | 1001103308 | 2 | Thumbscrew 1/4 x 3/4 | |
| 39 | 1001280600 | 1 | Module, Ground Control (Note: Recalibration Required When Replaced) | |
| 40 | 1001106736 | 1 | Cap, Dust | |
| 41 | 1001287467 | 1 | Box | |
| 42 | 1001155043 | 9 | Washer | |
| 43 | 1001155044 | 9 | Nut 15/32 | |
| 44 | 1001155045 | 9 | Switch, Toggle | |
| 45 | 1001295732 | 1 | Engine Harness (Not Shown - See Separate Breakdown in ELECTRICAL Section) | |
| 46 | 1001285016 | 1 | Control Valve Harness (Not Shown - See Separate Breakdown in ELECTRICAL Section) | |
| 47 | 10836804 | 1 | Gauge, Display | |

SECTION 2 - TURNTABLE

| ITEM | PART NUMBER | QTY | DESCRIPTION | REV |
|------|-------------|-----|---|-----|
| 48 | 1001176469 | 1 | Shroud | |
| 49 | 1001188874 | 2 | Nut | |
| 50 | 1001297391 | 1 | Lid | |
| 51 | 1001306145 | 1 | Ground Control Box Harness (Not Shown - See Separate Breakdown in ELECTRICAL Section) | |
| 53 | 1001266878 | 1 | Decal - Ground Control Box | |
| 54 | 0760612 | 2 | Bolt M6 x 25 | |
| 55 | 3290605 | 2 | Nut M6 | |
| 56 | 4811700 | 4 | Washer M6 | |
| 57 | 1001219601 | 1 | Sensor, Tilt Dual Axis CAN | |
| 58 | 1001271794 | 1 | Bracket, Tilt Sensor | |

SECTION 2 - TURNTABLE

FIGURE 2-31. GROUND CONTROL BOX ASSEMBLY - WITH DEUTZ TD2.9L4 (STAGE V) ENGINES AND WITH TOWER STOW (CE & UK CA SPECS)



ART_1001263364_G

SECTION 2 - TURNTABLE

**FIGURE 2-31. GROUND CONTROL BOX ASSEMBLY - WITH DEUTZ TD2.9L4 (STAGE V) ENGINES
AND WITH TOWER STOW (CE & UK CA SPECS)**

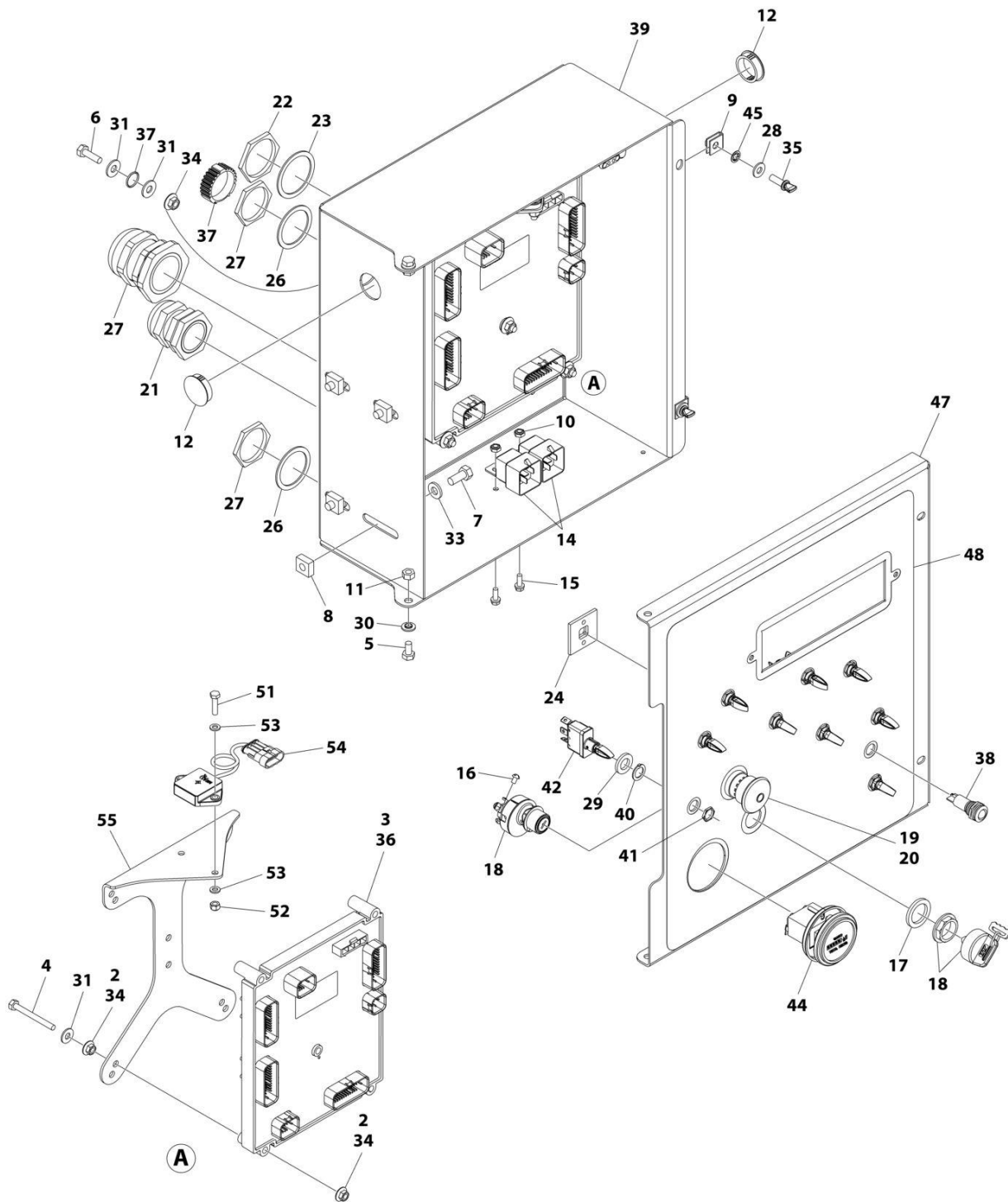
| ITEM | PART NUMBER | QTY | DESCRIPTION | REV |
|------|-------------|-------|--|-----|
| | 1001263364 | Ref | GROUND CONTROL BOX ASSEMBLY | G |
| 2 | 0100011 | AR | Compound, Locking | |
| 3 | 0100048 | AR | Grease, Dielectric | |
| 4 | 0630548 | 5 | Bolt 2-1/2 | |
| 5 | 0641404 | 2 | Bolt 1/4 x 1/2 | |
| 6 | 0641407 | 1 | Bolt 1/4 x 7/8 | |
| 7 | 0641506 | 4 | Bolt 5/16 x 3/4 | |
| 8 | 3300205 | 4 | Nut, Retainer | |
| 9 | 3300353 | 2 | Nut, Tinnerman | |
| 10 | 3300408 | 2 | Nut, Nylon Insert | |
| 11 | 3311405 | 2 | Nut 1/4 | |
| 12 | 3520031 | 2 | Plug | |
| 14 | 3740049 | 2 | Relay | |
| 15 | 3900268 | 2 | Screw #10x1/2 | |
| 16 | 3910804 | 6 | Screw #8 x 1/4 | |
| 17 | 4070991 | 1 | Shim | |
| 18 | 4360274 | 1 | Switch, Push Button | |
| 19 | 4360387 | 1 | Switch, Push Button | |
| 20 | 4360469 | 1 | Switch, Key | |
| 20 | 2860030 | 1 Set | Key Replacement | |
| 21 | 1001274559 | 1 | Switch, Emergency Stop | |
| 22 | 4360476 | 1 | Switch, Contact Block | |
| 23 | 4460426 | 1 | Connector, Strain Relief | |
| 24 | 4460470 | 1 | Nut, Terminal | |
| 25 | 4460471 | 1 | Lockwasher, Terminal | |
| 26 | 4460488 | 6 | Mounting Base, Terminal | |
| 27 | 4460496 | 2 | Washer, Terminal | |
| 28 | 4460497 | 2 | Nut, Terminal | |
| 29 | 4460526 | 1 | Connector, Strain Relief | |
| 30 | 4711400 | 2 | Washer 1/4 | |
| 31 | 4740397 | 8 | Spacer | |
| 32 | 4740444 | 1 | Washer | |
| 33 | 4740518 | 2 | Washer | |
| 34 | 4751400 | 7 | Washer 1/4 | |
| 36 | 4891500 | 4 | Washer 5/16 | |
| 37 | 77143013 | 11 | Nut 1/4 | |
| 38 | 1001103308 | 2 | Thumbscrew 1/4 x 3/4 | |
| 39 | 1001280600 | 1 | Module, Ground Control (Note: Recalibration Required When Replaced) | |
| 40 | 1001106736 | 1 | Cap, Dust | |
| 41 | 1001137364 | 1 | Light, Indicator | |
| 42 | 1001287467 | 1 | Box | |
| 43 | 1001155043 | 9 | Washer | |
| 44 | 1001155044 | 9 | Nut 15/32 | |
| 45 | 1001155045 | 9 | Switch, Toggle | |
| 46 | 1001295732 | 1 | Engine Harness (Not Shown - See Separate Breakdown in ELECTRICAL Section) | |
| 47 | 1001285016 | 1 | Control Valve Harness (Not Shown - See Separate Breakdown in ELECTRICAL Section) | |

SECTION 2 - TURNTABLE

| ITEM | PART NUMBER | QTY | DESCRIPTION | REV |
|------|-------------|-----|---|-----|
| 48 | 10836804 | 1 | Gauge, Display | |
| 49 | 1001176469 | 1 | Shroud | |
| 50 | 1001188874 | 2 | Nut | |
| 51 | 1001297391 | 1 | Lid | |
| 52 | 1001263357 | 1 | Decal - Ground Control Box | |
| 53 | 1001306145 | 1 | Ground Control Box Harness (Not Shown - See Separate Breakdown in ELECTRICAL Section) | |
| 55 | 0760612 | 2 | Bolt M6 x 25 | |
| 56 | 3290605 | 2 | Nut M6 | |
| 57 | 4811700 | 4 | Washer M6 | |
| 58 | 1001219601 | 1 | Sensor, Tilt Dual Axis CAN | |
| 59 | 1001271794 | 1 | Bracket, Tilt Sensor | |

SECTION 2 - TURNTABLE

FIGURE 2-32. GROUND CONTROL BOX ASSEMBLY - WITH FORD ENGINES AND TOWER STOW - WITH MECHANICAL HOUR METER



ART_1001263363_F

SECTION 2 - TURNTABLE

FIGURE 2-32. GROUND CONTROL BOX ASSEMBLY - WITH FORD ENGINES AND TOWER STOW - WITH MECHANICAL HOUR METER

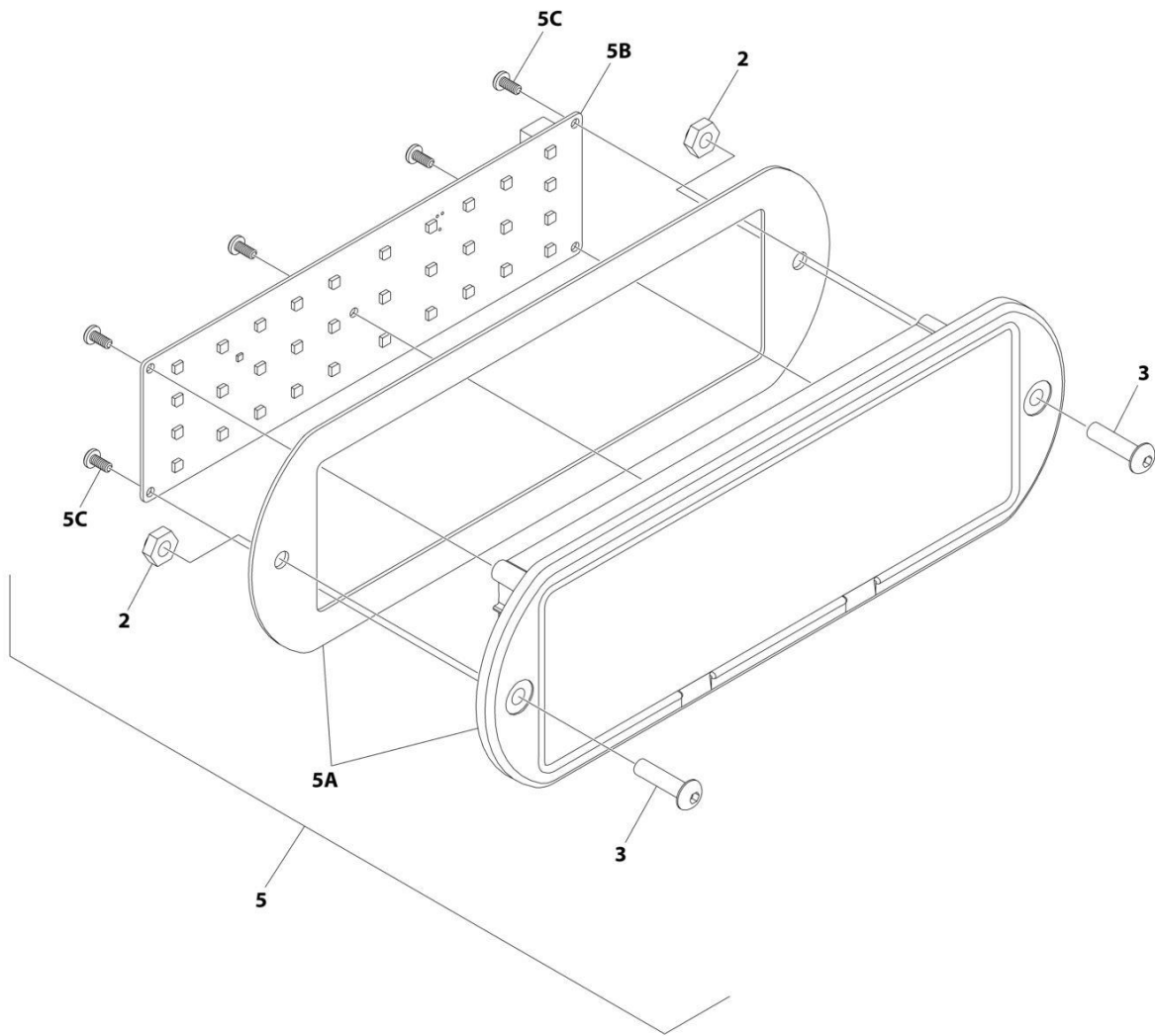
| ITEM | PART NUMBER | QTY | DESCRIPTION | REV |
|------|-------------|-------|--|-----|
| | 1001263363 | Ref | GROUND CONTROL BOX ASSEMBLY | F |
| 2 | 0100011 | AR | Compound, Locking | |
| 3 | 0100048 | AR | Grease, Dielectric | |
| 4 | 0630548 | 5 | Bolt 2-1/2 | |
| 5 | 0641404 | 2 | Bolt 1/4 x 1/2 | |
| 6 | 0641407 | 1 | Bolt 1/4 x 7/8 | |
| 7 | 0641506 | 4 | Bolt 5/16 x 3/4 | |
| 8 | 3300205 | 4 | Nut, Retainer | |
| 9 | 3300353 | 2 | Nut, Tinnerman | |
| 10 | 3300408 | 2 | Nut, Nylon Insert | |
| 11 | 3311405 | 2 | Nut 1/4 | |
| 12 | 3520031 | 2 | Plug | |
| 14 | 3740049 | 2 | Relay | |
| 15 | 3900268 | 2 | Screw #10x1/2 | |
| 16 | 3910804 | 6 | Screw #8 x 1/4 | |
| 17 | 4070991 | 1 | Shim | |
| 18 | 4360469 | 1 | Switch, Key | |
| 18 | 2860030 | 1 Set | Key Replacement | |
| 19 | 4360475 | 1 | Switch, Emergency Stop | |
| 19 | 7020175 | 1 | Cap, Mushroom | |
| 19 | 7020176 | 1 | Block, Contact | |
| 20 | 4360476 | 1 | Switch, Contact Block | |
| 21 | 4460426 | 1 | Connector, Strain Relief | |
| 22 | 4460470 | 1 | Nut, Terminal | |
| 23 | 4460471 | 1 | Lockwasher, Terminal | |
| 24 | 4460488 | 6 | Mounting Base, Terminal | |
| 25 | 4460496 | 2 | Washer, Terminal | |
| 26 | 4460497 | 2 | Nut, Terminal | |
| 27 | 4460526 | 1 | Connector, Strain Relief | |
| 28 | 4711400 | 2 | Washer 1/4 | |
| 29 | 4740397 | 9 | Spacer | |
| 30 | 4740518 | 2 | Washer | |
| 31 | 4751400 | 7 | Washer 1/4 | |
| 33 | 4891500 | 4 | Washer 5/16 | |
| 34 | 77143013 | 11 | Nut 1/4 | |
| 35 | 1001103308 | 2 | Thumbscrew 1/4 x 3/4 | |
| 36 | 1001280600 | 1 | Module, Ground Control (Note: Recalibration Required When Replaced) | |
| 37 | 1001106736 | 1 | Cap, Dust | |
| 38 | 1001137364 | 1 | Light, Indicator | |
| 39 | 1001287467 | 1 | Box | |
| 40 | 1001155043 | 9 | Washer | |
| 41 | 1001155044 | 9 | Nut 15/32 | |
| 42 | 1001155045 | 9 | Switch, Toggle | |
| 43 | 1001285016 | 1 | Control Valve Harness (Not Shown - See Separate Breakdown in ELECTRICAL Section) | |
| 44 | 10836804 | 1 | Hour Meter | |
| 45 | 1001188874 | 2 | Nut | |

SECTION 2 - TURNTABLE

| ITEM | PART NUMBER | QTY | DESCRIPTION | REV |
|------|-------------|-----|---|-----|
| 46 | 1001286033 | 1 | Engine Harness (Not Shown - See Separate Breakdown in ELECTRICAL Section) | |
| 47 | 1001280403 | 1 | Lid | |
| 48 | 1001263356 | 1 | Decal - Ground Control Box | |
| 49 | 1001306145 | 1 | Ground Control Box Harness (Not Shown - See Separate Breakdown in ELECTRICAL Section) | |
| 51 | 0760612 | 2 | Bolt M6 x 25 | |
| 52 | 3290605 | 2 | Nut M6 | |
| 53 | 4811700 | 4 | Washer M6 | |
| 54 | 1001219601 | 1 | Sensor, Tilt Dual Axis CAN | |
| 55 | 1001271794 | 1 | Bracket, Tilt Sensor | |

SECTION 2 - TURNTABLE

FIGURE 2-33. LIGHT PANEL INSTALLATION



ART_1001241403_E_10F2

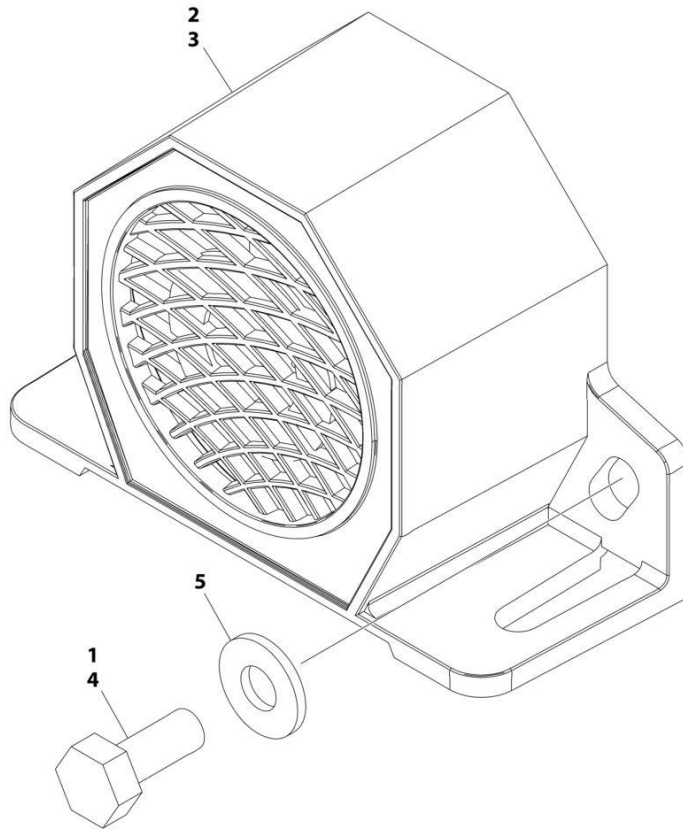
SECTION 2 - TURNTABLE

FIGURE 2-33. LIGHT PANEL INSTALLATION

| ITEM | PART NUMBER | QTY | DESCRIPTION | REV |
|-------------|--------------------|------------|--|------------|
| | 1001241403 | Ref | LIGHT PANEL INSTALLATION - GROUND CONTROL | E |
| 2 | 3300408 | 2 | Nut, Nylon Insert | |
| 3 | 0630518 | 2 | Screw #10 x 3/4 | |
| 5 | 1001237547 | 1 | Light Panel Assembly | J |
| 5A | 1001281703 | 1 | Lens Assembly (Includes Housing Shell, Decal/Lens with Icons & Gasket) | |
| 5B | 1001282106 | 1 | Panel, LED Light | |
| 5C | | Ref | Screw | |

SECTION 2 - TURNTABLE

FIGURE 2-34. ALARM INSTALLATION



ART_1001158364

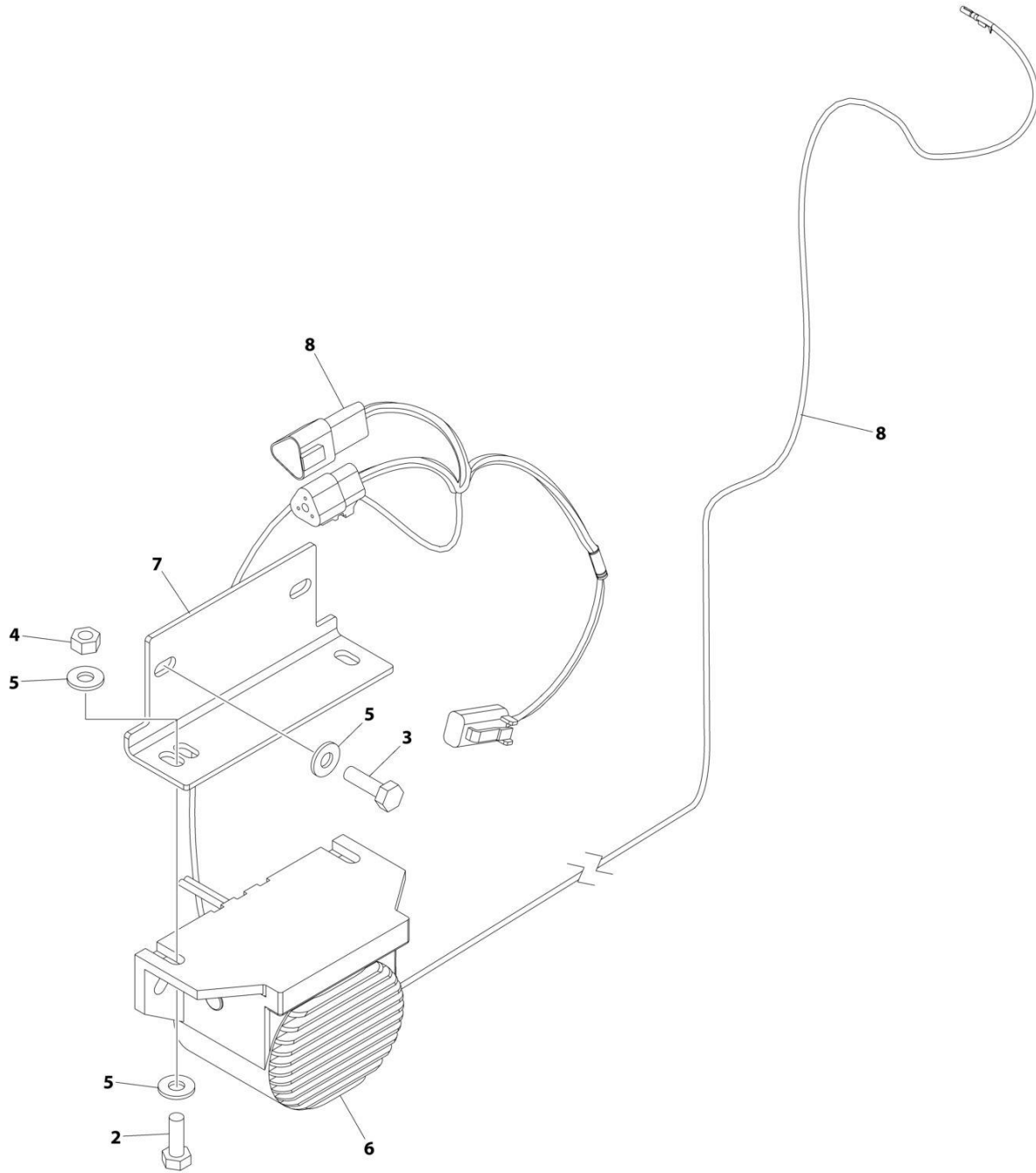
SECTION 2 - TURNTABLE

FIGURE 2-34. ALARM INSTALLATION

| ITEM | PART NUMBER | QTY | DESCRIPTION | REV |
|-------------|--------------------|------------|--------------------|------------|
| | 1001158364 | Ref | ALARM INSTALLATION | A |
| 1 | 0100011 | AR | Compound, Locking | |
| 2 | 0100048 | AR | Grease, Dielectric | |
| 3 | 0140044 | 1 | Alarm | |
| 4 | 0641405 | 2 | Bolt 1/4 x 5/8 | |
| 5 | 4711400 | 2 | Washer 1/4 | |

SECTION 2 - TURNTABLE

FIGURE 2-35. WHITE NOISE ALARM INSTALLATION - ADJUSTABLE AMBIENT



ART_1001241385

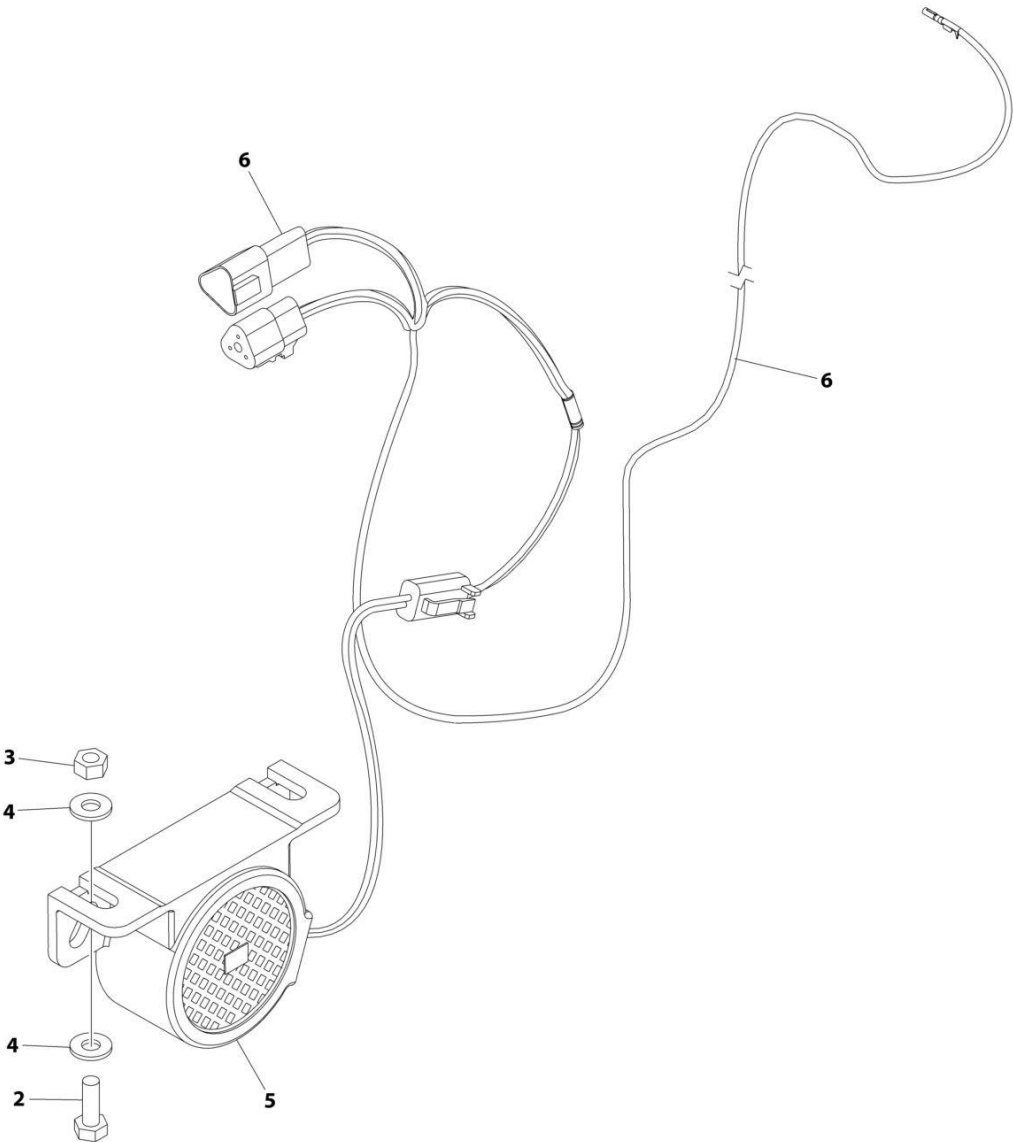
SECTION 2 - TURNTABLE

FIGURE 2-35. WHITE NOISE ALARM INSTALLATION - ADJUSTABLE AMBIENT

| ITEM | PART NUMBER | QTY | DESCRIPTION | REV |
|-------------|--------------------|------------|---|------------|
| | 1001241385 | Ref | WHITE NOISE ALARM INSTALLATION | B |
| 1 | 0100048 | AR | Compound, Silicone (Not Shown) | |
| 2 | 0641406 | 2 | Bolt 1/4 x 3/4 | |
| 3 | 0641407 | 2 | Bolt 1/4 x 7/8 | |
| 4 | 3311405 | 2 | Nut 1/4 | |
| 5 | 4711400 | 6 | Washer 1/4 | |
| 6 | 1001182806 | 1 | Alarm | |
| 7 | 1001231886 | 1 | Plate | |
| 8 | 1001243682 | 1 | White Noise Motion Alarm Harness (See Separate Breakdown in this Section) | |

SECTION 2 - TURNTABLE

FIGURE 2-36. WHITE NOISE MOTION ALARM INSTALLATION - AMBIENT



ART_1001239347

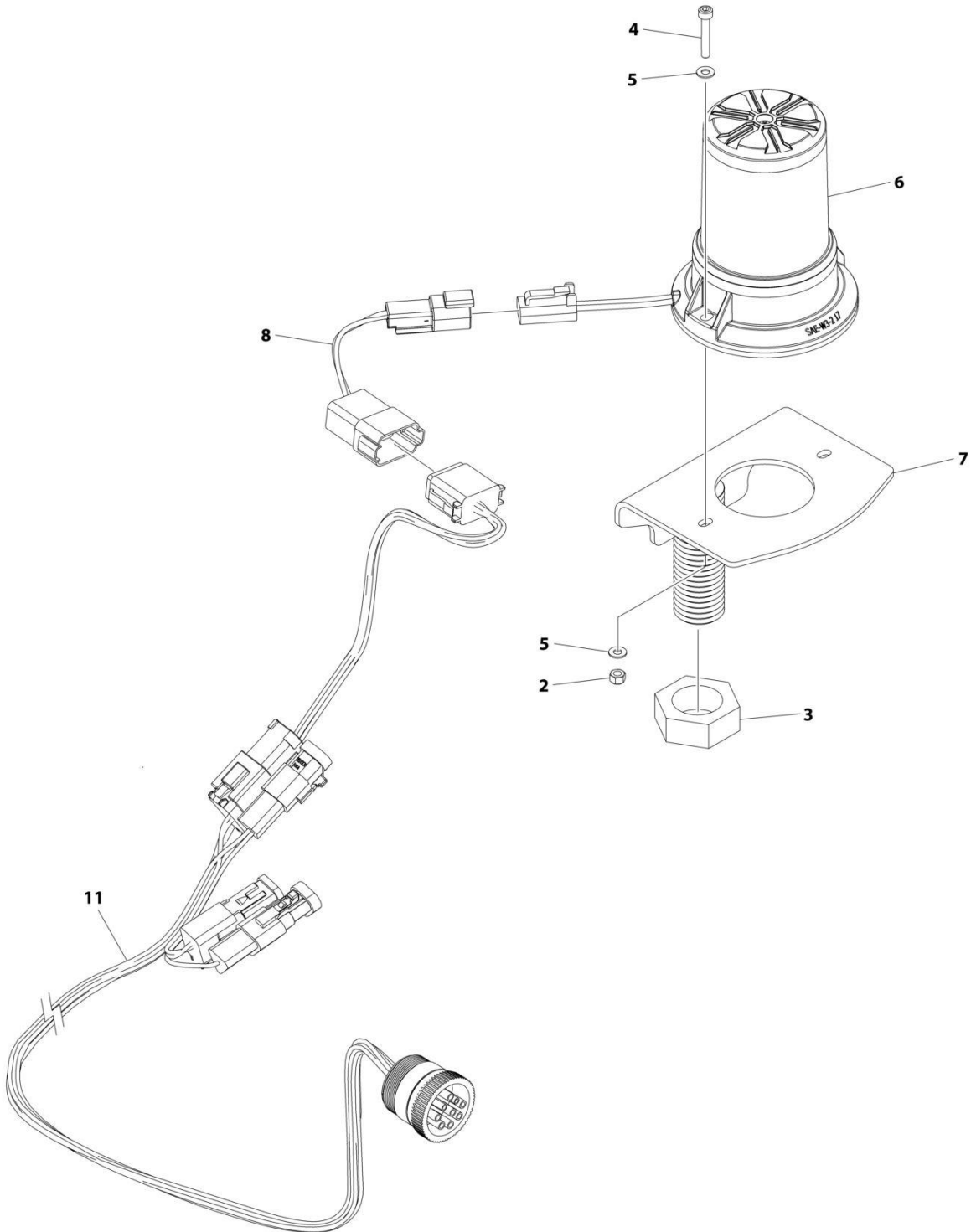
SECTION 2 - TURNTABLE

FIGURE 2-36. WHITE NOISE MOTION ALARM INSTALLATION - AMBIENT

| ITEM | PART NUMBER | QTY | DESCRIPTION | REV |
|-------------|--------------------|------------|---|------------|
| | 1001239347 | Ref | WHITE NOISE MOTION ALARM INSTALLATION | B |
| 1 | 0100048 | AR | Compound, Silicone (Not Shown) | |
| 2 | 0641406 | 2 | Bolt 1/4 x 3/4 | |
| 3 | 3311405 | 2 | Nut 1/4 | |
| 4 | 4711400 | 4 | Washer 1/4 | |
| 5 | 1001184682 | 1 | Alarm | |
| 6 | 1001243682 | 1 | White Noise Motion Alarm Harness (See Separate Breakdown in this Section) | |

SECTION 2 - TURNTABLE

FIGURE 2-37. STROBE LIGHT INSTALLATION (AMBER)



ART_1001160077_E

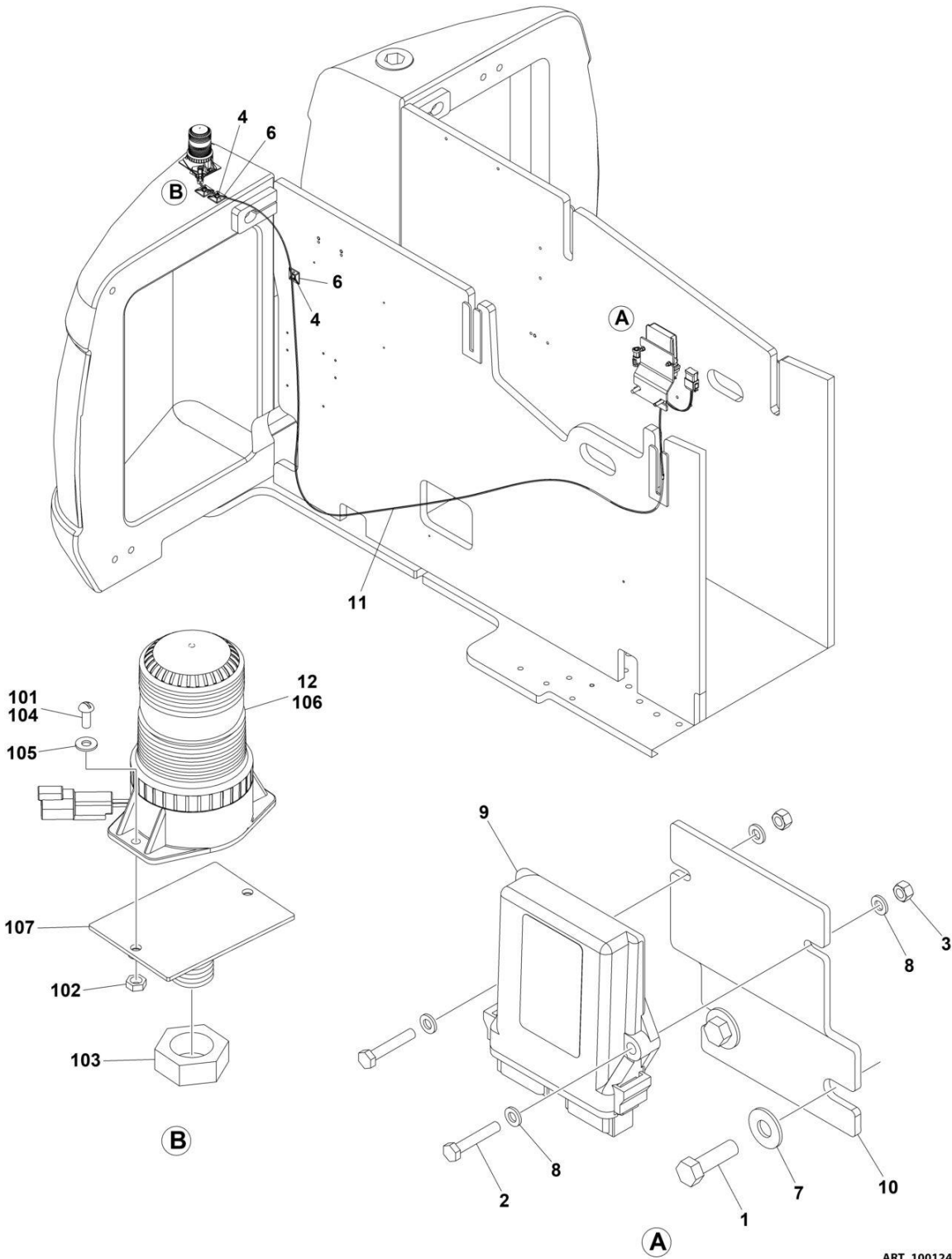
SECTION 2 - TURNTABLE

FIGURE 2-37. STROBE LIGHT INSTALLATION (AMBER)

| ITEM | PART NUMBER | QTY | DESCRIPTION | REV |
|------|-------------|-----|---|-----|
| | 1001160077 | Ref | STROBE LIGHT INSTALLATION (AMBER) | E |
| 2 | 3290405 | 2 | Nut, Lock M4 | |
| 3 | 3312602 | 1 | Nut | |
| 4 | 4031509 | 2 | Capscrew M4 x 25 | |
| 5 | 4811400 | 4 | Washer M4 | |
| 6 | 1001270594 | 1 | Strobe Light/Harness Assembly | |
| 6 | 4460891 | 1 | Connector | |
| 6 | 4460465 | 2 | Socket | |
| 7 | 1001275149 | 2 | Mount | |
| 8 | 1001283776 | 1 | Harness, Strobe Jumper (See Separate Breakdown in ELECTRICAL Section) | |
| 9 | 4240017 | AR | Tie-Strap (Not Shown) | |
| 10 | 4460234 | AR | Mount, Tie-Strap (Not Shown) | |
| 11 | 1001286622 | 1 | CSB Harness (See Separate Breakdown in ELECTRICAL Section) | |

SECTION 2 - TURNTABLE

FIGURE 2-38. STROBE LIGHT INSTALLATION (BLUE)



ART_1001242255

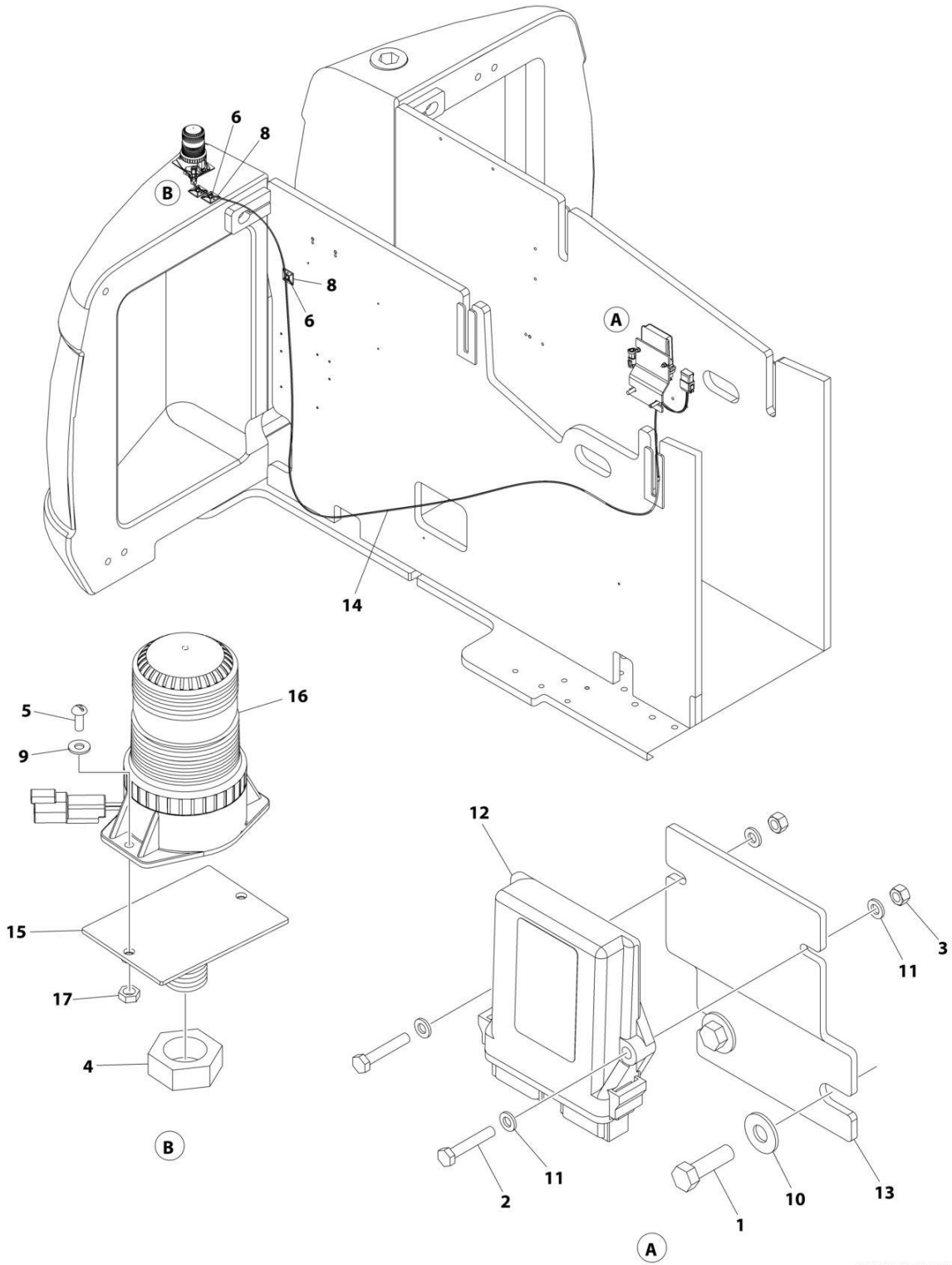
SECTION 2 - TURNTABLE

FIGURE 2-38. STROBE LIGHT INSTALLATION (BLUE)

| ITEM | PART NUMBER | QTY | DESCRIPTION | REV |
|------|-------------|-----|---|-----|
| | 1001242255 | Ref | STROBE LIGHT INSTALLATION (BLUE) | B |
| 1 | 0641610 | 2 | Bolt 3/8 x 1-1/4 | |
| 2 | 0700615 | 2 | Bolt 6 x 35 | |
| 3 | 3290607 | 2 | Nut M6 | |
| 4 | 4240032 | AR | Tie-Strap | |
| 5 | 4240033 | AR | Tie-Cable (Not Shown) | |
| 6 | 4460488 | AR | Base, Terminal, Mounting | |
| 7 | 4751600 | 2 | Washer 3/8 | |
| 8 | 4811700 | 4 | Washer M6 | |
| 9 | 1001142683 | 1 | Module, Control - Beacon | |
| 10 | 1001142722 | 1 | Bracket | |
| 11 | 1001142736 | 1 | Beacon Control Harness (See Separate Breakdown in ELECTRICAL Section) | |
| 12 | 1001278845 | 1 | Beacon Assembly - Blue (Includes Items 101 - 107) | A |
| 101 | 0100035 | AR | Compound, Locking | |
| 102 | 3290405 | 2 | Nut, Lock M4 | |
| 103 | 3312602 | 1 | Nut | |
| 104 | 4031509 | 2 | Capscrew M4 x 25 | |
| 105 | 4811400 | 2 | Washer M4 | |
| 106 | 1001272681 | 1 | Light, Beacon | |
| 106 | 4460891 | 1 | Connector | |
| 106 | 4460465 | 2 | Socket | |
| 107 | 1001278850 | 1 | Mount, Strobe | |

SECTION 2 - TURNTABLE

FIGURE 2-39. STROBE LIGHT INSTALLATION (RED)



ART_1001242256_B

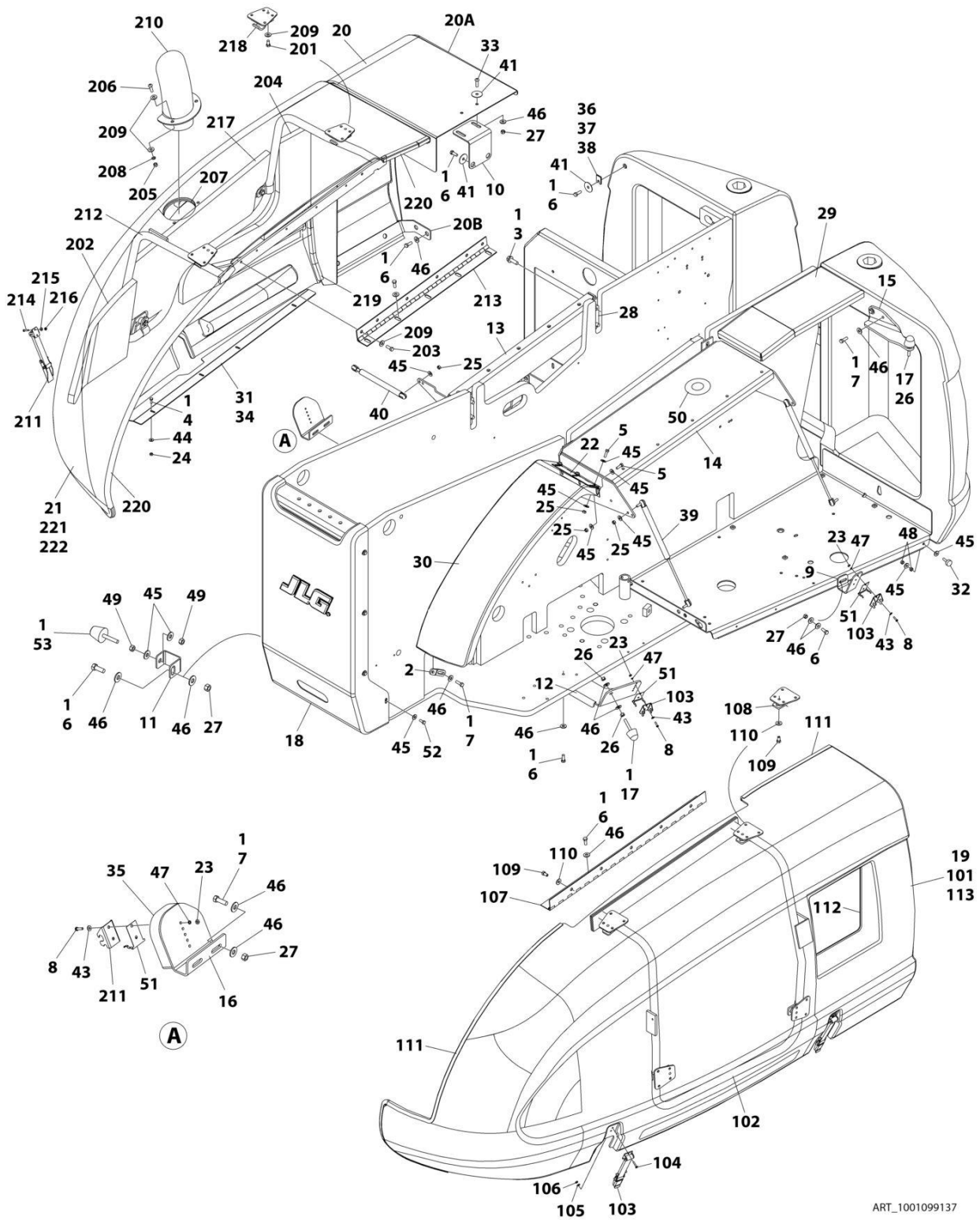
SECTION 2 - TURNTABLE

FIGURE 2-39. STROBE LIGHT INSTALLATION (RED)

| ITEM | PART NUMBER | QTY | DESCRIPTION | REV |
|------|-------------|-----|---|-----|
| | 1001242256 | Ref | STROBE LIGHT INSTALLATION (RED) | B |
| 1 | 0641610 | 2 | Bolt 3/8 x 1-1/4 | |
| 2 | 0700615 | 2 | Bolt 6 x 35 | |
| 3 | 3290607 | 2 | Nut M6 | |
| 4 | 3312602 | 1 | Nut | |
| 5 | 4031509 | 2 | Capscrew M4 x 25 | |
| 6 | 4240032 | AR | Tie Strap | |
| 7 | 4240033 | AR | Tie Cable (Not Shown) | |
| 8 | 4460488 | AR | Base, Terminal, Mounting | |
| 9 | 4811400 | 2 | Washer M4 | |
| 10 | 4751600 | 2 | Washer 3/8 | |
| 11 | 4811700 | 4 | Washer M6 | |
| 12 | 1001142683 | 1 | Module, Control | |
| 13 | 1001142722 | 1 | Bracket | |
| 14 | 1001142736 | 1 | Beacon Control Harness (See Separate Breakdown in ELECTRICAL Section) | |
| 15 | 1001278850 | 1 | Mount, Strobe | |
| 16 | 1001272682 | 1 | Light, Beacon | |
| 16 | 4460891 | 1 | Connector | |
| 16 | 4460465 | 2 | Socket | |
| 17 | 3290405 | 2 | Nut, Lock M4 | |

SECTION 2 - TURNTABLE

FIGURE 2-40. HOODS INSTALLATION - ABS (DEUTZ D2011 ENGINES)



ART_1001099137

SECTION 2 - TURNTABLE

FIGURE 2-40. HOODS INSTALLATION - ABS (DEUTZ D2011 ENGINES)

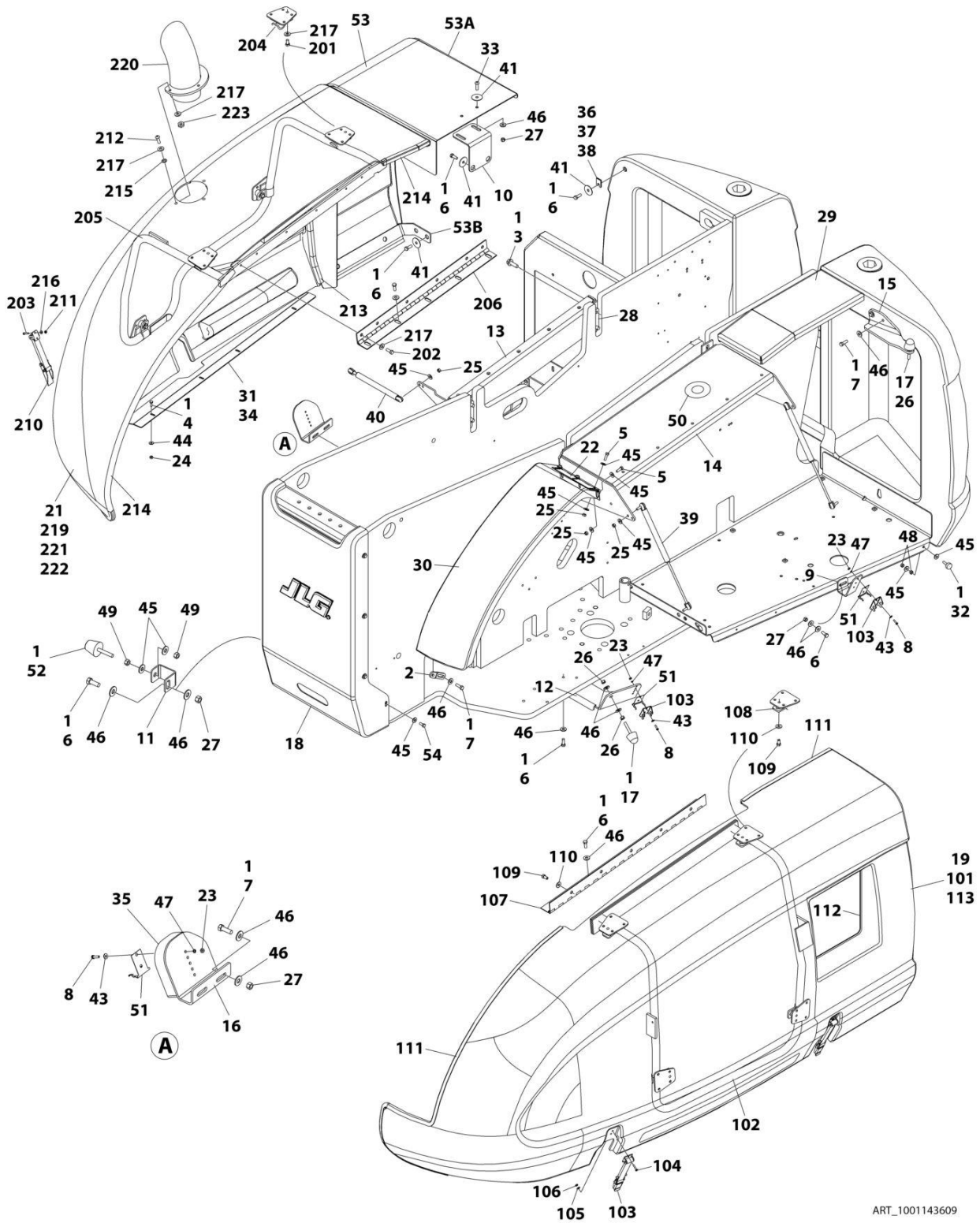
| ITEM | PART NUMBER | QTY | DESCRIPTION | REV |
|------|-------------|-----------------|---|-----|
| | 1001099137 | Ref | HOODS INSTALLATION | G |
| 1 | 0100011 | AR | Compound, Locking | |
| 2 | 0362770 | 1 | Bar, Panel Mounting | |
| 3 | 0811812 | 8 | Bolt | |
| 4 | 0641406 | 4 | Bolt 1/4 x 3/4 | |
| 5 | 0641508 | 6 | Bolt 5/16 x 1 | |
| 6 | 0641608 | 22 | Bolt 3/8 x 1 | |
| 7 | 0641609 | 5 | Bolt 3/8 x 1-1/8 | |
| 8 | 0721006 | 6 | Screw #10 x 3/4 | |
| 9 | 0902143 | 1 | Bracket, Latch (Tank Side) | |
| 10 | 0902161 | 1 | Bracket, Hood Spacer Mounting (Engine Side) | |
| 11 | 0902219 | 2 | Bracket, Bumper | |
| 12 | 0902223 | 1 | Bracket, Latch (Tank Side) | |
| 13 | 1001207558 | 1 | Bracket, Hood Mounting (Engine Side) | |
| 14 | 0902412 | 1 | Bracket, Hood Mounting (Tank Side) | |
| 15 | 0902426 | 1 | Bracket, Bumper - Counterweight Mounted | |
| 16 | 0902491 | 1 | Bracket, Latch (Engine Side) | |
| 17 | 0940071 | 2 | Bumper | |
| 18 | 1670842 | 1 | Cover, Turntable End | |
| 19 | 1671228 | 1 | Hood Assembly - Tank Side (See Items 101-113 for Breakdown) | |
| 19 | | Ref | Note: Replacement Decals Must be Ordered Separately - See DECALS SECTION. | |
| 20 | 1671233 | 1 | Spacer Assembly | |
| 20A | 3960453 | 68 in /1.73m | Seal | |
| 20B | 0903308 | 1 | Bracket | |
| 21 | 1001099138 | 1 | Hood Assembly - Engine Side (See Items 201-221 for Breakdown): | |
| 21 | | Ref | Note: Replacement Decals Must be Ordered Separately - See DECAL SECTION. | |
| 22 | 2600244 | 1 | Adapter, Panel Hinge | |
| 23 | 3311001 | 6 | Nut #10 | |
| 24 | 3311405 | 4 | Nut 1/4 | |
| 25 | 3311505 | 9 | Nut 5/16 | |
| 26 | 3311601 | 4 | Nut 3/8 | |
| 27 | 3311605 | 7 | Nut 3/8 | |
| 28 | 1001150260 | 4 | Plate, Hinge Block | |
| 29 | 1001290021 | 1 | Cover, Top (Tank Side) | |
| 30 | 3380444 | 1 | Panel, Adapter | |
| 31 | 3571712 | 1 | Plate, Seal | |
| 32 | 0940049 | 1 | Stopper, Hood | |
| 33 | 3900232 | 2 | Screw 3/8 x 1-1/4 | |
| 34 | 3960389 | 3.5 ft/1m | Seal | |
| 35 | 3960470 | 1 | Seal, Latch | |
| 36 | 4070410 | AR | Shim 1/16 | |
| 37 | 4070411 | AR | Shim 1/8 | |
| 38 | 4070412 | AR | Shim 3/16 | |
| 39 | 4160139 | 2 | Spring, Gas (Tank Side) | |
| 40 | 4160143 | 1 | Spring, Gas (Engine Side) | |
| 41 | 4740076 | 5 | Washer, Fender | |

SECTION 2 - TURNTABLE

| ITEM | PART NUMBER | QTY | DESCRIPTION | REV |
|------|-------------|-----------------|-----------------------------|-----|
| 43 | 4751000 | 6 | Washer #10 | |
| 44 | 4751400 | 4 | Washer 1/4 | |
| 45 | 4751500 | 29 | Washer 5/16 | |
| 46 | 4751600 | 35 | Washer 3/8 | |
| 47 | 4761000 | 6 | Washer #10 | |
| 48 | 3311501 | 2 | Nut 5/16 | |
| 49 | 3321501 | 4 | Nut 5/16 | |
| 50 | 1120601 | 1 | Plug | |
| 51 | 2940188 | 3 | Latch | |
| 52 | 0641506 | 8 | Bolt, 5/16 x 3/4 | |
| 53 | 0940088 | 2 | Bumper | |
| | 1671228 | Ref | HOOD ASSEMBLY (TANK SIDE) | A |
| 101 | 1671231 | 1 | Hood | |
| 102 | 1671232 | 1 | Frame, Tubular | |
| 103 | 2940088 | 2 | Latch | |
| 104 | 0721008 | 4 | Screw, #10 x 1 | |
| 105 | 4751000 | 4 | Washer #10 | |
| 106 | 3311001 | 4 | Nut #10 | |
| 107 | 2600233 | 1 | Hinge | |
| 108 | 1321384 | 4 | Hold Down | |
| 109 | 0641606 | 9 | Bolt 3/8 x 3/4 | |
| 110 | 4711600 | 9 | Washer 3/8 | |
| 111 | 3960464 | 83 in /2.11m | Seal | |
| 112 | 3960438 | 55 in/1.4m | Seal | |
| 113 | 3960462 | 53 in /1.35m | Seal | |
| | 1001099138 | Ref | HOOD ASSEMBLY (ENGINE SIDE) | B |
| 201 | 0641606 | 4 | Bolt 3/8 x 3/4 | |
| 202 | 2820233 | 1 | Insulation, Rear Sound | |
| 203 | 0641608 | 6 | Insulation, Center Sound | |
| 204 | 2820235 | 1 | Insulation, Rear Sound | |
| 205 | 3311605 | 2 | Nut 3/8 | |
| 206 | 3900232 | 2 | Screw 3/8 x 1-1/4 | |
| 207 | 1001101623 | 1 | Shield, Heat Gasket | |
| 208 | 4740500 | 2 | Washer | |
| 209 | 4751600 | 14 | Washer 3/8 | |
| 210 | 1001099121 | 1 | Exhaust Tube Weldment | |
| 211 | 2940088 | 1 | Latch | |
| 212 | 1671230 | 1 | Frame, Tubular | |
| 213 | 2600209 | 1 | Hinge | |
| 214 | 0721008 | 2 | Screw, #10 x 1 | |
| 215 | 4751000 | 2 | Washer #10 | |
| 216 | 3311001 | 2 | Nut #10 | |
| 217 | 2820234 | AR | Insulation | |
| 218 | 1321384 | 4 | Hold Down | |
| 219 | 3960462 | 61 in /1.55m | Seal | |
| 220 | 3960464 | 65 in /1.67m | Seal | |
| 221 | 1001101673 | AR | Insulation | |

SECTION 2 - TURNTABLE

FIGURE 2-41. HOODS INSTALLATION - ABS (DEUTZ TD2.9L4 ENGINES)



ART_1001143609

SECTION 2 - TURNTABLE

FIGURE 2-41. HOODS INSTALLATION - ABS (DEUTZ TD2.9L4 ENGINES)

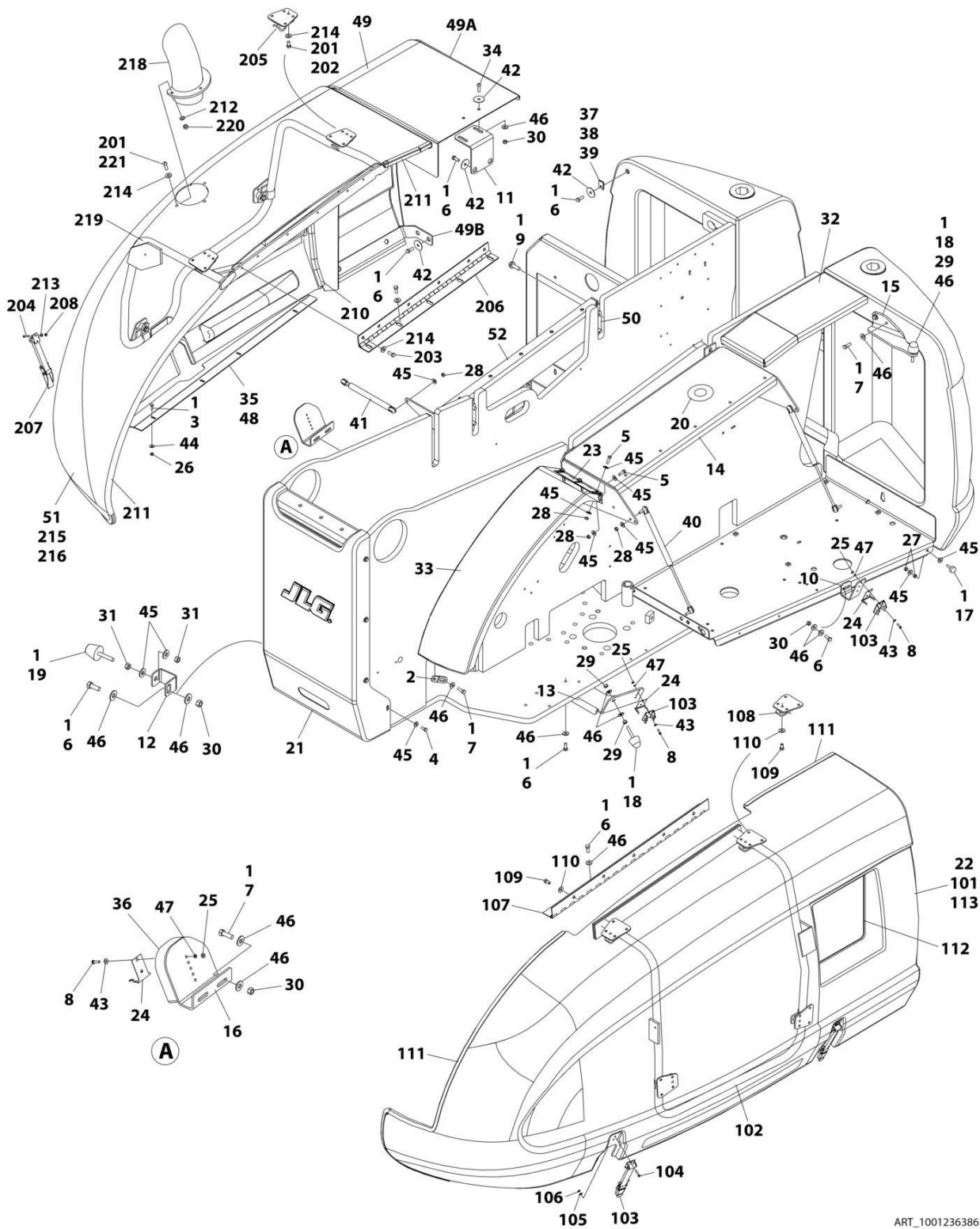
| ITEM | PART NUMBER | QTY | DESCRIPTION | REV |
|------|-------------|-----------|---|-----|
| | 1001143609 | Ref | HOODS INSTALLATION | G |
| 1 | 0100011 | AR | Compound, Locking | |
| 2 | 0362770 | 1 | Bar, Panel Mounting | |
| 3 | 0811812 | 8 | Bolt | |
| 4 | 0641406 | 4 | Bolt 1/4 x 3/4 | |
| 5 | 0641508 | AR | Bolt 5/16 x 1 | |
| 6 | 0641608 | 22 | Bolt 3/8 x 1 | |
| 7 | 0641609 | 5 | Bolt 3/8 x 1-1/8 | |
| 8 | 0721006 | 6 | Screw #10 x 3/4 | |
| 9 | 0902143 | 1 | Bracket, Latch (Tank Side) | |
| 10 | 0902161 | 1 | Bracket, Hood Spacer Mounting (Engine Side) | |
| 11 | 0902219 | 2 | Bracket, Bumper | |
| 12 | 0902223 | 1 | Bracket, Latch (Tank Side) | |
| 13 | 1001207558 | 1 | Bracket, Hood Mounting (Engine Side) | |
| 14 | 0902412 | 1 | Bracket, Hood Mounting (Tank Side) | |
| 15 | 0902426 | 1 | Bracket, Bumper - Counterweight Mounted | |
| 16 | 0902491 | 1 | Bracket, Latch (Engine Side) | |
| 17 | 0940071 | 2 | Bumper | |
| 18 | 1670842 | 1 | Cover, Turntable End | |
| 19 | 1671228 | 1 | Hood Assembly - Tank Side (See Items 101-113 for Breakdown) | |
| 19 | | Ref | Note: Replacement Decals Must be Ordered Separately - See DECALS Section. | |
| 21 | 1001143607 | 1 | Hood Assembly - Engine Side (See Items 201-223 for Breakdown) | |
| 21 | | Ref | Note: Replacement Decals Must be Ordered Separately - See DECAL Section. | |
| 22 | 2600244 | 1 | Adapter, Panel Hinge | |
| 23 | 3311001 | 6 | Nut #10 | |
| 24 | 3311405 | 4 | Nut 1/4 | |
| 25 | 3311505 | 9 | Nut 5/16 | |
| 26 | 3311601 | AR | Nut 3/8 | |
| 27 | 3311605 | 7 | Nut 3/8 | |
| 28 | 1001150260 | 4 | Plate, Hinge Block | |
| 29 | 1001290021 | 1 | Cover, Top (Tank Side) | |
| 30 | 3380444 | 1 | Panel, Adapter | |
| 31 | 1001143858 | 1 | Plate, Seal (Deutz TD2.9L4 and Deutz TD2.9L4 (Stage V Pre-Buy) Engines) | |
| 32 | 0940049 | 1 | Stopper, Hood | |
| 33 | 3900232 | 2 | Screw 3/8 x 1-1/4 | |
| 34 | 3960389 | 3.5 ft/1m | Seal | |
| 35 | 3960470 | 1 | Seal, Latch | |
| 36 | 4070410 | AR | Shim 1/16 | |
| 37 | 4070411 | AR | Shim 1/8 | |
| 38 | 4070412 | AR | Shim 3/16 | |
| 39 | 4160139 | 2 | Spring, Gas (Tank Side) | |
| 40 | 4160143 | 1 | Spring, Gas (Engine Side) | |
| 41 | 4740076 | 5 | Washer, Fender | |
| 43 | 4751000 | 6 | Washer #10 | |
| 44 | 4751400 | 4 | Washer 1/4 | |
| 45 | 4751500 | AR | Washer 5/16 | |
| 46 | 4751600 | AR | Washer 3/8 | |

SECTION 2 - TURNTABLE

| ITEM | PART NUMBER | QTY | DESCRIPTION | REV |
|------|-------------|-----------------|-----------------------------|-----|
| 47 | 4761000 | 6 | Washer #10 | |
| 48 | 3311501 | 2 | Nut 5/16 | |
| 49 | 3321501 | AR | Nut 5/16 | |
| 50 | 1120601 | 1 | Plug | |
| 51 | 2940188 | 3 | Latch | |
| 52 | 0940088 | 2 | Stopper | |
| 53 | 1001149673 | 1 | Spacer | |
| 54 | 0641506 | 8 | Screw 5/16 x 3/4 | |
| | 1671228 | Ref | HOOD ASSEMBLY (TANK SIDE) | A |
| 101 | 1671231 | 1 | Hood | |
| 102 | 1671232 | 1 | Frame, Tubular | |
| 103 | 2940088 | 2 | Latch | |
| 104 | 0721008 | 4 | Screw, Machine #10 x 1 | |
| 105 | 4751000 | 4 | Washer #10 | |
| 106 | 3311001 | 4 | Nut #10 | |
| 107 | 2600233 | 1 | Hinge | |
| 108 | 1321384 | 4 | Hold Down | |
| 109 | 0641606 | 9 | Bolt 3/8 x 3/4 | |
| 110 | 4711600 | 9 | Washer 3/8 | |
| 111 | 3960464 | 83 in /2.11m | Seal | |
| 112 | 3960438 | 55 in/1.4m | Seal | |
| 113 | 3960462 | 53 in /1.35m | Seal | |
| | 1001143607 | Ref | HOOD ASSEMBLY (ENGINE SIDE) | G |
| 201 | 0641606 | 4 | Bolt 3/8 x 3/4 | |
| 202 | 0641608 | 6 | Bolt 3/8 x 1 | |
| 203 | 0721008 | 2 | Screw #10 x 1 | |
| 204 | 1321384 | 4 | Hold Down | |
| 205 | 1001153435 | 1 | Frame, Tubular | |
| 206 | 2600209 | 1 | Hinge | |
| 210 | 2940088 | 1 | Latch | |
| 211 | 3311001 | 2 | Nut #10 | |
| 212 | 3900316 | 3 | Bolt 3/8 x 1 | |
| 212 | 88261039 | 3 | Bolt 3/8 x 2 | |
| 213 | 3960462 | 61 in /1.55m | Seal | |
| 214 | 3960464 | 65 in /1.67m | Seal | |
| 215 | 4740500 | 3 | Washer | |
| 216 | 4751000 | 2 | Washer #10 | |
| 217 | 4751600 | 16 | Washer 3/8 | |
| 220 | 1001143611 | 1 | Pipe, Exhaust | |
| 221 | 1001152566 | AR | Insulate, Heat | |
| 222 | 1001117140 | AR | Tape | |
| 223 | 3311605 | 3 | Nut 3/8 | |

SECTION 2 - TURNTABLE

FIGURE 2-42. HOODS INSTALLATION - ABS (DEUTZ TD2.9L4 (STAGE V) ENGINES)



ART_1001236386

SECTION 2 - TURNTABLE

FIGURE 2-42. HOODS INSTALLATION - ABS (DEUTZ TD2.9L4 (STAGE V) ENGINES)

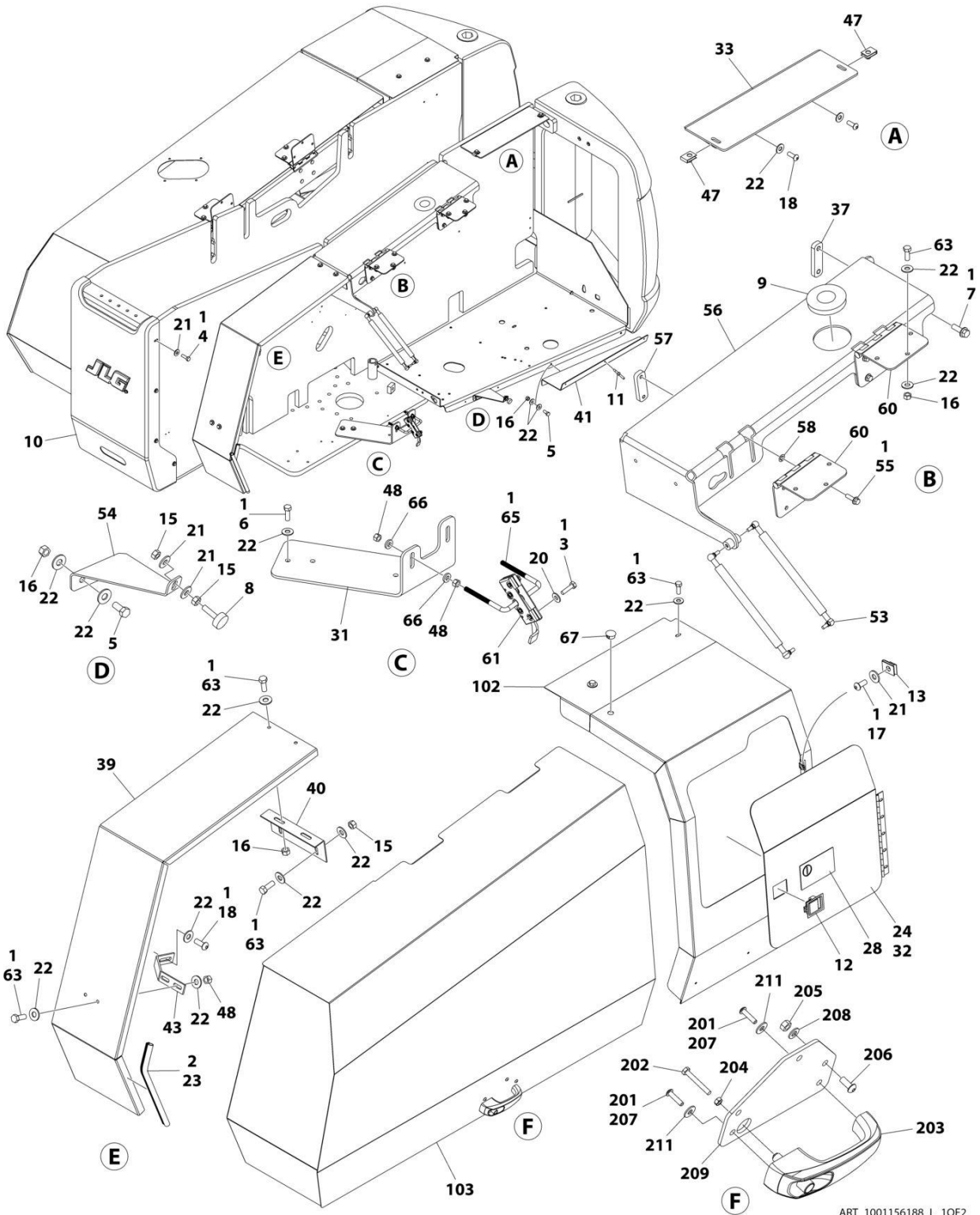
| ITEM | PART NUMBER | QTY | DESCRIPTION | REV |
|------|-------------|-----------|--|-----|
| | 1001236386 | Ref | HOODS INSTALLATION | D |
| 1 | 0100011 | AR | Compound, Locking | |
| 2 | 0362770 | 1 | Bar, Panel Mounting | |
| 3 | 0641406 | 4 | Bolt 1/4 x 3/4 | |
| 4 | 0641506 | 8 | Bolt 5/16 x 3/4 | |
| 5 | 0641508 | 6 | Bolt 5/16 x 1 | |
| 6 | 0641608 | 21 | Bolt 3/8 x 1 | |
| 7 | 0641609 | 5 | Bolt 3/8 x 1-1/8 | |
| 8 | 0721006 | 6 | Screw #10 x 3/4 | |
| 9 | 0811812 | 8 | Bolt | |
| 10 | 0902143 | 1 | Bracket, Latch (Tank Side) | |
| 11 | 0902161 | 1 | Bracket, Hood Spacer Mounting (Engine Side) | |
| 12 | 0902219 | 1 | Bracket, Bumper | |
| 13 | 0902223 | 1 | Bracket, Latch (Tank Side) | |
| 14 | 0902412 | 1 | Bracket, Hood Mounting (Tank Side) | |
| 15 | 0902426 | 1 | Bracket, Bumper - Counterweight Mounted | |
| 16 | 0902491 | 1 | Bracket, Latch (Engine Side) | |
| 17 | 0940049 | 1 | Stopper, Hood | |
| 18 | 0940071 | 2 | Bumper | |
| 19 | 0940088 | 2 | Stopper | |
| 20 | 1120601 | 1 | Plug | |
| 21 | 1670842 | 1 | Cover, Turntable End | |
| 22 | 1671228 | 1 | Hood Assembly - Tank Side (See Items 101-113 for Breakdown) | |
| 22 | | Ref | Note: Replacement Decals Must be Ordered Separately - See DECALS SECTION. | |
| 23 | 2600244 | 1 | Adapter, Panel Hinge | |
| 24 | 2940188 | 3 | Latch | |
| 25 | 3311001 | 6 | Nut #10 | |
| 26 | 3311405 | 4 | Nut 1/4 | |
| 27 | 3311501 | 2 | Nut 5/16 | |
| 28 | 3311505 | 9 | Nut 5/16 | |
| 29 | 3311601 | 4 | Nut 3/8 | |
| 30 | 3311605 | 6 | Nut 3/8 | |
| 31 | 3321501 | 4 | Nut 5/16 | |
| 32 | 1001290021 | 1 | Cover, Top (Tank Side) | |
| 33 | 3380444 | 1 | Panel, Adapter | |
| 34 | 3900232 | 2 | Screw 3/8 x 1-1/4 | |
| 35 | 3960389 | 3.5 ft/1m | Seal | |
| 36 | 3960470 | 1 | Seal, Latch | |
| 37 | 4070410 | AR | Shim 1/16 | |
| 38 | 4070411 | AR | Shim 1/8 | |
| 39 | 4070412 | AR | Shim 3/16 | |
| 40 | 4160139 | 2 | Spring, Gas (Tank Side) | |
| 41 | 4160143 | 1 | Spring, Gas (Engine Side) | |
| 42 | 4740076 | 7 | Washer, Fender | |
| 43 | 4751000 | 6 | Washer #10 | |
| 44 | 4751400 | 4 | Washer 1/4 | |
| 45 | 4751500 | 29 | Washer 5/16 | |
| 46 | 4751600 | 31 | Washer 3/8 | |
| 47 | 4761000 | 6 | Washer #10 | |

SECTION 2 - TURNTABLE

| ITEM | PART NUMBER | QTY | DESCRIPTION | REV |
|------|-------------|-----------------|--|-----|
| 48 | 1001143858 | 1 | Plate, Seal (Deutz TD2.9L4 and Deutz TD2.9L4 (Stage V Pre-Buy) Engines) | |
| 49 | 1001149673 | 1 | Spacer | |
| 50 | 1001150260 | 4 | Plate, Hinge Block | |
| 51 | 1001236387 | 1 | Hood Assembly - Engine Side (See Items 201-221 for Breakdown) | |
| 51 | | Ref | Note: Replacement Decals Must be Ordered Separately - See DECAL SECTION. | |
| 52 | 1001207558 | 1 | Bracket, Hood Mounting (Engine Side) | |
| | 1671228 | Ref | HOOD ASSEMBLY (TANK SIDE) | A |
| 101 | 1671231 | 1 | Hood | |
| 102 | 1671232 | 1 | Frame, Tubular | |
| 103 | 2940088 | 2 | Latch | |
| 104 | 0721008 | 4 | Screw, Machine #10 x 1 | |
| 105 | 4751000 | 4 | Washer #10 | |
| 106 | 3311001 | 4 | Nut #10 | |
| 107 | 2600233 | 1 | Hinge | |
| 108 | 1321384 | 4 | Hold Down | |
| 109 | 0641606 | 9 | Bolt 3/8 x 3/4 | |
| 110 | 4711600 | 9 | Washer 3/8 | |
| 111 | 3960464 | 83 in /2.11m | Seal | |
| 112 | 3960438 | 55 in/1.4m | Seal | |
| 113 | 3960462 | 53 in /1.35m | Seal | |
| | 1001236387 | Ref | HOOD ASSEMBLY (ENGINE SIDE) | C |
| 201 | 0100011 | AR | Compound, Locking | |
| 202 | 0641606 | 4 | Bolt 3/8 x 3/4 | |
| 203 | 0641608 | 6 | Bolt 3/8 x 1 | |
| 204 | 0721008 | 2 | Screw #10 x 1 | |
| 205 | 1321384 | 4 | Hold Down | |
| 206 | 2600209 | 1 | Hinge | |
| 207 | 2940088 | 1 | Latch | |
| 208 | 3311001 | 2 | Nut #10 | |
| 210 | 3960462 | 61 in /1.55m | Seal | |
| 211 | 3960464 | 65 in/1.67m | Seal | |
| 212 | 4740500 | 3 | Washer | |
| 213 | 4751000 | 2 | Washer #10 | |
| 214 | 4751600 | 16 | Washer 3/8 | |
| 215 | 1001117140 | AR | Tape | |
| 216 | 1001270099 | AR | Insulate, Heat | |
| 218 | 1001236389 | 1 | Pipe, Exhaust | |
| 219 | 1001236871 | 1 | Frame, Tubular | |
| 220 | 3271601 | 1 | Nut 3/8 | |
| 221 | 3900232 | 3 | Screw 3/8 x 1-1/4 | |

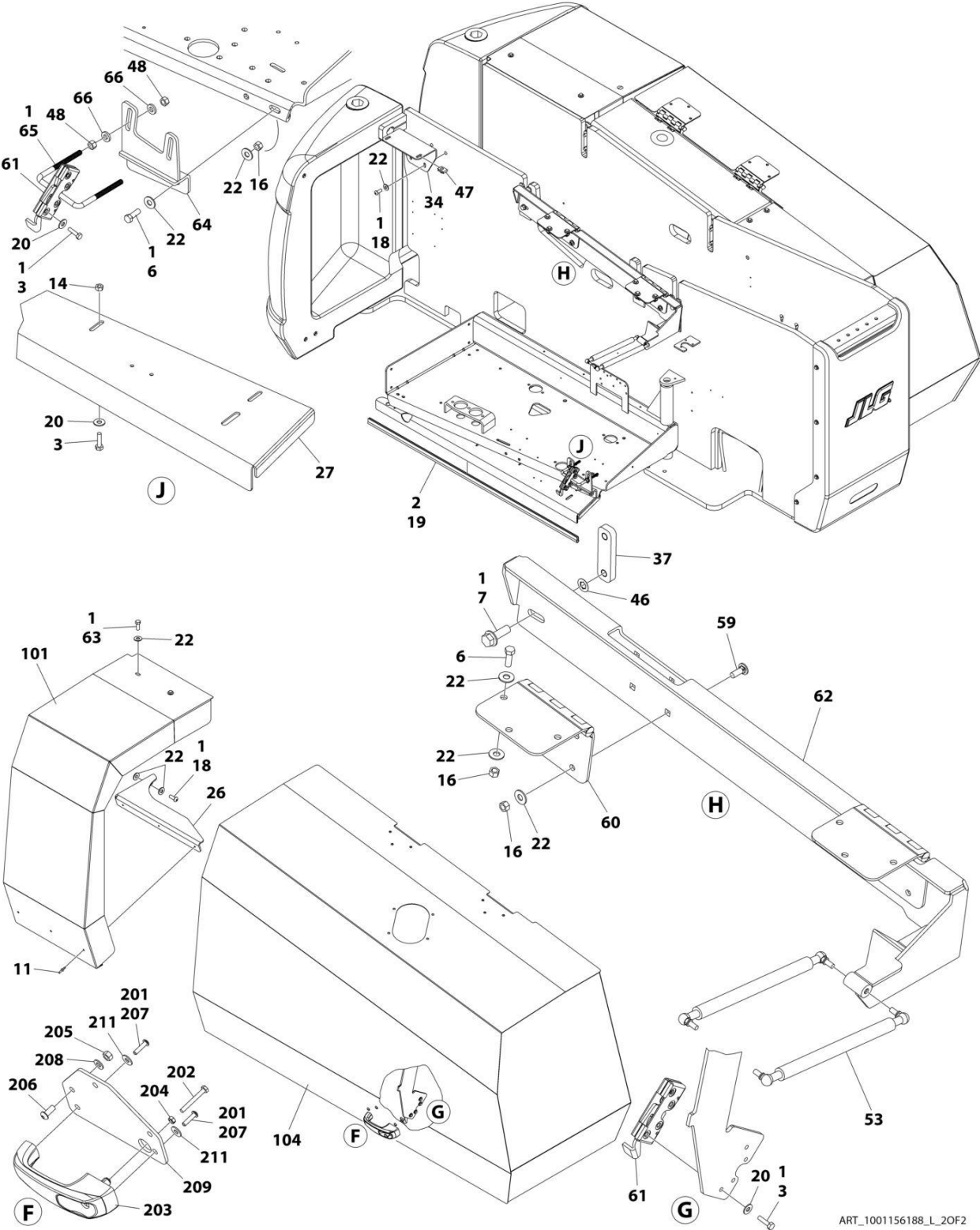
SECTION 2 - TURNTABLE

FIGURE 2-43. HOODS INSTALLATION - STEEL (DEUTZ D2011 ENGINES)



ART_1001156188_L_10F2

SECTION 2 - TURNTABLE



ART_1001156188_L_20F2

SECTION 2 - TURNTABLE

FIGURE 2-43. HOODS INSTALLATION - STEEL (DEUTZ D2011 ENGINES)

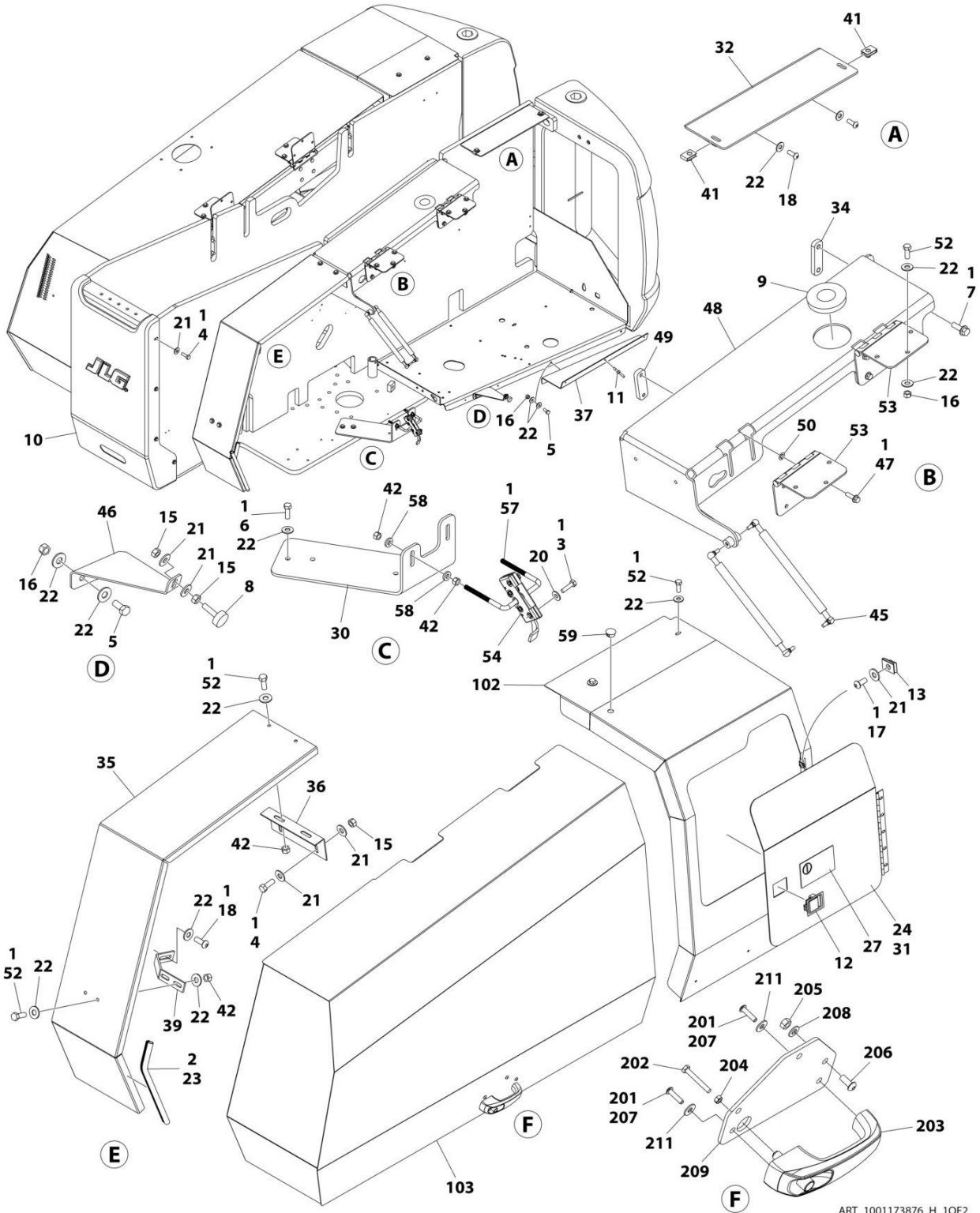
| ITEM | PART NUMBER | QTY | DESCRIPTION | REV |
|------|-------------|-----------------|---|-----|
| | | Ref | NOTE: REPLACEMENT DECALS MUST BE PURCHASED SEPARATELY - SEE DECALS SECTION. | |
| | 1001156188 | Ref | HOODS INSTALLATION | L |
| 1 | 0100011 | AR | Compound, Locking | |
| 2 | 0100081 | AR | Adhesive | |
| 3 | 0641408 | 12 | Bolt 1/4 x 1 | |
| 4 | 0641508 | 8 | Bolt 5/16 x 1 | |
| 5 | 0641607 | 4 | Bolt 3/8 x 7/8 | |
| 6 | 0641609 | 10 | Bolt 3/8 x 1-1/8 | |
| 7 | 0811812 | 8 | Bolt 1/2 x 2-1/4 | |
| 8 | 0940049 | 1 | Stopper, Hood | |
| 9 | 1120601 | 1 | Plug | |
| 10 | 1670842 | 1 | Cover, Turntable End | |
| 11 | 2080040 | 6 | Fastener | |
| 12 | 2940045 | 1 | Latch, Paddle | |
| 13 | 3300364 | 3 | Nut, Tinnerman 5/16 | |
| 14 | 3311405 | 4 | Nut 1/4 | |
| 15 | 3311501 | 2 | Nut 5/16 | |
| 16 | 3311605 | 30 | Nut 3/8 | |
| 17 | 3900210 | 3 | Screw 5/16 x 3/4 | |
| 18 | 3900316 | 7 | Screw 3/8 x 1 | |
| 19 | 3960389 | 4.2 ft /1.3m | Seal | |
| 20 | 4751400 | 12 | Washer 1/4 | |
| 21 | 4751500 | 13 | Washer 5/16 | |
| 22 | 4751600 | 69 | Washer 3/8 | |
| 23 | 1001110166 | 59 in/1.5m | Seal | |
| 24 | 1001113047 | 6.5 ft/2m | Seal | |
| 26 | 1001117234 | 1 | Bracket | |
| 27 | 1001117249 | 1 | Plate | |
| 28 | 1001117307 | 1 | Decal - Emergency Stop | |
| 31 | 1001250293 | 1 | Bracket, Striker | |
| 32 | 1001117598 | 1 | Door | |
| 33 | 1001158175 | 1 | Bracket, Hood Mounting | |
| 34 | 1001157867 | 1 | Bracket, Hood Mounting | |
| 37 | 1001150260 | 4 | Plate, Hinge | |
| 39 | 1001155899 | 1 | Plate, Spacer | |
| 40 | 1001157612 | 1 | Bracket, Hood Support | |
| 41 | 1001157726 | 1 | Bracket, Hood Support | |
| 43 | 1001158077 | 1 | Bracket, Spacer Panel | |
| 46 | 2080072 | 4 | Retainer, Bolt | |
| 47 | 88662523 | 4 | Nut, Tinnerman | |
| 48 | 3311601 | 10 | Nut 3/8 | |
| 53 | 4160194 | 4 | Spring, Gas | |
| 54 | 1001161089 | 1 | Bracket, Bumper | |
| 55 | 0811610 | 8 | Screw 3/8 x 1-1/4 | |
| 56 | 1001155895 | 1 | Mount, Hood | |
| 57 | 1001186251 | 4 | Plate, Hinge | |
| 58 | 8310070 | 8 | Nut 3/8 | |
| 59 | 0630485 | 8 | Bolt 3/8 x 1 | |

SECTION 2 - TURNTABLE

| ITEM | PART NUMBER | QTY | DESCRIPTION | REV |
|------|-------------|-----|--|-----|
| 60 | 1001186254 | 4 | Hinge | |
| 61 | 2940173 | 2 | Latch, Rotary | |
| 62 | 1001196768 | 1 | Mount, Hood | |
| 63 | 0641608 | 16 | Screw 3/8 x 1 | |
| 64 | 1001250292 | 1 | Bracket | |
| 65 | 1001243414 | 2 | Bolt 3/8 | |
| 66 | 4891600 | 8 | Washer 3/8 | |
| 67 | 3520030 | 1 | Plug | |
| 100 | 1001290382 | 1 | Kit, Hood (Includes Items 101-104) | |
| 101 | 1001117219 | 1 | Hood, Fixed Engine Side | |
| 102 | 1001289874 | 1 | Hood, Fixed Tank Side | |
| 103 | 1001157209 | 1 | Hood Assembly - Tank Side (Includes Items 201-211) | |
| 104 | 1001157208 | 1 | Hood Assembly - Engine Side (Includes Items 201-211) (Note: Heat Shield must be transferred from original hood or replaced before putting machine back in service) | |
| | 1001157208 | Ref | HOOD ASSEMBLY - ENGINE SIDE | D |
| 201 | 0100011 | AR | Compound, Locking | |
| 202 | 0700618 | 1 | Bolt M6 x 50 | |
| 203 | 2560187 | 1 | Handle, Push Button | |
| 204 | 3290601 | 1 | Nut M6 | |
| 205 | 3311505 | 3 | Nut 5/16 | |
| 206 | 3900210 | 3 | Screw 5/16 x 3/4 | |
| 207 | 3900363 | 2 | Screw M6 x 25 | |
| 208 | 4711500 | 3 | Washer 5/16 | |
| 209 | 1001116290 | 1 | Plate, Latch Mounting | |
| 211 | 4751400 | 2 | Washer 1/4 | |

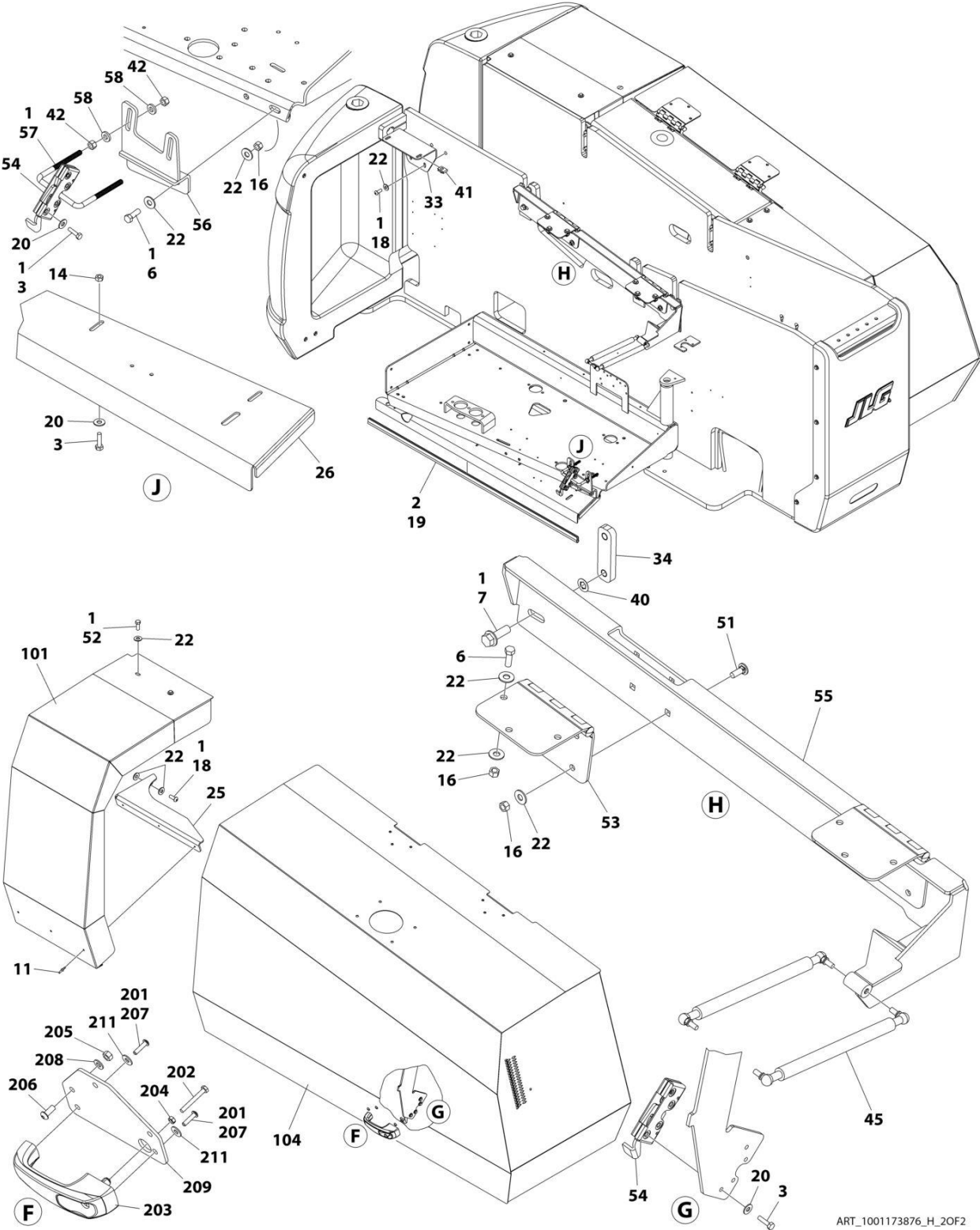
SECTION 2 - TURNTABLE

FIGURE 2-44. HOODS INSTALLATION - STEEL (DEUTZ TD2.9L4 ENGINES)



ART_1001173876_H_10F2

SECTION 2 - TURNTABLE



ART_1001173876_H_20F2

SECTION 2 - TURNTABLE

FIGURE 2-44. HOODS INSTALLATION - STEEL (DEUTZ TD2.9L4 ENGINES)

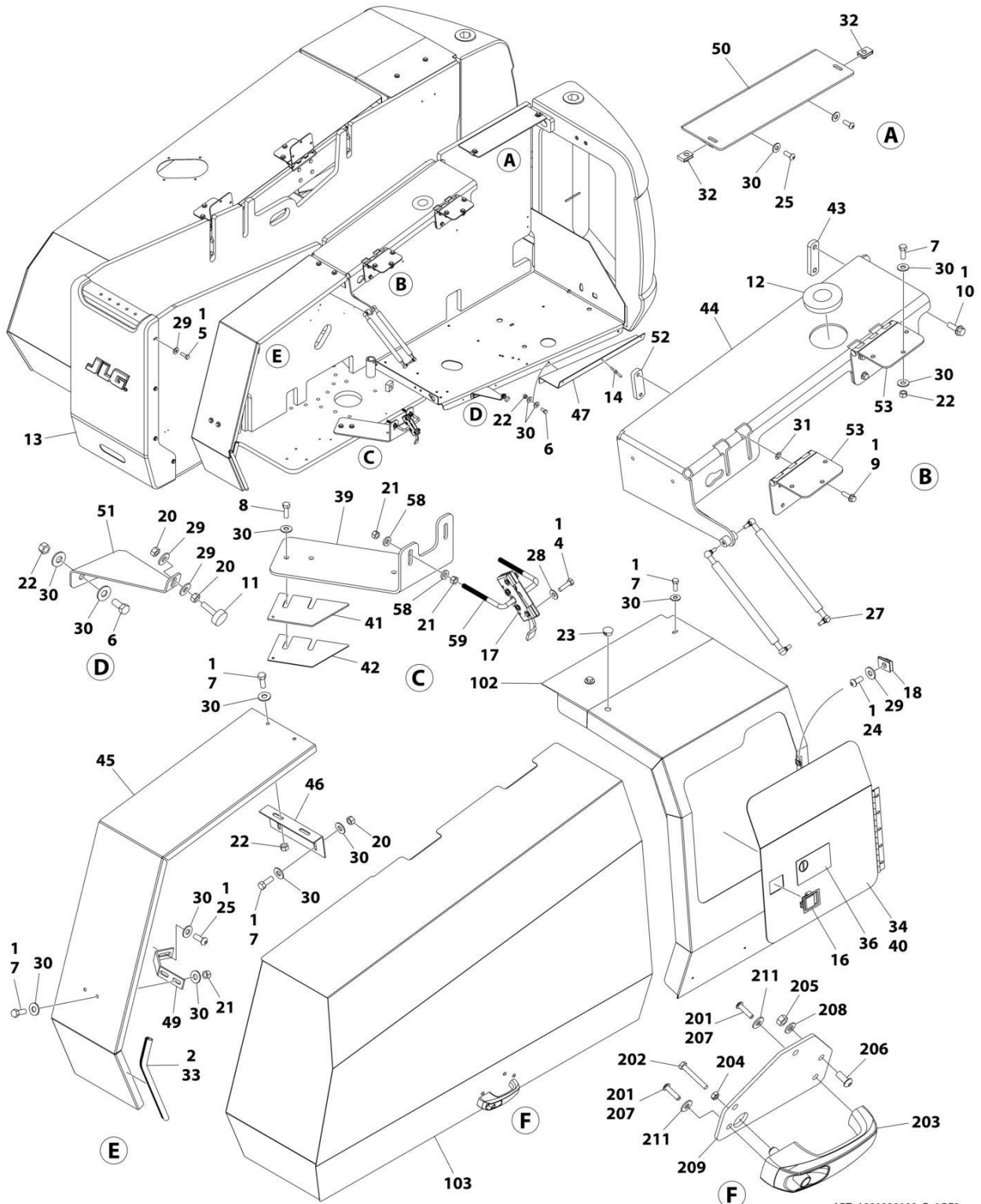
| ITEM | PART NUMBER | QTY | DESCRIPTION | REV |
|------|-------------|-----------------|---|-----|
| | | Ref | NOTE: REPLACEMENT DECALS MUST BE PURCHASED SEPARATELY - SEE DECALS SECTION. | |
| | 1001173876 | Ref | HOODS INSTALLATION (DEUTZ TD2.9L4 ENGINES MACHINES) | I |
| 1 | 0100011 | AR | Compound, Locking | |
| 2 | 0100081 | AR | Adhesive | |
| 3 | 0641408 | 12 | Bolt 1/4 x 1 | |
| 4 | 0641508 | 10 | Bolt 5/16 x 1 | |
| 5 | 0641607 | 2 | Bolt 3/8 x 7/8 | |
| 6 | 0641609 | 10 | Bolt 3/8 x 1-1/8 | |
| 7 | 0811812 | 8 | Bolt 1/2 x 2-1/4 | |
| 8 | 0940049 | 1 | Stopper, Hood | |
| 9 | 1120601 | 1 | Plug | |
| 10 | 1670842 | 1 | Cover, Turntable End | |
| 11 | 2080040 | 6 | Fastener | |
| 12 | 2940045 | 1 | Latch, Paddle | |
| 13 | 3300364 | 3 | Nut, Tinnerman 5/16 | |
| 14 | 3311405 | 4 | Nut 1/4 | |
| 15 | 3311501 | 4 | Nut 5/16 | |
| 16 | 3311605 | 24 | Nut 3/8 | |
| 17 | 3900210 | 3 | Screw 5/16 x 3/4 | |
| 18 | 3900316 | 7 | Screw 3/8 x 1 | |
| 19 | 3960389 | 4.2 ft /1.3m | Seal | |
| 20 | 4751400 | 12 | Washer 1/4 | |
| 21 | 4751500 | 15 | Washer 5/16 | |
| 22 | 4751600 | 57 | Washer 3/8 | |
| 23 | 1001110166 | 59 in/1.5m | Seal | |
| 24 | 1001113047 | 6.5 ft/2m | Seal | |
| 25 | 1001117234 | 1 | Bracket | |
| 26 | 1001117249 | 1 | Plate | |
| 27 | 1001117307 | 1 | Decal - Emergency Stop | |
| 30 | 1001250293 | 1 | Bracket, Striker | |
| 31 | 1001117598 | 1 | Door | |
| 32 | 1001158175 | 1 | Bracket, Hood Mounting | |
| 33 | 1001157867 | 1 | Bracket, Hood Mounting | |
| 34 | 1001150260 | 4 | Plate, Hinge | |
| 35 | 1001155899 | 1 | Plate, Spacer | |
| 36 | 1001157612 | 1 | Bracket, Hood Support | |
| 37 | 1001157726 | 1 | Bracket, Hood Support | |
| 39 | 1001158077 | 1 | Bracket, Spacer Panel | |
| 40 | 2080072 | 4 | Retainer, Bolt | |
| 41 | 88662523 | 4 | Nut, Tinnerman | |
| 42 | 3311601 | 12 | Nut 3/8 | |
| 45 | 4160194 | 4 | Spring, Gas | |
| 46 | 1001161089 | 1 | Bracket, Bumper | |
| 47 | 0811610 | 8 | Screw 3/8 x 1-1/4 | |
| 48 | 1001155895 | 1 | Mount, Hood | |
| 49 | 1001186251 | 4 | Plate, Hinge | |
| 50 | 8310070 | 8 | Nut 3/8 | |
| 51 | 0630485 | 8 | Bolt 3/8 x 1 | |

SECTION 2 - TURNTABLE

| ITEM | PART NUMBER | QTY | DESCRIPTION | REV |
|------|-------------|-----|--|-----|
| 52 | 0641608 | 14 | Bolt 3/8 x 1 | |
| 53 | 1001186254 | 4 | Hinge | |
| 54 | 2940173 | 2 | Latch, Rotary | |
| 55 | 1001196768 | 1 | Mount, Hood | |
| 56 | 1001250292 | 1 | Bracket | |
| 57 | 1001243414 | 2 | Bolt 3/8 | |
| 58 | 4891600 | 8 | Washer 3/8 | |
| 59 | 3520030 | 1 | Plug | |
| 100 | 1001290383 | 1 | Kit, Hood (Includes Items 101-104) | |
| 101 | 1001117219 | 1 | Hood, Fixed Engine Side | |
| 102 | 1001289874 | 1 | Hood, Fixed Tank Side | |
| 103 | 1001157209 | 1 | Hood Assembly - Tank Side (Includes Items 201-211) | |
| 104 | 1001162915 | 1 | Hood Assembly - Engine Side (Includes Items 201-211) (Note: Heat Shield must be transferred from original hood or replaced before putting machine back in service) | |
| | 1001162915 | Ref | HOOD ASSEMBLY - ENGINE SIDE | C |
| 201 | 0100011 | AR | Compound, Locking | |
| 202 | 0700618 | 1 | Bolt M6 x 50 | |
| 203 | 2560187 | 1 | Handle, Push Button | |
| 204 | 3290601 | 1 | Nut M6 | |
| 205 | 3311505 | 3 | Nut 5/16 | |
| 206 | 3900210 | 3 | Screw 5/16 x 3/4 | |
| 207 | 3900363 | 2 | Screw M6 x 25 | |
| 208 | 4711500 | 3 | Washer 5/16 | |
| 209 | 1001116290 | 1 | Plate, Latch Mounting | |
| 211 | 4751400 | 2 | Washer 1/4 | |

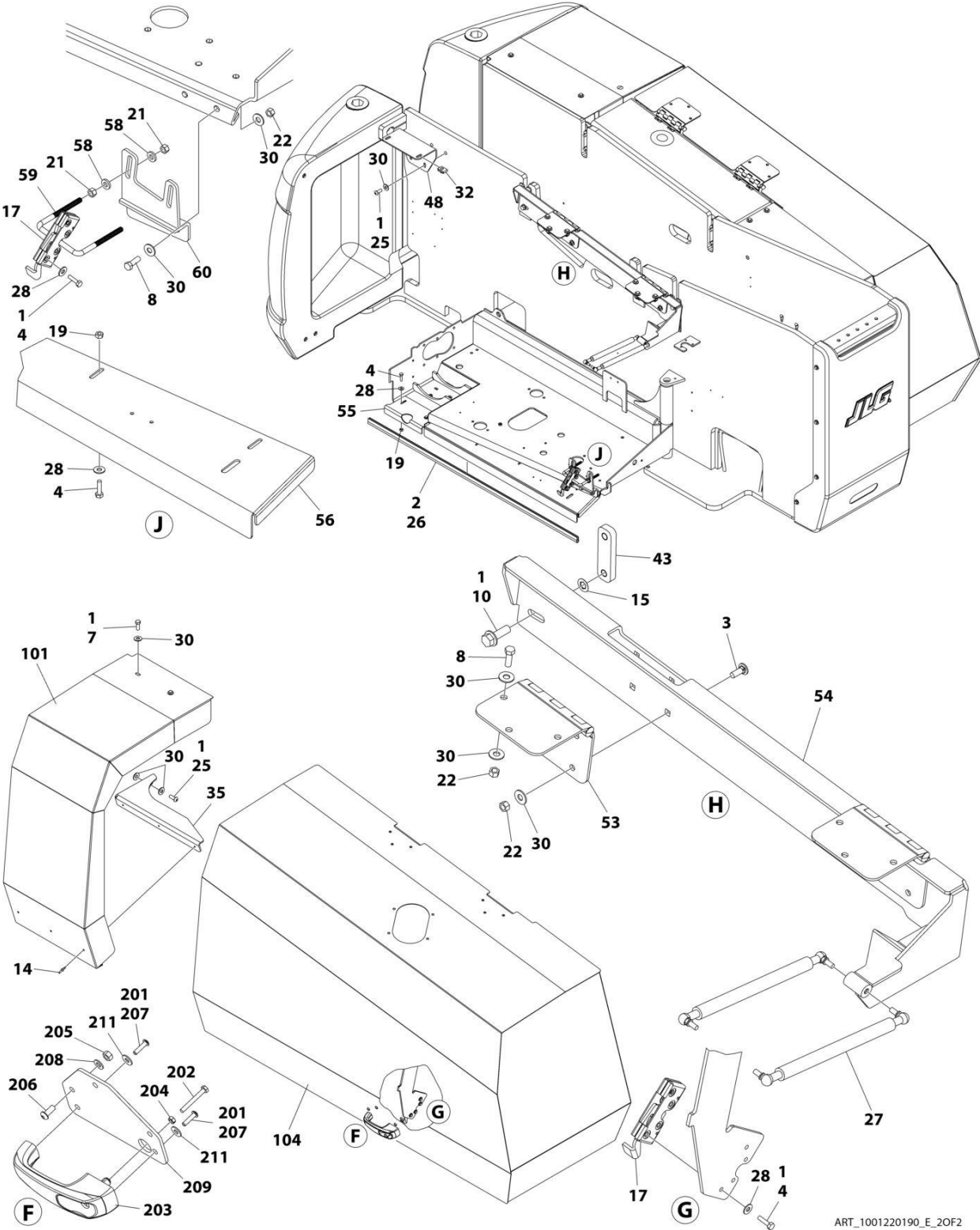
SECTION 2 - TURNTABLE

FIGURE 2-45. HOODS INSTALLATION - STEEL (FORD ENGINES)



ART_1001220190_E_10F2

SECTION 2 - TURNTABLE



ART_1001220190_E_20F2

SECTION 2 - TURNTABLE

FIGURE 2-45. HOODS INSTALLATION - STEEL (FORD ENGINES)

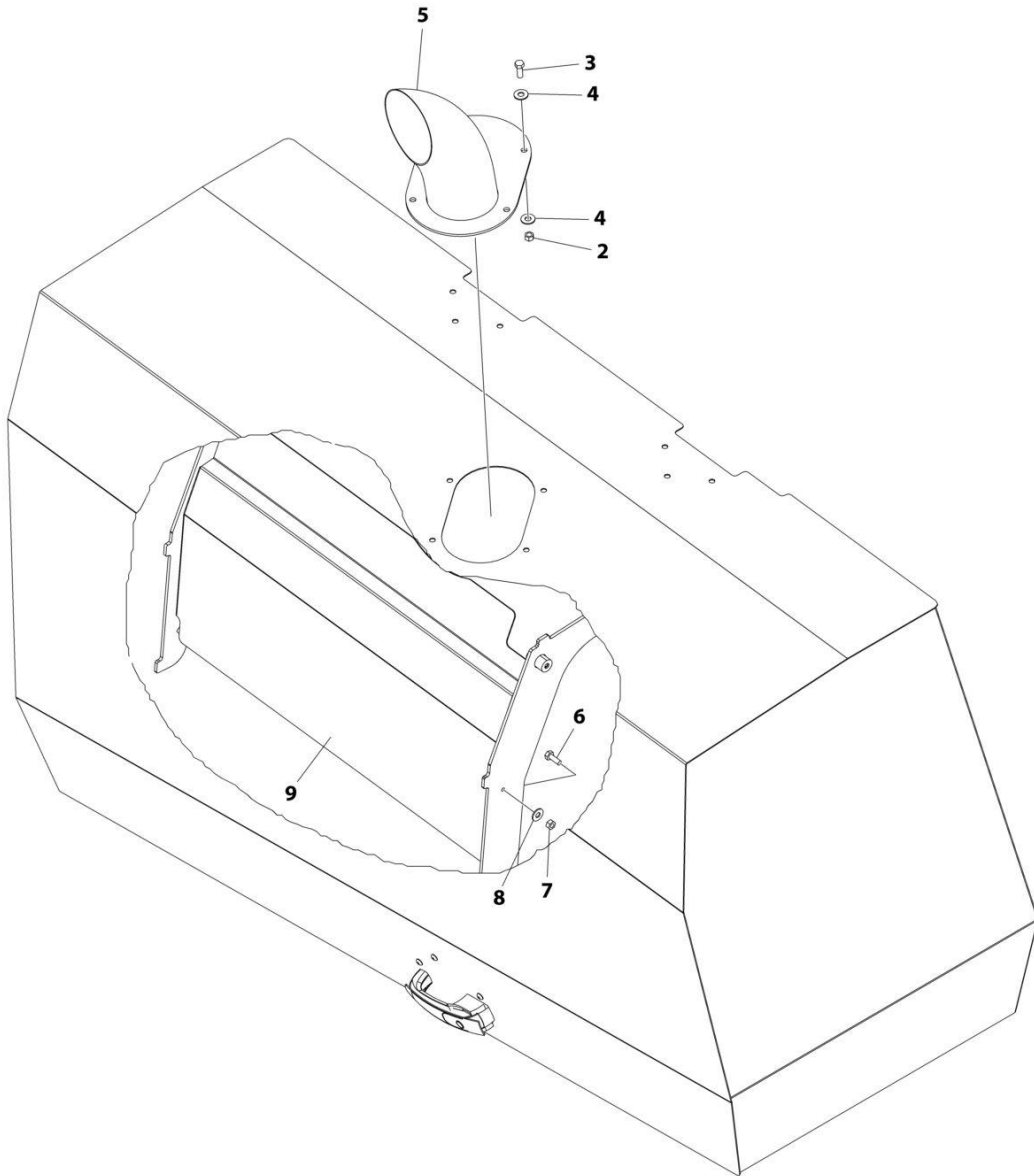
| ITEM | PART NUMBER | QTY | DESCRIPTION | REV |
|------|-------------|-----------------|---|-----|
| | | Ref | NOTE: REPLACEMENT DECALS MUST BE PURCHASED SEPARATELY - SEE DECALS SECTION. | |
| | 1001220190 | Ref | HOODS INSTALLATION (FORD ENGINES MACHINES) | E |
| 1 | 0100011 | AR | Compound, Locking | |
| 2 | 0100081 | AR | Adhesive | |
| 3 | 0630485 | 8 | Bolt 3/8 x 1 | |
| 4 | 0641408 | 13 | Bolt 1/4 x 1 | |
| 5 | 0641508 | 8 | Bolt 5/16 x 1 | |
| 6 | 0641607 | 4 | Bolt 3/8 x 7/8 | |
| 7 | 0641608 | 16 | Bolt 3/8 x 1 | |
| 8 | 0641609 | 12 | Bolt 3/8 x 1-1/8 | |
| 9 | 0811610 | 8 | Screw 3/8 x 1-1/4 | |
| 10 | 0811812 | 8 | Bolt 1/2 x 2-1/4 | |
| 11 | 0940049 | 1 | Stopper, Hood | |
| 12 | 1120601 | 1 | Plug | |
| 13 | 1670842 | 1 | Cover, Turntable End | |
| 14 | 2080040 | 6 | Fastener | |
| 15 | 2080072 | 4 | Retainer, Bolt | |
| 16 | 2940045 | 1 | Latch, Paddle | |
| 17 | 2940173 | 2 | Latch, Rotary | |
| 18 | 3300364 | 3 | Nut, Tinnerman 5/16 | |
| 19 | 3311405 | 5 | Nut 1/4 | |
| 20 | 3311501 | 2 | Nut 5/16 | |
| 21 | 3311601 | 10 | Nut 3/8 | |
| 22 | 3311605 | 30 | Nut 3/8 | |
| 23 | 3520030 | 1 | Plug | |
| 24 | 3900210 | 3 | Screw 5/16 x 3/4i | |
| 25 | 3900316 | 7 | Screw 3/8 x 1 | |
| 26 | 3960389 | 4.2 ft /1.3m | Seal | |
| 27 | 4160194 | 4 | Spring, Gas | |
| 28 | 4751400 | 13 | Washer 1/4 | |
| 29 | 4751500 | 13 | Washer 5/16 | |
| 30 | 4751600 | 69 | Washer 3/8 | |
| 31 | 8310070 | 8 | Nut 3/8 | |
| 32 | 88662523 | 4 | Nut, Tinnerman | |
| 33 | 1001110166 | 59 in/1.5m | Seal | |
| 34 | 1001113047 | 6.5 ft/2m | Seal | |
| 35 | 1001117234 | 1 | Bracket | |
| 36 | 1001117307 | 1 | Decal - Emergency Stop | |
| 39 | 1001250293 | 1 | Bracket, Striker | |
| 40 | 1001117598 | 1 | Door | |
| 41 | 1001121122 | AR | Shim 3 | |
| 42 | 1001121123 | AR | Shim 1.5 | |
| 43 | 1001150260 | 4 | Plate, Hinge | |
| 44 | 1001155895 | 1 | Mount, Hood | |
| 45 | 1001155899 | 1 | Plate, Spacer | |
| 46 | 1001157612 | 1 | Bracket, Hood Support | |
| 47 | 1001157726 | 1 | Bracket, Hood Support | |
| 48 | 1001157867 | 1 | Bracket, Hood Mounting | |

SECTION 2 - TURNTABLE

| ITEM | PART NUMBER | QTY | DESCRIPTION | REV |
|------|-------------|-----|---|-----|
| 49 | 1001158077 | 1 | Bracket, Spacer Panel | |
| 50 | 1001158175 | 1 | Bracket, Hood Mounting | |
| 51 | 1001161089 | 1 | Bracket, Bumper | |
| 52 | 1001186251 | 4 | Plate, Hinge | |
| 53 | 1001186254 | 4 | Hinge | |
| 54 | 1001196768 | 1 | Mount, Hood | |
| 55 | 1001220002 | 1 | Plate | |
| 56 | 1001220067 | 1 | Plate | |
| 58 | 4891600 | 4 | Washer 3/8 | |
| 59 | 1001243414 | 2 | Bolt 3/8 | |
| 60 | 1001250292 | 1 | Bracket | |
| 100 | 1001290382 | 1 | Kit, Hood (Includes Items 101-104) | |
| 101 | 1001117219 | 1 | Hood, Fixed Engine Side | |
| 102 | 1001289874 | 1 | Hood, Fixed Tank Side | |
| 103 | 1001157209 | 1 | Hood Assembly - Tank Side (Includes Items 201-211) | |
| 104 | 1001157208 | 1 | Hood Assembly - Engine Side (Includes Items 201-211) (Note: Heat Shield item 309 must be transferred from original hood or replaced before putting machine back in service) | |
| | 1001157208 | Ref | HOOD ASSEMBLY- ENGINE SIDE | D |
| 201 | 0100011 | AR | Compound, Locking | |
| 202 | 0700618 | 1 | Bolt M6 x 50 | |
| 203 | 2560187 | 1 | Handle, Push Button | |
| 204 | 3290601 | 1 | Nut M6 | |
| 205 | 3311505 | 3 | Nut 5/16 | |
| 206 | 3900210 | 3 | Screw 5/16 x 3/4 | |
| 207 | 3900363 | 2 | Screw M6 x 25 | |
| 208 | 4711500 | 3 | Washer 5/16 | |
| 209 | 1001116290 | 1 | Plate, Latch Mounting | |
| 211 | 4751400 | 2 | Washer 1/4 | |

SECTION 2 - TURNTABLE

FIGURE 2-46. EXHAUST COVER AND HEAT SHIELDS INSTALLATION - STEEL HOODS (DEUTZ D2011 ENGINES)



ART_1001158167

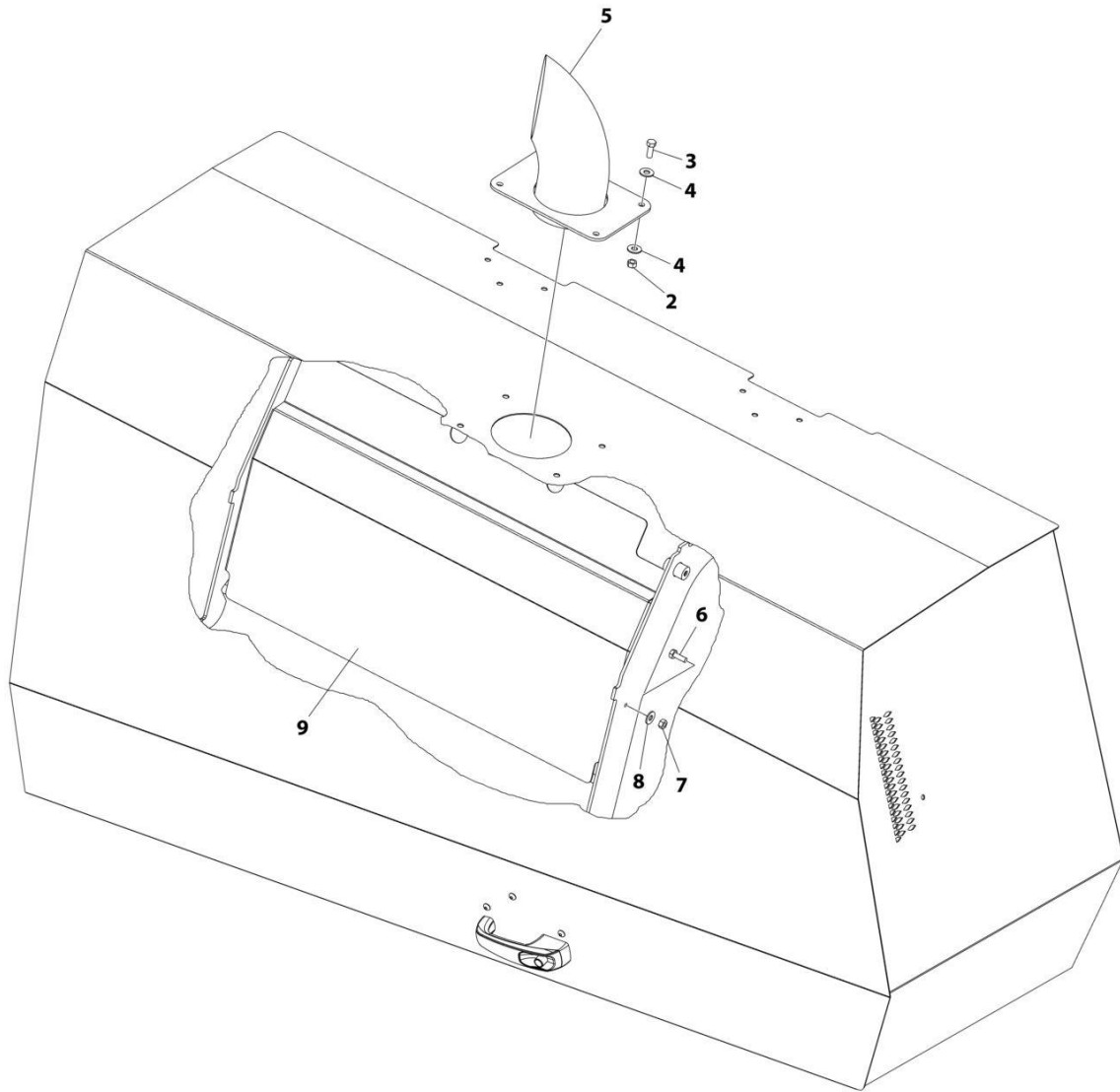
SECTION 2 - TURNTABLE

FIGURE 2-46. EXHAUST COVER AND HEAT SHIELDS INSTALLATION - STEEL HOODS (DEUTZ D2011 ENGINES)

| ITEM | PART NUMBER | QTY | DESCRIPTION | REV |
|------|-------------|-----|--------------------|-----|
| | 1001158167 | Ref | HOODS INSTALLATION | E |
| 2 | 3311605 | 4 | Nut 3/8 | |
| 3 | 0641608 | 4 | Bolt 3/8 x 1 | |
| 4 | 4751600 | 8 | Washer 3/8 | |
| 5 | 1001116456 | 1 | Pipe, Exhaust | |
| 6 | 0641406 | 3 | Bolt 1/4 x 3/4 | |
| 7 | 3311405 | 3 | Nut 1/4 | |
| 8 | 4751400 | 3 | Washer 1/4 | |
| 9 | 1001150561 | 1 | Shield, Heat | |

SECTION 2 - TURNTABLE

FIGURE 2-47. EXHAUST COVER AND HEAT SHIELDS INSTALLATION - STEEL HOODS (DEUTZ TD2.9L4 ENGINES)



ART_1001173878

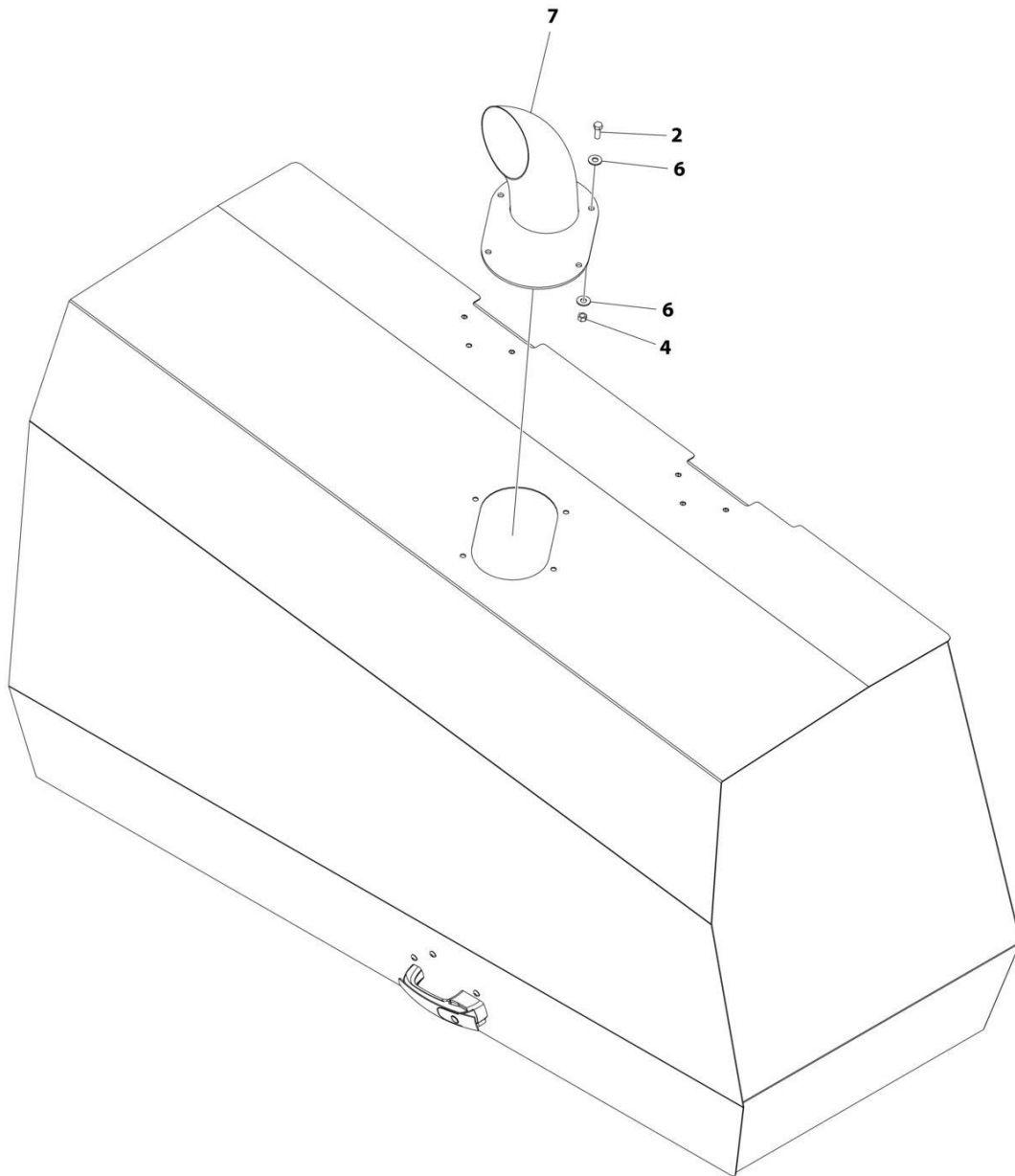
SECTION 2 - TURNTABLE

FIGURE 2-47. EXHAUST COVER AND HEAT SHIELDS INSTALLATION - STEEL HOODS (DEUTZ TD2.9L4 ENGINES)

| ITEM | PART NUMBER | QTY | DESCRIPTION | REV |
|------|-------------|-----|--------------------|-----|
| | 1001173878 | Ref | HOODS INSTALLATION | C |
| 2 | 3311605 | 4 | Nut 3/8 | |
| 3 | 0641608 | 4 | Bolt 3/8 x 1 | |
| 4 | 4751600 | 8 | Washer 3/8 | |
| 5 | 1001144527 | 1 | Pipe, Exhaust | |
| 6 | 0641406 | 3 | Bolt 1/4 x 3/4 | |
| 7 | 3311405 | 3 | Nut 1/4 | |
| 8 | 4751400 | 3 | Washer 1/4 | |
| 9 | 1001163101 | 1 | Shield, Heat | |

SECTION 2 - TURNTABLE

FIGURE 2-48. EXHAUST COVER INSTALLATION - STEEL HOODS (FORD ENGINES)



ART_1001220189

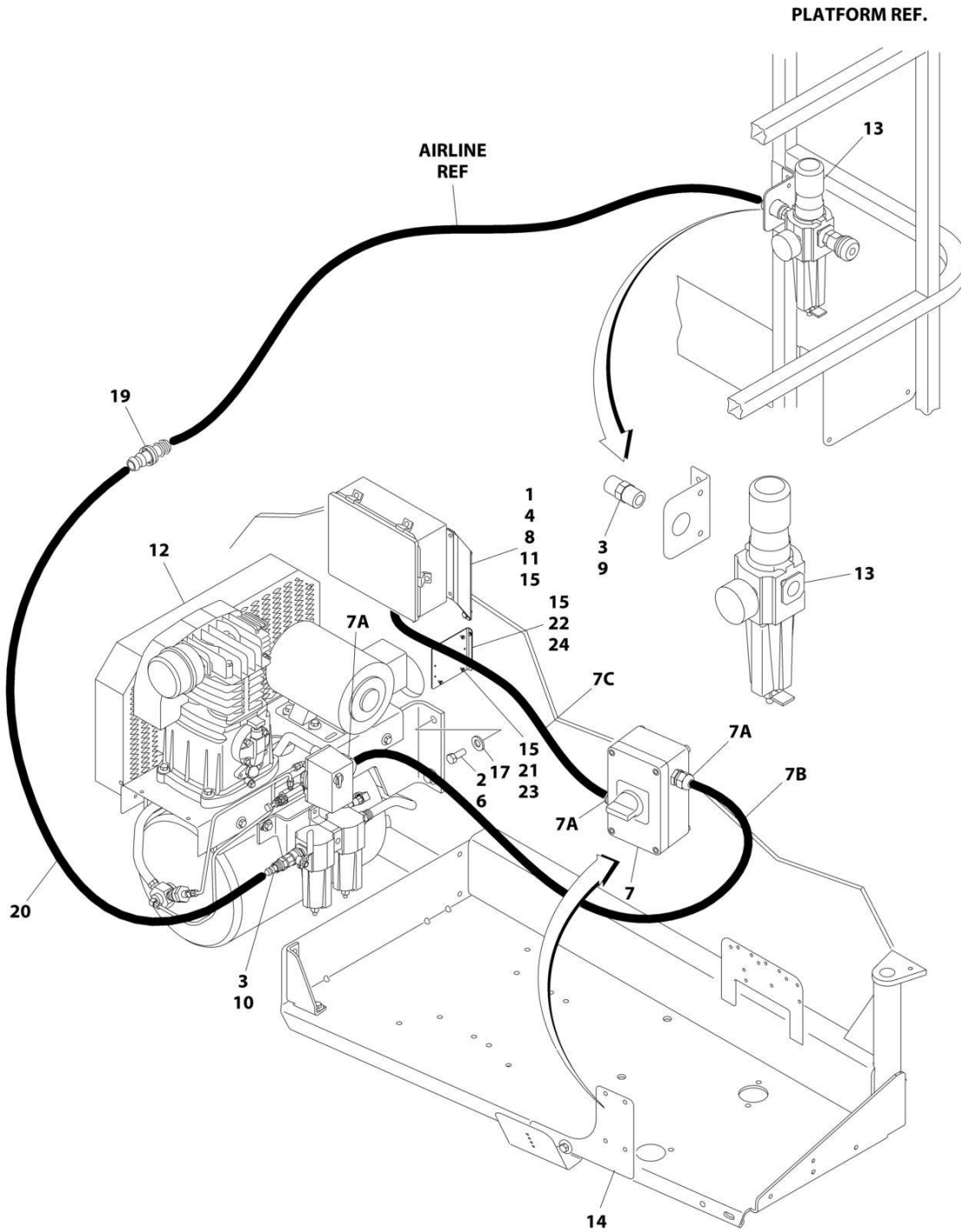
SECTION 2 - TURNTABLE

FIGURE 2-48. EXHAUST COVER INSTALLATION - STEEL HOODS (FORD ENGINES)

| ITEM | PART NUMBER | QTY | DESCRIPTION | REV |
|-------------|--------------------|------------|--------------------|------------|
| | 1001220189 | Ref | HOODS INSTALLATION | C |
| 2 | 0641608 | 4 | Bolt 3/8 x 1 | |
| 4 | 3311605 | 4 | Nut 3/8 | |
| 6 | 4751600 | 8 | Washer 3/8 | |
| 7 | 1001116457 | 1 | Pipe, Exhaust | |

SECTION 2 - TURNTABLE

FIGURE 2-49. SKYAIR AIR COMPRESSOR INSTALLATION



ART_0274031

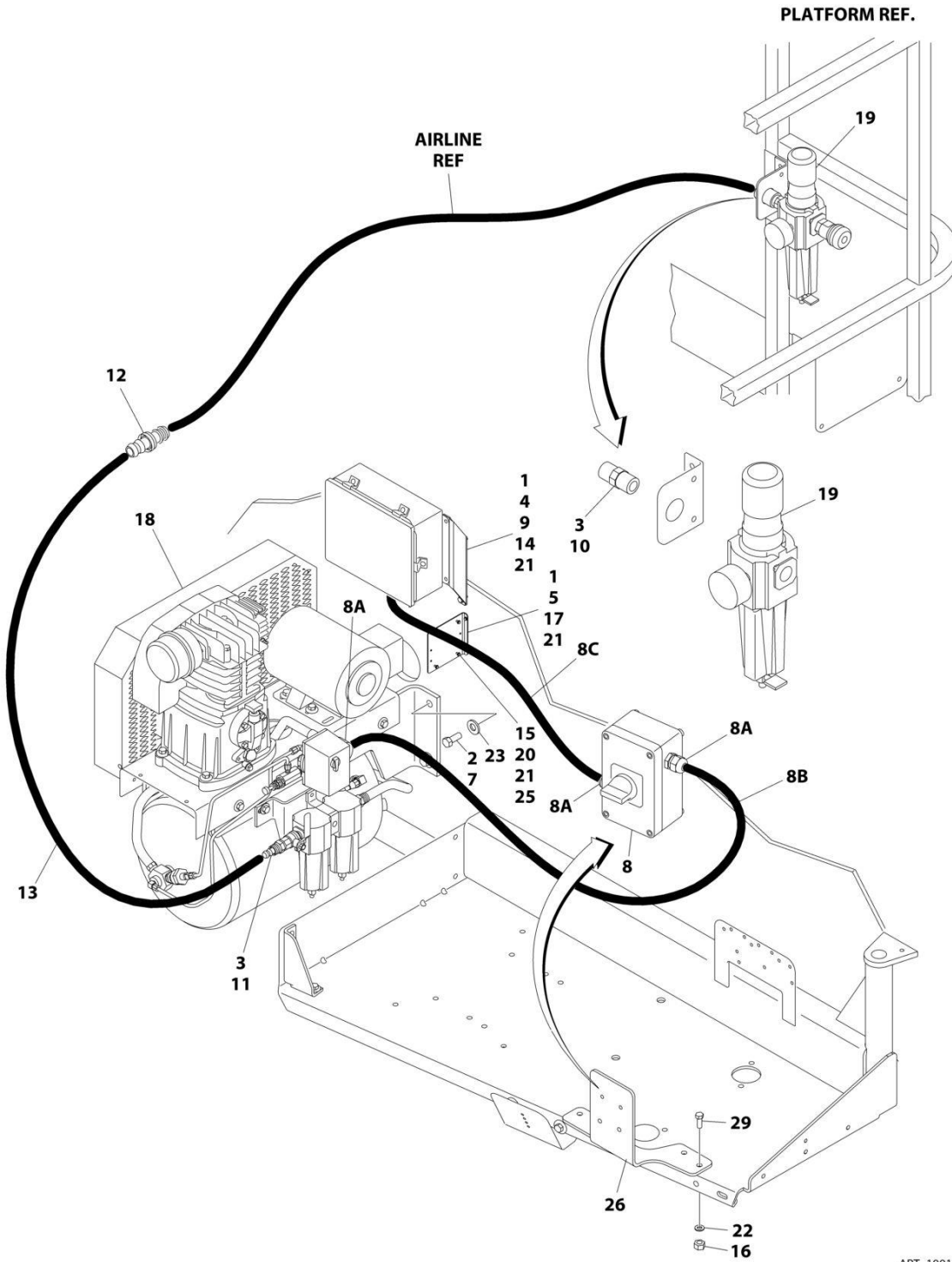
SECTION 2 - TURNTABLE

FIGURE 2-49. SKYAIR AIR COMPRESSOR INSTALLATION

| ITEM | PART NUMBER | QTY | DESCRIPTION | REV |
|------|-------------|-----|--|-----|
| | 0274031 | Ref | SKYAIR AIR COMPRESSOR INSTALLATION | D |
| 1 | 0100011 | AR | Compound, Locking | |
| 2 | 0100019 | AR | Compound, Locking | |
| 3 | 0100020 | 3 | Sealant | |
| 4 | 0641405 | 4 | Bolt 1/4 x 5/8 | |
| 6 | 0641810 | 4 | Bolt 1/2 x 1-1/4 | |
| 7 | 0861642 | 1 | Control Box Assembly | |
| 7A | 4460633 | 3 | Connector, Strain Relief | |
| 7B | 70002948 | AR | Cable, Electrical - 12/4 (13ft/4m) | |
| 7C | 70002948 | AR | Cable, Electrical - 12/4 (30in/76cm) | |
| 8 | 0903088 | 2 | Bracket, Generator Box | |
| 9 | 2220252 | 1 | Fitting, Adapter NPT | |
| 10 | 2220750 | 1 | Fitting | |
| 11 | 3300454 | 4 | Nut, Tinnerman 1/4 | |
| 12 | 3600386 | 1 | Air Compressor Assembly (See Separate Breakdown in this section) | |
| 13 | 3720021 | 1 | Filter/Regulator Assembly | |
| 13 | 7027781 | 1 | Service Kit (Includes Gaskets and Seals) | |
| 13 | 7027782 | 1 | Filter | |
| 13 | 7027784 | 1 | Gauge | |
| 13 | 7027783 | 1 | Valve, Drain | |
| 14 | 4340747 | 1 | Bracket, Control Box | |
| 15 | 4711400 | 14 | Washer 1/4 | |
| 17 | 4751800 | 4 | Washer 1/2 | |
| 19 | 2221037 | 1 | Fitting, Barbed | |
| 20 | 2720545 | 1 | Hose, Air | |
| 21 | 0641409 | 4 | Bolt 1/4 x 1-1/8 | |
| 22 | 0641410 | 2 | Bolt 1/4 x 1-1/4 | |
| 23 | 3311405 | 4 | Nut 1/4 | |
| 24 | 3575874 | 1 | Bracket, Module | |
| 25 | 4460428 | 1 | Connector | |

SECTION 2 - TURNTABLE

FIGURE 2-50. SKYAIR AIR COMPRESSOR INSTALLATION



ART_1001144438

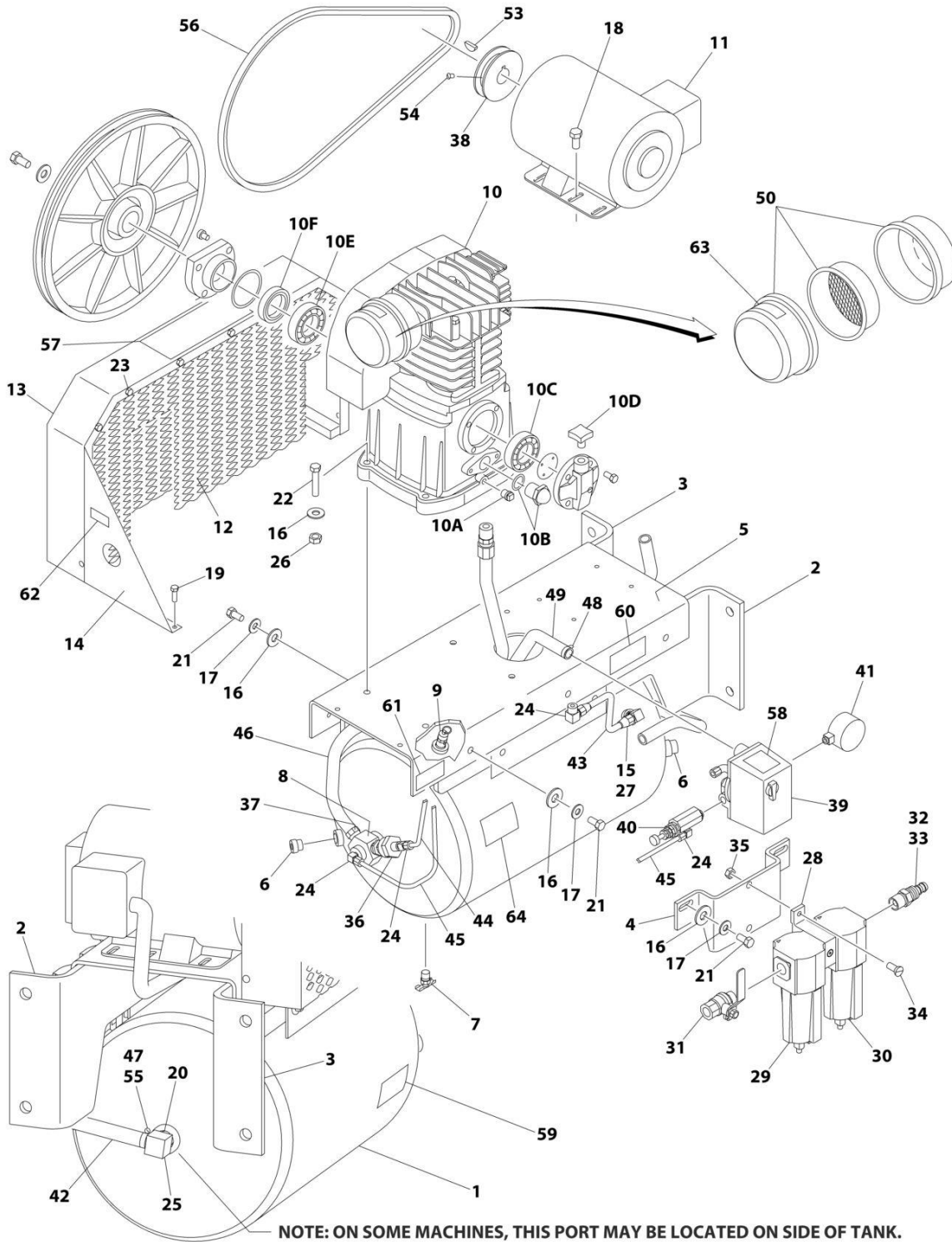
SECTION 2 - TURNTABLE

FIGURE 2-50. SKYAIR AIR COMPRESSOR INSTALLATION

| ITEM | PART NUMBER | QTY | DESCRIPTION | REV |
|------|-------------|-----|--|-----|
| | 1001144438 | Ref | SKYAIR AIR COMPRESSOR INSTALLATION | B |
| 1 | 0100011 | AR | Compound, Locking | |
| 2 | 0100019 | AR | Compound, Locking | |
| 3 | 0100020 | AR | Sealant | |
| 4 | 0641405 | 4 | Bolt 1/4 x 5/8 | |
| 5 | 0641410 | 2 | Bolt 1/4 x 1-1/4 | |
| 7 | 0641810 | 4 | Bolt 1/2 x 1-1/4 | |
| 8 | 0861642 | 1 | Control Box Assembly | |
| 8A | 4460633 | 3 | Connector, Strain Relief | |
| 8B | 70002948 | AR | Cable, Electrical - 12/4 (13ft/4m) | |
| 8C | 70002948 | AR | Cable, Electrical - 12/4 (30in/76cm) | |
| 9 | 0903088 | 2 | Bracket, Generator Box | |
| 10 | 2220252 | 1 | Fitting, Adapter NPT | |
| 11 | 2220750 | 1 | Fitting | |
| 12 | 2221037 | 1 | Fitting, Barbed | |
| 13 | 2720545 | 1 | Hose, Air | |
| 14 | 3300454 | 4 | Nut, Tinnerman 1/4 | |
| 15 | 3311405 | 4 | Nut 1/4 | |
| 16 | 3311605 | 3 | Nut 3/8 | |
| 17 | 3575874 | 1 | Bracket, Module | |
| 18 | 3600386 | 1 | Air Compressor Assembly (See Separate Breakdown in this Section) | |
| 19 | 3720021 | 1 | Filter/Regulator Assembly | |
| 19 | 7027781 | 1 | Service Kit (Includes Gaskets and Seals) | |
| 19 | 7027782 | 1 | Filter | |
| 19 | 7027784 | 1 | Gauge | |
| 19 | 7027783 | 1 | Valve, Drain | |
| 20 | 3931424 | 4 | Capscrew 1/4 x 1-1/2 | |
| 21 | 4711400 | 14 | Washer 1/4 | |
| 22 | 4711600 | 4 | Washer 3/8 | |
| 23 | 4751800 | 4 | Washer 1/2 | |
| 25 | 1001110425 | 4 | Spacer | |
| 26 | 1001144447 | 1 | Bracket, Control Box | |
| 27 | 0641606 | 1 | Bolt 3/8 x 3/4 (Not Shown) | |
| 28 | 8406201 | 1 | Clip (Not Shown) | |
| 29 | 0641609 | 3 | Bolt 3/8 X 1-1/8 | |

SECTION 2 - TURNTABLE

FIGURE 2-51. AIR COMPRESSOR ASSEMBLY



ART_3600386

SECTION 2 - TURNTABLE

FIGURE 2-51. AIR COMPRESSOR ASSEMBLY

| ITEM | PART NUMBER | QTY | DESCRIPTION | REV |
|------|-------------|-----|--|-----|
| | 3600386 | Ref | AIR COMPRESSOR ASSEMBLY | B |
| 1 | 7026632 | 1 | Tank | |
| 2 | See Note | 1 | Bracket, Mounting (Note: Not Available for Purchase) | |
| 3 | See Note | 1 | Bracket, Mounting (Note: Not Available for Purchase) | |
| 4 | See Note | 1 | Bracket, Regulator Mounting (Note: Not Available for Purchase) | |
| 5 | See Note | 1 | Deck (Note: Not Available for Purchase) | |
| 6 | See Note | 2 | Plug (Note: Not Available for Purchase) | |
| 7 | 7026633 | 1 | Valve, Drain | |
| 8 | 7026634 | 1 | Valve, Check | |
| 9 | 7026635 | 1 | Valve, Safety | |
| 10 | 7026636 | 1 | Pump Assembly | |
| 10 | 7026659 | 1 | Gasket and Seal Kit | |
| 10A | 7026651 | 1 | Plug, Oil Drain | |
| 10B | 7026652 | 1 | Gauge, Oil Sight | |
| 10C | 7026653 | 1 | Bearing | |
| 10D | 7026654 | 1 | Cap, Oil Fill | |
| 10E | 7026655 | 1 | Bearing | |
| 10F | 7026656 | 1 | Seal | |
| 11 | 7026637 | 1 | Motor Assembly | |
| 11 | See Note | 1 | Brush Kit (Note: Not Available for Purchase) | |
| 12 | See Note | 1 | Screen, Inner (Note: Not Available for Purchase) | |
| 13 | See Note | 1 | Guard, Belt (Note: Not Available for Purchase) | |
| 14 | See Note | 2 | Support (Note: Not Available for Purchase) | |
| 15 | See Note | 1 | Bushing (Note: Not Available for Purchase) | |
| 16 | 4751600 | 18 | Washer 3/8 | |
| 17 | 4761600 | 10 | Washer 3/8 | |
| 18 | 0641506 | 4 | Bolt 5/16 x 3/4 | |
| 19 | 0641406 | 8 | Bolt 1/4 x 3/4 | |
| 20 | See Note | 1 | Bushing (Note: Not Available for Purchase) | |
| 21 | 0641610 | 10 | Bolt 3/8 x 1-1/4 | |
| 22 | 0641616 | 4 | Bolt 3/8 x 2 | |
| 23 | See Note | 10 | Bolt 1/4 x 1/2 (Note: Not Available for Purchase) | |
| 24 | See Note | 4 | Fitting (Note: Not Available for Purchase) | |
| 25 | See Note | 1 | Fitting, Barbed (Note: Not Available for Purchase) | |
| 26 | 3311605 | 4 | Nut 3/8 | |
| 27 | See Note | 1 | Fitting, Compression (Note: Not Available for Purchase) | |
| 28 | See Note | 1 | Bracket, Mounting (Note: Not Available for Purchase) | |
| 29 | 7026660 | 1 | Filter, Oil Removal | |
| 30 | 7026661 | 1 | Filter, Water Removal | |
| 31 | 70001663 | 1 | Valve, Ball Shut-Off | |
| 32 | See Note | 1 | Bushing (Note: Not Available for Purchase) | |
| 33 | See Note | 1 | Fitting, Barbed (Note: Not Available for Purchase) | |
| 34 | See Note | 2 | Screw 1/4 x 1 (Note: Not Available for Purchase) | |
| 35 | 3311405 | 2 | Nut 1/4 | |
| 36 | See Note | 1 | Unloader (Note: Not Available for Purchase) | |
| 37 | See Note | 1 | Fitting (Note: Not Available for Purchase) | |
| 38 | See Note | 1 | Pulley (Note: Not Available for Purchase) | |
| 39 | 7026638 | 1 | Switch, Pressure | |
| 40 | 7026639 | 1 | Vale, Pilot | |
| 41 | 7026640 | 1 | Gauge | |

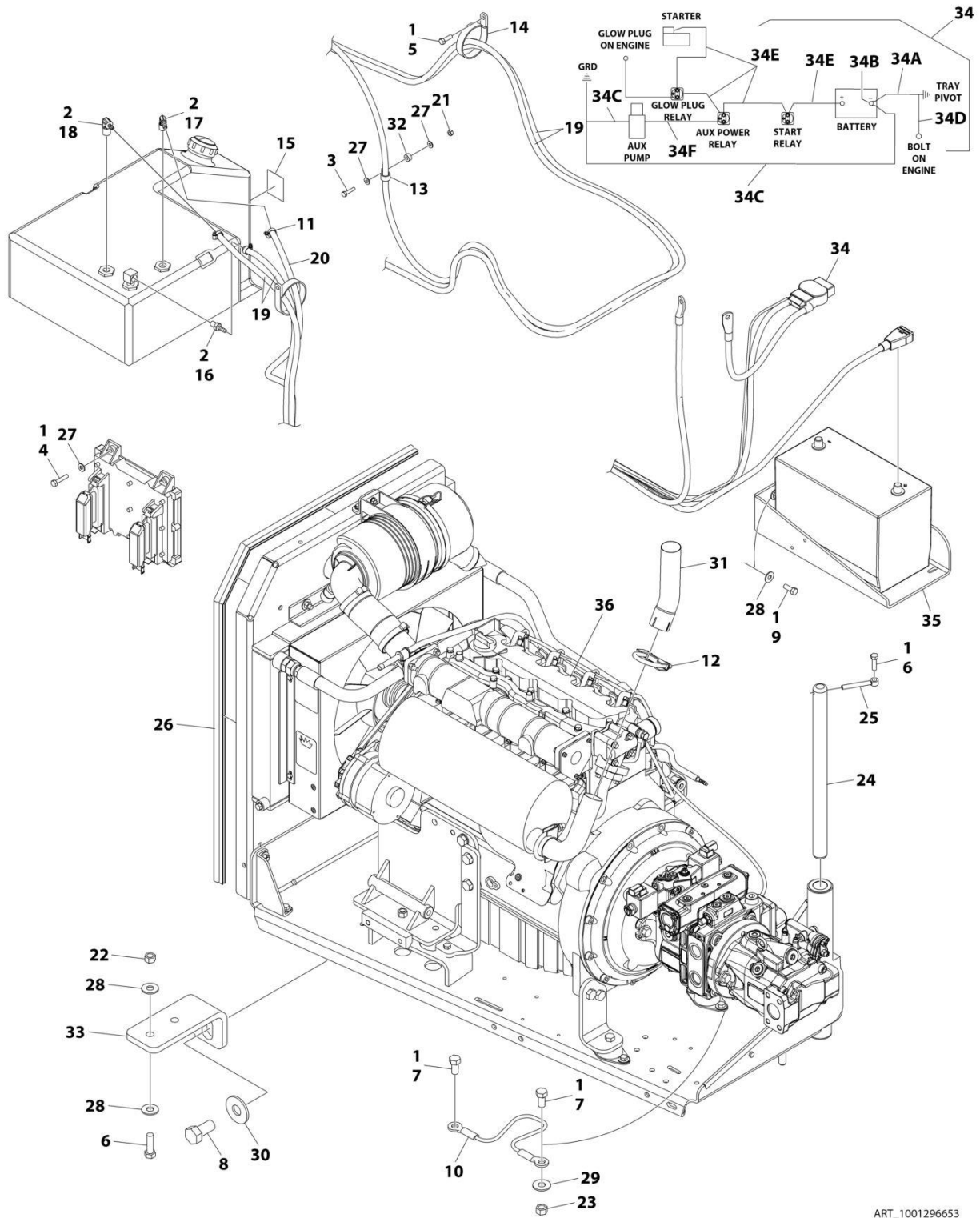
SECTION 2 - TURNTABLE

| ITEM | PART NUMBER | QTY | DESCRIPTION | REV |
|------|-------------|-------|---|-----|
| 42 | See Note | 1 | Hose (Note: Not Available for Purchase) | |
| 43 | See Note | 1 | Tube, Feed (Note: Not Available for Purchase) | |
| 44 | See Note | 1 | Tube (Note: Not Available for Purchase) | |
| 45 | See Note | 1 | Tube (Note: Not Available for Purchase) | |
| 46 | See Note | 1 | Aftercooler (Note: Not Available for Purchase) | |
| 47 | See Note | 2 | Clamp (Note: Not Available for Purchase) | |
| 48 | See Note | 2 | Clamp (Note: Not Available for Purchase) | |
| 49 | See Note | 1 | Harness, Wiring (Note: Not Available for Purchase) | |
| 50 | 7026658 | 1 | Filter Assembly | |
| 50 | 7026641 | 1 | Element, Filter | |
| 51 | See Note | 23 oz | Oil, Compressor (Note: Not Available for Purchase) | |
| 52 | 0100020 | AR | Sealant | |
| 53 | See Note | 1 | Key (Note: Not Available for Purchase) | |
| 54 | See Note | 2 | Setscrew (Note: Not Available for Purchase) | |
| 55 | See Note | 2 | Cover, Clamp End (Note: Not Available for Purchase) | |
| 56 | 7026642 | 1 | Belt | |
| 57 | 7026643 | 1 | Decal - Unit Warning | |
| 58 | 7026644 | 1 | Decal - Pressure Switch Warning | |
| 59 | 7026645 | 1 | Decal - Drain Tank Warning | |
| 60 | 7026646 | 1 | Decal - Compressor Maintenance | |
| 61 | 7026647 | 1 | Decal - Initial Oil Fill | |
| 62 | 7026648 | 1 | Decal - Hot Surfaces Warning | |
| 63 | 7026649 | 1 | Decal - Paper Element Cleaning | |
| 64 | 7026650 | 1 | Decal - Dual Control | |

SECTION 3 - ENGINE

SECTION 3 - ENGINE

FIGURE 3-1. DEUTZ D2011 ENGINE INSTALLATION (WITHOUT ARCTIC PACKAGE)



ART_1001296653

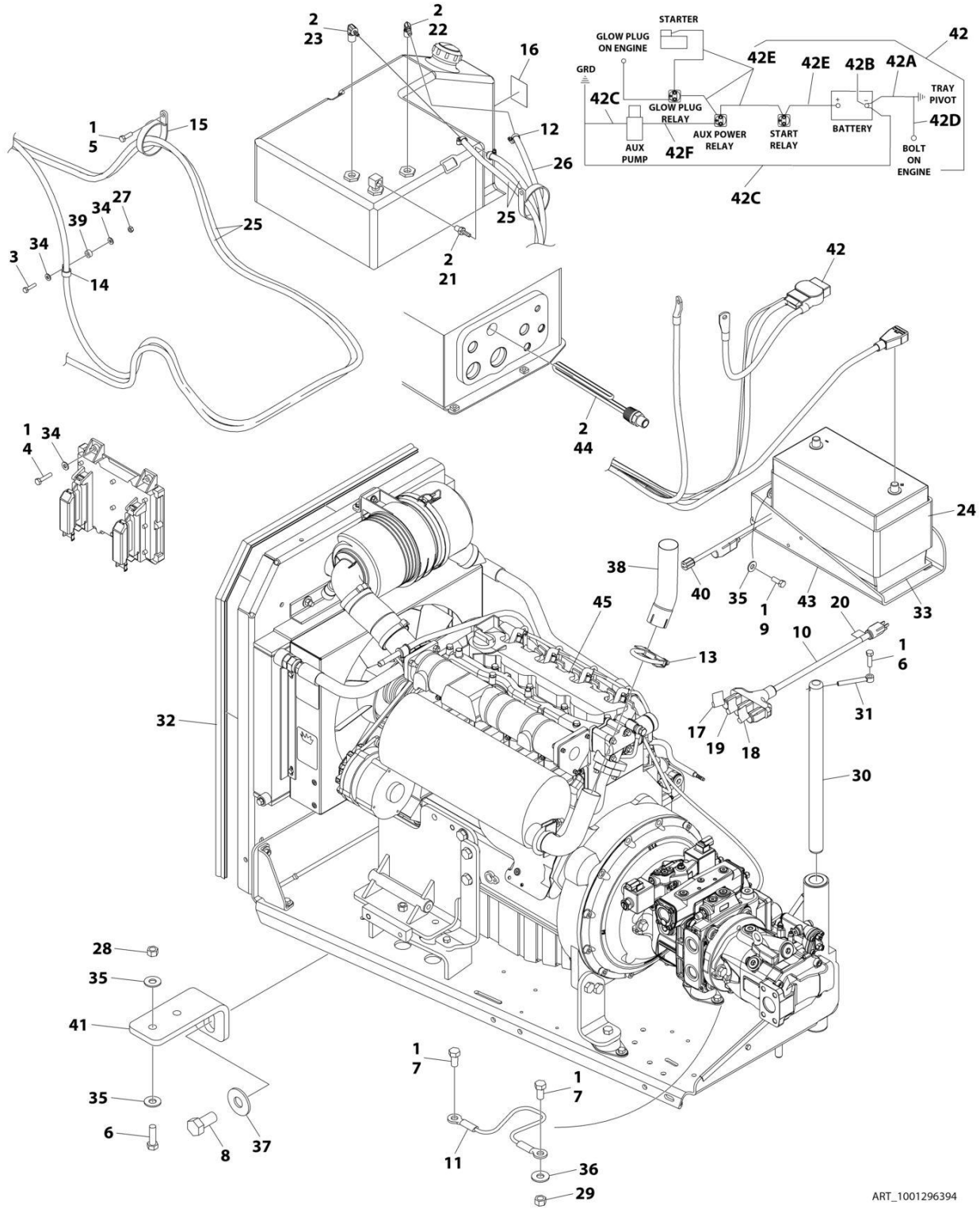
SECTION 3 - ENGINE

FIGURE 3-1. DEUTZ D2011 ENGINE INSTALLATION (WITHOUT ARCTIC PACKAGE)

| ITEM | PART NUMBER | QTY | DESCRIPTION | REV |
|------|-------------|------------|---|-----|
| | 1001296653 | Ref | DEUTZ D2011 ENGINE INSTALLATION (WITHOUT ARCTIC PACKAGE) | A |
| 1 | 0100011 | AR | Compound, Locking | |
| 2 | 0100020 | AR | Sealant, Pipe | |
| 3 | 0641409 | 1 | Bolt 1/4 x 1-1/8 | |
| 4 | 0641410 | 4 | Bolt 1/4 x 1-1/4 | |
| 5 | 0641508 | 1 | Bolt 5/16 x 1 | |
| 6 | 0641610 | 3 | Bolt 3/8 x 1-1/4 | |
| 7 | 0641808 | 2 | Bolt 1/2 x 1 | |
| 8 | 0642010 | 1 | Bolt 5/8 x 1-1/4 | |
| 9 | 0681608 | 3 | Bolt 3/8 x 1 Grade 8 | |
| 10 | 1060637 | 1 | Cable, Lanyard | |
| 11 | 1320022 | 5 | Clamp, Hose | |
| 12 | 1320176 | 1 | Clamp | |
| 13 | 1320224 | 1 | Clamp | |
| 14 | 1321339 | 1 | Clamp | |
| 15 | 1701505 | 1 | Decal - Diesel | |
| 16 | 2180348 | 1 | Fitting, Straight NPT/Barbed | |
| 17 | 2220313 | 1 | Fitting, 90 NPT/Barbed | |
| 18 | 2221176 | 1 | Fitting, 90 NPT/Barbed | |
| 19 | 2720058 | 30 ft /9 m | Hose | |
| 20 | 2750532 | 6 ft /2 m | Hose | |
| 21 | 3311405 | 1 | Nut 1/4 | |
| 22 | 3311605 | 2 | Nut 3/8 | |
| 23 | 3311801 | 1 | Nut 1/2 | |
| 24 | 3422446 | 1 | Pin, Pivot | |
| 25 | 3841143 | 1 | Pin, Keeper | |
| 26 | 3960389 | 5 ft /2 m | Seal | |
| 27 | 4711400 | 6 | Washer 1/4 | |
| 28 | 4751600 | 7 | Washer 3/8 | |
| 29 | 4751800 | 1 | Washer 1/2 | |
| 30 | 4752000 | 1 | Washer 5/8 | |
| 31 | 1001101600 | 1 | Tube, Exhaust | |
| 32 | 1001110425 | 1 | Spacer | |
| 33 | 1001151070 | 1 | Plate | |
| 34 | 1001155143 | 1 | Kit, Battery Cable | |
| 34A | 7027092 | 1 | Cable, Battery (Black) (Battery - to Tray Pivot and Relay Grd) | |
| 34B | 8270147 | 1 | Terminal, Battery (With Boot) Cable, Battery (Black) | |
| 34C | 7027093 | 1 | Cable, Battery (Black) (Battery - to Aux Pump Ground) | |
| 34D | 7027053 | 1 | Cable, Battery (Black) (Engine to Tray Pivot Grd) | |
| 34E | 7027094 | 1 | Cable (Red) (Battery + to Relays/Starter) | |
| 34F | 7027095 | 1 | Cable (Red) (Aux Relay to Aux Pump) | |
| 35 | 1001162497 | 1 | Bracket | |
| 36 | 1001296652 | 1 | Engine and Pump Assembly (See Separate Breakdown in this Section) | |

SECTION 3 - ENGINE

FIGURE 3-2. DEUTZ D2011 ENGINE INSTALLATION (WITH ARCTIC PACKAGE)



ART_1001296394

SECTION 3 - ENGINE

FIGURE 3-2. DEUTZ D2011 ENGINE INSTALLATION (WITH ARCTIC PACKAGE)

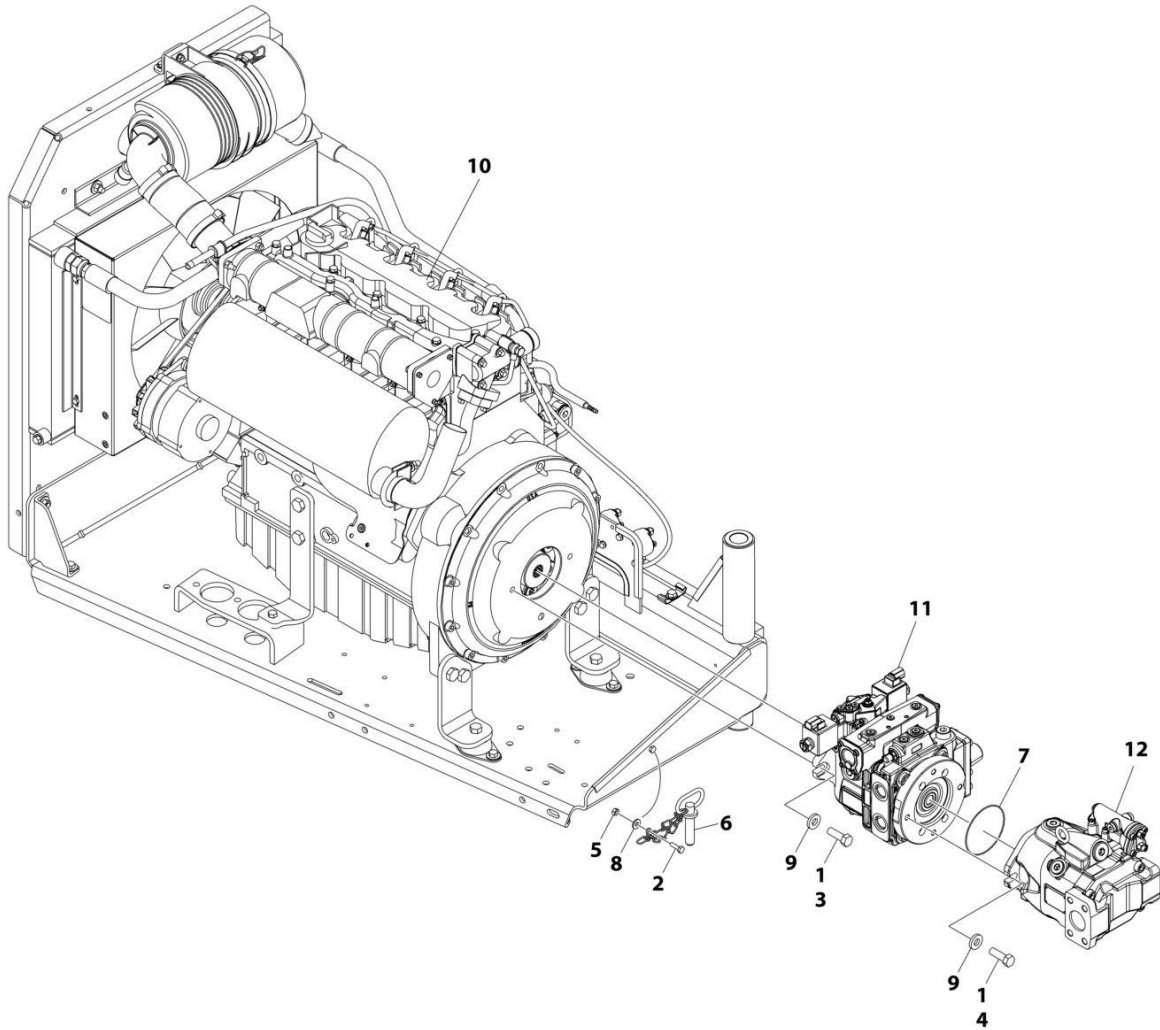
| ITEM | PART NUMBER | QTY | DESCRIPTION | REV |
|------|-------------|------------|---|-----|
| | 1001296394 | Ref | DEUTZ D2011 ENGINE INSTALLATION (WITH ARCTIC PACKAGE) | A |
| 1 | 0100011 | AR | Compound, Locking | |
| 2 | 0100020 | AR | Sealant, Pipe | |
| 3 | 0641409 | 1 | Bolt 1/4 x 1-1/8 | |
| 4 | 0641410 | 4 | Bolt 1/4 x 1-1/4 | |
| 5 | 0641508 | 1 | Bolt 5/16 x 1 | |
| 6 | 0641610 | 3 | Bolt 3/8 x 1-1/4 | |
| 7 | 0641808 | 2 | Bolt 1/2 x 1 | |
| 8 | 0642010 | 1 | Bolt 5/8 x 1-1/4 | |
| 9 | 0681608 | 3 | Bolt 3/8 x 1 Grade 8 | |
| 10 | 1060626 | 1 | Cord, 3 Way Extension (Located on Left Front of Engine) | |
| 11 | 1060637 | 1 | Lanyard | |
| 12 | 1320022 | 5 | Clamp | |
| 13 | 1320176 | 1 | Clamp | |
| 14 | 1320224 | 1 | Clamp | |
| 15 | 1321339 | 1 | Clamp | |
| 16 | 1701505 | 1 | Decal - Fuel (Diesel) | |
| 17 | 1702941 | 1 | Decal - Battery Heater (Located on Battery Heater) | |
| 18 | 1702942 | 1 | Decal - Engine Block Heater (Located on Right Side of Engine) | |
| 19 | 1702943 | 1 | Decal - Hydraulic Tank Heater (Located on bottom of Hydraulic Oil Tank) | |
| 20 | 1702944 | 1 | Decal - Heater Cord (Located on Left Front of Engine) | |
| 21 | 2180348 | 1 | Fitting, Straight Barbed | |
| 22 | 2220313 | 1 | Fitting, 90 NPT/Barbed | |
| 23 | 2221176 | 1 | Fitting, 90 NPT/Barbed | |
| 24 | 2580024 | 1 | Heater, Battery (Located on Battery) | |
| 25 | 2720058 | 30 ft /9 m | Hose | |
| 26 | 2750532 | 6 ft /2 m | Hose | |
| 27 | 3311405 | 1 | Nut 1/4 | |
| 28 | 3311605 | 2 | Nut 3/8 | |
| 29 | 3311801 | 1 | Nut 1/2 | |
| 30 | 3422446 | 1 | Pin, Pivot | |
| 31 | 3841143 | 1 | Pin, Keeper | |
| 32 | 3960389 | 5 ft /2 m | Seal | |
| 33 | 3980007 | 1 | Seat, Battery | |
| 34 | 4711400 | 6 | Washer 1/4 | |
| 35 | 4751600 | 7 | Washer 3/8 | |
| 36 | 4751800 | 1 | Washer 1/2 | |
| 37 | 4752000 | 1 | Washer 5/8 | |
| 38 | 1001101600 | 1 | Exhaust | |
| 39 | 1001110425 | 1 | Spacer | |
| 40 | 1001150918 | 1 | Cord, 8ft Extension (Located near Battery) | |
| 41 | 1001151070 | 1 | Plate | |
| 42 | 1001155143 | 1 | Kit, Battery Cable | |
| 42A | 7027092 | 1 | Cable, Battery (Black) (Battery - to Tray Pivot and Relay Grd) | |
| 42B | 8270147 | 1 | Terminal, Battery (With Boot) Cable, Battery (Black) | |
| 42C | 7027093 | 1 | Cable, Battery (Black) (Battery - to Aux Pump Ground) | |
| 42D | 7027053 | 1 | Cable, Battery (Black) (Engine to Tray Pivot Grd) | |
| 42E | 7027094 | 1 | Cable (Red) (Battery + to Relays/Starter) | |

SECTION 3 - ENGINE

| ITEM | PART NUMBER | QTY | DESCRIPTION | REV |
|------|-------------|-----|---|-----|
| 42F | 7027095 | 1 | Cable (Red) (Aux Relay to Aux Pump) | |
| 43 | 1001162497 | 1 | Bracket, Battery | |
| 44 | 1001188972 | 1 | Heater, Hydraulic Tank (Located on bottom of Hydraulic Oil Tank) | |
| 45 | 1001296326 | 1 | Engine and Pump Assembly with Arctic Package (See Separate Breakdown in this Section) | |

SECTION 3 - ENGINE

FIGURE 3-3. DEUTZ D2011 ENGINE/PUMP SUB ASSEMBLY (WITHOUT ARCTIC PACKAGE)



ART_1001296652

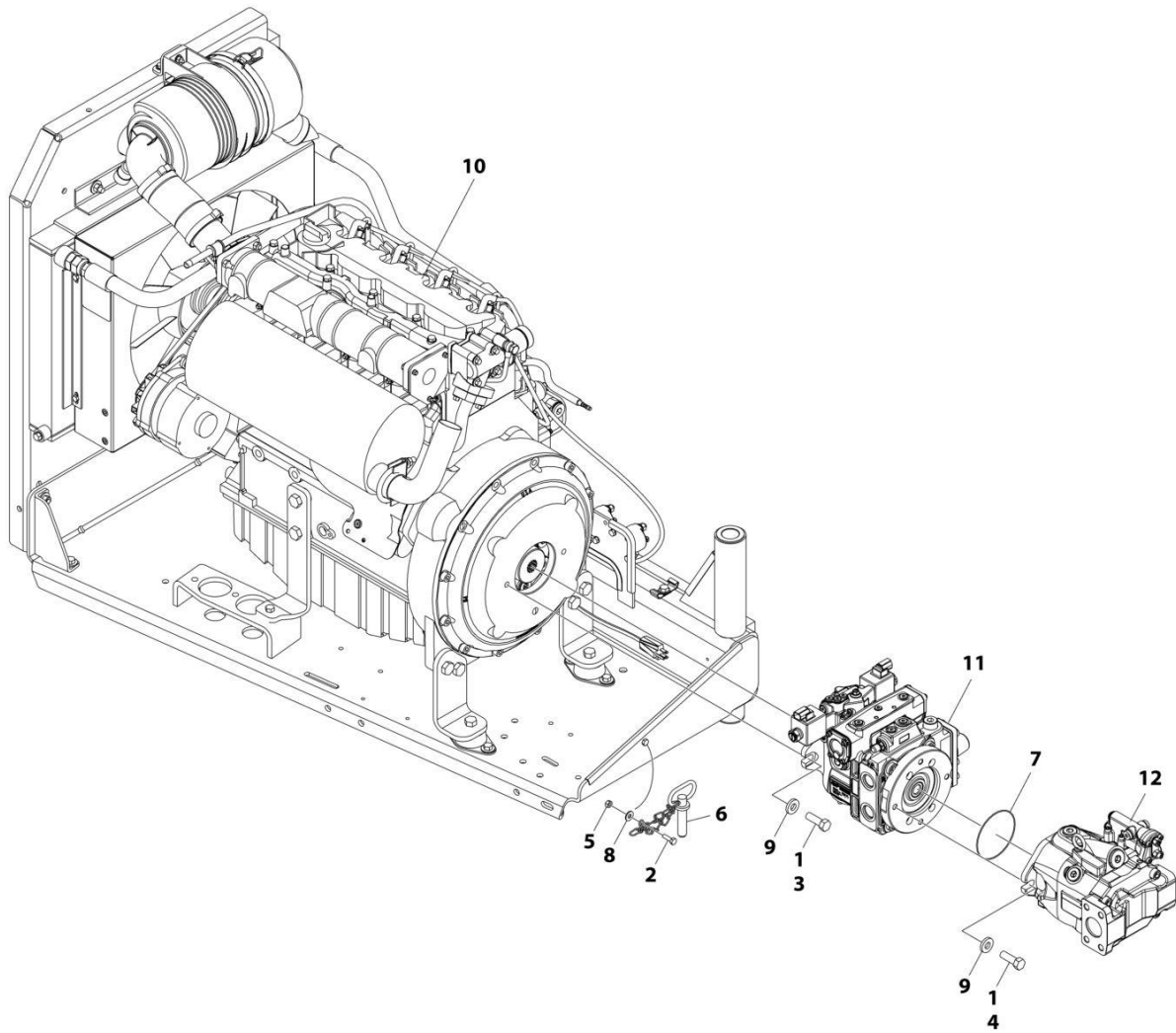
SECTION 3 - ENGINE

FIGURE 3-3. DEUTZ D2011 ENGINE/PUMP SUB ASSEMBLY (WITHOUT ARCTIC PACKAGE)

| ITEM | PART NUMBER | QTY | DESCRIPTION | REV |
|------|-------------|-----|---|-----|
| | 1001296652 | Ref | DEUTZ D2011 ENGINE/PUMP SUB-ASSEMBLY | A |
| 1 | 0100011 | AR | Compound, Locking | |
| 2 | 0641407 | 1 | Bolt 1/4 x 7/8 | |
| 3 | 0641812 | 2 | Bolt 1/2 x 1-1/2 | |
| 4 | 0711215 | 2 | Bolt M12 x 35 | |
| 5 | 3311405 | 1 | Nut 1/4 | |
| 6 | 3422532 | 1 | Pin, Hitch | |
| 7 | 3790044 | 1 | O-Ring | |
| 8 | 4751400 | 1 | Washer 1/4 | |
| 9 | 4891800 | 4 | Washer 1/2 | |
| 10 | 1001153396 | 1 | Engine Assembly Without Arctic Package (See Separate Breakdown in this Section) | |
| 11 | 1001276376 | 1 | Hydrostatic Pump Assembly (See Separate Breakdown in this Section) | |
| 12 | 1001276377 | 1 | Variable Pump Assembly with Fittings (See Separate Breakdown in this Section) | |

SECTION 3 - ENGINE

FIGURE 3-4. DEUTZ TD2.9L4 ENGINE/PUMP SUB ASSEMBLY (WITH ARCTIC PACKAGE)



ART_1001296326

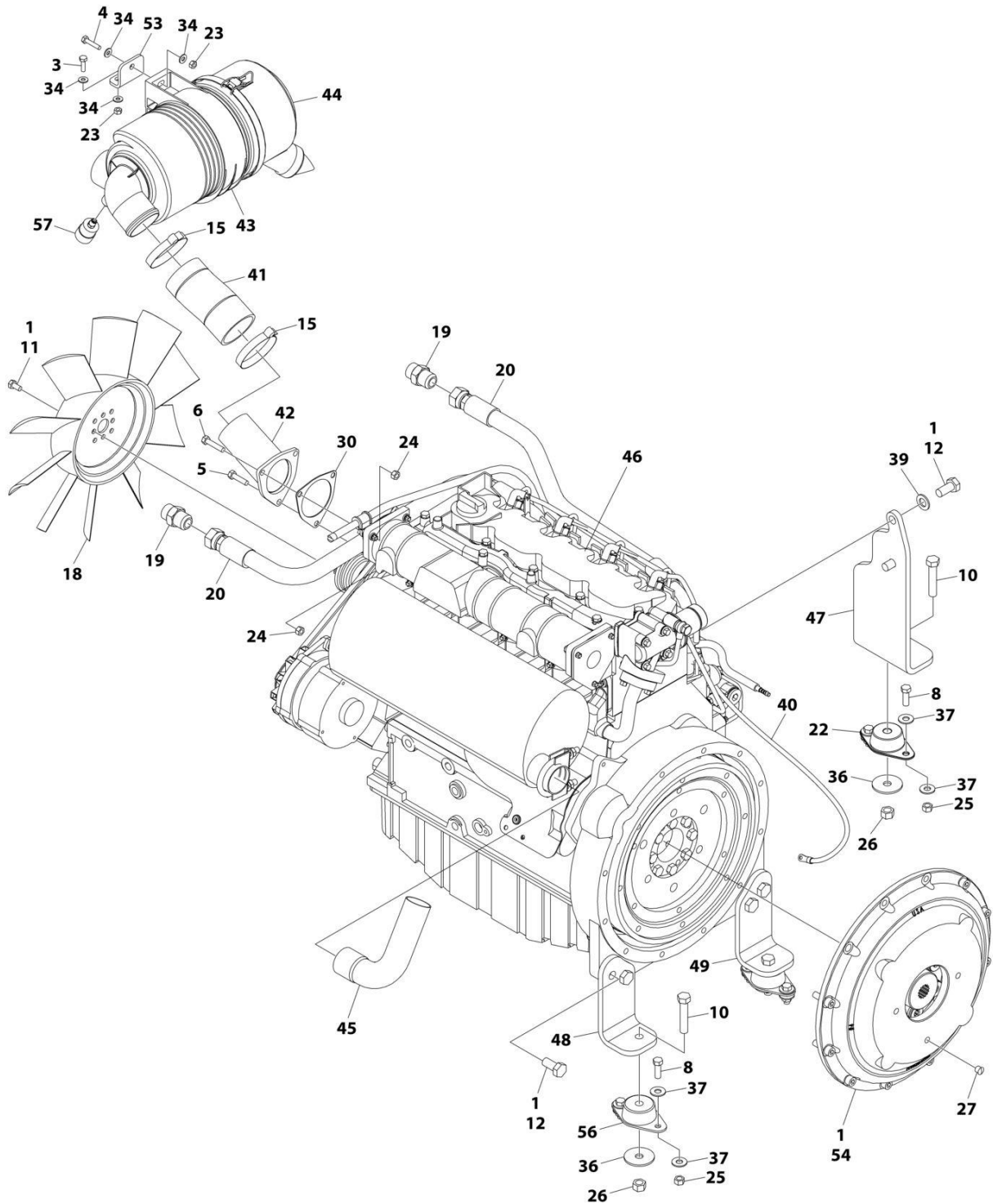
SECTION 3 - ENGINE

FIGURE 3-4. DEUTZ TD2.9L4 ENGINE/PUMP SUB ASSEMBLY (WITH ARCTIC PACKAGE)

| ITEM | PART NUMBER | QTY | DESCRIPTION | REV |
|------|-------------|-----|--|-----|
| | 1001296326 | Ref | DEUTZ TP2.9L4 ENGINE/PUMP SUB-ASSEMBLY | A |
| 1 | 0100011 | AR | Compound, Locking | |
| 2 | 0641407 | 1 | Bolt 1/4 x 7/8 | |
| 3 | 0641812 | 2 | Bolt 1/2 x 1-1/2 | |
| 4 | 0711215 | 2 | Bolt M12 x 35 | |
| 5 | 3311405 | 1 | Nut 1/4 | |
| 6 | 3422532 | 1 | Pin, Hitch | |
| 7 | 3790044 | 1 | O-Ring | |
| 8 | 4751400 | 1 | Washer 1/4 | |
| 9 | 4891800 | 4 | Washer 1/2 | |
| 10 | 1001153779 | 1 | Engine Assembly With Arctic Package (See Separate Breakdown in this Section) | |
| 11 | 1001276376 | 1 | Hydrostatic Pump Assembly with Fittings (See Separate Breakdown in this Section) | |
| 12 | 1001276377 | 1 | Variable Pump Assembly with Fittings (See Separate Breakdown in this Section) | |

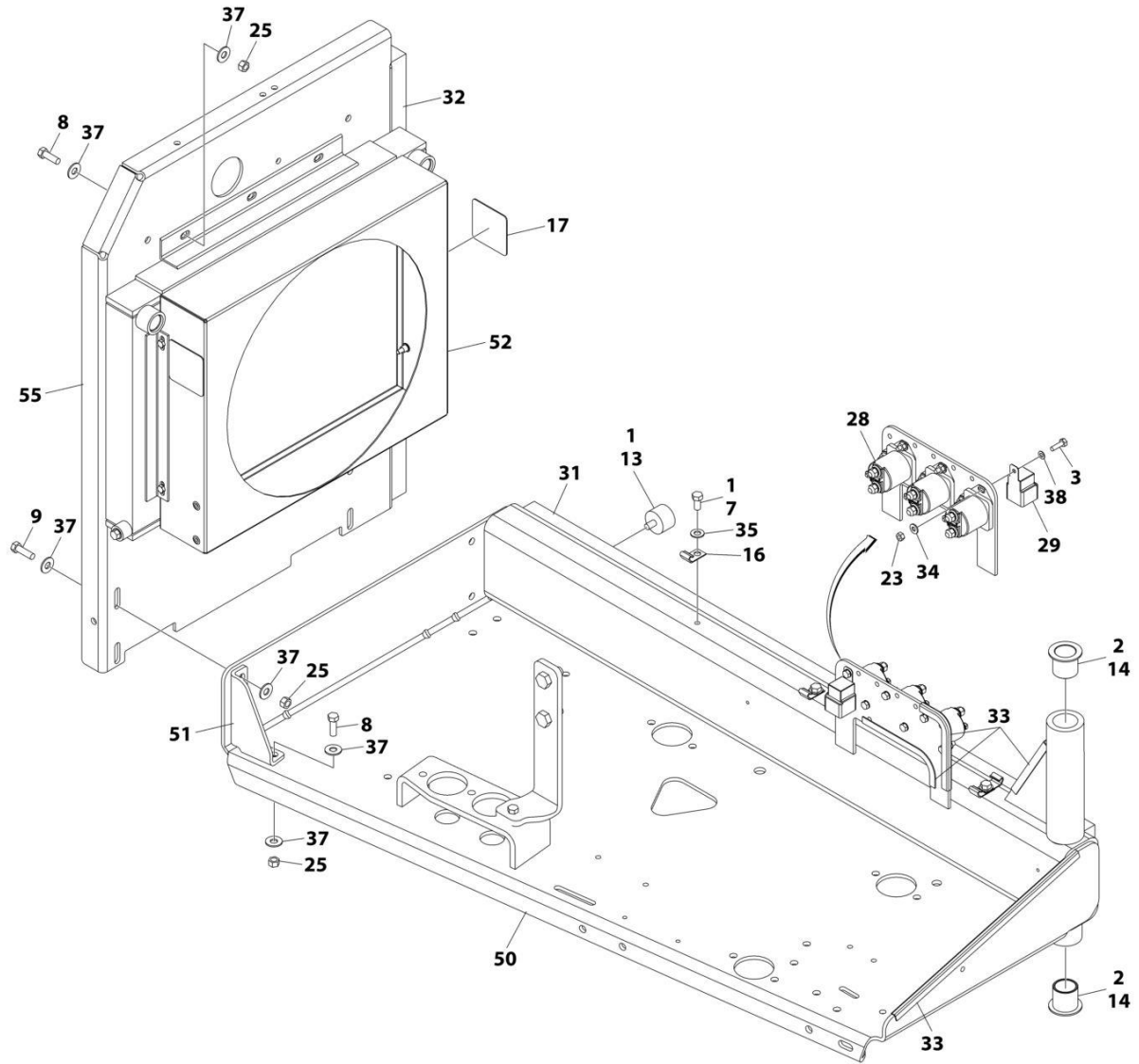
SECTION 3 - ENGINE

FIGURE 3-5. DEUTZ D2011 ENGINE ASSEMBLY (WITHOUT ARCTIC PACKAGE)



ART_1001153396_10F2

SECTION 3 - ENGINE



ART_1001153396_20F2

SECTION 3 - ENGINE

FIGURE 3-5. DEUTZ D2011 ENGINE ASSEMBLY (WITHOUT ARCTIC PACKAGE)

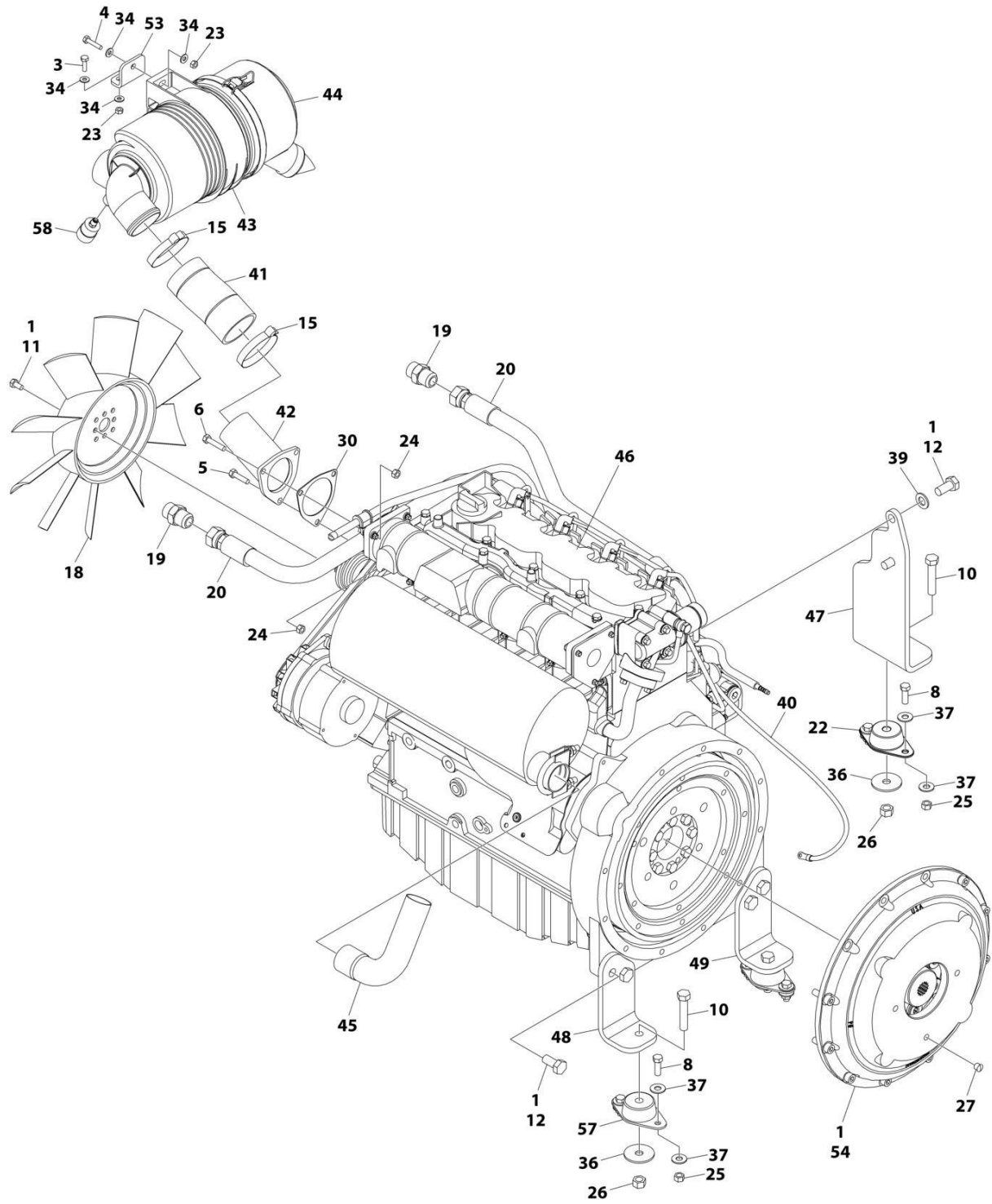
| ITEM | PART NUMBER | QTY | DESCRIPTION | REV |
|------|-------------|----------|--|-----|
| | 1001153396 | Ref | ENGINE ASSEMBLY WITHOUT ARCTIC PACKAGE | H |
| 1 | 0100011 | AR | Compound, Locking | |
| 2 | 0100062 | AR | Compound, Locking | |
| 3 | 0641407 | 8 | Bolt 1/4 x 7/8 | |
| 4 | 0641410 | 2 | Bolt 1/4 x 1-1/4 | |
| 5 | 0641510 | 2 | Bolt 5/16 x 1-1/4 | |
| 6 | 0641512 | 1 | Bolt 5/16 x 1-1/2 | |
| 7 | 0641606 | 3 | Bolt 3/8 x 3/4 | |
| 8 | 0641609 | 14 | Bolt 3/8 x 1-1/8 | |
| 9 | 0641610 | 4 | Bolt 3/8 x 1-1/4 | |
| 10 | 0641820 | 3 | Bolt 1/2 x 2-1/2 | |
| 11 | 0700808 | 4 | Bolt M8 x 16 | |
| 12 | 0771414 | 6 | Bolt M14 x 30 | |
| 13 | 0940070 | 1 | Bumper | |
| 14 | 0961986 | 2 | Bushing, Flanged | |
| 15 | 1320016 | 2 | Clamp | |
| 16 | 1320223 | 4 | J-Clip | |
| 17 | 1703162 | 2 | Decal - Caution Fan Blade | |
| 18 | 2060025 | 1 | Fan | |
| 19 | 2220451 | 2 | Fitting, Straight | |
| 20 | 2720398 | 2 | Hose, Oil Cooler | |
| 22 | 3200406 | 1 | Mount, Motor | |
| 23 | 3311405 | 10 | Nut 1/4 | |
| 24 | 3311505 | 3 | Nut 5/16 | |
| 25 | 3311605 | 18 | Nut 3/8 | |
| 26 | 3311805 | 3 | Nut 1/2 | |
| 27 | 3520054 | 2 | Plug | |
| 28 | 3740067 | 3 | Relay | |
| 29 | 3740080 | 1 | Relay | |
| 30 | 3960407 | 1 | Gasket, Air Intake | |
| 31 | 3960468 | 1 | Seal | |
| 32 | 3960469 | 1 | Seal | |
| 33 | 4060805 | 37 in/1m | Flex-Trim | |
| 34 | 4711400 | 14 | Washer 1/4 | |
| 35 | 4711600 | 3 | Washer 3/8 | |
| 36 | 4740274 | 3 | Washer, Snubbing | |
| 37 | 4751600 | 36 | Washer 3/8 | |
| 38 | 4791400 | 6 | Washer, Star 1/4 | |
| 39 | 4812200 | 2 | Washer M14 | |
| 40 | 4923379 | 1 | Harness, Glow Plug | |
| 41 | 1001001939 | 1 | Hose, Flex | |
| 42 | 1001146273 | 1 | Adapter, Air Intake | |
| 43 | 1001147812 | 1 | Clamp | |
| 44 | 1001147813 | 1 | Air Cleaner Assembly Filter Element | |
| 44 | 70004020 | 1 | Element, Filter (Not Shown) | |
| 45 | 1001147820 | 1 | Pipe, Exhaust | |
| 46 | 1001147823 | 1 | Engine, Deutz D2011 (See Separate Breakdown in this section) | |
| 47 | 1001149704 | 1 | Support, Engine | |
| 48 | 1001149705 | 1 | Support, Engine | |
| 49 | 1001149706 | 1 | Support, Engine | |

SECTION 3 - ENGINE

| ITEM | PART NUMBER | QTY | DESCRIPTION | REV |
|------|-------------|-----|--|-----|
| 50 | 1001149793 | 1 | Tray, Engine | |
| 51 | 1001150915 | 1 | Gusset | |
| 52 | 1001150998 | 1 | Radiator | |
| 53 | 1001152459 | 1 | Plate, Air Cleaner Mounting | |
| 54 | 1001153282 | 1 | Pump Coupling Kit (See Separate Breakdown in this section) | |
| 55 | 1001153414 | 1 | Plate, Radiator Mounting | |
| 56 | 3200401 | 2 | Mount, Motor | |
| 57 | 1001143390 | 1 | Indicator | |

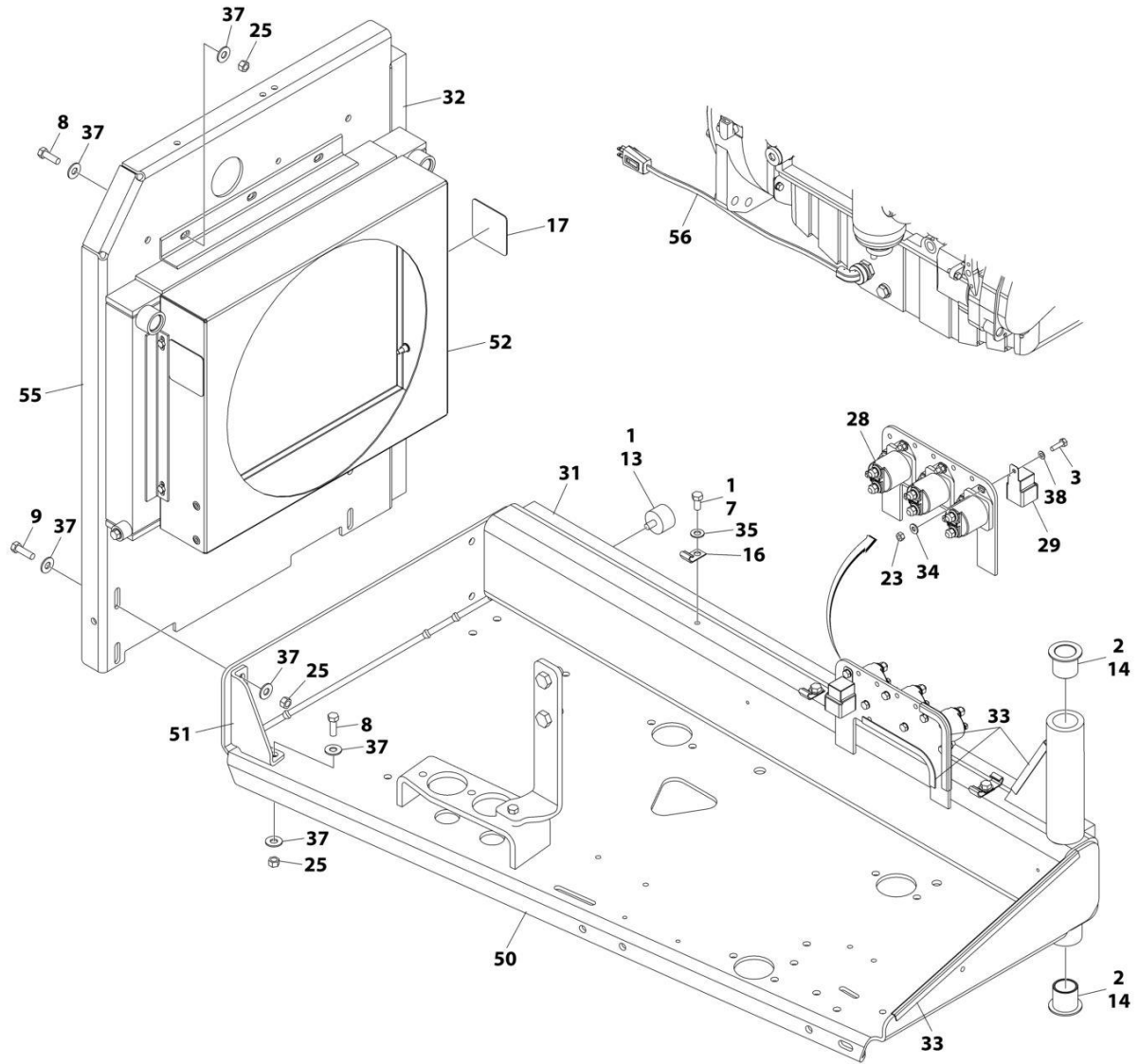
SECTION 3 - ENGINE

FIGURE 3-6. DEUTZ D2011 ENGINE ASSEMBLY (WITH ARCTIC PACKAGE)



ART_1001153779_10F2

SECTION 3 - ENGINE



ART_1001153779_2OF2

SECTION 3 - ENGINE

FIGURE 3-6. DEUTZ D2011 ENGINE ASSEMBLY (WITH ARCTIC PACKAGE)

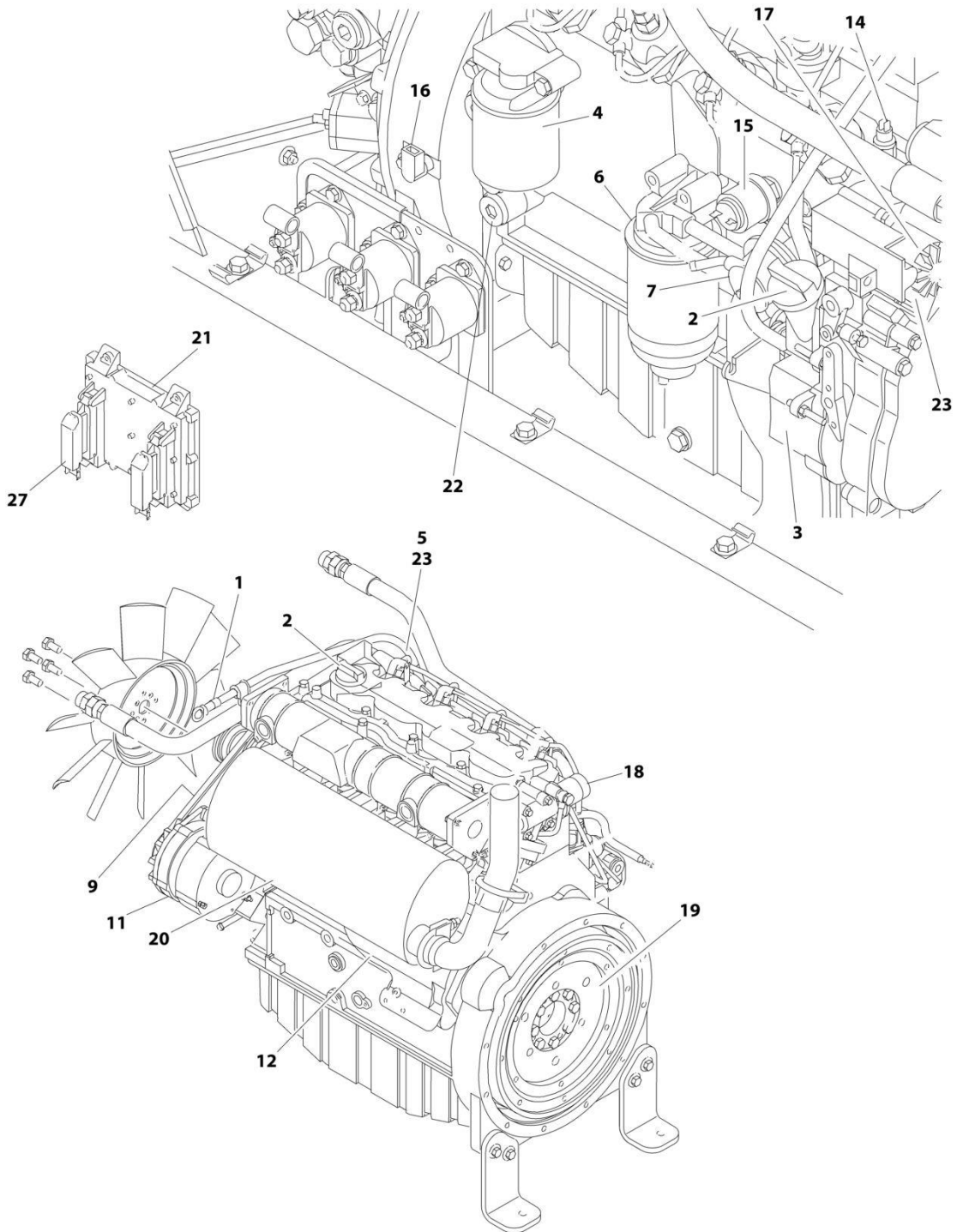
| ITEM | PART NUMBER | QTY | DESCRIPTION | REV |
|------|-------------|----------|--|-----|
| | 1001153779 | Ref | ENGINE ASSEMBLY WITH ARCTIC PACKAGE | H |
| 1 | 0100011 | AR | Compound, Locking | |
| 2 | 0100062 | AR | Compound, Locking | |
| 3 | 0641407 | 8 | Bolt 1/4 x 7/8 | |
| 4 | 0641410 | 2 | Bolt 1/4 x 1-1/4 | |
| 5 | 0641510 | 2 | Bolt 5/16 x 1-1/4 | |
| 6 | 0641512 | 1 | Bolt 5/16 x 1-1/2 | |
| 7 | 0641606 | 3 | Bolt 3/8 x 3/4 | |
| 8 | 0641609 | 14 | Bolt 3/8 x 1-1/8 | |
| 9 | 0641610 | 4 | Bolt 3/8 x 1-1/4 | |
| 10 | 0641820 | 3 | Bolt 1/2 x 2-1/2 | |
| 11 | 0700808 | 4 | Bolt M8 x 16 | |
| 12 | 0771414 | 6 | Bolt M14 x 30 | |
| 13 | 0940070 | 1 | Bumper | |
| 14 | 0961986 | 2 | Bushing, Flanged | |
| 15 | 1320016 | 2 | Clamp | |
| 16 | 1320223 | 4 | J-Clip | |
| 17 | 1703162 | 2 | Decal - Caution Fan Blade | |
| 18 | 2060025 | 1 | Fan | |
| 19 | 2220451 | 2 | Fitting, Straight | |
| 20 | 2720398 | 2 | Hose, Oil Cooler | |
| 22 | 3200406 | 1 | Mount, Motor | |
| 23 | 3311405 | 10 | Nut 1/4 | |
| 24 | 3311505 | 3 | Nut 5/16 | |
| 25 | 3311605 | 18 | Nut 3/8 | |
| 26 | 3311805 | 3 | Nut 1/2 | |
| 27 | 3520054 | 2 | Plug | |
| 28 | 3740067 | 3 | Relay | |
| 29 | 3740080 | 1 | Relay | |
| 30 | 3960407 | 1 | Gasket, Air Intake | |
| 31 | 3960468 | 1 | Seal | |
| 32 | 3960469 | 1 | Seal | |
| 33 | 4060805 | 37 in/1m | Flex-Trim | |
| 34 | 4711400 | 14 | Washer 1/4 | |
| 35 | 4711600 | 3 | Washer 3/8 | |
| 36 | 4740274 | 3 | Washer, Snubbing | |
| 37 | 4751600 | 36 | Washer 3/8 | |
| 38 | 4791400 | 6 | Washer, Star 1/4 | |
| 39 | 4812200 | 2 | Washer M14 | |
| 40 | 4923379 | 1 | Harness, Glow Plug | |
| 41 | 1001001939 | 1 | Hose, Flex | |
| 42 | 1001146273 | 1 | Adapter, Air Intake | |
| 43 | 1001147812 | 1 | Clamp | |
| 44 | 1001147813 | 1 | Air Cleaner Assembly Filter Element | |
| 44 | 70004020 | 1 | Element, Filter (Not Shown) | |
| 45 | 1001147820 | 1 | Pipe, Exhaust | |
| 46 | 1001147823 | 1 | Engine, Deutz D2011 (See Separate Breakdown in this Section) | |
| 47 | 1001149704 | 1 | Support, Engine | |
| 48 | 1001149705 | 1 | Support, Engine | |
| 49 | 1001149706 | 1 | Support, Engine | |

SECTION 3 - ENGINE

| ITEM | PART NUMBER | QTY | DESCRIPTION | REV |
|------|-------------|-----|--|-----|
| 50 | 1001149793 | 1 | Tray, Engine | |
| 51 | 1001150915 | 1 | Gusset | |
| 52 | 1001150998 | 1 | Radiator | |
| 53 | 1001152459 | 1 | Plate, Air Cleaner Mounting | |
| 54 | 1001153282 | 1 | Pump Coupling Kit (See Separate Breakdown in this Section) | |
| 55 | 1001153414 | 1 | Plate, Radiator Mounting | |
| 56 | 2580062 | 1 | Heater, Block | |
| 57 | 3200401 | 2 | Mount, Motor | |
| 58 | 1001143390 | 1 | Indicator | |

SECTION 3 - ENGINE

FIGURE 3-7. DEUTZ D2011 ENGINE COMPONENTS



ART_1001147823

SECTION 3 - ENGINE

FIGURE 3-7. DEUTZ D2011 ENGINE COMPONENTS

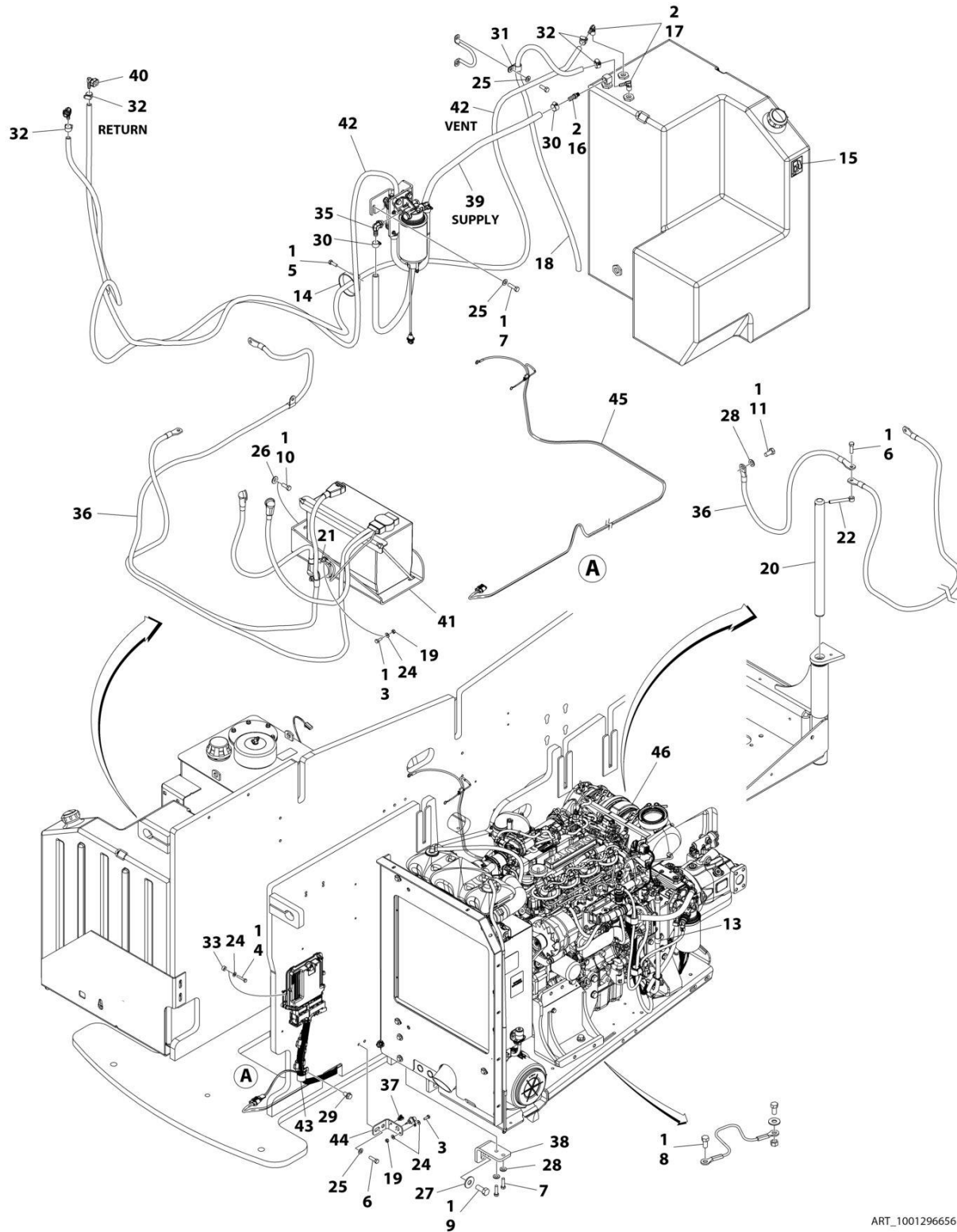
| ITEM | PART NUMBER | QTY | DESCRIPTION | REV |
|------|-------------|-----|--|-----|
| | 1001147823 | Ref | ENGINE COMPONENTS | C |
| 1 | 70004287 | 1 | Dipstick | |
| 1 | 70000044 | 1 | Seal, Dipstick | |
| 1 | 70001002 | 1 | Tube, Dipstick | |
| 1 | 7020403 | 1 | Seal, Dipstick Tube | |
| 2 | 7020465 | 2 | Cap, Filler | |
| 3 | 70001850 | 1 | Pump, Oil Lube | |
| 3 | 7020468 | 1 | Seal Between Oil Pump and Engine Block (Not Shown) | |
| 4 | 7016331 | 1 | Filter, Oil | |
| 4 | 70003472 | 1 | Bracket, Oil Filter | |
| 4 | 7027236 | 1 | Sender, Temperature | |
| 4 | 70025082 | 1 | Ring, Sealing | |
| 5 | 70000912 | 4 | Series A Injector | |
| 5 | 70000913 | 4 | Series B Injector | |
| 5 | 70000914 | 4 | Series C Injector | |
| 5 | 70000915 | 4 | Series D Injector | |
| 5 | 70003464 | 4 | Seal/Gasket, Pump (1 Per Injector) | |
| 5 | 70003478 | 4 | Injector, Fuel | |
| 5 | 70003136 | 4 | Seal/Gasket, Pump (1 Per Injector) | |
| 6 | 7016328 | 1 | Filter, Fuel | |
| 6 | 70003465 | 1 | Sensor | |
| 6 | 70003466 | 1 | Seal, Sensor | |
| 7 | 70000916 | 1 | Pump, Fuel Supply | |
| 7 | 70001435 | 1 | Repair Kit for Fuel Supply Pump | |
| 7 | 70000919 | 1 | Hand Pump for Fuel Supply Pump | |
| 7 | 70000917 | 1 | O - Seal Between Fuel Pump and Engine Block | |
| 7 | 70000918 | 1 | O - Seal Between Fuel Pump and Hand Pump | |
| 8 | 70001871 | 4 | Gasket, Intake Manifold | |
| 9 | 7020408 | 1 | V-Belt | |
| 10 | | Ref | Exhaust Manifold Components (Not Shown) | |
| 10 | 70001835 | 1 | Gasket, Exhaust Adapter to Exhaust Rail | |
| 10 | 70001841 | 1 | Valve, Exhaust (Fits into Exhaust Adapter) | |
| 10 | 70001836 | 1 | Gasket, Exhaust Rail to Cylinder Head | |
| 10 | 70001837 | 1 | Gasket, Exhaust Manifold to Muffler | |
| 10 | 70002200 | 4 | Stud, Mounting | |
| 10 | See Note | AR | Nut, Exhaust Manifold | |
| 11 | 70004056 | 1 | Alternator | |
| 11 | 70001868 | 1 | Regulator, Voltage (Not Shown) | |
| 11 | 70001866 | 1 | Seal, Gasket for Voltage Regulator (Not Shown) | |
| 11 | 70002234 | 1 | Bar, Alternator Adjustment | |
| 12 | 7020479 | 1 | Starter | |
| 12 | 70004058 | 1 | Relay | |
| 13 | 70004060 | 2 | Plug-In Connector | |
| 14 | 7027791 | 1 | Transmitter, Temperature | |
| 15 | 7027790 | 1 | Sensor, Oil Pressure | |
| 16 | 70004272 | 1 | Sensor, Speed | |
| 17 | 7027792 | 1 | Throttle Actuator | |
| 17 | 7027276 | 2 | Spring | |
| 18 | 70003475 | 1 | Thermostat (Located at rear of engine block - Not Shown) | |
| 19 | 70001870 | 1 | Flywheel with Ring Gear | |

SECTION 3 - ENGINE

| ITEM | PART NUMBER | QTY | DESCRIPTION | REV |
|------|-------------|-----|---|-----|
| 19 | 7024579 | 1 | Gear, Ring 110 Tooth | |
| 20 | 7000695 | 1 | Muffler | |
| 20 | 70001844 | 1 | U-Ciamp | |
| 20 | 7020471 | 4 | Gasket | |
| 21 | 7027795 | 1 | Module, Control | |
| 22 | 70001181 | 1 | Valve, Pressure Control | |
| 22 | 70124410 | 1 | Spring | |
| 22 | 70025082 | 1 | Seal | |
| 22 | 70124440 | 1 | Screw, Locking | |
| 23 | 70000345 | 4 | Plug, Glow | |
| 24 | 70000800 | 1 | Camshaft Pulley Repair Kit (Not Shown) | |
| 26 | 70002415 | 1 | Gasket, Head with 1 Notch (Not Shown) | |
| 62 | 70002416 | 1 | Gasket, Head with 2 Notch (Not Shown) | |
| 26 | 70002417 | 1 | Gasket, Head with 3 Notch (Not Shown) | |
| 27 | 7027796 | 1 | Harness, Engine (Connects to Item 421) | |
| 27 | 70001872 | 1 | Harness, Engine (Connects to p/n 7027796) | |
| 28 | | Ref | Gaskets and Seals - Miscellaneous (Not Shown) | |
| 28 | 70004289 | 1 | Gasket Set | |
| 28 | 70002718 | 1 | Seal, Rear Main | |
| 28 | 70004280 | 1 | Seal, Front Main | |
| 29 | 70025752 | 1 | Valve, Pressure Relief (Not Shown - Located at Engine Front Left) | |
| 29 | 70025753 | 1 | Spring | |
| 29 | 70005916 | 1 | Seal | |
| 29 | 70005917 | 1 | Plug, Locking | |

SECTION 3 - ENGINE

FIGURE 3-8. DEUTZ TD2.9L4 ENGINE INSTALLATION (STAGE V)



ART_1001296656

SECTION 3 - ENGINE

FIGURE 3-8. DEUTZ TD2.9L4 ENGINE INSTALLATION (STAGE V)

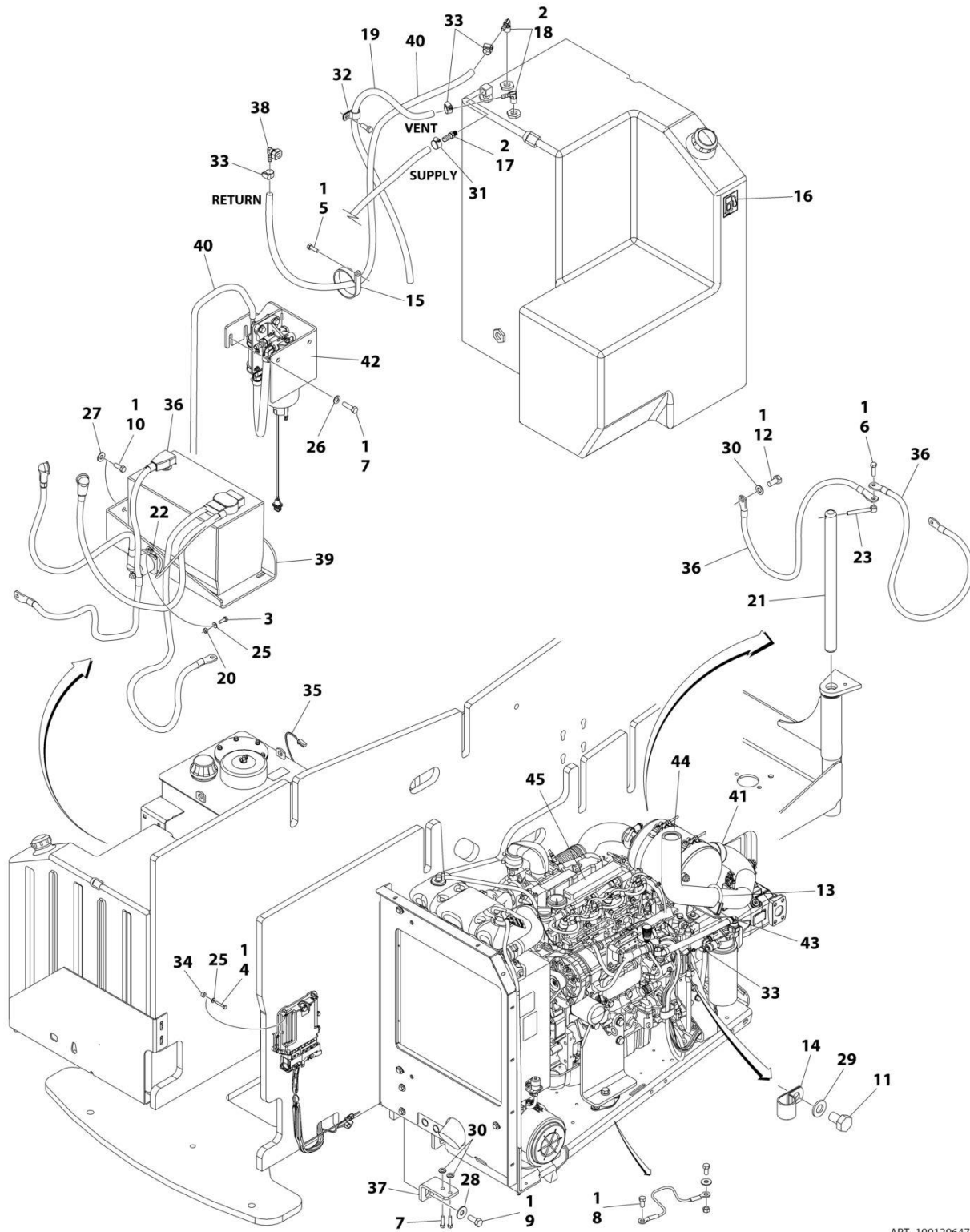
| ITEM | PART NUMBER | QTY | DESCRIPTION | REV |
|------|-------------|-----------|--|-----|
| | 1001296656 | Ref | DEUTZ TD2.9L4 ENGINE INSTALLATION (STAGE V) | A |
| 1 | 0100011 | AR | Compound, Locking | |
| 2 | 0100020 | AR | Sealant, Pipe | |
| 3 | 0641406 | 3 | Bolt 1/4 x 3/4 | |
| 4 | 0641412 | 4 | Bolt 1/4 x 1-1/2 | |
| 5 | 0641508 | 1 | Bolt 5/16 x 1 | |
| 6 | 0641610 | 3 | Bolt 3/8 x 1-1/4 | |
| 7 | 0641611 | 4 | Bolt 3/8 x 1-3/8 | |
| 8 | 0641808 | 1 | Bolt 1/2 x 1 | |
| 9 | 0642012 | 1 | Bolt 5/8 x 1-1/2 | |
| 10 | 0681608 | 3 | Bolt 3/8 x 1 | |
| 11 | 0771212 | 1 | Bolt M12 x 25 | |
| 12 | 1062255 | AR | Tie-Strap (Not Shown) | |
| 13 | 1320061 | 1 | Clamp | |
| 14 | 1321339 | 1 | Clamp | |
| 15 | 1701505 | 1 | Decal - Diesel Fuel (Located on Fuel Tank) | |
| 16 | 2180832 | 1 | Fitting, 90 NPT/ Barbed | |
| 17 | 2220313 | 2 | Fitting, 90 NPT/Barbed | |
| 18 | 2750532 | 4 ft /2 m | Hose (Vent Line) | |
| 19 | 3311405 | 3 | Nut 1/4 | |
| 20 | 3422446 | 1 | Pin, Pivot | |
| 21 | 3740067 | 1 | Relay | |
| 22 | 3841143 | 1 | Pin, Keeper | |
| 23 | 4240099 | AR | Tie-Strap (Not Shown) | |
| 24 | 4711400 | 8 | Washer 1/4 | |
| 25 | 4711600 | 4 | Washer 3/8 | |
| 26 | 4751600 | 3 | Washer 3/8 | |
| 27 | 4752000 | 1 | Washer 5/8 | |
| 28 | 4812100 | 3 | Washer M12 | |
| 29 | 5251210 | 1 | Bolt M12 x 20 | |
| 30 | 8405006 | 2 | Clamp | |
| 31 | 8406102 | 1 | Clip | |
| 32 | 8410013 | 4 | Clamp | |
| 33 | 1001110425 | 4 | Spacer | |
| 34 | 1001138491 | 1 | Harness, Fuel (Not Shown - See Separate Breakdown in ELECTRICAL Section) | |
| 35 | 1001142501 | 1 | Fitting, Straight Metric/Barbed | |
| 36 | 1001143736 | 1 | Battery Cable Kit | |
| 36 | 7027084 | 1 | Cable, Battery (Black) (Battery - to Tray Pivot Grd) | |
| 36 | 8270147 | 1 | Terminal, Battery (With Boot) | |
| 36 | 7027085 | 1 | Cable, Battery (Black) (Battery - to Aux Pump and Relay Grds) | |
| 36 | 7027086 | 1 | Cable, Battery (Black) (Engine to Tray Pivot Grd) | |
| 36 | 7027087 | 1 | Cable (Red) (Battery + to Aux Relay/Power Module/Starter) | |
| 36 | 7027088 | 1 | Cable (Red) (Aux Relay to Aux Pump) | |
| 36 | See Note | 1 | Cable (Auxiliary Relay to Starter) (Note: Use P/N 7027087) | |
| 37 | 1001146588 | 1 | Strap | |
| 38 | 1001153359 | 1 | Mount, Engine | |
| 39 | 1001154405 | 5 ft /2 m | Hose | |
| 40 | 1001155823 | 1 | Fitting, Quick Disconnect 90 | |
| 41 | 1001162497 | 1 | Bracket, Battery | |

SECTION 3 - ENGINE

| ITEM | PART NUMBER | QTY | DESCRIPTION | REV |
|------|-------------|------------|---|-----|
| 42 | 1001165035 | 24 ft /8 m | Hose | |
| 43 | 1001191620 | 1 | Clamp | |
| 44 | 1001256879 | 1 | Bracket | |
| 45 | 1001289593 | 1 | ECU Power Jumper Harness (See Separate Breakdown in ELECTRICAL Section) | |
| 46 | 1001296655 | 1 | Deutz TD2.9L4 Engine and Pump Sub-Assembly (Stage V) (See Separate Breakdown in this Section) | |

SECTION 3 - ENGINE

FIGURE 3-9. DEUTZ TD2.9L4 ENGINE INSTALLATION (CHINA III)



ART_1001296475

SECTION 3 - ENGINE

FIGURE 3-9. DEUTZ TD2.9L4 ENGINE INSTALLATION (CHINA III)

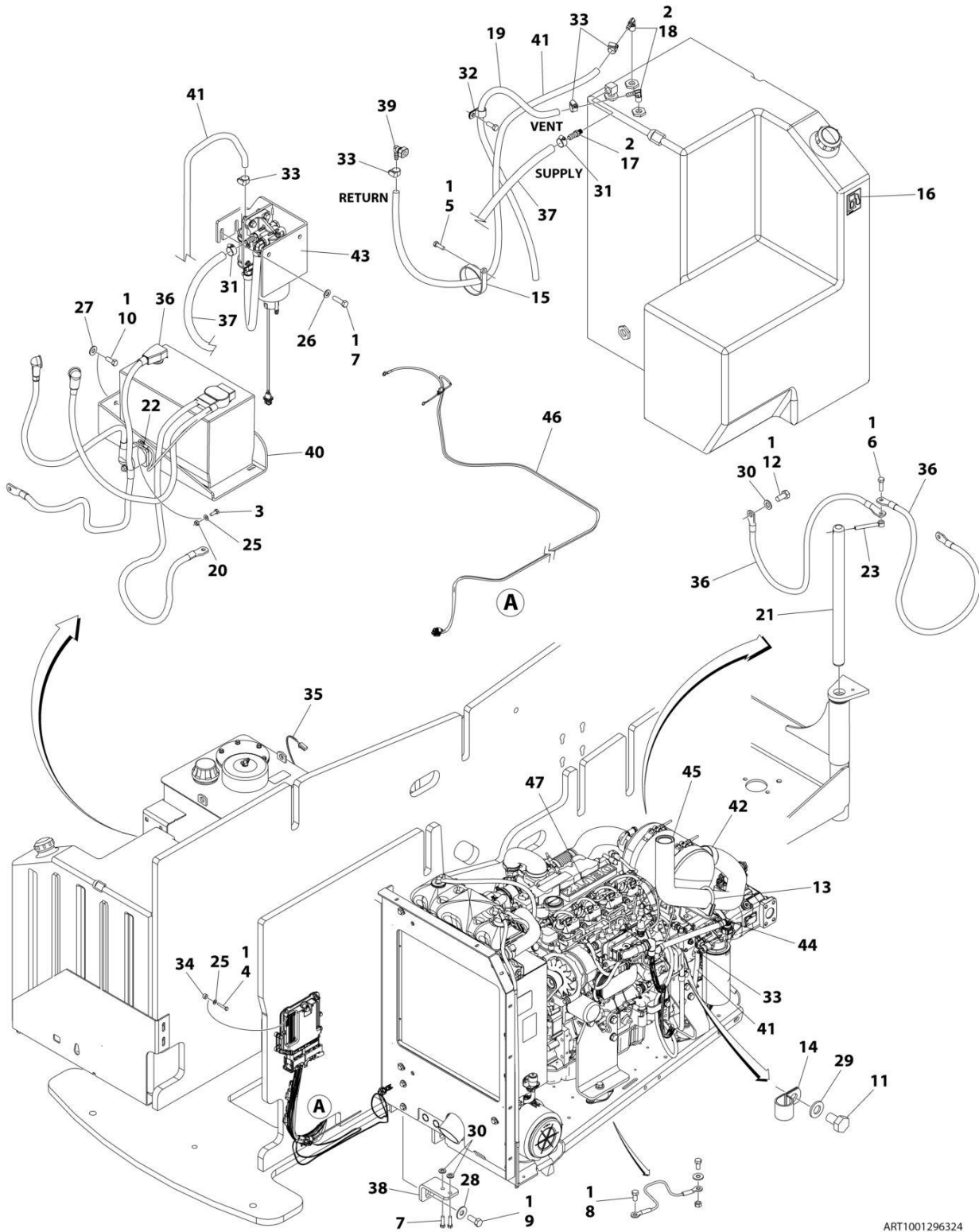
| ITEM | PART NUMBER | QTY | DESCRIPTION | REV |
|------|-------------|------------|---|-----|
| | 1001296475 | Ref | DEUTZ TD2.9L4 ENGINE INSTALLATION (CHINA III) | A |
| 1 | 0100011 | AR | Compound, Locking | |
| 2 | 0100020 | AR | Sealant, Pipe | |
| 3 | 0641406 | 2 | Bolt 1/4 x 3/4 | |
| 4 | 0641412 | 4 | Bolt 1/4 x 1-1/2 | |
| 5 | 0641508 | 1 | Bolt 5/16 x 1 | |
| 6 | 0641610 | 1 | Bolt 3/8 x 1-1/4 | |
| 7 | 0641611 | 4 | Bolt 3/8 x 1-3/8 | |
| 8 | 0641808 | 1 | Bolt 1/2 x 1 | |
| 9 | 0642012 | 1 | Bolt 5/8 x 1-1/2 | |
| 10 | 0681608 | 3 | Bolt 3/8 x 1 | |
| 11 | 0761008 | 1 | Bolt M10 x 16 | |
| 12 | 0771212 | 1 | Bolt M12 x 25 | |
| 13 | 1320011 | 1 | Clamp, Muffler (Located on Exhaust) | |
| 14 | 1320061 | 1 | Clamp | |
| 15 | 1321339 | 1 | Clamp | |
| 16 | 1701505 | 1 | Decal - Diesel Fuel (Located on Fuel Tank) | |
| 17 | 2180832 | 1 | Fitting, 90 NPT/ Barbed | |
| 18 | 2220313 | 2 | Fitting, 90 NPT/Barbed | |
| 19 | 2750532 | 4 ft /2 m | Hose (Vent Line) | |
| 20 | 3311405 | 2 | Nut 1/4-20 | |
| 21 | 3422446 | 1 | Pin, Pivot | |
| 22 | 3740067 | 1 | Relay | |
| 23 | 3841143 | 1 | Pin, Keeper | |
| 24 | 4240033 | AR | Tie-Strap (Not Shown) | |
| 25 | 4711400 | 7 | Washer 1/4 | |
| 26 | 4711600 | 2 | Washer 3/8 | |
| 27 | 4751600 | 3 | Washer 3/8 | |
| 28 | 4752000 | 1 | Washer 5/8 | |
| 29 | 4812000 | 1 | Washer M10 | |
| 30 | 4812100 | 3 | Washer M12 | |
| 31 | 8405006 | 1 | Clamp | |
| 32 | 8406102 | 1 | Clip | |
| 33 | 8410013 | 4 | Clamp | |
| 34 | 1001110425 | 4 | Spacer | |
| 35 | 1001138491 | 1 | Harness, Fuel (See Separate Breakdown in ELECTRICAL Section) | |
| 36 | 1001143736 | 1 | Battery Cable Kit | |
| 36 | 7027084 | 1 | Cable, Battery (Black) (Battery - to Tray Pivot Grd) | |
| 36 | 8270147 | 1 | Terminal, Battery (With Boot) | |
| 36 | 7027085 | 1 | Cable, Battery (Black) (Battery - to Aux Pump and Relay Grds) | |
| 36 | 7027086 | 1 | Cable, Battery (Black) (Engine to Tray Pivot Grd) | |
| 36 | 7027087 | 1 | Cable (Red) (Battery + to Aux Relay/Power Module/Starter) | |
| 36 | 7027088 | 1 | Cable (Red) (Aux Relay to Aux Pump) | |
| 36 | See Note | 1 | Cable (Auxiliary Relay to Starter) (Note: Use P/N 7027087) | |
| 37 | 1001153359 | 1 | Mount, Engine | |
| 38 | 1001155823 | 1 | Fitting, Quick Disconnect 90 | |
| 39 | 1001162497 | 1 | Bracket, Battery | |
| 40 | 1001165035 | 28 ft /9 m | Hose | |
| 41 | 1001221212 | 1 | Clamp (Located on Exhaust) | |

SECTION 3 - ENGINE

| ITEM | PART NUMBER | QTY | DESCRIPTION | REV |
|------|-------------|-----|--|-----|
| 42 | 1001227224 | 1 | Bracket Assembly Less Filter/Pump (See Separate Breakdown in this Section) | |
| 43 | 1001227620 | 1 | Plate (Located on Exhaust) | |
| 44 | 1001247013 | 1 | Pipe | |
| 45 | 1001296474 | 1 | Engine and Pump Sub-Assembly (See Separate Breakdown in this Section) | |

SECTION 3 - ENGINE

FIGURE 3-10. DEUTZ TD2.9L4 ENGINE INSTALLATION (CHINA IV)



ART1001296324

SECTION 3 - ENGINE

FIGURE 3-10. DEUTZ TD2.9L4 ENGINE INSTALLATION (CHINA IV)

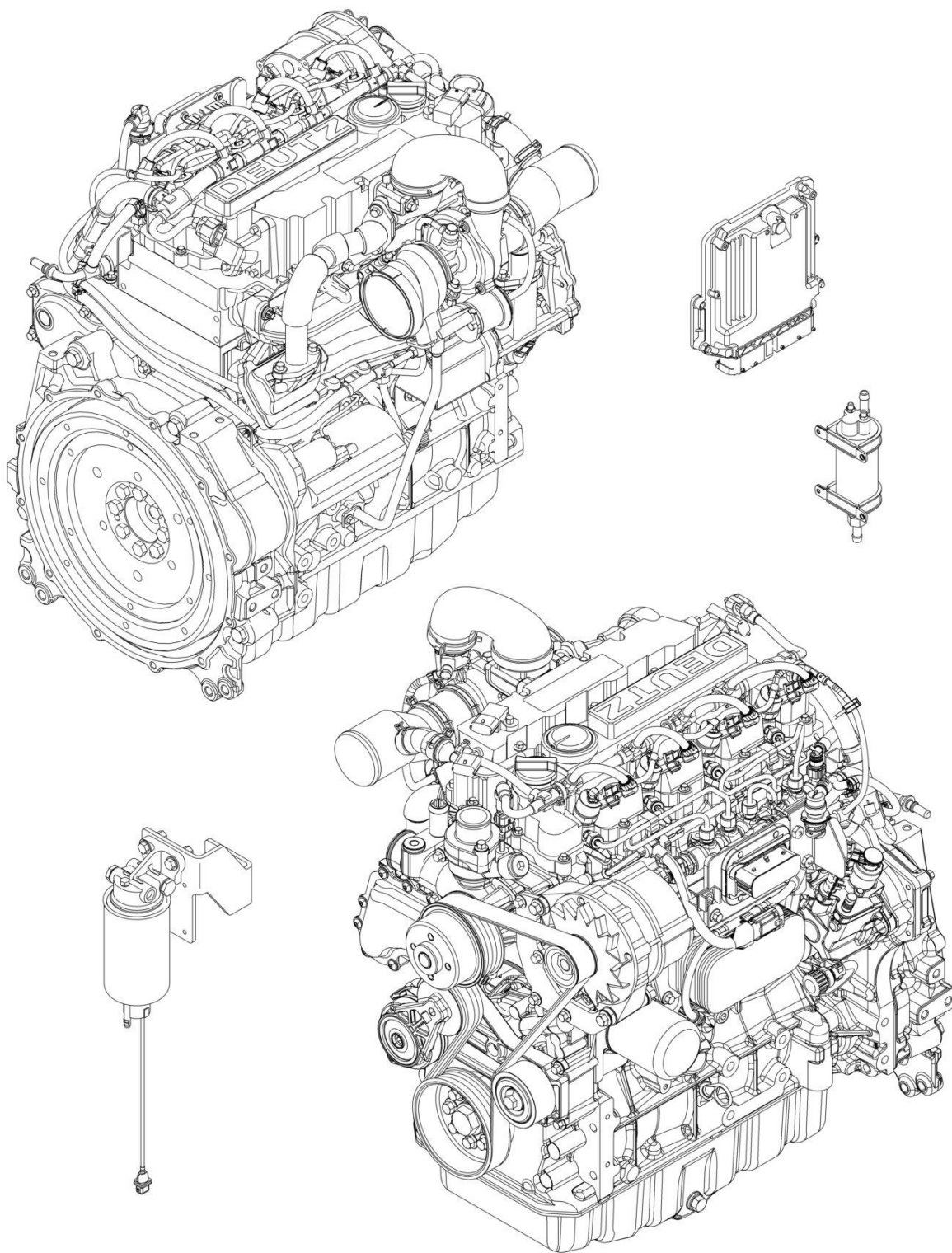
| ITEM | PART NUMBER | QTY | DESCRIPTION | REV |
|------|-------------|------------|--|-----|
| | 1001296324 | Ref | DEUTZ TD2.9L4 ENGINE INSTALLATION (CHINA IV) | A |
| 1 | 0100011 | AR | Compound, Locking | |
| 2 | 0100020 | AR | Sealant, Pipe | |
| 3 | 0641406 | 2 | Bolt 1/4 x 3/4 | |
| 4 | 0641412 | 4 | Bolt 1/4 x 1-1/2 | |
| 5 | 0641508 | 1 | Bolt 5/16 x 1 | |
| 6 | 0641610 | 1 | Bolt 3/8 x 1-1/4 | |
| 7 | 0641611 | 4 | Bolt 3/8 x 1-3/8 | |
| 8 | 0641808 | 1 | Bolt 1/2 x 1 | |
| 9 | 0642012 | 1 | Bolt 5/8 x 1-1/2 | |
| 10 | 0681608 | 3 | Bolt 3/8 x 1 | |
| 11 | 0761008 | 1 | Bolt M10 x 16 | |
| 12 | 0771212 | 1 | Bolt M12 x 25 | |
| 13 | 1320011 | 1 | Clamp, Muffler (Located on Exhaust) | |
| 14 | 1320061 | 1 | Clamp | |
| 15 | 1321339 | 1 | Clamp | |
| 16 | 1701505 | 1 | Decal - Diesel Fuel (Located on Fuel Tank) | |
| 17 | 2180832 | 1 | Fitting, 90 Barbed | |
| 18 | 2220313 | 2 | Fitting, 90 NPTF/Barbed | |
| 19 | 2750532 | 4 ft /2 m | Hose (Vent Line) | |
| 20 | 3311405 | 2 | Nut 1/4-20 | |
| 21 | 3422446 | 1 | Pin | |
| 22 | 3740067 | 1 | Relay | |
| 23 | 3841143 | 1 | Pin, Keeper | |
| 24 | 4240033 | AR | Tie-Strap (Not Shown) | |
| 25 | 4711400 | 7 | Washer 1/4 | |
| 26 | 4711600 | 2 | Washer 3/8 | |
| 27 | 4751600 | 3 | Washer 3/8 | |
| 28 | 4752000 | 1 | Washer 5/8 | |
| 29 | 4812000 | 1 | Washer M10 | |
| 30 | 4812100 | 3 | Washer M12 | |
| 31 | 8405006 | 2 | Clamp | |
| 32 | 8406102 | 1 | Clip | |
| 33 | 8410013 | 5 | Clamp | |
| 34 | 1001110425 | 4 | Spacer | |
| 35 | 1001138491 | 1 | Harness, Fuel (See Separate Breakdown in ELECTRICAL Section) | |
| 36 | 1001143736 | 1 | Battery Cable Kit | |
| 37 | 1001154405 | 5 ft /2 m | Hose | |
| 38 | 1001153359 | 1 | Mount, Engine | |
| 39 | 1001155823 | 1 | Fitting, Quick Disconnect 90 | |
| 40 | 1001162497 | 1 | Bracket, Battery | |
| 41 | 1001165035 | 24 ft /8 m | Hose | |
| 42 | 1001221212 | 1 | Clamp (Located on Exhaust) | |
| 43 | 1001227224 | 1 | Bracket Assembly Less Filter/Pump (See Separate Breakdown in this Section) | |
| 44 | 1001227620 | 1 | Plate (Located on Exhaust) | |
| 45 | 1001247013 | 1 | Pipe | |
| 46 | 1001289593 | 1 | ECM Jumper Harness (See Separate Breakdown ELECTRICAL Section) | |

SECTION 3 - ENGINE

| ITEM | PART NUMBER | QTY | DESCRIPTION | REV |
|------|-------------|-----|---|-----|
| 47 | 1001296319 | 1 | Deutz TD2.9L4 Engine and Pump Sub-Assembly (See Separate Breakdown in this Section) | |

SECTION 3 - ENGINE

FIGURE 3-11. DEUTZ TD2.9L4 ENGINE COMPONENTS (CHINA IV)



ART_1001291681

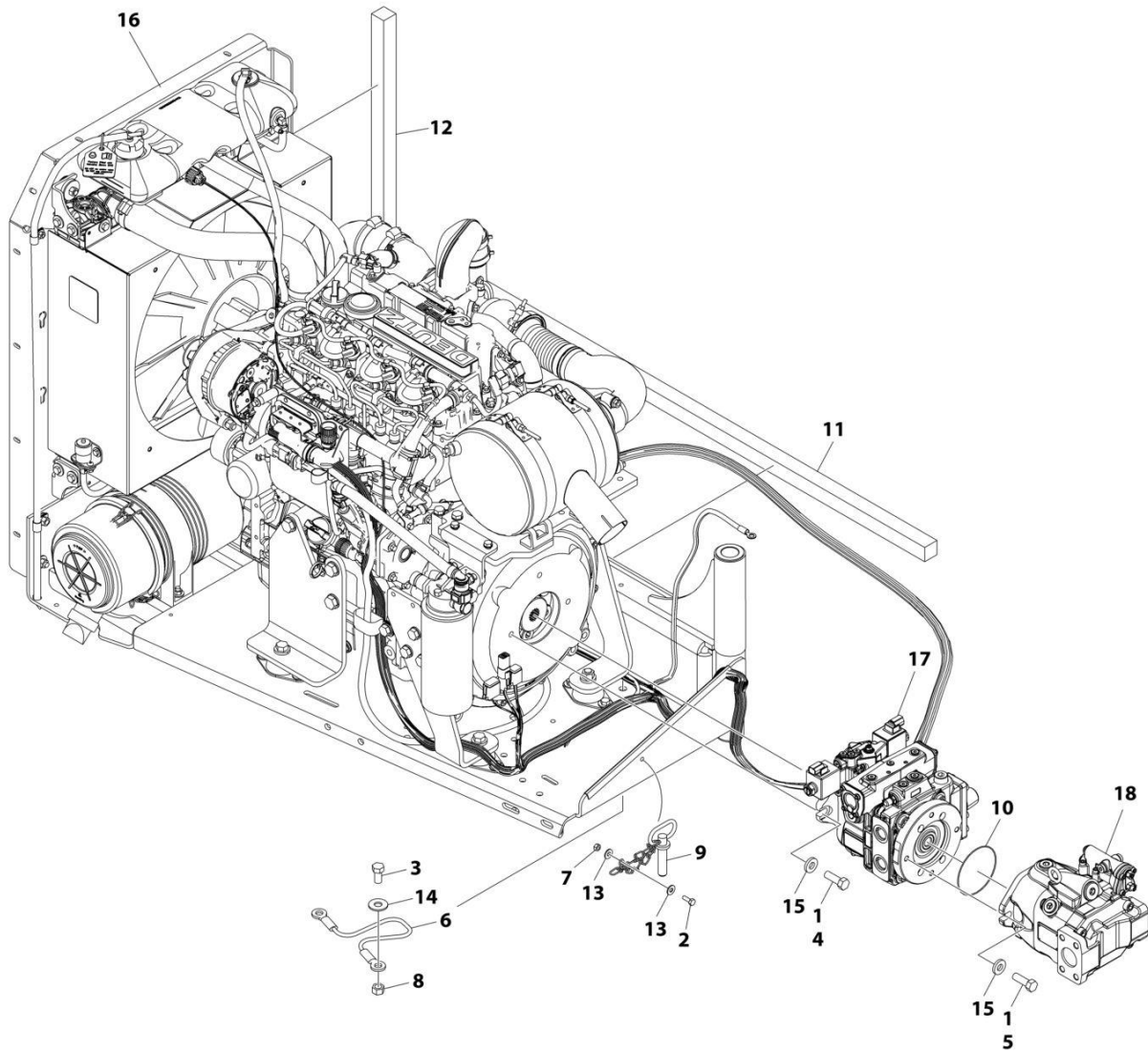
SECTION 3 - ENGINE

FIGURE 3-11. DEUTZ TD2.9L4 ENGINE COMPONENTS (CHINA IV)

| ITEM | PART NUMBER | QTY | DESCRIPTION | REV |
|------|-------------|-----|--|-----|
| | 1001291681 | Ref | DEUTZ ENGINE CHINA IV | A |
| | See Note | Ref | Note: No Service Parts Available at Time of Printing | |

SECTION 3 - ENGINE

FIGURE 3-12. DEUTZ TD2.9L4 ENGINE/PUMP SUB ASSEMBLY (CHINA III)



ART_1001296474

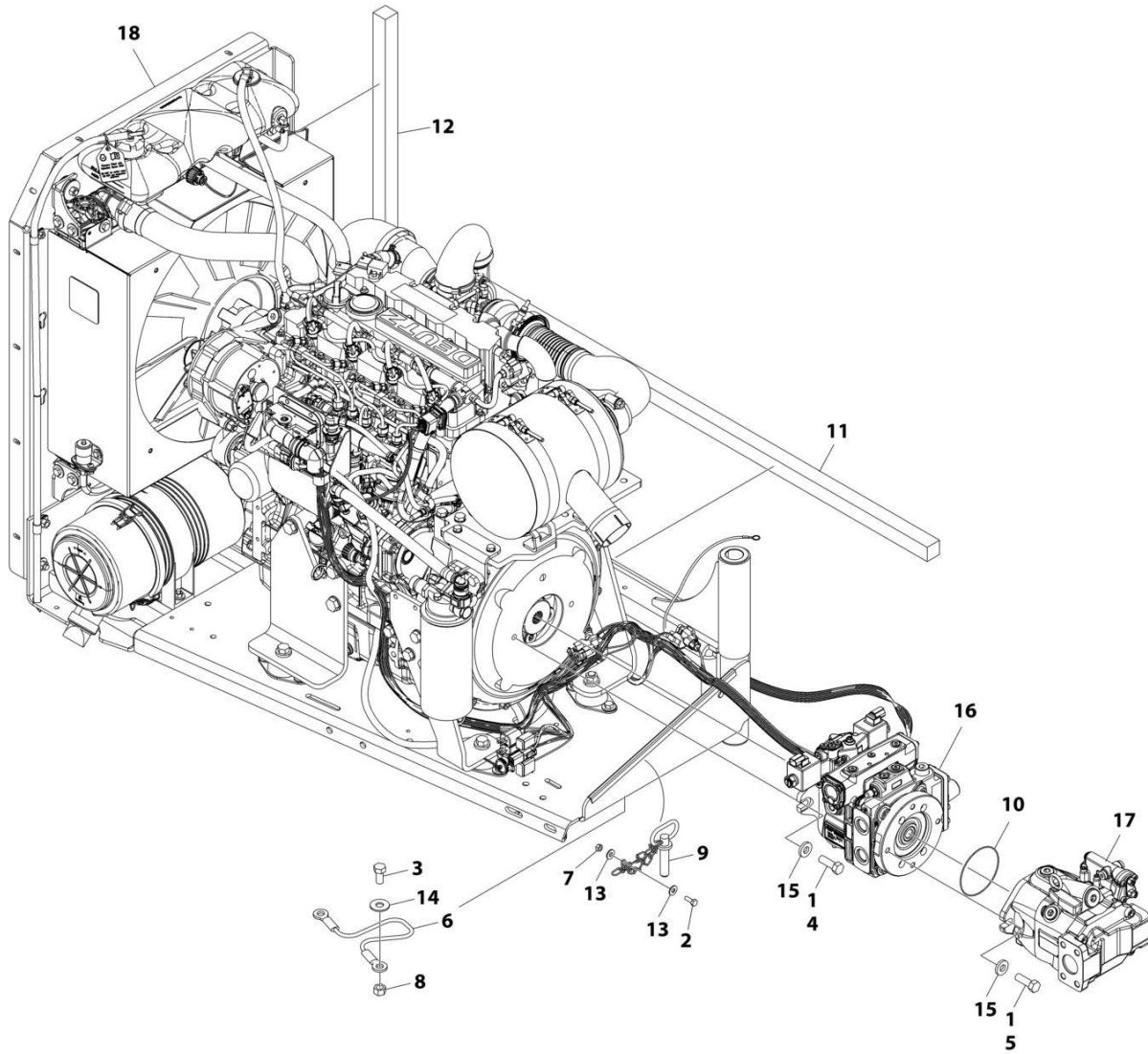
SECTION 3 - ENGINE

FIGURE 3-12. DEUTZ TD2.9L4 ENGINE/PUMP SUB ASSEMBLY (CHINA III)

| ITEM | PART NUMBER | QTY | DESCRIPTION | REV |
|------|-------------|-----|---|-----|
| | 1001296474 | Ref | DEUTZ TD2.9L4 ENGINE/PUMP SUB-ASSEMBLY (CHINA III) | A |
| 1 | 0100011 | AR | Compound, Locking | |
| 2 | 0641406 | 1 | Bolt 1/4 x 3/4 | |
| 3 | 0641808 | 1 | Bolt 1/2 x 1 | |
| 4 | 0641812 | 2 | Bolt 1/2 x 1-1/2 | |
| 5 | 0711215 | 2 | Bolt M12 x 35 | |
| 6 | 1060637 | 1 | Lanyard | |
| 7 | 3311405 | 1 | Nut 1/4 | |
| 8 | 3311801 | 1 | Nut 1/2 | |
| 9 | 3422532 | 1 | Pin, Hitch | |
| 10 | 3790044 | 1 | O-Ring | |
| 11 | 3960468 | 1 | Seal | |
| 12 | 3960469 | 1 | Seal | |
| 13 | 4751400 | 2 | Washer 1/4 | |
| 14 | 4751800 | 1 | Washer 1/2 | |
| 15 | 4891800 | 4 | Washer 1/2 | |
| 16 | 1001227614 | 1 | Engine Assembly (See Separate Breakdown in this Section) | |
| 17 | 1001276376 | 1 | Hydrostatic Pump Assembly (See Separate Breakdown in this Section) | |
| 18 | 1001276377 | 1 | Variable Pump Assembly with Fittings (See Separate Breakdown in this Section) | |

SECTION 3 - ENGINE

FIGURE 3-13. DEUTZ TD2.9L4 ENGINE/PUMP SUB ASSEMBLY (CHINA IV)



ART_1001296319

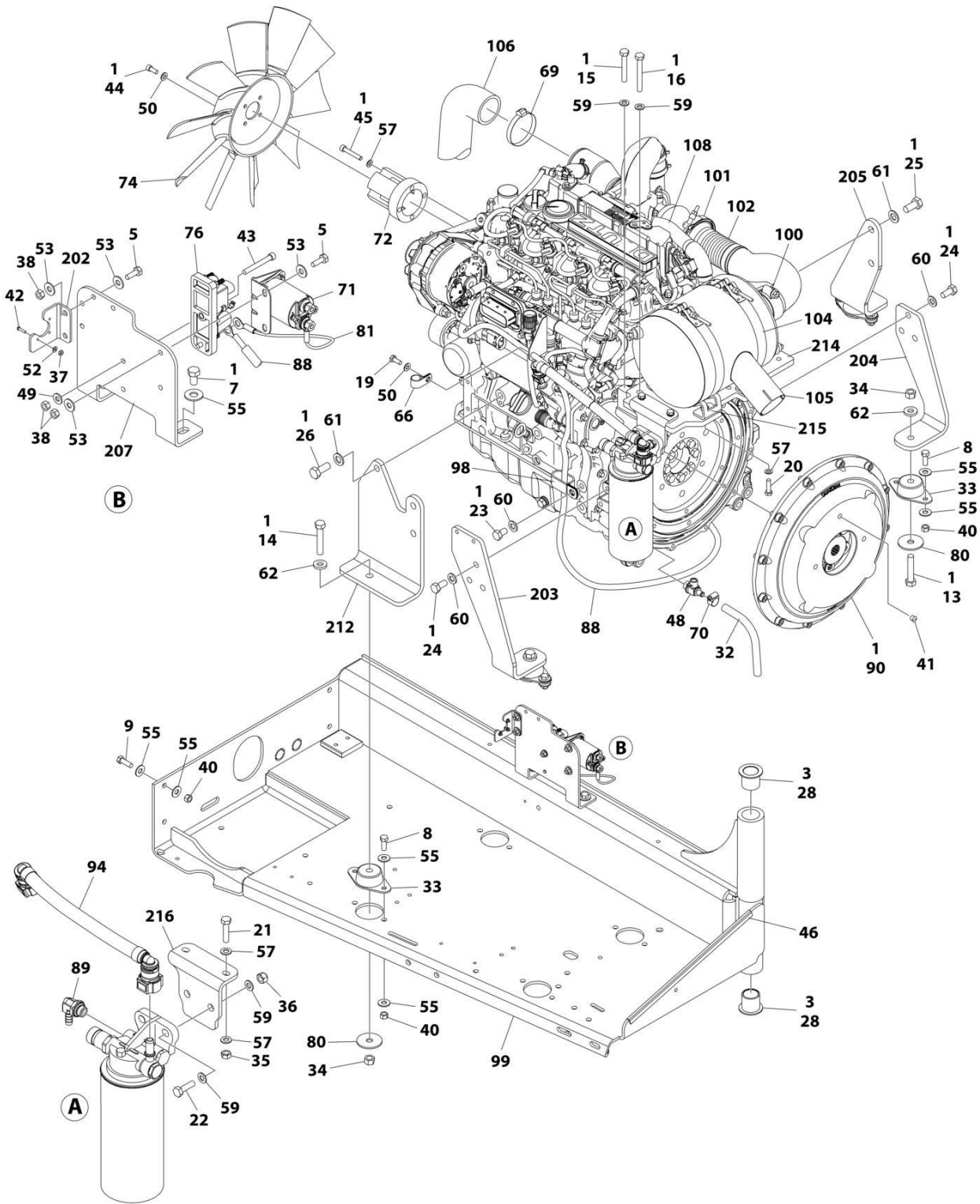
SECTION 3 - ENGINE

FIGURE 3-13. DEUTZ TD2.9L4 ENGINE/PUMP SUB ASSEMBLY (CHINA IV)

| ITEM | PART NUMBER | QTY | DESCRIPTION | REV |
|------|-------------|-----|---|-----|
| | 1001296319 | Ref | DEUTZ TD2.9L4 ENGINE/PUMP SUB-ASSEMBLY | A |
| 1 | 0100011 | AR | Compound, Locking | |
| 2 | 0641406 | 1 | Bolt 1/4 x 3/4 | |
| 3 | 0641808 | 1 | Bolt 1/2 x 1 | |
| 4 | 0641812 | 2 | Bolt 1/2 x 1-1/2 | |
| 5 | 0711215 | 2 | Bolt M12 x 35 | |
| 6 | 1060637 | 1 | Lanyard | |
| 6 | 3311405 | 1 | Nut 1/4 | |
| 8 | 3311801 | 1 | Nut 1/2 | |
| 9 | 3422532 | 1 | Pin, Hitch | |
| 10 | 3790044 | 1 | O-Ring | |
| 11 | 3960468 | 1 | Seal | |
| 12 | 3960469 | 1 | Seal | |
| 13 | 4751400 | 2 | Washer 1/4 | |
| 14 | 4751800 | 1 | Washer 1/2 | |
| 15 | 4891800 | 4 | Washer 1/2 | |
| 16 | 1001276376 | 1 | Hydrostatic Pump Assembly (See Separate Breakdown in this Section) | |
| 17 | 1001276377 | 1 | Variable Pump Assembly with Fittings (See Separate Breakdown in this Section) | |
| 18 | 1001281609 | 1 | Engine Assembly (See Separate Breakdown in this Section) | |

SECTION 3 - ENGINE

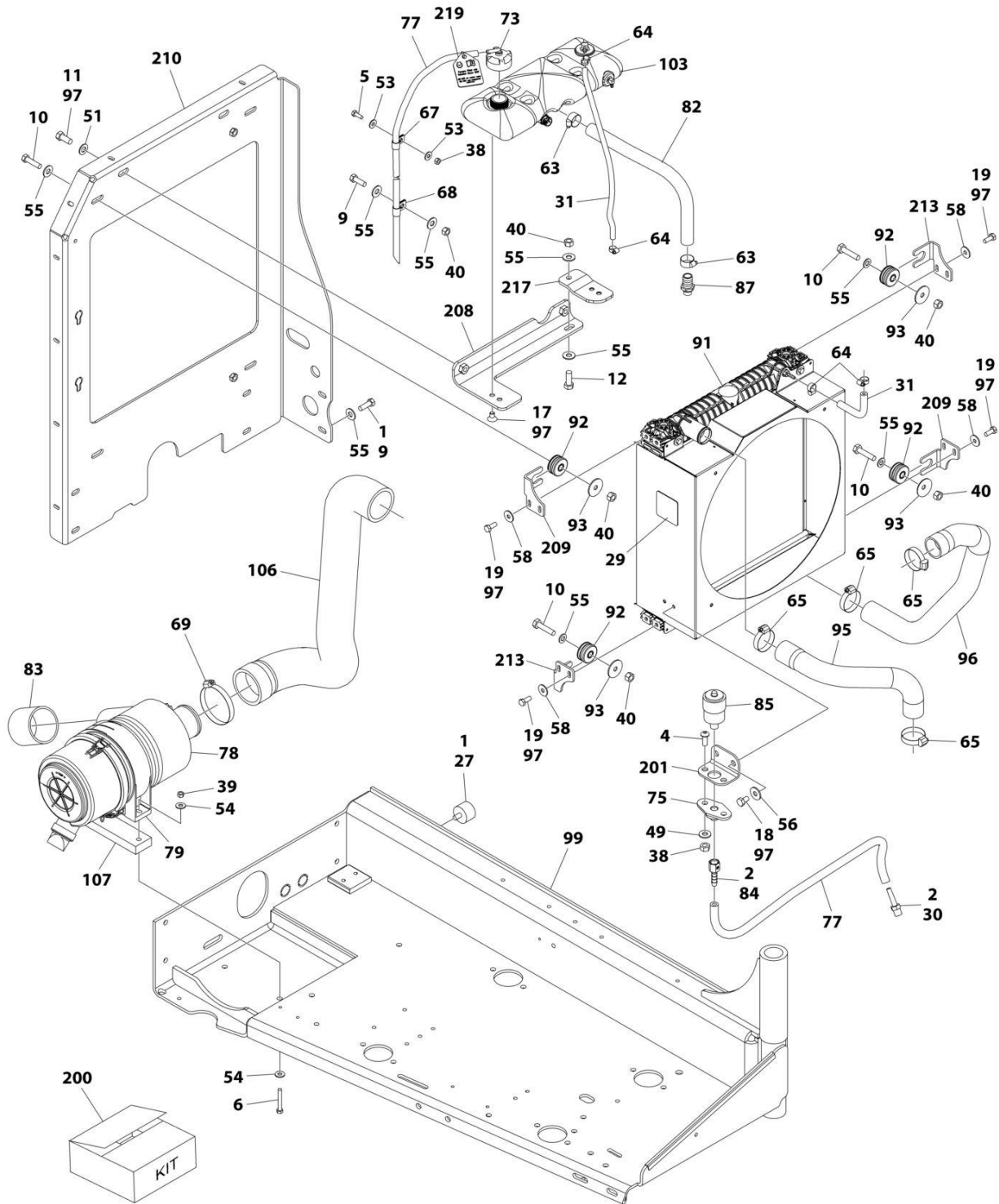
FIGURE 3-14. DEUTZ TD2.9L4 ENGINE ASSEMBLY (CHINA IV)



ART_1001281609_F_10F2

SECTION 3 - ENGINE

FIGURE 3-15. DEUTZ TD2.9L4 ENGINE ASSEMBLY (CHINA IV)



ART_1001281609_F_20F2

SECTION 3 - ENGINE

FIGURE 3-15. DEUTZ TD2.9L4 ENGINE ASSEMBLY (CHINA IV)

| ITEM | PART NUMBER | QTY | DESCRIPTION | REV |
|------|-------------|-------------|-------------------------------|-----|
| | 1001281609 | Ref | DEUTZ TD2.9L4 ENGINE ASSEMBLY | F |
| 1 | 0100011 | AR | Compound, Locking | |
| 2 | 0100020 | AR | Sealant | |
| 3 | 0100062 | AR | Compound, Locking | |
| 4 | 0630407 | 2 | Screw 1/4 x 5/8 | |
| 5 | 0641406 | 5 | Bolt 1/4 x 3/4 | |
| 6 | 0641518 | 2 | Bolt 5/16 x 2-1/4 | |
| 7 | 0641605 | 2 | Bolt 3/8 x 5/8 | |
| 8 | 0641608 | 8 | Bolt 3/8 x 1 | |
| 9 | 0641609 | 6 | Bolt 3/8 x 1-1/8 | |
| 10 | 0641612 | 4 | Bolt 3/8 x 1-1/2 | |
| 11 | 0641708 | 2 | Bolt 7/16 x 1 | |
| 12 | 0681608 | 1 | Bolt 3/8 x 1 Grade 8 | |
| 13 | 0681820 | 3 | Bolt 1/2 x 2-1/2 Grade 8 | |
| 14 | 0681822 | 1 | Bolt 1/2 x 2-3/4 Grade 8 | |
| 15 | 0701022 | 2 | Bolt M10 x 70 | |
| 16 | 0701025 | 2 | Bolt M10 x 85 | |
| 17 | 0741605 | 2 | Screw 3/8 x 5/8 | |
| 18 | 0760605 | 2 | Bolt M6 x 10 | |
| 19 | 0760810 | 9 | Bolt M8 x 20 | |
| 20 | 0760814 | 4 | Bolt M8 x 30 | |
| 21 | 0760815 | 2 | Bolt M8 x 35 | |
| 22 | 0761015 | 2 | Bolt M10 x 35 | |
| 23 | 0761210 | 1 | Bolt M12 x 20 | |
| 24 | 0771212 | 6 | Bolt M12 x 25 Grade 10.9 | |
| 25 | 0771414 | 2 | Bolt M14 x 30 Grade 10.9 | |
| 26 | 0771415 | 3 | Bolt M14 x 35 | |
| 27 | 0940070 | 1 | Bumper | |
| 28 | 0961986 | 2 | Bushing, Flanged | |
| 29 | 1703162 | 1 | Decal - Caution Fan Blade | |
| 30 | 2220315 | 1 | Fitting, Straight Barbed | |
| 31 | 2720015 | 3 ft /1 m | Hose | |
| 32 | 2720340 | 1 ft /0.3 m | Hose | |
| 33 | 3200401 | 4 | Mount, Motor | |
| 34 | 3271801 | 4 | Nut 1/2 | |
| 35 | 3290801 | 2 | Nut M8 | |
| 36 | 3291005 | 2 | Nut M10 | |
| 37 | 3310401 | 3 | Nut #4 | |
| 38 | 3311405 | 8 | Nut 1/4 | |
| 39 | 3311505 | 2 | Locknut 5/16 | |
| 40 | 3311605 | 17 | Nut 3/8 | |
| 41 | 3520054 | 1 | Plug | |
| 42 | 3910408 | 3 | Screw #4 x 1/2 | |
| 43 | 3931432 | 1 | Capscrew 1/4 x 2 | |
| 44 | 3931512 | 4 | Capscrew 5/16 x 3/4 | |
| 45 | 4031912 | 4 | Capscrew M8 x 50 | |
| 46 | 4060805 | 2 ft /0.4 m | Flex-Trim | |
| 47 | 4240099 | AR | Tie-Strap (Not Shown) | |
| 48 | 4640751 | 1 | Valve, Oil Drain | |
| 49 | 4711400 | 3 | Washer 1/4 | |

SECTION 3 - ENGINE

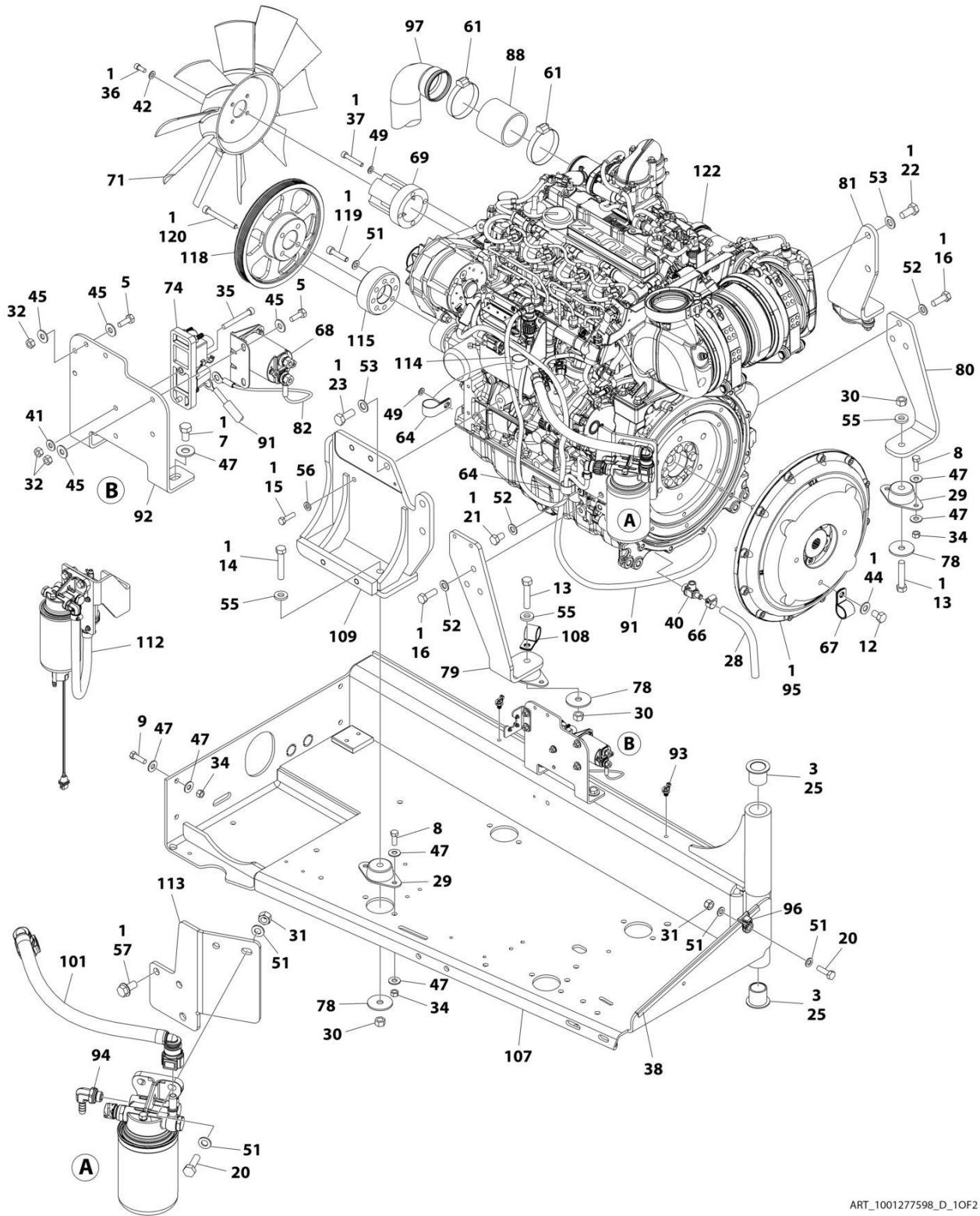
| ITEM | PART NUMBER | QTY | DESCRIPTION | REV |
|------|-------------|-----------|--|-----|
| 50 | 4711500 | 5 | Washer 5/16 | |
| 51 | 4711700 | 2 | Washer 7/16 | |
| 52 | 4750400 | 3 | Washer #4 | |
| 53 | 4751400 | 10 | Washer 1/4 | |
| 54 | 4751500 | 4 | Washer 5/16 | |
| 55 | 4751600 | 34 | Washer 3/8 | |
| 56 | 4811702 | 2 | Washer M6 | |
| 57 | 4811900 | 12 | Washer M8 | |
| 58 | 4811902 | 8 | Washer M8 | |
| 59 | 4812000 | 8 | Washer M10 | |
| 60 | 4812100 | 7 | Washer M12 | |
| 61 | 4812200 | 5 | Washer M14 | |
| 62 | 4891800 | 4 | Washer 1/2 | |
| 63 | 8405007 | 2 | Clamp | |
| 64 | 8405009 | 4 | Clamp | |
| 65 | 8405104 | 4 | Clamp | |
| 66 | 8406102 | 1 | Clip | |
| 67 | 8406109 | 1 | Clip | |
| 68 | 8406110 | 1 | Clip | |
| 69 | 8410011 | 2 | Clamp | |
| 70 | 8410013 | 1 | Clamp | |
| 71 | 1001117308 | 1 | Relay | |
| 72 | 1001289964 | 1 | Adapter | |
| 73 | 1001136834 | 1 | Cap, Tank | |
| 74 | 1001137276 | 1 | Fan | |
| 75 | 1001138173 | 1 | Support | |
| 76 | 1001138228 | 1 | Relay, Power Module | |
| 77 | 1001138248 | 6 ft /2 m | Tube | |
| 78 | 1001138489 | 1 | Air Cleaner Assembly | |
| 78 | 91403102 | 1 | Element, Filter | |
| 79 | 1001138557 | 1 | Clamp | |
| 80 | 1001139409 | 4 | Washer, Special | |
| 81 | 1001141304 | 1 | Harness, Glow Plug | |
| 82 | 1001141370 | 1 | Hose | |
| 83 | 1001141585 | 1 | Hose, Inlet | |
| 84 | 1001141995 | 1 | Fitting, Straight NPT/Barbed | |
| 85 | 1001143390 | 1 | Indicator, Service | |
| 86 | 1001276644 | 1 | Harness, Deutz Engine (Not Shown - See Separate Breakdown in ELECTRICAL Section) | |
| 87 | 1001143797 | 1 | Fitting, Straight Metric/Barbed | |
| 88 | 1001143907 | 1 | Cable, Alternator Power | |
| 89 | 1001152489 | 1 | Fitting, 90 Metric/ Barbed | |
| 90 | 1001153282 | 1 | Pump Coupling Kit (See Separate Breakdown in this Section) | |
| 91 | 1001167042 | 1 | Radiator | |
| 92 | 1001169054 | 4 | Isolator | |
| 93 | 1001169138 | 4 | Washer | |
| 94 | 1001177359 | 1 | Hose | |
| 95 | 1001177844 | 1 | Hose, Radiator - Upper | |
| 96 | 1001177845 | 1 | Hose, Radiator - Lower | |
| 97 | 1001180620 | AR | Adhesive | |
| 98 | 1001181899 | 1 | P-Clamp | |
| 99 | 1001190610 | 1 | Support, Engine Try | |

SECTION 3 - ENGINE

| ITEM | PART NUMBER | QTY | DESCRIPTION | REV |
|------|-------------|-----|--|-----|
| 100 | 1001221212 | 1 | Clamp | |
| 101 | 1001221219 | 1 | Clamp | |
| 102 | 1001224940 | 1 | Pipe, Exhaust | |
| 103 | 1001230635 | 1 | Tank | |
| 104 | 1001233089 | 2 | Strap | |
| 105 | 1001257278 | 1 | Muffler | |
| 106 | 1001266525 | 1 | Hose, Inlet | |
| 107 | 1001267256 | 1 | Shim, Air Cleaner | |
| 108 | 1001291681 | 1 | Deutz Engine China IV (See Separate Breakdown in this Section) | |
| 109 | 1001281985 | 1 | Connector (Not Shown - Use With Harness 1001238878) | |
| 110 | 1001281986 | 1 | Connector (Not Shown - Use With Harness 1001238878) | |
| 200 | 1001257412 | 1 | Bracket Engine Kit (Includes Items 201-217) | D |
| 201 | 1001138175 | 1 | Bracket | |
| 202 | 1001139240 | 1 | Bracket | |
| 203 | 1001140448 | 1 | Mount, Rear Engine | |
| 204 | 1001140450 | 1 | Mount, Rear Engine | |
| 205 | 1001140454 | 1 | Mount, Front Engine | |
| 207 | 1001145154 | 1 | Plate, Relay Mounting | |
| 208 | 1001260413 | 1 | Bracket, Tank | |
| 209 | 1001178223 | 2 | Bracket, Radiator | |
| 210 | 1001186985 | 1 | Plate, Mounting | |
| 212 | 1001266499 | 1 | Mount, Generator/Engine | |
| 213 | 1001204325 | 2 | Bracket, Radiator | |
| 214 | 1001221203 | 1 | Bracket | |
| 215 | 1001224936 | 2 | Mount, Doc Weldment | |
| 216 | 1001224937 | 1 | Mount, Fuel Filter | |
| 217 | 1001260412 | 1 | Bracket | |
| 218 | 4240032 | AR | Tie-Strap (Not Shown) | |
| 219 | 1001291401 | 1 | Tag, Coolant | |

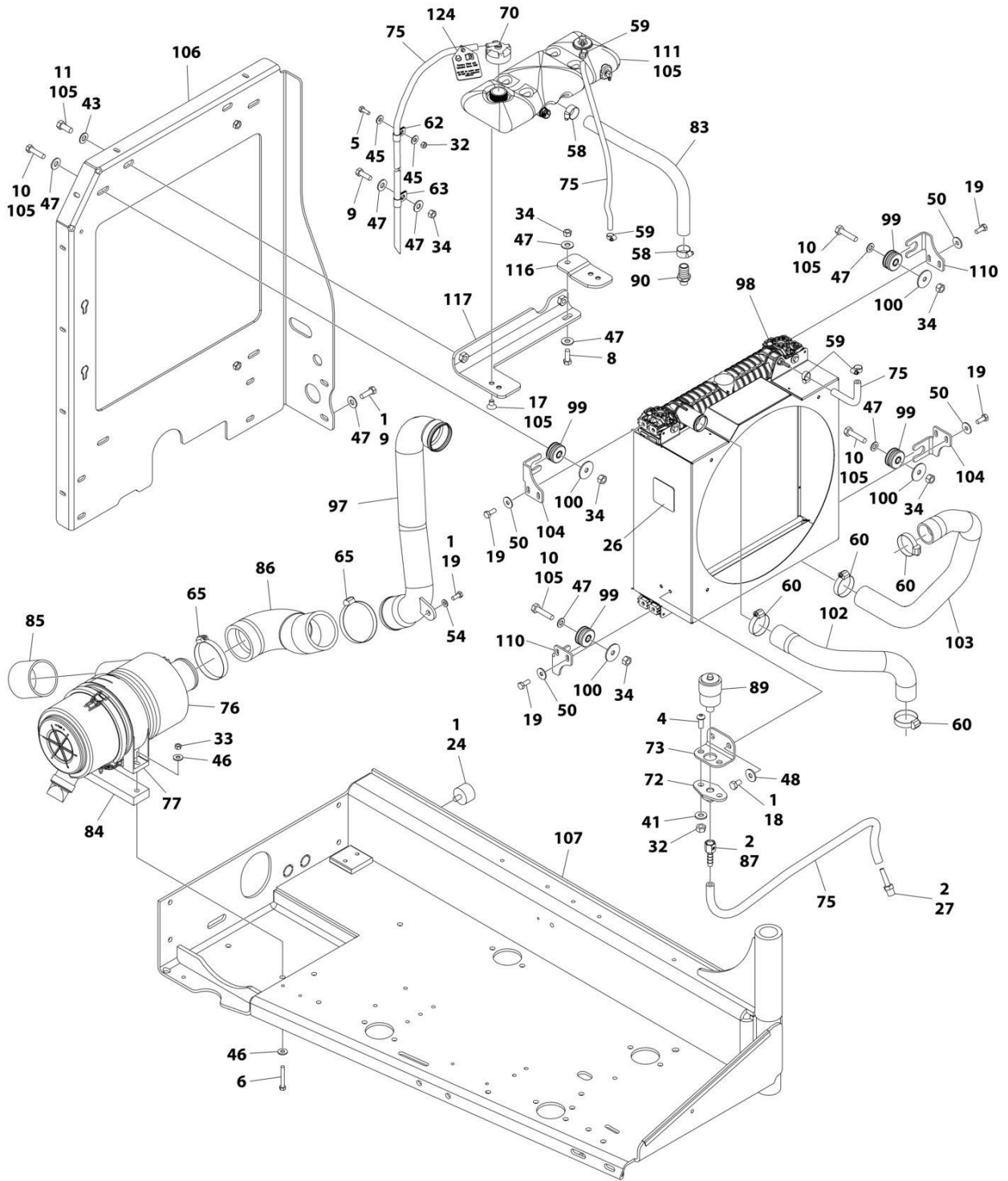
SECTION 3 - ENGINE

FIGURE 3-16. DEUTZ TD2.9L4 ENGINE ASSEMBLY (STAGE V)



ART_1001277598_D_10F2

SECTION 3 - ENGINE



ART_1001277598_D_20F2

SECTION 3 - ENGINE

FIGURE 3-16. DEUTZ TD2.9L4 ENGINE ASSEMBLY (STAGE V)

| ITEM | PART NUMBER | QTY | DESCRIPTION | REV |
|------|-------------|-------------|---|-----|
| | 1001277598 | Ref | DEUTZ TD2.9L4 ENGINE ASSEMBLY (STAGE V) | D |
| 1 | 0100011 | AR | Locking, Compound | |
| 2 | 0100020 | AR | Sealant | |
| 3 | 0100062 | AR | Compound, Locking | |
| 4 | 0630407 | 2 | Screw 1/4 x 5/8 | |
| 5 | 0641406 | 3 | Bolt 1/4 x 3/4 | |
| 6 | 0641518 | 2 | Bolt 5/16 x 2-1/4 | |
| 7 | 0641605 | 2 | Bolt 3/8 x 5/8 | |
| 8 | 0641608 | 9 | Bolt 3/8 x 1 | |
| 9 | 0641609 | 6 | Bolt 3/8 x 1-1/8 | |
| 10 | 0641612 | 4 | Bolt 3/8 x 1-1/2 | |
| 11 | 0641708 | 2 | Bolt 7/16 x 1 | |
| 12 | 0641806 | 1 | Bolt 1/2 x 3/4 | |
| 13 | 0681820 | 3 | Bolt 1/2 x 2-1/2 Grade 8 | |
| 14 | 0681822 | 1 | Bolt 1/2 x 2-3/4 Grade 8 | |
| 15 | 0700814 | 1 | Bolt M8 x 30 | |
| 16 | 0711215 | 6 | Bolt M12 x 35 | |
| 17 | 0741605 | 2 | Screw 3/8 x 5/8 | |
| 18 | 0760605 | 2 | Bolt M6 x 10 | |
| 19 | 0760810 | 9 | Bolt M8 x 20 | |
| 20 | 0761015 | 3 | Bolt M10 x 35 | |
| 21 | 0761210 | 1 | Bolt M12 x 20 | |
| 22 | 0771414 | 2 | Bolt M14 x 30 Grade 10.9 | |
| 23 | 0771415 | 3 | Bolt M14 x 35 Grade 10.9 | |
| 24 | 0940070 | 1 | Bumper | |
| 25 | 0961986 | 2 | Bushing, Flanged | |
| 26 | 1703162 | 1 | Decal - Caution Fan Blade | |
| 27 | 2220315 | 1 | Fitting, Straight Barbed | |
| 28 | 2720340 | 1 ft /0.3 m | Hose | |
| 29 | 3200401 | 4 | Mount, Motor | |
| 30 | 3271801 | 4 | Nut 1/2 Grade 8 | |
| 31 | 3291005 | 3 | Nut M10 | |
| 32 | 3311405 | 6 | Nut 1/4 | |
| 33 | 3311505 | 2 | Nut 5/16 | |
| 34 | 3311605 | 17 | Nut 3/8 | |
| 35 | 3931432 | 1 | Capscrew 1/4 x 2 | |
| 36 | 3931512 | 4 | Capscrew 5/16 x 3/4 | |
| 37 | 4031914 | 4 | Capscrew M8 x 50 | |
| 38 | 4060805 | 2 ft /0.4 m | Flex-Trim | |
| 39 | 4240099 | AR | Tie-Strap (Not Shown) | |
| 40 | 4640751 | 1 | Valve, Oil Drain | |
| 41 | 4711400 | 3 | Washer 1/4 | |
| 42 | 4711500 | 4 | Washer 5/16 | |
| 43 | 4711700 | 2 | Washer 7/16 | |
| 44 | 4711800 | 1 | Washer 1/2 | |
| 45 | 4751400 | 6 | Washer 1/4 | |
| 46 | 4751500 | 4 | Washer 5/16 | |
| 47 | 4751600 | 34 | Washer 3/8 | |
| 48 | 4811702 | 2 | Washer M6 | |
| 49 | 4811900 | 5 | Washer M8 | |

SECTION 3 - ENGINE

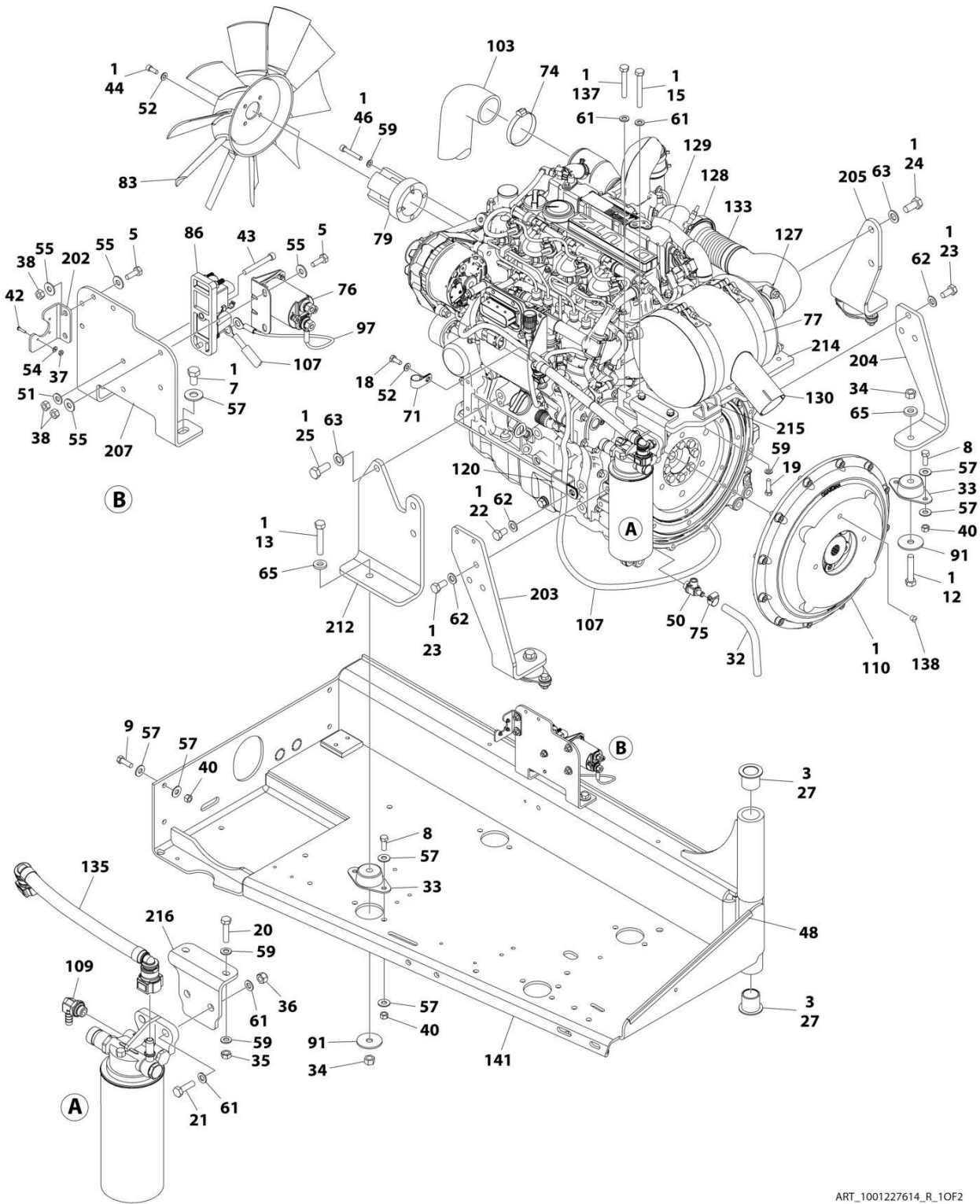
| ITEM | PART NUMBER | QTY | DESCRIPTION | REV |
|------|-------------|-----------|--|-----|
| 50 | 4811902 | 8 | Washer M8 | |
| 51 | 4812000 | 10 | Washer M10 | |
| 52 | 4812100 | 7 | Washer M12 | |
| 53 | 4812200 | 5 | Washer M14 | |
| 54 | 4891500 | 1 | Washer 5/16 | |
| 55 | 4891800 | 4 | Washer 1/2 | |
| 56 | 5240800 | 1 | Washer M8 | |
| 57 | 5251010 | 2 | Bolt M10 x 20 | |
| 58 | 8405007 | 2 | Clamp | |
| 59 | 8405009 | 4 | Clamp | |
| 60 | 8405104 | 4 | Clamp | |
| 61 | 8405204 | 2 | Clamp | |
| 62 | 8406109 | 1 | Clip | |
| 63 | 8406110 | 1 | Clip | |
| 64 | 8406201 | 2 | Clip | |
| 65 | 8410011 | 2 | Clamp | |
| 66 | 8410013 | 1 | Clamp | |
| 67 | 85031405 | 1 | Clamp | |
| 68 | 1001117308 | 1 | Relay | |
| 69 | 1001135138 | 1 | Adapter | |
| 70 | 1001136834 | 1 | Cap, Tank | |
| 71 | 1001137276 | 1 | Fan | |
| 72 | 1001138173 | 1 | Support | |
| 73 | 1001138175 | 1 | Bracket | |
| 74 | 1001138228 | 1 | Relay, Power Module | |
| 75 | 1001138248 | 8 ft /3 m | Tube | |
| 76 | 1001138489 | 1 | Air Cleaner Assembly | |
| 77 | 1001138557 | 1 | Clamp | |
| 78 | 1001139409 | 4 | Washer, Special | |
| 79 | 1001140448 | 1 | Mount, Rear Engine | |
| 80 | 1001140450 | 1 | Mount, Rear Engine | |
| 81 | 1001140454 | 1 | Mount, Front Engine | |
| 82 | 1001141304 | 1 | Harness, Glow Plug | |
| 83 | 1001141370 | 1 | Hose | |
| 84 | 1001141419 | 1 | Shim | |
| 85 | 1001141585 | 1 | Hose, Inlet | |
| 86 | 1001141586 | 1 | Pipe, Intake | |
| 87 | 1001141995 | 1 | Fitting, Straight NPT/Barbed | |
| 88 | 1001142623 | 1 | Hose, Inlet | |
| 89 | 1001143390 | 1 | Indicator, Service | |
| 90 | 1001143797 | 1 | Fitting, Straight Metric/Barbed | |
| 91 | 1001143907 | 1 | Cable, Alternator Power | |
| 92 | 1001145154 | 1 | Plate, Relay Mounting | |
| 93 | 1001146588 | 3 | Strap | |
| 94 | 1001152489 | 1 | Fitting, 90 Metric/ Barbed | |
| 95 | 1001153282 | 1 | Pump Coupling Kit (See Separate Breakdown in this section) | |
| 96 | 1001156107 | 1 | Holder, Cable | |
| 97 | 1001165842 | 1 | Pipe | |
| 98 | 1001167042 | 1 | Radiator (Modine Radiator) | |
| 99 | 1001169054 | 4 | Pad, Isolator | |
| 100 | 1001169138 | 4 | Washer | |

SECTION 3 - ENGINE

| ITEM | PART NUMBER | QTY | DESCRIPTION | REV |
|------|-------------|-----|--|-----|
| 101 | 1001177359 | 1 | Hose | |
| 102 | 1001177844 | 1 | Hose, Radiator - Upper | |
| 103 | 1001177845 | 1 | Hose, Radiator - Lower | |
| 104 | 1001178223 | 2 | Bracket, Radiator | |
| 105 | 1001180620 | AR | Adhesive | |
| 106 | 1001186985 | 1 | Plate, Mounting | |
| 107 | 1001190610 | 1 | Tray | |
| 108 | 1001191620 | 1 | Clamp | |
| 109 | 1001202368 | 1 | Mount, Generator/Engine | |
| 110 | 1001204325 | 2 | Bracket, Radiator | |
| 111 | 1001230635 | 1 | Tank | |
| 112 | 1001235949 | 1 | Bracket, Fuel Pump/Filter Assy (See Separate Breakdown in this Section) | |
| 113 | 1001238268 | 1 | Mount, Fuel Filter | |
| 114 | 1001245913 | 1 | Harness, Deutz TD2.9L4 (Stage V) Engine Fuel Filter (See Separate Breakdown in ELECTRICAL Section) | |
| 115 | 1001258800 | 1 | Adapter | |
| 116 | 1001260412 | 1 | Bracket, Surge Tank | |
| 117 | 1001260413 | 1 | Bracket, Tank | |
| 118 | 1001281192 | 1 | Pulley | |
| 119 | 1001261045 | 4 | Capscrew M10 x 45 | |
| 120 | 1001261085 | 4 | Capscrew M10 x 85 | |
| 121 | 1001276644 | 1 | Harness Deutz (Not Shown - See Separate Breakdown in ELECTRICAL Section) | |
| 122 | 1001277592 | 1 | Engine Deutz (See Separate Breakdown in this section) | |
| 123 | 4240032 | AR | Tie-Strap (Not Shown) | |
| 124 | 1001291401 | 1 | Tag, Coolant | |

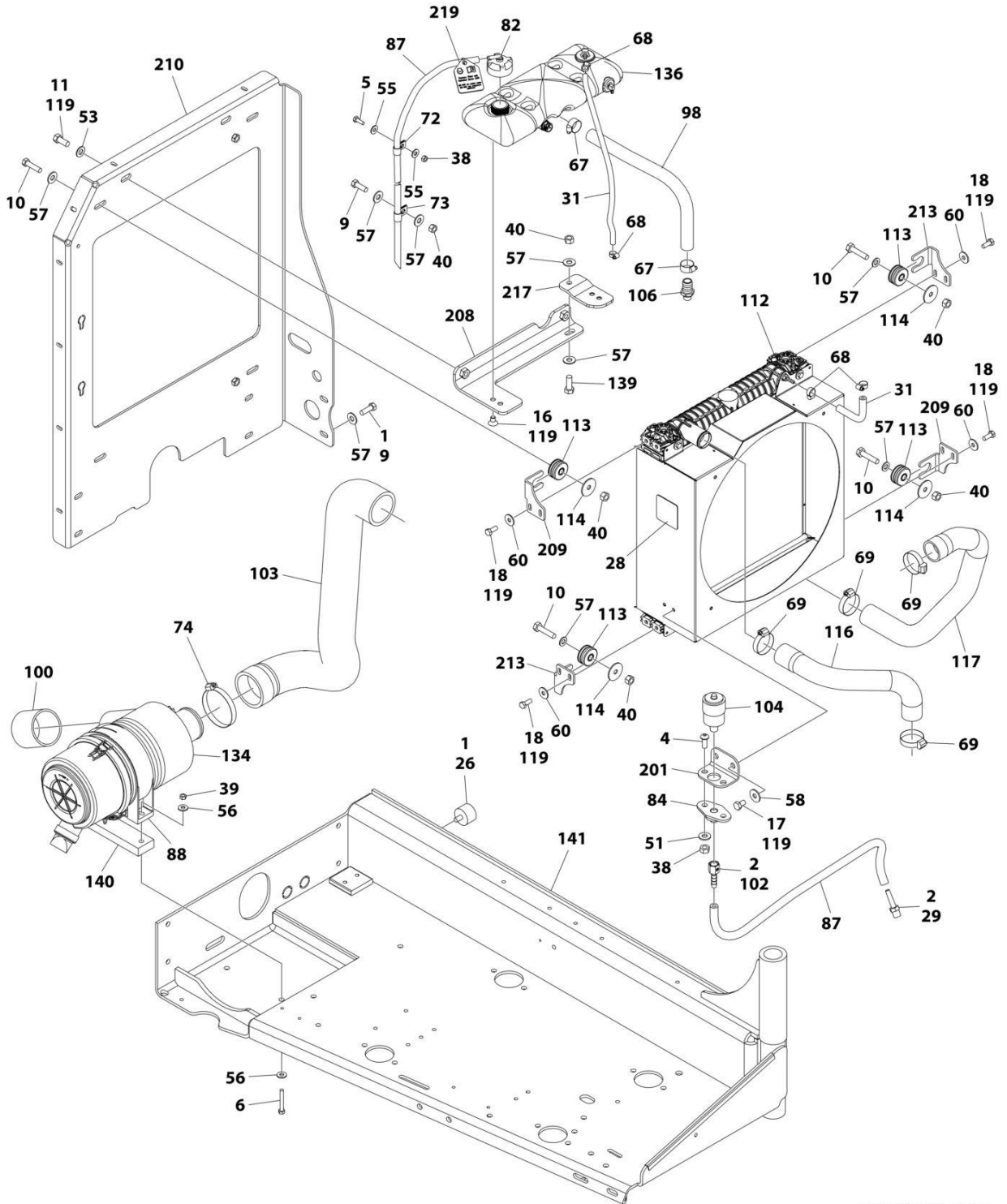
SECTION 3 - ENGINE

FIGURE 3-17. DEUTZ TD2.9L4 ENGINE ASSEMBLY (CHINA III SPECS)



ART_1001227614_R_10F2

SECTION 3 - ENGINE



ART_1001227614_R_20F2

SECTION 3 - ENGINE

FIGURE 3-17. DEUTZ TD2.9L4 ENGINE ASSEMBLY (CHINA III SPECS)

| ITEM | PART NUMBER | QTY | DESCRIPTION | REV |
|------|-------------|-------------|-------------------------------|-----|
| | 1001227614 | Ref | DEUTZ TD2.9L4 ENGINE ASSEMBLY | R |
| 1 | 0100011 | AR | Compound, Locking | |
| 2 | 0100020 | AR | Sealant | |
| 3 | 0100062 | AR | Compound, Locking | |
| 4 | 0630407 | 2 | Screw 1/4 x 5/8 | |
| 5 | 0641406 | 5 | Bolt 1/4 x 3/4 | |
| 6 | 0641518 | 2 | Bolt 5/16 x 2-1/4 | |
| 7 | 0641605 | 2 | Bolt 3/8 x 5/8 | |
| 8 | 0641608 | 8 | Bolt 3/8 x 1 | |
| 9 | 0641609 | 6 | Bolt 3/8 x 1-1/8 | |
| 10 | 0641612 | 4 | Bolt 3/8 x 1-1/2 | |
| 11 | 0641708 | 2 | Bolt 7/16 x 1 | |
| 12 | 0681820 | 3 | Bolt 1/2 x 2-1/2 Grade 8 | |
| 13 | 0681822 | 1 | Bolt 1/2 x 2-3/4 Grade 8 | |
| 15 | 0701025 | 2 | Bolt M10 x 85 | |
| 16 | 0741605 | 2 | Screw 3/8 x 5/8 | |
| 17 | 0760605 | 2 | Bolt M6 x 10 | |
| 18 | 0760810 | 10 | Bolt M8 x 20 | |
| 19 | 0760814 | 4 | Bolt M8 x 30 | |
| 20 | 0760815 | 2 | Bolt M8 x 35 | |
| 21 | 0761015 | 2 | Bolt M10 x 35 | |
| 22 | 0761210 | 1 | Bolt M12 x 20 | |
| 23 | 0771212 | 6 | Bolt M12 x 25 Grade 10.9 | |
| 24 | 0771414 | 2 | Bolt M14 x 30 Grade 10.9 | |
| 25 | 0771415 | 3 | Bolt M14 x 35 | |
| 26 | 0940070 | 1 | Bumper | |
| 27 | 0961986 | 2 | Bushing, Flanged | |
| 28 | 1703162 | 1 | Decal - Caution Fan Blade | |
| 29 | 2220315 | 1 | Fitting, Straight Barbed | |
| 31 | 2720015 | 3 ft /1 m | Hose | |
| 32 | 2720340 | 1 ft /0.4 m | Hose | |
| 33 | 3200401 | 4 | Mount, Motor | |
| 34 | 3271801 | 4 | Nut 1/2 | |
| 35 | 3290801 | 2 | Nut M8 | |
| 36 | 3291005 | 2 | Nut M10 | |
| 37 | 3310401 | 3 | Nut #4 | |
| 38 | 3311405 | 8 | Nut 1/4 | |
| 39 | 3311505 | 2 | Locknut 5/16 | |
| 40 | 3311605 | 17 | Nut 3/8 | |
| 42 | 3910408 | 3 | Screw #4 x 1/2 | |
| 43 | 3931432 | 1 | Capscrew 1/4 x 2 | |
| 44 | 3931512 | 4 | Capscrew 5/16 x 3/4 | |
| 46 | 4031914 | 4 | Capscrew M8 x 50 | |
| 48 | 4060805 | 2 ft /0.4 m | Flex-Trim | |
| 49 | 4240099 | AR | Tie-Strap (Not Shown) | |
| 50 | 4640751 | 1 | Valve, Oil Drain | |
| 51 | 4711400 | 3 | Washer 1/4 | |
| 52 | 4711500 | 5 | Washer 5/16 | |
| 53 | 4711700 | 2 | Washer 7/16 | |
| 54 | 4750400 | 3 | Washer #4 | |

SECTION 3 - ENGINE

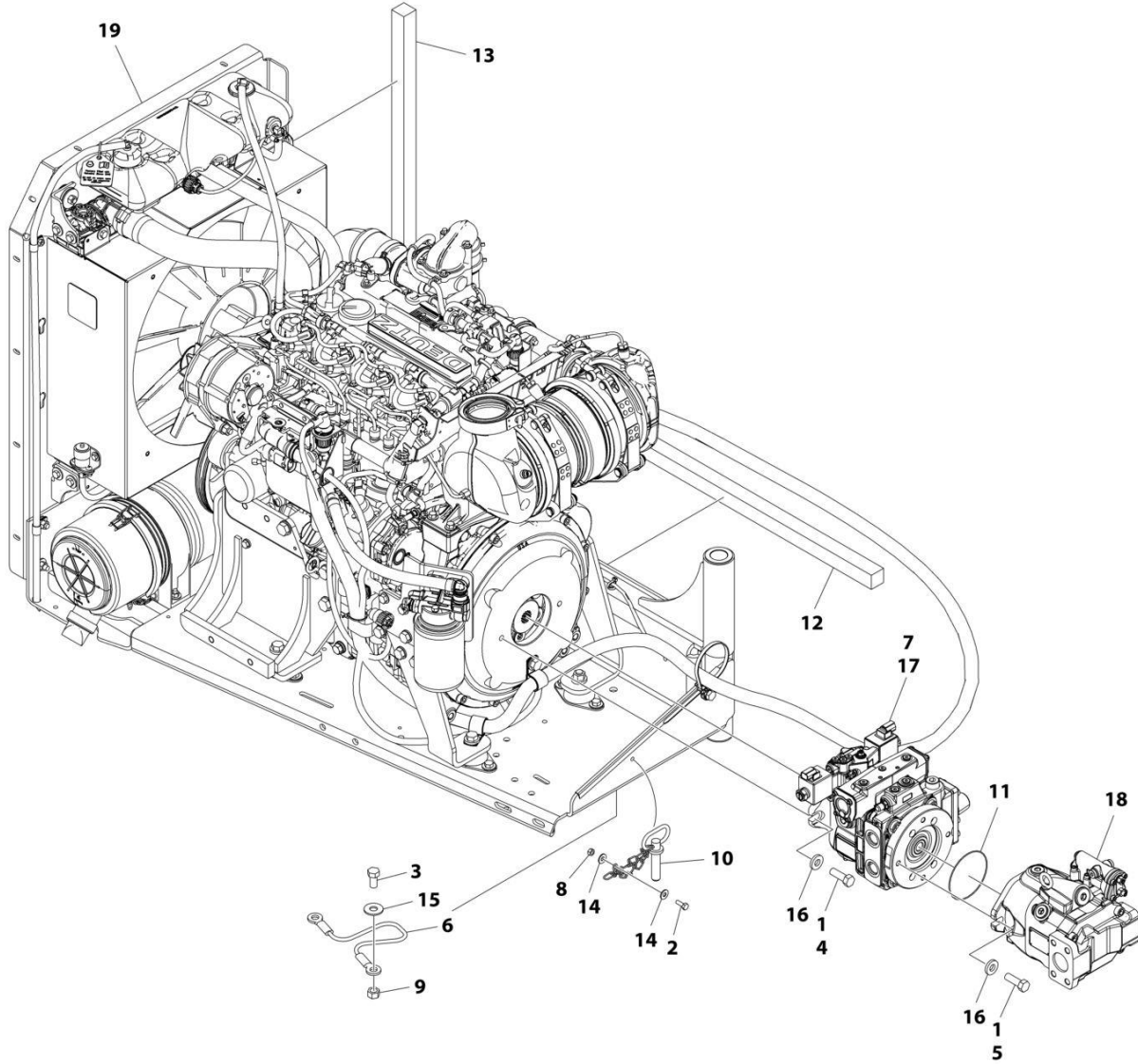
| ITEM | PART NUMBER | QTY | DESCRIPTION | REV |
|------|-------------|-----------|--|-----|
| 55 | 4751400 | 10 | Washer 1/4 | |
| 56 | 4751500 | 4 | Washer 5/16 | |
| 57 | 4751600 | 34 | Washer 3/8 | |
| 58 | 4811702 | 2 | Washer M6 | |
| 59 | 4811900 | 12 | Washer M8 | |
| 60 | 4811902 | 8 | Washer M8 | |
| 61 | 4812000 | 8 | Washer M10 | |
| 62 | 4812100 | 7 | Washer M12 | |
| 63 | 4812200 | 5 | Washer M14 | |
| 65 | 4891800 | 4 | Washer 1/2 | |
| 67 | 8405007 | 2 | Clamp | |
| 68 | 8405009 | 4 | Clamp | |
| 69 | 8405104 | 4 | Clamp | |
| 71 | 8406102 | 1 | Clip | |
| 72 | 8406109 | 1 | Clip | |
| 73 | 8406110 | 1 | Clip | |
| 74 | 8410011 | 2 | Clamp | |
| 75 | 8410013 | 1 | Clamp | |
| 76 | 1001117308 | 1 | Relay | |
| 77 | 1001233089 | 2 | Strap | |
| 79 | 1001135138 | 1 | Adapter | |
| 82 | 1001136834 | 1 | Cap, Tank | |
| 83 | 1001137276 | 1 | Fan | |
| 84 | 1001138173 | 1 | Support | |
| 86 | 1001138228 | 1 | Relay, Power Module | |
| 87 | 1001138248 | 6 ft /2 m | Tube | |
| 88 | 1001138557 | 1 | Clamp | |
| 91 | 1001139409 | 4 | Washer, Special | |
| 97 | 1001141304 | 1 | Harness, Glow Plug | |
| 98 | 1001141370 | 1 | Hose | |
| 100 | 1001141585 | 1 | Hose, Inlet | |
| 102 | 1001141995 | 1 | Fitting, Straight NPT/Barbed | |
| 103 | 1001266525 | 1 | Hose, Inlet | |
| 104 | 1001143390 | 1 | Indicator, Service | |
| 105 | 1001143726 | 1 | Harness, Deutz Engine (Not Shown - See Separate Breakdown in ELECTRICAL SECTION) | |
| 106 | 1001143797 | 1 | Fitting, Straight Metric/Barbed | |
| 107 | 1001143907 | 1 | Cable, Alternator Power | |
| 109 | 1001152489 | 1 | Fitting, 90 Metric/ Barbed | |
| 110 | 1001153282 | 1 | Pump Coupling Kit (See Separate Breakdown in this Section) | |
| 112 | 1001167042 | 1 | Radiator | |
| 113 | 1001169054 | 4 | Isolator | |
| 114 | 1001169138 | 4 | Washer | |
| 116 | 1001177844 | 1 | Hose, Radiator - Upper | |
| 117 | 1001177845 | 1 | Hose, Radiator - Lower | |
| 119 | 1001180620 | AR | Adhesive | |
| 120 | 1001181899 | 1 | P-Clamp | |
| 127 | 1001221212 | 1 | Clamp | |
| 128 | 1001221219 | 1 | Clamp | |
| 129 | 1001223591 | 1 | Engine, Deutz TD2.9L4 Components (See Separate Breakdown in this Section) | |
| 130 | 1001257278 | 1 | Muffler | |

SECTION 3 - ENGINE

| ITEM | PART NUMBER | QTY | DESCRIPTION | REV |
|------|-------------|-----|---|-----|
| 133 | 1001224940 | 1 | Pipe, Exhaust | |
| 134 | 1001138489 | 1 | Air Cleaner Assembly | |
| 134 | 91403102 | 1 | Element, Filter | |
| 135 | 1001177359 | 1 | Hose | |
| 136 | 1001230635 | 1 | Tank | |
| 137 | 0701022 | 2 | Bolt M10 x 70 | |
| 138 | 3520054 | 1 | Plug | |
| 139 | 0681608 | 1 | Bolt 3/8 x 1 Grade 8 | |
| 140 | 1001267256 | 1 | Shim, Air Cleaner | |
| 141 | 1001190610 | 1 | Support, Engine Try | |
| 200 | 1001257412 | 1 | Bracket Engine Kit (Includes Items 201-217) | F |
| 201 | 1001138175 | 1 | Bracket | |
| 203 | 1001140448 | 1 | Mount, Rear Engine | |
| 204 | 1001140450 | 1 | Mount, Rear Engine | |
| 205 | 1001140454 | 1 | Mount, Front Engine | |
| 207 | 1001145154 | 1 | Plate, Relay Mounting | |
| 208 | 1001260413 | 1 | Bracket, Tank | |
| 209 | 1001178223 | 2 | Bracket, Radiator | |
| 210 | 1001186985 | 1 | Plate, Mounting | |
| 212 | 1001266499 | 1 | Mount, Generator/Engine | |
| 213 | 1001204325 | 2 | Bracket, Radiator | |
| 214 | 1001221203 | 1 | Bracket | |
| 215 | 1001224936 | 1 | Mount, Doc Weldment | |
| 216 | 1001224937 | 2 | Mount, Fuel Filter | |
| 217 | 1001260412 | 1 | Bracket | |
| 218 | 4240032 | AR | Tie-Strap (Not Shown) | |
| 219 | 1001291401 | 1 | Tag, Coolant | |

SECTION 3 - ENGINE

FIGURE 3-18. DEUTZ TD2.9L4 ENGINE/PUMP SUB ASSEMBLY (STAGE V)



ART_1001296655

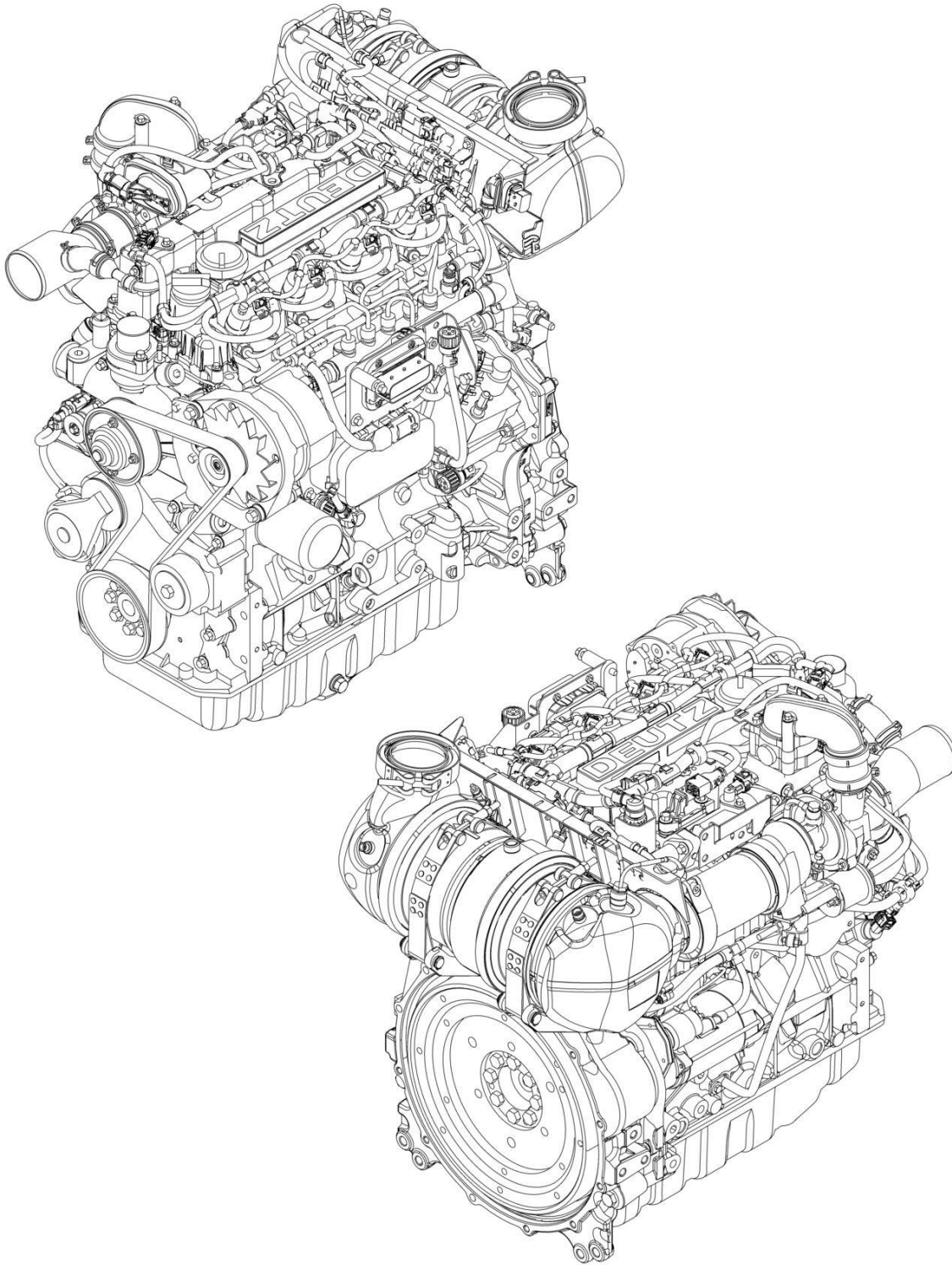
SECTION 3 - ENGINE

FIGURE 3-18. DEUTZ TD2.9L4 ENGINE/PUMP SUB ASSEMBLY (STAGE V)

| ITEM | PART NUMBER | QTY | DESCRIPTION | REV |
|------|-------------|-----|--|-----|
| | 1001296655 | Ref | DEUTZ D2011 ENGINE/PUMP SUB-ASSEMBLY | A |
| 1 | 0100011 | AR | Compound, Locking | |
| 2 | 0641406 | 1 | Bolt 1/4 x 3/4 | |
| 3 | 0641808 | 1 | Bolt 1/2 x 1 | |
| 4 | 0641812 | 2 | Bolt 1/2 x 1-1/2 | |
| 5 | 0711215 | 2 | Bolt M12 x 35 | |
| 6 | 1060637 | 1 | Lanyard | |
| 7 | 3020037 | AR | Lubricant | |
| 8 | 3311405 | 1 | Nut 1/4 | |
| 9 | 3311801 | 1 | Nut 1/2 | |
| 10 | 3422532 | 1 | Pin, Hitch | |
| 11 | 3790044 | 1 | O-Ring | |
| 12 | 3960468 | 1 | Seal | |
| 13 | 3960469 | 1 | Seal | |
| 14 | 4751400 | 2 | Washer 1/4 | |
| 15 | 4751800 | 1 | Washer 1/2 | |
| 16 | 4891800 | 4 | Washer 1/2 | |
| 17 | 1001276376 | 1 | Hydrostatic Pump Assembly (See Separate Breakdown in this Section) | |
| 18 | 1001276377 | 1 | Variable Pump Assembly with Fittings (See Separate Breakdown in this Section) | |
| 19 | 1001277598 | 1 | Engine Assembly - DEUTZ 2.9L4 (Stage V) Engines (See Separate Breakdown in this Section) | |

SECTION 3 - ENGINE

FIGURE 3-19. DEUTZ TD2.9L4 ENGINE COMPONENTS (STAGE V)



ART_1001277592

SECTION 3 - ENGINE

FIGURE 3-19. DEUTZ TD2.9L4 ENGINE COMPONENTS (STAGE V)

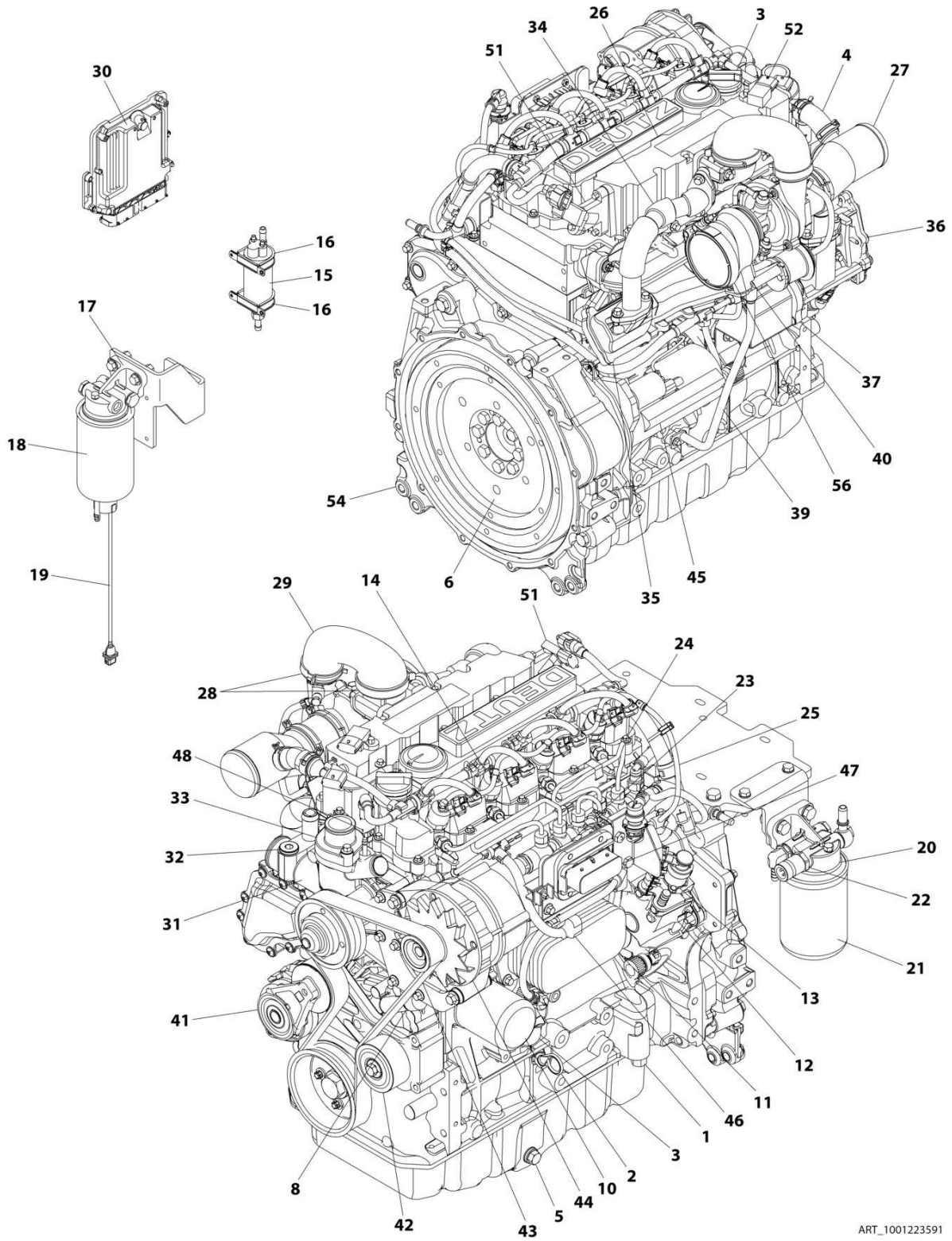
| ITEM | PART NUMBER | QTY | DESCRIPTION | REV |
|------|-------------|-----|--|-----|
| | 1001277592 | Ref | DEUTZ ENGINE COMPONENTS | A |
| | See Note | Ref | Note: Additional components may be available. Contact JLG Customer Service for more details. | |
| | | Ref | COOLING SYSTEM COMPONENTS | |
| | 70031474 | 1 | Cooler, Oil | |
| | 70031388 | 1 | Seal, Oil Cooler | |
| | 70030360 | 1 | Pump, Coolant (Includes Gasket & Sealing Rings) | |
| | 70031055 | 1 | O-Ring, Coolant Pump | |
| | 7020492 | 1 | Seal | |
| | 70007325 | 1 | Gasket | |
| | 70007603 | 1 | Thermostat | |
| | 70005184 | 1 | O-Ring, Thermostat | |
| | 70005931 | 1 | Gasket, Thermostat | |
| | 70025142 | 1 | Cover, Thermostat | |
| | | Ref | ELECTRICAL SYSTEM COMPONENTS | |
| | 70024513 | 1 | Sensor, Fuel Filter | |
| | 70024504 | 1 | Sensor, Fuel Pressure (at Fuel Filter) (Includes Seal) | |
| | 70024920 | 1 | Seal | |
| | 70027405 | 1 | Sensor, Temperature | |
| | 70007803 | 1 | Generator (Includes Regulator) | |
| | 70031143 | 1 | Regulator, Voltage | |
| | 70031144 | 1 | Starter | |
| | 70025231 | 1 | Harness, Glow Plug (Not Shown) | |
| | 1001211556 | 1 | Sensor, Temperature 90 (Includes O-Ring) | |
| | 70028540 | 1 | Sensor, Temperature (Includes O-Ring) (in Cylinder Head) | |
| | 70029407 | 1 | Sensor, Pressure (Includes Seal) (On Exhaust Manifold) | |
| | 70024507 | 1 | Sensor, Pressure (Includes O-Ring) (Charge Manifold) | |
| | 70031475 | 1 | Sensor, Temperature (Includes O-Ring) (Charge Manifold) | |
| | 70026210 | 2 | Sensor, Speed (Includes Seal) (Rear of Block & Front Cover) | |
| | | Ref | Module, Engine Control | |
| | | Ref | Harness, Engine | |
| | 70000345 | 4 | Plug, Glow (Not Shown) | |
| | 70024505 | 1 | Sender, Temperature (Inlet End of Calalyst) | |
| | 70029409 | 1 | Sender, Temperature (Outlet End of Calalyst) | |
| | | Ref | EXHAUST SYSTEM COMPONENTS | |
| | 70031136 | 1 | Pipe, Exhaust Recirculation | |
| | 70029557 | 1 | Gasket, Exhaust Recirculation Pipe to Exhaust Manifold (Upper) | |
| | 70007354 | 1 | Gasket, Exhaust Recirculation Pipe (Lower) | |
| | 70025164 | 1 | Gasket, Exhaust Manifold to Head | |
| | 70025130 | 8 | Bolt, Exhaust Manifold | |
| | 70031138 | 1 | Valve, EGR | |
| | 70007326 | 1 | Gasket, EGR Vlave | |
| | 70005504 | 1 | Sensor, Pressure (Exhaust) (includes Seals) | |
| | 70004276 | 1 | Turbocharger | |
| | 70024912 | 1 | Gasket, Turbocharger | |
| | 70008564 | 1 | Catalyst | |
| | 70029520 | 2 | Gasket (on both ends of Catalyst) | |
| | 70029517 | 2 | Clamp (on both ends of Catalyst) | |
| | 70004504 | 1 | Compensator | |

SECTION 3 - ENGINE

| ITEM | PART NUMBER | QTY | DESCRIPTION | REV |
|------|-------------|-----|---|-----|
| | 70025242 | 2 | Gasket (at Compensator) | |
| | 70030097 | 1 | Clamp (Compensator Engine Side) | |
| | 70030099 | 1 | Clamp (Compensator Catalyst Side) | |
| | | Ref | FUEL SYSTEM COMPONENTS | |
| | 1001225430 | 1 | Filter, Fuel (Primary) | |
| | 1001225431 | 1 | Filter, Fuel (Secondary) | |
| | 70030381 | 1 | Pump, Injection/High Pressure (Includes Control Valves, Gasket & O-Rings) | |
| | 70025152 | 1 | O-Ring (Between Pump AND Spacer) | |
| | 70004505 | 1 | Valve, Overflow | |
| | 70004506 | 1 | O-Ring | |
| | 70004507 | 1 | O-Ring | |
| | 70004508 | 1 | Valve, Volume Control | |
| | 70004509 | 1 | O-Ring | |
| | 70004510 | 1 | Gasket | |
| | 70025181 | 4 | Injector, Fuel (Includes O-Ring) | |
| | 70025145 | 4 | O-Ring | |
| | 70008422 | 1 | Pump, Fuel Supply | |
| | 70025144 | 2 | Clamp | |
| | | Ref | GASKETS & SEAL & KITS (Note: Some components listed with main component) | |
| | 70005938 | 1 | Gasket Kit | |
| | 70024906 | 1 | Gasket, Head | |
| | 70005171 | 1 | Gasket, Valve Cover | |
| | 70004280 | 1 | Seal, Main (Front) | |
| | 70002718 | 1 | Seal, Main (Rear) | |
| | 70005177 | 1 | Gasket, Air Charge Pipe | |
| | 70005176 | 1 | O-Ring, Air Charge Pipe | |
| | 70008538 | 2 | Gasket, Throttle Valve | |
| | | Ref | LUBRICATION SYSTEM COMPONENTS | |
| | 7016331 | 1 | Filter, Oil | |
| | 70024904 | 1 | Dipstick | |
| | 70024905 | 1 | Seal, Dipstick | |
| | 7020465 | 2 | Cap, Filler | |
| | 70005941 | 2 | Plug, Oil Drain | |
| | 70005942 | 2 | Ring, Oil Drain Plug Sealing | |
| | 70005172 | 1 | Pump, Oil Lube (Includes Gasket & O-Ring) | |
| | 70005173 | 1 | Gasket | |
| | 70025135 | 1 | O-Ring | |
| | | Ref | MECHANICAL COMPONENTS | |
| | 70001870 | 1 | Flywheel (Includes Ring Gear) | |
| | 7024579 | 1 | Gear, Ring | |
| | 70030359 | 1 | Tensioner, Belt (Generator) | |
| | 70027432 | 1 | Idler (Generator Belt) | |
| | 70004277 | 1 | Belt, Generator Drive | |

SECTION 3 - ENGINE

FIGURE 3-20. DEUTZ TD2.9L4 ENGINE COMPONENTS (CHINA III SPECS)



ART_1001223591

SECTION 3 - ENGINE

FIGURE 3-20. DEUTZ TD2.9L4 ENGINE COMPONENTS (CHINA III SPECS)

| ITEM | PART NUMBER | QTY | DESCRIPTION | REV |
|------|-------------|-----|---|-----|
| | 1001223591 | Ref | DEUTZ TD2.9L4 ENGINE COMPONENTS | C |
| 1 | 70025660 | 1 | Plug | |
| 1 | 70006264 | 1 | Valve, Plunger | |
| 1 | 70006265 | 1 | Spring | |
| 1 | 70006266 | 1 | Seal | |
| 2 | 70024904 | 1 | Dipstick | |
| 2 | 70024905 | 2 | Seal | |
| 3 | 7020465 | 2 | Cap, Fill | |
| 4 | 70005920 | 1 | Line, Breather | |
| 4 | 70025111 | 2 | Clamp | |
| 5 | 70006941 | 2 | Plug | |
| 5 | 70005942 | 2 | Seal | |
| 6 | 70001870 | 1 | Flywheel | |
| 6 | 7024579 | 1 | Ring Gear | |
| 6 | 70025139 | 8 | Bolt | |
| 7 | | Ref | Gasket & Seal Options (Not Shown): | |
| 7 | 70005938 | 1 | Gasket Kit | |
| 7 | 70024906 | 1 | Gasket, Head | |
| 7 | 70005922 | 1 | Gasket, Valve Cover | |
| 7 | 70028185 | 1 | Gasket, Front Cover | |
| 7 | 70004280 | 1 | Seal, Front Main | |
| 7 | 70002718 | 1 | Seal, Rear Main | |
| 8 | See Note | NSS | Valve, Slide (Note: Not Available for Purchase) | |
| 8 | 70025082 | 1 | Seal | |
| 9 | 70005172 | 1 | Pump, Lube (Not Shown - Located RH Rear) | |
| 9 | 70025135 | 1 | O-Seal | |
| 9 | 70005173 | 1 | Gasket | |
| 10 | 7016331 | 1 | Filter, Oil | |
| 11 | 70024494 | 1 | Cooler, Oil | |
| 11 | 70024925 | 1 | Gasket, Oil Filter | |
| 12 | 70024924 | 1 | Pump, High Pressure | |
| 12 | 70025152 | 1 | Gasket (Spacer to Pump) | |
| 12 | 70024488 | 1 | Spacer | |
| 12 | 70024517 | 1 | Gasket (Spacer to Block) | |
| 12 | 70004505 | 1 | Valve, Overflow | |
| 12 | 70004506 | 1 | Gasket, Overflow | |
| 12 | 70004507 | 1 | Gasket, Overflow | |
| 13 | 70004508 | 1 | Valve, Volume Control | |
| 13 | 70004509 | 1 | O-Ring | |
| 13 | 70004510 | 1 | Gasket | |
| 14 | 70025181 | 4 | Injector | |
| 14 | 70025140 | 4 | Washer, Sealing | |
| 14 | 70025146 | 4 | Clamp | |
| 14 | 70025145 | 4 | O-Seal | |
| 14 | 70025154 | 4 | Shoe/Pad, Clamping | |
| 15 | 70006144 | NLA | Pump, Fuel Supply (Use p/n 1001226098) | |
| 16 | 70025144 | 2 | Clip, Clamp | |
| 17 | 70024961 | 1 | Fuel Filter Assembly | |
| 18 | 1001225430 | 1 | Element, Filter | |
| 19 | 70024513 | 1 | Cable, Sensor | |

SECTION 3 - ENGINE

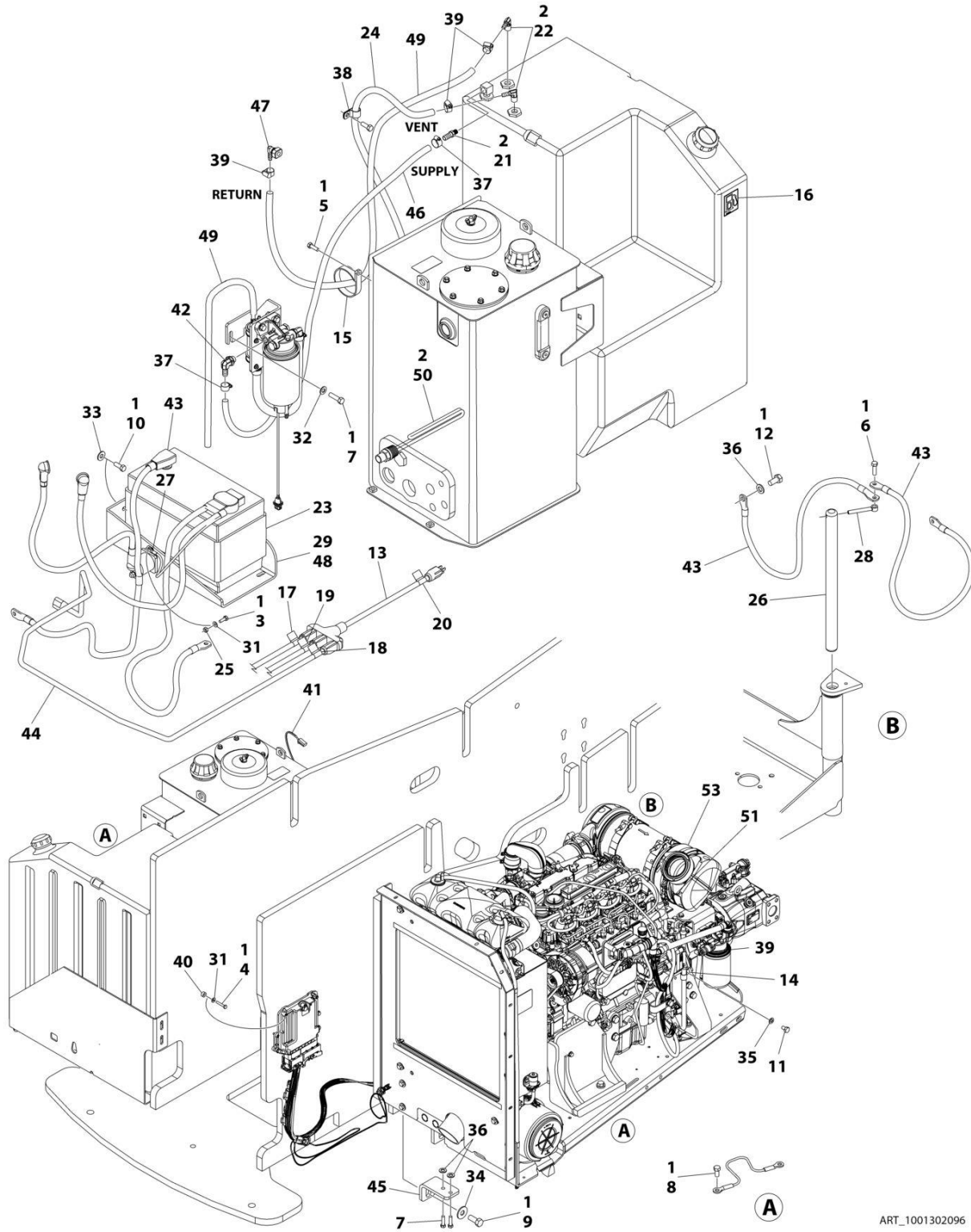
| ITEM | PART NUMBER | QTY | DESCRIPTION | REV |
|------|-------------|-----|---|-----|
| 19 | 70025239 | 1 | Seal, Ring | |
| 20 | 70004511 | 1 | Fuel Filter Assembly | |
| 20 | 70004513 | 2 | Seal (at Hollow Bolt) | |
| 21 | 1001225432 | 1 | Element, Filter | |
| 22 | 70028538 | 1 | Sensor, Pressure | |
| 22 | 70024920 | 1 | O-Seal | |
| 23 | 70025151 | 1 | Rail, Fuel | |
| 23 | 70025235 | 1 | Repair Kit - Fuel Rail | |
| 23 | 70025240 | 1 | O-Ring | |
| 24 | 70025182 | 1 | Tube, Fuel - Cylinders 1 & 2 | |
| 24 | 70025183 | 1 | Tube, Fuel - Cylinders 3 & 4 | |
| 24 | 70025184 | 1 | Tube, Fuel | |
| 25 | 70024502 | 1 | Pipe, Fuel Leakage | |
| 25 | 70025185 | 1 | Hose, Fuel | |
| 25 | 70025158 | 1 | Manifold | |
| 25 | 70025109 | 2 | Clamp, Spring | |
| 25 | 70025115 | 1 | Clamp | |
| 25 | 70025133 | 1 | Hose | |
| 25 | 70025101 | 2 | Clamp | |
| 25 | 70025148 | 1 | Connector, Plug-in | |
| 26 | 70005923 | 1 | Manifold, Charger Air | |
| 26 | 70005177 | 1 | Gasket, Charger Air Manifold | |
| 26 | 70005924 | 1 | Seal (Manifold to Elbow) | |
| 26 | 7000180 | 1 | Line, Breather (Not Shown) | |
| 26 | 70005181 | 1 | O-Seal (Breather to Manifold) | |
| 27 | 70005926 | 1 | Elbow | |
| 27 | 70025112 | 2 | Clamp | |
| 27 | 70004501 | 1 | Sleeve, Rubber | |
| 28 | See Note | NSS | Sleeve (Note: Not Available for Purchase) | |
| 28 | 70025107 | 2 | Clamp | |
| 29 | 70005928 | 1 | Elbow, Air Charge | |
| 30 | 70025210 | 1 | Module, ECU | |
| 31 | 70028802 | 1 | Pump, Coolant | |
| 31 | 70025200 | 1 | Ring, Sealing (Pump to Block) | |
| 32 | 70025084 | 2 | Plug | |
| 32 | 7020492 | 2 | Ring, Sealing | |
| 33 | 70005929 | 1 | Thermostat | |
| 33 | 70005184 | 1 | O-Seal (Thermostat to Housing) | |
| 33 | 70025142 | 1 | Housing, Thermostat | |
| 33 | 70005931 | 1 | O-Seal (Thermostat to Pump) | |
| 33 | 70025124 | 2 | Bolt | |
| 34 | See Note | NSS | Tube (Note: Not Available for Purchase) | |
| 34 | 70025179 | 2 | Gasket (at Either End of Tube) | |
| 35 | See Note | NSS | Valve, Shuttle (Note: Not Available for Purchase) | |
| 35 | 70025180 | 1 | Gasket | |
| 35 | See Note | NSS | Housing, Shuttle Valve (Note: Not Available for Purchase) | |
| 35 | 70025175 | 1 | Cap, Shuttle Valve | |
| 36 | 70025203 | 1 | Module, EGR | |
| 36 | 70025155 | 1 | Plug (Not Shown) | |
| 37 | 70005188 | 1 | Valve, EGR Control | |
| 37 | 70005189 | 1 | Seal (Valve to Module) | |

SECTION 3 - ENGINE

| ITEM | PART NUMBER | QTY | DESCRIPTION | REV |
|------|-------------|-----|--|-----|
| 38 | 70004282 | 1 | Manifold, Exhaust (Not Shown) | |
| 38 | 70025164 | 1 | Gasket, Manifold to Head (Not Shown) | |
| 38 | 70025130 | 8 | Bolt, Manifold (Not Shown) | |
| 38 | 70026995 | 1 | Elbow, Exhaust (Not Shown) | |
| 38 | 70025179 | 2 | Gasket, Manifold to Elbow (Not Shown) | |
| 39 | 70005932 | 1 | Tube, Oil Return | |
| 39 | 70025132 | 1 | O-Seal | |
| 40 | 70004276 | 1 | Turbocharger | |
| 40 | 70024509 | 1 | Gasket (Turbocharger to Oil Return Tube Housing) | |
| 40 | 1001191599 | 1 | Gasket (Turbocharger to Exhaust) | |
| 41 | 70025477 | 1 | Tensioner, Belt | |
| 42 | 70024484 | 1 | Roller, Idler | |
| 43 | 70004277 | 1 | Belt | |
| 44 | 70025733 | 1 | Pulley, Alternator | |
| 44 | 70006652 | 1 | Alternator | |
| 44 | 70006653 | 1 | Controller | |
| 44 | See Note | NSS | Fan (Note: Not Available for Purchase) | |
| 45 | 70024915 | 1 | Starter | |
| 45 | 70005647 | 1 | Switch, Solenoid | |
| 45 | 70005648 | 1 | Relay | |
| 46 | 70000345 | 4 | Glow Plug | |
| 46 | 70025231 | 1 | Harness, Glow Plug | |
| 46 | 70025233 | 1 | Connector, Plug-in | |
| 47 | 70025077 | 1 | Harness, Engine | |
| 48 | 70024918 | 1 | Sender, Temperature | |
| 49 | 70028538 | 1 | Sensor, Pressure (Not Shown - RH Front) | |
| 49 | 70024920 | 1 | O-Seal | |
| 50 | 70026210 | 1 | Sensor, Speed (Not Shown - Front) | |
| 50 | 70005191 | 1 | Ring, Seal | |
| 51 | 70024507 | 1 | Sensor, Pressure | |
| 51 | 70025120 | 1 | O-Seal | |
| 51 | 70005933 | 1 | Adapter | |
| 51 | 70005934 | 1 | O-Seal | |
| 52 | 70024922 | 1 | Sender, Temperature | |
| 52 | 70025212 | 1 | O-Seal | |
| 53 | 70026210 | 1 | Sensor, Speed (Not Shown - Front) | |
| 53 | 70024917 | 1 | O-Seal | |
| 54 | 70025192 | 1 | Housing | |
| 56 | 70005527 | 1 | Clip | |

SECTION 3 - ENGINE

FIGURE 3-21. DEUTZ D2.9L4 - EMR5 ENGINE INSTALLATION WITH ARCTIC PACKAGE



ART_1001302096

SECTION 3 - ENGINE

FIGURE 3-21. DEUTZ D2.9L4 - EMR5 ENGINE INSTALLATION WITH ARCTIC PACKAGE

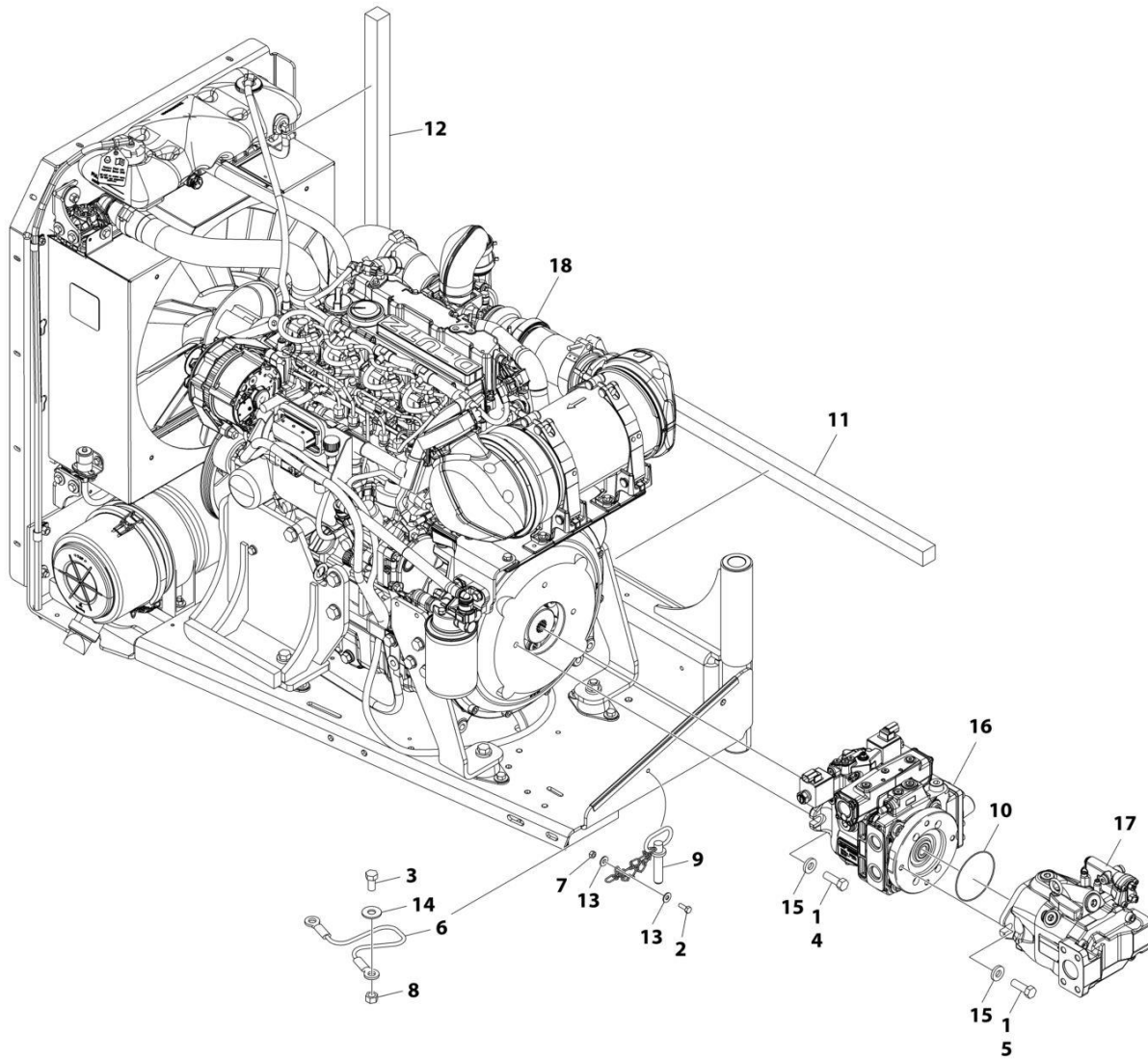
| ITEM | PART NUMBER | QTY | DESCRIPTION | REV |
|------|-------------|-----------|---|-----|
| | 1001302096 | Ref | ENGINE INSTALLATION EMR5 WITH ARCTIC PACKAGE | A |
| 1 | 0100011 | AR | Compound, Locking | |
| 2 | 0100020 | AR | Sealant, Pipe | |
| 3 | 0641406 | 2 | Bolt 1/4 x 3/4 | |
| 4 | 0641412 | 4 | Bolt 1/4 x 1-1/2 | |
| 5 | 0641508 | 1 | Bolt 5/16 x 1 | |
| 6 | 0641610 | 1 | Bolt 3/8 x 1-1/4 | |
| 7 | 0641611 | 4 | Bolt 3/8 x 1-3/8 | |
| 8 | 0641808 | 1 | Bolt 1/2 x 1 | |
| 9 | 0642012 | 1 | Bolt 5/8 x 1-1/2 | |
| 10 | 0681608 | 3 | Bolt 3/8 x 1 | |
| 11 | 0761008 | 1 | Bolt M10 x 16 | |
| 12 | 0771212 | 1 | Bolt M12 x 25 | |
| 13 | 1060626 | 1 | Cord, 3-Way Extension | |
| 14 | 1320061 | 1 | Clamp | |
| 15 | 1321339 | 1 | Clamp | |
| 16 | 1701505 | 1 | Decal - Diesel | |
| 17 | 1702941 | 1 | Decal - Battery Heater | |
| 18 | 1702942 | 1 | Decal - Engine Heater | |
| 19 | 1702943 | 1 | Decal - Hydraulic Tank Heater | |
| 20 | 1702944 | 1 | Decal - Heater Cord | |
| 21 | 2180832 | 1 | Fitting, Barbed | |
| 22 | 2220313 | 2 | Fitting, 90 | |
| 23 | 2580024 | 1 | Heater, Battery | |
| 24 | 2750532 | 4 ft /2 m | Hose | |
| 25 | 3311405 | 2 | Nut 1/4 | |
| 26 | 3422446 | 1 | Pin | |
| 27 | 3740067 | 1 | Relay | |
| 28 | 3841143 | 1 | Keeper, Pin | |
| 29 | 3980007 | 1 | Seat, Battery | |
| 30 | 4240033 | AR | Tie-Strap (Not Shown) | |
| 31 | 4711400 | 6 | Washer 1/4 | |
| 32 | 4711600 | 2 | Washer 3/8 | |
| 33 | 4751600 | 3 | Washer 3/8 | |
| 34 | 4752000 | 1 | Washer 5/8 | |
| 35 | 4812000 | 1 | Washer M10 | |
| 36 | 4812100 | 3 | Washer M12 | |
| 37 | 8405006 | 2 | Clamp | |
| 38 | 8406102 | 1 | Clip | |
| 39 | 8410013 | 4 | Clamp | |
| 40 | 1001110425 | 4 | Spacer | |
| 41 | 1001138491 | 1 | Fuel Harness (See Separate Breakdown in ELECTRICAL Section) | |
| 42 | 1001142501 | 1 | Fitting, 90 | |
| 43 | 1001143736 | 1 | Battery Cable Kit | |
| 43 | 7027084 | 1 | Cable, Battery (Black) (Battery - to Tray Pivot and Grds) | |
| 43 | 8270147 | 1 | Terminal, Battery (With Boot) | |
| 43 | 7027085 | 1 | Cable, Battery (Black) (Battery - to Aux Pump and Relay Grds) | |
| 43 | 7027086 | 1 | Cable, Battery (Black) (Engine to Tray Pivot) | |
| 43 | 7027087 | 1 | Cable (Red) (Battery + to Aux Relay/Power Module/Starter) | |
| 43 | 7027088 | 1 | Cable (Red) (Aux Relay to Aux Pump) | |

SECTION 3 - ENGINE

| ITEM | PART NUMBER | QTY | DESCRIPTION | REV |
|------|-------------|------------|---|-----|
| 43 | See Note | 1 | Cable (Aux Relay to Starter) (Note: Use P/N 7027087) | |
| 44 | 1001150918 | 1 | Cable, Extension Cord | |
| 45 | 1001153359 | 1 | Mount | |
| 46 | 1001154405 | 5 ft /2 m | Hose | |
| 47 | 1001155823 | 1 | Fitting, Quick Disconnect 90 | |
| 48 | 1001162497 | 1 | Bracket | |
| 49 | 1001165035 | 24 ft /8 m | Hose | |
| 50 | 1001188972 | 1 | Heater, Immersion | |
| 51 | 1001233763 | 1 | Breather Heater Installation (See Separate Breakdown in this Section) | |
| 52 | 1001289593 | 1 | ECU Power Jumper Harness (Not Shown) (See Separate Breakdown in ELECTRICAL Section) | |
| 53 | 1001301949 | 1 | Engine and Pump Assembly with Arctic Package (See Separate Breakdown in this Section) | |

SECTION 3 - ENGINE

FIGURE 3-22. DEUTZ D2.9L4 - EMR5 ENGINE AND PUMP SUB-ASSEMBLY WITH ARCTIC PACKAGE



ART_1001301949

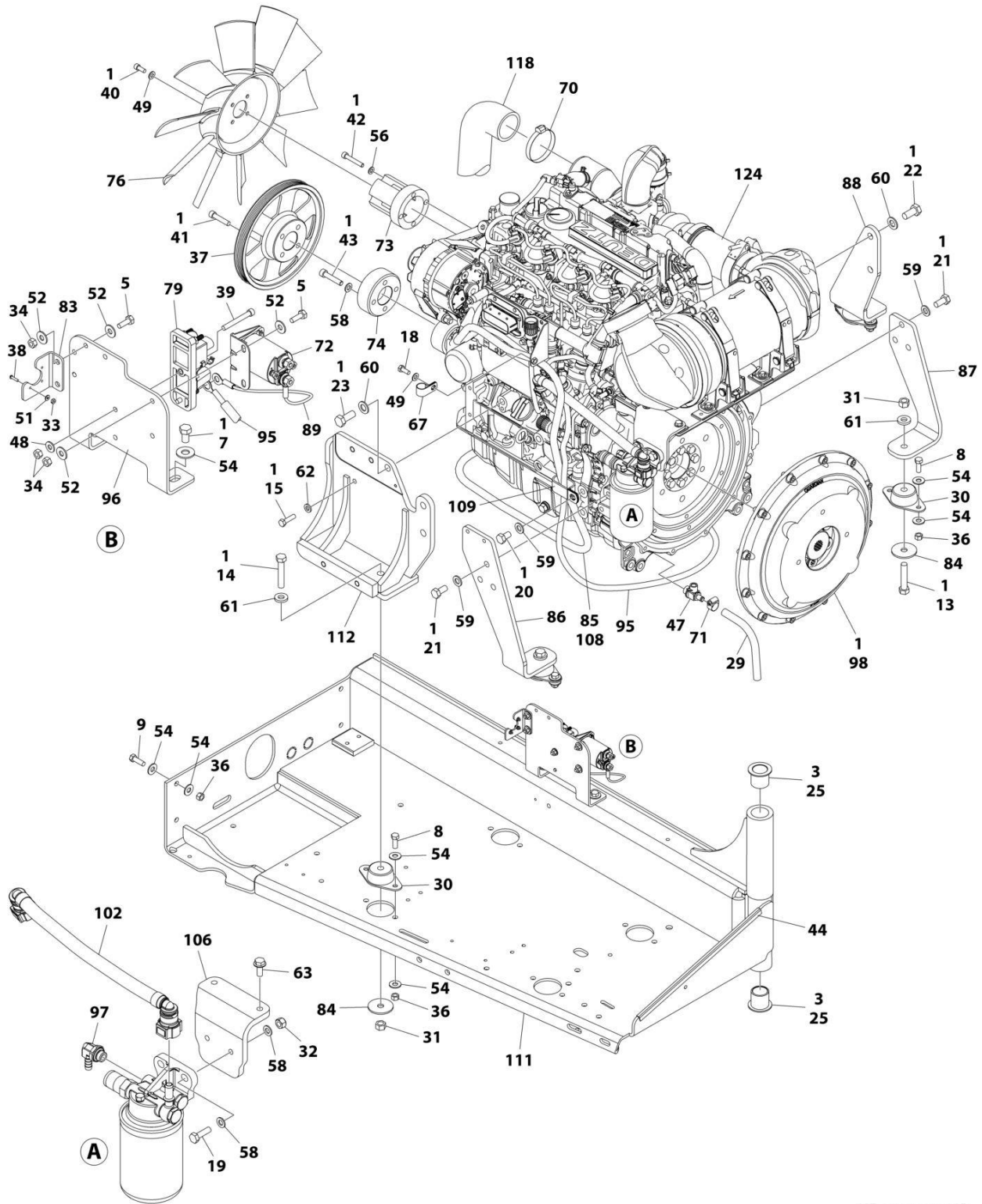
SECTION 3 - ENGINE

FIGURE 3-22. DEUTZ D2.9L4 - EMR5 ENGINE AND PUMP SUB-ASSEMBLY WITH ARCTIC PACKAGE

| ITEM | PART NUMBER | QTY | DESCRIPTION | REV |
|------|-------------|-----|---|-----|
| | 1001301949 | Ref | ENGINE AND PUMP SUB-ASSEMBLY EMR5 WITH ARCTIC PACKAGE | A |
| 1 | 0100011 | AR | Compound, Locking | |
| 2 | 0641406 | 1 | Bolt 1/4 x 3/4 | |
| 3 | 0641808 | 1 | Bolt 1/2 x 1 | |
| 4 | 0641812 | 2 | Bolt 1/2 x 1-1/2 | |
| 5 | 0711215 | 2 | Bolt M12 x 35 | |
| 6 | 1060637 | 1 | Lanyard | |
| 7 | 3311405 | 1 | Nut 1/4 | |
| 8 | 3311801 | 1 | Nut 1/2 | |
| 9 | 3422532 | 1 | Pin | |
| 10 | 3790044 | 1 | O-Ring | |
| 11 | 3960468 | 1 | Seal | |
| 12 | 3960469 | 1 | Seal | |
| 13 | 4751400 | 2 | Washer 1/4 | |
| 14 | 4751800 | 1 | Washer 1/2 | |
| 15 | 4891800 | 4 | Washer 1/2 | |
| 16 | 1001276376 | 1 | Hydrostatic Pump Assembly (See Separate Breakdown in this Section) | |
| 17 | 1001276377 | 1 | Variable Pump Assembly with Fittings (See Separate Breakdown in this Section) | |
| 18 | 1001301950 | 1 | Engine Assembly with Arctic Package (See Separate Breakdown in this Section) | |

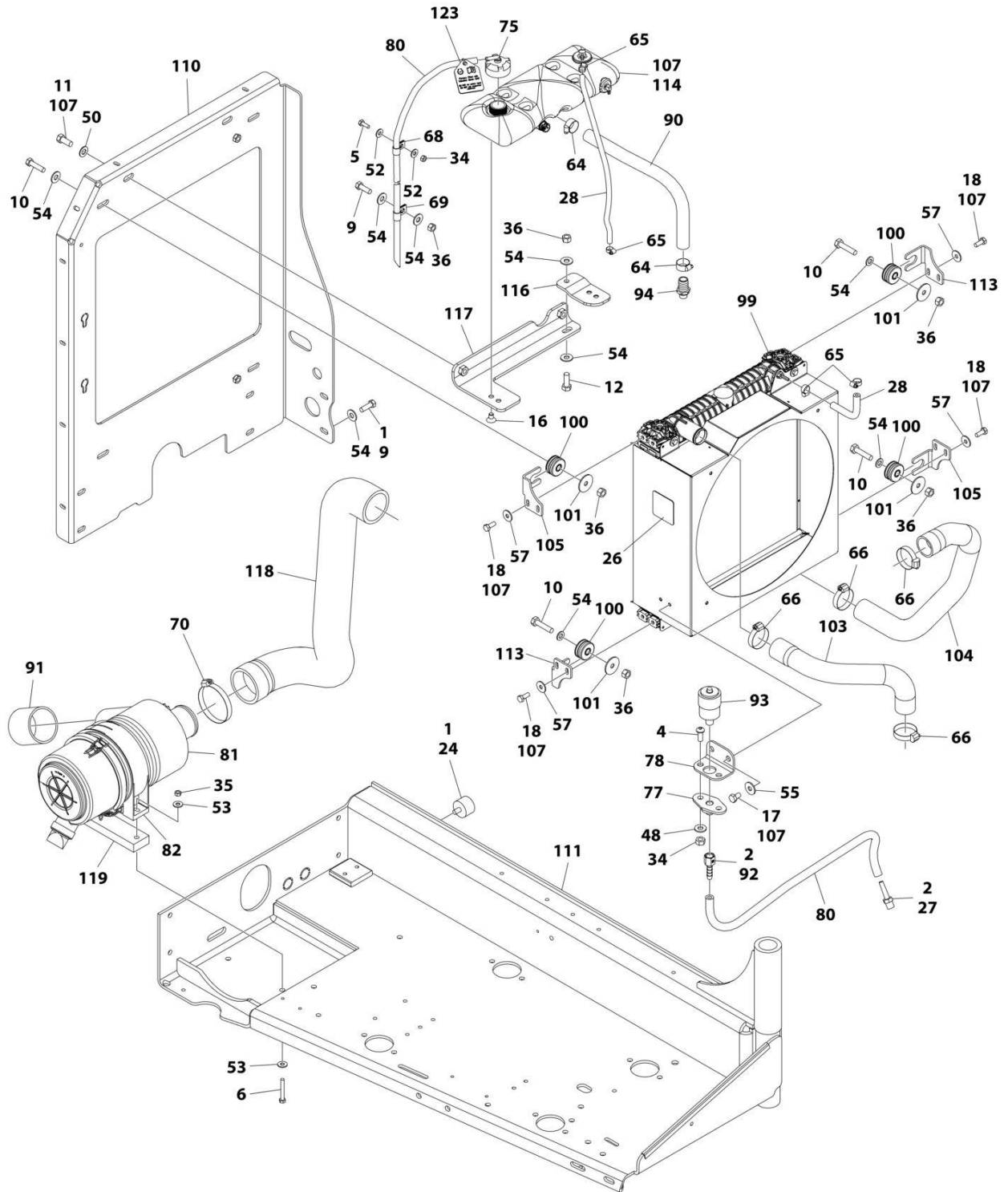
SECTION 3 - ENGINE

FIGURE 3-23. ENGINE ASSEMBLY - DEUTZ D2.9L4 EMR5 ENGINE (WITH ARCTIC PACKAGE)



ART_1001301950_10F2

SECTION 3 - ENGINE



ART_1001301950_20F2

SECTION 3 - ENGINE

FIGURE 3-23. ENGINE ASSEMBLY - DEUTZ D2.9L4 EMR5 ENGINE (WITH ARCTIC PACKAGE)

| ITEM | PART NUMBER | QTY | DESCRIPTION | REV |
|------|-------------|-------------|--|-----|
| | 1001301950 | Ref | ENGINE ASSEMBLY - DEUTZ D2.9L4 EMR5 ENGINE | A |
| 1 | 0100011 | AR | Locking, Compound | |
| 2 | 0100020 | AR | Sealant, Pipe | |
| 3 | 0100062 | AR | Adhesive | |
| 4 | 0630407 | 2 | Screw 1/4 x 5/8 | |
| 5 | 0641406 | 5 | Bolt 1/4 x 3/4 | |
| 6 | 0641518 | 2 | Bolt 5/16 x 2-1/4 | |
| 7 | 0641605 | 2 | Bolt 3/8 x 5/8 | |
| 8 | 0641608 | 8 | Bolt 3/8 x 1 | |
| 9 | 0641609 | 6 | Bolt 3/8 x 1-1/8 | |
| 10 | 0641612 | 4 | Bolt 3/8 x 1-1/2 | |
| 11 | 0641708 | 2 | Bolt 7/16 x 1 | |
| 12 | 0681608 | 1 | Bolt 3/8 x 1 | |
| 13 | 0681820 | 3 | Bolt 1/2 x 2-1/2 | |
| 14 | 0681822 | 1 | Bolt 1/2 x 2-3/4 | |
| 15 | 0700814 | 1 | Bolt M8 x 30 | |
| 16 | 0741605 | 2 | Screw 3/8 x 5/8 | |
| 17 | 0760605 | 2 | Bolt M6 x 10 | |
| 18 | 0760810 | 9 | Bolt M8 x 20 | |
| 19 | 0761015 | 2 | Bolt M10 x 35 | |
| 20 | 0761210 | 1 | Bolt M12 x 20 | |
| 21 | 0771212 | 6 | Bolt M12 x 25 | |
| 22 | 0771414 | 2 | Bolt M14 x 30 | |
| 23 | 0771415 | 3 | Bolt M14 x 35 | |
| 24 | 0940070 | 1 | Bumper | |
| 25 | 0961986 | 2 | Bushing | |
| 26 | 1703162 | 1 | Decal - Fan Blade | |
| 27 | 2220315 | 1 | Fitting, Straight Barbed | |
| 28 | 2720015 | 3 ft /1 m | Hose | |
| 29 | 2720340 | 1 ft /0.3 m | Hose | |
| 30 | 3200401 | 4 | Mount | |
| 31 | 3271801 | 4 | Nut 1/2 | |
| 32 | 3291005 | 2 | Nut M10 | |
| 33 | 3310401 | 3 | Nut #4 | |
| 34 | 3311405 | 8 | Nut 1/4 | |
| 35 | 3311505 | 2 | Nut 5/16 | |
| 36 | 3311605 | 17 | Nut 3/8 | |
| 37 | 3580320 | 1 | Pulley | |
| 38 | 3910408 | 3 | Screw #4 x 1/2 | |
| 39 | 3931432 | 1 | Capscrew 1/4 x 2 | |
| 40 | 3931512 | 4 | Capscrew 5/16 x 3/4 | |
| 41 | 3931628 | 4 | Capscrew 3/8 x 1-3/4 | |
| 42 | 4031914 | 4 | Capscrew M8 x 50 | |
| 43 | 4032014 | 4 | Capscrew M10 x 50 | |
| 44 | 4060805 | 2 ft /0.4 m | Shield | |
| 45 | 4240032 | AR | Tie-Strap (Not Shown) | |
| 46 | 4240099 | AR | Tie-Strap (Not Shown) | |
| 47 | 4640751 | 1 | Valve, Oil Drain | |
| 48 | 4711400 | 3 | Washer 1/4 | |
| 49 | 4711500 | 5 | Washer 5/16 | |

SECTION 3 - ENGINE

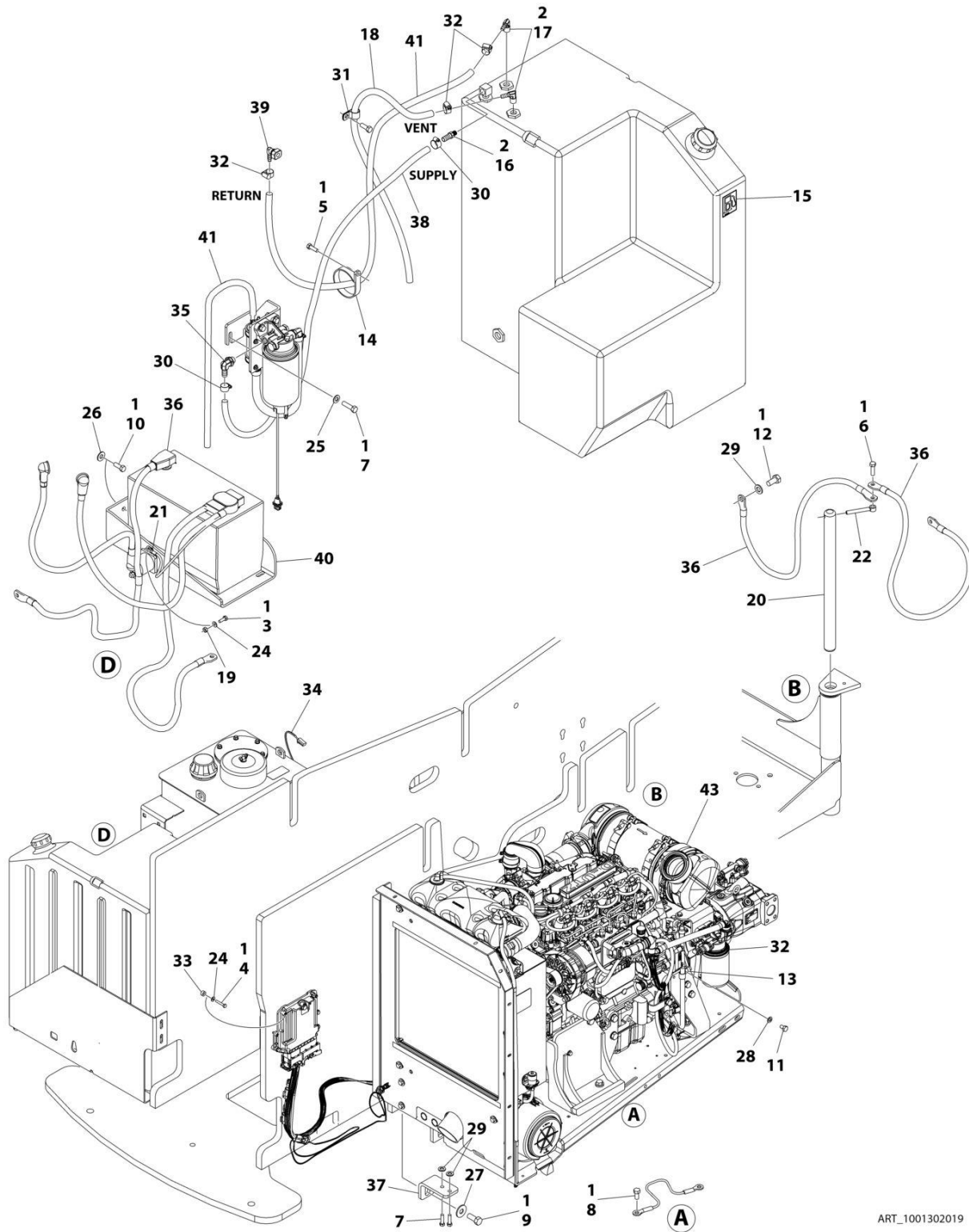
| ITEM | PART NUMBER | QTY | DESCRIPTION | REV |
|------|-------------|-----------|--|-----|
| 50 | 4711700 | 2 | Washer 7/16 | |
| 51 | 4750400 | 3 | Washer #4 | |
| 52 | 4751400 | 10 | Washer 1/4 | |
| 53 | 4751500 | 4 | Washer 5/16 | |
| 54 | 4751600 | 34 | Washer 3/8 | |
| 55 | 4811702 | 2 | Washer M6 | |
| 56 | 4811900 | 4 | Washer M8 | |
| 57 | 4811902 | 8 | Washer M8 | |
| 58 | 4812000 | 8 | Washer M10 | |
| 59 | 4812100 | 7 | Washer M12 | |
| 60 | 4812200 | 5 | Washer M14 | |
| 61 | 4891800 | 4 | Washer 1/2 | |
| 62 | 5240800 | 1 | Washer M8 | |
| 63 | 5250810 | 2 | Bolt M8 x 20 | |
| 64 | 8405007 | 2 | Clamp | |
| 65 | 8405009 | 4 | Clamp | |
| 66 | 8405104 | 4 | Clamp | |
| 67 | 8406102 | 1 | Clip | |
| 68 | 8406109 | 1 | Clip | |
| 69 | 8406110 | 1 | Clip | |
| 70 | 8410011 | 2 | Clamp | |
| 71 | 8410013 | 1 | Clamp | |
| 72 | 1001117308 | 1 | Relay | |
| 73 | 1001135138 | 1 | Adapter | |
| 74 | 1001135679 | 1 | Adapter | |
| 75 | 1001136834 | 1 | Cap | |
| 76 | 1001137276 | 1 | Fan | |
| 77 | 1001138173 | 1 | Support | |
| 78 | 1001138175 | 1 | Bracket | |
| 79 | 1001138228 | 1 | Relay, Power Module | |
| 79 | 70023592 | 1 | Fuse 20Amp | |
| 79 | 70023593 | 1 | Fuse 30Amp | |
| 80 | 1001138248 | 6 ft /2 m | Tube | |
| 81 | 1001138489 | 1 | Filter | |
| 82 | 1001138557 | 1 | Clamp | |
| 83 | 1001139240 | 1 | Bracket | |
| 84 | 1001139409 | 4 | Washer | |
| 85 | 1001140312 | 1 | Heater, Engine Block | |
| 86 | 1001140448 | 1 | Plate | |
| 87 | 1001140450 | 1 | Plate | |
| 88 | 1001140454 | 1 | Plate | |
| 89 | 1001141304 | 1 | Wire, Glow Fuse | |
| 90 | 1001141370 | 1 | Hose | |
| 91 | 1001141585 | 1 | Hose | |
| 92 | 1001141995 | 1 | Fitting, Straight NPT/Barbed | |
| 93 | 1001143390 | 1 | Indicator | |
| 94 | 1001143797 | 1 | Fitting, Straight Barbed | |
| 95 | 1001143907 | 1 | Cable, Alternator Power | |
| 96 | 1001145154 | 1 | Plate | |
| 97 | 1001152489 | 1 | Fitting, 90 Barbed | |
| 98 | 1001153282 | 1 | Pump Coupling Kit (See Separate Breakdown in this Section) | |

SECTION 3 - ENGINE

| ITEM | PART NUMBER | QTY | DESCRIPTION | REV |
|------|-------------|-----|---|-----|
| 99 | 1001167042 | 1 | Radiator | |
| 100 | 1001169054 | 4 | Isolator | |
| 101 | 1001169138 | 4 | Pad | |
| 102 | 1001177359 | 1 | Hose | |
| 103 | 1001177844 | 1 | Hose, Radiator (Upper) | |
| 104 | 1001177845 | 1 | Hose, Radiator (Lower) | |
| 105 | 1001178223 | 2 | Bracket | |
| 106 | 1001178876 | 1 | Mount | |
| 107 | 1001180620 | AR | Adhesive | |
| 108 | 1001181895 | AR | Adhesive | |
| 109 | 1001181899 | 1 | Clamp | |
| 110 | 1001186985 | 1 | Support | |
| 111 | 1001190610 | 1 | Support | |
| 112 | 1001202368 | 1 | Support | |
| 113 | 1001204325 | 2 | Bracket | |
| 114 | 1001230635 | 1 | Tank | |
| 114 | 0100020 | AR | Sealant | |
| 114 | 1001134488 | 1 | Fitting, 90 NPT/Barbed | |
| 114 | 1001138827 | 1 | Sensor | |
| 114 | 1001140564 | 1 | Fitting, 90 NPT/Barbed | |
| 114 | 1001229542 | 1 | Tank | |
| 115 | 1001235949 | 1 | Bracket, Fuel Pump/Filter Assembly (Not Shown) (See Separate Breakdown in this Section) | |
| 116 | 1001260412 | 1 | Bracket | |
| 117 | 1001260413 | 1 | Bracket | |
| 118 | 1001266525 | 1 | Hose | |
| 119 | 1001267256 | 1 | Shim | |
| 120 | 1001276644 | 1 | Deutz Engine Harness (Not Shown) (See Separate Breakdown in ELECTRICAL Section) | |
| 121 | 1001281985 | 1 | Connector (Not Shown) | |
| 122 | 1001281986 | 1 | Connector (Not Shown) | |
| 123 | 1001291401 | 1 | Tag, Coolant | |
| 124 | 1001301717 | 1 | Deutz TD2.9L4 EMR5 Engine (See Separate Breakdown in this Section) | |

SECTION 3 - ENGINE

FIGURE 3-24. DEUTZ D2.9L4 - EMR5 ENGINE INSTALLATION WITHOUT ARCTIC PACKAGE



ART_1001302019

SECTION 3 - ENGINE

FIGURE 3-24. DEUTZ D2.9L4 - EMR5 ENGINE INSTALLATION WITHOUT ARCTIC PACKAGE

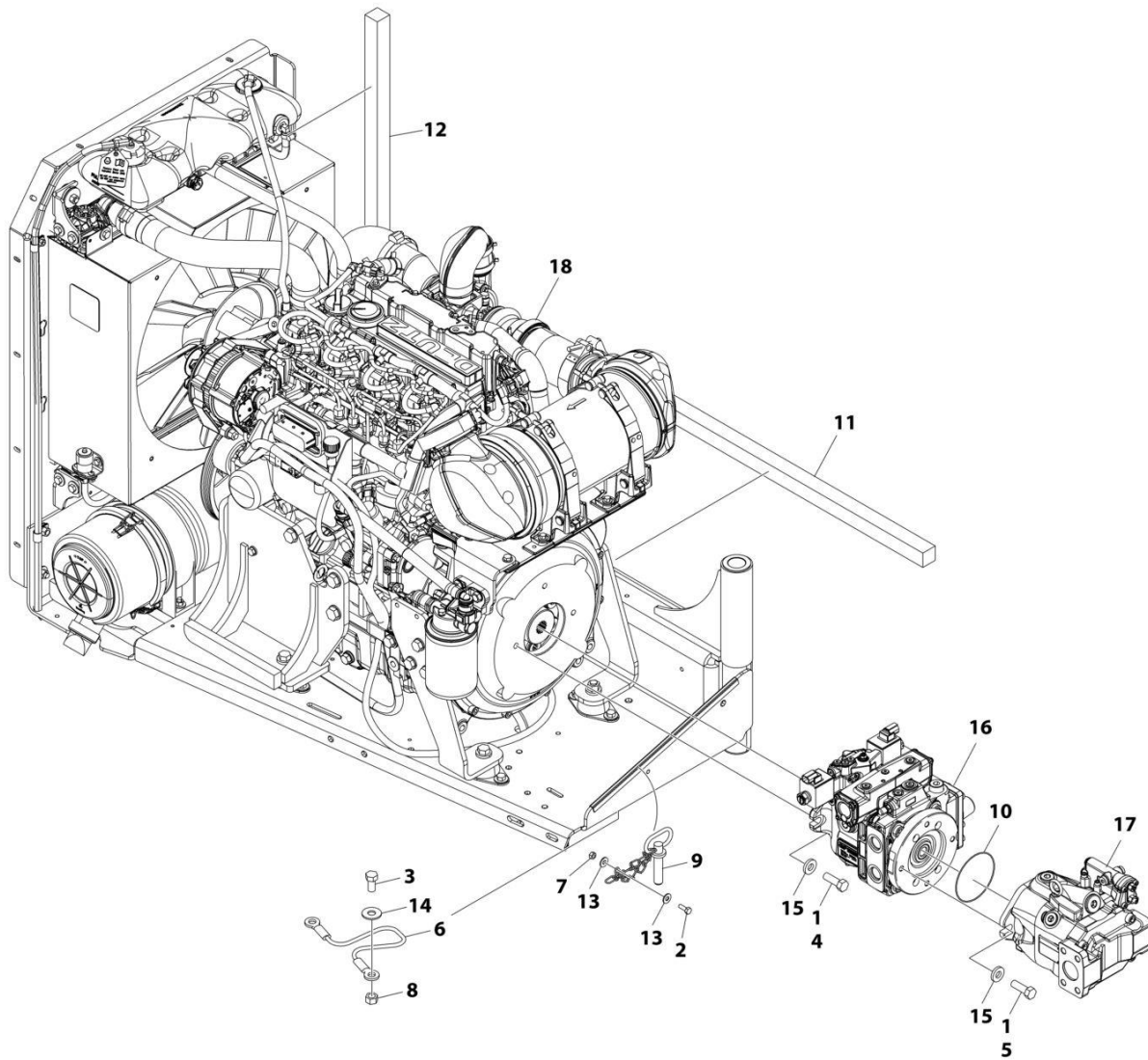
| ITEM | PART NUMBER | QTY | DESCRIPTION | REV |
|------|-------------|------------|---|-----|
| | 1001302019 | Ref | ENGINE INSTALLATION EMR5 WITHOUT ARCTIC PACKAGE | A |
| 1 | 0100011 | AR | Compound, Locking | |
| 2 | 0100020 | AR | Sealant, Pipe | |
| 3 | 0641406 | 2 | Bolt 1/4 x 3/4 | |
| 4 | 0641412 | 4 | Bolt 1/4 x 1-1/2 | |
| 5 | 0641508 | 1 | Bolt 5/16 x 1 | |
| 6 | 0641610 | 1 | Bolt 3/8 x 1-1/4 | |
| 7 | 0641611 | 4 | Bolt 3/8 x 1-3/8 | |
| 8 | 0641808 | 1 | Bolt 1/2 x 1 | |
| 9 | 0642012 | 1 | Bolt 5/8 x 1-1/2 | |
| 10 | 0681608 | 3 | Bolt 3/8 x 1 | |
| 11 | 0761008 | 1 | Bolt M10 x 16 | |
| 12 | 0771212 | 1 | Bolt M12 x 25 | |
| 13 | 1320061 | 1 | Clamp | |
| 14 | 1321339 | 1 | Clamp | |
| 15 | 1701505 | 1 | Decal - Diesel | |
| 16 | 2180832 | 1 | Fitting, Barbed | |
| 17 | 2220313 | 2 | Fitting, 90 | |
| 18 | 2750532 | 4 ft /2 m | Hose | |
| 19 | 3311405 | 2 | Nut 1/4 | |
| 20 | 3422446 | 1 | Pin | |
| 21 | 3740067 | 1 | Relay | |
| 22 | 3841143 | 1 | Keeper, Pin | |
| 23 | 4240033 | AR | Tie-Strap (Not Shown) | |
| 24 | 4711400 | 6 | Washer 1/4 | |
| 25 | 4711600 | 2 | Washer 3/8 | |
| 26 | 4751600 | 3 | Washer 3/8 | |
| 27 | 4752000 | 1 | Washer 5/8 | |
| 28 | 4812000 | 1 | Washer M10 | |
| 29 | 4812100 | 3 | Washer M12 | |
| 30 | 8405006 | 2 | Clamp | |
| 31 | 8406102 | 1 | Clip | |
| 32 | 8410013 | 4 | Clamp | |
| 33 | 1001110425 | 4 | Spacer | |
| 34 | 1001138491 | 1 | Fuel Harness (See Separate Breakdown in ELECTRICAL Section) | |
| 35 | 1001142501 | 1 | Fitting, 90 | |
| 36 | 1001143736 | 1 | Battery Cable Kit | |
| 36 | 7027084 | 1 | Cable, Battery (Black) (Battery - to Tray Pivot and Grds) | |
| 36 | 8270147 | 1 | Terminal, Battery (With Boot) | |
| 36 | 7027085 | 1 | Cable, Battery (Black) (Battery - to Aux Pump and Relay Grds) | |
| 36 | 7027086 | 1 | Cable, Battery (Black) (Engine to Tray Pivot) | |
| 36 | 7027087 | 1 | Cable (Red) (Battery + to Aux Relay/Power Module/Starter) | |
| 36 | 7027088 | 1 | Cable (Red) (Aux Relay to Aux Pump) | |
| 36 | See Note | 1 | Cable (Aux Relay to Starter) (Note: Use P/N 7027087) | |
| 37 | 1001153359 | 1 | Mount | |
| 38 | 1001154405 | 5 ft /2 m | Hose | |
| 39 | 1001155823 | 1 | Fitting, Quick Disconnect 90 | |
| 40 | 1001162497 | 1 | Bracket | |
| 41 | 1001165035 | 24 ft /8 m | Hose | |

SECTION 3 - ENGINE

| ITEM | PART NUMBER | QTY | DESCRIPTION | REV |
|------|-------------|-----|--|-----|
| 42 | 1001289593 | 1 | ECU Power Jumper Harness (Not Shown) (See Separate Breakdown in ELECTRICAL Section) | |
| 43 | 1001301943 | 1 | Engine and Pump Assembly without Arctic Package (See Separate Breakdown in this Section) | |

SECTION 3 - ENGINE

FIGURE 3-25. DEUTZ D2.9L4 - EMR5 ENGINE AND PUMP SUB-ASSEMBLY WITHOUT ARCTIC PACKAGE



ART_1001301943

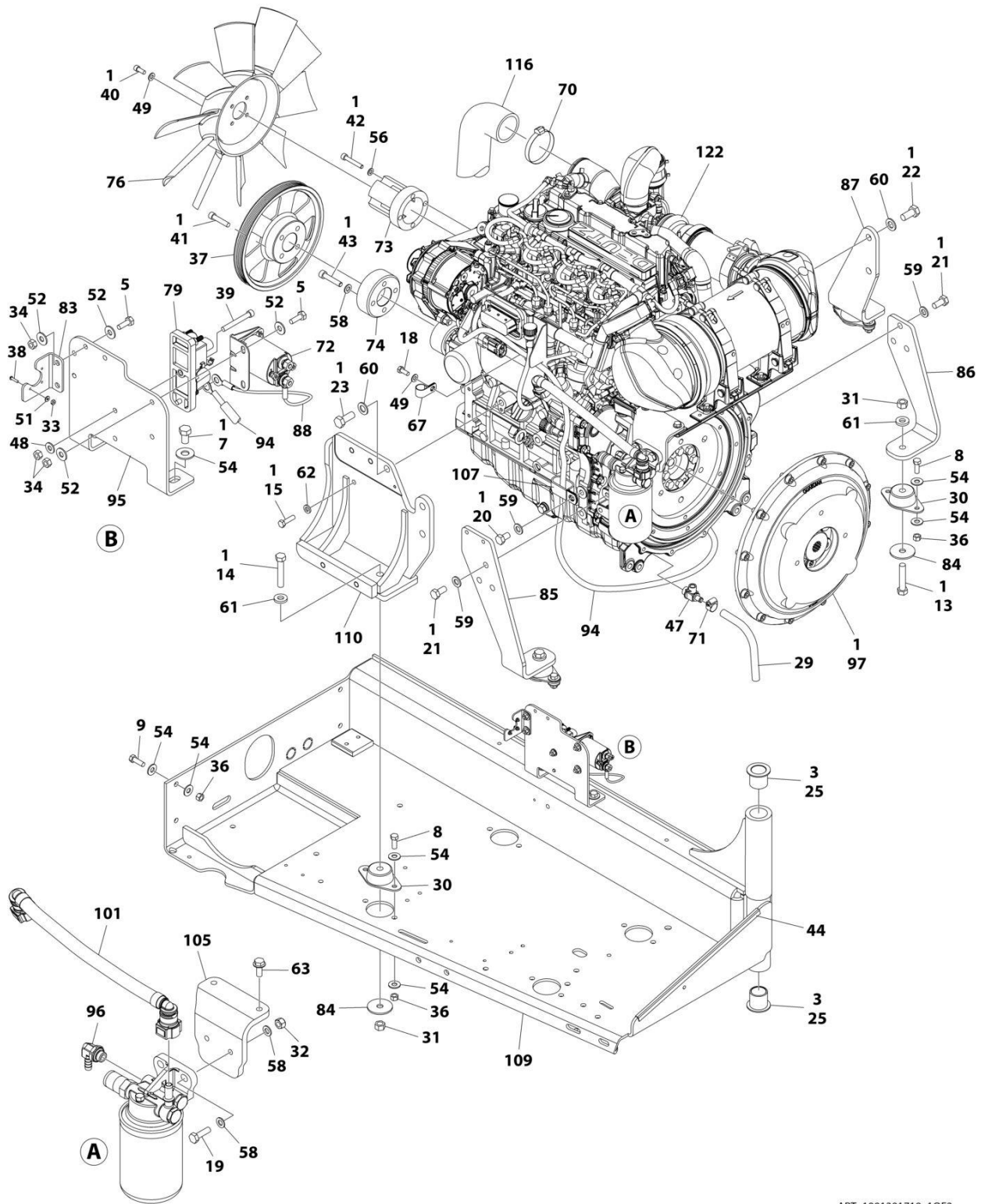
SECTION 3 - ENGINE

FIGURE 3-25. DEUTZ D2.9L4 - EMR5 ENGINE AND PUMP SUB-ASSEMBLY WITHOUT ARCTIC PACKAGE

| ITEM | PART NUMBER | QTY | DESCRIPTION | REV |
|------|-------------|-----|---|-----|
| | 1001301943 | Ref | ENGINE AND PUMP SUB-ASSEMBLY EMR5 WITHOUT ARCTIC PACKAGE | A |
| 1 | 0100011 | AR | Compound, Locking | |
| 2 | 0641406 | 1 | Bolt 1/4 x 3/4 | |
| 3 | 0641808 | 1 | Bolt 1/2 x 1 | |
| 4 | 0641812 | 2 | Bolt 1/2 x 1-1/2 | |
| 5 | 0711215 | 2 | Bolt M12 x 35 | |
| 6 | 1060637 | 1 | Lanyard | |
| 7 | 3311405 | 1 | Nut 1/4 | |
| 8 | 3311801 | 1 | Nut 1/2 | |
| 9 | 3422532 | 1 | Pin | |
| 10 | 3790044 | 1 | O-Ring | |
| 11 | 3960468 | 1 | Seal | |
| 12 | 3960469 | 1 | Seal | |
| 13 | 4751400 | 2 | Washer 1/4 | |
| 14 | 4751800 | 1 | Washer 1/2 | |
| 15 | 4891800 | 4 | Washer 1/2 | |
| 16 | 1001276376 | 1 | Hydrostatic Pump Assembly (See Separate Breakdown in this Section) | |
| 17 | 1001276377 | 1 | Variable Pump Assembly with Fittings (See Separate Breakdown in this Section) | |
| 18 | 1001301719 | 1 | Engine Assembly without Arctic Package (See Separate Breakdown in this Section) | |

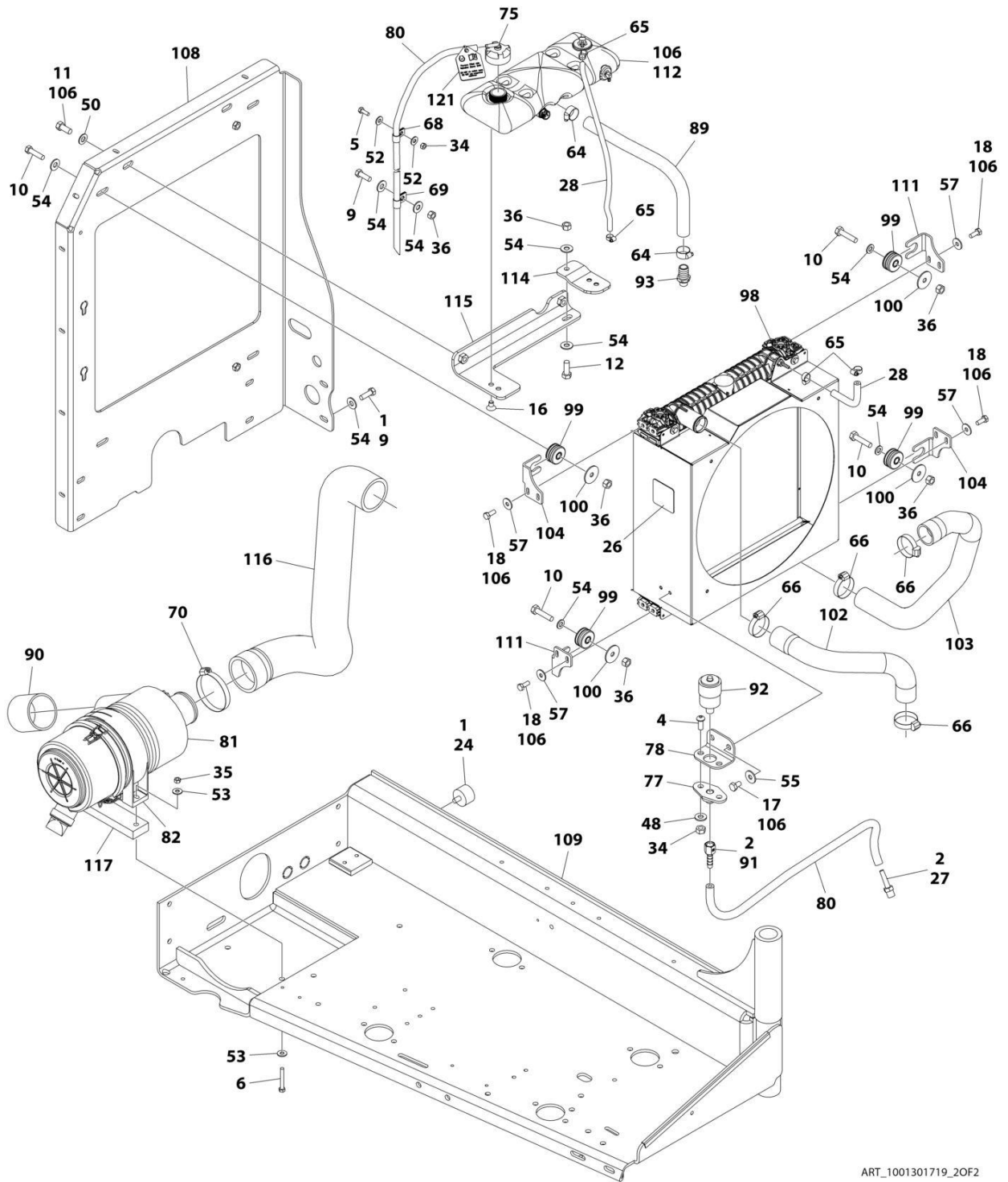
SECTION 3 - ENGINE

FIGURE 3-26. ENGINE ASSEMBLY - DEUTZ D2.9L4 EMR5 ENGINE (WITHOUT ARCTIC PACKAGE)



ART_1001301719_10F2

SECTION 3 - ENGINE



ART_1001301719_2OF2

SECTION 3 - ENGINE

FIGURE 3-26. ENGINE ASSEMBLY - DEUTZ D2.9L4 EMR5 ENGINE (WITHOUT ARCTIC PACKAGE)

| ITEM | PART NUMBER | QTY | DESCRIPTION | REV |
|------|-------------|-------------|--|-----|
| | 1001301719 | Ref | ENGINE ASSEMBLY - DEUTZ D2.9L4 EMR5 ENGINE | A |
| 1 | 0100011 | AR | Locking, Compound | |
| 2 | 0100020 | AR | Sealant, Pipe | |
| 3 | 0100062 | AR | Adhesive | |
| 4 | 0630407 | 2 | Screw 1/4 x 5/8 | |
| 5 | 0641406 | 5 | Bolt 1/4 x 3/4 | |
| 6 | 0641518 | 2 | Bolt 5/16 x 2-1/4 | |
| 7 | 0641605 | 2 | Bolt 3/8 x 5/8 | |
| 8 | 0641608 | 8 | Bolt 3/8 x 1 | |
| 9 | 0641609 | 6 | Bolt 3/8 x 1-1/8 | |
| 10 | 0641612 | 4 | Bolt 3/8 x 1-1/2 | |
| 11 | 0641708 | 2 | Bolt 7/16 x 1 | |
| 12 | 0681608 | 1 | Bolt 3/8 x 1 | |
| 13 | 0681820 | 3 | Bolt 1/2 x 2-1/2 | |
| 14 | 0681822 | 1 | Bolt 1/2 x 2-3/4 | |
| 15 | 0700814 | 1 | Bolt M8 x 30 | |
| 16 | 0741605 | 2 | Screw 3/8 x 5/8 | |
| 17 | 0760605 | 2 | Bolt M6 x 10 | |
| 18 | 0760810 | 9 | Bolt M8 x 20 | |
| 19 | 0761015 | 2 | Bolt M10 x 35 | |
| 20 | 0761210 | 1 | Bolt M12 x 20 | |
| 21 | 0771212 | 6 | Bolt M12 x 25 | |
| 22 | 0771414 | 2 | Bolt M14 x 30 | |
| 23 | 0771415 | 3 | Bolt M14 x 35 | |
| 24 | 0940070 | 1 | Bumper | |
| 25 | 0961986 | 2 | Bushing | |
| 26 | 1703162 | 1 | Decal - Fan Blade | |
| 27 | 2220315 | 1 | Fitting, Straight Barbed | |
| 28 | 2720015 | 3 ft /1 m | Hose | |
| 29 | 2720340 | 1 ft /0.3 m | Hose | |
| 30 | 3200401 | 4 | Mount | |
| 31 | 3271801 | 4 | Nut 1/2 | |
| 32 | 3291005 | 2 | Nut M10 | |
| 33 | 3310401 | 3 | Nut #4 | |
| 34 | 3311405 | 8 | Nut 1/4 | |
| 35 | 3311505 | 2 | Nut 5/16 | |
| 36 | 3311605 | 17 | Nut 3/8 | |
| 37 | 3580320 | 1 | Pulley | |
| 38 | 3910408 | 3 | Screw #4 x 1/2 | |
| 39 | 3931432 | 1 | Capscrew 1/4 x 2 | |
| 40 | 3931512 | 4 | Capscrew 5/16 x 3/4 | |
| 41 | 3931628 | 4 | Capscrew 3/8 x 1-3/4 | |
| 42 | 4031914 | 4 | Capscrew M8 x 50 | |
| 43 | 4032014 | 4 | Capscrew M10 x 50 | |
| 44 | 4060805 | 2 ft /0.4 m | Shield | |
| 45 | 4240032 | AR | Tie-Strap (Not Shown) | |
| 46 | 4240099 | AR | Tie-Strap (Not Shown) | |
| 47 | 4640751 | 1 | Valve, Oil Drain | |
| 48 | 4711400 | 3 | Washer 1/4 | |
| 49 | 4711500 | 5 | Washer 5/16 | |

SECTION 3 - ENGINE

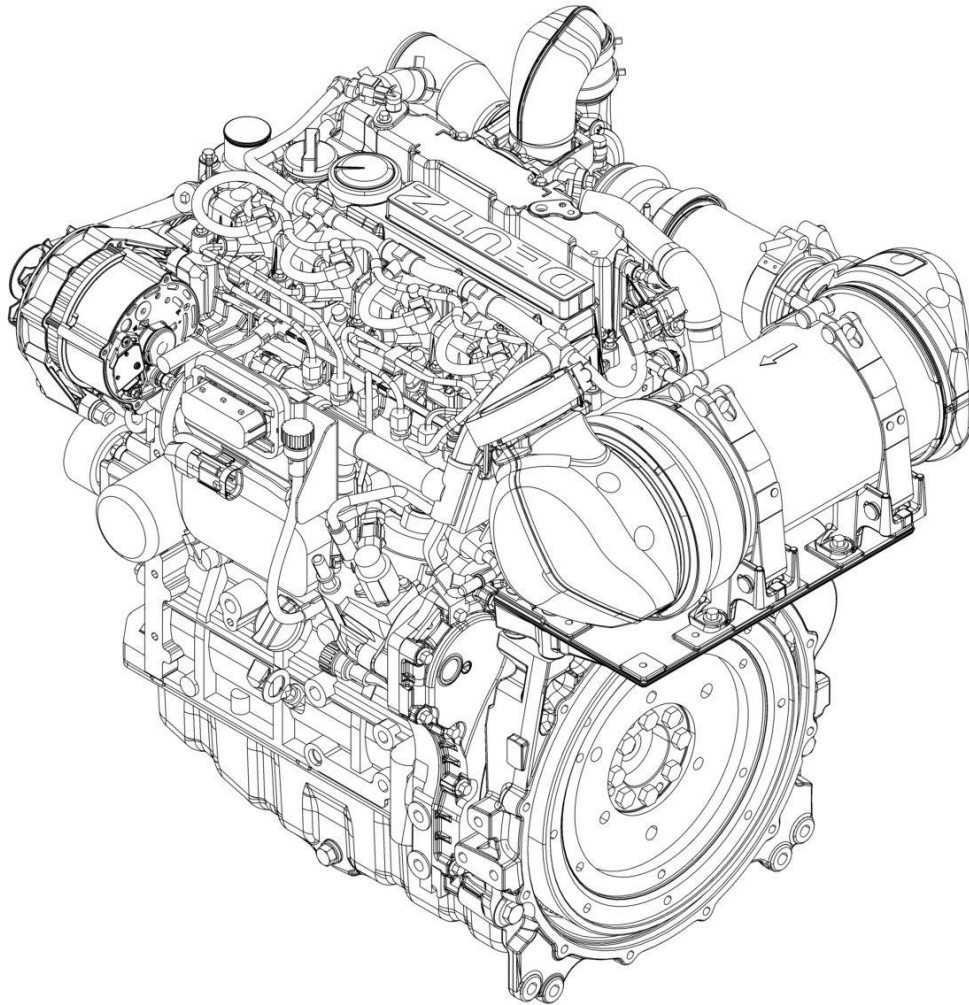
| ITEM | PART NUMBER | QTY | DESCRIPTION | REV |
|------|-------------|-----------|--|-----|
| 50 | 4711700 | 2 | Washer 7/16 | |
| 51 | 4750400 | 3 | Washer #4 | |
| 52 | 4751400 | 10 | Washer 1/4 | |
| 53 | 4751500 | 4 | Washer 5/16 | |
| 54 | 4751600 | 34 | Washer 3/8 | |
| 55 | 4811702 | 2 | Washer M6 | |
| 56 | 4811900 | 4 | Washer M8 | |
| 57 | 4811902 | 8 | Washer M8 | |
| 58 | 4812000 | 8 | Washer M10 | |
| 59 | 4812100 | 7 | Washer M12 | |
| 60 | 4812200 | 5 | Washer M14 | |
| 61 | 4891800 | 4 | Washer 1/2 | |
| 62 | 5240800 | 1 | Washer M8 | |
| 63 | 5250810 | 2 | Bolt M8 x 20 | |
| 64 | 8405007 | 2 | Clamp | |
| 65 | 8405009 | 4 | Clamp | |
| 66 | 8405104 | 4 | Clamp | |
| 67 | 8406102 | 1 | Clip | |
| 68 | 8406109 | 1 | Clip | |
| 69 | 8406110 | 1 | Clip | |
| 70 | 8410011 | 2 | Clamp | |
| 71 | 8410013 | 1 | Clamp | |
| 72 | 1001117308 | 1 | Relay | |
| 73 | 1001135138 | 1 | Adapter | |
| 74 | 1001135679 | 1 | Adapter | |
| 75 | 1001136834 | 1 | Cap | |
| 76 | 1001137276 | 1 | Fan | |
| 77 | 1001138173 | 1 | Support | |
| 78 | 1001138175 | 1 | Bracket | |
| 79 | 1001138228 | 1 | Relay, Power Module | |
| 79 | 70023593 | 1 | Fuse 30Amp | |
| 79 | 70023592 | 1 | Fuse 20Amp | |
| 80 | 1001138248 | 6 ft /2 m | Tube | |
| 81 | 1001138489 | 1 | Filter | |
| 82 | 1001138557 | 1 | Clamp | |
| 83 | 1001139240 | 1 | Bracket | |
| 84 | 1001139409 | 4 | Washer | |
| 85 | 1001140448 | 1 | Plate | |
| 86 | 1001140450 | 1 | Plate | |
| 87 | 1001140454 | 1 | Plate | |
| 88 | 1001141304 | 1 | Wire, Glow Fuse | |
| 89 | 1001141370 | 1 | Hose | |
| 90 | 1001141585 | 1 | Hose | |
| 91 | 1001141995 | 1 | Fitting, Straight NPT/Barbed | |
| 92 | 1001143390 | 1 | Indicator | |
| 93 | 1001143797 | 1 | Fitting, Straight Barbed | |
| 94 | 1001143907 | 1 | Cable, Alternator Power | |
| 95 | 1001145154 | 1 | Plate | |
| 96 | 1001152489 | 1 | Fitting, 90 Barbed | |
| 97 | 1001153282 | 1 | Pump Coupling Kit (See Separate Breakdown in this Section) | |
| 98 | 1001167042 | 1 | Radiator | |

SECTION 3 - ENGINE

| ITEM | PART NUMBER | QTY | DESCRIPTION | REV |
|------|-------------|-----|---|-----|
| 99 | 1001169054 | 4 | Isolator | |
| 100 | 1001169138 | 4 | Pad | |
| 101 | 1001177359 | 1 | Hose | |
| 102 | 1001177844 | 1 | Hose, Radiator (Upper) | |
| 103 | 1001177845 | 1 | Hose, Radiator (Lower) | |
| 104 | 1001178223 | 2 | Bracket | |
| 105 | 1001178876 | 1 | Mount | |
| 106 | 1001180620 | AR | Adhesive | |
| 107 | 1001181899 | 1 | Clamp | |
| 108 | 1001186985 | 1 | Support | |
| 109 | 1001190610 | 1 | Support | |
| 110 | 1001202368 | 1 | Support | |
| 111 | 1001204325 | 2 | Bracket | |
| 112 | 1001230635 | 1 | Tank | |
| 112 | 0100020 | AR | Sealant | |
| 112 | 1001134488 | 1 | Fitting, 90 NPT/Barbed | |
| 112 | 1001138827 | 1 | Sensor, Coolant Level | |
| 112 | 1001140564 | 1 | Fitting, 90 NPT/Barbed | |
| 112 | 1001229542 | 1 | Tank | |
| 113 | 1001235949 | 1 | Bracket, Fuel Pump/Filter Assembly (Not Shown) (See Separate Breakdown in this Section) | |
| 114 | 1001260412 | 1 | Bracket | |
| 115 | 1001260413 | 1 | Bracket | |
| 116 | 1001266525 | 1 | Hose | |
| 117 | 1001267256 | 1 | Shim | |
| 118 | 1001276644 | 1 | Deutz Engine Harness (Not Shown) (See Separate Breakdown in ELECTRICAL Section) | |
| 119 | 1001281985 | 1 | Connector (Not Shown) | |
| 120 | 1001281986 | 1 | Connector (Not Shown) | |
| 121 | 1001291401 | 1 | Tag, Coolant | |
| 122 | 1001301717 | 1 | Deutz TD2.9L4 EMR5 Engine (See Separate Breakdown in this Section) | |

SECTION 3 - ENGINE

FIGURE 3-27. ENGINE COMPONENTS - DEUTZ D2.9L4 EMR5 ENGINE



ART_1001301717

SECTION 3 - ENGINE

FIGURE 3-27. ENGINE COMPONENTS - DEUTZ D2.9L4 EMR5 ENGINE

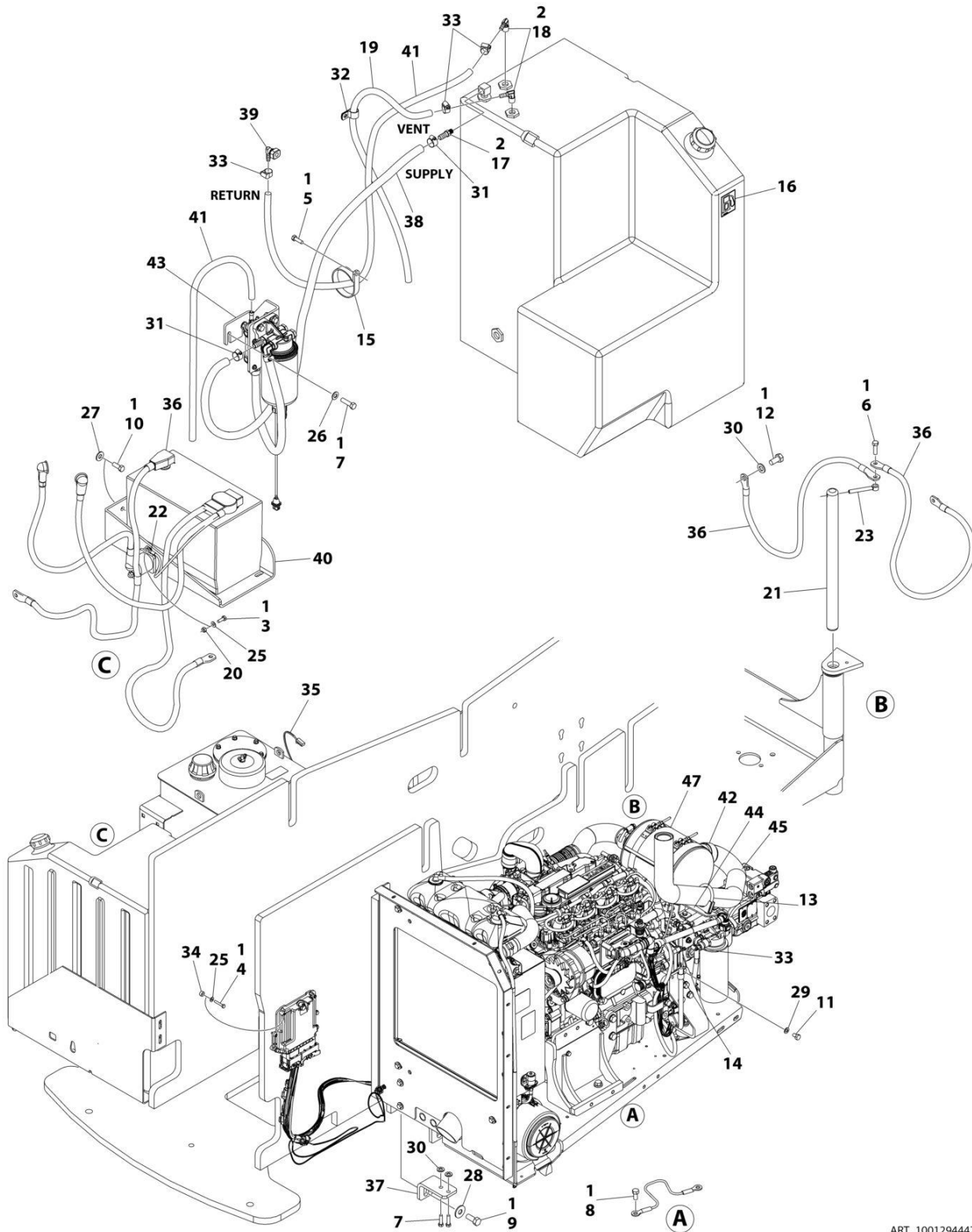
| ITEM | PART NUMBER | QTY | DESCRIPTION | REV |
|------|-------------|-----|--|-----|
| | 1001301717 | Ref | DEUTZ ENGINE COMPONENTS | A |
| | See Note | Ref | Note: Additional components may be available. Contact JLG Customer Service for more details. | |
| | | Ref | AIR INTAKE COMPONENTS | |
| | | Ref | COOLING SYSTEM COMPONENTS | |
| | 70031474 | 1 | Cooler, Oil | |
| | 70031388 | 1 | Seal, Oil Cooler | |
| | 70030360 | 1 | Pump, Coolant (Includes Gasket & Sealing Rings) | |
| | 70031055 | 1 | O-Ring, Coolant Pump | |
| | 70007325 | 1 | Gasket | |
| | 7020492 | 1 | Seal | |
| | 70007603 | 1 | Thermostat | |
| | 70005184 | 1 | O-Ring, Thermostat | |
| | 70005931 | 1 | Gasket, Thermostat | |
| | 70025142 | 1 | Cover, Thermostat | |
| | | Ref | ELECTRICAL SYSTEM COMPONENTS | |
| | 70029512 | 1 | Module, ECU/ECM | |
| | 70024513 | 1 | Sensor, Fuel Filter | |
| | 70024504 | 2 | Sensor, Fuel Pressure (at Fuel Filter & Side of Block) (Includes Seal) | |
| | 70024920 | 2 | Seal | |
| | 70031144 | 1 | Starter | |
| | 70008435 | 1 | Generator (Includes Voltage Regulator) | |
| | 70031143 | 1 | Regulator, Voltage | |
| | 70025231 | 1 | Harness, Glow Plug (Not Shown) | |
| | | Ref | Harness, Engine | |
| | 70028540 | 1 | Sensor, Temperature (Includes O-Ring) (in Cylinder Head) | |
| | 70026210 | 2 | Sensor, Speed (Includes Seal) (Rear of Block & Front Cover) | |
| | 70024507 | 1 | Sensor, Pressure (Includes O-Ring) (Charge Manifold) | |
| | 70031475 | 1 | Sensor, Temperature (Includes O-Ring) (Charge Manifold) | |
| | 70000345 | 4 | Plug, Glow (Not Shown) | |
| | | Ref | EXHAUST SYSTEM COMPONENTS | |
| | 70025164 | 1 | Gasket, Exhaust Manifold to Head | |
| | 70025130 | 8 | Bolt, Exhaust Manifold | |
| | 70029557 | 1 | Gasket, Exhaust Recirculation Pipe to Exhaust Manifold (Upper) | |
| | 70007354 | 1 | Gasket, Exhaust Recirculation Pipe (Lower) | |
| | 70008434 | 1 | Valve, EGR | |
| | 70007326 | 1 | Gasket, EGR Valve | |
| | 70007327 | 1 | Valve, Shuttle (EGR Module) | |
| | 70004276 | 1 | Turbocharger | |
| | 70025242 | 2 | Gasket (at Compensator) | |
| | 70004504 | 1 | Compensator | |
| | 70030097 | 1 | Clamp (Compensator Engine Side) | |
| | 70030099 | 1 | Clamp (Compensator Catalyst Side) | |
| | 70029520 | 2 | Gasket (on both ends of Catalyst) | |
| | 70029517 | 2 | Clamp (on both ends of Catalyst) | |
| | 70007355 | 1 | Muffler/Inlet | |
| | | Ref | FUEL SYSTEM COMPONENTS | |
| | 1001225430 | 1 | Filter, Fuel (Primary) | |

SECTION 3 - ENGINE

| ITEM | PART NUMBER | QTY | DESCRIPTION | REV |
|------|-------------|-----|---|-----|
| | 1001225431 | 1 | Filter, Fuel (Secondary) | |
| | 70030381 | 1 | Pump, Injection/High Pressure (Includes Control Valves, Gasket & O-Rings) | |
| | 70025152 | 1 | O-Ring (Between Pump AND Spacer) | |
| | 70004505 | 1 | Valve, Overflow | |
| | 70004506 | 1 | O-Ring | |
| | 70004507 | 1 | O-Ring | |
| | 70004508 | 1 | Valve, Volume Control | |
| | 70004509 | 1 | O-Ring | |
| | 70004510 | 1 | Gasket | |
| | 70025181 | 4 | Injector, Fuel (Includes O-Ring) | |
| | 70025145 | 4 | O-Ring | |
| | 70008422 | 1 | Pump, Fuel Supply | |
| | 70025144 | 2 | Clamp | |
| | | Ref | GASKETS & SEAL & KITS (Note: Some components listed with main component) | |
| | 70005938 | 1 | Gasket Kit | |
| | 70024906 | 1 | Gasket, Head | |
| | 70005171 | 1 | Gasket, Valve Cover | |
| | 70002718 | 1 | Seal, Main (Rear) | |
| | 70008296 | 1 | Seal, Main (Front) | |
| | 70028185 | 1 | Gasket, Front Cover | |
| | 70005176 | 1 | O-Ring, Air Charge Pipe | |
| | 70005177 | 1 | Gasket, Air Charge Pipe | |
| | 70031095 | 2 | Gasket (EGR Module to Pipe & Pipe to Charge Manifold Elbow) | |
| | | Ref | LUBRICATION SYSTEM COMPONENTS | |
| | 7016331 | 1 | Filter, Oil | |
| | 70024904 | 1 | Dipstick (Includes Seal) | |
| | 70024905 | 1 | Seal, Dipstick | |
| | 7020465 | 2 | Cap, Filler | |
| | 70005941 | 2 | Plug, Oil Drain | |
| | 70005942 | 2 | Ring, Oil Drain Plug Sealing | |
| | 70005172 | 1 | Pump, Oil Lube (Includes Gasket & O-Ring) | |
| | 70025135 | 1 | O-Ring | |
| | 70005173 | 1 | Gasket | |
| | | Ref | MECHANICAL COMPONENTS | |
| | 70001870 | 1 | Flywheel (Includes Ring Gear) | |
| | 7024579 | 1 | Gear, Ring | |
| | 70028699 | 1 | Tensioner, Belt (Generator) | |
| | 70027432 | 1 | Idler (Generator Belt) | |
| | 70004277 | 1 | Belt, Generator Drive | |

SECTION 3 - ENGINE

FIGURE 3-28. DEUTZ TD 2.9L4 (UN R96) ENGINE INSTALLATION - WITHOUT ARCTIC PACKAGE (WITH STEEL HOODS)



ART_1001294447

SECTION 3 - ENGINE

**FIGURE 3-28. DEUTZ TD 2.9L4 (UN R96) ENGINE INSTALLATION - WITHOUT ARCTIC PACKAGE
(WITH STEEL HOODS)**

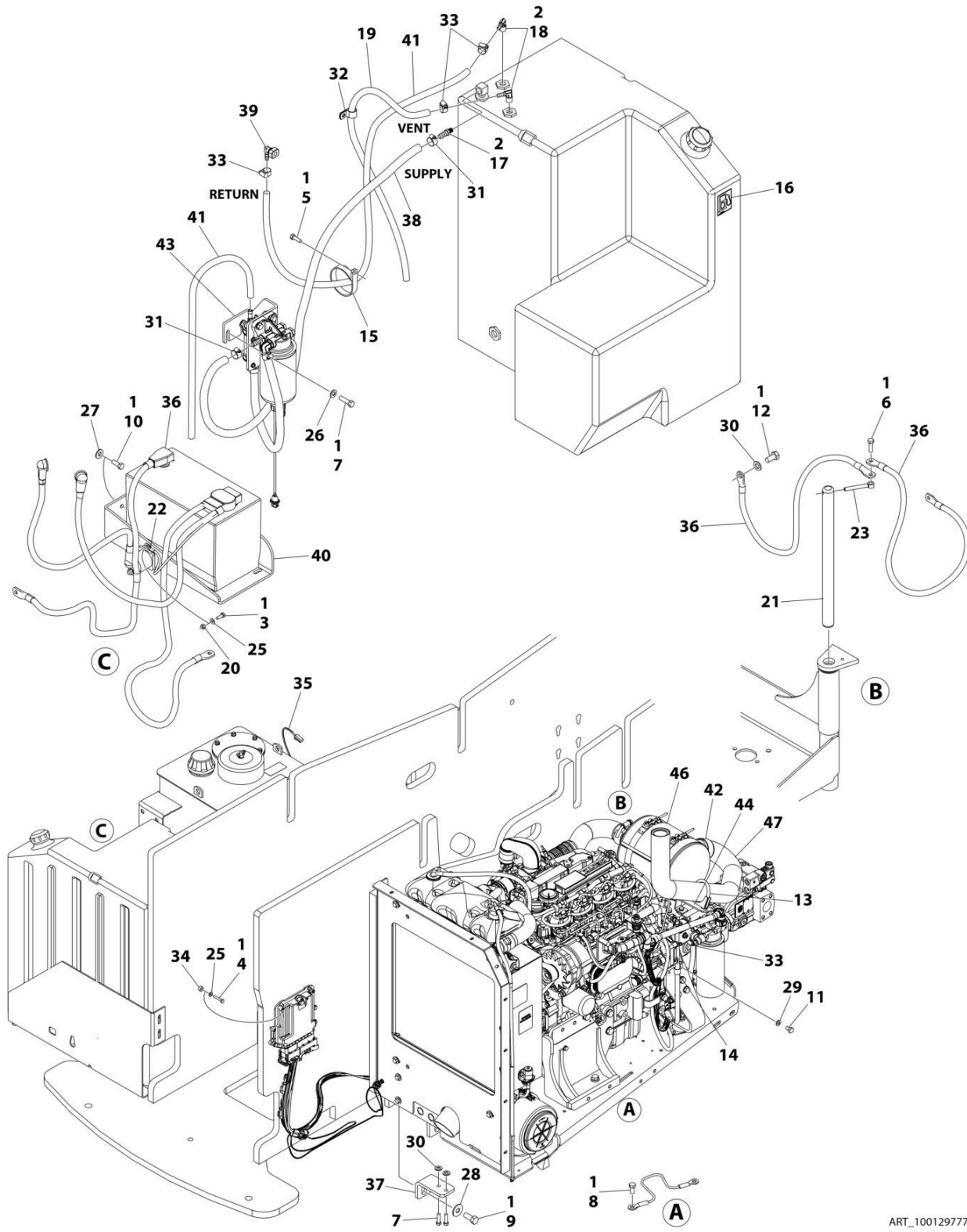
| ITEM | PART NUMBER | QTY | DESCRIPTION | REV |
|------|-------------|-------------|---|-----|
| | 1001294447 | Ref | ENGINE ASSEMBLY | A |
| 1 | 0100011 | AR | Compound, Locking | |
| 2 | 0100020 | AR | Sealant | |
| 3 | 0641406 | 2 | Bolt 1/4 x 3/4 | |
| 4 | 0641412 | 4 | Bolt 1/4 x 1-1/2 | |
| 5 | 0641508 | 1 | Bolt 5/16 x 1 | |
| 6 | 0641610 | 1 | Bolt 3/8 x 1-1/4 | |
| 7 | 0641611 | 4 | Bolt 3/8 x 1-3/8 | |
| 8 | 0641808 | 1 | Bolt 1/2 x 1 | |
| 9 | 0642012 | 1 | Bolt 5/8 x 1-1/2 | |
| 10 | 0681608 | 3 | Bolt 3/8 x 1 | |
| 11 | 0761008 | 1 | Bolt M10 x 16 | |
| 12 | 0771212 | 1 | Bolt M12 x 25 | |
| 13 | 1320011 | 1 | Clamp | |
| 14 | 1320061 | 1 | Clamp | |
| 15 | 1321339 | 1 | Clamp | |
| 16 | 1701505 | 1 | Decal - Diesel | |
| 17 | 2180832 | 1 | Fitting, Straight Barbed | |
| 18 | 2220313 | 2 | Fitting, 90 NPTF/Barbed | |
| 19 | 2750532 | 4 ft /1.2 m | Hose | |
| 20 | 3311405 | 2 | Nut 1/4 | |
| 21 | 3422446 | 1 | Pin | |
| 22 | 3740067 | 1 | Relay | |
| 23 | 3841143 | 1 | Pin, Keeper | |
| 24 | 4240033 | AR | Tie-Strap (Not Shown) | |
| 25 | 4711400 | 7 | Washer 1/4 | |
| 26 | 4711600 | 2 | Washer 3/8 | |
| 27 | 4751600 | 3 | Washer 3/8 | |
| 28 | 4752000 | 1 | Washer 5/8 | |
| 29 | 4812000 | 1 | Washer M10 | |
| 30 | 4812100 | 3 | Washer M12 | |
| 31 | 8405006 | 2 | Clamp | |
| 32 | 8406102 | 1 | Clip | |
| 33 | 8410013 | 4 | Clamp | |
| 34 | 1001110425 | 4 | Spacer | |
| 35 | 1001138491 | 1 | Fuel Harness (See Separate Breakdown in ELECTRICAL Section) | |
| 36 | 1001143736 | 1 | Battery Cable Kit | |
| 36 | 7027084 | 1 | Cable, Battery (Black) (Battery - to Tray Pivot and Grds) | |
| 36 | 8270147 | 1 | Terminal, Battery (With Boot) | |
| 36 | 7027085 | 1 | Cable, Battery (Black) (Battery - to Aux Pump and Relay Grds) | |
| 36 | 7027086 | 1 | Cable, Battery (Black) (Engine to Tray Pivot) | |
| 36 | 7027087 | 1 | Cable (Red) (Battery + to Aux Relay/Power Module/Starter) | |
| 36 | 7027088 | 1 | Cable (Red) (Aux Relay to Aux Pump) | |
| 36 | See Note | 1 | Cable (Aux Relay to Starter) (Note: Use P/N 7027087) | |
| 37 | 1001153359 | 1 | Mount | |
| 38 | 1001154405 | 5 ft /1.5 m | Hose | |
| 39 | 1001155823 | 1 | Fitting, 90 Quick Disconnect | |
| 40 | 1001162497 | 1 | Bracket | |

SECTION 3 - ENGINE

| ITEM | PART NUMBER | QTY | DESCRIPTION | REV |
|------|-------------|-----------------|--|-----|
| 41 | 1001165035 | 24 ft /7.3 m | Hose | |
| 42 | 1001221212 | 1 | Clamp | |
| 43 | 1001227224 | 1 | Bracket | |
| 44 | 1001227620 | 1 | Plate | |
| 45 | 1001247013 | 1 | Pipe, Exhaust | |
| 46 | 1001289593 | 1 | ECU Power Jumper Harness (Not Shown) (See Separate Breakdown in ELECTRICAL Section) | |
| 47 | 1001294446 | 1 | Engine and Pump Assembly without Arctic Package (See Separate Breakdown in this Section) | |

SECTION 3 - ENGINE

FIGURE 3-29. DEUTZ TD 2.9L4 (UN R96) ENGINE INSTALLATION - WITHOUT ARCTIC PACKAGE (WITH PLASTIC HOODS)



ART_100129777

SECTION 3 - ENGINE

**FIGURE 3-29. DEUTZ TD 2.9L4 (UN R96) ENGINE INSTALLATION - WITHOUT ARCTIC PACKAGE
(WITH PLASTIC HOODS)**

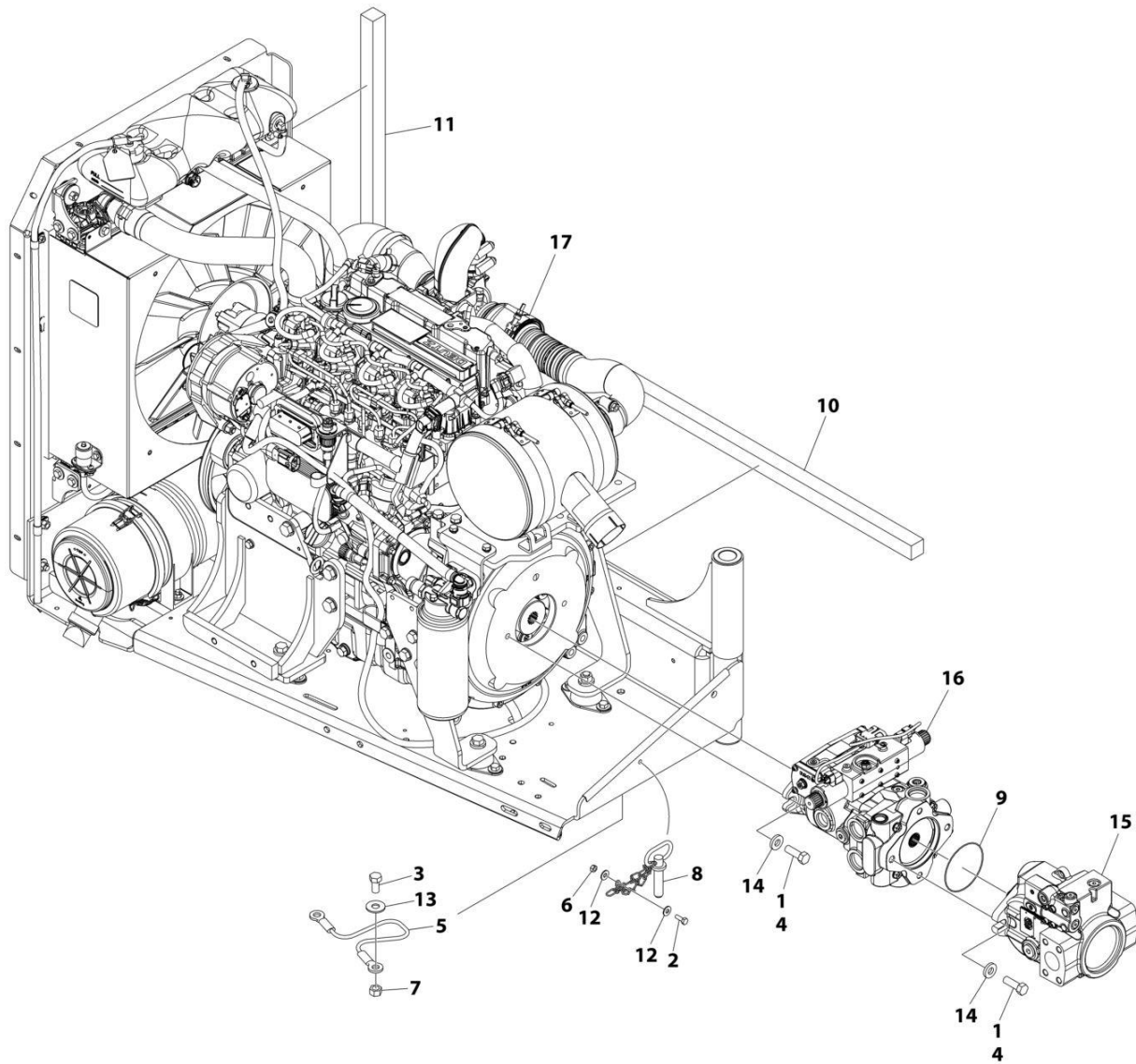
| ITEM | PART NUMBER | QTY | DESCRIPTION | REV |
|------|-------------|------------|---|-----|
| | 1001297777 | Ref | ENGINE ASSEMBLY | A |
| 1 | 0100011 | AR | Compound, Locking | |
| 2 | 0100020 | AR | Sealant | |
| 3 | 0641406 | 2 | Bolt 1/4 x 3/4 | |
| 4 | 0641412 | 4 | Bolt 1/4 x 1-1/2 | |
| 5 | 0641508 | 1 | Bolt 5/16 x 1 | |
| 6 | 0641610 | 1 | Bolt 3/8 x 1-1/4 | |
| 7 | 0641611 | 4 | Bolt 3/8 x 1-3/8 | |
| 8 | 0641808 | 1 | Bolt 1/2 x 1 | |
| 9 | 0642012 | 1 | Bolt 5/8 x 1-1/2 | |
| 10 | 0681608 | 3 | Bolt 3/8 x 1 | |
| 11 | 0761008 | 1 | Bolt M10 x 16 | |
| 12 | 0771212 | 1 | Bolt M12 x 25 | |
| 13 | 1320011 | 1 | Clamp | |
| 14 | 1320061 | 1 | Clamp | |
| 15 | 1321339 | 1 | Clamp | |
| 16 | 1701505 | 1 | Decal - Diesel | |
| 17 | 2180832 | 1 | Fitting, Straight Barbed | |
| 18 | 2220313 | 2 | Fitting, 90 NPTF/Barbed | |
| 19 | 2750532 | 4 ft /1.2m | Hose | |
| 20 | 3311405 | 2 | Nut 1/4 | |
| 21 | 3422446 | 1 | Pin | |
| 22 | 3740067 | 1 | Relay | |
| 23 | 3841143 | 1 | Pin, Keeper | |
| 24 | 4240033 | AR | Tie-Strap (Not Shown) | |
| 25 | 4711400 | 7 | Washer 1/4 | |
| 26 | 4711600 | 2 | Washer 3/8 | |
| 27 | 4751600 | 3 | Washer 3/8 | |
| 28 | 4752000 | 1 | Washer 5/8 | |
| 29 | 4812000 | 1 | Washer M10 | |
| 30 | 4812100 | 3 | Washer M12 | |
| 31 | 8405006 | 2 | Clamp | |
| 32 | 8406102 | 1 | Clip | |
| 33 | 8410013 | 4 | Clamp | |
| 34 | 1001110425 | 4 | Spacer | |
| 35 | 1001138491 | 1 | Fuel Harness (See Separate Breakdown in ELECTRICAL Section) | |
| 36 | 1001143736 | 1 | Battery Cable Kit | |
| 36 | 7027084 | 1 | Cable, Battery (Black) (Battery - to Tray Pivot and Grds) | |
| 36 | 8270147 | 1 | Terminal, Battery (With Boot) | |
| 36 | 7027085 | 1 | Cable, Battery (Black) (Battery - to Aux Pump and Relay Grds) | |
| 36 | 7027086 | 1 | Cable, Battery (Black) (Engine to Tray Pivot) | |
| 36 | 7027087 | 1 | Cable (Red) (Battery + to Aux Relay/Power Module/Starter) | |
| 36 | 7027088 | 1 | Cable (Red) (Aux Relay to Aux Pump) | |
| 36 | See Note | 1 | Cable (Aux Relay to Starter) (Note: Use P/N 7027087) | |
| 37 | 1001153359 | 1 | Mount | |
| 38 | 1001154405 | 5 ft /1.5m | Hose | |
| 39 | 1001155823 | 1 | Fitting, 90 Quick Disconnect | |
| 40 | 1001162497 | 1 | Bracket | |

SECTION 3 - ENGINE

| ITEM | PART NUMBER | QTY | DESCRIPTION | REV |
|------|-------------|----------------|--|-----|
| 41 | 1001165035 | 24 ft /7.3m | Hose | |
| 42 | 1001221212 | 1 | Clamp | |
| 43 | 1001227224 | 1 | Bracket | |
| 44 | 1001227620 | 1 | Plate | |
| 45 | 1001289593 | 1 | ECU Power Jumper Harness (Not Shown) (See Separate Breakdown in ELECTRICAL Section) | |
| 46 | 1001294446 | 1 | Engine and Pump Assembly without Arctic Package (See Separate Breakdown in this Section) | |
| 47 | 1001299206 | 1 | Pipe, Exhaust | |

SECTION 3 - ENGINE

FIGURE 3-30. DEUTZ TD 2.9L4 (UN R96) ENGINE AND PUMP SUB-ASSEMBLY - WITHOUT ARCTIC PACKAGE



ART_1001294446

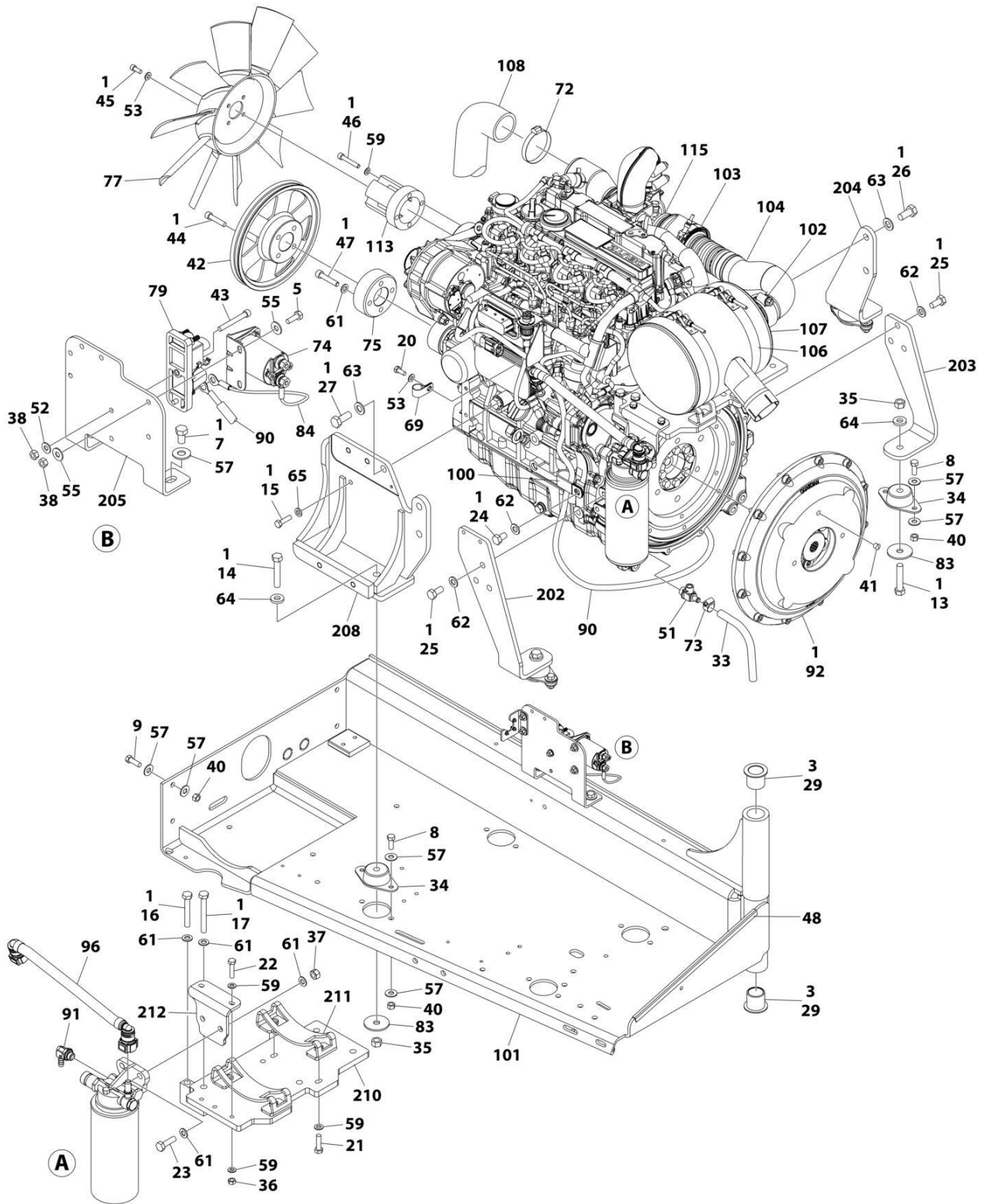
SECTION 3 - ENGINE

FIGURE 3-30. DEUTZ TD 2.9L4 (UN R96) ENGINE AND PUMP SUB-ASSEMBLY - WITHOUT ARCTIC PACKAGE

| ITEM | PART NUMBER | QTY | DESCRIPTION | REV |
|------|-------------|-----|---|-----|
| | 1001294446 | Ref | ENGINE AND PUMP SUB-ASSEMBLY | A |
| 1 | 0100011 | AR | Compound, Locking | |
| 2 | 0641406 | 1 | Bolt 1/4 x 3/4 | |
| 3 | 0641808 | 1 | Bolt 1/2 x 1 | |
| 4 | 0641812 | 4 | Bolt 1/2 x 1-1/2 | |
| 5 | 1060637 | 1 | Lanyard | |
| 6 | 3311405 | 1 | Nut 1/4 | |
| 7 | 3311801 | 1 | Nut 1/2 | |
| 8 | 3422532 | 1 | Pin | |
| 9 | 3790044 | 1 | O-Ring | |
| 10 | 3960468 | 1 | Seal | |
| 11 | 3960469 | 1 | Seal | |
| 12 | 4751400 | 2 | Washer 1/4 | |
| 13 | 4751800 | 1 | Washer 1/2 | |
| 14 | 4891800 | 4 | Washer 1/2 | |
| 15 | 1001094595 | 1 | Variable Pump Assembly with Fittings (See Separate Breakdown in this Section) | |
| 16 | 1001225745 | 1 | Hydrostatic Pump Assembly (See Separate Breakdown in this Section) | |
| 17 | 1001294445 | 1 | Engine Assembly without Arctic Package (See Separate Breakdown in this Section) | |

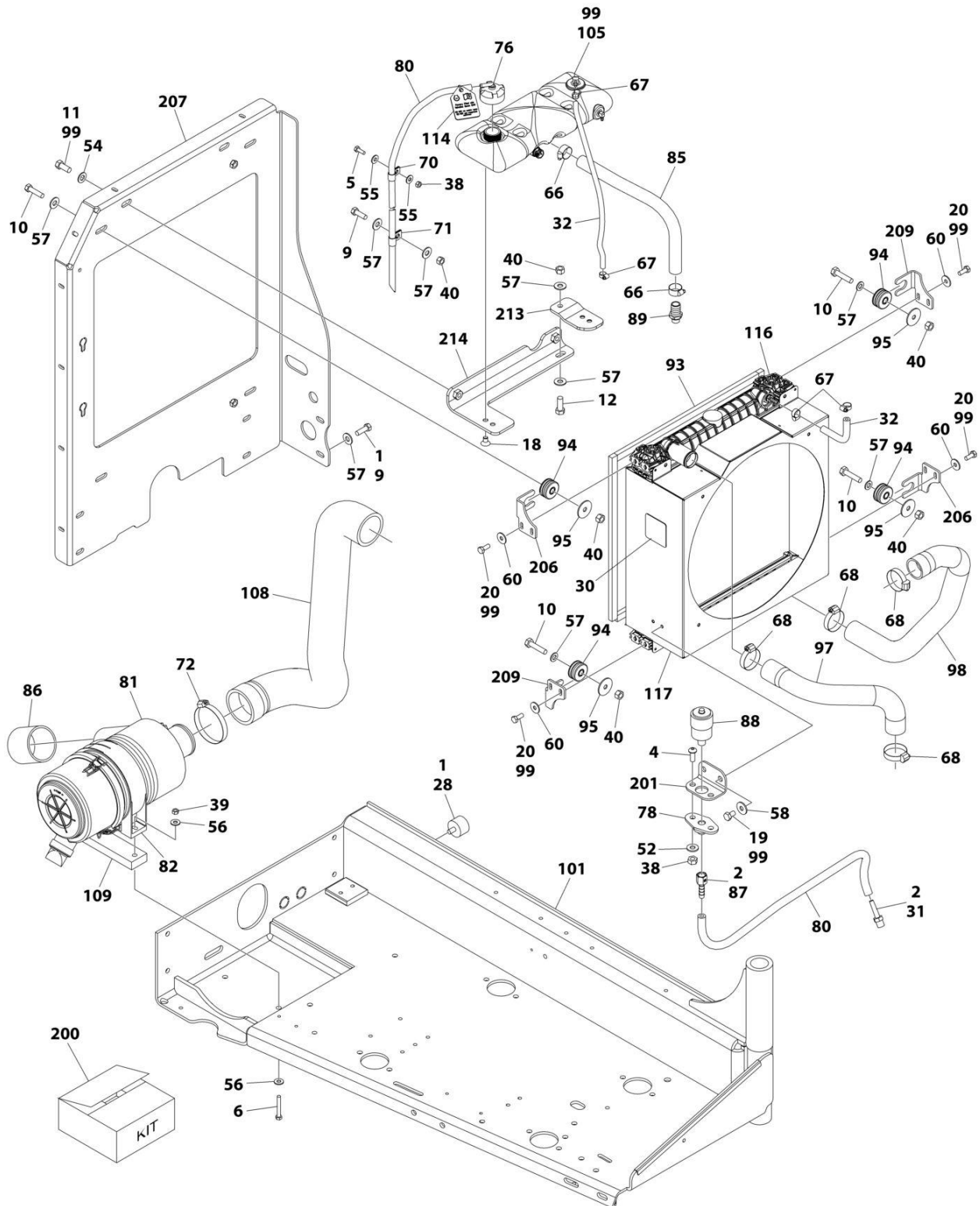
SECTION 3 - ENGINE

FIGURE 3-31. DEUTZ TD 2.9L4 (UN R96) ENGINE ASSEMBLY - WITHOUT ARCTIC PACKAGE



ART_1001294445_10F2

SECTION 3 - ENGINE



ART_1001294445_20F2

SECTION 3 - ENGINE

FIGURE 3-31. DEUTZ TD 2.9L4 (UN R96) ENGINE ASSEMBLY - WITHOUT ARCTIC PACKAGE

| ITEM | PART NUMBER | QTY | DESCRIPTION | REV |
|------|-------------|-----------------|--|-----|
| | 1001294445 | Ref | ENGINE ASSEMBLY - WITHOUT ARCTIC PACKAGE | A |
| 1 | 0100011 | AR | Compound, Locking | |
| 2 | 0100020 | AR | Sealant | |
| 3 | 0100062 | AR | Adhesive | |
| 4 | 0630407 | 2 | Screw 1/4 x 5/8 | |
| 5 | 0641406 | 3 | Bolt 1/4 x 3/4 | |
| 6 | 0641518 | 2 | Bolt 5/16 x 2-1/4 | |
| 7 | 0641605 | 2 | Bolt 3/8 x 5/8 | |
| 8 | 0641608 | 8 | Bolt 3/8 x 1 | |
| 9 | 0641609 | 6 | Bolt 3/8 x 1-1/8 | |
| 10 | 0641612 | 4 | Bolt 3/8 x 1-1/2 | |
| 11 | 0641708 | 2 | Bolt 7/16 x 1 | |
| 12 | 0681608 | 1 | Bolt 3/8 x 1-1/2 | |
| 13 | 0681820 | 3 | Bolt 1/2 x 2-1/2 | |
| 14 | 0681822 | 1 | Bolt 1/2 x 2-3/4 | |
| 15 | 0700814 | 1 | Bolt M8 x 30 | |
| 16 | 0701022 | 2 | Bolt M10 x 70 | |
| 17 | 0701025 | 2 | Bolt M10 x 85 | |
| 18 | 0741605 | 2 | Screw 3/8 x 5/8 | |
| 19 | 0760605 | 2 | Bolt M6 x 10 | |
| 20 | 0760810 | 13 | Bolt M8 x 20 | |
| 21 | 0760814 | 4 | Bolt M8 x 30 | |
| 22 | 0760815 | 2 | Bolt M8 x 35 | |
| 23 | 0761015 | 2 | Bolt M10 x 35 | |
| 24 | 0761210 | 1 | Bolt M12 x 20 | |
| 25 | 0771212 | 6 | Bolt M12 x 25 | |
| 26 | 0771414 | 2 | Bolt M14 x 30 | |
| 27 | 0771415 | 3 | Bolt M14 x 35 | |
| 28 | 0940070 | 1 | Bumper | |
| 29 | 0961986 | 2 | Bearing | |
| 30 | 1703162 | 1 | Decal - Fan Blade | |
| 31 | 2220315 | 1 | Fitting, Straight Barbed | |
| 32 | 2720015 | 28 in /71 cm | Hose | |
| 33 | 2720340 | 12 in /31 cm | Hose | |
| 34 | 3200401 | 4 | Mount | |
| 35 | 3271801 | 4 | Nut 1/2 | |
| 36 | 3290801 | 2 | Nut M8 | |
| 37 | 3291005 | 2 | Nut M10 | |
| 38 | 3311405 | 6 | Nut 1/4 | |
| 39 | 3311505 | 2 | Nut 5/16 | |
| 40 | 3311605 | 17 | Nut 3/8 | |
| 41 | 3520054 | 1 | Plug | |
| 42 | 3580320 | 1 | Pulley | |
| 43 | 3931432 | 1 | Screw 1/4 x 2 | |
| 44 | 3931628 | 4 | Screw 3/8 x 1-3/4 | |
| 45 | 4031908 | 4 | Capscrew M8 x 20 | |
| 46 | 4031912 | 4 | Capscrew M8 x 40 | |
| 47 | 4032014 | 4 | Capscrew M10 x 50 | |

SECTION 3 - ENGINE

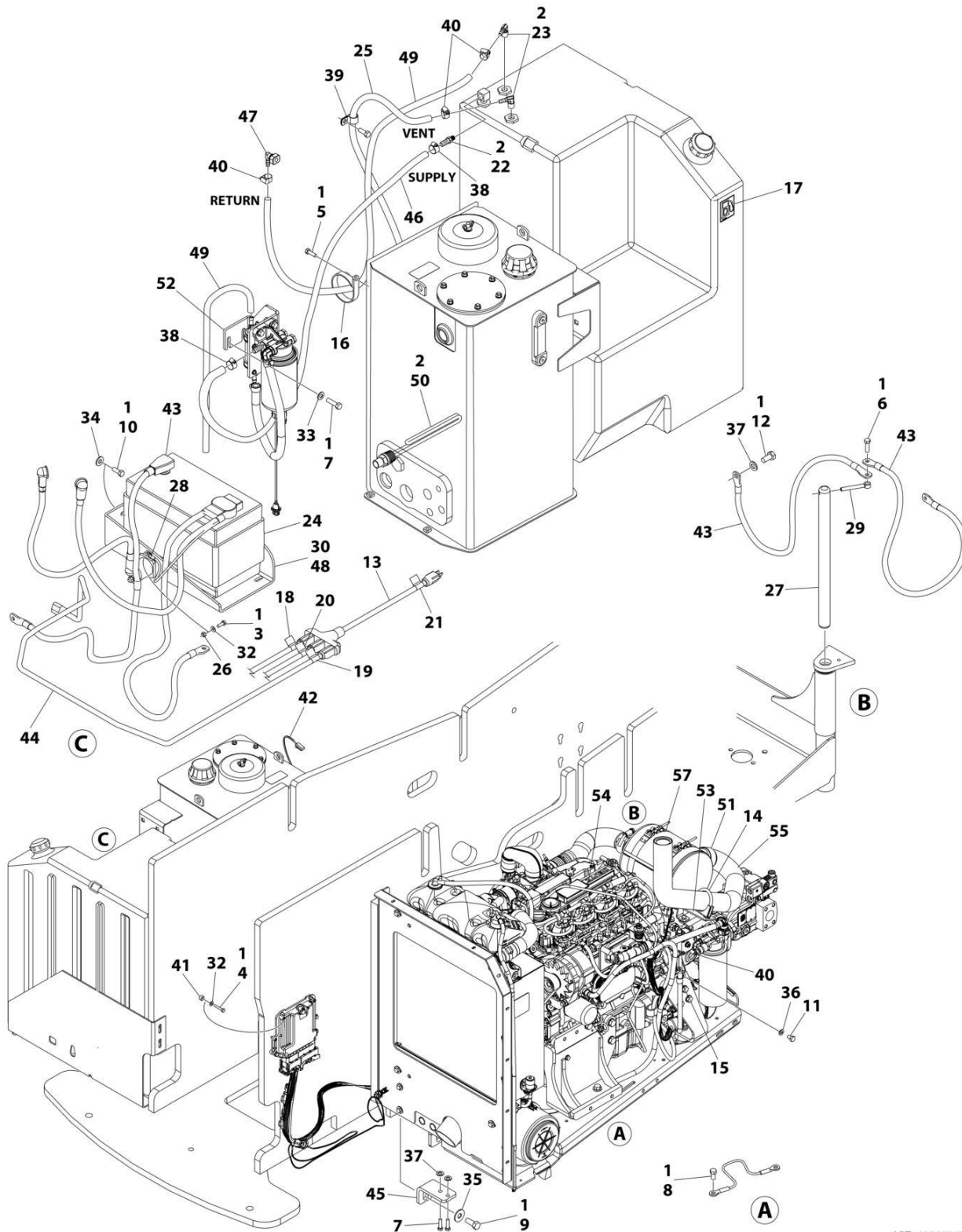
| ITEM | PART NUMBER | QTY | DESCRIPTION | REV |
|------|-------------|-----------------|--|-----|
| 48 | 4060805 | 15 in /39 cm | Shield | |
| 49 | 4240032 | AR | Tie-Strap (Not Shown) | |
| 50 | 4240099 | AR | Tie-Strap (Not Shown) | |
| 51 | 4640751 | 1 | Valve, Oil Drain | |
| 52 | 4711400 | 3 | Washer 1/4 | |
| 53 | 4711500 | 5 | Washer 5/16 | |
| 54 | 4711700 | 2 | Washer 7/16 | |
| 55 | 4751400 | 6 | Washer 1/4 | |
| 56 | 4751500 | 4 | Washer 5/16 | |
| 57 | 4751600 | 34 | Washer 3/8 | |
| 58 | 4811702 | 2 | Washer M6 | |
| 59 | 4811900 | 12 | Washer M8 | |
| 60 | 4811902 | 12 | Washer M8 | |
| 61 | 4812000 | 12 | Washer M10 | |
| 62 | 4812100 | 7 | Washer M12 | |
| 63 | 4812200 | 5 | Washer M14 | |
| 64 | 4891800 | 4 | Washer 1/2 | |
| 65 | 5240800 | 1 | Washer M8 | |
| 66 | 8405007 | 2 | Clamp | |
| 67 | 8405009 | 4 | Clamp | |
| 68 | 8405104 | 4 | Clamp | |
| 69 | 8406102 | 1 | Clip | |
| 70 | 8406109 | 1 | Clip | |
| 71 | 8406110 | 1 | Clip | |
| 72 | 8410011 | 2 | Clamp | |
| 73 | 8410013 | 1 | Clamp | |
| 74 | 1001117308 | 1 | Contactactor | |
| 75 | 1001135679 | 1 | Adapter | |
| 76 | 1001136834 | 1 | Cap | |
| 77 | 1001137276 | 1 | Fan | |
| 78 | 1001138173 | 1 | Support | |
| 79 | 1001138228 | 1 | Relay | |
| 80 | 1001138248 | 6 ft /2 m | Tube | |
| 81 | 1001138489 | 1 | Filter, Air | |
| 82 | 1001138557 | 1 | Clamp | |
| 83 | 1001139409 | 4 | Washer | |
| 84 | 1001141304 | 1 | Wire, Glow Fuse | |
| 85 | 1001141370 | 1 | Hose | |
| 86 | 1001141585 | 1 | Hose | |
| 87 | 1001141995 | 1 | Fitting, Straight NPT/Barbed | |
| 88 | 1001143390 | 1 | Indicator | |
| 89 | 1001143797 | 1 | Fitting, Straight Barbed | |
| 90 | 1001143907 | 1 | Cable, Alternator Power | |
| 91 | 1001152489 | 1 | Fitting, 90 Barbed | |
| 92 | 1001153282 | 1 | Pump Coupling Kit (See Separate Breakdown in this Section) | |
| 93 | 1001168166 | 4 | Seal | |
| 94 | 1001169054 | 4 | Isolator | |
| 95 | 1001169138 | 4 | Pad | |
| 96 | 1001177359 | 1 | Hose | |
| 97 | 1001177844 | 1 | Hose | |
| 98 | 1001177845 | 1 | Hose | |

SECTION 3 - ENGINE

| ITEM | PART NUMBER | QTY | DESCRIPTION | REV |
|------|-------------|-----|---|-----|
| 99 | 1001180620 | AR | Adhesive | |
| 100 | 1001181899 | 1 | Clamp | |
| 101 | 1001190610 | 1 | Support | |
| 102 | 1001221212 | 1 | Clamp | |
| 103 | 1001221219 | 1 | Clamp | |
| 104 | 1001224940 | 1 | Pipe | |
| 105 | 1001230635 | 1 | Tank | |
| 106 | 1001233089 | 2 | Clamp | |
| 107 | 1001257278 | 1 | Muffler | |
| 108 | 1001266525 | 1 | Hose | |
| 109 | 1001267256 | 1 | Shim | |
| 110 | 1001276644 | 1 | Engine Harness (Not Shown) (See Separate Breakdown in ELECTRICAL Section) | |
| 111 | 1001281985 | 1 | Connector (Not Shown) | |
| 112 | 1001281986 | 1 | Connector (Not Shown) | |
| 113 | 1001289964 | 1 | Adapter | |
| 114 | 1001291401 | 1 | Tag, Coolant | |
| 115 | 1001294438 | 1 | Deutz TD2.9L4 (UN R96) Engine (See Separate Breakdown in this Section) | |
| 116 | 1001303176 | 1 | Cooler, Engine Core | |
| 117 | 1001306283 | 1 | Shroud | |
| 200 | 1001299487 | 1 | Bracket, (UN R96) Engine Kit | |
| 201 | 1001138175 | 1 | Bracket | |
| 202 | 1001140448 | 1 | Mount, Rear Engine | |
| 203 | 1001140450 | 1 | Mount, Rear Engine | |
| 204 | 1001140454 | 1 | Mount, Front Engine | |
| 205 | 1001145154 | 1 | Plate | |
| 206 | 1001178223 | 2 | Bracket | |
| 207 | 1001186985 | 1 | Support | |
| 208 | 1001202368 | 1 | Support | |
| 209 | 1001204325 | 2 | Bracket | |
| 210 | 1001221203 | 1 | Bracket, Muffler | |
| 211 | 1001224936 | 2 | Mount | |
| 212 | 1001224937 | 1 | Mount | |
| 213 | 1001260412 | 1 | Bracket | |
| 214 | 1001260413 | 1 | Bracket | |

SECTION 3 - ENGINE

FIGURE 3-32. DEUTZ TD 2.9L4 (UN R96) ENGINE INSTALLATION - WITH ARCTIC PACKAGE (WITH COLD WEATHER PACKAGE AND STEEL HOODS)



ART_1001294526

SECTION 3 - ENGINE

FIGURE 3-32. DEUTZ TD 2.9L4 (UN R96) ENGINE INSTALLATION - WITH ARCTIC PACKAGE (WITH COLD WEATHER PACKAGE AND STEEL HOODS)

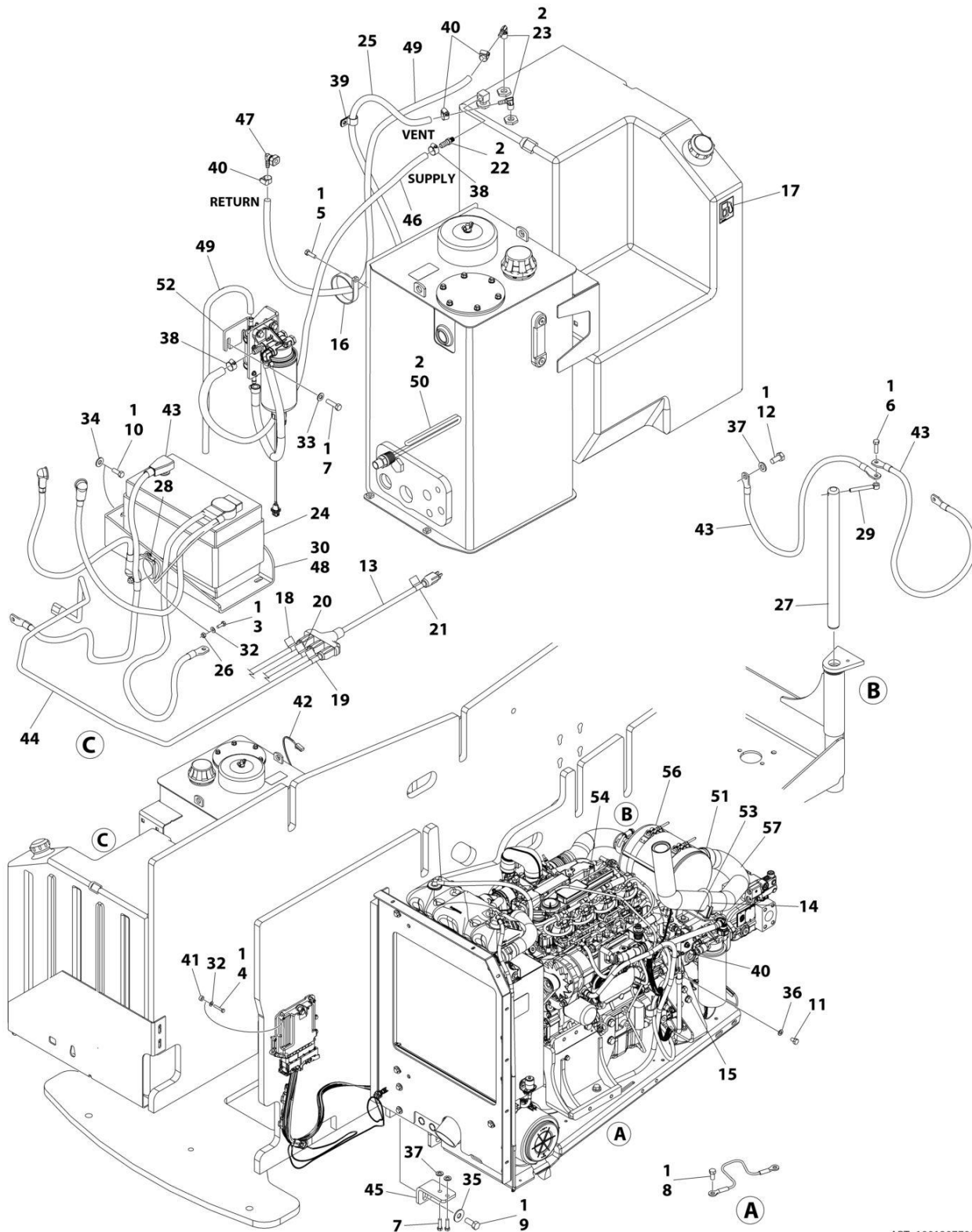
| ITEM | PART NUMBER | QTY | DESCRIPTION | REV |
|------|-------------|--------------|---|-----|
| | 1001294526 | Ref | ENGINE ASSEMBLY | A |
| 1 | 0100011 | AR | Compound, Locking | |
| 2 | 0100020 | AR | Sealant | |
| 3 | 0641406 | 2 | Bolt 1/4 x 3/4 | |
| 4 | 0641412 | 4 | Bolt 1/4 x 1-1/2 | |
| 5 | 0641508 | 1 | Bolt 5/16 x 1 | |
| 6 | 0641610 | 1 | Bolt 3/8 x 1-1/4 | |
| 7 | 0641611 | 4 | Bolt 3/8 x 1-3/8 | |
| 8 | 0641808 | 1 | Bolt 1/2 x 1 | |
| 9 | 0642012 | 1 | Bolt 5/8 x 1-1/2 | |
| 10 | 0681608 | 3 | Bolt 3/8 x 1 | |
| 11 | 0761008 | 1 | Bolt M10 x 16 | |
| 12 | 0771212 | 1 | Bolt M12 x 25 | |
| 13 | 1060626 | 1 | Cord, 3-Way Extension | |
| 14 | 1320011 | 1 | Clamp | |
| 15 | 1320061 | 1 | Clamp | |
| 16 | 1321339 | 1 | Clamp | |
| 17 | 1701505 | 1 | Decal - Diesel | |
| 18 | 1702941 | 1 | Decal - Battery Heater | |
| 19 | 1702942 | 1 | Decal - Engine Block Heater | |
| 20 | 1702943 | 1 | Decal - Hydraulic Tank Heater | |
| 21 | 1702944 | 1 | Decal - Heater Cord | |
| 22 | 2180832 | 1 | Fitting, Straight Barbed | |
| 23 | 2220313 | 2 | Fitting, 90 NPTF/Barbed | |
| 24 | 2580024 | 1 | Heater, Battery | |
| 25 | 2750532 | 4 ft / 1.2 m | Hose | |
| 26 | 3311405 | 2 | Nut 1/4 | |
| 27 | 3422446 | 1 | Pin | |
| 28 | 3740067 | 1 | Relay | |
| 29 | 3841143 | 1 | Keeper, Pin | |
| 30 | 3980007 | 1 | Seat, Battery | |
| 31 | 4240033 | AR | Tie-Strap (Not Shown) | |
| 32 | 4711400 | 7 | Washer 1/4 | |
| 33 | 4711600 | 2 | Washer 3/8 | |
| 34 | 4751600 | 3 | Washer 3/8 | |
| 35 | 4752000 | 1 | Washer 5/8 | |
| 36 | 4812000 | 1 | Washer M10 | |
| 37 | 4812100 | 3 | Washer M12 | |
| 38 | 8405006 | 2 | Clamp | |
| 39 | 8406102 | 1 | Clip | |
| 40 | 8410013 | 4 | Clamp | |
| 41 | 1001110425 | 4 | Spacer | |
| 42 | 1001138491 | 1 | Fuel Harness (See Separate Breakdown in ELECTRICAL Section) | |
| 43 | 1001143736 | 1 | Battery Cable Kit | |
| 43 | 7027084 | 1 | Cable, Battery (Black) (Battery - to Tray Pivot and Grds) | |
| 43 | 8270147 | 1 | Terminal, Battery (With Boot) | |
| 43 | 7027085 | 1 | Cable, Battery (Black) (Battery - to Aux Pump and Relay Grds) | |
| 43 | 7027086 | 1 | Cable, Battery (Black) (Engine to Tray Pivot) | |
| 43 | 7027087 | 1 | Cable (Red) (Battery + to Aux Relay/Power Module/Starter) | |

SECTION 3 - ENGINE

| ITEM | PART NUMBER | QTY | DESCRIPTION | REV |
|------|-------------|--------------|--|-----|
| 43 | 7027088 | 1 | Cable (Red) (Aux Relay to Aux Pump) | |
| 43 | See Note | 1 | Cable (Aux Relay to Starter) (Note: Use P/N 7027087) | |
| 44 | 1001150918 | 1 | Cable, Extension | |
| 45 | 1001153359 | 1 | Mount | |
| 46 | 1001154405 | 5 ft /1.5 m | Hose | |
| 47 | 1001155823 | 1 | Fitting, 90 Quick Disconnect | |
| 48 | 1001162497 | 1 | Bracket | |
| 49 | 1001165035 | 24 ft /7.4 m | Hose | |
| 50 | 1001188972 | 1 | Heater, Immersion | |
| 51 | 1001221212 | 1 | Clamp | |
| 52 | 1001227224 | 1 | Bracket | |
| 53 | 1001227620 | 1 | Plate | |
| 54 | 1001233763 | 1 | Breather Heater Installation (See Separate Breakdown in this Section) | |
| 55 | 1001247013 | 1 | Pipe, Exhaust | |
| 56 | 1001289593 | 1 | ECU Power Jumper Harness (Not Shown) (See Separate Breakdown in ELECTRICAL Section) | |
| 57 | 1001294524 | 1 | Engine and Pump Assembly without Arctic Package (See Separate Breakdown in this Section) | |

SECTION 3 - ENGINE

FIGURE 3-33. DEUTZ TD 2.9L4 (UN R96) ENGINE INSTALLATION - WITH ARCTIC PACKAGE (WITH COLD WEATHER PACKAGE AND PLASTIC HOODS)



ART_1001297780

SECTION 3 - ENGINE

FIGURE 3-33. DEUTZ TD 2.9L4 (UN R96) ENGINE INSTALLATION - WITH ARCTIC PACKAGE (WITH COLD WEATHER PACKAGE AND PLASTIC HOODS)

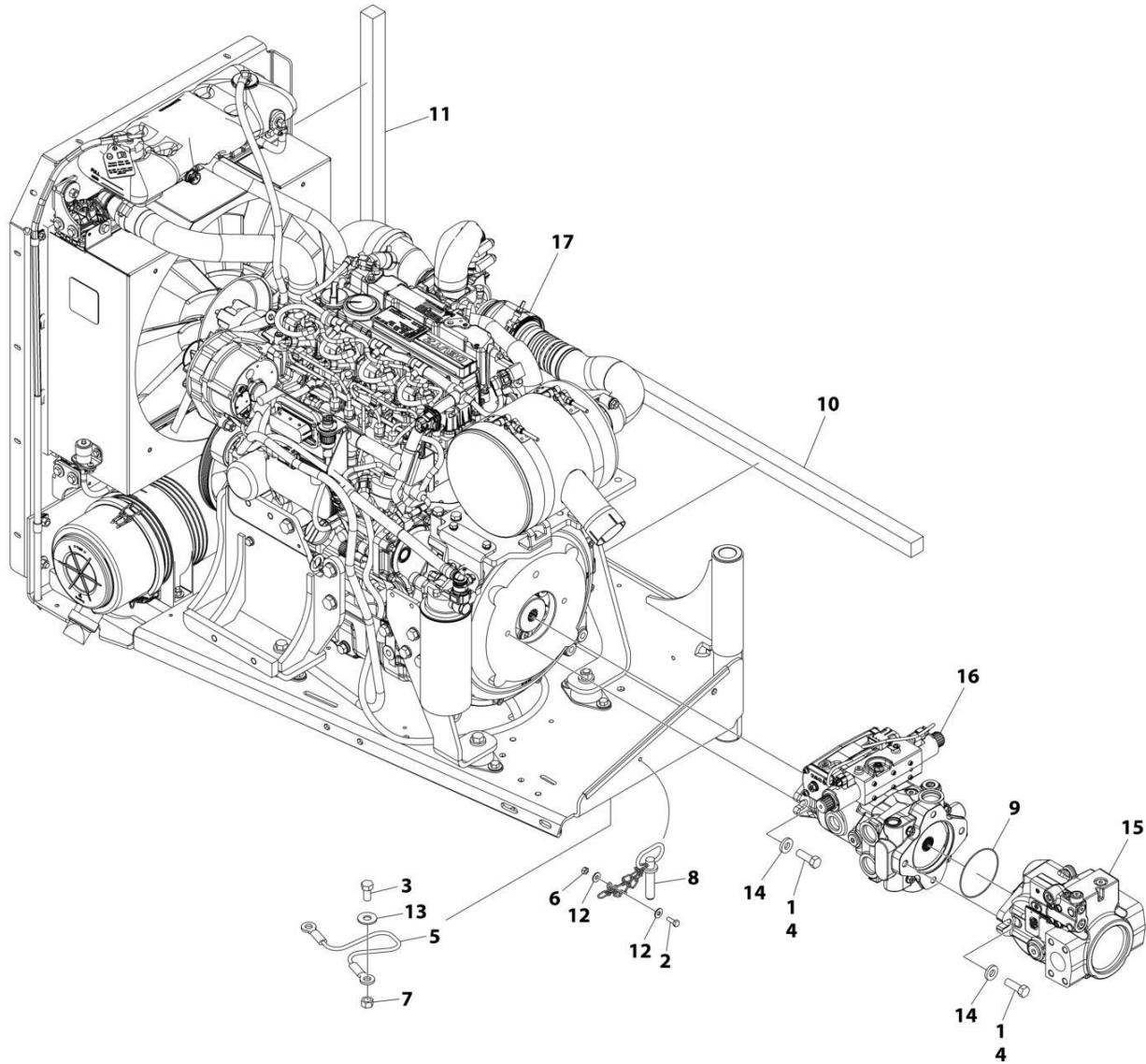
| ITEM | PART NUMBER | QTY | DESCRIPTION | REV |
|------|-------------|--------------|---|-----|
| | 1001297780 | Ref | ENGINE ASSEMBLY | A |
| 1 | 0100011 | AR | Compound, Locking | |
| 2 | 0100020 | AR | Sealant | |
| 3 | 0641406 | 2 | Bolt 1/4 x 3/4 | |
| 4 | 0641412 | 4 | Bolt 1/4 x 1-1/2 | |
| 5 | 0641508 | 1 | Bolt 5/16 x 1 | |
| 6 | 0641610 | 1 | Bolt 3/8 x 1-1/4 | |
| 7 | 0641611 | 4 | Bolt 3/8 x 1-3/8 | |
| 8 | 0641808 | 1 | Bolt 1/2 x 1 | |
| 9 | 0642012 | 1 | Bolt 5/8 x 1-1/2 | |
| 10 | 0681608 | 3 | Bolt 3/8 x 1 | |
| 11 | 0761008 | 1 | Bolt M10 x 16 | |
| 12 | 0771212 | 1 | Bolt M12 x 25 | |
| 13 | 1060626 | 1 | Cord, 3-Way Extension | |
| 14 | 1320011 | 1 | Clamp | |
| 15 | 1320061 | 1 | Clamp | |
| 16 | 1321339 | 1 | Clamp | |
| 17 | 1701505 | 1 | Decal - Diesel | |
| 18 | 1702941 | 1 | Decal - Battery Heater | |
| 19 | 1702942 | 1 | Decal - Engine Block Heater | |
| 20 | 1702943 | 1 | Decal - Hydraulic Tank Heater | |
| 21 | 1702944 | 1 | Decal - Heater Cord | |
| 22 | 2180832 | 1 | Fitting, Straight Barbed | |
| 23 | 2220313 | 2 | Fitting, 90 NPTF/Barbed | |
| 24 | 2580024 | 1 | Heater, Battery | |
| 25 | 2750532 | 4 ft / 1.3 m | Hose | |
| 26 | 3311405 | 2 | Nut 1/4 | |
| 27 | 3422446 | 1 | Pin | |
| 28 | 3740067 | 1 | Relay | |
| 29 | 3841143 | 1 | Keeper, Pin | |
| 30 | 3980007 | 1 | Seat, Battery | |
| 31 | 4240033 | AR | Tie-Strap (Not Shown) | |
| 32 | 4711400 | 7 | Washer 1/4 | |
| 33 | 4711600 | 2 | Washer 3/8 | |
| 34 | 4751600 | 3 | Washer 3/8 | |
| 35 | 4752000 | 1 | Washer 5/8 | |
| 36 | 4812000 | 1 | Washer M10 | |
| 37 | 4812100 | 3 | Washer M12 | |
| 38 | 8405006 | 2 | Clamp | |
| 39 | 8406102 | 1 | Clip | |
| 40 | 8410013 | 4 | Clamp | |
| 41 | 1001110425 | 4 | Spacer | |
| 42 | 1001138491 | 1 | Fuel Harness (See Separate Breakdown in ELECTRICAL Section) | |
| 43 | 1001143736 | 1 | Battery Cable Kit | |
| 43 | 7027084 | 1 | Cable, Battery (Black) (Battery - to Tray Pivot and Grds) | |
| 43 | 8270147 | 1 | Terminal, Battery (With Boot) | |
| 43 | 7027085 | 1 | Cable, Battery (Black) (Battery - to Aux Pump and Relay Grds) | |
| 43 | 7027086 | 1 | Cable, Battery (Black) (Engine to Tray Pivot) | |
| 43 | 7027087 | 1 | Cable (Red) (Battery + to Aux Relay/Power Module/Starter) | |

SECTION 3 - ENGINE

| ITEM | PART NUMBER | QTY | DESCRIPTION | REV |
|------|-------------|--------------|--|-----|
| 43 | 7027088 | 1 | Cable (Red) (Aux Relay to Aux Pump) | |
| 43 | See Note | 1 | Cable (Aux Relay to Starter) (Note: Use P/N 7027087) | |
| 44 | 1001150918 | 1 | Cable, Extension | |
| 45 | 1001153359 | 1 | Mount | |
| 46 | 1001154405 | 5 ft /1.5 m | Hose | |
| 47 | 1001155823 | 1 | Fitting, 90 Quick Disconnect | |
| 48 | 1001162497 | 1 | Bracket | |
| 49 | 1001165035 | 24 ft /7.4 m | Hose | |
| 50 | 1001188972 | 1 | Heater, Immersion | |
| 51 | 1001221212 | 1 | Clamp | |
| 52 | 1001227224 | 1 | Bracket | |
| 53 | 1001227620 | 1 | Plate | |
| 54 | 1001233763 | 1 | Breather Heater Installation (See Separate Breakdown in this Section) | |
| 55 | 1001289593 | 1 | ECU Power Jumper Harness (Not Shown) (See Separate Breakdown in ELECTRICAL Section) | |
| 56 | 1001294524 | 1 | Engine and Pump Assembly without Arctic Package (See Separate Breakdown in this Section) | |
| 57 | 1001299206 | 1 | Pipe, Exhaust | |

SECTION 3 - ENGINE

FIGURE 3-34. DEUTZ TD 2.9L4 (UN R96) ENGINE AND PUMP SUB-ASSEMBLY - WITH ARCTIC PACKAGE



ART_1001294524

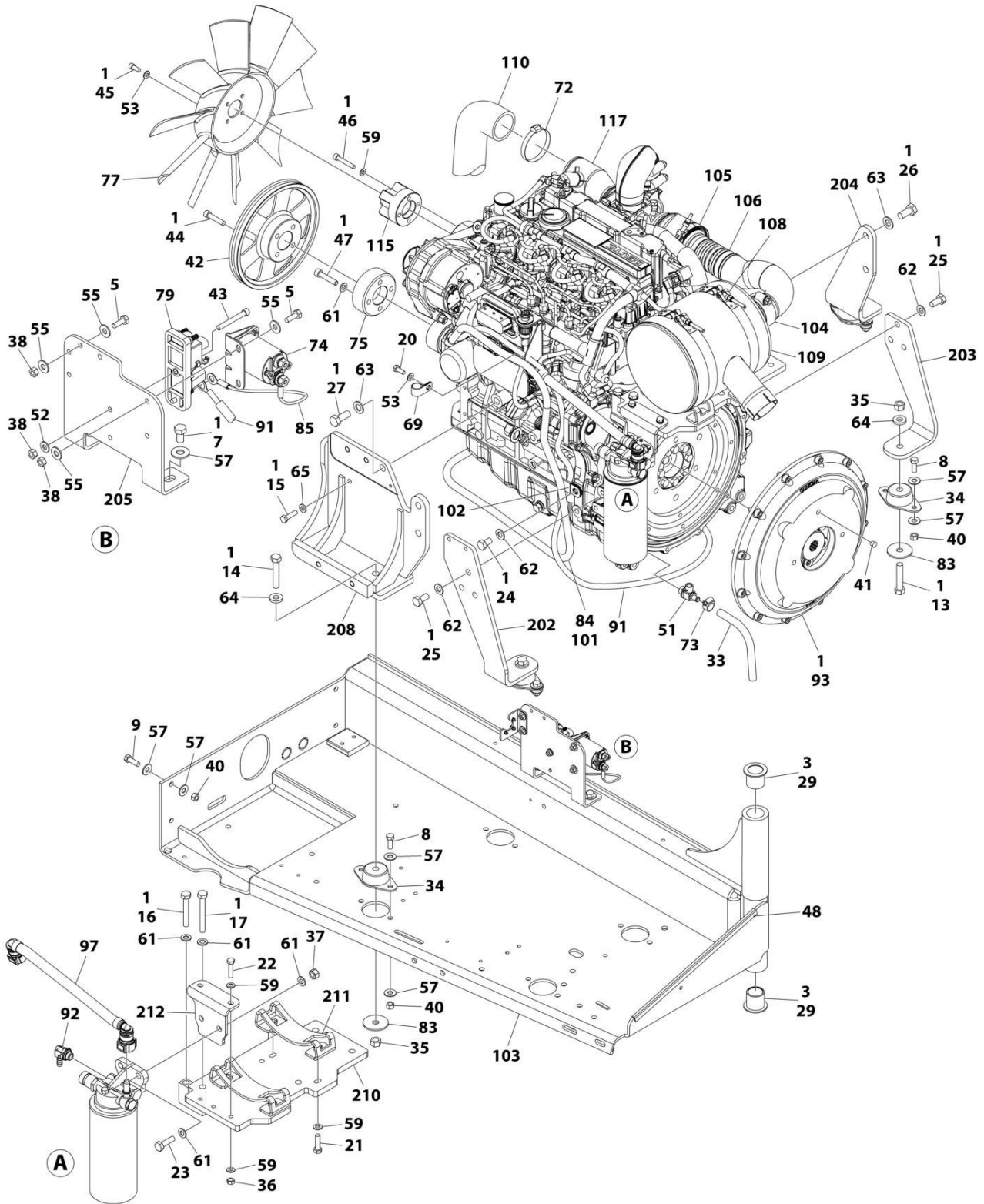
SECTION 3 - ENGINE

FIGURE 3-34. DEUTZ TD 2.9L4 (UN R96) ENGINE AND PUMP SUB-ASSEMBLY - WITH ARCTIC PACKAGE

| ITEM | PART NUMBER | QTY | DESCRIPTION | REV |
|------|-------------|-----|---|-----|
| | 1001294524 | Ref | ENGINE AND PUMP SUB-ASSEMBLY | A |
| 1 | 0100011 | AR | Compound, Locking | |
| 2 | 0641406 | 1 | Bolt 1/4 x 3/4 | |
| 3 | 0641808 | 1 | Bolt 1/2 x 1 | |
| 4 | 0641812 | 4 | Bolt 1/2 x 1-1/2 | |
| 5 | 1060637 | 1 | Lanyard | |
| 6 | 3311405 | 1 | Nut 1/4 | |
| 7 | 3311801 | 1 | Nut 1/2 | |
| 8 | 3422532 | 1 | Pin | |
| 9 | 3790044 | 1 | O-Ring | |
| 10 | 3960468 | 1 | Seal | |
| 11 | 3960469 | 1 | Seal | |
| 12 | 4751400 | 2 | Washer 1/4 | |
| 13 | 4751800 | 1 | Washer 1/2 | |
| 14 | 4891800 | 4 | Washer 1/2 | |
| 15 | 1001094595 | 1 | Variable Pump Assembly with Fittings (See Separate Breakdown in this Section) | |
| 16 | 1001225745 | 1 | Hydrostatic Pump Assembly (See Separate Breakdown in this Section) | |
| 17 | 1001294511 | 1 | Engine Assembly with Arctic Package (See Separate Breakdown in this Section) | |

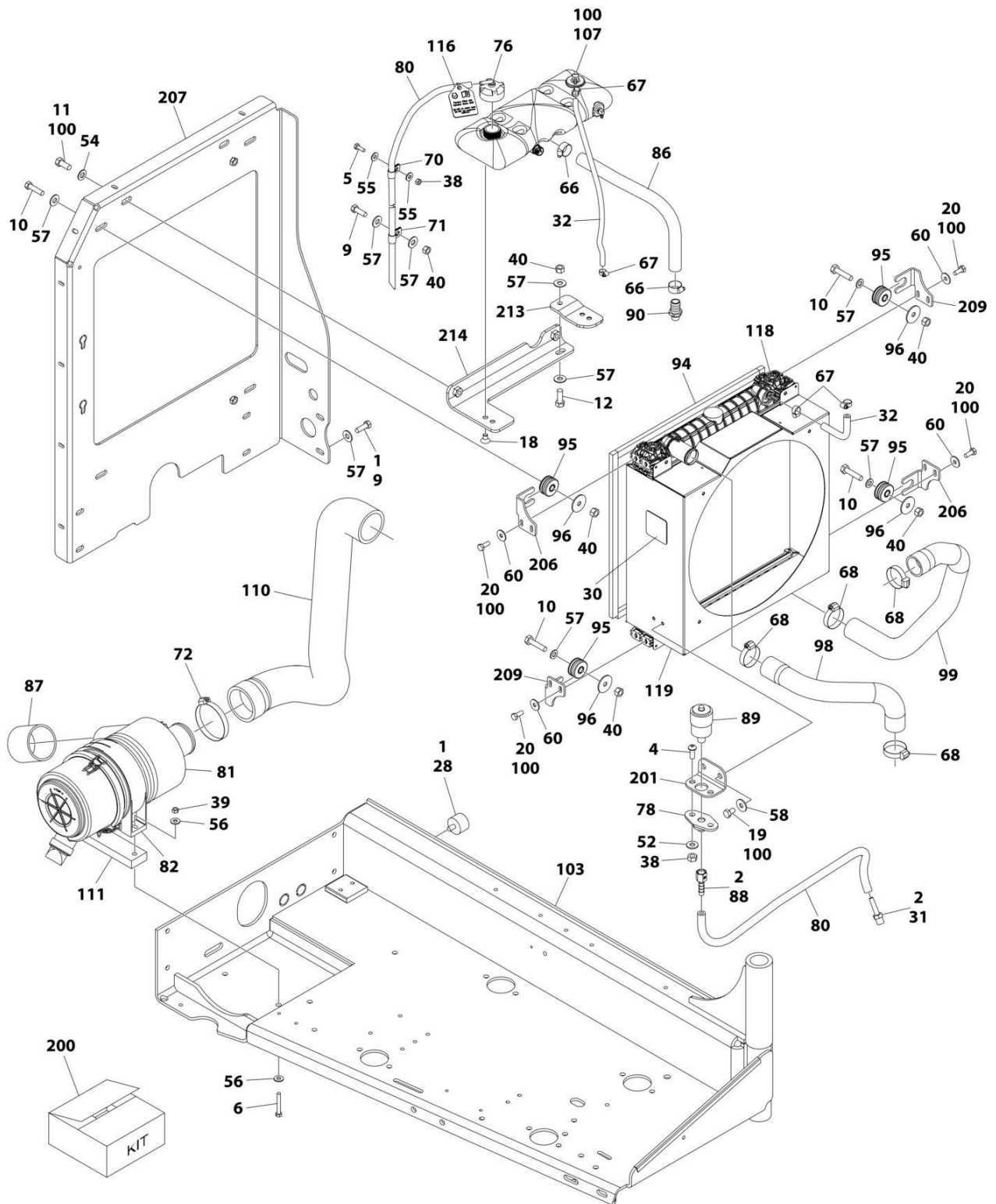
SECTION 3 - ENGINE

FIGURE 3-35. DEUTZ TD 2.9L4 (UN R96) ENGINE ASSEMBLY - WITH ARCTIC PACKAGE



ART_1001294511_10F2

SECTION 3 - ENGINE



ART_1001294511_20F2

SECTION 3 - ENGINE

FIGURE 3-35. DEUTZ TD 2.9L4 (UN R96) ENGINE ASSEMBLY - WITH ARCTIC PACKAGE

| ITEM | PART NUMBER | QTY | DESCRIPTION | REV |
|------|-------------|-----------------|---------------------------------------|-----|
| | 1001294511 | Ref | ENGINE ASSEMBLY - WITH ARCTIC PACKAGE | A |
| 1 | 0100011 | AR | Compound, Locking | |
| 2 | 0100020 | AR | Sealant | |
| 3 | 0100062 | AR | Adhesive | |
| 4 | 0630407 | 2 | Screw 1/4 x 5/8 | |
| 5 | 0641406 | 3 | Bolt 1/4 x 3/4 | |
| 6 | 0641518 | 2 | Bolt 5/16 x 2-1/4 | |
| 7 | 0641605 | 2 | Bolt 3/8 x 5/8 | |
| 8 | 0641608 | 8 | Bolt 3/8 x 1 | |
| 9 | 0641609 | 6 | Bolt 3/8 x 1-1/8 | |
| 10 | 0641612 | 4 | Bolt 3/8 x 1-1/2 | |
| 11 | 0641708 | 2 | Bolt 7/16 x 1 | |
| 12 | 0681608 | 1 | Bolt 3/8 x 1-1/2 | |
| 13 | 0681820 | 3 | Bolt 1/2 x 2-1/2 | |
| 14 | 0681822 | 1 | Bolt 1/2 x 2-3/4 | |
| 15 | 0700814 | 1 | Bolt M8 x 30 | |
| 16 | 0701022 | 2 | Bolt M10 x 70 | |
| 17 | 0701025 | 2 | Bolt M10 x 85 | |
| 18 | 0741605 | 2 | Screw 3/8 x 5/8 | |
| 19 | 0760605 | 2 | Bolt M6 x 10 | |
| 20 | 0760810 | 13 | Bolt M8 x 20 | |
| 21 | 0760814 | 4 | Bolt M8 x 30 | |
| 22 | 0760815 | 2 | Bolt M8 x 35 | |
| 23 | 0761015 | 2 | Bolt M10 x 35 | |
| 24 | 0761210 | 1 | Bolt M12 x 20 | |
| 25 | 0771212 | 6 | Bolt M12 x 25 | |
| 26 | 0771414 | 2 | Bolt M14 x 30 | |
| 27 | 0771415 | 3 | Bolt M14 x 35 | |
| 28 | 0940070 | 1 | Bumper | |
| 29 | 0961986 | 2 | Bearing | |
| 30 | 1703162 | 1 | Decal - Fan Blade | |
| 31 | 2220315 | 1 | Fitting, Straight Barbed | |
| 32 | 2720015 | 28 in /72 cm | Hose | |
| 33 | 2720340 | 12 in /31 cm | Hose | |
| 34 | 3200401 | 4 | Mount | |
| 35 | 3271801 | 4 | Nut 1/2 | |
| 36 | 3290801 | 2 | Nut M8 | |
| 37 | 3291005 | 2 | Nut M10 | |
| 38 | 3311405 | 6 | Nut 1/4 | |
| 39 | 3311505 | 2 | Nut 5/16 | |
| 40 | 3311605 | 17 | Nut 3/8 | |
| 41 | 3520054 | 1 | Plug | |
| 42 | 3580320 | 1 | Pulley | |
| 43 | 3931432 | 1 | Screw 1/4 x 2 | |
| 44 | 3931628 | 4 | Screw 3/8 x 1-3/4 | |
| 45 | 4031908 | 4 | Capscrew M8 x 20 | |
| 46 | 4031912 | 4 | Capscrew M8 x 40 | |
| 47 | 4032014 | 4 | Capscrew M10 x 50 | |

SECTION 3 - ENGINE

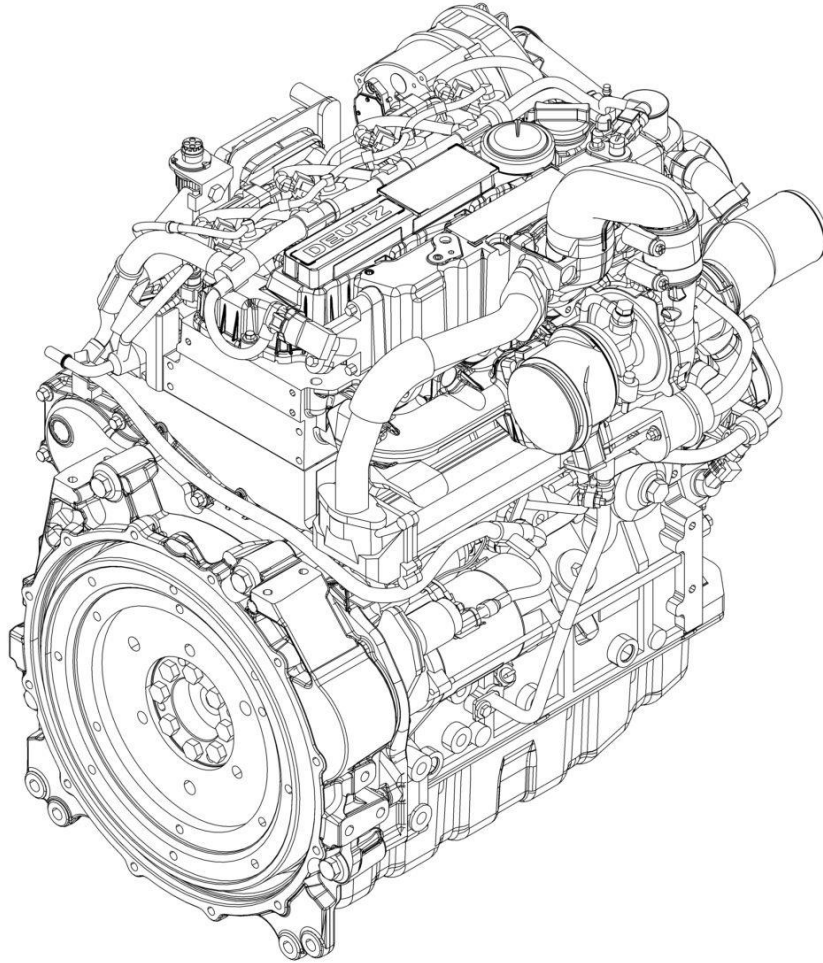
| ITEM | PART NUMBER | QTY | DESCRIPTION | REV |
|------|-------------|-----------------|--|-----|
| 48 | 4060805 | 15 in /39 cm | Shield | |
| 49 | 4240032 | AR | Tie-Strap (Not Shown) | |
| 50 | 4240099 | AR | Tie-Strap (Not Shown) | |
| 51 | 4640751 | 1 | Valve, Oil Drain | |
| 52 | 4711400 | 3 | Washer 1/4 | |
| 53 | 4711500 | 5 | Washer 5/16 | |
| 54 | 4711700 | 2 | Washer 7/16 | |
| 55 | 4751400 | 6 | Washer 1/4 | |
| 56 | 4751500 | 4 | Washer 5/16 | |
| 57 | 4751600 | 34 | Washer 3/8 | |
| 58 | 4811702 | 2 | Washer M6 | |
| 59 | 4811900 | 12 | Washer M8 | |
| 60 | 4811902 | 12 | Washer M8 | |
| 61 | 4812000 | 12 | Washer M10 | |
| 62 | 4812100 | 7 | Washer M12 | |
| 63 | 4812200 | 5 | Washer M14 | |
| 64 | 4891800 | 4 | Washer 1/2 | |
| 65 | 5240800 | 1 | Washer M8 | |
| 66 | 8405007 | 2 | Clamp | |
| 67 | 8405009 | 4 | Clamp | |
| 68 | 8405104 | 4 | Clamp | |
| 69 | 8406102 | 1 | Clip | |
| 70 | 8406109 | 1 | Clip | |
| 71 | 8406110 | 1 | Clip | |
| 72 | 8410011 | 2 | Clamp | |
| 73 | 8410013 | 1 | Clamp | |
| 74 | 1001117308 | 1 | Contacto | |
| 75 | 1001135679 | 1 | Adapter | |
| 76 | 1001136834 | 1 | Cap | |
| 77 | 1001137276 | 1 | Fan | |
| 78 | 1001138173 | 1 | Support | |
| 79 | 1001138228 | 1 | Relay | |
| 80 | 1001138248 | 6 ft /1.6 m | Tube | |
| 81 | 1001138489 | 1 | Filter, Air | |
| 82 | 1001138557 | 1 | Clamp | |
| 83 | 1001139409 | 4 | Washer | |
| 84 | 1001140312 | 1 | Heater, Engine | |
| 85 | 1001141304 | 1 | Wire, Glow Fuse | |
| 86 | 1001141370 | 1 | Hose | |
| 87 | 1001141585 | 1 | Hose | |
| 88 | 1001141995 | 1 | Fitting, Straight NPT/Barbed | |
| 89 | 1001143390 | 1 | Indicator | |
| 90 | 1001143797 | 1 | Fitting, Straight Barbed | |
| 91 | 1001143907 | 1 | Cable, Alternator Power | |
| 92 | 1001152489 | 1 | Fitting, 90 Barbed | |
| 93 | 1001153282 | 1 | Pump Coupling Kit (See Separate Breakdown in this Section) | |
| 94 | 1001168166 | 4 | Seal | |
| 95 | 1001169054 | 4 | Isolator | |
| 96 | 1001169138 | 4 | Pad | |
| 97 | 1001177359 | 1 | Hose | |
| 98 | 1001177844 | 1 | Hose | |

SECTION 3 - ENGINE

| ITEM | PART NUMBER | QTY | DESCRIPTION | REV |
|------|-------------|-----|---|-----|
| 99 | 1001177845 | 1 | Hose | |
| 100 | 1001180620 | AR | Adhesive | |
| 101 | 1001181895 | AR | Adhesive | |
| 102 | 1001181899 | 1 | Clamp | |
| 103 | 1001190610 | 1 | Support | |
| 104 | 1001221212 | 1 | Clamp | |
| 105 | 1001221219 | 1 | Clamp | |
| 106 | 1001224940 | 1 | Pipe | |
| 107 | 1001230635 | 1 | Tank | |
| 108 | 1001233089 | 2 | Clamp | |
| 109 | 1001257278 | 1 | Muffler | |
| 110 | 1001266525 | 1 | Hose | |
| 111 | 1001267256 | 1 | Shim | |
| 112 | 1001276644 | 1 | Engine Harness (Not Shown) (See Separate Breakdown in ELECTRICAL Section) | |
| 113 | 1001281985 | 1 | Connector (Not Shown) | |
| 114 | 1001281986 | 1 | Connector (Not Shown) | |
| 115 | 1001289964 | 1 | Adapter | |
| 116 | 1001291401 | 1 | Tag, Coolant | |
| 117 | 1001294438 | 1 | Deutz TD2.9L4 (UN R96) Engine (See Separate Breakdown in this Section) | |
| 118 | 1001303176 | 1 | Cooler, Engine Core | |
| 119 | 1001306283 | 1 | Shroud | |
| 200 | 1001299487 | 1 | Bracket, (UN R96) Engine Kit | |
| 201 | 1001138175 | 1 | Bracket | |
| 202 | 1001140448 | 1 | Mount, Rear Engine | |
| 203 | 1001140450 | 1 | Mount, Rear Engine | |
| 204 | 1001140454 | 1 | Mount, Front Engine | |
| 205 | 1001145154 | 1 | Plate | |
| 206 | 1001178223 | 2 | Bracket | |
| 207 | 1001186985 | 1 | Support | |
| 208 | 1001202368 | 1 | Support | |
| 209 | 1001204325 | 2 | Bracket | |
| 210 | 1001221203 | 1 | Bracket, Muffler | |
| 211 | 1001224936 | 2 | Mount | |
| 212 | 1001224937 | 1 | Mount | |
| 213 | 1001260412 | 1 | Bracket | |
| 214 | 1001260413 | 1 | Bracket | |

SECTION 3 - ENGINE

FIGURE 3-36. DEUTZ TD2.9L4 (UN R96) ENGINE COMPONENTS



ART_1001294438

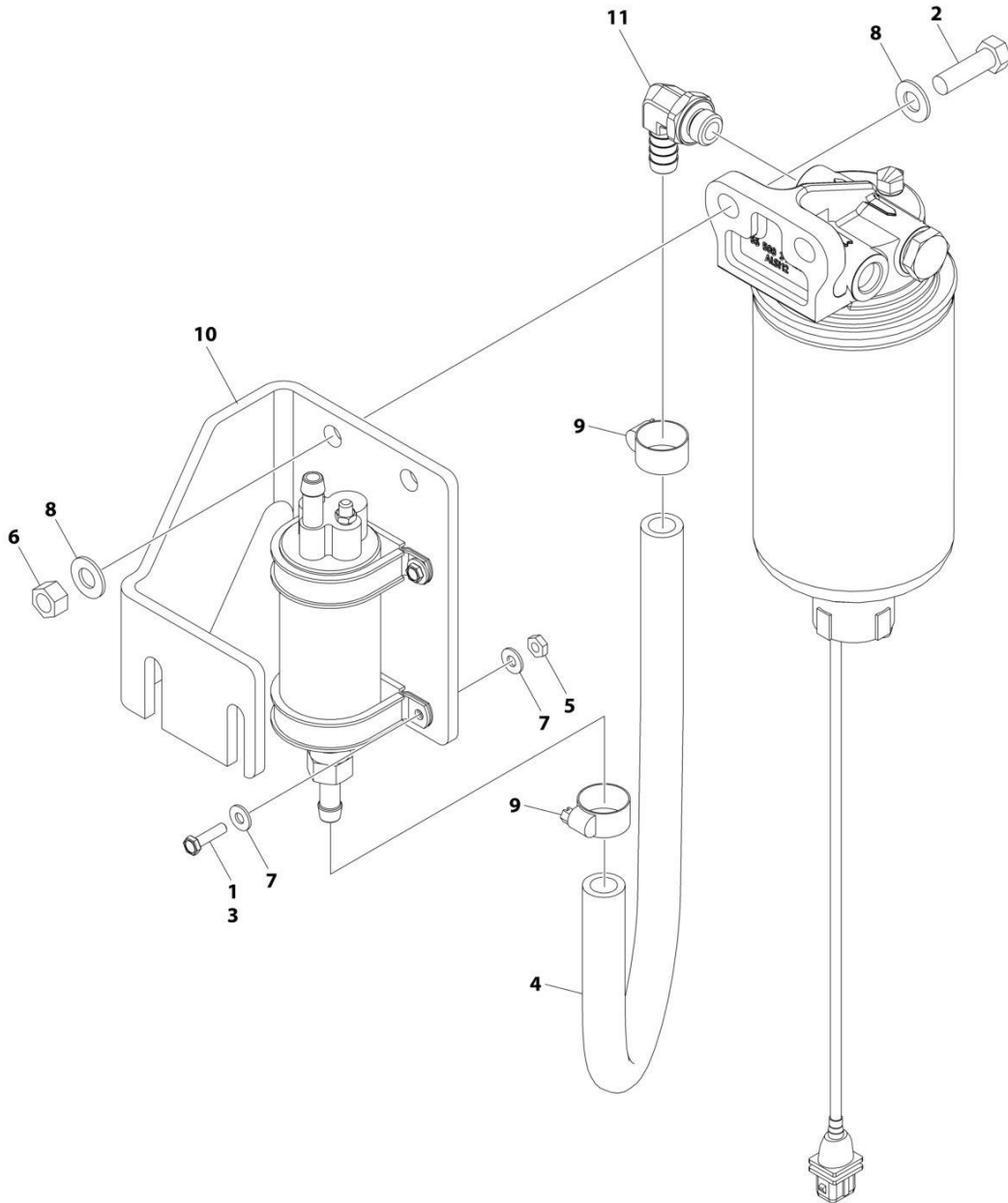
SECTION 3 - ENGINE

FIGURE 3-36. DEUTZ TD2.9L4 (UN R96) ENGINE COMPONENTS

| ITEM | PART NUMBER | QTY | DESCRIPTION | REV |
|------|------------------------|------------|---|-----|
| | 1001294438 See Note | Ref NSS | DEUTZ TD2.9L4 ENGINE COMPONENTS Note: No Service Parts Available at Time of Printing | A |

SECTION 3 - ENGINE

FIGURE 3-37. FUEL PUMP/FILTER BRACKET ASSEMBLY (DEUTZ TD2.9L4 ENGINES)



ART_1001162335

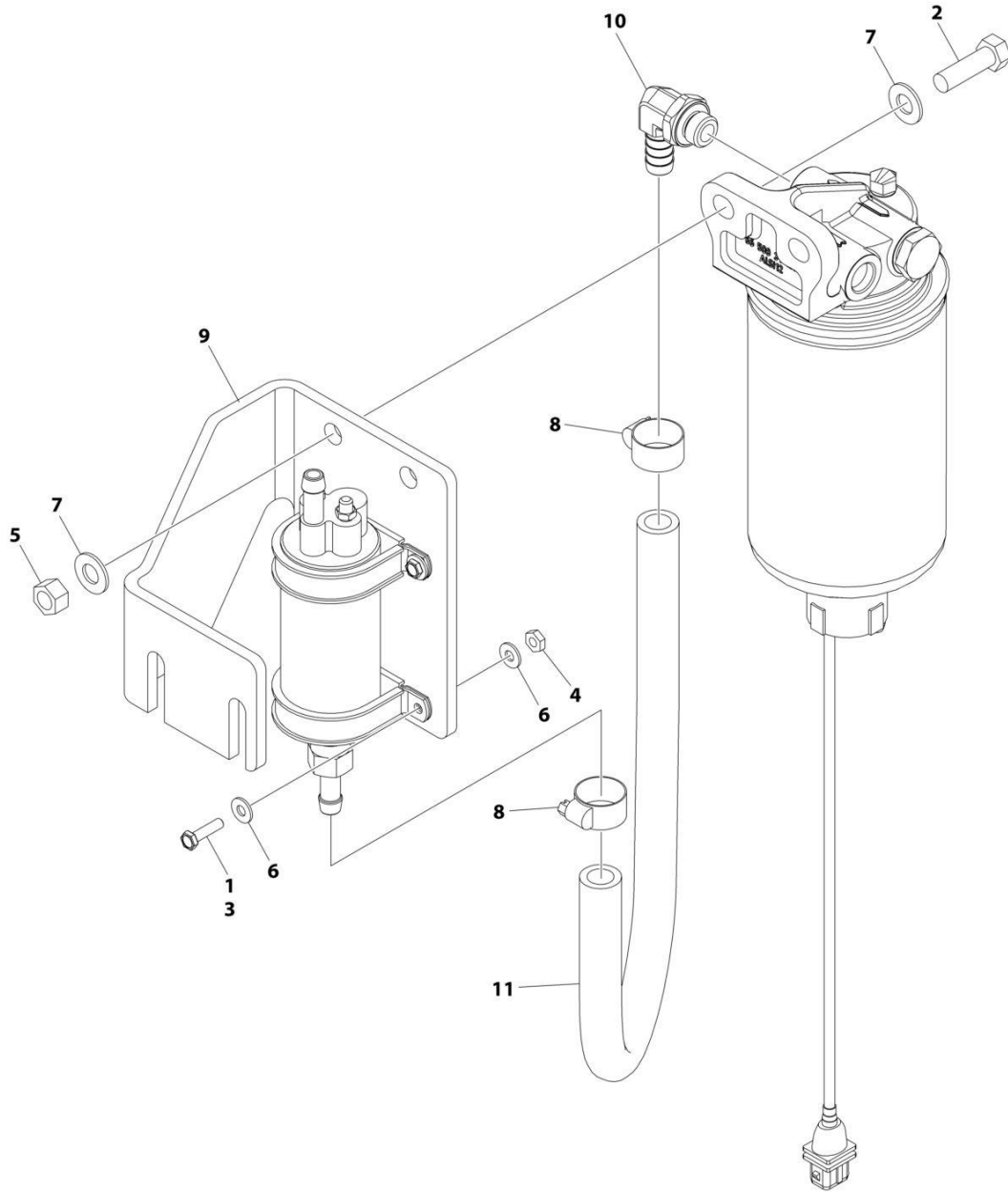
SECTION 3 - ENGINE

FIGURE 3-37. FUEL PUMP/FILTER BRACKET ASSEMBLY (DEUTZ TD2.9L4 ENGINES)

| ITEM | PART NUMBER | QTY | DESCRIPTION | REV |
|------|-------------|-----|---|-----|
| | 1001162335 | Ref | BRACKET ASSEMBLY - FUEL PUMP AND FILTER (DEUTZ D2.9L4 ENGINE) | E |
| 1 | 0100011 | AR | Compound, Locking | |
| 2 | 0641610 | 2 | Bolt 3/8 x 1-1/4 | |
| 3 | 0721006 | 4 | Bolt #10 x 3/4 | |
| 4 | 1001154405 | AR | Hose | |
| 5 | 3311001 | 4 | Nut #10 | |
| 6 | 3311605 | 2 | Nut 3/8 | |
| 7 | 4711000 | 8 | Washer #10 | |
| 8 | 4711600 | 4 | Washer 3/8 | |
| 9 | 8405006 | 2 | Clamp | |
| 10 | 1001141870 | 1 | Plate, Fuel Pump Mount | |
| 11 | 1001142501 | 1 | Fitting, Elbow Barbed | |

SECTION 3 - ENGINE

FIGURE 3-38. FUEL PUMP/FILTER BRACKET ASSEMBLY (DEUTZ TD2.9L4 (STAGE V) ENGINES)



ART_1001235949

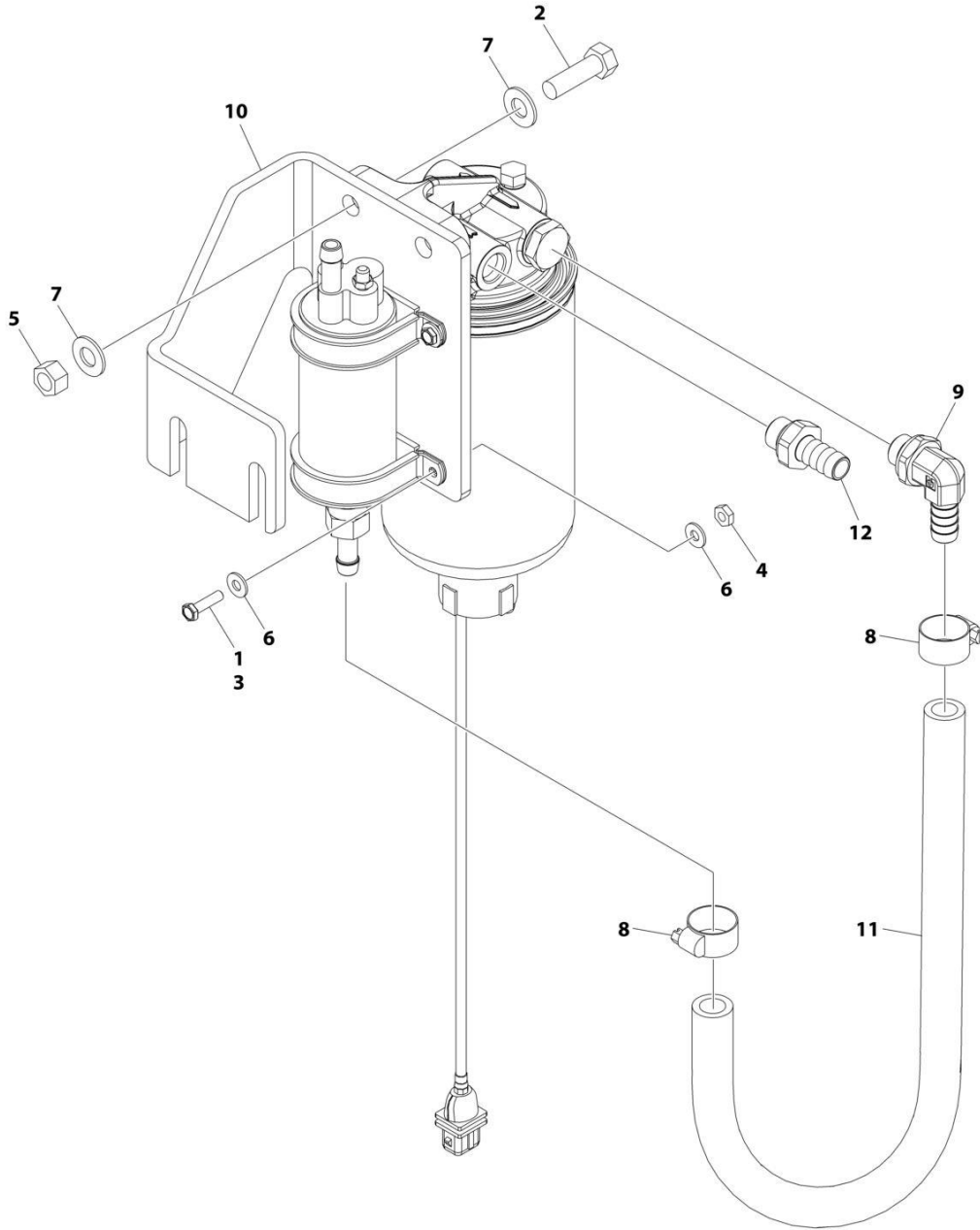
SECTION 3 - ENGINE

FIGURE 3-38. FUEL PUMP/FILTER BRACKET ASSEMBLY (DEUTZ TD2.9L4 (STAGE V) ENGINES)

| ITEM | PART NUMBER | QTY | DESCRIPTION | REV |
|------|-------------|-----------------|---|-----|
| | 1001235949 | Ref | BRACKET ASSEMBLY - FUEL PUMP AND FILTER (DEUTZ D2.9L4 (STAGE V) ENGINE) | A |
| 1 | 0100035 | AR | Compound, Locking | |
| 2 | 0641610 | 2 | Bolt 3/8 x 1-1/4 | |
| 3 | 0721006 | 4 | Bolt #10 x 3/4 | |
| 4 | 3311001 | 4 | Nut #10 | |
| 5 | 3311605 | 2 | Nut 3/8 | |
| 6 | 4711000 | 8 | Washer #10 | |
| 7 | 4711600 | 4 | Washer 3/8 | |
| 8 | 8405006 | 2 | Clamp | |
| 9 | 1001141870 | 1 | Plate, Fuel Pump Mount | |
| 10 | 1001142501 | 1 | Fitting, Elbow Barbed | |
| 11 | 1001154405 | 1.5 ft /0.4m | Hose | |

SECTION 3 - ENGINE

FIGURE 3-39. FUEL PUMP/FILTER BRACKET ASSEMBLY (DEUTZ TD2.9L4 ENGINES) (CHINA III ENGINES)



ART_1001227224_E

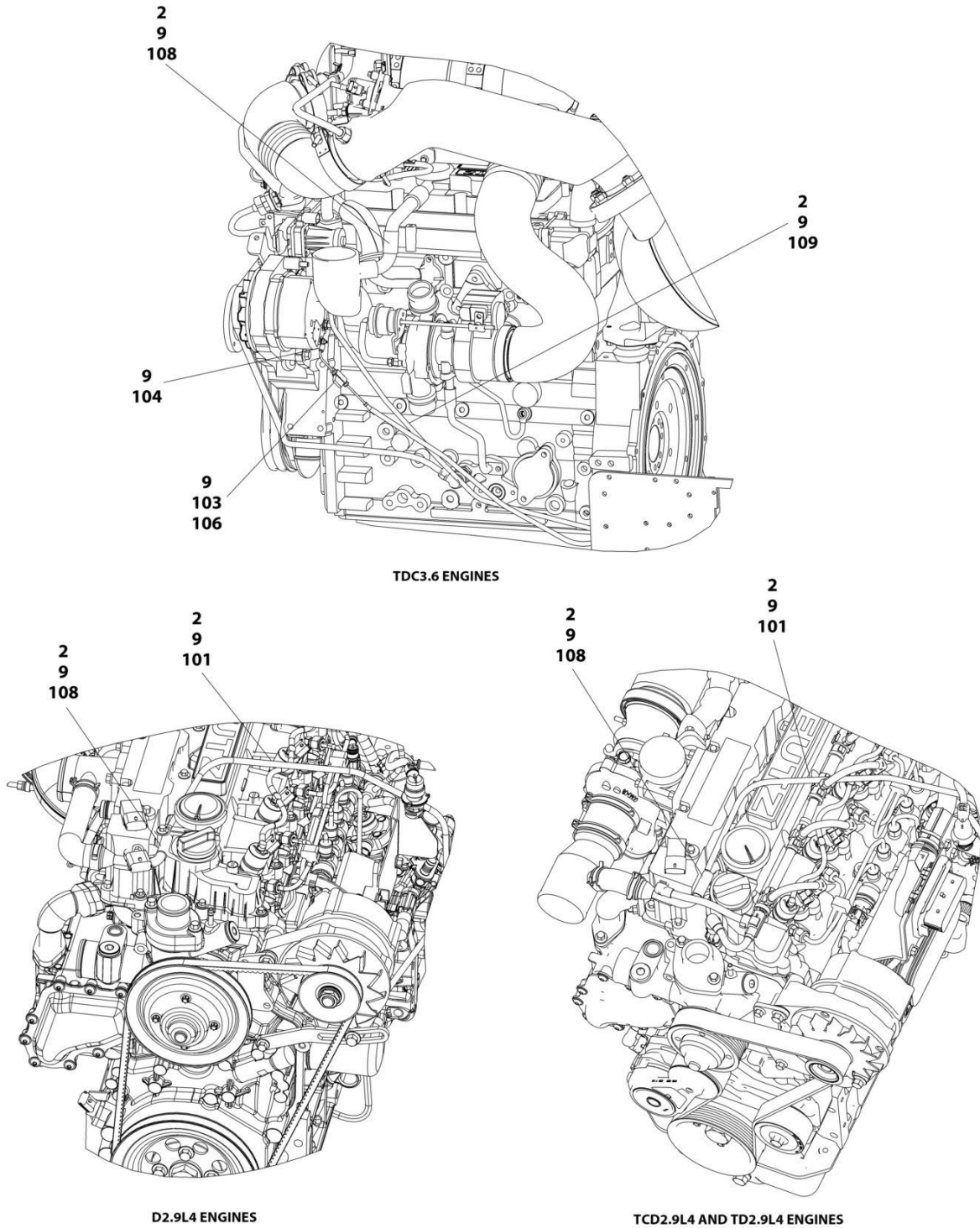
SECTION 3 - ENGINE

FIGURE 3-39. FUEL PUMP/FILTER BRACKET ASSEMBLY (DEUTZ TD2.9L4 ENGINES) (CHINA III ENGINES)

| ITEM | PART NUMBER | QTY | DESCRIPTION | REV |
|------|-------------|-----|--|-----|
| | 1001227224 | Ref | BRACKET ASSEMBLY (LESS FUEL PUMP AND FILTER) | E |
| 1 | 0100011 | AR | Locking, Compound | |
| 2 | 0641610 | 2 | Bolt 3/8 x 1-1/4 | |
| 3 | 0721006 | 4 | Bolt #10 x 3/4 | |
| 4 | 3311001 | 4 | Nut #10 | |
| 5 | 3311605 | 2 | Nut 3/8 | |
| 6 | 4711000 | 8 | Washer #10 | |
| 7 | 4711600 | 4 | Washer 3/8 | |
| 8 | 8405006 | 2 | Clamp | |
| 9 | 1001142501 | 1 | Fitting, 90 Metric/Barbed | |
| 10 | 1001141870 | 1 | Plate, Fuel Pump Mount | |
| 11 | 1001154405 | AR | Hose | |
| 12 | 1001141718 | 1 | Fitting, Straight (Not Shown) | |

SECTION 3 - ENGINE

FIGURE 3-40. BREATHER HEATER INST (DEUTZ TD2.9L4 ENGINES)



ART_1001233763

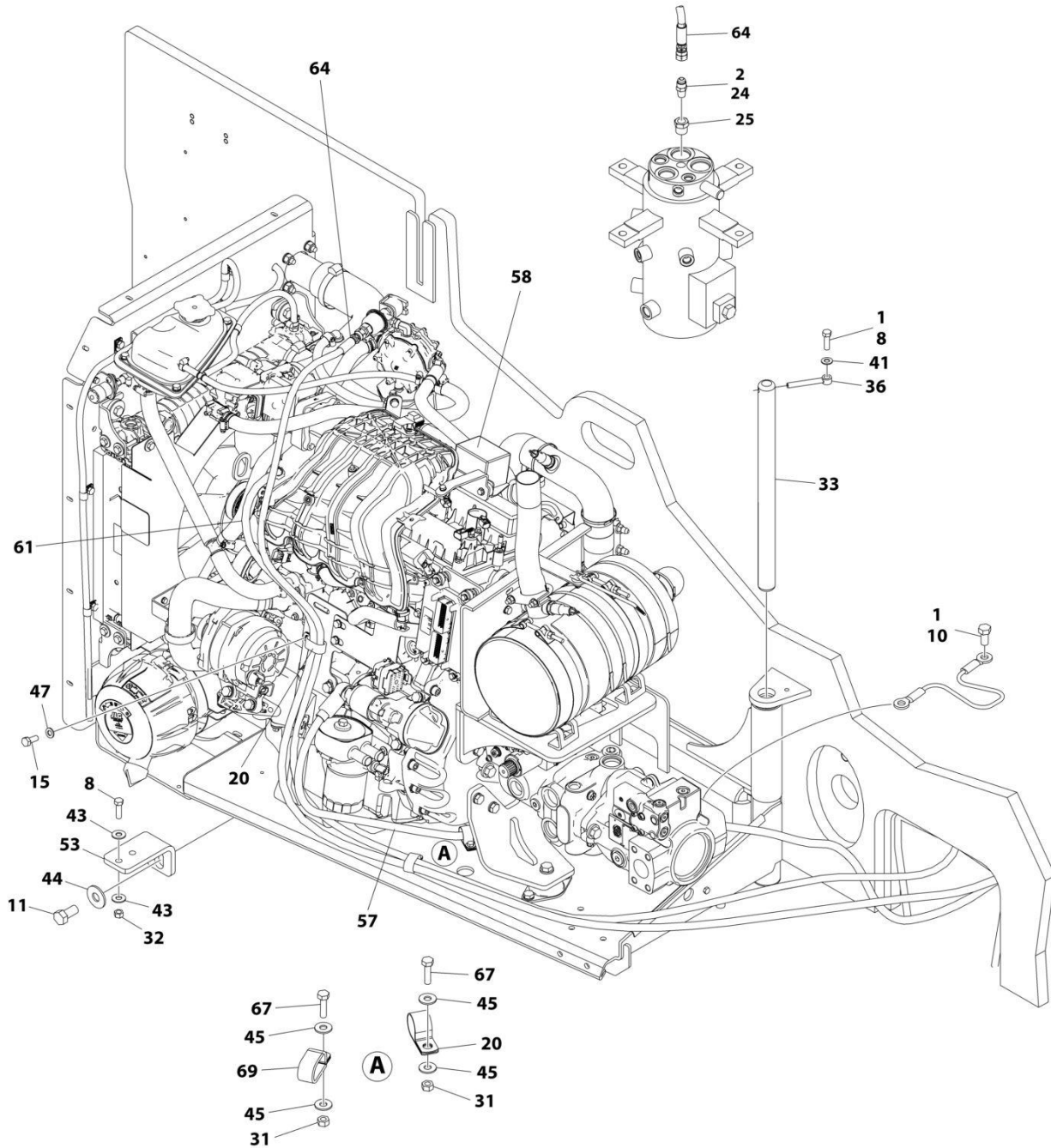
SECTION 3 - ENGINE

FIGURE 3-40. BREATHER HEATER INST (DEUTZ TD2.9L4 ENGINES)

| ITEM | PART NUMBER | QTY | DESCRIPTION | REV |
|------|-------------|-----|--|-----|
| | 1001233763 | Ref | BREATHER HEATER INSTALLATION - DEUTZ ENGINES | D |
| 2 | 4240099 | AR | Tie-Strap | |
| 9 | 1001243895 | 1 | Breather Heater Harness | C |
| 101 | 2820035 | AR | Insulation | |
| 103 | 2400060 | 1 | Fuseholder with Cover | |
| 104 | 4460043 | 1 | Terminal, Ring | |
| 105 | 4460722 | 1 | Terminal, Ring (Not Shown) | |
| 106 | 1001196634 | 1 | Fuse - 2 Amp | |
| 108 | 1001232842 | 1 | Breather Heater Kit | |

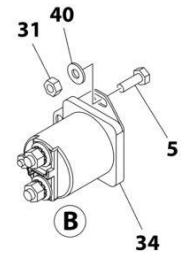
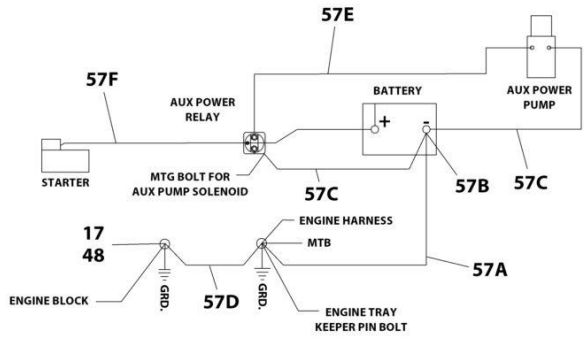
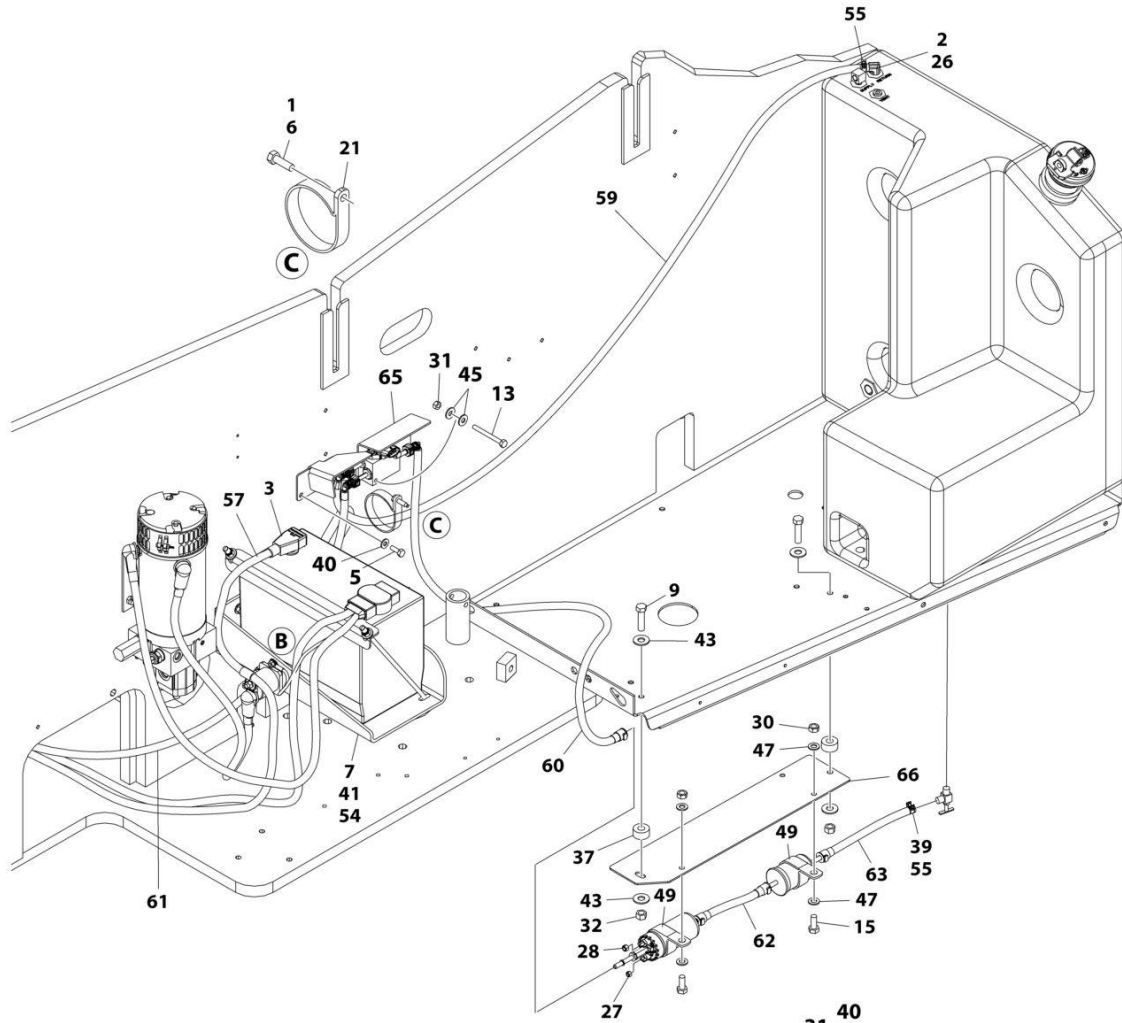
SECTION 3 - ENGINE

FIGURE 3-41. FORD ENGINE INSTALLATION (WITHOUT ARCTIC PACKAGE)



ART_1001217199_10F2

SECTION 3 - ENGINE



BATTERY CABLE KIT - ITEM 57

ART_1001217199_20F2

SECTION 3 - ENGINE

FIGURE 3-41. FORD ENGINE INSTALLATION (WITHOUT ARCTIC PACKAGE)

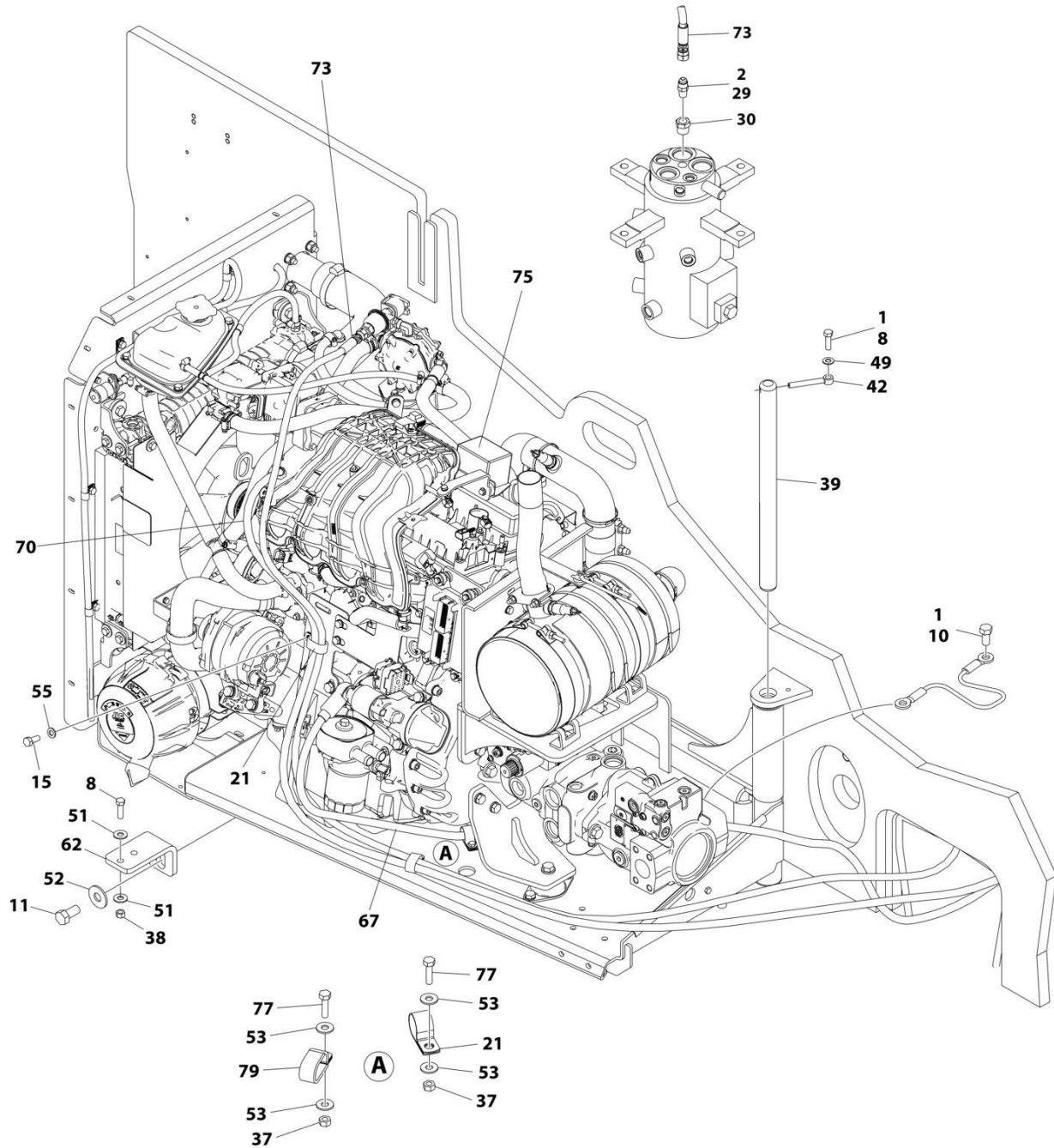
| ITEM | PART NUMBER | QTY | DESCRIPTION | REV |
|------|-------------|-----|--|-----|
| | 1001217199 | Ref | Ford Engine Installation without Arctic Package | H |
| 1 | 0100011 | AR | Compound, Locking | |
| 2 | 0100020 | AR | Sealant | |
| 3 | 0100048 | AR | Grease, Terminal | |
| 5 | 0641406 | 4 | Bolt 1/4 x 3/4 | |
| 6 | 0641508 | 1 | Bolt 5/16 x 1 | |
| 7 | 0641607 | 3 | Bolt 3/8 x 7/8 | |
| 8 | 0641610 | 3 | Bolt 3/8 x 1-1/4 | |
| 9 | 0641612 | 2 | Bolt 3/8 x 1-1/2 | |
| 10 | 0641808 | 1 | Bolt 1/2 x 1 | |
| 11 | 0642010 | 1 | Bolt 5/8 x 1-1/4 | |
| 13 | 0641420 | 2 | Bolt 1/4 x 2-1/2 | |
| 15 | 0760810 | 3 | Bolt M8 x 20 | |
| 17 | 0761008 | 1 | Bolt M10 x 16 | |
| 20 | 1321283 | 2 | Clamp | |
| 21 | 1321339 | 1 | Clamp | |
| 22 | 1701542 | 1 | Decal - Gas (Not Shown) | |
| 23 | 1701543 | 2 | Decal - LPG (Not Shown) | |
| 24 | 2180418 | 1 | Fitting, Straight | |
| 25 | 2221197 | 1 | Fitting, Reducer NPT/NPT | |
| 26 | 2221176 | 1 | Fitting, 90 | |
| 27 | 3290405 | 1 | Nut M4 | |
| 28 | 3290505 | 1 | Nut M5 | |
| 30 | 3290801 | 2 | Nut M8 | |
| 31 | 3311405 | 6 | Nut 1/4 | |
| 32 | 3311605 | 4 | Nut 3/8 | |
| 33 | 3422446 | 1 | Pin | |
| 34 | 3740067 | 1 | Relay | |
| 35 | 3790012 | 1 | O-Ring (Not Shown - Located on Platform Console Box) | |
| 36 | 3841143 | 1 | Keeper, Pin | |
| 37 | 4071122 | 2 | Shim | |
| 38 | 4360336 | 1 | Switch, Toggle (Not Shown - Located on Platform Console Box) | |
| 39 | 1001221488 | 1 | Tube, Fuel Line | |
| 40 | 4711400 | 6 | Washer 1/4 | |
| 41 | 4711600 | 4 | Washer 3/8 | |
| 43 | 4751600 | 8 | Washer 3/8 | |
| 44 | 4752000 | 1 | Washer 5/8 | |
| 45 | 4751400 | 8 | Washer 1/4 | |
| 47 | 4811900 | 5 | Washer M8 | |
| 48 | 4812000 | 1 | Washer M10 | |
| 49 | 85941018 | 2 | Clamp | |
| 53 | 1001153359 | 1 | Mount | |
| 54 | 1001162497 | 1 | Bracket, Battery | |
| 55 | 1001174486 | 2 | Clamp | |
| 57 | 1001216568 | 1 | Battery Cable Kit | B |
| 57A | 7027084 | 1 | Cable, Battery - Ground to Battery - | |
| 57B | 8270147 | 1 | Terminal, Battery with Boot | |
| 57C | 7027085 | 1 | Cable, Battery - Auxiliary Pump/Relay to Battery - | |
| 57D | 7027086 | 1 | Cable, Battery - Engine to Ground | |
| 57E | 7027088 | 1 | Cable, Battery - Auxiliary Relay to Auxiliary Pump | |

SECTION 3 - ENGINE

| ITEM | PART NUMBER | QTY | DESCRIPTION | REV |
|------|-------------|-----|--|-----|
| 57F | 70009020 | 1 | Cable, Battery - Starter/Auxiliary Relay to Battery + | |
| 58 | 1001217192 | 1 | Ford Engine and Pump Sub-Assembly (Without Arctic Package) (See Separate Breakdown in this Section) | |
| 59 | 1001219364 | 1 | Hose | |
| 60 | 1001219365 | 1 | Hose | |
| 61 | 1001219366 | 1 | Hose | |
| 62 | 1001219367 | 1 | Hose | |
| 63 | 1001219368 | 1 | Hose | |
| 64 | 1001219369 | 1 | Hose | |
| 65 | 1001219370 | 1 | Bracket | |
| 66 | 1001219809 | 1 | Bracket | |
| 67 | 0641408 | 2 | Bolt 1/4 x 1 | |
| 69 | 8406201 | 1 | Clip | |
| 70 | 4240099 | AR | Tie-Strap (Not Shown) | |

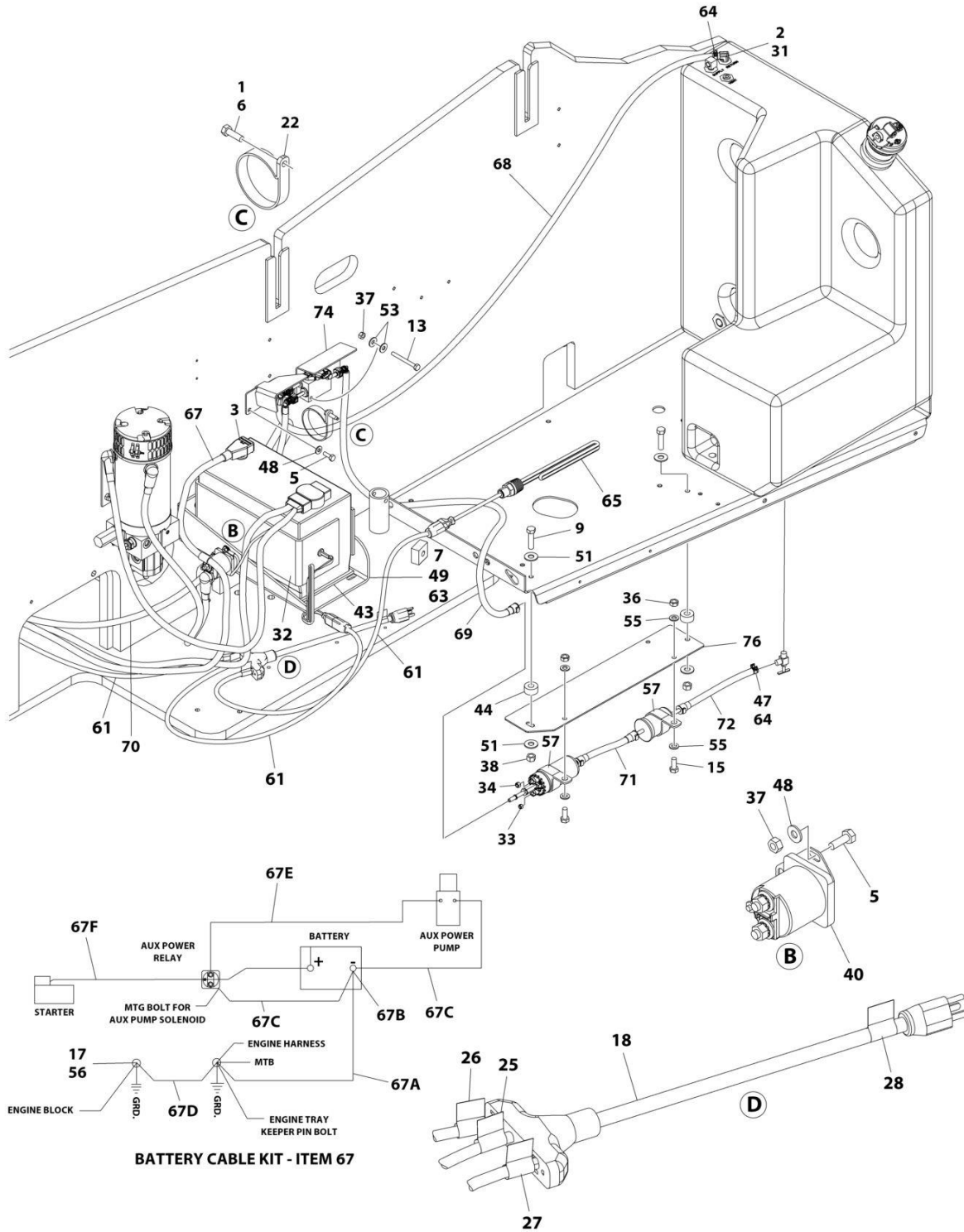
SECTION 3 - ENGINE

FIGURE 3-42. FORD ENGINE INSTALLATION (WITH ARCTIC PACKAGE)



ART_1001219610_10F2

SECTION 3 - ENGINE



ART_1001219610_20F2

SECTION 3 - ENGINE

FIGURE 3-42. FORD ENGINE INSTALLATION (WITH ARCTIC PACKAGE)

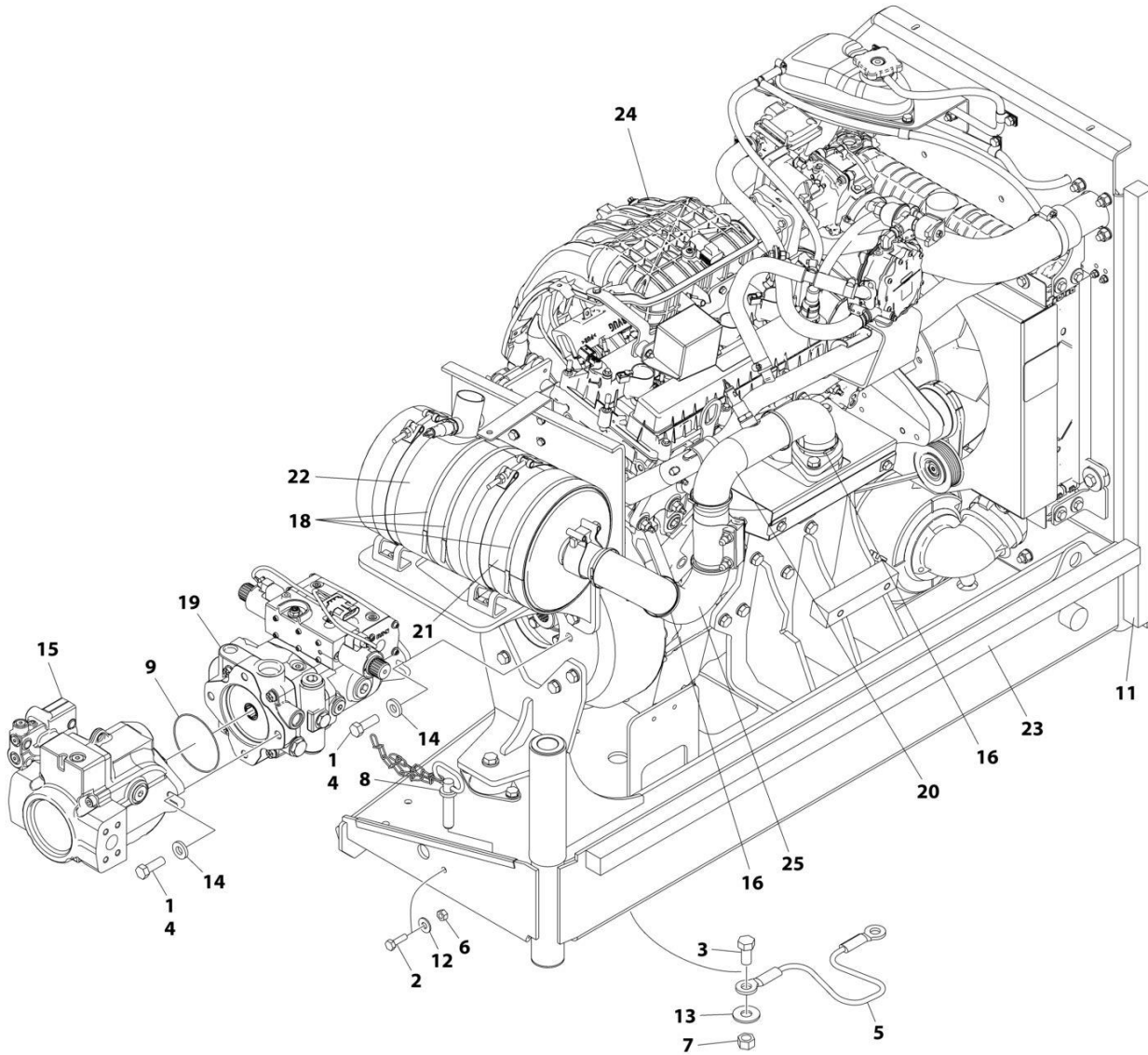
| ITEM | PART NUMBER | QTY | DESCRIPTION | REV |
|------|-------------|-----|--|-----|
| | 1001219610 | Ref | FORD ENGINE INSTALLATION (WITH ARCTIC PACKAGE) | H |
| 1 | 0100011 | AR | Compound, Locking | |
| 2 | 0100020 | AR | Sealant | |
| 3 | 0100048 | AR | Grease, Terminal | |
| 5 | 0641406 | 4 | Bolt 1/4 x 3/4 | |
| 6 | 0641508 | 1 | Bolt 5/16 x 1 | |
| 7 | 0641607 | 3 | Bolt 3/8 x 7/8 | |
| 8 | 0641610 | 3 | Bolt 3/8 x 1-1/4 | |
| 9 | 0641612 | 2 | Bolt 3/8 x 1-1/2 | |
| 10 | 0641808 | 1 | Bolt 1/2 x 1 | |
| 11 | 0642010 | 1 | Bolt 5/8 x 1-1/4 | |
| 13 | 0641420 | 2 | Bolt 1/4 x 2-1/2 | |
| 15 | 0760810 | 3 | Bolt M8 x 20 | |
| 17 | 0761008 | 1 | Bolt M10 x 16 | |
| 18 | 1060626 | 1 | Plug, 3 Way | |
| 21 | 1321283 | 2 | Clamp | |
| 22 | 1321339 | 1 | Clamp | |
| 23 | 1701542 | 1 | Decal - Gas (Not Shown) | |
| 24 | 1701543 | 2 | Decal - LPG (Not Shown) | |
| 25 | 1702941 | 1 | Decal - Battery Heater | |
| 26 | 1702942 | 1 | Decal - Engine Block Heater | |
| 27 | 1702943 | 1 | Decal - Hydraulic Tank Heater | |
| 28 | 1702944 | 1 | Decal - Heater Cord | |
| 29 | 2180418 | 1 | Fitting, Straight | |
| 30 | 2221197 | 1 | Fitting, Reducer NPT/NPT | |
| 31 | 2221176 | 1 | Fitting, 90 | |
| 32 | 2580024 | 1 | Heater, Battery | |
| 33 | 3290405 | 1 | Nut M4 | |
| 34 | 3290505 | 1 | Nut M5 | |
| 36 | 3290801 | 2 | Nut M8 | |
| 37 | 3311405 | 6 | Nut 1/4 | |
| 38 | 3311605 | 4 | Nut 3/8 | |
| 39 | 3422446 | 1 | Pin | |
| 40 | 3740067 | 1 | Relay | |
| 41 | 3790012 | 1 | O-Ring (Not Shown - Located on Platform Console Box) | |
| 42 | 3841143 | 1 | Keeper, Pin | |
| 43 | 3980007 | 1 | Seat, Battery | |
| 44 | 4071122 | 2 | Shim | |
| 45 | 4240099 | AR | Tie-Strap (Not Shown) | |
| 46 | 4360336 | 1 | Switch, Toggle (Not Shown - Located on Platform Console Box) | |
| 47 | 1001221488 | 1 | Tube, Fuel Line | |
| 48 | 4711400 | 6 | Washer 1/4 | |
| 49 | 4711600 | 4 | Washer 3/8 | |
| 51 | 4751600 | 8 | Washer 3/8 | |
| 52 | 4752000 | 1 | Washer 5/8 | |
| 53 | 4751400 | 8 | Washer 1/4 | |
| 55 | 4811900 | 5 | Washer M8 | |
| 56 | 4812000 | 1 | Washer M10 | |
| 57 | 85941018 | 2 | Clamp | |
| 61 | 1001150918 | 1 | Cable, Immersion Heater | |

SECTION 3 - ENGINE

| ITEM | PART NUMBER | QTY | DESCRIPTION | REV |
|------|-------------|-----|--|-----|
| 62 | 1001153359 | 1 | Mount | |
| 63 | 1001162497 | 1 | Bracket, Battery | |
| 64 | 1001174486 | 2 | Clamp | |
| 65 | 1001188972 | 1 | Heater, Hydraulic Tank | |
| 67 | 1001216568 | 1 | Battery Cable Kit | B |
| 67A | 7027084 | 1 | Cable, Battery - Ground to Battery - | |
| 67B | 8270147 | 1 | Terminal, Battery with Boot | |
| 67C | 7027085 | 1 | Cable, Battery - Auxiliary Pump/Relay to Battery - | |
| 67D | 7027086 | 1 | Cable, Battery - Engine to Ground | |
| 67E | 7027088 | 1 | Cable, Battery - Auxiliary Relay to Auxiliary Pump | |
| 67F | 70009020 | 1 | Cable, Battery - Starter/Auxiliary Relay to Battery + | |
| 68 | 1001219364 | 1 | Hose | |
| 69 | 1001219365 | 1 | Hose | |
| 70 | 1001219366 | 1 | Hose | |
| 71 | 1001219367 | 1 | Hose | |
| 72 | 1001219368 | 1 | Hose | |
| 73 | 1001219369 | 1 | Hose | |
| 74 | 1001219370 | 1 | Bracket | |
| 75 | 1001219609 | 1 | Ford Engine and Pump Sub-Assembly (with Arctic Package) (See Separate Breakdown in this Section) | |
| 76 | 1001219809 | 1 | Bracket | |
| 77 | 0641408 | 1 | Bolt 1/4 x 1 | |
| 79 | 8406201 | 1 | Clip, Tube | |

SECTION 3 - ENGINE

FIGURE 3-43. FORD ENGINE AND PUMP SUB-ASSEMBLY (WITHOUT ARCTIC PACKAGE)



ART_1001217192

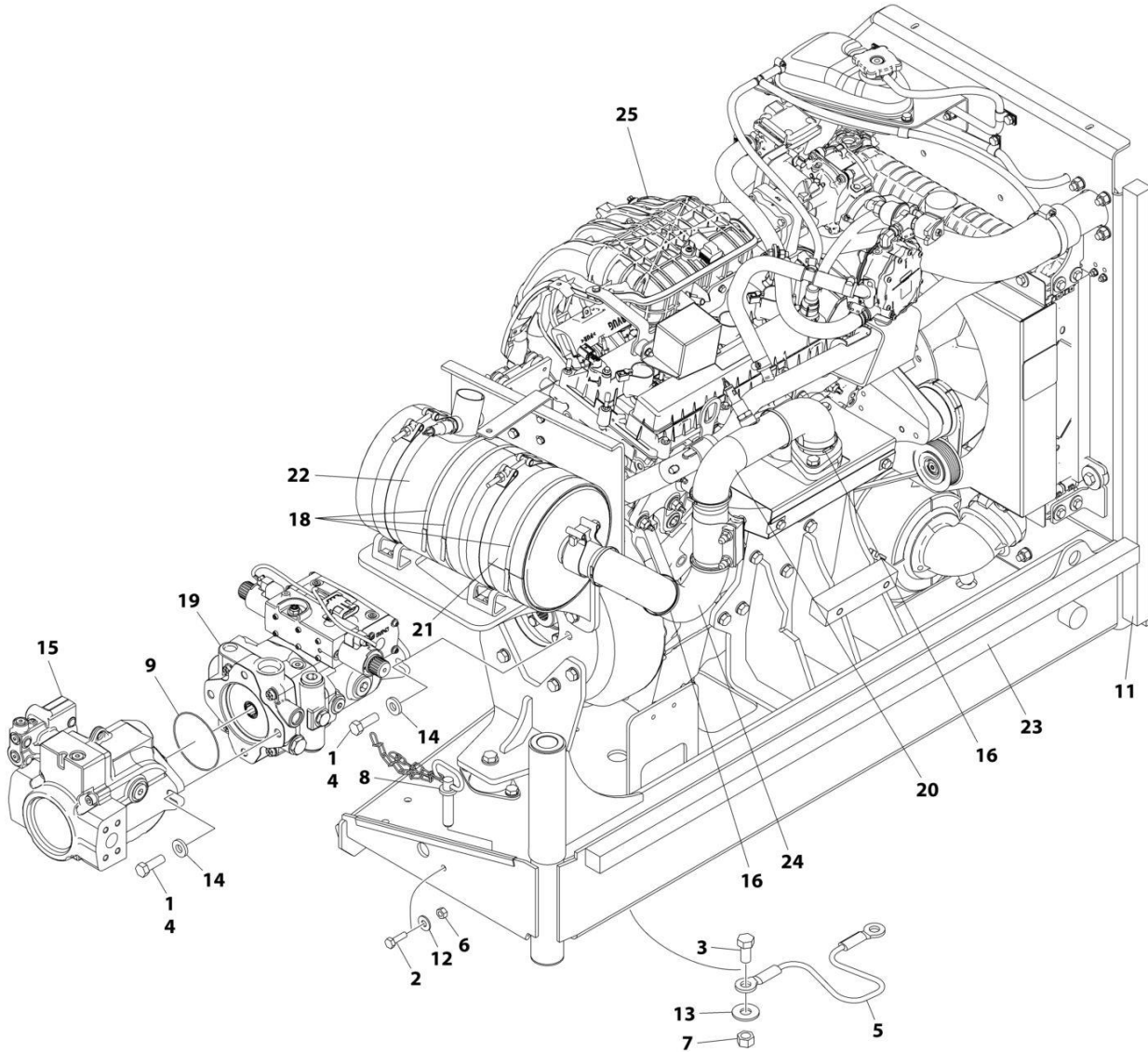
SECTION 3 - ENGINE

FIGURE 3-43. FORD ENGINE AND PUMP SUB-ASSEMBLY (WITHOUT ARCTIC PACKAGE)

| ITEM | PART NUMBER | QTY | DESCRIPTION | REV |
|------|-------------|-----|--|-----|
| | 1001217192 | Ref | FORD ENGINE AND PUMP SUB-ASSEMBLY (WITHOUT ARCTIC PACKAGE) | G |
| 1 | 0100011 | AR | Compound, Locking | |
| 2 | 0641407 | 1 | Bolt 1/4 x 7/8 | |
| 3 | 0641808 | 1 | Bolt 1/2 x 1 | |
| 4 | 0641812 | 4 | Bolt 1/2 x 1-1/2 | |
| 5 | 1060637 | 1 | Cable, Lanyard | |
| 6 | 3311405 | 1 | Nut 1/4 | |
| 7 | 3311805 | 1 | Nut 1/2 | |
| 8 | 3422532 | 1 | Pin | |
| 9 | 3790044 | 1 | O-Ring | |
| 11 | 3960469 | 1 | Seal | |
| 12 | 4751400 | 1 | Washer 1/4 | |
| 13 | 4751800 | 1 | Washer 1/2 | |
| 14 | 4891800 | 4 | Washer 1/2 | |
| 15 | 1001094595 | 1 | Variable Pump Assembly (See Separate Breakdown in this Section) | |
| 16 | 1001100825 | 6 | Strap | |
| 18 | 1001221464 | 3 | Strap | |
| 19 | 1001225745 | 1 | Hydrostatic Pump Assembly (See Separate Breakdown in this Section) | |
| 20 | 1001216532 | 1 | Insulate, Exhaust Pipe | |
| 21 | 1001216534 | 1 | Insulate, Muffler | |
| 22 | 1001216535 | 1 | Insulate, Muffler | |
| 23 | 1001217170 | 1 | Seal | |
| 24 | 1001217191 | 1 | Ford Engine Assembly without Arctic Package (See Separate Breakdown in this Section) | |
| 25 | 1001218085 | 1 | Insulate, Exhaust Pipe | |

SECTION 3 - ENGINE

FIGURE 3-44. FORD ENGINE AND PUMP SUB-ASSEMBLY (WITH ARCTIC PACKAGE)



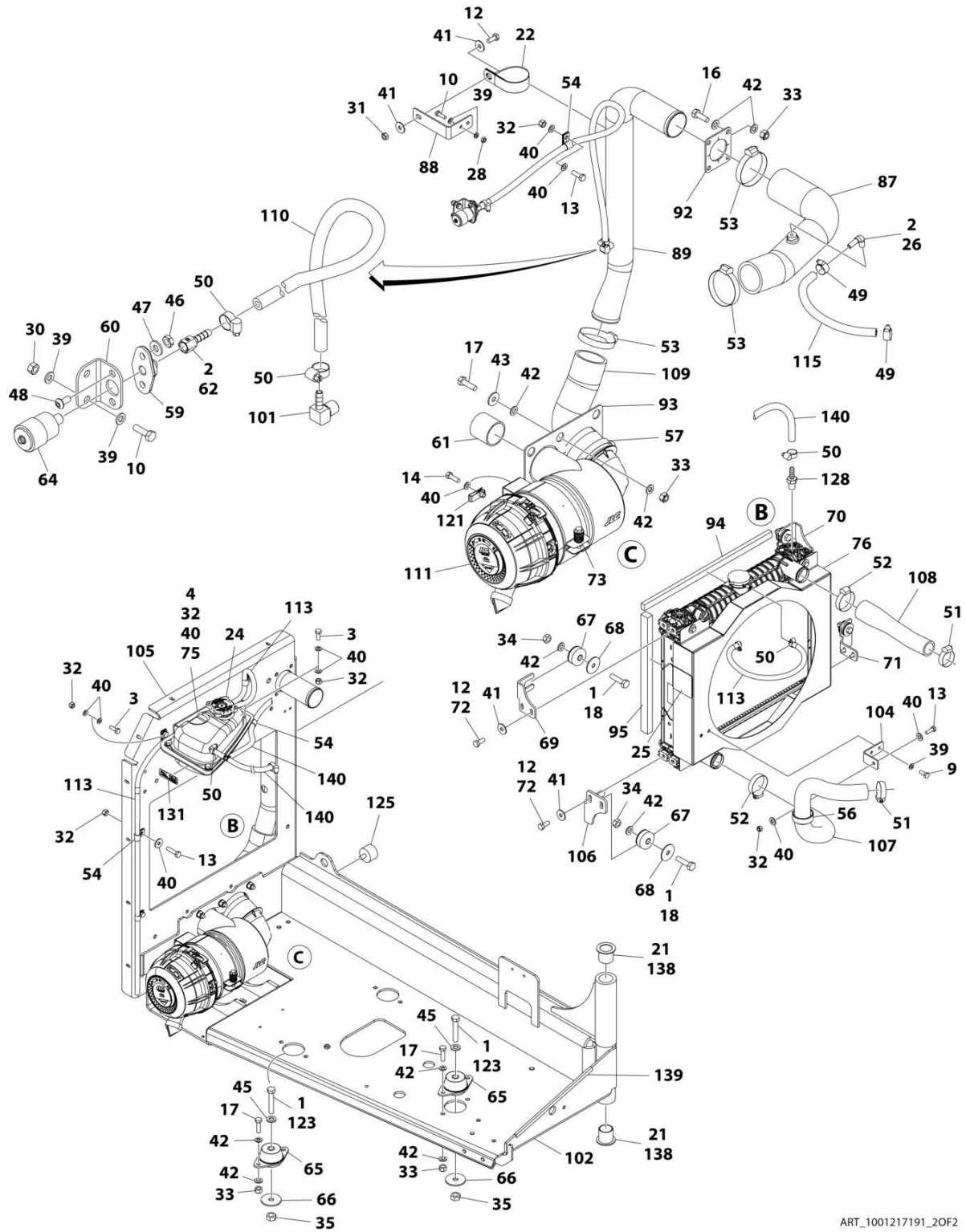
ART_1001219609

SECTION 3 - ENGINE

FIGURE 3-44. FORD ENGINE AND PUMP SUB-ASSEMBLY (WITH ARCTIC PACKAGE)

| ITEM | PART NUMBER | QTY | DESCRIPTION | REV |
|------|-------------|-----|---|-----|
| | 1001219609 | Ref | FORD ENGINE AND PUMP SUB-ASSEMBLY (WITH ARCTIC PACKAGE) | E |
| 1 | 0100011 | AR | Compound, Locking | |
| 2 | 0641407 | 1 | Bolt 1/4 x 7/8 | |
| 3 | 0641808 | 1 | Bolt 1/2 x 1 | |
| 4 | 0641812 | 4 | Bolt 1/2 x 1-1/2 | |
| 5 | 1060637 | 1 | Cable, Lanyard | |
| 6 | 3311405 | 1 | Nut 1/4 | |
| 7 | 3311805 | 1 | Nut 1/2 | |
| 8 | 3422532 | 1 | Pin | |
| 9 | 3790044 | 1 | O-Ring | |
| 11 | 3960469 | 1 | Seal | |
| 12 | 4751400 | 1 | Washer 1/4 | |
| 13 | 4751800 | 1 | Washer 1/2 | |
| 14 | 4891800 | 4 | Washer 1/2 | |
| 15 | 1001094595 | 1 | Variable Pump Assembly (See Separate Breakdown in this Section) | |
| 16 | 1001100825 | 6 | Strap | |
| 18 | 1001137336 | 3 | Strap | |
| 19 | 1001225745 | 1 | Hydrostatic Pump Assembly (See Separate Breakdown in this Section) | |
| 20 | 1001216532 | 1 | Insulate, Exhaust Pipe | |
| 21 | 1001216534 | 1 | Insulate, Muffler | |
| 22 | 1001216535 | 1 | Insulate, Muffler | |
| 23 | 1001217170 | 1 | Seal | |
| 24 | 1001218085 | 1 | Insulate, Exhaust Pipe | |
| 25 | 1001219608 | 1 | Ford Engine Assembly with Arctic Package (See Separate Breakdown in this Section) | |

SECTION 3 - ENGINE



ART_1001217191_2OF2

SECTION 3 - ENGINE

FIGURE 3-45. FORD ENGINE ASSEMBLY (WITHOUT ARCTIC PACKAGE)

| ITEM | PART NUMBER | QTY | DESCRIPTION | REV |
|------|-------------|-----|----------------------------|-----|
| | 1001217191 | Ref | FORD ENGINE ASSEMBLY | S |
| 1 | 0100011 | AR | Compound, Locking | |
| 2 | 0100020 | AR | Sealant | |
| 3 | 0700810 | 3 | Bolt 8 x 20 | |
| 4 | 0700812 | 7 | Bolt 8 x 25 | |
| 5 | 0700814 | 3 | Bolt 8 x 30 | |
| 6 | 0711020 | 3 | Bolt M10 x 60 | |
| 9 | 0760608 | 2 | Bolt 6 x 16 | |
| 10 | 0760610 | 4 | Bolt M6 x 20 | |
| 11 | 0760612 | 2 | Bolt 6 x 25 | |
| 12 | 0760810 | 11 | Bolt M8 x 20 | |
| 13 | 0760812 | 12 | Bolt M8 x 25 | |
| 14 | 0760814 | 2 | Bolt M8 x 30 | |
| 15 | 0760815 | 2 | Bolt M8 x 35 | |
| 16 | 0761014 | 11 | Bolt M10 x 30 | |
| 17 | 0761015 | 12 | Bolt M10 x 35 | |
| 18 | 0761016 | 4 | Bolt M10 x 40 | |
| 19 | 0771014 | 2 | Bolt 10 x 30 | |
| 21 | 0961986 | 2 | Bearing, Flange | |
| 22 | 1320110 | 1 | Clamp | |
| 23 | 1001187781 | 1 | Tie-Strap (Not Shown) | |
| 24 | 1001223584 | 1 | Tank, Surge | |
| 25 | 1703162 | 2 | Decal - Fan Blade | |
| 26 | 2180467 | 1 | Fitting, Straight NPT/Barb | |
| 28 | 3290601 | 2 | Nut M6 | |
| 29 | 3290605 | 2 | Nut M6 | |
| 30 | 3290607 | 2 | Nut M6 | |
| 31 | 3290801 | 4 | Nut M8 | |
| 32 | 3290805 | 14 | Nut M8 | |
| 33 | 3291005 | 16 | Nut M10 | |
| 34 | 3291001 | 4 | Nut M10 | |
| 35 | 3291201 | 3 | Nut M12 | |
| 36 | 3931644 | 1 | Screw 3/8 x 2-3/4 | |
| 37 | 4031711 | 4 | Capscrew M6 x 35 | |
| 38 | 4240099 | AR | Tie-Strap (Not Shown) | |
| 39 | 4811700 | 18 | Washer M6 | |
| 40 | 4811900 | 48 | Washer M8 | |
| 41 | 4811902 | 10 | Washer M8 | |
| 42 | 4812000 | 38 | Washer M10 | |
| 43 | 4812002 | 6 | Washer M10 | |
| 44 | 5241000 | 15 | Washer M10 | |
| 45 | 5241200 | 3 | Washer M12 | |
| 46 | 8305401 | 2 | Nut Jam | |
| 47 | 8307109 | 2 | Washer | |
| 48 | 8310548 | 2 | Screw 1/4 x 1/2 | |
| 49 | 8405006 | 2 | Clamp | |
| 50 | 8405009 | 5 | Gear | |
| 51 | 8405102 | 2 | Clamp | |
| 52 | 8405104 | 2 | Clamp | |
| 53 | 8405203 | 3 | Clamp | |

SECTION 3 - ENGINE

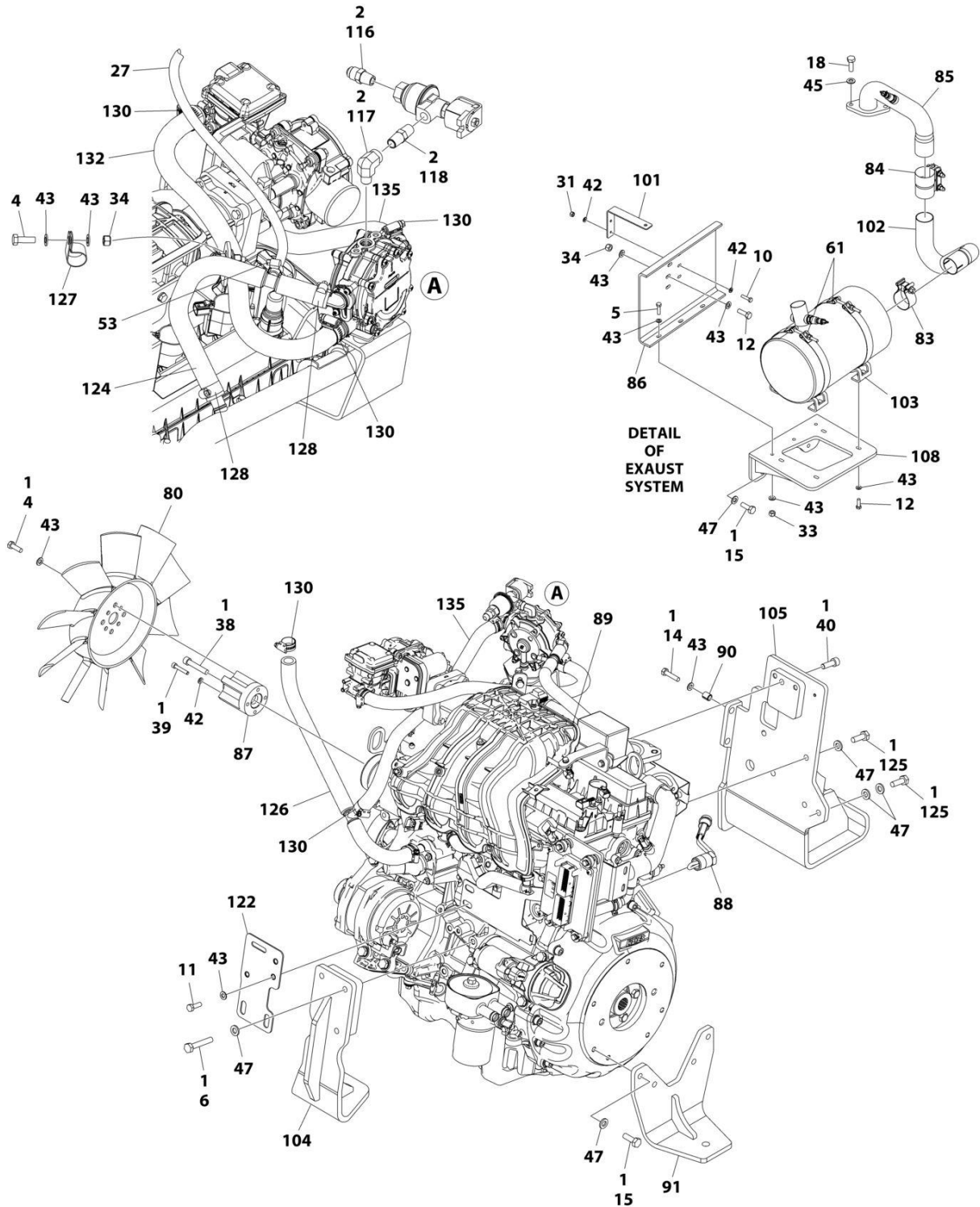
| ITEM | PART NUMBER | QTY | DESCRIPTION | REV |
|------|-------------|-----|--|-----|
| 54 | 8406109 | 6 | Clip | |
| 56 | 8410001 | 1 | Clamp | |
| 57 | 8410011 | 1 | Clamp | |
| 58 | 1001128901 | 2 | Strap | |
| 59 | 1001138173 | 1 | Support | |
| 60 | 1001138175 | 1 | Bracket | |
| 61 | 1001141585 | 1 | Hose | |
| 62 | 1001141995 | 2 | Fitting, Straight NPT/Barbed | |
| 64 | 1001149639 | 1 | Indicator, Restriction | |
| 65 | 1001191610 | 3 | Mount, Motor | |
| 66 | 1001168018 | 3 | Washer | |
| 67 | 1001169054 | 4 | Isolator | |
| 68 | 1001169138 | 4 | Pad, Snubbing | |
| 69 | 1001169967 | 1 | Bracket | |
| 70 | 1001170035 | 1 | Bracket | |
| 71 | 1001176329 | 1 | Bracket | |
| 72 | 1001180620 | AR | Adhesive | |
| 73 | 1001186426 | 1 | Clamp | |
| 74 | 1001223042 | 1 | Fan | |
| 75 | 1001225442 | 1 | Bracket | |
| 76 | 1001223923 | 1 | Radiator | |
| 77 | 1001215681 | 1 | Clamp | |
| 78 | 1001215974 | 1 | Clamp | |
| 79 | 1001216075 | 1 | Pipe, Exhaust | |
| 80 | 1001216092 | 1 | Shield, Heat | |
| 81 | 1001216201 | 1 | Adapter | |
| 84 | 1001216910 | 1 | Ford Engine Prep Assembly (See Separate Breakdown in this Section) | |
| 85 | 1001216919 | 2 | Sleeve | |
| 86 | 1001290252 | 1 | Mount, Engine Rear | |
| 87 | 1001217032 | 1 | Tube | |
| 88 | 1001217046 | 1 | Bracket | |
| 89 | 1001217090 | 1 | Tube | |
| 92 | 1001217174 | 1 | Seal | |
| 93 | 1001217175 | 1 | Seal | |
| 94 | 1001217183 | 2 | Seal | |
| 95 | 1001217185 | 2 | Seal | |
| 96 | 1001217186 | 1 | Support | |
| 97 | 1001217317 | 1 | Pipe | |
| 98 | 1001217543 | 2 | Mount | |
| 99 | 1001218362 | 1 | Mount | |
| 100 | 1001218449 | 1 | Bracket | |
| 101 | 1001134488 | 1 | Fitting | |
| 102 | 1001219259 | 1 | Support | |
| 103 | 1001219345 | 1 | Muffler | |
| 104 | 1001219361 | 1 | Support | |
| 105 | 1001219363 | 1 | Plate | |
| 106 | 1001219480 | 1 | Bracket | |
| 107 | 1001219611 | 1 | Hose | |
| 108 | 1001219612 | 1 | Hose | |
| 109 | 1001219613 | 1 | Tube | |

SECTION 3 - ENGINE

| ITEM | PART NUMBER | QTY | DESCRIPTION | REV |
|------|-------------|----------------|----------------------------|-----|
| 110 | 1001138248 | 31 in/ 77cm | Tube | |
| 111 | 1001189979 | 1 | Air Filter Assembly | |
| 111 | 70005008 | 1 | Element, Filter - Primary | |
| 111 | 70006460 | 1 | Element, Filter -Secondary | |
| 111 | 8273291 | 1 | Valve, Dust Evacuator | |
| 111 | 70006461 | 1 | Cover | |
| 113 | 2720058 | 55 in/ 1.5m | Hose | |
| 115 | 1001165035 | 10 26cm | Hose | |
| 116 | 5272010 | 1 | Bolt M10 x 30 | |
| 118 | 1001247359 | 1 | Fitting, 90 FSNPSM/NPTF | |
| 119 | 2220261 | 1 | Fitting | |
| 120 | 2180418 | 1 | Fitting | |
| 121 | 1001221615 | 2 | Nut M8 | |
| 123 | 0711223 | 3 | Bolt 12 x 75 | |
| 124 | 1001222033 | 1 | Plate | |
| 125 | 0940070 | 1 | Bumper | |
| 126 | 8406201 | 1 | Clip | |
| 127 | 8410009 | 2 | Gear Clamp | |
| 128 | 2180348 | 1 | Fitting | |
| 129 | 1001173535 | 6 | Clamp | |
| 130 | 1001224489 | 1 | Hose | |
| 131 | 1001225510 | 1 | Decal | |
| 132 | 1001216531 | 1 | Hose | |
| 133 | 1001227666 | 1 | Hose | |
| 134 | 1001224486 | 1 | Hose | |
| 135 | 0711014 | 5 | Bolt 10 x 30 | |
| 138 | 0100062 | AR | Compound Locking | |
| 139 | 4060805 | 16 in/ 41cm | Shield | |
| 140 | 1001227667 | 1 | Hose | |
| 141 | 1001303818 | 1 | Washer M10 | |

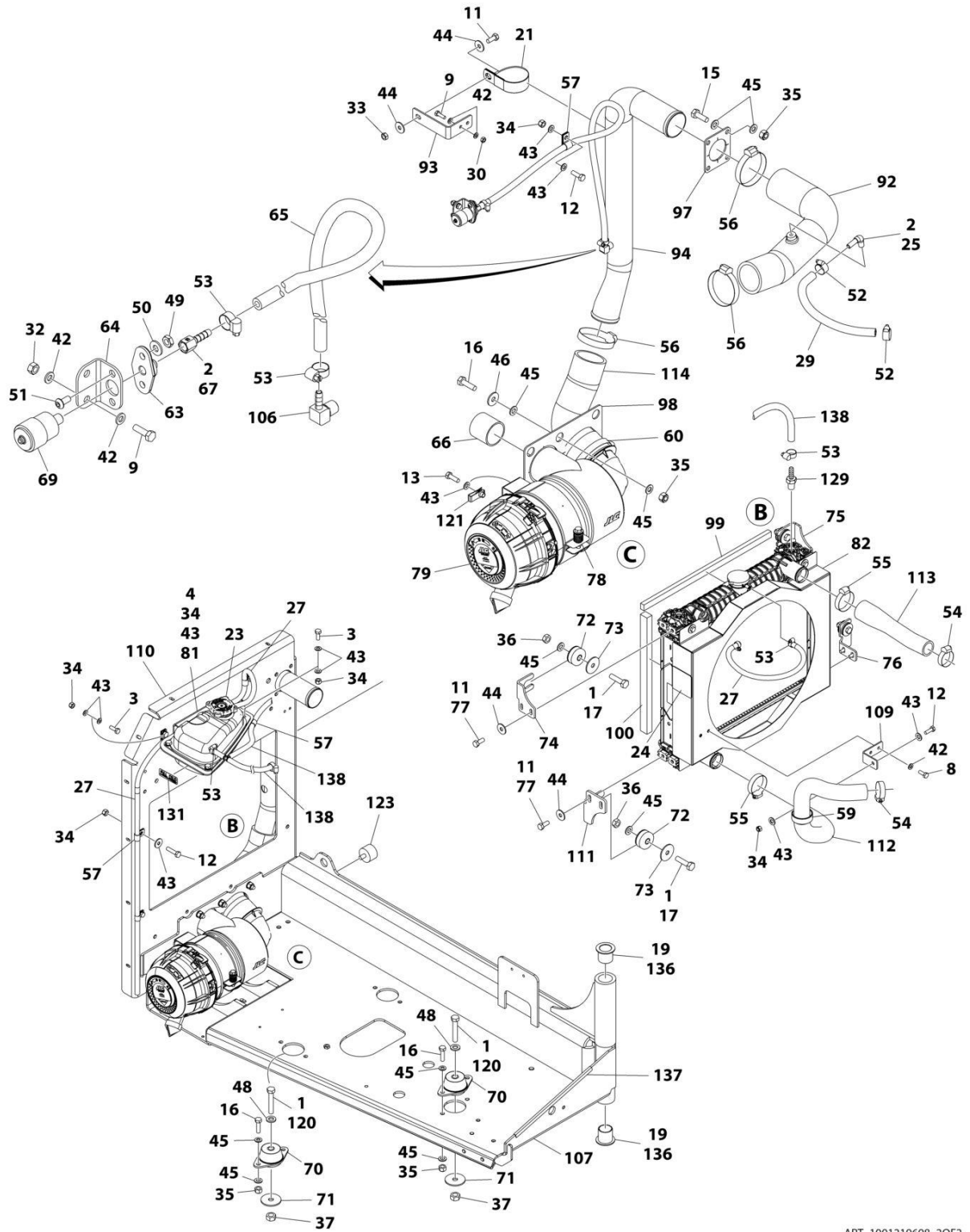
SECTION 3 - ENGINE

FIGURE 3-46. FORD ENGINE ASSEMBLY (WITH ARCTIC PACKAGE)



ART_1001219608_10F2

SECTION 3 - ENGINE



ART_1001219608_2OF2

SECTION 3 - ENGINE

FIGURE 3-46. FORD ENGINE ASSEMBLY (WITH ARCTIC PACKAGE)

| ITEM | PART NUMBER | QTY | DESCRIPTION | REV |
|------|-------------|----------------|----------------------------|-----|
| | 1001219608 | Ref | FORD ENGINE ASSEMBLY | P |
| 1 | 0100011 | AR | Compound, Locking | |
| 2 | 0100020 | AR | Sealant | |
| 3 | 0700810 | 3 | Bolt M8 x 20 | |
| 4 | 0700812 | 7 | Bolt M8 x 25 | |
| 5 | 0700814 | 3 | Bolt M8 x 30 | |
| 6 | 0711020 | 3 | Bolt M10 x 60 | |
| 8 | 0760608 | 2 | Bolt M6 x 16 | |
| 9 | 0760610 | 4 | Bolt M6 x 20 | |
| 10 | 0760612 | 2 | Bolt M6 x 25 | |
| 11 | 0760810 | 11 | Bolt M8 x 20 | |
| 12 | 0760812 | 12 | Bolt M8 x 25 | |
| 13 | 0760814 | 2 | Bolt M8 x 30 | |
| 14 | 0760815 | 2 | Bolt M8 x 35 | |
| 15 | 0761014 | 11 | Bolt M10 x 30 | |
| 16 | 0761015 | 12 | Bolt M10 x 35 | |
| 17 | 0761016 | 4 | Bolt M10 x 40 | |
| 18 | 0771014 | 2 | Bolt M10 x 30 | |
| 19 | 0961986 | 2 | Bearing, Flange | |
| 21 | 1320110 | 1 | Clamp | |
| 22 | 1001187781 | 1 | Tie-Strap (Not Shown) | |
| 23 | 1001223584 | 1 | Tank, Surge | |
| 24 | 1703162 | 2 | Decal - Fan Blade | |
| 25 | 2180467 | 1 | Fitting, Straight NPT/Barb | |
| 27 | 2720058 | 55 in/ 1.5m | Hose | |
| 29 | 1001165035 | 10 26cm | Hose | |
| 30 | 3290601 | 2 | Nut M6 | |
| 31 | 3290605 | 2 | Nut M6 | |
| 32 | 3290607 | 2 | Nut M6 | |
| 33 | 3290801 | 4 | Nut M8 | |
| 34 | 3290805 | 14 | Nut M8 | |
| 35 | 3291005 | 16 | Nut M10 | |
| 36 | 3291001 | 4 | Nut M10 | |
| 37 | 3291201 | 3 | Nut M12 | |
| 38 | 3931644 | 1 | Screw 3/8 x 2-3/4 | |
| 39 | 4031711 | 4 | Capscrew M6 x 35 | |
| 40 | 5272010 | 1 | Bolt M10 x 30 | |
| 41 | 4240099 | AR | Tie-Strap (Not Shown) | |
| 42 | 4811700 | 18 | Washer M6 | |
| 43 | 4811900 | 48 | Washer M8 | |
| 44 | 4811902 | 10 | Washer M8 | |
| 45 | 4812000 | 38 | Washer M10 | |
| 46 | 4812002 | 6 | Washer M10 | |
| 47 | 5241000 | 15 | Washer M10 | |
| 48 | 5241200 | 3 | Washer M12 | |
| 49 | 8305401 | 2 | Nut Jam | |
| 50 | 8307109 | 2 | Washer | |
| 51 | 8310548 | 2 | Bolt 1/4 x 1/2 | |
| 52 | 8405006 | 2 | Clamp | |

SECTION 3 - ENGINE

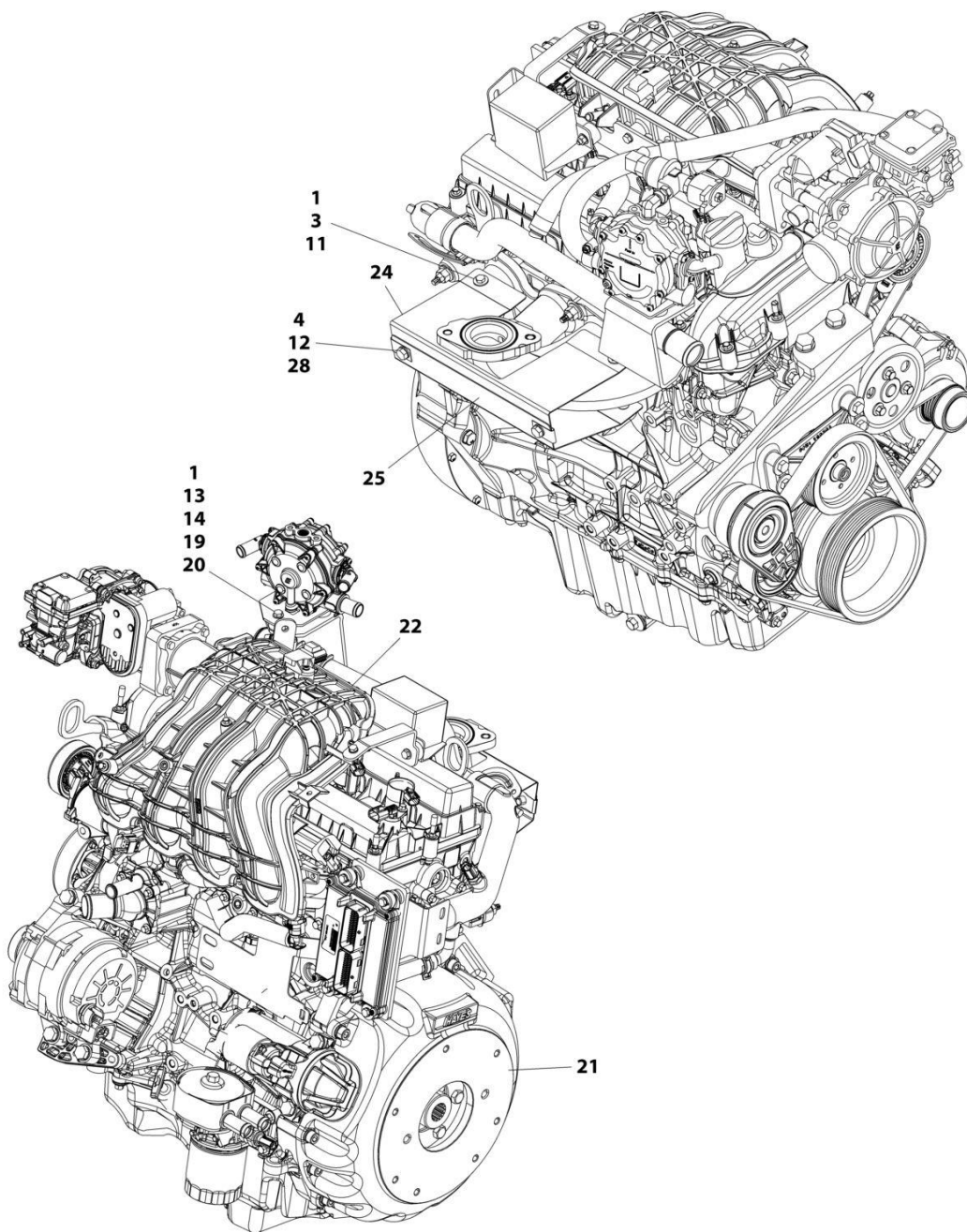
| ITEM | PART NUMBER | QTY | DESCRIPTION | REV |
|------|-------------|----------------|--|-----|
| 53 | 8405009 | 5 | Gear | |
| 54 | 8405102 | 2 | Clamp | |
| 55 | 8405104 | 2 | Clamp | |
| 56 | 8405203 | 3 | Clamp | |
| 57 | 8406109 | 6 | Clip | |
| 59 | 8410001 | 1 | Clamp | |
| 60 | 8410011 | 1 | Clamp | |
| 61 | 1001128901 | 2 | Strap | |
| 63 | 1001138173 | 1 | Support | |
| 64 | 1001138175 | 1 | Bracket | |
| 65 | 1001138248 | 31 in/ 77cm | Tube | |
| 66 | 1001141585 | 1 | Hose | |
| 67 | 1001141995 | 1 | Fitting, Straight NPT/Barbed | |
| 69 | 1001149639 | 1 | Indicator, Restriction | |
| 70 | 1001191610 | 3 | Mount, Motor | |
| 71 | 1001168018 | 3 | Washer | |
| 72 | 1001169054 | 4 | Isolator | |
| 73 | 1001169138 | 4 | Pad, Snubbing | |
| 74 | 1001169967 | 1 | Bracket | |
| 75 | 1001170035 | 1 | Bracket | |
| 76 | 1001176329 | 1 | Bracket | |
| 77 | 1001180620 | AR | Adhesive | |
| 78 | 1001186426 | 1 | Clamp | |
| 79 | 1001189979 | 1 | Air Filter Assembly | |
| 79 | 70005008 | 4 | Element, Filter - Primary | |
| 79 | 70006460 | 4 | Element, Filter - Secondary | |
| 79 | 8273291 | 1 | Valve, Dust Evacuator | |
| 79 | 70006461 | 1 | Cover | |
| 80 | 1001223042 | 1 | Fan | |
| 81 | 1001225442 | 1 | Bracket | |
| 82 | 1001223923 | 1 | Radiator | |
| 83 | 1001215681 | 1 | Clamp | |
| 84 | 1001215974 | 1 | Clamp | |
| 85 | 1001216075 | 1 | Pipe, Exhaust | |
| 86 | 1001216092 | 1 | Shield, Heat | |
| 87 | 1001216201 | 1 | Adapter | |
| 88 | 1001216393 | 1 | Heater, Block | |
| 89 | 1001216910 | 1 | Ford Engine Prep Assembly (See Separate Breakdown in this Section) | |
| 90 | 1001216919 | 2 | Sleeve | |
| 91 | 1001290252 | 1 | Mount, Engine Rear | |
| 92 | 1001217032 | 1 | Tube | |
| 93 | 1001217046 | 1 | Bracket | |
| 94 | 1001217090 | 1 | Tube | |
| 97 | 1001217174 | 1 | Seal | |
| 98 | 1001217175 | 1 | Seal | |
| 99 | 1001217183 | 2 | Seal | |
| 100 | 1001217185 | 2 | Seal | |
| 101 | 1001217186 | 1 | Support | |
| 102 | 1001217317 | 1 | Pipe | |
| 103 | 1001217543 | 2 | Mount | |

SECTION 3 - ENGINE

| ITEM | PART NUMBER | QTY | DESCRIPTION | REV |
|------|-------------|----------------|-------------------------|-----|
| 104 | 1001218362 | 1 | Mount | |
| 105 | 1001218449 | 1 | Bracket | |
| 106 | 1001134488 | 1 | Fitting | |
| 107 | 1001219259 | 1 | Support | |
| 108 | 1001219345 | 1 | Muffler | |
| 109 | 1001219361 | 1 | Support | |
| 110 | 1001219363 | 1 | Plate | |
| 111 | 1001219480 | 1 | Bracket | |
| 112 | 1001219611 | 1 | Hose | |
| 113 | 1001219612 | 1 | Hose | |
| 114 | 1001219613 | 1 | Tube | |
| 116 | 2180418 | 1 | Fitting | |
| 117 | 1001247359 | 1 | Fitting, 90 FSNPSM/NPTF | |
| 118 | 2220261 | 1 | Fitting | |
| 120 | 0711223 | 3 | Bolt M12 x 75 | |
| 121 | 1001221615 | 2 | Nut M8 | |
| 122 | 1001222033 | 1 | Plate | |
| 123 | 0940070 | 1 | Bumper | |
| 124 | 1001227666 | 1 | Hose | |
| 125 | 0711014 | 5 | Bolt M10 x 30 | |
| 126 | 1001224489 | 1 | Hose | |
| 127 | 8406201 | 1 | Clip | |
| 128 | 8410009 | 2 | Gear Clamp | |
| 129 | 2180348 | 1 | Fitting | |
| 130 | 1001173535 | 6 | Clamp | |
| 131 | 1001225510 | 1 | Decal | |
| 132 | 1001216531 | 1 | Hose | |
| 135 | 1001224486 | 1 | Hose | |
| 136 | 0100062 | AR | Compound Locking | |
| 137 | 4060805 | 16 in/ 41cm | Shield | |
| 138 | 1001227667 | 1 | Hose | |
| 139 | 1001303818 | 1 | Washer M10 (Not Shown) | |

SECTION 3 - ENGINE

FIGURE 3-47. FORD ENGINE PREP ASSEMBLY



ART_1001216910_F

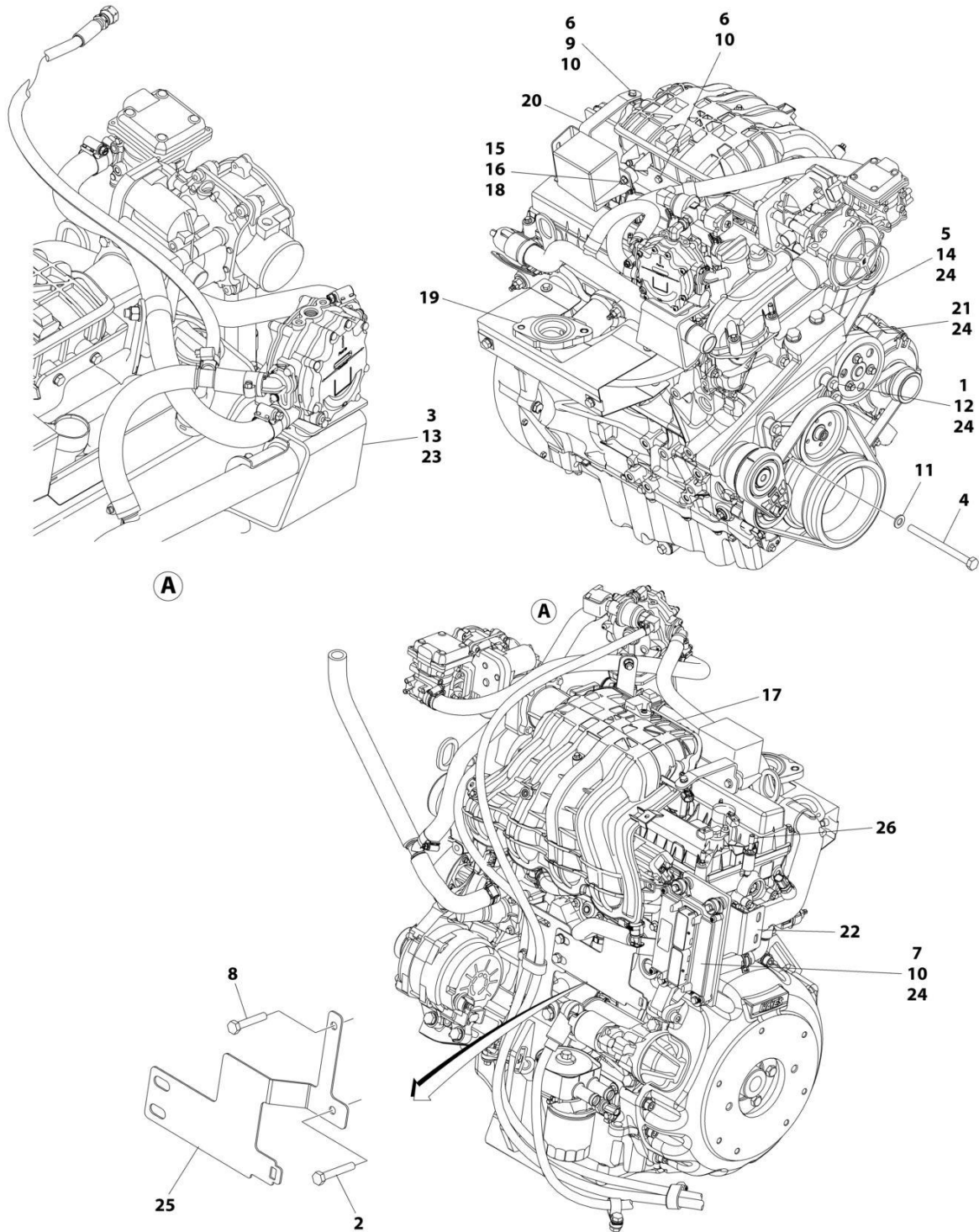
SECTION 3 - ENGINE

FIGURE 3-47. FORD ENGINE PREP ASSEMBLY

| ITEM | PART NUMBER | QTY | DESCRIPTION | REV |
|------|-------------|-----|---|-----|
| | 1001216910 | Ref | FORD ENGINE PREP ASSEMBLY | F |
| 1 | 0100011 | AR | Compound, Locking | |
| 3 | 0760605 | 4 | Bolt M6 x 10 | |
| 4 | 0760807 | 2 | Bolt M8 x 14 | |
| 11 | 4811702 | 4 | Washer M6 | |
| 12 | 4811900 | 2 | Washer M8 | |
| 13 | 5250605 | 3 | Bolt M6 x 10 | |
| 14 | 5260600 | 1 | Nut M6 Class 10 | |
| 19 | 1001211794 | 3 | Mount, Isolator | |
| 20 | 1001227769 | 1 | Plate | |
| 21 | 1001213810 | 1 | Pump Coupling Kit | |
| 21 | 70006134 | 1 | Coupling | |
| 21 | 70006135 | 1 | Housing | |
| 21 | 70006136 | 1 | Hardware Kit | |
| 22 | 1001216065 | 1 | Ford Engine Assembly (See Separate Breakdown in this Section) | |
| 24 | 1001216768 | 1 | Bracket | |
| 25 | 1001216769 | 1 | Bracket | |
| 28 | 1001149160 | 2 | Nut, Tinnerman M8 | |

SECTION 3 - ENGINE

FIGURE 3-48. FORD ENGINE BRACKETS AND EXHAUST MANIFOLD INSTALLATION



ART_1001216065

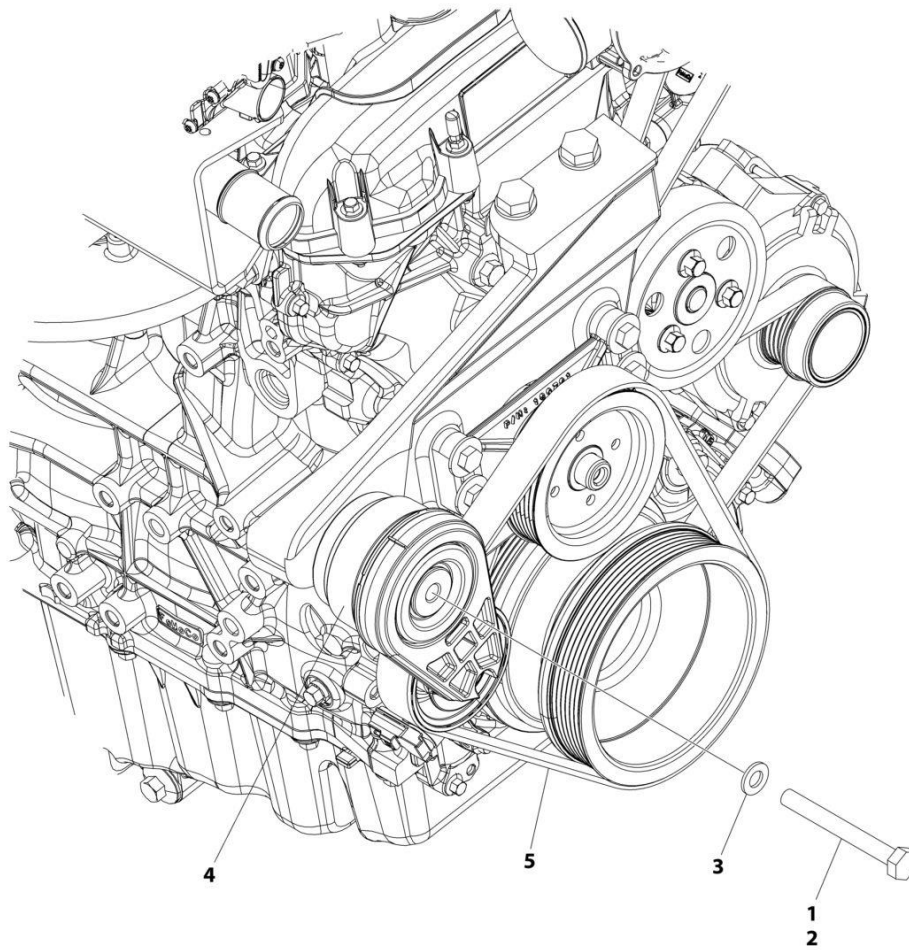
SECTION 3 - ENGINE

FIGURE 3-48. FORD ENGINE BRACKETS AND EXHAUST MANIFOLD INSTALLATION

| ITEM | PART NUMBER | QTY | DESCRIPTION | REV |
|------|-------------|-----|--|-----|
| | 1001216065 | Ref | FORD ENGINE ASSEMBLY - BRACKETS/EXHAUST MANIFOLD | N |
| 1 | 0700816 | 4 | Bolt M8 x 40 | |
| 2 | 0700818 | 1 | Bolt M8 x 50 | |
| 3 | 0701014 | 2 | Bolt M10 x 30 | |
| 4 | 0710827 | 1 | Bolt M8 x 100 Grade 10.9 | |
| 5 | 0711216 | 2 | Bolt M12 x 40 | |
| 6 | 0760610 | 3 | Bolt M6 x 20 | |
| 7 | 0760615 | 4 | Bolt M6 x 35 | |
| 8 | 0760817 | 1 | Bolt M8 x 45 | |
| 9 | 3290601 | 1 | Nut M6 | |
| 10 | 4811700 | 8 | Washer M6 | |
| 11 | 4811900 | 1 | Washer M8 | |
| 12 | 4811902 | 4 | Washer M8 | |
| 13 | 4812000 | 1 | Washer M10 | |
| 14 | 4812100 | 2 | Washer M12 | |
| 15 | 5250605 | 2 | Bolt M6 x 10 | |
| 16 | 5260600 | 2 | Nut M6 Class 10 | |
| 17 | 1001210448 | 1 | Engine, Ford 2.5L (See Separate Breakdown in this Section) | |
| 18 | 1001211794 | 2 | Mount | |
| 19 | 1001214827 | 1 | Manifold, Exhaust | |
| 20 | 1001215384 | 1 | Bracket | |
| 21 | 1001216071 | 1 | Bracket | |
| 22 | 1001216144 | 1 | Support, Muffler | |
| 23 | 1001227772 | 1 | Mount, Vaporizer | |
| 24 | 0100011 | AR | Compound, Locking | |
| 25 | 1001221545 | 1 | Plate | |
| 26 | 1001222641 | 6 | Cap | |

SECTION 3 - ENGINE

FIGURE 3-49. FORD ENGINE DRIVE BELT INSTALLATION (MACHINES WITHOUT GENERATOR)



ART_1001220404

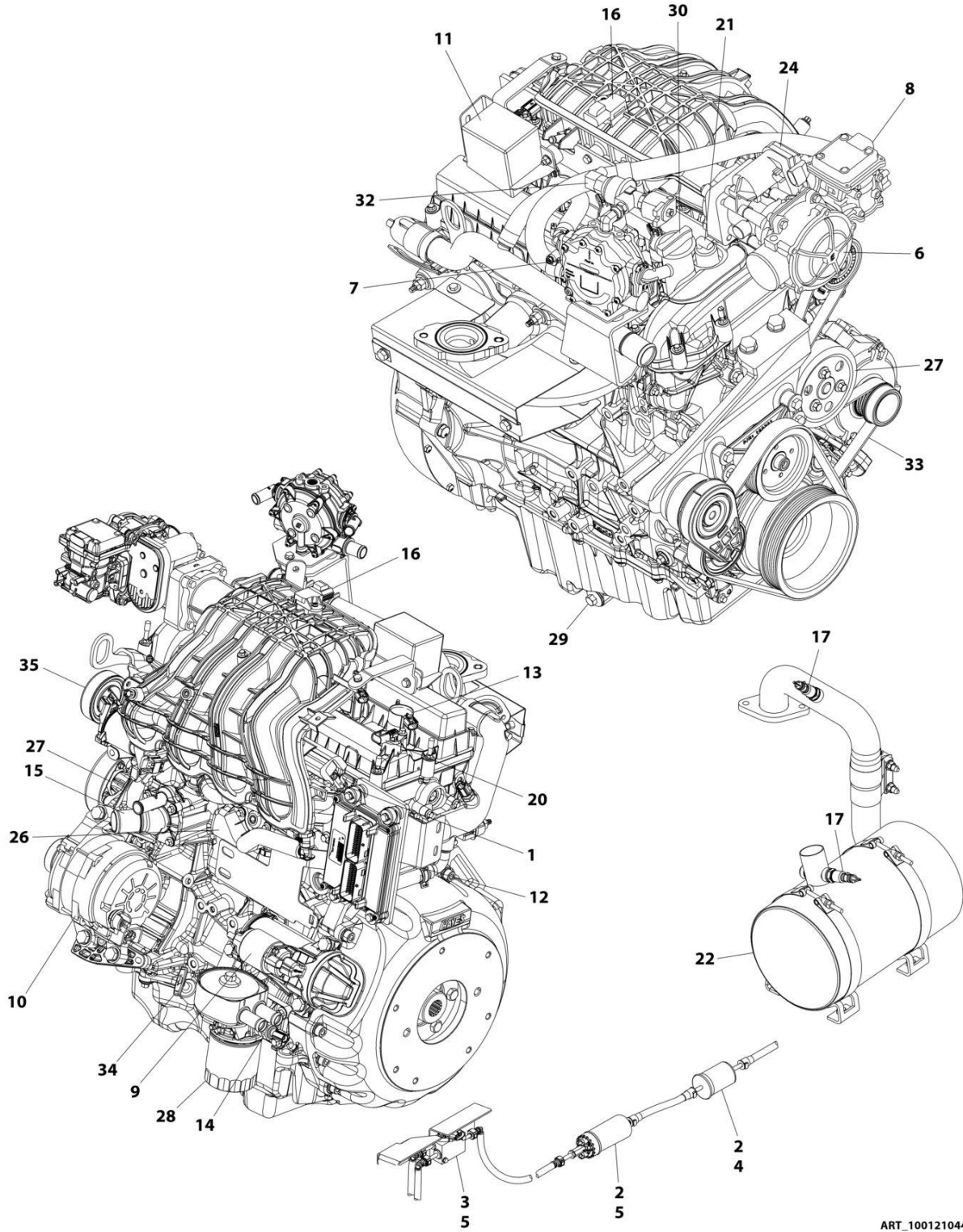
SECTION 3 - ENGINE

FIGURE 3-49. FORD ENGINE DRIVE BELT INSTALLATION (MACHINES WITHOUT GENERATOR)

| ITEM | PART NUMBER | QTY | DESCRIPTION | REV |
|------|-------------|-----|-------------------------|-----|
| | 1001220404 | Ref | DRIVE BELT INSTALLATION | C |
| 1 | 0100011 | AR | Compound, Locking | |
| 2 | 0701026 | 1 | Bolt M10 x 90 | |
| 3 | 4812002 | 1 | Washer M10 | |
| 4 | 1001216300 | 1 | Pulley | |
| 5 | 1001216619 | 1 | V-Belt | |

SECTION 3 - ENGINE

FIGURE 3-50. FORD ENGINE COMPONENTS



ART_1001210448

SECTION 3 - ENGINE

FIGURE 3-50. FORD ENGINE COMPONENTS

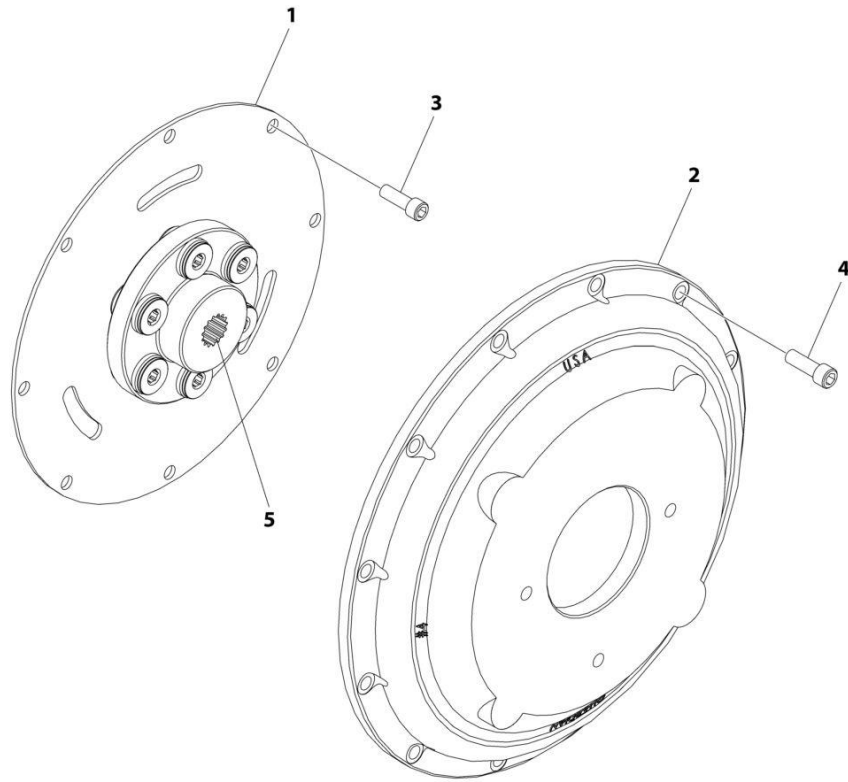
| ITEM | PART NUMBER | QTY | DESCRIPTION | REV |
|------|-------------|-----|--|-----|
| | 1001210448 | Ref | FORD ENGINE COMPONENTS | H |
| 1 | 70006145 | 4 | Injector, Fuel | |
| 1 | 70006147 | 1 | Rail, Fuel | |
| 2 | 70006150 | 1 | Pump, Fuel | |
| 2 | 70006154 | 1 | Fitting M10 | |
| 3 | 70006151 | 1 | Block, Fuel | |
| 3 | 70006152 | 2 | Fitting SAE6 | |
| 3 | 70006153 | 1 | Fitting SAE3 | |
| 3 | 70006189 | 1 | Harness, Fuel Block | |
| 4 | 70006155 | 1 | Filter, Fuel | |
| 5 | 7022162 | 8 | Clamp | |
| 5 | 70006157 | 8 | Clip, Fuel Quick Disconnect | |
| 6 | 70006158 | 1 | Mixer, LP | |
| 6 | 70006168 | 1 | Mixer Diaphragm Replacement Kit | |
| 6 | 70006159 | 1 | Adapter, Mixer to Governor | |
| 6 | 70006160 | 1 | O-Ring, Mixer to Adapter | |
| 6 | 70006161 | 1 | Seal, Mixer to Adapter | |
| 7 | 70006162 | 1 | Regulator, LP Vapor | |
| 7 | 70006166 | 2 | Fitting | |
| 7 | 70006167 | 1 | Fitting, Straight | |
| 7 | 70006165 | 2 | Isolator, Rubber | |
| 8 | 70006163 | 1 | Regulator, Direct Electronic Pressure | |
| 8 | 70006164 | 1 | Adapter, Fitting 90 | |
| 9 | 70006169 | 1 | Starter | |
| 9 | 70006233 | 1 | Harness, Alternator/Starter | |
| 10 | 70006170 | 1 | Alternator | |
| 11 | 70006173 | 1 | Cover, Relay Box | |
| 11 | 70006171 | 2 | Relay (Fuel Pump & Power) | |
| 11 | 70006172 | 1 | Relay (Starter) | |
| 11 | 70006175 | 1 | Fuse - 20Amp (Starter) | |
| 11 | 70006174 | 1 | Decal - Relay Box Cover | |
| 11 | 70006188 | 1 | Harness, Engine | |
| 11 | 70006165 | 2 | Isolator, Rubber | |
| 12 | 70006176 | 1 | Module - Engine Control Unit (ECU/GCP) | |
| 12 | 70006191 | 1 | Software & Diagnostic Cable | |
| 13 | 70006177 | 4 | Coil and Boot Assembly | |
| 13 | 70006178 | 4 | Plug, Spark | |
| 14 | 70006179 | 1 | Switch, Oil Pressure | |
| 15 | 70006180 | 1 | Sensor, Knock | |
| 16 | 70006181 | 1 | Sensor, TMAP | |
| 17 | 70006182 | 2 | Sensor, O2 | |
| 18 | 70006183 | 1 | Sensor, Coolant Temperature (Not Shown - Located Rear of Engine Block) | |
| 19 | 70006184 | 1 | Sensor, Crank Position (Not Shown - Located at Front RH Side of Block) | |
| 20 | 70006185 | 1 | Sensor, Cam Position | |
| 21 | 70006186 | 1 | Solenoid, Timing | |
| 21 | 70006187 | 1 | Grommet, Rubber | |
| 22 | 70006194 | 1 | Muffler | |
| 22 | 70006195 | 1 | Plug (Located at Muffler Outlet) | |

SECTION 3 - ENGINE

| ITEM | PART NUMBER | QTY | DESCRIPTION | REV |
|------|-------------|-----|--|-----|
| 23 | | Ref | Gasket Options (Not Shown) | |
| 23 | 70006196 | 1 | Gasket, Exhaust Manifold to Head | |
| 23 | 70006197 | 1 | Gasket, Exhaust Manifold Outlet | |
| 23 | 70006200 | 1 | Gasket, Intake Manifold to Head | |
| 23 | 70006219 | 1 | Gasket Set - Camshaft Cover | |
| 23 | 70006225 | 1 | Gasket, Cylinder Head | |
| 24 | 70006198 | 1 | Governor | |
| 24 | 7027404 | 1 | Gasket, Governor Actuator | |
| 24 | 70006199 | 1 | Gasket, Governor to Intake Manifold Adapter | |
| 25 | 70006203 | 1 | Flywheel (Not Shown) | |
| 26 | 70006205 | 1 | Thermostat (Includes Housing) | |
| 26 | 70006206 | 1 | Gasket, Water Inlet | |
| 27 | 70006207 | 1 | Pump, Water | |
| 27 | 70006208 | 1 | O-Ring, Water Pump | |
| 27 | See Note | NSS | Pulley, Water Pump (Note: Not Available for Purchase at This Time) | |
| 28 | 70006213 | 1 | Filter, Oil | |
| 29 | 70006215 | 1 | Plug, Oil Drain | |
| 29 | 70006217 | 1 | Gasket, Oil Drain Plug | |
| 30 | 70006221 | 1 | Cap, Oil Fill | |
| 31 | 70006232 | 1 | Sensor, Crank (Not Shown) | |
| 32 | 70006235 | 1 | Valve, Lock-Off (Includes Filter) | |
| 33 | 70006202 | 1 | Belt | |
| 34 | 70006236 | 1 | Dipstick | |
| 35 | 70007108 | 1 | Belt Tensioner | |

SECTION 3 - ENGINE

FIGURE 3-51. PUMP COUPLING KIT (DEUTZ ENGINES)



ART_1001153282

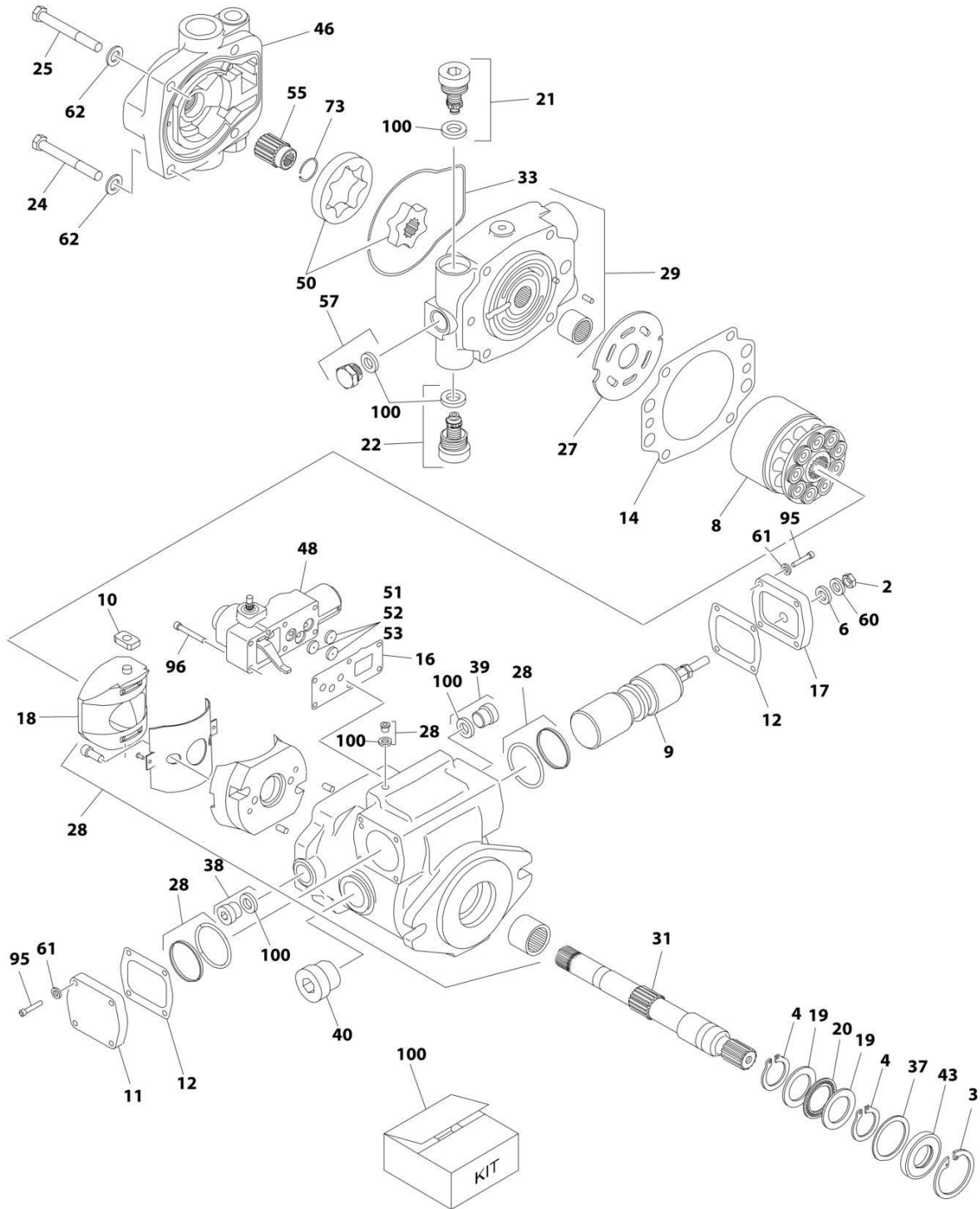
SECTION 3 - ENGINE

FIGURE 3-51. PUMP COUPLING KIT (DEUTZ ENGINES)

| ITEM | PART NUMBER | QTY | DESCRIPTION | REV |
|------|-------------|-----|---|-----|
| | 1001153282 | Ref | PUMP COUPLING KIT | E |
| 1 | 70004183 | 1 | Coupling Guardian | |
| 2 | See Note | NSS | Plate, Pump Adapter (Note: Use p/n 1001153282) | |
| 3 | See Note | 8 | Capscrew M10 x 20 Grade 10.9 (Note: Not Available - Purchase Locally or Purchase Kit) | |
| 4 | See Note | 12 | Capscrew M10 x 25 Grade 10.9 (Note: Not Available - Purchase Locally or Purchase Kit) | |
| 5 | 3020021 | AR | Grease, Coupling | |

SECTION 3 - ENGINE

FIGURE 3-52. HYDROSTATIC PUMP ASSEMBLY



ART_1001225745

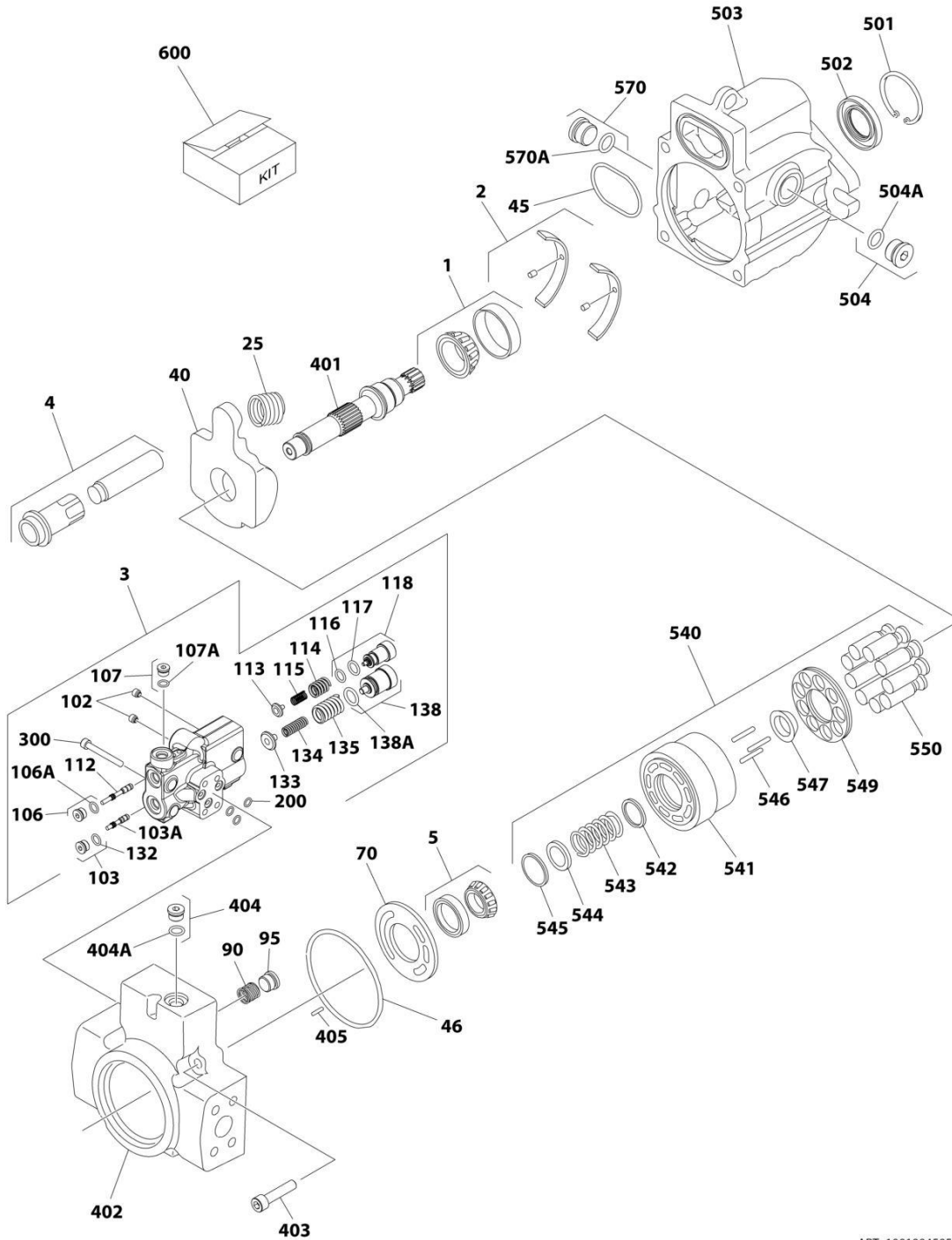
SECTION 3 - ENGINE

FIGURE 3-52. HYDROSTATIC PUMP ASSEMBLY

| ITEM | PART NUMBER | QTY | DESCRIPTION | REV |
|------|-------------|-----|--|-----|
| | 1001225745 | Ref | HYDROSTATIC PUMP ASSEMBLY | A |
| 2 | 70004329 | 1 | Nut | |
| 3 | See Note | NSS | Ring, Retaining (Note: Use Item 100) | |
| 4 | See Note | NSS | Ring, Retaining (Note: Use Item 100) | |
| 6 | See Note | NSS | Washer, Seal (Note: Use Item 100) | |
| 8 | 70004331 | 1 | Cylinder Block Assembly | |
| 9 | 70004332 | 1 | Servo Piston Assembly | |
| 10 | 70004333 | 1 | Follower, Servo Piston | |
| 11 | 70005458 | 1 | Cover | |
| 12 | See Note | NSS | Gasket, Cover (Note: Use Item 100) | |
| 14 | See Note | NSS | Gasket, Housing (Note: Use Item 100) | |
| 16 | See Note | NSS | Gasket, Control Housing (Note: Use Item 100) | |
| 17 | 70005459 | 1 | Cover | |
| 18 | 70004336 | 1 | Camplate Assembly | |
| 19 | 7004907 | 2 | Race, Thrust | |
| 20 | 7004908 | 1 | Bearing, Thrust | |
| 21 | 70004337 | 1 | Relief Valve Assembly | |
| 22 | 70004337 | 1 | Relief Valve Assembly | |
| 24 | 70004338 | 2 | Capscrew | |
| 25 | 70004338 | 2 | Capscrew | |
| 27 | 70004340 | 1 | Plate, Valve | |
| 28 | See Note | NSS | Housing (Note: Not Available - Purchase Assembly) | |
| 29 | 70005460 | 1 | End Cover Assembly | |
| 31 | 70004342 | 1 | Shaft, Drive | |
| 33 | See Note | NSS | O-Ring (Note: Use Item 100) | |
| 37 | 7004906 | 1 | Washer | |
| 38 | 70005461 | 1 | Plug | |
| 39 | 70005461 | 1 | Plug | |
| 40 | 70005462 | 1 | Plug | |
| 43 | See Note | NSS | Seal, Shaft (Note: Use Item 100) | |
| 46 | 70004343 | 1 | Adapter, Charge Pump | |
| 48 | 70004344 | 1 | Servo Control Assembly | |
| 50 | 70004345 | 1 | Gerotor | |
| 51 | 70004346 | 1 | Orifice | |
| 52 | 70004346 | 1 | Orifice | |
| 53 | 70004346 | 1 | Orifice | |
| 55 | 70004347 | 1 | Coupler | |
| 57 | 70005463 | 1 | Plug | |
| 60 | 70004348 | 1 | Washer | |
| 61 | 70004349 | 8 | Washer | |
| 62 | 70004350 | 4 | Washer | |
| 73 | 70004351 | 1 | Ring, Retaining | |
| 95 | 70005464 | 8 | Capscrew | |
| 96 | 70005465 | 6 | Capscrew | |
| 100 | 70004352 | 1 | Seal Kit - Pump (Includes Items 3, 4, 6, 12, 14, 16, 33 & 43 and Valve and Plug O-Rings and Seals) | |

SECTION 3 - ENGINE

FIGURE 3-53. VARIABLE PUMP ASSEMBLY



ART_1001094595

SECTION 3 - ENGINE

FIGURE 3-53. VARIABLE PUMP ASSEMBLY

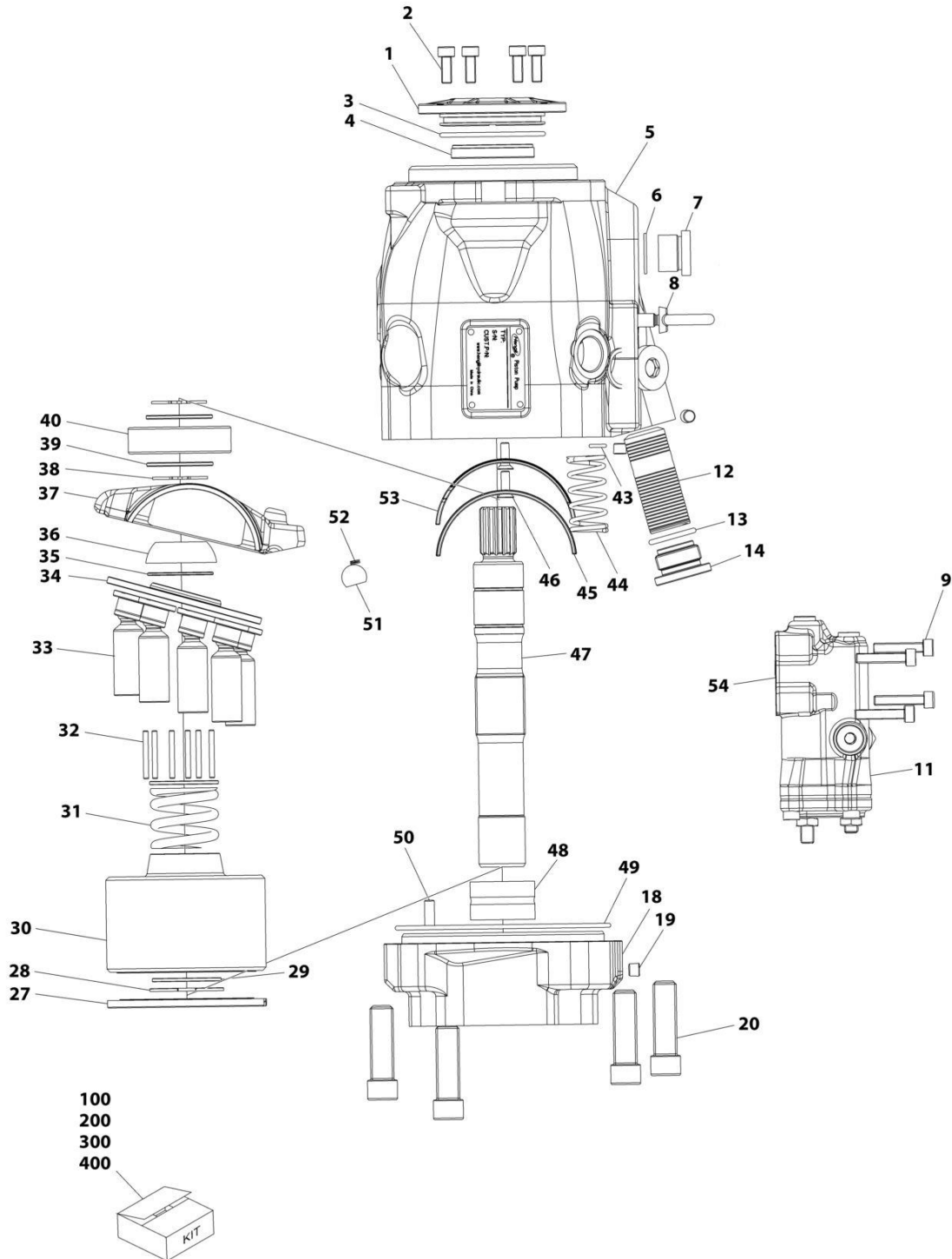
| ITEM | PART NUMBER | QTY | DESCRIPTION | REV |
|------|-------------|-----|--|-----|
| | 1001094595 | Ref | VARIABLE PUMP ASSEMBLY | A |
| 1 | 7023947 | 1 | Bearing, Front (Includes Cup and Cone) | |
| 2 | 7023948 | 1 | Bearings, Swash Plate (Includes Both Sides and Pins) | |
| 3 | 7023956 | 1 | Control Valve Assembly (Includes Items 102-300) | |
| 4 | 7023949 | 1 | Servo Piston Assembly | |
| 5 | 7023950 | 1 | Bearing, Rear (Includes Cup and Cone) | |
| 25 | 7023951 | 1 | Spring | |
| 40 | 7023952 | 1 | Swash Plate | |
| 45 | See Note | NSS | O-Ring (Note: Use Item 600) | |
| 46 | See Note | NSS | O-Ring (Note: Use Item 600) | |
| 70 | 70001954 | 1 | Plate, Valve | |
| 90 | 70001955 | 1 | Spring, Check Valve | |
| 95 | 70001956 | 1 | Poppet, Check Valve | |
| 102 | See Note | NSS | Setscrew (Note: Use Item 3) | |
| 103 | See Note | NSS | Plug (Note: Use Item 3) | |
| 103A | See Note | NSS | O-Ring (Note: Use Item 600) | |
| 106 | See Note | NSS | Plug (Note: Use Item 3) | |
| 106A | See Note | NSS | O-Ring (Note: Use Item 600) | |
| 107 | See Note | NSS | Plug (Note: Use Item 3) | |
| 107A | See Note | NSS | O-Ring (Note: Use Item 600) | |
| 112 | See Note | NSS | Spool, Control (Note: Use Item 3) | |
| 113 | See Note | NSS | Guide, Spring (Note: Use Item 3) | |
| 114 | See Note | NSS | Spring (Note: Use Item 3) | |
| 115 | See Note | NSS | Spring (Note: Use Item 3) | |
| 116 | See Note | NSS | O-Ring (Note: Use Item 600) | |
| 117 | See Note | NSS | Ring, Back-up (Note: Use Item 600) | |
| 118 | See Note | NSS | Plug, Adjusting (Note: Use Item 3) | |
| 132 | See Note | NSS | Spool, Control (Note: Use Item 3) | |
| 133 | See Note | NSS | Guide, Spring (Note: Use Item 3) | |
| 134 | See Note | NSS | Spring (Note: Use Item 3) | |
| 135 | See Note | NSS | Spring (Note: Use Item 3) | |
| 138 | See Note | NSS | Plug, PC Adjusting (Note: Use Item 3) | |
| 138A | See Note | NSS | O-Ring (Note: Use Item 600) | |
| 200 | See Note | NSS | Ring, Seal (Note: Use Item 600) | |
| 300 | 7023957 | 4 | Screw | |
| 401 | 7023958 | 1 | Shaft | |
| 402 | 70001957 | 1 | Cap, End | |
| 403 | 7023960 | 4 | Screw | |
| 404 | 7022318 | 1 | Plug | |
| 404A | See Note | NSS | O-Ring (Note: Use Item 600) | |
| 405 | 7023961 | 1 | Pin | |
| 501 | 7023962 | 1 | Ring, Retaining | |
| 502 | See Note | NSS | Seal, Lip (Note: Use Item 600) | |
| 503 | See Note | NSS | Housing (Note: Not Available - Purchase Assembly) | |
| 504 | 7023964 | 1 | Plug | |
| 504A | 7007415 | 1 | O-Ring | |
| 540 | 7023965 | 1 | Cylinder Block Assembly | |
| 541 | See Note | NSS | Block, Cylinder (Note: Use Item 540) | |
| 542 | 7024868 | 1 | Washer | |
| 543 | 7024867 | 1 | Spring | |

SECTION 3 - ENGINE

| ITEM | PART NUMBER | QTY | DESCRIPTION | REV |
|------|-------------|-----|---|-----|
| 544 | 7022314 | 1 | Retainer, Spring | |
| 545 | 7022311 | 1 | Ring, Retaining | |
| 546 | 7021275 | 3 | Pin, Slipper | |
| 547 | 7024864 | 1 | Guide, Slipper | |
| 549 | 7024866 | 1 | Retainer, Slipper | |
| 550 | 7023966 | 9 | Piston Assembly | |
| 570 | 7023964 | 1 | Plug | |
| 570A | 7007415 | 1 | O-Ring | |
| 600 | 7023967 | 1 | Seal Kit - Complete (Includes Items 45, 46, 103A, 106A, 107A, 118, 138A, 200, 444A & 502) | |

SECTION 3 - ENGINE

FIGURE 3-54. VARIABLE PUMP ASSEMBLY - HENGLI



ART_1001276377

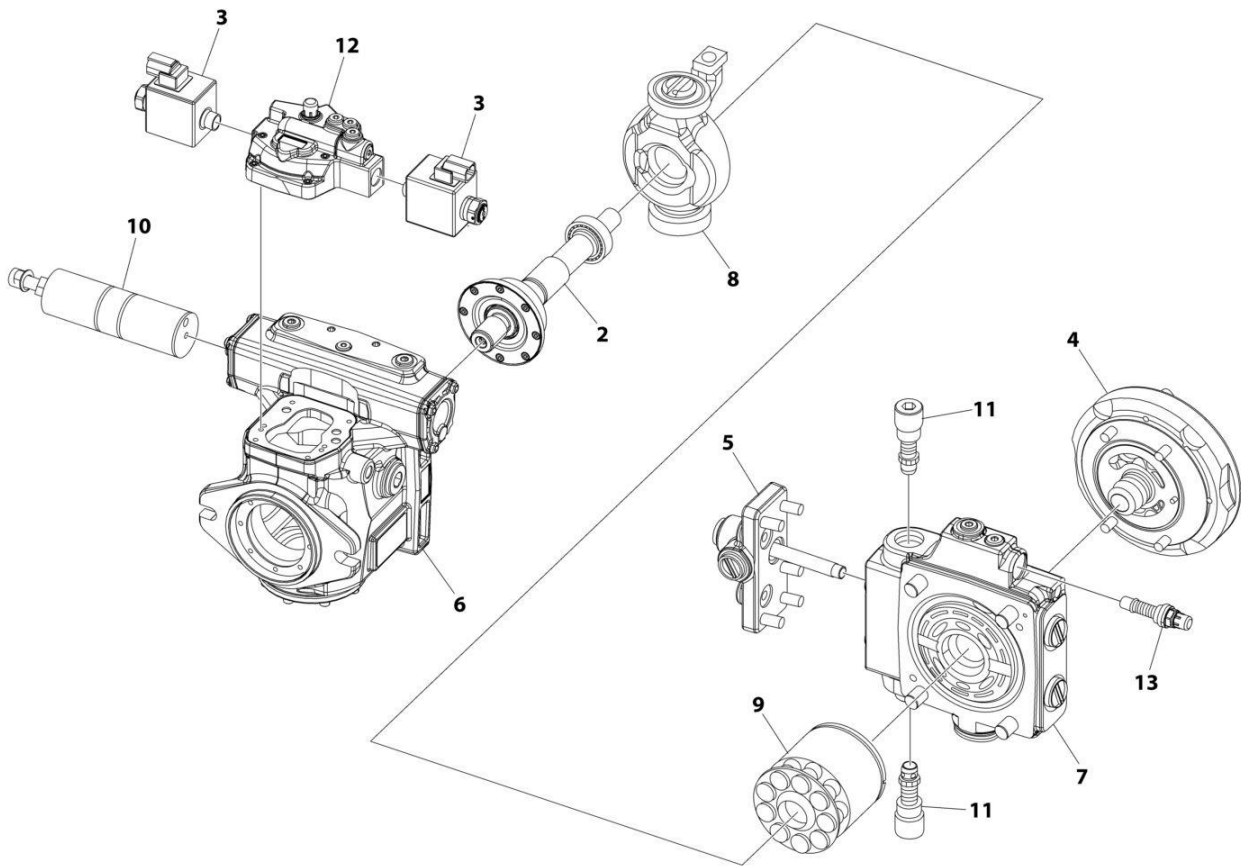
SECTION 3 - ENGINE

FIGURE 3-54. VARIABLE PUMP ASSEMBLY - HENGLI

| ITEM | PART NUMBER | QTY | DESCRIPTION | REV |
|------|-------------|-----|---|-----|
| | 1001276377 | Ref | VARIABLE PUMP ASSEMBLY | B |
| 1 | 70007789 | 1 | Case, Oil Seal | |
| 2 | See Note | NSS | Capscrew M6 x 16 (Note: Purchase Separately) | |
| 3 | See Note | NSS | O-Ring (Note: Use Item 100) | |
| 4 | 70007798 | 1 | Seal, Oil | |
| 5 | See Note | NSS | Housing (Note: Not Available - Purchase Assembly) | |
| 6 | See Note | NSS | O-Ring (Note: Use Item 100) | |
| 7 | 70007790 | 3 | Plug | |
| 8 | See Note | NSS | Bolt, Eye M8 (Note: Purchase Separately) | |
| 9 | See Note | NSS | Capscrew M9 x 30 (Note: Purchase Separately) | |
| 11 | 70007787 | 1 | Valve, Control | |
| 12 | 70007800 | 1 | Piston | |
| 13 | See Note | NSS | O-Ring (Note: Use Item 100) | |
| 14 | 70007801 | 1 | Plug | |
| 18 | See Note | NSS | Cover (Note: Not Available - Purchase Assembly) | |
| 19 | 70007791 | 3 | Plug | |
| 20 | See Note | NSS | Capscrew M12 x 45 (Note: Purchase Separately) | |
| 27 | See Note | NSS | Plate, Valve (Note: Use Item 200) | |
| 28 | See Note | NSS | Circlip (Note: Use Item 200) | |
| 29 | See Note | NSS | Shim (Note: Use Item 200) | |
| 30 | See Note | NSS | Cylinder (Note: Use Item 200) | |
| 31 | See Note | NSS | Spring (Note: Use Item 200) | |
| 32 | See Note | NSS | Pin (Note: Use Item 200) | |
| 33 | See Note | NSS | Piston Assembly (Note: Use Item 200) | |
| 34 | See Note | NSS | Retainer (Note: Use Item 200) | |
| 35 | See Note | NSS | Shim (Note: Use Item 200) | |
| 36 | See Note | NSS | Bushing (Note: Use Item 200) | |
| 37 | See Note | NSS | Plate, Swash (Note: Use Item 300) | |
| 38 | See Note | NSS | Circlip (Note: Use Item 400) | |
| 39 | See Note | NSS | Shim (Note: Use Item 400) | |
| 40 | See Note | NSS | Bearing, Cylinder (Note: Use Item 400) | |
| 43 | See Note | NSS | O-Ring (Note: Use Item 100) | |
| 44 | 70007792 | 1 | Spring | |
| 45 | 70007793 | 1 | Bushing | |
| 46 | 70007796 | 2 | Capscrew M5 x 16 | |
| 47 | See Note | NSS | Shaft (Note: Use Item 400) | |
| 48 | 70007797 | 1 | Bearing | |
| 49 | See Note | NSS | O-Ring (Note: Use Item 100) | |
| 50 | 70007794 | 1 | Spring | |
| 51 | See Note | NSS | Ball, Steel (Note: Use Item 300) | |
| 52 | See Note | NSS | Spring (Note: Use Item 300) | |
| 53 | 70007795 | 1 | Bushing | |
| 54 | 70007799 | 1 | Gasket | |
| 100 | 70007802 | 1 | Seal Kit (Includes Items 3, 6, 13, 43 & 49) | |
| 200 | 70007786 | 1 | Cylinder Assembly (Includes Items 27 - 36) | |
| 300 | 70007788 | 1 | Swash Plate Assembly (Includes Items 37, 51 & 52) | |
| 400 | 70007785 | 1 | Shaft Assembly (Includes Items 38 - 40 & 47) | |

SECTION 3 - ENGINE

FIGURE 3-55. HYDROSTATIC PUMP ASSEMBLY



ART_1001276376

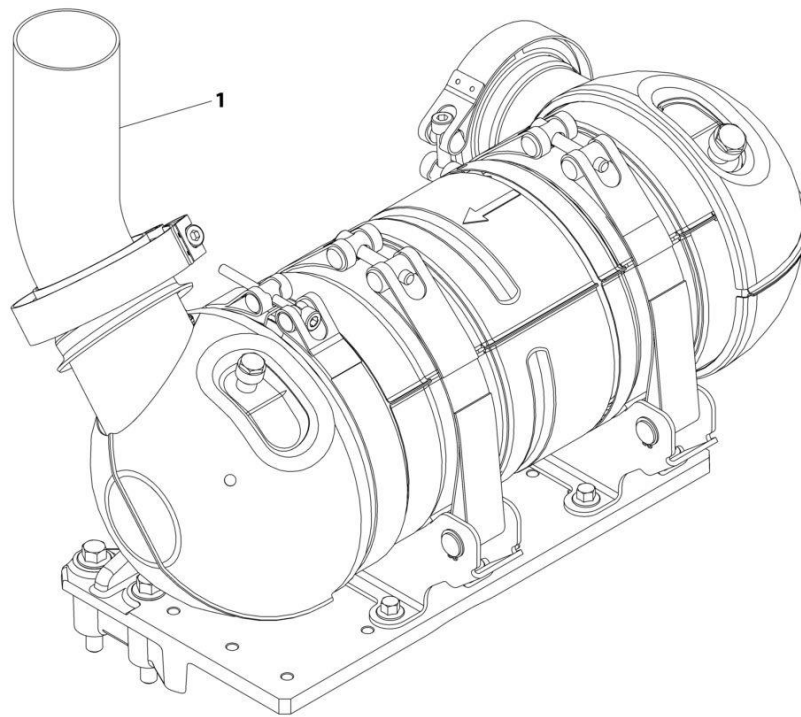
SECTION 3 - ENGINE

FIGURE 3-55. HYDROSTATIC PUMP ASSEMBLY

| ITEM | PART NUMBER | QTY | DESCRIPTION | REV |
|------|-------------|-----|---|-----|
| | 1001276376 | Ref | HYDROSTATIC PUMP ASSEMBLY | B |
| 2 | 70008497 | 1 | Shaft Assembly | |
| 3 | 70008498 | 2 | Coil Assembly | |
| 4 | 70008602 | 1 | Gerotor Body Assembly | |
| 5 | 70008511 | 1 | Body Assembly | |
| 6 | See Note | NSS | Body Assembly (Note: Use PN 1001276376) | |
| 7 | 70008601 | 1 | Distributor Assembly | |
| 8 | 70008500 | 1 | Swashplate Assembly | |
| 9 | 70008501 | 1 | Rotor Assembly | |
| 10 | 70008502 | 1 | Servo Assembly | |
| 11 | 70008600 | 2 | Relief Valve | |
| 12 | 70008504 | 1 | Control Valve Assembly | |
| 13 | 70008505 | 1 | Relief Valve Assembly | |

SECTION 3 - ENGINE

FIGURE 3-56. EXHAUST PIPE INSTALLATION - DEUTZ TD2.9L4 ENGINES



ART_1001216220

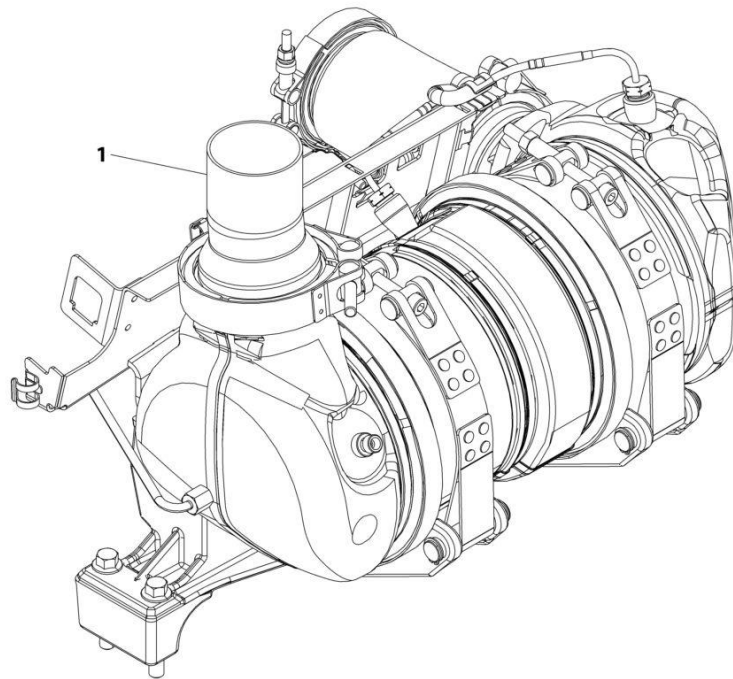
SECTION 3 - ENGINE

FIGURE 3-56. EXHAUST PIPE INSTALLATION - DEUTZ TD2.9L4 ENGINES

| ITEM | PART NUMBER | QTY | DESCRIPTION | REV |
|------|--------------------------|----------|--|-----|
| 1 | 1001216220 1001149908 | Ref 1 | EXHAUST PIPE INSTALLATION Pipe, Exhaust | A |

SECTION 3 - ENGINE

FIGURE 3-57. EXHAUST PIPE INSTALLATION - DEUTZ TD2.9L4 (STAGE V) ENGINES



ART_1001236334

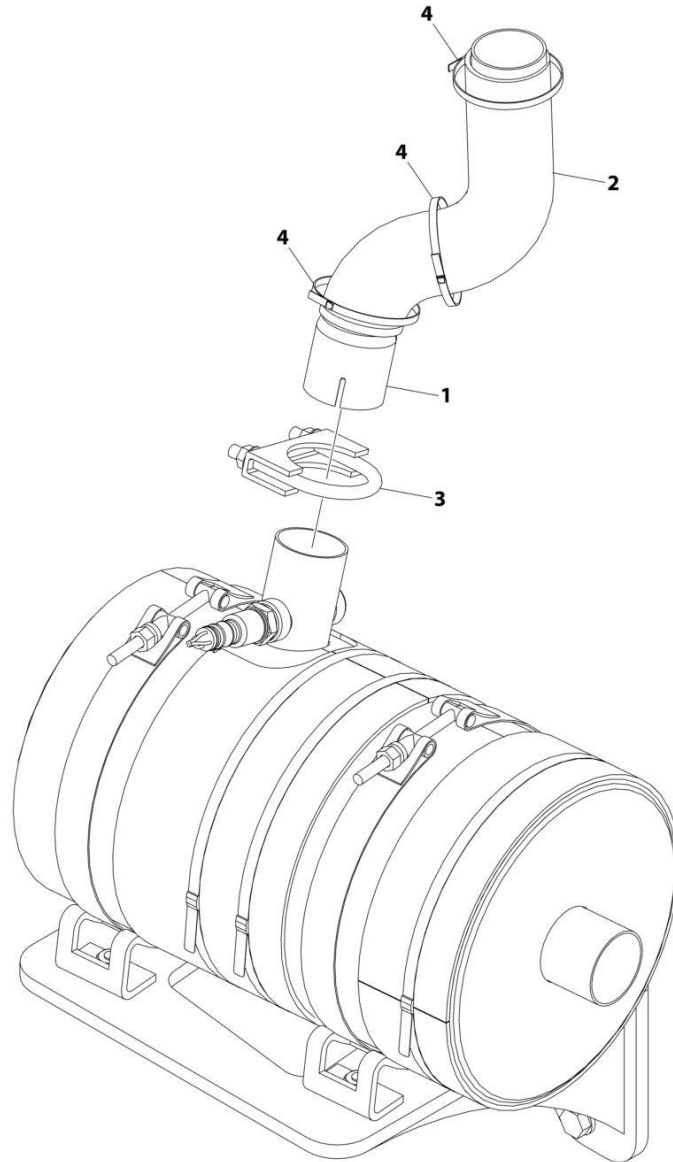
SECTION 3 - ENGINE

FIGURE 3-57. EXHAUST PIPE INSTALLATION - DEUTZ TD2.9L4 (STAGE V) ENGINES

| ITEM | PART NUMBER | QTY | DESCRIPTION | REV |
|------|-------------|-----|---------------------------|-----|
| 1 | 1001236334 | Ref | EXHAUST PIPE INSTALLATION | B |
| | 1001236335 | 1 | Pipe, Exhaust | |

SECTION 3 - ENGINE

FIGURE 3-58. EXHAUST PIPE INSTALLATION - FORD ENGINES



ART_1001220141

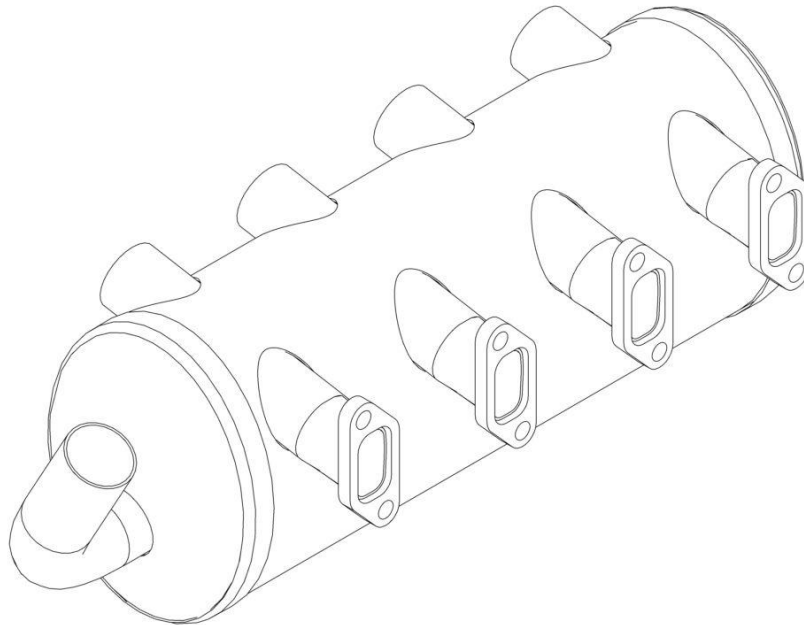
SECTION 3 - ENGINE

FIGURE 3-58. EXHAUST PIPE INSTALLATION - FORD ENGINES

| ITEM | PART NUMBER | QTY | DESCRIPTION | REV |
|------|-------------|-----|-------------------------------|-----|
| | 1001220141 | Ref | EXHAUST PIPE INSTALIATION | B |
| 1 | 1001217478 | 1 | Tail Pipe | |
| 1 | 1001217477 | 1 | Tail Pipe with Spark Arrestor | |
| 2 | 1001218089 | 1 | Insulate | |
| 3 | 1001221397 | 1 | Clamp | |
| 4 | 1001100825 | 3 | Strap | |

SECTION 3 - ENGINE

FIGURE 3-59. SPARK ARRESTOR MUFFLER INSTALLATION - DEUTZ D2011 ENGINES



ART_1001257283

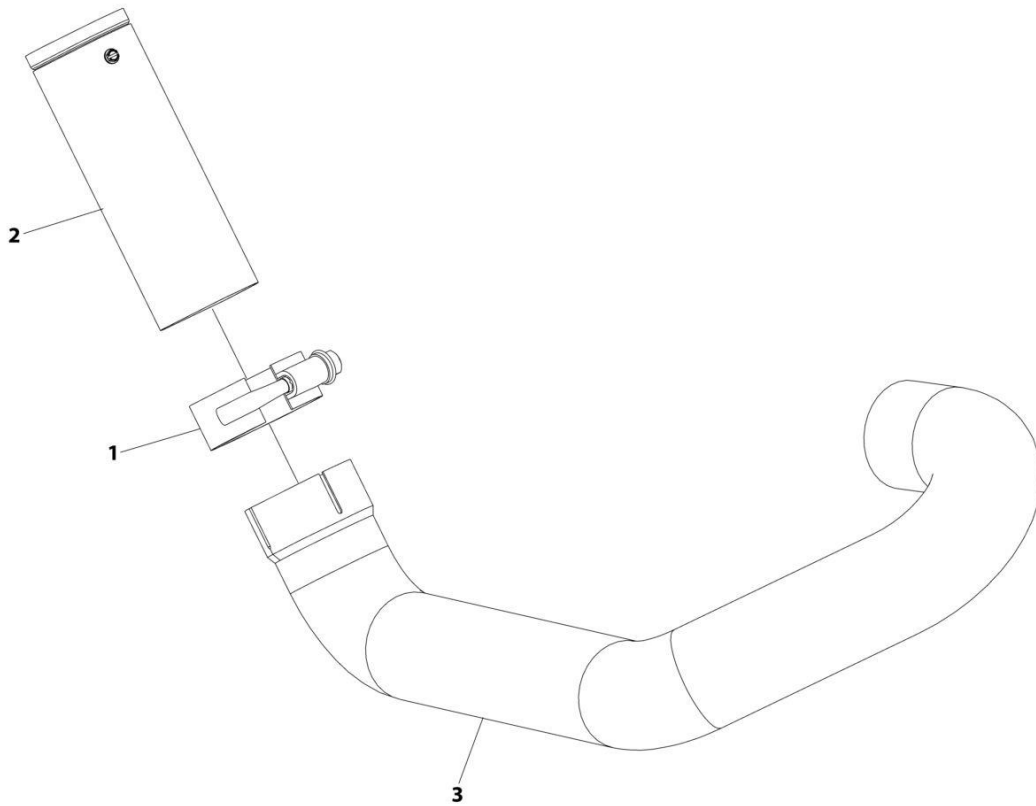
SECTION 3 - ENGINE

FIGURE 3-59. SPARK ARRESTOR MUFFLER INSTALLATION - DEUTZ D2011 ENGINES

| ITEM | PART NUMBER | QTY | DESCRIPTION | REV |
|------|------------------------|----------|--|-----|
| | 1001257283 See Note | Ref 1 | MUFFLER INSTALLATION SPARK ARRESTOR Muffler, (Note: Use P/N 1001257283) | A |

SECTION 3 - ENGINE

FIGURE 3-60. SPARK ARRESTOR INSTALLATION (WITH STEEL HOODS)



ART_1001299436

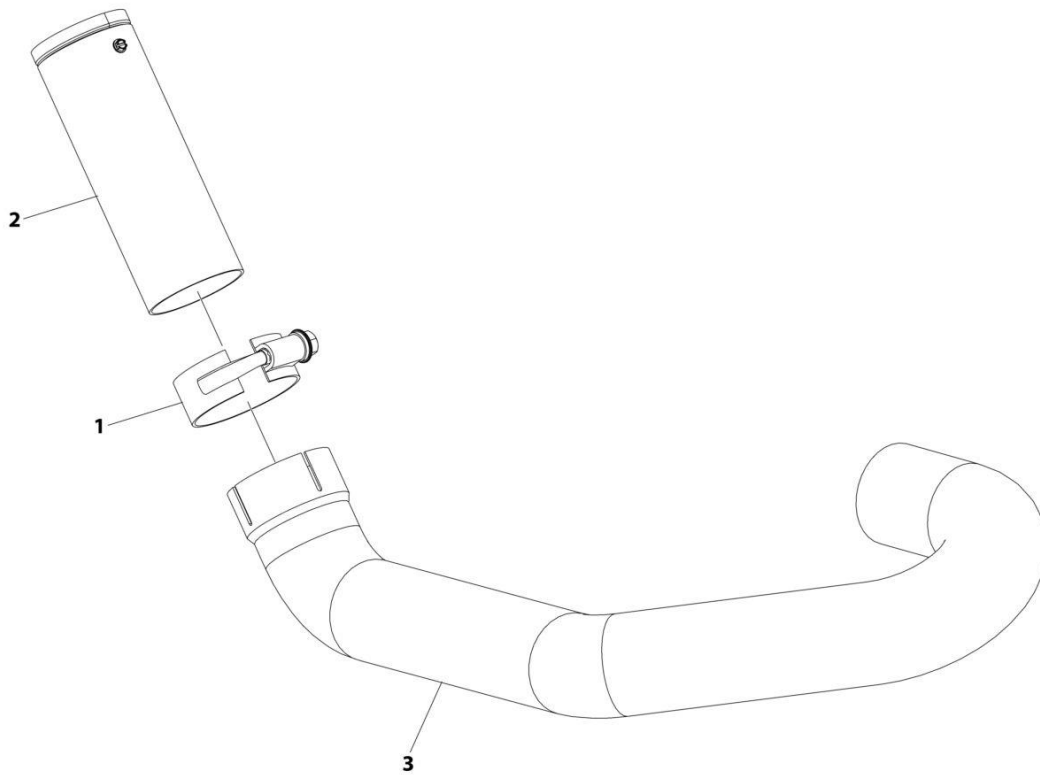
SECTION 3 - ENGINE

FIGURE 3-60. SPARK ARRESTOR INSTALLATION (WITH STEEL HOODS)

| ITEM | PART NUMBER | QTY | DESCRIPTION | REV |
|------|-------------|-----|------------------------------|-----|
| | 1001299436 | Ref | SPARK ARRESTOR INSTALLATION | A |
| 1 | 1001221212 | 1 | Clamp | |
| 2 | 1001257276 | 1 | Muffler, Spark Arresting Tip | |
| 3 | 1001301709 | 1 | Pipe, Exhaust | |

SECTION 3 - ENGINE

FIGURE 3-61. SPARK ARRESTOR INSTALLATION (WITH PLASTIC HOODS)



ART_1001299437

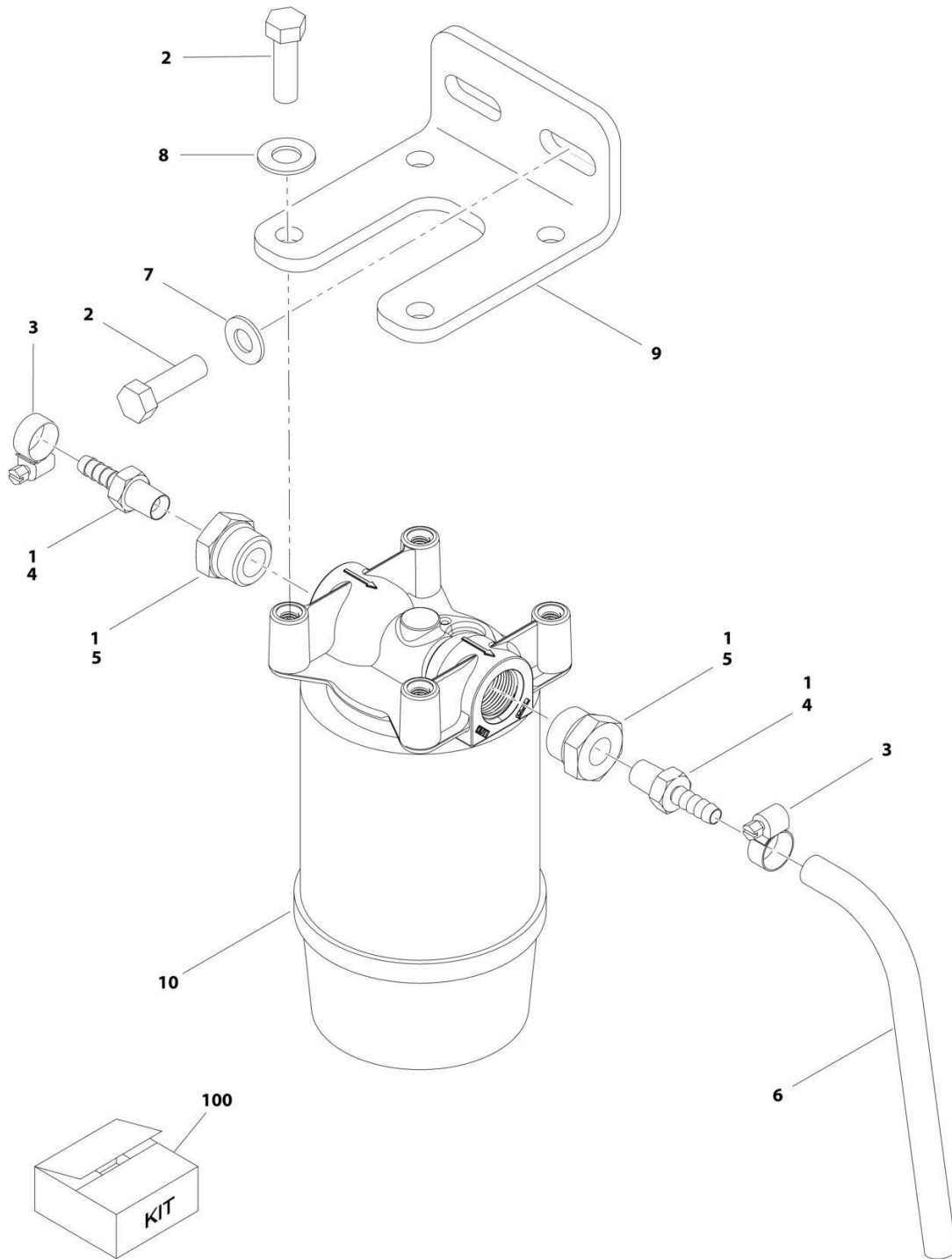
SECTION 3 - ENGINE

FIGURE 3-61. SPARK ARRESTOR INSTALLATION (WITH PLASTIC HOODS)

| ITEM | PART NUMBER | QTY | DESCRIPTION | REV |
|------|-------------|-----|------------------------------|-----|
| | 1001299437 | Ref | SPARK ARRESTOR INSTALLATION | A |
| 1 | 1001221212 | 1 | Clamp | |
| 2 | 1001257276 | 1 | Muffler, Spark Arresting Tip | |
| 3 | 1001301810 | 1 | Pipe, Exhaust | |

SECTION 3 - ENGINE

FIGURE 3-62. FUEL-WATER SEPARATOR INSTALLATION - DEUTZ D2011 ENGINES



ART_1001199733

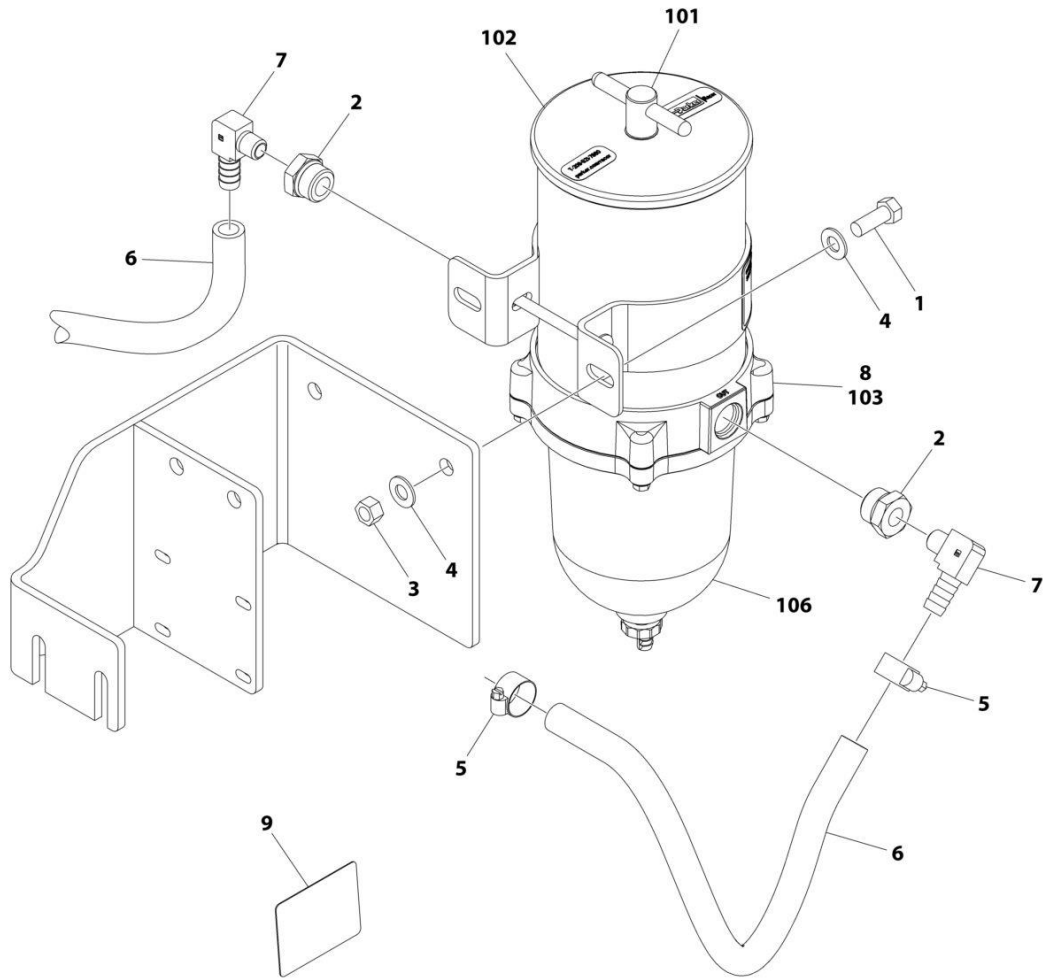
SECTION 3 - ENGINE

FIGURE 3-62. FUEL-WATER SEPARATOR INSTALLATION - DEUTZ D2011 ENGINES

| ITEM | PART NUMBER | QTY | DESCRIPTION | REV |
|------|-------------|----------------|---|-----|
| | 1001199733 | Ref | FUEL-WATER SEPARATOR INSTALLATION - DEUTZ TD2011 (OPTIONAL) | A |
| 1 | 0100079 | 1 | Sealant | |
| 2 | 0641610 | 6 | Bolt 3/8 X 1-1/4 | |
| 3 | 1320022 | 2 | Clamp | |
| 4 | 2180348 | 2 | Fitting, Straight | |
| 5 | 2220816 | 2 | Fitting, Straight | |
| 6 | 2720058 | 35 in/ 89cm | Hose | |
| 7 | 4711600 | 2 | Washer 3/8 | |
| 8 | 4711700 | 4 | Washer 7/16 | |
| 9 | 1001188884 | 1 | Bracket | |
| 10 | 1001188887 | 1 | Fuel/Water Separator Assembly | |
| 10 | 1001202280 | 1 | Head | |
| 10 | 1001202281 | 1 | Element | |
| 100 | 1001204667 | 1 | Water/Separator Add-On Kit | |

SECTION 3 - ENGINE

FIGURE 3-63. FUEL-WATER SEPARATOR INSTALLATION - DEUTZ TD2.9L4 ENGINES



NOTE : LOCATED ON HOOD

ART_1001230032

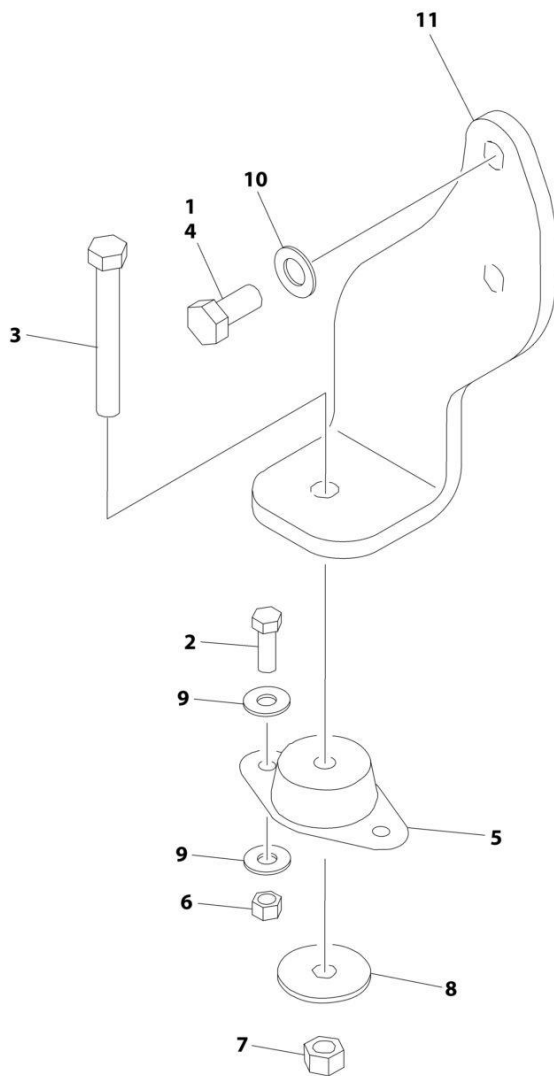
SECTION 3 - ENGINE

FIGURE 3-63. FUEL-WATER SEPARATOR INSTALLATION - DEUTZ TD2.9L4 ENGINES

| ITEM | PART NUMBER | QTY | DESCRIPTION | REV |
|------|-------------|-----------------|--|-----|
| | 1001230032 | Ref | FUEL FILTER INSTALLATION | A |
| 1 | 0641608 | 2 | Bolt 3/8 x 1 | |
| 2 | 2220816 | 2 | Fitting, Straight NPT | |
| 3 | 3311605 | 2 | Nut 3/8 | |
| 4 | 4711600 | 4 | Washer 3/8 | |
| 5 | 8405006 | 2 | Clamp | |
| 6 | 1001154405 | 54 in/ 1.65m | Hose | |
| 7 | 1001178797 | 2 | Fitting, 90 | |
| 8 | 1001222817 | 1 | Fuel Filter Assembly (See Items 101-107 for Breakdown) | |
| 9 | 1001226923 | 1 | Decal - Fuel Water Separator | |
| | 1001222817 | Ref | FUEL FILTER ASSEMBLY | |
| 101 | 70006403 | 1 | T-Handle Kit (Includes O-Ring) | |
| 102 | 70006404 | 1 | Lid Kit (Includes Gasket) | |
| 103 | 70006405 | 1 | Element | |
| 104 | 70006406 | 1 | Checkball & Gasket Kit (Not Shown) | |
| 105 | 70006407 | 1 | Centrifuge and Baffle Kit (Not Shown) | |
| 106 | 70006409 | 1 | Bowl Kit (Includes Gasket, O-Ring and Drain) | |
| 106 | 70006408 | 1 | Gasket, Bowl | |
| 107 | 70006410 | 1 | Bowl Ring Kit (Includes Gasket & Hardware) (Not Shown) | |

SECTION 3 - ENGINE

FIGURE 3-64. RIGHT ENGINE SUPPORT INSTALLATION (DEUTZ D2011 ENGINES MACHINES WITHOUT GENERATORS)



ART_1001151253

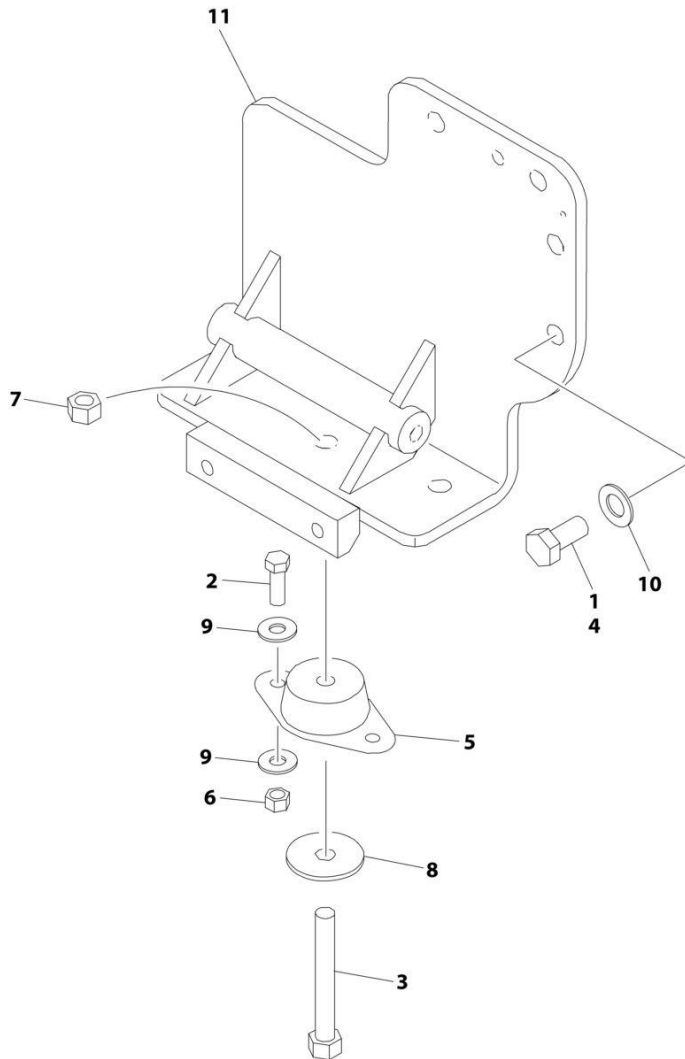
SECTION 3 - ENGINE

FIGURE 3-64. RIGHT ENGINE SUPPORT INSTALLATION (DEUTZ D2011 ENGINES MACHINES WITHOUT GENERATORS)

| ITEM | PART NUMBER | QTY | DESCRIPTION | REV |
|------|-------------|-----|-----------------------------------|-----|
| | 1001151253 | Ref | RIGHT ENGINE SUPPORT INSTALLATION | A |
| 1 | 0100011 | AR | Compound, Locking | |
| 2 | 0641609 | 2 | Bolt 3/8 x 1-1/8 | |
| 3 | 0641820 | 1 | Bolt 1/2 x 2-1/2 | |
| 4 | 0711414 | 2 | Bolt M14 x 30 Grade 10.9 | |
| 5 | 3200401 | 1 | Mount, Motor | |
| 6 | 3311605 | 2 | Nut 3/8 | |
| 7 | 3311805 | 1 | Nut 1/2 | |
| 8 | 4740274 | 1 | Washer | |
| 9 | 4751600 | 4 | Washer 3/8 | |
| 10 | 4812200 | 2 | Washer M14 | |
| 11 | 1001149703 | 1 | Support, Engine (Right Front) | |

SECTION 3 - ENGINE

FIGURE 3-65. RIGHT ENGINE SUPPORT INSTALLATION (DEUTZ D2011 ENGINES MACHINES WITH GENERATORS)



ART_1001151252

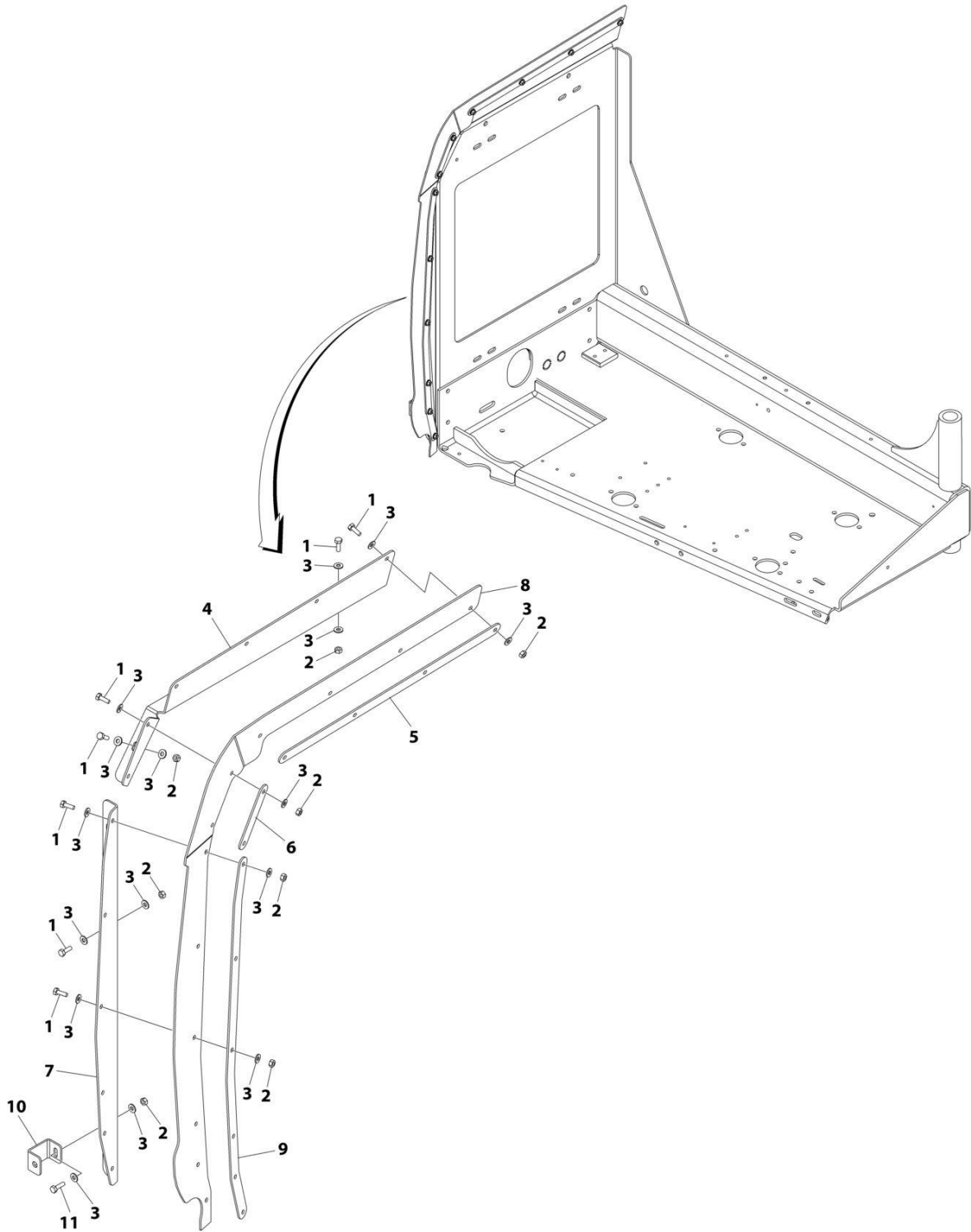
SECTION 3 - ENGINE

FIGURE 3-65. RIGHT ENGINE SUPPORT INSTALLATION (DEUTZ D2011 ENGINES MACHINES WITH GENERATORS)

| ITEM | PART NUMBER | QTY | DESCRIPTION | REV |
|------|-------------|-----|-----------------------------------|-----|
| | 1001151252 | Ref | RIGHT ENGINE SUPPORT INSTALLATION | B |
| 1 | 0100011 | AR | Compound, Locking | |
| 2 | 0641609 | 2 | Bolt 3/8 x 1-1/8 | |
| 3 | 0641818 | 1 | Bolt 1/2 x 2-1/2 | |
| 4 | 0711414 | 3 | Bolt M14 x 30 Grade 10.9 | |
| 5 | 3200401 | 1 | Mount, Motor | |
| 6 | 3311605 | 2 | Nut 3/8 | |
| 7 | 3311805 | 1 | Nut 1/2 | |
| 8 | 4740274 | 1 | Washer | |
| 9 | 4751600 | 4 | Washer 3/8 | |
| 10 | 4812200 | 3 | Washer M14 | |
| 11 | 1001150890 | 1 | Support, Engine (Right Front) | |

SECTION 3 - ENGINE

FIGURE 3-66. ENGINE HOOD Baffle INSTALLATION - DEUTZ TD2.9L4 ENGINES AND DEUTZ TD2.9L4 (STAGE V) ENGINES WITH ABS HOODS



ART_1001143484

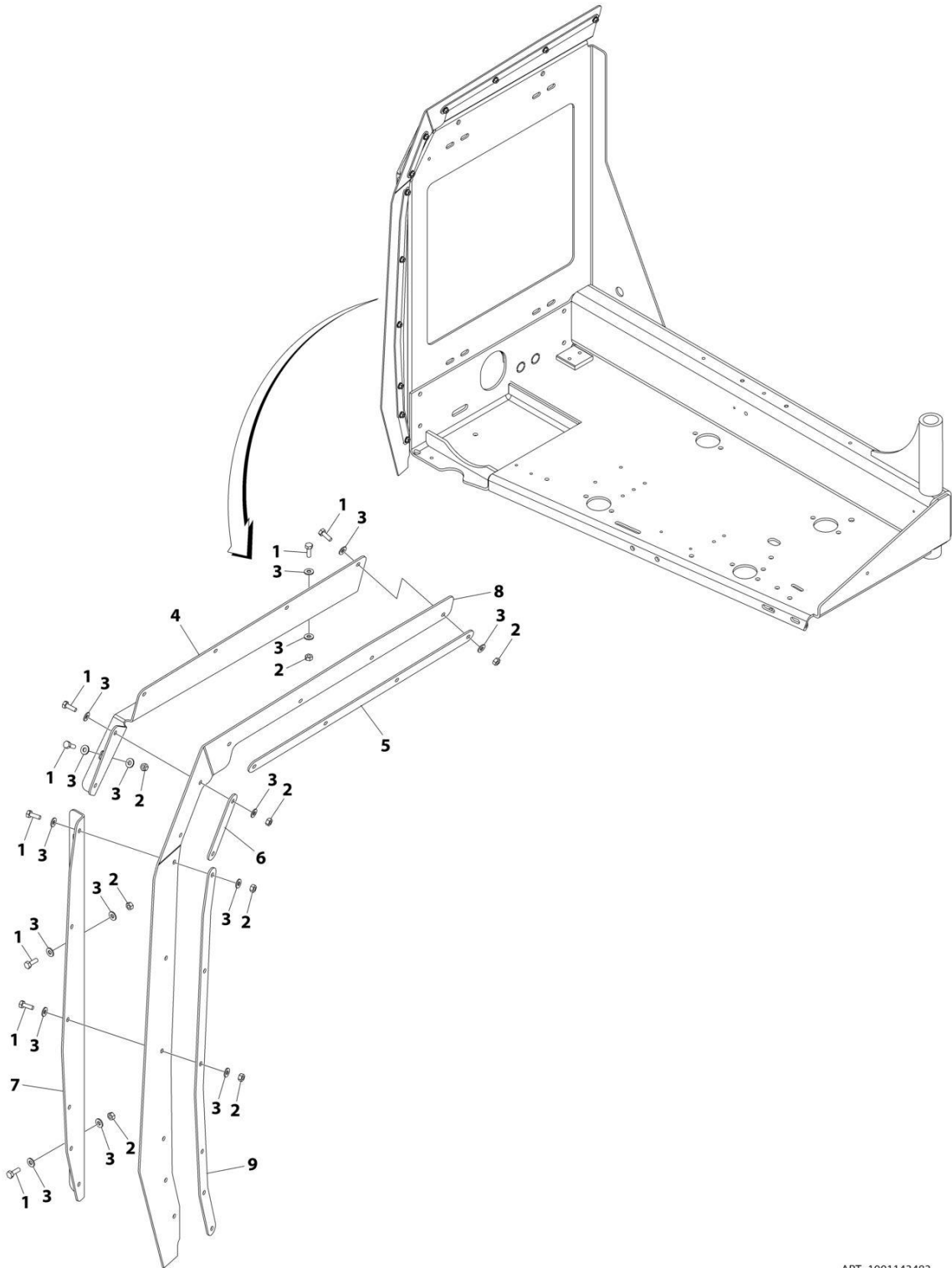
SECTION 3 - ENGINE

FIGURE 3-66. ENGINE HOOD Baffle INSTALLATION - DEUTZ TD2.9L4 ENGINES AND DEUTZ TD2.9L4 (STAGE V) ENGINES WITH ABS HOODS

| ITEM | PART NUMBER | QTY | DESCRIPTION | REV |
|------|-------------|-----|----------------------------------|-----|
| | 1001143484 | Ref | BAFFLES INSTALLATION (ABS HOODS) | C |
| 1 | 0641406 | 18 | Bolt 1/4 x 3/4 | |
| 2 | 3311405 | 19 | Nut 1/4 | |
| 3 | 4711400 | 38 | Washer 1/4 | |
| 4 | 1001174745 | 1 | Bracket | |
| 5 | 1001142031 | 1 | Bracket | |
| 6 | 1001142032 | 1 | Bracket | |
| 7 | 1001143449 | 1 | Bracket | |
| 8 | 1001195967 | 1 | Baffle | |
| 9 | 1001143525 | 1 | Bracket | |
| 10 | 1001143860 | 1 | Bracket, Bumper | |
| 11 | 0641407 | 1 | Bolt 1/4 x 78 | |

SECTION 3 - ENGINE

FIGURE 3-67. ENGINE HOOD Baffle INSTALLATION - DEUTZ TD2.9L4 ENGINES WITH STEEL HOODS



ART_1001143483

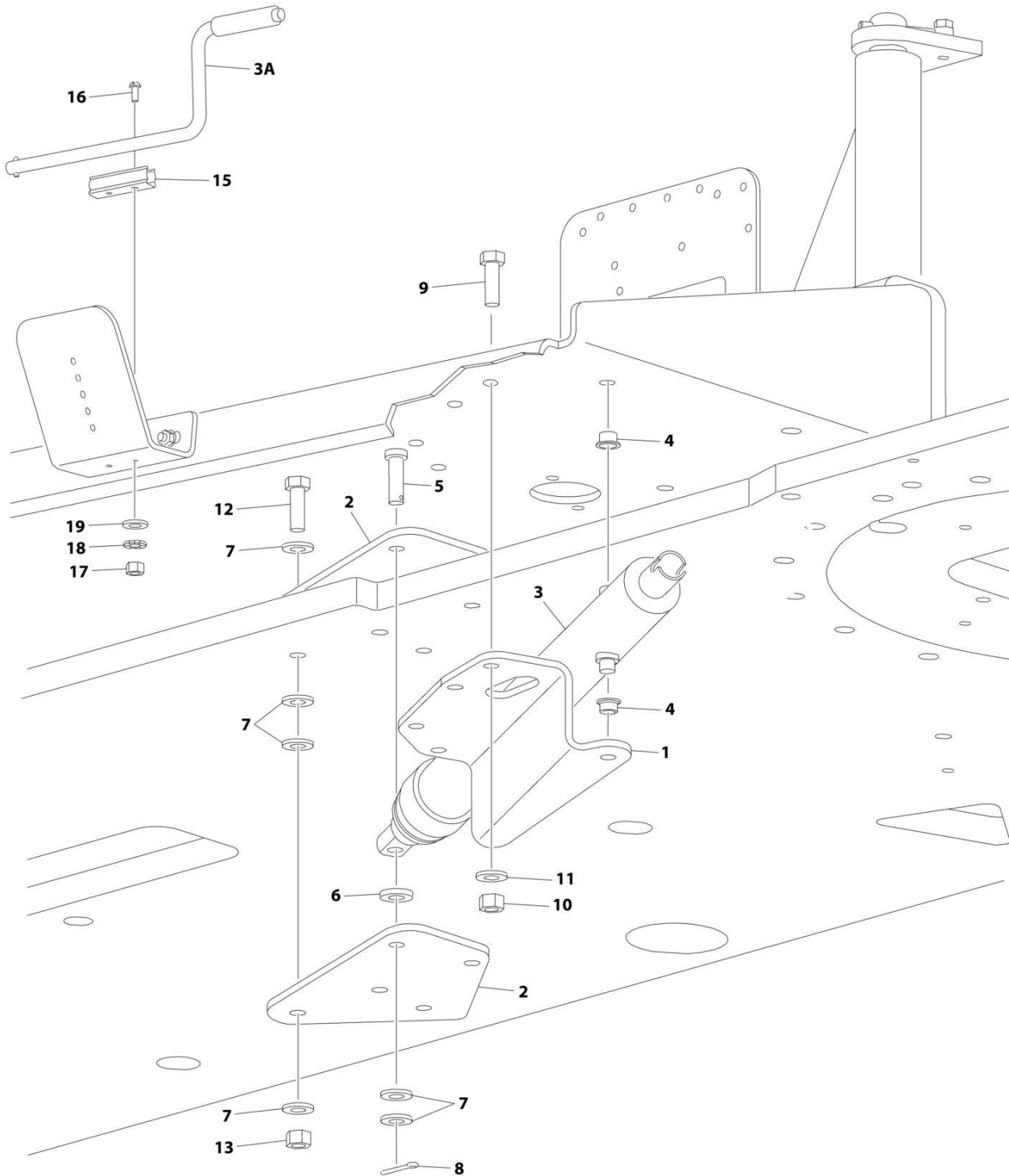
SECTION 3 - ENGINE

FIGURE 3-67. ENGINE HOOD Baffle INSTALLATION - DEUTZ TD2.9L4 ENGINES WITH STEEL HOODS

| ITEM | PART NUMBER | QTY | DESCRIPTION | REV |
|------|-------------|-----|------------------------------------|-----|
| | 1001143483 | Ref | BAFFLES INSTALLATION (STEEL HOODS) | B |
| 1 | 0641406 | 19 | Bolt 1/4 x 3/4 | |
| 2 | 3311405 | 19 | Nut 1/4 | |
| 3 | 4711400 | 38 | Washer 1/4 | |
| 4 | 1001174745 | 1 | Bracket | |
| 5 | 1001142031 | 1 | Bracket | |
| 6 | 1001142032 | 1 | Bracket | |
| 7 | 1001143449 | 1 | Bracket | |
| 8 | 1001174746 | 1 | Baffle | |
| 9 | 1001143525 | 1 | Bracket | |

SECTION 3 - ENGINE

FIGURE 3-68. ENGINE TRAY JACK INSTALLATION - DEUTZ ENGINES



ART_0258728

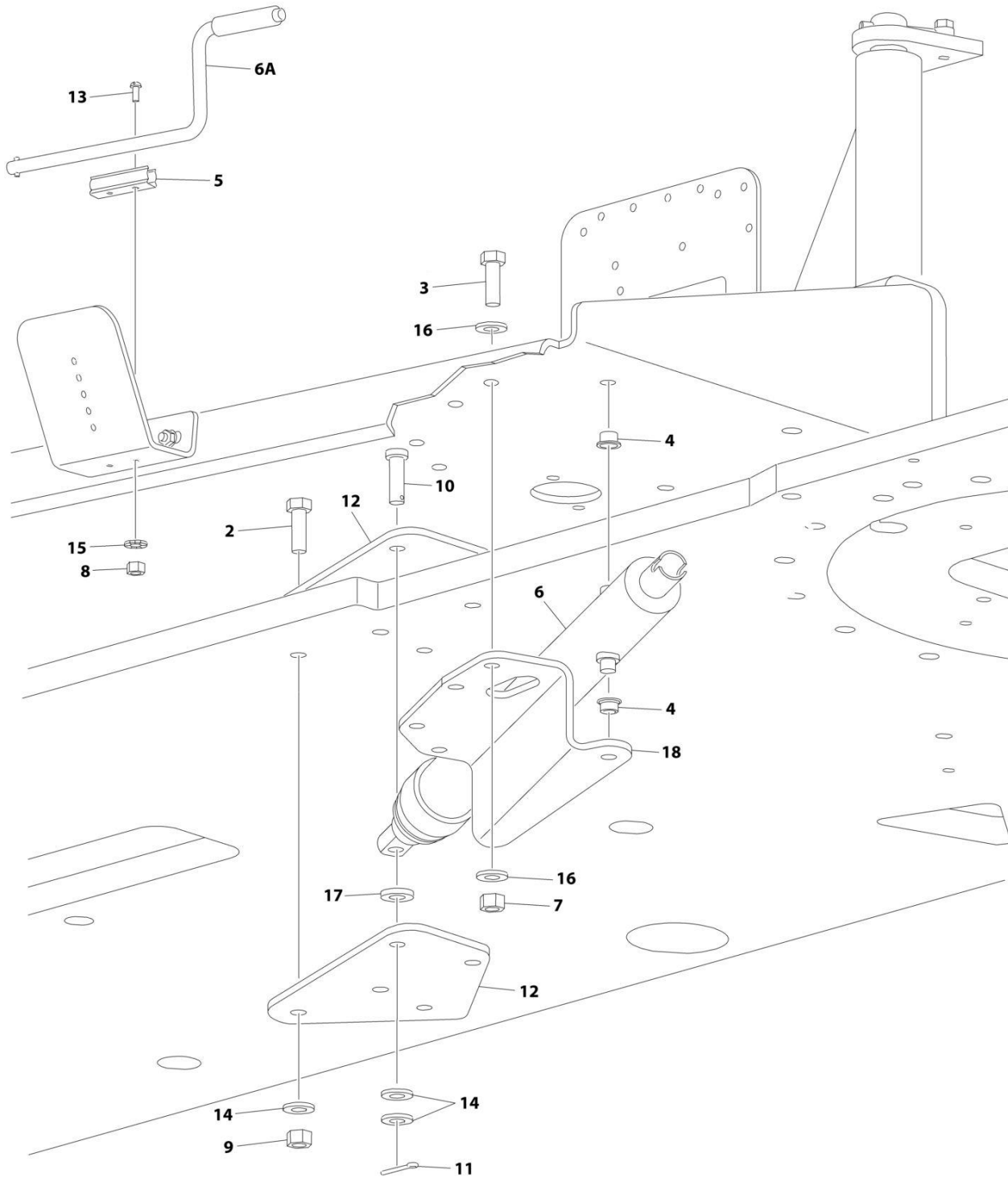
SECTION 3 - ENGINE

FIGURE 3-68. ENGINE TRAY JACK INSTALLATION - DEUTZ ENGINES

| ITEM | PART NUMBER | QTY | DESCRIPTION | REV |
|------|-------------|-----|-------------------------------|-----|
| | 0258728 | Ref | ENGINE TRAY JACK INSTALLATION | 2-C |
| 1 | 3537445 | 1 | Bracket | |
| 2 | 3537446 | 2 | Bracket | |
| 3 | 2840016 | 1 | Jack and Handle Assembly | F |
| 3A | 7024598 | 1 | Handle | |
| 4 | 0962051 | 2 | Bearing, Flange | |
| 5 | 3430816 | 1 | Pin, Clevis | |
| 6 | 4891800 | 1 | Washer 1/2 | |
| 7 | 4711800 | 6 | Washer 1/2 | |
| 8 | 3450404 | 1 | Pin, Cotter 1/8 x 1 | |
| 9 | 0641609 | 4 | Bolt 3/8 x 1-1/8 | |
| 10 | 3311605 | 4 | Nut 3/8 | |
| 11 | 4891600 | 4 | Washer 3/8 | |
| 12 | 0641818 | 4 | Bolt 1/2 x 2-1/4 | |
| 13 | 3311805 | 4 | Nut 1/2 | |
| 15 | 1380147 | 1 | Clip, Spring | |
| 16 | 3910608 | 2 | Screw #6 x 1 | |
| 17 | 3310601 | 2 | Nut #6 | |
| 18 | 4770600 | 2 | Washer #6 | |
| 19 | 4740119 | 2 | Washer | |

SECTION 3 - ENGINE

FIGURE 3-69. ENGINE TRAY JACK INSTALLATION - FORD ENGINES



ART_1001219881

SECTION 3 - ENGINE

FIGURE 3-69. ENGINE TRAY JACK INSTALLATION - FORD ENGINES

| ITEM | PART NUMBER | QTY | DESCRIPTION | REV |
|------|-------------|-----|-------------------------------|-----|
| | 1001219881 | Ref | ENGINE TRAY JACK INSTALLATION | B |
| 2 | 0641818 | 4 | Bolt 1/2 x 2-1/4 | |
| 3 | 0761014 | 3 | Bolt M10 x 30 | |
| 4 | 0962051 | 2 | Bearing, Flange | |
| 5 | 1380147 | 1 | Clip, Spring | |
| 6 | 2840016 | 1 | Jack and Handle Assembly | F |
| 6A | 7024598 | 1 | Handle | |
| 7 | 3291007 | 3 | Nut M10 | |
| 8 | 3310601 | 2 | Nut #6-32 | |
| 9 | 3311805 | 4 | Nut 1/2-13 | |
| 10 | 3430816 | 1 | Pin, Clevis | |
| 11 | 3450404 | 1 | Pin, Cotter 1/8 x 1 | |
| 12 | 3537446 | 2 | Bracket | |
| 13 | 3910608 | 2 | Screw #6-32 x 1 | |
| 14 | 4711800 | 6 | Washer 1/2 | |
| 15 | 4770600 | 2 | Washer #6 | |
| 16 | 4812000 | 6 | Washer M10 | |
| 17 | 4891800 | 1 | Washer 1/2 | |
| 18 | 1001218547 | 1 | Bracket | |

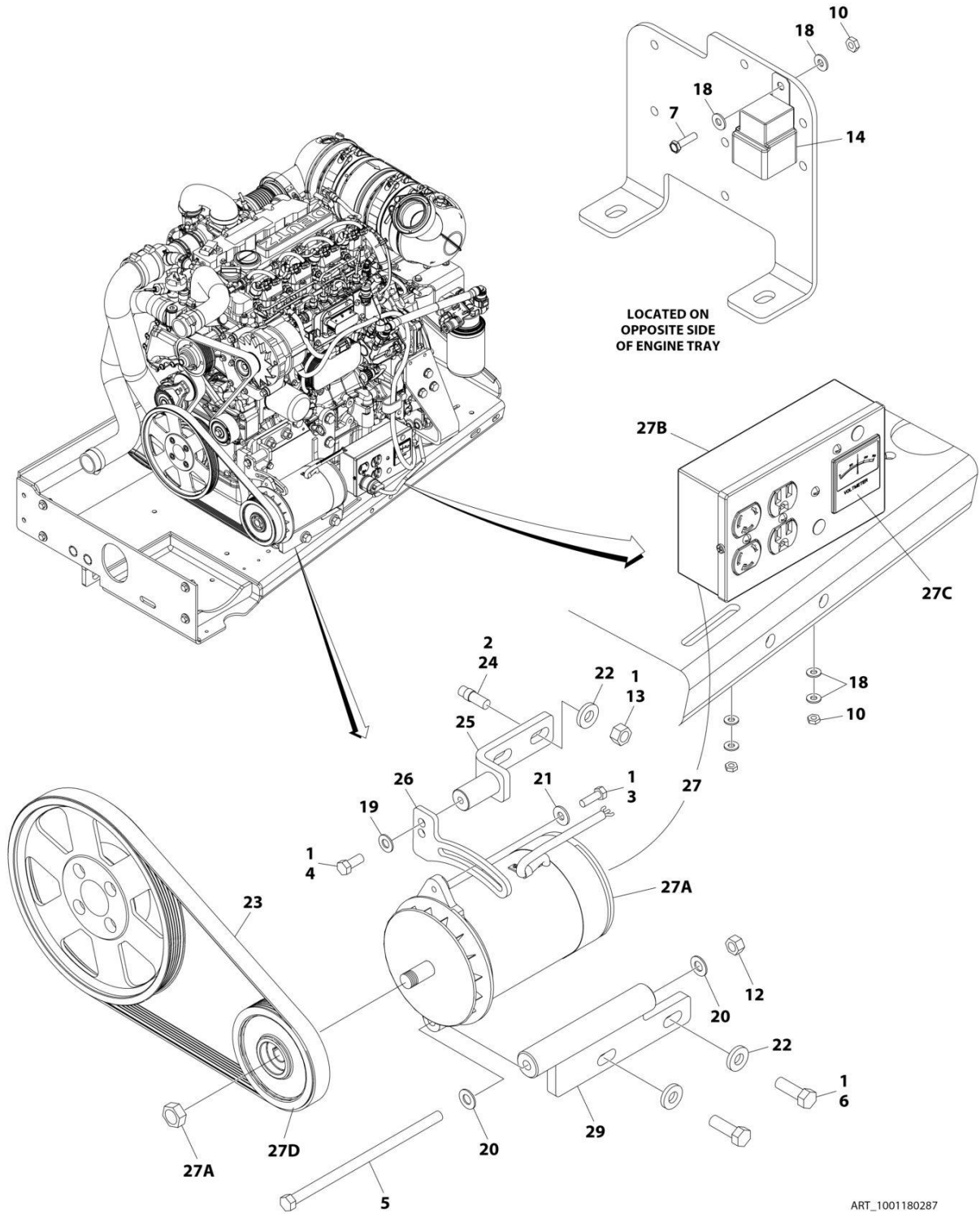
SECTION 3 - ENGINE

FIGURE 3-70. 2500W/110V/60HZ GENERATOR INSTALLATION - DEUTZ D2011 ENGINES

| ITEM | PART NUMBER | QTY | DESCRIPTION | REV |
|------|-------------|------------|---|-----|
| | 1001115405 | Ref | 2500W GENERATOR INSTALLATION - 110V/60Hz | B |
| 1 | 3580158 | 1 | Pulley | |
| 2 | 2460055 | 1 | Generator and Control Box Assembly: | |
| 2A | 7012558 | 1 | Generator Only - 110V/60Hz | |
| 2A | | Ref | Note: Replacement Generators come standard with p/n 3580134 pulley. This pulley may not be correct for all applications. Refer to pulley options below. | |
| 2A | 7026199 | 1 | Armature with Slip Rings | |
| 2A | 7012513 | 4 | Cap, Brush Holder | |
| 2A | 7020108 | 4 | Brush | |
| 2A | 7020109 | 4 | Holder, Brush | |
| 2A | 7012514 | 1 | Fan | |
| 2A | 7020110 | 1 | Bell, Front | |
| 2A | 7020111 | 1 | Bell, Rear | |
| 2A | 7020190 | 1 | Bearing | |
| 2B | 7019680 | 1 | Box, Control | |
| 2B | | Ref | Receptacle Options: | |
| 2B | 4460190 | 1 | Receptacle, Standard | |
| 2B | 4460027 | 1 | Receptacle, Twistlock | |
| 2B | 4360542 | 1 | Breaker, Circuit | |
| 2B | 3520028 | 1 | Plug, Hole | |
| 2C | 2420203 | 1 | Voltmeter | |
| 2D | 3580276 | 1 | Pulley | |
| 2D | 7027887 | 1 | Key, Woodruff | |
| 3 | 3251243 | 1 | Decal - 110V/60Hz | |
| 4 | 0200742 | 1 | Arm, Adjusting | |
| 5 | 0480121 | 1 | V-Belt | |
| 7 | 0641610 | 1 | Bolt 3/8 x 1-1/4 | |
| 8 | 0100011 | AR | Compound, Locking | |
| 9 | 0641772 | 1 | Bolt 7/16 x 9 | |
| 10 | 4751600 | 6 | Washer 3/8 | |
| 11 | 2860012 | 1 | Key, Woodruff | |
| 12 | 3311605 | 1 | Nut 3/8 | |
| 13 | 3311705 | 1 | Nut 7/16 | |
| 14 | 3740080 | 1 | Relay | |
| 16 | 0641508 | 1 | Bolt 5/16 x 1 | |
| 17 | 4751500 | AR | Washer 5/16 | |
| 18 | 1001112588 | 1 | Wiring Diagram Components (Not Shown) | |
| 18 | 1001112589 | 1 | Generator Harness (Not Shown) | |
| 18 | 4922641 | 1 | Generator ON/OFF Switch Harness (Not Shown - Located at Platform) | |
| 20 | 0721006 | AR | Bolt #10 x 3/4 | |
| 21 | 3311005 | 3 | Nut #10 | |
| 22 | 4751000 | AR | Washer #10 | |
| 25 | 4360336 | 1 | Switch, Toggle (Not Shown - Located at Platform) | |
| 26 | 4740397 | 1 | Bushing (Not Shown - Located at Platform) | |
| 27 | 4060802 | 1 | Guard, Switch (Not Shown - Located at Platform) | |
| 29 | 2820031 | 4 in/ 10cm | Heat Shrink (Not Shown - Located at Platform) | |
| 30 | 3251102 | 1 | Decal (Not Shown - Located at Platform) | |
| 31 | 4070585 | AR | Shim | |

SECTION 3 - ENGINE

FIGURE 3-71. 2500W/110V/60HZ GENERATOR INSTALLATION - DEUTZ TD2.9L4 ENGINES



ART_1001180287

SECTION 3 - ENGINE

FIGURE 3-71. 2500W/110V/60HZ GENERATOR INSTALLATION - DEUTZ TD2.9L4 ENGINES

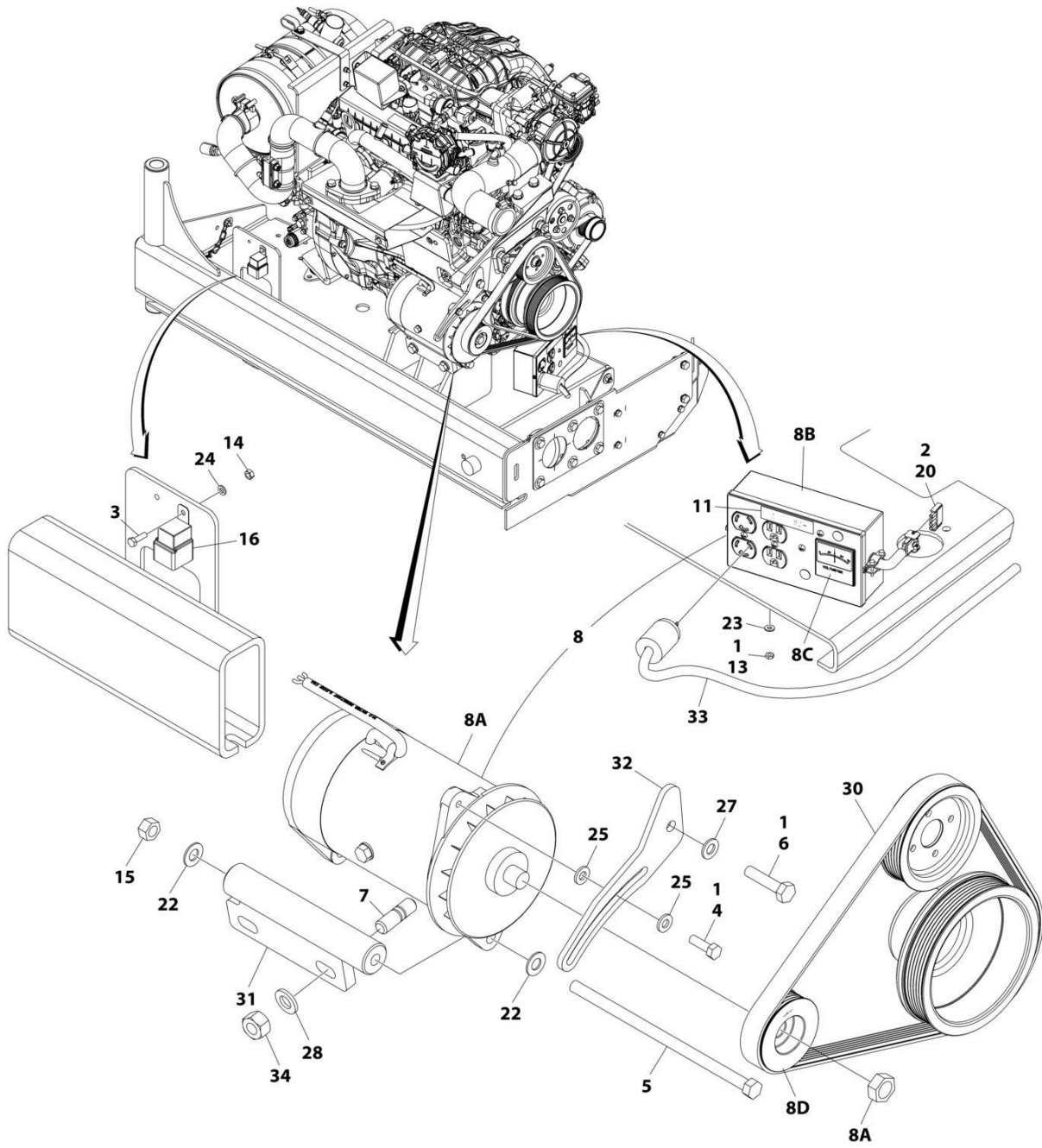
| ITEM | PART NUMBER | QTY | DESCRIPTION | REV |
|------|-------------|-----|---|-----|
| | 1001180287 | Ref | 2500W GENERATOR INSTALLATION - DEUTZ TD2.9L4 (OPTIONAL) | C |
| 1 | 0100011 | AR | Compound, Locking | |
| 2 | 0100019 | AR | Compound, Locking | |
| 3 | 0641508 | 1 | Bolt 5/16 x 1 | |
| 4 | 0641607 | 1 | Bolt 3/8 x 7/8 | |
| 5 | 0641772 | 1 | Bolt 7/16 x 9 | |
| 6 | 0641812 | 2 | Bolt 1/2 x 1-1/2 | |
| 7 | 0721006 | 1 | Screw #10 x 3/4 | |
| 8 | 2820031 | AR | Heat Shrink (Not Shown - Located at Platform) | |
| 9 | 3251102 | 1 | Name Plate - Generator On (Not Shown - Located at Platform) | |
| 10 | 3311005 | 3 | Nut #10 | |
| 12 | 3311705 | 1 | Nut 7/16 | |
| 13 | 3311801 | 2 | Nut 1/2 | |
| 14 | 3740080 | 1 | Relay | |
| 15 | 4060802 | 1 | Guard, Switch (Not Shown - Located at Platform) | |
| 16 | 4240018 | AR | Strap, Cable Tie (Not Shown) | |
| 17 | 4360336 | 1 | Switch, Toggle (Not Shown - Located at Platform) | |
| 18 | 4711000 | 6 | Washer #10 | |
| 19 | 4711600 | 1 | Washer 3/8 | |
| 20 | 4711700 | 2 | Washer 7/16 | |
| 21 | 4751500 | 1 | Washer 5/16 | |
| 22 | 4891800 | 4 | Washer 1/2 | |
| 23 | 1001148138 | 1 | V-Belt | |
| 24 | 1001163599 | 2 | Stud | |
| 25 | 1001216015 | 1 | Bracket | |
| 26 | 1001179837 | 1 | Arm, Adjustment | |
| 27 | 1001180001 | 1 | Generator and Control Box Assembly | |
| 27A | 7012558 | 1 | Generator Only - 110V/60Hz | |
| 27A | | Ref | Note: Replacement Generators come standard with p/n 3580134 pulley. This pulley may not be correct for all applications. Refer to pulley options below. | |
| 27A | 7026199 | 1 | Armature with Slip Rings | |
| 27A | 7012513 | 4 | Cap, Brush Holder | |
| 27A | 7020108 | 4 | Brush | |
| 27A | 7020109 | 4 | Holder, Brush | |
| 27A | 7012514 | 1 | Fan | |
| 27A | 7020110 | 1 | Bell, Front | |
| 27A | 7020111 | 1 | Bell, Rear | |
| 27A | 7020190 | 2 | Bearing | |
| 27B | 7019680 | 1 | Box, Control - 110V/60Hz | |
| 27B | | Ref | Receptacle Options: | |
| 27B | 4460190 | 1 | Receptacle, Standard (110V Only) | |
| 27B | 4460027 | 1 | Receptacle, Twistlock (110V Only) | |
| 27B | 4360542 | 1 | Breaker, Circuit | |
| 27B | 3520028 | 1 | Plug, Hole | |
| 27C | 2420203 | 1 | Voltmeter | |
| 27D | 3580276 | 1 | Pulley | |
| 27D | 7027887 | 1 | Key, Woodruff | |
| 28 | | Ref | Wiring Diagram Components (Not Shown) | |

SECTION 3 - ENGINE

| ITEM | PART NUMBER | QTY | DESCRIPTION | REV |
|------|-------------|-----|---|-----|
| 28 | 4922641 | 1 | Generator On/Off Switch Harness (Not Shown - Located at Platform) | |
| 28 | 1001180052 | 1 | Generator Harness (Not Shown) | |
| 29 | 1001181243 | 1 | Mount, Generator | |

SECTION 3 - ENGINE

FIGURE 3-72. 2500W/110V/60HZ GENERATOR INSTALLATION - FORD ENGINES



ART_1001219619

SECTION 3 - ENGINE

FIGURE 3-72. 2500W/110V/60HZ GENERATOR INSTALLATION - FORD ENGINES

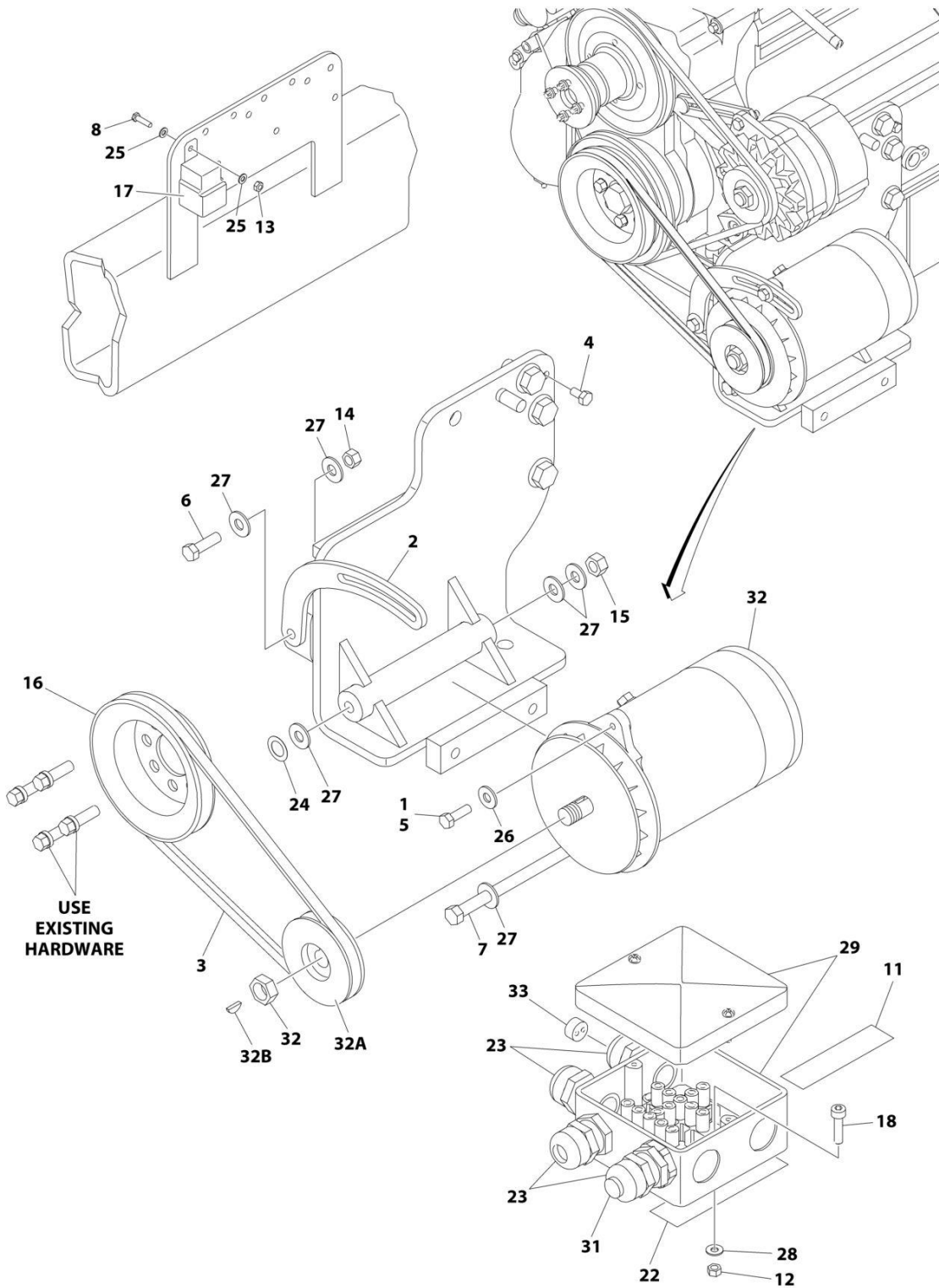
| ITEM | PART NUMBER | QTY | DESCRIPTION | REV |
|------|-------------|-----|---|-----|
| | 1001219619 | Ref | 2500W GENERATOR INSTALLATION - FORD MACHINES (OPTIONAL) | E |
| 1 | 0100011 | AR | Compound, Locking | |
| 2 | 0100048 | AR | Grease, Dielectric | |
| 3 | 0760610 | 1 | Bolt M6 x 20 | |
| 4 | 0641508 | 1 | Bolt 5/16 x 1 | |
| 5 | 0641772 | 1 | Bolt 7/16 x 9 | |
| 6 | 0761016 | 1 | Bolt M10 x 40 | |
| 7 | 1001155041 | 1 | Stud | |
| 8 | 2460051 | 1 | Generator and Control Box Assembly | |
| 8A | 7012558 | 1 | Generator Only - 110V/60Hz | |
| | | Ref | Note: Replacement Generators come standard with pin 3580134 pulley. This pulley may not be correct for all applications. Refer to pulley options below. | |
| 8A | 7026199 | 1 | Armature with Slip Rings | |
| 8A | 7012513 | 4 | Cap, Brush Holder | |
| 8A | 7020108 | 4 | Brush | |
| 8A | 7020109 | 4 | Holder, Brush | |
| 8A | 7012514 | 1 | Fan | |
| 8A | 7020110 | 1 | Bell, Front | |
| 8A | 7020111 | 1 | Bell, Rear | |
| 8A | 7020190 | 2 | Bearing | |
| 8B | 7019680 | 1 | Box, Control - 110V/60Hz | |
| 8B | | Ref | Receptacle Options: | |
| 8B | 4460190 | 1 | Receptacle, Standard (110V Only) | |
| 8B | 4460027 | 1 | Receptacle, Twistlock (110V Only) | |
| 8B | 4360542 | 1 | Breaker, Circuit | |
| 8B | 3520028 | 1 | Plug, Hole | |
| 8C | 2420203 | 1 | Voltmeter | |
| 8D | 3580324 | 1 | Pulley | |
| 8D | 7027887 | 1 | Key, Woodruff | |
| 9 | 2820031 | 1 | Heat Shrink (Not Shown - Located at Platform) | |
| 10 | 3251102 | 1 | Nameplate Generator (Not Shown - Located at Platform) | |
| 11 | 3251243 | 1 | Decal - 120V-60Hz | |
| 13 | 3311005 | 2 | Nut #10 | |
| 14 | 3290601 | 1 | Nut M6 | |
| 15 | 3311705 | 1 | Nut 7/16 | |
| 16 | 3740080 | 1 | Relay | |
| 17 | 4060802 | 1 | Guard Switch (Not Shown - Located at Platform) | |
| 18 | 4240099 | AR | Tie-Strap (Not Shown) | |
| 19 | 4360336 | 1 | Switch, Toggle (Not Shown - Located at Platform) | |
| 20 | 4460321 | 1 | Plug, Male - 4 Position | |
| 22 | 4711700 | 2 | Washer 7/16 | |
| 23 | 4751000 | 2 | Washer #10 | |
| 24 | 4811700 | 1 | Washer M6 | |
| 25 | 4891500 | 2 | Washer 5/16 | |
| 27 | 4812000 | 1 | Washer M10 | |
| 28 | 4812200 | 2 | Washer M14 | |
| 29 | | Ref | Wiring Diagram Components (Not Shown) | |

SECTION 3 - ENGINE

| ITEM | PART NUMBER | QTY | DESCRIPTION | REV |
|------|-------------|-----|--|-----|
| 29 | 4922641 | 1 | Generator On/Off Switch Harness (Not Shown - Located at Platform) | |
| 29 | 4923445 | 1 | Generator Harness (Not Shown - See Separate Breakdown in ELECTRICAL SECTION) | |
| 30 | 1001216391 | 1 | V-Belt | |
| 31 | 1001219630 | 1 | Mount, Generator | |
| 32 | 1001219632 | 1 | Arm, Adjustment | |
| 33 | 4921829 | 1 | Harness, Inverter | |
| 34 | 3291201 | 2 | Nut M12 | |

SECTION 3 - ENGINE

FIGURE 3-73. 2500W/220V/50HZ GENERATOR INSTALLATION - DEUTZ D2011 ENGINES



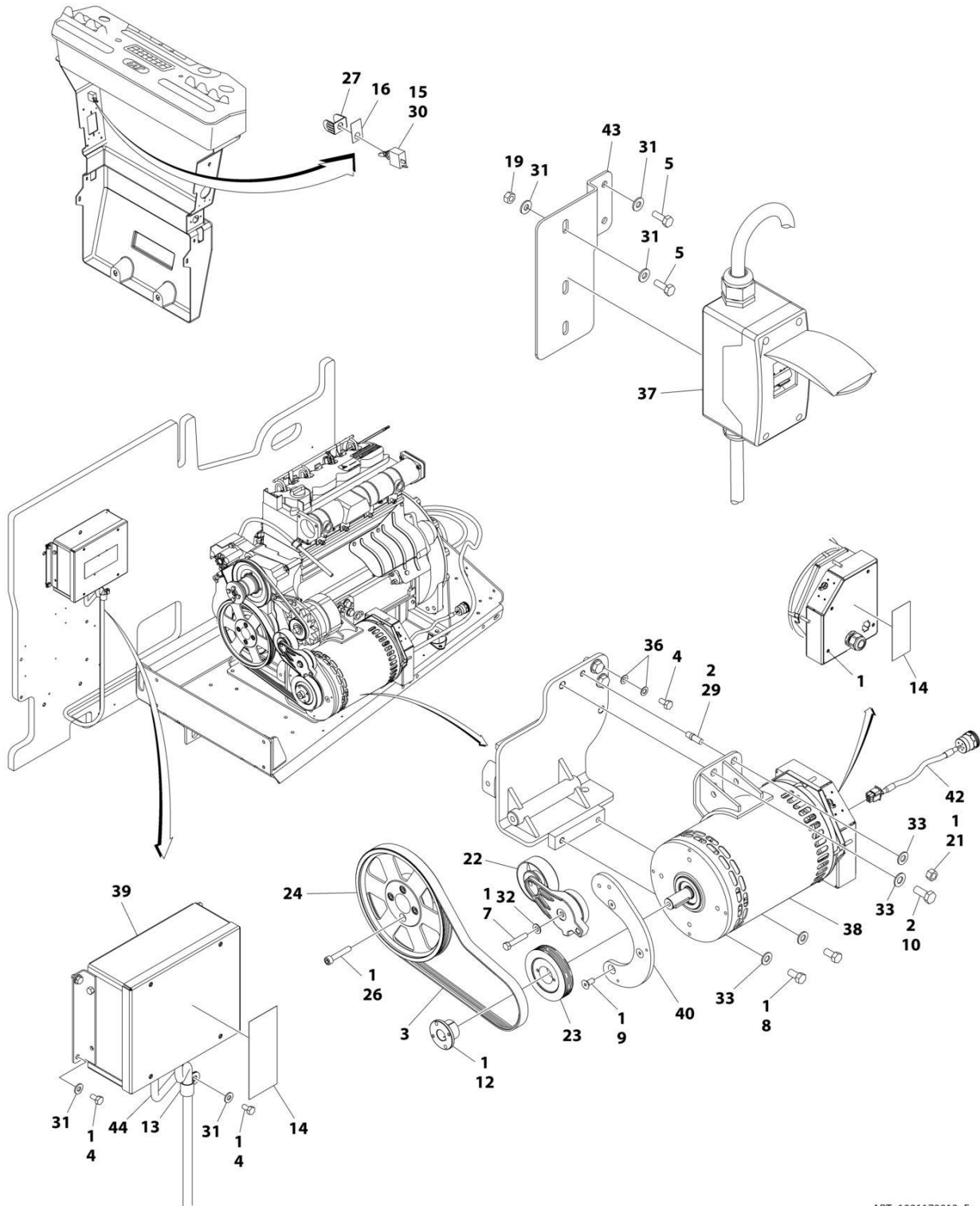
SECTION 3 - ENGINE

FIGURE 3-73. 2500W/220V/50HZ GENERATOR INSTALLATION - DEUTZ D2011 ENGINES

| ITEM | PART NUMBER | QTY | DESCRIPTION | REV |
|------|-------------|-----------|---|-----|
| | 1001115409 | Ref | 2500W GENERATOR INSTALLATION - 220V/50Hz | B |
| 1 | 0100011 | AR | Compound, Locking | |
| 2 | 0200742 | 1 | Arm, Adjusting | |
| 3 | 0480121 | 1 | V-Belt | |
| 4 | 0641404 | 1 | Bolt 1/4 x 1/2 | |
| 5 | 0641508 | 1 | Bolt 5/16 x 1 | |
| 6 | 0641610 | 1 | Bolt 3/8 x 1-1/4 | |
| 7 | 0641772 | 1 | Bolt 7/16 x 9 | |
| 8 | 0721006 | AR | Bolt #10 x 3/4 | |
| 9 | 2820031 | 4 in/10cm | Heat Shrink (Not Shown - Located at Platform) | |
| 10 | 3251102 | 1 | Decal (Not Shown - Located at Platform) | |
| 11 | 3252507 | 2 | Decal - 220V - 50Hz | |
| | | Ref | Note: One Decal Not Shown - Located on the Inside of Platform Rail. | |
| 12 | 3290505 | 1 | Nut M5 | |
| 13 | 3311005 | 1 | Nut #10 | |
| 14 | 3311605 | 1 | Nut 3/8 | |
| 15 | 3311705 | 1 | Nut 7/16 | |
| 16 | 3580158 | 1 | Pulley | |
| 17 | 3740080 | 1 | Relay | |
| 18 | 4031608 | 1 | Bolt M5 x 20 | |
| 19 | 4060802 | 1 | Guard, Switch (Not Shown - Located at Platform) | |
| 20 | 4240018 | 1 | Tie Strap (Not Shown) | |
| 21 | 4360336 | 1 | Switch, Toggle (Not Shown - Located at Platform) | |
| 22 | 4420060 | AR | Tape, Double Coated Acrylic Foam | |
| 23 | 4460968 | 3 | Connector, Strain Relief | |
| 24 | 4740397 | 1 | Shim | |
| 25 | 4751000 | 2 | Washer #10 | |
| 26 | 4751500 | 1 | Washer 5/16 | |
| 27 | 4751600 | 6 | Washer 3/8 | |
| 28 | 4811600 | 1 | Washer M5 | |
| 29 | 1001099869 | 1 | Box, Junction | |
| 30 | | Ref | Wiring Diagram Components (Not Shown) | |
| 30 | 4922641 | 1 | Generator On/Off Switch Harness (Not Shown - Located at Platform) | |
| 30 | 1001112589 | 1 | Generator Harness (Not Shown) | |
| 31 | 1001100234 | 1 | Light, Red | |
| 32 | 1001100321 | 1 | Generator | |
| 32 | 70000123 | 1 | Armature with Slip Rings | |
| 32 | 7012513 | 4 | Cap, Brush Holder | |
| 32 | 7020108 | 4 | Brush | |
| 32 | 7020109 | 4 | Holder, Brush | |
| 32 | 7012514 | 1 | Fan | |
| 32 | 7020110 | 1 | Bell, Front | |
| 32 | 7020111 | 1 | Bell, Rear | |
| 32 | 7020190 | 1 | Bearing | |
| 32A | 3580134 | 1 | Pulley - 50Hz | |
| 32B | 7027887 | 1 | Key, Woodruff | |
| 33 | 0962449 | 1 | Bushing | |

SECTION 3 - ENGINE

FIGURE 3-74. 4000W/50HZ GENERATOR INSTALLATION - DEUTZ D2011 ENGINES



ART_1001179912_E

SECTION 3 - ENGINE

FIGURE 3-74. 4000W/50HZ GENERATOR INSTALLATION - DEUTZ D2011 ENGINES

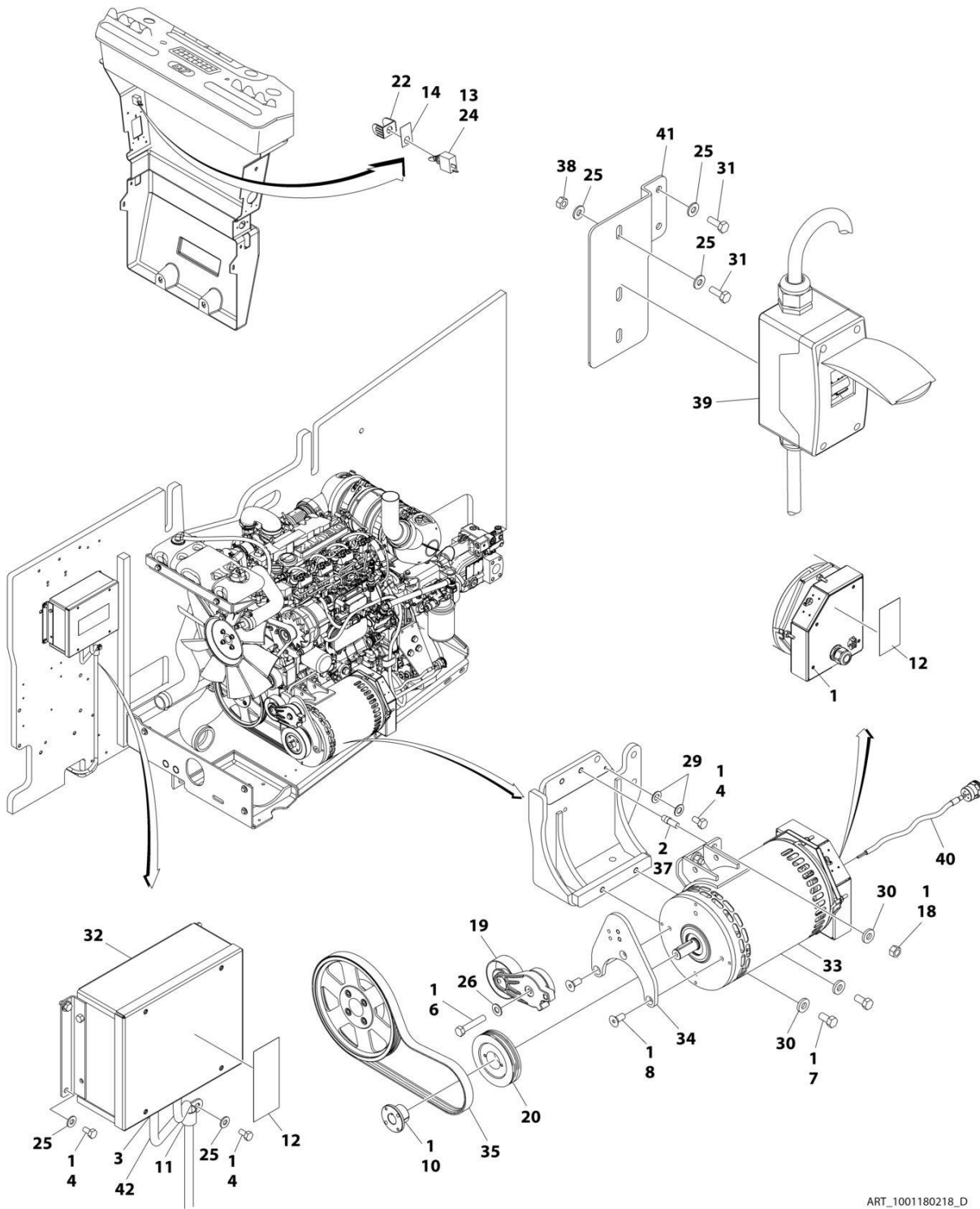
| ITEM | PART NUMBER | QTY | DESCRIPTION | REV |
|------|-------------|------------------|--|-----|
| | 1001179912 | Ref | 4000W/50Hz GENERATOR INSTALLATION - DEUTZ D2011 ENGINES | E |
| 1 | 0100011 | AR | Compound, Locking | |
| 2 | 0100019 | AR | Compound, Locking | |
| 3 | 0480126 | 1 | Belt, Generator (50Hz) | |
| 4 | 0641404 | 6 | Bolt 1/4 x 1/2 | |
| 5 | 0641406 | 1 | Bolt 1/4 x 3/4 | |
| 7 | 0641616 | 1 | Bolt 3/8 x 2 | |
| 8 | 0641808 | 2 | Bolt 1/2 x 1 | |
| 9 | 0741607 | 3 | Screw 3/8 x 7/8 | |
| 10 | 0771415 | 1 | Bolt M14 x 35 | |
| 12 | 0962520 | 1 | Bushing, Split | |
| 13 | 1320318 | 1 | Clamp | |
| 14 | 1705489 | 1 | Decal - Hazardous Voltage | |
| 15 | 2820031 | 0.33 ft /0.1m | Heat Shrink | |
| 16 | 3251102 | 1 | Nameplate - Generator | |
| 19 | 3311405 | 1 | Nut 1/4 | |
| 21 | 3311801 | 1 | Nut 1/2 | |
| 22 | 3580317 | 1 | Tensioner, Belt with Pulley | |
| 23 | 3580319 | 1 | Pulley, Generator | |
| 24 | 3580320 | 1 | Pulley, Engine | |
| 26 | 4032015 | 4 | Capscrew M10 x 55 | |
| 27 | 4060802 | 1 | Guard, Switch | |
| 28 | 4240018 | AR | Tie-Strap (Not Shown) | |
| 29 | 4300157 | 1 | Stud | |
| 30 | 4360336 | 1 | Switch, Toggle | |
| 31 | 4711400 | 11 | Washer 1/4 | |
| 32 | 4711600 | 1 | Washer 3/8 | |
| 33 | 4711800 | 3 | Washer 1/2 | |
| 36 | 4791400 | 2 | Washer 1/4 | |
| 37 | 1001165368 | 1 | Breaker Box Kit (Not Shown - See Separate Breakdown in ELECTRICAL SECTION) | |
| 38 | 1001138565 | 1 | Generator Assembly (50Hz) | |
| 38 | 70003709 | 1 | Ring, Retaining (External) | |
| 38 | 70003708 | 1 | Ring, Retaining (Internal) | |
| 38 | 70001966 | 1 | Bearing | |
| 38 | 70004092 | 1 | Endbell (Shaft End) | |
| 38 | 70004171 | 1 | Key | |
| 38 | 70004676 | 1 | Rotor | |
| 38 | 70004677 | 1 | Stator (50Hz) | |
| 38 | 70004678 | 1 | Endbell (Rear) | |
| 38 | 70004679 | 1 | Cover, Endbell (Rear) | |
| 38 | 70004680 | 1 | Enclosure, Wiring | |
| 38 | 70004681 | 1 | Cover, Enclosure (50Hz) | |
| 38 | 70004682 | 1 | Switch, Reset (Located on Enclosure Cover) | |
| 38 | 70004683 | 1 | Connector, Strain Relief (50Hz) (Located on Enclosure Cover) | |
| 39 | 1001138566 | 1 | Control Box Assembly | |
| 39 | 70006552 | 1 | Capacitor | |
| 39 | 70006553 | 1 | Relay | |

SECTION 3 - ENGINE

| ITEM | PART NUMBER | QTY | DESCRIPTION | REV |
|------|-------------|-----|--|-----|
| 40 | 1001139357 | 1 | Mount, Tensioner | |
| 42 | 1001152532 | 1 | Generator to Control Box, Harness (See Separate Breakdown in ELECTRICAL SECTION) | |
| 43 | 1001177035 | 1 | Bracket | |
| 44 | 1001153197 | 1 | Generator Control Box to Engine Harness (See Separate Breakdown in ELECTRICAL SECTION) | |

SECTION 3 - ENGINE

FIGURE 3-75. 4000W/50HZ GENERATOR INSTALLATION - DEUTZ TD2.9L4 ENGINES AND DEUTZ TD2.9L4 (STAGE V) ENGINES



ART_1001180218_D

SECTION 3 - ENGINE

FIGURE 3-75. 4000W/50HZ GENERATOR INSTALLATION - DEUTZ TD2.9L4 ENGINES AND DEUTZ TD2.9L4 (STAGE V) ENGINES

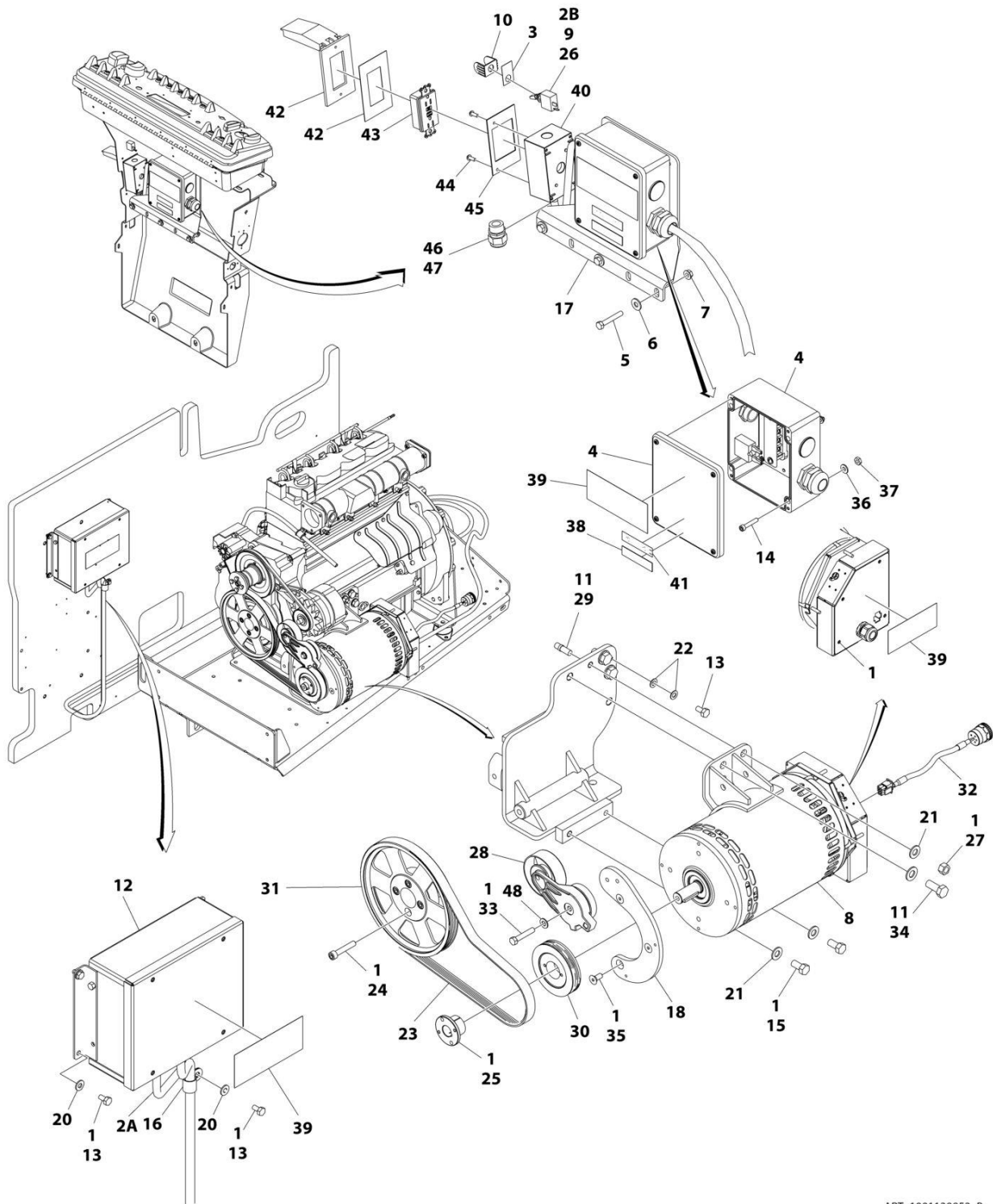
| ITEM | PART NUMBER | QTY | DESCRIPTION | REV |
|------|-------------|------------------|---|-----|
| | 1001180218 | 1 | 4000W/Hz GENERATOR INSTALLATION - DEUTZ TD2.9L4 ENGINES | D |
| 1 | 0100011 | AR | Compound, Locking | |
| 2 | 0100019 | AR | Compound, Locking | |
| 3 | 0100048 | AR | Grease Dielectric | |
| 4 | 0641404 | 6 | Bolt 1/4 x 1/2 | |
| 6 | 0641616 | 1 | Bolt 3/8 x 2 | |
| 7 | 0641808 | 2 | Bolt 1/2 x 1 | |
| 8 | 0741607 | 3 | Screw 3/8 x 7/8 | |
| 10 | 0962520 | 1 | Bushing, Split | |
| 11 | 1320318 | 1 | Clamp | |
| 12 | 1705489 | 2 | Decal - Hazardous Voltage | |
| 13 | 2820031 | 0.33 ft /0.1m | Heat Shrink | |
| 14 | 3251102 | 1 | Nameplate, Generator | |
| 18 | 3311801 | 2 | Nut 1/2 | |
| 19 | 3580317 | 1 | Tensioner, Belt with Pulley | |
| 20 | 3580319 | 1 | Pulley, Generator | |
| 22 | 4060802 | 1 | Guard, Switch | |
| 23 | 4240018 | AR | Tie-Strap (Not Shown) | |
| 24 | 4360336 | 1 | Switch, Toggle | |
| 25 | 4711400 | 11 | Washer 1/4 | |
| 26 | 4711600 | 1 | Washer 3/8 | |
| 29 | 4791400 | 2 | Washer 1/4 | |
| 30 | 4891800 | 4 | Washer 1/2 | |
| 31 | 0641406 | 4 | Bolt 1/4 x 3/4 | |
| 32 | 1001138566 | 1 | Control Box Assembly | |
| 32 | 70006552 | 1 | Capacitor | |
| 32 | 70006553 | 1 | Relay | |
| 33 | 1001140347 | 1 | Generator Assembly | |
| 33 | 70003709 | 1 | Ring, Retaining (External) | |
| 33 | 70003708 | 1 | Ring, Retaining (Internal) | |
| 33 | 70001966 | 1 | Bearing | |
| 33 | 70004092 | 1 | Endbell (Shaft End) | |
| 33 | 70004099 | 1 | Key | |
| 33 | 70004676 | 1 | Rotor | |
| 33 | 70004686 | 1 | Stator | |
| 33 | 70004678 | 1 | Endbell (Rear) | |
| 33 | 70004679 | 1 | Cover, Endbell (Rear) | |
| 33 | 70004680 | 1 | Enclosure, Wiring | |
| 33 | 70004681 | 1 | Cover, Enclosure | |
| 33 | 70004682 | 1 | Switch, Reset (Located on Enclosure Cover) | |
| 33 | 70004683 | 1 | Connector, Strain Relief (Located on Enclosure Cover) | |
| 33 | 4460224 | 1 | Connector - 6 Position (Located on Enclosure Cover) | |
| 33 | 4460294 | 2 | Pin, Male (Located on Enclosure Cover) | |
| 34 | 1001142643 | 1 | Support, Tensioner | |
| 35 | 1001142645 | 1 | Belt, Generator | |
| 37 | 1001163599 | 2 | Stud | |
| 38 | 3311405 | 4 | Nut 1/4 | |

SECTION 3 - ENGINE

| ITEM | PART NUMBER | QTY | DESCRIPTION | REV |
|------|-------------|-----|--|-----|
| 39 | 1001165368 | 1 | Breaker Box Kit (Not Shown - See Separate Breakdown in ELECTRICAL SECTION) | |
| 40 | 1001152532 | 1 | Generator to Control Box Harness (See Separate Breakdown in ELECTRICAL SECTION) | |
| 41 | 1001177035 | 1 | Bracket | |
| 42 | 1001153259 | 1 | Generator Control Box to Engine Harness (See Separate Breakdown in ELECTRICAL SECTION) | |

SECTION 3 - ENGINE

FIGURE 3-76. 4000W/60HZ GENERATOR INSTALLATION - DEUTZ D2011 ENGINES



ART_1001139952_B

SECTION 3 - ENGINE

FIGURE 3-76. 4000W/60HZ GENERATOR INSTALLATION - DEUTZ D2011 ENGINES

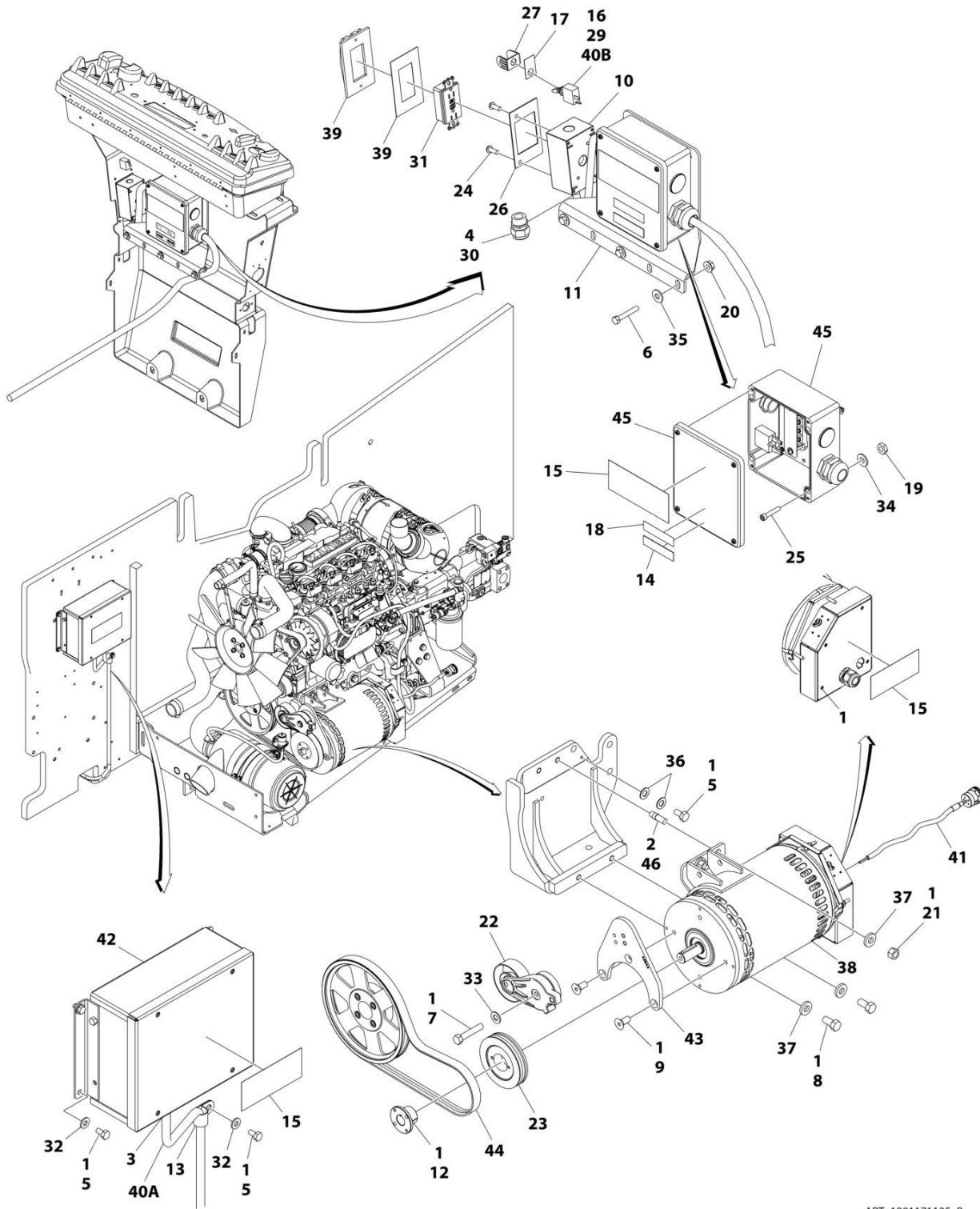
| ITEM | PART NUMBER | QTY | DESCRIPTION | REV |
|------|-------------|-----|--|-----|
| | 1001139952 | Ref | 4000W/60Hz GENERATOR INSTALLATION - DEUTZ D2011 ENGINES | B |
| 1 | 0100011 | AR | Compound, Locking | |
| 2 | | Ref | Wiring Diagram Components (Not Shown) | |
| 2A | 1001153197 | 1 | Generator Control Box to Engine Harness (See Separate Breakdown in ELECTRICAL SECTION) | |
| 2B | 4462641 | 1 | Generator On/Off Switch Harness | |
| 3 | 3251102 | 1 | Nameplate - Generator | |
| 4 | 1001152457 | 1 | Junction Box Assembly | |
| 4 | 3300396 | 1 | Cover, Breaker | |
| 4 | 4360070 | 1 | Breaker, Circuit - 15Amp | |
| 4 | 4460425 | 1 | Connector, Strain Relief (LH Side) | |
| 4 | 4460426 | 1 | Connector, Strain Relief (RH Side) | |
| 5 | 0641516 | 3 | Bolt 5/16 x 2 | |
| 6 | 4751500 | 3 | Washer 5/16 | |
| 7 | 3311508 | 3 | Nut 5/16 | |
| 8 | 1001129858 | 1 | Generator Assembly | |
| 8 | 70003709 | 1 | Ring, Retaining (External) | |
| 8 | 70003708 | 1 | Ring, Retaining (Internal) | |
| 8 | 70001966 | 1 | Bearing | |
| 8 | 70004092 | 1 | Endbell (Shaft End) | |
| 8 | 70004171 | 1 | Key | |
| 8 | 70004676 | 1 | Rotor | |
| 8 | 70004684 | 1 | Stator | |
| 8 | 70004678 | 1 | Endbell (Rear) | |
| 8 | 70004679 | 1 | Cover, Endbell (Rear) | |
| 8 | 70004680 | 1 | Enclosure, Wiring | |
| 8 | 70004685 | 1 | Cover, Enclosure | |
| 8 | 70004682 | 1 | Switch, Reset (Located on Enclosure Cover) | |
| 8 | 70004098 | 1 | Connector, Strain Relief (Located on Enclosure Cover) | |
| 9 | 4360336 | 1 | Switch, Toggle | |
| 10 | 4060802 | 1 | Guard, Switch | |
| 11 | 0100019 | AR | Compound, Locking | |
| 12 | 1001138566 | 1 | Control Box Assembly | |
| 12 | 70006552 | 1 | Capacitor | |
| 12 | 70006553 | 1 | Relay | |
| 13 | 0641404 | 6 | Bolt 1/4 x 1/2 | |
| 14 | 3931016 | 4 | Capscrew #10 x 1 | |
| 15 | 0641808 | 2 | Bolt 1/2 x 1 | |
| 16 | 1320318 | 1 | Clamp | |
| 17 | 0902888 | 1 | Bracket | |
| 18 | 1001139357 | 1 | Mount, Tensioner | |
| 19 | 4240018 | AR | Tie-Strap (Not Shown) | |
| 20 | 4711400 | 5 | Washer 1/4 | |
| 21 | 4711800 | 3 | Washer 1/2 | |
| 22 | 4791400 | 2 | Washer 1/4 | |
| 23 | 0480129 | 1 | Belt, Generator | |
| 24 | 4032015 | 4 | Capscrew M10 x 55 | |
| 25 | 0962520 | 1 | Bushing, Split | |

SECTION 3 - ENGINE

| ITEM | PART NUMBER | QTY | DESCRIPTION | REV |
|------|-------------|------------------|---|-----|
| 26 | 2820031 | 0.33 ft /0.1m | Heat Shrink | |
| 27 | 3311801 | 1 | Nut 1/2 | |
| 28 | 3580317 | 1 | Tensioner, Belt with Pulley | |
| 29 | 4300157 | 1 | Stud | |
| 30 | 3580318 | 1 | Pulley, Generator | |
| 31 | 3580320 | 1 | Pulley, Engine | |
| 32 | 1001152532 | 1 | Generator to Control Box Harness (See Separate Breakdown in ELECTRICAL SECTION) | |
| 33 | 0641616 | 1 | Bolt 3/8 x 2 | |
| 34 | 0771415 | 1 | Bolt M14 x 35 | |
| 35 | 0741607 | 3 | Screw 3/8 x 7/8 | |
| 36 | 4751000 | 4 | Washer #10 | |
| 37 | 3311005 | 4 | Nut #10 | |
| 38 | 1705374 | 1 | Decal - 240V | |
| 39 | 1705387 | 3 | Decal - Hazardous Voltage | |
| 40 | 0860038 | 1 | Box, Switch - Weatherhead | |
| 41 | 3251243 | 1 | Decal - 120V | |
| 42 | 1001110873 | 1 | Cover, Receptacle | |
| 43 | 4460346 | 1 | Receptacle | |
| 44 | 3910606 | 4 | Screw #6 x 3/8 | |
| 45 | 3960422 | 1 | Gasket | |
| 46 | 0100020 | AR | Sealant #567 | |
| 47 | 4460071 | 1 | Connector | |
| 48 | 4711600 | 1 | Washer 3/8 | |

SECTION 3 - ENGINE

FIGURE 3-77. 4000W/60HZ GENERATOR INSTALLATION - DEUTZ TD2.9L4 ENGINES



ART_1001171125_B

SECTION 3 - ENGINE

FIGURE 3-77. 4000W/60HZ GENERATOR INSTALLATION - DEUTZ TD2.9L4 ENGINES

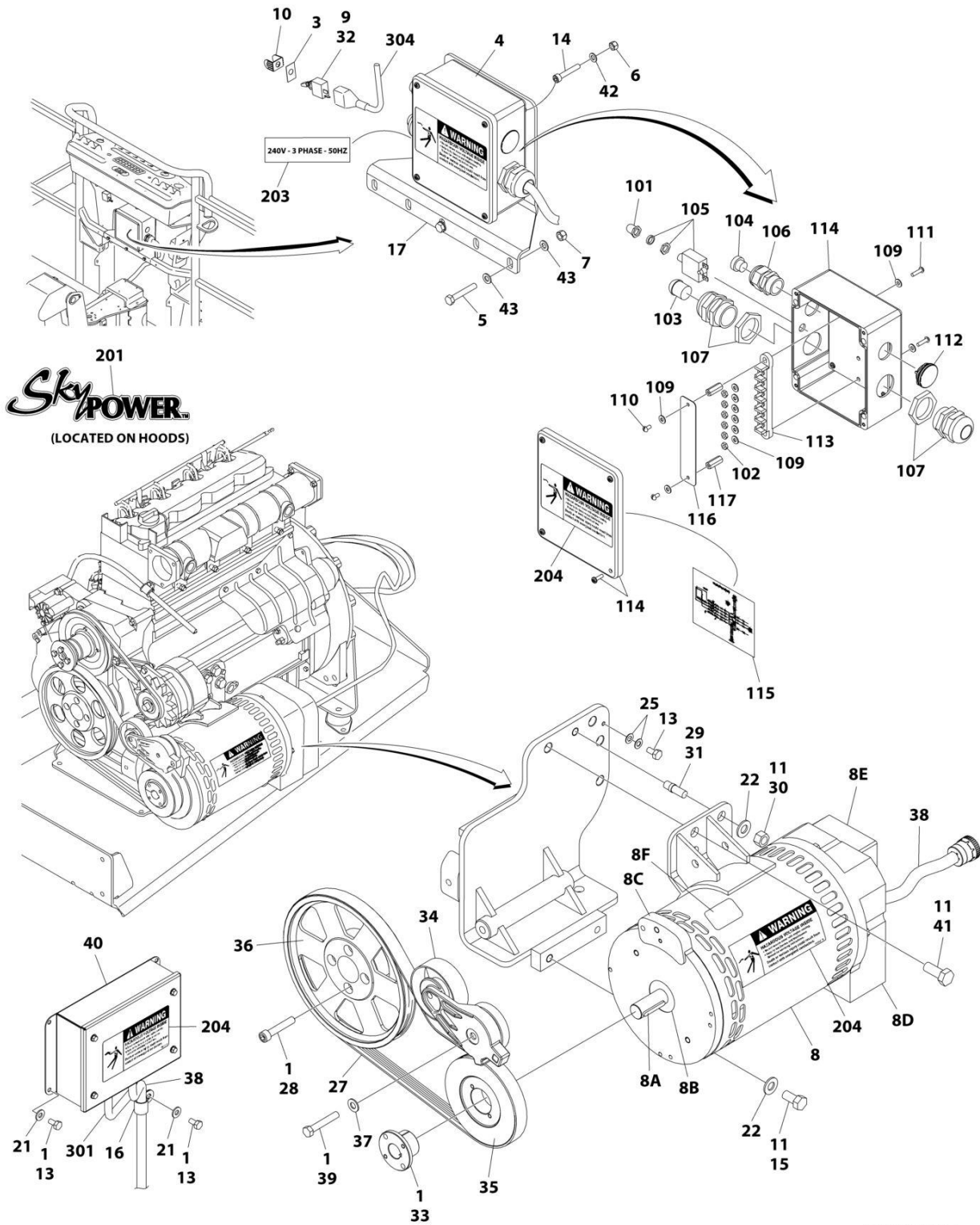
| ITEM | PART NUMBER | QTY | DESCRIPTION | REV |
|------|-------------|------------------|-----------------------------------|-----|
| | 1001171125 | 1 | 4000W/60Hz GENERATOR INSTALLATION | B |
| 1 | 0100011 | AR | Compound, Locking | |
| 2 | 0100019 | AR | Compound, Locking | |
| 3 | 0100048 | AR | Grease Dielectric | |
| 4 | 0100079 | AR | Sealant | |
| 5 | 0641404 | 6 | Bolt 1/4 x 1/2 | |
| 6 | 0641516 | 3 | Bolt 5/16 x 2 | |
| 7 | 0641616 | 1 | Bolt 3/8 x 2 | |
| 8 | 0641808 | 2 | Bolt 1/2 x 1 | |
| 9 | 0741607 | 3 | Screw 3/8 x 7/8 | |
| 10 | 0860038 | 1 | Box, Switch | |
| 11 | 0902888 | 1 | Bracket, Junction Box | |
| 12 | 0962520 | 1 | Bushing, Split | |
| 13 | 1320318 | 1 | Clamp | |
| 14 | 1705374 | 1 | Decal - 240V | |
| 15 | 1705387 | 3 | Decal - Hazardous Voltage | |
| 16 | 2820031 | 0.33 ft /0.1m | Heat Shrink | |
| 17 | 3251102 | 1 | Nameplate, Generator | |
| 18 | 3251243 | 1 | Decal - 120V | |
| 19 | 3311005 | 4 | Nut #10 | |
| 20 | 3311508 | 3 | Nut 5/16 | |
| 21 | 3311801 | 2 | Nut 1/2 | |
| 22 | 3580317 | 1 | Tensioner, Belt with Pulley | |
| 23 | 3580318 | 1 | Pulley, Generator | |
| 24 | 3910606 | 4 | Screw 6 x 3/8 | |
| 25 | 3931016 | 4 | Capscrew #10 x 1 | |
| 26 | 3960422 | 1 | Gasket, AC Receptacle | |
| 27 | 4060802 | 1 | Guard, Switch | |
| 28 | 4240018 | AR | Tie-Strap (Not Shown) | |
| 29 | 4360336 | 1 | Switch, Toggle | |
| 30 | 4460071 | 1 | Connector, Strain Relief | |
| 31 | 4460346 | 1 | Receptacle | |
| 32 | 4711400 | 5 | Washer 1/4 | |
| 33 | 4711600 | 1 | Washer 3/8 | |
| 34 | 4751000 | 4 | Washer #10 | |
| 35 | 4751500 | 3 | Washer 5/16 | |
| 36 | 4791400 | 2 | Washer 1/4 | |
| 37 | 4891800 | 4 | Washer 1/2 | |
| 38 | 1001140346 | 1 | Generator Assembly | |
| 38 | 70003709 | 1 | Ring, Retaining (External) | |
| 38 | 70003708 | 1 | Ring, Retaining (Internal) | |
| 38 | 70001966 | 1 | Bearing | |
| 38 | 70004092 | 1 | Endbell (Shaft End) | |
| 38 | 70004099 | 1 | Key | |
| 38 | 70004676 | 1 | Rotor | |
| 38 | 70004687 | 1 | Stator | |
| 38 | 70004678 | 1 | Endbell (Rear) | |
| 38 | 70004679 | 1 | Cover, Endbell (Rear) | |
| 38 | 70004680 | 1 | Enclosure, Wiring | |

SECTION 3 - ENGINE

| ITEM | PART NUMBER | QTY | DESCRIPTION | REV |
|------|-------------|-----|--|-----|
| 38 | 70004685 | 1 | Cover, Enclosure | |
| 38 | 70004682 | 1 | Switch, Reset (Located on Enclosure Cover) | |
| 38 | 70004098 | 1 | Connector, Strain Relief (Located on Enclosure Cover) | |
| 39 | 1001110873 | 1 | Cover, Receptacle | |
| 40 | | Ref | Wiring Diagram Components (Not Shown) | |
| 40A | 1001153259 | 1 | Generator Control Box to Engine Harness (See Separate Breakdown in ELECTRICAL SECTION) | |
| 40B | 4922641 | 1 | Generator On/Off Switch Harness | |
| 41 | 1001152532 | 1 | Generator to Control Box (See Separate Breakdown in ELECTRICAL SECTION) | |
| 42 | 1001138566 | 1 | Control Box Assembly | |
| 42 | 70006552 | 1 | Capacitor | |
| 42 | 70006553 | 1 | Relay | |
| 43 | 1001142643 | 1 | Support, Tensioner | |
| 44 | 1001142646 | 1 | Belt, Generator | |
| 45 | 1001152457 | 1 | Junction Box Assembly | |
| 45 | 3300396 | 1 | Cover, Breaker | |
| 45 | 4360070 | 1 | Breaker, Circuit - 15Amp | |
| 45 | 4460425 | 1 | Connector, Strain Relief (LH Side) | |
| 45 | 4460426 | 1 | Connector, Strain Relief (RH Side) | |
| 46 | 1001163599 | 2 | Stud | |

SECTION 3 - ENGINE

FIGURE 3-78. 7500W/50HZ SKYPOWER GENERATOR INSTALLATION - DEUTZ D2011 ENGINES



ART_1001115389_E

SECTION 3 - ENGINE

FIGURE 3-78. 7500W/50HZ SKYPOWER GENERATOR INSTALLATION - DEUTZ D2011 ENGINES

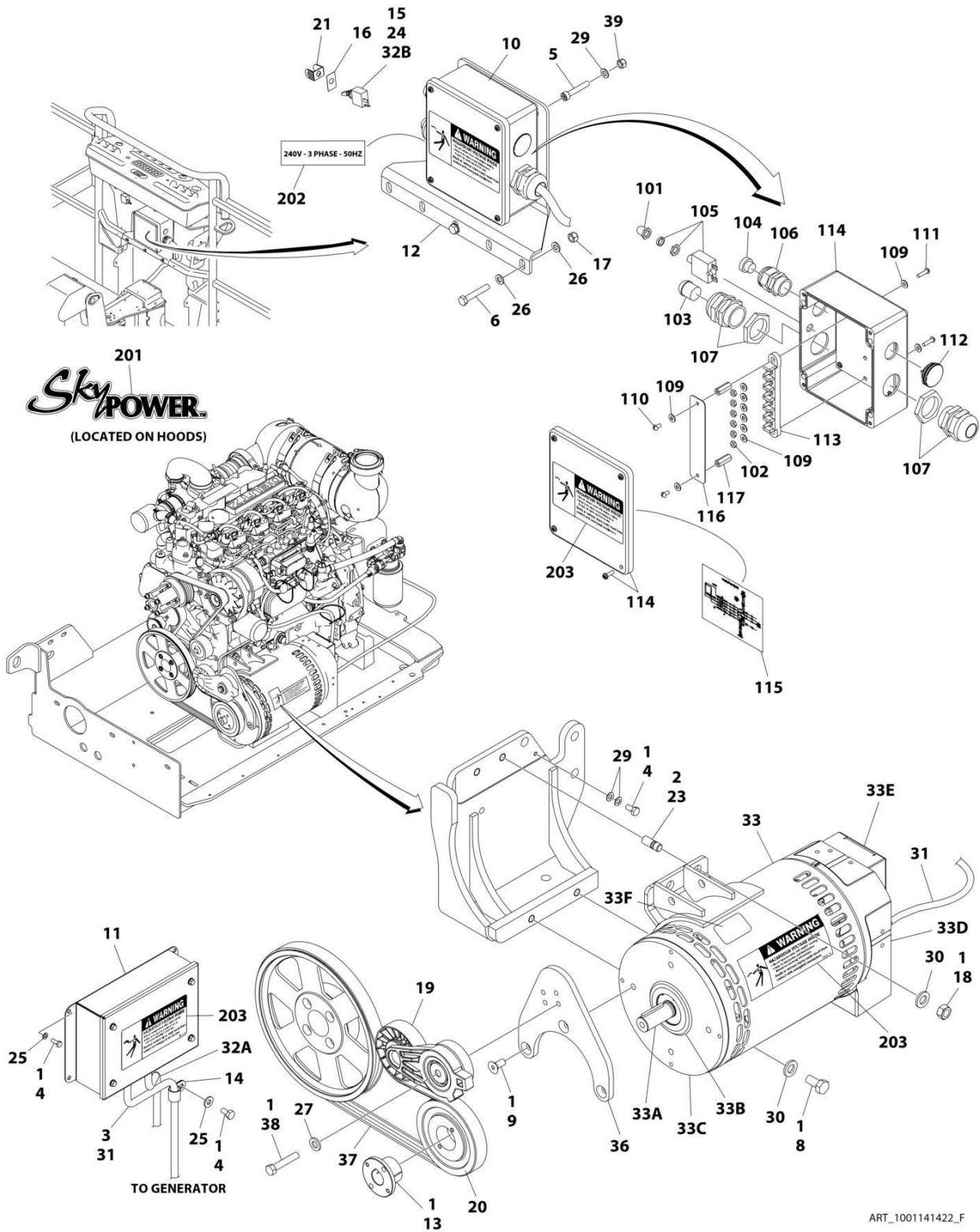
| ITEM | PART NUMBER | QTY | DESCRIPTION | REV |
|------|-------------|-----|--|-----|
| | 1001115389 | Ref | 7500W/50HZ SKYPOWER GENERATOR INSTALLATION - DEUTZ D2011 ENGINE MACHINES | E |
| 1 | 0100011 | AR | Compound, Locking | |
| 3 | 3252764 | 1 | Nameplate | |
| 4 | 1001157525 | 1 | Junction Box Assembly (See Items 101-117 for Breakdown) | |
| 5 | 0641516 | 3 | Bolt 5/16 x 2 | |
| 6 | 3311005 | 4 | Nut #10 | |
| 7 | 3311508 | 3 | Nut 5/16 | |
| 8 | 2460048 | 1 | Generator Assembly (Deutz D2011 Engines) | |
| 8 | 70001100 | 1 | Rotor (Includes p/n 70001384 & 70000863) (Not Shown) | |
| 8 | 70001384 | 1 | Bearing, Ball Radial (Not Shown): | |
| 8 | 70000863 | 1 | Fan (Not Shown) | |
| 8 | 70002088 | 1 | Stator | |
| 8 | 70002297 | 1 | Stud | |
| 8 | 7024484 | NLA | Brushholder Assembly (Not Shown) (Use p/n 70003631) | |
| 8A | 7024561 | NLA | Key | |
| 8B | 70001966 | 1 | Bearing, Ball Radial (Located in Belt Tensioner Endbell) | |
| 8B | 70003708 | 1 | Ring, Internal Retaining (Located in Belt Tensioner Endbell) | |
| 8B | 70003709 | 1 | Ring, External Retaining (Located in Belt Tensioner Endbell) | |
| 8C | 70001953 | 1 | Endbell, Belt Tensioner | |
| 8D | 70001385 | NLA | Endbell, Brush Block (use p/n 70004169) | |
| 8E | 70002290 | NLA | Shroud (Use p/n 70004169) | |
| 8E | See Note | NSS | Insulator, Endbell (Note: Not Available for Purchase) | |
| 8E | 7027799 | 1 | Block, Connector 6 Position (Not Shown) | |
| 8E | 70002460 | 1 | Nut, Brass (Attaches p/n 7027799 to Cover) (Not Shown) | |
| 8E | 7024485 | 1 | Breaker, Circuit 30Amp (Not Shown): | |
| 8E | 70001696 | 1 | Boot, Breaker (Not Shown): | |
| 8E | 7026626 | 1 | Connector, 6 Position (Includes Seal) (Not Shown - Plugs into Item 36) | |
| 8E | 7026597 | 1 | Connector, W/Leads (Not Shown) | |
| 8E | 7026188 | 1 | Clamp, Cable (Not Shown) | |
| 8E | 70004169 | 1 | Plate, End Panel | |
| 8E | 70001974 | 1 | Decal - Terminal Connections | |
| 8F | 70001973 | 1 | Decal - Warning Moving Parts | |
| 9 | 4360336 | 1 | Switch, Toggle | |
| 10 | 4060802 | 1 | Guard, Switch | |
| 11 | 0100019 | AR | Compound, Locking | |
| 13 | 0641404 | 6 | Bolt 1/4 x 1/2 | |
| 14 | 3931016 | 4 | Capscrew 3/8 x 1 | |
| 15 | 0641808 | 2 | Bolt 1/2 x 1 | |
| 16 | 1320318 | 1 | Clamp | |
| 17 | 0902888 | 1 | Bracket, Box Mounting | |
| 20 | 4240018 | AR | Tie-Strap (Not Shown) | |
| 21 | 4711400 | 5 | Washer 1/4 | |
| 22 | 4711800 | 3 | Washer 1/2 | |
| 25 | 4791400 | 2 | Washer 1/4 | |
| 27 | 0480126 | 1 | Belt, Drive | |
| 28 | 4032015 | 4 | Capscrew M10 x 55 | |
| 29 | 4300157 | 1 | Stud | |
| 30 | 3311801 | 1 | Nut 1/2 | |

SECTION 3 - ENGINE

| ITEM | PART NUMBER | QTY | DESCRIPTION | REV |
|------|-------------|-----|--|-----|
| 31 | 0100062 | AR | Adhesive (Not Shown) | |
| 32 | 2820031 | 1 | Insulator | |
| 33 | 0962520 | 1 | Bushing, Split Taper | |
| 34 | 3580317 | 1 | Tensioner, Belt | |
| 35 | 3580319 | 1 | Pulley | |
| 36 | 3580320 | 1 | Pulley | |
| 37 | 4711600 | 1 | Washer 3/8 | |
| 38 | 4922925 | 1 | Generator to Control Box Harness (See Separate Breakdown in ELECTRICAL SECTION) | |
| 39 | 0641618 | 1 | Bolt 3/8 x 2-1/4 | |
| 40 | 0861572 | 1 | Control Box Assembly | |
| 40 | 7024488 | 1 | Card, Circuit - Generator Power | |
| 40 | See Note | 1 | Fuse (Note: Not Available - Purchase Locally) | |
| 40 | 70000619 | 1 | Harness, Control Box (Internal) | |
| 40 | 7024489 | 1 | Card, Circuit - Control | |
| | | Ref | Note: Same Circuit Card (P/N 7024489) is used for both 60Hz & 50Hz Specs. When replacing card, rocker switch on card must be set for required application. | |
| 41 | 0771415 | 1 | Bolt M14 x 35 Grade 10.9 | |
| 42 | 4751000 | 4 | Washer #10 | |
| 43 | 4751500 | 3 | Washer 5/16 | |
| | 1001157525 | Ref | JUNCTION BOX ASSEMBLY | B |
| 101 | 3300396 | 1 | Cover, Fuse | |
| 102 | 3311001 | 6 | Nut #10-24 | |
| 103 | 3520189 | 1 | Plug | |
| 104 | 3520192 | 1 | Plug | |
| 105 | 4360070 | 1 | Circuit Breaker - 15 Amp | |
| 106 | 4460425 | 1 | Connector, Strain Relief | |
| 107 | 4460426 | 2 | Connector, Strain Relief | |
| 109 | 4711000 | 10 | Washer #10 | |
| 110 | 10702077 | 2 | Screw #10 x 3/8 | |
| 111 | 10702082 | 2 | Screw #10 x 3/4 | |
| 112 | 1001152525 | 1 | Plug | |
| 113 | 1001157520 | 1 | Block, Terminal | |
| 114 | 1001157521 | 1 | Box, Junction | |
| 115 | 1001157528 | 1 | Decal - Wiring Schematic | |
| 116 | 1001158007 | 1 | Cover, PVC | |
| 117 | 1001158008 | 2 | Stand-Off | |
| | 0272589 | Ref | DECAL INSTALLATION | A |
| 201 | 1705460 | 2 | Decal - SkyPower | |
| 203 | 1705461 | 1 | Decal - 240V - 3 Phase | |
| 204 | 1705489 | 3 | Decal, Hazardous Voltage | |
| | 1001157769 | Ref | ELECTRICAL DIAGRAM COMPONENTS | B |
| 301 | 1001152429 | 1 | Generator Harness (See Separate Breakdown in ELECTRICAL SECTION) | |
| 304 | 4922641 | 1 | Switch Harness | |

SECTION 3 - ENGINE

FIGURE 3-79. 7500W/50HZ SKYPOWER GENERATOR INSTALLATION - DEUTZ TD2.9L4 ENGINES AND DEUTZ TD2.9L4 (STAGE V) ENGINES



SECTION 3 - ENGINE

**FIGURE 3-79. 7500W/50HZ SKYPOWER GENERATOR INSTALLATION - DEUTZ TD2.9L4 ENGINES
AND DEUTZ TD2.9L4 (STAGE V) ENGINES**

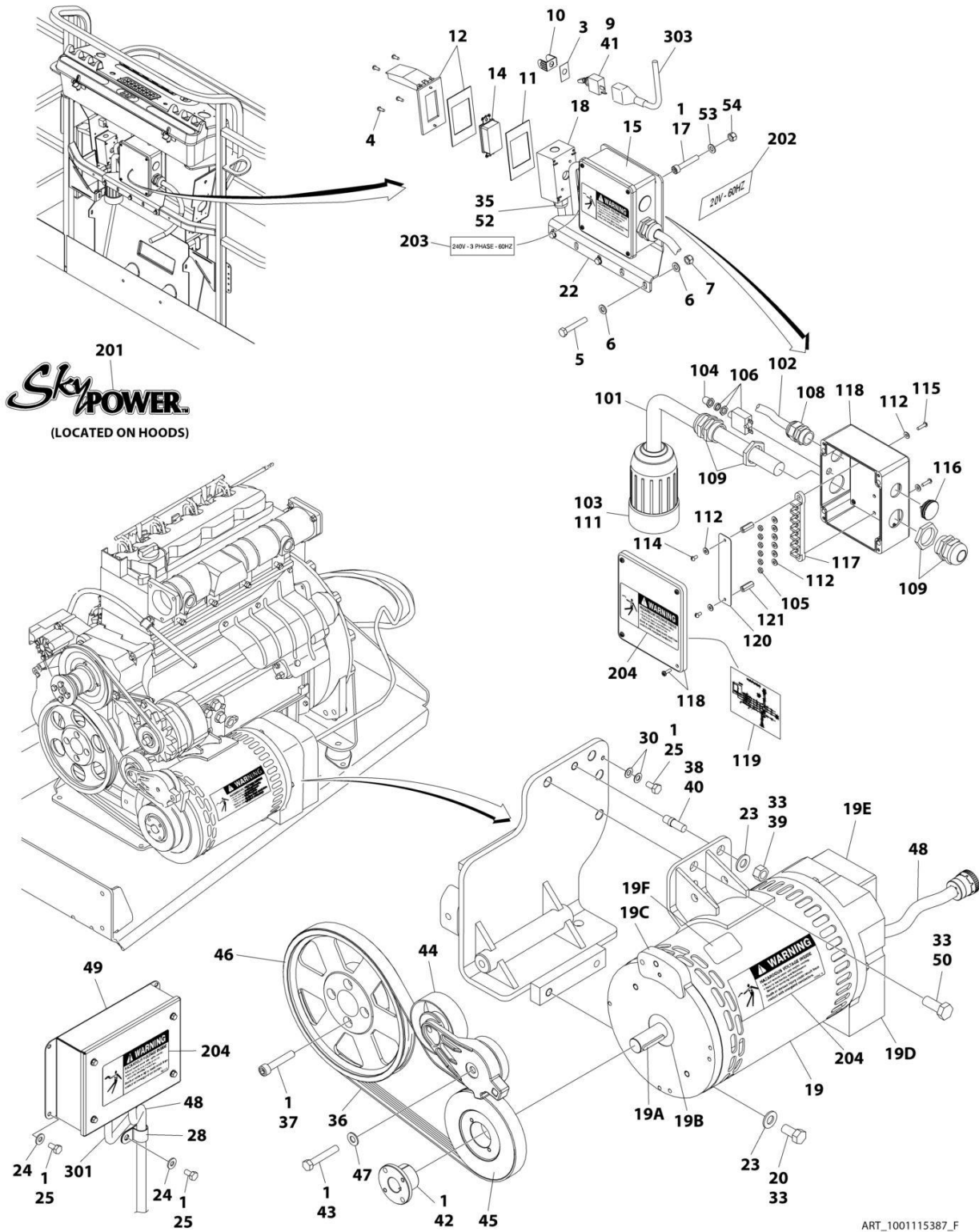
| ITEM | PART NUMBER | QTY | DESCRIPTION | REV |
|------|-------------|-----|--|-----|
| | 1001141422 | Ref | 7500W SKYPOWER GENERATOR INSTALLATION | F |
| 1 | 0100011 | AR | Compound, Locking | |
| 2 | 0100019 | AR | Compound, Locking | |
| 3 | 0100048 | AR | Compound Terminal | |
| 4 | 0641404 | 6 | Bolt 1/4 x 1/2 | |
| 5 | 3931016 | 4 | Capscrew #10 x 1 | |
| 6 | 0641516 | 3 | Bolt 5/16 x 2 | |
| 8 | 0641808 | 2 | Bolt 1/2 x 1 | |
| 9 | 0741607 | 3 | Screw 3/8 x 7/8 | |
| 10 | 1001157525 | 1 | Junction Box Assembly (See Items 101 - 117 for Breakdown) | |
| 11 | 0861572 | 1 | Control Box Assembly | |
| 11 | 0860038 | 1 | Box, Receptacle | |
| 11 | 7024488 | 1 | Card, Circuit - Generator Power | |
| 11 | See Note | NSS | Fuse (Note: Not Available - Purchase Locally) | |
| 11 | 7024489 | 1 | Card, Circuit - Control | |
| 11 | 70000619 | 1 | Harness, Control Box (Internal) | |
| 11 | | Ref | Note: Same Circuit Card (P/N 7024489) is used for both 60Hz and 50Hz. When replacing card, rocker switch on card must be set for required application. | |
| 12 | 0902888 | 1 | Bracket | |
| 13 | 0962520 | 1 | Bushing, Split | |
| 14 | 1320318 | 1 | Clamp | |
| 15 | 2820031 | AR | Heat Shrink | |
| 16 | 3252764 | 1 | Nameplate - AC & Weld | |
| 17 | 3311505 | 3 | Nut 5/16 | |
| 18 | 3311801 | 2 | Nut 1/2 | |
| 19 | 3580317 | 1 | Tensioner, Belt | |
| 20 | 3580319 | 1 | Pulley | |
| 21 | 4060802 | 1 | Guard, Switch | |
| 22 | 4240018 | AR | Tie - Strap (Not Shown) | |
| 23 | 1001163599 | 2 | Stud | |
| 24 | 4360336 | 1 | Switch, Toggle | |
| 25 | 4711400 | 5 | Washer 1/4 | |
| 26 | 4711500 | 6 | Washer 5/16 | |
| 27 | 4711600 | 1 | Washer 3/8 | |
| 28 | 4751000 | 4 | Washer #10 | |
| 29 | 4791400 | 2 | Washer 1/4 | |
| 30 | 4891800 | 4 | Washer 1/2 | |
| 31 | 4922925 | 1 | Generator to Control Box Harness (See Separate Breakdown in ELECTRICAL SECTION) | |
| 32 | | Ref | Wiring Diagram Components (Not Shown) | |
| 32A | 1001119968 | 1 | Generator to Engine Harness (See Separate Breakdown in ELECTRICAL SECTION) | |
| 32B | 4922641 | 1 | Generator On/Off Switch Harness | |
| 33 | 1001212223 | 1 | Generator Assembly | |
| 33 | 70001100 | 1 | Rotor (Includes p/n 70001384 & 70000863) (Not Shown) | |
| 33 | 70001384 | 1 | Bearing, Ball Radial (Not Shown) | |
| 33 | 70000863 | 1 | Fan (Not Shown) | |
| 33 | 70006093 | 1 | Stator (Not Shown) | |
| 33 | 70002297 | 1 | Stud | |

SECTION 3 - ENGINE

| ITEM | PART NUMBER | QTY | DESCRIPTION | REV |
|------|-------------|-----|--|-----|
| 33 | 70003631 | 1 | Brushholder Assembly (Not Shown) (was p/n 7024484) | |
| 33A | 70004099 | 1 | Key | |
| 33B | 70001966 | 1 | Bearing, Ball Radial (Located in Belt Tensioner Endbell) | |
| 33B | 70003708 | 1 | Ring, Internal Retaining (Located in Belt Tensioner Endbell) | |
| 33B | 70003709 | 1 | Ring, External Retaining (Located in Belt Tensioner Endbell) | |
| 33C | 70004092 | 1 | Endbell, Belt Tensioner | |
| 33D | 70004094 | 1 | Endbell, Brush Block | |
| 33E | 70006094 | 1 | Shroud | |
| 33E | 70002291 | 1 | Insulator, Endbell | |
| 33E | 7027799 | 1 | Block, Connector - 6 Position (Not Shown) | |
| 33E | 70002460 | 1 | Nut, Brass (Attaches p/n 7027799 to Cover) (Not Shown) | |
| 33E | 70006095 | 1 | Breaker, Circuit 30Amp (Not Shown) | |
| 33E | 70006096 | 1 | Boot, Breaker (Not Shown) | |
| 33E | 7026626 | 1 | Connector, 6 Position (Includes Seal) (Not Shown - Plugs into Item 45) | |
| 33E | 7026597 | 1 | Connector with Leads (Not Shown) | |
| 33E | 70004098 | 1 | Clamp, Cable (Not Shown) | |
| 33E | 70006097 | 1 | Plate, End Panel | |
| 33E | 70001974 | 1 | Decal - Terminal Connections | |
| 33F | 70001973 | 1 | Decal - Warning Moving Parts | |
| 36 | 1001142643 | 1 | Support | |
| 37 | 1001142645 | 1 | Belt | |
| 38 | 0641616 | 1 | Bolt 3/8 x 2 | |
| 39 | 3311005 | 4 | Nut #10 | |
| | 1001157525 | Ref | JUNCTION BOX ASSEMBLY | B |
| 101 | 3300396 | 1 | Cover, Fuse | |
| 102 | 3311001 | 6 | Nut #10 | |
| 103 | 3520189 | 1 | Plug | |
| 104 | 3520192 | 1 | Plug | |
| 105 | 4360070 | 1 | Circuit Breaker - 15Amp | |
| 106 | 4460425 | 1 | Connector, Strain Relief | |
| 107 | 4460426 | 2 | Connector, Strain Relief | |
| 109 | 4711000 | 10 | Washer #10 | |
| 110 | 10702077 | 2 | Screw #10 x 3/8 | |
| 111 | 10702082 | 2 | Screw #10 x 3/4 | |
| 112 | 1001152525 | 1 | Plug | |
| 113 | 1001152520 | 1 | Block, Terminal | |
| 114 | 1001157521 | 1 | Box, Junction | |
| 115 | 1001157528 | 1 | Decal - Wiring Schematic | |
| 116 | 1001158007 | 1 | Cover, PVC | |
| 117 | 1001158008 | 2 | Stand-Off | |
| | 0272589 | Ref | DECAL INSTALLATION | A |
| 201 | 1705460 | 2 | Decal - SkyPower | |
| 202 | 1705461 | 1 | Decal - 240V - 3 Phase - 50Hz | |
| 203 | 1705489 | 3 | Decal - Hazardous Voltage | |

SECTION 3 - ENGINE

FIGURE 3-80. 7500W/60HZ SKYPOWER GENERATOR INSTALLATION - DEUTZ D2011 ENGINES



SECTION 3 - ENGINE

FIGURE 3-80. 7500W/60HZ SKYPOWER GENERATOR INSTALLATION - DEUTZ D2011 ENGINES

| ITEM | PART NUMBER | QTY | DESCRIPTION | REV |
|------|-------------|-----|--|-----|
| | 1001115387 | Ref | 7500W 60HZ SKYPOWER GENERATOR INSTALLATION - DEUTZ D2011 ENGINE MACHINES | F |
| 1 | 0100011 | AR | Compound, Locking | |
| 3 | 3252764 | 1 | Nameplate | |
| 4 | 3910606 | 4 | Screw #6 x 3/8 | |
| 5 | 0641516 | 3 | Bolt 5/16 x 2 | |
| 6 | 4751500 | 3 | Washer 5/16 | |
| 7 | 3311508 | 3 | Nut 5/16 | |
| 9 | 4360336 | 1 | Switch, Toggle | |
| 10 | 4060802 | 1 | Guard, Switch | |
| 11 | 3960422 | 1 | Gasket | |
| 12 | 1001110873 | 1 | Cover, Receptacle (60Hz Specs) | |
| 14 | 4460346 | 1 | Receptacle, Female | |
| 15 | 1001157592 | 1 | Junction Box Assembly (See Items 101-124 for Breakdown) | |
| 17 | 3931016 | 4 | Capscrew 3/8 x 1 | |
| 18 | 0860038 | 1 | Box, Switch | |
| 19 | 2460048 | 1 | Generator Assembly (Deutz D2011 Engines) | |
| 19 | 70001100 | 1 | Rotor (Includes p/n 70001384 & 70000863) (Not Shown) | |
| 19 | 70001384 | 1 | Bearing, Ball Radial (Not Shown): | |
| 19 | 70000863 | 1 | Fan (Not Shown) | |
| 19 | 70002088 | 1 | Stator | |
| 19 | 70002297 | 1 | Stud | |
| 19 | 7024484 | NLA | Brushholder Assembly (Not Shown) (Use p/n 70003631) | |
| 19A | 7024561 | NLA | Key - 2460048 Generator (Use p/n 70004171) | |
| 19B | 70001966 | 1 | Bearing, Ball Radial (Located in Belt Tensioner Endbell) | |
| 19B | 70003708 | 1 | Ring, Internal Retaining (Located in Belt Tensioner Endbell) | |
| 19B | 70003709 | 1 | Ring, External Retaining (Located in Belt Tensioner Endbell) | |
| 19C | 70001953 | 1 | Endbell, Belt Tensioner | |
| 19D | 70001385 | NLA | Endbell, Brush Block - (Use p/n 70004169) | |
| 19E | 70002290 | NLA | Shroud - (Use p/n 70004169) | |
| 19E | See Note | NSS | Insulator, Endbell (Note: Not Available for Purchase) | |
| 19E | 7027799 | 1 | Block, Connector 6 Position (Not Shown) | |
| 19E | 70002460 | 1 | Nut, Brass (Attaches p/n 7027799 to Cover) (Not Shown) | |
| 19E | 7024485 | 1 | Breaker, Circuit 30Amp (Not Shown) | |
| 19E | 70006095 | 1 | Breaker - 1001212223 Generator | |
| 19E | 70001696 | 1 | Boot, Breaker (Not Shown): | |
| 19E | 7026626 | 1 | Connector, 6 Position (Includes Seal) (Not Shown - Plugs into Item 36) | |
| 19E | 7026597 | 1 | Connector, W/Leads (Not Shown) | |
| 19E | 7026188 | 1 | Clamp, Cable (Not Shown) | |
| 19E | 70004169 | 1 | Plate, End Panel: | |
| 19E | 70001974 | 1 | Decal - Terminal Connections | |
| 19F | 70001973 | 1 | Decal - Warning Moving Parts | |
| 20 | 0641808 | 2 | Bolt 1/2 x 1 | |
| 22 | 0902888 | 1 | Bracket, Box Mounting | |
| 23 | 4711800 | 3 | Washer 1/2 | |
| 24 | 4711400 | 5 | Washer 1/4 | |
| 25 | 0641404 | 6 | Bolt 1/4 x 1/2 | |
| 28 | 1320318 | 1 | Clamp | |
| 29 | 4240018 | AR | Tie-Strap (Not Shown) | |

SECTION 3 - ENGINE

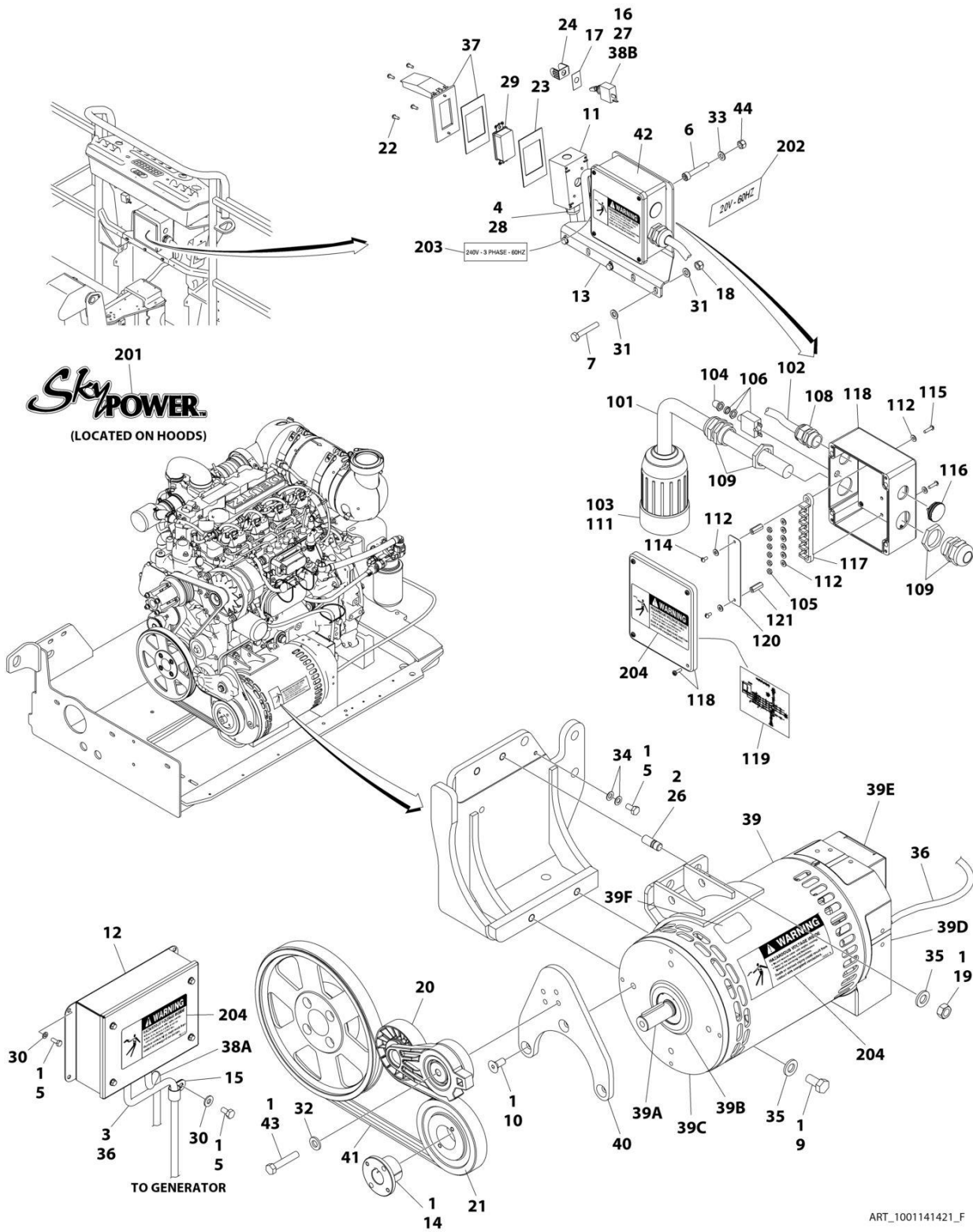
| ITEM | PART NUMBER | QTY | DESCRIPTION | REV |
|------|-------------|-----------------|--|-----|
| 30 | 4791400 | 2 | Washer 1/4 | |
| 33 | 0100019 | AR | Compound, Locking | |
| 35 | 4460071 | 1 | Connector, Strain Relief | |
| 36 | 0480129 | 1 | Belt, Drive | |
| 37 | 4032015 | 4 | Capscrew M10 x 55 | |
| 38 | 4300157 | 1 | Stud | |
| 39 | 3311801 | 1 | Nut 1/2-13 | |
| 40 | 0100062 | AR | Compound, Locking | |
| 41 | 2820031 | 1 | Insulator | |
| 42 | 0962520 | 1 | Bushing, Split Taper | |
| 43 | 0641618 | 1 | Bolt 3/8 x 2-1/4 | |
| 44 | 3580317 | 1 | Tensioner, Belt | |
| 45 | 3580318 | 1 | Pulley | |
| 46 | 3580320 | 1 | Pulley | |
| 47 | 4711600 | 1 | Washer 3/8 | |
| 48 | 4922925 | 1 | Generator to Control Box Harness (See Separate Breakdown in ELECTRICAL SECTION) | |
| 49 | 0861538 | 1 | Control Box Assembly | |
| 49 | 7024488 | 1 | Card, Circuit - Generator Power | |
| 49 | See Note | 1 | Fuse (Note: Not Available - Purchase Locally) | |
| 49 | 70000619 | 1 | Harness, Control Box (Internal) | |
| 49 | 7024489 | 1 | Card, Circuit - Control | |
| 49 | | Ref | Note: Same Circuit Card (P/N 7024489) is used for both 60Hz & 50Hz Specs. When replacing card, rocker switch on card must be set for required application. | |
| 50 | 0771415 | 1 | Bolt M14 x 35 Grade 10.9 | |
| 52 | 0100020 | AR | Sealant | |
| 53 | 4751000 | 4 | Washer #10 | |
| 54 | 3311005 | 4 | Nut #10 | |
| | 1001157592 | Ref | JUNCTION BOX ASSEMBLY | C |
| 101 | 1060343 | 1.5 ft /.46m | Cable, Electrical 10/4 | |
| 102 | 1001179154 | 2.5 ft /.76m | Cable, Electrical 12/3 | |
| 103 | 1671092 | 1 | Cover | |
| 104 | 3300396 | 1 | Cover, Fuse | |
| 105 | 3311001 | 6 | Nut #10 | |
| 106 | 4360070 | 1 | Circuit Breaker - 15 Amp | |
| 108 | 4460425 | 1 | Connector, Strain Relief | |
| 109 | 4460426 | 2 | Connector, Strain Relief | |
| 111 | 4460963 | 1 | Connector | |
| 112 | 4711000 | 4 | Washer #10 | |
| 114 | 10702077 | 2 | Screw #10 x 3/8 | |
| 115 | 10702082 | 2 | Screw #10 x 3/4 | |
| 116 | 1001152525 | 1 | Plug | |
| 117 | 1001157520 | 1 | Block, Terminal | |
| 118 | 1001157521 | 1 | Box, Junction | |
| 119 | 1001157528 | 1 | Decal - Wiring Schematic | |
| 120 | 1001158007 | 1 | Cover, PVC | |
| 121 | 1001158008 | 1 | Stand-Off | |
| | 0272435 | Ref | DECAL INSTALLATION | D |
| 201 | 1705460 | 2 | Decal - SkyPower | |

SECTION 3 - ENGINE

| ITEM | PART NUMBER | QTY | DESCRIPTION | REV |
|------|-------------|-----|--|-----|
| 202 | 3251243 | 1 | Decal - 120V - 60Hz (Not Shown - Located on Platform Receptacle) | |
| 203 | 1705375 | 1 | Decal - 240V - 3 Phase | |
| 204 | 1705387 | 3 | Decal, Hazardous Voltage | |
| | 1001157769 | Ref | ELECTRICAL DIAGRAM COMPONENTS | B |
| 301 | 1001152429 | 1 | Generator Harness (See Separate Breakdown in ELECTRICAL SECTION) | C |
| 303 | 4922641 | 1 | Switch Harness | |

SECTION 3 - ENGINE

FIGURE 3-81. 7500W/60HZ SKYPOWER GENERATOR INSTALLATION - DEUTZ TD2.9L4 ENGINES



SECTION 3 - ENGINE

FIGURE 3-81. 7500W/60HZ SKYPOWER GENERATOR INSTALLATION - DEUTZ TD2.9L4 ENGINES

| ITEM | PART NUMBER | QTY | DESCRIPTION | REV |
|------|-------------|-----|--|-----|
| | 1001141421 | Ref | 7500W SKYPOWER GENERATOR INSTALLATION | F |
| 1 | 0100011 | AR | Compound, Locking | |
| 2 | 0100019 | AR | Compound, Locking | |
| 3 | 0100048 | AR | Compound Terminal | |
| 4 | 0100079 | AR | Sealant | |
| 5 | 0641404 | 6 | Bolt 1/4 x 1/2 | |
| 6 | 3931016 | 4 | Capscrew #10 x 1 | |
| 7 | 0641516 | 3 | Bolt 5/16 x 2 | |
| 9 | 0641808 | 2 | Bolt 1/2 x 1 | |
| 10 | 0741607 | 3 | Screw 3/8 x 7/8 | |
| 11 | 0860038 | 1 | Box, Receptacle | |
| 12 | 0861538 | 1 | Control Box Assembly | |
| 12 | 7024488 | 1 | Card, Circuit - Generator Power | |
| 12 | See Note | NSS | Fuse (Note: Not Available - Purchase Locally) | |
| 12 | 7024489 | 1 | Card, Circuit - Control | |
| 12 | 70000619 | 1 | Harness, Control Box (Internal) | |
| | | Ref | Note: Same Circuit Card (P/N 7024489) is used for both 60Hz and 50Hz. When replacing card, rocker switch on card must be set for required application. | |
| 13 | 0902888 | 1 | Bracket | |
| 14 | 0962520 | 1 | Bushing, Split | |
| 15 | 1320318 | 1 | Clamp | |
| 16 | 2820031 | AR | Heat Shrink | |
| 17 | 3252764 | 1 | Nameplate - AC & Weld | |
| 18 | 3311505 | 3 | Nut 5/16 | |
| 19 | 3311801 | 2 | Nut 1/2 | |
| 20 | 3580317 | 1 | Tensioner, Belt | |
| 21 | 3580318 | 1 | Pulley | |
| 22 | 3910606 | 4 | Screw #6 x 3/8 | |
| 23 | 3960422 | 1 | Gasket | |
| 24 | 4060802 | 1 | Guard, Switch | |
| 25 | 4240018 | AR | Tie - Strap (Not Shown) | |
| 26 | 1001163599 | 2 | Stud | |
| 27 | 4360336 | 1 | Switch, Toggle | |
| 28 | 4460071 | 1 | Connector, Strain Relief | |
| 29 | 4460346 | 1 | Receptacle | |
| 30 | 4711400 | 5 | Washer 1/4 | |
| 31 | 4711500 | 6 | Washer 5/16 | |
| 32 | 4711600 | 1 | Washer 3/8 | |
| 33 | 4751000 | 4 | Washer #10 | |
| 34 | 4791400 | 2 | Washer 1/4 | |
| 35 | 4891800 | 4 | Washer 1/2 | |
| 36 | 4922925 | 1 | Generator to Control Box Harness (See Separate Breakdown in ELECTRICAL SECTION) | |
| 37 | 1001110873 | 1 | Cover | |
| 38 | | Ref | Wiring Diagram Components (Not Shown) | |
| 38A | 1001119968 | 1 | Generator to Engine Harness (See Separate Breakdown in ELECTRICAL SECTION) | |
| 38B | 4922641 | 1 | Generator ON/OFF Switch Harness | |
| 39 | 1001212223 | 1 | Generator Assembly | |

SECTION 3 - ENGINE

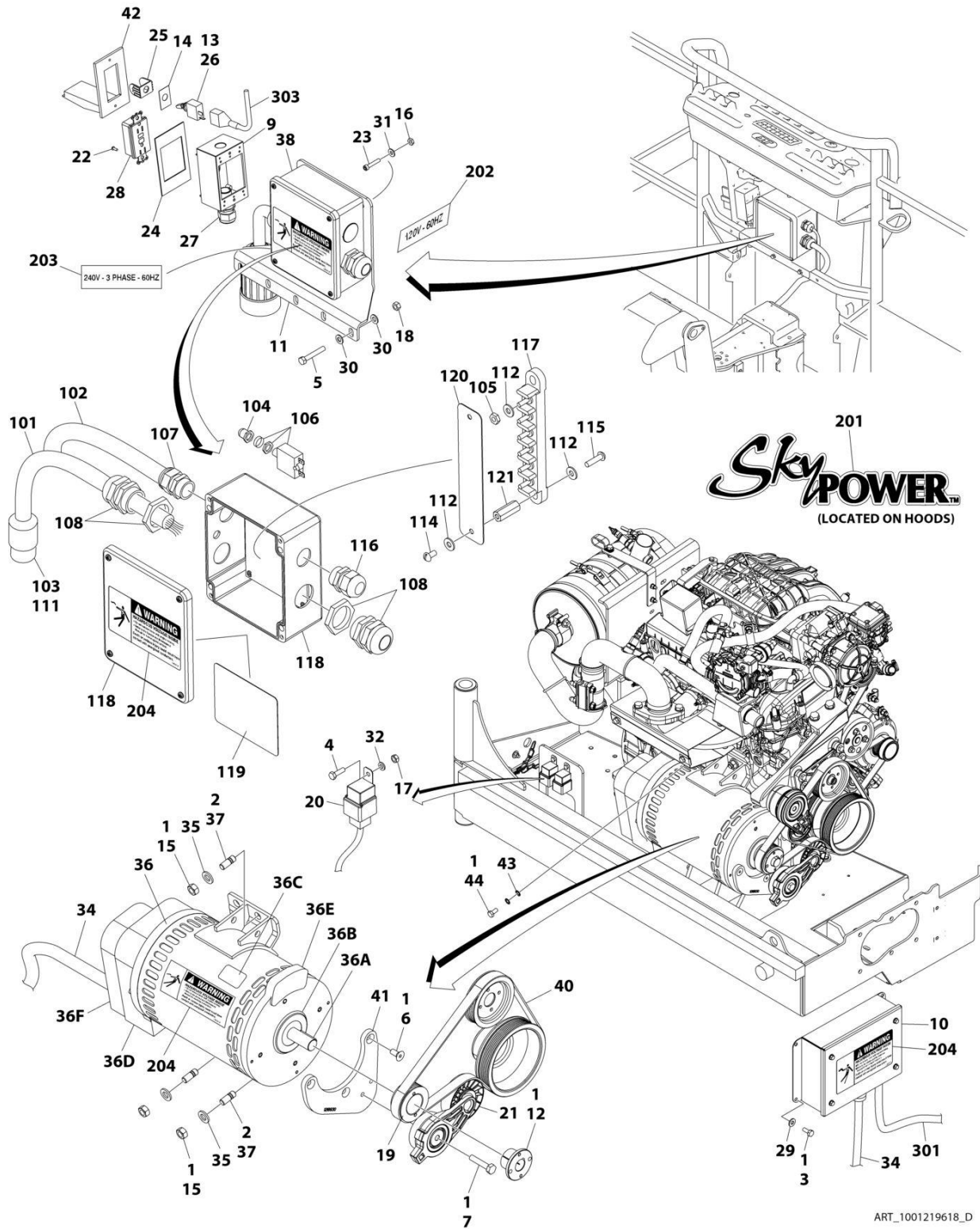
| ITEM | PART NUMBER | QTY | DESCRIPTION | REV |
|------|-------------|-----------------|--|-----|
| 39 | 70001100 | 1 | Rotor (Includes p/n 70001384 & 70000863) (Not Shown) | |
| 39 | 70001384 | 1 | Bearing, Ball Radial (Not Shown) | |
| 39 | 70000863 | 1 | Fan (Not Shown) | |
| 39 | 70006093 | 1 | Stator (Not Shown) | |
| 39 | 70002297 | 1 | Stud | |
| 39 | 70003631 | 1 | Brushholder Assembly (Not Shown) (was p/n 7024484) | |
| 39A | 70004099 | 1 | Key | |
| 39B | 70001966 | 1 | Bearing, Ball Radial (Located in Belt Tensioner Endbell) | |
| 39B | 70003708 | 1 | Ring, Internal Retaining (Located in Belt Tensioner Endbell) | |
| 39B | 70003709 | 1 | Ring, External Retaining (Located in Belt Tensioner Endbell) | |
| 39C | 70004092 | 1 | Endbell, Belt Tensioner | |
| 39D | 70004094 | 1 | Endbell, Brush Block | |
| 39E | 70006094 | 1 | Shroud | |
| 39E | 70002291 | 1 | Insulator, Endbell | |
| 39E | 7027799 | 1 | Block, Connector - 6 Position (Not Shown) | |
| 39E | 70002460 | 1 | Nut, Brass (Attaches p/n 7027799 to Cover) (Not Shown) | |
| 39E | 70006095 | 1 | Breaker, Circuit 30Amp (Not Shown) | |
| 39E | 70006096 | 1 | Boot, Breaker (Not Shown) | |
| 39E | 7026626 | 1 | Connector, 6 Position (Includes Seal) (Not Shown - Plugs into Item 45) | |
| 39E | 7026597 | 1 | Connector with Leads (Not Shown) | |
| 39E | 70004098 | 1 | Clamp, Cable (Not Shown) | |
| 39E | 70006097 | 1 | Plate, End Panel | |
| 39E | 70001974 | 1 | Decal - Terminal Connections | |
| 39F | 70001973 | 1 | Decal - Warning Moving Parts | |
| 40 | 1001142643 | 1 | Support | |
| 41 | 1001142646 | 1 | Belt | |
| 42 | 1001157592 | 1 | Junction Box Assembly (See Items 101-121 for Breakdown) | |
| 43 | 0641616 | 1 | Bolt 3/8 x 2 | |
| 44 | 3311005 | 4 | Nut #10 | |
| | 1001157592 | Ref | JUNCTION BOX ASSEMBLY | C |
| 101 | 1060343 | 1.5 ft/ 0.5m | Cable, Electrical 10/4 | |
| 102 | 1001179154 | 2.5 ft/ 76cm | Cable, Electrical 12/3 | |
| 103 | 1671092 | 1 | Cover, Connector | |
| 104 | 3300396 | 1 | Cover, Fuse | |
| 105 | 3311001 | 6 | Nut #10 | |
| 106 | 4360070 | 1 | Circuit Breaker - 15Amp | |
| 108 | 4460425 | 1 | Connector, Strain Relief | |
| 109 | 4460426 | 2 | Connector, Strain Relief | |
| 111 | 4460963 | 1 | Connector | |
| 112 | 4711000 | 4 | Washer #10 | |
| 114 | 10702077 | 2 | Screw #10 x 3/8 | |
| 115 | 10702082 | 2 | Screw #10 x 3/4 | |
| 116 | 1001152525 | 1 | Plug | |
| 117 | 1001157520 | 1 | Block, Terminal | |
| 118 | 1001157521 | 1 | Box, Junction | |
| 119 | 1001157528 | 1 | Decal - Wiring Schematic | |
| 120 | 1001158007 | 1 | Cover, PVC | |
| 121 | 1001158008 | 1 | Stand-Off | |
| | 0272435 | Ref | DECAL INSTALLATION | D |

SECTION 3 - ENGINE

| ITEM | PART NUMBER | QTY | DESCRIPTION | REV |
|------|-------------|-----|-------------------------------|-----|
| 201 | 1705460 | 2 | Decal - SkyPower | |
| 202 | 3251243 | 1 | Decal - 120V-60Hz | |
| 203 | 1705375 | 1 | Decal - 240V - 3 Phase - 60Hz | |
| 204 | 1705387 | 3 | Decal - Hazardous Voltage | |

SECTION 3 - ENGINE

FIGURE 3-82. 7500W/60HZ SKYPOWER GENERATOR INSTALLATION - FORD ENGINES



SECTION 3 - ENGINE

FIGURE 3-82. 7500W/60HZ SKYPOWER GENERATOR INSTALLATION - FORD ENGINES

| ITEM | PART NUMBER | QTY | DESCRIPTION | REV |
|------|-------------|-----|--|-----|
| | 1001219618 | Ref | 7500W SKYPOWER GENERATOR INSTALLATION - FORD ENGINES | D |
| | | Ref | Note: See ELECTRICAL SECTION for Boom Cable Components. | |
| 1 | 0100011 | AR | Compound, Locking | |
| 2 | 0100019 | AR | Compound, Locking | |
| 3 | 0641405 | 4 | Bolt 1/4 x 5/8 | |
| 4 | 0760610 | 2 | Bolt M6 x 20 | |
| 5 | 0641516 | 3 | Bolt 5/16 x 2 | |
| 6 | 0741607 | 3 | Screw 3/8 x 7/8 | |
| 7 | 0761018 | 1 | Bolt M10 x 50 | |
| 9 | 0860038 | 1 | Box, Switch | |
| 10 | 0861538 | 1 | Control Box Assembly | |
| 10 | 7024488 | 1 | Card, Circuit - Generator Power | |
| 10 | See Note | 1 | Fuse (Note: Not Available - Purchase Locally) | |
| 10 | 7024489 | 1 | Card, Circuit - Control | |
| 10 | 70000619 | 1 | Harness, Circuit Card | |
| 11 | 0902888 | 1 | Bracket, Box Mounting | |
| 12 | 0962520 | 1 | Bushing, Split Taper | |
| 13 | 2820031 | 1 | Heat Shrink | |
| 14 | 3252764 | 1 | Nameplate - AC & Weld | |
| 15 | 3291201 | 4 | Nut M12 | |
| 16 | 3311005 | 4 | Nut #10 | |
| 17 | 3290601 | 2 | Nut M6 | |
| 18 | 3311505 | 3 | Nut 5/16 | |
| 19 | 3580314 | 1 | Pulley | |
| 20 | 3740080 | 2 | Relay | |
| 21 | 3580317 | 1 | Tensioner, Belt | |
| 22 | 3910606 | 2 | Screw #6 x 3/8 | |
| 23 | 3931016 | 4 | Capscrew #10 x 1 | |
| 24 | 3960422 | 1 | Gasket | |
| 25 | 4060802 | 1 | Guard, Switch | |
| 26 | 4360336 | 1 | Switch, Toggle | |
| 27 | 4460071 | 1 | Connector, Strain Relief | |
| 28 | 4460346 | 1 | Receptacle | |
| 29 | 4711400 | 4 | Washer 1/4 | |
| 30 | 4711500 | 6 | Washer 5/16 | |
| 31 | 4751000 | 4 | Washer #10 | |
| 32 | 4811700 | 2 | Washer M6 | |
| 34 | 4922925 | 1 | Harness, Generator | |
| 35 | 5241200 | 4 | Washer M12 | |
| 36 | 1001136104 | 1 | Generator Assembly | |
| 36 | 70003631 | 1 | Brushholder Assembly (Not Shown) (was p/n 7024484) | |
| 36 | 7024485 | 1 | Breaker, Circuit 30Amp (Not Shown) | |
| 36 | 70001696 | 1 | Boot, Breaker (was p/n 7024486 - Not Shown) | |
| 36 | 70001966 | 1 | Bearing, Ball Radial (Located In Belt Tensioner Endbell - Not Shown) | |
| 36 | 7027799 | 1 | Block, Connector 6 Position (Not Shown) | |
| 36 | 70002460 | 6 | Nut, Brass (Attaches p/n 7027799 to Cover) (Not Shown) | |
| 36 | 7026188 | 1 | Clamp, Cable (Not Shown) | |
| 36 | 7026597 | 1 | Connector, W/Leads (Not Shown) | |

SECTION 3 - ENGINE

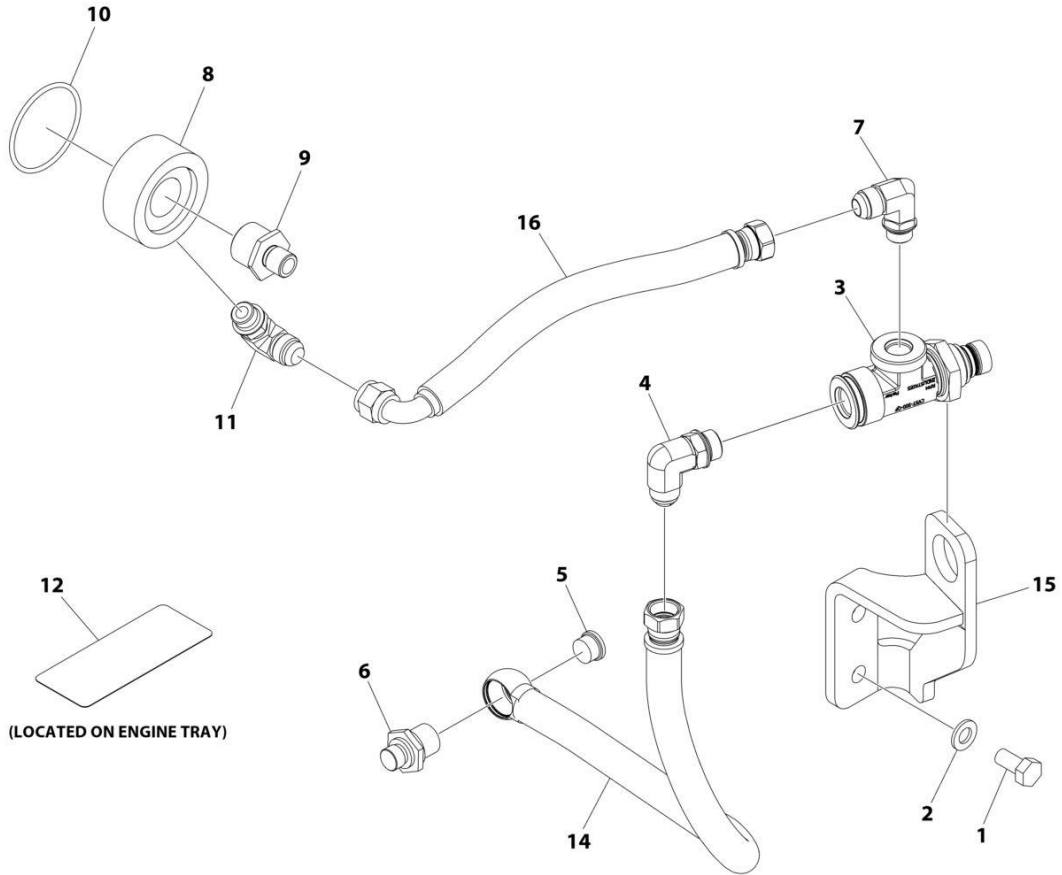
| ITEM | PART NUMBER | QTY | DESCRIPTION | REV |
|------|-------------|------------------|--|-----|
| 36 | 7026626 | 1 | Connector - 6 Position with Seal (Not Shown) | |
| 36 | 70002088 | 1 | Stator (Not Shown) | |
| 36 | 70004169 | 1 | Panel, End (Not Shown) (was p/n 70002255) | |
| 36 | 70001974 | 1 | Decal - Terminal Connections (Not Shown) | |
| 36 | 70000863 | 1 | Fan (Not Shown) | |
| 36 | 70002297 | 4 | Stud (Not Shown) | |
| 36A | 70004171 | 1 | Key (was p/n 7024561) | |
| 36A | 70001100 | 1 | Armature, Generator (Includes Radial Ball Bearing on End with Brushes and Fan) | |
| 36A | 70001384 | 1 | Bearing, Ball Radial | |
| 36B | 70001966 | 1 | Bearing, Radial Ball | |
| 36B | 70003708 | 1 | Ring, Internal Retaining (Located in Belt Tensioner Endbell) | |
| 36B | 70003709 | 1 | Ring, External Retaining (Located in Belt Tensioner Endbell) | |
| 36C | 70001973 | 1 | Decal - Warning Moving Parts | |
| 36D | 70004169 | 1 | Endbell, Brush Block (was p/n 70001385) | |
| 36E | 70001953 | 1 | Endbell, Belt Tensioner | |
| 36F | 70004169 | 1 | Endbell, Shroud Assembly (was p/n 70002290) | |
| 37 | 1001196382 | 4 | Stud | |
| 38 | 1001157592 | 1 | Junction Box Assembly (See Items 101-121 for Breakdown) | |
| 40 | 1001216390 | 1 | V-Belt | |
| 41 | 1001218930 | 1 | Mount, Tensioner | |
| 42 | 1001110873 | 1 | Cover, Receptacle | |
| 43 | 4871700 | 2 | Washer M6 | |
| 44 | 0760606 | 1 | Bolt M6 x 12 | |
| | 1001157592 | Ref | JUNCTION BOX ASSEMBLY | C |
| 101 | 1060343 | 1.5 ft /0.46m | Cable, Electrical - 10/4 (60Hz Only) | |
| 102 | 1001179154 | 2.5 ft /0.76m | Cable Electrical - 12/3 | |
| 103 | 1671092 | 1 | Cover, Connector | |
| 104 | 3300396 | 1 | Cover, Fuse | |
| 105 | 3311001 | 6 | Nut #10 | |
| 106 | 4360070 | 1 | Breaker, Circuit 15Amp | |
| 107 | 4460425 | 1 | Connector, Strain Relief | |
| 108 | 4460426 | 2 | Connector, Strain Relief | |
| 111 | 4460963 | 1 | Receptacle | |
| 112 | 4711000 | 10 | Washer #10 | |
| 114 | 10702077 | 2 | Screw #10 x 3/8 | |
| 115 | 10702082 | 2 | Screw #10 x 3/4 | |
| 116 | 1001152525 | 1 | Plug, Hole | |
| 117 | 1001157520 | 1 | Block, Terminal Pole | |
| 118 | 1001157521 | 1 | Box, Junction | |
| 119 | 1001157528 | 1 | Decal - Box Junction | |
| 120 | 1001158007 | 1 | Cover | |
| 121 | 1001158008 | 2 | Standoff | |
| | 0272435 | Ref | DECAL INSTALLATION | D |
| 201 | 1705460 | 2 | Decal - SkyPower | |
| 202 | 3251243 | 1 | Decal - 120V - 60Hz (60Hz Spec Only) (Located on Opposite Side) | |
| 203 | 1705375 | 1 | Decal - 240V - 3 Phase | |
| 204 | 1705387 | 3 | Decal, Hazardous Voltage | |
| | 1001221498 | Ref | ELECTRICAL DIAGRAM COMPONENTS | B |

SECTION 3 - ENGINE

| ITEM | PART NUMBER | QTY | DESCRIPTION | REV |
|------|-------------|-----|--|-----|
| 301 | 1001257972 | 1 | Generator to Engine Harness (See Separate Breakdown in ELECTRICAL SECTION) | |
| 303 | 4922641 | 1 | Generator On/Off Switch Harness | |

SECTION 3 - ENGINE

FIGURE 3-83. QUICKFIT OIL VALVE (DEUTZ ENGINES)



ART_1001285349

SECTION 3 - ENGINE

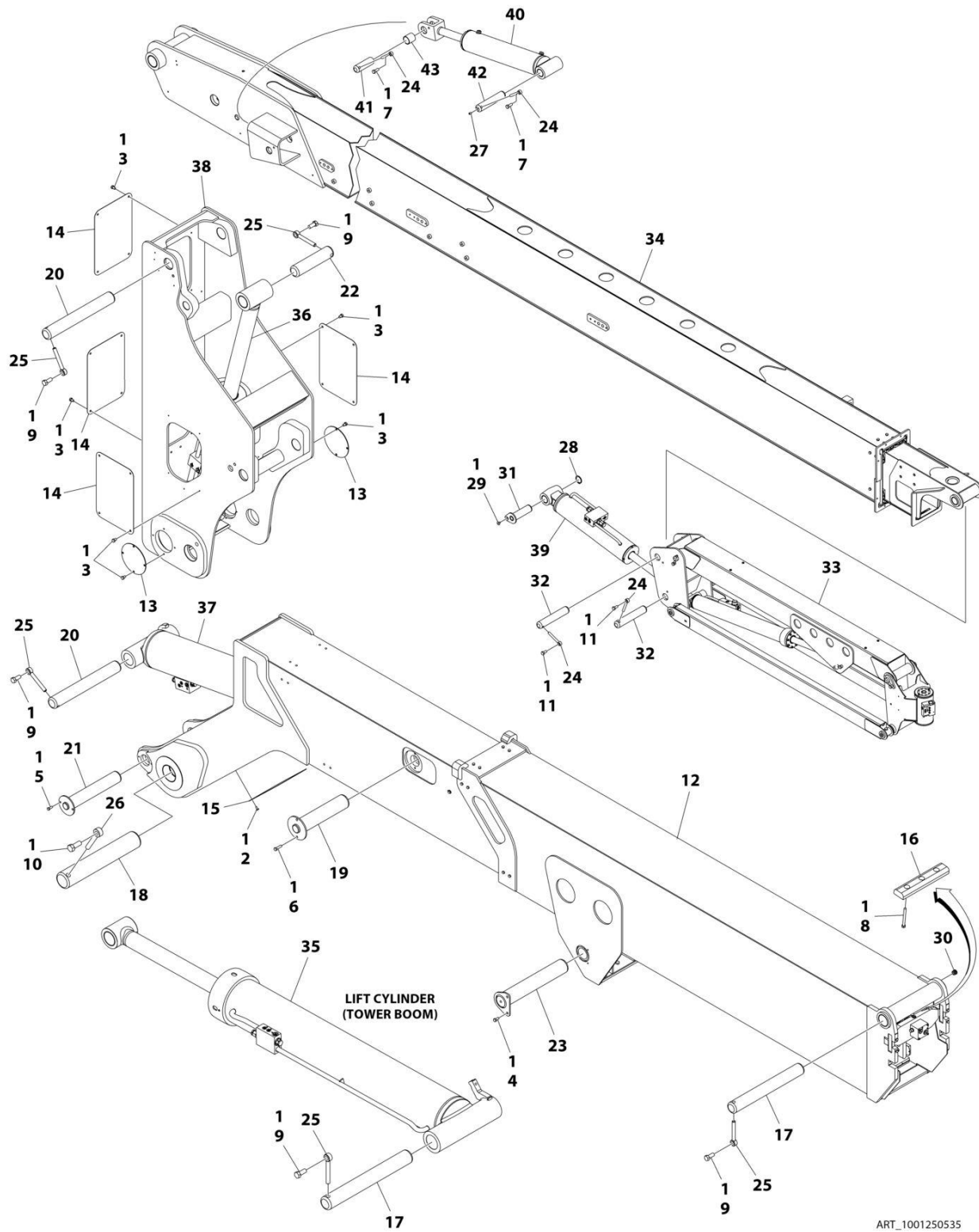
FIGURE 3-83. QUICKFIT OIL VALVE (DEUTZ ENGINES)

| ITEM | PART NUMBER | QTY | DESCRIPTION | REV |
|------|-------------|-----|-----------------------|-----|
| | 1001285349 | Ref | QUICKFIT OIL VALVE | A |
| 1 | 0761212 | 2 | Bolt M12 x 25 | |
| 2 | 4812100 | 2 | Washer M12 | |
| 3 | 1001281298 | 1 | Valve, Quickfit | |
| 4 | 1001281301 | 1 | Fitting, 90 | |
| 5 | 1001281304 | 1 | Plug | |
| 6 | 1001281305 | 1 | Fitting, Banjo | |
| 7 | 1001281307 | 1 | Fitting, 90 | |
| 8 | 1001281309 | 1 | Filter, Ring | |
| 9 | 1001281310 | 1 | Fitting, Straight | |
| 10 | 1001281311 | 1 | O-Ring | |
| 11 | 1001281359 | 1 | Valve, Check | |
| 12 | 1001281360 | 1 | Decal - RPM Quickfit | |
| 13 | 1001281656 | 1 | Tie-Strap (Not Shown) | |
| 14 | 1001284101 | 1 | Hose | |
| 15 | 1001287536 | 1 | Bracket | |
| 16 | 1001288113 | 1 | Hose | |

SECTION 4 - BOOM

SECTION 4 - BOOM

FIGURE 4-1. BOOM AND CYLINDER INSTALLATION



ART_1001250535

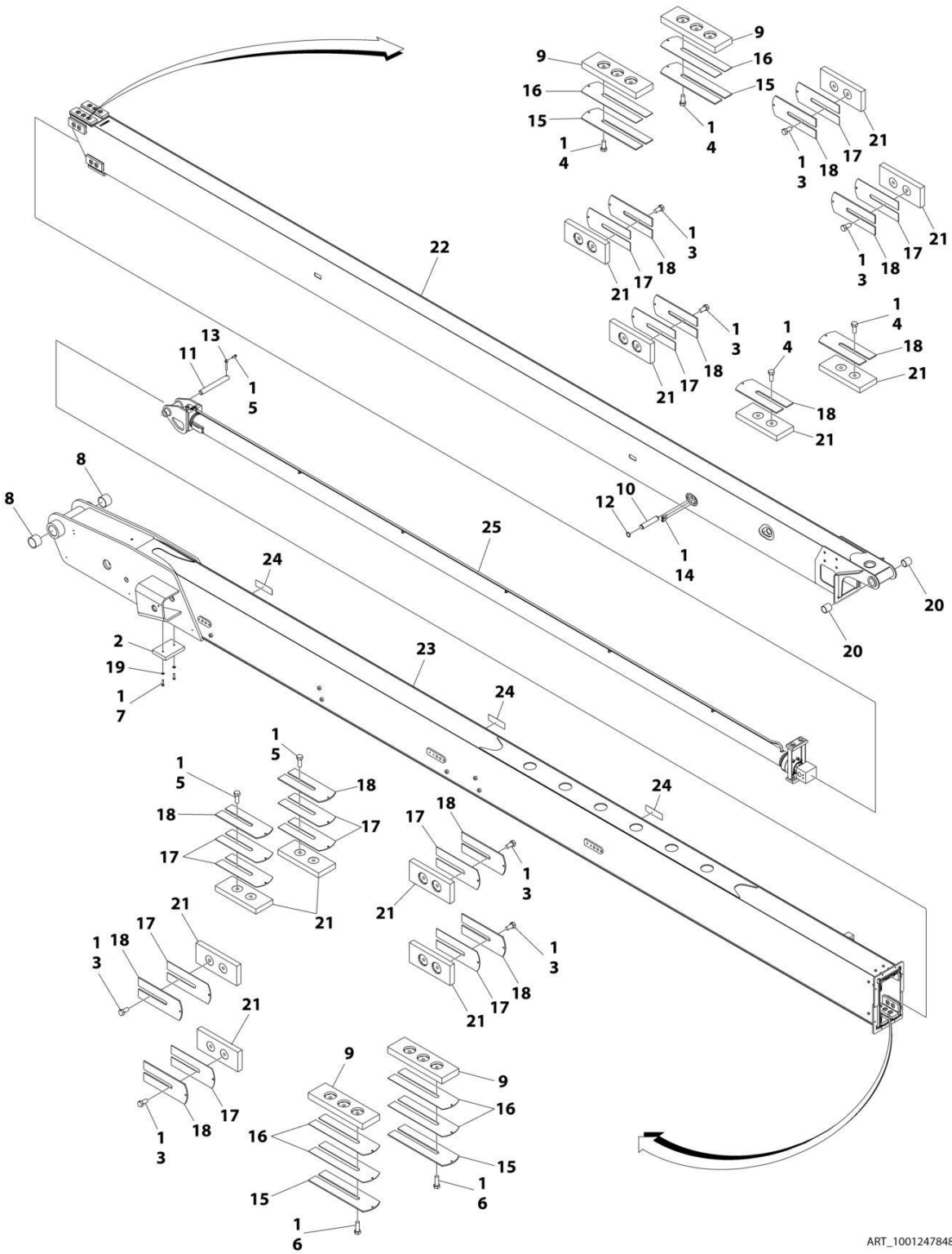
SECTION 4 - BOOM

FIGURE 4-1. BOOM AND CYLINDER INSTALLATION

| ITEM | PART NUMBER | QTY | DESCRIPTION | REV |
|------|-------------|-----|--|-----|
| | 1001250535 | Ref | BOOM AND CYLINDER INSTALLATION | C |
| 1 | 0100011 | AR | Compound, Locking | |
| 2 | 0641404 | 4 | Bolt 1/4 x 1/2 | |
| 3 | 0641604 | 24 | Bolt 3/8 x 1/2 | |
| 4 | 0641606 | 2 | Bolt 3/8 x 3/4 | |
| 5 | 0641608 | 2 | Bolt 3/8 x 1 | |
| 6 | 0641611 | 2 | Bolt 3/8 x 1-3/8 | |
| 7 | 0641810 | 2 | Bolt 1/2 x 1-1/4 | |
| 8 | 0641840 | 3 | Bolt 1/2 x 5 | |
| 9 | 0642214 | 5 | Bolt 3/4 x 1-3/4 | |
| 10 | 0642620 | 1 | Bolt 1 x 2-1/2 | |
| 11 | 0761212 | 2 | Bolt M12 | |
| 12 | 0801132 | 1 | Boom Assembly - Tower (See Separate Breakdown in this Section) | |
| 13 | 1120510 | 2 | Cover, Upright | |
| 14 | 1670844 | 4 | Cover, Upright | |
| 15 | 1670850 | 1 | Cover, Tower Fly | |
| 16 | 3340835 | 1 | Pad Rest | |
| 17 | 3422681 | 2 | Pin | |
| 18 | 3422683 | 1 | Pin | |
| 19 | 3422684 | 1 | Pin | |
| 20 | 3422685 | 2 | Pin | |
| 21 | 3422686 | 1 | Pin | |
| 22 | 3422687 | 1 | Pin | |
| 23 | 3422729 | 1 | Pin | |
| 24 | 3841203 | 4 | Keeper, Rod | |
| 25 | 3841287 | 5 | Keeper, Pin | |
| 26 | 3841356 | 1 | Keeper, Pin | |
| 27 | 3900239 | 1 | Set Screw | |
| 28 | 1001138671 | 1 | Ring, Snap | |
| 29 | 1001192027 | 1 | Bolt M10 | |
| 30 | 1001213705 | 1 | Cap | |
| 31 | 1001237142 | 1 | Pin | |
| 32 | 1001237949 | 2 | Pin | |
| 33 | 1001238331 | 1 | Jib Assembly (See Separate Breakdown in this Section) | |
| 34 | 1001247848 | 1 | Boom Assembly - Main (See Separate Breakdown in this Section) | |
| 35 | 1001251009 | 1 | Lift Cylinder Assembly - Tower Boom (See Separate Breakdown in CYLINDER SECTION) | |
| 36 | 1001251010 | 1 | Lift Cylinder Assembly - Main Boom (See Separate Breakdown in CYLINDER SECTION) | |
| 37 | 1001251041 | 1 | Level Cylinder Assembly - Upright (See Separate Breakdown in CYLINDER SECTION) | |
| 38 | 1001252315 | 1 | Upright | |
| 39 | 1001255320 | 1 | Lift Cylinder Assembly - Jib Level (See Separate Breakdown in CYLINDER SECTION) | |
| 40 | 1001255321 | 1 | Lift Cylinder Assembly - Master (See Separate Breakdown in CYLINDER SECTION) | |
| 41 | 1001256267 | 1 | Pin | |
| 42 | 1001257397 | 1 | Pin | |
| 43 | 1001118666 | 1 | Bearing | |

SECTION 4 - BOOM

FIGURE 4-2. MAIN BOOM ASSEMBLY



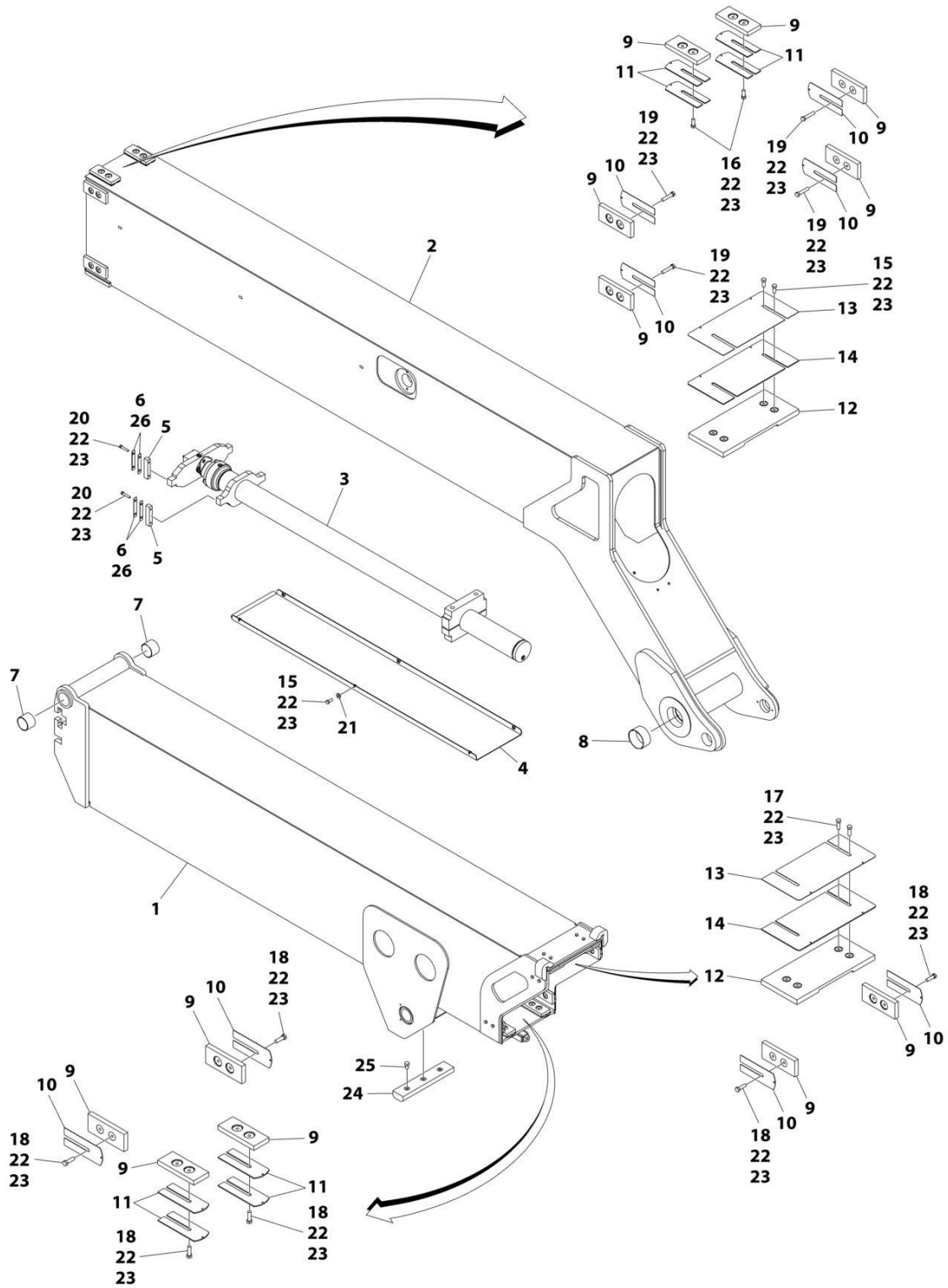
ART_1001247848

FIGURE 4-2. MAIN BOOM ASSEMBLY

| ITEM | PART NUMBER | QTY | DESCRIPTION | REV |
|------|-------------|-----|--|-----|
| | 1001247848 | Ref | MAIN BOOM ASSEMBLY | A |
| 1 | 0100011 | AR | Compound, Locking | |
| 2 | 0561295 | 1 | Block, Boom Rest | |
| 3 | 0641606 | 16 | Bolt 3/8 x 3/4 | |
| 4 | 0641607 | 10 | Bolt 3/8 x 7/8 | |
| 5 | 0641608 | 5 | Bolt 3/8 x 1 | |
| 6 | 0641609 | 6 | Bolt 3/8 x 1-1/8 | |
| 7 | 0641612 | 2 | Bolt 3/8 x 1-1/2 | |
| 8 | 0962102 | 2 | Bushing | |
| 9 | 3340871 | 4 | Pad, Wear | |
| 10 | 3422457 | 1 | Pin | |
| 11 | 3422690 | 1 | Pin | |
| 12 | 3760133 | 2 | Ring, Retaining | |
| 13 | 3841143 | 1 | Keeper, Pin | |
| 14 | 3900259 | 4 | Bolt, Shoulder | |
| 15 | 4070863 | 4 | Shim 1/8 | |
| 16 | 4070864 | 6 | Shim .05 | |
| 17 | 4070897 | 12 | Shim .05 | |
| 18 | 4070898 | 12 | Shim 1/8 | |
| 19 | 4711600 | 2 | Washer 3/8 | |
| 20 | 1001118666 | 2 | Bearing | |
| 21 | 1001148652 | 12 | Pad, Wear | |
| 22 | 1001247846 | 1 | Boom, Fly | |
| 23 | 1001247847 | 1 | Boom, Base | |
| 24 | 1001250737 | 3 | Cover | |
| 25 | 1001251087 | 1 | Cylinder Assembly - Telescope (Main Boom) (See Separate Breakdown in CYLINDER SECTION) | |

SECTION 4 - BOOM

FIGURE 4-3. TOWER BOOM ASSEMBLY



ART_0801132_I

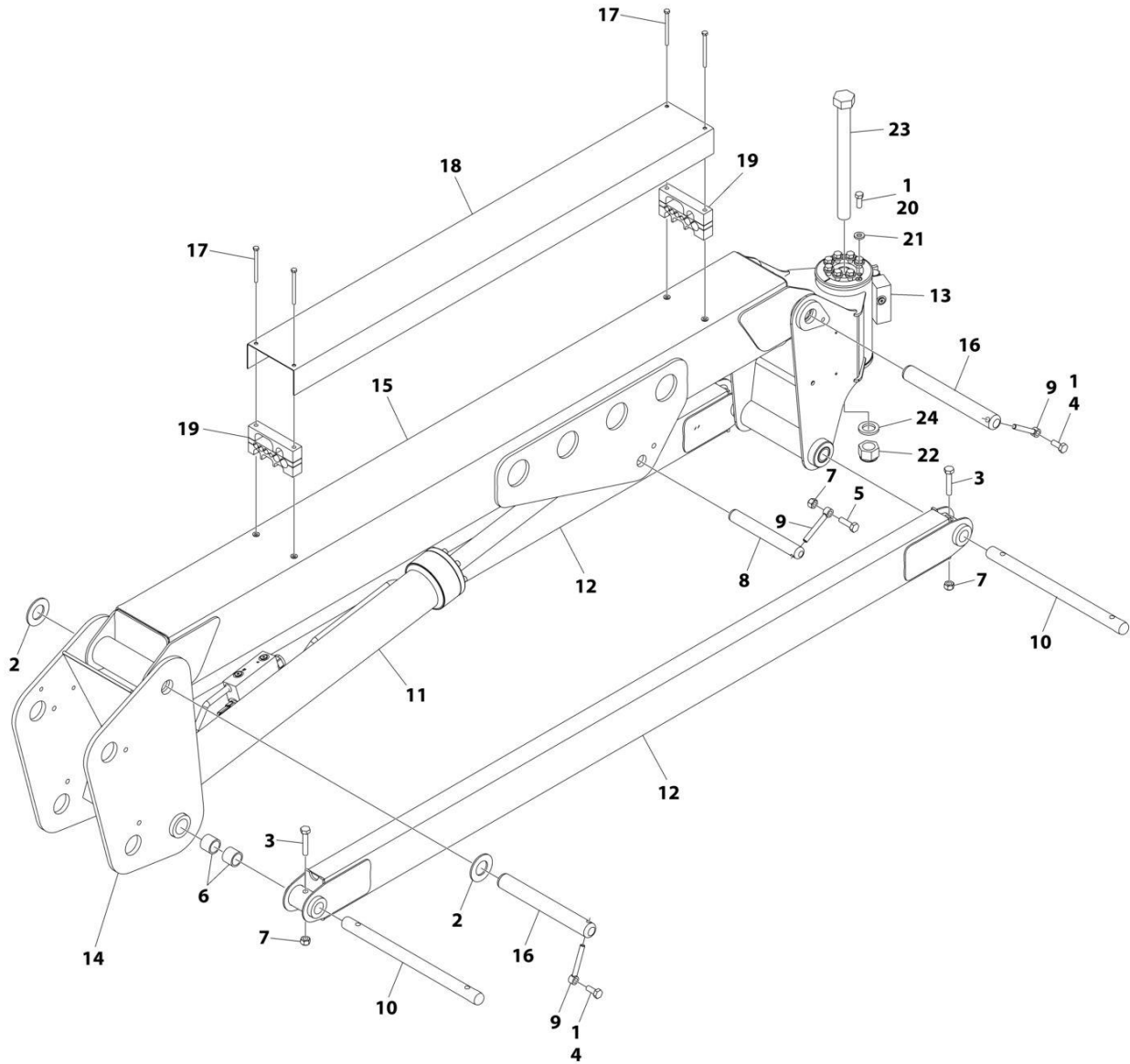
SECTION 4 - BOOM

FIGURE 4-3. TOWER BOOM ASSEMBLY

| ITEM | PART NUMBER | QTY | DESCRIPTION | REV |
|------|-------------|-----|--|-----|
| | 0801132 | Ref | TOWER BOOM ASSEMBLY | I |
| 1 | 0801594 | 1 | Base, Boom | |
| 2 | 0801496 | 1 | Fly, Boom | |
| 3 | 1001251086 | 1 | Tower Telescope Cylinder Assembly (See Separate Breakdown in CYLINDER Section) | |
| 4 | 4340706 | 1 | Support | |
| 5 | 0561185 | 4 | Block, Attach | |
| 6 | 4070929 | 4 | Shim 1/16 | |
| 7 | 0962102 | 2 | Bushing | |
| 8 | 0962122 | 2 | Bushing | |
| 9 | 3340881 | 12 | Pad, Wear | |
| 10 | 4070897 | 8 | Shim .05 | |
| 11 | 4070898 | 8 | Shim .12 | |
| 12 | 3340828 | 2 | Pad, Wear | |
| 13 | 4070967 | 2 | Shim .05 | |
| 14 | 4070968 | 2 | Shim .12 | |
| 15 | 0641607 | 10 | Bolt 3/8 x 7/8 | |
| 16 | 0641608 | 4 | Bolt 3/8 x 1 | |
| 17 | 0641609 | 4 | Bolt 3/8 x 1-1/8 | |
| 18 | 0641610 | 12 | Bolt 3/8 x 1-1/4 | |
| 19 | 0641615 | 8 | Bolt 3/8 x 1-7/8 | |
| 20 | 0641616 | 8 | Bolt 3/8 x 2 | |
| 21 | 4711600 | 6 | Washer 3/8 | |
| 22 | 0100011 | AR | Compound, Locking | |
| 23 | 0100038 | AR | Primer, Locking | |
| 24 | 3340835 | 1 | Pad, Boom Rest | |
| 25 | 0641806 | 3 | Bolt 1/2 x 3/4 | |
| 26 | 4071007 | 4 | Shim 20Ga | |

SECTION 4 - BOOM

FIGURE 4-4. JIB ASSEMBLY



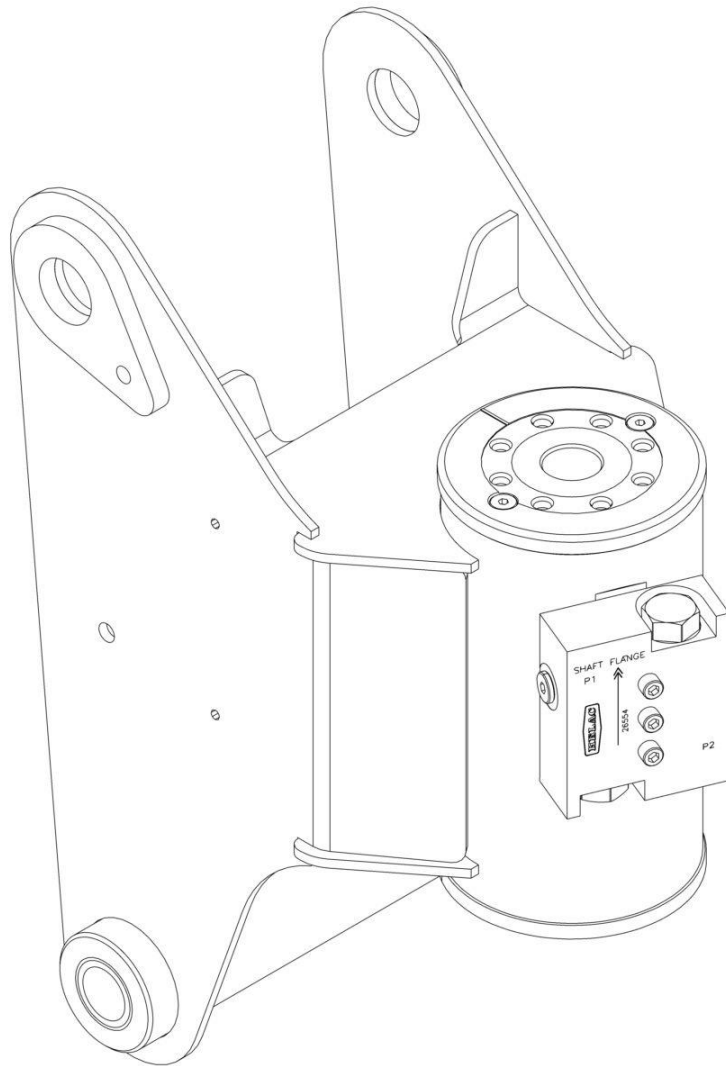
ART_1001238331_G

FIGURE 4-4. JIB ASSEMBLY

| ITEM | PART NUMBER | QTY | DESCRIPTION | REV |
|------|-------------|-----|--|-----|
| | 1001238331 | Ref | JIB ASSEMBLY | G |
| 1 | 0100011 | AR | Compound, Locking | |
| 2 | 0440237 | 2 | Bearing | |
| 3 | 0701020 | 4 | Bolt M10 x 60 | |
| 4 | 0761012 | 2 | Bolt M10 x 25 | |
| 5 | 0761015 | 1 | Bolt M10 x 35 | |
| 6 | 1001134289 | 4 | Bearing | |
| 7 | 3291005 | 5 | Nut M10 | |
| 8 | 3422867 | 1 | Pin | |
| 9 | 3841143 | 3 | Keeper, Pin | |
| 10 | 3422861 | 2 | Pin | |
| 11 | 1001264991 | 1 | Cylinder Assembly - Jib (See Separate Breakdown in CYLINDER Section) | |
| 12 | 4844817 | 2 | Tube, Jib (Lower) | |
| 13 | 1001307725 | 1 | Rotator Assembly - Platform (See Separate Breakdown in this Section) | |
| 14 | 1001238169 | 1 | Pivot | |
| 15 | 1001238333 | 1 | Tube, Jib (Upper) | |
| 16 | 1001238398 | 2 | Pin | |
| 17 | 0700624 | 4 | Bolt M6 x 80 | |
| 18 | 1671034 | 1 | Cover, JIB | |
| 19 | 1001165350 | 2 | Block, Clamp | |
| 20 | 0681608 | 8 | Bolt 3/8 x 1 | |
| 21 | 4891600 | 8 | Washer 3/8 | |
| 22 | 1001174040 | 1 | Nut | |
| 23 | 1001255133 | 1 | Bolt 1 x 11 | |
| 24 | 4892600001 | 1 | Washer | |

SECTION 4 - BOOM

FIGURE 4-5. PLATFORM ROTATOR ASSEMBLY



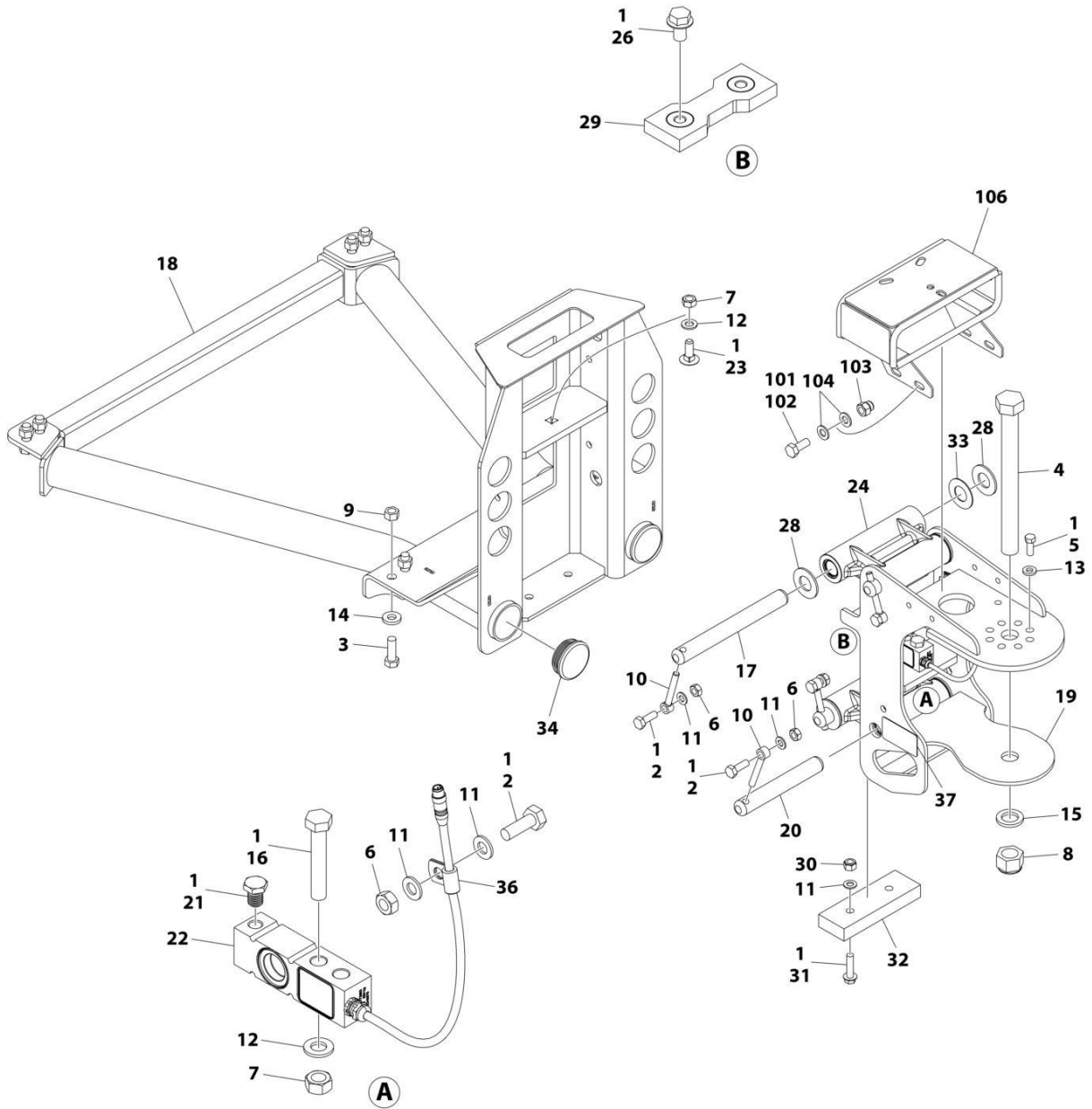
ART_1001307725

FIGURE 4-5. PLATFORM ROTATOR ASSEMBLY

| ITEM | PART NUMBER | QTY | DESCRIPTION | REV |
|------|------------------------|------------|---|-----|
| | 1001307725 See Note | Ref NSS | PLATFORM ROTATOR ASSEMBLY Note: No Service Parts Available at Time of Printing | A |

SECTION 4 - BOOM

FIGURE 4-6. SUPPORT, PLATFORM INSTALLATION



ART_1001167596

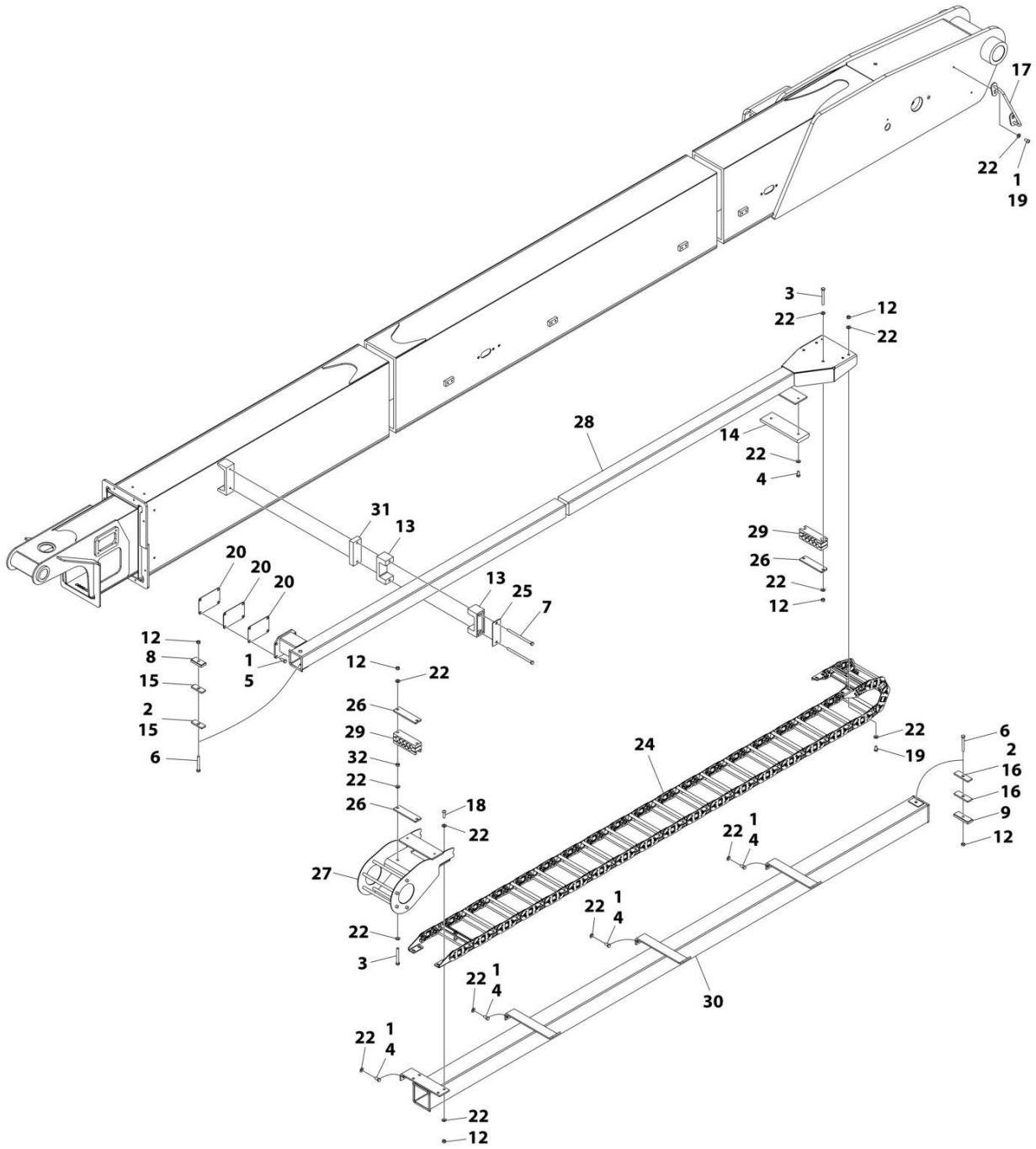
SECTION 4 - BOOM

FIGURE 4-6. SUPPORT, PLATFORM INSTALLATION

| ITEM | PART NUMBER | QTY | DESCRIPTION | REV |
|------|-------------|-----|------------------------------------|-----|
| | 1001167596 | Ref | PLATFORM SUPPORT INSTALLATION | N |
| 1 | 0100011 | AR | Compound, Locking | |
| 2 | 0761014 | 5 | Bolt M10 x 30 | |
| 3 | 0761216 | 8 | Bolt M12 x 40 | |
| 4 | 1001255133 | 1 | Bolt 1 x 11 | |
| 5 | 0681608 | 8 | Bolt 3/8 x 1 GRD8 | |
| 6 | 3291001 | 5 | Nut M10 | |
| 7 | 3291201 | 3 | Nut M12 | |
| 8 | 1001174040 | 1 | Nut 1 | |
| 9 | 3291205 | 8 | Nut M12 | |
| 10 | 3841143 | 4 | Keeper, Pin | |
| 11 | 4812000 | 8 | Washer M10 | |
| 12 | 4812100 | 3 | Washer M12 | |
| 13 | 4891600 | 8 | Washer 3/8 | |
| 14 | 5241200 | 8 | Washer M12 | |
| 15 | 4892600001 | 1 | Washer 1 | |
| 16 | 1001098828 | 2 | Bolt M12 x 70 CL10.9 | |
| 17 | 1001167565 | 2 | Pin | |
| 18 | 1001200494 | 1 | Support, Platform | |
| 19 | 1001167567 | 1 | Support, Rotator | |
| 20 | 1001168402 | 2 | Pin | |
| 21 | 1001188622 | 1 | Screw | |
| 22 | 1001247468 | 1 | Gauge, Load Sensing | |
| 23 | 1001188844 | 1 | Bolt M12 x 35 | |
| 24 | 1001201351 | 2 | Link | |
| 26 | 5251008 | 2 | Bolt M10 x 16 CL10.9 | |
| 28 | 1001189002 | 8 | Bearing | |
| 29 | 1001190985 | 1 | Pad, Wear | |
| 30 | 3291005 | 2 | Nut M10 | |
| 31 | 5251016 | 2 | Bolt M10 x 40 CL10.9 | |
| 32 | 1001200491 | 1 | Pad, Wear | |
| 33 | 1001189001 | 4 | Bearing | |
| 34 | 1001204725 | 2 | Plug | |
| 36 | 91203039 | 1 | Clamp | |
| 37 | 1001216630 | 2 | Decal - Tie Down/No Lift | |
| 38 | 1001238421 | Ref | Kit, Platform Leveling (Not Shown) | |
| | 1001202687 | Ref | VALVE MOUNT INSTALLATION | B |
| 101 | 0100011 | AR | Compound, Locking | |
| 102 | 0760810 | 4 | Bolt M8 x 20 | |
| 103 | 3290806 | 4 | Nut M8 | |
| 104 | 4811900 | 8 | Washer M8 | |
| 106 | 1001208994 | 1 | Mount, Valve | |

SECTION 4 - BOOM

FIGURE 4-7. POWER TRACK INSTALLATION - MAIN BOOM



ART_1001253658_E

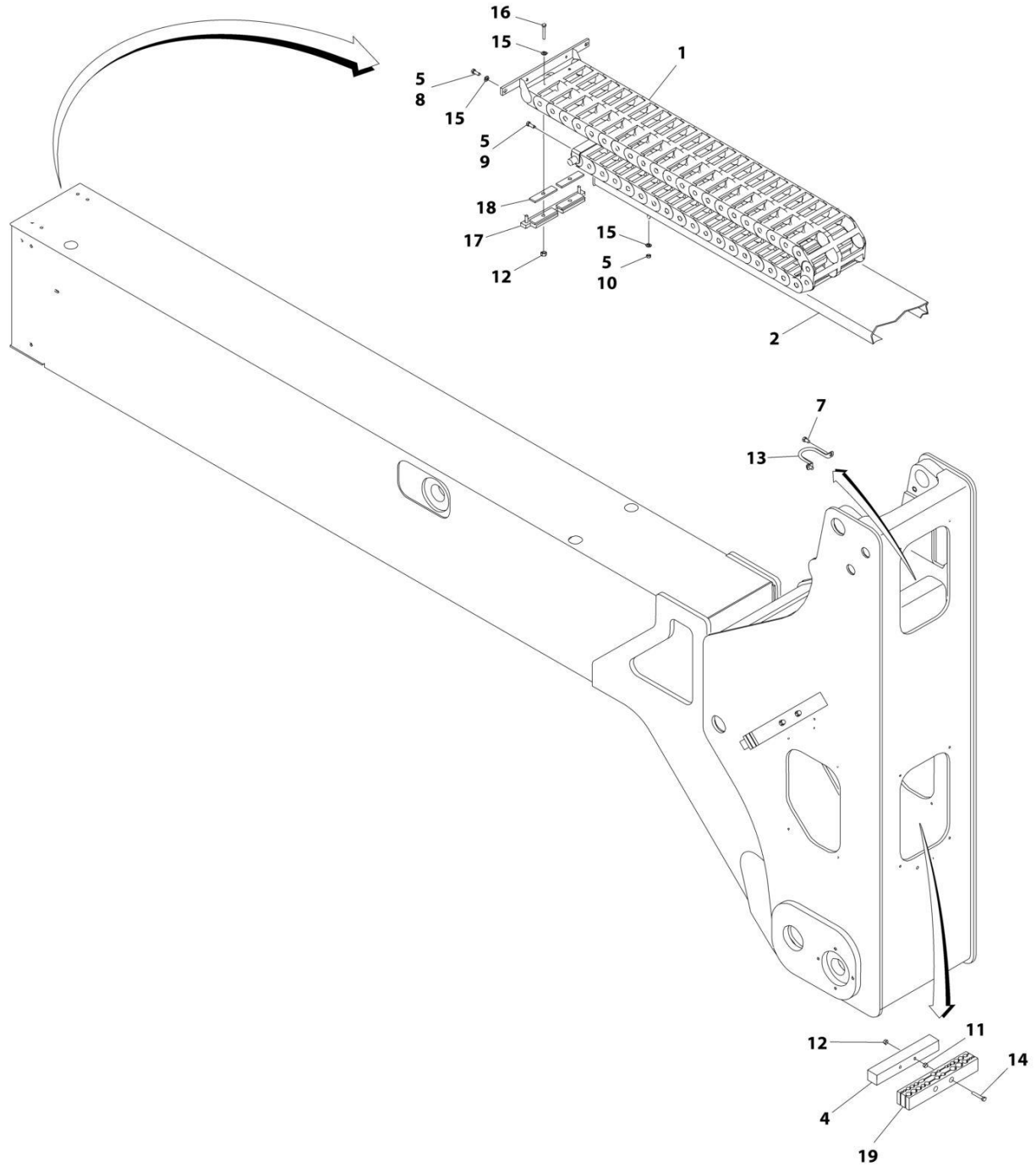
SECTION 4 - BOOM

FIGURE 4-7. POWER TRACK INSTALLATION - MAIN BOOM

| ITEM | PART NUMBER | QTY | DESCRIPTION | REV |
|------|-------------|-----|--------------------------|-----|
| | 1001253658 | Ref | POWER TRACK INSTALLATION | E |
| 1 | 0100011 | AR | Compound, Locking | |
| 2 | 0100081 | AR | Adhesive | |
| 3 | 0630593 | 4 | Bolt 3/8 x 3-1/4 | |
| 4 | 0641606 | 10 | Bolt 3/8 x 3/4 | |
| 5 | 0641607 | 4 | Bolt 3/8 x 7/8 | |
| 6 | 0641624 | 2 | Bolt 3/8 x 3 | |
| 7 | 0641648 | 2 | Bolt 3/8 x 6 | |
| 8 | 1320288 | 1 | Clamp | |
| 9 | 1320289 | 1 | Clamp | |
| 12 | 3311605 | 14 | Nut 3/8 | |
| 13 | 3340764 | 2 | Pad | |
| 14 | 3340840 | 1 | Pad | |
| 15 | 3340941 | 2 | Pad | |
| 16 | 3340943 | 2 | Pad, Rubber | |
| 17 | 3841406 | 1 | Loop, Hose | |
| 18 | 3900232 | 4 | Screw 3/8 x 1-1/4 | |
| 19 | 3900283 | 6 | Screw 3/8 x 3/4 | |
| 20 | 4070969 | 3 | Shim 16 Gauge | |
| 22 | 4711600 | 38 | Washer 3/8 | |
| 24 | 1001099837 | 1 | Power Track Assembly | |
| 24 | 70002013 | 1 | Repair Section | |
| 24 | 70002014 | 1 | Mounting Kit | |
| 25 | 1001136400 | 1 | Plate, Backing | |
| 26 | 1001249824 | 3 | Plate | |
| 27 | 1001250384 | 1 | Mount | |
| 28 | 1001253724 | 1 | Push Tube | |
| 29 | 1001253880 | 2 | Clamp, Hose | |
| 30 | 1001254317 | 1 | Tube | |
| 31 | 1001254632 | 1 | Spacer | |
| 32 | 3271601 | 2 | Nut 3/8 | |

SECTION 4 - BOOM

FIGURE 4-8. POWER TRACK INSTALLATION - TOWER BOOM



ART_1001261274

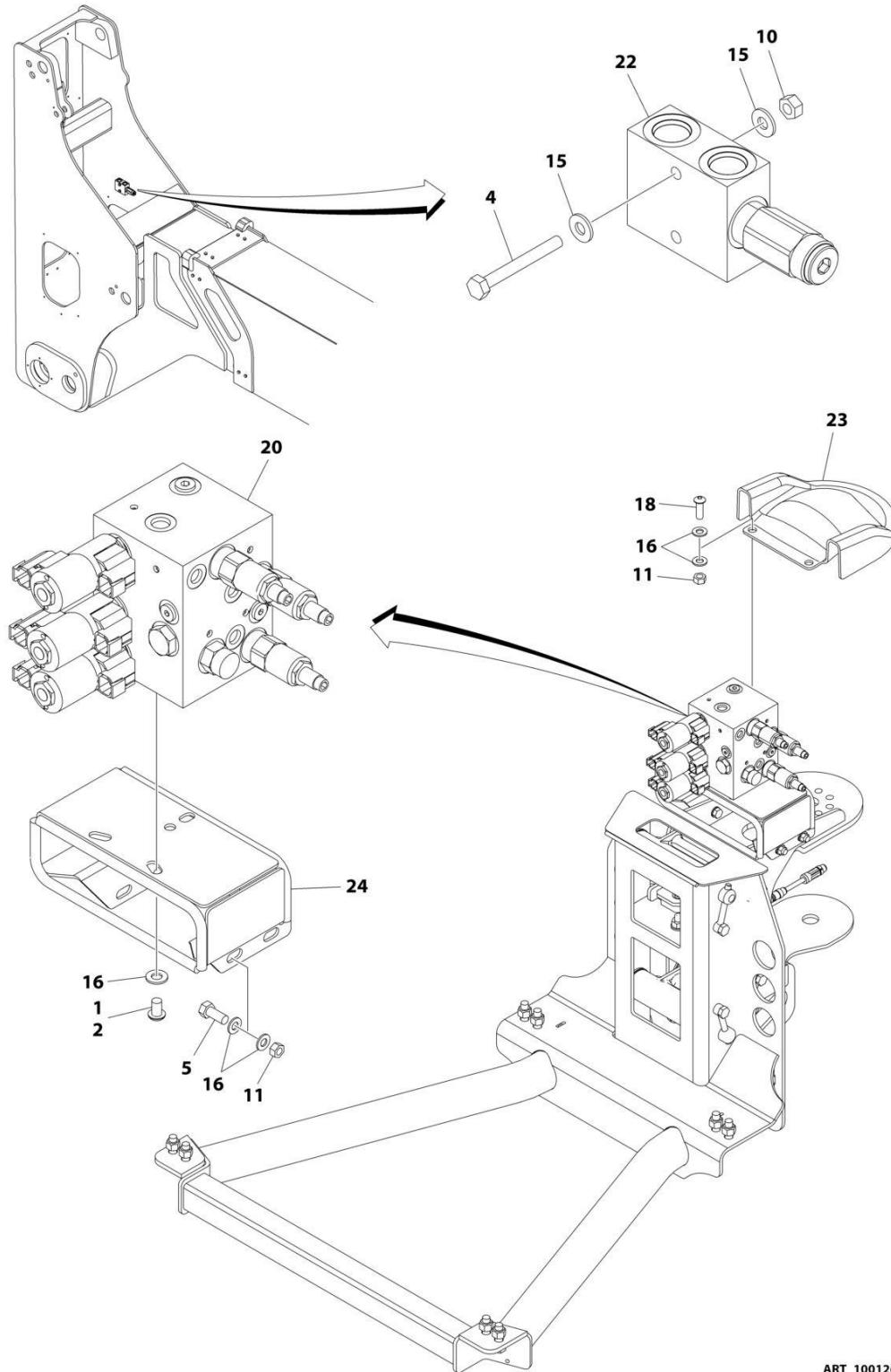
SECTION 4 - BOOM

FIGURE 4-8. POWER TRACK INSTALLATION - TOWER BOOM

| ITEM | PART NUMBER | QTY | DESCRIPTION | REV |
|------|-------------|-----|--------------------------|-----|
| | 1001261274 | Ref | POWER TRACK INSTALLATION | B |
| 1 | 1180346 | 1 | Track, Power | |
| 1 | 7020064 | 1 | Bracket, End (Moving) | |
| 1 | 7020065 | 1 | Bracket, End (Fixed) | |
| 1 | 7020066 | 1 | Section, Repair | |
| 1 | 7020067 | 1 | Link, Repair | |
| 2 | 4845680 | 1 | Tube, Hose | |
| 4 | 1320250 | 2 | Bar | |
| 5 | 0100011 | AR | Compound, Locking | |
| 7 | 0641605 | 2 | Bolt 3/8 x 5/8 | |
| 8 | 0641606 | 2 | Bolt 3/8 x 3/4 | |
| 9 | 0641622 | 2 | Bolt 3/8 x 2-3/4 | |
| 10 | 3311601 | 4 | Nut 3/8 | |
| 11 | 3311602 | 4 | Nut 3/8 | |
| 12 | 3311605 | 6 | Nut 3/8 | |
| 13 | 3841340 | 1 | Rod, Hose Loop | |
| 14 | 3900262 | 4 | Bolt 3/8 x 4-3/4 | |
| 15 | 4711600 | 8 | Washer 3/8 | |
| 16 | 0641624 | 2 | Bolt 3/8 x 3 | |
| 17 | 0259420 | 1 | Clamp | |
| 18 | 3340859 | 2 | Pad | |
| 19 | 1001261272 | 2 | Clamp, Block | |

SECTION 4 - BOOM

FIGURE 4-9. CONTROL VALVES INSTALLATION - WITH 2WS



ART_1001260277_20F2

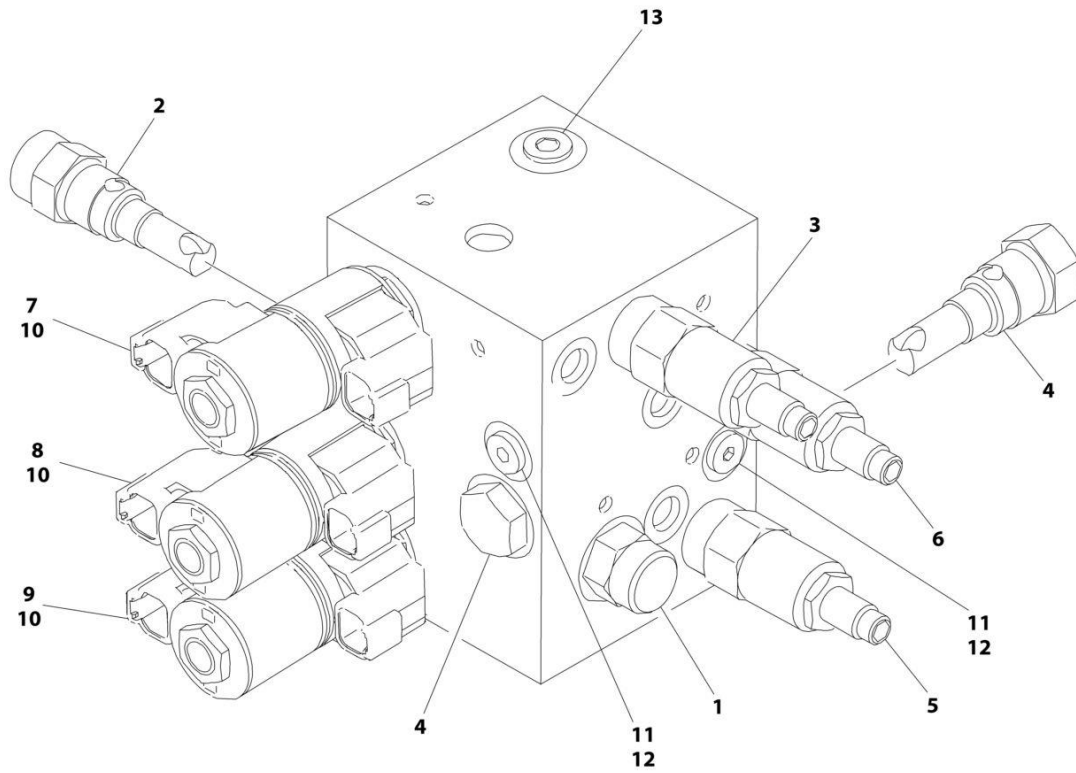
SECTION 4 - BOOM

FIGURE 4-9. CONTROL VALVES INSTALLATION - WITH 2WS

| ITEM | PART NUMBER | QTY | DESCRIPTION | REV |
|------|-------------|-----|--|-----|
| | 1001260277 | Ref | BOOM VALVES INSTALLATION | A |
| 1 | 0100011 | AR | Compound, Locking | |
| 2 | 0630467 | 3 | Screw 5/16 x 1/2 | |
| 4 | 0641418 | 4 | Bolt 1/4 x 2-1/4 | |
| 5 | 0641507 | 4 | Bolt 5/16 x 7/8 | |
| 10 | 3311405 | 2 | Nut 1/4 | |
| 11 | 3311505 | 6 | Nut 5/16 | |
| 15 | 4711400 | 11 | Washer 1/4 | |
| 16 | 4711500 | 15 | Washer 5/16 | |
| 18 | 88261024 | 2 | Capscrew 5/16 x 1 | |
| 20 | 1001253677 | 1 | Boom Valve Assembly (See Separate Breakdown in this Section) | |
| 22 | 1001200054 | 1 | Valve Assembly (Relief) | |
| 22 | 7012970 | 1 | Cartridge, Valve | |
| 22 | 7012953 | 1 | Seal Kit - 7012970 Valve | |
| 23 | 1001207969 | 1 | Cover | |
| 24 | 1001208994 | 1 | Mount | |

SECTION 4 - BOOM

FIGURE 4-10. CONTROL VALVE ASSEMBLY



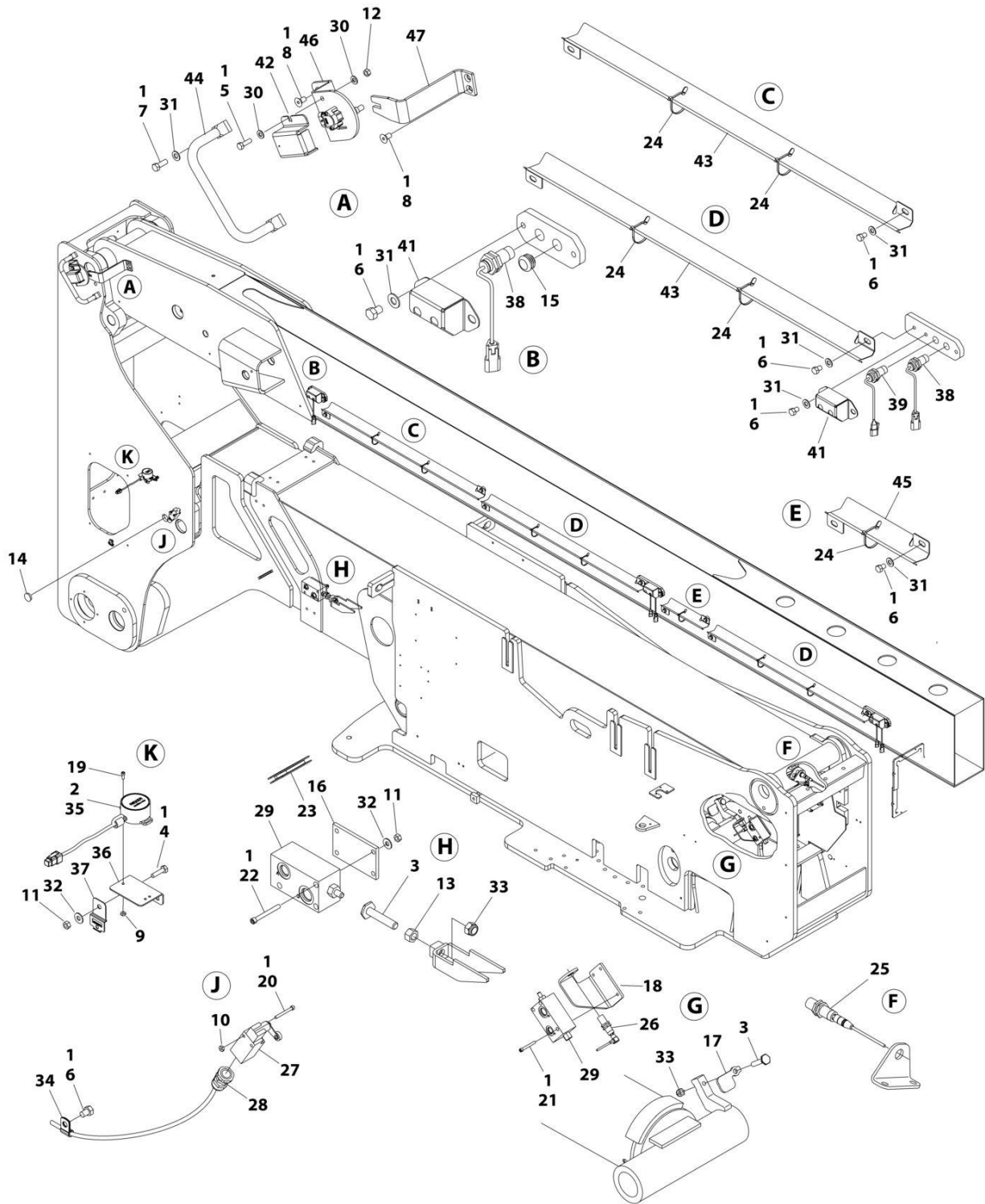
ART_1001253677

FIGURE 4-10. CONTROL VALVE ASSEMBLY

| ITEM | PART NUMBER | QTY | DESCRIPTION | REV |
|------|-------------|-----|----------------------------------|-----|
| | 1001253677 | Ref | BOOM VALVE ASSEMBLY | B |
| 1 | 7012989 | 1 | Valve, Flow | |
| 1 | 7012953 | 1 | Seal Kit - 7012989 Valve | |
| 2 | 7012965 | 1 | Valve, Flow | |
| 2 | 7012953 | 1 | Seal Kit - 7012965 Valve | |
| 3 | 70004151 | 1 | Valve, Relief | |
| 3 | 7021653 | 1 | Seal Kit - 70003962 Valve | |
| 4 | 7012914 | 2 | Valve, Cartridge | |
| 4 | 7012918 | 2 | Seal Kit - 7012914 Valve | |
| 5 | 7023911 | 1 | Valve, Relief | |
| 5 | 7012967 | 1 | Seal Kit - 7023911 Valve | |
| 6 | 70007446 | 1 | Valve, Relief | |
| 6 | 7012998 | 1 | Seal Kit - 70007446 Valve | |
| 7 | 7017452 | 1 | Valve, Solenoid (Jib) | |
| 7 | 7017402 | 2 | Seal Kit - 7017452 Valve | |
| 8 | 7017452 | 1 | Valve, Solenoid (Platform Level) | |
| 8 | 7017402 | 1 | Seal Kit - 7017452 Valve | |
| 9 | 7017452 | 1 | Valve, Solenoid (Rotator) | |
| 9 | 7017402 | 2 | Seal Kit - 7017452 Valve | |
| 10 | 70002386 | 6 | Coil | |
| 11 | 70002064 | 2 | Plug, Orifice | |
| 12 | 2220883 | 2 | Plug | |
| 13 | 91164079 | 1 | Plug | |

SECTION 4 - BOOM

FIGURE 4-11. BOOM VALVES AND PROXIMITY SWITCHES INSTALLATION



ART_1001253789

SECTION 4 - BOOM

FIGURE 4-11. BOOM VALVES AND PROXIMITY SWITCHES INSTALLATION

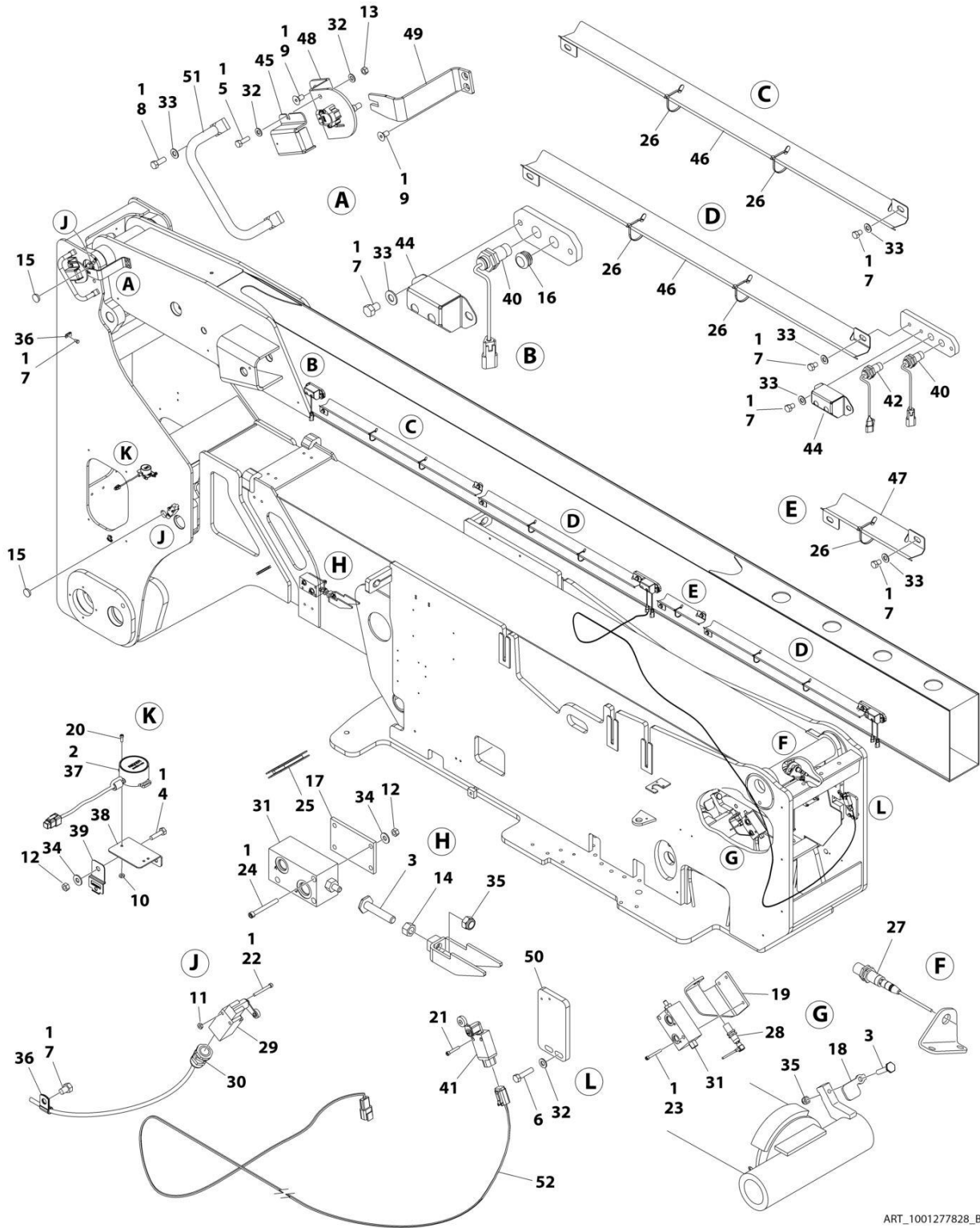
| ITEM | PART NUMBER | QTY | DESCRIPTION | REV |
|------|-------------|-----------|--|-----|
| | 1001253789 | Ref | BOOM VALVE AND LIMIT SWITCHES INSTALLATION | D |
| 1 | 0100011 | AR | Compound, Locking | |
| 2 | 0100048 | AR | Grease | |
| 3 | 0630427 | 2 | Bolt | |
| 4 | 0641408 | 2 | Capscrew 1/4 x 1 | |
| 5 | 0641508 | 1 | Capscrew 5/16 x 1 | |
| 6 | 0641604 | 15 | Bolt 3/8 x 1/2 | |
| 7 | 0641608 | 2 | Bolt 3/8 x 1 | |
| 8 | 0741606 | 4 | Bolt 3/8 x 3/4 | |
| 9 | 3310605 | 3 | Nut 6 | |
| 10 | 3310801 | 2 | Nut #8 | |
| 11 | 3311405 | AR | Nut 1/4 | |
| 12 | 3311501 | 1 | Nut 5/16 | |
| 13 | 3311801 | 1 | Nut 1/2 | |
| 14 | 3520035 | 1 | Plug | |
| 15 | 3520193 | 1 | Plug | |
| 16 | 3570928 | 1 | Plate, Spacer | |
| 17 | 3572606 | 1 | Plate, Switch Target | |
| 18 | 3572607 | 1 | Plate, Switch Mount | |
| 19 | 3930606 | 3 | Capscrew #6 x 3/8 | |
| 20 | 3930824 | 2 | Capscrew #8 x 1-1/2 | |
| 21 | 3931432 | 3 | Capscrew 1/4 x 2 | |
| 22 | 3931436 | 3 | Capscrew 1/4 x 2-1/4 | |
| 23 | 4060805 | 7 in/25cm | Trim | |
| 24 | 4240033 | 7 | Tie, Cable | |
| 25 | 4360498 | 1 | Switch, Proximity | |
| 26 | 4360499 | 1 | Switch, Proximity | |
| 27 | 4360578 | 1 | Switch, Limit | |
| 28 | 4460968 | 1 | Connector, Strain Relief | |
| 29 | 4641435 | 2 | Valve, Switch | |
| 29 | 7011342 | 1 | Valve, Check | |
| 29 | 7011333 | 1 | Seal Kit - 7011342 Valve | |
| 30 | 4711500 | 2 | Washer 5/16 | |
| 31 | 4711600 | 16 | Washer 3/8 | |
| 32 | 4751400 | AR | Washer 1/4 | |
| 33 | 88521008 | 2 | Nut 1/2 | |
| 34 | 91203039 | 1 | Clamp | |
| 35 | 1001094400 | 1 | Sensor, Dual Axis | |
| 36 | 1001096736 | 1 | Bracket, Tilt Sensor | |
| 37 | 1001153749 | 1 | Clip | |
| 38 | 1001170847 | 3 | Sensor, Proximity | |
| 39 | 1001182570 | 2 | Sensor, Proximity | |
| 40 | 1001200497 | 1 | Connector (Not Shown) | |
| 41 | 1001204715 | 3 | Bracket | |
| 42 | 1001211588 | 1 | Shield, Angle Sensor | |
| 43 | 1001247453 | 3 | Angle, Cable | |
| 44 | 1001263612 | 1 | Bar, Guard | |
| 45 | 1001250531 | 1 | Plate, Cable Cover | |
| 46 | 1001255880 | 1 | Sensor, Boom Angle | |
| 46 | 1001204939 | 1 | Sensor, Angle | |

SECTION 4 - BOOM

| ITEM | PART NUMBER | QTY | DESCRIPTION | REV |
|------|-------------|-----|----------------------------------|-----|
| 46 | 3930820 | 2 | Capscrew #8x1-1/4 (Sensor Screw) | |
| 46 | 1001211582 | 1 | Arm/Link | |
| 46 | 4010303 | 1 | Screw M3x6 (Arm Screw) | |
| 47 | 1001255882 | 1 | Plate, Sensor | |

SECTION 4 - BOOM

FIGURE 4-12. BOOM VALVES AND PROXIMITY SWITCHES INSTALLATION WITH TOWER STOW



ART_1001277828_B

SECTION 4 - BOOM

FIGURE 4-12. BOOM VALVES AND PROXIMITY SWITCHES INSTALLATION WITH TOWER STOW

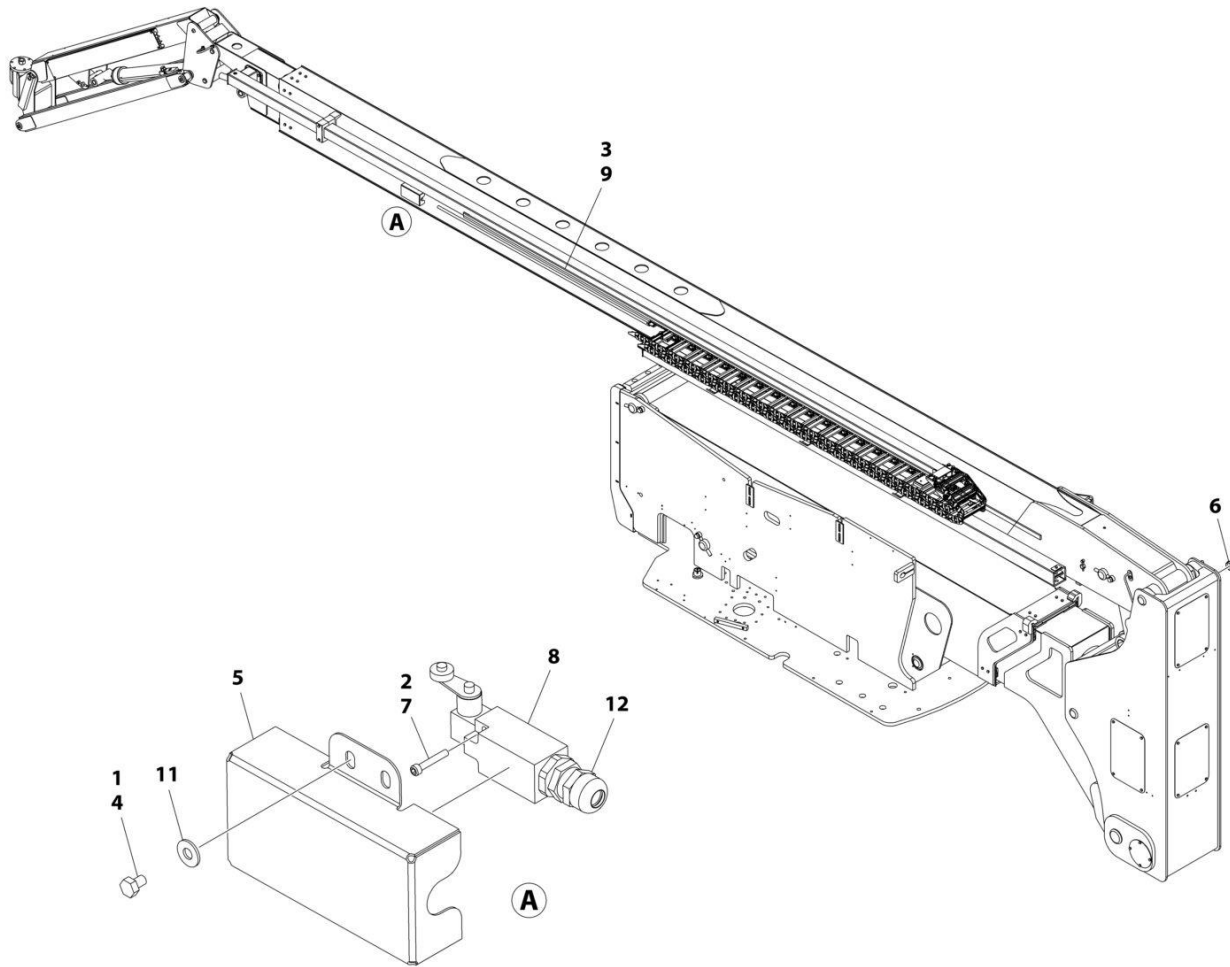
| ITEM | PART NUMBER | QTY | DESCRIPTION | REV |
|------|-------------|-----------|--|-----|
| | 1001277828 | Ref | BOOM VALVE AND LIMIT SWITCHES INSTALLATION | B |
| 1 | 0100011 | AR | Compound, Locking | |
| 2 | 0100048 | AR | Grease | |
| 3 | 0630427 | 2 | Bolt | |
| 4 | 0641408 | 2 | Capscrew 1/4 x 1 | |
| 5 | 0641508 | 1 | Capscrew 5/16 x 1 | |
| 6 | 0641511 | 2 | Bolt 5/16 x 1-3/8 | |
| 7 | 0641604 | 16 | Bolt 3/8 x 1/2 | |
| 8 | 0641608 | 2 | Bolt 3/8 x 1 | |
| 9 | 0741606 | 4 | Bolt 3/8 x 3/4 | |
| 10 | 3310605 | 3 | Nut 6 | |
| 11 | 3310801 | 4 | Nut #8 | |
| 12 | 3311405 | 5 | Nut 1/4 | |
| 13 | 3311501 | 1 | Nut 5/16 | |
| 14 | 3311801 | 1 | Nut 1/2 | |
| 15 | 3520035 | 2 | Plug | |
| 16 | 3520193 | 1 | Plug | |
| 17 | 3570928 | 1 | Plate, Spacer | |
| 18 | 3572606 | 1 | Plate, Switch Target | |
| 19 | 3572607 | 1 | Plate, Switch Mount | |
| 20 | 3930606 | 3 | Capscrew #6 x 3/8 | |
| 21 | 3930816 | 2 | Capscrew #8 x 1-1/4 | |
| 22 | 3930824 | 4 | Capscrew #8 x 1-1/2 | |
| 23 | 3931432 | 3 | Capscrew 1/4 x 2 | |
| 24 | 3931436 | 3 | Capscrew 1/4 x 2-1/4 | |
| 25 | 4060805 | 7 in/25cm | Trim | |
| 26 | 4240033 | 7 | Tie, Cable | |
| 27 | 4360498 | 1 | Switch, Proximity | |
| 28 | 4360499 | 1 | Switch, Proximity | |
| 29 | 4360578 | 2 | Switch, Limit | |
| 30 | 4460968 | 2 | Connector, Strain Relief | |
| 31 | 4641435 | 2 | Valve, Switch | |
| 31 | 7011342 | 1 | Valve, Check | |
| 31 | 7011333 | 1 | Seal Kit - 7011342 Valve | |
| 32 | 4711500 | 4 | Washer 5/16 | |
| 33 | 4711600 | 16 | Washer 3/8 | |
| 34 | 4751400 | 5 | Washer 1/4 | |
| 35 | 88521008 | 2 | Nut 1/2 | |
| 36 | 91203039 | 2 | Clamp | |
| 37 | 1001094400 | 1 | Sensor, Dual Axis | |
| 38 | 1001096736 | 1 | Bracket, Tilt Sensor | |
| 39 | 1001153749 | 1 | Clip | |
| 40 | 1001170847 | 3 | Sensor, Proximity | |
| 41 | 1001284504 | 1 | Switch, Limit | |
| 42 | 1001182570 | 2 | Sensor, Proximity | |
| 43 | 1001200497 | 1 | Connector (Not Shown) | |
| 44 | 1001204715 | 3 | Bracket | |
| 45 | 1001211588 | 1 | Shield, Angle Sensor | |
| 46 | 1001247453 | 3 | Angle, Cable | |
| 47 | 1001250531 | 1 | Plate, Cable Cover | |

SECTION 4 - BOOM

| ITEM | PART NUMBER | QTY | DESCRIPTION | REV |
|------|-------------|-----|--|-----|
| 48 | 1001255880 | 1 | Sensor, Boom Angle | |
| 48 | 1001204939 | 1 | Sensor, Angle | |
| 48 | 3930820 | 2 | Capscrew #8x1-1/4 (Sensor Screw) | |
| 48 | 1001211582 | 1 | Arm/Link | |
| 48 | 4010303 | 1 | Screw M3 x 6 (Arm Screw) | |
| 49 | 1001255882 | 1 | Plate, Sensor | |
| 50 | 1001260475 | 1 | Bracket | |
| 51 | 1001263612 | 1 | Bar, Guard | |
| 52 | 1001266829 | 1 | Harness, Tower Stow (See Separate Breakdown in ELECTRICAL Section) | |

SECTION 4 - BOOM

FIGURE 4-13. TRANSPORT POSITION SWITCH INSTALLATION



ART_0258567

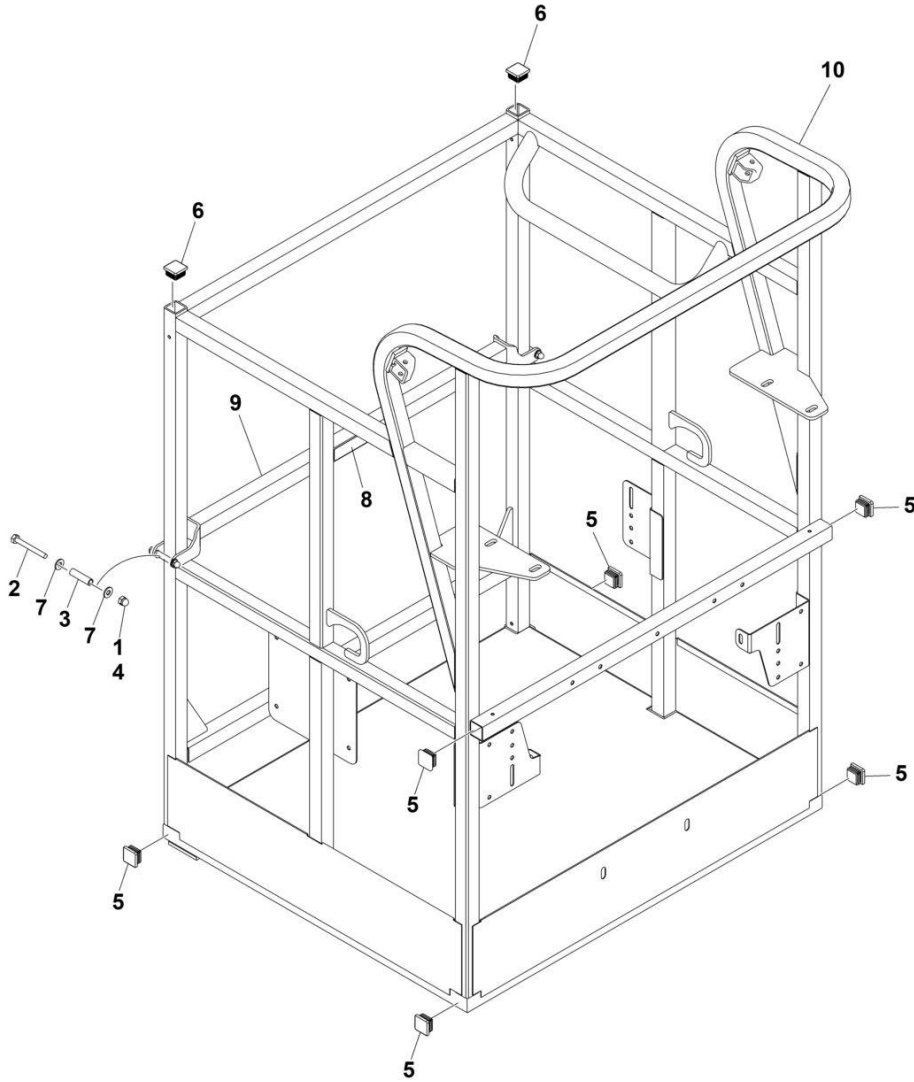
FIGURE 4-13. TRANSPORT POSITION SWITCH INSTALLATION

| ITEM | PART NUMBER | QTY | DESCRIPTION | REV |
|------|-------------|-----|--|-----|
| | 0258567 | Ref | TRANSPORT POSITION SWITCH INSTALLATION | F |
| 1 | 0100011 | AR | Compound, Locking | |
| 2 | 0100035 | AR | Compound, Locking | |
| 3 | 1001106481 | 1 | Bar, Fiberglass | |
| 4 | 0641403 | 4 | Bolt 1/4 x 3/8 | |
| 5 | 3380535 | 1 | Cover, Switch | |
| 6 | 3520035 | 1 | Plug, Cap | |
| 7 | 3930816 | 2 | Capscrew #8 x 1 | |
| 8 | 4360578 | 1 | Switch, Limit | |
| 9 | 4420060 | AR | Tape | |
| 11 | 4751400 | 4 | Washer 1/4 | |
| 12 | 4460968 | 1 | Connector, Strain Relief | |

SECTION 5 - PLATFORM

SECTION 5 - PLATFORM

FIGURE 5-1. PLATFORM ASSEMBLY WITH DROP-BAR - 30IN X 3FT (76CM X 1M)



ART_1001228215

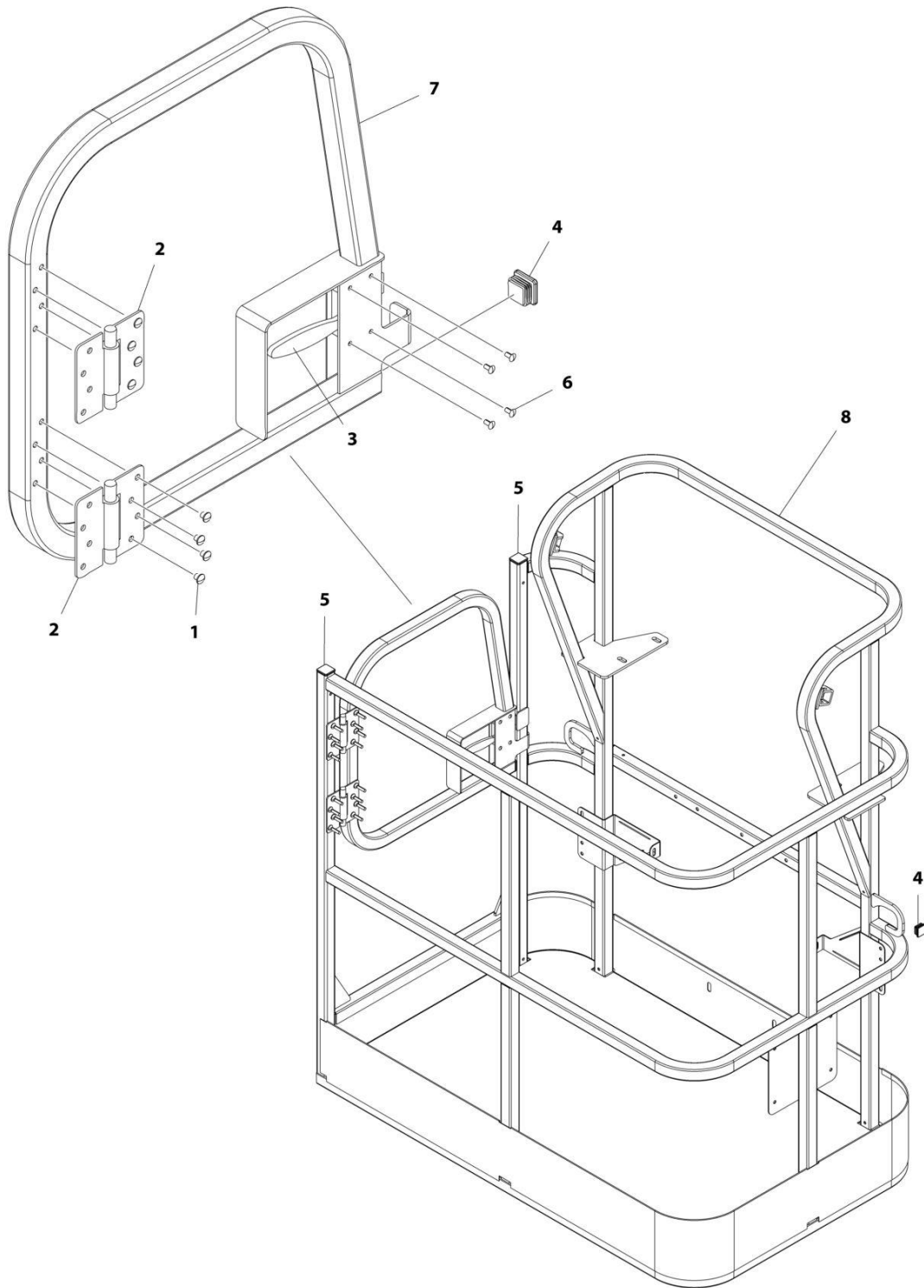
SECTION 5 - PLATFORM

FIGURE 5-1. PLATFORM ASSEMBLY WITH DROP-BAR - 30IN X 3FT (76CM X 1M)

| ITEM | PART NUMBER | QTY | DESCRIPTION | REV |
|------|-------------|-----|---|-----|
| | 1001228215 | Ref | PLATFORM ASSEMBLY | A |
| | See Note | Ref | Note: Platform and Mesh must be ordered separately for Platforms with Mesh. See SPECIAL OPTIONS SECTION for Mesh Installations. | |
| | See Note | Ref | Note: Replacement Decals Must be Ordered Separately - See DECAL SECTION. | |
| 1 | 0100011 | AR | Compound, Locking | |
| 2 | 0641418 | 2 | Bolt 1/4 x 2-1/4 | |
| 3 | 0961845 | 2 | Bushing | |
| 4 | 3300151 | 2 | Nut 1/4 | |
| 5 | 3520072 | 6 | Cap, Plug | |
| 6 | 3520198 | 2 | Cap, Plug | |
| 7 | 4711400 | 4 | Washer 1/4 | |
| 8 | 1001140429 | 1 | Decal - Drop Bar | |
| 9 | 1001226872 | 1 | Bar, Drop | |
| 10 | See Note | NSS | Platform (Note: Not Available - Purchase Platform Assembly) | |

SECTION 5 - PLATFORM

FIGURE 5-2. PLATFORM ASSEMBLY WITH GATE - 30IN X 4FT (76CM X 1.22M)



ART_1001186387

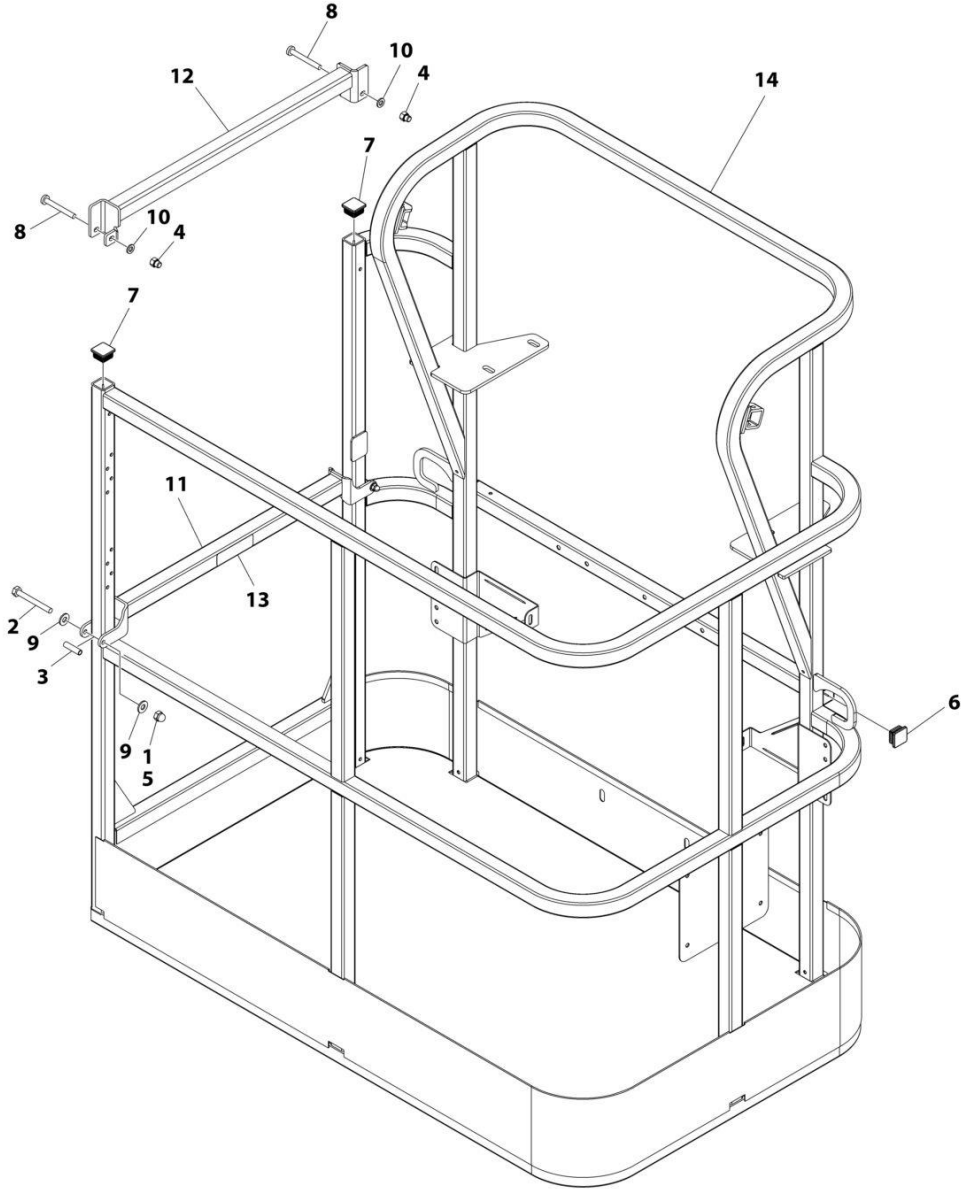
SECTION 5 - PLATFORM

FIGURE 5-2. PLATFORM ASSEMBLY WITH GATE - 30IN X 4FT (76CM X 1.22M)

| ITEM | PART NUMBER | QTY | DESCRIPTION | REV |
|------|-------------|-----|---|-----|
| | 1001186387 | Ref | PLATFORM ASSEMBLY | C |
| | | Ref | Note: Platform and Mesh must be ordered separately for Platforms with Mesh. See SPECIAL OPTIONS SECTION for Mesh Installations. | |
| | | Ref | Note: Replacement Decals Must be Ordered Separately - See DECALS SECTION. | |
| 1 | 2080040 | 16 | Fastener, Huck | |
| 2 | 2600281 | 2 | Hinge, Self-Closing | |
| 3 | 2940074 | 1 | Latch | |
| 4 | 3520072 | 3 | Plug | |
| 5 | 3520198 | 2 | Plug | |
| 6 | 3820020 | 4 | Rivet | |
| 7 | 1001144629 | 1 | Gate | |
| 8 | See Note | 1 | Platform (Note: Not Available - Purchase Platform Assembly) | |

SECTION 5 - PLATFORM

FIGURE 5-3. PLATFORM ASSEMBLY WITH DROP-BAR - 30IN X 4FT (76CM X 1.22M)



ART_1001186375

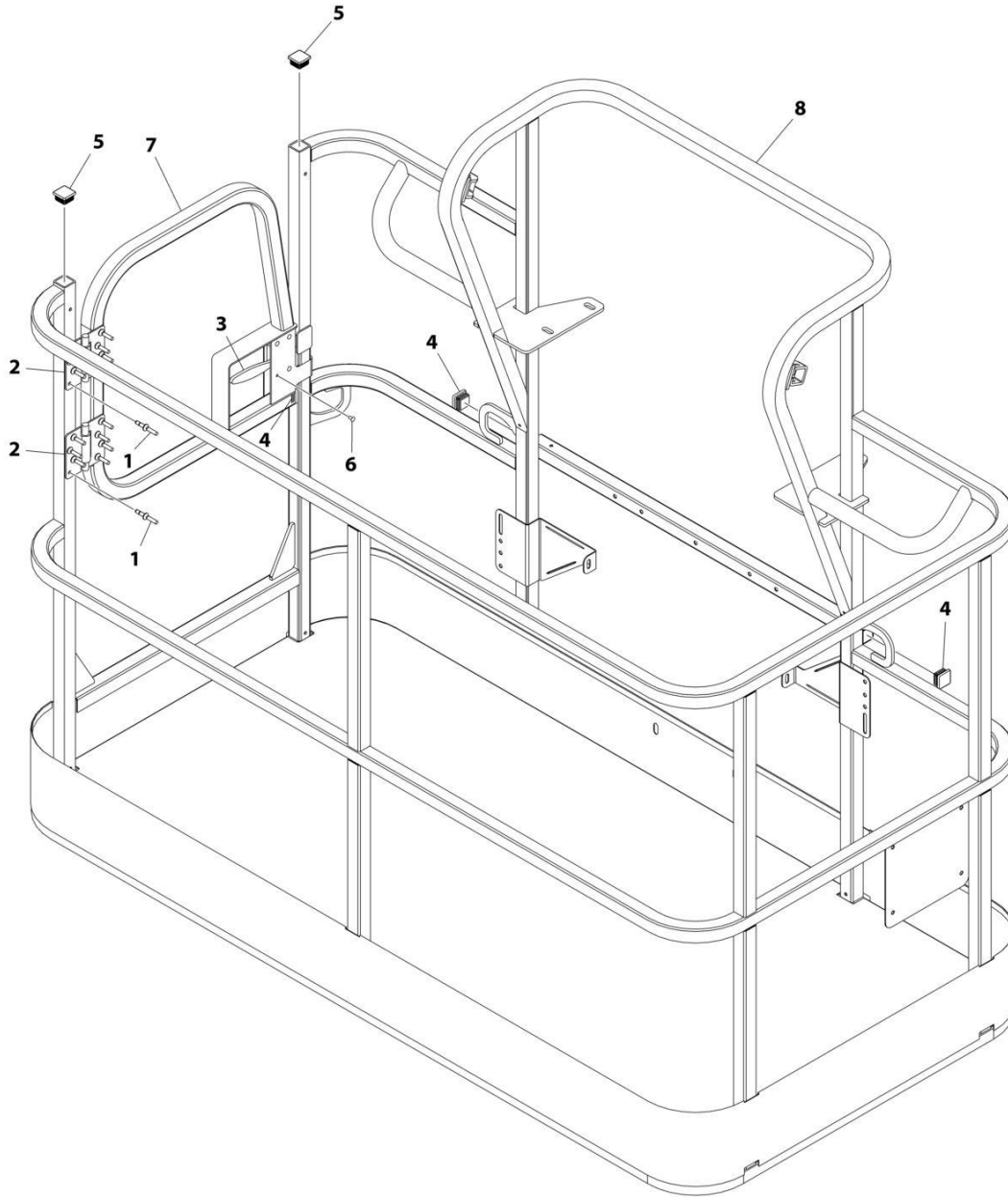
SECTION 5 - PLATFORM

FIGURE 5-3. PLATFORM ASSEMBLY WITH DROP-BAR - 30IN X 4FT (76CM X 1.22M)

| ITEM | PART NUMBER | QTY | DESCRIPTION | REV |
|------|-------------|-----|---|-----|
| | 1001186375 | Ref | PLATFORM ASSEMBLY | B |
| | | Ref | Note: Platform and Mesh must be ordered separately for Platforms with Mesh. See SPECIAL OPTIONS SECTION for Mesh Installations. | |
| | | Ref | Note: Replacement Decals Must be Ordered Separately - See DECALS SECTION. | |
| 1 | 0100011 | AR | Compound, Locking | |
| 2 | 0641418 | 2 | Bolt 1/4 x 2-1/4 | |
| 3 | 0961845 | 2 | Bushing | |
| 4 | 3290606 | 2 | Nut M6 | |
| 5 | 3300151 | 2 | Nut 1/4 | |
| 6 | 3520072 | 2 | Plug | |
| 7 | 3520198 | 2 | Plug | |
| 8 | 4010618 | 2 | Screw M6 x 50 | |
| 9 | 4711400 | 4 | Washer 1/4 | |
| 10 | 4811700 | 2 | Washer M6 | |
| 11 | 1001138494 | 1 | Bar, Drop | |
| 12 | 1001138514 | 1 | Rail - Top | |
| 13 | 1001140429 | 1 | Decal - Drop Bar | |
| 14 | See Note | 1 | Platform (Note: Not Available - Purchase Platform Assembly) | |

SECTION 5 - PLATFORM

FIGURE 5-4. PLATFORM ASSEMBLY WITH GATE - 30IN X 6FT (76CM X 1.83M)



ART_1001186385

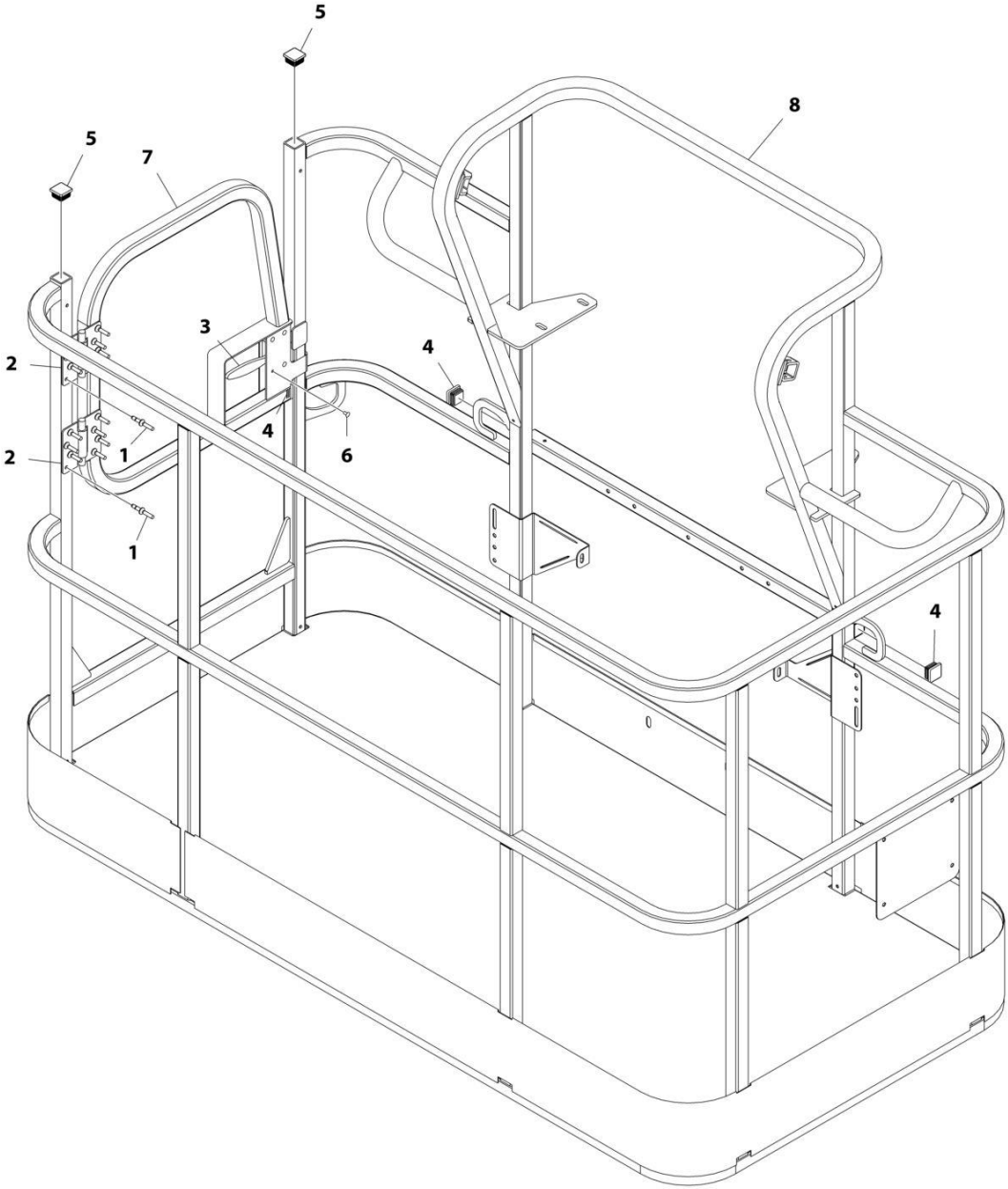
SECTION 5 - PLATFORM

FIGURE 5-4. PLATFORM ASSEMBLY WITH GATE - 30IN X 6FT (76CM X 1.83M)

| ITEM | PART NUMBER | QTY | DESCRIPTION | REV |
|------|-------------|-----|---|-----|
| | 1001186385 | Ref | PLATFORM ASSEMBLY | D |
| | | Ref | Note: Platform and Mesh must be ordered separately for Platforms with Mesh. See SPECIAL OPTIONS SECTION for Mesh Installations. | |
| | | Ref | Note: Replacement Decals Must be Ordered Separately - See DECALS SECTION. | |
| 1 | 2080040 | 16 | Fastener, Huck | |
| 2 | 2600281 | 2 | Hinge | |
| 3 | 2940074 | 1 | Latch | |
| 4 | 3520072 | 3 | Plug | |
| 5 | 3520198 | 2 | Plug | |
| 6 | 3820020 | 4 | Rivet | |
| 7 | 1001144629 | 1 | Gate | |
| 8 | See Note | NSS | Platform (Note: Not Available - Purchase Platform Assembly) | |

SECTION 5 - PLATFORM

FIGURE 5-5. PLATFORM ASSEMBLY WITH GATE- 36IN X 6FT (91.5CM X 1.83M)



ART_1001186384

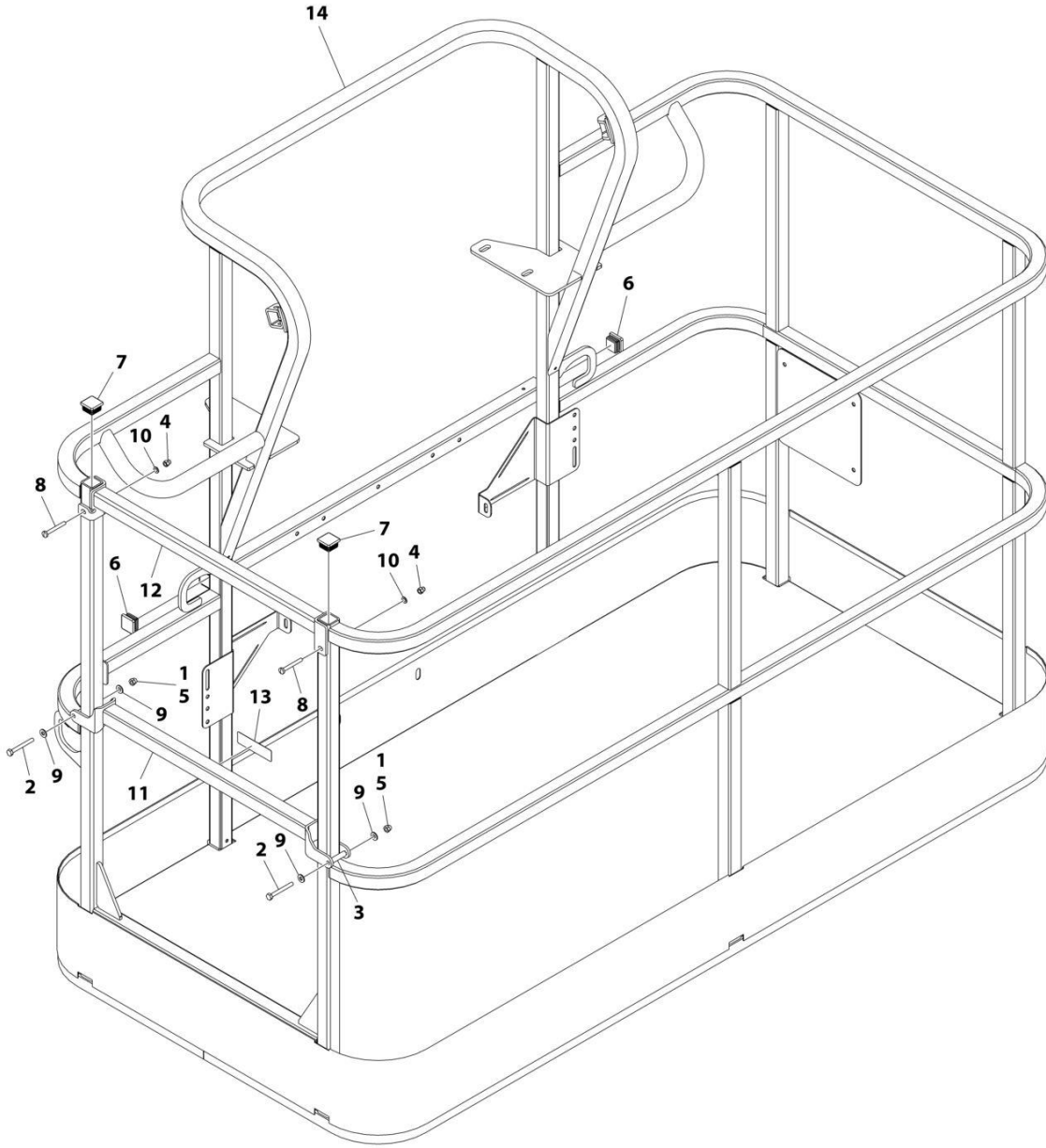
SECTION 5 - PLATFORM

FIGURE 5-5. PLATFORM ASSEMBLY WITH GATE- 36IN X 6FT (91.5CM X 1.83M)

| ITEM | PART NUMBER | QTY | DESCRIPTION | REV |
|------|-------------|-----|---|-----|
| | 1001186384 | Ref | PLATFORM ASSEMBLY - 36IN X 6FT (91.5CM X 1.83M) WITH SWING GATE | C |
| | See Note | Ref | Note: Platform and Mesh must be ordered separately for Platforms with Mesh. See SPECIAL OPTIONS SECTION for Mesh Installations. | |
| | See Note | Ref | Note: Replacement Decals Must be Ordered Separately - See DECALS SECTION. | |
| 1 | 2080040 | 16 | Fastener, Huck | |
| 2 | 2600281 | 2 | Hinge | |
| 3 | 2940074 | 1 | Latch | |
| 4 | 3520072 | 3 | Plug | |
| 5 | 3520198 | 2 | Plug | |
| 6 | 3820020 | 4 | Rivet | |
| 7 | 1001144629 | 1 | Gate | |
| 8 | See Note | NSS | Platform (Note: Not Available - Purchase Platform Assembly) | |

SECTION 5 - PLATFORM

FIGURE 5-6. PLATFORM ASSEMBLY WITH DROP-BAR - 30IN X 6FT (76CM X 1.83M)



ART_1001186378

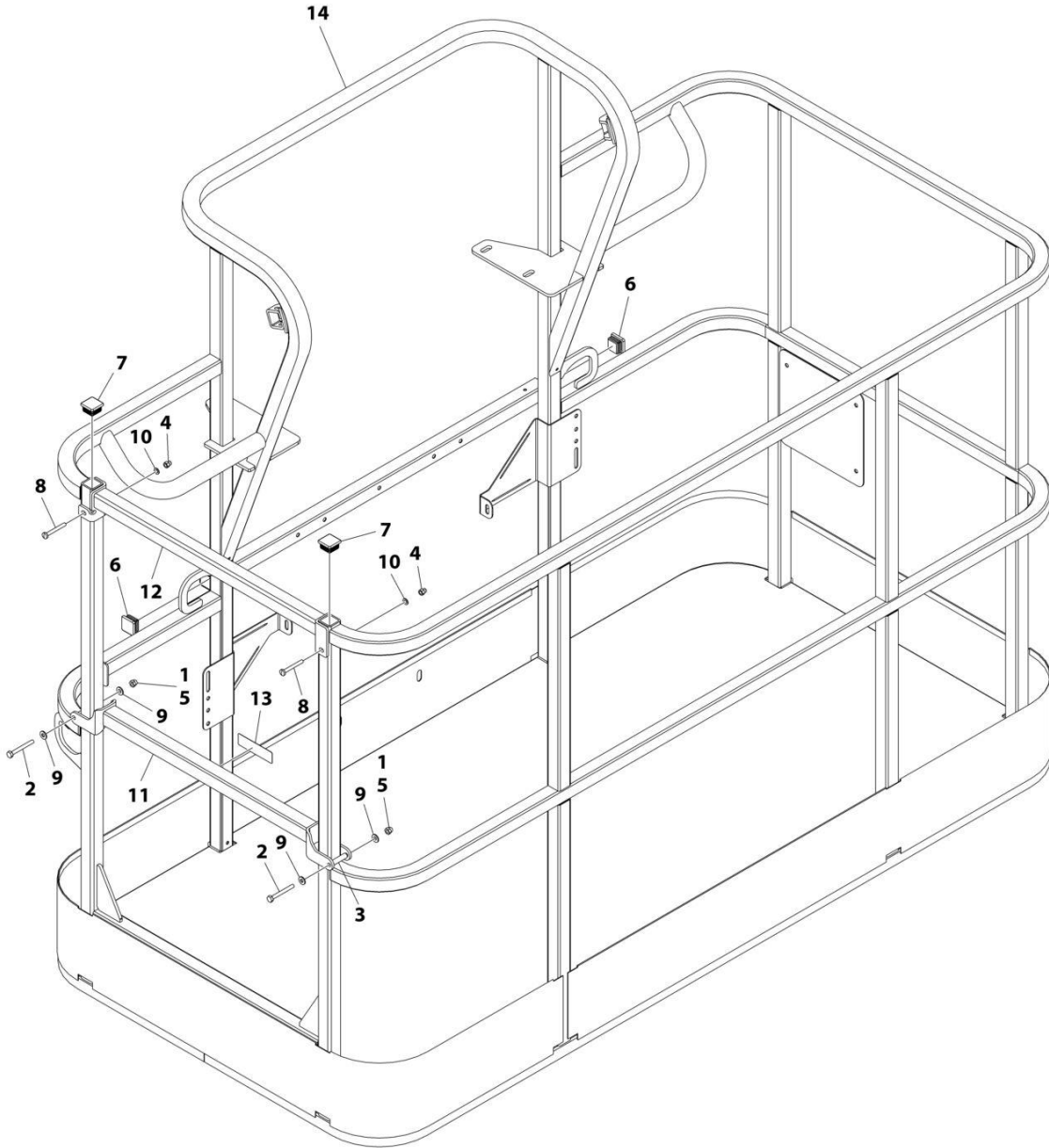
SECTION 5 - PLATFORM

FIGURE 5-6. PLATFORM ASSEMBLY WITH DROP-BAR - 30IN X 6FT (76CM X 1.83M)

| ITEM | PART NUMBER | QTY | DESCRIPTION | REV |
|------|-------------|-----|---|-----|
| | 1001186378 | Ref | PLATFORM ASSEMBLY | C |
| | | Ref | Note: Platform and Mesh must be ordered separately for Platforms with Mesh. See SPECIAL OPTIONS SECTION for Mesh Installations. | |
| | | Ref | Note: Replacement Decals Must be Ordered Separately - See DECALS SECTION. | |
| 1 | 0100011 | AR | Compound, Locking | |
| 2 | 0641418 | 2 | Bolt 1/4 x 2-1/4 | |
| 3 | 0961845 | 2 | Bushing | |
| 4 | 3290606 | 2 | Nut M6 | |
| 5 | 3300151 | 2 | Nut 1/4 | |
| 6 | 3520072 | 2 | Plug | |
| 7 | 3520198 | 2 | Plug | |
| 8 | 4010618 | 2 | Screw M6 x 50 | |
| 9 | 4711400 | 4 | Washer 1/4 | |
| 10 | 4811700 | 2 | Washer M6 | |
| 11 | 1001138494 | 1 | Bar, Drop | |
| 12 | 1001138514 | 1 | Rail (Top) | |
| 13 | 1001140429 | 1 | Decal - Drop Bar | |
| 14 | See Note | NSS | Platform (Note: Not Available - Purchase Platform Assembly) | |

SECTION 5 - PLATFORM

FIGURE 5-7. PLATFORM ASSEMBLY WITH DROP-BAR - 36IN X 6FT (91.5CM X 1.83M)



ART_1001186379

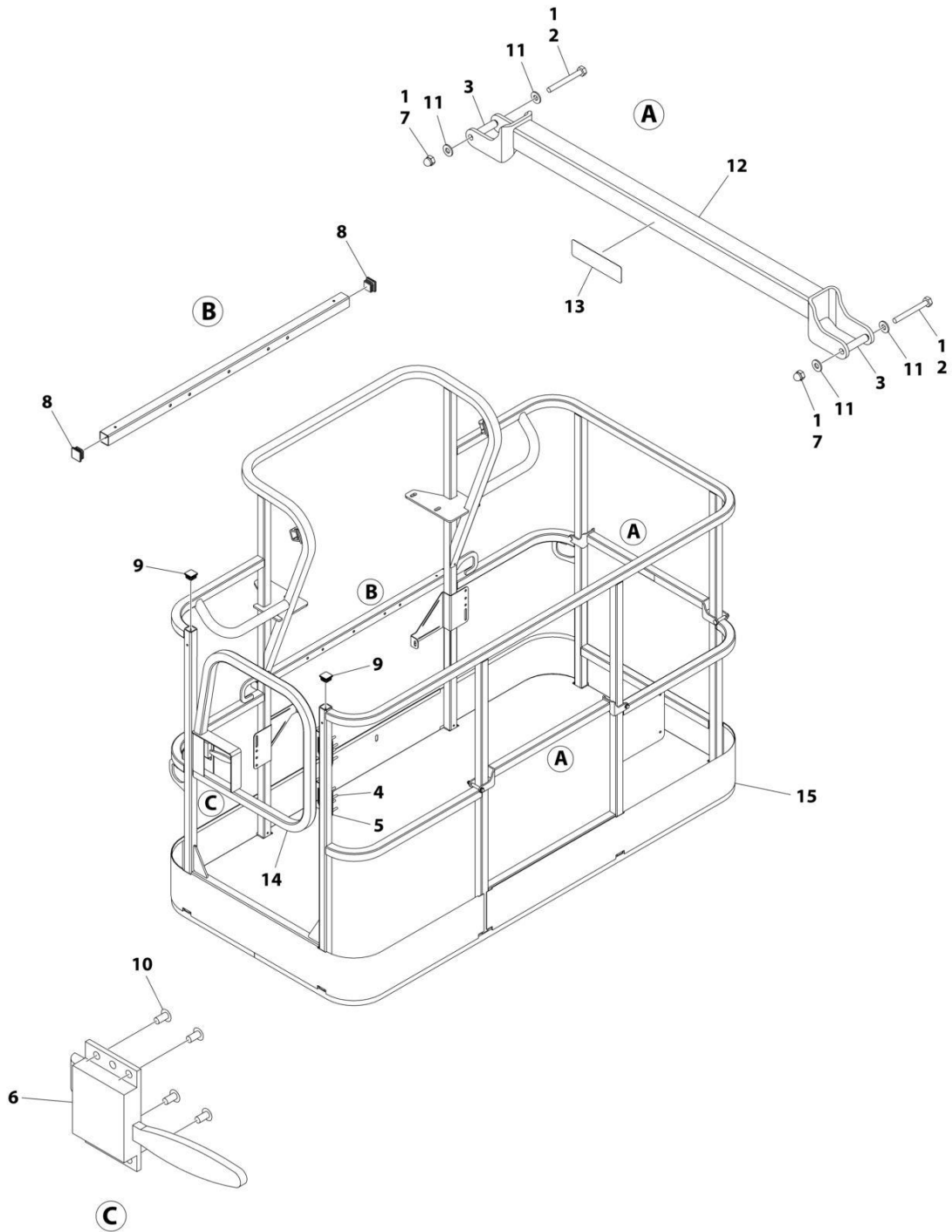
SECTION 5 - PLATFORM

FIGURE 5-7. PLATFORM ASSEMBLY WITH DROP-BAR - 36IN X 6FT (91.5CM X 1.83M)

| ITEM | PART NUMBER | QTY | DESCRIPTION | REV |
|------|-------------|-----|---|-----|
| | 1001186379 | Ref | PLATFORM ASSEMBLY - 36IN X 6FT (91.5CM X 1.83M) WITH DROP BAR | B |
| | | Ref | Note: Platform and Mesh must be ordered separately for Platforms with Mesh. See SPECIAL OPTIONS SECTION for Mesh Installations. | |
| | | Ref | Note: Replacement Decals Must be Ordered Separately - See DECALS SECTION. | |
| 1 | 0100011 | AR | Compound, Locking | |
| 2 | 0641418 | 2 | Bolt 1/4 x 2-1/4 | |
| 3 | 0961845 | 2 | Bushing | |
| 4 | 3290606 | 2 | Nut M6 | |
| 5 | 3300151 | 2 | Nut 1/4 | |
| 6 | 3520072 | 2 | Plug | |
| 7 | 3520198 | 2 | Plug | |
| 8 | 4010618 | 2 | Screw M6 x 50 | |
| 9 | 4711400 | 4 | Washer 1/4 | |
| 10 | 4811700 | 2 | Washer M6 | |
| 11 | 1001138494 | 1 | Bar, Drop | |
| 12 | 1001138514 | 1 | Rail (Top) | |
| 13 | 1001140429 | 1 | Decal - Drop Bar | |
| 14 | See Note | NSS | Platform (Note: Not Available - Purchase Platform Assembly) | |

SECTION 5 - PLATFORM

FIGURE 5-8. PLATFORM ASSEMBLY WITH 1 GATE / 2 DROP BARS (TRI-ENTRY) - 36IN X 6FT (91.5CM X 1.83M)



ART_1001228376

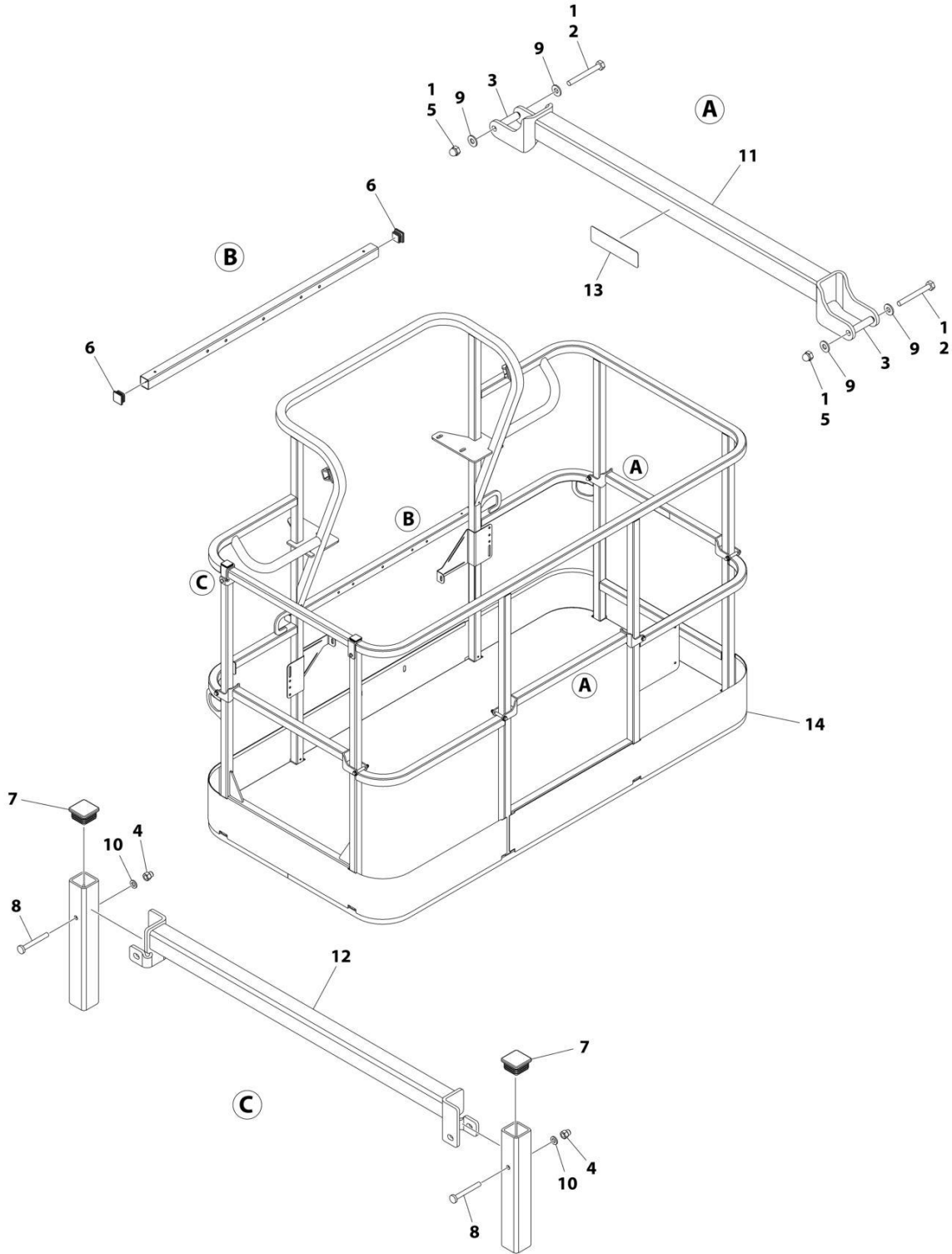
SECTION 5 - PLATFORM

**FIGURE 5-8. PLATFORM ASSEMBLY WITH 1 GATE / 2 DROP BARS (TRI-ENTRY) - 36IN X 6FT
(91.5CM X 1.83M)**

| ITEM | PART NUMBER | QTY | DESCRIPTION | REV |
|------|-------------|-----|---|-----|
| | 1001228376 | Ref | PLATFORM ASSEMBLY - 36IN x 6FT (91.5CM x 1.83M) | B |
| | | Ref | Note: Platform and Mesh must be ordered separately for Platforms with Mesh. See SPECIAL OPTIONS SECTION for Mesh Installations. | |
| | | Ref | Note: Replacement Decals Must be Ordered Separately - See DECAL SECTION. | |
| 1 | 0100011 | AR | Compound, Locking | |
| 2 | 0641418 | 4 | Bolt 1/4 x 2-1/4 | |
| 3 | 0961845 | 4 | Bushing | |
| 4 | 2080040 | 16 | Fastener | |
| 5 | 2600281 | 2 | Hinge | |
| 6 | 2940074 | 1 | Latch | |
| 7 | 3300151 | 4 | Nut 1/4 | |
| 8 | 3520072 | 3 | Plug | |
| 9 | 3520198 | 2 | Plug | |
| 10 | 3820020 | 4 | Rivet | |
| 11 | 4711400 | 8 | Washer 1/4 | |
| 12 | 1001138494 | 2 | Bar, Drop | |
| 13 | 1001140429 | 2 | Decal - Drop Bar | |
| 14 | 1001144629 | 1 | Gate | |
| 15 | See Note | NSS | Platform (Note: Not Available - Purchase Platform Assembly) | |

SECTION 5 - PLATFORM

FIGURE 5-9. PLATFORM ASSEMBLY WITH 3 DROP BARS (TRI-ENTRY) - 36IN X 6FT (91.5CM X 1.83M)



ART_1001228377

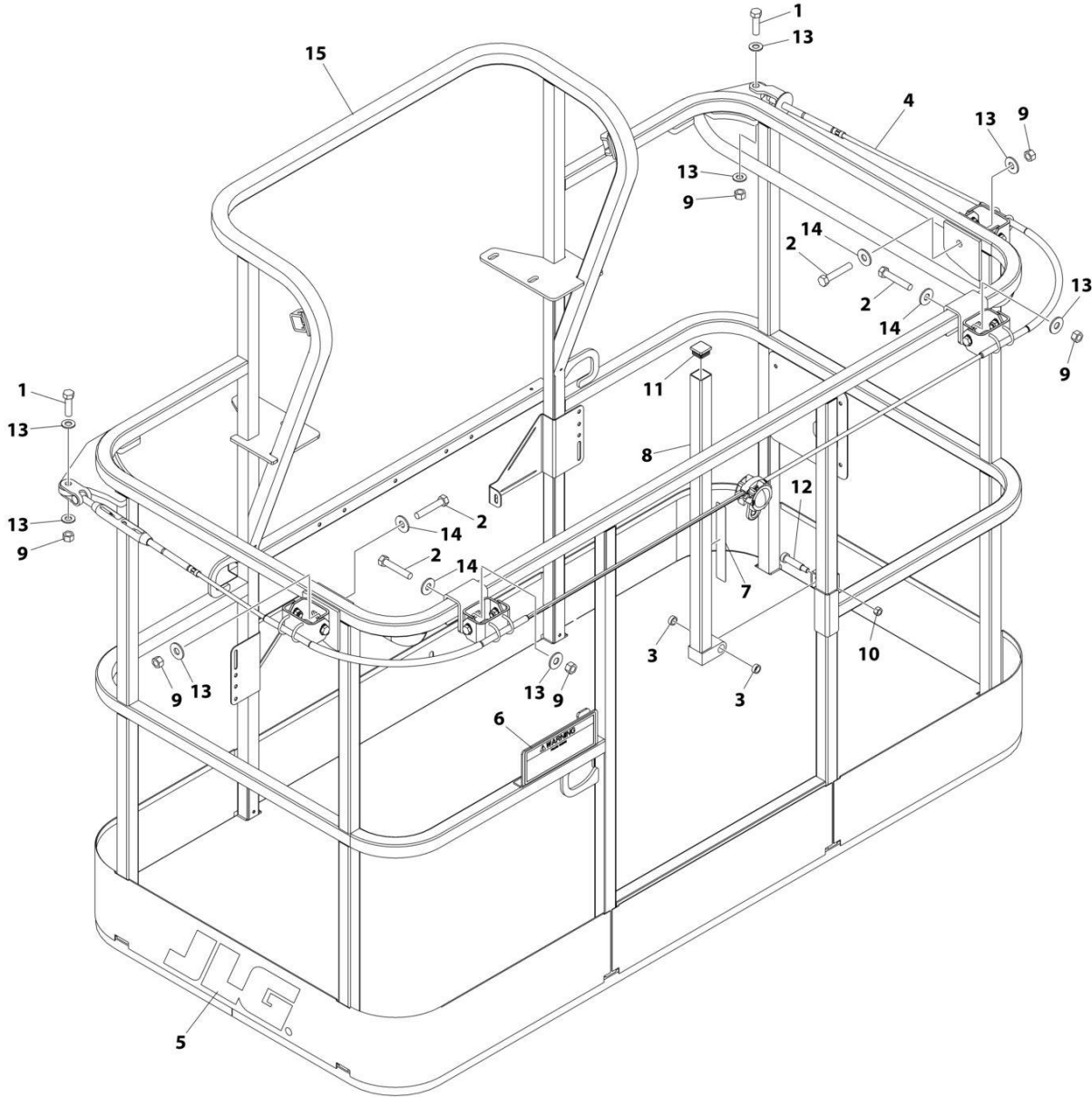
SECTION 5 - PLATFORM

FIGURE 5-9. PLATFORM ASSEMBLY WITH 3 DROP BARS (TRI-ENTRY) - 36IN X 6FT (91.5CM X 1.83M)

| ITEM | PART NUMBER | QTY | DESCRIPTION | REV |
|------|-------------|-----|---|-----|
| | 1001228377 | Ref | PLATFORM ASSEMBLY - 36IN x 6FT (91.5CM x 1.83M) | B |
| | | Ref | Note: Platform and Mesh must be ordered separately for Platforms with Mesh. See SPECIAL OPTIONS SECTION for Mesh Installations. | |
| | | Ref | Note: Replacement Decals Must be Ordered Separately - See DECAL SECTION. | |
| 1 | 0100011 | 1 | Compound, Locking | |
| 2 | 0641418 | 6 | Bolt 1/4 x 2-1/4 | |
| 3 | 0961845 | 6 | Bushing | |
| 4 | 3290606 | 2 | Nut M6 | |
| 5 | 3300151 | 6 | Nut 1/4 | |
| 6 | 3520072 | 2 | Plug | |
| 7 | 3520198 | 2 | Plug | |
| 8 | 4010618 | 2 | Screw M6 x 50 | |
| 9 | 4711400 | 12 | Washer 1/4 | |
| 10 | 4811700 | 2 | Washer M6 | |
| 11 | 1001138494 | 3 | Bar, Drop | |
| 12 | 1001138514 | 1 | Rail (Top) | |
| 13 | 1001140429 | 3 | Decal - Drop Bar | |
| 14 | See Note | NSS | Platform, Weldment (Note: Not Available - Purchase Platform Assembly) | |

SECTION 5 - PLATFORM

FIGURE 5-10. PLATFORM ASSEMBLY WITH FALL ARREST (6FT)



ART_1001186333

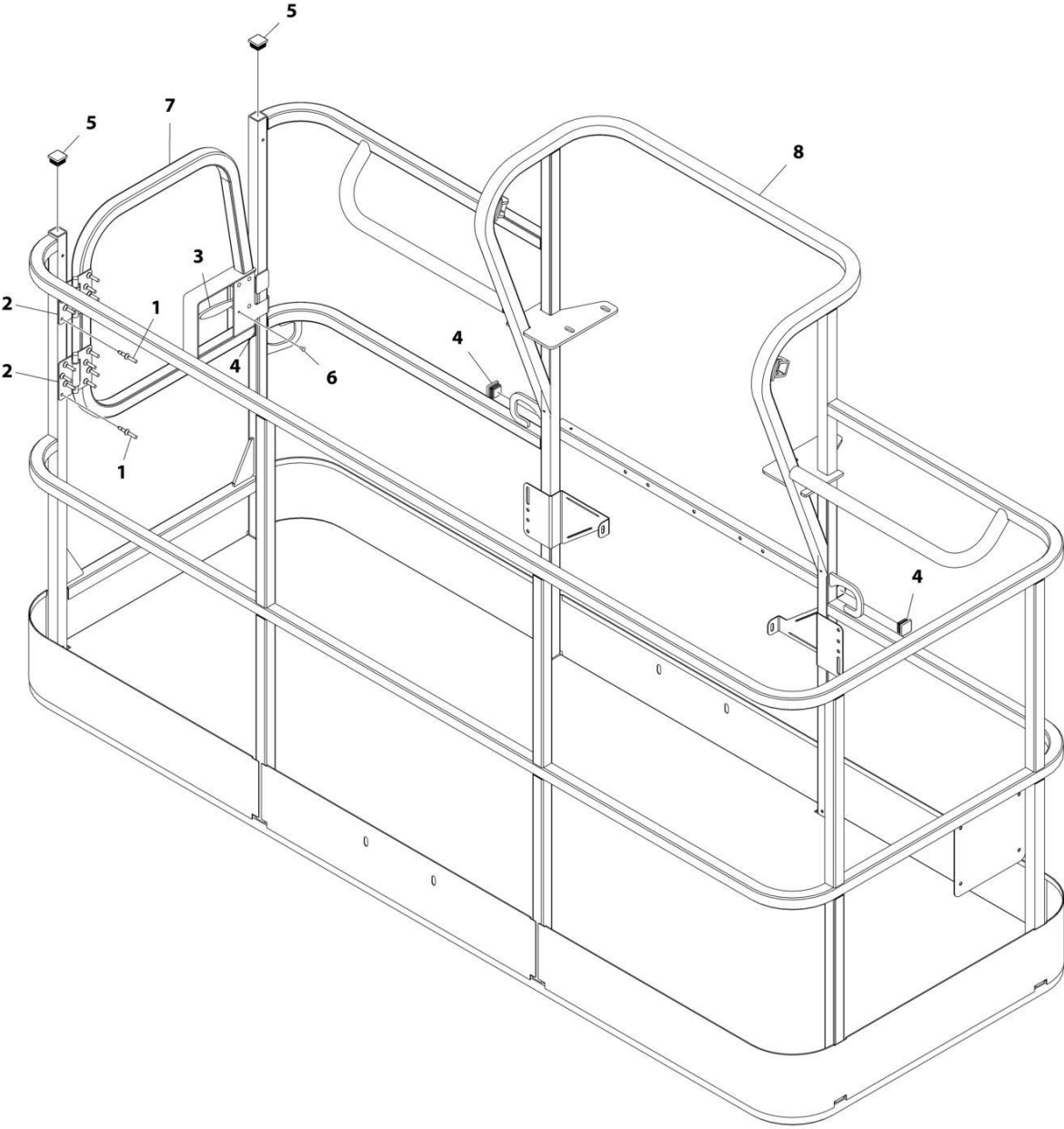
SECTION 5 - PLATFORM

FIGURE 5-10. PLATFORM ASSEMBLY WITH FALL ARREST (6FT)

| ITEM | PART NUMBER | QTY | DESCRIPTION | REV |
|------|-------------|-----|---|-----|
| | 1001186333 | Ref | PLATFORM ASSEMBLY | C |
| | | Ref | Note: Replacement Decals Must be Ordered Separately - See DECALS SECTION. | |
| 1 | 0681814 | 2 | Bolt 1/2 x 1-3/4 Grade 8 | |
| 2 | 0681822 | 4 | Bolt 1/2 x 2-3/4 Grade 8 | |
| 3 | 0962270 | 2 | Bearing | |
| 4 | 1001203655 | 1 | Cable | |
| 5 | 1702773 | 1 | Decal - JLG | |
| 6 | 1705014 | 1 | Decal - Safety | |
| 7 | 1706385 | 1 | Decal - Drop Bar | |
| 8 | 2410014 | 1 | Bar, Drop | |
| 9 | 3271805 | 6 | Nut 1/2 Grade 8 | |
| 10 | 3311605 | 1 | Nut 3/8 | |
| 11 | 3520072 | 1 | Plug | |
| 12 | 3900054 | 1 | Bolt 1/2 x 1-3/4 | |
| 13 | 4711800 | 8 | Washer 1/2 | |
| 14 | 4751800 | 4 | Washer 1/2 | |
| 15 | See Note | NSS | Platform (Note: Not Available - Purchase Platform Assembly) | |

SECTION 5 - PLATFORM

FIGURE 5-11. PLATFORM ASSEMBLY WITH GATE - 36IN X 8FT (91.5CM X 2.44M)



ART_1001186383

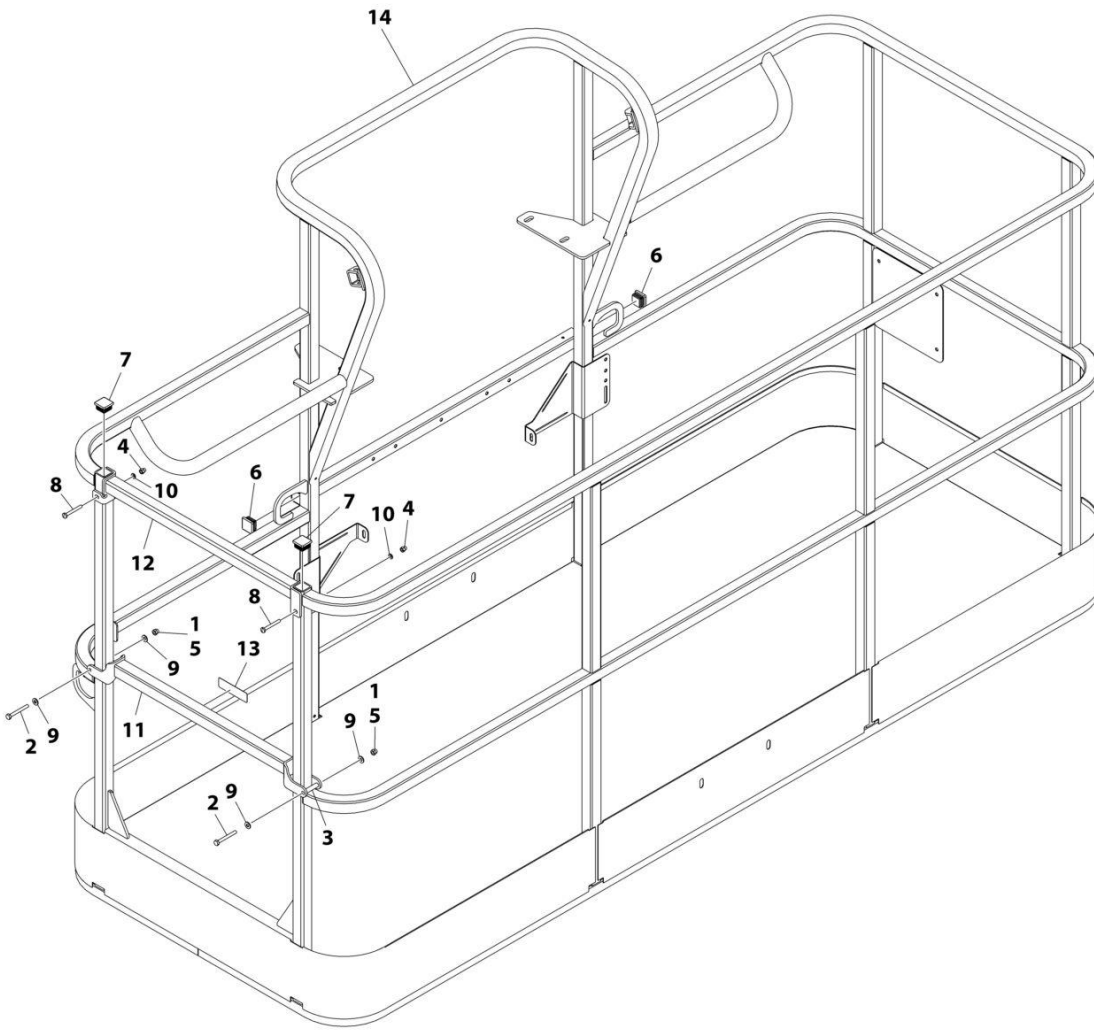
SECTION 5 - PLATFORM

FIGURE 5-11. PLATFORM ASSEMBLY WITH GATE - 36IN X 8FT (91.5CM X 2.44M)

| ITEM | PART NUMBER | QTY | DESCRIPTION | REV |
|------|-------------|-----|---|-----|
| | 1001186383 | Ref | PLATFORM ASSEMBLY - 36IN X 8FT (91.5CM X 2.44M) WITH SWING GATE | D |
| | | Ref | Note: Platform and Mesh must be ordered separately for Platforms with Mesh. See SPECIAL OPTIONS SECTION for Mesh Installations. | |
| | | Ref | Note: Replacement Decals Must be Ordered Separately - See DECALS SECTION. | |
| 1 | 2080040 | 16 | Fastener, Huck | |
| 2 | 2600281 | 2 | Hinge | |
| 3 | 2940074 | 1 | Latch | |
| 4 | 3520072 | 3 | Plug | |
| 5 | 3520198 | 2 | Plug | |
| 6 | 3820020 | 4 | Rivet | |
| 7 | 1001144629 | 1 | Gate | |
| 8 | See Note | NSS | Platform (Note: Not Available - Purchase Platform Assembly) | |

SECTION 5 - PLATFORM

FIGURE 5-12. PLATFORM ASSEMBLY WITH DROP-BAR - 36IN X 8FT (91.5CM X 2.44M)



ART_1001186382

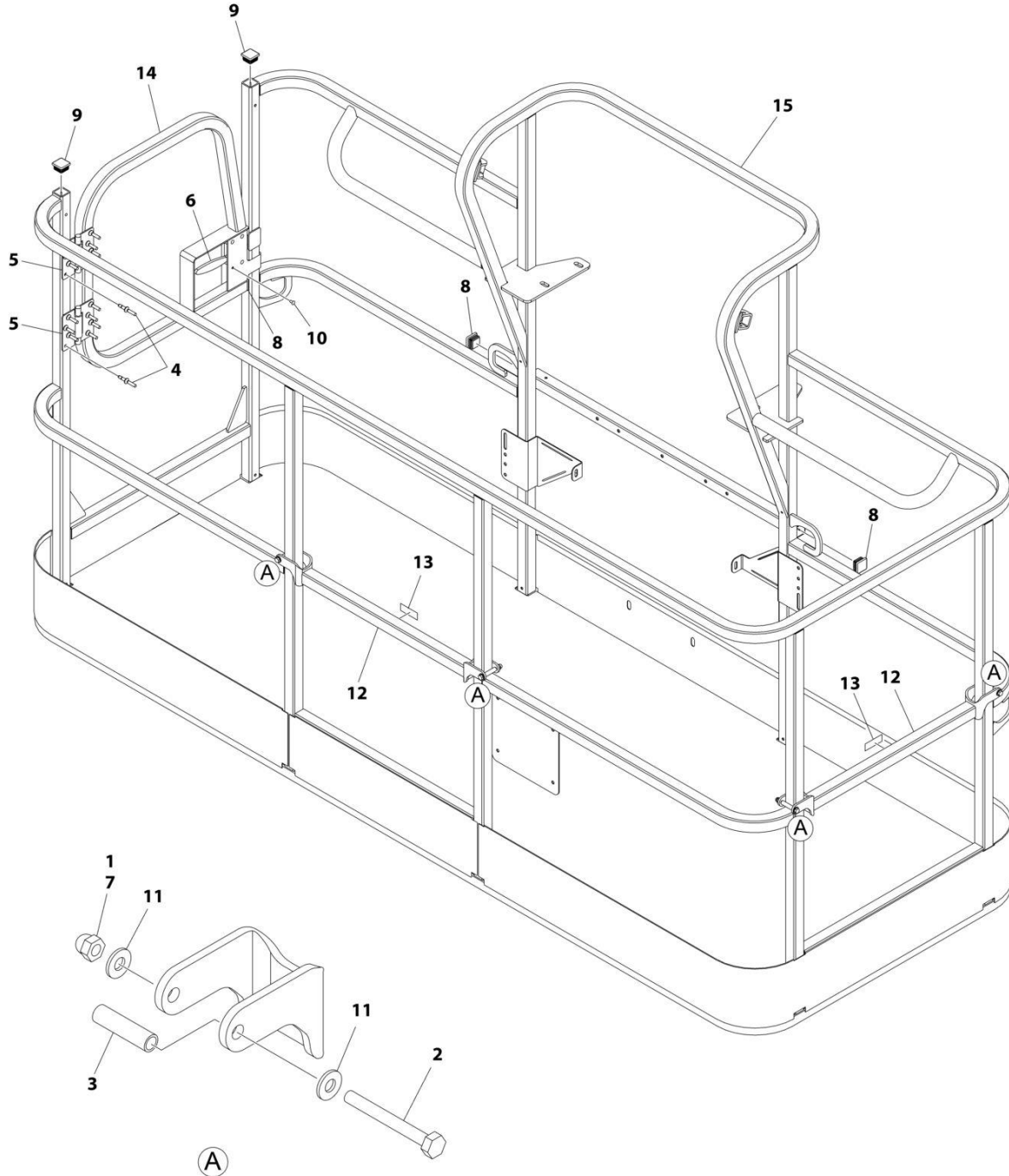
SECTION 5 - PLATFORM

FIGURE 5-12. PLATFORM ASSEMBLY WITH DROP-BAR - 36IN X 8FT (91.5CM X 2.44M)

| ITEM | PART NUMBER | QTY | DESCRIPTION | REV |
|------|-------------|-----|---|-----|
| | 1001186382 | Ref | PLATFORM ASSEMBLY - 36IN X 8FT (91.5CM X 2.44M) WITH DROP BAR | C |
| | | Ref | Note: Platform and Mesh must be ordered separately for Platforms with Mesh. See SPECIAL OPTIONS SECTION for Mesh Installations. | |
| | | Ref | Note: Replacement Decals Must be Ordered Separately - See DECALS SECTION. | |
| 1 | 0100011 | AR | Compound, Locking | |
| 2 | 0641418 | 2 | Bolt 1/4 x 2-1/4 | |
| 3 | 0961845 | 2 | Bushing | |
| 4 | 3290606 | 2 | Nut M6 | |
| 5 | 3300151 | 2 | Nut 1/4 | |
| 6 | 3520072 | 2 | Plug | |
| 7 | 3520198 | 2 | Plug | |
| 8 | 4010618 | 2 | Screw M6 x 50 | |
| 9 | 4711400 | 4 | Washer 1/4 | |
| 10 | 4811700 | 2 | Washer M6 | |
| 11 | 1001138494 | 1 | Bar, Drop | |
| 12 | 1001138514 | 1 | Rail (Top) | |
| 13 | 1001140429 | 1 | Decal - Drop Bar | |
| 14 | See Note | NSS | Platform (Note: Not Available - Purchase Platform Assembly) | |

SECTION 5 - PLATFORM

FIGURE 5-13. PLATFORM ASSEMBLY WITH 1 GATE / 2 DROP BARS (TRI-ENTRY) - 36IN X 8FT
(91.5CM X 2.44M)



ART_1001228243

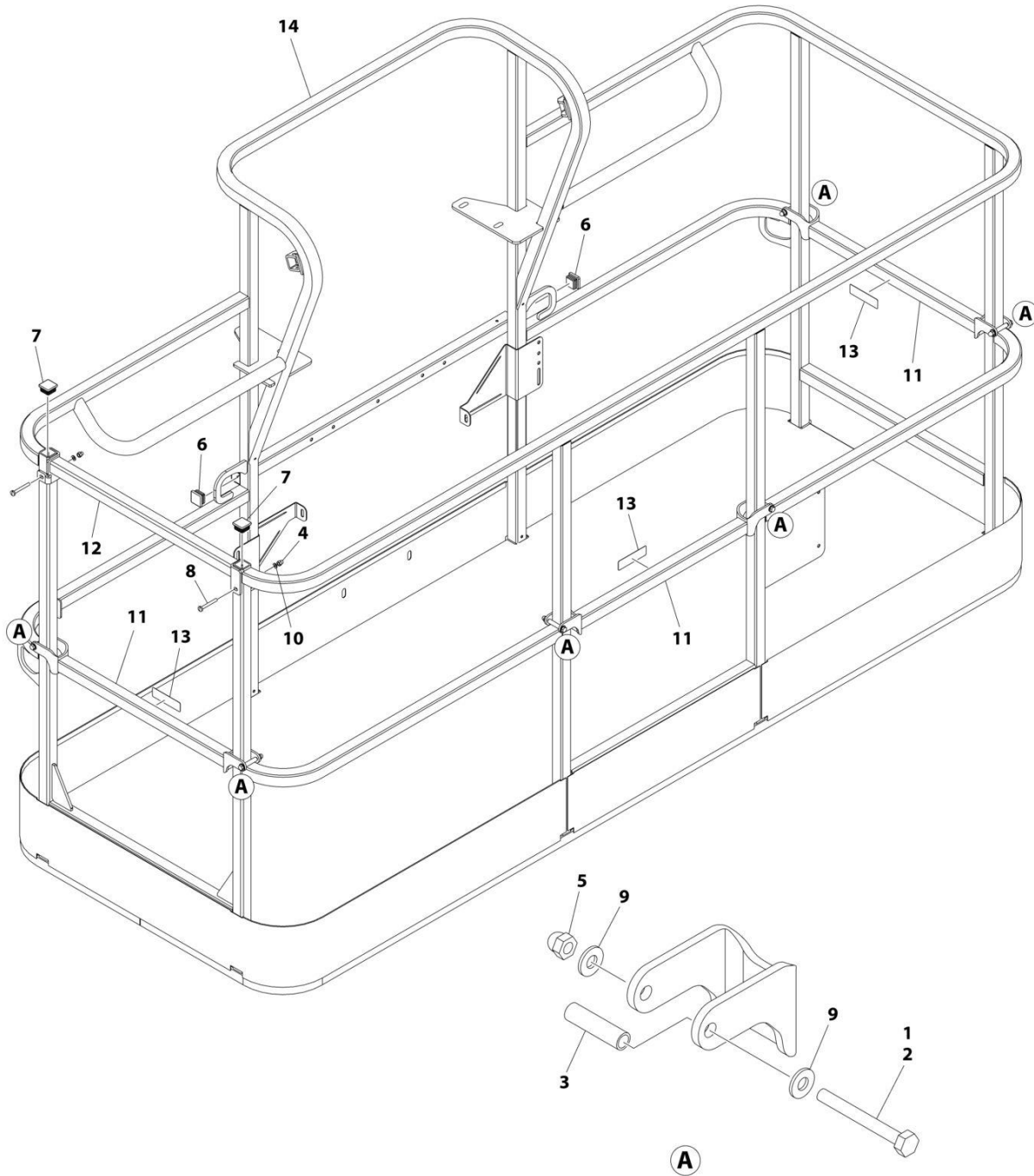
SECTION 5 - PLATFORM

**FIGURE 5-13. PLATFORM ASSEMBLY WITH 1 GATE / 2 DROP BARS (TRI-ENTRY) - 36IN X 8FT
(91.5CM X 2.44M)**

| ITEM | PART NUMBER | QTY | DESCRIPTION | REV |
|------|-------------|-----|---|-----|
| | 1001228243 | Ref | PLATFORM ASSEMBLY - 36IN X 8FT (91.5CM X 2.44M) WITH TRI-ENTRY | A |
| | | Ref | Note: Platform and Mesh must be ordered separately for Platforms with Mesh. See SPECIAL OPTIONS SECTION for Mesh Installations. | |
| 1 | 0100011 | AR | Compound, Locking | |
| 2 | 0641418 | 4 | Bolt 1/4 x 2-1/4 | |
| 3 | 0961845 | 4 | Bushing | |
| 4 | 2080040 | 16 | Fastener, Huck | |
| 5 | 2600281 | 2 | Hinge, Self-Closing | |
| 6 | 2940074 | 1 | Latch | |
| 7 | 3300151 | 4 | Nut 1/4 | |
| 8 | 3520072 | 3 | Cap, Plug | |
| 9 | 3520198 | 2 | Cap, Plug | |
| 10 | 3820020 | 4 | Rivet | |
| 11 | 4711400 | 8 | Washer 1/4 | |
| 12 | 1001138494 | 2 | Bar, Drop | |
| 13 | 1001140429 | 2 | Decal - Drop Bar | |
| 14 | 1001144629 | 1 | Gate, Weldment | |
| 15 | See Note | 1 | Platform (Note: Not Available - Purchase Platform Assembly) | |

SECTION 5 - PLATFORM

FIGURE 5-14. PLATFORM ASSEMBLY WITH 3 DROP BARS (TRI-ENTRY) - 36IN X 8FT (91.5CM X 2.44M)



ART_1001228375

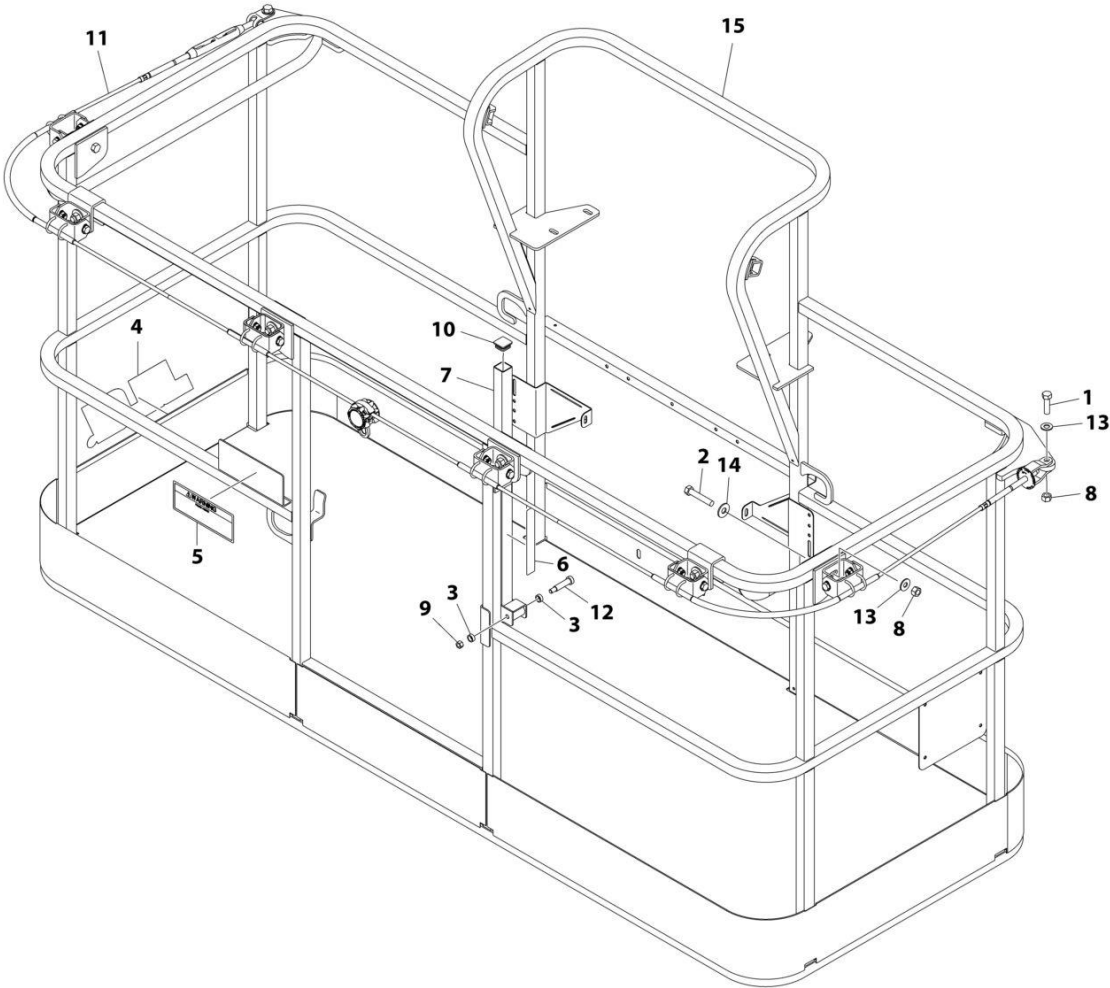
SECTION 5 - PLATFORM

FIGURE 5-14. PLATFORM ASSEMBLY WITH 3 DROP BARS (TRI-ENTRY) - 36IN X 8FT (91.5CM X 2.44M)

| ITEM | PART NUMBER | QTY | DESCRIPTION | REV |
|------|-------------|-----|---|-----|
| | 1001228375 | Ref | PLATFORM ASSEMBLY - 36IN X 8FT (91.5CM X 2.44M) WITH TRI-ENTRY | A |
| | | Ref | Note: Platform and Mesh must be ordered separately for Platforms with Mesh. See SPECIAL OPTIONS SECTION for Mesh Installations. | |
| | | Ref | Note: Replacement Decals Must be Ordered Separately - See DECAL SECTION. | |
| 1 | 0100011 | AR | Compound, Locking | |
| 2 | 0641418 | 6 | Bolt 1/4 x 2-1/4 | |
| 3 | 0961845 | 6 | Bushing | |
| 4 | 3290606 | 2 | Nut M6 x 1 | |
| 5 | 3300151 | 6 | Nut 1/4 | |
| 6 | 3520072 | 2 | Cap, Plug | |
| 7 | 3520198 | 2 | Cap, Plug | |
| 8 | 4010618 | 2 | Screw M6 x 50 | |
| 9 | 4711400 | 12 | Washer 1/4 | |
| 10 | 4811700 | 2 | Washer M6 | |
| 11 | 1001138494 | 3 | Bar, Drop | |
| 12 | 1001138514 | 1 | Rail (Top) | |
| 13 | 1001140429 | 3 | Decal - Drop Bar | |
| 14 | See Note | 1 | Platform (Note: Not Available - Purchase Platform Assembly) | |

SECTION 5 - PLATFORM

FIGURE 5-15. PLATFORM ASSEMBLY WITH FALL ARREST (8FT)



ART_1001186334

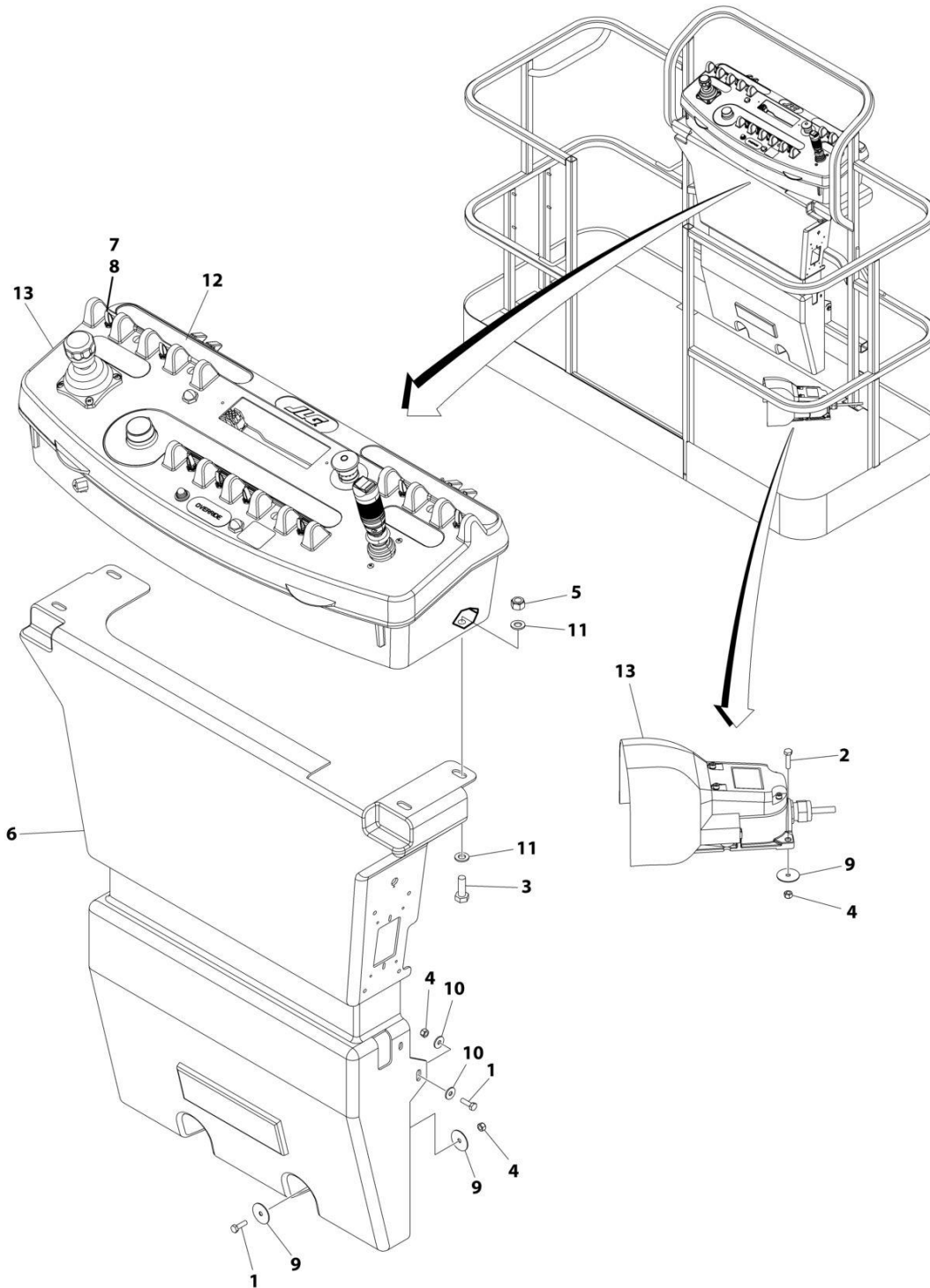
SECTION 5 - PLATFORM

FIGURE 5-15. PLATFORM ASSEMBLY WITH FALL ARREST (8FT)

| ITEM | PART NUMBER | QTY | DESCRIPTION | REV |
|------|-------------|-----|---|-----|
| | 1001186334 | Ref | PLATFORM ASSEMBLY | D |
| | | Ref | Note: Replacement Decals Must be Ordered Separately - See DECALS SECTION. | |
| 1 | 0681814 | 2 | Bolt 1/2 x 1-3/4 Grade 8 | |
| 2 | 0681822 | 6 | Bolt 1/2 x 2-3/4 Grade 8 | |
| 3 | 0962270 | 2 | Bearing | |
| 4 | 1702773 | 1 | Decal - JLG | |
| 5 | 1705014 | 1 | Decal - Safety | |
| 6 | 1706385 | 1 | Decal - Drop Bar | |
| 7 | 2410014 | 1 | Bar, Drop | |
| 8 | 3271805 | 8 | Nut 1/2 Grade 8 | |
| 9 | 3311605 | 1 | Nut 3/8 | |
| 10 | 3520072 | 1 | Plug | |
| 11 | 1001203656 | 1 | Cable | |
| 12 | 3900054 | 1 | Bolt 1/2 x 1-3/4 | |
| 13 | 4711800 | 2 | Washer 1/2 | |
| 14 | 4751800 | 6 | Washer 1/2 | |
| 15 | See Note | NSS | Platform (Note: Purchase Platform Assembly) | |

SECTION 5 - PLATFORM

FIGURE 5-16. CONSOLE AND FOOT SWITCH INSTALLATION



ART_1001266073

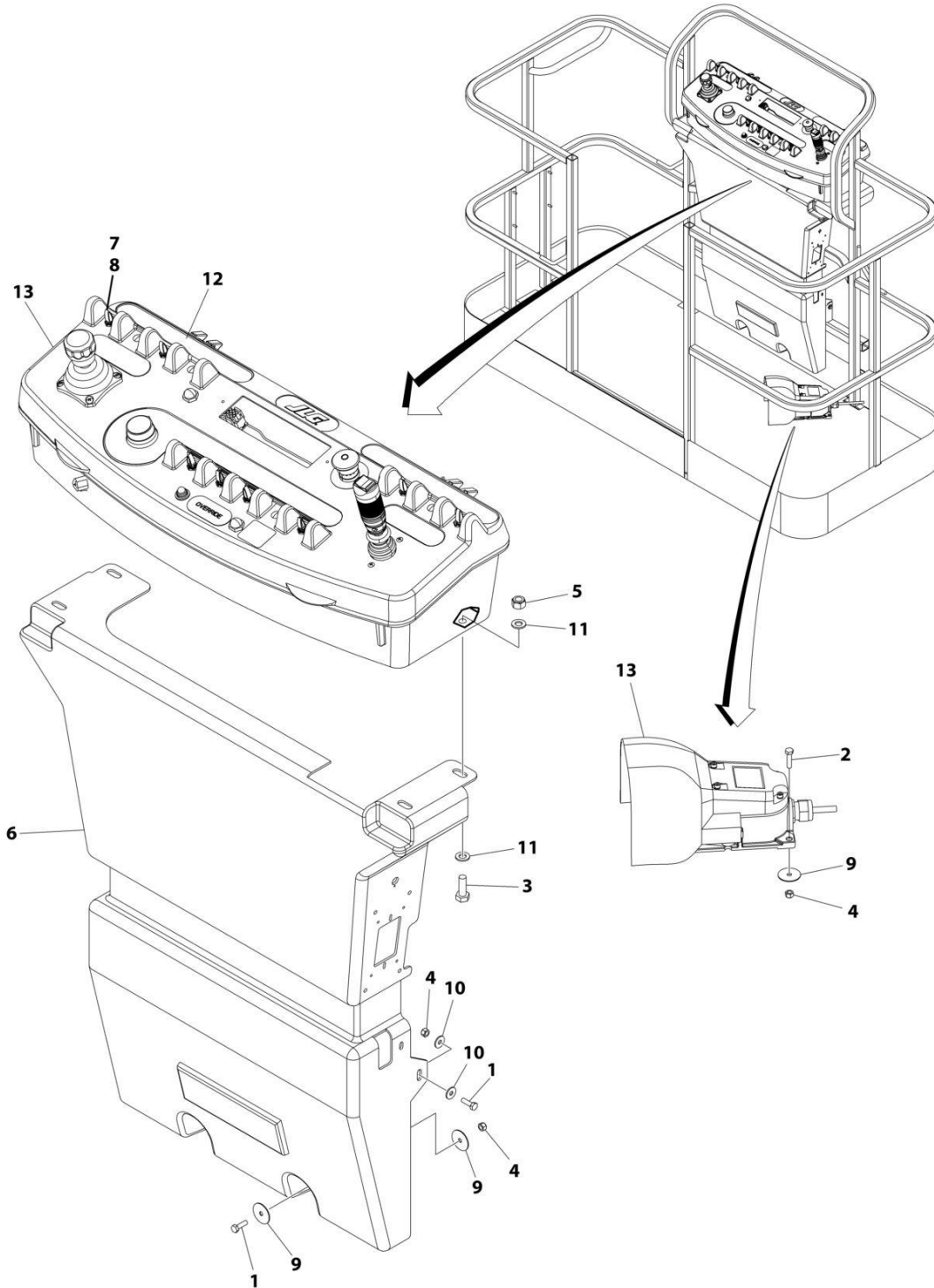
SECTION 5 - PLATFORM

FIGURE 5-16. CONSOLE AND FOOT SWITCH INSTALLATION

| ITEM | PART NUMBER | QTY | DESCRIPTION | REV |
|------|-------------|-----|--|-----|
| | 1001266073 | Ref | PLATFORM CONSOLE AND FOOTSWITCH INSTALLATION | A |
| 1 | 0641406 | 4 | Bolt 1/4 x 3/4 | |
| 2 | 0641408 | 3 | Bolt 1/4 x 1 | |
| 3 | 0641610 | 4 | Bolt 3/8 x 1-1/4 | |
| 4 | 3311405 | 7 | Nut 1/4 | |
| 5 | 3311605 | 4 | Nut 3/8 | |
| 6 | 3380434 | 1 | Panel | |
| 7 | 3790012 | 1 | O-Ring | |
| 8 | 4360331 | 1 | Switch, Toggle | |
| 9 | 4740362 | 7 | Washer | |
| 10 | 4751400 | 4 | Washer 1/4 | |
| 11 | 4761600 | 8 | Washer 3/8 | |
| 12 | 1001184626 | 1 | Decal - Horn | |
| 13 | 1001266069 | 1 | Platform Console Assembly (See Separate Breakdown in this Section) | |

SECTION 5 - PLATFORM

FIGURE 5-17. CONSOLE AND FOOT SWITCH INSTALLATION WITH TOWER STOW



ART_1001264239

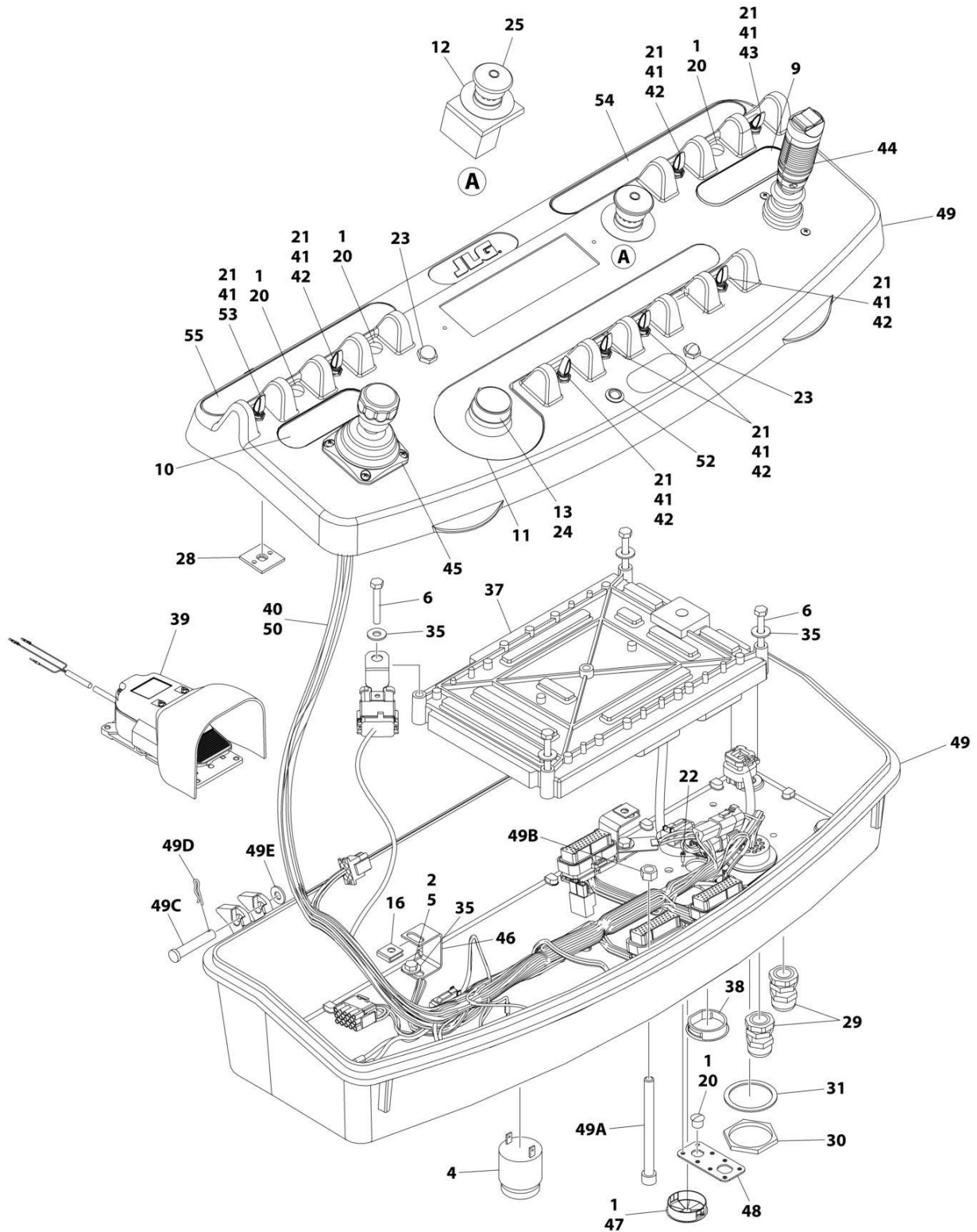
SECTION 5 - PLATFORM

FIGURE 5-17. CONSOLE AND FOOT SWITCH INSTALLATION WITH TOWER STOW

| ITEM | PART NUMBER | QTY | DESCRIPTION | REV |
|------|-------------|-----|---|-----|
| | 1001264239 | Ref | PLATFORM CONSOLE AND FOOTSWITCH INSTALLATION (TOWER STOW) | A |
| 1 | 0641406 | 4 | Bolt 1/4 x 3/4 | |
| 2 | 0641408 | 3 | Bolt 1/4 x 1 | |
| 3 | 0641610 | 4 | Bolt 3/8 x 1-1/4 | |
| 4 | 3311405 | 7 | Nut 1/4 | |
| 5 | 3311605 | 4 | Nut 3/8 | |
| 6 | 3380434 | 1 | Panel | |
| 7 | 3790012 | AR | O-Ring | |
| 8 | 4360331 | AR | Switch, Toggle | |
| 9 | 4740362 | 7 | Washer | |
| 10 | 4751400 | 4 | Washer 1/4 | |
| 11 | 4761600 | 8 | Washer 3/8 | |
| 12 | 1001184626 | AR | Decal - Horn | |
| 13 | 1001263588 | 1 | Platform Console Assembly (See Separate Breakdown in this Section) | |

SECTION 5 - PLATFORM

FIGURE 5-18. CONSOLE BOX ASSEMBLY WITH FOOTSWITCH (WITHOUT TOWER STOW)



ART_1001266069_D

SECTION 5 - PLATFORM

FIGURE 5-18. CONSOLE BOX ASSEMBLY WITH FOOTSWITCH (WITHOUT TOWER STOW)

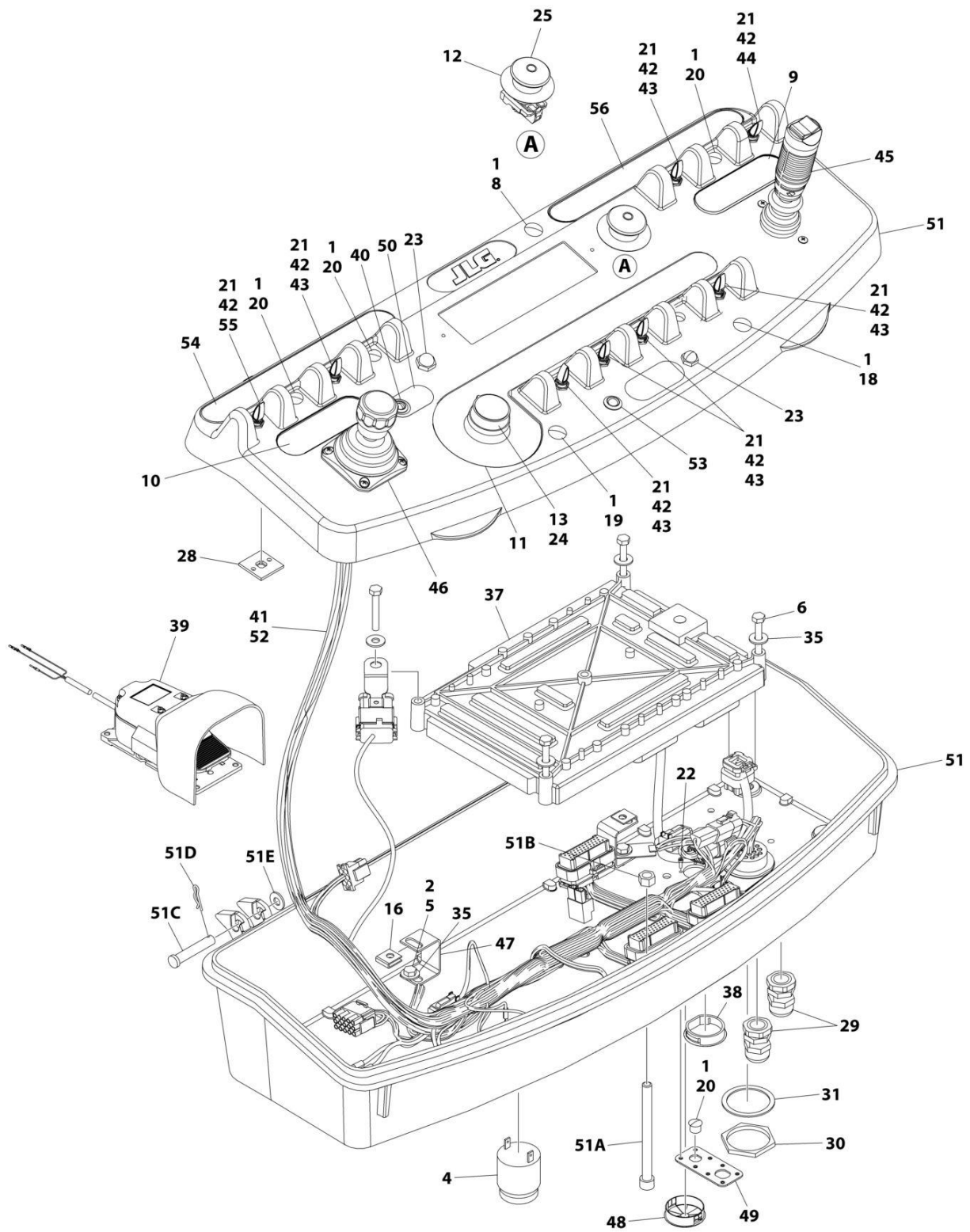
| ITEM | PART NUMBER | QTY | DESCRIPTION | REV |
|------|-------------|-----|--|-----|
| | 1001266069 | Ref | CONSOLE BOX ASSEMBLY | D |
| 1 | 0100009 | AR | Sealant | |
| 2 | 0100035 | AR | Compound, Locking | |
| 4 | 0140011 | 1 | Alarm | |
| 5 | 0641405 | 4 | Bolt 1/4 x 5/8 | |
| 6 | 0641414 | 4 | Bolt 1/4 x 1-3/4 | |
| 9 | 1702565 | 1 | Decal - Drive and Steer | |
| 10 | 1702566 | 1 | Decal - Lift and Swing | |
| 11 | 1702567 | 1 | Decal - Function Speed | |
| 12 | 1704260 | 1 | Decal - Emergency Stop | |
| 13 | 2560136 | 1 | Handle, Knob | |
| 16 | 3300353 | 4 | Nut, Tinnerman | |
| 20 | 3520054 | 4 | Plug | |
| 21 | 3790012 | 8 | O-Ring | |
| 22 | 3900349 | 8 | Capscrew M2.5 x 8 | |
| 23 | 4360387 | 2 | Switch, Push Button | |
| 24 | 4360407 | 1 | Controller, Speed | |
| 24 | 4460224 | 1 | Receptacle, Female - 6 Position | |
| 24 | 4460226 | 6 | Socket, Female | |
| 24 | See Note | 1 | Gasket "Top Hat" (Included with Switch) (Note: Not Available - Purchase Complete Controller) | |
| 24 | 70003784 | 1 | Seal | |
| 25 | 1001274559 | 1 | Switch, Emergency Stop | |
| 28 | 4460234 | 6 | Mount, Tie-Strap | |
| 29 | 4460428 | 2 | Connector, Strain Relief | |
| 30 | 4460470 | 1 | Nut, Terminal | |
| 31 | 4460471 | 1 | Washer, Terminal | |
| 35 | 4751400 | 8 | Washer 1/4 | |
| 36 | 4922666 | 1 | Analyzer Harness (Not Shown) | |
| 36 | 4460761 | 1 | Receptacle, Female - 4 Position | |
| 36 | 4460227 | 4 | Pin, Male | |
| 37 | 1001106938 | 1 | Module, Platform (Note: Re-calibration Required when Replaced) | |
| 38 | 1001110434 | 1 | Plug | |
| 39 | 1001117174 | 1 | Footswitch Assembly (See Separate Breakdown in this Section) | |
| 40 | 1001139135 | 1 | Boom Valve Harness (See Separate Breakdown in ELECTRICAL Section) | |
| 41 | 1001155044 | 8 | Nut 15/32 | |
| 42 | 1001155045 | 6 | Switch, Toggle | |
| 43 | 1001159256 | 1 | Switch, Toggle | |
| 44 | 1001275628 | 1 | Controller Assembly (Drive and Steer) | |
| 45 | 1001275629 | 1 | Controller Assembly (Lift and Swing) | |
| 46 | 1001172760 | 4 | Bracket | |
| 47 | 1001185281 | 1 | Plug | |
| 48 | 1001213882 | 1 | Mount | |
| 49 | 1001215228 | 1 | Console Box Assembly | |
| 49A | 0630568 | 1 | Capscrew 3/8 x 4-1/2 | |
| 49B | 3311601 | 1 | Nut 3/8 | |
| 49C | 3430616 | 2 | Pin | |
| 49D | 3470003 | 2 | Hairpin | |
| 49E | 4711600 | 2 | Washer 3/8 | |

SECTION 5 - PLATFORM

| ITEM | PART NUMBER | QTY | DESCRIPTION | REV |
|------|-------------|-----|---|-----|
| 50 | 1001309250 | 1 | Platform Console Harness (See Separate Breakdown in ELECTRICAL Section) | |
| 51 | 4240099 | AR | Tie-Strap (Not Shown) | |
| 52 | 1001206532 | 1 | Lamp, LED Indicator Yellow | |
| 53 | 1001161709 | 1 | Switch, Toggle DPDT | |
| 54 | 1001184618 | 1 | Decal - Stop & Auxiliary Power | |
| 55 | 1001184626 | 1 | Decal - Horn | |

SECTION 5 - PLATFORM

FIGURE 5-19. CONSOLE BOX ASSEMBLY WITH FOOTSWITCH (WITH TOWER STOW)



ART_1001263588_D

SECTION 5 - PLATFORM

FIGURE 5-19. CONSOLE BOX ASSEMBLY WITH FOOTSWITCH (WITH TOWER STOW)

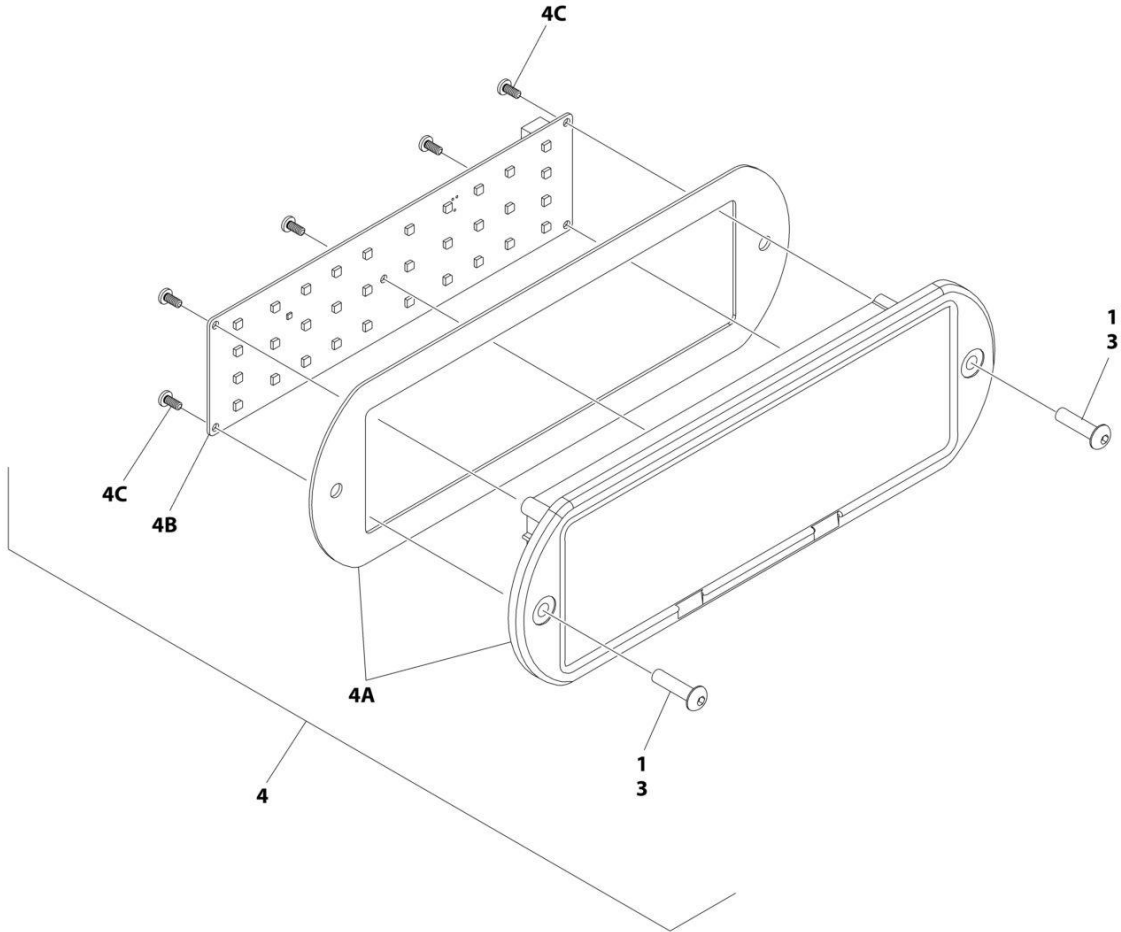
| ITEM | PART NUMBER | QTY | DESCRIPTION | REV |
|------|-------------|-----|--|-----|
| | 1001263588 | Ref | CONSOLE BOX ASSEMBLY | D |
| 1 | 0100009 | AR | Sealant | |
| 2 | 0100035 | AR | Compound, Locking | |
| 4 | 0140011 | 1 | Alarm | |
| 5 | 0641405 | 4 | Bolt 1/4 x 5/8 | |
| 6 | 0641414 | 4 | Bolt 1/4 x 1-3/4 | |
| 8 | 1671314 | 1 | Cover | |
| 9 | 1702565 | 1 | Decal - Drive and Steer | |
| 10 | 1702566 | 1 | Decal - Lift and Swing | |
| 11 | 1702567 | 1 | Decal - Function Speed | |
| 12 | 1704260 | 1 | Decal - Emergency Stop | |
| 13 | 2560136 | 1 | Handle, Knob | |
| 16 | 3300353 | 4 | Nut, Tinnerman | |
| 18 | 3520026 | 1 | Plug | |
| 19 | 3520027 | 1 | Plug | |
| 20 | 3520054 | 4 | Plug | |
| 21 | 3790012 | 8 | O-Ring | |
| 22 | 3900349 | 8 | Capscrew M2.5 x 8 | |
| 23 | 4360387 | 2 | Switch, Push Button | |
| 24 | 4360407 | 1 | Controller, Speed | |
| 24 | 4460224 | 1 | Receptacle, Female - 6 Position | |
| 24 | 4460226 | 6 | Socket, Female | |
| 24 | See Note | 1 | Gasket "Top Hat" (Included with Switch) (Note: Not Available - Purchase Complete Controller) | |
| 24 | 70003784 | 1 | Seal | |
| 25 | 1001274559 | 1 | Switch, Emergency Stop | |
| 28 | 4460234 | 6 | Mount, Tie-Strap | |
| 29 | 4460428 | 2 | Connector, Strain Relief | |
| 30 | 4460470 | 1 | Nut, Terminal | |
| 31 | 4460471 | 1 | Washer, Terminal | |
| 35 | 4751400 | 8 | Washer 1/4 | |
| 36 | 4922666 | 1 | Analyzer Harness (Not Shown) | |
| 36 | 4460761 | 1 | Receptacle, Female - 4 Position | |
| 36 | 4460227 | 4 | Pin, Male | |
| 37 | 1001106938 | 1 | Module, Platform (Note: Re-calibration Required when Replaced) | |
| 38 | 1001110434 | 1 | Plug | |
| 39 | 1001117174 | 1 | Footswitch Assembly (See Separate Breakdown in this Section) | |
| 40 | 1001137364 | 1 | Light, Indicator | |
| 41 | 1001139135 | 1 | Boom Valve Harness (See Separate Breakdown in ELECTRICAL Section) | |
| 42 | 1001155044 | 8 | Nut 15/32 | |
| 43 | 1001155045 | 6 | Switch, Toggle | |
| 44 | 1001159256 | 1 | Switch, Toggle | |
| 45 | 1001275628 | 1 | Controller Assembly (Drive and Steer) | |
| 46 | 1001275629 | 1 | Controller Assembly (Lift and Swing) | |
| 47 | 1001172760 | 4 | Bracket | |
| 48 | 1001185281 | 1 | Plug | |
| 49 | 1001213882 | 1 | Mount | |
| 50 | 1001260937 | 1 | Decal - Tower Stow | |
| 51 | 1001263587 | 1 | Console Box Assembly | |

SECTION 5 - PLATFORM

| ITEM | PART NUMBER | QTY | DESCRIPTION | REV |
|------|-------------|-----|---|-----|
| 51A | 0630568 | 1 | Capscrew 3/8 x 4-1/2 | |
| 51B | 3311601 | 1 | Nut 3/8 | |
| 51C | 3430616 | 2 | Pin | |
| 51D | 3470003 | 2 | Hairpin | |
| 51E | 4711600 | 2 | Washer 3/8 | |
| 52 | 1001309250 | 1 | Platform Console Harness (See Separate Breakdown in ELECTRICAL Section) | |
| 53 | 1001206532 | 1 | Lamp, LED Indicator Yellow | |
| 54 | 1001184626 | 1 | Decal - Horn | |
| 55 | 1001161709 | 1 | Switch, Toggle DPDT | |
| 56 | 1001184618 | 1 | Decal - Stop & Auxiliary Power | |
| 57 | 4240099 | AR | Tie-Strap (Not Shown) | |

SECTION 5 - PLATFORM

FIGURE 5-20. LIGHT PANEL INSTALLATION



ART_1001241403_E_2OF2

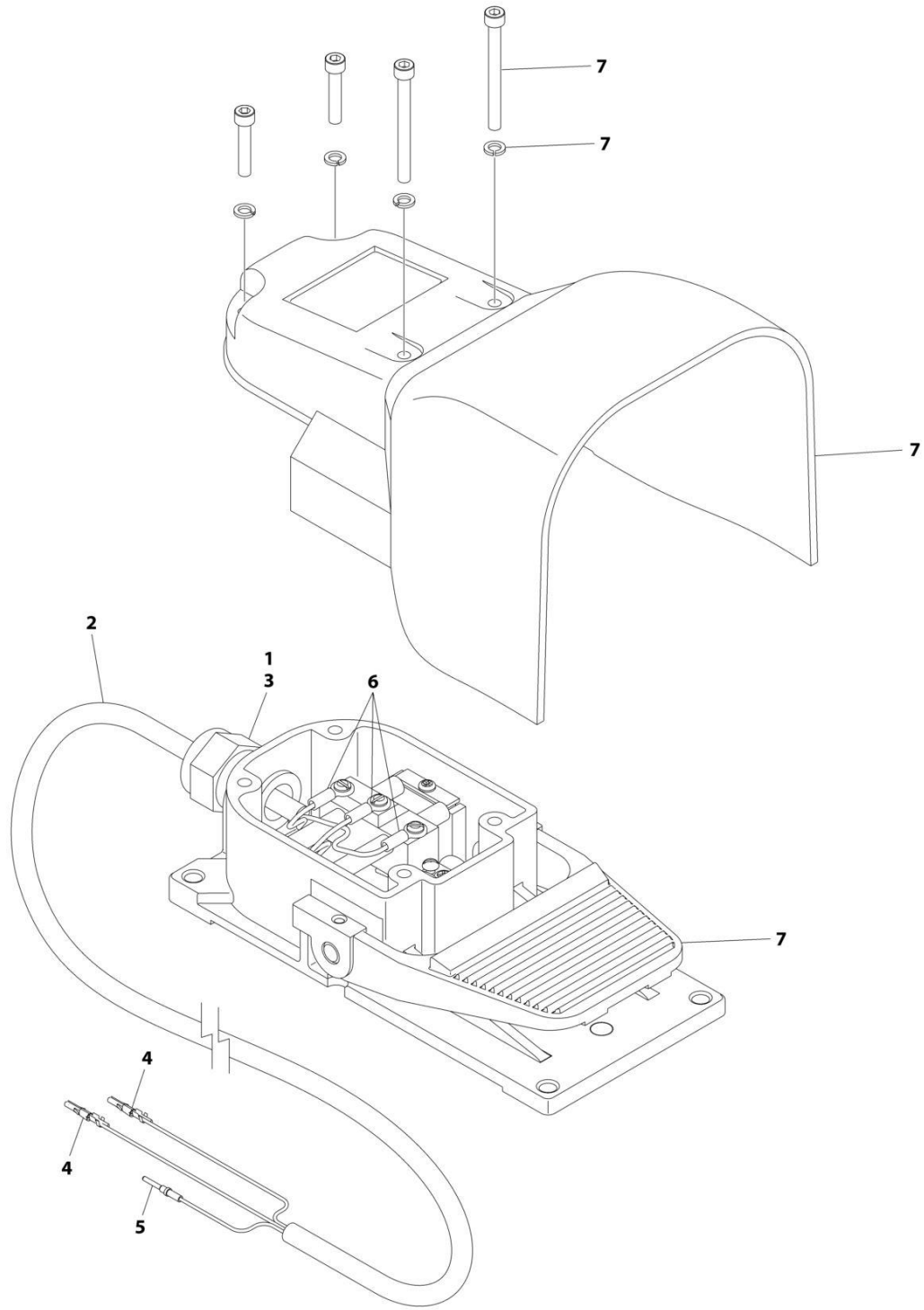
SECTION 5 - PLATFORM

FIGURE 5-20. LIGHT PANEL INSTALLATION

| ITEM | PART NUMBER | QTY | DESCRIPTION | REV |
|------|-------------|-----|--|-----|
| | 1001241403 | Ref | LIGHT PANEL INSTALLATION - PLATFORM CONSOLE | E |
| 1 | 3300408 | 1 | Nut, Nylon Insert | |
| 3 | 0630518 | 2 | Screw #10 x 3/4 | |
| 4 | 1001237545 | 1 | Light Panel Electrical Assembly | J |
| 4A | 1001281703 | 1 | Lens Assembly (Includes Housing Shell, Decal/Lens with Icons & Gasket) | |
| 4B | 1001282106 | 1 | Panel, LED Light | |
| 4C | | Ref | Screw | |

SECTION 5 - PLATFORM

FIGURE 5-21. FOOTSWITCH ASSEMBLY



ART_1001117174

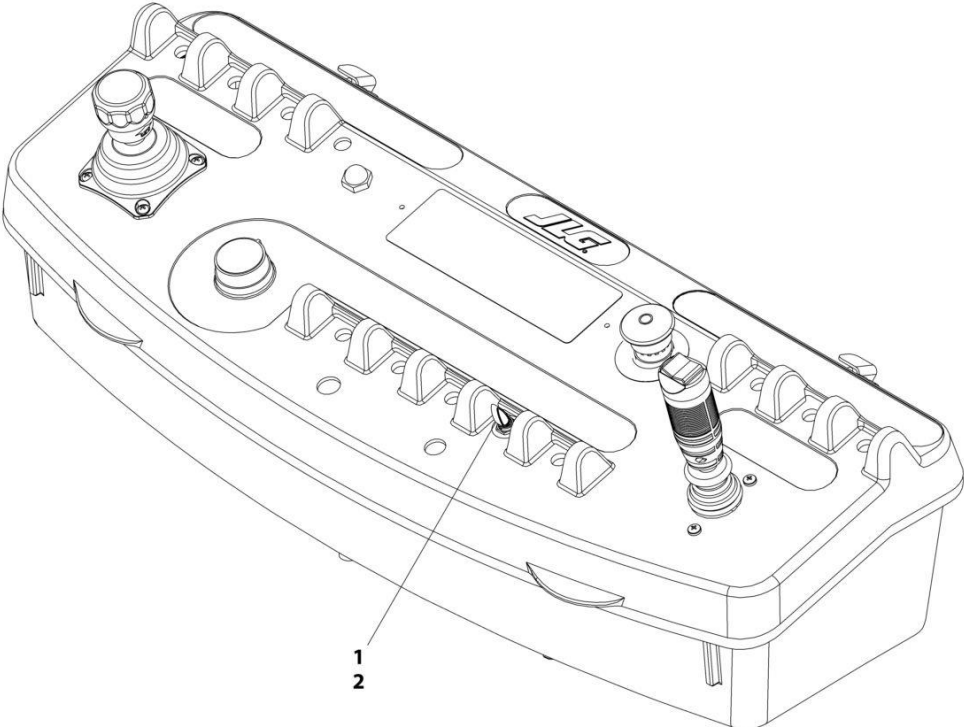
SECTION 5 - PLATFORM

FIGURE 5-21. FOOTSWITCH ASSEMBLY

| ITEM | PART NUMBER | QTY | DESCRIPTION | REV |
|------|-------------|-----------------|--------------------------|-----|
| | 1001117174 | Ref | FOOTSWITCH ASSEMBLY | C |
| 1 | 0100020 | AR | Sealant | |
| 2 | 1060918 | 7.5 ft/ 2.3m | Cable, Electrical - 18/3 | |
| 3 | 4460071 | 1 | Connector, Strain Relief | |
| 4 | 4460226 | 2 | Socket, Female | |
| 5 | 4460464 | 1 | Pin, Male | |
| 6 | 1001098122 | 3 | Terminal | |
| 7 | 1001117172 | 1 | Footswitch | |
| 7 | 70002902 | 1 | Switch, 20Amp | |
| 7 | 70002903 | 1 | Gasket | |
| 7 | 70002905 | 1 | Cover | |
| 7 | 70002904 | 1 | Kit, Replacement Bolt | |

SECTION 5 - PLATFORM

FIGURE 5-22. JIB SWITCH INSTALLATION



ART_0271340

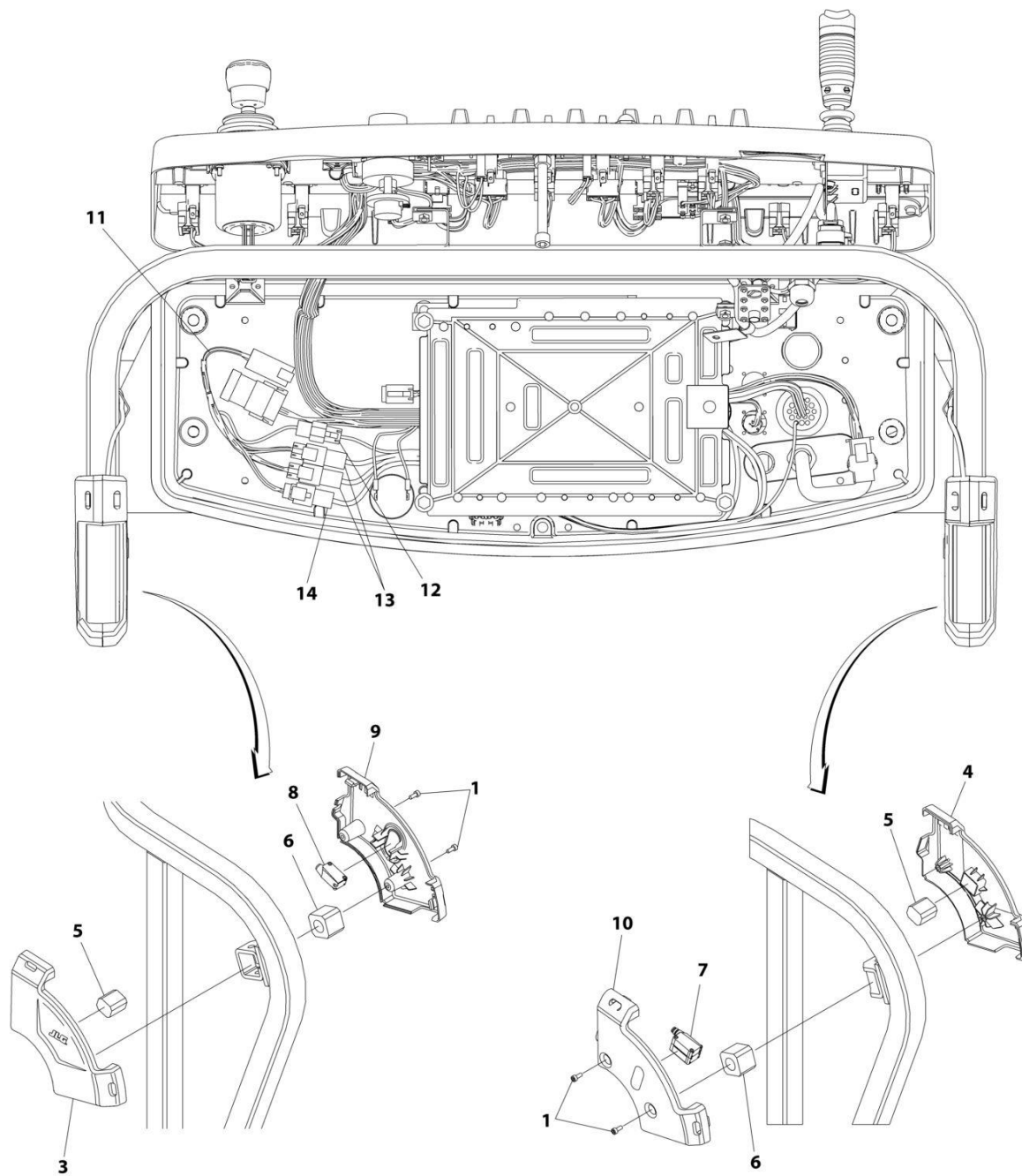
SECTION 5 - PLATFORM

FIGURE 5-22. JIB SWITCH INSTALLATION

| ITEM | PART NUMBER | QTY | DESCRIPTION | REV |
|------|-------------|-----|-------------------------|-----|
| | 0271340 | Ref | JIB SWITCH INSTALLATION | 1/A |
| 1 | 4360328 | 1 | Switch, Toggle | |
| 2 | 3790012 | 1 | O-Ring | |

SECTION 5 - PLATFORM

FIGURE 5-23. SKYEYE INSTALLATION



ART_1001229341

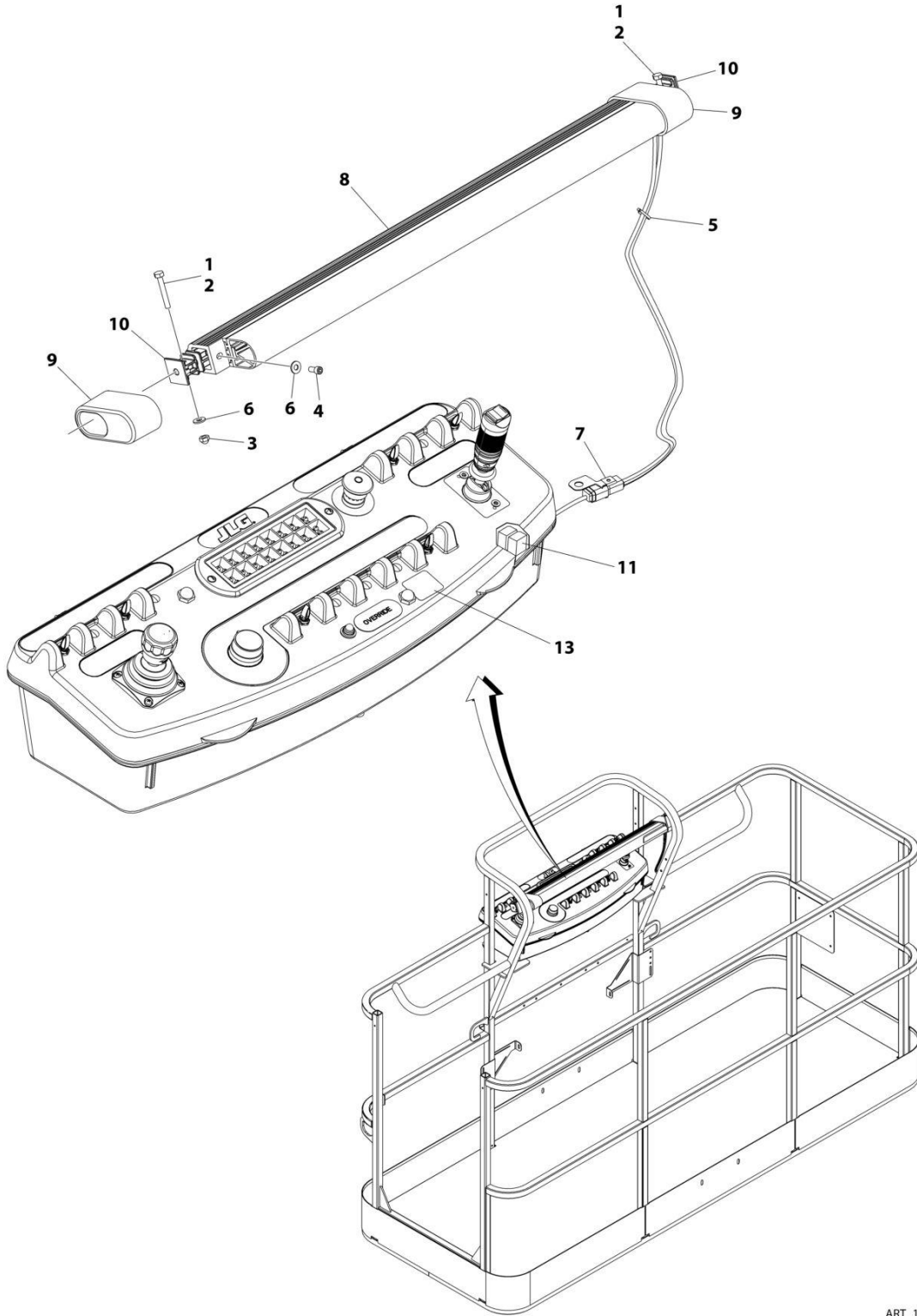
SECTION 5 - PLATFORM

FIGURE 5-23. SKYEYE INSTALLATION

| ITEM | PART NUMBER | QTY | DESCRIPTION | REV |
|------|-------------|-----|--|-----|
| | 1001229341 | Ref | SKYEYE INSTALLATION | B |
| 1 | 4031505 | 4 | Bolt M4 x 10 | |
| 2 | 4240033 | AR | Tie-Strap (Not Shown) | |
| 3 | 1001227633 | 1 | Housing, LH Outer | |
| 4 | 1001227634 | 1 | Housing, RH Outer | |
| 5 | 1001227985 | 2 | Shim | |
| 6 | 1001227987 | 2 | Shim | |
| 7 | 1001228224 | 2 | Sensor, Receiver | |
| 8 | 1001228225 | 1 | Sensor, Emitter | |
| 9 | 1001232164 | 1 | Housing, LH Inner | |
| 10 | 1001232165 | 1 | Housing, RH Inner | |
| 11 | 1001237865 | 1 | Harness, Skyeeye Intermediate (See Separate Breakdown in ELECTRICAL Section) | |
| 12 | 1001238319 | NLA | Harness, Skyeeye Drain Jumper | |
| 12 | 1001187674 | 1 | Plug, Male - 2 Position | |
| 12 | 4460942 | 1 | Terminal | |
| 12 | 4460466 | 1 | Plug, Terminal | |
| 12 | 4460508 | 1 | Pin, Male | |
| 13 | 1001237863 | 2 | Harness, Skyeeye Receiver (See Separate Breakdown in ELECTRICAL Section) | |
| 14 | 1001237864 | 1 | Harness, Skyeeye Emitter (See Separate Breakdown in ELECTRICAL Section) | |

SECTION 5 - PLATFORM

FIGURE 5-24. SKYGUARD BAR INSTALLATION



ART_1001238495

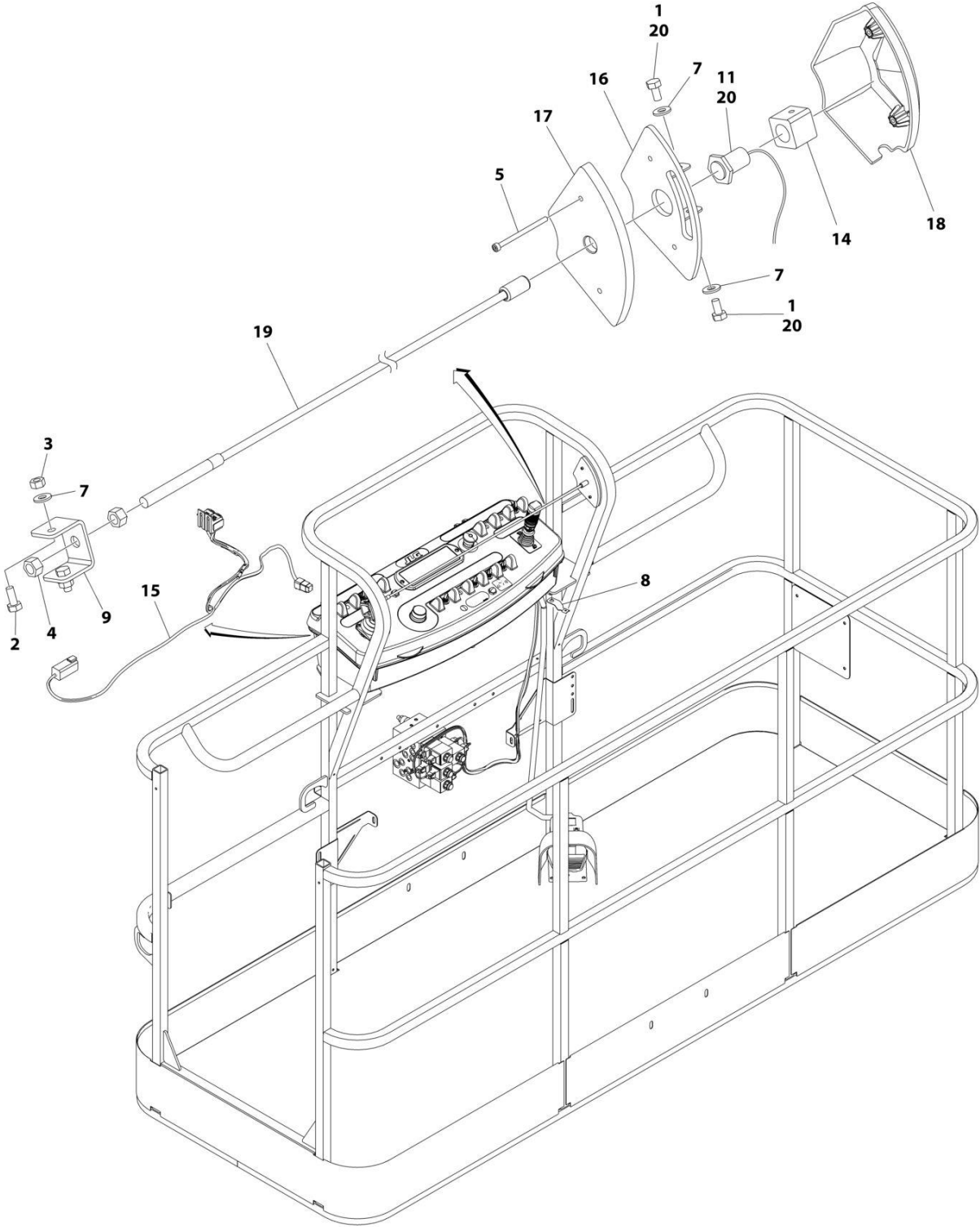
SECTION 5 - PLATFORM

FIGURE 5-24. SKYGUARD BAR INSTALLATION

| ITEM | PART NUMBER | QTY | DESCRIPTION | REV |
|------|-------------|-----|--|-----|
| | 1001238495 | Ref | SKYGUARD BAR INSTALLATION | A |
| 1 | 0100011 | AR | Compound, Locking | |
| 2 | 0641414 | 2 | Bolt 1/4 x 1-3/4 | |
| 3 | 3300430 | 2 | Nut 1/4 | |
| 4 | 3931408 | 2 | Capscrew 1/4 x 1/2 | |
| 5 | 4240033 | 8 | Tie-Strap | |
| 6 | 4711400 | 6 | Washer 1/4 | |
| 7 | 1001120328 | 1 | Mount | |
| 8 | 1001137673 | 1 | SkyGuard Switch Assembly | |
| 9 | 1001186517 | 2 | Cover, Platform Sensor | |
| 10 | 1001209664 | 2 | Support, Block | |
| 11 | 1001186431 | 2 | Relay | |
| 12 | 1001225580 | 1 | Interface Harness Assembly (Not Shown - Located Inside Console Box) (See Separate Breakdown in ELECTRICAL Section) | |
| 13 | 1001144433 | 1 | Decal - No Weight SkyGuard | |

SECTION 5 - PLATFORM

FIGURE 5-25. SKYLINE INSTALLATION



ART_1001238559_D

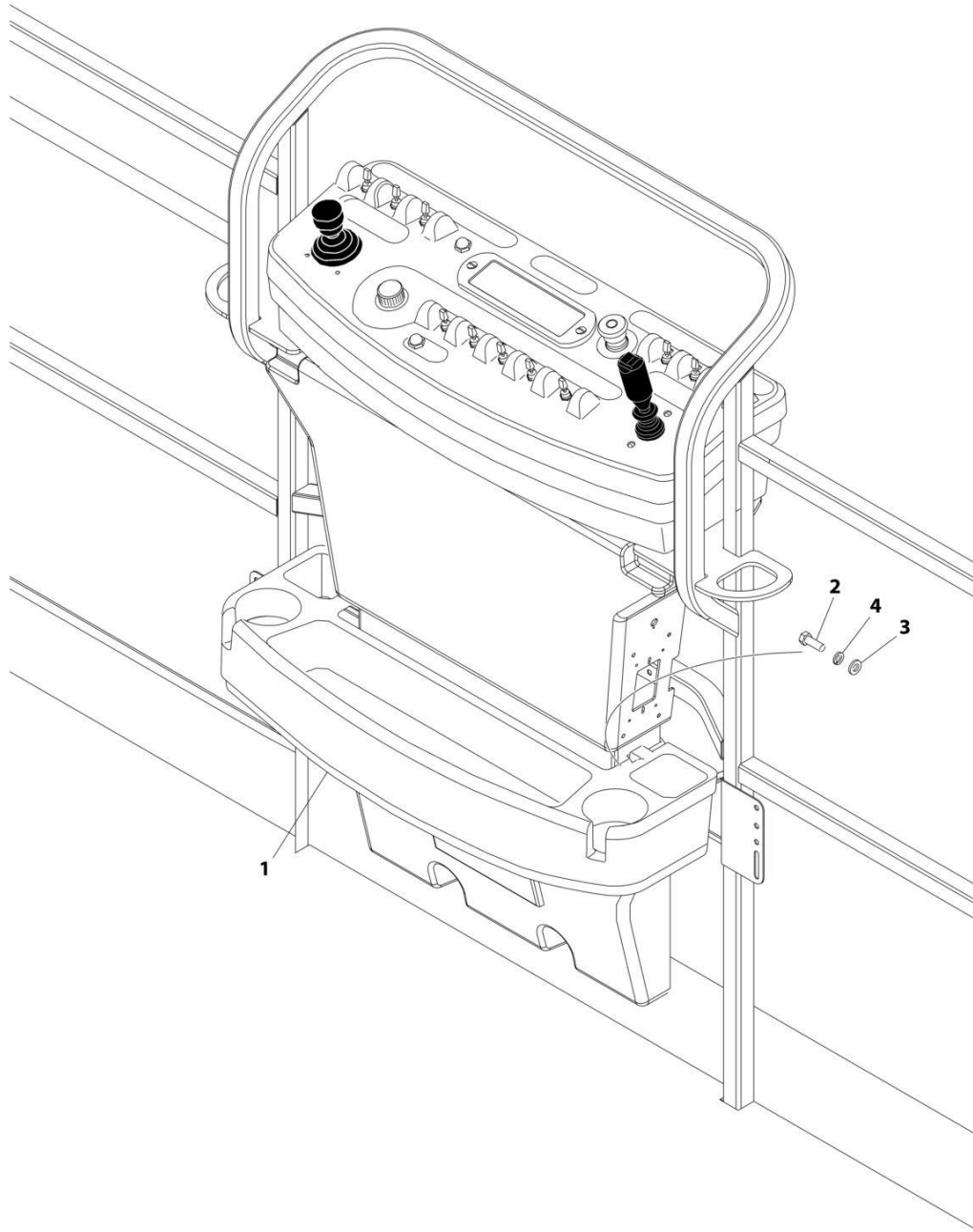
SECTION 5 - PLATFORM

FIGURE 5-25. SKYLINE INSTALLATION

| ITEM | PART NUMBER | QTY | DESCRIPTION | REV |
|------|-------------|-----|---|-----|
| | 1001238559 | Ref | SKYLINE INSTALLATION | D |
| 1 | 0641404 | 2 | Bolt 1/4 x 1/2 | |
| 2 | 0641405 | 2 | Bolt 1/4 x 5/8 | |
| 3 | 3311405 | 2 | Nut 1/4 | |
| 4 | 3311601 | 2 | Nut 3/8 | |
| 5 | 4031516 | 2 | Capscrew M4 x 60 | |
| 6 | 4240033 | AR | Tie-Strap (Not Shown) | |
| 7 | 4711400 | 4 | Washer 1/4 | |
| 8 | 1001120328 | 1 | Mount | |
| 9 | 1001232642 | 1 | Bracket | |
| 11 | 1001232667 | 1 | Sensor, Proximity | |
| 11 | 1001311034 | 1 | Sensor, Proximity | |
| 14 | 1001236552 | 1 | Block | |
| 15 | 1001238418 | 1 | Harness, Skyline (See Separate Breakdown in ELECTRICAL Section) | |
| 16 | 1001238472 | 1 | Mount | |
| 17 | 1001254473 | 1 | Housing, LH | |
| 18 | 1001241965 | 1 | Housing, RH | |
| 19 | 1001254472 | 1 | Rod | |
| 20 | 0100011 | AR | Compound, Locking | |

SECTION 5 - PLATFORM

FIGURE 5-26. STORAGE TRAY INSTALLATION - CENTER



ART_1580012

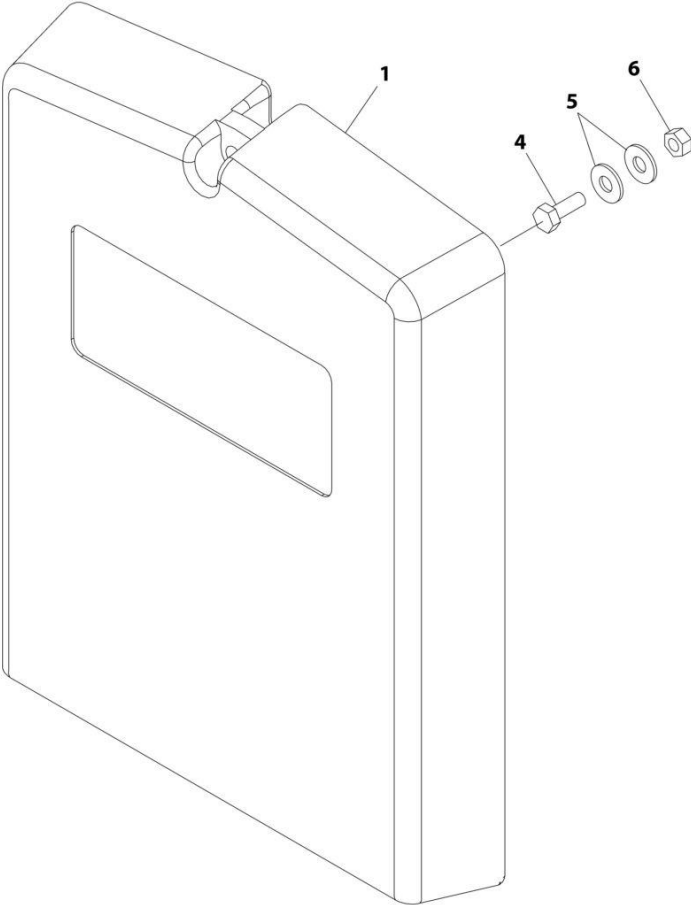
SECTION 5 - PLATFORM

FIGURE 5-26. STORAGE TRAY INSTALLATION - CENTER

| ITEM | PART NUMBER | QTY | DESCRIPTION | REV |
|------|-------------|-----|---|-----|
| | 1580012 | Ref | TRAY ASSEMBLY | C |
| 1 | See Note | NSS | Tray, Storage (Center) (Note: Purchase p/n 1580012) | |
| 2 | 0641406 | 2 | Bolt 1/4 x 3/4 | |
| 3 | 4751400 | 2 | Washer 1/4 | |
| 4 | 4761400 | 2 | Washer 1/4 | |

SECTION 5 - PLATFORM

FIGURE 5-27. MANUAL STORAGE BOX INSTALLATION



ART_0258671

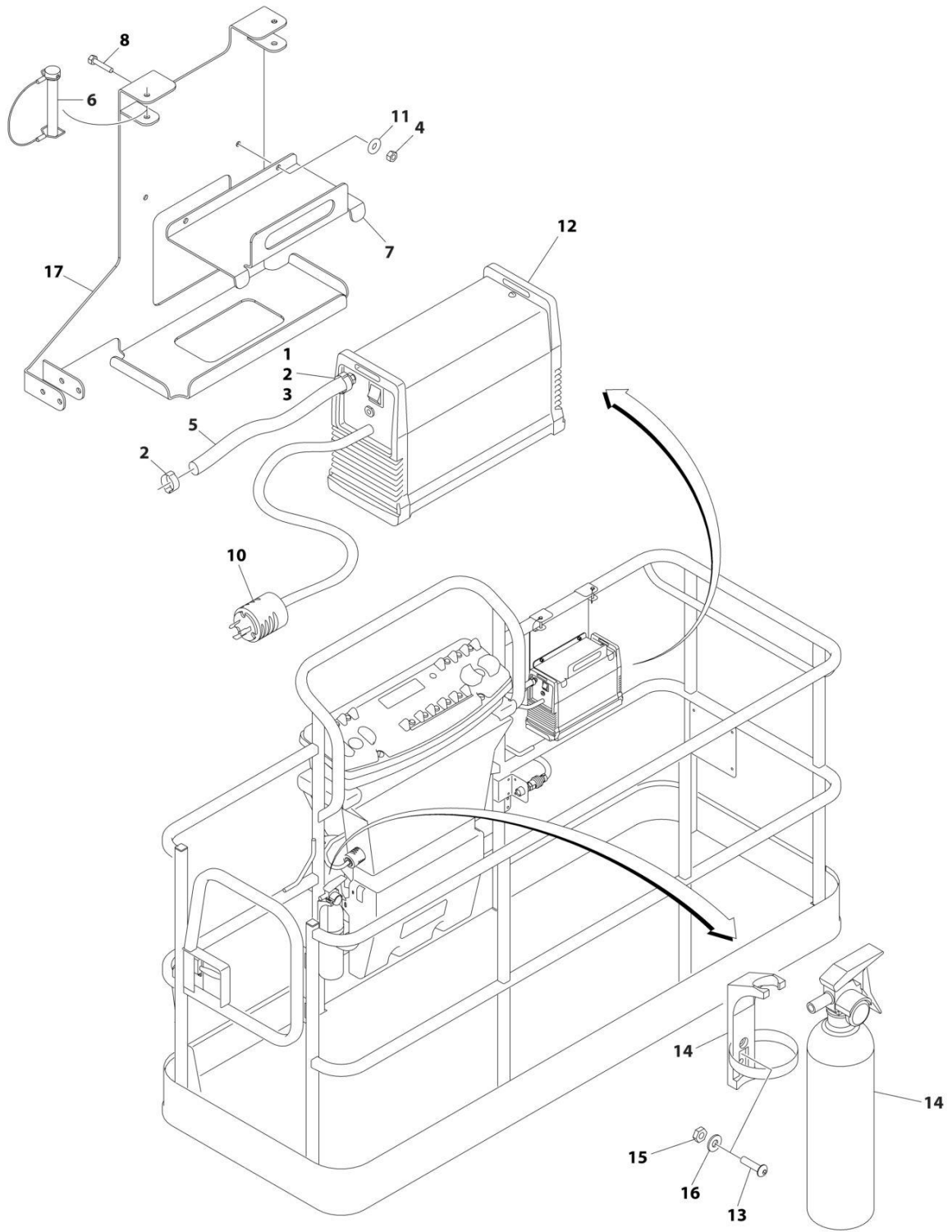
SECTION 5 - PLATFORM

FIGURE 5-27. MANUAL STORAGE BOX INSTALLATION

| ITEM | PART NUMBER | QTY | DESCRIPTION | REV |
|------|-------------|-----|---------------------------------|-----|
| | 0258671 | Ref | MANUAL STORAGE BOX INSTALLATION | C |
| 1 | 0860520 | 1 | Box, Manual Storage | |
| 4 | 0641406 | 4 | Bolt 1/4 x 3/4 | |
| 5 | 4751400 | 8 | Washer 1/4 | |
| 6 | 3311405 | 4 | Nut 1/4 | |

SECTION 5 - PLATFORM

FIGURE 5-28. SKYCUTTER INSTALLATION



ART_1001098149_D

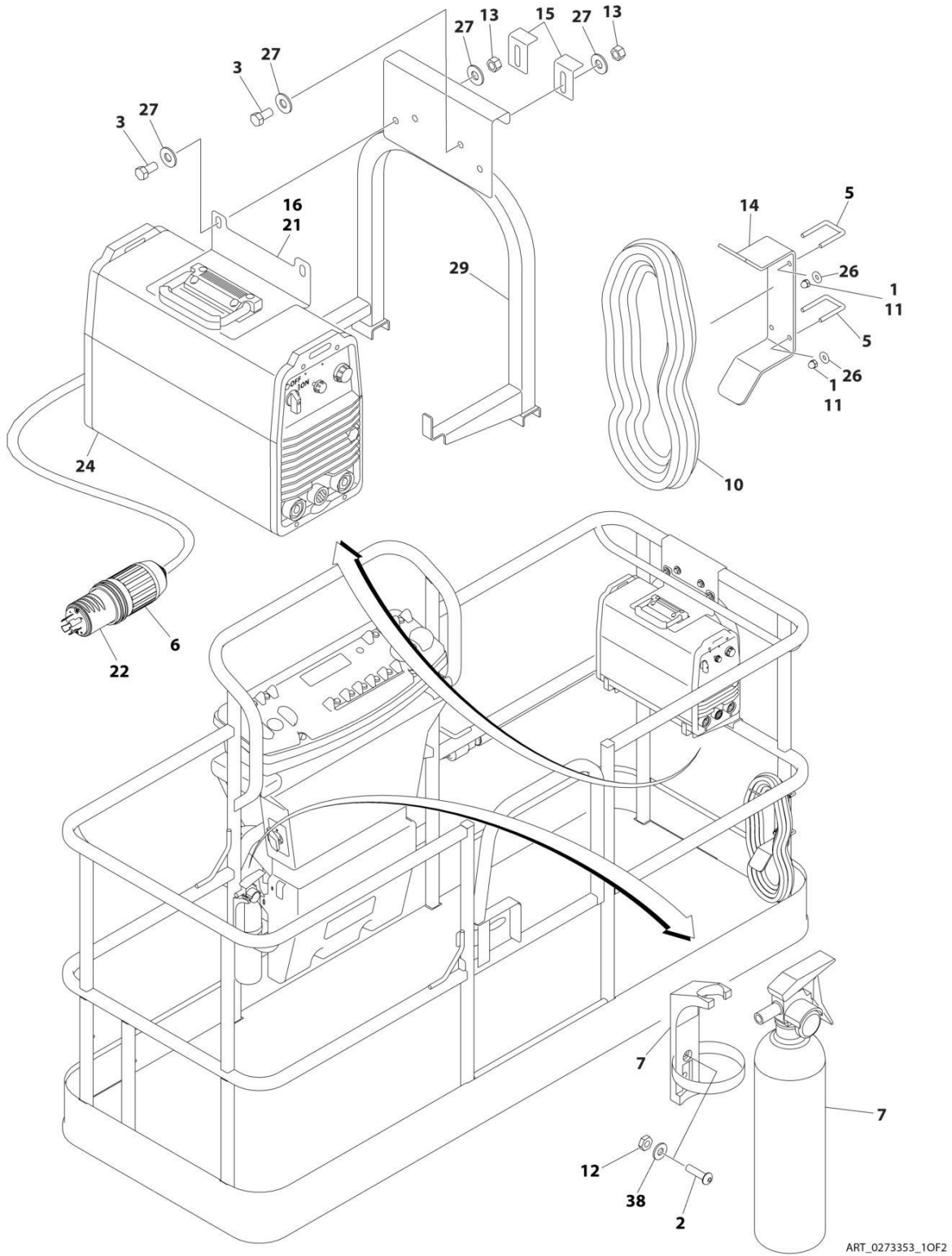
SECTION 5 - PLATFORM

FIGURE 5-28. SKYCUTTER INSTALLATION

| ITEM | PART NUMBER | QTY | DESCRIPTION | REV |
|------|-------------|-----------|--|-----|
| | 1001098149 | Ref | SKYCUTTER INSTALLATION | D |
| | | Ref | Note: When replacing platform on machines with SkyCutter option, new bracket p/n 1001145405 must be purchased to accommodate SkyCutter components. | |
| 1 | 0100020 | AR | Sealant | |
| 2 | 1320177 | 2 | Clamp, Hose | |
| 3 | 2180832 | 1 | Fitting, NPT/Barbed | |
| 4 | 3290605 | 2 | Nut M6 | |
| 5 | 2720160 | 3 ft /.9m | Hose | |
| 6 | 3421453 | 3 | Pin | |
| 7 | 3576799 | 1 | Plate, Hold-Down | |
| 8 | 4010608 | 2 | Screw M6 x 16 | |
| 10 | 4460971 | 1 | Plug, Twistlock | |
| 11 | 4811700 | 2 | Washer M6 | |
| 12 | 1001098012 | 1 | Plasma Cutter Assembly (See Separate Breakdown in this Section) | |
| 13 | 0630518 | 2 | Screw #10 x 3/4 | |
| 14 | 2030010 | 1 | Extinguisher, Fire | |
| 15 | 3311005 | 2 | Nut #10 | |
| 16 | 4751000 | 2 | Washer #10 | |
| 17 | 1001145405 | 1 | Support | |

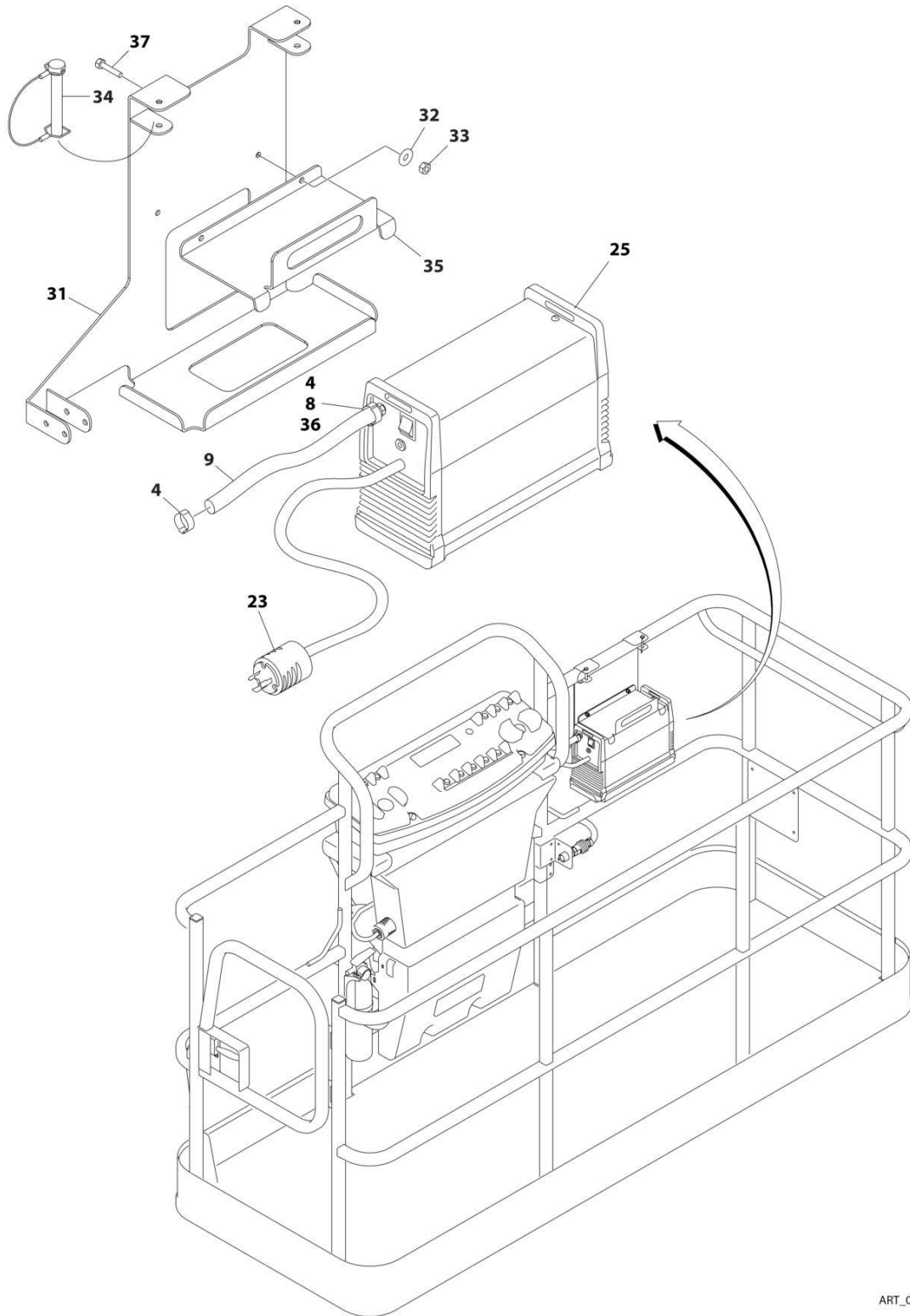
SECTION 5 - PLATFORM

FIGURE 5-29. SKYWELDER/SKYCUTTER COMBO INSTALLATION (60HZ)



ART_0273353_10F2

SECTION 5 - PLATFORM



ART_0273353_20F2

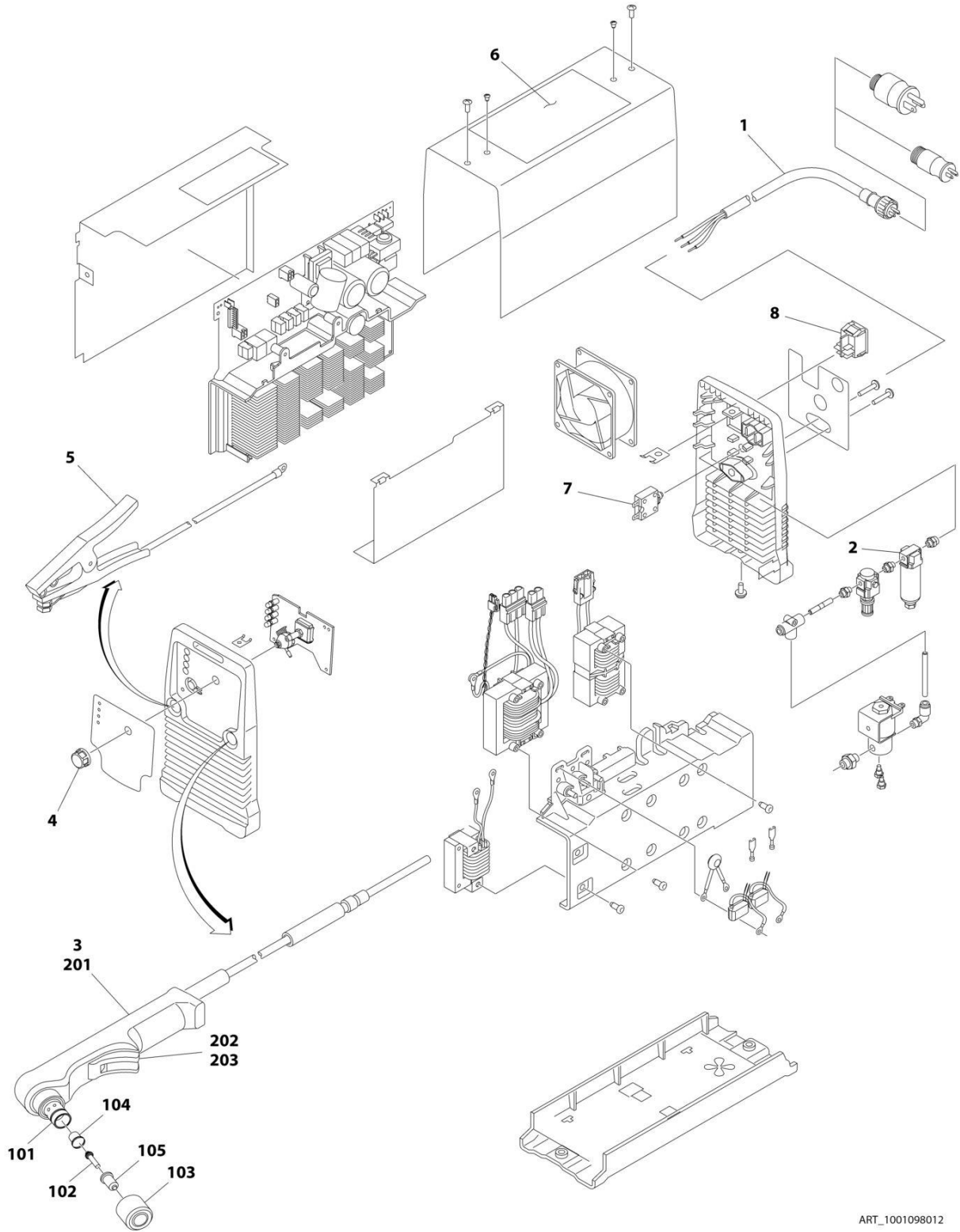
SECTION 5 - PLATFORM

FIGURE 5-29. SKYWELDER/SKYCUTTER COMBO INSTALLATION (60HZ)

| ITEM | PART NUMBER | QTY | DESCRIPTION | REV |
|------|-------------|------------------|---|-----|
| | 0273353 | Ref | SKYWELDER/SKYCUTTER COMBO INSTALLATION (60HZ) | G |
| 1 | 0100011 | AR | Compound, Locking | |
| 2 | 0630518 | 2 | Screw #10 x 3/4 | |
| 3 | 0641606 | 4 | Bolt 3/8 x 3/4 | |
| 4 | 1320177 | 2 | Clamp | |
| 5 | 1320302 | 2 | Clamp | |
| 6 | 1671093 | 1 | Cover, Plug | |
| 7 | 2030010 | 1 | Extinguisher, Fire | |
| 8 | 2180832 | 1 | Fitting, Barbed/NPT | |
| 9 | 2720160 | 4.5 ft /1.37m | Hose | |
| 10 | 2902217 | 1 | Weld Leads Kit | |
| 11 | 3300151 | 4 | Nut 1/4 | |
| 12 | 3311005 | 2 | Nut #10 | |
| 13 | 3311605 | 4 | Nut 3/8 | |
| 14 | 3573400 | 1 | Bracket | |
| 15 | 3577121 | 2 | Angle | |
| 16 | 3573642 | 1 | Plate | |
| 20 | 4240099 | AR | Tie-Strap (Not Shown) | |
| 21 | 4420037 | 2.36 ft /.71m | Tape | |
| 22 | 4460962 | 1 | Plug, Twist Lock | |
| 23 | 4460971 | 1 | Plug, Twist Lock | |
| 24 | 4530028 | 1 | Welder Assembly (See Separate Breakdown in this section) | |
| 25 | 1001098012 | 1 | Plasma Cutter Assembly (See Separate Breakdown in this Section) | |
| 26 | 4751400 | 4 | Washer 1/4 | |
| 27 | 4751600 | 8 | Washer 3/8 | |
| 29 | 4846627 | 1 | Support | |
| 31 | 1001145405 | 1 | Bracket | |
| 32 | 4811700 | 2 | Washer M6 | |
| 33 | 3290605 | 2 | Nut M6 | |
| 34 | 3421453 | 3 | Pin | |
| 35 | 3576799 | 1 | Plate, Hold-Down | |
| 36 | 0100020 | 1 | Sealant | |
| 37 | 4010608 | 2 | Screw M6 x 16 | |
| 38 | 4751000 | 2 | Washer #10 | |

SECTION 5 - PLATFORM

FIGURE 5-30. PLASMA CUTTER ASSEMBLY



ART_1001098012

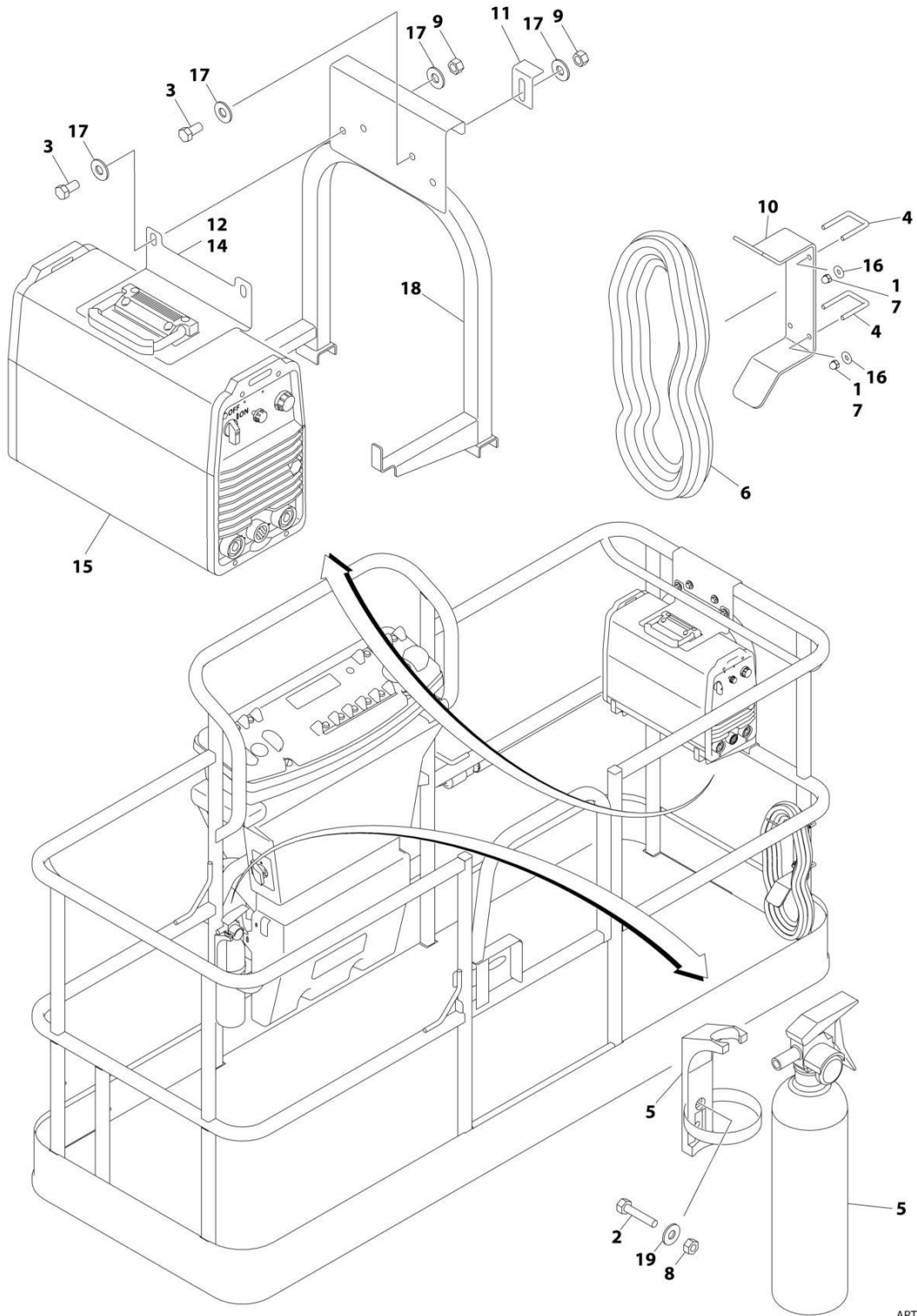
SECTION 5 - PLATFORM

FIGURE 5-30. PLASMA CUTTER ASSEMBLY

| ITEM | PART NUMBER | QTY | DESCRIPTION | REV |
|------|-------------|-----|--|-----|
| | 1001098012 | Ref | PLASMA CUTTER ASSEMBLY | A |
| | | Ref | Note: For Other Components, contact your Miller Welder Dealer. | |
| 1 | 70001424 | 1 | Cable, Power | |
| 1 | 70001425 | 1 | Decal - Voltage Warning | |
| 2 | 70001427 | 1 | Filter, Regulator | |
| 3 | 70001428 | 1 | Torch Assembly (See Items 101-203 for Breakdown) | |
| 4 | 7024471 | 1 | Knob | |
| 5 | 70001429 | 1 | Clamp with Cable | |
| 6 | 70001430 | 1 | Decal - Caution | |
| 7 | 70001431 | 1 | Breaker, Circuit | |
| 8 | 70001432 | 1 | Switch, Rocker | |
| | 70001428 | Ref | TORCH ASSEMBLY | |
| 101 | 7024530 | 1 | O-Ring | |
| 102 | 7024531 | 1 | Electrode | |
| 103 | 7024532 | 1 | Cup, Retaining | |
| 104 | 7024533 | 1 | Swirl Ring | |
| 105 | 7024534 | 1 | Tip | |
| 201 | 7024535 | 1 | Handle, Torch | |
| 202 | 7024536 | 1 | Switch | |
| 203 | 7024537 | 1 | Trigger | |

SECTION 5 - PLATFORM

FIGURE 5-31. SKYWELDER INSTALLATION (50HZ)



ART_0272521_F

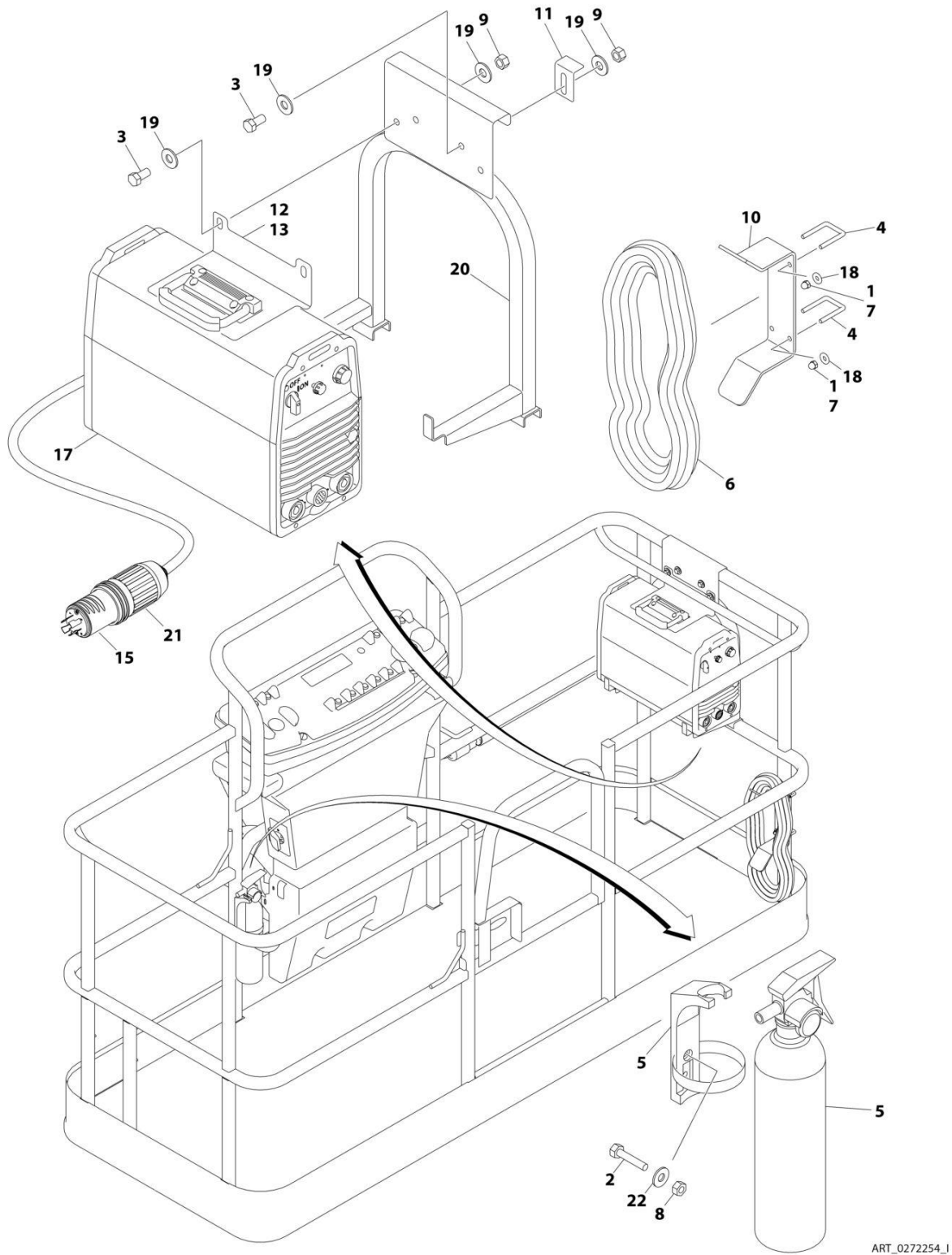
SECTION 5 - PLATFORM

FIGURE 5-31. SKYWELDER INSTALLATION (50HZ)

| ITEM | PART NUMBER | QTY | DESCRIPTION | REV |
|------|-------------|-----|--|-----|
| | 0272521 | Ref | SKYWELDER INSTALLATION | F |
| 1 | 0100011 | AR | Compound, Locking | |
| 2 | 0630518 | 2 | Screw #10 x 3/4 | |
| 3 | 0641606 | 4 | Bolt 3/8 x 3/4 | |
| 4 | 1320302 | 2 | U-Clamp | |
| 5 | 2030010 | 1 | Extinguisher, Fire | |
| 6 | 2902217 | 1 | Weld Leads Kit | |
| 7 | 3300151 | 4 | Nut 1/4 | |
| 8 | 3311005 | 2 | Nut #10 | |
| 9 | 3311605 | 4 | Nut 3/8 | |
| 10 | 3573400 | 1 | Bracket | |
| 11 | 3577121 | 2 | Angle | |
| 12 | 3573642 | 1 | Plate | |
| 13 | 4240099 | AR | Tie-Strap (Not Shown) | |
| 14 | 4420037 | AR | Tape | |
| 15 | 4530028 | 1 | Welder Assembly (See Separate Breakdown in this Section) | |
| 16 | 4751400 | 4 | Washer 1/4 | |
| 17 | 4751600 | 8 | Washer 3/8 | |
| 18 | 4846627 | 1 | Support | |
| 19 | 4751000 | 2 | Washer #10 | |

SECTION 5 - PLATFORM

FIGURE 5-32. SKYWELDER INSTALLATION (60HZ)



ART_0272254_I

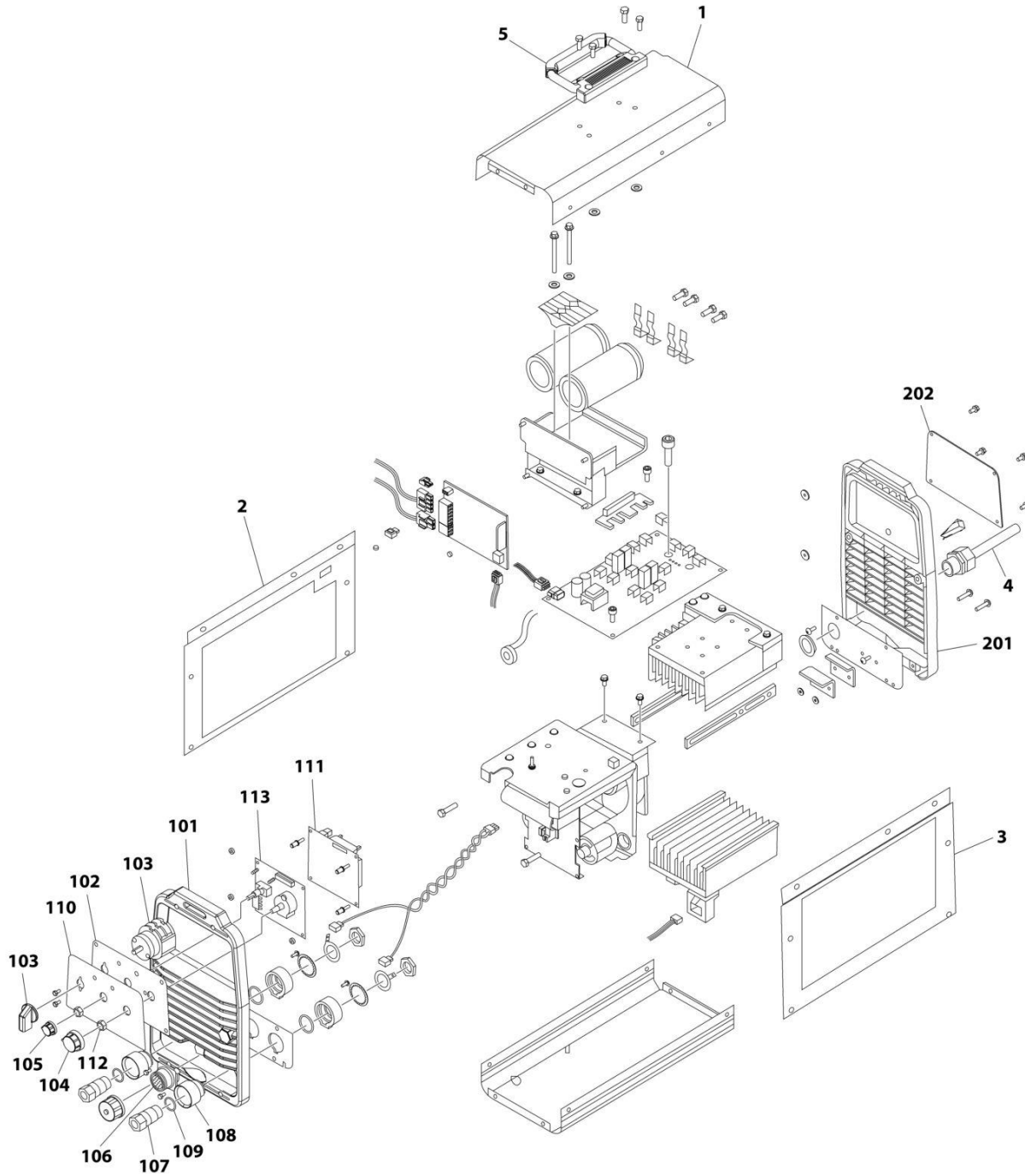
SECTION 5 - PLATFORM

FIGURE 5-32. SKYWELDER INSTALLATION (60HZ)

| ITEM | PART NUMBER | QTY | DESCRIPTION | REV |
|------|-------------|-----|--|-----|
| | 0272254 | Ref | SKYWELDER INSTALLATION | 1 |
| 1 | 0100011 | AR | Compound, Locking | |
| 2 | 0630518 | 2 | Screw #10 x 3/4 | |
| 3 | 0641606 | 4 | Bolt 3/8 x 3/4 | |
| 4 | 1320302 | 2 | U-Clamp | |
| 5 | 2030010 | 1 | Extinguisher, Fire | |
| 6 | 2902217 | 1 | Weld Leads Kit | |
| 7 | 3300151 | 4 | Nut 1/4 | |
| 8 | 3311005 | 2 | Nut #10 | |
| 9 | 3311605 | 4 | Nut 3/8 | |
| 10 | 3573400 | 1 | Bracket | |
| 11 | 3577121 | 2 | Angle | |
| 12 | 3573642 | 1 | Plate | |
| 13 | 4420037 | AR | Tape | |
| 14 | 4240099 | AR | Tie-Strap (Not Shown) | |
| 15 | 4460962 | 1 | Plug, Male Twistlock | |
| 17 | 4530028 | 1 | Welder Assembly (See Separate Breakdown in this Section) | |
| 18 | 4751400 | 4 | Washer 1/4 | |
| 19 | 4751600 | 8 | Washer 3/8 | |
| 20 | 4846627 | 1 | Support | |
| 21 | 1671093 | 1 | Cover, Plug | |
| 22 | 4751000 | 2 | Washer #10 | |

SECTION 5 - PLATFORM

FIGURE 5-33. WELDER ASSEMBLY



ART_4530028

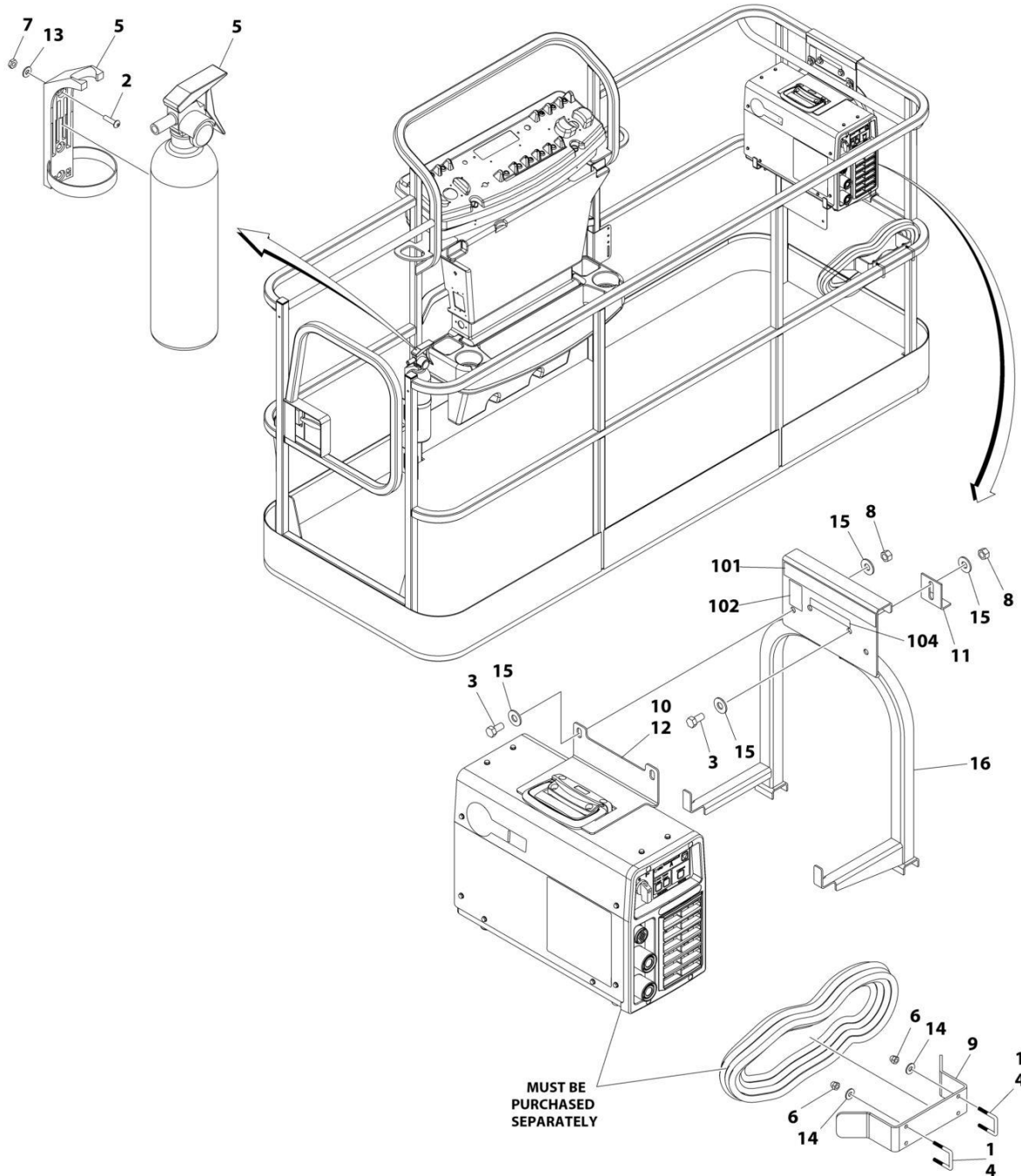
SECTION 5 - PLATFORM

FIGURE 5-33. WELDER ASSEMBLY

| ITEM | PART NUMBER | QTY | DESCRIPTION | REV |
|------|-------------|-----|--|-----|
| | 4530028 | Ref | WELDER ASSEMBLY | B |
| | | Ref | Note: For Other Components, contact your Miller Welder Dealer. | |
| 1 | 7027773 | 1 | Cover, Top | |
| 1 | 7027774 | 1 | Decal - Static Precautionary Warning | |
| 2 | See Note | NSS | Panel, LH Side (Note: Part of Item 1. Purchase Item 1) | |
| 3 | See Note | NSS | Panel, RH Side (Note: Part of Item 1. Purchase Item 1) | |
| 4 | 7024467 | 1 | Cable, Power | |
| 4 | 7027775 | 1 | Decal - Electrical Shock Warning (Not Shown) | |
| 5 | 7027776 | 1 | Handle, Carrying | |
| 101 | 7024462 | 1 | Panel, Front | |
| 102 | 7024463 | 1 | Panel, Console | |
| 103 | 7024469 | 1 | Switch with Lead | |
| 104 | 7024470 | 1 | Knob | |
| 105 | 7024471 | 1 | Knob | |
| 106 | 7024472 | 1 | Receptacle with Leads and Plugs | |
| 107 | 7024473 | 2 | Receptacle, Twistlock Female | |
| 108 | 7024474 | 2 | Insulator | |
| 109 | 7024475 | 2 | O-Ring | |
| 110 | 7027777 | 1 | Nameplate | |
| 111 | 7027779 | 1 | Circuit Card Assembly (Process Control) | |
| 112 | 7024478 | 2 | Nut | |
| 113 | 7027778 | 1 | Circuit Card Assembly (Operator Interface) | |
| 201 | 7024462 | 1 | Panel, Rear | |
| 202 | 7027780 | 1 | Panel, Cover | |

SECTION 5 - PLATFORM

FIGURE 5-34. SKYWELDER PREP PACKAGE (60HZ)



ART_1001128527_C

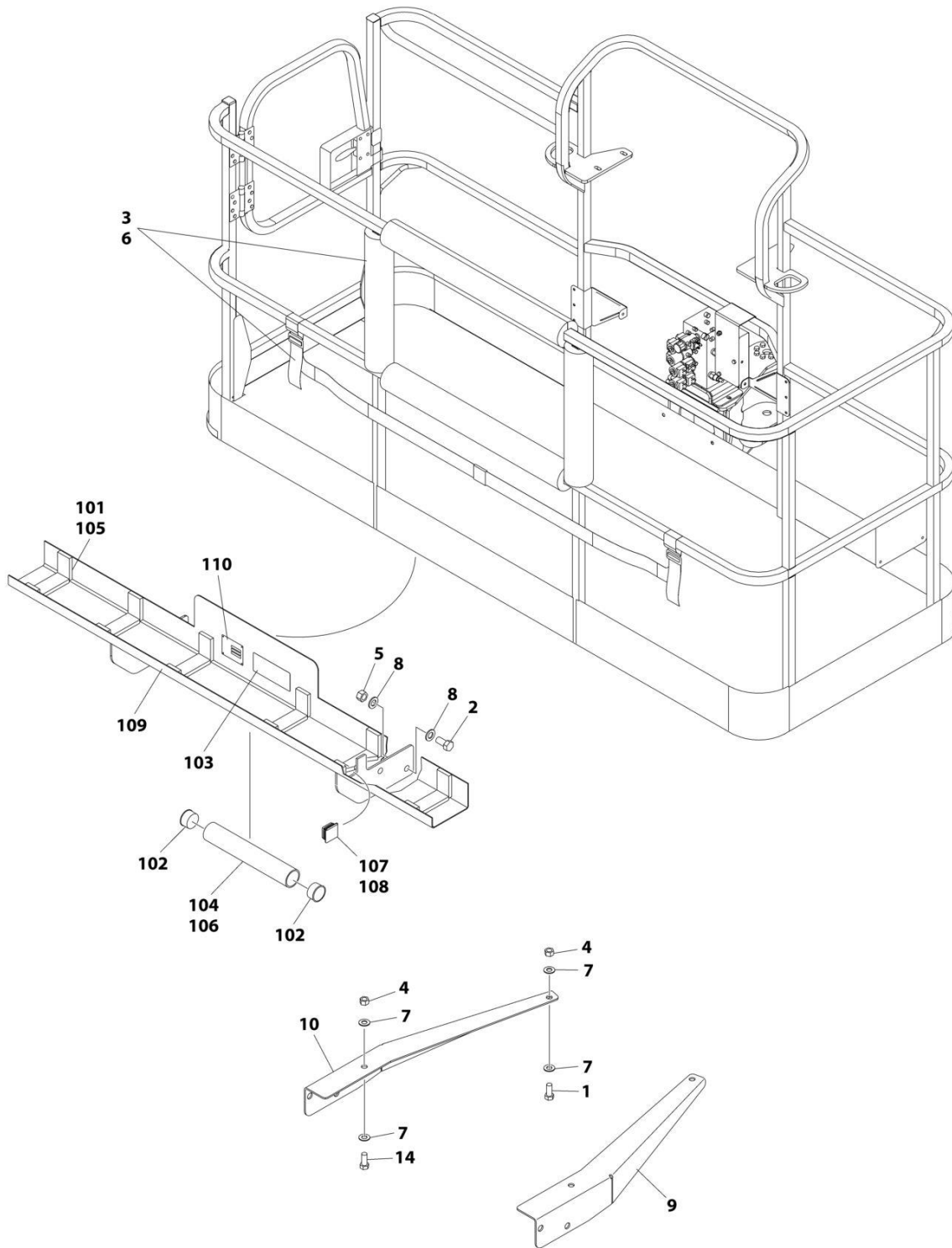
SECTION 5 - PLATFORM

FIGURE 5-34. SKYWELDER PREP PACKAGE (60HZ)

| ITEM | PART NUMBER | QTY | DESCRIPTION | REV |
|------|-------------|-----|------------------------------|-----|
| | 1001128527 | Ref | SKYWELDER PREP PACKAGE | C |
| 1 | 0100011 | AR | Compound, Locking | |
| 2 | 0630518 | 2 | Screw #10 x 3/4 | |
| 3 | 0641606 | 4 | Bolt 3/8 x 3/4 | |
| 4 | 1320302 | 2 | U-Clamp | |
| 5 | 2030010 | 1 | Extinguisher, Fire | |
| 6 | 3300151 | 4 | Nut 1/4 | |
| 7 | 3311005 | 2 | Nut #10 | |
| 8 | 3311605 | 4 | Nut 3/8 | |
| 9 | 3573400 | 1 | Bracket | |
| 10 | 1001269573 | 1 | Plate | |
| 11 | 3577121 | 2 | Angle | |
| 12 | 4420037 | AR | Tape | |
| 13 | 4751000 | 2 | Washer #10 | |
| 14 | 4751400 | 4 | Washer 1/4 | |
| 15 | 4751600 | 8 | Washer 3/8 | |
| 16 | 1001269322 | 1 | Support | |
| | 1001128556 | Ref | SKYWELDER DECAL INSTALLATION | D |
| 101 | 1702868 | 1 | Decal - No Hands | |
| 102 | 1705305 | 1 | Decal - Weld Lead | |
| 104 | 1001228988 | 1 | Decal - Weight | |

SECTION 5 - PLATFORM

FIGURE 5-35. SKYGLAZIER INSTALLATION (ALL SPECS EXCEPT CHINA AND JAPANESE SPECS)



ART_1001172578_D

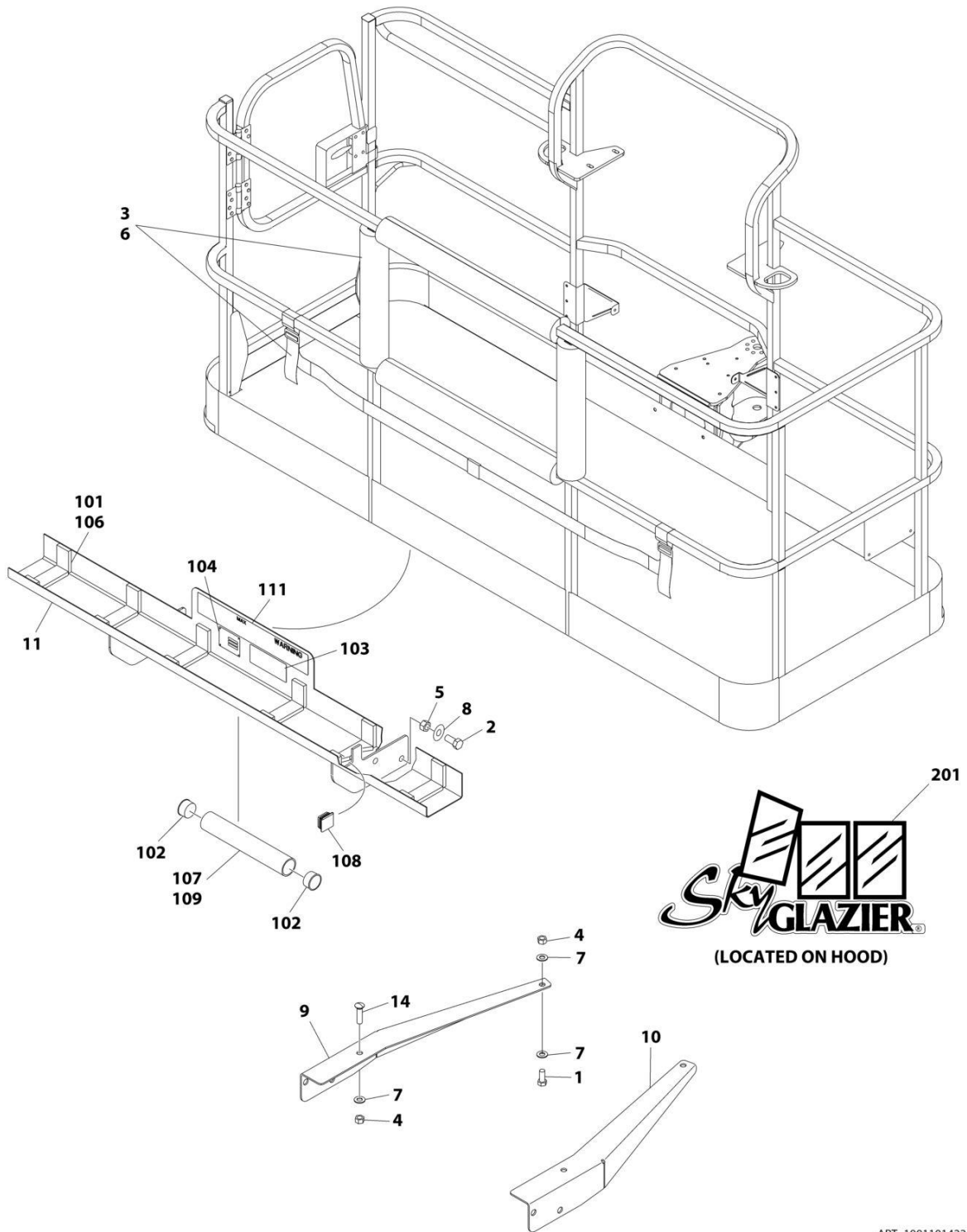
SECTION 5 - PLATFORM

FIGURE 5-35. SKYGLAZIER INSTALLATION (ALL SPECS EXCEPT CHINA AND JAPANESE SPECS)

| ITEM | PART NUMBER | QTY | DESCRIPTION | REV |
|------|-------------|-----|---|-----|
| | 1001172578 | Ref | SKYGLAZIER INSTALLATION | D |
| 1 | 0642012 | 2 | Bolt 5/8 x 1-1/2 | |
| 2 | 0642212 | 4 | Bolt 3/4 x 1-1/2 | |
| 3 | 2902212 | 1 | Bumpers and Strap Kit | |
| 3 | 0940102 | 1 | Bumper Only | |
| 3 | 4240149 | 1 | Strap Only | |
| 4 | 3312005 | 1 | Nut 5/8 | |
| 5 | 3312205 | 4 | Nut 3/4 | |
| 6 | 4420014 | AR | Tape | |
| 7 | 4712000 | 6 | Washer 5/8 | |
| 8 | 4712200 | 8 | Washer 3/4 | |
| 9 | 1001099366 | 1 | Support | |
| 10 | 1001099367 | 1 | Support | |
| 13 | 1001303430 | 1 | Tray Assembly (Not Shown) (See Items 101-110 for Breakdown) | |
| 14 | 8310129 | 2 | Bolt 3/4 x 2-1/2 | |
| | 1001303430 | Ref | TRAY ASSEMBLY | A |
| 101 | 0100081 | AR | Adhesive | |
| 102 | 1120555 | 2 | Cap, Tube | |
| 103 | 1701509 | 1 | Decal - Manual | |
| 104 | 3124242 | 1 | Manual - Accessories | |
| 105 | 3340956 | 1 | Pad Kit | |
| 106 | 3460334 | 1 | Pipe | |
| 107 | 3520071 | 2 | Plug | |
| 108 | 4420066 | AR | Tape, Double Sided | |
| 109 | 4846562 | 1 | Weld, Glazier Shelf | |
| 110 | 1001253726 | 1 | Decal - Accessory | |

SECTION 5 - PLATFORM

FIGURE 5-36. SKYGLAZIER INSTALLATION (ENGLISH LANGUAGE DECALS)



ART_1001101422

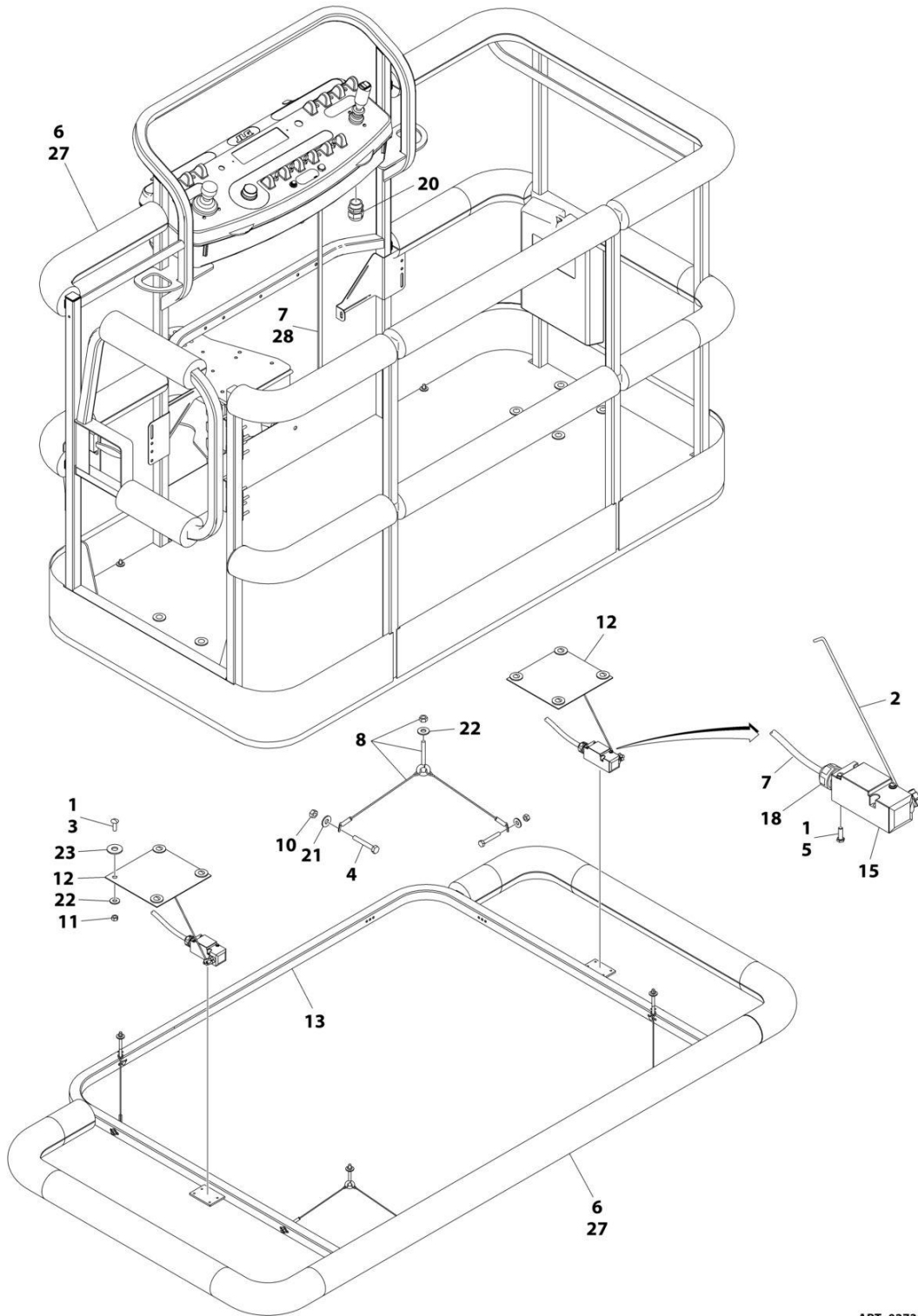
SECTION 5 - PLATFORM

FIGURE 5-36. SKYGLAZIER INSTALLATION (ENGLISH LANGUAGE DECALS)

| ITEM | PART NUMBER | QTY | DESCRIPTION | REV |
|------|-------------|-----|--|-----|
| | 1001101422 | Ref | SKYGLAZIER INSTALLATION | C |
| 1 | 0642012 | 2 | Bolt 5/8 x 1-1/2 | |
| 2 | 0642212 | 4 | Bolt 3/4 x 1-1/2 | |
| 3 | 2902212 | 1 | Bumpers and Strap Kit | |
| 3 | 0940102 | 1 | Bumper Only | |
| 3 | 4240149 | 1 | Strap Only | |
| 4 | 3312005 | 4 | Nut 5/8 | |
| 5 | 3312205 | 4 | Nut 3/4 | |
| 6 | 4420014 | AR | Tape | |
| 7 | 4712000 | 6 | Washer 5/8 | |
| 8 | 4712200 | 8 | Washer 3/4 | |
| 9 | 1001099366 | 1 | Support | |
| 10 | 1001099367 | 1 | Support | |
| 11 | 1001101421 | 1 | Tray Assembly (See Items 101-111 for Breakdown) | |
| 14 | 8310129 | 2 | Bolt 3/4 x 2-1/2 | |
| | 1001101421 | Ref | TRAY ASSEMBLY | F |
| 101 | 0100081 | AR | Adhesive | |
| 102 | 1120555 | 2 | Cap, Tube | |
| 103 | 1701509 | 1 | Decal - Manual | |
| 104 | See Note | NSS | Nameplate - Serial Number (Note: Not Available for Purchase) | |
| 106 | 3340956 | 1 | Pad Kit | |
| 107 | 3460334 | 1 | Tube | |
| 108 | 3520071 | 2 | Plug | |
| 109 | 4420066 | AR | Tape, Double Sided | |
| 111 | 1001163131 | 2 | Decal - Glazier Capacity | |
| | 0272418 | Ref | SKYGLAZIER DECAL INSTALLATION | 4 |
| 201 | 1705358 | 2 | Decal - SkyGlazier | |

SECTION 5 - PLATFORM

FIGURE 5-37. SOFT TOUCH SYSTEM INSTALLATION - 6FT/1.83M PLATFORM



ART_0273824_E

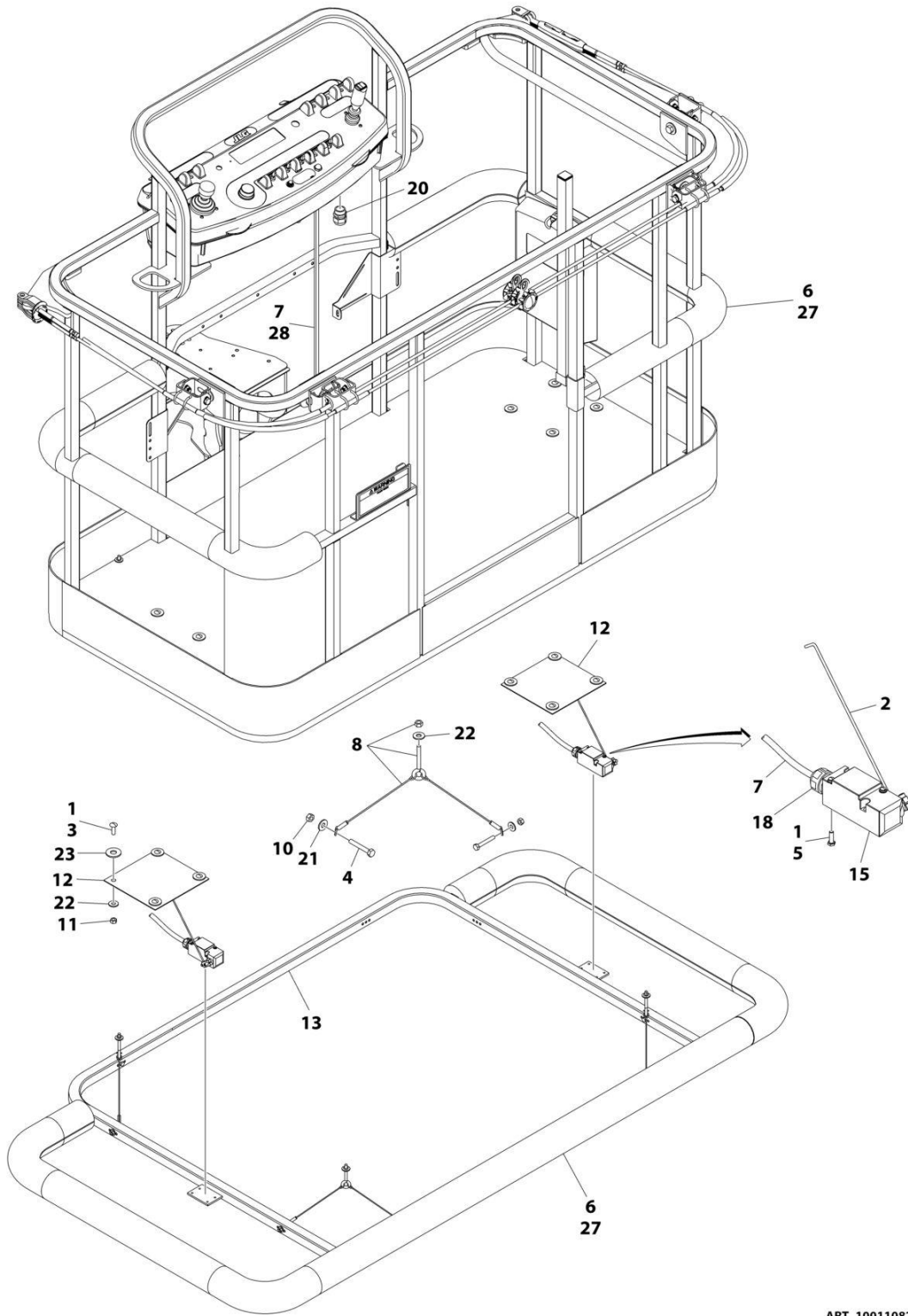
SECTION 5 - PLATFORM

FIGURE 5-37. SOFT TOUCH SYSTEM INSTALLATION - 6FT/1.83M PLATFORM

| ITEM | PART NUMBER | QTY | DESCRIPTION | REV |
|------|-------------|----------|---|-----|
| | 0273824 | Ref | SOFT TOUCH SYSTEM INSTALLATION | E |
| 1 | 0100011 | AR | Compound, Locking | |
| 2 | 0200048 | 2 | Arm, Switch | |
| 3 | 0630462 | 8 | Bolt | |
| 4 | 0641414 | 8 | Bolt 1/4 x 1-3/4 | |
| 5 | 0731005 | 4 | Bolt #10 x 5/8 | |
| 6 | 0940134 | 1 | Bumper Kit (Includes Corners and Enough Straight Material for One Platform) | |
| 6 | 0940092 | AR | Bumper (Corner) | |
| 6 | 0940094 | AR | Bumper (12ft Length) | |
| 7 | 1060341 | 23 ft/7m | Cable, Soft Touch - 16/2 | |
| 8 | 1060903 | 4 | Wire Rope and Eyebolt Assembly | |
| 10 | 3311401 | 8 | Nut 1/4 | |
| 11 | 3311501 | 8 | Nut 5/16 | |
| 12 | 3575359 | 2 | Plate, Switch Strike | |
| 13 | 3641569 | 1 | Rail, Soft Touch | |
| 14 | 4240099 | 7 | Tie-Strap (Not Shown) | |
| 15 | 4360057 | 2 | Switch, Limit | |
| 18 | 4460049 | 2 | Connector, Strain Relief | |
| 19 | 4460234 | 7 | Tie-Strap (Not Shown) | |
| 20 | 4460425 | 1 | Connector, Strain Relief | |
| 21 | 4751400 | 8 | Washer 1/4 | |
| 22 | 4751500 | 12 | Washer 5/16 | |
| 23 | 4751800 | 8 | Washer 1/2 | |
| 27 | 1001197017 | AR | Tie-Strap | |
| 28 | 4460226 | 4 | Socket | |

SECTION 5 - PLATFORM

FIGURE 5-38. SOFT TOUCH SYSTEM INSTALLATION - 6FT/1.83M FALL ARREST PLATFORM



ART_1001108256_D

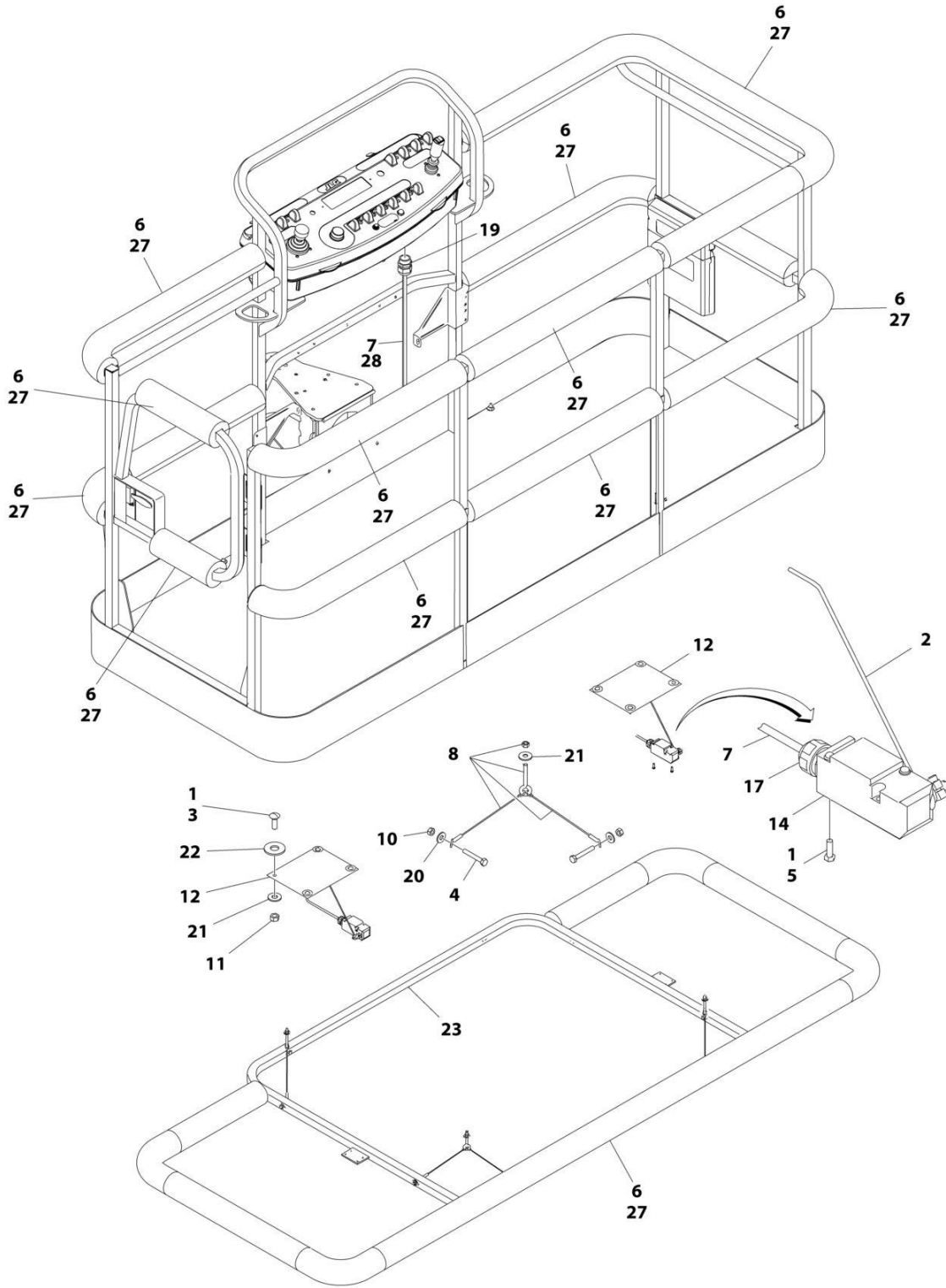
SECTION 5 - PLATFORM

FIGURE 5-38. SOFT TOUCH SYSTEM INSTALLATION - 6FT/1.83M FALL ARREST PLATFORM

| ITEM | PART NUMBER | QTY | DESCRIPTION | REV |
|------|-------------|----------|---|-----|
| | 1001108256 | Ref | SOFT TOUCH INSTALLATION | D |
| 1 | 0100011 | AR | Compound, Locking | |
| 2 | 0200048 | 2 | Arm, Switch | |
| 3 | 0630462 | 8 | Bolt | |
| 4 | 0641414 | 8 | Bolt 1/4 x 1-3/4 | |
| 5 | 0731005 | 4 | Bolt #10 x 5/8 | |
| 6 | 0940177 | 1 | Bumper Kit (Includes Corners and Enough Straight Material for One Platform) | |
| 6 | 0940092 | 8 | Bumper (Corner) | |
| 6 | 0940094 | AR | Bumper (12ft Length) | |
| 7 | 1060341 | 23 ft/7m | Cable, Soft Touch - 16/2 | |
| 8 | 1060903 | 4 | Wire Rope and Eyebolt Assembly | |
| 10 | 3311401 | 8 | Nut 1/4 | |
| 11 | 3311501 | 8 | Nut 5/16 | |
| 12 | 3575359 | 2 | Plate, Switch Strike | |
| 13 | 3641569 | 1 | Rail, Soft Touch | |
| 14 | 4240099 | 7 | Tie-Strap (Not Shown) | |
| 15 | 4360057 | 2 | Switch, Limit | |
| 18 | 4460049 | 2 | Connector, Strain Relief | |
| 19 | 4460234 | 7 | Tie-Strap (Not Shown) | |
| 20 | 4460425 | 1 | Connector, Strain Relief | |
| 21 | 4751400 | 8 | Washer 1/4 | |
| 22 | 4751500 | 9 | Washer 5/16 | |
| 23 | 4751800 | 8 | Washer 1/2 | |
| 27 | 1001197017 | AR | Strap, Cable Tie (Yellow) | |
| 28 | 4460226 | 4 | Socket | |

SECTION 5 - PLATFORM

FIGURE 5-39. SOFT TOUCH SYSTEM INSTALLATION - 8FT/2.44M PLATFORM



ART_0272427_H

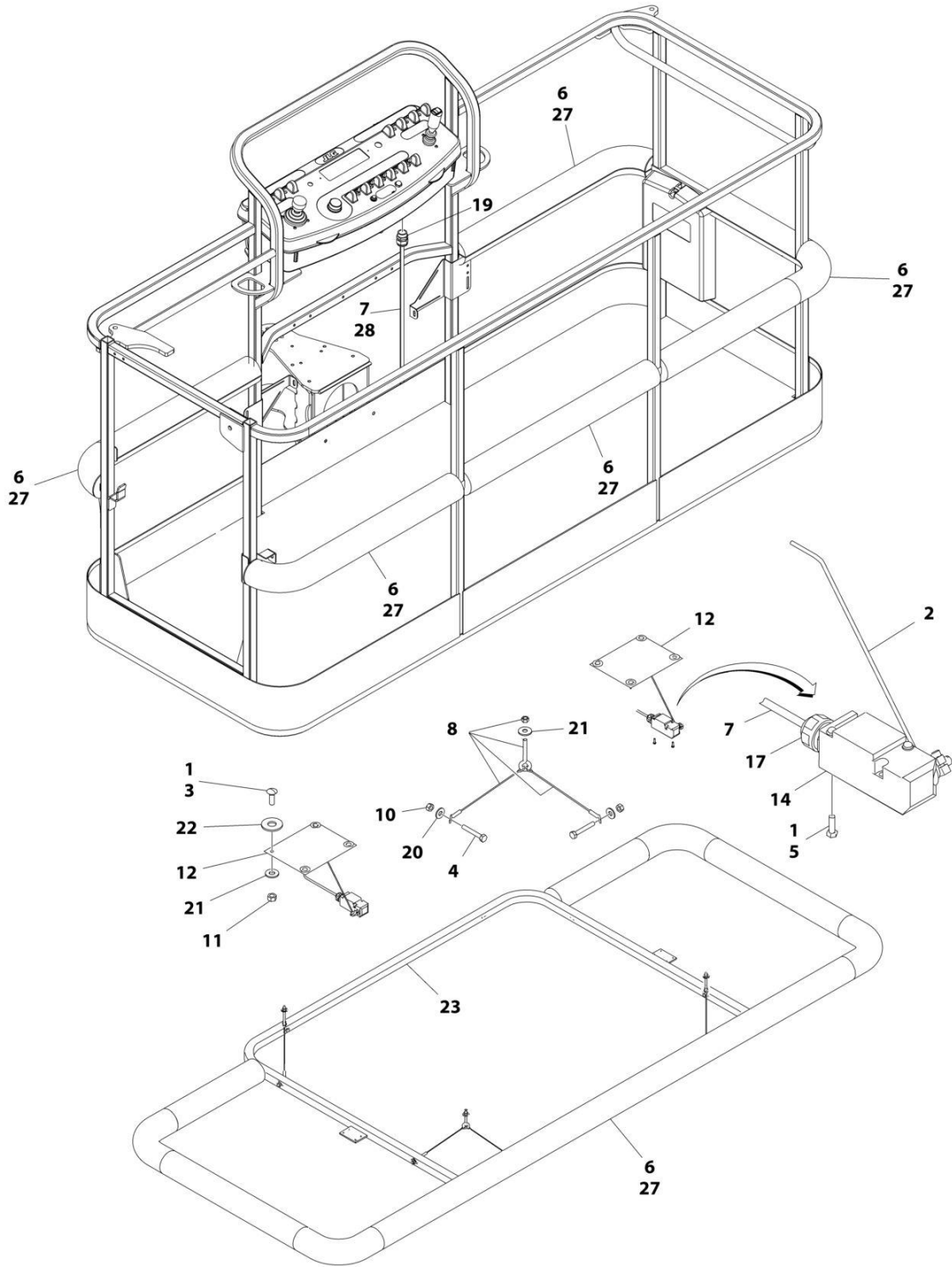
SECTION 5 - PLATFORM

FIGURE 5-39. SOFT TOUCH SYSTEM INSTALLATION - 8FT/2.44M PLATFORM

| ITEM | PART NUMBER | QTY | DESCRIPTION | REV |
|------|-------------|----------|---|-----|
| | 0272427 | Ref | SOFT TOUCH INSTALLATION - 36IN X 8FT (91.5CM X 2.44M) PLATFORM | H |
| 1 | 0100011 | AR | Compound, Locking | |
| 2 | 0200048 | 2 | Arm, Switch | |
| 3 | 0630462 | 8 | Bolt | |
| 4 | 0641414 | 8 | Bolt 1/4 x 1-3/4 | |
| 5 | 0721005 | 4 | Bolt #10 x 5/8 | |
| 6 | 0940103 | 1 | Bumper Kit (Includes Corners and Enough Straight Material for One Platform) | |
| 6 | 0940092 | 12 | Bumper (Corner) | |
| 6 | 0940094 | AR | Bumper (12ft Length) | |
| 7 | 1060341 | 23 ft/7m | Cable, Soft Touch - 16/2 | |
| 8 | 1060903 | 4 | Wire Rope and Eyebolt Assembly | |
| 10 | 3311401 | 8 | Nut 1/4 | |
| 11 | 3311501 | 8 | Nut 5/16 | |
| 12 | 3574091 | 2 | Plate, Switch Strike | |
| 13 | 4240099 | 7 | Tie-Strap (Not Shown) | |
| 14 | 4360057 | 2 | Switch, Limit | |
| 17 | 4460049 | 2 | Connector, Strain Relief | |
| 18 | 4460234 | 7 | Tie-Strap (Not Shown) | |
| 19 | 4460425 | 1 | Connector, Strain Relief | |
| 20 | 4751400 | 8 | Washer 1/4 | |
| 21 | 4751500 | 12 | Washer 5/16 | |
| 22 | 4751800 | 8 | Washer 1/2 | |
| 23 | 4846673 | 1 | Rail, Soft Touch | |
| 27 | 1001197017 | AR | Tie-Strap | |
| 28 | 4460226 | 1 | Socket | |

SECTION 5 - PLATFORM

FIGURE 5-40. SOFT TOUCH SYSTEM INSTALLATION - 8FT/2.44M FALL ARREST PLATFORM



ART_0273706_E

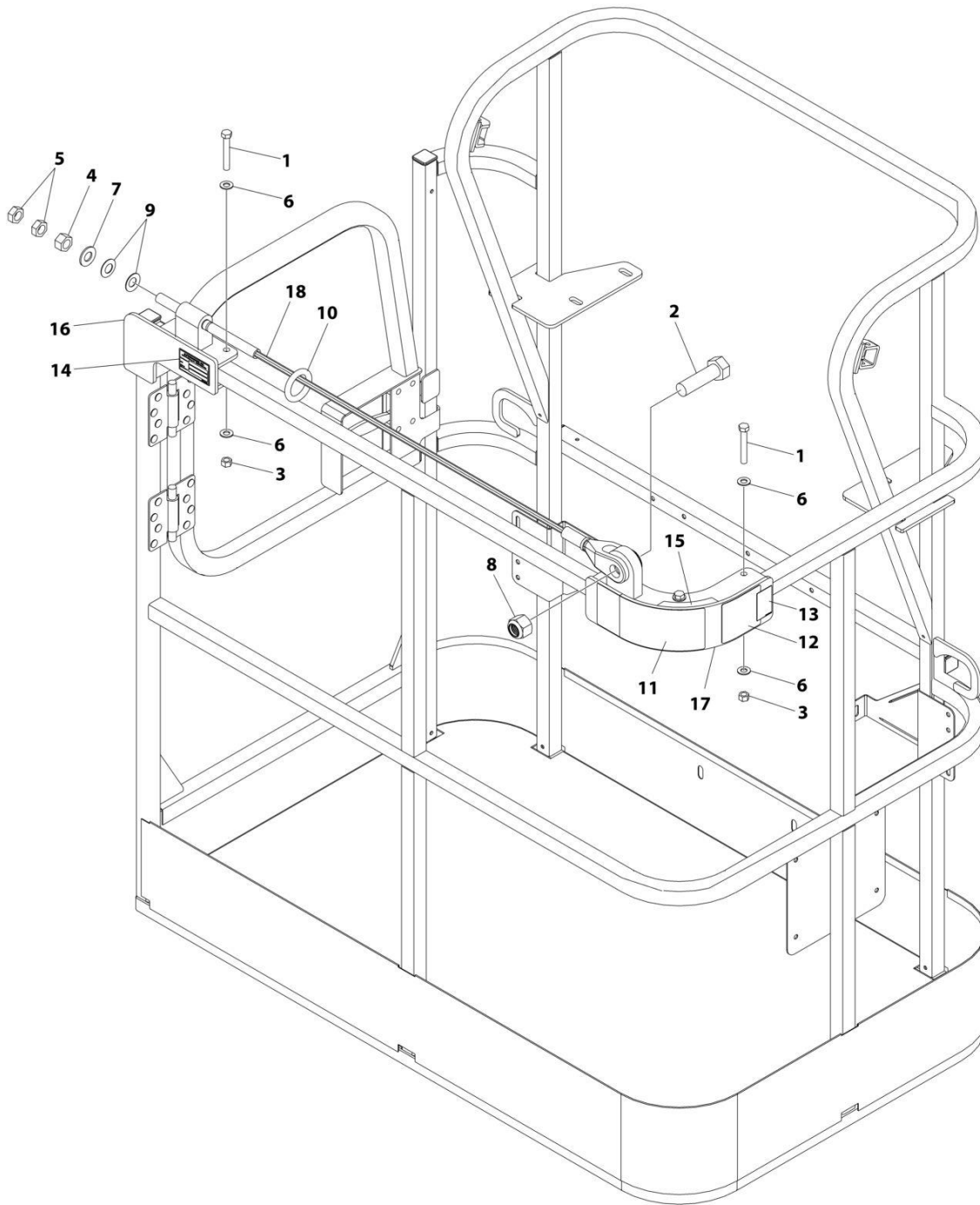
SECTION 5 - PLATFORM

FIGURE 5-40. SOFT TOUCH SYSTEM INSTALLATION - 8FT/2.44M FALL ARREST PLATFORM

| ITEM | PART NUMBER | QTY | DESCRIPTION | REV |
|------|-------------|----------|---|-----|
| | 0273706 | Ref | SOFT TOUCH INSTALLATION | E |
| 1 | 0100011 | AR | Compound, Locking | |
| 2 | 0200048 | 2 | Arm, Switch | |
| 3 | 0630462 | 8 | Bolt | |
| 4 | 0641414 | 8 | Bolt 1/4 x 1-3/4 | |
| 5 | 0721005 | 4 | Bolt #10 x 5/8 | |
| 6 | 0940133 | 1 | Bumper Kit (Includes Corners and Enough Straight Material for One Platform) | |
| 6 | 0940092 | 8 | Bumper (Corner) | |
| 6 | 0940094 | AR | Bumper (12ft Length) | |
| 7 | 1060341 | 23 ft/7m | Cable, Soft Touch - 16/2 | |
| 8 | 1060903 | 4 | Wire Rope and Eyebolt Assembly | |
| 10 | 3311401 | 8 | Nut 1/4 | |
| 11 | 3311501 | 8 | Nut 5/16 | |
| 12 | 3574091 | 2 | Plate, Switch Strike | |
| 13 | 4240099 | 7 | Tie-Strap (Not Shown) | |
| 14 | 4360057 | 2 | Switch, Limit | |
| 17 | 4460049 | 2 | Connector, Strain Relief | |
| 18 | 4460234 | 7 | Tie-Strap (Not Shown) | |
| 19 | 4460425 | 1 | Connector, Strain Relief | |
| 20 | 4751400 | 8 | Washer 1/4 | |
| 21 | 4751500 | 12 | Washer 5/16 | |
| 22 | 4751800 | 8 | Washer 1/2 | |
| 23 | 4846673 | 1 | Rail, Soft Touch | |
| 27 | 1001197017 | AR | Tie-Strap | |
| 28 | 4460226 | 4 | Socket | |

SECTION 5 - PLATFORM

FIGURE 5-41. FALL ARREST INSTALLATION (BOLT-ON) 30IN X 4FT (76CM X 1.22M) PLATFORM



ART_1001261338

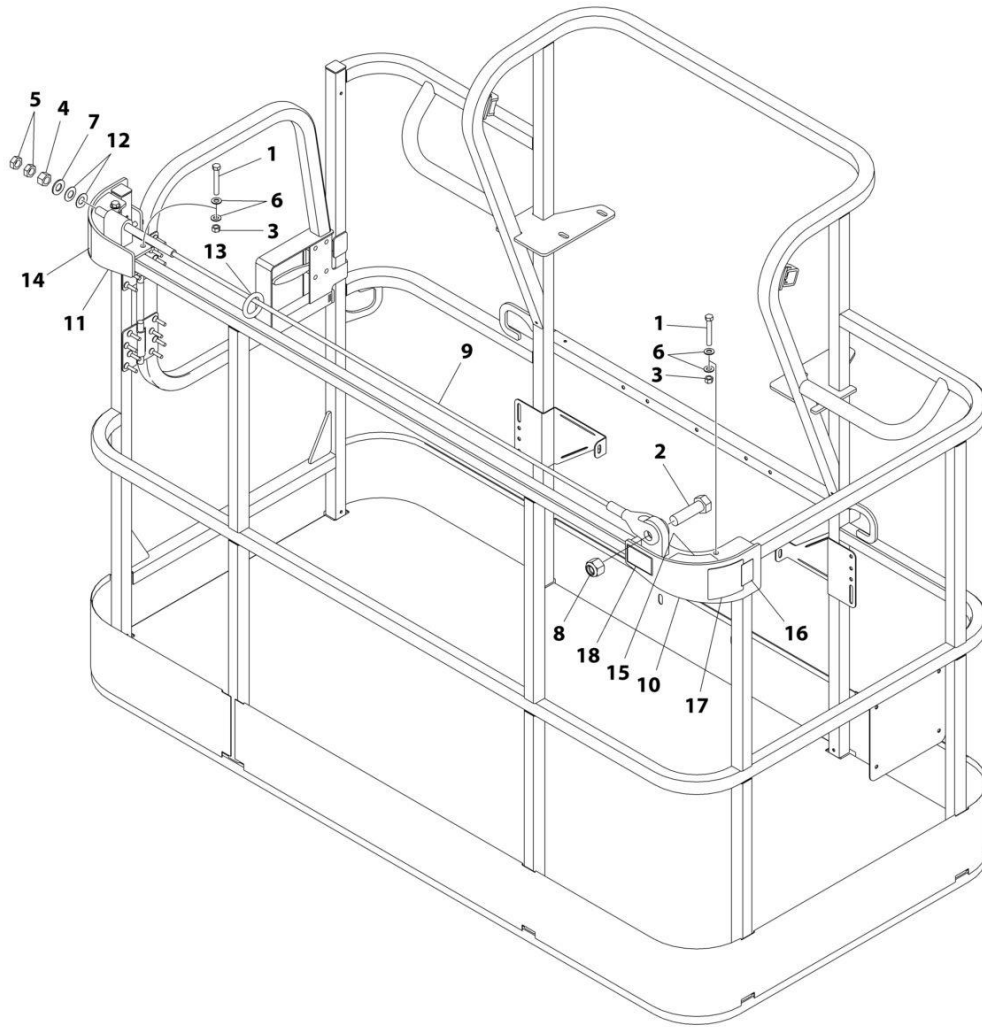
SECTION 5 - PLATFORM

FIGURE 5-41. FALL ARREST INSTALLATION (BOLT-ON) 30IN X 4FT (76CM X 1.22M) PLATFORM

| ITEM | PART NUMBER | QTY | DESCRIPTION | REV |
|------|-------------|-----|--|-----|
| | 1001261338 | Ref | FALL ARREST INSTALLATION | A |
| 1 | 0681620 | 6 | Bolt 3/8 x 2-1/2 | |
| 2 | 0682424 | 1 | Bolt 7/8 x 3 | |
| 3 | 3271605 | 6 | Nut 3/8 | |
| 4 | 3272001 | 1 | Nut 5/8 | |
| 5 | 3312002 | 2 | Nut 5/8 | |
| 6 | 4711600 | 12 | Washer 3/8 | |
| 7 | 4712000 | 1 | Washer 5/8 | |
| 8 | 88521214 | 1 | Nut 7/8 | |
| 9 | 1001236891 | 2 | Washer | |
| 10 | 1001236895 | 1 | Ring | |
| 11 | 1001238263 | 1 | Decal - Warning Falling Hazard | |
| 12 | 1001248140 | 1 | Decal - Bolt Fall Arrest Re-Cert | |
| 13 | 1001248141 | 1 | Decal - Incription | |
| 14 | See Note | NSS | Nameplate - Manufacturers Serial Number (Note: Not Available for Purchase) | |
| 15 | 1001252629 | 1 | Decal - Weight | |
| 16 | 1001257271 | 1 | Bracket (RH) | |
| 17 | 1001257274 | 1 | Bracket (LH) | |
| 18 | 1001261335 | 1 | Rope | |

SECTION 5 - PLATFORM

FIGURE 5-42. FALL ARREST INSTALLATION (BOLT-ON) 36IN X 6FT (91.2CM X 1.82M) PLATFORM



ART_1001236747

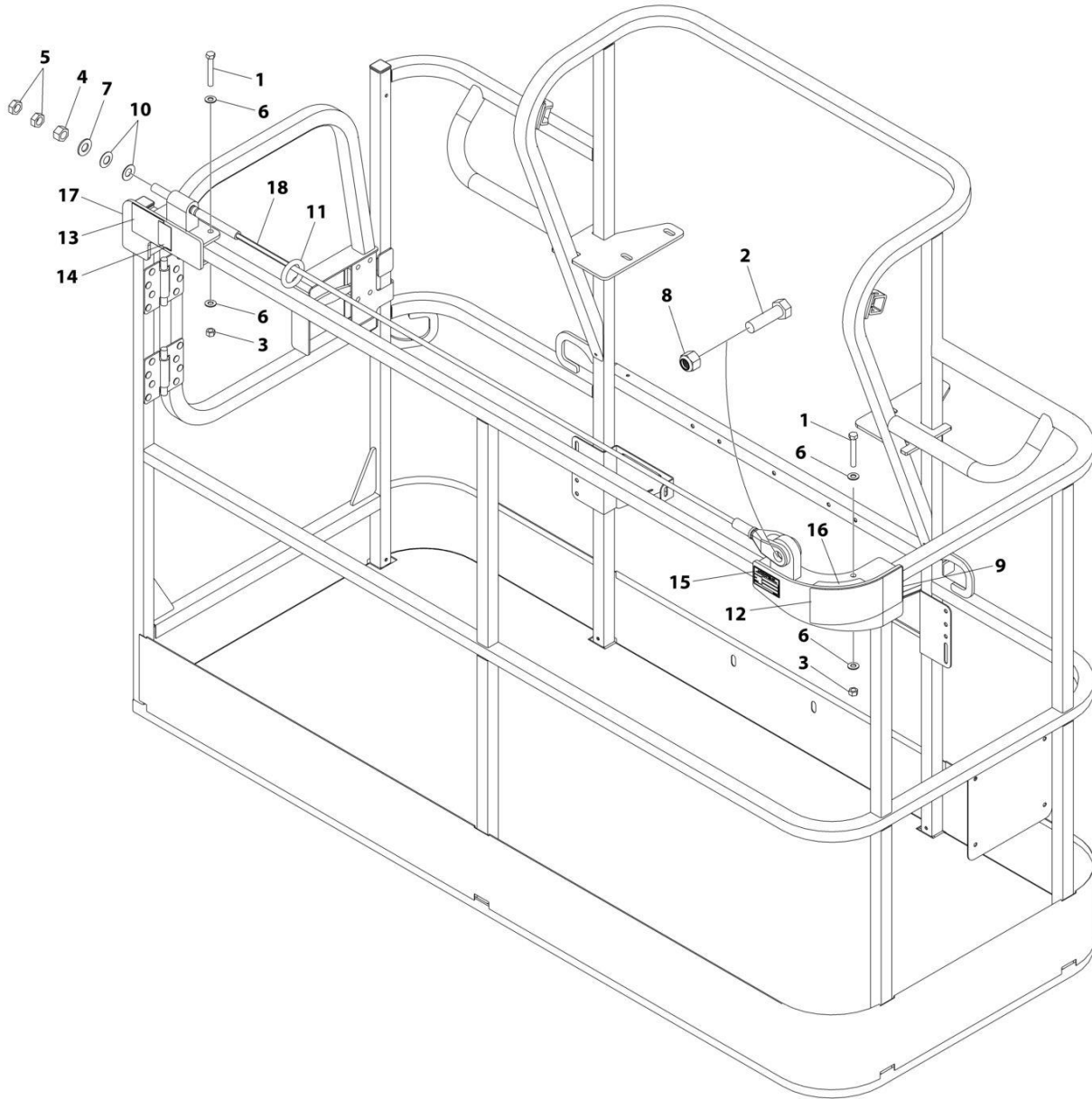
SECTION 5 - PLATFORM

FIGURE 5-42. FALL ARREST INSTALLATION (BOLT-ON) 36IN X 6FT (91.2CM X 1.82M) PLATFORM

| ITEM | PART NUMBER | QTY | DESCRIPTION | REV |
|------|-------------|-----|---|-----|
| | 1001236747 | Ref | FALL ARREST INSTALLATION (BOLT - ON) 6FT/1.82M PLATFORM | C |
| 1 | 0681620 | 6 | Bolt 3/8 x 2-1/2 | |
| 2 | 0682424 | 1 | Bolt 7/8 x 3 | |
| 3 | 3271605 | 6 | Nut 3/8 | |
| 4 | 3272001 | 1 | Nut 5/8 | |
| 5 | 3312002 | 2 | Nut 5/8 | |
| 6 | 4711600 | 12 | Washer 3/8 | |
| 7 | 4712000 | 1 | Washer 5/8 | |
| 8 | 88521214 | 1 | Nut 7/8 | |
| 9 | 1001231950 | 1 | Rope | |
| 10 | 1001232010 | 1 | Bracket (RH) | |
| 11 | 1001232011 | 1 | Bracket (LH) | |
| 12 | 1001236891 | 2 | Washer | |
| 13 | 1001236895 | 1 | Ring | |
| 14 | 1001238263 | 1 | Decal - Warning Falling Hazard | |
| 15 | 1001252629 | 1 | Decal - Weight | |
| 16 | 1001248140 | 1 | Decal - Bolt Fall Arrest Re-Cert | |
| 17 | 1001248141 | 1 | Decal - Inscription | |

SECTION 5 - PLATFORM

FIGURE 5-43. FALL ARREST INSTALLATION (BOLT-ON) 30IN X 6FT (76CM X 1.83M) PLATFORM



ART_1001261339

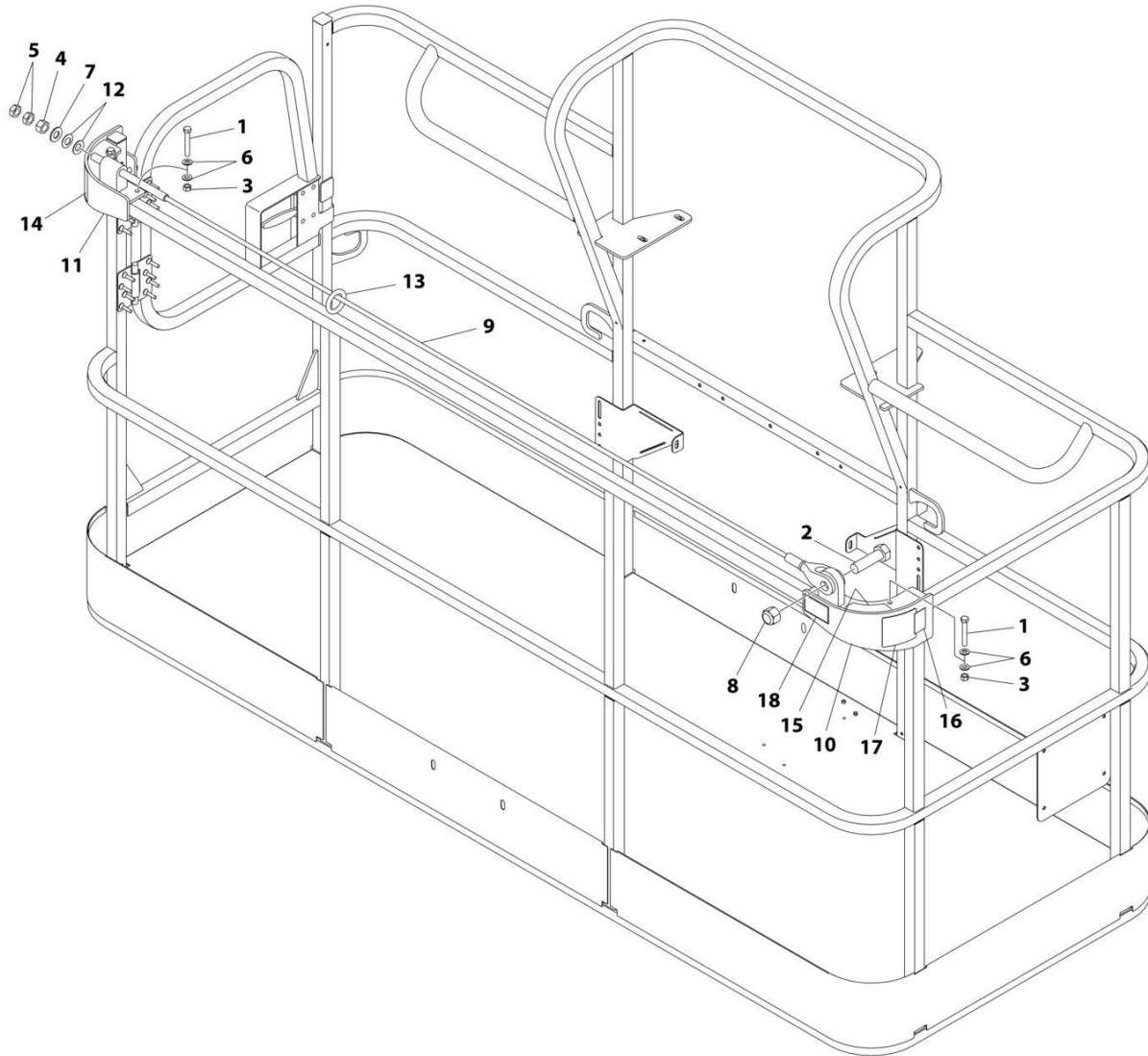
SECTION 5 - PLATFORM

FIGURE 5-43. FALL ARREST INSTALLATION (BOLT-ON) 30IN X 6FT (76CM X 1.83M) PLATFORM

| ITEM | PART NUMBER | QTY | DESCRIPTION | REV |
|------|-------------|-----|--|-----|
| | 1001261339 | Ref | FALL ARREST INSTALLATION (BOLT-ON) 30IN X 6FT (76CM X 1.83M) PLATFORM | A |
| 1 | 0681620 | 6 | Bolt 3/8 x 2-1/2 | |
| 2 | 0682424 | 1 | Bolt 7/8 x 3 | |
| 3 | 3271605 | 6 | Nut 3/8 | |
| 4 | 3272001 | 1 | Nut 5/8 | |
| 5 | 3312002 | 2 | Nut 5/8 | |
| 6 | 4711600 | 12 | Washer 3/8 | |
| 7 | 4712000 | 1 | Washer 5/8 | |
| 8 | 88521214 | 1 | Nut 7/8 | |
| 9 | 1001232010 | 1 | Bracket | |
| 10 | 1001236891 | 2 | Washer | |
| 11 | 1001236895 | 1 | Ring | |
| 12 | 1001238263 | 1 | Decal - Warning Falling Hazard | |
| 13 | 1001248140 | 1 | Decal - Bolt Fall Arrest Re-Cert | |
| 14 | 1001248141 | 1 | Decal - Incription | |
| 15 | See Note | NSS | Nameplate - Manufacturers Serial Number (Note: Not Available for Purchase) | |
| 16 | 1001252629 | 1 | Decal - Weight | |
| 17 | 1001257271 | 1 | Bracket | |
| 18 | 1001261336 | 1 | Rope | |

SECTION 5 - PLATFORM

FIGURE 5-44. FALL ARREST INSTALLATION (BOLT-ON) 36IN X 8FT (91.5CM X 2.4M) PLATFORM



ART_1001236746

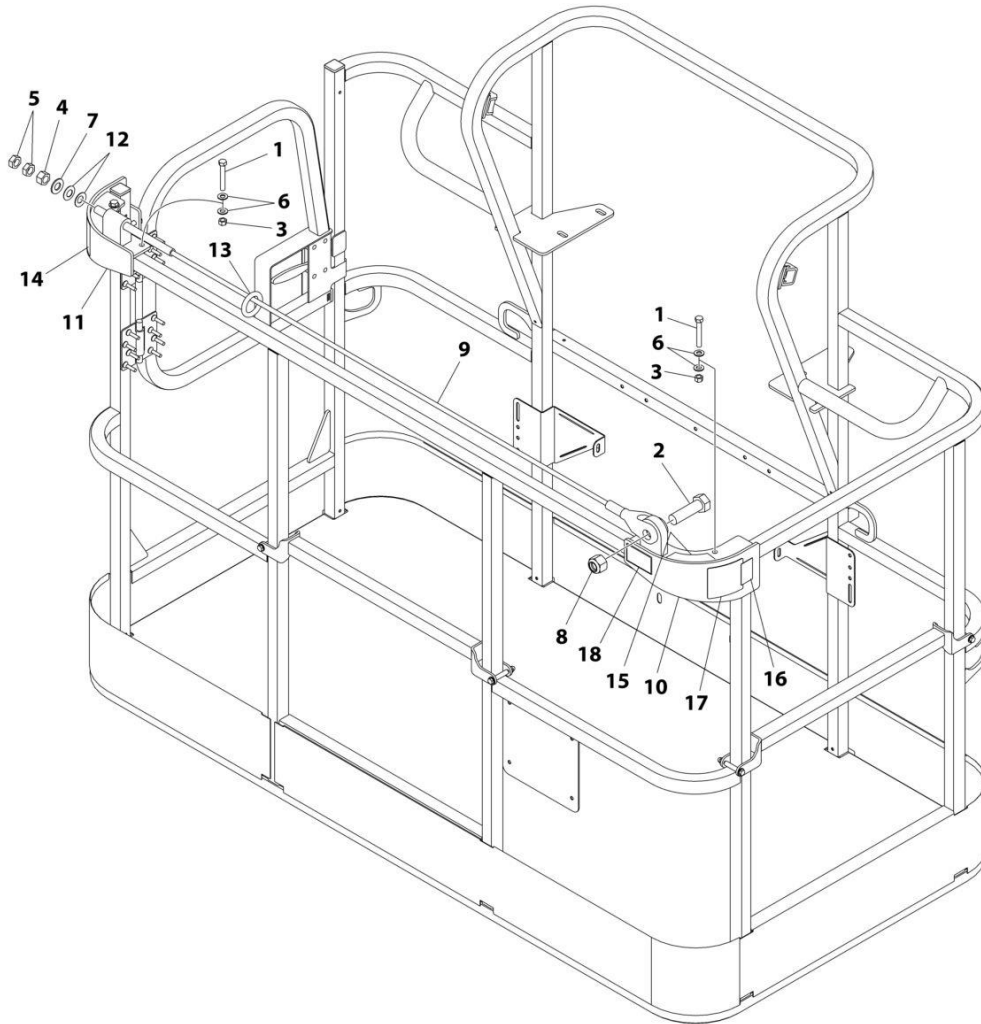
SECTION 5 - PLATFORM

FIGURE 5-44. FALL ARREST INSTALLATION (BOLT-ON) 36IN X 8FT (91.5CM X 2.4M) PLATFORM

| ITEM | PART NUMBER | QTY | DESCRIPTION | REV |
|------|-------------|-----|--|-----|
| | 1001236746 | Ref | FALL ARREST INSTALLATION (BOLT - ON) 8FT/2.4M PLATFORM | C |
| 1 | 0681620 | 6 | Bolt 3/8 x 2-1/2 | |
| 2 | 0682424 | 1 | Bolt 7/8 x 3 | |
| 3 | 3271605 | 6 | Nut 3/8 | |
| 4 | 3272001 | 1 | Nut 5/8 | |
| 5 | 3312002 | 2 | Nut 5/8 | |
| 6 | 4711600 | 12 | Washer 3/8 | |
| 7 | 4712000 | 1 | Washer 5/8 | |
| 8 | 88521214 | 1 | Nut 7/8 | |
| 9 | 1001231949 | 1 | Rope | |
| 10 | 1001232010 | 1 | Bracket (RH) | |
| 11 | 1001232011 | 1 | Bracket (LH) | |
| 12 | 1001236891 | 2 | Washer | |
| 13 | 1001236895 | 1 | Ring | |
| 14 | 1001238263 | 1 | Decal - Warning Falling Hazard | |
| 15 | 1001252629 | 1 | Decal - Weight 23LBS/10.4KG | |
| 16 | 1001248140 | 1 | Decal - Bolt Fall Arrest Re-Cert | |
| 17 | 1001248141 | 1 | Decal - Inscription | |

SECTION 5 - PLATFORM

FIGURE 5-45. FALL ARREST INSTALLATION (BOLT-ON) 36IN X 6FT (91.5CM X 1.82M) TRI-ENTRY PLATFORM)



ART_1001238463

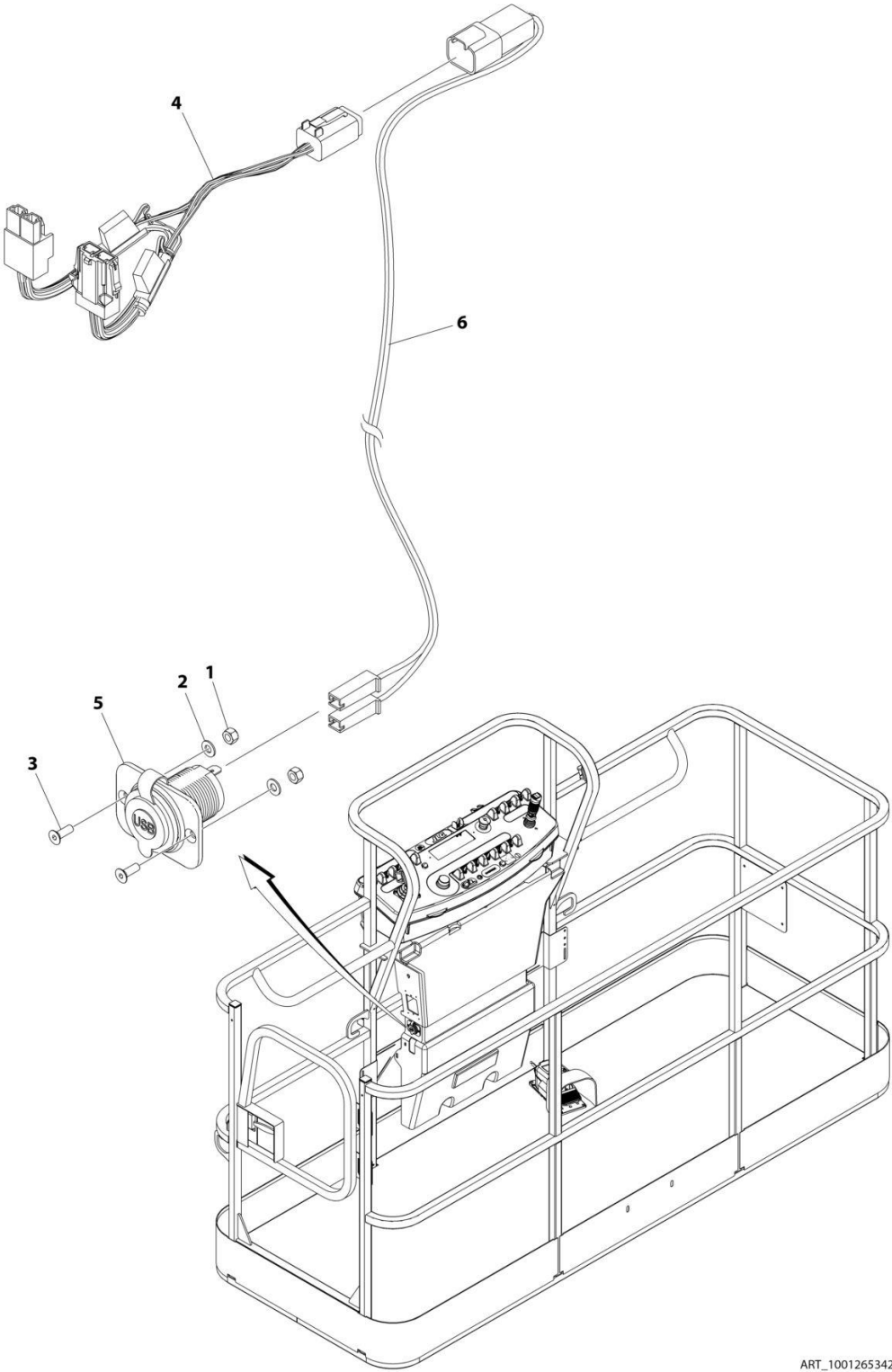
SECTION 5 - PLATFORM

FIGURE 5-45. FALL ARREST INSTALLATION (BOLT-ON) 36IN X 6FT (91.5CM X 1.82M) TRI-ENTRY PLATFORM)

| ITEM | PART NUMBER | QTY | DESCRIPTION | REV |
|------|-------------|-----|---|-----|
| | 1001238463 | Ref | FALL ARREST INSTALLATION (BOLT - ON) 6FT/1.82M PLATFORM | C |
| 1 | 0681620 | 6 | Bolt 3/8 x 2-1/2 | |
| 2 | 0682424 | 1 | Bolt 7/8 x 3 | |
| 3 | 3271605 | 6 | Nut 3/8 | |
| 4 | 3272001 | 1 | Nut 5/8 | |
| 5 | 3312002 | 2 | Nut 5/8 | |
| 6 | 4711600 | 12 | Washer 3/8 | |
| 7 | 4712000 | 1 | Washer 5/8 | |
| 8 | 88521214 | 1 | Nut 7/8 | |
| 9 | 1001231950 | 1 | Rope | |
| 10 | 1001232010 | 1 | Bracket (RH) | |
| 11 | 1001232011 | 1 | Bracket (LH) | |
| 12 | 1001236891 | 2 | Washer | |
| 13 | 1001236895 | 1 | Ring | |
| 14 | 1001238263 | 1 | Decal - Warning Falling Hazard | |
| 15 | 1001252629 | 1 | Decal - Weight | |
| 16 | 1001248140 | 1 | Decal - Bolt Fall Arrest Re-Cert | |
| 17 | 1001248141 | 1 | Decal - Inscription | |

SECTION 5 - PLATFORM

FIGURE 5-46. USB CHARGER INSTALLATION



ART_1001265342

SECTION 5 - PLATFORM

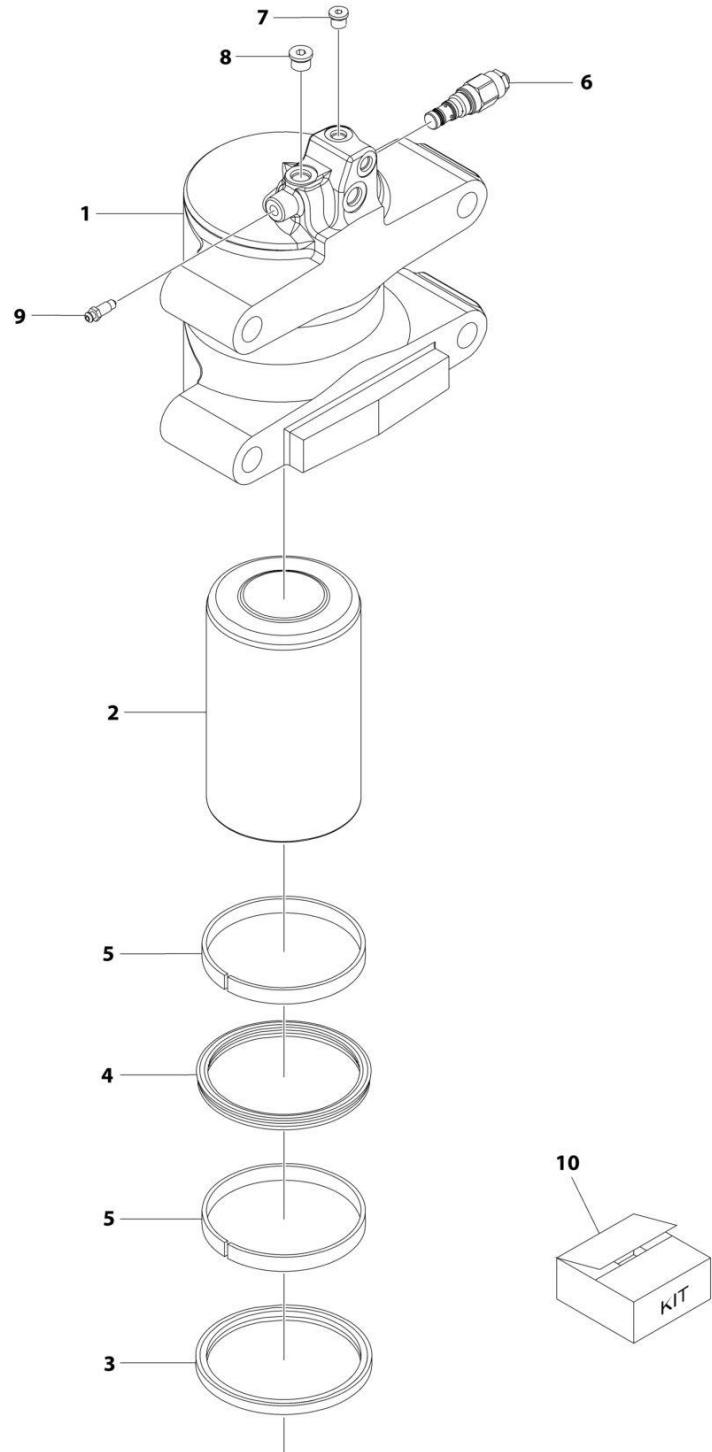
FIGURE 5-46. USB CHARGER INSTALLATION

| ITEM | PART NUMBER | QTY | DESCRIPTION | REV |
|------|-------------|-----|----------------------------------|-----|
| | 1001265342 | Ref | USB CHARGER INSTALLATION | A |
| 1 | 3290405 | 2 | Nut M4 | |
| 2 | 4811400 | 2 | Washer M4 | |
| 3 | 1001097244 | 2 | Screw M4 x 12 | |
| 4 | 1001120484 | 1 | Harness, Work Lights | |
| 4 | 4460879 | 1 | Plug, Male - 2 Position | |
| 4 | 4460887 | 2 | Terminal | |
| 4 | 2400060 | 2 | Fuseholder Includes Cover | |
| 4 | 8229249 | 2 | Fuse, 3 Amp | |
| 4 | 4460884 | 1 | Connector - 4 Position | |
| 4 | 4460465 | 4 | Socket, Female | |
| 4 | 1001120471 | 1 | Connector - 2 Position | |
| 4 | 1001120477 | 2 | Terminal | |
| 5 | 1001210636 | 1 | Receptacle, USB | |
| 6 | 1001265163 | 1 | Harness, USB | A |
| 6 | 4460260 | 2 | Cover, Terminal | |
| 6 | 4460259 | 2 | Terminal | |
| 6 | 4460932 | 1 | Receptacle, Bussbar - 4 Position | |
| 6 | 4460464 | 2 | Pin, Male | |
| 6 | 4460466 | 2 | Plug, Terminal | |

SECTION 6 - CYLINDER

SECTION 6 - CYLINDER

FIGURE 6-1. AXLE LOCKOUT CYLINDER ASSEMBLY



ART_1001204560

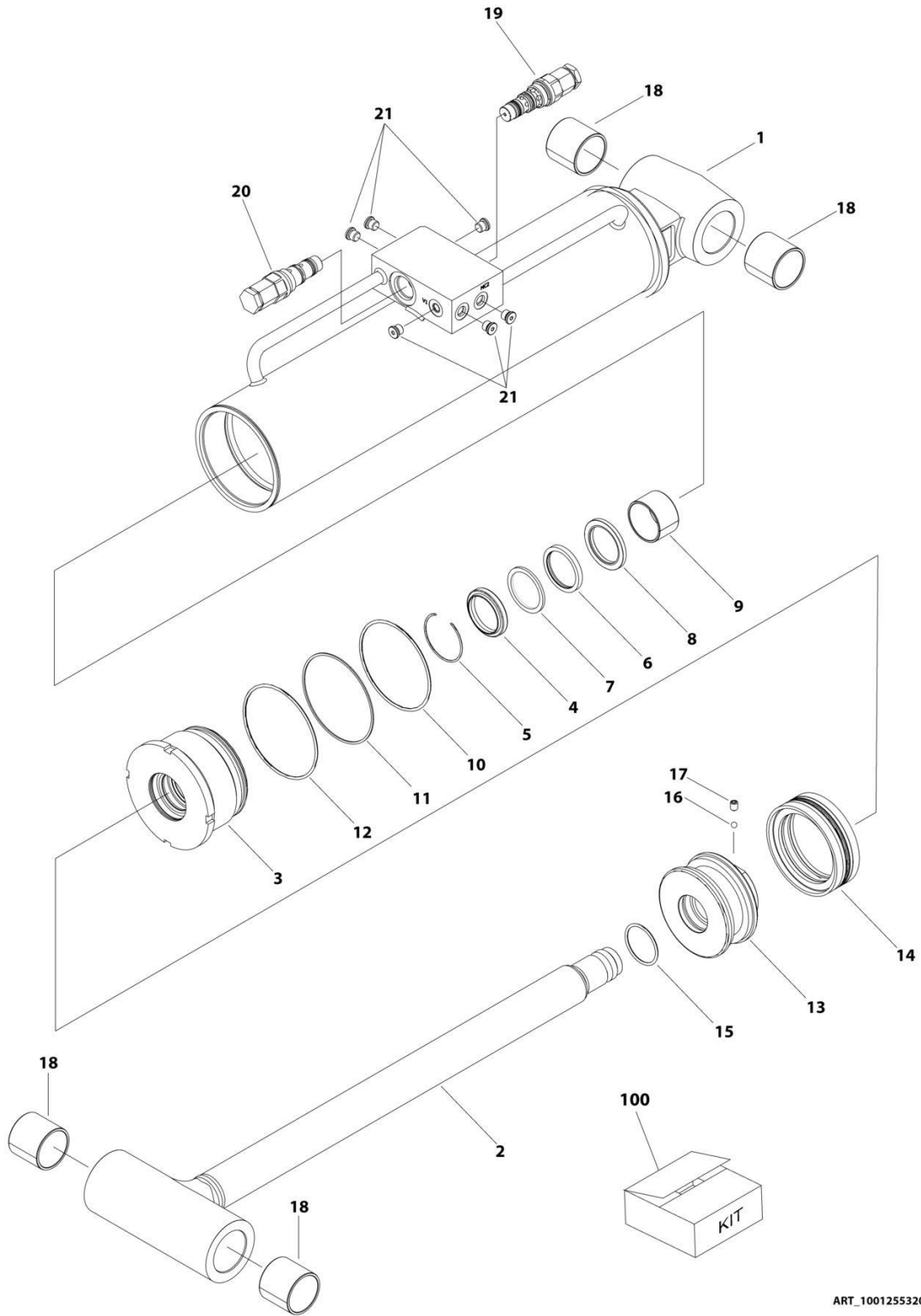
SECTION 6 - CYLINDER

FIGURE 6-1. AXLE LOCKOUT CYLINDER ASSEMBLY

| ITEM | PART NUMBER | QTY | DESCRIPTION | REV |
|------|-------------|-----|--|-----|
| | 1001204560 | Ref | AXLE LOCKOUT CYLINDER ASSEMBLY | D |
| 1 | 1001154126 | 1 | Barrel | |
| 2 | 1001154687 | 1 | Rod | |
| 3 | See Note | NSS | Wiper (Note: Use Item 10) | |
| 4 | See Note | NSS | Seal, Rod (Note: Use Item 10) | |
| 5 | See Note | NSS | Ring, Wear (Note: Use Item 10) | |
| 6 | 1001117372 | 1 | Cartridge, Valve (Counterbalance) | |
| 6 | 70002842 | 1 | Seal Kit - 1001117372 Valve (1 Per Assembly) | |
| 7 | 2220883 | 1 | Plug, O-Ring | |
| 8 | 2220885 | 1 | Plug, O-Ring | |
| 9 | 4640858 | 1 | Valve, Bleeder | |
| 10 | 1001098167 | 1 | Seal Kit (Includes Items 3-5) | |

SECTION 6 - CYLINDER

FIGURE 6-2. LEVEL CYLINDER ASSEMBLY - PLATFORM SLAVE



ART_1001255320

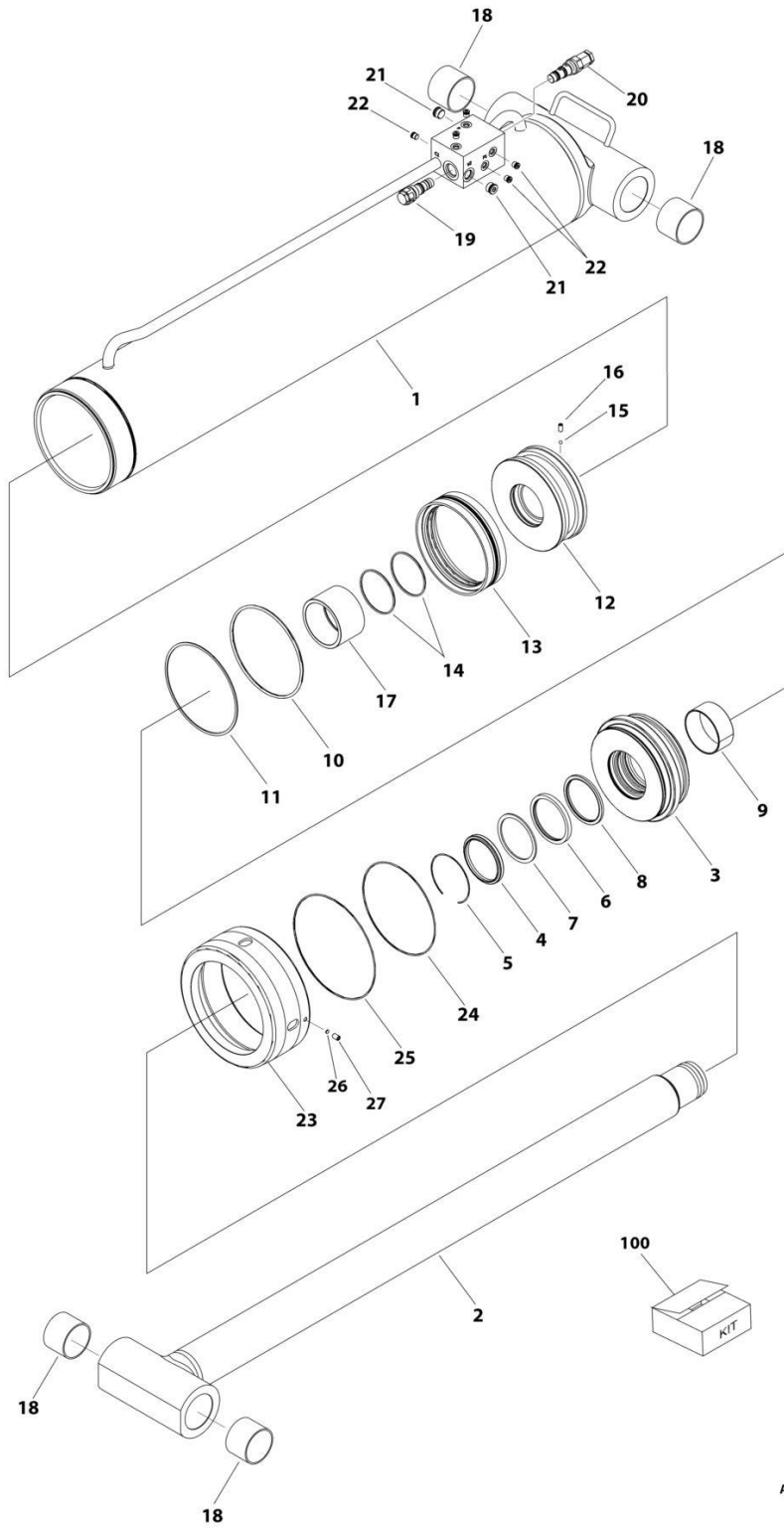
SECTION 6 - CYLINDER

FIGURE 6-2. LEVEL CYLINDER ASSEMBLY - PLATFORM SLAVE

| ITEM | PART NUMBER | QTY | DESCRIPTION | REV |
|------|-------------|-----|---|-----|
| | 1001255320 | Ref | LEVEL (SLAVE) CYLINDER ASSEMBLY | C |
| | | Ref | Note: Original Cylinder may have been replaced with Service Replacement. Identify PN Stamped on Cylinder Before Ordering Parts. | |
| 1 | See Note | NSS | Barrel (Note: Not Available for Purchase) | |
| 2 | 70007523 | 1 | Rod | |
| 3 | 70007157 | 1 | Head | |
| 4 | See Note | NSS | Wiper (Note: Use Item 100) | |
| 5 | 70002410 | 1 | Ring, Retaining | |
| 6 | See Note | NSS | Seal (Note: Use Item 100) | |
| 7 | See Note | NSS | Ring, Back-up (Note: Use Item 100) | |
| 8 | See Note | NSS | Ring, Buffer (Note: Use Item 100) | |
| 9 | 70004237 | 1 | Ring, Wear | |
| 10 | See Note | NSS | O-Ring (Note: Use Item 100) | |
| 11 | See Note | NSS | Ring, Back-up (Note: Use Item 100) | |
| 12 | See Note | NSS | O-Ring (Note: Use Item 100) | |
| 13 | 70007161 | 1 | Piston | |
| 14 | See Note | NSS | Seal (Note: Use Item 100) | |
| 15 | See Note | NSS | O-Ring (Note: Use Item 100) | |
| 16 | 70022564 | 1 | Steel Ball | |
| 17 | 70023369 | 1 | Screw, Set | |
| 18 | 70007159 | 4 | Bushing | |
| 19 | 4640605 | 1 | Valve, Cartridge | |
| 19 | 2900792 | 1 | Seal Kit - 4640605 Valve | |
| 20 | 4640932 | 1 | Valve, Cartridge | |
| 20 | 7011112 | 1 | Seal Kit - 4640932 Valve | |
| 21 | 2220883 | 6 | Plug, O-Ring | |
| 100 | 70007524 | 1 | Seal Kit (Includes Items 4, 6-8, 10-12, 14 & 15) | |

SECTION 6 - CYLINDER

FIGURE 6-3. LEVEL CYLINDER ASSEMBLY - UPRIGHT



ART_1001251041

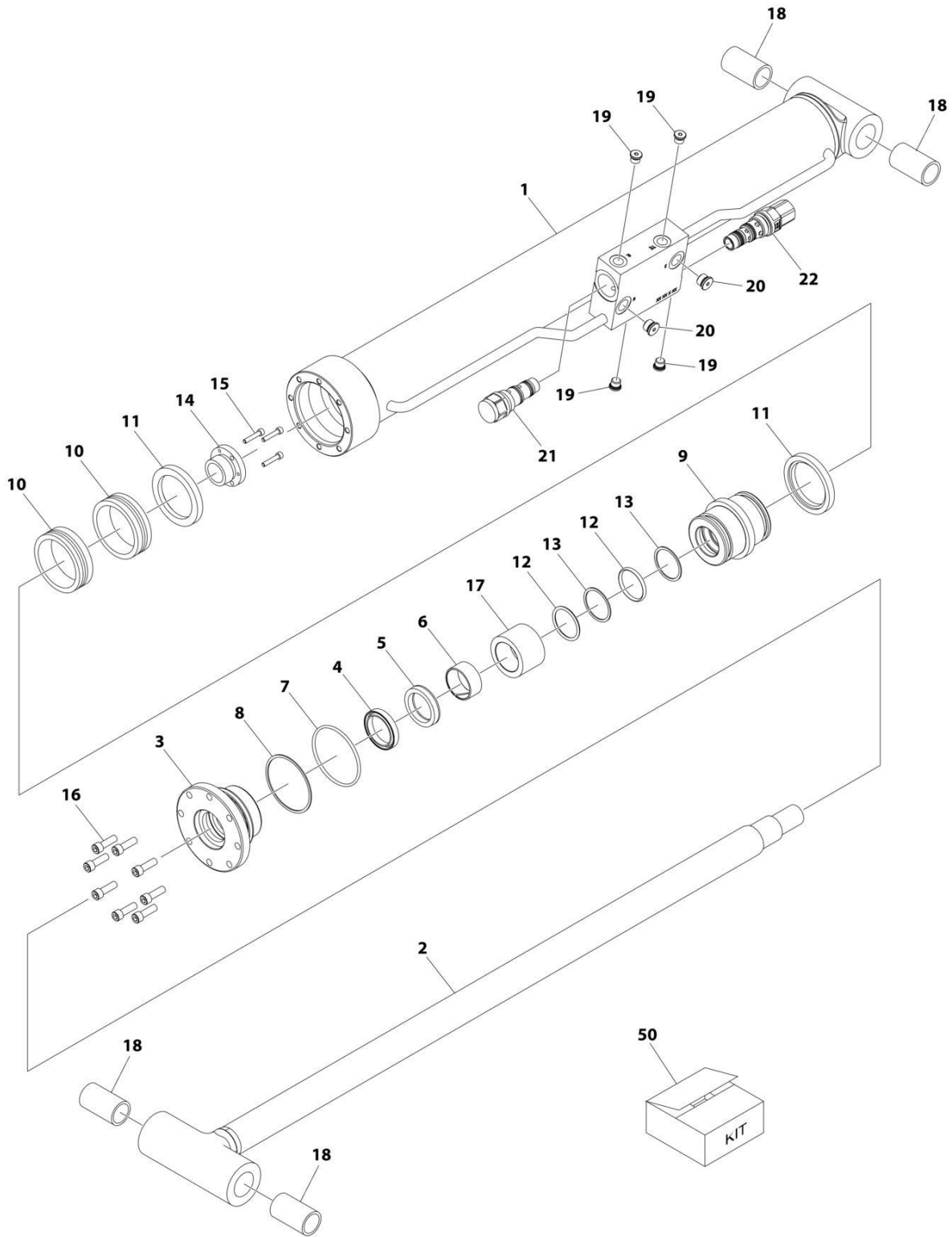
SECTION 6 - CYLINDER

FIGURE 6-3. LEVEL CYLINDER ASSEMBLY - UPRIGHT

| ITEM | PART NUMBER | QTY | DESCRIPTION | REV |
|------|-------------|-----|---|-----|
| | 1001251041 | Ref | LIFT CYLINDER ASSEMBLY | C |
| | | Ref | Note: Original Cylinder may have been replaced with Service Replacement. Identify PN Stamped on Cylinder Before Ordering Parts. | |
| 1 | See Note | NSS | Barrel (Note: Not Available for Purchase) | |
| 2 | 70007427 | 1 | Rod | |
| 3 | 70007422 | 1 | Head | |
| 4 | See Note | NSS | Wiper (Note: Use Item 100) | |
| 5 | 70023380 | 1 | Ring, Retaining | |
| 6 | See Note | NSS | Seal (Note: Use Item 100) | |
| 7 | See Note | NSS | Ring, Back-up (Note: Use Item 100) | |
| 8 | See Note | NSS | Ring, Buffer (Note: Use Item 100) | |
| 9 | 70007423 | 1 | Ring, Wear | |
| 10 | See Note | NSS | O-Ring (Note: Use Item 100) | |
| 11 | See Note | NSS | Ring, Back-up (Note: Use Item 100) | |
| 12 | 70007428 | 1 | Piston | |
| 13 | See Note | NSS | Seal (Note: Use Item 100) | |
| 14 | See Note | NSS | O-Ring (Note: Use Item 100) | |
| 15 | 70022564 | 1 | Steel Ball | |
| 16 | 70007246 | 1 | Screw, Set | |
| 17 | 70007429 | 1 | Spacer | |
| 18 | 0962102 | 4 | Bushing | |
| 19 | 4640509 | 1 | Cartridge, Valve | |
| 19 | 2900792 | 1 | Seal Kit - 4640509 Valve | |
| 20 | 4640605 | 1 | Cartridge, Valve | |
| 20 | 2900792 | 1 | Seal Kit - 4640605 Valve | |
| 21 | 2220886 | 2 | Plug, O-Ring | |
| 22 | 2220883 | 5 | Plug, O-Ring | |
| 23 | 70007278 | 1 | Cap | |
| 24 | See Note | 1 | O-Ring (Note: Use Item 100) | |
| 25 | See Note | NSS | O-Ring (Note: Use Item 100) | |
| 26 | 70007282 | 1 | Insert, Locking | |
| 27 | 70026287 | 1 | Screw, Set | |
| 100 | 70007430 | 1 | Seal Kit (Includes Items 4, 6-8, 10, 11, 13, 14, 24 & 25) | |

SECTION 6 - CYLINDER

FIGURE 6-4. LIFT CYLINDER ASSEMBLY - JIB



ART_1001264991

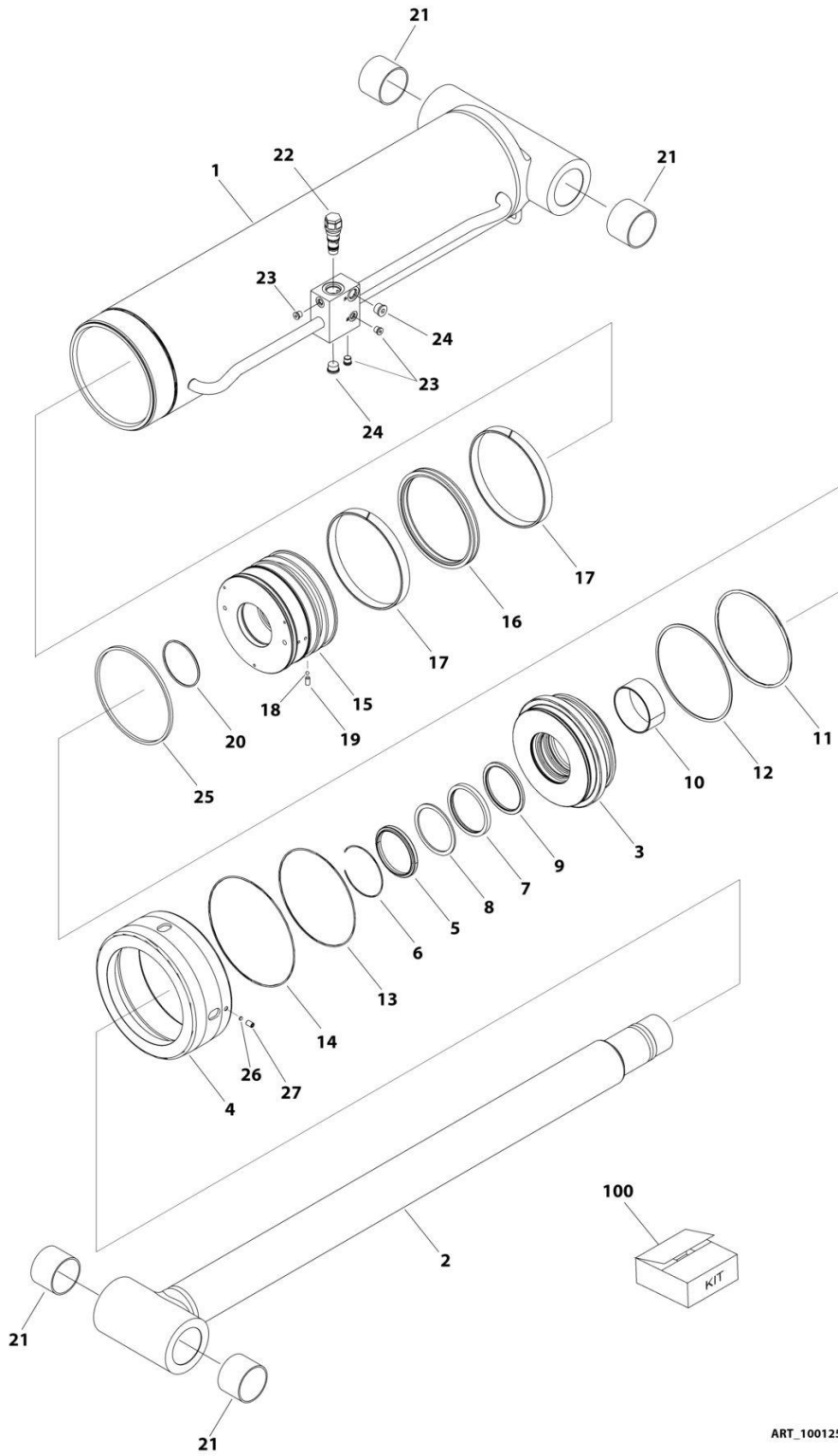
SECTION 6 - CYLINDER

FIGURE 6-4. LIFT CYLINDER ASSEMBLY - JIB

| ITEM | PART NUMBER | QTY | DESCRIPTION | REV |
|------|-------------|-----|---|-----|
| | 1001264991 | Ref | LIFT CYLINDER ASSEMBLY - JIB | B |
| | | Ref | Note: Original Cylinder May Have Been Replaced with Service Replacement. Identify PN Stamped on Cylinder Before Ordering Parts. | |
| 1 | See Note | NSS | Barrel (Note: Use PN 1001264991) | |
| 2 | 70006734 | 1 | Rod | |
| 3 | 70006649 | 1 | Head | |
| 4 | See Note | NSS | Wiper (Note: Use Item 50) | |
| 5 | See Note | NSS | Seal, Rod (Note: Use Item 50) | |
| 6 | See Note | NSS | Ring, Wear (Note: Use Item 50) | |
| 7 | See Note | NSS | O-Ring (Note: Use Item 50) | |
| 8 | See Note | NSS | Ring, Back-up (Note: Use Item 50) | |
| 9 | 70006650 | 1 | Piston | |
| 10 | See Note | NSS | Ring, Hydro Lock (Note: Use Item 50) | |
| 11 | See Note | NSS | Ring, Guide Lock (Note: Use Item 50) | |
| 12 | See Note | NSS | O-Ring (Note: Use Item 50) | |
| 13 | See Note | NSS | Ring, Back-up (Note: Use Item 50) | |
| 14 | 0961893 | 1 | Bushing, Tapered | |
| 15 | 0630534 | 3 | Capscrew | |
| 16 | 70006735 | 8 | Capscrew | |
| 17 | 70006736 | 1 | Spacer | |
| 18 | 0962336 | 4 | Bearing | |
| 19 | 70023370 | 4 | Plug | |
| 20 | 70023371 | 2 | Plug | |
| 21 | 4640509 | 1 | Cartridge, Counterbalance Valve | |
| 21 | 2900792 | 1 | Seal Kit - 4640509 Valve | |
| 22 | 1001263800 | 1 | Cartridge, Counterbalance Valve | |
| 22 | 70004186 | 1 | Seal Kit - 1001263800 Valve | |
| 50 | 1001138795 | 1 | Seal Kit - 1001264991 Cylinder (Includes Items 4-8 & 10-13) | |

SECTION 6 - CYLINDER

FIGURE 6-5. LIFT CYLINDER ASSEMBLY - MAIN BOOM



ART_1001251010

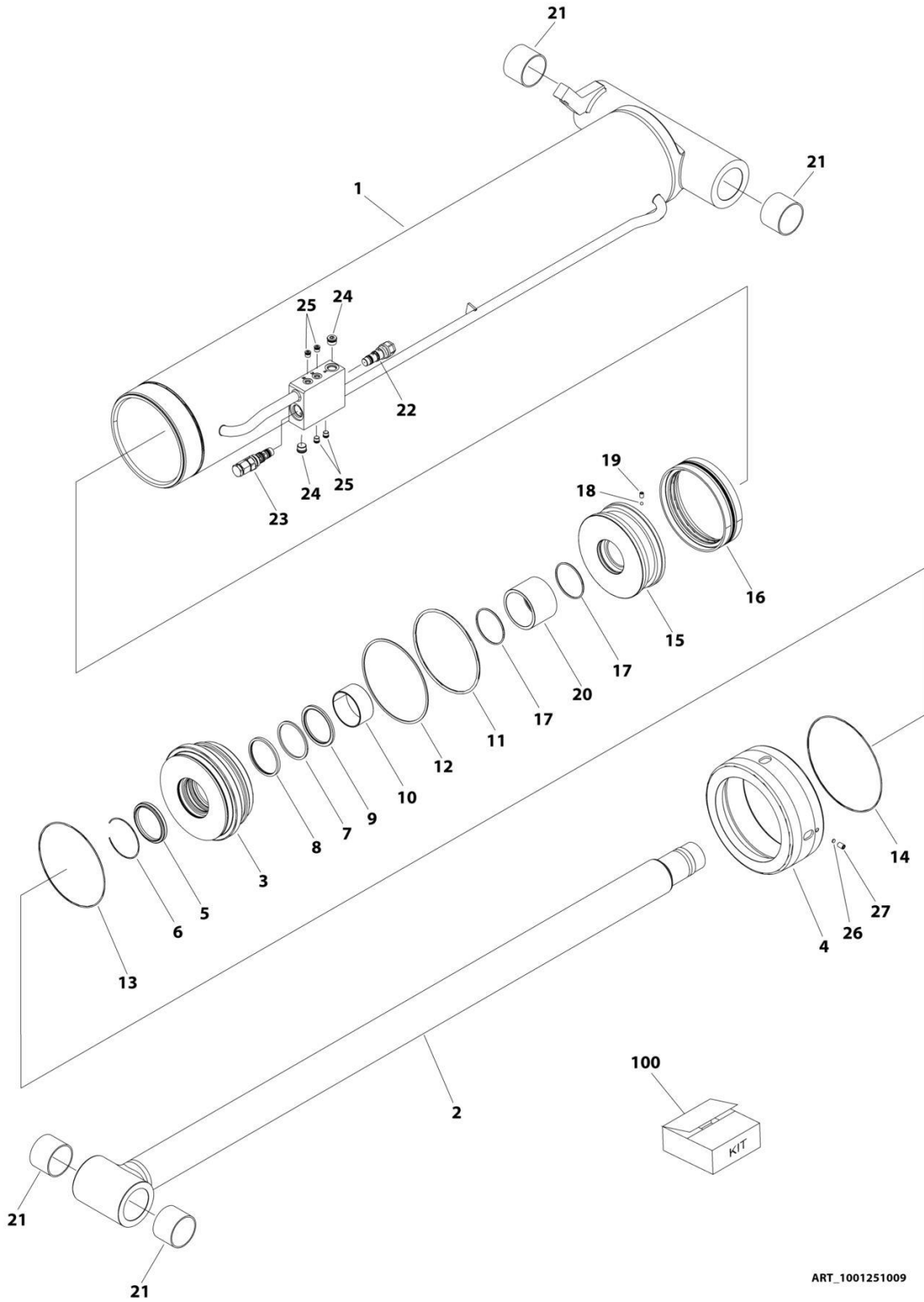
SECTION 6 - CYLINDER

FIGURE 6-5. LIFT CYLINDER ASSEMBLY - MAIN BOOM

| ITEM | PART NUMBER | QTY | DESCRIPTION | REV |
|------|-------------|-----|---|-----|
| | 1001251010 | Ref | LIFT CYLINDER ASSEMBLY | C |
| | | Ref | Note: Original Cylinder may have been replaced with Service Replacement. Identify PN Stamped on Cylinder Before Ordering Parts. | |
| 1 | See Note | NSS | Barrel (Note: Not Available for Purchase) | |
| 2 | 70007421 | 1 | Rod | |
| 3 | 70007422 | 1 | Head | |
| 4 | 70007278 | 1 | Cap | |
| 5 | See Note | NSS | Wiper (Note: Use Item 100) | |
| 6 | 70023380 | 1 | Ring, Retaining | |
| 7 | See Note | NSS | Seal (Note: Use Item 100) | |
| 8 | See Note | NSS | Ring, Back-up (Note: Use Item 100) | |
| 9 | See Note | NSS | Ring, Buffer (Note: Use Item 100) | |
| 10 | 70007423 | 1 | Ring, Wear | |
| 11 | See Note | NSS | O-Ring (Note: Use Item 100) | |
| 12 | See Note | NSS | Ring, Back-up (Note: Use Item 100) | |
| 13 | See Note | NSS | O-Ring (Note: Use Item 100) | |
| 14 | See Note | NSS | O-Ring (Note: Use Item 100) | |
| 15 | 70007424 | 1 | Piston | |
| 16 | See Note | NSS | Seal (Note: Use Item 100) | |
| 17 | See Note | NSS | Ring, Wear (Note: Use Item 100) | |
| 18 | 70022564 | 1 | Steel Ball | |
| 19 | 70007246 | 1 | Screw, Set | |
| 20 | See Note | 1 | O-Ring (Note: Use Item 100) | |
| 21 | 0962102 | 4 | Bushing | |
| 22 | 4640509 | 1 | Cartridge, Valve | |
| 22 | 2900792 | 1 | Seal Kit - 4640509 Valve | |
| 23 | 2220883 | 3 | Plug, O-Ring | |
| 24 | 2220886 | 2 | Plug, O-Ring | |
| 25 | 70007425 | 1 | Ring, Piston | |
| 26 | 70007282 | 1 | Insert, Locking | |
| 27 | 70026287 | 1 | Screw, Set | |
| 100 | 70007426 | 1 | Seal Kit (Includes Items 5, 7-9, 11-14, 16, 17 & 20) | |

SECTION 6 - CYLINDER

FIGURE 6-6. LIFT CYLINDER ASSEMBLY - TOWER BOOM



ART_1001251009

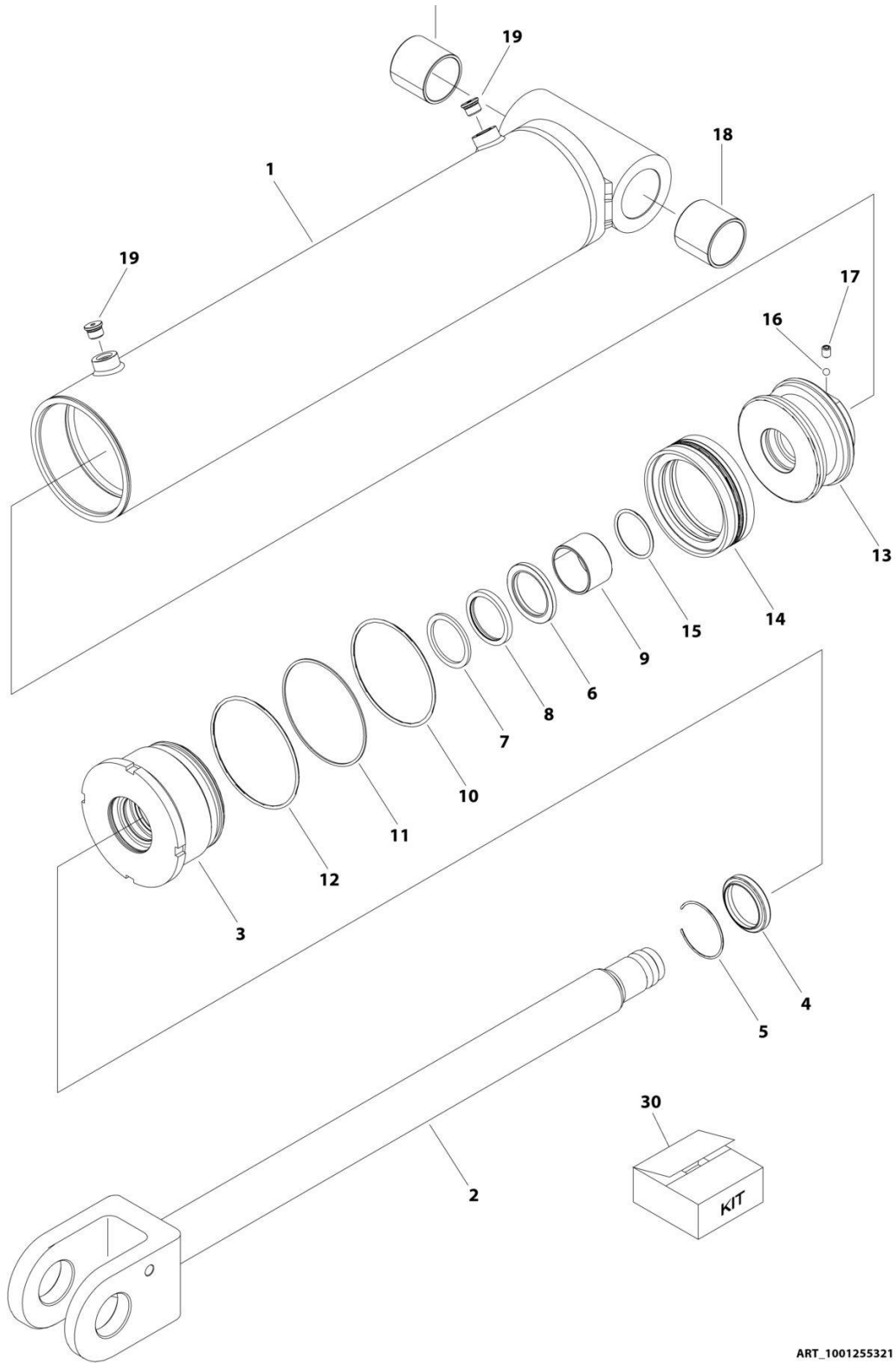
SECTION 6 - CYLINDER

FIGURE 6-6. LIFT CYLINDER ASSEMBLY - TOWER BOOM

| ITEM | PART NUMBER | QTY | DESCRIPTION | REV |
|------|-------------|-----|---|-----|
| | 1001251009 | Ref | LIFT CYLINDER ASSEMBLY | C |
| | | Ref | Note: Original Cylinder may have been replaced with Service Replacement. Identify PN Stamped on Cylinder Before Ordering Parts. | |
| 1 | See Note | NSS | Barrel (Note: Not Available for Purchase) | |
| 2 | 70007419 | 1 | Rod | |
| 3 | 70007277 | 1 | Head | |
| 4 | 70007278 | 1 | Cap | |
| 5 | See Note | NSS | Wiper (Note: Use Item 100) | |
| 6 | 70027750 | 1 | Ring, Retaining | |
| 7 | See Note | NSS | Seal (Note: Use Item 100) | |
| 8 | See Note | NSS | Ring, Back-up (Note: Use Item 100) | |
| 9 | See Note | NSS | Ring, Buffer (Note: Use Item 100) | |
| 10 | 70007279 | 1 | Ring, Wear | |
| 11 | See Note | NSS | O-Ring (Note: Use Item 100) | |
| 12 | See Note | NSS | Ring, Back-up (Note: Use Item 100) | |
| 13 | See Note | NSS | O-Ring (Note: Use Item 100) | |
| 14 | See Note | NSS | O-Ring (Note: Use Item 100) | |
| 15 | 70007280 | 1 | Piston | |
| 16 | See Note | NSS | Seal (Note: Use Item 100) | |
| 17 | See Note | NSS | O-Ring (Note: Use Item 100) | |
| 18 | 70022564 | 1 | Steel Ball | |
| 19 | 70029468 | 1 | Screw, Set | |
| 20 | 70007420 | 1 | Spacer | |
| 21 | 0962102 | 4 | Bushing | |
| 22 | 4640509 | 1 | Cartridge, Valve | |
| 22 | 2900792 | 1 | Seal Kit - 4640509 Valve | |
| 23 | 4640605 | 1 | Cartridge, Valve | |
| 23 | 2900792 | 1 | Seal Kit - 4640605 Valve | |
| 24 | 2220886 | 1 | Plug, O-Ring | |
| 25 | 2220883 | 4 | Plug, O-Ring | |
| 26 | 70007282 | 1 | Insert, Locking | |
| 27 | 70026287 | 1 | Screw, Set | |
| 100 | 70007283 | 1 | Seal Kit (Includes Items 5, 7-9, 11-14, 16 & 17) | |

SECTION 6 - CYLINDER

FIGURE 6-7. MASTER CYLINDER ASSEMBLY



ART_1001255321

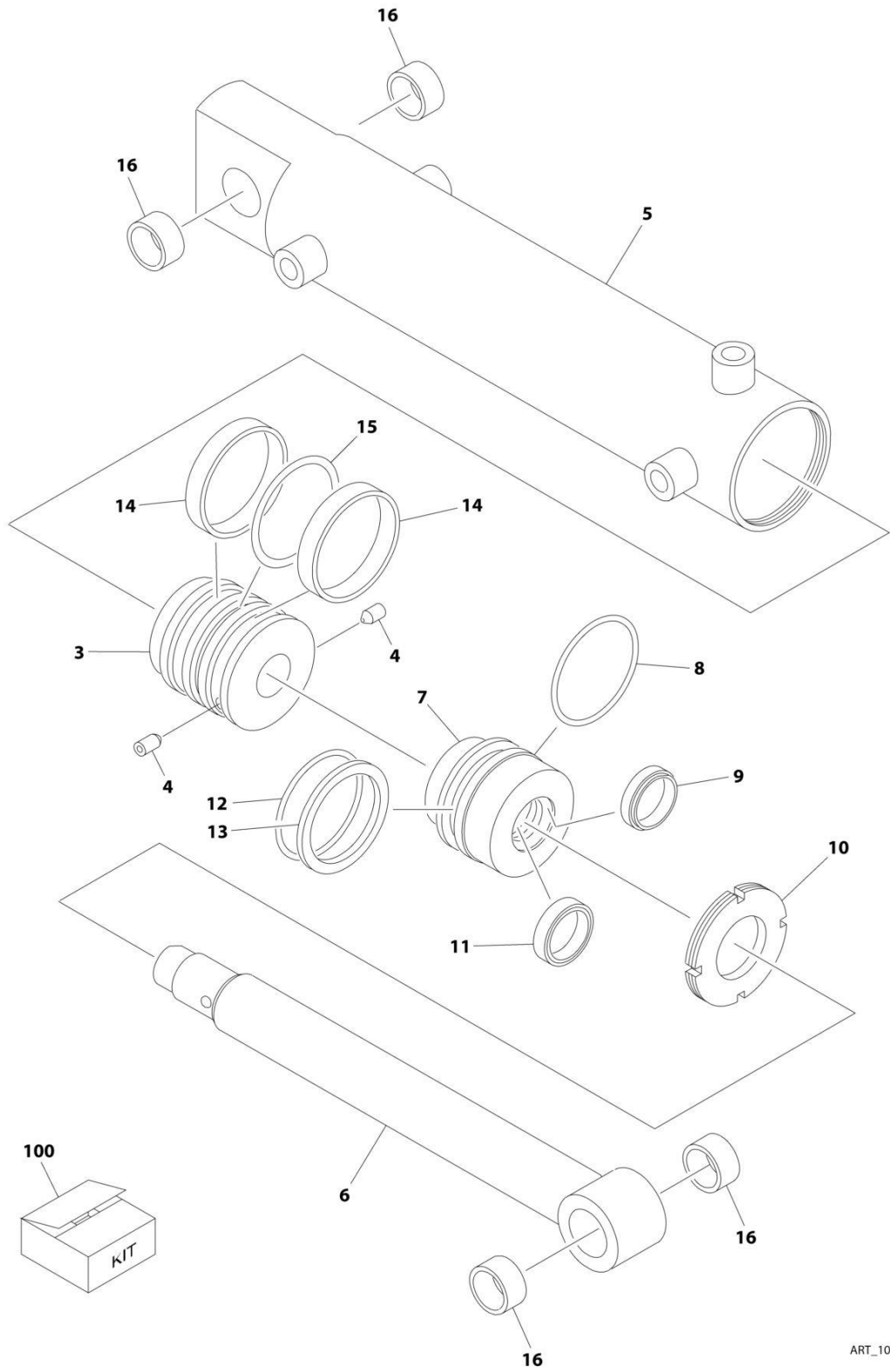
SECTION 6 - CYLINDER

FIGURE 6-7. MASTER CYLINDER ASSEMBLY

| ITEM | PART NUMBER | QTY | DESCRIPTION | REV |
|------|-------------|-----|---|-----|
| | 1001255321 | Ref | MASTER CYLINDER ASSEMBLY | E |
| | | Ref | Note: Original Cylinder may have been replaced with Service Replacement. Identify PN Stamped on Cylinder Before Ordering Parts. | |
| 1 | See Note | NSS | Barrel (Note: Not Available for Purchase) | |
| 2 | 70007525 | 1 | Rod | |
| 3 | 70007157 | 1 | Head | |
| 4 | See Note | NSS | Wiper (Note: Use Item 30) | |
| 5 | 70002410 | 1 | Ring, Retaining | |
| 6 | See Note | NSS | Seal, Rod (Note: Use Item 30) | |
| 7 | See Note | NSS | Ring, Back-up (Note: Use Item 30) | |
| 8 | See Note | NSS | Ring, Buffer (Note: Use Item 30) | |
| 9 | 70004237 | 1 | Ring, Wear | |
| 10 | See Note | NSS | O-Ring (Note: Use Item 30) | |
| 11 | See Note | NSS | Ring, Back-up (Note: Use Item 30) | |
| 12 | See Note | NSS | O-Ring (Note: Use Item 30) | |
| 13 | 70007161 | 1 | Piston | |
| 14 | See Note | NSS | Ring, Lock (Note: Use Item 30) | |
| 15 | See Note | NSS | O-Ring (Note: Use Item 30) | |
| 16 | 70022564 | 1 | Steel Ball | |
| 17 | 70023369 | 1 | Screw, Set | |
| 18 | 70007159 | 1 | Bushing | |
| 19 | 2220885 | 2 | Plug, O-Ring | |
| 30 | 70007524 | 1 | Seal Kit (Includes Items 4, 6-8, 10-12, 14 & 15) | |

SECTION 6 - CYLINDER

FIGURE 6-8. STEER CYLINDER ASSEMBLY



ART_1001150539

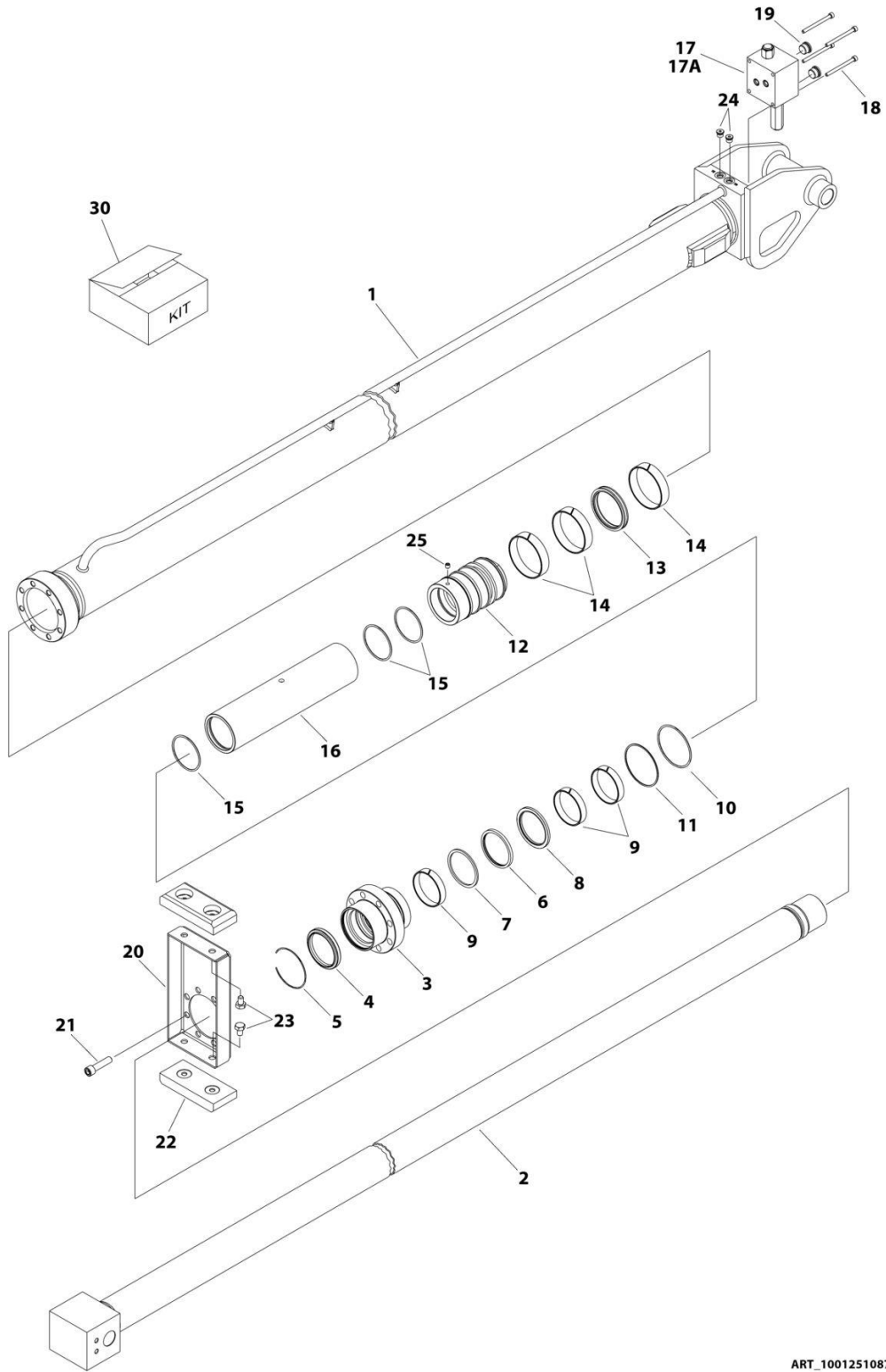
SECTION 6 - CYLINDER

FIGURE 6-8. STEER CYLINDER ASSEMBLY

| ITEM | PART NUMBER | QTY | DESCRIPTION | REV |
|------|-------------|-----|---|-----|
| | 1001150539 | Ref | STEER CYLINDER ASSEMBLY | F |
| | | Ref | Note: Original Cylinder may have been replaced with Service Replacement. Identify PN Stamped on Cylinder Before Ordering Parts. | |
| 3 | 70002744 | 1 | Piston | |
| 4 | 70002745 | 2 | Setscrew M6 x 10 | |
| 5 | 70004381 | 1 | Barrel | |
| 6 | 70004382 | 1 | Rod | |
| 7 | 70002748 | 1 | Head | |
| 8 | See Note | NSS | Ring (Note: Use Item 100) | |
| 9 | See Note | NSS | Wiper (Note: Use Item 100) | |
| 10 | 70002749 | 1 | Nut, Spanner | |
| 11 | See Note | NSS | Seal (Note: Use Item 100) | |
| 12 | See Note | NSS | O-Ring (Note: Use Item 100) | |
| 13 | See Note | NSS | Ring, Back-up (Note: Use Item 100) | |
| 14 | See Note | NSS | Ring, Wear (Note: Use Item 100) | |
| 15 | See Note | NSS | Seal (Note: Use Item 100) | |
| 16 | 0962152 | 4 | Bushings | |
| 100 | 70002751 | 1 | Seal Kit (Includes Items 8, 9 & 11-15) | |

SECTION 6 - CYLINDER

FIGURE 6-9. TELESCOPE CYLINDER ASSEMBLY - MAIN BOOM



ART_1001251087

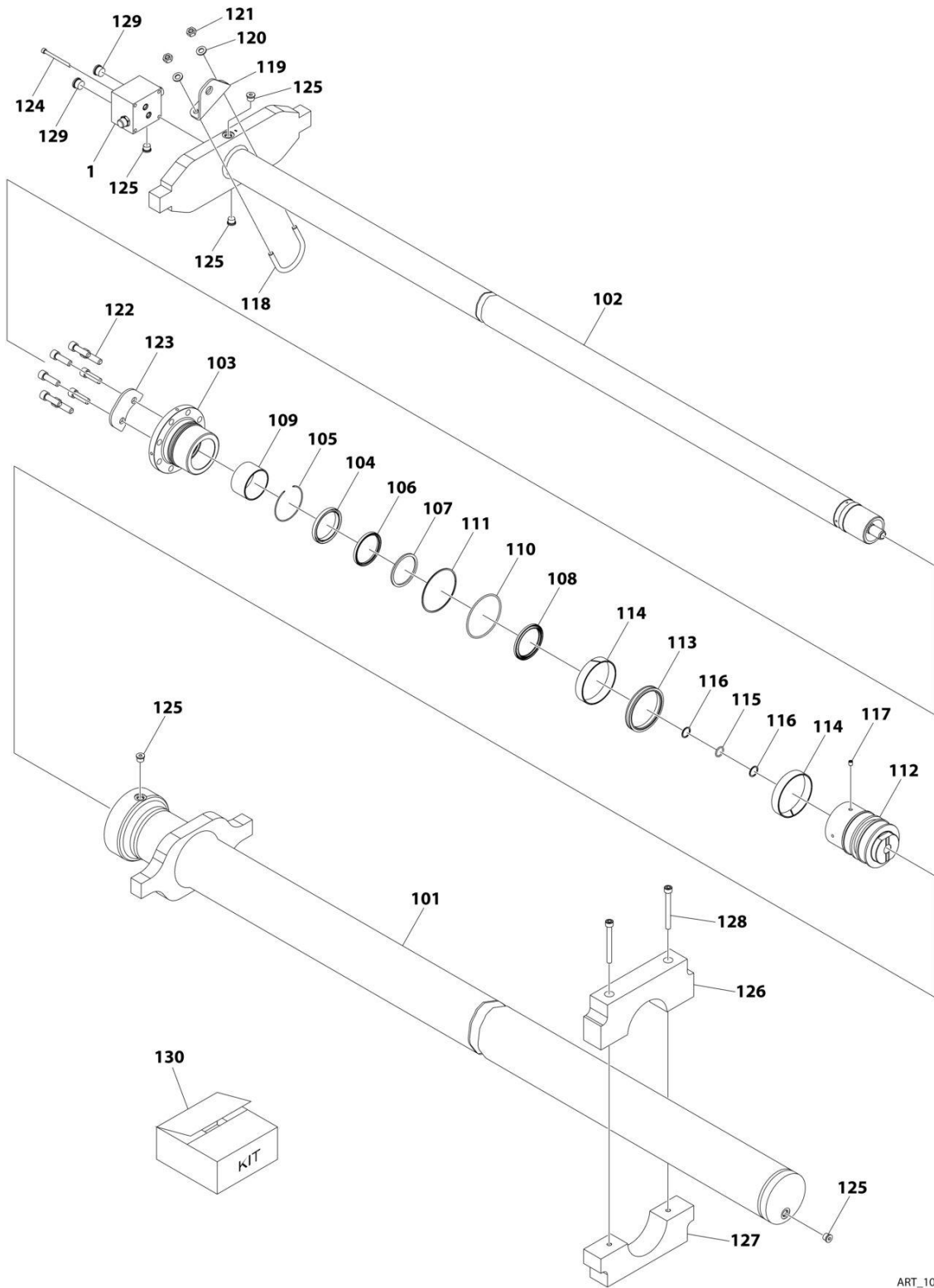
SECTION 6 - CYLINDER

FIGURE 6-9. TELESCOPE CYLINDER ASSEMBLY - MAIN BOOM

| ITEM | PART NUMBER | QTY | DESCRIPTION | REV |
|------|-------------|-----|---|-----|
| | 1001251087 | Ref | TELESCOPE CYLINDER ASSEMBLY | A |
| | | Ref | Note: Original Cylinder may have been replaced with Service Replacement. Identify PN Stamped on Cylinder Before Ordering Parts. | |
| 1 | See Note | NSS | Barrel (Note: Not Available for Purchase) | |
| 2 | 70007514 | 1 | Rod | |
| 3 | 70007515 | 1 | Head | |
| 4 | See Note | NSS | Wiper (Note: Use Item 30) | |
| 5 | 70027259 | 1 | Ring, Retaining | |
| 6 | See Note | NSS | Seal, Rod (Note: Use Item 30) | |
| 7 | See Note | NSS | Ring, Back-up (Note: Use Item 30) | |
| 8 | See Note | NSS | Ring, Buffer (Note: Use Item 30) | |
| 9 | See Note | NSS | Ring, Wear (Note: Use Item 30) | |
| 10 | See Note | NSS | O-Ring (Note: Use Item 30) | |
| 11 | See Note | NSS | Ring, Back-up (Note: Use Item 30) | |
| 12 | 70007516 | 1 | Piston | |
| 13 | See Note | NSS | Seal, Piston (Note: Use Item 30) | |
| 14 | See Note | NSS | Ring, Wear (Note: Use Item 30) | |
| 15 | See Note | NSS | O-Ring (Note: Use Item 30) | |
| 16 | 70007517 | 1 | Spacer | |
| 17 | 4641033 | 1 | Valve Assembly (No serviceable parts - sold as assembly only) | |
| 17A | 7024508 | 2 | O-Ring (Between Valve and Cylinder Barrel) | |
| 18 | 70006802 | 4 | Capscrew M6 | |
| 19 | 2220886 | 2 | Plug, O-Ring | |
| 20 | 70007518 | 1 | Plate | |
| 21 | 70007519 | 8 | Capscrew M12 | |
| 22 | 70007520 | 2 | Pad, Wear | |
| 23 | 70007521 | 4 | Bolt M10 | |
| 24 | 2220883 | 2 | Plug, O-Ring | |
| 25 | 70006799 | 1 | Screw, Set | |
| 30 | 70007522 | 1 | Seal Kit (Includes Items 4, 6, 7, 9-11 & 13-15) | |

SECTION 6 - CYLINDER

FIGURE 6-10. TELESCOPE CYLINDER ASSEMBLY - TOWER BOOM



ART_1001251086

SECTION 6 - CYLINDER

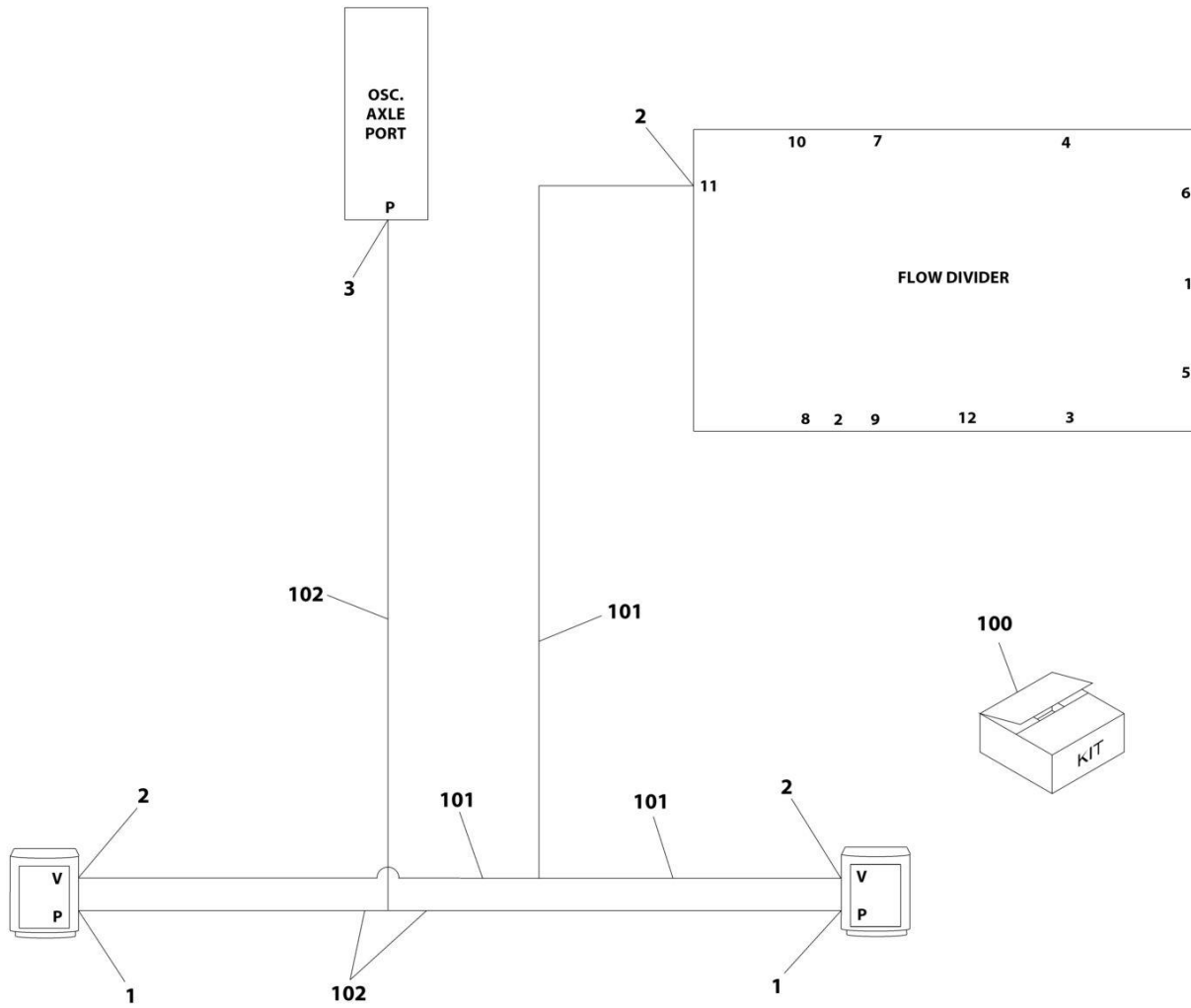
FIGURE 6-10. TELESCOPE CYLINDER ASSEMBLY - TOWER BOOM

| ITEM | PART NUMBER | QTY | DESCRIPTION | REV |
|------|-------------|-----|---|-----|
| | 1001251086 | Ref | TELESCOPE CYLINDER ASSEMBLY - TOWER BOOM | A |
| | | Ref | Note: Original Cylinder May Have Been Replaced with Service Replacement. Identify PN Stamped on Cylinder Before Ordering Parts. | |
| 1 | 4641032 | 1 | Valve Assembly (No serviceable parts - sold as assembly only) | |
| 1 | 7002388 | 1 | Seal Kit | |
| 101 | See Note | NSS | Tube (Note: Not Available for Purchase) | |
| 102 | 70008199 | 1 | Rod | |
| 103 | 70008200 | 1 | Head | |
| 104 | See Note | NSS | Wiper, Dust (Note: Use Item 130) | |
| 105 | 70050795 | 1 | Ring, Retaining | |
| 106 | See Note | NSS | Seal, Rod (Note: Use Item 130) | |
| 107 | See Note | NSS | Ring, Backup (Note: Use Item 130) | |
| 108 | See Note | NSS | Ring, Buffer (Note: Use Item 130) | |
| 109 | 70008201 | 1 | Bushing | |
| 110 | See Note | NSS | O-Ring (Note: Use Item 130) | |
| 111 | See Note | NSS | Ring, Backup (Note: Use Item 130) | |
| 112 | 70008202 | 1 | Piston | |
| 113 | See Note | NSS | Seal, Piston (Note: Use Item 130) | |
| 114 | See Note | NSS | Ring, Wear (Note: Use Item 130) | |
| 115 | See Note | NSS | O-Ring (Note: Use Item 130) | |
| 116 | See Note | 1 | Ring, Backup (Note: Use Item 130) | |
| 117 | 70005839 | 1 | Setscrew | |
| 118 | 70008203 | 1 | U-Bolt M10 x 1.5 | |
| 119 | 70008204 | 1 | Plate | |
| 120 | 70006344 | 2 | Washer M10 | |
| 121 | 70005594 | 2 | Nut M12 | |
| 122 | 70008205 | 8 | Bolt M12 x 40 | |
| 123 | 70008206 | 1 | Plate | |
| 124 | 70007981 | 4 | Bolt M6 x 75 | |
| 125 | 2220885 | 5 | Plug 9/16 | |
| 126 | 70008207 | 1 | Pad | |
| 127 | 70008208 | 1 | Pad | |
| 128 | 70008209 | 2 | Bolt M10 x 95 | |
| 129 | 2220886 | 1 | Plug 3/4 | |
| 130 | 70008210 | 1 | Seal Kit (Includes Items 104, 106-108, 110-111 & 113-116) | |

SECTION 7 - HYDRAULIC

SECTION 7 - HYDRAULIC

FIGURE 7-1. HYDRAULIC DIAGRAM - AXLE (OSCILLATING)



ART_1001157400

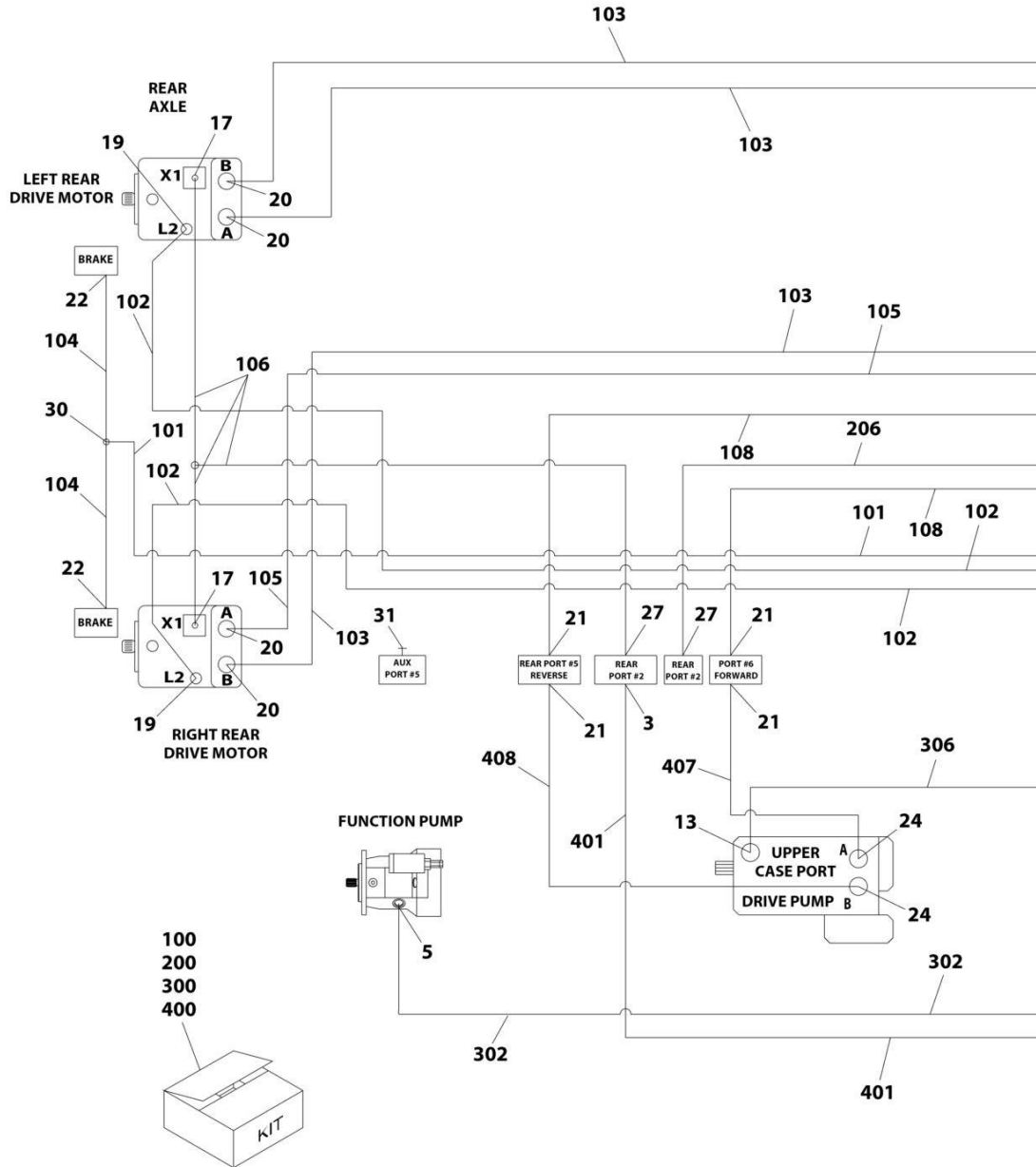
SECTION 7 - HYDRAULIC

FIGURE 7-1. HYDRAULIC DIAGRAM - AXLE (OSCILLATING)

| ITEM | PART NUMBER | QTY | DESCRIPTION | REV |
|------|-------------|-----|--------------------------------|-----|
| | 1001157400 | Ref | AXLE LOCKOUT HYDRAULIC DIAGRAM | G |
| 1 | 2110404 | 2 | Fitting, Straight ORFS/ORB | |
| 2 | 2110606 | 3 | Fitting, Straight ORFS/ORB | |
| 3 | 2110408 | 1 | Fitting, Straight ORFS/ORB | |
| 100 | 1001270068 | 1 | Hose Lockout Kit | |
| 101 | 1001198336 | 1 | Hose with Crimped Tee | |
| 102 | 1001198339 | 1 | Hose with Crimped Tee | |

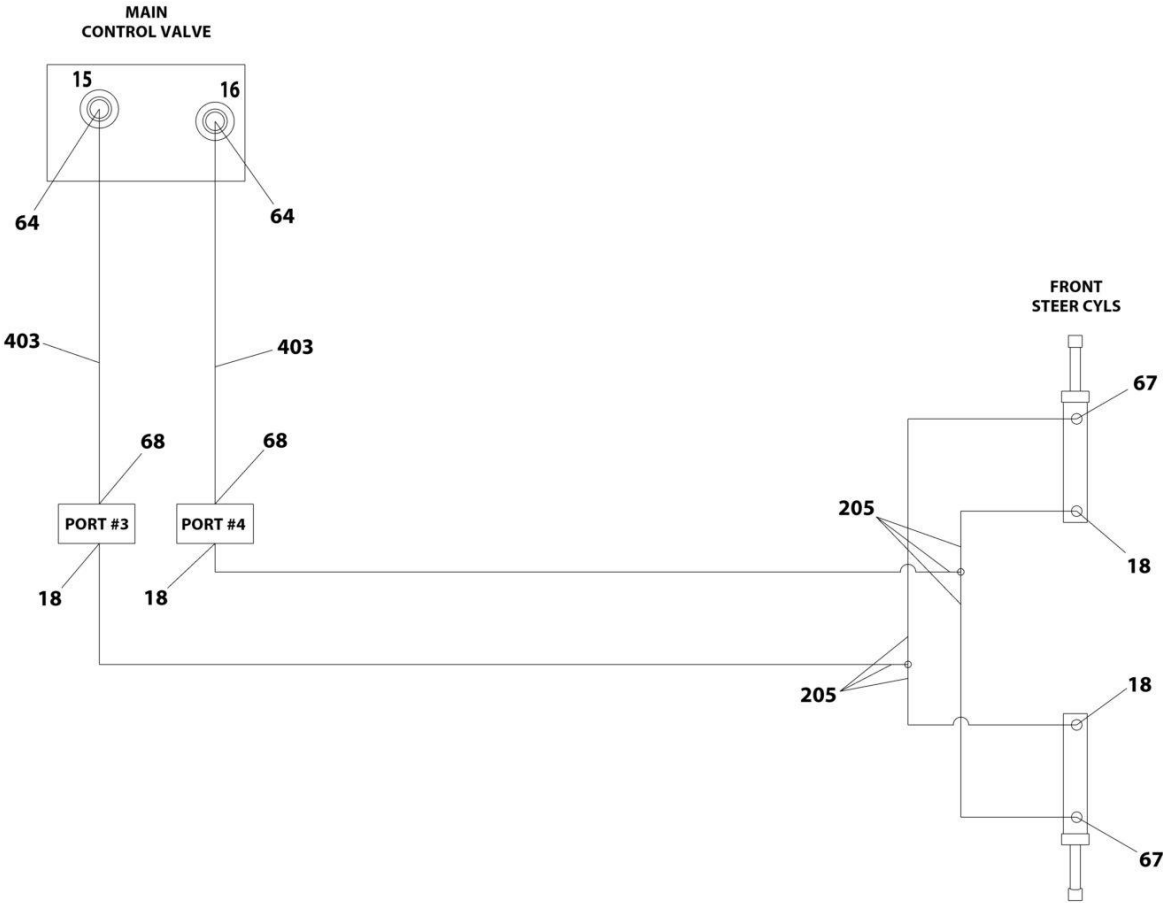
SECTION 7 - HYDRAULIC

FIGURE 7-2. HYDRAULIC DIAGRAM - DRIVE (4WD/2WS WITHOUT TOW PACKAGE/WITHOUT ARCTIC PACKAGE)



ART_1001178204_1OF3

SECTION 7 - HYDRAULIC



ART_1001178204_30F3

SECTION 7 - HYDRAULIC

FIGURE 7-2. HYDRAULIC DIAGRAM - DRIVE (4WD/2WS WITHOUT TOW PACKAGE/WITHOUT ARCTIC PACKAGE)

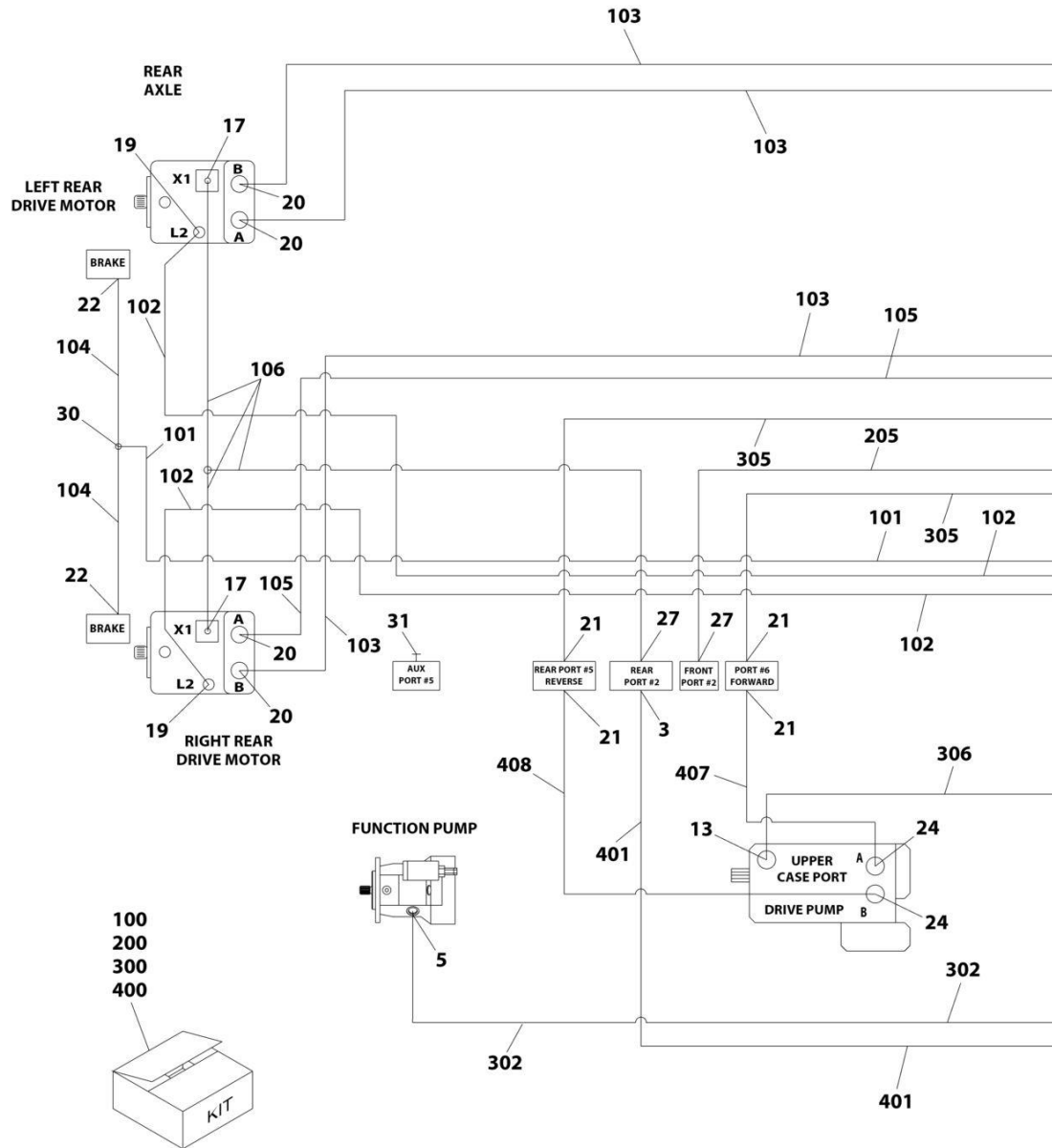
| ITEM | PART NUMBER | QTY | DESCRIPTION | REV |
|------|-------------|-----|-----------------------------------|-----|
| | 1001178204 | Ref | DRIVE HYDRAULIC DIAGRAM - 4WD/2WS | J |
| 2 | 2220800 | 1 | Fitting, Straight ORB/FL | |
| 3 | 2220582 | 1 | Fitting, Straight ORB/FL | |
| 4 | 2220238 | 1 | Plug | |
| 5 | 2220671 | 1 | Fitting, 90 JIC/ORB | |
| 7 | 2220374 | 1 | Fitting, Straight JIC/ORB | |
| 8 | 1001199394 | 1 | Fitting, Tee JIC/ORB/JIC | |
| 9 | 2220380 | 1 | Fitting, Straight ORB/FL | |
| 10 | 2220375 | 1 | Fitting, Straight ORB/FL | |
| 12 | 2220468 | 1 | Fitting, Straight ORB/FL | |
| 13 | 2220578 | 1 | Fitting, 90 JIC/ORB | |
| 14 | 2220596 | 1 | Fitting, 90 JIC/FL | |
| 15 | 8770050 | 1 | Fitting, 90 JIC/ORB | |
| 17 | 2110406 | 2 | Fitting, Straight ORFS/ORB | |
| 18 | 2110606 | 4 | Fitting, Straight ORFS/ORB | |
| 19 | 2110808 | 6 | Fitting, Straight ORFS/ORB | |
| 20 | 2110812 | 8 | Fitting, Straight ORFS/ORB | |
| 21 | 2111616 | 4 | Fitting, Straight ORFS/ORB | |
| 22 | 2110404 | 4 | Fitting, Straight ORFS/ORB | |
| 23 | 2130808 | 6 | Fitting, 90 ORFS/ORB | |
| 24 | 2131616 | 3 | Fitting, 90 ORFS/ORB | |
| 25 | 2130604 | 1 | Fitting, 90 ORFS/ORB | |
| 26 | 2130406 | 2 | Fitting, 90 ORFS/ORB | |
| 27 | 2150406 | 2 | Fitting, 45 ORFS/ORB | |
| 29 | 2170408 | 2 | Fitting, Tee ORFS/ORFS/ORB | |
| 30 | 2170504 | 2 | Fitting, Tee ORFS | |
| 31 | 2220237 | 1 | Plug | |
| 42 | 2220451 | 1 | Fitting, Straight JIC/ORB | |
| 58 | 2220373 | 2 | Fitting, Straight JIC/ORB | |
| 60 | 2220940 | 1 | Fitting, 90 ORB/FL | |
| 61 | 2220466 | 3 | Fitting, 90 ORB/FL | |
| 62 | 2151616 | 1 | Fitting, 90 ORFS/ORB | |
| 64 | 2220371 | 2 | Fitting, Straight JIC/ORB | |
| 67 | 2130606 | 3 | Fitting, 90 ORFS/ORB | |
| 68 | 2220473 | 2 | Fitting, 90 ORB/FL | |
| 73 | 1001198338 | 1 | Fitting, Tee ORFS/ORB | |
| 74 | 1001215296 | 1 | Fitting, 90 JIC/SORB | |
| 100 | 1001270069 | 1 | Arctic Towbar Hose Kit | |
| 101 | 2753622 | 1 | Hose | |
| 102 | 2753686 | 2 | Hose | |
| 103 | 2753971 | 3 | Hose | |
| 104 | 2754337 | 2 | Hose | |
| 105 | 2754338 | 1 | Hose | |
| 106 | 1001198340 | 1 | Hose | |
| 107 | 2753626 | 1 | Hose | |
| 108 | 2753634 | 1 | Hose | |
| 200 | 1001270630 | 1 | Front Hose Kit | |
| 201 | 2753542 | 1 | Hose | |
| 202 | 2753628 | 2 | Hose | |

SECTION 7 - HYDRAULIC

| ITEM | PART NUMBER | QTY | DESCRIPTION | REV |
|------|-------------|-----|------------------------|-----|
| 203 | 2753970 | 4 | Hose | |
| 204 | 2754512 | 2 | Hose | |
| 205 | 1001198333 | 2 | Hose | |
| 206 | 1001198341 | 1 | Hose | |
| 300 | 1001270090 | 1 | Arctic Towbar Hose Kit | |
| 301 | 2752434 | 1 | Hose | |
| 302 | 2752938 | 1 | Hose | |
| 306 | 1001188135 | 1 | Hose | |
| 307 | 2752495 | 1 | Hose | |
| 308 | 2752754 | 1 | Hose | |
| 309 | 1001151354 | 1 | Hose | |
| 400 | 1001270091 | 1 | Arctic Towbar Hose Kit | |
| 401 | 2751399 | 1 | Hose | |
| 402 | 2751500 | 1 | Hose | |
| 403 | 2752489 | 2 | Hose | |
| 407 | 1001156332 | 1 | Hose | |
| 408 | 1001156333 | 1 | Hose | |
| 409 | 2752997 | 1 | Hose | |

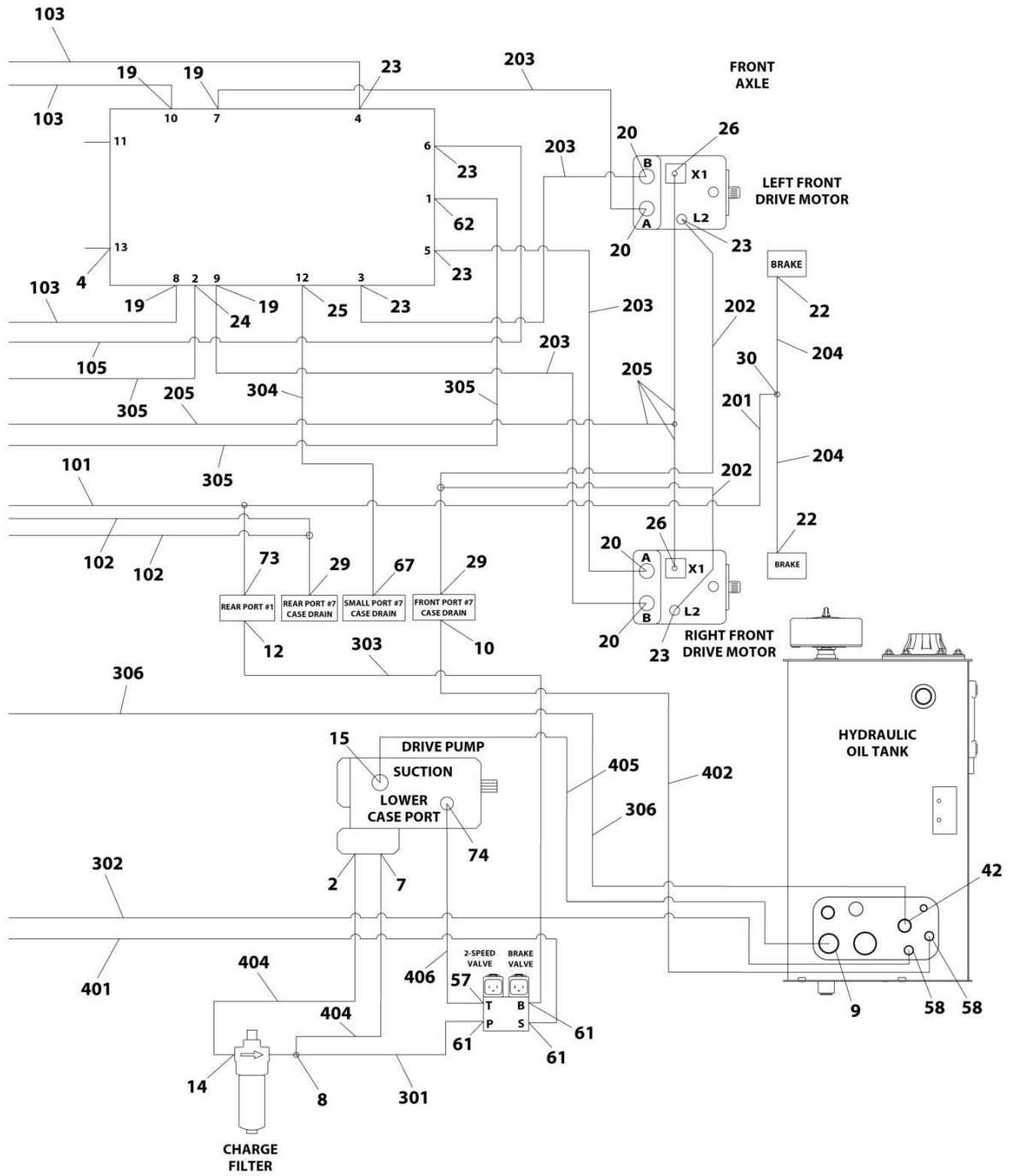
SECTION 7 - HYDRAULIC

FIGURE 7-3. HYDRAULIC DIAGRAM - DRIVE (4WD/2WS WITHOUT TOW PACKAGE/WITH ARCTIC PACKAGE)



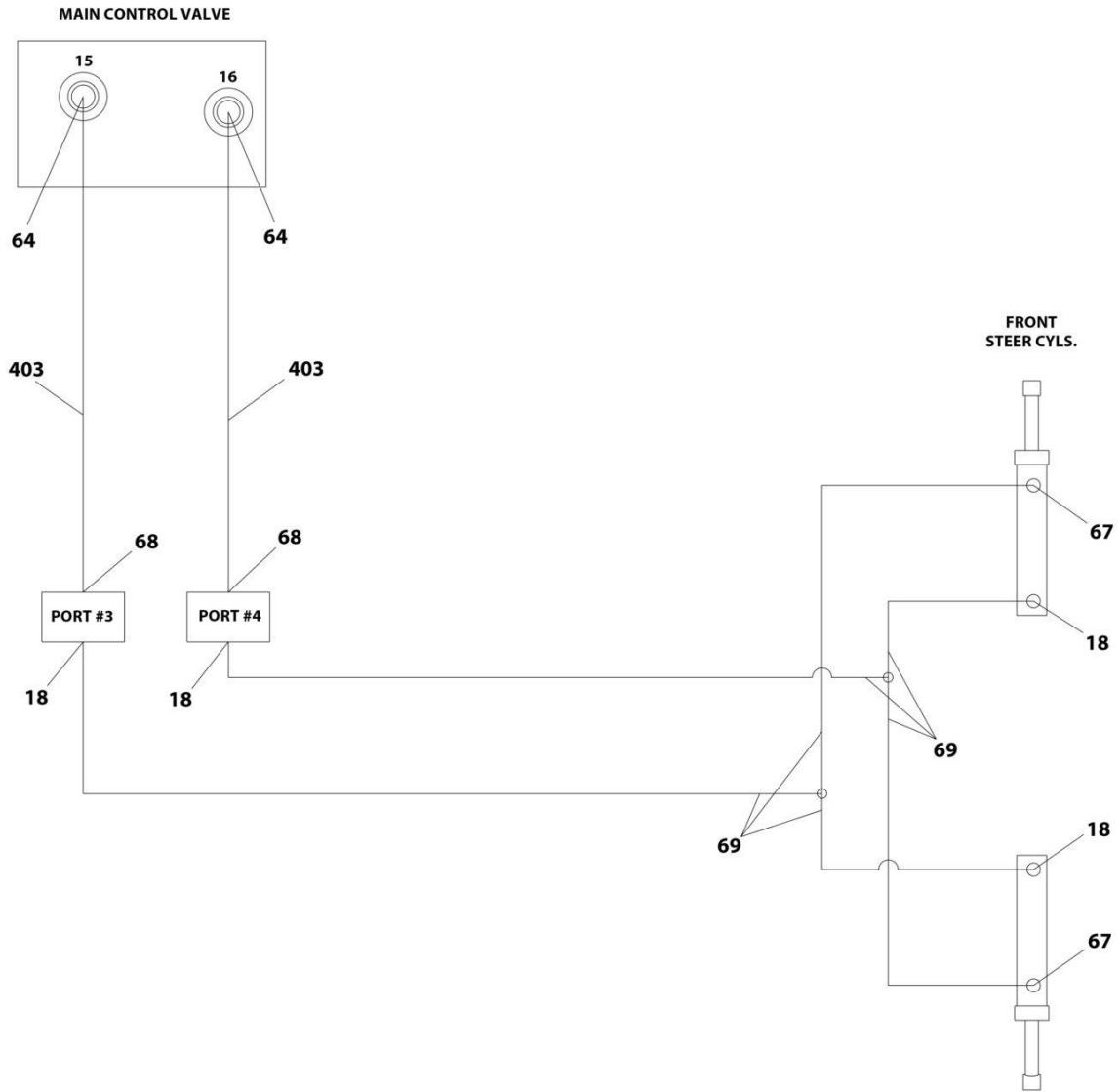
ART_1001178205_10F3

SECTION 7 - HYDRAULIC



ART_1001178205_2OF3

SECTION 7 - HYDRAULIC



ART_1001178205_3OF3

SECTION 7 - HYDRAULIC

FIGURE 7-3. HYDRAULIC DIAGRAM - DRIVE (4WD/2WS WITHOUT TOW PACKAGE/WITH ARCTIC PACKAGE)

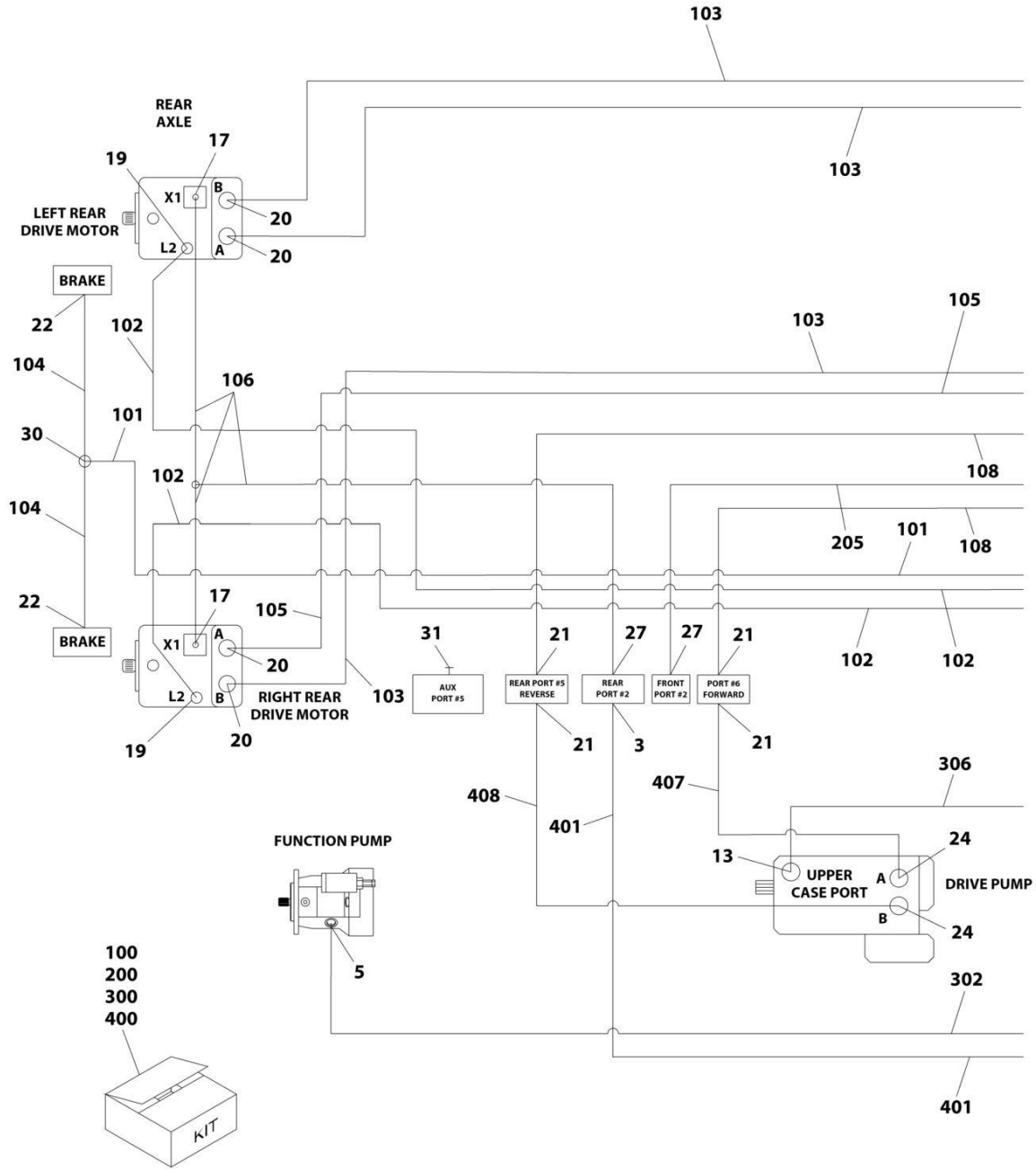
| ITEM | PART NUMBER | QTY | DESCRIPTION | REV |
|------|-------------|-----|-----------------------------------|-----|
| | 1001178205 | Ref | DRIVE HYDRAULIC DIAGRAM - 4WD/2WS | H |
| 2 | 2220800 | 1 | Fitting, Straight ORB/FL | |
| 3 | 2220582 | 1 | Fitting, Straight ORB/FL | |
| 4 | 2220238 | 1 | Plug | |
| 5 | 2220671 | 1 | Fitting, 90 JIC/ORB | |
| 7 | 2220374 | 1 | Fitting, Straight JIC/ORB | |
| 8 | 1001199394 | 1 | Fitting, Tee JIC/ORB/JIC | |
| 9 | 2220380 | 1 | Fitting, Straight ORB/FL | |
| 10 | 2220375 | 1 | Fitting, Straight ORB/FL | |
| 12 | 2220468 | 1 | Fitting, Straight ORB/FL | |
| 13 | 2220578 | 1 | Fitting, 90 JIC/ORB | |
| 14 | 2220596 | 1 | Fitting, 90 JIC/FL | |
| 15 | 8770050 | 1 | Fitting, 90 JIC/ORB | |
| 17 | 2110406 | 2 | Fitting, Straight ORFS/ORB | |
| 18 | 2110606 | 4 | Fitting, Straight ORFS/ORB | |
| 19 | 2110808 | 6 | Fitting, Straight ORFS/ORB | |
| 20 | 2110812 | 8 | Fitting, Straight ORFS/ORB | |
| 21 | 2111616 | 4 | Fitting, Straight ORFS/ORB | |
| 22 | 2110404 | 4 | Fitting, Straight ORFS/ORB | |
| 23 | 2130808 | 6 | Fitting, 90 ORFS/ORB | |
| 24 | 2131616 | 3 | Fitting, 90 ORFS/ORB | |
| 25 | 2130604 | 1 | Fitting, 90 ORFS/ORB | |
| 26 | 2130406 | 2 | Fitting, 90 ORFS/ORB | |
| 27 | 2150406 | 2 | Fitting, 45 ORFS/ORB | |
| 29 | 2170408 | 2 | Fitting, Tee ORFS/ORFS/ORB | |
| 30 | 2170504 | 2 | Fitting, Tee ORFS | |
| 31 | 2220237 | 1 | Plug | |
| 42 | 2220451 | 1 | Fitting, Straight JIC/ORB | |
| 57 | 2220940 | 1 | Fitting, 90 ORB/FL | |
| 58 | 2220373 | 2 | Fitting, Straight JIC/ORB | |
| 61 | 2220466 | 3 | Fitting, 90 ORB/FL | |
| 62 | 2151616 | 1 | Fitting, 90 ORFS/ORB | |
| 64 | 2220371 | 2 | Fitting, Straight JIC/ORB | |
| 67 | 2130606 | 3 | Fitting, 90 ORFS/ORB | |
| 68 | 2220473 | 2 | Fitting, 90 ORB/FL | |
| 69 | 1001198333 | 2 | Hose | |
| 73 | 1001198338 | 1 | Fitting, Tee ORFS/ORB | |
| 74 | 1001215296 | 1 | Fitting, 90 JIC/SORB | |
| 100 | 1001270069 | 1 | Arctic Towbar Hose Kit | |
| 101 | 2753622 | 1 | Hose | |
| 102 | 2753686 | 2 | Hose | |
| 103 | 2753971 | 3 | Hose | |
| 104 | 2754337 | 2 | Hose | |
| 105 | 2754338 | 1 | Hose | |
| 106 | 1001198340 | 1 | Hose | |
| 200 | 1001270073 | 1 | Arctic Towbar Hose Kit | |
| 201 | 2753542 | 1 | Hose | |
| 202 | 2754720 | 2 | Hose | |
| 203 | 2754743 | 4 | Hose | |

SECTION 7 - HYDRAULIC

| ITEM | PART NUMBER | QTY | DESCRIPTION | REV |
|------|-------------|-----|------------------------|-----|
| 204 | 1001106957 | 2 | Hose | |
| 205 | 1001204269 | 1 | Hose | |
| 300 | 1001270090 | 1 | Arctic Towbar Hose Kit | |
| 301 | 2752434 | 1 | Hose | |
| 302 | 2752938 | 1 | Hose | |
| 303 | 2752997 | 1 | Hose | |
| 304 | 2753626 | 1 | Hose | |
| 305 | 2753634 | 2 | Hose | |
| 306 | 1001188135 | 1 | Hose | |
| 400 | 1001270091 | 1 | Arctic Towbar Hose Kit | |
| 401 | 2751399 | 1 | Hose | |
| 402 | 2751500 | 1 | Hose | |
| 403 | 2752489 | 2 | Hose | |
| 404 | 2752495 | 2 | Hose | |
| 405 | 2752754 | 1 | Hose | |
| 406 | 1001151354 | 1 | Hose | |
| 407 | 1001156332 | 1 | Hose | |
| 408 | 1001156333 | 1 | Hose | |

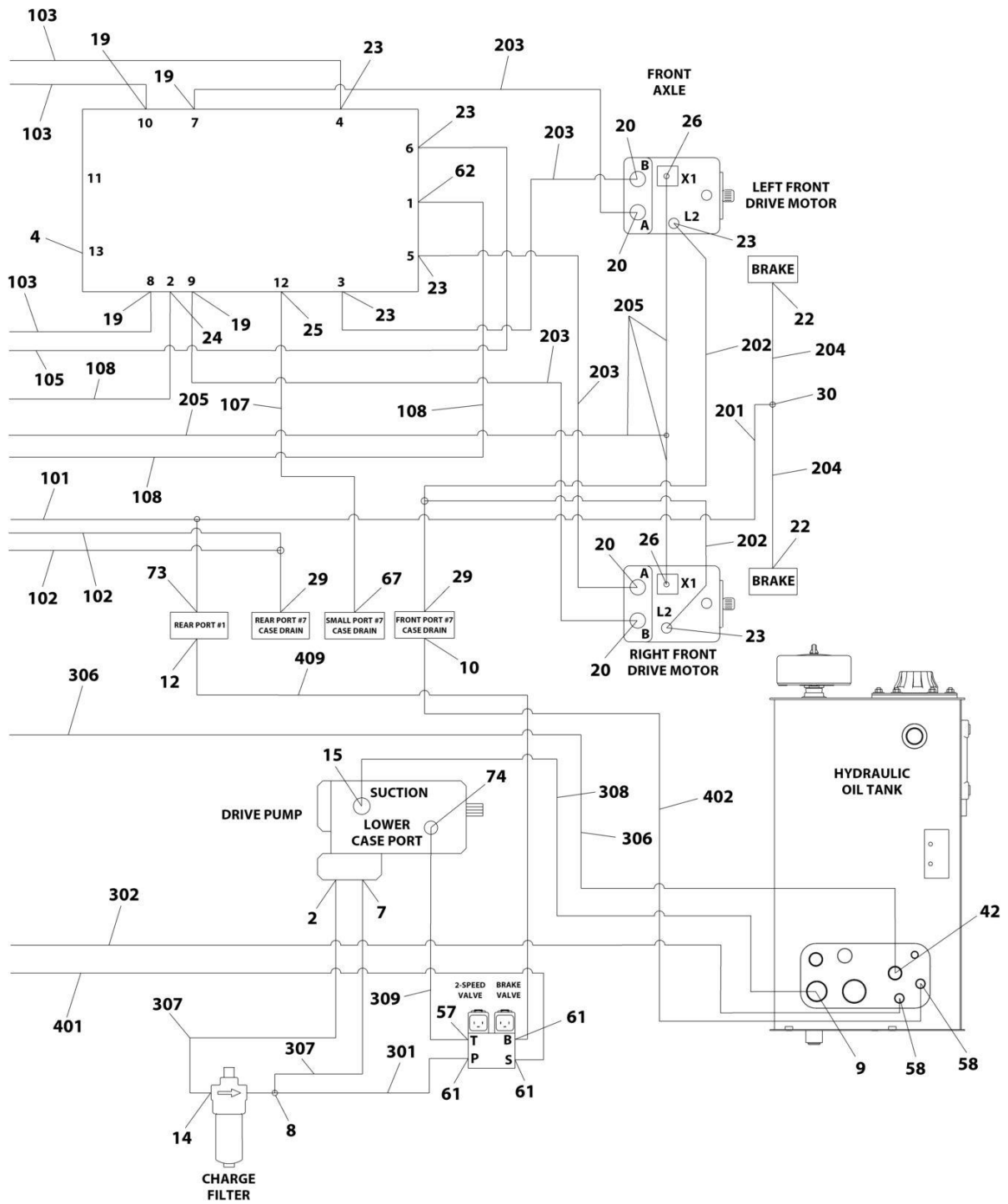
SECTION 7 - HYDRAULIC

FIGURE 7-4. HYDRAULIC DIAGRAM - DRIVE (4WD/2WS WITH TOW PACKAGE/WITHOUT ARCTIC PACKAGE)



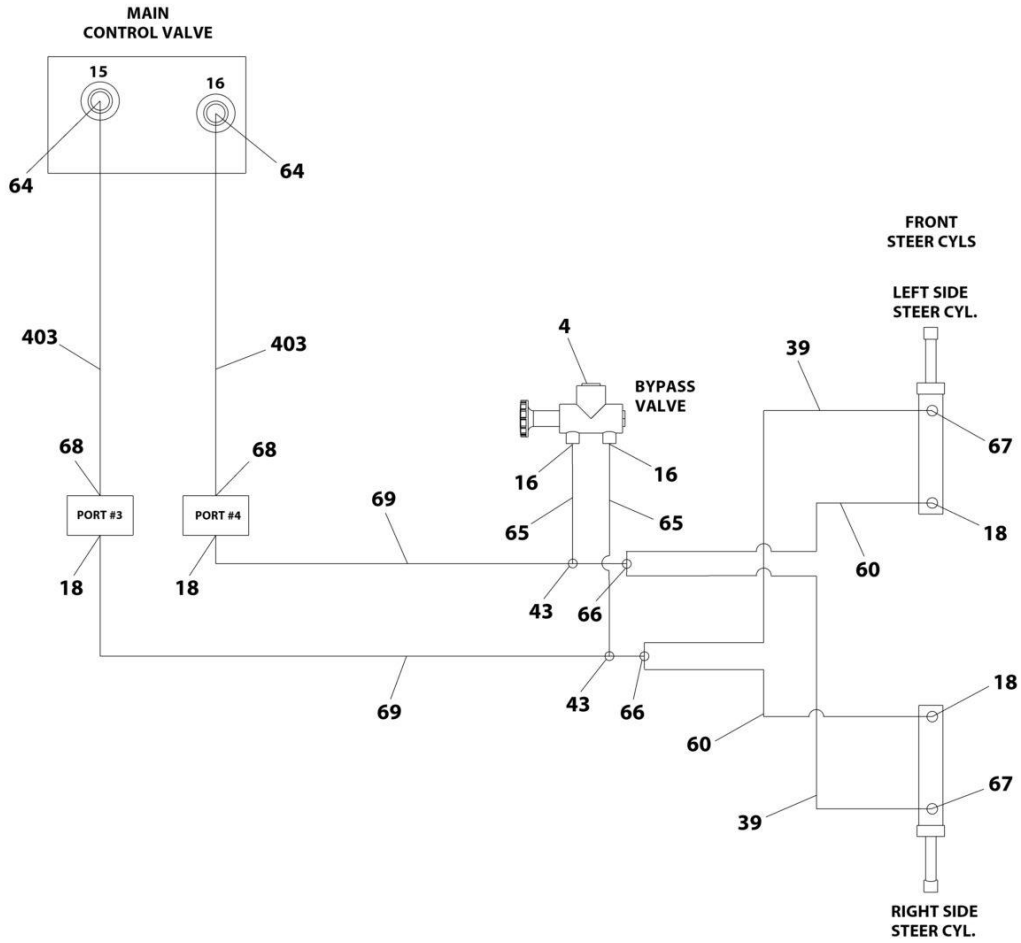
ART_1001217196_10F3

SECTION 7 - HYDRAULIC



ART_1001217196_20F3

SECTION 7 - HYDRAULIC



ART_1001217196_3OF3

SECTION 7 - HYDRAULIC

FIGURE 7-4. HYDRAULIC DIAGRAM - DRIVE (4WD/2WS WITH TOW PACKAGE/WITHOUT ARCTIC PACKAGE)

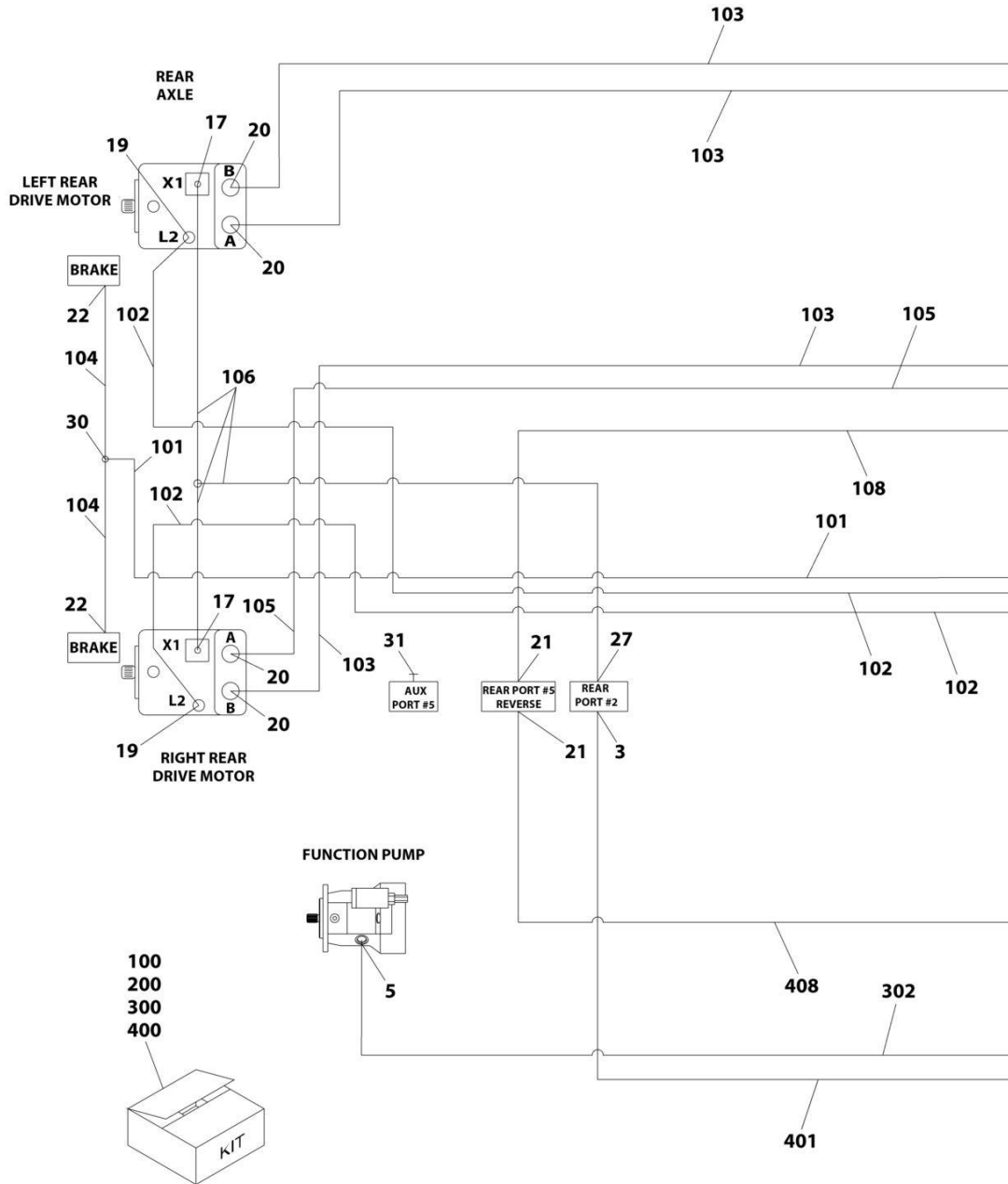
| ITEM | PART NUMBER | QTY | DESCRIPTION | REV |
|------|-------------|-----|-----------------------------------|-----|
| | 1001217196 | Ref | Drive Hydraulic Diagram - 4WD/2WS | D |
| 2 | 2220800 | 1 | Fitting, Straight ORB/FL | |
| 3 | 2220582 | 1 | Fitting, Straight ORB/FL | |
| 4 | 2220238 | 2 | Plug | |
| 5 | 2220671 | 1 | Fitting, 90 JIC/ORB | |
| 7 | 2220374 | 1 | Fitting, Straight JIC/ORB | |
| 8 | 1001199394 | 1 | Fitting, Tee JIC/ORB/JIC | |
| 9 | 2220380 | 1 | Fitting, Straight ORB/FL | |
| 10 | 2220375 | 1 | Fitting, Straight ORB/FL | |
| 12 | 2220468 | 1 | Fitting, Straight ORB/FL | |
| 13 | 2220578 | 1 | Fitting, 90 JIC/ORB | |
| 14 | 2220596 | 1 | Fitting, 90 ORB/FL | |
| 15 | 8770050 | 1 | Fitting, 90 JIC/ORB | |
| 16 | 2110608 | 2 | Fitting, Straight ORFS/ORB | |
| 17 | 2110406 | 2 | Fitting, Straight ORFS/ORB | |
| 18 | 2110606 | 4 | Fitting, Straight ORFS/ORB | |
| 19 | 2110808 | 6 | Fitting, Straight ORFS/ORB | |
| 20 | 2110812 | 8 | Fitting, Straight ORFS/OBS | |
| 21 | 2131616 | 4 | Fitting, 90 ORFS/ORB | |
| 22 | 2110404 | 4 | Fitting, Straight ORFS/ORB | |
| 23 | 2130808 | 6 | Fitting, 90 ORFS/ORB | |
| 24 | 2111616 | 3 | Fitting, Straight ORFS/ORB | |
| 25 | 2130604 | 1 | Fitting, 90 ORFS/OBS | |
| 26 | 2130406 | 2 | Fitting, 90 ORFS/OBS | |
| 27 | 2150406 | 2 | Fitting, 45 ORFS/ORB | |
| 29 | 2170408 | 2 | Fitting, Tee ORFS/ORFS/OBS | |
| 30 | 2170504 | 2 | Fitting, Tee ORFS | |
| 31 | 2220237 | 1 | Plug | |
| 39 | 2753656 | 2 | Hose | |
| 42 | 2220451 | 1 | Fitting, Straight JIC/ORB | |
| 43 | 2170706 | 2 | Fitting, Tee - ORFS/ORFS/ORFS | |
| 57 | 2220940 | 1 | Fitting, 90 ORB/FL | |
| 58 | 2220373 | 2 | Fitting, Straight JIC/ORB | |
| 60 | 1001159340 | 2 | Hose | |
| 61 | 2220466 | 3 | Fitting, 90 ORB/FL | |
| 62 | 2151616 | 1 | Fitting, 45 ORFS/ORB | |
| 64 | 2220371 | 2 | Fitting, Straight JIC/ORB | |
| 65 | 2753879 | 2 | Hose | |
| 66 | 2170506 | 2 | Fitting, Tee ORFS/ORFS/ORFS | |
| 67 | 2130606 | 3 | Fitting, 90 ORFS/ORB | |
| 68 | 2220473 | 2 | Fitting, 90 ORB/FL | |
| 69 | 2753732 | 2 | Hose | |
| 73 | 1001198338 | 1 | Fitting, Tee ORFS/ORB | |
| 74 | 1001215296 | 1 | Fitting, 90 JIC/SORB | |
| 100 | 1001270069 | 1 | Arctic Towbar Hose Kit | |
| 101 | 2753622 | 1 | Hose | |
| 102 | 2753686 | 2 | Hose | |
| 103 | 2753971 | 3 | Hose | |
| 104 | 2754337 | 2 | Hose | |

SECTION 7 - HYDRAULIC

| ITEM | PART NUMBER | QTY | DESCRIPTION | REV |
|------|-------------|-----|------------------------|-----|
| 105 | 2754338 | 1 | Hose | |
| 106 | 1001198340 | 1 | Hose | |
| 107 | 2753626 | 1 | Hose | |
| 108 | 2753634 | 1 | Hose | |
| 200 | 1001270073 | 1 | Arctic Towbar Hose Kit | |
| 201 | 2753542 | 1 | Hose | |
| 202 | 2754720 | 2 | Hose | |
| 203 | 2754743 | 4 | Hose | |
| 204 | 1001106957 | 2 | Hose | |
| 205 | 1001204269 | 1 | Hose | |
| 300 | 1001270090 | 1 | Arctic Towbar Hose Kit | |
| 301 | 2752434 | 1 | Hose | |
| 302 | 2752938 | 1 | Hose | |
| 306 | 1001188135 | 1 | Hose | |
| 307 | 2752495 | 1 | Hose | |
| 308 | 2752754 | 1 | Hose | |
| 309 | 1001151354 | 1 | Hose | |
| 400 | 1001270091 | 1 | Arctic Towbar Hose Kit | |
| 401 | 2751399 | 1 | Hose | |
| 402 | 2751500 | 1 | Hose | |
| 403 | 2752489 | 2 | Hose | |
| 407 | 1001156332 | 1 | Hose | |
| 408 | 1001156333 | 1 | Hose | |
| 409 | 2752997 | 1 | Hose | |

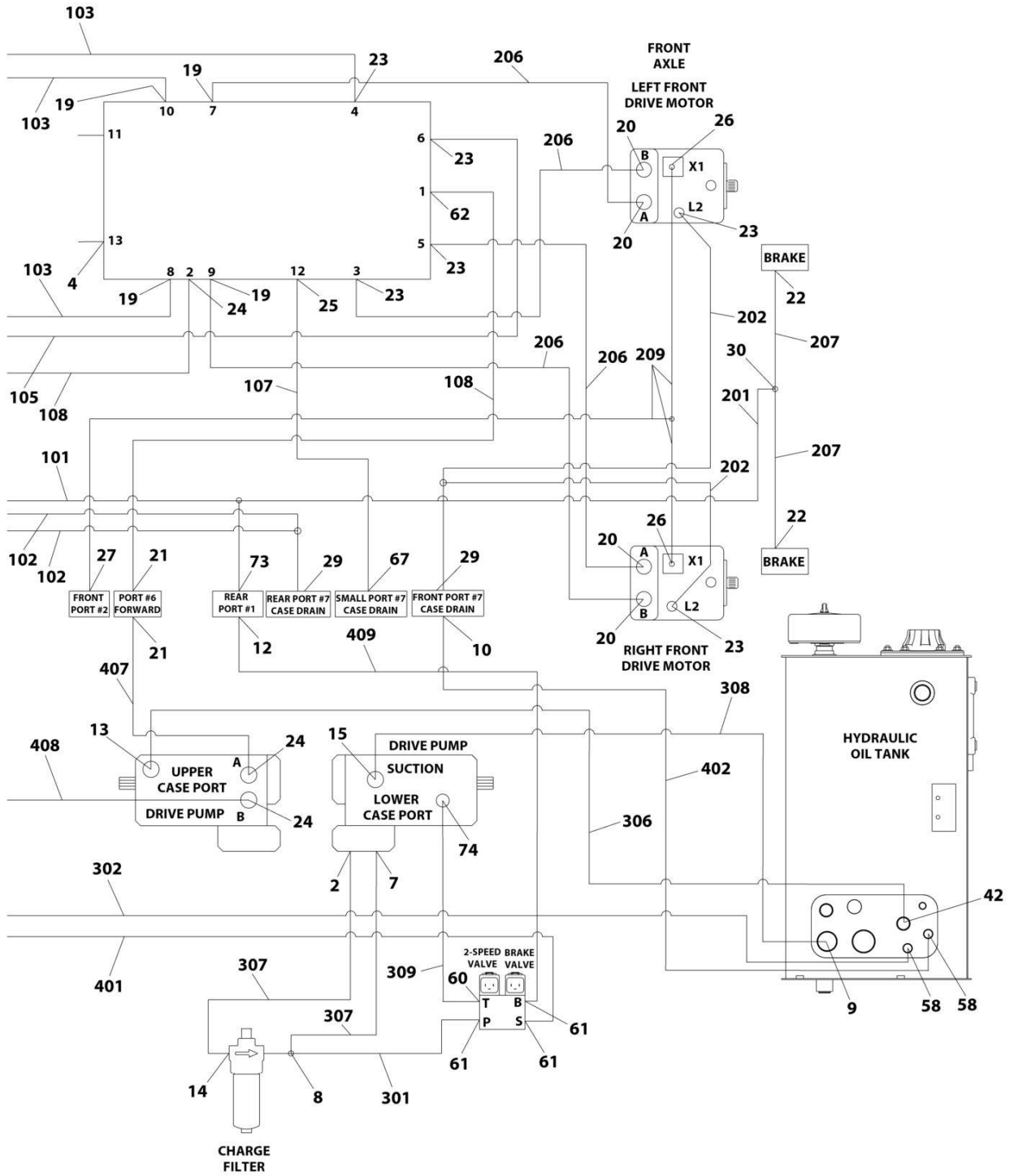
SECTION 7 - HYDRAULIC

FIGURE 7-5. HYDRAULIC DIAGRAM - DRIVE (4WD/2WS WITH TOW PACKAGE/WITH ARCTIC PACKAGE)



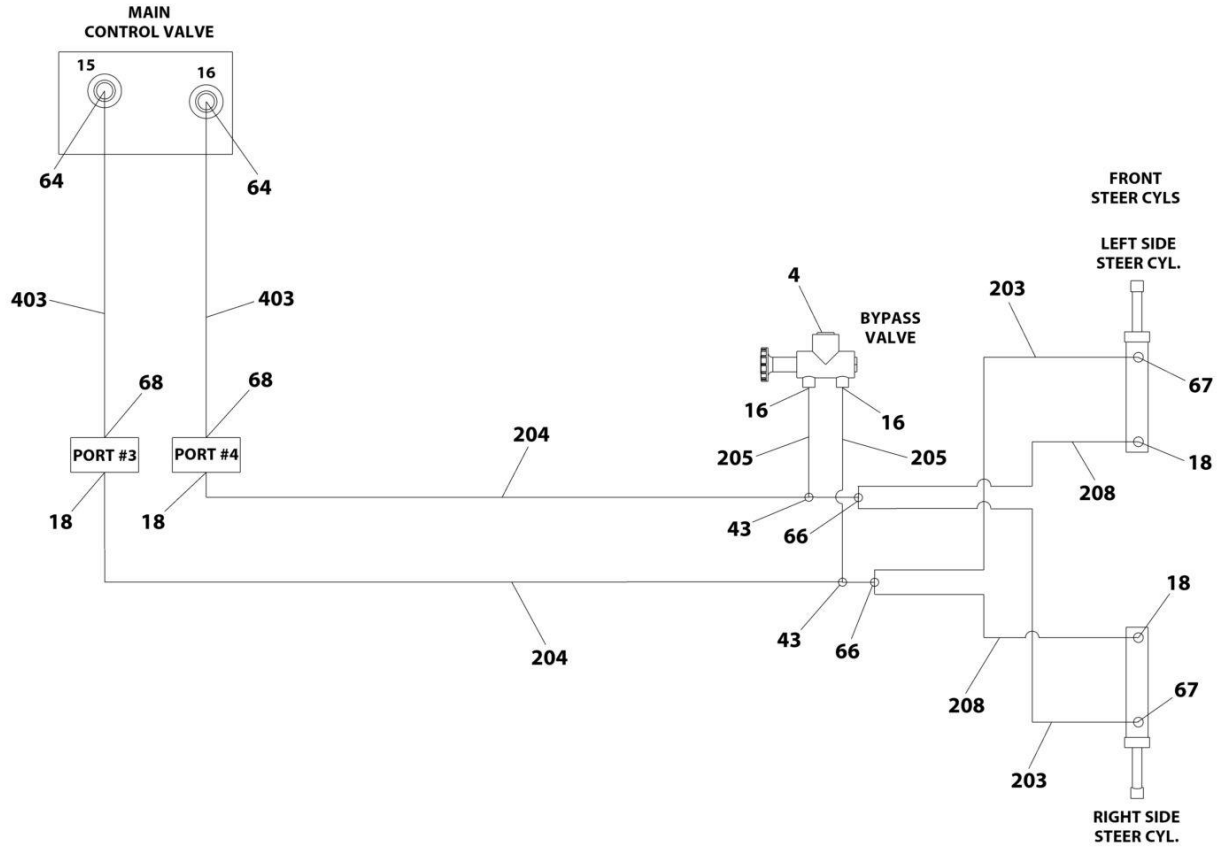
ART_1001217195_10F3

SECTION 7 - HYDRAULIC



ART_1001217195_2OF3

SECTION 7 - HYDRAULIC



ART_1001217195_3OF3

SECTION 7 - HYDRAULIC

FIGURE 7-5. HYDRAULIC DIAGRAM - DRIVE (4WD/2WS WITH TOW PACKAGE/WITH ARCTIC PACKAGE)

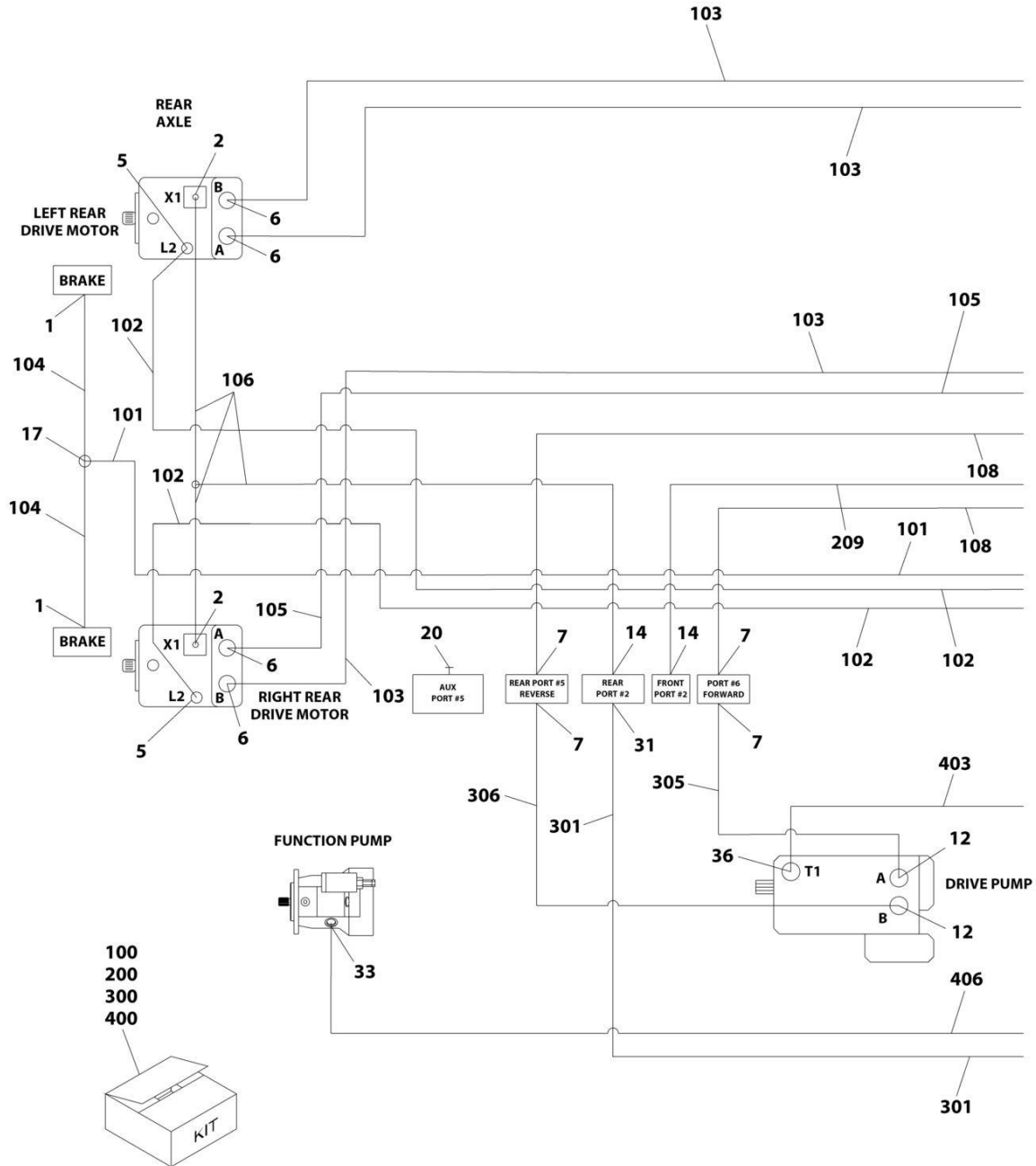
| ITEM | PART NUMBER | QTY | DESCRIPTION | REV |
|------|-------------|-----|-------------------------------------|-----|
| | 1001217195 | Ref | HYDRAULIC DIAGRAM - DRIVE (4WD/2WS) | D |
| 2 | 2220800 | 1 | Fitting, Straight ORB/FL | |
| 3 | 2220582 | 1 | Fitting, Straight ORB/FL | |
| 4 | 2220238 | 2 | Plug | |
| 5 | 2220671 | 1 | Fitting, 90 JIC/ORB | |
| 7 | 2220374 | 1 | Fitting, Straight JIC/ORB | |
| 8 | 1001199394 | 1 | Fitting, Tee JIC/ORB/JIC | |
| 9 | 2220380 | 1 | Fitting, Straight ORB/FL | |
| 10 | 2220375 | 1 | Fitting, Straight ORB/FL | |
| 12 | 2220468 | 1 | Fitting, Straight ORB/FL | |
| 13 | 2220578 | 1 | Fitting, 90 JIC/ORB | |
| 14 | 2220596 | 1 | Fitting, 90 ORB/FL | |
| 15 | 8770050 | 1 | Fitting, 90 JIC/ORB | |
| 16 | 2110608 | 2 | Fitting, Straight ORFS/ORB | |
| 17 | 2110406 | 2 | Fitting, Straight ORFS/ORB | |
| 18 | 2110606 | 4 | Fitting, Straight ORFS/ORB | |
| 19 | 2110808 | 6 | Fitting, Straight ORFS/ORB | |
| 20 | 2110812 | 8 | Fitting, Straight ORFS/OBS | |
| 21 | 2131616 | 4 | Fitting, 90 ORFS/ORB | |
| 22 | 2110404 | 4 | Fitting, Straight ORFS/ORB | |
| 23 | 2130808 | 6 | Fitting, 90 ORFS/ORB | |
| 24 | 2111616 | 3 | Fitting, Straight ORFS/ORB | |
| 25 | 2130604 | 1 | Fitting, 90 ORFS/OBS | |
| 26 | 2130406 | 2 | Fitting, 90 ORFS/OBS | |
| 27 | 2150406 | 2 | Fitting, 45 ORFS/ORB | |
| 29 | 2170408 | 2 | Fitting, Tee ORFS/ORFS/OBS | |
| 30 | 2170504 | 2 | Fitting, Tee ORFS | |
| 31 | 2220237 | 1 | Plug | |
| 42 | 2220451 | 1 | Fitting, Straight JIC/ORB | |
| 43 | 2170706 | 2 | Fitting, Tee - ORFS/ORFS/ORFS | |
| 58 | 2220373 | 2 | Fitting, Straight JIC/ORB | |
| 60 | 2220940 | 1 | Fitting, 90 ORB/FL | |
| 61 | 2220466 | 3 | Fitting, 90 ORB/FL | |
| 62 | 2151616 | 1 | Fitting, 45 ORFS/ORB | |
| 64 | 2220371 | 2 | Fitting, Straight JIC/ORB | |
| 66 | 2170506 | 2 | Fitting, Tee ORFS/ORFS/ORFS | |
| 67 | 2130606 | 3 | Fitting, 90 ORFS/ORB | |
| 68 | 2220473 | 2 | Fitting, 90 ORB/FL | |
| 73 | 1001198338 | 1 | Fitting, Tee ORFS/ORB | |
| 74 | 1001215296 | 1 | Fitting, 90 JIC/SORB | |
| 100 | 1001270069 | 1 | Arctic Two-Bar Hose Kit | |
| 101 | 2753622 | 1 | Hose | |
| 102 | 2753686 | 2 | Hose | |
| 103 | 2753971 | 3 | Hose | |
| 104 | 2754337 | 2 | Hose | |
| 105 | 2754338 | 1 | Hose | |
| 106 | 1001198340 | 1 | Hose | |
| 107 | 2753626 | 1 | Hose | |
| 108 | 2753634 | 1 | Hose | |

SECTION 7 - HYDRAULIC

| ITEM | PART NUMBER | QTY | DESCRIPTION | REV |
|------|-------------|-----|------------------------|-----|
| 200 | 1001270096 | 1 | Towbar Front Hose Kit | |
| 201 | 2753542 | 1 | Hose | |
| 202 | 2753628 | 2 | Hose | |
| 203 | 2753656 | 2 | Hose | |
| 204 | 2753732 | 2 | Hose | |
| 205 | 2753879 | 2 | Hose | |
| 206 | 2753970 | 4 | Hose | |
| 207 | 2754512 | 2 | Hose | |
| 208 | 1001159340 | 2 | Hose | |
| 209 | 1001198341 | 1 | Hose | |
| 300 | 1001270090 | 1 | Arctic Twobar Hose Kit | |
| 301 | 2752434 | 1 | Hose | |
| 302 | 2752938 | 1 | Hose | |
| 306 | 1001188135 | 1 | Hose | |
| 307 | 2752495 | 1 | Hose | |
| 308 | 2752754 | 1 | Hose | |
| 309 | 1001151354 | 1 | Hose | |
| 400 | 1001270091 | 1 | Arctic Twobar Hose Kit | |
| 401 | 2751399 | 1 | Hose | |
| 402 | 2751500 | 1 | Hose | |
| 403 | 2752489 | 2 | Hose | |
| 407 | 1001156332 | 1 | Hose | |
| 408 | 1001156333 | 1 | Hose | |
| 409 | 2752997 | 1 | Hose | |

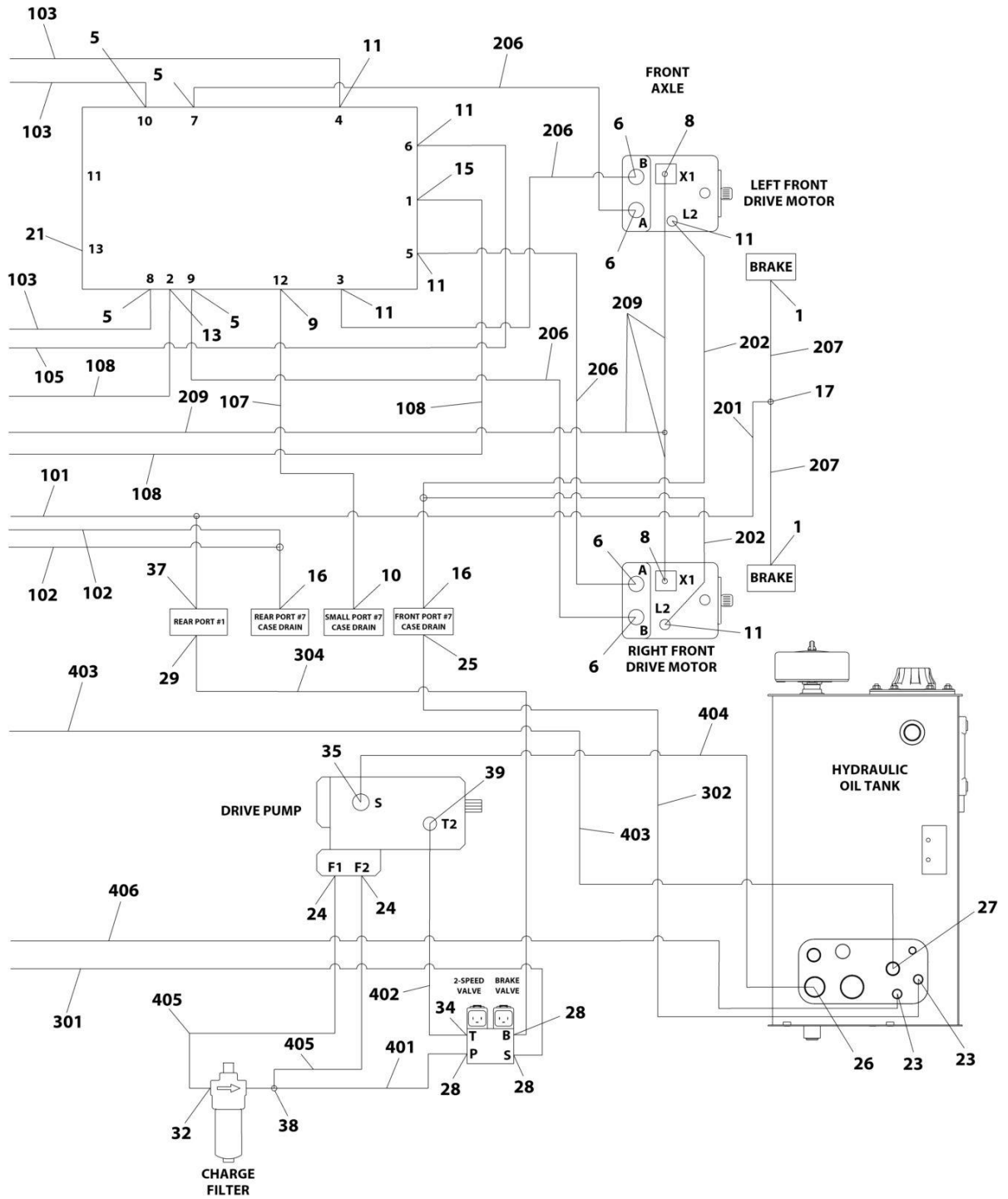
SECTION 7 - HYDRAULIC

FIGURE 7-6. HYDRAULIC DIAGRAM - DRIVE (4WD/2WS WITH TOW PACKAGE)(CE & UK CA SPECS ONLY)



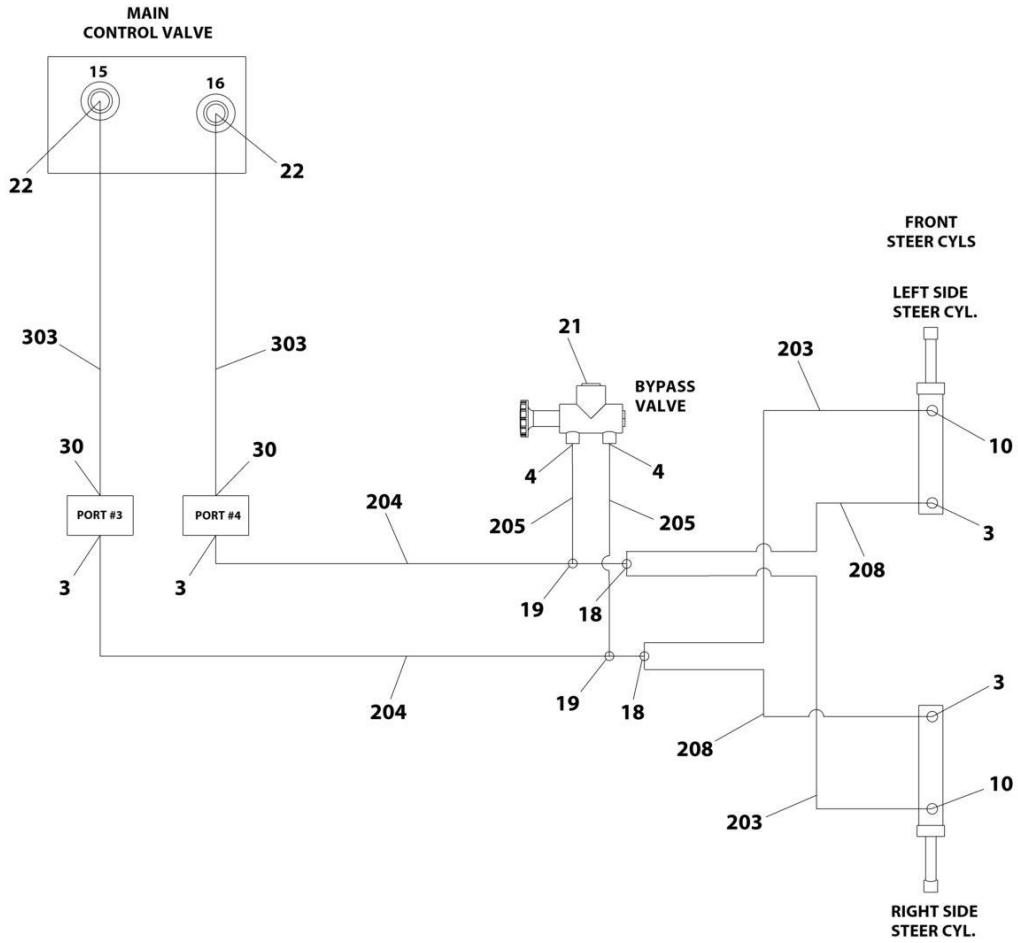
ART_1001296909_10F3

SECTION 7 - HYDRAULIC



ART_1001296909_20F3

SECTION 7 - HYDRAULIC



ART_1001296909_3OF3

SECTION 7 - HYDRAULIC

FIGURE 7-6. HYDRAULIC DIAGRAM - DRIVE (4WD/2WS WITH TOW PACKAGE)(CE & UK CA SPECS ONLY)

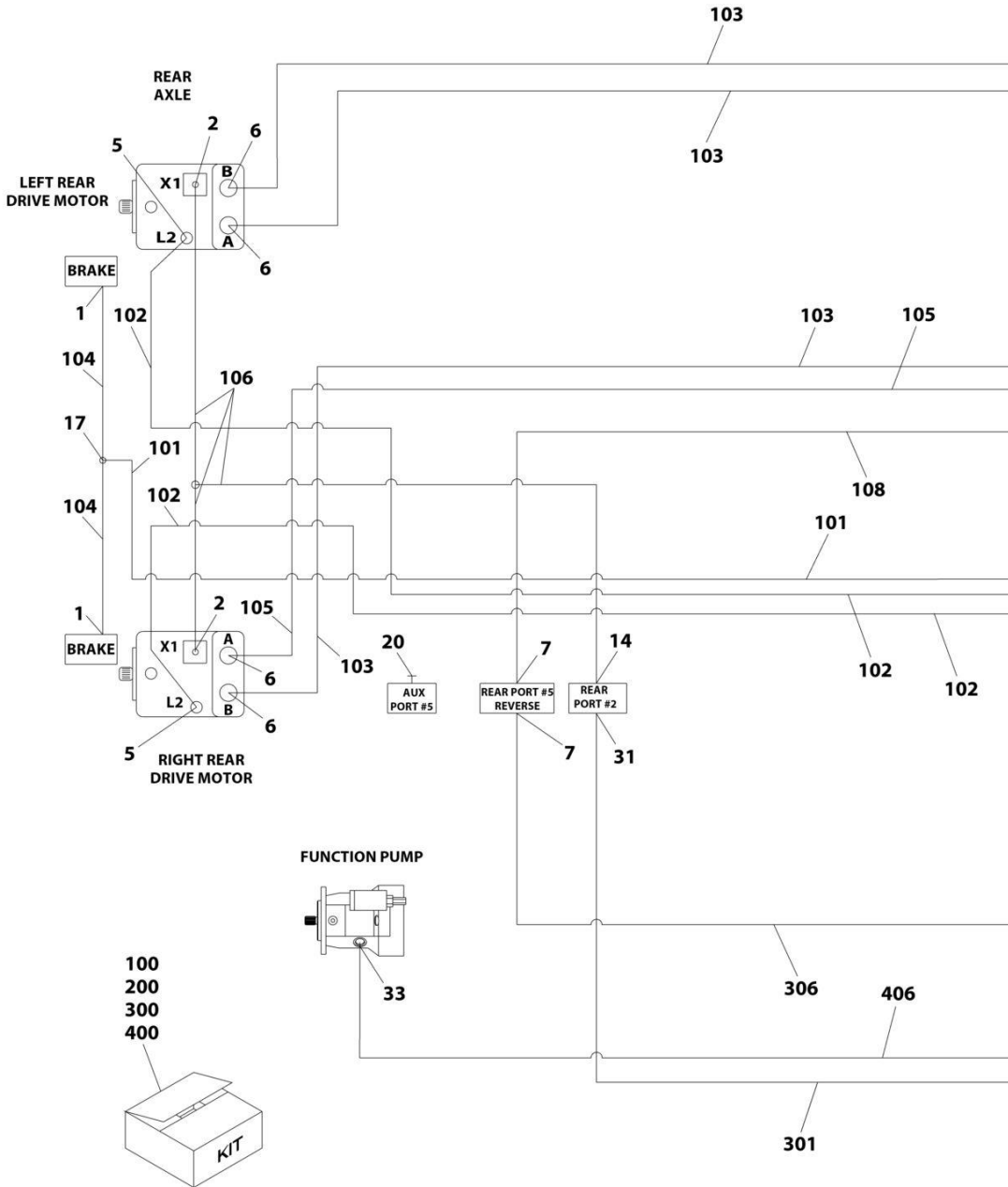
| ITEM | PART NUMBER | QTY | DESCRIPTION | REV |
|------|-------------|-----|-------------------------------------|-----|
| | 1001296909 | Ref | HYDRAULIC DIAGRAM - DRIVE (4WD/2WS) | A |
| 1 | 2110404 | 2 | Fitting, Straight ORFS/ORB | |
| 2 | 2110406 | 2 | Fitting, Straight ORFS/ORB | |
| 3 | 2110606 | 4 | Fitting, Straight ORFS/ORB | |
| 4 | 2110608 | 2 | Fitting, Straight ORFS/ORB | |
| 5 | 2110808 | 6 | Fitting, Straight ORFS/ORB | |
| 6 | 2110812 | 8 | Fitting, Straight ORFS/OBS | |
| 7 | 2111616 | 4 | Fitting, Straight ORFS/ORB | |
| 8 | 2130406 | 2 | Fitting, 90 ORFS/OBS | |
| 9 | 2130604 | 1 | Fitting, 90 ORFS/OBS | |
| 10 | 2130606 | 3 | Fitting, 90 ORFS/ORB | |
| 11 | 2130808 | 6 | Fitting, 90 ORFS/ORB | |
| 12 | 2131612 | 2 | Fitting, 90 ORFS/ORB | |
| 13 | 2131616 | 1 | Fitting, 90 ORFS/ORB | |
| 14 | 2150406 | 2 | Fitting, 45 ORFS/ORB | |
| 15 | 2151616 | 1 | Fitting, 45 ORFS/ORB | |
| 16 | 2170408 | 2 | Fitting, Tee ORFS/ORFS/OBS | |
| 17 | 2170504 | 2 | Fitting, Tee ORFS | |
| 18 | 2170506 | 2 | Fitting, Tee ORFS/ORFS/ORFS | |
| 19 | 2170706 | 2 | Fitting, Tee - ORFS/ORFS/ORFS | |
| 20 | 2220237 | 1 | Plug | |
| 21 | 2220238 | 1 | Plug | |
| 22 | 2220371 | 2 | Fitting, Straight JIC/ORB | |
| 23 | 2220373 | 2 | Fitting, Straight JIC/ORB | |
| 24 | 2220374 | 2 | Fitting, Straight JIC/ORB | |
| 25 | 2220375 | 1 | Fitting, Straight ORB/FL | |
| 26 | 2220380 | 1 | Fitting, Straight ORB/FL | |
| 27 | 2220451 | 1 | Fitting, Straight JIC/ORB | |
| 28 | 2220466 | 3 | Fitting, 90 ORB/FL | |
| 29 | 2220468 | 1 | Fitting, Straight ORB/FL | |
| 30 | 2220473 | 2 | Fitting, 90 ORB/FL | |
| 31 | 2220582 | 1 | Fitting, Straight ORB/FL | |
| 32 | 2220596 | 1 | Fitting, 90 ORB/FL | |
| 33 | 2220671 | 1 | Fitting, 90 JIC/ORB | |
| 34 | 2220940 | 1 | Fitting, 90 ORB/FL | |
| 35 | 8770050 | 1 | Fitting, 90 JIC/ORB | |
| 36 | 8770157 | 1 | Fitting, 90 JIC/ORB | |
| 37 | 1001198338 | 1 | Fitting, Tee ORFS/ORB | |
| 38 | 1001199394 | 1 | Fitting, Tee JIC/ORB/JIC | |
| 39 | 1001215296 | 1 | Fitting, 90 JIC/SORB | |
| 100 | 1001270069 | 1 | Hose Kit - Rear Kit | |
| 101 | 2753622 | 1 | Hose | |
| 102 | 2753686 | 2 | Hose | |
| 103 | 2753971 | 3 | Hose | |
| 104 | 2754337 | 2 | Hose | |
| 105 | 2754338 | 1 | Hose | |
| 106 | 1001198340 | 1 | Hose | |
| 107 | 2753626 | 1 | Hose | |
| 108 | 2753634 | 2 | Hose | |

SECTION 7 - HYDRAULIC

| ITEM | PART NUMBER | QTY | DESCRIPTION | REV |
|------|-------------|-----|-------------------------|-----|
| 200 | 1001270096 | 1 | Hose Kit - Towbar Front | |
| 201 | 2753542 | 1 | Hose | |
| 202 | 2753628 | 2 | Hose | |
| 203 | 2753656 | 2 | Hose | |
| 204 | 2753732 | 2 | Hose | |
| 205 | 2753879 | 2 | Hose | |
| 206 | 2753970 | 4 | Hose | |
| 207 | 2754512 | 2 | Hose | |
| 208 | 1001159340 | 2 | Hose | |
| 209 | 1001198341 | 1 | Hose | |
| 300 | 1001296858 | 1 | Hose Kit - 4WD/2WS TT | |
| 301 | 2751399 | 1 | Hose | |
| 302 | 2751500 | 1 | Hose | |
| 303 | 2752489 | 2 | Hose | |
| 304 | 2752997 | 1 | Hose | |
| 305 | 1001296839 | 1 | Hose | |
| 306 | 1001296840 | 1 | Hose | |
| 400 | 1001296859 | 1 | Hose Kit - 4WD/2WS TT | |
| 401 | 2752434 | 1 | Hose | |
| 402 | 1001296841 | 1 | Hose | |
| 403 | 1001296842 | 1 | Hose | |
| 404 | 1001296843 | 1 | Hose | |
| 405 | 1001296844 | 2 | Hose | |
| 406 | 1001296913 | 1 | Hose | |

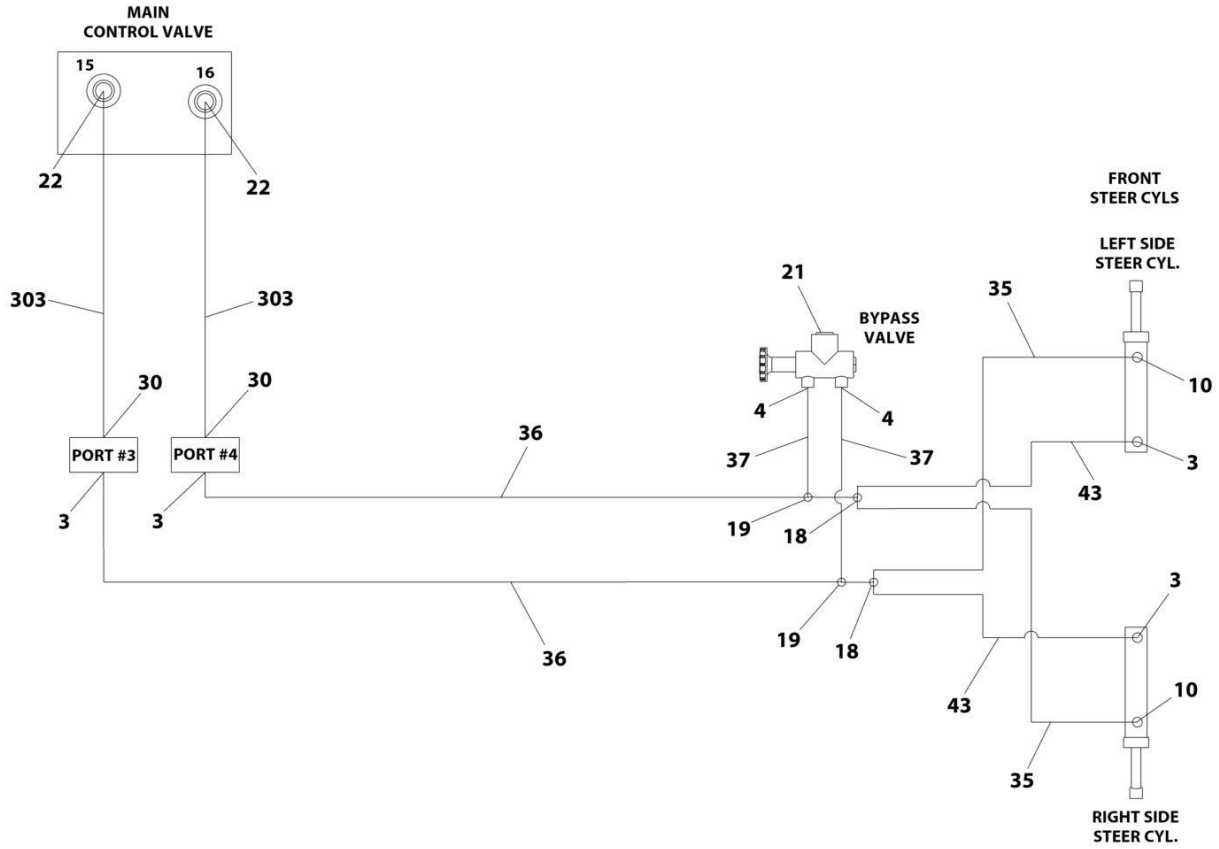
SECTION 7 - HYDRAULIC

FIGURE 7-7. HYDRAULIC DIAGRAM - DRIVE (4WD/2WS WITH TOW PACKAGE AND ARCTIC PACKAGE)(ANSI SPEC ONLY)



ART_1001296910_10F3

SECTION 7 - HYDRAULIC



ART_1001296910_30F3

SECTION 7 - HYDRAULIC

FIGURE 7-7. HYDRAULIC DIAGRAM - DRIVE (4WD/2WS WITH TOW PACKAGE AND ARCTIC PACKAGE)(ANSI SPEC ONLY)

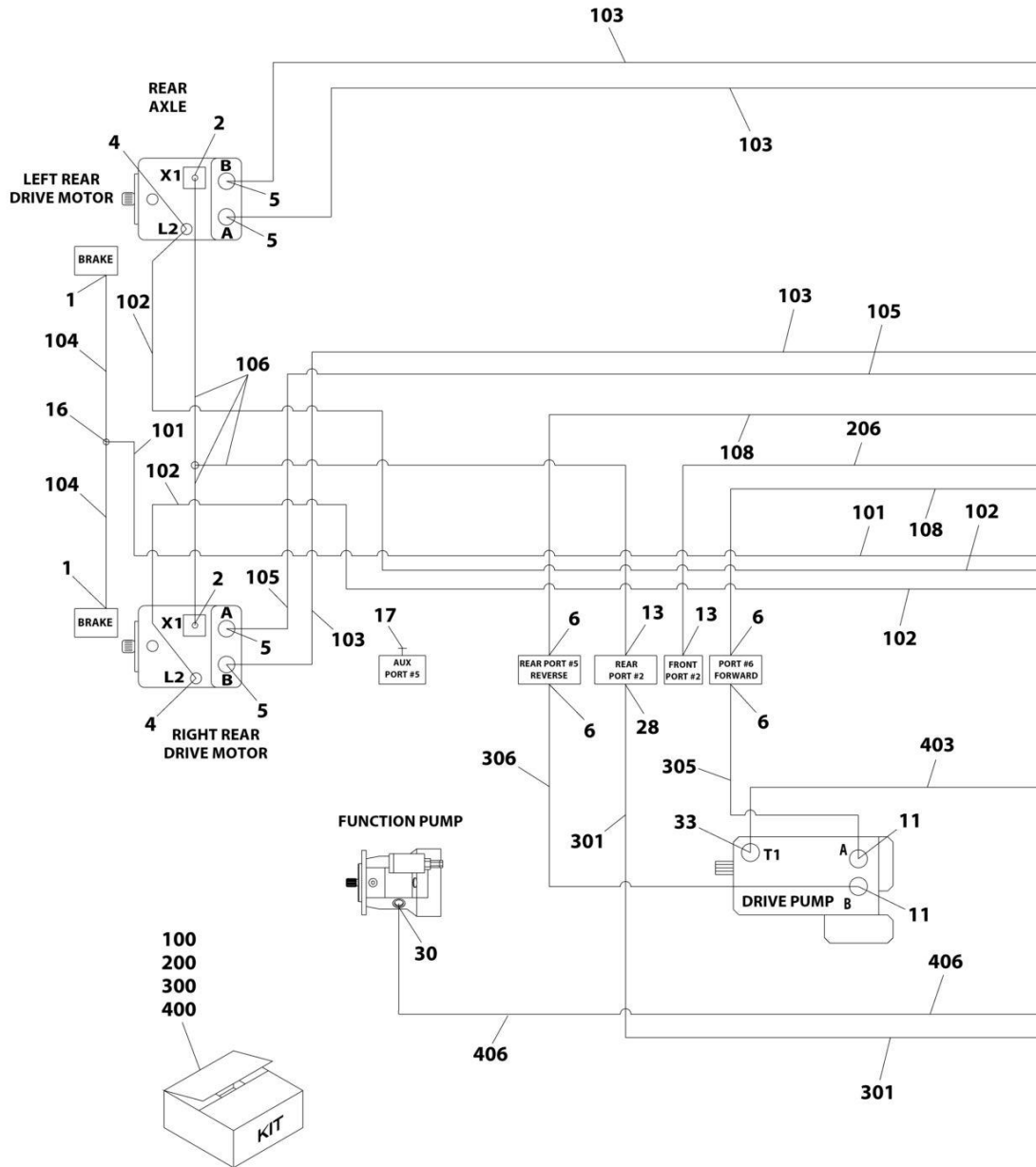
| ITEM | PART NUMBER | QTY | DESCRIPTION | REV |
|------|-------------|-----|-------------------------------------|-----|
| | 1001296910 | Ref | HYDRAULIC DIAGRAM - DRIVE (4WD/2WS) | A |
| 1 | 2110404 | 4 | Fitting, Straight ORFS/ORB | |
| 2 | 2110406 | 2 | Fitting, Straight ORFS/ORB | |
| 3 | 2110606 | 4 | Fitting, Straight ORFS/ORB | |
| 4 | 2110608 | 2 | Fitting, Straight ORFS/ORB | |
| 5 | 2110808 | 6 | Fitting, Straight ORFS/ORB | |
| 6 | 2110812 | 8 | Fitting, Straight ORFS/ORB | |
| 7 | 2111616 | 4 | Fitting, Straight ORFS/ORB | |
| 8 | 2130406 | 2 | Fitting, 90 ORFS/ORB | |
| 9 | 2130604 | 1 | Fitting, 90 ORFS/OBS | |
| 10 | 2130606 | 3 | Fitting, 90 ORFS/ORB | |
| 11 | 2130808 | 6 | Fitting, 90 ORFS/ORB | |
| 12 | 2131612 | 2 | Fitting, 90 ORFS/ORB | |
| 13 | 2131616 | 1 | Fitting, 90 ORFS/ORB | |
| 14 | 2150406 | 2 | Fitting, 45 ORFS/ORB | |
| 15 | 2151616 | 1 | Fitting, 45 ORFS/ORB | |
| 16 | 2170408 | 2 | Fitting, Tee ORFS/ORB/ORFS | |
| 17 | 2170504 | 2 | Fitting, Tee ORFS/ORFS/ORFS | |
| 18 | 2170506 | 2 | Fitting, Tee ORFS/ORFS/ORFS | |
| 19 | 2170706 | 2 | Fitting, Tee - ORFS/FSORFS/ORFS | |
| 20 | 2220237 | 1 | Plug 3/8 | |
| 21 | 2220238 | 2 | Plug 1/2 | |
| 22 | 2220371 | 2 | Fitting, Straight JIC/ORB | |
| 23 | 2220373 | 2 | Fitting, Straight JIC/ORB | |
| 24 | 2220374 | 2 | Fitting, Straight JIC/ORB | |
| 25 | 2220375 | 1 | Fitting, Straight JIC/ORB | |
| 26 | 2220380 | 1 | Fitting, Straight JIC/ORB | |
| 27 | 2220451 | 1 | Fitting, Straight JIC/ORB | |
| 28 | 2220466 | 3 | Fitting, 90 JIC/ORB | |
| 29 | 2220468 | 1 | Fitting, Straight JIC/ORB | |
| 30 | 2220473 | 2 | Fitting, 90 JIC/ORB | |
| 31 | 2220582 | 1 | Fitting, Straight JIC/ORB | |
| 32 | 2220596 | 1 | Fitting, 90 JIC/ORB | |
| 33 | 2220671 | 1 | Fitting, 90 JIC/ORB | |
| 34 | 2220940 | 1 | Fitting, 90 JIC/ORB | |
| 35 | 2753656 | 2 | Hose | |
| 36 | 2753732 | 2 | Hose | |
| 37 | 2753879 | 2 | Hose | |
| 38 | 8770050 | 1 | Fitting, 90 | |
| 39 | 8770157 | 1 | Fitting, 90 JIC/ORB | |
| 40 | 1001198338 | 1 | Fitting, Tee ORFS/ORB | |
| 41 | 1001199394 | 1 | Fitting, Tee JIC/ORB/JIC | |
| 42 | 1001215296 | 1 | Fitting, 90 JIC/SORB | |
| 43 | 1001159340 | 2 | Hose | |
| 100 | 1001270069 | 1 | Hose Kit - Rear Kit | |
| 101 | 2753622 | 1 | Hose | |
| 102 | 2753686 | 2 | Hose | |
| 103 | 2753971 | 3 | Hose | |
| 104 | 2754337 | 2 | Hose | |

SECTION 7 - HYDRAULIC

| ITEM | PART NUMBER | QTY | DESCRIPTION | REV |
|------|-------------|-----|-----------------------|-----|
| 105 | 2754338 | 2 | Hose | |
| 106 | 1001198340 | 4 | Hose | |
| 107 | 2753626 | 2 | Hose | |
| 108 | 2753634 | 2 | Hose | |
| 200 | 1001270073 | 1 | Hose Kit - Front Kit | |
| 201 | 2753542 | 1 | Hose | |
| 202 | 2754720 | 2 | Hose | |
| 203 | 2754743 | 4 | Hose | |
| 204 | 1001106957 | 2 | Hose | |
| 205 | 1001204269 | 1 | Hose | |
| 300 | 1001296858 | 1 | Hose Kit - 4WS/2WS TT | |
| 301 | 2751399 | 1 | Hose | |
| 302 | 2751500 | 1 | Hose | |
| 303 | 2752489 | 2 | Hose | |
| 304 | 2752997 | 1 | Hose | |
| 305 | 1001296839 | 1 | Hose | |
| 306 | 1001296840 | 1 | Hose | |
| 400 | 1001296859 | 1 | Hose Kit - 4WS/2WS TT | |
| 401 | 2752434 | 1 | Hose | |
| 402 | 1001296841 | 1 | Hose | |
| 403 | 1001296842 | 1 | Hose | |
| 404 | 1001296843 | 1 | Hose | |
| 405 | 1001296844 | 2 | Hose | |
| 406 | 1001296913 | 1 | Hose | |

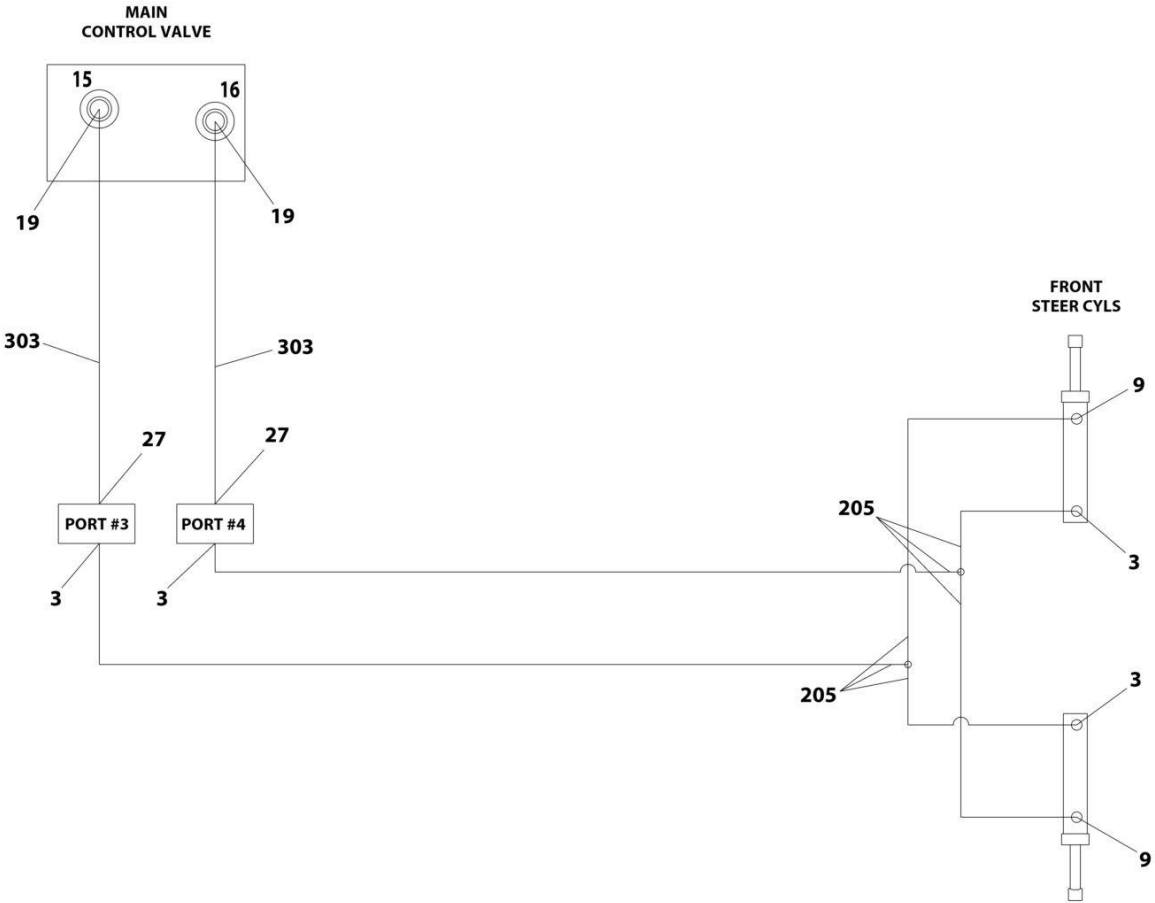
SECTION 7 - HYDRAULIC

FIGURE 7-8. HYDRAULIC DIAGRAM - DRIVE (4WD/2WS WITHOUT TOW PACKAGE AND WITHOUT ARCTIC PACKAGE)(ALL SPECS)



ART_1001296911_10F3

SECTION 7 - HYDRAULIC



ART_1001296911_30F3

SECTION 7 - HYDRAULIC

FIGURE 7-8. HYDRAULIC DIAGRAM - DRIVE (4WD/2WS WITHOUT TOW PACKAGE AND WITHOUT ARCTIC PACKAGE)(ALL SPECS)

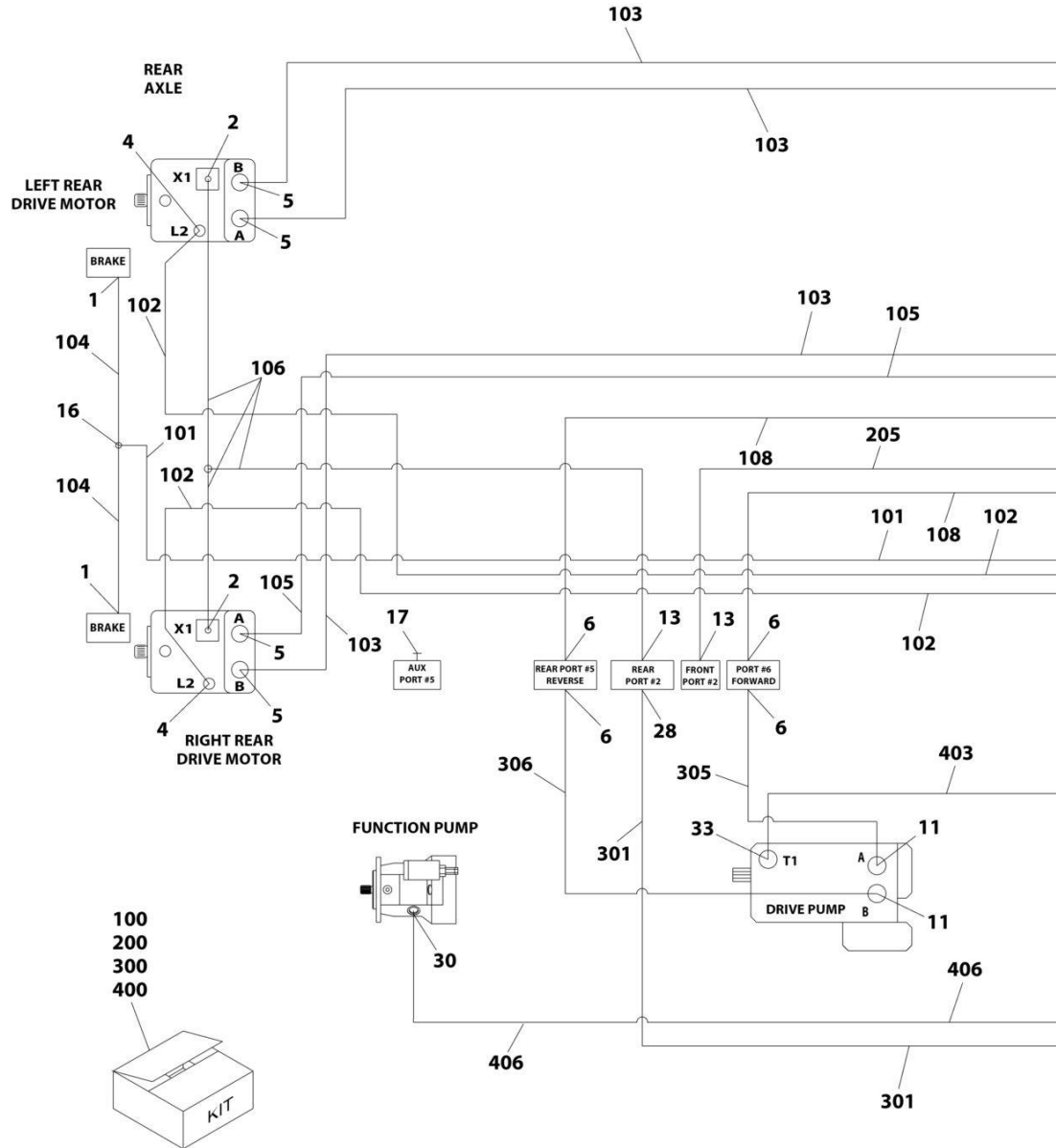
| ITEM | PART NUMBER | QTY | DESCRIPTION | REV |
|------|-------------|-----|-------------------------------------|-----|
| | 1001296911 | Ref | HYDRAULIC DIAGRAM - DRIVE (4WD/2WS) | A |
| 1 | 2110404 | 4 | Fitting, Straight ORFS/ORB | |
| 2 | 2110406 | 2 | Fitting, Straight ORFS/ORB | |
| 3 | 2110606 | 4 | Fitting, Straight ORFS/ORB | |
| 4 | 2110808 | 6 | Fitting, Straight ORFS/ORB | |
| 5 | 2110812 | 8 | Fitting, Straight ORFS/ORB | |
| 6 | 2111616 | 4 | Fitting, Straight ORFS/ORB | |
| 7 | 2130406 | 2 | Fitting, 90 ORFS/ORB | |
| 8 | 2130604 | 1 | Fitting, 90 ORFS/ORB | |
| 9 | 2130606 | 3 | Fitting, 90 ORFS/ORB | |
| 10 | 2130808 | 6 | Fitting, 90 ORFS/ORB | |
| 11 | 2131612 | 2 | Fitting, 90 ORFS/ORB | |
| 12 | 2131616 | 1 | Fitting, 90 ORFS/ORB | |
| 13 | 2150406 | 2 | Fitting, 45 ORFS/ORB | |
| 14 | 2151616 | 1 | Fitting, 45 ORFS/ORB | |
| 15 | 2170408 | 2 | Fitting, Tee ORFS/ORB/ORFS | |
| 16 | 2170504 | 2 | Fitting, Tee ORFS | |
| 17 | 2220237 | 1 | Plug 3/8 | |
| 18 | 2220238 | 1 | Plug 1/2 | |
| 19 | 2220371 | 2 | Fitting, Straight JIC/ORB | |
| 20 | 2220373 | 2 | Fitting, Straight JIC/ORB | |
| 21 | 2220374 | 2 | Fitting, Straight JIC/ORB | |
| 22 | 2220375 | 1 | Fitting, Straight JIC/ORB | |
| 23 | 2220380 | 1 | Fitting, Straight JIC/ORB | |
| 24 | 2220451 | 1 | Fitting, Straight JIC/ORB | |
| 25 | 2220466 | 3 | Fitting, 90 JIC/ORB | |
| 26 | 2220468 | 1 | Fitting, Straight JIC/ORB | |
| 27 | 2220473 | 2 | Fitting, 90 JIC/ORB | |
| 28 | 2220582 | 1 | Fitting, Straight JIC/ORB | |
| 29 | 2220596 | 1 | Fitting, 90 JIC/ORB | |
| 30 | 2220671 | 1 | Fitting, 90 JIC/ORB | |
| 31 | 2220940 | 1 | Fitting, 90 JIC/ORB | |
| 32 | 8770050 | 1 | Fitting, 90 | |
| 33 | 8770157 | 1 | Fitting, 90 JIC/ORB | |
| 34 | 1001198338 | 1 | Fitting, Tee ORFS/ORB | |
| 35 | 1001199394 | 1 | Fitting, Tee JIC/ORB/JIC | |
| 36 | 1001215296 | 1 | Fitting, 90 JIC/SORB | |
| 100 | 1001270069 | 1 | Hose Kit - Rear Kit | |
| 101 | 2753622 | 1 | Hose | |
| 102 | 2753686 | 2 | Hose | |
| 103 | 2753971 | 3 | Hose | |
| 104 | 2754337 | 2 | Hose | |
| 105 | 2754338 | 1 | Hose | |
| 106 | 1001198340 | 1 | Hose | |
| 107 | 2753626 | 1 | Hose | |
| 108 | 2753634 | 2 | Hose | |
| 200 | 1001270630 | 1 | Hose Kit - Front Kit | |
| 201 | 2753542 | 1 | Hose | |
| 202 | 2753628 | 2 | Hose | |

SECTION 7 - HYDRAULIC

| ITEM | PART NUMBER | QTY | DESCRIPTION | REV |
|------|-------------|-----|-----------------------|-----|
| 203 | 2753970 | 4 | Hose | |
| 204 | 2754512 | 2 | Hose | |
| 205 | 1001198333 | 2 | Hose | |
| 206 | 1001198341 | 1 | Hose | |
| 300 | 1001296858 | 1 | Hose Kit - 4WD/2WS TT | |
| 301 | 2751399 | 1 | Hose | |
| 302 | 2751500 | 1 | Hose | |
| 303 | 2752489 | 2 | Hose | |
| 304 | 2752997 | 1 | Hose | |
| 305 | 1001296839 | 1 | Hose | |
| 306 | 1001296840 | 1 | Hose | |
| 400 | 1001296859 | 1 | Hose Kit - 4WD/2WS TT | |
| 401 | 2752434 | 1 | Hose | |
| 402 | 1001296841 | 1 | Hose | |
| 403 | 1001296842 | 1 | Hose | |
| 404 | 1001296843 | 1 | Hose | |
| 405 | 1001296844 | 2 | Hose | |
| 406 | 1001296913 | 1 | Hose | |

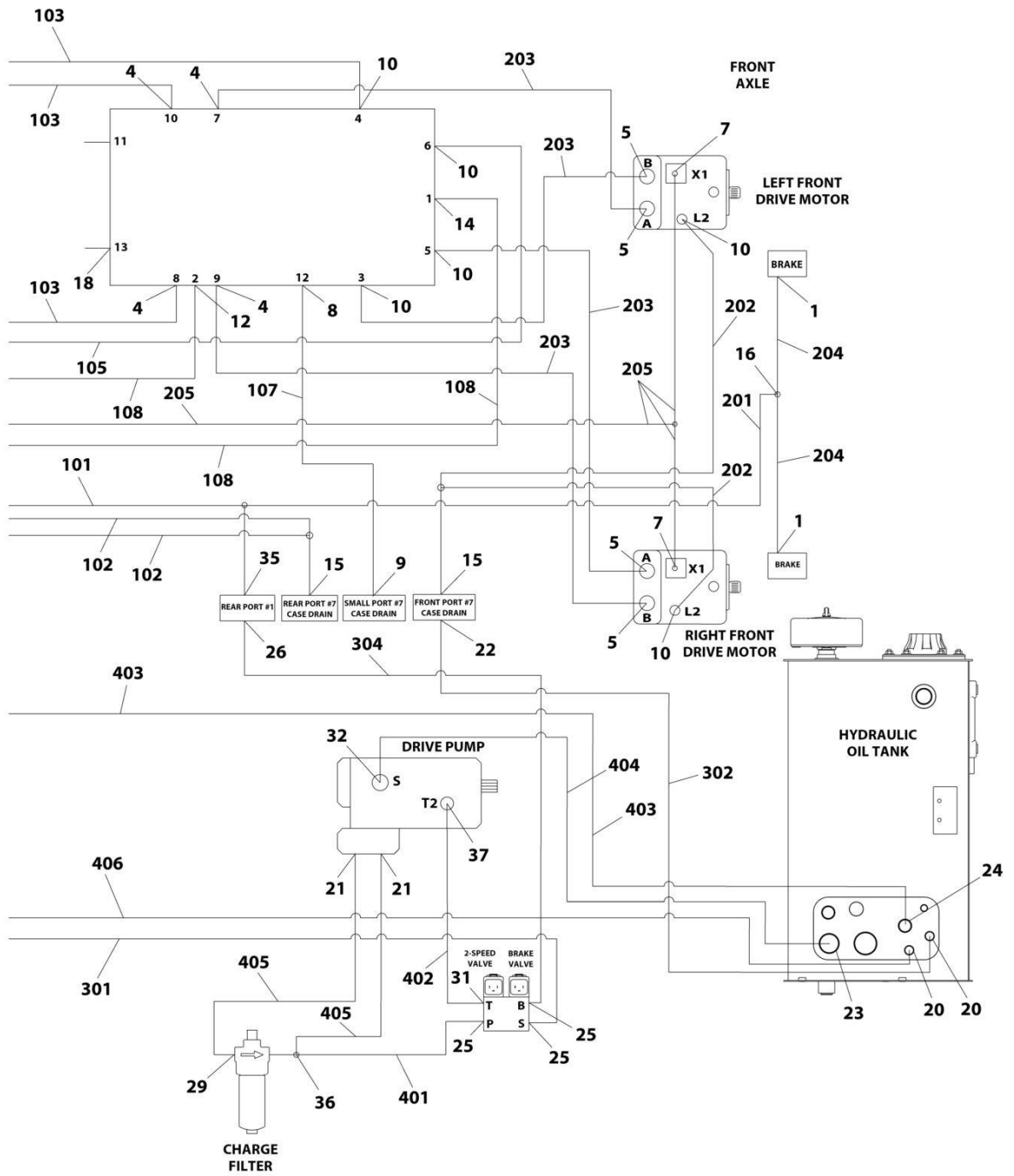
SECTION 7 - HYDRAULIC

FIGURE 7-9. HYDRAULIC DIAGRAM - DRIVE (4WD/2WS WITHOUT TOW PACKAGE AND WITH ARCTIC PACKAGE)(CSA AND ANSI SPECS)



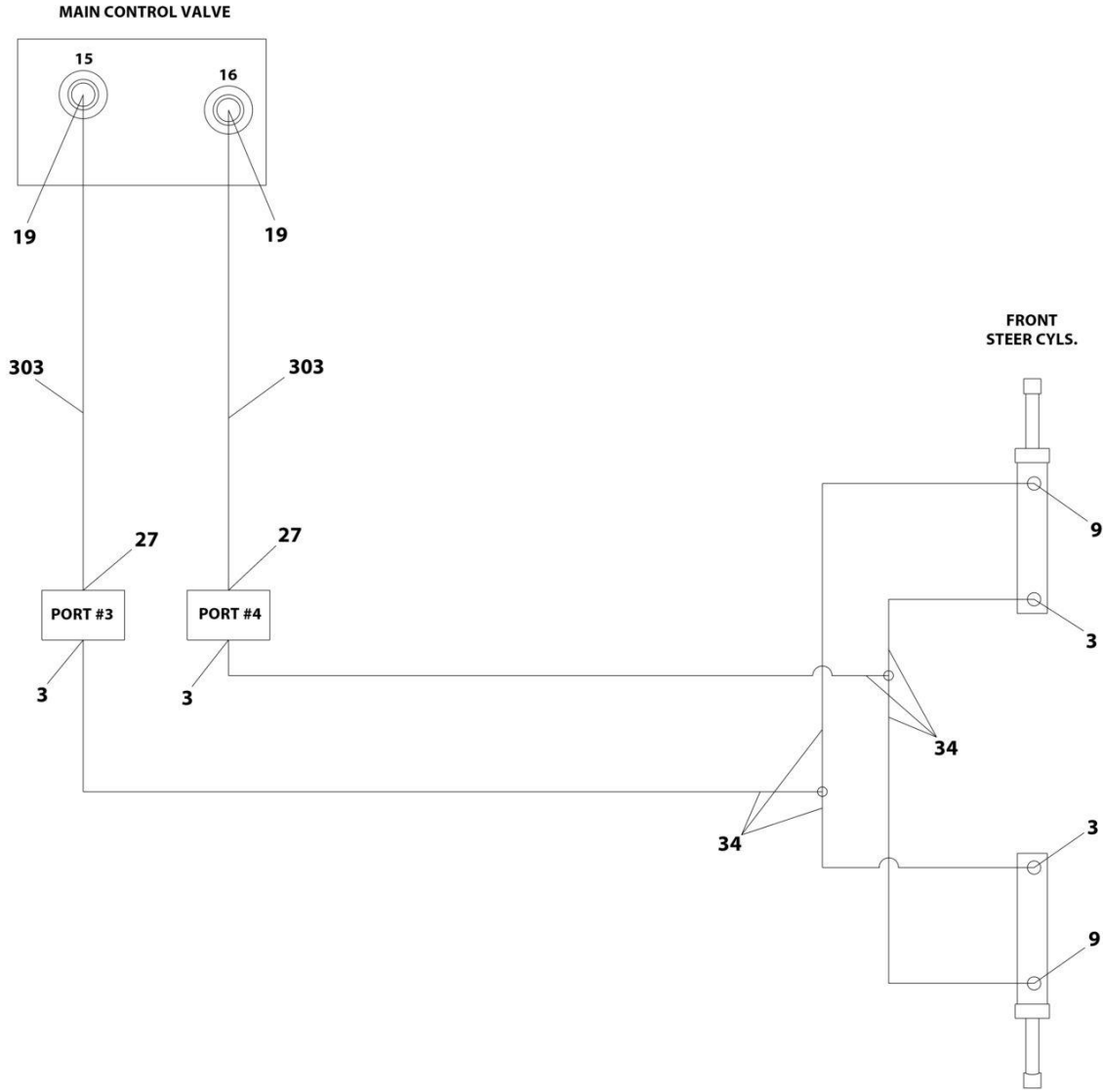
ART_1001296912_10F3

SECTION 7 - HYDRAULIC



ART_1001296912_2OF3

SECTION 7 - HYDRAULIC



ART_1001296912_30F3

SECTION 7 - HYDRAULIC

FIGURE 7-9. HYDRAULIC DIAGRAM - DRIVE (4WD/2WS WITHOUT TOW PACKAGE AND WITH ARCTIC PACKAGE)(CSA AND ANSI SPECS)

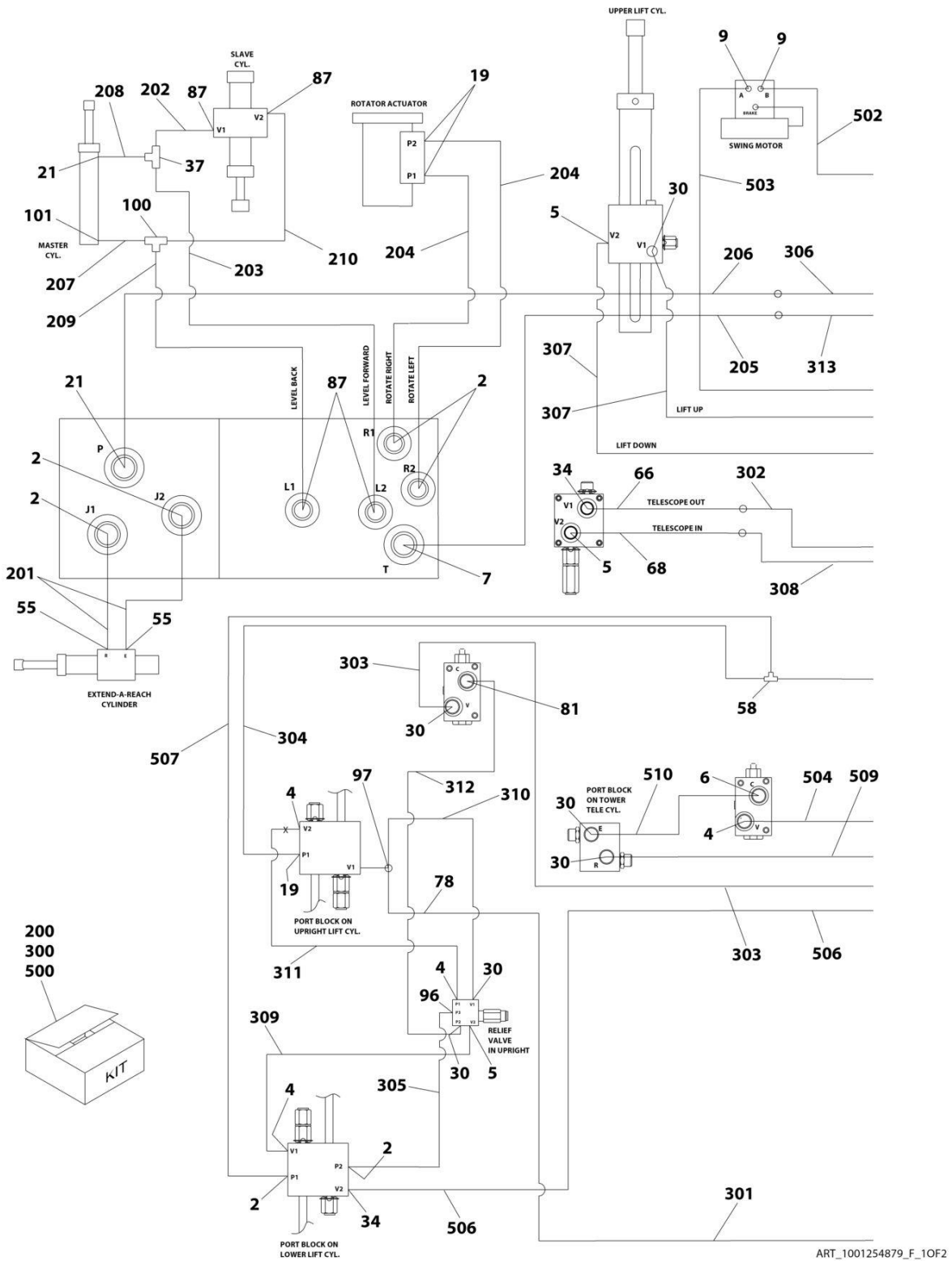
| ITEM | PART NUMBER | QTY | DESCRIPTION | REV |
|------|-------------|-----|-------------------------------------|-----|
| | 1001296912 | Ref | HYDRAULIC DIAGRAM - DRIVE (4WD/2WS) | A |
| 1 | 2110404 | 4 | Fitting, Straight ORFS/ORB | |
| 2 | 2110406 | 2 | Fitting, Straight ORFS/ORB | |
| 3 | 2110606 | 4 | Fitting, Straight ORFS/ORB | |
| 4 | 2110808 | 6 | Fitting, Straight ORFS/ORB | |
| 5 | 2110812 | 8 | Fitting, Straight ORFS/ORB | |
| 6 | 2111616 | 4 | Fitting, Straight ORFS/ORB | |
| 7 | 2130406 | 2 | Fitting, 90 ORFS/ORB | |
| 8 | 2130604 | 1 | Fitting, 90 ORFS/ORB | |
| 9 | 2130606 | 3 | Fitting, 90 ORFS/ORB | |
| 10 | 2130808 | 6 | Fitting, 90 ORFS/ORB | |
| 11 | 2131612 | 2 | Fitting, 90 ORFS/ORB | |
| 12 | 2131616 | 1 | Fitting, 90 ORFS/ORB | |
| 13 | 2150406 | 2 | Fitting, 45 ORFS/ORB | |
| 14 | 2151616 | 1 | Fitting, 45 ORFS/ORB | |
| 15 | 2170408 | 2 | Fitting, Tee ORFS/ORB/ORFS | |
| 16 | 2170504 | 2 | Fitting, Tee ORFS | |
| 17 | 2220237 | 1 | Plug 3/8 | |
| 18 | 2220238 | 1 | Plug 1/2 | |
| 19 | 2220371 | 2 | Fitting, Straight JIC/ORB | |
| 20 | 2220373 | 2 | Fitting, Straight JIC/ORB | |
| 21 | 2220374 | 2 | Fitting, Straight JIC/ORB | |
| 22 | 2220375 | 1 | Fitting, Straight JIC/ORB | |
| 23 | 2220380 | 1 | Fitting, Straight JIC/ORB | |
| 24 | 2220451 | 1 | Fitting, Straight JIC/ORB | |
| 25 | 2220466 | 3 | Fitting, 90 JIC/ORB | |
| 26 | 2220468 | 1 | Fitting, Straight JIC/ORB | |
| 27 | 2220473 | 2 | Fitting, 90 JIC/ORB | |
| 28 | 2220582 | 1 | Fitting, Straight JIC/ORB | |
| 29 | 2220596 | 1 | Fitting, 90 JIC/ORB | |
| 30 | 2220671 | 1 | Fitting, 90 JIC/ORB | |
| 31 | 2220940 | 1 | Fitting, 90 JIC/ORB | |
| 32 | 8770050 | 1 | Fitting, 90 | |
| 33 | 8770157 | 1 | Fitting, 90 JIC/ORB | |
| 34 | 1001198333 | 2 | Hose | |
| 35 | 1001198338 | 1 | Fitting, Tee ORFS/ORB | |
| 36 | 1001199394 | 1 | Fitting, Tee JIC/ORB/JIC | |
| 37 | 1001215296 | 1 | Fitting, 90 JIC/SORB | |
| 100 | 1001270069 | 1 | Hose Kit - Rear Kit | |
| 101 | 2753622 | 1 | Hose | |
| 102 | 2753686 | 2 | Hose | |
| 103 | 2753971 | 3 | Hose | |
| 104 | 2754337 | 2 | Hose | |
| 105 | 2754338 | 1 | Hose | |
| 106 | 1001198340 | 1 | Hose | |
| 107 | 2753626 | 1 | Hose | |
| 108 | 2753634 | 2 | Hose | |
| 200 | 1001270073 | 1 | Hose Kit - Front Kit | |
| 201 | 2753542 | 1 | Hose | |

SECTION 7 - HYDRAULIC

| ITEM | PART NUMBER | QTY | DESCRIPTION | REV |
|------|-------------|-----|-----------------------|-----|
| 202 | 2754720 | 2 | Hose | |
| 203 | 2754743 | 4 | Hose | |
| 204 | 1001106957 | 2 | Hose | |
| 205 | 1001204269 | 2 | Hose | |
| 300 | 1001296858 | 1 | Hose Kit - 4WD/2WS TT | |
| 301 | 2751399 | 1 | Hose | |
| 302 | 2751500 | 1 | Hose | |
| 303 | 2752489 | 2 | Hose | |
| 304 | 2752997 | 1 | Hose | |
| 305 | 1001296839 | 1 | Hose | |
| 306 | 1001296840 | 1 | Hose | |
| 400 | 1001296859 | 1 | Hose Kit - 4WD/2WS TT | |
| 401 | 2752434 | 1 | Hose | |
| 402 | 1001296841 | 1 | Hose | |
| 403 | 1001296842 | 1 | Hose | |
| 404 | 1001296843 | 1 | Hose | |
| 405 | 1001296844 | 2 | Hose | |
| 406 | 1001296913 | 1 | Hose | |

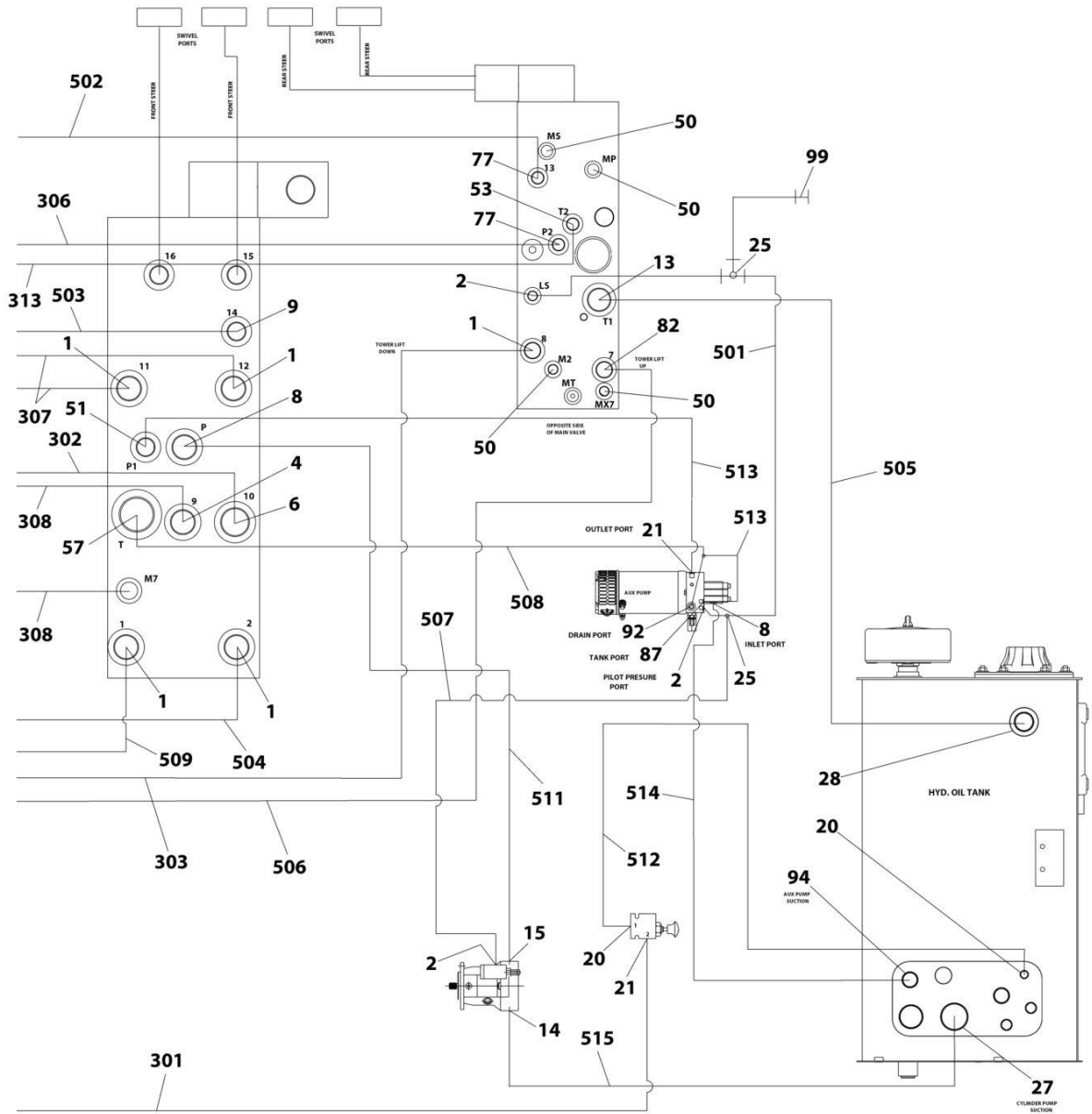
SECTION 7 - HYDRAULIC

FIGURE 7-10. HYDRAULIC DIAGRAM - STANDARD



ART_1001254879_F_10F2

SECTION 7 - HYDRAULIC



ART_1001254879_F_20F2

SECTION 7 - HYDRAULIC

FIGURE 7-10. HYDRAULIC DIAGRAM - STANDARD

| ITEM | PART NUMBER | QTY | DESCRIPTION | REV |
|------|-------------|-----|--|-----|
| | 1001254879 | Ref | STANDARD HYDRAULIC DIAGRAM | F |
| 1 | 2220381 | 5 | Fitting, Straight ORB/FL | |
| 2 | 2220415 | 9 | Fitting, Straight ORB/FL | |
| 4 | 2220373 | 5 | Fitting, Straight ORB/FL | |
| 5 | 2220500 | 3 | Fitting, 45 ORB/FL | |
| 6 | 2220947 | 2 | Fitting, Straight ORB/FL | |
| 7 | 2220600 | 1 | Fitting, Straight JIC/ORB | |
| 8 | 2220593 | 2 | Fitting, Straight ORB/FL | |
| 9 | 2220371 | 3 | Fitting, Straight ORB/FL | |
| 13 | 1001179329 | 1 | Fitting, Straight JIC/ORB | |
| 14 | 2220737 | 1 | Split Flange Kit #24 | |
| 15 | 2220478 | 1 | Split Flange Kit #16 | |
| 19 | 2220466 | 3 | Fitting, 90 ORB/FL | |
| 20 | 2220582 | 2 | Fitting, Straight JIC/ORB | |
| 21 | 2220473 | 4 | Fitting, 90 ORB/FL | |
| 25 | 2220605 | 2 | Fitting, Tee FL/FL | |
| 27 | 2220765 | 1 | Fitting, Straight ORB/FL | |
| 28 | 2220377 | 1 | Fitting, Straight JIC/ORB | |
| 30 | 2220596 | 6 | Fitting, 90 ORB/FL | |
| 34 | 2220852 | 2 | Fitting, Straight ORB/FL | |
| 37 | 2220490 | 1 | Fitting, Tee FL/FL | |
| 50 | 2221086 | 4 | Fitting, Diagnostic Test Port, EM3A | |
| 51 | 4640780 | 1 | Fitting, Check Valve | |
| 53 | 1001136881 | 1 | Fitting, 45 ORB/FG | |
| 55 | 2220472 | 2 | Fitting, 90 ORB/FL (800AJ) | |
| 57 | 2220577 | 1 | Fitting, Straight ORB/FL | |
| 58 | 2221034 | 1 | Fitting, Tee FL/FL/ORB | |
| 66 | 2752767 | 1 | Hose | |
| 68 | 2753190 | 1 | Hose | |
| 77 | 2220501 | 2 | Fitting, 45 ORB/FL | |
| 78 | 4567757 | 1 | Tube | |
| 79 | 4100062 | 4 | Protection, Hose (Not Shown - Located at Tower Boom Power Track) | |
| 81 | 2221036 | 1 | Fitting, 90 ORB/FL | |
| 82 | 2220950 | 1 | Fitting, 45 ORB/FL | |
| 87 | 2220603 | 5 | Fitting, Straight ORB/FL | |
| 92 | 2220899 | 1 | Fitting, Tee ORB/FL/FL | |
| 94 | 2220451 | 1 | Fitting, Straight JIC/ORB | |
| 96 | 2220468 | 1 | Fitting, Straight JIC/ORB | |
| 97 | 1001215289 | 1 | Fitting, Tee JIC/ORB/JIC | |
| 99 | 91143177 | 1 | Fitting - Diagnostic Test Port | |
| 100 | 2220362 | 1 | Fitting, Tee FL/FL/FL | |
| 101 | 2220726 | 1 | Adapter, 90 SJIC/ORB | |
| 102 | 1001136358 | 1 | Sleeve, Abrasion (Not Shown) | |
| 103 | 4240032 | 2 | Tie-Strap (Not Shown) | |
| 200 | 1001256059 | 1 | Upper Boom Hose Kit | |
| 202 | 1001119602 | 1 | Hose | |
| 203 | 1001155673 | 1 | Hose | |
| 204 | 1001159707 | 2 | Hose | |
| 205 | 1001254846 | 1 | Hose | |

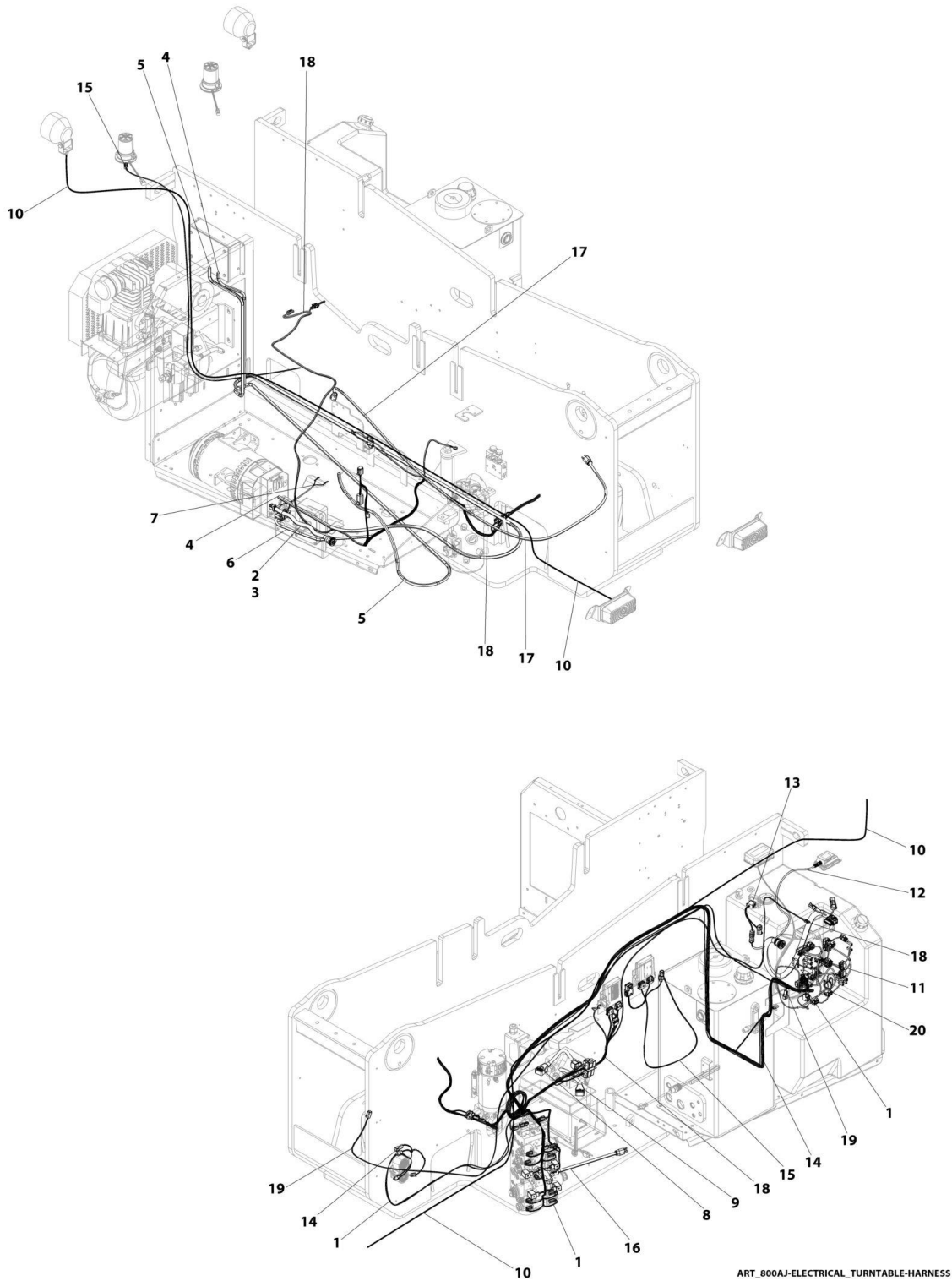
SECTION 7 - HYDRAULIC

| ITEM | PART NUMBER | QTY | DESCRIPTION | REV |
|------|-------------|-----|---------------------|-----|
| 206 | 1001254847 | 1 | Hose | |
| 207 | 1001259466 | 1 | Hose | |
| 208 | 1001259467 | 1 | Hose | |
| 209 | 1001259468 | 1 | Hose | |
| 210 | 1001259470 | 1 | Hose | |
| 300 | 1001183226 | 1 | Lower Boom Hose Kit | |
| 301 | 2752468 | 1 | Hose | |
| 302 | 2752766 | 1 | Hose | |
| 303 | 2752930 | 1 | Hose | |
| 304 | 2752978 | 1 | Hose | |
| 305 | 2753008 | 1 | Hose | |
| 306 | 2753123 | 1 | Hose | |
| 307 | 2753189 | 2 | Hose | |
| 308 | 2753191 | 1 | Hose | |
| 309 | 2753195 | 1 | Hose | |
| 310 | 2753196 | 1 | Hose | |
| 311 | 2753197 | 1 | Hose | |
| 312 | 2753199 | 1 | Hose | |
| 313 | 1001182162 | 1 | Hose | |
| 500 | 1001270089 | 1 | Turntable Hose Kit | |
| 501 | 2752434 | 1 | Hose | |
| 502 | 2752461 | 1 | Hose | |
| 503 | 2752484 | 1 | Hose | |
| 504 | 2752494 | 1 | Hose | |
| 505 | 2752723 | 1 | Hose | |
| 506 | 2752768 | 1 | Hose | |
| 507 | 2753010 | 2 | Hose | |
| 508 | 2753118 | 1 | Hose | |
| 509 | 2753192 | 1 | Hose | |
| 510 | 2753200 | 1 | Hose | |
| 511 | 2753231 | 1 | Hose | |
| 512 | 2753274 | 1 | Hose | |
| 513 | 1001109690 | 2 | Hose | |
| 514 | 1001149410 | 1 | Hose | |
| 515 | 1001179079 | 1 | Hose | |

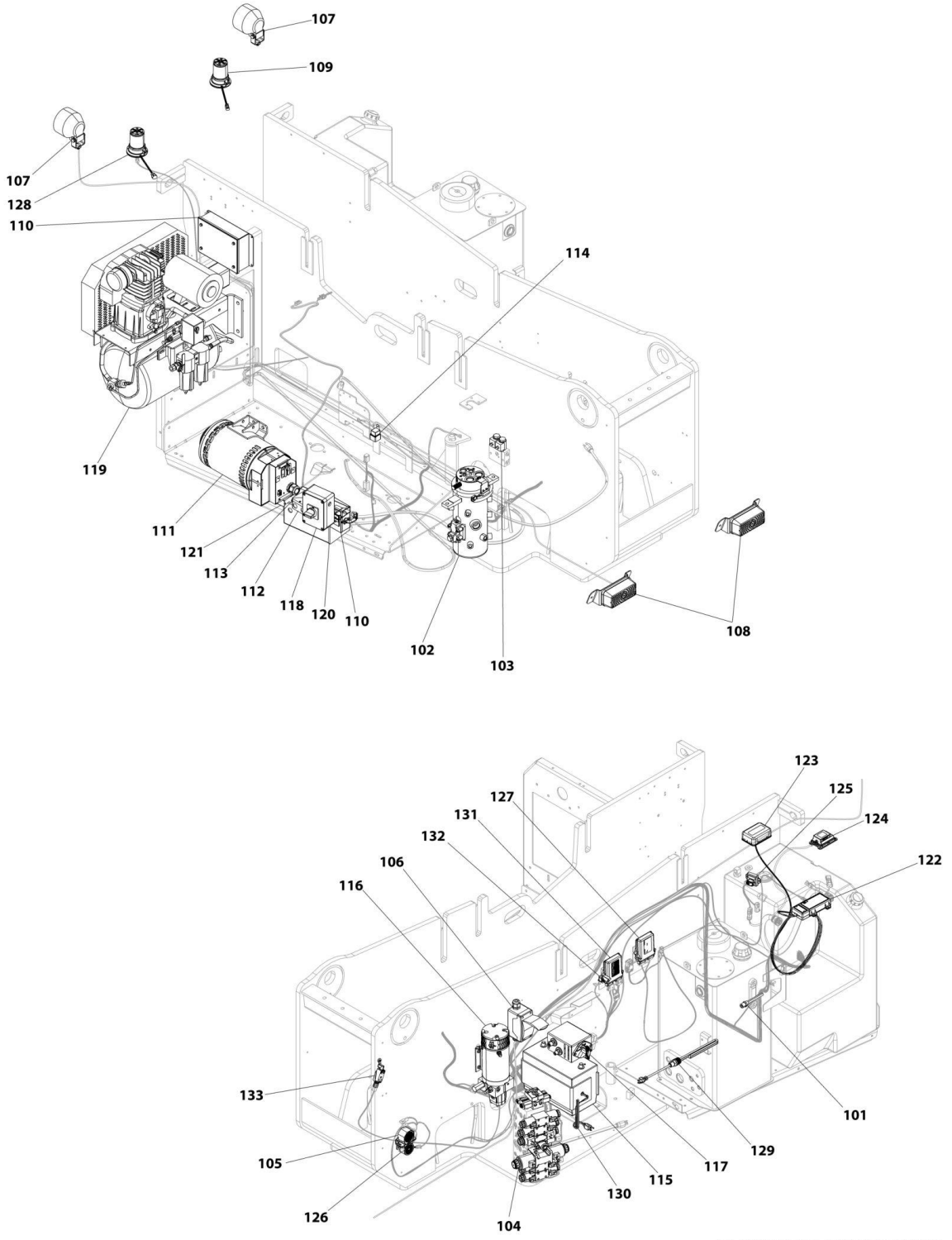
SECTION 8 - ELECTRICAL

SECTION 8 - ELECTRICAL

FIGURE 8-1. 800AJ HC3 ELECTRICAL LAYOUT

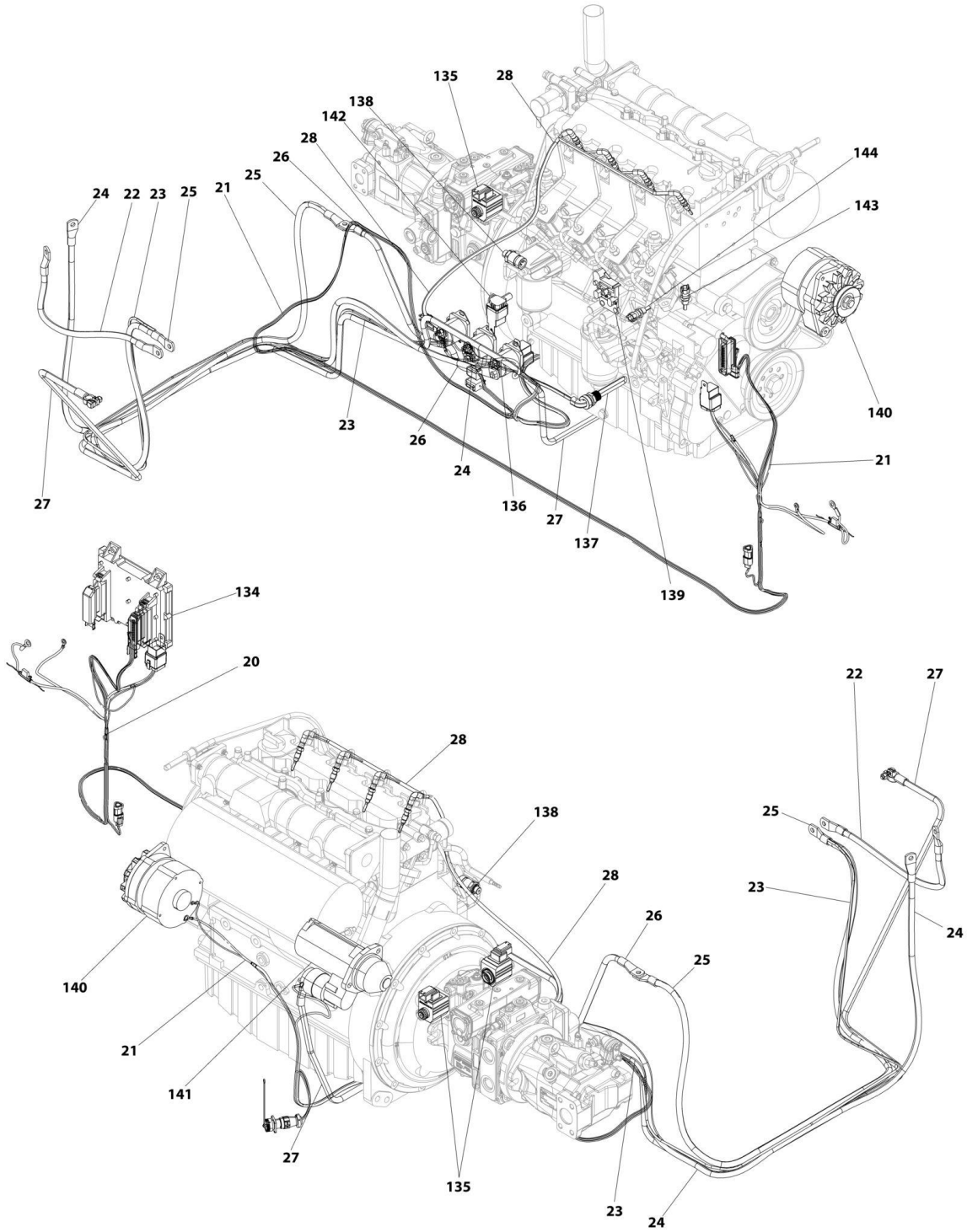


SECTION 8 - ELECTRICAL



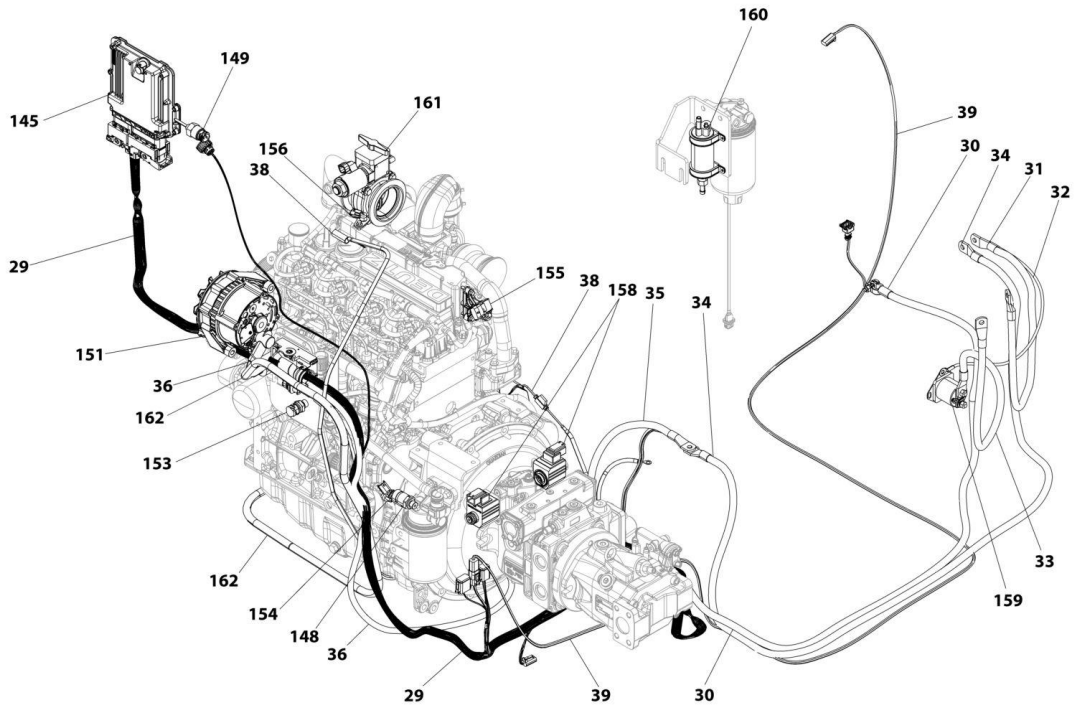
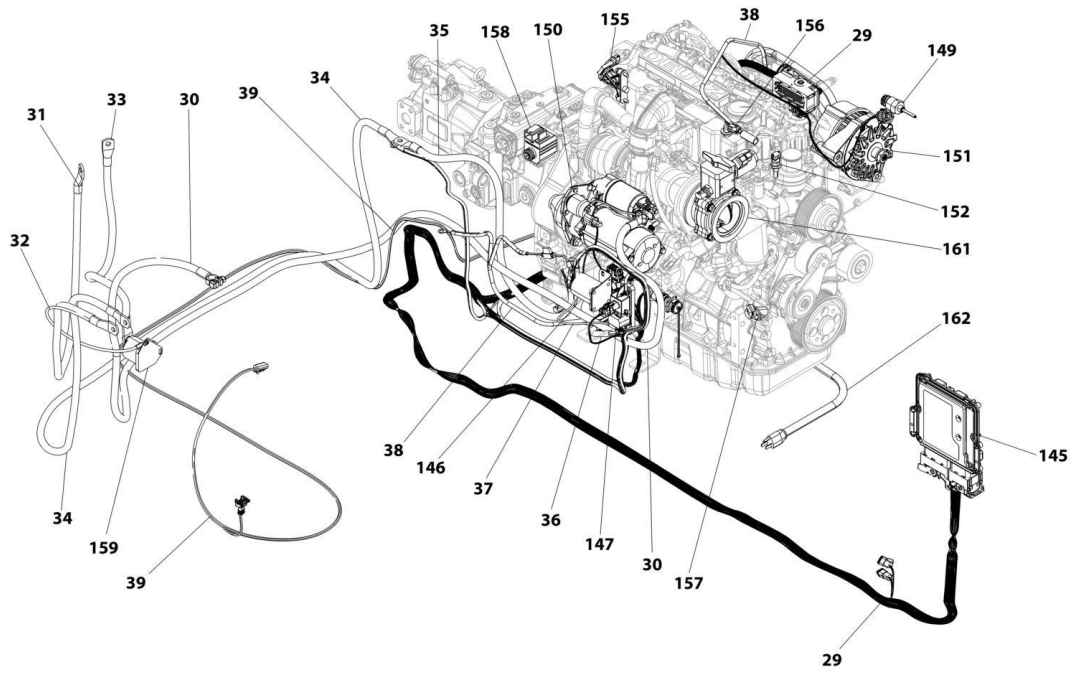
ART_800AJ-ELECTRICAL_TURNTABLE-COMPONENT

SECTION 8 - ELECTRICAL



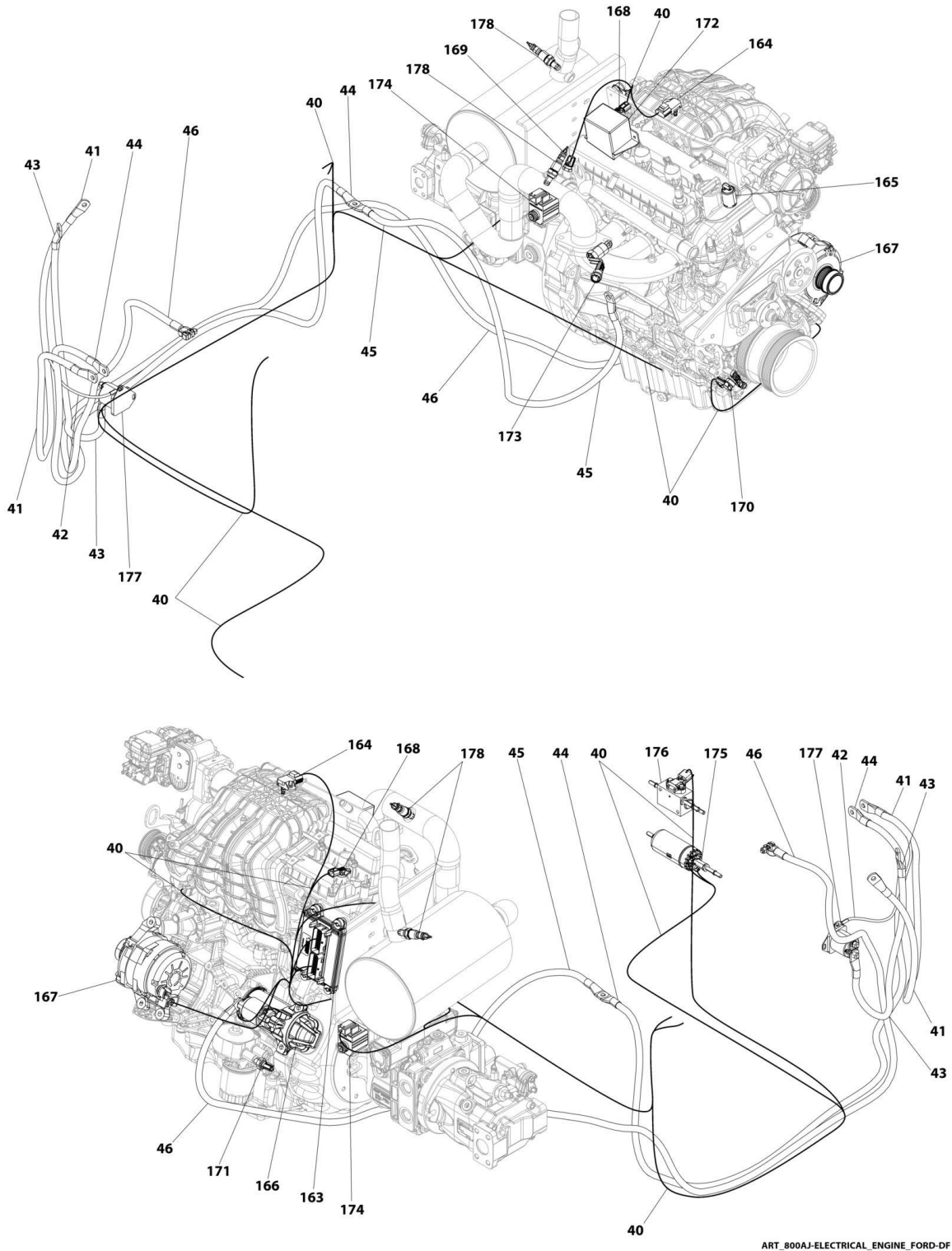
ART_800AJ-ELECTRICAL_ENGINE_DEUTZ-D2011

SECTION 8 - ELECTRICAL

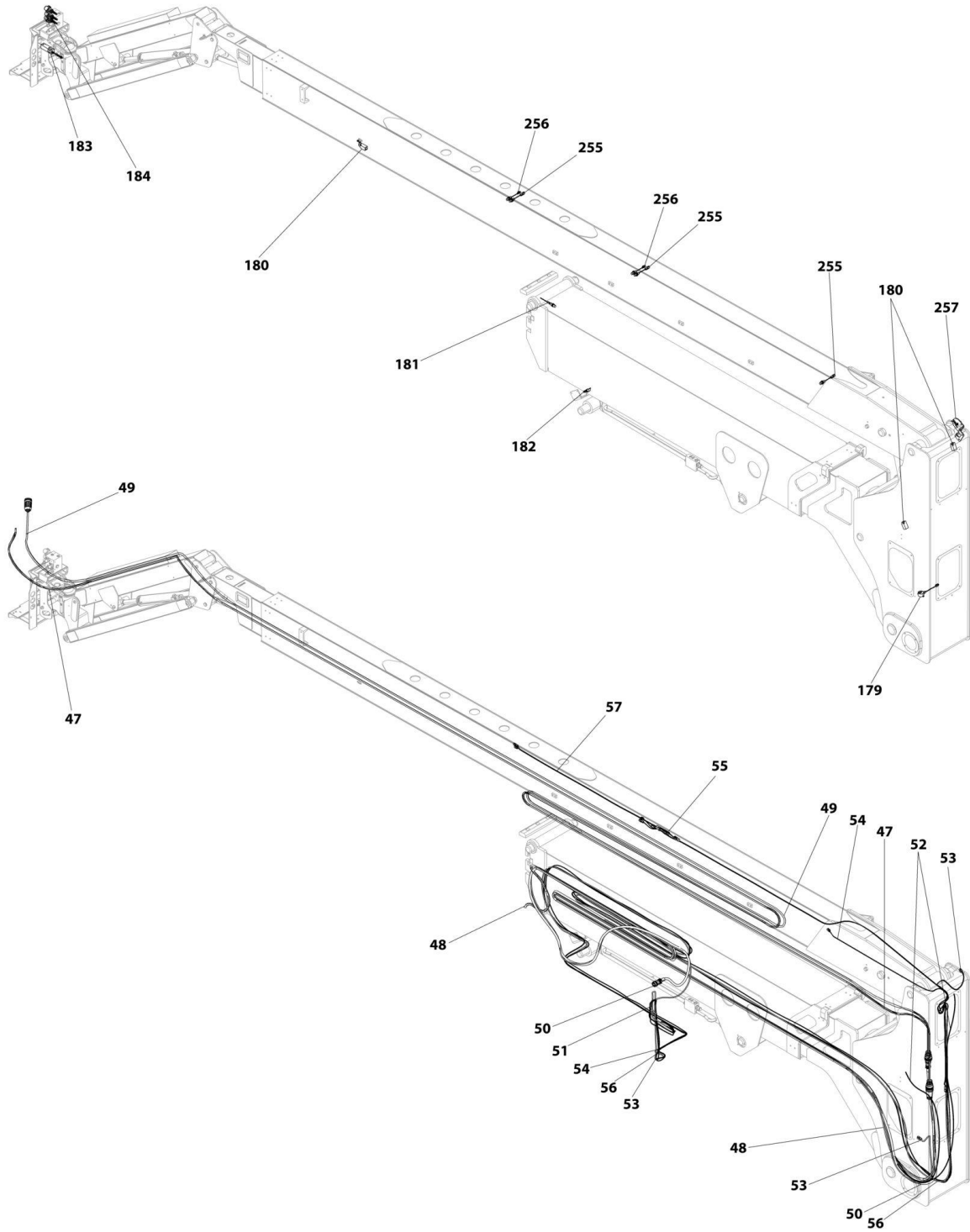


ART_800AJ-ELECTRICAL_ENGINE_DEUTZ-2.9L4

SECTION 8 - ELECTRICAL

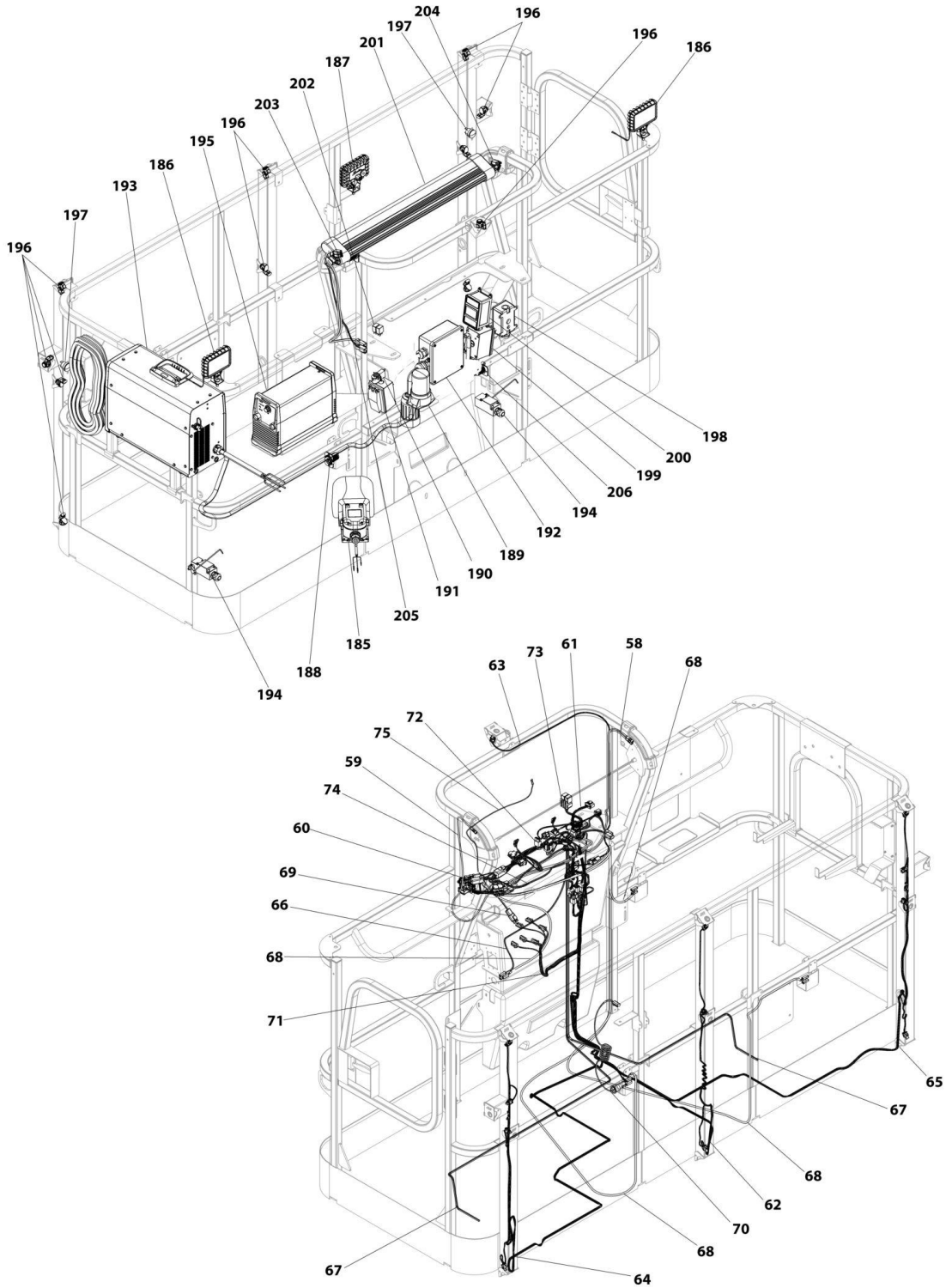


SECTION 8 - ELECTRICAL



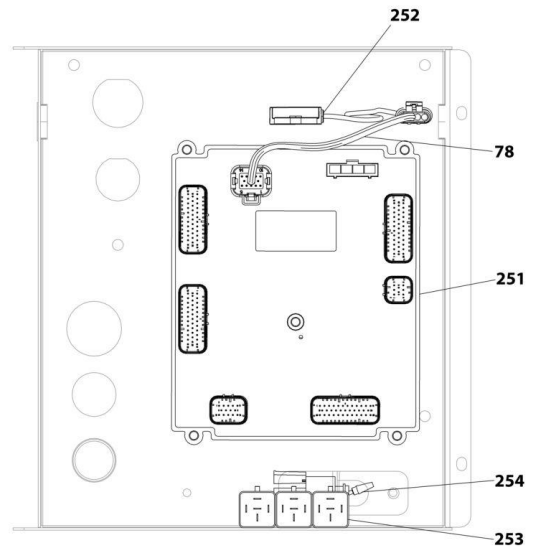
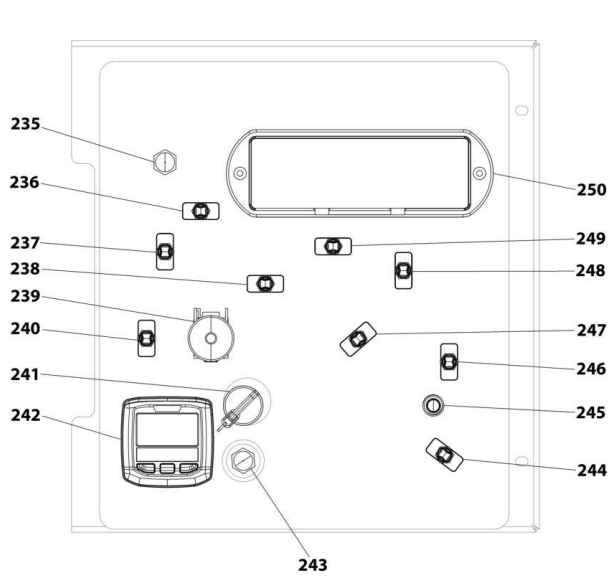
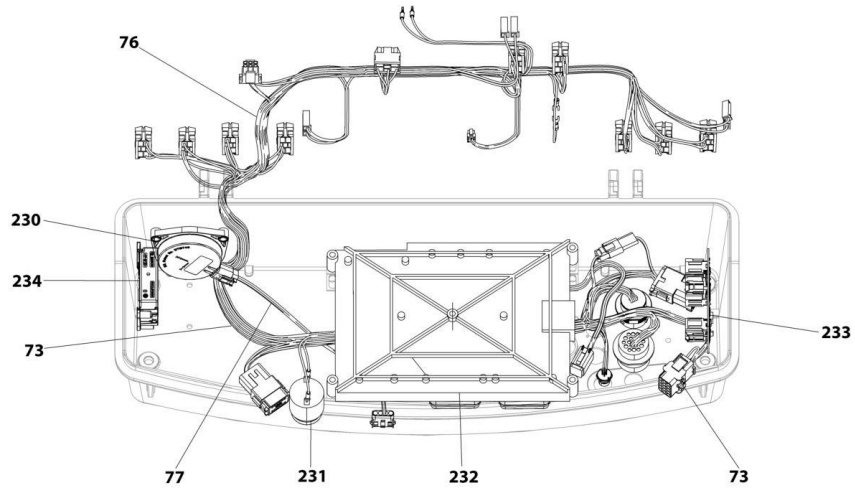
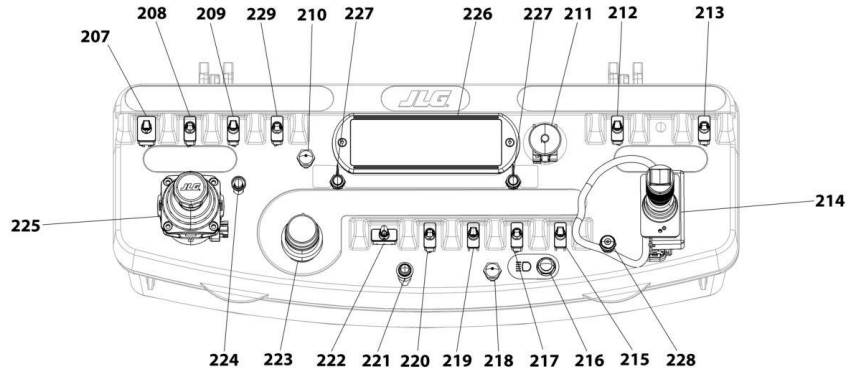
ART_800AJ_HC3-ELECTRICAL_BOOM

SECTION 8 - ELECTRICAL



ART_800AJ_HC3-ELECTRICAL_PLATFORM

SECTION 8 - ELECTRICAL



ART_800AJ_HC3-ELECTRICAL_CONTROLS

SECTION 8 - ELECTRICAL

FIGURE 8-1. 800AJ HC3 ELECTRICAL LAYOUT

| ITEM | PART NUMBER | QTY | DESCRIPTION | REV |
|------|-------------|-----|--|-----|
| | | Ref | HARNESS LIST | |
| | | Ref | Note: This figure is for part identification only. | |
| 1 | | Ref | Harness, Main Valve | |
| 2 | | Ref | Harness, 7500W Generator | |
| 3 | | Ref | Harness, 4000W Generator | |
| 4 | | Ref | Harness, Generator to Control Box | |
| 5 | | Ref | Harness, Generator Control Box to Engine | |
| 6 | | Ref | Harness, 2500W Generator | |
| 7 | | Ref | Harness, Hourmeter | |
| 8 | | Ref | Cable, Battery (+) to Disconnect | |
| 9 | | Ref | Cable, Battery (-) to Disconnect | |
| 10 | | Ref | Harness, Head and Tail Light | |
| 11 | | Ref | Harness, Clearsky | |
| 12 | | Ref | Harness, Telematics | |
| 13 | | Ref | Harness, Xirgo Jumper | |
| 14 | | Ref | Harness, White Noise Alarm | |
| 15 | | Ref | Harness, Strobe Light Control | |
| 16 | | Ref | 3-Way Plug | |
| 17 | | Ref | Cable, Extension | |
| 18 | | Ref | Harness, ASOV | |
| 19 | | Ref | Harness, Tower Stow | |
| 20 | | Ref | Harness, Ground Control | |
| 21 | | Ref | Harness, Engine | |
| 22 | | Ref | Cable, Battery (-) to Aux Pump | |
| 23 | | Ref | Cable, Battery (-) to Relay | |
| 24 | | Ref | Cable, Aux Pump to Relay | |
| 25 | | Ref | Cable, Battery (-) to Ground | |
| 26 | | Ref | Cable, Engine Ground | |
| 27 | | Ref | Cable, Battery (+) to Starter | |
| 28 | | Ref | Harness, Glow Plug | |
| 29 | | Ref | Harness, Engine | |
| 30 | | Ref | Cable, Battery (+) to Starter | |
| 31 | | Ref | Cable, Battery (-) to Aux Pump | |
| 32 | | Ref | Cable, Battery (-) to Relay | |
| 33 | | Ref | Cable, Aux Pump to Relay | |
| 34 | | Ref | Cable, Battery (-) to Ground | |
| 35 | | Ref | Cable, Engine Ground | |
| 36 | | Ref | Harness, Alternator Power | |
| 37 | | Ref | Harness, Glow Plug Fuse | |
| 38 | | Ref | Heater, Breather | |
| 39 | | Ref | Harness, Fuel Pump | |
| 40 | | Ref | Harness, Engine | |
| 41 | | Ref | Cable, Battery (-) to Aux Pump | |
| 42 | | Ref | Cable, Battery (-) to Relay | |
| 43 | | Ref | Cable, Aux Pump to Relay | |
| 44 | | Ref | Cable, Battery (-) to Ground | |
| 45 | | Ref | Cable, Engine Ground | |
| 46 | | Ref | Cable, Battery (+) to Starter | |
| 47 | | Ref | Cable, AC Ground to Platform (Upper) | |
| 48 | | Ref | Cable, AC Ground to Platform (Lower) | |

SECTION 8 - ELECTRICAL

| ITEM | PART NUMBER | QTY | DESCRIPTION | REV |
|------|-------------|-----|--|-----|
| 49 | | Ref | Cable, Boom (Upper) | |
| 50 | | Ref | Cable, Boom (Lower) | |
| 51 | | Ref | Harness, Tilt Sensor | |
| 52 | | Ref | Harness, Proximity Sensor | |
| 53 | | Ref | Harness, Main Boom Angle Sensor | |
| 54 | | Ref | Harness, Transport Proximity Sensor | |
| 55 | | Ref | Harness, Capacity (Upper) | |
| 56 | | Ref | Harness, Capacity (Lower) | |
| 57 | | Ref | Harness, Capacity Proximity (Upper) | |
| 58 | | Ref | Harness, SkyEye Receiver | |
| 59 | | Ref | Harness, SkyEye Emitter | |
| 60 | | Ref | Harness, SkyEye Intermediate | |
| 61 | | Ref | Harness, SkySense Main | |
| 62 | | Ref | Harness, SkySense Mid Tube | |
| 63 | | Ref | Harness SkySense Overhead Sensor | |
| 64 | | Ref | Harness, SkySense Left Tube | |
| 65 | | Ref | Harness, SkySense Right Tube | |
| 66 | | Ref | Harness, USB | |
| 67 | | Ref | Cable, Soft Touch | |
| 68 | | Ref | Harness, Portable Work Light | |
| 69 | | Ref | Harness, Portable Light Power | |
| 70 | | Ref | Harness, Portable Work Light Extension | |
| 71 | | Ref | Harness, Platform Valve | |
| 72 | | Ref | Harness, Platform Work Light | |
| 73 | | Ref | Harness, SkyLine | |
| 74 | | Ref | Harness, SkyGuard | |
| 75 | | Ref | Harness, Platform Strobe Light | |
| 76 | | Ref | Harness, Platform Console | |
| 77 | | Ref | Harness, Tilt Sensor | |
| 78 | | Ref | Harness, Tilt Sensor | |
| | | Ref | COMPONENT LIST | |
| 101 | | Ref | Sensor, Fuel Level | |
| 102 | | Ref | Rotary Coupling | |
| 103 | | Ref | Solenoids, Axle Valve | |
| 104 | | Ref | Solenoids, Main Control Valve | |
| 105 | | Ref | Alarm | |
| 106 | | Ref | AC Breaker Box | |
| 107 | | Ref | Headlight | |
| 108 | | Ref | Taillight | |
| 109 | | Ref | Light, Strobe (Amber) | |
| 110 | | Ref | Box, Generator Control | |
| 111 | | Ref | Generator | |
| 112 | | Ref | Generator Junction Box | |
| 113 | | Ref | Light, Generator | |
| 114 | | Ref | Relay | |
| 115 | | Ref | Battery | |
| 116 | | Ref | Auxiliary Pump/Motor | |
| 117 | | Ref | Switch, Battery Disconnect | |
| 118 | | Ref | Box, Air Compressor Control | |
| 119 | | Ref | Air Compressor | |
| 120 | | Ref | Transformer, Cold Weather | |

SECTION 8 - ELECTRICAL

| ITEM | PART NUMBER | QTY | DESCRIPTION | REV |
|------|-------------|-----|--|-----|
| 121 | | Ref | Generator Hourmeter | |
| 122 | | Ref | Module, ClearSky Telematics CANBUS | |
| 123 | | Ref | Antenna, ClearSky Telematics | |
| 124 | | Ref | Module, ClearSky Telematics 3-Wire | |
| 125 | | Ref | Voltage Regulator, ClearSky Telematics | |
| 126 | | Ref | Alarm, White Noise | |
| 127 | | Ref | Module, Strobe Control | |
| 128 | | Ref | Light, Strobe | |
| 129 | | Ref | Heater, Immersion | |
| 130 | | Ref | Heater, Battery | |
| 131 | | Ref | Module, ASOV Control | |
| 132 | | Ref | Switch, ASOV | |
| 133 | | Ref | Sensor, Tower Stow | |
| 134 | | Ref | Module, Engine Control | |
| 135 | | Ref | Solenoids, Hydrostatic Pump | |
| 136 | | Ref | Relays | |
| 137 | | Ref | Heater, Engine Block | |
| 138 | | Ref | Sensor, Temperature | |
| 139 | | Ref | Sensor | |
| 140 | | Ref | Alternator | |
| 141 | | Ref | Starter | |
| 142 | | Ref | Sensor, Speed | |
| 143 | | Ref | Sensor, Engine Coolant Temperature | |
| 144 | | Ref | Sensor, Pressure | |
| 145 | | Ref | Module, Engine Control | |
| 146 | | Ref | Relay | |
| 147 | | Ref | Relay | |
| 148 | | Ref | Sensor, Pressure | |
| 149 | | Ref | Sensor, Coolant Level | |
| 150 | | Ref | Starter | |
| 151 | | Ref | Alternator | |
| 152 | | Ref | Sensor, Engine Coolant Temperature | |
| 153 | | Ref | Sensor, Pressure | |
| 154 | | Ref | Sensor, Speed | |
| 155 | | Ref | Sensor, Oil Pressure | |
| 156 | | Ref | Sensor, Temperature | |
| 157 | | Ref | Sensor, Speed | |
| 158 | | Ref | Solenoids, Hydrostatic Pump | |
| 159 | | Ref | Relay | |
| 160 | | Ref | Fuel Pump | |
| 161 | | Ref | Air Shut Off Valve (ASOV) | |
| 162 | | Ref | Heater, Engine Block | |
| 163 | | Ref | Module, Engine Control | |
| 164 | | Ref | Sensor, TMAP | |
| 165 | | Ref | Solenoid, Timing | |
| 166 | | Ref | Starter | |
| 167 | | Ref | Alternator | |
| 168 | | Ref | Sensor, Speed | |
| 169 | | Ref | Engine Coolant Temperature Sensor | |
| 170 | | Ref | Sensor, Speed | |
| 171 | | Ref | Sensor, Oil Pressure | |

SECTION 8 - ELECTRICAL

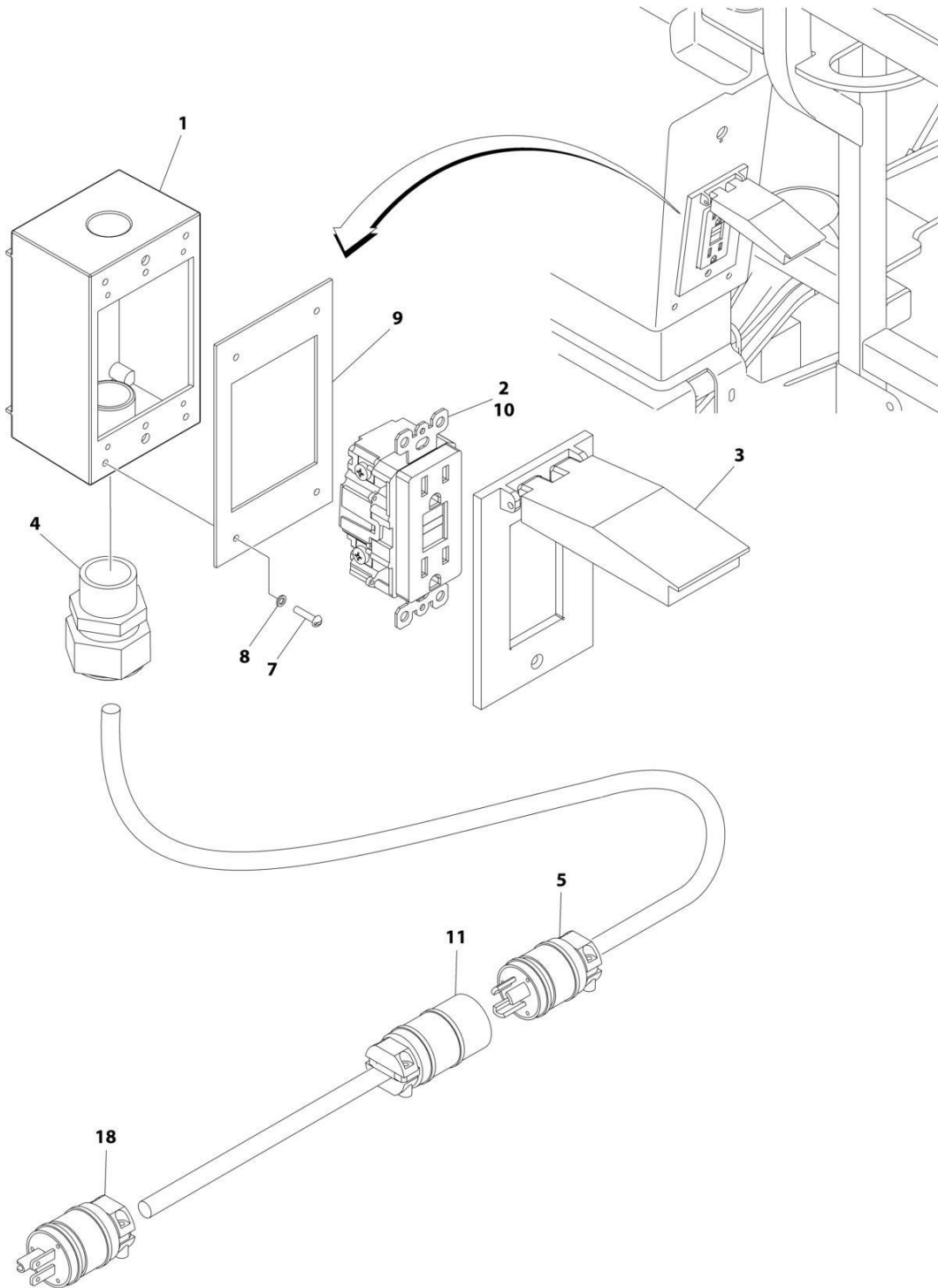
| ITEM | PART NUMBER | QTY | DESCRIPTION | REV |
|------|-------------|-----|---|-----|
| 172 | | Ref | Fuse Box | |
| 173 | | Ref | Heater, Engine Block | |
| 174 | | Ref | Solenoids, Hydrostatic Pump | |
| 175 | | Ref | Fuel Pump | |
| 176 | | Ref | Fuel Block | |
| 177 | | Ref | Relay | |
| 178 | | Ref | Sensor, O2 | |
| 179 | | Ref | Sensor, Tilt | |
| 180 | | Ref | Sensor, Transport Position | |
| 181 | | Ref | Sensor, Proximity | |
| 182 | | Ref | Sensor, Proximity | |
| 183 | | Ref | Cell, Load Sensing | |
| 184 | | Ref | Solenoids, Platform Valve | |
| 185 | | Ref | Footswitch | |
| 186 | | Ref | Platform Work Light | |
| 187 | | Ref | Portable Work Light | |
| 188 | | Ref | AC Receptacle | |
| 189 | | Ref | Light, Platform Strobe | |
| 190 | | Ref | Switch, Generator | |
| 191 | | Ref | AC Receptacle | |
| 192 | | Ref | Junction Box | |
| 193 | | Ref | Welding Machine | |
| 194 | | Ref | Switch, Soft Touch Limit | |
| 195 | | Ref | Plasma Cutter | |
| 196 | | Ref | Sensor, SkySense | |
| 197 | | Ref | Alarm | |
| 198 | | Ref | AC Receptacle | |
| 199 | | Ref | AC Receptacle | |
| 200 | | Ref | AC Receptacle/Breaker Box | |
| 201 | | Ref | Switch, SkyGuard | |
| 202 | | Ref | Relay | |
| 203 | | Ref | Sensor, SkyEye Receiver | |
| 204 | | Ref | Sensor, SkyEye Emitter | |
| 205 | | Ref | Sensor, SkyLine Proximity | |
| 206 | | Ref | USB Receptacle | |
| 207 | | Ref | Switch, Drive Speed/ Torque Select | |
| 208 | | Ref | Switch, Steer Select | |
| 209 | | Ref | Switch, Platform Leveling Override | |
| 210 | | Ref | Switch, Horn | |
| 211 | | Ref | Switch, Emergency Stop | |
| 212 | | Ref | Switch, Start/Auxilliary Power | |
| 213 | | Ref | Switch, Drive Orientation Override | |
| 214 | | Ref | Controller, Drive/Steer | |
| 215 | | Ref | Switch, Boom Telescope | |
| 216 | | Ref | Switch, Lights | |
| 217 | | Ref | Switch, Jib Up/Down | |
| 218 | | Ref | Switch, Soft Touch/SkyGuard/SkySense Override | |
| 219 | | Ref | Switch, Tower Telescope | |
| 220 | | Ref | Switch, Tower Lift | |
| 221 | | Ref | Light, Soft Touch/SkyGuard/SkySense Indicator | |
| 222 | | Ref | Switch, Platform Rotate | |

SECTION 8 - ELECTRICAL

| ITEM | PART NUMBER | QTY | DESCRIPTION | REV |
|------|-------------|-----|---|-----|
| 223 | | Ref | Switch, Function Speed Control | |
| 224 | | Ref | Light, Boom Stow Indicator | |
| 225 | | Ref | Controller, Main Lift/Swing | |
| 226 | | Ref | Display, Platform | |
| 227 | | Ref | Light, SkySense Indicator | |
| 228 | | Ref | Switch, SkySense | |
| 229 | | Ref | Switch, Fuel Select | |
| 230 | | Ref | Sensor, Tilt | |
| 231 | | Ref | Alarm | |
| 232 | | Ref | Module, Platform | |
| 233 | | Ref | Module, SkySense Control | |
| 234 | | Ref | Module, SkySense Sensor | |
| 235 | | Ref | Switch, Diesel Particulate Filter (DPF) | |
| 236 | | Ref | Switch, Platform Rotate | |
| 237 | | Ref | Switch, Platform Leveling Override | |
| 238 | | Ref | Switch, Jib Up/Down | |
| 239 | | Ref | Switch, Emergency Stop | |
| 240 | | Ref | Switch, Engine Start/ Auxiliary Power | |
| 241 | | Ref | Switch, Key | |
| 242 | | Ref | Display, Ground | |
| 243 | | Ref | Switch, Machine Safety System Override (MSSO) | |
| 244 | | Ref | Switch, Turntable Swing | |
| 245 | | Ref | Light, Boom Stow/ASOV Indicator | |
| 246 | | Ref | Switch, Tower Lift | |
| 247 | | Ref | Switch, Tower Telescope | |
| 248 | | Ref | Switch, Boom Lift | |
| 249 | | Ref | Switch, Boom Telescope | |
| 250 | | Ref | Indicator Panel | |
| 251 | | Ref | Module, Ground Control | |
| 252 | | Ref | Sensor, Tilt | |
| 253 | | Ref | Relay | |
| 254 | | Ref | Switch, Cribbing | |
| 255 | | Ref | Sensor, Proximity | |
| 256 | | Ref | Sensor, Proximity | |
| 257 | | Ref | Sensor, Boom Angle | |

SECTION 8 - ELECTRICAL

FIGURE 8-2. AC BOX AT PLATFORM INSTALLATION - 110V GFI RECEPTACLE (ALL SPECS EXCEPT AUSTRALIAN, CE & UK CA SPECS)



ART_0272259

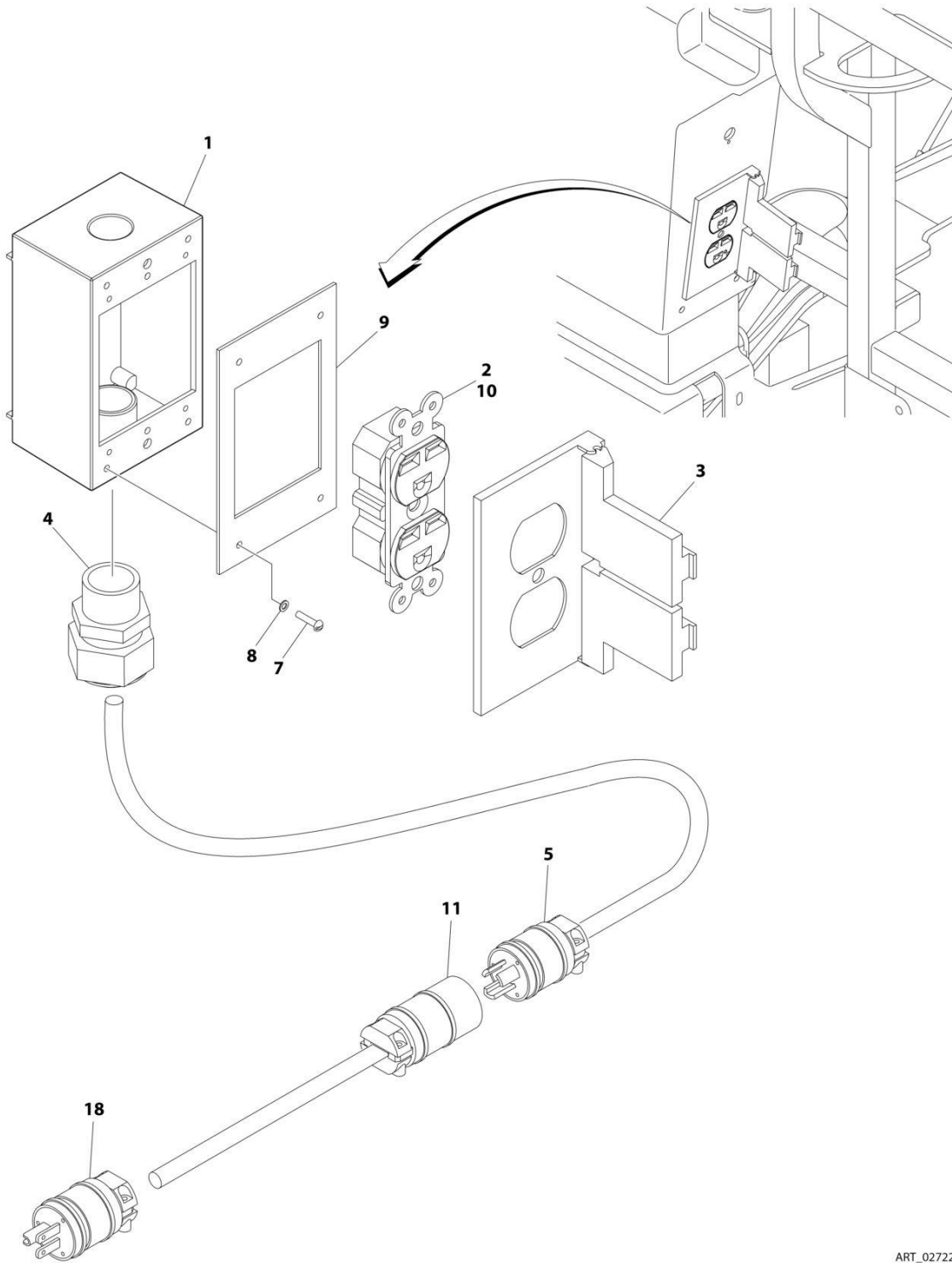
SECTION 8 - ELECTRICAL

FIGURE 8-2. AC BOX AT PLATFORM INSTALLATION - 110V GFI RECEPTACLE (ALL SPECS EXCEPT AUSTRALIAN, CE & UK CA SPECS)

| ITEM | PART NUMBER | QTY | DESCRIPTION | REV |
|------|-------------|-----|---|-----|
| | 0272259 | Ref | AC BOX AT PLATFORM INSTALLATION - 110V GFI RECEPTACLE | C |
| 1 | 0860038 | 1 | Box, Switch | |
| 2 | 4460346 | 1 | Receptacle | |
| 3 | 1001110873 | 1 | Shield, Cover | |
| 4 | 4460051 | 1 | Connector, Strain Relief | |
| 5 | 1001213584 | 1 | Plug, Male | |
| 7 | 3910610 | 4 | Screw #6 x 5/8 | |
| 8 | 4760600 | 4 | Washer #6 | |
| 9 | 3960422 | 1 | Gasket | |
| 10 | 4460315 | 3 | Terminal, Spade | |
| 11 | 1001213585 | 1 | Receptacle, Female | |
| 18 | 4460205 | 1 | Plug, Male | |

SECTION 8 - ELECTRICAL

FIGURE 8-3. AC BOX AT PLATFORM INSTALLATION - 220V (ANSI, CSA & JAPANESE SPECS)



ART_0272260

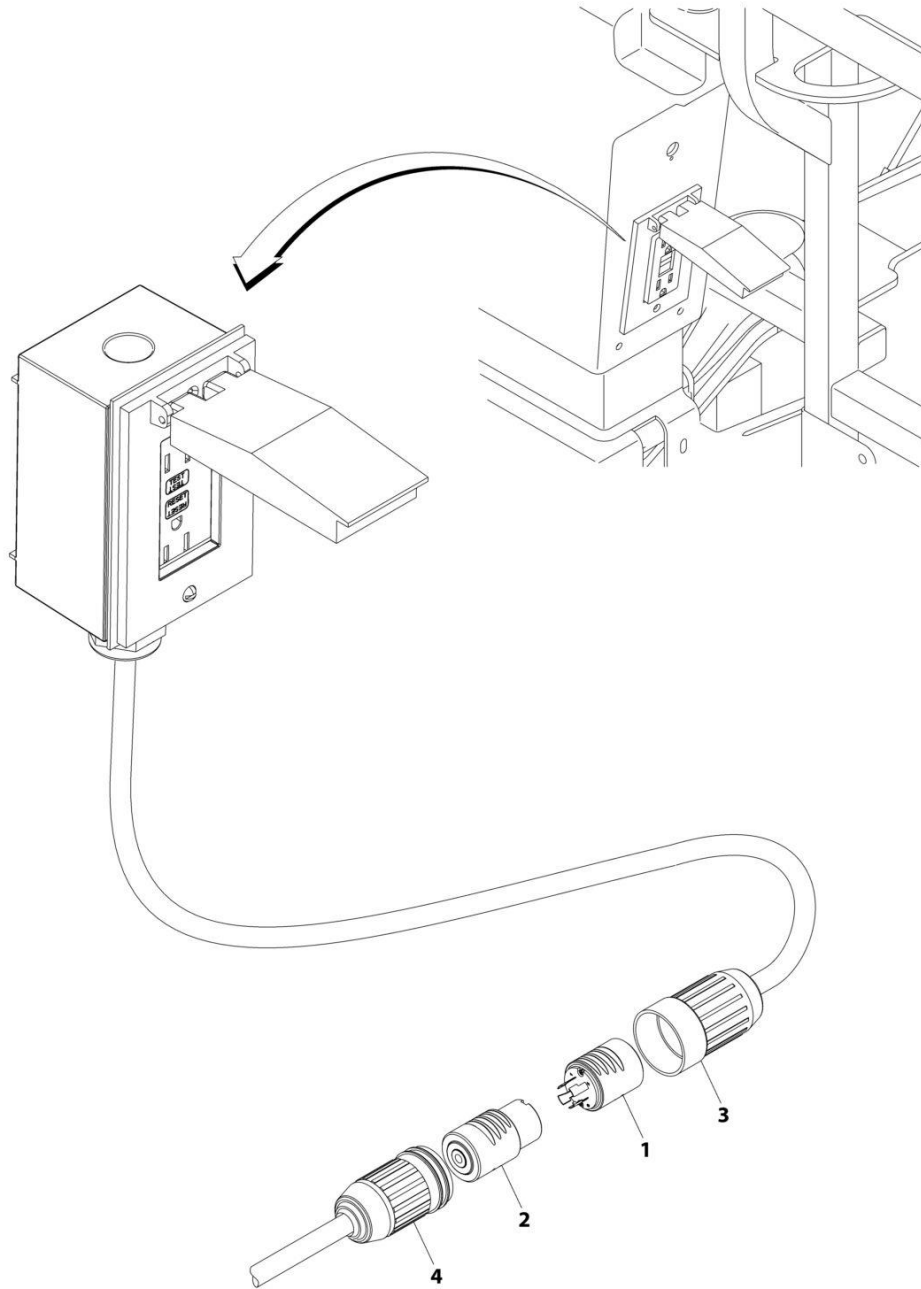
SECTION 8 - ELECTRICAL

FIGURE 8-3. AC BOX AT PLATFORM INSTALLATION - 220V (ANSI, CSA & JAPANESE SPECS)

| ITEM | PART NUMBER | QTY | DESCRIPTION | REV |
|------|-------------|-----|--|-----|
| | 0272260 | Ref | AC BOX AT PLATFORM INSTALLATION - 220V | C |
| 1 | 0860038 | 1 | Box, Switch | |
| 2 | 4460125 | 1 | Receptacle | |
| 3 | 4060092 | 1 | Shield | |
| 4 | 4460051 | 1 | Connector, Strain Relief | |
| 5 | 1001213584 | 2 | Plug, Male | |
| 7 | 3910610 | 4 | Screw #6 x 5/8 | |
| 8 | 4760600 | 4 | Washer #6 | |
| 9 | 3960422 | 1 | Gasket | |
| 10 | 4460315 | 1 | Terminal, Spade | |
| 11 | 1001213585 | 1 | Receptacle, Female | |
| 18 | 4460233 | 1 | Plug, Male | |

SECTION 8 - ELECTRICAL

FIGURE 8-4. AC BOX AT PLATFORM MID-BOOM PLUG INSTALLATION (WITH 4000W/60HZ GENERATOR) (ANSI, ANSI EXPORT, CSA & JAPANESE SPECS)



ART_1001160272

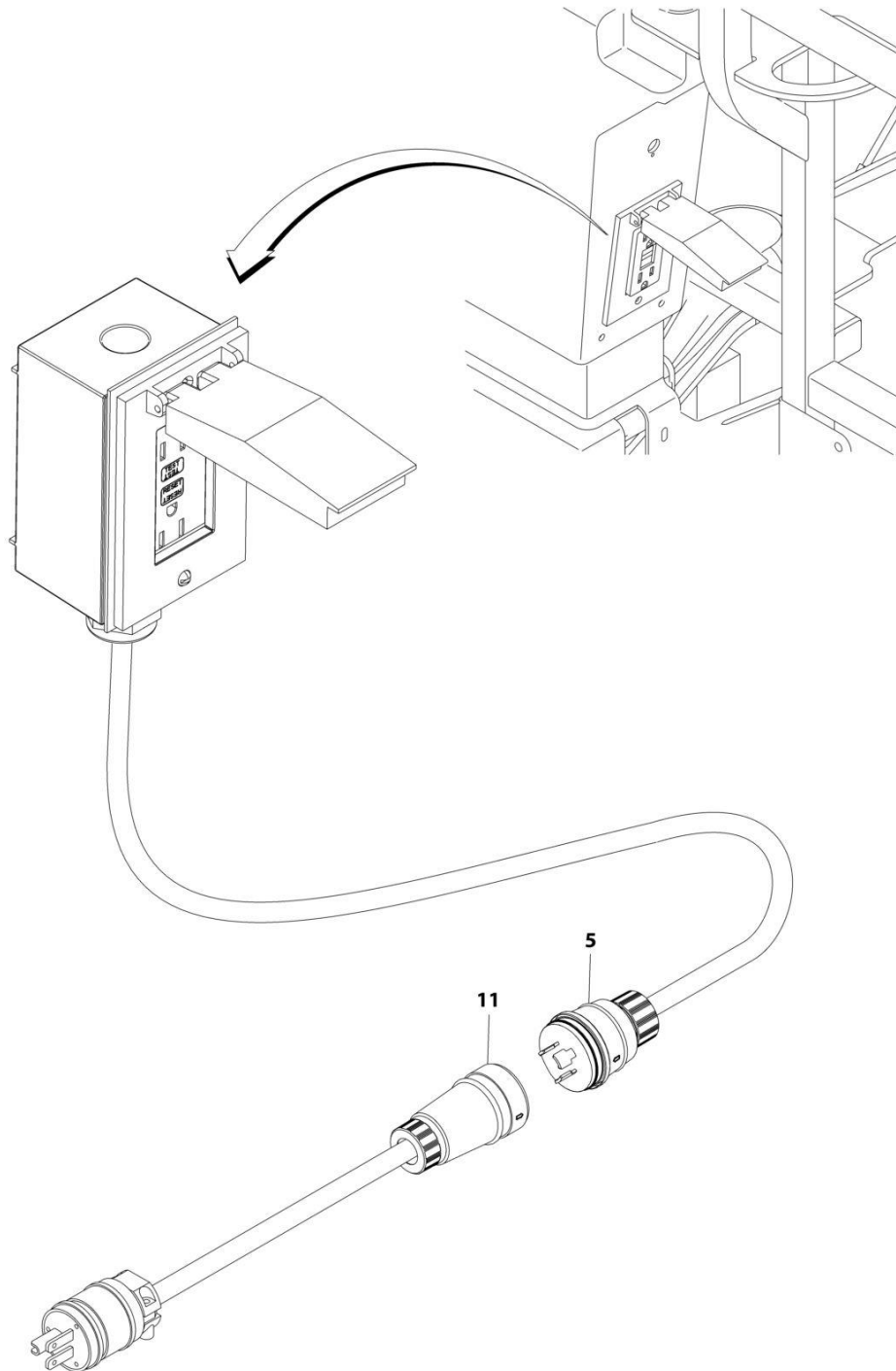
SECTION 8 - ELECTRICAL

FIGURE 8-4. AC BOX AT PLATFORM MID-BOOM PLUG INSTALLATION (WITH 4000W/60HZ GENERATOR) (ANSI, ANSI EXPORT, CSA & JAPANESE SPECS)

| ITEM | PART NUMBER | QTY | DESCRIPTION | REV |
|------|-------------|-----|---|-----|
| | 1001160272 | Ref | AC CABLE CONNECTOR INSTALLATION – 4000W GENERATOR | A |
| 1 | 4460962 | 1 | Plug, Male | |
| 2 | 4460963 | 1 | Connector | |
| 3 | 1671092 | 1 | Cover | |
| 4 | 1671093 | 1 | Plug | |

SECTION 8 - ELECTRICAL

FIGURE 8-5. AC BOX AT PLATFORM MID-BOOM PLUG INSTALLATION (WITHOUT 7500W SKYPOWER GENERATOR) (ALL SPECS EXCEPT ANSI, JAPANESE & CSA SPECS)



ART_0256202

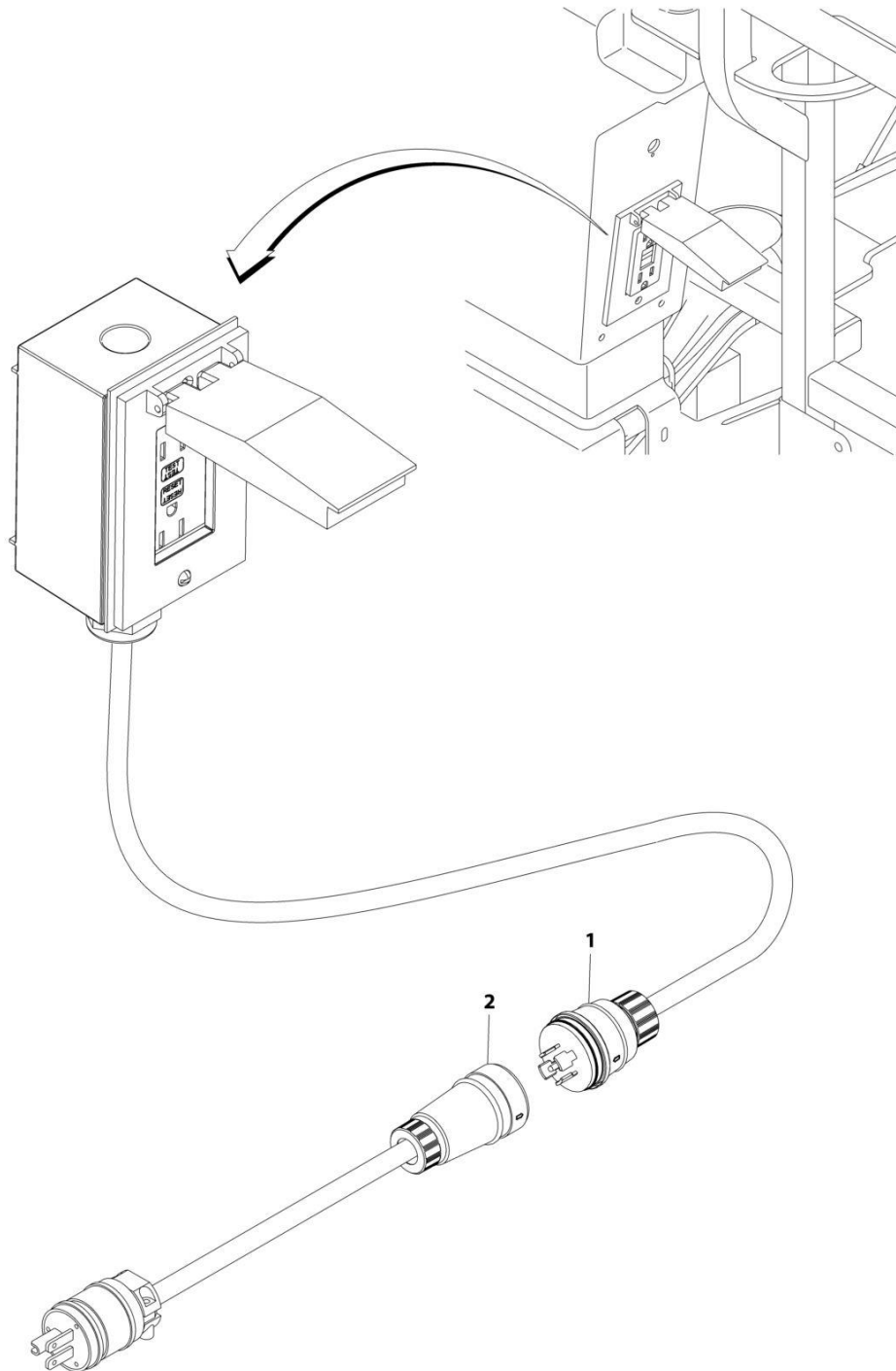
SECTION 8 - ELECTRICAL

FIGURE 8-5. AC BOX AT PLATFORM MID-BOOM PLUG INSTALLATION (WITHOUT 7500W SKYPOWER GENERATOR) (ALL SPECS EXCEPT ANSI, JAPANESE & CSA SPECS)

| ITEM | PART NUMBER | QTY | DESCRIPTION | REV |
|------|-------------|-----|---|-----|
| | 0256202 | Ref | AC BOX AT PLATFORM MID-BOOM PLUG INSTALLATION | D |
| 5 | 1001213584 | 1 | Plug | |
| 11 | 1001213585 | 1 | Receptacle | |

SECTION 8 - ELECTRICAL

FIGURE 8-6. AC BOX AT PLATFORM MID-BOOM PLUG INSTALLATION (WITH 7500W SKYPOWER GENERATOR)



ART_0272433

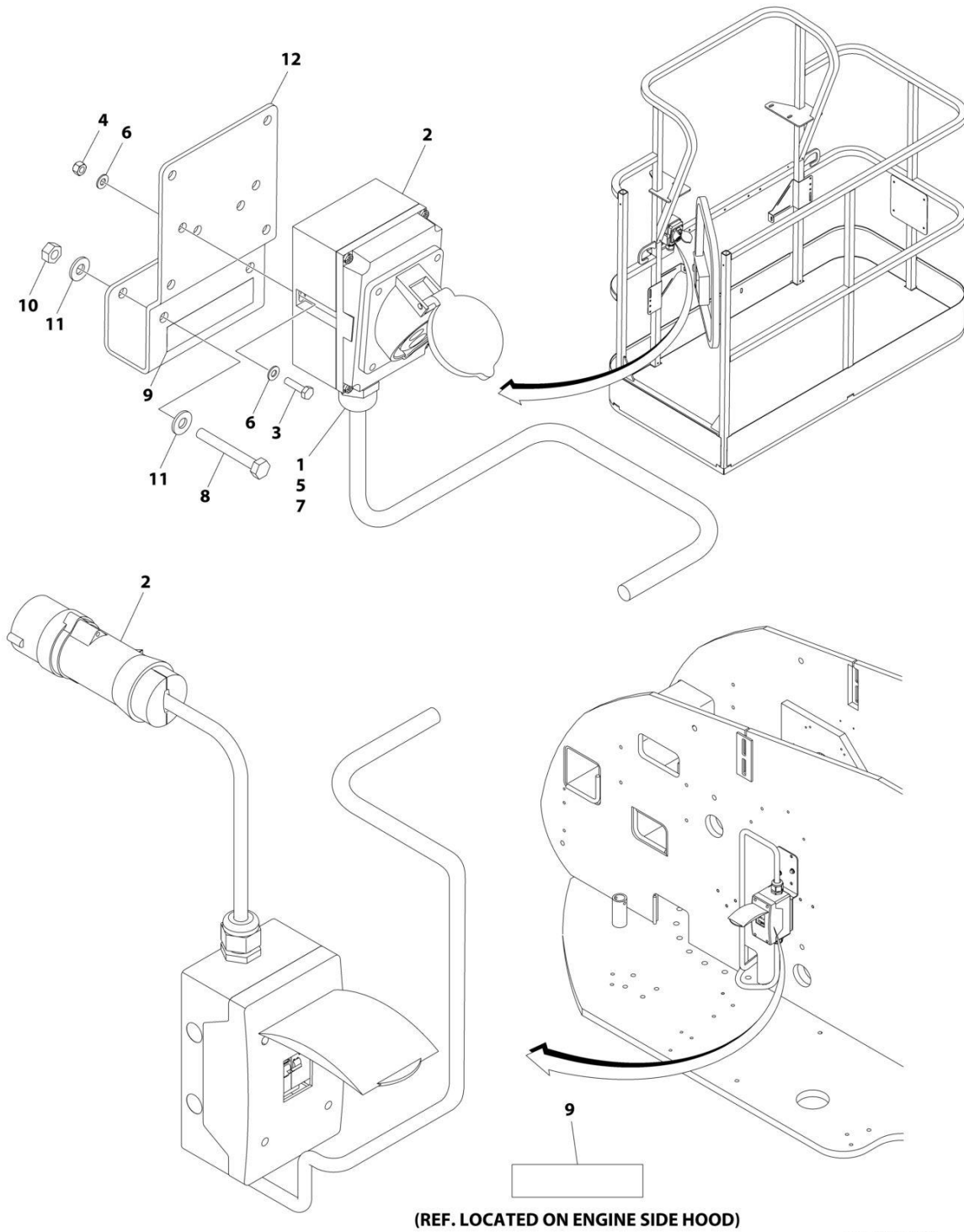
SECTION 8 - ELECTRICAL

FIGURE 8-6. AC BOX AT PLATFORM MID-BOOM PLUG INSTALLATION (WITH 7500W SKYPOWER GENERATOR)

| ITEM | PART NUMBER | QTY | DESCRIPTION | REV |
|------|-------------|-----|-----------------------------------|-----|
| | 0272433 | Ref | AC CABLE INSTALLATION - 110V/220V | D |
| 1 | 1001218622 | 1 | Plug, Male | |
| 2 | 1001218623 | 1 | Plug, Female | |

SECTION 8 - ELECTRICAL

**FIGURE 8-7. AC BOX AT PLATFORM INSTALLATION - 110V IEC YELLOW (CE & UK CA SPECS)
(MACHINES WITH 2500W GENERATOR OR NO GENERATOR OPTION)**



ART_1001091969

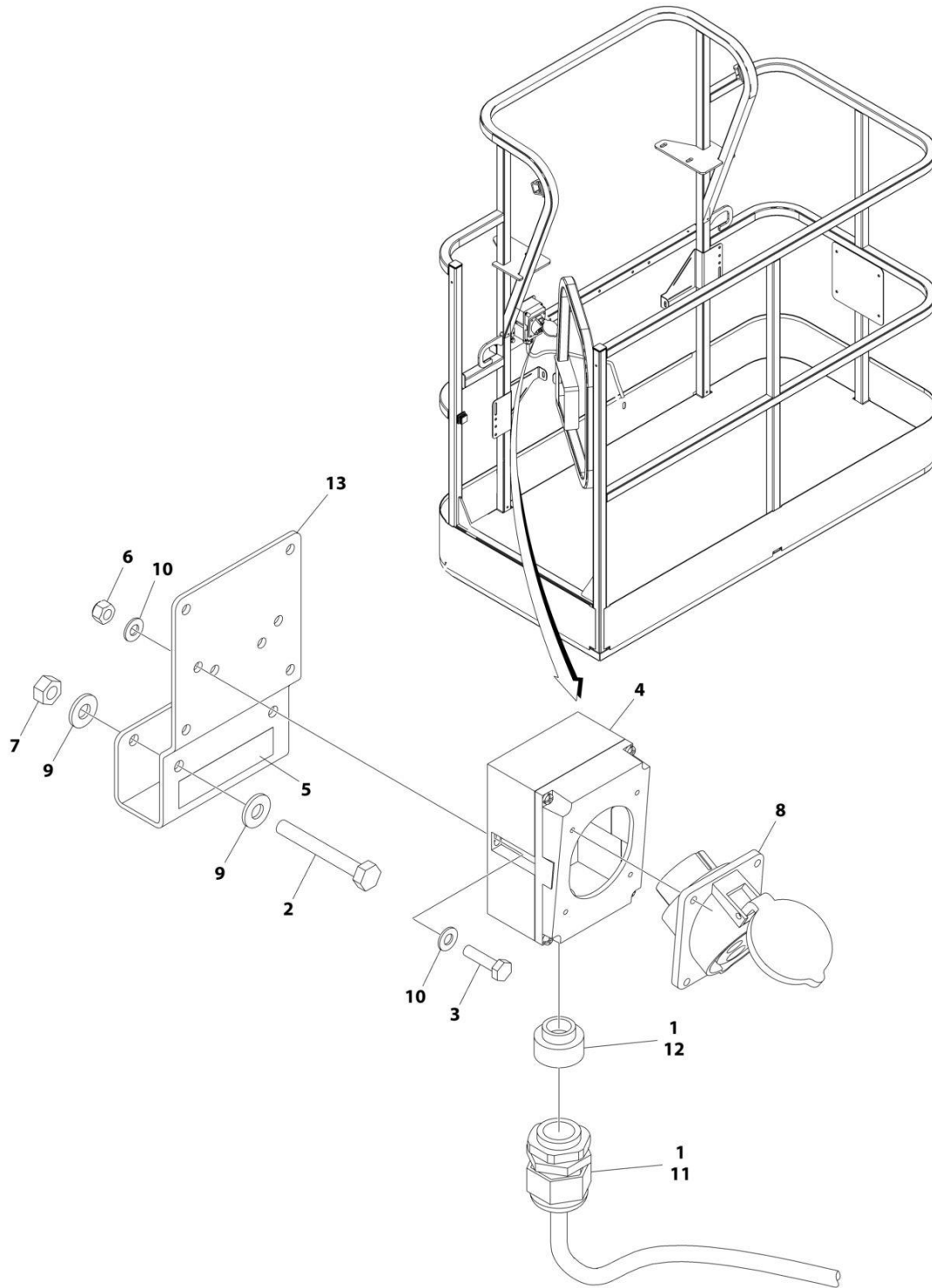
SECTION 8 - ELECTRICAL

**FIGURE 8-7. AC BOX AT PLATFORM INSTALLATION - 110V IEC YELLOW (CE & UK CA SPECS)
(MACHINES WITH 2500W GENERATOR OR NO GENERATOR OPTION)**

| ITEM | PART NUMBER | QTY | DESCRIPTION | REV |
|------|-------------|-----|---|-----|
| | 1001091969 | Ref | AC BOX AT PLATFORM INSTALLATION - 110V IEC YELLOW | D |
| 1 | 0100020 | AR | Sealant, Pipe | |
| 2 | 0275216 | 1 | Receptacle Box Kit (See Separate Breakdown in this Section) | |
| 3 | 0700408 | 2 | Bolt M4 x 16 | |
| 4 | 3290405 | 2 | Nut M4 | |
| 5 | 1001101196 | 1 | Adapter | |
| 6 | 4811400 | 4 | Washer M4 | |
| 7 | 1001101191 | 1 | Connector, Strain Relief | |
| 8 | 0641416 | 2 | Bolt 1/4 x 2 | |
| 9 | 1705325 | 2 | Decal - 110V | |
| 10 | 3311405 | 2 | Nut 1/4 | |
| 11 | 4711400 | 4 | Washer 1/4 | |
| 12 | 1001193018 | 1 | Bracket | |

SECTION 8 - ELECTRICAL

**FIGURE 8-8. AC BOX AT PLATFORM INSTALLATION - 110V IEC YELLOW (CE & UK CA SPECS)
(MACHINES WITH 4000W GENERATOR)**



ART_1001206253

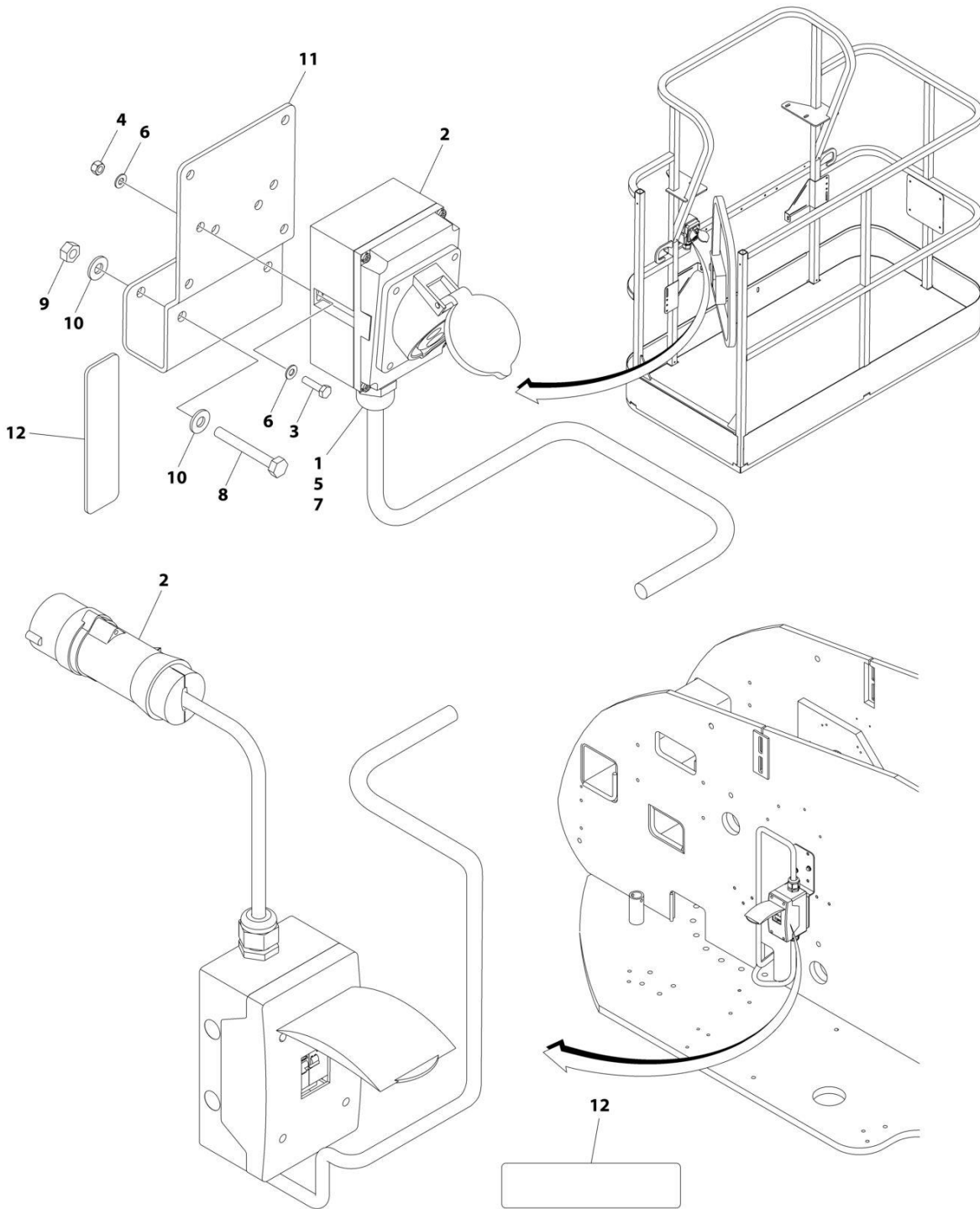
SECTION 8 - ELECTRICAL

**FIGURE 8-8. AC BOX AT PLATFORM INSTALLATION - 110V IEC YELLOW (CE & UK CA SPECS)
(MACHINES WITH 4000W GENERATOR)**

| ITEM | PART NUMBER | QTY | DESCRIPTION | REV |
|------|-------------|-----|--|-----|
| | 1001206253 | Ref | AC BOX AT PLATFORM INSTALLATION - 110V IEC 60309 YELLOW WITHOUT 4000W GENERATOR | A |
| 1 | 0100020 | AR | Sealant, Pipe | |
| 2 | 0641416 | 2 | Bolt 1/4 x 2 | |
| 3 | 0700408 | 2 | Bolt M4 x 16 | |
| 4 | 0861781 | 1 | Box, Switch | |
| 5 | 1705325 | 1 | Decal - 110V | |
| 6 | 3290405 | 2 | Nut M4 | |
| 7 | 3311405 | 2 | Nut 1/4 | |
| 8 | 4461198 | 1 | Receptacle | |
| 9 | 4711400 | 4 | Washer 1/4 | |
| 10 | 4811400 | 4 | Washer M4 | |
| 11 | 1001101191 | 1 | Connector, Strain Relief | |
| 12 | 1001101196 | 1 | Adapter | |
| 13 | 1001193018 | 1 | Bracket, AC Receptacle | |

SECTION 8 - ELECTRICAL

**FIGURE 8-9. AC BOX AT PLATFORM INSTALLATION - 220V IEC BLUE (CE & UK CA SPECS)
(MACHINES WITH 2500W GENERATOR OR NO GENERATOR OPTION)**



(REF. LOCATED ON ENGINE SIDE HOOD)

ART_1001091970

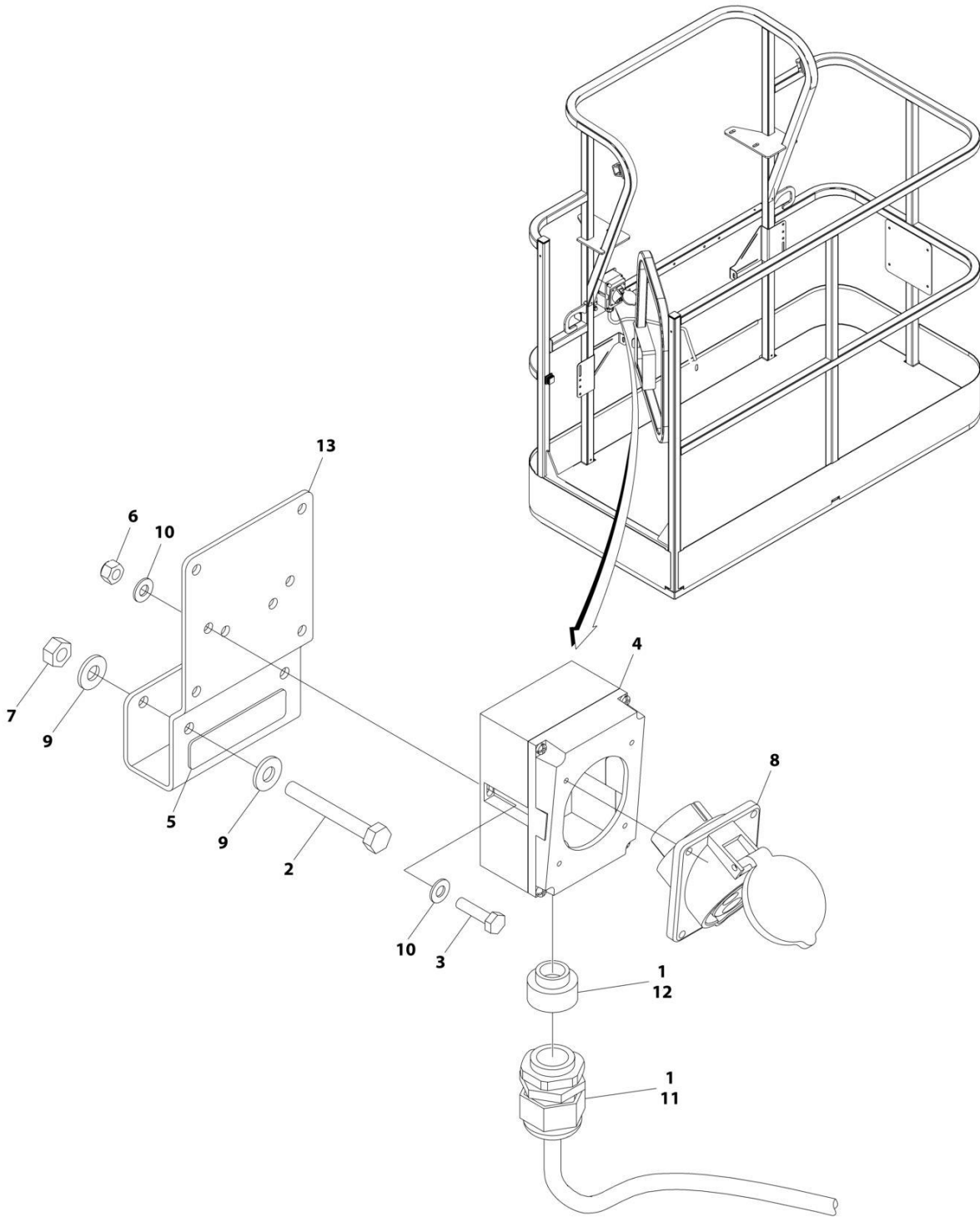
SECTION 8 - ELECTRICAL

**FIGURE 8-9. AC BOX AT PLATFORM INSTALLATION - 220V IEC BLUE (CE & UK CA SPECS)
(MACHINES WITH 2500W GENERATOR OR NO GENERATOR OPTION)**

| ITEM | PART NUMBER | QTY | DESCRIPTION | REV |
|------|-------------|-----|---|-----|
| | 1001091970 | Ref | AC BOX AT PLATFORM INSTALLATION - 220V IEC BLUE | D |
| 1 | 0100020 | AR | Sealant, Pipe | |
| 2 | 0275217 | 1 | Receptacle Box Kit (See Separate Breakdown in this Section) | |
| 3 | 0700408 | 2 | Bolt M4 x 16 | |
| 4 | 3290405 | 2 | Nut M4 | |
| 5 | 1001101196 | 1 | Adapter | |
| 6 | 4811400 | 4 | Washer M4 | |
| 7 | 1001101191 | 1 | Connector, Strain Relief | |
| 8 | 0641416 | 2 | Bolt 1/4 x 2 | |
| 9 | 3311405 | 2 | Nut 1/4 | |
| 10 | 4711400 | 4 | Washer 1/4 | |
| 11 | 1001193018 | 1 | Bracket | |
| 12 | 3251242 | 2 | Decal - 240V/50Hz | |

SECTION 8 - ELECTRICAL

FIGURE 8-10. AC BOX AT PLATFORM INSTALLATION - 220V IEC BLUE (CE & UK CA SPECS)
(MACHINES WITH 4000W GENERATOR)



ART_1001206254

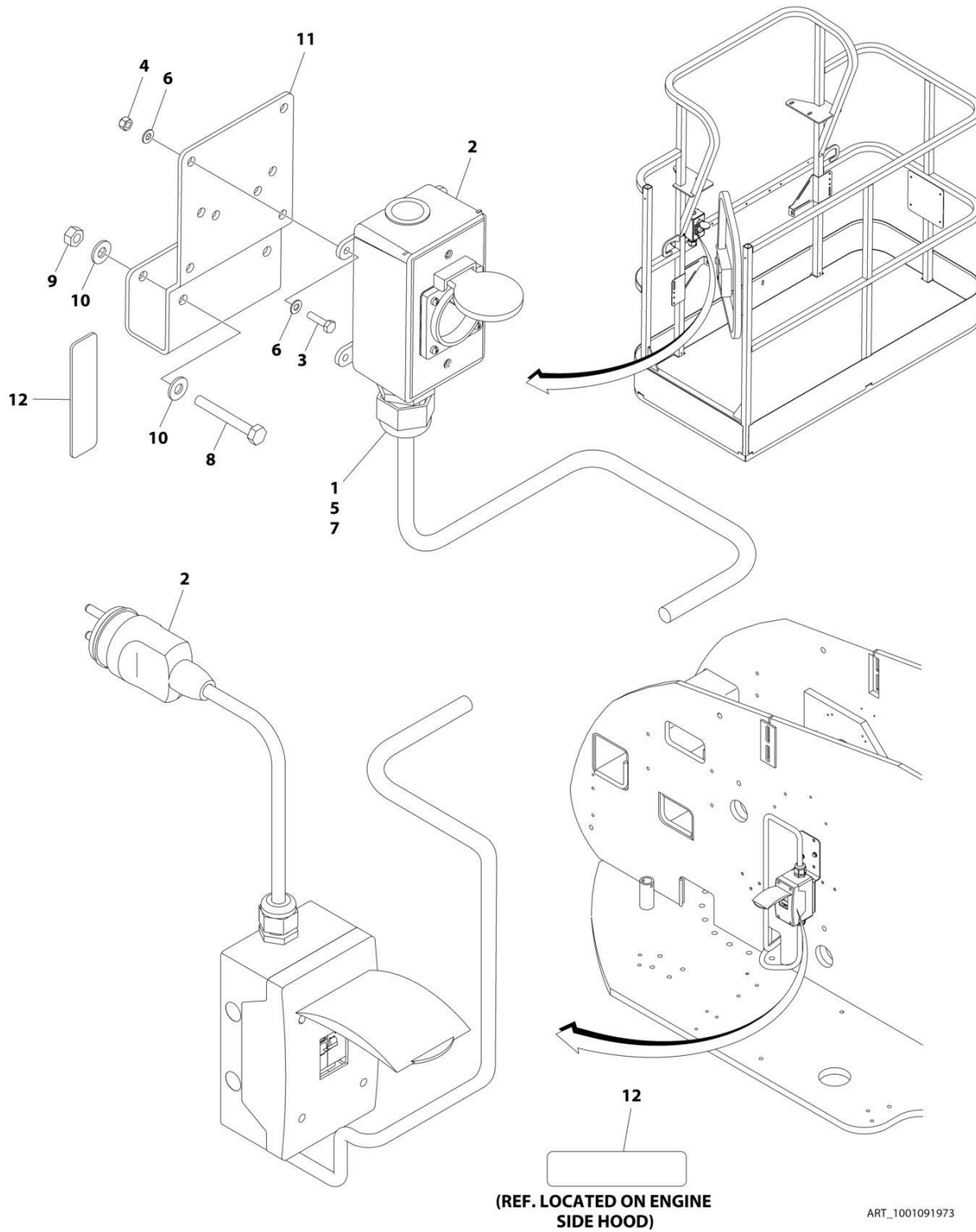
SECTION 8 - ELECTRICAL

**FIGURE 8-10. AC BOX AT PLATFORM INSTALLATION - 220V IEC BLUE (CE & UK CA SPECS)
(MACHINES WITH 4000W GENERATOR)**

| ITEM | PART NUMBER | QTY | DESCRIPTION | REV |
|------|-------------|-----|---|-----|
| | 1001206254 | Ref | AC BOX AT PLATFORM INSTALLATION - 220V IEC BLUE | A |
| 1 | 0100020 | AR | Sealant, Pipe | |
| 2 | 0641416 | 2 | Bolt 1/4 x 2 | |
| 3 | 0700408 | 2 | Bolt M4 x 16 | |
| 4 | 0861781 | 1 | Box, Switch | |
| 5 | 3251242 | 1 | Decal - 240V/50Hz | |
| 6 | 3290405 | 2 | Nut M4 | |
| 7 | 3311405 | 2 | Nut 1/4 | |
| 8 | 4461201 | 1 | Receptacle | |
| 9 | 4711400 | 4 | Washer 1/4 | |
| 10 | 4811400 | 4 | Washer M4 | |
| 11 | 1001101191 | 1 | Connector, Strain Relief | |
| 12 | 1001101196 | 1 | Adapter | |
| 13 | 1001193018 | 1 | Bracket, AC Receptacle | |

SECTION 8 - ELECTRICAL

FIGURE 8-11. AC BOX AT PLATFORM INSTALLATION - 220V CEE7 POST GROUND (CE & UK CA SPECS) (MACHINES WITH 2500W GENERATOR OR NO GENERATOR OPTION)



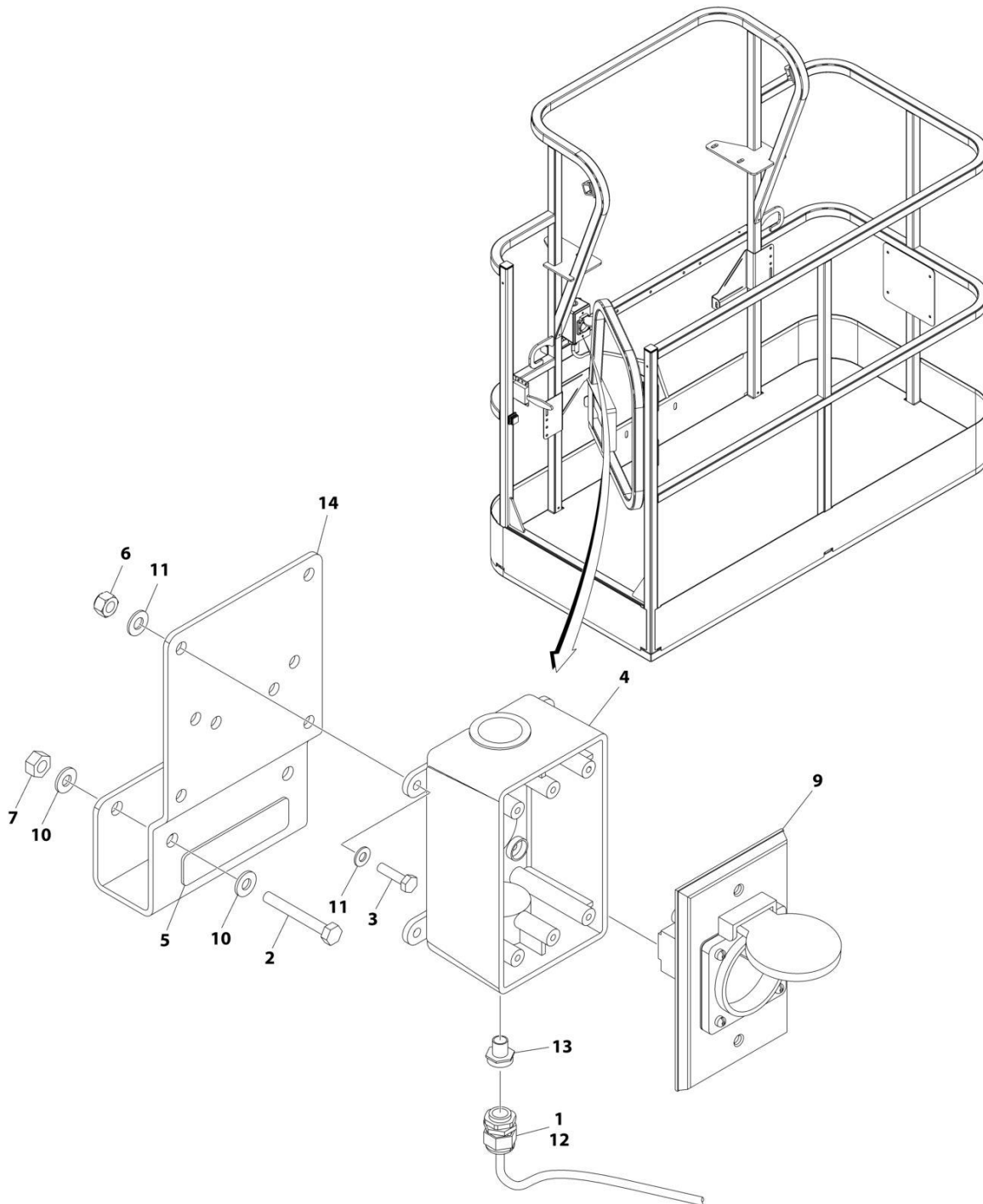
SECTION 8 - ELECTRICAL

FIGURE 8-11. AC BOX AT PLATFORM INSTALLATION - 220V CEE7 POST GROUND (CE & UK CA SPECS) (MACHINES WITH 2500W GENERATOR OR NO GENERATOR OPTION)

| ITEM | PART NUMBER | QTY | DESCRIPTION | REV |
|------|-------------|-----|---|-----|
| | 1001091973 | Ref | AC BOX AT PLATFORM INSTALLATION - 220V CEE7 2X4 BOX POST GROUND | F |
| 1 | 0100020 | AR | Sealant, Pipe | |
| 2 | 0275452 | 1 | Receptacle Box Kit (See Separate Breakdown in this Section) | |
| 3 | 0700408 | 4 | Bolt M4 x 16 | |
| 4 | 3290405 | 4 | Nut M4 | |
| 5 | 1001101197 | 1 | Adapter | |
| 6 | 4811400 | 8 | Washer M4 | |
| 7 | 1001101191 | 1 | Connector, Strain Relief | |
| 8 | 0641416 | 2 | Bolt 1/4 x 2 | |
| 9 | 3311405 | 2 | Nut 1/4 | |
| 10 | 4711400 | 4 | Washer 1/4 | |
| 11 | 1001193018 | 1 | Bracket | |
| 12 | 3251242 | 2 | Decal - 240V/50Hz | |
| 13 | 4460806 | 2 | Terminal, Fork (Not Shown) | |
| 14 | 1001205958 | 1 | Terminal (Not Shown) | |

SECTION 8 - ELECTRICAL

FIGURE 8-12. AC BOX AT PLATFORM INSTALLATION - 220V CEE7 POST GROUND (CE & UK CA SPECS) (MACHINES WITH 4000W GENERATOR)



ART_1001206250

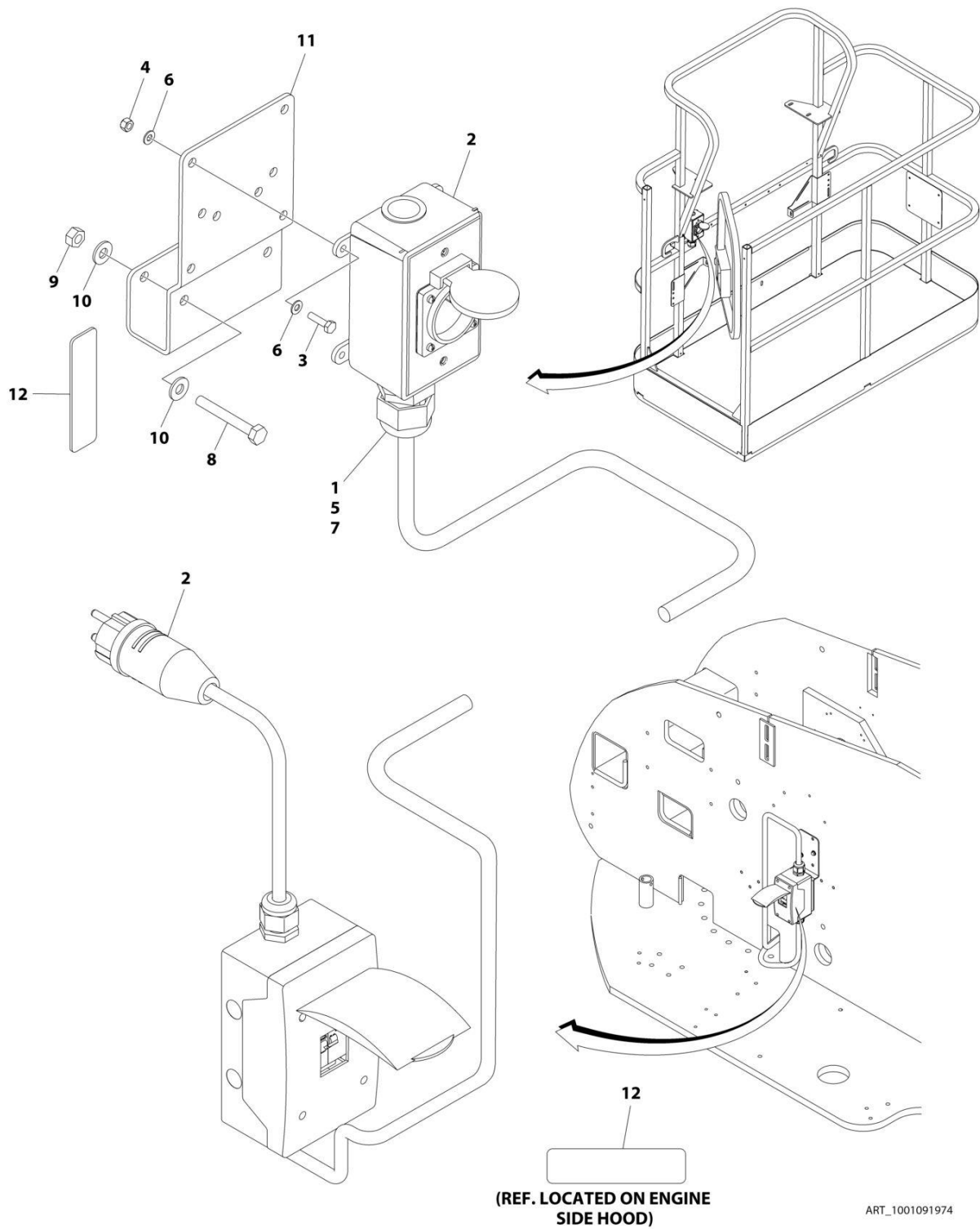
SECTION 8 - ELECTRICAL

FIGURE 8-12. AC BOX AT PLATFORM INSTALLATION - 220V CEE7 POST GROUND (CE & UK CA SPECS) (MACHINES WITH 4000W GENERATOR)

| ITEM | PART NUMBER | QTY | DESCRIPTION | REV |
|------|-------------|-----|---|-----|
| | 1001206250 | Ref | AC BOX AT PLATFORM INSTALLATION - 220V CEE7 2X4 BOX POST GROUND | A |
| 1 | 0100020 | AR | Sealant, Pipe | |
| 2 | 0641416 | 2 | Bolt 1/4 x 2 | |
| 3 | 0700408 | 4 | Bolt M4 x 16 | |
| 4 | 0861731 | 1 | Box, Switch | |
| 5 | 3251242 | 1 | Decal - 240V/50Hz | |
| 6 | 3290405 | 4 | Nut M4 | |
| 7 | 3311405 | 2 | Nut 1/4 | |
| 8 | 4460806 | 2 | Terminal, Fork (Not Shown) | |
| 9 | 4461244 | 1 | Receptacle | |
| 10 | 4711400 | 4 | Washer 1/4 | |
| 11 | 4811400 | 8 | Washer M4 | |
| 12 | 1001101191 | 1 | Connector, Strain Relief | |
| 13 | 1001101197 | 1 | Adapter | |
| 14 | 1001193018 | 1 | Bracket, AC Receptacle | |
| 15 | 1001205958 | 1 | Terminal (Not Shown) | |

SECTION 8 - ELECTRICAL

FIGURE 8-13. AC BOX AT PLATFORM INSTALLATION - 220V CEE7 SIDE GROUND (CE & UK CA SPECS) (MACHINES WITH 2500W GENERATOR OR NO GENERATOR OPTION)



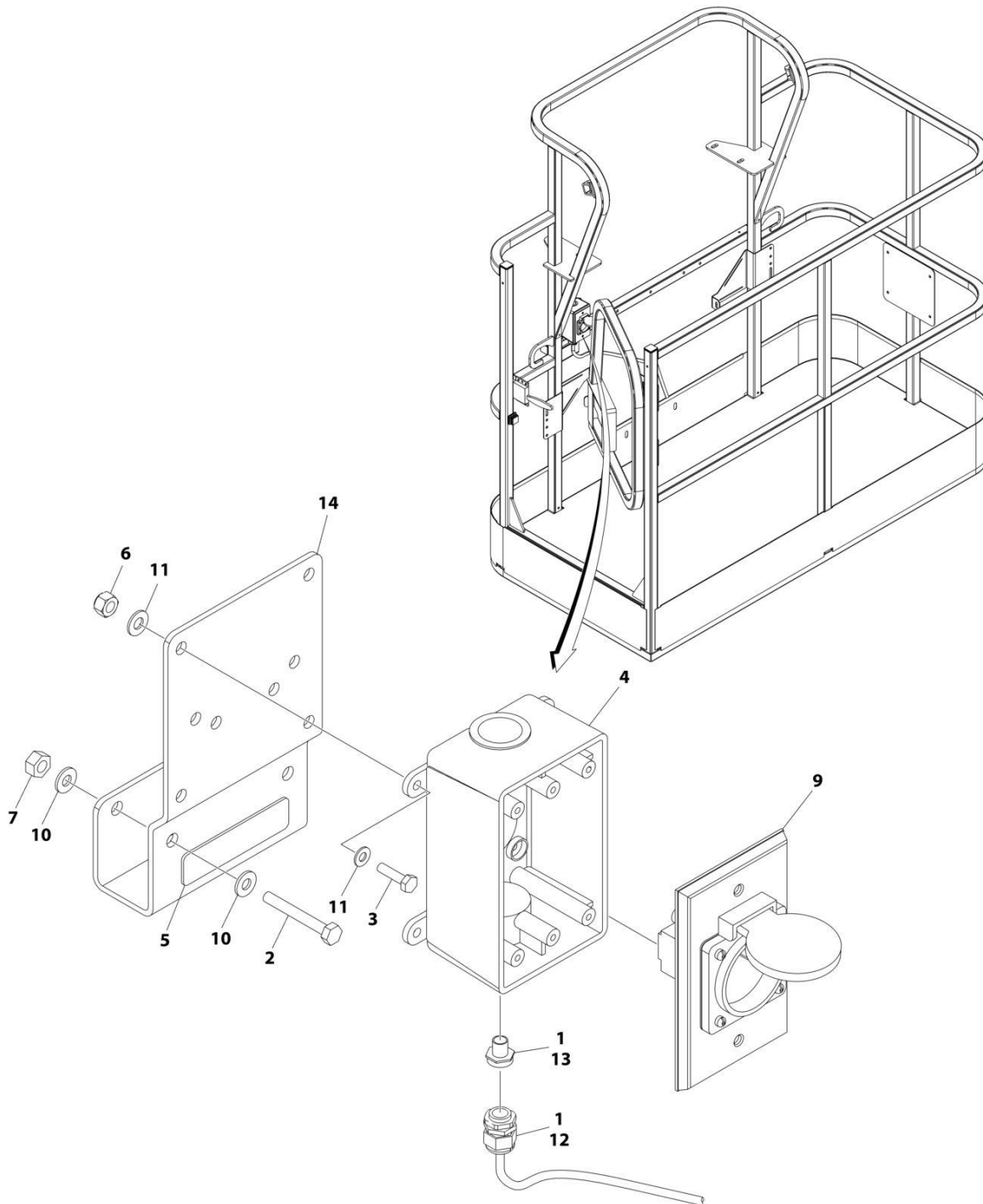
SECTION 8 - ELECTRICAL

FIGURE 8-13. AC BOX AT PLATFORM INSTALLATION - 220V CEE7 SIDE GROUND (CE & UK CA SPECS) (MACHINES WITH 2500W GENERATOR OR NO GENERATOR OPTION)

| ITEM | PART NUMBER | QTY | DESCRIPTION | REV |
|------|-------------|-----|--|-----|
| | 1001091974 | Ref | AC BOX AT PLATFORM INSTALLATION - 220V CEE7 2X4 BOX SIDE GROUND | F |
| 1 | 0100020 | AR | Sealant, Pipe | |
| 2 | 0275453 | 1 | Receptacle Box Kit (See Separate Breakdown in this Section) | |
| 3 | 0700408 | 4 | Bolt M4 x 16 | |
| 4 | 3290405 | 4 | Nut M4 | |
| 5 | 1001101197 | 1 | Adapter | |
| 6 | 4811400 | 8 | Washer M4 | |
| 7 | 1001101191 | 1 | Connector, Strain Relief | |
| 8 | 0641416 | 2 | Bolt 1/4 x 2 | |
| 9 | 3311405 | 2 | Nut 1/4 | |
| 10 | 4711400 | 4 | Washer 1/4 | |
| 11 | 1001193018 | 1 | Bracket | |
| 12 | 3251242 | 2 | Decal - 240V/50Hz | |
| 13 | 4460806 | 2 | Terminal, Fork (Not Shown) | |
| 14 | 1001205958 | 1 | Terminal (Not Shown) | |

SECTION 8 - ELECTRICAL

FIGURE 8-14. AC BOX AT PLATFORM INSTALLATION - 220V CEE7 SIDE GROUND (CE & UK CA SPECS) (MACHINES WITH 4000W GENERATOR)



ART_1001206251

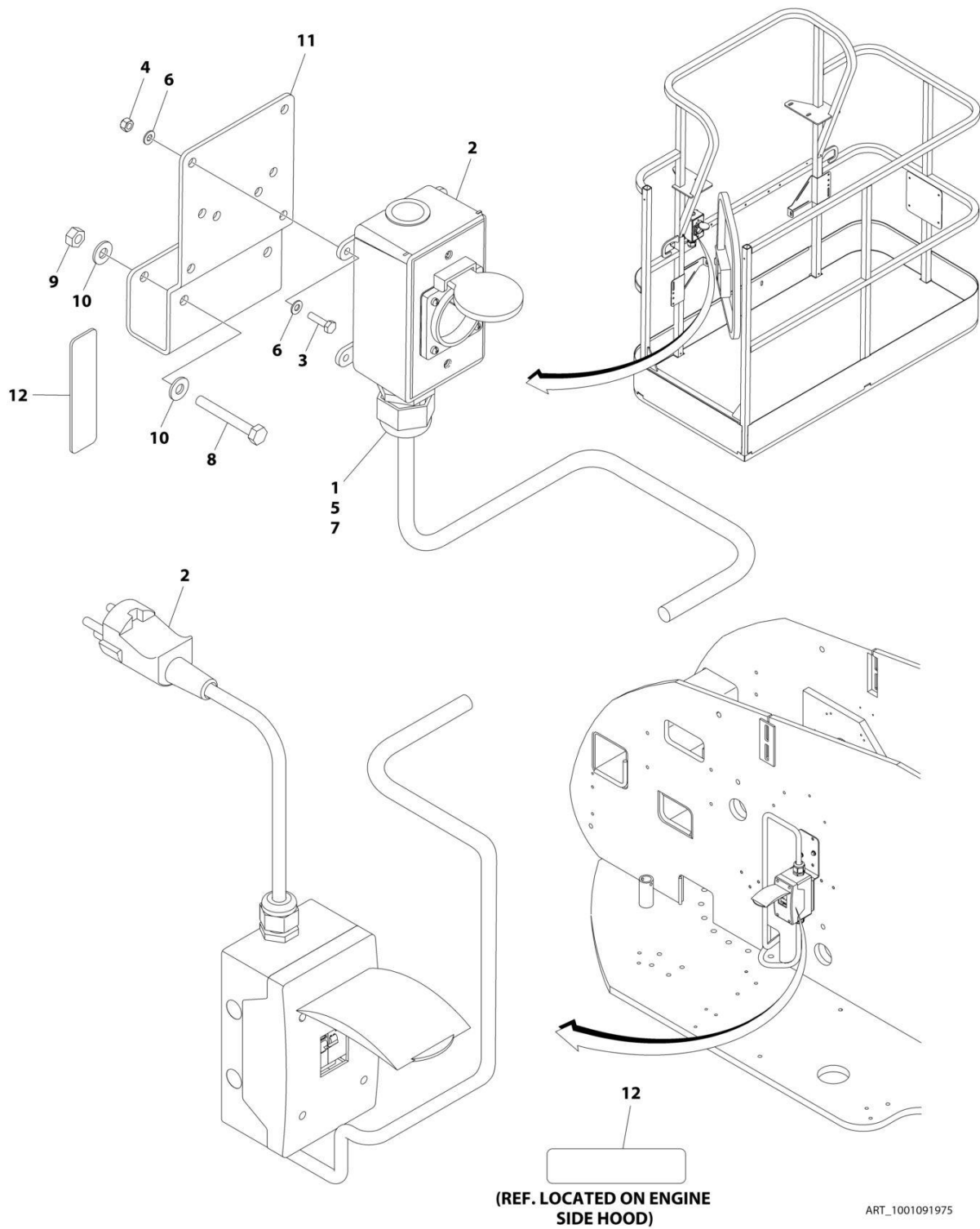
SECTION 8 - ELECTRICAL

FIGURE 8-14. AC BOX AT PLATFORM INSTALLATION - 220V CEE7 SIDE GROUND (CE & UK CA SPECS) (MACHINES WITH 4000W GENERATOR)

| ITEM | PART NUMBER | QTY | DESCRIPTION | REV |
|------|-------------|-----|--|-----|
| | 1001206251 | Ref | AC BOX AT PLATFORM INSTALLATION - 220V CEE7 2X4 BOX SIDE GROUND | A |
| 1 | 0100020 | AR | Sealant, Pipe | |
| 2 | 0641416 | 2 | Bolt 1/4 x 2 | |
| 3 | 0700408 | 4 | Bolt M4 x 16 | |
| 4 | 0861731 | 1 | Box, Switch | |
| 5 | 3251242 | 1 | Decal - 240V/50Hz | |
| 6 | 3290405 | 4 | Nut M4 | |
| 7 | 3311405 | 2 | Nut 1/4 | |
| 8 | 4460806 | 2 | Terminal, Fork (Not Shown) | |
| 9 | 4461245 | 1 | Receptacle | |
| 10 | 4711400 | 4 | Washer 1/4 | |
| 11 | 4811400 | 8 | Washer M4 | |
| 12 | 1001101191 | 1 | Connector, Strain Relief | |
| 13 | 1001101197 | 1 | Adapter | |
| 14 | 1001193018 | 1 | Bracket, AC Receptacle | |
| 15 | 1001205958 | 1 | Terminal (Not Shown) | |

SECTION 8 - ELECTRICAL

FIGURE 8-15. AC BOX AT PLATFORM INSTALLATION - 220V AFSINT 107 KEYED GROUND (CE & UK CA SPECS) (MACHINES WITH 2500W GENERATOR OR NO GENERATOR OPTION)



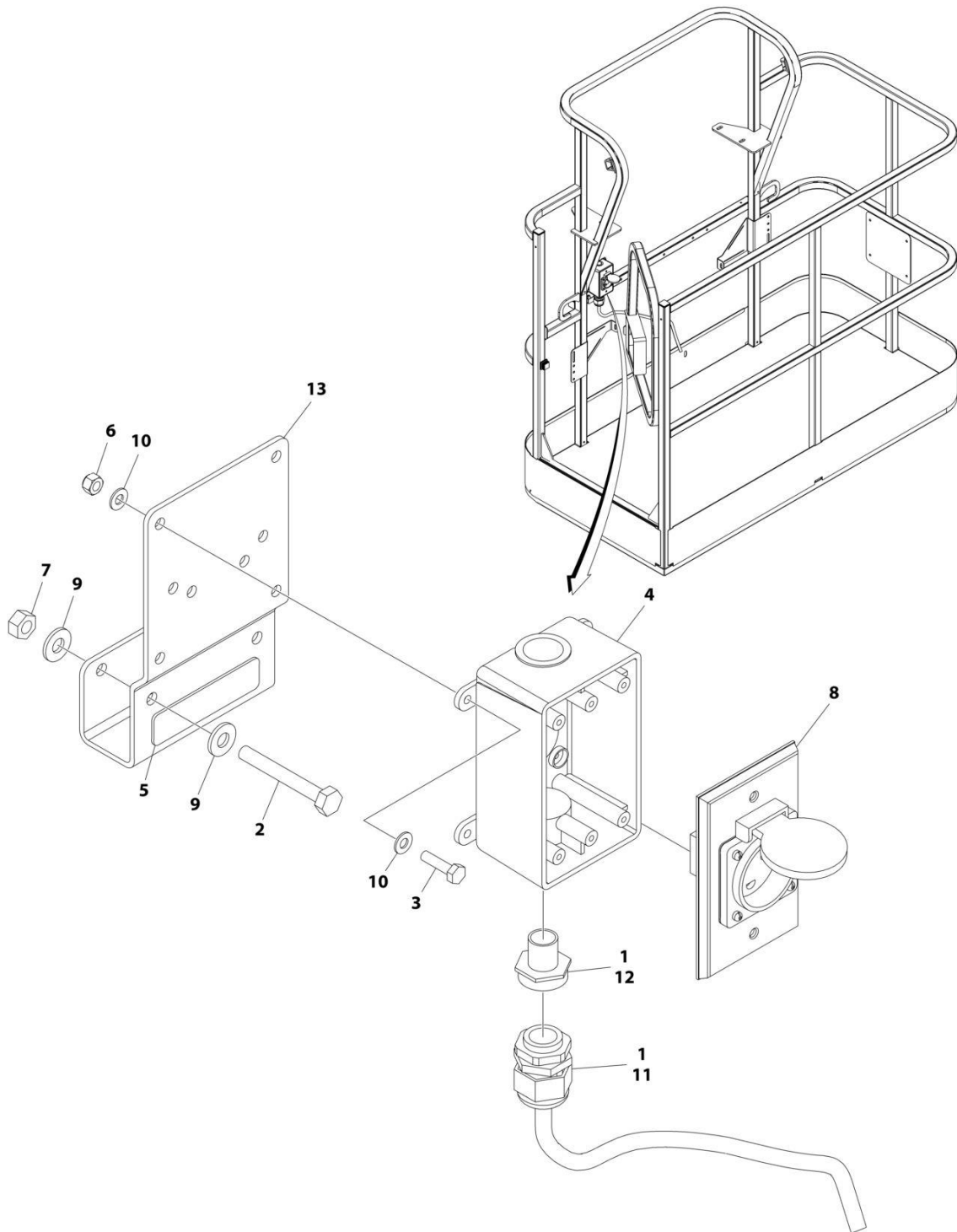
SECTION 8 - ELECTRICAL

FIGURE 8-15. AC BOX AT PLATFORM INSTALLATION - 220V AFSINT 107 KEYED GROUND (CE & UK CA SPECS) (MACHINES WITH 2500W GENERATOR OR NO GENERATOR OPTION)

| ITEM | PART NUMBER | QTY | DESCRIPTION | REV |
|------|-------------|-----|--|-----|
| | 1001091975 | Ref | AC BOX AT PLATFORM INSTALLATION - 220V AFSINT 107 2X4 BOX KEYED GROUND | F |
| 1 | 0100020 | AR | Sealant, Pipe | |
| 2 | 0275454 | 1 | Receptacle Box Kit (See Separate Breakdown in this Section) | |
| 3 | 0700408 | 4 | Bolt M4 x 16 | |
| 4 | 3290405 | 4 | Nut M4 | |
| 5 | 1001101197 | 1 | Adapter | |
| 6 | 4811400 | 8 | Washer M4 | |
| 7 | 1001101191 | 1 | Connector, Strain Relief | |
| 8 | 0641416 | 2 | Bolt 1/4 x 2 | |
| 9 | 3311405 | 2 | Nut 1/4 | |
| 10 | 4711400 | 4 | Washer 1/4 | |
| 11 | 1001193018 | 1 | Bracket | |
| 12 | 3251242 | 2 | Decal - 240V/50Hz | |
| 13 | 1001205958 | 3 | Terminal (Not Shown) | |

SECTION 8 - ELECTRICAL

FIGURE 8-16. AC BOX AT PLATFORM INSTALLATION - 220V AFSINT 107 KEYED GROUND (CE & UK CA SPECS) (MACHINES WITH 4000W GENERATOR)



ART_1001206252

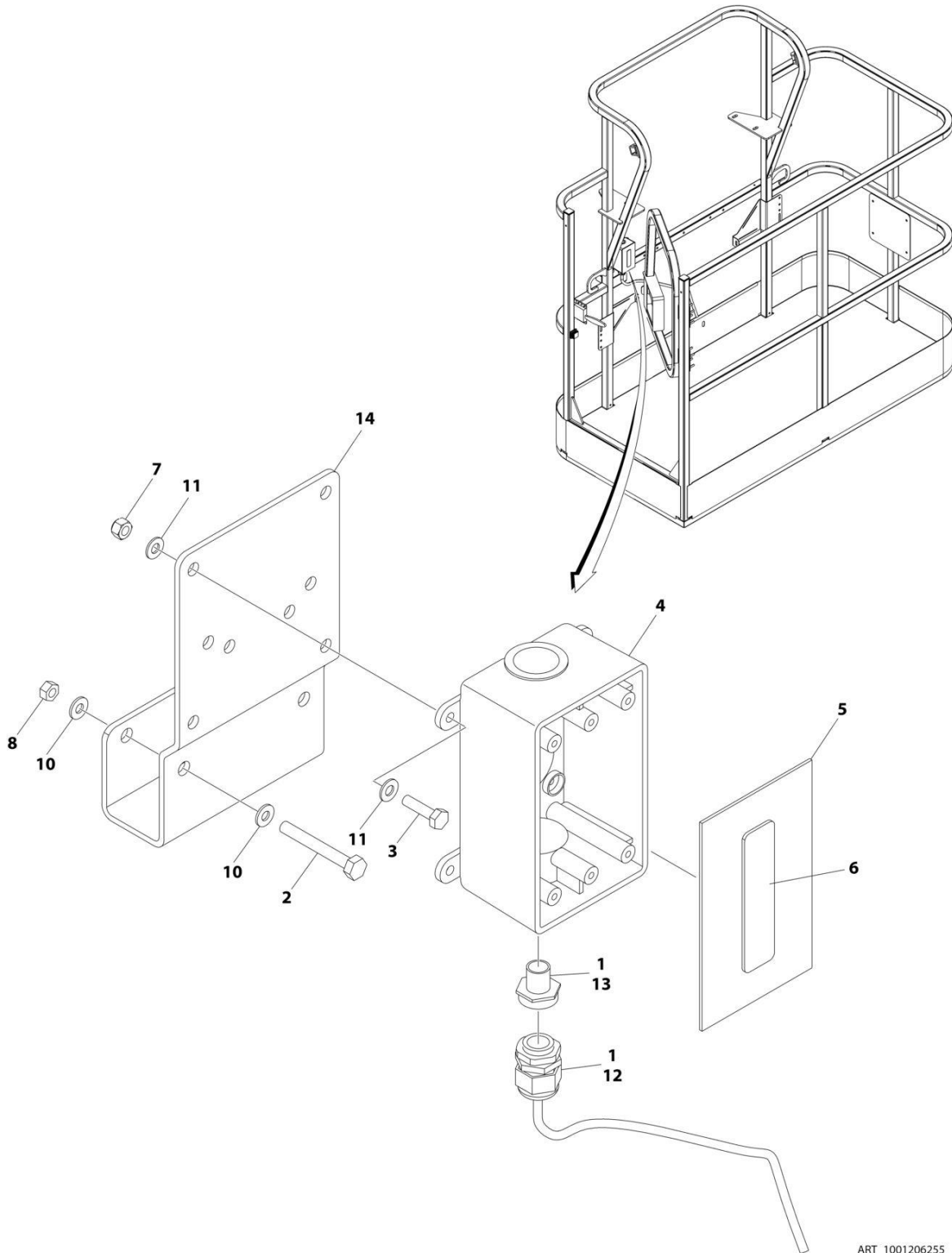
SECTION 8 - ELECTRICAL

FIGURE 8-16. AC BOX AT PLATFORM INSTALLATION - 220V AFSINT 107 KEYED GROUND (CE & UK CA SPECS) (MACHINES WITH 4000W GENERATOR)

| ITEM | PART NUMBER | QTY | DESCRIPTION | REV |
|------|-------------|-----|---|-----|
| | 1001206252 | Ref | AC BOX AT PLATFORM INSTALLATION - 220V AFSINT 107 2x4 BOX KEYED GROUND | A |
| 1 | 0100020 | AR | Sealant, Pipe | |
| 2 | 0641416 | 2 | Bolt 1/4 x 2 | |
| 3 | 0700408 | 4 | Bolt M4 x 16 | |
| 4 | 0861731 | 1 | Box, Switch | |
| 5 | 3251242 | 1 | Decal - 240V/50Hz | |
| 6 | 3290405 | 4 | Nut M4 | |
| 7 | 3311405 | 2 | Nut 1/4 | |
| 8 | 4461246 | 1 | Receptacle | |
| 9 | 4711400 | 4 | Washer 1/4 | |
| 10 | 4811400 | 8 | Washer M4 | |
| 11 | 1001101191 | 1 | Connector, Strain Relief | |
| 12 | 1001101197 | 1 | Adapter | |
| 13 | 1001193018 | 1 | Bracket, AC Receptacle | |
| 14 | 1001205958 | 3 | Terminal (Not Shown) | |

SECTION 8 - ELECTRICAL

FIGURE 8-17. AC BOX AT PLATFORM INSTALLATION - 220V (2X4 BOX & COVER ONLY - LOCALLY SUPPLIED RECEPTACLE) (4000W GENERATOR)



ART_1001206255

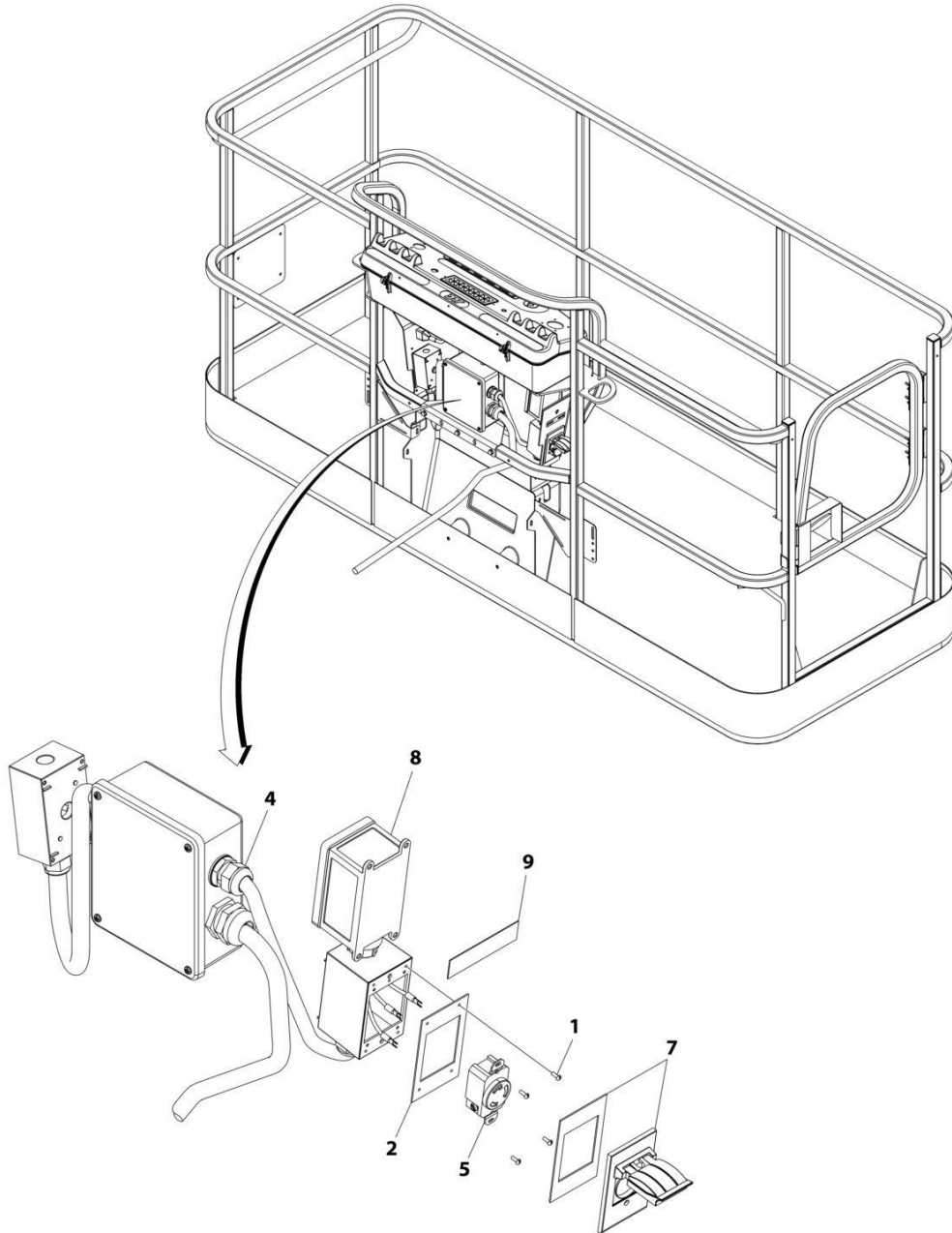
SECTION 8 - ELECTRICAL

FIGURE 8-17. AC BOX AT PLATFORM INSTALLATION - 220V (2X4 BOX & COVER ONLY - LOCALLY SUPPLIED RECEPTACLE) (4000W GENERATOR)

| ITEM | PART NUMBER | QTY | DESCRIPTION | REV |
|------|-------------|-----|---|-----|
| | 1001206255 | Ref | AC BOX AT PLATFORM INSTALLATION - BOX WITH COVER (2X4 BOX) WITH 4000W GENERATOR | A |
| 1 | 0100020 | AR | Sealant, Pipe | |
| 2 | 0641416 | 2 | Bolt 1/4 x 2 | |
| 3 | 0700408 | 4 | Bolt M4 x 16 | |
| 4 | 0861731 | 1 | Box, Switch | |
| 5 | 1670603 | 1 | Cover | |
| 6 | 3251242 | 1 | Decal - 240V-50Hz | |
| 7 | 3290405 | 4 | Nut M4 | |
| 8 | 3311405 | 2 | Nut 1/4 | |
| 10 | 4711400 | 4 | Washer 1/4 | |
| 11 | 4811400 | 8 | Washer M4 | |
| 12 | 1001101191 | 1 | Connector, Strain Relief | |
| 13 | 1001101197 | 1 | Adapter | |
| 14 | 1001193018 | 1 | Bracket, AC Receptacle | |

SECTION 8 - ELECTRICAL

FIGURE 8-18. AC BOX AT PLATFORM INSTALLATION - 240V GFCI RECEPTACLE (ALL SPECS EXCEPT CE, UK CA, AUSTRALIAN & CHINESE SPECS WITH 4000W SKYPOWER GENERATOR)



ART_1001171131

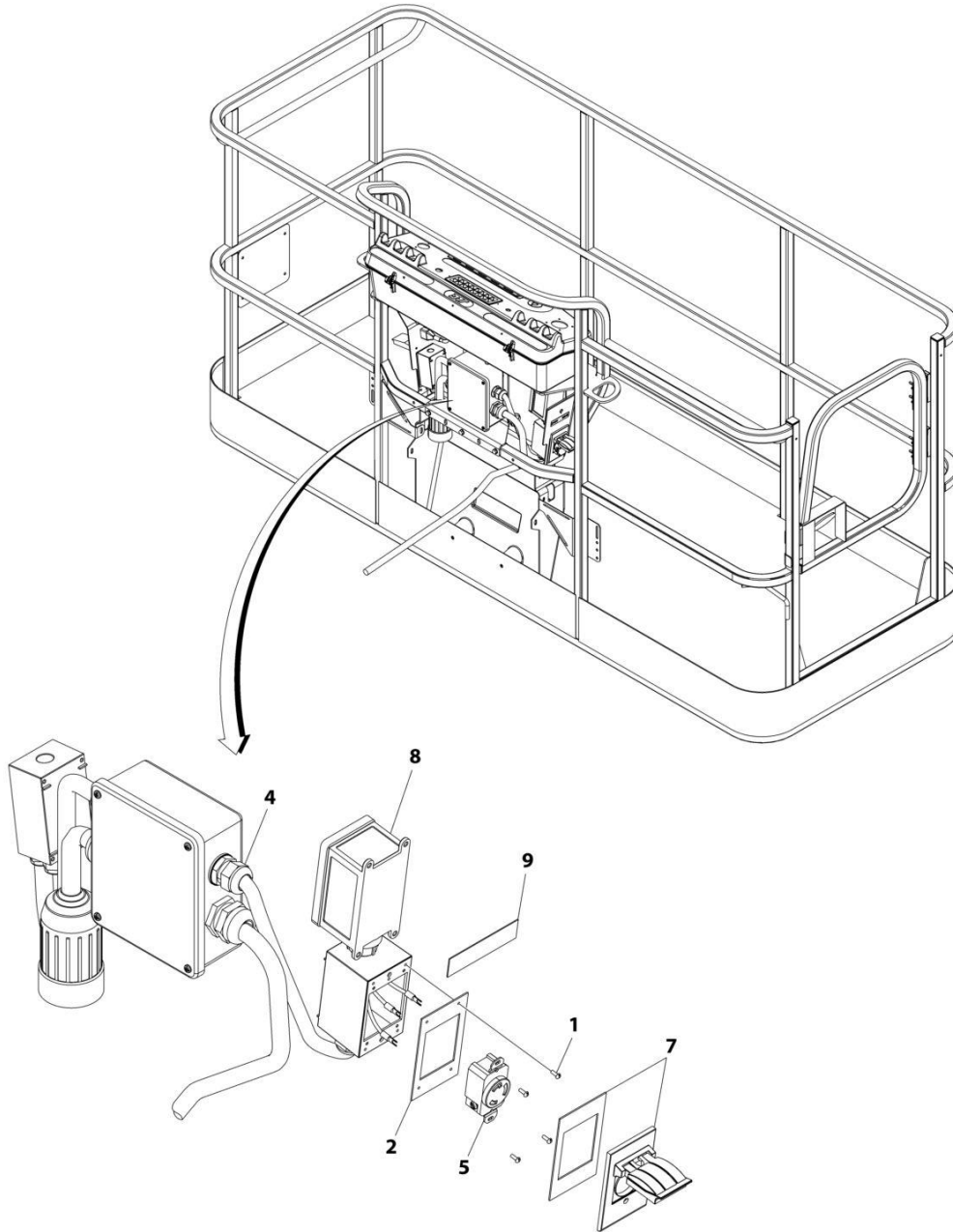
SECTION 8 - ELECTRICAL

FIGURE 8-18. AC BOX AT PLATFORM INSTALLATION - 240V GFCI RECEPTACLE (ALL SPECS EXCEPT CE, UK CA, AUSTRALIAN & CHINESE SPECS WITH 4000W SKYPOWER GENERATOR)

| ITEM | PART NUMBER | QTY | DESCRIPTION | REV |
|------|-------------|-----|---|-----|
| | 1001171131 | Ref | AC BOX AT PLATFORM INSTALLATION - 240V RECEPTACLE | B |
| 1 | 3910606 | 4 | Screw 6 x 3/8 | |
| 2 | 3960422 | 1 | Gasket | |
| 3 | 4240018 | AR | Tie-Strap (Not Shown) | |
| 4 | 4460425 | 1 | Connector, Strain Relief | |
| 5 | 1001176862 | 1 | Receptacle | |
| 7 | 1001110872 | 1 | Cover, Receptacle | |
| 8 | 1001159120 | 1 | Receptacle/Breaker Box Assembly | |
| 8 | 1001148675 | 1 | Box, Receptacle | |
| 8 | 1001159118 | 1 | Breaker GFCI 30Amp 240VAC | |
| 8 | 4460612 | 1 | Connector, Strain Relief | |
| 8 | 1001159119 | 1 | Connector (Between Boxes) | |
| 9 | 1705374 | 1 | Decal - 240V/60Hz | |

SECTION 8 - ELECTRICAL

FIGURE 8-19. AC BOX AT PLATFORM INSTALLATION - 240V GFCI RECEPTACLE (ALL SPECS EXCEPT CE, UK CA, AUSTRALIAN & CHINESE SPECS WITH 7500W SKYPOWER GENERATOR)



ART_1001159121

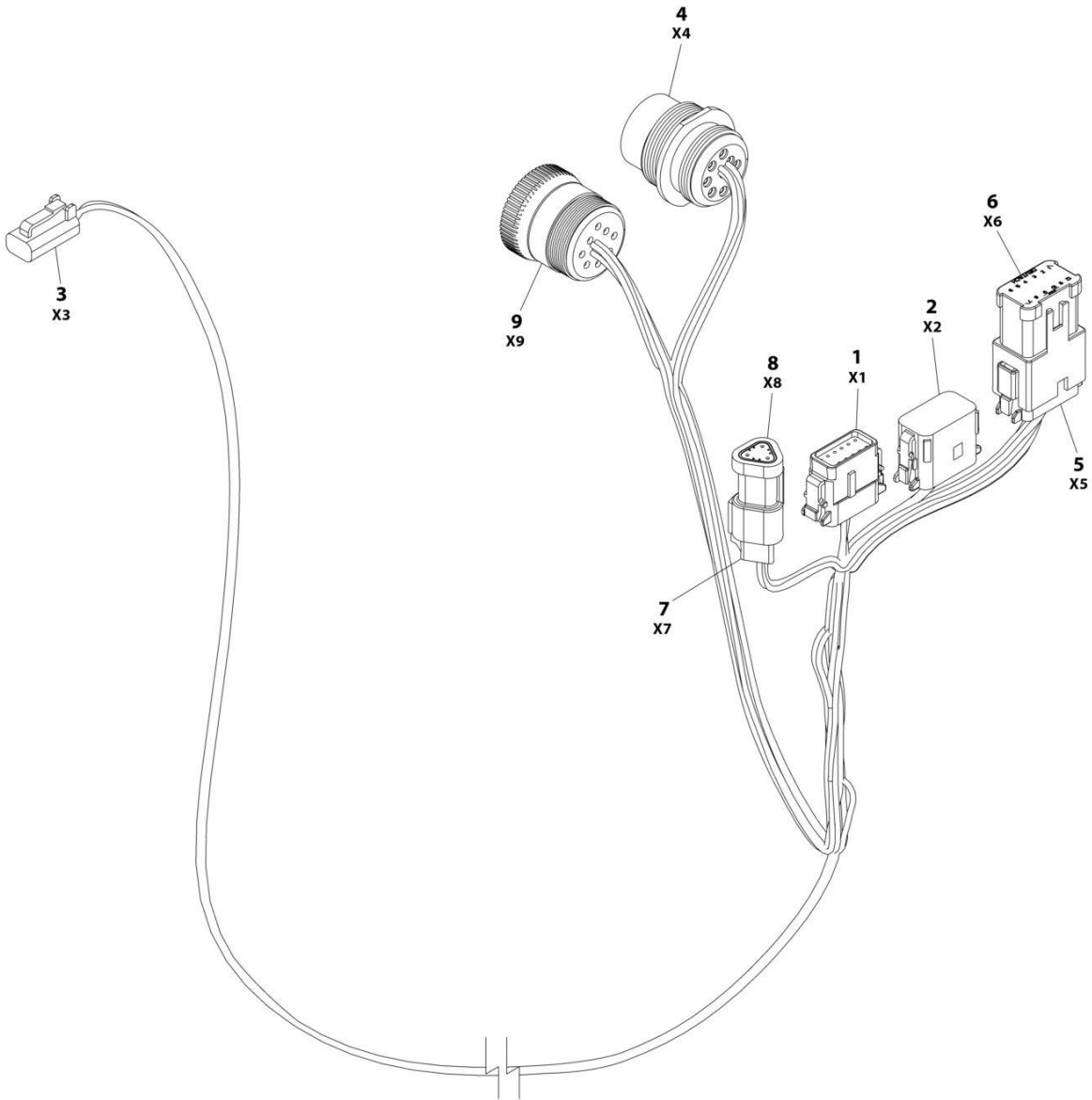
SECTION 8 - ELECTRICAL

FIGURE 8-19. AC BOX AT PLATFORM INSTALLATION - 240V GFCI RECEPTACLE (ALL SPECS EXCEPT CE, UK CA, AUSTRALIAN & CHINESE SPECS WITH 7500W SKYPOWER GENERATOR)

| ITEM | PART NUMBER | QTY | DESCRIPTION | REV |
|------|-------------|-----|---|-----|
| | 1001159121 | Ref | AC BOX AT PLATFORM INSTALLATION - 240V RECEPTACLE | B |
| 1 | 3910606 | 4 | Screw 6 x 3/8 | |
| 2 | 3960422 | 1 | Gasket | |
| 3 | 4240018 | AR | Tie-Strap (Not Shown) | |
| 4 | 4460425 | 1 | Connector, Strain Relief | |
| 5 | 4460958 | 1 | Receptacle | |
| 7 | 1001110872 | 1 | Cover, Receptacle | |
| 8 | 1001159120 | 1 | Receptacle/Breaker Box Assembly | |
| 8 | 1001148675 | 1 | Box, Receptacle | |
| 8 | 1001159118 | 1 | Breaker Box Assembly | |
| 8 | 4460612 | 1 | Connector, Strain Relief | |
| 8 | 1001159119 | 1 | Connector (Between Boxes) | |
| 9 | 1705374 | 1 | Decal - 240V/60Hz | |

SECTION 8 - ELECTRICAL

FIGURE 8-20. BEACON CONTROL HARNESS (BLUE AND RED STROBE LIGHTS)



ART_1001142736

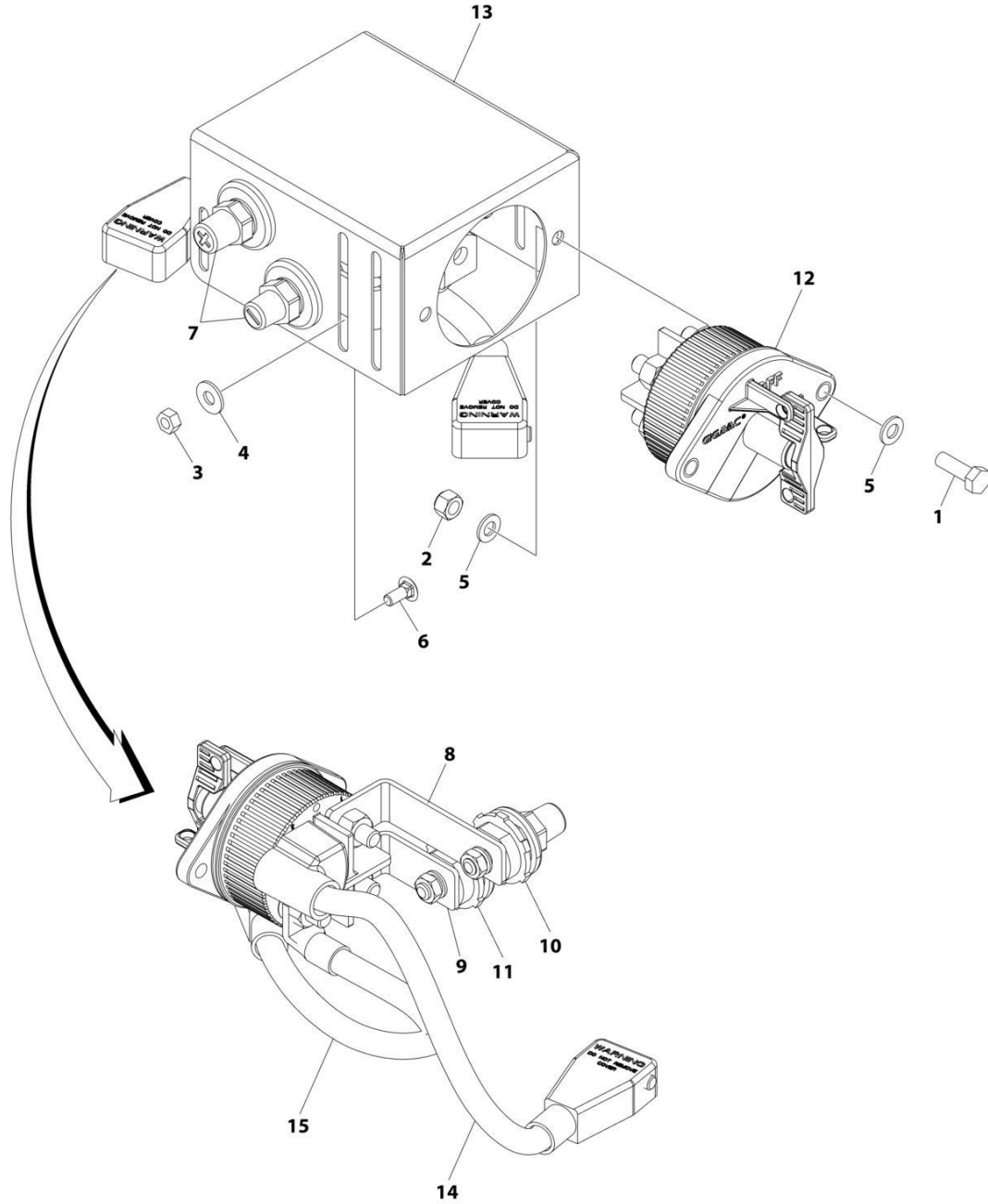
SECTION 8 - ELECTRICAL

FIGURE 8-20. BEACON CONTROL HARNESS (BLUE AND RED STROBE LIGHTS)

| ITEM | PART NUMBER | QTY | DESCRIPTION | REV |
|------|-------------|-----|--------------------------|-----|
| | 1001142736 | Ref | STROBE LIGHT HARNESS | F |
| 1 | 1001116808 | 1 | Plug, Male - 12 Position | |
| 1 | 4460928 | 3 | Socket, Female | |
| 1 | 4460518 | 9 | Plug, Terminal | |
| 2 | 1001116774 | 1 | Plug, Male - 12 Position | |
| 2 | 4460928 | 3 | Socket, Female | |
| 2 | 4460518 | 9 | Plug, Terminal | |
| 3 | 4460891 | 1 | Plug, Male - 2 Position | |
| 3 | 4460465 | 2 | Socket, Female | |
| 4 | 1001112612 | 1 | Connector - 9 Position | |
| 4 | 4460464 | 6 | Pin, Male | |
| 4 | 4460466 | 3 | Plug, Terminal | |
| 5 | 4460933 | 1 | Plug, Male - 12 Position | |
| 5 | 4460465 | 12 | Socket, Female | |
| 6 | 1001119020 | 1 | Bussbar - 12 Position | |
| 7 | 4461095 | 1 | Plug, Male - 3 Position | |
| 7 | 4460465 | 3 | Socket, Female | |
| 8 | 4461070 | 1 | Bussbar - 3 Position | |
| 9 | 1001112796 | 1 | Connector - 9 Position | |
| 9 | 4460465 | 6 | Socket, Female | |
| 9 | 4460466 | 3 | Plug, Terminal | |

SECTION 8 - ELECTRICAL

FIGURE 8-21. BATTERY DISCONNECT



ART_1001236304

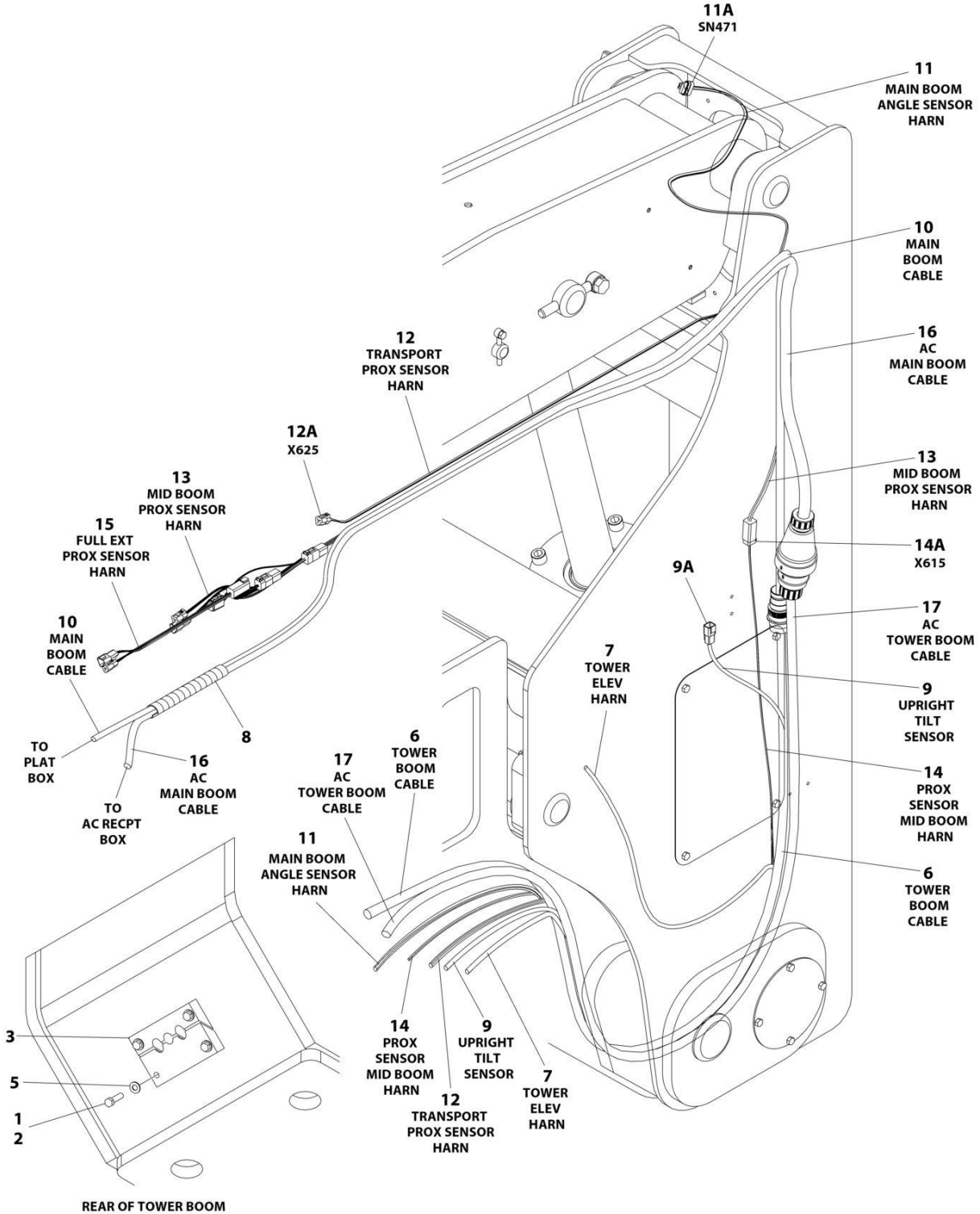
SECTION 8 - ELECTRICAL

FIGURE 8-21. BATTERY DISCONNECT

| ITEM | PART NUMBER | QTY | DESCRIPTION | REV |
|------|-------------|-----|--|-----|
| | 1001236304 | Ref | BATTERY DISCONNECT SWITCH INSTALLATION | A |
| 1 | 0760812 | 2 | Bolt M8 x 25 | |
| 2 | 3290805 | 2 | Nut M8 | |
| 3 | 3311405 | 3 | Nut 1/4 | |
| 4 | 4751400 | 3 | Washer 1/4 | |
| 5 | 4811900 | 4 | Washer M8 | |
| 6 | 88411013 | 3 | Bolt 1/4 x 3/4 | |
| 7 | 1001206476 | 1 | Connectors, Post | |
| 8 | 1001209432 | 1 | Bussbar | |
| 9 | 1001209474 | 1 | Bussbar | |
| 10 | 1001214570 | 1 | Connector (Red) | |
| 11 | 1001214571 | 1 | Connector (Black) | |
| 12 | 1001225346 | 1 | Switch, Battery | |
| 13 | 1001226531 | 1 | Mount | |
| 14 | 1001236504 | 1 | Cable, Battery (+) | |
| 15 | 1001236505 | 1 | Cable, Battery (-) | |

SECTION 8 - ELECTRICAL

FIGURE 8-22. BOOM CABLES INSTALLATION - WITH 2500W GENERATOR



ART_1001257902

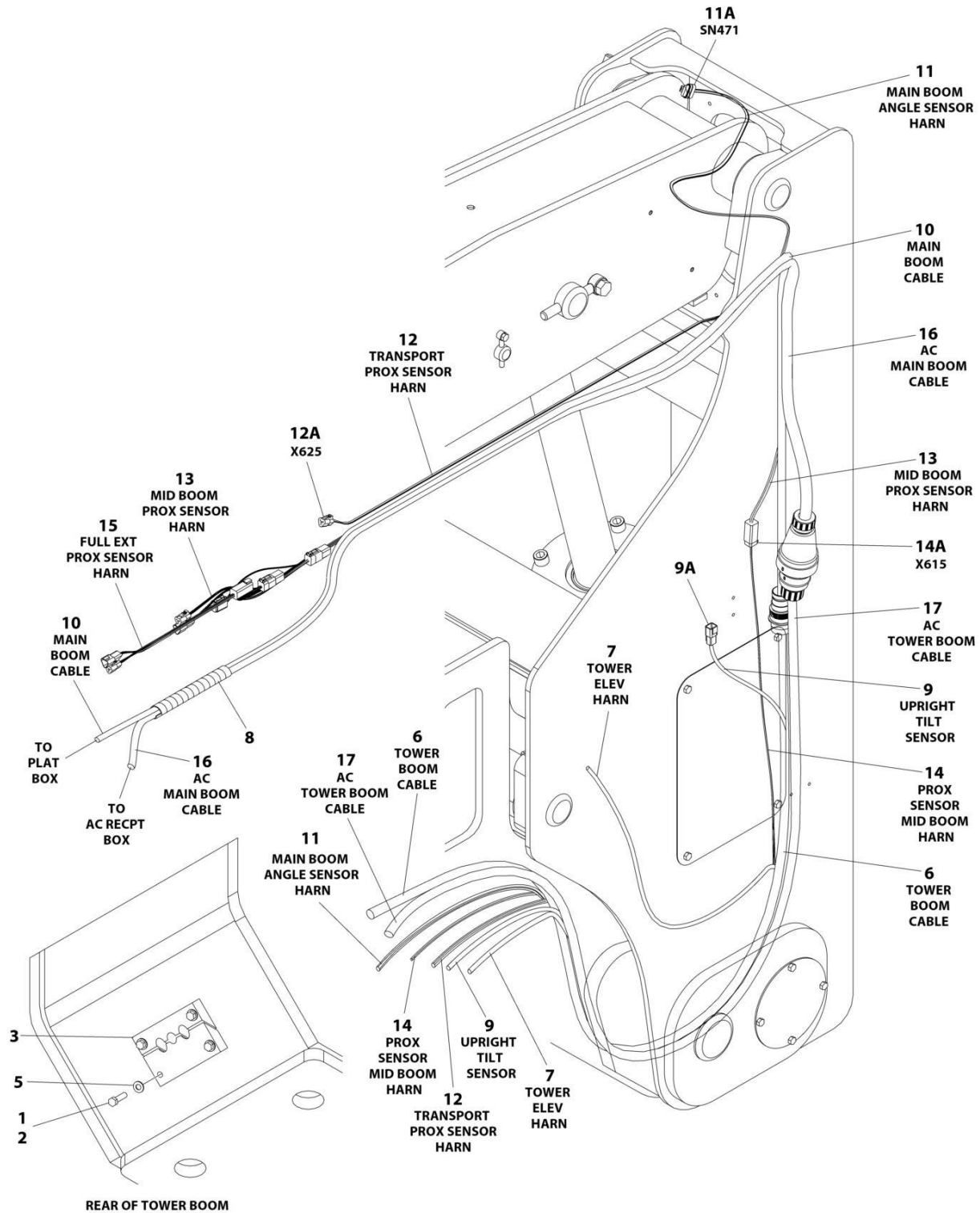
SECTION 8 - ELECTRICAL

FIGURE 8-22. BOOM CABLES INSTALLATION - WITH 2500W GENERATOR

| ITEM | PART NUMBER | QTY | DESCRIPTION | REV |
|------|-------------|-----|---|-----|
| | 1001257902 | Ref | BOOM CABLES INSTALLATION | A |
| 1 | 0100011 | AR | Compound, Locking | |
| 2 | 0641612 | 4 | Bolt 3/8 x 1-1/2 | |
| 3 | 1320256 | 1 | Clamp, Block | |
| 4 | 4240033 | 3 | Tie, Cable (Not Shown) | |
| 5 | 4711600 | 4 | Washer 3/8 | |
| 6 | 4922576 | 1 | Boom Cable - Tower Boom (See Separate Breakdown in this Section) | |
| 7 | 4922578 | 1 | Harness, Tower Boom Elevation Limit Switch | |
| 8 | 1001181923 | 1 | Shield, Cable/Hose | |
| 9 | 1001227359 | 1 | Harness, Tilt Sensor Harness | |
| 9 | 4460944 | 3 | Socket, Female (at GC Box) | |
| 9A | 1001097051 | 1 | Connector - 4 Position | |
| 9A | 1001097082 | 1 | Terminal | |
| 9A | 4460518 | 1 | Plug, Terminal | |
| 10 | 1001227488 | 1 | Boom Cable - Main Boom (See Separate Breakdown in this Section) | |
| 11 | 1001258707 | 1 | Harness, Main Boom Angle Sensor | |
| 11A | 1001230931 | 1 | Connector - 6 Position | |
| 11A | 1001116748 | 6 | Terminal | |
| 12 | 1001258708 | 1 | Harness, Transport Proximity Sensor | |
| 12A | 4460539 | 1 | Plug, Male - 3 Position | |
| 12A | 4460465 | 3 | Socket, Female | |
| 13 | 1001258709 | 1 | Harness, Mid Boom Proximity Sensor (Main Boom) (See Separate Breakdown in this Section) | |
| 14 | 1001258710 | 1 | Cable, Middle Boom Proximity Sensor, Lower | |
| 14A | 4460894 | 1 | Plug, Male - 6 Position | |
| 14A | 4460465 | 6 | Socket, Female | |
| 15 | 1001258711 | 1 | Cable, Full Extension Proximity Sensor | |
| 16 | 4922218 | 1 | AC Cable, 10/3 (Main Boom) | |
| 17 | 4922220 | 1 | AC Cable, 10/3 (Tower Boom) | |

SECTION 8 - ELECTRICAL

FIGURE 8-23. BOOM CABLES INSTALLATION - WITH 4000W GENERATOR (50HZ)



ART_1001257902

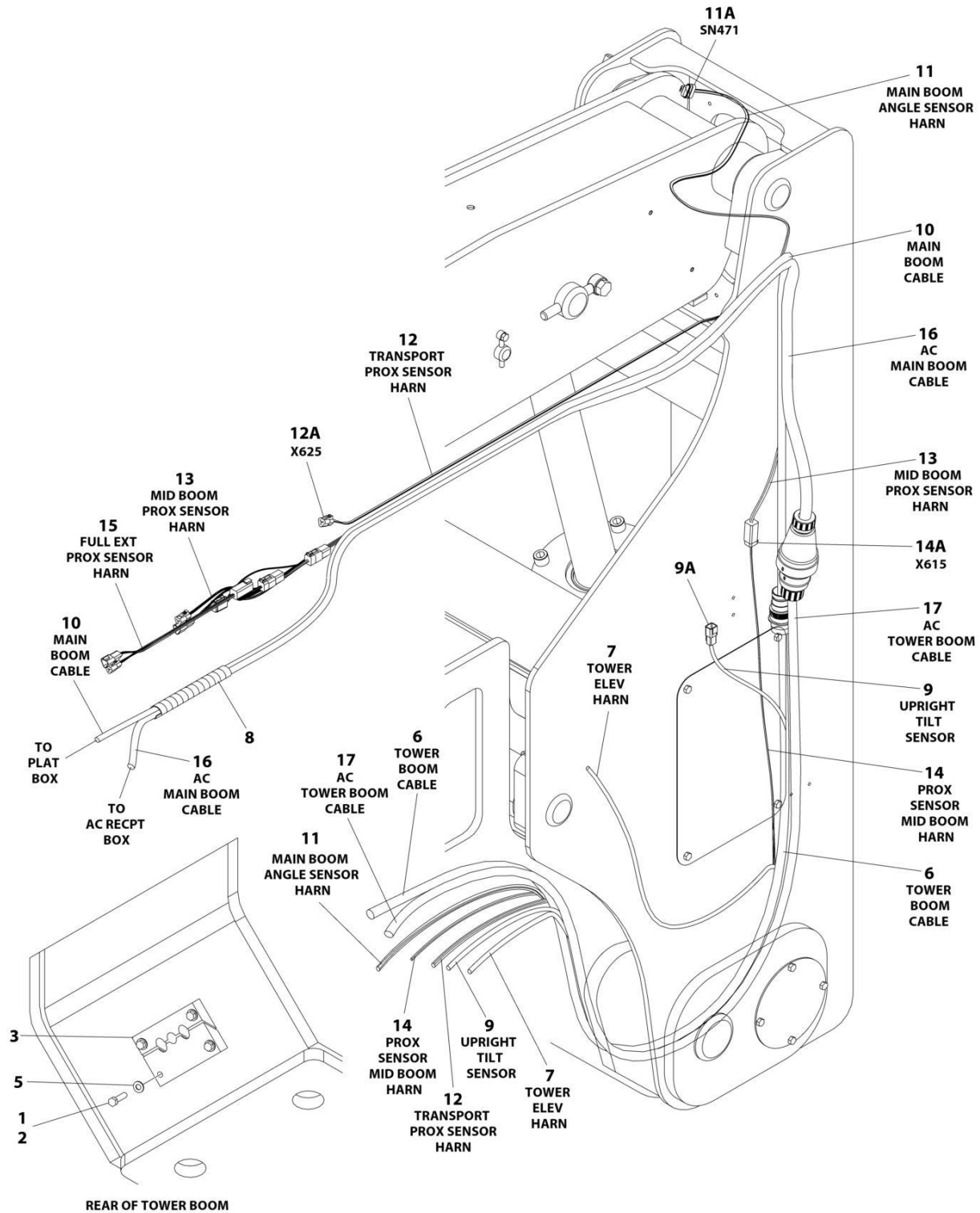
SECTION 8 - ELECTRICAL

FIGURE 8-23. BOOM CABLES INSTALLATION - WITH 4000W GENERATOR (50HZ)

| ITEM | PART NUMBER | QTY | DESCRIPTION | REV |
|------|-------------|-----|---|-----|
| | 1001257902 | Ref | BOOM CABLES INSTALLATION | A |
| 1 | 0100011 | AR | Compound, Locking | |
| 2 | 0641612 | 4 | Bolt 3/8 x 1-1/2 | |
| 3 | 1320256 | 1 | Clamp, Block | |
| 4 | 4240033 | 3 | Tie, Cable (Not Shown) | |
| 5 | 4711600 | 4 | Washer 3/8 | |
| 6 | 4922576 | 1 | Boom Cable - Tower Boom (See Separate Breakdown in this Section) | |
| 7 | 4922578 | 1 | Harness, Tower Boom Elevation Limit Switch | |
| 8 | 1001181923 | 1 | Shield, Cable/Hose | |
| 9 | 1001227359 | 1 | Harness, Tilt Sensor Harness | |
| 9 | 4460944 | 3 | Socket, Female (at GC Box) | |
| 9A | 1001097051 | 1 | Connector - 4 Position | |
| 9A | 1001097082 | 1 | Terminal | |
| 9A | 4460518 | 1 | Plug, Terminal | |
| 10 | 1001227488 | 1 | Boom Cable - Main Boom (See Separate Breakdown in this Section) | |
| 11 | 1001258707 | 1 | Harness, Main Boom Angle Sensor | |
| 11A | 1001230931 | 1 | Connector - 6 Position | |
| 11A | 1001116748 | 6 | Terminal | |
| 12 | 1001258708 | 1 | Harness, Transport Proximity Sensor | |
| 12A | 4460539 | 1 | Plug, Male - 3 Position | |
| 12A | 4460465 | 3 | Socket, Female | |
| 13 | 1001258709 | 1 | Harness, Mid Boom Proximity Sensor (Main Boom) (See Separate Breakdown in this Section) | |
| 14 | 1001258710 | 1 | Cable, Middle Boom Proximity Sensor, Lower | |
| 14A | 4460894 | 1 | Plug, Male - 6 Position | |
| 14A | 4460465 | 6 | Socket, Female | |
| 15 | 1001258711 | 1 | Cable, Full Extension Proximity Sensor | |
| 16 | 4922218 | 1 | AC Cable, 10/3 (Main Boom) | |
| 17 | 4922220 | 1 | AC Cable, 10/3 (Tower Boom) | |

SECTION 8 - ELECTRICAL

FIGURE 8-24. BOOM CABLES INSTALLATION - WITH 4000W GENERATOR (60HZ)



ART_1001257904

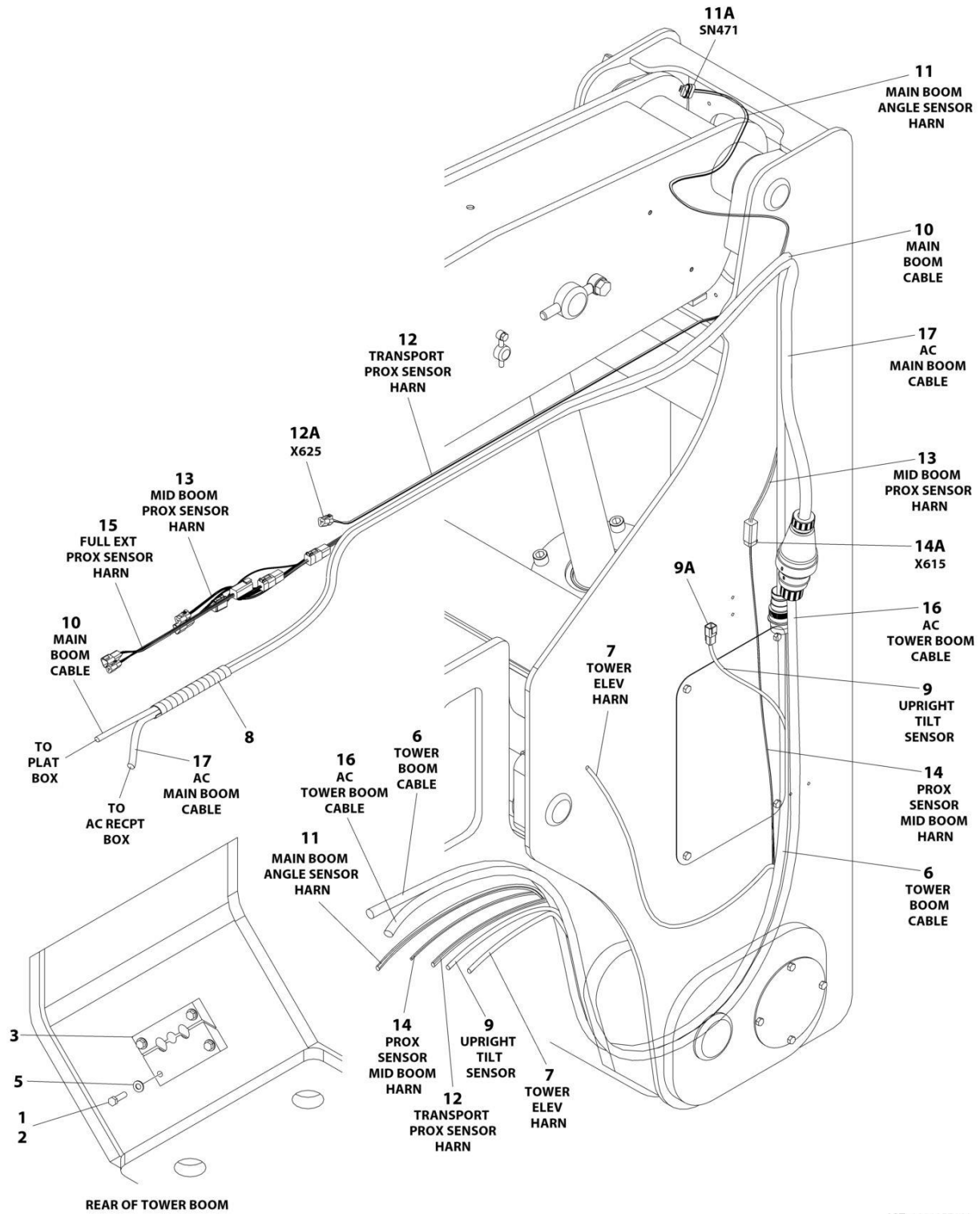
SECTION 8 - ELECTRICAL

FIGURE 8-24. BOOM CABLES INSTALLATION - WITH 4000W GENERATOR (60HZ)

| ITEM | PART NUMBER | QTY | DESCRIPTION | REV |
|------|-------------|-----|---|-----|
| | 1001257904 | Ref | BOOM CABLES INSTALLATION | A |
| 1 | 0100011 | AR | Compound, Locking | |
| 2 | 0641612 | 4 | Bolt 3/8 x 1-1/2 | |
| 3 | 1320256 | 1 | Clamp, Block | |
| 4 | 4240033 | 3 | Tie, Cable (Not Shown) | |
| 5 | 4711600 | 4 | Washer 3/8 | |
| 6 | 4922576 | 1 | Boom Cable - Tower Boom (See Separate Breakdown in this Section) | |
| 7 | 4922578 | 1 | Harness, Tower Boom Elevation Limit Switch | |
| 8 | 1001181923 | 1 | Shield, Cable/Hose | |
| 9 | 1001227359 | 1 | Harness, Tilt Sensor Harness | |
| 9 | 4460944 | 3 | Socket, Female (at GC Box) | |
| 9A | 1001097051 | 1 | Connector - 4 Position | |
| 9A | 1001097082 | 1 | Terminal | |
| 9A | 4460518 | 1 | Plug, Terminal | |
| 10 | 1001227488 | 1 | Boom Cable - Main Boom (See Separate Breakdown in this Section) | |
| 11 | 1001258707 | 1 | Harness, Main Boom Angle Sensor | |
| 11A | 1001230931 | 1 | Connector - 6 Position | |
| 11A | 1001116748 | 6 | Terminal | |
| 12 | 1001258708 | 1 | Harness, Transport Proximity Sensor | |
| 12A | 4460539 | 1 | Plug, Male - 3 Position | |
| 12A | 4460465 | 3 | Socket, Female | |
| 13 | 1001258709 | 1 | Harness, Mid Boom Proximity Sensor (Main Boom) (See Separate Breakdown in this Section) | |
| 14 | 1001258710 | 1 | Cable, Middle Boom Proximity Sensor, Lower | |
| 14A | 4460894 | 1 | Plug, Male - 6 Position | |
| 14A | 4460465 | 6 | Socket, Female | |
| 15 | 1001258711 | 1 | Cable, Full Extension Proximity Sensor | |
| 16 | 1001156695 | 1 | AC Cable, 10/4 (Main Boom) | |
| 17 | 1001156693 | 1 | AC Cable, 10/4 (Tower Boom) | |

SECTION 8 - ELECTRICAL

FIGURE 8-25. BOOM CABLES INSTALLATION - WITH 7500W SKYPOWER GENERATOR



ART_1001257903

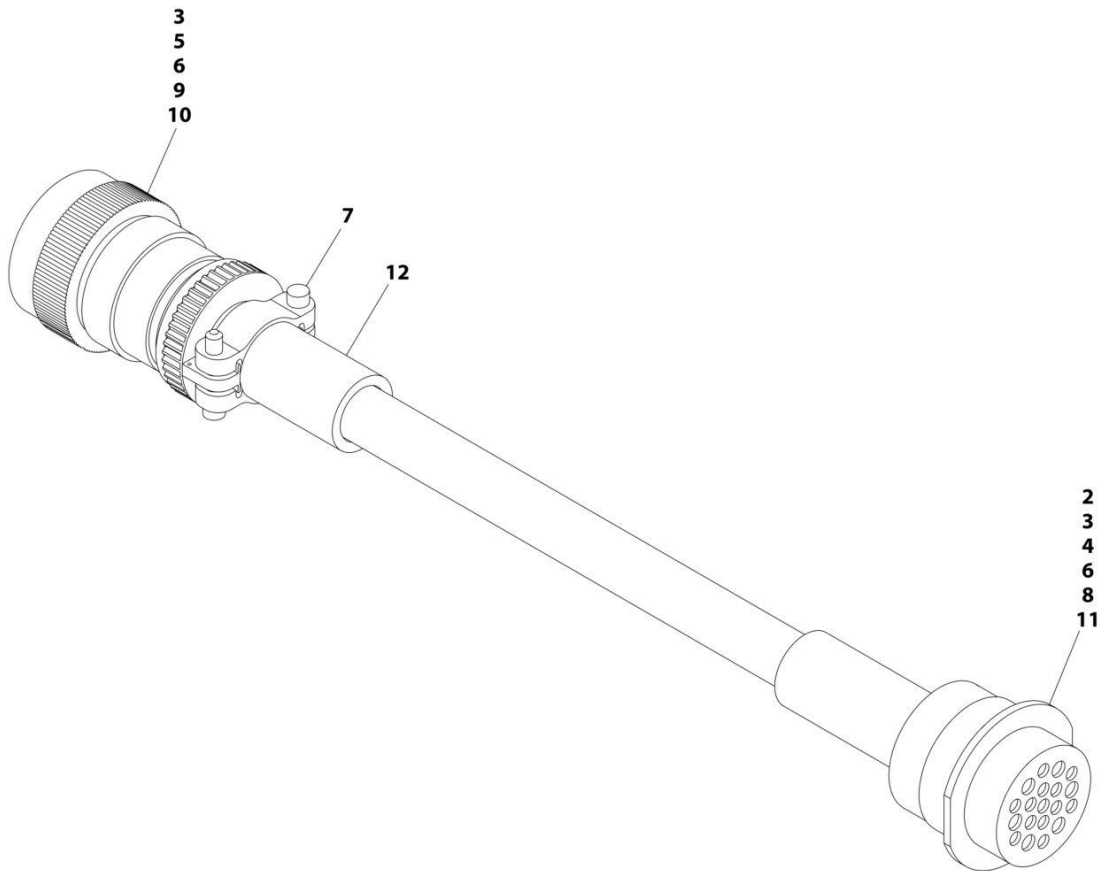
SECTION 8 - ELECTRICAL

FIGURE 8-25. BOOM CABLES INSTALLATION - WITH 7500W SKYPOWER GENERATOR

| ITEM | PART NUMBER | QTY | DESCRIPTION | REV |
|------|-------------|-----|---|-----|
| | 1001257903 | Ref | BOOM CABLES INSTALLATION | A |
| 1 | 0100011 | AR | Compound, Locking | |
| 2 | 0641612 | 4 | Bolt 3/8 x 1-1/2 | |
| 3 | 1320256 | 1 | Clamp, Block | |
| 4 | 4240033 | 3 | Tie, Cable (Not Shown) | |
| 5 | 4711600 | 4 | Washer 3/8 | |
| 6 | 4922576 | 1 | Boom Cable - Tower Boom (See Separate Breakdown in this Section) | |
| 7 | 4922578 | 1 | Harness, Tower Boom Elevation Limit Switch | |
| 8 | 1001181923 | 1 | Shield, Cable/Hose | |
| 9 | 1001227359 | 1 | Harness, Tilt Sensor Harness | |
| 9 | 4460944 | 3 | Socket, Female (at GC Box) | |
| 9A | 1001097051 | 1 | Connector - 4 Position | |
| 9A | 1001097082 | 1 | Terminal | |
| 9A | 4460518 | 1 | Plug, Terminal | |
| 10 | 1001227488 | 1 | Boom Cable - Main Boom (See Separate Breakdown in this Section) | |
| 11 | 1001258707 | 1 | Harness, Main Boom Angle Sensor | |
| 11A | 1001230931 | 1 | Connector - 6 Position | |
| 11A | 1001116748 | 6 | Terminal | |
| 12 | 1001258708 | 1 | Harness, Transport Proximity Sensor | |
| 12A | 4460539 | 1 | Plug, Male - 3 Position | |
| 12A | 4460465 | 3 | Socket, Female | |
| 13 | 1001258709 | 1 | Harness, Mid Boom Proximity Sensor (Main Boom) (See Separate Breakdown in this Section) | |
| 14 | 1001258710 | 1 | Cable, Middle Boom Proximity Sensor, Lower | |
| 14A | 4460894 | 1 | Plug, Male - 6 Position | |
| 14A | 4460465 | 6 | Socket, Female | |
| 15 | 1001258711 | 1 | Cable, Full Extension Proximity Sensor | |
| 16 | 1001125125 | 1 | AC Cable, 8/5 (Tower Boom) | |
| 17 | 1001125127 | 1 | AC Cable, 8/5 (Main Boom) | |

SECTION 8 - ELECTRICAL

FIGURE 8-26. BOOM CABLE - MAIN BOOM



ART_1001227488

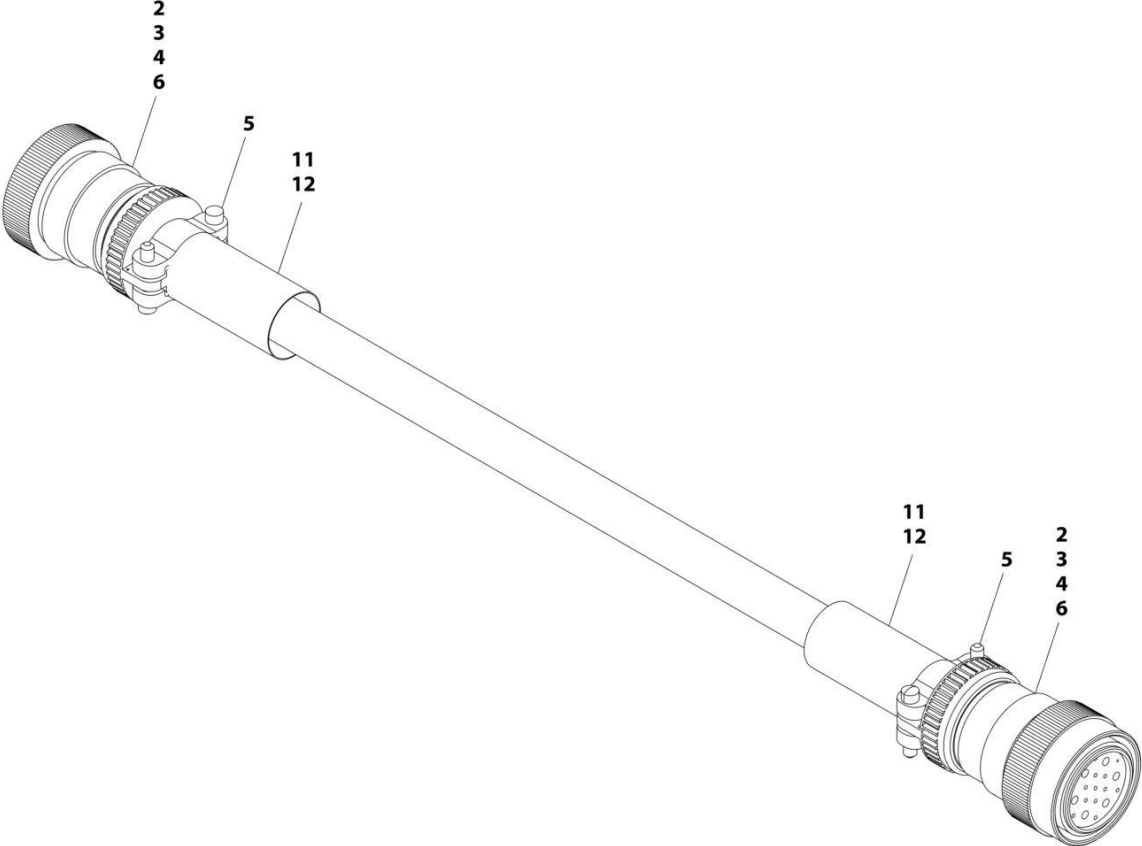
SECTION 8 - ELECTRICAL

FIGURE 8-26. BOOM CABLE - MAIN BOOM

| ITEM | PART NUMBER | QTY | DESCRIPTION | REV |
|------|-------------|-----|-------------------------|-----|
| | 1001227488 | Ref | BOOM CABLE - MAIN BOOM | A |
| 2 | 2820031 | AR | Heatshrink | |
| 3 | 2820118 | AR | Heatshrink, Clear | |
| 4 | 4460464 | 8 | Pin, Male | |
| 5 | 4460465 | 11 | Socket, Female | |
| 6 | 4460466 | 11 | Plug, Terminal | |
| 7 | 4460473 | 1 | Clamp | |
| 8 | 4460508 | 4 | Pin, Male | |
| 9 | 4460509 | 4 | Socket, Female | |
| 10 | 4460865 | 1 | Connector - 19 Position | |
| 11 | 4460866 | 1 | Connector - 19 Position | |
| 12 | 1001226400 | 1 | Insulate, Heatshrink | |

SECTION 8 - ELECTRICAL

FIGURE 8-27. BOOM CABLE (TOWER BOOM)



ART_4922576

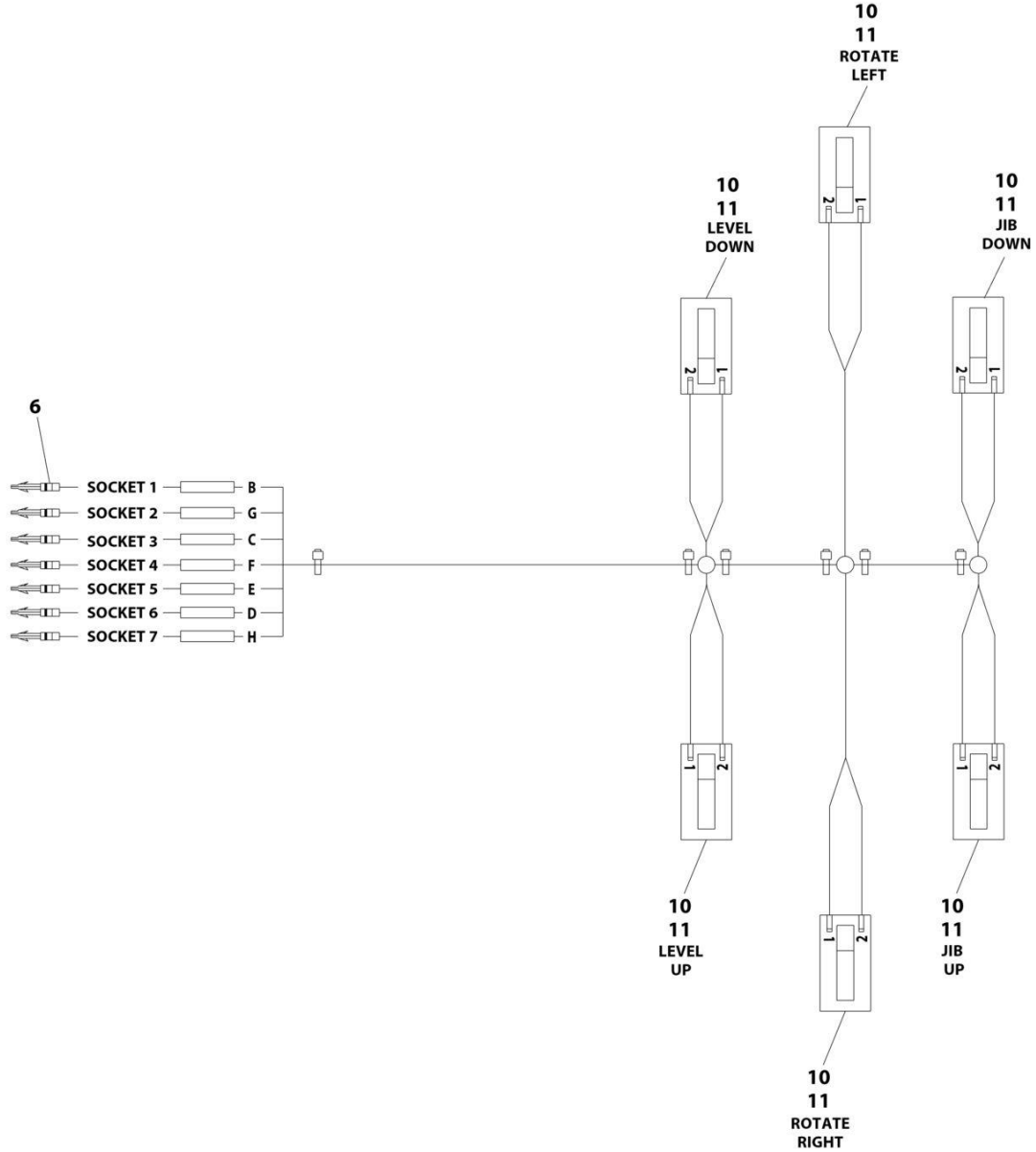
SECTION 8 - ELECTRICAL

FIGURE 8-27. BOOM CABLE (TOWER BOOM)

| ITEM | PART NUMBER | QTY | DESCRIPTION | REV |
|------|-------------|-----|-------------------------|-----|
| | 4922576 | Ref | BOOM CABLE - TOWER BOOM | E |
| 2 | 4460465 | 22 | Socket, Female | |
| 3 | 4460865 | 2 | Connector - 19 Position | |
| 4 | 4460509 | 8 | Socket, Female | |
| 5 | 4460473 | 2 | Clamp | |
| 6 | 4460466 | 8 | Plug, Terminal | |
| 11 | 2820118 | AR | Heatshrink, Clear | |
| 12 | 1001226400 | AR | Insulate, Heatshrink | |

SECTION 8 - ELECTRICAL

FIGURE 8-28. BOOM VALVE HARNESS



ART_1001139135

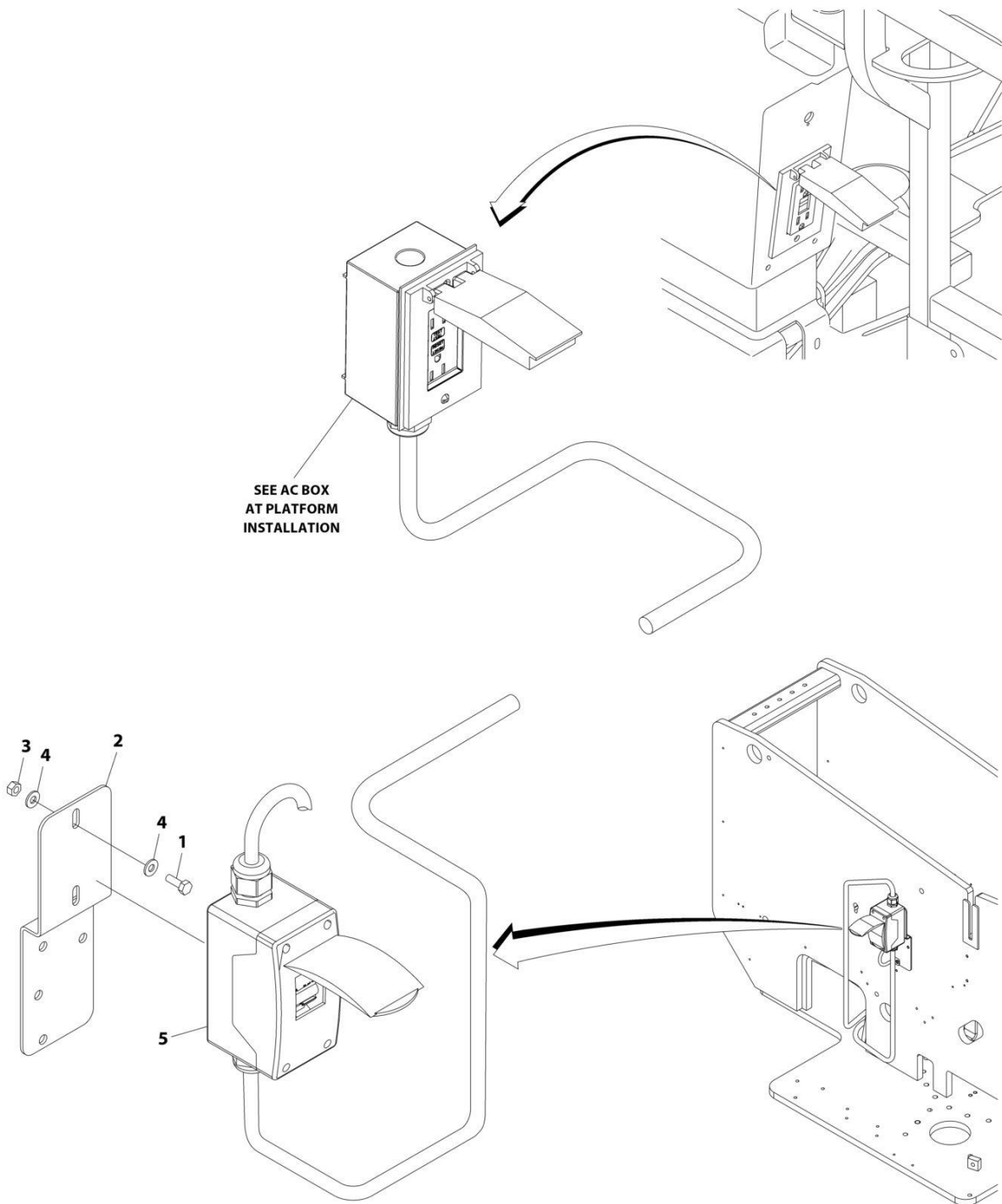
SECTION 8 - ELECTRICAL

FIGURE 8-28. BOOM VALVE HARNESS

| ITEM | PART NUMBER | QTY | DESCRIPTION | REV |
|------|-------------|-----|--------------------|-----|
| | 1001139135 | Ref | BOOM VALVE HARNESS | 3 |
| 6 | 4460226 | 7 | Terminal, Socket | |
| 10 | 4460891 | 6 | Deutsch connector | |
| 11 | 1001116692 | 12 | Socket | |

SECTION 8 - ELECTRICAL

FIGURE 8-29. BREAKER BOX INSTALLATION (BRAZIL SPECS)



ART_1001171016

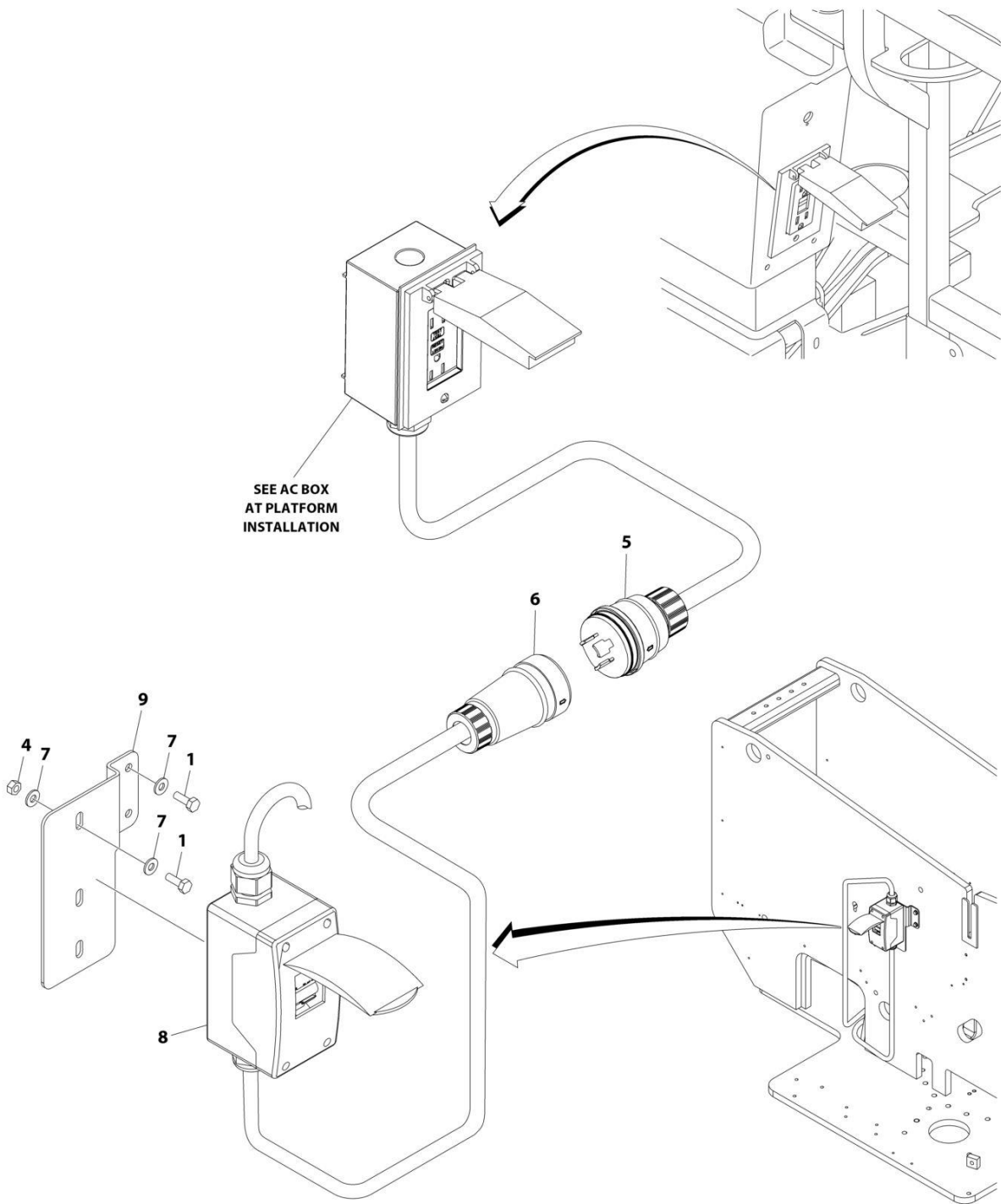
SECTION 8 - ELECTRICAL

FIGURE 8-29. BREAKER BOX INSTALLATION (BRAZIL SPECS)

| ITEM | PART NUMBER | QTY | DESCRIPTION | REV |
|------|-------------|-----|--|-----|
| | 1001171016 | Ref | AC BREAKER BOX INSTALLATION | B |
| 1 | 0641406 | 2 | Bolt 1/4 x 3/4 | |
| 2 | 0903697 | 1 | Bracket | |
| 3 | 3311405 | 2 | Nut 1/4 | |
| 4 | 4711400 | 4 | Washer 1/4 | |
| 5 | 1001109654 | 1 | Breaker Box Kit - With 2 Breakers (See Separate Breakdown in this Section) | |

SECTION 8 - ELECTRICAL

FIGURE 8-30. BREAKER BOX INSTALLATION (CE & UK CA SPECS WITHOUT 4000W GENERATOR)



ART_1001177710

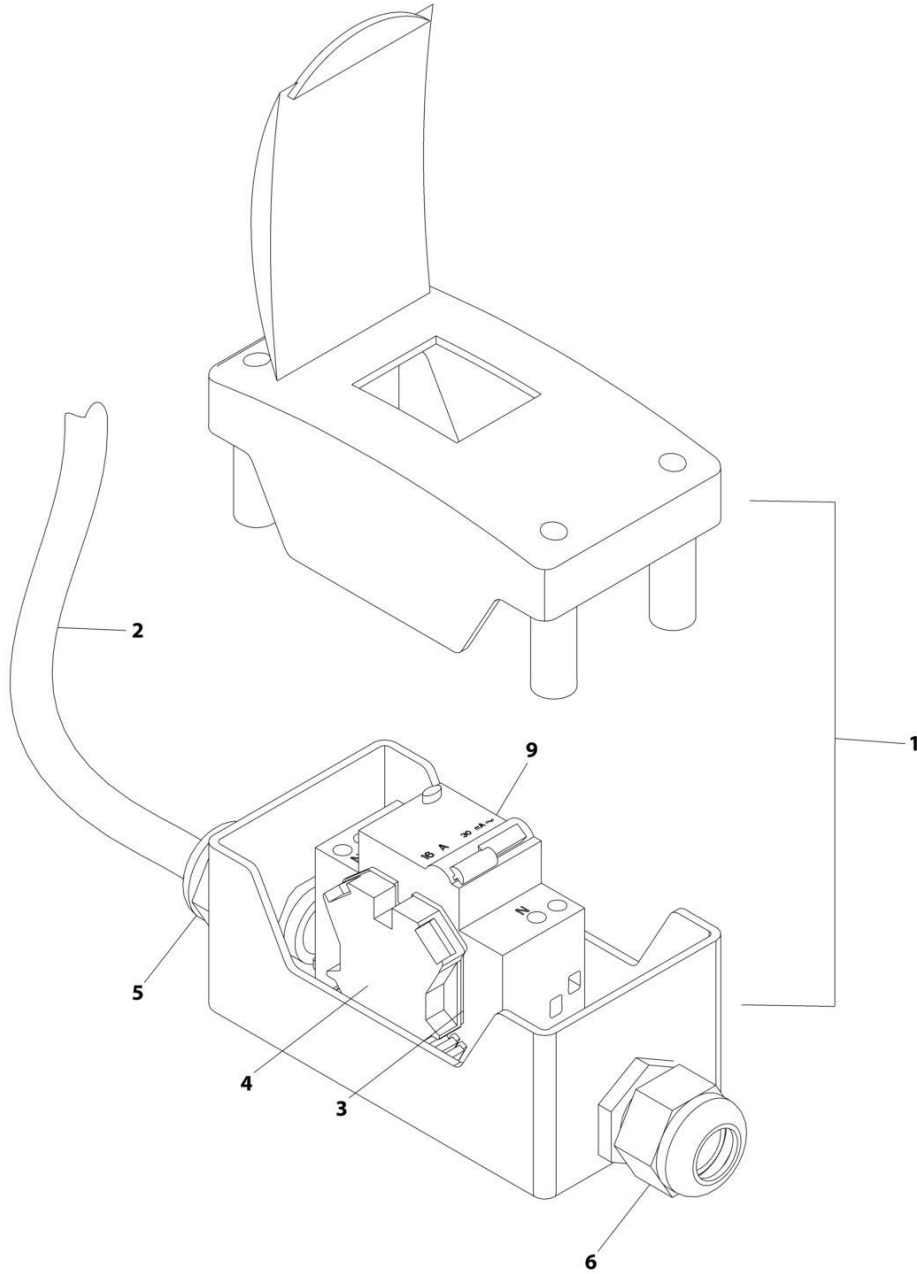
SECTION 8 - ELECTRICAL

FIGURE 8-30. BREAKER BOX INSTALLATION (CE & UK CA SPECS WITHOUT 4000W GENERATOR)

| ITEM | PART NUMBER | QTY | DESCRIPTION | REV |
|------|-------------|-----|--|-----|
| | 1001177710 | Ref | AC BREAKER BOX INSTALLATION | D |
| 1 | 0641406 | 4 | Bolt 1/4 x 3/4 | |
| 4 | 3311405 | 2 | Nut 1/4 | |
| 5 | 1001213584 | 1 | Plug, Male | |
| 6 | 1001213585 | 1 | Receptacle, Female | |
| 7 | 4711400 | 6 | Washer 1/4 | |
| 8 | 1001109654 | 1 | Breaker Box Kit - With 2 Breakers (See Separate Breakdown in this Section) | |
| 9 | 1001177035 | 1 | Bracket | |

SECTION 8 - ELECTRICAL

FIGURE 8-31. BREAKER BOX KIT - ONE DOUBLE 16AMP BREAKER (BRAZIL, CE & UK CA SPECS WITHOUT 4000W GENERATOR)



ART_1001109654

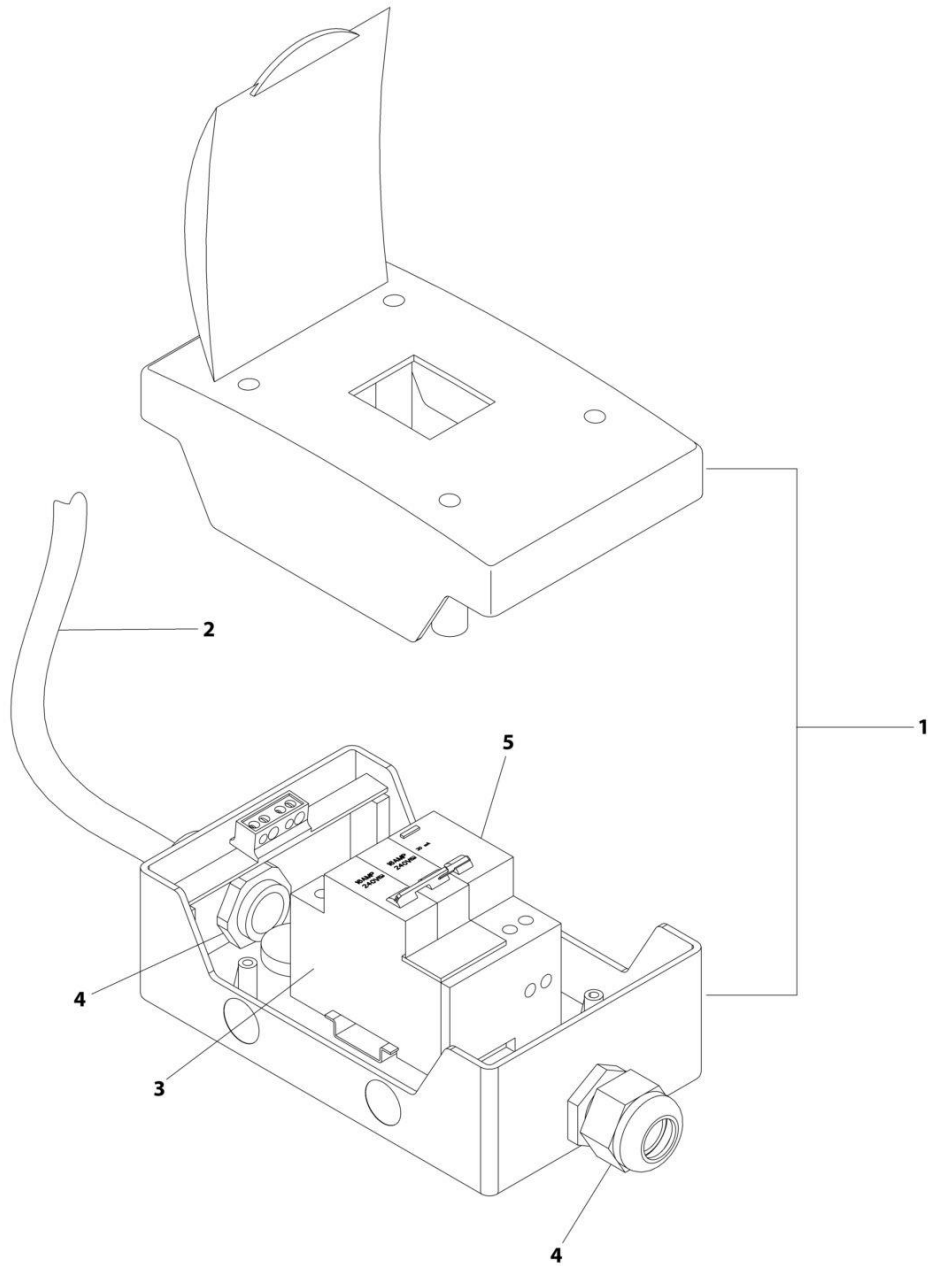
SECTION 8 - ELECTRICAL

FIGURE 8-31. BREAKER BOX KIT - ONE DOUBLE 16AMP BREAKER (BRAZIL, CE & UK CA SPECS WITHOUT 4000W GENERATOR)

| ITEM | PART NUMBER | QTY | DESCRIPTION | REV |
|------|-------------|----------------|-----------------------------|-----|
| | 1001109654 | Ref | BREAKER BOX KIT | C |
| 1 | 0861880 | 1 | Box, Breaker | |
| 2 | 1060908 | 12 ft/ 3.6m | Cable 12/3 | |
| 3 | 4460956 | 1 | Barrier, Terminal Block End | |
| 4 | 4460957 | 1 | Block, Terminal | |
| 5 | 1001097150 | 1 | Connector, Strain Relief | |
| 6 | 1001101191 | 1 | Connector, Strain Relief | |
| 9 | 1001181045 | 1 | Breaker - 30mA/16Amp | |
| 10 | 1001100231 | 3 | Terminal (Not Shown) | |

SECTION 8 - ELECTRICAL

FIGURE 8-32. BREAKER BOX KIT - WITH 3 BREAKERS (CE & UK CA SPECS WITH 4000W GENERATOR)



ART_1001205690

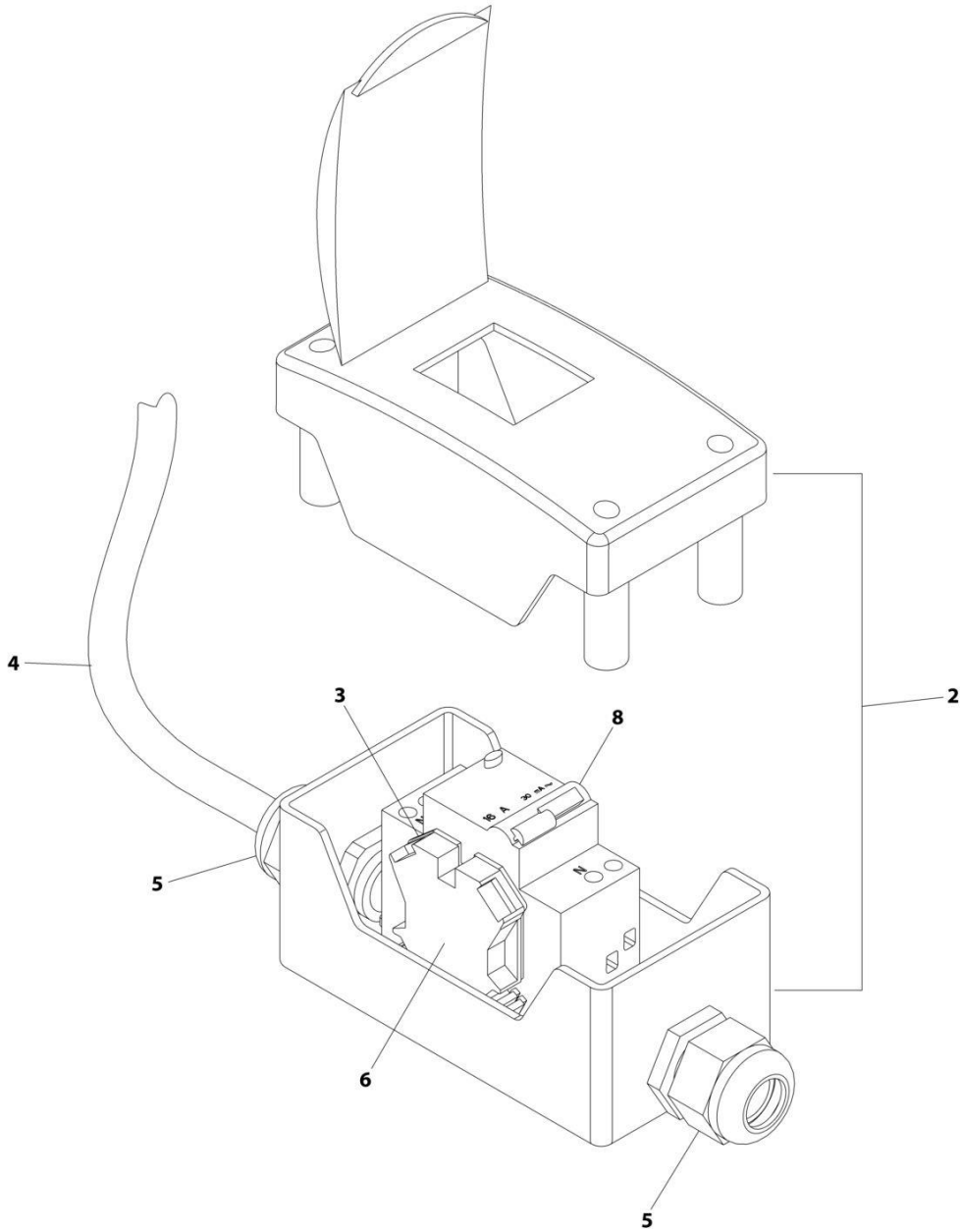
SECTION 8 - ELECTRICAL

FIGURE 8-32. BREAKER BOX KIT - WITH 3 BREAKERS (CE & UK CA SPECS WITH 4000W GENERATOR)

| ITEM | PART NUMBER | QTY | DESCRIPTION | REV |
|------|-------------|-----------------|--------------------------|-----|
| | 1001205690 | Ref | BREAKER BOX KIT | B |
| 1 | 1001152483 | 1 | Box, Breaker | |
| 2 | 1060545 | 12 ft / 3.6m | Cable, Electrical 10/3 | |
| 3 | 1001189172 | 1 | Breaker 16Amp Double | |
| 4 | 1001101191 | 2 | Connector, Strain Relief | |
| 5 | 1001189171 | 1 | Breaker 30mA | |

SECTION 8 - ELECTRICAL

FIGURE 8-33. BREAKER BOX KIT - ONE DOUBLE 16AMP BREAKER (CE & UK CA SPECS WITH 4000W GENERATOR)



ART_1001165368_B

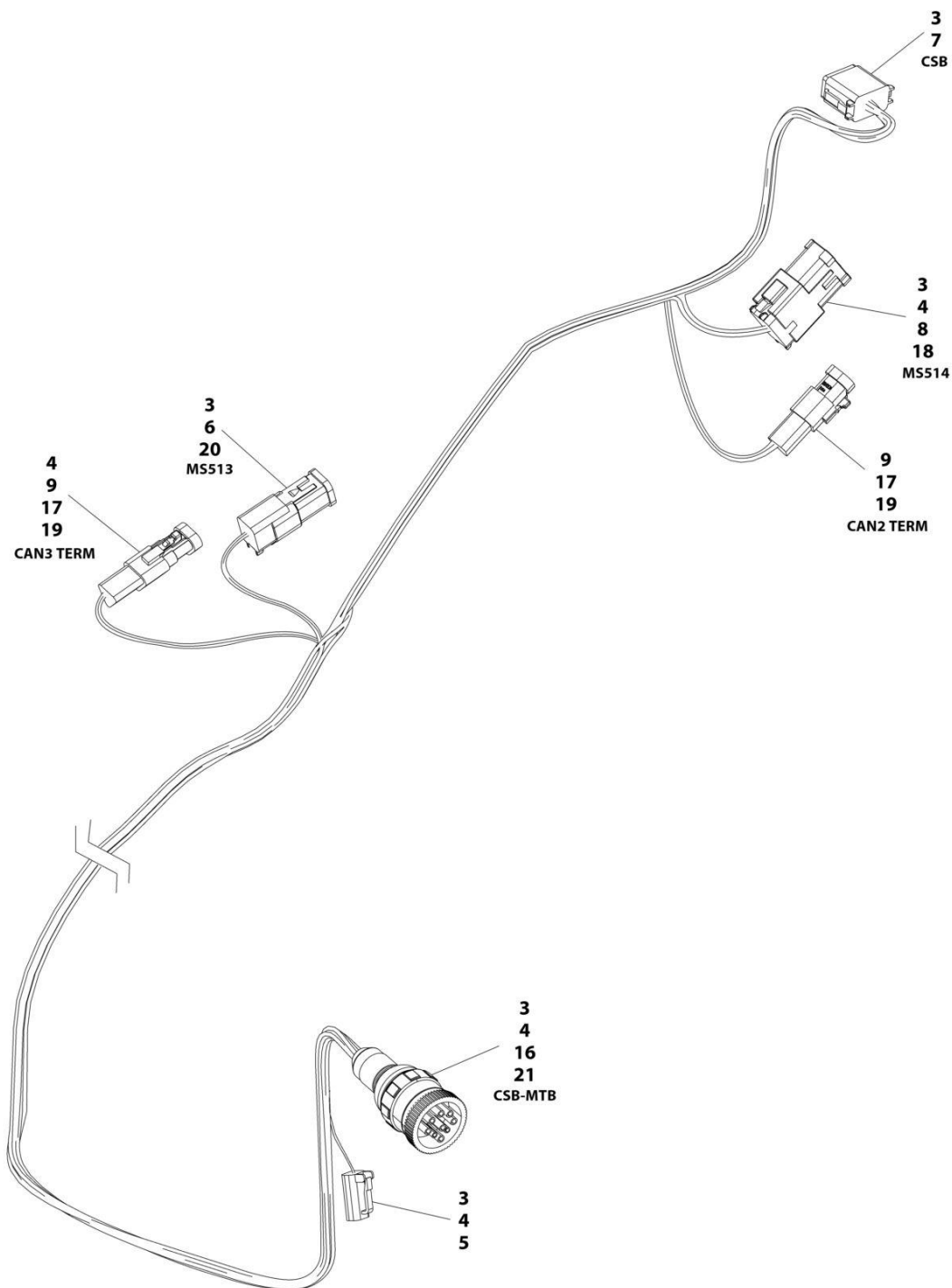
SECTION 8 - ELECTRICAL

FIGURE 8-33. BREAKER BOX KIT - ONE DOUBLE 16AMP BREAKER (CE & UK CA SPECS WITH 4000W GENERATOR)

| ITEM | PART NUMBER | QTY | DESCRIPTION | REV |
|------|-------------|----------------|-----------------------------|-----|
| | 1001165368 | Ref | BREAKER BOX KIT | B |
| 2 | 0861880 | 1 | Box, Circuit Breaker | |
| 3 | 4460956 | 1 | Barrier, Terminal Block End | |
| 4 | 1060545 | 12 ft/ 3.6m | Cable, Electrical 10/3 | |
| 5 | 1001101191 | 2 | Connector, Strain Relief | |
| 6 | 4460957 | 1 | Block, Terminal | |
| 8 | 1001181045 | 1 | Breaker 30mA/16Amp | |

SECTION 8 - ELECTRICAL

FIGURE 8-34. CBS HARNESS



ART_1001286622

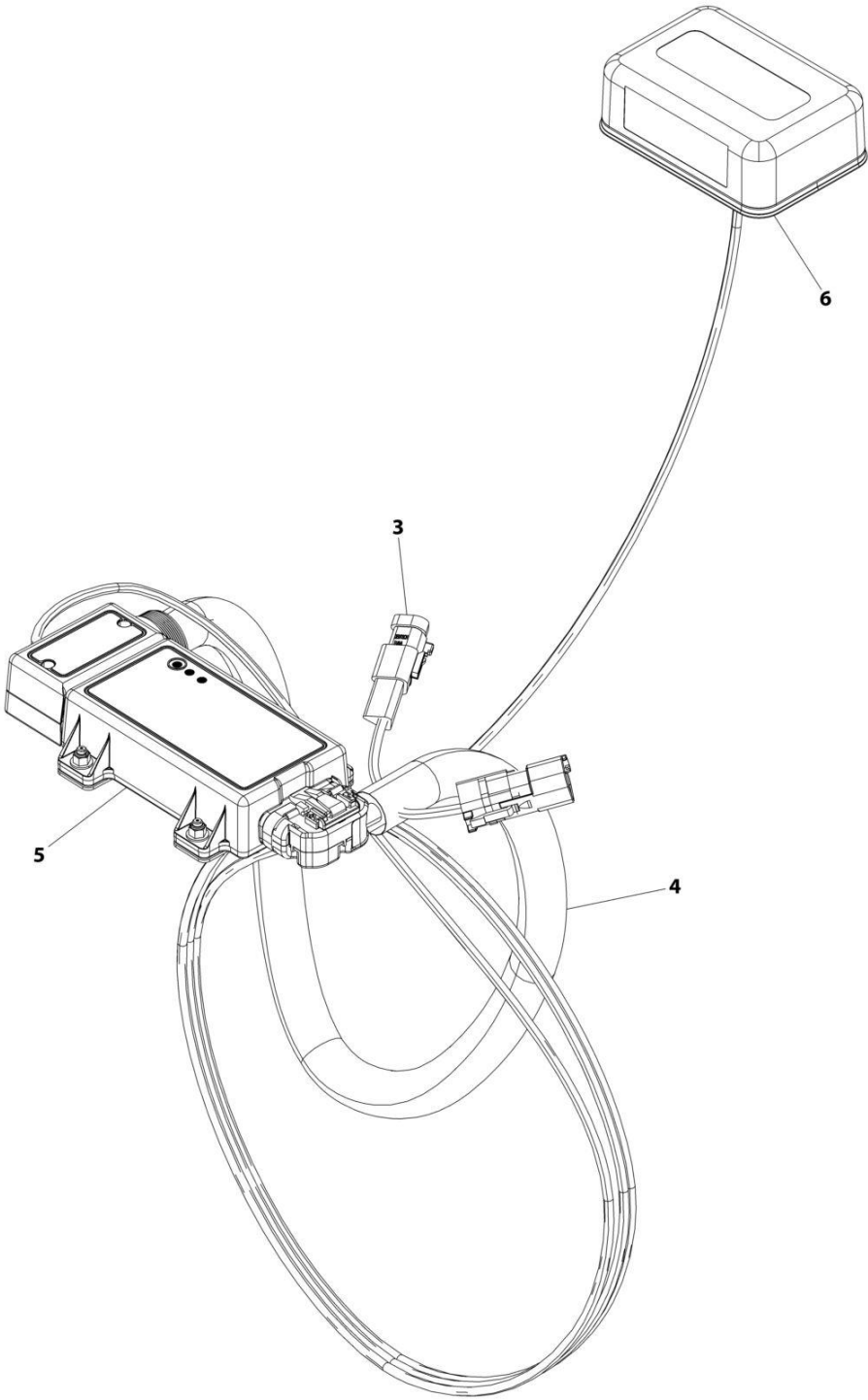
SECTION 8 - ELECTRICAL

FIGURE 8-34. CBS HARNESS

| ITEM | PART NUMBER | QTY | DESCRIPTION | REV |
|------|-------------|-----|----------------|-----|
| | 1001286622 | Ref | CSB HARNESS | C |
| 3 | 4460465 | 32 | Socket | |
| 4 | 4460466 | 6 | Plug, Terminal | |
| 5 | 4460891 | 1 | Connector | |
| 6 | 4460894 | 1 | Connector | |
| 7 | 4460930 | 1 | Connector | |
| 8 | 4460933 | 1 | Connector | |
| 9 | 4460943 | 6 | Pin | |
| 16 | 1001112796 | 1 | Connector | |
| 17 | 1001116815 | 2 | Connector | |
| 18 | 1001119020 | 1 | Connector | |
| 19 | 1001144147 | 2 | Pin | |
| 20 | 1001226541 | 1 | Connector | |
| 21 | 4461042 | 1 | Connector | |

SECTION 8 - ELECTRICAL

FIGURE 8-35. CLEARSKY INSTALLATION - CANBUS (ANSI SPECS)



ART_1001227448

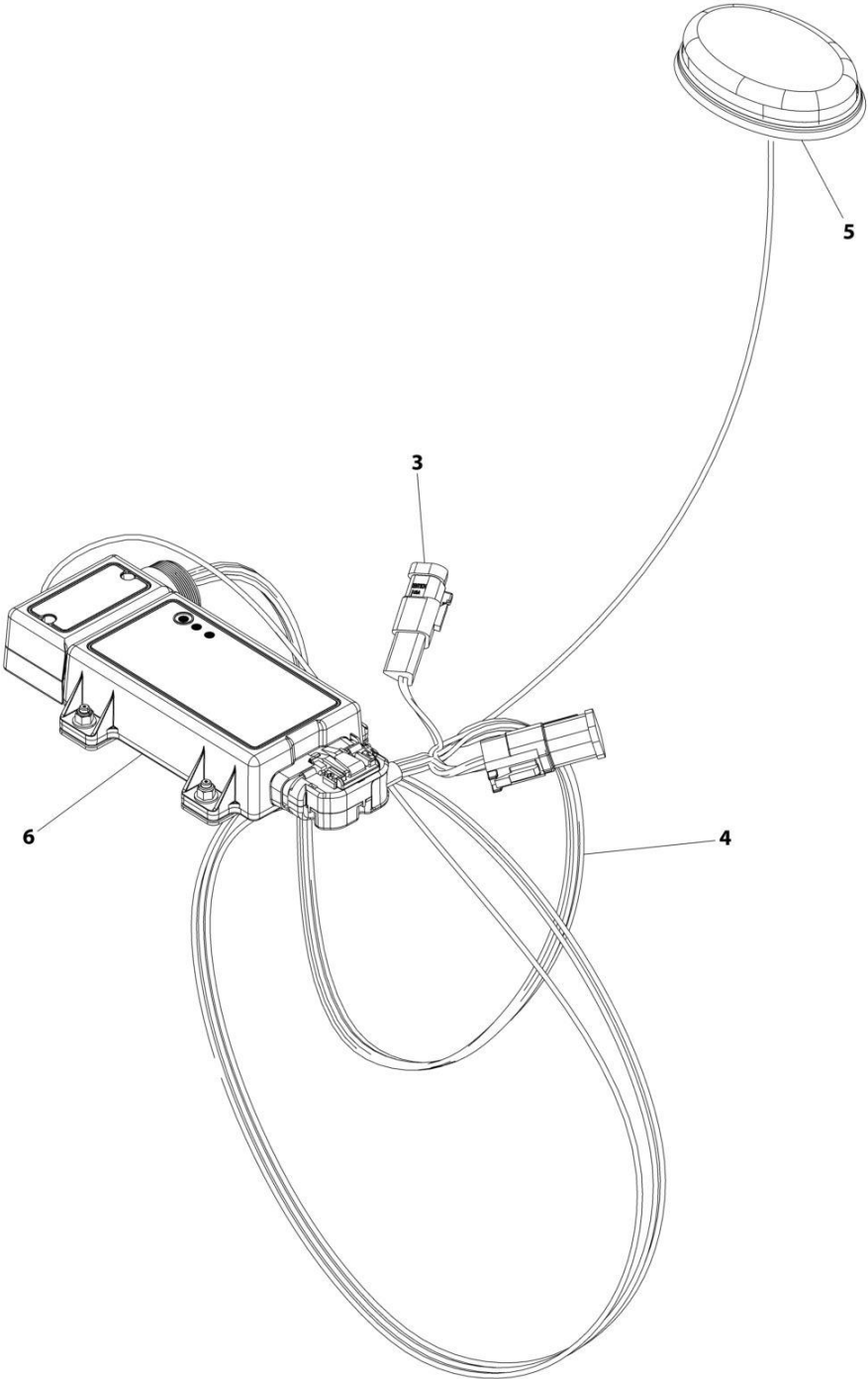
SECTION 8 - ELECTRICAL

FIGURE 8-35. CLEARSKY INSTALLATION - CANBUS (ANSI SPECS)

| ITEM | PART NUMBER | QTY | DESCRIPTION | REV |
|------|-------------|-----|--|-----|
| | 1001227448 | REF | CLEARSKY INSTALLATION - CANBUS | B |
| 1 | 4240032 | AR | Tie-Strap (Not Shown) | |
| 2 | 4460234 | AR | Mount, Cable -Tie (Not Shown) | |
| 3 | 1001116815 | 1 | Plug, Connector | |
| 4 | 1001226739 | 1 | ClearSky Telematics Harness (See Separate Breakdown in this Section) | |
| 5 | 1001262322 | 1 | Module, ClearSky | |
| 6 | 1001262326 | 1 | Antenna | |

SECTION 8 - ELECTRICAL

FIGURE 8-36. CLEARSKY INSTALLATION - CANBUS (AUSTRALIAN SPECS)



ART_1001246473

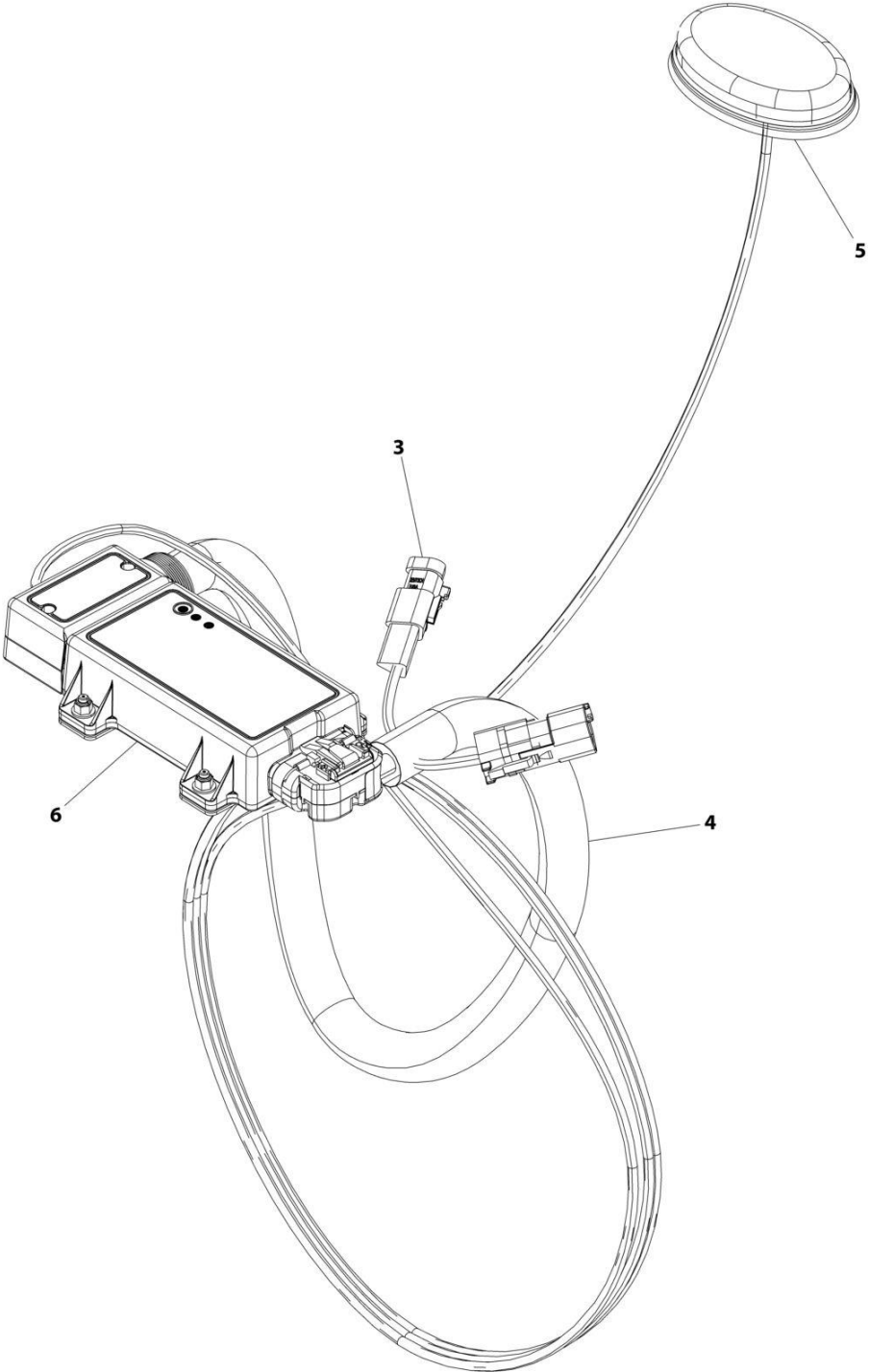
SECTION 8 - ELECTRICAL

FIGURE 8-36. CLEARSKY INSTALLATION - CANBUS (AUSTRALIAN SPECS)

| ITEM | PART NUMBER | QTY | DESCRIPTION | REV |
|------|-------------|-----|--|-----|
| | 1001246473 | REF | CLEARSKY INSTALLATION - CANBUS | A |
| 1 | 4240032 | AR | Tie-Strap (Not Shown) | |
| 2 | 4460234 | AR | Mount, Cable -Tie (Not Shown) | |
| 3 | 1001116815 | 1 | Plug, Connector | |
| 4 | 1001226739 | 1 | ClearSky Telematics Harness (See Separate Breakdown in this Section) | |
| 5 | 1001226799 | 1 | Antenna | |
| 6 | 1001246144 | 1 | Module, ClearSky | |

SECTION 8 - ELECTRICAL

FIGURE 8-37. CLEARSKY INSTALLATION - CANBUS (CE SPECS)



ART_1001228949

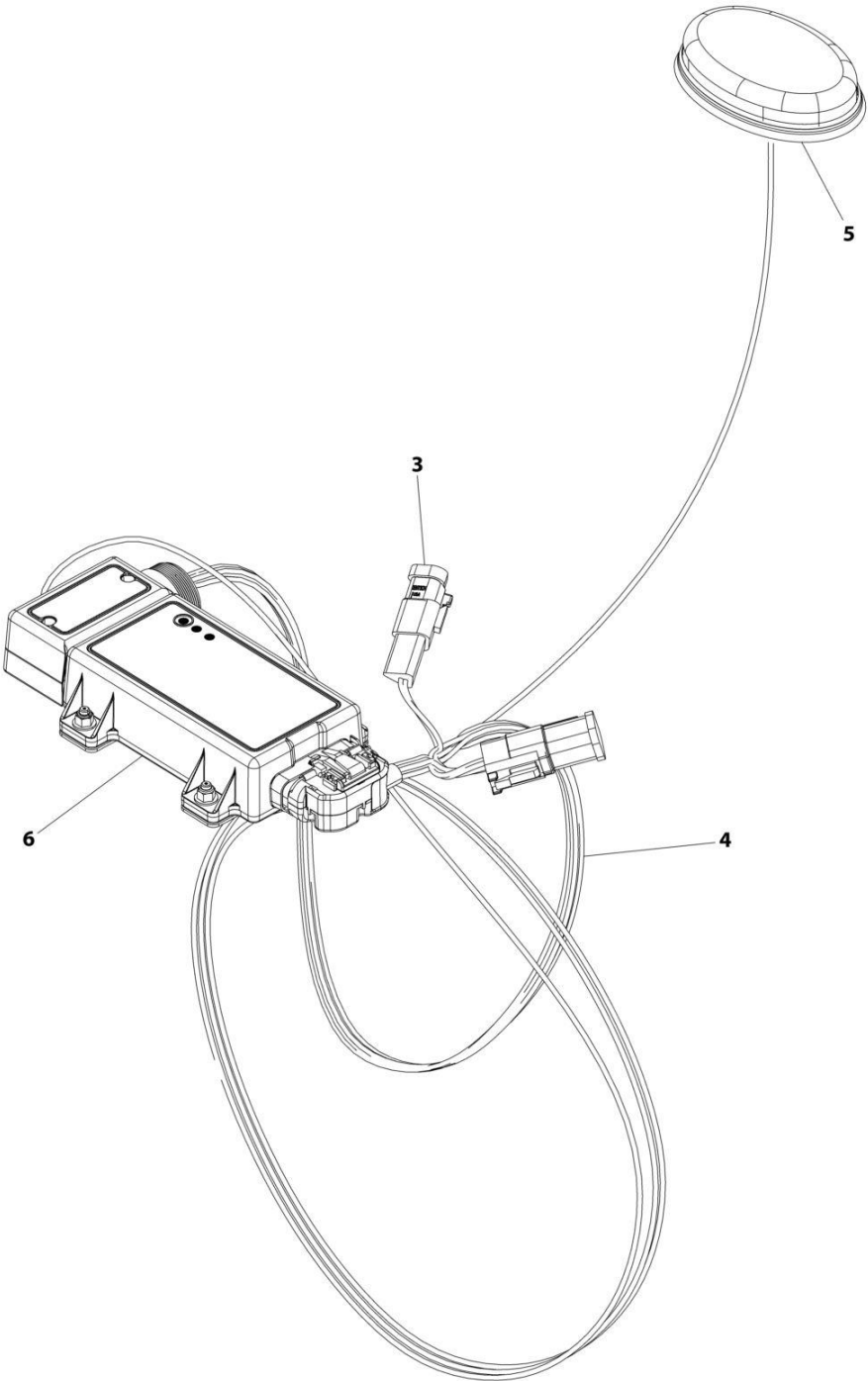
SECTION 8 - ELECTRICAL

FIGURE 8-37. CLEARSKY INSTALLATION - CANBUS (CE SPECS)

| ITEM | PART NUMBER | QTY | DESCRIPTION | REV |
|------|-------------|-----|--|-----|
| | 1001228949 | REF | CLEARSKY INSTALLATION - CANBUS | A |
| 1 | 4240032 | AR | Tie-Strap (Not Shown) | |
| 2 | 4460234 | AR | Mount, Cable -Tie (Not Shown) | |
| 3 | 1001116815 | 1 | Plug, Connector | |
| 4 | 1001226739 | 1 | ClearSky Telematics Harness (See Separate Breakdown in this Section) | |
| 5 | 1001226799 | 1 | Antenna | |
| 6 | 1001228954 | 1 | Module, ClearSky | |

SECTION 8 - ELECTRICAL

FIGURE 8-38. CLEARSKY INSTALLATION - CANBUS (CHINA SPECS)



ART_1001246474

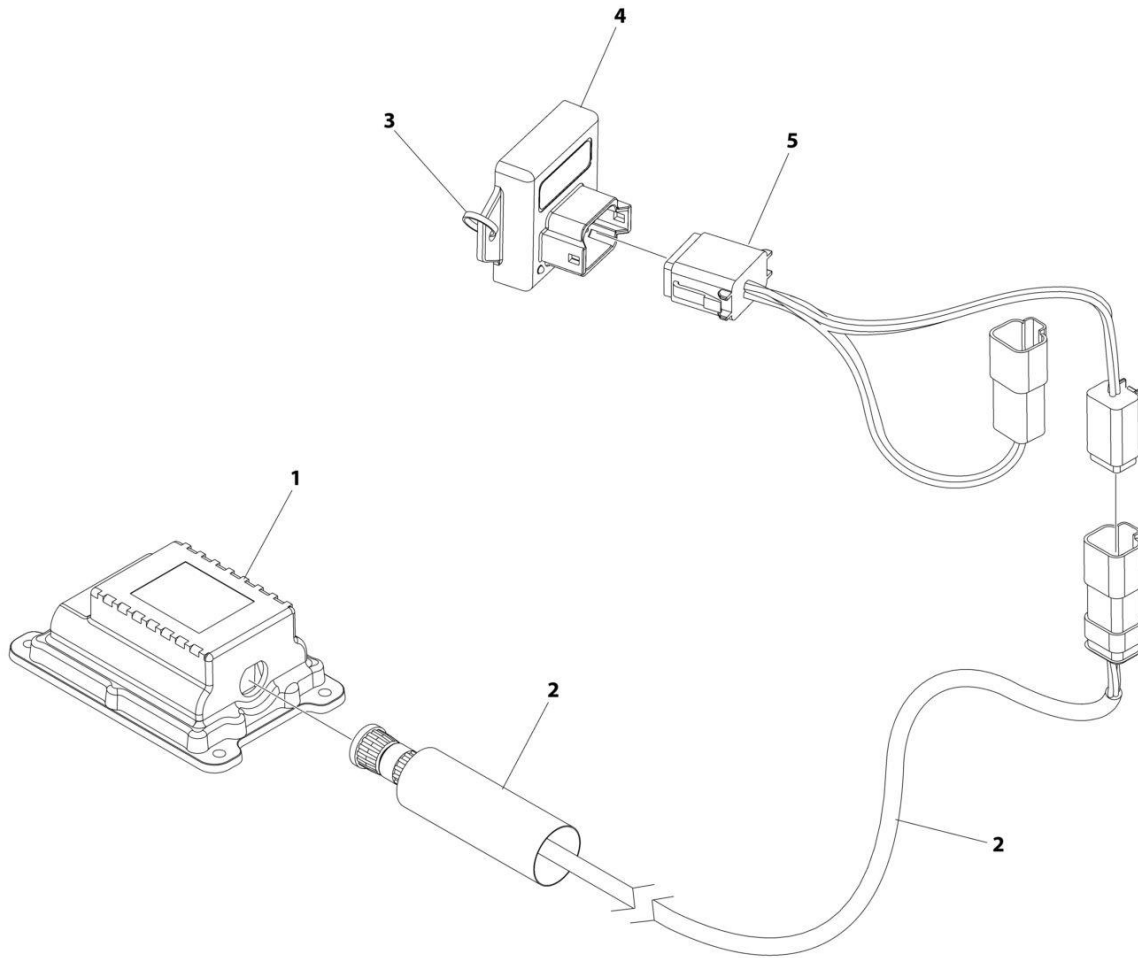
SECTION 8 - ELECTRICAL

FIGURE 8-38. CLEARSKY INSTALLATION - CANBUS (CHINA SPECS)

| ITEM | PART NUMBER | QTY | DESCRIPTION | REV |
|------|-------------|-----|--|-----|
| | 1001246474 | Ref | CLEARSKY INSTALLATION - CANBUS | A |
| 1 | 4240032 | AR | Tie-Strap (Not Shown) | |
| 2 | 4460234 | AR | Mount, Cable -Tie (Not Shown) | |
| 3 | 1001116815 | 1 | Plug, Connector | |
| 4 | 1001226739 | 1 | ClearSky Telematics Harness (See Separate Breakdown in this Section) | |
| 5 | 1001226799 | 1 | Antenna | |
| 6 | 1001246145 | 1 | Module, ClearSky | |

SECTION 8 - ELECTRICAL

FIGURE 8-39. CLEARSKY INSTALLATION - 3-WIRE (ANSI & CSA SPECS)



ART_1001229107

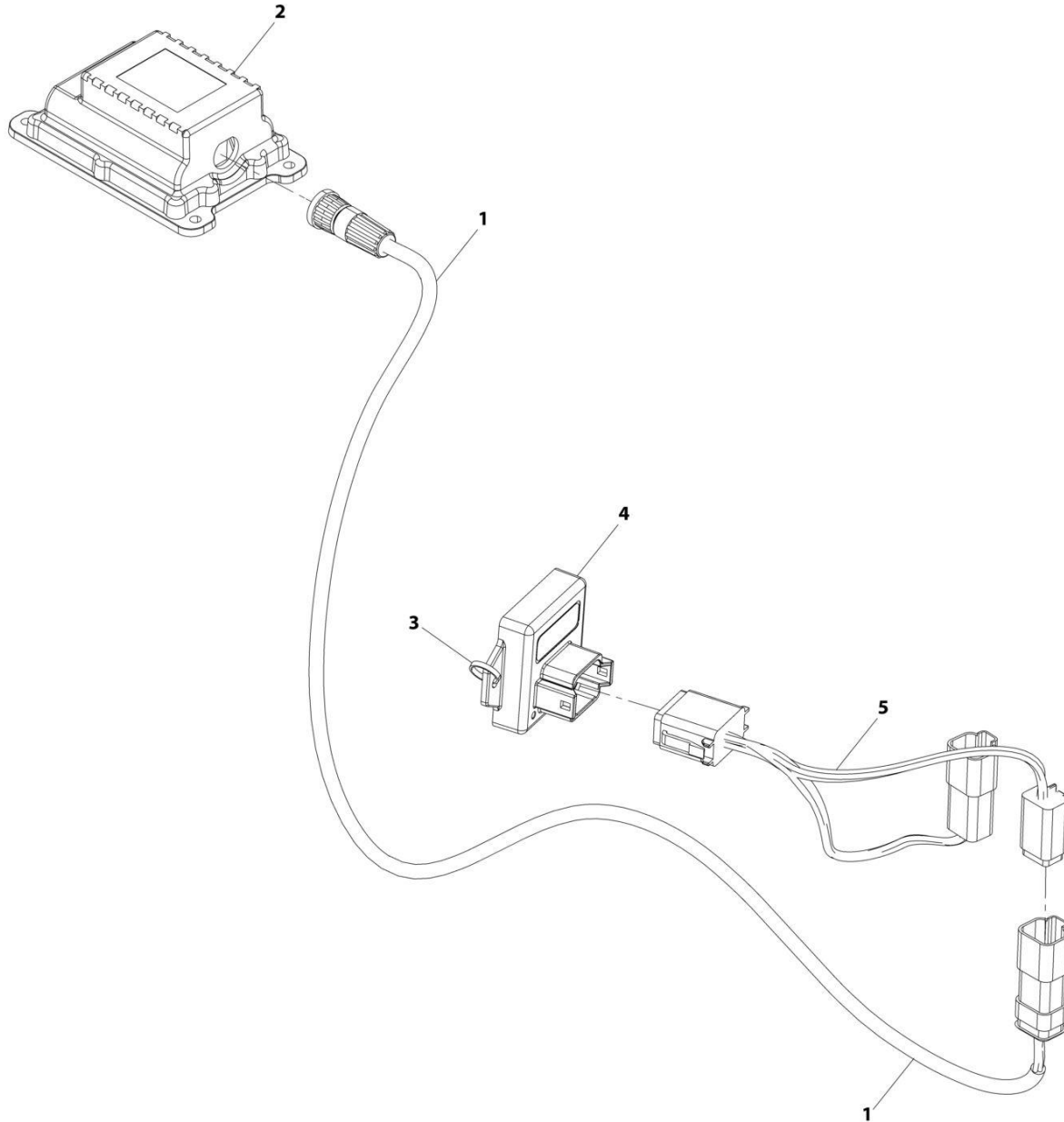
SECTION 8 - ELECTRICAL

FIGURE 8-39. CLEARSKY INSTALLATION - 3-WIRE (ANSI & CSA SPECS)

| ITEM | PART NUMBER | QTY | DESCRIPTION | REV |
|------|-------------|-----|--|-----|
| | 1001229107 | Ref | CLEARSKY INSTALLATION 3-WIRE | D |
| 1 | 1001226328 | 1 | Module, 3W TCU | |
| 2 | 1001227066 | 1 | Telematics ClearSky Harness (See Separate Breakdown in this Section) | |
| 3 | 4240032 | AR | Tie-Strap | |
| 4 | 1001262960 | 1 | Voltage Regulator | |
| 5 | 1001262963 | 1 | Harness, Xirgo Jumper | |

SECTION 8 - ELECTRICAL

FIGURE 8-40. CLEARSKY INSTALLATION - 3-WIRE (ANSI EXPORT, CE & UK CA SPECS)



ART_1001233237

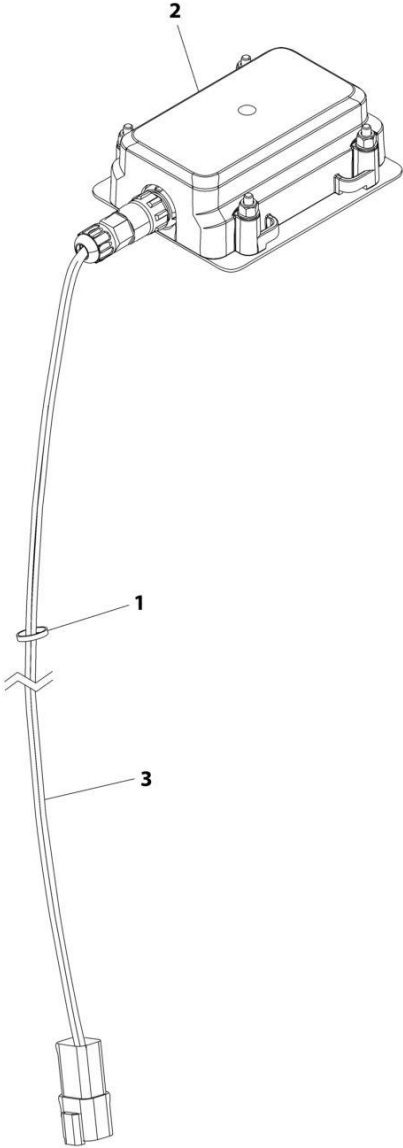
SECTION 8 - ELECTRICAL

FIGURE 8-40. CLEARSKY INSTALLATION - 3-WIRE (ANSI EXPORT, CE & UK CA SPECS)

| ITEM | PART NUMBER | QTY | DESCRIPTION | REV |
|------|-------------|-----|---|-----|
| | 1001233237 | Ref | Clearsky Installation 3-Wire (CE) | E |
| 1 | 1001227066 | 1 | Telematics Harness (See Separate Breakdown in this Section) | |
| 2 | 1001233236 | 1 | Module, 3W TCU | |
| 3 | 4240032 | AR | Tie Strap | |
| 4 | 1001262960 | 1 | Voltage Regulator | |
| 5 | 1001262963 | 1 | Harness, Xirgo Jumper | |

SECTION 8 - ELECTRICAL

FIGURE 8-41. CLEARSKY INSTALLATION 3-WIRE CONNECTION (ALL SPECS)



ART_1001276610

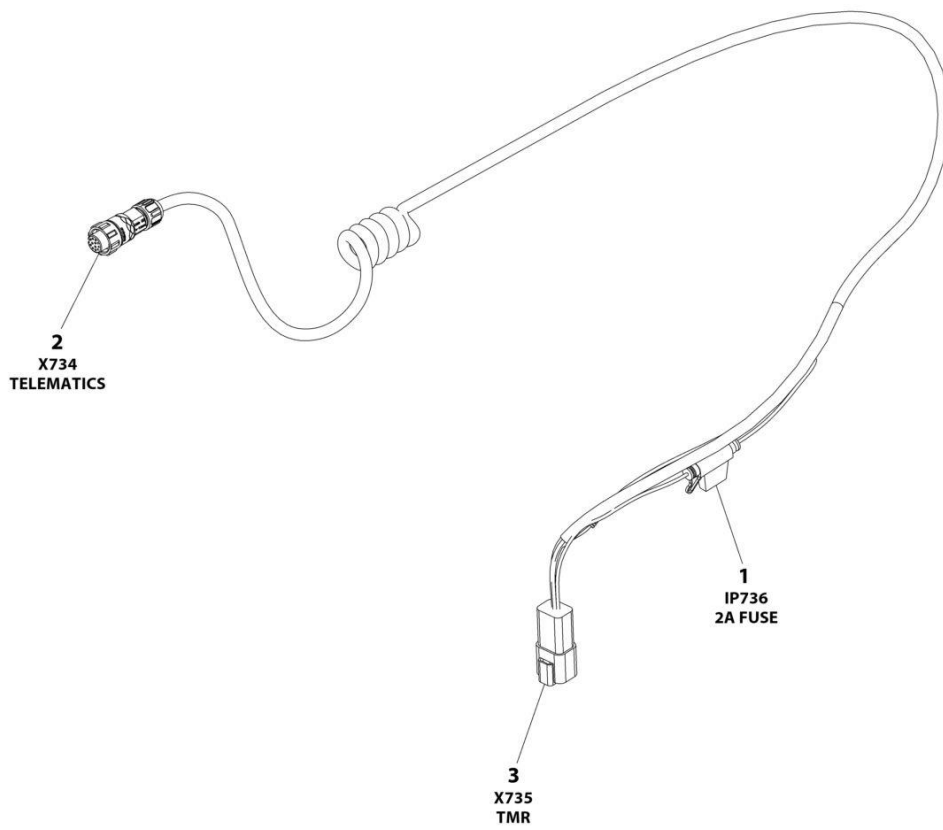
SECTION 8 - ELECTRICAL

FIGURE 8-41. CLEARSKY INSTALLATION 3-WIRE CONNECTION (ALL SPECS)

| ITEM | PART NUMBER | QTY | DESCRIPTION | REV |
|------|-------------|-----|--|-----|
| | 1001276610 | Ref | CLEARSKY INSTALLATION 3-WIRE CONNECTION | A |
| 1 | 4240032 | AR | Tie-Strap | |
| 2 | 1001272659 | 1 | Telematics Control Module Assembly (Note: Re-calibration Required when Replaced) | |
| 3 | 1001273012 | 1 | ClearSky Harness (See Separate Breakdown in this Section) | |

SECTION 8 - ELECTRICAL

FIGURE 8-42. CLEARSKY TELEMATCIS HARNESS (3-WIRE)



ART_1001273012

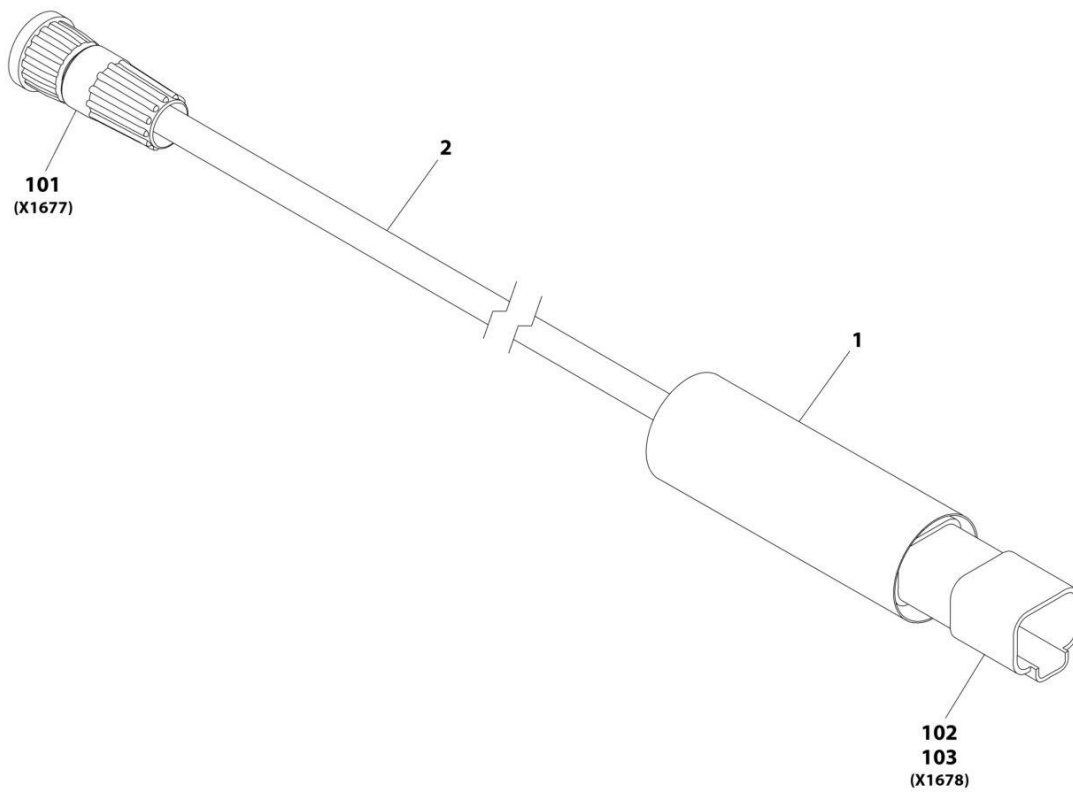
SECTION 8 - ELECTRICAL

FIGURE 8-42. CLEARSKY TELEMATICS HARNESS (3-WIRE)

| ITEM | PART NUMBER | QTY | DESCRIPTION | REV |
|------|-------------|-----|--------------------------------------|-----|
| | 1001273012 | Ref | CLEARSKY TELEMATICS HARNESS - GT1030 | D |
| 1 | 1001255901 | 1 | Fuseholder | |
| 1 | 1001196634 | 1 | Fuse - 2Amp | |
| 2 | 1001272997 | 1 | Connector - 12 Position | |
| 2 | | Ref | Terminal | |
| 3 | 4460932 | 1 | Receptacle, Female - 4 Position | |
| 3 | 4460464 | 4 | Pin, Male | |

SECTION 8 - ELECTRICAL

FIGURE 8-43. CLEARSKY TELEMATICS HARNESS



ART_1001227066-A

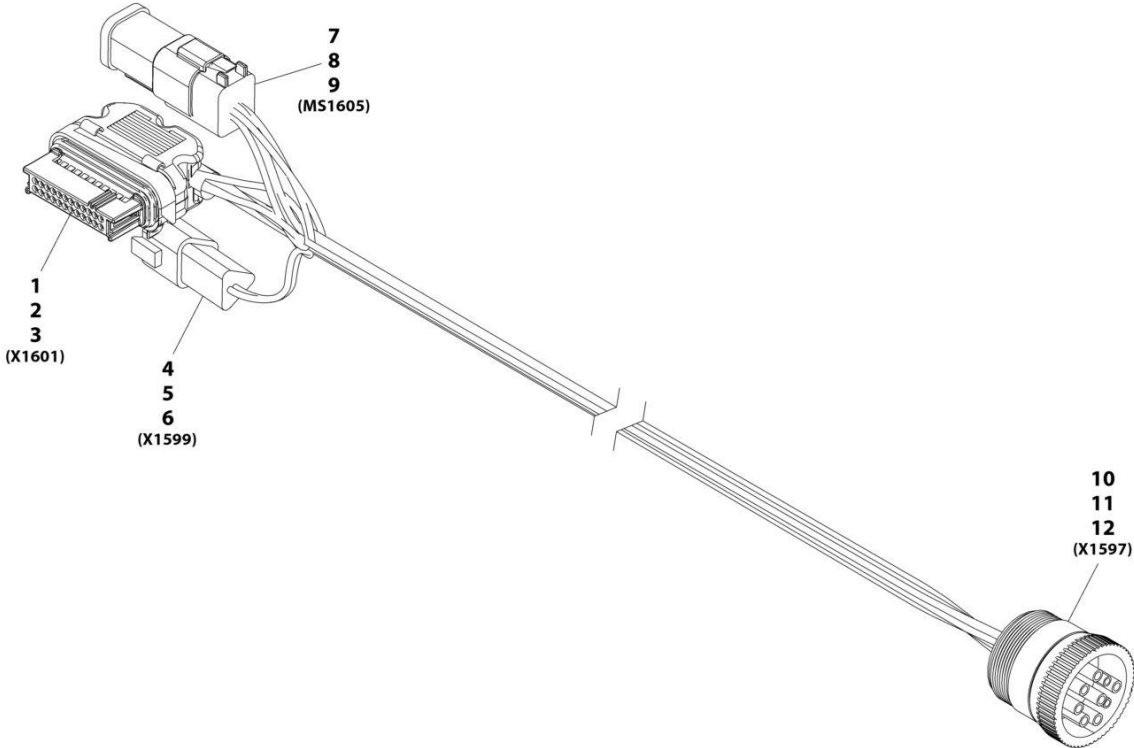
SECTION 8 - ELECTRICAL

FIGURE 8-43. CLEARSKY TELEMATICS HARNESS

| ITEM | PART NUMBER | QTY | DESCRIPTION | REV |
|------|-------------|---------|-----------------------------|-----|
| | 1001227066 | Ref | CLEARSKY TELEMATICS HARNESS | A |
| 1 | 1001226400 | 0.33 ft | Insulate, Heat Shrink | |
| 2 | 1001227068 | 3.3 ft | Cable | |
| 101 | 1001227266 | 1 | Connector | |
| 102 | 1001129407 | 1 | Connector | |
| 103 | 4460464 | 4 | Terminal | |

SECTION 8 - ELECTRICAL

FIGURE 8-44. CLEARSKY TELEMATICS HARNESS (CANBUS)



ART_1001226739-A

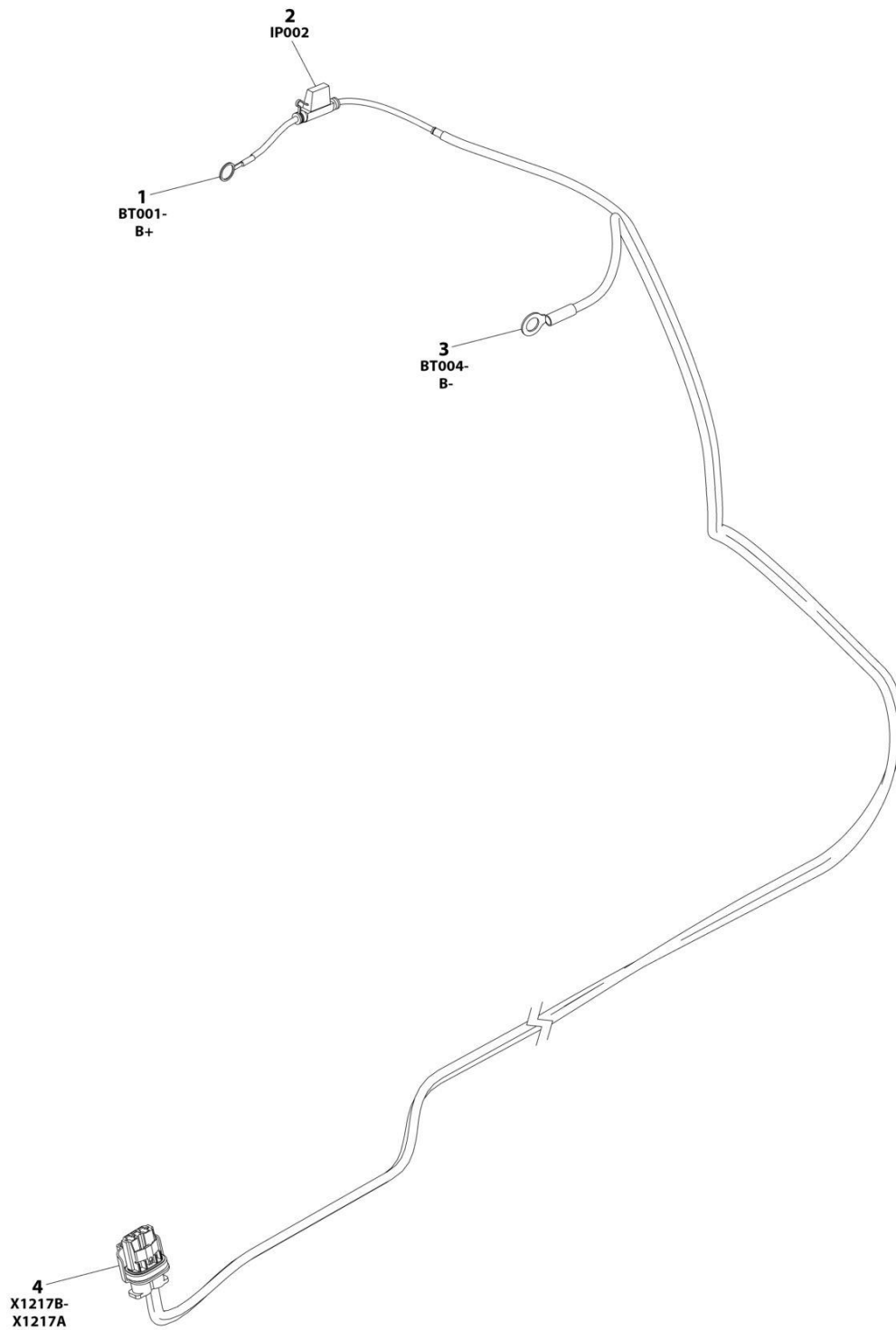
SECTION 8 - ELECTRICAL

FIGURE 8-44. CLEARSKY TELEMATCIS HARNESS (CANBUS)

| ITEM | PART NUMBER | QTY | DESCRIPTION | REV |
|------|-------------|-----|--------------------------|-----|
| | 1001226739 | Ref | Clearsky Harness | A |
| 1 | 1001226636 | 1 | Connector | |
| 2 | 1001116731 | 16 | Plug, Terminal | |
| 3 | 1001226637 | 8 | Terminal | |
| 4 | 1001144147 | 1 | Connector | |
| 5 | 4460464 | 2 | Terminal | |
| 6 | 4460466 | 1 | Plug, Terminal | |
| 7 | 4460894 | 1 | Connector | |
| 8 | 4460465 | 6 | Terminal | |
| 9 | 1001226541 | 1 | Connector- 6 Pin Bussbar | |
| 10 | 1001112796 | 1 | Connector | |
| 11 | 4460465 | 8 | Terminal | |
| 12 | 4460466 | 1 | Plug, Terminal | |

SECTION 8 - ELECTRICAL

FIGURE 8-45. ECU POWER JUMPER HARNESS



ART_1001289593

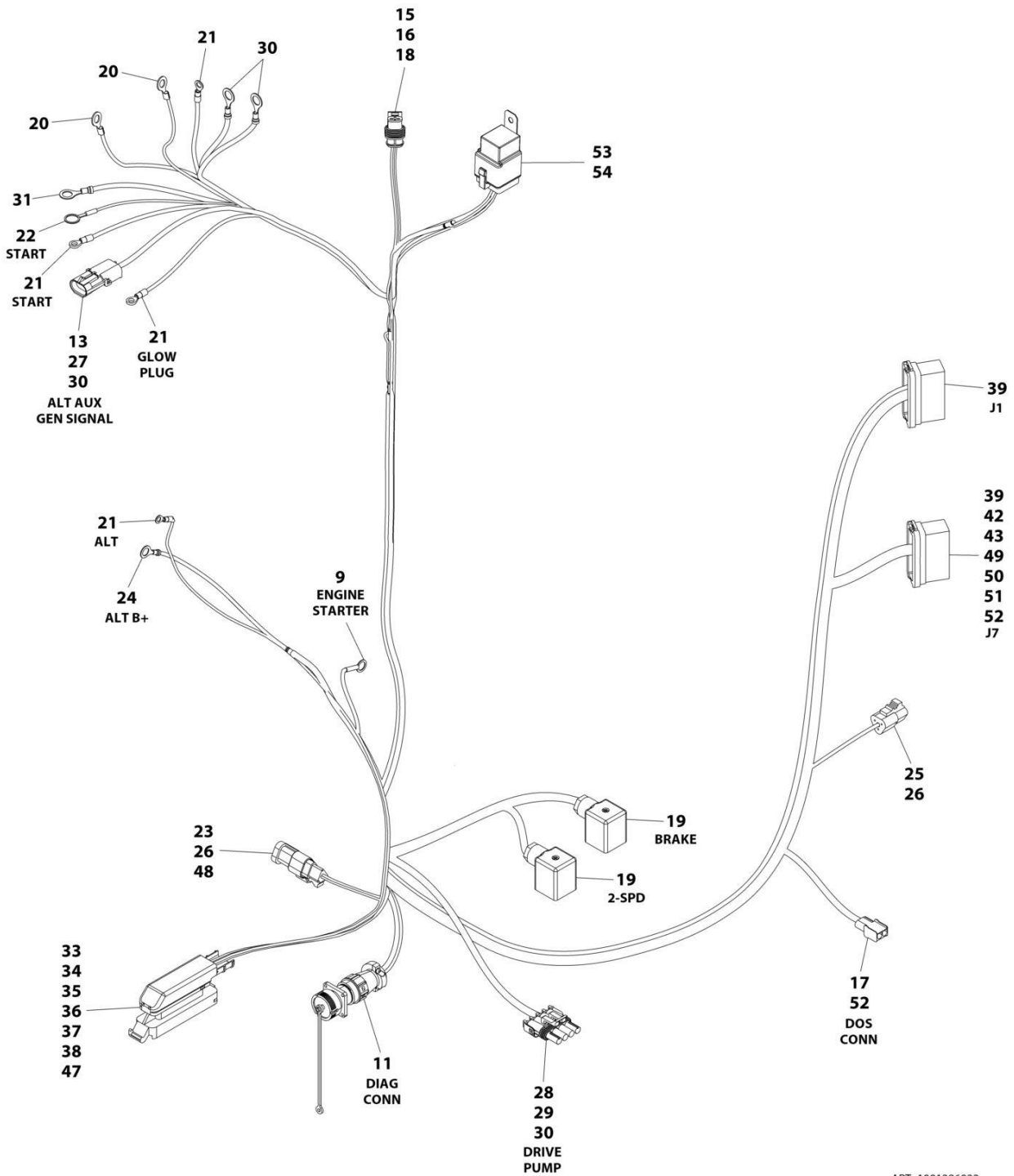
SECTION 8 - ELECTRICAL

FIGURE 8-45. ECU POWER JUMPER HARNESS

| ITEM | PART NUMBER | QTY | DESCRIPTION | REV |
|------|-------------|-----|--------------------------|-----|
| | 1001289593 | Ref | ECU POWER JUMPER HARNESS | A |
| 1 | 4460019 | 1 | Terminal Ring | |
| 2 | 1001172064 | 1 | Fuse Holder | |
| 2 | 1001172065 | 1 | Fuse 30Amp | |
| 3 | 8220164 | 1 | Terminal Ring | |
| 4 | 1001142938 | 1 | Connector | |
| 4 | 1001142940 | 2 | Terminal | |
| 4 | 1001142941 | 2 | Seal | |

SECTION 8 - ELECTRICAL

FIGURE 8-46. ENGINE HARNESS - DEUTZ D2011 ENGINES



ART_1001286032

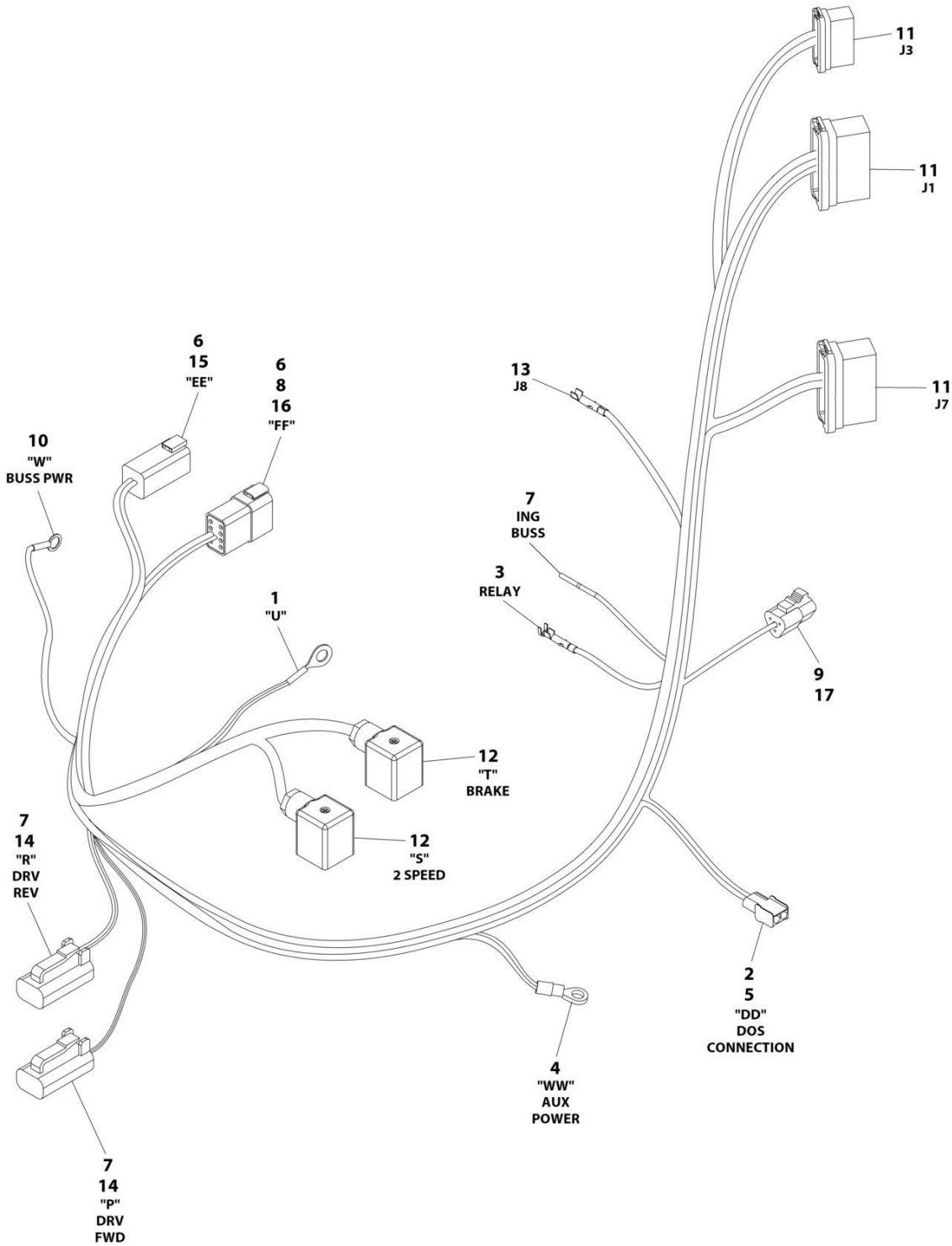
SECTION 8 - ELECTRICAL

FIGURE 8-46. ENGINE HARNESS - DEUTZ D2011 ENGINES

| ITEM | PART NUMBER | QTY | DESCRIPTION | REV |
|------|-------------|-----|--------------------------------------|-----|
| | 1001286032 | Ref | ENGINE HARNESS - DEUTZ D2011 ENGINES | A |
| 9 | 4460142 | 1 | Terminal, Ring | |
| 11 | 2902443 | 1 | Kit, Receptacle | |
| 11 | 4461073 | 1 | Cap, Dust | |
| 13 | 4461157 | 1 | Connector | |
| 15 | 1001102290 | 1 | Connector | |
| 16 | 1001102291 | 2 | Terminal | |
| 17 | 4460424 | 1 | Connector | |
| 18 | 1001102304 | 2 | Seal | |
| 19 | 1001263923 | 2 | Connector | |
| 20 | 4460312 | 2 | Terminal, Ring | |
| 21 | 4460313 | 4 | Terminal, Ring | |
| 22 | 4460019 | 1 | Terminal, Ring | |
| 23 | 4461070 | 1 | Connector | |
| 24 | 4460043 | 1 | Terminal, Ring | |
| 25 | 4460539 | 1 | Pin | |
| 26 | 4460944 | 6 | Socket | |
| 27 | 4460979 | 2 | Pin | |
| 28 | 4460460 | 1 | Connector | |
| 29 | 4460457 | 4 | Sleeve | |
| 30 | 4460458 | 6 | Seal | |
| 31 | 4460670 | 3 | Terminal, Ring | |
| 33 | 4461052 | 1 | Connector | |
| 34 | 4461005 | 5 | Terminal | |
| 35 | 4461060 | 2 | Terminal | |
| 36 | 4461006 | 5 | Seal | |
| 37 | 4461054 | 2 | Seal | |
| 38 | 4461008 | 18 | Plug, Terminal | |
| 39 | 4460871 | 10 | Socket | |
| 43 | 4460887 | 1 | Terminal | |
| 47 | 4461053 | 1 | Cover | |
| 48 | 4461095 | 1 | Pin | |
| 49 | 4460465 | 2 | Socket | |
| 50 | 4460259 | 1 | Terminal | |
| 51 | 4460260 | 1 | Cover, Terminal | |
| 52 | 4460226 | 4 | Socket | |
| 53 | 4460374 | 1 | Plug | |
| 54 | 4460375 | 4 | Terminal | |

SECTION 8 - ELECTRICAL

FIGURE 8-47. GROUND CONTROL ENGINE HARNESS - DEUTZ TD2.9L4 (STAGE V) ENGINE



ART_1001295732

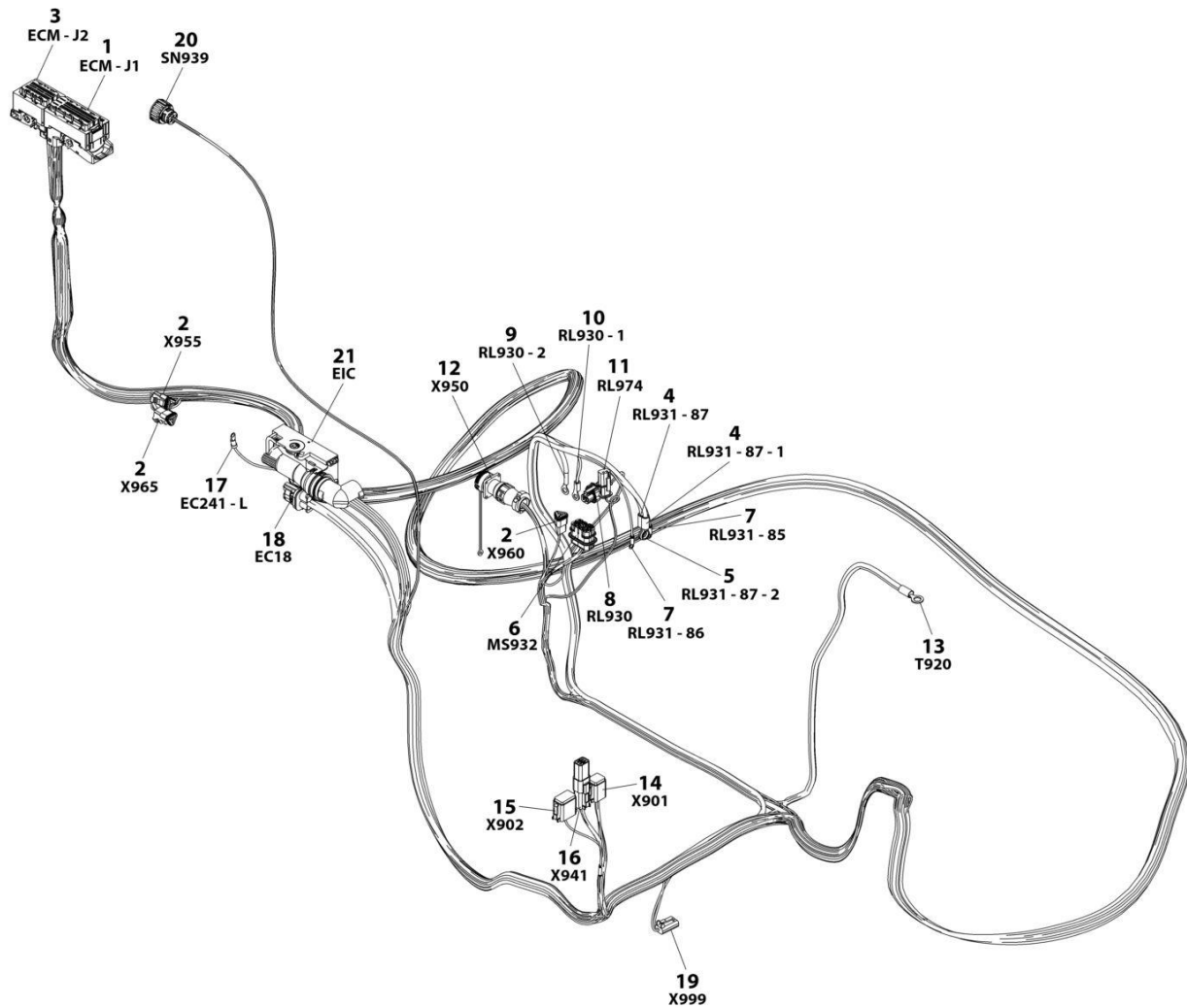
SECTION 8 - ELECTRICAL

FIGURE 8-47. GROUND CONTROL ENGINE HARNESS - DEUTZ TD2.9L4 (STAGE V) ENGINE

| ITEM | PART NUMBER | QTY | DESCRIPTION | REV |
|------|-------------|-----|-------------------------------|-----|
| | 1001295732 | Ref | GROUND CONTROL ENGINE HARNESS | A |
| 1 | 4460019 | 1 | Ring, Terminal | |
| 2 | 4460226 | 2 | Socket | |
| 3 | 4460268 | 1 | Socket | |
| 4 | 4460313 | 1 | Ring, Terminal | |
| 5 | 4460424 | 1 | Connector | |
| 6 | 4460464 | 10 | Pin | |
| 7 | 4460465 | 7 | Pin | |
| 8 | 4460466 | 4 | Plug | |
| 9 | 4460539 | 1 | Connector | |
| 10 | 4460738 | 1 | Ring, Terminal | |
| 11 | 4460871 | 11 | Socket | |
| 12 | 4460880 | 2 | Connector | |
| 13 | 4460887 | 1 | Socket | |
| 14 | 4460891 | 2 | Connector | |
| 15 | 4460899 | 1 | Connector | |
| 16 | 4460931 | 1 | Connector | |
| 17 | 4460944 | 3 | Pin | |

SECTION 8 - ELECTRICAL

FIGURE 8-48. ENGINE HARNESS - DEUTZ TD2.9L4 ENGINES AND DEUTZ TD2.9L4 (STAGE V PRE-BUY) ENGINES



ART_1001143726

SECTION 8 - ELECTRICAL

FIGURE 8-48. ENGINE HARNESS - DEUTZ TD2.9L4 ENGINES AND DEUTZ TD2.9L4 (STAGE V PRE-BUY) ENGINES

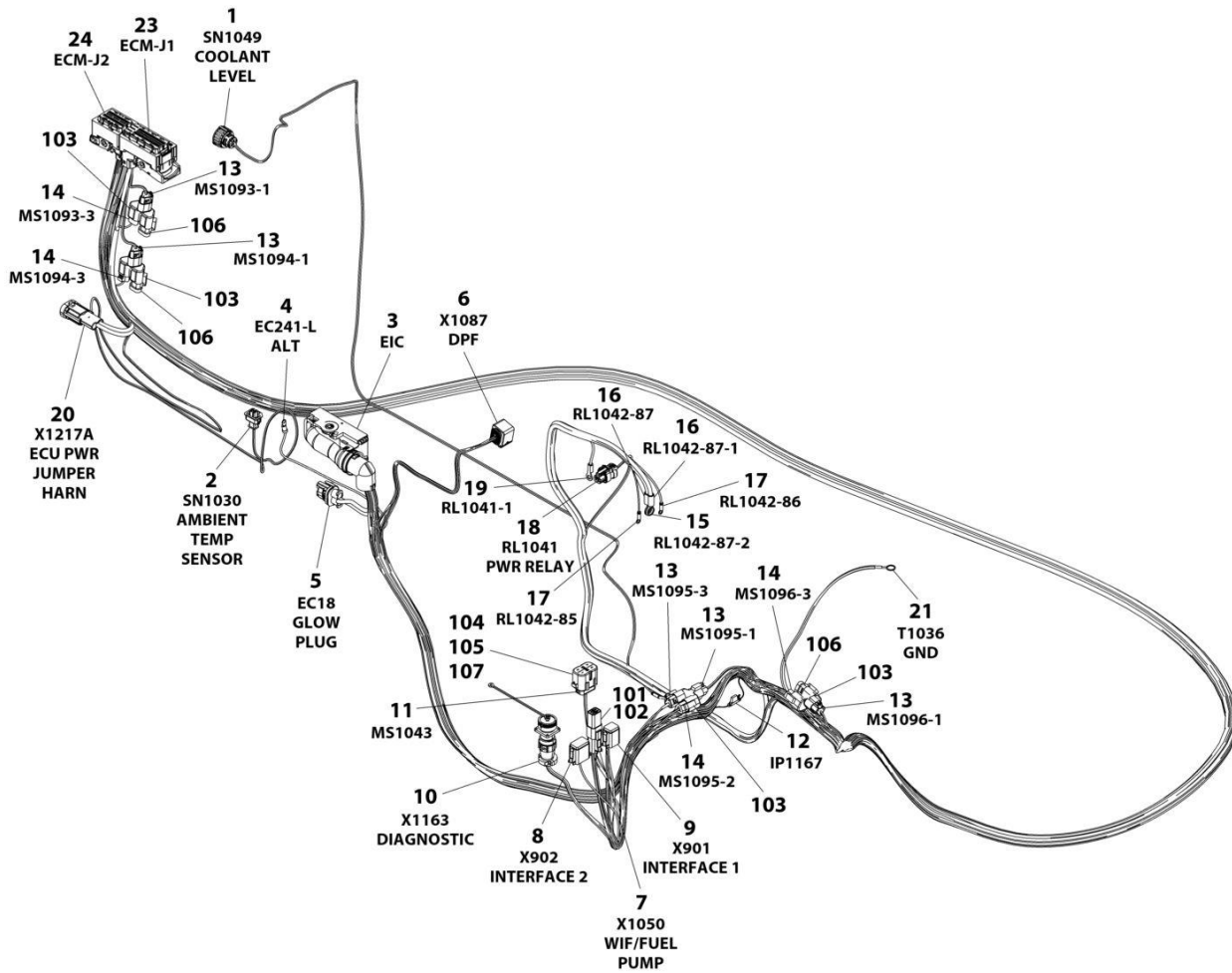
| ITEM | PART NUMBER | QTY | DESCRIPTION | REV |
|------|-------------|-----|----------------------------------|-----|
| | 1001143726 | Ref | ENGINE HARNESS | L |
| 1 | 1001133956 | 1 | Connector - 94 Position | |
| 1 | 1001126351 | 2 | Terminal | |
| 1 | 1001126352 | 6 | Terminal | |
| 1 | 1001126384 | 21 | Terminal | |
| 1 | 1001126357 | 2 | Plug, Terminal | |
| 1 | 1001126356 | 63 | Plug, Terminal | |
| 2 | 4461095 | 3 | Plug, Male - 3 Position | |
| 2 | 4460944 | 6 | Socket, Female | |
| 2 | 4460466 | 3 | Plug, Terminal | |
| 3 | 1001133957 | 1 | Connector - 60 Position | |
| 3 | 1001126351 | 13 | Terminal | |
| 3 | 1001126384 | 17 | Terminal | |
| 3 | 1001126357 | 11 | Plug, Terminal | |
| 3 | 1001126356 | 19 | Plug, Terminal | |
| 4 | 1001117107 | 2 | Terminal, Ring | |
| 5 | 4460703 | 1 | Terminal, Ring | |
| 6 | 80484084 | 1 | Plug, Male - 8 Position | |
| 6 | 8229242 | 1 | Fuse - 5Amp | |
| 6 | 80983191 | 1 | Fuse - 10Amp | |
| 6 | 1001116728 | 4 | Socket, Female | |
| 6 | 1001116727 | 4 | Plug, Terminal | |
| 6 | 4460458 | 4 | Seal, Terminal | |
| 6 | 1001147264 | 1 | Cap | |
| 7 | 4460247 | 2 | Terminal, Ring | |
| 8 | 1001116952 | 1 | Plug, Male - 2 Position | |
| 8 | 4460465 | 2 | Socket, Female | |
| 9 | 1001117106 | 1 | Terminal, Ring | |
| 10 | 4460043 | 1 | Terminal, Ring | |
| 11 | 1001138110 | 1 | Connector - 2 Position | |
| 11 | 1001138111 | 2 | Terminal | |
| 11 | 1001138113 | 2 | Seal | |
| 12 | 2902443 | 1 | Receptacle Kit | |
| 12 | 4461073 | 1 | Cap, Dust | |
| 12 | 4461071 | 6 | Terminal | |
| 13 | 8220115 | 1 | Terminal, Ring | |
| 14 | 4460894 | 1 | Plug, Male - 6 Position | |
| 14 | 4460465 | 3 | Socket, Female | |
| 14 | 4460944 | 2 | Socket, Female | |
| 14 | 4460466 | 1 | Plug, Terminal | |
| 15 | 4460930 | 1 | Plug, Male - 8 Position | |
| 15 | 4460465 | 1 | Socket, Female | |
| 15 | 4460466 | 7 | Plug, Terminal | |
| 16 | 1001220379 | 1 | Plug, Male - 4 Position | |
| 16 | 4460465 | 2 | Socket, Female | |
| 16 | 4460942 | 2 | Socket, Female | |
| 16 | 4460932 | 1 | Receptacle, Bussbar - 4 Position | |
| 17 | 4460042 | 1 | Terminal, Ring | |
| 18 | 1001142938 | 1 | Plug, Male - 2 Position | |

SECTION 8 - ELECTRICAL

| ITEM | PART NUMBER | QTY | DESCRIPTION | REV |
|------|-------------|-----|---------------------------------|-----|
| 18 | 1001142940 | 2 | Terminal | |
| 18 | 1001142941 | 2 | Seal | |
| 19 | 4460891 | 1 | Plug, Male - 4 Position | |
| 19 | 4460465 | 2 | Socket, Female | |
| 19 | 1001171403 | 1 | Resistor Assembly | |
| 19 | 4460897 | 1 | Receptacle, Female - 4 Position | |
| 20 | 1001133714 | 1 | Connector - 4 Position | |
| 20 | 1001133715 | 3 | Terminal | |
| 20 | 1001135650 | 3 | Seal, Terminal | |
| 20 | 1001135651 | 1 | Plug, Terminal | |
| 21 | 1001126362 | 1 | Connector - 62 Position | |
| 21 | 1001126363 | 23 | Terminal | |
| 21 | 1001126392 | 10 | Terminal | |
| 21 | 1001126365 | 2 | Terminal | |
| 21 | 1001126391 | 23 | Plug, Terminal | |
| 21 | 4461008 | 4 | Plug, Terminal | |
| 21 | 1001256506 | 2 | Seal, Terminal | |
| 21 | 1001126364 | 21 | Seal, Terminal | |
| 21 | 1001223459 | 10 | Seal, Terminal | |
| 21 | 4461008 | 4 | Plug, Terminal | |
| 21 | 1001151856 | 1 | Elbow | |

SECTION 8 - ELECTRICAL

FIGURE 8-49. ENGINE HARNESS - DEUTZ TD2.9L4 (STAGE V) ENGINES



ART_1001276644

SECTION 8 - ELECTRICAL

FIGURE 8-49. ENGINE HARNESS - DEUTZ TD2.9L4 (STAGE V) ENGINES

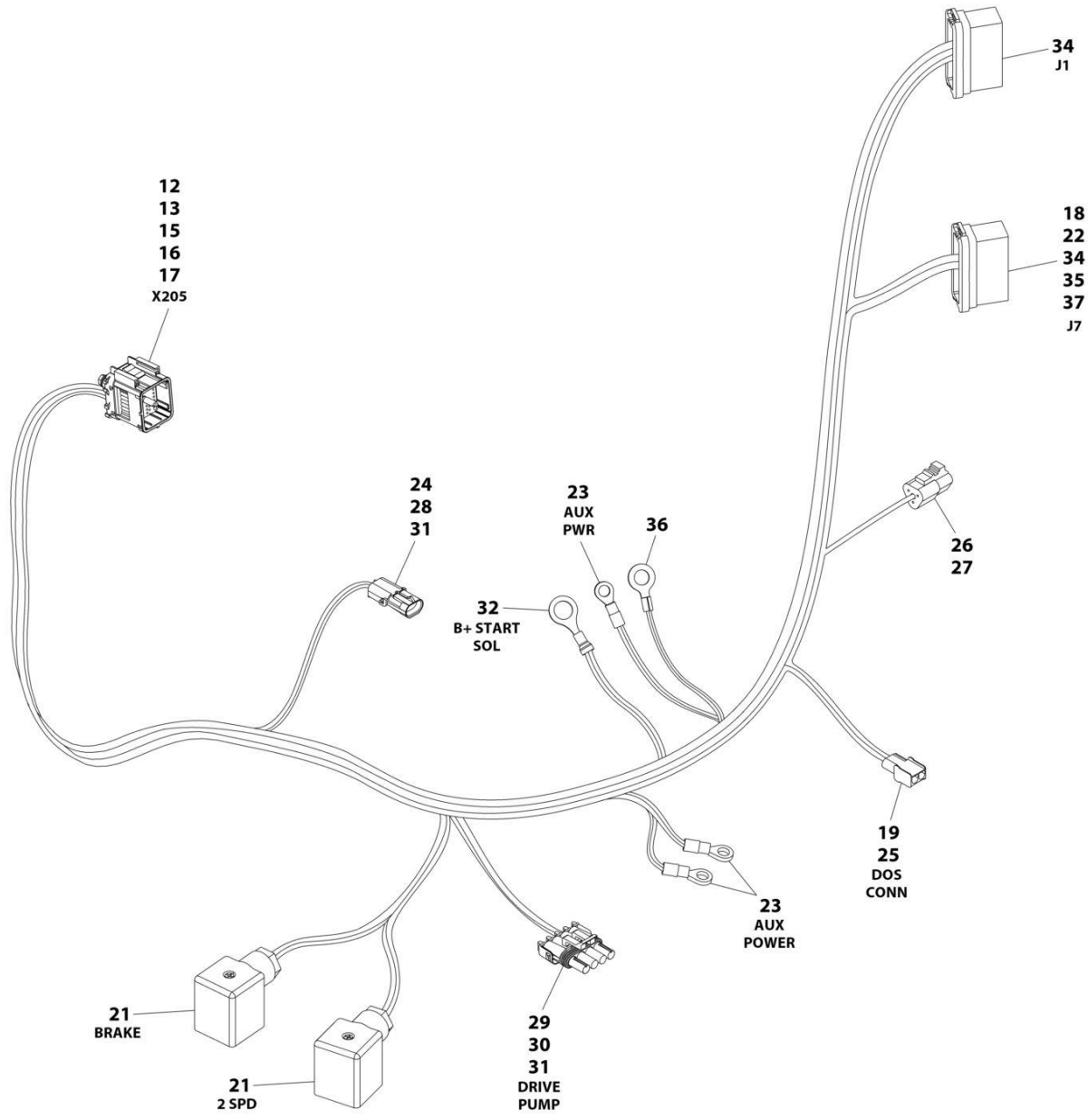
| ITEM | PART NUMBER | QTY | DESCRIPTION | REV |
|------|-------------|-----|--------------------------------|-----|
| | 1001276644 | Ref | Engine Harness - Deutz Engines | B |
| 1 | 1001133714 | 1 | Connector | |
| 1 | 1001133715 | 3 | Terminal | |
| 1 | 1001135650 | 3 | Seal, Terminal | |
| 1 | 1001135651 | 1 | Plug, Terminal | |
| 2 | 1001126487 | 1 | Connector | |
| 2 | 1001167635 | 2 | Terminal | |
| 2 | 1001126485 | 2 | Seal, Terminal | |
| 3 | 1001126362 | 1 | Connector | |
| 3 | 1001126363 | 37 | Terminal | |
| 3 | 1001126392 | 12 | Terminal | |
| 3 | 1001126391 | 7 | Plug, Terminal | |
| 3 | 4461008 | 4 | Plug, Terminal | |
| 3 | 1001167632 | 2 | Terminal | |
| 3 | 1001126364 | 37 | Seal, Terminal | |
| 3 | 1001223459 | 12 | Seal, Terminal | |
| 3 | 4461054 | 2 | Seal, Terminal | |
| 4 | 4460042 | 1 | Terminal, Ring | |
| 5 | 1001142938 | 1 | Plug | |
| 5 | 1001142940 | 2 | Terminal | |
| 5 | 1001142941 | 2 | Seal | |
| 6 | 1001239202 | 1 | Connector | |
| 6 | 1001126363 | 7 | Terminal | |
| 6 | 1001126391 | 1 | Plug, Terminal | |
| 6 | 1001126364 | 7 | Seal, Terminal | |
| 7 | 4460884 | 1 | Connector | |
| 7 | 4460465 | 2 | Socket | |
| 7 | 4460942 | 2 | Socket | |
| 8 | 4460930 | 1 | Plug | |
| 8 | 4460465 | 1 | Socket | |
| 8 | 4460466 | 7 | Plug, Terminal | |
| 9 | 4460894 | 1 | Plug | |
| 9 | 4460465 | 2 | Socket | |
| 9 | 4460944 | 2 | Socket | |
| 9 | 4460466 | 2 | Plug, Terminal | |
| 10 | 2902443 | 1 | Receptacle Kit | |
| 10 | 4461073 | 1 | Cap, Dust | |
| 10 | 4461071 | 6 | Terminal | |
| 11 | 80484084 | 1 | Plug | |
| 11 | 4460748 | 4 | Seal, Terminal | |
| 11 | 4460746 | 3 | Terminal | |
| 11 | 1001234800 | 1 | Terminal | |
| 11 | 4460458 | 4 | Seal, Terminal | |
| 12 | 1001170764 | 1 | Fuse Holder, Includes Resistor | |
| 12 | 1001197719 | 1 | Resistor 0.5W | |
| 13 | 1001116812 | 5 | Plug | |
| 13 | 4460944 | 10 | Socket | |
| 13 | 4460466 | 5 | Plug, Terminal | |
| 14 | 4460539 | 4 | Connector | |
| 14 | 4460944 | 8 | Socket | |

SECTION 8 - ELECTRICAL

| ITEM | PART NUMBER | QTY | DESCRIPTION | REV |
|------|-------------|-----|----------------|-----|
| 14 | 4460466 | 4 | Plug, Terminal | |
| 15 | 4460703 | 1 | Terminal, Ring | |
| 16 | 1001117107 | 2 | Terminal, Ring | |
| 17 | 4460247 | 2 | Terminal, Ring | |
| 18 | 1001116952 | 1 | Plug | |
| 18 | 4460465 | 2 | Socket | |
| 19 | 4460043 | 1 | Terminal, Ring | |
| 20 | 1001289552 | 1 | Connector | |
| 20 | 1001289553 | 2 | Socket | |
| 20 | 1001142941 | 2 | Seal | |
| 21 | 4460019 | 1 | Terminal, Ring | |
| 23 | 1001133956 | 1 | Connector | |
| 23 | 1001126351 | 3 | Terminal | |
| 23 | 1001182361 | 6 | Terminal | |
| 23 | 1001230934 | 25 | Terminal | |
| 23 | 1001230935 | 55 | Plug, Terminal | |
| 23 | 1001252527 | 4 | Terminal | |
| 23 | 1001230936 | 1 | Plug, Terminal | |
| 23 | 1001182365 | 6 | Seal, Terminal | |
| 24 | 1001133957 | 1 | Connector | |
| 24 | 1001126351 | 13 | Terminal | |
| 24 | 1001230935 | 10 | Plug, Terminal | |
| 24 | 1001230934 | 26 | Terminal | |
| 24 | 1001230936 | 11 | Plug, Terminal | |
| 101 | 4460466 | 4 | Seal, Terminal | |
| 102 | 4460932 | 1 | Connector | |
| 103 | 4460945 | 4 | Receptacle | |
| 104 | 8229242 | 1 | Fuse - 5Amp | |
| 105 | 80983191 | 1 | Fuse - 10Amp | |
| 106 | 1001116815 | 3 | Connector | |
| 107 | 1001147264 | 1 | Cap | |

SECTION 8 - ELECTRICAL

FIGURE 8-50. ENGINE HARNESS - FORD ENGINES



ART_1001286033

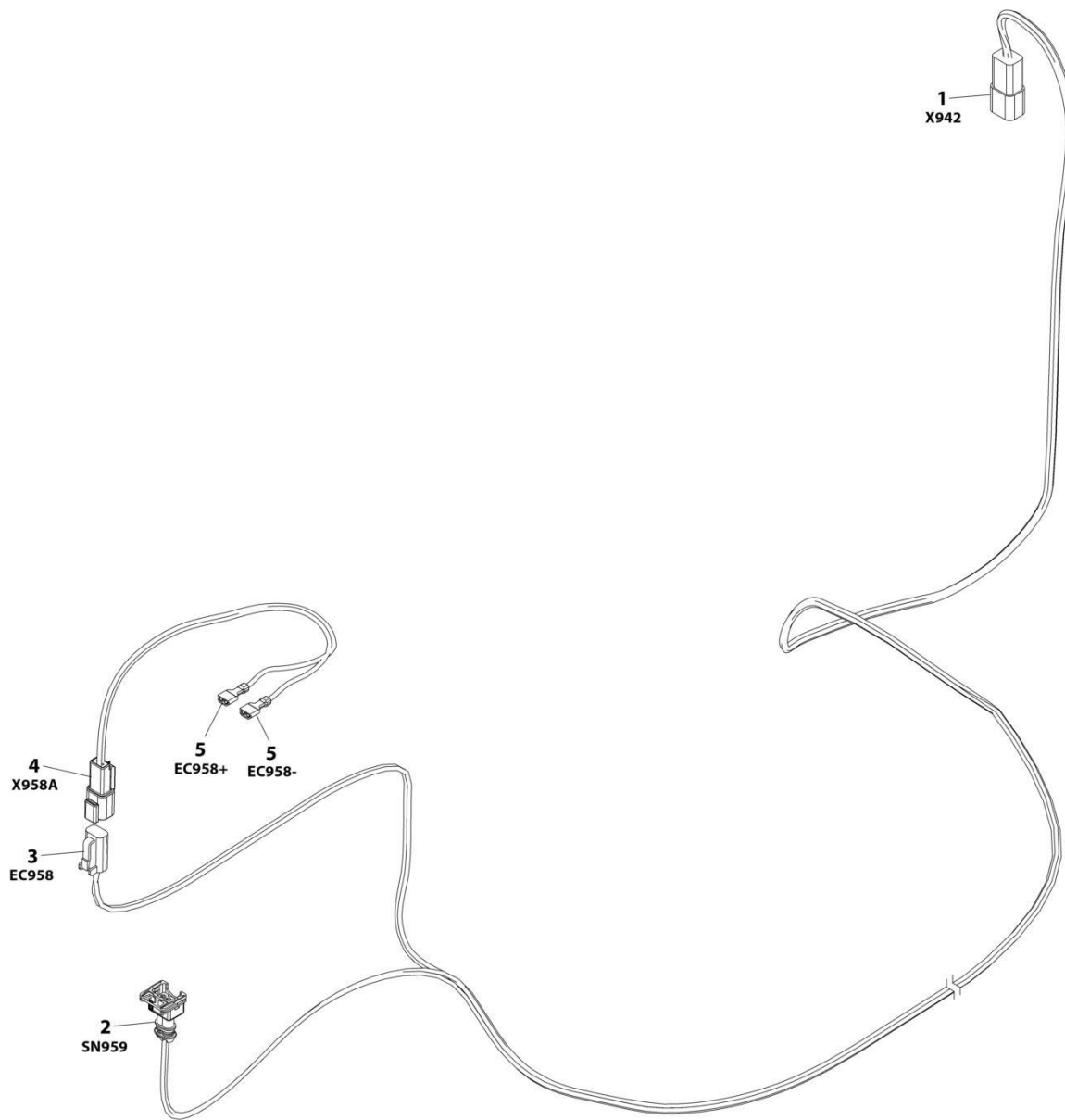
SECTION 8 - ELECTRICAL

FIGURE 8-50. ENGINE HARNESS - FORD ENGINES

| ITEM | PART NUMBER | QTY | DESCRIPTION | REV |
|------|-------------|-----|-------------------------------|-----|
| | 1001286033 | Ref | ENGINE HARNESS - FORD ENGINES | A |
| 12 | 1001216213 | 3 | Terminal, Plug | |
| 13 | 1001216212 | 1 | Terminal | |
| 15 | 1001215534 | 33 | Plug, Terminal | |
| 16 | 1001215091 | 5 | Terminal | |
| 17 | 1001215016 | NLA | Connector | |
| 17 | 1001265676 | 1 | Connector | |
| 18 | 4460260 | 1 | Cover Terminal | |
| 19 | 4460424 | 1 | Connector | |
| 21 | 4460880 | 2 | Connector | |
| 22 | 4460259 | 1 | Terminal | |
| 23 | 4460313 | 3 | Terminal, Ring | |
| 24 | 4460979 | 2 | Terminal | |
| 25 | 4460226 | 3 | Socket | |
| 26 | 4460539 | 1 | Pin | |
| 27 | 4460944 | 3 | Socket | |
| 28 | 4461157 | 1 | Connector | |
| 29 | 4460460 | 1 | Connector | |
| 30 | 4460457 | 4 | Sleeve | |
| 31 | 4460458 | 6 | Seal | |
| 32 | 4460738 | 1 | Terminal, Ring | |
| 34 | 4460871 | 9 | Socket | |
| 35 | 4460465 | 2 | Socket | |
| 36 | 4460312 | 1 | Terminal, Ring | |
| 37 | 4460887 | 1 | Terminal | |

SECTION 8 - ELECTRICAL

FIGURE 8-51. FUEL PUMP HARNESS - DEUTZ TD2.9L4 ENGINES



ART_1001138491

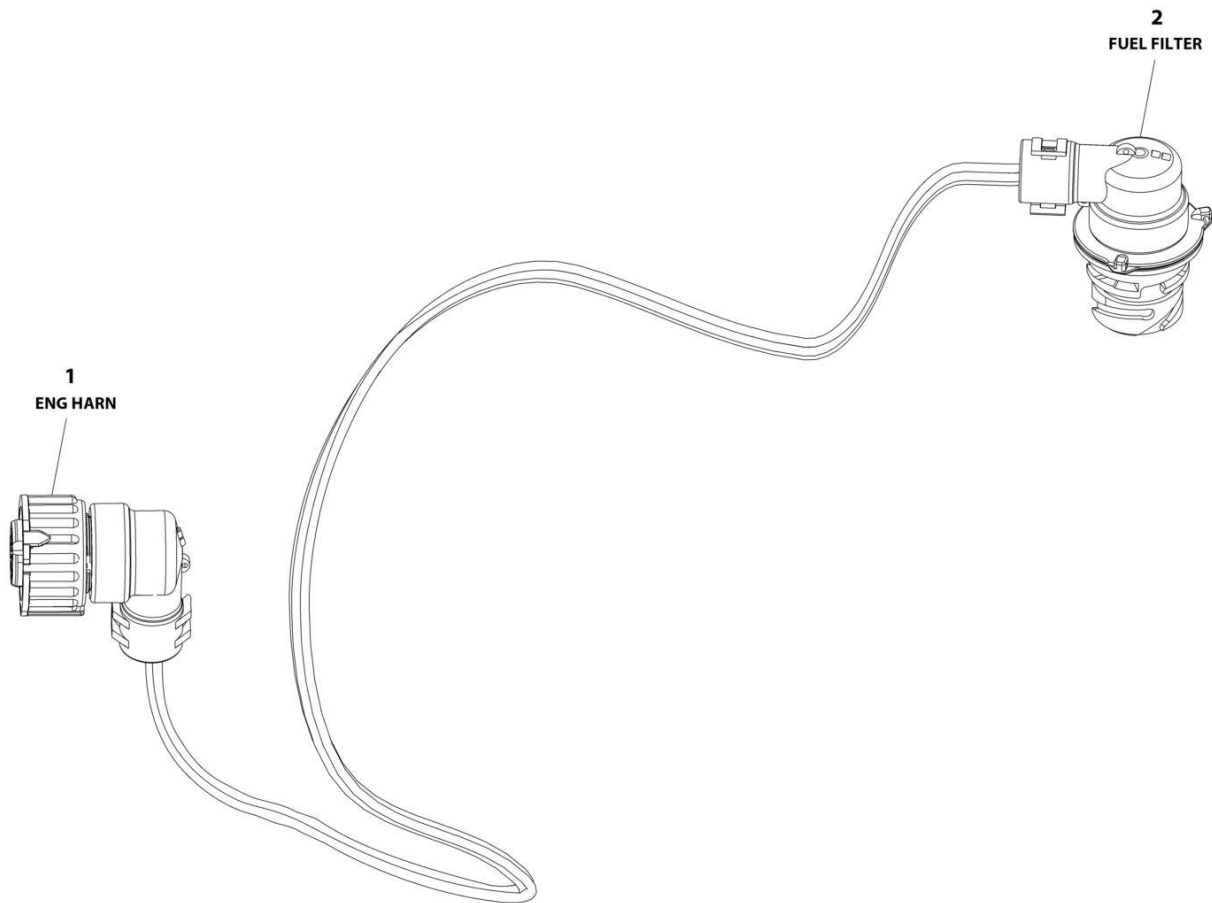
SECTION 8 - ELECTRICAL

FIGURE 8-51. FUEL PUMP HARNESS - DEUTZ TD2.9L4 ENGINES

| ITEM | PART NUMBER | QTY | DESCRIPTION | REV |
|------|-------------|-----|---------------------------------|-----|
| | 1001138491 | Ref | FUEL PUMP HARNESS | D |
| 1 | 4460932 | 1 | Receptacle, Female - 4 Position | |
| 1 | 4460941 | 2 | Pin, Male | |
| 1 | 4460464 | 2 | Pin, Male | |
| 2 | 1001116983 | 1 | Plug, Male - 2 Position | |
| 2 | 1001116710 | 2 | Socket, Female | |
| 2 | 4461054 | 2 | Seal | |
| 3 | 4460891 | 1 | Plug, Male - 2 Position | |
| 3 | 4460942 | 2 | Socket, Female | |
| 4 | 4460897 | 1 | Connector - 2 Position | |
| 4 | 4460941 | 2 | Pin, Male | |
| 5 | 8220051 | 2 | Terminal, Ring | |

SECTION 8 - ELECTRICAL

FIGURE 8-52. FUEL HARNESS - DEUTZ TD2.9L4 (STAGE V) ENGINE



ART_1001245913

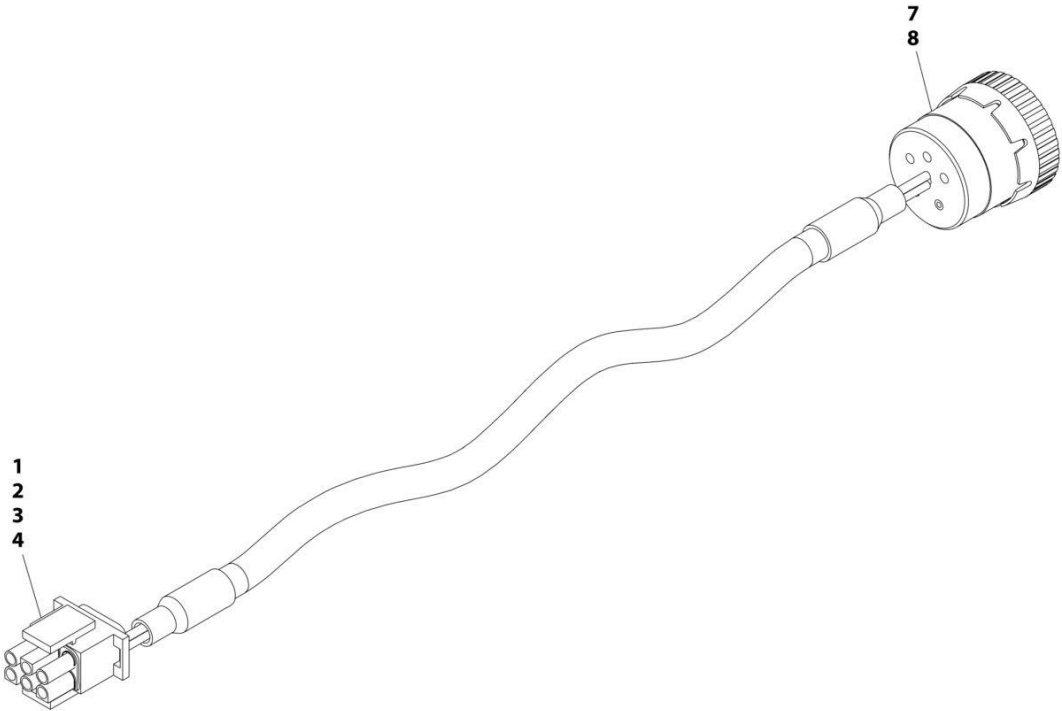
SECTION 8 - ELECTRICAL

FIGURE 8-52. FUEL HARNESS - DEUTZ TD2.9L4 (STAGE V) ENGINE

| ITEM | PART NUMBER | QTY | DESCRIPTION | REV |
|------|-------------|-----|---------------------------------------|-----|
| | 1001245913 | Ref | FUEL HARNESS - DEUTZ (STAGE V) ENGINE | D |
| 1 | 1001148842 | 1 | Connector - 4 Position | |
| 1 | 1001148841 | 4 | Pin, Male | |
| 1 | 1001135650 | 4 | Seal | |
| 2 | 1001133714 | 1 | Plug, Male - 4 Position | |
| 2 | 1001133715 | 4 | Socket, Female | |
| 2 | 1001135650 | 4 | Seal | |

SECTION 8 - ELECTRICAL

FIGURE 8-53. GENERATOR HARNESS - 4000W GENERATOR



ART_1001152532

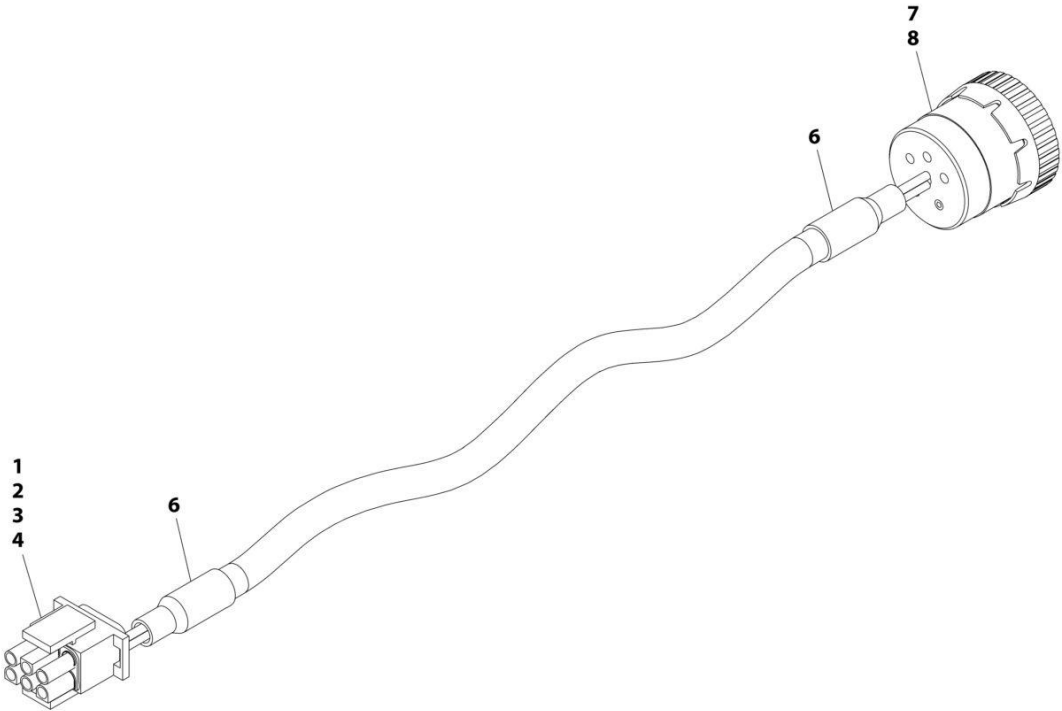
SECTION 8 - ELECTRICAL

FIGURE 8-53. GENERATOR HARNESS - 4000W GENERATOR

| ITEM | PART NUMBER | QTY | DESCRIPTION | REV |
|------|-------------|-----|------------------------|-----|
| | 1001152532 | Ref | GENERATOR HARNESS | A |
| 1 | 4460225 | 1 | Connector - 6 Position | |
| 2 | 4460268 | 2 | Socket, Female | |
| 3 | 4460807 | 1 | Seal | |
| 4 | 4460808 | 1 | Seal | |
| 7 | 4460465 | 2 | Socket, Female | |
| 8 | 77363233 | 1 | Connector - 6 Position | |

SECTION 8 - ELECTRICAL

FIGURE 8-54. GENERATOR HARNESS - 7500W SKYPOWER GENERATOR



ART_4922925

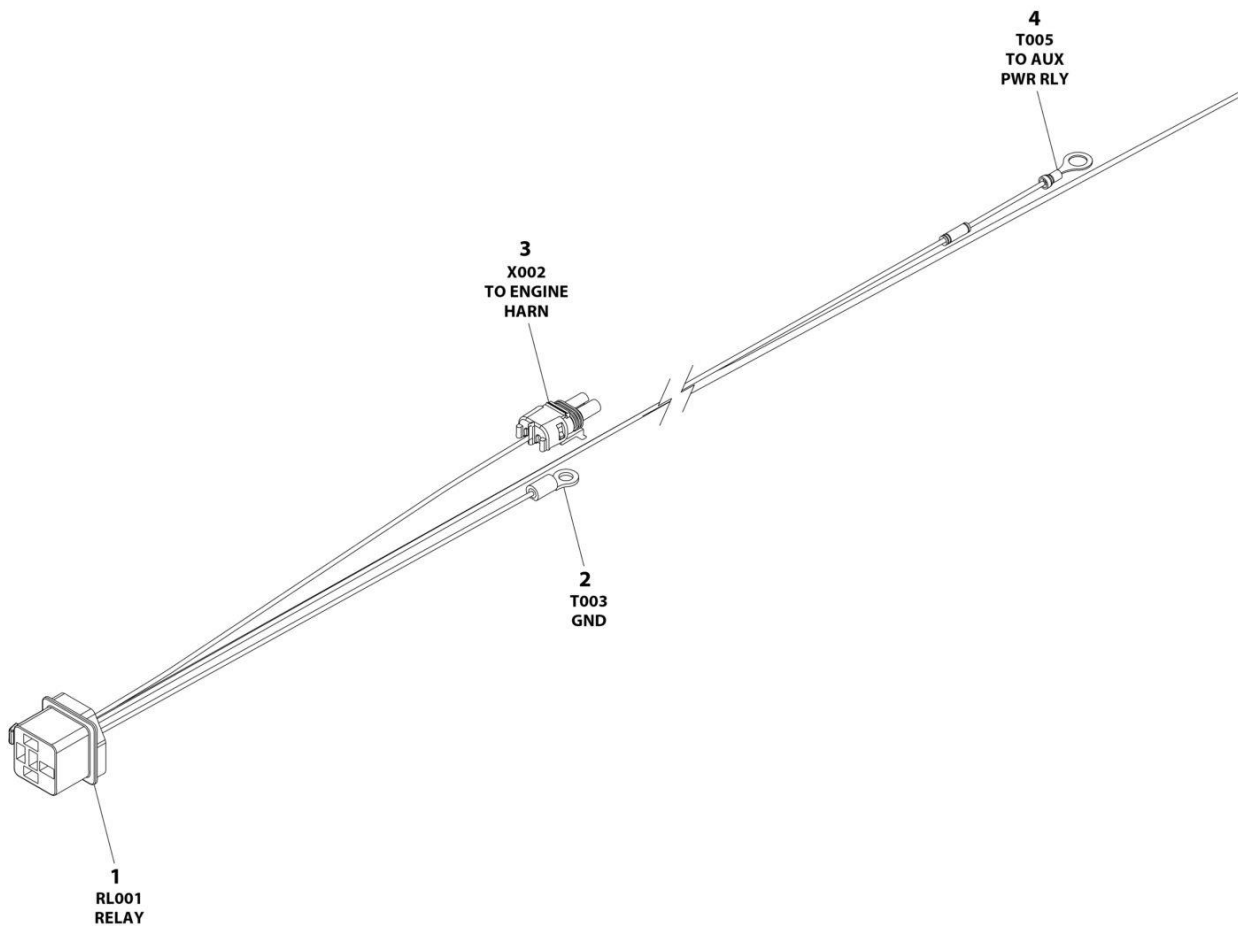
SECTION 8 - ELECTRICAL

FIGURE 8-54. GENERATOR HARNESS - 7500W SKYPOWER GENERATOR

| ITEM | PART NUMBER | QTY | DESCRIPTION | REV |
|------|-------------|-----|--|-----|
| | 4922925 | Ref | GENERATOR TO CONTROL BOX HARNESS (7500W GENERATOR) | C |
| 1 | 4460225 | 1 | Plug, Male - 2 Position | |
| 2 | 4460268 | 6 | Socket, Female | |
| 3 | 4460807 | 1 | Seal | |
| 4 | 4460808 | 1 | Seal | |
| 6 | 2820019 | AR | Heat Shrink | |
| 7 | 4460465 | 6 | Socket, Female | |
| 8 | 77363233 | 1 | Connector - 6 Position | |

SECTION 8 - ELECTRICAL

FIGURE 8-55. GENERATOR TO ENGINE HARNESS - 2500W (FORD ENGINES)



ART_4923445

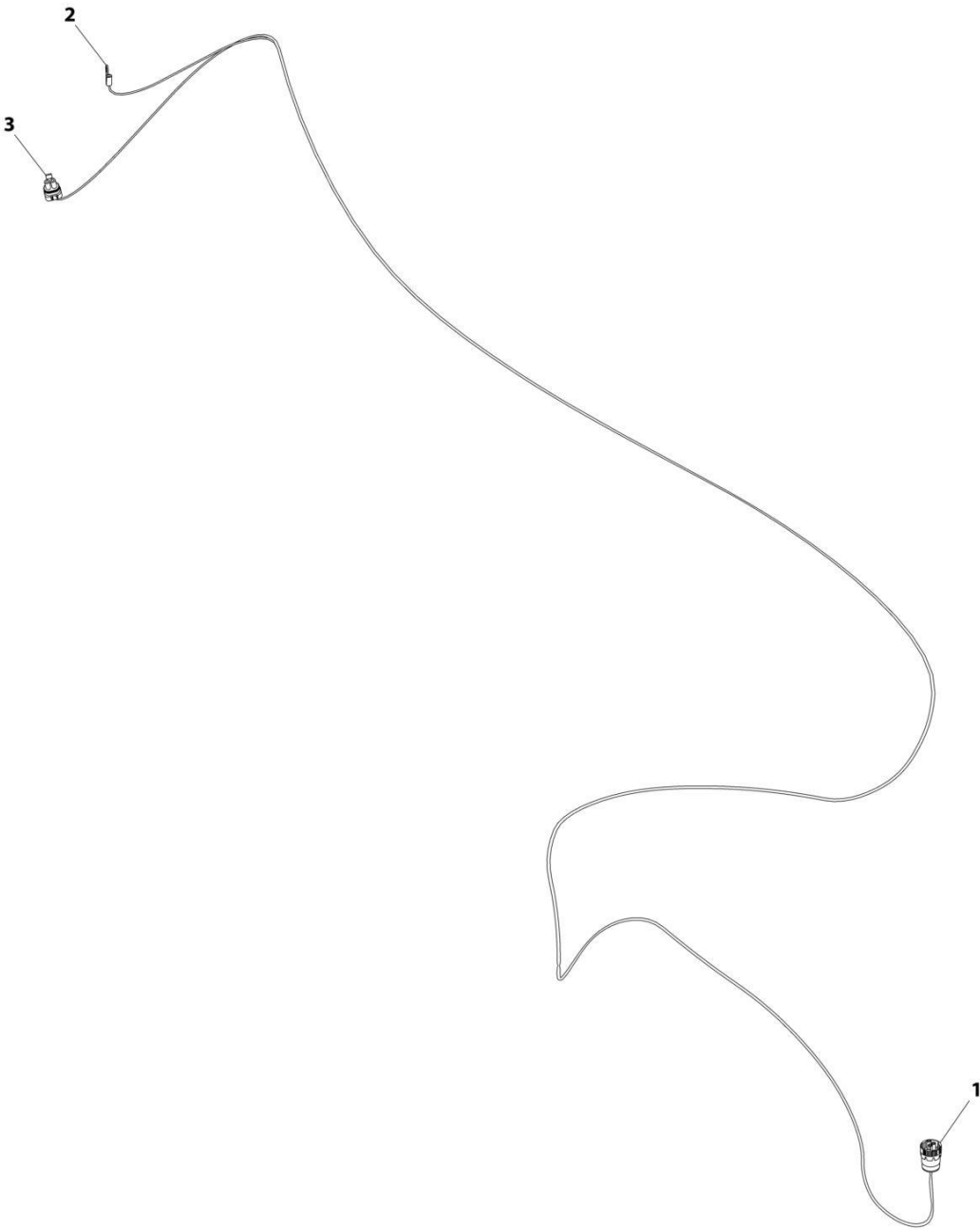
SECTION 8 - ELECTRICAL

FIGURE 8-55. GENERATOR TO ENGINE HARNESS - 2500W (FORD ENGINES)

| ITEM | PART NUMBER | QTY | DESCRIPTION | REV |
|------|-------------|-----|-----------------------------|-----|
| | 4923445 | Ref | GENERATOR TO ENGINE HARNESS | B |
| 1 | 4460374 | 1 | Plug, Sealed Relay | |
| 1 | 1001116734 | 2 | Socket, Female | |
| 1 | 1001116733 | 2 | Socket, Female | |
| 2 | 4460043 | 1 | Terminal, Ring | |
| 3 | 4460742 | 1 | Plug, Male - 2 Position | |
| 3 | 4460457 | 1 | Socket, Female | |
| 3 | 4460458 | 1 | Seal, Terminal | |
| 3 | 1001116727 | 1 | Plug, Terminal | |
| 4 | 4460670 | 1 | Terminal, Ring | |

SECTION 8 - ELECTRICAL

FIGURE 8-56. GENERATOR TO ENGINE HARNESS - 4000W (DEUTZ D2011 ENGINES)



ART_1001153197

SECTION 8 - ELECTRICAL

FIGURE 8-56. GENERATOR TO ENGINE HARNESS - 4000W (DEUTZ D2011 ENGINES)

| ITEM | PART NUMBER | QTY | DESCRIPTION | REV |
|------|-------------|-----|-----------------------------|-----|
| | 1001153197 | Ref | GENERATOR TO ENGINE HARNESS | B |
| 1 | 4460967 | 1 | Plug, Male - 3 Position | |
| 1 | 4460465 | 2 | Socket, Female | |
| 2 | 4460043 | 1 | Terminal, Ring | |
| 3 | 4460742 | 1 | Plug, Male - 2 Position | |
| 3 | 4460743 | 1 | Socket, Female | |
| 3 | 4460458 | 1 | Seal, Terminal | |
| 3 | 1001116727 | 1 | Plug, Terminal | |

SECTION 8 - ELECTRICAL

FIGURE 8-57. GENERATOR TO ENGINE HARNESS - 4000W (DEUTZ TD2.9L4 ENGINES)



ART_1001153259

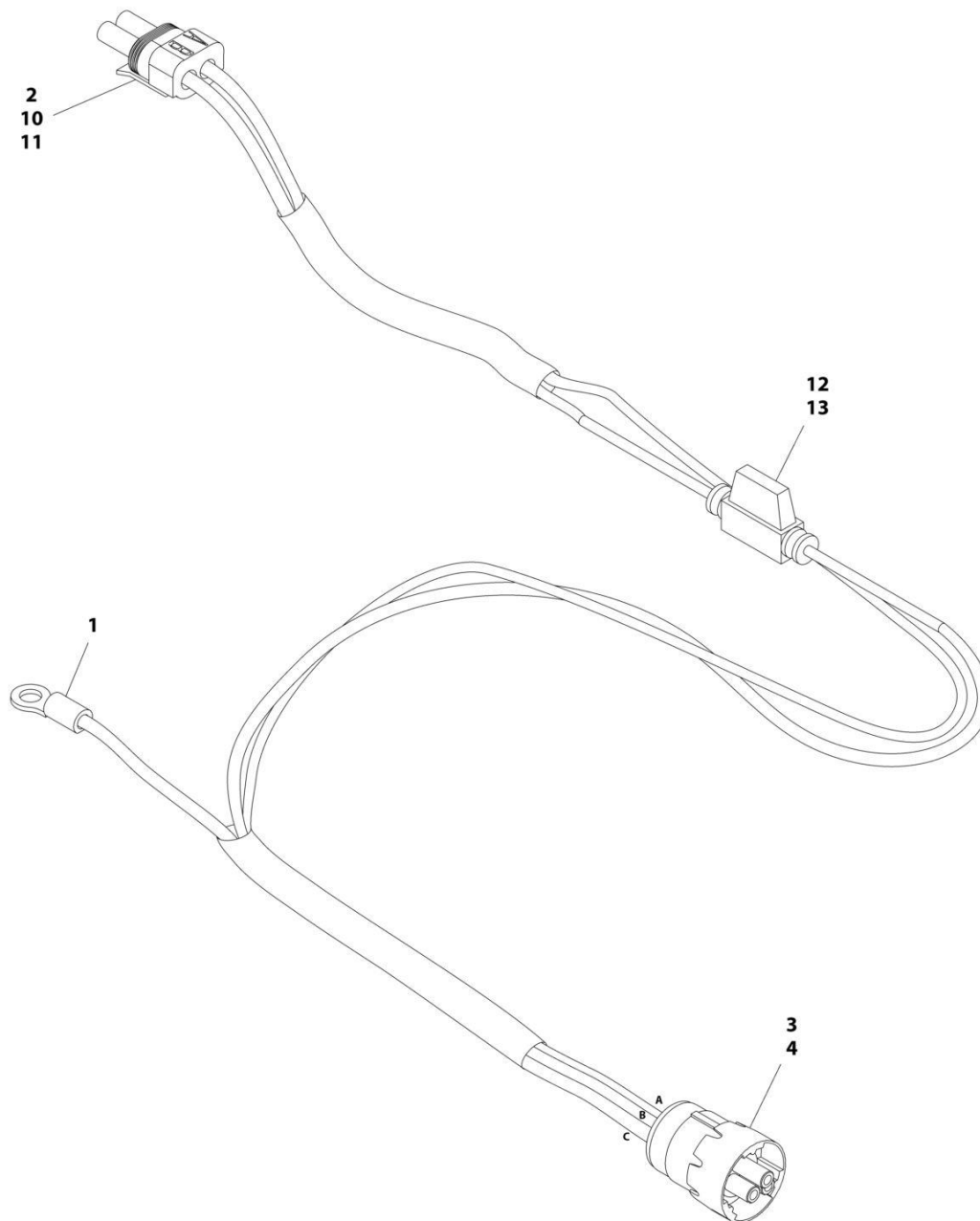
SECTION 8 - ELECTRICAL

FIGURE 8-57. GENERATOR TO ENGINE HARNESS - 4000W (DEUTZ TD2.9L4 ENGINES)

| ITEM | PART NUMBER | QTY | DESCRIPTION | REV |
|------|-------------|-----|--|-----|
| | 1001153259 | Ref | GENERATOR TO PLATFORM HARNESS (4000W-60HZ GENERATOR) | B |
| 1 | 4460967 | 1 | Connector - 3 Position | |
| 1 | 4460465 | 2 | Socket, Female | |
| 2 | 4460465 | 2 | Socket, Female | |

SECTION 8 - ELECTRICAL

FIGURE 8-58. GENERATOR TO ENGINE HARNESS - 7500W SKYPOWER GENERATOR (DEUTZ D2011 ENGINES)



ART_1001152429

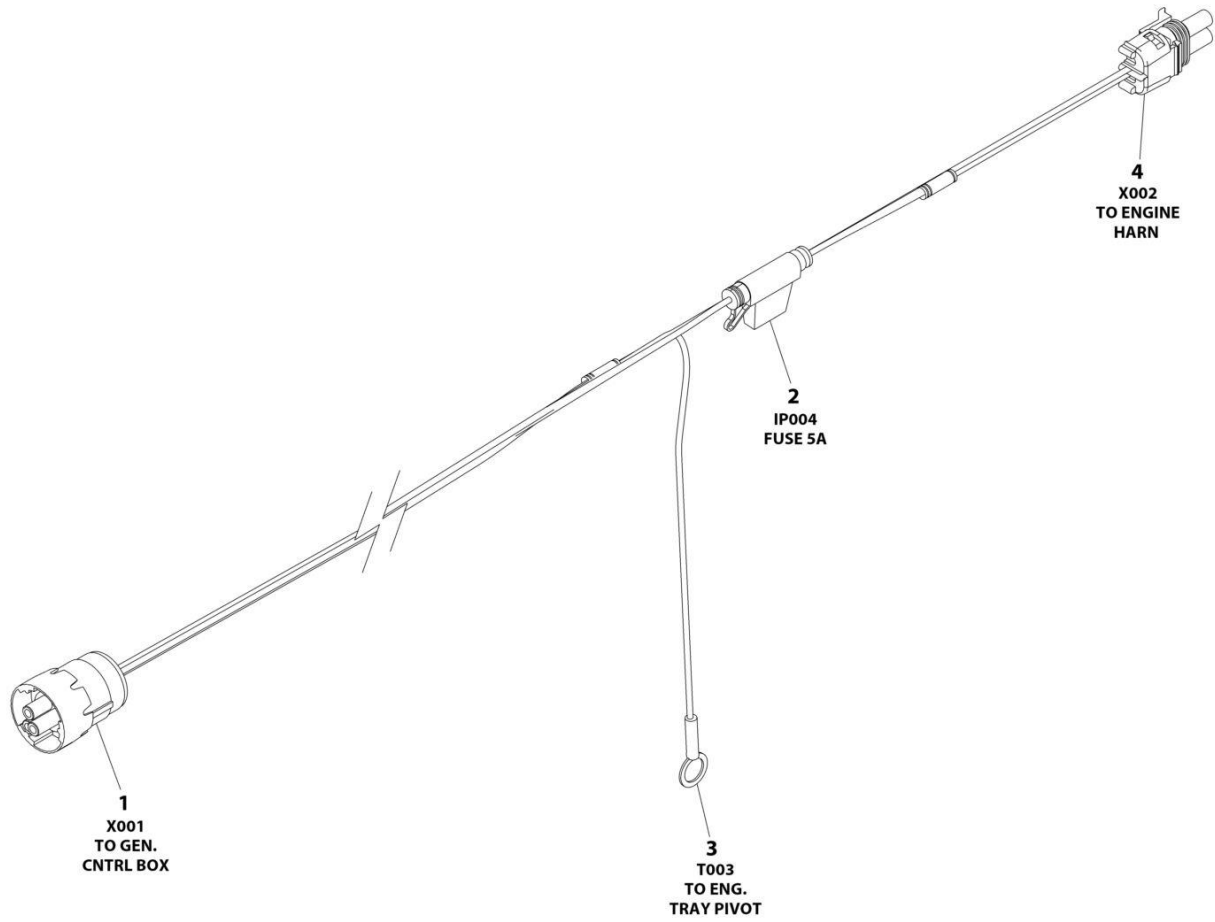
SECTION 8 - ELECTRICAL

FIGURE 8-58. GENERATOR TO ENGINE HARNESS - 7500W SKYPOWER GENERATOR (DEUTZ D2011 ENGINES)

| ITEM | PART NUMBER | QTY | DESCRIPTION | REV |
|------|-------------|-----|-----------------------------|-----|
| | 1001152429 | Ref | GENERATOR TO ENGINE HARNESS | C |
| 1 | 4460043 | 1 | Terminal, Ring | |
| 2 | 4460742 | 1 | Plug, Male - 2 Position | |
| 3 | 4460967 | 1 | Connector - 3 Position | |
| 4 | 4460465 | 3 | Socket, Female | |
| 10 | 4460743 | 2 | Terminal, Female | |
| 11 | 4460458 | 2 | Seal | |
| 12 | 2400060 | 1 | Fuseholder (Includes Cover) | |
| 13 | 2400064 | 1 | Fuse - 5Amp | |

SECTION 8 - ELECTRICAL

FIGURE 8-59. GENERATOR TO ENGINE HARNESS - 7500W SKYPOWER (FORD DF 2.5L ENGINES)



ART_1001257972

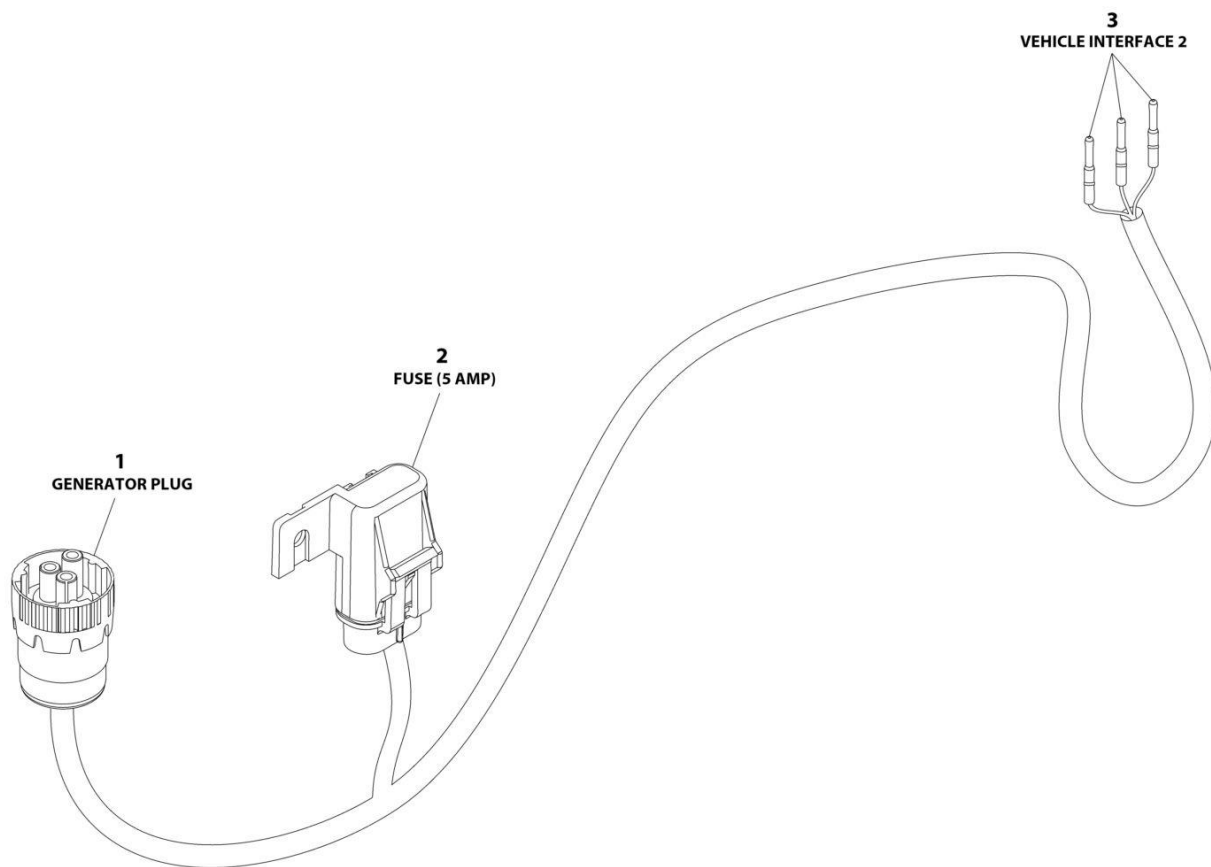
SECTION 8 - ELECTRICAL

FIGURE 8-59. GENERATOR TO ENGINE HARNESS - 7500W SKYPOWER (FORD DF 2.5L ENGINES)

| ITEM | PART NUMBER | QTY | DESCRIPTION | REV |
|------|-------------|-----|------------------------------|-----|
| | 1001257972 | Ref | GENERATOR TO ENGINE HARNESS | A |
| 1 | 4460967 | 1 | Plug, Male - 3 Position | |
| 1 | 4460465 | 3 | Socket, Female | |
| 2 | 2400060 | 1 | Fuse-holder (Includes Cover) | |
| 2 | 2400064 | 1 | Fuse - 5Amp | |
| 3 | 4460256 | 1 | Terminal, Ring | |
| 4 | 4460742 | 1 | Plug, Male - 2 Position | |
| 4 | 4460457 | 2 | Socket, Female | |
| 4 | 4460458 | 2 | Seal, Terminal | |

SECTION 8 - ELECTRICAL

FIGURE 8-60. GENERATOR HARNESS - 7500W SKYPOWER (DEUTZ TD2.9L4 T4F ENGINES)



ART_1001119968

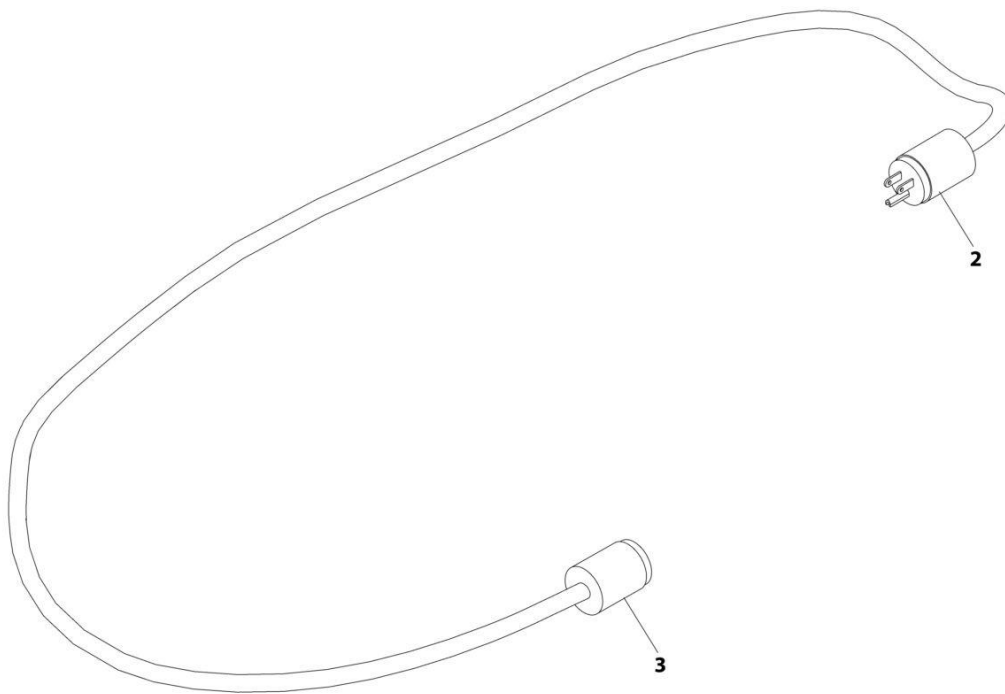
SECTION 8 - ELECTRICAL

FIGURE 8-60. GENERATOR HARNESS - 7500W SKYPOWER (DEUTZ TD2.9L4 T4F ENGINES)

| ITEM | PART NUMBER | QTY | DESCRIPTION | REV |
|------|-------------|-----|--------------------------------------|-----|
| | 1001119968 | Ref | GENERATOR HARNESS - 7500W GENERATOR | C |
| 1 | 4460967 | 1 | Connector - 3 Position | |
| 1 | 4460465 | 3 | Socket, Female | |
| 2 | 1001117078 | 1 | Connector, Metri-Pack with 5Amp Fuse | |
| 3 | 4460465 | 3 | Socket, Female | |

SECTION 8 - ELECTRICAL

FIGURE 8-61. GENERATOR TO REAR OF BOOM HARNESS - 110V



ART_4921829

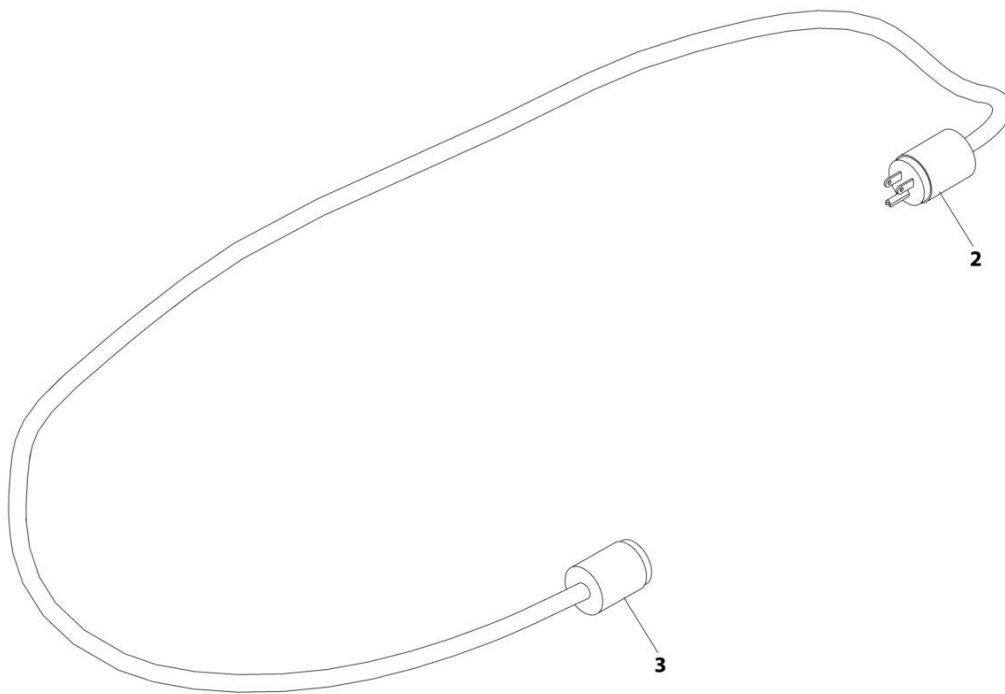
SECTION 8 - ELECTRICAL

FIGURE 8-61. GENERATOR TO REAR OF BOOM HARNESS - 110V

| ITEM | PART NUMBER | QTY | DESCRIPTION | REV |
|------|-------------|-----|--|-----|
| | 4921829 | Ref | GENERATOR TO REAR OF BOOM HARNESS - 110V | Z-A |
| 2 | 4460205 | 1 | Plug, Male | |
| 3 | 4460134 | 1 | Connector, Female | |

SECTION 8 - ELECTRICAL

FIGURE 8-62. GENERATOR TO REAR OF BOOM HARNESS - 220V



ART_4921955

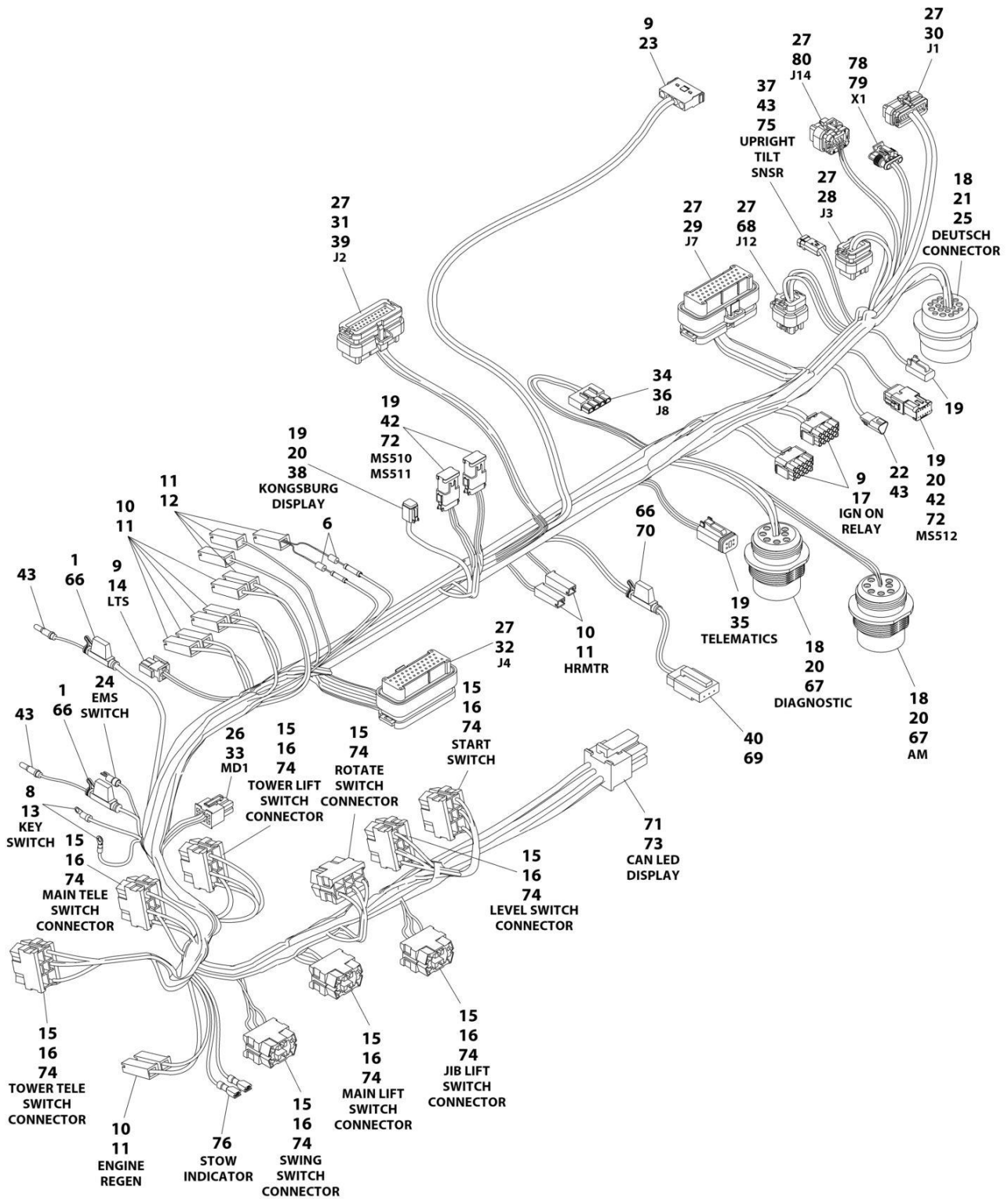
SECTION 8 - ELECTRICAL

FIGURE 8-62. GENERATOR TO REAR OF BOOM HARNESS - 220V

| ITEM | PART NUMBER | QTY | DESCRIPTION | REV |
|------|-------------|-----|--|-----|
| | 4921955 | Ref | GENERATOR TO REAR OF BOOM HARNESS - 220V | A |
| 2 | 4460233 | 1 | Terminal, Plug | |
| 3 | 4460701 | 1 | Terminal, Connector | |

SECTION 8 - ELECTRICAL

FIGURE 8-63. GROUND CONTROL BOX HARNESS



ART_1001306145

SECTION 8 - ELECTRICAL

FIGURE 8-63. GROUND CONTROL BOX HARNESS

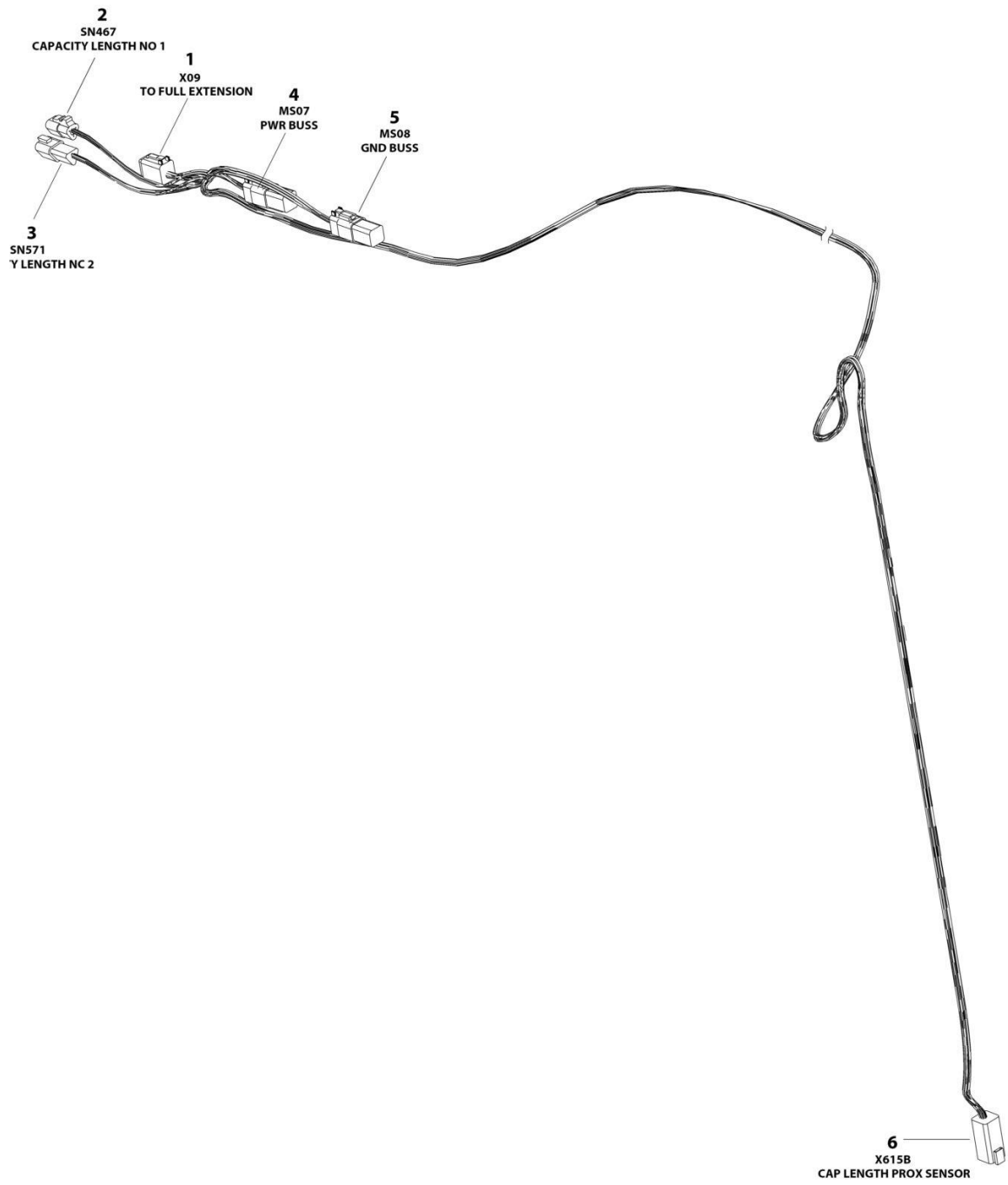
| ITEM | PART NUMBER | QTY | DESCRIPTION | REV |
|------|-------------|-----|----------------------------|-----|
| | 1001306145 | Ref | GROUND CONTROL BOX HARNESS | A |
| 1 | 2400060 | 2 | Fuseholder | |
| 6 | 3990010 | 2 | Diode, 6Amp | |
| 8 | 4460142 | 4 | Terminal, Ring | |
| 9 | 4460227 | 36 | Pin | |
| 10 | 4460259 | 11 | Socket | |
| 11 | 4460260 | 15 | Housing, Terminal | |
| 12 | 4460297 | 4 | Socket | |
| 13 | 4460313 | 3 | Terminal, Ring | |
| 14 | 4460320 | 1 | Connector | |
| 15 | 4460418 | 9 | Connector, Switch | |
| 16 | 4460419 | 8 | Socket | |
| 17 | 4460434 | 2 | Connector | |
| 18 | 4460464 | 27 | Pin | |
| 19 | 4460465 | 45 | Socket | |
| 20 | 4460466 | 9 | Plug, Terminal | |
| 21 | 4460508 | 4 | Pin | |
| 22 | 4460536 | 1 | Connector | |
| 23 | 4460761 | 1 | Connector | |
| 24 | 4460806 | 5 | Terminal, Fork | |
| 25 | 4460866 | 1 | Pin | |
| 26 | 4460868 | 1 | Connector | |
| 27 | 4460871 | 92 | Socket | |
| 28 | 4460872 | 1 | Connector | |
| 29 | 4460873 | 1 | Connector | |
| 30 | 4460874 | 1 | Connector | |
| 31 | 4460875 | 1 | Connector | |
| 32 | 4460876 | 1 | Connector | |
| 33 | 4460877 | 4 | Socket | |
| 34 | 4460878 | 1 | Housing, Terminal | |
| 35 | 4460884 | 1 | Connector | |
| 36 | 4460887 | 3 | Socket | |
| 37 | 1001229530 | 1 | Connector | |
| 38 | 4460894 | 1 | Plug | |
| 39 | 4460905 | 2 | Seal | |
| 40 | 4460911 | 1 | Plug, Terminal | |
| 42 | 4460933 | 3 | Connector | |
| 43 | 4460943 | 8 | Pin | |
| 66 | 8229242 | 3 | Fuse, 5Amp | |
| 67 | 1001249095 | 2 | Connector | |
| 68 | 1001113961 | 1 | Plug | |
| 69 | 1001116694 | 3 | Socket | |
| 70 | 1001255901 | 1 | Fuseholder | |
| 71 | 1001237668 | 5 | Socket | |
| 72 | 1001119020 | 3 | Connector | |
| 73 | 1001237667 | 1 | Connector | |
| 74 | 1001159186 | 18 | Socket | |
| 75 | 1001200497 | 1 | Connector | |
| 76 | 1001201885 | 2 | Terminal | |
| 78 | 1001103012 | 1 | Connector | |

SECTION 8 - ELECTRICAL

| ITEM | PART NUMBER | QTY | DESCRIPTION | REV |
|------|-------------|-----|-------------|-----|
| 79 | 1001107854 | 4 | Terminal | |
| 80 | 1001246859 | 1 | Connector | |

SECTION 8 - ELECTRICAL

FIGURE 8-64. MID BOOM PROXIMITY SENSOR HARNESS



ART_1001258709

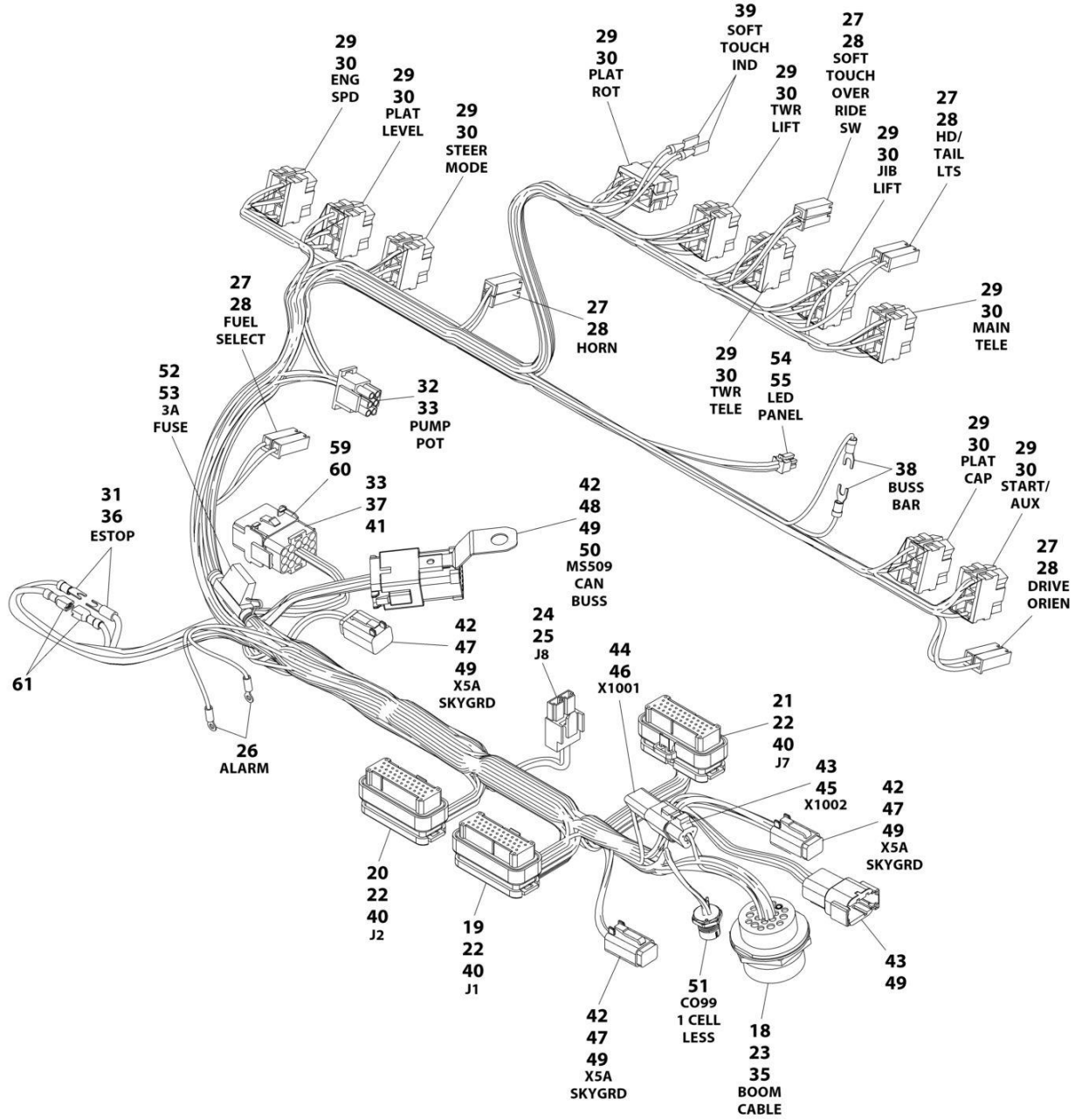
SECTION 8 - ELECTRICAL

FIGURE 8-64. MID BOOM PROXIMITY SENSOR HARNESS

| ITEM | PART NUMBER | QTY | DESCRIPTION | REV |
|------|-------------|-----|----------------------------------|-----|
| | 1001258709 | Ref | MID BOOM PROX SENSOR HARNESS | B |
| 1 | 4460894 | 1 | Plug, Male - 6 Position | |
| 1 | 4460465 | 6 | Socket, Female | |
| 2 | 4460539 | 1 | Plug, Male - 3 Position | |
| 2 | 4460465 | 3 | Socket, Female | |
| 3 | 4460536 | 1 | Receptacle, Female - 3 Position | |
| 3 | 4460464 | 3 | Pin, Male | |
| 4 | 4460894 | 2 | Plug, Male - 6 Position | |
| 4 | 4460465 | 10 | Socket, Female | |
| 4 | 4460466 | 2 | Plug, Terminal | |
| 4 | 4460892 | 2 | Connector, Buss Bar - 6 Position | |
| 5 | 4460899 | 1 | Connector - 6 Position | |
| 5 | 4460465 | 6 | Socket, Female | |

SECTION 8 - ELECTRICAL

FIGURE 8-65. PLATFORM CONSOLE BOX HARNESS



ART_1001309250

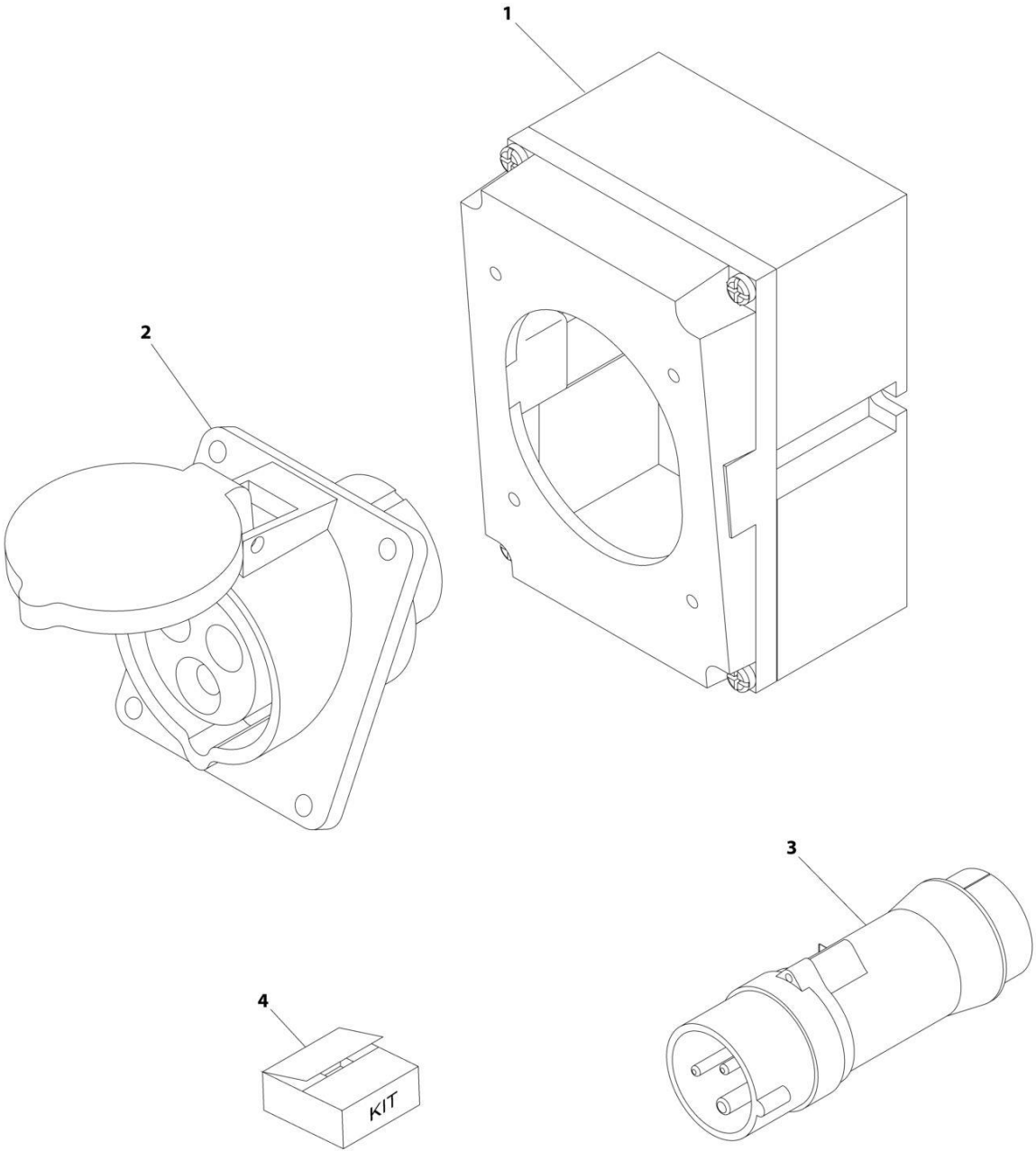
SECTION 8 - ELECTRICAL

FIGURE 8-65. PLATFORM CONSOLE BOX HARNESS

| ITEM | PART NUMBER | QTY | DESCRIPTION | REV |
|------|-------------|-----|------------------------------|-----|
| | 1001309250 | Ref | PLATFORM CONSOLE BOX HARNESS | A |
| 18 | 4460866 | 1 | Connector | |
| 19 | 4460874 | 1 | Connector | |
| 20 | 4460875 | 1 | Connector | |
| 21 | 4460873 | 1 | Connector | |
| 22 | 4460871 | 83 | Socket | |
| 23 | 4460464 | 6 | Pin | |
| 24 | 4460879 | 1 | Plug | |
| 25 | 4460887 | 2 | Terminal | |
| 26 | 1001098122 | 2 | Terminal, Ring | |
| 27 | 4460260 | 10 | Housing, Terminal | |
| 28 | 4460259 | 10 | Terminal | |
| 29 | 4460418 | 10 | Connector, Switch | |
| 30 | 4460419 | 30 | Terminal | |
| 31 | 4460888 | 1 | Terminal, Fork | |
| 32 | 4460225 | 1 | Plug | |
| 33 | 4460227 | 30 | Pin | |
| 35 | 4460508 | 3 | Pin | |
| 36 | 4460806 | 1 | Terminal, Fork | |
| 37 | 4460434 | 2 | Connector | |
| 38 | 4460183 | 2 | Terminal, Fork | |
| 39 | 4460016 | 2 | Terminal | |
| 40 | 4460905 | 22 | Plug, Terminal | |
| 41 | 4460267 | 1 | Pin | |
| 42 | 4460465 | 15 | Socket | |
| 43 | 4460944 | 3 | Socket | |
| 44 | 4460536 | 1 | Connector | |
| 45 | 4460539 | 1 | Plug | |
| 46 | 4460943 | 3 | Pin | |
| 47 | 4460894 | 1 | Plug | |
| 48 | 4460933 | 1 | Connector | |
| 49 | 4460466 | 3 | Plug, Terminal | |
| 50 | 1001119020 | 1 | Connector | |
| 51 | 1001213447 | 1 | Connector | |
| 52 | 2400060 | 1 | Fuseholder with Cover | |
| 53 | 8229249 | 1 | Fuse, 3Amp | |
| 54 | 1001237667 | 1 | Connector | |
| 55 | 1001237668 | 4 | Socket | |
| 59 | 4460708 | 2 | Connector | |
| 60 | 4460226 | 2 | Socket | |
| 61 | 1001201885 | 2 | Terminal | |

SECTION 8 - ELECTRICAL

FIGURE 8-66. RECEPTACLE BOX KIT - 110V IEC YELLOW (CE & UK CA SPECS)



ART_0275216

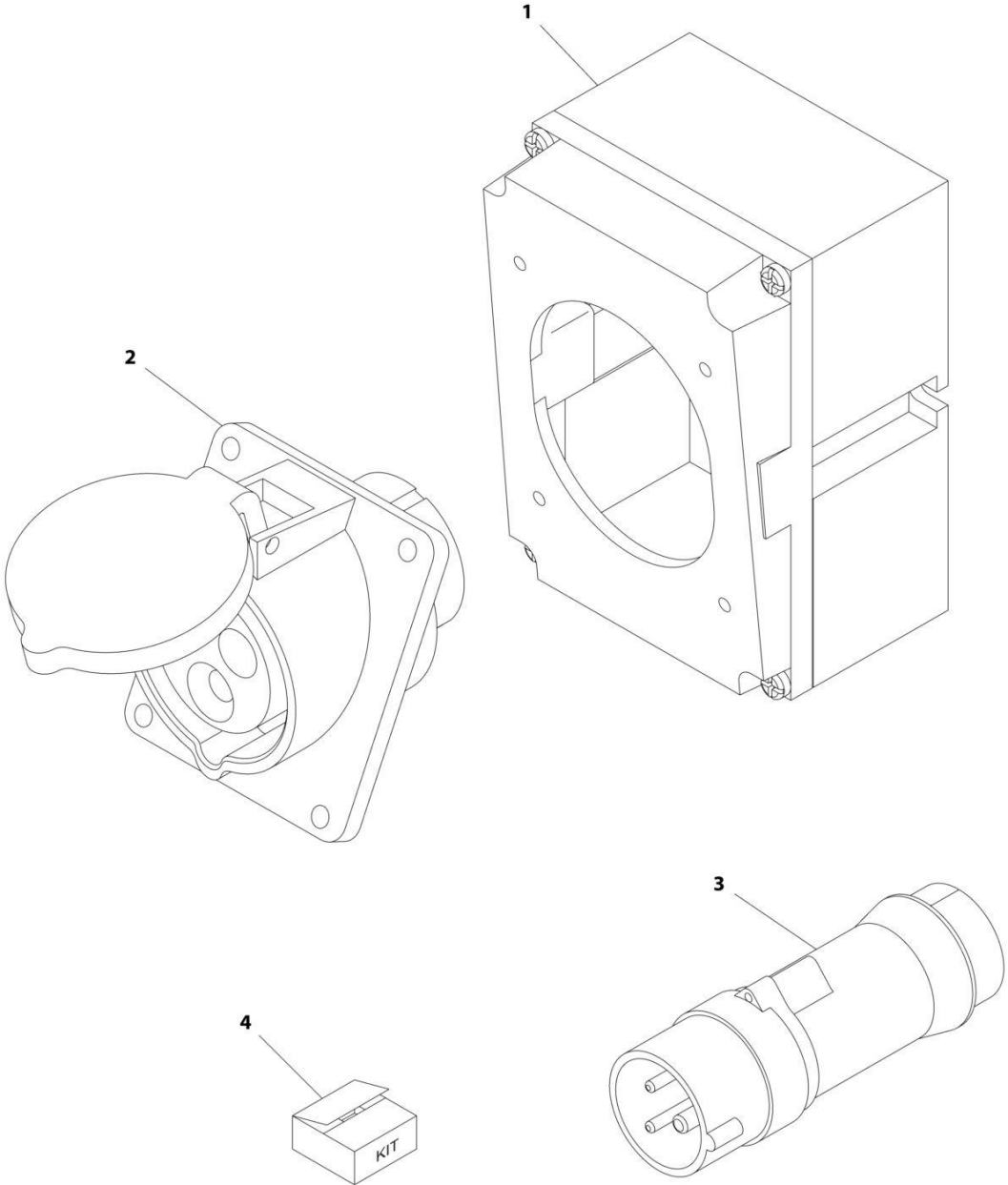
SECTION 8 - ELECTRICAL

FIGURE 8-66. RECEPTACLE BOX KIT - 110V IEC YELLOW (CE & UK CA SPECS)

| ITEM | PART NUMBER | QTY | DESCRIPTION | REV |
|------|-------------|-----|--|-----|
| | 0275216 | Ref | RECEPTACLE BOX KIT - 110V IEC YELLOW | B |
| 1 | 0861781 | 1 | Box, Switch | |
| 2 | 4461198 | 1 | Receptacle | |
| 3 | 4461196 | 1 | Plug, Male | |
| 4 | 1001100341 | 1 | Plug and Socket Kit (Includes Items 1-3 and Female Plug p/n 4461197) | |

SECTION 8 - ELECTRICAL

FIGURE 8-67. RECEPTACLE BOX KIT - 220V IEC BLUE (CE & UK CA SPECS)



ART_0275217

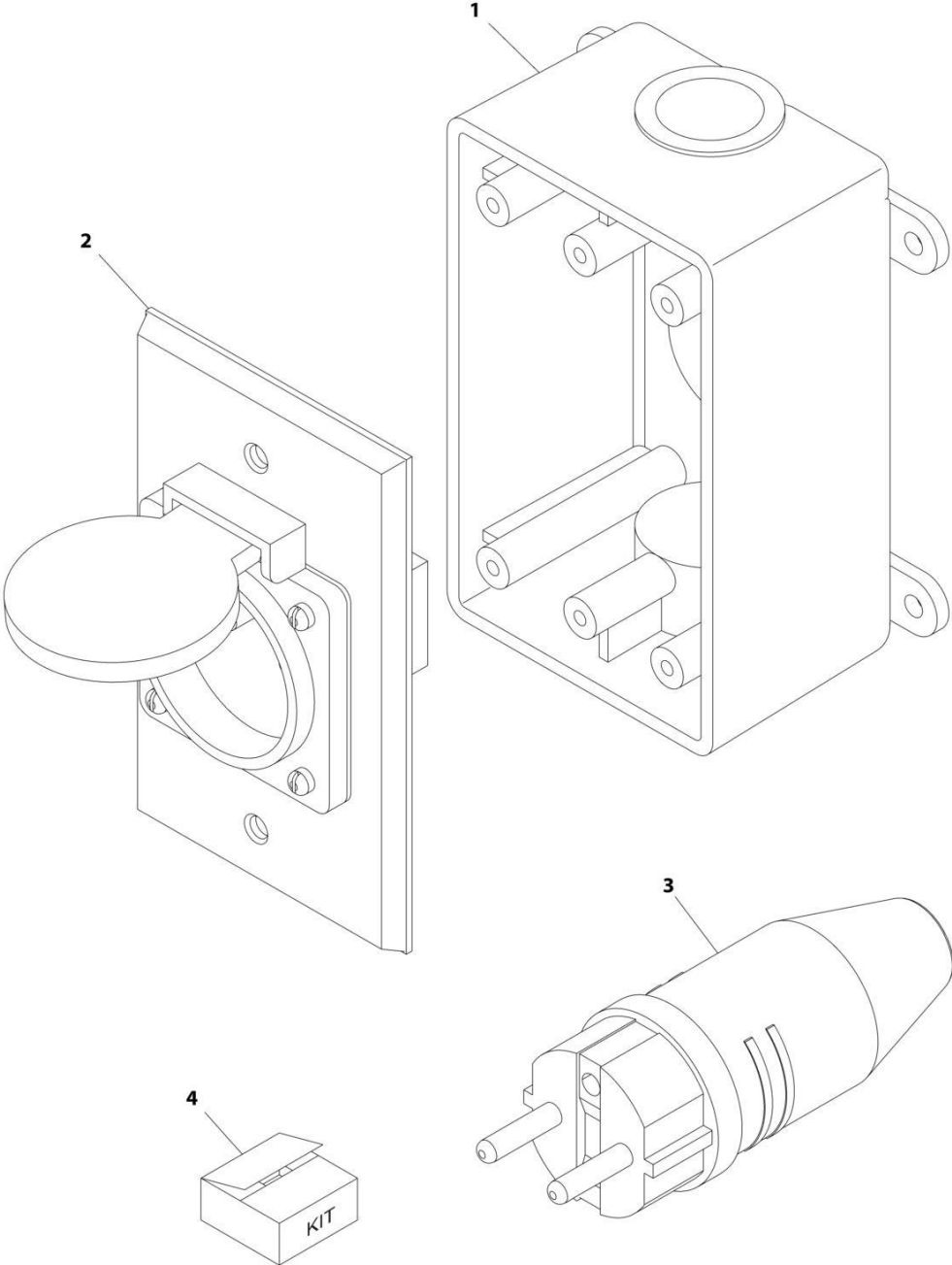
SECTION 8 - ELECTRICAL

FIGURE 8-67. RECEPTACLE BOX KIT - 220V IEC BLUE (CE & UK CA SPECS)

| ITEM | PART NUMBER | QTY | DESCRIPTION | REV |
|------|-------------|-----|--|-----|
| | 0275217 | Ref | RECEPTACLE BOX KIT - 220V IEC BLUE | B |
| 1 | 0861781 | 1 | Box, Switch | |
| 2 | 4461201 | 1 | Receptacle | |
| 3 | 4461199 | 1 | Plug, Male | |
| 4 | 1001100342 | 1 | Plug and Socket Kit (Includes Items 1-3 and Female Plug p/n 4461200) | |

SECTION 8 - ELECTRICAL

FIGURE 8-68. RECEPTACLE BOX KIT - 220V CEE7 POST GROUND 2X4 BOX (CE & UK CA SPEC)



ART_0275452-C

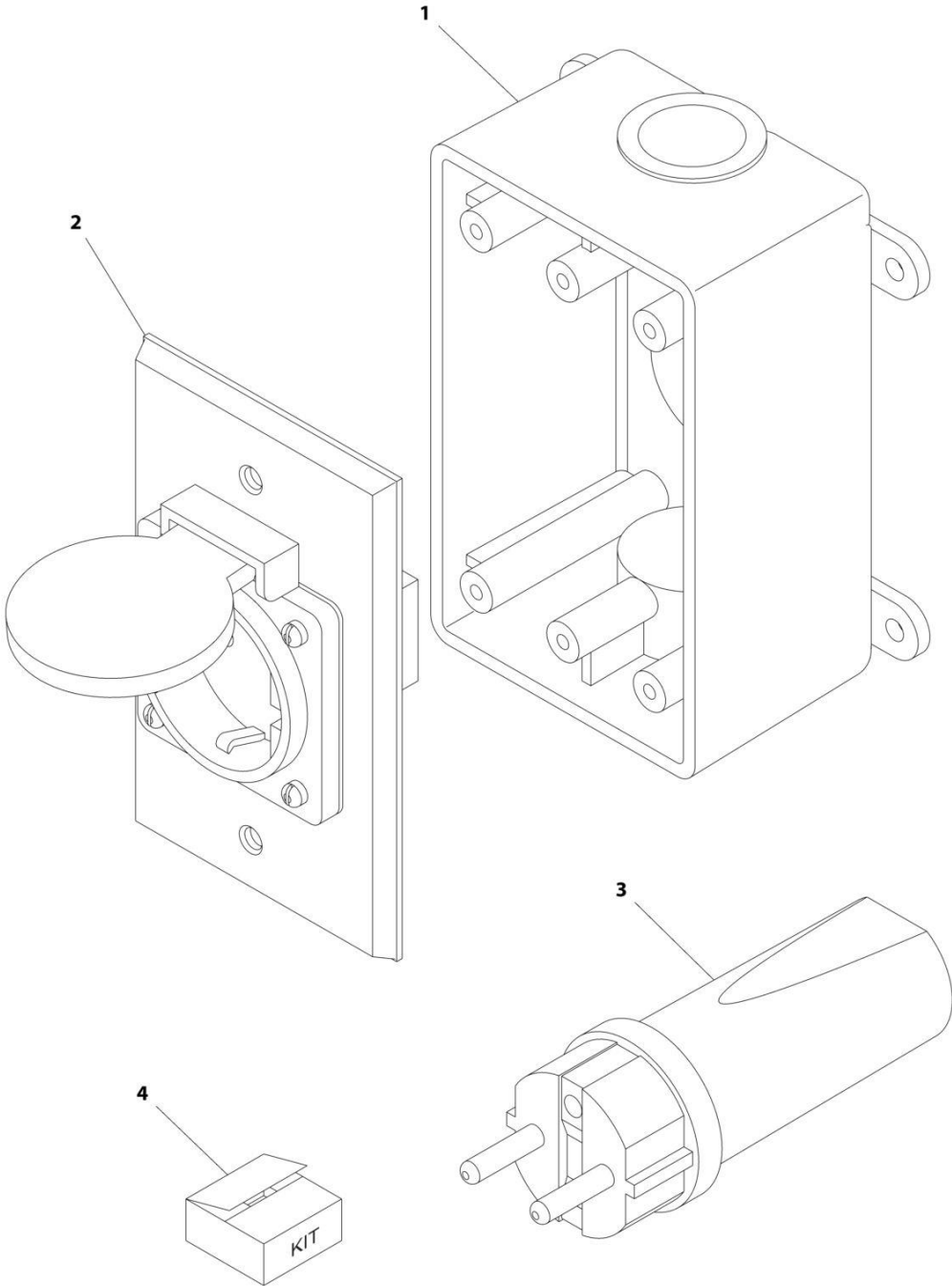
SECTION 8 - ELECTRICAL

FIGURE 8-68. RECEPTACLE BOX KIT - 220V CEE7 POST GROUND 2X4 BOX (CE & UK CA SPEC)

| ITEM | PART NUMBER | QTY | DESCRIPTION | REV |
|------|-------------|-----|--|-----|
| | 0275452 | Ref | RECEPTACLE BOX KIT - 220V CEE7 POST GROUND 2IN X 4IN BOX | C |
| 1 | 0861731 | 1 | Box, Switch | |
| 2 | 4461244 | 1 | Receptacle | |
| 3 | 4461205 | 1 | Plug, Male | |
| 4 | 1001100345 | 1 | Plug and Socket Kit (Includes Items 1-3 and Female Plug p/n 4461203) | |

SECTION 8 - ELECTRICAL

FIGURE 8-69. RECEPTACLE BOX KIT - 220V CEE7 SIDE GROUND 2X4 BOX (CE & UK CA SPEC)



ART_0275453

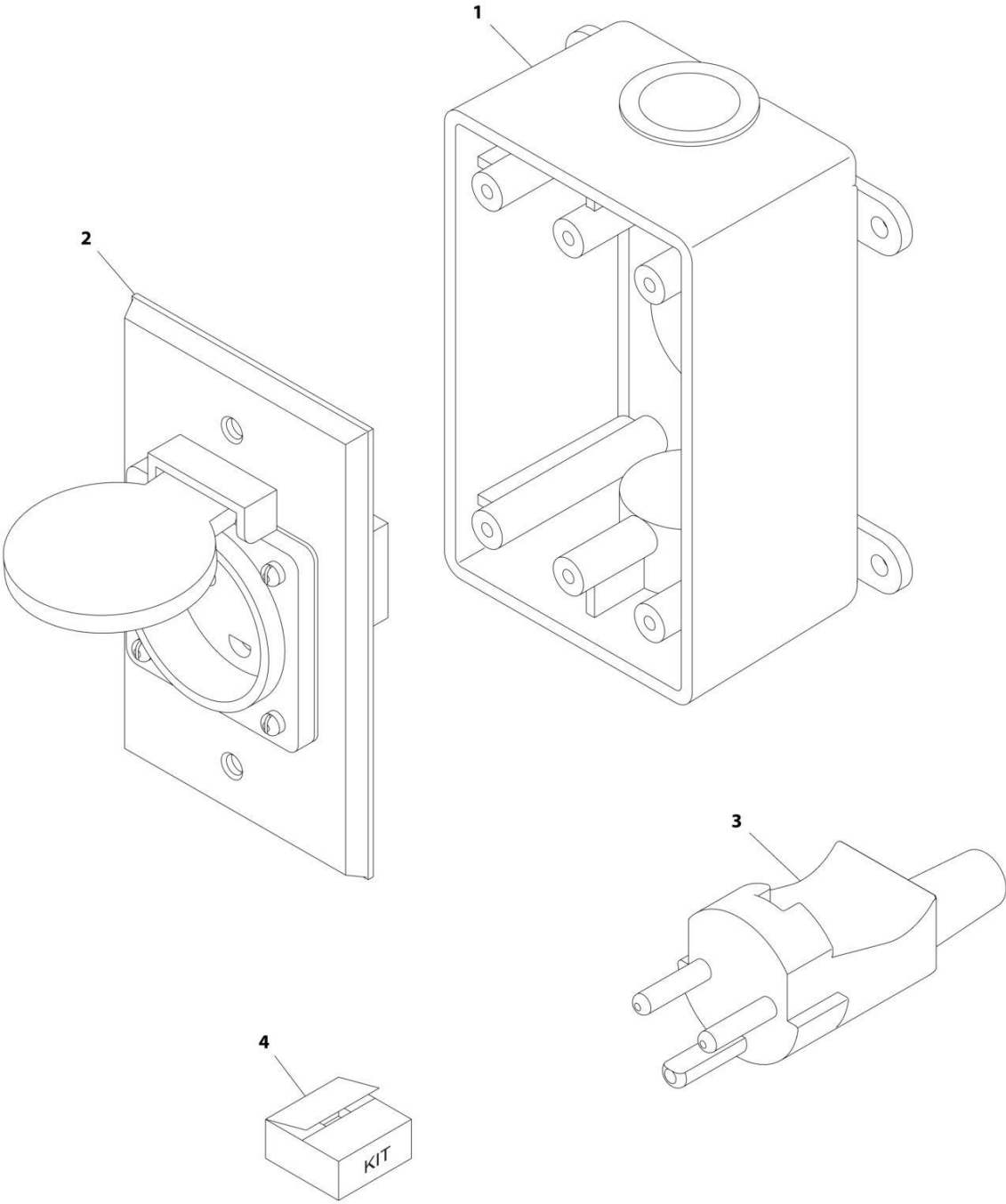
SECTION 8 - ELECTRICAL

FIGURE 8-69. RECEPTACLE BOX KIT - 220V CEE7 SIDE GROUND 2X4 BOX (CE & UK CA SPEC)

| ITEM | PART NUMBER | QTY | DESCRIPTION | REV |
|------|-------------|-----|--|-----|
| | 0275453 | Ref | RECEPTACLE BOX KIT - 220V CEE7 SIDE GROUND | B |
| 1 | 0861731 | 1 | Box, Switch | |
| 2 | 4461245 | 1 | Receptacle | |
| 3 | 4461205 | 1 | Plug, Male | |
| 4 | 1001100347 | 1 | Plug and Socket Kit (Includes Items 1-3 and Female Plug p/n 4461206) | |

SECTION 8 - ELECTRICAL

FIGURE 8-70. RECEPTACLE BOX KIT - 220V AFSINT107 KEYED GROUND (CE & UK CA SPECS)



ART_0275454

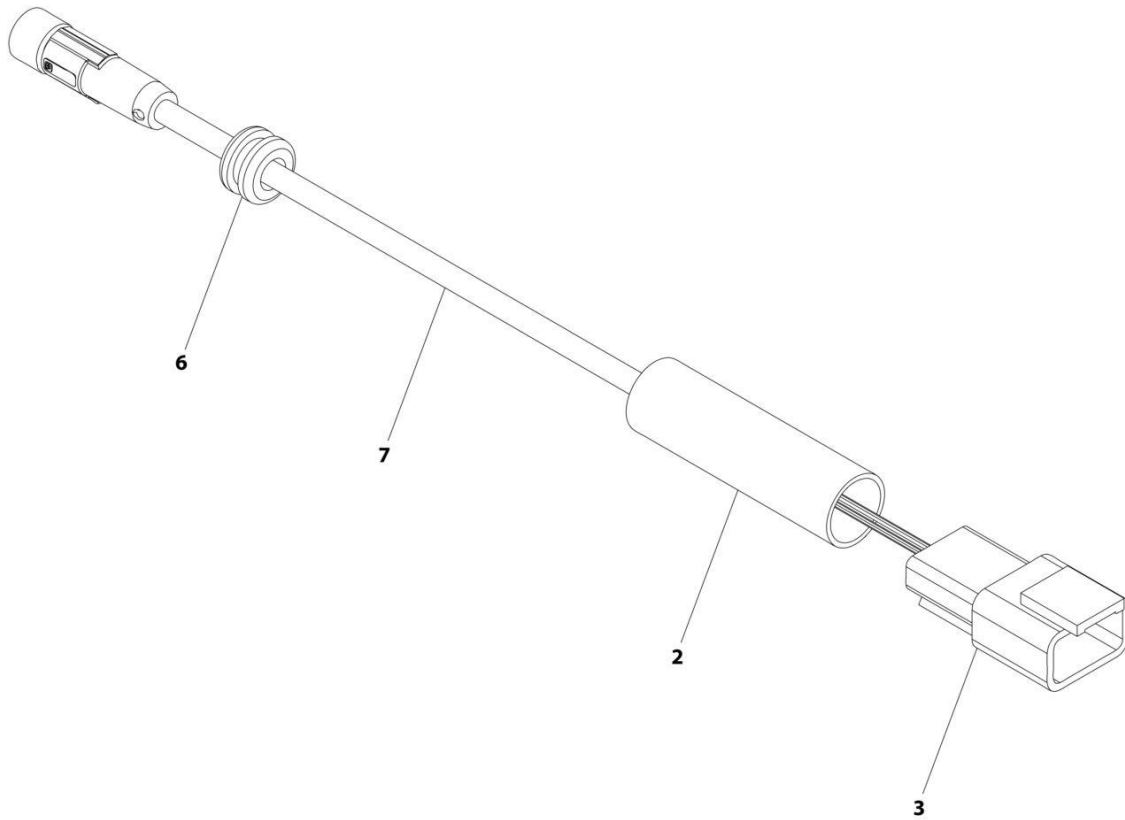
SECTION 8 - ELECTRICAL

FIGURE 8-70. RECEPTACLE BOX KIT - 220V AFSINT107 KEYED GROUND (CE & UK CA SPECS)

| ITEM | PART NUMBER | QTY | DESCRIPTION | REV |
|------|-------------|-----|--|-----|
| | 0275454 | Ref | RECEPTACLE BOX KIT - 220V AFSINT 107 | B |
| 1 | 0861731 | 1 | Box, Switch | |
| 2 | 4461246 | 1 | Receptacle | |
| 3 | 4461249 | 1 | Plug, Male | |
| 4 | 1001100346 | 1 | Plug and Socket Kit (Includes Items 1-3 and Female Plug p/n 4461250) | |

SECTION 8 - ELECTRICAL

FIGURE 8-71. SKYEYE EMITTER HARNESS



ART_1001237864

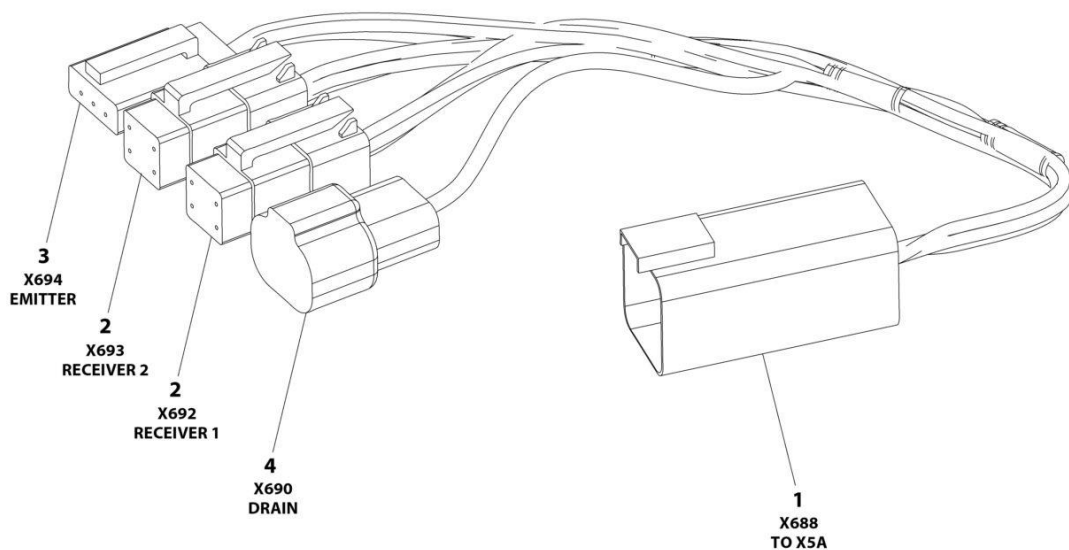
SECTION 8 - ELECTRICAL

FIGURE 8-71. SKYEYE EMITTER HARNESS

| ITEM | PART NUMBER | QTY | DESCRIPTION | REV |
|------|-------------|-----|--------------------------|-----|
| | 1001237864 | Ref | SKYEYE EMITTER HARNESS | A |
| 2 | 2820247 | AR | Tubing, Heat Shrink | |
| 3 | 4460910 | 1 | Connector - 3 Position | |
| 3 | 1001119620 | 3 | Pin, Male | |
| 6 | 1001227996 | 1 | Grommet | |
| 7 | 1001237862 | 1 | Cable, M8 Female Cordset | |

SECTION 8 - ELECTRICAL

FIGURE 8-72. SKYEYE INTERMEDIATE HARNESS



ART_1001237865

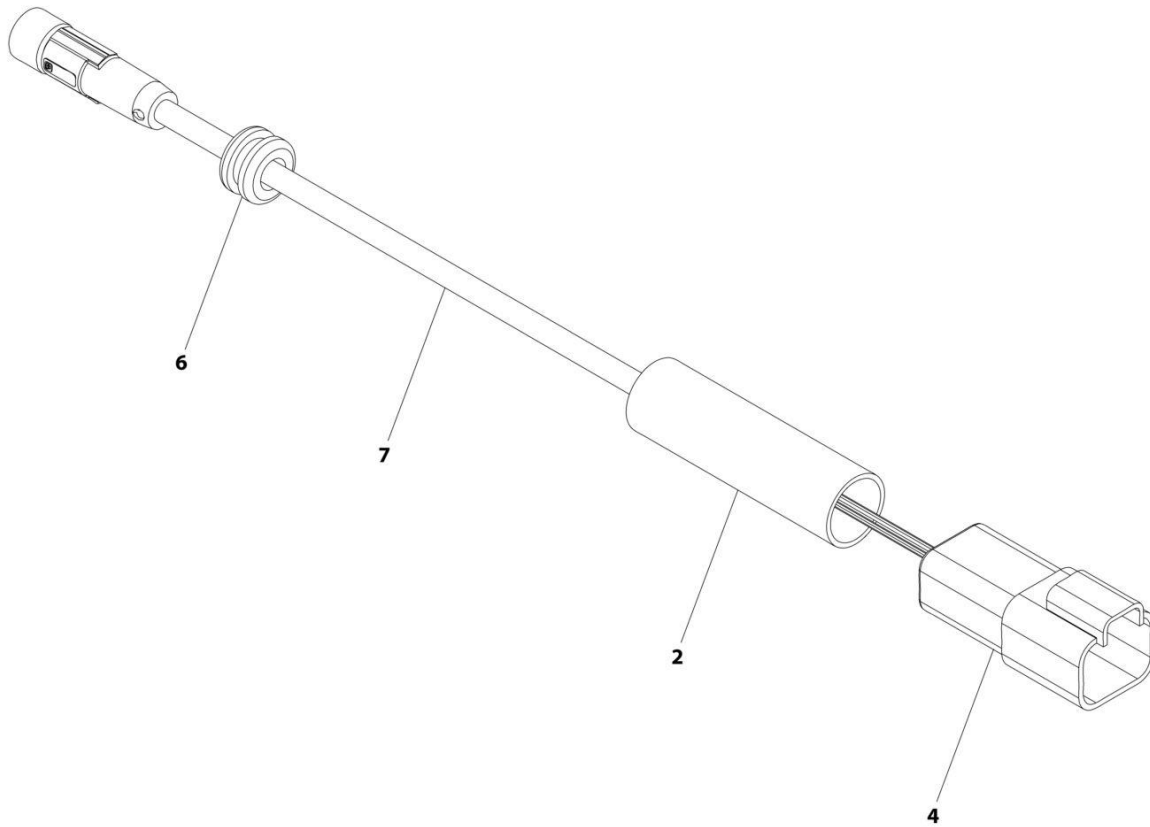
SECTION 8 - ELECTRICAL

FIGURE 8-72. SKYEYE INTERMEDIATE HARNESS

| ITEM | PART NUMBER | QTY | DESCRIPTION | REV |
|------|-------------|-----|-----------------------------|-----|
| | 1001237865 | Ref | SKYEYE INTERMEDIATE HARNESS | A |
| 1 | 4460899 | 1 | Connector - 6 Position | |
| 1 | 4460943 | 4 | Pin, Male | |
| 1 | 4460466 | 2 | Plug, Terminal | |
| 2 | 4461077 | 2 | Connector - 4 Position | |
| 2 | 1001119619 | 8 | Socket, Female | |
| 3 | 4460911 | 1 | Connector - 3 Position | |
| 3 | 1001119619 | 3 | Socket, Female | |
| 4 | 1001187681 | 1 | Connector - 2 Position | |
| 4 | 4460941 | 1 | Pin, Male | |
| 4 | 4460466 | 1 | Plug, Terminal | |

SECTION 8 - ELECTRICAL

FIGURE 8-73. SKYEYE RECEIVER HARNESS



ART_1001237863

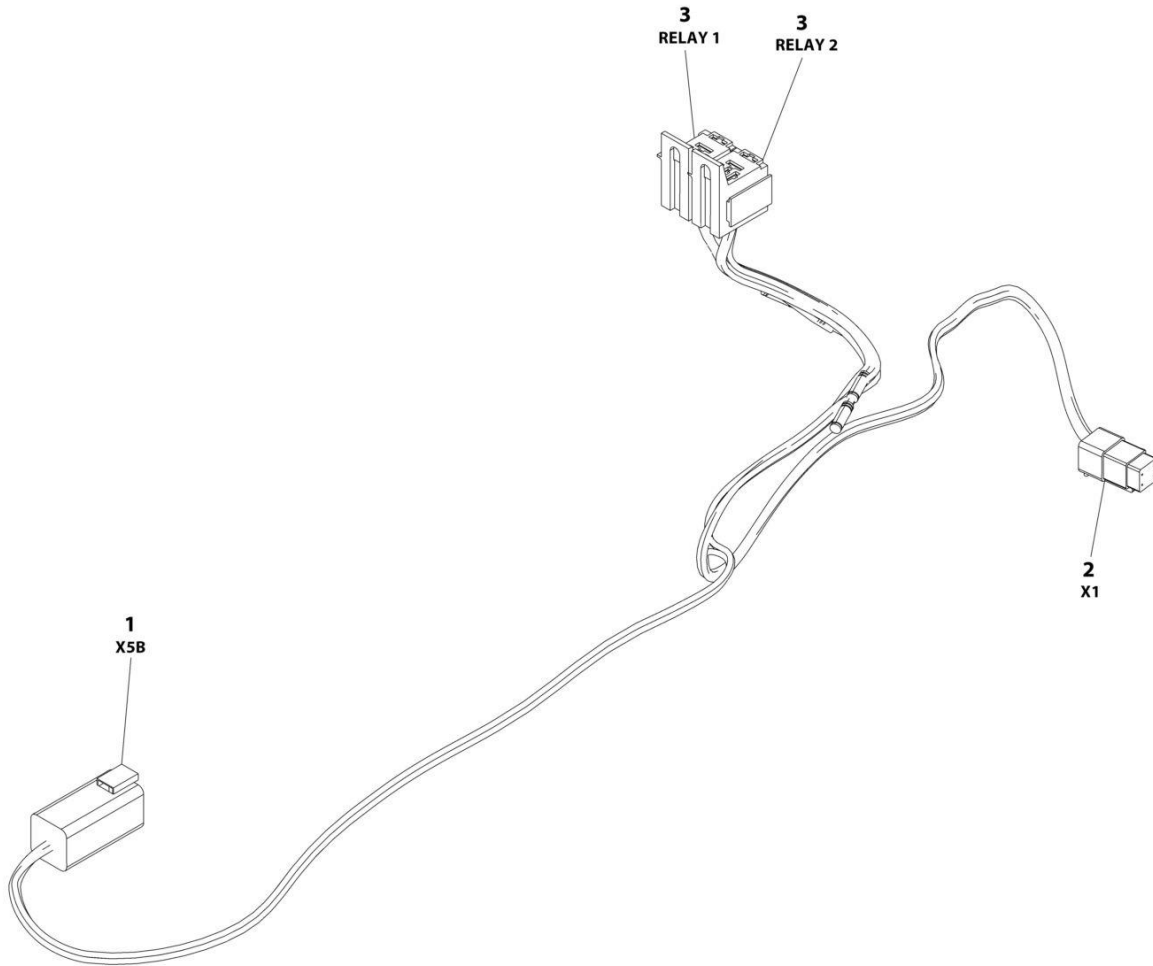
SECTION 8 - ELECTRICAL

FIGURE 8-73. SKYEYE RECEIVER HARNESS

| ITEM | PART NUMBER | QTY | DESCRIPTION | REV |
|------|-------------|-----|--------------------------|-----|
| | 1001237863 | Ref | SKYEYE RECEIVER HARNESS | A |
| 2 | 2820247 | AR | Tubing, Heat Shrink | |
| 4 | 1001097051 | 1 | Connector - 4 Position | |
| 4 | 1001119620 | 4 | Pin, Male | |
| 6 | 1001227996 | 1 | Grommet | |
| 7 | 1001237862 | 1 | Cable, M8 Female Cordset | |

SECTION 8 - ELECTRICAL

FIGURE 8-74. SKYLINE HARNESS



ART_1001238418

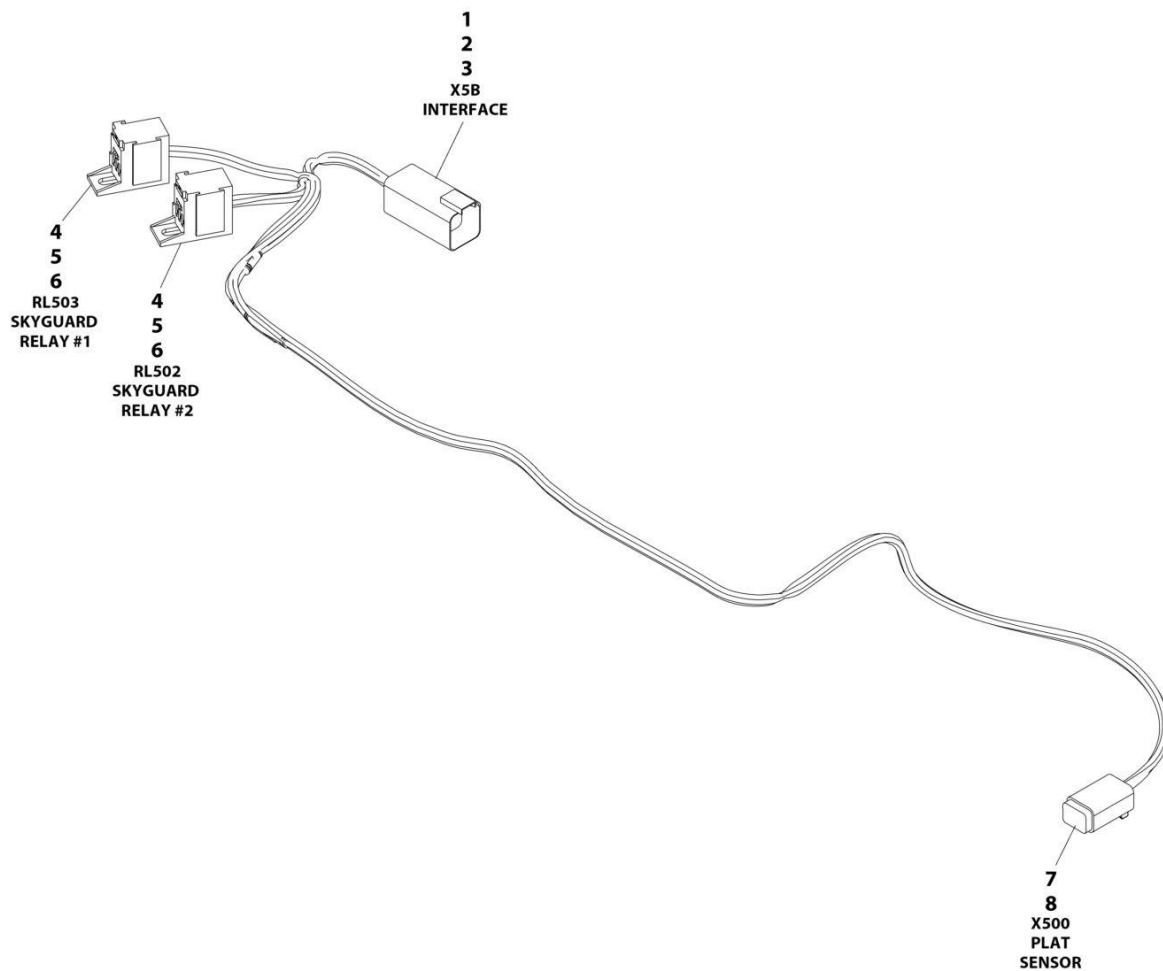
SECTION 8 - ELECTRICAL

FIGURE 8-74. SKYLINE HARNESS

| ITEM | PART NUMBER | QTY | DESCRIPTION | REV |
|------|-------------|-----|------------------------|-----|
| | 1001238418 | Ref | SKYLINE HARNESS | B |
| 1 | 4460899 | 1 | Connector - 6 Position | |
| 1 | 4460464 | 4 | Pin, Male | |
| 1 | 4460466 | 2 | Plug, Terminal | |
| 2 | 4461077 | 1 | Connector - 4 Position | |
| 2 | 1001126009 | 4 | Socket, Female | |
| 3 | 1001186432 | 2 | Plug, Relay | |
| 3 | 1001118388 | 5 | Terminal | |
| 3 | 1001118384 | 3 | Terminal | |
| 3 | 3740086 | 2 | Relay | |

SECTION 8 - ELECTRICAL

FIGURE 8-75. SKYGUARD INTERFACE HARNESS



ART_1001225580_E

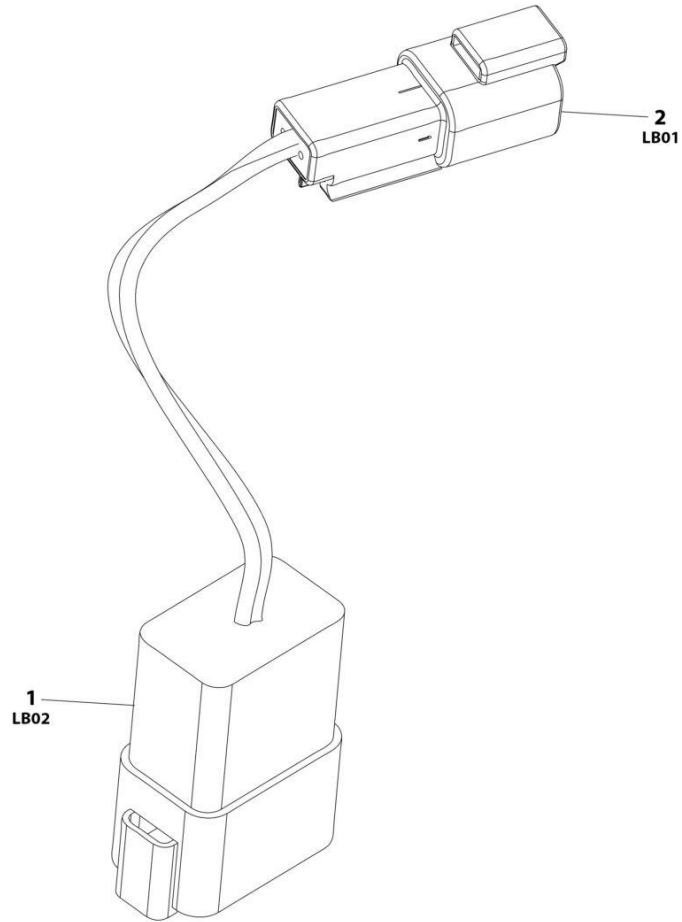
SECTION 8 - ELECTRICAL

FIGURE 8-75. SKYGUARD INTERFACE HARNESS

| ITEM | PART NUMBER | QTY | DESCRIPTION | REV |
|------|-------------|-----|--|-----|
| | 1001225580 | Ref | PLATFORM INTERFACE HARNESS - WITH 1 CELL LSS | E |
| 1 | 4460899 | 1 | Connector | |
| 2 | 4460464 | 4 | Terminal | |
| 3 | 4460466 | 2 | Plug | |
| 4 | 1001186432 | 2 | Connector | |
| 5 | 1001253375 | 4 | Terminal | |
| 6 | 1001104519 | 4 | Terminal | |
| 7 | 4460884 | 1 | Connector | |
| 8 | 4460465 | 4 | Terminal | |

SECTION 8 - ELECTRICAL

FIGURE 8-76. STROBE LIGHT JUMPER HARNESS



ART_1001283776

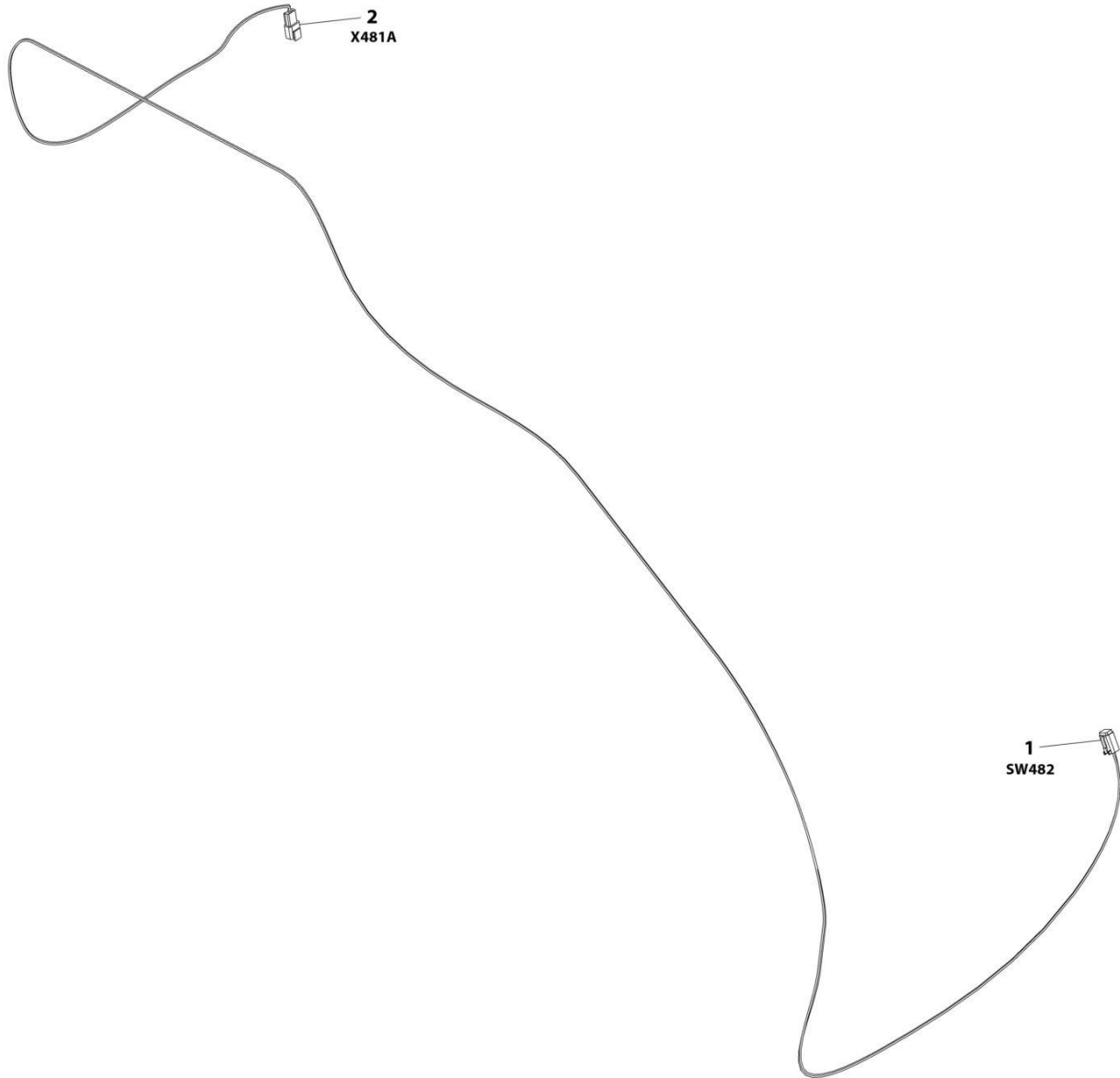
SECTION 8 - ELECTRICAL

FIGURE 8-76. STROBE LIGHT JUMPER HARNESS

| ITEM | PART NUMBER | QTY | DESCRIPTION | REV |
|------|-------------|-----|------------------------------|-----|
| | 1001283776 | Ref | STROBE LIGHT HARNESS (AMBER) | A |
| 1 | 4460931 | 1 | Connector | |
| 1 | 4460464 | 2 | Pin | |
| 1 | 4460466 | 6 | Plug | |
| 2 | 4460897 | 1 | Connector | |
| 2 | 4460464 | 2 | Pin | |

SECTION 8 - ELECTRICAL

FIGURE 8-77. TOWER STOW HARNESS



ART_1001266829

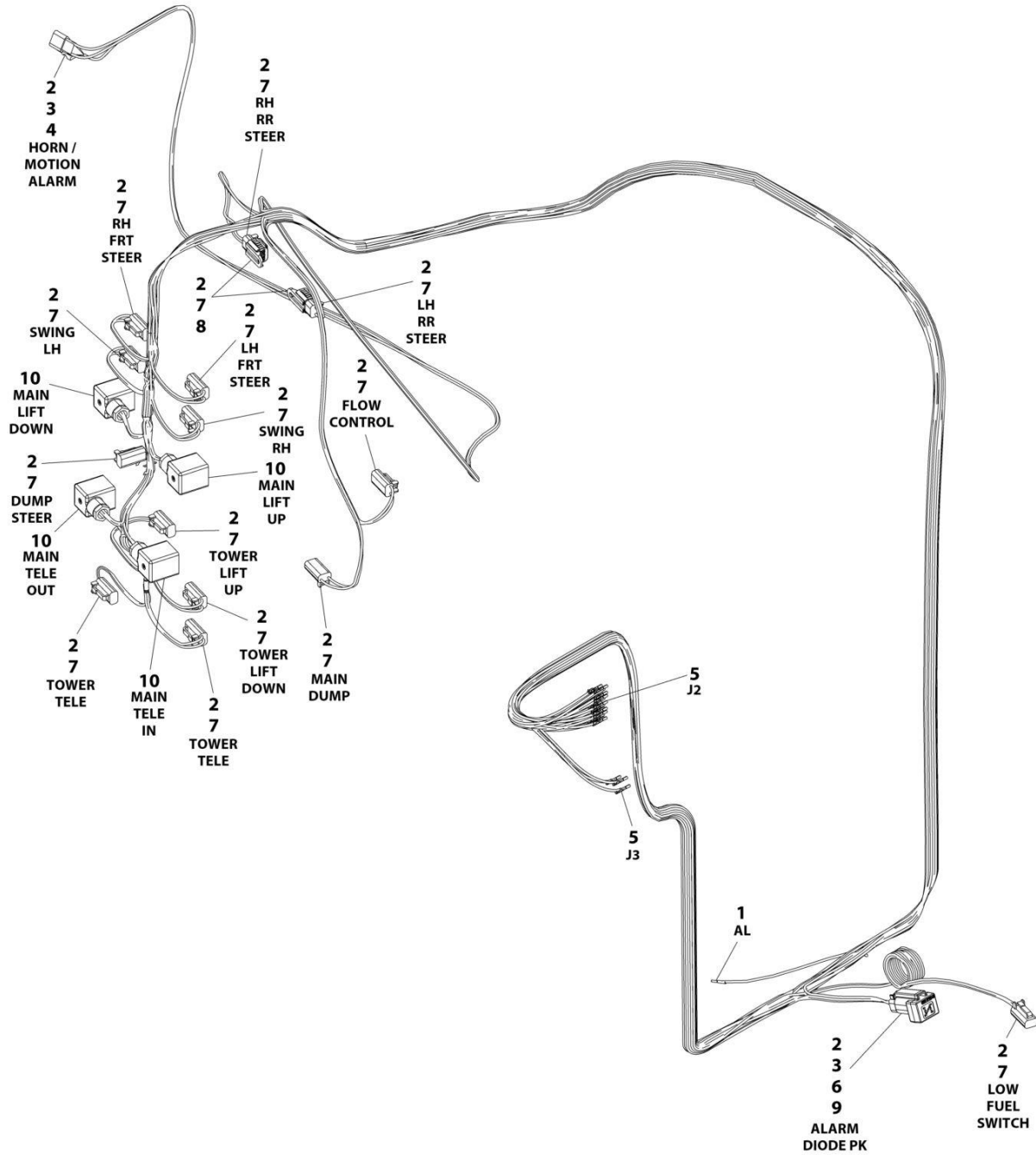
SECTION 8 - ELECTRICAL

FIGURE 8-77. TOWER STOW HARNESS

| ITEM | PART NUMBER | QTY | DESCRIPTION | REV |
|------|-------------|-----|--------------------|-----|
| | 1001266829 | Ref | TOWER STOW HARNESS | A |
| 1 | 4460884 | 1 | Connector | |
| 1 | 4460465 | 2 | Socket, Female | |
| 1 | 4460466 | 2 | Plug | |
| 2 | 4460910 | 1 | Connector | |
| 2 | 1001116695 | 2 | Pin | |
| 2 | 4460518 | 1 | Plug | |

SECTION 8 - ELECTRICAL

FIGURE 8-78. VALVE HARNESS



ART_1001285016

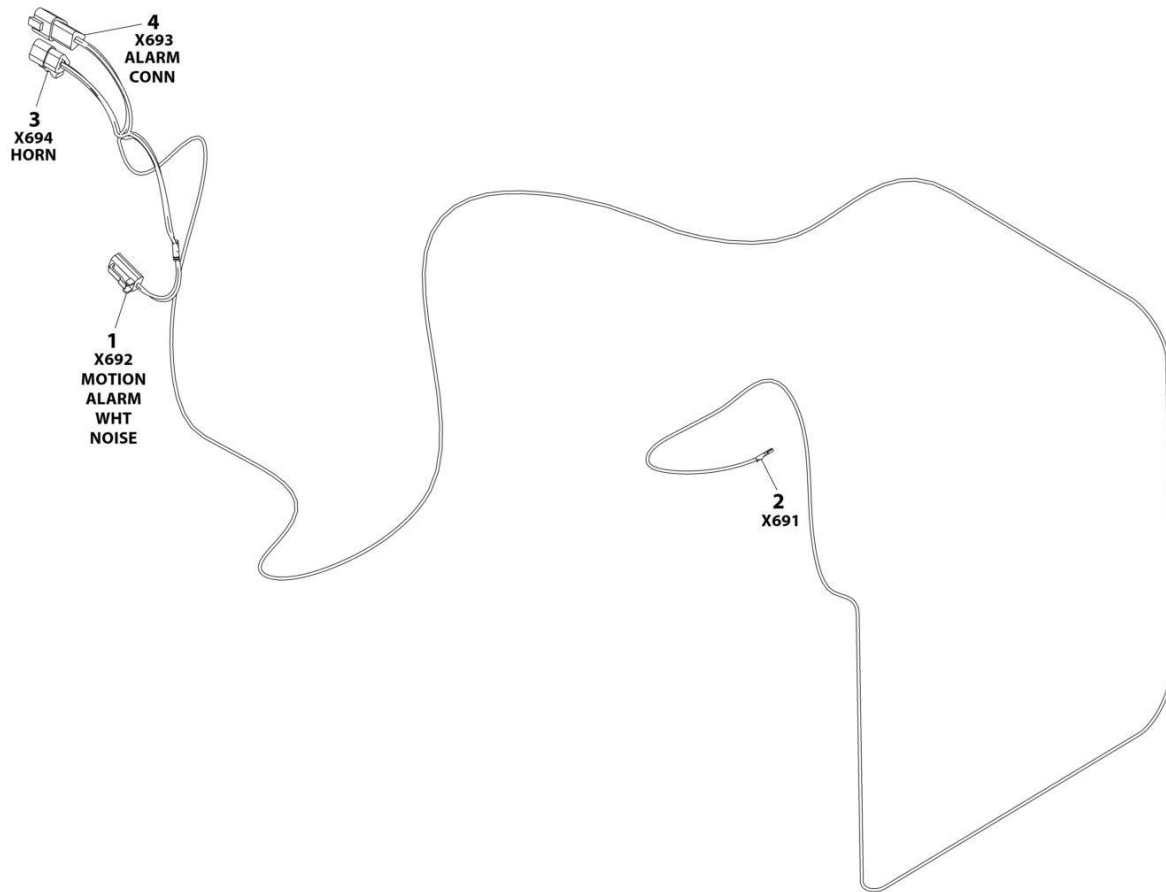
SECTION 8 - ELECTRICAL

FIGURE 8-78. VALVE HARNESS

| ITEM | PART NUMBER | QTY | DESCRIPTION | REV |
|------|-------------|-----|-----------------------|-----|
| | 1001285016 | Ref | VALVE HARNESS | D |
| 1 | 4460464 | 1 | Terminal | |
| 2 | 4460465 | 33 | Socket | |
| 3 | 4460466 | 3 | Plug, Terminal | |
| 4 | 4460539 | 1 | Connector | |
| 5 | 4460871 | 27 | Socket | |
| 6 | 4460884 | 1 | Connector | |
| 7 | 4460891 | 14 | Connector | |
| 8 | 1001144295 | 2 | Cap, Dust | |
| 9 | 1001152266 | 1 | Connector | |
| 10 | 1001263923 | 4 | Connector | |
| 11 | 4460897 | 1 | Connector (Not Shown) | |

SECTION 8 - ELECTRICAL

FIGURE 8-79. WHITE NOISE ALARM HARNESS



ART_1001243682

SECTION 8 - ELECTRICAL

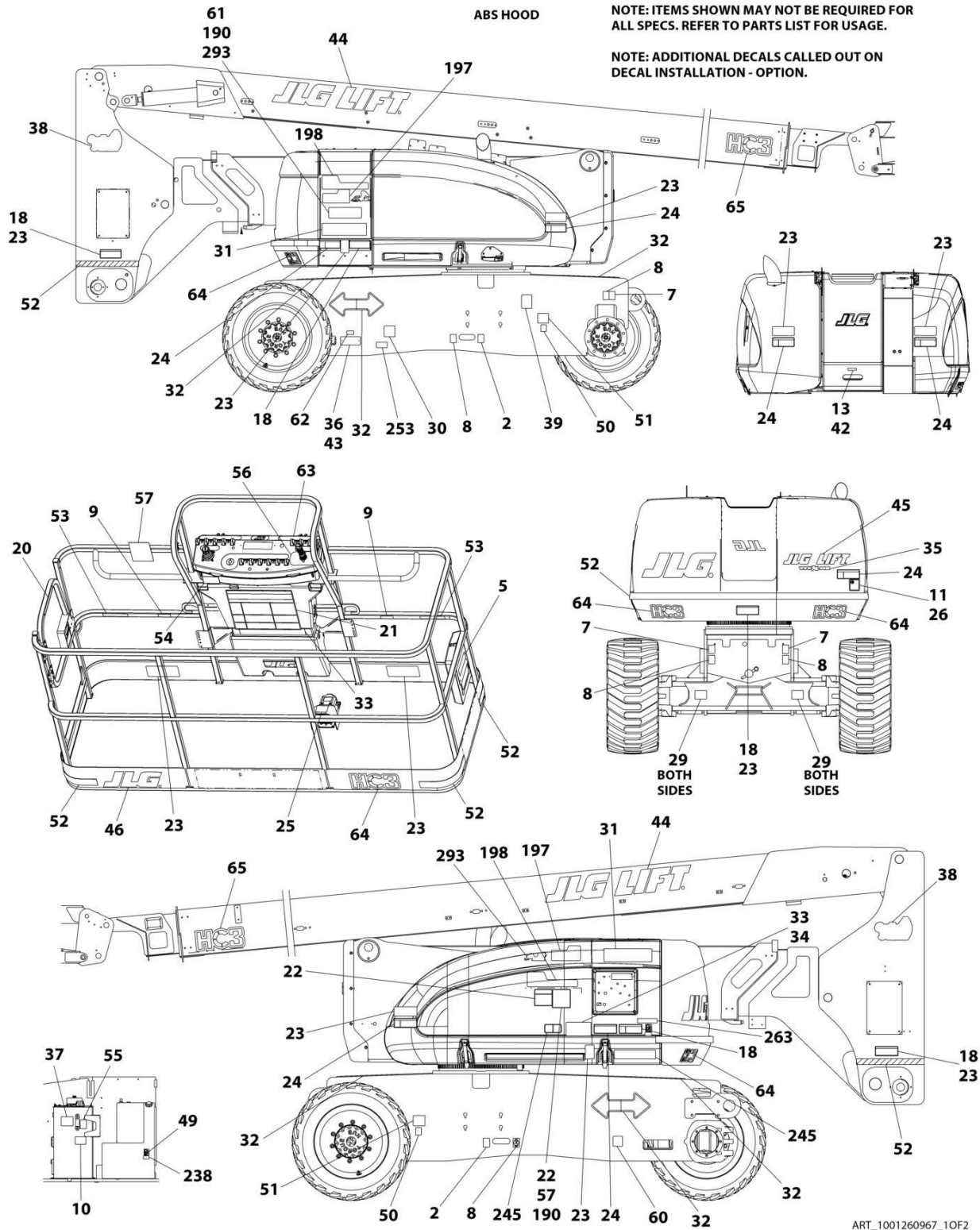
FIGURE 8-79. WHITE NOISE ALARM HARNESS

| ITEM | PART NUMBER | QTY | DESCRIPTION | REV |
|------|-------------|-----|--------------------------------|-----|
| | 1001243682 | Ref | WHITE NOISE ALARM HARNESS | A |
| 1 | 4460891 | 1 | Plug, Male - 2 Position | |
| 1 | 4460465 | 2 | Socket, Female | |
| 2 | 4460871 | 1 | Terminal | |
| 3 | 4460539 | 1 | Plug, Male- 3 Position | |
| 3 | 4460465 | 3 | Socket, Female | |
| 4 | 4460536 | 1 | Receptacle, Female- 3 Position | |
| 4 | 4460464 | 3 | Pin, Male | |

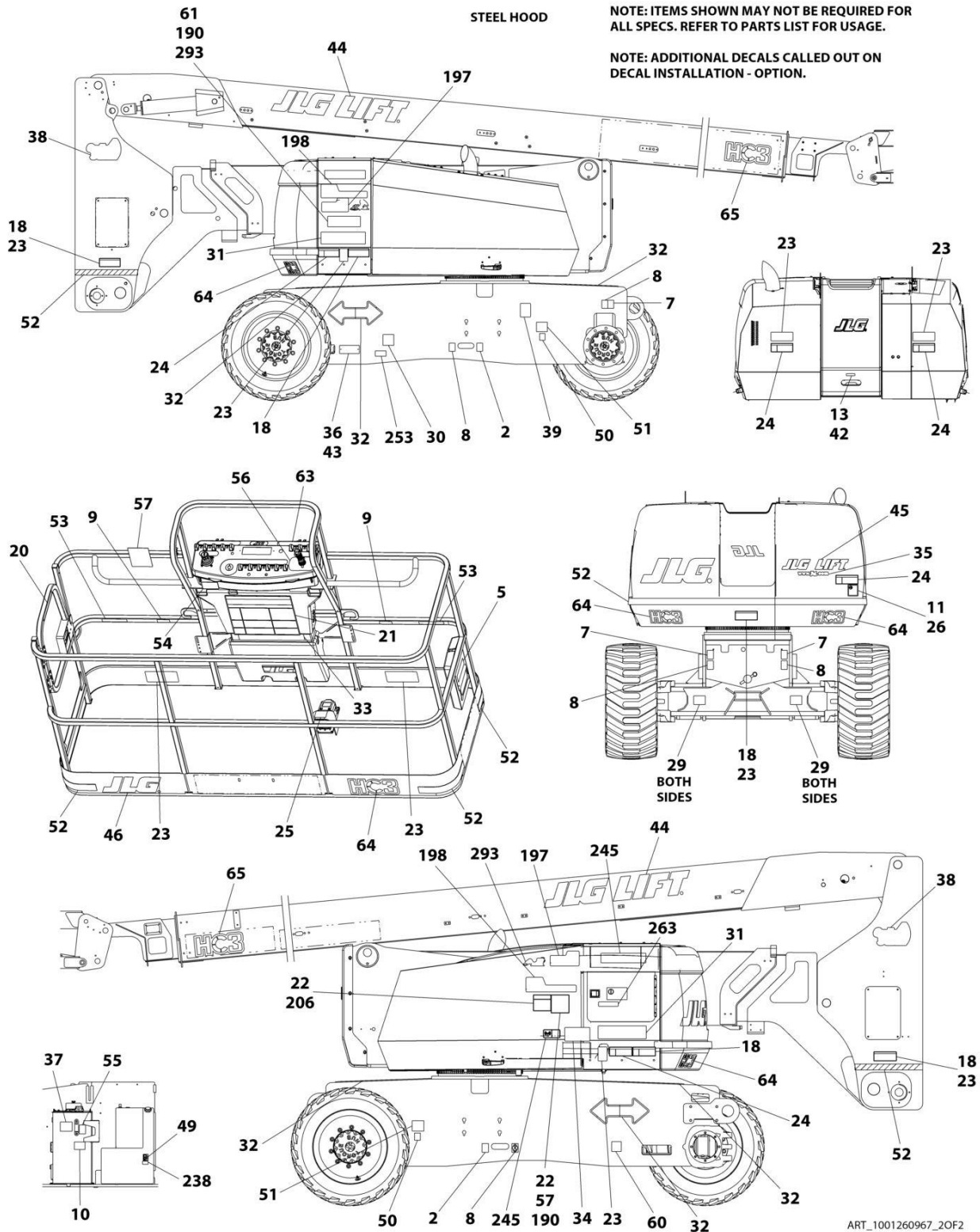
SECTION 9 - DECALS

SECTION 9 - DECALS

FIGURE 9-1. DECAL INSTALLATION (ANSI SPECS)



SECTION 9 - DECALS



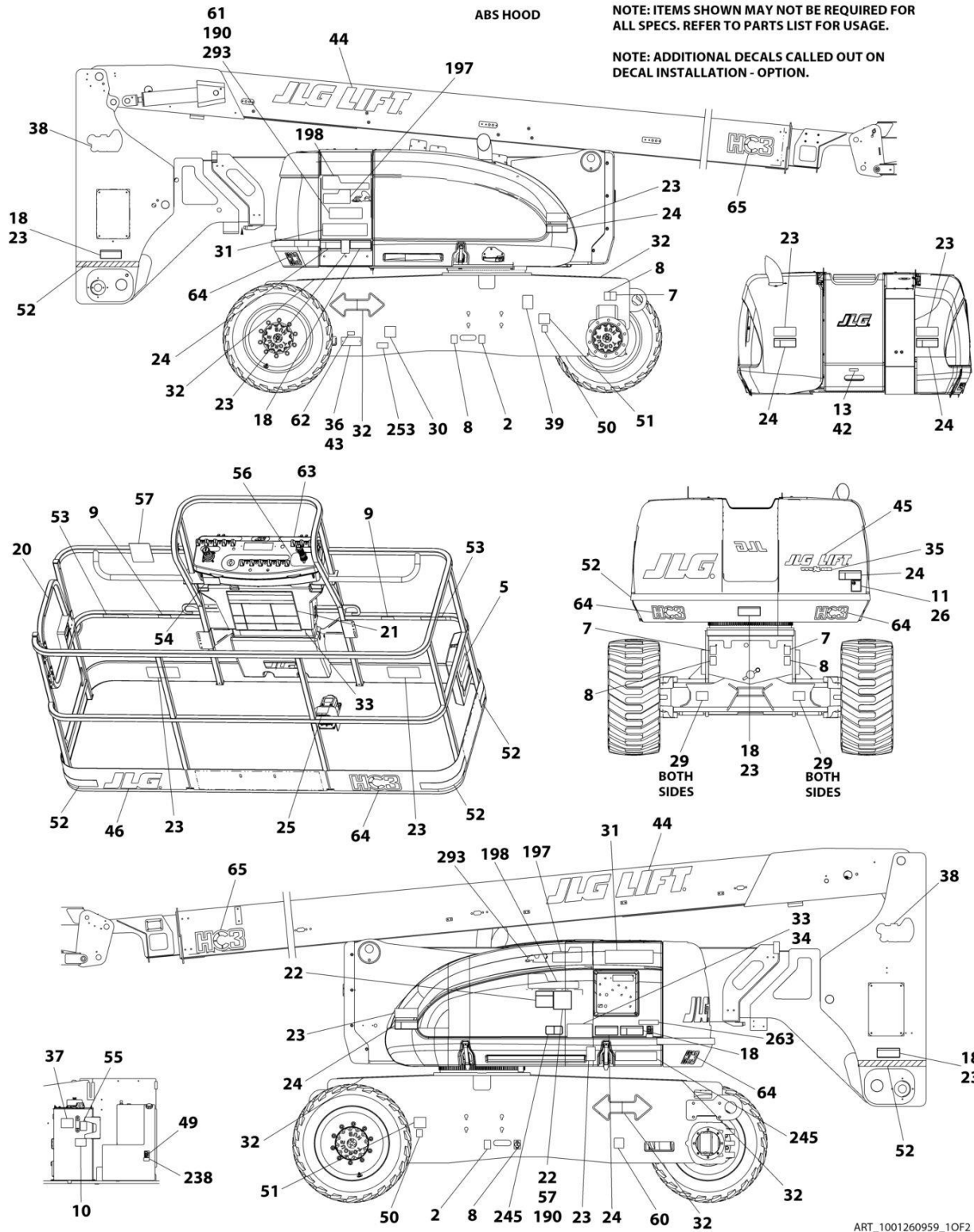
SECTION 9 - DECALS

FIGURE 9-1. DECAL INSTALLATION (ANSI SPECS)

| ITEM | PART NUMBER | QTY | DESCRIPTION | REV |
|------|-------------|-----------|---|-----|
| | 1001260967 | Ref | DECAL INSTALLATION | E |
| | 1001260969 | Ref | REFERENCE CHART | B |
| 2 | 1701499 | 2 | Decal - No Lifting | |
| 5 | 1701509 | 1 | Decal - Manual | |
| 7 | 1703811 | 4 | Decal - Lifting Lug | |
| 8 | 1703814 | 6 | Decal - Tie Down | |
| 9 | 1704277 | 3 | Decal - Lanyard Attach Graphic | |
| 10 | 1704412 | 1 | Decal - Hydraulic Oil Chart | |
| 13 | 3251243 | 1 | Nameplate - 120V-60Hz | |
| 18 | 1703953 | 5 | Decal - Warning Crushing | |
| 20 | 1702868 | 2 | Decal - No Hands | |
| 21 | 1703797 | 1 | Decal - Warning/Danger | |
| 22 | 1705336 | 1 | Decal - Warning Inspection | |
| 23 | 1703804 | 4 | Decal - Warning Crushing | |
| 24 | 1703805 | 5 | Decal - Danger Electrocuton | |
| 25 | 3252347 | 1 | Decal - Footswitch | |
| 29 | 1703482 | 4 | Decal - Maximum Tire Load | |
| 30 | See Note | NSS | Decal - Bar Code (Note: Not Available for Purchase) | |
| 31 | 1001267312 | 2 | Decal - 800AJ | |
| 32 | 1701501 | 4 | Decal - Arrow | |
| 33 | 1001234425 | 1 | Decal - Warning Maximum Capacity | |
| 34 | 1001234426 | 1 | Decal - Warning Maximum Capacity | |
| 37 | 1001096141 | 1 | Decal - Upright Level Override | |
| 38 | 1703959 | 2 | Decal - Quick Stick | |
| 39 | 1001131269 | 1 | Decal - Patent | |
| 43 | 3820001 | 2 | Rivet | |
| 52 | 4420051 | 23 ft /7m | Tape, Safety | |
| 56 | 1705351 | 1 | Decal - Drive/Steer Instructions | |
| 60 | 1001223055 | 1 | Decal - Yearly Inspection | |
| 61 | 1001263941 | 1 | Decal - Lift Diagram | |
| 62 | 1001223453 | 1 | Decal - ICES | |
| 63 | 1001131168 | 1 | Decal - Stop | |

SECTION 9 - DECALS

FIGURE 9-2. DECAL INSTALLATION (AUSTRALIAN SPECS)



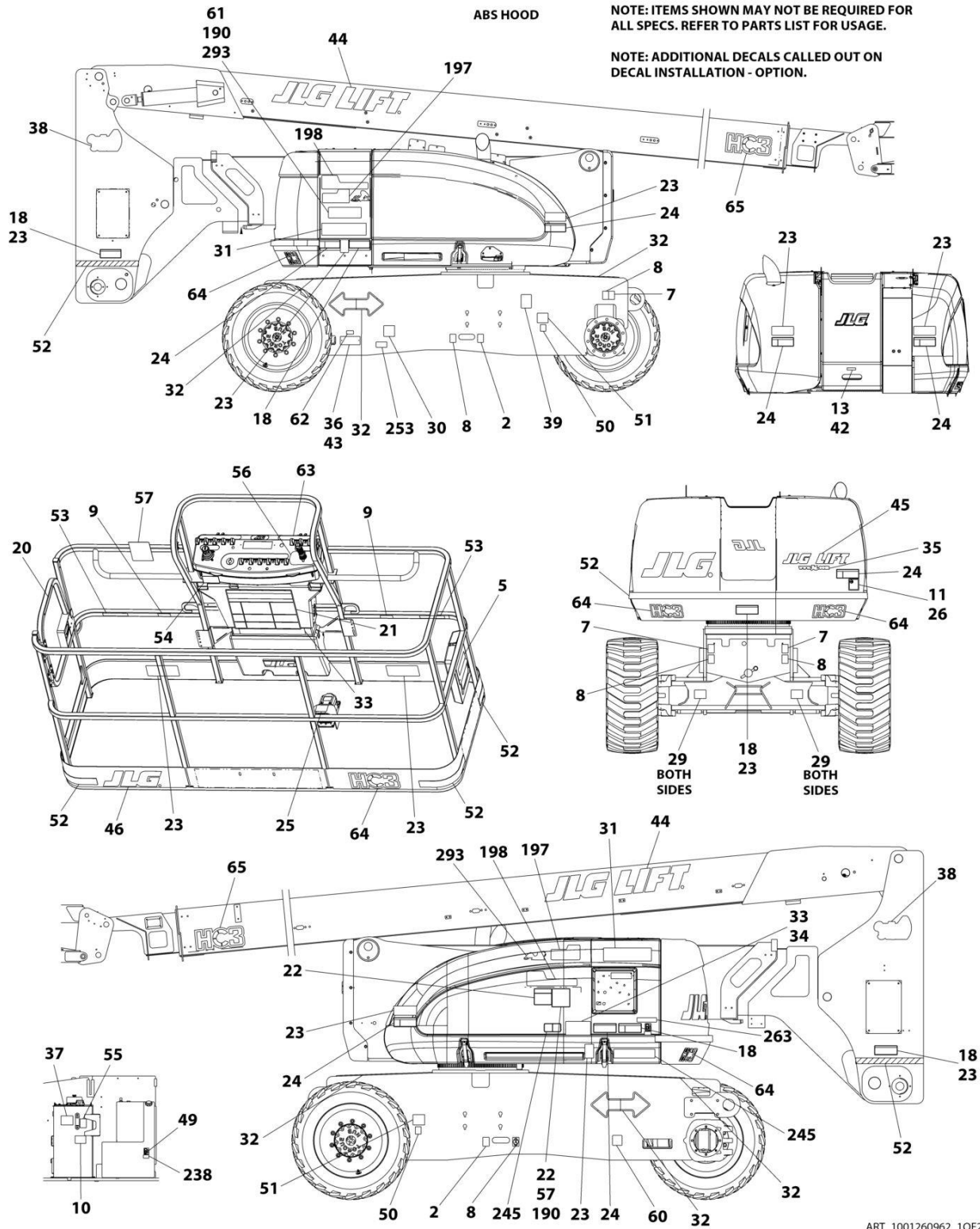
SECTION 9 - DECALS

FIGURE 9-2. DECAL INSTALLATION (AUSTRALIAN SPECS)

| ITEM | PART NUMBER | QTY | DESCRIPTION | REV |
|------|-------------|-----------|---|-----|
| | 1001260959 | Ref | DECAL INSTALLATION | D |
| | 1001260969 | Ref | REFERENCE CHART | B |
| 2 | 1701499 | 2 | Decal - No Lifting | |
| 5 | 1701509 | 1 | Decal - Manual | |
| 7 | 1703811 | 4 | Decal - Lifting Lug | |
| 8 | 1703814 | 6 | Decal - Tie Down | |
| 9 | 1704277 | 3 | Decal - Lanyard Attach Graphic | |
| 10 | 1704412 | 1 | Decal - Hydraulic Oil Chart | |
| 21 | 1705921 | 1 | Decal - Tipping | |
| 22 | 1705822 | 1 | Decal - Danger | |
| 23 | 1701518 | 9 | Decal - Warning Crushing | |
| 24 | 1705961 | 5 | Decal - Danger Electrocution | |
| 25 | 1705828 | 1 | Decal - Footswitch | |
| 29 | 1703482 | 4 | Decal - Maximum Tire Load | |
| 30 | See Note | NSS | Decal - Bar Code (Note: Not Available for Purchase) | |
| 31 | 1001267312 | 2 | Decal - 800AJ | |
| 32 | 1701501 | 4 | Decal - Arrow | |
| 33 | 1001234439 | 2 | Decal - Warning Maximum Capacity | |
| 37 | 1705977 | 1 | Decal - Upright Level | |
| 38 | 1703959 | 2 | Decal - Quick Stick | |
| 43 | 3820001 | 2 | Rivet | |
| 52 | 4420051 | 23 ft /7m | Tape, Safety | |
| 57 | 1001112551 | 1 | Decal - Emergency Control | |
| 61 | 1001263941 | 1 | Decal - Lift Diagram | |
| 63 | 1001184618 | 1 | Decal - Stop | |

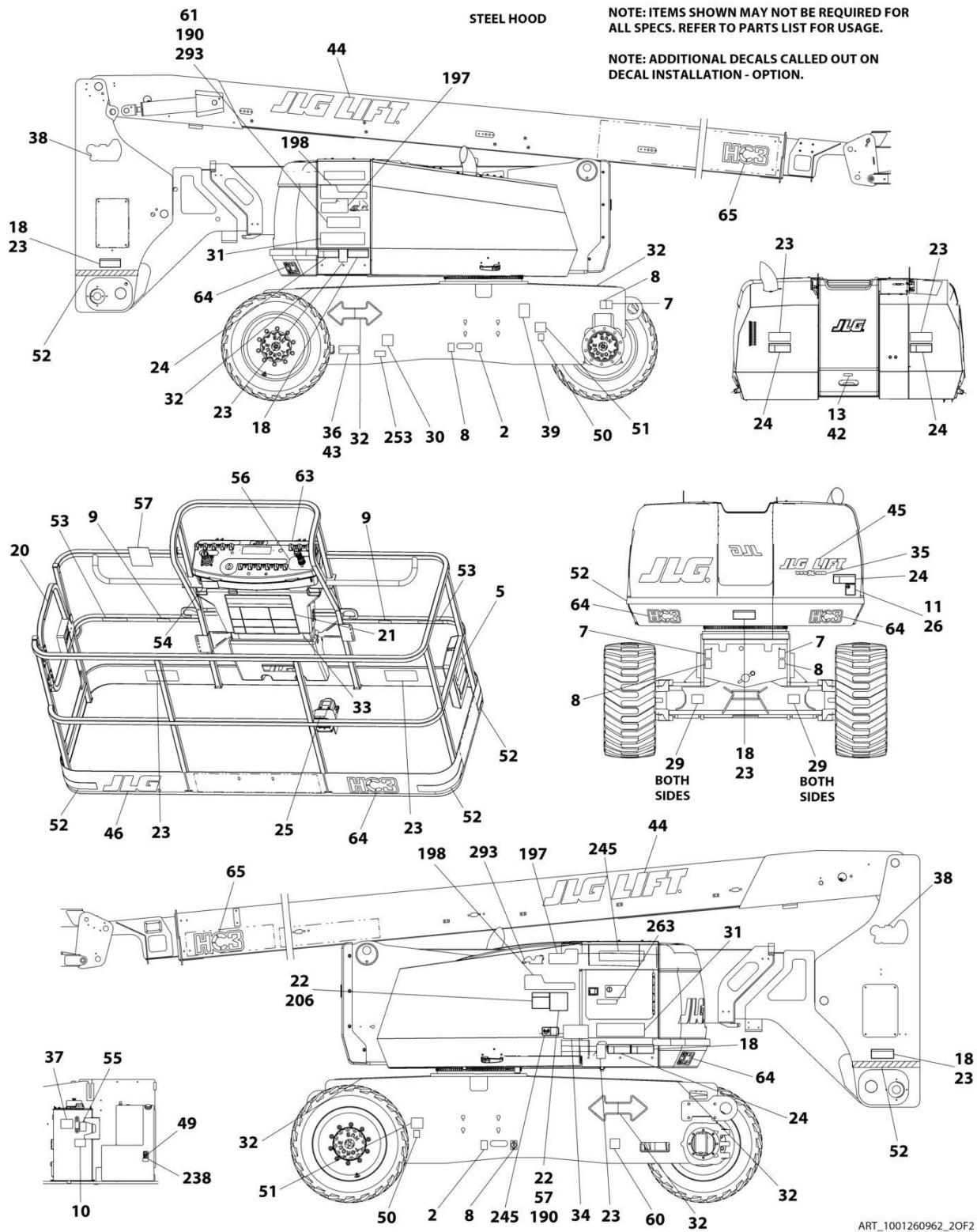
SECTION 9 - DECALS

FIGURE 9-3. DECAL INSTALLATION (BRAZILIAN SPECS)



ART_1001260962_10F2

SECTION 9 - DECALS



ART_1001260962_20F2

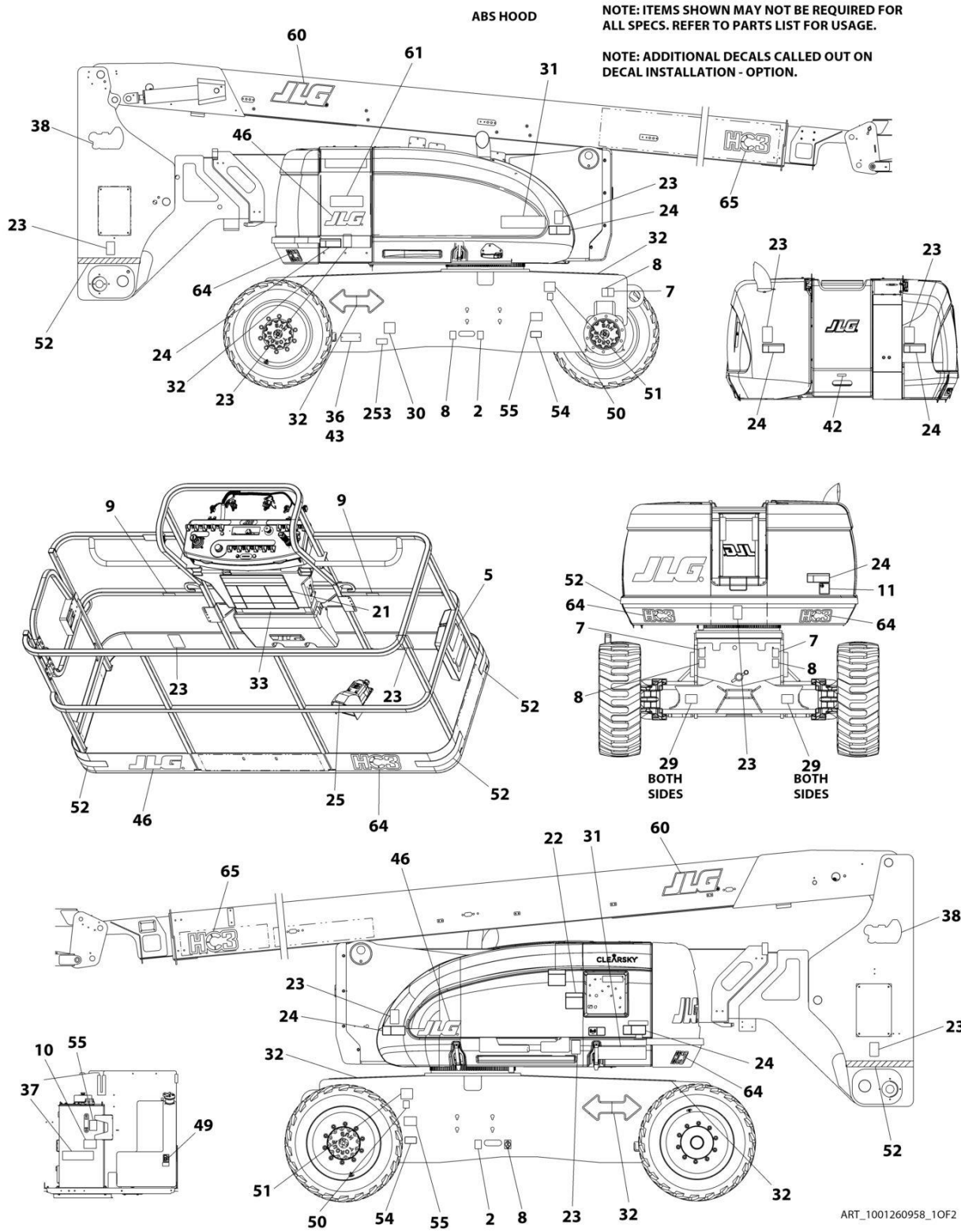
SECTION 9 - DECALS

FIGURE 9-3. DECAL INSTALLATION (BRAZILIAN SPECS)

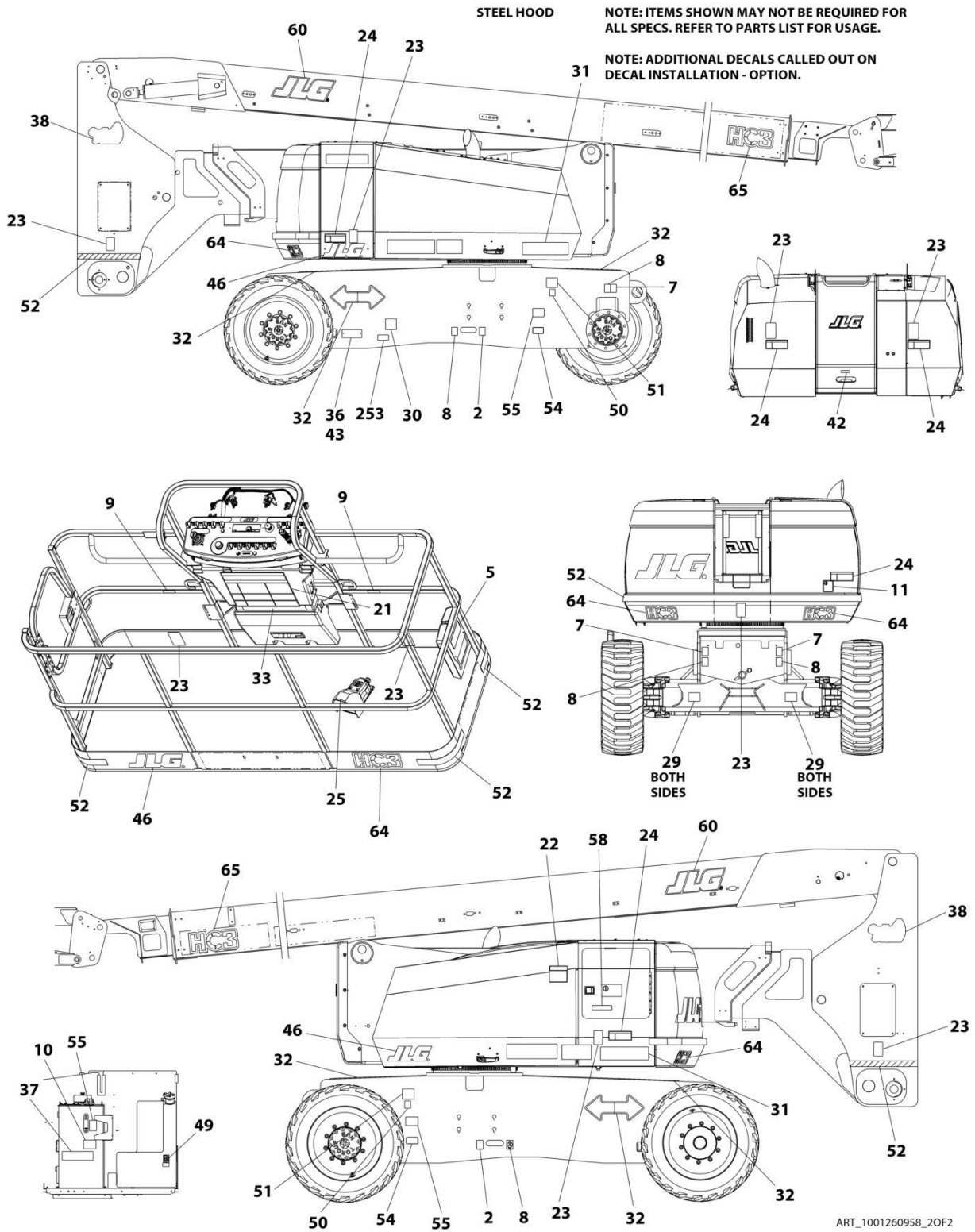
| ITEM | PART NUMBER | QTY | DESCRIPTION | REV |
|------|-------------|-----------|---|-----|
| | 1001260962 | Ref | DECAL INSTALLATION | D |
| | 1001260969 | Ref | REFERENCE CHART | B |
| 2 | 1701499 | 2 | Decal - No Lifting | |
| 5 | 1701509 | 1 | Decal - Manual | |
| 7 | 1703811 | 4 | Decal - Lifting Lug | |
| 8 | 1703814 | 6 | Decal - Tie Down | |
| 9 | 1704277 | 3 | Decal - Lanyard Attach Graphic | |
| 10 | 1704412 | 1 | Decal - Hydraulic Oil Chart | |
| 18 | 1703943 | 5 | Decal - Warning Crushing | |
| 20 | 1705967 | 2 | Decal - No Hands | |
| 21 | 1705895 | 1 | Decal - Warning/Danger | |
| 22 | 1705896 | 1 | Decal - Warning Inspection | |
| 23 | 1705898 | 4 | Decal - Warning Crushing | |
| 24 | 1705897 | 5 | Decal - Danger Electrocution | |
| 25 | 1705902 | 1 | Decal - Footswitch | |
| 29 | 1703482 | 4 | Decal - Maximum Tire Load | |
| 30 | See Note | NSS | Decal - Bar Code (Note: Not Available for Purchase) | |
| 31 | 1001267312 | 2 | Decal - 800AJ | |
| 32 | 1701501 | 4 | Decal - Arrow | |
| 33 | 1001234437 | 1 | Decal - Warning Maximum Capacity | |
| 34 | 1001234438 | 1 | Decal - Warning Maximum Capacity | |
| 37 | 1705977 | 1 | Decal - Upright Level | |
| 38 | 1703959 | 2 | Decal - Quick Stick | |
| 43 | 3820001 | 2 | Rivet | |
| 52 | 4420051 | 23 ft /7m | Tape, Safety | |
| 56 | 1705905 | 1 | Decal - Drive/Steer | |
| 60 | 1001224052 | 1 | Decal - Yearly Inspection | |
| 61 | 1001263941 | 1 | Decal - Lift Diagram | |
| 63 | 1001184618 | 1 | Decal - Stop | |

SECTION 9 - DECALS

FIGURE 9-4. DECAL INSTALLATION (CE & UK CA SPECS)



SECTION 9 - DECALS



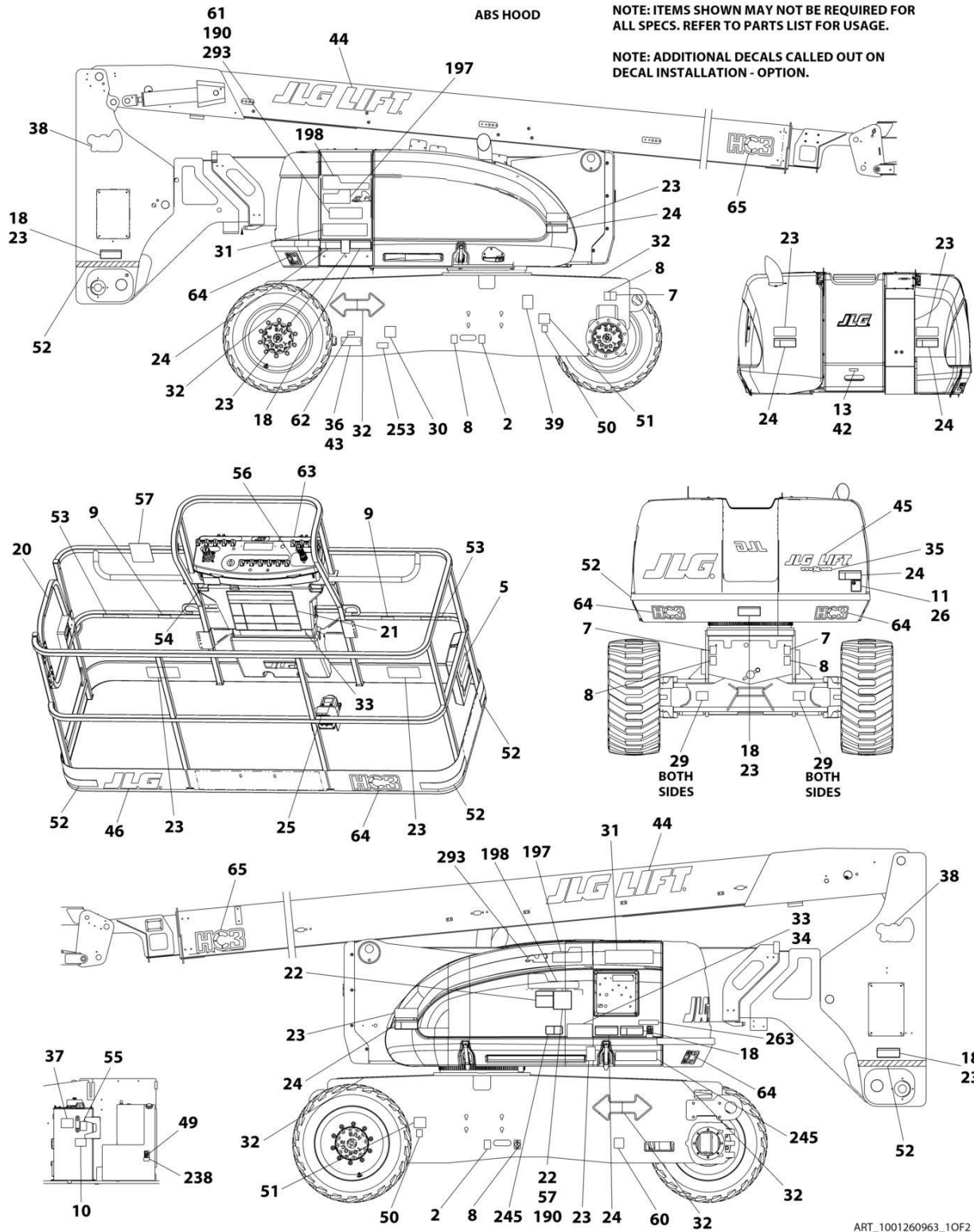
SECTION 9 - DECALS

FIGURE 9-4. DECAL INSTALLATION (CE & UK CA SPECS)

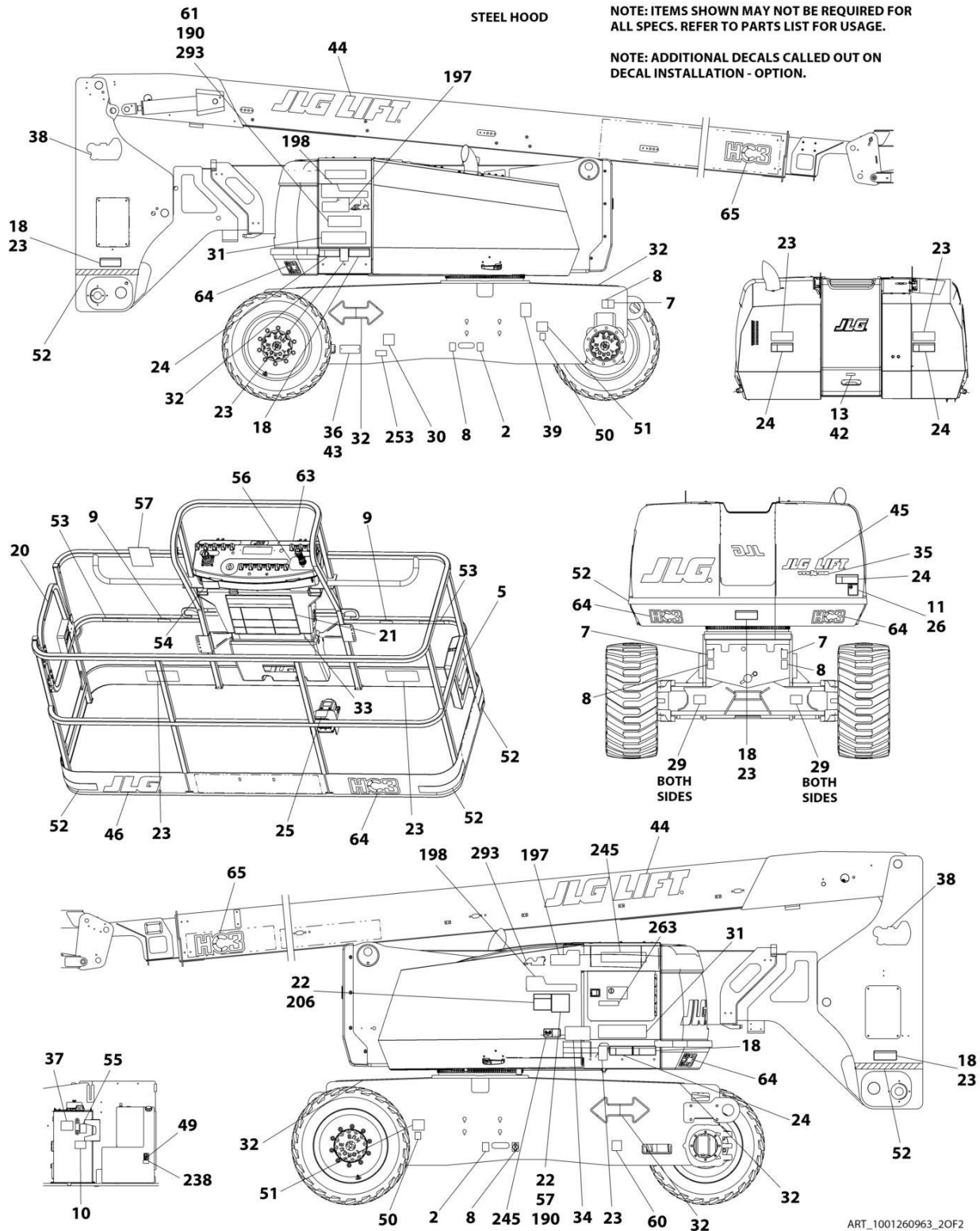
| ITEM | PART NUMBER | QTY | DESCRIPTION | REV |
|------|-------------|-----------|---|-----|
| | 1001260958 | Ref | DECAL INSTALLATION | D |
| | 1001260968 | Ref | REFERENCE CHART | B |
| 2 | 1701499 | 2 | Decal - No Lifting | |
| 5 | 1701509 | 1 | Decal - Manual | |
| 7 | 1703811 | 4 | Decal - Lifting Lug | |
| 8 | 1703814 | 6 | Decal - Tie Down | |
| 9 | 1704277 | 3 | Decal - Lanyard Attach Graphic | |
| 10 | 1704412 | 1 | Decal - Hydraulic Oil Chart | |
| 21 | 1705921 | 1 | Decal - Tipping | |
| 22 | 1705822 | 1 | Decal - Danger | |
| 23 | 1701518 | 9 | Decal - Warning Crushing | |
| 24 | 1705961 | 5 | Decal - Danger Electrocution | |
| 25 | 1705828 | 1 | Decal - Footswitch | |
| 29 | 1703482 | 4 | Decal - Maximum Tire Load | |
| 30 | See Note | NSS | Decal - Bar Code (Note: Not Available for Purchase) | |
| 31 | 1001267312 | 2 | Decal - 800AJ | |
| 32 | 1701501 | 4 | Decal - Arrow | |
| 33 | 1001234439 | 1 | Decal - Warning Maximum Capacity | |
| 37 | 1705977 | 1 | Decal - Upright Level | |
| 38 | 1703959 | 2 | Decal - Quick Stick | |
| 43 | 3820001 | 2 | Rivet | |
| 52 | 4420051 | 23 ft /7m | Tape, Safety | |
| 61 | 1001263941 | 1 | Decal - Lift Diagram | |
| 63 | 1001184618 | 1 | Decal - Stop | |

SECTION 9 - DECALS

FIGURE 9-5. DECAL INSTALLATION (CHINA SPECS)



SECTION 9 - DECALS



SECTION 9 - DECALS

FIGURE 9-5. DECAL INSTALLATION (CHINA SPECS)

| ITEM | PART NUMBER | QTY | DESCRIPTION | REV |
|------|-------------|-----------|---|-----|
| | 1001260963 | Ref | DECAL INSTALLATION | D |
| | 1001260969 | Ref | REFERENCE CHART | B |
| 2 | 1701499 | 2 | Decal - No Lifting | |
| 5 | 1701509 | 1 | Decal - Manual | |
| 7 | 1703811 | 4 | Decal - Lifting Lug | |
| 8 | 1703814 | 6 | Decal - Tie Down | |
| 9 | 1704277 | 3 | Decal - Lanyard Attach Graphic | |
| 10 | 1704412 | 1 | Decal - Hydraulic Oil Chart | |
| 18 | 1703943 | 5 | Decal - Warning Crushing | |
| 20 | 1705968 | 2 | Decal - No Hands | |
| 21 | 1703925 | 1 | Decal - Warning/Danger | |
| 22 | 1705348 | 1 | Decal - Warning Inspection | |
| 23 | 1703949 | 4 | Decal - Warning Crushing | |
| 24 | 1703937 | 5 | Decal - Danger Electrocution | |
| 25 | 1703982 | 1 | Decal - Footswitch | |
| 29 | 1703482 | 4 | Decal - Maximum Tire Load | |
| 30 | See Note | NSS | Decal - Bar Code (Note: Not Available for Purchase) | |
| 31 | 1001267312 | 2 | Decal - 800AJ | |
| 32 | 1701501 | 4 | Decal - Arrow | |
| 33 | 1001234435 | 1 | Decal - Warning Maximum Capacity | |
| 34 | 1001234436 | 1 | Decal - Warning Maximum Capacity | |
| 37 | 1705977 | 1 | Decal - Upright Level | |
| 38 | 1703959 | 2 | Decal - Quick Stick | |
| 43 | 3820001 | 2 | Rivet | |
| 52 | 4420051 | 23 ft /7m | Tape, Safety | |
| 60 | 1001224050 | 1 | Decal - Yearly Inspection | |
| 61 | 1001263941 | 1 | Decal - Lift Diagram | |
| 63 | 1001184618 | 1 | Decal - Stop | |

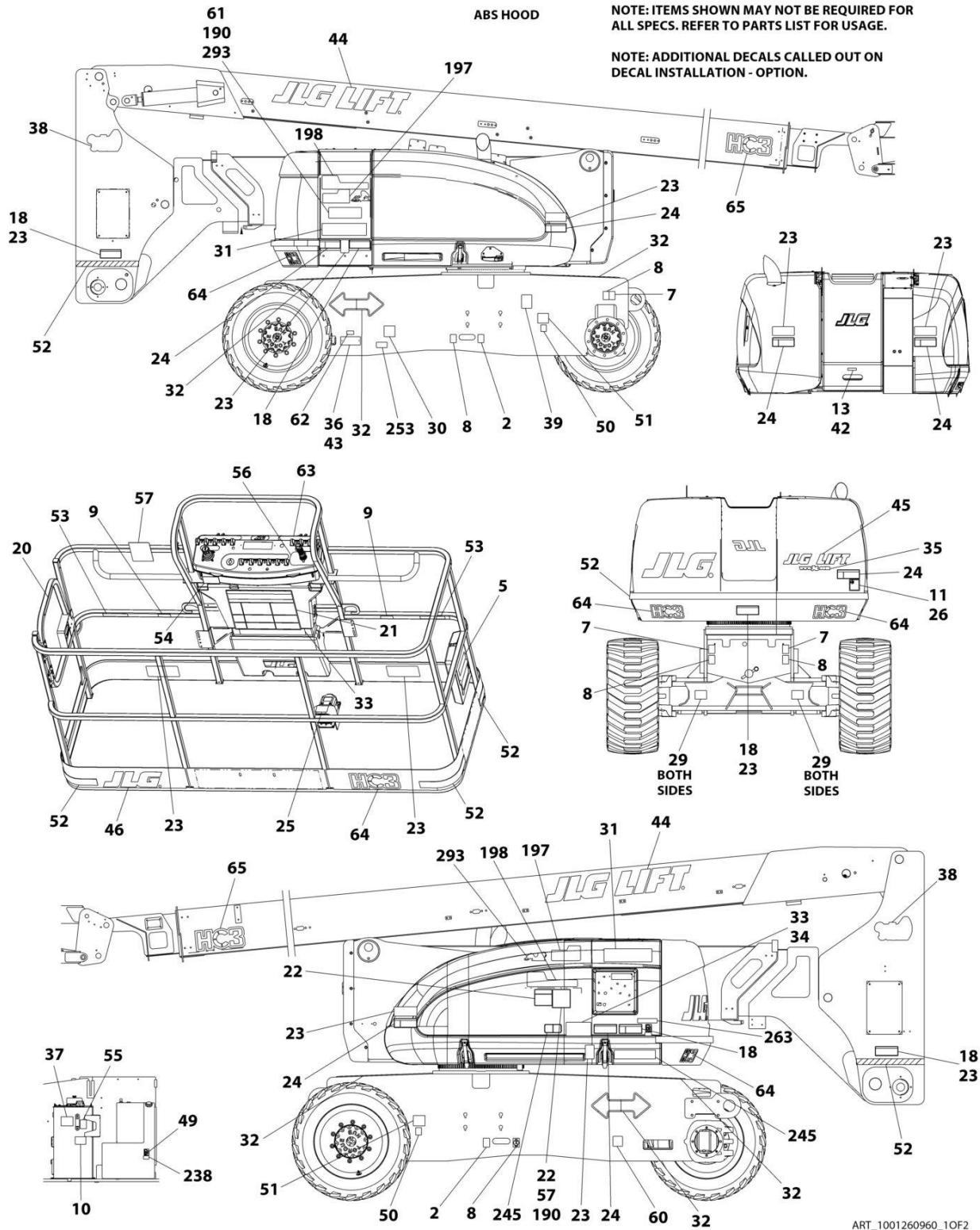
SECTION 9 - DECALS

FIGURE 9-6. DECAL INSTALLATION (CSA SPECS)

| ITEM | PART NUMBER | QTY | DESCRIPTION | REV |
|------|-------------|-----------|---|-----|
| | 1001260964 | Ref | DECAL INSTALLATION | D |
| | 1001260969 | Ref | REFERENCE CHART | B |
| 2 | 1701499 | 2 | Decal - No Lifting | |
| 5 | 1701509 | 1 | Decal - Manual | |
| 7 | 1703811 | 4 | Decal - Lifting Lug | |
| 8 | 1703814 | 6 | Decal - Tie Down | |
| 9 | 1704277 | 3 | Decal - Lanyard Attach Graphic | |
| 10 | 1704412 | 1 | Decal - Hydraulic Oil Chart | |
| 13 | 3251243 | 1 | Decal - Nameplate | |
| 18 | 1703942 | 5 | Decal - Warning Crushing | |
| 20 | 1704000 | 2 | Decal - No Hands | |
| 21 | 1703924 | 1 | Decal - Warning/Danger | |
| 22 | 1705347 | 1 | Decal - Warning Inspection | |
| 23 | 1703948 | 4 | Decal - Warning Crushing | |
| 24 | 1703936 | 5 | Decal - Danger Electrocution | |
| 25 | 1703984 | 1 | Decal - Footswitch | |
| 29 | 1703482 | 4 | Decal - Maximum Tire Load | |
| 30 | See Note | NSS | Decal - Bar Code (Note: Not Available for Purchase) | |
| 31 | 1001267312 | 2 | Decal - 800AJ | |
| 32 | 1701501 | 4 | Decal - Arrow | |
| 33 | 1001234433 | 1 | Decal - Warning Maximum Capacity | |
| 34 | 1001234434 | 1 | Decal - Warning Maximum Capacity | |
| 37 | 1705977 | 1 | Decal - Upright Level | |
| 38 | 1703959 | 2 | Decal - Quick Stick | |
| 43 | 3820001 | 2 | Rivet | |
| 52 | 4420051 | 23 ft /7m | Tape, Safety | |
| 56 | 1705429 | 1 | Decal - Drive/Steer | |
| 60 | 1001223971 | 1 | Decal - Yearly Inspection | |
| 61 | 1001263941 | 1 | Decal - Lift Diagram | |
| 62 | 1001223453 | 1 | Decal - ICES | |
| 63 | 1001184618 | 1 | Decal - Stop | |

SECTION 9 - DECALS

FIGURE 9-7. DECAL INSTALLATION (JAPANESE SPECS)



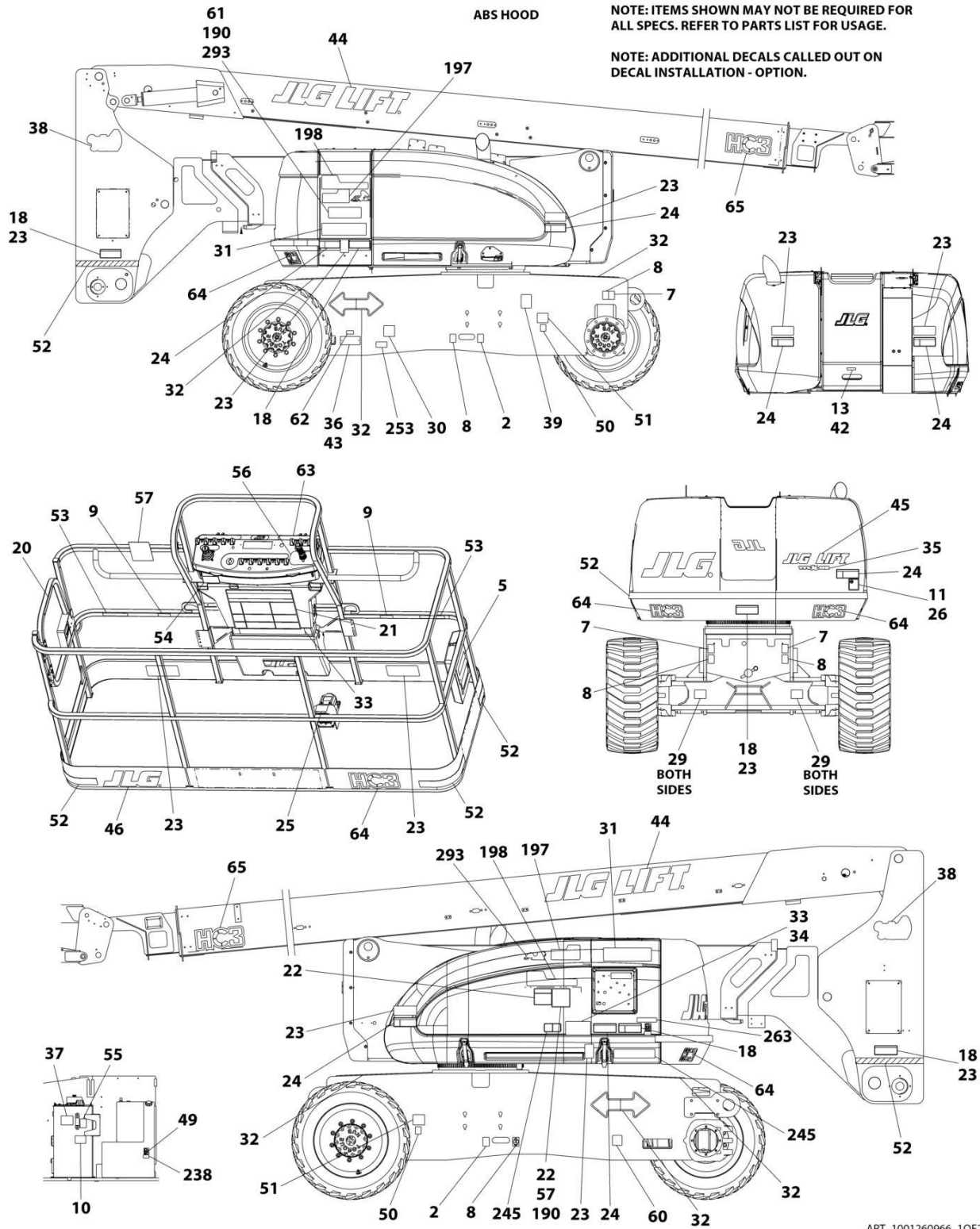
SECTION 9 - DECALS

FIGURE 9-7. DECAL INSTALLATION (JAPANESE SPECS)

| ITEM | PART NUMBER | QTY | DESCRIPTION | REV |
|------|-------------|-----------|---|-----|
| | 1001260960 | Ref | DECAL INSTALLATION | D |
| | 1001260969 | Ref | REFERENCE CHART | B |
| 2 | 1701499 | 2 | Decal - No Lifting | |
| 5 | 1701509 | 1 | Decal - Manual | |
| 7 | 1703811 | 4 | Decal - Lifting Lug | |
| 8 | 1703814 | 6 | Decal - Tie Down | |
| 9 | 1704277 | 3 | Decal - Lanyard Attach Graphic | |
| 10 | 1704412 | 1 | Decal - Hydraulic Oil Chart | |
| 13 | 3251243 | 1 | Decal - Nameplate | |
| 18 | 1703944 | 5 | Decal - Warning Crushing | |
| 21 | 1703926 | 1 | Decal - Warning/Danger | |
| 22 | 1705344 | 1 | Decal - Warning Inspection | |
| 23 | 1703950 | 4 | Decal - Warning Crushing | |
| 24 | 1703938 | 5 | Decal - Danger Electrocution | |
| 25 | 1703980 | 1 | Decal - Footswitch | |
| 29 | 1703482 | 4 | Decal - Maximum Tire Load | |
| 30 | See Note | NSS | Decal - Bar Code (Note: Not Available for Purchase) | |
| 31 | 1001267312 | 2 | Decal - 800AJ | |
| 32 | 1701501 | 4 | Decal - Arrow | |
| 33 | 1001234428 | 1 | Decal - Warning Maximum Capacity | |
| 34 | 1001234429 | 1 | Decal - Warning Maximum Capacity | |
| 37 | 1705977 | 1 | Decal - Upright Level | |
| 38 | 1703959 | 2 | Decal - Quick Stick | |
| 43 | 3820001 | 2 | Rivet | |
| 52 | 4420051 | 23 ft /7m | Tape, Safety | |
| 56 | 1705426 | 1 | Decal - Drive/Steer | |
| 60 | 1001224053 | 1 | Decal - Yearly Inspection | |
| 61 | 1001263941 | 1 | Decal - Lift Diagram | |
| 63 | 1001184618 | 1 | Decal - Stop | |

SECTION 9 - DECALS

FIGURE 9-8. DECAL INSTALLATION (KOREAN SPECS)



ART_1001260966_10F2

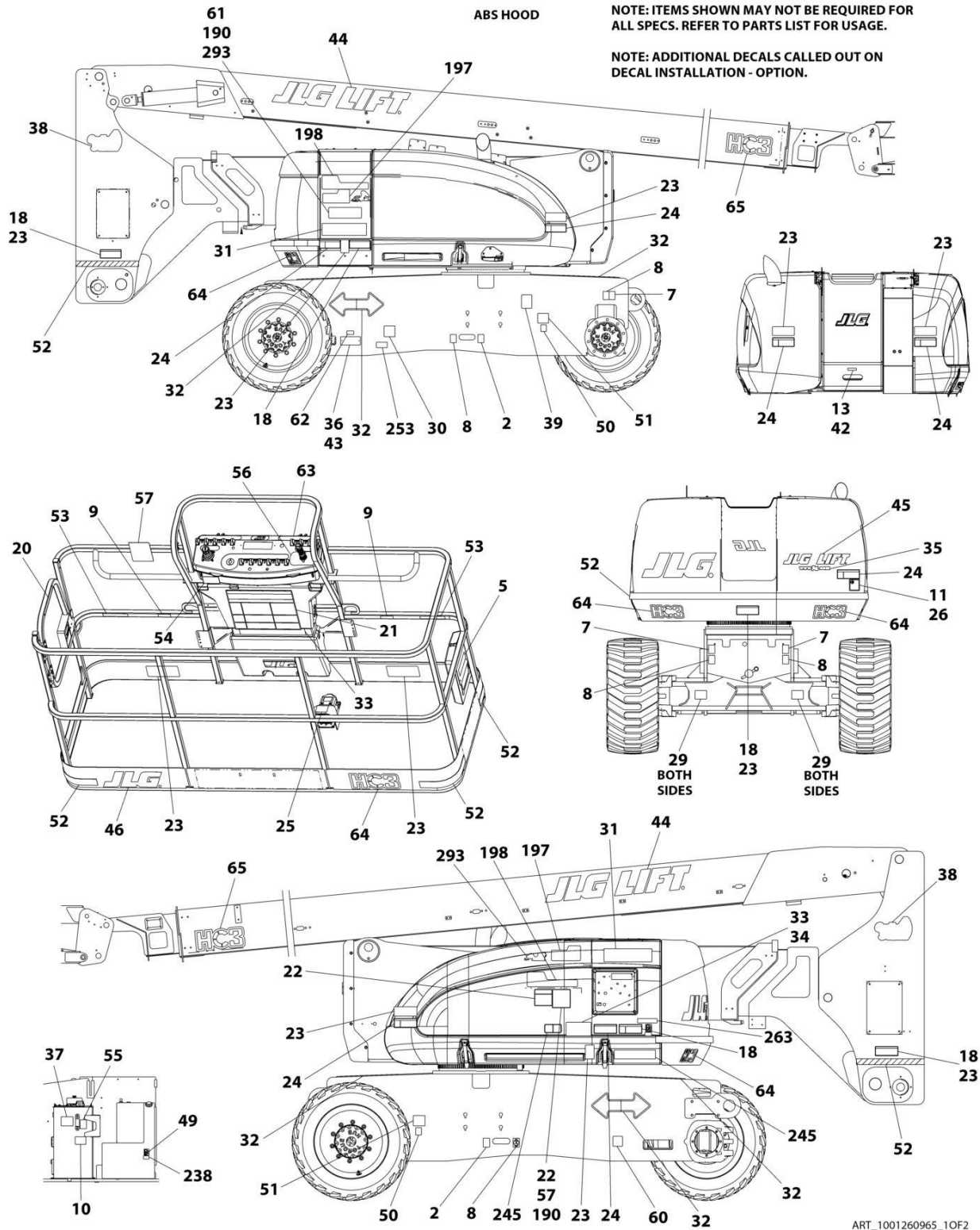
SECTION 9 - DECALS

FIGURE 9-8. DECAL INSTALLATION (KOREAN SPECS)

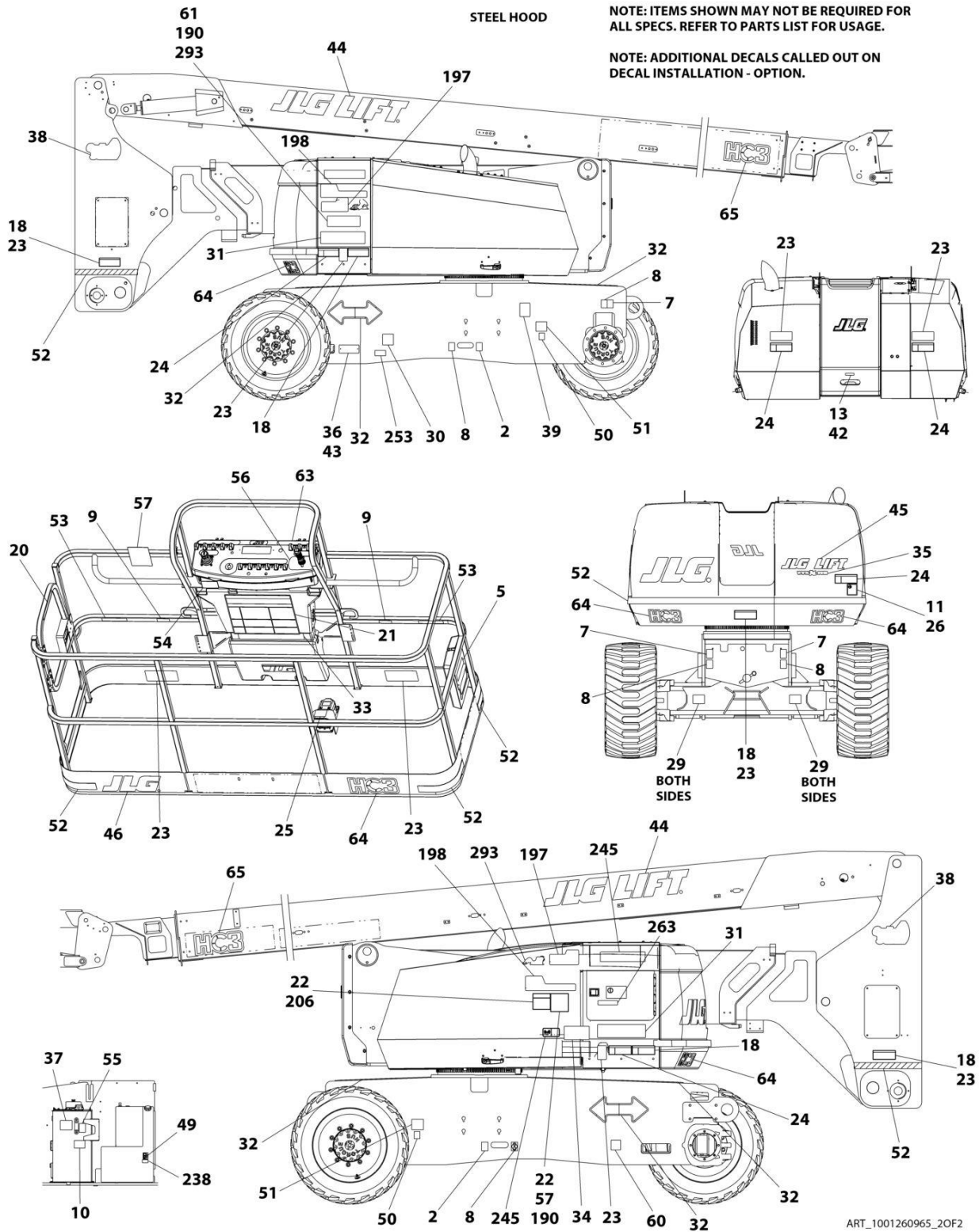
| ITEM | PART NUMBER | QTY | DESCRIPTION | REV |
|------|-------------|-----------|---|-----|
| | 1001260966 | Ref | DECAL INSTALLATION | D |
| | 1001260969 | Ref | REFERENCE CHART | B |
| 1 | 1001263941 | 1 | Decal - Lift Diagram | |
| 2 | 1701499 | 2 | Decal - No Lifting | |
| 5 | 1701509 | 1 | Decal - Manual | |
| 7 | 1703811 | 4 | Decal - Lifting Lug | |
| 8 | 1703814 | 6 | Decal - Tie Down | |
| 9 | 1704277 | 3 | Decal - Lanyard Attach Graphic | |
| 10 | 1704412 | 1 | Decal - Hydraulic Oil Chart | |
| 18 | 1703945 | 5 | Decal - Warning Crushing | |
| 20 | 1705969 | 2 | Decal - No Hands | |
| 22 | 1703927 | 1 | Decal - Warning/Danger | |
| 23 | 1703951 | 4 | Decal - Warning Crushing | |
| 24 | 1703939 | 5 | Decal - Danger Electrocution | |
| 25 | 1703981 | 1 | Decal - Footswitch | |
| 29 | 1703482 | 4 | Decal - Maximum Tire Load | |
| 30 | See Note | NSS | Decal - Bar Code (Note: Not Available for Purchase) | |
| 31 | 1001267312 | 2 | Decal - 800AJ | |
| 32 | 1701501 | 4 | Decal - Arrow | |
| 33 | 1001234430 | 1 | Decal - Warning Maximum Capacity | |
| 34 | 1001235585 | 1 | Decal - Warning Maximum Capacity | |
| 37 | 1705977 | 1 | Decal - Upright Level | |
| 38 | 1703959 | 2 | Decal - Quick Stick | |
| 43 | 3820001 | 2 | Rivet | |
| 52 | 4420051 | 23 ft /7m | Tape, Safety | |
| 56 | 1705427 | 1 | Decal - Drive/Steer Instructions | |
| 60 | 1001224048 | 1 | Decal - Yearly Inspection | |
| 63 | 1001184618 | 1 | Decal - Stop | |

SECTION 9 - DECALS

FIGURE 9-9. DECAL INSTALLATION (LATIN AMERICAN SPECS)



SECTION 9 - DECALS



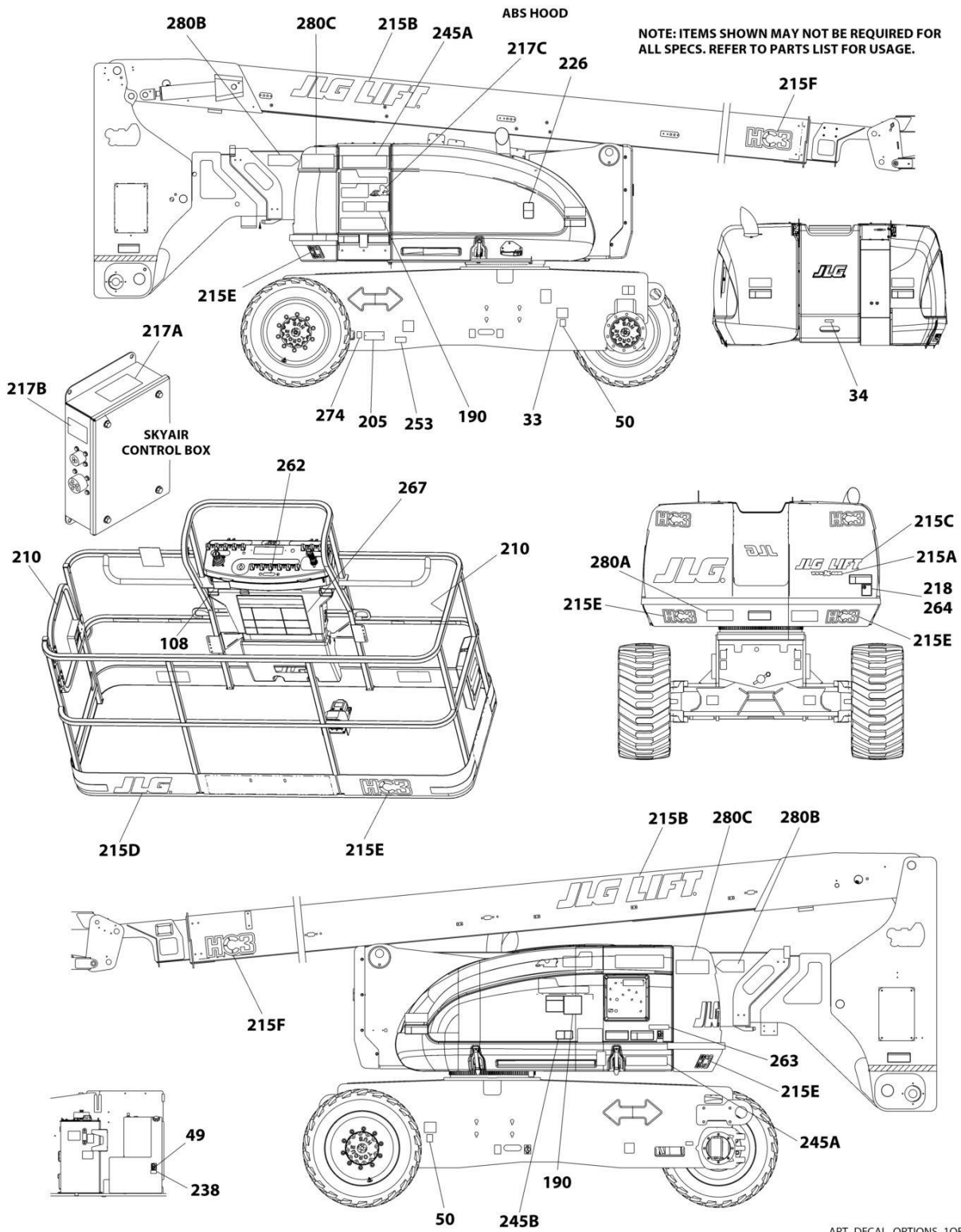
SECTION 9 - DECALS

FIGURE 9-9. DECAL INSTALLATION (LATIN AMERICAN SPECS)

| ITEM | PART NUMBER | QTY | DESCRIPTION | REV |
|------|-------------|-----------|---|-----|
| | 1001260965 | Ref | DECAL INSTALLATION | D |
| | 1001260969 | Ref | REFERENCE CHART | B |
| 2 | 1701499 | 2 | Decal - No Lifting | |
| 5 | 1701509 | 1 | Decal - Manual | |
| 7 | 1703811 | 4 | Decal - Lifting Lug | |
| 8 | 1703814 | 6 | Decal - Tie Down | |
| 9 | 1704277 | 3 | Decal - Lanyard Attach Graphic | |
| 10 | 1704412 | 1 | Decal - Hydraulic Oil Chart | |
| 18 | 1703943 | 5 | Decal - Warning Crushing | |
| 20 | 1704001 | 2 | Decal - No Hands | |
| 21 | 1703923 | 1 | Decal - Warning/Danger | |
| 22 | 1705917 | 1 | Decal - Warning Inspection | |
| 23 | 1703947 | 4 | Decal - Warning Crushing | |
| 24 | 1703935 | 5 | Decal - Danger Electrocution | |
| 25 | 1703983 | 1 | Decal - Footswitch | |
| 29 | 1703482 | 4 | Decal - Maximum Tire Load | |
| 30 | See Note | NSS | Decal - Bar Code (Note: Not Available for Purchase) | |
| 31 | 1001267312 | 2 | Decal - 800AJ | |
| 32 | 1701501 | 4 | Decal - Arrow | |
| 33 | 1001234431 | 1 | Decal - Warning Maximum Capacity | |
| 34 | 1001234432 | 1 | Decal - Warning Maximum Capacity | |
| 37 | 1705977 | 1 | Decal - Upright Level | |
| 38 | 1703959 | 2 | Decal - Quick Stick | |
| 43 | 3820001 | 2 | Rivet | |
| 52 | 4420051 | 23 ft /7m | Tape, Safety | |
| 60 | 1001224049 | 1 | Decal - Yearly Inspection | |
| 61 | 1001263941 | 1 | Decal - Lift Diagram | |
| 63 | 1001184618 | 1 | Decal - Stop | |

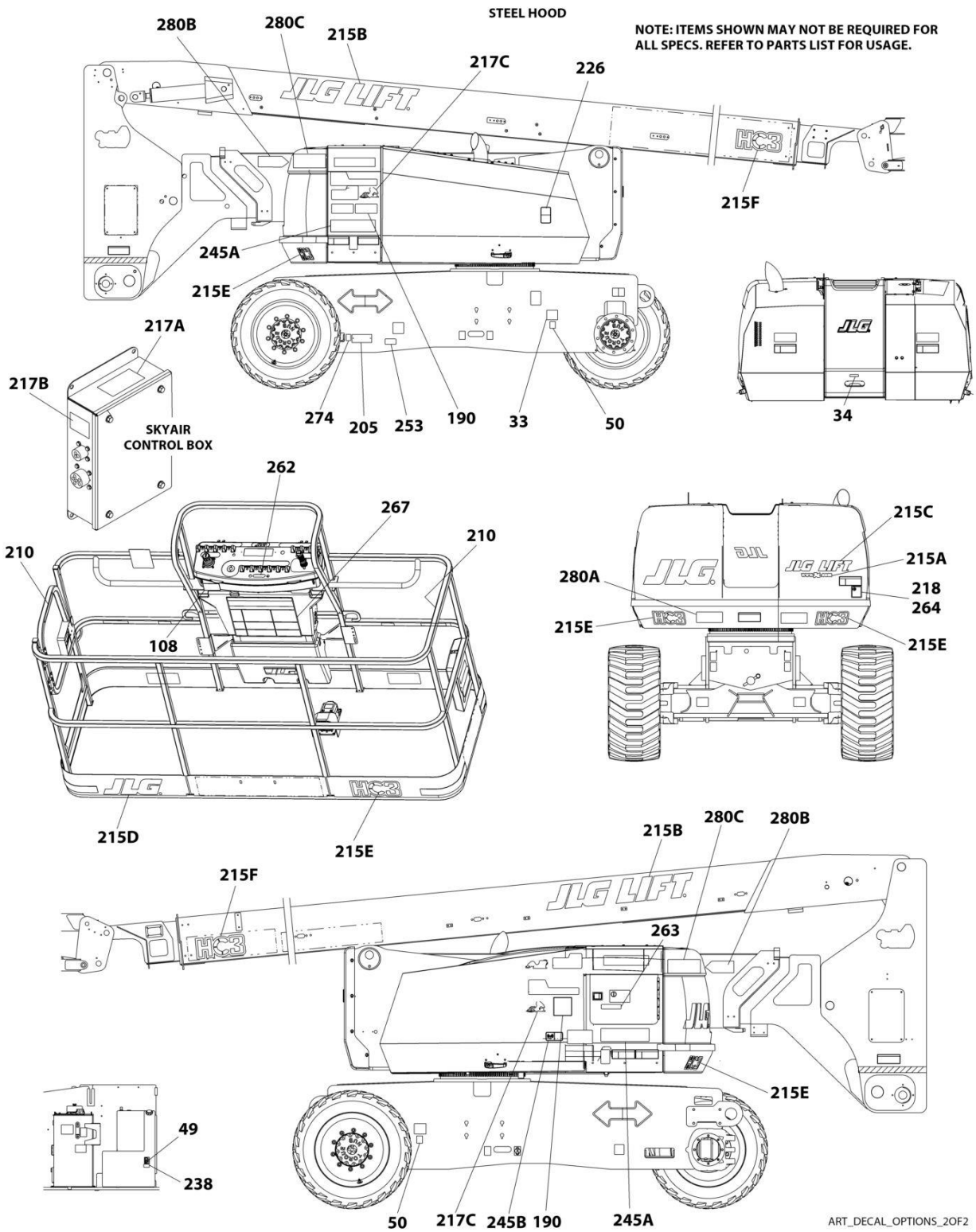
SECTION 9 - DECALS

FIGURE 9-10. DECAL INSTALLATION - OPTIONS



ART_DECAL_OPTIONS_10F2

SECTION 9 - DECALS



SECTION 9 - DECALS

FIGURE 9-10. DECAL INSTALLATION - OPTIONS

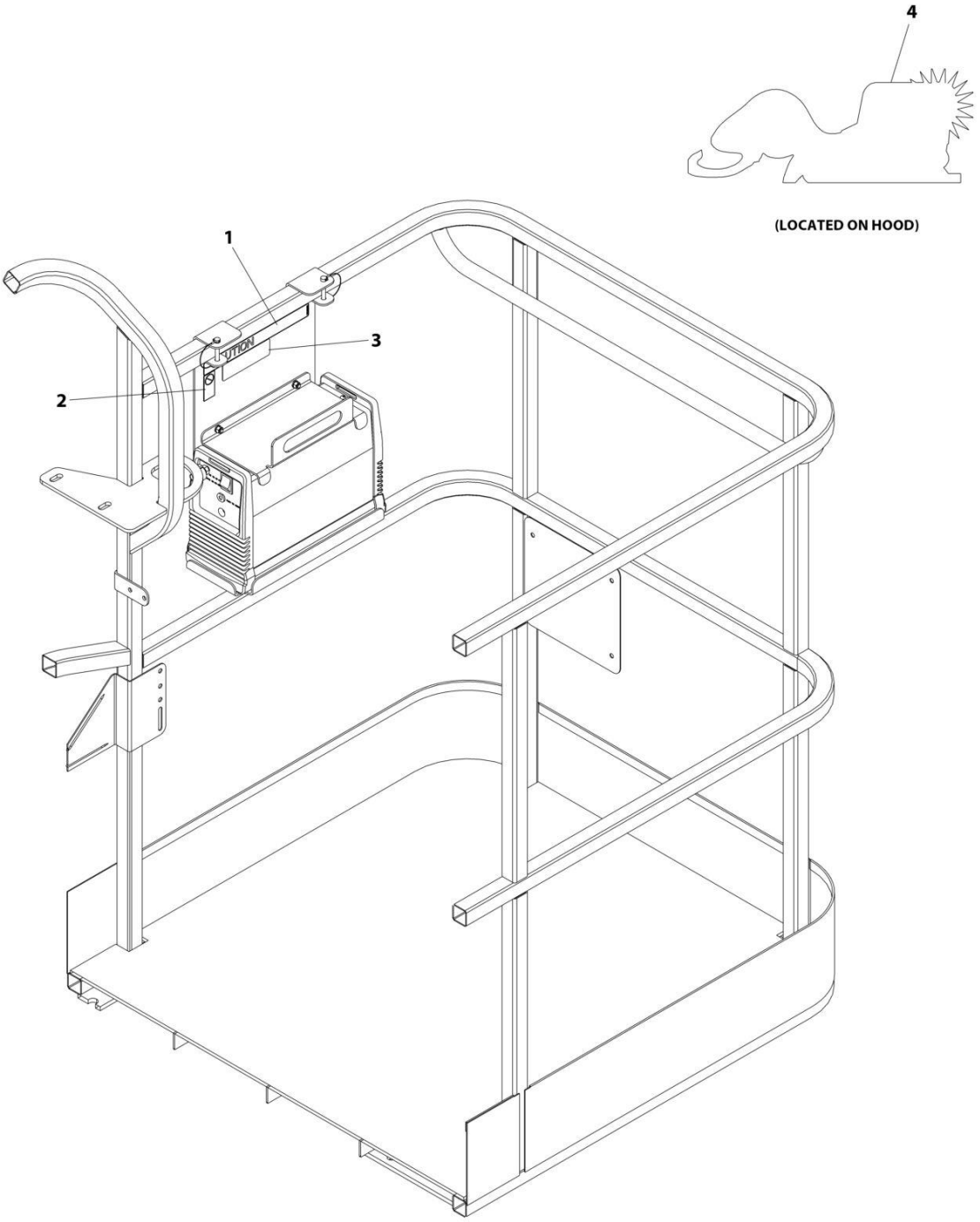
| ITEM | PART NUMBER | QTY | DESCRIPTION | REV |
|------|-------------|-----|--|-----|
| | | Ref | DECAL INSTALLATION - OPTIONS | |
| 33 | 1700818 | 1 | Decal - Fuel (LP Gas Machines) (English Language) (ANSI, CSA & Australian Specs) | |
| 33 | 1704271 | 1 | Decal - Fuel (LP Gas Machines) (English/French Languages) (CSA Specs) | |
| 33 | 1702720 | 1 | Decal - Fuel (LP Gas Machines) (English/Spansih Languages) (ANSI Export Specs) | |
| 34 | 3251242 | 1 | Nameplate - 240-50HZ (CE & UK CA Specs) | |
| 49 | 1701505 | 1 | Decal - Fuel (Diesel) | |
| 49 | 1701542 | 1 | Decal - Fuel (Gas) | |
| 50 | 1701543 | 2 | Decal - LP Gas (LP GASS Machines) | |
| 108 | 1001231801 | 1 | Decal - Warning Proposition 65 (ANSI Specs) | |
| 190 | | Ref | Decal Installation - SkyGlazier Options: | |
| 190 | 1001262102 | 1 | Decal Installation - SkyGlazier (ANSI/CSA Specs) | |
| 190 | 1001262105 | 1 | Decal Installation - SkyGlazier (Australian Specs) | |
| 190 | 1001262104 | 1 | Decal Installation - SkyGlazier (Brazil & Chinese Specs) | |
| 190 | 1001262103 | 1 | Decal Installation - SkyGlazier (Latin American & Chinese Specs) | |
| 205 | See Note | 1 | Nameplate - Manufacturers Serial Number (Note: Not Available for Purchase) | |
| 210 | 1702868 | 2 | Decal - No Hands (English Language) | |
| 210 | 1705968 | 2 | Decal - No Hands (English/Chinese Language) | |
| 210 | 1704000 | 2 | Decal - No Hands (English/French Language) | |
| 210 | 1705969 | 2 | Decal - No Hands (English/Korean Language) | |
| 210 | 1705967 | 2 | Decal - No Hands (English/Portuguese Language) | |
| 210 | 1704001 | 2 | Decal - No Hands (English/Spanish Language) | |
| 210 | 1001218850 | 2 | Decal - No Hands (CE & UK CA LRC Specs) | |
| 215 | 1001260957 | 1 | Decal - Logo Installation (All Specs Except CE & UK CA Specs) | A |
| 215 | 1001263022 | 1 | Decal - Logo Installation (CE & UK CA Specs) | A |
| 215A | 1704885 | 1 | Decal - Website | |
| 215B | 1702861 | 2 | Decal - JLG Lift | |
| 215C | 1702774 | 2 | Decal - JLG Lift | |
| 215D | 1702773 | 1 | Decal - JLG | |
| 215E | 1001244212 | 1 | Decal - HC3 | |
| 215F | 1001256906 | 1 | Decal - HC3 | |
| 215G | 1001159323 | 1 | Decal - JLG (CE & UK CA Specs) (Not Shown) | |
| 217 | 0273687 | Ref | Decal - SkyAir (Machines with SkyAir Option) | |
| 217A | 1705836 | 1 | Decal - Hazardous Voltage | |
| 217B | 1705837 | 1 | Decal - Air Compressor | |
| 217C | 1705886 | 1 | Decal - SkyAir | |
| 218 | 3251813 | 1 | Decal - USA | |
| 226 | 1704972 | 1 | Decal - Warning Explosion/ Fire (English Language) (Diesel Machines) (ANSI Specs) | |
| 226 | 1706098 | 1 | Decal - Warning Explosion/Fire (English Language) (Diesel Machines) (Australian, CE & UK CA Specs) | |
| 226 | 1706059 | 1 | Decal - Warning Explosion/Fire (English/Portuguese Language) (Diesel Machines) (Brazil Specs) | |
| 226 | 1706060 | 1 | Decal - Warning Explosion/Fire (English/Chinese Language) (Diesel Machines) (Chinese Specs) | |
| 226 | 1706064 | 1 | Decal - Warning Explosion/Fire (English Language) (Diesel Machines) (CSA Specs) | |
| 226 | 1706062 | 1 | Decal - Warning Explosion/Fire (English/Japanes Language) (Diesel Machines) (Japanese Specs) | |

SECTION 9 - DECALS

| ITEM | PART NUMBER | QTY | DESCRIPTION | REV |
|------|-------------|-----|--|-----|
| 226 | 1706061 | 1 | Decal - Warning Explosion/Fire (English/Korean Language) (Diesel Machines) (Korean Specs) | |
| 226 | 1706063 | 1 | Decal - Warning Explosion/Fire - (English/Spanish Language) (Diesel Machines) (Latin American Specs) | |
| 238 | 1001125387 | 1 | Decal - Ultra Low Sulfur Fuel (Diesel Machines) (ANSI & CSA Specs) | |
| 238 | 1001139654 | 1 | Decal - Ultra Low Sulfur Fuel (Diesel Machines) (CE, UK CA & Chinese Specs) | |
| 245 | 1001127094 | Ref | Decal Installation - ClearSky (Machines with ClearSky Option) | |
| 245A | 1001116208 | 2 | Decal - ClearSky | |
| 245B | 1001120989 | 1 | Decal - Radio Frequency | |
| 245 | 1001294757 | Ref | Smart Fleet ClearSky Decal Installation | |
| 245A | 1001120989 | 1 | Decal - Radio Frequency | |
| 245B | 1001294815 | 1 | Decal - ClearSky | |
| 253 | 1001143852 | 1 | Decal - Emission Compliance (Diesel Machines) (ANSI Export, Australian, China, CE & UK CA Specs) | |
| 262 | 1001141300 | 1 | Decal - SkyGuard Override (Machines without Soft Touch Option) | |
| 262 | 1001141302 | 1 | Decal - SkyGuard Override (Machines with Soft Touch Option) | |
| 263 | 1001197408 | 1 | Decal - MSSO (CE & UK CA Specs) | |
| 264 | 1705980 | 1 | Decal - Sound Power (106dB) (Machines with Deutz D2011 Engines) (Australian, CE & UK CA Specs) | |
| | 1001191525 | 1 | Decal - Sound Power (108dB) (Machines with Deutz TD2.9L4 Stage V Engines (CE & UK CA Specs) | |
| 267 | 1001200124 | 1 | Decal - Quick Start Guide (Danish Language) | |
| 267 | 1001200121 | 1 | Decal - Quick Start Guide (Dutch Language) | |
| 267 | 1001180861 | 1 | Decal - Quick Start Guide (English Language) | |
| 267 | 1001200120 | 1 | Decal - Quick Start Guide (French Language) | |
| 267 | 1001200122 | 1 | Decal - Quick Start Guide (German Language) | |
| 267 | 1001200127 | 1 | Decal - Quick Start Guide (Norwegian Language) | |
| 267 | 1001200125 | 1 | Decal - Quick Start Guide (Swedish Language) | |
| 267 | 1001200126 | 1 | Decal - Quick Start Guide (Spanish Language) | |
| 274 | 1001214030 | Ref | Decal Installation- EAC (Russian/CIS Specs) | |
| 274 | 1001173703 | 1 | Decal - EAC | |
| 280 | 1001220864 | Ref | Decal Kit - Boom Transport Position | |
| 280A | 1001220512 | 2 | Decal - Lower Boom | |
| 280B | 1001220510 | 2 | Decal - Warning Arrow | |
| 280C | 1001220511 | 2 | Decal - Warning Stripe | |
| 287 | 1001292423 | 1 | ECO LABEL INSTALLATION | |

SECTION 9 - DECALS

FIGURE 9-11. SKYCUTTER DECAL INSTALLATION



ART_0272599

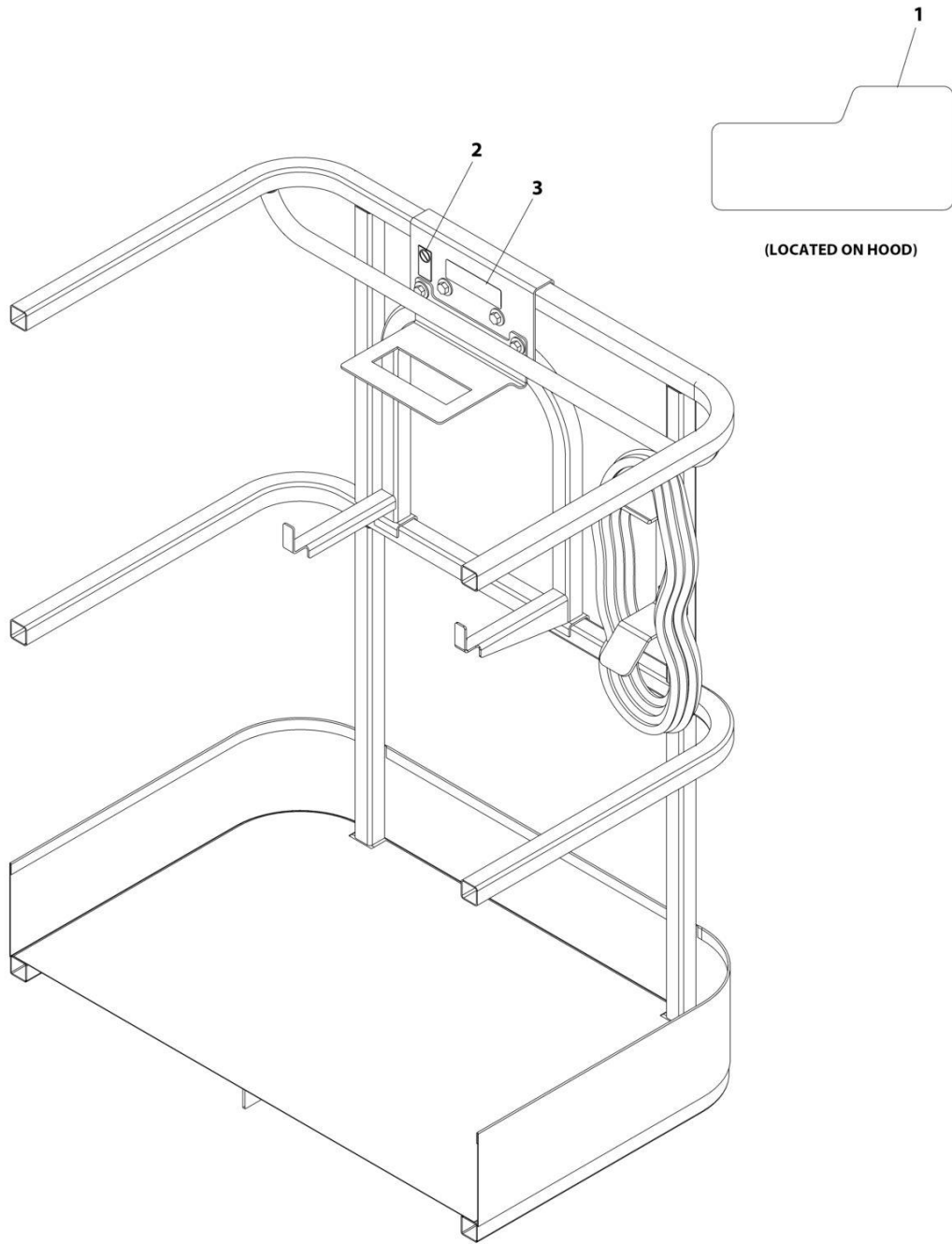
SECTION 9 - DECALS

FIGURE 9-11. SKYCUTTER DECAL INSTALLATION

| ITEM | PART NUMBER | QTY | DESCRIPTION | REV |
|------|-------------|-----|------------------------------|-----|
| | 0272599 | Ref | SKYCUTTER DECAL INSTALLATION | C |
| 1 | 1702868 | 1 | Decal - No Hands | |
| 2 | 1705305 | 1 | Decal - Weld Leads | |
| 3 | 1001252627 | 1 | Decal - Weight | |
| 4 | 1705490 | 2 | Decal - SkyCutter | |

SECTION 9 - DECALS

FIGURE 9-12. SKYWELDER DECAL INSTALLATION - 50HZ



ART_0272588

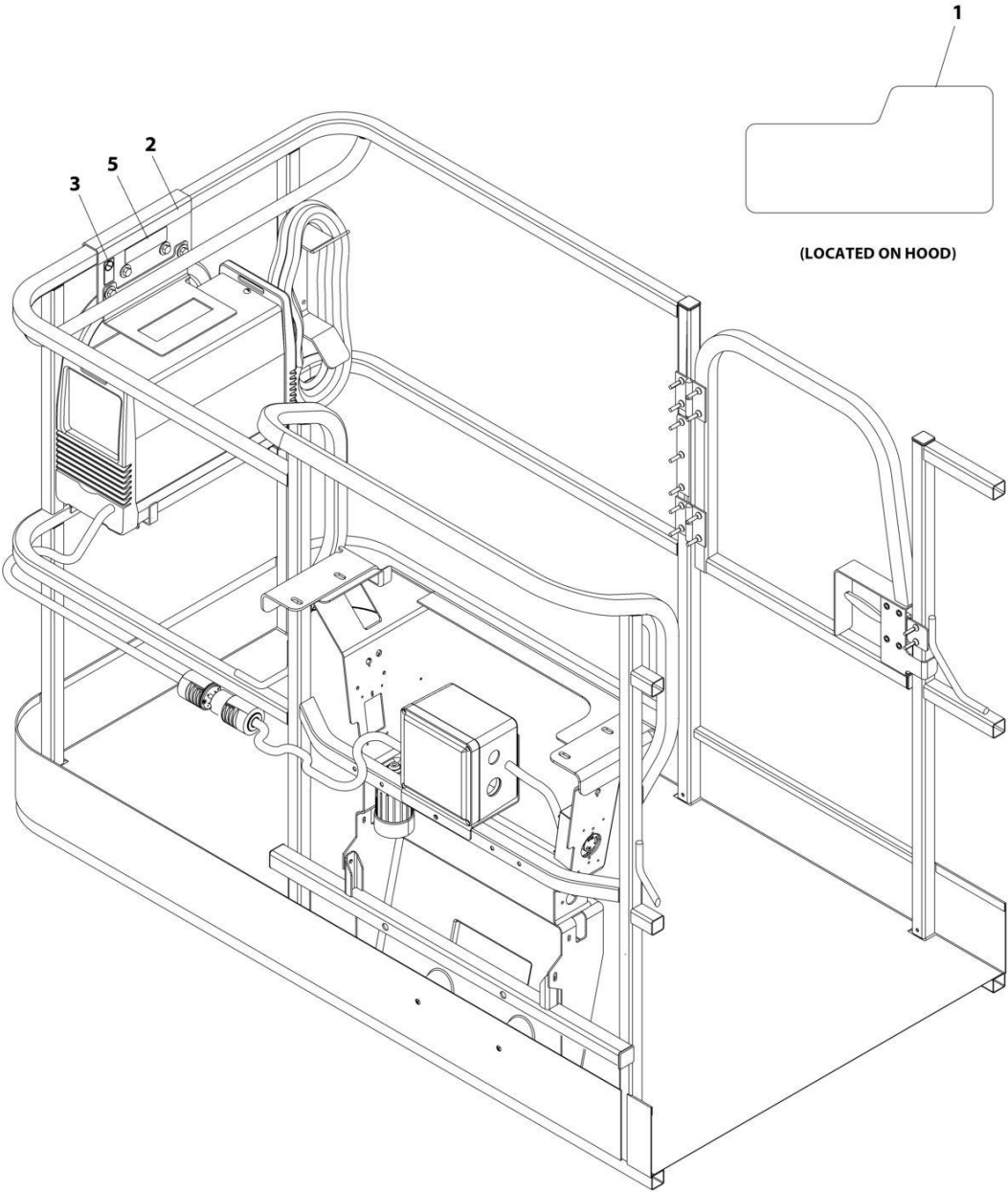
SECTION 9 - DECALS

FIGURE 9-12. SKYWELDER DECAL INSTALLATION - 50HZ

| ITEM | PART NUMBER | QTY | DESCRIPTION | REV |
|------|-------------|-----|-------------------------------------|-----|
| | 0272588 | Ref | SKYWELDER DECAL INSTALLATION - 50Hz | B |
| 1 | 1705355 | 2 | Decal - SkyWelder | |
| 2 | 1705305 | 1 | Decal - Weld Lead | |
| 3 | 1001228988 | 1 | Decal - Weight | |

SECTION 9 - DECALS

FIGURE 9-13. DECAL INSTALLATION - SKYWELDER (60HZ)



ART_0272448_D

SECTION 9 - DECALS

FIGURE 9-13. DECAL INSTALLATION - SKYWELDER (60HZ)

| ITEM | PART NUMBER | QTY | DESCRIPTION | REV |
|------|-------------|-----|-------------------------------------|-----|
| | 0272448 | Ref | SKYWELDER DECAL INSTALLATION - 60Hz | D |
| 1 | 1705355 | 2 | Decal - SkyWelder | |
| 2 | 1702868 | 1 | Decal - No Hands | |
| 3 | 1705305 | 1 | Decal - Weld Lead | |
| 5 | 1001228988 | 1 | Decal - Weight | |

SECTION 10 - RECOMMENDED SERVICE PARTS STOCK

SECTION 10 - RECOMMENDED SERVICE PARTS STOCK

SECTION 10 - RECOMMENDED SERVICE PARTS STOCK

FIGURE 10-1. RECOMMENDED SERVICE PARTS STOCK

| ITEM | PART NUMBER | QTY | DESCRIPTION | REV |
|------|-------------|-----|--|-----|
| | Note | Ref | Note: The following list will service one machine (built to current production per date on the front cover) with emergency repair parts which can be installed in the field. Parts from the list should be replaced when inventory is depleted to keep service parts stock supplied. For further information, contact your JLG dealer or the JLG Industries Parts Department. | |
| | 4360070 | 1 | Breaker, Circuit 15Amp (4000W/60HZ & 7500W Generators) | |
| | 1001189172 | 1 | Breaker, Circuit 16Amp Double (Breaker Box Kit with Three Breakers) | |
| | 4360542 | 1 | Breaker, Circuit 20Amp (2500W/60HZ Generators) | |
| | 7024485 | 1 | Breaker, Circuit 30Amp (7500W Generators with Deutz D2011 or Ford Engines) | |
| | 70006095 | 1 | Breaker, Circuit 30Amp (7500W Generator with Deutz TD2.9L4 Engine and 7500W/60HZ Generator with Deutz D2011 Engine) | |
| | 1001181045 | 1 | Breaker, Circuit 30mA/16Amp (Breaker Box Kit with One Double Breaker) | |
| | 1001189171 | 1 | Breaker, Circuit 30mA (Breaker Box Kit with Three Breakers) | |
| | 1001159118 | 1 | Breaker GFCI 30Amp 240VAC (240V AC Box at Platform) | |
| | 70001431 | 1 | Breaker, Circuit (Plasma Cutter) | |
| | 70005708 | 1 | Breather Assembly (Hydraulic Tank) | |
| | 70002386 | 1 | Coil (Boom Control Valve Assembly) | |
| | 7012944 | 1 | Coil (Control Valve Installation) | |
| | 7018991 | 1 | Coil (Control Valve Assembly) | |
| | 70004460 | 1 | Coil (Control Valve Assembly) | |
| | 70004463 | 1 | Coil (Control Valve Assembly) | |
| | 70004595 | 1 | Coil (Control Valve Assembly) | |
| | 70004653 | 1 | Coil (Control Valve Assembly) | |
| | 70006956 | 1 | Coil (Control Valve Assembly) | |
| | 4360476 | 1 | Contacto (Ground Control Boxes and Platform Console Boxes) | |
| | 7020176 | 1 | Contacto (Ground Control Boxes and Platform Console Boxes) | |
| | 4360407 | 1 | Controller, Speed (Platform Console Box) | |
| | 1001129555 | 1 | Controller Assembly (Lift and Swing) (Platform Console Box) | |
| | 1001212415 | 1 | Controller Assembly (Drive and Steer) (Platform Console Box) | |
| | 1001117174 | 1 | Controller, Footswitch | |
| | 3990010 | 1 | Diode, 6 Amp (Ground Control Box Harness) | |
| | | Ref | Engine - Deutz D2011 | |
| | 70004020 | 12 | Filter, Air | |
| | 7016328 | 12 | Filter, Fuel | |
| | 7016331 | 12 | Filter, Oil | |
| | 7027795 | 1 | Module, Control | |
| | 3740067 | 1 | Relay | |
| | 3740080 | 1 | Relay | |
| | 70004058 | 1 | Relay | |
| | | Ref | Engine - Deutz TD2.9L4 | |
| | 91403102 | 12 | Filter, Air | |
| | 70025153 | 12 | Filter, Fuel (Frame Mounted Filter) | |
| | 70025161 | 12 | Filter, Fuel (Engine Mounted Filter) | |
| | 7016331 | 12 | Filter, Oil | |
| | 1001196634 | 2 | Fuse, 2Amp (Breather Heater Harness) | |
| | 8229242 | 2 | Fuse, 5Amp | |

SECTION 10 - RECOMMENDED SERVICE PARTS STOCK

| ITEM | PART NUMBER | QTY | DESCRIPTION | REV |
|------|-------------|-----|---|-----|
| | 80983191 | 2 | Fuse, 10Amp | |
| | 70023592 | 2 | Fuse, 20Amp | |
| | 70023593 | 2 | Fuse, 30Amp | |
| | 70025210 | 1 | Module, ECU | |
| | 3740067 | 1 | Relay | |
| | 70005648 | 1 | Relay | |
| | 1001117308 | 1 | Relay | |
| | | Ref | Engine - Deutz TD2.9L4 (Stage V) | |
| | 91403102 | 12 | Filter, Air | |
| | 70025153 | 12 | Filter, Fuel (Frame Mounted Filter) | |
| | 70025161 | 12 | Filter, Fuel (Engine Mounted Filter) | |
| | 7016331 | 12 | Filter, Oil | |
| | 1001196634 | 2 | Fuse, 2Amp (Breather Heater Harness) | |
| | 8229242 | 2 | Fuse, 5Amp | |
| | 80983191 | 2 | Fuse, 10Amp | |
| | 70023592 | 2 | Fuse, 20Amp | |
| | 70023593 | 2 | Fuse, 30Amp | |
| | 70025210 | 1 | Module, ECU | |
| | 3740067 | 1 | Relay | |
| | 70005648 | 1 | Relay | |
| | 1001117308 | 1 | Relay | |
| | | Ref | Engine - Deutz TD2.9L4 (China III) | |
| | 91403102 | 12 | Filter, Air | |
| | 1001225432 | 12 | Filter, Fuel (Engine Mounted Filter) | |
| | 1001225430 | 12 | Filter, Fuel (Frame Mounted Filter) | |
| | 7016331 | 12 | Filter, Oil | |
| | 70025210 | 1 | Module, ECU | |
| | 3740067 | 1 | Relay | |
| | 70005648 | 1 | Relay | |
| | 1001117308 | 1 | Relay | |
| | | Ref | Engine - Ford | |
| | 70005008 | 12 | Filter, Primary Air | |
| | 70006460 | 12 | Filter, Secondary Air | |
| | 70006155 | 12 | Filter, Fuel | |
| | 70006213 | 12 | Filter, Oil | |
| | 70006175 | 2 | Fuse, 20Amp | |
| | 70006176 | 1 | Module, Engine Control Unit | |
| | 3740067 | 1 | Relay | |
| | 70006171 | 1 | Relay | |
| | 70006172 | 1 | Relay | |
| | 2120210 | 12 | Element, Filter (Control Valves Installation) | |
| | 8229249 | 2 | Fuse, 3Amp (USB Charger & Platform Console Box Harness) | |
| | 2400064 | 2 | Fuse, 5Amp (Generator to Engine Harness) | |
| | 8229242 | 2 | Fuse, 5Amp (Control Box Harness) | |
| | 2860030 | 1 | Key, Replacement (Ground Control Boxes) | |
| | 2940074 | 1 | Latch (Platform Assemblies with Gates) | |
| | 1001142683 | 1 | Module, Control (Strobe Light Installations) | |
| | 1001103667 | 1 | Module, Ground Control | |
| | 1001106938 | 1 | Module, Platform | |
| | 3740080 | 1 | Relay (2500W Generators and 7500W Generator with Ford Engine) | |
| | 70006553 | 1 | Relay (4000W Generators) | |

SECTION 10 - RECOMMENDED SERVICE PARTS STOCK

| ITEM | PART NUMBER | QTY | DESCRIPTION | REV |
|------|-------------|-----|---|-----|
| | 3740049 | 1 | Relay (Ground Control Boxes) | |
| | 3740086 | 1 | Relay (SkyLine Harness) | |
| | 1001186431 | 1 | Relay (SkyGuard) | |
| | 1001204939 | 1 | Sensor, Angle (Boom Valves and Proximity Switches Installation) | |
| | 1001094400 | 1 | Sensor, Dual Axis (Boom Valves and Proximity Switches Installation) | |
| | 1001228225 | 1 | Sensor, Emitter (SkyEye) | |
| | 4360436 | 1 | Sensor, Fuel Level (Tank Installations) | |
| | 4360578 | 1 | Sensor, Limit (Boom Valves and Proximity Switches Installation and Transport Position Switch) | |
| | 1001172271 | 1 | Sensor, Limit (Boom Valves and Proximity Switches Installation with Tower Stow) | |
| | 4360057 | 1 | Sensor, Limit (Soft Touch Installation) | |
| | 7026638 | 1 | Sensor, Pressure (Air Compressor) | |
| | 4360498 | 1 | Sensor, Proximity (Boom Valves and Proximity Switches Installation) | |
| | 4360499 | 1 | Sensor, Proximity (Boom Valves and Proximity Switches Installation) | |
| | 1001170847 | 1 | Sensor, Proximity (Boom Valves and Proximity Switches Installation) | |
| | 1001182570 | 1 | Sensor, Proximity (Boom Valves and Proximity Switches Installation) | |
| | 1001232667 | 1 | Sensor, Proximity (SkyLine) | |
| | 4360517 | 1 | Sensor, Proximity (Rotary Coupling) | |
| | 1001228224 | 1 | Sensor, Receiver (SkyEye) | |
| | 1001225346 | 1 | Switch, Battery (Battery Disconnect Installation) | |
| | 4360475 | 1 | Switch, Emergency Stop (Ground Control and Platform Conosole Boxes) | |
| | 4360469 | 1 | Switch, Key (Ground Control Boxes) | |
| | 70001432 | 1 | Switch, Rocker (Plasma Cutter) | |
| | 4360387 | 1 | Switch, Push Button (CE & UK CA Ground Control Boxes, Platform Console Boxes, and Soft Touch) | |
| | 4360274 | 1 | Switch, Push Button (Ground Control Boxes with Deutz Stage V Engine) | |
| | 4360336 | 1 | Switch, Toggle (Generator Installations) | |
| | 1001155045 | 1 | Switch, Toggle (Ground Control and Platform Console Boxes) | |
| | 4360328 | 1 | Switch, Toggle (Jib Switch Installation) | |
| | 4360331 | 1 | Switch, Toggle (Platform Console Boxes) | |
| | 1001159256 | 1 | Switch, Toggle (Platform Console Boxes) | |
| | 7024469 | 1 | Switch with Lead (Welder Assembly) | |

SECTION 11 - SPECIAL OPTIONS

SECTION 11 - SPECIAL OPTIONS

FIGURE 11-1. SPECIAL OPTIONS/ACCESSORES/KITS

| ITEM | PART NUMBER | QTY | DESCRIPTION | REV |
|------|-------------|-----|---|-----|
| | | Ref | Note: This list is to accommodate machines ordered with special equipment. Options may not be applicable to all models. For more specific parts information contact JLG Parts Department. | |
| | | Ref | MISCELLANEOUS SPECIAL OPTIONS/ACCESSORES/KITS | |
| | 1001229762 | Ref | Air Intake Shut-off Valve (Deutz TD2.9L4 Engines) (Factory Installed) | |
| | 1001260970 | Ref | Airline to Platform Installation - 1/2in | |
| | 1001092092 | Ref | Airline to Platform Installation - 1/2in (Cold Weather Package) | |
| | 1001249695 | Ref | Analyzer and Cable Kit | |
| | 1001249941 | Ref | Battery Powered Analyzer Installation Kit | |
| | 1001260886 | Ref | Bellows Installation - Boom | |
| | 1001158259 | Ref | Bellows Installation - Chassis (Fixed Axle 2WS) | |
| | 2910887 | Ref | Boom Wear Pad Kit | |
| | 1001260858 | Ref | Boom Wipers Installation | |
| | 1001233047 | Ref | Breather Heater Kit (Deutz TD2.9L4 Engines) | |
| | 1001172045 | Ref | Cable Ladder Carrier Installation | |
| | | Ref | ClearSky Telematics Kits (Dealer Installed) | |
| | 1001242409 | Ref | ClearSky Telematics Access Control Add-on Kit | |
| | 1001243183 | Ref | ClearSky Telematics Access Control Add-on Kit - Canbus (ANSI & CSA Specs) | |
| | 1001243184 | Ref | ClearSky Telematics Access Control Add-on Kit - Canbus (ANSI Export, CE & UK CA Specs) | |
| | 1001246142 | Ref | ClearSky Telematics Add-On Kit (Australian Specs) | |
| | 1001119939 | Ref | ClearSky Telematics Add-On Kit (ANSI Spec) | |
| | 1001119947 | Ref | ClearSky Telematics Add-On Kit (CSA Spec) | |
| | 1001276923 | Ref | ClearSky Telematics Add-On Kit (Contact JLG for Approved Countries) | |
| | 1001289850 | Ref | ClearSky (Telematics) CS550 Installation | |
| | 1001178208 | Ref | Cold Weather Package Installation - Deutz D2011 Engines | |
| | 1001178207 | Ref | Cold Weather Package Installation - Deutz TD2.9L4 Engines | |
| | 1001255807 | Ref | Cold Weather Package Installation - Deutz TD2.9L4 (Stage V) Engines | |
| | 1001219840 | Ref | Cold Weather Package Installation - Ford Engines | |
| | 0274883 | Ref | Cold Weather Transformer Installation (ANSI Export, Australian, China and Japanese Specs Only) | |
| | 1001115918 | Ref | Cribbing Installation | |
| | 1001264254 | Ref | Cylinder Kit - Level/Upright (Includes 2 Cylinders - Tower Lift & Upright Level) | |
| | 1001264148 | Ref | Cylinder Kit - Lift (Includes 1 Cylinder and Service info) | |
| | | Ref | Decals Kits: | |
| | 1001273008 | 1 | Machine - ANSI | |
| | 1001108721 | Ref | Platform | |
| | 1001273009 | 1 | Platform - ANSI | |
| | 1001119563 | Ref | Platform Console | |
| | 1001273010 | 1 | Platform Console - ANSI | |
| | 2902396 | Ref | Drive/Steer Cutout Kit | |
| | 1001148902 | Ref | Electrical Connector Kits - Amp | |
| | 1001148903 | Ref | Electrical Connector Kits - Deutsch DT | |
| | 1001148904 | Ref | Electrical Connector Kits - Deutsch HD | |
| | 1001148905 | Ref | Electrical Connector Kits - Packard | |

SECTION 11 - SPECIAL OPTIONS

| ITEM | PART NUMBER | QTY | DESCRIPTION | REV |
|------|-------------|-----|--|-----|
| | 1001148906 | Ref | Electrical Connector Kits - Various | |
| | 1001218022 | Ref | Engine Block Heater Installation - Ford Engines | |
| | 1001108962 | Ref | Exhaust Rain Cap Installation (Australian, CE & UK CA Specs) | |
| | 1001269630 | Ref | Fall Arrest (Bolt-On) Add-On Kit (30inch x 4 Ft/1.22m Platform) | |
| | 1001269629 | Ref | Fall Arrest (Bolt-On) Add-On Kit (30inch x 5 Ft/1.52m Platform) | |
| | 1001269631 | Ref | Fall Arrest (Bolt-On) Add-On Kit (30inch x 6 Ft/1.82m Platform) | |
| | 1001237883 | Ref | Fall Arrest (Bolt-On) Add-On Kit (6 Ft/1.82m Platform) (ANSI, ANSI Export, China, CSA & Japanese Specs) | |
| | 1001237882 | Ref | Fall Arrest (Bolt-On) Add-On Kit (8 Ft/2.4m Platform) (ANSI, ANSI Export, China, CSA & Japanese Specs) | |
| | | Ref | Fan Cover/Grille Options | |
| | 1001182599 | Ref | Fan Cover Installation (Deutz D2011 Engines) | |
| | 1001177694 | Ref | Fan Grille Installation (Deutz TD2.9L4 Engines and Deutz TD2.9L4 (Stage V) Engines (Modine Radiator) | |
| | | Ref | Filter Kits: | |
| | | Ref | Combined Filter Kit Options (Hydraulic/Air and Fuel/Engine Oil) | |
| | 1001241774 | Ref | Deutz D2011 Engine Machines | |
| | 1001195533 | Ref | Deutz TD2.9L4 Engine Machines | |
| | 1001241776 | Ref | Ford Engine Machines | |
| | 1001139099 | Ref | Fire Extinguisher Installation (20lb) | |
| | 1001305520 | Ref | Fire Extinguisher Installation (2.5lb) | |
| | 1001274833 | Ref | Floor Mat Add-on Kit (30x48 Platform) (Dealer Installed) | |
| | 1001274831 | Ref | Floor Mat Add-on Kit (30x72 Platform) (Dealer Installed) | |
| | 1001274830 | Ref | Floor Mat Add-on Kit (36x72 Platform) (Dealer Installed) | |
| | 1001274829 | Ref | Floor Mat Add-on Kit (36x96 Platform) (Dealer Installed) | |
| | 1001117294 | Ref | Footswitch Shield (Note: Move Decal to Shield) | |
| | 1001205441 | Ref | Fuel Cap Cover Installation (Red) (Note: Lock p/n 1001102157 must be Purchased Separately) | |
| | 1001202749 | Ref | Fuel Cap Cover Installation (Black) (Note: Lock p/n 1001102157 must be Purchased Separately) | |
| | 1001191395 | Ref | Fuel Cap Cover Installation (Green) (Diesel Machines) (Note: Lock p/n 1001102157 must be Purchased Separately) | |
| | 1001094475 | Ref | Generator Hourmeter Installation | |
| | 0257195 | Ref | Government Warranty Decal Installation | |
| | 1001293369 | Ref | Hood Plug Installation (Strobe Light) | |
| | 1001293501 | Ref | Hood Plug Installation (ClearSky) | |
| | 1001281423 | Ref | Hostile Environment Add-on Kit - Boom/Turntable | |
| | 1001241413 | Ref | Hostile Environment Add-on Kit - 2WD | |
| | 1001241415 | Ref | Hostile Environment Add-on Kit - 4WD | |
| | 1001209632 | Ref | Hose Kit - Platform Valve | |
| | 1001268736 | Ref | Jib Link Kit | |
| | 1001148971 | Ref | Lanyard (Bolt-On) Kit Installation | |
| | | Ref | Light Options: | |
| | 1001286022 | Ref | Limit Switch Replacement Kit (Roller Switch | |
| | 0271768 | Ref | Headlights & Taillights Installation (ABS Hoods) | |
| | 1001164786 | Ref | Headlights & Taillights Installation (Steel Hoods) | |
| | 0273485 | Ref | Platform Worklights Installation | |
| | 1001257561 | Ref | Portable Worklights Installation | |
| | 1001152965 | Ref | Strobe Light Installation - Platform Mounted (Amber) | |
| | 1001236951 | Ref | Low Temperature Cutout Installation (Russian Specs) | |
| | 1001290375 | Ref | Oil Drain Kit (Ford Engines) | |
| | | Ref | Oil Cooler Options: | |
| | 1001297086 | Ref | Oil Cooler Installation - Deutz D2011 Engine Machines | |

SECTION 11 - SPECIAL OPTIONS

| ITEM | PART NUMBER | QTY | DESCRIPTION | REV |
|------|-------------|-----|--|-----|
| | 1001184569 | Ref | Oil Cooler Installation - Deutz TD2.9L4 Engine and Deutz TD2.9L4 (Stage V) Engine Machines | |
| | 1001219633 | Ref | Oil Cooler Installation - Ford Engine Machines | |
| | 1001200700 | Ref | Oil Cooler Replacement Kit (RCP to YMER) | |
| | 1001272166 | Ref | Pipe Rack Kit | |
| | 1001195304 | Ref | Platform Console Cover Installation (Factory Installed) | |
| | 1001266290 | Ref | Platform Console Enclosure Cover Installation - Steel (Factory Installed) | |
| | 1001270482 | Ref | Platform Console Enclosure Cover Installation - Steel (Dealer Installed) | |
| | 1001308593 | Ref | Platform Console Cover Installation (Fabric) | |
| | 2915228 | Ref | Platform Conversion Kit (Front to Side Entry) | |
| | 1001309057 | Ref | Platform Console Cover Kit | |
| | 1001142504 | Ref | Platform Entry Kit - Drop Bar (Replaces Swing Gate with Drop Bar) | |
| | 1001142505 | Ref | Platform Entry Kit - Swing Gate (Replaces Drop Bar with Swing Gate) | |
| | | Ref | Platform Mesh to Mid Rail Installation (Factory Installed) Options: | |
| | 1001266098 | Ref | Platform Mesh to Mid Rail Installation - 3ft x 8ft Platforms (Vinyl) (ANSI, ANSI Export, Australian, China, and CSA Specs) | |
| | 1001269389 | Ref | Platform Mesh to Mid Rail Installation - 3ft x 8ft Platforms (Steel) (ANSI, ANSI Export, Australian, China, and CSA Specs) | |
| | | Ref | Platform Mesh to Mid Rail Add-on Kits (Dealer Installed): | |
| | 1001281457 | Ref | Platform Mesh to Mid Rail Add-on Kit - 36IN x 8FT (Dealer Installed) | |
| | | Ref | Platform Mesh to Top Rail Installation (Factory Installed) Options: | |
| | 1001272182 | Ref | Platform Mesh to Top Rail Installation - 2.5ft x 4ft Platforms (Steel) (ANSI, ANSI Export, China, and CSA Specs) | |
| | 1001266807 | Ref | Platform Mesh to Top Rail Installation - 2.5ft x 4ft Platforms (Vinyl) (ANSI, ANSI Export, China, and CSA Specs) | |
| | 1001271642 | Ref | Platform Mesh to Top Rail Installation - 3ft x 6ft Platforms (Steel) (ANSI, ANSI Export, China, and CSA Specs) | |
| | 1001266489 | Ref | Platform Mesh to Top Rail Installation - 3ft x 6ft Platforms (Vinyl) (ANSI, ANSI Export, China, and CSA Specs) | |
| | 1001269187 | Ref | Platform Mesh to Top Rail Installation - 3ft x 8ft Platforms (Steel) (ANSI, ANSI Export, China, and CSA Specs) | |
| | 1001266056 | Ref | Platform Mesh to Top Rail Installation - 3ft x 8ft Platforms (Vinyl) (ANSI, ANSI Export, China, and CSA Specs) | |
| | | Ref | Platform Mesh to Top Rail Add-on Kits (Dealer Installed): | |
| | 1001281456 | Ref | Platform Mesh to Top Rail Add-on Kit - 30in x 6ft Platforms (Dealer Installed) (ANSI/ANSI Export, CSA, and China Specs) | |
| | 1001281453 | Ref | Platform Mesh to Top Rail Add-on Kit - 3ft x 6ft Platforms (Dealer Installed) (ANSI/ANSI Export, CSA, and China Specs) | |
| | 1001281452 | Ref | Platform Mesh to Top Rail Add-on Kit - 3ft x 8ft Platforms (Dealer Installed) (ANSI/ANSI Export, CSA, and China Specs) | |
| | 0272733 | Ref | Platform, Top Rail Extension Installation - 3ft x 6ft Platforms | |
| | 0272725 | Ref | Platform, Top Rail Extension Installation - 3ft x 8ft Platforms | |
| | 1580013 | Ref | Platform Storage Tray | |
| | 1001209059 | Ref | Platform Work Surface Installation | |
| | 1001162546 | Ref | Pump Coupling Replacement Kit | |
| | 1001199488 | Ref | Radiator Replacement Kit (RCP to Modine Radiator) | |
| | 1001190888 | Ref | Service Kits | R |
| | 1001241547 | Ref | SkyEye Housing Kit (Left Side) | |
| | 1001241548 | Ref | SkyEye Housing Kit (Right Side) | |

SECTION 11 - SPECIAL OPTIONS

| ITEM | PART NUMBER | QTY | DESCRIPTION | REV |
|------|-------------|-----|--|-----|
| | 1001247073 | Ref | SkyEye Retrofit Kit | |
| | 1001206477 | Ref | SkyGuard Complete Add-On Kit (Blue Beacon) (UGM Machines) (Note: Requires 7500W SkyPower Generator) | |
| | 1001210026 | Ref | SkyGuard Complete Add-On Kit (Red Beacon) (UGM Machines) (Note: Requires 7500W SkyPower Generator) | |
| | 1001137672 | Ref | SkyGuard Platform Sensor Kit (UGM Machines) | |
| | 1001137440 | 1 | SkyGuard Sensor Harness | |
| | 1001186431 | 2 | Relay | |
| | 1001206311 | Ref | SkyGuard Strobe Light Kit - Hood Mounted (Blue Beacon) | |
| | 1001210025 | Ref | SkyGuard Strobe Light Kit - Hood Mounted (Red Beacon) | |
| | 1001250595 | Ref | SkyGuard 6-Pin Retrofit Installation Kit | |
| | 1001249052 | Ref | SkyGuard Retrofit Kit (Dealer Installed) | |
| | 1001262016 | Ref | SkyLine Add-on (Dealer Installed) | |
| | 1001289905 | 1 | SkySense/Enhanced Detection System (EDS) Level 1 (2-Bar) Add-on Kit (Dealer Installed) | |
| | 1001289906 | 1 | SkySense/Enhanced Detection System (EDS) Level 2 (3-Bar) Add-on Kit (Dealer Installed) | |
| | 1001253618 | Ref | SkySense/Enhanced Detection System (EDS) Level 1 (2-Bar) Module Kit (Dealer Installed) | |
| | 1001253619 | Ref | SkySense/Enhanced Detection System (EDS) Level 2 (3-Bar) Module Kit (Dealer Installed) | |
| | 1001289831 | Ref | SkySense/Enhanced Detection System (EDS) Level 1 (2-Bar) Installation Kit (Factory Installed) | |
| | 1001289832 | Ref | SkySense/Enhanced Detection System (EDS) Level 2 (3-Bar) Installation Kit (Factory Installed) | |
| | 1001282461 | Ref | SkySense Padding Installation - For 30 x 48 Platforms equipped with SkySense | |
| | 1001275643 | Ref | SkySense Padding Installation - For 30 x 72 Platforms equipped with SkySense | |
| | 1001275642 | Ref | SkySense Padding Installation - For 36 x 72 Platforms equipped with SkySense | |
| | 1001269655 | Ref | SkySense Padding Installation - For 36 x 96 Platforms equipped with SkySense | |
| | 1001231235 | Ref | SkyWelder Locking Bracket | |
| | 1001157013 | Ref | Softtouch Counterweight Installation (Required with Soft Touch Option) | |
| | | Ref | Tools for Service | |
| | 1600244 | 1 | Analyzer, Machine System | |
| | 7002840 | 1 | Antirotation Pin Removal Tool | |
| | 8896941 | 1 | Wire Stripper | |
| | 7002821 | 1 | Wire Crimper (To install wire ends to wires) | |
| | 7002823 | 1 | Pin/Socket Extractor - Universal (To Remove Pins/Sockets from Connectors) | |
| | 4460467 | 1 | Extractor - 16-18 Gauge (For Removal of Pin/Sockets from Deutsch Connectors) | |
| | 4460510 | 1 | Extractor - 12-14 Gauge (For Removal of Pin/Sockets from Deutsch Connectors) | |
| | 7002822 | 1 | Screwdriver, Potentiometer (To Adjust Drive Controllers) | |
| | 7016654 | 1 | Screwdriver, Magnetic | |
| | 7004275 | 1 | Seal Installation Tool - 1in | |
| | 7004276 | 1 | Seal Installation Tool - 1-1/2in | |
| | 7002826 | 1 | Seal Installation Tool - 2in | |
| | 7016655 | 1 | Wire Rope Sheave Gauge | |
| | 7016652 | 1 | Huck Bolt Fastener (For Small Huck Bolts Only) | |
| | 70000017 | 1 | ADE Software CD | |

SECTION 11 - SPECIAL OPTIONS

| ITEM | PART NUMBER | QTY | DESCRIPTION | REV |
|------|-------------|-----|--|-----|
| | 1001137005 | 1 | Software Cable Kit | |
| | 70005663 | 1 | Tool, Port Plate for Pump p/n 1001142522 | |
| | 1001258953 | Ref | Tower Stow Indicator Add-on Kit (Dealer Installed) | |
| | 2915094 | Ref | Turntable Bearing Kit | |
| | 1001262959 | Ref | Voltage Regulator Relocation Kit | |
| | 1001273007 | Ref | Wear Pad Kit | |
| | 0258827 | Ref | Weld Lead | |
| | 1001228544 | Ref | Wheel Drive Kit (Replaces Hub 2780272) | |
| | 0256196 | Ref | Wheel Covers | |
| | | Ref | Platform Mesh to Top Rail Installation (Factory Installed): | |

PART NUMBER INDEX

SECTION 11 - SPECIAL OPTIONS

| | | | |
|----------------------------|-----------------------------|-----------------------------|----------------------------|
| 0100009.....519, 523 | 0181949..... 39 | 0630568 519, 524 | 0641605.....231, 236, 242, |
| 0100011....19, 21, 23, 25, | 0200048... 563, 565, 567, | 0630593 465 | 264, 276, 296, 312, 467 |
| 27, 41, 43, 45, 51, 61, | 569 | 0641403 481 | 064160641, 51, 152, 156, |
| 65, 67, 69, 71, 73, 75, | 0200742 401, 411 | 0641404 97, 101, 105, | 160, 183, 200, 204, |
| 77, 79, 81, 83, 91, 93, | 0232121 43, 45, 47 | 109, 113, 117, 121, | 453, 455, 465, 467, |
| 97, 101, 105, 109, 113, | 0256196 896 | 125, 129, 133, 411, | 546, 551, 553, 557 |
| 117, 121, 125, 129, | 0256202 683 | 413, 417, 421, 425, | 0641607....23, 25, 67, 69, |
| 133, 139, 151, 155, | 0257195 893 | 429, 433, 437, 441, | 71, 73, 75, 77, 79, 81, |
| 159, 160, 164, 165, | 0258567 481 | 453, 537 | 83, 164, 168, 172, 328, |
| 168, 169, 172, 173, | 0258671 541 | 0641405 ... 139, 181, 183, | 332, 403, 455, 457, 465 |
| 181, 183, 189, 191, | 0258728 397 | 445, 519, 523, 537 | 0641608.... 151, 152, 155, |
| 195, 197, 200, 204, | 0258827 896 | 0641406 ... 141, 143, 151, | 156, 159, 160, 165, |
| 211, 215, 219, 225, | 0259420 467 | 155, 159, 175, 177, | 169, 172, 175, 177, |
| 227, 231, 236, 242, | 0270888 33 | 185, 211, 215, 219, | 179, 231, 236, 242, |
| 247, 257, 261, 264, | 0271090 33 | 225, 227, 231, 236, | 264, 276, 296, 312, |
| 269, 273, 276, 285, | 0271091 33 | 242, 247, 257, 261, | 387, 453, 455, 457, |
| 289, 293, 296, 301, | 0271340 531 | 264, 269, 273, 276, | 473, 477 |
| 305, 309, 312, 319, | 0271768 893 | 285, 289, 293, 296, | 0641609.... 151, 155, 159, |
| 323, 328, 332, 335, | 0272254 553 | 301, 305, 309, 312, | 164, 168, 172, 183, |
| 337, 340, 346, 351, | 0272259 677 | 328, 332, 393, 395, | 200, 204, 231, 236, |
| 353, 355, 389, 391, | 0272260 679 | 413, 417, 515, 517, | 242, 264, 276, 296, |
| 401, 403, 407, 411, | 0272418 561 | 539, 541, 731, 733 | 312, 389, 391, 397, |
| 413, 417, 421, 425, | 0272427 567 | 0641407 97, 101, 105, | 455, 457 |
| 429, 433, 437, 441, | 0272433 685 | 109, 113, 117, 121, | 0641610....147, 149, 185, |
| 445, 453, 455, 457, | 0272435 438, 442, 446 | 125, 129, 133, 141, | 189, 191, 200, 204, |
| 459, 463, 465, 467, | 0272448 885 | 195, 197, 200, 204, | 211, 215, 219, 257, |
| 469, 473, 477, 481, | 0272521 551 | 335, 337, 393 | 269, 285, 289, 301, |
| 485, 489, 495, 497, | 0272588 883 | 0641408 ... 164, 168, 172, | 305, 319, 321, 323, |
| 499, 501, 507, 509, | 0272589 430, 434 | 329, 333, 473, 477, | 328, 332, 385, 401, |
| 511, 535, 537, 546, | 0272599 881 | 515, 517 | 411, 457, 515, 517 |
| 551, 553, 557, 563, | 0272725 894 | 0641409 181, 189, 191 | 0641611.....65, 211, 215, |
| 565, 567, 569, 717, | 0272733 894 | 0641410 41, 181, 183, | 219, 257, 269, 285, |
| 719, 721, 723 | 0273353 546 | 189, 191, 200, 204 | 289, 301, 305, 453 |
| 010001957, 61, 181, 183, | 0273485 893 | 0641412 ... 211, 215, 219, | 0641612....231, 236, 242, |
| 403, 413, 417, 421, | 0273687 878 | 257, 269, 285, 289, | 264, 276, 296, 312, |
| 425, 429, 433, 438, | 0273706 569 | 301, 305 | 328, 332, 455, 717, |
| 441, 445 | 0273824 563 | 0641414 51, 519, 523, | 719, 721, 723 |
| 0100020....39, 67, 69, 71, | 0274031 181 | 535, 563, 565, 567, 569 | 0641614....51, 67, 69, 71, |
| 79, 81, 83, 181, 183, | 0274883 892 | 0641416 ... 687, 689, 691, | 73, 75, 77, 79, 81, 83 |
| 186, 189, 191, 211, | 0275216 687, 811 | 693, 695, 697, 699, | 0641615.....457 |
| 215, 219, 231, 236, | 0275217 691, 813 | 701, 703, 705, 707 | 0641616....185, 413, 417, |
| 242, 257, 264, 266, | 0275452 695, 815 | 0641418 51, 469, 485, | 422, 425, 434, 442, 457 |
| 269, 276, 278, 285, | 0275453 699, 817 | 489, 495, 497, 499, | 0641617.....39 |
| 289, 296, 301, 305, | 0275454 703, 819 | 501, 507, 509, 511 | 0641618.....430, 438 |
| 312, 328, 332, 340, | 0360406 47 | 0641420 328, 332 | 0641622.....467 |
| 346, 422, 438, 529, | 0362770 151, 155, 159 | 0641506 97, 101, 105, | 0641624.....465, 467 |
| 543, 546, 687, 689, | 0400075 91, 93 | 109, 113, 117, 121, | 0641648.....465 |
| 691, 693, 695, 697, | 0440237 459 | 125, 129, 133, 152, | 0641708....231, 236, 242, |
| 699, 701, 703, 705, 707 | 0440244 61 | 156, 159, 185 | 264, 276, 296, 312 |
| 0100035....147, 321, 481, | 0480121 401, 411 | 0641507 469 | 0641772....401, 403, 407, |
| 519, 523 | 0480126 413, 429 | 0641508 ... 43, 45, 79, 81, | 411 |
| 0100038.....457 | 0480129 421, 438 | 83, 151, 155, 159, 164, | 0641806.....236, 457 |
| 0100048.....97, 101, 105, | 0561185 457 | 168, 172, 189, 191, | 0641808....189, 191, 211, |
| 109, 113, 117, 121, | 0561295 455 | 211, 215, 219, 257, | 215, 219, 225, 227, |
| 125, 129, 133, 139, | 0630407 ... 231, 236, 242, | 269, 285, 289, 301, | 247, 257, 261, 269, |
| 141, 143, 328, 332, | 264, 276, 296, 312 | 305, 328, 332, 401, | 273, 285, 289, 293, |
| 407, 417, 425, 433, | 0630427 473, 477 | 403, 407, 411, 473, 477 | 301, 305, 309, 328, |
| 441, 473, 477 | 0630462 ... 563, 565, 567, | 0641510 200, 204 | 332, 335, 337, 413, |
| 0100062..79, 81, 83, 200, | 569 | 0641511 477 | 417, 421, 425, 429, |
| 204, 231, 236, 242, | 0630467 469 | 0641512 200, 204 | 433, 437, 441 |
| 264, 276, 296, 312, | 0630485 164, 168, 172 | 0641516 ... 421, 425, 429, | 064181023, 25, 181, 183, |
| 342, 348, 430, 438 | 0630518 ... 137, 527, 543, | 433, 437, 441, 445 | 453 |
| 0100079.....385, 425, 441 | 546, 551, 553, 557 | 0641518 ... 231, 236, 242, | 0641812.....65, 195, 197, |
| 0100081....164, 168, 172, | 0630534 591 | 264, 276, 296, 312 | 225, 227, 247, 261, |
| 465, 559, 561 | 0630548 97, 101, 105, | 0641560 27 | 273, 293, 309, 335, |
| 0140011.....519, 523 | 109, 113, 117, 121, | 0641604 453, 473, 477 | 337, 403 |
| 0140044.....139 | 125, 129, 133 | | |

SECTION 11 - SPECIAL OPTIONS

| | | | |
|---|--|--|--|
| 0641818 ... 79, 81, 83, 391, 397, 399 | 0721006 ... 151, 155, 159, 319, 321, 323, 401, 403, 411 | 0811812.... 151, 155, 159, 164, 168, 172 | 1001091970 691 |
| 0641820 65, 200, 204, 389 | 0721008 ... 152, 156, 160 | 0860038....422, 425, 433, 437, 441, 445, 677, 679 | 1001091973 695 |
| 0641840 453 | 0731005 ... 67, 69, 71, 73, 75, 77, 79, 81, 83, 563, 565 | 0860520.....541 | 1001091974 699 |
| 0642010 ... 189, 191, 328, 332 | 0741605 ... 231, 236, 242, 264, 276, 296, 312 | 0861538....438, 441, 445 | 1001091975 703 |
| 0642012 ... 211, 215, 219, 257, 269, 285, 289, 301, 305, 559, 561 | 0741606 473, 477 | 0861572.....430, 433 | 1001092092 892 |
| 0642038 47 | 0741607 ... 413, 417, 422, 425, 433, 441, 445 | 0861642.....181, 183 | 1001093382 91, 93 |
| 0642212 19, 21, 559, 561 | 0741609 25 | 0861731....697, 701, 705, 707, 815, 817, 819 | 1001094400 473, 477, 890 |
| 0642214 453 | 0760605 ... 231, 236, 242, 264, 276, 296, 312, 351 | 0861781....689, 693, 811, 813 | 1001094475 893 |
| 0642620 453 | 0760606 446 | 0861880.....735, 739 | 1001094595 293, 309, 335, 337, 365 |
| 0651406 51 | 0760608 340, 346 | 0902143.... 151, 155, 159 | 1001096141 842 |
| 0681608 19, 21, 189, 191, 211, 215, 219, 231, 244, 257, 264, 269, 276, 285, 289, 296, 301, 305, 312, 459, 463 | 0760610 ... 340, 346, 353, 407, 445 | 0902161.... 151, 155, 159 | 1001096736 473, 477 |
| 0681620 ... 571, 573, 575, 577, 579 | 0760612 98, 102, 106, 110, 114, 118, 122, 126, 130, 134, 340, 346 | 0902219.... 151, 155, 159 | 1001097051 717, 719, 721, 723, 825 |
| 0681814 503, 513 | 0760615 353 | 0902242.... 151, 155, 159 | 1001097082 717, 719, 721, 723 |
| 0681820 ... 231, 236, 242, 264, 276, 296, 312 | 0760807 351 | 0902412.... 151, 155, 159 | 1001097150 735 |
| 0681822 27, 231, 236, 242, 264, 276, 296, 312, 503, 513 | 0760810 ... 231, 236, 242, 264, 276, 296, 312, 328, 332, 340, 346, 463 | 0902426.... 151, 155, 159 | 1001097244 581 |
| 0682016 27 | 0760812 ... 340, 346, 715 | 0902491.... 151, 155, 159 | 1001098012 543, 546, 549 |
| 0682023 61 | 0760814 ... 231, 242, 296, 312, 340, 346 | 0902888....421, 425, 429, 433, 437, 441, 445 | 1001098122 529, 809 |
| 0682032 61 | 0760815 ... 231, 242, 296, 312, 340, 346 | 0903088..... 181, 183 | 1001098149 543 |
| 0682216 57 | 0760817 353 | 0903242.....65 | 1001098167 585 |
| 0682236 19, 21 | 0761008 ... 215, 219, 257, 269, 285, 289, 301, 305, 328, 332 | 0903308.....151 | 1001098828 463 |
| 0682424 ... 571, 573, 575, 577, 579 | 0761012 459 | 0903697.....731 | 1001099121 152 |
| 0700408 ... 687, 689, 691, 693, 695, 697, 699, 701, 703, 705, 707 | 0761014 ... 340, 346, 399, 463 | 0940049.... 151, 155, 159, 164, 168, 172 | 1001099137 151 |
| 0700615 147, 149 | 0761015 ... 231, 236, 242, 264, 276, 296, 312, 340, 346, 459 | 0940070....200, 204, 231, 236, 242, 264, 276, 296, 312, 342, 348 | 1001099138 151, 152 |
| 0700618 ... 165, 169, 173 | 0761016 340, 346, 407 | 0940071.... 151, 155, 159 | 1001099366 559, 561 |
| 0700624 459 | 0761018 445 | 0940088.... 152, 156, 159 | 1001099367 559, 561 |
| 0700808 200, 204 | 0761210 ... 231, 236, 242, 264, 276, 296, 312 | 0940092.... 563, 565, 567, 569 | 1001099837 465 |
| 0700810 340, 346 | 0761212 449, 453 | 0940094.... 563, 565, 567, 569 | 1001099869 411 |
| 0700812 340, 346 | 0761216 463 | 0940102..... 559, 561 | 1001100231 735 |
| 0700814 ... 236, 264, 276, 296, 312, 340, 346 | 0771014 340, 346 | 0940103.....567 | 1001100234 411 |
| 0700816 353 | 0771212 ... 211, 215, 219, 231, 242, 257, 264, 269, 276, 285, 289, 296, 301, 305, 312 | 0940133.....569 | 1001100321 411 |
| 0700818 353 | 0771414 ... 200, 204, 231, 236, 242, 264, 276, 296, 312 | 0940134.....563 | 1001100341 811 |
| 0701014 353 | 0771415 ... 231, 236, 242, 264, 276, 296, 312, 413, 422, 430, 438 | 0940177.....565 | 1001100342 813 |
| 0701020 459 | 0801132 453, 457 | 0961845....485, 489, 495, 497, 499, 501, 507, 509, 511 | 1001100345 815 |
| 0701022 ... 231, 244, 296, 312 | 0801496 457 | 0961893.....591 | 1001100346 819 |
| 0701025 ... 231, 242, 296, 312 | 0801594 457 | 0961986....200, 204, 231, 236, 242, 264, 276, 296, 312, 340, 346 | 1001100347 817 |
| 0701026 355 | 0811608 ... 67, 69, 71, 73, 75, 77, 79, 81, 83 | 0962051.....397, 399 | 1001100825 335, 337, 377 |
| 0710827 353 | 0811610 164, 168, 172 | 0962102 19, 21, 455, 457, 589, 593, 595 | 1001101191 687, 689, 691, 693, 695, 697, 699, 701, 703, 705, 707 |
| 0711014 342, 348 | 0811612 91, 93 | 0962122.....457 | 1001101196 687, 689, 691, 693 |
| 0711020 340, 346 | | 0962152.....25, 599 | 1001101197 695, 697, 699, 701, 703, 705, 707 |
| 0711215 ... 195, 197, 225, 227, 236, 247, 261, 273 | | 0962181.....25 | 1001101421 561 |
| 0711216 353 | | 0962270..... 503, 513 | 1001101422 561 |
| 0711223 342, 348 | | 0962336.....591 | 1001101600 189, 191 |
| 0711414 389, 391 | | 0962348.....25 | 1001101623 152 |
| 0720804 39 | | 0962449.....411 | 1001101673 152 |
| 0721005 567, 569 | | 0962520....413, 417, 421, 425, 430, 433, 438, 441, 445 | 1001102290 765 |
| | | 1001001939.....200, 204 | 1001102291 765 |
| | | 1001080707....73, 75, 77 | 1001102304 765 |
| | | 1001091460.....29 | 1001103012 803 |
| | | 1001091461.....29 | 1001103308 97, 101, 105, 109, 113, 117, 121, 125, 129, 133 |
| | | 1001091969.....687 | 1001103667 889 |
| | | | 1001103810 23, 25 |
| | | | 1001104519 829 |
| | | | 1001106481 481 |

SECTION 11 - SPECIAL OPTIONS

| | | | |
|---|--|---|--|
| 100110673697, 101, 105, 109, 113, 117, 121, 125, 129, 133 | 1001117140 156, 160 | 1001133714 770, 773, 781 | 1001139240.....233, 265, 277 |
| 1001106938.....519, 523, 889 | 1001117172..... 529 | 1001133715 770, 773, 781 | 1001139357.....414, 421 |
| 1001106957.....618, 624, 642, 654 | 1001117174..... 519, 523, 529, 888 | 1001133956 769, 774 | 1001139409.....232, 237, 243, 265, 277, 297, 313 |
| 1001106974.....65 | 1001117219..... 165, 169, 173 | 1001133957 769, 774 | 1001139654.....879 |
| 1001107529.....65 | 1001117234..... 164, 168, 172 | 1001134289 459 | 1001139952.....421 |
| 1001107854.....804 | 1001117249..... 164, 168 | 1001134488 266, 278, 341, 348 | 1001140312.....265, 313 |
| 1001108256.....565 | 1001117294 893 | 1001135138 237, 243, 265, 277 | 1001140346.....425 |
| 1001108721.....892 | 1001117307..... 164, 168, 172 | 1001135650 770, 773, 781 | 1001140347.....417 |
| 1001108962.....893 | 1001117308..... 232, 237, 243, 265, 277, 297, 313, 889 | 1001135651 770, 773 | 1001140429.....485, 489, 495, 497, 499, 501, 507, 509, 511 |
| 1001109654.....731, 733, 735 | 1001117372 585 | 1001135679 265, 277, 297, 313 | 1001140448.....233, 237, 244, 265, 277, 298, 314 |
| 1001109690.....659 | 1001117598 164, 168, 172 | 1001136104 445 | 1001140450.....233, 237, 244, 265, 277, 298, 314 |
| 1001110166.....164, 168, 172 | 1001118133..... 79, 81, 83 | 1001136358 658 | 1001140454.....233, 237, 244, 265, 277, 298, 314 |
| 100111042551, 183, 189, 191, 211, 215, 219, 257, 269, 285, 289, 301, 305 | 1001118384 827 | 1001136400 465 | 1001140564.....266, 278 |
| 1001110434.....519, 523 | 1001118388 827 | 1001136834 232, 237, 243, 265, 277, 297, 313 | 1001141300.....879 |
| 1001110872.....709, 711 | 1001118666 453, 455 | 1001136881 658 | 1001141302.....879 |
| 1001110873.....422, 426, 437, 441, 446, 677 | 1001119020..... 713, 741, 803, 809 | 1001137005 896 | 1001141304.....232, 237, 243, 265, 277, 297, 313 |
| 1001112551.....846 | 1001119563 892 | 1001137276 232, 237, 243, 265, 277, 297, 313 | 1001141370.....232, 237, 243, 265, 277, 297, 313 |
| 1001112588.....401 | 1001119602 658 | 1001137336 337 | 1001141419.....237 |
| 1001112589.....401, 411 | 1001119619 823 | 1001137364 101, 113, 121, 129, 133, 523 | 1001141421.....441 |
| 1001112612.....713 | 1001119620 821, 825 | 1001137440 895 | 1001141422.....433 |
| 1001112796.....713, 741, 761 | 1001119939 892 | 1001137460 91, 93, 95 | 1001141585.....232, 237, 243, 265, 277, 297, 313, 341, 347 |
| 1001113047.....164, 168, 172 | 1001119947 892 | 1001137672 895 | 1001141586.....237 |
| 1001113961.....803 | 1001119968 433, 441, 797 | 1001137673 535 | 1001141718.....323 |
| 1001115387.....437 | 1001120328 535, 537 | 1001138110 769 | 1001141870.....319, 321, 323 |
| 1001115389.....429 | 1001120471 581 | 1001138111 769 | 1001141995.....232, 237, 243, 265, 277, 297, 313, 341, 347 |
| 1001115405.....401 | 1001120477 581 | 1001138113 769 | 1001142031.....393, 395 |
| 1001115409.....411 | 1001120484 581 | 1001138173 232, 237, 243, 265, 277, 297, 313, 341, 347 | 1001142032.....393, 395 |
| 1001115918.....892 | 1001120989 879 | 1001138175 233, 237, 244, 265, 277, 298, 314, 341, 347 | 1001142501.....211, 257, 269, 319, 321, 323 |
| 1001116208.....879 | 1001121122 172 | 1001138228 232, 237, 243, 265, 277, 297, 313 | 1001142504.....894 |
| 1001116290.....165, 169, 173 | 1001121123 172 | 1001138248 232, 237, 243, 265, 277, 297, 313, 342, 347 | 1001142505.....894 |
| 1001116456.....175 | 1001125125 723 | 1001138489 232, 237, 244, 265, 277, 297, 313 | 1001142623.....237 |
| 1001116457.....179 | 1001125127 723 | 1001138491 211, 215, 219, 257, 269, 285, 289, 301, 305, 779 | 1001142643.....417, 426, 434, 442 |
| 1001116692.....729 | 1001125387 879 | 1001138494 489, 495, 497, 499, 501, 507, 509, 511 | 1001142645.....417, 434 |
| 1001116694.....803 | 1001125492 57 | 1001138514 489, 495, 497, 501, 507, 511 | 1001142646.....426, 442 |
| 1001116695.....833 | 1001126009 827 | 1001138557 232, 237, 243, 265, 277, 297, 313 | 1001142683.....147, 149, 889 |
| 1001116710.....779 | 1001126351 769, 774 | 1001138565 413 | 1001142722.....147, 149 |
| 1001116727.....769, 787, 789 | 1001126352 769 | 1001138566 413, 417, 421, 426 | 1001142736.....147, 149, 713 |
| 1001116728.....769 | 1001126356 769 | 1001138671 453 | 1001142938.....763, 769, 773 |
| 1001116731.....761 | 1001126357 769 | 1001138795 591 | 1001142940.....763, 770, 773 |
| 1001116733.....787 | 1001126362 770, 773 | 1001138827 266, 278 | 1001142941.....763, 770, 773, 774 |
| 1001116734.....787 | 1001126363 770, 773 | 1001139099 893 | 1001143390.....201, 205, 232, 237, 243, 265, 277, 297, 313 |
| 1001116748.....717, 719, 721, 723 | 1001126364 770, 773 | 1001139135 519, 523, 729 | 1001143449.....393, 395 |
| 1001116774.....713 | 1001126365 770 | | 1001143483.....395 |
| 1001116800.....713 | 1001126384 769 | | 1001143484.....393 |
| 1001116812.....773 | 1001126391 770, 773 | | |
| 1001116815.....741, 743, 745, 747, 749, 774 | 1001126392 770, 773 | | |
| 1001116952.....769, 774 | 1001126485 773 | | |
| 1001116983.....779 | 1001126487 773 | | |
| 1001117078.....797 | 1001127094 879 | | |
| 1001117106.....769 | 1001128527 557 | | |
| 1001117107.....769, 774 | 1001128556 557 | | |
| | 1001128901 341, 347 | | |
| | 1001129407 759 | | |
| | 1001129555 888 | | |
| | 1001129858 421 | | |
| | 1001131168 842 | | |
| | 1001131269 842 | | |

SECTION 11 - SPECIAL OPTIONS

| | | | |
|--|--|--|---|
| 1001143525 393, 395 | 1001151034.....23 | 1001155895.....164, 168, 172 | 1001159340 623, 630, 636, 641 |
| 1001143607 155, 156 | 1001151070.....189, 191 | 1001155899.....164, 168, 172 | 1001159707 658 |
| 1001143609 155 | 1001151252.....391 | 1001156107237 | 1001160077 145 |
| 1001143611 156 | 1001151253.....389 | 1001156136.....57 | 1001160272 681 |
| 1001143726 243, 769 | 1001151354.....612, 618, 624, 630 | 1001156188.....164 | 1001160780 43, 45 |
| 1001143736 211, 215, 219, 257, 269, 285, 289, 301, 305 | 1001151856.....770 | 1001156190.....67, 69, 71, 73, 75, 77, 79, 81, 83 | 1001161089 164, 168, 173 |
| 1001143797 232, 237, 243, 265, 277, 297, 313 | 1001151980.....23 | 1001156332.....612, 618, 624, 630 | 1001161355 23, 25 |
| 1001143852 879 | 1001152266.....835 | 1001156333.....612, 618, 624, 630 | 1001161399 23, 25 |
| 1001143858 155, 160 | 1001152429.....430, 439, 793 | 1001156693.....721 | 1001161709 520, 524 |
| 1001143860 393 | 1001152457.....421, 426 | 1001156695.....721 | 1001162335 319 |
| 1001143907 232, 237, 243, 265, 277, 297, 313 | 1001152459.....201, 205 | 1001156710.....19, 21 | 1001162497 189, 192, 211, 215, 219, 258, 269, 285, 289, 302, 306, 328, 333 |
| 1001144147 741, 761 | 1001152483.....737 | 1001156798.....63 | 1001162546 894 |
| 1001144295 835 | 1001152489.....232, 237, 243, 265, 277, 297, 313 | 1001157013.....895 | 1001162915 169 |
| 1001144433 535 | 1001152520.....434 | 1001157016.....27 | 1001163101 177 |
| 1001144438 183 | 1001152525.....430, 434, 438, 442, 446 | 1001157049.....61 | 1001163131 561 |
| 1001144447 183 | 1001152532.....414, 418, 422, 426, 783 | 1001157058.....61 | 1001163599 403, 417, 426, 433, 441 |
| 1001144527 177 | 1001152566.....156 | 1001157208.....165, 173 | 1001164786 893 |
| 1001144629 487, 491, 493, 499, 505, 509 | 1001152719.....19 | 1001157209.....165, 169, 173 | 1001165035 212, 215, 219, 258, 269, 286, 290, 302, 306, 342, 346 |
| 1001145154 233, 237, 244, 265, 277, 298, 314 | 1001152965.....893 | 1001157400.....607 | 1001165350 459 |
| 1001145405 543, 546 | 1001153197.....414, 421, 789 | 1001157520.....430, 438, 442, 446 | 1001165368 413, 418, 739 |
| 1001146273 200, 204 | 1001153259.....418, 426, 791 | 1001157521.....430, 434, 438, 442, 446 | 1001165657 23, 25 |
| 1001146588 211, 237 | 1001153282.....201, 205, 232, 237, 243, 265, 277, 297, 313, 361 | 1001157525.....429, 430, 433, 434 | 1001165842 237 |
| 1001147264 769, 774 | 1001153359.....211, 215, 219, 258, 269, 285, 289, 302, 306, 328, 333 | 1001157528.....430, 434, 438, 442, 446 | 1001166806 45 |
| 1001147812 200, 204 | 1001153396.....195, 200 | 1001157592.....437, 438, 442, 446 | 1001167042 232, 237, 243, 266, 277 |
| 1001147813 200, 204 | 1001153414.....201, 205 | 1001157612.....164, 168, 172 | 1001167565 463 |
| 1001147820 200, 204 | 1001153435.....156 | 1001157726.....164, 168, 172 | 1001167567 463 |
| 1001147823 200, 204, 207 | 1001153749.....473, 477 | 1001157769.....430, 439 | 1001167596 463 |
| 1001148138 403 | 1001153779.....197, 204 | 1001157867.....164, 168, 172 | 1001167632 773 |
| 1001148652 455 | 1001154126.....585 | 1001158007.....430, 434, 438, 442, 446 | 1001167635 773 |
| 1001148675 709, 711 | 1001154405.....211, 219, 258, 269, 285, 289, 302, 306, 319, 321, 323, 387 | 1001158008.....430, 434, 438, 442, 446 | 1001168018 341, 347 |
| 1001148841 781 | 1001154584.....19 | 1001158077.....164, 168, 173 | 1001168166 297, 313 |
| 1001148842 781 | 1001154687.....585 | 1001158167175 | 1001168402 463 |
| 1001148902 892 | 1001154875.....21 | 1001158175.....164, 168, 173 | 1001169054 232, 237, 243, 266, 278, 297, 313, 341, 347 |
| 1001148903 892 | 1001154931.....25 | 100115818741 | 1001169565 463 |
| 1001148904 892 | 1001155035.....25 | 100115818841 | 1001167596 463 |
| 1001148905 892 | 1001155041.....407 | 1001158203.....41 | 1001167632 773 |
| 1001148906 893 | 100115504397, 101, 105, 109, 113, 117, 121, 125, 129, 133 | 100115825843 | 1001167635 773 |
| 1001148971 893 | 100115504497, 101, 105, 109, 113, 117, 121, 125, 129, 133, 519, 523 | 1001158259892 | 1001168018 341, 347 |
| 1001149160 351 | 100115504597, 101, 105, 109, 113, 117, 121, 125, 129, 133, 519, 523, 890 | 1001158364139 | 1001168166 297, 313 |
| 1001149410 659 | 1001155143.....189, 191 | 100115852243, 45 | 1001168402 463 |
| 1001149639 341, 347 | 1001155192.....25 | 1001159118.....709, 711, 888 | 1001169054 232, 237, 243, 266, 278, 297, 313, 341, 347 |
| 1001149673 156, 160 | 1001155194.....21 | 1001159119.....709, 711 | 1001169138 232, 237, 243, 266, 278, 297, 313, 341, 347 |
| 1001149703 389 | 1001155673.....658 | 1001159120.....709, 711 | 1001169565 463 |
| 1001149704 200, 204 | 1001155823.....211, 215, 219, 258, 269, 285, 289, 302, 306 | 1001159121711 | 1001169596 35 |
| 1001149705 200, 204 | | 1001159186803 | 1001169754 35 |
| 1001149706 200, 204 | | 1001159256.....519, 523, 890 | 1001169755 35 |
| 1001149793 201, 205 | | 1001159323.....878 | 1001169756 35 |
| 1001149908 373 | | | 1001169757 35 |
| 1001150260 151, 155, 160, 164, 168, 172 | | | 1001169967 341, 347 |
| 1001150372 23, 25 | | | 1001170035 341, 347 |
| 1001150539 .. 23, 25, 599 | | | 1001170764 773 |
| 1001150561 175 | | | 1001170847 473, 477, 890 |
| 1001150890 391 | | | 1001171016 731 |
| 1001150915 201, 205 | | | 1001171125 425 |
| 1001150918 191, 258, 302, 306, 332 | | | 1001171131 709 |
| 1001150937 23, 25 | | | 1001171403 770 |
| 1001150998 201, 205 | | | 1001172045 892 |
| 1001151010 39 | | | 1001172064 763 |
| | | | 1001172065 763 |
| | | | 1001172271 890 |
| | | | 1001172578 559 |
| | | | 1001172760 519, 523 |

SECTION 11 - SPECIAL OPTIONS

| | | | |
|--|--|---|---|
| 1001173535.....342, 348 | 1001184618..... 520, 524, 846, 850, 854, 858, 862, 866, 870, 874 | 1001196768 165, 169, 173 | 1001206476.....715 |
| 1001173703.....879 | 1001184626..... 515, 517, 520, 524 | 1001197017 563, 565, 567, 569 | 1001206477.....895 |
| 1001173876.....168 | 1001184682 143 | 1001197408 879 | 1001206532..... 520, 524 |
| 1001173878.....177 | 1001185281 519, 523 | 1001197719 773 | 1001207558..... 151, 155, 160 |
| 1001174040.....459, 463 | 1001186251 164, 168, 173 | 1001198333 612, 617, 648, 653 | 1001207969.....469 |
| 1001174486.....328, 333 | 1001186254 165, 169, 173 | 1001198336 607 | 1001208994.....463, 469 |
| 1001174745.....393, 395 | 1001186333 503 | 1001198338 611, 617, 623, 629, 635, 641, 647, 653 | 1001209059.....894 |
| 1001174746.....395 | 1001186334 513 | 1001198339 607 | 1001209432.....715 |
| 1001176329.....341, 347 | 1001186375 489 | 1001198340 611, 617, 624, 629, 635, 642, 647, 653 | 1001209474.....715 |
| 1001176469.....106, 114, 126, 130 | 1001186378 495 | 1001198341 612, 630, 636, 648 | 1001209632.....893 |
| 1001176862.....709 | 1001186379 497 | 1001199394 611, 617, 623, 629, 635, 641, 647, 653 | 1001209664.....535 |
| 1001177035.....414, 418, 733 | 1001186382 507 | 1001199488 894 | 1001209982.....37 |
| 1001177359.....232, 238, 244, 266, 278, 297, 313 | 1001186383 505 | 1001199733 385 | 1001210025.....895 |
| 1001177694.....893 | 1001186384 493 | 1001200054 469 | 1001210026.....895 |
| 1001177710.....733 | 1001186385 491 | 1001200120 879 | 1001210048.....353, 357 |
| 1001177844.....232, 238, 243, 266, 278, 297, 313 | 1001186387 487 | 1001200121 879 | 1001210636.....581 |
| 1001177845.....232, 238, 243, 266, 278, 297, 314 | 1001186426 341, 347 | 1001200122 879 | 1001211556.....249 |
| 1001178057.....67, 73, 79, 85 | 1001186431 535, 890, 895 | 1001200124 879 | 1001211582.....474, 478 |
| 1001178174.....67 | 1001186432 827, 829 | 1001200125 879 | 1001211588.....473, 477 |
| 1001178175.....79 | 1001186517 535 | 1001200126 879 | 1001211794.....351, 353 |
| 1001178204.....611 | 1001186985 233, 238, 244, 266, 278, 298, 314 | 1001200127 879 | 1001212223.....433, 441 |
| 1001178205.....617 | 1001187674 533 | 1001200491 463 | 1001212415.....888 |
| 1001178207.....892 | 1001187681 823 | 1001200494 463 | 1001213447.....809 |
| 1001178223.....233, 238, 244, 266, 278, 298, 314 | 1001187781 340, 346 | 1001200497 473, 477, 803 | 1001213584.....677, 679, 683, 733 |
| 1001178797.....387 | 1001188135 612, 618, 624, 630 | 1001200700 894 | 1001213585.....677, 679, 683, 733 |
| 1001178876.....266, 278 | 1001188622 463 | 1001201351 463 | 1001213705.....453 |
| 1001179079.....659 | 1001188844 463 | 1001201351 463 | 1001213810.....351 |
| 1001179154.....438, 442, 446 | 1001188874 97, 102, 106, 109, 114, 117, 121, 126, 130, 133 | 1001201885 803, 809 | 1001213882.....519, 523 |
| 1001179329.....658 | 1001188884 385 | 1001202280 385 | 1001214030.....879 |
| 1001179837.....403 | 1001188887 385 | 1001202281 385 | 1001214570.....715 |
| 1001179912.....413 | 1001188972 192, 258, 302, 306, 333 | 1001202368 238, 266, 278, 298, 314 | 1001214571.....715 |
| 1001180001.....403 | 1001189001 463 | 1001202687 463 | 1001214827.....353 |
| 1001180052.....404 | 1001189002 463 | 1001202749 893 | 1001215016.....777 |
| 1001180218.....417 | 1001189171 737, 888 | 1001203655 503 | 1001215091.....777 |
| 1001180287.....403 | 1001189172 737, 888 | 1001203656 513 | 1001215228.....519 |
| 1001180620.....232, 238, 243, 266, 278, 298, 314, 341, 347 | 1001189979 342, 347 | 1001204269 618, 624, 642, 654 | 1001215289.....658 |
| 1001180861.....879 | 1001190610 232, 238, 244, 266, 278, 298, 314 | 1001204325 233, 238, 244, 266, 278, 298, 314 | 1001215296.....611, 617, 623, 629, 635, 641, 647, 653 |
| 1001181045.....735, 739, 888 | 1001190888 894 | 1001204560 .. 19, 21, 585 | 1001215384.....353 |
| 1001181243.....404 | 1001190985 463 | 1001204667 385 | 1001215534.....777 |
| 1001181895.....266, 314 | 1001191395 893 | 1001204715 473, 477 | 1001215681.....341, 347 |
| 1001181899.....232, 243, 266, 278, 298, 314 | 1001191525 879 | 1001204725 463 | 1001215974.....341, 347 |
| 1001181923.....717, 719, 721, 723 | 1001191599 255 | 1001204939 473, 478, 890 | 1001216015.....403 |
| 1001182162.....659 | 1001191610 341, 347 | 1001205441 893 | 1001216065.....351, 353 |
| 1001182361.....774 | 1001191620 212, 238 | 1001205690 737 | 1001216071.....353 |
| 1001182365.....774 | 1001192027 453 | 1001205958 695, 697, 699, 701, 703, 705 | 1001216075.....341, 347 |
| 1001182570.....473, 477, 890 | 1001193018 687, 689, 691, 693, 695, 697, 699, 701, 703, 705, 707 | 1001206250 697 | 1001216092.....341, 347 |
| 1001182599.....893 | 1001195304 894 | 1001206251 701 | 1001216144.....353 |
| 1001182806.....141 | 1001195533 893 | 1001206252 705 | 1001216201.....341, 347 |
| 1001182997.....67, 73, 79, 83 | 1001195967 393 | 1001206253 689 | 1001216212.....777 |
| 1001183226.....659 | 1001196382 446 | 1001206254 693 | 1001216213.....777 |
| 1001184569.....894 | 1001196634 325, 757, 888, 889 | 1001206255 707 | 1001216220.....373 |
| | | 1001206311 895 | 1001216300.....355 |
| | | | 1001216390.....446 |
| | | | 1001216391.....408 |
| | | | 1001216393.....347 |
| | | | 1001216531.....342, 348 |
| | | | 1001216532.....335, 337 |
| | | | 1001216534.....335, 337 |
| | | | 1001216535.....335, 337 |
| | | | 1001216568.....328, 333 |
| | | | 1001216619.....355 |
| | | | 1001216630.....463 |

SECTION 11 - SPECIAL OPTIONS

| | | | |
|--|--|--|---|
| 1001216768 351 | 1001220189..... 179 | 1001226872.....485 | 1001233047 892 |
| 1001216769 351 | 1001220190..... 172 | 1001226923.....387 | 1001233089 233, 243, 298, 314 |
| 1001216910 341, 347, 351 | 1001220379..... 769 | 1001227066.....751, 753, 759 | 1001233236 753 |
| 1001216919 341, 347 | 1001220404..... 355 | 1001227068.....759 | 1001233237 753 |
| 1001217032 341, 347 | 1001220510..... 879 | 1001227224.....216, 219, 286, 290, 302, 306, 323 | 1001233763 258, 302, 306, 325 |
| 1001217046 341, 347 | 1001220511..... 879 | 1001227266.....759 | 1001234425 842 |
| 1001217090 341, 347 | 1001220512..... 879 | 1001227359.....717, 719, 721, 723 | 1001234426 842 |
| 1001217170 335, 337 | 1001220864..... 879 | 1001227448.....743 | 1001234428 866 |
| 1001217174 341, 347 | 1001221203..... 233, 244, 298, 314 | 1001227488.....717, 719, 721, 723, 725 | 1001234429 866 |
| 1001217175 341, 347 | 1001221212.....215, 219, 233, 243, 286, 290, 298, 302, 306, 314, 381, 383 | 1001227614.....225, 242 | 1001234430 870 |
| 1001217183 341, 347 | 1001221219..... 233, 243, 298, 314 | 1001227620.....216, 219, 286, 290, 302, 306 | 1001234431 874 |
| 1001217185 341, 347 | 1001221397..... 377 | 1001227633.....533 | 1001234432 874 |
| 1001217186 341, 347 | 1001221464..... 335 | 1001227634.....533 | 1001234433 862 |
| 1001217191 335, 340 | 1001221488..... 328, 332 | 1001227666..... 342, 348 | 1001234434 862 |
| 1001217192 329, 335 | 1001221498..... 446 | 1001227667..... 342, 348 | 1001234435 858 |
| 1001217195 629 | 1001221545..... 353 | 1001227769..... 351 | 1001234436 858 |
| 1001217196 623 | 1001221615..... 342, 348 | 1001227772..... 353 | 1001234437 850 |
| 1001217199 328 | 1001222033..... 342, 348 | 1001227985 533 | 1001234438 850 |
| 1001217317 341, 347 | 1001222641..... 353 | 1001227987 533 | 1001234439 846, 854 |
| 1001217477 377 | 1001222817..... 387 | 1001227996..... 821, 825 | 1001234800 773 |
| 1001217478 377 | 1001223042..... 341, 347 | 1001228170..... 51, 53 | 1001235585 870 |
| 1001217543 341, 347 | 1001223055..... 842 | 1001228215..... 485 | 1001235949 238, 266, 278, 321 |
| 1001218022 893 | 1001223453..... 842, 862 | 1001228224..... 533, 890 | 1001236303 93 |
| 1001218085 335, 337 | 1001223459..... 770, 773 | 1001228225..... 533, 890 | 1001236304 715 |
| 1001218089 377 | 1001223584..... 340, 346 | 1001228243..... 509 | 1001236334 375 |
| 1001218362 341, 348 | 1001223591..... 243, 253 | 1001228375 511 | 1001236335 375 |
| 1001218449 341, 348 | 1001223923..... 341, 347 | 1001228376..... 499 | 1001236386 159 |
| 1001218547 399 | 1001223971..... 862 | 1001228377..... 501 | 1001236387 160 |
| 1001218572 91, 93 | 1001224048..... 870 | 1001228544..... 896 | 1001236389 160 |
| 1001218622 685 | 1001224049..... 874 | 1001228549..... 747 | 1001236504 715 |
| 1001218623 685 | 1001224050..... 858 | 1001228949..... 747 | 1001236505 715 |
| 1001218629 685 | 1001224052..... 850 | 1001228954..... 747 | 1001236552 537 |
| 1001218850 878 | 1001224053..... 866 | 1001228988..... 557, 883, 885 | 1001236746 577 |
| 1001218930 446 | 1001224486..... 342, 348 | 1001229107..... 751 | 1001236747 573 |
| 1001219219 27, 29 | 1001224489..... 342, 348 | 1001229341..... 533 | 1001236871 160 |
| 1001219259 341, 348 | 1001224936..... 233, 244, 298, 314 | 1001229530..... 803 | 1001236891 571, 573, 575, 577, 579 |
| 1001219345 341, 348 | 1001224937..... 233, 244, 298, 314 | 1001229542..... 266, 278 | 1001236895 571, 573, 575, 577, 579 |
| 1001219361 341, 348 | 1001224940..... 233, 244, 298, 314 | 1001229762..... 892 | 1001236951 893 |
| 1001219363 341, 348 | 1001225346..... 715, 890 | 1001230032..... 387 | 1001237142 453 |
| 1001219364 329, 333 | 1001225430..... 250, 253, 281, 889 | 1001230635..... 233, 238, 244, 266, 278, 298, 314 | 1001237545 527 |
| 1001219365 329, 333 | 1001225431..... 250, 282 | 1001230931..... 717, 719, 721, 723 | 1001237547 137 |
| 1001219366 329, 333 | 1001225432..... 254, 889 | 1001230934..... 774 | 1001237667 803, 809 |
| 1001219367 329, 333 | 1001225442..... 341, 347 | 1001230935..... 774 | 1001237668 803, 809 |
| 1001219368 329, 333 | 1001225510..... 342, 348 | 1001230936..... 774 | 1001237862 821, 825 |
| 1001219369 329, 333 | 1001225580..... 535, 829 | 1001231235..... 895 | 1001237863 533, 825 |
| 1001219370 329, 333 | 1001225745..... 293, 309, 335, 337, 363 | 1001231801..... 878 | 1001237864 533, 821 |
| 1001219480 341, 348 | 1001226328..... 751 | 1001231886..... 141 | 1001237865 533, 823 |
| 1001219601 98, 102, 106, 110, 114, 118, 122, 126, 130, 134 | 1001226400..... 725, 727, 759 | 1001231888..... 67, 69, 71, 73, 75, 77 | 1001237882 893 |
| 1001219608 337, 346 | 1001226531..... 715 | 1001231949..... 577 | 1001237883 893 |
| 1001219609 333, 337 | 1001226541..... 741, 761 | 1001231950..... 573, 579 | 1001237949 453 |
| 1001219610 332 | 1001226636..... 761 | 1001232010..... 573, 575, 577, 579 | 1001238169 459 |
| 1001219611 341, 348 | 1001226637..... 761 | 1001232011..... 573, 577, 579 | 1001238263 571, 573, 575, 577, 579 |
| 1001219612 341, 348 | 1001226739..... 743, 745, 747, 749, 761 | 1001232164..... 533 | 1001238268 238 |
| 1001219613 341, 348 | 1001226799..... 745, 747, 749 | 1001232165..... 533 | 1001238319 533 |
| 1001219618 445 | | 1001232642..... 537 | 1001238331 453, 459 |
| 1001219619 407 | | 1001232667..... 537, 890 | 1001238333 459 |
| 1001219630 408 | | 1001232842..... 325 | 1001238398 459 |
| 1001219632 408 | | | 1001238418 537, 827 |
| 1001219633 894 | | | 1001238421 463 |
| 1001219809 329, 333 | | | 1001238463 579 |
| 1001219840 892 | | | 1001238472 537 |
| 1001219881 399 | | | |
| 1001220002 173 | | | |
| 1001220067 173 | | | |
| 1001220141 377 | | | |

SECTION 11 - SPECIAL OPTIONS

| | | | | | | | |
|-----------------|----------------------------|-----------------|--------------------------------------|-----------------|---|-----------------|---|
| 1001238495..... | 535 | 1001251086..... | 457, 603 | 1001260413..... | 233, 238, 244, 266, 278, 298, 314 | 1001266098..... | 894 |
| 1001238559..... | 537 | 1001251087..... | 455, 601 | 1001260475..... | 478 | 1001266290..... | 894 |
| 1001239202..... | 773 | 1001252315..... | 453 | 1001260858..... | 892 | 1001266489..... | 894 |
| 1001239347..... | 143 | 1001252527..... | 774 | 1001260886..... | 892 | 1001266499..... | 233, 244 |
| 1001239462..... | 93 | 1001252627..... | 881 | 1001260937..... | 523 | 1001266525..... | 233, 243, 266, 278, 298, 314 |
| 1001239470..... | 91 | 1001252629..... | 571, 573, 575, 577, 579 | 1001260957..... | 878 | 1001266807..... | 894 |
| 1001241385..... | 141 | 1001253375..... | 829 | 1001260958..... | 854 | 1001266829..... | 478, 833 |
| 1001241403..... | 137, 527 | 1001253618..... | 895 | 1001260959..... | 846 | 1001266874..... | 106 |
| 1001241413..... | 893 | 1001253619..... | 895 | 1001260960..... | 866 | 1001266875..... | 117 |
| 1001241415..... | 893 | 1001253658..... | 465 | 1001260962..... | 850 | 1001266876..... | 98, 110, 118 |
| 1001241547..... | 894 | 1001253677..... | 469, 471 | 1001260963..... | 858 | 1001266878..... | 126 |
| 1001241548..... | 894 | 1001253724..... | 465 | 1001260964..... | 862 | 1001266893..... | 97 |
| 1001241774..... | 893 | 1001253726..... | 559 | 1001260965..... | 874 | 1001266894..... | 105 |
| 1001241776..... | 893 | 1001253789..... | 473 | 1001260966..... | 870 | 1001266895..... | 109 |
| 1001241965..... | 537 | 1001253880..... | 465 | 1001260967..... | 842 | 1001266896..... | 125 |
| 1001242255..... | 147 | 1001254317..... | 465 | 1001260968..... | 854 | 1001267256..... | 233, 244, 266, 278, 298, 314 |
| 1001242256..... | 149 | 1001254472..... | 537 | 1001260969..... | 842, 846, 850, 858, 862, 866, 870, 874 | 1001267312..... | 842, 846, 850, 854, 858, 862, 866, 870, 874 |
| 1001242409..... | 892 | 1001254473..... | 537 | 1001260970..... | 892 | 1001267678..... | 69, 75, 81, 87 |
| 1001243183..... | 892 | 1001254632..... | 465 | 1001261045..... | 238 | 1001268736..... | 893 |
| 1001243184..... | 892 | 1001254846..... | 658 | 1001261085..... | 238 | 1001269187..... | 894 |
| 1001243414..... | 165, 169, 173 | 1001254847..... | 659 | 1001261272..... | 467 | 1001269322..... | 557 |
| 1001243645..... | 37 | 1001254879..... | 658 | 1001261274..... | 467 | 1001269389..... | 894 |
| 1001243682..... | 141, 143, 837 | 1001255133..... | 459, 463 | 1001261335..... | 571 | 1001269573..... | 557 |
| 1001243895..... | 325 | 1001255320..... | 453, 587 | 1001261336..... | 575 | 1001269629..... | 893 |
| 1001244212..... | 878 | 1001255321..... | 453, 597 | 1001261338..... | 571 | 1001269630..... | 893 |
| 1001245049..... | 37 | 1001255807..... | 892 | 1001261339..... | 575 | 1001269631..... | 893 |
| 1001245913..... | 238, 781 | 1001255880..... | 473, 478 | 1001261338..... | 571 | 1001269655..... | 895 |
| 1001246142..... | 892 | 1001255882..... | 474, 478 | 1001261339..... | 575 | 1001270068..... | 607 |
| 1001246144..... | 745 | 1001255901..... | 757, 803 | 1001262016..... | 895 | 1001270069..... | 611, 617, 623, 629, 635, 641, 647, 653 |
| 1001246145..... | 749 | 1001256059..... | 658 | 1001262102..... | 878 | 1001270073..... | 617, 624, 642, 653 |
| 1001246473..... | 745 | 1001256267..... | 453 | 1001262103..... | 878 | 1001270089..... | 659 |
| 1001246474..... | 749 | 1001256506..... | 770 | 1001262104..... | 878 | 1001270090..... | 612, 618, 624, 630 |
| 1001246474..... | 749 | 1001256879..... | 212 | 1001262105..... | 878 | 1001270091..... | 612, 618, 624, 630 |
| 1001246859..... | 804 | 1001256906..... | 878 | 1001262322..... | 743 | 1001270096..... | 630, 636 |
| 1001247013..... | 216, 219, 286, 302 | 1001257271..... | 571, 575 | 1001262326..... | 743 | 1001270099..... | 160 |
| 1001247073..... | 895 | 1001257274..... | 571 | 1001262959..... | 896 | 1001270482..... | 894 |
| 1001247358..... | 39 | 1001257276..... | 381, 383 | 1001262960..... | 751, 753 | 1001270594..... | 145 |
| 1001247359..... | 342, 348 | 1001257278..... | 233, 243, 298, 314 | 1001262963..... | 751, 753 | 1001270630..... | 611, 647 |
| 1001247453..... | 473, 477 | 1001257283..... | 379 | 1001263022..... | 878 | 1001271642..... | 894 |
| 1001247468..... | 463 | 1001257397..... | 453 | 1001263355..... | 114 | 1001271794..... | 98, 102, 106, 110, 114, 118, 122, 126, 130, 134 |
| 1001247846..... | 455 | 1001257412..... | 233, 244 | 1001263356..... | 102, 122, 134 | 1001272166..... | 894 |
| 1001247847..... | 455 | 1001257561..... | 893 | 1001263357..... | 130 | 1001272182..... | 894 |
| 1001247848..... | 453, 455 | 1001257902..... | 717, 719 | 1001263360..... | 121 | 1001272659..... | 755 |
| 1001248140..... | 571, 573, 575, 577, 579 | 1001257903..... | 723 | 1001263361..... | 101 | 1001272681..... | 147 |
| 1001248141..... | 571, 573, 575, 577, 579 | 1001257904..... | 721 | 1001263362..... | 113 | 1001272682..... | 149 |
| 1001249052..... | 895 | 1001257972..... | 447, 795 | 1001263363..... | 133 | 1001272997..... | 757 |
| 1001249095..... | 803 | 1001258707..... | 717, 719, 721, 723 | 1001263364..... | 129 | 1001273007..... | 896 |
| 1001249095..... | 803 | 1001258708..... | 717, 719, 721, 723 | 1001263587..... | 523 | 1001273008..... | 892 |
| 1001249695..... | 892 | 1001258709..... | 717, 719, 721, 723, 807 | 1001263588..... | 517, 523 | 1001273009..... | 892 |
| 1001249824..... | 465 | 1001258710..... | 717, 719, 721, 723 | 1001263612..... | 473, 478 | 1001273010..... | 892 |
| 1001249941..... | 892 | 1001258711..... | 717, 719, 721, 723 | 1001263800..... | 591 | 1001273012..... | 755, 757 |
| 1001250292..... | 165, 169, 173 | 1001258800..... | 238 | 1001263923..... | 765, 835 | 1001274219..... | 67, 69, 71, 73, 75, 77, 79, 81, 83 |
| 1001250293..... | 164, 168, 172 | 1001258953..... | 896 | 1001263941..... | 842, 846, 850, 854, 858, 862, 866, 870, 874 | 1001274559..... | 117, 121, 125, 129, 519, 523 |
| 1001250384..... | 465 | 1001259466..... | 659 | 1001264148..... | 892 | | |
| 1001250531..... | 473, 477 | 1001259467..... | 659 | 1001264239..... | 517 | | |
| 1001250535..... | 453 | 1001259468..... | 659 | 1001264254..... | 892 | | |
| 1001250595..... | 895 | 1001259470..... | 659 | 1001264991..... | 459, 591 | | |
| 1001250643..... | 73 | 1001260277..... | 51, 469 | 1001265163..... | 581 | | |
| 1001250737..... | 455 | 1001260412..... | 233, 238, 244, 266, 278, 298, 314 | 1001265342..... | 581 | | |
| 1001251009..... | 453, 595 | | | 1001265676..... | 777 | | |
| 1001251010..... | 453, 593 | | | 1001266056..... | 894 | | |
| 1001251041..... | 453, 589 | | | 1001266069..... | 515, 519 | | |
| | | | | 1001266073..... | 515 | | |

SECTION 11 - SPECIAL OPTIONS

| | | | | | | | |
|-----------------|--|-----------------|---|-----------------|---|---------------|---|
| 1001274829..... | 893 | 1001285677..... | 71, 77, 83, 89 | 1001296839..... | 636, 642, 648, 654 | 1060908..... | 735 |
| 1001274830..... | 893 | 1001285832..... | 71 | 1001296840..... | 636, 642, 648, 654 | 1060918..... | 529 |
| 1001274831..... | 893 | 1001285833..... | 83 | 1001296841..... | 636, 642, 648, 654 | 1062255..... | 211 |
| 1001274833..... | 893 | 1001285834..... | 77 | 1001296842..... | 636, 642, 648, 654 | 10702077..... | 430, 434, 438, 442, 446 |
| 1001275149..... | 145 | 1001286022..... | 893 | 1001296843..... | 636, 642, 648, 654 | 10702082..... | 430, 434, 438, 442, 446 |
| 1001275628..... | 519, 523 | 1001286032..... | 97, 101, 105, 113, 765 | 1001296844..... | 636, 642, 648, 654 | 10836804..... | 97, 101, 105, 109, 114, 117, 121, 125, 130, 133 |
| 1001275629..... | 519, 523 | 1001286033..... | 109, 134, 777 | 1001296845..... | 636, 642, 648, 654 | 1120510..... | 453 |
| 1001275642..... | 895 | 1001286622..... | 145, 741 | 1001296846..... | 636, 642, 648, 654 | 1120555..... | 559, 561 |
| 1001275643..... | 895 | 1001287467..... | 97, 101, 105, 109, 113, 117, 121, 125, 129, 133 | 1001296847..... | 636, 642, 648, 654 | 1120601..... | 152, 156, 159, 164, 168, 172 |
| 1001276376..... | 195, 197, 225, 227, 247, 261, 273, 371 | 1001287536..... | 449 | 1001296848..... | 636, 642, 648, 654 | 1180346..... | 467 |
| 1001276377..... | 195, 197, 225, 227, 247, 261, 273, 369 | 1001288113..... | 449 | 1001296849..... | 636, 642, 648, 654 | 1260017..... | 43, 45, 63 |
| 1001276610..... | 755 | 1001289552..... | 774 | 1001296909..... | 635 | 1260135..... | 47 |
| 1001276644..... | 232, 238, 266, 278, 298, 314, 773 | 1001289553..... | 774 | 1001296910..... | 641 | 1320011..... | 215, 219, 285, 289, 301, 305 |
| 1001276923..... | 892 | 1001289593..... | 212, 219, 258, 270, 286, 290, 302, 306, 763 | 1001296911..... | 647 | 1320016..... | 200, 204 |
| 1001277592..... | 238, 249 | 1001289831..... | 895 | 1001296912..... | 653 | 1320022..... | 189, 191, 385 |
| 1001277598..... | 236, 247 | 1001289832..... | 895 | 1001296913..... | 636, 642, 648, 654 | 1320061..... | 211, 215, 219, 257, 269, 285, 289, 301, 305 |
| 1001277828..... | 477 | 1001289850..... | 892 | 1001297086..... | 893 | 1320110..... | 340, 346 |
| 1001278845..... | 147 | 1001289874..... | 165, 169, 173 | 1001297391..... | 106, 114, 126, 130 | 1320127..... | 39 |
| 1001278850..... | 147, 149 | 1001289905..... | 895 | 1001297777..... | 289 | 1320176..... | 189, 191 |
| 1001280403..... | 98, 102, 110, 117, 121, 134 | 1001289906..... | 895 | 1001297780..... | 305 | 1320177..... | 543, 546 |
| 1001280600..... | 97, 101, 105, 109, 113, 117, 121, 125, 129, 133 | 1001289964..... | 232, 298, 314 | 1001299206..... | 290, 306 | 1320218..... | 39 |
| 1001281192..... | 238 | 1001290021..... | 151, 155, 159 | 1001299436..... | 381 | 1320220..... | 39 |
| 1001281298..... | 449 | 1001290252..... | 341, 347 | 1001299437..... | 383 | 1320223..... | 79, 81, 83, 200, 204 |
| 1001281301..... | 449 | 1001290375..... | 893 | 1001299487..... | 298, 314 | 1320224..... | 189, 191 |
| 1001281304..... | 449 | 1001290382..... | 165, 173 | 1001301709..... | 381 | 1320250..... | 467 |
| 1001281305..... | 449 | 1001290383..... | 169 | 1001301717..... | 266, 278, 281 | 1320256..... | 717, 719, 721, 723 |
| 1001281307..... | 449 | 1001291401..... | 233, 238, 244, 266, 278, 298, 314 | 1001301810..... | 383 | 1320288..... | 465 |
| 1001281309..... | 449 | 1001291681..... | 223, 233 | 1001301943..... | 270, 273 | 1320289..... | 465 |
| 1001281310..... | 449 | 1001292423..... | 879 | 1001301949..... | 258, 261 | 1320302..... | 546, 551, 553, 557 |
| 1001281311..... | 449 | 1001293369..... | 893 | 1001301950..... | 261, 264 | 1320318..... | 413, 417, 421, 425, 429, 433, 437, 441 |
| 1001281359..... | 449 | 1001293501..... | 893 | 1001302019..... | 269 | 1321283..... | 328, 332 |
| 1001281360..... | 449 | 1001294438..... | 298, 314, 317 | 1001302096..... | 257 | 1321339..... | 189, 191, 211, 215, 219, 257, 269, 285, 289, 301, 305, 328, 332 |
| 1001281423..... | 893 | 1001294445..... | 293, 296 | 1001303176..... | 298, 314 | 1320318..... | 413, 417, 421, 425, 429, 433, 437, 441 |
| 1001281452..... | 894 | 1001294446..... | 286, 290, 293 | 1001303430..... | 559 | 1321283..... | 328, 332 |
| 1001281453..... | 894 | 1001294447..... | 285 | 1001303818..... | 342, 348 | 1321339..... | 189, 191, 211, 215, 219, 257, 269, 285, 289, 301, 305, 328, 332 |
| 1001281456..... | 894 | 1001294511..... | 309, 312 | 1001303818..... | 342, 348 | 1320318..... | 413, 417, 421, 425, 429, 433, 437, 441 |
| 1001281457..... | 894 | 1001294524..... | 302, 306, 309 | 1001305520..... | 893 | 1321339..... | 189, 191, 211, 215, 219, 257, 269, 285, 289, 301, 305, 328, 332 |
| 1001281609..... | 227, 231 | 1001294526..... | 301 | 1001306145..... | 98, 102, 106, 110, 114, 117, 122, 126, 130, 134, 803 | 1320318..... | 413, 417, 421, 425, 429, 433, 437, 441 |
| 1001281656..... | 449 | 1001294757..... | 879 | 1001306283..... | 298, 314 | 1380147..... | 397, 399 |
| 1001281703..... | 137, 527 | 1001294815..... | 879 | 1001306803..... | 57, 59 | 1580012..... | 539 |
| 1001281985..... | 233, 266, 278, 298, 314 | 1001295732..... | 117, 121, 125, 129, 767 | 1001307725..... | 459, 461 | 1580013..... | 894 |
| 1001281986..... | 233, 266, 278, 298, 314 | 1001296319..... | 220, 227 | 1001308593..... | 894 | 1600244..... | 895 |
| 1001282106..... | 137, 527 | 1001296324..... | 219 | 1001309057..... | 894 | 1670603..... | 707 |
| 1001282461..... | 895 | 1001296326..... | 192, 197 | 1001309250..... | 520, 524, 809 | 1670842..... | 151, 155, 159, 164, 168, 172 |
| 1001283776..... | 145, 831 | 1001296394..... | 191 | 1001311034..... | 537 | 1670844..... | 453 |
| 1001284101..... | 449 | 1001296474..... | 216, 225 | 1060341..... | 563, 565, 567, 569 | 1670850..... | 453 |
| 1001284101..... | 449 | 1001296475..... | 215 | 1060343..... | 438, 442, 446 | 1671034..... | 459 |
| 1001284504..... | 477 | 1001296652..... | 189, 195 | 1060545..... | 737, 739 | 1671092..... | 438, 442, 446, 681 |
| 1001284872..... | 75 | 1001296653..... | 189 | 1060626..... | 191, 257, 301, 305, 332 | 1671093..... | 546, 553, 681 |
| 1001284873..... | 69 | 1001296655..... | 212, 247 | 1060637..... | 189, 191, 225, 227, 247, 261, 273, 293, 309, 335, 337 | 1671228..... | 151, 152, 155, 156, 159, 160 |
| 1001284874..... | 81 | 1001296656..... | 211 | 1060903..... | 563, 565, 567, 569 | 1671230..... | 152 |
| 1001284961..... | 81 | 1001296788..... | 79, 83 | | | 1671231..... | 152, 156, 160 |
| 1001284962..... | 67, 69, 77 | | | | | 1671232..... | 152, 156, 160 |
| 1001284963..... | 71, 73, 75 | | | | | 1671233..... | 151 |
| 1001285016..... | 97, 101, 105, 109, 113, 117, 121, 125, 129, 133, 835 | | | | | | |
| 1001285349..... | 449 | | | | | | |

SECTION 11 - SPECIAL OPTIONS

| | | | |
|---|---|---|--|
| 1671314.....523 | 1703951 870 | 1705977 ... 846, 850, 854, 858, 862, 866, 870, 874 | 2180389.....39 |
| 1700818.....878 | 1703953 842 | 1705980 879 | 2180418.....39, 328, 332, 342, 348 |
| 1701499....842, 846, 850, 854, 858, 862, 866, 870, 874 | 1703959 ... 842, 846, 850, 854, 858, 862, 866, 870, 874 | 1706059 878 | 2180467.....340, 346 |
| 1701501....842, 846, 850, 854, 858, 862, 866, 870, 874 | 1703980 866 | 1706060 878 | 2180832....211, 215, 219, 257, 269, 285, 289, 301, 305, 543, 546 |
| 1701505....189, 191, 211, 215, 219, 257, 269, 285, 289, 301, 305, 878 | 1703981 870 | 1706061 879 | 2200222.....67, 69, 71 |
| 1701509....559, 561, 842, 846, 850, 854, 858, 862, 866, 870, 874 | 1703982 858 | 1706062 878 | 2200233.....79, 81 |
| 1701518.....846, 854 | 1703983 874 | 1706063 879 | 2220237....611, 617, 623, 629, 635, 641, 647, 653 |
| 1701542....328, 332, 878 | 1703984 862 | 1706064 878 | 2220238....611, 617, 623, 629, 635, 641, 647, 653 |
| 1701543....328, 332, 878 | 1704000 862, 878 | 1706098 878 | 2220252.....181, 183 |
| 1702565.....519, 523 | 1704001 874, 878 | 1706385 503, 513 | 2220261.....39, 342, 348 |
| 1702566.....519, 523 | 1704260 519, 523 | 1706957 45 | 2220313....189, 191, 211, 215, 219, 257, 269, 285, 289, 301, 305 |
| 1702567.....519, 523 | 1704271 878 | 1706960 45 | 2220315....231, 236, 242, 264, 276, 296, 312 |
| 1702720.....878 | 1704277 ... 842, 846, 850, 854, 858, 862, 866, 870, 874 | 2030010 ... 543, 546, 551, 553, 557 | 2220362.....658 |
| 1702773....503, 513, 878 | 1704412 ... 842, 846, 850, 854, 858, 862, 866, 870, 874 | 2060025 200, 204 | 2220371....611, 617, 623, 629, 635, 641, 647, 653, 658 |
| 1702774.....878 | 1704578 43 | 2080040 ... 164, 168, 172, 487, 491, 493, 499, 505, 509 | 2220373....611, 617, 623, 629, 635, 641, 647, 653, 658 |
| 1702861.....878 | 1704885 878 | 2080072 164, 168, 172 | 2220374....611, 617, 623, 629, 635, 641, 647, 653 |
| 1702868....557, 842, 878, 881, 885 | 1704972 878 | 2110404 ... 607, 611, 617, 623, 629, 635, 641, 647, 653 | 2220375....611, 617, 623, 629, 635, 641, 647, 653 |
| 1702941....191, 257, 301, 305, 332 | 1705014 503, 513 | 2110406 ... 611, 617, 623, 629, 635, 641, 647, 653 | 2220377.....658 |
| 1702942....191, 257, 301, 305, 332 | 1705090 43 | 2110408 607 | 2220380....611, 617, 623, 629, 635, 641, 647, 653 |
| 1702943....191, 257, 301, 305, 332 | 1705305 ... 557, 881, 883, 885 | 2110606 ... 607, 611, 617, 623, 629, 635, 641, 647, 653 | 2220381.....658 |
| 1702944....191, 257, 301, 305, 332 | 1705325 687, 689 | 2110608 ... 623, 629, 635, 641 | 2220415.....658 |
| 1703162....200, 204, 231, 236, 242, 264, 276, 296, 312, 340, 346 | 1705336 842 | 2110808 ... 611, 617, 623, 629, 635, 641, 647, 653 | 2220418....200, 204, 611, 617, 623, 629, 635, 641, 647, 653, 658 |
| 1703482....842, 846, 850, 854, 858, 862, 866, 870, 874 | 1705344 866 | 2110812 ... 611, 617, 623, 629, 635, 641, 647, 653 | 2220466....611, 617, 623, 629, 635, 641, 647, 653, 658 |
| 1703797842 | 1705347 862 | 2111616 ... 611, 617, 623, 629, 635, 641, 647, 653 | 2220468....611, 617, 623, 629, 635, 641, 647, 653, 658 |
| 1703804842 | 1705348 858 | 2120209 51 | 2220472.....658 |
| 1703805842 | 1705351 842 | 2120210 51, 889 | 2220473....611, 617, 623, 629, 635, 641, 647, 653, 658 |
| 1703811....842, 846, 850, 854, 858, 862, 866, 870, 874 | 1705355 883, 885 | 2130406 ... 611, 617, 623, 629, 635, 641, 647, 653 | 2220478.....658 |
| 1703814....842, 846, 850, 854, 858, 862, 866, 870, 874 | 1705358 561 | 2130604 ... 611, 617, 623, 629, 635, 641, 647, 653 | 2220490.....658 |
| 1703923.....874 | 1705374 ... 422, 425, 709, 711 | 2130606 ... 611, 617, 623, 629, 635, 641, 647, 653 | 2220500.....658 |
| 1703924.....862 | 1705375 439, 443, 446 | 2130808 ... 611, 617, 623, 629, 635, 641, 647, 653 | 2220501.....658 |
| 1703925.....858 | 1705387 ... 422, 425, 439, 443, 446 | 2131612 ... 635, 641, 647, 653 | 2220577.....658 |
| 1703926.....866 | 1705426 866 | 2131616 ... 611, 617, 623, 629, 635, 641, 647, 653 | 2220578....611, 617, 623, 629 |
| 1703927.....870 | 1705427 870 | 2150406 ... 611, 617, 623, 629, 635, 641, 647, 653 | 2220582....611, 617, 623, 629, 635, 641, 647, 653, 658 |
| 1703935.....874 | 1705429 862 | 2151616 ... 611, 617, 623, 629, 635, 641, 647, 653 | 2220593.....658 |
| 1703936.....862 | 1705460 ... 430, 434, 438, 443, 446 | 2170408 ... 611, 617, 623, 629, 635, 641, 647, 653 | 2220596....611, 617, 623, 629, 635, 641, 647, 653, 658 |
| 1703937.....858 | 1705461 430, 434 | 2170504 ... 611, 617, 623, 629, 635, 641, 647, 653 | 2220600.....658 |
| 1703938.....866 | 1705489 ... 413, 417, 430, 434 | 2170506 ... 623, 629, 635, 641 | 2220603.....658 |
| 1703939.....870 | 1705490 881 | 2170706 ... 623, 629, 635, 641 | 2220605.....658 |
| 1703942.....862 | 1705822 846, 854 | 2180348 ... 189, 191, 342, 348, 385 | |
| 1703943....850, 858, 874 | 1705828 846, 854 | 2180387 39 | |
| 1703944.....866 | 1705836 878 | 2180388 39 | |
| 1703945.....870 | 1705837 878 | | |
| 1703947.....874 | 1705886 878 | | |
| 1703948.....862 | 1705895 850 | | |
| 1703949.....858 | 1705896 850 | | |
| 1703950.....866 | 1705897 850 | | |
| | 1705898 850 | | |
| | 1705902 850 | | |
| | 1705905 850 | | |
| | 1705917 874 | | |
| | 1705921 846, 854 | | |
| | 1705961 846, 854 | | |
| | 1705967 850, 878 | | |
| | 1705968 858, 878 | | |
| | 1705969 870, 878 | | |

SECTION 11 - SPECIAL OPTIONS

| | | | |
|---|---|--|--|
| 2220671 ... 611, 617, 623, 629, 635, 641, 647, 653 | 2752434 ... 612, 618, 624, 630, 636, 642, 648, 654, 659 | 2754720....617, 624, 642, 654 | 3271805..... 65, 503, 513 |
| 2220726 658 | 2752461 659 | 2754743....617, 624, 642, 654 | 3272001... 571, 573, 575, 577, 579 |
| 2220737 658 | 2752468 659 | 2792700.....45 | 3290405... 145, 147, 149, 328, 332, 581, 687, 689, 691, 693, 695, 697, 699, 701, 703, 705, 707 |
| 2220750 181, 183 | 2752484 659 | 2820019.....785 | 3290505 328, 332, 411 |
| 2220765 658 | 2752489 ... 612, 618, 624, 630, 636, 642, 648, 654 | 2820031....401, 403, 407, 411, 413, 417, 422, 425, 430, 433, 438, 441, 445, 725 | 3290601 ... 165, 169, 173, 340, 346, 353, 407, 445 |
| 2220800 ... 611, 617, 623, 629 | 2752494 659 | 2820035.....325 | 3290605 98, 102, 106, 110, 114, 118, 122, 126, 130, 134, 340, 346, 543, 546 |
| 2220816 385, 387 | 2752495 ... 612, 618, 624, 630 | 2820118.....725, 727 | 3290606 ... 489, 495, 497, 501, 507, 511 |
| 2220852 658 | 2752723 659 | 2820233.....152 | 3290607 ... 147, 149, 340, 346 |
| 2220883 31, 471, 585, 587, 589, 593, 595, 601 | 2752754 ... 612, 618, 624, 630 | 2820234.....152 | 3290801 ... 231, 242, 296, 312, 328, 332, 340, 346 |
| 2220885 585, 597, 603 | 2752766 659 | 2820235.....152 | 3290805 340, 346, 715 |
| 2220886 31, 589, 593, 595, 601, 603 | 2752767 658 | 2820247 821, 825 | 3290806 463 |
| 2220888 31 | 2752768 659 | 2840016.....397, 399 | 3291001 340, 346, 463 |
| 2220899 658 | 2752930 659 | 2860012.....401 | 3291005 ... 231, 236, 242, 264, 276, 296, 312, 340, 346, 459, 463 |
| 2220940 ... 611, 617, 623, 629, 635, 641, 647, 653 | 2752938 ... 612, 618, 624, 630 | 2860030.....97, 101, 105, 109, 113, 117, 121, 125, 129, 133, 889 | 3291007 399 |
| 2220947 658 | 2752978 659 | 2900708.....51 | 3291201 ... 340, 346, 408, 445, 463 |
| 2220950 658 | 2752997 ... 612, 618, 624, 630, 636, 642, 648, 654 | 2900756.....27 | 3291205 463 |
| 2221024 39 | 2753008 659 | 2900792....587, 589, 591, 593, 595 | 3300007 27 |
| 2221034 658 | 2753010 659 | 2902212 559, 561 | 3300151 ... 485, 489, 495, 497, 499, 501, 507, 509, 511, 546, 551, 553, 557 |
| 2221036 658 | 2753118 659 | 2902217 546, 551, 553 | 3300205 97, 101, 105, 109, 113, 117, 121, 125, 129, 133 |
| 2221037 181, 183 | 2753123 659 | 2902396.....892 | 3300353 97, 101, 105, 109, 113, 117, 121, 125, 129, 133, 519, 523 |
| 2221086 658 | 2753189 659 | 2902443....765, 769, 773 | 3300364 164, 168, 172 |
| 2221176 ... 189, 191, 328, 332 | 2753190 658 | 2910887 892 | 3300396 ... 421, 426, 430, 434, 438, 442, 446 |
| 2221197 39, 328, 332 | 2753191 659 | 2915094 61, 896 | 3300408 97, 101, 105, 109, 113, 117, 121, 125, 129, 133, 137, 527 |
| 2300016 27 | 2753192 659 | 2915228 894 | 3300430 535 |
| 2400060 ... 325, 581, 793, 795, 803, 809 | 2753195 659 | 2940045.... 164, 168, 172 | 3300454 181, 183 |
| 2400064 793, 795, 889 | 2753196 659 | 2940074....487, 491, 493, 499, 505, 509, 889 | 3310401 ... 231, 242, 264, 276 |
| 2410014 503, 513 | 2753197 659 | 2940088.... 152, 156, 160 | 3310601 397, 399 |
| 2420203 401, 403, 407 | 2753199 659 | 2940173.... 165, 169, 172 | 3310605 473, 477 |
| 2460048 429, 437 | 2753200 659 | 2940188.... 152, 156, 159 | 3310801 473, 477 |
| 2460051 407 | 2753274 659 | 3020021 361 | 3310805 39 |
| 2460055 401 | 2753542 ... 611, 617, 624, 630, 636, 642, 647, 653 | 3020029 61 | 3311001 ... 151, 152, 155, 156, 159, 160, 319, 321, 323, 430, 434, 438, 442, 446 |
| 2560136 519, 523 | 2753622 ... 611, 617, 623, 629, 635, 641, 647, 653 | 3020037 247 | 3311005 ... 401, 403, 407, 411, 422, 425, 429, 434, 438, 442, 445, 543, 546, 551, 553, 557 |
| 2560187 165, 169, 173 | 2753626 ... 611, 618, 624, 629, 635, 642, 647, 653 | 3020039 19, 21 | 3311401 43, 45, 563, 565, 567, 569 |
| 2580024 ... 191, 257, 301, 305, 332 | 2753628 ... 611, 630, 636, 647 | 3124242 559 | |
| 2580062 205 | 2753634 ... 611, 618, 624, 629, 635, 642, 647, 653 | 3160348 27, 31 | |
| 2600209 152, 156, 160 | 2753656 ... 623, 630, 636, 641 | 3200401 201, 205, 231, 236, 242, 264, 276, 296, 312, 389, 391 | |
| 2600233 152, 156, 160 | 2753686 ... 611, 617, 623, 629, 635, 641, 647, 653 | 3200406 200, 204 | |
| 2600244 151, 155, 159 | 2753732 ... 623, 630, 636, 641 | 3250872 43 | |
| 2600281 ... 487, 491, 493, 499, 505, 509 | 2753879 ... 623, 630, 636, 641 | 3251102....401, 403, 407, 411, 413, 417, 421, 425 | |
| 2720015 ... 231, 242, 264, 276, 296, 312 | 2753970 ... 612, 630, 636, 648 | 3251242....691, 693, 695, 697, 699, 701, 703, 705, 707, 878 | |
| 2720058 ... 189, 191, 342, 346, 385 | 2753971 ... 611, 617, 623, 629, 635, 641, 647, 653 | 3251243....401, 407, 422, 425, 439, 443, 446, 842, 862, 866 | |
| 2720144 39 | 2754337 ... 611, 617, 623, 629, 635, 641, 647, 653 | 3251813 878 | |
| 2720160 543, 546 | 2754338 ... 611, 617, 624, 629, 635, 642, 647, 653 | 3252347 842 | |
| 2720340 ... 231, 236, 242, 264, 276, 296, 312 | 2754512 ... 612, 630, 636, 648 | 3252507 411 | |
| 2720398 200, 204 | | 3252764....429, 433, 437, 441, 445 | |
| 2720545 181, 183 | | 3271601 160, 465 | |
| 2750532 ... 189, 191, 211, 215, 219, 257, 269, 285, 289, 301, 305 | | 3271605....571, 573, 575, 577, 579 | |
| 2751399 ... 612, 618, 624, 630, 636, 642, 648, 654 | | 3271801....231, 236, 242, 264, 276, 296, 312 | |
| 2751500 ... 612, 618, 624, 630, 636, 642, 648, 654 | | | |

SECTION 11 - SPECIAL OPTIONS

| | | | |
|--|---|---|---|
| 3311405.....97, 101, 105, 109, 113, 117, 121, 125, 129, 133, 141, 143, 151, 155, 159, 164, 168, 172, 175, 177, 181, 183, 185, 189, 191, 195, 197, 200, 204, 211, 215, 219, 225, 227, 231, 236, 242, 247, 257, 261, 264, 269, 273, 276, 285, 289, 293, 296, 301, 305, 309, 312, 328, 332, 335, 337, 393, 395, 413, 417, 469, 473, 477, 515, 517, 537, 541, 687, 689, 691, 693, 695, 697, 699, 701, 703, 705, 707, 715, 731, 733 | 3322201 65 3340764 465 3340828 457 3340835 453, 457 3340840 465 3340859 467 3340871 455 3340881 457 3340941 465 3340943 465 3340956 559, 561 3340966 25 3380434 515, 517 3380444 151, 155, 159 3380535 481 3420292 43, 45 3420372 47 3420447 47 3421453 543, 546 3421565 63 3422417 23, 25 3422446 ... 189, 191, 211, 215, 219, 257, 269, 285, 289, 301, 305, 328, 332 3422457 455 3422532 ... 195, 197, 225, 227, 247, 261, 273, 293, 309, 335, 337 3422681 453 3422683 453 3422684 453 3422685 453 3422686 453 3422687 453 3422690 455 3422729 453 3422790 23, 25 3422848 25 3422861 459 3422867 459 3430616 519, 524 3430816 397, 399 3450404 397, 399 3460334 559, 561 3470003 519, 524 3520026 523 3520027 523 3520028 401, 403, 407 3520030 165, 169, 172 3520031 97, 101, 105, 109, 113, 117, 121, 125, 129, 133 3520035 473, 477, 481 3520054 ... 200, 204, 231, 244, 296, 312, 519, 523 3520071 559, 561 3520072 ... 485, 487, 489, 491, 493, 495, 497, 499, 501, 503, 505, 507, 509, 511, 513 3520189 430, 434 3520192 430, 434 3520193 473, 477 3520198 ... 485, 487, 489, 491, 493, 495, 497, | 499, 501, 505, 507, 509, 511 3537445 397 3537446 397, 399 3538047 19, 21 3570928 473, 477 3571712 151 3572423 79, 81, 83 3572606 473, 477 3572607 473, 477 3573400 ... 546, 551, 553, 557 3573642 546, 551, 553 3574091 567, 569 3575359 563, 565 3575874 181, 183 3576755 79, 81, 83 3576799 543, 546 3577121 ... 546, 551, 553, 557 3580134 411 3580158 401, 411 3580276 401, 403 3580314 445 3580317 ... 413, 417, 422, 425, 430, 433, 438, 441, 445 3580318 ... 422, 425, 438, 441 3580319 ... 413, 417, 430, 433 3580320 ... 264, 276, 296, 312, 413, 422, 430, 438 3580324 407 3600386 181, 183, 185 3641569 563, 565 3720021 181, 183 3740049 97, 101, 105, 109, 113, 117, 121, 125, 129, 133, 890 3740067 ... 200, 204, 211, 215, 219, 257, 269, 285, 289, 301, 305, 328, 332, 888, 889 3740080 ... 200, 204, 401, 403, 407, 411, 445, 888, 889 3740086 827, 890 3760133 455 3760170 47, 63 3790012 ... 328, 332, 515, 517, 519, 523, 531 3790044 ... 195, 197, 225, 227, 247, 261, 273, 293, 309, 335, 337 3820001 43, 842, 846, 850, 854, 858, 862, 866, 870, 874 3820020 ... 487, 491, 493, 499, 505, 509 3841143 ... 189, 191, 211, 215, 219, 257, 269, 285, 289, 301, 305, 328, 332, 455, 459, 463 3841203 453 3841287 19, 21, 453 3841340 51, 467 | 3841356.....453 3841406.....465 3841520.....23, 25 3900054.....503, 513 3900210....164, 165, 168, 169, 172, 173 3900232....151, 152, 155, 159, 160, 465 3900239.....453 3900259.....455 3900262.....467 3900268.....97, 101, 105, 109, 113, 117, 121, 125, 129, 133 3900283.....465 3900293.....57 3900316....156, 164, 168, 172 3900349.....519, 523 3900363....165, 169, 173 3910408....231, 242, 264, 276 3910606....422, 425, 437, 441, 445, 709, 711 3910608.....397, 399 3910610.....677, 679 3910804.....97, 101, 105, 109, 113, 117, 121, 125, 129, 133 3930606.....473, 477 3930816.....477, 481 3930820.....474, 478 3930824.....473, 477 3931016....421, 425, 429, 433, 437, 441, 445 3931408.....535 3931424.....183 3931432....231, 236, 242, 264, 276, 296, 312, 473, 477 3931436.....473, 477 3931512....231, 236, 242, 264, 276 3931628....264, 276, 296, 312 3931644.....340, 346 3952020.....57 3960389....151, 155, 159, 164, 168, 172, 189, 191 3960407.....200, 204 3960422....422, 425, 437, 441, 445, 677, 679, 709, 711 3960438....152, 156, 160 3960453.....151 3960462....152, 156, 160 3960464....152, 156, 160 3960468....200, 204, 225, 227, 247, 261, 273, 293, 309 3960469....200, 204, 225, 227, 247, 261, 273, 293, 309, 335, 337 3960470....151, 155, 159 3960526.....27 3980007....191, 257, 301, 305, 332 |
|--|---|---|---|

SECTION 11 - SPECIAL OPTIONS

| | | | | | |
|-------------------------|----------------|---------------------------|-------------------------|-------------------------|-------------------------|
| 3990010 | 803, 888 | 477, 533, 535, 537, | 4460051 | 677, 679 | 741, 761, 765, 767, |
| 4010303 | 474, 478 | 717, 719, 721, 723 | 4460071 | 422, 425, 438, | 769, 770, 773, 774, |
| 4010608 | 543, 546 | 4240099 ... | 441, 445, 529 | 4460125 | 777, 783, 785, 789, |
| 4010618 ... | 489, 495, 497, | 242, 264, 276, 297, | 4460134 | 679 | 791, 793, 795, 797, |
| 501, 507, 511 | | 313, 325, 329, 332, | 4460142 | 799 | 803, 807, 809, 829, |
| 4031505 | 533 | 340, 346, 407, 520, | 4460183 | 765, 803 | 833, 835, 837 |
| 4031509 ... | 145, 147, 149 | 524, 546, 551, 553, | 4460190 | 809 | 4460466 ... |
| 4031516 | 537 | 563, 565, 567, 569 | 4460205 | 401, 403, 407 | 533, 581, 713, |
| 4031608 | 411 | 4240113 ... | 4460224 | 677, 799 | 725, 727, 741, 761, |
| 4031711 | 340, 346 | 75, 77 | 4460225 | 417, 519, 523 | 767, 769, 773, 774, |
| 4031908 | 296, 312 | 4240149 | 4460226 | 783, 785, 809 | 803, 807, 809, 823, |
| 4031912 ... | 231, 296, 312 | 4280296 | 519, 523, 529, | 4460227 | 827, 829, 831, 833, 835 |
| 4031914 ... | 236, 242, 264, | 4300157 ... | 563, 565, 567, 569, | 519, 523, 803, | 4460467 |
| 276 | | 438 | 729, 765, 767, 777, 809 | 809 | 895 |
| 4032014 ... | 264, 276, 296, | 4340706 | 4460227 | 4460233 | 4460470 |
| 312 | | 4340747 | 519, 523, 803, | 679, 801 | 97, 101, 105, |
| 4032015 ... | 413, 421, 429, | 4360057 ... | 809 | 4460234 | 109, 113, 117, 121, |
| 438 | | 563, 565, 567, | 4460233 | 145, 519, 523, | 125, 129, 133, 519, 523 |
| 4060092 | 679 | 569, 890 | 4460234 | 563, 565, 567, 569, | 4460473 |
| 4060802 ... | 401, 403, 407, | 4360070 ... | 563, 565, 567, 569, | 743, 745, 747, 749 | 725, 727 |
| 411, 413, 417, 421, | | 434, 438, 442, 446, 888 | 4460247 | 4460247 | 4460488 |
| 425, 429, 433, 437, | | 4360274 ... | 769, 774 | 4460256 | 97, 101, 105, |
| 441, 445 | | 125, 129, 890 | 4460256 | 795 | 109, 113, 117, 121, |
| 4060805 ... | 200, 204, 231, | 4360328 | 4460259 | 4460259 | 125, 129, 133, 147, 149 |
| 236, 242, 264, 276, | | 531, 890 | 581, 765, 777, | 803, 809 | 4460496 |
| 297, 313, 342, 348, | | 4360331 ... | 803, 809 | 4460260 | 97, 101, 105, |
| 473, 477 | | 515, 517, 890 | 4460260 | 581, 765, 777, | 109, 113, 117, 121, |
| 4070410 ... | 151, 155, 159 | 4360336 ... | 803, 809 | 803, 809 | 125, 129, 133 |
| 4070411 ... | 151, 155, 159 | 328, 332, 401, | 4460267 | 4460267 | 4460497 |
| 4070412 ... | 151, 155, 159 | 403, 407, 411, 413, | 809 | 809 | 97, 101, 105, |
| 4070450 | 47 | 417, 421, 425, 429, | 4460268 | 4460268 | 109, 113, 117, 121, |
| 4070560 | 47 | 433, 437, 441, 445, 890 | 767, 783, 785 | 4460294 | 125, 129, 133 |
| 4070561 | 47 | 4360387 ... | 4460294 | 417 | 4460508 ... |
| 4070585 | 401 | 105, 113, 125, | 4460297 | 803 | 533, 725, 803, |
| 4070863 | 455 | 129, 519, 523, 890 | 4460312 | 4460312 | 809 |
| 4070864 | 455 | 4360407 ... | 765, 777 | 4460313 | 4460509 |
| 4070878 | 19, 21 | 519, 523, 888 | 4460313 | 765, 767, 777, | 725, 727 |
| 4070879 | 19, 21 | 4360436 | 803 | 803 | 4460510 |
| 4070897 | 455, 457 | 890 | 4460315 | 4460315 | 895 |
| 4070898 | 455, 457 | 4360469 ... | 677, 679 | 677, 679 | 4460518 ... |
| 4070929 | 457 | 97, 101, 105, | 4460320 | 4460320 | 713, 717, 719, |
| 4070967 | 457 | 109, 113, 117, 121, | 803 | 803 | 721, 723, 833 |
| 4070968 | 457 | 125, 129, 133, 890 | 4460321 | 4460321 | 4460526 |
| 4070969 | 465 | 4360475 ... | 407 | 407 | 97, 101, 105, |
| 4070991 | 97, 101, 105, | 97, 101, 105, | 4460346 | 4460346 | 109, 113, 117, 121, |
| 109, 113, 117, 121, | | 109, 113, 117, 121, | 422, 425, 437, | 422, 425, 437, | 125, 129, 133 |
| 125, 129, 133 | | 125, 129, 133, 888 | 441, 445, 677 | 441, 445, 677 | 4460536 ... |
| 4071007 | 457 | 4360498 ... | 4460374 | 4460374 | 803, 807, 809, |
| 4071059 | 25 | 473, 477, 890 | 765, 787 | 765, 787 | 837 |
| 4071122 | 328, 332 | 4360499 ... | 4460375 | 4460375 | 4460539 ... |
| 4100062 | 658 | 473, 477, 890 | 803, 809 | 803, 809 | 717, 719, 721, |
| 4160139 ... | 151, 155, 159 | 4360517 | 803, 809 | 803, 809 | 723, 765, 767, 773, |
| 4160143 ... | 151, 155, 159 | 65, 890 | 4460424 | 4460424 | 777, 807, 809, 835, 837 |
| 4160194 ... | 164, 168, 172 | 4360542 ... | 765, 767, 777 | 765, 767, 777 | 4460612 |
| 4240017 | 145 | 401, 403, 407, | 4460425 | 4460425 | 709, 711 |
| 4240018 ... | 403, 411, 413, | 888 | 421, 426, 430, | 421, 426, 430, | 4460633 |
| 417, 421, 425, 429, | | 4360578 ... | 434, 438, 442, 446, | 434, 438, 442, 446, | 181, 183 |
| 433, 437, 441, 709, 711 | | 890 | 563, 565, 567, 569, | 563, 565, 567, 569, | 4460670 |
| 4240032 ... | 147, 149, 233, | 4400275 | 709, 711 | 709, 711 | 765, 787 |
| 238, 244, 264, 276, | | 39 | 4460426 | 4460426 | 4460701 |
| 297, 313, 658, 743, | | 4400420 | 97, 101, 105, | 97, 101, 105, | 801 |
| 745, 747, 749, 751, | | 39 | 109, 113, 117, 121, | 109, 113, 117, 121, | 4460703 |
| 753, 755 | | 4420014 | 125, 129, 133, 421, | 125, 129, 133, 421, | 769, 774 |
| 4240033 ... | 147, 149, 215, | 559, 561 | 426, 430, 434, 438, | 426, 430, 434, 438, | 4460708 |
| 219, 257, 269, 285, | | 4420037 ... | 442, 446 | 442, 446 | 809 |
| 289, 301, 305, 473, | | 557 | 4460428 | 4460428 | 4460722 |
| | | 4420038 ... | 181, 519, 523 | 181, 519, 523 | 325 |
| | | 67, 69, 71, 73, | 4460434 | 4460434 | 4460738 |
| | | 75, 77, 79, 81, 83 | 803, 809 | 803, 809 | 767, 777 |
| | | 4420051 43, 45, 842, 846, | 4460457 | 4460457 | 4460742 ... |
| | | 850, 854, 858, 862, | 765, 777, 787, | 765, 777, 787, | 787, 789, 793, |
| | | 866, 870, 874 | 795 | 795 | 795 |
| | | 4420060 | 4460458 | 4460458 | 4460743 |
| | | 411, 481 | 765, 769, 773, | 765, 769, 773, | 789, 793 |
| | | 4420066 | 777, 787, 789, 793, 795 | 777, 787, 789, 793, 795 | 4460746 |
| | | 559, 561 | 4460460 | 4460460 | 773 |
| | | 4460016 | 765, 777 | 765, 777 | 4460748 |
| | | 809 | 4460464 | 4460464 | 773 |
| | | 4460019 ... | 529, 581, 713, | 529, 581, 713, | 4460761 ... |
| | | 763, 765, 767, | 725, 757, 759, 761, | 725, 757, 759, 761, | 519, 523, 803 |
| | | 774 | 767, 779, 803, 807, | 767, 779, 803, 807, | 4460806 ... |
| | | 4460027 ... | 809, 827, 829, 831, | 809, 827, 829, 831, | 695, 697, 699, |
| | | 401, 403, 407 | 835, 837 | 835, 837 | 701, 803, 809 |
| | | 4460042 | 4460465 | 4460465 | 4460807 |
| | | 769, 773 | 145, 147, 149, | 145, 147, 149, | 783, 785 |
| | | 4460043 ... | 581, 713, 717, 719, | 581, 713, 717, 719, | 4460808 |
| | | 325, 765, 769, | 721, 723, 725, 727, | 721, 723, 725, 727, | 783, 785 |
| | | 774, 787, 789, 793 | | | 4460865 |
| | | 4460049 ... | | | 725, 727 |
| | | 563, 565, 567, | | | 4460866 ... |
| | | 569 | | | 725, 803, 809 |
| | | | | | 4460868 |
| | | | | | 803 |
| | | | | | 4460871 ... |
| | | | | | 765, 767, 777, |
| | | | | | 803, 809, 835, 837 |
| | | | | | 4460872 |
| | | | | | 803 |
| | | | | | 4460873 |
| | | | | | 803, 809 |

SECTION 11 - SPECIAL OPTIONS

| | | | |
|----------------------------|-----------------------------|-----------------------------|----------------------------|
| 4460874.....803, 809 | 4461157 765, 777 | 387, 403, 413, 417, | 421, 425, 430, 437, |
| 4460875.....803, 809 | 4461196 811 | 422, 425, 430, 433, | 563, 565, 567, 569 |
| 4460876.....803 | 4461198 689, 811 | 438, 441, 455, 457, | 4751600....39, 41, 67, 69, |
| 4460877.....803 | 4461199 813 | 465, 467, 473, 477, | 71, 73, 75, 77, 79, 81, |
| 4460878.....803 | 4461201 693, 813 | 519, 524, 571, 573, | 83, 147, 149, 152, 155, |
| 4460879.....581, 809 | 4461205 815, 817 | 575, 577, 579, 717, | 156, 159, 160, 164, |
| 4460880.....767, 777 | 4461244 697, 815 | 719, 721, 723 | 168, 172, 175, 177, |
| 4460884.....581, 773, 803, | 4461245 701, 817 | 4711700 ... 232, 236, 242, | 179, 185, 189, 191, |
| 829, 833, 835 | 4461246 705, 819 | 265, 277, 297, 313, | 200, 204, 211, 215, |
| 4460887.....581, 765, 767, | 4461249 819 | 385, 403, 407 | 219, 232, 236, 243, |
| 777, 803, 809 | 4462641 421 | 4711800 ... 236, 397, 399, | 257, 265, 269, 277, |
| 4460888.....809 | 4520253 33 | 413, 421, 429, 437, | 285, 289, 297, 301, |
| 4460891....145, 147, 149, | 4520256 37 | 503, 513 | 305, 313, 328, 332, |
| 713, 729, 741, 767, | 4530028 ... 546, 551, 553, | 4712000 ... 559, 561, 571, | 389, 391, 401, 411, |
| 770, 779, 835, 837 | 555 | 573, 575, 577, 579 | 546, 551, 553, 557 |
| 4460892.....807 | 4567757 658 | 4712200 559, 561 | 4751800....65, 79, 81, 83, |
| 4460894....717, 719, 721, | 4568119 79, 81, 83 | 4740036 47 | 181, 183, 189, 191, |
| 723, 741, 761, 769, | 4640261 43, 45 | 4740057 57 | 225, 227, 247, 261, |
| 773, 803, 807, 809 | 4640509 ... 589, 591, 593, | 4740076 151, 155, 159 | 273, 293, 309, 335, |
| 4460897....770, 779, 831, | 595 | 4740119 397 | 337, 503, 513, 563, |
| 835 | 4640605 587, 589, 595 | 4740155 25 | 565, 567, 569 |
| 4460899....767, 807, 823, | 4640751 ... 231, 236, 242, | 4740256 23, 25 | 4752000....189, 191, 211, |
| 827, 829 | 264, 276, 297, 313 | 4740274 ... 200, 204, 389, | 215, 219, 257, 269, |
| 4460905.....803, 809 | 4640780 658 | 391 | 285, 289, 301, 305, |
| 4460910.....821, 833 | 4640858 585 | 4740362 515, 517 | 328, 332 |
| 4460911.....803, 823 | 4640866 51 | 4740397 97, 101, 105, | 4760600.....677, 679 |
| 4460928.....713 | 4640932 587 | 109, 113, 117, 121, | 4761000....152, 156, 159 |
| 4460930.....741, 769, 773 | 4641022 79, 81, 83 | 125, 129, 133, 401, 411 | 4761400.....539 |
| 4460931.....767, 831 | 4641032 603 | 4740444 125, 129 | 4761600....185, 515, 517 |
| 4460932.....581, 757, 769, | 4641033 601 | 4740463 23, 25 | 4762000.....47 |
| 774, 779 | 4641122 33, 35, 37 | 4740472 19, 21 | 4770600.....397, 399 |
| 4460933....713, 741, 803, | 4641303 27 | 4740473 23, 25 | 4791400....200, 204, 413, |
| 809 | 4641317 51 | 4740500 152, 156, 160 | 417, 421, 425, 429, |
| 4460941.....779, 823 | 4641435 473, 477 | 4740518 97, 101, 105, | 433, 438, 441 |
| 4460942....533, 769, 773, | 4711000 ... 319, 321, 323, | 109, 113, 117, 121, | 4811400....145, 147, 149, |
| 779 | 403, 430, 434, 438, | 125, 129, 133 | 581, 687, 689, 691, |
| 4460943....741, 803, 809, | 442, 446 | 4750400 ... 232, 242, 265, | 693, 695, 697, 699, |
| 823 | 471140051, 97, 101, 105, | 277 | 701, 703, 705, 707 |
| 4460944....717, 719, 721, | 109, 113, 117, 121, | 4750800 39 | 4811600.....411 |
| 723, 765, 767, 769, | 125, 129, 133, 139, | 4751000 ... 67, 69, 71, 73, | 4811700.....98, 102, 106, |
| 773, 777, 809 | 141, 143, 181, 183, | 75, 77, 79, 81, 83, 152, | 110, 114, 118, 122, |
| 4460945.....774 | 189, 191, 200, 204, | 155, 156, 159, 160, | 126, 130, 134, 147, |
| 4460956.....735, 739 | 211, 215, 219, 231, | 401, 407, 411, 422, | 149, 340, 346, 353, |
| 4460957.....735, 739 | 236, 242, 257, 264, | 425, 430, 433, 438, | 407, 445, 489, 495, |
| 4460958.....711 | 269, 276, 285, 289, | 441, 445, 543, 546, | 497, 501, 507, 511, |
| 4460962....546, 553, 681 | 297, 301, 305, 313, | 551, 553, 557 | 543, 546 |
| 4460963....438, 442, 446, | 328, 332, 393, 395, | 4751400 ... 41, 43, 45, 97, | 4811702....232, 236, 243, |
| 681 | 413, 417, 421, 425, | 101, 105, 109, 113, | 265, 277, 297, 313, 351 |
| 4460967....789, 791, 793, | 429, 433, 437, 441, | 117, 121, 125, 129, | 4811900....232, 236, 243, |
| 795, 797 | 445, 469, 485, 489, | 133, 152, 155, 159, | 265, 277, 297, 313, |
| 4460968....411, 473, 477, | 495, 497, 499, 501, | 164, 165, 168, 169, | 328, 332, 340, 346, |
| 481 | 507, 509, 511, 535, | 172, 173, 175, 177, | 351, 353, 463, 715 |
| 4460971.....543, 546 | 537, 687, 689, 691, | 195, 197, 225, 227, | 4811902....232, 237, 243, |
| 4460979.....765, 777 | 693, 695, 697, 699, | 232, 236, 243, 247, | 265, 277, 297, 313, |
| 4461005.....765 | 701, 703, 705, 707, | 261, 265, 273, 277, | 340, 346, 353 |
| 4461006.....765 | 731, 733 | 293, 297, 309, 313, | 4812000....215, 219, 232, |
| 4461008....765, 770, 773 | 4711500 ... 27, 79, 81, 83, | 328, 332, 335, 337, | 237, 243, 257, 265, |
| 4461042.....741 | 165, 169, 173, 232, | 473, 477, 481, 515, | 269, 277, 285, 289, |
| 4461052.....765 | 236, 242, 264, 276, | 517, 519, 523, 539,541, | 297, 301, 305, 313, |
| 4461053.....765 | 297, 313, 433, 441, | 546, 551, 553, 557, | 328, 332, 340, 346, |
| 4461054....765, 773, 779 | 445, 469, 473, 477 | 563, 565, 567, 569, 715 | 353, 399, 407, 463 |
| 4461060.....765 | 4711600 . 19, 21, 51, 152, | 4751500 ... 43, 45, 91, 93, | 4812002....340, 346, 355 |
| 4461070.....713, 765 | 156, 160, 183, 200, | 152, 155, 159, 164, | 4812100....211, 215, 219, |
| 4461071.....769, 773 | 204, 211, 215, 219, | 168, 172, 232, 236, | 232, 237, 243, 257, |
| 4461073....765, 769, 773 | 257, 269, 285, 289, | 243, 265, 277, 297, | 265, 269, 277, 285, |
| 4461077.....823, 827 | 301, 305, 319, 321, | 313, 401, 403, 411, | 289, 297, 301, 305, |
| 4461095....713, 765, 769 | 323, 328, 332, 385, | | 313, 353, 449, 463 |

SECTION 11 - SPECIAL OPTIONS

| | | | |
|---|---|--|----------------------------------|
| 4812200 ... 200, 204, 232, 237, 243, 265, 277, 297, 313, 389, 391, 407 | 70000912 207 | 7000240.....29 | 70004151 471 |
| 4843777 47 | 70000913 207 | 70002410.....587, 597 | 70004169.. 429, 437, 446 |
| 4844817 459 | 70000914 207 | 70002415.....208 | 70004171.. 413, 421, 446 |
| 4844958 63 | 70000915 207 | 70002416.....208 | 70004183..... 361 |
| 4845680 467 | 70000916 207 | 70002417.....208 | 70004184..... 67, 69, 71 |
| 4846562 559 | 70000917 207 | 70002460.. 429, 434, 437, 442, 445 | 70004186 591 |
| 4846627 ... 546, 551, 553 | 70000918 207 | 70002715.....79, 81, 83 | 70004199..... 85, 87 |
| 4846673 567, 569 | 70000919 207 | 70002716.....79, 81, 83 | 70004237 587, 597 |
| 4860225 33, 35 | 70001002 207 | 70002718.. 208, 250, 253, 282 | 70004272 207 |
| 4871700 446 | 70001100 . 429, 433, 437, 442, 446 | 70002744.....599 | 70004276.. 249, 255, 281 |
| 4891500 97, 101, 105, 109, 113, 117, 121, 125, 129, 133, 237, 407 | 70001181 208 | 70002745.....599 | 70004280.. 208, 250, 253 |
| 4891600 65, 165, 169, 173, 397, 459, 463 | 70001248 65 | 70002748.....599 | 70004282 255 |
| 4891800 27, 195, 197, 225, 227, 232, 237, 243, 247, 261, 265, 273, 277, 293, 297, 309, 313, 335, 337, 397, 399, 403, 417, 425, 433, 441 | 70001384 . 429, 433, 437, 442, 446 | 70002749.....599 | 70004287 207 |
| 4892000 27, 61 | 70001385 429, 437 | 70002751.....599 | 70004289 208 |
| 4892200 19, 21 | 70001424 549 | 70002814 85 | 70004329 363 |
| 4892600001 459, 463 | 70001425 549 | 7000283.....29 | 70004331 363 |
| 4921829 408, 799 | 70001427 549 | 70002838..... 85, 87 | 70004332 363 |
| 4921955 801 | 70001428 549 | 70002839..... 85, 87 | 70004333 363 |
| 4922218 717, 719 | 70001429 549 | 7000284.....29 | 70004336 363 |
| 4922220 717, 719 | 70001430 549 | 70002842.....585 | 70004337 363 |
| 4922576 ... 717, 719, 721, 723, 727 | 70001431 549, 888 | 7000289.....29 | 70004338 363 |
| 4922578 ... 717, 719, 721, 723 | 70001432 549, 890 | 70002902.....529 | 70004340 363 |
| 4922641 ... 401, 404, 408, 411, 426, 430, 433, 439, 441, 447 | 70001435 207 | 70002903.....529 | 70004342 363 |
| 4922666 519, 523 | 70001663 185 | 70002904.....529 | 70004343 363 |
| 4922925 ... 430, 433, 438, 441, 445, 785 | 70001696 .. 429, 437, 445 | 70002905.....529 | 70004344 363 |
| 4923379 200, 204 | 7000180 254 | 70002948..... 181, 183 | 70004345 363 |
| 4923445 408, 787 | 70001835 207 | 70003019.....53 | 70004346 363 |
| 5240800 ... 237, 265, 277, 297, 313 | 70001836 207 | 70003136.....207 | 70004347 363 |
| 5241000 340, 346 | 70001837 207 | 70003454 65 | 70004348 363 |
| 5241200 ... 340, 346, 445, 463 | 70001841 207 | 70003464.....207 | 70004349 363 |
| 5250605 351, 353 | 70001844 208 | 70003465.....207 | 70004350 363 |
| 5250810 265, 277 | 70001850 207 | 70003466.....207 | 70004351 363 |
| 5251008 463 | 70001866 207 | 70003472.....207 | 70004352 363 |
| 5251010 237 | 70001868 207 | 70003475.....207 | 70004381 599 |
| 5251016 463 | 70001870 . 207, 250, 253, 282 | 70003478.....207 | 70004382 599 |
| 5251210 211 | 70001871 207 | 70003631... 434, 442, 445 | 70004457 53 |
| 5260600 351, 353 | 70001872 208 | 70003708.. 413, 417, 421, 425, 429, 434, 437, 442, 446 | 70004459 53 |
| 5272010 342, 346 | 70001953 .. 429, 437, 446 | 70003709.. 413, 417, 421, 425, 429, 434, 437, 442, 446 | 70004460 53, 888 |
| 70000017 895 | 70001954 365 | 70003784..... 519, 523 | 70004461 53, 54 |
| 70000044 207 | 70001955 365 | 70003935.....27 | 70004463 53, 888 |
| 70000123 411 | 70001956 365 | 70003936.....27 | 70004501 254 |
| 70000345 . 208, 249, 255, 281 | 70001966 . 413, 417, 421, 425, 429, 434, 437, 442, 445, 446 | 70003989.....95 | 70004504 249, 281 |
| 70000619 . 430, 433, 438, 441, 445 | 70001973 . 429, 434, 437, 442, 446 | 70003992.....95 | 70004505.. 250, 253, 282 |
| 70000797 31 | 70001974 . 429, 434, 437, 442, 446 | 70003993.....95 | 70004506.. 250, 253, 282 |
| 70000800 208 | 70002013 465 | 70004020... 200, 204, 888 | 70004507 .. 250, 253, 282 |
| 70000863 . 429, 433, 437, 442, 446 | 70002014 465 | 70004050.....53 | 70004508.. 250, 253, 282 |
| | 70002064 471 | 70004051.....53 | 70004509.. 250, 253, 282 |
| | 70002088 .. 429, 437, 446 | 70004052.....53 | 70004510 .. 250, 253, 282 |
| | 70002112 . 73, 75, 77, 85, 87 | 70004055.....53 | 70004511 254 |
| | 70002200 207 | 70004056.....207 | 70004513 254 |
| | 70002234 207 | 70004058..... 207, 888 | 70004584 53 |
| | 7000224 29 | 70004060.....207 | 70004594 53 |
| | 70002290 429, 437 | 70004092.. 413, 417, 421, 425, 434, 442 | 70004595 53, 888 |
| | 70002291 434, 442 | 70004094..... 434, 442 | 70004596 53 |
| | 70002297 . 429, 433, 437, 442, 446 | 70004098.. 421, 426, 434, 442 | 70004597 53 |
| | 70002386 471, 888 | 70004099.. 417, 425, 434, 442 | 70004598 53 |
| | 7000239 29 | 70004125.....95 | 70004653 53, 888 |
| | | 70004149.....79, 81, 83 | 70004657 53 |
| | | | 70004665 53 |
| | | | 70004667 53 |
| | | | 70004676 . 413, 417, 421, 425 |
| | | | 70004677 413 |
| | | | 70004678 . 413, 417, 421, 425 |

SECTION 11 - SPECIAL OPTIONS

| | | | |
|---------------------------------|----------------------------------|---------------------------------------|-------------------------|
| 70004679..413, 417, 421, 425 | 70006095 . 434, 437, 442, 888 | 70006221 358 | 70007354.....249, 281 |
| 70004680..413, 417, 421, 425 | 70006096 434, 442 | 70006225 358 | 70007355.....281 |
| 70004681.....413, 417 | 70006097 434, 442 | 70006232 358 | 70007419.....595 |
| 70004682..413, 417, 421, 426 | 70006134 351 | 70006233 357 | 70007420.....595 |
| 70004683.....413, 417 | 70006135 351 | 70006235 358 | 70007421.....593 |
| 70004684.....421 | 70006136 351 | 70006236 358 | 70007422.....589, 593 |
| 70004685.....421, 426 | 70006144 253 | 70006264 253 | 70007423.....589, 593 |
| 70004686.....417 | 70006145 357 | 70006265 253 | 70007424.....593 |
| 70004687.....425 | 70006147 357 | 70006266 253 | 70007425.....593 |
| 70004795.....85, 87 | 70006150 357 | 70006344 603 | 70007426.....593 |
| 70005008...342, 347, 889 | 70006151 357 | 70006403 387 | 70007427.....589 |
| 70005171.....250, 282 | 70006152 357 | 70006404 387 | 70007428.....589 |
| 70005172...250, 253, 282 | 70006153 357 | 70006405 387 | 70007429.....589 |
| 70005173...250, 253, 282 | 70006154 357 | 70006406 387 | 70007430.....589 |
| 70005176.....250, 282 | 70006155 357, 889 | 70006407 387 | 70007446.....471 |
| 70005177...250, 254, 282 | 70006157 357 | 70006408 387 | 70007508.....73, 75, 77 |
| 70005181.....254 | 70006158 357 | 70006409 387 | 70007514.....601 |
| 70005184...249, 254, 281 | 70006159 357 | 70006410 387 | 70007515.....601 |
| 70005188.....254 | 70006160 357 | 70006460 .. 342, 347, 889 | 70007516.....601 |
| 70005189.....254 | 70006161 357 | 70006461 342, 347 | 70007517.....601 |
| 70005191.....255 | 70006162 357 | 70006552 . 413, 417, 421, 426 | 70007518.....601 |
| 70005194.....53 | 70006163 357 | 70006553 . 413, 417, 421, 426, 889 | 70007519.....601 |
| 70005195.....53 | 70006164 357 | 70006649 591 | 70007520.....601 |
| 70005196.....53 | 70006165 357 | 70006650 591 | 70007521.....601 |
| 70005197.....53 | 70006166 357 | 70006652 255 | 70007522.....601 |
| 70005198.....53 | 70006167 357 | 70006653 255 | 70007523.....587 |
| 70005199.....54 | 70006168 357 | 70006673 29 | 70007524.....587, 597 |
| 70005200.....54 | 70006169 357 | 70006674 29 | 70007525.....597 |
| 70005201.....54 | 70006170 357 | 70006675 29 | 70007603.....249, 281 |
| 70005202.....54 | 70006171 357, 889 | 70006676 29 | 70007725.....87 |
| 70005458.....363 | 70006172 357, 889 | 70006677 29 | 70007726.....87 |
| 70005459.....363 | 70006173 357 | 70006678 29 | 70007727.....87 |
| 70005460.....363 | 70006174 357 | 70006678 29 | 70007785.....369 |
| 70005461.....363 | 70006175 357, 889 | 70006680 29 | 70007786.....369 |
| 70005462.....363 | 70006176 357, 889 | 70006681 29 | 70007787.....369 |
| 70005463.....363 | 70006177 357 | 70006682 29 | 70007788.....369 |
| 70005464.....363 | 70006178 357 | 70006685 29 | 70007789.....369 |
| 70005465.....363 | 70006179 357 | 70006690 29 | 70007790.....369 |
| 70005504.....249 | 70006180 357 | 70006691 29 | 70007791.....369 |
| 70005527.....255 | 70006181 357 | 70006692 29 | 70007792.....369 |
| 70005594.....603 | 70006182 357 | 70006734 591 | 70007793.....369 |
| 70005647.....255 | 70006183 357 | 70006735 591 | 70007794.....369 |
| 70005648.....255, 889 | 70006184 357 | 70006736 591 | 70007795.....369 |
| 70005663.....896 | 70006185 357 | 70006799 601 | 70007796.....369 |
| 70005708.....85, 888 | 70006186 357 | 70006802 601 | 70007797.....369 |
| 70005839.....603 | 70006187 357 | 70006832 29 | 70007798.....369 |
| 70005916.....208 | 70006188 357 | 70006833 29 | 70007799.....369 |
| 70005917.....208 | 70006189 357 | 70006941 253 | 70007800.....369 |
| 70005920.....253 | 70006191 357 | 7000695 208 | 70007801.....369 |
| 70005922.....253 | 70006194 357 | 70006955 53 | 70007802.....369 |
| 70005923.....254 | 70006195 357 | 70006956 53, 888 | 70007803.....249 |
| 70005924.....254 | 70006196 358 | 70006957 53 | 70007981.....603 |
| 70005926.....254 | 70006197 358 | 70006961 53 | 70008199.....603 |
| 70005928.....254 | 70006198 358 | 70007108 358 | 70008200.....603 |
| 70005929.....254 | 70006199 358 | 70007157 587, 597 | 70008201.....603 |
| 70005931...249, 254, 281 | 70006200 358 | 70007159 587, 597 | 70008202.....603 |
| 70005932.....255 | 70006202 358 | 70007161 587, 597 | 70008203.....603 |
| 70005933.....255 | 70006203 358 | 70007246 589, 593 | 70008204.....603 |
| 70005934.....255 | 70006205 358 | 70007277 595 | 70008205.....603 |
| 70005938...250, 253, 282 | 70006206 358 | 70007278 .. 589, 593, 595 | 70008206.....603 |
| 70005941.....250, 282 | 70006207 358 | 70007279 595 | 70008207.....603 |
| 70005942...250, 253, 282 | 70006208 358 | 70007280 595 | 70008208.....603 |
| 70006093.....433, 442 | 70006213 358, 889 | 70007282 .. 589, 593, 595 | 70008209.....603 |
| 70006094.....434, 442 | 70006215 358 | 70007283 595 | 70008210.....603 |
| | 70006217 358 | 70007325 249, 281 | 70008296.....282 |
| | 70006219 358 | 70007326 249, 281 | 70008422.....250, 282 |
| | | 70007327 281 | 70008434.....281 |

SECTION 11 - SPECIAL OPTIONS

| | | | | | | | |
|----------------|----------------------------|----------------|---------------|----------------|---------------------------------|---------------|-------------------------------------|
| 70008435 | 281 | 70025139 | 253 | 70030381 | 250, 282 | 7020108 ... | 401, 403, 407, 411 |
| 70008497 | 371 | 70025140 | 253 | 70031055 | 249, 281 | 7020109 ... | 401, 403, 407, 411 |
| 70008498 | 371 | 70025142 .. | 249, 254, 281 | 70031095 | 282 | 7020110 ... | 401, 403, 407, 411 |
| 70008500 | 371 | 70025144 .. | 250, 253, 282 | 70031136 | 249 | 7020111 ... | 401, 403, 407, 411 |
| 70008501 | 371 | 70025145 .. | 250, 253, 282 | 70031138 | 249 | 7020175 | 97, 101, 105, 109, 113, 133 |
| 70008502 | 371 | 70025146 | 253 | 70031143 | 249, 281 | 7020176 | 97, 101, 105, 109, 113, 133, 888 |
| 70008504 | 371 | 70025148 | 254 | 70031144 | 249, 281 | 7020190 ... | 401, 403, 407, 411 |
| 70008505 | 371 | 70025151 | 254 | 70031388 | 249, 281 | 7020403 | 207 |
| 70008511 | 371 | 70025152 .. | 250, 253, 282 | 70031474 | 249, 281 | 7020408 | 207 |
| 70008538 | 250 | 70025153 | 888, 889 | 70031475 | 249, 281 | 7020465 ... | 207, 250, 253, 282 |
| 70008564 | 249 | 70025154 | 253 | 7004275 | 895 | 7020468 | 207 |
| 70008600 | 371 | 70025155 | 254 | 7004276 | 895 | 7020471 | 208 |
| 70008601 | 371 | 70025158 | 254 | 7004906 | 363 | 7020479 | 207 |
| 70008602 | 371 | 70025161 | 888, 889 | 7004907 | 363 | 7020492 ... | 249, 254, 281 |
| 70009020 | 329, 333 | 70025164 .. | 249, 255, 281 | 7004908 | 363 | 7021249 | 31 |
| 7001928 | 29 | 70025175 | 254 | 70050795 | 603 | 7021275 | 31, 366 |
| 70022564 .. | 587, 589, 593, 595, 597 | 70025179 | 254, 255 | 7007415 | 365, 366 | 7021276 | 31 |
| 70023369 | 587, 597 | 70025180 | 254 | 7007437 | 31 | 7021277 | 31 |
| 70023370 | 591 | 70025181 .. | 250, 253, 282 | 7007438 | 31 | 7021375 | 53, 54 |
| 70023371 | 591 | 70025182 | 254 | 7007439 | 31 | 7021625 | 27 |
| 70023380 | 589, 593 | 70025183 | 254 | 7007446 | 31 | 7021639 | 27 |
| 70023592 .. | 265, 277, 889 | 70025184 | 254 | 7010543 | 51 | 7021653 | 471 |
| 70023593 .. | 265, 277, 889 | 70025185 | 254 | 7011112 | 587 | 7022162 | 357 |
| 70023859 | 53 | 70025192 | 255 | 7011333 | 473, 477 | 7022302 | 31 |
| 70023860 | 53 | 70025200 | 254 | 7011342 | 473, 477 | 7022305 | 31 |
| 70023862 | 53 | 70025203 | 254 | 70124410 | 208 | 7022310 | 31 |
| 7002388 | 603 | 70025210 | 254, 889 | 70124440 | 208 | 7022311 | 31, 366 |
| 70024441 | 87 | 70025212 | 255 | 7012513 ... | 401, 403, 407, 411 | 7022312 | 31 |
| 70024484 | 255 | 70025231 .. | 249, 255, 281 | 7012514 ... | 401, 403, 407, 411 | 7022314 | 31, 366 |
| 70024488 | 253 | 70025233 | 255 | 7012558 | 401, 403, 407 | 7022318 | 365 |
| 70024494 | 253 | 70025235 | 254 | 7012773 | 53 | 7022326 | 31 |
| 70024502 | 254 | 70025239 | 254 | 7012914 | 471 | 7022328 | 31 |
| 70024504 | 249, 281 | 70025240 | 254 | 7012918 | 471 | 7022368 | 31 |
| 70024505 | 249 | 70025242 | 250, 281 | 7012941 | 51 | 7022371 | 31 |
| 70024507 .. | 249, 255, 281 | 70025477 | 255 | 7012944 | 51, 888 | 7022372 | 31 |
| 70024509 | 255 | 70025660 | 253 | 7012953 | 469, 471 | 7022397 | 27 |
| 70024513 .. | 249, 253, 281 | 70025733 | 255 | 7012959 | 51 | 7022399 | 27 |
| 70024517 | 253 | 70025752 | 208 | 7012965 | 471 | 7023907 | 31 |
| 70024904 .. | 250, 253, 282 | 70025753 | 208 | 7012967 | 471 | 7023908 | 31 |
| 70024905 .. | 250, 253, 282 | 70026210 .. | 249, 255, 281 | 7012970 | 469 | 7023910 | 31 |
| 70024906 .. | 250, 253, 282 | 70026287 .. | 589, 593, 595 | 7012989 | 471 | 7023911 | 471 |
| 70024912 | 249 | 70026995 | 255 | 7012998 | 471 | 7023917 | 27 |
| 70024915 | 255 | 70027259 | 601 | 7016314 | 67, 69, 71 | 7023933 | 27 |
| 70024917 | 255 | 70027405 | 249 | 7016328 | 207, 888 | 7023947 | 365 |
| 70024918 | 255 | 70027432 | 250, 282 | 7016331 ... | 207, 250, 253, 282, 888, 889 | 7023948 | 365 |
| 70024920 .. | 249, 254, 255, 281 | 70027750 | 595 | 7016652 | 895 | 7023949 | 365 |
| 70024922 | 255 | 70028185 | 253, 282 | 7016654 | 895 | 7023950 | 365 |
| 70024924 | 253 | 7002821 | 895 | 7016655 | 895 | 7023951 | 365 |
| 70024925 | 253 | 7002822 | 895 | 7017028 | 29 | 7023952 | 365 |
| 70024961 | 253 | 7002823 | 895 | 7017047 | 29 | 7023956 | 365 |
| 70025077 | 255 | 7002826 | 895 | 7017082 | 29 | 7023957 | 365 |
| 70025082 .. | 207, 208, 253 | 7002840 | 895 | 7017402 | 471 | 7023958 | 365 |
| 70025084 | 254 | 70028538 | 254, 255 | 7017452 | 471 | 7023960 | 365 |
| 70025101 | 254 | 70028540 | 249, 281 | 7017466 | 51 | 7023961 | 365 |
| 70025107 | 254 | 70028699 | 282 | 7018942 | 54 | 7023962 | 365 |
| 70025109 | 254 | 70028802 | 254 | 7018951 | 54 | 7023964 | 365, 366 |
| 70025111 | 253 | 70029407 | 249 | 7018991 | 53, 888 | 7023965 | 365 |
| 70025112 | 254 | 70029409 | 249 | 7018992 | 53 | 7023966 | 366 |
| 70025115 | 254 | 70029468 | 595 | 7019680 | 401, 403, 407 | 7023967 | 366 |
| 70025120 | 255 | 70029512 | 281 | 7020064 | 467 | | |
| 70025124 | 254 | 70029517 | 249, 281 | 7020065 | 467 | | |
| 70025130 .. | 249, 255, 281 | 70029520 | 249, 281 | 7020066 | 467 | | |
| 70025132 | 255 | 70029557 | 249, 281 | 7020067 | 467 | | |
| 70025133 | 254 | 70030097 | 250, 281 | | | | |
| 70025135 .. | 250, 253, 282 | 70030099 | 250, 281 | | | | |
| | | 70030359 | 250 | | | | |
| | | 70030360 | 249, 281 | | | | |

SECTION 11 - SPECIAL OPTIONS

| | | | |
|---------------------------|----------------------------|----------------------------|---------------------------|
| 7024021.....53 | 7026507..... 65 | 7027095 189, 192 | 8405007....232, 237, 243, |
| 7024149.....29 | 7026509..... 65 | 7027236207 | 265, 277, 297, 313 |
| 7024151.....29 | 7026597 ... 429, 434, 437, | 7027276 207 | 8405009....232, 237, 243, |
| 7024154.....29 | 442, 445 | 7027404 358 | 265, 277, 297, 313, |
| 7024190.....29 | 7026626 ... 429, 434, 437, | 7027773 555 | 340, 347 |
| 7024191.....29 | 442, 446 | 7027774 555 | 8405102.....340, 347 |
| 7024404.....65 | 7026632 185 | 7027775 555 | 8405104....232, 237, 243, |
| 7024441.....85 | 7026633 185 | 7027776 555 | 265, 277, 297, 313, |
| 7024462.....555 | 7026634 185 | 7027777 555 | 340, 347 |
| 7024463.....555 | 7026635 185 | 7027778 555 | 8405203.....340, 347 |
| 7024467.....555 | 7026636 185 | 7027779 555 | 8405204.....237 |
| 7024469.....555, 890 | 7026637 185 | 7027780 555 | 8406102....211, 215, 219, |
| 7024470.....555 | 7026638 185, 890 | 7027781 181, 183 | 232, 243, 257, 265, |
| 7024471.....549, 555 | 7026639 185 | 7027782 181, 183 | 269, 277, 285, 289, |
| 7024472.....555 | 7026640 185 | 7027783 181, 183 | 297, 301, 305, 313 |
| 7024473.....555 | 7026641 186 | 7027784 181, 183 | 8406109....232, 237, 243, |
| 7024474.....555 | 7026642 186 | 7027790 207 | 265, 277, 297, 313, |
| 7024475.....555 | 7026643 186 | 7027791 207 | 341, 347 |
| 7024478.....555 | 7026644 186 | 7027792 207 | 8406110....232, 237, 243, |
| 7024484.....429, 437 | 7026645 186 | 7027795 208, 888 | 265, 277, 297, 313 |
| 7024485....429, 437, 445, | 7026646 186 | 7027796 208 | 8406201....183, 237, 329, |
| 888 | 7026647 186 | 7027799 ... 429, 434, 437, | 333, 342, 348 |
| 7024488....430, 433, 438, | 7026648 186 | 442, 445 | 8410001.....341, 347 |
| 441, 445 | 7026649 186 | 7027887 ... 401, 403, 407, | 8410009.....342, 348 |
| 7024489....430, 433, 438, | 7026650 186 | 411 | 8410011....232, 237, 243, |
| 441, 445 | 7026651 185 | 77143013 ... 97, 101, 105, | 265, 277, 297, 313, |
| 7024508.....601 | 7026652 185 | 109, 113, 117, 121, | 341, 347 |
| 7024530.....549 | 7026653 185 | 125, 129, 133 | 8410013....211, 215, 219, |
| 7024531.....549 | 7026654 185 | 77363233 783, 785 | 232, 237, 243, 257, |
| 7024532.....549 | 7026655 185 | 80344004 29 | 265, 269, 277, 285, |
| 7024533.....549 | 7026656 185 | 80484084 769, 773 | 289, 297, 301, 305, 313 |
| 7024534.....549 | 7026658 186 | 80934561 65 | 85031405.....237 |
| 7024535.....549 | 7026659 185 | 80983191 .. 769, 774, 889 | 8580420.....41 |
| 7024536.....549 | 7026660 185 | 8220051 779 | 85941018.....328, 332 |
| 7024537.....549 | 7026661 185 | 8220115 769 | 8770050....611, 617, 623, |
| 7024561.....429, 437 | 7027053 189, 191 | 8220164 763 | 629, 635, 641, 647, 653 |
| 7024579....208, 250, 253, | 7027084 ... 211, 215, 257, | 8229242 ... 769, 774, 803, | 8770157....635, 641, 647, |
| 282 | 269, 285, 289, 301, | 888, 889 | 653 |
| 7024598.....397, 399 | 305, 328, 333 | 8229249 581, 809, 889 | 88261024.....469 |
| 7024782.....29 | 7027085 ... 211, 215, 257, | 8270147 ... 189, 191, 211, | 88261039.....156 |
| 7024854.....31 | 269, 285, 289, 301, | 215, 257, 269, 285, | 88411013.....715 |
| 7024864.....366 | 305, 328, 333 | 289, 301, 305, 328, 333 | 88521008.....473, 477 |
| 7024866.....366 | 7027086 ... 211, 215, 257, | 8273291 342, 347 | 88521205.....91, 93 |
| 7024867.....365 | 269, 285, 289, 301, | 8305401 340, 346 | 88521214..571, 573, 575, |
| 7024868.....31, 365 | 305, 328, 333 | 8307109 340, 346 | 577, 579 |
| 7024881.....27 | 7027087 ... 211, 215, 257, | 8310070 164, 168, 172 | 88662523...164, 168, 172 |
| 7026188....429, 437, 445 | 269, 285, 289, 301, 305 | 8310129 559, 561 | 8896941.....895 |
| 7026197.....65 | 7027088 ... 211, 215, 257, | 8310548 340, 346 | 91143177.....658 |
| 7026199....401, 403, 407 | 269, 285, 289, 302, | 83304173 85, 87 | 91164079.....471 |
| 7026503.....65 | 306, 328, 333 | 8405006 ... 211, 215, 219, | 91203039...463, 473, 477 |
| 7026504.....65 | 7027092 189, 191 | 257, 269, 285, 289, | 91401281.....91 |
| 7026505.....65 | 7027093 189, 191 | 301, 305, 319, 321, | 91403102..232, 244, 888, |
| 7026506.....65 | 7027094 189, 191 | 323, 340, 346, 387 | 889 |



**Corporate Office
JLG Industries, Inc.
1 JLG Drive
McConnellsburg, PA 17233-9533 USA
☎ (717) 485-5161 (Corporate)
☎ (877) 554-5438 (Customer Support)
📠 (717) 485-6417**

**Visit our website for JLG Worldwide Locations.
www.jlg.com**



OSHKOSH™