



Illustrated Parts Manual

1500SJ

PVC 2407

3122321600

July 1, 2024 - Rev A

ANSI  **CE** 
AS/NZS

English (en-US)

REVISION LOG

July 1, 2024 - A - Original Issue Of Manual (Edited to B/M 1001261500 Revision AJ)

GENERAL INFORMATION



1) MACHINE IDENTIFICATION

Machines are identified by model and in some cases a combination of models, serial number (SN) or regional standard (i.e ANSI, CE, CSA). Components may also be identified by SN or manufacturer. Common components that may be identified by these characteristics are engines and hydraulic components.

2) PARTS MANUAL ORGANIZATION

Product information in this manual is organized under section titles. Frame, Cylinder, Hydraulic and Electrical are a few examples. Each section is organized by figure and page number. The information within the Figure is then organized by item number, part number, description and corresponding illustration (s).

3) TABLE OF CONTENTS (NOT SHOWN)

A table of contents is found toward the beginning of the manual. Figure number, description and page number are provided for quick reference to the page containing the related information.

4) RECOMMENDED SPARE PARTS (NOT SHOWN)

The Recommended Spare Parts List, located near the end of the manual, reference most frequently used maintenance parts.

5) PART NUMBER INDEX (NOT SHOWN)

A numerical index listing all part numbers and the corresponding page number(s) appears at the back of the manual.

GENERAL INFORMATION

6) NON-SERVICED PARTS

In some instances, it is necessary to display non-serviced parts, assemblies or installations. In the case of assemblies and installations there will be a Ref in the Qty. column. In case of parts that are not available for service within assemblies or components, there will be a NSS (Not Sold Separately) or NLA (No Longer Available) listed in the Qty. column of the manual.

7) PARTS LIST ITEM NUMBERS

Numbers shown in the item# column correspond to numbers used in the associated illustration (s). Item numbers which are missing from the sequence in the parts list are not used on that page.

8) INDENTED PARTS DESCRIPTION

An indented part description is included in the item under which it is indented.

9) ABBREVIATION AND SYMBOLS

AC.....	Alternating Current	L.....	Liter
ADE.....	Advanced Design Electronics	LB(LBS).....	Pounds
AG.....	Agricultural	LCD.....	Liquid Crystal Display
ANSI.....	American National Standards Institute	LED.....	Light Emitting Diodes
AR.....	As Required	LH.....	Left Hand
ASSY.....	Assembly	LRC.....	Low Rated Countries
AUS.....	Australia	LSS.....	Load Sensing System
AUX.....	Auxiliary	M(m).....	Metric/Meter
AWG.....	American Wire Gauge	MM(mm).....	Milimeter
B/M.....	Bill of Material	mA.....	Miliamps
CAC.....	Charge Air Cooler	NLA.....	No Longer Available
CE.....	European Conformity	NPT.....	National Pipe Threads
CCW.....	Counter Clockwise	NSS.....	Not Sold Separately
CM.....	Centimeter	OD.....	Outside Diameter
CW.....	Clockwise	ORB.....	O-Ring Boss
CSA.....	Canadian Standards Association	ORFS.....	O-Ring Face Seal
CYL.....	Cylinder	OZ (oz).....	Ounces
DIA.....	Diameter	PG.....	Page
DC.....	Direct Current	PN.....	Part Number
DEF.....	Diesel Exhaust Fluid	QT(qt.).....	Quarts
EMS.....	Emergency Stop	QTY.....	Quantity
ENG.....	Engine	REF.....	Reference
FT(ft).....	Feet	REV.....	Revision Level
GA(Ga).....	Gauge	RH.....	Right Hand
HRC.....	High Rated Countries	SAE.....	Society of Automotive Engineers
HVAC.....	Heating, Ventilating, and Air Conditioning	SN.....	Serial Number
HYD.....	Hydraulic	SPEC(S).....	Specifications
Hz.....	Hertz	T/T.....	Turntable
ID.....	Inside Diameter	UGM.....	Universal Ground Module
IN.....	inches	V.....	Volts
ISO.....	International Organization for Standards	W.....	Watts
JIC.....	Joint Industry Council	#.....	Number
KG.....	Kilogram		

10) ILLUSTRATION REFERENCE LETTERS

When necessary, illustrations may contain reference letters that are intended to track information (i. e. hoses, harnesses) from one point to another or to track visual enlargement of components to show details that may be located in another area on the illustration.

Note: Due to continuous product improvements, JLG Industries, Inc. reserves the right to make specification changes without prior notification. Contact JLG Industries, Inc. for updated information.

TABLE OF CONTENTS

SECTION 1 - FRAME.....	17
FIGURE 1-1. AXLE INSTALLATION - FIXED.....	18
FIGURE 1-2. AXLE INSTALLATION - OSCILLATING.....	22
FIGURE 1-3. STEER INSTALLATION.....	26
FIGURE 1-4. WHEEL DRIVE INSTALLATION - REGGIANA RIDUTTORI	28
FIGURE 1-5. DRIVE HUB AND MOTOR ASSEMBLY - REGGIANA RIDUTTORI.....	30
FIGURE 1-6. DRIVE HUB ASSEMBLY - REGGIANA RIDUTTORI.....	32
FIGURE 1-7. DRIVE MOTOR ASSEMBLY	36
FIGURE 1-8. DRIVE HUB AND MOTOR ASSEMBLY - PMP PUMP	38
FIGURE 1-9. DRIVE HUB ASSEMBLY - PMP PUMP.....	40
FIGURE 1-10. DRIVE MOTOR ASSEMBLY - PMP PUMP	42
FIGURE 1-11. TIRE AND WHEEL INSTALLATION - FOAM FILLED.....	44
FIGURE 1-12. TIRE AND WHEEL INSTALLATION - SOLID	46
FIGURE 1-13. TIRE AND WHEEL INSTALLATION - SOLID NON MARKING	48
FIGURE 1-14. VALVES AND MODULES INSTALLATION - FRAME MOUNTED.....	50
FIGURE 1-15. STEER VALVE ASSEMBLY	52
FIGURE 1-16. TRACTION VALVE ASSEMBLY.....	54
FIGURE 1-17. FRAME COVERS INSTALLATION - PLASTIC.....	56
FIGURE 1-18. FRAME COVERS INSTALLATION - STEEL	58
SECTION 2 - TURNTABLE.....	61
FIGURE 2-1. VALVE, MODULE AND FILTER INSTALLATION - TURNTABLE MOUNTED	62
FIGURE 2-2. BATTERY, HORN AND AUXILIARY PUMP INSTALLATION.....	64
FIGURE 2-3. MAIN VALVE ASSEMBLY	66
FIGURE 2-4. AUXILIARY PUMP ASSEMBLY.....	70
FIGURE 2-5. SWING DRIVE INSTALLATION	72
FIGURE 2-6. TURNTABLE BEARING AND LUBE INSTALLATION	74
FIGURE 2-7. TURNTABLE LOCK INSTALLATION.....	76
FIGURE 2-8. SWING MOTOR/HUB ASSEMBLY.....	78
FIGURE 2-9. ROTARY COUPLING AND COLLECTOR RING INSTALLATION.....	82
FIGURE 2-10. ROTARY COUPLING AND COLLECTOR RING INSTALLATION (MACHINES WITH SN STARTING WITH B3).....	84
FIGURE 2-11. ROTARY COUPLING AND COLLECTOR RING ASSEMBLY.....	86
FIGURE 2-12. ROTARY COUPLING AND COLLECTOR RING ASSEMBLY (MACHINES WITH SN STARTING WITH B3)	88
FIGURE 2-13. TANK INSTALLATION - WITH 31 GAL/117.31 L FUEL TANK	90
FIGURE 2-14. TANK INSTALLATION - WITH 58.2 GAL/200 L FUEL TANK.....	92
FIGURE 2-15. TANK INSTALLATION - WITH STEEL HOODS (MACHINES WITH SN STARTING WITH B3)	94
FIGURE 2-16. TANK INSTALLATION - WITH STEEL HOODS AND 200L TANK (MACHINES WITH SN STARTING WITH B3).....	96
FIGURE 2-17. HYDRAULIC OIL TANK ASSEMBLY.....	98
FIGURE 2-18. HYDRAULIC OIL TANK ASSEMBLY (MACHINES WITH SN STARTING WITH B3).....	100
FIGURE 2-19. HYDRAULIC OIL COOLER INSTALLATION - DEUTZ TD2011 ENGINES WITH REXROTH PUMPS (OPTIONAL)	102
FIGURE 2-20. HYDRAULIC OIL COOLER INSTALLATION - DEUTZ TD2011 ENGINES WITH PMP PUMPS (OPTIONAL)	104
FIGURE 2-21. HYDRAULIC OIL COOLER INSTALLATION - DEUTZ TD2011 ENGINES WITH SAUER PUMPS (OPTIONAL).....	106
FIGURE 2-22. HYDRAULIC OIL COOLER INSTALLATION - DEUTZ TCD2.9L4 ENGINES AND DEUTZ TCD2.9L4 (STAGE V) (CHINA IV) ENGINES WITH PMP PUMPS (OPTIONAL).....	108

TABLE OF CONTENTS

FIGURE 2-23. HYDRAULIC OIL COOLER INSTALLATION - DEUTZ TCD2.9L4 ENGINES AND DEUTZ TCD2.9L4 (STAGE V) ENGINES WITH REXROTH PUMPS (OPTIONAL)	110
FIGURE 2-24. HYDRAULIC OIL COOLER INSTALLATION - DEUTZ TCD2.9L4 ENGINES WITH REXROTH PUMPS (OPTIONAL) (CHINA SPEC ONLY).....	112
FIGURE 2-25. HYDRAULIC OIL COOLER INSTALLATION - DEUTZ TCD2.9L4 ENGINES AND DEUTZ TCD2.9L4 (STAGE V) (CHINA IV) ENGINES WITH SAUER PUMPS (OPTIONAL).....	114
FIGURE 2-26. HYDRAULIC OIL COOLER INSTALLATION - DEUTZ TCD2.9L4 ENGINES WITH SAUER PUMPS (OPTIONAL) (CHINA SPEC ONLY)	116
FIGURE 2-27. GROUND CONTROL BOX INSTALLATION - TD2011 ENGINES WITH REXROTH PUMPS (ANSI EXPORT (LRC) AND AUSTRALIAN SPECS).....	118
FIGURE 2-28. GROUND CONTROL BOX INSTALLATION - TD2011 ENGINES WITH REXROTH PUMPS (CE & UK CA (LRC) SPECS).....	120
FIGURE 2-29. GROUND CONTROL BOX INSTALLATION - TD2011 ENGINES WITH SAUER PUMPS (ANSI EXPORT (LRC) AND AUSTRALIAN SPECS).....	122
FIGURE 2-30. GROUND CONTROL BOX INSTALLATION - TD2011 ENGINES WITH SAUER PUMPS (CE & UK CA (LRC) SPECS).....	124
FIGURE 2-31. GROUND CONTROL BOX INSTALLATION - TCD2.9L4 ENGINES WITH REXROTH PUMPS (ANSI, ANSI EXPORT (HRC), CHINA, CSA AND JAPANESE SPECS)	126
FIGURE 2-32. GROUND CONTROL BOX INSTALLATION - DEUTZ TCD2.9L4 (STAGE V) ENGINES (CE & UK CA SPECS)	128
FIGURE 2-33. GROUND CONTROL BOX INSTALLATION - DEUTZ TCD2.9L4 ENGINE (CHINA IV)	130
FIGURE 2-34. GROUND CONTROL BOX INSTALLATION - DEUTZ TD2.9L4 ENGINE (R96).....	132
FIGURE 2-35. GROUND CONTROL BOX ASSEMBLY - DEUTZ TD2011 ENGINES AND DEUTZ TCD2.9L4 ENGINES (ALL SPECS EXCEPT CE & UK CA SPECS)	134
FIGURE 2-36. GROUND CONTROL BOX ASSEMBLY - DEUTZ TD2011 ENGINES (CE & UK CA SPECS).....	138
FIGURE 2-37. GROUND CONTROL BOX ASSEMBLY - DEUTZ TCD2.9L4 (STAGE V) ENGINES (CE & UK CA SPECS)	142
FIGURE 2-38. GROUND CONTROL BOX ASSEMBLY - DEUTZ TCD2.9L4 ENGINES (CHINA IV)	146
FIGURE 2-39. GROUND CONTROL BOX ASSEMBLY - DEUTZ TD2.9L4 ENGINE (R96)	150
FIGURE 2-40. KEYSWITCH INSTALLATION	154
FIGURE 2-41. LIGHT PANEL INSTALLATION.....	156
FIGURE 2-42. ALARMS INSTALLATION	158
FIGURE 2-43. BACKUP ALARM (WHITE NOISE) INSTALLATION	160
FIGURE 2-44. BACKUP ALARM AMBIENT (WHITE NOISE) INSTALLATION	162
FIGURE 2-45. STROBE LIGHT INSTALLATION (AMBER).....	164
FIGURE 2-46. STROBE LIGHT INSTALLATION (BLUE)	166
FIGURE 2-47. STROBE LIGHT INSTALLATION (RED)	168
FIGURE 2-48. PINION SHIELD INSTALLATION.....	170
FIGURE 2-49. ENGINE TRAY JACK INSTALLATION - DEUTZ TD2011 ENGINES.....	172
FIGURE 2-50. ENGINE TRAY JACK INSTALLATION - DEUTZ TCD2.9L4 ENGINES AND DEUTZ TCD2.9L4 (STAGE V) ENGINES	174
FIGURE 2-51. HOOD INSTALLATION - DEUTZ TD2011 ENGINES.....	176
FIGURE 2-52. HOOD INSTALLATION - DEUTZ TCD2.9L4 ENGINES	180
FIGURE 2-53. HOOD INSTALLATION - DEUTZ TCD2.9L4 (STAGE V / CHINA IV) ENGINES.....	184
SECTION 3 - ENGINE	189
FIGURE 3-1. DEUTZ TD2011 ENGINE INSTALLATION - WITH REXROTH PUMPS (WITHOUT SKYPOWER AND WITHOUT COLD WEATHER PLUS PACKAGE).....	190
FIGURE 3-2. DEUTZ TD2011 ENGINE ASSEMBLY - WITH REXROTH PUMPS (WITHOUT SKYPOWER AND WITHOUT COLD WEATHER PLUS PACKAGE)	194
FIGURE 3-3. DEUTZ TD2011 ENGINE INSTALLATION - WITH REXROTH PUMPS (WITH SKYPOWER AND WITHOUT COLD WEATHER PLUS PACKAGE)	198

TABLE OF CONTENTS

FIGURE 3-4. DEUTZ TD2011 ENGINE ASSEMBLY - WITH REXROTH PUMPS (WITH SKYPOWER AND WITHOUT COLD WEATHER PLUS PACKAGE).....	202
FIGURE 3-5. DEUTZ TD2011 ENGINE INSTALLATION - WITH REXROTH PUMPS (WITH SKYPOWER AND WITH COLD WEATHER PLUS PACKAGE).....	206
FIGURE 3-6. DEUTZ TD2011 ENGINE ASSEMBLY - WITH REXROTH PUMPS (WITH SKYPOWER AND WITH COLD WEATHER PLUS PACKAGE).....	210
FIGURE 3-7. DEUTZ TD2011 ENGINE INSTALLATION - WITH SAUER PUMPS (WITHOUT SKYPOWER AND WITHOUT COLD WEATHER PLUS PACKAGE).....	214
FIGURE 3-8. DEUTZ TD2011 ENGINE ASSEMBLY - WITH SAUER PUMPS (WITHOUT SKYPOWER AND WITHOUT COLD WEATHER PLUS PACKAGE).....	218
FIGURE 3-9. DEUTZ TD2011 ENGINE INSTALLATION - WITH SAUER PUMPS (WITH SKYPOWER AND WITHOUT COLD WEATHER PLUS PACKAGE).....	222
FIGURE 3-10. DEUTZ TD2011 ENGINE ASSEMBLY - WITH SAUER PUMPS (WITH SKYPOWER AND WITHOUT COLD WEATHER PLUS PACKAGE).....	226
FIGURE 3-11. DEUTZ TD2011 ENGINE INSTALLATION - WITH SAUER PUMPS (WITH SKYPOWER AND WITH COLD WEATHER PLUS PACKAGE).....	230
FIGURE 3-12. DEUTZ TD2011 ENGINE ASSEMBLY - WITH SAUER PUMPS (WITH SKYPOWER AND WITH COLD WEATHER PLUS PACKAGE).....	234
FIGURE 3-13. DEUTZ TD2011 ENGINE COMPONENTS.....	238
FIGURE 3-14. DEUTZ TCD2.9L4 EMR4 ENGINE INSTALLATION - WITH REXROTH PUMPS (WITHOUT COLD WEATHER PLUS PACKAGE).....	242
FIGURE 3-15. DEUTZ TCD2.9L4 EMR4 ENGINE SUB-ASSEMBLY - WITH REXROTH PUMPS (WITHOUT COLD WEATHER PLUS PACKAGE).....	246
FIGURE 3-16. DEUTZ TCD2.9L4 EMR4 ENGINE INSTALLATION - WITH REXROTH PUMPS (WITHOUT COLD WEATHER PLUS PACKAGE) (CHINA SPEC ONLY).....	248
FIGURE 3-17. DEUTZ TCD2.9L4 EMR4 ENGINE SUB-ASSEMBLY - WITH REXROTH PUMPS (WITHOUT COLD WEATHER PLUS PACKAGE) (CHINA SPEC ONLY).....	252
FIGURE 3-18. DEUTZ TCD2.9L4 EMR4 ENGINE INSTALLATION - WITH REXROTH PUMPS (WITH COLD WEATHER PLUS PACKAGE).....	254
FIGURE 3-19. DEUTZ TCD2.9L4 EMR4 ENGINE SUB-ASSEMBLY - WITH REXROTH PUMPS (WITH COLD WEATHER PLUS PACKAGE).....	258
FIGURE 3-20. DEUTZ TCD2.9L4 EMR4 ENGINE INSTALLATION - WITH SAUER PUMPS (WITHOUT COLD WEATHER PLUS PACKAGE).....	260
FIGURE 3-21. DEUTZ TCD2.9L4 EMR4 ENGINE SUB-ASSEMBLY - WITH SAUER PUMPS (WITHOUT COLD WEATHER PLUS PACKAGE).....	264
FIGURE 3-22. DEUTZ TCD2.9L4 EMR4 ENGINE INSTALLATION - WITH SAUER PUMPS (WITHOUT COLD WEATHER PLUS PACKAGE) (CHINA SPEC ONLY).....	266
FIGURE 3-23. DEUTZ TCD2.9L4 EMR4 ENGINE SUB-ASSEMBLY - WITH SAUER PUMPS (WITHOUT COLD WEATHER PLUS PACKAGE) (CHINA SPEC ONLY).....	270
FIGURE 3-24. DEUTZ TCD2.9L4 EMR4 ENGINE INSTALLATION - WITH SAUER PUMPS (WITH COLD WEATHER PLUS PACKAGE).....	272
FIGURE 3-25. DEUTZ TCD2.9L4 EMR4 ENGINE SUB-ASSEMBLY - WITH SAUER PUMPS (WITH COLD WEATHER PLUS PACKAGE).....	276
FIGURE 3-26. DEUTZ D2.9L4 EMR4 ENGINE INSTALLATION WITH PMP PUMP AND STEEL HOODS (WITHOUT COLD WEATHER PLUS PACKAGE).....	278
FIGURE 3-27. DEUTZ D2.9L4 EMR4 ENGINE SUB-ASSEMBLY WITH PMP PUMP AND ABS HOODS (WITHOUT COLD WEATHER PLUS PACKAGE).....	282
FIGURE 3-28. DEUTZ D2.9L4 EMR4 ENGINE SUB ASSEMBLY WITH PMP PUMPS AND STEEL HOODS (WITH COLD WEATHER PLUS PACKAGE).....	284
FIGURE 3-29. DEUTZ TCD2.9L4 EMR4 ENGINE ASSEMBLY - WITHOUT COLD WEATHER PLUS PACKAGE.....	286
FIGURE 3-30. DEUTZ TCD2.9L4 EMR4 ENGINE ASSEMBLY - WITHOUT COLD WEATHER PLUS PACKAGE (CHINA SPEC ONLY).....	292
FIGURE 3-31. DEUTZ TCD2.9L4 EMR4 ENGINE ASSEMBLY - WITH COLD WEATHER PLUS PACKAGE.....	298

TABLE OF CONTENTS

FIGURE 3-32. DEUTZ TCD2.9L4 (EMR4) ENGINE COMPONENTS.....	304
FIGURE 3-33. DEUTZ TC2.9L4 (R96) ENGINE INSTALLATION - WITH REXROTH PUMPS (WITHOUT COLD WEATHER PLUS PACKAGE) (WITH STEEL HOODS).....	308
FIGURE 3-34. DEUTZ TC2.9L4 (R96) ENGINE INSTALLATION - WITH REXROTH PUMPS (WITH COLD WEATHER PLUS PACKAGE) (WITH STEEL HOODS).....	312
FIGURE 3-35. DEUTZ TC2.9L4 (R96) ENGINE INSTALLATION - WITH SAUER PUMPS (WITHOUT COLD WEATHER PLUS PACKAGE) (WITH STEEL HOODS).....	316
FIGURE 3-36. DEUTZ TC2.9L4 (R96) ENGINE INSTALLATION - WITH SAUER PUMPS (WITH COLD WEATHER PLUS PACKAGE) (WITH STEEL HOODS).....	320
FIGURE 3-37. DEUTZ TC2.9L4 (R96) ENGINE SUB-ASSEMBLY - WITH REXROTH PUMPS (WITHOUT COLD WEATHER PLUS PACKAGE) (WITH STEEL HOODS)	324
FIGURE 3-38. DEUTZ TC2.9L4 (R96) ENGINE SUB-ASSEMBLY - WITH REXROTH PUMPS (WITH COLD WEATHER PLUS PACKAGE) (WITH STEEL HOODS).....	326
FIGURE 3-39. DEUTZ TC2.9L4 (R96) ENGINE SUB-ASSEMBLY - WITH SAUER PUMPS (WITHOUT COLD WEATHER PLUS PACKAGE) (WITH STEEL HOODS).....	328
FIGURE 3-40. DEUTZ TC2.9L4 (R96) ENGINE SUB-ASSEMBLY - WITH SAUER PUMPS (WITH COLD WEATHER PLUS PACKAGE) (WITH STEEL HOODS).....	330
FIGURE 3-41. DEUTZ TC2.9L4 (R96) ENGINE ASSEMBLY (WITHOUT COLD WEATHER PLUS PACKAGE) (WITH STEEL HOODS).....	332
FIGURE 3-42. DEUTZ TC2.9L4 (R96) ENGINE ASSEMBLY (WITH COLD WEATHER PLUS PACKAGE) (WITH STEEL HOODS)	338
FIGURE 3-43. DEUTZ TCD2.9L4 (R96) ENGINE COMPONENTS	344
FIGURE 3-44. DEUTZ D2.9L4 EMR5 ENGINE INSTALLATION WITH REXROTH PUMPS (WITH COLD WEATHER PLUS PACKAGE).....	346
FIGURE 3-45. DEUTZ D2.9L4 EMR5 ENGINE INSTALLATION WITH PMP PUMP (WITH COLD WEATHER PLUS PACKAGE)	350
FIGURE 3-46. DEUTZ D2.9L4 EMR5 ENGINE INSTALLATION WITH PMP PUMP AND STEEL HOODS (WITH COLD WEATHER PLUS PACKAGE)	354
FIGURE 3-47. DEUTZ D2.9L4 EMR5 ENGINE INSTALLATION WITH PMP PUMP AND STEEL HOODS (WITHOUT COLD WEATHER PLUS PACKAGE)	358
FIGURE 3-48. DEUTZ D2.9L4 EMR5 ENGINE INSTALLATION WITH REXROTH PUMPS AND STEEL HOODS (WITHOUT COLD WEATHER PLUS PACKAGE).....	362
FIGURE 3-49. DEUTZ D2.9L4 EMR5 ENGINE INSTALLATION WITH SAUER PUMPS AND STEEL HOODS (WITH COLD WEATHER PLUS PACKAGE)	366
FIGURE 3-50. DEUTZ D2.9L4 EMR5 ENGINE INSTALLATION WITH SAUER PUMPS AND STEEL HOODS (WITHOUT COLD WEATHER PLUS PACKAGE)	370
FIGURE 3-51. DEUTZ D2.9L4 EMR5 ENGINE SUB-ASSEMBLY WITH PMP PUMPS (WITH COLD WEATHER PLUS PACKAGE).....	374
FIGURE 3-52. DEUTZ D2.9L4 EMR5 ENGINE SUB-ASSEMBLY WITH PMP PUMPS (WITHOUT COLD WEATHER PLUS PACKAGE).....	376
FIGURE 3-53. DEUTZ D2.9L4 EMR5 ENGINE SUB-ASSEMBLY WITH REXROTH PUMPS (WITH COLD WEATHER PLUS PACKAGE).....	378
FIGURE 3-54. DEUTZ D2.9L4 EMR5 ENGINE SUB-ASSEMBLY WITH REXROTH PUMPS (WITHOUT COLD WEATHER PLUS PACKAGE).....	380
FIGURE 3-55. DEUTZ D2.9L4 EMR5 ENGINE SUB-ASSEMBLY WITH SAUER PUMPS (WITH COLD WEATHER PLUS PACKAGE).....	382
FIGURE 3-56. DEUTZ D2.9L4 EMR5 ENGINE SUB-ASSEMBLY WITH SAUER PUMPS (WITHOUT COLD WEATHER PLUS PACKAGE).....	384
FIGURE 3-57. DEUTZ D2.9L4 EMR ENGINE ASSEMBLY (WITH COLD WEATHER PLUS PACKAGE)	386
FIGURE 3-58. DEUTZ D2.9L4 EMR ENGINE ASSEMBLY (WITHOUT COLD WEATHER PLUS PACKAGE).....	392
FIGURE 3-59. DEUTZ TCD2.9L4 (EMR5) ENGINE COMPONENTS.....	398
FIGURE 3-60. DEUTZ TCD2.9L4 ENGINE COMPONENTS (CHINA SPEC ONLY)	402
FIGURE 3-61. DEUTZ TCD2.9L4 (CHINA IV) ENGINE INSTALLATON	406

TABLE OF CONTENTS

FIGURE 3-62. DEUTZ TCD2.9L4 (CHINA IV) ENGINE INSTALLATION WITH PMP PUMPS	410
FIGURE 3-63. DEUTZ TCD2.9L4 (CHINA IV) ENGINE AND PUMP SUB - ASSEMBLY.....	414
FIGURE 3-64. DEUTZ TCD2.9L4 (CHINA IV) ENGINE AND PUMP SUB-ASSEMBLY (WITH PMP PUMPS).....	416
FIGURE 3-65. DEUTZ TCD2.9L4 (CHINA IV) ENGINE ASSEMBLY	418
FIGURE 3-66. DEUTZ TCD2.9L4 (CHINA IV) ENGINE COMPONENTS.....	424
FIGURE 3-67. DEUTZ TCD2.9L4 (STAGE V) DIESEL ENGINE INSTALLATION - WITH SAUER PUMPS (WITHOUT COLD WEATHER PLUS PACKAGE).....	428
FIGURE 3-68. DEUTZ TCD2.9L4 (STAGE V) DIESEL ENGINE INSTALLATION - WITH REXROTH PUMPS (WITHOUT COLD WEATHER PLUS PACKAGE).....	432
FIGURE 3-69. DEUTZ TCD2.9L4 (STAGE V) ENGINE INSTALLATION WITH PMP PUMPS	436
FIGURE 3-70. DEUTZ TCD2.9L4 (STAGE V) ENGINE SUB-ASSEMBLY - WITH REXROTH PUMP AND ABS HOODS (WITHOUT COLD WEATHER PLUS PACKAGE)	440
FIGURE 3-71. DEUTZ TCD2.9L4 (STAGE V) ENGINE SUB-ASSEMBLY - WITH SAUER PUMP AND ABS HOODS (WITHOUT COLD WEATHER PLUS PACKAGE)	442
FIGURE 3-72. DEUTZ D2.9L4 (STAGE V) ENGINE SUB ASSEMBLY WITH PMP PUMPS AND ABS HOODS (WITHOUT COLD WEATHER PLUS PACKAGE).....	444
FIGURE 3-73. DEUTZ TCD2.9L4 (STAGE V) ENGINE ASSEMBLY (WITHOUT COLD WEATHER PLUS PACKAGE).....	446
FIGURE 3-74. DEUTZ TCD2.9L4 (STAGE V) ENGINE COMPONENTS.....	452
FIGURE 3-75. PUMP ASSEMBLY (REXROTH) (DEUTZ TD2011 ENGINES)	454
FIGURE 3-76. PUMP ASSEMBLY (REXROTH) (DEUTZ TCD2.9L4 ENGINES).....	460
FIGURE 3-77. PUMP ASSEMBLY (SAUER TANDEM).....	466
FIGURE 3-78. PUMP ASSEMBLY (SAUER PISTON)	470
FIGURE 3-79. PUMP ASSEMBLY (SAUER GEAR).....	474
FIGURE 3-80. PUMP ASSEMBLY (PMP TANDEM)	476
FIGURE 3-81. PUMP ASSEMBLY (PMP PISTON).....	478
FIGURE 3-82. PUMP COUPLING KIT	480
FIGURE 3-83. BREATHER HEATER INSTALLATION - DEUTZ TCD2.9L4 ENGINES, DEUTZ TCD2.9L4 (STAGE V PRE-BUY) ENGINES AND DEUTZ TCD2.9L4 (STAGE V) ENGINES WITH ARCTIC PACKAGE	482
FIGURE 3-84. FUEL-WATER SEPARATOR INSTALLATION - DEUTZ TD2011 (OPTIONAL)	484
FIGURE 3-85. FUEL PUMP/FILTER BRACKET ASSEMBLY (DEUTZ TCD2.9L4 ENGINE AND DEUTZ TCD2.9L4 (STAGE V PRE-BUY) ENGINE).....	486
FIGURE 3-86. FUEL PUMP/FILTER BRACKET ASSEMBLY - DEUTZ TCD2.9L4 ENGINE	488
FIGURE 3-87. FUEL FILTER/WATER SEPARATOR INSTALLATION - DEUTZ TCD2.9L4 ENGINE	490
FIGURE 3-88. QUICKFIT OIL VALVE ASSEMBLY.....	492
FIGURE 3-89. SPARK ARRESTOR INSTALLATION (SN 0300314457 to Present, Including 0300314182).....	494
FIGURE 3-90. 4000W GENERATOR INSTALLATION - 60HZ SPECS (DEUTZ TD2011 ENGINES).....	496
FIGURE 3-91. 4000W GENERATOR INSTALLATION - 50HZ SPECS (DEUTZ TD2011 ENGINES).....	500
FIGURE 3-92. 4000W GENERATOR INSTALLATION - 60HZ SPEC (DEUTZ TCD2.9L4 ENGINES)	504
FIGURE 3-93. 4000W GENERATOR INSTALLATION - 50HZ SPEC (DEUTZ TCD2.9L4 ENGINES AND DEUTZ TCD2.9L4 (STAGE V) ENGINES)	508
FIGURE 3-94. 7500W SKYPOWER GENERATOR INSTALLATION - 60HZ SPEC (DEUTZ TD2011 ENGINES) (OPTIONAL).	512
FIGURE 3-95. 7500W SKYPOWER GENERATOR INSTALLATION - 50HZ SPEC (DEUTZ TD2011 ENGINES) (OPTIONAL).	516
FIGURE 3-96. 7500W SKYPOWER GENERATOR INSTALLATION - 60HZ SPEC (DEUTZ TCD2.9L4 ENGINES) (OPTIONAL)	520
FIGURE 3-97. 7500W SKYPOWER GENERATOR INSTALLATION - 50HZ SPEC (DEUTZ TCD2.9L4 ENGINES AND DEUTZ TCD2.9L4 (STAGE V ENGINES) (OPTIONAL)	524
SECTION 4 - BOOM.....	527
FIGURE 4-1. BOOM INSTALLATION - WITHOUT COLD WEATHER PLUS PACKAGE	528

TABLE OF CONTENTS

FIGURE 4-2. BOOM INSTALLATION - WITH COLD WEATHER PLUS PACKAGE.....	530
FIGURE 4-3. BOOM ASSEMBLY - WITHOUT COLD WEATHER PLUS PACKAGE	532
FIGURE 4-4. BOOM ASSEMBLY - WITH COLD WEATHER PLUS PACKAGE.....	538
FIGURE 4-5. WIRE ROPE TOOLS INSTALLATION (OPTIONAL)	544
FIGURE 4-6. JIB INSTALLATION	546
FIGURE 4-7. JIB BOOM ASSEMBLY	550
FIGURE 4-8. PLATFORM ROTATOR ASSEMBLY	552
FIGURE 4-9. JIB ROTATE ACTUATOR ASSEMBLY	554
FIGURE 4-10. POWER TRACK INSTALLATION.....	556
FIGURE 4-11. BOOM SENSORS AND SWITCHES INSTALLATION	560
FIGURE 4-12. BOOM SENSORS AND SWITCHES INSTALLATION MACHINES WITH SN STARTING WITH B3.....	564
FIGURE 4-13. VALVES INSTALLATION - BOOM MOUNTED	568
FIGURE 4-14. PLATFORM VALVE ASSEMBLY	570
FIGURE 4-15. JIB VALVE ASSEMBLY.....	572
FIGURE 4-16. ENCLOSURE BOX ASSEMBLY	576
FIGURE 4-17. PLATFORM SUPPORT INSTALLATION	578
SECTION 5 - PLATFORM.....	581
FIGURE 5-1. PLATFORM ASSEMBLY - 30IN X 3FT (76CM X .91M) - DROP BAR ENTRY	582
FIGURE 5-2. PLATFORM ASSEMBLY - 30IN X 4FT (76CM X 1.22M) - SIDE GATE ENTRY	584
FIGURE 5-3. PLATFORM ASSEMBLY - 36IN X 6FT (91.5CM X 1.83M) WITH SWING GATE	586
FIGURE 5-4. PLATFORM ASSEMBLY - 36IN X 6FT (91.5CM X 1.83M) TRI-ENTRY WITH SWING GATE	588
FIGURE 5-5. PLATFORM ASSEMBLY - 36IN X 8FT (91.5CM X 2.44M) WITH SWING GATE	590
FIGURE 5-6. PLATFORM ASSEMBLY - 36IN X 8FT (91.5CM X 2.44M) WITH TRI-ENTRY (1 GATE/2 DROP BARS).....	592
FIGURE 5-7. PLATFORM ASSEMBLY - 30IN X 4FT (76CM X 1.22M) WITH DROP BAR	594
FIGURE 5-8. PLATFORM ASSEMBLY - 36IN X 6FT (91.5CM X 1.83M) WITH DROP BAR	596
FIGURE 5-9. PLATFORM ASSEMBLY - 36IN X 6FT (91.5CM X 1.83M) TRI-ENTRY WITH DROPBAR	598
FIGURE 5-10. PLATFORM ASSEMBLY - 36IN X 8FT (91.5CM X 2.44M) WITH DROP BAR	600
FIGURE 5-11. PLATFORM ASSEMBLY - 36IN X 8FT (91.5CM X 2.44M) WITH TRI-ENTRY (3 DROP BARS).....	602
FIGURE 5-12. PLATFORM ASSEMBLY - 36IN X 8FT (91.5CM X 2.44M) WITH FALL ARREST (ANSI SPECS)	604
FIGURE 5-13. PLATFORM ASSEMBLY - 36IN X 8FT (91.5CM X 2.44M) WITH FALL ARREST (AUSTRALIAN SPECS)	606
FIGURE 5-14. PLATFORM CONSOLE BOX INSTALLATION.....	608
FIGURE 5-15. PLATFORM CONSOLE ASSEMBLY	610
FIGURE 5-16. FALL ARREST INSTALLATION (BOLT - ON EXTERNAL) 4FFT/1.22M PLATFORM).....	614
FIGURE 5-17. FALL ARREST INSTALLTION (BOLT-ON EXTERNAL) (6FT/1.82M PLATFORM)	616
FIGURE 5-18. FALL ARREST INSTALLTION (BOLT-ON EXTERNAL) (6FT/1.82M TRI-ENTRY PLATFORM)	618
FIGURE 5-19. FALL ARREST INSTALLTION (BOLT-ON EXTERNAL) (8FT/2.4M PLATFORM)	620
FIGURE 5-20. FOOTSWITCH ASSEMBLY	622
FIGURE 5-21. LCD DISPLAY INSTALLATION.....	624
FIGURE 5-22. LIGHT PANEL INSTALLATION - PLATFORM CONSOLE.....	626
FIGURE 5-23. PLASMA CUTTER ASSEMBLY	628
FIGURE 5-24. SKYCUTTER INSTALLATION	630
FIGURE 5-25. SKYEYE INSTALLATION.....	632
FIGURE 5-26. SKYGLAZIER INSTALLATIONS (ANSI, AUSTRALIAN AND CSA SPECS)	634
FIGURE 5-27. SKYGUARD BAR INSTALLATION.....	636
FIGURE 5-28. SKYLINE INSTALLATION.....	638

TABLE OF CONTENTS

FIGURE 5-29. SKYWELDER INSTALLATION (50HZ).....	640
FIGURE 5-30. SKYWELDER INSTALLATION (60HZ).....	642
FIGURE 5-31. SKYWELDER PREP PACKAGE (60HZ).....	644
FIGURE 5-32. SKYWELDER/SKYCUTTER COMBO INSTALLATION (60HZ).....	646
FIGURE 5-33. TRAY INSTALLATION.....	650
FIGURE 5-34. USB CHARGER INSTALLATION.....	652
FIGURE 5-35. WELDER ASSEMBLY.....	654
FIGURE 5-36. WELDER ASSEMBLY (CST282).....	656
SECTION 6 - CYLINDER.....	659
FIGURE 6-1. AXLE EXTENSION CYLINDER ASSEMBLY.....	660
FIGURE 6-2. AXLE LOCKOUT CYLINDER ASSEMBLY.....	662
FIGURE 6-3. LEVEL (JIB) CYLINDER ASSEMBLY - WITH OR WITHOUT COLD WEATHER PLUS PACKAGE.....	664
FIGURE 6-4. LEVEL (PLATFORM) CYLINDER ASSEMBLY.....	666
FIGURE 6-5. LIFT (BOOM) CYLINDER ASSEMBLY.....	668
FIGURE 6-6. LIFT (JIB) CYLINDER ASSEMBLY.....	670
FIGURE 6-7. LOCK (JIB) CYLINDER ASSEMBLY.....	672
FIGURE 6-8. STEER CYLINDER ASSEMBLY.....	674
FIGURE 6-9. TELESCOPE (JIB) CYLINDER ASSEMBLY.....	676
FIGURE 6-10. TELESCOPE (MAIN BOOM) CYLINDER ASSEMBLY.....	678
SECTION 7 - HYDRAULIC.....	681
FIGURE 7-1. HYDRAULIC DIAGRAM - BOOM.....	682
FIGURE 7-2. HYDRAULIC DIAGRAM - DRIVE.....	686
FIGURE 7-3. HYDRAULIC DIAGRAM - OSCILLATING AXLE.....	690
FIGURE 7-4. HYDRAULIC DIAGRAM - STEER.....	692
FIGURE 7-5. HYDRAULIC DIAGRAM - TURNTABLE (DEUTZ TD2011 ENGINE MACHINES WITH REXROTH PUMPS).....	694
FIGURE 7-6. HYDRAULIC DIAGRAM - TURNTABLE (DEUTZ TCD2.9L4 ENGINE MACHINES WITH REXROTH PUMPS)....	696
FIGURE 7-7. HYDRAULIC DIAGRAM - TURNTABLE (DEUTZ TD2011 AND DEUTZ TCD2.9L4 ENGINE MACHINES WITH SAUER PUMPS).....	698
FIGURE 7-8. HYDRAULIC DIAGRAM - TURNTABLE (WITH PMP PUMPS).....	700
SECTION 8 - ELECTRICAL.....	703
FIGURE 8-1. AC BOX AT PLATFORM - 110V (ANSI SPECS).....	704
FIGURE 8-2. AC BOX AT PLATFORM - 110V GFI RECEPTACLE (ANSI SPECS).....	706
FIGURE 8-3. AC BOX AT PLATFORM - 220V GFI RECEPTACLE (ANSI SPECS).....	708
FIGURE 8-4. AC BOX AT PLATFORM INSTALLATION - BOX WITH COVER (2X4 BOX) WITH 4000W GENERATOR (ANSI EXPORT, AUSTRALIAN, CHINA AND JAPANESE SPECS).....	710
FIGURE 8-5. AC BOX AT PLATFORM INSTALLATION - 110V IEC 60309 YELLOW WITHOUT 2500W GENERATOR (CE & UK CA SPECS).....	712
FIGURE 8-6. AC BOX AT PLATFORM INSTALLATION - 110V IEC 60309 YELLOW WITH 4000W GENERATOR (CE & UK CA SPECS).....	714
FIGURE 8-7. AC BOX AT PLATFORM INSTALLATION - 220V IEC 60309 BLUE WITHOUT 2500W GENERATOR (CE & UK CA SPECS).....	716
FIGURE 8-8. AC BOX AT PLATFORM INSTALLATION - 220V IEC 60309 BLUE WITH 4000W GENERATOR (CE & UK CA SPECS).....	718
FIGURE 8-9. AC BOX AT PLATFORM INSTALLATION - 220V CEE7 POST GROUND (2X4 BOX) WITHOUT 2500W GENERATOR (CE & UK CA SPECS).....	720

TABLE OF CONTENTS

FIGURE 8-10. AC BOX AT PLATFORM INSTALLATION - 220V CEE7 POST GROUND (2X4 BOX) WITH 4000W GENERATOR (CE & UK CA SPECS)	722
FIGURE 8-11. AC BOX AT PLATFORM INSTALLATION - 220V CEE7 SIDE GROUND (2X4 BOX) WITHOUT 2500W GENERATOR (CE & UK CA SPECS).....	724
FIGURE 8-12. AC BOX AT PLATFORM INSTALLATION - 220V CEE7 SIDE GROUND (2X4 BOX) WITH 4000W GENERATOR (CE & UK CA SPECS)	726
FIGURE 8-13. AC BOX AT PLATFORM INSTALLATION - 220V AFSINT 107 KEYED GROUND (2X4 BOX) WITHOUT 2500W GENERATOR (CE & UK CA SPECS).....	728
FIGURE 8-14. AC BOX AT PLATFORM INSTALLATION - 220V AFSINT 107 KEYED GROUND (2X4 BOX) WITH 4000W GENERATOR (CE & UK CA SPECS).....	730
FIGURE 8-15. AC BOX AT PLATFORM INSTALLATION - 240V (WITH 7500W SKYPOWER GENERATOR) (ALL SPECS EXCEPT AUSTRALIAN, CHINA, CE & UK CA SPECS).....	732
FIGURE 8-16. AC BOX AT PLATFORM INSTALLATION - 240V (WITH 4000W GENERATOR) (ALL SPECS EXCEPT AUSTRALIAN, CHINA, CE & UK CA SPECS)	734
FIGURE 8-17. AC 16 AMP BREAKER BOX INSTALLATION (CE & UK CA SPECS)	736
FIGURE 8-18. BATTERY DISCONNECT INSTALLATION	738
FIGURE 8-19. BEACON LIGHT HARNESS.....	740
FIGURE 8-20. B.L.A.M. HARNESS.....	742
FIGURE 8-21. B.L.A.M. TO BOOM LENGTH SENSOR HARNESS	744
FIGURE 8-22. B.L.A.M. TO BOOM ANGLE SENSOR HARNESS (LEFT SIDE)	746
FIGURE 8-23. B.L.A.M. TO BOOM ANGLE SENSOR HARNESS (RIGHT SIDE).....	748
FIGURE 8-24. BOOM CABLES INSTALLATION (ANSI, CSA AND JAPANESE SPECS).....	750
FIGURE 8-25. BOOM CABLES INSTALLATION - WITH 4000W 60HZ GENERATOR (ALL SPECS EXCEPT AUSTRALIAN, CE & UK CA SPECS).....	752
FIGURE 8-26. BOOM CABLES INSTALLATION - WITH 4000W 50HZ GENERATOR (ANSI EXPORT, AUSTRALIAN, CHINA, CE & UK CA SPECS).....	754
FIGURE 8-27. BOOM CABLES INSTALLATION - WITH 7500W GENERATOR.....	756
FIGURE 8-28. BOOM CYLINDER ANGLE HARNESS	758
FIGURE 8-29. BREAKER BOX KIT - 16 AMP	760
FIGURE 8-30. BREAKER BOX KIT - 16 AMP (4000W GENERATOR)	762
FIGURE 8-31. BREAKER BOX KIT - 16 AMP/30MA	764
FIGURE 8-32. CLEARSKY INSTALLATION - 3G CANBUS CONNECTION (ANSI EXPORT, CE & UK CA SPECS)	766
FIGURE 8-33. CLEARSKY INSTALLATION - 3G CANBUS CONNECTION (AUSTRALIAN SPECS)	768
FIGURE 8-34. CLEARSKY INSTALLATION - 4G CANBUS CONNECTION (ALL SPECS EXCEPT CHINA SPECS).....	770
FIGURE 8-35. CLEARSKY INSTALLATION - 4G CANBUS CONNECTION (CHINA SPECS).....	772
FIGURE 8-36. CLEARSKY INSTALLATION 3-WIRE CONNECTION (ALL SPECS EXCEPT CHINA SPECS)	774
FIGURE 8-37. CLEARSKY HARNESS - 3G & 4G CANBUS CONNECTIONS.....	776
FIGURE 8-38. CLEARSKY HARNESS - 3 WIRE GT1030.....	778
FIGURE 8-39. CLEARSKY CONTROL MODULE ASSEMBLY	780
FIGURE 8-40. CHASSIS HARNESS.....	782
FIGURE 8-41. DIAGNOSTIC HARNESS	784
FIGURE 8-42. ENGINE HARNESS - DEUTZ TD2011 ENGINES.....	786
FIGURE 8-43. ENGINE HARNESS - DEUTZ TCD2.9L4 ENGINES	788
FIGURE 8-44. ENGINE HARNESS - DEUTZ TCD2.9L4 (CHINA IV) ENGINES	792
FIGURE 8-45. ENGINE HARNESS - DEUTZ TCD2.9L4 & DEUTZ TCD2.9L4 (STAGE V) ENGINES.....	796
FIGURE 8-46. FUEL FILTER HARNESS - DEUTZ TCD2.9L4 ENGINES	800
FIGURE 8-47. FUEL HARNESS - DEUTZ TCD2.9L4 & DEUTZ TCD2.9L4 (STAGE V PRE-BUY) ENGINES	802
FIGURE 8-48. GENERATOR HARNESS - 4000W GENERATOR	804

TABLE OF CONTENTS

FIGURE 8-49. GENERATOR HARNESS - 7500W GENERATOR.....	806
FIGURE 8-50. GROUND CONTROL BOX HARNESS.....	808
FIGURE 8-51. GROUND CONTROL BOX HARNESS (R96).....	812
FIGURE 8-52. INTERFACE HARNESS.....	816
FIGURE 8-53. JIB BOOM CONTROL HARNESS.....	818
FIGURE 8-54. JIB ENABLE HARNESS.....	820
FIGURE 8-55. JIB VALVE HARNESS.....	822
FIGURE 8-56. LCD DISPLAY HARNESS.....	824
FIGURE 8-57. LOAD SENSING PIN HARNESS.....	826
FIGURE 8-58. MAIN BOOM CONTROL HARNESS.....	828
FIGURE 8-59. PLATFORM CONSOLE BOX HARNESS.....	830
FIGURE 8-60. PLATFORM VALVE HARNESS.....	832
FIGURE 8-61. PUMP HARNESS.....	834
FIGURE 8-62. PUMP ADAPTER HARNESS - SAUER PUMP TO REXROTH PUMP.....	836
FIGURE 8-63. RECEPTACLE BOX KIT - 110V IEC YELLOW WITHOUT 2500W GENERATOR (CE & UK CA SPECS).....	838
FIGURE 8-64. RECEPTACLE BOX KIT - 220V IEC BLUE WITHOUT 2500W GENERATOR (CE & UK CA SPECS).....	840
FIGURE 8-65. RECEPTACLE BOX KIT - 220V CEE7 POST GROUND WITHOUT 2500W GENERATOR (2X4 BOX) (CE & UK CA SPECS).....	842
FIGURE 8-66. RECEPTACLE BOX KIT - 220V CEE7 SIDE GROUND WITHOUT 2500W GENERATOR (2X4 BOX) (CE & UK CA SPECS).....	844
FIGURE 8-67. RECEPTACLE BOX KIT - 220V AFSINT 107 KEYED GROUND WITHOUT 2500W GENERATOR (2X4 BOX) (CE & UK CA SPECS).....	846
FIGURE 8-68. SKYEYE INTERMEDIATE HARNESS.....	848
FIGURE 8-69. SKYEYE RECEIVER HARNESS.....	850
FIGURE 8-70. SKYEYE EMITTER HARNESS.....	852
FIGURE 8-71. SKYLINE HARNESS.....	854
FIGURE 8-72. STROBE LIGHT HARNESS (AMBER).....	856
FIGURE 8-73. TURNTABLE HARNESS.....	858
FIGURE 8-74. TELEMATICS JUMPER HARNESS.....	860
SECTION 9 - DECALS.....	863
FIGURE 9-1. DECAL INSTALLATION - ANSI SPEC.....	864
FIGURE 9-2. DECAL INSTALLATION - AUSTRALIAN SPEC.....	866
FIGURE 9-3. DECAL INSTALLATION - BRAZIL SPEC (PORTUGUESE/ENGLISH).....	868
FIGURE 9-4. DECAL INSTALLATION - CE & UK CA SPEC.....	870
FIGURE 9-5. DECAL INSTALLATION - CSA SPEC (FRENCH/ENGLISH).....	872
FIGURE 9-6. DECAL INSTALLATION - CHINESE SPEC (ENGLISH).....	874
FIGURE 9-7. DECAL INSTALLATION - JAPANESE SPEC (JAPANESE/ENGLISH).....	876
FIGURE 9-8. DECAL INSTALLATION - KOREAN SPEC (KOREAN/ENGLISH).....	878
FIGURE 9-9. DECAL INSTALLATION - LATIN AMERICAN SPEC (SPANISH/ENGLISH).....	880
FIGURE 9-10. DECAL INSTALLATION - OPTIONS.....	882
FIGURE 9-11. SKYCUTTER DECAL INSTALLATION (ANSI, ANSI EXPORT AND CSA SPECS).....	886
FIGURE 9-12. SKYCUTTER DECAL INSTALLATION (JAPANESE SPECS).....	888
SECTION 10 - RECOMMENDED SERVICE PARTS STOCK.....	891
FIGURE 10-1. RECOMMENDED SERVICE PARTS STOCK.....	892
SECTION 11 - SPECIAL OPTIONS.....	895

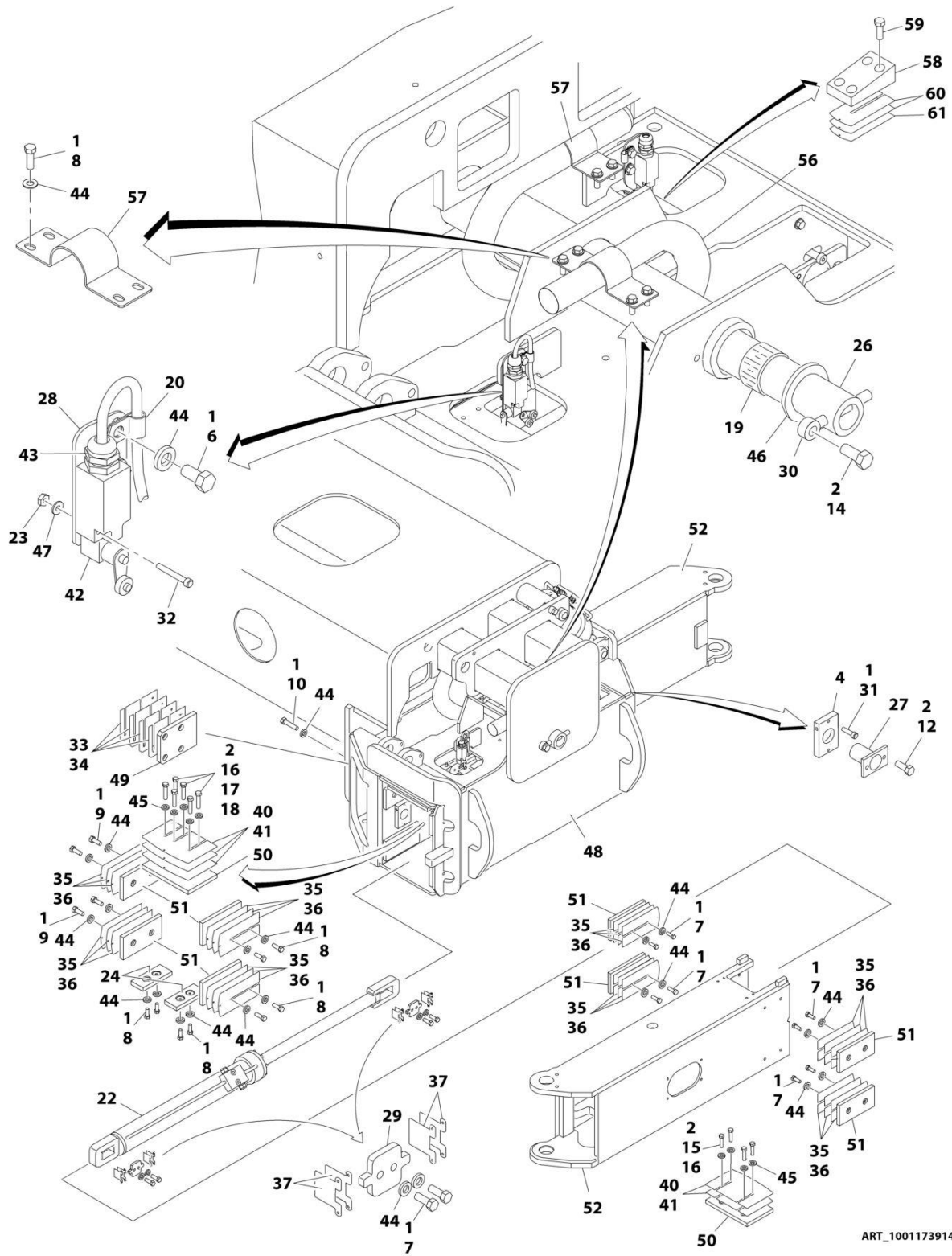
TABLE OF CONTENTS

FIGURE 11-1. SPECIAL OPTIONS/ACCESSORIES/KITS.....	896
PART NUMBER INDEX.....	901

SECTION 1 - FRAME

SECTION 1 - FRAME

FIGURE 1-1. AXLE INSTALLATION - FIXED



ART_1001173914_J

SECTION 1 - FRAME

FIGURE 1-1. AXLE INSTALLATION - FIXED

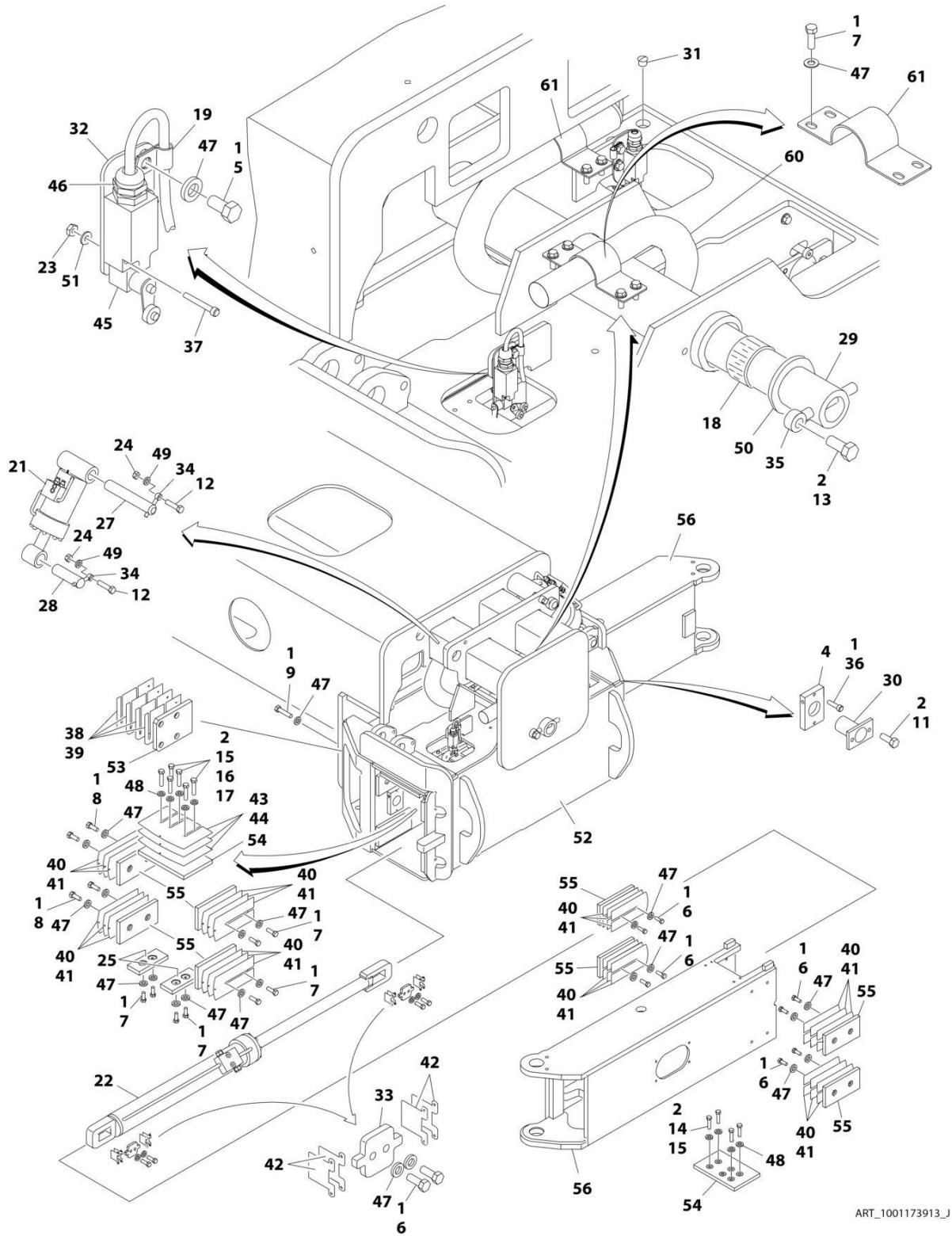
ITEM	PART NUMBER	QTY	DESCRIPTION	REV
	1001173914	Ref	AXLE INSTALLATION - FIXED	J
1	0100011	AR	Compound, Locking	
2	0100019	AR	Compound, Locking	
4	0363037	4	Bar, Stop	
6	0641606	8	Bolt 3/8 x 3/4	
7	0641608	48	Bolt 3/8 x 1	
8	0641609	64	Bolt 3/8 x 1-1/8	
9	0641611	16	Bolt 3/8 x 1-3/8	
10	0641613	8	Bolt 3/8 x 1-5/8	
12	0641808	8	Bolt 1/2 x 1	
14	0642214	1	Bolt 3/4 x 1-3/4	
15	0681813	12	Bolt 1/2 x 1-5/8 Grade 8	
16	0681814	18	Bolt 1/2 x 1-3/4 Grade 8	
17	0681815	12	Bolt 1/2 x 1-7/8 Grade 8	
18	0681816	6	Bolt 1/2 x 2 Grade 8	
19	0962033	2	Bushing	
20	1320263	4	Clamp, Cable	
22	1001251020	4	Axle Extension Cylinder Assembly (See Separate Breakdown in CYLINDER SECTION)	
23	3310805	8	Nut #8	
24	3340881	8	Pad, Wear	
26	3422918	1	Pin	
27	3422960	4	Pin	
28	3573294	4	Plate	
29	3573335	8	Plate	
30	3841287	1	Keeper, Pin	
31	3900270	4	Bolt 1/2 x 1-1/2	
32	3930820	8	Capscrew #8 x 1-1/4	
33	4071035	2	Shim #18 Gauge	
34	4071036	4	Shim #11 Gauge	
35	4071039	10	Shim #18 Gauge	
36	4071040	36	Shim #11 Gauge	
37	4071042	24	Shim #16 Gauge	
40	4071054	8	Shim #18 Gauge	
41	4071055	12	Shim #11 Gauge	
42	4360578	4	Switch, Limit	
43	4460968	4	Connector, Strain Relief	
44	4711600	144	Washer 3/8	
45	4711800	48	Washer 1/2	
46	4740461	1	Thrustwasher	
47	4750800	8	Washer #8	
48	4846383	1	Box, Axle Pivot	
49	1001161401	2	Pad, Axle	
50	1001161402	8	Pad, Wear	
51	1001161403	32	Pad, Wear	
52	4846637	4	Extension, Axle	
55	4240155	6	Strap (Not Shown)	
56	1001193674	4	Sleeve, Nylon	
57	1001191541	8	Bracket, Hose Mount	
58	0363076	2	Bar	

SECTION 1 - FRAME

ITEM	PART NUMBER	QTY	DESCRIPTION	REV
59	0641814	4	Bolt 1/2 x 1-3/4	
60	4071049	4	Shim #11 Gauge	
61	4071050	2	Shim #16 Gauge	
62	2220235	1	Plug (Not Shown - Located on Junction Manifold)	

SECTION 1 - FRAME

FIGURE 1-2. AXLE INSTALLATION - OSCILLATING



ART_1001173913_J

SECTION 1 - FRAME

FIGURE 1-2. AXLE INSTALLATION - OSCILLATING

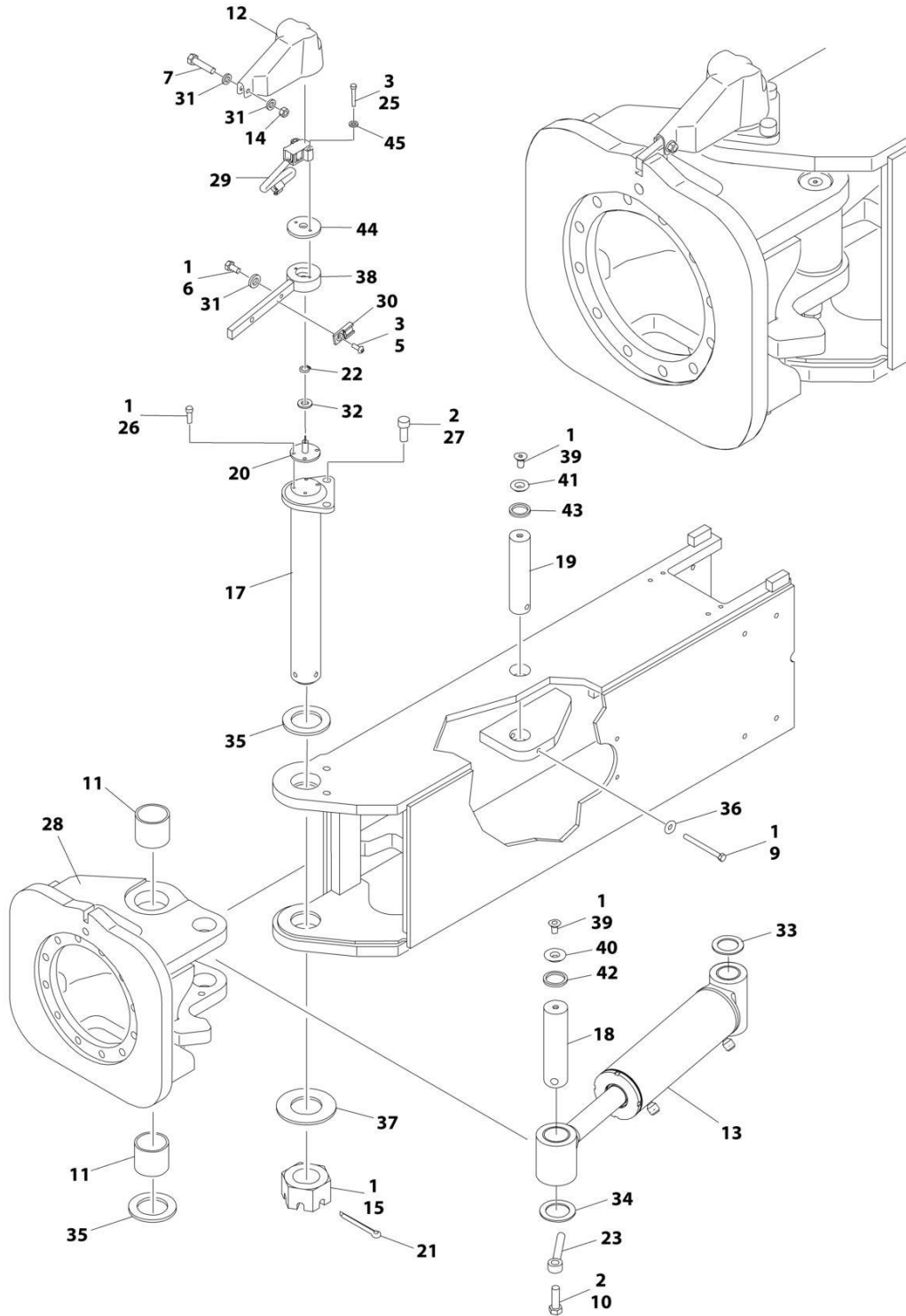
ITEM	PART NUMBER	QTY	DESCRIPTION	REV
	1001173913	Ref	AXLE INSTALLATION - OSCILLATING	J
1	0100011	AR	Compound, Locking	
2	0100019	AR	Compound, Locking	
4	0363037	4	Bar, Stop	
5	0641606	8	Bolt 3/8 x 3/4	
6	0641608	48	Bolt 3/8 x 1	
7	0641609	64	Bolt 3/6 x 1-1/8	
8	0641611	16	Bolt 3/8 x 1-3/8	
9	0641613	8	Bolt 3/8 x 1-5/8	
11	0641808	8	Bolt 1/2 x 1	
12	0642020	4	Bolt 5/8 x 2-1/2	
13	0642214	1	Bolt 3/4 x 1-3/4	
14	0681813	12	Bolt 1/2 x 1-5/8 Grade 8	
15	0681814	18	Bolt 1/2 x 1-3/4 Grade 8	
16	0681815	12	Bolt 1/2 x 1-7/8 Grade 8	
17	0681816	6	Bolt 1/2 x 2 Grade 8	
18	0962033	2	Bushing	
19	1320263	4	Clamp, Cable	
21	1001251019	2	Oscillating Axle Cylinder Assembly (See Separate Breakdown in CYLINDER Section)	
22	1001251020	4	Axle Extension Cylinder Assembly (See Separate Breakdown in CYLINDER Section)	
23	3310805	8	Nut #8	
24	3312005	4	Nut 5/8	
25	3340881	8	Pad, Wear	
27	3422833	2	Pin	
28	3422915	2	Pin	
29	3422918	1	Pin	
30	3422960	4	Pin	
31	3520054	4	Plug	
32	3573294	4	Plate	
33	3573335	8	Plate	
34	3841258	4	Keeper, Pin	
35	3841287	1	Keeper, Pin	
36	3900270	4	Bolt 1/2 x 1-1/2	
37	3930820	8	Capscrew #8 x 1-1/4	
38	4071035	2	Shim #18 Gauge	
39	4071036	4	Shim #11 Gauge	
40	4071039	10	Shim #18 Gauge	
41	4071040	36	Shim #11 Gauge	
42	4071042	24	Shim #16 Gauge	
43	4071054	8	Shim #18 Gauge	
44	4071055	12	Shim #11 Gauge	
45	4360578	4	Switch, Limit	
46	4460968	4	Connector, Strain Relief	
47	4711600	144	Washer 3/8	
48	4711800	48	Washer 1/2	
49	4712000	4	Washer 5/8	
50	4740461	1	Thrustwasher	
51	4750800	8	Washer #8	

SECTION 1 - FRAME

ITEM	PART NUMBER	QTY	DESCRIPTION	REV
52	4846383	1	Box, Axle Pivot	
53	1001161401	2	Pad, Axle	
54	1001161402	8	Pad, Wear	
55	1001161403	32	Pad, Wear	
56	4846637	4	Extension, Axle	
59	4240155	6	Strap (Not Shown)	
60	1001193674	4	Sleeve, Nylon	
61	1001191541	8	Bracket, Hose Mount	

SECTION 1 - FRAME

FIGURE 1-3. STEER INSTALLATION



ART_0271520_M

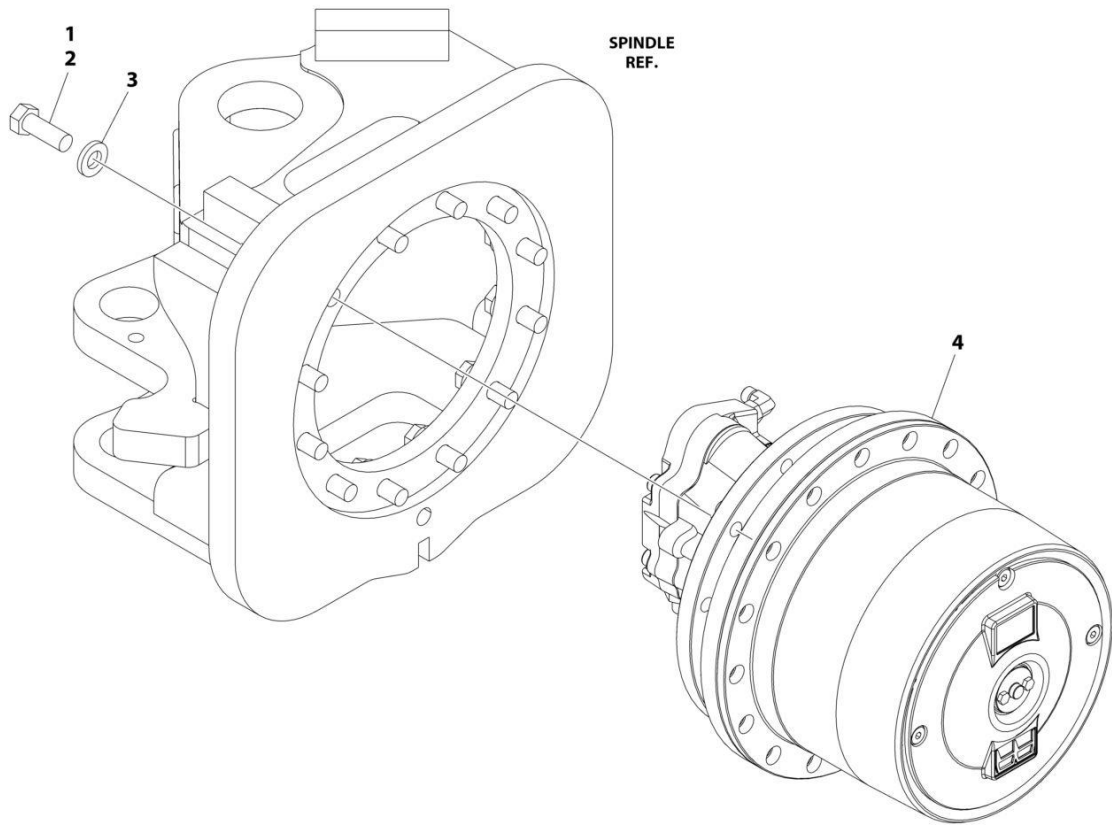
SECTION 1 - FRAME

FIGURE 1-3. STEER INSTALLATION

ITEM	PART NUMBER	QTY	DESCRIPTION	REV
	0271520	Ref	STEER INSTALLATION	M
1	0100011	AR	Compound, Locking	
2	0100019	AR	Compound, Locking	
3	0100035	AR	Compound, Locking	
5	0630464	4	Screw #10 x 1/2	
6	0641505	4	Bolt 5/16 x 5/8	
7	0641511	4	Bolt 5/16 x 1-3/8	
9	0641634	4	Bolt 3/8 x 4-1/4	
10	0642016	4	Bolt 5/8 x 2	
11	0962423	8	Bushing	
12	1671040	4	Cover, Sensor	
13	1001251031	4	Steer Cylinder Assembly (See Separate Breakdown in CYLINDER Section)	
14	3311505	4	Nut 5/16	
15	3300464	4	Nut, Slotted	
17	3422917	4	Kingpin	
18	3422940	4	Pin, Steer Cylinder (Outer)	
19	3422941	4	Pin, Steer Cylinder (Inner)	
20	3423256	4	Pin, Sensor	
21	3451214	4	Pin, Cotter 3/8 x 3-1/2	
22	3760383	4	Ring, Retaining	
23	3841258	4	Keeper, Pin	
25	3931020	8	Capscrew #10 x 1-1/4	
26	3931412	16	Capscrew 1/4 x 3/4	
27	3932024	8	Capscrew 5/8 x 1-1/2	
28	1001099632	4	Spindle	
29	4360505	4	Switch, Rotary Angle Sensor (Steer)	
30	4460914	4	Terminal	
31	4711500	12	Washer 5/16	
32	4711800	4	Washer 1/2	
33	4740181	4	Thrustwasher	
34	4740229	4	Thrustwasher	
35	4740505	8	Thrustwasher	
36	4751600	4	Washer 3/8	
37	4755000	4	Washer 2-1/2	
38	0200833	4	Arm, Steer	
39	0741606	8	Screw 3/8 x 3/4	
40	1120549	4	Cap, Seal (Outer)	
41	1120550	4	Cap, Seal (Inner)	
42	3960551	4	Seal (Outer)	
43	3960552	4	Seal (Inner)	
44	0080277	4	Adapter, Angle Sensor Pilot	
45	4811600	8	Washer M5	

SECTION 1 - FRAME

FIGURE 1-4. WHEEL DRIVE INSTALLATION - REGGIANA RIDUTTORI



ART_1001104324

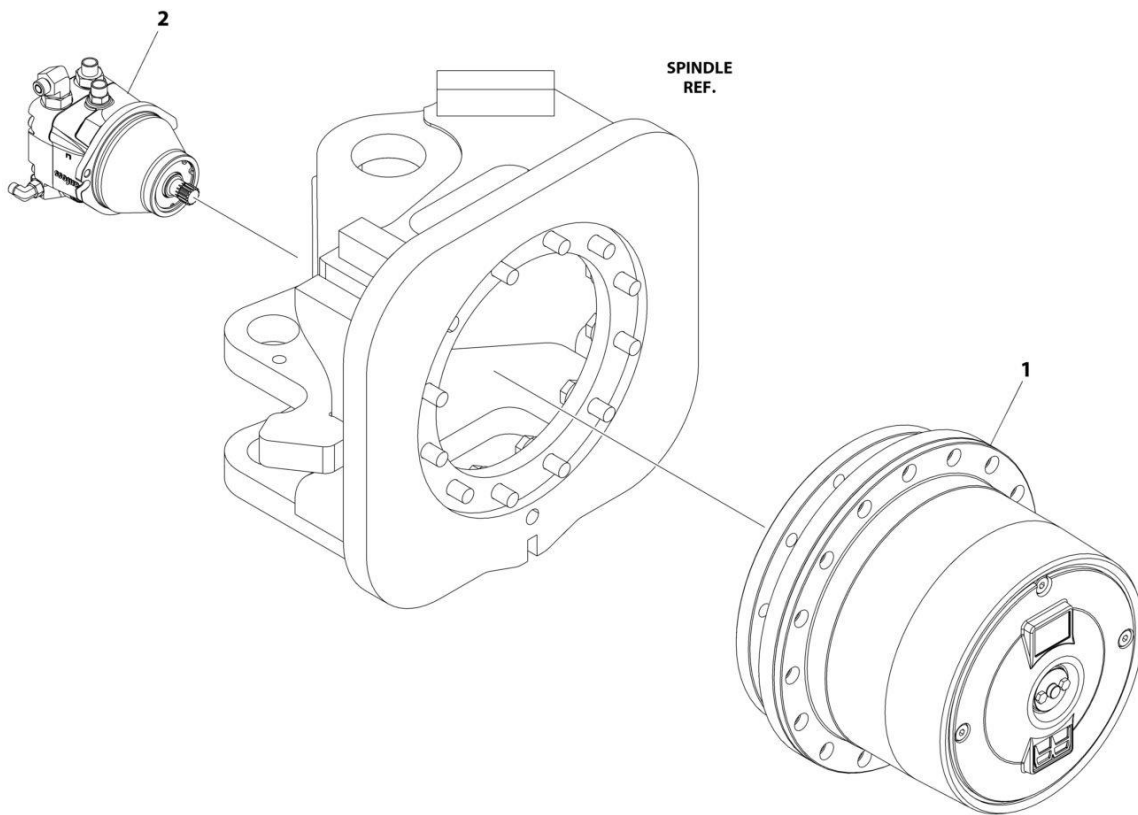
SECTION 1 - FRAME

FIGURE 1-4. WHEEL DRIVE INSTALLATION - REGGIANA RIDUTTORI

ITEM	PART NUMBER	QTY	DESCRIPTION	REV
	1001104324	Ref	WHEEL DRIVE INSTALLATION - REGGIANA RIDUTTORI	B
1	0100019	AR	Compound, Locking	
2	0701617	48	Bolt M16 x 45 (12 Per Wheel)	
3	4892000	48	Washer 5/8 (12 Per Wheel)	
4	1001104315	4	Drive Hub and Motor Assembly - Reggiana Riduttori (See Separate Breakdown in this Section)	

SECTION 1 - FRAME

FIGURE 1-5. DRIVE HUB AND MOTOR ASSEMBLY - REGGIANA RIDUTTORI



ART_1001104315

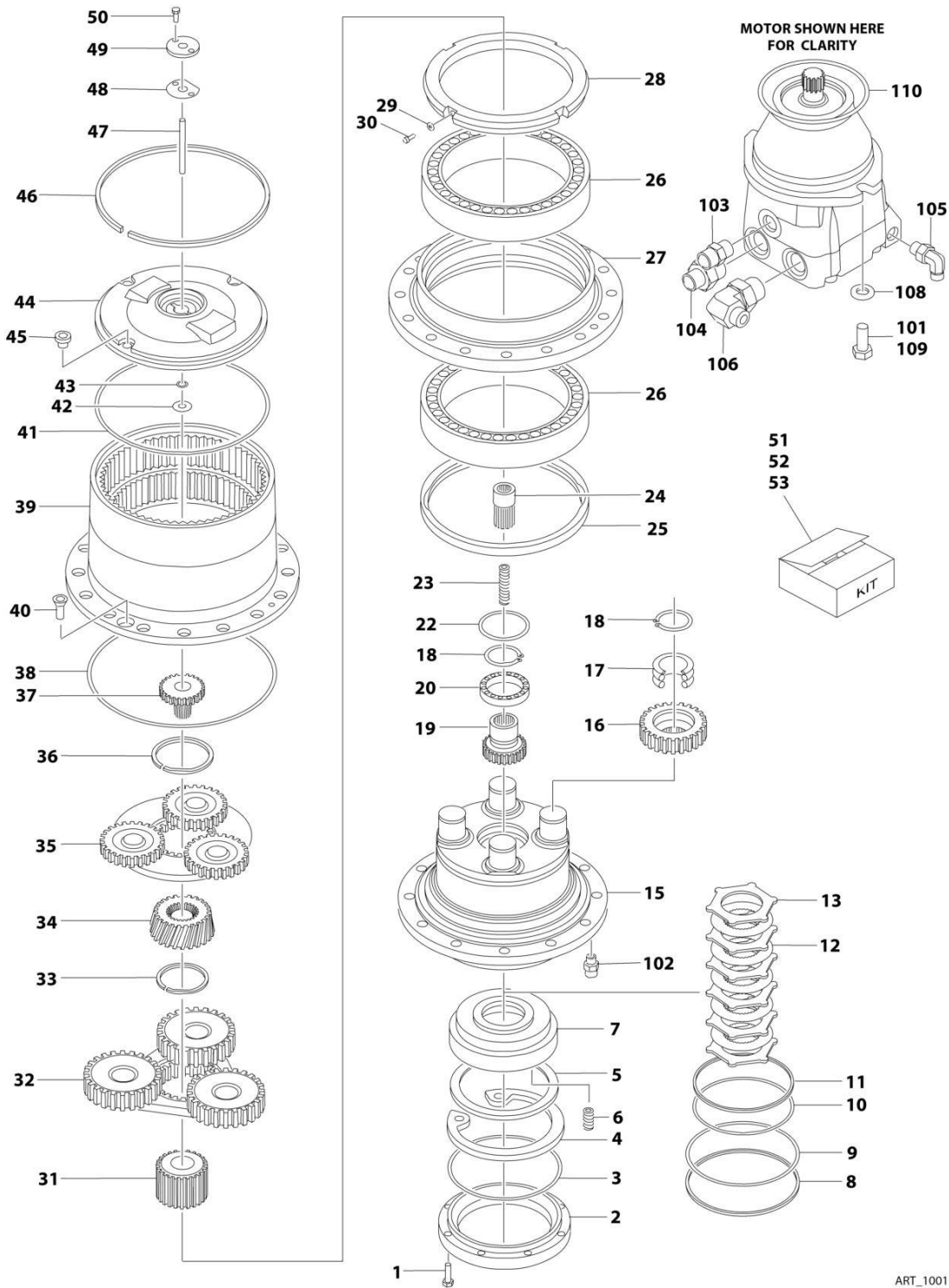
SECTION 1 - FRAME

FIGURE 1-5. DRIVE HUB AND MOTOR ASSEMBLY - REGGIANA RIDUTTORI

ITEM	PART NUMBER	QTY	DESCRIPTION	REV
	1001104315	Ref	DRIVE HUB AND MOTOR ASSEMBLY - REGGIANA RIDUTTORI	B
		Ref	Note: Various brands used on Machines. When replacing complete hub, note that all 4 hubs must be the same brand.	
		Ref	Note: Various brands used on Machines. Identify brand before ordering replacement parts.	
1	1001104325	4	Drive Hub Assembly - Reggiana Riduttori (See Separate Breakdown in this Section)	
2	3160339	4	Drive Motor Assembly (See Separate Breakdown in this Section)	

SECTION 1 - FRAME

FIGURE 1-6. DRIVE HUB ASSEMBLY - REGGIANA RIDUTTORI



ART_1001104325

SECTION 1 - FRAME

FIGURE 1-6. DRIVE HUB ASSEMBLY - REGGIANA RIDUTTORI

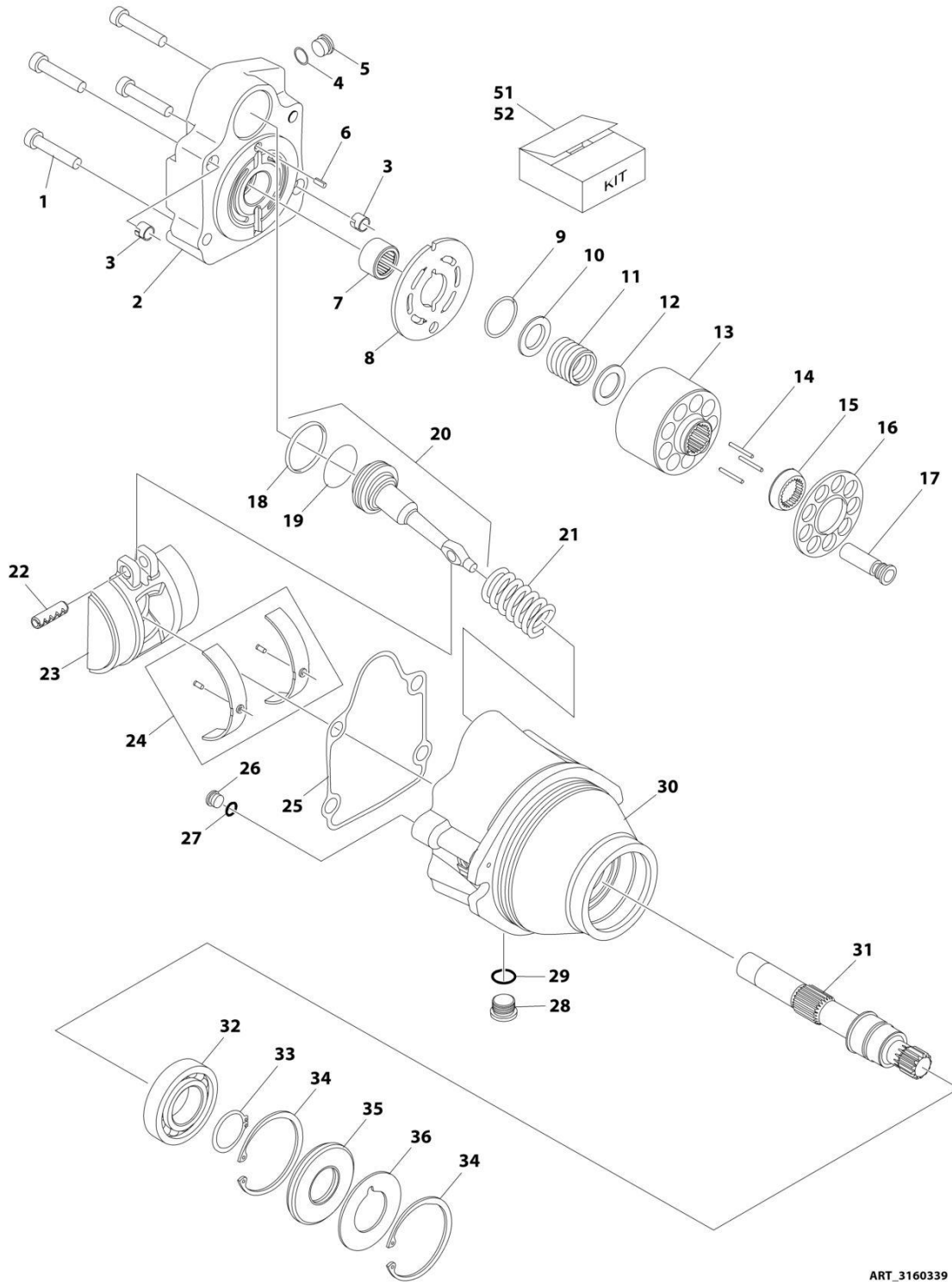
ITEM	PART NUMBER	QTY	DESCRIPTION	REV
	1001104325	Ref	DRIVE HUB ASSEMBLY - REGGIANA RIDUTTORI	G
		Ref	Note: Various brands used on Machines. Identify brand before ordering replacement parts.	
	1001101550	1	Hub, Torque	C
1	70002015	8	Bolt M8 x 25	
2	70002016	1	Ring, Motor Support	
3	See Note	NSS	O-Ring (Note: Use Item 51)	
4	70002018	1	Snap Ring	
5	70002019	1	Retainer, Spring	
6	70002020	9	Spring	
7	70002021	1	Piston	
8	See Note	NSS	Ring, Back-up (Note: Use Item 51 or 53)	
9	See Note	NSS	O-Ring (Note: Use Item 51 or 53)	
10	See Note	NSS	O-Ring (Note: Use Item 51 or 53)	
11	See Note	NSS	Ring, Back-up (Note: Use Item 51 or 53)	
12	70002026	5	Disc, Friction	
13	70002027	6	Disc, Steel	
15	70002029	1	Spindle	
16	70002030	4	Gear, Planetary	
17	70002031	4	Bearing	
18	70002032	5	Snap Ring	
19	70002033	1	Gear, Brake/Input	
20	70002034	1	Bearing	
22	70002035	1	Ring, Wear	
23	70002036	1	Spring	
24	70002037	1	Shaft, Engagement	
25	See Note	NSS	Seal (Note: Use Item 51)	
26	70002039	2	Bearing Assembly	
27	70002040	1	Support, Hub	
28	70002041	1	Nut, Retaining	
29	70002674	4	Washer	
30	70002674	4	Screw	
31	70002044	1	Gear, Planetary Sun	
32	70002045	1	Reduction Assembly, Secondary	
33	70002046	1	Snap Ring	
34	70002047	1	Gear, Secondary Input Sun	
35	70002048	1	Reduction Assembly, Primary	
36	70002049	1	Snap Ring	
37	70002050	1	Gear, Primary Input Sun	
38	See Note	NSS	O-Ring (Note: Use Item 51)	
39	See Note	NSS	Housing, Hub (Note: Not Available - Purchase Complete Assembly)	
40	70002052	2	Screw, Countersunk	
41	See Note	NSS	O-Ring (Note: Use Item 51 or 52)	
42	See Note	NSS	Thrustwasher (Note: Use Item 52)	
43	See Note	NSS	O-Ring (Note: Use Item 51 or 52)	
44	See Note	NSS	Cover, Hub (Note: Use Item 52)	
45	70002057	3	Plug	
46	See Note	NSS	Snap Ring (Note: Use Item 52)	
47	See Note	NSS	Pin, Engagement (Note: Use Item 52)	

SECTION 1 - FRAME

ITEM	PART NUMBER	QTY	DESCRIPTION	REV
48	See Note	NSS	Gasket (Note: Use Item 51 or 52)	
49	See Note	NSS	Cover, Engagement (Note: Use Item 52)	
50	See Note	NSS	Screw (Note: Use Item 52)	
51	70002248	1	Seal Kit (Includes Items 3, 8-11, 25, 38, 41, 43 & 48)	
52	70002247	1	Cover Kit (Includes Items 41-50)	
53	70002249	1	Brake Kit (Includes Items 4-13)	
101	0761214	2	Bolt M12 x 30	
102	2110404	1	Fitting, Adapter	
103	2110808	1	Fitting, Adapter	
104	2110812	1	Fitting, Adapter	
105	2130406	1	Fitting, 90 Adapter	
106	2130812	1	Fitting, 90 Adapter	
108	5241200	2	Washer M12	
109	0100011	AR	Compound, Locking	
110	3790158	1	O-Ring	

SECTION 1 - FRAME

FIGURE 1-7. DRIVE MOTOR ASSEMBLY



ART_3160339

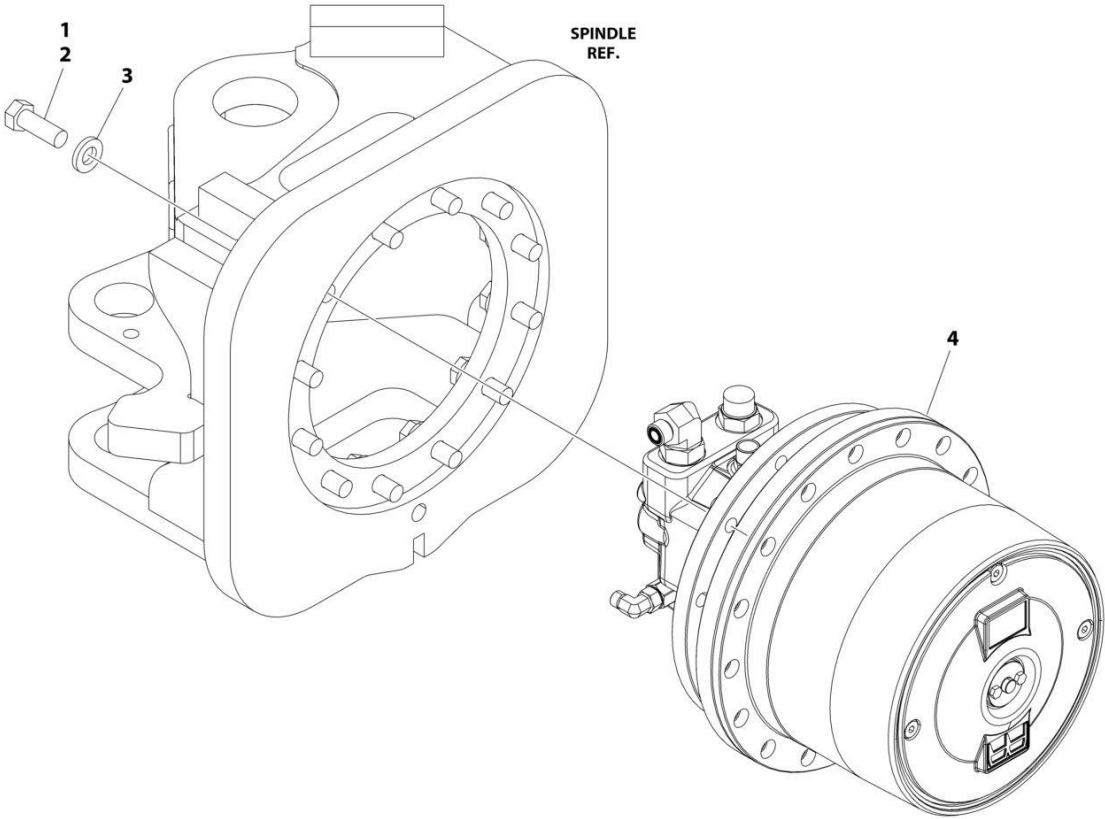
SECTION 1 - FRAME

FIGURE 1-7. DRIVE MOTOR ASSEMBLY

ITEM	PART NUMBER	QTY	DESCRIPTION	REV
	3160339	Ref	DRIVE MOTOR ASSEMBLY	D
1	7022368	4	Bolt	
2	70000859	1	End Cap, Motor	
3	70003628	2	Locating Pin	
4	See Note	NSS	O-Ring (Note: Use Item 51)	
5	7007420	1	Plug (Includes Item 4)	
6	7007446	1	Pin, Dowel	
7	7021249	1	Bearing, Needle	
8	70000854	1	Plate, Valve	
9	7022311	1	Snap Ring	
10	7022314	1	Retainer, Spring	
11	7024867	1	Spring	
12	7024868	1	Washer	
13	70000855	1	Block, Cylinder	
14	7021275	3	Pin, Slipper	
15	70000856	1	Guide	
16	70000857	1	Retainer, Slipper	
17	7024865	9	Piston, Cylinder	
18	See Note	NSS	Ring, Piston (Note: Use Item 51)	
19	See Note	NSS	O-Ring (Note: Use Item 51)	
20	70000860	1	Piston, Servo (Includes Items 18 & 19)	
21	70000861	1	Spring	
22	See Note	NSS	Pin (Note: Not Available for Purchase)	
23	70000853	1	Swash Plate	
24	70000852	1	Bearing Kit	
25	See Note	NSS	Gasket (Note: Use Item 51)	
26	See Note	NSS	Plug (Note: Not Available for Purchase)	
27	See Note	NSS	O-Ring (Note: Use Item 51)	
28	7022321	1	Plug (Includes Item 29)	
29	See Note	NSS	O-Ring (Note: Use Item 51)	
30	See Note	NSS	Housing (Note: Not Available - Purchase Complete Motor)	
31	70000858	1	Shaft	
32	7007437	1	Bearing	
33	7007439	1	Snap Ring	
34	7007438	2	Snap Ring	
35	See Note	NSS	Seal (Note: Use Item 51)	
36	7022371	1	Washer, Seal Support	
51	70000862	1	Kit 1 - Motor Seal Kit (Includes Items 4, 18, 19, 25, 27, 29 & 35)	
52	7027740	1	Kit 2 - Cylinder Block Kit (Includes Items 9-17)	

SECTION 1 - FRAME

FIGURE 1-8. DRIVE HUB AND MOTOR ASSEMBLY - PMP PUMP



ART_1001286998

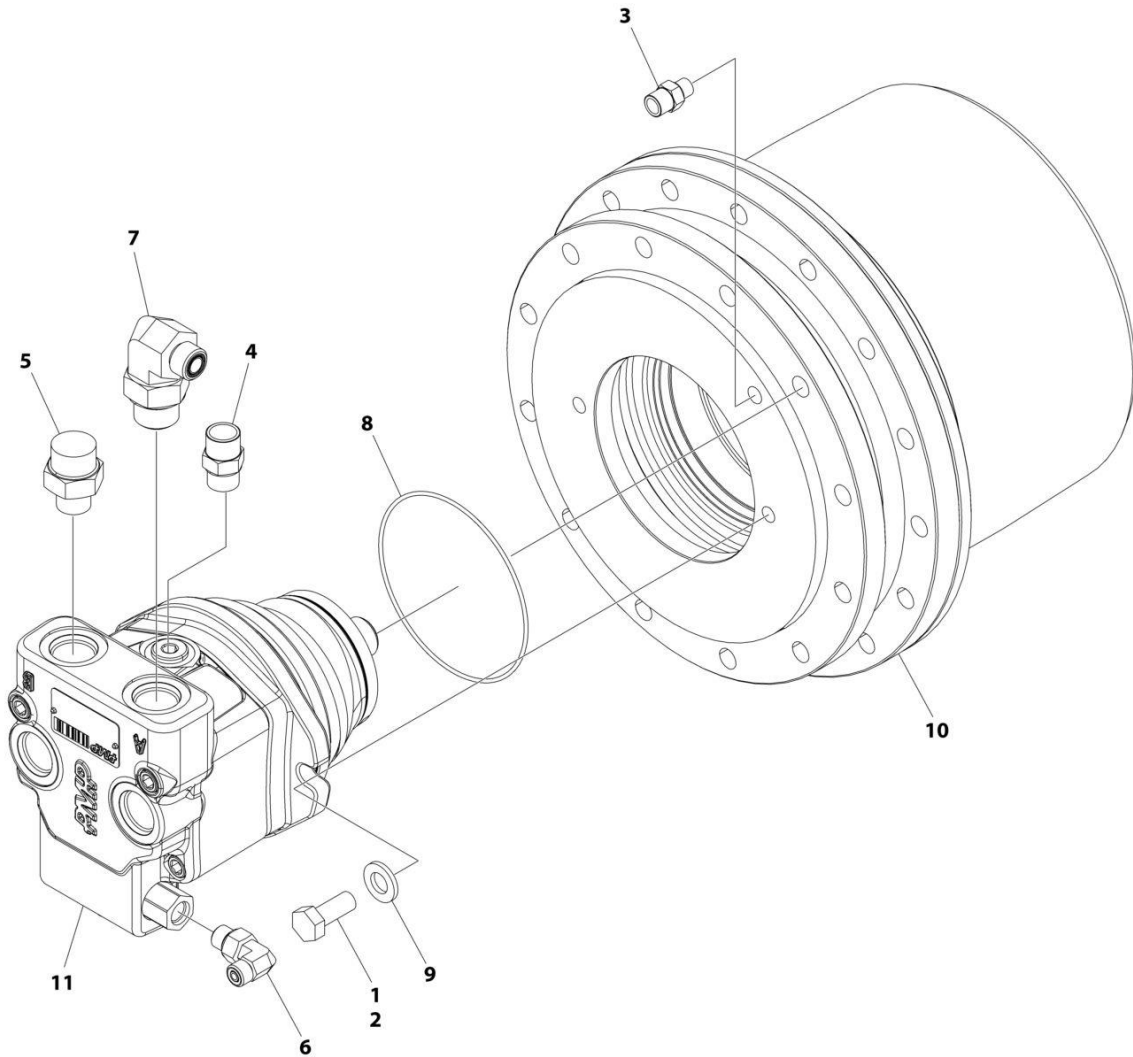
SECTION 1 - FRAME

FIGURE 1-8. DRIVE HUB AND MOTOR ASSEMBLY - PMP PUMP

ITEM	PART NUMBER	QTY	DESCRIPTION	REV
	1001286998	Ref	WHEEL DRIVE INSTALLATION - PMP PUMP	A
1	0100019	AR	Compound, Locking	
2	0701617	48	Bolt M16 x 45	
3	4892000	48	Washer 5/8	
4	1001286999	4	Drive Hub and Motor Assembly - PMP Pumps (See Separate Breakdown in this Section)	

SECTION 1 - FRAME

FIGURE 1-9. DRIVE HUB ASSEMBLY - PMP PUMP



ART_1001286999

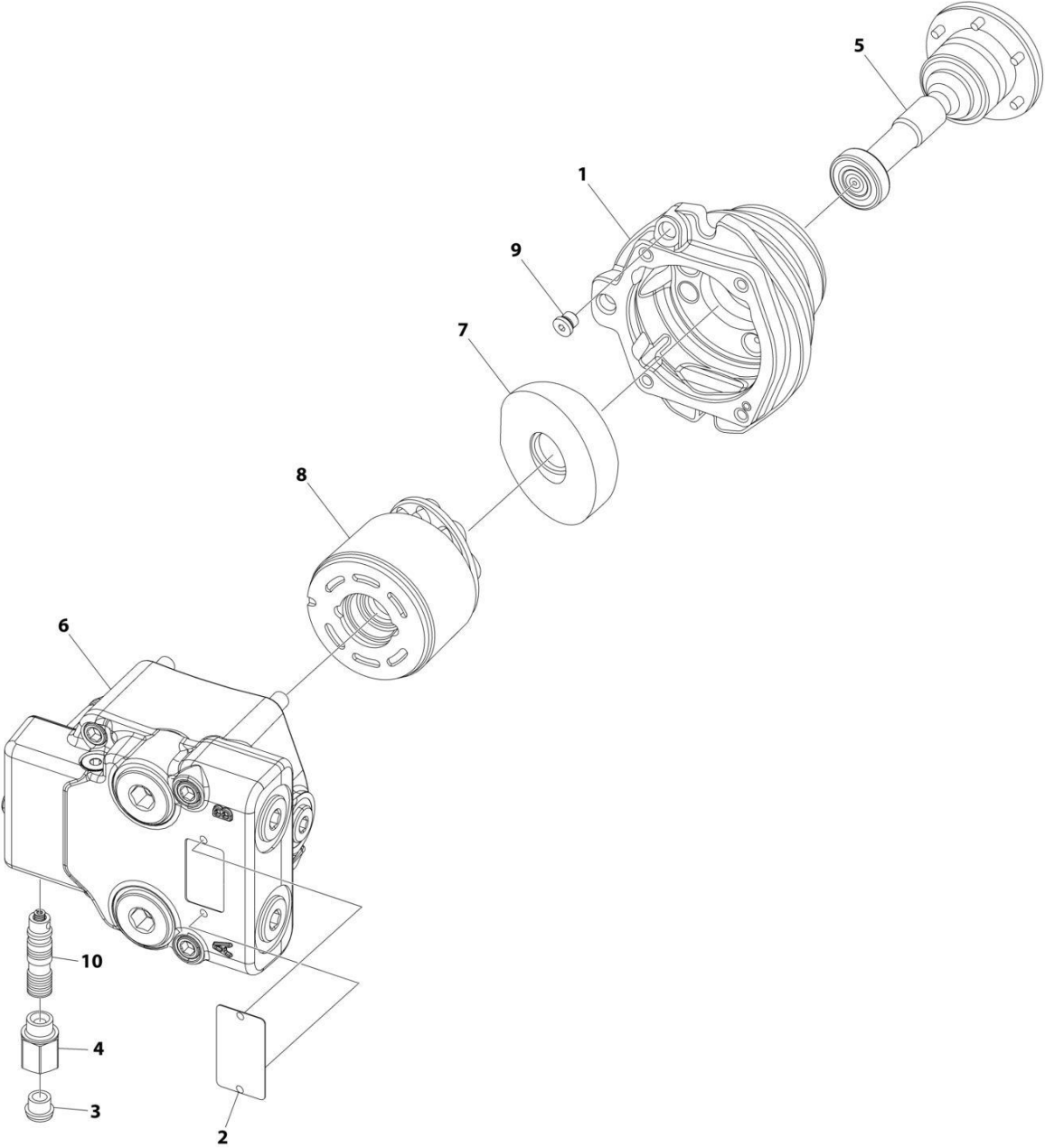
SECTION 1 - FRAME

FIGURE 1-9. DRIVE HUB ASSEMBLY - PMP PUMP

ITEM	PART NUMBER	QTY	DESCRIPTION	REV
	1001286999	Ref	DRIVE HUB AND MOTOR ASSEMBLY - PMP PUMP	A
1	0100011	AR	Compound, Locking	
2	0761214	2	Bolt M12 x 30	
3	2110404	1	Fitting, Straight ORFS/ORB	
4	2110808	1	Fitting, Straight ORFS/ORB	
5	2110812	1	Fitting, Straight ORFS/ORB	
6	2130406	1	Fitting, 90 ORFS/ORB	
7	2130812	1	Fitting, 90 ORFS/ORB	
8	3790158	1	O-Ring	
9	5241200	2	Washer	
10	1001101550	1	Drive Hub Assembly (See Separate Breakdown in this Section)	
11	1001286959	1	Drive Motor Assembly (See Separate Breakdown in this Section)	

SECTION 1 - FRAME

FIGURE 1-10. DRIVE MOTOR ASSEMBLY - PMP PUMP



ART_1001286959

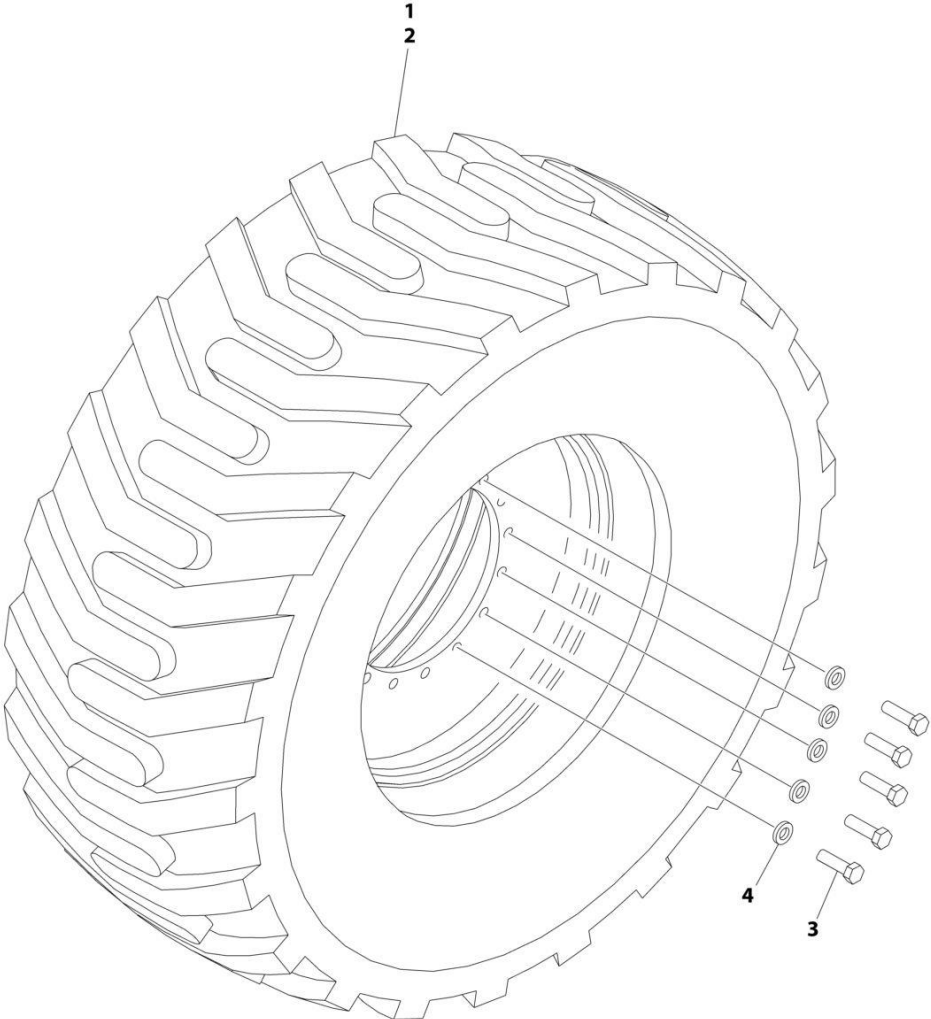
SECTION 1 - FRAME

FIGURE 1-10. DRIVE MOTOR ASSEMBLY - PMP PUMP

ITEM	PART NUMBER	QTY	DESCRIPTION	REV
	1001286959	Ref	DRIVE MOTOR ASSEMBLY	A
	See Note	Ref	(Note: No Other Service Parts Available)	
1	NPN	1	Body	
2	See Note	NSS	Plate, Serial Number (Note: Not Available for Purchase)	
3	70008513	1	Plug	
4	70008514	1	Fitting, Straight	
5	70008515	1	Assembly, Shaft	
6	70008516	1	Assembly, Valve	
6	70008521	1	Gasket (Between Valve Assembly & Rotor Assembly)	
6	70005023	2	Rivet	
6	70008522	1	Cartridge, Shuttle Valve	
6	70008523	2	Capscrew M10 x 100 CL12.9	
6	70008524	2	Capscrew M10 x 70 CL12.9	
7	70008517	1	Assembly, Swash Plate	
8	70008518	1	Assembly, Rotor	
9	70008519	1	Plug	
10	70008520	1	Cartridge, Control Valve	

SECTION 1 - FRAME

FIGURE 1-11. TIRE AND WHEEL INSTALLATION - FOAM FILLED



ART_0271852

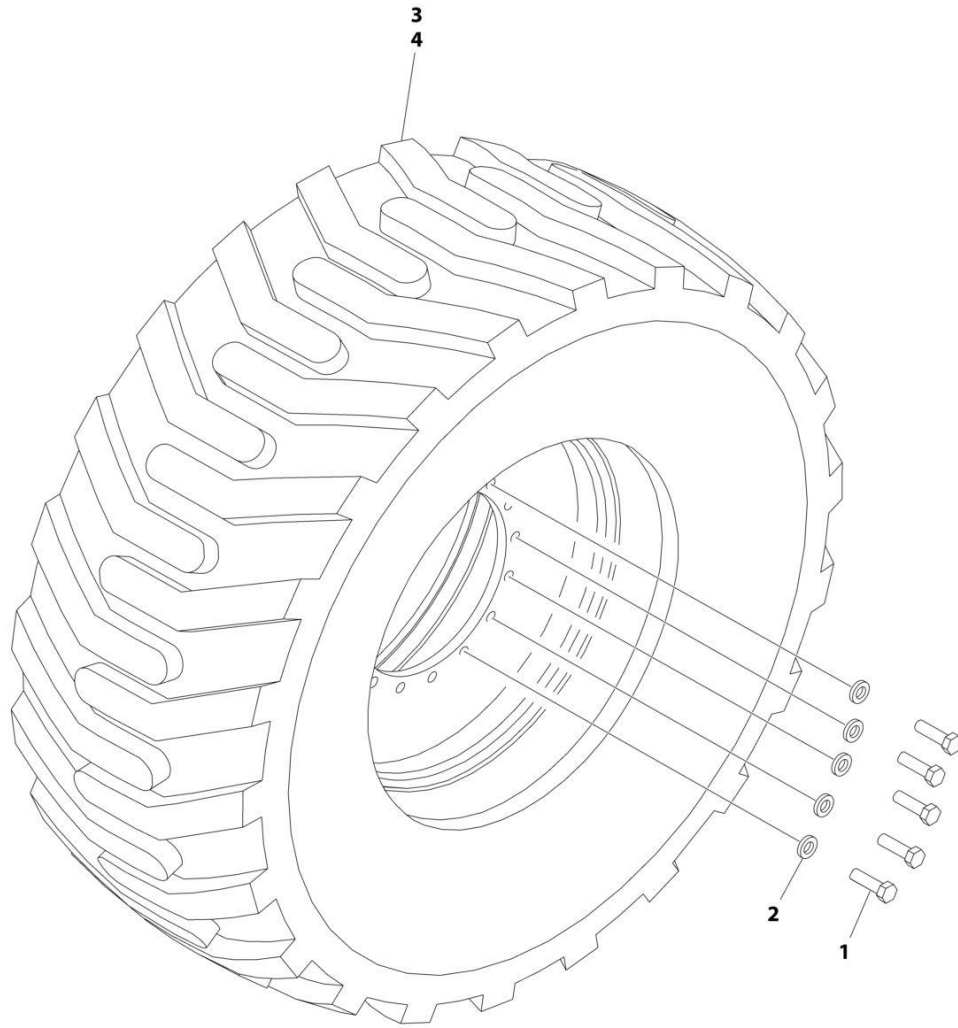
SECTION 1 - FRAME

FIGURE 1-11. TIRE AND WHEEL INSTALLATION - FOAM FILLED

ITEM	PART NUMBER	QTY	DESCRIPTION	REV
	0271852	Ref	TIRE AND WHEEL INSTALLATION - FOAM - FILLED	B
		Ref	Note: Assemblies may require ballast/foam filling to manufacturer's specifications prior to installing on a machine. Refer to Operation and Safety or Service and Maintenance Manuals. Purchase individual tire and/or rim only if able to foam fill tire and wheel assembly, otherwise, purchase complete assembly.	
1	0272055	2	Right Side Tire and Wheel Assembly - Foam - Filled	
2	0272056	2	Left Side Tire and Wheel Assembly - Foam - Filled	
3	0701619	64	Bolt M16 x 55 (16 Per Wheel)	
4	4892000	64	Washer 5/8 (16 Per Wheel)	

SECTION 1 - FRAME

FIGURE 1-12. TIRE AND WHEEL INSTALLATION - SOLID



ART_1001115961

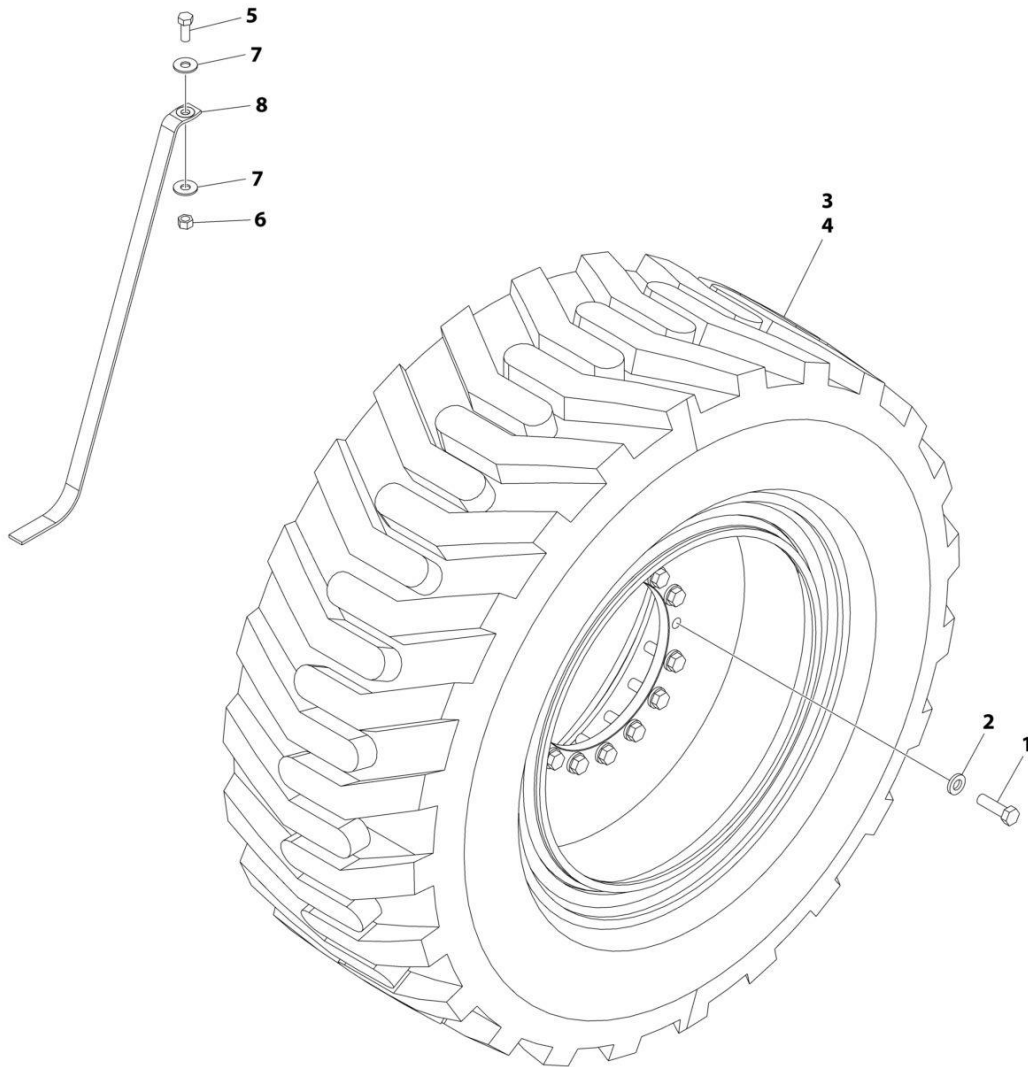
SECTION 1 - FRAME

FIGURE 1-12. TIRE AND WHEEL INSTALLATION - SOLID

ITEM	PART NUMBER	QTY	DESCRIPTION	REV
	1001115961	Ref	TIRE AND WHEEL INSTALLATION - SOLID	A
1	0701619	64	Bolt M16 x 55 (16 Per Wheel)	
2	4892000	64	Washer 5/8 (16 Per Wheel)	
3	1001112716	2	Right Side Tire and Wheel Assembly - Solid	
4	1001112669	2	Left Side Tire and Wheel Assembly - Solid	

SECTION 1 - FRAME

FIGURE 1-13. TIRE AND WHEEL INSTALLATION - SOLID NON MARKING



ART_1001223883

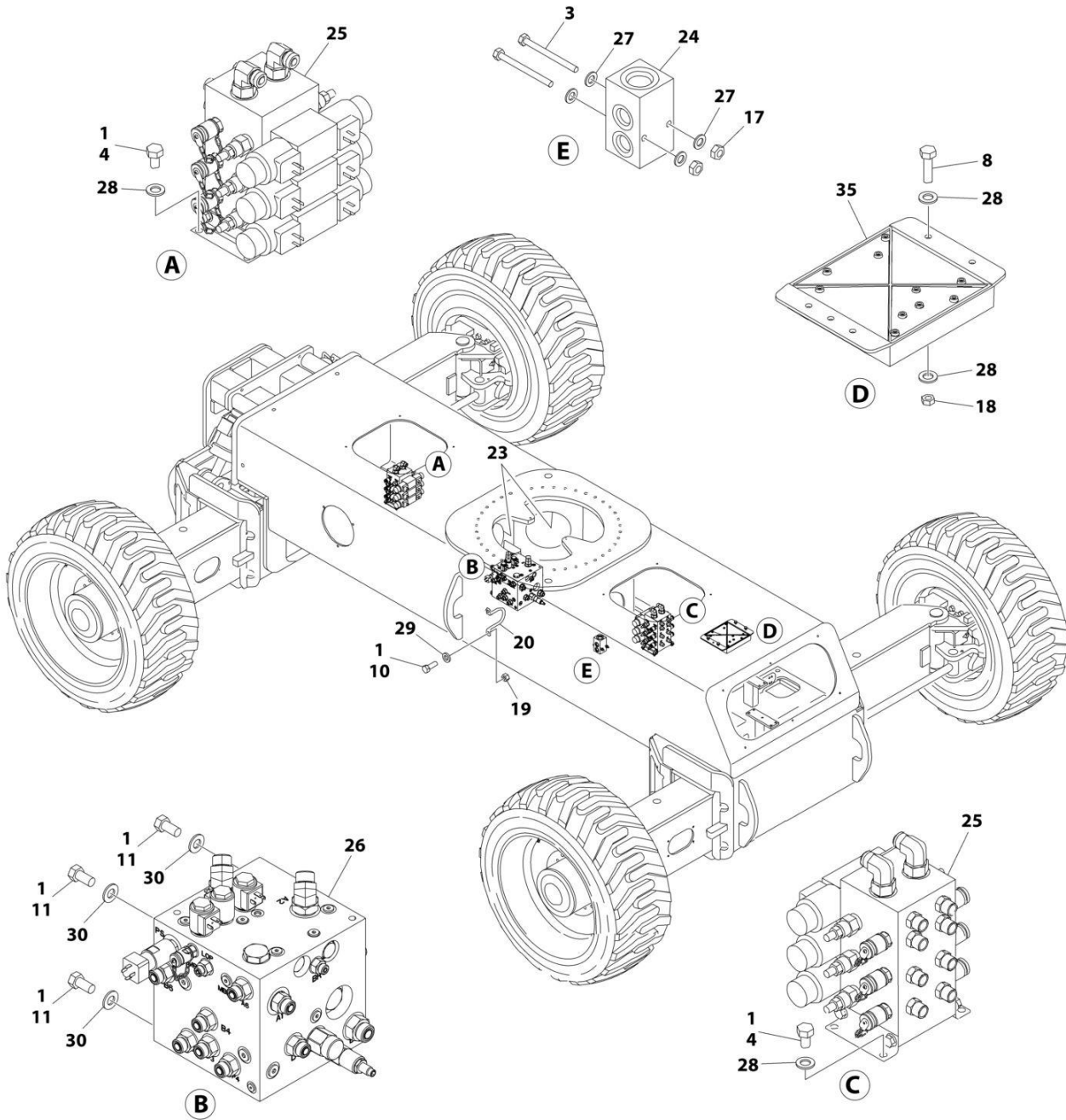
SECTION 1 - FRAME

FIGURE 1-13. TIRE AND WHEEL INSTALLATION - SOLID NON MARKING

ITEM	PART NUMBER	QTY	DESCRIPTION	REV
	1001223883	Ref	TIRE AND WHEEL INSTALLATION - SOLID NON MARKING	B
1	0701619	64	Bolt M16 x 55 (16 Per Wheel)	
2	4892000	64	Washer 5/8 (16 Per Wheel)	
3	1001216876	2	Left Side Tire and Wheel Assembly - Solid	
4	1001216877	2	Right Side Tire and Wheel Assembly - Solid	
5	0641810	1	Bolt 1/2 x 1-1/4	
6	3311805	1	Nut 1/2	
7	4751800	2	Washer 1/2	
8	1001275637	1	Strap, Anti-static	

SECTION 1 - FRAME

FIGURE 1-14. VALVES AND MODULES INSTALLATION - FRAME MOUNTED



ART_1001219992_I_10F3

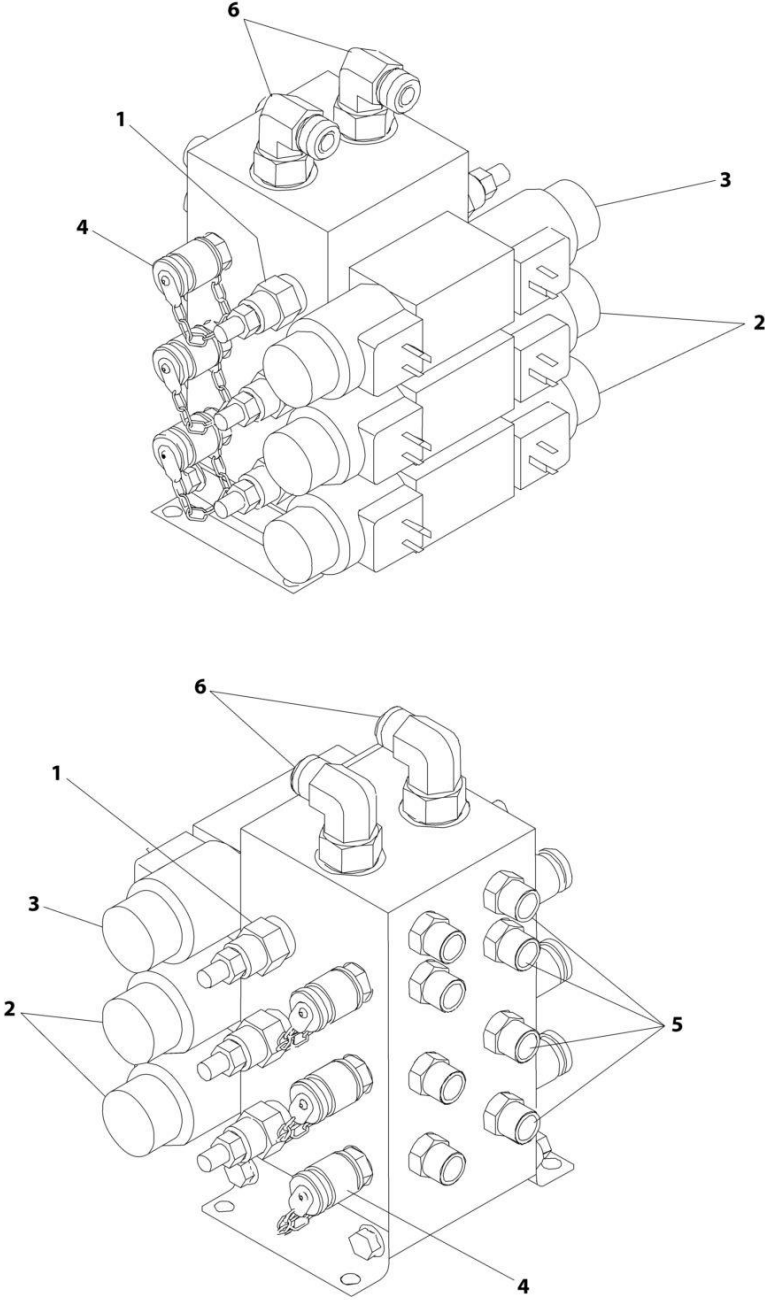
SECTION 1 - FRAME

FIGURE 1-14. VALVES AND MODULES INSTALLATION - FRAME MOUNTED

ITEM	PART NUMBER	QTY	DESCRIPTION	REV
	1001219992	Ref	VALVES AND MODULES INSTALLATION	I
1	0100011	AR	Compound, Locking	
3	0641424	2	Bolt 1/4 x 3	
4	0641504	8	Bolt 5/16 x 1/2	
8	0641509	4	Bolt 5/16 x 1-1/8	
10	0641608	20	Bolt 3/8 x 1	
11	0641808	4	Bolt 1/2 x 1	
17	3311405	2	Nut 1/4	
18	3311505	9	Nut 5/16	
19	3311605	4	Nut 3/8	
20	3841340	2	Loop, Hose	
23	4060808	124 in/ 3.2m	Flex-Trim	
24	4641155	1	Manifold, Junction	
25	4641268	2	Steer Valve Assembly (See Separate Breakdown in this Section)	
26	4641454	1	Traction Valve Assembly (See Separate Breakdown in this Section)	
27	4711400	8	Washer 1/4	
28	4711500	43	Washer 5/16	
29	4711600	24	Washer 3/8	
30	4711800	4	Washer 1/2	
35	1001306079	1	Module, Chassis (Note: Re-calibration Required when Replaced)	

SECTION 1 - FRAME

FIGURE 1-15. STEER VALVE ASSEMBLY



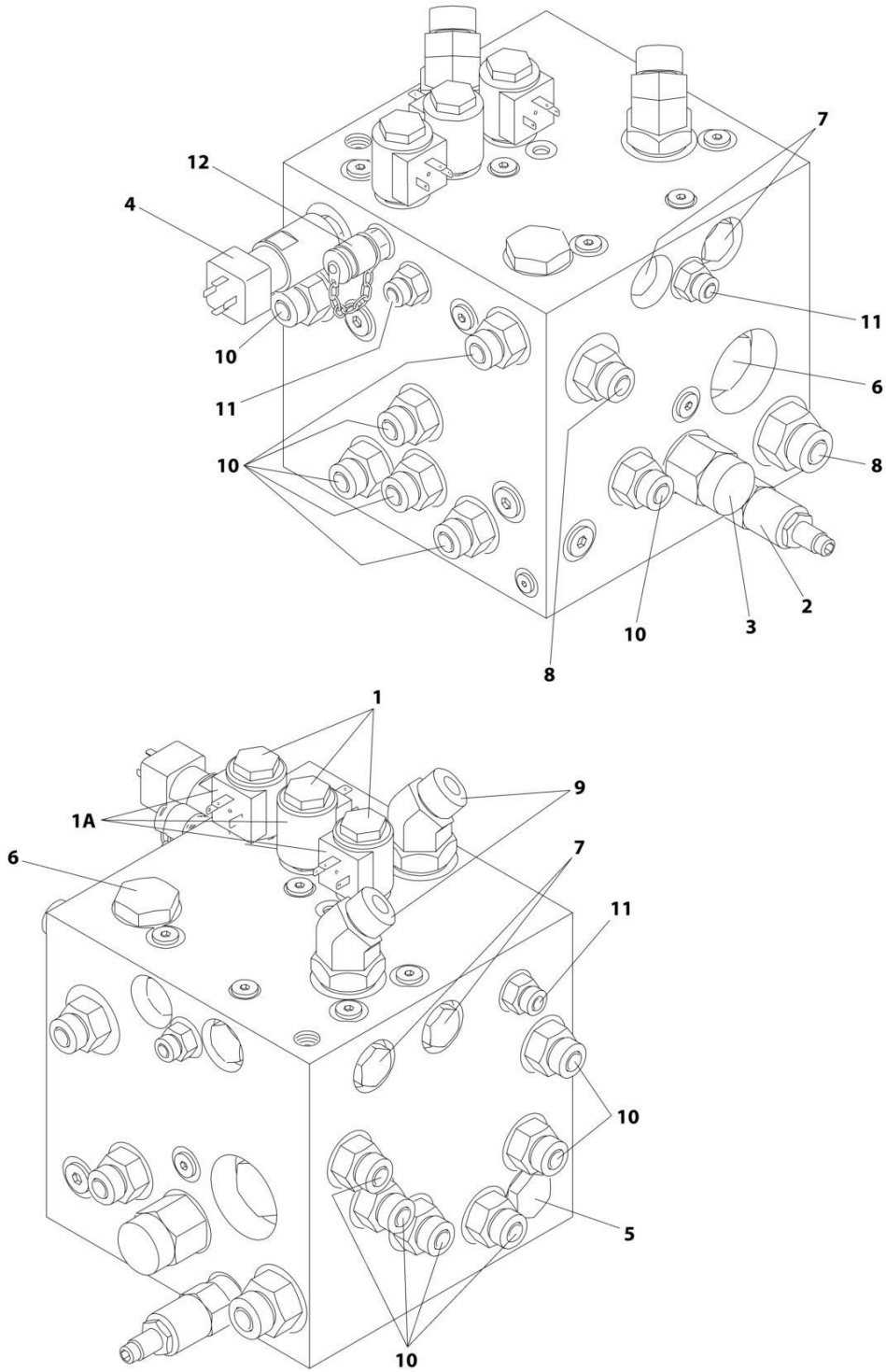
ART_4641268

FIGURE 1-15. STEER VALVE ASSEMBLY

ITEM	PART NUMBER	QTY	DESCRIPTION	REV
	4641268	Ref	STEER VALVE ASSEMBLY	C
1	7026028	12	Cartridge (6 Per Valve)	
1	7011346	12	Seal Kit - Cartridge (1 Per Cartridge)	
2	7024927	4	Valve (2 Per Valve)	
2	7012773	4	Seal Kit - Cartridge (1 Per Cartridge)	
2	7018991	8	Coil (2 Per Valve)	
3	70001976	2	Valve (1 Per Valve)	
3	7012773	2	Seal Kit - Cartridge (1 Per Cartridge)	
3	7018991	4	Coil (2 Per Valve)	
3	70001939	2	Orifice	
4	2221086	6	Check, Pressure	
5	2110606	8	Fitting, Straight	
6	2130810	2	Fitting, 90	

SECTION 1 - FRAME

FIGURE 1-16. TRACTION VALVE ASSEMBLY



ART_4641454

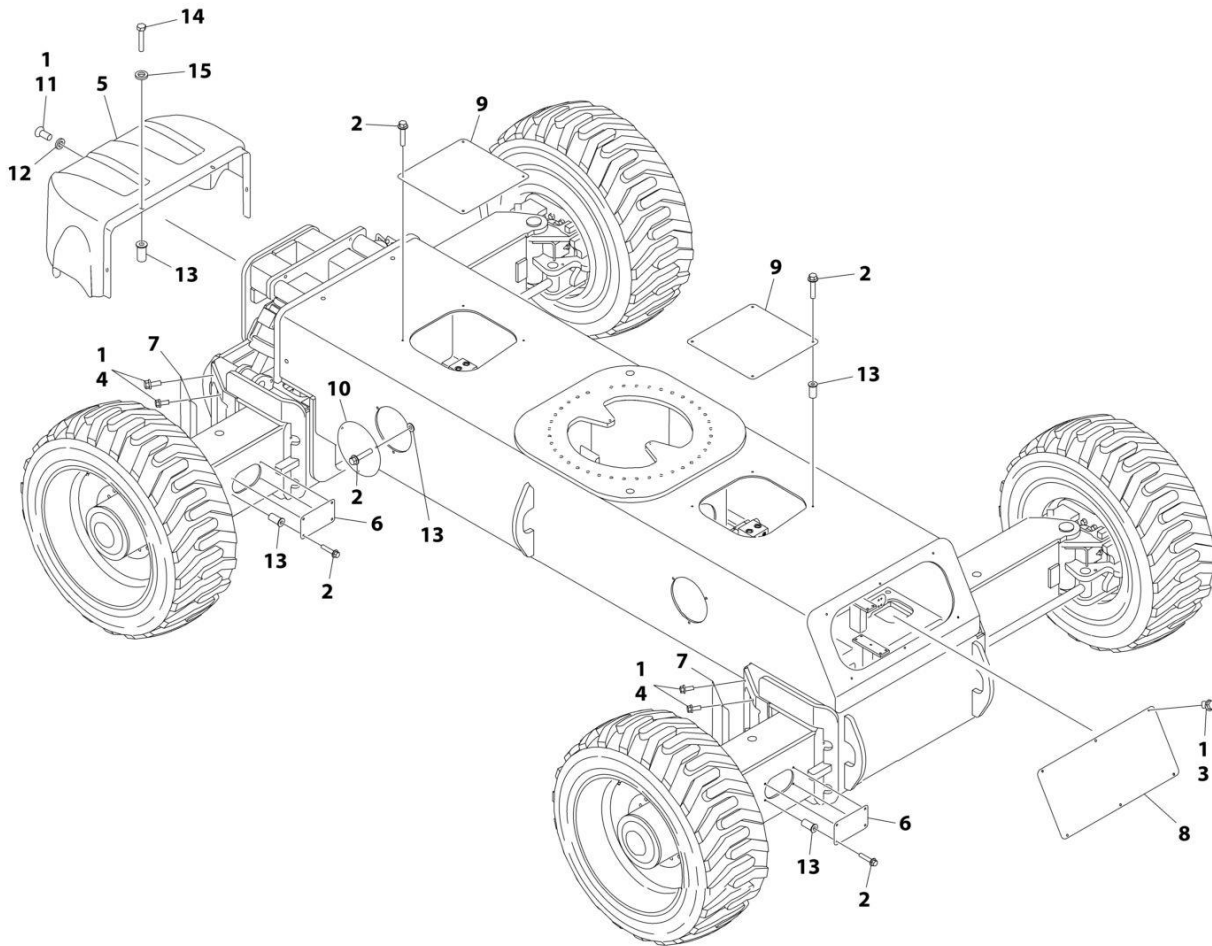
SECTION 1 - FRAME

FIGURE 1-16. TRACTION VALVE ASSEMBLY

ITEM	PART NUMBER	QTY	DESCRIPTION	REV
	4641454	Ref	TRACTION VALVE ASSEMBLY	E
1	7012941	3	Cartridge, Valve (Steer, Brake and Axle Lockout)	
1	7010543	3	Seal Kit - 7012941 Cartridge	
1A	7012944	2	Coil	
2	70000801	1	Cartridge, Valve (Relief)	
2	7012998	1	Seal Kit - 70000801 Cartridge	
3	70000802	1	Cartridge, Valve (Pilot)	
3	7012942	1	Seal Kit - 70000802 Cartridge	
4	70000803	1	Pressure Switch	
5	70000804	1	Cartridge, Valve (Shuttle)	
5	70000805	1	Seal Kit - 70000804 Cartridge	
6	70000806	2	Cartridge, Valve (Flow Divider)	
6	7017405	2	Seal Kit - 70000806 Cartridge	
7	7012955	4	Cartridge, Valve (Check)	
7	7012967	4	Seal Kit - 7012955 Cartridge	
8	2111012	2	Fitting, Straight	
9	2151012	2	Fitting, 45	
10	2110810	13	Fitting, Straight	
11	2110406	3	Fitting, Straight	
12	2221086	1	Check, Pressure	
13	2220883	1	Plug, #4 (Not Shown)	

SECTION 1 - FRAME

FIGURE 1-17. FRAME COVERS INSTALLATION - PLASTIC



ART_1001176346

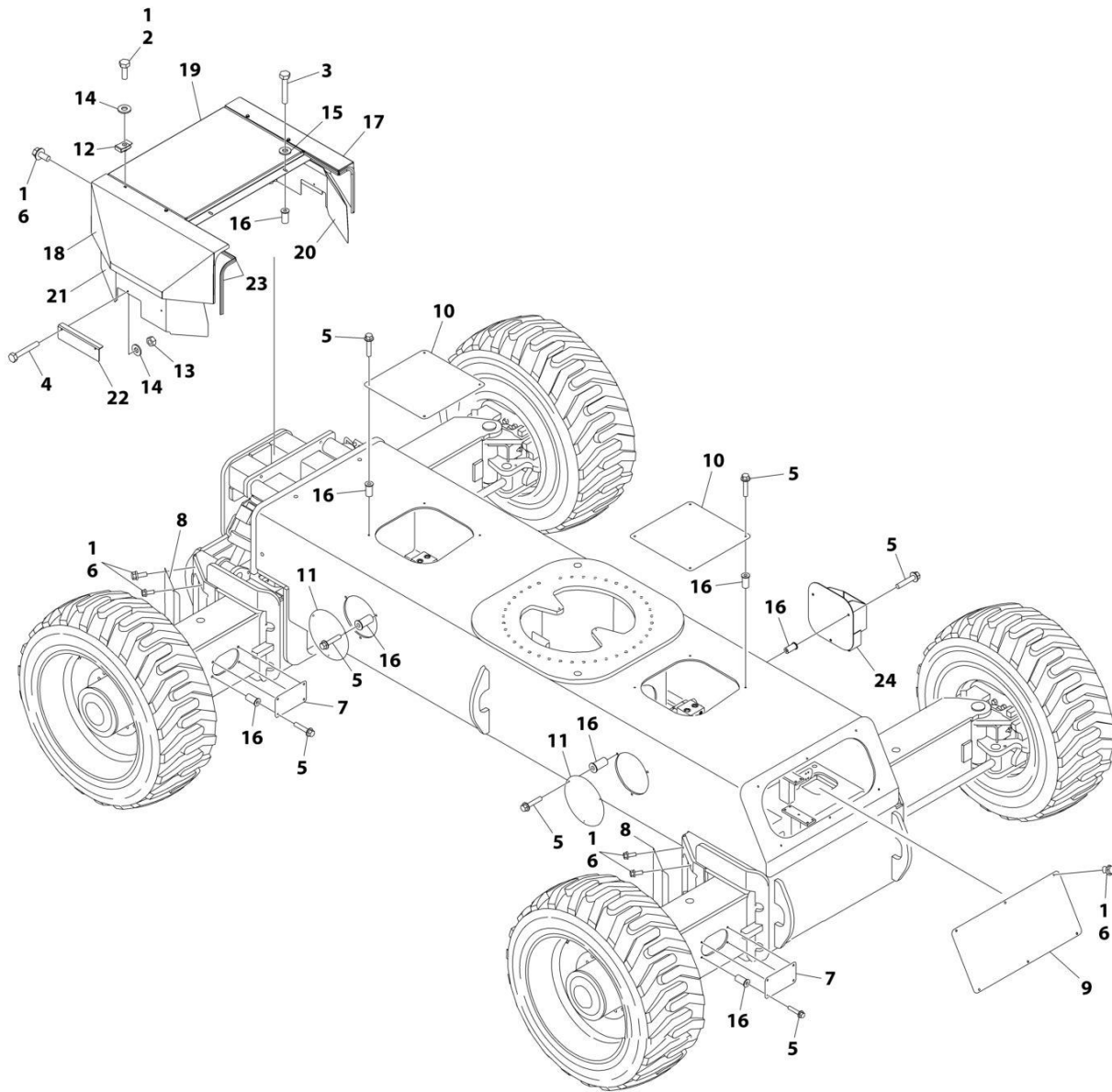
SECTION 1 - FRAME

FIGURE 1-17. FRAME COVERS INSTALLATION - PLASTIC

ITEM	PART NUMBER	QTY	DESCRIPTION	REV
	1001176346	Ref	FRAME COVERS INSTALLATION - ABS	C
1	0100011	AR	Compound, Locking	
2	0791410	36	Screw 1/4 x 1-1/4	
3	0791604	6	Screw 3/8 x 1/2	
4	0791607	16	Screw 3/8 x 7/8	
5	1670996	1	Cover, Front	
6	1671045	4	Plate, Cover (Axle Side)	
7	1671046	4	Plate, Cover (Axle Corner)	
8	1671047	1	Plate, Cover (Rear)	
9	1671048	2	Plate, Cover (Frame Top)	
10	1671049	4	Plate, Cover (Frame Side)	
11	3900283	3	Screw 3/8 x 3/4	
12	4751600	3	Washer 3/8	
13	8580420	40	Nut, Well	
14	0641412	4	Bolt 1/4 x 1-1/2	
15	4740430	4	Washer, Fender	

SECTION 1 - FRAME

FIGURE 1-18. FRAME COVERS INSTALLATION - STEEL



ART_1001176347

SECTION 1 - FRAME

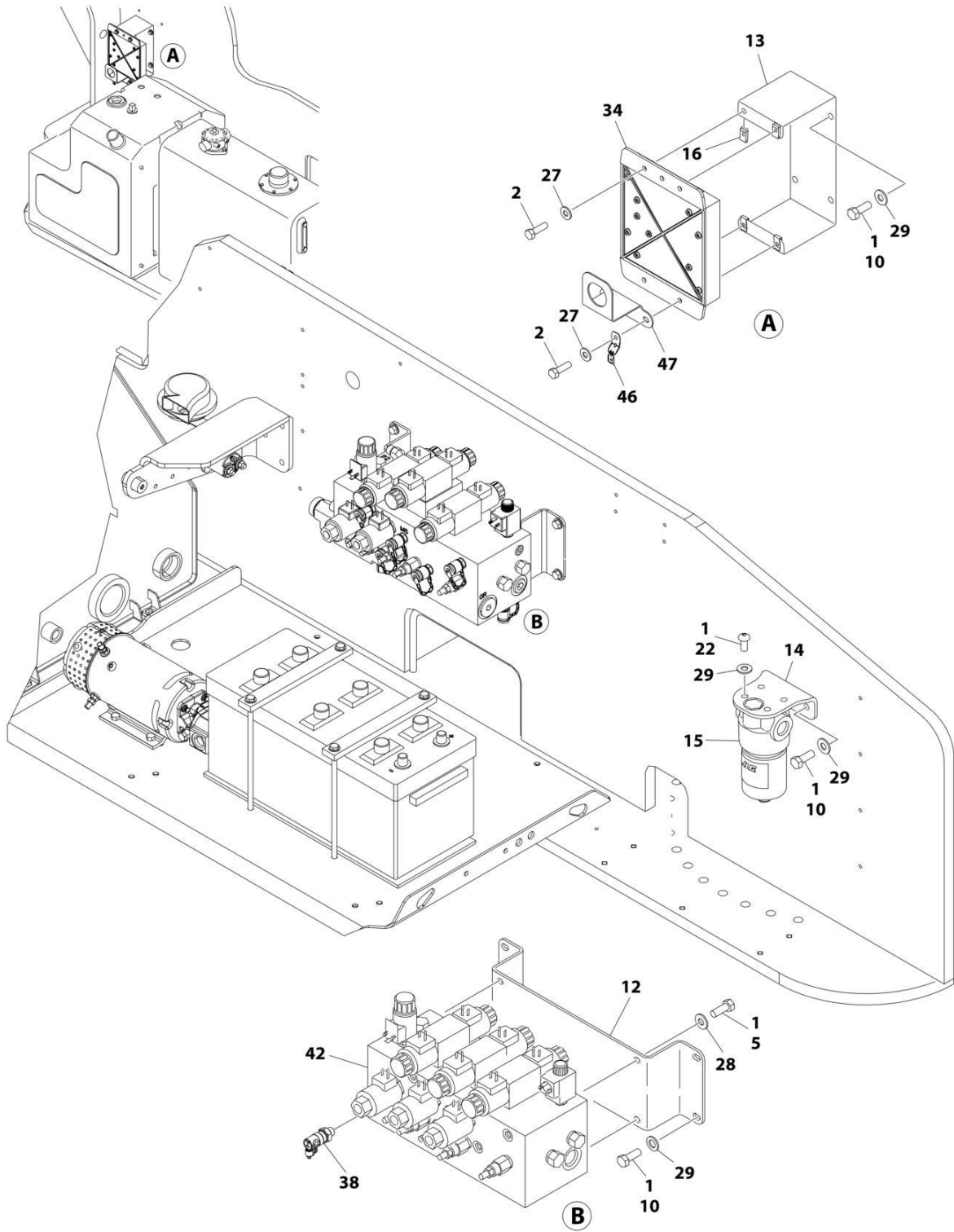
FIGURE 1-18. FRAME COVERS INSTALLATION - STEEL

ITEM	PART NUMBER	QTY	DESCRIPTION	REV
	1001176347	Ref	FRAME COVERS INSTALLATION (STEEL)	C
		Ref	Note: Only Available on ANSI, ANSI Export and Japanese Specs.	
1	0100011	AR	Compound, Locking	
2	0641406	8	Screw 1/4 x 3/4	
3	0641412	2	Bolt 1/4 x 1-1/2	
4	0641414	4	Screw 1/4 x 1-3/4	
5	0791410	36	Screw 1/4 x 1-1/4	
6	0791604	25	Screw 3/8 x 1/2	
7	1671045	4	Plate, Cover (Axle Side)	
8	1671046	4	Plate, Cover (Axle Corner)	
9	1671047	1	Plate, Cover (Rear)	
10	1671048	2	Plate, Cover (Frame Top)	
11	1671049	3	Plate, Cover (Frame Side)	
12	3300454	8	Nut 1/4	
13	3311405	4	Nut 1/4	
14	4711400	12	Washer 1/4	
15	4740430	2	Washer, Fender	
16	8580420	38	Nut, Well	
17	1001110108	1	Cover - RH Side	
18	1001110109	1	Cover - LH Side	
19	1001110110	1	Cover - Center Side	
20	1001110111	1	Shift - RH Side	
21	1001110112	1	Shift - LH Side	
22	1001110113	2	Plate	
23	1001110513	51 in /5.5m	Seal	
24	1001110877	1	Mount, Fire Extinguisher	

SECTION 2 - TURNTABLE

SECTION 2 - TURNTABLE

FIGURE 2-1. VALVE, MODULE AND FILTER INSTALLATION - TURNTABLE MOUNTED



ART_1001219992_I_20F3

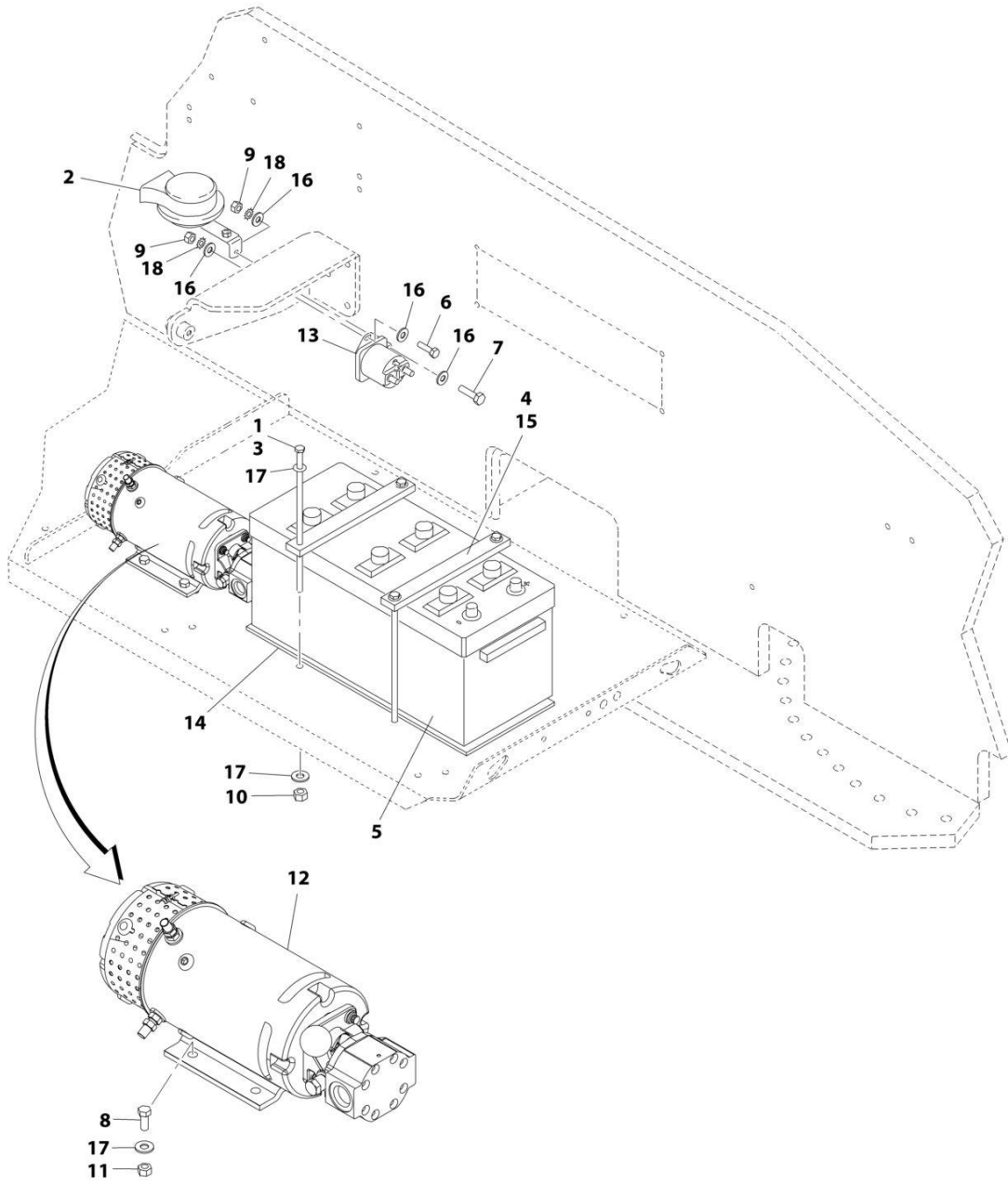
SECTION 2 - TURNTABLE

FIGURE 2-1. VALVE, MODULE AND FILTER INSTALLATION - TURNTABLE MOUNTED

ITEM	PART NUMBER	QTY	DESCRIPTION	REV
	1001219992	Ref	VALVE, MODULE AND FILTER INSTALLATION	I
1	0100011	AR	Compound, Locking	
2	0641407	4	Bolt 1/4 x 7/8	
5	0641506	4	Bolt 5/16 x 3/4	
10	0641608	20	Bolt 3/8 x 1	
12	0902755	1	Bracket, Valve Mounting	
13	0902800	1	Bracket, Module Mounting	
14	0903530	1	Bracket, Filter Mounting	
15	2120217	1	Filter, Pressure	
15	70002097	1	Element	
15	70004328	1	Plug, Indicator	
16	3300454	4	Nut, Retainer	
22	3900283	4	Screw 3/8 x 3/4	
27	4711400	8	Washer 1/4	
28	4711500	43	Washer 5/16	
29	4711600	24	Washer 3/8	
34	1001306077	1	Module, B.L.A.M. (Note: Control System must be recalibrated when Module is replaced)	
38	1001119455	1	Valve, Oil Sampling	
42	1001270106	1	Main Valve Assembly (See Separate Breakdown in this Section)	
46	1001155743	2	Mount, Connector	
47	1001288370	1	Bracket	

SECTION 2 - TURNTABLE

FIGURE 2-2. BATTERY, HORN AND AUXILIARY PUMP INSTALLATION



ART_100119952

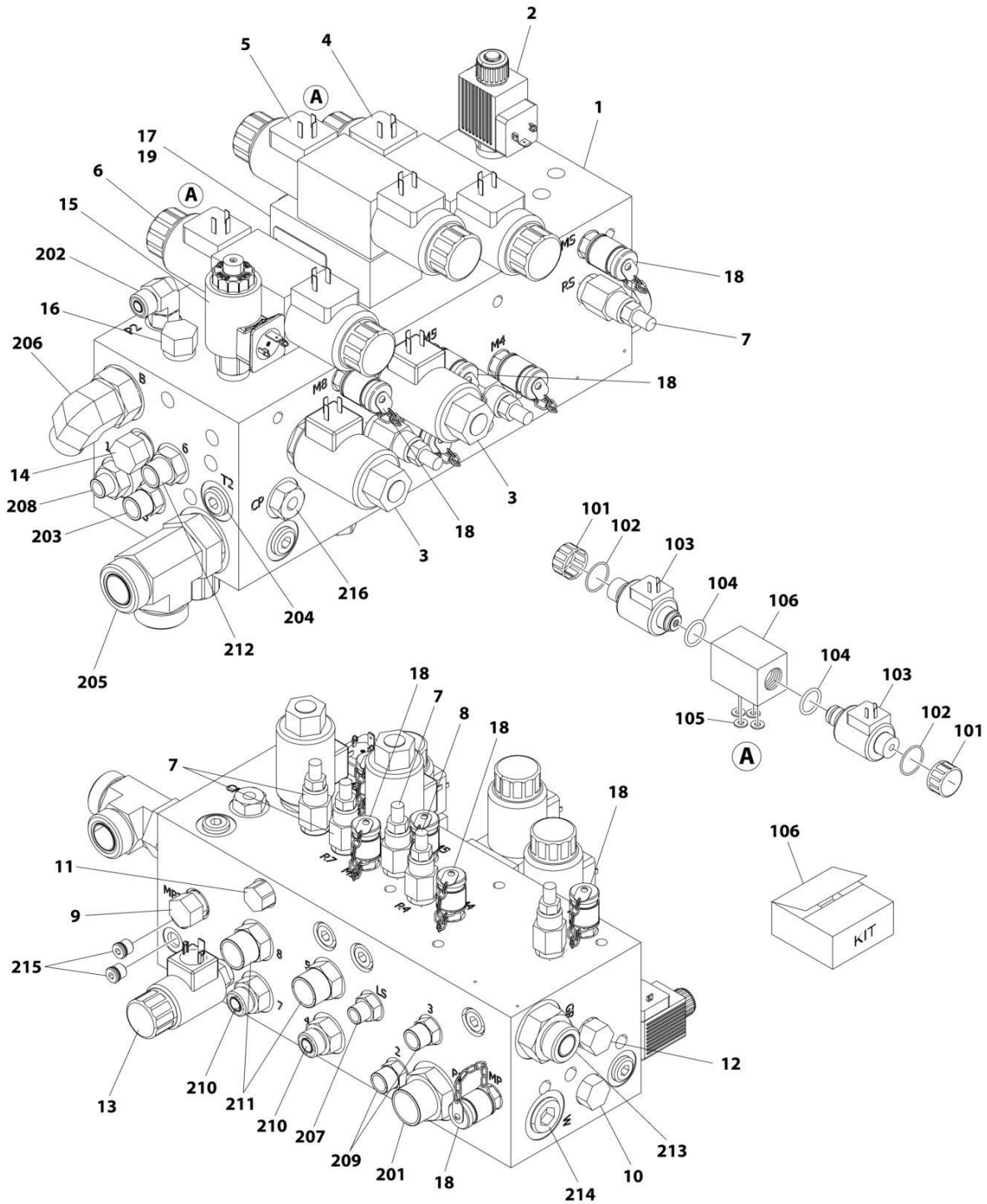
SECTION 2 - TURNTABLE

FIGURE 2-2. BATTERY, HORN AND AUXILIARY PUMP INSTALLATION

ITEM	PART NUMBER	QTY	DESCRIPTION	REV
	1001119952	Ref	BATTERY, HORN AND AUXILIARY PUMP INSTALLATION	B
1	0100011	AR	Compound, Locking	
2	0140001	1	Horn	
3	0236768	4	Bolt, Hold-down	
4	0363062	2	Bar, Battery	
5	0400020	1	Battery	
6	0641408	1	Bolt 1/4 x 1	
7	0641412	1	Bolt 1/4 x 1-1/2	
8	0641607	4	Bolt 3/8 x 7/8	
9	3311405	3	Nut 1/4	
10	3311601	4	Nut 3/8	
11	3311605	4	Nut 3/8	
12	1001224066	1	Auxiliary Pump Assembly (See Separate Breakdown in this Section)	
13	3740067	1	Relay	
14	3980006	1	Seat, Battery	
15	4420037	17 in/ 43cm	Tape, Insulation	
16	4711400	4	Washer 1/4	
17	4711600	12	Washer 3/8	
18	4791400	2	Washer 1/4	

SECTION 2 - TURNTABLE

FIGURE 2-3. MAIN VALVE ASSEMBLY



ART_1001270106

SECTION 2 - TURNTABLE

FIGURE 2-3. MAIN VALVE ASSEMBLY

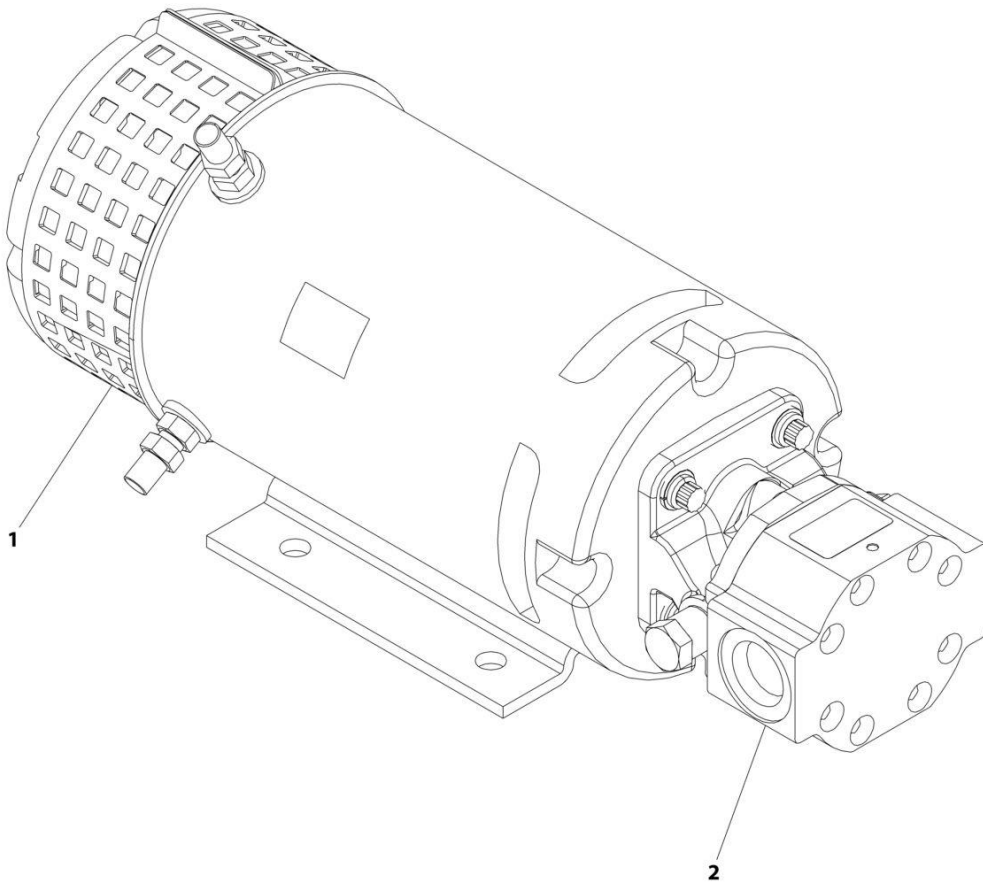
ITEM	PART NUMBER	QTY	DESCRIPTION	REV
	1001270106	Ref	MAIN VALVE ASSEMBLY	B
1	SEE NOTE	NSS	Body, Valve (Note: Not Sold Separately)	
2	7021636	1	Cartridge, Valve (Inlet Valve)	
2	7024574	1	Seal Kit, Valve 7021636	
2	7011354	1	Coil	
3	7021636	2	Cartridge, Valve (Proportional Control)	
3	7017495	2	Seal Kit, Valve 7021636	
3	7017451	2	Coil	
4	7024924	1	Cartridge, Valve (Swing Right & Swing Left) (Includes Items 101-106)	
5	7024925	1	Cartridge, Valve (Lift Up & Lift Down) (Includes Items 101-106)	
6	70001976	1	Cartridge, Valve (Telescope In & Telescope Out) (Includes Items 101-106)	
7	7026007	4	Cartridge, Valve	
7	7024574	4	Seal Kit, Valve 7026007	
8	7011321	1	Cartridge, Valve	
8	7024574	1	Seal Kit, Valve 7011321	
9	7026000	1	Cartridge, Valve	
9	7011311	1	Seal Kit, Valve 7026000	
10	7026001	1	Cartridge, Valve	
10	7011311	1	Seal Kit, Valve 7026001	
11	7026016	1	Cartridge, Valve	
11	7011346	1	Seal Kit, Valve 7026016	
12	7026002	1	Cartridge, Valve	
12	2900770	1	Seal Kit, Valve 7026002	
13	7024570	1	Cartridge, Valve (Emergency Lower)	
13	70001930	1	Seal Kit, Valve 7024570	
13	7024571	1	Coil	
14	7026003	1	Cartridge, Valve	
14	7026004	1	Seal Kit, Valve 7026003	
15	70007605	1	Cartridge, Valve (Emergency Lower)	
15	70029997	1	Seal Kit, Valve 70007605	
15	70001606	1	Coil	
16	7026008	1	Cartridge, Valve	
16	7011346	1	Seal Kit, Valve 7026008	
17	SEE NOTE	NSS	Manifold (Note: Not Sold Separately)	
18	2221086	6	Coupling	
19	70003021	1	Cartridge, Valve	
19	70004052	1	Seal Kit, Valve 70003021	
101	7021375	2	Nut, Cartridge	
102	7018943	2	O-Ring (21.82mm)	
103	7018991	2	Coil	
104	7018944	2	O-Ring (17.17mm)	
105	7018945	4	R-Ring	
106	7012773	1	Seal Kit, Valve 7024924, 7024925 & 70001976	
201	2111216	1	Fitting, SAE 12-16 Straight ORFS/ORB	
202	2130606	1	Fitting, SAE 6 Elbow ORFS/ORB	
203	2110806	1	Fitting, SAE 8-6 Straight ORFS/ORB	
204	2220886	1	Plug, SAE 8	
205	2170316	1	Fitting, SAE 16 Tee ORFS/ORB/ORFS	

SECTION 2 - TURNTABLE

ITEM	PART NUMBER	QTY	DESCRIPTION	REV
206	2131012	1	Fitting, SAE 10-12 Elbow ORFS/ORB	
207	2110406	1	Fitting, SAE 4-6 Straight ORFS/ORB	
208	2110408	1	Fitting, SAE 4-8 Straight ORFS/ORB	
209	2110606	2	Fitting, SAE 6 Straight ORFS/ORB	
210	2110810	2	Fitting, SAE 8-10 Straight ORFS/ORB	
211	2111010	2	Fitting, SAE 10 Straight ORFS/ORB	
212	2110608	1	Fitting, SAE 6-8 Straight ORFS/ORB	
213	2111016	1	Fitting, SAE 10-16 Straight ORFS/ORB	
214	SEE NOTE	NSS	Plug (Note: Purchase Locally)	
215	SEE NOTE	NSS	Plug (Note: Purchase Locally)	
216	1001137354	1	Fitting, Straight FORB/ORB	

SECTION 2 - TURNTABLE

FIGURE 2-4. AUXILIARY PUMP ASSEMBLY



ART_1001224066

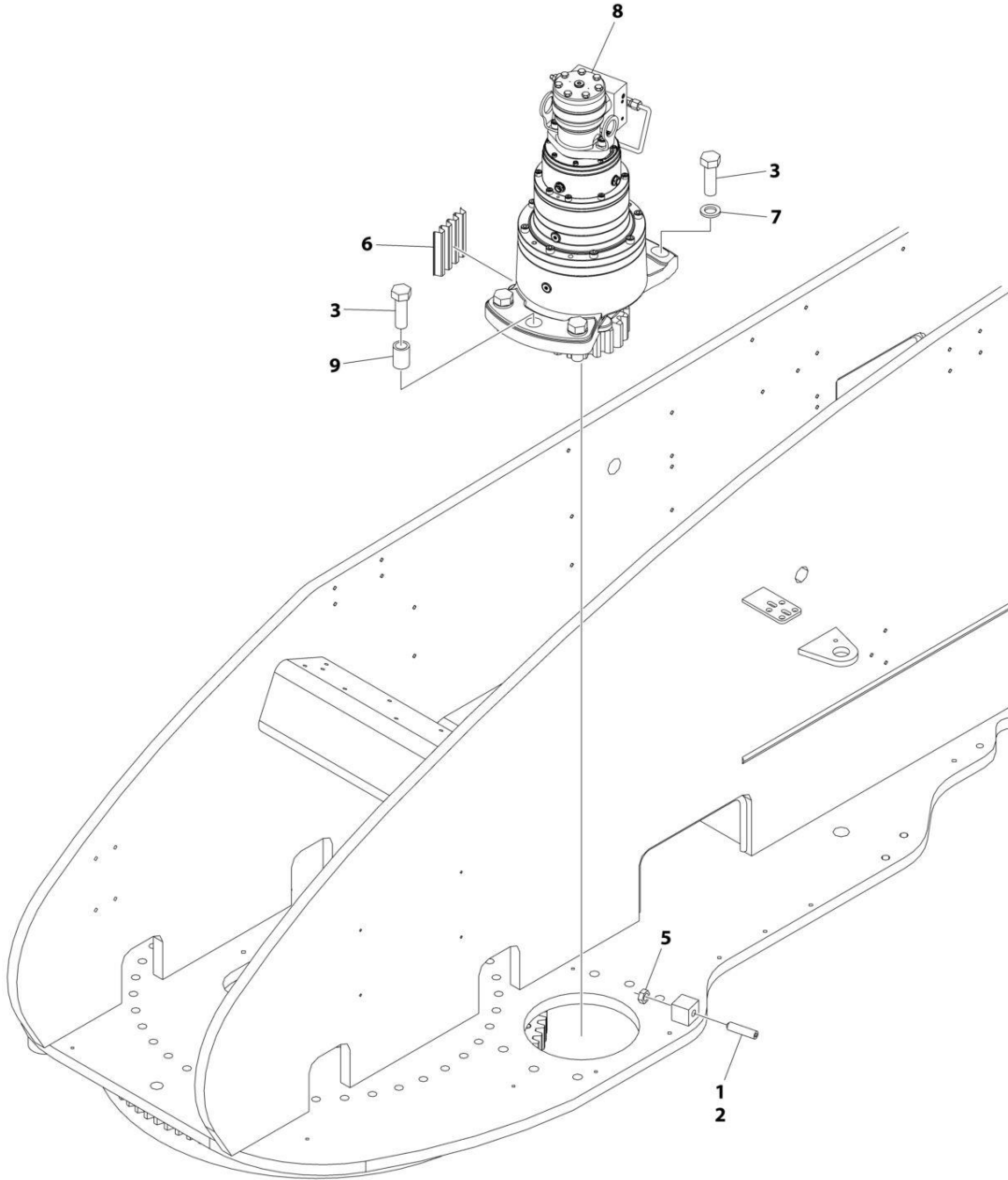
SECTION 2 - TURNTABLE

FIGURE 2-4. AUXILIARY PUMP ASSEMBLY

ITEM	PART NUMBER	QTY	DESCRIPTION	REV
	1001224066	Ref	AUXILIARY PUMP ASSEMBLY	B
1	7010924	1	Motor	
1	7010639	2	Brush	
1	7010640	8	Spring, Brush	
1	7011044	1	Gasket, Adapter to Motor	
2	70001001	1	Pump Kit (Includes Pump, Adapter to Motor Gasket p/n 7011044 and Mounting Hardware)	
2	70001000	1	Seal Kit (Includes Adapter to Motor Gasket p/n 7011044, Pump to Adapter Gasket, Shaft Seal and O-Rings for Hex Caps on Adapter)	

SECTION 2 - TURNTABLE

FIGURE 2-5. SWING DRIVE INSTALLATION



ART_1001228617

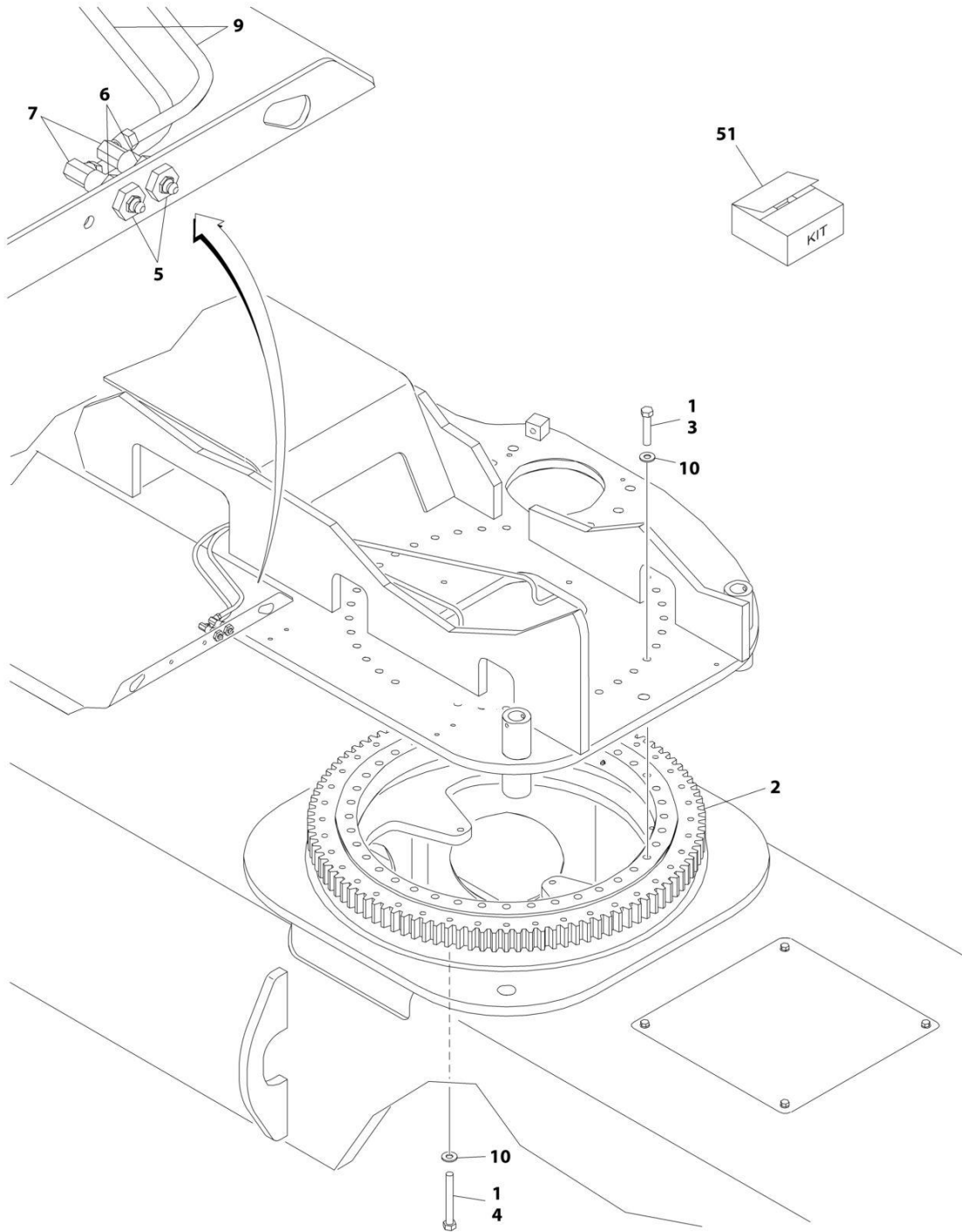
SECTION 2 - TURNTABLE

FIGURE 2-5. SWING DRIVE INSTALLATION

ITEM	PART NUMBER	QTY	DESCRIPTION	REV
	1001228617	Ref	SWING DRIVE INSTALLATION	E
1	0100019	AR	Compound, Locking	
2	3952020	1	Setscrew 5/8 x 2-1/2	
3	0682422	6	Bolt 7/8 x 2-3/4 Grade 8	
5	3312002	1	Nut 5/8	
6	4071041	1	Shim	
7	4892400	5	Washer 7/8	
8	1001228488	1	Swing Motor/Hub Assembly (See Separate Breakdown in this Section)	
9	1001229058	1	Sleeve	

SECTION 2 - TURNTABLE

FIGURE 2-6. TURNTABLE BEARING AND LUBE INSTALLATION



ART_0271512

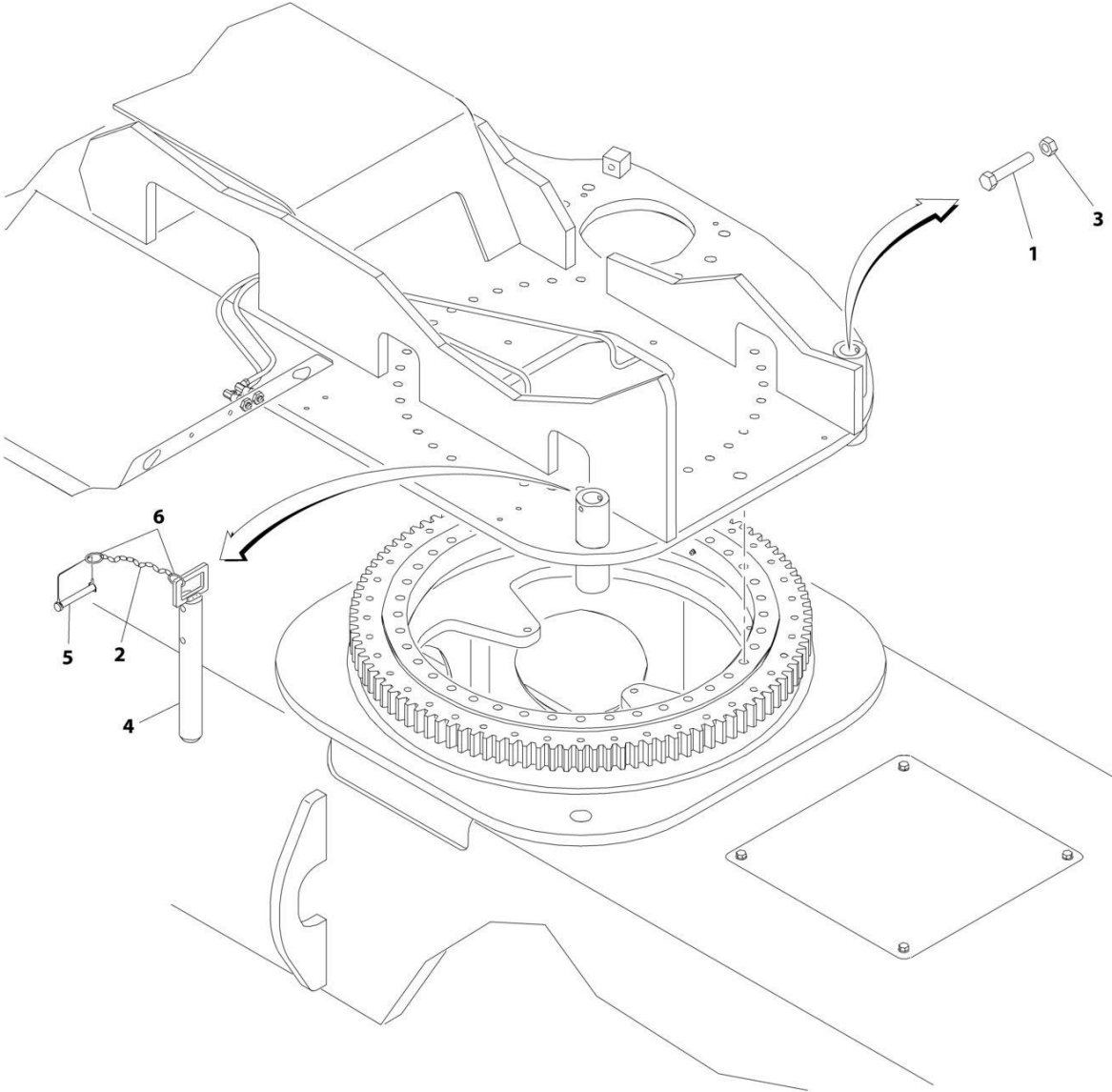
SECTION 2 - TURNTABLE

FIGURE 2-6. TURNTABLE BEARING AND LUBE INSTALLATION

ITEM	PART NUMBER	QTY	DESCRIPTION	REV
	0271512	Ref	TURNTABLE BEARING AND LUBE INSTALLATION	B
1	0100019	AR	Compound, Locking	
2	0440251	1	Bearing, Turntable	
3	0682026	40	Bolt 5/8 x 3-1/4 Grade 8	
4	0682040	40	Bolt 5/8 x 5 Grade 8	
5	2160002	2	Fitting, Grease	
6	2180344	2	Fitting, Bulkhead	
7	2220063	2	Fitting, Adapter	
9	2750528	2	Hose	
10	4892000	80	Washer 5/8	
51	2915072	1	Bearing Kit (Includes Items 2, 3, 4 & 10)	

SECTION 2 - TURNTABLE

FIGURE 2-7. TURNTABLE LOCK INSTALLATION



ART_1001110186

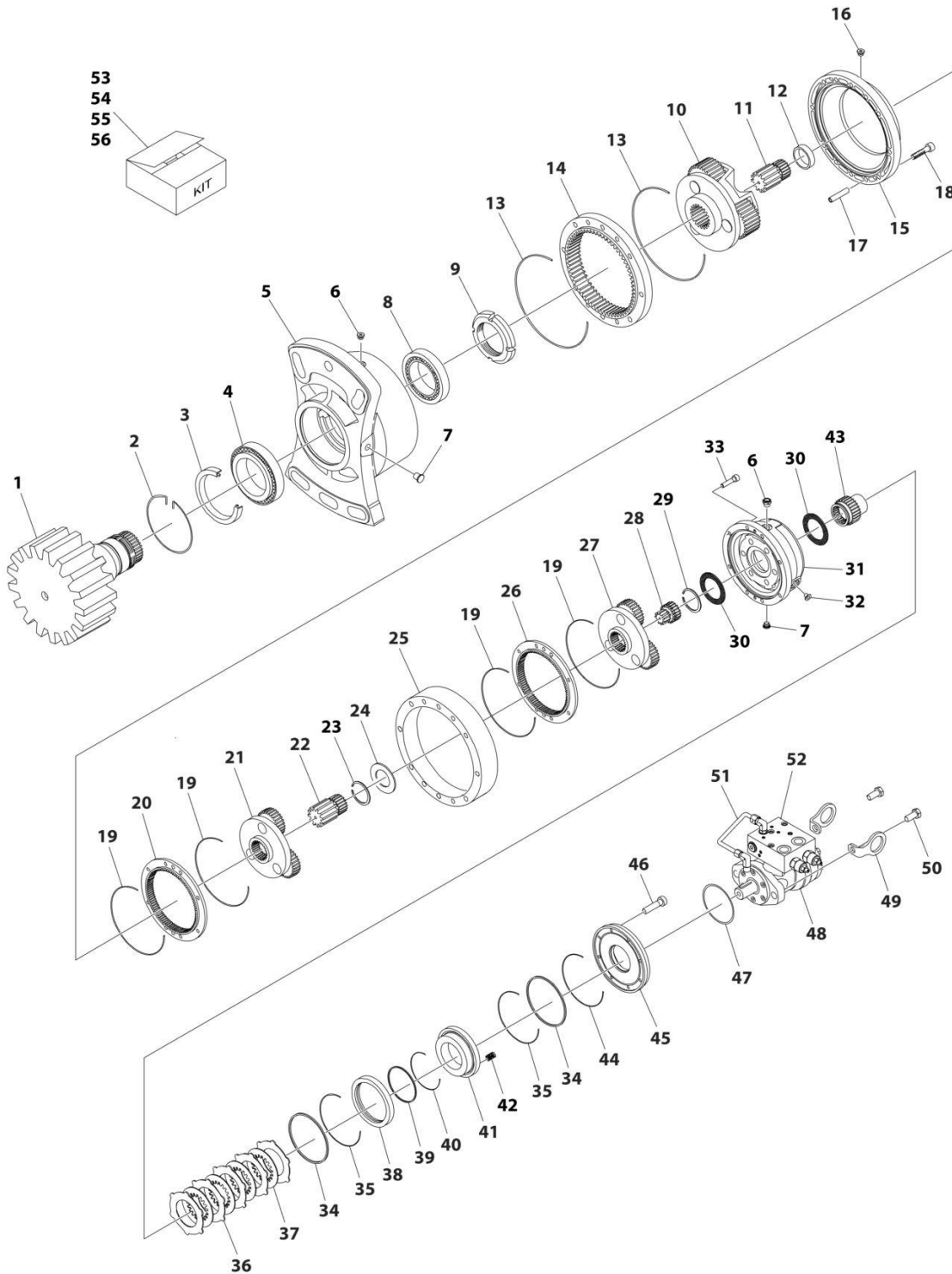
SECTION 2 - TURNTABLE

FIGURE 2-7. TURNTABLE LOCK INSTALLATION

ITEM	PART NUMBER	QTY	DESCRIPTION	REV
	1001110186	Ref	TURNTABLE LOCK INSTALLATION	C
1	0641524	1	Bolt 5/16 x 3	
2	1260017	9 in/23cm	Chain - #3	
3	3311505	1	Nut 5/16	
4	3421563	1	Pin, Turntable Lock	
5	3421565	1	Pin, Snap	
6	3760170	2	Ring, Quick Release	

SECTION 2 - TURNTABLE

FIGURE 2-8. SWING MOTOR/HUB ASSEMBLY



ART_1001228488

SECTION 2 - TURNTABLE

FIGURE 2-8. SWING MOTOR/HUB ASSEMBLY

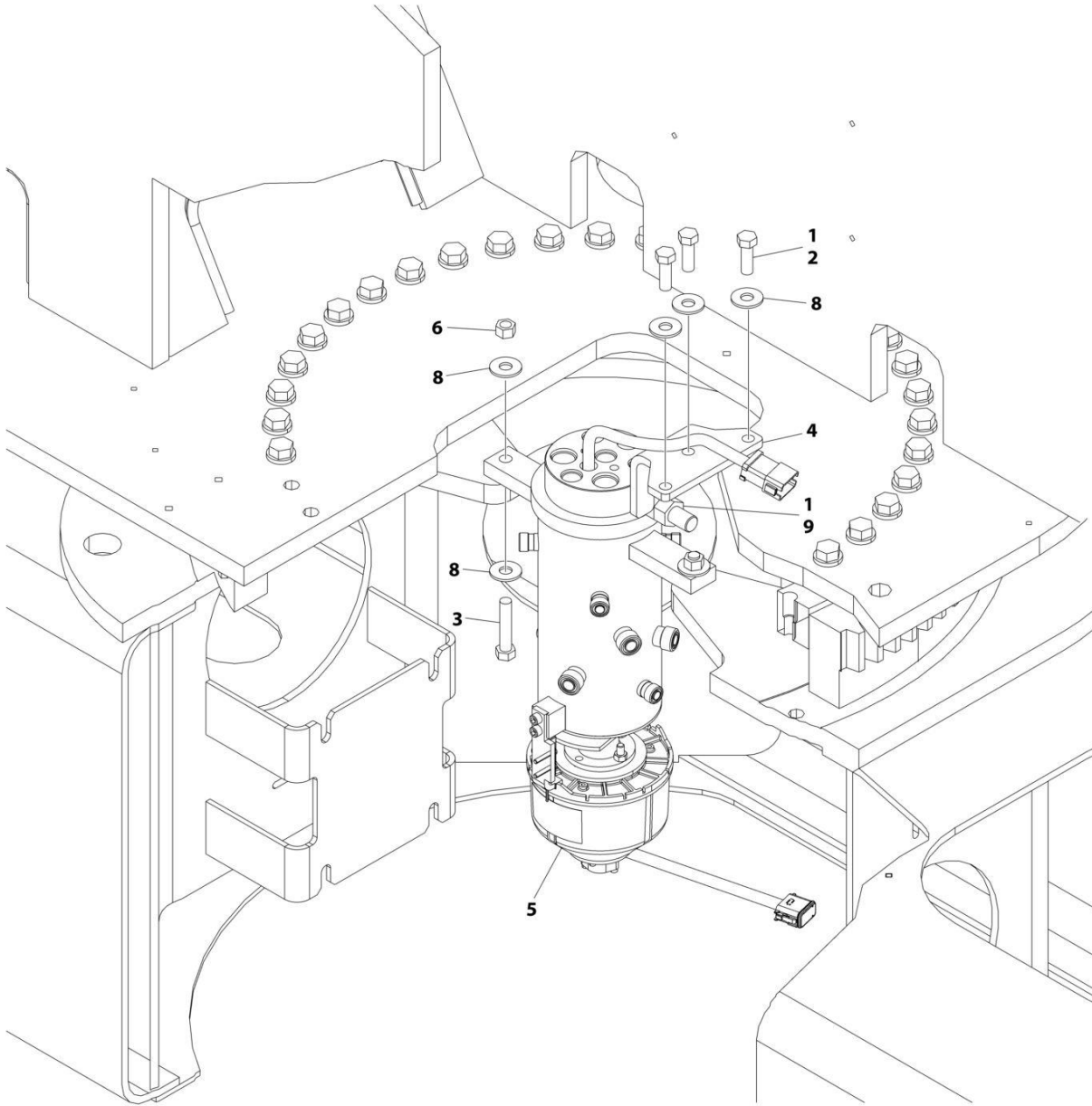
ITEM	PART NUMBER	QTY	DESCRIPTION	REV
	1001228488	Ref	SWING MOTOR/HUB ASSEMBLY	B
1	See Note	NSS	Shaft (Note: Use Item 56)	
2	70004467	1	Ring	
3	See Note	NSS	Seal, Oil (Note: Use Item 53)	
4	See Note	NSS	Bearing (Note: Use Item 55)	
5	See Note	NSS	Support, Output (Note: Not Available for Purchase)	
6	70002057	5	Plug with O-Ring	
7	70004469	2	Plug with O-Ring	
8	See Note	NSS	Bearing (Note: Use Item 55)	
9	See Note	NSS	Nut, Ring (Note: Use Item 56)	
10	70006986	1	Reduction, Gear - Complete	
11	70006987	1	Pinion	
12	70004477	1	Spacer	
13	See Note	NSS	O-Ring (Note: Use Item 53)	
14	70004474	1	Ring, Planetary	
15	70006988	1	Spacer	
16	70002057	2	Plug with O-Ring	
17	70006989	4	Pin, Spring	
18	70004480	8	Capscrew M10 x 55	
19	See Note	NSS	O-Ring (Note: Use Item 53)	
20	70006990	1	Ring, Planetary	
21	70006991	1	Reduction, Gear - Complete	
22	70006992	1	Pinion	
23	70002032	1	Ring	
24	70006993	1	Spacer	
25	70006994	1	Spacer	
26	70004481	1	Ring, Planetary	
27	70006995	1	Reduction, Gear - Complete	
28	70006996	1	Pinion	
29	70006997	1	Ring	
30	70006998	2	Washer	
31	See Note	NSS	Housing, Brake (Note: Not Available for Purchase)	
32	70006999	1	Plug	
33	70007000	8	Capscrew M8 x 90	
34	See Note	NSS	Seal (Note: Use Item 53 or 54)	
35	See Note	NSS	O-Ring (Note: Use Item 53 or 54)	
36	See Note	NSS	Disc, Steel (Note: Use Item 54)	
37	See Note	NSS	Disc (Note: Use Item 54)	
38	70005317	1	Spacer	
39	See Note	NSS	Seal (Note: Use Item 53 or 54)	
40	See Note	NSS	O-Ring (Note: Use Item 53 or 54)	
41	70005318	1	Piston, Brake	
42	See Note	NSS	Spring, Brake (Note: Use Item 54)	
43	70007001	1	Shaft, Input	
44	See Note	NSS	O-Ring (Note: Use Item 53 or 54)	
45	70007002	1	Cover	
46	70007003	8	Screw M6 x 25	
47	See Note	NSS	O-Ring (Note: Use Item 53)	
48	70007009	1	Motor	
48	70007011	1	Seal Kit	

SECTION 2 - TURNTABLE

ITEM	PART NUMBER	QTY	DESCRIPTION	REV
49	See Note	NSS	Lug, Lifting (Note: Not Available for Purchase)	
50	70004494	2	Capscrew M12 x 35	
51	70007004	1	Brake, Valve Adapter	
52	70007010	1	Valve	
52	70007012	1	Seal Kit	
52	70007013	1	Hardware Kit	
53	70007005	1	Seal Kit – Brake and Hub (Includes Items 3, 13, 19, 34, 35, 39, 40, 44 & 47)	
54	70007006	1	Seal Kit – Brake (Includes Items 34-37, 39, 40, 42 & 44)	
55	70007007	1	Bearing Kit (Includes Items 4 & 8)	
56	70007008	1	Output Shaft Kit (Includes Items 1 & 9)	

SECTION 2 - TURNTABLE

FIGURE 2-9. ROTARY COUPLING AND COLLECTOR RING INSTALLATION



ART_100119273_C

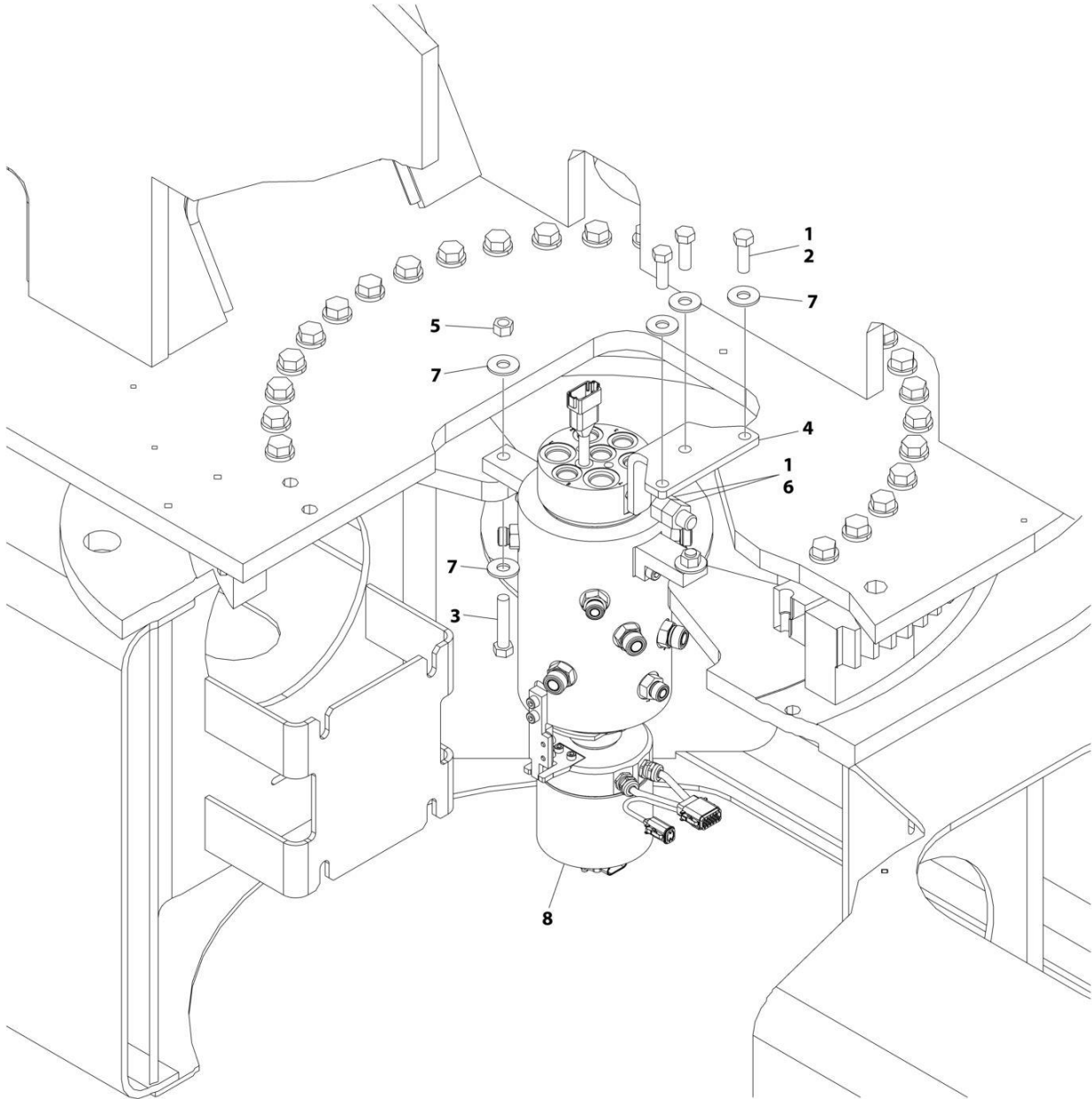
SECTION 2 - TURNTABLE

FIGURE 2-9. ROTARY COUPLING AND COLLECTOR RING INSTALLATION

ITEM	PART NUMBER	QTY	DESCRIPTION	REV
	1001119273	Ref	ROTARY COUPLING AND COLLECTOR RING INSTALLATION	C
1	0100011	AR	Compound, Locking	
2	0641812	3	Bolt 1/2 x 1-1/2	
3	0641820	2	Bolt 1/2 x 2-1/2	
4	0902915	1	Bracket, Swivel	
5	1001278608	1	Rotary Coupling and Collector Ring Assembly (See Separate Breakdown in this Section)	
6	3311805	2	Nut 1/2	
8	4751800	7	Washer 1/2	
9	3322201	2	Nut 3/4	

SECTION 2 - TURNTABLE

FIGURE 2-10. ROTARY COUPLING AND COLLECTOR RING INSTALLATION (MACHINES WITH SN STARTING WITH B3)



ART_1001309594

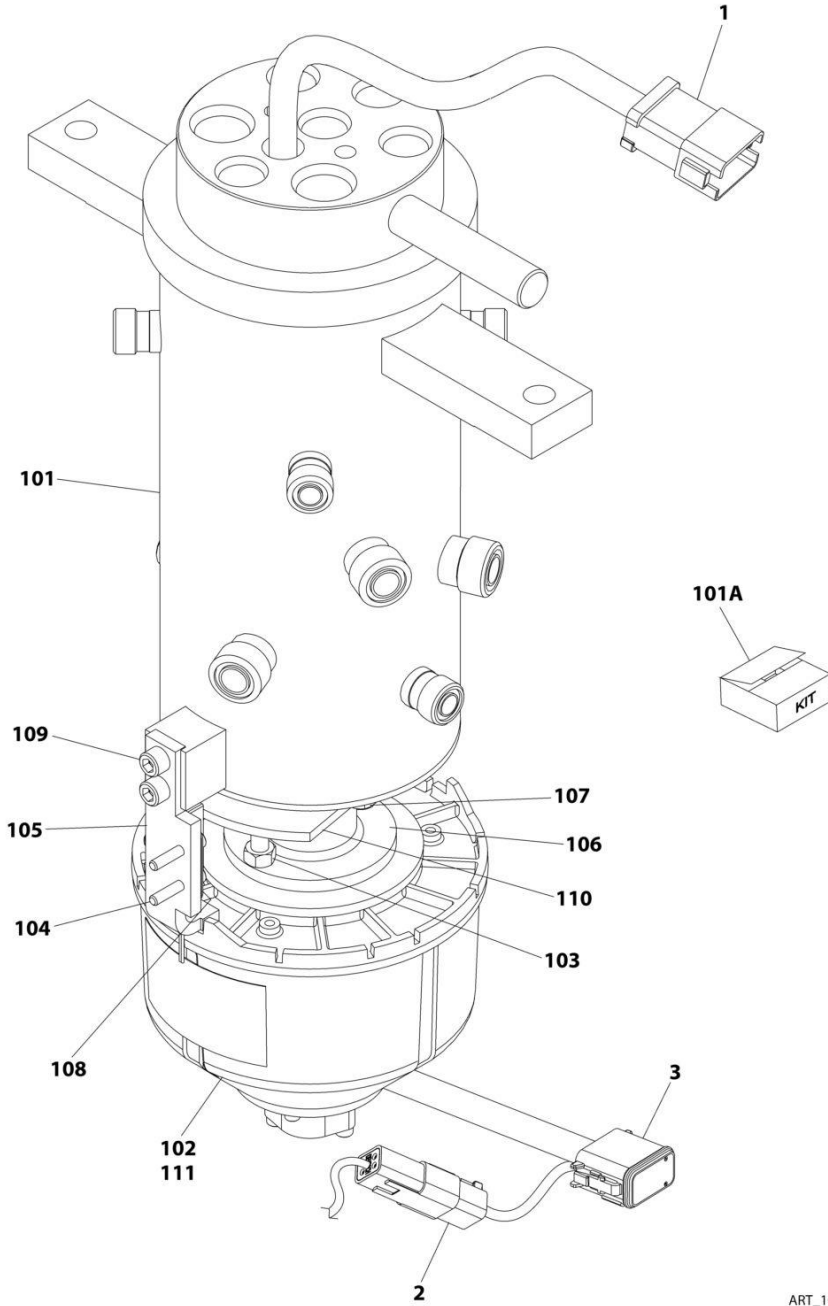
SECTION 2 - TURNTABLE

FIGURE 2-10. ROTARY COUPLING AND COLLECTOR RING INSTALLATION (MACHINES WITH SN STARTING WITH B3)

ITEM	PART NUMBER	QTY	DESCRIPTION	REV
	1001309594	Ref	ROTARY COUPLING AND COLLECTOR RING INSTALLATION	A
1	0100011	AR	Compound, Locking	
2	0641812	3	Bolt 1/2 x 1-1/2	
3	0641820	2	Bolt 1/2 x 2-1/2	
4	0902915	1	Bracket	
5	3311805	2	Nut 1/2	
6	3322201	2	Nut 3/4	
7	4751800	7	Washer 1/2	
8	1001306692	1	Rotary Coupling and Collector Ring Assembly (See Separate Breakdown in this Section)	

SECTION 2 - TURNTABLE

FIGURE 2-11. ROTARY COUPLING AND COLLECTOR RING ASSEMBLY



ART_1001278608

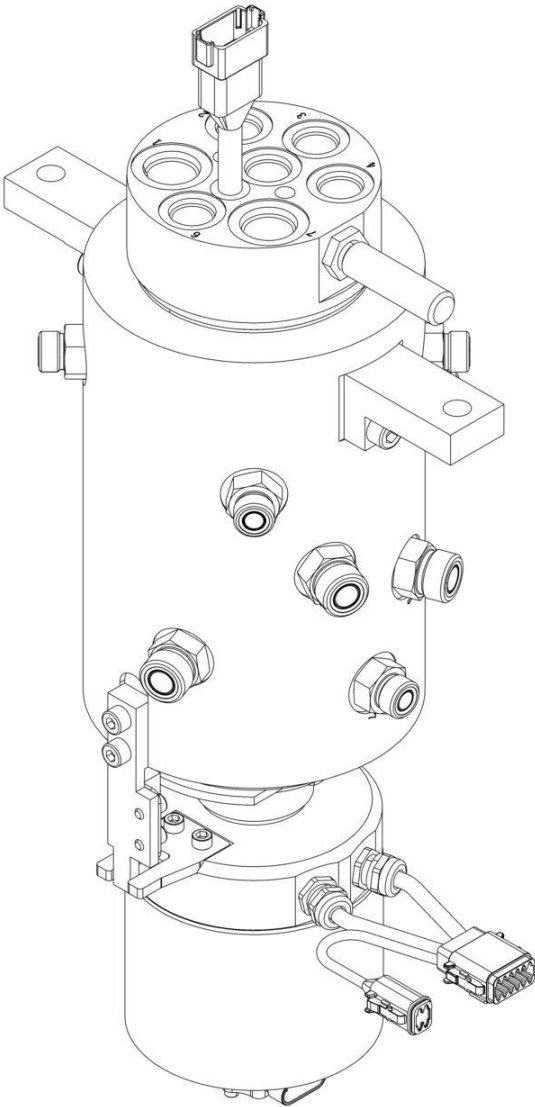
SECTION 2 - TURNTABLE

FIGURE 2-11. ROTARY COUPLING AND COLLECTOR RING ASSEMBLY

ITEM	PART NUMBER	QTY	DESCRIPTION	REV
	1001278608	Ref	ROTARY COUPLING AND COLLECTOR RING ASSEMBLY	B
1	4460950	1	Connector	
1	80363179	1	Wedge Lock	
2	4460884	1	Connector	
2	80604021	1	Wedge Lock	
3	4460836	1	Connector	
3	80604016	1	Wedge Lock	
3	4460944	3	Socket, Female (Gold)	
3	4640465	7	Socket, Female	
3	4460466	2	Seal, Plug	
101	70001102	1	Rotary Coupling Assembly	
101A	70001101	1	Seal Kit - 70001102 Coupling	
102	70008366	1	Collector Ring Assembly	
103	70008360	2	Nut 5/16	
104	70007510	2	Capscrew #10 x 1/2	
105	70008361	1	Arm	
106	70008362	1	Adaptor, Spool	
107	70008363	2	Bolt 5/16 x 1	
108	70008364	1	Sensor	
109	3931512	2	Capscrew 5/16 x 3/4	
110	70008365	1	Plate, Cam	
111	0100048	AR	Silicone	

SECTION 2 - TURNTABLE

FIGURE 2-12. ROTARY COUPLING AND COLLECTOR RING ASSEMBLY (MACHINES WITH SN STARTING WITH B3)



ART_1001306692

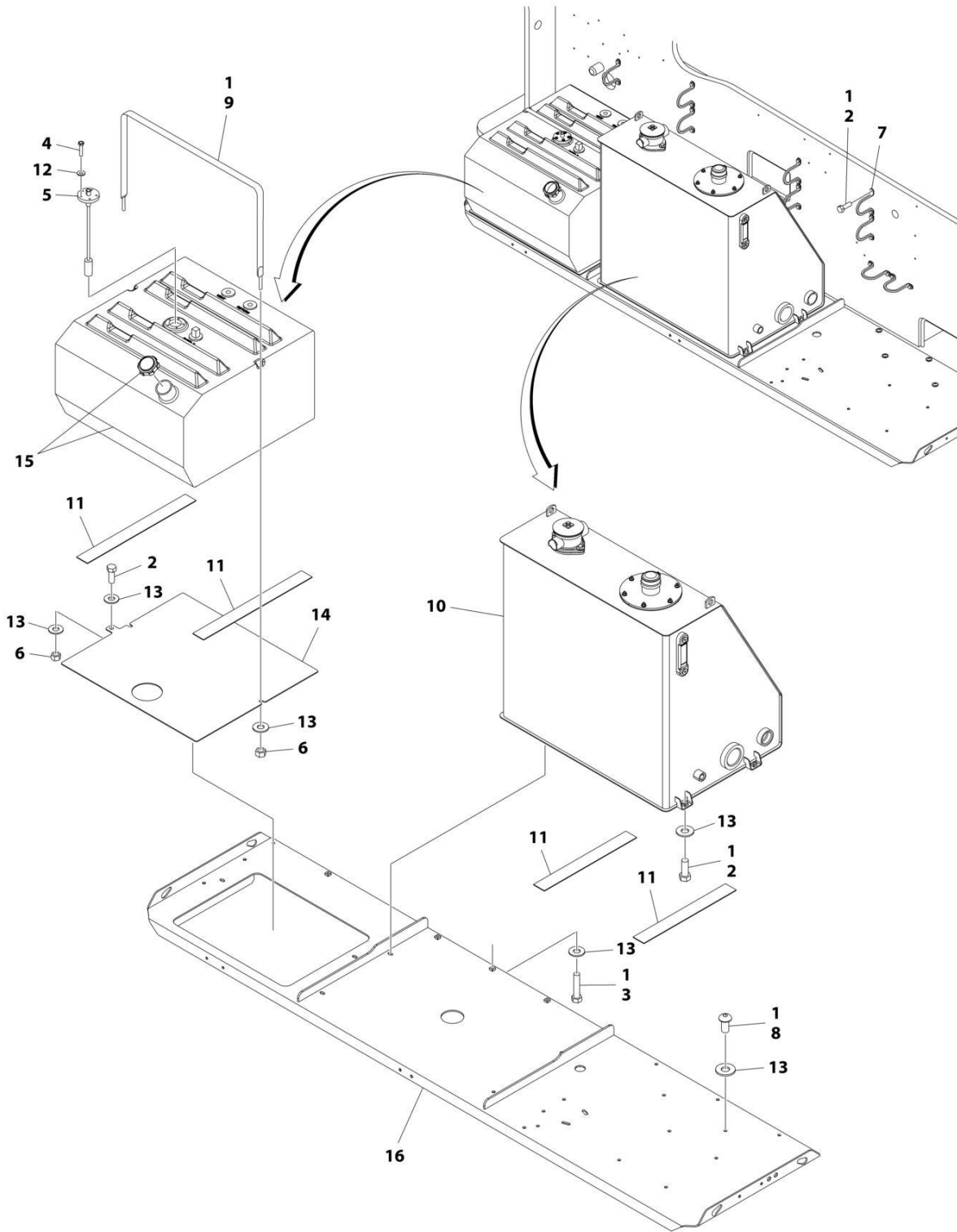
SECTION 2 - TURNTABLE

FIGURE 2-12. ROTARY COUPLING AND COLLECTOR RING ASSEMBLY (MACHINES WITH SN STARTING WITH B3)

ITEM	PART NUMBER	QTY	DESCRIPTION	REV
	1001306692 See Note	Ref NSS	ROTARY COUPLING AND COLLECTOR RING ASSEMBLY Note: No Service Parts Available at Time of Printing	A

SECTION 2 - TURNTABLE

FIGURE 2-13. TANK INSTALLATION - WITH 31 GAL/117.31 L FUEL TANK



ART_1001173915

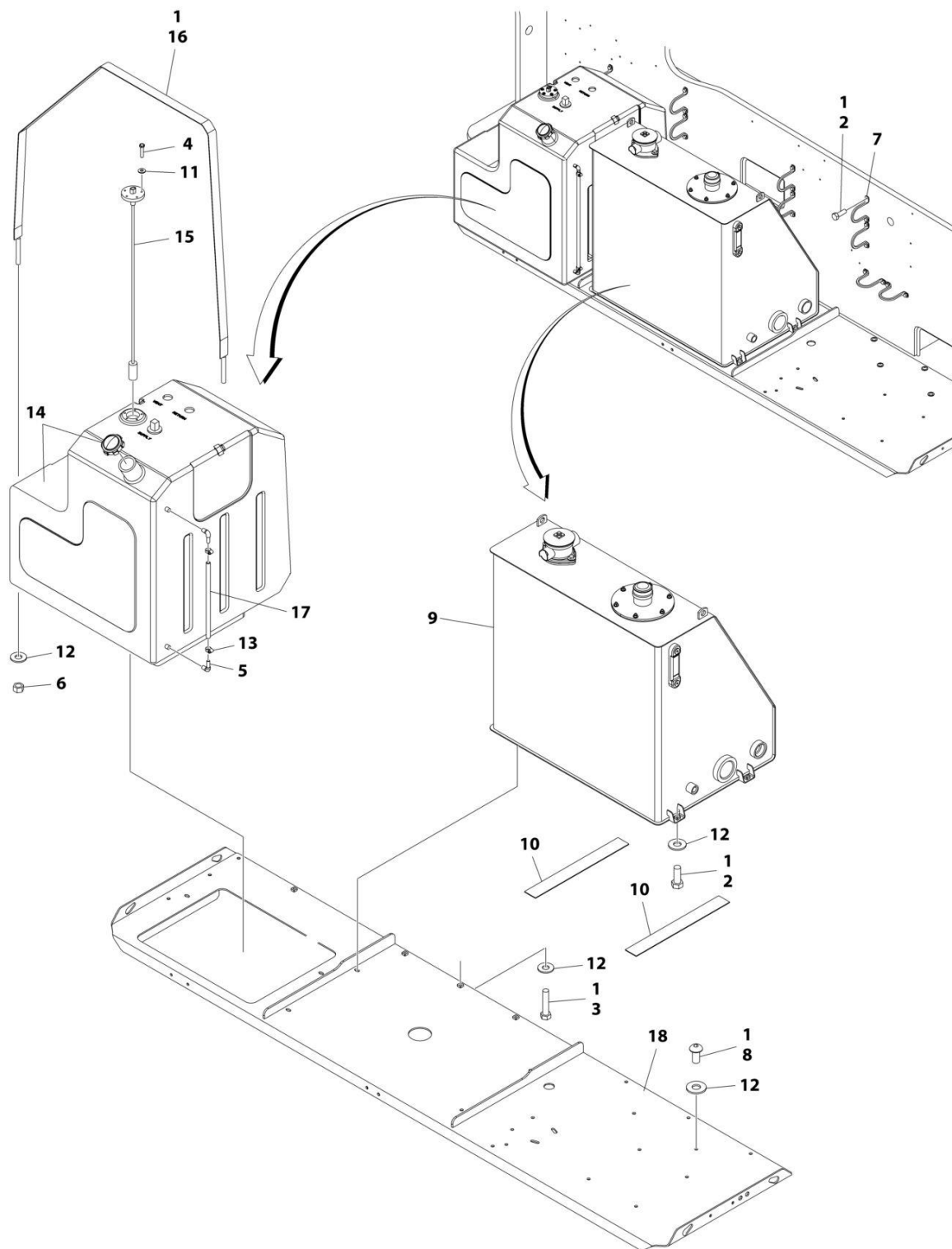
SECTION 2 - TURNTABLE

FIGURE 2-13. TANK INSTALLATION - WITH 31 GAL/117.31 L FUEL TANK

ITEM	PART NUMBER	QTY	DESCRIPTION	REV
	1001173915	Ref	TANKS INSTALLATION - WITH STEEL HOODS	C
1	0100011	AR	Compound, Locking	
2	0641608	23	Bolt 3/8 x 1	
3	0641614	10	Bolt 3/8 x 1-3/4	
4	0731007	5	Screw, Machine #10 x 7/8	
5	2420191	1	Gauge, Fuel	
6	3311601	3	Nut 3/8	
7	3841340	9	Loop, Hose	
8	3900283	6	Screw 3/8 x 3/4	
9	4240139	1	Strap, Tank	
10	4400457	1	Tank, Hydraulic Oil (See Separate Breakdown in this Section)	
11	4420038	74 in /1.9m	Tape	
12	4751000	5	Washer #10	
13	4751600	24	Washer 3/8	
14	1001107359	1	Plate, Support	
15	1001160567	1	Tank, Fuel	
15	70004414	1	Cap	
15	7020043	1	Tube, Pick up	
16	1001173171	1	Tray	

SECTION 2 - TURNTABLE

FIGURE 2-14. TANK INSTALLATION - WITH 58.2 GAL/200 L FUEL TANK



ART_1001173918

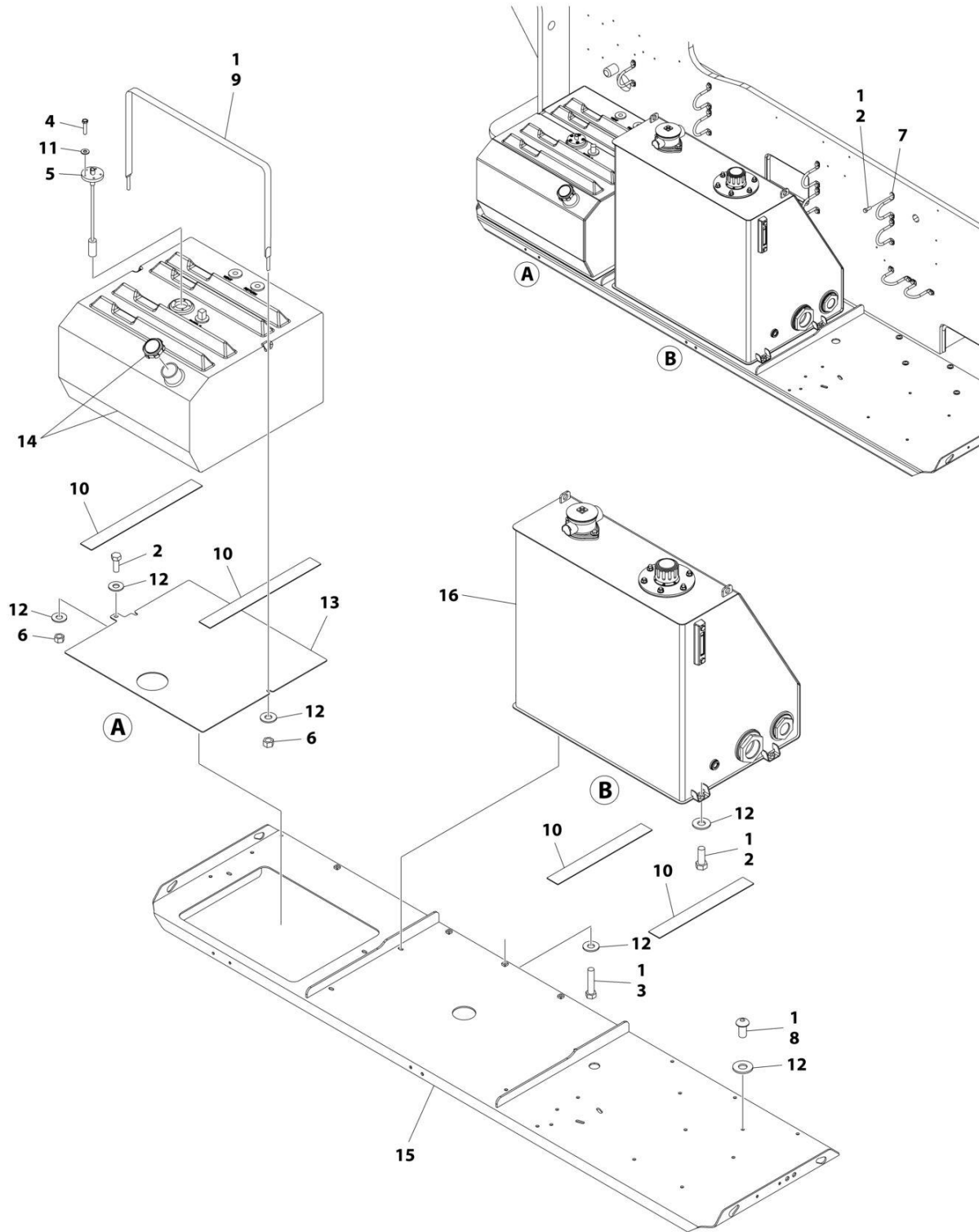
SECTION 2 - TURNTABLE

FIGURE 2-14. TANK INSTALLATION - WITH 58.2 GAL/200 L FUEL TANK

ITEM	PART NUMBER	QTY	DESCRIPTION	REV
	1001173918	Ref	TANKS INSTALLATION - WITH STEEL HOODS AND 52.8 GAL/200 L FUEL TANK	C
1	0100011	AR	Compound, Locking	
2	0641608	22	Bolt 3/8 x 1	
3	0641614	10	Bolt 3/8 x 1-3/4	
4	0731007	5	Screw, Machine #10 x 7/8	
5	2180467	2	Fitting, Barb	
6	3311601	2	Nut 3/8	
7	3841340	9	Loop, Hose	
8	3900283	6	Screw 3/8 x 3/4	
9	4400457	1	Tank, Hydraulic Oil (See Separate Breakdown in this Section)	
10	4420038	74 in/1.9m	Tape	
11	4751000	5	Washer #10	
12	4751600	22	Washer 3/8	
13	8405009	2	Clamp	
14	1001108579	1	Tank, Fuel	
14	7016314	1	Cap	
14	70004413	1	Tube, Pick up	
15	1001109048	1	Gauge, Fuel	
16	1001110059	1	Strap, Tank Mounting	
17	1001113103	19.5 in /0.5m	Tube, Sight	
18	1001173171	1	Tray	

SECTION 2 - TURNTABLE

FIGURE 2-15. TANK INSTALLATION - WITH STEEL HOODS (MACHINES WITH SN STARTING WITH B3)



ART_1001302540

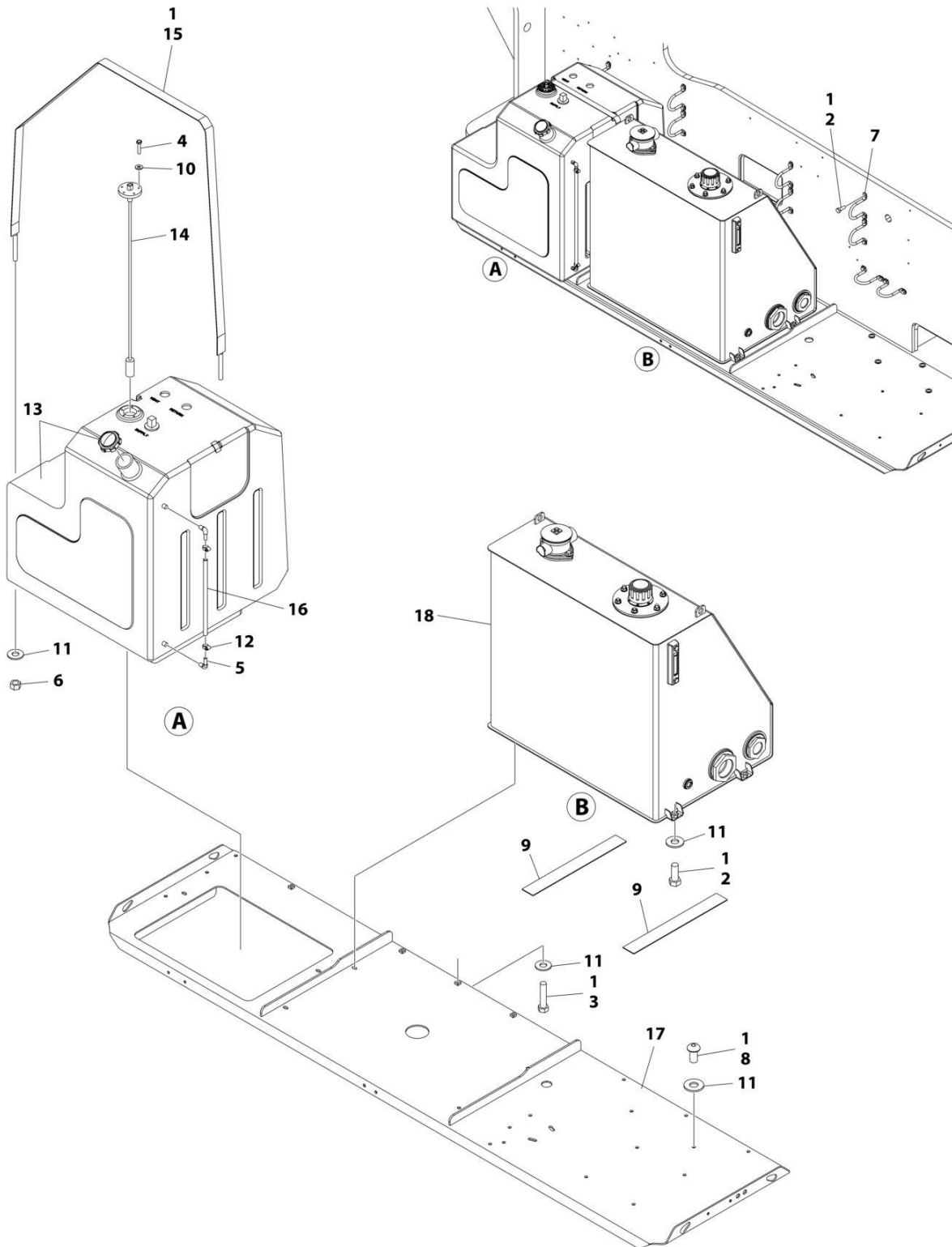
SECTION 2 - TURNTABLE

FIGURE 2-15. TANK INSTALLATION - WITH STEEL HOODS (MACHINES WITH SN STARTING WITH B3)

ITEM	PART NUMBER	QTY	DESCRIPTION	REV
	1001302540	Ref	TANK INSTALLATION - WITH STEEL HOODS	A
1	0100011	AR	Compound, Locking	
2	0641608	23	Bolt 3/8 x 1	
3	0641614	10	Bolt 3/8 x 1-3/4	
4	0731007	5	Screw, Machine #10 x 7/8	
5	2420191	1	Gauge, Fuel	
6	3311601	3	Nut 3/8	
7	3841340	9	Loop, Hose	
8	3900283	6	Screw 3/8 x 3/4	
9	4240139	1	Strap, Tank	
10	4420038	6 ft /2m	Tape	
11	4751000	5	Washer #10	
12	4751600	24	Washer 3/8	
13	1001107359	1	Plate, Support	
14	1001160567	1	Tank, Fuel	
14	70004414	1	Cap	
14	7020043	1	Tube, Pick up	
15	1001173171	1	Tray	
16	1001294878	1	Tank, Hydraulic Oil (See Separate Breakdown in this Section)	

SECTION 2 - TURNTABLE

FIGURE 2-16. TANK INSTALLATION - WITH STEEL HOODS AND 200L TANK (MACHINES WITH SN STARTING WITH B3)



ART_1001302541

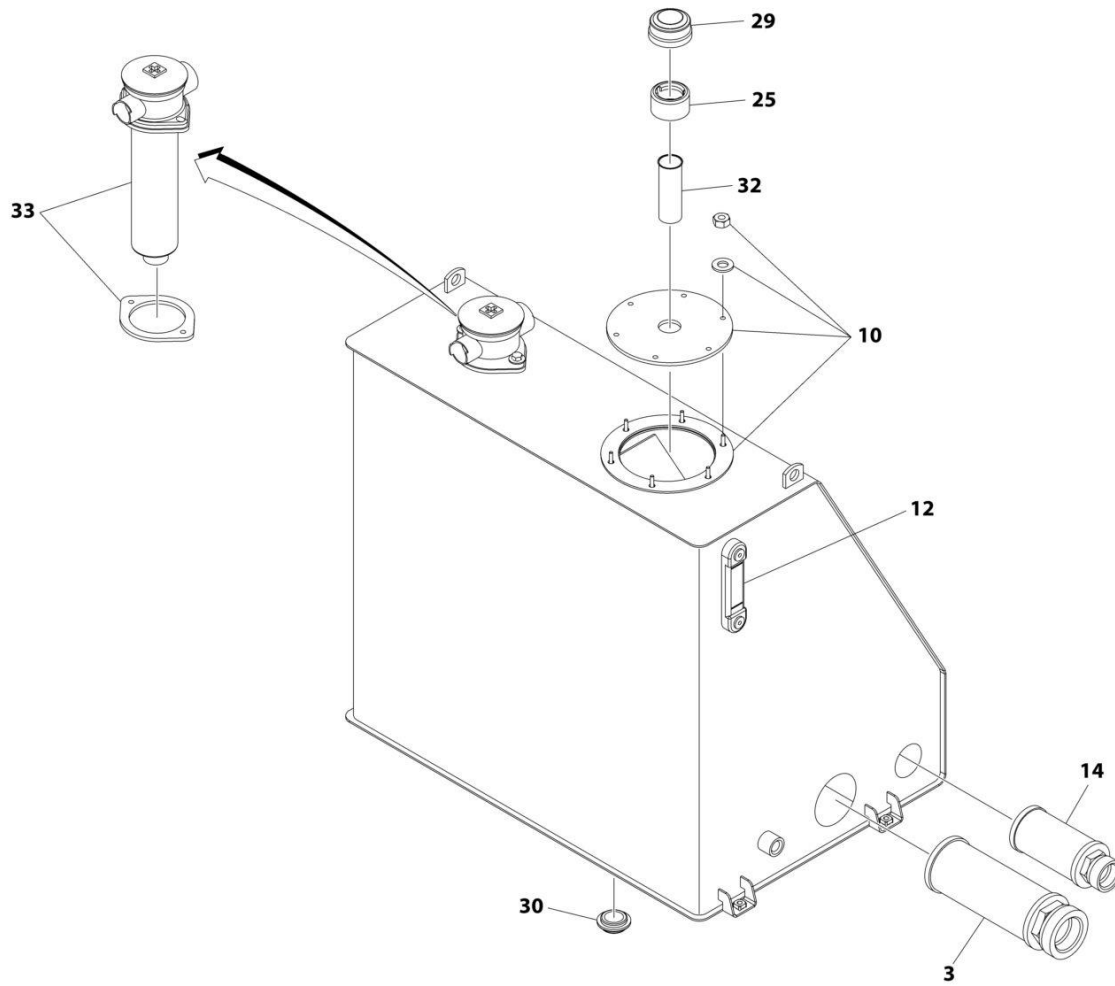
SECTION 2 - TURNTABLE

FIGURE 2-16. TANK INSTALLATION - WITH STEEL HOODS AND 200L TANK (MACHINES WITH SN STARTING WITH B3)

ITEM	PART NUMBER	QTY	DESCRIPTION	REV
	1001302541	Ref	TANK INSTALLATION - WITH STEEL HOODS	A
1	0100011	AR	Compound, Locking	
2	0641608	22	Bolt 3/8 x 1	
3	0641614	10	Bolt 3/8 x 1-3/4	
4	0731007	5	Screw, Machine #10 x 7/8	
5	2180467	2	Fitting, Barb	
6	3311601	2	Nut 3/8	
7	3841340	9	Loop, Hose	
8	3900283	6	Screw 3/8 x 3/4	
9	4420038	6 ft /2m	Tape	
10	4751000	5	Washer #10	
11	4751600	22	Washer 3/8	
12	8405009	2	Clamp	
13	1001108579	1	Tank, Fuel	
13	7016314	1	Cap	
13	70004413	1	Tube, Pick up	
14	1001109048	1	Gauge, Fuel	
15	1001110059	1	Strap, Tank Mounting	
16	1001113103	20 in /50cm	Tube, Sight	
17	1001173171	1	Tray	
18	1001294878	1	Tank, Hydraulic Oil (See Separate Breakdown in this Section)	

SECTION 2 - TURNTABLE

FIGURE 2-17. HYDRAULIC OIL TANK ASSEMBLY



ART_4400457

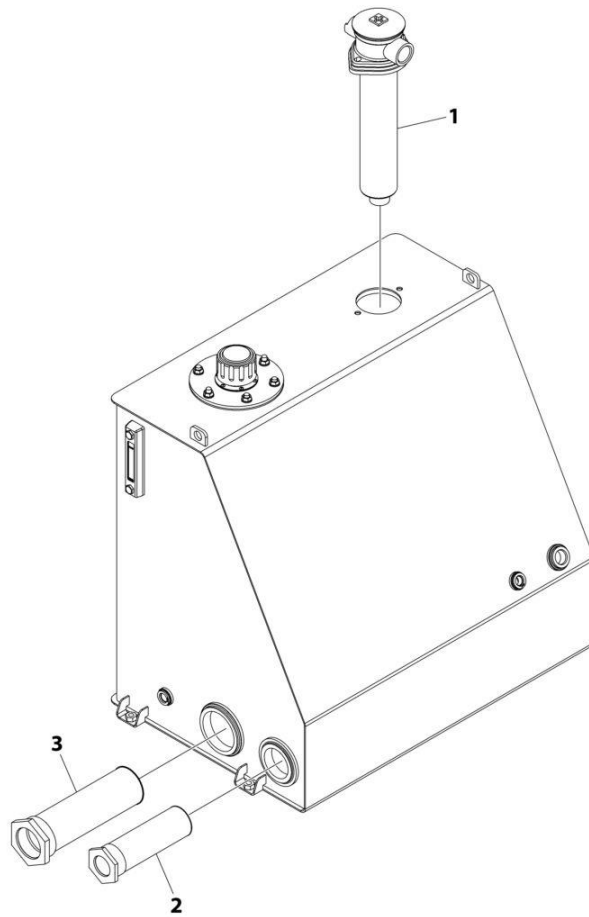
SECTION 2 - TURNTABLE

FIGURE 2-17. HYDRAULIC OIL TANK ASSEMBLY

ITEM	PART NUMBER	QTY	DESCRIPTION	REV
	4400457	Ref	HYDRAULIC OIL TANK ASSEMBLY	E
3	7026571	1	Strainer, Suction	
10	7024439	1	Cover	
10	7023306	1	Seal, Cover Plate	
10	7024440	1	Gasket	
12	7024441	1	Gauge, Sight	
14	7024442	1	Strainer	
25	7024445	1	Strainer (Filler Neck)	
29	7024444	1	Cap, Fill	
30	7024446	1	Plug, Magnetic	
32	7024443	1	Neck, Filler	
33	7024374	1	Filter, Hydraulic Oil	
33	7024375	1	Element, Filter	
33	7023347	1	Gasket, Filter Mounting Flange	

SECTION 2 - TURNTABLE

FIGURE 2-18. HYDRAULIC OIL TANK ASSEMBLY (MACHINES WITH SN STARTING WITH B3)



ART_1001294878

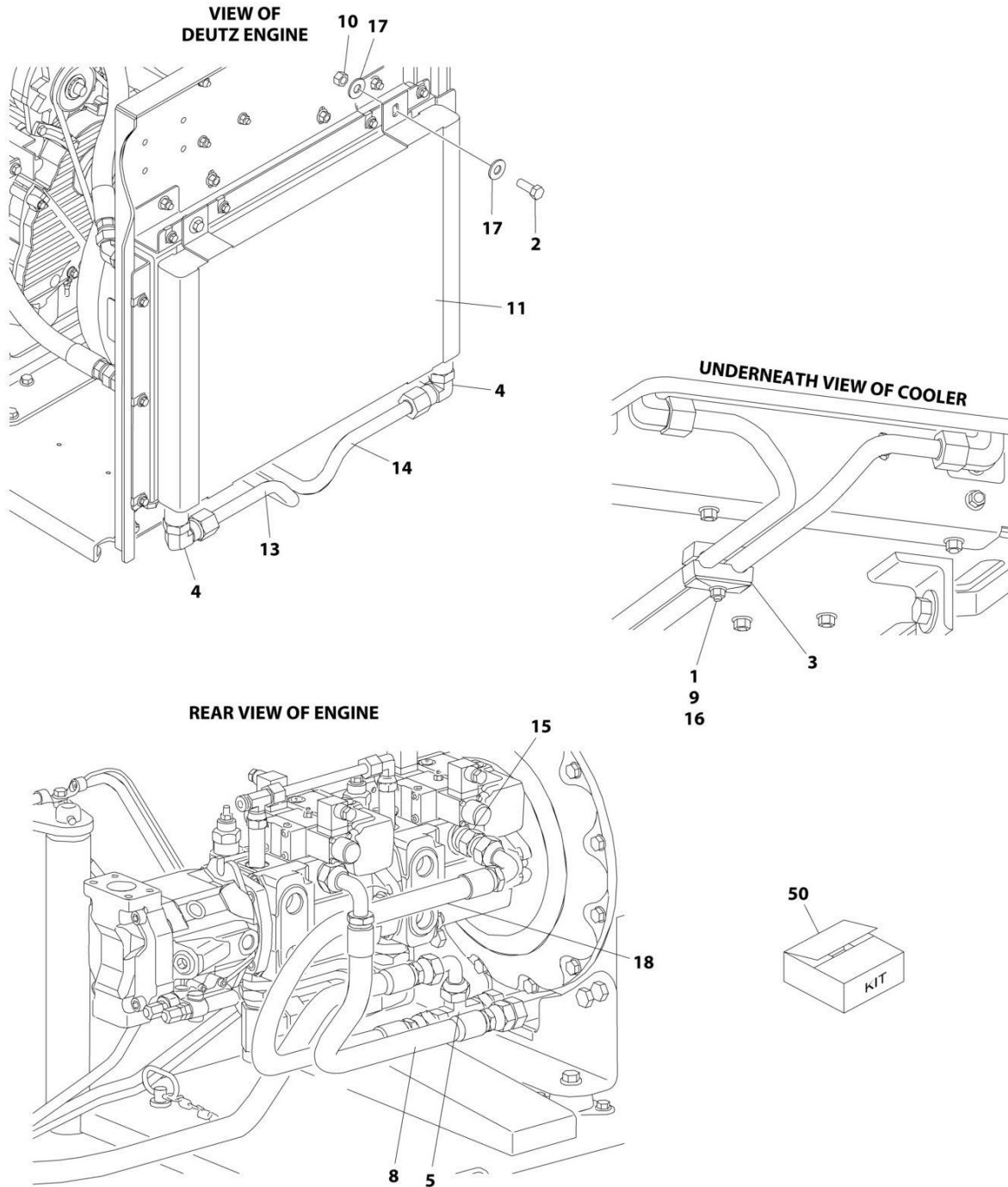
SECTION 2 - TURNTABLE

FIGURE 2-18. HYDRAULIC OIL TANK ASSEMBLY (MACHINES WITH SN STARTING WITH B3)

ITEM	PART NUMBER	QTY	DESCRIPTION	REV
	1001294878	Ref	HYDRAULIC OIL TANK ASSEMBLY	A
1	1001147551	1	Filter	
2	1001299762	1	Filter	
3	1001299763	1	Filter	

SECTION 2 - TURNTABLE

FIGURE 2-19. HYDRAULIC OIL COOLER INSTALLATION - DEUTZ TD2011 ENGINES WITH REXROTH PUMPS (OPTIONAL)



ART_0272080

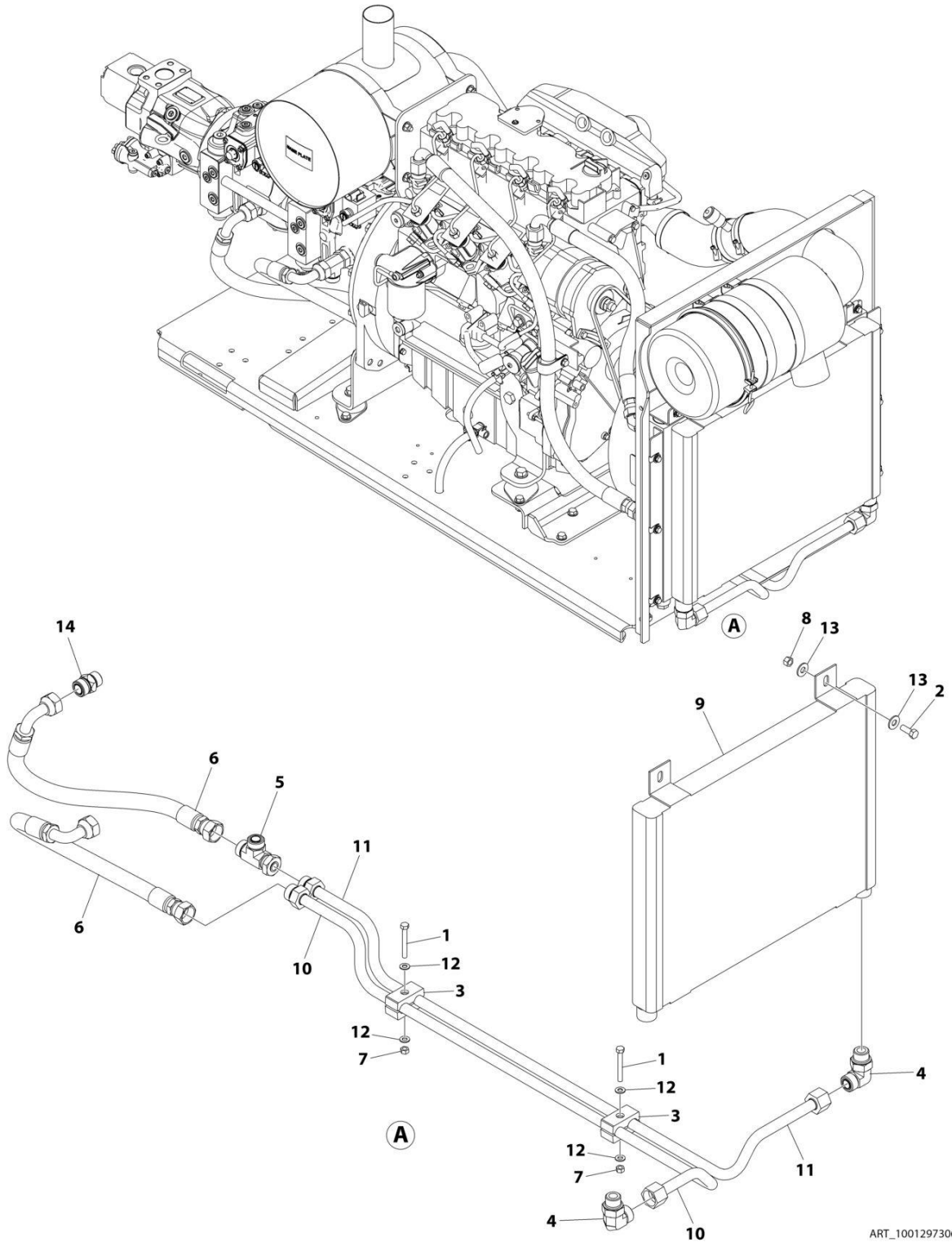
SECTION 2 - TURNTABLE

FIGURE 2-19. HYDRAULIC OIL COOLER INSTALLATION - DEUTZ TD2011 ENGINES WITH REXROTH PUMPS (OPTIONAL)

ITEM	PART NUMBER	QTY	DESCRIPTION	REV
	0272080	Ref	HYDRAULIC OIL COOLER INSTALLATION - DEUTZ TD2011 ENGINES WITH REXROTH PUMPS (OPTIONAL)	B
		Ref	Note: See Engine Installation for Engine Oil Cooler.	
1	0641520	2	Bolt 5/16 x 2-1/2	
2	0641608	4	Bolt 3/8 x 1	
3	1320162	2	Clamp, Hose	
4	2131212	2	Fitting, Elbow	
5	2170712	1	Fitting, Tee	
8	2753778	1	Hose	
9	3311505	2	Nut 5/16	
10	3311605	4	Nut 3/8	
11	3620034	1	Cooler, Hydraulic Oil	
13	4568426	1	Tube	
14	4568427	1	Tube	
15	4641247	1	Valve, Check	
16	4711500	4	Washer 5/16	
17	4751600	8	Washer 3/8	
18	2753843	1	Hose	
50	1001120564	1	Oil Cooler Add-on Kit (Includes Items 1-18)	

SECTION 2 - TURNTABLE

FIGURE 2-20. HYDRAULIC OIL COOLER INSTALLATION - DEUTZ TD2011 ENGINES WITH PMP PUMPS (OPTIONAL)



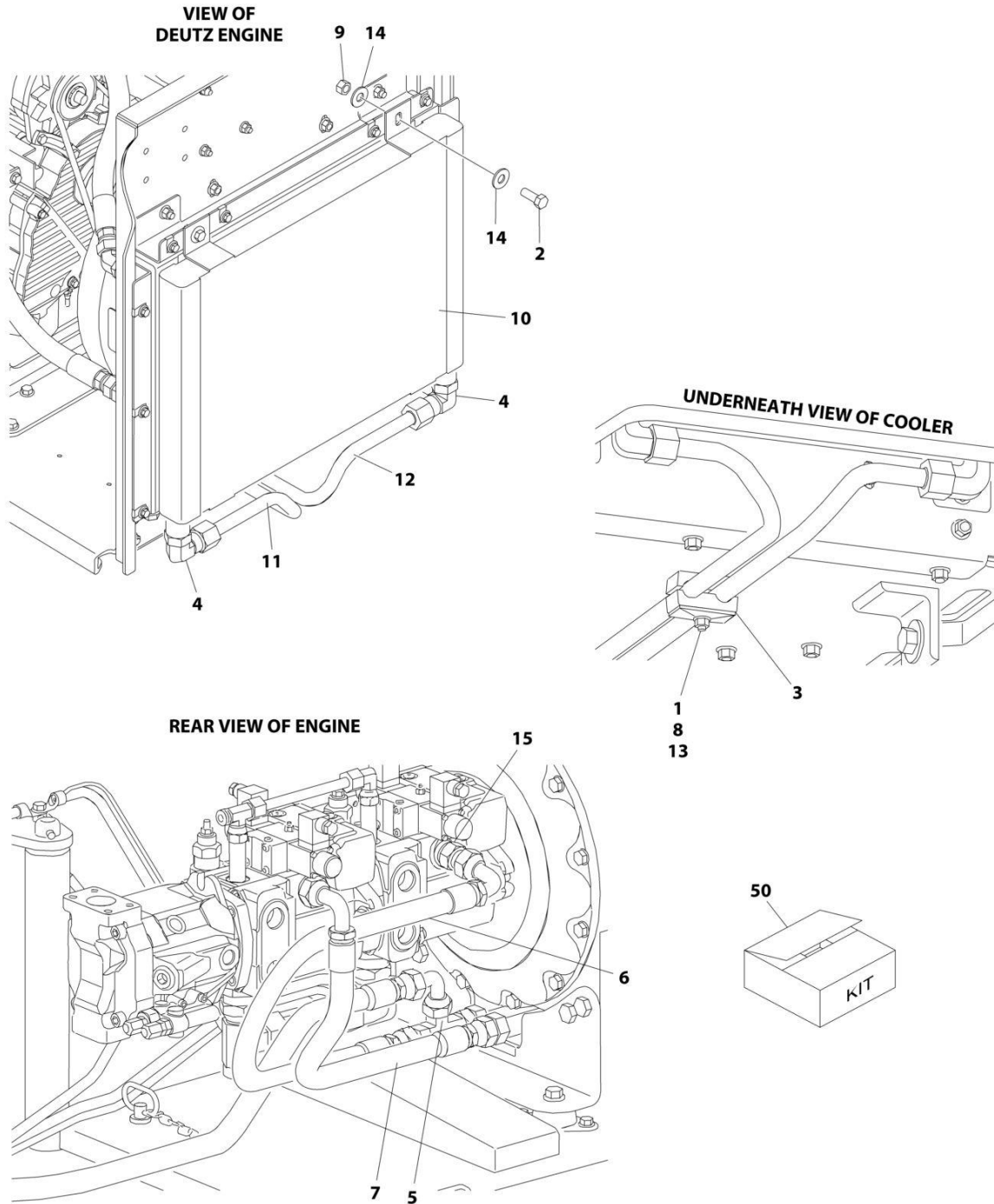
SECTION 2 - TURNTABLE

FIGURE 2-20. HYDRAULIC OIL COOLER INSTALLATION - DEUTZ TD2011 ENGINES WITH PMP PUMPS (OPTIONAL)

ITEM	PART NUMBER	QTY	DESCRIPTION	REV
	1001297306	Ref	HYDRAULIC OIL COOLER INSTALLATION - DEUTZ TCD2.9L4 ENGINES WITH PMP PUMPS - TANDEM	A
1	0641520	2	Bolt 5/16 x 2-1/2	
2	0641608	4	Bolt 3/8 x 1	
3	1320162	2	Clamp	
4	2131212	2	Fitting 90 ORFS/ORB	
5	2170712	1	Fitting, Tee ORFS/FSORFS/ORFS	
6	2753778	1	Hose	
7	3311505	2	Nut 5/16	
8	3311605	4	Nut 3/8	
9	3620034	1	Cooler, Hydraulic Oil	
10	4568426	1	Tube	
11	4568427	1	Tube	
12	4711500	4	Washer 5/16	
13	4751600	8	Washer 3/8	
14	1001109677	1	Valve	

SECTION 2 - TURNTABLE

FIGURE 2-21. HYDRAULIC OIL COOLER INSTALLATION - DEUTZ TD2011 ENGINES WITH SAUER PUMPS (OPTIONAL)



ART_1001118957

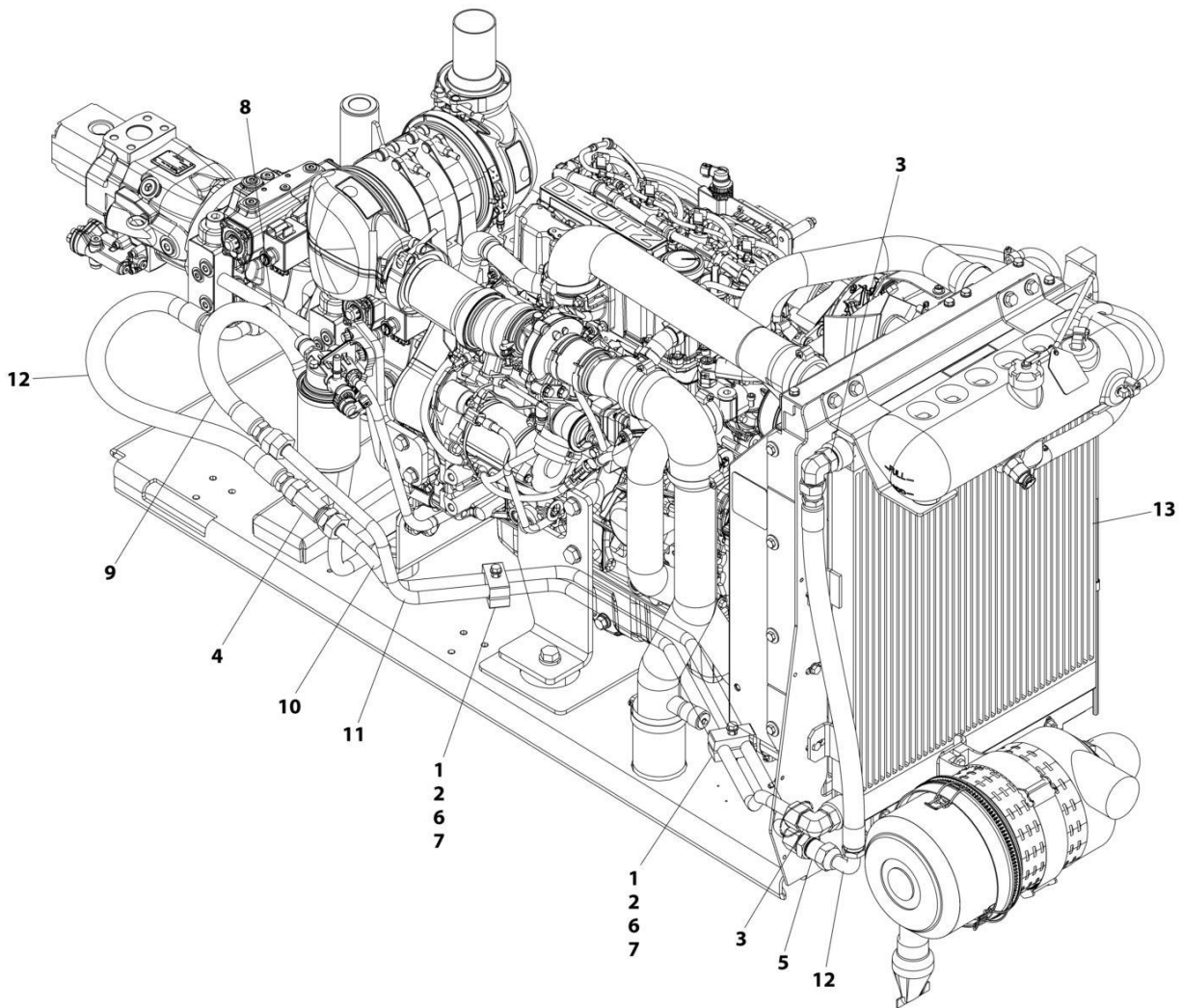
SECTION 2 - TURNTABLE

FIGURE 2-21. HYDRAULIC OIL COOLER INSTALLATION - DEUTZ TD2011 ENGINES WITH SAUER PUMPS (OPTIONAL)

ITEM	PART NUMBER	QTY	DESCRIPTION	REV
	1001118957	Ref	HYDRAULIC OIL COOLER INSTALLATION - DEUTZ TD2011 ENGINES WITH SAUER PUMPS (OPTIONAL)	B
		Ref	Note: See Engine Installation for Engine Oil Cooler.	
1	0641520	2	Bolt 5/16 x 2-1/2	
2	0641608	4	Bolt 3/8 x 1	
3	1320162	2	Clamp, Hose	
4	2131212	2	Fitting, Elbow	
5	2170712	1	Fitting, Tee	
6	2753778	1	Hose	
7	2753999	1	Hose	
8	3311505	2	Nut 5/16	
9	3311605	4	Nut 3/8	
10	3620034	1	Cooler, Hydraulic Oil	
11	4568426	1	Tube	
12	4568427	1	Tube	
13	4711500	4	Washer 5/16	
14	4751600	8	Washer 3/8	
15	1001109677	1	Valve, Check	
50	1001120564	1	Oil Cooler Add-on Kit Options (Includes Items 1-15):	

SECTION 2 - TURNTABLE

FIGURE 2-22. HYDRAULIC OIL COOLER INSTALLATION - DEUTZ TCD2.9L4 ENGINES AND DEUTZ TCD2.9L4 (STAGE V) (CHINA IV) ENGINES WITH PMP PUMPS (OPTIONAL)



ART_1001297305

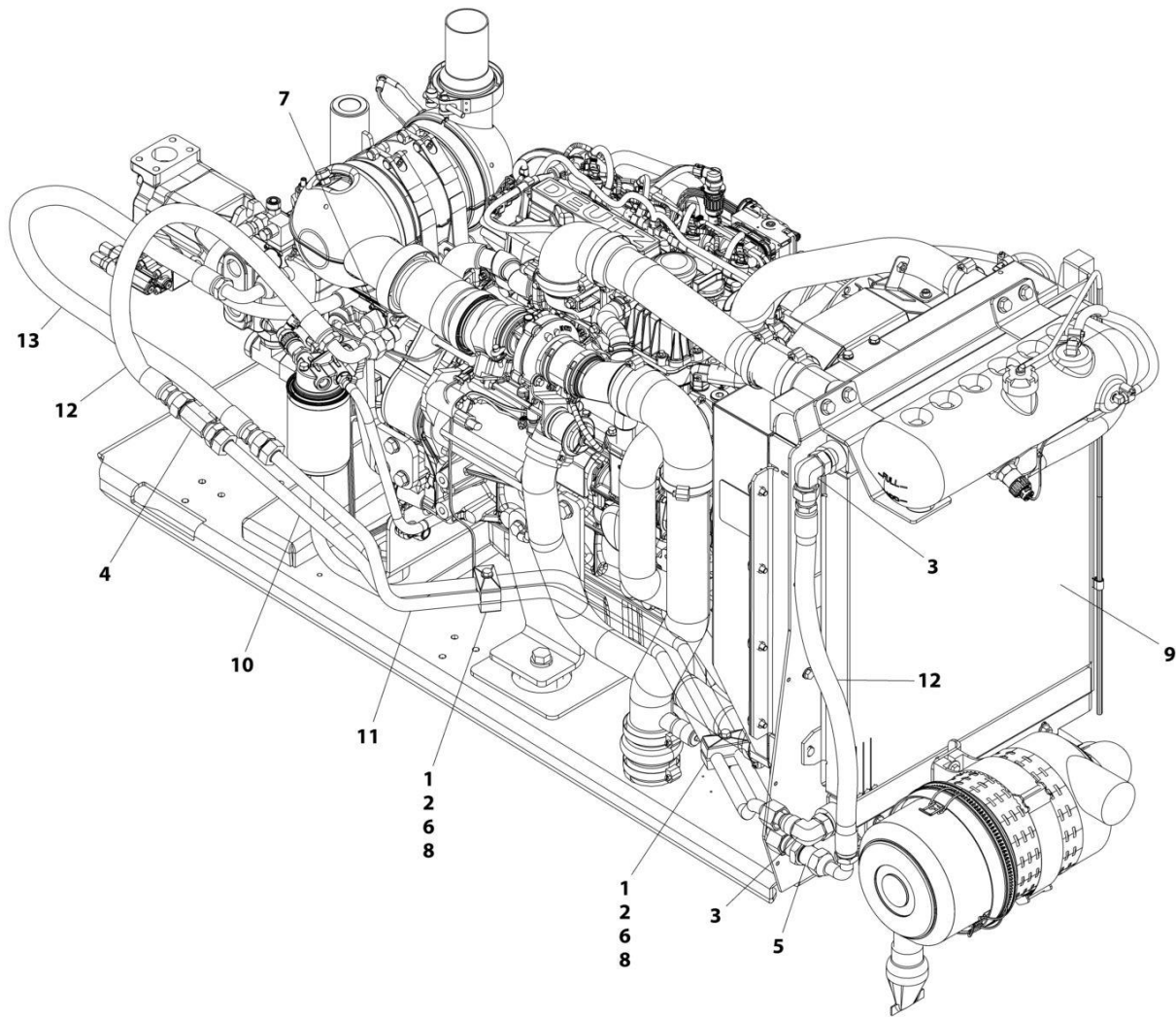
SECTION 2 - TURNTABLE

FIGURE 2-22. HYDRAULIC OIL COOLER INSTALLATION - DEUTZ TCD2.9L4 ENGINES AND DEUTZ TCD2.9L4 (STAGE V) (CHINA IV) ENGINES WITH PMP PUMPS (OPTIONAL)

ITEM	PART NUMBER	QTY	DESCRIPTION	REV
	1001297305	Ref	HYDRAULIC OIL COOLER INSTALLATION - DEUTZ TCD2.9L4 (STAGE V) ENGINES WITH PMP PUMPS	A
1	0641520	2	Bolt 5/16 x 2-1/2	
2	1320162	2	Clamp	
3	2131212	2	Fitting, 90 ORFS/ORB	
4	2170712	1	Fitting, Tee ORFS/FSORFS/ORFS	
5	2171112	1	Fitting, Straight ORFS/ORFS	
6	3311505	2	Nut 5/16	
7	4711500	4	Washer 5/16	
8	1001109677	1	Valve	
9	1001113006	1	Hose	
10	1001139665	1	Tube	
11	1001139666	1	Tube	
12	1001143087	2	Hose	
13	1001256859	1	Cooler, Hydraulic Oil	

SECTION 2 - TURNTABLE

FIGURE 2-23. HYDRAULIC OIL COOLER INSTALLATION - DEUTZ TCD2.9L4 ENGINES AND DEUTZ TCD2.9L4 (STAGE V) ENGINES WITH REXROTH PUMPS (OPTIONAL)



ART_1001139494

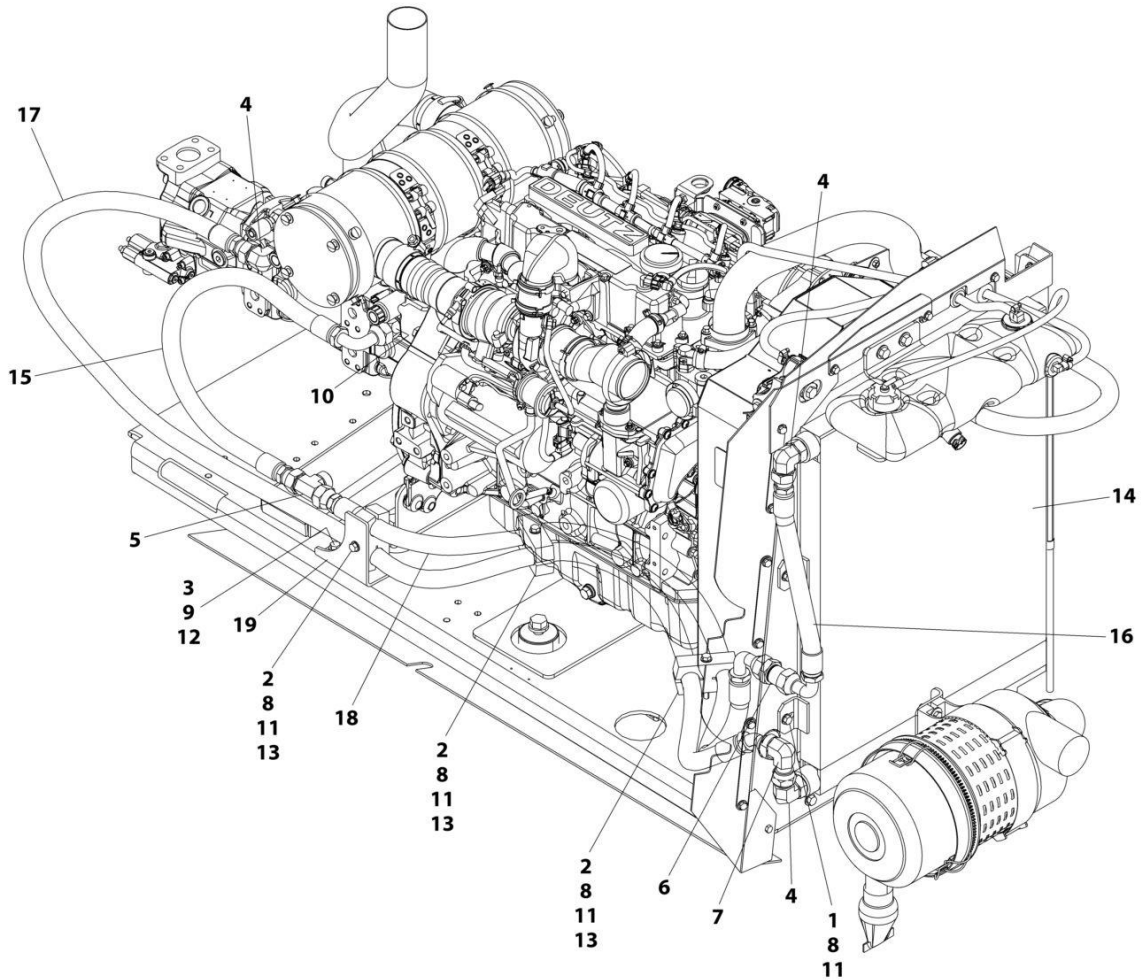
SECTION 2 - TURNTABLE

FIGURE 2-23. HYDRAULIC OIL COOLER INSTALLATION - DEUTZ TCD2.9L4 ENGINES AND DEUTZ TCD2.9L4 (STAGE V) ENGINES WITH REXROTH PUMPS (OPTIONAL)

ITEM	PART NUMBER	QTY	DESCRIPTION	REV
	1001139494	Ref	HYDRAULIC OIL COOLER INSTALLATION - DEUTZ TCD2.9L4 ENGINES WITH REXROTH PUMPS (OPTIONAL)	E
		Ref	Note: See Engine Installation for Engine Oil Cooler.	
1	0641520	2	Bolt 5/16 x 2-1/2	
2	1320162	2	Clamp, Hose	
3	2131212	2	Fitting, 90	
4	2170712	1	Fitting, Tee	
5	2171112	1	Fitting, Straight	
6	3311505	2	Nut 5/16	
7	4641247	1	Valve	
8	4711500	4	Washer 5/16	
9	1001135124	1	Cooler, Hydraulic Oil	
10	1001139665	1	Tube	
11	1001139666	1	Tube	
12	1001143087	2	Hose	
13	1001143123	1	Hose	

SECTION 2 - TURNTABLE

FIGURE 2-24. HYDRAULIC OIL COOLER INSTALLATION - DEUTZ TCD2.9L4 ENGINES WITH REXROTH PUMPS (OPTIONAL) (CHINA SPEC ONLY)



ART_1001221802_B

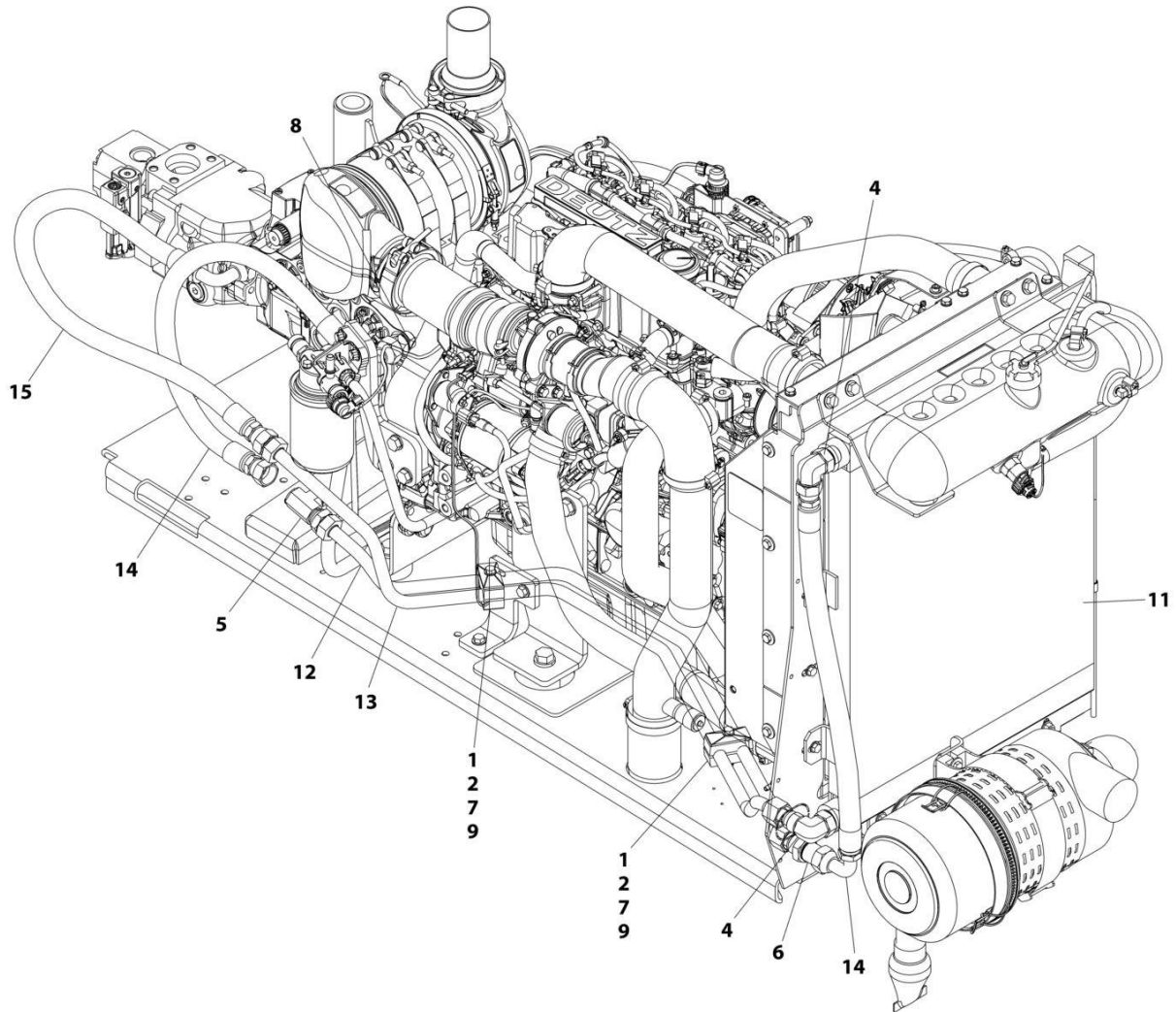
SECTION 2 - TURNTABLE

FIGURE 2-24. HYDRAULIC OIL COOLER INSTALLATION - DEUTZ TCD2.9L4 ENGINES WITH REXROTH PUMPS (OPTIONAL) (CHINA SPEC ONLY)

ITEM	PART NUMBER	QTY	DESCRIPTION	REV
	1001221802	Ref	HYDRAULIC OIL COOLER INSTALLATION - DEUTZ TCD2.9L4 ENGINES WITH REXROTH PUMPS (OPTIONAL)	B
1	0641508	4	Bolt 5/16 x 1	
2	0641524	3	Bolt 5/16 x 3	
3	0641609	2	Bolt 3/8 x 1-1/8	
4	2131212	3	Fitting, 90 ORFS/ORB	
5	2170512	1	Fitting, Tee ORFS/ORFS/ORFS	
6	2171112	1	Fitting, Straight ORFS/ORFS	
7	2172112	1	Fitting, 90 ORFS/FSORFS	
8	3311505	7	Nut 5/16	
9	3311605	2	Nut 3/8	
10	4641247	1	Valve	
11	4711500	14	Washer 5/16	
12	4711600	4	Washer 3/8	
13	8750024	3	Clamp	
14	1001256859	1	Cooler, Hydraulic Oil	
15	1001143087	1	Hose	
16	1001181129	1	Hose	
17	1001188376	1	Hose	
18	1001188382	1	Hose	
19	1001220560	1	Bracket	

SECTION 2 - TURNTABLE

FIGURE 2-25. HYDRAULIC OIL COOLER INSTALLATION - DEUTZ TCD2.9L4 ENGINES AND DEUTZ TCD2.9L4 (STAGE V) (CHINA IV) ENGINES WITH SAUER PUMPS (OPTIONAL)



ART_1001139492_F

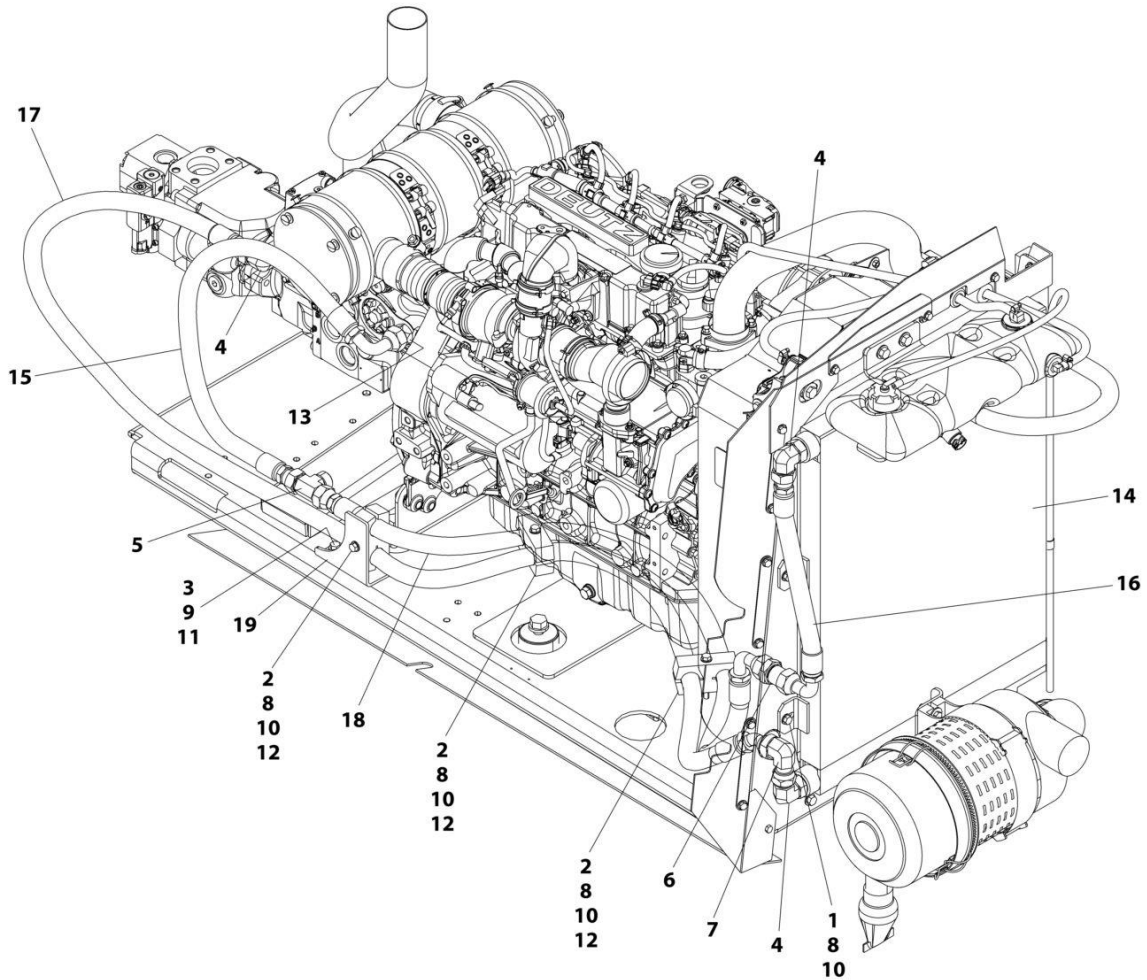
SECTION 2 - TURNTABLE

FIGURE 2-25. HYDRAULIC OIL COOLER INSTALLATION - DEUTZ TCD2.9L4 ENGINES AND DEUTZ TCD2.9L4 (STAGE V) (CHINA IV) ENGINES WITH SAUER PUMPS (OPTIONAL)

ITEM	PART NUMBER	QTY	DESCRIPTION	REV
	1001139492	Ref	HYDRAULIC OIL COOLER INSTALLATION - DEUTZ TCD2.9L4 ENGINES WITH SAUER PUMPS (OPTIONAL)	F
		Ref	Note: See Engine Installation for Engine Oil Cooler	
1	0641520	2	Bolt 5/16 x 2-1/2	
2	1320162	2	Clamp, Hose	
4	2131212	2	Fitting, 90	
5	2170712	1	Fitting, Tee	
6	2171112	1	Fitting, Straight	
7	3311505	2	Nut 5/16	
8	1001109677	1	Valve	
9	4711500	4	Washer 5/16	
11	1001256859	1	Cooler, Hydraulic Oil	
12	1001139665	1	Tube	
13	1001139666	1	Tube	
14	1001143087	2	Hose	
15	1001143123	1	Hose	

SECTION 2 - TURNTABLE

FIGURE 2-26. HYDRAULIC OIL COOLER INSTALLATION - DEUTZ TCD2.9L4 ENGINES WITH SAUER PUMPS (OPTIONAL) (CHINA SPEC ONLY)



ART_1001221666_B

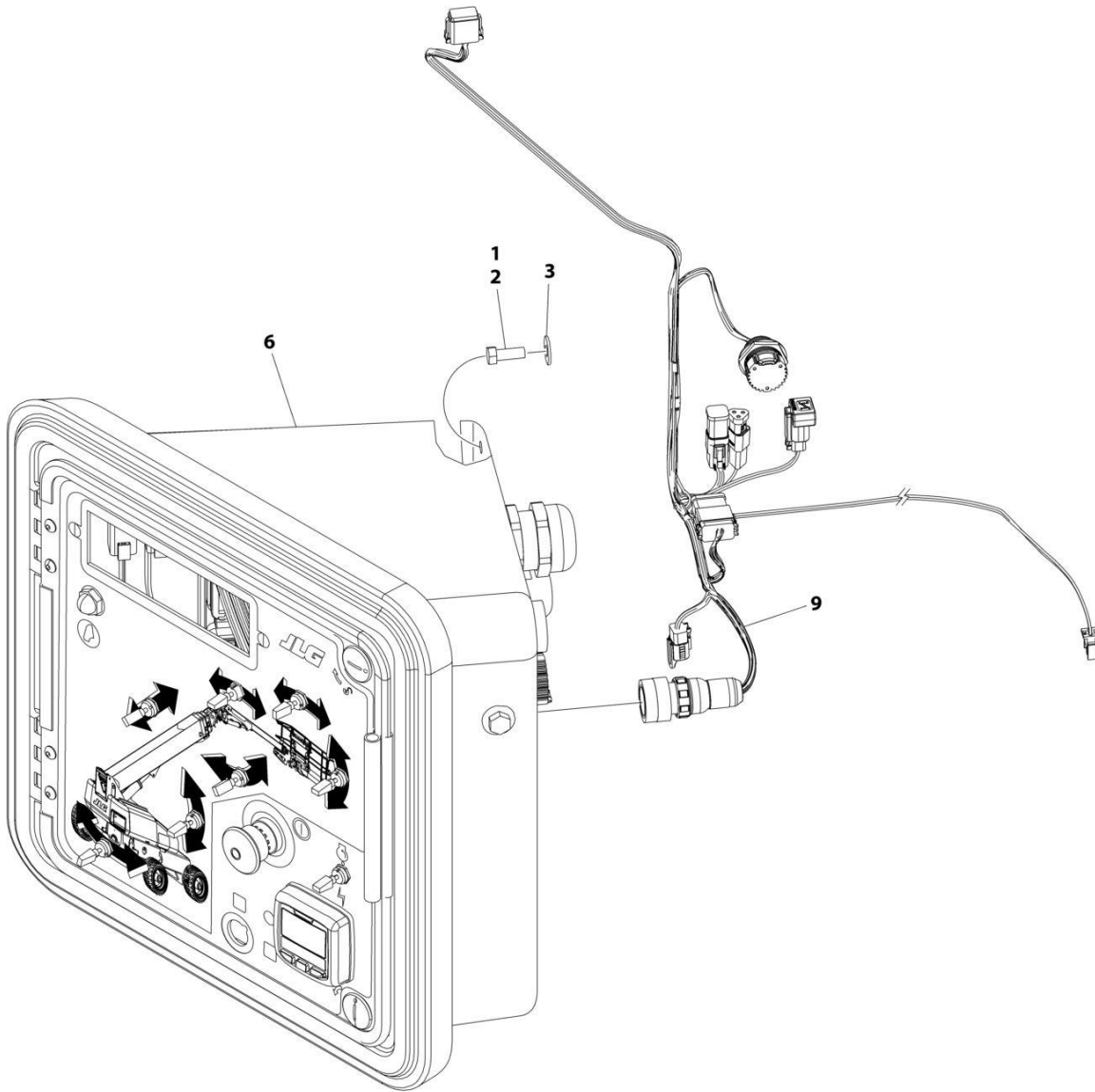
SECTION 2 - TURNTABLE

FIGURE 2-26. HYDRAULIC OIL COOLER INSTALLATION - DEUTZ TCD2.9L4 ENGINES WITH SAUER PUMPS (OPTIONAL) (CHINA SPEC ONLY)

ITEM	PART NUMBER	QTY	DESCRIPTION	REV
	1001221666	Ref	HYDRAULIC OIL COOLER INSTALLATION - DEUTZ TCD2.9L4 ENGINES WITH SAUER PUMPS (OPTIONAL)	B
1	0641508	4	Bolt 5/16 x 1	
2	0641524	3	Bolt 5/16 x 3	
3	0641609	2	Bolt 3/8 x 1-1/8	
4	2131212	3	Fitting, 90 ORFS/ORB	
5	2170512	1	Fitting, Tee ORFS/ORFS/ORFS	
6	2171112	1	Fitting, Straight ORFS/ORFS	
7	2172112	1	Fitting, 90 ORFS/FSORFS	
8	3311505	7	Nut 5/16	
9	3311605	2	Nut 3/8	
10	4711500	14	Washer 5/16	
11	4711600	4	Washer 3/8	
12	8750024	3	Clamp	
13	1001109677	1	Valve	
14	1001256859	1	Cooler, Hydraulic Oil	
15	1001143087	1	Hose	
16	1001181129	1	Hose	
17	1001188376	1	Hose	
18	1001188382	1	Hose	
19	1001220560	1	Bracket	

SECTION 2 - TURNTABLE

FIGURE 2-27. GROUND CONTROL BOX INSTALLATION - TD2011 ENGINES WITH REXROTH PUMPS
(ANSI EXPORT (LRC) AND AUSTRALIAN SPECS)



ART_1001245359_D

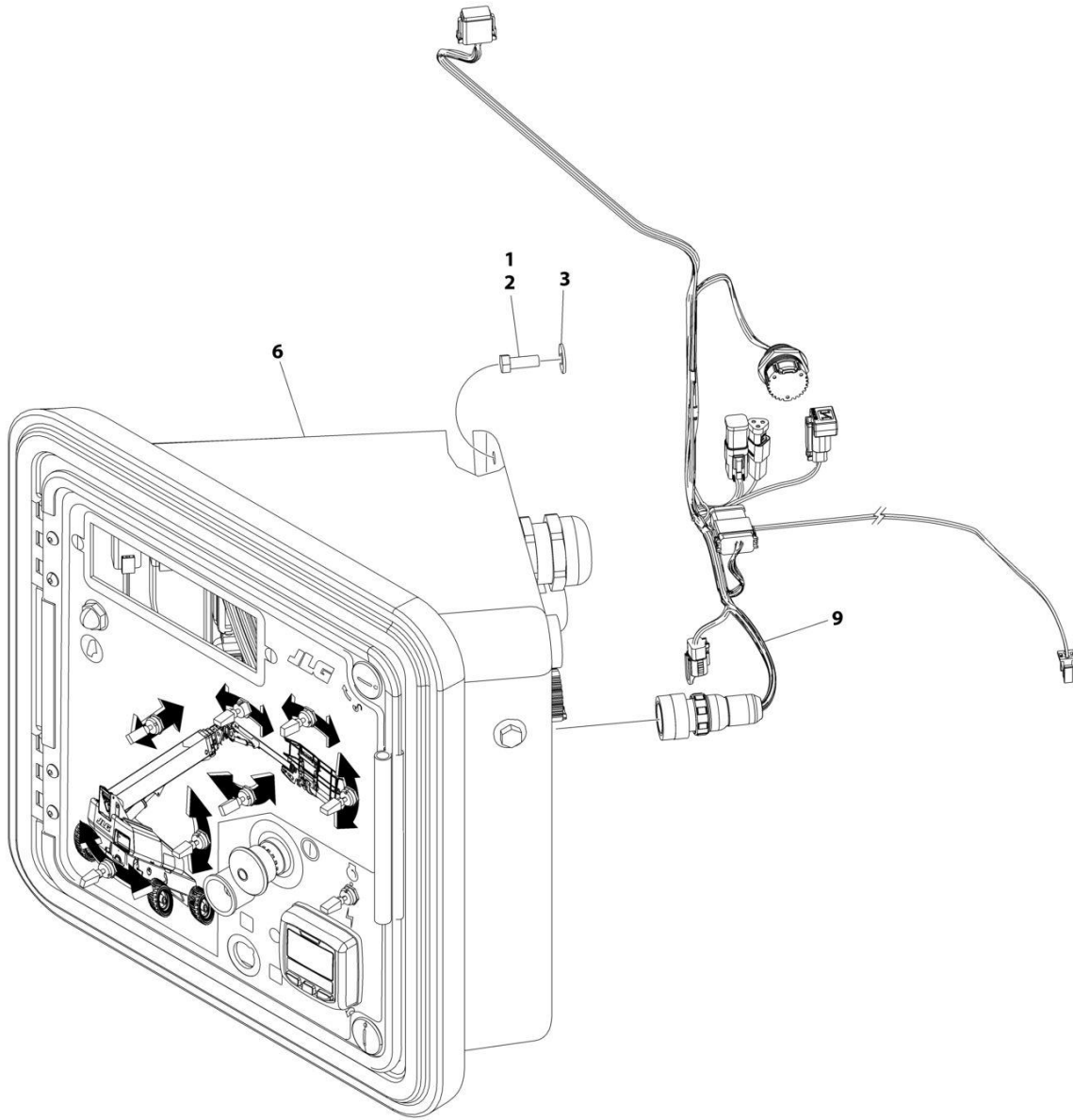
SECTION 2 - TURNTABLE

**FIGURE 2-27. GROUND CONTROL BOX INSTALLATION - TD2011 ENGINES WITH REXROTH PUMPS
(ANSI EXPORT (LRC) AND AUSTRALIAN SPECS)**

ITEM	PART NUMBER	QTY	DESCRIPTION	REV
	1001245359	Ref	GROUND CONTROL BOX INSTALLATION	D
1	0100011	AR	Compound, Locking	
2	3931616	2	Bolt 3/8 x 3/4	
3	4751600	2	Washer 3/8	
4	1001119456	2	Harness, Pump - Sauer to Rexroth Jumper Harness (Not Shown - See Separate Breakdown in ELECTRICAL Section)	
5	1001119470	1	Harness, Engine - Deutz TD2011 Engines (Not Shown - See Separate Breakdown in ELECTRICAL Section)	
6	1001266051	1	Ground Control Box Assembly (See Separate Breakdown in this Section)	
7	4240032	AR	Tie-Strap (Not Shown)	
8	4460234	AR	Mount, Tie-Strap (Not Shown)	
9	1001287523	1	Harness, Diagnostic (See Separate Breakdown in ELECTRICAL Section)	

SECTION 2 - TURNTABLE

FIGURE 2-28. GROUND CONTROL BOX INSTALLATION - TD2011 ENGINES WITH REXROTH PUMPS
(CE & UK CA (LRC) SPECS)



ART_1001245363_D

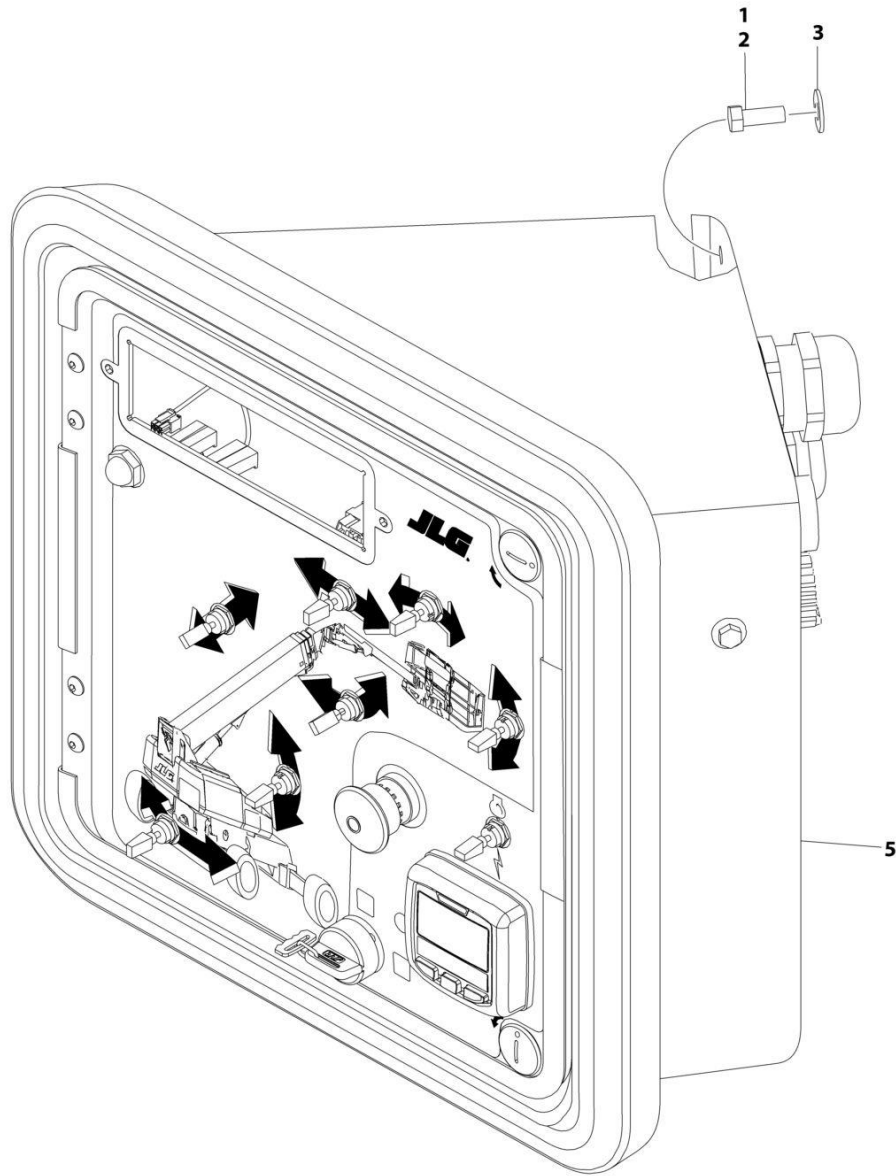
SECTION 2 - TURNTABLE

**FIGURE 2-28. GROUND CONTROL BOX INSTALLATION - TD2011 ENGINES WITH REXROTH PUMPS
(CE & UK CA (LRC) SPECS)**

ITEM	PART NUMBER	QTY	DESCRIPTION	REV
	1001245363	Ref	GROUND CONTROL BOX INSTALLATION	D
1	0100011	AR	Compound, Locking	
2	3931616	2	Bolt 3/8 x 3/4	
3	4751600	2	Washer 3/8	
4	1001119456	2	Harness, Pump - Sauer to Rexroth Jumper Harness (Not Shown - See Separate Breakdown in ELECTRICAL Section)	
5	1001119470	1	Harness, Engine - Deutz TD2011 Engines (Not Shown - See Separate Breakdown in ELECTRICAL Section)	
6	1001266052	1	Ground Control Box Assembly (See Separate Breakdown in this Section)	
7	4240032	AR	Tie-Strap (Not Shown)	
8	4460234	AR	Mount, Tie-Strap (Not Shown)	
9	1001287523	1	Harness, Diagnostic (See Separate Breakdown in ELECTRICAL Section)	

SECTION 2 - TURNTABLE

FIGURE 2-29. GROUND CONTROL BOX INSTALLATION - TD2011 ENGINES WITH SAUER PUMPS
(ANSI EXPORT (LRC) AND AUSTRALIAN SPECS)



ART_1001245360_C

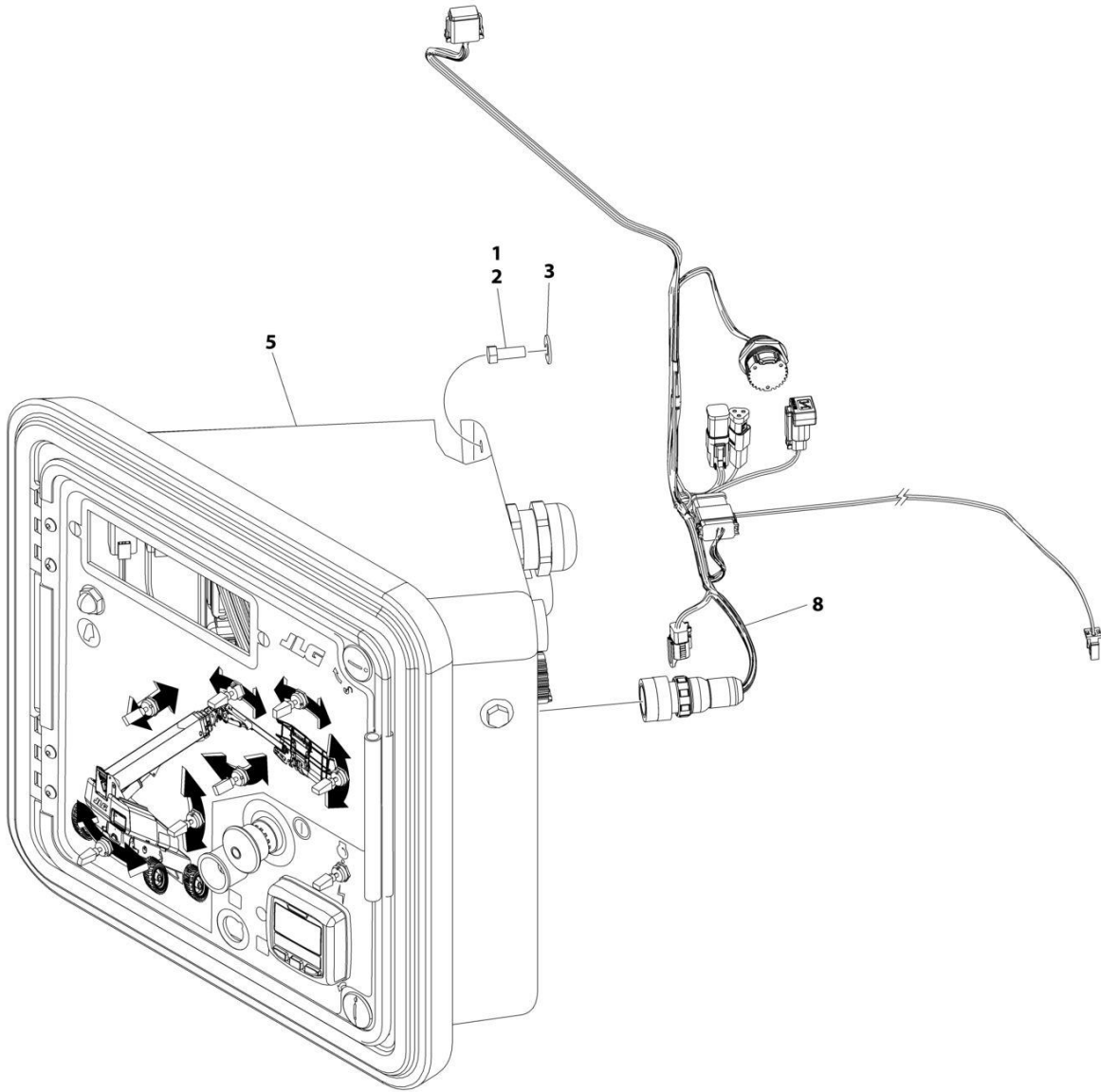
SECTION 2 - TURNTABLE

**FIGURE 2-29. GROUND CONTROL BOX INSTALLATION - TD2011 ENGINES WITH SAUER PUMPS
(ANSI EXPORT (LRC) AND AUSTRALIAN SPECS)**

ITEM	PART NUMBER	QTY	DESCRIPTION	REV
	1001245360	Ref	GROUND CONTROL BOX INSTALLATION - TD2011 ENGINES WITH SAUER PUMPS	C
1	0100011	AR	Compound, Locking	
2	3931616	2	Bolt 3/8 x 3/4	
3	4751600	2	Washer 3/8	
4	1001119470	1	Harness, Engine - Deutz TD2011 Engines (Not Shown - See Separate Breakdown in ELECTRICAL Section)	
5	1001266051	1	Ground Control Box Assembly (See Separate Breakdown in this Section)	

SECTION 2 - TURNTABLE

FIGURE 2-30. GROUND CONTROL BOX INSTALLATION - TD2011 ENGINES WITH SAUER PUMPS
(CE & UK CA (LRC) SPECS)



ART_1001245364_D

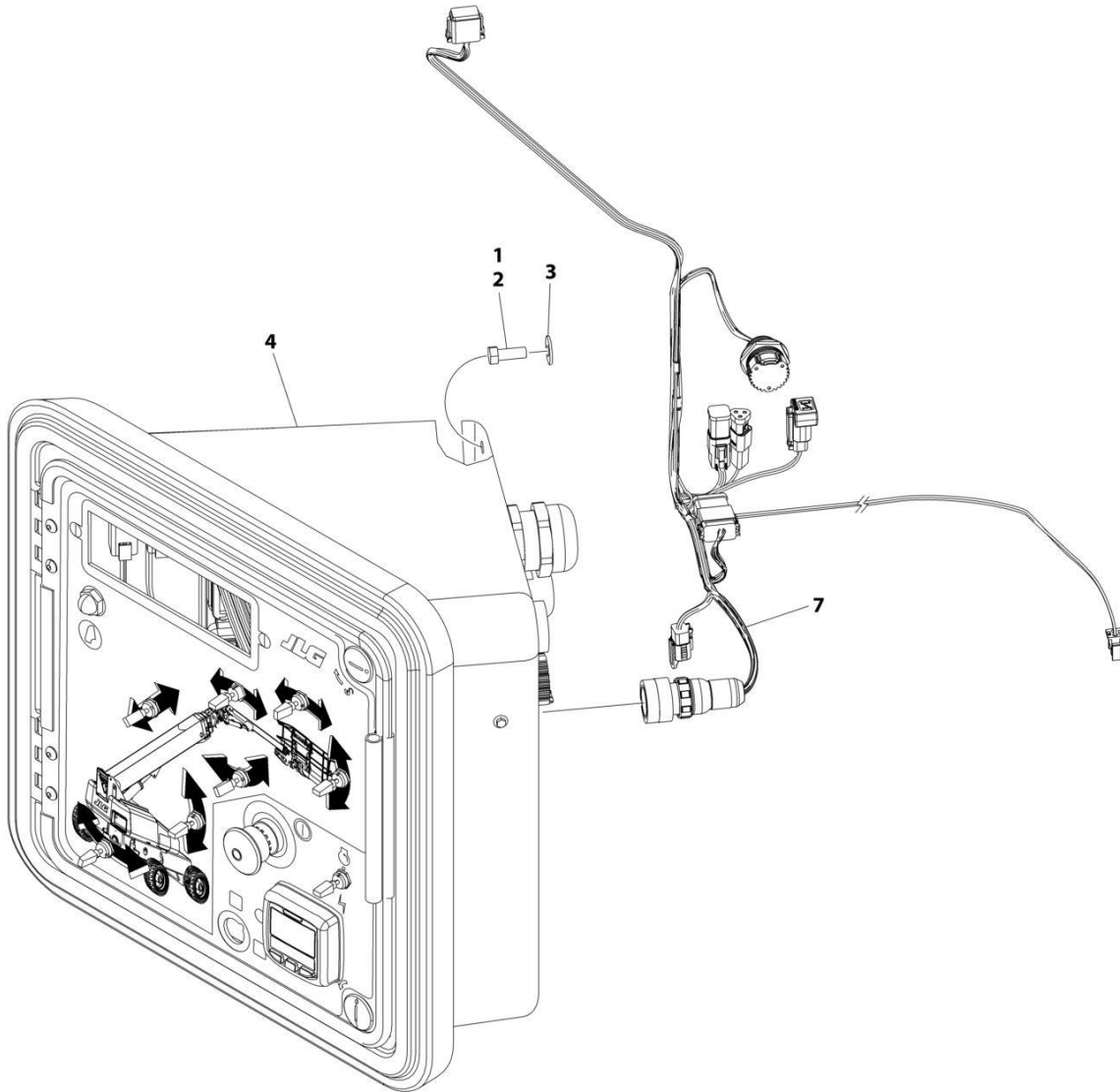
SECTION 2 - TURNTABLE

**FIGURE 2-30. GROUND CONTROL BOX INSTALLATION - TD2011 ENGINES WITH SAUER PUMPS
(CE & UK CA (LRC) SPECS)**

ITEM	PART NUMBER	QTY	DESCRIPTION	REV
	1001245364	Ref	GROUND CONTROL BOX INSTALLATION	D
1	0100011	AR	Compound, Locking	
2	3931616	2	Bolt 3/8 x 3/4	
3	4751600	2	Washer 3/8	
4	1001119470	1	Harness, Engine - Deutz TD2011 Engines (Not Shown - See Separate Breakdown in ELECTRICAL Section)	
5	1001266052	1	Ground Control Box Assembly (See Separate Breakdown in this Section)	
6	4240032	AR	Tie-Strap (Not Shown)	
7	4460234	AR	Mount, Tie-Strap (Not Shown)	
8	1001287523	1	Harness, Diagnostic (See Separate Breakdown in ELECTRICAL Section)	

SECTION 2 - TURNTABLE

FIGURE 2-31. GROUND CONTROL BOX INSTALLATION - TCD2.9L4 ENGINES WITH REXROTH PUMPS (ANSI, ANSI EXPORT (HRC), CHINA, CSA AND JAPANESE SPECS)



ART_1001245358_D

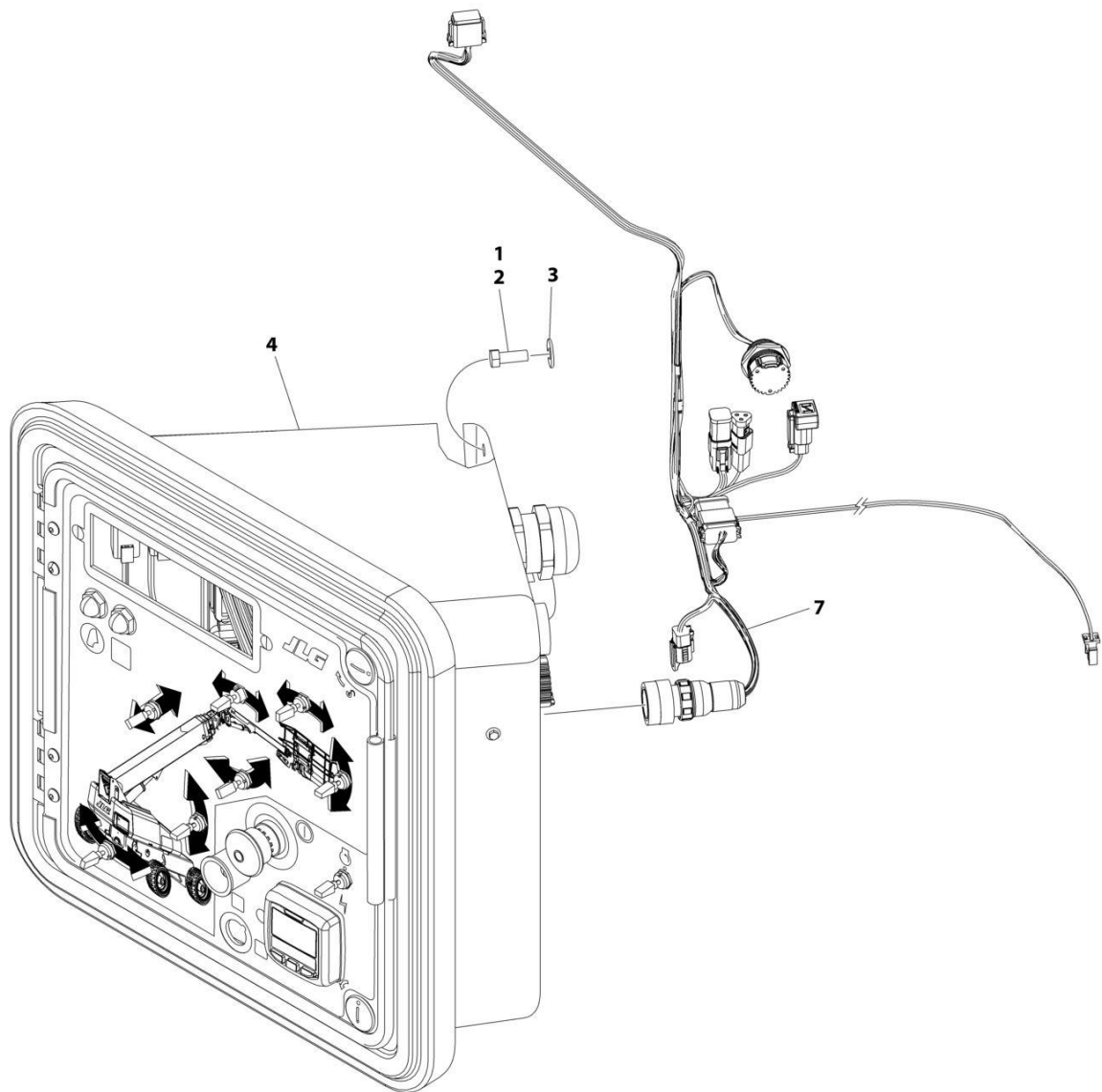
SECTION 2 - TURNTABLE

FIGURE 2-31. GROUND CONTROL BOX INSTALLATION - TCD2.9L4 ENGINES WITH REXROTH PUMPS (ANSI, ANSI EXPORT (HRC), CHINA, CSA AND JAPANESE SPECS)

ITEM	PART NUMBER	QTY	DESCRIPTION	REV
	1001245358	Ref	GROUND CONTROL BOX INSTALLATION	D
1	0100011	AR	Compound, Locking	
2	3931616	2	Bolt 3/8 x 3/4	
3	4751600	2	Washer 3/8	
4	1001266051	1	Ground Control Box Assembly (See Separate Breakdown in this Section)	
5	4240032	AR	Tie-Strap (Not Shown)	
6	4460234	AR	Mount, Tie-Strap (Not Shown)	
7	1001287523	1	Harness, Diagnostic (See Separate Breakdown in ELECTRICAL Section)	

SECTION 2 - TURNTABLE

FIGURE 2-32. GROUND CONTROL BOX INSTALLATION - DEUTZ TCD2.9L4 (STAGE V) ENGINES (CE & UK CA SPECS)



ART_1001236755_E

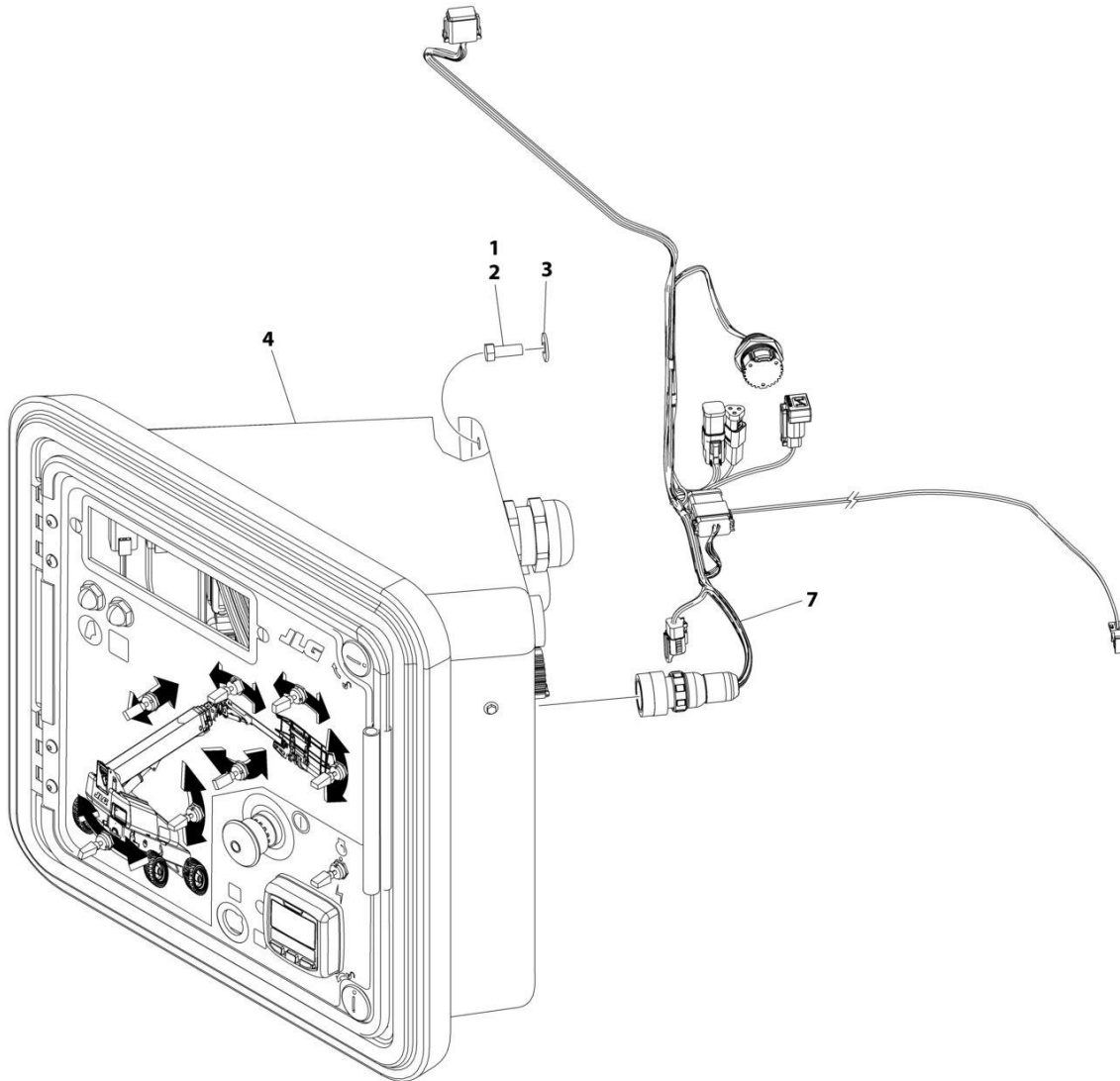
SECTION 2 - TURNTABLE

FIGURE 2-32. GROUND CONTROL BOX INSTALLATION - DEUTZ TCD2.9L4 (STAGE V) ENGINES (CE & UK CA SPECS)

ITEM	PART NUMBER	QTY	DESCRIPTION	REV
	1001236755	Ref	GROUND CONTROL BOX INSTALLATION	E
1	0100011	AR	Compound, Locking	
2	3931616	2	Bolt 3/8 x 3/4	
3	4751600	2	Washer 3/8	
4	1001266068	1	Ground Control Box Assembly (See Separate Breakdown in this Section)	
5	4240032	AR	Tie-Strap (Not Shown)	
6	4460234	AR	Mount, Tie-Strap (Not Shown)	
7	1001287523	1	Harness, Diagnostic (See Separate Breakdown in ELECTRICAL Section)	

SECTION 2 - TURNTABLE

FIGURE 2-33. GROUND CONTROL BOX INSTALLATION - DEUTZ TCD2.9L4 ENGINE (CHINA IV)



ART_1001282252

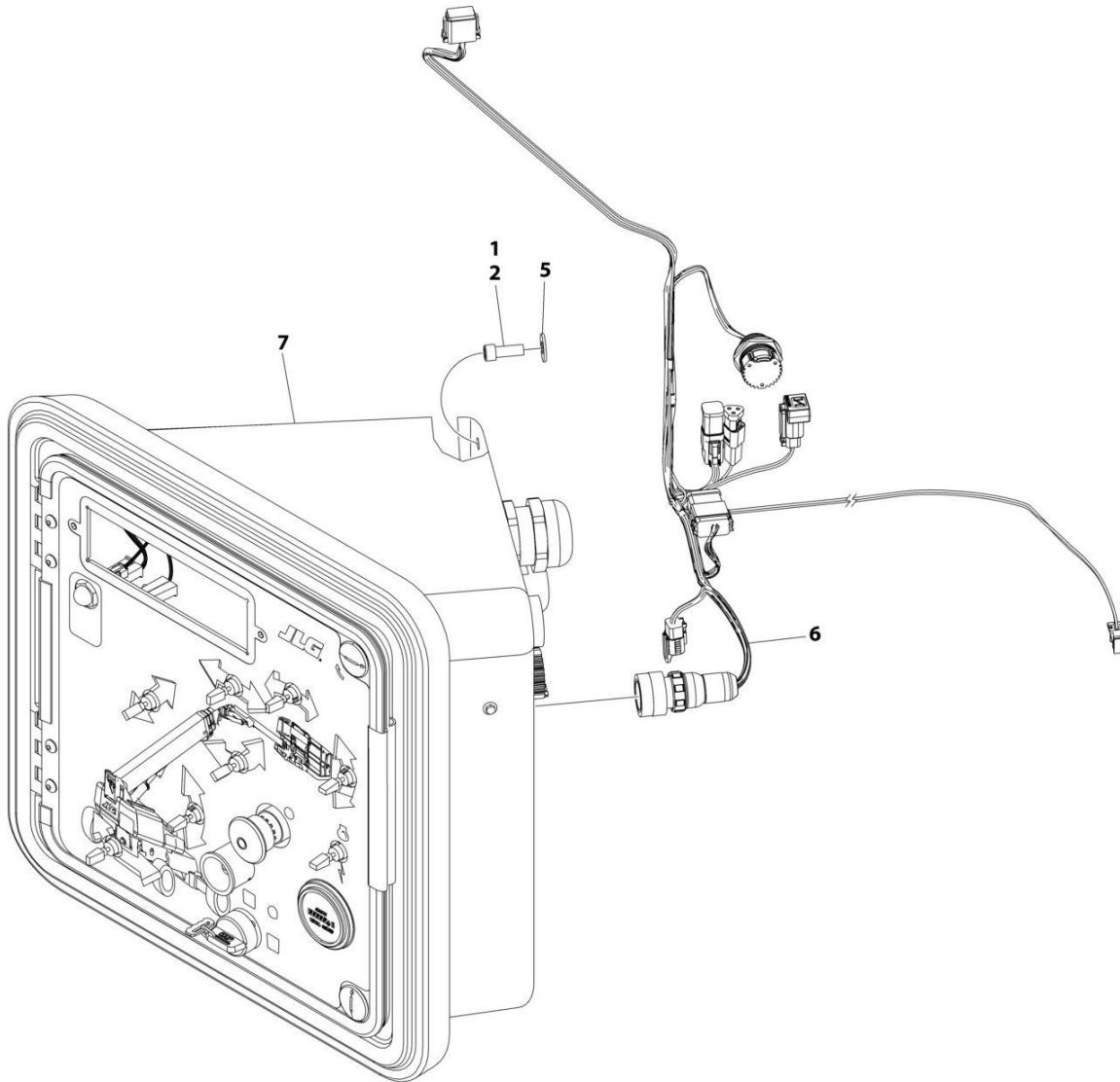
SECTION 2 - TURNTABLE

FIGURE 2-33. GROUND CONTROL BOX INSTALLATION - DEUTZ TCD2.9L4 ENGINE (CHINA IV)

ITEM	PART NUMBER	QTY	DESCRIPTION	REV
	1001282252	Ref	GROUND CONTROL BOX INSTALLATION	B
1	0100011	AR	Compound, Locking	
2	3931616	2	Bolt 3/8 x 3/4	
3	4751600	2	Washer 3/8	
4	1001282251	1	Ground Control Box Assembly (See Separate Breakdown in this Section)	
5	4240032	AR	Tie-Strap (Not Shown)	
6	4460234	AR	Mount, Tie-Strap (Not Shown)	
7	1001287523	1	Harness, Diagnostic (See Separate Breakdown in ELECTRICAL Section)	

SECTION 2 - TURNTABLE

FIGURE 2-34. GROUND CONTROL BOX INSTALLATION - DEUTZ TD2.9L4 ENGINE (R96)



ART_1001309212

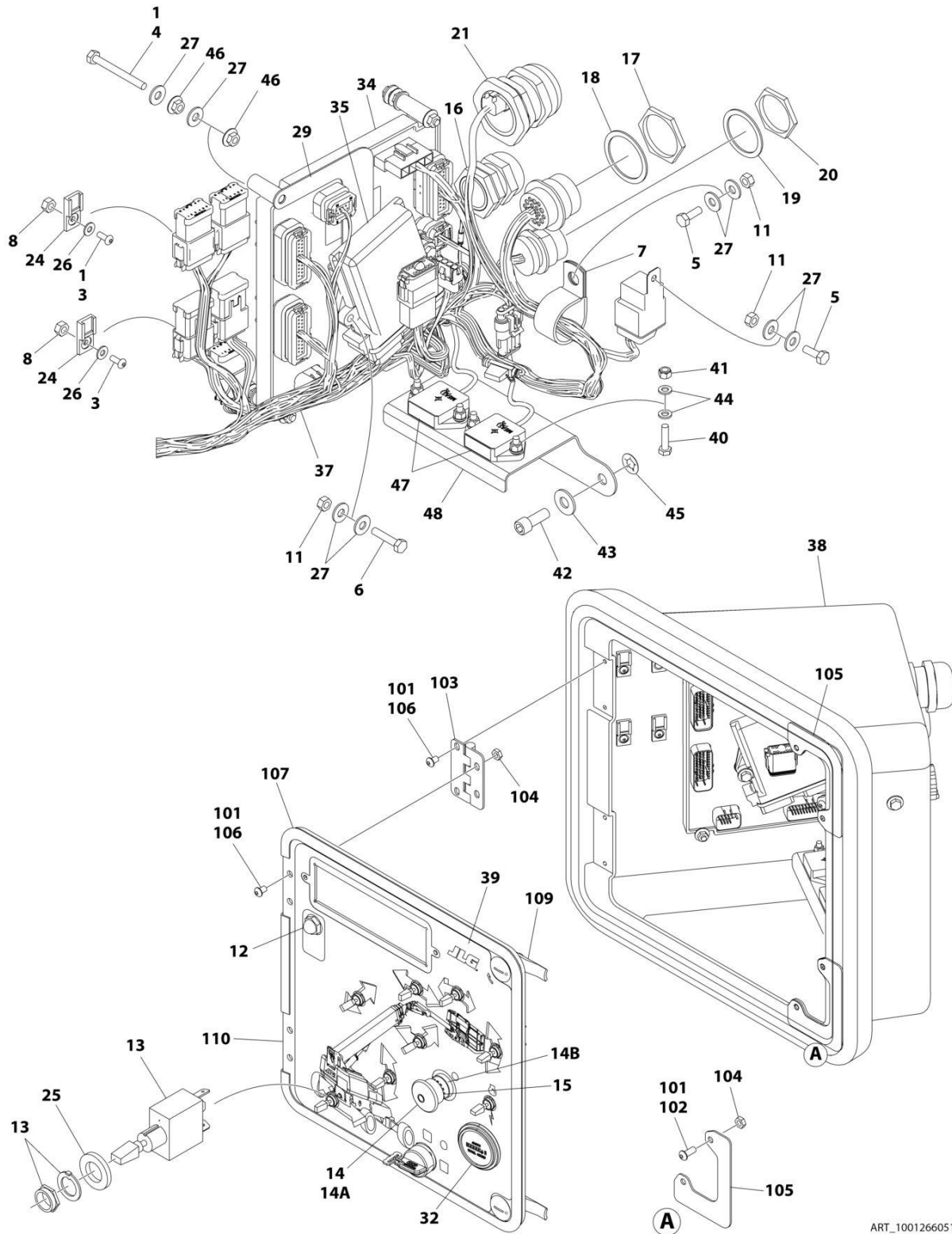
SECTION 2 - TURNTABLE

FIGURE 2-34. GROUND CONTROL BOX INSTALLATION - DEUTZ TD2.9L4 ENGINE (R96)

ITEM	PART NUMBER	QTY	DESCRIPTION	REV
	1001309212	Ref	GROUND CONTROL BOX INSTALLATION	A
1	0100011	AR	Compound, Locking	
2	3931616	2	Bolt 3/8 x 1	
3	4240032	AR	Tie-Strap (Not Shown)	
4	4460234	AR	Mount, Tie-Strap (Not Shown)	
5	4751600	2	Washer 3/8	
6	1001287523	1	Harness, Diagnostic (See Separate Breakdown in ELECTRICAL Section)	
7	1001309214	1	Ground Control Box Assembly (See Separate Breakdown in this Section)	

SECTION 2 - TURNTABLE

FIGURE 2-35. GROUND CONTROL BOX ASSEMBLY - DEUTZ TD2011 ENGINES AND DEUTZ TCD2.9L4 ENGINES (ALL SPECS EXCEPT CE & UK CA SPECS)



ART_1001266051_D

SECTION 2 - TURNTABLE

FIGURE 2-35. GROUND CONTROL BOX ASSEMBLY - DEUTZ TD2011 ENGINES AND DEUTZ TCD2.9L4 ENGINES (ALL SPECS EXCEPT CE & UK CA SPECS)

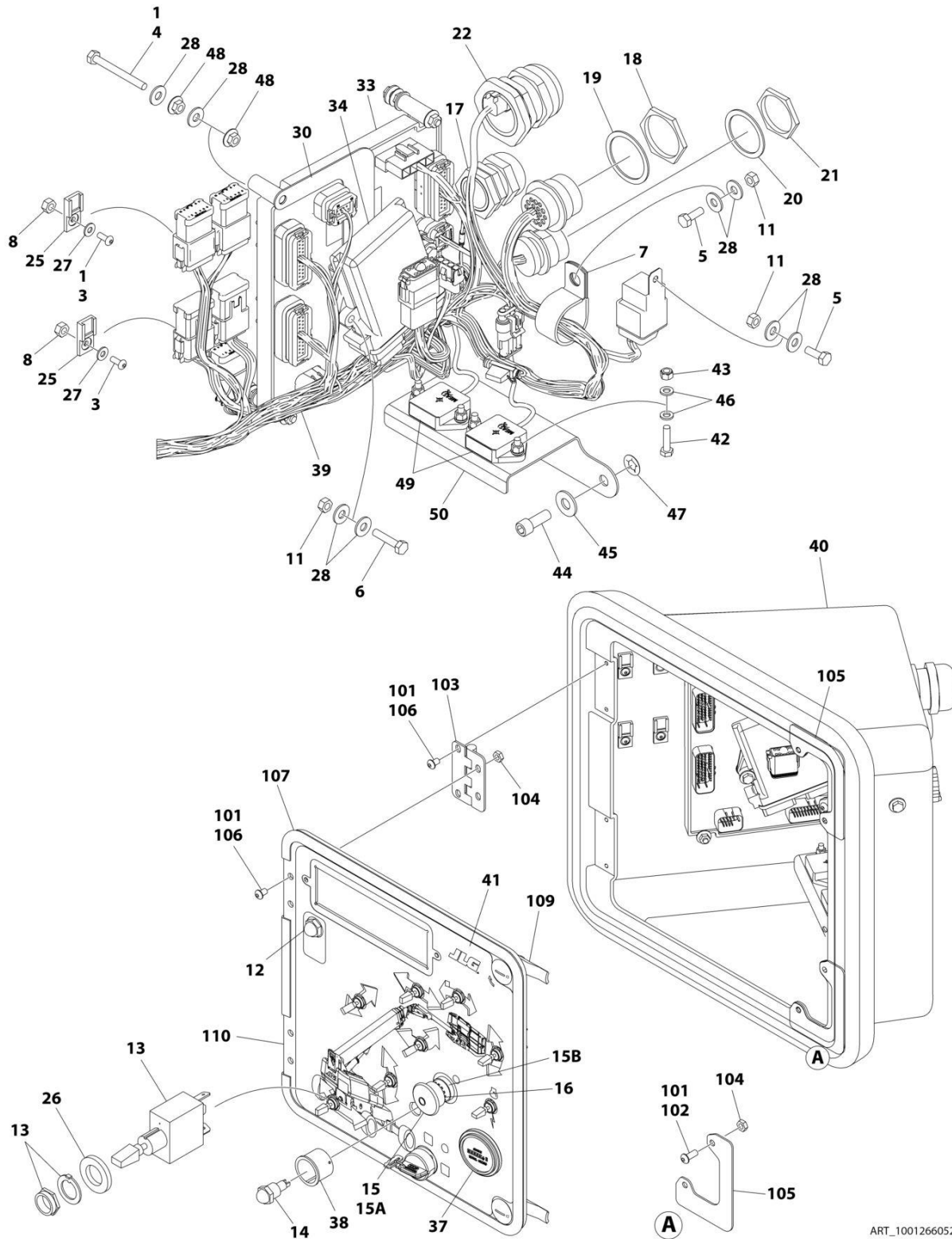
ITEM	PART NUMBER	QTY	DESCRIPTION	REV
	1001266051	Ref	GROUND CONTROL BOX ASSEMBLY	D
1	0100011	AR	Compound, Locking	
3	0630464	4	Bolt #10 x 1/2	
4	0630548	5	Screw, Self Tapping	
5	0641406	2	Bolt 1/4 x 3/4	
6	0641410	2	Bolt 1/4 x 1-1/4	
7	1320095	1	Clamp	
8	3311001	4	Nut #10	
11	3311405	4	Nut 1/4	
12	4360274	1	Switch, Pushbutton	
13	4360328	8	Switch, Toggle	
14	4360475	1	Switch, Push-Pull Emergency	
14A	7020175	1	Cap	
14B	7020176	1	Block, Contact	
15	4360476	1	Block, Contact	
16	4460426	1	Connector, Strain Relief	
17	4460470	1	Nut, Terminal	
18	4460471	1	Washer, Terminal	
19	4460496	1	Washer, Terminal	
20	4460497	1	Nut, Terminal	
21	4460526	1	Connector, Strain Relief	
24	4460914	4	Mount, Base	
25	4740397	8	Washer, Special	
26	4751000	4	Washer #10	
27	4751400	18	Washer 1/4	
29	1001276626	1	Mount, Module	
31	1001286114	NLA	Wiring Diagram (Not Shown)	
32	10836804	1	Gauge, Display	
34	1001281100	1	Module, Ground Control (Note: Re-calibration Required when Replaced)	
35	1001119512	1	Module, Repeater	
36	1001285524	1	Harness, Turntable (Not Shown - See Separate Breakdown in ELECTRICAL Section)	
37	1001285576	1	Harness, Ground Control Box (See Separate Breakdown in ELECTRICAL Section)	
38	1001266048	1	Box Assembly (See Items 101-110 for Breakdown)	
39	1001266053	1	Decal - Lid	
40	0760612	4	Bolt M6 x 25	
41	3290605	4	Nut M6	
42	3931616	2	Bolt 3/8 x 1	
43	4751600	2	Washer 3/8	
44	4811700	8	Washer M6	
45	8310070	2	Pushnut 3/8 x 13/16	
46	77143013	10	Nut 1/4	
47	1001219601	2	Sensor, Tilt Dual Axis CAN	
48	1001278483	1	Bracket, Tilt Sensor	
49	1001296427	1	Hourmeter Jumper Harness (Not Shown)	
	1001266048	Ref	BOX ASSEMBLY	B
101	0100011	AR	Compound, Locking	

SECTION 2 - TURNTABLE

ITEM	PART NUMBER	QTY	DESCRIPTION	REV
102	0630407	4	Screw 1/4 x 5/8	
103	2600279	2	Hinge	
104	3311402	8	Nut 1/4	
105	3573144	2	Plate, Latch	
106	3900251	8	Screw 1/4 x 3/8	
107	3960418	53 in/1.4 m	Seal	
109	1001242373	1	Latch	
110	1001297395	1	Panel, Front	

SECTION 2 - TURNTABLE

FIGURE 2-36. GROUND CONTROL BOX ASSEMBLY - DEUTZ TD2011 ENGINES (CE & UK CA SPECS)



ART_1001266052_D

SECTION 2 - TURNTABLE

FIGURE 2-36. GROUND CONTROL BOX ASSEMBLY - DEUTZ TD2011 ENGINES (CE & UK CA SPECS)

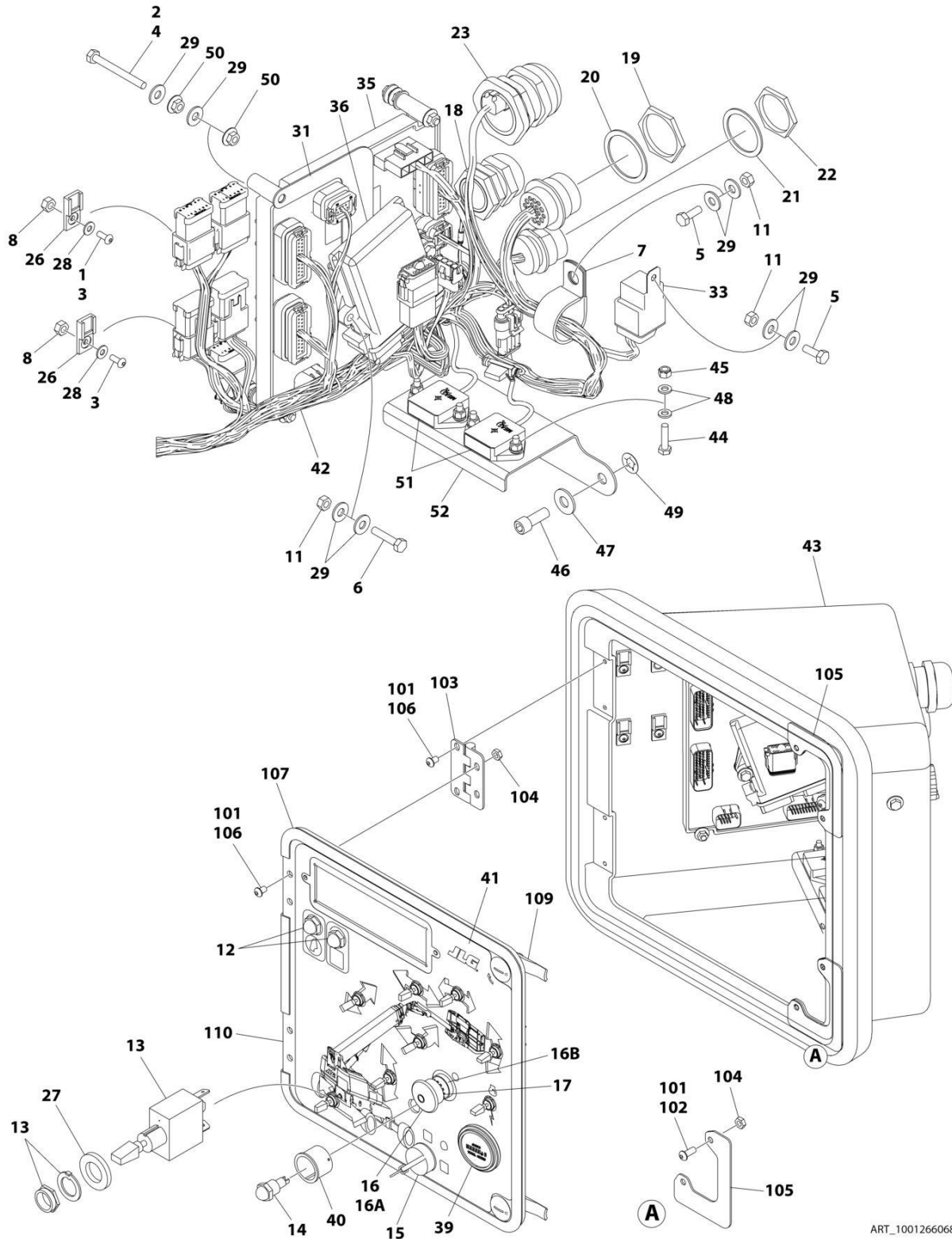
ITEM	PART NUMBER	QTY	DESCRIPTION	REV
	1001266052	Ref	GROUND CONTROL BOX ASSEMBLY	D
1	0100011	AR	Compound, Locking	
3	0630464	4	Bolt #10 x 1/2	
4	0630548	5	Screw, Self Tapping	
5	0641406	2	Bolt 1/4 x 3/4	
6	0641410	2	Bolt 1/4 x 1-1/4	
7	1320095	1	Clamp	
8	3311001	4	Nut #10	
11	3311405	4	Nut 1/4	
12	4360274	1	Switch, Pushbutton	
13	4360328	8	Switch, Toggle	
14	4360387	1	Switch, Pushbutton	
15	4360475	1	Switch, Push-Pull Emergency	
15A	7020175	1	Cap	
15B	7020176	1	Block, Contact	
16	4360476	1	Block, Contact	
17	4460426	1	Connector, Strain Relief	
18	4460470	1	Nut, Terminal	
19	4460471	1	Washer, Terminal	
20	4460496	1	Washer, Terminal	
21	4460497	1	Nut, Terminal	
22	4460526	1	Connector, Strain Relief	
25	4460914	4	Mount, Base	
26	4740397	8	Washer, Special	
27	4751000	4	Washer #10	
28	4751400	18	Washer 1/4	
30	1001276626	1	Mount, Module	
33	1001281100	1	Module, Ground Control (Note: Re-calibration Required when Replaced)	
34	1001119512	1	Module, Repeater	
35	1001285524	1	Harness, Turntable (Not Shown - See Separate Breakdown in ELECTRICAL Section)	
36	1001286114	NLA	Wire Diagram (Not Shown)	
37	10836804	1	Gauge, Indicator	
38	1001176469	1	Shroud	
39	1001285576	1	Harness, Ground Control Box (See Separate Breakdown in ELECTRICAL Section)	
40	1001266049	1	Box Assembly (See Items 101-110 for Breakdown)	
41	1001266054	1	Decal - Lid	
42	0760612	4	Bolt M6 x 25	
43	3290605	4	Nut M6	
44	3931616	2	Bolt 3/8 x 1	
45	4751600	2	Washer 3/8	
46	4811700	8	Washer M6	
47	8310070	2	Pushnut 3/8 x 13/16	
48	77143013	10	Nut 1/4	
49	1001219601	2	Sensor, Tilt Dual Axis CAN	
51	1001296427	1	Hourmeter Jumper Harness (Not Shown)	
	1001266049	Ref	BOX ASSEMBLY	B

SECTION 2 - TURNTABLE

ITEM	PART NUMBER	QTY	DESCRIPTION	REV
50	1001278483	1	Bracket, Tilt Sensor	
101	0100011	AR	Compound, Locking	
102	0630407	4	Screw 1/4 x 5/8	
103	2600279	2	Hinge	
104	3311402	8	Nut 1/4	
105	3573144	2	Plate, Latch	
106	3900251	8	Screw 1/4 x 3/8	
107	3960418	53 in/1.5 m	Seal	
109	1001242373	2	Latch	
110	1001297395	1	Lid	

SECTION 2 - TURNTABLE

FIGURE 2-37. GROUND CONTROL BOX ASSEMBLY - DEUTZ TCD2.9L4 (STAGE V) ENGINES (CE & UK CA SPECS)



ART_1001266068_D

SECTION 2 - TURNTABLE

FIGURE 2-37. GROUND CONTROL BOX ASSEMBLY - DEUTZ TCD2.9L4 (STAGE V) ENGINES (CE & UK CA SPECS)

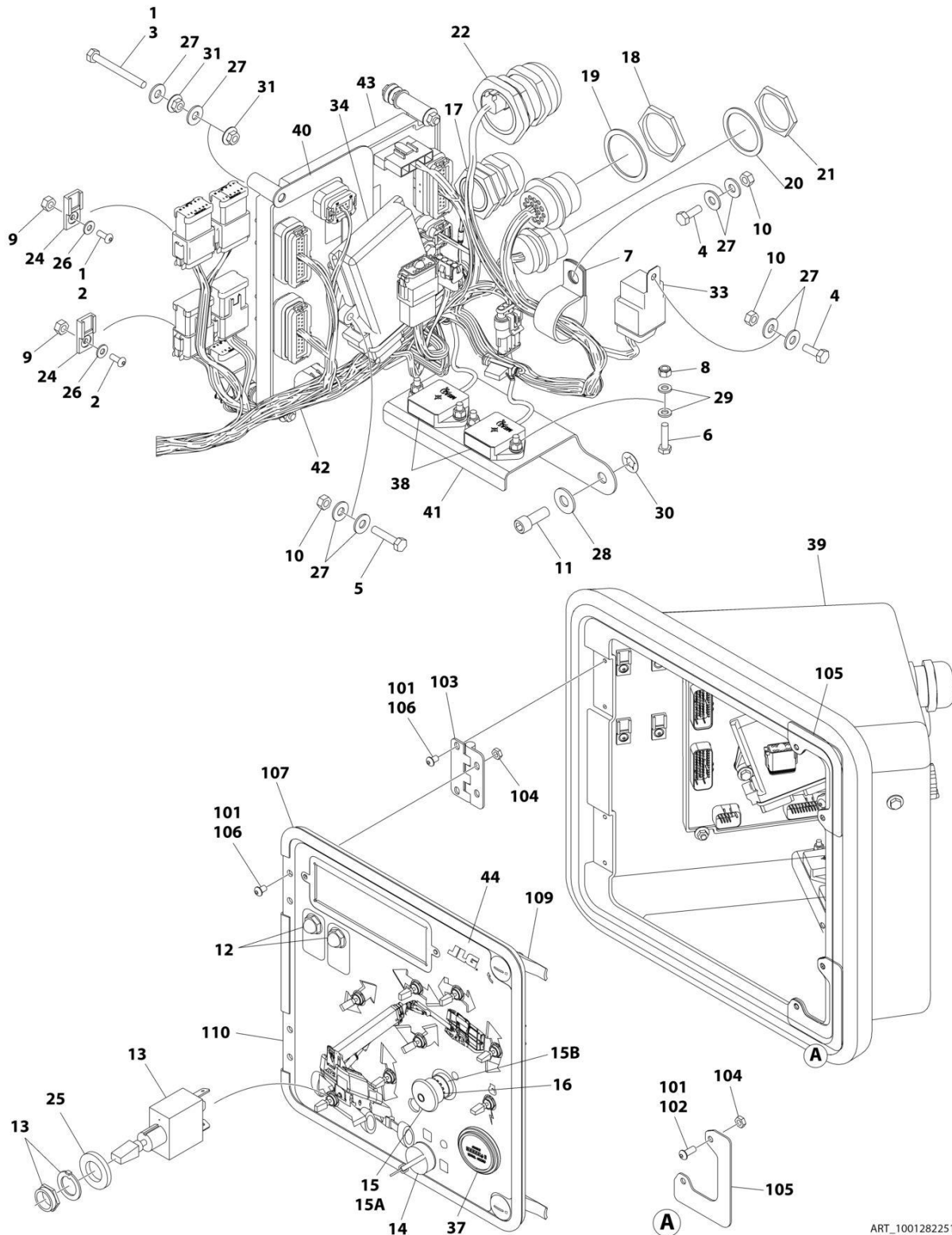
ITEM	PART NUMBER	QTY	DESCRIPTION	REV
	1001266068	Ref	GROUND CONTROL BOX ASSEMBLY	D
2	0100011	AR	Compound, Locking	
3	0630464	4	Bolt #10 x 1/2	
4	0630548	5	Screw, Self Tapping	
5	0641406	2	Bolt 1/4 x 3/4	
6	0641410	2	Bolt 1/4 x 1-1/4	
7	1320095	1	Clamp	
8	3311001	4	Nut #10	
11	3311405	4	Nut 1/4	
12	4360274	2	Switch, Pushbutton	
13	4360328	8	Switch, Toggle	
14	4360387	1	Switch, Pushbutton	
15	4360469	1	Keyswitch	
15	2860030	1	Key, Replacement	
16	4360475	1	Switch, Push-Pull Emergency	
16A	7020175	1	Cap	
16B	7020176	1	Block, Contact	
17	4360476	1	Block, Contact	
18	4460426	1	Connector, Strain Relief	
19	4460470	1	Nut, Terminal	
20	4460471	1	Washer, Terminal	
21	4460496	1	Washer, Terminal	
22	4460497	1	Nut, Terminal	
23	4460526	1	Connector, Strain Relief	
26	4460914	4	Mount, Base	
27	4740397	8	Washer	
28	4751000	4	Washer #10	
29	4751400	18	Washer 1/4	
31	1001276626	1	Mount, Module	
33	1001117025	1	Relay with Connector	
33	3740080	1	Relay, Sealed	
33	4460374	1	Plug, Sealed	
33	4460375	4	Terminal, Female	
35	1001281100	1	Module, Ground Control (Note: Re-calibration Required when Replaced)	
36	1001119512	1	Module, Repeater	
37	1001285524	1	Harness, Turntable (Not Shown - See Separate Breakdown in ELECTRICAL Section)	
38	1001286114	NLA	Wiring Diagram (Not Shown)	
39	10836804	1	Gauge, Indicator	
40	1001176469	1	Shroud	
41	1001236686	1	Decal - Lid	
42	1001285576	1	Harness, Ground Control Box (See Separate Breakdown in ELECTRICAL Section)	
43	1001266049	1	Box Assembly (See Items 101-110 for Breakdown)	
44	0760612	4	Bolt M6 x 25	
45	3290605	4	Nut M6	
46	3931616	2	Bolt 3/8 x 1	
47	4751600	2	Washer 3/8	

SECTION 2 - TURNTABLE

ITEM	PART NUMBER	QTY	DESCRIPTION	REV
48	4811700	8	Washer M6	B
49	8310070	2	Pushnut 3/8 x 13/16	
50	77143013	10	Nut 1/4	
51	1001219601	2	Sensor, Tilt Dual Axis CAN	
52	1001278483	1	Bracket, Tilt Sensor	
53	1001296427	1	Hourmeter Jumper Harness (Not Shown)	
	1001266049	Ref	BOX ASSEMBLY	
101	0100011	AR	Compound, Locking	
102	0630407	4	Screw 1/4 x 5/8	
103	2600279	2	Hinge	
104	3311402	8	Nut 1/4	
105	3573144	2	Plate	
106	3900251	8	Screw 1/4 x 3/8	
107	3960418	53 in/1.4 m	Seal	
109	1001242373	2	Latch	
110	1001297394	1	Lid	

SECTION 2 - TURNTABLE

FIGURE 2-38. GROUND CONTROL BOX ASSEMBLY - DEUTZ TCD2.9L4 ENGINES (CHINA IV)



ART_1001282251_C

SECTION 2 - TURNTABLE

FIGURE 2-38. GROUND CONTROL BOX ASSEMBLY - DEUTZ TCD2.9L4 ENGINES (CHINA IV)

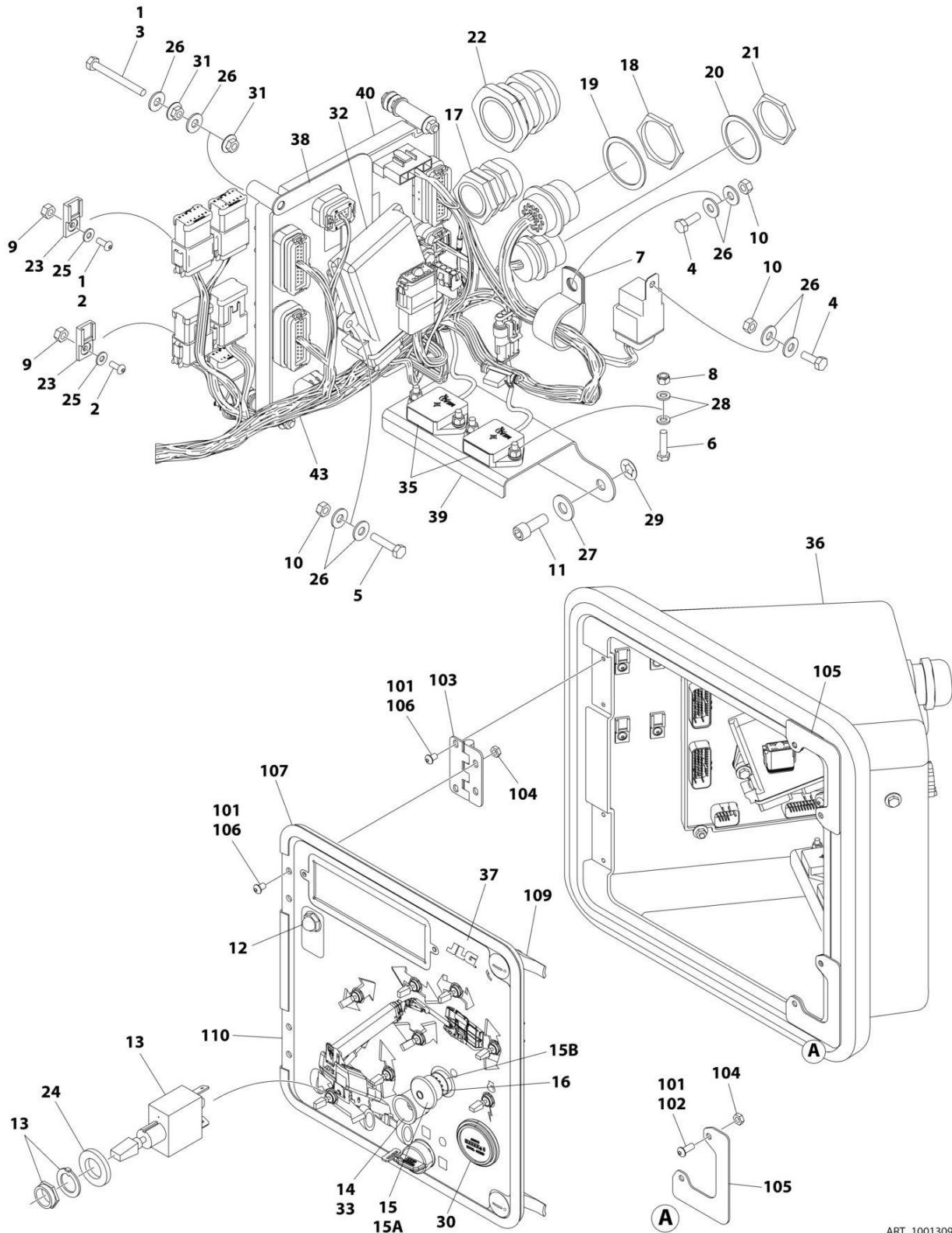
ITEM	PART NUMBER	QTY	DESCRIPTION	REV
	1001282251	Ref	GROUND CONTROL BOX ASSEMBLY	C
1	0100011	AR	Compound, Locking	
2	0630464	4	Bolt #10 x 1/2	
3	0630548	5	Screw, Self Tapping	
4	0641406	2	Bolt 1/4 x 3/4	
5	0641410	2	Bolt 1/4 x 1-1/4	
6	0760612	4	Bolt M6 x 25	
7	1320095	1	Clamp	
8	3290605	4	Nut M6	
9	3311001	4	Nut #10	
10	3311405	4	Nut 1/4	
11	3931616	2	Bolt 3/8 x 1	
12	4360274	2	Switch, Pushbutton	
13	4360328	8	Switch, Toggle	
14	4360469	1	Switch, Key On/Off/On	
15	4360475	1	Switch, Push-Pull Emergency	
15A	7020175	1	Cap	
15B	7020176	1	Block, Contact	
16	4360476	1	Block, Contact	
17	4460426	1	Connector, Strain Relief	
18	4460470	1	Nut, Terminal	
19	4460471	1	Washer, Terminal	
20	4460496	1	Washer, Terminal	
21	4460497	1	Nut, Terminal	
22	4460526	1	Connector, Strain Relief	
24	4460914	4	Mount, Base	
25	4740397	8	Washer, Special	
26	4751000	4	Washer #10	
27	4751400	18	Washer 1/4	
28	4751600	2	Washer 3/8	
29	4811700	8	Washer M6	
30	8310070	2	Pushnut 3/8 x 13/16	
31	77143013	10	Nut 1/4	
33	1001117025	1	Relay with Connector	
34	1001119512	1	Module, Repeater	
35	1001285524	1	Harness, Turntable (Not Shown) (See Separate Breakdown in ELECTRICAL Section)	
36	1001286114	NLA	Wiring Diagram (Not Shown)	
37	10836804	1	Gauge, Display	
38	1001219601	2	Sensor, Tilt Dual Axis CAN	
39	1001266049	1	Box Assembly (See Items 101-110 for Breakdown)	
40	1001276626	1	Mount, Module	
41	1001278483	1	Bracket, Tilt Sensor	
42	1001285576	1	Harness, Ground Control Box (See Separate Breakdown in ELECTRICAL Section)	
43	1001281100	1	Module, Ground Control (Note: Re-calibration Required when Replaced)	
44	1001282253	1	Decal - Terminal Box	
45	1001296427	1	Hourmeter Jumper Harness (Not Shown)	
	1001266049	Ref	BOX ASSEMBLY	A

SECTION 2 - TURNTABLE

ITEM	PART NUMBER	QTY	DESCRIPTION	REV
101	0100011	AR	Compound, Locking	
102	0630407	4	Screw 1/4 x 5/8	
103	2600279	2	Hinge	
104	3311402	8	Nut 1/4	
105	3573144	2	Plate, Latch	
106	3900251	8	Screw 1/4 x 3/8	
107	3960418	53 in/1.5 m	Seal	
109	1001242373	2	Latch	
110	1001265880	1	Lid	

SECTION 2 - TURNTABLE

FIGURE 2-39. GROUND CONTROL BOX ASSEMBLY - DEUTZ TD2.9L4 ENGINE (R96)



ART_1001309214

SECTION 2 - TURNTABLE

FIGURE 2-39. GROUND CONTROL BOX ASSEMBLY - DEUTZ TD2.9L4 ENGINE (R96)

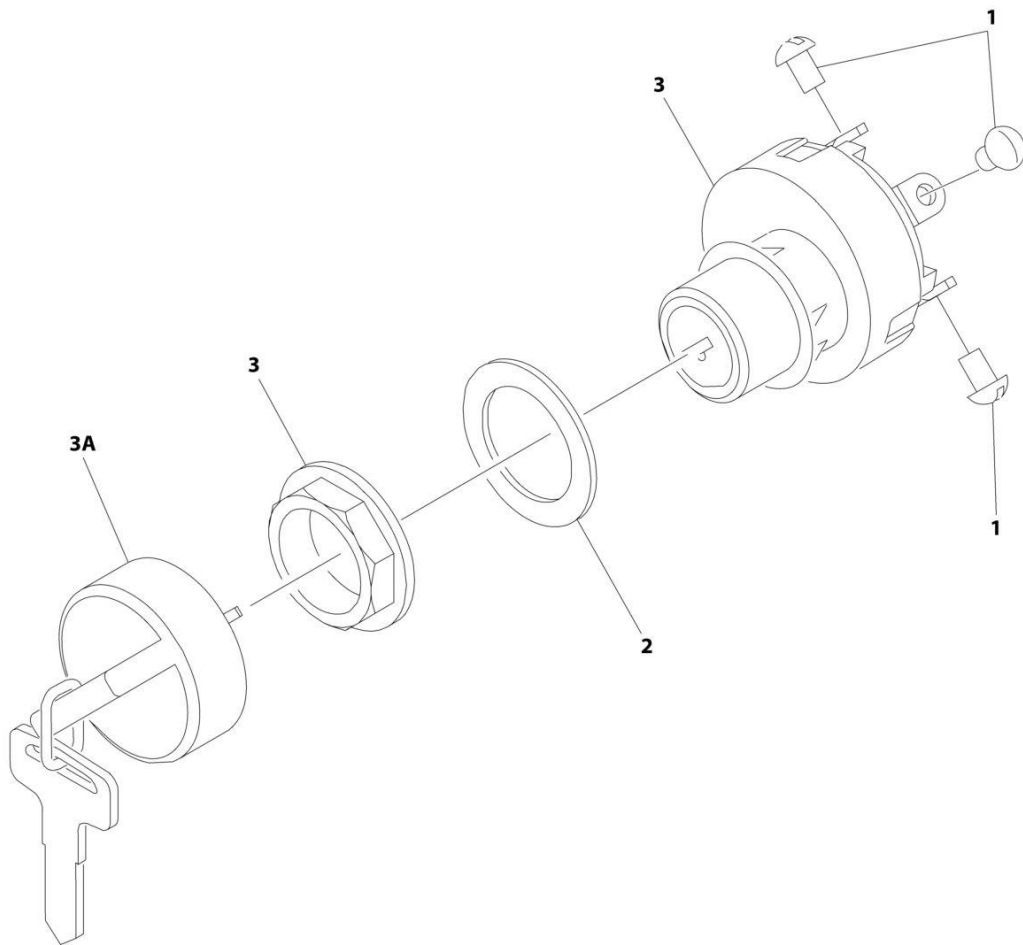
ITEM	PART NUMBER	QTY	DESCRIPTION	REV
	1001309214	Ref	GROUND CONTROL BOX ASSEMBLY	A
1	0100011	AR	Compound, Locking	
2	0630464	4	Bolt #10 x 1/2	
3	0630548	5	Screw, Self Tapping	
4	0641406	2	Bolt 1/4 x 3/4	
5	0641410	2	Bolt 1/4 x 1-1/4	
6	0760612	4	Bolt M6 x 25	
7	1320095	1	Clamp	
8	3290605	4	Nut M6	
9	3311001	4	Nut #10	
10	3311405	4	Nut 1/4	
11	3931616	2	Bolt 3/8 x 1	
12	4360274	1	Switch, Push Button (Gray)	
13	4360328	8	Switch, Toggle	
14	4360387	1	Switch, Push Button (Yellow)	
15	4360475	1	Switch, Push-Pull Emergency	
15A	7020175	1	Cap	
15B	7020176	1	Block, Contact	
16	4360476	1	Block, Contact	
17	4460426	1	Connector, Strain Relief	
18	4460470	1	Nut, Terminal	
19	4460471	1	Washer, Terminal	
20	4460496	1	Washer, Terminal	
21	4460497	1	Nut, Terminal	
22	4460526	1	Connector, Strain Relief	
23	4460914	4	Mount, Base	
24	4740397	8	Washer, Special	
25	4751000	4	Washer #10	
26	4751400	18	Washer 1/4	
27	4751600	2	Washer 3/8	
28	4811700	8	Washer M6	
29	8310070	2	Pushnut 3/8 x 13/16	
30	10836804	1	Gauge, Display	
31	77143013	10	Nut 1/4	
32	1001119512	1	Module, Repeater	
33	1001176469	1	Shroud	
34	1001213448	1	Connector, Dust Cap (Not Shown)	
35	1001219601	2	Sensor, Tilt Dual Axis CAN	
36	1001266049	1	Box Assembly (See Items 101-110 for Breakdown)	
37	1001266054	1	Decal - Terminal Box	
38	1001276626	1	Mount	
39	1001278483	1	Bracket	
40	1001281100	1	Module, Ground Control (Note: Re-calibration Required when Replaced)	
41	1001285524	1	Harness, Turntable (Not Shown) (See Separate Breakdown in ELECTRICAL Section)	
42	1001286114	NLA	Wiring Diagram (Not Shown)	
43	1001299824	1	Harness, Ground Control Box (See Separate Breakdown in ELECTRICAL Section)	
	1001266049	Ref	BOX ASSEMBLY	A

SECTION 2 - TURNTABLE

ITEM	PART NUMBER	QTY	DESCRIPTION	REV
101	0100011	AR	Compound, Locking	
102	0630407	4	Screw 1/4 x 5/8	
103	2600279	2	Hinge	
104	3311402	8	Nut 1/4	
105	3573144	2	Plate, Latch	
106	3900251	8	Screw 1/4 x 3/8	
107	3960418	5 ft/1.5 m	Seal	
109	1001242373	2	Latch	
110	1001265880	1	Lid	

SECTION 2 - TURNTABLE

FIGURE 2-40. KEYSWITCH INSTALLATION



ART_0259666

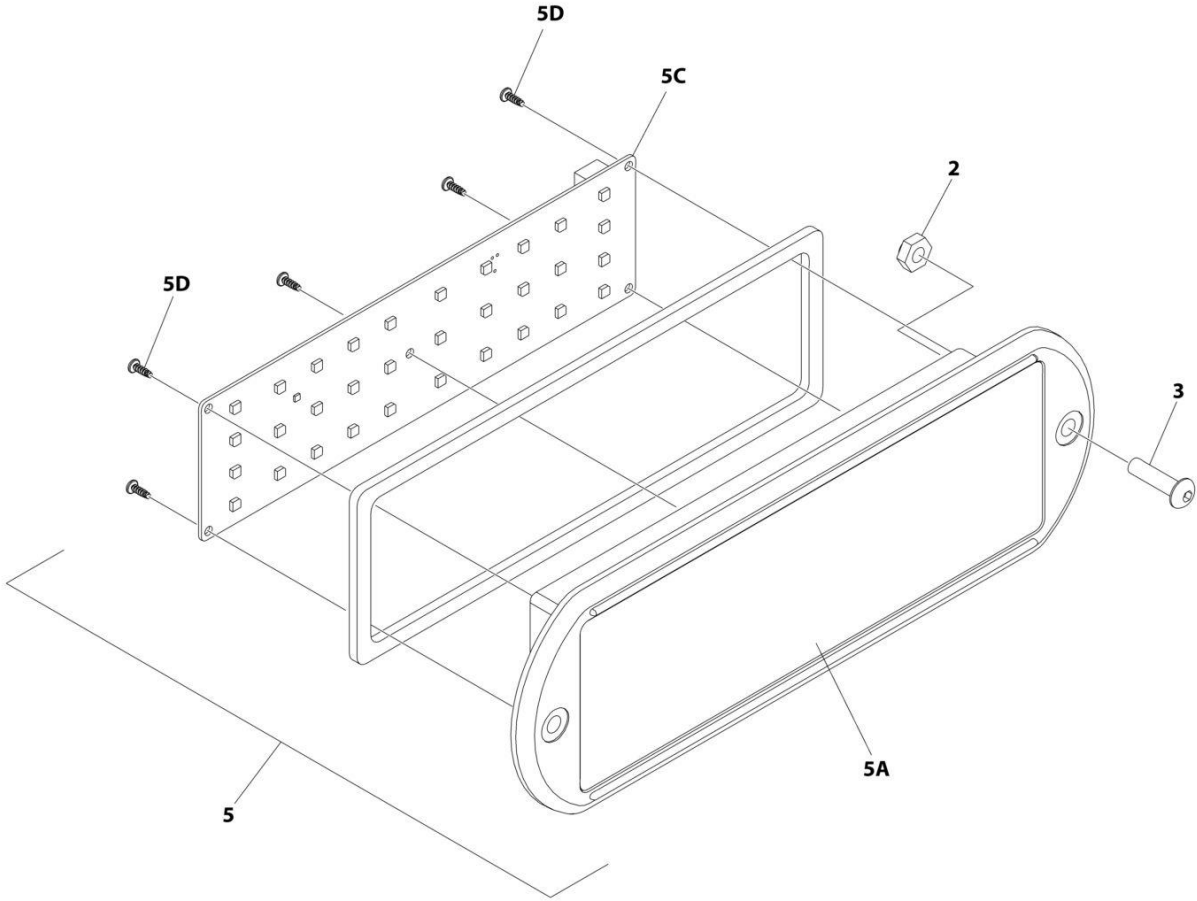
SECTION 2 - TURNTABLE

FIGURE 2-40. KEYSWITCH INSTALLATION

ITEM	PART NUMBER	QTY	DESCRIPTION	REV
	0259666	Ref	KEYSWITCH INSTALLATION	B
1	3910804	6	Screw #8 x 1/8	
2	1001151393	1	Shim .063	
3	4360469	1	Keyswitch	
3A	2860030	1	Key, Replacement	

SECTION 2 - TURNTABLE

FIGURE 2-41. LIGHT PANEL INSTALLATION



ART_1001233959_C_10F2

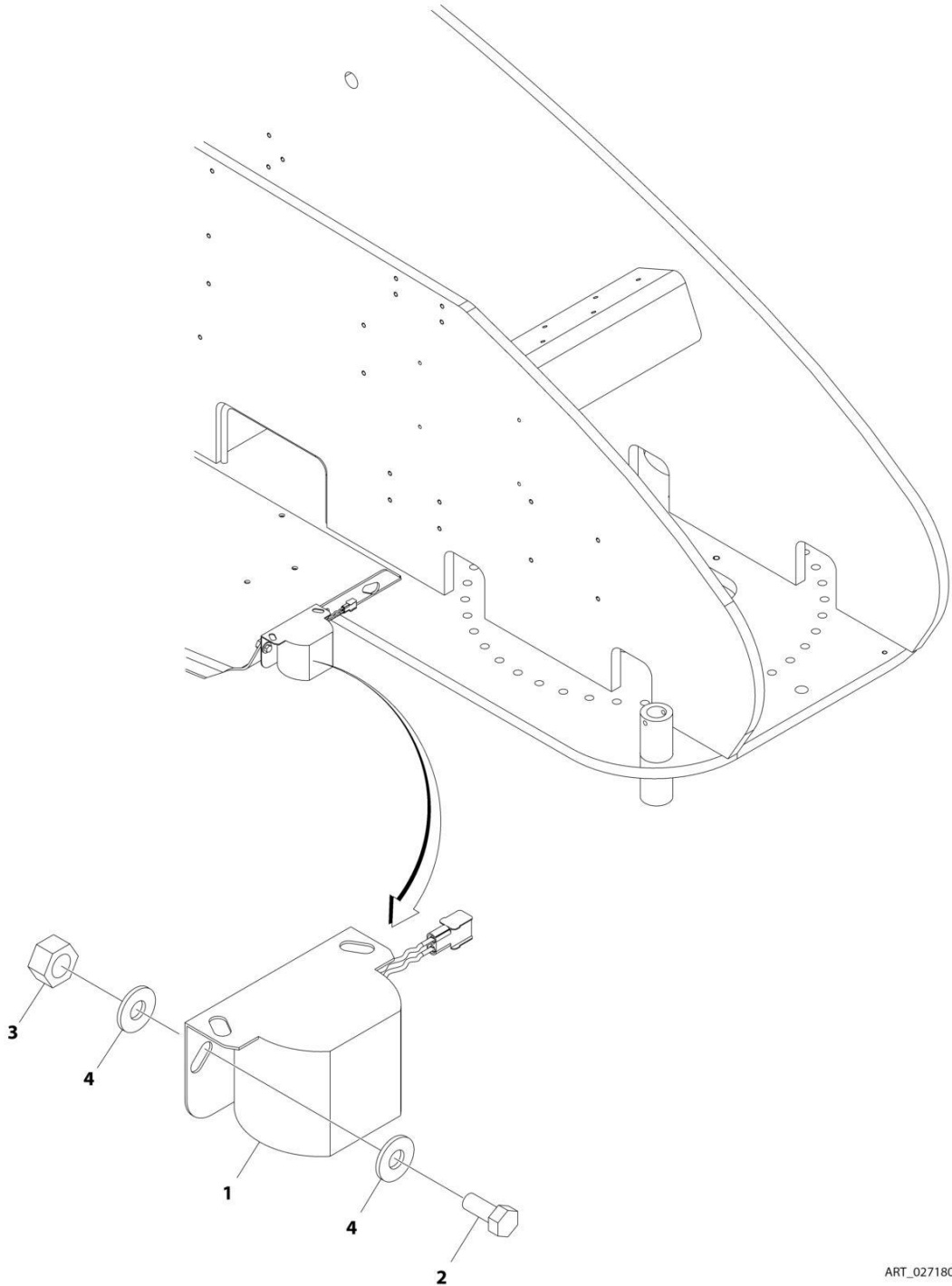
SECTION 2 - TURNTABLE

FIGURE 2-41. LIGHT PANEL INSTALLATION

ITEM	PART NUMBER	QTY	DESCRIPTION	REV
	1001233959	Ref	LIGHT PANEL INSTALLATION	C
2	3300408	2	Nut, Nylon Insert	
3	0630518	2	Screw #10 x 3/4	
5	1001237546	1	Light Panel Assembly	H
5A	1001236091	1	Lens, I-Con	
5C	1001187807	1	Panel, LED Light	
5D		Ref	Screw	

SECTION 2 - TURNTABLE

FIGURE 2-42. ALARMS INSTALLATION



ART_0271806

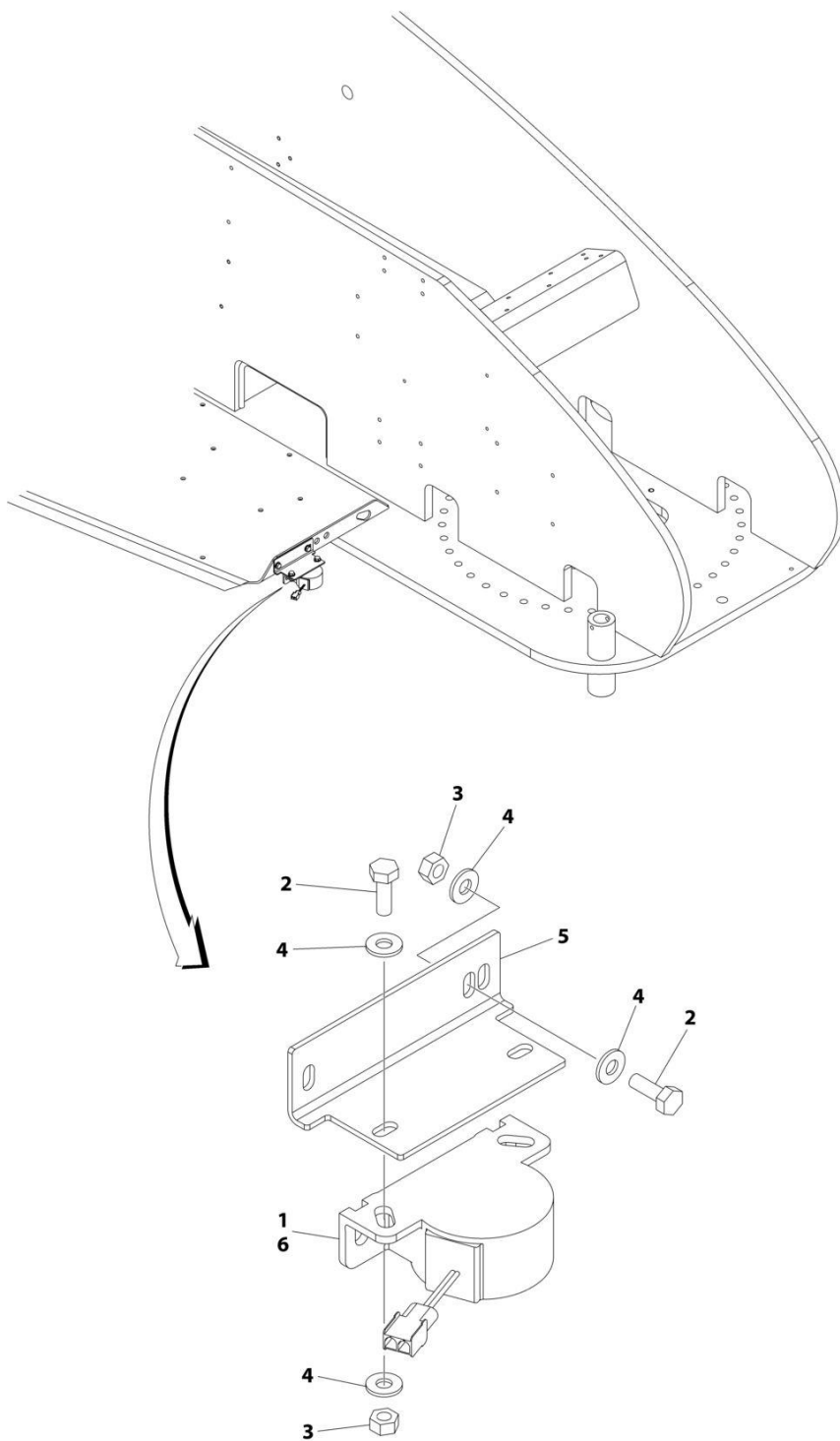
SECTION 2 - TURNTABLE

FIGURE 2-42. ALARMS INSTALLATION

ITEM	PART NUMBER	QTY	DESCRIPTION	REV
	0271806	Ref	ALARMS INSTALLATION	A
1	0257887	1	Alarm	
1	0140032	1	Alarm	
1	2820035	6 in/15cm	Loom	
1	4460424	1	Plug	
1	4460268	2	Socket, Female	
2	0641506	2	Bolt 5/16 x 3/4	
3	3311505	2	Nut 5/16	
4	4751500	4	Washer 5/16	

SECTION 2 - TURNTABLE

FIGURE 2-43. BACKUP ALARM (WHITE NOISE) INSTALLATION



ART_1001239281

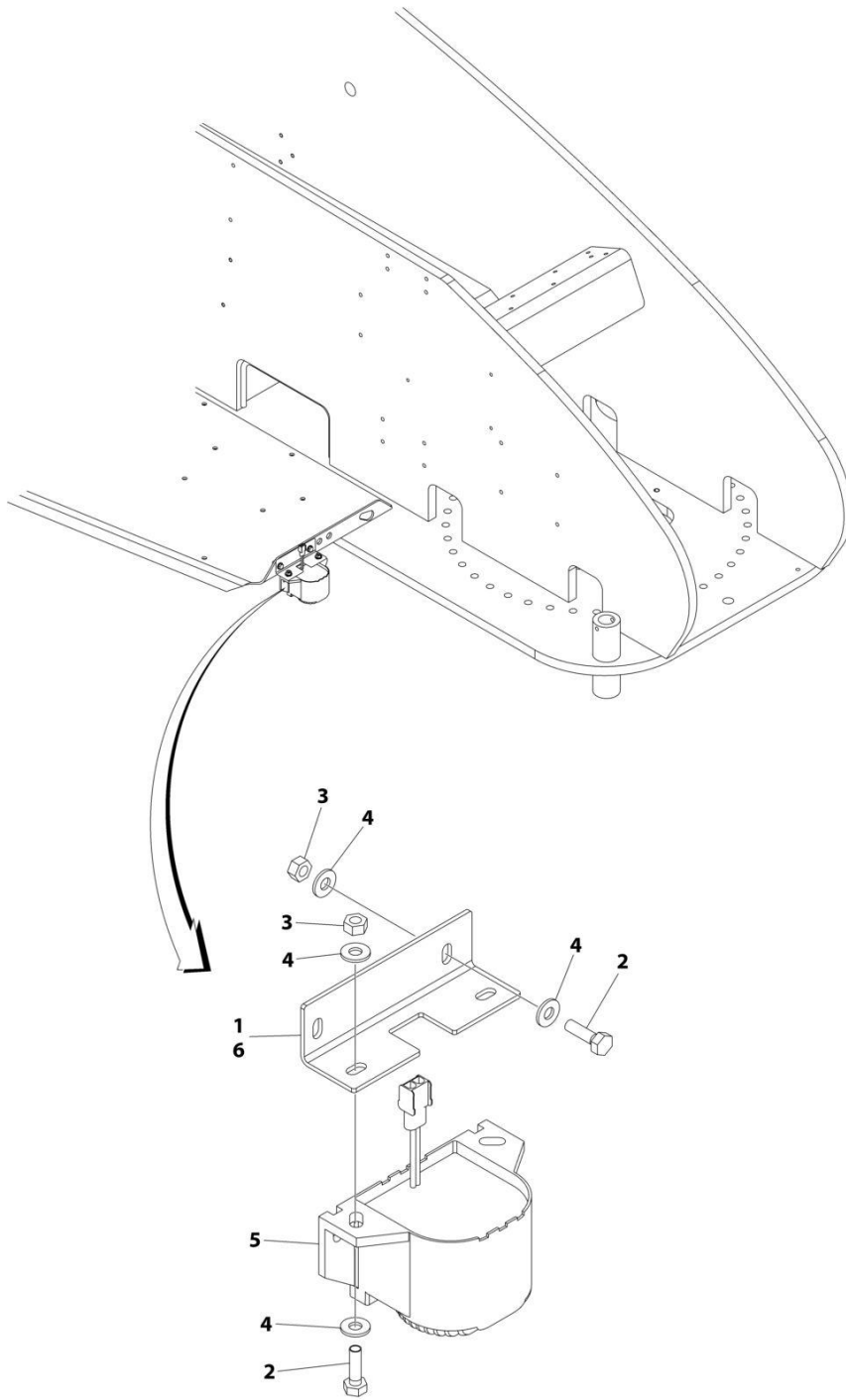
SECTION 2 - TURNTABLE

FIGURE 2-43. BACKUP ALARM (WHITE NOISE) INSTALLATION

ITEM	PART NUMBER	QTY	DESCRIPTION	REV
	1001239281	Ref	BACKUP ALARM (WHITE NOISE) INSTALLATION	A
1	0100048	AR	Grease, Dielectric	
2	0641406	4	Bolt 1/4 x 3/4	
3	3311405	4	Nut 1/4	
4	4711400	8	Washer 1/4	
5	1001231886	1	Plate	
6	1001243734	1	Alarm	
6	1001184682	1	Alarm	
6	4460424	1	Plug	
6	4460268	2	Socket, Female	

SECTION 2 - TURNTABLE

FIGURE 2-44. BACKUP ALARM AMBIENT (WHITE NOISE) INSTALLATION



ART_1001241383

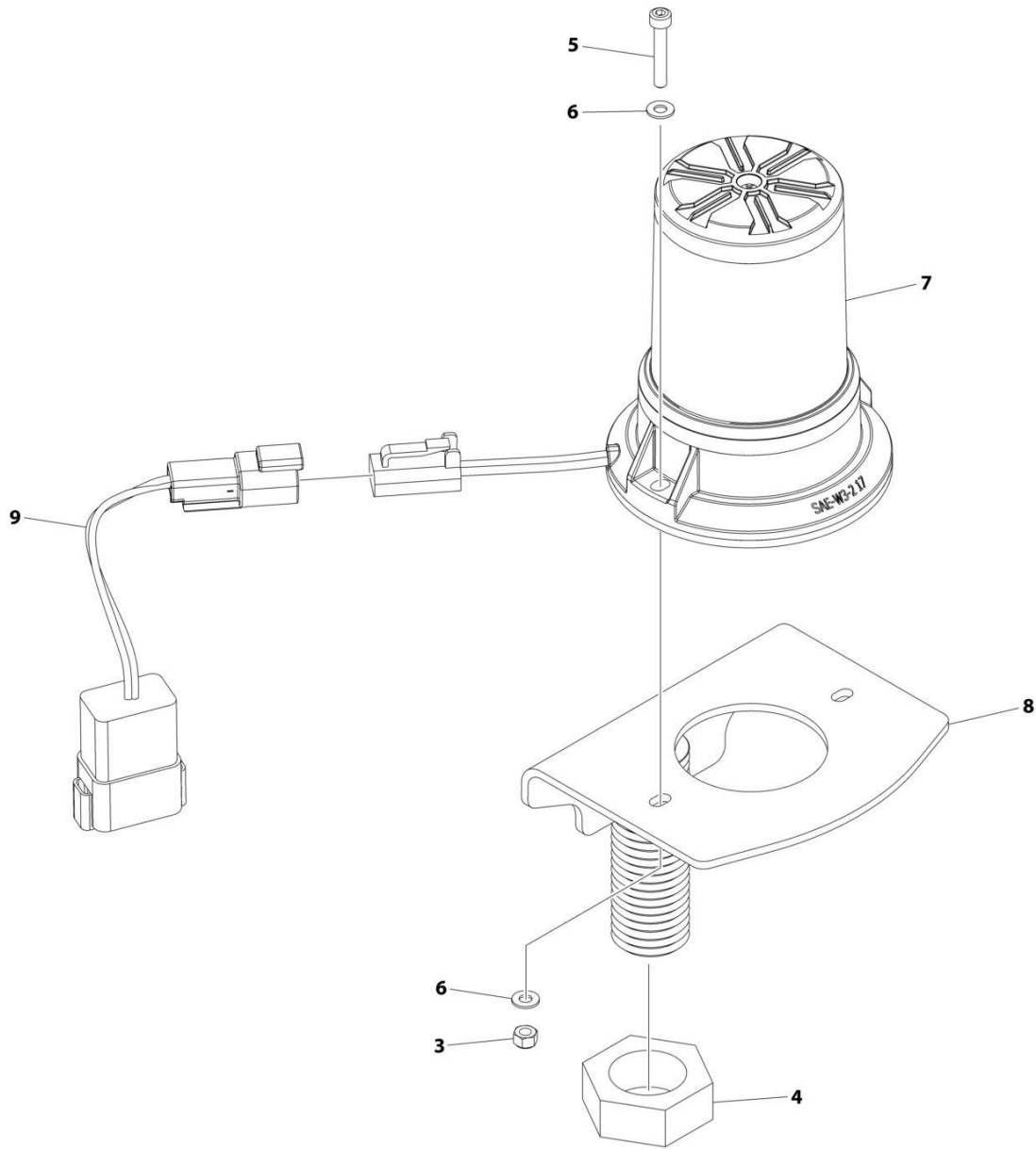
SECTION 2 - TURNTABLE

FIGURE 2-44. BACKUP ALARM AMBIENT (WHITE NOISE) INSTALLATION

ITEM	PART NUMBER	QTY	DESCRIPTION	REV
	1001241383	Ref	ALARM AMBIENT (WHITE NOISE) INSTALLATION	A
1	0100048	AR	Grease, Dielectric	
2	0641407	4	Bolt 1/4 x 7/8	
3	3311405	4	Nut 1/4	
4	4711400	8	Washer 1/4	
5	1001243731	1	Alarm	
5	1001182806	1	Alarm	
5	4460424	1	Plug	
5	4460268	2	Socket, Female	
6	1001243849	1	Plate	

SECTION 2 - TURNTABLE

FIGURE 2-45. STROBE LIGHT INSTALLATION (AMBER)



ART_1001149955_E

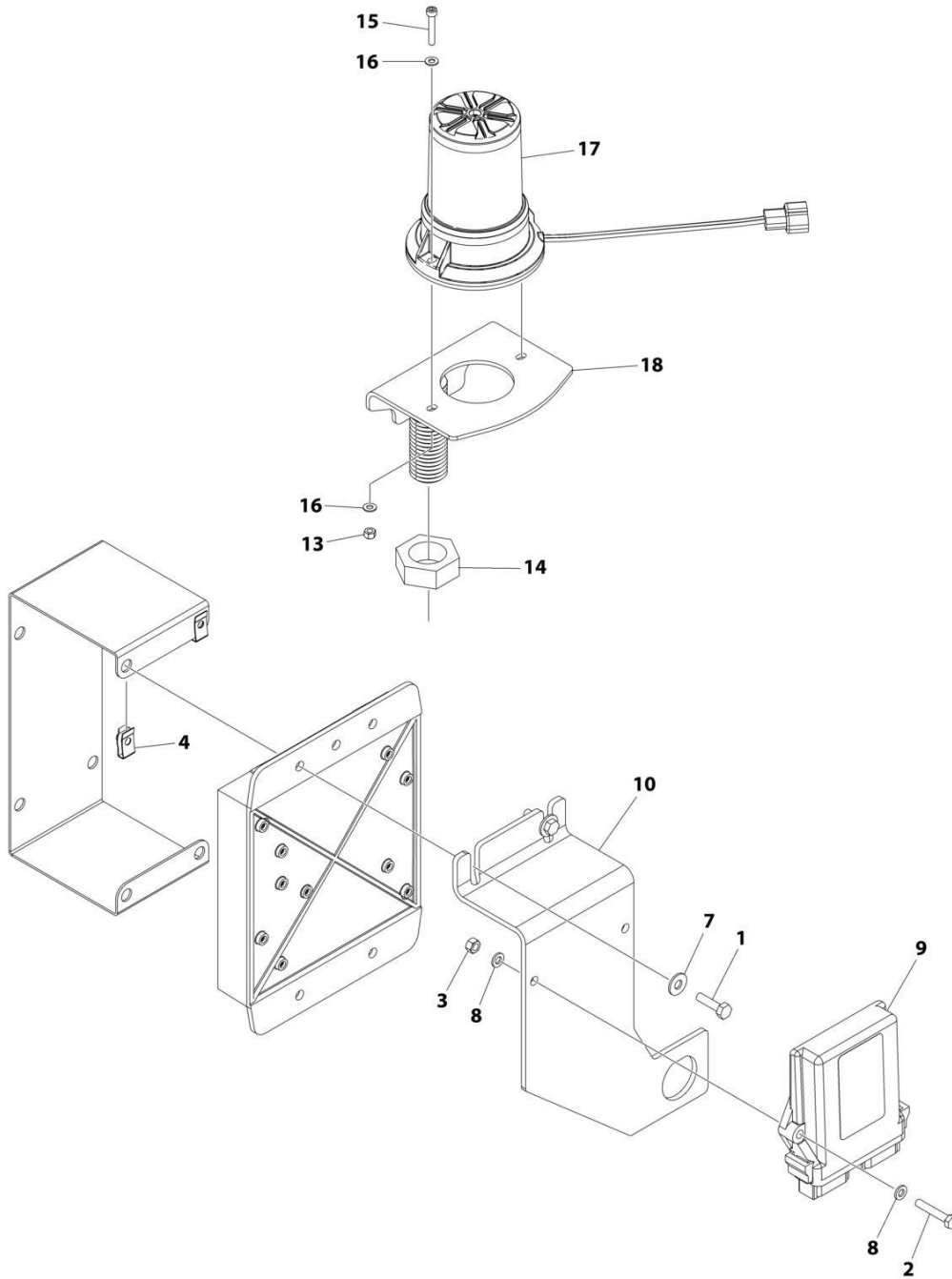
SECTION 2 - TURNTABLE

FIGURE 2-45. STROBE LIGHT INSTALLATION (AMBER)

ITEM	PART NUMBER	QTY	DESCRIPTION	REV
	1001149955	Ref	STROBE LIGHT INSTALLATION - AMBER	E
3	3290405	2	Nut, Lock M4	
4	3312602	1	Nut	
5	4031509	2	Capscrew M4 x 25	
6	4811400	4	Washer M4	
7	1001270594	1	Light, Strobe (Amber)	
7	4460891	1	Connector	
7	4460465	2	Pin	
8	1001275149	1	Bracket	
9	1001283776	1	Harness, Strobe Light (See Separate Breakdown in ELECTRICAL Section)	

SECTION 2 - TURNTABLE

FIGURE 2-46. STROBE LIGHT INSTALLATION (BLUE)



ART_1001244026_C

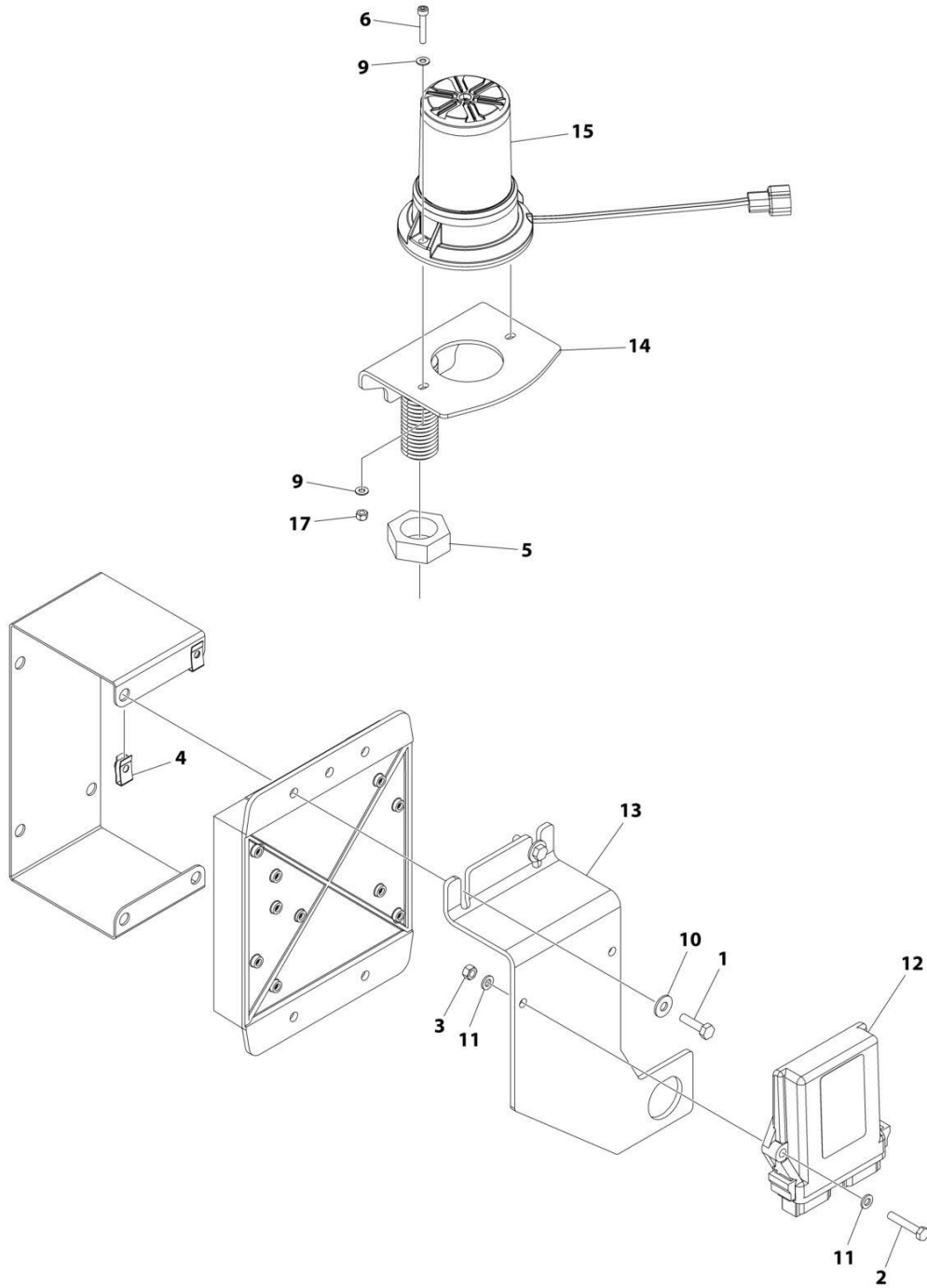
SECTION 2 - TURNTABLE

FIGURE 2-46. STROBE LIGHT INSTALLATION (BLUE)

ITEM	PART NUMBER	QTY	DESCRIPTION	REV
	1001244026	Ref	STROBE LIGHT INSTALLATION (BLUE)	C
1	0641408	2	Bolt 1/4 x 1	
2	0700615	2	Bolt M6 x 35	
3	3290607	2	Nut M6 x 1	
4	3300454	2	Nut 1/4	
5	4240032	AR	Tie-Strap (Not Shown)	
6	4460488	AR	Mounting Base (Not Shown)	
7	4751400	2	Washer 1/4	
8	4811700	4	Washer M6	
9	1001142683	1	Module, Control Beacon	
10	1001142719	1	Bracket	
12	1001142736	1	Harness, Beacon Control (Not Shown - See Separate Breakdown in ELECTRICAL Section)	
13	3290405	2	Nut, Lock M4	
14	3312602	1	Nut	
15	4031509	2	Capscrew M4 x 25	
16	4811400	4	Washer M4	
17	1001272681	1	Light, Beacon	
17	4460897	1	Connector	
17	4460464	2	Pin	
18	1001278850	1	Bracket (Centered Stud)	
18	1001275149	1	Bracket (Offset Stud)	

SECTION 2 - TURNTABLE

FIGURE 2-47. STROBE LIGHT INSTALLATION (RED)



ART_1001244027_C

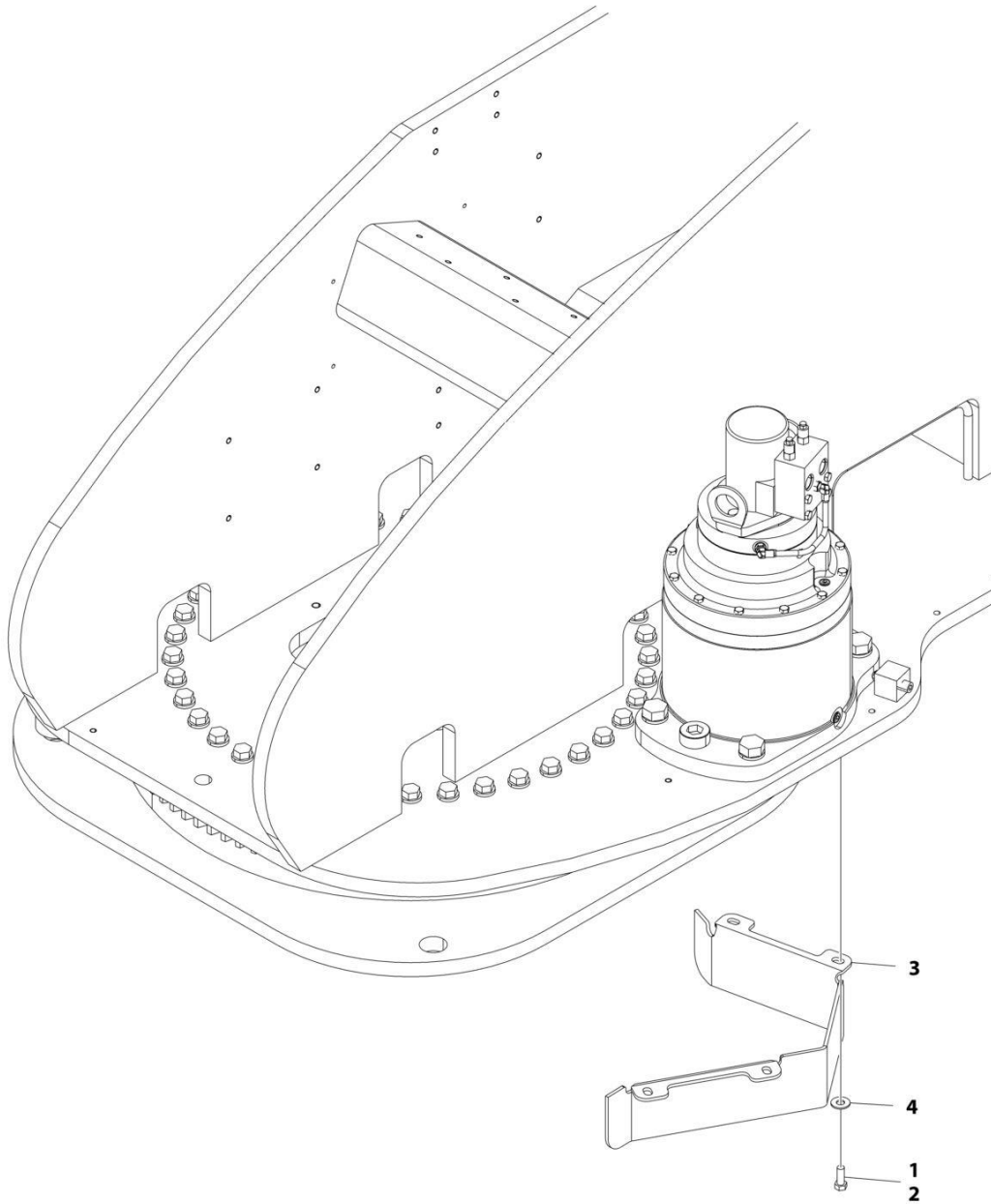
SECTION 2 - TURNTABLE

FIGURE 2-47. STROBE LIGHT INSTALLATION (RED)

ITEM	PART NUMBER	QTY	DESCRIPTION	REV
	1001244027	Ref	STROBE LIGHT INSTALLATION (RED)	C
1	0641408	2	Bolt 1/4 x 1	
2	0700615	2	Bolt M6 x 35	
3	3290607	2	Nut M6 x 1	
4	3300454	2	Nut	
5	3312602	1	Nut	
6	4031509	2	Capscrew M4 x 25	
7	4240032	AR	Tie-Strap (Not Shown)	
8	4460488	AR	Mounting Base (Not Shown)	
9	4811400	4	Washer M4	
10	4751400	2	Washer 1/4	
11	4811700	4	Washer M6	
12	1001142683	1	Module, Control Beacon	
13	1001142719	1	Bracket	
14	1001278850	1	Bracket (Centered Stud)	
14	1001275149	1	Bracket (Offset Stud)	
15	1001272682	1	Light, Strobe	
15	4460897	1	Connector	
15	4460464	2	Pin	
16	1001142736	1	Harness, Beacon Control (Not Shown - See Separate Breakdown in ELECTRICAL Section)	
17	3290405	2	Nut, Lock M4	

SECTION 2 - TURNTABLE

FIGURE 2-48. PINION SHIELD INSTALLATION



ART_0271874

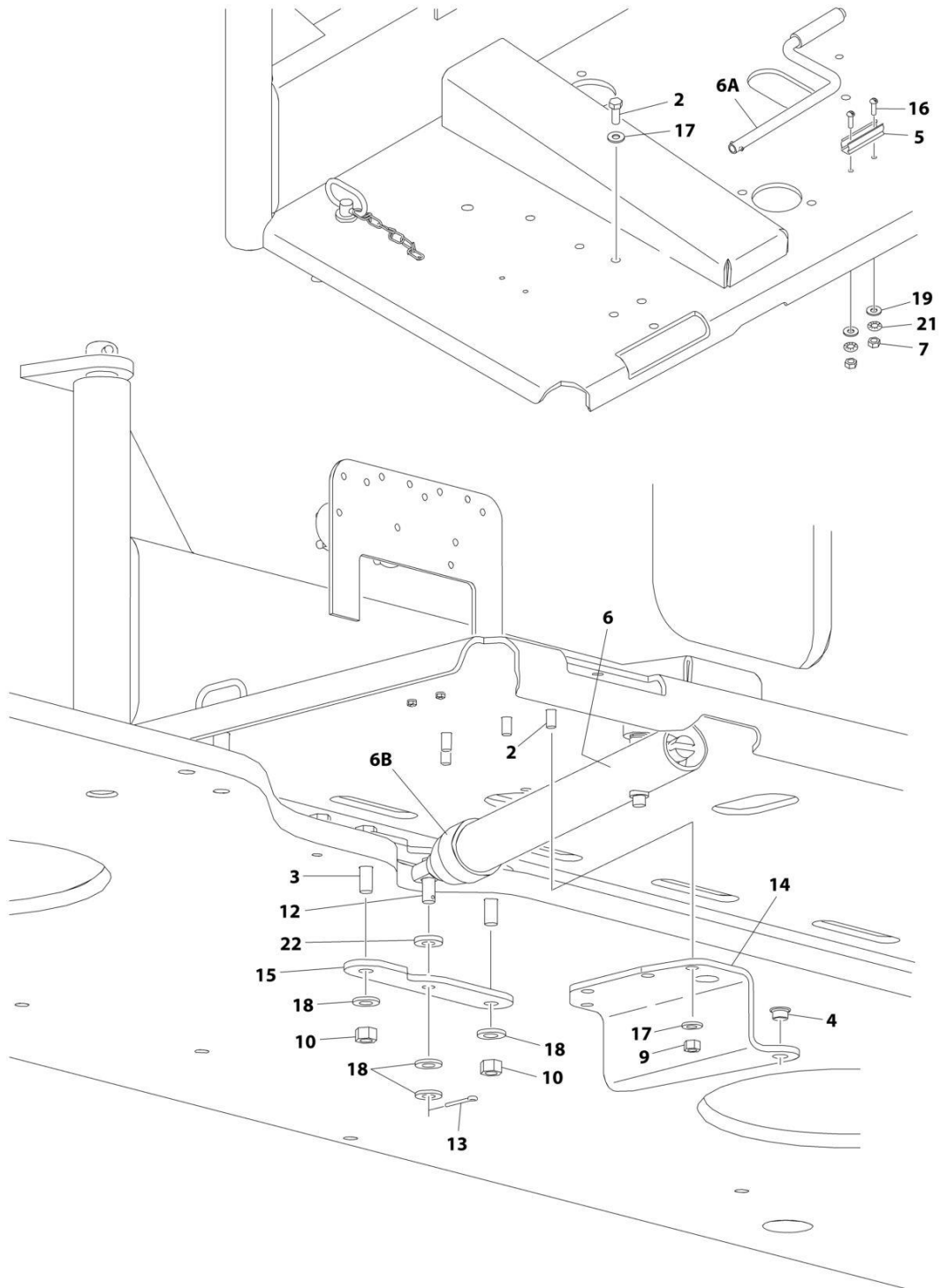
SECTION 2 - TURNTABLE

FIGURE 2-48. PINION SHIELD INSTALLATION

ITEM	PART NUMBER	QTY	DESCRIPTION	REV
	0271874	Ref	PINION SHIELD INSTALLATION	A
1	0100011	AR	Compound, Locking	
2	0641608	4	Bolt 3/8 x 1	
3	3573355	1	Plate, Pinion	
4	4751600	4	Washer 3/8	

SECTION 2 - TURNTABLE

FIGURE 2-49. ENGINE TRAY JACK INSTALLATION - DEUTZ TD2011 ENGINES



ART_0272064

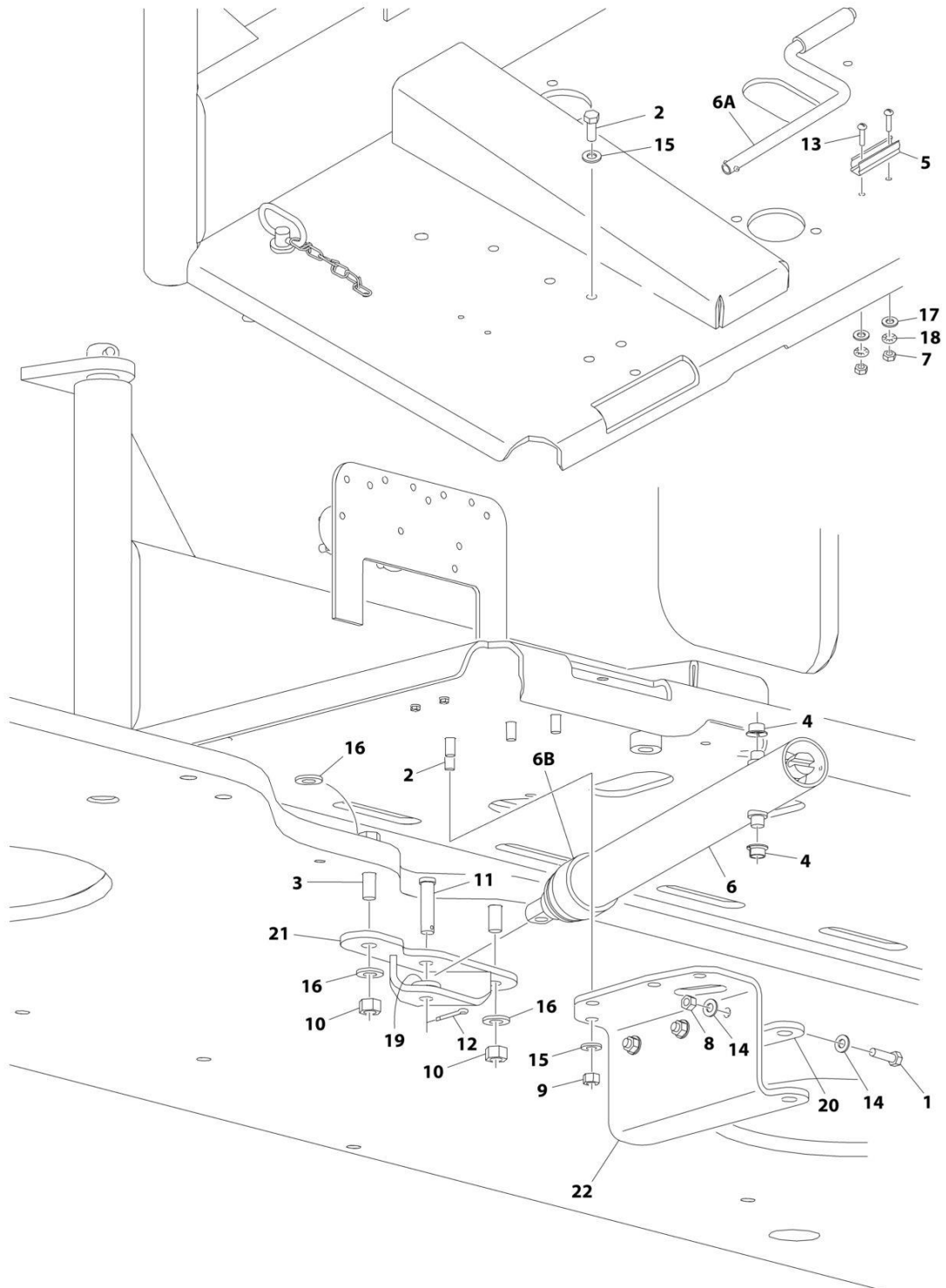
SECTION 2 - TURNTABLE

FIGURE 2-49. ENGINE TRAY JACK INSTALLATION - DEUTZ TD2011 ENGINES

ITEM	PART NUMBER	QTY	DESCRIPTION	REV
	0272064	Ref	ENGINE TRAY JACK INSTALLATION	C
2	0641608	4	Bolt 3/8 x 1	
3	0641818	2	Bolt 1/2 x 2-1/4	
4	0962051	2	Bearing, Flanged	
5	1380147	1	Clip, Spring	
6	2840016	1	Jack and Handle Assembly	
6A		Ref	Handle Options:	
6A	7016374	1	Burr Manufacturing Brand	
6A	7024598	1	Hammerblow Corp Brand	
6B	7016322	1	Wiper (Burr Manufacturing Brand Only)	
7	3310601	2	Nut #6	
9	3311605	4	Nut 3/8	
10	3311805	2	Nut 1/2	
12	3430816	1	Pin, Clevis	
13	3450404	1	Pin, Cotter 1/8 x 1	
14	3537445	1	Bracket	
15	3573454	2	Plate	
16	3910608	2	Screw #6 x 1/2	
17	4711600	8	Washer 3/8	
18	4711800	4	Washer 1/2	
19	4750600	2	Washer #6	
21	4770600	2	Starwasher #6	
22	4891800	1	Washer 1/2	

SECTION 2 - TURNTABLE

FIGURE 2-50. ENGINE TRAY JACK INSTALLATION - DEUTZ TCD2.9L4 ENGINES AND DEUTZ TCD2.9L4 (STAGE V) ENGINES



ART_1001143294

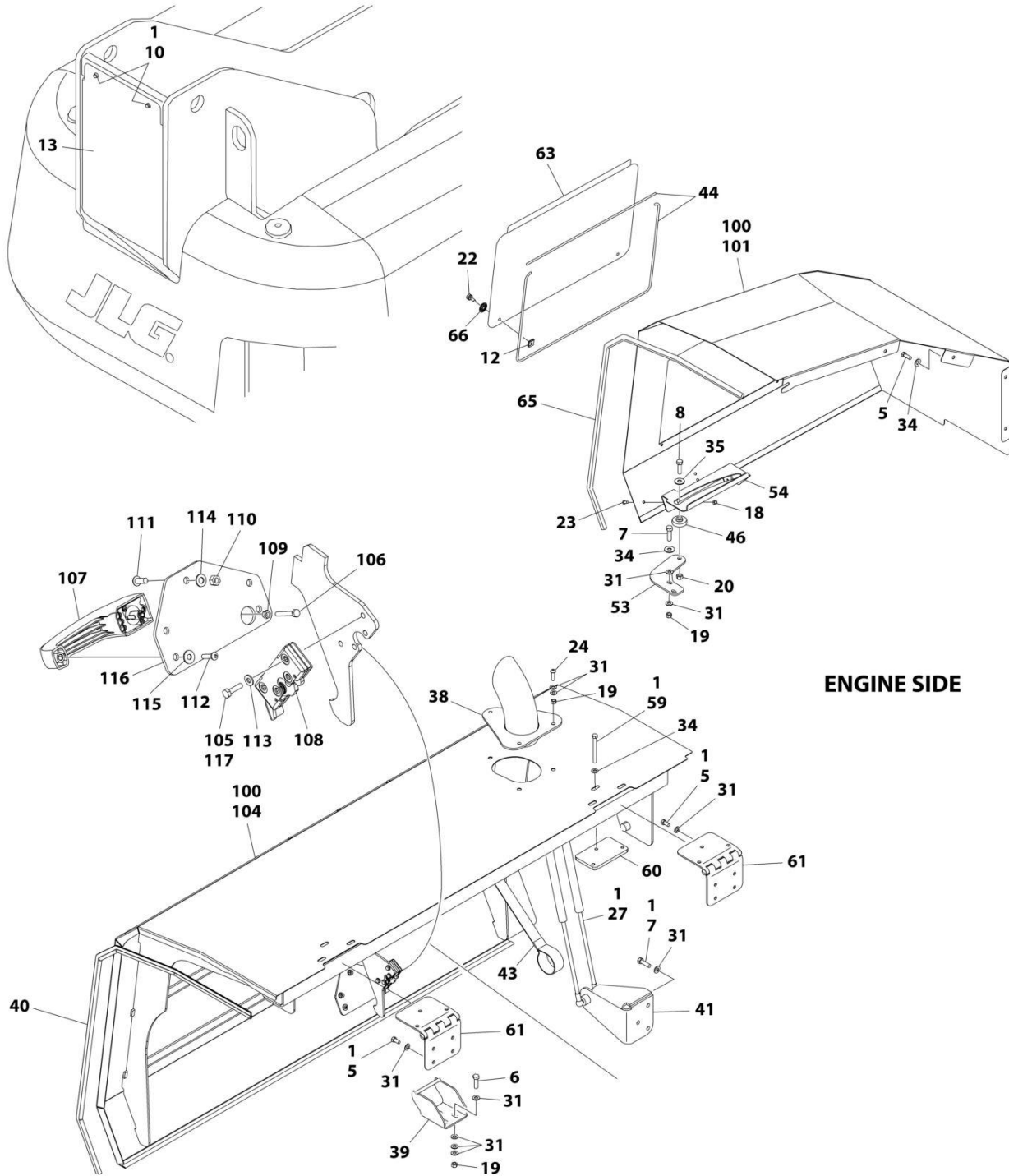
SECTION 2 - TURNTABLE

FIGURE 2-50. ENGINE TRAY JACK INSTALLATION - DEUTZ TCD2.9L4 ENGINES AND DEUTZ TCD2.9L4 (STAGE V) ENGINES

ITEM	PART NUMBER	QTY	DESCRIPTION	REV
	1001143294	Ref	ENGINE TRAY JACK INSTALLATION	A
1	0641509	3	Bolt 5/16 x 1-1/8	
2	0641608	4	Bolt 3/8 x 1	
3	0641816	2	Bolt 1/2 x 2	
4	0962051	2	Bearing, Flanged	
5	1380147	1	Clip, Spring	
6	2840016	1	Jack and Handle Assembly	
6A		Ref	Handle Options:	
6A	7016374	1	Burr Manufacturing Brand (Identified by 4in handle offset)	
6A	7024598	1	Hammerblow Corp Brand (Identified by 4-1/2in handle offset)	
6B	7016322	1	Wiper (Burr Manufacturing Brand Only)	
7	3310601	2	Nut #6	
8	3311505	3	Nut 5/16	
9	3311605	4	Nut 3/8	
10	3311805	2	Nut 1/2	
11	3430816	1	Pin, Clevis	
12	3450404	1	Pin, Cotter 1/8 x 1	
13	3910608	2	Screw #6 x 1/2	
14	4711500	6	Washer 5/16	
15	4711600	8	Washer 3/8	
16	4711800	4	Washer 1/2	
17	4750600	2	Washer #6	
18	4770600	2	Starwasher #6	
19	4891800	1	Washer 1/2	
20	1001131482	1	Plate, Jack Bracket	
21	1001135663	1	Support, Engine Tray Jack	
22	1001143298	1	Plate, Jack Bracket	

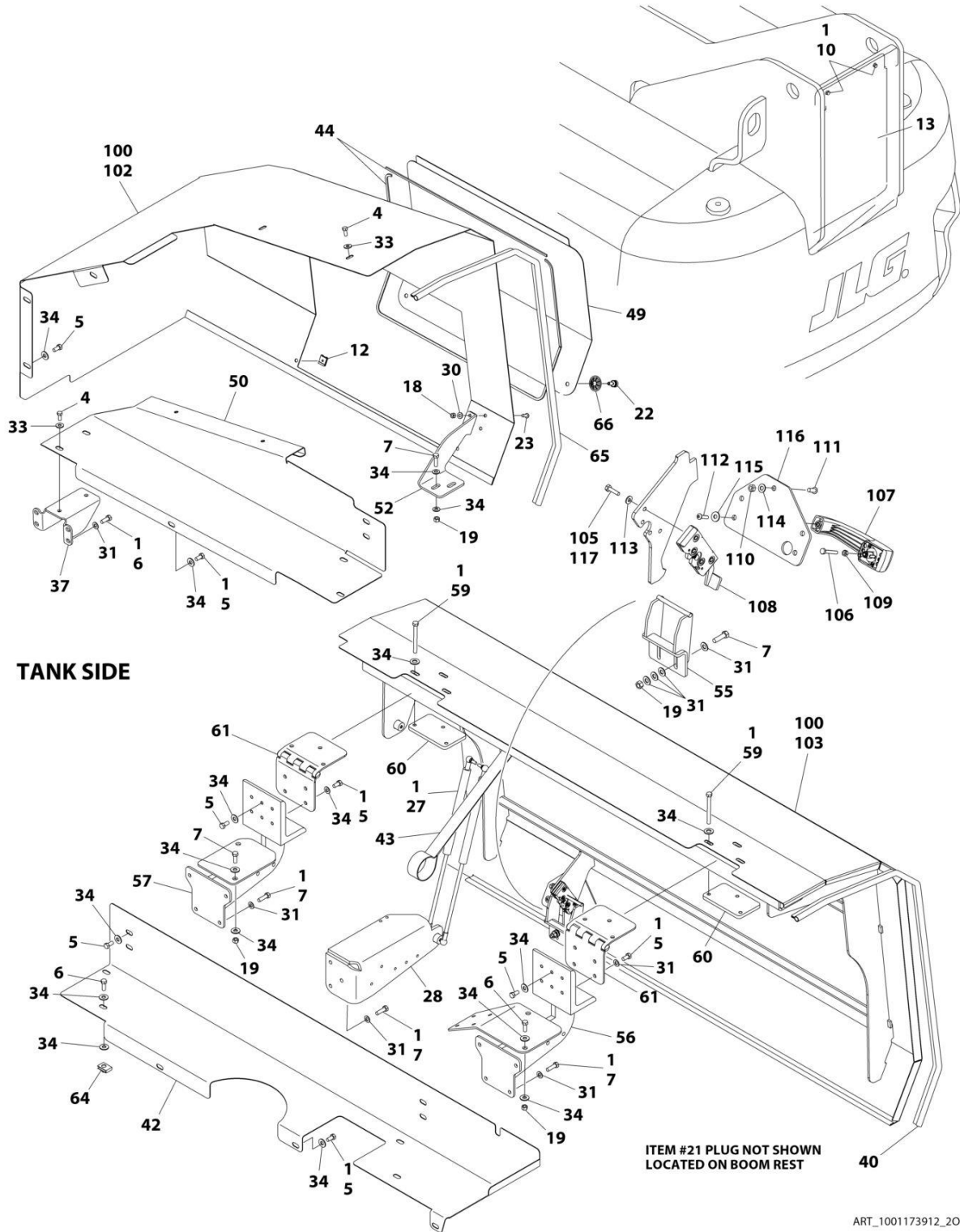
SECTION 2 - TURNTABLE

FIGURE 2-51. HOOD INSTALLATION - DEUTZ TD2011 ENGINES



ART_1001173912_1OF2

SECTION 2 - TURNTABLE



ART_1001173912_20F2

SECTION 2 - TURNTABLE

FIGURE 2-51. HOOD INSTALLATION - DEUTZ TD2011 ENGINES

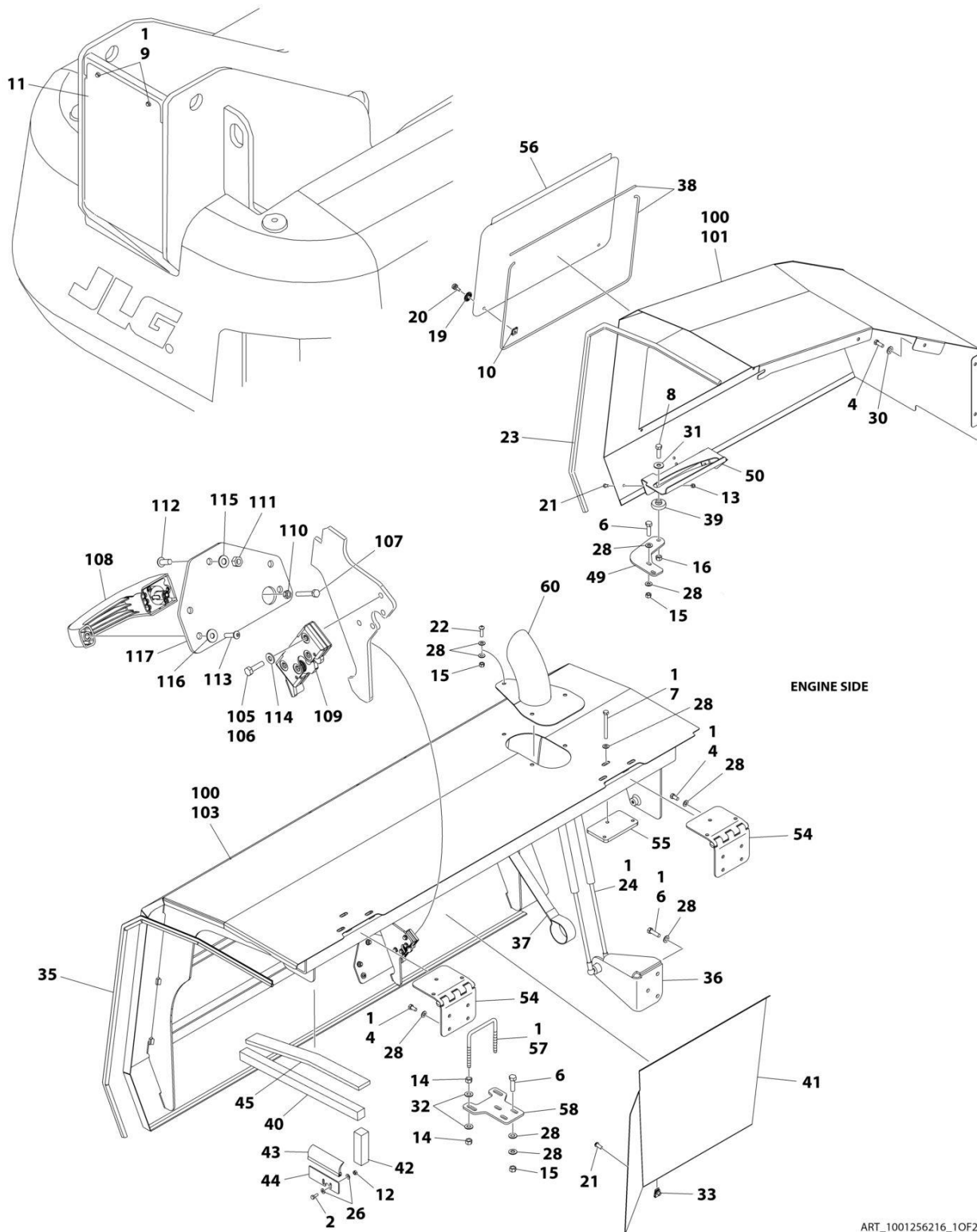
ITEM	PART NUMBER	QTY	DESCRIPTION	REV
	1001173912	Ref	HOOD INSTALLATION - DEUTZ TD2011/TD2.9L4 ENGINES (STEEL)	H
		Ref	Note: Replacement Decals Must be Ordered Separately - See DECAL SECTION.	
1	0100011	AR	Compound, Locking	
4	0641506	AR	Bolt 5/16 x 3/4	
5	0641606	32	Bolt 3/8 x 3/4	
6	0641608	8	Bolt 3/8 x 1	
7	0641610	AR	Bolt 3/8 x 1-1/4	
8	0641813	1	Bolt 1/2 x 1-5/8	
10	0791604	2	Screw 3/8 x 1/2	
12	1380169	4	Clip	
13	1671038	1	Cover	
18	3311505	5	Nut 5/16	
19	3311605	AR	Nut 3/8	
20	3311805	1	Nut 1/2	
21	3520034	2	Plug, Hole	
22	3900174	4	Screw, Thumb	
23	3900210	5	Screw 5/16 x 3/4	
24	3900232	3	Screw 3/8 x 1-1/4	
27	4160194	4	Spring, Gas	
28	4340999	1	Mount, Gas Spring	
30	4711500	2	Washer 5/16	
31	4711600	64	Washer 3/8	
33	4751500	4	Washer 5/16	
34	4751600	AR	Washer 3/8	
35	4751800	1	Washer 1/2	
37	3573232	1	Support, Power Track Trough	
38	1001110027	1	Stack, Exhaust	
39	1001110194	1	Bracket, Striker	
40	1001110433	AR	Seal	
41	1001110486	1	Mount, Gas Spring	
42	1001175859	1	Plate, Power Track Trough	
43	1001112691	2	Strap, Hand Pull	
44	1001113047	14.5 ft/ 4.4m	Seal	
46	1001131462	1	Pad, Hood Slide	
49	1001173166	1	Cover, Access (Tank Side)	
50	1001173170	1	Plate, Power Track Trough	
52	1001173185	1	Plate, Mounting	
53	1001173186	1	Bracket, Engine Tray	
54	1001173187	1	Bracket, Engine Tray	
55	1001173188	1	Bracket, Hood Latch	
56	1001173647	1	Support, Front Hood	
57	1001173651	1	Support, Front Hood	
59	0641630	12	Bolt 3/8 x 3-3/4	
60	1001175880	4	Plate	
61	1001175879	4	Hinge, Offset Hood	
63	1001180051	1	Cover, Access (Engine Side)	
64	88662523	4	Nut, Tinnerman	

SECTION 2 - TURNTABLE

ITEM	PART NUMBER	QTY	DESCRIPTION	REV
65	3960447	10 ft/ 3.1m	Seal, Self-Gripping	
66	3760308	4	Retainer	
100	1001175250	1	Kit, Hood	E
101	1001173163	1	Hood, Engine Side - Rear	
102	1001173164	1	Hood, Tank Side - Rear	
103	1001173183	1	Hood, Tank Side - Front	
104	1001174331	1	Hood, Engine Side - Front	
105	0641408	8	Bolt 1/4 x 1	
106	0700616	2	Bolt M6 x 40	
107	2560187	2	Handle, Push Button	
108	2940173	2	Latch, Rotary	
109	3290601	2	Nut M6	
110	3311505	6	Nut 5/16	
111	3900210	6	Screw 5/16 x 3/4	
112	3900363	4	Screw M6 x 25	
113	4711400	8	Washer 1/4	
114	4711500	6	Washer 5/16	
115	4751400	4	Washer 1/4	
116	1001116290	2	Plate, Latch Mounting	
117	0100011	AR	Compound, Locking	

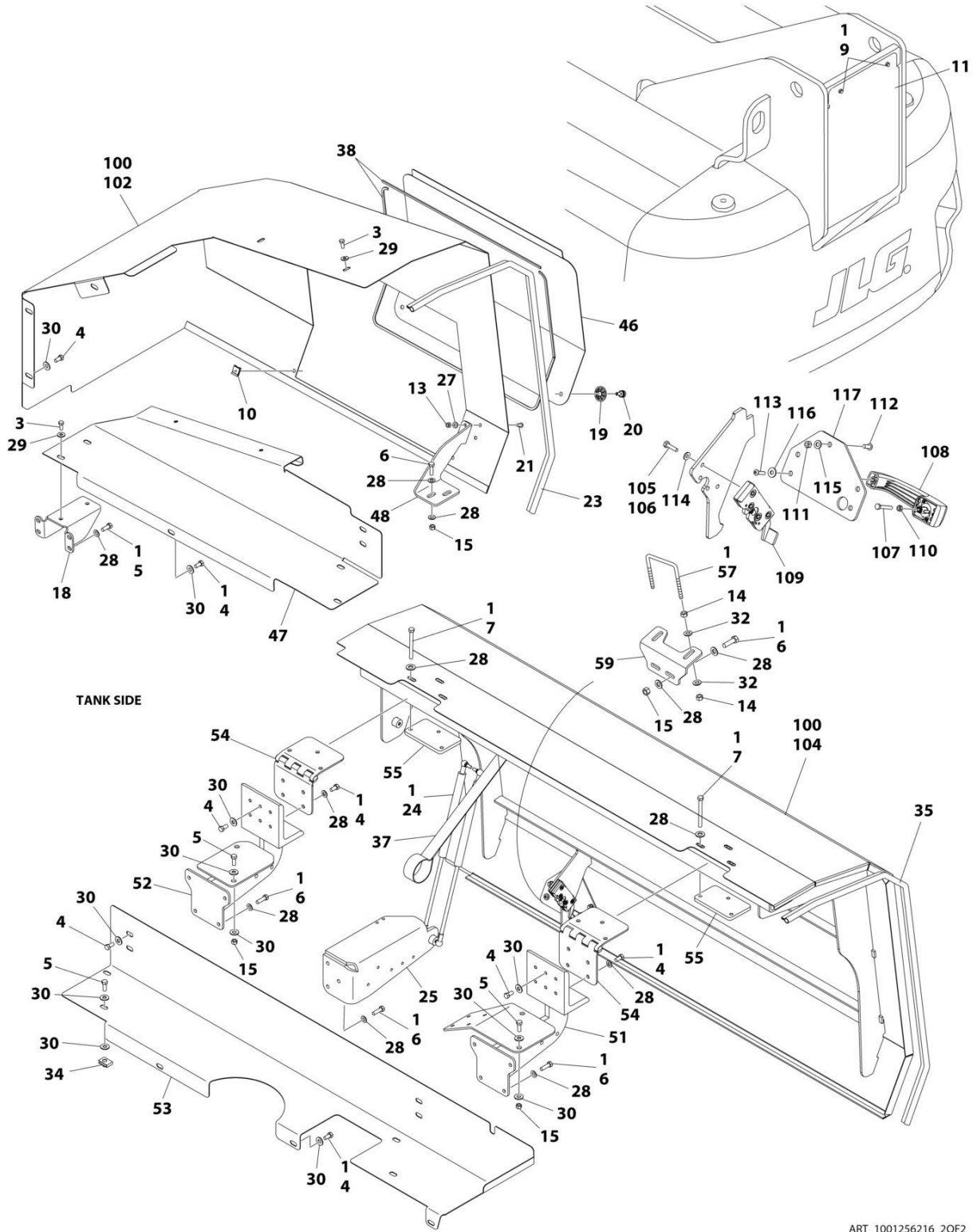
SECTION 2 - TURNTABLE

FIGURE 2-52. HOOD INSTALLATION - DEUTZ TCD2.9L4 ENGINES



ART_1001256216_10F2

SECTION 2 - TURNTABLE



ART_1001256216_20F2

SECTION 2 - TURNTABLE

FIGURE 2-52. HOOD INSTALLATION - DEUTZ TCD2.9L4 ENGINES

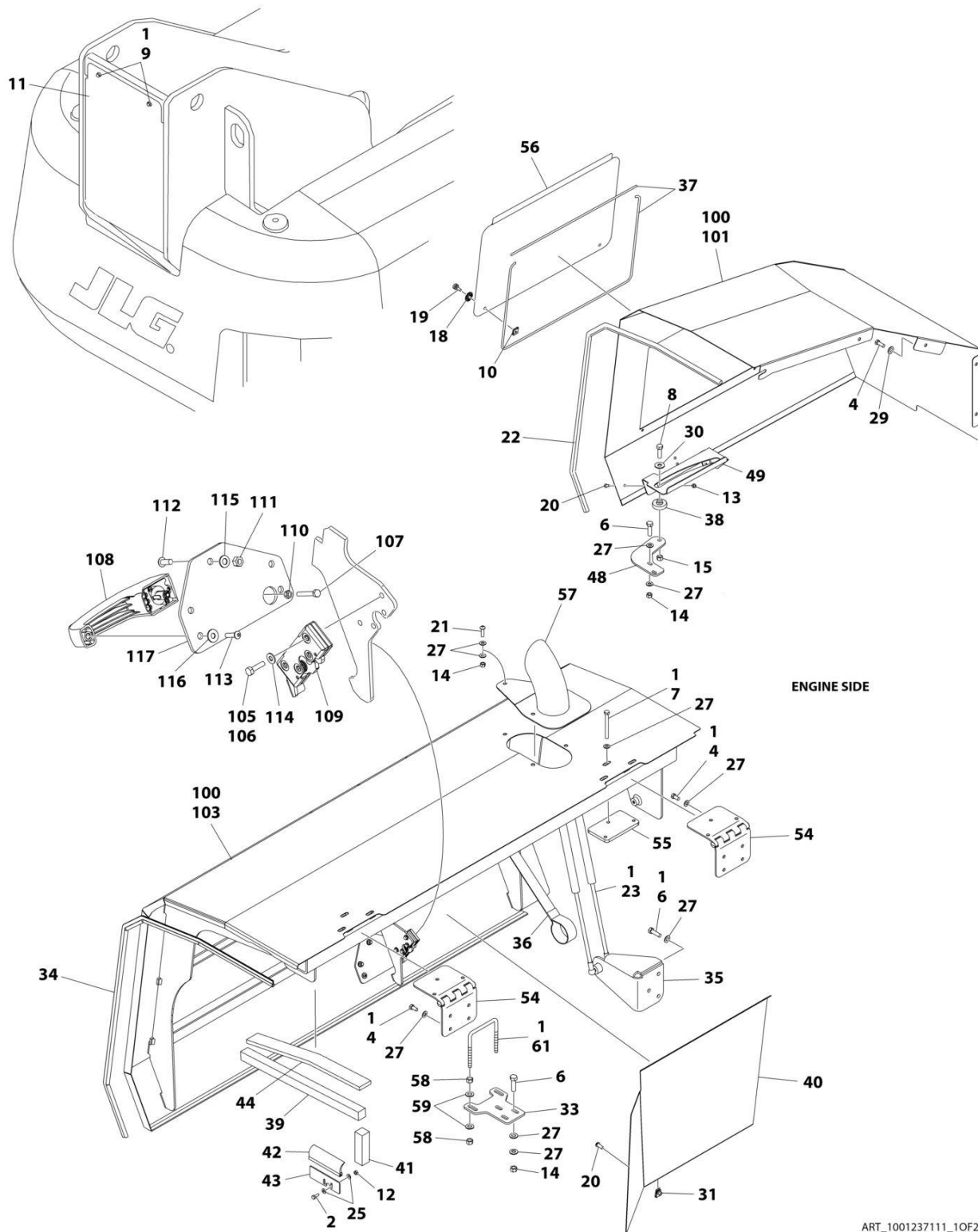
ITEM	PART NUMBER	QTY	DESCRIPTION	REV
	1001256216	Ref	HOOD INSTALLATION - DEUTZ TCD2.9L4 ENGINES (STEEL)	A
		Ref	Note: Replacement Decals Must be Ordered Separately - See DECAL Section.	
1	0100011	AR	Compound, Locking	
2	0641406	2	Bolt 1/4 x 3/4	
3	0641506	2	Bolt 5/16 x 3/4	
4	0641606	32	Bolt 3/8 x 3/4	
5	0641608	8	Bolt 3/8 x 1	
6	0641610	25	Bolt 3/8 x 1-1/4	
7	0641630	12	Bolt 3/8 x 3-3/4	
8	0641813	1	Bolt 1/2 x 1-5/8	
9	0791604	2	Screw 3/8 x 1/2	
10	1380169	4	Clip	
11	1671038	1	Cover	
12	3311405	2	Nut 1/4	
13	3311505	5	Nut 5/16	
14	3311601	8	Nut 3/8	
15	3311605	14	Nut 3/8	
16	3311805	1	Nut 1/2	
17	3520034	2	Plug, Hole (Not Shown)	
18	3573232	1	Support, Power Track Trough	
19	3760308	4	Retainer	
20	3900174	4	Screw, Thumb	
21	3900210	10	Screw 5/16 x 3/4	
22	3900232	3	Screw 3/8 x 1-1/4	
23	3960447	10 ft/ 3.1m	Seal, Self-Gripping	
24	4160194	4	Spring, Gas	
25	4340999	1	Mount, Gas Spring	
26	4711400	4	Washer 1/4	
27	4711500	2	Washer 5/16	
28	4711600	72	Washer 3/8	
29	4751500	2	Washer 5/16	
30	4751600	24	Washer 3/8	
31	4751800	1	Washer 1/2	
32	4891600	8	Washer 3/8	
33	8310658	5	Nut .312 x 1	
34	88662523	1	Nut, Tinnerman	
35	1001110433	9 ft/2.89m	Seal	
36	1001110486	1	Mount, Gas Spring	
37	1001112691	2	Strap, Hand Pull	
38	1001113047	14.5 ft/ 4.4m	Seal	
39	1001131462	1	Pad, Hood Slide	
40	1001140485	1	Seal	
41	1001145162	1	Panel, Heat Deflector	
42	1001146132	1	Seal	
43	1001146178	1	Seal	
44	1001146183	1	Plate	
45	1001146244	1	Seal	

SECTION 2 - TURNTABLE

ITEM	PART NUMBER	QTY	DESCRIPTION	REV
46	1001173166	1	Cover, Access (Tank Side)	
47	1001173170	1	Plate, Power Track Trough	
48	1001173185	1	Plate, Mounting	
49	1001173186	1	Bracket, Engine Tray	
50	1001173187	1	Bracket, Engine Tray	
51	1001173647	1	Support, Front Hood	
52	1001173651	1	Support, Front Hood	
53	1001175859	1	Plate, Power Track Trough	
54	1001175879	4	Hinge, Offset Hood	
55	1001175880	4	Plate	
56	1001180051	1	Cover, Access (Engine Side)	
57	1001243414	2	U - Bolt	
58	1001250296	1	Bracket	
59	1001250297	1	Bracket	
60	1001256212	1	Stack, Exhaust	
100	1001237113	1	Kit, Hood	D
101	1001173163	1	Hood, Engine Side - Rear	
102	1001173164	1	Hood, Tank Side - Rear	
103	1001246618	1	Hood, Engine Side - Front	
104	1001246619	1	Hood, Tank Side - Front	
105	0100011	1	Compound, Locking	
106	0641408	8	Bolt 1/4 x 1	
107	0700616	2	Bolt M6 x 40	
108	2560187	2	Handle, Push Button	
109	2940173	2	Latch, Rotary	
110	3290601	2	Nut M6	
111	3311505	6	Nut 5/16	
112	3900210	6	Screw 5/16 x 3/4	
113	3900363	4	Screw M6 x 25	
114	4711400	8	Washer 1/4	
115	4711500	6	Washer 5/16	
116	4751400	4	Washer 1/4	
117	1001116290	2	Plate, Latch Mounting	

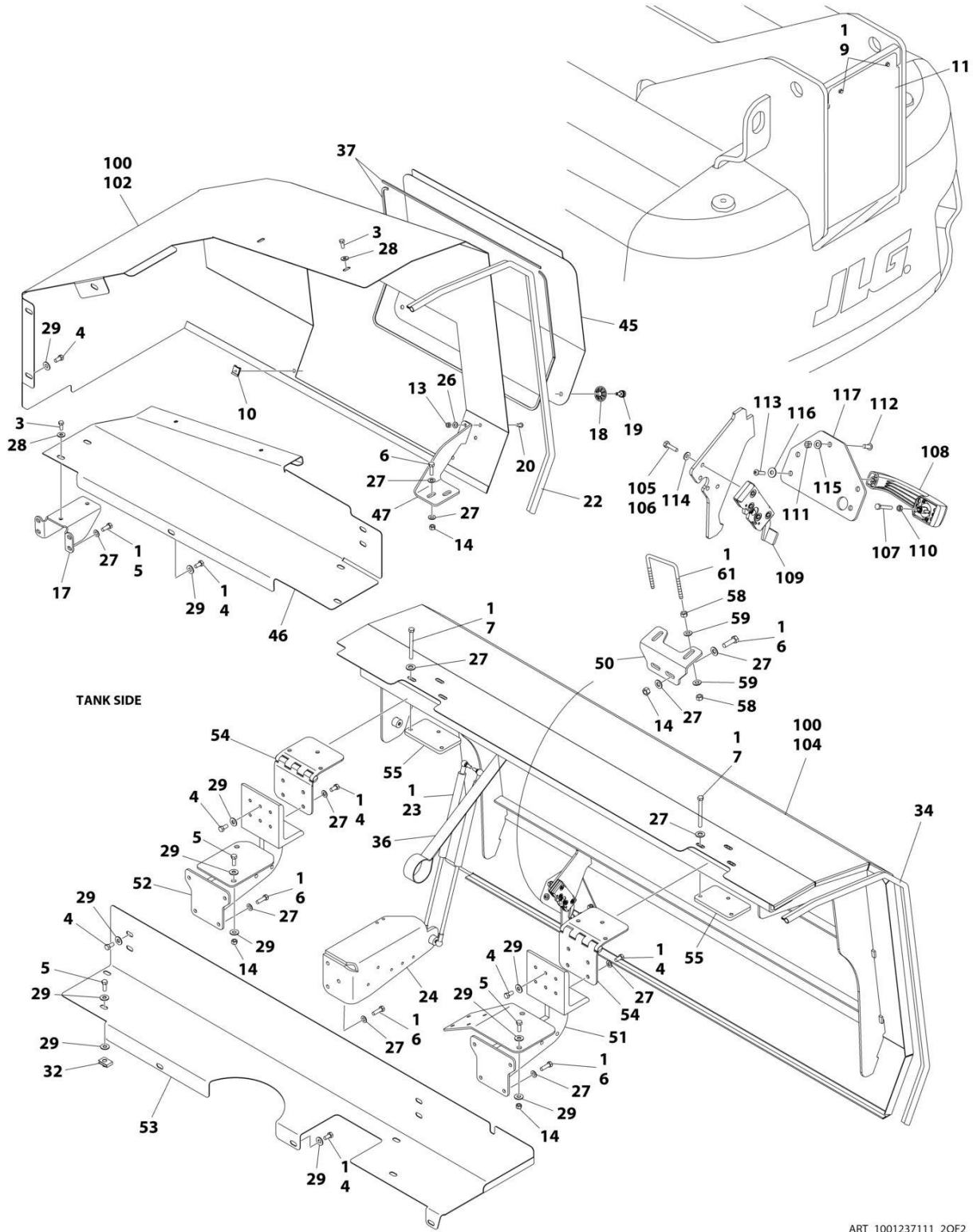
SECTION 2 - TURNTABLE

FIGURE 2-53. HOOD INSTALLATION - DEUTZ TCD2.9L4 (STAGE V / CHINA IV) ENGINES



ART_1001237111_10F2

SECTION 2 - TURNTABLE



ART_1001237111_20F2

SECTION 2 - TURNTABLE

FIGURE 2-53. HOOD INSTALLATION - DEUTZ TCD2.9L4 (STAGE V / CHINA IV) ENGINES

ITEM	PART NUMBER	QTY	DESCRIPTION	REV
	1001237111	Ref	HOOD INSTALLATION - DEUTZ TCD2.9L4 ENGINES (STEEL)	C
		Ref	Note: Replacement Decals Must be Ordered Separately - See DECAL Section.	
1	0100011	AR	Compound, Locking	
2	0641406	2	Bolt 1/4 x 3/4	
3	0641506	2	Bolt 5/16 x 3/4	
4	0641606	32	Bolt 3/8 x 3/4	
5	0641608	8	Bolt 3/8 x 1	
6	0641610	25	Bolt 3/8 x 1-1/4	
7	0641630	12	Bolt 3/8 x 3-3/4	
8	0641813	1	Bolt 1/2 x 1-5/8	
9	0791604	2	Screw 3/8 x 1/2	
10	1380169	4	Clip	
11	1671038	1	Cover	
12	3311405	2	Nut 1/4	
13	3311505	5	Nut 5/16	
14	3311605	14	Nut 3/8	
15	3311805	1	Nut 1/2	
16	3520034	2	Plug, Hole (Not Shown)	
17	3573232	1	Support, Power Track Trough	
18	3760308	4	Retainer	
19	3900174	4	Screw, Thumb	
20	3900210	10	Screw 5/16 x 3/4	
21	3900232	3	Screw 3/8 x 1-1/4	
22	3960447	10 ft/ 3.1m	Seal, Self-Gripping	
23	4160194	4	Spring, Gas	
24	4340999	1	Mount, Gas Spring	
25	4711400	4	Washer 1/4	
26	4711500	2	Washer 5/16	
27	4711600	72	Washer 3/8	
28	4751500	2	Washer 5/16	
29	4751600	24	Washer 3/8	
30	4751800	1	Washer 1/2	
31	8310658	5	Nut .312 x 1	
32	88662523	4	Nut, Tinnerman	
33	1001250296	1	Bracket	
34	1001110433	9 ft/2.89m	Seal	
35	1001110486	1	Mount, Gas Spring	
36	1001112691	2	Strap, Hand Pull	
37	1001113047	14.5 ft/ 4.4m	Seal	
38	1001131462	1	Pad, Hood Slide	
39	1001140485	1	Seal	
40	1001145162	1	Panel, Heat Deflector	
41	1001146132	1	Seal	
42	1001146178	1	Seal	
43	1001146183	1	Plate	
44	1001146244	1	Seal	
45	1001173166	1	Cover, Access (Tank Side)	

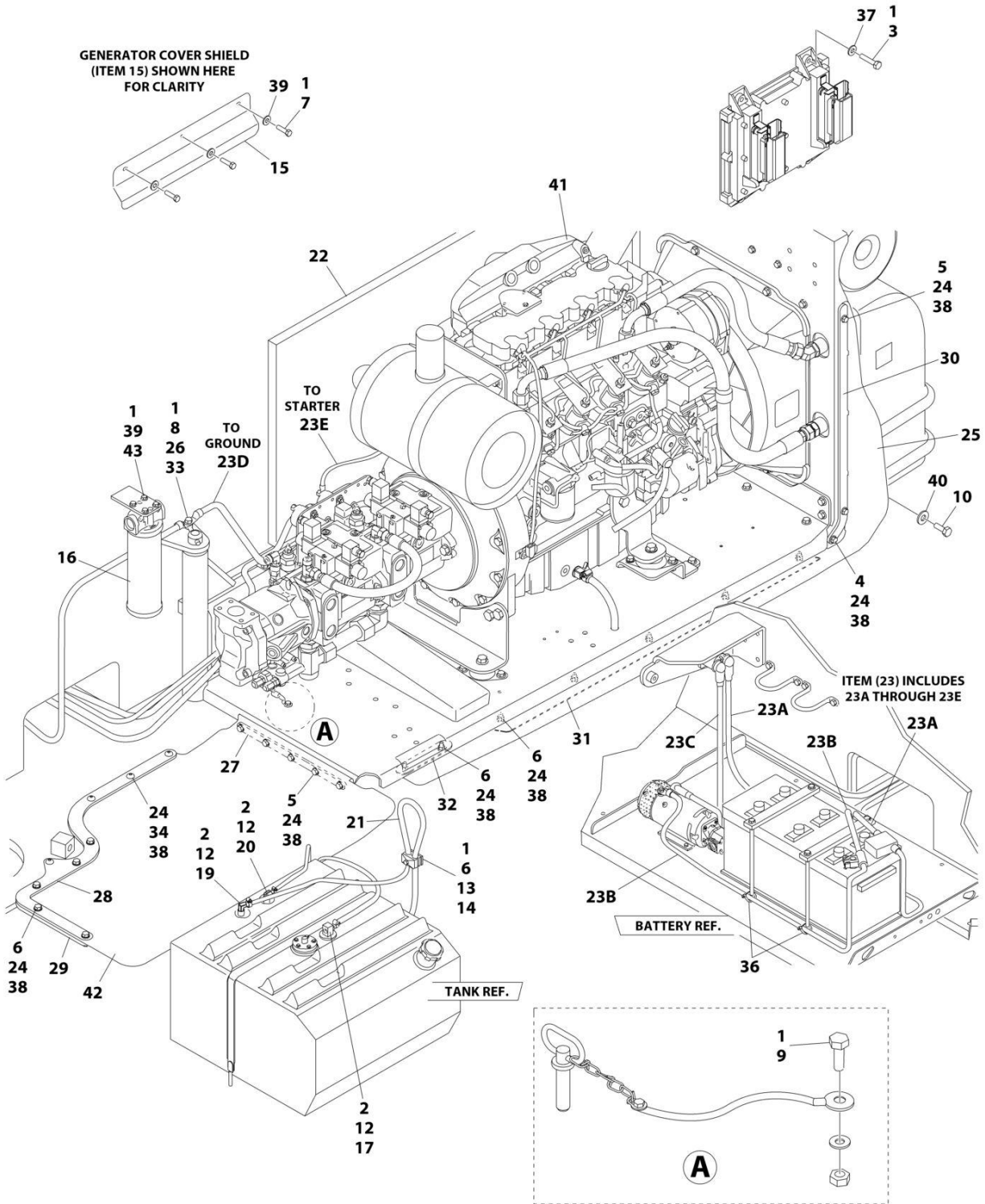
SECTION 2 - TURNTABLE

ITEM	PART NUMBER	QTY	DESCRIPTION	REV
46	1001173170	1	Plate, Power Track Trough	
47	1001173185	1	Plate, Mounting	
48	1001173186	1	Bracket, Engine Tray	
49	1001173187	1	Bracket, Engine Tray	
50	1001250297	1	Bracket	
51	1001173647	1	Support, Front Hood	
52	1001173651	1	Support, Front Hood	
53	1001175859	1	Plate, Power Track Trough	
54	1001175879	4	Hinge, Offset Hood	
55	1001175880	4	Plate	
56	1001180051	1	Cover, Access (Engine Side)	
57	1001236411	1	Stack, Exhaust	
58	3311601	8	Nut 3/8	
59	4891600	8	Washer 3/8	
61	1001243414	2	U - Bolt	
100	1001237113	1	Kit, Hood	D
101	1001173163	1	Hood, Engine Side - Rear	
102	1001173164	1	Hood, Tank Side - Rear	
103	1001246618	1	Hood, Engine Side - Front	
104	1001246619	1	Hood, Tank Side - Front	
105	0100011	1	Compound, Locking	
106	0641408	8	Bolt 1/4 x 1	
107	0700616	2	Bolt M6 x 40	
108	2560187	2	Handle, Push Button	
109	2940173	2	Latch, Rotary	
110	3290601	2	Nut M6	
111	3311505	6	Nut 5/16	
112	3900210	6	Screw 5/16 x 3/4	
113	3900363	4	Screw M6 x 25	
114	4711400	8	Washer 1/4	
115	4711500	6	Washer 5/16	
116	4751400	4	Washer 1/4	
117	1001116290	2	Plate, Latch Mounting	

SECTION 3 - ENGINE

SECTION 3 - ENGINE

FIGURE 3-1. DEUTZ TD2011 ENGINE INSTALLATION - WITH REXROTH PUMPS (WITHOUT SKYPOWER AND WITHOUT COLD WEATHER PLUS PACKAGE)



ART_1001117370

SECTION 3 - ENGINE

FIGURE 3-1. DEUTZ TD2011 ENGINE INSTALLATION - WITH REXROTH PUMPS (WITHOUT SKYPOWER AND WITHOUT COLD WEATHER PLUS PACKAGE)

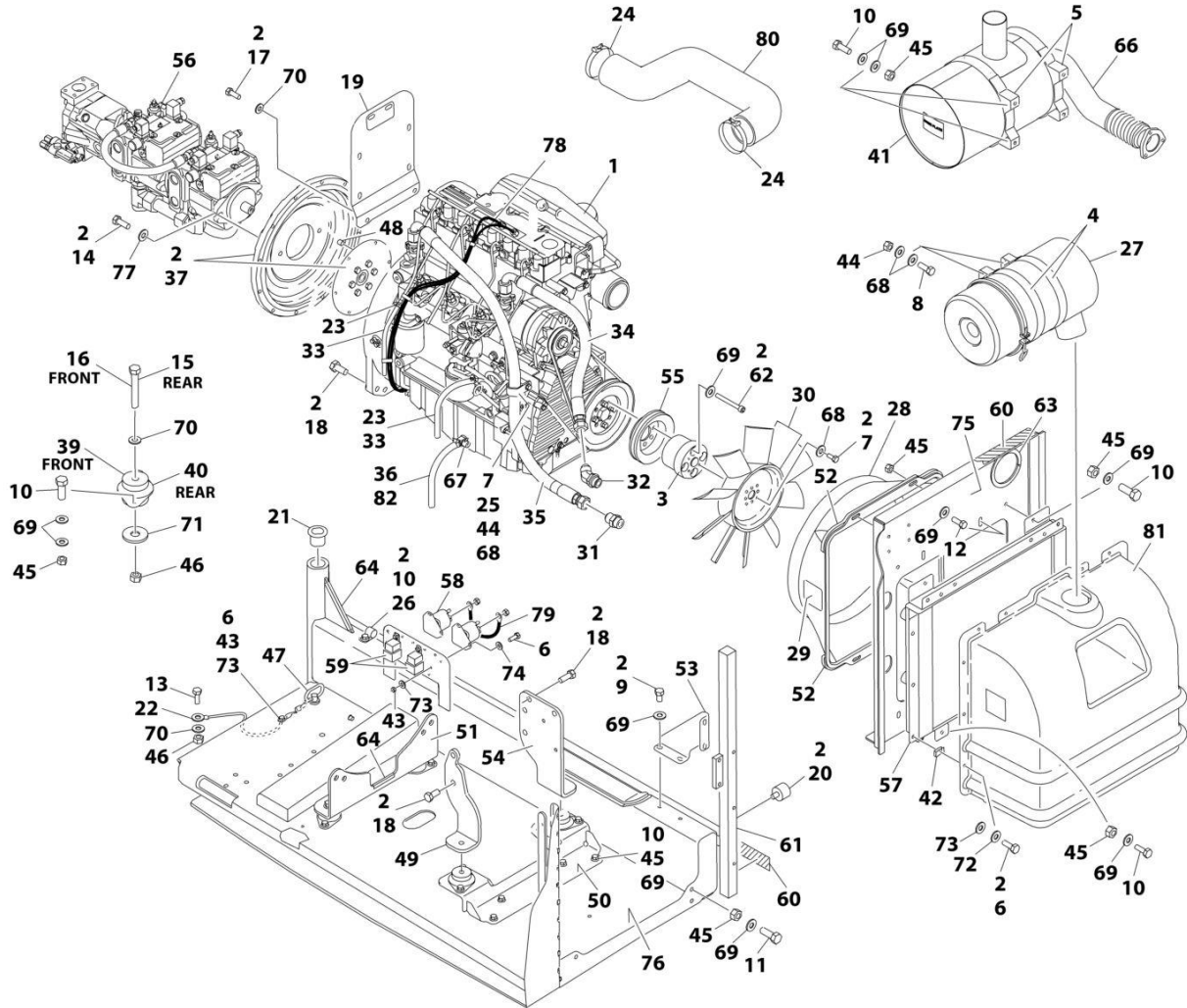
ITEM	PART NUMBER	QTY	DESCRIPTION	REV
	1001117370	Ref	DEUTZ TD2011 DIESEL ENGINE INSTALLATION - WITH REXROTH PUMPS AND STEEL HOOD (WITHOUT SKYPOWER AND WITHOUT COLD WEATHER PLUS PACKAGE)	D
1	0100011	AR	Compound, Locking	
2	0100079	AR	Sealant, Pipe	
3	0641410	4	Bolt 1/4 x 1-1/4	
4	0641506	1	Bolt 5/16 x 3/4	
5	0641509	7	Bolt 5/16 x 1-1/8	
6	0641511	13	Bolt 5/16 x 1-3/8	
7	0641605	3	Bolt 3/8 x 5/8	
8	0641610	1	Bolt 3/8 x 1-1/4	
9	0641808	1	Bolt 1/2 x 1	
10	0642010	1	Bolt 5/8 x 1-1/4	
12	1320022	3	Clamp	
13	1320187	1	Clamp, Twin	
14	1320190	1	Cover, Clamp	
15	1671121	1	Cover, Generator	
16	1001108617	1	Pressure Filter	
16	70002231	1	Element, Filter	
17	2180348	1	Fitting, Barbed	
19	2220313	1	Fitting, Elbow Barbed	
20	2221176	1	Fitting, Elbow	
21	2750532	5 ft/ 1.5m	Hose	
22	2820170	1	Insulation, Sound Absorbing	
23	2902099	1	Battery Cable Kit	
23A	7024580	1	Cable, Red (To Aux Pump Relay, Battery Positive Terminal and Start Relay)	
23B	7024581	1	Cable, Black (To Aux Pump, Battery Negative Terminal and Ground at Tray Pivot)	
23C	7024582	1	Cable, Red (Aux Pump Relay to Aux Pump)	
23D	7024583	1	Cable, Black (Tray Pivot to Engine Mount)	
23E	7024584	1	Cable, Red (Start Relay to Starter)	
24	3311505	24	Nut 5/16	
25	3380473	1	Panel, Rubber	
26	3422446	1	Pin	
27	3573644	1	Plate, Tray Clamp	
28	1001112878	1	Plate, Top Clamp	
29	1001112879	1	Plate, Bottom Clamp	
30	3573669	1	Plate, Clamp	
31	1001112880	1	Plate, Tray Clamp	
32	3573728	1	Plate, Tray Clamp	
33	3841143	1	Keeper, Pin	
34	3900272	4	Screw 5/16 x 1-3/4	
35	4240018	2	Strap, Tie (Not Shown)	
36	4240099	AR	Strap, Tie	
37	4711400	4	Washer 1/4	
38	4711500	44	Washer 5/16	
39	4711600	7	Washer 3/8	
40	4752000	1	Washer 5/8	

SECTION 3 - ENGINE

ITEM	PART NUMBER	QTY	DESCRIPTION	REV
41	1001098513	1	Engine Assembly with Pumps (See Separate Breakdown in this Section)	
42	1001111132	1	Panel, Rubber	
43	0641606	4	Bolt 3/8 x 3/4	

SECTION 3 - ENGINE

FIGURE 3-2. DEUTZ TD2011 ENGINE ASSEMBLY - WITH REXROTH PUMPS (WITHOUT SKYPOWER AND WITHOUT COLD WEATHER PLUS PACKAGE)



ART_1001098513_M

SECTION 3 - ENGINE

FIGURE 3-2. DEUTZ TD2011 ENGINE ASSEMBLY - WITH REXROTH PUMPS (WITHOUT SKYPOWER AND WITHOUT COLD WEATHER PLUS PACKAGE)

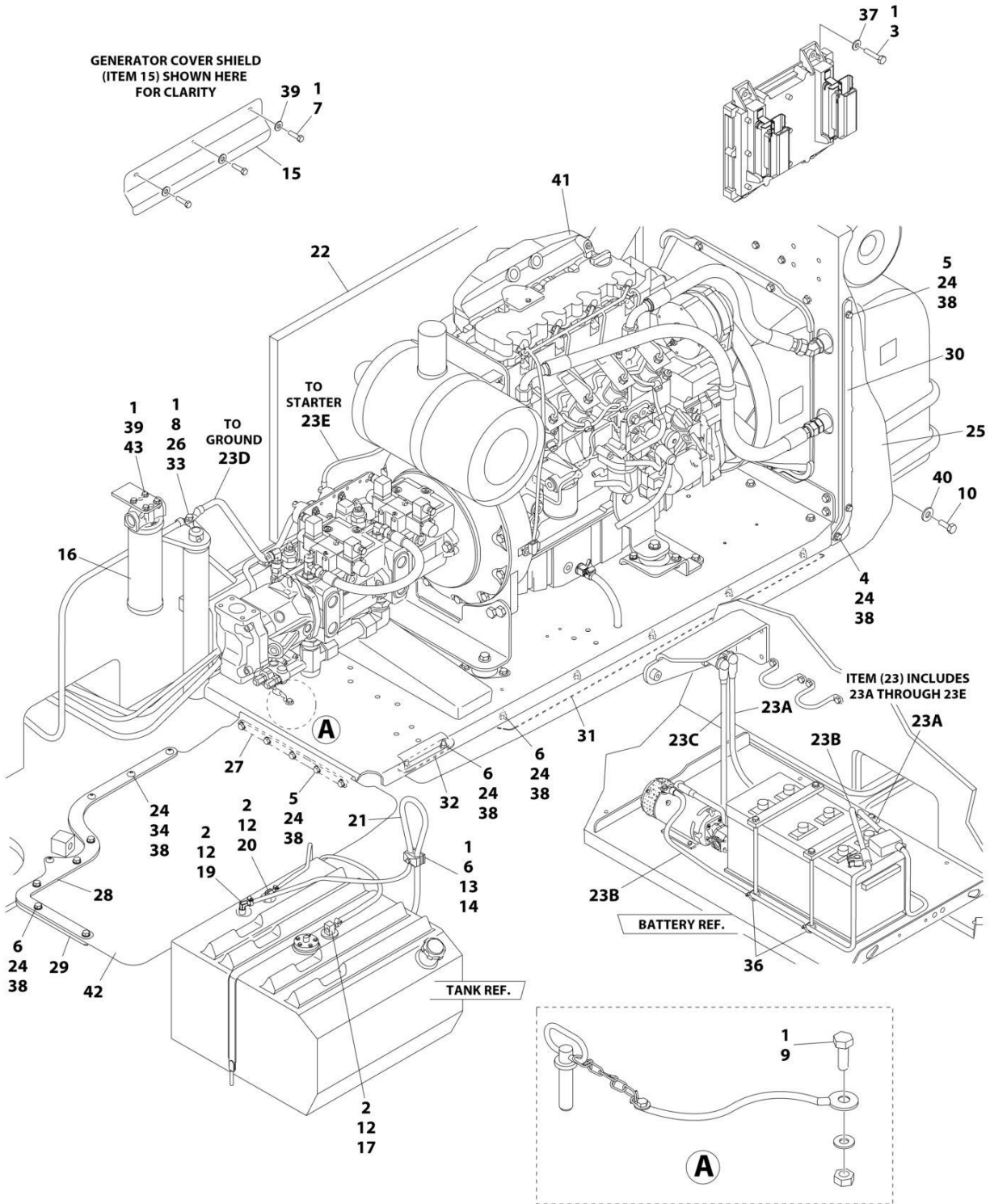
ITEM	PART NUMBER	QTY	DESCRIPTION	REV
	1001098513	Ref	DEUTZ TD2011 ENGINE ASSEMBLY - WITH REXROTH PUMPS	M
1	1001098601	1	Engine, Deutz TD2011 Components (See Separate Breakdown in this Section)	
2	0100011	AR	Compound, Locking	
3	0080237	1	Spacer, Fan	
4	0340003	2	Band, Air Cleaner	
5	0340051	2	Band, Muffler	
6	0641406	15	Bolt 1/4 x 3/4	
7	0641506	5	Bolt 5/16 x 3/4	
8	0641507	4	Bolt 5/16 x 7/8	
9	0641605	4	Bolt 3/8 x 5/8	
10	0641608	25	Bolt 3/8 x 1	
11	0641609	2	Bolt 3/8 x 1-1/8	
12	0641610	4	Bolt 3/8 x 1-1/4	
13	0641808	1	Bolt 1/2 x 1	
14	0641812	2	Bolt 1/2 x 1-1/2	
15	0641818	2	Bolt 1/2 x 2-1/4	
16	0641826	2	Bolt 1/2 x 3-1/4	
17	0711214	2	Bolt M12 x 30	
18	0771414	10	Bolt M14 x 30	
19	1001112766	1	Bracket, Muffler	
20	0940070	1	Bumper	
21	0961986	2	Bushing, Flanged	
22	1001131542	1	Lanyard	
23	1320022	3	Clamp	
24	1320058	2	Clamp	
25	1320060	1	Clamp	
26	1320223	1	J-Clip	
27	1340065	1	Air Cleaner Assembly	
27	7003655	1	Element, Air Cleaner	
27	7015013	1	Baffle, Rubber	
27	7015014	1	Clamp, Cap	
27	7015015	1	Cup	
27	7015003	1	Wingnut	
28	1671023	1	Shroud, Fan	
29	1703162	2	Decal - Fan Blade	
30	2060025	1	Fan	
31	2220451	1	Fitting, Straight	
32	2220498	1	Fitting, Elbow	
33	2720058	34 ft/ 10.3m	Hose	
34	2720500	1	Hose, Oil Cooler (Top)	
35	2720501	1	Hose, Oil Cooler (Bottom)	
36	2750532	0.75 ft /0.2m	Hose	
37	2902065	1	Pump Coupling Kit (See Separate Breakdown in this Section)	
39	3200362	2	Mount, Motor (Front)	
40	3200401	2	Mount, Motor (Rear)	
41	1001257277	1	Muffler, Spark Arresting	

SECTION 3 - ENGINE

ITEM	PART NUMBER	QTY	DESCRIPTION	REV
42	3300454	10	Nut 1/4	
43	3311405	5	Nut 1/4	
44	3311505	5	Nut 5/16	
45	3311605	30	Nut 3/8	
46	3311805	5	Nut 1/2	
47	3422532	1	Pin, Hitch	
48	3520054	2	Plug	
49	3537416	1	Plate, Mounting (Front Right)	
50	3539971	1	Bracket, Engine Mounting (Front)	
51	3573142	1	Bracket, Engine Mounting (Rear)	
52	3573411	2	Plate, Clamp	
53	3573412	1	Gusset	
54	3573529	1	Plate, Mounting (Front Left)	
55	3580158	1	Pulley	
56	3600339	1	Pump Assembly - Rexroth (See Separate Breakdown in this Section)	
57	1001145382	1	Cooler, Engine Oil	
58	3740067	2	Relay, Start	
59	3740080	2	Relay	
60	3960543	1	Seal	
61	3960544	1	Seal	
62	4032022	4	Capscrew M10 x 90	
63	4060804	0.98 ft /0.3m	Flex-Trim	
64	4060805	0.67 ft /0.2m	Flex-Trim	
65	4240099	AR	Tie, Wire (Not Shown)	
66	4568293	1	Pipe, Exhaust	
67	4640751	1	Valve, Oil Drain	
68	4711500	13	Washer 5/16	
69	4711600	68	Washer 3/8	
70	4711800	7	Washer 1/2	
71	4740274	4	Washer, Snubbing	
72	4740518	10	Washer, Nylon	
73	4751400	20	Washer 1/4	
74	4791400	4	Washer 1/4	
75	4846552	1	Plate, Oil Cooler Mounting	
76	4846946	1	Tray	
77	4891800	2	Washer 1/2 Hardened	
78	4923468	1	Harness, Glow Plugs	
79	4923592	1	Cable, Jumper	
80	1001225118	1	Hose, Air Intake	
81	0272060	1	Box, Air Intake	
82	8410013	1	Clamp, Gear	

SECTION 3 - ENGINE

FIGURE 3-3. DEUTZ TD2011 ENGINE INSTALLATION - WITH REXROTH PUMPS (WITH SKYPOWER AND WITHOUT COLD WEATHER PLUS PACKAGE)



ART_1001117371

SECTION 3 - ENGINE

FIGURE 3-3. DEUTZ TD2011 ENGINE INSTALLATION - WITH REXROTH PUMPS (WITH SKYPOWER AND WITHOUT COLD WEATHER PLUS PACKAGE)

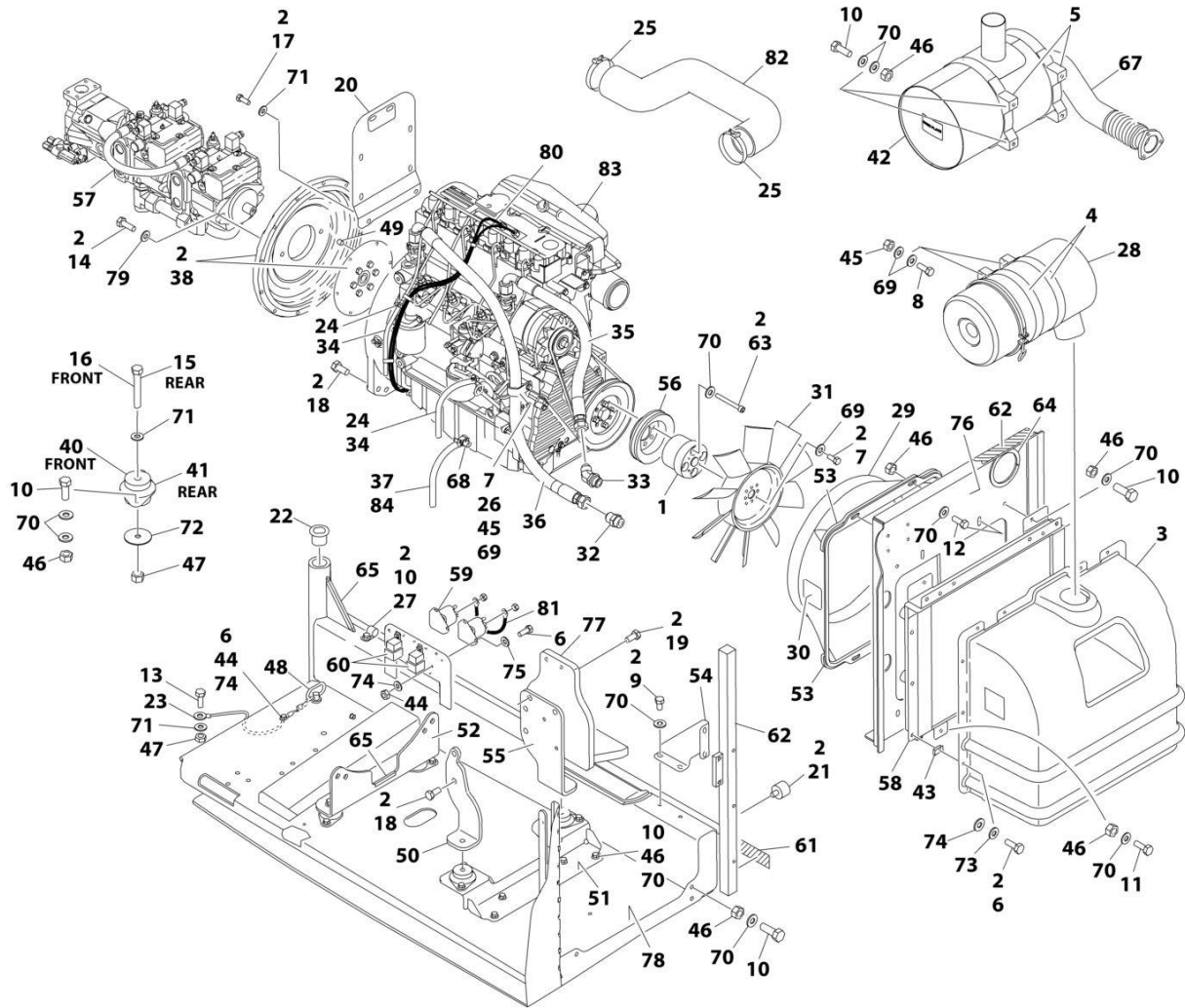
ITEM	PART NUMBER	QTY	DESCRIPTION	REV
	1001117371	Ref	DEUTZ TD2011 DIESEL ENGINE INSTALLATION - WITH REXROTH PUMPS AND STEEL HOODS (WITH SKYPOWER AND WITHOUT COLD WEATHER PLUS PACKAGE)	D
1	0100011	AR	Compound, Locking	
2	0100079	AR	Sealant, Pipe	
3	0641410	4	Bolt 1/4 x 1-1/4	
4	0641506	1	Bolt 5/16 x 3/4	
5	0641509	7	Bolt 5/16 x 1-1/8	
6	0641511	13	Bolt 5/16 x 1-3/8	
7	0641605	3	Bolt 3/8 x 5/8	
8	0641610	1	Bolt 3/8 x 1-1/4	
9	0641808	1	Bolt 1/2 x 1	
10	0642010	1	Bolt 5/8 x 1-1/4	
12	1320022	3	Clamp	
13	1320187	1	Clamp, Twin	
14	1320190	1	Cover, Clamp	
15	1671121	1	Cover, Generator	
16	1001108617	1	Pressure Filter	
16	70002231	1	Element, Filter	
17	2180348	1	Fitting, Barbed	
19	2220313	1	Fitting, Elbow Barbed	
20	2221176	1	Fitting, Elbow	
21	2750532	5 ft/ 1.5m	Hose	
22	2820170	1	Insulation, Sound Absorbing	
23	2902099	1	Battery Cable Kit	
23A	7024580	1	Cable, Red (To Aux Pump Relay, Battery Positive Terminal and Start Relay)	
23B	7024581	1	Cable, Black (To Aux Pump, Battery Negative Terminal and Ground at Tray Pivot)	
23C	7024582	1	Cable, Red (Aux Pump Relay to Aux Pump)	
23D	7024583	1	Cable, Black (Tray Pivot to Engine Mount)	
23E	7024584	1	Cable, Red (Start Relay to Starter)	
24	3311505	24	Nut 5/16	
25	3380473	1	Panel, Rubber	
26	3422446	1	Pin	
27	3573644	1	Plate, Tray Clamp	
28	1001112878	1	Plate, Top Clamp	
29	1001112879	1	Plate, Bottom Clamp	
30	3573669	1	Plate, Clamp	
31	1001112880	1	Plate, Tray Clamp	
32	3573728	1	Plate, Tray Clamp	
33	3841143	1	Keeper, Pin	
34	3900272	4	Screw 5/16 x 1-3/4	
35	4240018	2	Strap, Tie (Not Shown)	
36	4240099	AR	Strap, Tie	
37	4711400	4	Washer 1/4	
38	4711500	44	Washer 5/16	
39	4711600	7	Washer 3/8	
40	4752000	1	Washer 5/8	

SECTION 3 - ENGINE

ITEM	PART NUMBER	QTY	DESCRIPTION	REV
41	1001098530	1	Engine Assembly with Pumps (See Separate Breakdown in this Section)	
42	1001111132	1	Panel, Rubber	
43	0641606	4	Bolt 3/8 x 3/4	

SECTION 3 - ENGINE

FIGURE 3-4. DEUTZ TD2011 ENGINE ASSEMBLY - WITH REXROTH PUMPS (WITH SKYPOWER AND WITHOUT COLD WEATHER PLUS PACKAGE)



ART_1001098530_N

SECTION 3 - ENGINE

FIGURE 3-4. DEUTZ TD2011 ENGINE ASSEMBLY - WITH REXROTH PUMPS (WITH SKYPOWER AND WITHOUT COLD WEATHER PLUS PACKAGE)

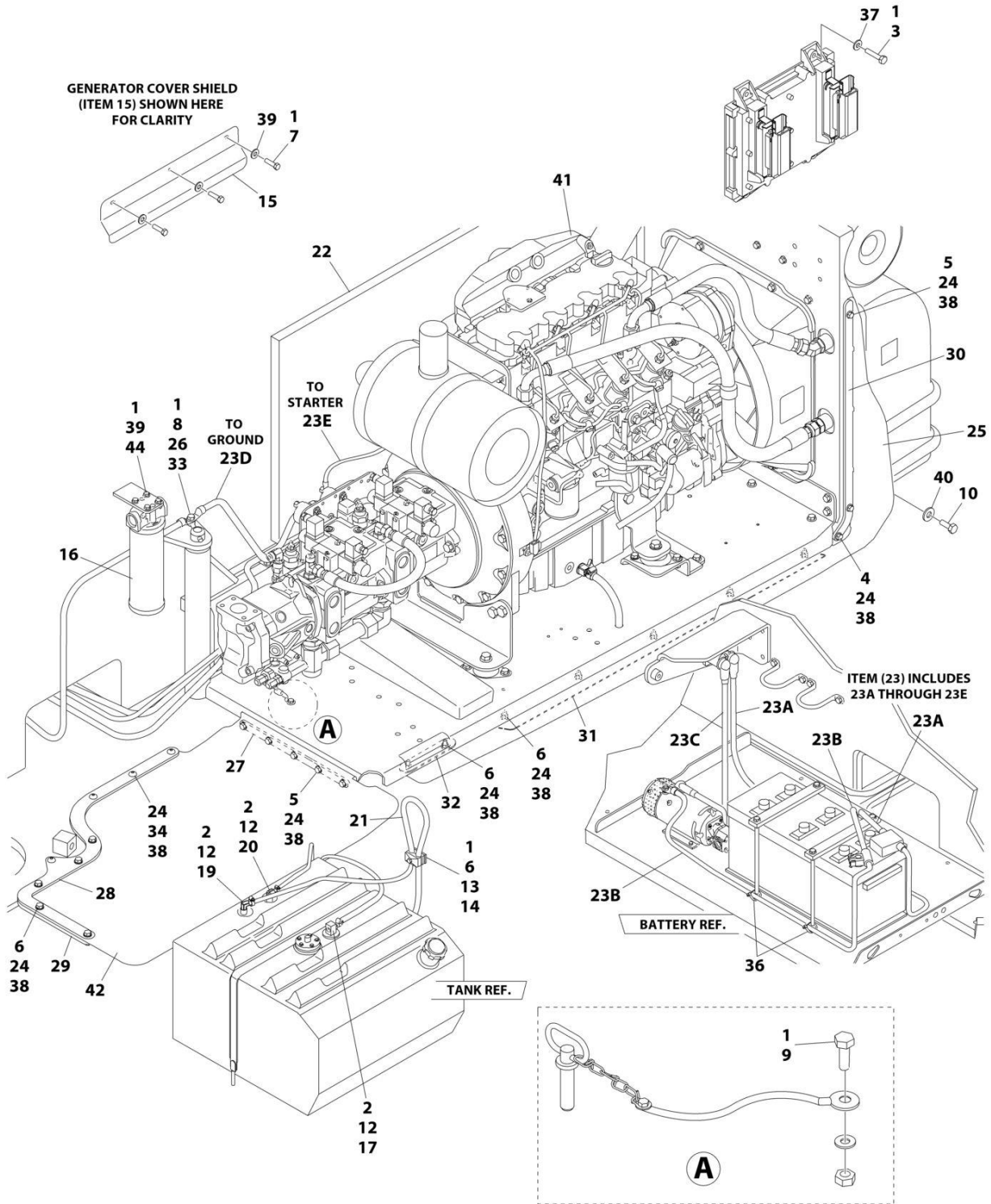
ITEM	PART NUMBER	QTY	DESCRIPTION	REV
	1001098530	Ref	DEUTZ TD2011 ENGINE ASSEMBLY - WITH REXROTH PUMPS (WITH SKYPOWER AND WITHOUT COLD WEATHER PLUS PACKAGE)	N
1	0080244	1	Spacer, Fan	
2	0100011	AR	Compound, Locking	
3	0272060	1	Box, Air Intake	
4	0340003	2	Band, Air Cleaner	
5	0340051	2	Band, Muffler	
6	0641406	15	Bolt 1/4 x 3/4	
7	0641506	5	Bolt 5/16 x 3/4	
8	0641507	4	Bolt 5/16 x 7/8	
9	0641605	4	Bolt 3/8 x 5/8	
10	0641608	25	Bolt 3/8 x 1	
11	0641609	2	Bolt 3/8 x 1-1/8	
12	0641610	4	Bolt 3/8 x 1-1/4	
13	0641808	1	Bolt 1/2 x 1	
14	0641812	2	Bolt 1/2 x 1-1/2	
15	0641818	2	Bolt 1/2 x 2-1/4	
16	0641826	2	Bolt 1/2 x 3-1/4	
17	0711214	2	Bolt M12 x 30	
18	0771414	6	Bolt M14 x 30	
19	0711417	4	Bolt M14 x 45	
20	1001112766	1	Bracket, Muffler	
21	0940070	1	Bumper	
22	0961986	2	Bushing, Flanged	
23	1001131542	1	Lanyard	
24	1320022	2	Clamp	
25	1320058	2	Clamp	
26	1320060	1	Clamp	
27	1320223	1	J-Clip	
28	1340065	1	Air Cleaner Assembly	
28	7003655	1	Element, Air Cleaner	
28	7015013	1	Baffle, Rubber	
28	7015014	1	Clamp, Cap	
28	7015015	1	Cup	
28	7015003	1	Wingnut	
29	1671023	1	Shroud, Fan	
30	1703162	2	Decal - Fan Blade	
31	2060025	1	Fan	
32	2220451	1	Fitting, Straight	
33	2220498	1	Fitting, Elbow	
34	2720058	34 ft/ 10.3m	Hose	
35	2720500	1	Hose, Oil Cooler (Top)	
36	2720501	1	Hose, Oil Cooler (Bottom)	
37	2750532	0.75 ft /0.2m	Hose	
38	2902065	1	Pump Coupling Kit (See Separate Breakdown in this Section)	
40	3200362	2	Mount, Motor (Front)	
41	3200401	2	Mount, Motor (Rear)	

SECTION 3 - ENGINE

ITEM	PART NUMBER	QTY	DESCRIPTION	REV
42	1001257277	1	Muffler	
43	3300454	10	Nut	
44	3311405	5	Nut 1/4	
45	3311505	5	Nut 5/16	
46	3311605	30	Nut 3/8	
47	3311805	5	Nut 1/2	
48	3422532	1	Pin, Hitch	
49	3520054	2	Plug	
50	3537416	1	Plate, Mounting (Front Right)	
51	3539971	1	Bracket, Engine Mounting (Front)	
52	3573142	1	Bracket, Engine Mounting (Rear)	
53	3573411	2	Plate, Clamp	
54	3573412	1	Gusset	
55	3573529	1	Plate, Mounting (Front Left)	
56	3580320	1	Pulley	
57	3600339	1	Pump Assembly - Rexroth (See Separate Breakdown in this Section)	
58	1001145382	1	Cooler, Engine Oil	
59	3740067	2	Relay, Start	
60	3740080	2	Relay	
61	3960543	1	Seal	
62	3960544	1	Seal	
63	4032022	4	Capscrew M10 x 90	
64	4060804	0.98 ft /0.3m	Flex-Trim	
65	4060805	0.67 ft /0.2m	Flex-Trim	
66	4240099	AR	Tie, Wire (Not Shown)	
67	4568293	1	Pipe, Exhaust	
68	4640751	1	Valve, Oil Drain	
69	4711500	13	Washer 5/16	
70	4711600	68	Washer 3/8	
71	4711800	7	Washer 1/2	
72	4740274	4	Washer, Snubbing	
73	4740518	10	Washer, Nylon	
74	4751400	20	Washer 1/4	
75	4791400	4	Washer 1/4	
76	4846552	1	Plate, Oil Cooler Mounting	
77	4846945	1	Mount, Generator	
78	4846946	1	Tray	
79	4891800	2	Washer 1/2	
80	4923468	1	Harness, Glow Plugs	
81	4923592	1	Cable, Jumper	
82	1001225118	1	Hose, Air Intake	
83	1001098601	1	Engine, Deutz TD2011 Components (See Separate Breakdown in this Section)	
84	8410013	1	Clamp, Gear	

SECTION 3 - ENGINE

FIGURE 3-5. DEUTZ TD2011 ENGINE INSTALLATION - WITH REXROTH PUMPS (WITH SKYPOWER AND WITH COLD WEATHER PLUS PACKAGE)



ART_1001116015

SECTION 3 - ENGINE

FIGURE 3-5. DEUTZ TD2011 ENGINE INSTALLATION - WITH REXROTH PUMPS (WITH SKYPOWER AND WITH COLD WEATHER PLUS PACKAGE)

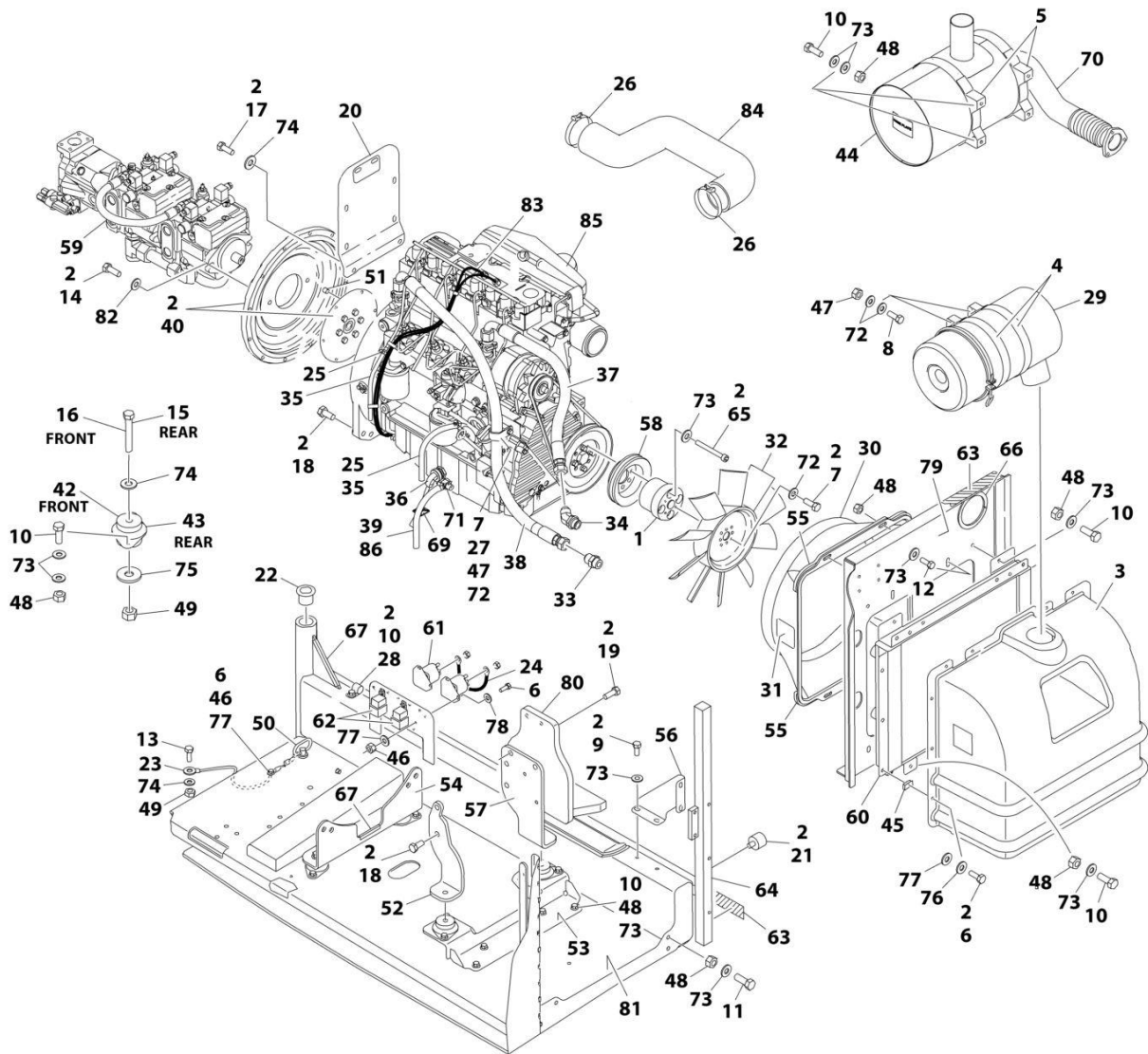
ITEM	PART NUMBER	QTY	DESCRIPTION	REV
	1001116015	Ref	DEUTZ TD2011 DIESEL ENGINE INSTALLATION - WITH REXROTH PUMPS AND STEEL HOODS (WITH SKYPOWER AND WITH COLD WEATHER PLUS PACKAGE)	D
1	0100011	AR	Compound, Locking	
2	0100079	AR	Sealant, Pipe	
3	0641410	4	Bolt 1/4 x 1-1/4	
4	0641506	1	Bolt 5/16 x 3/4	
5	0641509	7	Bolt 5/16 x 1-1/8	
6	0641511	13	Bolt 5/16 x 1-3/8	
7	0641605	3	Bolt 3/8 x 5/8	
8	0641610	1	Bolt 3/8 x 1-1/4	
9	0641808	1	Bolt 1/2 x 1	
10	0642010	1	Bolt 5/8 x 1-1/4	
12	1320022	3	Clamp	
13	1320187	1	Clamp, Twin	
14	1320190	1	Cover, Clamp	
15	1671121	1	Cover, Generator	
16	1001108617	1	Pressure Filter	
16	70002231	1	Element, Filter	
17	2180348	1	Fitting, Barbed	
19	2220313	1	Fitting, Elbow Barbed	
20	2221176	1	Fitting, Elbow	
21	2750532	5 ft/ 1.5m	Hose	
22	2820170	1	Insulation, Sound Absorbing	
23	2902099	1	Battery Cable Kit	
23A	7024580	1	Cable, Red (To Aux Pump Relay, Battery Positive Terminal and Start Relay)	
23B	7024581	1	Cable, Black (To Aux Pump, Battery Negative Terminal and Ground at Tray Pivot)	
23C	7024582	1	Cable, Red (Aux Pump Relay to Aux Pump)	
23D	7024583	1	Cable, Black (Tray Pivot to Engine Mount)	
23E	7024584	1	Cable, Red (Start Relay to Starter)	
24	3311505	24	Nut 5/16	
25	3380473	1	Panel, Rubber	
26	3422446	1	Pin	
27	3573644	1	Plate, Tray Clamp	
28	1001112878	1	Plate, Top Clamp	
29	1001112879	1	Plate, Bottom Clamp	
30	3573669	1	Plate, Clamp	
31	1001112880	1	Plate, Tray Clamp	
32	3573728	1	Plate, Tray Clamp	
33	3841143	1	Keeper, Pin	
34	3900272	4	Screw, Button 5/16 x 1-3/4	
35	4240018	2	Strap, Tie (Not Shown)	
36	4240099	AR	Strap, Tie	
37	4711400	4	Washer 1/4	
38	4711500	44	Washer 5/16	
39	4711600	7	Washer 3/8	
40	4752000	1	Washer 5/8	

SECTION 3 - ENGINE

ITEM	PART NUMBER	QTY	DESCRIPTION	REV
41	1001098531	1	Engine Assembly with Pumps (See Separate Breakdown in this Section)	
42	1001111132	1	Panel, Rubber	
43	1702942	1	Decal - Block Heater (Not Shown)	
44	0641606	4	Bolt 3/8 x 3/4	

SECTION 3 - ENGINE

FIGURE 3-6. DEUTZ TD2011 ENGINE ASSEMBLY - WITH REXROTH PUMPS (WITH SKYPOWER AND WITH COLD WEATHER PLUS PACKAGE)



ART_1001098531_N

SECTION 3 - ENGINE

FIGURE 3-6. DEUTZ TD2011 ENGINE ASSEMBLY - WITH REXROTH PUMPS (WITH SKYPOWER AND WITH COLD WEATHER PLUS PACKAGE)

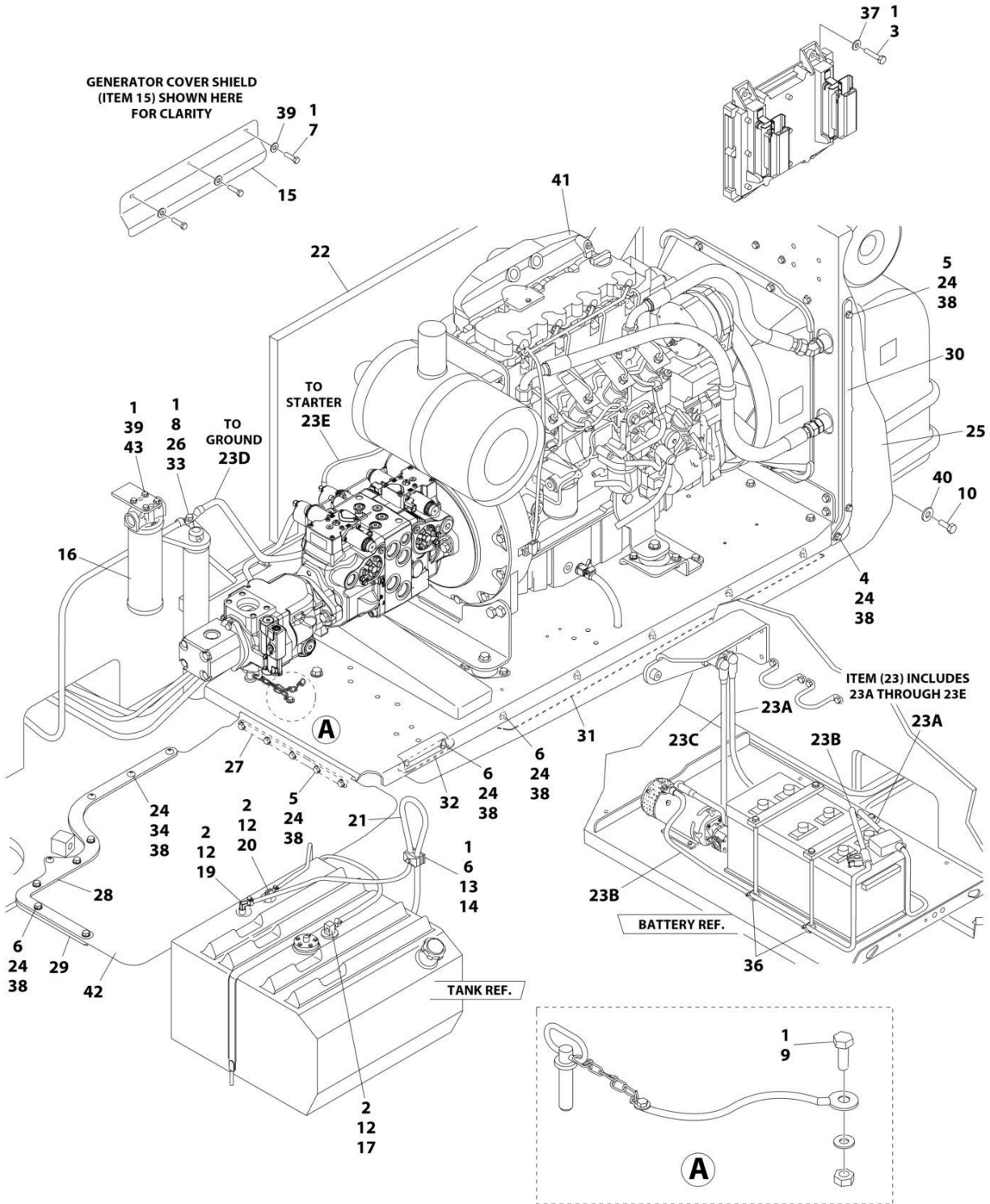
ITEM	PART NUMBER	QTY	DESCRIPTION	REV
	1001098531	Ref	DEUTZ TD2011 ENGINE ASSEMBLY - WITH REXROTH PUMPS (WITH SKYPOWER AND WITH COLD WEATHER PLUS PACKAGE)	N
1	0080244	1	Spacer, Fan	
2	0100011	AR	Compound, Locking	
3	0272060	1	Box, Air Intake	
4	0340003	2	Band, Air Cleaner	
5	0340051	2	Band, Muffler	
6	0641406	15	Bolt 1/4 x 3/4	
7	0641506	5	Bolt 5/16 x 3/4	
8	0641507	4	Bolt 5/16 x 7/8	
9	0641605	4	Bolt 3/8 x 5/8	
10	0641608	25	Bolt 3/8 x 1	
11	0641609	2	Bolt 3/8 x 1-1/8	
12	0641610	4	Bolt 3/8 x 1-1/4	
13	0641808	1	Bolt 1/2 x 1	
14	0641812	2	Bolt 1/2 x 1-1/2	
15	0641818	2	Bolt 1/2 x 2-1/4	
16	0641826	2	Bolt 1/2 x 3-1/4	
17	0711214	2	Bolt M12 x 30	
18	0771414	6	Bolt M14 x 30	
19	0711417	4	Bolt M14 x 45	
20	1001112766	1	Bracket, Muffler	
21	0940070	1	Bumper	
22	0961986	2	Bushing, Flanged	
23	1001131542	1	Lanyard	
24	1060904	1	Cable, Jumper	
25	1320022	2	Clamp	
26	1320058	2	Clamp	
27	1320060	1	Clamp	
28	1320223	1	J-Clip	
29	1340065	1	Air Cleaner Assembly	
29	7003655	1	Element, Air Cleaner	
29	7015013	1	Baffle, Rubber	
29	7015014	1	Clamp, Cap	
29	7015015	1	Cup	
29	7015003	1	Wingnut	
30	1671023	1	Shroud, Fan	
31	1703162	2	Decal - Fan Blade	
32	2060025	1	Fan	
33	2220451	1	Fitting, Straight	
34	2220498	1	Fitting, Elbow	
35	2720058	34 ft/ 10.3m	Hose	
36	2580062	1	Heater, Engine Block	
37	2720500	1	Hose, Oil Cooler (Top)	
38	2720501	1	Hose, Oil Cooler (Bottom)	
39	2750532	0.75 ft /0.2m	Hose	
40	2902065	1	Pump Coupling Kit (See Separate Breakdown in this Section)	

SECTION 3 - ENGINE

ITEM	PART NUMBER	QTY	DESCRIPTION	REV
42	3200362	2	Mount, Motor (Front)	
43	3200401	2	Mount, Motor (Rear)	
44	1001257277	1	Muffler	
45	3300454	10	Nut 1/4	
46	3311405	5	Nut 1/4	
47	3311505	5	Nut 5/16	
48	3311605	30	Nut 3/8	
49	3311805	5	Nut 1/2	
50	3422532	1	Pin, Hitch	
51	3520054	2	Plug	
52	3537416	1	Plate, Mounting (Front Right)	
53	3539971	1	Bracket, Engine Mounting (Front)	
54	3573142	1	Bracket, Engine Mounting (Rear)	
55	3573411	2	Plate, Clamp	
56	3573412	1	Gusset	
57	3573529	1	Plate, Mounting (Front Left)	
58	3580320	1	Pulley	
59	3600339	1	Pump Assembly - Rexroth (See Separate Breakdown in this Section)	
60	1001145382	1	Cooler, Engine Oil	
61	3740067	2	Relay, Start	
62	3740080	2	Relay	
63	3960543	1	Seal	
64	3960544	1	Seal	
65	4032022	4	Capscrew M10 x 90	
66	4060804	0.98 ft /0.3m	Flex-Trim	
67	4060805	0.67 ft /0.2m	Flex-Trim	
68	4240099	AR	Tie, Wire (Not Shown)	
69	4460234	3	Mount, Wire Tie	
70	4568293	1	Pipe, Exhaust	
71	4640751	1	Valve, Oil Drain	
72	4711500	13	Washer 5/16	
73	4711600	68	Washer 3/8	
74	4711800	7	Washer 1/2	
75	4740274	4	Washer, Snubbing	
76	4740518	10	Washer, Nylon	
77	4751400	20	Washer 1/4	
78	4791400	4	Washer 1/4	
79	4846552	1	Plate, Oil Cooler Mounting	
80	4846945	1	Mount, Generator	
81	4846946	1	Tray	
82	4891800	2	Washer 1/2 Hardened	
83	4923468	1	Harness, Glow Plugs	
84	1001225118	1	Hose, Air Intake	
85	1001098601	1	Engine, Deutz TD2011 Components (See Separate Breakdown in this Section)	
86	8410013	1	Clamp, Gear	

SECTION 3 - ENGINE

FIGURE 3-7. DEUTZ TD2011 ENGINE INSTALLATION - WITH SAUER PUMPS (WITHOUT SKYPOWER AND WITHOUT COLD WEATHER PLUS PACKAGE)



ART_1001119052

SECTION 3 - ENGINE

FIGURE 3-7. DEUTZ TD2011 ENGINE INSTALLATION - WITH SAUER PUMPS (WITHOUT SKYPOWER AND WITHOUT COLD WEATHER PLUS PACKAGE)

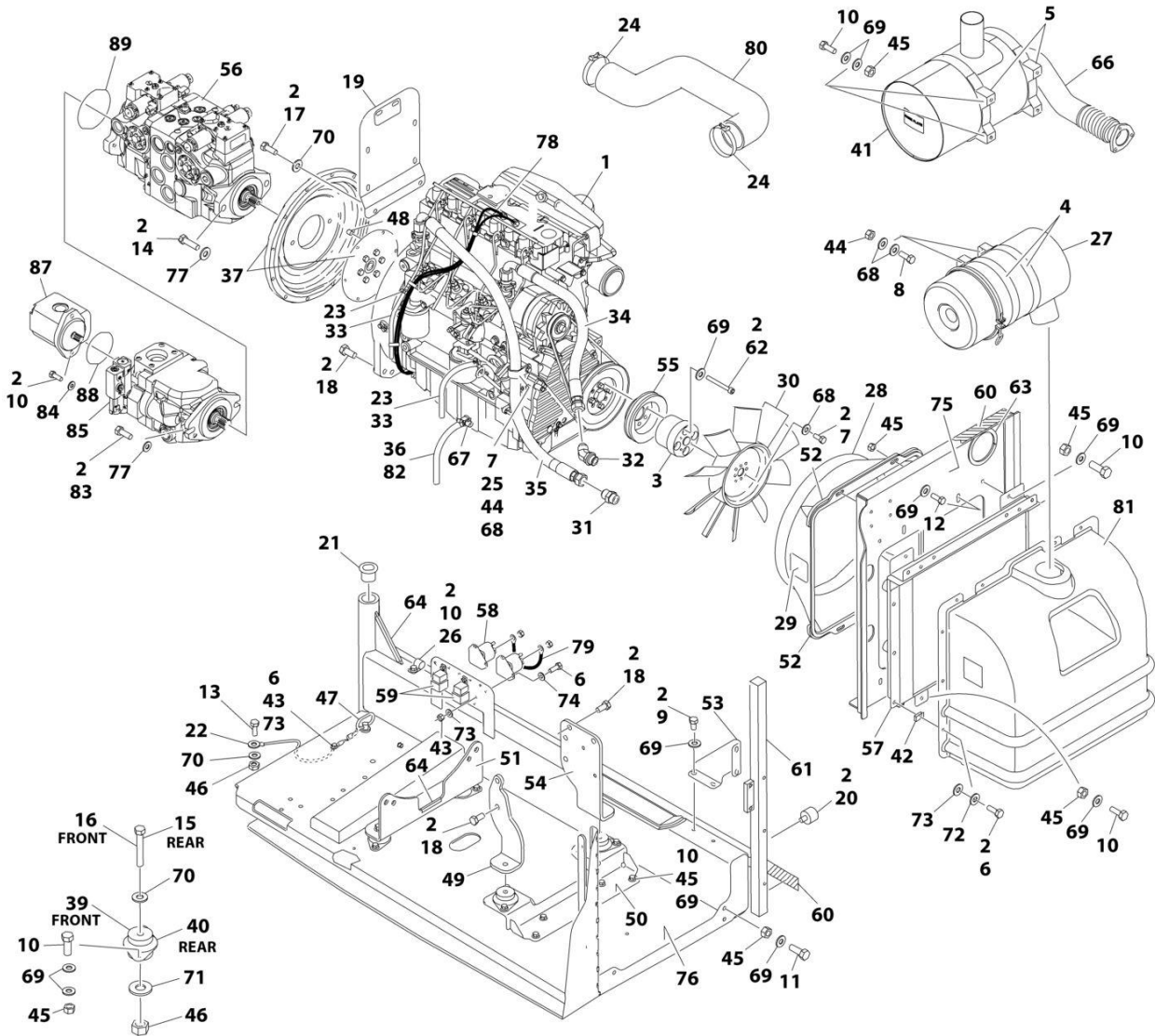
ITEM	PART NUMBER	QTY	DESCRIPTION	REV
	1001119052	Ref	DEUTZ TD2011 DIESEL ENGINE INSTALLATION - WITH SAUER PUMPS AND STEEL HOODS (WITHOUT SKYPOWER AND WITHOUT COLD WEATHER PLUS PACKAGE)	D
1	0100011	AR	Compound, Locking	
2	0100079	AR	Sealant, Pipe	
3	0641410	4	Bolt 1/4 x 1-1/4	
4	0641506	1	Bolt 5/16 x 3/4	
5	0641509	7	Bolt 5/16 x 1-1/8	
6	0641511	13	Bolt 5/16 x 1-3/8	
7	0641605	3	Bolt 3/8 x 5/8	
8	0641610	1	Bolt 3/8 x 1-1/4	
9	0641808	1	Bolt 1/2 x 1	
10	0642010	1	Bolt 5/8 x 1-1/4	
12	1320022	3	Clamp	
13	1320187	1	Clamp, Twin	
14	1320190	1	Cover, Clamp	
15	1671121	1	Cover, Generator	
16	1001108617	1	Pressure Filter	
16	70002231	1	Element, Filter	
17	2180348	1	Fitting, Barbed	
19	2220313	1	Fitting, Elbow Barbed	
20	2221176	1	Fitting, Elbow	
21	2750532	5 ft/ 1.5m	Hose	
22	2820170	1	Insulation, Sound Absorbing	
23	2902099	1	Battery Cable Kit	
23A	7024580	1	Cable, Red (To Aux Pump Relay, Battery Positive Terminal and Start Relay)	
23B	7024581	1	Cable, Black (To Aux Pump, Battery Negative Terminal and Ground at Tray Pivot)	
23C	7024582	1	Cable, Red (Aux Pump Relay to Aux Pump)	
23D	7024583	1	Cable, Black (Tray Pivot to Engine Mount)	
23E	7024584	1	Cable, Red (Start Relay to Starter)	
24	3311505	24	Nut 5/16	
25	3380473	1	Panel, Rubber	
26	3422446	1	Pin	
27	3573644	1	Plate, Tray Clamp	
28	1001112878	1	Plate, Top Clamp	
29	1001112879	1	Plate, Bottom Clamp	
30	3573669	1	Plate, Clamp	
31	1001112880	1	Plate, Tray Clamp	
32	3573728	1	Plate, Tray Clamp	
33	3841143	1	Keeper, Pin	
34	3900272	4	Screw 5/16 x 1-3/4	
35	4240018	2	Strap, Tie (Not Shown)	
36	4240099	AR	Strap, Tie	
37	4711400	4	Washer 1/4	
38	4711500	44	Washer 5/16	
39	4711600	7	Washer 3/8	
40	4752000	1	Washer 5/8	

SECTION 3 - ENGINE

ITEM	PART NUMBER	QTY	DESCRIPTION	REV
41	1001107971	1	Engine Assembly with Pumps (See Separate Breakdown in this Section)	
42	1001111132	1	Panel, Rubber	
43	0641606	4	Bolt 3/8 x 3/4	

SECTION 3 - ENGINE

FIGURE 3-8. DEUTZ TD2011 ENGINE ASSEMBLY - WITH SAUER PUMPS (WITHOUT SKYPOWER AND WITHOUT COLD WEATHER PLUS PACKAGE)



ART_1001107971_M

SECTION 3 - ENGINE

FIGURE 3-8. DEUTZ TD2011 ENGINE ASSEMBLY - WITH SAUER PUMPS (WITHOUT SKYPOWER AND WITHOUT COLD WEATHER PLUS PACKAGE)

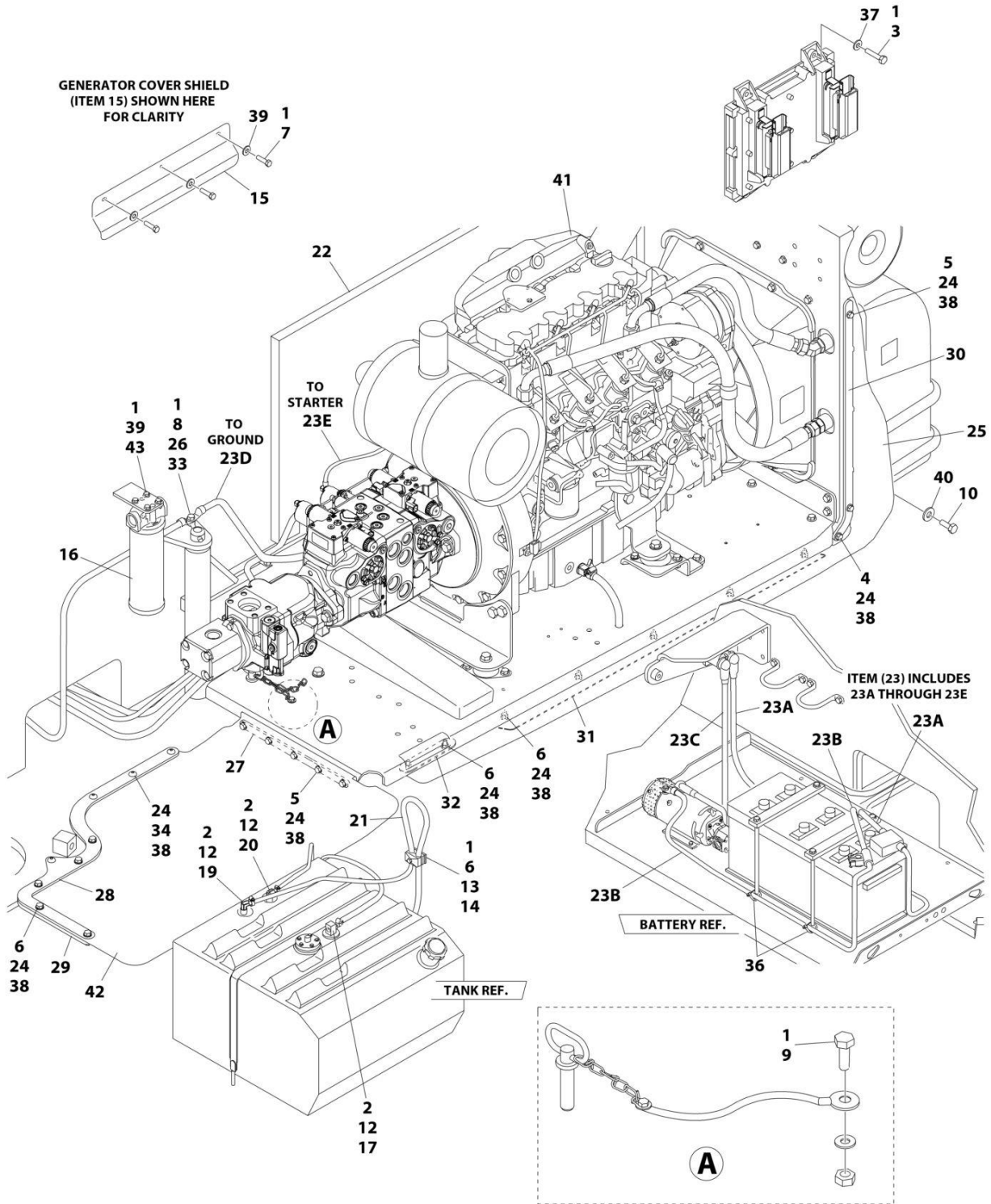
ITEM	PART NUMBER	QTY	DESCRIPTION	REV
	1001107971	Ref	DEUTZ TD2011 ENGINE ASSEMBLY - WITH SAUER PUMPS (WITHOUT SKYPOWER AND WITHOUT COLD WEATHER PLUS PACKAGE)	M
1	1001098601	1	Engine, Deutz TD2011 Components (See Separate Breakdown in this Section)	
2	0100011	AR	Compound, Locking	
3	0080237	1	Spacer, Fan	
4	0340003	2	Band, Air Cleaner	
5	0340051	2	Band, Muffler	
6	0641406	15	Bolt 1/4 x 3/4	
7	0641506	5	Bolt 5/16 x 3/4	
8	0641507	4	Bolt 5/16 x 7/8	
9	0641605	4	Bolt 3/8 x 5/8	
10	0641608	27	Bolt 3/8 x 1	
11	0641609	2	Bolt 3/8 x 1-1/8	
12	0641610	4	Bolt 3/8 x 1-1/4	
13	0641808	1	Bolt 1/2 x 1	
14	0641814	2	Bolt 1/2 x 1-3/4	
15	0641818	2	Bolt 1/2 x 2-1/4	
16	0641826	2	Bolt 1/2 x 3-1/4	
17	0711214	2	Bolt M12 x 30	
18	0771414	10	Bolt M14 x 30	
19	1001112766	1	Bracket, Muffler	
20	0940070	1	Bumper	
21	0961986	2	Bushing, Flanged	
22	1001131542	1	Lanyard	
23	1320022	3	Clamp	
24	1320058	2	Clamp	
25	1320060	1	Clamp	
26	1320223	1	J-Clip	
27	1340065	1	Air Cleaner Assembly	
27	7003655	1	Element, Air Cleaner	
27	7015013	1	Baffle, Rubber	
27	7015014	1	Clamp, Cap	
27	7015015	1	Cup	
27	7015003	1	Wingnut	
28	1671023	1	Shroud, Fan	
29	1703162	2	Decal - Fan Blade	
30	2060025	1	Fan	
31	2220451	1	Fitting, Straight	
32	2220498	1	Fitting, Elbow	
33	2720058	34 ft /10.3m	Hose	
34	2720500	1	Hose, Oil Cooler (Top)	
35	2720501	1	Hose, Oil Cooler (Bottom)	
36	2750532	0.75 ft /0.2m	Hose	
37	2902065	1	Pump Coupling Kit (See Separate Breakdown in this Section)	
39	3200362	2	Mount, Motor (Front)	
40	3200401	2	Mount, Motor (Rear)	

SECTION 3 - ENGINE

ITEM	PART NUMBER	QTY	DESCRIPTION	REV
41	1001257277	1	Muffler	
42	3300454	10	Nut 1/4	
43	3311405	5	Nut 1/4	
44	3311505	5	Nut 5/16	
45	3311605	30	Nut 3/8	
46	3311805	5	Nut 1/2	
47	3422532	1	Pin, Hitch	
48	3520054	2	Plug	
49	3537416	1	Plate, Mounting (Front Right)	
50	3539971	1	Bracket, Engine Mounting (Front)	
51	3573142	1	Bracket, Engine Mounting (Rear)	
52	3573411	2	Plate, Clamp	
53	3573412	1	Gusset	
54	3573529	1	Plate, Mounting (Front Left)	
55	3580158	1	Pulley	
56	1001108616	1	Pump Assembly - Sauer (See Separate Breakdown in this Section)	
57	1001145382	1	Cooler, Engine Oil	
58	3740067	2	Relay, Start	
59	3740080	2	Relay	
60	3960543	1	Seal	
61	3960544	1	Seal	
62	4032022	4	Capscrew M10 x 90	
63	4060804	0.98 ft /0.3m	Flex-Trim	
64	4060805	0.67 ft /0.2m	Flex-Trim	
65	4240099	AR	Tie, Wire (Not Shown)	
66	4568293	1	Pipe, Exhaust	
67	4640751	1	Valve, Oil Drain	
68	4711500	13	Washer 5/16	
69	4711600	68	Washer 3/8	
70	4711800	7	Washer 1/2	
71	4740274	4	Washer, Snubbing	
72	4740518	10	Washer, Nylon	
73	4751400	20	Washer 1/4	
74	4791400	4	Washer 1/4	
75	4846552	1	Plate, Oil Cooler Mounting	
76	4846946	1	Tray	
77	4891800	4	Washer 1/2	
78	4923468	1	Harness, Glow Plugs	
79	4923592	1	Cable, Jumper	
80	1001225118	1	Hose, Air Intake	
81	0272060	1	Box, Air Intake	
82	8410013	1	Clamp, Gear	
83	0761215	2	Bolt M12 x 35mm	
84	4891600	2	Washer 3/8	
85	1001171095	1	Pump Assembly - Sauer Piston (See Separate Breakdown in this Section)	
87	1001112927	1	Pump Assembly - Sauer Gear (See Separate Breakdown in this Section)	
88	3790152	1	O-Ring	
89	3790155	1	O-Ring	

SECTION 3 - ENGINE

FIGURE 3-9. DEUTZ TD2011 ENGINE INSTALLATION - WITH SAUER PUMPS (WITH SKYPOWER AND WITHOUT COLD WEATHER PLUS PACKAGE)



ART_1001119053

SECTION 3 - ENGINE

FIGURE 3-9. DEUTZ TD2011 ENGINE INSTALLATION - WITH SAUER PUMPS (WITH SKYPOWER AND WITHOUT COLD WEATHER PLUS PACKAGE)

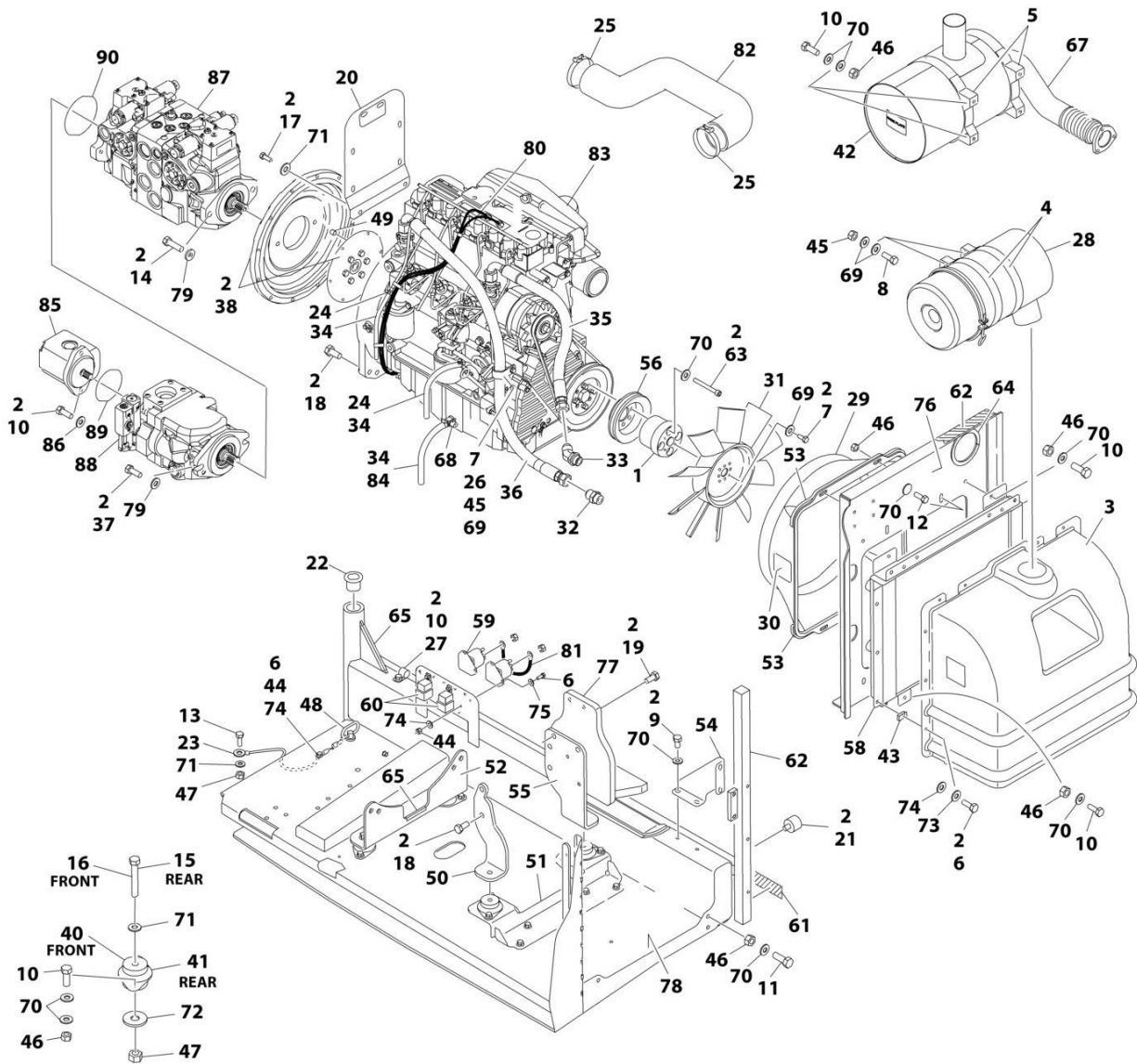
ITEM	PART NUMBER	QTY	DESCRIPTION	REV
	1001119053	Ref	DEUTZ TD2011 DIESEL ENGINE INSTALLATION - WITH SAUER PUMPS AND STEEL HOODS (WITH SKYPOWER AND WITHOUT COLD WEATHER PLUS PACKAGE)	D
1	0100011	AR	Compound, Locking	
2	0100079	AR	Sealant, Pipe	
3	0641410	4	Bolt 1/4 x 1-1/4	
4	0641506	1	Bolt 5/16 x 3/4	
5	0641509	7	Bolt 5/16 x 1-1/8	
6	0641511	13	Bolt 5/16 x 1-3/8	
7	0641605	3	Bolt 3/8 x 5/8	
8	0641610	1	Bolt 3/8 x 1-1/4	
9	0641808	1	Bolt 1/2 x 1	
10	0642010	1	Bolt 5/8 x 1-1/4	
12	1320022	3	Clamp	
13	1320187	1	Clamp, Twin	
14	1320190	1	Cover, Clamp	
15	1671121	1	Cover, Generator	
16	1001108617	1	Pressure Filter	
16	70002231	1	Element, Filter	
17	2180348	1	Fitting, Barbed	
19	2220313	1	Fitting, Elbow Barbed	
20	2221176	1	Fitting, Elbow	
21	2750532	5 ft/ 1.5m	Hose	
22	2820170	1	Insulation, Sound Absorbing	
23	2902099	1	Battery Cable Kit	
23A	7024580	1	Cable, Red (To Aux Pump Relay, Battery Positive Terminal and Start Relay)	
23B	7024581	1	Cable, Black (To Aux Pump, Battery Negative Terminal and Ground at Tray Pivot)	
23C	7024582	1	Cable, Red (Aux Pump Relay to Aux Pump)	
23D	7024583	1	Cable, Black (Tray Pivot to Engine Mount)	
23E	7024584	1	Cable, Red (Start Relay to Starter)	
24	3311505	24	Nut 5/16	
25	3380473	1	Panel, Rubber	
26	3422446	1	Pin	
27	3573644	1	Plate, Tray Clamp	
28	1001112878	1	Plate, Top Clamp	
29	1001112879	1	Plate, Bottom Clamp	
30	3573669	1	Plate, Clamp	
31	1001112880	1	Plate, Tray Clamp	
32	3573728	1	Plate, Tray Clamp	
33	3841143	1	Keeper, Pin	
34	3900272	4	Screw 5/16 x 1-3/4	
35	4240018	2	Strap, Tie (Not Shown)	
36	4240099	AR	Strap, Tie	
37	4711400	4	Washer 1/4	
38	4711500	44	Washer 5/16	
39	4711600	7	Washer 3/8	
40	4752000	1	Washer 5/8	

SECTION 3 - ENGINE

ITEM	PART NUMBER	QTY	DESCRIPTION	REV
41	1001107973	1	Engine Assembly with Pumps (See Separate Breakdown in this Section)	
42	1001111132	1	Panel, Rubber	
43	0641606	4	Bolt 3/8 x 3/4	

SECTION 3 - ENGINE

FIGURE 3-10. DEUTZ TD2011 ENGINE ASSEMBLY - WITH SAUER PUMPS (WITH SKYPOWER AND WITHOUT COLD WEATHER PLUS PACKAGE)



ART_1001107973_M

SECTION 3 - ENGINE

FIGURE 3-10. DEUTZ TD2011 ENGINE ASSEMBLY - WITH SAUER PUMPS (WITH SKYPOWER AND WITHOUT COLD WEATHER PLUS PACKAGE)

ITEM	PART NUMBER	QTY	DESCRIPTION	REV
	1001107973	Ref	DEUTZ TD2011 ENGINE ASSEMBLY - WITH SAUER PUMPS (WITH SKYPOWER AND WITHOUT COLD WEATHER PLUS PACKAGE)	N
1	0080244	1	Spacer, Fan	
2	0100011	AR	Compound, Locking	
3	0272060	1	Box, Air Intake	
4	0340003	2	Band, Air Cleaner	
5	0340051	2	Band, Muffler	
6	0641406	15	Bolt 1/4 x 3/4	
7	0641506	5	Bolt 5/16 x 3/4	
8	0641507	4	Bolt 5/16 x 7/8	
9	0641605	4	Bolt 3/8 x 5/8	
10	0641608	27	Bolt 3/8 x 1	
11	0641609	2	Bolt 3/8 x 1-1/8	
12	0641610	4	Bolt 3/8 x 1-1/4	
13	0641808	1	Bolt 1/2 x 1	
14	0641814	2	Bolt 1/2 x 1-3/4	
15	0641818	2	Bolt 1/2 x 2-1/4	
16	0641826	2	Bolt 1/2 x 3-1/4	
17	0711214	2	Bolt M12 x 30	
18	0771414	6	Bolt M14 x 30	
19	0711417	4	Bolt M14 x 45	
20	1001112766	1	Bracket, Muffler	
21	0940070	1	Bumper	
22	0961986	2	Bushing, Flanged	
23	1001131542	1	Lanyard	
24	1320022	2	Clamp	
25	1320058	2	Clamp	
26	1320060	1	Clamp	
27	1320223	1	J-Clip	
28	1340065	1	Air Cleaner Assembly	
28	7003655	1	Element, Air Cleaner	
28	7015013	1	Baffle, Rubber	
28	7015014	1	Clamp, Cap	
28	7015015	1	Cup	
28	7015003	1	Wingnut	
29	1671023	1	Shroud, Fan	
30	1703162	2	Decal - Fan Blade	
31	2060025	1	Fan	
32	2220451	1	Fitting, Straight	
33	2220498	1	Fitting, Elbow	
34	2720058	34 ft/ 10.3m	Hose	
35	2720500	1	Hose, Oil Cooler (Top)	
36	2720501	1	Hose, Oil Cooler (Bottom)	
37	0761215	2	Bolt M12 x 35mm	
38	2902065	1	Pump Coupling Kit (See Separate Breakdown in this Section)	
40	3200362	2	Mount, Motor (Front)	
41	3200401	2	Mount, Motor (Rear)	

SECTION 3 - ENGINE

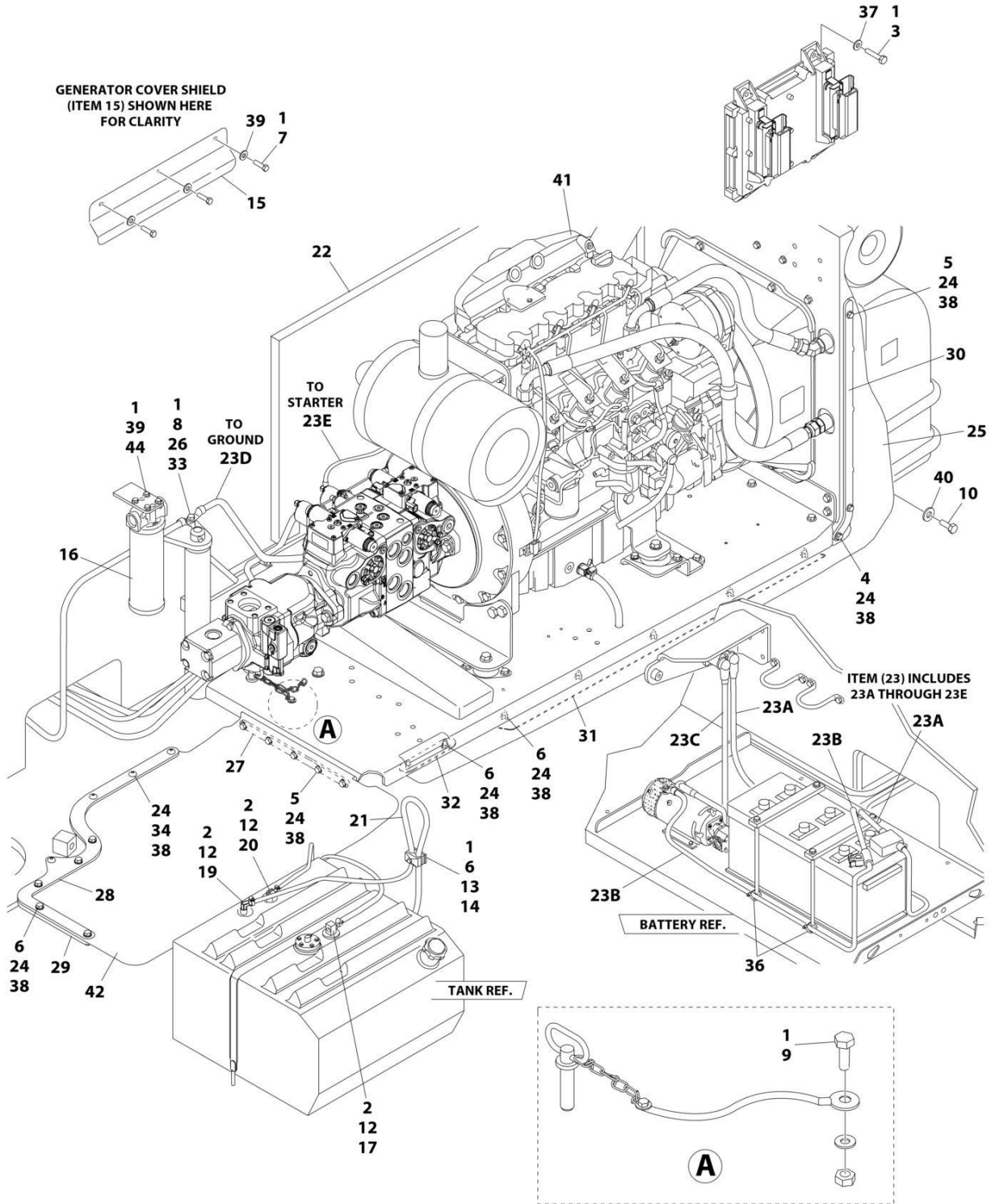
ITEM	PART NUMBER	QTY	DESCRIPTION	REV
42	1001257277	1	Muffler	
43	3300454	10	Nut	
44	3311405	5	Nut 1/4	
45	3311505	5	Nut 5/16	
46	3311605	30	Nut 3/8	
47	3311805	5	Nut 1/2	
48	3422532	1	Pin, Hitch	
49	3520054	2	Plug	
50	3537416	1	Plate, Mounting (Front Right)	
51	3539971	1	Bracket, Engine Mounting (Front)	
52	3573142	1	Bracket, Engine Mounting (Rear)	
53	3573411	2	Plate, Clamp	
54	3573412	1	Gusset	
55	3573529	1	Plate, Mounting (Front Left)	
56	3580320	1	Pulley	
58	1001145382	1	Cooler, Engine Oil	
59	3740067	2	Relay, Start	
60	3740080	2	Relay	
61	3960543	1	Seal	
62	3960544	1	Seal	
63	4032022	4	Capscrew M10 x 90	
64	4060804	0.98 ft /0.3m	Flex-Trim	
65	4060805	0.67 ft /0.2m	Flex-Trim	
66	4240099	AR	Tie, Wire (Not Shown)	
67	4568293	1	Pipe, Exhaust	
68	4640751	1	Valve, Oil Drain	
69	4711500	13	Washer 5/16	
70	4711600	68	Washer 3/8	
71	4711800	7	Washer 1/2	
72	4740274	4	Washer, Snubbing	
73	4740518	10	Washer, Nylon	
74	4751400	20	Washer 1/4	
75	4791400	4	Washer 1/4	
76	4846552	1	Plate, Oil Cooler Mounting	
77	4846945	1	Mount, Generator	
78	4846946	1	Tray	
79	4891800	4	Washer 1/2	
80	4923468	1	Harness, Glow Plugs	
81	4923592	1	Cable, Jumper	
82	1001225118	1	Hose, Air Intake	
83	1001098601	1	Engine, Deutz TD2011 Components (See Separate Breakdown in this Section)	
84	8410013	1	Clamp, Gear	
85	1001112927	1	Pump Assembly - Sauer Gear (See Separate Breakdown in this Section)	
86	4891600	2	Washer 3/8	
87	1001108616	1	Pump Assembly - Sauer (See Separate Breakdown in this Section)	
88	1001171095	1	Pump Assembly - Sauer Piston (See Separate Breakdown in this Section)	
89	3790152	1	O-Ring	

SECTION 3 - ENGINE

ITEM	PART NUMBER	QTY	DESCRIPTION	REV
90	3790155	1	O-Ring	
91	2750532	0.8 ft/ 0.2m	Hose	

SECTION 3 - ENGINE

FIGURE 3-11. DEUTZ TD2011 ENGINE INSTALLATION - WITH SAUER PUMPS (WITH SKYPOWER AND WITH COLD WEATHER PLUS PACKAGE)



ART_1001119054

SECTION 3 - ENGINE

FIGURE 3-11. DEUTZ TD2011 ENGINE INSTALLATION - WITH SAUER PUMPS (WITH SKYPOWER AND WITH COLD WEATHER PLUS PACKAGE)

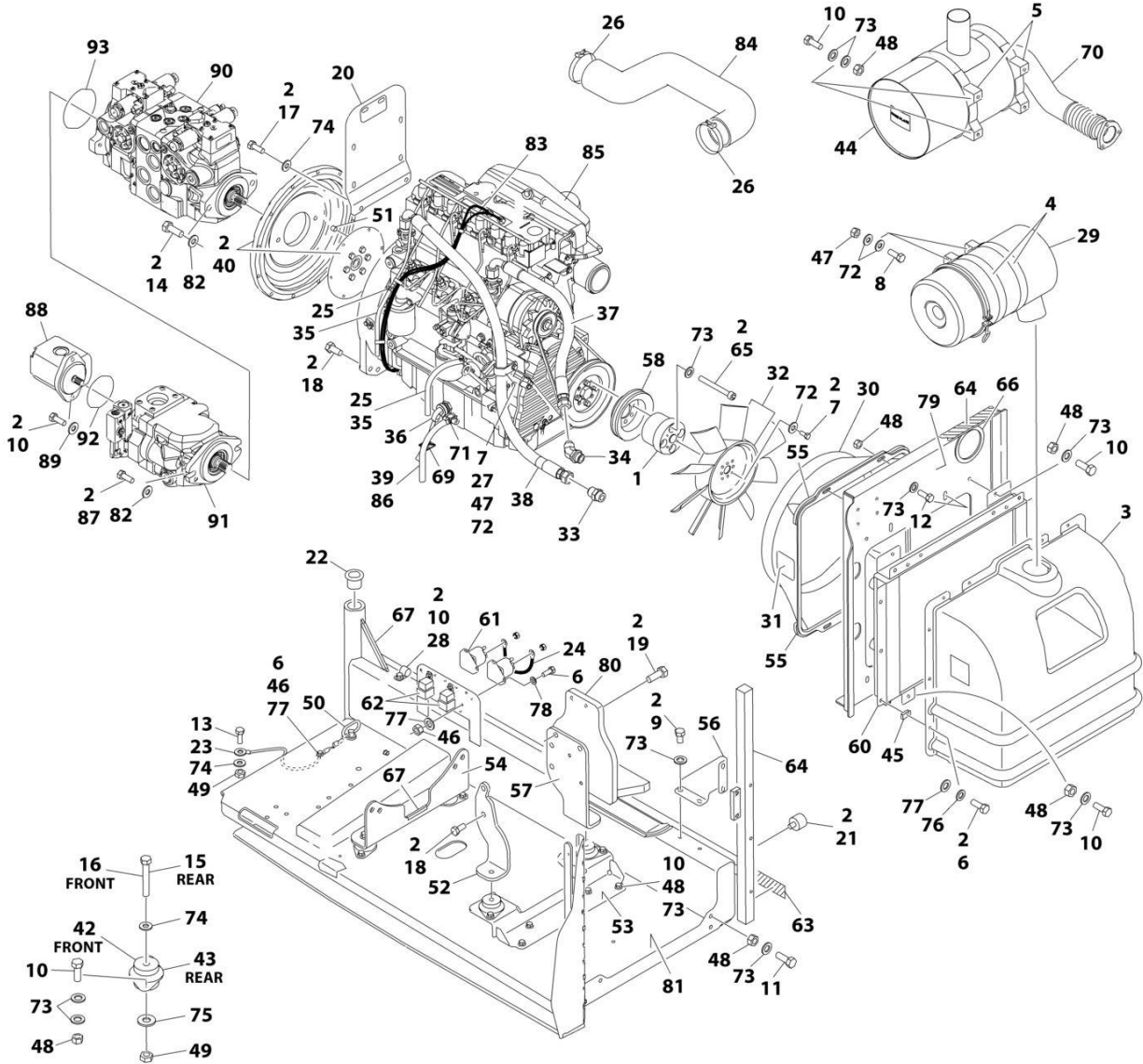
ITEM	PART NUMBER	QTY	DESCRIPTION	REV
	1001119054	Ref	DEUTZ TD2011 DIESEL ENGINE INSTALLATION - WITH SAUER PUMPS AND STEEL HOODS (WITH SKYPOWER AND WITH COLD WEATHER PLUS PACKAGE)	D
1	0100011	AR	Compound, Locking	
2	0100079	AR	Sealant, Pipe	
3	0641410	4	Bolt 1/4 x 1-1/4	
4	0641506	1	Bolt 5/16 x 3/4	
5	0641509	7	Bolt 5/16 x 1-1/8	
6	0641511	13	Bolt 5/16 x 1-3/8	
7	0641605	3	Bolt 3/8 x 5/8	
8	0641610	1	Bolt 3/8 x 1-1/4	
9	0641808	1	Bolt 1/2 x 1	
10	0642010	1	Bolt 5/8 x 1-1/4	
12	1320022	3	Clamp	
13	1320187	1	Clamp, Twin	
14	1320190	1	Cover, Clamp	
15	1671121	1	Cover, Generator	
16	1001108617	1	Pressure Filter	
16	70002231	1	Element, Filter	
17	2180348	1	Fitting, Barbed	
19	2220313	1	Fitting, Elbow Barbed	
20	2221176	1	Fitting, Elbow	
21	2750532	5 ft/ 1.5m	Hose	
22	2820170	1	Insulation, Sound Absorbing	
23	2902099	1	Battery Cable Kit	
23A	7024580	1	Cable, Red (To Aux Pump Relay, Battery Positive Terminal and Start Relay)	
23B	7024581	1	Cable, Black (To Aux Pump, Battery Negative Terminal and Ground at Tray Pivot)	
23C	7024582	1	Cable, Red (Aux Pump Relay to Aux Pump)	
23D	7024583	1	Cable, Black (Tray Pivot to Engine Mount)	
23E	7024584	1	Cable, Red (Start Relay to Starter)	
24	3311505	24	Nut 5/16	
25	3380473	1	Panel, Rubber	
26	3422446	1	Pin	
27	3573644	1	Plate, Tray Clamp	
28	1001112878	1	Plate, Top Clamp	
29	1001112879	1	Plate, Bottom Clamp	
30	3573669	1	Plate, Clamp	
31	1001112880	1	Plate, Tray Clamp	
32	3573728	1	Plate, Tray Clamp	
33	3841143	1	Keeper, Pin	
34	3900272	4	Screw 5/16 x 1-3/4	
35	4240018	2	Strap, Tie (Not Shown)	
36	4240099	AR	Strap, Tie	
37	4711400	4	Washer 1/4	
38	4711500	44	Washer 5/16	
39	4711600	7	Washer 3/8	
40	4752000	1	Washer 5/8	

SECTION 3 - ENGINE

ITEM	PART NUMBER	QTY	DESCRIPTION	REV
41	1001107975	1	Engine Assembly with Pumps (See Separate Breakdown in this Section)	
42	1001111132	1	Panel, Rubber	
43	1702942	1	Decal - Block Heater (Not Shown)	
44	0641606	4	Bolt 3/8 x 3/4	

SECTION 3 - ENGINE

FIGURE 3-12. DEUTZ TD2011 ENGINE ASSEMBLY - WITH SAUER PUMPS (WITH SKYPOWER AND WITH COLD WEATHER PLUS PACKAGE)



ART_1001107975_M

SECTION 3 - ENGINE

FIGURE 3-12. DEUTZ TD2011 ENGINE ASSEMBLY - WITH SAUER PUMPS (WITH SKYPOWER AND WITH COLD WEATHER PLUS PACKAGE)

ITEM	PART NUMBER	QTY	DESCRIPTION	REV
	1001107975	Ref	DEUTZ TD2011 ENGINE ASSEMBLY - WITH SAUER PUMPS (WITH SKYPOWER AND WITH COLD WEATHER PLUS PACKAGE)	M
1	0080244	1	Spacer, Fan	
2	0100011	AR	Compound, Locking	
3	0272060	1	Box, Air Intake	
4	0340003	2	Band, Air Cleaner	
5	0340051	2	Band, Muffler	
6	0641406	15	Bolt 1/4 x 3/4	
7	0641506	5	Bolt 5/16 x 3/4	
8	0641507	4	Bolt 5/16 x 7/8	
9	0641605	4	Bolt 3/8 x 5/8	
10	0641608	27	Bolt 3/8 x 1	
11	0641609	2	Bolt 3/8 x 1-1/8	
12	0641610	4	Bolt 3/8 x 1-1/4	
13	0641808	1	Bolt 1/2 x 1	
14	0641814	2	Bolt 1/2 x 1-3/4	
15	0641818	2	Bolt 1/2 x 2-1/4	
16	0641826	2	Bolt 1/2 x 3-1/4	
17	0711214	2	Bolt M12 x 30	
18	0771414	6	Bolt M14 x 30	
19	0711417	4	Bolt M14 x 45	
20	1001112766	1	Bracket, Muffler	
21	0940070	1	Bumper	
22	0961986	2	Bushing, Flanged	
23	1001131542	1	Lanyard	
24	1060904	1	Cable, Jumper	
25	1320022	2	Clamp	
26	1320058	2	Clamp	
27	1320060	1	Clamp	
28	1320223	1	J-Clip	
29	1340065	1	Air Cleaner Assembly	
29	7003655	1	Element, Air Cleaner	
29	7015013	1	Baffle, Rubber	
29	7015014	1	Clamp, Cap	
29	7015015	1	Cup	
29	7015003	1	Wingnut	
30	1671023	1	Shroud, Fan	
31	1703162	2	Decal - Fan Blade	
32	2060025	1	Fan	
33	2220451	1	Fitting, Straight	
34	2220498	1	Fitting, Elbow	
35	2720058	34 ft/ 10.3m	Hose	
36	2580062	1	Heater, Engine Block	
37	2720500	1	Hose, Oil Cooler (Top)	
38	2720501	1	Hose, Oil Cooler (Bottom)	
39	2750532	0.75 ft /0.2m	Hose	
40	2902065	1	Pump Coupling Kit (See Separate Breakdown in this Section))	

SECTION 3 - ENGINE

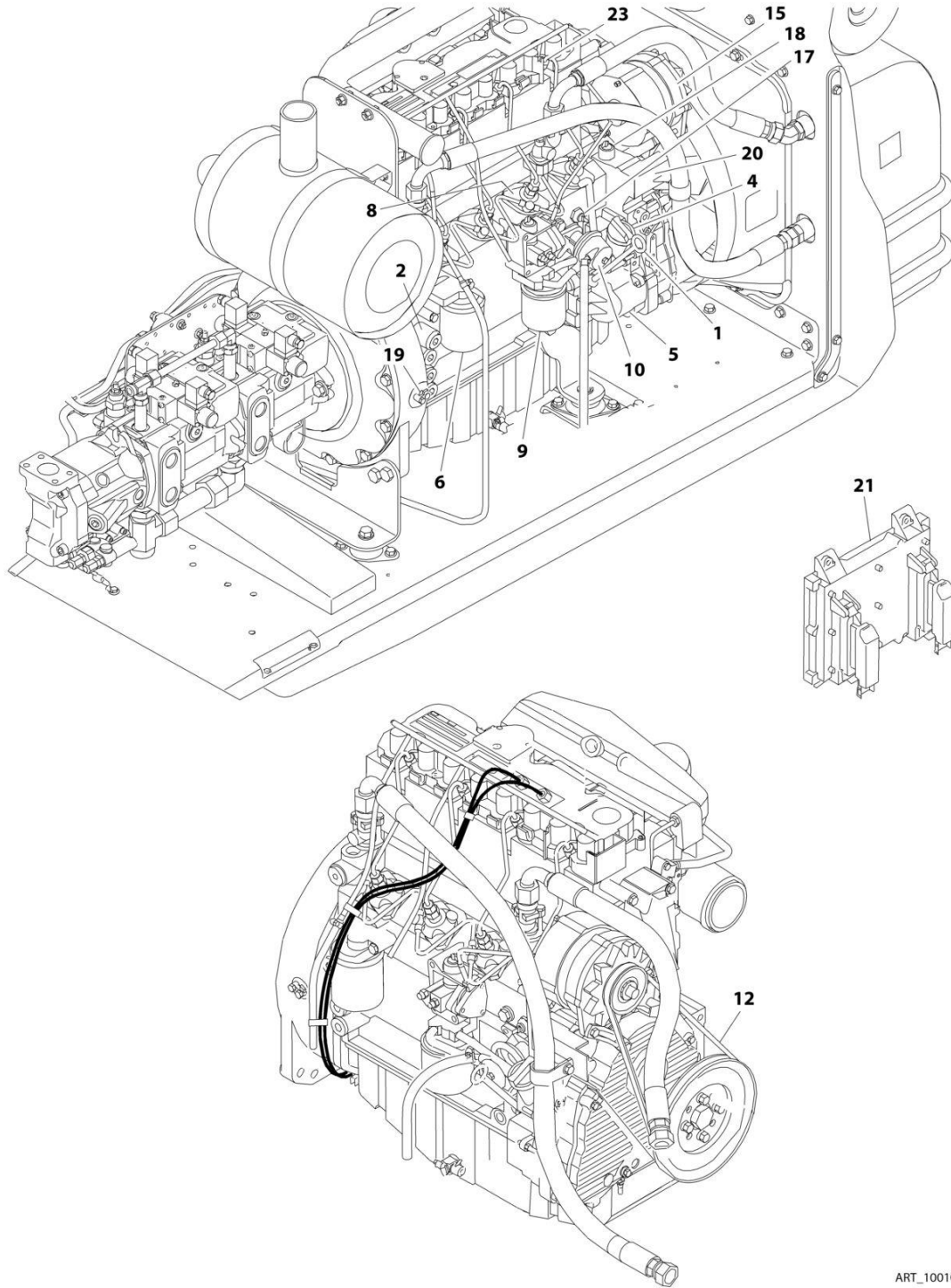
ITEM	PART NUMBER	QTY	DESCRIPTION	REV
42	3200362	2	Mount, Motor (Front)	
43	3200401	2	Mount, Motor (Rear)	
44	1001257277	1	Muffler	
45	3300454	10	Nut	
46	3311405	5	Nut 1/4	
47	3311505	5	Nut 5/16	
48	3311605	30	Nut 3/8	
49	3311805	5	Nut 1/2	
50	3422532	1	Pin, Hitch	
51	3520054	2	Plug	
52	3537416	1	Plate, Mounting (Front Right)	
53	3539971	1	Bracket, Engine Mounting (Front)	
54	3573142	1	Bracket, Engine Mounting (Rear)	
55	3573411	2	Plate, Clamp	
56	3573412	1	Gusset	
57	3573529	1	Plate, Mounting (Front Left)	
58	3580320	1	Pulley	
60	1001145382	1	Cooler, Engine Oil	
61	3740067	2	Relay, Start	
62	3740080	2	Relay	
63	3960543	1	Seal	
64	3960544	1	Seal	
65	4032022	4	Capscrew M10 x 90	
66	4060804	0.98 ft /0.3m	Flex-Trim	
67	4060805	0.67 ft /0.2m	Flex-Trim	
68	4240099	AR	Tie, Wire (Not Shown)	
69	4460234	3	Mount, Wire Tie	
70	4568293	1	Pipe, Exhaust	
71	4640751	1	Valve, Oil Drain	
72	4711500	13	Washer 5/16	
73	4711600	68	Washer 3/8	
74	4711800	7	Washer 1/2	
75	4740274	4	Washer, Snubbing	
76	4740518	10	Washer, Nylon	
77	4751400	20	Washer 1/4	
78	4791400	4	Washer 1/4	
79	4846552	1	Plate, Oil Cooler Mounting	
80	4846945	1	Mount, Generator	
81	4846946	1	Tray	
82	4891800	4	Washer 1/2	
83	4923468	1	Harness, Glow Plugs	
84	1001225118	1	Hose, Air Intake	
85	1001098601	1	Engine, Deutz TD2011 Components (See Separate Breakdown in this Section)	
86	8410013	1	Clamp, Gear	
87	0761215	2	Bolt M12 x 35	
88	1001112927	1	Pump Assembly - Sauer Gear (See Separate Breakdown in this Section)	
89	4891600	2	Washer 3/8	

SECTION 3 - ENGINE

ITEM	PART NUMBER	QTY	DESCRIPTION	REV
90	1001108616	1	Pump Assembly - Sauer Tandem (See Separate Breakdown in this Section)	
91	1001171095	1	Pump Assembly - Sauer Piston (See Separate Breakdown in this Section)	
92	3790152	1	O-Ring	
93	3790155	1	O-Ring	

SECTION 3 - ENGINE

FIGURE 3-13. DEUTZ TD2011 ENGINE COMPONENTS



ART_1001098601

SECTION 3 - ENGINE

FIGURE 3-13. DEUTZ TD2011 ENGINE COMPONENTS

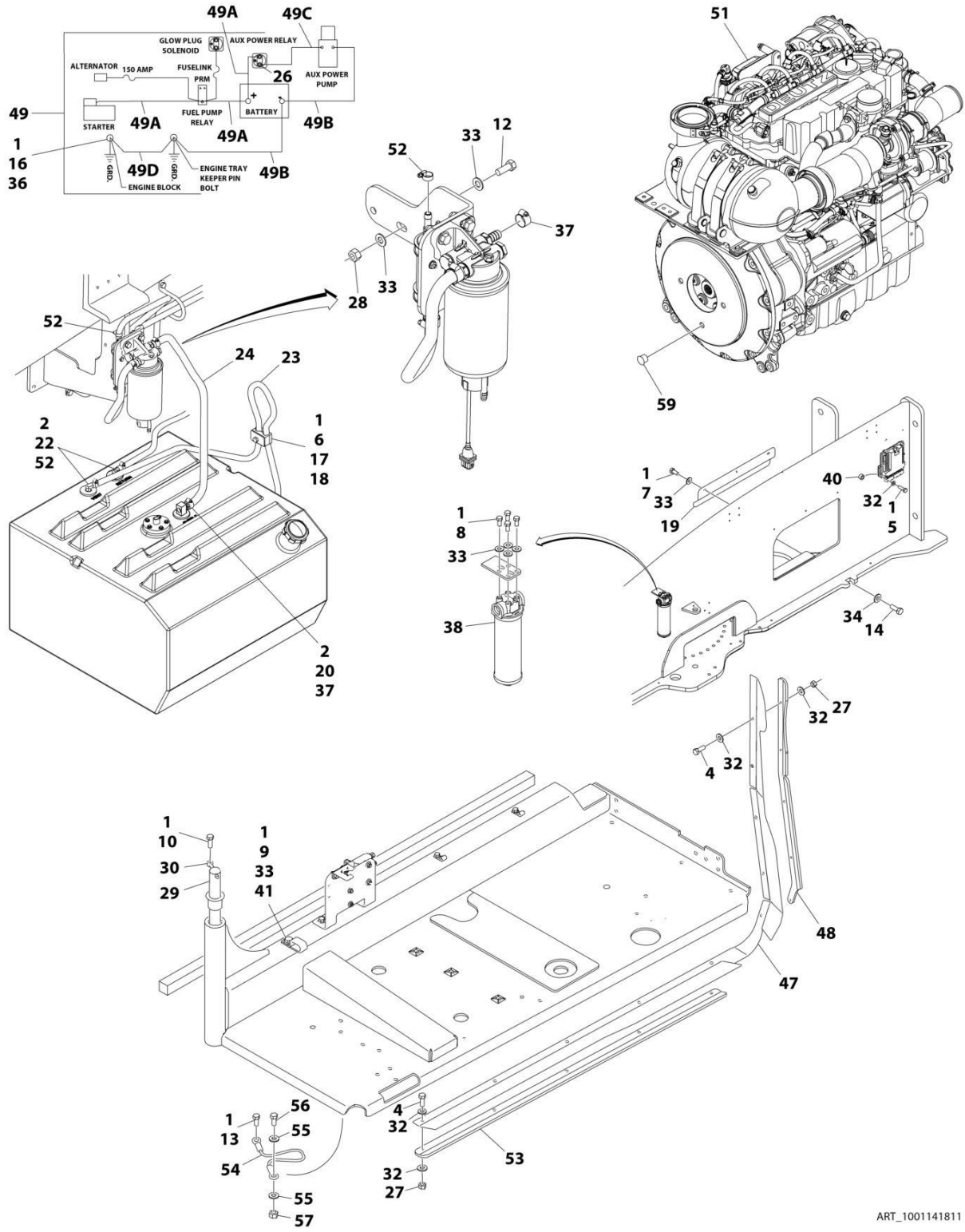
ITEM	PART NUMBER	QTY	DESCRIPTION	REV
	1001098601	Ref	DEUTZ TD2011 ENGINE COMPONENTS	C
1	7027235	1	Dipstick	
1	70000044	1	O-Ring	
2	70003475	1	Thermostat	
2	7020460	1	Compression Spring	
3	70001870	1	Flywheel (Not Shown)	
3	7024579	1	Gear, Ring (Not Shown)	
4	7020465	1	Cap, Filler	
5	70001850	1	Pump, Oil	
5	7020468	1	Seal Between Oil Pump and Engine Block (Not Shown)	
6	7016331	1	Filter, Oil	
6	7027236	1	Sender, Temperature (Located near Oil Filter)	
8		Ref	Injector Pump	
8	70001128	AR	"A" Series	
8	70001129	AR	"B" Series	
8	70001130	AR	"C" Series	
8	70001131	AR	"D" Series	
8	7020447	AR	Gasket (1 per Injector)	
9	7016328	1	Filter, Fuel	
10	70000916	1	Pump Fuel Supply	
10	70001435	1	Repair Kit	
10	70000917	1	O-Seal Between Fuel Pump and Engine Block (Not Shown)	
10	70000918	1	Sealing Ring (Not Shown)	
10	70000919	1	Pump, Hand (Not Shown)	
11	7027239	1	Solenoid, Start (Not Shown - Located near Throttle)	
12	7020414	1	V-Belt	
13	7020471	4	Gasket, Exhaust Manifold to Engine Block (Not Shown)	
13	7020486	1	Gasket, Exhaust Manifold to Exhaust Pipe (Not Shown)	
14	7027240	1	Turbocharger (Not Shown)	
14	70001857	1	Flange, Turbocharger (Not Shown)	
14	70001135	1	Gasket (Not Shown)	
15	70001867	1	Alternator	
15	70001868	1	Regulator, Voltage (Not Shown)	
16	7020479	1	Starter (Not Shown - Located on Right Side of Engine)	
16	7026608	1	Relay, Start (Not Shown)	
17	7027790	1	Sensor, Oil Pressure	
18	7027791	1	Sensor, Temperature (Not Shown)	
19	7024565	1	Sensor, Speed	
20	7027792	1	Actuator Throttle	
20	7027276	2	Spring	
21	1600443	1	Module, EMR2 Controller	
22	70002718	1	Seal, Rear Main (Not Shown)	
23	70003135	4	Injector, Fuel	
23	70003136	1	Ring, Sealing	
24	70001847	1	Valve, Breather (Located - Front Cover) (Not Shown)	
24	70001126	1	O-Ring (Not Shown)	
25	70001125	1	Cap, Breather (Located In Cylinder Head Cover) (Not Shown)	
25	70001126	1	O-Ring (Not Shown)	
26	70001871	4	Gasket, Air Intake Manifold (Not Shown)	
27	70000345	4	Plug, Glow (Not Shown)	

SECTION 3 - ENGINE

ITEM	PART NUMBER	QTY	DESCRIPTION	REV
28	70007353	1	Gasket Kit (Not Shown)	

SECTION 3 - ENGINE

FIGURE 3-14. DEUTZ TCD2.9L4 EMR4 ENGINE INSTALLATION - WITH REXROTH PUMPS (WITHOUT COLD WEATHER PLUS PACKAGE)



ART_1001141811

SECTION 3 - ENGINE

FIGURE 3-14. DEUTZ TCD2.9L4 EMR4 ENGINE INSTALLATION - WITH REXROTH PUMPS (WITHOUT COLD WEATHER PLUS PACKAGE)

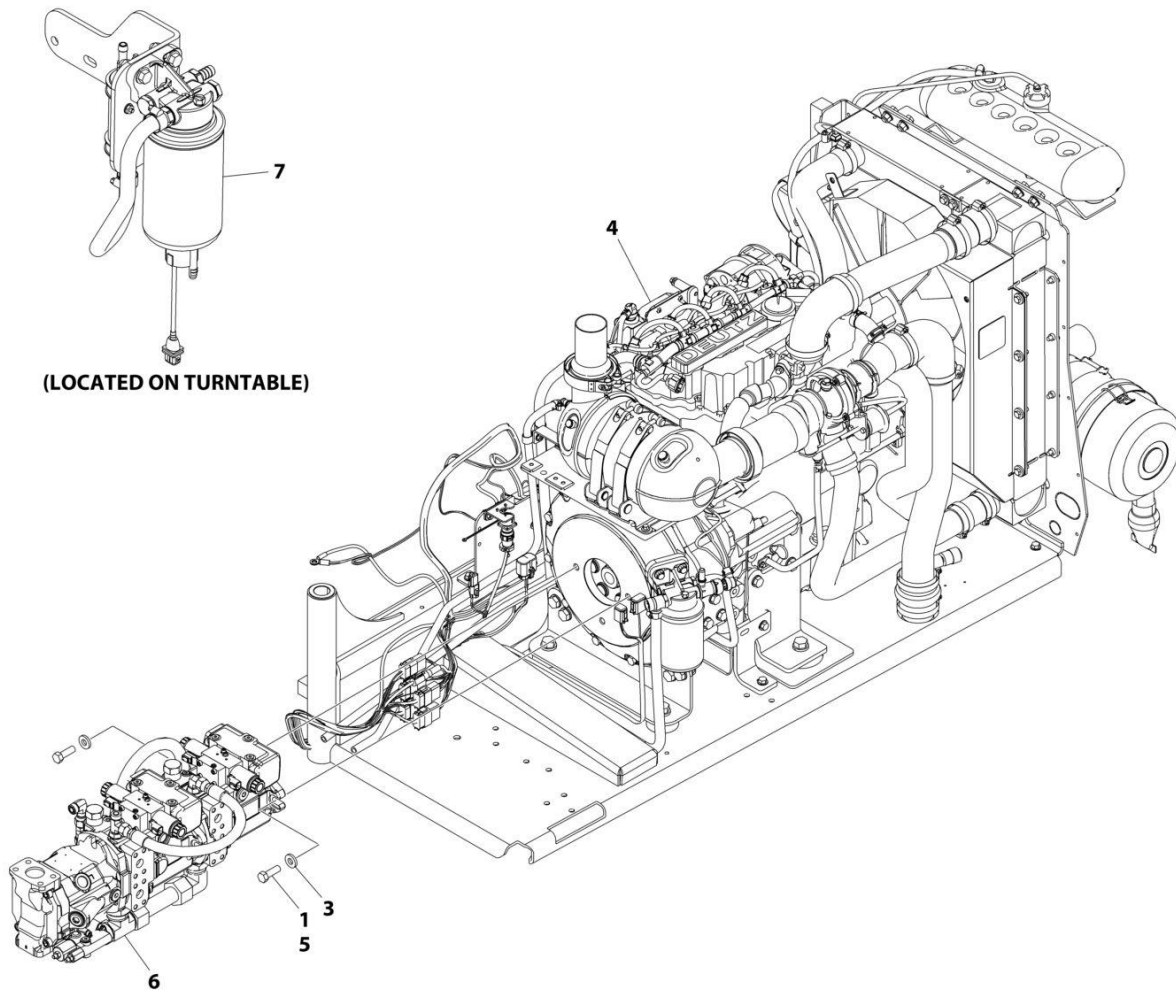
ITEM	PART NUMBER	QTY	DESCRIPTION	REV
	1001141811	Ref	DEUTZ TCD2.9L4 DIESEL ENGINE INSTALLATION - WITH REXROTH PUMPS AND STEEL HOODS (WITHOUT COLD WEATHER PLUS PACKAGE)	K
1	0100011	AR	Compound, Locking	
2	0100079	AR	Sealant, Pipe	
4	0641408	10	Bolt 1/4 x 1	
5	0641410	4	Bolt 1/4 x 1-1/4	
6	0641511	1	Bolt 5/16 x 1-3/8	
7	0641605	3	Bolt 3/8 x 5/8	
8	0641606	4	Bolt 3/8 x 3/4	
9	0641608	1	Bolt 3/8 x 1	
10	0641610	1	Bolt 3/8 x 1-1/4	
12	0641612	2	Bolt 3/8 x 1-1/2	
13	0641808	1	Bolt 1/2 x 1	
14	0642010	1	Bolt 5/8 x 1-1/4	
16	0761210	1	Bolt M12 x 20	
17	1320187	1	Clamp	
18	1320190	1	Cover, Clamp	
19	1671121	1	Cover	
20	2180832	1	Fitting, Barbed	
22	2220313	2	Fitting, Elbow Barbed	
23	2750532	5 ft/ 1.5m	Hose	
24	1001154405	2 ft/ 0.6m	Hose	
26	3300220	2	Nut 5/16	
27	3311405	10	Nut 1/4	
28	3311605	2	Nut 3/8	
29	3422446	1	Pin, Pivot	
30	3841143	1	Pin, Keeper	
31	4240018	2	Strap, Tie (Not Shown)	
32	4711400	24	Washer 1/4	
33	4711600	12	Washer 3/8	
34	4752000	1	Washer 5/8	
36	4812100	1	Washer M12	
37	8405006	2	Clamp	
38	1001108617	1	Filter	
38	70002231	1	Element, Filter	
40	1001110425	4	Spacer	
41	1001116792	1	Clamp	
43	1001138491	NLA	Harness, Fuel (Use p/n 1001222665) (Not Shown - See Separate Breakdown in ELECTRICAL SECTION)	
47	1001140604	1	Panel, Rubber	
48	1001145089	1	Clamp	
49	1001141225	1	Battery Cable Kit	E
49A	7027042	1	Cable, Battery (Red) (Battery + to Relays and Starter)	
49B	7027043	1	Cable, Battery (Black) (Battery - to Tray Pivot Grd and Aux Pump)	
49C	7027044	1	Cable (Red) (Aux Relay to Aux Pump)	
49D	7027045	1	Cable, Battery (Black) (Engine to Tray Pivot Grd)	
51	1001141812	1	Engine Sub-Assembly (See Separate Breakdown in this Section)	
52	1320022	3	Clamp	

SECTION 3 - ENGINE

ITEM	PART NUMBER	QTY	DESCRIPTION	REV
53	1001145842	1	Plate, Clamping	
54	1001131542	1	Lanyard	
55	4711700	2	Washer 7/16	
56	0641708	1	Bolt 7/16 x 1	
57	3311705	1	Nut 7/16	
59	3520054	1	Plug	

SECTION 3 - ENGINE

**FIGURE 3-15. DEUTZ TCD2.9L4 EMR4 ENGINE SUB-ASSEMBLY - WITH REXROTH PUMPS
(WITHOUT COLD WEATHER PLUS PACKAGE)**



ART_1001141812

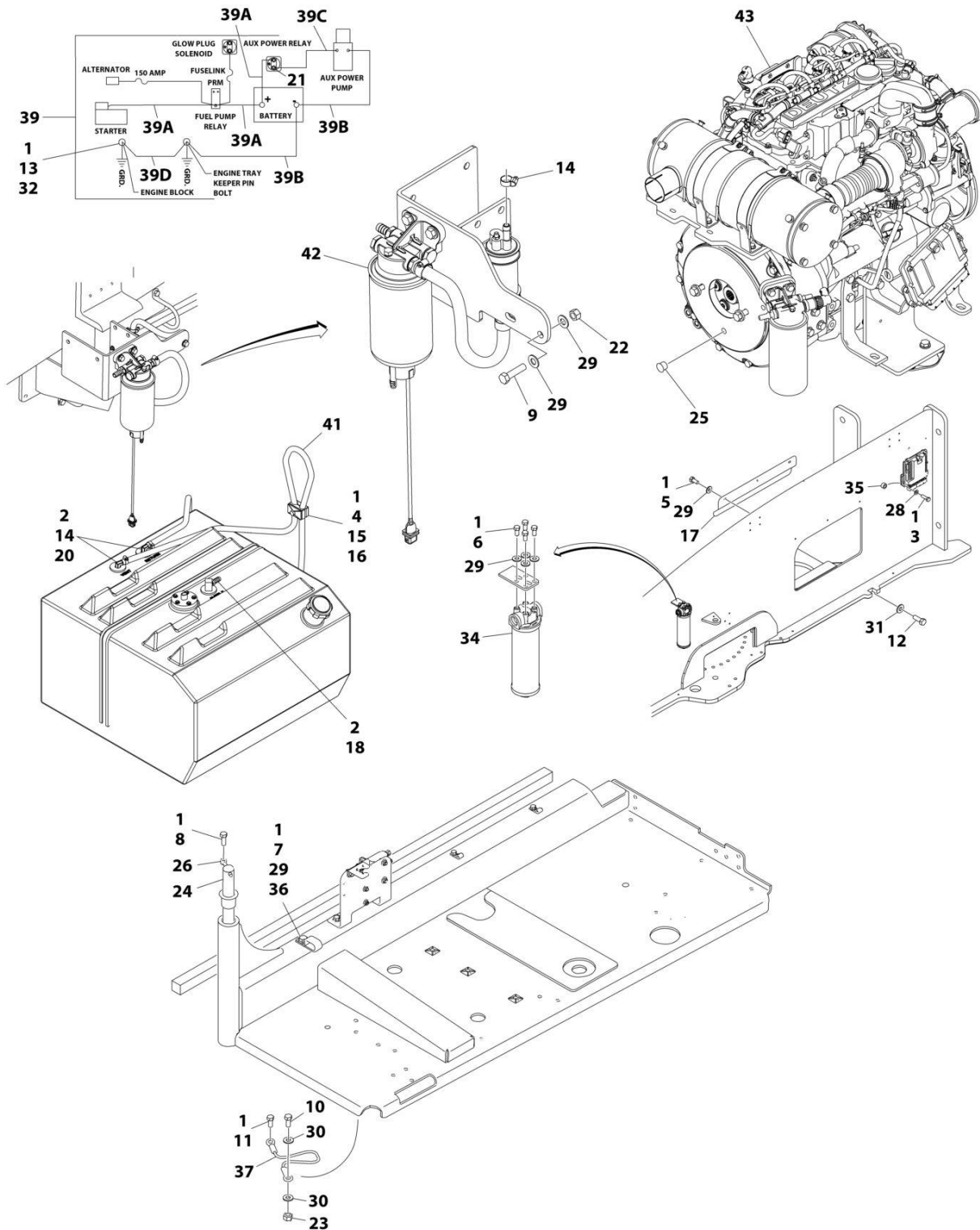
SECTION 3 - ENGINE

**FIGURE 3-15. DEUTZ TCD2.9L4 EMR4 ENGINE SUB-ASSEMBLY - WITH REXROTH PUMPS
(WITHOUT COLD WEATHER PLUS PACKAGE)**

ITEM	PART NUMBER	QTY	DESCRIPTION	REV
	1001141812	Ref	DEUTZ TCD2.9L4 ENGINE SUB-ASSEMBLY	AO
1	0641812	2	Bolt 1/2 x 1-1/2	
1	0641814	2	Bolt 1/2 x 1-3/4	
3	4891800	2	Washer 1/2	
4	1001134392	1	Engine Assembly (See Separate Breakdown in this Section)	
5	0100011	AR	Compound, Locking	
6	1001152963	1	Pump Assembly - Rexroth (See Separate Breakdown in this Section)	
7	1001165101	1	Bracket, Fuel Pump Filter Assembly (See Separate Breakdown in this Section)	

SECTION 3 - ENGINE

FIGURE 3-16. DEUTZ TCD2.9L4 EMR4 ENGINE INSTALLATION - WITH REXROTH PUMPS (WITHOUT COLD WEATHER PLUS PACKAGE) (CHINA SPEC ONLY)



ART_1001221259

SECTION 3 - ENGINE

FIGURE 3-16. DEUTZ TCD2.9L4 EMR4 ENGINE INSTALLATION - WITH REXROTH PUMPS (WITHOUT COLD WEATHER PLUS PACKAGE) (CHINA SPEC ONLY)

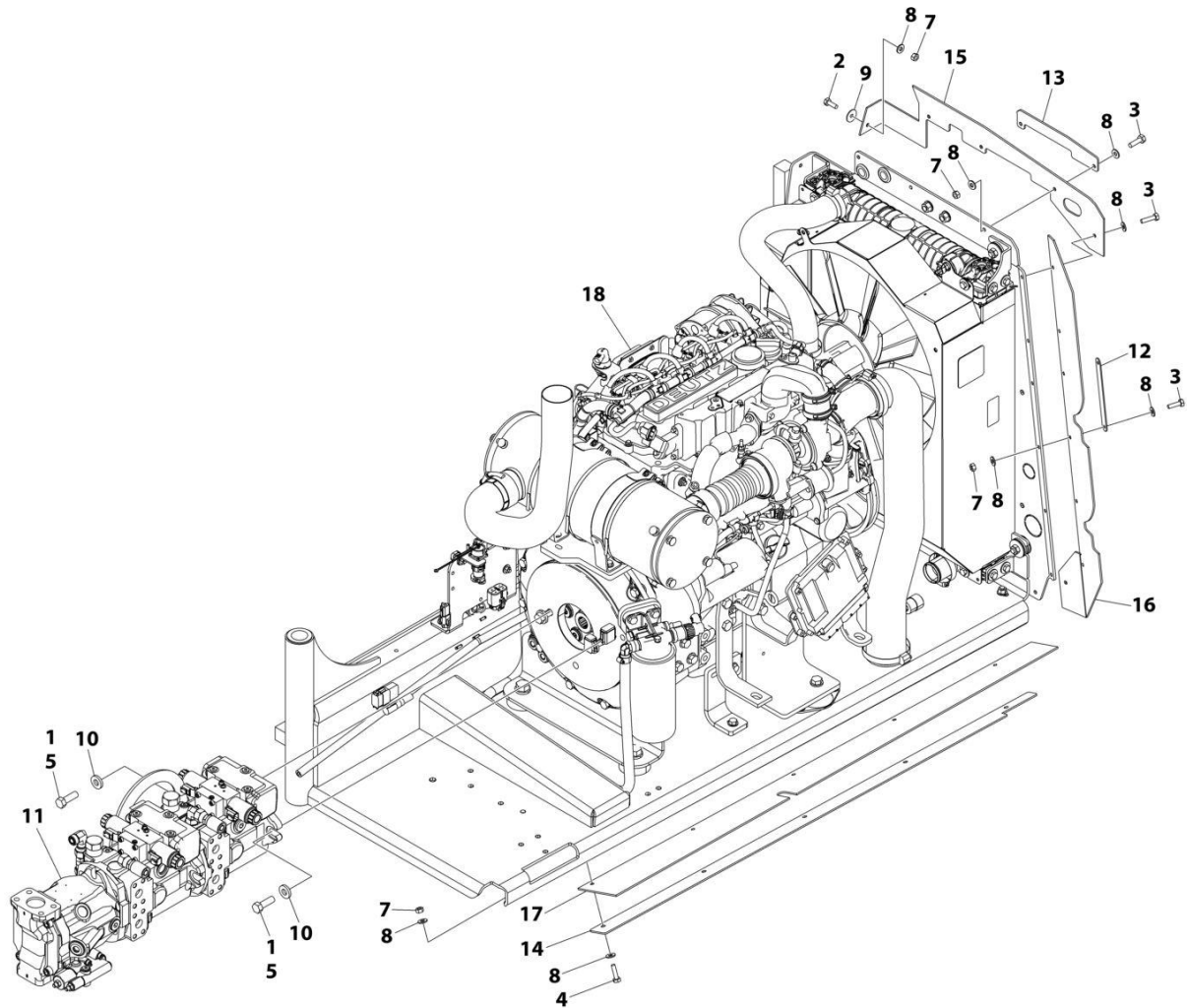
ITEM	PART NUMBER	QTY	DESCRIPTION	REV
	1001221259	Ref	DEUTZ TD2.9L4 DIESEL ENGINE INSTALLATION - WITH REXROTH PUMPS AND STEEL HOODS	C
1	0100011	AR	Compound, Locking	
2	0100079	AR	Sealant, Pipe	
3	0641410	4	Bolt 1/4 x 1-1/4	
4	0641511	1	Bolt 5/16 x 1-3/8	
5	0641605	3	Bolt 3/8 x 5/8	
6	0641606	4	Bolt 3/8 x 3/4	
7	0641608	1	Bolt 3/8 x 1	
8	0641610	1	Bolt 3/8 x 1-1/4	
9	0641612	2	Bolt 3/8 x 1-1/2	
10	0641708	1	Bolt 7/16 x 1	
11	0641808	1	Bolt 1/2 x 1	
12	0642010	1	Bolt 5/8 x 1-1/4	
13	0761210	1	Bolt M12 x 20	
14	1320022	3	Clamp	
15	1320187	1	Clamp	
16	1320190	1	Cover, Clamp	
17	1671121	1	Cover	
18	2180832	1	Fitting, Barbed	
20	2220313	2	Fitting, Elbow Barbed	
21	3300220	2	Nut 5/16	
22	3311605	2	Nut 3/8	
23	3311705	1	Nut 7/16	
24	3422446	1	Pin, Pivot	
25	3520054	1	Plug	
26	3841143	1	Pin, Keeper	
27	4240018	2	Strap, Tie (Not Shown)	
28	4711400	4	Washer 1/4	
29	4711600	12	Washer 3/8	
30	4711700	2	Washer 7/16	
31	4752000	1	Washer 5/8	
32	4812100	1	Washer M12	
34	1001108617	1	Filter	
34	70002231	1	Element, Filter	
35	1001110425	4	Spacer	
36	1001116792	1	Clamp	
37	1001131542	1	Lanyard	
38	1001138491	NLA	Harness, Fuel (Use p/n 1001222665) (Not Shown - See Separate Breakdown in ELECTRICAL SECTION)	
39	1001141225	1	Battery Cable Kit	E
39A	7027042	1	Cable, Battery (Red) (Battery + to Relays and Starter)	
39B	7027043	1	Cable, Battery (Black) (Battery - to Tray Pivot Grd and Aux Pump)	
39C	7027044	1	Cable (Red) (Aux Relay to Aux Pump)	
39D	7027045	1	Cable, Battery (Black) (Engine to Tray Pivot Grd)	
41	2750532	5 ft/ 1.5m	Hose	
42	1001227606	1	Bracket, Fuel Pump Filter Assembly (See Separate Breakdown in this Section)	

SECTION 3 - ENGINE

ITEM	PART NUMBER	QTY	DESCRIPTION	REV
43	1001221263	1	Engine Sub-Assembly (See Separate Breakdown in this Section)	

SECTION 3 - ENGINE

FIGURE 3-17. DEUTZ TCD2.9L4 EMR4 ENGINE SUB-ASSEMBLY - WITH REXROTH PUMPS
(WITHOUT COLD WEATHER PLUS PACKAGE) (CHINA SPEC ONLY)



ART_1001221263

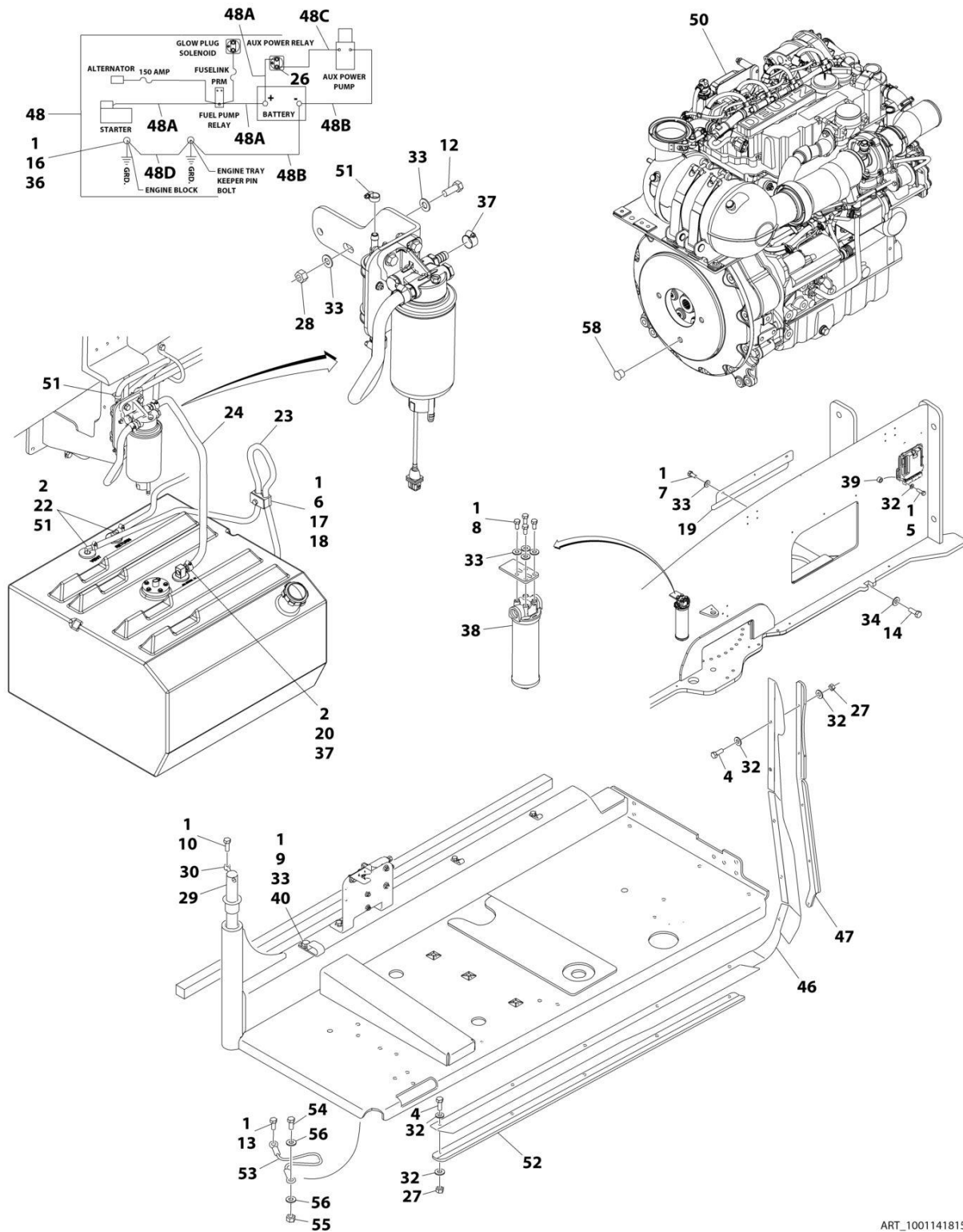
SECTION 3 - ENGINE

**FIGURE 3-17. DEUTZ TCD2.9L4 EMR4 ENGINE SUB-ASSEMBLY - WITH REXROTH PUMPS
(WITHOUT COLD WEATHER PLUS PACKAGE) (CHINA SPEC ONLY)**

ITEM	PART NUMBER	QTY	DESCRIPTION	REV
	1001221263	Ref	DEUTZ TD2.9L4 ENGINE SUB-ASSEMBLY	Q
1	0100011	AR	Compound, Locking	
2	0641406	AR	Bolt 1/4 x 3/4	
3	0641407	8	Bolt 1/4 x 7/8	
4	0641408	AR	Bolt 1/4 x 1	
5	0641812	2	Bolt 1/2 x 1-1/2	
7	3311405	16	Nut 1/4	
8	4711400	AR	Washer 1/4	
9	4740430	AR	Washer, Fender	
10	4891800	2	Washer 1/2	
11	1001152963	1	Pump Assembly - Rexroth (See Separate Breakdown in this Section)	
12	1001167164	3	Plate, Support	
13	1001177945	1	Bracket	
14	1001177946	1	Bracket	
15	1001177957	1	Seal, Rubber Baffle	
16	1001177958	1	Seal, Rubber Baffle	
17	1001177959	1	Seal, Rubber Baffle	
18	1001220735	1	Deutz TD2.9L4 Engine Assembly (See Separate Breakdown in this Section)	

SECTION 3 - ENGINE

FIGURE 3-18. DEUTZ TCD2.9L4 EMR4 ENGINE INSTALLATION - WITH REXROTH PUMPS (WITH COLD WEATHER PLUS PACKAGE)



ART_1001141815

SECTION 3 - ENGINE

FIGURE 3-18. DEUTZ TCD2.9L4 EMR4 ENGINE INSTALLATION - WITH REXROTH PUMPS (WITH COLD WEATHER PLUS PACKAGE)

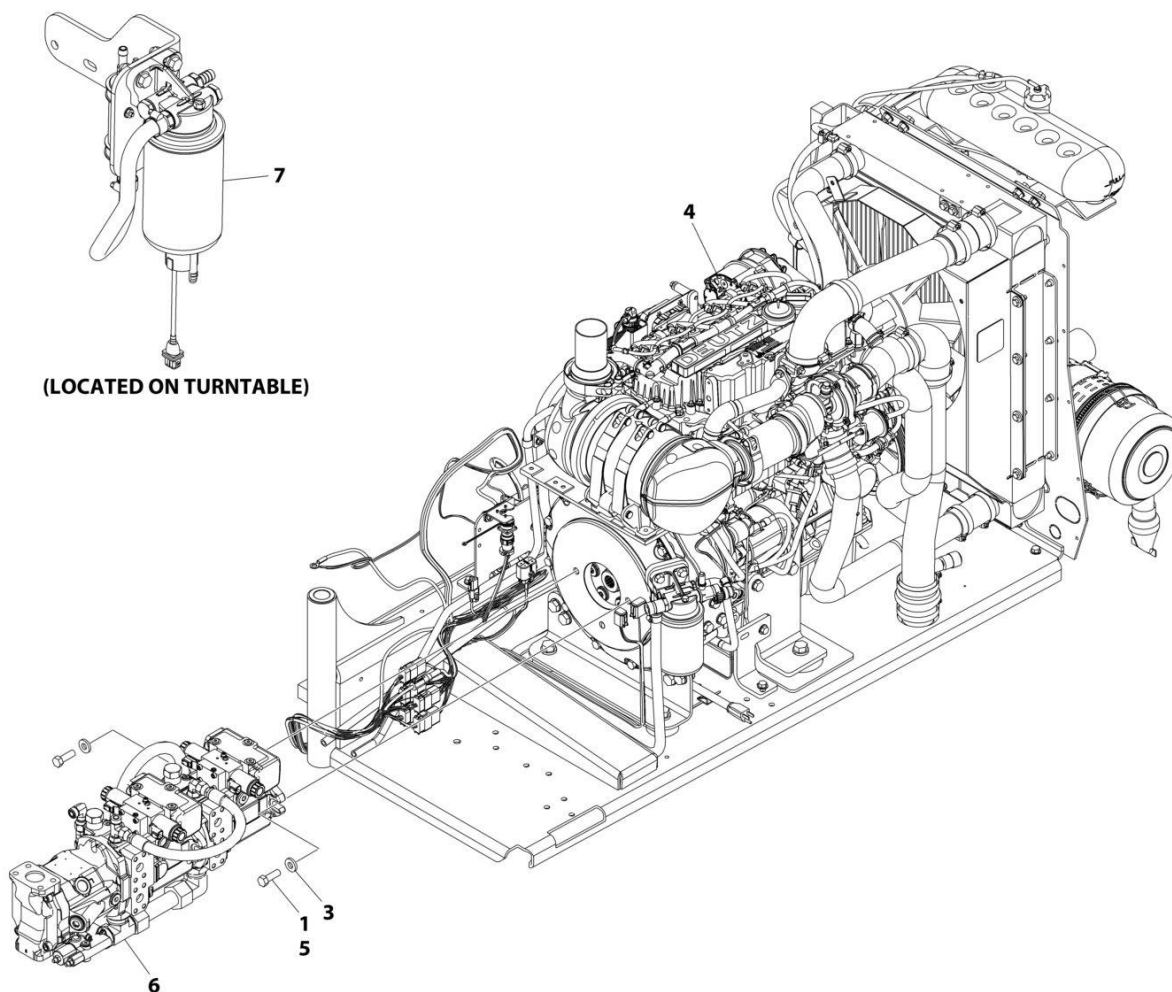
ITEM	PART NUMBER	QTY	DESCRIPTION	REV
	1001141815	Ref	DEUTZ TCD2.9L4 DIESEL ENGINE INSTALLATION - WITH REXROTH PUMPS AND STEEL HOODS (WITH COLD WEATHER PLUS PACKAGE)	M
1	0100011	AR	Compound, Locking	
2	0100079	AR	Sealant, Pipe	
4	0641408	10	Bolt 1/4 x 1	
5	0641410	4	Bolt 1/4 x 1-1/4	
6	0641511	1	Bolt 5/16 x 1-3/8	
7	0641605	3	Bolt 3/8 x 5/8	
8	0641606	4	Bolt 3/8 x 3/4	
9	0641608	1	Bolt 3/8 x 1	
10	0641610	1	Bolt 3/8 x 1-1/4	
12	0641612	2	Bolt 3/8 x 1-1/2	
13	0641808	1	Bolt 1/2 x 1	
14	0642010	1	Bolt 5/8 x 1-1/4	
16	0761210	1	Bolt M12 x 20	
17	1320187	1	Clamp	
18	1320190	1	Cover, Clamp	
19	1671121	1	Cover	
20	2180832	1	Fitting, Barbed	
22	2220313	2	Fitting, Elbow Barbed	
23	2750532	5 ft/ 1.5m	Hose	
24	1001154405	2 ft/ 0.6m	Hose	
26	3300220	2	Nut 5/16	
27	3311405	10	Nut 1/4	
28	3311605	2	Nut 3/8	
29	3422446	1	Pin, Pivot	
30	3841143	1	Pin, Keeper	
31	4240018	2	Strap, Tie (Not Shown)	
32	4711400	24	Washer 1/4	
33	4711600	12	Washer 3/8	
34	4752000	1	Washer 5/8	
36	4812100	1	Washer M12	
37	8405006	2	Clamp	
38	1001108617	1	Filter	
38	70002231	1	Element, Filter	
39	1001110425	4	Spacer	
40	1001116792	1	Clamp	
42	1001138491	NLA	Harness, Fuel (Use p/n 1001222665) (Not Shown - See Separate Breakdown in ELECTRICAL SECTION)	
46	1001140604	1	Panel, Rubber	
47	1001145089	1	Clamp	
48	1001141225	1	Battery Cable Kit	E
48A	7027042	1	Cable, Battery (Red) (Battery + to Relays and Starter)	
48B	7027043	1	Cable, Battery (Black) (Battery - to Tray Pivot Grd and Aux Pump)	
48C	7027044	1	Cable (Red) (Aux Relay to Aux Pump)	
48D	7027045	1	Cable, Battery (Black) (Engine to Tray Pivot Grd)	
50	1001141813	1	Engine Sub-Assembly (See Separate Breakdown in this Section)	
51	1320022	3	Clamp	

SECTION 3 - ENGINE

ITEM	PART NUMBER	QTY	DESCRIPTION	REV
52	1001145842	1	Plate, Clamping	
53	1001131542	1	Lanyard	
54	0641708	1	Bolt 7/16 x 1	
55	3311705	1	Nut 7/16	
56	4711700	2	Washer 7/16	
58	3520054	1	Plug	

SECTION 3 - ENGINE

FIGURE 3-19. DEUTZ TCD2.9L4 EMR4 ENGINE SUB-ASSEMBLY - WITH REXROTH PUMPS (WITH COLD WEATHER PLUS PACKAGE)



ART_1001141813

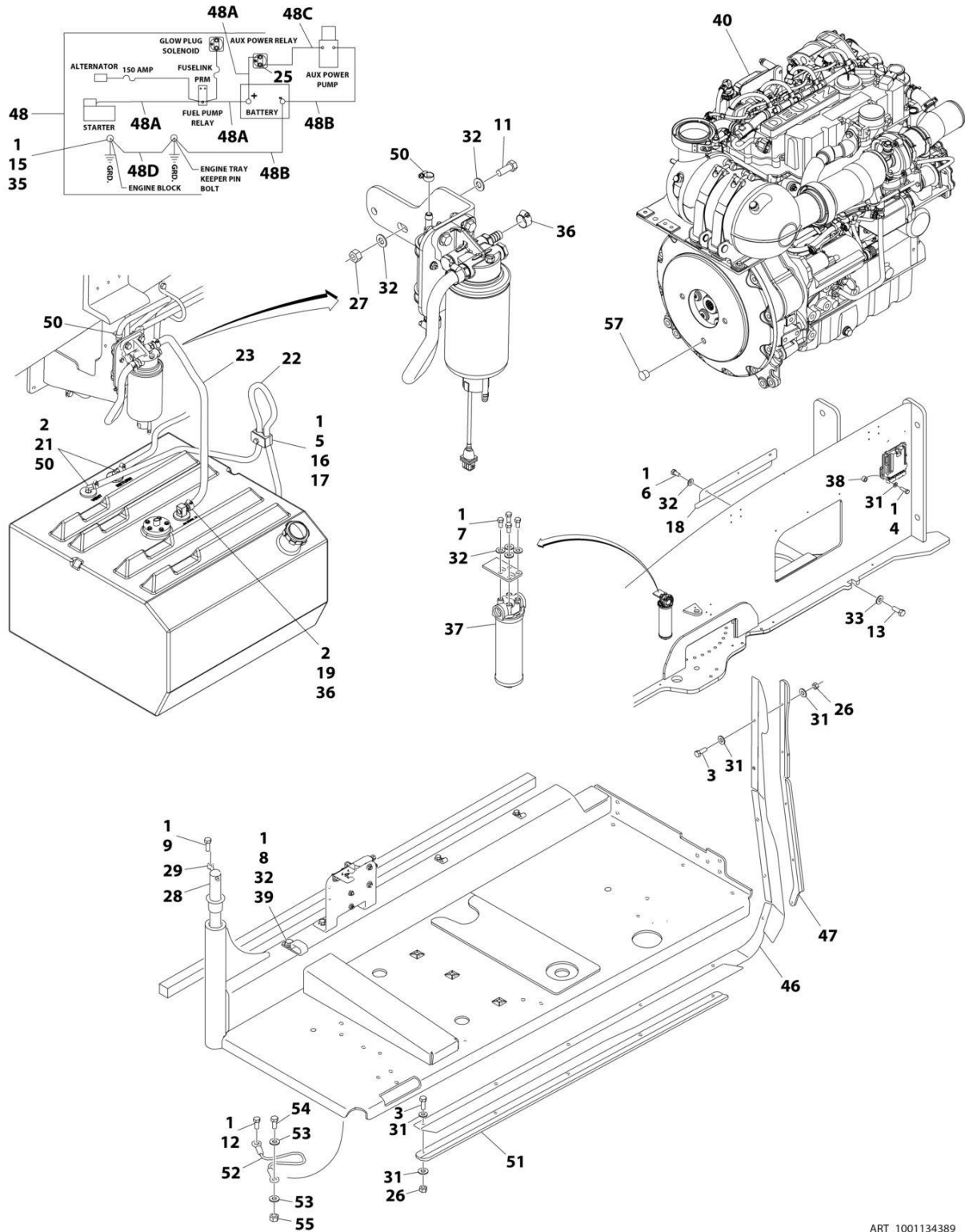
SECTION 3 - ENGINE

FIGURE 3-19. DEUTZ TCD2.9L4 EMR4 ENGINE SUB-ASSEMBLY - WITH REXROTH PUMPS (WITH COLD WEATHER PLUS PACKAGE)

ITEM	PART NUMBER	QTY	DESCRIPTION	REV
	1001141813	Ref	DEUTZ TCD2.9L4 ENGINE SUB-ASSEMBLY	AP
1	0641812	2	Bolt 1/2 x 1-1/2	
1	0641814	2	Bolt 1/2 x 1-1/2	
3	4740171	2	Washer 1/2	
4	1001141746	1	Engine Assembly (See Separate Breakdown in this Section)	
5	0100011	AR	Compound, Locking	
6	1001152963	1	Pump Assembly - Rexroth (See Separate Breakdown in this Section)	
7	1001165101	1	Bracket, Fuel Pump Filter Assembly (See Separate Breakdown in this Section)	

SECTION 3 - ENGINE

FIGURE 3-20. DEUTZ TCD2.9L4 EMR4 ENGINE INSTALLATION - WITH SAUER PUMPS (WITHOUT COLD WEATHER PLUS PACKAGE)



ART_1001134389

SECTION 3 - ENGINE

FIGURE 3-20. DEUTZ TCD2.9L4 EMR4 ENGINE INSTALLATION - WITH SAUER PUMPS (WITHOUT COLD WEATHER PLUS PACKAGE)

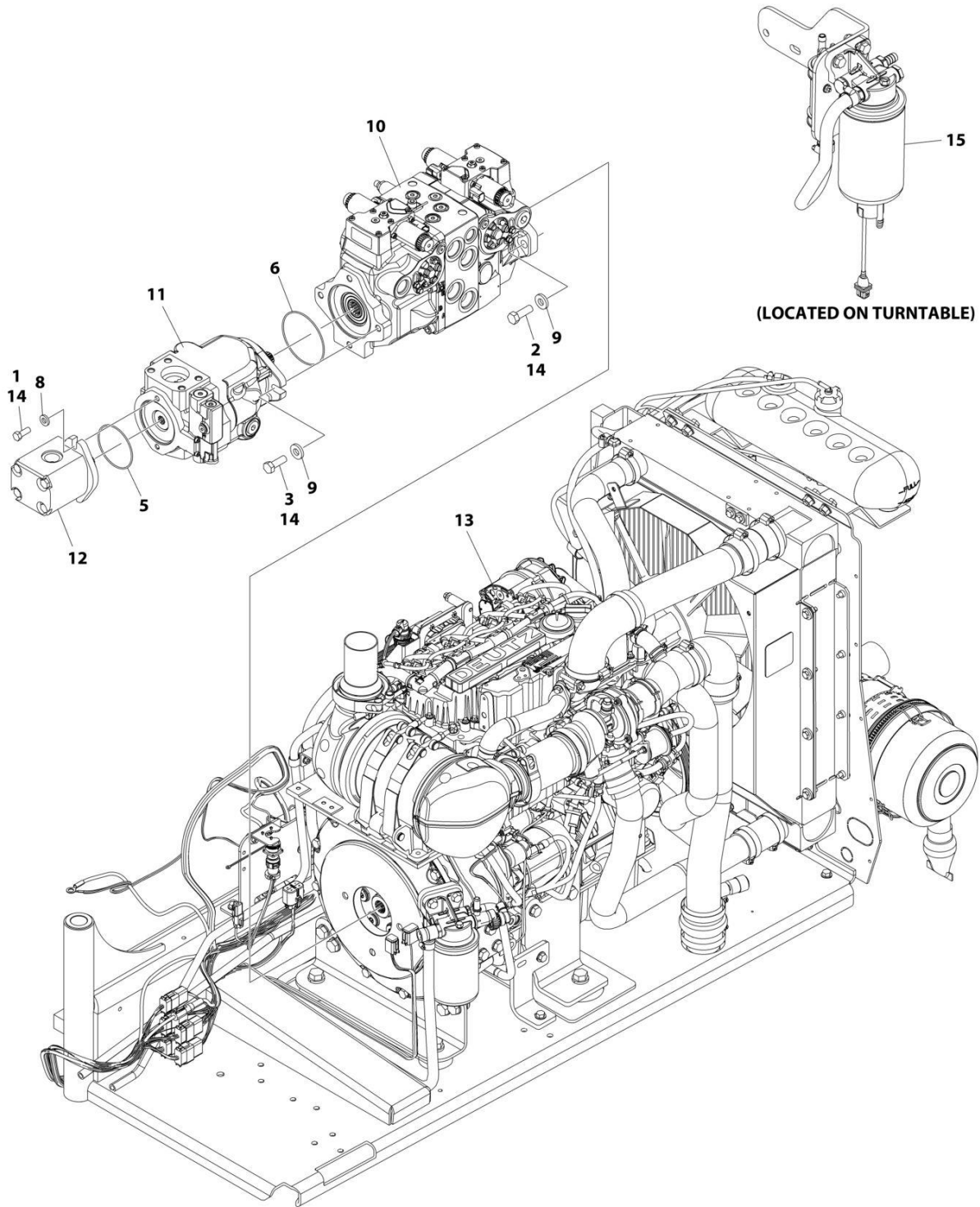
ITEM	PART NUMBER	QTY	DESCRIPTION	REV
	1001134389	Ref	DEUTZ TCD2.9L4 DIESEL ENGINE INSTALLATION - WITH SAUER PUMPS AND STEEL HOODS (WITHOUT COLD WEATHER PLUS PACKAGE)	K
1	0100011	AR	Compound, Locking	
2	0100079	AR	Sealant, Pipe	
3	0641408	10	Bolt 1/4 x 1	
4	0641410	4	Bolt 1/4 x 1-1/4	
5	0641511	1	Bolt 5/16 x 1-3/8	
6	0641605	3	Bolt 3/8 x 5/8	
7	0641606	4	Bolt 3/8 x 3/4	
8	0641608	1	Bolt 3/8 x 1	
9	0641610	1	Bolt 3/8 x 1-1/4	
11	0641612	2	Bolt 3/8 x 1-1/2	
12	0641808	1	Bolt 1/2 x 1	
13	0642010	1	Bolt 5/8 x 1-1/4	
15	0761210	1	Bolt M12 x 20	
16	1320187	1	Clamp	
17	1320190	1	Cover, Clamp	
18	1671121	1	Cover	
19	2180832	1	Fitting, Barbed	
21	2220313	2	Fitting, Elbow Barbed	
22	2750532	5 ft/ 1.5m	Hose	
23	1001154405	2 ft/ 0.6m	Hose	
25	3300220	2	Nut 5/16	
26	3311405	10	Nut 1/4	
27	3311605	2	Nut 3/8	
28	3422446	1	Pin, Pivot	
29	3841143	1	Pin, Keeper	
30	4240018	2	Strap, Tie (Not Shown)	
31	4711400	24	Washer 1/4	
32	4711600	12	Washer 3/8	
33	4752000	1	Washer 5/8	
35	4812100	1	Washer M12	
36	8405006	2	Clamp	
37	1001108617	1	Filter	
37	70002231	1	Element, Filter	
38	1001110425	4	Spacer	
39	1001116792	1	Clamp	
40	1001134390	1	Engine Sub-Assembly (See Separate Breakdown in this Section)	
42	1001138491	NLA	Harness, Fuel (Use p/n 1001222665) (Not Shown - See Separate Breakdown in ELECTRICAL SECTION)	
46	1001140604	1	Panel, Rubber	
47	1001145089	1	Clamp	
48	1001141225	1	Battery Cable Kit	E
48A	7027042	1	Cable, Battery (Red) (Battery + to Relays and Starter)	
48B	7027043	1	Cable, Battery (Black) (Battery - to Tray Pivot Grd and Aux Pump)	
48C	7027044	1	Cable (Red) (Aux Relay to Aux Pump)	
48D	7027045	1	Cable, Battery (Black) (Engine to Tray Pivot Grd)	
50	1320022	3	Clamp	

SECTION 3 - ENGINE

ITEM	PART NUMBER	QTY	DESCRIPTION	REV
51	1001145842	1	Plate, Clamping	
52	1001131542	1	Lanyard	
53	4711700	2	Washer 7/16	
54	0641708	1	Bolt 7/16 x 1	
55	3311705	1	Nut 7/16	
57	3520054	1	Plug	

SECTION 3 - ENGINE

FIGURE 3-21. DEUTZ TCD2.9L4 EMR4 ENGINE SUB-ASSEMBLY - WITH SAUER PUMPS (WITHOUT COLD WEATHER PLUS PACKAGE)



ART_1001134390

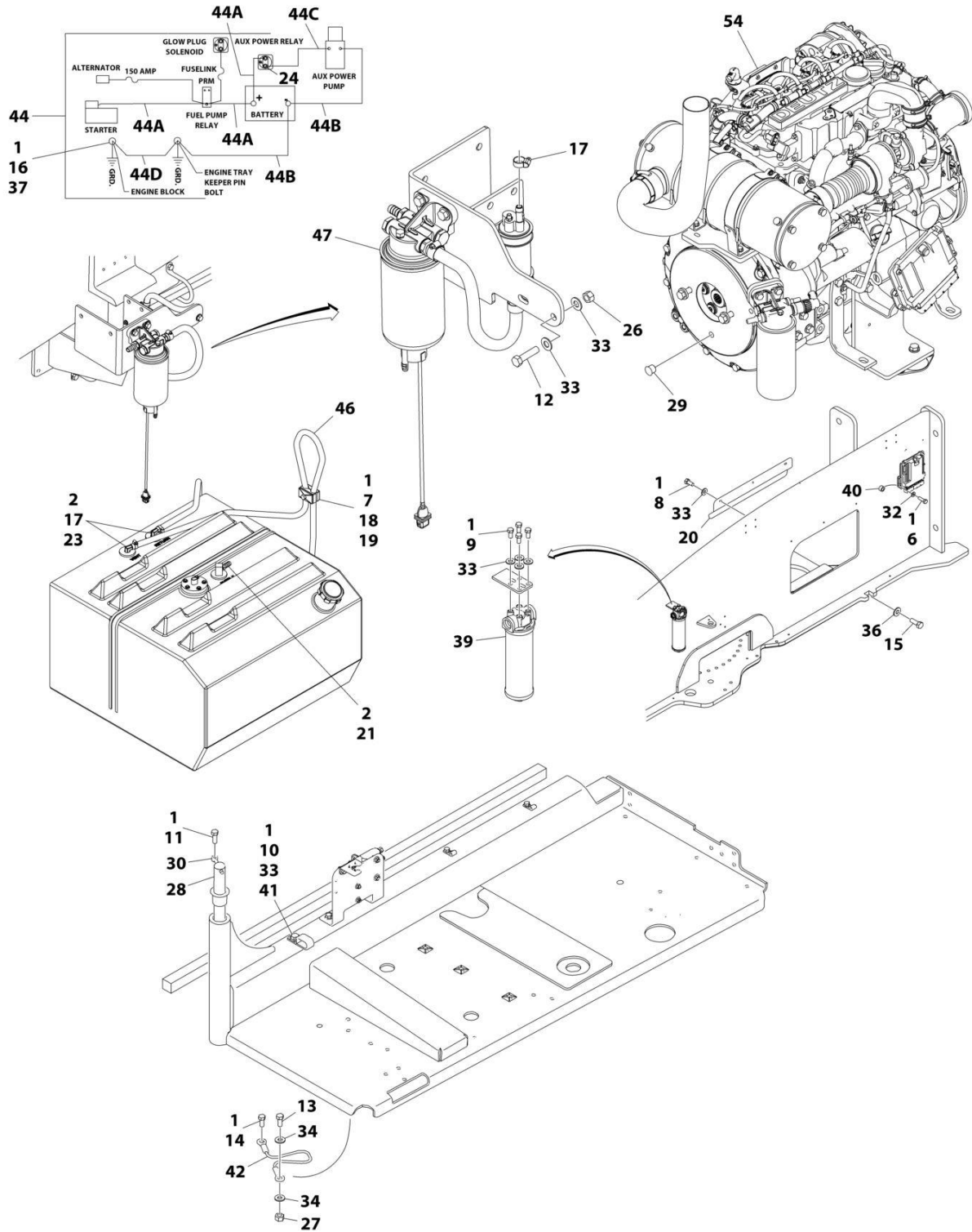
SECTION 3 - ENGINE

FIGURE 3-21. DEUTZ TCD2.9L4 EMR4 ENGINE SUB-ASSEMBLY - WITH SAUER PUMPS (WITHOUT COLD WEATHER PLUS PACKAGE)

ITEM	PART NUMBER	QTY	DESCRIPTION	REV
	1001134390	Ref	DEUTZ TCD2.9L4 ENGINE SUB-ASSEMBLY	AM
1	0641608	2	Bolt 3/8 x 1	
2	0641812	2	Bolt 1/2 x 1-1/2	
2	0641814	2	Bolt 1/2 x 1-3/4	
3	0761215	2	Bolt M12 x 35	
5	3790152	1	O-Ring	
6	3790155	1	O-Ring	
8	4891600	2	Washer 3/8	
9	4891800	4	Washer 1/2	
10	1001108616	1	Pump Assembly - Sauer Tandem (See Separate Breakdown in this Section)	
11	1001171095	1	Pump Assembly - Sauer Piston (See Separate Breakdown in this Section)	
12	1001112927	1	Pump Assembly - Sauer Gear (See Separate Breakdown in this Section)	
13	1001134392	1	Engine Assembly (See Separate Breakdown in this Section)	
14	0100011	AR	Compound, Locking	
15	1001165101	1	Bracket, Fuel Pump Filter Assembly (See Separate Breakdown in this Section)	

SECTION 3 - ENGINE

FIGURE 3-22. DEUTZ TCD2.9L4 EMR4 ENGINE INSTALLATION - WITH SAUER PUMPS (WITHOUT COLD WEATHER PLUS PACKAGE) (CHINA SPEC ONLY)



ART_1001221261

SECTION 3 - ENGINE

FIGURE 3-22. DEUTZ TCD2.9L4 EMR4 ENGINE INSTALLATION - WITH SAUER PUMPS (WITHOUT COLD WEATHER PLUS PACKAGE) (CHINA SPEC ONLY)

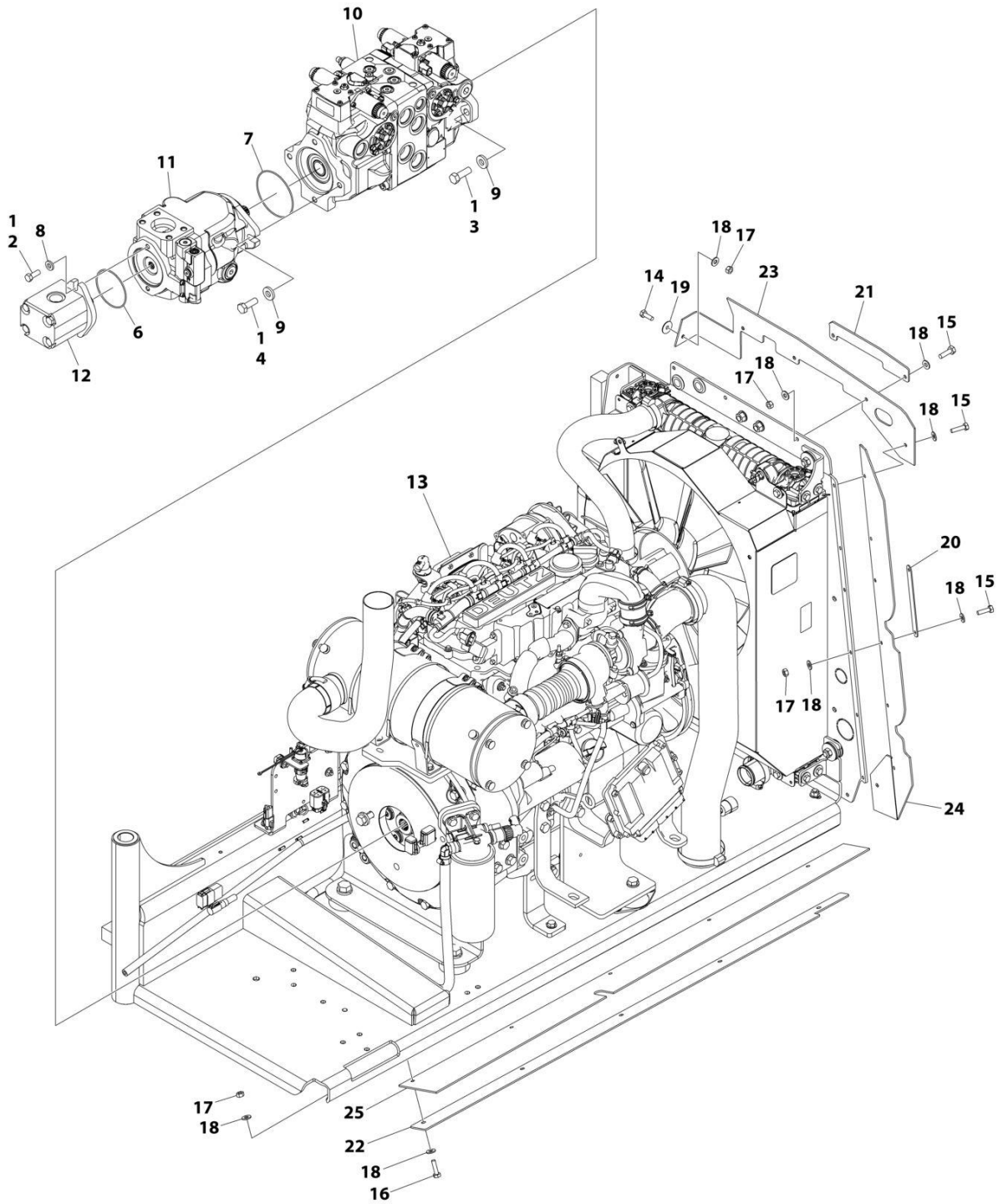
ITEM	PART NUMBER	QTY	DESCRIPTION	REV
	1001221261	Ref	DEUTZ TD2.9L4 DIESEL ENGINE INSTALLATION - WITH SAUER PUMPS AND STEEL HOODS	D
1	0100011	AR	Compound, Locking	
2	0100079	AR	Sealant, Pipe	
6	0641410	4	Bolt 1/4 x 1-1/4	
7	0641511	1	Bolt 5/16 x 1-3/8	
8	0641605	3	Bolt 3/8 x 5/8	
9	0641606	4	Bolt 3/8 x 3/4	
10	0641608	1	Bolt 3/8 x 1	
11	0641610	1	Bolt 3/8 x 1-1/4	
12	0641612	2	Bolt 3/8 x 1-1/2	
13	0641708	1	Bolt 7/16 x 1	
14	0641808	1	Bolt 1/2 x 1	
15	0642010	1	Bolt 5/8 x 1-1/4	
16	0761210	1	Bolt M12 x 20	
17	1320022	3	Clamp	
18	1320187	1	Clamp	
19	1320190	1	Cover, Clamp	
20	1671121	1	Cover	
21	2180832	1	Fitting, Barbed	
23	2220313	2	Fitting, Elbow Barbed	
24	3300220	2	Nut 5/16	
26	3311605	2	Nut 3/8	
27	3311705	1	Nut 7/16	
28	3422446	1	Pin, Pivot	
29	3520054	1	Plug	
30	3841143	1	Pin, Keeper	
31	4240018	2	Strap, Tie (Not Shown)	
32	4711400	4	Washer 1/4	
33	4711600	12	Washer 3/8	
34	4711700	2	Washer 7/16	
36	4752000	1	Washer 5/8	
37	4812100	1	Washer M12	
39	1001108617	1	Filter	
39	70002231	1	Element, Filter	
40	1001110425	4	Spacer	
41	1001116792	1	Clamp	
42	1001131542	1	Lanyard	
43	1001138491	NLA	Harness, Fuel (Use p/n 1001222665) (Not Shown - See Separate Breakdown in ELECTRICAL SECTION)	
44	1001141225	1	Battery Cable Kit	E
44A	7027042	1	Cable, Battery (Red) (Battery + to Relays and Starter)	
44B	7027043	1	Cable, Battery (Black) (Battery - to Tray Pivot Grd and Aux Pump)	
44C	7027044	1	Cable (Red) (Aux Relay to Aux Pump)	
44D	7027045	1	Cable, Battery (Black) (Engine to Tray Pivot Grd)	
46	2750532	5 ft/ 1.5m	Hose	
47	1001227606	1	Bracket, Fuel Pump Filter Assembly (See Separate Breakdown in this Section)	

SECTION 3 - ENGINE

ITEM	PART NUMBER	QTY	DESCRIPTION	REV
54	1001221265	1	Engine Sub-Assembly (See Separate Breakdown in this Section)	

SECTION 3 - ENGINE

FIGURE 3-23. DEUTZ TCD2.9L4 EMR4 ENGINE SUB-ASSEMBLY - WITH SAUER PUMPS (WITHOUT COLD WEATHER PLUS PACKAGE) (CHINA SPEC ONLY)



ART_1001221265

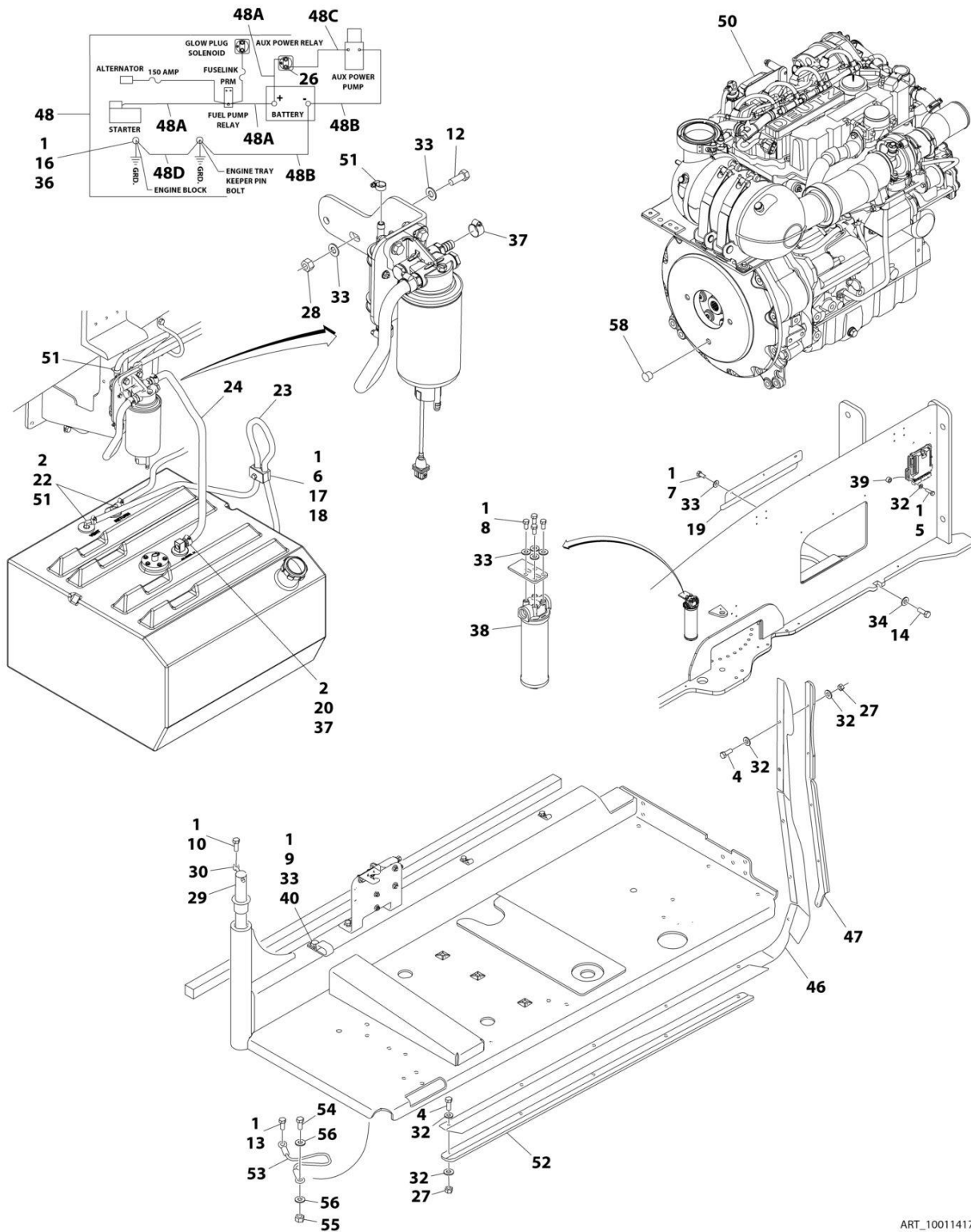
SECTION 3 - ENGINE

FIGURE 3-23. DEUTZ TCD2.9L4 EMR4 ENGINE SUB-ASSEMBLY - WITH SAUER PUMPS (WITHOUT COLD WEATHER PLUS PACKAGE) (CHINA SPEC ONLY)

ITEM	PART NUMBER	QTY	DESCRIPTION	REV
	1001221265	Ref	DEUTZ TD2.9L4 ENGINE SUB-ASSEMBLY	R
1	0100011	AR	Compound, Locking	
2	0641608	2	Bolt 3/8 x 1	
3	0641812	2	Bolt 1/2 x 1-1/2	
4	0761215	2	Bolt M12 x 35	
6	3790152	1	O-Ring	
7	3790155	1	O-Ring	
8	4891600	2	Washer 3/8	
9	4891800	4	Washer 1/2	
10	1001108616	1	Pump Assembly (Sauer Tandem) (See Separate Breakdown in this Section)	
11	1001171095	1	Pump Assembly (Sauer Piston) (See Separate Breakdown in this Section)	
12	1001112927	1	Pump Assembly (Sauer Gear) (See Separate Breakdown in this Section)	
13	1001220735	1	Deutz TD2.9L4 Engine Assembly (See Separate Breakdown in this Section)	
14	0641406	AR	Bolt 1/4 x 3/4	
15	0641407	8	Bolt 1/4 x 7/8	
16	0641408	AR	Bolt 1/4 x 1	
16	0641407	AR	Bolt 1/4 x 7/8	
17	3311405	16	Nut 1/4	
18	4711400	AR	Washer 1/4	
19	4740430	AR	Washer, Fender	
20	1001167164	3	Plate, Support	
21	1001177945	1	Bracket	
22	1001177946	1	Bracket	
23	1001177957	1	Seal, Rubber Baffle	
24	1001177958	1	Seal, Rubber Baffle	
25	1001177959	1	Seal, Rubber Baffle	

SECTION 3 - ENGINE

FIGURE 3-24. DEUTZ TCD2.9L4 EMR4 ENGINE INSTALLATION - WITH SAUER PUMPS (WITH COLD WEATHER PLUS PACKAGE)



ART_1001141744

SECTION 3 - ENGINE

FIGURE 3-24. DEUTZ TCD2.9L4 EMR4 ENGINE INSTALLATION - WITH SAUER PUMPS (WITH COLD WEATHER PLUS PACKAGE)

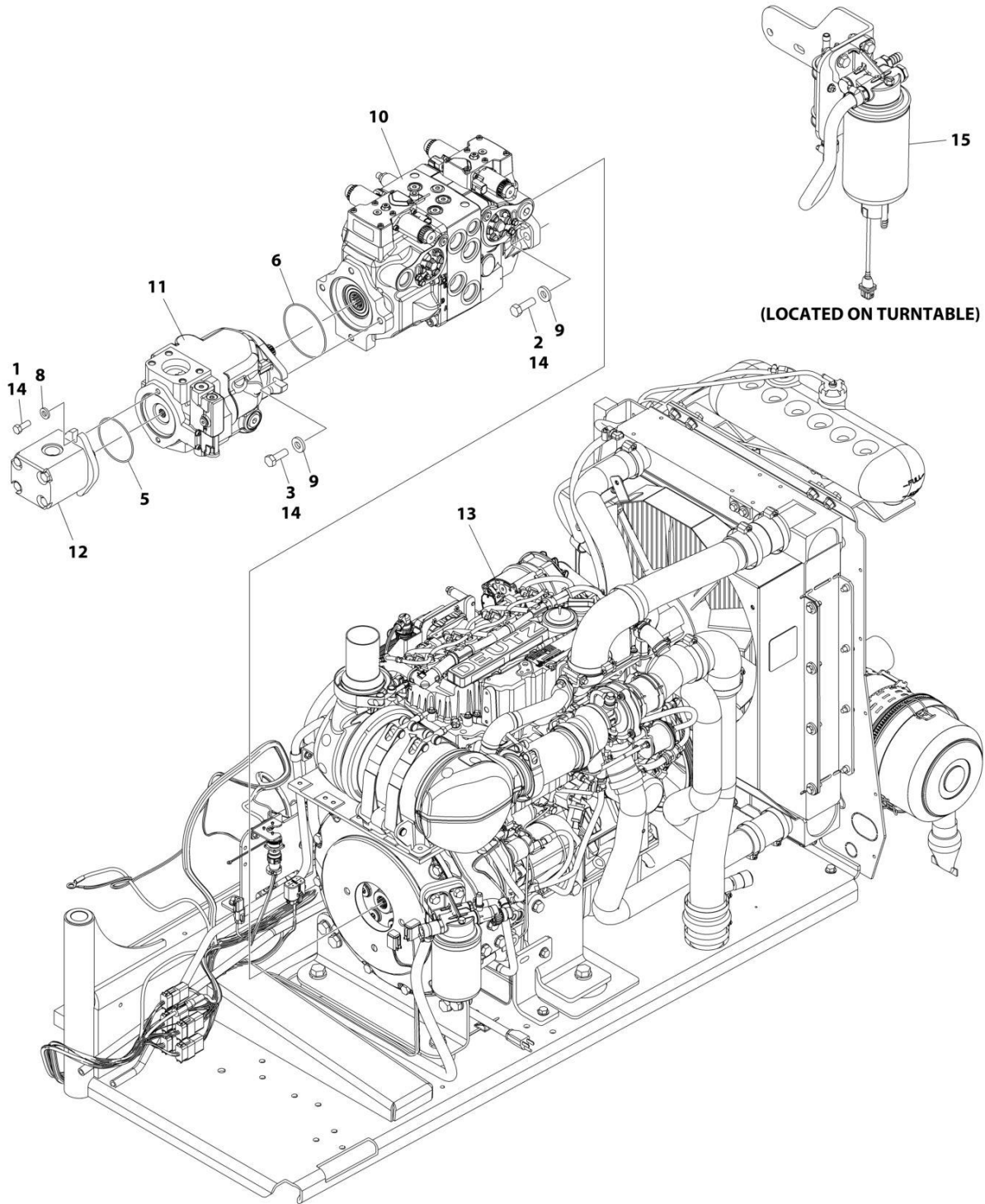
ITEM	PART NUMBER	QTY	DESCRIPTION	REV
	1001141744	Ref	DEUTZ TCD2.9L4 DIESEL ENGINE INSTALLATION - WITH SAUER PUMPS AND STEEL HOODS (WITH COLD WEATHER PLUS PACKAGE)	M
1	0100011	AR	Compound, Locking	
2	0100079	AR	Sealant, Pipe	
4	0641408	10	Bolt 1/4 x 1	
5	0641410	4	Bolt 1/4 x 1-1/4	
6	0641511	1	Bolt 5/16 x 1-3/8	
7	0641605	3	Bolt 3/8 x 5/8	
8	0641606	4	Bolt 3/8 x 3/4	
9	0641608	1	Bolt 3/8 x 1	
10	0641610	1	Bolt 3/8 x 1-1/4	
12	0641612	2	Bolt 3/8 x 1-1/2	
13	0641808	1	Bolt 1/2 x 1	
14	0642010	1	Bolt 5/8 x 1-1/4	
16	0761210	1	Bolt M12 x 20	
17	1320187	1	Clamp	
18	1320190	1	Cover, Clamp	
19	1671121	1	Cover	
20	2180832	1	Fitting, Barbed	
22	2220313	2	Fitting, Elbow Barbed	
23	2750532	5 ft/ 1.5m	Hose	
24	1001154405	2 ft/ 0.6m	Hose	
26	3300220	2	Nut 5/16	
27	3311405	10	Nut 1/4	
28	3311605	2	Nut 3/8	
29	3422446	1	Pin, Pivot	
30	3841143	1	Pin, Keeper	
31	4240018	2	Strap, Tie (Not Shown)	
32	4711400	24	Washer 1/4	
33	4711600	12	Washer 3/8	
34	4752000	1	Washer 5/8	
36	4812100	1	Washer M12	
37	8405006	2	Clamp	
38	1001108617	1	Filter	
38	70002231	1	Element, Filter	
39	1001110425	4	Spacer	
40	1001116792	1	Clamp	
42	1001138491	NLA	Harness, Fuel (Use p/n 1001222665) (Not Shown - See Separate Breakdown in ELECTRICAL SECTION)	
46	1001140604	1	Panel, Rubber	
47	1001145089	1	Clamp	
48	1001141225	1	Battery Cable Kit	E
48A	7027042	1	Cable, Battery (Red) (Battery + to Relays and Starter)	
48B	7027043	1	Cable, Battery (Black) (Battery - to Tray Pivot Grd and Aux Pump)	
48C	7027044	1	Cable (Red) (Aux Relay to Aux Pump)	
48D	7027045	1	Cable, Battery (Black) (Engine to Tray Pivot Grd)	
50	1001141745	1	Engine Sub-Assembly (See Separate Breakdown in this Section)	
51	1320022	3	Clamp	

SECTION 3 - ENGINE

ITEM	PART NUMBER	QTY	DESCRIPTION	REV
52	1001145842	1	Plate, Clamping	
53	1001131542	1	Lanyard	
54	0641708	1	Bolt 7/16 x 1	
55	3311705	1	Nut 7/16	
56	4711700	2	Washer 7/16	
58	3520054	1	Plug	

SECTION 3 - ENGINE

FIGURE 3-25. DEUTZ TCD2.9L4 EMR4 ENGINE SUB-ASSEMBLY - WITH SAUER PUMPS (WITH COLD WEATHER PLUS PACKAGE)



ART_1001141745

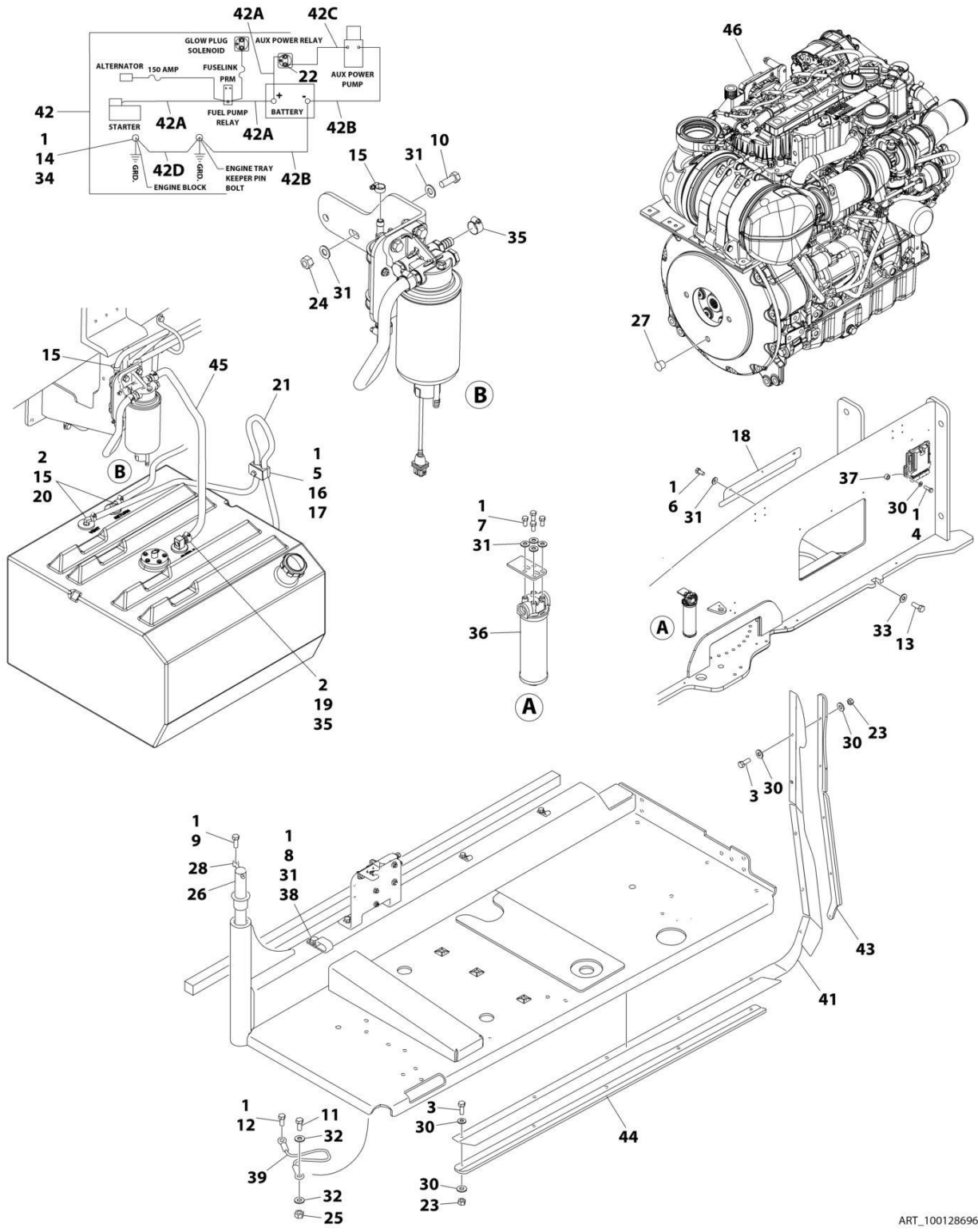
SECTION 3 - ENGINE

FIGURE 3-25. DEUTZ TCD2.9L4 EMR4 ENGINE SUB-ASSEMBLY - WITH SAUER PUMPS (WITH COLD WEATHER PLUS PACKAGE)

ITEM	PART NUMBER	QTY	DESCRIPTION	REV
	1001141745	Ref	DEUTZ TCD2.9L4 ENGINE SUB-ASSEMBLY	AL
1	0641608	2	Bolt 3/8 x 1	
2	0641812	2	Bolt 1/2 x 1-1/2	
2	0641814	2	Bolt 1/2 x 1-3/4	
3	0761215	2	Bolt M12 x 35	
5	3790152	1	O-Ring	
6	3790155	1	O-Ring	
8	4891600	2	Washer 3/8	
9	4891800	4	Washer 1/2	
10	1001108616	1	Pump Assembly - Sauer Tandem (See Separate Breakdown in this Section)	
11	1001171095	1	Pump Assembly - Sauer Piston (See Separate Breakdown in this Section)	
12	1001112927	1	Pump Assembly - Sauer Gear (See Separate Breakdown in this Section)	
13	1001141746	1	Engine Assembly (See Separate Breakdown in this Section)	
14	0100011	AR	Compound, Locking	
15	1001165101	1	Bracket, Fuel Pump Filter Assembly (See Separate Breakdown in this Section)	

SECTION 3 - ENGINE

FIGURE 3-26. DEUTZ D2.9L4 EMR4 ENGINE INSTALLATION WITH PMP PUMP AND STEEL HOODS (WITHOUT COLD WEATHER PLUS PACKAGE)



ART_1001286966

SECTION 3 - ENGINE

**FIGURE 3-26. DEUTZ D2.9L4 EMR4 ENGINE INSTALLATION WITH PMP PUMP AND STEEL HOODS
(WITHOUT COLD WEATHER PLUS PACKAGE)**

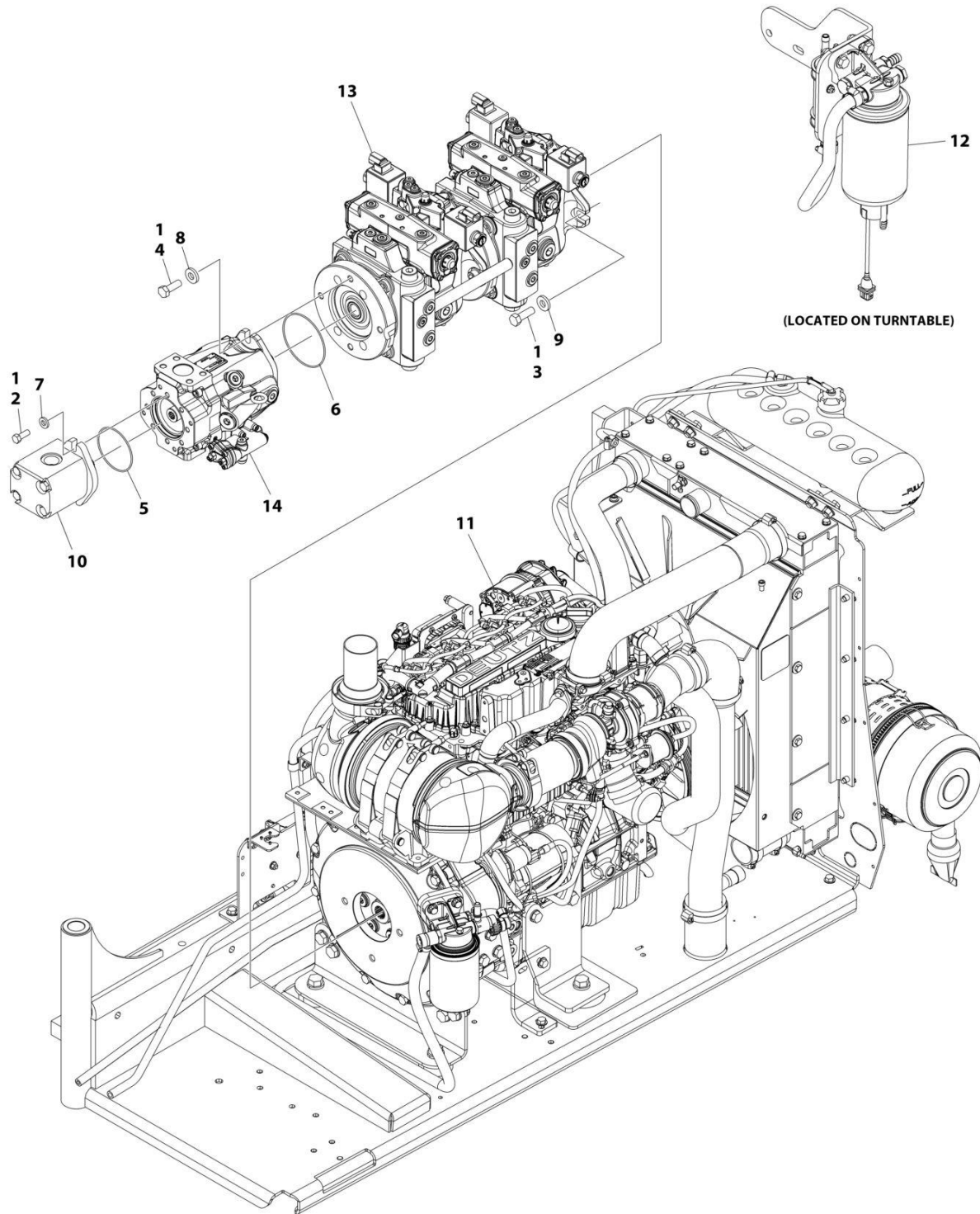
ITEM	PART NUMBER	QTY	DESCRIPTION	REV
	1001286966	Ref	ENGINE INSTALLATION WITH PMP PUMPS AND STEEL HOODS WITHOUT COLD WEATHER PLUS PACKAGE	A
1	0100011	AR	Compound, Locking	
2	0100079	AR	Sealant, Pipe	
3	0641408	10	Bolt 1/4 x 1	
4	0641410	4	Bolt 1/4 x 1-1/4	
5	0641511	1	Bolt 5/16 x 1-3/8	
6	0641605	3	Bolt 3/8 x 5/8	
7	0641606	4	Bolt 3/8 x 3/4	
8	0641608	1	Bolt 3/8 x 1	
9	0641610	1	Bolt 3/8 x 1-1/4	
10	0641612	2	Bolt 3/8 x 1-1/2	
11	0641708	1	Bolt 7/16 x 1	
12	0641808	1	Bolt 1/2 x 1	
13	0642010	1	Bolt 5/8 x 1-1/4	
14	0761210	1	Bolt M12 x 20	
15	1320022	3	Clamp	
16	1320187	1	Clamp	
17	1320190	1	Clamp	
18	1671121	1	Cover	
19	2180832	1	Fitting, Barbed	
20	2220313	2	Fitting, 90 NPTF/Barbed	
21	2750532	5 ft /1.6 m	Hose	
22	3300220	2	Nut	
23	3311405	10	Nut 1/4	
24	3311605	2	Nut 3/8	
25	3311705	1	Nut 7/16	
26	3422446	1	Pin	
27	3520054	1	Plug	
28	3841143	1	Keeper, Pin	
29	4240018	AR	Tie-Strap (Not Shown)	
30	4711400	24	Washer 1/4	
31	4711600	12	Washer 3/8	
32	4711700	2	Washer 7/16	
33	4752000	1	Washer 5/8	
34	4812100	1	Washer M12	
35	8405006	2	Clamp	
36	1001108617	1	Filter	
36	70002231	1	Element, Filter	
37	1001110425	4	Spacer	
38	1001116792	1	Clamp	
39	1001131542	1	Lanyard	
40	1001138491	1	Harness, Fuel (Not Shown) (See Separate Breakdown in ELECTRICAL SECTION)	
41	1001140604	1	Panel	
42	1001141225	1	Battery Cable Kit	
42A	7027042	1	Cable, Battery (Red) (Battery + to Relays and Starter)	
42B	7027043	1	Cable, Battery (Black) (Battery - to Tray Pivot Grd and Aux Pump)	

SECTION 3 - ENGINE

ITEM	PART NUMBER	QTY	DESCRIPTION	REV
42C	7027044	1	Cable (Red) (Aux Relay to Aux Pump)	
42D	7027045	1	Cable, Battery (Black) (Engine to Tray Pivot Grd)	
43	1001145089	1	Clamp	
44	1001145842	1	Plate	
45	1001154405	2 ft /0.6 m	Hose	
46	1001286967	1	Engine Sub-Assembly (See Separate Breakdown in this Section)	

SECTION 3 - ENGINE

**FIGURE 3-27. DEUTZ D2.9L4 EMR4 ENGINE SUB-ASSEMBLY WITH PMP PUMP AND ABS HOODS
(WITHOUT COLD WEATHER PLUS PACKAGE)**



ART_1001286967

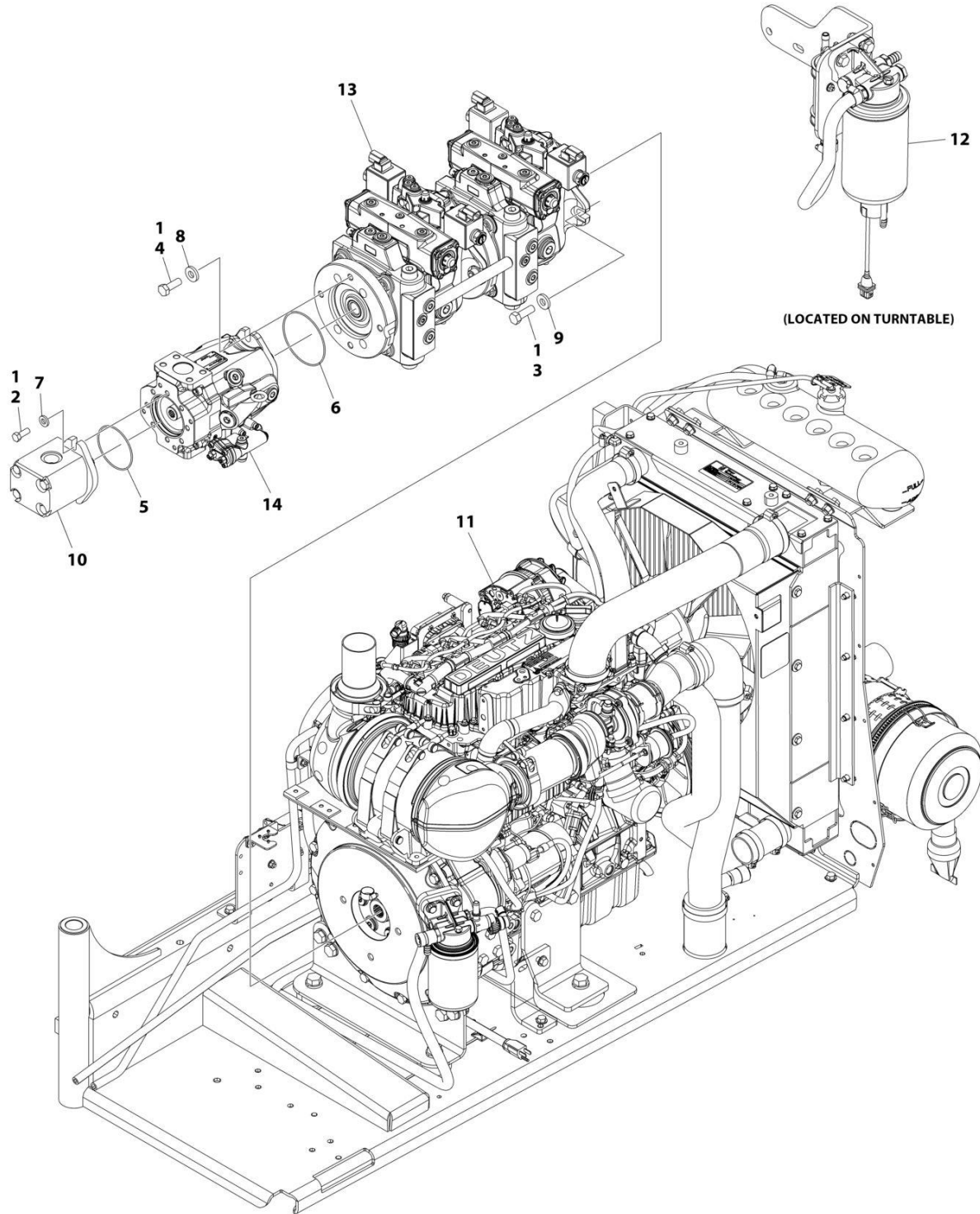
SECTION 3 - ENGINE

**FIGURE 3-27. DEUTZ D2.9L4 EMR4 ENGINE SUB-ASSEMBLY WITH PMP PUMP AND ABS HOODS
(WITHOUT COLD WEATHER PLUS PACKAGE)**

ITEM	PART NUMBER	QTY	DESCRIPTION	REV
	1001286967	Ref	ENGINE SUB-ASSEMBLY WITH PMP PUMPS AND ABS HOODS (WITHOUT COLD WEATHER PLUS PACKAGE)	B
1	0100011	AR	Compound, Locking	
2	0641608	2	Bolt 3/8 x 1	
3	0641812	2	Bolt 1/2 x 1-1/2	
4	0761215	2	Bolt M12 x 35	
5	3790152	1	O-Ring	
6	3790155	1	O-Ring	
7	4891600	2	Washer 3/8	
8	4891800	2	Washer 1/2	
9	8310056	2	Washer	
10	1001112927	1	Pump Assembly - Sauer Gear (See Separate Breakdown in this Section)	
11	1001134392	1	Engine Assembly (See Separate Breakdown in this Section)	
12	1001165101	1	Bracket, Fuel Pump Filter Assembly (See Separate Breakdown in this Section)	
13	1001286957	1	Pump Assembly - Hydraulic Tandem (See Separate Breakdown in this Section)	
14	1001286958	1	Pump Assembly - Hydraulic Piston (See Separate Breakdown in this Section)	

SECTION 3 - ENGINE

FIGURE 3-28. DEUTZ D2.9L4 EMR4 ENGINE SUB ASSEMBLY WITH PMP PUMPS AND STEEL HOODS (WITH COLD WEATHER PLUS PACKAGE)



ART_1001286969

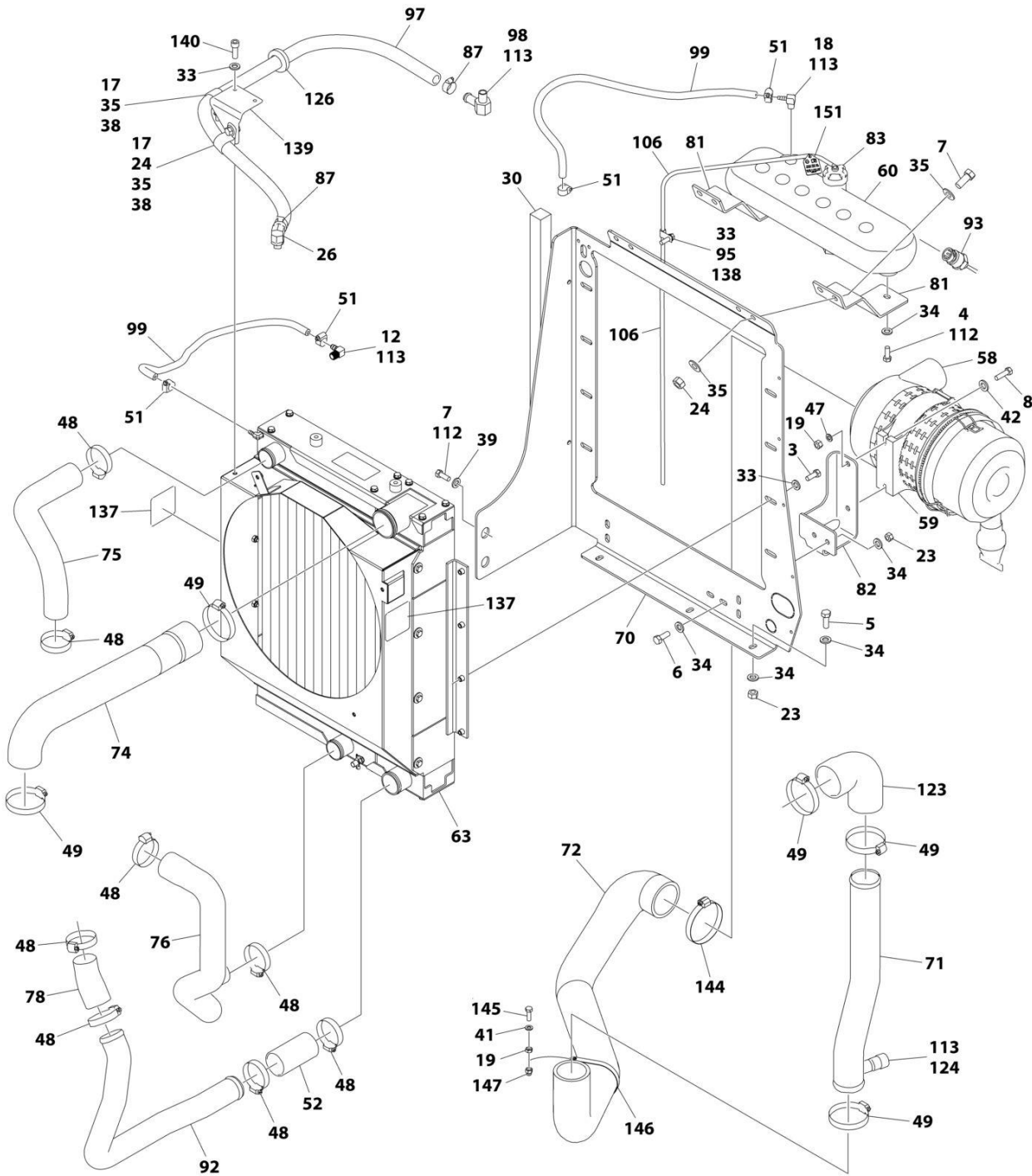
SECTION 3 - ENGINE

FIGURE 3-28. DEUTZ D2.9L4 EMR4 ENGINE SUB ASSEMBLY WITH PMP PUMPS AND STEEL HOODS (WITH COLD WEATHER PLUS PACKAGE)

ITEM	PART NUMBER	QTY	DESCRIPTION	REV
	1001286969	Ref	ENGINE SUB-ASSEMBLY WITH PMP PUMPS AND STEEL HOODS (WITH COLD WEATHER PLUS PACKAGE)	B
1	0100011	AR	Compound, Locking	
2	0641608	2	Bolt 3/8 x 1	
3	0641812	2	Bolt 1/2 x 1-1/2	
4	0761215	2	Bolt M12 x 35	
5	3790152	1	O-Ring	
6	3790155	1	O-Ring	
7	4891600	2	Washer 3/8	
8	4891800	2	Washer 1/2	
9	8310056	2	Washer	
10	1001112927	1	Pump Assembly - Sauer Gear (See Separate Breakdown in this Section)	
11	1001141746	1	Engine Assembly (See Separate Breakdown in this Section)	
12	1001165101	1	Bracket, Fuel Pump Filter Assembly (See Separate Breakdown in this Section)	
13	1001286957	1	Pump Assembly - Hydraulic Tandem (See Separate Breakdown in this Section)	
14	1001286958	1	Pump Assembly - Hydraulic Piston (See Separate Breakdown in this Section)	

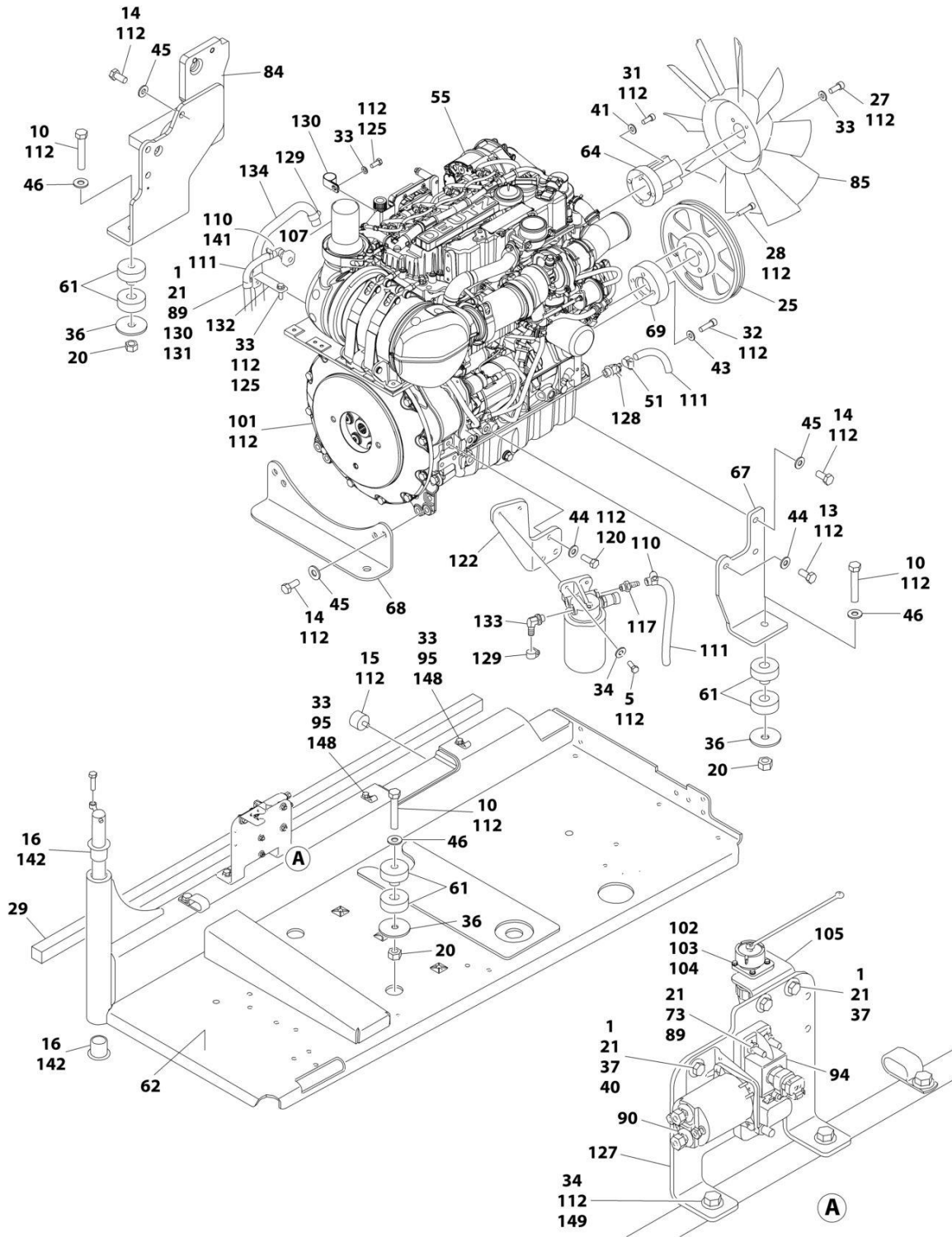
SECTION 3 - ENGINE

FIGURE 3-29. DEUTZ TCD2.9L4 EMR4 ENGINE ASSEMBLY - WITHOUT COLD WEATHER PLUS PACKAGE



ART_1001134392_AV_10F2

SECTION 3 - ENGINE



ART_1001134392_AV_20F2

SECTION 3 - ENGINE

FIGURE 3-29. DEUTZ TCD2.9L4 EMR4 ENGINE ASSEMBLY - WITHOUT COLD WEATHER PLUS PACKAGE

ITEM	PART NUMBER	QTY	DESCRIPTION	REV
	1001134392	Ref	DEUTZ TCD2.9L4 ENGINE ASSEMBLY	AV
1	0641406	5	Bolt 1/4 x 3/4	
3	0641508	8	Bolt 5/16 x 1	
4	0641606	2	Bolt 3/8 x 3/4	
5	0641608	9	Bolt 3/8 x 1	
6	0641610	2	Bolt 3/8 x 1-1/4	
7	0641708	6	Bolt 7/16 x 1	
8	0700815	2	Bolt M8 x 35	
10	0682028	4	Bolt 5/8 x 3-1/2 Grade 8	
12	1001140564	1	Fitting, 90 Barbed	
13	0771212	1	Bolt M12 x 25 Grade 10.9	
14	0771414	9	Bolt M14 x 30 Grade 10.9	
15	0940070	1	Bumper	
16	0961986	2	Bushing, Flanged	
17	0641706	2	Bolt 7/16 x 3/4	
18	1001134488	1	Fitting, 90 Barbed	
19	3290801	3	Nut M8	
20	3272001	4	Nut 5/8 Grade 8	
21	3311405	6	Nut 1/4	
23	3311605	9	Nut 3/8	
24	3311705	5	Nut 7/16	
25	3580320	1	Pulley	
26	1001141719	1	Fitting, 90 Barbed	
27	3931512	4	Capscrew 5/16 x 3/4	
28	3931628	4	Capscrew 3/8 x 1-3/4	
29	3960543	1	Seal	
30	3960544	1	Seal	
31	4031914	4	Bolt M8 x 50	
32	4032014	4	Bolt M10 x 50	
33	4711500	19	Washer 5/16	
34	4711600	24	Washer 3/8	
35	4711700	10	Washer 7/16	
36	1001146219	4	Washer Special	
37	4751400	8	Washer 1/4	
38	8406302	2	Clamp	
39	4751700	2	Washer 7/16	
40	4791400	2	Starwasher 1/4	
41	4811900	5	Washer M8	
42	4811902	2	Washer M8	
43	4812000	4	Washer M10	
44	4812100	4	Washer M12	
45	4812200	9	Washer M14	
46	4892000	4	Washer 5/8	
47	4831900	2	Washer M8	
48	8405201	8	Clamp	
49	8405204	5	Clamp	
51	8410013	5	Clamp	
52	91563070	1	Coupling, Rubber	

SECTION 3 - ENGINE

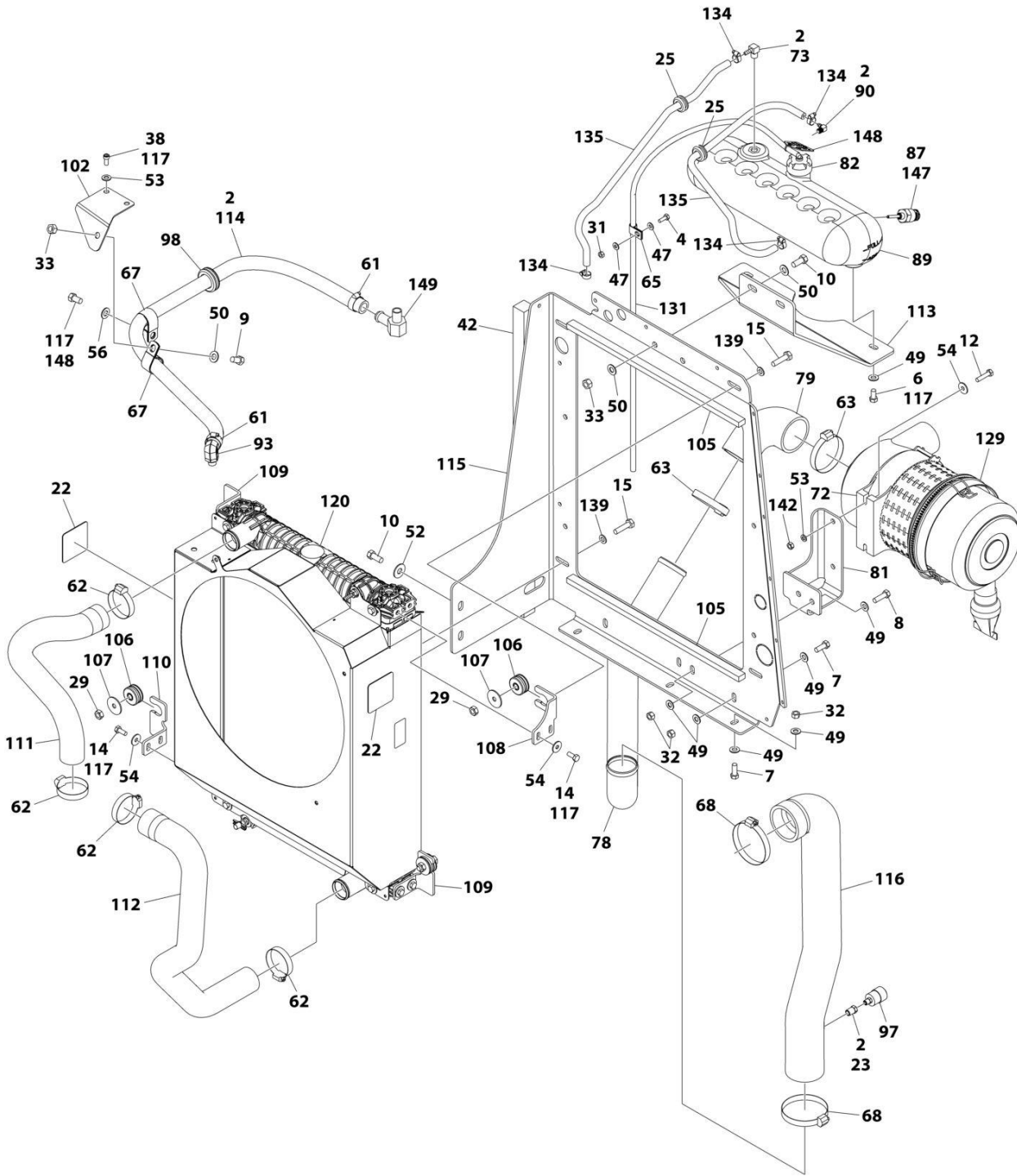
ITEM	PART NUMBER	QTY	DESCRIPTION	REV
55	1001249964	1	Engine, Deutz TCD2.9L4 (See Separate Breakdown in this Section)	
58	1001133633	1	Air Cleaner Assembly	
58	70024190	1	Element, Air Filter	
59	1001133634	1	Clamp	
60	1001166393	1	Tank, Surge	
61	1001155575	4	Mount, Motor	
62	1001191272	1	Tray	
63	1001256864	1	Radiator	
64	1001135138	1	Spacer, Fan	
67	1001135560	1	Support, Engine	
68	1001135562	1	Support, Engine - Rear	
69	1001135679	1	Spacer, Pulley	
70	1001135680	1	Support, Radiator	
71	1001135901	1	Pipe, Air Intake	
72	1001264917	1	Pipe, Air Intake	
73	3931432	1	Capscrew 1/4 x 2	
74	1001264982	1	Pipe, Air Cleaner to Intake	
75	1001135924	1	Hose, Radiator (Upper)	
76	1001135926	1	Hose, Radiator (Lower)	
78	1001135943	1	Coupling, Rubber	
81	1001136626	2	Bracket	
82	1001136665	1	Bracket	
83	1001136834	1	Cap, Tank	
84	1001283008	1	Support, Engine	
85	1001137276	1	Fan	
87	8405007	2	Clamp	
89	4711400	3	Washer 1/4	
90	1001117308	1	Relay	
92	1001135913	1	Pipe, Turbo to Air Cleaner	
93	1001138827	1	Sensor, Coolant Level	
94	1001138228	1	Module, Power	
94	70023592	1	Fuse 20Amp (Switched Output)	
94	70023593	1	Fuse 30Amp (Battery Output)	
95	1001138253	5	Clamp	
96	1001138346	1	Harness, Engine (Not Shown - See Separate Breakdown in ELECTRICAL Section)	
97	1001138524	1	Hose	
98	1001138559	1	Fitting, 90	
99	2720015	5 ft /2 m	Hose	
101	2902065	1	Pump Coupling Kit (See Separate Breakdown in this Section)	
102	3310401	3	Nut #4	
103	3910408	3	Screw #4 x 1/2	
104	4710400	3	Washer #4	
105	1001139240	1	Bracket	
106	1001138248	4 ft /1.2 m	Tubing	
107	1001153024	1	Pipe, Exhaust	
110	1320022	2	Clamp	
111	1001165035	31 ft /10 m	Hose	
112	0100011	AR	Compound, Locking	
113	0100020	AR	Sealant	

SECTION 3 - ENGINE

ITEM	PART NUMBER	QTY	DESCRIPTION	REV
114	1001141304	1	Wire, Glow Plug (Not Shown)	
115	1001135779	1	Cable, Alternator Positive (Not Shown)	
117	1001141717	1	Fitting, Straight	
120	0761214	3	Bolt M12 x 30	
122	1001142685	1	Bracket	
123	1001165820	1	Pipe, Elbow	
124	1001143390	1	Indicator, Air Filter Service	
125	0760810	2	Bolt M8 x 20	
126	1001144089	1	Grommet	
127	1001145154	1	Plate, Mounting	
128	4640751	1	Valve, Oil Drain	
129	8405006	2	Clamp	
130	8406102	AR	Clip	
131	8406112	1	Clip	
132	1001138717	1	Bracket	
133	1001142501	1	Fitting, 90 Barbed	
134	1001154405	5 ft /2 m	Hose	
135	1001148843	1	Harness, Fuel Filter (Not Shown - See Separate Breakdown in ELECTRICAL Section)	
137	1703162	2	Decal - Fan	
138	0641503	1	Bolt 5/16 x 3/8	
139	1001153387	1	Plate	
140	3931508	2	Capscrew 5/16 x 1/2	
141	1001155823	1	Coupling	
142	0100062	AR	Adhesive, Loctite #680	
143	4240099	AR	Tie-Strap (Not Shown)	
144	8410011	1	Clamp	
145	0700812	1	Bolt M8 x 25	
146	1321289	1	Clamp	
147	3290806	1	Nut M8	
148	0641510	2	Bolt 5/16 x 1-1/4	
149	0641612	2	Bolt 3/8 x 1-1/2	
150	4240032	AR	Tie-Strap (Not Shown)	
151	1001291401	1	Tag, Coolant	

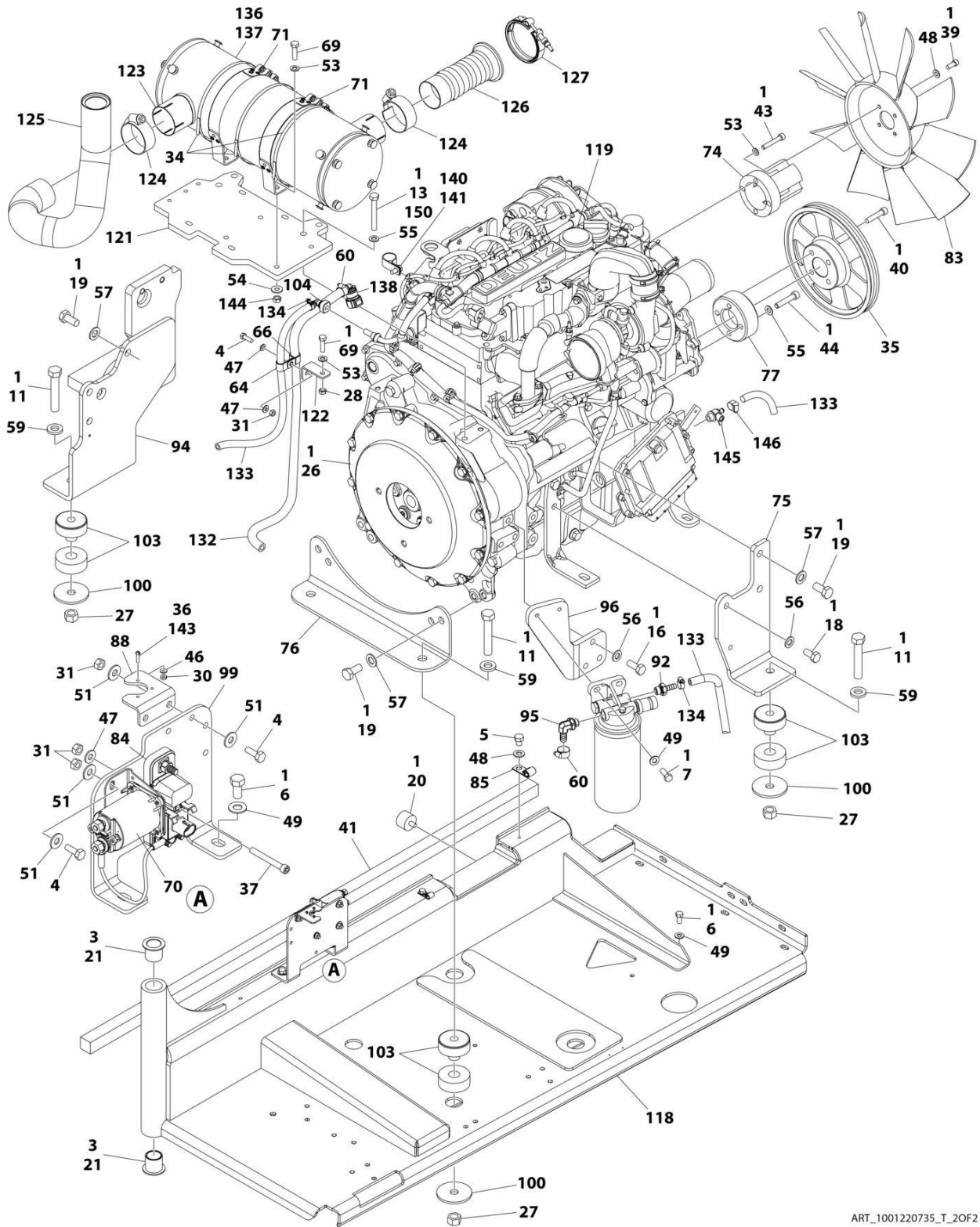
SECTION 3 - ENGINE

FIGURE 3-30. DEUTZ TCD2.9L4 EMR4 ENGINE ASSEMBLY - WITHOUT COLD WEATHER PLUS PACKAGE (CHINA SPEC ONLY)



ART_1001220735_T_1OF2

SECTION 3 - ENGINE



ART_1001220735_T_20F2

SECTION 3 - ENGINE

FIGURE 3-30. DEUTZ TCD2.9L4 EMR4 ENGINE ASSEMBLY - WITHOUT COLD WEATHER PLUS PACKAGE (CHINA SPEC ONLY) (PVC 2007)

ITEM	PART NUMBER	QTY	DESCRIPTION	REV
	1001220735	Ref	DEUTZ TD2.9L4 ENGINE ASSEMBLY	T
1	0100011	AR	Compound, Locking	
2	0100020	AR	Sealant	
3	0100062	AR	Adhesive, Loctite #680	
4	0641406	7	Bolt 1/4 x 3/4	
5	0641503	2	Bolt 5/16 x 3/8	
6	0641606	5	Bolt 3/8 x 3/4	
7	0641608	7	Bolt 3/8 x 1	
8	0641610	2	Bolt 3/8 x 1-1/4	
9	0641706	AR	Bolt 7/16 x 3/4	
10	0641708	4	Bolt 7/16 x 1	
11	0682028	4	Bolt 5/8 x 3-1/2 Grade 8	
12	0700815	2	Bolt M8 x 35	
13	0701024	AR	Bolt M10 x 80	
13	0701025	AR	Bolt M10 x 85	
14	0760810	8	Bolt M8 x 20	
15	0761016	4	Bolt M10 x 40	
16	0761214	3	Bolt M12 x 30	
18	0771212	1	Bolt M12 x 25 Grade 10.9	
19	0771414	9	Bolt M14 x 30 Grade 10.9	
20	0940070	1	Bumper	
21	0961986	2	Bushing, Flanged	
22	1703162	2	Decal - Fan	
23	2220273	1	Fitting, Straight NPTF/FNPTF	
25	2540038	2	Grommet	
26	2902065	1	Pump Coupling Kit (See Separate Breakdown in this Section)	
27	3272001	4	Nut 5/8 Grade 8	
28	3290801	AR	Nut M8	
29	3291001	4	Nut M10	
29	3291007	4	Nut M10	
30	3310401	3	Nut #4	
31	3311405	8	Nut 1/4	
32	3311605	7	Nut 3/8	
33	3311705	3	Nut 7/16	
34	1001137336	AR	Strap	
35	3580320	1	Pulley	
36	3910408	3	Screw #4 x 1/2	
37	3931432	1	Capscrew 1/4 x 2	
38	3931508	2	Capscrew 5/16 x 1/2	
38	4031907	2	Capscrew M8 x 16	
39	3931512	4	Capscrew 5/16 x 3/4	
40	3931628	4	Capscrew 3/8 x 1-3/4	
41	3960543	1	Seal	
42	3960544	1	Seal	
43	4031914	4	Bolt M8 x 50	
44	4032014	4	Bolt M10 x 50	
45	4240099	AR	Tie-Strap (Not Shown)	
46	4710400	3	Washer #4	
47	4711400	7	Washer 1/4	

SECTION 3 - ENGINE

ITEM	PART NUMBER	QTY	DESCRIPTION	REV
48	4711500	AR	Washer 5/16	
49	4711600	21	Washer 3/8	
50	4711700	6	Washer 7/16	
51	4751400	8	Washer 1/4	
52	4751700	2	Washer 7/16	
53	4811900	13	Washer M8	
54	4811902	14	Washer M8	
55	4812000	AR	Washer M10	
56	4812100	AR	Washer M12	
57	4812200	9	Washer M14	
59	4892000	4	Washer 5/8	
60	8405006	2	Clamp	
61	8405007	2	Clamp	
62	8405201	4	Clamp	
63	8405204	2	Clamp	
64	8406102	1	Clip	
65	8406109	2	Clip	
66	8406112	1	Clip	
67	8406302	2	Clamp	
68	8410011	2	Clamp	
69	0760814001	1	Bolt M8 x 30	
69	0760814	5	Bolt M8 x 30	
70	1001117308	1	Relay	
71	1001119727	2	Clamp	
72	1001133634	1	Clamp	
73	1001134488	1	Fitting, 90 Barbed	
74	1001135138	1	Spacer, Fan	
75	1001135560	1	Support, Engine	
76	1001135562	1	Support, Engine - Rear	
77	1001135679	1	Spacer, Pulley	
78	1001135903	1	Pipe, Air Intake	
79	1001135946	1	Elbow, Rubber	
81	1001136665	1	Bracket	
82	1001136834	1	Cap, Tank	
83	1001137276	1	Fan	
84	1001138228	1	Module, Power	
84	70023592	1	Fuse 20Amp (Switched Output)	
84	70023593	1	Fuse 30Amp (Battery Output)	
85	1001138253	2	Clamp	
86	1001138346	1	Harness, Engine (Not Shown - See Separate Breakdown in ELECTRICAL Section)	
87	1001138827	1	Sensor, Coolant Level	
88	1001139240	1	Bracket	
89	1001166393	1	Tank, Surge	
90	1001140564	1	Fitting, 90 Barbed	
91	1001141304	1	Wire, Glow Plug (Not Shown)	
92	1001141717	1	Fitting, Straight	
93	1001141719	1	Fitting, 90 Barbed	
94	1001283008	1	Support, Engine	
95	1001142501	1	Fitting, 90 Barbed	
96	1001142685	1	Bracket	
97	1001143390	1	Indicator, Air Filter Service	

SECTION 3 - ENGINE

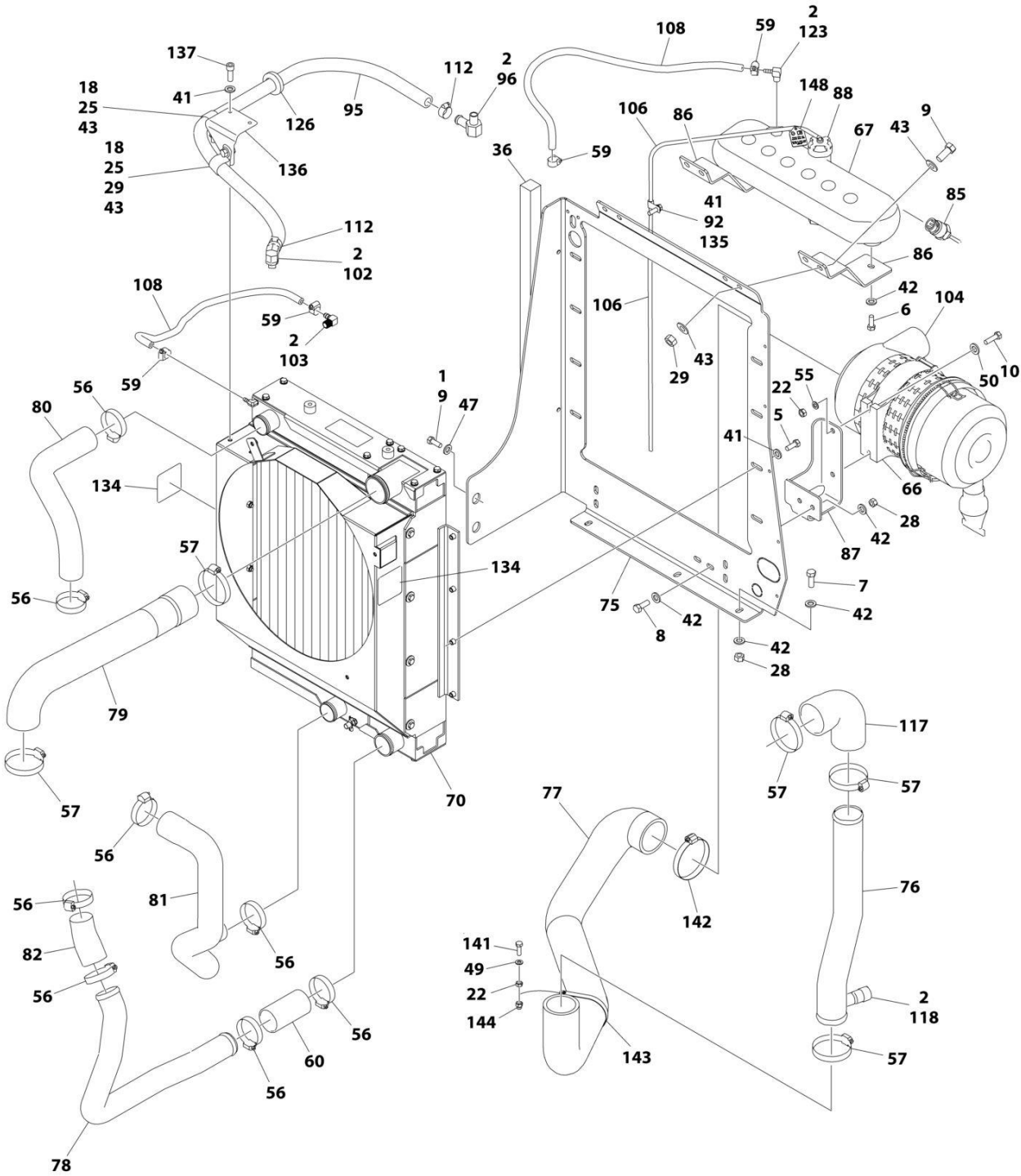
ITEM	PART NUMBER	QTY	DESCRIPTION	REV
98	1001144089	1	Grommet	
99	1001145154	1	Plate, Mounting	
100	1001146219	4	Washer Special	
101	1001148843	1	Harness, Fuel Filter (Not Shown - See Separate Breakdown in ELECTRICAL Section)	
102	1001229600	1	Plate	
103	1001155575	4	Mount, Motor	
104	1001155823	1	Coupling	
105	1001168166	2	Seal	
106	1001169054	4	Isolator	
107	1001169138	4	Pad	
108	1001170035	1	Bracket	
109	1001176329	2	Bracket	
110	1001176330	1	Bracket	
111	1001176415	1	Hose, Radiator (Upper)	
112	1001176416	1	Hose, Radiator (Lower)	
113	1001229599	1	Bracket	
114	1001138524	1	Hose	
115	1001178236	1	Support, Radiator	
116	1001178894	1	Hose, Air Intake	
117	1001180620	AR	Adhesive	
118	1001187011	1	Tray	
119	1001219642	1	Engine, Deutz TD2.9L4 (See Separate Breakdown in this Section)	
120	1001220770	1	Radiator	
121	1001221203	1	Muffler Bracket Assembly	
122	1001221205	1	Bracket	
123	1001151432	1	Muffler	
124	1001221212	2	Clamp	
125	1001257155	1	Pipe, Exhaust	
126	1001221217	1	Pipe, Flex Assembly	
127	1001221219	1	Clamp	
129	1001133633	1	Air Cleaner Assembly	
129	70024190	1	Element, Air Filter	
130	1001135779	1	Cable, Alternator Positive (Not Shown)	
131	1001138248	4 ft /1.2 m	Tubing	
132	1001154405	5 ft /2 m	Hose	
133	1001165035	31 ft /10 m	Hose	
134	1320022	6	Clamp	
135	2720015	5 ft /2 m	Hose	
136	1001221427	1	Muffler-Wrap Assembly	
137	4920385	AR	Wire, Safety	
138	1001170982	1	Adapter	
139	4812002	4	Washer M10	
140	1320130	1	Clamp	
141	5250808	1	Bolt M8 x 16	
142	3290805	2	Nut, M10 (Not Shown)	
143	0100035	AR	Compound, Locking	
144	3290807	4	Nut M8	
145	4640751	1	Valve, Oil Drain	
146	8410013	1	Clamp, Gear	
147	1001182997	AR	Adhesive	

SECTION 3 - ENGINE

ITEM	PART NUMBER	QTY	DESCRIPTION	REV
148	0761210	1	Bolt M12 x 20	
149	1001138559	1	Fitting, 90	
150	0701022	AR	Bolt M10 x 70	
151	4240032	AR	Tie-Strap (Not Shown)	
152	1001291401	1	Tag, Coolant	

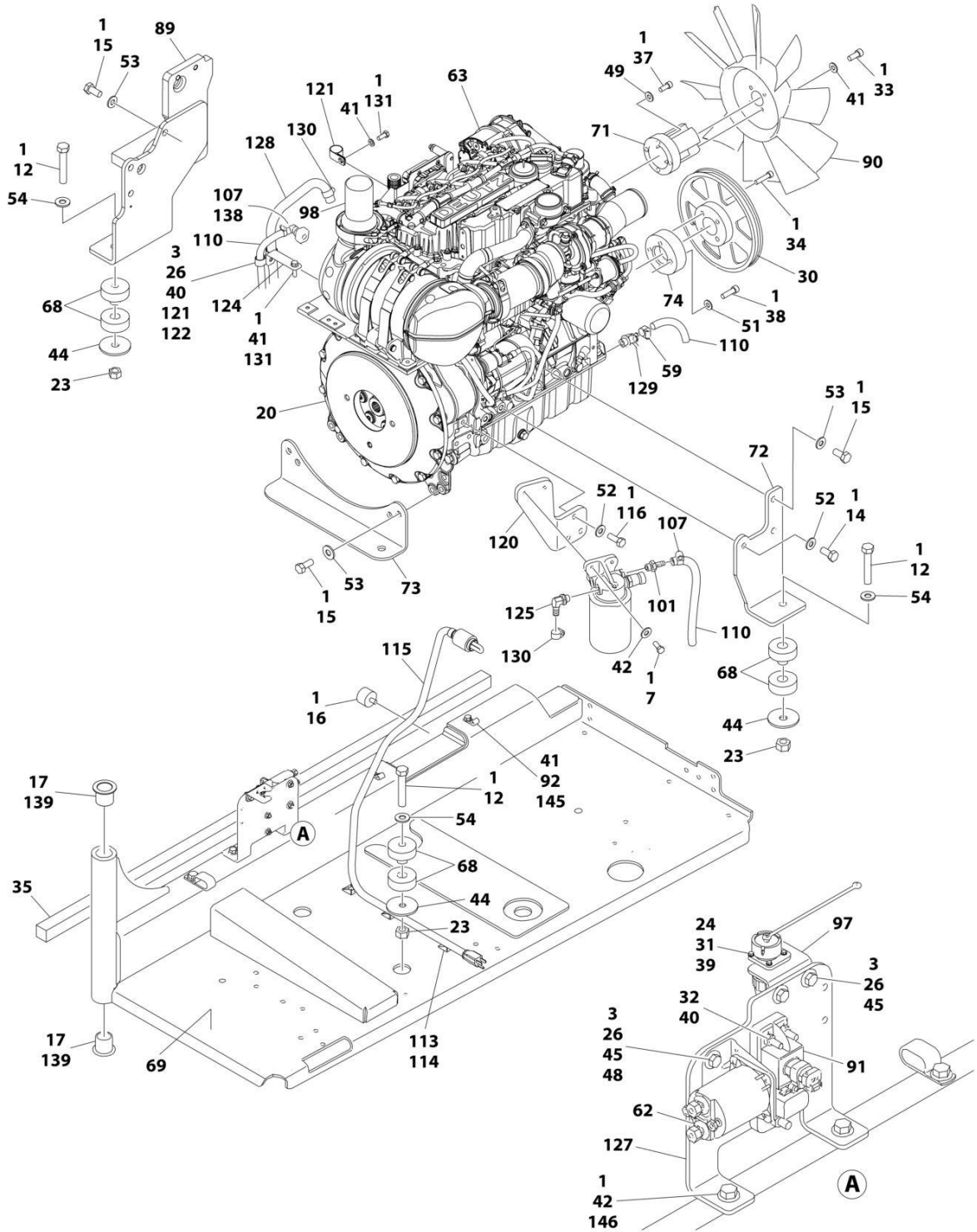
SECTION 3 - ENGINE

FIGURE 3-31. DEUTZ TCD2.9L4 EMR4 ENGINE ASSEMBLY - WITH COLD WEATHER PLUS PACKAGE



ART_1001141746_AT_10F2

SECTION 3 - ENGINE



ART_1001141746_AT_20F2

SECTION 3 - ENGINE

FIGURE 3-31. DEUTZ TCD2.9L4 EMR4 ENGINE ASSEMBLY - WITH COLD WEATHER PLUS PACKAGE

ITEM	PART NUMBER	QTY	DESCRIPTION	REV
	1001141746	Ref	DEUTZ TCD2.9L4 ENGINE ASSEMBLY	AT
1	0100011	AR	Compound, Locking	
2	0100020	AR	Sealant	
3	0641406	5	Bolt 1/4 x 3/4	
5	0641508	8	Bolt 5/16 x 1	
6	0641606	2	Bolt 3/8 x 3/4	
7	0641608	9	Bolt 3/8 x 1	
8	0641610	2	Bolt 3/8 x 1-1/4	
9	0641708	6	Bolt 7/16 x 1	
10	0700815	2	Bolt M8 x 35	
12	0682028	4	Bolt 5/8 x 3-1/2 Grade 8	
14	0771212	1	Bolt M12 x 25 Grade 10.9	
15	0771414	9	Bolt M14 x 30 Grade 10.9	
16	0940070	1	Bumper	
17	0961986	2	Bushing, Flanged	
18	0641706	2	Bolt 7/16 x 3/4	
20	2902065	1	Pump Coupling Kit (See Separate Breakdown in this Section)	
22	3290801	3	Nut M8	
23	3272001	4	Nut 5/8 Grade 8	
24	3310401	3	Nut #4	
25	8406302	2	Clamp	
26	3311405	6	Nut 1/4	
28	3311605	9	Nut 3/8	
29	3311705	5	Nut 7/16	
30	3580320	1	Pulley	
31	3910408	3	Screw #4 x 1/2	
32	3931432	1	Capscrew 1/4 x 2	
33	3931512	4	Capscrew 5/16 x 3/4	
34	3931628	4	Capscrew 3/8 x 1-3/4	
35	3960543	1	Seal	
36	3960544	1	Seal	
37	4031914	4	Bolt M8 x 50	
38	4032014	4	Bolt M10 x 50	
39	4710400	3	Washer #4	
40	4711400	3	Washer 1/4	
41	4711500	19	Washer 5/16	
42	4711600	24	Washer 3/8	
43	4711700	10	Washer 7/16	
44	1001146219	4	Washer Special	
45	4751400	8	Washer 1/4	
47	4751700	2	Washer 7/16	
48	4791400	2	Starwasher 1/4	
49	4811900	5	Washer M8	
50	4811902	2	Washer M8	
51	4812000	4	Washer M10	
52	4812100	4	Washer M12	
53	4812200	9	Washer M14	
54	4892000	4	Washer 5/8	
55	4831900	2	Washer M8	

SECTION 3 - ENGINE

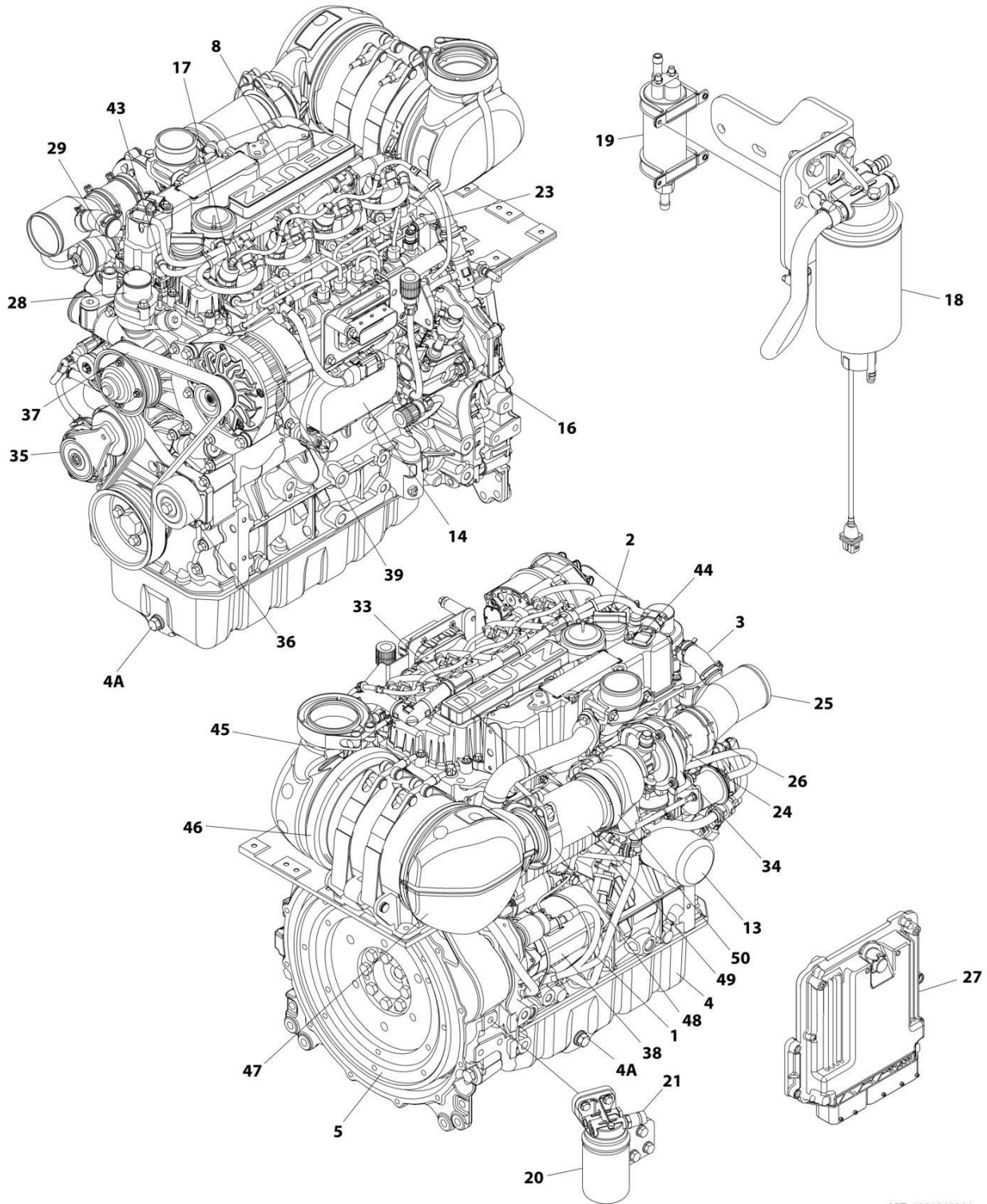
ITEM	PART NUMBER	QTY	DESCRIPTION	REV
56	8405201	8	Clamp	
57	8405204	5	Clamp	
59	8410013	5	Clamp	
60	91563070	1	Coupling, Rubber	
62	1001117308	1	Relay	
63	1001249964	1	Engine, Deutz TCD2.9L4 (See Separate Breakdown in this Section)	
66	1001133634	1	Clamp	
67	1001166393	1	Tank, Surge	
68	1001155575	4	Mount, Motor	
69	1001191272	1	Tray	
70	1001256864	1	Radiator	
71	1001135138	1	Spacer, Fan	
72	1001135560	1	Support, Engine	
73	1001135562	1	Support, Engine - Rear	
74	1001135679	1	Spacer, Pulley	
75	1001135680	1	Support, Radiator	
76	1001135901	1	Pipe, Air Intake	
77	1001264917	1	Hose, Air Intake	
78	1001135913	1	Pipe, Turbo to Air Cleaner	
79	1001264982	1	Hose, Air Cleaner to Intake	
80	1001135924	1	Hose, Radiator (Upper)	
81	1001135926	1	Hose, Radiator (Lower)	
82	1001135943	1	Coupling, Rubber	
85	1001138827	1	Sensor, Coolant Level	
86	1001136626	2	Bracket	
87	1001136665	1	Bracket	
88	1001136834	1	Cap, Tank	
89	1001283008	1	Support, Engine	
90	1001137276	1	Fan	
91	1001138228	1	Module, Power	
91	70023592	1	Fuse 20Amp (Switched Output)	
91	70023593	1	Fuse 30Amp (Battery Output)	
92	1001138253	5	Clamp	
94	1001138346	1	Harness, Engine (Not Shown - See Separate Breakdown in ELECTRICAL Section)	
95	1001138524	1	Hose	
96	1001138559	1	Fitting, 90	
97	1001139240	1	Bracket	
98	1001153024	1	Pipe, Exhaust	
100	1001141304	1	Wire, Glow Plug (Not Shown)	
101	1001141717	1	Fitting, Straight	
102	1001141719	1	Fitting, 90 Barbed	
103	1001140564	1	Fitting, 90 Barbed	
104	1001133633	1	Air Cleaner Assembly	
104	70024190	1	Element, Air Filter	
105	1001135779	1	Cable, Alternator Positive (Not Shown)	
106	1001138248	4 ft /1.2 m	Tubing	
107	1320022	2	Clamp	
108	2720015	5 ft /2 m	Hose	
110	1001165035	31 ft /10 m	Hose	

SECTION 3 - ENGINE

ITEM	PART NUMBER	QTY	DESCRIPTION	REV
112	8405007	2	Clamp	
113	4240099	AR	Tie-Strap (Used to Secure Block Heater Cord)	
114	4460234	3	Mount, Wire Tie (Used to Secure Block Heater Cord)	
115	1001140312	1	Heater, Block	
116	0761214	3	Bolt M12 x 30	
117	1001165820	1	Pipe, Elbow	
118	1001143390	1	Indicator, Air Filter Service	
120	1001142685	1	Bracket	
121	8406102	AR	Clip	
122	8406112	1	Clip	
123	1001134488	1	Fitting, 90 Barbed	
124	1001138717	1	Bracket	
125	1001142501	1	Fitting, 90 Barbed	
126	1001144089	1	Grommet	
127	1001145154	1	Plate, Mounting	
128	1001154405	5 ft /2 m	Hose	
129	4640751	1	Valve, Oil Drain	
130	8405006	2	Clamp	
131	0760810	AR	Bolt M8 x 20	
132	1001148843	1	Harness, Fuel Filter (Not Shown - See Separate Breakdown in ELECTRICAL Section)	
134	1703162	2	Decal - Fan	
135	0641503	1	Bolt 5/16 x 3/8	
136	1001153387	1	Plate	
137	3931508	2	Capscrew 5/16 x 1/2	
138	1001155823	1	Coupling	
139	0100062	AR	Adhesive, Loctite #680	
140	1001181895	AR	Adhesive, Loctite #640 (Not Shown - Apply to Block Heater)	
141	0700812	1	Bolt M8 x 25	
142	8410011	1	Clamp	
143	1321289	1	Clamp	
144	3290806	1	Nut M8	
145	0641510	2	Bolt 5/16 x 1-1/4	
146	0641612	2	Bolt 3/8 x 1-1/2	
147	4240032	AR	Tie-Strap (Not Shown)	
148	1001291401	1	Tag, Coolant	

SECTION 3 - ENGINE

FIGURE 3-32. DEUTZ TCD2.9L4 (EMR4) ENGINE COMPONENTS



ART_1001249964

SECTION 3 - ENGINE

FIGURE 3-32. DEUTZ TCD2.9L4 (EMR4) ENGINE COMPONENTS

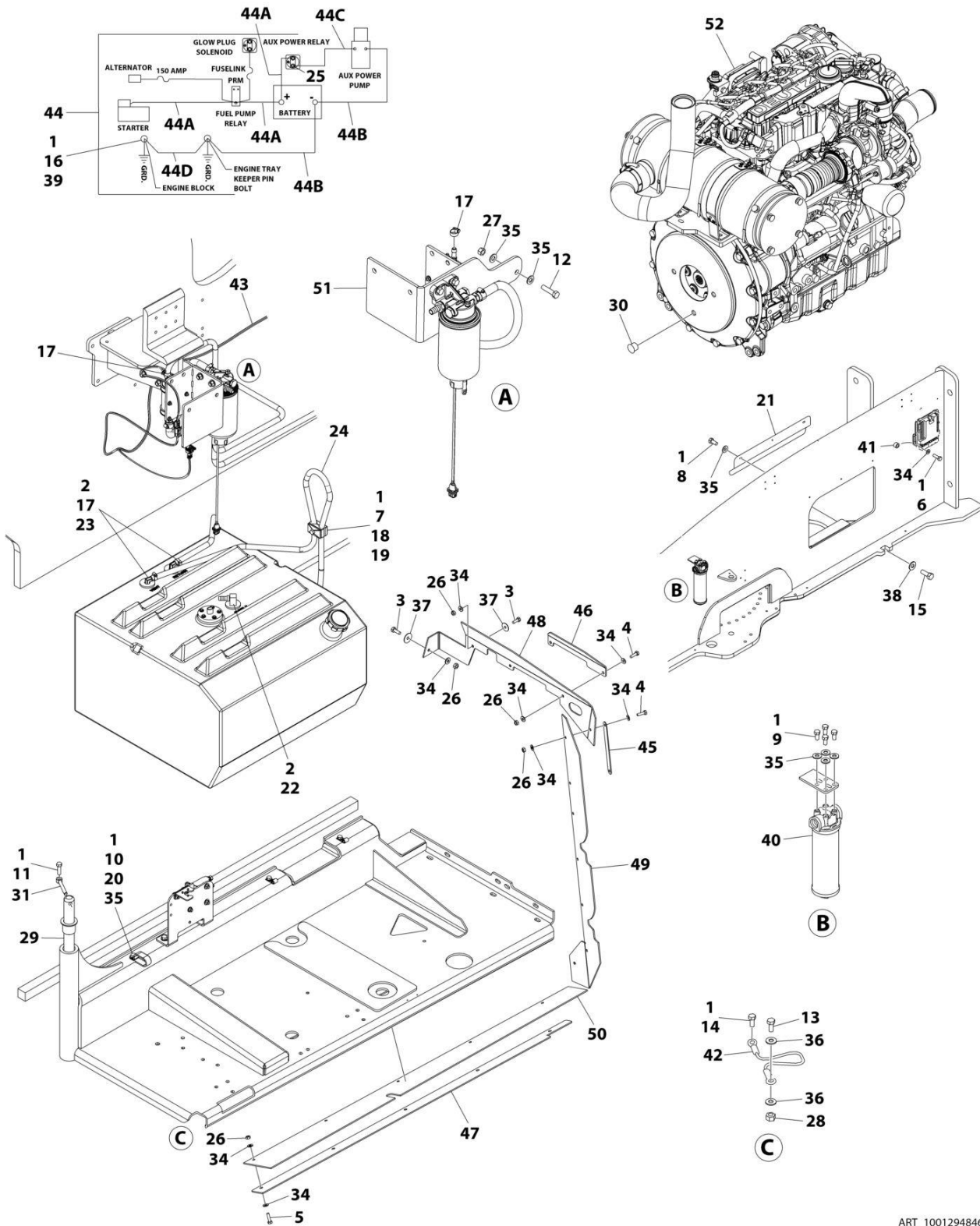
ITEM	PART NUMBER	QTY	DESCRIPTION	REV
	1001249964	Ref	DEUTZ TCD2.9L4 ENGINE COMPONENTS	A
1	70024904	1	Dipstick	
1	70024905	1	O-Ring	
2	7020465	2	Cap, Filler	
3	7002511	2	Clamp	
4		Ref	Pan, Oil	
4A	70005941	2	Plug	
4A	70005942	2	Washer, Sealing	
5	70001870	1	Flywheel	
5	7024579	1	Gear, Ring	
6	70024906	1	Gasket, Head (Not Shown)	
8	70005921	1	Cover, Valve	
8	70005171	1	Gasket	
8	70025205	1	Gasket, Small Valve Cover	
10	70004280	1	Seal, Shaft - Front (Not Shown)	
11	70002718	1	Seal, Shaft - Rear (Not Shown)	
12	70005172	1	Pump, Oil Lube (Not Shown)	
12	70025135	1	O-Ring	
12	70025136	1	Gasket	
13	7016331	1	Filter, Oil	
13	70025137	1	Bushing	
14	70024494	1	Cooler, Engine Oil	
14	70024925	1	Gasket	
16	70024924	1	Pump, Fuel	
16	70025152	1	O-Ring	
16	70004505	1	Valve, Overflow	
16	70004506	1	O-Ring	
16	70004507	1	O-Ring	
16	70004508	1	Valve Volume Control	
16	70004509	1	O-Ring	
16	70004510	1	Gasket	
17	70025181	4	Injector, Fuel	
17	70025140	4	Washer, Sealing	
17	70025146	4	Clamp (Top of Injector)	
17	70025145	4	O-Ring	
17	70025154	4	Shoe, Clamping	
17	70000345	1	Plug, Glow (Not Shown)	
18	70024961	1	Fuel Filter Assembly	
18	1001225430	1	Filter, Fuel	
18	70024513	1	Cable, Sensor	
18	70025239	1	Ring, Sealing	
19	70006144	1	Pump, Fuel	
19	70025144	2	Clamp	
20	70029451	1	Filter with Head	
20	1001225431	1	Filter, Fuel	
21	70024919	1	Sensor, Pressure	
21	70024920	1	O-Ring	
22	70025151	1	Rail, Fuel (Not Shown)	
22	70025235	1	Repair Kit (Not Shown)	
23	70025182	1	Fuel Line - High Pressure (Cylinder 1 & 2)	

SECTION 3 - ENGINE

ITEM	PART NUMBER	QTY	DESCRIPTION	REV
23	70025183	1	Fuel Line - High Pressure (Cylinder 3 & 4)	
23	70025184	1	Fuel Line - High Pressure (Supply)	
24	70004501	1	Sleeve, Rubber	
25	70004502	1	Pipe, Intake	
25	70005926	1	Pipe, Elbow	
26	70025112	2	Clamp	
27	70025210	1	ECU (Engine Control Unit)	
28	70029797	1	Pump, Water	
28	70025200	1	Ring, Sealing	
28	70007325	1	Gasket	
28	7020492	2	Ring, Sealing (Plug)	
29	70005929	1	Thermostat	
29	70025184	1	O-Ring (Thermostat to Cover)	
29	70005931	1	Gasket (Thermostat to Pump)	
29	70025142	1	Cover, Thermostat	
31	70007326	1	Valve, Shuttle (EGR) (Not Shown)	
31	70007327	1	Gasket	
33	70004282	1	Manifold, Exhaust	
33	70025164	1	Gasket, Exhaust Manifold to Head	
33	70029557	1	Gasket, Exhaust Manifold to Pipe	
34	70007328	1	Turbocharger	
34	70024912	1	Gasket, Exhaust Manifold	
35	70028699	1	Tensioner, Belt	
36		Ref	Idler Roller	
37	70004277	1	Belt, Drive	
38	70024915	1	Starter	
38	70005647	1	Switch, Solenoid	
38	70005648	1	Relay	
39	70029401	1	Generator	
39	70006653	1	Regulator, Voltage	
40	70007329	1	Harness, Engine (Not Shown)	
41	70024504	1	Sensor, Pressure (Not Shown - Located Top Rear)	
41	70024920	1	O-Ring	
42	70026210	2	Sensor, Speed (Not Shown - Located Left Side Front and Flywheel Housing)	
42	70024917	2	O-Ring	
43	70028540	1	Sender, Temperature	
44	70024507	1	Sensor, Pressure	
44	70025120	1	O-Ring	
45	70007331	1	Outlet, Muffler	
46	70029517	1	Clip	
46	70029520	1	Gasket	
47	70007330	1	Inlet	
48	70025877	1	Clip	
48	70025788	1	Nut	
48	70025242	1	Gasket	
49	70004504	1	Compensator	
50	70005527	1	Clip	
50	70029433	1	Clip	
50	70025242	1	Gasket	

SECTION 3 - ENGINE

FIGURE 3-33. DEUTZ TC2.9L4 (R96) ENGINE INSTALLATION - WITH REXROTH PUMPS (WITHOUT COLD WEATHER PLUS PACKAGE) (WITH STEEL HOODS)



ART_1001294846

SECTION 3 - ENGINE

FIGURE 3-33. DEUTZ TC2.9L4 (R96) ENGINE INSTALLATION - WITH REXROTH PUMPS (WITHOUT COLD WEATHER PLUS PACKAGE) (WITH STEEL HOODS)

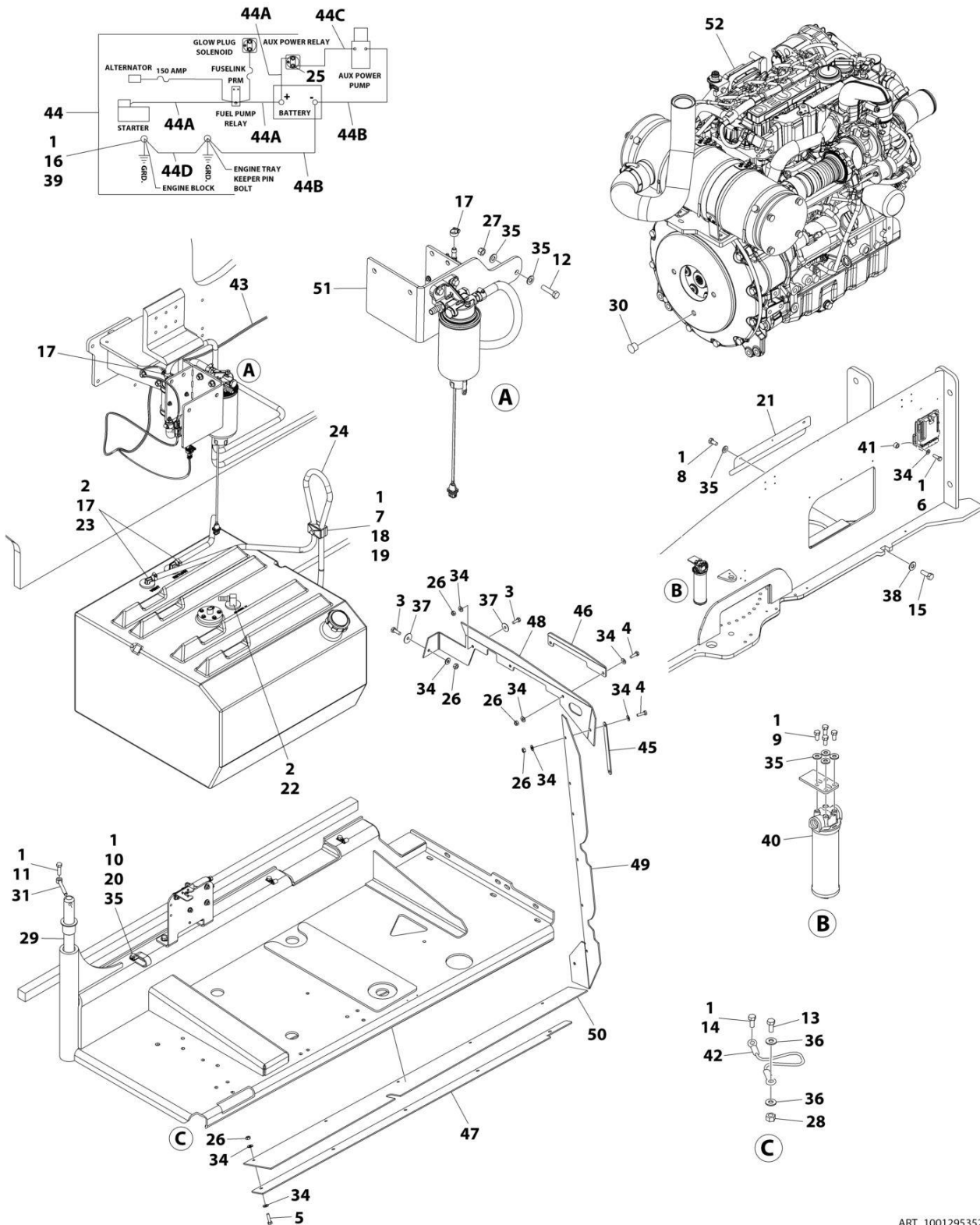
ITEM	PART NUMBER	QTY	DESCRIPTION	REV
	1001294846	Ref	ENGINE INSTALLATION (R96) WITH REXROTH PUMPS	A
1	0100011	AR	Compound, Locking	
2	0100079	AR	Sealant, Pipe	
3	0641406	3	Bolt 1/4 x 3/4	
4	0641407	8	Bolt 1/4 x 7/8	
5	0641408	5	Bolt 1/4 x 1	
6	0641410	4	Bolt 1/4 x 1-1/4	
7	0641511	1	Bolt 5/16 x 1-3/8	
8	0641605	3	Bolt 3/8 x 5/8	
9	0641606	4	Bolt 3/8 x 3/4	
10	0641608	5	Bolt 3/8 x 1	
11	0641610	1	Bolt 3/8 x 1-1/4	
12	0641612	2	Bolt 3/8 x 1-1/2	
13	0641708	1	Bolt 7/16 x 1	
14	0641808	1	Bolt 1/2 x 1	
15	0642010	1	Bolt 5/8 x 1-1/4	
16	0761210	1	Bolt M12 x 20	
17	1320022	3	Clamp	
18	1320187	1	Clamp	
19	1320190	1	Clamp	
20	1321716	5	Clamp	
21	1671121	1	Cover	
22	2180832	1	Fitting, Barbed	
23	2220313	2	Fitting, 90 NPTF/Barbed	
24	2750532	6 ft /1.9 m	Hose	
25	3300220	2	Nut	
26	3311405	16	Nut 1/4	
27	3311605	2	Nut 3/8	
28	3311705	1	Nut 7/16	
29	3422446	1	Pin	
30	3520054	1	Plug	
31	3841143	1	Keeper, Pin	
32	4240018	AR	Tie-Strap (Not Shown)	
33	4460234	AR	Mount, Tie-Strap (Not Shown)	
34	4711400	33	Washer 1/4	
35	4711600	16	Washer 3/8	
36	4711700	2	Washer 7/16	
37	4740430	3	Washer	
38	4752000	1	Washer 5/8	
39	4812100	1	Washer M12	
40	1001108617	1	Filter	
40	70002231	1	Element, Filter	
41	1001110425	4	Spacer	
42	1001131542	1	Lanyard	
43	1001138491	1	Harness, Fuel (See Separate Breakdown in ELECTRICAL Section)	
44	1001141225	1	Battery Cable Kit	
44A	7027042	1	Cable, Battery (Red) (Battery + to Relays and Starter)	

SECTION 3 - ENGINE

ITEM	PART NUMBER	QTY	DESCRIPTION	REV
44B	7027043	1	Cable, Battery (Black) (Battery - to Tray Pivot Grd and Aux Pump)	
44C	7027044	1	Cable (Red) (Aux Relay to Aux Pump)	
44D	7027045	1	Cable, Battery (Black) (Engine to Tray Pivot Grd)	
45	1001167164	3	Plate	
46	1001177945	1	Bracket	
47	1001177946	1	Bracket	
48	1001177957	1	Seal	
49	1001177958	1	Seal	
50	1001177959	1	Seal	
51	1001227606	1	Bracket	
52	1001294825	1	DEUTZ TC2.9L4 (R96) Engine Sub-Assembly (See Separate Breakdown in this Section)	

SECTION 3 - ENGINE

FIGURE 3-34. DEUTZ TC2.9L4 (R96) ENGINE INSTALLATION - WITH REXROTH PUMPS (WITH COLD WEATHER PLUS PACKAGE) (WITH STEEL HOODS)



ART_1001295352

SECTION 3 - ENGINE

FIGURE 3-34. DEUTZ TC2.9L4 (R96) ENGINE INSTALLATION - WITH REXROTH PUMPS (WITH COLD WEATHER PLUS PACKAGE) (WITH STEEL HOODS)

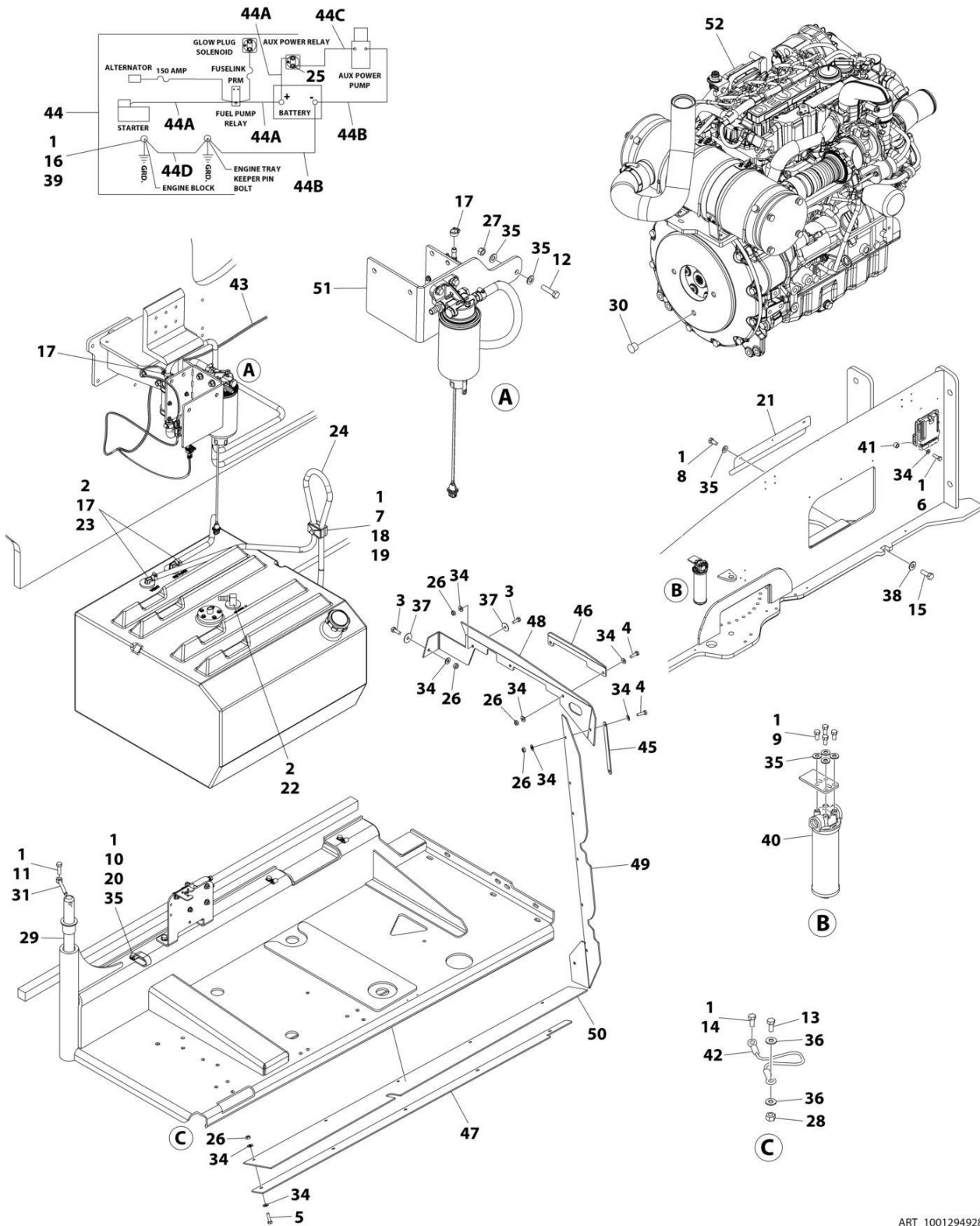
ITEM	PART NUMBER	QTY	DESCRIPTION	REV
	1001295352	Ref	ENGINE INSTALLATION (R96) WITH REXROTH PUMPS	A
1	0100011	AR	Compound, Locking	
2	0100079	AR	Sealant, Pipe	
3	0641406	3	Bolt 1/4 x 3/4	
4	0641407	8	Bolt 1/4 x 7/8	
5	0641408	5	Bolt 1/4 x 1	
6	0641410	4	Bolt 1/4 x 1-1/4	
7	0641511	1	Bolt 5/16 x 1-3/8	
8	0641605	3	Bolt 3/8 x 5/8	
9	0641606	4	Bolt 3/8 x 3/4	
10	0641608	5	Bolt 3/8 x 1	
11	0641610	1	Bolt 3/8 x 1-1/4	
12	0641612	2	Bolt 3/8 x 1-1/2	
13	0641708	1	Bolt 7/16 x 1	
14	0641808	1	Bolt 1/2 x 1	
15	0642010	1	Bolt 5/8 x 1-1/4	
16	0761210	1	Bolt M12 x 20	
17	1320022	3	Clamp	
18	1320187	1	Clamp	
19	1320190	1	Clamp	
20	1321716	5	Clamp	
21	1671121	1	Cover	
22	2180832	1	Fitting, Barbed	
23	2220313	2	Fitting, 90 NPTF/Barbed	
24	2750532	6 ft /1.9 m	Hose	
25	3300220	2	Nut	
26	3311405	16	Nut 1/4	
27	3311605	2	Nut 3/8	
28	3311705	1	Nut 7/16	
29	3422446	1	Pin	
30	3520054	1	Plug	
31	3841143	1	Keeper, Pin	
32	4240018	AR	Tie-Strap (Not Shown)	
33	4460234	AR	Mount, Tie-Strap (Not Shown)	
34	4711400	33	Washer 1/4	
35	4711600	16	Washer 3/8	
36	4711700	2	Washer 7/16	
37	4740430	3	Washer	
38	4752000	1	Washer 5/8	
39	4812100	1	Washer M12	
40	1001108617	1	Filter	
40	70002231	1	Element, Filter	
41	1001110425	4	Spacer	
42	1001131542	1	Lanyard	
43	1001138491	1	Harness, Fuel (See Separate Breakdown in ELECTRICAL Section)	
44	1001141225	1	Battery Cable Kit	
44A	7027042	1	Cable, Battery (Red) (Battery + to Relays and Starter)	

SECTION 3 - ENGINE

ITEM	PART NUMBER	QTY	DESCRIPTION	REV
44B	7027043	1	Cable, Battery (Black) (Battery - to Tray Pivot Grd and Aux Pump)	
44C	7027044	1	Cable (Red) (Aux Relay to Aux Pump)	
44D	7027045	1	Cable, Battery (Black) (Engine to Tray Pivot Grd)	
45	1001167164	3	Plate	
46	1001177945	1	Bracket	
47	1001177946	1	Bracket	
48	1001177957	1	Seal	
49	1001177958	1	Seal	
50	1001177959	1	Seal	
51	1001227606	1	Bracket	
52	1001295313	1	DEUTZ TC2.9L4 (R96) Engine Sub-Assembly (with Cold Weather Plus Package) (See Separate Breakdown in this Section)	

SECTION 3 - ENGINE

FIGURE 3-35. DEUTZ TC2.9L4 (R96) ENGINE INSTALLATION - WITH SAUER PUMPS (WITHOUT COLD WEATHER PLUS PACKAGE) (WITH STEEL HOODS)



ART_1001294928

SECTION 3 - ENGINE

FIGURE 3-35. DEUTZ TC2.9L4 (R96) ENGINE INSTALLATION - WITH SAUER PUMPS (WITHOUT COLD WEATHER PLUS PACKAGE) (WITH STEEL HOODS)

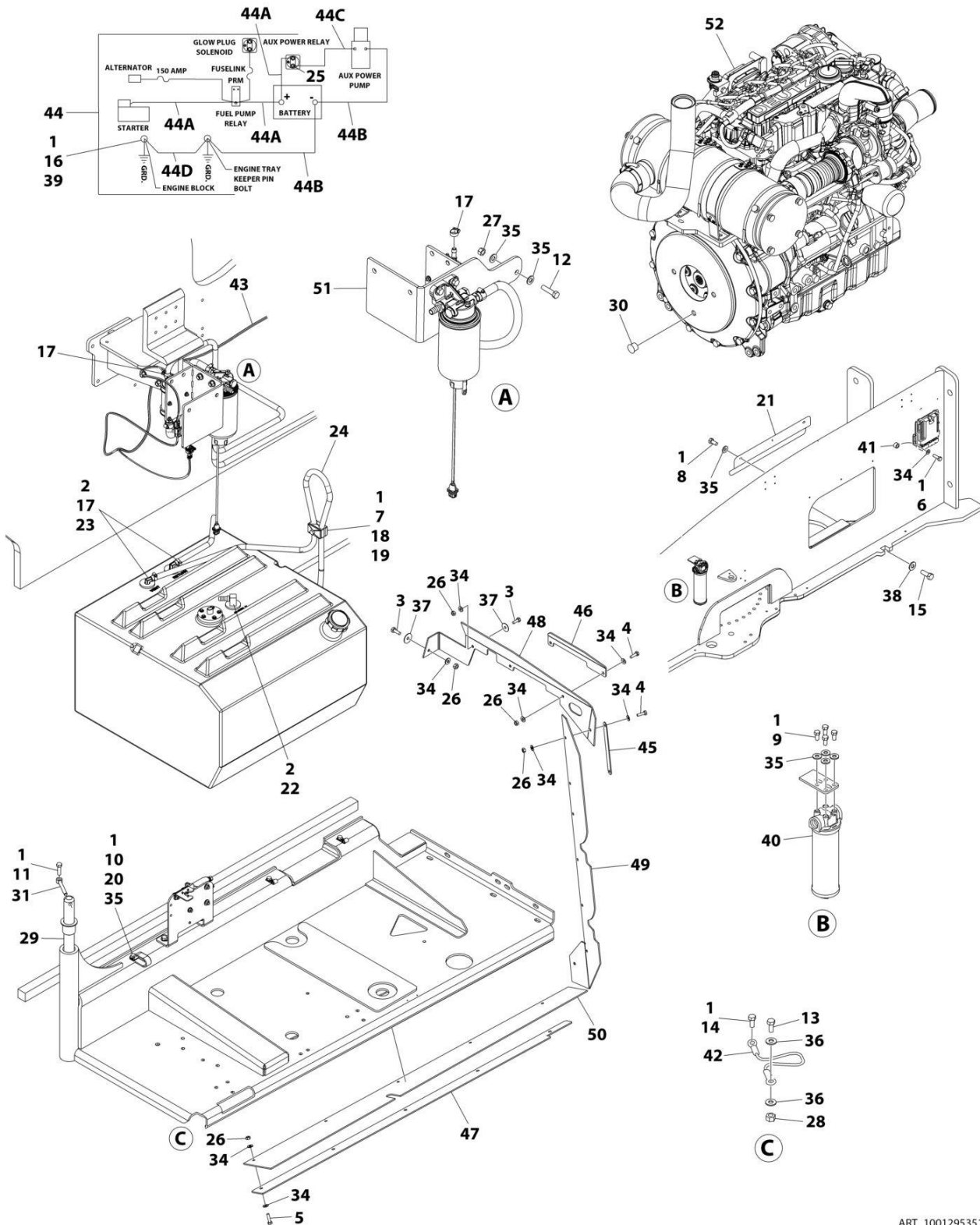
ITEM	PART NUMBER	QTY	DESCRIPTION	REV
	1001294928	Ref	ENGINE INSTALLATION (R96) WITH SAUER PUMPS	A
1	0100011	AR	Compound, Locking	
2	0100079	AR	Sealant, Pipe	
3	0641406	3	Bolt 1/4 x 3/4	
4	0641407	8	Bolt 1/4 x 7/8	
5	0641408	5	Bolt 1/4 x 1	
6	0641410	4	Bolt 1/4 x 1-1/4	
7	0641511	1	Bolt 5/16 x 1-3/8	
8	0641605	3	Bolt 3/8 x 5/8	
9	0641606	4	Bolt 3/8 x 3/4	
10	0641608	5	Bolt 3/8 x 1	
11	0641610	1	Bolt 3/8 x 1-1/4	
12	0641612	2	Bolt 3/8 x 1-1/2	
13	0641708	1	Bolt 7/16 x 1	
14	0641808	1	Bolt 1/2 x 1	
15	0642010	1	Bolt 5/8 x 1-1/4	
16	0761210	1	Bolt M12 x 20	
17	1320022	3	Clamp	
18	1320187	1	Clamp	
19	1320190	1	Clamp	
20	1321716	5	Clamp	
21	1671121	1	Cover	
22	2180832	1	Fitting, Barbed	
23	2220313	2	Fitting, 90 NPTF/Barbed	
24	2750532	6 ft /1.9 m	Hose	
25	3300220	2	Nut	
26	3311405	16	Nut 1/4	
27	3311605	2	Nut 3/8	
28	3311705	1	Nut 7/16	
29	3422446	1	Pin	
30	3520054	1	Plug	
31	3841143	1	Keeper, Pin	
32	4240018	AR	Tie-Strap (Not Shown)	
33	4460234	AR	Mount, Tie-Strap (Not Shown)	
34	4711400	33	Washer 1/4	
35	4711600	16	Washer 3/8	
36	4711700	2	Washer 7/16	
37	4740430	3	Washer	
38	4752000	1	Washer 5/8	
39	4812100	1	Washer M12	
40	1001108617	1	Filter	
40	70002231	1	Element, Filter	
41	1001110425	4	Spacer	
42	1001131542	1	Lanyard	
43	1001138491	1	Harness, Fuel (See Separate Breakdown in ELECTRICAL Section)	
44	1001141225	1	Battery Cable Kit	
44A	7027042	1	Cable, Battery (Red) (Battery + to Relays and Starter)	

SECTION 3 - ENGINE

ITEM	PART NUMBER	QTY	DESCRIPTION	REV
44B	7027043	1	Cable, Battery (Black) (Battery - to Tray Pivot Grd and Aux Pump)	
44C	7027044	1	Cable (Red) (Aux Relay to Aux Pump)	
44D	7027045	1	Cable, Battery (Black) (Engine to Tray Pivot Grd)	
45	1001167164	3	Plate	
46	1001177945	1	Bracket	
47	1001177946	1	Bracket	
48	1001177957	1	Seal	
49	1001177958	1	Seal	
50	1001177959	1	Seal	
51	1001227606	1	Bracket	
52	1001294808	1	DEUTZ TC2.9L4 (R96) Engine Sub-Assembly (See Separate Breakdown in this Section)	

SECTION 3 - ENGINE

FIGURE 3-36. DEUTZ TC2.9L4 (R96) ENGINE INSTALLATION - WITH SAUER PUMPS (WITH COLD WEATHER PLUS PACKAGE) (WITH STEEL HOODS)



ART_1001295351

SECTION 3 - ENGINE

FIGURE 3-36. DEUTZ TC2.9L4 (R96) ENGINE INSTALLATION - WITH SAUER PUMPS (WITH COLD WEATHER PLUS PACKAGE) (WITH STEEL HOODS)

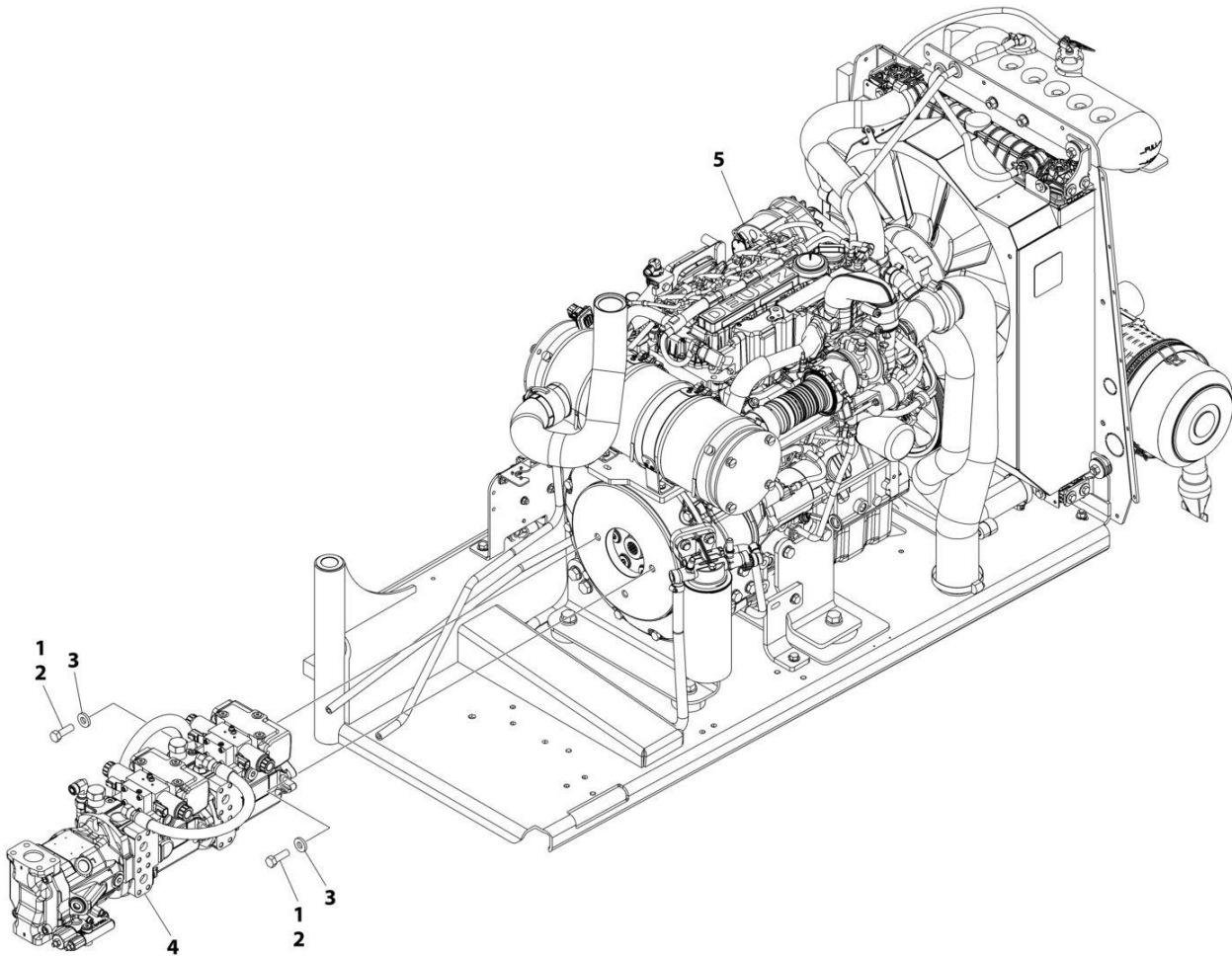
ITEM	PART NUMBER	QTY	DESCRIPTION	REV
	1001295351	Ref	ENGINE INSTALLATION (R96) WITH SAUER PUMPS	A
1	0100011	AR	Compound, Locking	
2	0100079	AR	Sealant, Pipe	
3	0641406	3	Bolt 1/4 x 3/4	
4	0641407	8	Bolt 1/4 x 7/8	
5	0641408	5	Bolt 1/4 x 1	
6	0641410	4	Bolt 1/4 x 1-1/4	
7	0641511	1	Bolt 5/16 x 1-3/8	
8	0641605	3	Bolt 3/8 x 5/8	
9	0641606	4	Bolt 3/8 x 3/4	
10	0641608	5	Bolt 3/8 x 1	
11	0641610	1	Bolt 3/8 x 1-1/4	
12	0641612	2	Bolt 3/8 x 1-1/2	
13	0641708	1	Bolt 7/16 x 1	
14	0641808	1	Bolt 1/2 x 1	
15	0642010	1	Bolt 5/8 x 1-1/4	
16	0761210	1	Bolt M12 x 20	
17	1320022	3	Clamp	
18	1320187	1	Clamp	
19	1320190	1	Clamp	
20	1321716	5	Clamp	
21	1671121	1	Cover	
22	2180832	1	Fitting, Barbed	
23	2220313	2	Fitting, 90 NPTF/Barbed	
24	2750532	6 ft /1.9 m	Hose	
25	3300220	2	Nut	
26	3311405	16	Nut 1/4	
27	3311605	2	Nut 3/8	
28	3311705	1	Nut 7/16	
29	3422446	1	Pin	
30	3520054	1	Plug	
31	3841143	1	Keeper, Pin	
32	4240018	AR	Tie-Strap (Not Shown)	
33	4460234	AR	Mount, Tie-Strap (Not Shown)	
34	4711400	33	Washer 1/4	
35	4711600	16	Washer 3/8	
36	4711700	2	Washer 7/16	
37	4740430	3	Washer	
38	4752000	1	Washer 5/8	
39	4812100	1	Washer M12	
40	1001108617	1	Filter	
40	70002231	1	Element, Filter	
41	1001110425	4	Spacer	
42	1001131542	1	Lanyard	
43	1001138491	1	Harness, Fuel (See Separate Breakdown in ELECTRICAL Section)	
44	1001141225	1	Battery Cable Kit	
44A	7027042	1	Cable, Battery (Red) (Battery + to Relays and Starter)	

SECTION 3 - ENGINE

ITEM	PART NUMBER	QTY	DESCRIPTION	REV
44B	7027043	1	Cable, Battery (Black) (Battery - to Tray Pivot Grd and Aux Pump)	
44C	7027044	1	Cable (Red) (Aux Relay to Aux Pump)	
44D	7027045	1	Cable, Battery (Black) (Engine to Tray Pivot Grd)	
45	1001167164	3	Plate	
46	1001177945	1	Bracket	
47	1001177946	1	Bracket	
48	1001177957	1	Seal	
49	1001177958	1	Seal	
50	1001177959	1	Seal	
51	1001227606	1	Bracket	
52	1001295310	1	DEUTZ TC2.9L4 (R96) Engine Sub-Assembly (with Cold Weather Plus Package) (See Separate Breakdown in this Section)	

SECTION 3 - ENGINE

FIGURE 3-37. DEUTZ TC2.9L4 (R96) ENGINE SUB-ASSEMBLY - WITH REXROTH PUMPS (WITHOUT COLD WEATHER PLUS PACKAGE) (WITH STEEL HOODS)



ART_1001294825

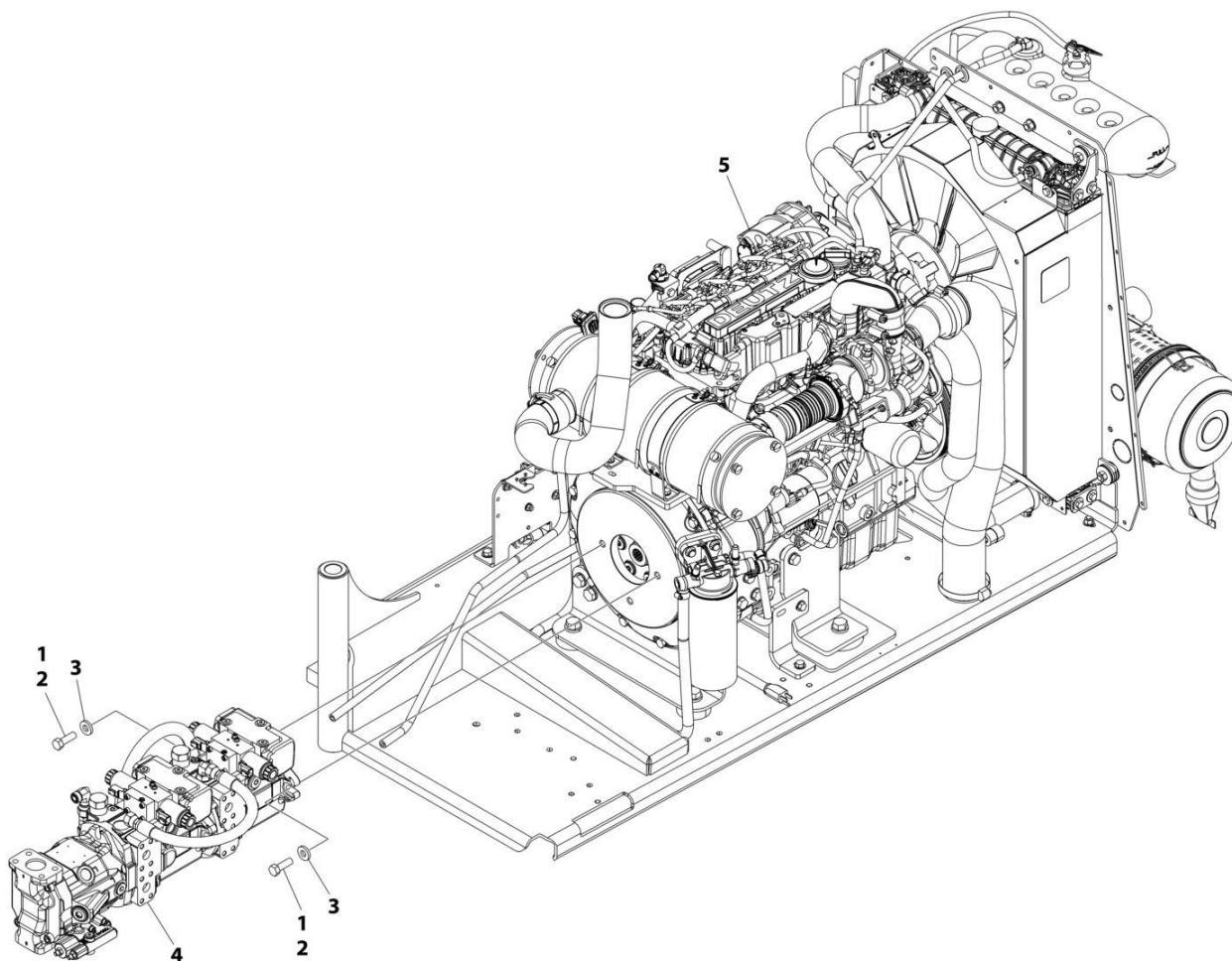
SECTION 3 - ENGINE

FIGURE 3-37. DEUTZ TC2.9L4 (R96) ENGINE SUB-ASSEMBLY - WITH REXROTH PUMPS (WITHOUT COLD WEATHER PLUS PACKAGE) (WITH STEEL HOODS)

ITEM	PART NUMBER	QTY	DESCRIPTION	REV
	1001294825	Ref	ENGINE SUB-ASSEMBLY (R96) WITH REXROTH PUMPS	A
1	0100011	AR	Compound, Locking	
2	0641812	2	Bolt 1/2 x 1-1/2	
3	4891800	2	Washer 1/2	
4	1001152963	1	Pump Assembly - Rexroth (See Separate Breakdown in this Section)	
5	1001294778	1	Deutz TC2.9L4 (R96) Engine Assembly (See Separate Breakdown in this Section)	

SECTION 3 - ENGINE

FIGURE 3-38. DEUTZ TC2.9L4 (R96) ENGINE SUB-ASSEMBLY - WITH REXROTH PUMPS (WITH COLD WEATHER PLUS PACKAGE) (WITH STEEL HOODS)



ART_1001295313

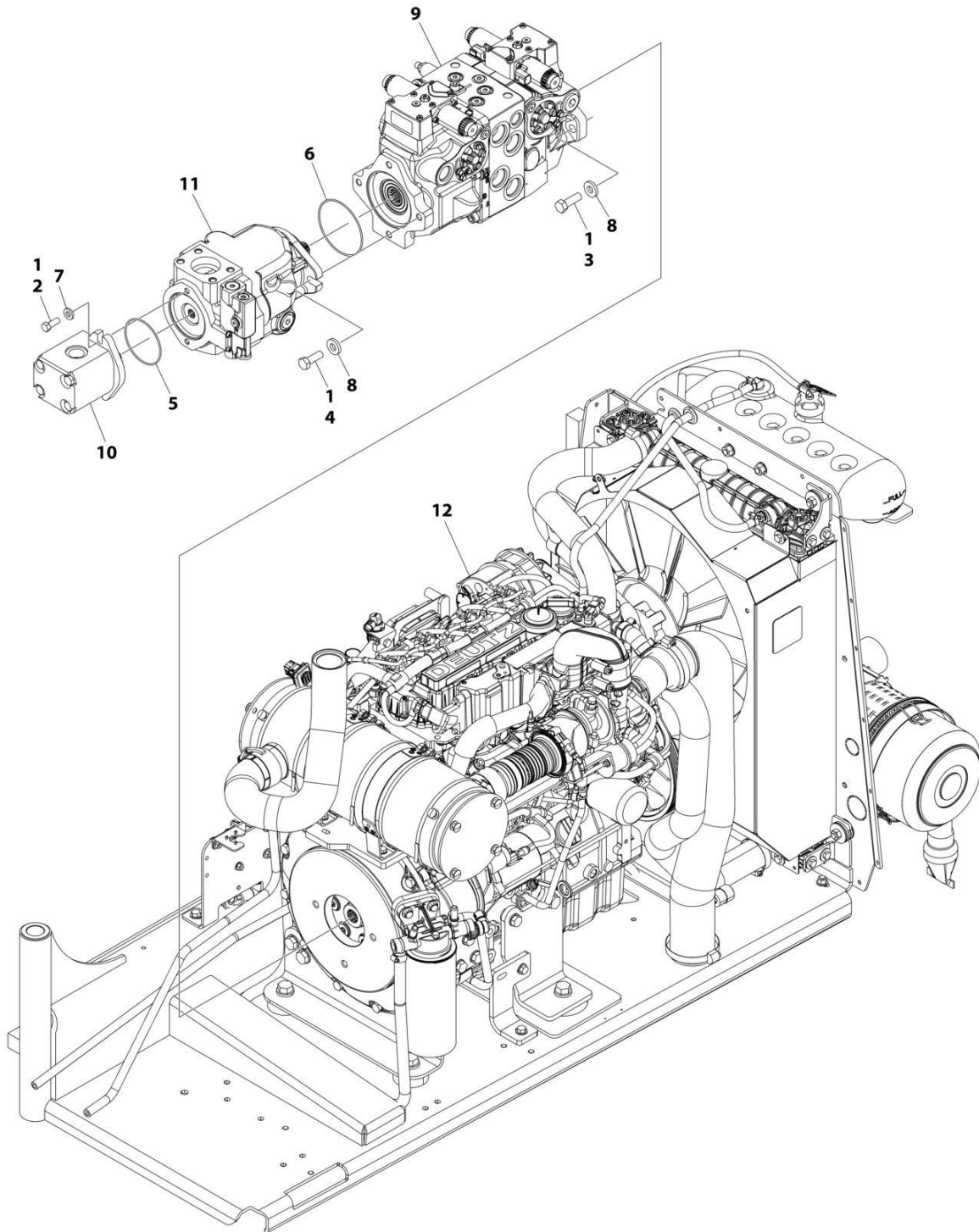
SECTION 3 - ENGINE

FIGURE 3-38. DEUTZ TC2.9L4 (R96) ENGINE SUB-ASSEMBLY - WITH REXROTH PUMPS (WITH COLD WEATHER PLUS PACKAGE) (WITH STEEL HOODS)

ITEM	PART NUMBER	QTY	DESCRIPTION	REV
	1001295313	Ref	ENGINE SUB-ASSEMBLY (R96) WITH REXROTH PUMPS	A
1	0100011	AR	Compound, Locking	
2	0641812	2	Bolt 1/2 x 1-1/2	
3	4891800	2	Washer 1/2	
4	1001152963	1	Pump Assembly - Rexroth (See Separate Breakdown in this Section)	
5	1001295235	1	Deutz TC2.9L4 (R96) Engine Assembly (See Separate Breakdown in this Section)	

SECTION 3 - ENGINE

FIGURE 3-39. DEUTZ TC2.9L4 (R96) ENGINE SUB-ASSEMBLY - WITH SAUER PUMPS (WITHOUT COLD WEATHER PLUS PACKAGE) (WITH STEEL HOODS)



ART_1001294808

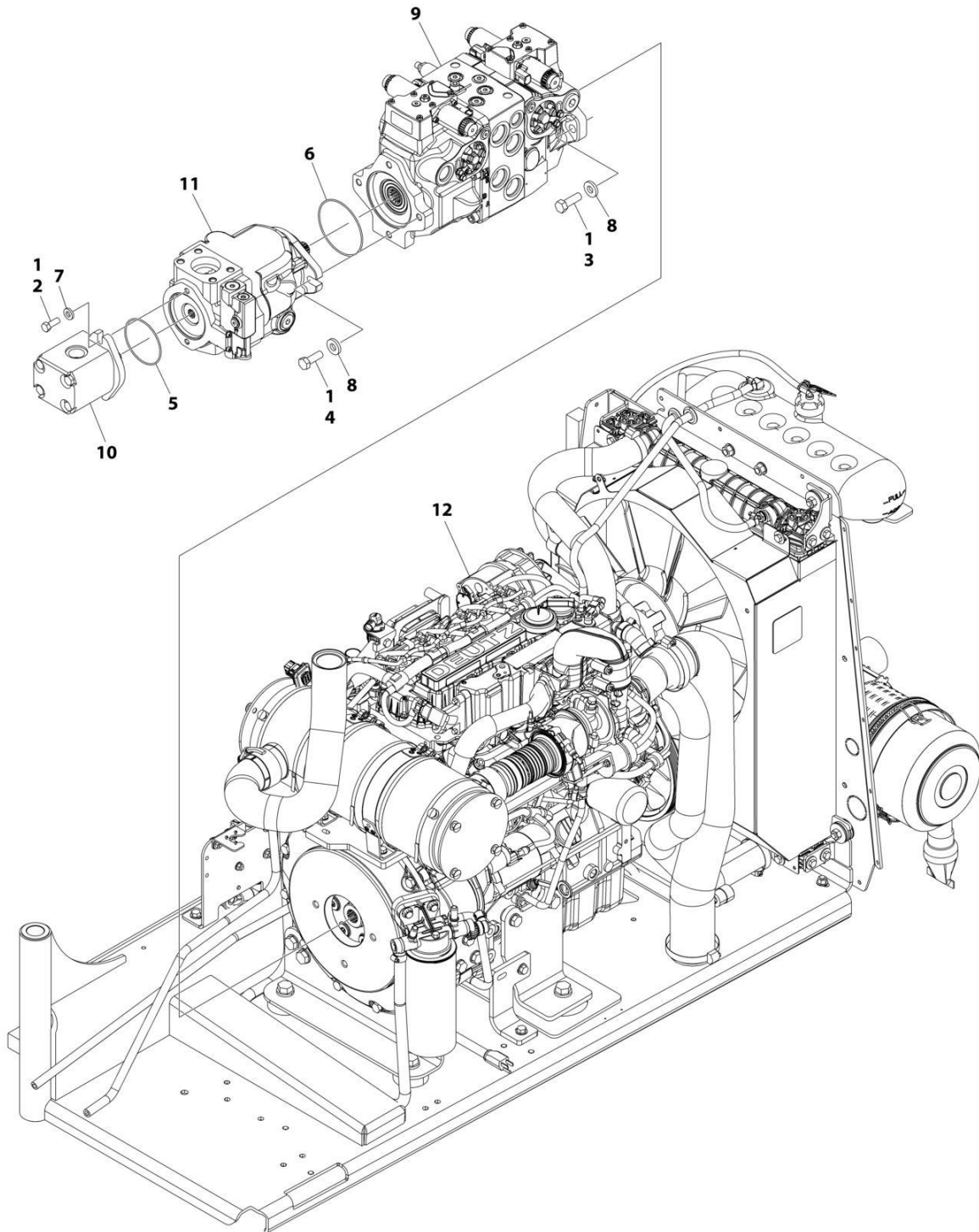
SECTION 3 - ENGINE

FIGURE 3-39. DEUTZ TC2.9L4 (R96) ENGINE SUB-ASSEMBLY - WITH SAUER PUMPS (WITHOUT COLD WEATHER PLUS PACKAGE) (WITH STEEL HOODS)

ITEM	PART NUMBER	QTY	DESCRIPTION	REV
	1001294808	Ref	ENGINE SUB-ASSEMBLY (R96) WITH SAUER PUMPS	A
1	0100011	AR	Compound, Locking	
2	0641608	2	Bolt 3/8 x 1	
3	0641812	2	Bolt 1/2 x 1-1/2	
4	0761215	2	Bolt M12 x 35	
5	3790152	1	O-Ring	
6	3790155	1	O-Ring	
7	4891600	2	Washer 3/8	
8	4891800	4	Washer 1/2	
9	1001108616	1	Pump Assembly - Sauer Tandem (See Separate Breakdown in this Section)	
10	1001112927	1	Pump Assembly - Sauer Gear (See Separate Breakdown in this Section)	
11	1001171095	1	Pump Assembly - Sauer Piston (See Separate Breakdown in this Section)	
12	1001294778	1	Deutz TC2.9L4 (R96) Engine Assembly (See Separate Breakdown in this Section)	

SECTION 3 - ENGINE

FIGURE 3-40. DEUTZ TC2.9L4 (R96) ENGINE SUB-ASSEMBLY - WITH SAUER PUMPS (WITH COLD WEATHER PLUS PACKAGE) (WITH STEEL HOODS)



ART_1001295310

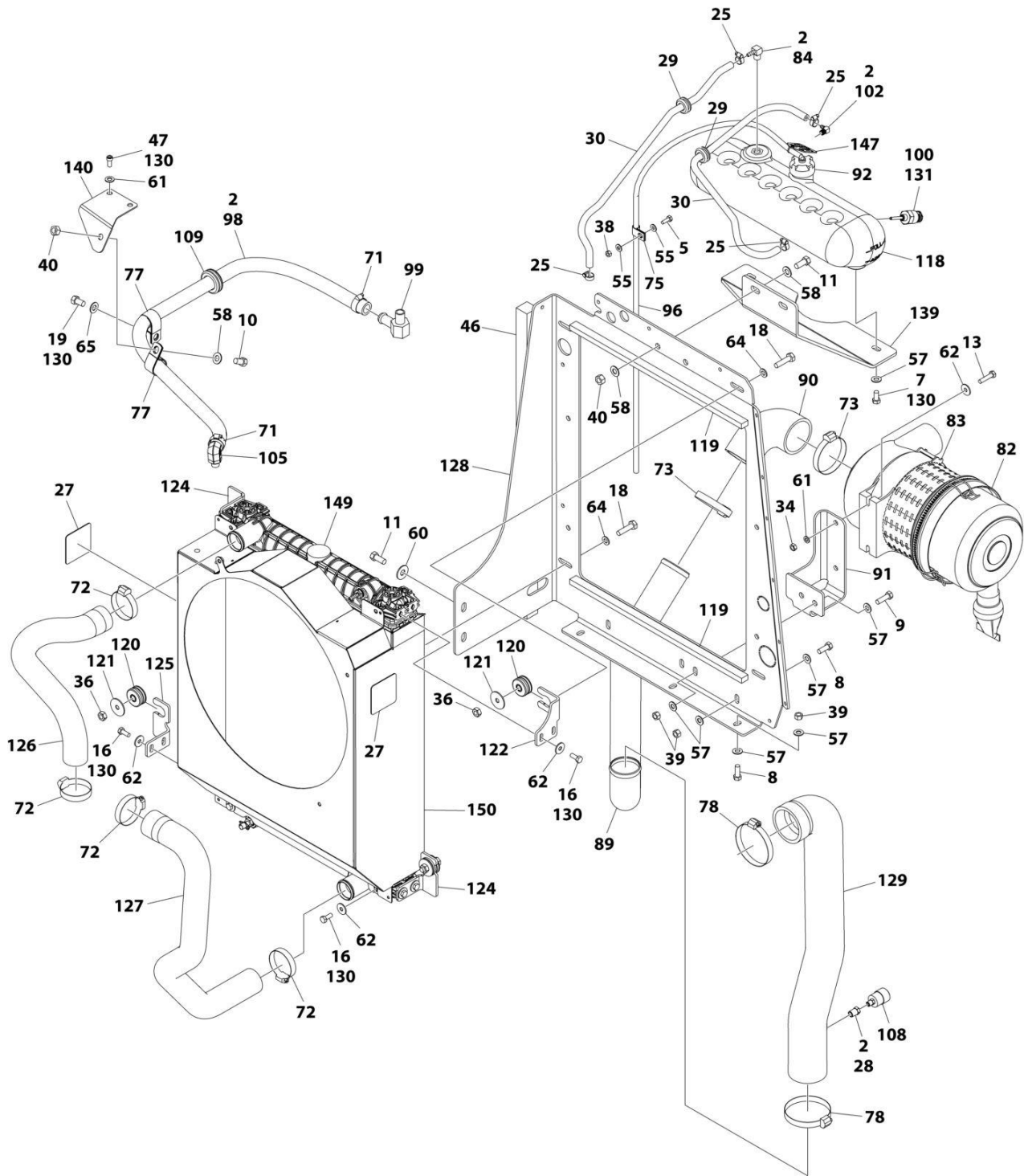
SECTION 3 - ENGINE

FIGURE 3-40. DEUTZ TC2.9L4 (R96) ENGINE SUB-ASSEMBLY - WITH SAUER PUMPS (WITH COLD WEATHER PLUS PACKAGE) (WITH STEEL HOODS)

ITEM	PART NUMBER	QTY	DESCRIPTION	REV
	1001295310	Ref	ENGINE SUB-ASSEMBLY (R96) WITH SAUER PUMPS	A
1	0100011	AR	Compound, Locking	
2	0641608	2	Bolt 3/8 x 1	
3	0641812	2	Bolt 1/2 x 1-1/2	
4	0761215	2	Bolt M12 x 35	
5	3790152	1	O-Ring	
6	3790155	1	O-Ring	
7	4891600	2	Washer 3/8	
8	4891800	4	Washer 1/2	
9	1001108616	1	Pump Assembly - Sauer Tandem (See Separate Breakdown in this Section)	
10	1001112927	1	Pump Assembly - Sauer Gear (See Separate Breakdown in this Section)	
11	1001171095	1	Pump Assembly - Sauer Piston (See Separate Breakdown in this Section)	
12	1001295235	1	Deutz TC2.9L4 (R96) Engine Assembly (See Separate Breakdown in this Section)	

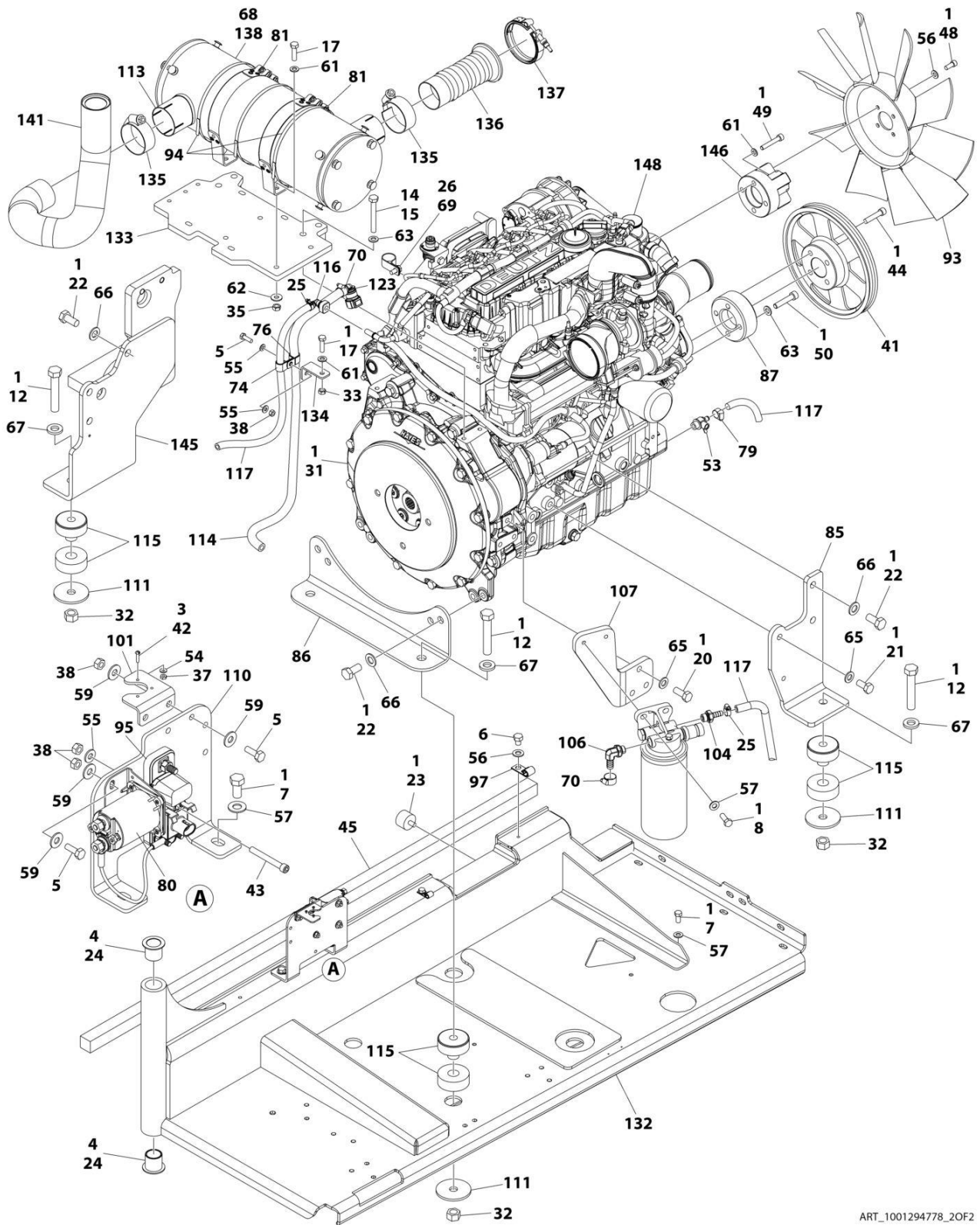
SECTION 3 - ENGINE

FIGURE 3-41. DEUTZ TC2.9L4 (R96) ENGINE ASSEMBLY (WITHOUT COLD WEATHER PLUS PACKAGE) (WITH STEEL HOODS)



ART_1001294778_1OF2

SECTION 3 - ENGINE



ART_1001294778_20F2

SECTION 3 - ENGINE

FIGURE 3-41. DEUTZ TC2.9L4 (R96) ENGINE ASSEMBLY (WITHOUT COLD WEATHER PLUS PACKAGE) (WITH STEEL HOODS)

ITEM	PART NUMBER	QTY	DESCRIPTION	REV
	1001294778	Ref	ENGINE SUB-ASSEMBLY (R96)	A
1	0100011	AR	Compound, Locking	
2	0100020	AR	Sealant, Pipe	
3	0100035	AR	Compound, Locking	
4	0100062	AR	Adhesive	
5	0641406	7	Bolt 1/4 x 3/4	
6	0641503	2	Bolt 5/16 x 3/8	
7	0641606	5	Bolt 3/8 x 3/4	
8	0641608	7	Bolt 3/8 x 1	
9	0641610	2	Bolt 3/8 x 1-1/4	
10	0641706	1	Bolt 7/16 x 3/4	
11	0641708	4	Bolt 7/16 x 1	
12	0682028	4	Bolt 5/8 x 3-1/2	
13	0700815	2	Bolt M8 x 35	
14	0701022	2	Bolt M10 x 70	
15	0701025	2	Bolt M10 x 85	
16	0760810	12	Bolt M8 x 20	
17	0760814	5	Bolt M8 x 30	
18	0761016	4	Bolt M10 x 40	
19	0761210	1	Bolt M12 x 20	
20	0761214	3	Bolt M12 x 30	
21	0771212	1	Bolt M12 x 25	
22	0771414	9	Bolt M14 x 30	
23	0940070	1	Bumper	
24	0961986	2	Bearing	
25	1320022	6	Clamp	
26	1320130	1	Clamp	
27	1703162	2	Decal - Fan Blade	
28	2220273	1	Fitting	
29	2540038	2	Grommet	
30	2720015	5 ft /2 m	Hose	
31	2902065	1	Pump Coupling Kit (See Separate Breakdown in this Section)	
32	3272001	4	Nut 5/8	
33	3290801	AR	Nut M8	
34	3290805	2	Nut M8	
35	3290807	4	Nut M8	
36	3291007	4	Nut M10	
37	3310401	3	Nut #4	
38	3311405	8	Nut 1/4	
39	3311605	7	Nut 3/8	
40	3311705	3	Nut 7/16	
41	3580320	1	Pulley	
42	3910408	3	Screw #4 x 1/2	
43	3931432	1	Capscrew 1/4 x 2	
44	3931628	4	Capscrew 3/8 x 1-3/4	
45	3960543	1	Seal	
46	3960544	1	Seal	
47	4031907	2	Bolt M8 x 16	
48	4031908	4	Bolt M8 x 20	

SECTION 3 - ENGINE

ITEM	PART NUMBER	QTY	DESCRIPTION	REV
49	4031912	4	Bolt M8 x 40	
50	4032014	4	Bolt M10 x 50	
51	4240032	AR	Tie-Strap (Not Shown)	
52	4240099	AR	Tie-Strap (Not Shown)	
53	4640751	1	Valve, Oil Drain	
54	4710400	3	Washer #4	
55	4711400	7	Washer 1/4	
56	4711500	6	Washer 5/16	
57	4711600	21	Washer 3/8	
58	4711700	6	Washer 7/16	
59	4751400	8	Washer 1/4	
60	4751700	2	Washer 7/16	
61	4811900	13	Washer M8	
62	4811902	18	Washer M8	
63	4812000	8	Washer M10	
64	4812002	4	Washer M10	
65	4812100	5	Washer M12	
66	4812200	9	Washer M14	
67	4892000	4	Washer 5/8	
68	4920385	AR	Wire, Safety	
69	5250808	1	Bolt M8 x 16	
70	8405006	2	Clamp	
70	8405007	2	Clamp	
72	8405201	4	Clamp	
73	8405204	2	Clamp	
74	8406102	1	Clip	
75	8406109	2	Clip	
76	8406112	1	Clip	
77	8406302	2	Clamp	
78	8410011	2	Clamp	
79	8410013	1	Clamp	
80	1001117308	1	Contactactor	
81	1001119727	2	Clamp	
82	1001133633	1	Filter, Air	
82	70024190	1	Element, Air Filter	
83	1001133634	1	Cap	
84	1001134488	1	Fitting, 90 Barbed	
85	1001135560	1	Support	
86	1001135562	1	Support	
87	1001135679	1	Adapter	
88	1001135779	1	Cable, Alternator (Not Shown)	
89	1001135903	1	Pipe	
90	1001135946	1	Coupling	
91	1001136665	1	Bracket	
92	1001136834	1	Cap	
93	1001137276	1	Fan	
94	1001137336	6	Strap	
95	1001138228	1	Relay	
96	1001138248	4 ft /1.2 m	Hose	
97	1001138253	2	Clamp	
98	1001138524	1	Hose	

SECTION 3 - ENGINE

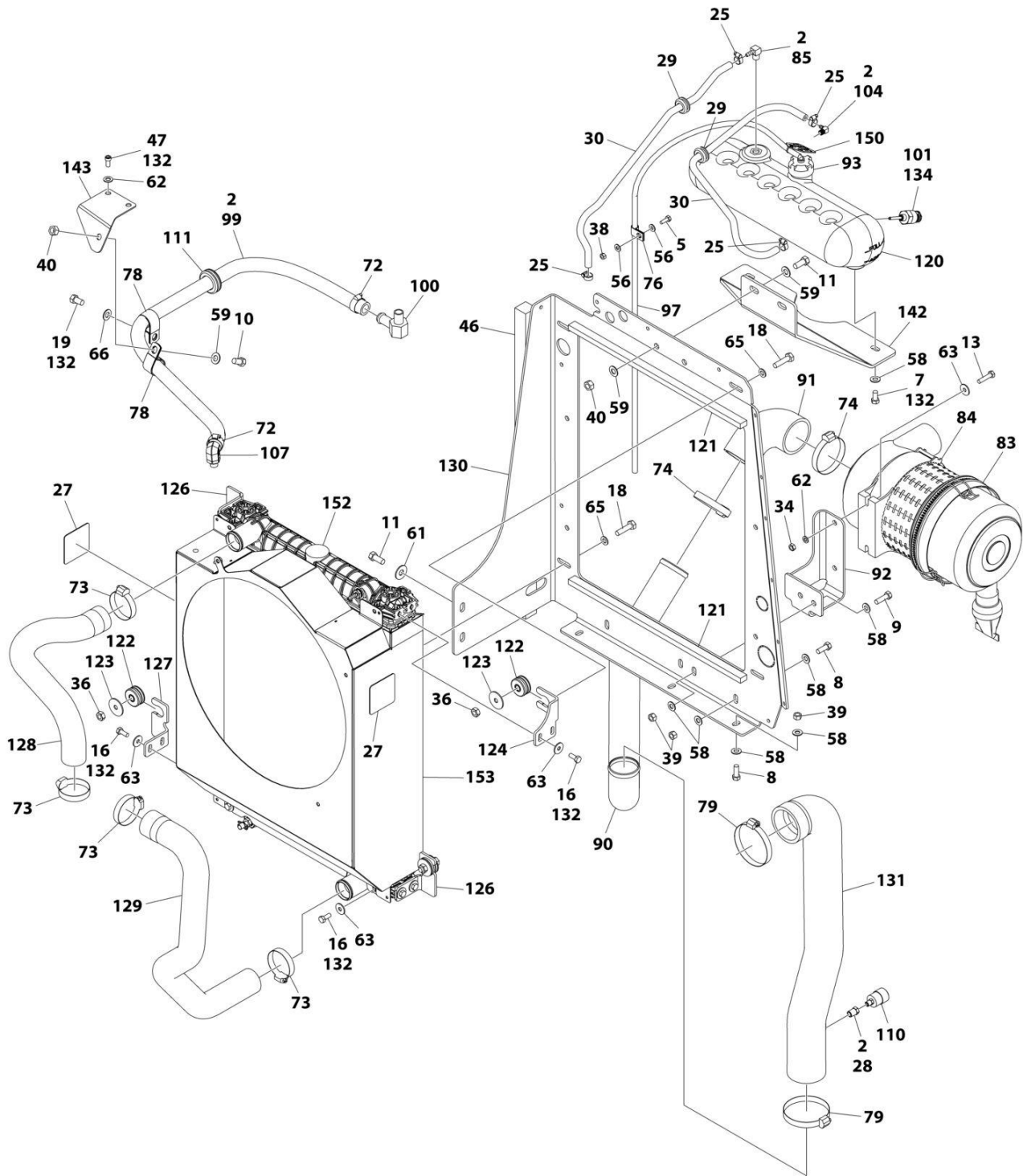
ITEM	PART NUMBER	QTY	DESCRIPTION	REV
99	1001138559	1	Fitting, 90	
100	1001138827	1	Sensor, Coolant Level	
101	1001139240	1	Bracket	
102	1001140564	1	Fitting, 90	
103	1001141304	1	Wire, Glow Plug (Not Shown)	
104	1001141717	1	Fitting, Straight	
105	1001141719	1	Fitting, 90	
106	1001142501	1	Fitting, 90	
107	1001142685	1	Bracket	
108	1001143390	1	Indicator	
109	1001144089	1	Grommet	
110	1001145154	1	Plate	
111	1001146219	4	Washer	
112	1001148843	1	Harness, Fuel Filter (Not Shown - See Separate Breakdown in ELECTRICAL Section)	
113	1001151432	1	Muffler	
114	1001154405	5 ft /2 m	Hose	
115	1001155575	4	Mount	
116	1001155823	1	Coupling, 90 Quick Connect	
117	1001165035	31 ft /10 m	Hose	
118	1001166393	1	Tank	
119	1001168166	4	Seal	
120	1001169054	4	Isolator	
121	1001169138	4	Pad	
122	1001170035	1	Bracket	
123	1001170982	1	Adapter	
124	1001176329	2	Bracket	
125	1001176330	1	Bracket	
126	1001176415	1	Hose	
127	1001176416	1	Hose	
128	1001178236	1	Support	
129	1001178894	1	Hose	
130	1001180620	AR	Adhesive	
131	1001182997	AR	Adhesive	
132	1001187011	1	Tray	
133	1001221203	1	Muffler Bracket Assembly	
134	1001221205	1	Bracket	
135	1001221212	2	Clamp	
136	1001221217	1	Pipe, Flex Assembly	
137	1001221219	1	Clamp	
138	1001221427	1	Muffler-Wrap Assembly	
139	1001229599	1	Bracket	
140	1001229600	1	Plate	
141	1001257155	1	Pipe, Exhaust	
142	1001276646	1	Engine Harness (Not Shown - See Separate Breakdown in ELECTRICAL Section)	
143	1001281985	1	Connector (Not Shown)	
144	1001281986	1	Connector (Not Shown)	
145	1001283008	1	Mount	
146	1001289964	1	Adapter	
147	1001291401	1	Tag, Coolant	

SECTION 3 - ENGINE

ITEM	PART NUMBER	QTY	DESCRIPTION	REV
148	1001293889	1	Engine (See Separate Breakdown in this Section)	
149	1001303270	1	Cooler, Engine	
150	1001306438	1	Shroud	

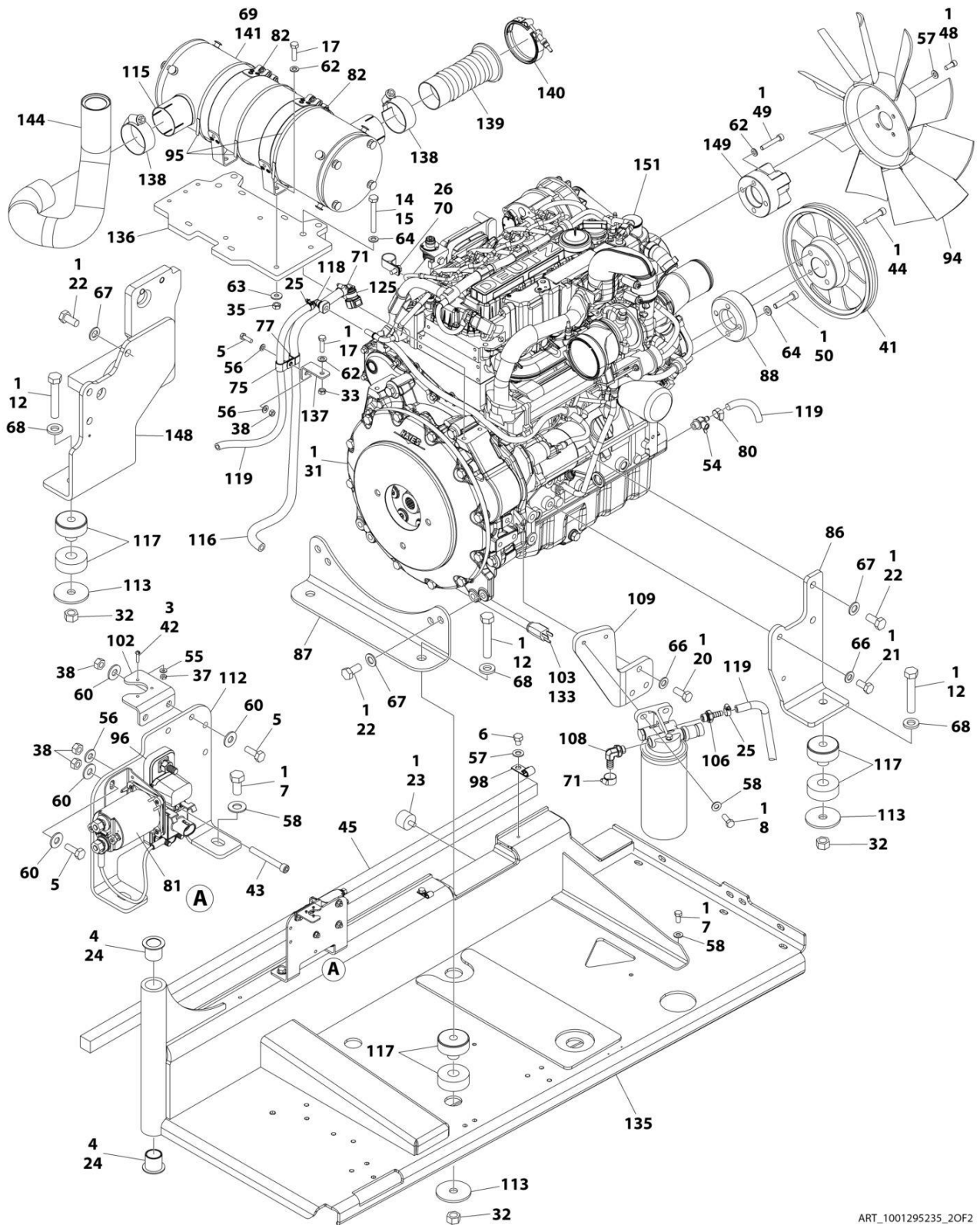
SECTION 3 - ENGINE

FIGURE 3-42. DEUTZ TC2.9L4 (R96) ENGINE ASSEMBLY (WITH COLD WEATHER PLUS PACKAGE) (WITH STEEL HOODS)



ART_1001295235_10F2

SECTION 3 - ENGINE



ART_1001295235_20F2

SECTION 3 - ENGINE

**FIGURE 3-42. DEUTZ TC2.9L4 (R96) ENGINE ASSEMBLY (WITH COLD WEATHER PLUS PACKAGE)
(WITH STEEL HOODS)**

ITEM	PART NUMBER	QTY	DESCRIPTION	REV
	1001295235	Ref	ENGINE SUB-ASSEMBLY (R96)	A
1	0100011	AR	Compound, Locking	
2	0100020	AR	Sealant, Pipe	
3	0100035	AR	Compound, Locking	
4	0100062	AR	Adhesive	
5	0641406	7	Bolt 1/4 x 3/4	
6	0641503	2	Bolt 5/16 x 3/8	
7	0641606	5	Bolt 3/8 x 3/4	
8	0641608	7	Bolt 3/8 x 1	
9	0641610	2	Bolt 3/8 x 1-1/4	
10	0641706	1	Bolt 7/16 x 3/4	
11	0641708	4	Bolt 7/16 x 1	
12	0682028	4	Bolt 5/8 x 3-1/2	
13	0700815	2	Bolt M8 x 35	
14	0701022	2	Bolt M10 x 70	
15	0701025	2	Bolt M10 x 85	
16	0760810	12	Bolt M8 x 20	
17	0760814	5	Bolt M8 x 30	
18	0761016	4	Bolt M10 x 40	
19	0761210	1	Bolt M12 x 20	
20	0761214	3	Bolt M12 x 30	
21	0771212	1	Bolt M12 x 25	
22	0771414	9	Bolt M14 x 30	
23	0940070	1	Bumper	
24	0961986	2	Bearing	
25	1320022	6	Clamp	
26	1320130	1	Clamp	
27	1703162	2	Decal - Fan Blade	
28	2220273	1	Fitting	
29	2540038	2	Grommet	
30	2720015	5 ft /2 m	Hose	
31	2902065	1	Pump Coupling Kit (See Separate Breakdown in this Section)	
32	3272001	4	Nut 5/8	
33	3290801	1	Nut M8	
34	3290805	2	Nut M8	
35	3290807	4	Nut M8	
36	3291007	4	Nut M10	
37	3310401	3	Nut #4	
38	3311405	8	Nut 1/4	
39	3311605	7	Nut 3/8	
40	3311705	3	Nut 7/16	
41	3580320	1	Pulley	
42	3910408	3	Screw #4 x 1/2	
43	3931432	1	Capscrew 1/4 x 2	
44	3931628	4	Capscrew 3/8 x 1-3/4	
45	3960543	1	Seal	
46	3960544	1	Seal	
47	4031907	2	Bolt M8 x 16	
48	4031908	4	Bolt M8 x 20	

SECTION 3 - ENGINE

ITEM	PART NUMBER	QTY	DESCRIPTION	REV
49	4031912	4	Bolt M8 x 40	
50	4032014	4	Bolt M10 x 50	
51	4240032	AR	Tie-Strap (Not Shown)	
52	4240099	AR	Tie-Strap (Not Shown)	
53	4460234	1	Mount, Tie-Strap (Not Shown)	
54	4640751	1	Valve, Oil Drain	
55	4710400	3	Washer #4	
56	4711400	7	Washer 1/4	
57	4711500	6	Washer 5/16	
58	4711600	21	Washer 3/8	
59	4711700	6	Washer 7/16	
60	4751400	8	Washer 1/4	
61	4751700	2	Washer 7/16	
62	4811900	13	Washer M8	
63	4811902	18	Washer M8	
64	4812000	8	Washer M10	
65	4812002	4	Washer M10	
66	4812100	5	Washer M12	
67	4812200	9	Washer M14	
68	4892000	4	Washer 5/8	
69	4920385	AR	Wire, Safety	
70	5250808	1	Bolt M8 x 16	
71	8405006	2	Clamp	
72	8405007	2	Clamp	
73	8405201	4	Clamp	
74	8405204	2	Clamp	
75	8406102	1	Clip	
76	8406109	2	Clip	
77	8406112	1	Clip	
78	8406302	2	Clamp	
79	8410011	2	Clamp	
80	8410013	1	Clamp	
81	1001117308	1	Contactactor	
82	1001119727	2	Clamp	
83	1001133633	1	Filter, Air	
83	70024190	1	Element, Air Filter	
84	1001133634	1	Cap	
85	1001134488	1	Fitting, 90 Barbed	
86	1001135560	1	Support	
87	1001135562	1	Support	
88	1001135679	1	Adapter	
89	1001135779	1	Cable, Alternator (Not Shown)	
90	1001135903	1	Pipe	
91	1001135946	1	Coupling	
92	1001136665	1	Bracket	
93	1001136834	1	Cap	
94	1001137276	1	Fan	
95	1001137336	6	Strap	
96	1001138228	1	Relay	
97	1001138248	4 ft /1.2 m	Hose	
98	1001138253	2	Clamp	

SECTION 3 - ENGINE

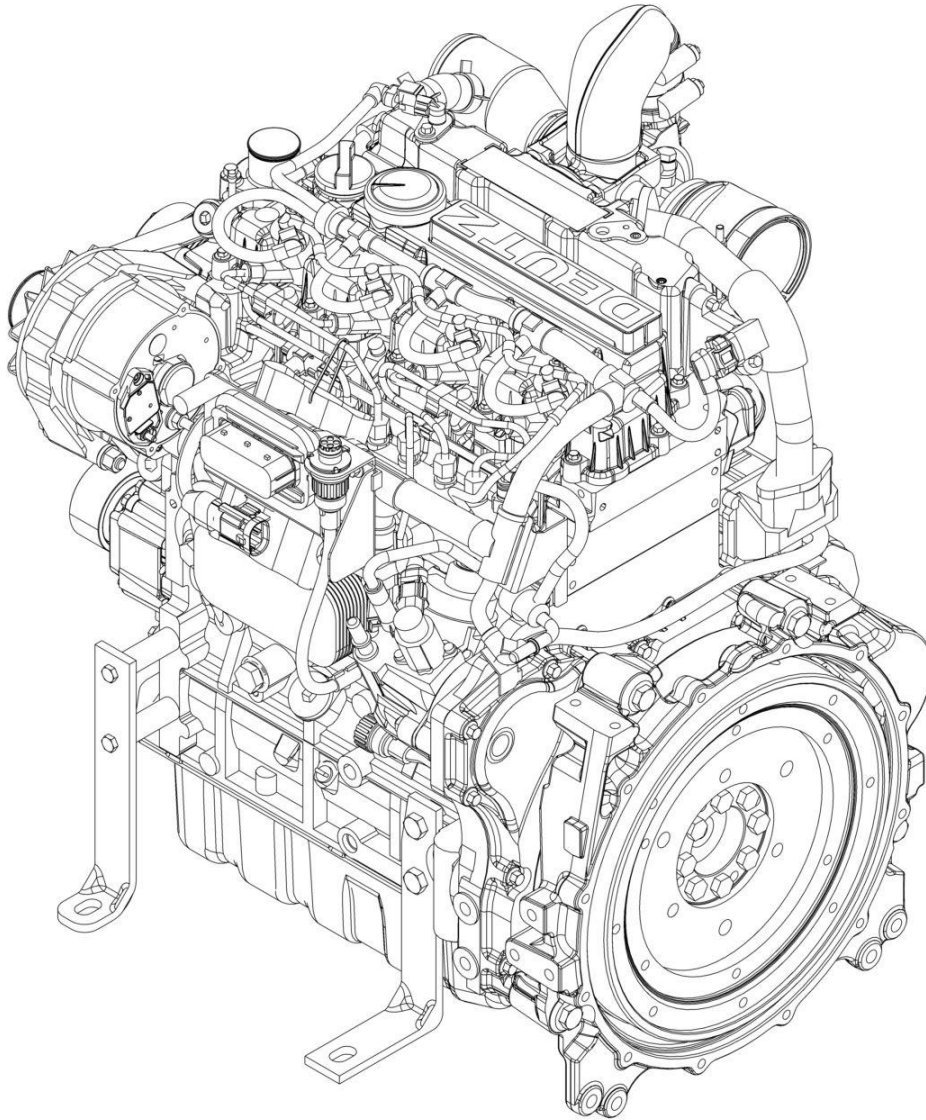
ITEM	PART NUMBER	QTY	DESCRIPTION	REV
99	1001138524	1	Hose	
100	1001138559	1	Fitting, 90	
101	1001138827	1	Sensor, Coolant Level	
102	1001139240	1	Bracket	
103	1001140312	1	Heater, Block	
104	1001140564	1	Fitting, 90	
105	1001141304	1	Wire, Glow Plug (Not Shown)	
106	1001141717	1	Fitting, Straight	
107	1001141719	1	Fitting, 90	
108	1001142501	1	Fitting, 90	
109	1001142685	1	Bracket	
110	1001143390	1	Indicator	
111	1001144089	1	Grommet	
112	1001145154	1	Plate	
113	1001146219	4	Washer	
114	1001148843	1	Harness, Fuel Filter (Not Shown - See Separate Breakdown in ELECTRICAL Section)	
115	1001151432	1	Muffler	
116	1001154405	5 ft /2 m	Hose	
117	1001155575	4	Mount	
118	1001155823	1	Coupling, 90 Quick Connect	
119	1001165035	31 ft /10 m	Hose	
120	1001166393	1	Tank	
121	1001168166	4	Seal	
122	1001169054	4	Isolator	
123	1001169138	4	Pad	
124	1001170035	1	Bracket	
125	1001170982	1	Adapter	
126	1001176329	2	Bracket	
127	1001176330	1	Bracket	
128	1001176415	1	Hose	
129	1001176416	1	Hose	
130	1001178236	1	Support	
131	1001178894	1	Hose	
132	1001180620	AR	Adhesive	
133	1001181895	AR	Adhesive	
134	1001182997	AR	Adhesive	
135	1001187011	1	Tray	
136	1001221203	1	Muffler Bracket Assembly	
137	1001221205	1	Bracket	
138	1001221212	2	Clamp	
139	1001221217	1	Pipe, Flex Assembly	
140	1001221219	1	Clamp	
141	1001221427	1	Muffler-Wrap Assembly	
142	1001229599	1	Bracket	
143	1001229600	1	Plate	
144	1001257155	1	Pipe, Exhaust	
145	1001276646	1	Engine Harness (Not Shown - See Separate Breakdown in ELECTRICAL Section)	
146	1001281985	1	Connector (Not Shown)	
147	1001281986	1	Connector (Not Shown)	

SECTION 3 - ENGINE

ITEM	PART NUMBER	QTY	DESCRIPTION	REV
148	1001283008	1	Mount	
149	1001289964	1	Adapter	
150	1001291401	1	Tag, Coolant	
151	1001293889	1	Engine (See Separate Breakdown in this Section)	
152	1001303270	1	Cooler, Engine	
153	1001306438	1	Shroud	

SECTION 3 - ENGINE

FIGURE 3-43. DEUTZ TCD2.9L4 (R96) ENGINE COMPONENTS



ART_1001293889

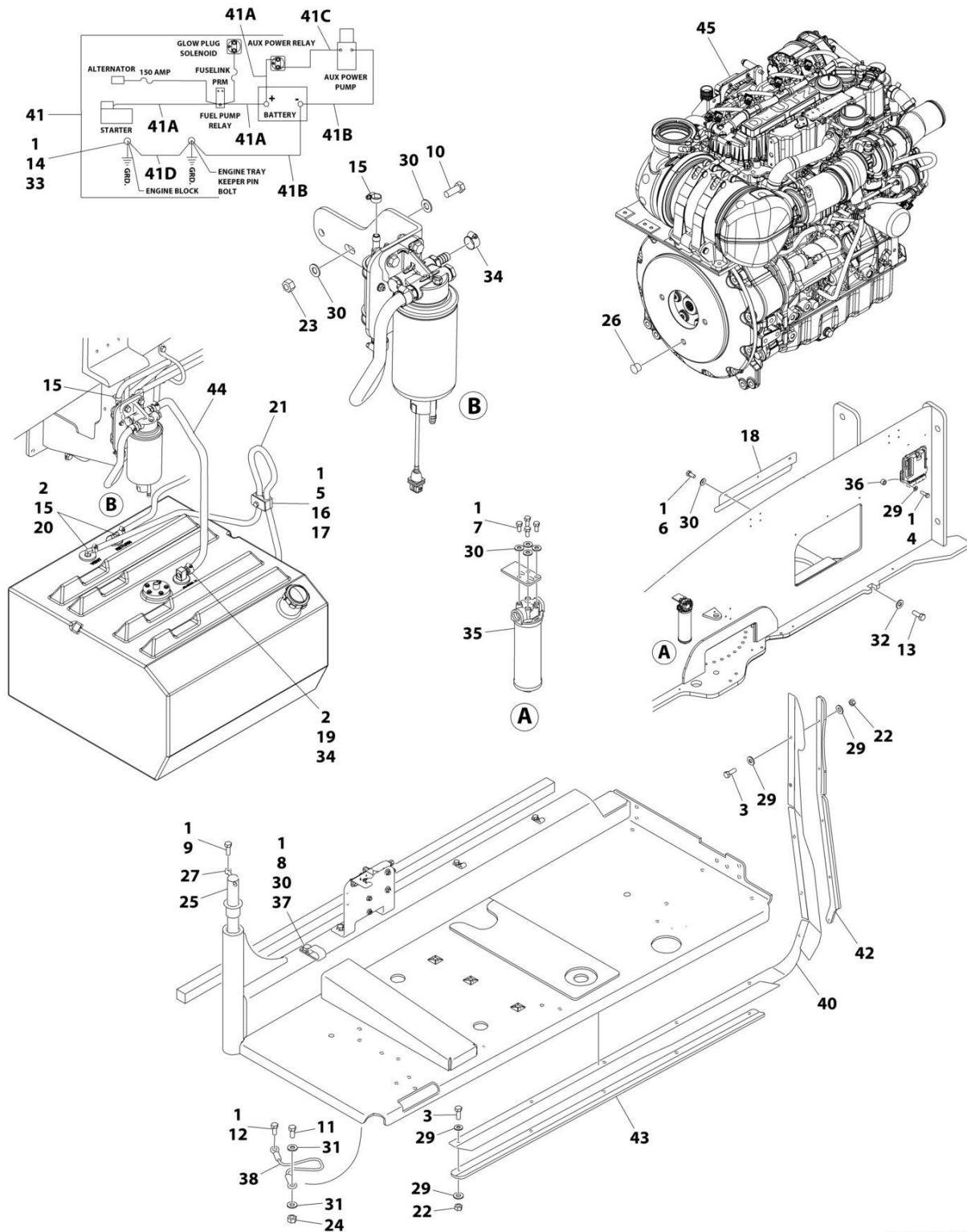
SECTION 3 - ENGINE

FIGURE 3-43. DEUTZ TCD2.9L4 (R96) ENGINE COMPONENTS

ITEM	PART NUMBER	QTY	DESCRIPTION	REV
	1001293889 See Note	Ref NSS	ENGINE COMPONENTS Note: No Available Parts Available at time of Printing	A

SECTION 3 - ENGINE

FIGURE 3-44. DEUTZ D2.9L4 EMR5 ENGINE INSTALLATION WITH REXROTH PUMPS (WITH COLD WEATHER PLUS PACKAGE)



ART_1001301728

SECTION 3 - ENGINE

FIGURE 3-44. DEUTZ D2.9L4 EMR5 ENGINE INSTALLATION WITH REXROTH PUMPS (WITH COLD WEATHER PLUS PACKAGE)

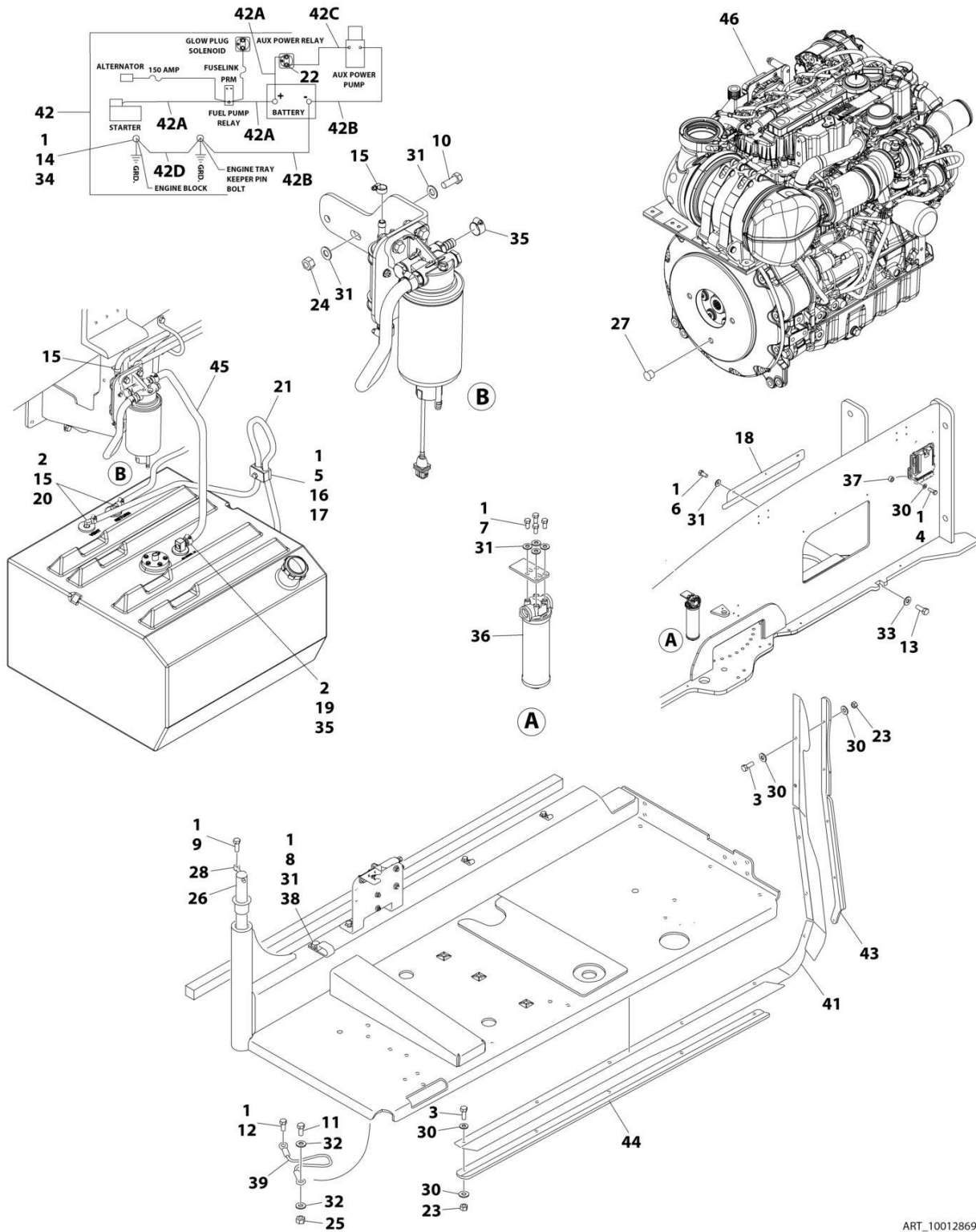
ITEM	PART NUMBER	QTY	DESCRIPTION	REV
	1001301728	Ref	ENGINE INSTALLATION EMR5 WITH REXROTH PUMPS AND STEEL HOODS WITH COLD WEATHER PLUS PACKAGE	B
1	0100011	AR	Compound, Locking	
2	0100079	AR	Sealant, Pipe	
3	0641408	10	Bolt 1/4 x 1	
4	0641410	4	Bolt 1/4 x 1-1/4	
5	0641511	1	Bolt 5/16 x 1-3/8	
6	0641605	3	Bolt 3/8 x 5/8	
7	0641606	4	Bolt 3/8 x 3/4	
8	0641608	5	Bolt 3/8 x 1	
9	0641610	1	Bolt 3/8 x 1-1/4	
10	0641612	2	Bolt 3/8 x 1-1/2	
11	0641708	1	Bolt 7/16 x 1	
12	0641808	1	Bolt 1/2 x 1	
13	0642010	1	Bolt 5/8 x 1-1/4	
14	0761210	1	Bolt M12 x 20	
15	1320022	3	Clamp	
16	1320187	1	Clamp	
17	1320190	1	Clamp	
18	1671121	1	Cover	
19	2180832	1	Fitting, Barbed	
20	2220313	2	Fitting, 90 NPTF/Barbed	
21	2750532	5 ft /1.6 m	Hose	
22	3311405	10	Nut 1/4	
23	3311605	2	Nut 3/8	
24	3311705	1	Nut 7/16	
25	3422446	1	Pin	
26	3520054	1	Plug	
27	3841143	1	Keeper, Pin	
28	4240018	AR	Tie-Strap (Not Shown)	
29	4711400	24	Washer 1/4	
30	4711600	16	Washer 3/8	
31	4711700	2	Washer 7/16	
32	4752000	1	Washer 5/8	
33	4812100	1	Washer M12	
34	8405006	2	Clamp	
35	1001108617	1	Filter	
35	70002231	1	Element, Filter	
36	1001110425	4	Spacer	
37	1001116792	1	Clamp	
37	1321716	5	Clamp	
38	1001131542	1	Lanyard	
39	1001138491	1	Harness, Fuel (Not Shown) (See Separate Breakdown in ELECTRICAL Section)	
40	1001140604	1	Panel	
41	1001141225	1	Battery Cable Kit	
41A	7027042	1	Cable, Battery (Red) (Battery + to Relays and Starter)	
41B	7027043	1	Cable, Battery (Black) (Battery - to Tray Pivot Grd and Aux Pump)	

SECTION 3 - ENGINE

ITEM	PART NUMBER	QTY	DESCRIPTION	REV
41C	7027044	1	Cable (Red) (Aux Relay to Aux Pump)	
41D	7027045	1	Cable, Battery (Black) (Engine to Tray Pivot Grd)	
42	1001145089	1	Clamp	
43	1001145842	1	Plate	
44	1001154405	2 ft /0.6 m	Hose	
45	1001301672	1	Engine Sub-Assembly (See Separate Breakdown in this Section)	
46	4460234	AR	Mount, Terminal (Not Shown)	

SECTION 3 - ENGINE

FIGURE 3-45. DEUTZ D2.9L4 EMR5 ENGINE INSTALLATION WITH PMP PUMP (WITH COLD WEATHER PLUS PACKAGE)



ART_1001286968

SECTION 3 - ENGINE

FIGURE 3-45. DEUTZ D2.9L4 EMR5 ENGINE INSTALLATION WITH PMP PUMP (WITH COLD WEATHER PLUS PACKAGE)

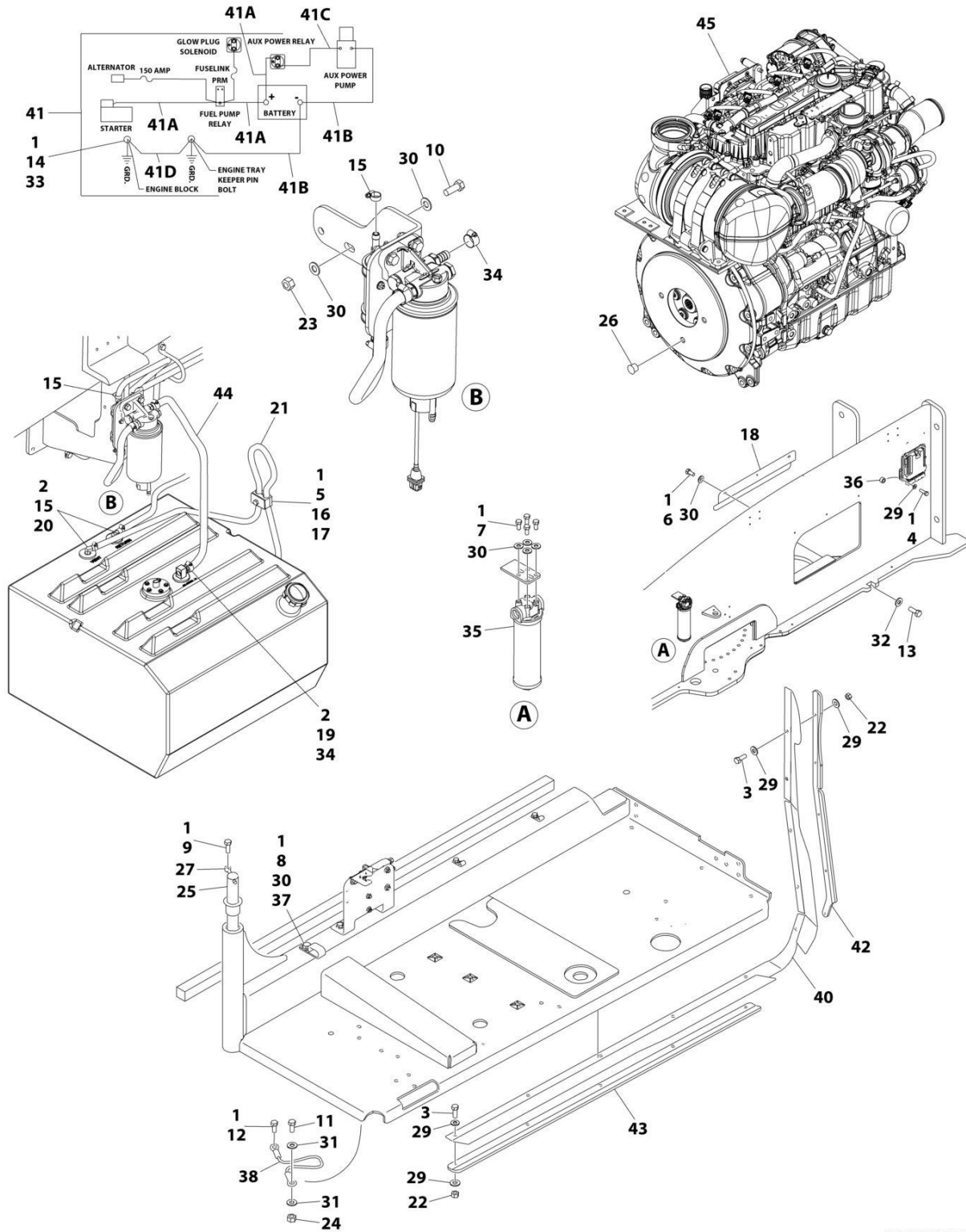
ITEM	PART NUMBER	QTY	DESCRIPTION	REV
	1001286968	Ref	ENGINE INSTALLATION WITH PMP PUMPS AND STEEL HOODS WITH COLD WEATHER PLUS PACKAGE	A
1	0100011	AR	Compound, Locking	
2	0100079	AR	Sealant, Pipe	
3	0641408	10	Bolt 1/4 x 1	
4	0641410	4	Bolt 1/4 x 1-1/4	
5	0641511	1	Bolt 5/16 x 1-3/8	
6	0641605	3	Bolt 3/8 x 5/8	
7	0641606	4	Bolt 3/8 x 3/4	
8	0641608	1	Bolt 3/8 x 1	
9	0641610	1	Bolt 3/8 x 1-1/4	
10	0641612	2	Bolt 3/8 x 1-1/2	
11	0641708	1	Bolt 7/16 x 1	
12	0641808	1	Bolt 1/2 x 1	
13	0642010	1	Bolt 5/8 x 1-1/4	
14	0761210	1	Bolt M12 x 20	
15	1320022	3	Clamp	
16	1320187	1	Clamp	
17	1320190	1	Clamp	
18	1671121	1	Cover	
19	2180832	1	Fitting, Barbed	
20	2220313	2	Fitting, 90 NPTF/Barbed	
21	2750532	5 ft /1.6 m	Hose	
22	3300220	2	Nut	
23	3311405	10	Nut 1/4	
24	3311605	2	Nut 3/8	
25	3311705	1	Nut 7/16	
26	3422446	1	Pin	
27	3520054	1	Plug	
28	3841143	1	Keeper, Pin	
29	4240018	AR	Tie-Strap (Not Shown)	
30	4711400	24	Washer 1/4	
31	4711600	12	Washer 3/8	
32	4711700	2	Washer 7/16	
33	4752000	1	Washer 5/8	
34	4812100	1	Washer M12	
35	8405006	2	Clamp	
36	1001108617	1	Filter	
36	70002231	1	Element, Filter	
37	1001110425	4	Spacer	
38	1001116792	1	Clamp	
39	1001131542	1	Lanyard	
40	1001138491	1	Harness, Fuel (Not Shown) (See Separate Breakdown in ELECTRICAL Section)	
41	1001140604	1	Panel	
42	1001141225	1	Battery Cable Kit	
42A	7027042	1	Cable, Battery (Red) (Battery + to Relays and Starter)	
42B	7027043	1	Cable, Battery (Black) (Battery - to Tray Pivot Grd and Aux Pump)	

SECTION 3 - ENGINE

ITEM	PART NUMBER	QTY	DESCRIPTION	REV
42C	7027044	1	Cable (Red) (Aux Relay to Aux Pump)	
42D	7027045	1	Cable, Battery (Black) (Engine to Tray Pivot Grd)	
43	1001145089	1	Clamp	
44	1001145842	1	Plate	
45	1001154405	2 ft /0.6 m	Hose	
46	1001286969	1	Engine Sub-Assembly (See Separate Breakdown in this Section)	

SECTION 3 - ENGINE

FIGURE 3-46. DEUTZ D2.9L4 EMR5 ENGINE INSTALLATION WITH PMP PUMP AND STEEL HOODS (WITH COLD WEATHER PLUS PACKAGE)



ART_1001301725

SECTION 3 - ENGINE

**FIGURE 3-46. DEUTZ D2.9L4 EMR5 ENGINE INSTALLATION WITH PMP PUMP AND STEEL HOODS
(WITH COLD WEATHER PLUS PACKAGE)**

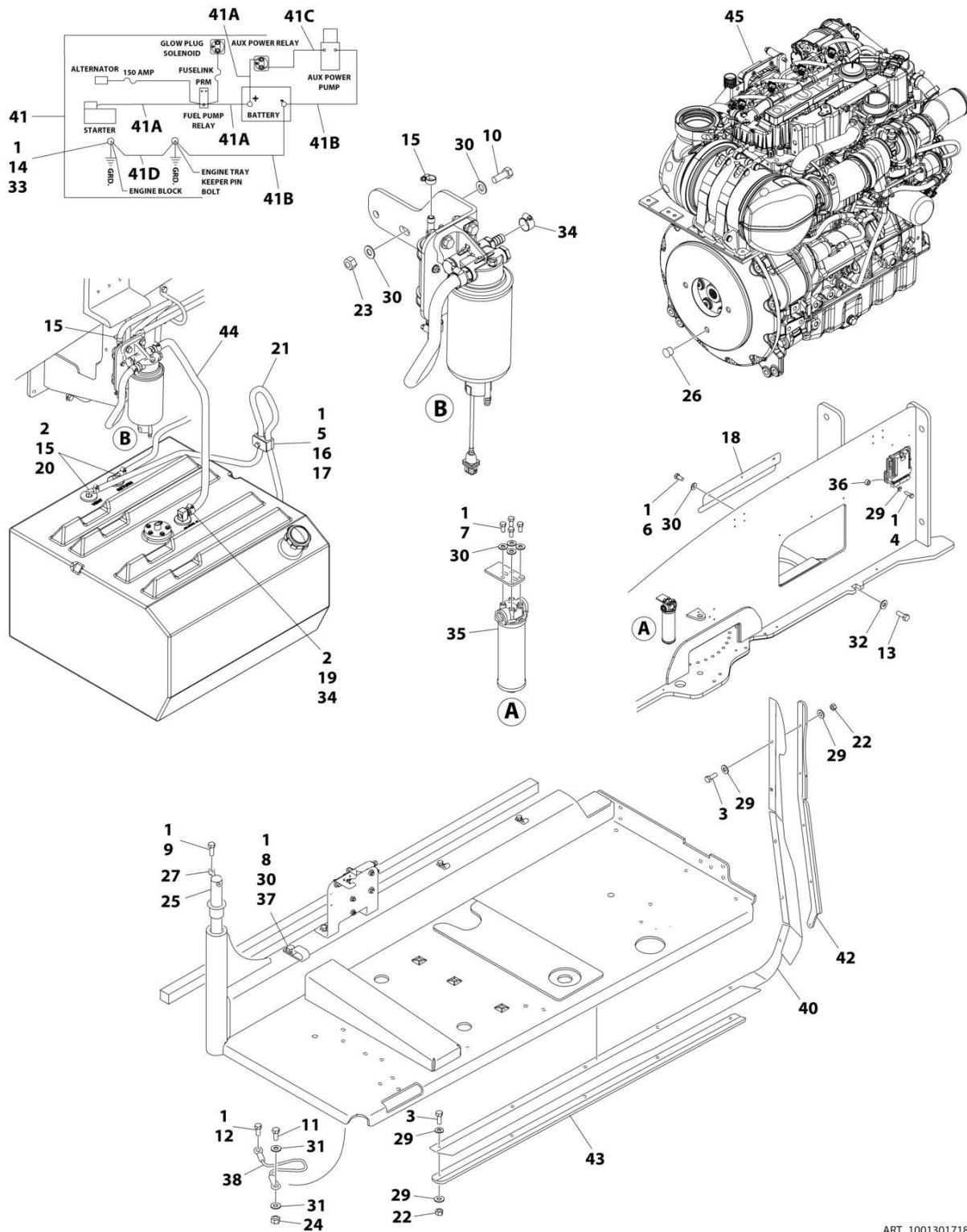
ITEM	PART NUMBER	QTY	DESCRIPTION	REV
	1001301725	Ref	ENGINE INSTALLATION EMR5 WITH PMP PUMPS AND STEEL HOODS WITH COLD WEATHER PLUS PACKAGE	B
1	0100011	AR	Compound, Locking	
2	0100079	AR	Sealant, Pipe	
3	0641408	10	Bolt 1/4 x 1	
4	0641410	4	Bolt 1/4 x 1-1/4	
5	0641511	1	Bolt 5/16 x 1-3/8	
6	0641605	3	Bolt 3/8 x 5/8	
7	0641606	4	Bolt 3/8 x 3/4	
8	0641608	5	Bolt 3/8 x 1	
9	0641610	1	Bolt 3/8 x 1-1/4	
10	0641612	2	Bolt 3/8 x 1-1/2	
11	0641708	1	Bolt 7/16 x 1	
12	0641808	1	Bolt 1/2 x 1	
13	0642010	1	Bolt 5/8 x 1-1/4	
14	0761210	1	Bolt M12 x 20	
15	1320022	3	Clamp	
16	1320187	1	Clamp	
17	1320190	1	Clamp	
18	1671121	1	Cover	
19	2180832	1	Fitting, Barbed	
20	2220313	2	Fitting, 90 NPTF/Barbed	
21	2750532	5 ft /1.6 m	Hose	
22	3311405	10	Nut 1/4	
23	3311605	2	Nut 3/8	
24	3311705	1	Nut 7/16	
25	3422446	1	Pin	
26	3520054	1	Plug	
27	3841143	1	Keeper, Pin	
28	4240018	AR	Tie-Strap (Not Shown)	
29	4711400	24	Washer 1/4	
30	4711600	16	Washer 3/8	
31	4711700	2	Washer 7/16	
32	4752000	1	Washer 5/8	
33	4812100	1	Washer M12	
34	8405006	2	Clamp	
35	1001108617	1	Filter	
35	70002231	1	Element, Filter	
36	1001110425	4	Spacer	
37	1001116792	1	Clamp	
37	1321716	5	Clamp	
38	1001131542	1	Lanyard	
39	1001138491	1	Harness, Fuel (Not Shown) (See Separate Breakdown in ELECTRICAL Section)	
40	1001140604	1	Panel	
41	1001141225	1	Battery Cable Kit	
41A	7027042	1	Cable, Battery (Red) (Battery + to Relays and Starter)	
41B	7027043	1	Cable, Battery (Black) (Battery - to Tray Pivot Grd and Aux Pump)	

SECTION 3 - ENGINE

ITEM	PART NUMBER	QTY	DESCRIPTION	REV
41C	7027044	1	Cable (Red) (Aux Relay to Aux Pump)	
41D	7027045	1	Cable, Battery (Black) (Engine to Tray Pivot Grd)	
42	1001145089	1	Clamp	
43	1001145842	1	Plate	
44	1001154405	2 ft /0.6 m	Hose	
45	1001301654	1	Engine Sub-Assembly (See Separate Breakdown in this Section)	
46	4460234	AR	Mount, Terminal (Not Shown)	

SECTION 3 - ENGINE

FIGURE 3-47. DEUTZ D2.9L4 EMR5 ENGINE INSTALLATION WITH PMP PUMP AND STEEL HOODS (WITHOUT COLD WEATHER PLUS PACKAGE)



ART_1001301718

SECTION 3 - ENGINE

**FIGURE 3-47. DEUTZ D2.9L4 EMR5 ENGINE INSTALLATION WITH PMP PUMP AND STEEL HOODS
(WITHOUT COLD WEATHER PLUS PACKAGE)**

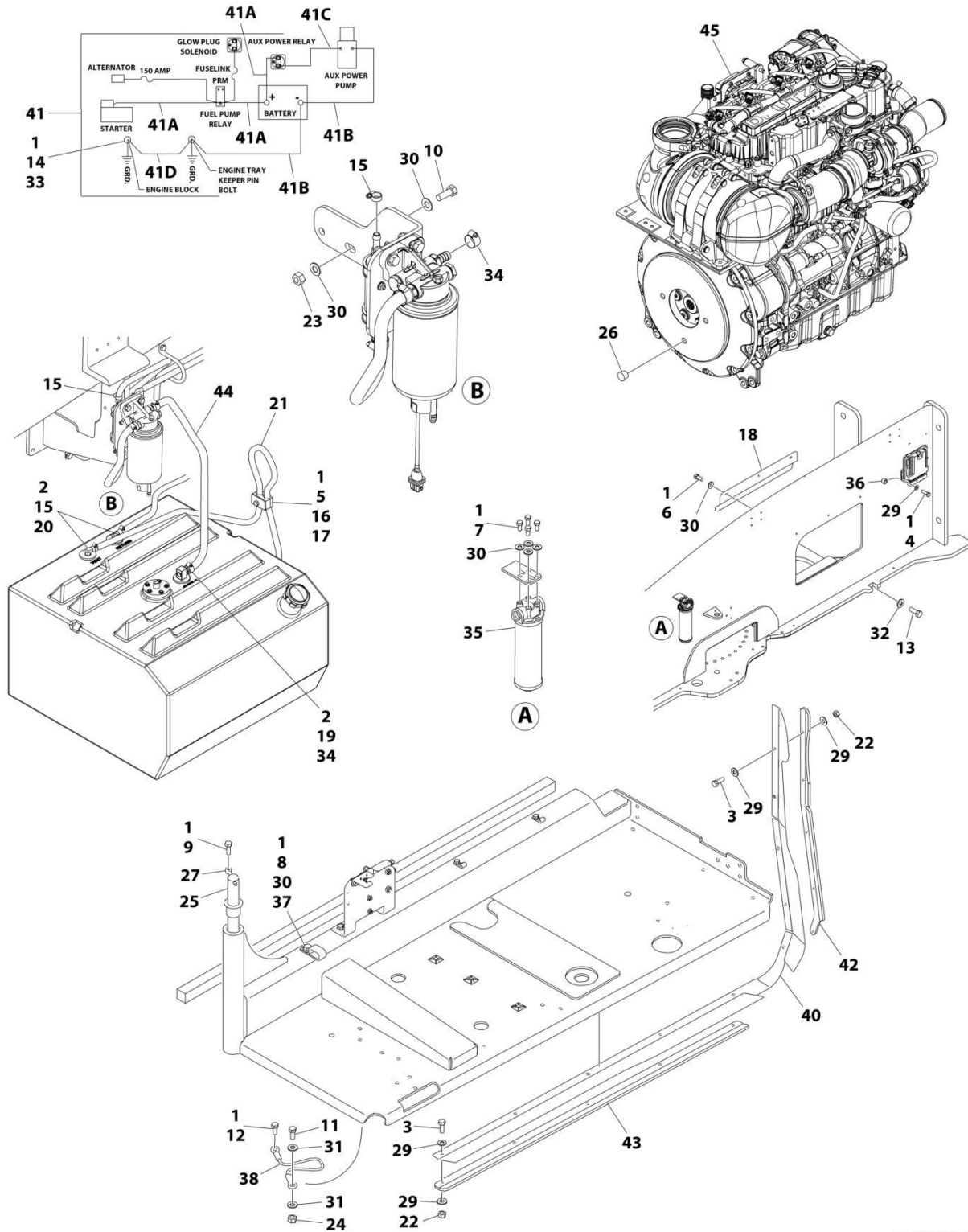
ITEM	PART NUMBER	QTY	DESCRIPTION	REV
	1001301718	Ref	ENGINE INSTALLATION EMR5 WITH PMP PUMPS AND STEEL HOODS WITHOUT COLD WEATHER PLUS PACKAGE	B
1	0100011	AR	Compound, Locking	
2	0100079	AR	Sealant, Pipe	
3	0641408	10	Bolt 1/4 x 1	
4	0641410	4	Bolt 1/4 x 1-1/4	
5	0641511	1	Bolt 5/16 x 1-3/8	
6	0641605	3	Bolt 3/8 x 5/8	
7	0641606	4	Bolt 3/8 x 3/4	
8	0641608	5	Bolt 3/8 x 1	
9	0641610	1	Bolt 3/8 x 1-1/4	
10	0641612	2	Bolt 3/8 x 1-1/2	
11	0641708	1	Bolt 7/16 x 1	
12	0641808	1	Bolt 1/2 x 1	
13	0642010	1	Bolt 5/8 x 1-1/4	
14	0761210	1	Bolt M12 x 20	
15	1320022	3	Clamp	
16	1320187	1	Clamp	
17	1320190	1	Clamp	
18	1671121	1	Cover	
19	2180832	1	Fitting, Barbed	
20	2220313	2	Fitting, 90 NPTF/Barbed	
21	2750532	5 ft /1.6 m	Hose	
22	3311405	10	Nut 1/4	
23	3311605	2	Nut 3/8	
24	3311705	1	Nut 7/16	
25	3422446	1	Pin	
26	3520054	1	Plug	
27	3841143	1	Keeper, Pin	
28	4240018	AR	Tie-Strap (Not Shown)	
29	4711400	24	Washer 1/4	
30	4711600	16	Washer 3/8	
31	4711700	2	Washer 7/16	
32	4752000	1	Washer 5/8	
33	4812100	1	Washer M12	
34	8405006	2	Clamp	
35	1001108617	1	Filter	
35	70002231	1	Element, Filter	
36	1001110425	4	Spacer	
37	1001116792	1	Clamp	
37	1321716	5	Clamp	
38	1001131542	1	Lanyard	
39	1001138491	1	Harness, Fuel (Not Shown) (See Separate Breakdown in ELECTRICAL Section)	
40	1001140604	1	Panel	
41	1001141225	1	Battery Cable Kit	
41A	7027042	1	Cable, Battery (Red) (Battery + to Relays and Starter)	
41B	7027043	1	Cable, Battery (Black) (Battery - to Tray Pivot Grd and Aux Pump)	

SECTION 3 - ENGINE

ITEM	PART NUMBER	QTY	DESCRIPTION	REV
41C	7027044	1	Cable (Red) (Aux Relay to Aux Pump)	
41D	7027045	1	Cable, Battery (Black) (Engine to Tray Pivot Grd)	
42	1001145089	1	Clamp	
43	1001145842	1	Plate	
44	1001154405	2 ft /0.6 m	Hose	
45	1001301710	1	Engine Sub-Assembly (See Separate Breakdown in this Section)	
46	4460234	AR	Mount, Terminal (Not Shown)	

SECTION 3 - ENGINE

FIGURE 3-48. DEUTZ D2.9L4 EMR5 ENGINE INSTALLATION WITH REXROTH PUMPS AND STEEL HOODS (WITHOUT COLD WEATHER PLUS PACKAGE)



ART_1001301722

SECTION 3 - ENGINE

FIGURE 3-48. DEUTZ D2.9L4 EMR5 ENGINE INSTALLATION WITH REXROTH PUMPS AND STEEL HOODS (WITHOUT COLD WEATHER PLUS PACKAGE)

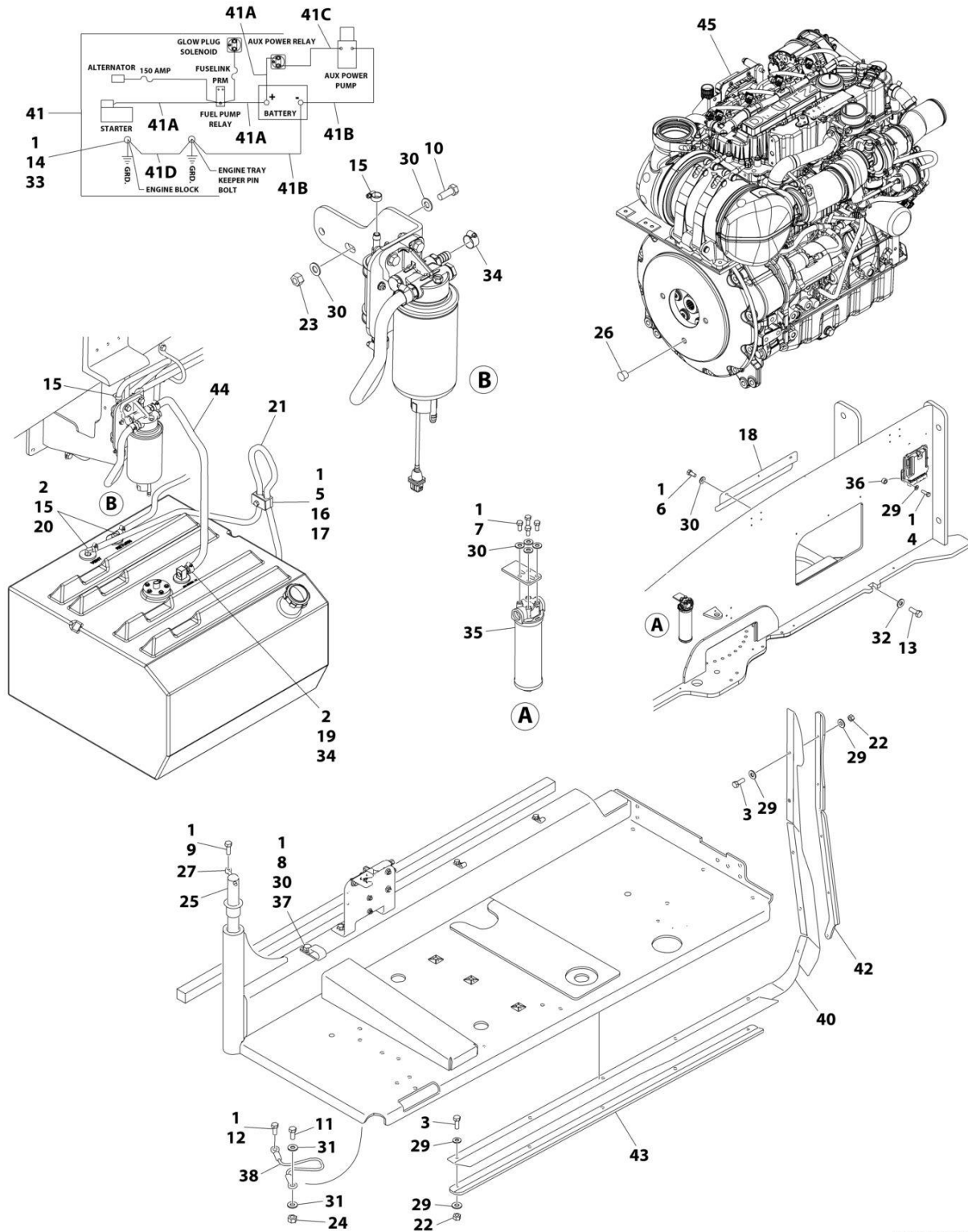
ITEM	PART NUMBER	QTY	DESCRIPTION	REV
	1001301722	Ref	ENGINE INSTALLATION EMR5 WITH REXROTH PUMPS AND STEEL HOODS WITHOUT COLD WEATHER PLUS PACKAGE	B
1	0100011	AR	Compound, Locking	
2	0100079	AR	Sealant, Pipe	
3	0641408	10	Bolt 1/4 x 1	
4	0641410	4	Bolt 1/4 x 1-1/4	
5	0641511	1	Bolt 5/16 x 1-3/8	
6	0641605	3	Bolt 3/8 x 5/8	
7	0641606	4	Bolt 3/8 x 3/4	
8	0641608	5	Bolt 3/8 x 1	
9	0641610	1	Bolt 3/8 x 1-1/4	
10	0641612	2	Bolt 3/8 x 1-1/2	
11	0641708	1	Bolt 7/16 x 1	
12	0641808	1	Bolt 1/2 x 1	
13	0642010	1	Bolt 5/8 x 1-1/4	
14	0761210	1	Bolt M12 x 20	
15	1320022	3	Clamp	
16	1320187	1	Clamp	
17	1320190	1	Clamp	
18	1671121	1	Cover	
19	2180832	1	Fitting, Barbed	
20	2220313	2	Fitting, 90 NPTF/Barbed	
21	2750532	5 ft /1.6 m	Hose	
22	3311405	10	Nut 1/4	
23	3311605	2	Nut 3/8	
24	3311705	1	Nut 7/16	
25	3422446	1	Pin	
26	3520054	1	Plug	
27	3841143	1	Keeper, Pin	
28	4240018	AR	Tie-Strap (Not Shown)	
29	4711400	24	Washer 1/4	
30	4711600	16	Washer 3/8	
31	4711700	2	Washer 7/16	
32	4752000	1	Washer 5/8	
33	4812100	1	Washer M12	
34	8405006	2	Clamp	
35	1001108617	1	Filter	
35	70002231	1	Element, Filter	
36	1001110425	4	Spacer	
37	1001116792	1	Clamp	
37	1321716	5	Clamp	
38	1001131542	1	Lanyard	
39	1001138491	1	Harness, Fuel (Not Shown) (See Separate Breakdown in ELECTRICAL Section)	
40	1001140604	1	Panel	
41	1001141225	1	Battery Cable Kit	
41A	7027042	1	Cable, Battery (Red) (Battery + to Relays and Starter)	
41B	7027043	1	Cable, Battery (Black) (Battery - to Tray Pivot Grd and Aux Pump)	

SECTION 3 - ENGINE

ITEM	PART NUMBER	QTY	DESCRIPTION	REV
41C	7027044	1	Cable (Red) (Aux Relay to Aux Pump)	
41D	7027045	1	Cable, Battery (Black) (Engine to Tray Pivot Grd)	
42	1001145089	1	Clamp	
43	1001145842	1	Plate	
44	1001154405	2 ft /0.6 m	Hose	
45	1001301713	1	Engine Sub-Assembly (See Separate Breakdown in this Section)	
46	4460234	AR	Mount, Terminal (Not Shown)	

SECTION 3 - ENGINE

FIGURE 3-49. DEUTZ D2.9L4 EMR5 ENGINE INSTALLATION WITH SAUER PUMPS AND STEEL HOODS (WITH COLD WEATHER PLUS PACKAGE)



ART_1001302761

SECTION 3 - ENGINE

FIGURE 3-49. DEUTZ D2.9L4 EMR5 ENGINE INSTALLATION WITH SAUER PUMPS AND STEEL HOODS (WITH COLD WEATHER PLUS PACKAGE)

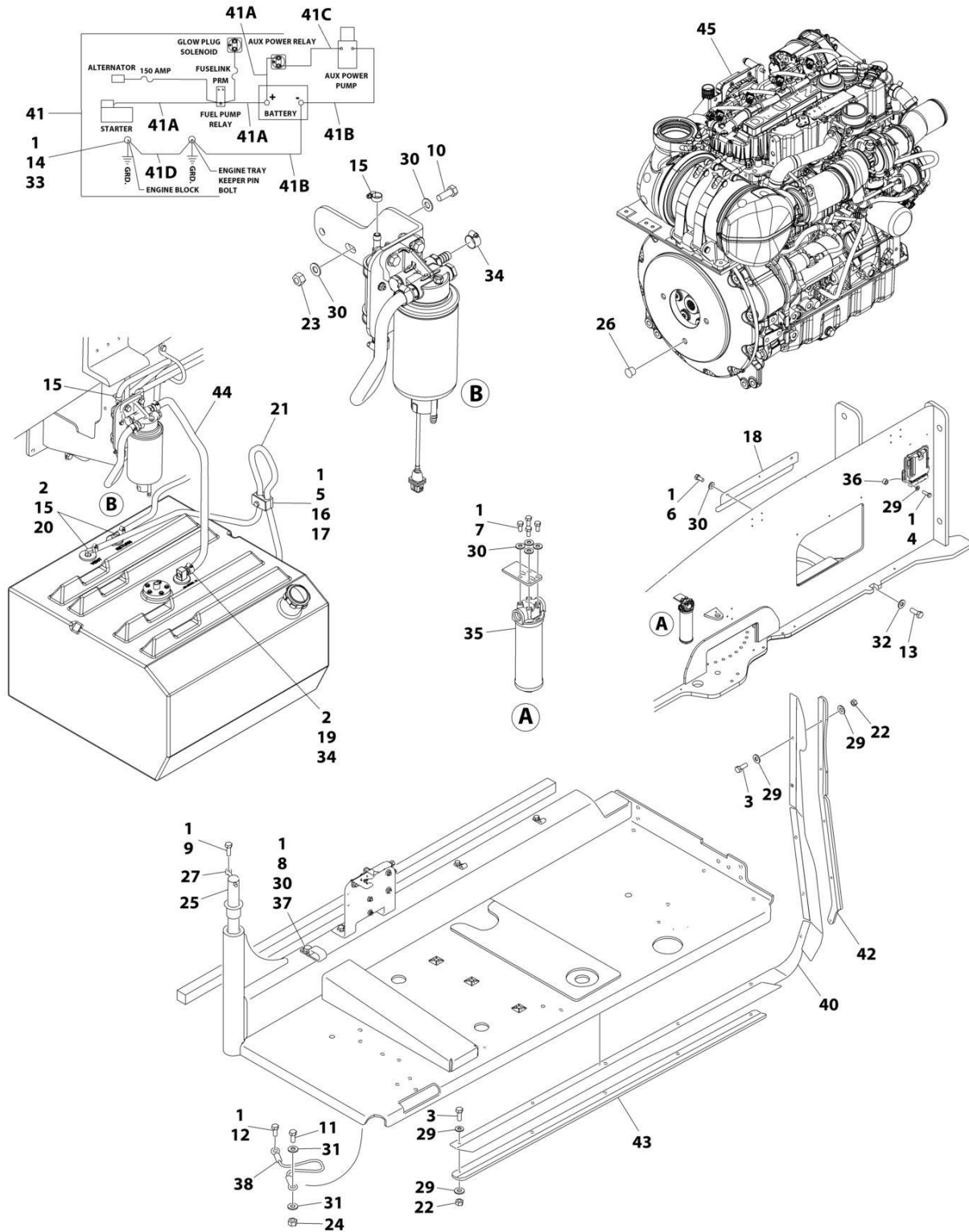
ITEM	PART NUMBER	QTY	DESCRIPTION	REV
	1001302761	Ref	ENGINE INSTALLATION EMR5 WITH SAUER PUMPS AND STEEL HOODS WITH COLD WEATHER PLUS PACKAGE	B
1	0100011	AR	Compound, Locking	
2	0100079	AR	Sealant, Pipe	
3	0641408	10	Bolt 1/4 x 1	
4	0641410	4	Bolt 1/4 x 1-1/4	
5	0641511	1	Bolt 5/16 x 1-3/8	
6	0641605	3	Bolt 3/8 x 5/8	
7	0641606	4	Bolt 3/8 x 3/4	
8	0641608	5	Bolt 3/8 x 1	
9	0641610	1	Bolt 3/8 x 1-1/4	
10	0641612	2	Bolt 3/8 x 1-1/2	
11	0641708	1	Bolt 7/16 x 1	
12	0641808	1	Bolt 1/2 x 1	
13	0642010	1	Bolt 5/8 x 1-1/4	
14	0761210	1	Bolt M12 x 20	
15	1320022	3	Clamp	
16	1320187	1	Clamp	
17	1320190	1	Clamp	
18	1671121	1	Cover	
19	2180832	1	Fitting, Barbed	
20	2220313	2	Fitting, 90 NPTF/Barbed	
21	2750532	5 ft /1.6 m	Hose	
22	3311405	10	Nut 1/4	
23	3311605	2	Nut 3/8	
24	3311705	1	Nut 7/16	
25	3422446	1	Pin	
26	3520054	1	Plug	
27	3841143	1	Keeper, Pin	
28	4240018	AR	Tie-Strap (Not Shown)	
29	4711400	24	Washer 1/4	
30	4711600	16	Washer 3/8	
31	4711700	2	Washer 7/16	
32	4752000	1	Washer 5/8	
33	4812100	1	Washer M12	
34	8405006	2	Clamp	
35	1001108617	1	Filter	
35	70002231	1	Element, Filter	
36	1001110425	4	Spacer	
37	1001116792	1	Clamp	
37	1321716	5	Clamp	
38	1001131542	1	Lanyard	
39	1001138491	1	Harness, Fuel (Not Shown) (See Separate Breakdown in ELECTRICAL Section)	
40	1001140604	1	Panel	
41	1001141225	1	Battery Cable Kit	
41A	7027042	1	Cable, Battery (Red) (Battery + to Relays and Starter)	
41B	7027043	1	Cable, Battery (Black) (Battery - to Tray Pivot Grd and Aux Pump)	

SECTION 3 - ENGINE

ITEM	PART NUMBER	QTY	DESCRIPTION	REV
41C	7027044	1	Cable (Red) (Aux Relay to Aux Pump)	
41D	7027045	1	Cable, Battery (Black) (Engine to Tray Pivot Grd)	
42	1001145089	1	Clamp	
43	1001145842	1	Plate	
44	1001154405	2 ft /0.6 m	Hose	
45	1001302757	1	Engine Sub-Assembly (See Separate Breakdown in this Section)	
46	4460234	AR	Mount, Terminal (Not Shown)	

SECTION 3 - ENGINE

FIGURE 3-50. DEUTZ D2.9L4 EMR5 ENGINE INSTALLATION WITH SAUER PUMPS AND STEEL HOODS (WITHOUT COLD WEATHER PLUS PACKAGE)



ART_1001302758

SECTION 3 - ENGINE

FIGURE 3-50. DEUTZ D2.9L4 EMR5 ENGINE INSTALLATION WITH SAUER PUMPS AND STEEL HOODS (WITHOUT COLD WEATHER PLUS PACKAGE)

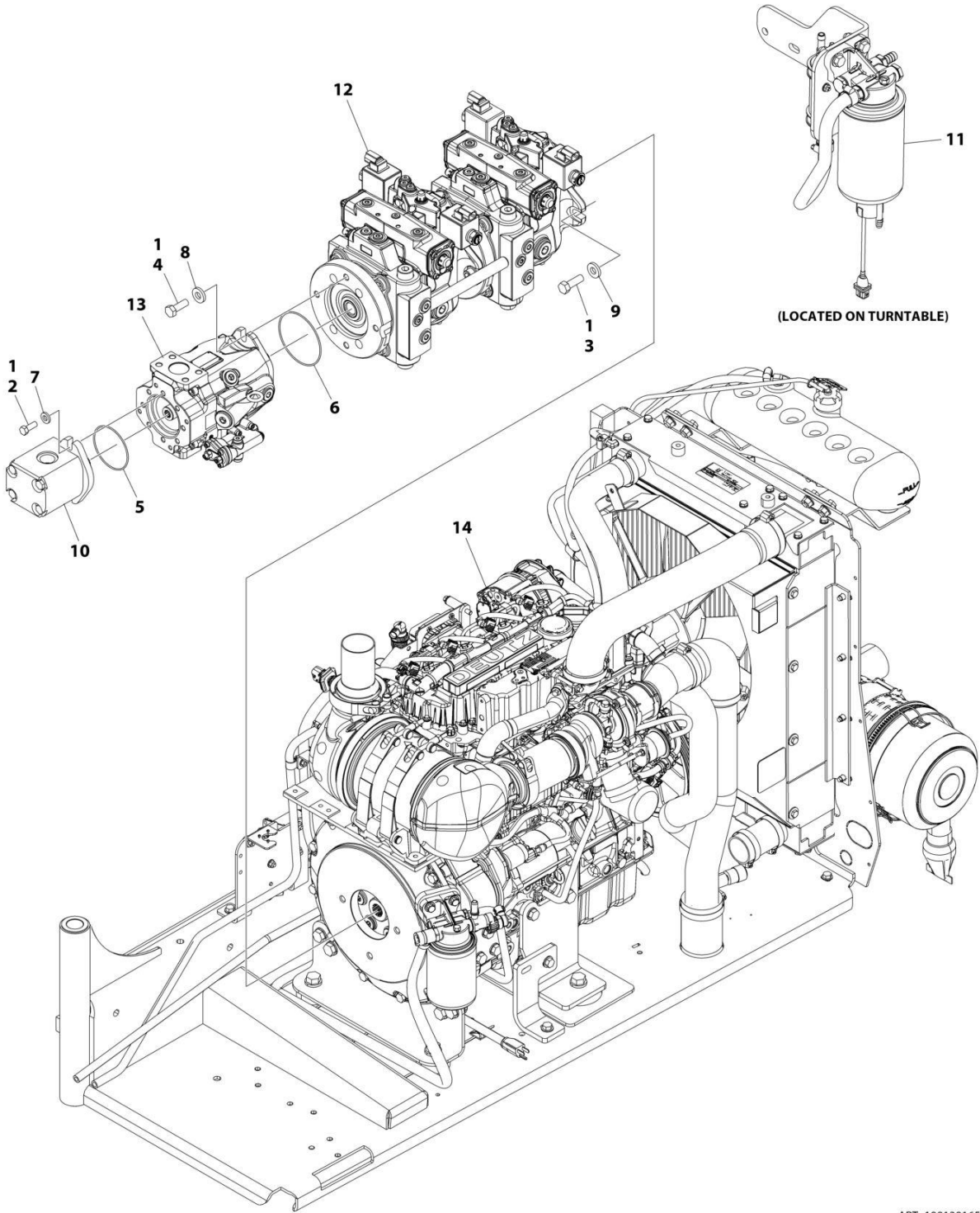
ITEM	PART NUMBER	QTY	DESCRIPTION	REV
	1001302758	Ref	ENGINE INSTALLATION EMR5 WITH SAUER PUMPS AND STEEL HOODS WITHOUT COLD WEATHER PLUS PACKAGE	B
1	0100011	AR	Compound, Locking	
2	0100079	AR	Sealant, Pipe	
3	0641408	10	Bolt 1/4 x 1	
4	0641410	4	Bolt 1/4 x 1-1/4	
5	0641511	1	Bolt 5/16 x 1-3/8	
6	0641605	3	Bolt 3/8 x 5/8	
7	0641606	4	Bolt 3/8 x 3/4	
8	0641608	5	Bolt 3/8 x 1	
9	0641610	1	Bolt 3/8 x 1-1/4	
10	0641612	2	Bolt 3/8 x 1-1/2	
11	0641708	1	Bolt 7/16 x 1	
12	0641808	1	Bolt 1/2 x 1	
13	0642010	1	Bolt 5/8 x 1-1/4	
14	0761210	1	Bolt M12 x 20	
15	1320022	3	Clamp	
16	1320187	1	Clamp	
17	1320190	1	Clamp	
18	1671121	1	Cover	
19	2180832	1	Fitting, Barbed	
20	2220313	2	Fitting, 90 NPTF/Barbed	
21	2750532	5 ft /1.6 m	Hose	
22	3311405	10	Nut 1/4	
23	3311605	2	Nut 3/8	
24	3311705	1	Nut 7/16	
25	3422446	1	Pin	
26	3520054	1	Plug	
27	3841143	1	Keeper, Pin	
28	4240018	AR	Tie-Strap (Not Shown)	
29	4711400	24	Washer 1/4	
30	4711600	16	Washer 3/8	
31	4711700	2	Washer 7/16	
32	4752000	1	Washer 5/8	
33	4812100	1	Washer M12	
34	8405006	2	Clamp	
35	1001108617	1	Filter	
35	70002231	1	Element, Filter	
36	1001110425	4	Spacer	
37	1001116792	1	Clamp	
37	1321716	5	Clamp	
38	1001131542	1	Lanyard	
39	1001138491	1	Harness, Fuel (Not Shown) (See Separate Breakdown in ELECTRICAL Section)	
40	1001140604	1	Panel	
41	1001141225	1	Battery Cable Kit	
41A	7027042	1	Cable, Battery (Red) (Battery + to Relays and Starter)	
41B	7027043	1	Cable, Battery (Black) (Battery - to Tray Pivot Grd and Aux Pump)	

SECTION 3 - ENGINE

ITEM	PART NUMBER	QTY	DESCRIPTION	REV
41C	7027044	1	Cable (Red) (Aux Relay to Aux Pump)	
41D	7027045	1	Cable, Battery (Black) (Engine to Tray Pivot Grd)	
42	1001145089	1	Clamp	
43	1001145842	1	Plate	
44	1001154405	2 ft /0.6 m	Hose	
45	1001302756	1	Engine Sub-Assembly (See Separate Breakdown in this Section)	
46	4460234	AR	TERMINAL	

SECTION 3 - ENGINE

FIGURE 3-51. DEUTZ D2.9L4 EMR5 ENGINE SUB-ASSEMBLY WITH PMP PUMPS (WITH COLD WEATHER PLUS PACKAGE)



ART_1001301654

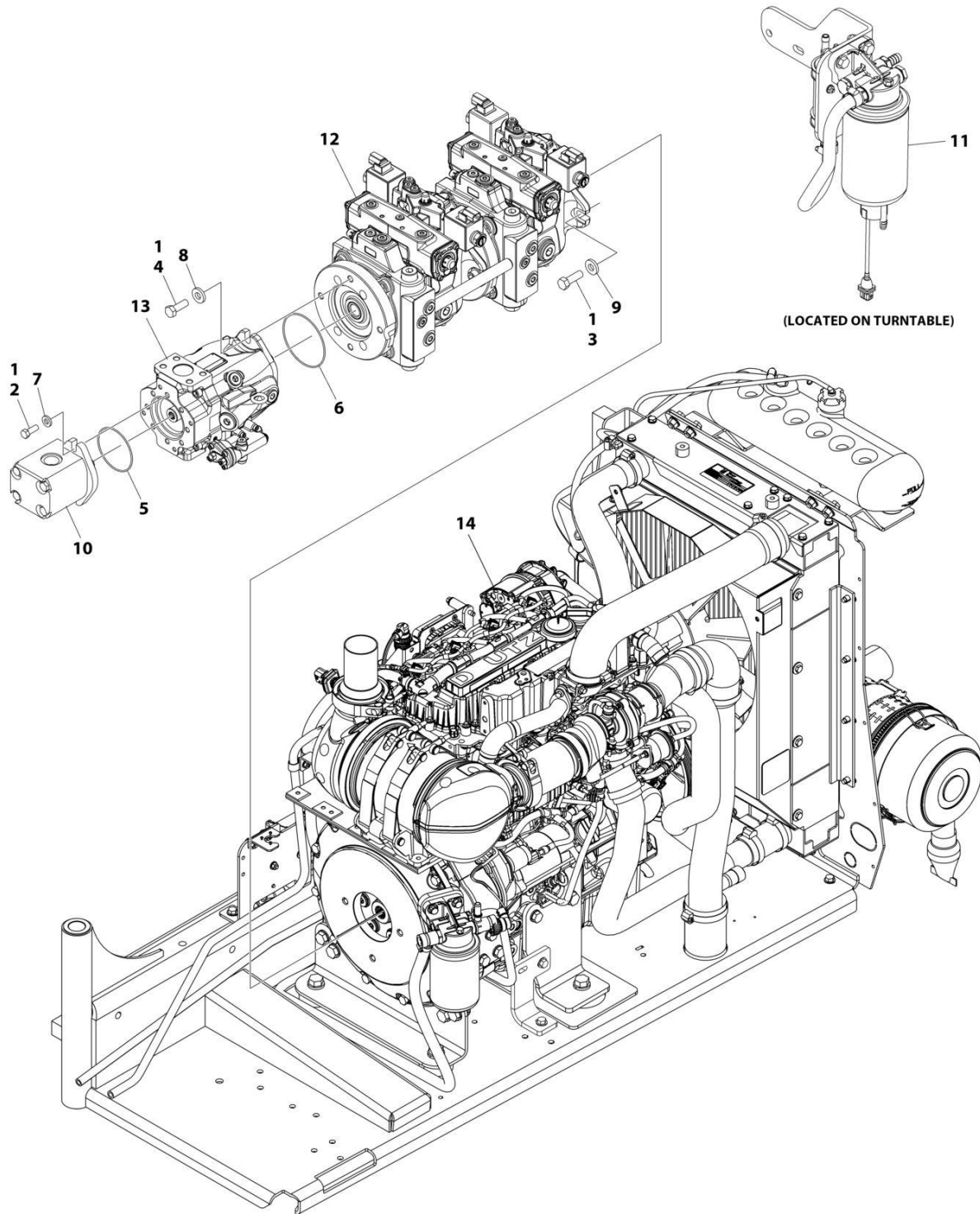
SECTION 3 - ENGINE

FIGURE 3-51. DEUTZ D2.9L4 EMR5 ENGINE SUB-ASSEMBLY WITH PMP PUMPS (WITH COLD WEATHER PLUS PACKAGE)

ITEM	PART NUMBER	QTY	DESCRIPTION	REV
	1001301654	Ref	ENGINE SUB-ASSEMBLY EMR5 WITH PMP PUMPS (WITH COLD WEATHER PLUS PACKAGE)	B
1	0100011	AR	Compound, Locking	
2	0641608	2	Bolt 3/8 x 1	
3	0641812	2	Bolt 1/2 x 1-1/2	
4	0761215	2	Bolt M12 x 35	
5	3790152	1	O-Ring	
6	3790155	1	O-Ring	
7	4891600	2	Washer 3/8	
8	4891800	2	Washer 1/2	
9	8310056	2	Washer	
10	1001112927	1	Pump Assembly - Sauer Gear (See Separate Breakdown in this Section)	
11	1001165101	1	Bracket, Fuel Pump Filter Assembly (See Separate Breakdown in this Section)	
12	1001286957	1	Pump Assembly - Hydraulic Tandem (See Separate Breakdown in this Section)	
13	1001286958	1	Pump Assembly - Hydraulic Piston (See Separate Breakdown in this Section)	
14	1001301590	1	Engine Assembly (See Separate Breakdown in this Section)	

SECTION 3 - ENGINE

FIGURE 3-52. DEUTZ D2.9L4 EMR5 ENGINE SUB-ASSEMBLY WITH PMP PUMPS (WITHOUT COLD WEATHER PLUS PACKAGE)



ART_1001301710

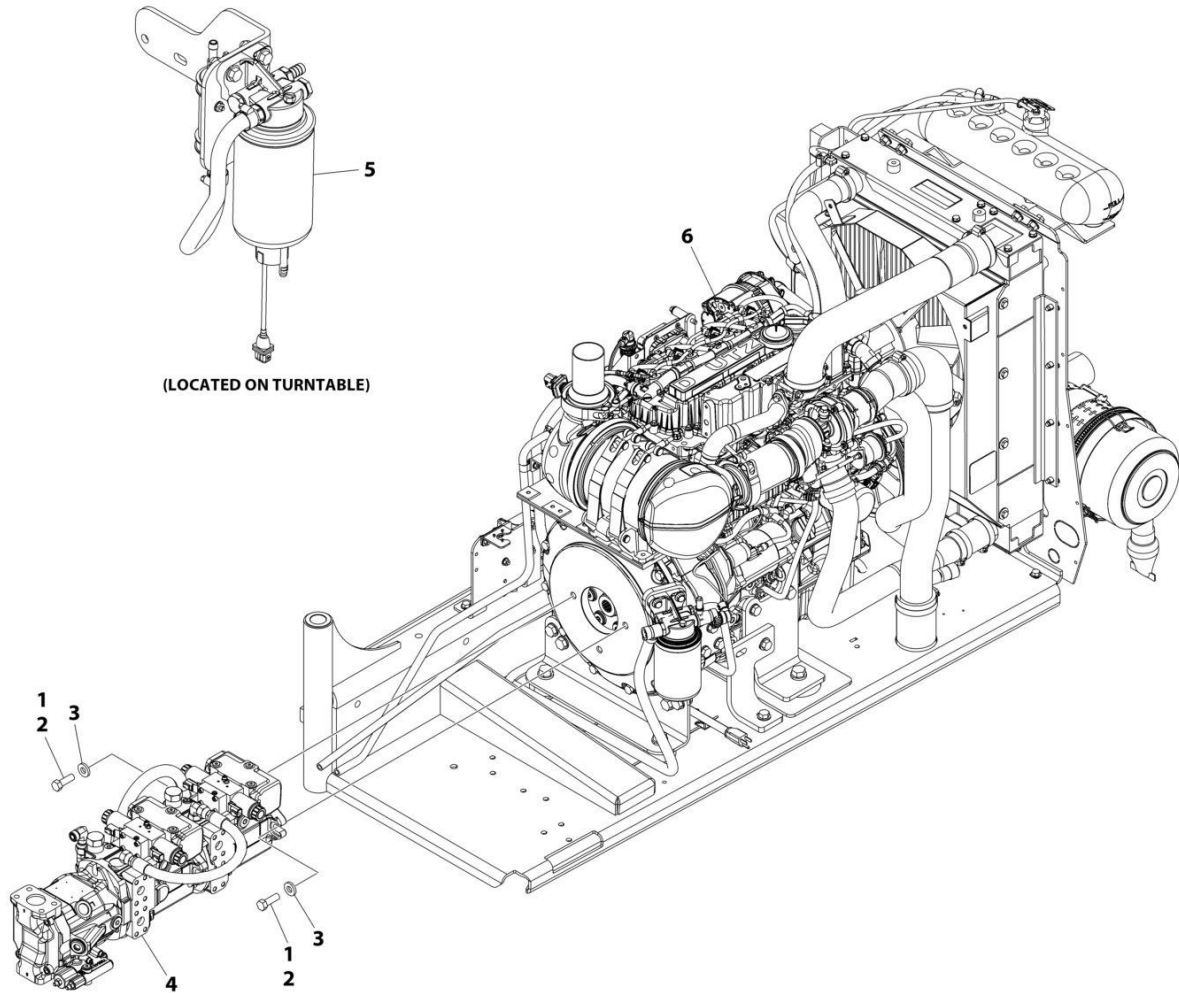
SECTION 3 - ENGINE

FIGURE 3-52. DEUTZ D2.9L4 EMR5 ENGINE SUB-ASSEMBLY WITH PMP PUMPS (WITHOUT COLD WEATHER PLUS PACKAGE)

ITEM	PART NUMBER	QTY	DESCRIPTION	REV
	1001301710	Ref	ENGINE SUB-ASSEMBLY EMR5 WITH PMP PUMPS (WITHOUT COLD WEATHER PLUS PACKAGE)	B
1	0100011	AR	Compound, Locking	
2	0641608	2	Bolt 3/8 x 1	
3	0641812	2	Bolt 1/2 x 1-1/2	
4	0761215	2	Bolt M12 x 35	
5	3790152	1	O-Ring	
6	3790155	1	O-Ring	
7	4891600	2	Washer 3/8	
8	4891800	2	Washer 1/2	
9	8310056	2	Washer	
10	1001112927	1	Pump Assembly - Sauer Gear (See Separate Breakdown in this Section)	
11	1001165101	1	Bracket, Fuel Pump Filter Assembly (See Separate Breakdown in this Section)	
12	1001286957	1	Pump Assembly - Hydraulic Tandem (See Separate Breakdown in this Section)	
13	1001286958	1	Pump Assembly - Hydraulic Piston (See Separate Breakdown in this Section)	
14	1001301546	1	Engine Assembly (See Separate Breakdown in this Section)	

SECTION 3 - ENGINE

FIGURE 3-53. DEUTZ D2.9L4 EMR5 ENGINE SUB-ASSEMBLY WITH REXROTH PUMPS (WITH COLD WEATHER PLUS PACKAGE)



ART_1001301672

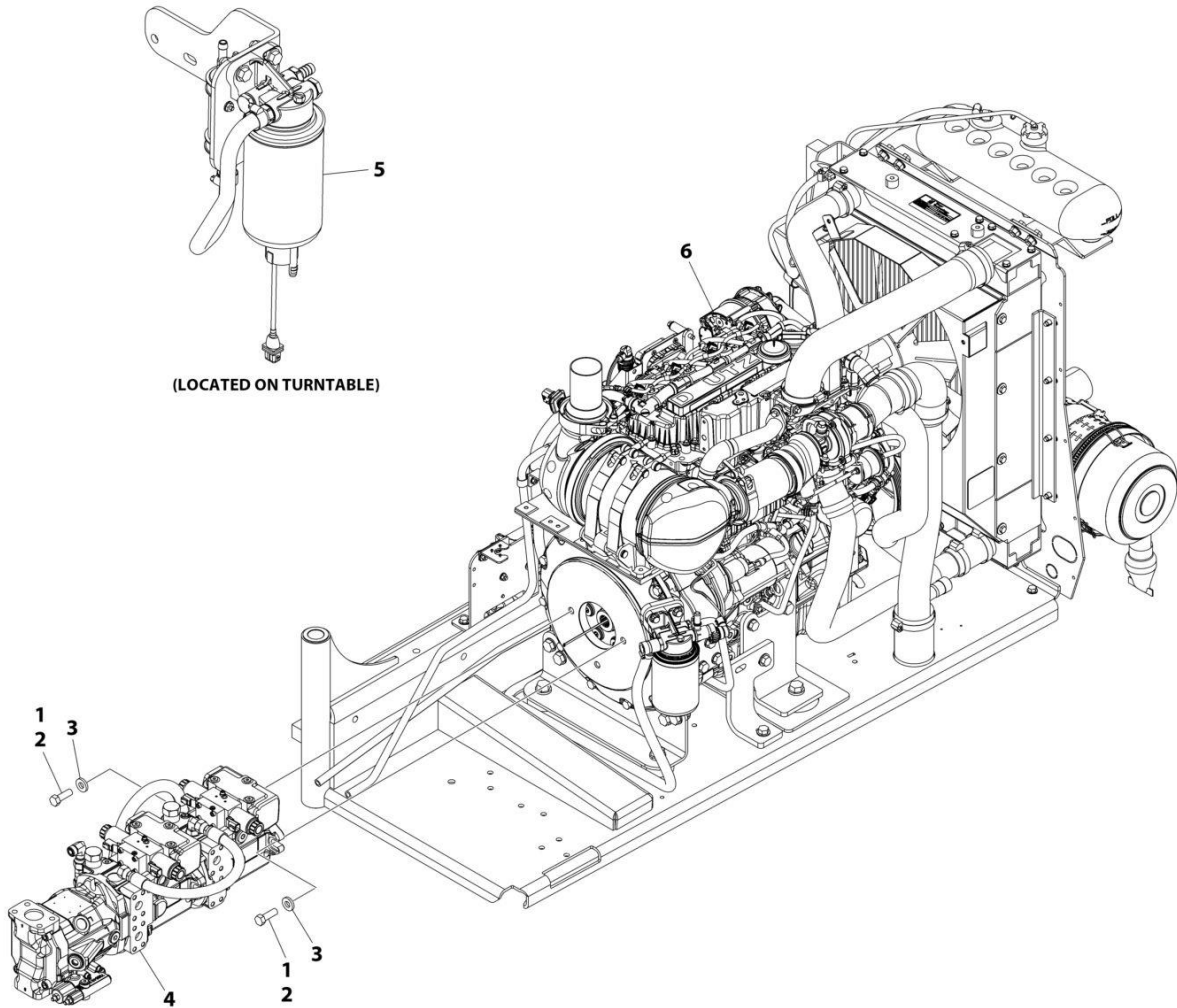
SECTION 3 - ENGINE

FIGURE 3-53. DEUTZ D2.9L4 EMR5 ENGINE SUB-ASSEMBLY WITH REXROTH PUMPS (WITH COLD WEATHER PLUS PACKAGE)

ITEM	PART NUMBER	QTY	DESCRIPTION	REV
	1001301672	Ref	ENGINE SUB-ASSEMBLY EMR5 WITH REXROTH PUMPS (WITH COLD WEATHER PLUS PACKAGE)	B
1	0100011	AR	Compound, Locking	
2	0641814	2	Bolt 1/2 x 1-3/4	
3	4740171	2	Washer	
4	1001152963	1	Pump Assembly - Rexroth (See Separate Breakdown in this Section)	
5	1001165101	1	Bracket, Fuel Pump Filter Assembly (See Separate Breakdown in this Section)	
6	1001301590	1	Engine Assembly (See Separate Breakdown in this Section)	

SECTION 3 - ENGINE

FIGURE 3-54. DEUTZ D2.9L4 EMR5 ENGINE SUB-ASSEMBLY WITH REXROTH PUMPS (WITHOUT COLD WEATHER PLUS PACKAGE)



ART_1001301713

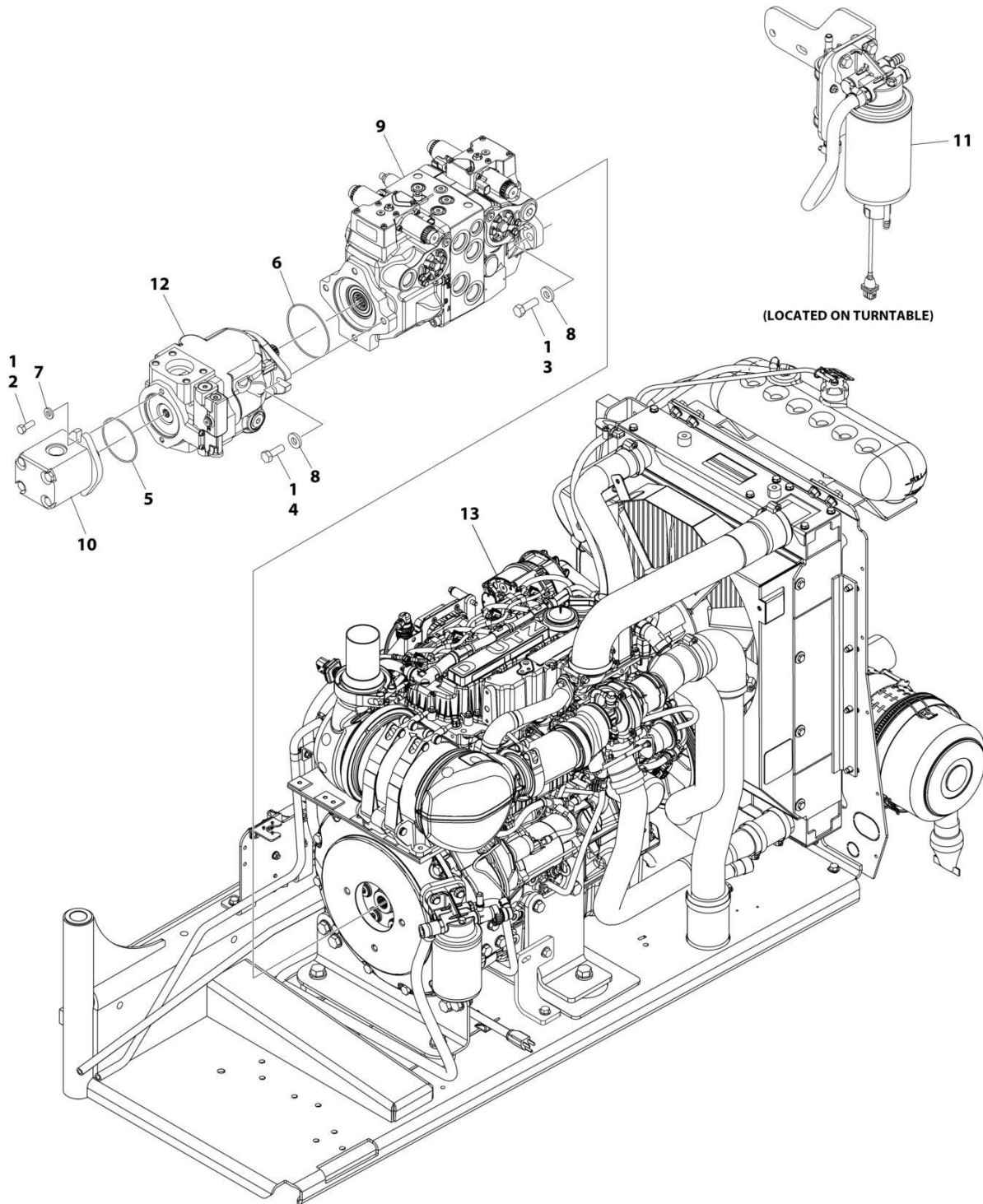
SECTION 3 - ENGINE

FIGURE 3-54. DEUTZ D2.9L4 EMR5 ENGINE SUB-ASSEMBLY WITH REXROTH PUMPS (WITHOUT COLD WEATHER PLUS PACKAGE)

ITEM	PART NUMBER	QTY	DESCRIPTION	REV
	1001301713	Ref	ENGINE SUB-ASSEMBLY EMR5 WITH REXROTH PUMPS (WITHOUT COLD WEATHER PLUS PACKAGE)	B
1	0100011	AR	Compound, Locking	
2	0641814	2	Bolt 1/2 x 1-3/4	
3	4891800	2	Washer 1/2	
4	1001152963	1	Pump Assembly - Rexroth (See Separate Breakdown in this Section)	
5	1001165101	1	Bracket, Fuel Pump Filter Assembly (See Separate Breakdown in this Section)	
6	1001301546	1	Engine Assembly (See Separate Breakdown in this Section)	

SECTION 3 - ENGINE

FIGURE 3-55. DEUTZ D2.9L4 EMR5 ENGINE SUB-ASSEMBLY WITH SAUER PUMPS (WITH COLD WEATHER PLUS PACKAGE)



ART_1001302757

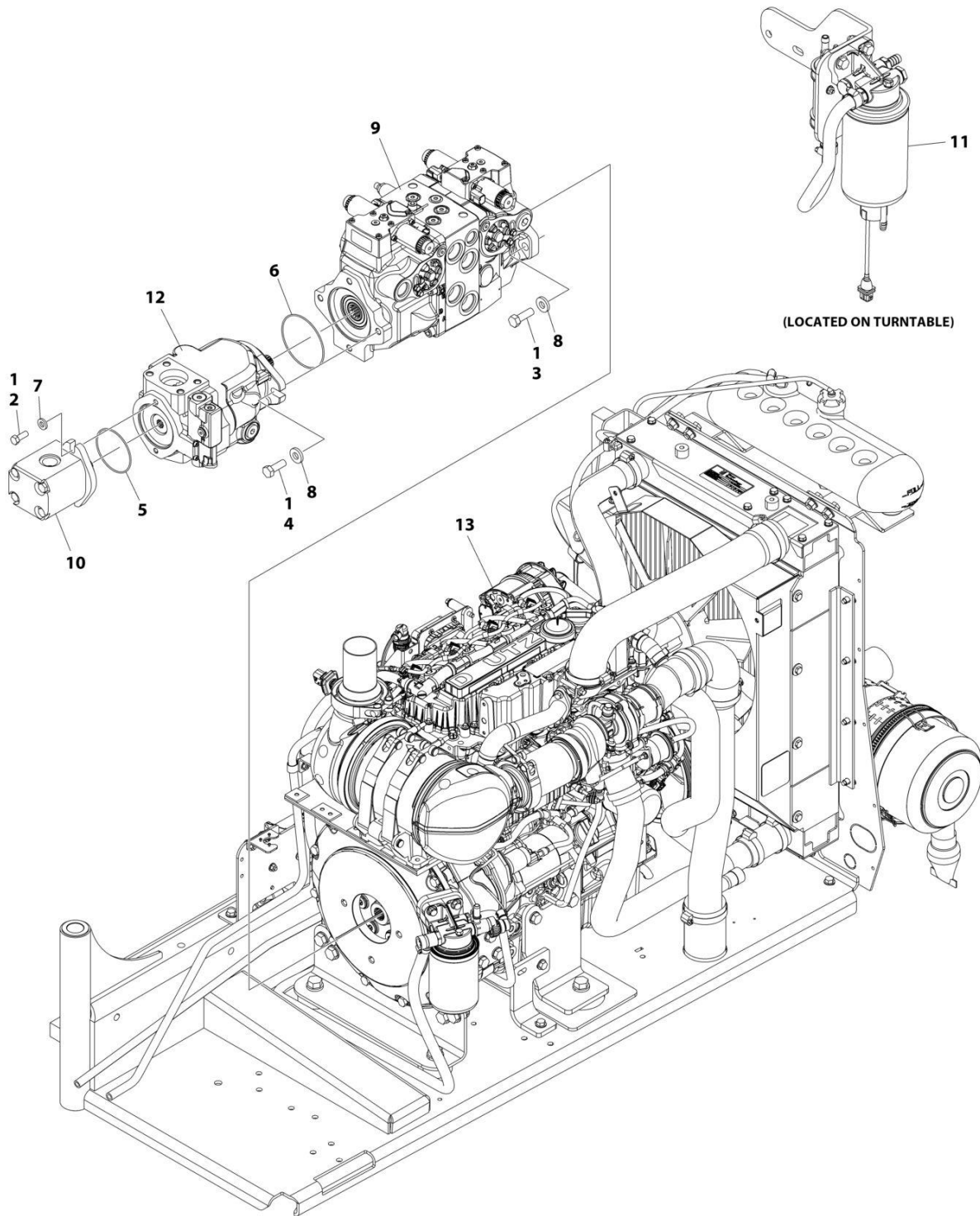
SECTION 3 - ENGINE

FIGURE 3-55. DEUTZ D2.9L4 EMR5 ENGINE SUB-ASSEMBLY WITH SAUER PUMPS (WITH COLD WEATHER PLUS PACKAGE)

ITEM	PART NUMBER	QTY	DESCRIPTION	REV
	1001302757	Ref	ENGINE SUB-ASSEMBLY EMR5 WITH SAUER PUMPS (WITH COLD WEATHER PLUS PACKAGE)	B
1	0100011	AR	Compound, Locking	
2	0641608	2	Bolt 3/8 x 1	
3	0641812	2	Bolt 1/2 x 1-1/2	
4	0761215	2	Bolt M12 x 35	
5	3790152	1	O-Ring	
6	3790155	1	O-Ring	
7	4891600	2	Washer 3/8	
8	4891800	4	Washer 1/2	
9	1001108616	1	Pump Assembly - Sauer Tandem (See Separate Breakdown in this Section)	
10	1001112927	1	Pump Assembly - Sauer Gear (See Separate Breakdown in this Section)	
11	1001165101	1	Bracket, Fuel Pump Filter Assembly (See Separate Breakdown in this Section)	
12	1001171095	1	Pump Assembly - Sauer Piston (See Separate Breakdown in this Section)	
13	1001301590	1	Engine Assembly (See Separate Breakdown in this Section)	

SECTION 3 - ENGINE

FIGURE 3-56. DEUTZ D2.9L4 EMR5 ENGINE SUB-ASSEMBLY WITH SAUER PUMPS (WITHOUT COLD WEATHER PLUS PACKAGE)



ART_1001302756

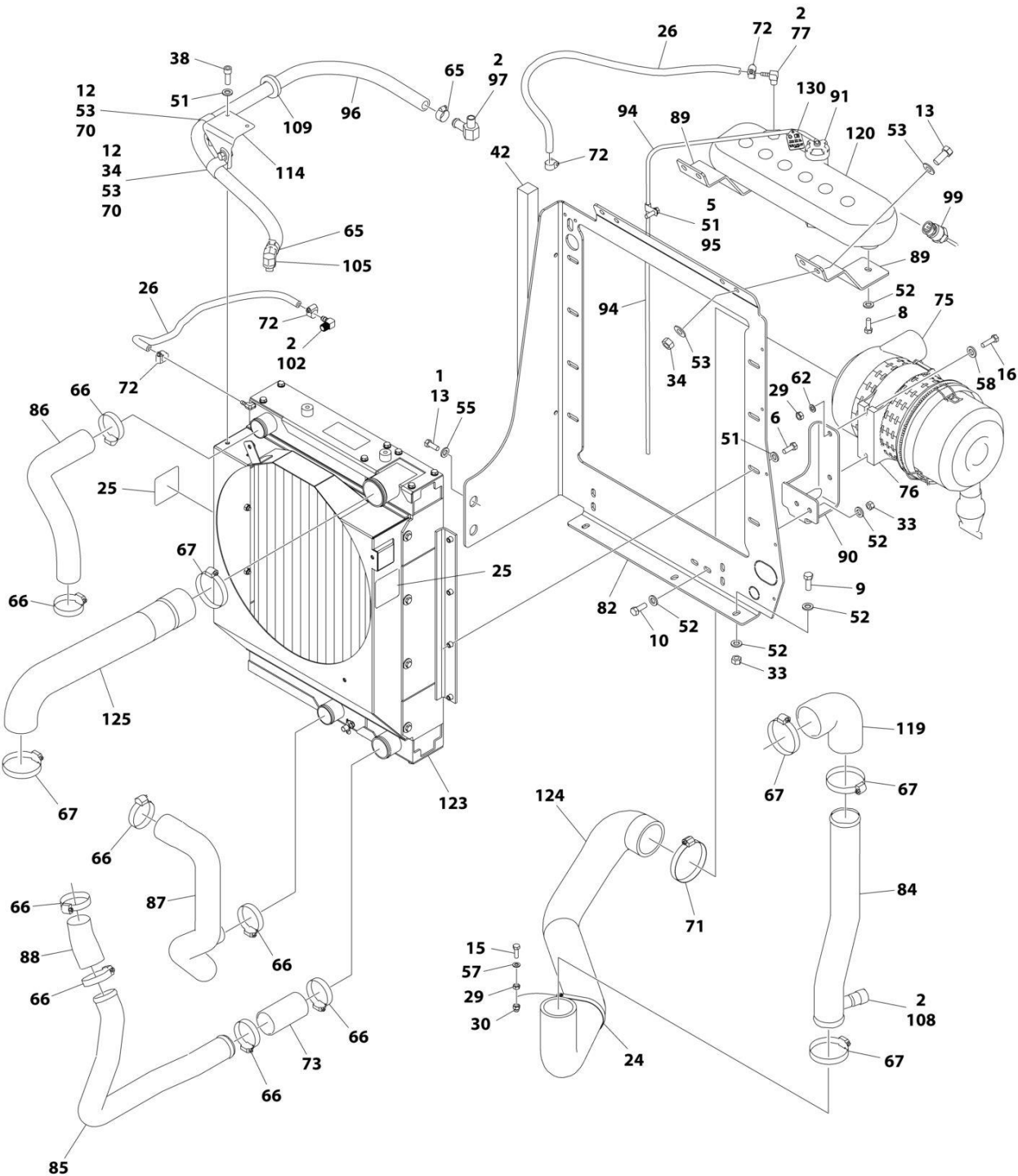
SECTION 3 - ENGINE

FIGURE 3-56. DEUTZ D2.9L4 EMR5 ENGINE SUB-ASSEMBLY WITH SAUER PUMPS (WITHOUT COLD WEATHER PLUS PACKAGE)

ITEM	PART NUMBER	QTY	DESCRIPTION	REV
	1001302756	Ref	ENGINE SUB-ASSEMBLY EMR5 WITH SAUER PUMPS (WITHOUT COLD WEATHER PLUS PACKAGE)	B
1	0100011	AR	Compound, Locking	
2	0641608	2	Bolt 3/8 x 1	
3	0641812	2	Bolt 1/2 x 1-1/2	
4	0761215	2	Bolt M12 x 35	
5	3790152	1	O-Ring	
6	3790155	1	O-Ring	
7	4891600	2	Washer 3/8	
8	4891800	4	Washer 1/2	
9	1001108616	1	Pump Assembly - Sauer Tandem (See Separate Breakdown in this Section)	
10	1001112927	1	Pump Assembly - Sauer Gear (See Separate Breakdown in this Section)	
11	1001165101	1	Bracket, Fuel Pump Filter Assembly (See Separate Breakdown in this Section)	
12	1001171095	1	Pump Assembly - Sauer Piston (See Separate Breakdown in this Section)	
13	1001301546	1	Engine Assembly (See Separate Breakdown in this Section)	

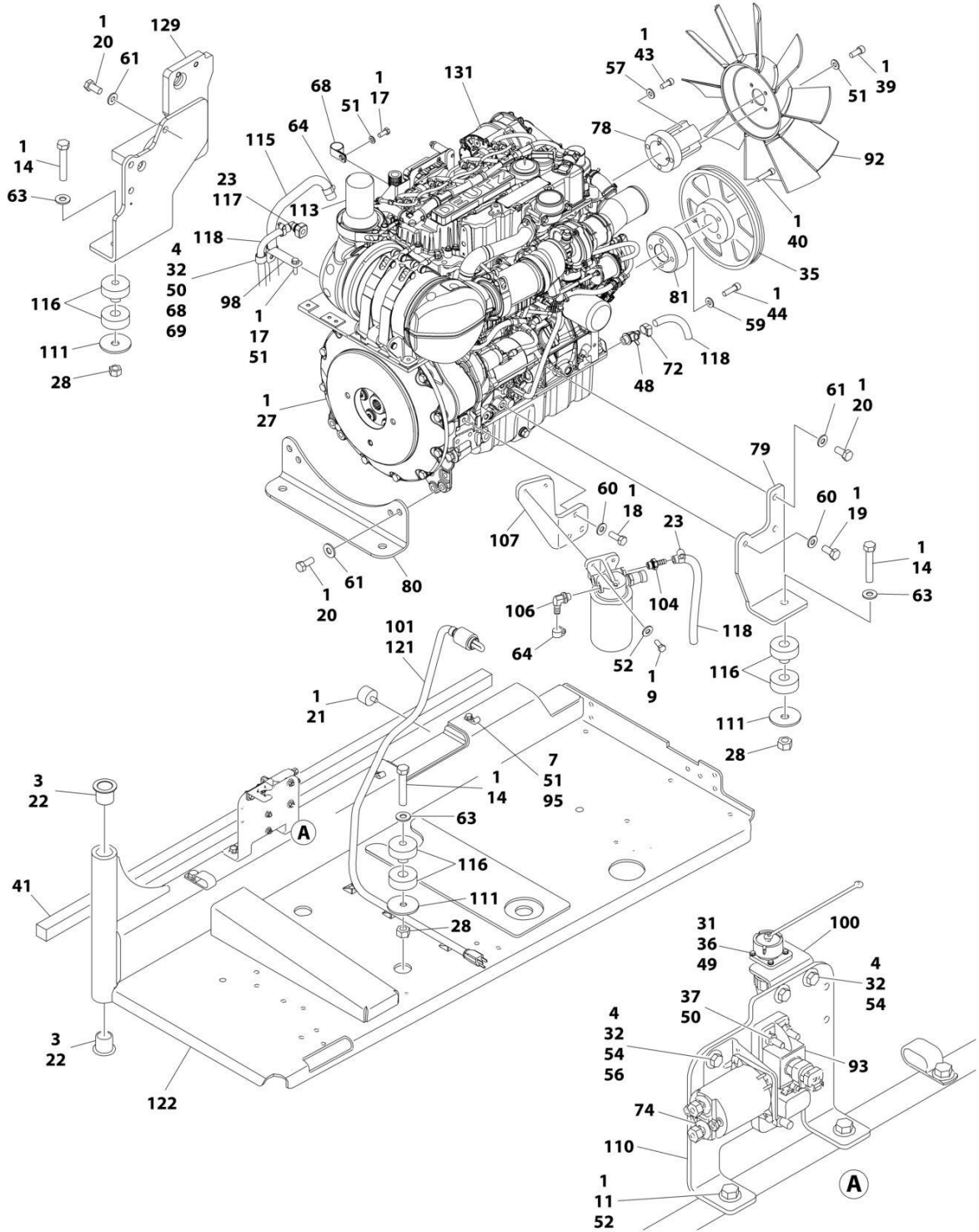
SECTION 3 - ENGINE

FIGURE 3-57. DEUTZ D2.9L4 EMR ENGINE ASSEMBLY (WITH COLD WEATHER PLUS PACKAGE)



ART_1001301590_10F2

SECTION 3 - ENGINE



ART_1001301590_20F2

SECTION 3 - ENGINE

FIGURE 3-57. DEUTZ D2.9L4 EMR ENGINE ASSEMBLY (WITH COLD WEATHER PLUS PACKAGE)

ITEM	PART NUMBER	QTY	DESCRIPTION	REV
	1001301590	Ref	TCD2.9L4 EMR5 ENGINE ASSEMBLY (WITH COLD WEATHER PLUS PACKAGE)	B
1	0100011	AR	Compound, Locking	
2	0100020	AR	Sealant, Pipe	
3	0100062	AR	Adhesive	
4	0641406	5	Bolt 1/4 x 3/4	
5	0641503	1	Bolt 5/16 x 3/8	
6	0641508	8	Bolt 5/16 x 1	
7	0641510	2	Bolt 5/16 x 1-1/4	
8	0641606	2	Bolt 3/8 x 3/4	
9	0641608	9	Bolt 3/8 x 1	
10	0641610	2	Bolt 3/8 x 1-1/4	
11	0641612	2	Bolt 3/8 x 1-1/2	
12	0641706	2	Bolt 7/16 x 3/4	
13	0641708	6	Bolt 7/16 x 1	
14	0682028	4	Bolt 5/8 x 3-1/2	
15	0700812	1	Bolt M8 x 25	
16	0700815	2	Bolt M8 x 35	
17	0760810	2	Bolt M8 x 20	
18	0761214	3	Bolt M12 x 30	
19	0771212	1	Bolt M12 x 25	
20	0771414	9	Bolt M14 x 30	
21	0940070	1	Bumper	
22	0961986	2	Bearing	
23	1320022	2	Clamp	
24	1321289	1	Clamp	
25	1703162	2	Decal - Fan Blade	
26	2720015	5 ft /1.5 m	Hose	
27	2902065	1	Pump Coupling Kit (See Separate Breakdown in this Section)	
28	3272001	4	Nut 5/8	
29	3290801	3	Nut M8	
30	3290806	1	Nut M8	
31	3310401	3	Nut #4	
32	3311405	6	Nut 1/4	
33	3311605	9	Nut 3/8	
34	3311705	5	Nut 7/16	
35	3580320	1	Pulley	
36	3910408	3	Screw #4 x 1/2	
37	3931432	1	Capscrew 1/4 x 2	
38	3931508	2	Capscrew 5/16 x 1/2	
39	3931512	4	Capscrew 5/16 x 3/4	
40	3931628	4	Capscrew 3/8 x 1-3/4	
41	3960543	1	Seal	
42	3960544	1	Seal	
43	4031914	4	Bolt M8 x 50	
44	4032014	4	Bolt M10 x 50	
45	4240032	AR	Tie-Strap (Not Shown)	
46	4240099	AR	Tie-Strap (Not Shown)	
47	4460234	3	Mount, Tie-Strap (Not Shown)	
48	4640751	1	Valve, Oil Drain	

SECTION 3 - ENGINE

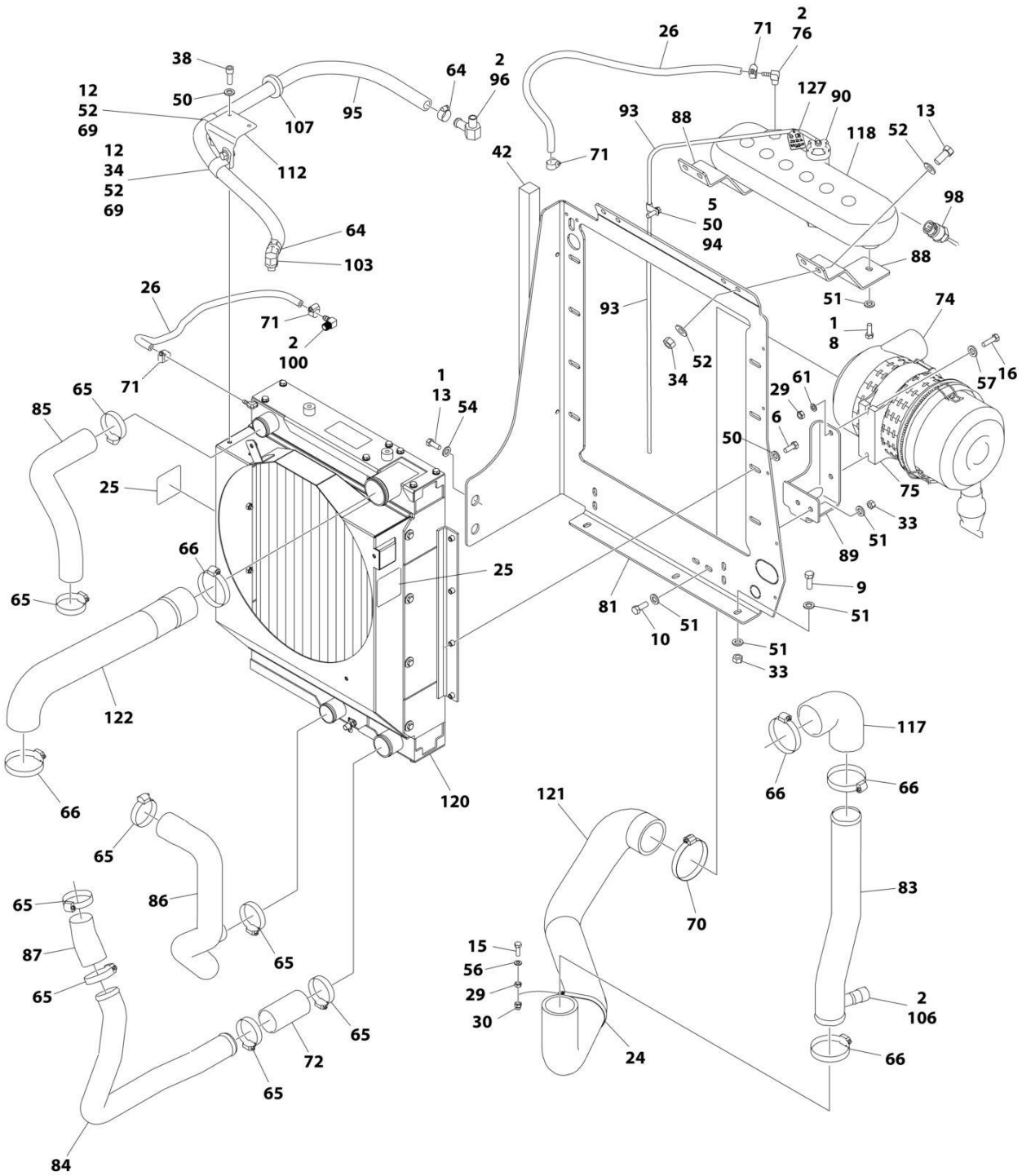
ITEM	PART NUMBER	QTY	DESCRIPTION	REV
49	4710400	3	Washer #4	
50	4711400	3	Washer 1/4	
51	4711500	19	Washer 5/16	
52	4711600	24	Washer 3/8	
53	4711700	10	Washer 7/16	
54	4751400	8	Washer 1/4	
55	4751700	2	Washer 7/16	
56	4791400	2	Washer, Star 1/4	
57	4811900	5	Washer M8	
58	4811902	2	Washer M8	
59	4812000	4	Washer M10	
60	4812100	4	Washer M12	
61	4812200	9	Washer M14	
62	4831900	2	Washer M8	
63	4892000	4	Washer 5/8	
64	8405006	2	Clamp	
65	8405007	2	Clamp	
66	8405201	8	Clamp	
67	8405204	5	Clamp	
68	8406102	2	Clip	
69	8406112	1	Clip	
70	8406302	2	Clamp	
71	8410011	1	Clamp	
72	8410013	5	Clamp	
73	91563070	1	Coupling, Rubber	
74	1001117308	1	Relay	
75	1001133633	1	Filter, Air	
75	70024190	1	Element, Filter	
76	1001133634	1	Clamp	
77	1001134488	1	Fitting, 90 Barbed	
78	1001135138	1	Spacer, Fan	
79	1001135560	1	Support	
80	1001135562	1	Support	
81	1001135679	1	Spacer, Pulley	
82	1001135680	1	Support	
83	1001135779	1	Cable, Alternator (Not Shown)	
84	1001135901	1	Pipe	
85	1001135913	1	Pipe	
86	1001135924	1	Hose (Upper)	
87	1001135926	1	Hose (Lower)	
88	1001135943	1	Coupling, Rubber	
89	1001136626	2	Bracket	
90	1001136665	1	Bracket	
91	1001136834	1	Cap	
92	1001137276	1	Fan	
93	1001138228	1	Module, Power	
93	70023592	1	Fuse 20Amp	
93	70023593	1	Fuse 30Amp	
94	1001138248	4 ft /1.2 m	Tube	
95	1001138253	5	Clamp	
96	1001138524	1	Hose	

SECTION 3 - ENGINE

ITEM	PART NUMBER	QTY	DESCRIPTION	REV
97	1001138559	1	Fitting, 90	
98	1001138717	1	Bracket	
99	1001138827	1	Sensor	
100	1001139240	1	Bracket	
101	1001140312	1	Heater, Engine Block	
102	1001140564	1	Fitting, 90 Barbed	
103	1001141304	1	Wire, Glow Plug (Not Shown)	
104	1001141717	1	Fitting, Straight	
105	1001141719	1	Fitting, 90 Barbed	
106	1001142501	1	Fitting, 90 Barbed	
107	1001142685	1	Bracket	
108	1001143390	1	Indicator	
109	1001144089	1	Grommet	
110	1001145154	1	Plate	
111	1001146219	4	Washer	
112	1001148843	1	Harness, Fuel Filter (Not Shown) (See Separate Breakdown in ELECTRICAL Section)	
113	1001153024	1	Pipe, Exhaust	
114	1001153387	1	Plate	
115	1001154405	5 ft /1.6 m	Hose	
116	1001155575	4	Mount	
117	1001155823	1	Coupling, 90 Quick Connect	
118	1001165035	31 ft /10 m	Hose	
119	1001165820	1	Hose	
120	1001166393	1	Tank	
121	1001181895	AR	Adhesive	
122	1001191272	1	Support	
123	1001256864	1	Radiator	
124	1001264917	1	Hose	
125	1001264982	1	Hose	
126	1001276646	1	Harness, Engine (Not Shown) (See Separate Breakdown in ELECTRICAL Section)	
127	1001281985	1	Connector (Not Shown)	
128	1001281986	1	Connector (Not Shown)	
129	1001283008	1	Mount	
130	1001291401	1	Tag, Coolant	
131	1001301545	1	Engine Deutz TCD2.9L4 (EMR5) (See Separate Breakdown in this Section)	

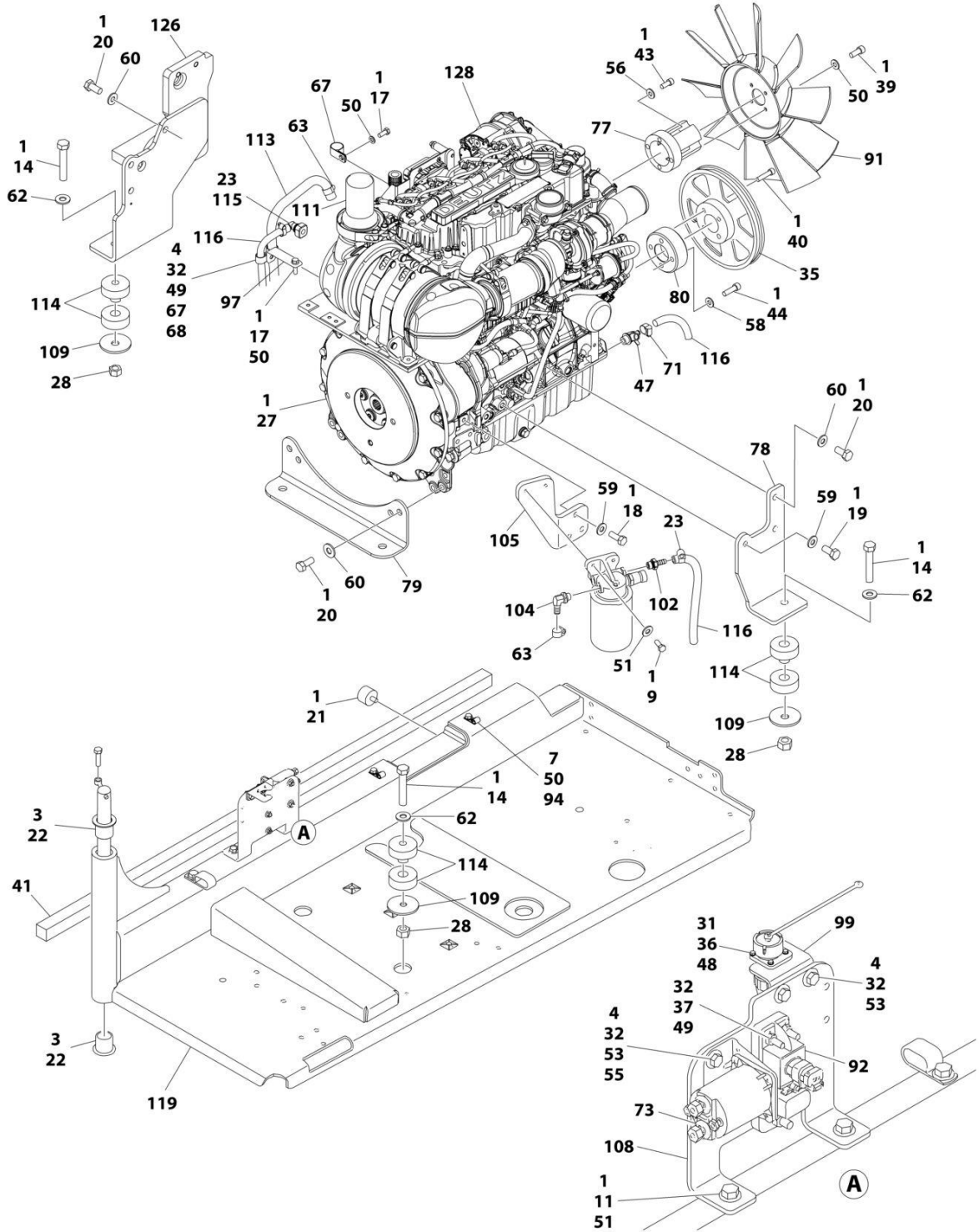
SECTION 3 - ENGINE

FIGURE 3-58. DEUTZ D2.9L4 EMR ENGINE ASSEMBLY (WITHOUT COLD WEATHER PLUS PACKAGE)



ART_1001301546_10F2

SECTION 3 - ENGINE



ART_1001301546_20F2

SECTION 3 - ENGINE

FIGURE 3-58. DEUTZ D2.9L4 EMR ENGINE ASSEMBLY (WITHOUT COLD WEATHER PLUS PACKAGE)

ITEM	PART NUMBER	QTY	DESCRIPTION	REV
	1001301546	Ref	TCD2.9L4 EMR5 ENGINE ASSEMBLY (WITHOUT COLD WEATHER PLUS PACKAGE)	B
1	0100011	AR	Compound, Locking	
2	0100020	AR	Sealant, Pipe	
3	0100062	AR	Adhesive	
4	0641406	5	Bolt 1/4 x 3/4	
5	0641503	1	Bolt 5/16 x 3/8	
6	0641508	8	Bolt 5/16 x 1	
7	0641510	2	Bolt 5/16 x 1-1/4	
8	0641606	2	Bolt 3/8 x 3/4	
9	0641608	9	Bolt 3/8 x 1	
10	0641610	2	Bolt 3/8 x 1-1/4	
11	0641612	2	Bolt 3/8 x 1-1/2	
12	0641706	2	Bolt 7/16 x 3/4	
13	0641708	6	Bolt 7/16 x 1	
14	0682028	4	Bolt 5/8 x 3-1/2	
15	0700812	1	Bolt M8 x 25	
16	0700815	2	Bolt M8 x 35	
17	0760810	2	Bolt M8 x 20	
18	0761214	3	Bolt M12 x 30	
19	0771212	1	Bolt M12 x 25	
20	0771414	9	Bolt M14 x 30	
21	0940070	1	Bumper	
22	0961986	2	Bearing	
23	1320022	2	Clamp	
24	1321289	1	Clamp	
25	1703162	2	Decal - Fan Blade	
26	2720015	5 ft /1.5 m	Hose	
27	2902065	1	Pump Coupling Kit (See Separate Breakdown in this Section)	
28	3272001	4	Nut 5/8	
29	3290801	3	Nut M8	
30	3290806	1	Nut M8	
31	3310401	3	Nut #4	
32	3311405	6	Nut 1/4	
33	3311605	9	Nut 3/8	
34	3311705	5	Nut 7/16	
35	3580320	1	Pulley	
36	3910408	3	Screw #4 x 1/2	
37	3931432	1	Capscrew 1/4 x 2	
38	3931508	2	Capscrew 5/16 x 1/2	
39	3931512	4	Capscrew 5/16 x 3/4	
40	3931628	4	Capscrew 3/8 x 1-3/4	
41	3960543	1	Seal	
42	3960544	1	Seal	
43	4031914	4	Bolt M8 x 50	
44	4032014	4	Bolt M10 x 50	
45	4240032	AR	Tie-Strap (Not Shown)	
46	4240099	AR	Tie-Strap (Not Shown)	
47	4640751	1	Valve, Oil Drain	

SECTION 3 - ENGINE

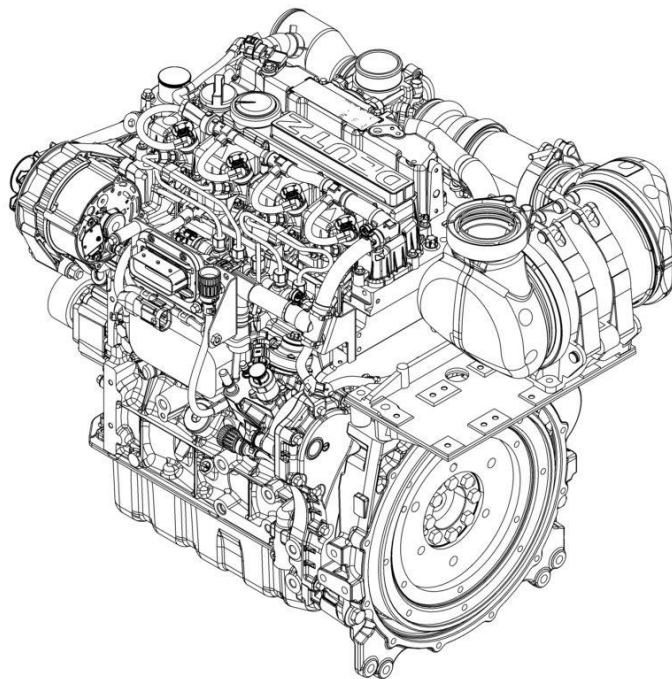
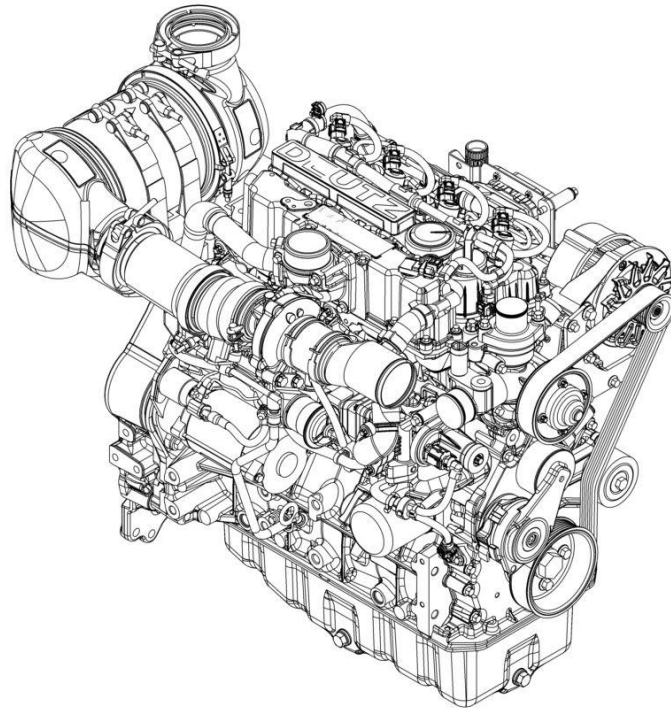
ITEM	PART NUMBER	QTY	DESCRIPTION	REV
48	4710400	3	Washer #4	
49	4711400	3	Washer 1/4	
50	4711500	19	Washer 5/16	
51	4711600	24	Washer 3/8	
52	4711700	10	Washer 7/16	
53	4751400	8	Washer 1/4	
54	4751700	2	Washer 7/16	
55	4791400	2	Washer, Star 1/4	
56	4811900	5	Washer M8	
57	4811902	2	Washer M8	
58	4812000	4	Washer M10	
59	4812100	4	Washer M12	
60	4812200	9	Washer M14	
61	4831900	2	Washer M8	
62	4892000	4	Washer 5/8	
63	8405006	2	Clamp	
64	8405007	2	Clamp	
65	8405201	8	Clamp	
66	8405204	5	Clamp	
67	8406102	2	Clip	
68	8406112	1	Clip	
69	8406302	2	Clamp	
70	8410011	1	Clamp	
71	8410013	5	Clamp	
72	91563070	1	Coupling, Rubber	
73	1001117308	1	Relay	
74	1001133633	1	Filter, Air	
74	70024190	1	Element, Filter	
75	1001133634	1	Clamp	
76	1001134488	1	Fitting, 90 Barbed	
77	1001135138	1	Spacer, Fan	
78	1001135560	1	Support	
79	1001135562	1	Support	
80	1001135679	1	Spacer, Pulley	
81	1001135680	1	Support	
82	1001135779	1	Cable, Alternator (Not Shown)	
83	1001135901	1	Pipe	
84	1001135913	1	Pipe	
85	1001135924	1	Hose (Upper)	
86	1001135926	1	Hose (Lower)	
87	1001135943	1	Coupling, Rubber	
88	1001136626	2	Bracket	
89	1001136665	1	Bracket	
90	1001136834	1	Cap	
91	1001137276	1	Fan	
92	1001138228	1	Module, Power	
92	70023592	1	Fuse 20Amp	
92	70023593	1	Fuse 30Amp	
93	1001138248	4 ft /1.2 m	Tube	
94	1001138253	5	Clamp	
95	1001138524	1	Hose	

SECTION 3 - ENGINE

ITEM	PART NUMBER	QTY	DESCRIPTION	REV
96	1001138559	1	Fitting, 90	
97	1001138717	1	Bracket	
98	1001138827	1	Sensor	
99	1001139240	1	Bracket	
100	1001140564	1	Fitting, 90 Barbed	
101	1001141304	1	Wire, Glow Plug (Not Shown)	
102	1001141717	1	Fitting, Straight	
103	1001141719	1	Fitting, 90 Barbed	
104	1001142501	1	Fitting, 90 Barbed	
105	1001142685	1	Bracket	
106	1001143390	1	Indicator	
107	1001144089	1	Grommet	
108	1001145154	1	Plate	
109	1001146219	4	Washer	
110	1001148843	1	Harness, Fuel Filter (Not Shown) (See Separate Breakdown in ELECTRICAL Section)	
111	1001153024	1	Pipe, Exhaust	
112	1001153387	1	Plate	
113	1001154405	5 ft /1.6 m	Hose	
114	1001155575	4	Mount	
115	1001155823	1	Coupling, 90 Quick Connect	
116	1001165035	31 ft /10 m	Hose	
117	1001165820	1	Hose	
118	1001166393	1	Tank	
119	1001191272	1	Support	
120	1001256864	1	Radiator	
121	1001264917	1	Hose	
122	1001264982	1	Hose	
123	1001276646	1	Harness, Engine (Not Shown) (See Separate Breakdown in ELECTRICAL Section)	
124	1001281985	1	Connector (Not Shown)	
125	1001281986	1	Connector (Not Shown)	
126	1001283008	1	Mount	
127	1001291401	1	Tag, Coolant	
128	1001301545	1	Engine Deutz TCD2.9L4 (EMR5) (See Separate Breakdown in this Section)	

SECTION 3 - ENGINE

FIGURE 3-59. DEUTZ TCD2.9L4 (EMR5) ENGINE COMPONENTS



ART_1001301545

SECTION 3 - ENGINE

FIGURE 3-59. DEUTZ TCD2.9L4 (EMR5) ENGINE COMPONENTS

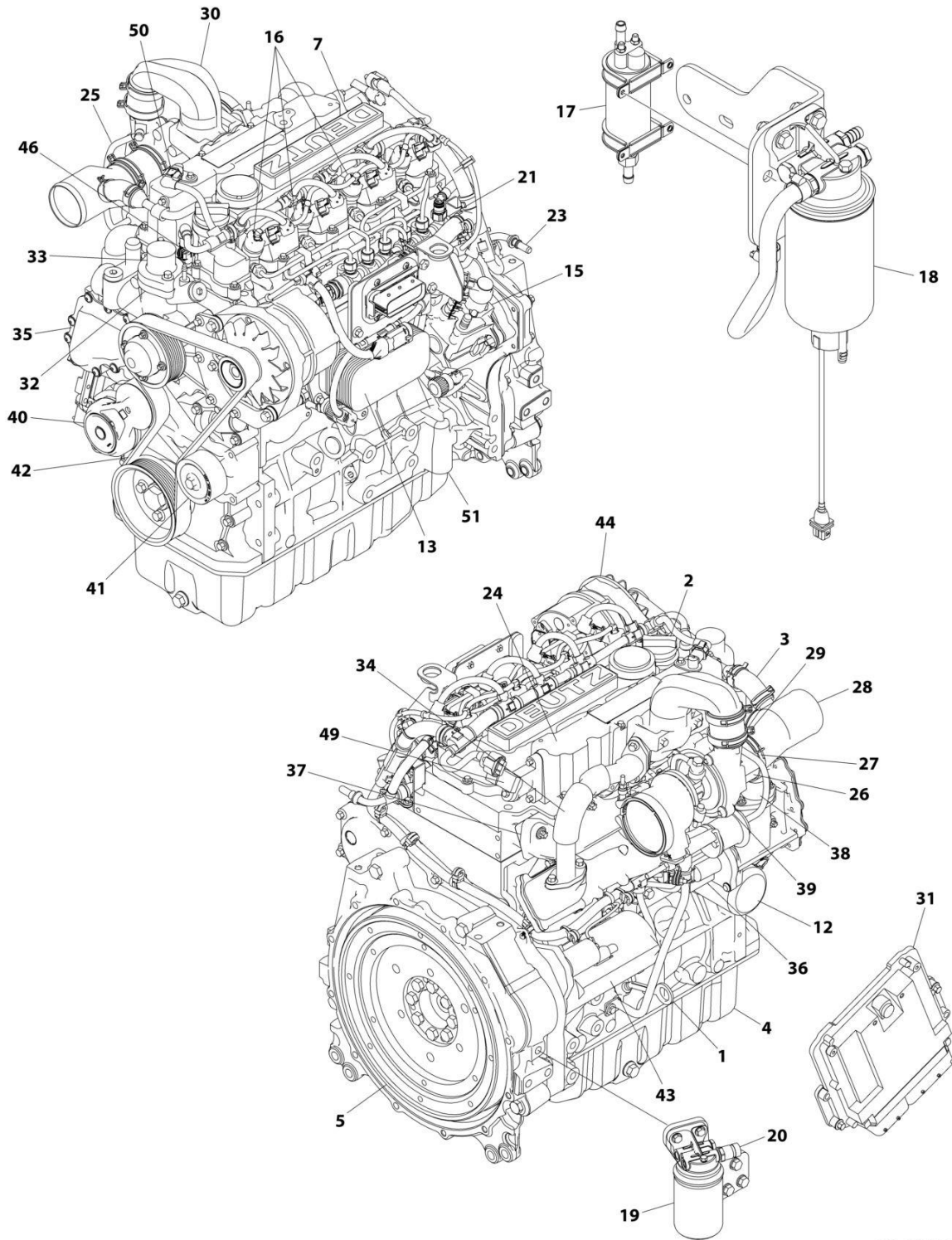
ITEM	PART NUMBER	QTY	DESCRIPTION	REV
	1001301545	Ref	ENGINE COMPONENTS - DEUTZ TCD2.9L4 EMR5 ENGINE	A
	See Note	Ref	Note: Additional components may be available. Contact JLG Customer Service for more details.	
		Ref	COOLING SYSTEM COMPONENTS	
	70030360	1	Pump, Coolant (Includes Plug, Rings & Gaskets)	
	70031055	1	O-Ring, Coolant Pump	
	7020492	1	Seal, Plug	
	70007325	1	Gasket	
	70007603	1	Thermostat	
	70005184	1	O-Ring, Thermostat	
	70005931	1	Gasket, Thermostat	
	70025142	1	Cover, Thermostat	
		Ref	ELECTRICAL SYSTEM COMPONENTS	
	70024513	1	Cable, Pre-Filter Sensor	
	70024504	1	Sensor, Secondary Fuel Filter	
	70029512	1	Module, ECU/ECM	
	70031144	1	Starter	
	70031142	1	Alternator (includes Regulator)	
	70031143	1	Regulator	
	70000345	4	Plug, Glow	
	70025231	1	Harness, Glow Plug (Not Shown)	
	70008436	1	Harness, Engine	
	70028540	1	Sender, Temperature	
	70024504	1	Sensor, Pressure (includes O-Ring)	
	70026210	2	Sensor, Speed (Includes O-Ring)	
	70024507	1	Sensor, Pressure (includes O-Ring) (Air Charge Manifold)	
		Ref	EXHAUST SYSTEM COMPONENTS	
	70025164	1	Gasket, Exhaust Manifold to Head	
	70029557	1	Gasket, Exhaust Manifold to 1st Exhaust Pipe	
	70007354	1	Gasket, 1st Exhaust Pipe to beyond	
	70031095	2	Gasket, EGR Module to Air Charge Manifold	
	70025130	8	Bolt, Exhaust Manifold	
	70031137	1	Module, EGR	
	70007328	1	Turbocharger	
	70004504	1	Compensator	
	70007330	1	Inlet, Catalyst (Includes Clamp & Gasket)	
	70029517	1	Clamp	
	70029520	1	Gasket	
	70007331	1	Outlet, Catalyst	
		Ref	FUEL SYSTEM COMPONENTS	
	1001225431	1	Filter, Secondary Spin-on	
	1001225430	1	Filter, Pre-Filter Fuel	
	70030381	1	Pump, High Pressure (Includes O-Rings, Gaskets, Overflow valve & Volume Control Valve)	
	70004505	1	Valve, Overflow	
	70004508	1	Valve, Volume Control	
	70025181	4	Injector, Fuel (Includes O-Ring & Sealing Washer)	
	70008422	1	Pump, Fuel Supply (Includes Clamps)	
	70025144	2	Clamp	

SECTION 3 - ENGINE

ITEM	PART NUMBER	QTY	DESCRIPTION	REV
		Ref	GASKETS & SEAL & KITS (Note: Some components listed with main component)	
	70005938	1	Gasket Kit	
	70024906	1	Gasket, Head	
	70025205	1	Gasket, Valve Cover	
	70002718	1	Seal, Rear Gear Case	
	70028185	1	Gasket, Front Cover	
	70008296	1	Seal, Front Cover	
	70005176	1	O-Ring, Air Charge Manifold	
	70005177	1	Gasket, Air Charge Manifold	
		Ref	LUBRICATION SYSTEM COMPONENTS	
	7016331	1	Filter, Oil	
	70024904	1	Dipstick (Includes Seal)	
	70024905	1	Seal	
	7020465	2	Cap, Filler	
	70005941	2	Plug, Oil Pan	
	70005942	2	Seal, Oil Pan Plug	
	70005172	1	Pump, Oil Lube (Includes O-Ring & Gasket)	
	70025135	1	O-Ring	
	70005173	1	Gasket	
	70031474	1	Cooler, Oil	
	70031388	1	Seal, Oil Cooler	
		Ref	MECHANICAL COMPONENTS	
	70001870	1	Flywheel (Includes Ring Gear)	
	7024579	1	Gear, Ring	
	70028699	1	Belt Tensioner	
	70027432	1	Idler	
	70025733	1	Pulley, Ribbed Belt	
	70004277	1	Belt, Drive	

SECTION 3 - ENGINE

FIGURE 3-60. DEUTZ TCD2.9L4 ENGINE COMPONENTS (CHINA SPEC ONLY)



ART_1001219642

SECTION 3 - ENGINE

FIGURE 3-60. DEUTZ TCD2.9L4 ENGINE COMPONENTS (CHINA SPEC ONLY)

ITEM	PART NUMBER	QTY	DESCRIPTION	REV
	1001219642	Ref	DEUTZ TD2.9L4 ENGINE COMPONENTS	D
1	70006127	1	Dipstick	
1	70024905	1	O-Ring	
2	7020465	2	Cap, Filler	
3	70005920	1	Hose	
3	70025111	2	Clamp	
4	70025162	1	Pan, Oil	
4	70005941	2	Plug	
4	70005942	2	Washer, Sealing	
5	70001870	1	Flywheel	
5	7024579	1	Gear, Ring	
6	70024906	1	Gasket, Head (Not Shown)	
7	70005921	1	Cover, Valve	
7	70025205	1	Gasket	
7	70005171	1	Gasket	
8	70025076	1	Valve (Not Shown - Located on Right Side of Front Engine Cover)	
8	70025176	1	Spring	
8	70025082	1	Ring, Sealing	
8	70025091	1	Plug	
9	70004280	1	Seal, Shaft - Front (Not Shown)	
10	70002718	1	Seal, Shaft - Rear (Not Shown)	
11	70005172	1	Pump, Oil Lube (Not Shown)	
11	70025135	1	O-Ring	
11	70005173	1	Gasket	
12	7016331	1	Filter, Oil	
12	70025137	1	Bushing	
13	70024494	1	Cooler, Engine Oil (Not Shown - Located on Right Side)	
13	70024925	1	Gasket	
14	70025171	1	Oil Suction Pump (Not Shown - Located Inside of Engine Oil Pan)	
15	70024924	1	Pump, Fuel	
15	70025152	1	O-Ring	
15	70025080	1	Washer	
15	70024488	1	Spacer	
15	70024517	1	O-Ring	
16	70025181	4	Injector, Fuel (Not Shown - Located on Right Side)	
16	70025140	4	Washer, Sealing	
16	70025146	4	Clamp (Top of Injector)	
16	70025145	4	O-Ring	
16	70025154	4	Shoe, Clamping	
16	70000345	1	Plug, Glow (Not Shown)	
16	70025231	1	Harness, Glow Plug (Not Shown)	
17	70005174	NLA	Pump, Fuel (Use p/n 1001226098)	
17	70025144	2	Clamp	
18	70024961	1	Fuel Filter Assembly	
18	70025153	NLA	Filter, Fuel (Use p/n 1001225430)	
18	70024513	1	Cable, Sensor	
18	70025239	1	Ring, Sealing	
19	70004511	1	Filter with Head	
19	70004512	NLA	Filter, Fuel (Use p/n 1001225432)	
20	70024504	1	Sensor, Pressure	

SECTION 3 - ENGINE

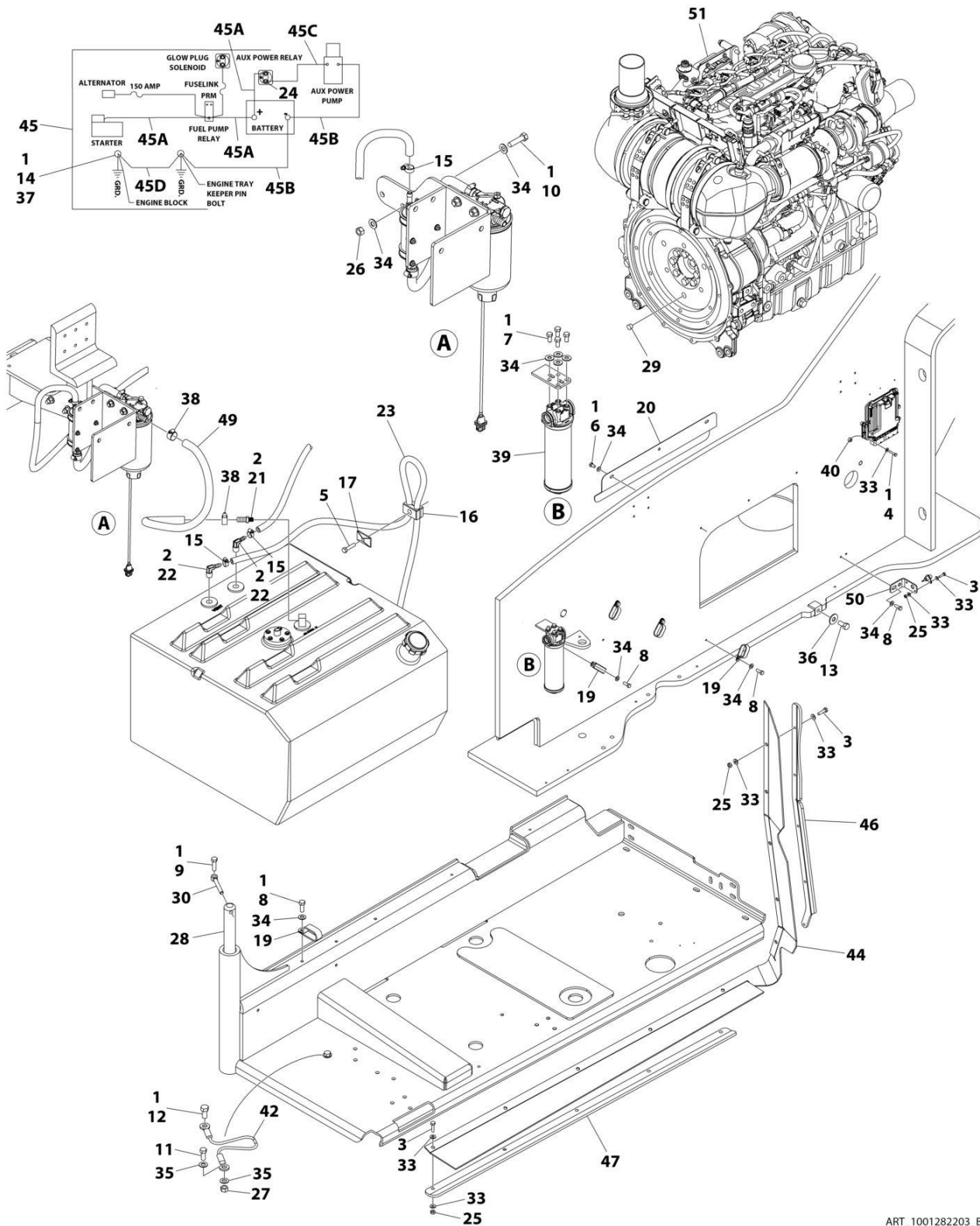
ITEM	PART NUMBER	QTY	DESCRIPTION	REV
20	70024920	1	O-Ring	
21	70025151	1	Rail, Fuel	
21	70025235	1	Repair Kit	
21	70025240	1	O-Ring	
22	70025182	1	Fuel Line - High Pressure (Cylinder 1 & 2) (Not Shown)	
22	70025183	1	Fuel Line - High Pressure (Cylinder 3 & 4) (Not Shown)	
22	70025184	1	Fuel Line - High Pressure (Supply) (Not Shown)	
23	70025158	1	Manifold, Fuel	
23	70025109	2	Clamp	
23	70025115	1	Clamp	
23	70025133	1	Hose	
23	70024502	1	Pipe	
23	70025185	1	Hose	
23	70025101	2	Clamp	
24	70005923	1	Charge Air Pipe	
24	70005924	1	O-Ring	
24	70005177	1	Gasket	
25	70005925	1	Breather Line	
25	70005181	1	O-Ring	
26	70004501	1	Sleeve, Rubber	
27	70025112	2	Clamp	
28	70005926	1	Elbow Connector	
29	70005927	1	Sleeve, Rubber	
29	70025107	2	Clamp	
30	70005928	1	Charge Air Elbow	
31	70025210	1	ECU (Engine Control Unit)	
32	70024910	1	Pump, Water	
32	70025200	1	Ring, Sealing	
32	70025084	2	Plug	
32	7020492	2	Ring, Sealing	
33	70005929	1	Thermostat	
33	70005184	1	O-Ring	
33	70025142	1	Cover, Thermostat	
33	70025931	1	Gasket	
34	70025178	1	Pipe	
34	70025768	1	Valve, Shuttle	
34	70025179	2	Gasket	
34	70025180	1	Gasket	
35	70025203	1	Module, EGR (Includes Item 36)	
35	70025155	1	Plug	
36	70005188	1	Control Valve	
36	70005189	1	Seal	
37	70004282	1	Manifold, Exhaust	
37	70025164	1	Gasket, Exhaust Manifold to Head	
38	70026995	1	Pipe (Not Shown - Located on Left Side)	
38	70021895	2	Gasket	
39	70004276	1	Turbocharger	
39	70024912	1	Gasket, Exhaust Manifold	
39	70024509	1	Gasket, Return Line	
40	70025477	1	Tensioner, Belt	
41	70024484	1	Idler Roller	

SECTION 3 - ENGINE

ITEM	PART NUMBER	QTY	DESCRIPTION	REV
42	70004277	1	Belt, Drive	
43	70024915	1	Starter	
43	70005647	1	Switch, Solenoid	
43	70005648	1	Relay	
44	70025533	1	Generator	
44	70025149	1	Regulator, Voltage	
45	70025077	1	Harness, Engine (Not Shown)	
46	70024918	1	Sender, Temperature	
47	70024504	1	Sensor, Pressure (Not Shown - Located on Right Side)	
47	70024920	1	O-Ring	
48	70026210	2	Sensor, Speed (Not Shown - Located Left Side Front and Flywheel Housing)	
48	70005191	2	O-Ring	
49	70024507	1	Sensor, Pressure (Not Shown - Located Top Rear)	
49	70025120	1	O-Ring	
50	70024922	1	Temperature, Transmitter	
50	70035212	1	O-Ring	
51	70025660	1	Screw	

SECTION 3 - ENGINE

FIGURE 3-61. DEUTZ TCD2.9L4 (CHINA IV) ENGINE INSTALLATION



ART_1001282203_B

SECTION 3 - ENGINE

FIGURE 3-61. DEUTZ TCD2.9L4 (CHINA IV) ENGINE INSTALLATION

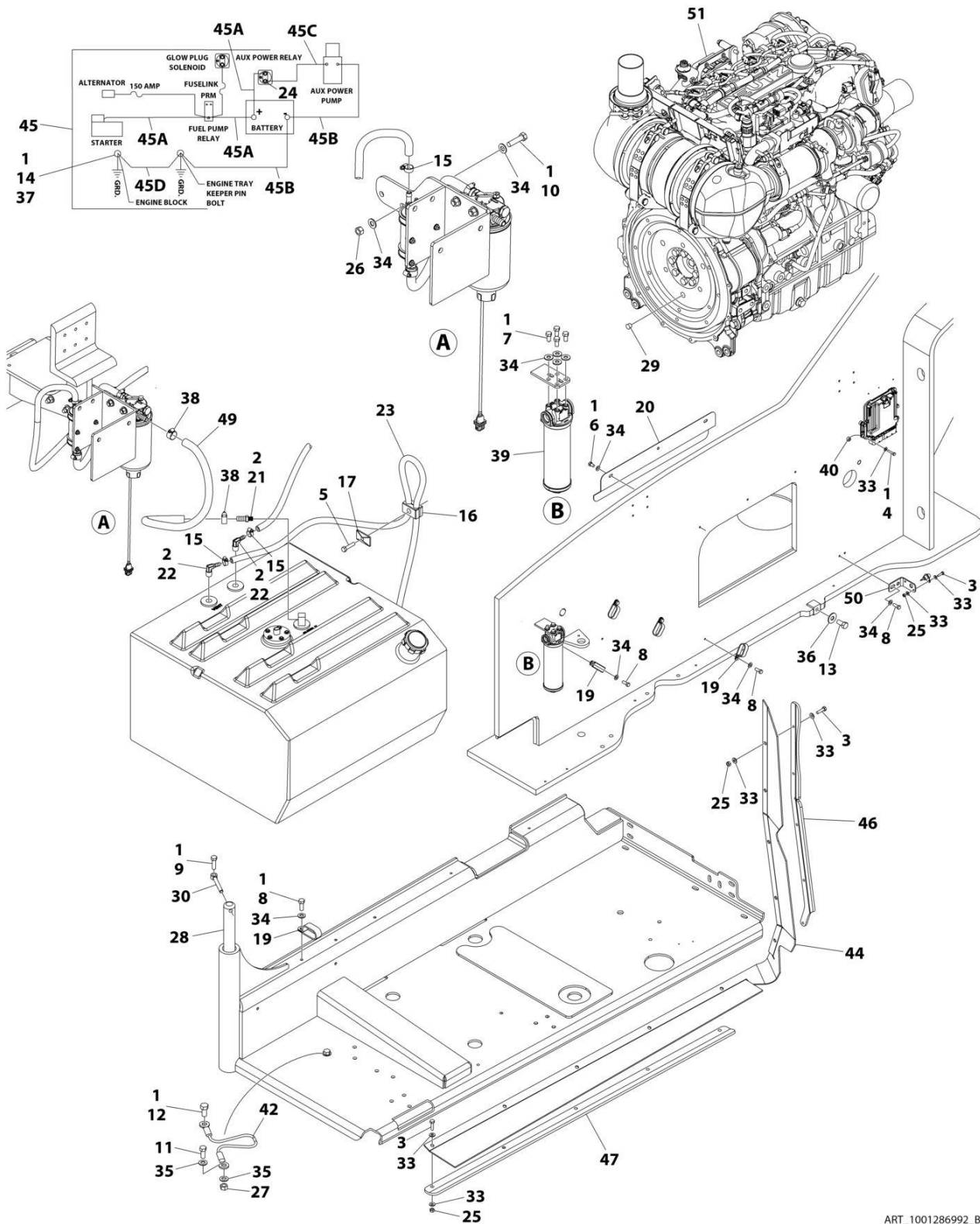
ITEM	PART NUMBER	QTY	DESCRIPTION	REV
	1001282203	Ref	DEUTZ TCD2.9L4 (CHINA IV) ENGINE INSTALLATION	B
1	0100011	AR	Compound, Locking	
2	0100079	AR	Sealant, Pipe	
3	0641408	11	Bolt 1/4 x 1	
4	0641410	4	Bolt 1/4 x 1-1/4	
5	0641511	1	Bolt 5/16 x 1-3/8	
6	0641605	3	Bolt 3/8 x 5/8	
7	0641606	4	Bolt 3/8 x 3/4	
8	0641608	7	Bolt 3/8 x 1	
9	0641610	1	Bolt 3/8 x 1-1/4	
10	0641612	2	Bolt 3/8 x 1-1/2	
11	0641708	1	Bolt 7/16 x 1	
12	0641808	1	Bolt 1/2 x 1	
13	0642010	1	Bolt 5/8 x 1-1/4	
14	0761210	1	Bolt M12 x 20	
15	1320022	3	Clamp	
16	1320187	1	Clamp	
17	1320190	1	Cover, Clamp	
19	1321716	5	Clamp	
20	1671121	1	Cover	
21	2180832	1	Fitting, Barbed	
22	2220313	2	Fitting, Elbow Barbed	
23	2750532	5 ft/ 1.5m	Hose	
24	3300220	2	Nut 5/16	
25	3311405	11	Nut 1/4	
26	3311605	2	Nut 3/8	
27	3311705	1	Nut 7/16	
28	3422446	1	Pin, Pivot	
29	3520054	1	Plug	
30	3841143	1	Pin, Keeper	
31	4240018	AR	Strap, Tie (Not Shown)	
32	4240099	AR	Tie-Strap (Not Shown)	
33	4711400	26	Washer 1/4	
34	4711600	18	Washer 3/8	
35	4711700	2	Washer 7/16	
36	4752000	1	Washer 5/8	
37	4812100	1	Washer M12	
38	8405006	2	Clamp	
39	1001108617	1	Filter	
40	1001110425	4	Spacer	
42	1001131542	1	Lanyard	
43	1001138491	1	Harness, (Not Shown - See Separate Breakdown in ELECTRICAL Section)	
44	1001140604	1	Panel, Rubber	
45	1001141225	1	Battery Cable Kit	E
45A	7027042	1	Cable, Battery (Red) (Battery + to Relays and Starter)	
45B	7027043	1	Cable, Battery (Black) (Battery - to Tray Pivot Grd and Aux Pump)	
45C	7027044	1	Cable (Red) (Aux Relay to Aux Pump)	
45D	7027045	1	Cable, (Black) (Engine to Tray Pivot Grd)	

SECTION 3 - ENGINE

ITEM	PART NUMBER	QTY	DESCRIPTION	REV
46	1001145089	1	Clamp	
47	1001145842	1	Plate, Clamping	
48	1001146588	1	Strap (Not Shown)	
49	1001154405	2 ft/ 0.7m	Hose	
50	1001256879	1	Bracket	
51	1001282199	1	Engine Sub-Assembly (See Separate Breakdown in this Section)	
52	4460234	AR	Mount, Tie-Strap (Not Shown)	

SECTION 3 - ENGINE

FIGURE 3-62. DEUTZ TCD2.9L4 (CHINA IV) ENGINE INSTALLATION WITH PMP PUMPS



ART_1001286992_B

SECTION 3 - ENGINE

FIGURE 3-62. DEUTZ TCD2.9L4 (CHINA IV) ENGINE INSTALLATION WITH PMP PUMPS

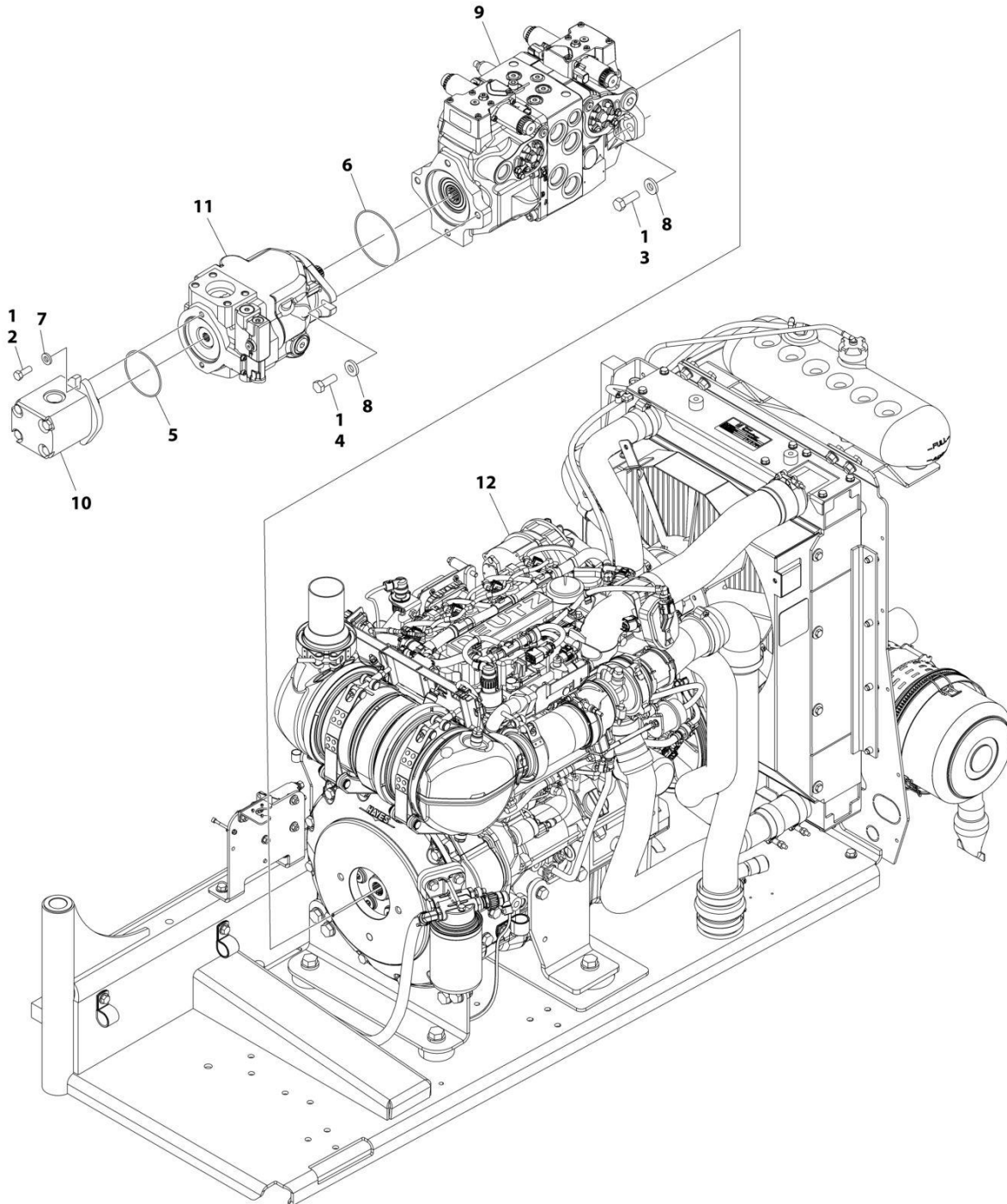
ITEM	PART NUMBER	QTY	DESCRIPTION	REV
	1001286992	Ref	DEUTZ TCD2.9L4 (CHINA IV) ENGINE INSTALLATION	B
1	0100011	AR	Compound, Locking	
2	0100079	AR	Sealant, Pipe	
3	0641408	11	Bolt 1/4 x 1	
4	0641410	4	Bolt 1/4 x 1-1/4	
5	0641511	1	Bolt 5/16 x 1-3/8	
6	0641605	3	Bolt 3/8 x 5/8	
7	0641606	4	Bolt 3/8 x 3/4	
8	0641608	7	Bolt 3/8 x 1	
9	0641610	1	Bolt 3/8 x 1-1/4	
10	0641612	2	Bolt 3/8 x 1-1/2	
11	0641708	1	Bolt 7/16 x 1	
12	0641808	1	Bolt 1/2 x 1	
13	0642010	1	Bolt 5/8 x 1-1/4	
14	0761210	1	Bolt M12 x 20	
15	1320022	3	Clamp	
16	1320187	1	Clamp	
17	1320190	1	Cover, Clamp	
19	1321716	5	Clamp	
20	1671121	1	Cover	
21	2180832	1	Fitting, Straight Barbed	
22	2220313	2	Fitting, 90 NPTF/Barbed	
23	2750532	5 ft/ 1.5m	Hose	
24	3300220	2	Nut	
25	3311405	11	Nut 1/4	
26	3311605	2	Nut 3/8	
27	3311705	1	Nut 7/16	
28	3422446	1	Pin	
29	3520054	1	Plug	
30	3841143	1	Pin, Keeper	
31	4240018	AR	Tie-Strap (Not Shown)	
32	4240099	AR	Tie-Strap (Not Shown)	
33	4711400	26	Washer 1/4	
34	4711600	18	Washer 3/8	
35	4711700	2	Washer 7/16	
36	4752000	1	Washer 5/8	
37	4812100	1	Washer M12	
38	8405006	2	Clamp	
39	1001108617	1	Filter	
40	1001110425	4	Spacer	
42	1001131542	1	Lanyard	
43	1001138491	1	Harness, (Not Shown - See Separate Breakdown in ELECTRICAL Section)	
44	1001140604	1	Panel	
45	1001141225	1	Battery Cable Kit	E
45A	7027042	1	Cable, Battery (Red) (Battery + to Relays and Starter)	
45B	7027043	1	Cable, Battery (Black) (Battery - to Tray Pivot Grd and Aux Pump)	
45C	7027044	1	Cable (Red) (Aux Relay to Aux Pump)	
45D	7027045	1	Cable, (Black) (Engine to Tray Pivot Grd)	

SECTION 3 - ENGINE

ITEM	PART NUMBER	QTY	DESCRIPTION	REV
46	1001145089	1	Clamp	
47	1001145842	1	Plate	
48	1001146588	1	Tie-Strap Tree (Not Shown)	
49	1001154405	2 ft/ 0.7m	Hose	
50	1001256879	1	Bracket	
51	1001286984	1	Engine Sub-Assembly (See Separate Breakdown in this Section)	
52	4460234	AR	Mount, Tie-Strap (Not Shown)	

SECTION 3 - ENGINE

FIGURE 3-63. DEUTZ TCD2.9L4 (CHINA IV) ENGINE AND PUMP SUB - ASSEMBLY



ART_1001282199

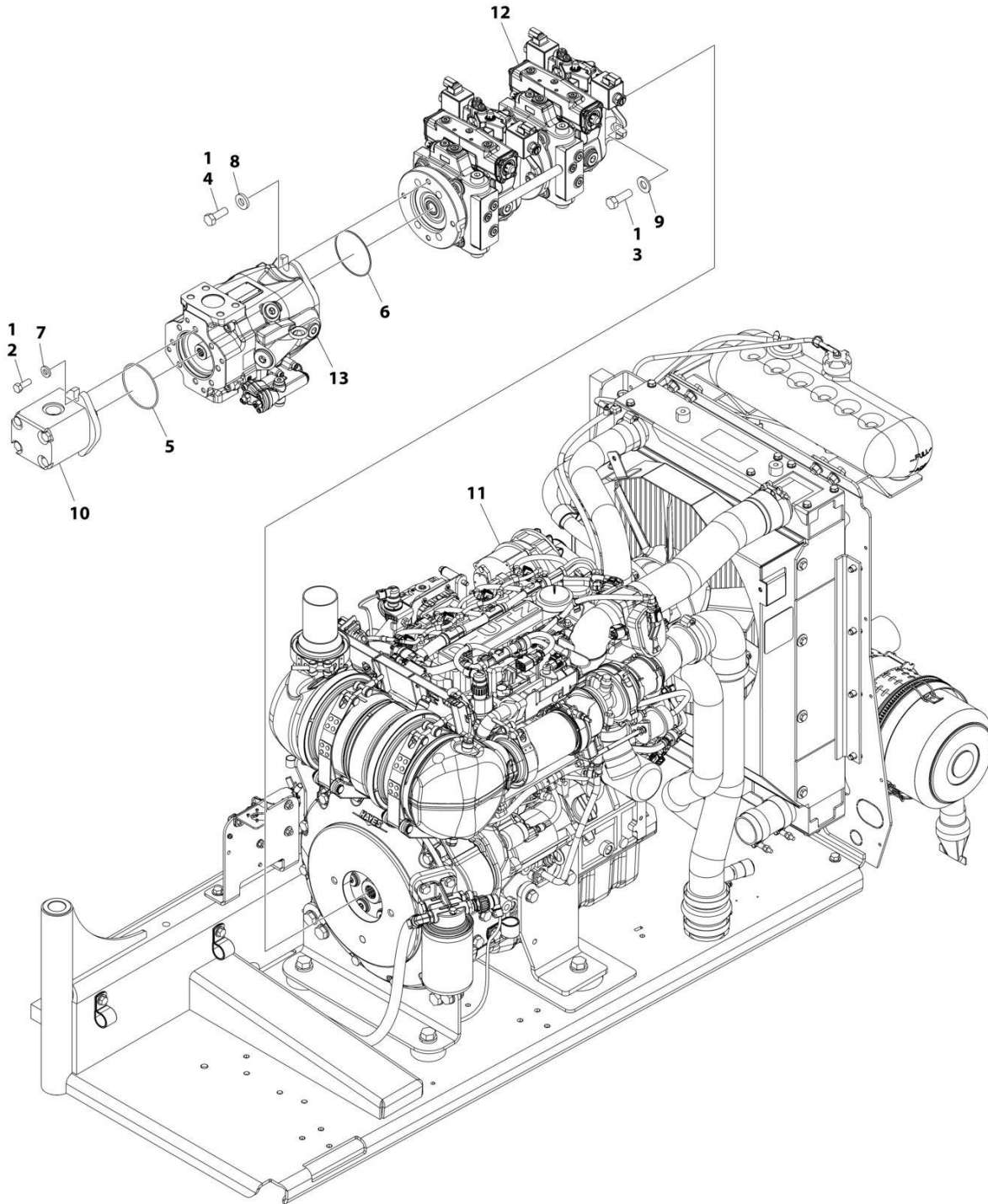
SECTION 3 - ENGINE

FIGURE 3-63. DEUTZ TCD2.9L4 (CHINA IV) ENGINE AND PUMP SUB - ASSEMBLY

ITEM	PART NUMBER	QTY	DESCRIPTION	REV
	1001282199	Ref	SUB-ASSEMBLY - DEUTZ TCD2.9L4 (CHINA IV)	G
1	0100011	AR	Compound, Locking	
2	0641608	2	Bolt 3/8 x 1	
3	0641814	2	Bolt 1/2 x 1-3/4	
4	0761215	2	Bolt M12 x 35	
5	3790152	1	O-Ring	
6	3790155	1	O-Ring	
7	4891600	2	Washer 3/8	
8	4891800	4	Washer 1/2	
9	1001108616	1	Pump Assembly - Tandem (See Separate Breakdown in this Section)	
10	1001112927	1	Pump Assembly - Gear (See Separate Breakdown in this Section)	
11	1001171095	1	Pump Assembly - Piston (See Separate Breakdown in this Section)	
12	1001282200	1	Engine Assembly (See Separate Breakdown in this Section)	

SECTION 3 - ENGINE

FIGURE 3-64. DEUTZ TCD2.9L4 (CHINA IV) ENGINE AND PUMP SUB-ASSEMBLY (WITH PMP PUMPS)



ART_1001286984

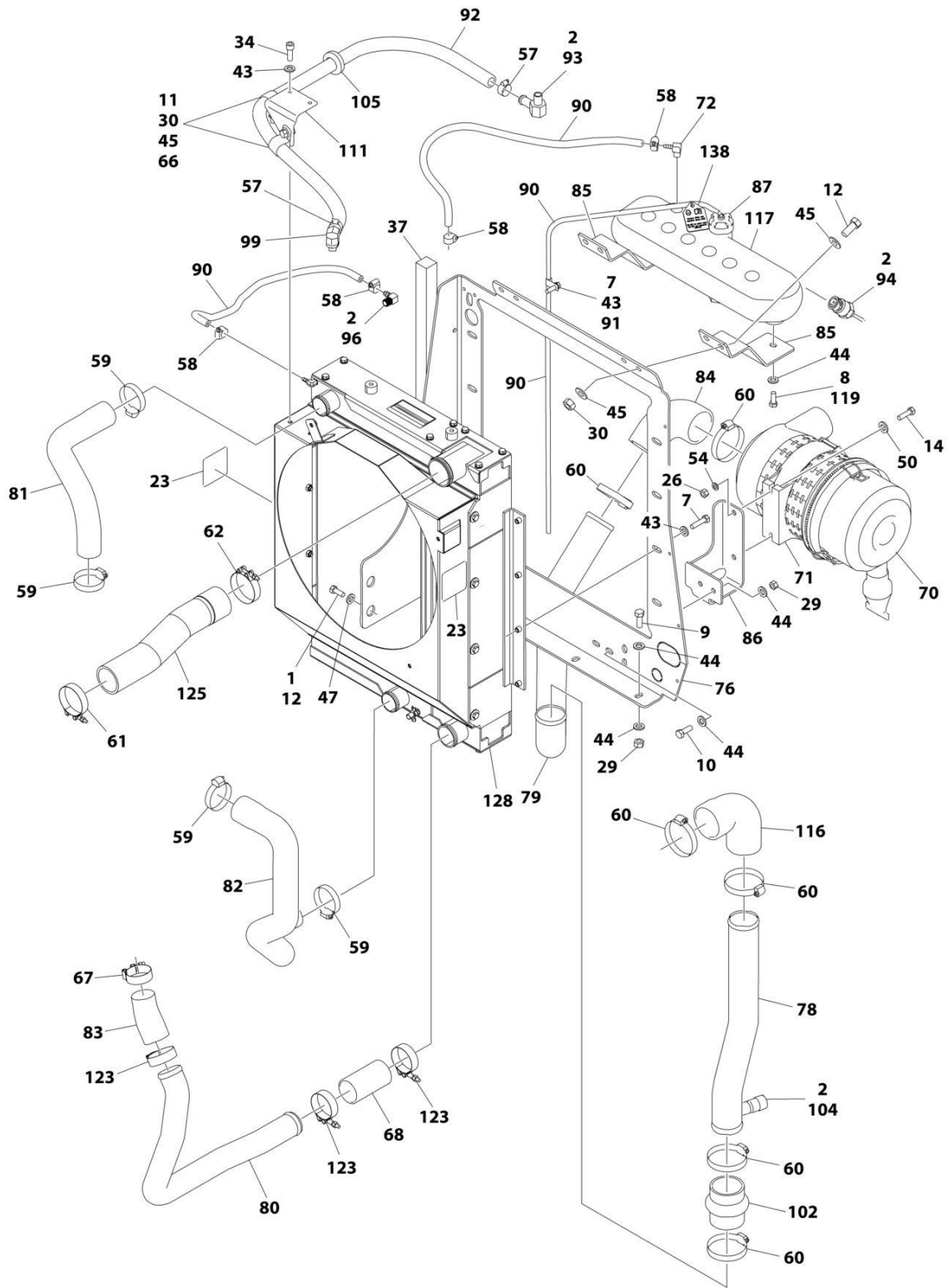
SECTION 3 - ENGINE

FIGURE 3-64. DEUTZ TCD2.9L4 (CHINA IV) ENGINE AND PUMP SUB-ASSEMBLY (WITH PMP PUMPS)

ITEM	PART NUMBER	QTY	DESCRIPTION	REV
	1001286984	Ref	DEUTZ TCD2.9L4 (CHINA IV) ENGINE AND PUMP SUB-ASSEMBLY (WITH PMP PUMPS)	A
1	0100011	AR	Compound, Locking	
2	0641608	2	Bolt 3/8 x 1	
3	0641812	2	Bolt 1/2 x 1-1/2	
4	0761215	2	Bolt M12 x 35	
5	3790152	1	O-Ring	
6	3790155	1	O-Ring	
7	4891600	2	Washer 3/8	
8	4891800	2	Washer 1/2	
9	8310056	2	Washer	
10	1001112927	1	Pump Assembly - Gear (See Separate Breakdown in this Section)	
11	1001282200	1	Engine Assembly (See Separate Breakdown in this Section)	
12	1001286957	1	Pump Assembly - Tandem (See Separate Breakdown in this Section)	
13	1001286958	1	Pump Assembly - Piston (See Separate Breakdown in this Section)	

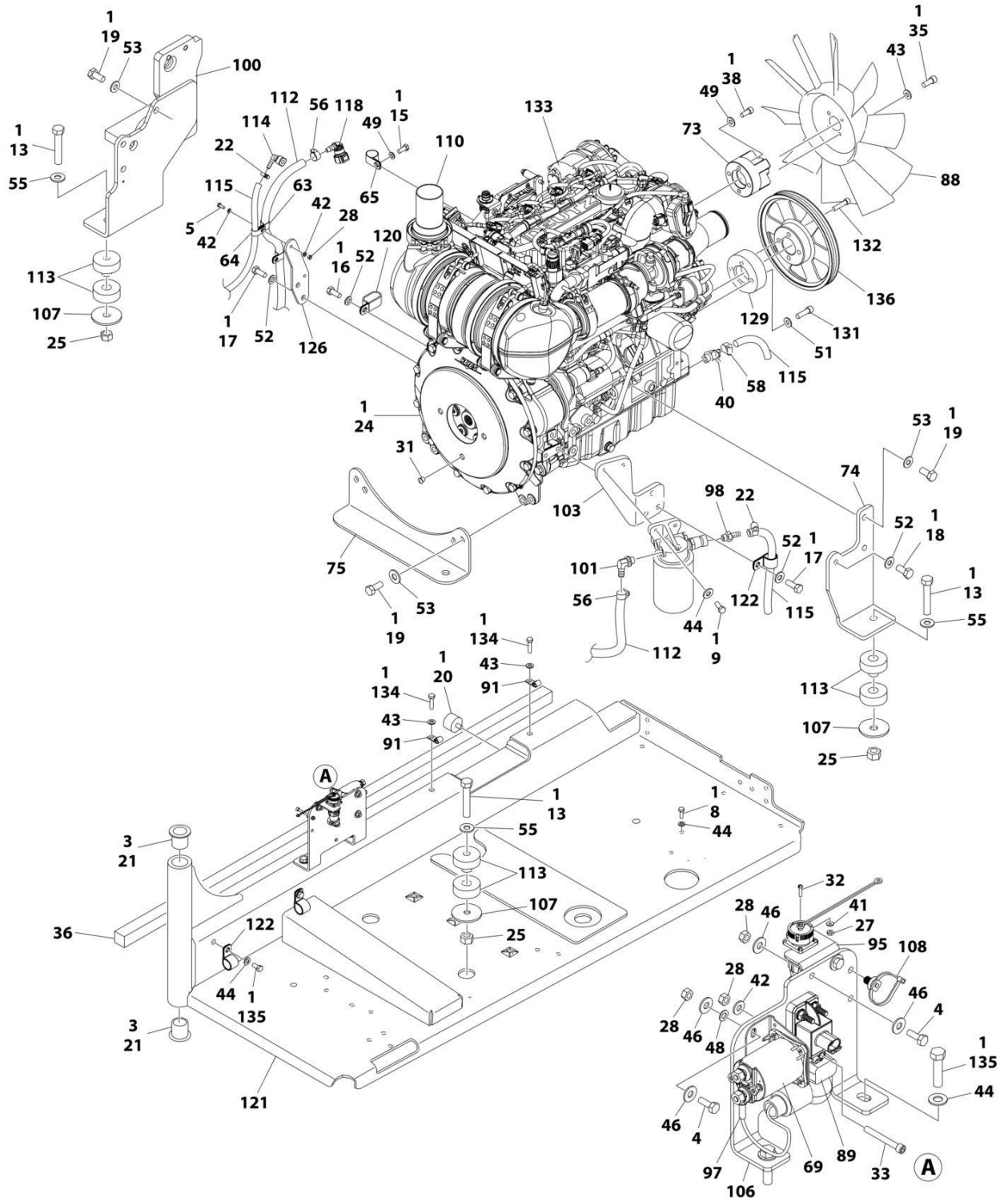
SECTION 3 - ENGINE

FIGURE 3-65. DEUTZ TCD2.9L4 (CHINA IV) ENGINE ASSEMBLY



ART_1001282200_E_10F2

SECTION 3 - ENGINE



ART_1001282200_E_20F2

SECTION 3 - ENGINE

FIGURE 3-65. DEUTZ TCD2.9L4 (CHINA IV) ENGINE ASSEMBLY

ITEM	PART NUMBER	QTY	DESCRIPTION	REV
	1001282200	Ref	ENGINE ASSEMBLY - DEUTZ TCD2.9L4 (CHINA IV)	E
1	0100011	AR	Compound, Locking	
2	0100020	AR	Compound, Locking	
3	0100062	AR	Compound, Locking	
4	0641406	4	Bolt 1/4 x 3/4	
5	0641407	2	Bolt 1/4 x 7/8	
6	0641503	1	Bolt 5/16 x 3/8	
7	0641508	8	Bolt 5/16 x 1-1/4	
8	0641606	3	Bolt 3/8 x 3/4	
9	0641608	9	Bolt 3/8 x 1	
10	0641610	2	Bolt 3/8 x 1-1/4	
11	0641706	2	Bolt 7/16 x 3/4	
12	0641708	6	Bolt 7/16 x 1	
13	0682028	4	Bolt 5/8 x 3-1/2 Grade 8	
14	0700815	2	Bolt M8 x 35	
15	0760808	1	Bolt M8 x 16	
16	0761212	1	Bolt M12 x 25	
17	0761214	5	Bolt M12 x 30	
18	0771212	1	Bolt M12 x 25 Class 10.9	
19	0771414	9	Bolt M14 x 30 Class 10.9	
20	0940070	1	Bumper	
21	0961986	2	Bushing, Flanged	
22	1320022	2	Clamp	
23	1703162	2	Decal - Fan	
24	2902065	1	Pump Coupling Kit (See Separate Breakdown in this Section)	
25	3272001	4	Nut 5/8 Grade 8	
26	3290801	2	Nut M8	
27	3310401	3	Nut #4	
28	3311405	7	Nut 1/4	
29	3311605	9	Nut 3/8	
30	3311705	5	Nut 7/16	
31	3520054	1	Plug, Hole	
32	3910408	3	Screw #4 x 1/2	
33	3931432	1	Capscrew 1/4 x 2	
34	3931508	2	Capscrew 5/16 x 1/2	
35	3931512	4	Capscrew 5/16 x 3/4	
36	3960543	1	Seal	
37	3960544	1	Seal	
38	4031912	4	Bolt M8 x 40	
39	4240099	AR	Tie-Strap (Not Shown)	
40	4640751	1	Valve, Oil Drain	
41	4710400	3	Washer #4	
42	4711400	5	Washer 1/4	
43	4711500	17	Washer 5/16	
44	4711600	27	Washer 3/8	
45	4711700	10	Washer 7/16	
46	4751400	8	Washer 1/4	
47	4751700	2	Washer 7/16	
48	4791400	2	Starwasher 1/4	
49	4811900	5	Washer M8	

SECTION 3 - ENGINE

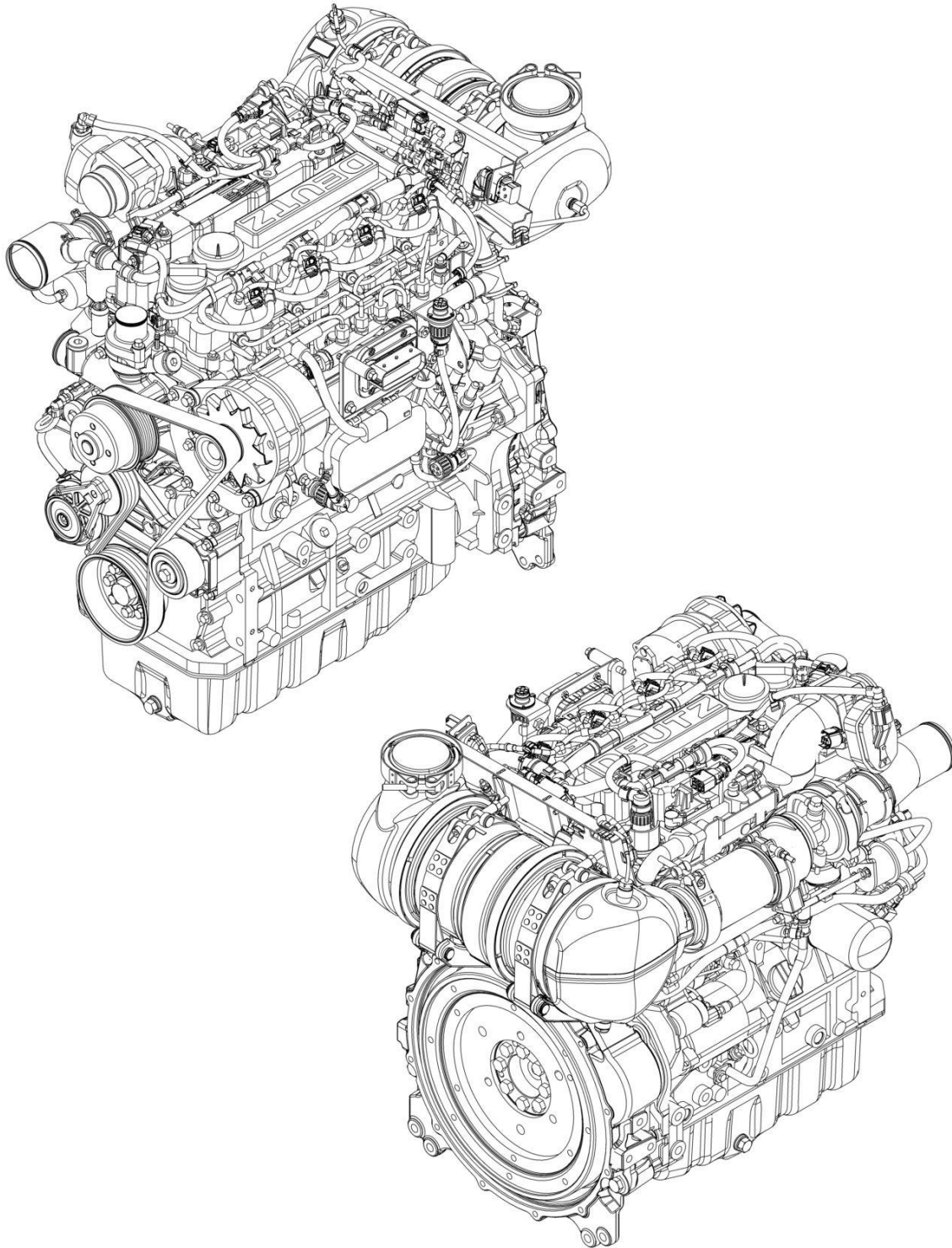
ITEM	PART NUMBER	QTY	DESCRIPTION	REV
50	4811902	2	Washer M8	
51	4812000	4	Washer M10	
52	4812100	7	Washer M12	
53	4812200	9	Washer M14	
54	4831900	2	Washer M8	
55	4892000	4	Washer 5/8	
56	8405006	2	Clamp	
57	8405007	2	Clamp	
58	8405009	5	Clamp	
59	8405201	4	Clamp	
60	8405204	6	Clamp	
61	8405212	1	Clamp	
62	8405213	1	Clamp	
63	8406102	2	Clip	
64	8406112	1	Clip	
65	8406201	1	Clip	
66	8406302	2	Clamp	
67	8410014	1	Clamp	
68	91563070	1	Coupling, Rubber	
69	1001117308	1	Relay	
70	1001133633	1	Air Cleaner Assembly	
70	70024190	1	Element, Air Filter	
71	1001133634	1	Clamp	
72	1001134488	1	Fitting, 90 Barbed	
73	1001289964	1	Spacer, Fan	
74	1001135560	1	Support, Engine	
75	1001135562	1	Support, Engine - Rear	
76	1001135680	1	Support, Radiator	
77	1001135779	1	Cable, Alternator Positive (Not Shown)	
78	1001135901	1	Pipe, Air Intake	
79	1001135903	1	Pipe, Air Intake	
80	1001135913	1	Pipe, Turbo to Air Cleaner	
81	1001135924	1	Hose, Radiator (Upper)	
82	1001135926	1	Pipe, Radiator (Lower)	
83	1001135943	1	Coupling, Rubber	
84	1001135946	1	Elbow, Rubber	
85	1001136626	2	Bracket	
86	1001136665	1	Bracket	
87	1001136834	1	Cap, Tank	
88	1001137276	1	Fan	
89	1001138228	1	Module, Power	
89	70023592	1	Fuse 20Amp (Switched Output)	
89	70023593	1	Fuse 30Amp (Battery Output)	
90	1001138248	9 ft /3 m	Tubing	
91	1001138253	5	Clamp	
92	1001138524	1	Hose	
93	1001138559	1	Fitting, 90	
94	1001138827	1	Sensor, Coolant Level	
95	1001139240	1	Bracket	
96	1001140564	1	Fitting, 90 Barbed	
97	1001141304	1	Wire, Glow Plug	

SECTION 3 - ENGINE

ITEM	PART NUMBER	QTY	DESCRIPTION	REV
98	1001141717	1	Fitting, Straight	
99	1001141719	1	Fitting, 90 Barbed	
100	1001283008	1	Support, Engine	
101	1001142501	1	Fitting, 90 Barbed	
102	1001142637	1	Hose, Hump	
103	1001142685	1	Bracket	
104	1001143390	1	Indicator, Air Filter Service	
105	1001144089	1	Grommet	
106	1001145154	1	Plate, Mounting	
107	1001146219	4	Washer Special	
108	1001146588	1	Strap	
109	1001148843	1	Harness, Fuel Filter (Not Shown - See Separate Breakdown in ELECTRICAL Section)	
110	1001153024	1	Pipe, Exhaust	
111	1001153387	1	Plate	
112	1001154405	5 ft /2 m	Hose	
113	1001155575	4	Mount, Motor	
114	1001155823	1	Coupling	
115	1001165035	31 ft /10 m	Hose	
116	1001165820	1	Pipe, Elbow	
117	1001166393	1	Tank, Surge	
118	1001170982	1	Adapter	
119	1001180620	AR	Adhesive	
120	1001181899	1	Clamp	
121	1001191272	1	Tray	
122	1001191620	3	Clamp	
123	1001208299	3	Clamp	
124	1001227606	1	Bracket	
125	1001233492	1	Hose	
126	1001235952	1	Bracket	
127	1001276646	1	Harness, Engine (Not Shown - See Separate Breakdown in ELECTRICAL Section)	
128	1001256864	1	Radiator	
129	1001258800	1	Spacer, Pulley	
131	1001261045	4	Capscrew M10	
132	1001261085	4	Capscrew M10	
133	1001292604	1	Deutz TCD2.9L4 (CHINA IV) Engine Components (See Separate Breakdown in this Section)	
134	0641510	2	Bolt 5/16 x 1-1/4	
135	0641612	4	Bolt 3/8 x 1-1/2	
136	1001281192	1	Pulley	
137	4240032	AR	Tie-Strap (Not Shown)	
138	1001291401	1	Tag, Coolant	

SECTION 3 - ENGINE

FIGURE 3-66. DEUTZ TCD2.9L4 (CHINA IV) ENGINE COMPONENTS



ART_1001292604

SECTION 3 - ENGINE

FIGURE 3-66. DEUTZ TCD2.9L4 (CHINA IV) ENGINE COMPONENTS

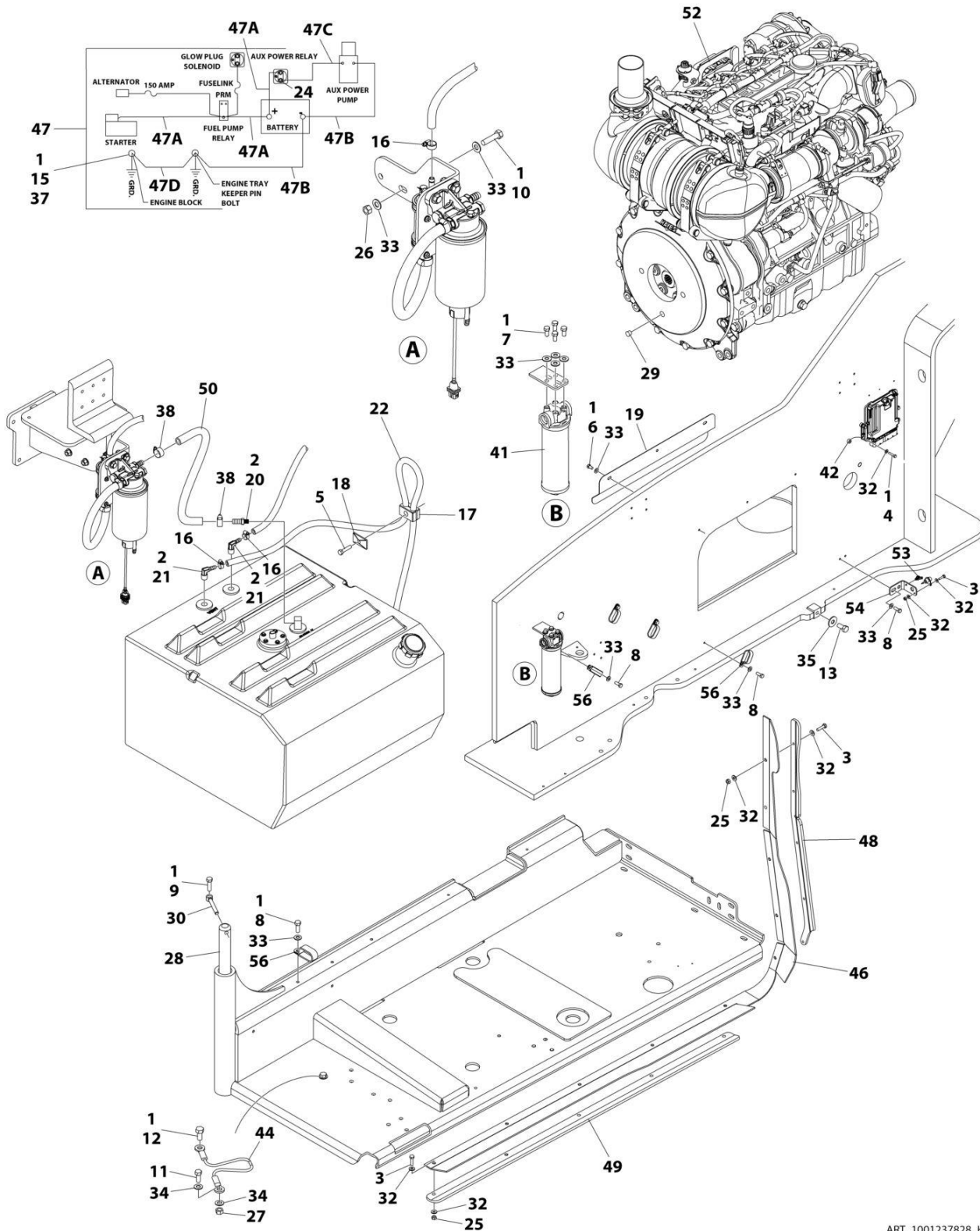
ITEM	PART NUMBER	QTY	DESCRIPTION	REV
	1001292604	Ref	DEUTZ TCD2.9L4 (CHINA IV) ENGINE	A
	See Note	Ref	Note: Additional components may be available. Contact JLG Customer Service for more details.	
		Ref	AIR INTAKE COMPONENTS	
	70008604	1	Pipe, Air Intake (Includes Clips)	
	70008608	1	Adapter, Air Intake Pipe	
	70008537	1	Valve, Throttle (Includes Gasket)	
	70008432	1	Manifold, Air Charge	
		Ref	COOLING SYSTEM COMPONENTS	
	1001291868	1	Pump, Coolant (Includes Gasket & Seal)	
	70031055	1	O-Ring, Coolant Pump	
	70007325	1	Gasket	
	70007603	1	Thermostat	
	70005184	1	O-Ring (Between Thermostat & Cover)	
	70005931	1	Gasket (Between Thermostat Cover & Pump)	
	70025142	1	Cover, Thermostat	
		Ref	ELECTRICAL SYSTEM COMPONENTS	
	70024513	1	Sensor, Primary Fuel Filter	
	70031144	1	Starter	
	70031142	1	Generator/Alternator (Includes Regulator)	
	70031143	1	Regulator, Voltage	
	70008558	1	Harness, Engine	
	1001211556	1	SENSOR,AIR AMBIENT	
	70028540	1	Sender, Temperature (Cylinder Head)	
	70024504	1	Sensor, Pressure (at Secondary Fuel Filter & Engine Block)	
	70026210	2	Sensor, Speed (End of Block & Front Cover)	
	70029407	1	Sensor, Pressure (Air Intake Manifold) (Round)	
	70024507	1	Sensor, Pressure (Air Intake Manifold) (Rectangular)	
	70000345	4	Plug, Glow	
		Ref	EXHAUST SYSTEM COMPONENTS	
	70025164	1	Gasket, Exhaust Manifold to Head	
	70025130	8	Bolt (Holds Exhaust Manifold to Head)	
	70029557	1	Gasket, Exhaust (Between Exhaust Manifold & First Exhaust Pipe)	
	70007354	1	Gasket, Exhaust (Between First Exhaust Pipe and beyond)	
	70031138	1	Valve, EGR	
	70007326	1	Gasket (Between EGR Valve & EGR Module)	
	70007328	1	Turbocharger	
	70004504	1	Compensator	
	70030097	1	Clamp, Exhaust (Compensator Front)	
	70030099	2	Clamp, Exhaust (Compensator to Muffler)	
	70025242	1	Gasket (Compensator)	
	70008564	1	Catalyst	
	70029517	2	Clamp (Catalyst)	
	70029520	2	Gasket (Catalyst)	
	70024505	1	Sender, Temperature (Catalyst Inlet)	
	70029409	1	Sender, Temperature (Catalyst Outlet)	
	70008431	1	Sensor, Pressure (Catalyst)	
		Ref	FUEL SYSTEM COMPONENTS	
	1001225430	1	Element, Fuel Filter (Primary)	

SECTION 3 - ENGINE

ITEM	PART NUMBER	QTY	DESCRIPTION	REV
	1001225432	1	Element, Fuel Filter (Secondary)	
	70030381	1	Pump, High Pressure (Includes Mounitng O-Ring, Overflow Valve & Volume Control Valve)	
	70025152	1	O-Ring (Between Pump AND Spacer)	
	70004505	1	Valve, Overflow	
	70004508	1	Valve, Volume Control	
	70008607	4	Injector, Fuel (Includes O-Ring, Clamp & Sealing Washer)	
	70008422	1	Pump, Fuel Supply (Includes Clamps)	
	70025144	2	Clamp	
		Ref	GASKETS & SEAL & KITS (Note: Some components listed with main component)	
	70005938	1	Gasket Kit	
	70024906	1	Gasket, Head	
	70005171	1	Gasket, Valve Cover	
	70002718	1	Seal, Rear Case	
	70004280	1	Seal, Front Case	
	70028185	1	Gasket, Front Cover	
	70005176	1	O-Ring (Between Air Intake Manifold & Mixing Tube)	
	70005177	1	Gasket (Between Air Intake Manifold & Head)	
		Ref	LUBRICATION SYSTEM COMPONENTS	
	7016331	1	Filter, Oil	
	70024904	1	Dipstick (Includes O-Ring	
	70024905	1	O-Rng	
	7020465	1	Cap, Filler	
	70005941	2	Plug, Oil Pan	
	70005942	2	Seal, Oil Pan Plug	
	70005172	1	Pump, Oil Lube (Includes O-Ring & Gasket)	
	70025135	1	O-Ring	
	70005173	1	Gasket	
	70031474	1	Cooler, Oil	
	70031388	1	Seal, Oil Cooler	
		Ref	MECHANICAL COMPONENTS	
	70001870	1	Flywheel (Includes Ring Gear)	
	7024579	1	Gear, Ring	
	70030359	1	Belt Tensioner	
	70004277	1	Belt, Drive	
	70027432	1	Idler, Drive Belt	

SECTION 3 - ENGINE

FIGURE 3-67. DEUTZ TCD2.9L4 (STAGE V) DIESEL ENGINE INSTALLATION - WITH SAUER PUMPS (WITHOUT COLD WEATHER PLUS PACKAGE)



ART_1001237828_H

SECTION 3 - ENGINE

**FIGURE 3-67. DEUTZ TCD2.9L4 (STAGE V) DIESEL ENGINE INSTALLATION - WITH SAUER PUMPS
(WITHOUT COLD WEATHER PLUS PACKAGE)**

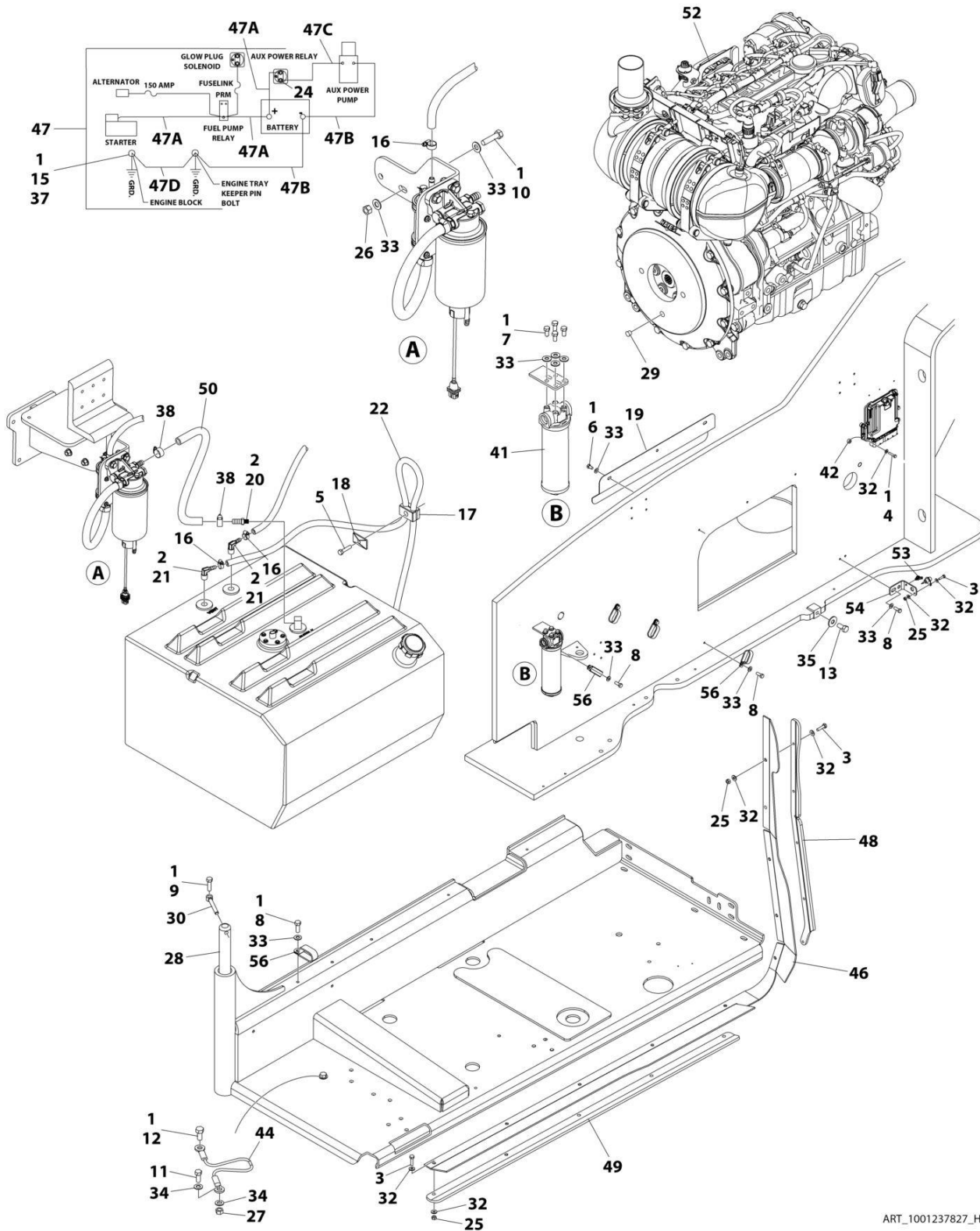
ITEM	PART NUMBER	QTY	DESCRIPTION	REV
	1001237828	Ref	DEUTZ TCD2.9L4 (STAGE V) ENGINE INSTALLATION - WITH SAUER PUMPS (WITHOUT COLD WEATHER PLUS PACKAGE)	H
1	0100011	AR	Compound, Locking	
2	0100079	AR	Sealant, Pipe	
3	0641408	11	Bolt 1/4 x 1	
4	0641410	4	Bolt 1/4 x 1-1/4	
5	0641511	1	Bolt 5/16 x 1-3/8	
6	0641605	3	Bolt 3/8 x 5/8	
7	0641606	4	Bolt 3/8 x 3/4	
8	0641608	7	Bolt 3/8 x 1	
9	0641610	1	Bolt 3/8 x 1-1/4	
10	0641612	2	Bolt 3/8 x 1-1/2	
11	0641708	1	Bolt 7/16 x 1	
12	0641808	1	Bolt 1/2 x 1	
13	0642010	1	Bolt 5/8 x 1-1/4	
15	0761210	1	Bolt M12 x 20	
16	1320022	3	Clamp	
17	1320187	1	Clamp	
18	1320190	1	Cover, Clamp	
19	1671121	1	Cover	
20	2180832	1	Fitting, Barbed	
21	2220313	2	Fitting, 90 Barbed	
22	2750532	5 ft/ 1.5m	Hose	
24	3300220	2	Nut 5/16	
25	3311405	11	Nut 1/4	
26	3311605	2	Nut 3/8	
27	3311705	1	Nut 7/16	
28	3422446	1	Pin, Pivot	
29	3520054	1	Plug	
30	3841143	1	Pin, Keeper	
31	4240018	AR	Strap, Tie (Not Shown)	
32	4711400	26	Washer 1/4	
33	4711600	18	Washer 3/8	
34	4711700	2	Washer 7/16	
35	4752000	1	Washer 5/8	
37	4812100	1	Washer M12	
38	8405006	2	Clamp	
41	1001108617	1	Filter	
41	70002231	1	Element, Filter	
42	1001110425	4	Spacer	
44	1001131542	1	Lanyard	
45	1001138491	NLA	Harness, Fuel (Use p/n 1001222665) (Not Shown - See Separate Breakdown in ELECTRICAL Section)	
46	1001140604	1	Panel, Rubber	
47	1001141225	1	Battery Cable Kit	E
47A	7027042	1	Cable, Battery (Red) (Battery + to Relays and Starter)	
47B	7027043	1	Cable, Battery (Black) (Battery - to Tray Pivot Grd and Aux Pump)	
47C	7027044	1	Cable (Red) (Aux Relay to Aux Pump)	

SECTION 3 - ENGINE

ITEM	PART NUMBER	QTY	DESCRIPTION	REV
47D	7027045	1	Cable, Battery (Black) (Engine to Tray Pivot Grd)	
48	1001145089	1	Clamp	
49	1001145842	1	Plate, Clamping	
50	1001154405	1.6 ft/ 0.5m	Hose	
52	1001277608	1	Engine Sub-Assembly (See Separate Breakdown in this Section)	
53	1001146588	1	Strap	
54	1001256879	1	Bracket	
56	1321716	5	Clamp	
57	4240099	AR	Tie-Strap (Not Shown)	
58	4460234	AR	Mount, Tie-Strap (Not Shown)	

SECTION 3 - ENGINE

FIGURE 3-68. DEUTZ TCD2.9L4 (STAGE V) DIESEL ENGINE INSTALLATION - WITH REXROTH PUMPS (WITHOUT COLD WEATHER PLUS PACKAGE)



ART_1001237827_H

SECTION 3 - ENGINE

FIGURE 3-68. DEUTZ TCD2.9L4 (STAGE V) DIESEL ENGINE INSTALLATION - WITH REXROTH PUMPS (WITHOUT COLD WEATHER PLUS PACKAGE)

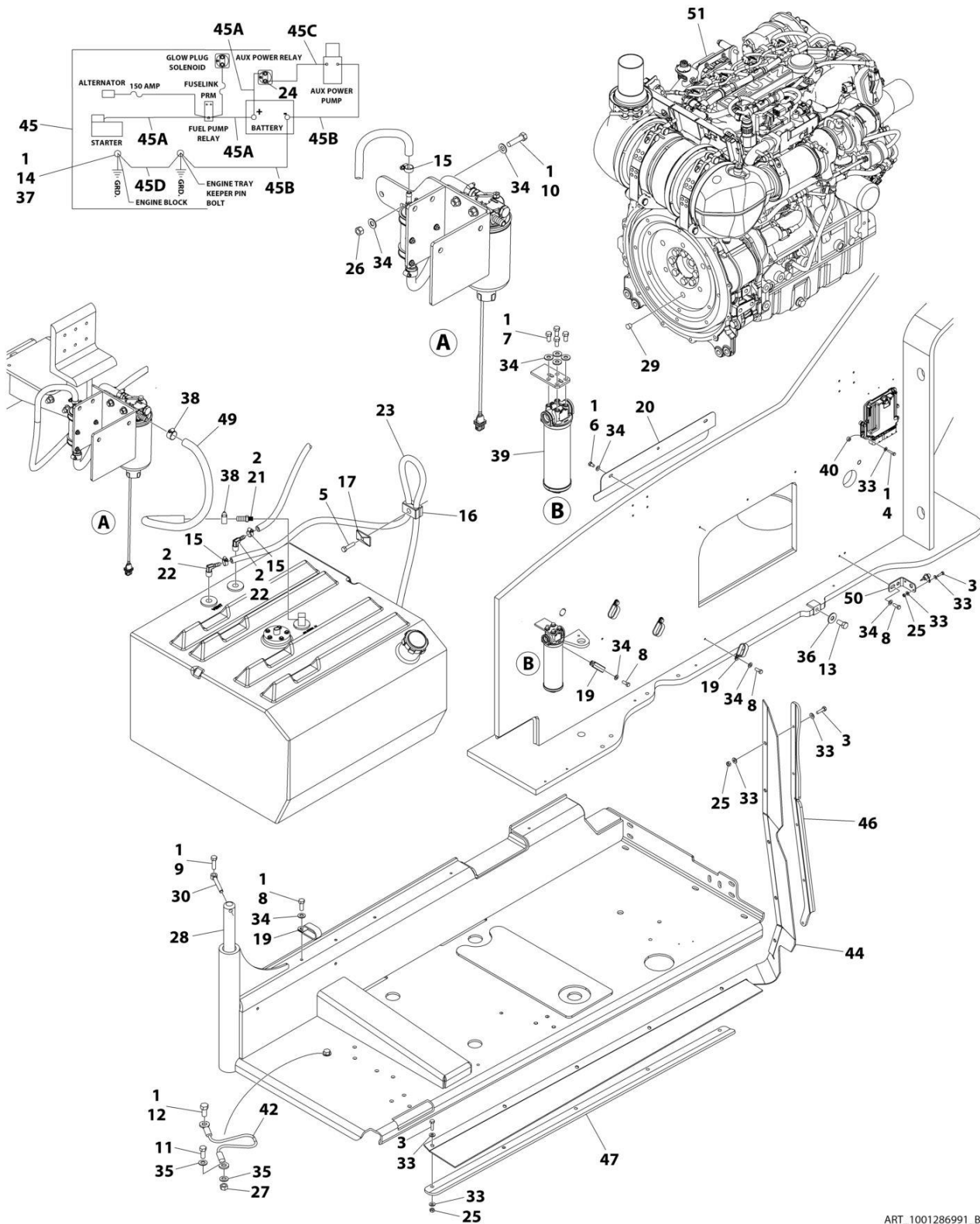
ITEM	PART NUMBER	QTY	DESCRIPTION	REV
	1001237827	Ref	DEUTZ TCD2.9L4 (STAGE V) ENGINE INSTALLATION - WITH REXROTH PUMPS (WITHOUT COLD WEATHER PLUS PACKAGE)	H
1	0100011	AR	Compound, Locking	
2	0100079	AR	Sealant, Pipe	
3	0641408	11	Bolt 1/4 x 1	
4	0641410	4	Bolt 1/4 x 1-1/4	
5	0641511	1	Bolt 5/16 x 1-3/8	
6	0641605	3	Bolt 3/8 x 5/8	
7	0641606	4	Bolt 3/8 x 3/4	
8	0641608	7	Bolt 3/8 x 1	
9	0641610	1	Bolt 3/8 x 1-1/4	
10	0641612	2	Bolt 3/8 x 1-1/2	
11	0641708	1	Bolt 7/16 x 1	
12	0641808	1	Bolt 1/2 x 1	
13	0642010	1	Bolt 5/8 x 1-1/4	
15	0761210	1	Bolt M12 x 20	
16	1320022	3	Clamp	
17	1320187	1	Clamp	
18	1320190	1	Cover, Clamp	
19	1671121	1	Cover	
20	2180832	1	Fitting, Barbed	
21	2220313	2	Fitting, 90 Barbed	
22	2750532	5 ft/ 1.5m	Hose	
24	3300220	2	Nut 5/16	
25	3311405	11	Nut 1/4	
26	3311605	2	Nut 3/8	
27	3311705	1	Nut 7/16	
28	3422446	1	Pin, Pivot	
29	3520054	1	Plug	
30	3841143	1	Pin, Keeper	
31	4240018	AR	Strap, Tie (Not Shown)	
32	4711400	26	Washer 1/4	
33	4711600	18	Washer 3/8	
34	4711700	2	Washer 7/16	
35	4752000	1	Washer 5/8	
37	4812100	1	Washer M12	
38	8405006	2	Clamp	
41	1001108617	1	Filter	
41	70002231	1	Element, Filter	
42	1001110425	4	Spacer	
44	1001131542	1	Lanyard	
45	1001138491	NLA	Harness, Fuel (Use p/n 1001222665) (Not Shown - See Separate Breakdown in ELECTRICAL Section)	
46	1001140604	1	Panel, Rubber	
47	1001141225	1	Battery Cable Kit	E
47A	7027042	1	Cable, Battery (Red) (Battery + to Relays and Starter)	
47B	7027043	1	Cable, Battery (Black) (Battery - to Tray Pivot Grd and Aux Pump)	
47C	7027044	1	Cable (Red) (Aux Relay to Aux Pump)	

SECTION 3 - ENGINE

ITEM	PART NUMBER	QTY	DESCRIPTION	REV
47D	7027045	1	Cable, Battery (Black) (Engine to Tray Pivot Grd)	
48	1001145089	1	Clamp	
49	1001145842	1	Plate, Clamping	
50	1001154405	1.6 ft/ 0.5m	Hose	
52	1001277607	1	Engine Sub-Assembly (See Separate Breakdown in this Section)	
53	1001146588	1	Strap	
54	1001256879	1	Bracket	
56	1321716	5	Clamp	
57	4240099	AR	Tie-Strap (Not Shown)	
58	4460234	AR	Mount, Tie-Strap (Not Shown)	

SECTION 3 - ENGINE

FIGURE 3-69. DEUTZ TCD2.9L4 (STAGE V) ENGINE INSTALLATION WITH PMP PUMPS



ART_1001286991_B

SECTION 3 - ENGINE

FIGURE 3-69. DEUTZ TCD2.9L4 (STAGE V) ENGINE INSTALLATION WITH PMP PUMPS

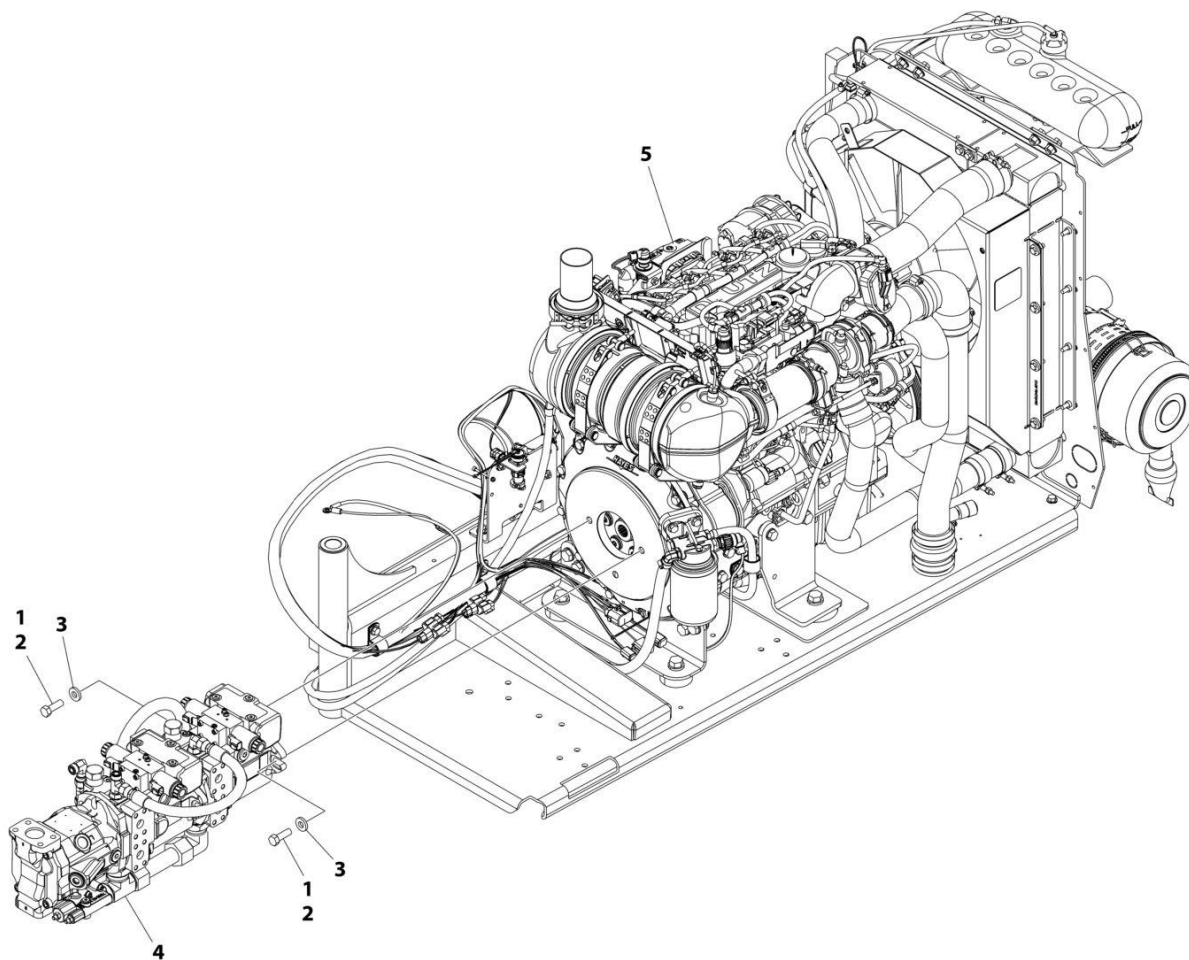
ITEM	PART NUMBER	QTY	DESCRIPTION	REV
	1001286991	Ref	DEUTZ TCD2.9L4 (STAGE V) ENGINE INSTALLATION	B
1	0100011	AR	Compound, Locking	
2	0100079	AR	Sealant, Pipe	
3	0641408	11	Bolt 1/4 x 1	
4	0641410	4	Bolt 1/4 x 1-1/4	
5	0641511	1	Bolt 5/16 x 1-3/8	
6	0641605	3	Bolt 3/8 x 5/8	
7	0641606	4	Bolt 3/8 x 3/4	
8	0641608	7	Bolt 3/8 x 1	
9	0641610	1	Bolt 3/8 x 1-1/4	
10	0641612	2	Bolt 3/8 x 1-1/2	
11	0641708	1	Bolt 7/16 x 1	
12	0641808	1	Bolt 1/2 x 1	
13	0642010	1	Bolt 5/8 x 1-1/4	
14	0761210	1	Bolt M12 x 20	
15	1320022	3	Clamp	
16	1320187	1	Clamp	
17	1320190	1	Cover, Clamp	
19	1321716	5	Clamp	
20	1671121	1	Cover	
21	2180832	1	Fitting, Straight Barbed	
22	2220313	2	Fitting, 90 NPTF/Barbed	
23	2750532	5 ft/ 1.5m	Hose	
24	3300220	2	Nut	
25	3311405	11	Nut 1/4	
26	3311605	2	Nut 3/8	
27	3311705	1	Nut 7/16	
28	3422446	1	Pin	
29	3520054	1	Plug	
30	3841143	1	Pin, Keeper	
31	4240018	AR	Tie-Strap (Not Shown)	
32	4240099	AR	Tie-Strap (Not Shown)	
33	4711400	26	Washer 1/4	
34	4711600	18	Washer 3/8	
35	4711700	2	Washer 7/16	
36	4752000	1	Washer 5/8	
37	4812100	1	Washer M12	
38	8405006	2	Clamp	
39	1001108617	1	Filter	
40	1001110425	4	Spacer	
42	1001131542	1	Lanyard	
43	1001138491	1	Harness, (Not Shown - See Separate Breakdown in ELECTRICAL Section)	
44	1001140604	1	Panel	
45	1001141225	1	Battery Cable Kit	E
45A	7027042	1	Cable, Battery (Red) (Battery + to Relays and Starter)	
45B	7027043	1	Cable, Battery (Black) (Battery - to Tray Pivot Grd and Aux Pump)	
45C	7027044	1	Cable (Red) (Aux Relay to Aux Pump)	
45D	7027045	1	Cable, (Black) (Engine to Tray Pivot Grd)	

SECTION 3 - ENGINE

ITEM	PART NUMBER	QTY	DESCRIPTION	REV
46	1001145089	1	Clamp	
47	1001145842	1	Plate	
48	1001146588	1	Tie-Strap Tree (Not Shown)	
49	1001154405	1.6 ft/ 0.5m	Hose	
50	1001256879	1	Bracket	
51	1001286982	1	Engine Sub-Assembly (See Separate Breakdown in this Section)	
52	4460234	AR	Mount, Tie-Strap (Not Shown)	

SECTION 3 - ENGINE

FIGURE 3-70. DEUTZ TCD2.9L4 (STAGE V) ENGINE SUB-ASSEMBLY - WITH REXROTH PUMP AND ABS HOODS (WITHOUT COLD WEATHER PLUS PACKAGE)



ART_1001277607

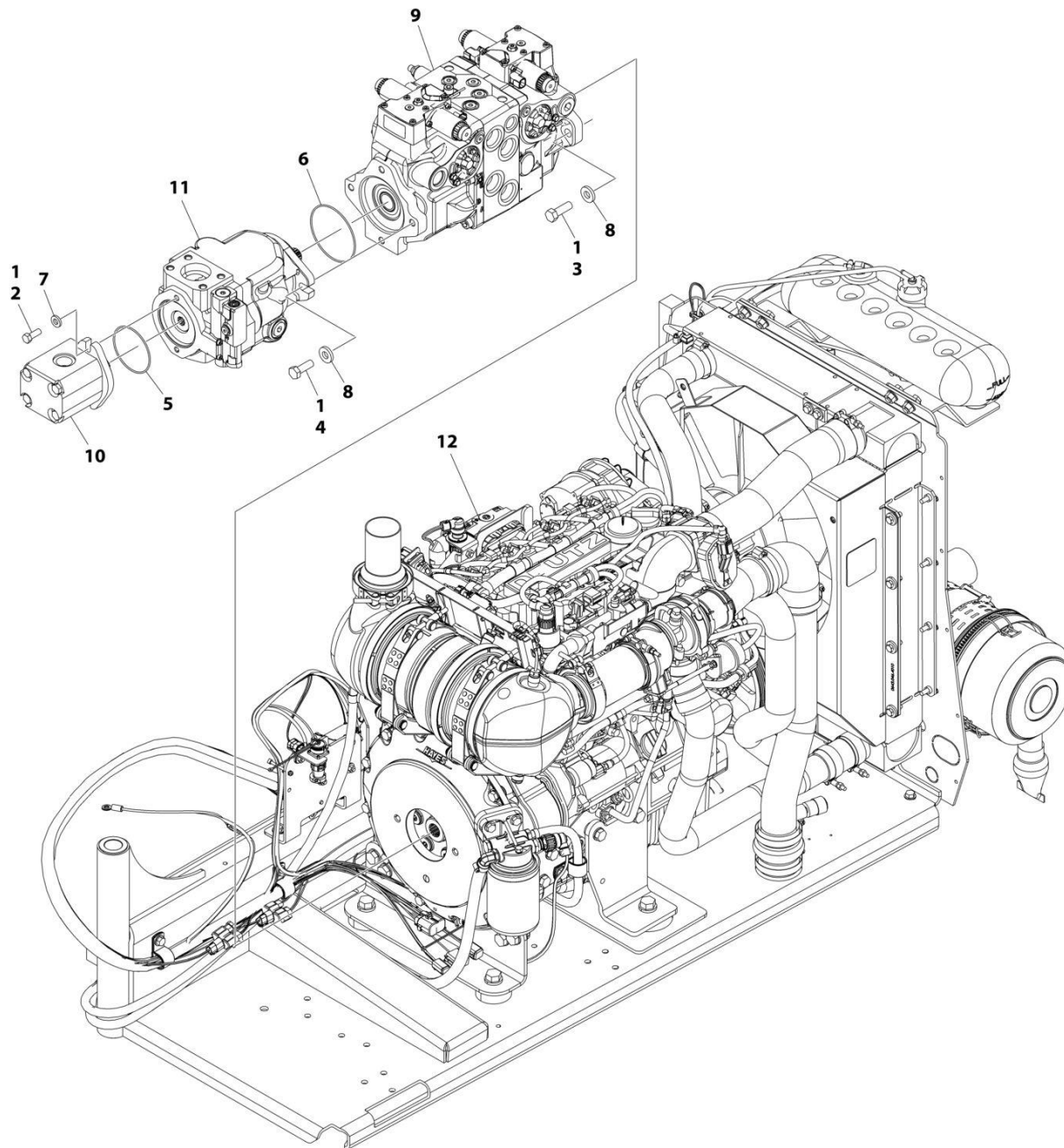
SECTION 3 - ENGINE

FIGURE 3-70. DEUTZ TCD2.9L4 (STAGE V) ENGINE SUB-ASSEMBLY - WITH REXROTH PUMP AND ABS HOODS (WITHOUT COLD WEATHER PLUS PACKAGE)

ITEM	PART NUMBER	QTY	DESCRIPTION	REV
	1001277607	Ref	DEUTZ TCD2.9L4 (STAGE V) ENGINE SUB-ASSEMBLY	E
1	0100011	AR	Compound, Locking	
2	0641814	2	Bolt 1/2 x 1-3/4	
3	4891800	2	Washer 1/2	
4	1001152963	1	Pump Assembly (See Separate Breakdown in this Section)	
5	1001277599	1	Engine Assembly (See Separate Breakdown in this Section)	

SECTION 3 - ENGINE

FIGURE 3-71. DEUTZ TCD2.9L4 (STAGE V) ENGINE SUB-ASSEMBLY - WITH SAUER PUMP AND ABS HOODS (WITHOUT COLD WEATHER PLUS PACKAGE)



ART_1001277608

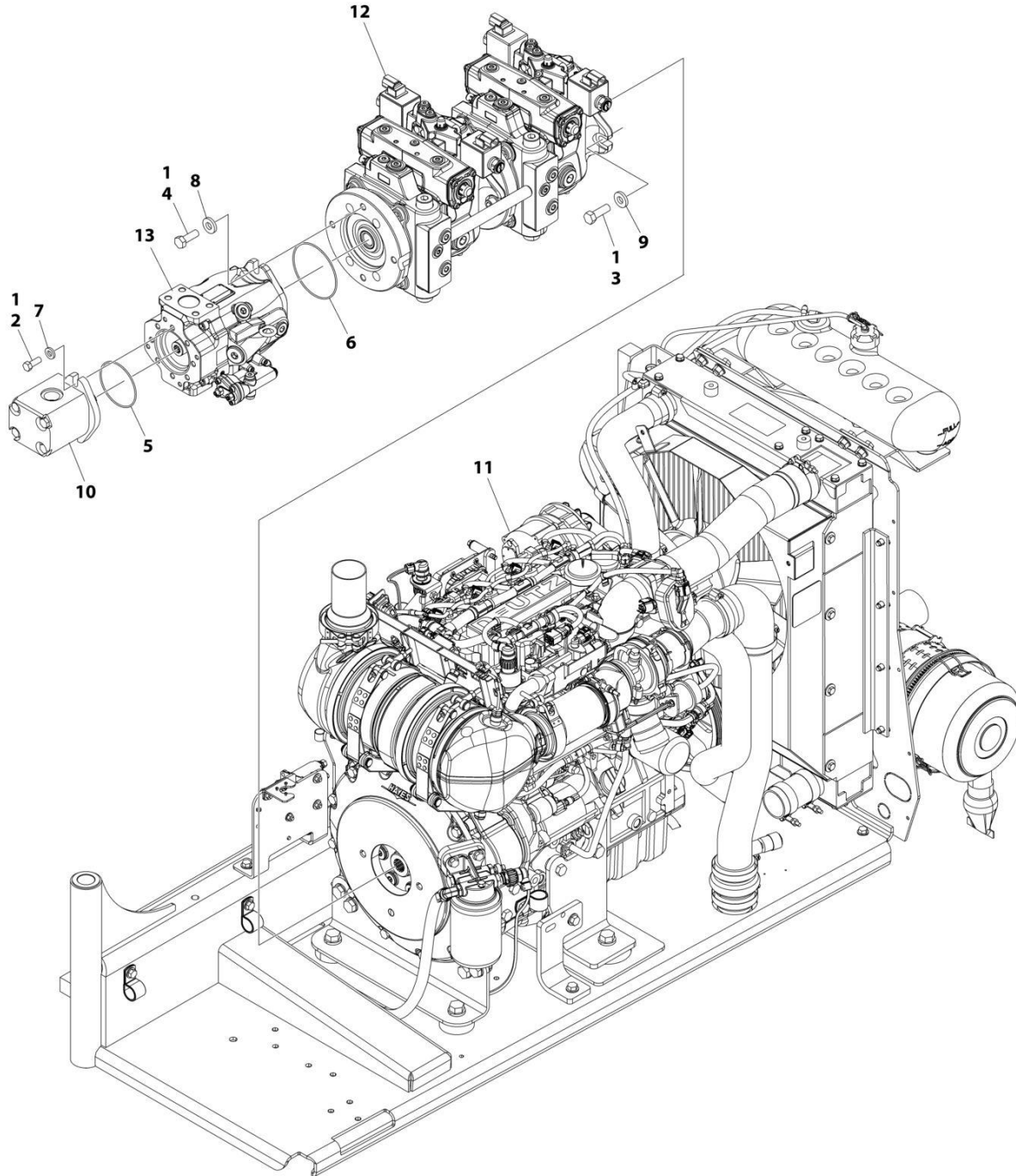
SECTION 3 - ENGINE

FIGURE 3-71. DEUTZ TCD2.9L4 (STAGE V) ENGINE SUB-ASSEMBLY - WITH SAUER PUMP AND ABS HOODS (WITHOUT COLD WEATHER PLUS PACKAGE)

ITEM	PART NUMBER	QTY	DESCRIPTION	REV
	1001277608	Ref	DEUTZ TCD2.9L4 (STAGE V) ENGINE SUB-ASSEMBLY	F
1	0100011	AR	Compound, Locking	
2	0641608	2	Bolt 3/8 x 1	
3	0641814	2	Bolt 1/2 x 1-3/4	
4	0761215	2	Bolt M12 x 35	
5	3790152	1	O-Ring	
6	3790155	1	O-Ring	
7	4891600	2	Washer 3/8	
8	4891800	4	Washer 1/2	
9	1001108616	1	Pump Assembly - Tandem (See Separate Breakdown in this Section)	
10	1001112927	1	Pump Assembly - Gear (See Separate Breakdown in this Section)	
11	1001171095	1	Pump Assembly - Piston (See Separate Breakdown in this Section)	
12	1001277599	1	Engine Assembly (See Separate Breakdown in this Section)	

SECTION 3 - ENGINE

FIGURE 3-72. DEUTZ D2.9L4 (STAGE V) ENGINE SUB ASSEMBLY WITH PMP PUMPS AND ABS HOODS (WITHOUT COLD WEATHER PLUS PACKAGE)



ART_1001286982

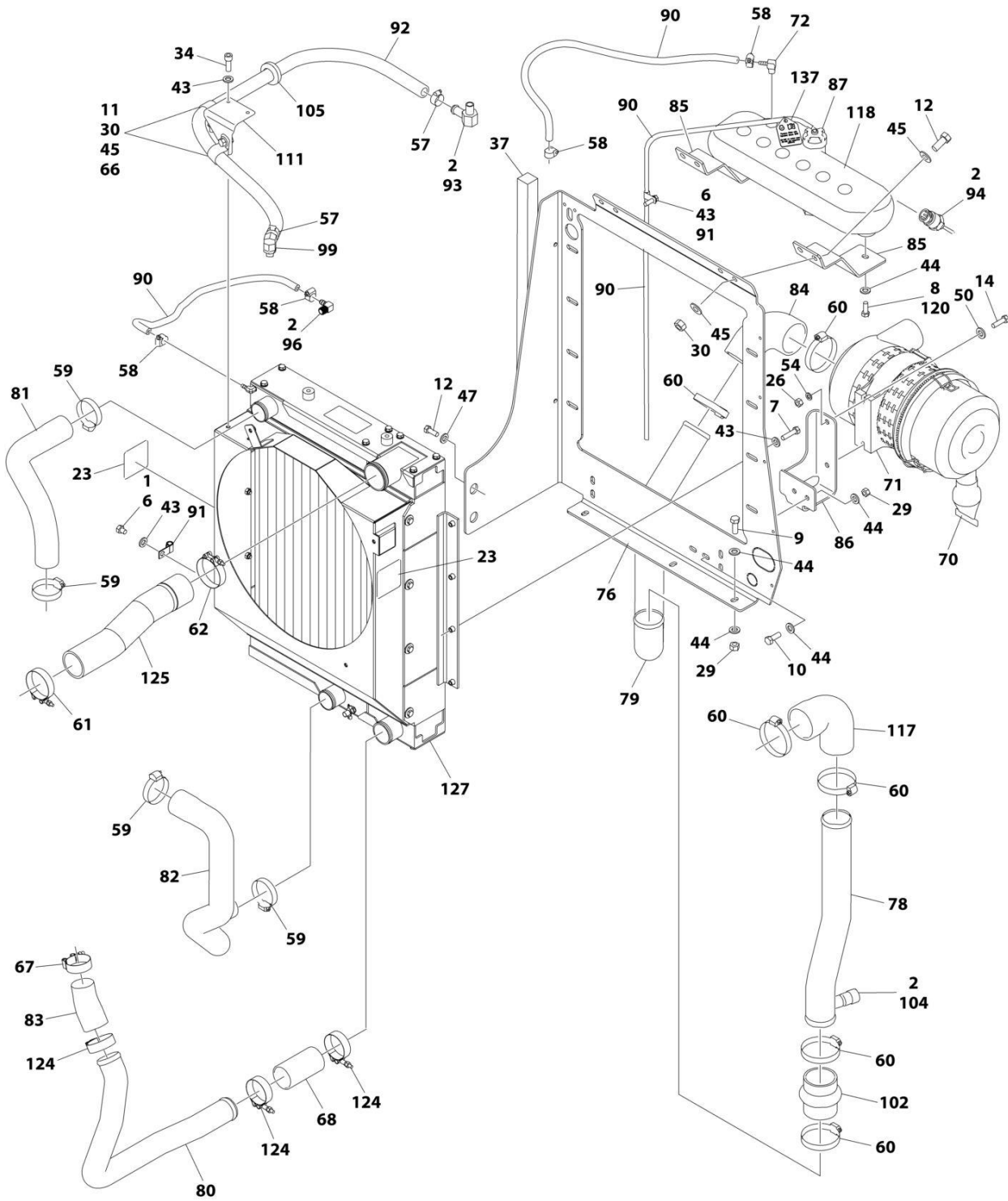
SECTION 3 - ENGINE

FIGURE 3-72. DEUTZ D2.9L4 (STAGE V) ENGINE SUB ASSEMBLY WITH PMP PUMPS AND ABS HOODS (WITHOUT COLD WEATHER PLUS PACKAGE)

ITEM	PART NUMBER	QTY	DESCRIPTION	REV
	1001286982	Ref	ENGINE SUB-ASSEMBLY (STAGE V) WITH PMP PUMPS AND ABS HOODS (WITHOUT COLD WEATHER PLUS PACKAGE)	B
1	0100011	AR	Compound, Locking	
2	0641608	2	Bolt 3/8 x 1	
3	0641812	2	Bolt 1/2 x 1-1/2	
4	0761215	2	Bolt M12 x 35	
5	3790152	1	O-Ring	
6	3790155	1	O-Ring	
7	4891600	2	Washer 3/8	
8	4891800	2	Washer 1/2	
9	8310056	2	Washer	
10	1001112927	1	Pump Assembly - Sauer Gear (See Separate Breakdown in this Section)	
11	1001277599	1	Engine Assembly (See Separate Breakdown in this Section)	
12	1001286957	1	Pump Assembly - Hydraulic Tandem (See Separate Breakdown in this Section)	
13	1001286958	1	Pump Assembly - Hydraulic Piston (See Separate Breakdown in this Section)	

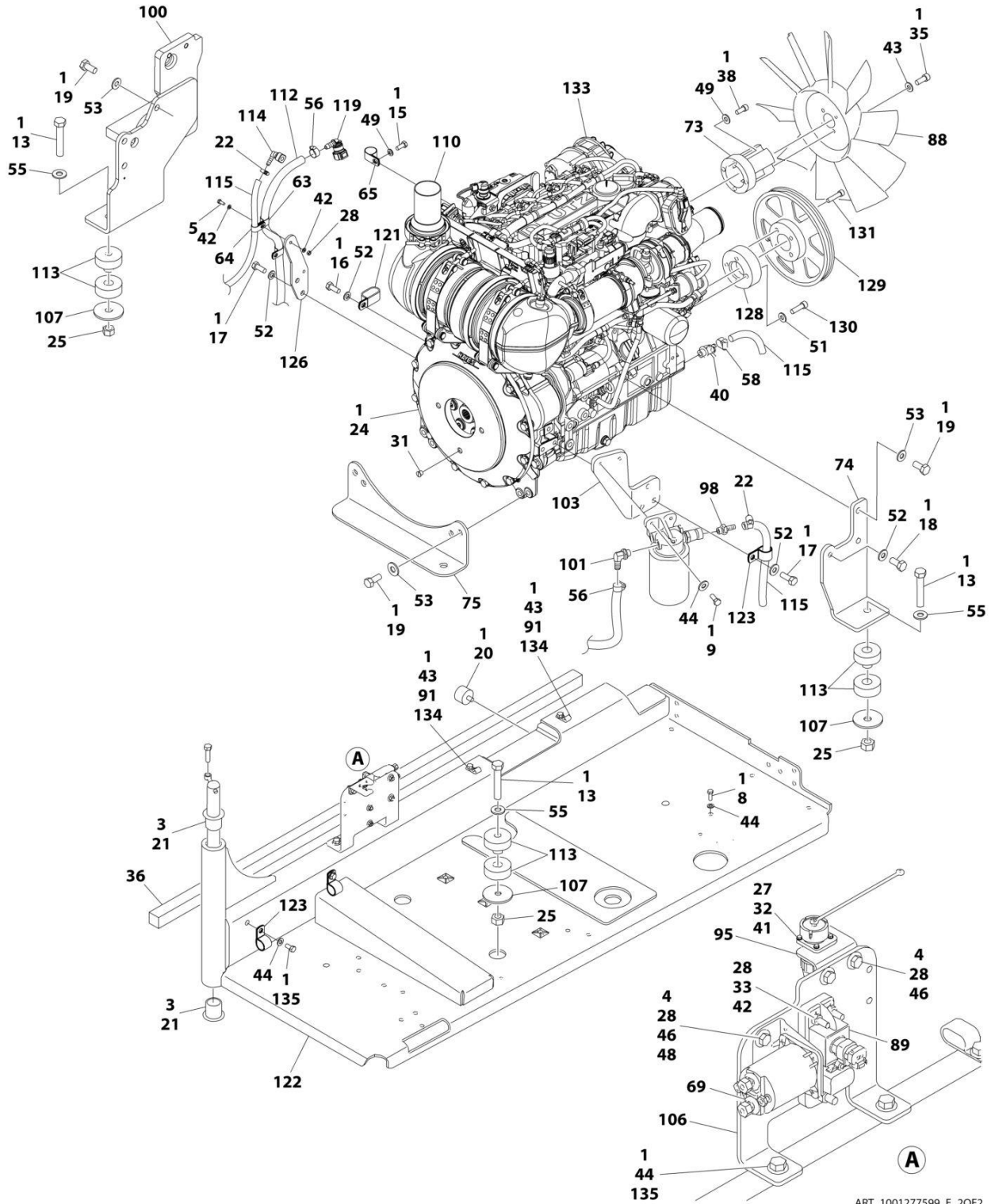
SECTION 3 - ENGINE

FIGURE 3-73. DEUTZ TCD2.9L4 (STAGE V) ENGINE ASSEMBLY (WITHOUT COLD WEATHER PLUS PACKAGE)



ART_1001277599_E_10F2

SECTION 3 - ENGINE



ART_1001277599_E_20F2

SECTION 3 - ENGINE

FIGURE 3-73. DEUTZ TCD2.9L4 (STAGE V) ENGINE ASSEMBLY (WITHOUT COLD WEATHER PLUS PACKAGE)

ITEM	PART NUMBER	QTY	DESCRIPTION	REV
	1001277599	Ref	DEUTZ TCD2.9L4 (STAGE V) ENGINE ASSEMBLY	E
1	0100011	AR	Compound, Locking	
2	0100020	AR	Sealant	
3	0100062	AR	Adhesive	
4	0641406	4	Bolt 1/4 x 3/4	
5	0641407	2	Bolt 1/4 x 7/8	
6	0641503	1	Bolt 5/16 x 3/8	
7	0641508	8	Bolt 5/16 x 1-1/4	
8	0641606	3	Bolt 3/8 x 3/4	
9	0641608	9	Bolt 3/8 x 1	
10	0641610	2	Bolt 3/8 x 1-1/4	
11	0641706	2	Bolt 7/16 x 3/4	
12	0641708	6	Bolt 7/16 x 1	
13	0682028	4	Bolt 5/8 x 3-1/2 Grade 8	
14	0700815	2	Bolt M8 x 35	
15	0760808	1	Bolt M8 x 16	
16	0761212	1	Bolt M12 x 25	
17	0761214	5	Bolt M12 x 30	
18	0771212	1	Bolt M12 x 25 Grade 10.9	
19	0771414	9	Bolt M14 x 30 Grade 10.9	
20	0940070	1	Bumper	
21	0961986	2	Bushing, Flanged	
22	1320022	2	Clamp	
23	1703162	2	Decal - Fan	
24	2902065	1	Pump Coupling Kit (See Separate Breakdown in this Section)	
25	3272001	4	Nut 5/8 Grade 8	
26	3290801	2	Nut M8	
27	3310401	3	Nut #4	
28	3311405	7	Nut, Lock 1/4	
29	3311605	9	Nut, Lock 3/8	
30	3311705	5	Nut, Lock 7/16	
31	3520054	1	Plug, Hole	
32	3910408	3	Screw #4 x 1/2	
33	3931432	1	Capscrew 1/4 x 2	
34	3931508	2	Capscrew 5/16 x 1/2	
35	3931512	4	Capscrew 5/16 x 3/4	
36	3960543	1	Seal	
37	3960544	1	Seal	
38	4031914	4	Bolt M8 x 50	
39	4240099	AR	Tie-Strap (Not Shown)	
40	4640751	1	Valve, Oil Drain	
41	4710400	3	Washer #4	
42	4711400	5	Washer 1/4	
43	4711500	17	Washer 5/16	
44	4711600	27	Washer 3/8	
45	4711700	10	Washer 7/16	
46	4751400	8	Washer 1/4	
47	4751700	2	Washer 7/16	
48	4791400	2	Starwasher 1/4	

SECTION 3 - ENGINE

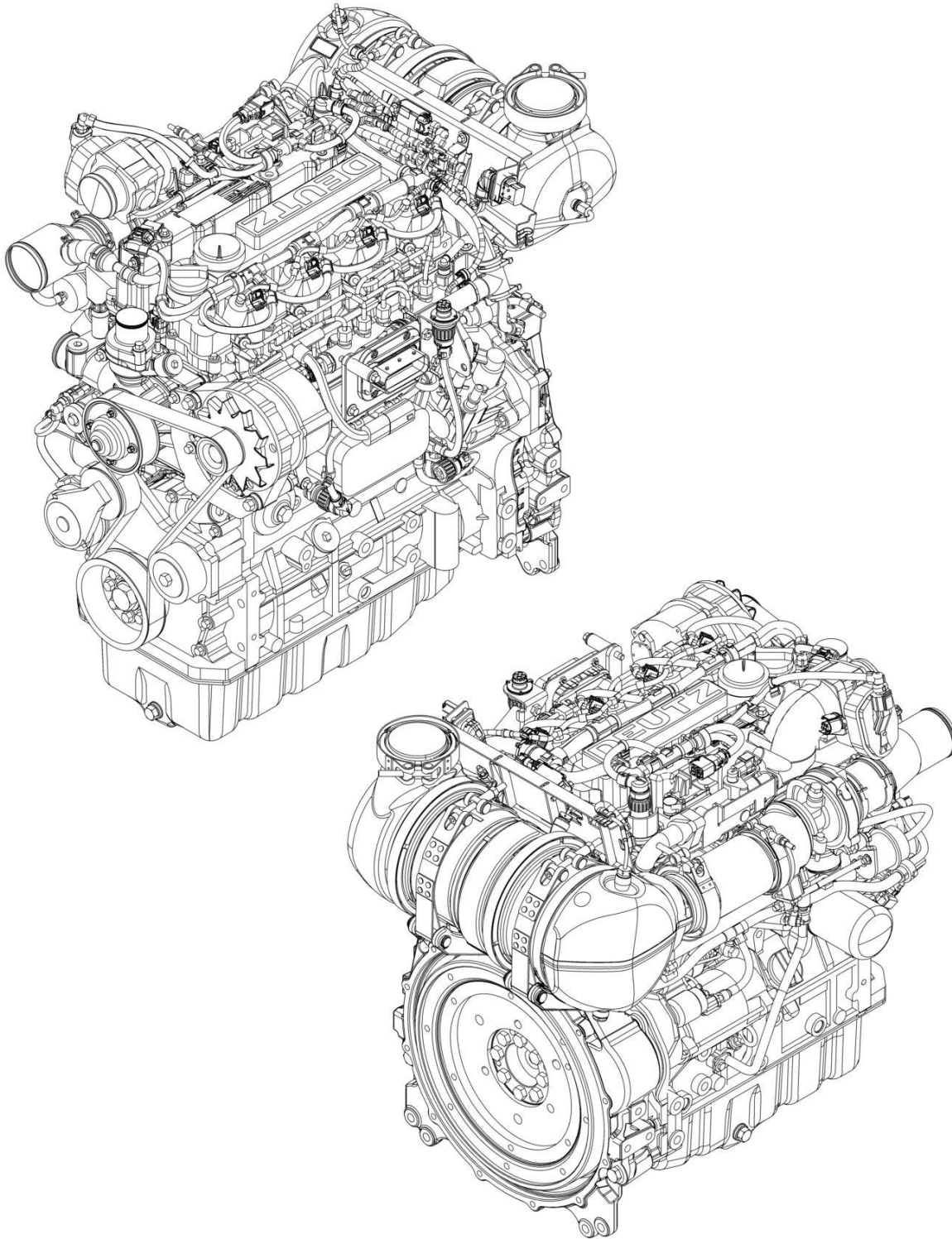
ITEM	PART NUMBER	QTY	DESCRIPTION	REV
49	4811900	5	Washer M8	
50	4811902	2	Washer M8	
51	4812000	4	Washer M10	
52	4812100	7	Washer M12	
53	4812200	9	Washer M14	
54	4831900	2	Washer, Lock M8	
55	4892000	4	Washer 5/8	
56	8405006	2	Clamp	
57	8405007	2	Clamp	
58	8405009	5	Clamp	
59	8405201	4	Clamp	
60	8405204	6	Clamp	
61	8405212	1	Clamp	
62	8405213	1	Clamp	
63	8406102	2	Clip	
64	8406112	1	Clip	
65	8406201	1	Clip	
66	8406302	2	Clamp	
67	8410014	1	Clamp	
68	91563070	1	Coupling, Rubber	
69	1001117308	1	Relay	
70	1001133633	1	Air Cleaner Assembly	
70	70024190	1	Element, Air Filter	
71	1001133634	1	Clamp	
72	1001134488	1	Fitting, 90 Barbed	
73	1001135138	1	Spacer, Fan	
74	1001135560	1	Support, Engine	
75	1001135562	1	Support, Engine - Rear	
76	1001135680	1	Support, Radiator	
77	1001135779	1	Cable, Alternator Positive (Not Shown)	
78	1001135901	1	Pipe, Air Intake	
79	1001135903	1	Pipe, Air Intake	
80	1001135913	1	Pipe, Turbo to Air Cleaner	
81	1001135924	1	Hose, Radiator (Upper)	
82	1001135926	1	Pipe, Radiator (Lower)	
83	1001135943	1	Coupling, Rubber	
84	1001135946	1	Elbow, Rubber	
85	1001136626	2	Bracket	
86	1001136665	1	Bracket	
87	1001136834	1	Cap, Tank	
88	1001137276	1	Fan	
89	1001138228	1	Module, Power	
89	70023592	1	Fuse 20Amp (Switched Output)	
89	70023593	1	Fuse 30Amp (Battery Output)	
90	1001138248	9 ft /3 m	Tubing	
91	1001138253	5	Clamp	
92	1001138524	1	Hose	
93	1001138559	1	Fitting, 90	
94	1001138827	1	Sensor, Coolant Level	
95	1001139240	1	Bracket	
96	1001140564	1	Fitting, 90 Barbed	

SECTION 3 - ENGINE

ITEM	PART NUMBER	QTY	DESCRIPTION	REV
97	1001141304	1	Wire, Glow Plug (Not Shown)	
98	1001141717	1	Fitting, Straight	
99	1001141719	1	Fitting, 90 Barbed	
100	1001283008	1	Support, Engine	
101	1001142501	1	Fitting, 90 Barbed	
102	1001142637	1	Hose, Hump	
103	1001142685	1	Bracket	
104	1001143390	1	Indicator, Air Filter Service	
105	1001144089	1	Grommet	
106	1001145154	1	Plate, Mounting	
107	1001146219	4	Washer Special	
108	1001146588	AR	Tie-Strap (Not Shown)	
109	1001148843	1	Harness, Fuel Filter (Not Shown - See Separate Breakdown in ELECTRICAL Section)	
110	1001153024	1	Pipe, Exhaust	
111	1001153387	1	Plate	
112	1001154405	5 ft /2 m	Hose	
113	1001155575	4	Mount, Motor	
114	1001155823	1	Coupling	
115	1001165035	31 ft /10 m	Hose	
116	1001165101	1	Fuel Pump/Bracket Assembly (Not Shown - See Separate breakdown in this Section)	
117	1001165820	1	Pipe, Elbow	
118	1001166393	1	Tank, Surge	
119	1001170982	1	Adapter	
120	1001180620	AR	Adhesive	
121	1001181899	1	Clamp	
122	1001191272	1	Tray	
123	1001191620	3	Clamp	
124	1001208299	3	Clamp	
125	1001233492	1	Hose	
126	1001235952	1	Bracket	
127	1001256864	1	Radiator	
128	1001258800	1	Spacer, Pulley	
129	1001260432	1	Pulley	
130	1001261045	4	Capscrew M10 x 45 Class 10.9	
131	1001261085	4	Capscrew M10 x 85 Class 10.9	
132	1001276646	1	Harness, Engine (Not Shown - See Separate Breakdown in ELECTRICAL Section)	
133	1001277593	1	Engine, Deutz TCD2.9L4 (Stage V) (See Separate Breakdown in ELECTRICAL Section)	
134	0641510	2	Bolt 5/16 x 1-1/4	
135	0641612	4	Bolt 3/8 x 1-1/2	
136	4240032	AR	Tie-Strap (Not Shown)	
137	1001291401	1	Tag, Coolant	

SECTION 3 - ENGINE

FIGURE 3-74. DEUTZ TCD2.9L4 (STAGE V) ENGINE COMPONENTS



ART_1001277593

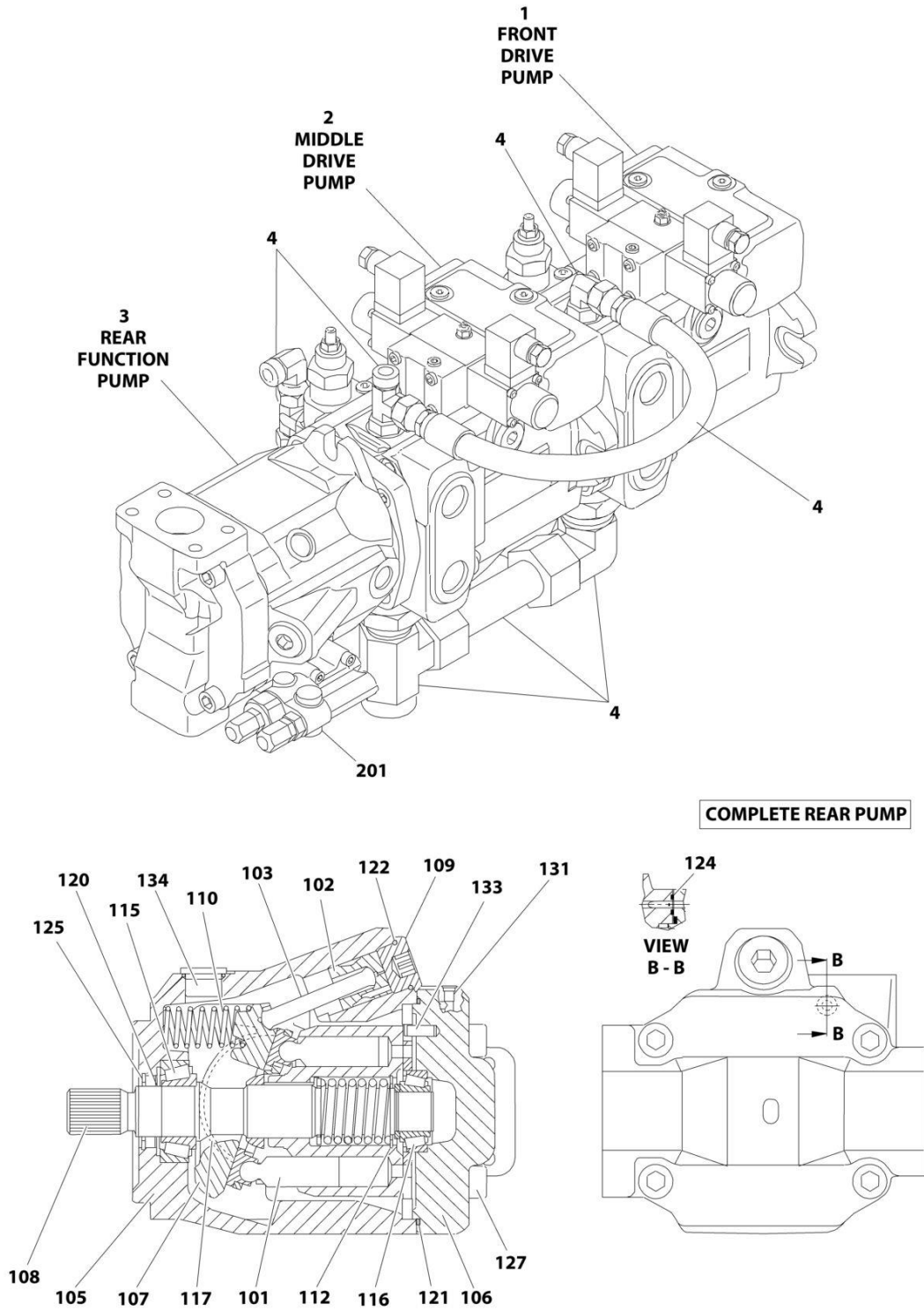
SECTION 3 - ENGINE

FIGURE 3-74. DEUTZ TCD2.9L4 (STAGE V) ENGINE COMPONENTS

ITEM	PART NUMBER	QTY	DESCRIPTION	REV
	1001277593 See Note	Ref Ref	DEUTZ TCD2.9L4 (STAGE V) ENGINE Note: No Service Parts Availabe At Time of Printing	A

SECTION 3 - ENGINE

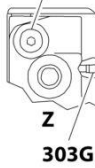
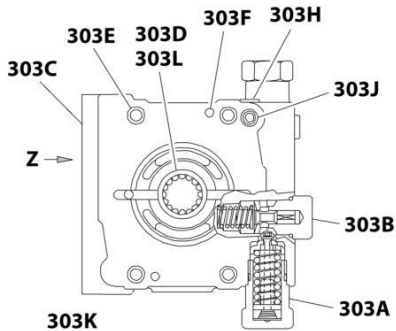
FIGURE 3-75. PUMP ASSEMBLY (REXROTH) (DEUTZ TD2011 ENGINES)



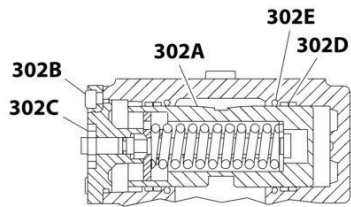
ART_3600339_10F2

SECTION 3 - ENGINE

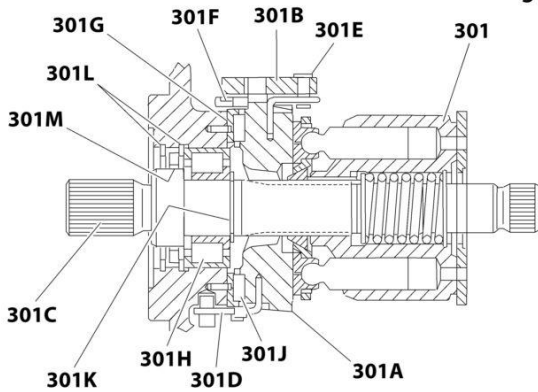
COMPLETE FRONT AND PUMPS



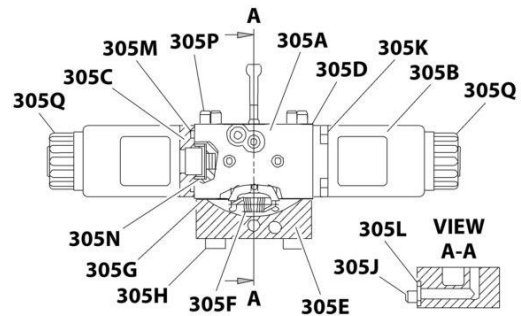
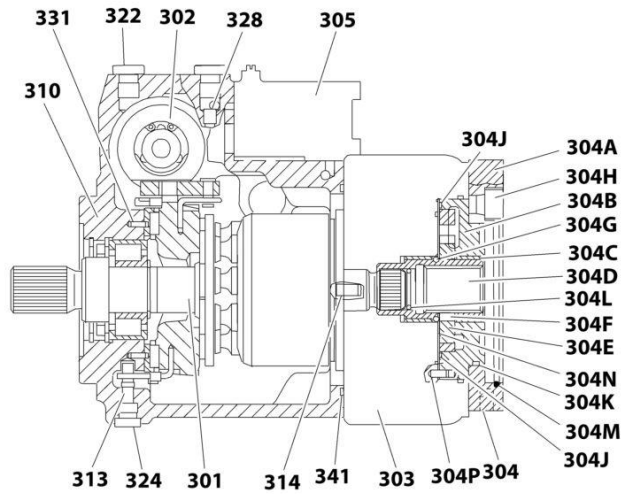
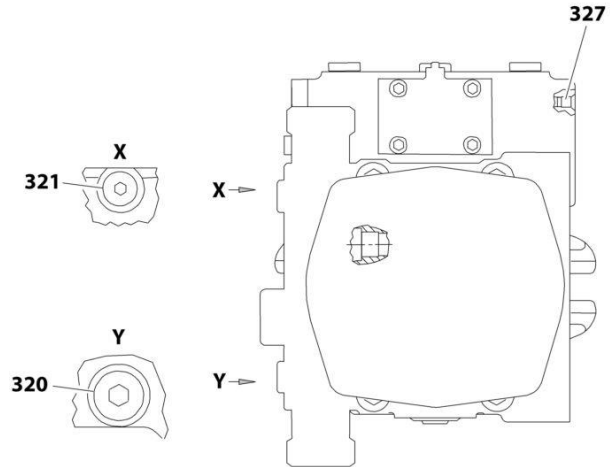
PORT PLATE SECTION FRONT AND MID PUMPS (DETAIL OF ITEM 303)



HYD. CONTROL FRONT AND MID PUMPS (DETAIL OF ITEM 302)



ROTARY GROUP FRONT AND MID PUMPS (DETAIL OF ITEM 301)



CONTROL MODULE FRONT AND MID PUMPS (DETAIL OF ITEM 305)

ART_3600339_20F2

SECTION 3 - ENGINE

FIGURE 3-75. PUMP ASSEMBLY (REXROTH) (DEUTZ TD2011 ENGINES)

ITEM	PART NUMBER	QTY	DESCRIPTION	REV
	3600339	Ref	PUMP ASSEMBLY (REXROTH) (DEUTZ TD2011 ENGINES)	D
1	7024042	1	Front Drive Pump Assembly (Includes Items 301-341)	
2	7024043	1	Middle Drive Pump Assembly (Includes Items 301-341)	
3	7024044	1	Rear Function Pump Assembly (Includes Items 101-201)	
4	70001952	1	Hydraulic Kit (Includes all Rexroth Supplied Hydraulic Fittings, Hoses and Tubes)	
	7024044	Ref	REAR FUNCTION PUMP ASSEMBLY	
101	7024914	1	Rotary Section	
102	See Note	1	Piston, Control (Note: Not Available - Purchase Complete Assembly)	
103	See Note	1	Rod, Piston (Note: Not Available - Purchase Complete Assembly)	
105	See Note	1	Housing, Pump (Note: Not Available - Purchase Complete Assembly)	
106	See Note	1	Plate, Port (Note: Not Available - Purchase Complete Assembly)	
107	7024915	1	Plate, Swash	
108	7024916	1	Driveshaft	
109	See Note	1	Plug (Note: Not Available for Purchase)	
110	See Note	1	Spring (Note: Not Available for Purchase)	
112	7012709	1	Shim	
115	7024038	1	Bearing, Roller	
116	7012706	1	Bearing, Roller	
117	7024917	2	Shell, Cradle	
120	7024918	1	Seal, Shaft	
121	7024919	1	O-Ring	
122	7024920	1	O-Ring	
124	7024921	1	Seal	
125	7012715	1	V-Ring	
127	See Note	4	Capscrew M12 x 45 Grade 10.9 (Note: Not Available for Purchase)	
131	See Note	1	Plug (Note: Not Available for Purchase)	
133	See Note	1	Pin, Dowel (Note: Not Available for Purchase)	
134	See Note	1	Plug (Note: Not Available for Purchase)	
201	7024913	Ref	Pilot Valve Assembly	
		Ref	Note: Two mounting designs of p/n 7024913 pilot valve exist. Early design uses qty. 3 O-rings. Late design uses qty 1 sealing plate. Seal designs cannot be interchanged. Verify seal design before ordering.	
201	7024922	3	O-Ring (Seals between Pilot Valve and Rear Pump)	
201	70021867	1	Plate, Sealing (Seals between Pilot Valve and Rear Pump)	
		Ref	FRONT DRIVE PUMP ASSEMBLIES	
	7024042	Ref	Front Drive Pump Assembly	
	7024043	Ref	Middle Drive Pump Assembly	
301	7024064	1	Rotary Group	
301A	See Note	NSS	Cradle (Note: Use Item 301)	
301B	See Note	NSS	Ring, Slide (Note: Use Item 301)	
301C	See Note	NSS	Driveshaft (Note: Use Item 301)	
301D	See Note	NSS	Wire (Note: Use Item 301)	
301E	See Note	NSS	Pin, Joint (Note: Use Item 301)	
301F	See Note	NSS	Wire (Note: Use Item 301)	
301G	See Note	NSS	Liner, Bearing (Note: Use Item 301)	
301H	See Note	NSS	Bearing, Roller (Note: Use Item 301)	
301J	See Note	NSS	Cradle Bearing Assembly (Note: Use Item 301)	

SECTION 3 - ENGINE

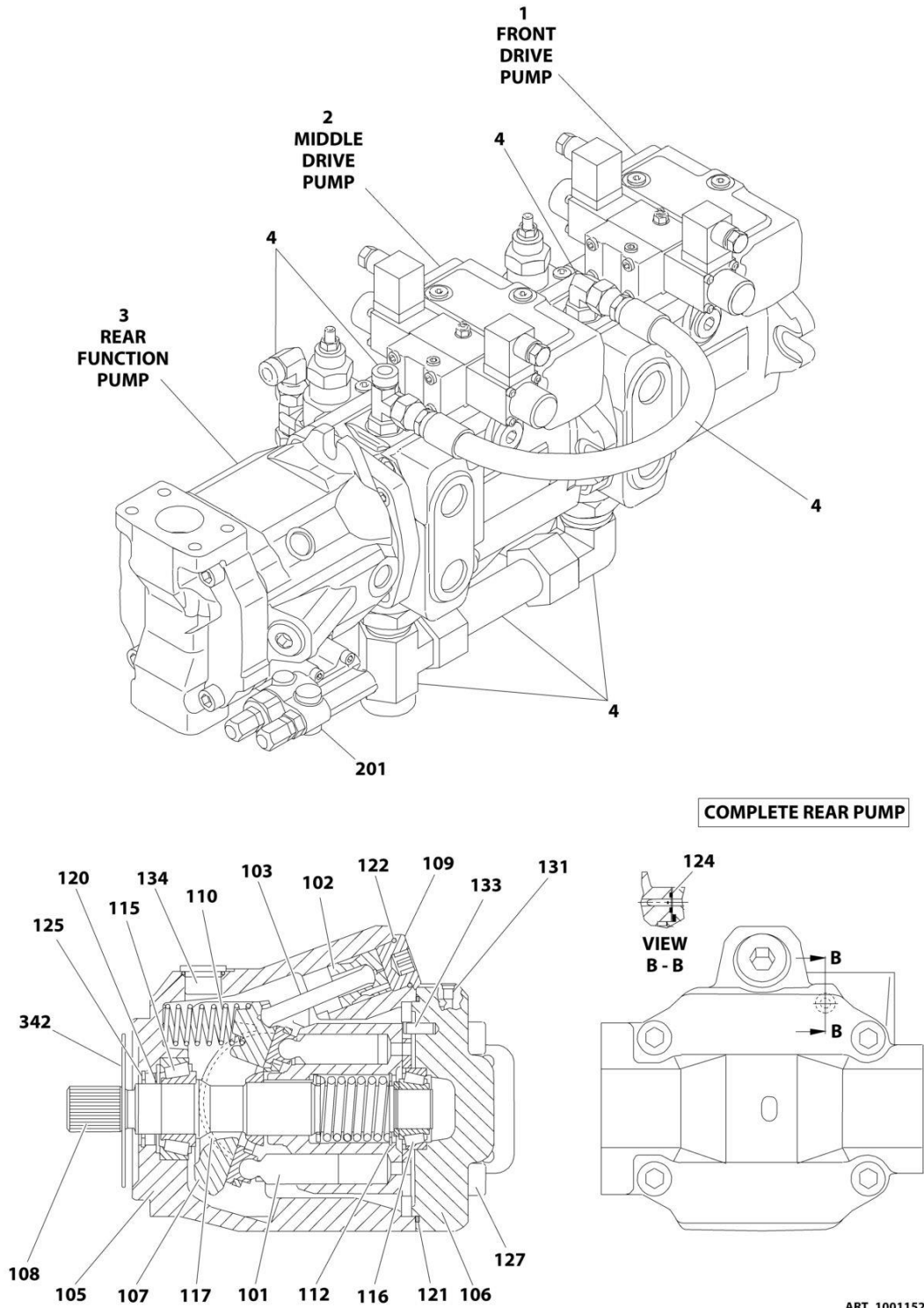
ITEM	PART NUMBER	QTY	DESCRIPTION	REV
301K	See Note	NSS	Ring, Retaining (Note: Use Item 301)	
301L	70001968	2	Ring, Retaining	
301M	7024070	1	Seal, Shaft Ring	
302	7024065	1	Control Group - Hydraulic	
302A	See Note	NSS	Piston, Positioning - Complete (Note: Use Item 302)	
302A	7024071	1	O-Ring, Outer Seal	
302A	7024072	1	O-Ring, Stem	
302B	See Note	4	Capscrew M6 x 12 (Note: Not Available - Purchase Locally)	
302C	See Note	NSS	Nut (Note: Use Item 302)	
302D	See Note	NSS	Ring, Guide (Note: Use Item 302)	
302E	See Note	NSS	Seal, O-Ring (Note: Use Item 302)	
303	7024911	1	Port Plate Group	
303A	7024073	2	Cartridge, Relief Valve (High Pressure)	
303A	7024075	1	O-Ring	
303A	7024076	1	Ring, Back-up	
303B		Ref	Cartridge Options:	
303B	7024097	1	Front Pump Cartridge (Lock Valve with Orifice) Note: Sold as an Assembly except Outer Seal.	
303B	7024075	1	O-Ring	
303B	7023881	1	Middle Pump Cartridge (Pressure Relief Valve) Note: Sold as an Assembly except Outer Seal.	
303B	7024077	1	O-Ring	
303C	See Note	NSS	Plate, Port (Note: Use Item 303)	
303D	See Note	NSS	Bushing, Bearing (Note: Use Item 303)	
303E	See Note	4	Capscrew M12 x 70 Grade10.9 (Note: Not Available - Purchase Locally)	
303F	See Note	NSS	Pin, Dowel (Note: Use Item 303)	
303G	See Note	NSS	Pin, Break-Off (Note: Use Item 303)	
303H	See Note	1	Screw, Locking M10 x 1 (Note: Not Available - Purchase Locally)	
303J	7024908	2	O-Ring	
303K	See Note	2	Screw, Locking 7/16 (Note: Not Available - Purchase Locally)	
303L	See Note	NSS	Bearing, Roller (Note: Use Item 303)	
304	7024906	1	Internal Gear Pump	
304A	See Note	NSS	Flange, Intermediate (Note: Use Item 304)	
304B	See Note	NSS	IZP-Housing (Note: Use Item 304)	
304C	See Note	NSS	Bushing, Bearing (Note: Use Item 304)	
304D	See Note	NSS	Coupling, Driveshaft Through (Note: Use Item 304)	
304E	See Note	NSS	Gear Set (Note: Use Item 304)	
304F	See Note	NSS	Key, Driveshaft (Note: Use Item 304)	
304G	See Note	NSS	Ring, Retaining (Note: Use Item 304)	
304H	See Note	4	Capscrew M10 x 20 (Note: Not Available - Purchase Locally)	
304J	7024080	2	Seal	
304K	7024081	1	O-Ring	
304L	See Note	NSS	Ring, Retaining (Note: Use Item 304)	
304M	See Note	NSS	O-Ring (Note: Use Item 304)	
304N	7024005	1	Plate, Wear	
304P	See Note	NSS	Pin, Cylinder (Note: Use Item 304)	
305	7024068	1	Control Module	
305A	7024084	1	Valve Body, Lever and Internal Components	
305B	7024083	2	Coil, Solenoid	
305C	See Note	NSS	Spacer, Coil (Note: Use Item 305)	

SECTION 3 - ENGINE

ITEM	PART NUMBER	QTY	DESCRIPTION	REV
305D	7024085	1	Gasket	
305E	See Note	NSS	Cover (Note: Use Item 305)	
305F	See Note	NSS	Spring, Draw (Note: Use Item 305)	
305G	See Note	NSS	Gasket (Note: Use Item 305)	
305H	See Note	4	Capscrew M6 x 65 (Note: Not Available - Purchase Locally)	
305J	See Note	1	Capscrew M6 x 45 (Note: Not Available - Purchase Locally)	
305K	See Note	8	Capscrew M5 x 10 (Note: Not Available - Purchase Locally)	
305L	7024087	1	O-Ring	
305M	7024088	2	O-Ring	
305N	7024089	2	Cup, Spring	
305P	See Note	NSS	Pin, Cylinder (Note: Use Item 305)	
305Q	70002569	2	Nut, Coil	
310	See Note	1	Housing (Note: Not Available for Purchase)	
313	See Note	2	Pin, Dowel (Note: Not Available for Purchase)	
314	See Note	1	Pin, Cylinder (Note: Not Available for Purchase)	
320	See Note	1	Screw 7/8 (Front Drive Pump Only) (Note: Not Available - Purchase Locally)	
321	See Note	1	Screw 9/16 (Note: Not Available - Purchase Locally)	
322	See Note	1	Screw 7/16 (Note: Not Available - Purchase Locally)	
324	See Note	1	Screw M10 x 1 (Note: Not Available - Purchase Locally)	
327	See Note	1	Pin, Double Break-Off (Note: Not Available for Purchase)	
328	7018936	2	Orifice	
331	See Note	2	Pin, Clamping (Note: Not Available for Purchase)	
341	7024069	1	O-Ring	

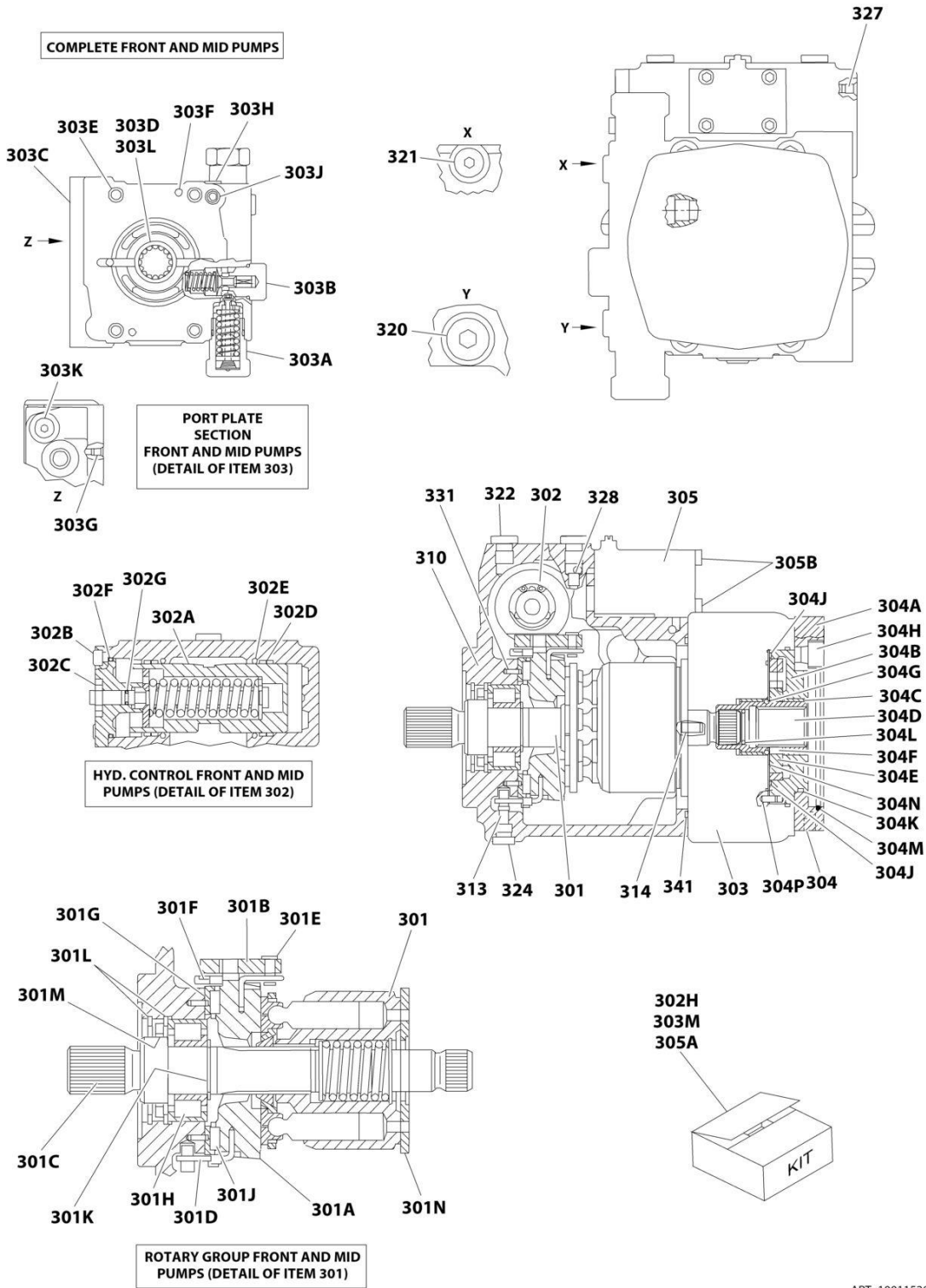
SECTION 3 - ENGINE

FIGURE 3-76. PUMP ASSEMBLY (REXROTH) (DEUTZ TCD2.9L4 ENGINES)



ART_1001152963_10F2

SECTION 3 - ENGINE



ART_1001152963_20F2

SECTION 3 - ENGINE

FIGURE 3-76. PUMP ASSEMBLY (REXROTH) (DEUTZ TCD2.9L4 ENGINES AND DEUTZ TCD2.9L4 (STAGE V PRE-BUY) ENGINES)

ITEM	PART NUMBER	QTY	DESCRIPTION	REV
	1001152963	Ref	PUMP ASSEMBLY (REXROTH) (DEUTZ TCD2.9L4 ENGINES)	C
1	70005480	1	Front Drive Pump Assembly Options (Includes Items 301-341)	
2	70005481	1	Middle Drive Pump Assembly (Includes Items 301-341)	
3	7024044	1	Rear Function Pump Assembly (Includes Items 101-201)	
4	See Note	NSS	Hydraulic Kit (Includes all Rexroth Supplied Hydraulic Fittings, Hoses and Tubes) (Note: Not Available for Purchase)	
	7024044	Ref	REAR FUNCTION PUMP ASSEMBLY	
101	70003173	1	Rotary Section	
102	See Note	1	Piston Control (Note: Not Available - Purchase Complete Assembly)	
103	See Note	1	Rod, Piston (Note: Not Available - Purchase Complete Assembly)	
105	See Note	1	Housing, Pump (Note: Not Available - Purchase Complete Assembly)	
106	See Note	1	Plate, Port (Note: Not Available - Purchase Complete Assembly)	
107	70003174	1	Plate, Swash	
108	70003175	1	Driveshaft	
109	See Note	1	Plug (Note: Not Available for Purchase)	
110	See Note	1	Spring (Note: Not Available for Purchase)	
112		Ref	Shim	
115	7024038	1	Bearing, Roller	
116	7012706	1	Bearing, Roller	
117	7024917	2	Shell, Cradle	
120	7024918	1	Seal, Shaft	
121	7024919	1	O-Ring	
122	7024920	1	O-Ring	
124	7024921	1	Seal	
125	70003177	1	V-Ring	
127	See Note	4	Capscrew M12 x 45 Grade 10.9 (Note: Not Available for Purchase)	
131	See Note	1	Plug (Note: Not Available for Purchase)	
133	See Note	1	Pin, Dowel (Note: Not Available for Purchase)	
134	See Note	1	Plug (Note: Not Available for Purchase)	
201	7024913	Ref	Pilot Valve Assembly	
		Ref	Note: Two mounting designs of p/n 7024913 pilot valve exist. Early design uses qty. 3 o-rings. Late design uses qty. 1 sealing plate. Seal designs cannot be interchanged. Verify seal design before ordering.	
201	7024922	3	O-Ring (Seals between Pilot Valve and Rear Pump)	
201	70021867	1	Plate, Sealing (Seals between Pilot Valve and Rear Pump)	
		Ref	FRONT DRIVE PUMP ASSEMBLIES	
	70005480	Ref	Front Drive Pump Assembly	
	70005481	Ref	Middle Drive Pump Assembly	
		Ref	Note: Service Parts not available at time of printing, call-out number on illustration for ref only.	
301	7024064	1	Rotary Group	
301A	See Note	NSS	Cradle (Note: Use Item 301)	
301B	See Note	NSS	Ring, Slide (Note: Use Item 301)	
301C	7023887	1	Driveshaft	
301D	See Note	NSS	Wire (Note: Use Item 301)	
301E	See Note	NSS	Pin, Joint (Note: Use Item 301)	
301F	See Note	NSS	Wire (Note: Use Item 301)	

SECTION 3 - ENGINE

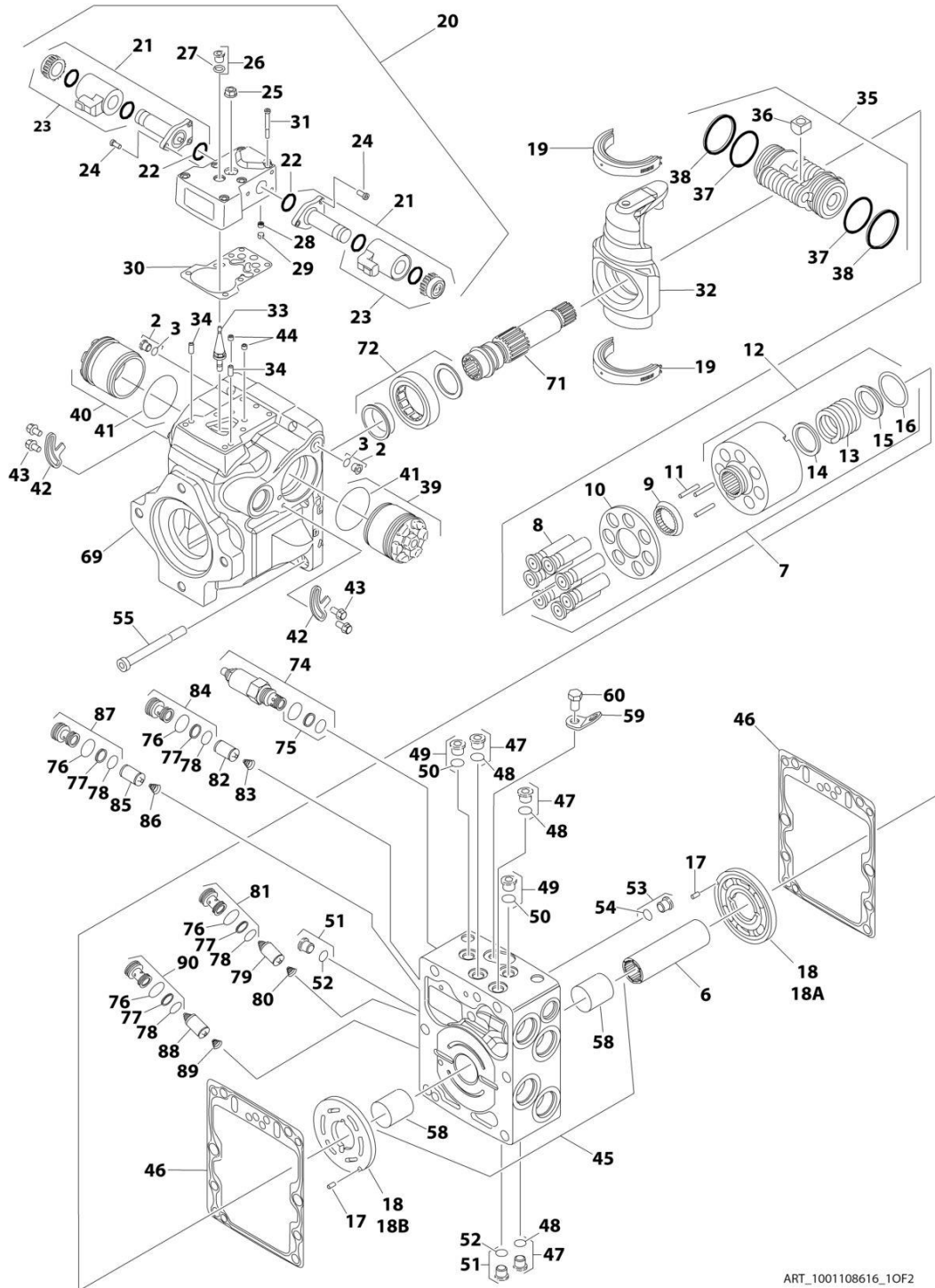
ITEM	PART NUMBER	QTY	DESCRIPTION	REV
301G	See Note	NSS	Liner, Bearing (Note: Use Item 301)	
301H	See Note	NSS	Bearing, Roller (Note: Use Item 301)	
301J	See Note	NSS	Cradle Bearing Assembly (Note: Use Item 301)	
301K	70001968	1	Ring, Retaining	
301L	See Note	NSS	Ring, Retaining (Note: Not Available for Purchase)	
301M	70003167	1	Seal, Shaft Ring	
301N	70000950	1	Plate	
302	7024065	1	Control Group - Hydraulic	
302A	See Note	NSS	Piston, Positioning - Complete (Note: Use Item 302)	
302A	See Note	NSS	O-Ring, Outer Seal (Note: Not Available for Purchase)	
302A	See Note	NSS	O-Ring, Stem (Note: Not Available for Purchase)	
302B	See Note	4	Capscrew M6 x 12 (Note: Not Available - Purchase Locally)	
302C	See Note	NSS	Nut (Note: Use Item 302)	
302D	See Note	NSS	Ring, Guide (Note: Use Item 302)	
302E	See Note	NSS	Seal, O-Ring (Note: Use Item 302)	
302F	7024071	1	O-Ring	
302G	7024072	1	O-Ring	
302H	7024006	1	Seal Kit - Control Section	
303	7024905	1	Port Plate Group (Front)	
303	7024911	1	Port Plate Group (Mid)	
303A	7024073	1	Cartridge, Relief Valve (High Pressure)	
303A	7024075	1	O-Ring	
303A	7024076	1	Ring, Back-up	
303B		Ref	Cartridge Options:	
303B	7024907	1	Front Pump Cartridge (Lock Valve With Orifice)	
303B	7024909	1	Screw, Locking	
303B	7024075	1	O-Ring	
303B	70020329	1	Middle Pump Cartridge (Pressure Relief Valve)	
303B	7024909	1	Screw, Locking	
303B	7024077	1	O-Ring	
303C	See Note	NSS	Plate, Port (Note: Use Item 303)	
303D	See Note	NSS	Bushing, Bearing (Note: Use Item 303)	
303E	See Note	4	Capscrew M12 x 70 Grade 10.9 (Note: Not Available - Purchase Locally)	
303F	See Note	NSS	Pin, Dowel (Note: Use Item 303)	
303G	70003340	1	Pin, Break-Off	
303H	See Note	1	Screw, Locking M10 x 1 (Note: Not Available - Purchase Locally)	
303J	7024908	1	O-Ring	
303K	See Note	2	Screw, Locking 7/16 (Note: Not Available - Purchase Locally)	
303L	See Note	NSS	Bearing, Roller (Note: Use Item 303)	
303M	7024006	1	Seal Kit - Port Plate Group	
304	7024906	1	Internal Gear Pump	
304A	See Note	NSS	Flange, Intermediate (Note: Use Item 304)	
304B	See Note	NSS	IZP-Housing (Note: Use Item 304)	
304C	See Note	NSS	Bushing, Bearing (Note: Use Item 304)	
304D	See Note	NSS	Coupling, Driveshaft Through (Note: Use Item 304)	
304E	7024078	1	Gear Set	
304F	7024079	1	Key, Driveshaft	
304G	80934174	1	Ring, Retaining	
304H	See Note	4	Capscrew M10 x 20 (Note: Not Available - Purchase Locally)	
304J	See Note	NSS	Seal (Note: Not Available for Purchase)	

SECTION 3 - ENGINE

ITEM	PART NUMBER	QTY	DESCRIPTION	REV
304K	7024081	1	O-Ring	
304L	See Note	NSS	Ring, Retaining (Note: Use Item 304)	
304M	See Note	NSS	O-Ring (Note: Use Item 304)	
304N	See Note	NSS	Plate, Wear (Note: Not Available for Purchase)	
304P	See Note	NSS	Pin, Cylinder (Note: Use Item 304)	
305	70003165	1	Control Module	
305	70003170	1	Coil, Solenoid	
305A	70020336	1	Seal Kit - Control Module	
305B	80934644	4	Capscrew	
310	See Note	1	Housing (Note: Not Available for Purchase)	
313	See Note	2	Pin, Dowel (Note: Not Available for Purchase)	
314	See Note	1	Pin, Cylinder (Note: Not Available for Purchase)	
320	7026980	1	Screw 7/8 (Front Drive Pump Only)	
321	80334079	1	Screw 9/16	
322	See Note	1	Screw 7/16 (Note: Not Available - Purchase Locally)	
324	See Note	1	Screw M10 x 1 (Note: Not Available - Purchase Locally)	
327	70003340	1	Pin, Double Break-Off	
328	7018936	1	Orifice	
331	7024096	2	Pin, Clamping	
341	7024069	1	O-Ring	
342	70007178	1	O-Ring	

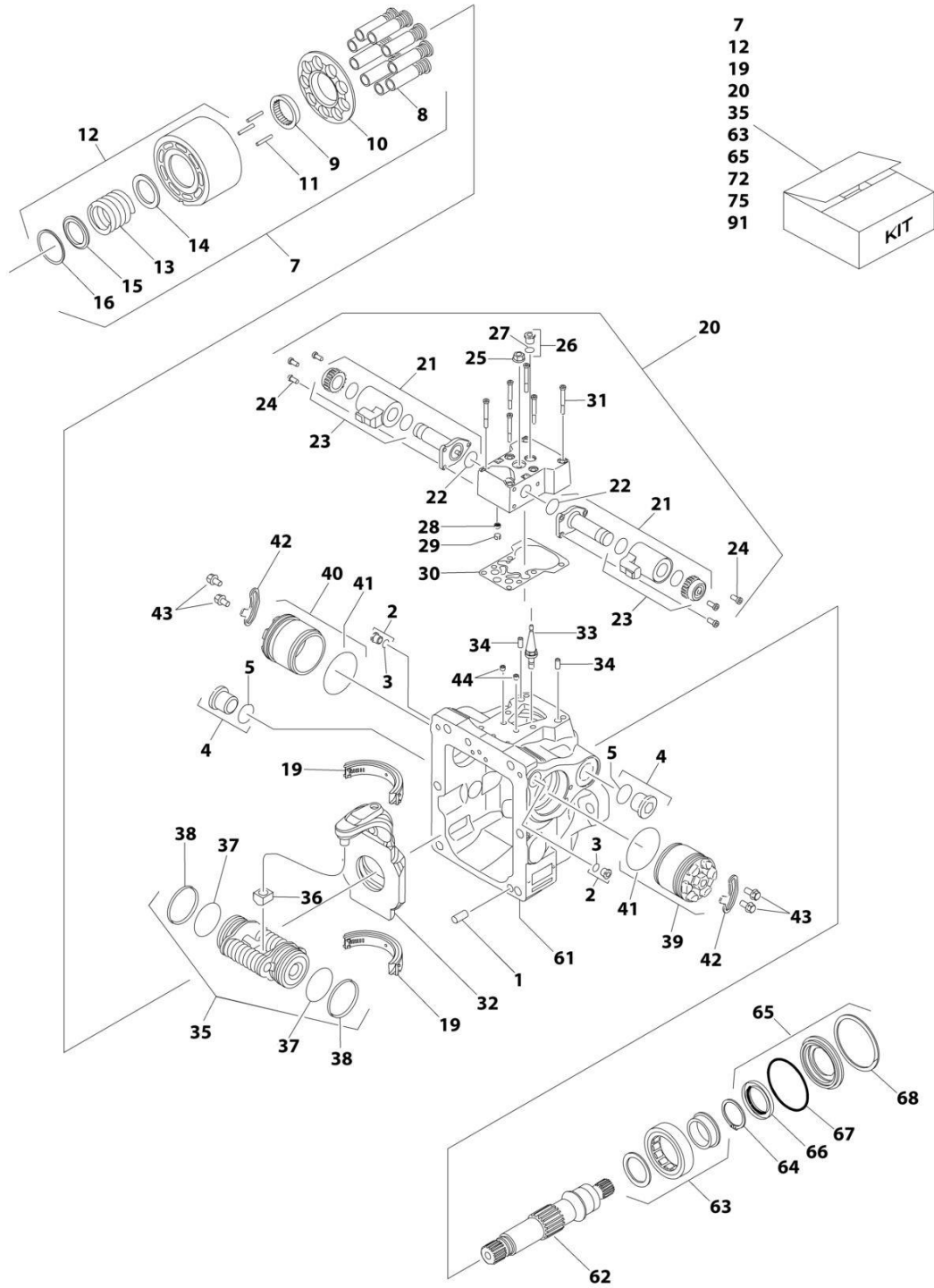
SECTION 3 - ENGINE

FIGURE 3-77. PUMP ASSEMBLY (SAUER TANDEM)



ART_1001108616_10F2

SECTION 3 - ENGINE



ART_1001108616_2OF2

SECTION 3 - ENGINE

FIGURE 3-77. PUMP ASSEMBLY (SAUER TANDEM)

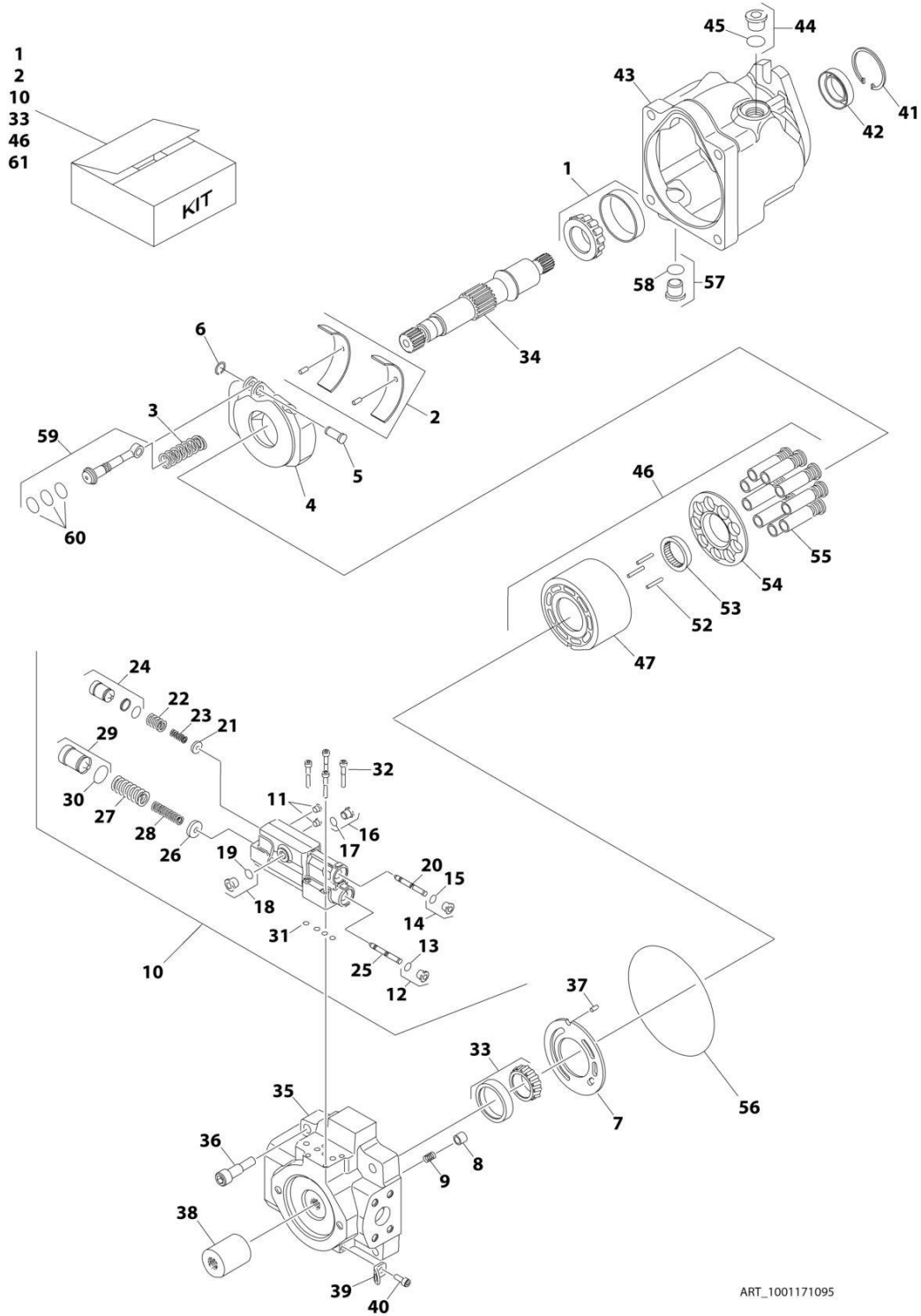
ITEM	PART NUMBER	QTY	DESCRIPTION	REV
	1001108616	Ref	PUMP ASSEMBLY (SAUER TANDEM)	D
1	70002132	4	Pin	
2	70002133	4	Plug Assembly (Includes Item 3)	
3	7007207	4	O-Ring (Part of Item 2)	
4	7007419	2	Plug Assembly (Includes Item 5)	
5	7007418	2	O-Ring (Part of Item 4)	
6	70002600	1	Coupling	
7	70002135	2	Cylinder Block Kit (Each Kit Includes Qty 1 of Items 8-10 & 12-16 & Qty 3 of Item 11)	
8	70002136	2	Piston Assembly Kit (Includes Qty 9 Piston Assemblies) (Part of Item 7)	
9	70002137	2	Guide, Slipper Retainer (Part of Item 7)	
10	70002138	2	Retainer, Slipper (Part of Item 7)	
11	7021275	6	Pin, Slipper Retainer Holddown (Part of Item 7)	
12	70002135	2	Cylinder Block Assembly (Includes Qty 1 of Item 13-16) (Part of Item 7)	
13	70002139	2	Spring (Part of Item 12)	
14	70002140	2	Washer (Part of Item 12)	
15	70002141	2	Washer (Part of Item 12)	
16	70002142	2	Ring, Retaining (Part of Item 12)	
17	7007446	2	Pin	
18		Ref	Plate, Valve Options:	
18A	70002601	1	Plate, CW Valve	
18B	70002602	1	Plate, CCW Valve	
19	70002145	2	Swash Plate Bearing Kit (Includes Qty 2 Bearings)	
20	70002618	2	EDC Kit (Includes Items 21-31)	
21	70002619	4	Solenoid Valve Assembly (Includes Items 22 & 23) (Part of Item 20)	
22	70002148	4	O-Ring (2 Per EDC Assembly) (Part of Item 21)	
23	70002620	4	Coil, Nut and Seals Kit (2 Per EDC Assembly) (Part of Item 21)	
24	70002150	12	Screw (Part of Item 20)	
25	7022301	2	Nut, Seal (Part of Item 20)	
26	70002151	2	Plug Assembly (Part of Item 20) (Includes Item 27)	
27	7007207	2	O-Ring (Part of Item 26)	
28	70002134	2	Screen (Part of Item 20)	
29	70002153	2	Ring, Locking (Part of Item 20)	
30	70002154	2	Gasket, Control (Part of Item 20)	
31	70002156	12	Capscrew (Part of Item 20)	
32	70002152	2	Swash Plate	
33	70002155	2	Link, Swash Plate	
34	70002157	4	Pin, Dowel	
35	70002158	2	Servo Piston Assembly (Includes Items 36-38)	
36	70002159	2	Block, Slider (Part of Item 35)	
37	70002160	2	O-Ring (Part of Item 35)	
38	70002161	2	Ring, Piston (Part of Item 35)	
39	70002162	2	Cylinder, Servo	
40	70002162	2	Cylinder, Servo	
41	70002163	4	O-Ring	
42	70002164	4	Plate, Locking	
43	70002165	8	Screw	

SECTION 3 - ENGINE

ITEM	PART NUMBER	QTY	DESCRIPTION	REV
44	70002604	4	Orifice	
45	70002605	1	Center Section Assembly (Includes Item 58)	
46	70002168	2	Gasket, End Cap	
47	70001958	2	Plug Assembly (Includes Item 48)	
48	7021256	2	O-Ring (Part of Item 47)	
49	70001958	2	Plug Assembly (Includes Item 50)	
50	7021256	2	O-Ring (Part of Item 49)	
51	70001958	2	Plug Assembly (Includes Item 52)	
52	7021256	2	O-Ring (Part of Item 51)	
53	70001958	2	Plug Assembly (Includes Item 54)	
54	7021256	2	O-Ring (Part of Item 53)	
55	70002606	4	Capscrew	
58	70002607	2	Bearing, Journal (Part of Item 45)	
59	70002608	1	Bracket, Lifting	
60	70002609	1	Screw	
61	See Note	1	Housing (Note: Not Available for Purchase)	
62	70002175	1	Shaft	
63	70002610	1	Ball Bearing Kit	
	7007439	1	Ring, Retaining	
65	70002174	1	Shaft Seal Kit (Includes Items 66-68) (Note: This is a universal kit and will contain extra pieces that are not used on this pump assembly)	
66	70002177	1	Seal, Lip	
67	70002178	1	O-Ring	
68	70002179	1	Ring, Retaining	
69	See Note	1	Housing (Note: Not Available for Purchase)	
71	70002612	1	Shaft	
72	70002610	1	Ball Bearing Kit	
74	70002621	1	High Pressure Relief Valve Cartridge Assembly (Includes Item 75)	
75	70002622	1	Seal Kit - 70002621 Valve (Part of Item 74)	
76	7007415	1	O-Ring (Part of Items 81, 84, 87 & 90)	
77	7021293	1	Ring, Back-up (Part of Items 81, 84, 87 & 90)	
78	7022300	1	O-Ring (Part of Items 81, 84, 87 & 90)	
79	70002616	1	SCR Valve Assembly	
80	7024800	1	Spring	
81	7021265	1	Plug Assembly (Includes Qty 1 of Items 76-78)	
82	70002616	1	SCR Valve Assembly	
83	7024800	1	Spring	
84	7021265	1	Plug Assembly (Includes Qty 1 of Item 76-78)	
85	70002616	1	SCR Valve Assembly	
86	7024800	1	Spring	
87	70002617	1	Plug Assembly (Includes Qty 1 of Item 76-78)	
88	70002616	1	SCR Valve Assembly	
89	7024800	1	Spring	
90	7021265	1	Plug Assembly (Includes Qty 1 of Items 76-78)	
91	70002623	1	Overhaul Seal Kit (Includes Items 3, 5, 22, 27, 30, 37, 38, 41, 46, 48, 50, 52, 54, 66, 67, 75, 76, 77 & 78)	

SECTION 3 - ENGINE

FIGURE 3-78. PUMP ASSEMBLY (SAUER PISTON)



ART_1001171095

SECTION 3 - ENGINE

FIGURE 3-78. PUMP ASSEMBLY (SAUER PISTON)

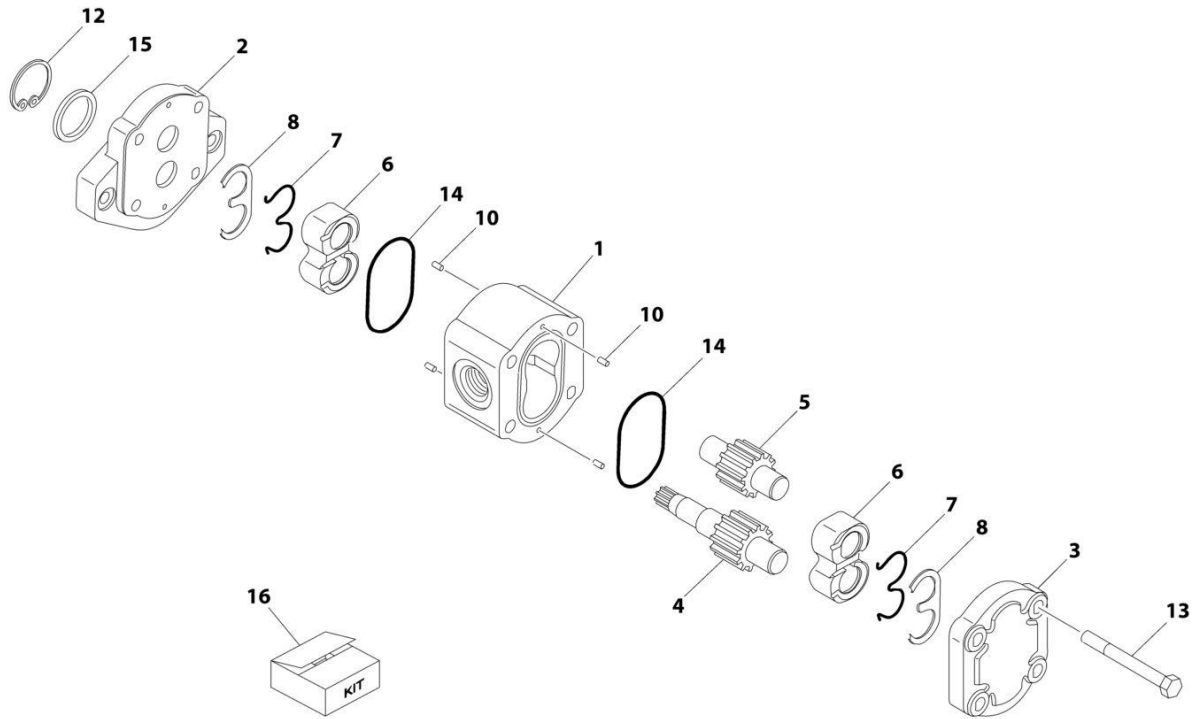
ITEM	PART NUMBER	QTY	DESCRIPTION	REV
	1001171095	Ref	PUMP ASSEMBLY (SAUER PISTON)	B
1	70002578	1	Bearing Kit - Front (Includes Cup and Cone)	
2	70004426	1	Swash Plate Bearing Kit (Includes Qty 2 Bearings and Retainer Pins)	
3	70002580	1	Spring, Bias	
4	70004416	1	Swash Plate Assembly	
5	70002582	1	Shaft	
6	70002583	1	Ring, Retaining	
7	70004417	1	Plate, Valve	
8	70001956	1	Poppet, Check Valve	
9	70001955	1	Spring	
10	70022286	1	Control Kit (Includes Items 11-32)	
11	See Note	NSS	Setscrew (Note: Use Item 10)	
12	70002133	1	Plug Assembly (Includes Item 13)	
13	7007207	1	O-Ring (Part of Item 12)	
14	70002133	1	Plug Assembly (Part of Item 15)	
15	7007207	1	O-Ring (Part of Item 14)	
16	70002133	1	Plug Assembly (Includes Item 17)	
17	7007207	1	O-Ring (Part of Item 16)	
18	70002133	1	Plug Assembly (Includes Item 19)	
19	7007207	1	O-Ring (Part of Item 18)	
20	See Note	NSS	Spool (Note: Use Item 10)	
21	See Note	NSS	Guide, Spring LS (Note: Use Item 10)	
22	See Note	NSS	Spring, Outer LS (Note: Use Item 10)	
23	See Note	NSS	Spring, Inner LS (Note: Use Item 10)	
24	See Note	NSS	Plug, Adjusting LS (Note: Use Item 10 or 61)	
25	See Note	NSS	Spool, Control (Note: Use Item 10)	
26	See Note	NSS	Guide, Spring PC (Note: Use Item 10)	
27	See Note	NSS	Spring, Outer PC (Note: Use Item 10)	
28	See Note	NSS	Spring, Inner PC (Note: Use Item 10)	
29	See Note	NSS	Plug, Adjusting PC (Note: Use Item 10)	
30	See Note	NSS	O-Ring (Note: Use Item 10 or 61)	
31	See Note	NSS	Ring, Seal (Note: Use Item 10 or 61)	
32	See Note	NSS	Capscrew (Note: Use Item 10)	
33	70002585	1	Bearing Kit - Rear (Includes Cup and Cone)	
34	70002586	1	Shaft	
35	70004420	1	Cap, End	
36	70002588	4	Capscrew	
37	7007446	1	Pin, Slotted	
38	70002589	1	Coupling	
39	7022340	1	Bracket, Lifting	
40	70002590	1	Capscrew	
41	7023962	1	Ring, Retaining	
42	See Note	NSS	Seal, Lip (Note: Use Item 61)	
43	See Note	NSS	Housing (Note: Not Available for Purchase)	
44	7023964	1	Plug Assembly (Includes Item 45)	
45	7007415	1	O-Ring (Part of Item 44)	
46	70004423	1	Cylinder Block Kit (Includes Items 47-55)	
47	70004421	1	Cylinder	
52	7021275	3	Pin, Hold-down	

SECTION 3 - ENGINE

ITEM	PART NUMBER	QTY	DESCRIPTION	REV
53	70002592	1	Guide, Slipper Retainer	
54	70002593	1	Retainer, Slipper	
55	70004422	1	Piston Assembly	
56	See Note	NSS	Seal, End Cap (Note: Use Item 61)	
57	7023964	1	Plug, O-Ring (Includes Item 58)	
58	7007415	1	O-Ring (Part of Item 57)	
59	70005418	1	Servo Piston Assembly (Includes Item 60)	
60	See Note	NSS	Ring, Piston (Part of Item 59) (Note: Use Item 61)	
61	70002599	1	Complete Seal Kit (Includes Items 13, 15, 17, 19, 24, 30, 31, 42, 45, 56, 58 & 60)	

SECTION 3 - ENGINE

FIGURE 3-79. PUMP ASSEMBLY (SAUER GEAR)



ART_1001112927

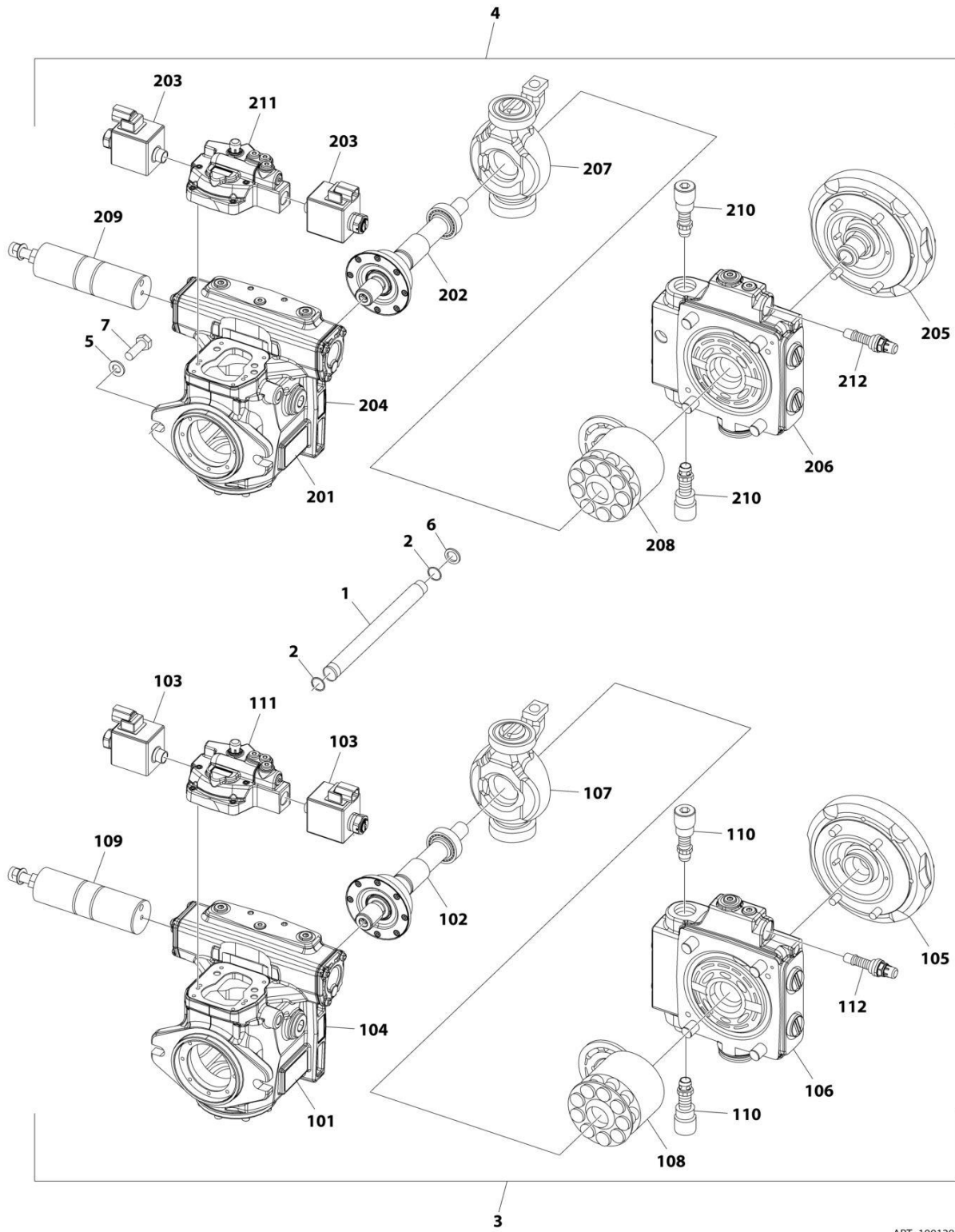
SECTION 3 - ENGINE

FIGURE 3-79. PUMP ASSEMBLY (SAUER GEAR)

ITEM	PART NUMBER	QTY	DESCRIPTION	REV
	1001112927	Ref	PUMP ASSEMBLY (SAUER GEAR)	A
1	See Note	NSS	Body (Note: Use p/n 1001112927)	
2	See Note	NSS	Cover, Front (Note: Use p/n 1001112927)	
3	See Note	NSS	Cover, Rear (Note: Use p/n 1001112927)	
4	See Note	NSS	Shaft, Gear (Note: Use p/n 1001112927)	
5	See Note	NSS	Gear, Idler (Note: Use p/n 1001112927)	
6	See Note	NSS	Block, Bearing (Note: Use p/n 1001112927)	
7	7007489	2	Ring, Anti-Extrusion	
8	7007489	2	Ring, Seal	
10	See Note	NSS	Pin, Dowel (Note: Use p/n 1001112927)	
12	70002576	1	Ring, Retaining	
13	See Note	NSS	Capscrew (Note: Use p/n 1001112927)	
14	7007489	2	O-Ring	
15	7007489	1	Seal, Lip	
16	7007489	1	Seal Kit - 1001112927 Pump (Includes Items 7, 8, 14 & 15)	

SECTION 3 - ENGINE

FIGURE 3-80. PUMP ASSEMBLY (PMP TANDEM)



ART_1001286957

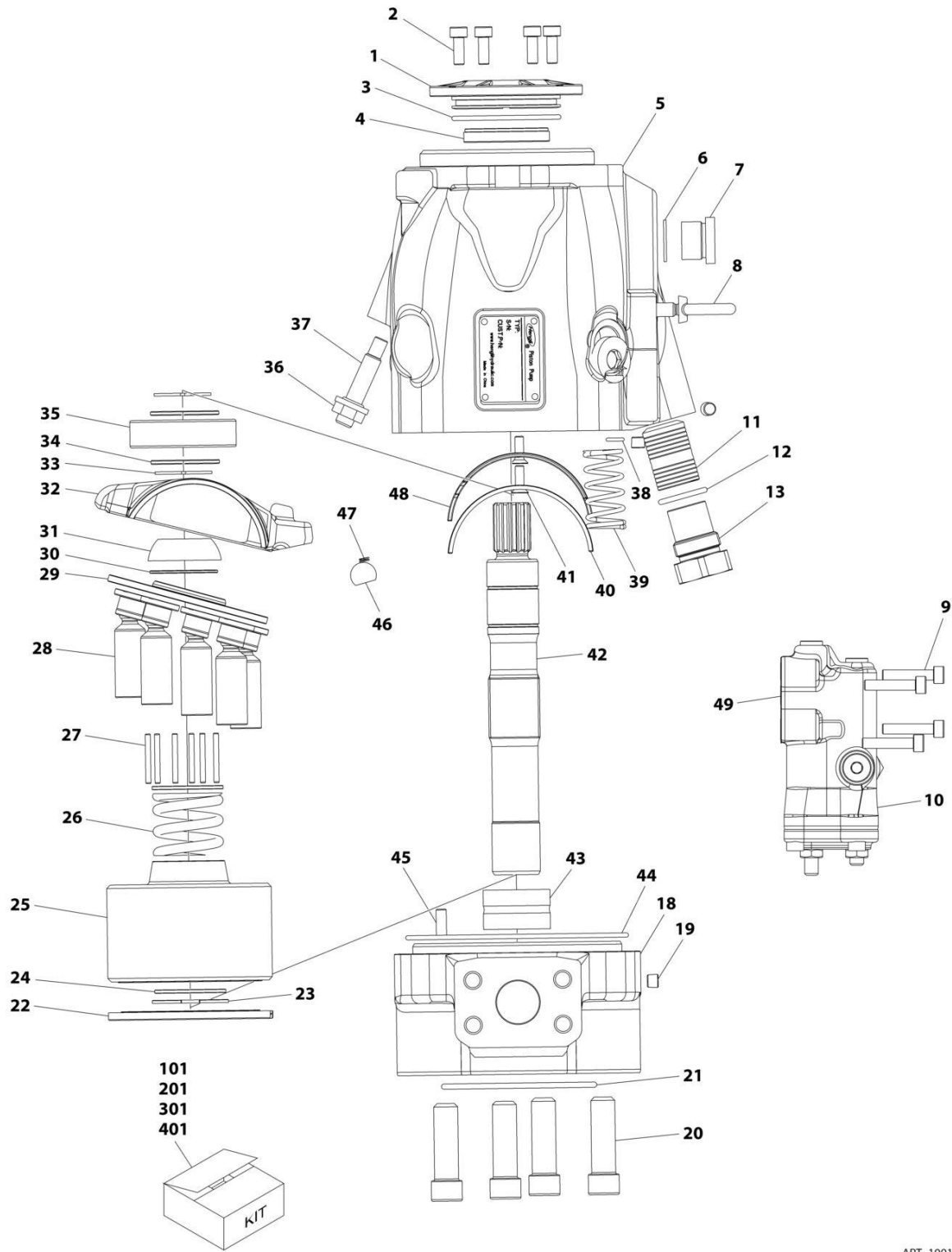
SECTION 3 - ENGINE

FIGURE 3-80. PUMP ASSEMBLY (PMP TANDEM)

ITEM	PART NUMBER	QTY	DESCRIPTION	REV
	1001286957	Ref	PUMP ASSEMBLY - HYDRAULIC TANDEM	A
	See Note	Ref	(Note: No Other Service Parts Available)	
1	70008490	1	Shaft	
2	70008491	2	O-Ring	
3	70008492	1	Front Pump Assembly (Includes Items 101-112)	
4	70008493	1	Rear Pump Assembly (Includes Items 201-212)	
5	70008494	2	Washer M12	
6	70008495	1	Washer M12	
7	70008496	2	Bolt M12 x 35 CL10.9	
101	See Note	NSS	Plate, Serial Number (Note: Not Available for Purchase)	
102	70008497	1	Shaft	
103	70008498	2	Coil	
104	See Note	1	Housing Assembly (Note: Purchase PN 70008492)	
104	70008506	1	Gasket (Between Housing & Distributor Valve)	
104	70005023	2	Rivet	
105	70008511	1	Body	
106	70008499	1	Valve, Distributor	
107	70008500	1	Swash Plate	
108	70008501	1	Rotor	
109	70008502	1	Servo	
110	70008503	2	Cartridge, Relief Valve	
111	70008504	1	Valve, Control	
111	70008507	1	Gasket (Between Control Valve & Housing)	
111	70008508	3	O-Ring	
112	70008505	1	Cartridge, Relief Valve	
201	See Note	NSS	Plate, Serial Number (Note: Not Available for Purchase)	
202	70008509	1	Shaft	
202	70005041	1	Ring, Retaining	
203	70008498	2	Coil	
204	NPN	1	Assembly, Housing	
204	See Note	1	Housing Assembly (Note: Purchase PN 70008493)	
204	70008506	1	Gasket (Between Housing & Distributor Valve)	
204	70005023	2	Rivet	
205	70008512	1	Body	
206	70008510	1	Valve, Distributor	
207	70008500	1	Swash Plate	
208	70008501	1	Rotor	
209	70008502	1	Servo	
210	70008503	2	Cartridge, Relief Valve	
211	70008504	1	Valve, Control	
211	70008507	1	Gasket (Between Control Valve & Housing)	
211	70008508	3	O-Ring	
212	70008505	1	Cartridge, Relief Valve	

SECTION 3 - ENGINE

FIGURE 3-81. PUMP ASSEMBLY (PMP PISTON)



ART_1001286958

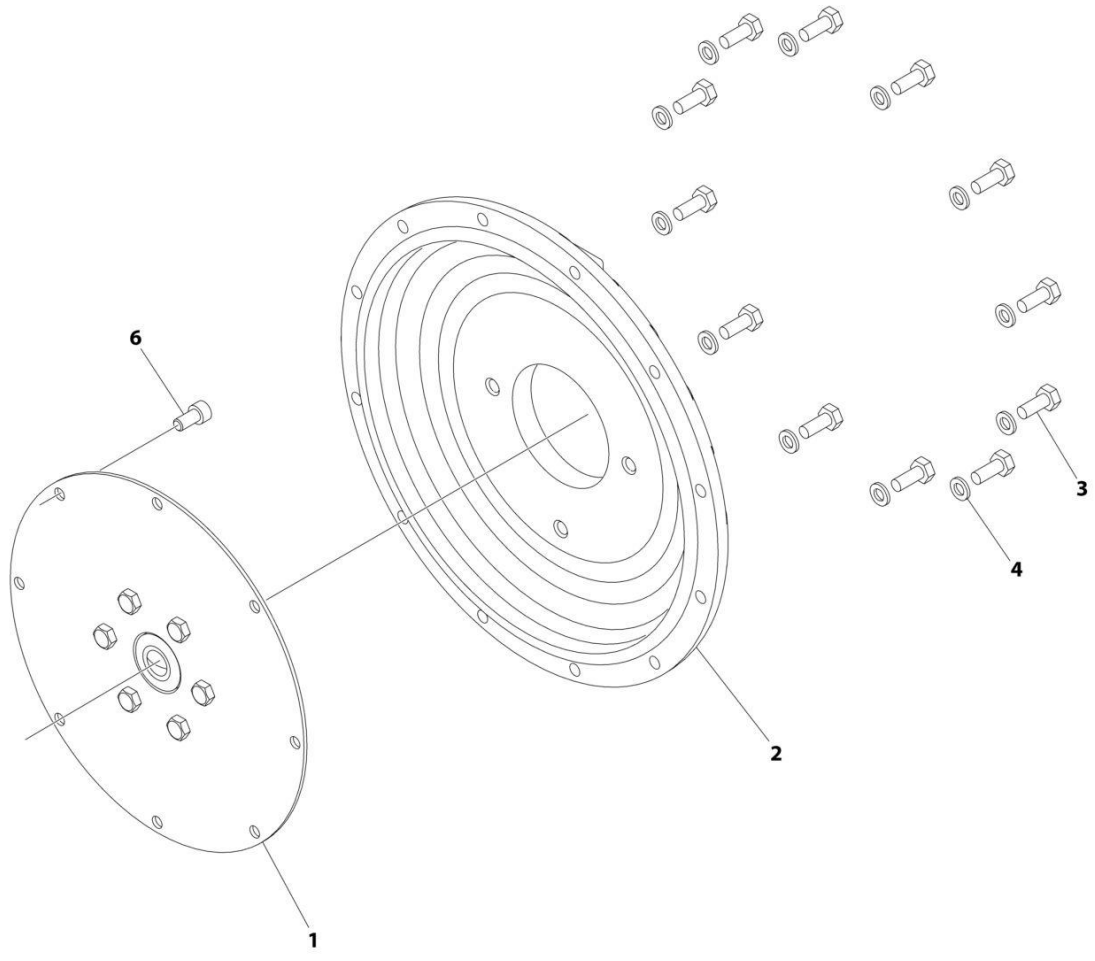
SECTION 3 - ENGINE

FIGURE 3-81. PUMP ASSEMBLY (PMP PISTON)

ITEM	PART NUMBER	QTY	DESCRIPTION	REV
	1001286958	Ref	PUMP ASSEMBLY - HYDRAULIC PISTON	A
1	70007789	1	Cap	
2	NPN	4	Bolt M6 x 16	
3	See Note	1	O-Ring (Note: Not Sold Separately, Purchase Item 401)	
4	70007798	1	Seal	
5	NPN	1	Housing	
6	See Note	3	O-Ring (Note: Not Sold Separately, Purchase Item 401)	
7	70007790	3	Plug	
8	NPN	1	Bolt M8	
9	NPN	2	Bolt M6 x 30	
10	70007787	1	Valve, Control	
11	70007800	1	Piston	
12	See Note	1	O-Ring (Note: Not Sold Separately, Purchase Item 401)	
13	70007801	1	Plug	
18	NPN	1	Cover	
19	70007791	3	Plug	
20	NPN	4	Bolt M12 x 45	
21	See Note	1	O-Ring (Note: Not Sold Separately, Purchase Item 401)	
22	See Note	1	Plate (Note: Not Sold Separately, Purchase Item 201)	
23	See Note	1	Ring, Retaining (Note: Not Sold Separately, Purchase Item 201)	
24	See Note	2	Shim (Note: Not Sold Separately, Purchase Item 201)	
25	See Note	1	Cylinder (Note: Not Sold Separately, Purchase Item 201)	
26	See Note	1	Spring (Note: Not Sold Separately, Purchase Item 201)	
27	See Note	6	Pin (Note: Not Sold Separately, Purchase Item 201)	
28	See Note	9	Piston (Note: Not Sold Separately, Purchase Item 201)	
29	See Note	1	Retainer (Note: Not Sold Separately, Purchase Item 201)	
30	See Note	1	Shim (Note: Not Sold Separately, Purchase Item 201)	
31	See Note	1	Bushing (Note: Not Sold Separately, Purchase Item 201)	
32	See Note	1	Plate, Swash (Note: Not Sold Separately, Purchase Item 301)	
33	See Note	2	Ring, Retaining (Note: Not Sold Separately, Purchase Item 101)	
34	See Note	2	Shim (Note: Not Sold Separately, Purchase Item 101)	
35	See Note	1	Bearing (Note: Not Sold Separately, Purchase Item 101)	
36	70008526	1	Nut M10	
37	70008525	1	Screw	
38	See Note	1	O-Ring (Note: Not Sold Separately, Purchase Item 401)	
39	70007792	1	Spring	
40	70007793	1	Bushing	
41	70007796	2	Bolt M5 x 16	
42	See Note	1	Shaft (Note: Not Sold Separately, Purchase Item 101)	
43	70007797	1	Bearing	
44	70007799	1	Gasket	
45	70007794	1	Pin	
46	See Note	1	Ball (Note: Not Sold Separately, Purchase Item 301)	
47	See Note	1	Spring (Note: Not Sold Separately, Purchase Item 301)	
48	70007795	1	Bushing	
49	See Note	1	O-Ring (Note: Not Sold Separately, Purchase Item 401)	
101	70008527	1	Assembly, Shaft (Includes Items 33-35 & 42)	
201	70007786	1	Assembly, Cylinder (Includes Items 22-31)	
301	70007788	1	Assembly, Swash Plate (Includes Items 32, 46, 47)	
401	70008528	1	Kit, Seal (Includes Items 3, 6, 12, 21, 38 & 49)	

SECTION 3 - ENGINE

FIGURE 3-82. PUMP COUPLING KIT



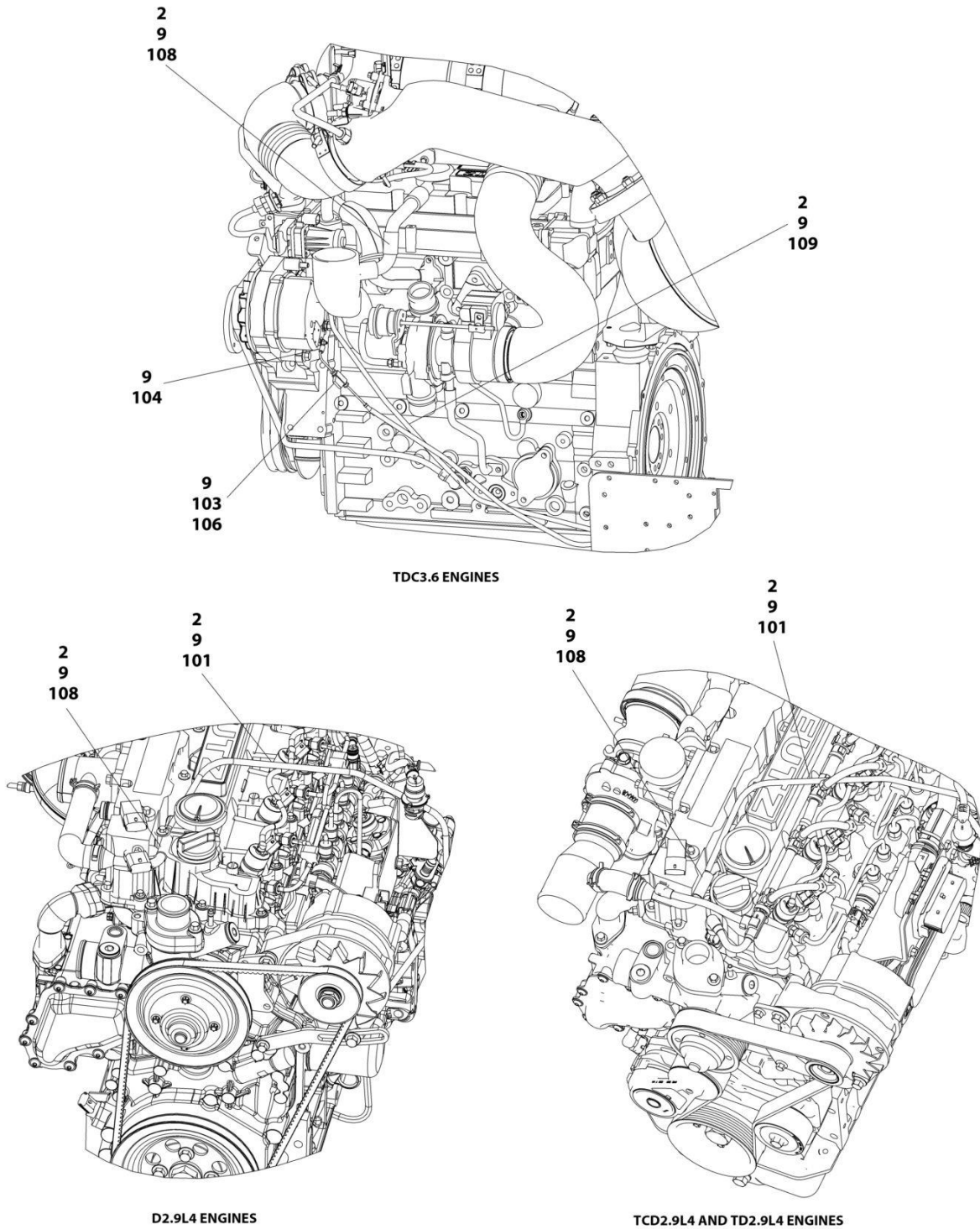
ART_2902065

FIGURE 3-82. PUMP COUPLING KIT

ITEM	PART NUMBER	QTY	DESCRIPTION	REV
	2902065	Ref	PUMP COUPLING KIT	L
1	70000793	1	Coupling, Hayes	
2	See Note	NSS	Plate, Pump Adapter (Note: Use p/n 2902065)	
3	See Note	NSS	Bolt M10 x 30 Grade 10.9 (Note: Use p/n 2902065)	
4	See Note	NSS	Washer M10 (Note: Use p/n 2902065)	
6	See Note	NSS	Bolt M10 x 20 Grade 10.9 (Note: Use p/n 2902065)	

SECTION 3 - ENGINE

FIGURE 3-83. BREATHER HEATER INSTALLATION - DEUTZ TCD2.9L4 ENGINES, DEUTZ TCD2.9L4 (STAGE V PRE-BUY) ENGINES AND DEUTZ TCD2.9L4 (STAGE V) ENGINES WITH ARCTIC PACKAGE



TDC3.6 ENGINES

D2.9L4 ENGINES

TCD2.9L4 AND TD2.9L4 ENGINES

ART_1001233763

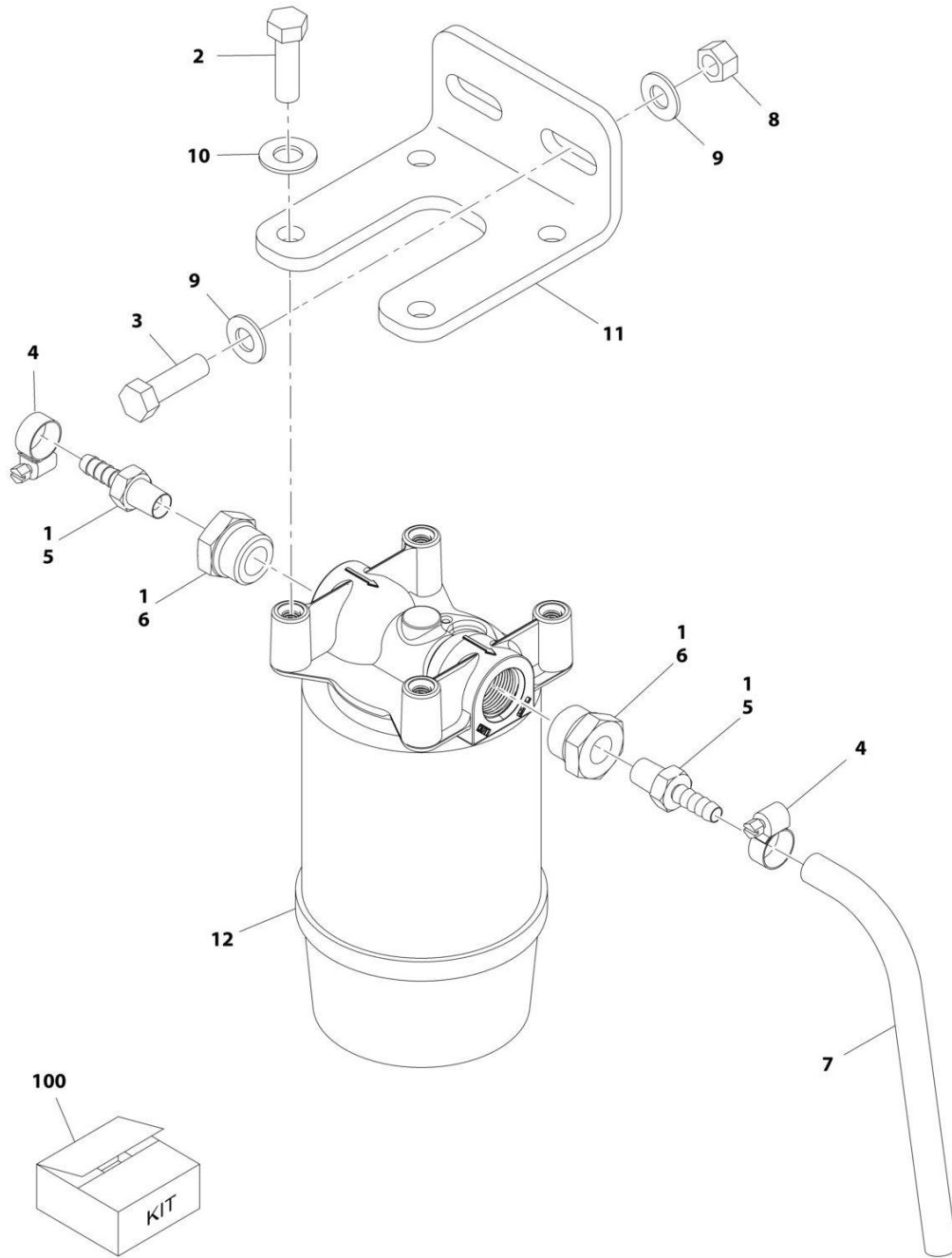
SECTION 3 - ENGINE

FIGURE 3-83. BREATHER HEATER INSTALLATION - DEUTZ TCD2.9L4 ENGINES, DEUTZ TCD2.9L4 (STAGE V PRE-BUY) ENGINES AND DEUTZ TCD2.9L4 (STAGE V) ENGINES WITH ARCTIC PACKAGE

ITEM	PART NUMBER	QTY	DESCRIPTION	REV
	1001233763	Ref	BREATHER HEATER INSTALLATION - DEUTZ ENGINES	D
2	4240099	AR	Tie-Strap	
9	1001243895	1	Breather Heater Harness	C
101	2820035	AR	Insulation	
103	2400060	1	Fuseholder with Cover	
104	4460043	1	Terminal, Ring	
105	4460722	1	Terminal, Ring (Not Shown)	
106	1001196634	1	Fuse - 2 Amp	
108	1001232842	1	Breather Heater Kit	

SECTION 3 - ENGINE

FIGURE 3-84. FUEL-WATER SEPARATOR INSTALLATION - DEUTZ TD2011 (OPTIONAL)



ART_1001198751

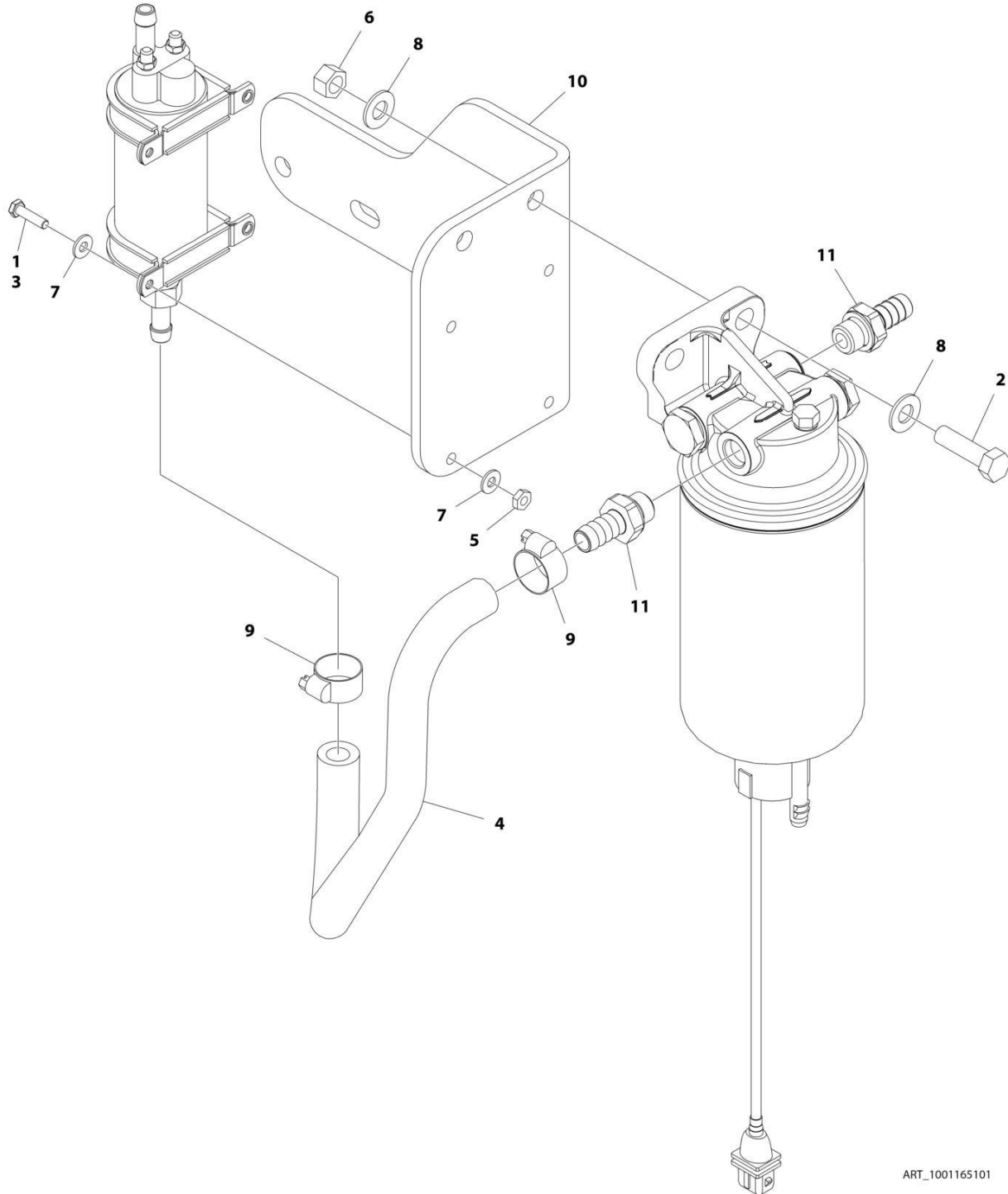
SECTION 3 - ENGINE

FIGURE 3-84. FUEL-WATER SEPARATOR INSTALLATION - DEUTZ TD2011 (OPTIONAL)

ITEM	PART NUMBER	QTY	DESCRIPTION	REV
	1001198751	Ref	FUEL-WATER SEPARATOR INSTALLATION - DEUTZ TD2011 (OPTIONAL)	A
1	0100079	AR	Sealant	
2	0641610	4	Bolt 3/8 x 1-1/4	
3	0641612	2	Bolt 3/8 x 1-1/2	
4	1320022	2	Clamp	
5	2180348	2	Fitting, Barbed Straight	
6	2220816	2	Fitting, Straight FNPTF/ORB	
7	2720058	4.5 ft /1.4m	Hose	
8	3271601	2	Nut 3/8	
9	4711600	4	Washer 3/8	
10	4711700	4	Washer 7/16	
11	1001188884	1	Bracket	
12	1001188887	1	Fuel/Water Separator Assembly	
12	1001202280	1	Head	
12	1001202281	1	Element	
100	1001203866	1	Water/Separator Add-on Kit	

SECTION 3 - ENGINE

FIGURE 3-85. FUEL PUMP/FILTER BRACKET ASSEMBLY (DEUTZ TCD2.9L4 ENGINE AND DEUTZ TCD2.9L4 (STAGE V PRE-BUY) ENGINE)



ART_1001165101

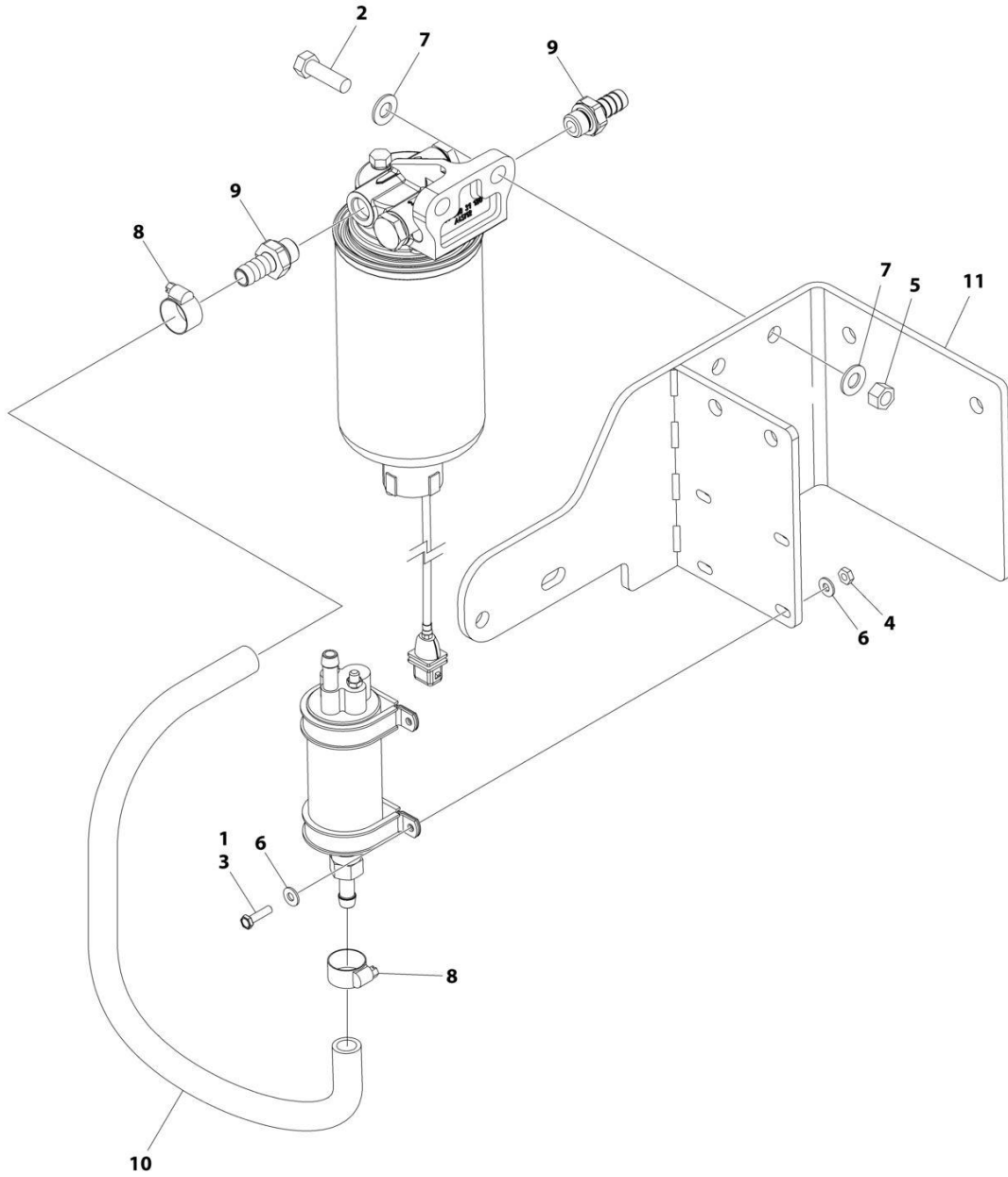
SECTION 3 - ENGINE

FIGURE 3-85. FUEL PUMP/FILTER BRACKET ASSEMBLY (DEUTZ TCD2.9L4 ENGINE AND DEUTZ TCD2.9L4 (STAGE V PRE-BUY) ENGINE)

ITEM	PART NUMBER	QTY	DESCRIPTION	REV
	1001165101	Ref	FUEL PUMP/FILTER BRACKET ASSEMBLY - DEUTZ TCD2.9L4 ENGINE AND DEUTZ TCD2.9L4 (STAGE V PRE-BUY) ENGINE	C
1	0100011	AR	Compound, Locking	
2	0641611	2	Bolt 3/8 x 1-3/8	
3	0721006	4	Bolt #10 x 3/4	
4	1001154405	1.5 ft /0.4m	Hose	
5	3311001	4	Nut #10	
6	3311605	2	Nut 3/8	
7	4711000	8	Washer #10	
8	4711600	4	Washer 3/8	
9	8405006	2	Clamp	
10	1001140222	1	Bracket, Fuel Pump Mounting	
11	1001141718	1	Fitting, Barbed	

SECTION 3 - ENGINE

FIGURE 3-86. FUEL PUMP/FILTER BRACKET ASSEMBLY - DEUTZ TCD2.9L4 ENGINE



ART_1001227606

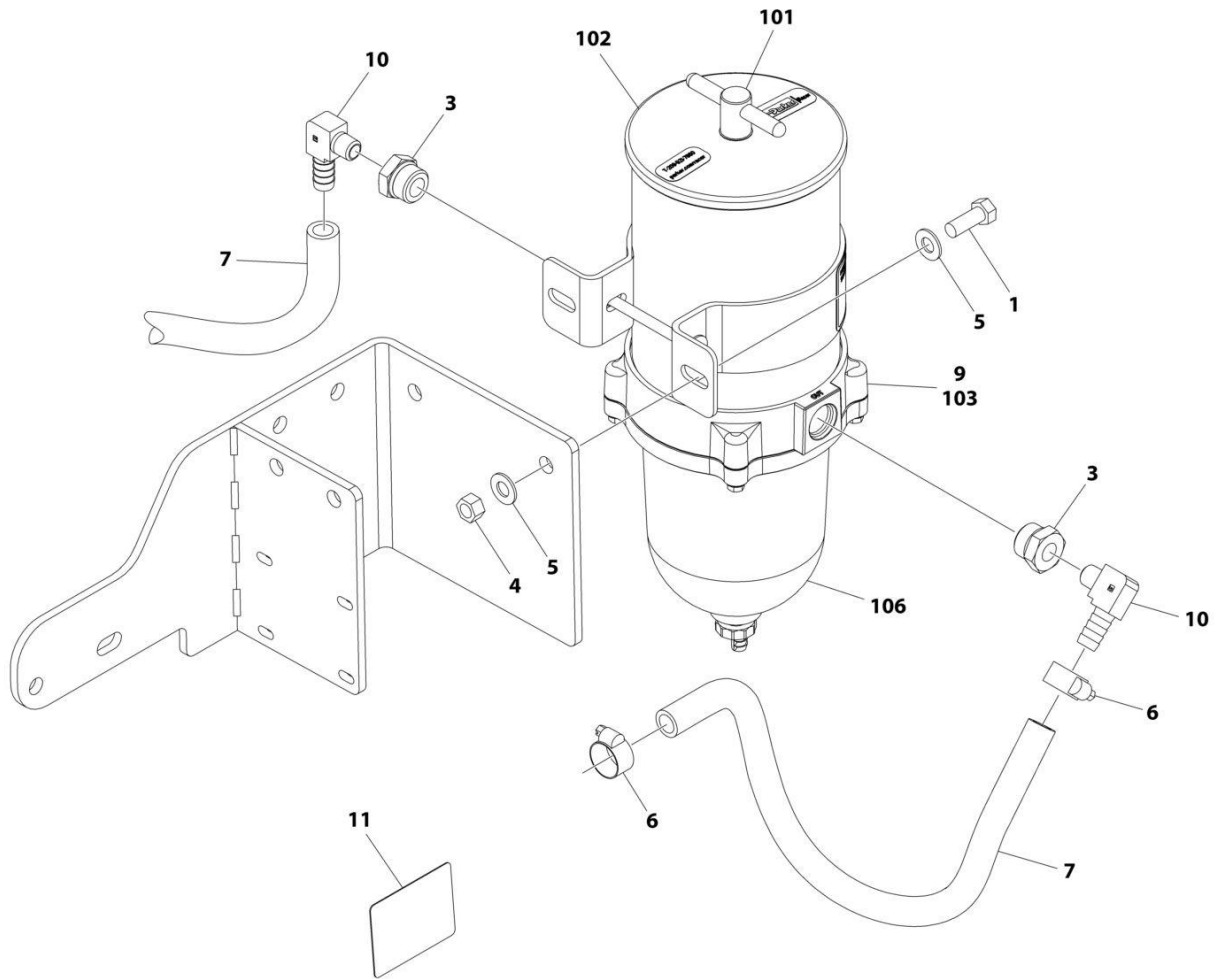
SECTION 3 - ENGINE

FIGURE 3-86. FUEL PUMP/FILTER BRACKET ASSEMBLY - DEUTZ TCD2.9L4 ENGINE

ITEM	PART NUMBER	QTY	DESCRIPTION	REV
	1001227606	Ref	FUEL PUMP/FILTER BRACKET ASSEMBLY - DEUTZ TD2.9L4 ENGINE	A
1	0100011	AR	Compound, Locking	
2	0641610	2	Bolt 3/8 x 1-1/4	
3	0721006	4	Bolt #10 x 3/4	
4	3311001	4	Nut #10	
5	3311605	2	Nut 3/8	
6	4711000	8	Washer #10	
7	4711600	4	Washer 3/8	
8	8405006	2	Clamp	
9	1001141718	2	Fitting, Barbed	
10	1001154405	1.5 ft/ 0.4m	Hose	
11	1001222773	1	Bracket, Fuel Pump Mounting	

SECTION 3 - ENGINE

FIGURE 3-87. FUEL FILTER/WATER SEPARATOR INSTALLATION - DEUTZ TCD2.9L4 ENGINE



NOTE: LOCATED ON HOOD

ART_1001223068

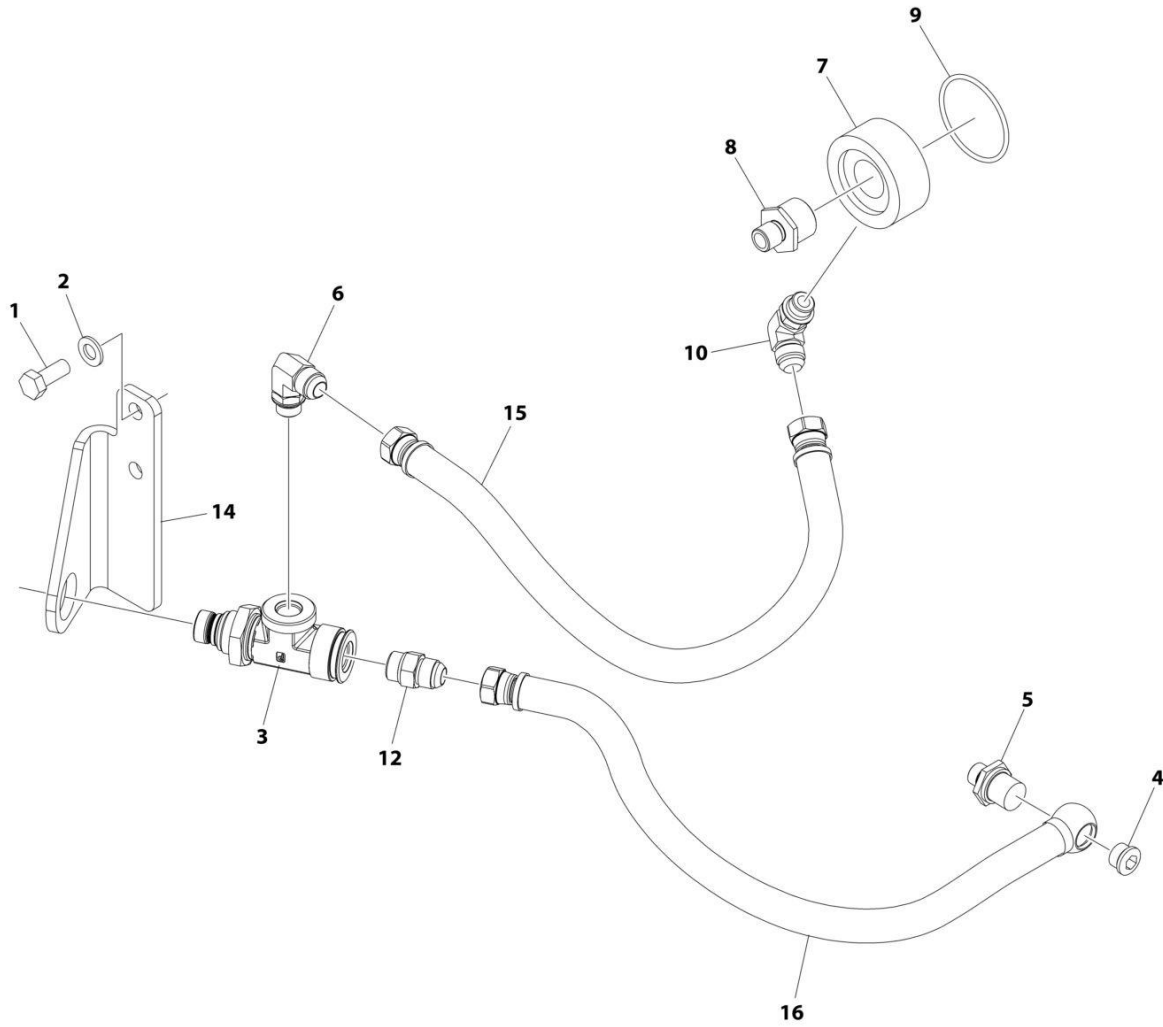
SECTION 3 - ENGINE

FIGURE 3-87. FUEL FILTER/WATER SEPARATOR INSTALLATION - DEUTZ TCD2.9L4 ENGINE

ITEM	PART NUMBER	QTY	DESCRIPTION	REV
	1001223068	Ref	FUEL FILTER/WATER SEPARATOR INSTALLATION - DEUTZ TD2.9L4 ENGINE	C
1	0641608	2	Bolt 3/8 x 1	
3	2220816	2	Fitting, Adapter FNPTF/ORB	
4	3311605	2	Nut 3/8	
5	4711600	4	Washer 3/8	
6	8405006	4	Clamp	
7	1001154405	4 ft/ 1.22m	Hose	
9	1001222817	1	Fuel Filter Assembly (See Items 101-107 for Breakdown)	
10	1001178797	2	Fitting, 90	
11	1001226923	1	Decal - Fuel Water Separator	
	1001222817	Ref	FUEL FILTER ASSEMBLY	
101	70006403	1	T-Handle Kit (Includes O-Ring)	
102	70006404	1	Lid Kit (Includes Gasket)	
103	70006405	1	Element	
104	70006406	1	Checkball & Gasket Kit (Not Shown)	
105	70006407	1	Centrifuge and Baffle Kit (Not Shown)	
106	70006409	1	Bowl Kit (Includes Gasket, O-Ring and Drain)	
106	70006408	1	Gasket, Bowl	
107	70006410	1	Bowl Ring Kit (Includes Gasket & Hardware) (Not Shown)	

SECTION 3 - ENGINE

FIGURE 3-88. QUICKFIT OIL VALVE ASSEMBLY



ART_1001284070

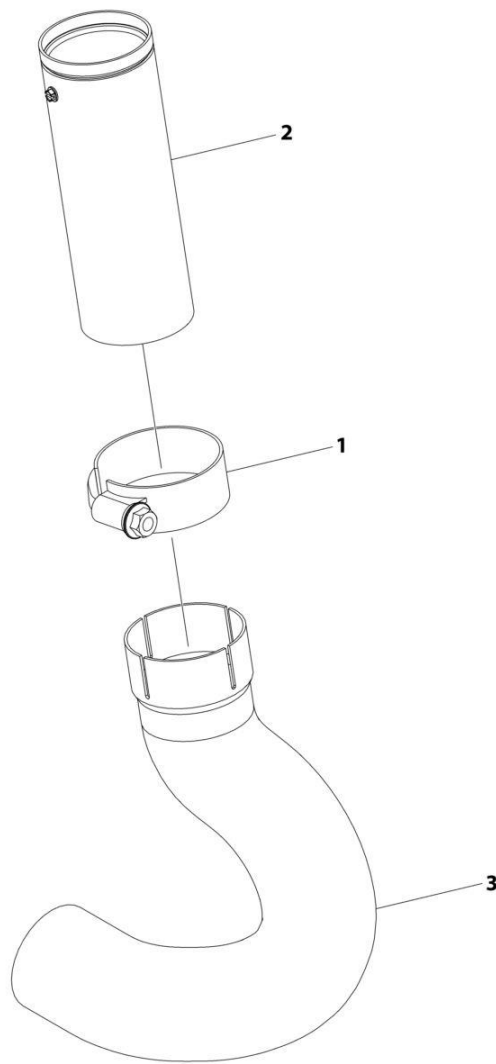
SECTION 3 - ENGINE

FIGURE 3-88. QUICKFIT OIL VALVE ASSEMBLY

ITEM	PART NUMBER	QTY	DESCRIPTION	REV
	1001284070	Ref	QUICKFIT OIL VALVE	A
1	0761214	2	Bolt M12 x 30	
2	4812100	2	Washer M12	
3	1001281298	1	Valve	
4	1001281304	1	Plug	
5	1001281305	1	Fitting, Banjo	
6	1001281307	1	Fitting, 90	
7	1001281309	1	Filter	
8	1001281310	1	Fitting	
9	1001281311	1	O-Ring	
10	1001281359	1	Valve, Check	
11	1001281360	1	Decal (Not Shown - Located On Frame)	
12	1001281404	1	Fitting, Adapter	
13	1001281656	AR	Tie-strap (Not Shown)	
14	1001282333	1	Bracket	
15	1001284100	1	Hose	
16	1001284101	1	Hose	

SECTION 3 - ENGINE

FIGURE 3-89. SPARK ARRESTOR INSTALLATION (SN 0300314457 to Present, Including 0300314182)



ART_1001305414

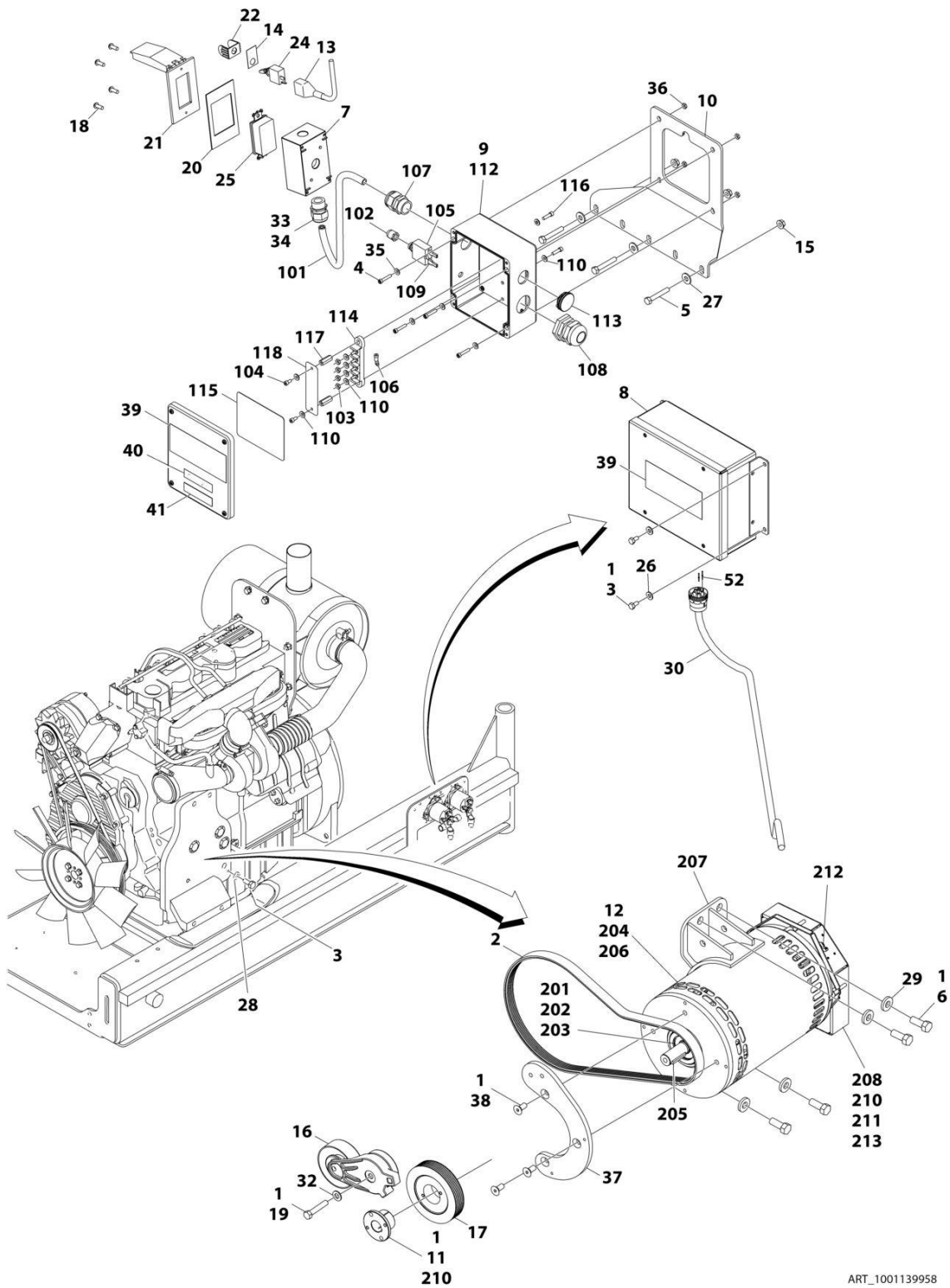
SECTION 3 - ENGINE

FIGURE 3-89. SPARK ARRESTOR INSTALLATION (SN 0300314457 to Present, Including 0300314182)

ITEM	PART NUMBER	QTY	DESCRIPTION	REV
	1001305414	Ref	SPARK ARRESTOR INSTALLATION	A
1	1001221212	1	Clamp	
2	1001257276	1	Muffler, Spark Arresting Tip	
3	1001305410	1	Pipe, Exhaust	

SECTION 3 - ENGINE

FIGURE 3-90. 4000W GENERATOR INSTALLATION - 60HZ SPECS (DEUTZ TD2011 ENGINES)



ART_1001139958

SECTION 3 - ENGINE

FIGURE 3-90. 4000W GENERATOR INSTALLATION - 60HZ SPECS (DEUTZ TD2011 ENGINES)

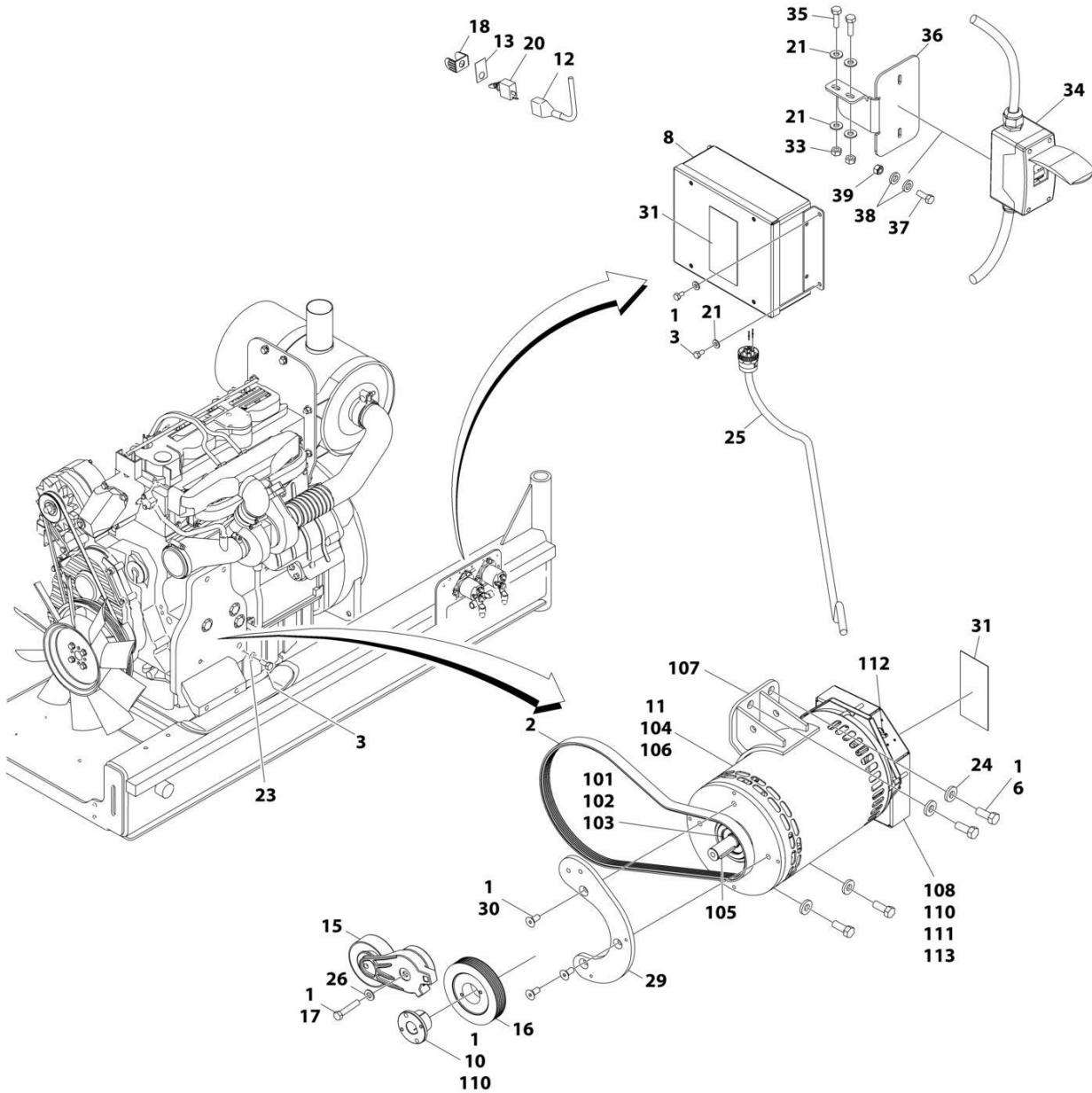
ITEM	PART NUMBER	QTY	DESCRIPTION	REV
	1001139958	Ref	4000W GENERATOR INSTALLATION - 60HZ SPEC (DEUTZ TD2011 ENGINES)	B
		Ref	Note: See ELECTRICAL SECTION for Boom Cable Installation.	
1	0100011	AR	Compound, Locking	
2	0480128	1	Belt, Generator	
3	0641404	5	Bolt 1/4 x 1/2	
4	3931016	4	Screw 1/4 x 1	
5	0641516	3	Bolt 5/16 x 2	
6	0641810	4	Bolt 1/2 x 1-1/4	
7	0860038	1	Box, Switch-Weatherhead	
8	1001138566	1	Box, Generator Control	
8	70006552	1	Capacitor	
8	70006553	1	Relay	
9	1001152457	1	Box, Junction Assembly (See Items 101-118 for Breakdown)	
10	0902888	1	Bracket, Generator Junction Box	
11	0962520	1	Bushing, Taper	
12	1001129858	1	Generator, 4000W Assembly (See Items 200-213 for Breakdown)	
13	2820031	AR	Insulator, Heat Shrink	
14	3251102	1	Nameplate, Generator	
15	3311508	3	Nut 5/16	
16	3580317	1	Pulley, Belt Tensioner	
17	3580318	1	Pulley, Generator	
18	3910606	4	Screw 6 x 3/8	
19	0641616	AR	Bolt 3/8 x 2	
20	3960422	1	Gasket, AC Receptacle	
21	1001110873	1	Cover, Gang Vertical Receptacle GFCI	
22	4060802	1	Guard, Switch	
23	4240018	AR	Strap, Tie (Not Shown)	
24	4360336	1	Switch, Toggle	
25	4460346	1	Terminal, Receptacle	
26	4711400	4	Washer 1/4	
27	4751500	3	Washer 5/16	
28	4791400	2	Starwasher 1/4	
29	4891800	4	Washer 1/2	
30	1001152533	1	Harness, Generator Cable (See Separate Breakdown in ELECTRICAL SECTION)	
31	1001153257	1	Diagram, Generator Wiring (Not Shown)	
32	4711600	1	Washer 3/8	
33	0100020	AR	Sealant, Pipe	
34	4460071	1	Connector, Strain Relief	
35	4751000	4	Washer #10	
36	3311005	4	Nut #10	
37	1001139357	1	Mount, Generator Tensioner	
38	0741607	3	Screw 3/8 x 0.88	
39	1705387	3	Decal - Hazardous Voltage	
40	3251243	1	Decal - 120V-60Hz	
41	1705374	1	Decal - 240V-60Hz	
52	0100048	AR	Grease, Dielectric	
	1001152457	Ref	JUNCTION BOX ASSEMBLY	B

SECTION 3 - ENGINE

ITEM	PART NUMBER	QTY	DESCRIPTION	REV
101	1001179154	2.5 ft/ 0.8m	Cable, 12/3	
102	3300396	1	Cover, Fuse	
103	3311001	4	Nut #10 Grade 2	
104	3900300	2	Screw, Spec, Cap	
105	4360070	1	Circuit Breaker, 15Amp	
106	4460068	3	Terminal, Ring	
107	4460425	1	Terminal, Strain Relief	
108	4460426	1	Connector, Strain Relief	
109	4460483	2	Terminal	
110	4711000	8	Washer #10	
112	1001152456	1	Box, Junction	
113	1001152525	1	Plug, Hole Pluggit	
114	1001152530	1	Terminal, Block, 4 Pole	
115	1001153260	1	Decal - Wiring 4000W Generator	
116	3900267	2	Screw, Spec, Cap	
117	1001158008	2	Stand-Off, Female, Threaded	
118	1001158363	1	Plate, Cover, PVC	
	1001129858	Ref	4000W GENERATOR ASSEMBLY	
201	70003709	1	Ring, Retaining	
202	70003708	1	Ring, Retaining	
203	70001966	1	Bearing, Ball	
204	70004092	1	Endbell	
205	70004171	1	Key	
206	70004676	1	Rotor Assembly	
207	70004684	1	Stator, Generator 4000W	
208	70004678	1	Endbell	
210	70004680	1	Enclosure	
211	70004685	1	Cover, Enclosure	
212	70004682	1	Protector, Supplementary, Manual Reset	
213	70004098	1	Bushing, Strain Relief	

SECTION 3 - ENGINE

FIGURE 3-91. 4000W GENERATOR INSTALLATION - 50HZ SPECS (DEUTZ TD2011 ENGINES)



ART_1001139959

SECTION 3 - ENGINE

FIGURE 3-91. 4000W GENERATOR INSTALLATION - 50HZ SPECS (DEUTZ TD2011 ENGINES)

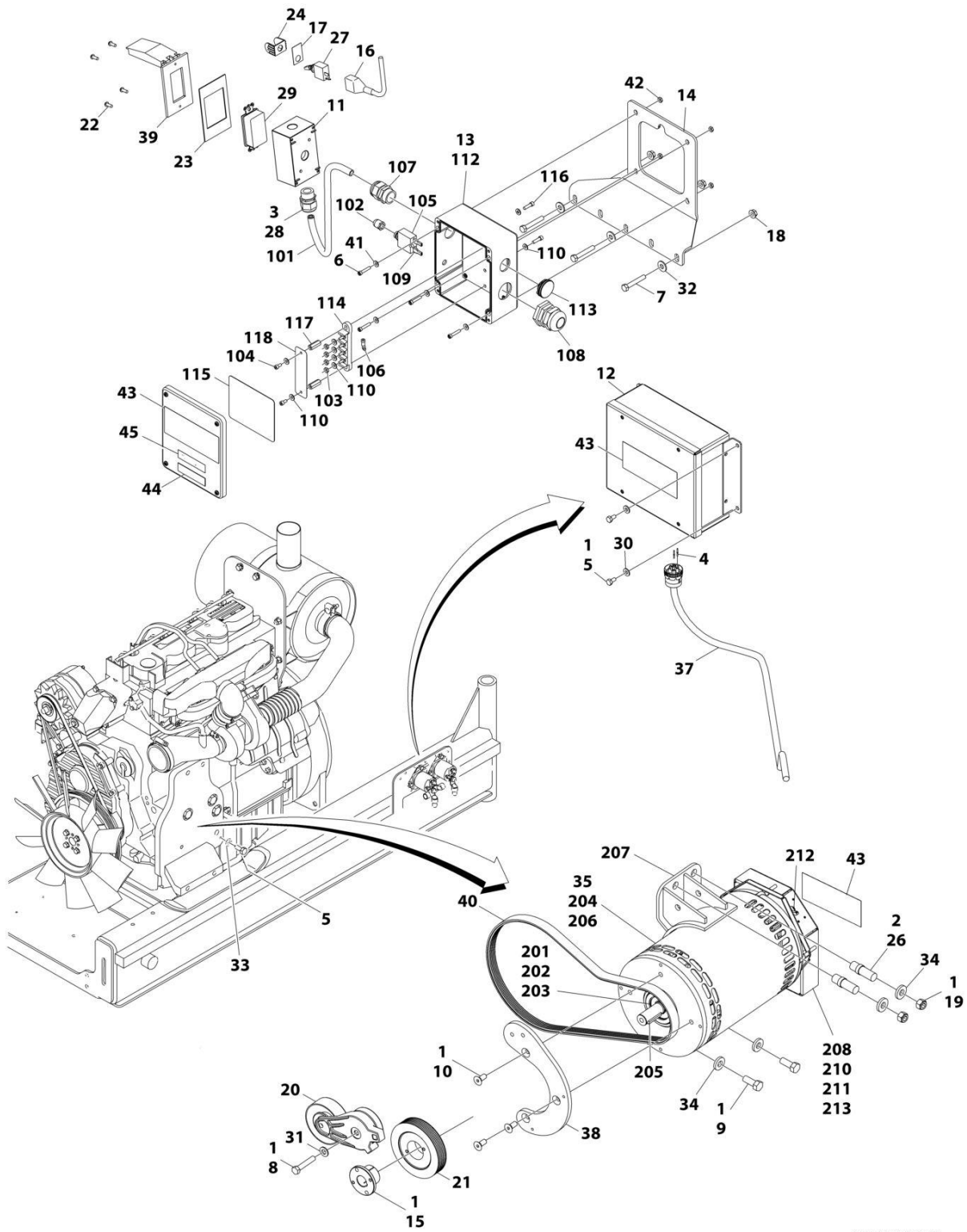
ITEM	PART NUMBER	QTY	DESCRIPTION	REV
	1001139959	Ref	4000W GENERATOR INSTALLATION - 50HZ SPEC (DEUTZ TD2011 ENGINES)	D
		Ref	Note: See ELECTRICAL SECTION for Boom Cable Installation.	
1	0100011	AR	Compound, Locking	
2	1001136356	1	Belt, Generator	
3	0641404	5	Bolt 1/4 x 1/2	
6	0641810	4	Bolt 1/2 x 1-1/4	
8	1001138566	1	Box, Generator Control	
8	70006552	1	Capacitor	
8	70006553	1	Relay	
10	0962520	1	Bushing, Taper	
11	1001138565	1	Generator, 4000W Assembly Options: (See items 101-113 for Breakdown)	
12	2820031	AR	Insulator, Heat Shrink	
13	3251102	1	Nameplate, Generator	
15	3580317	1	Pulley, Belt Tensioner	
16	3580319	1	Pulley, Generator	
17	0641616	1	Bolt 3/8 x 2	
18	4060802	1	Guard, Switch	
19	4240018	AR	Strap, Tie (Not Shown)	
20	4360336	1	Switch, Toggle	
21	4711400	8	Washer 1/4	
23	4791400	2	Washer 1/4	
24	4891800	4	Washer 1/2	
25	1001152533	1	Harness, Generator Cable (See Separate Breakdown in ELECTRICAL SECTION)	
26	4711600	1	Washer 3/8	
29	1001139357	1	Mount, Generator Tensioner	
30	0741607	3	Screw, Flat head, 3/8 x .88	
31	1705489	AR	Decal - Hazardous Voltage	
33	3311405	2	Nut 1/4	
34	1001165368	1	Kit, Box and Breaker (See Separate Breakdown in ELECTRICAL SECTION)	
35	0641407	2	Bolt 1/4 x 7/8	
36	1001094915	1	Bracket, AC Breaker Box	
37	4010408	2	Screw M4 x 16	
38	1001091102	4	Washer M4	
39	3290405	2	Nut M4	
	1001138565	Ref	4000W GENERATOR ASSEMBLY	
101	70003709	1	Ring, Retaining	
102	70003708	1	Ring, Retaining	
103	70001966	1	Bearing, Ball	
104	70004092	1	Endbell	
105	70004171	1	Key	
106	70004676	1	Rotor Assembly	
107	70004677	1	Stator, Generator 4000W	
108	70004678	1	Endbell	
110	70004680	1	Enclosure	
111	70004681	1	Cover, Enclosure	
112	70004682	1	Protector, Supplementary, Manual Reset	

SECTION 3 - ENGINE

ITEM	PART NUMBER	QTY	DESCRIPTION	REV
113	70004683	1	Bushing, Strain Relief	

SECTION 3 - ENGINE

FIGURE 3-92. 4000W GENERATOR INSTALLATION - 60HZ SPEC (DEUTZ TCD2.9L4 ENGINES)



ART_1001171130

SECTION 3 - ENGINE

FIGURE 3-92. 4000W GENERATOR INSTALLATION - 60HZ SPEC (DEUTZ TCD2.9L4 ENGINES)

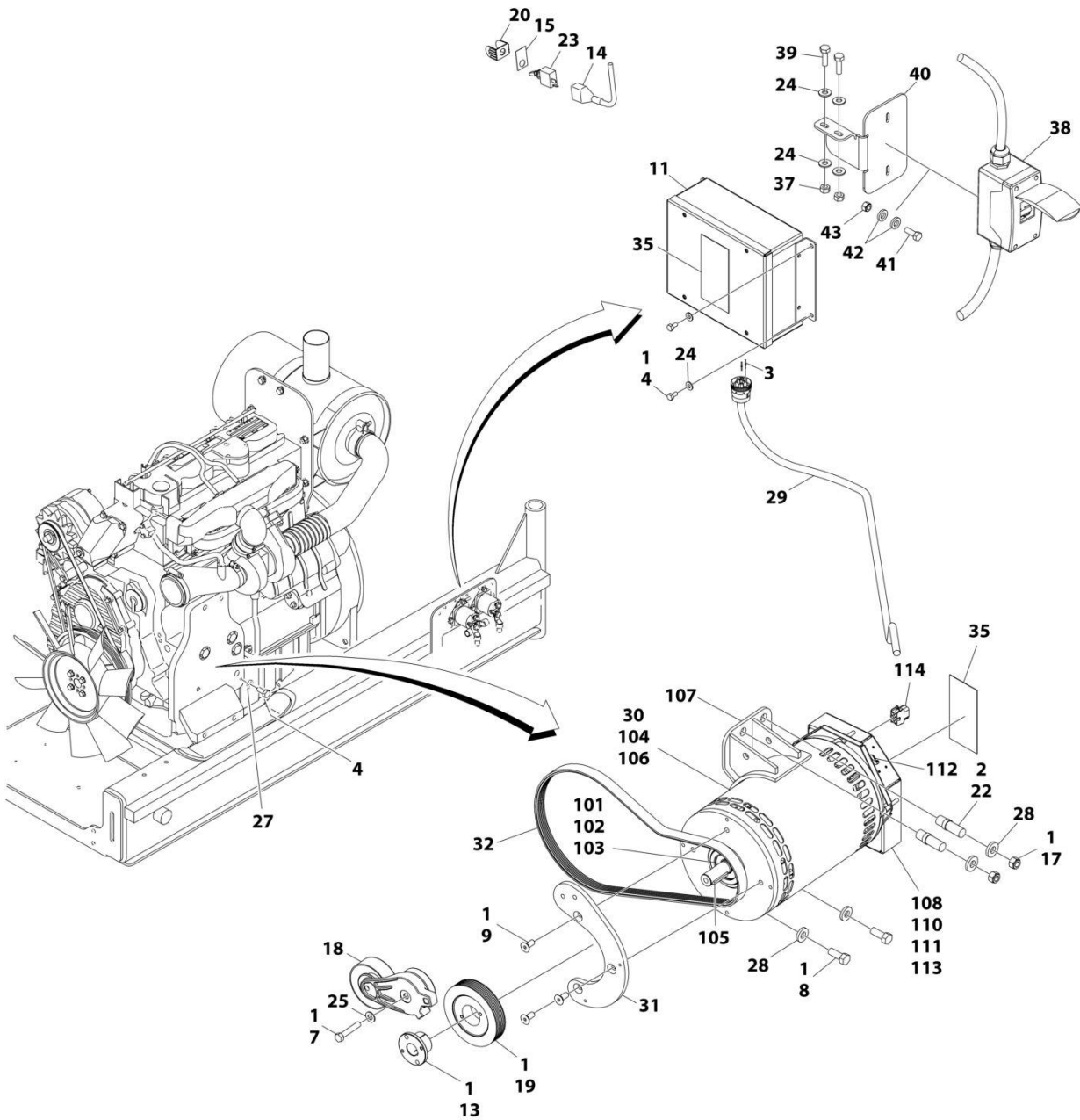
ITEM	PART NUMBER	QTY	DESCRIPTION	REV
	1001171130	Ref	4000W GENERATOR INSTALLATION - 60HZ SPEC (DEUTZ TCD2.9L4 ENGINES)	B
		Ref	Note: See ELECTRICAL SECTION for Boom Cable Installation.	
1	0100011	AR	Compound, Locking	
2	0100019	AR	Compound, Locking	
3	0100020	AR	Sealant, Pipe	
4	0100048	AR	Grease, Dielectric	
5	0641404	5	Bolt 1/4 x 1/2	
6	3931016	4	Screw 1/4 x 1	
7	0641516	3	Bolt 5/16 x 2	
8	0641618	1	Bolt 3/8 x 2-1/4	
9	0641810	2	Bolt 1/2 x 1-1/4	
10	0741607	3	Screw 3/8 x 0.88	
11	0860038	1	Box, Switch-Weatherhead	
12	1001138566	1	Box, Generator Control	
12	70006552	1	Capacitor	
12	70006553	1	Relay	
13	1001152457	1	Box, Junction Assembly (See Items 101-118 for Breakdown)	
14	0902888	1	Bracket, Generator Junction Box	
15	0962520	1	Bushing, Taper	
16	2820031	AR	Insulator, Heat Shrink	
17	3251102	1	Nameplate, Generator	
18	3311508	3	Nut 5/16	
19	3311801	2	Nut 1/2	
20	3580317	1	Pulley, Belt Tensioner	
21	3580318	1	Pulley, Generator	
22	3910606	4	Screw 6 x 3/8	
23	3960422	1	Gasket, AC Receptacle	
24	4060802	1	Guard, Switch	
25	4240018	AR	Strap, Tie (Not Shown)	
26	4300157	2	Stud	
27	4360336	1	Switch, Toggle	
28	4460071	1	Connector, Strain Relief	
29	4460346	1	Terminal, Receptacle	
30	4711400	4	Washer 1/4	
31	4711600	1	Washer 3/8	
32	4751500	3	Washer 5/16	
33	4791400	2	Starwasher 1/4	
34	4891800	4	Washer 1/2	
35	1001140344	1	Generator, 4000W Assembly (See Items 200-213 for Breakdown)	
36	1001153257	1	Diagram, Generator Wiring (Not Shown)	
37	1001152533	1	Harness, Generator Cable (See Separate Breakdown in ELECTRICAL SECTION)	
38	1001138011	1	Mount, Generator Tensioner	
39	1001110873	1	Cover, Gang Vertical Receptacle GFCI	
40	1001142645	1	Belt, Generator	
41	4751000	4	Washer #10	
42	3311005	4	Nut 10	
43	1705387	3	Decal - Hazardous Voltage	
44	1705374	1	Decal - 240V-60Hz	

SECTION 3 - ENGINE

ITEM	PART NUMBER	QTY	DESCRIPTION	REV
45	3251243	1	Decal - 120V-60Hz	B
	1001152457	Ref	JUNCTION BOX ASSEMBLY	
101	1001179154	2.5 ft/ 0.8m	Cable, Electrical 12/3	
102	3300396	1	Cover, Fuse	
103	3311001	4	Nut 10 Grade 2	
104	3900300	2	Screw, Spec, Cap	
105	4360070	1	Circuit Breaker, 15Amp	
106	4460068	3	Terminal, Ring	
107	4460425	1	Terminal, Strain Relief	
108	4460426	1	Connector, Strain Relief	
109	4460483	2	Terminal	
110	4711000	AR	Washer #10	
112	1001152456	1	Box, Junction	
113	1001152525	1	Plug, Hole Pluggit	
114	1001152530	1	Terminal, Block, 4 Pole	
115	1001153260	1	Decal - Wiring 4000W Generator	
116	3900267	2	Screw, Spec, Cap	
117	1001158008	2	Stand-Off, Female, Threaded	
118	1001158363	1	Plate, Cover, PVC	
	1001140346	Ref	4000W GENERATOR ASSEMBLY	
201	70003709	1	Ring, Retaining	
202	70003708	1	Ring, Retaining	
203	70001966	1	Bearing, Ball	
204	70004092	1	Endbell	
205	70004099	1	Key	
206	70004676	1	Rotor Assembly	
207	70004687	1	Stator, Generator 4000W	
208	70004678	1	Endbell	
210	70004680	1	Enclosure	
211	70004685	1	Cover, Enclosure	
212	70004682	1	Protector, Supplementary, Manual Reset	
213	70004098	1	Bushing, Strain Relief	

SECTION 3 - ENGINE

FIGURE 3-93. 4000W GENERATOR INSTALLATION - 50HZ SPEC (DEUTZ TCD2.9L4 ENGINES AND DEUTZ TCD2.9L4 (STAGE V) ENGINES)



ART_1001171273

SECTION 3 - ENGINE

FIGURE 3-93. 4000W GENERATOR INSTALLATION - 50HZ SPEC (DEUTZ TCD2.9L4 ENGINES AND DEUTZ TCD2.9L4 (STAGE V) ENGINES)

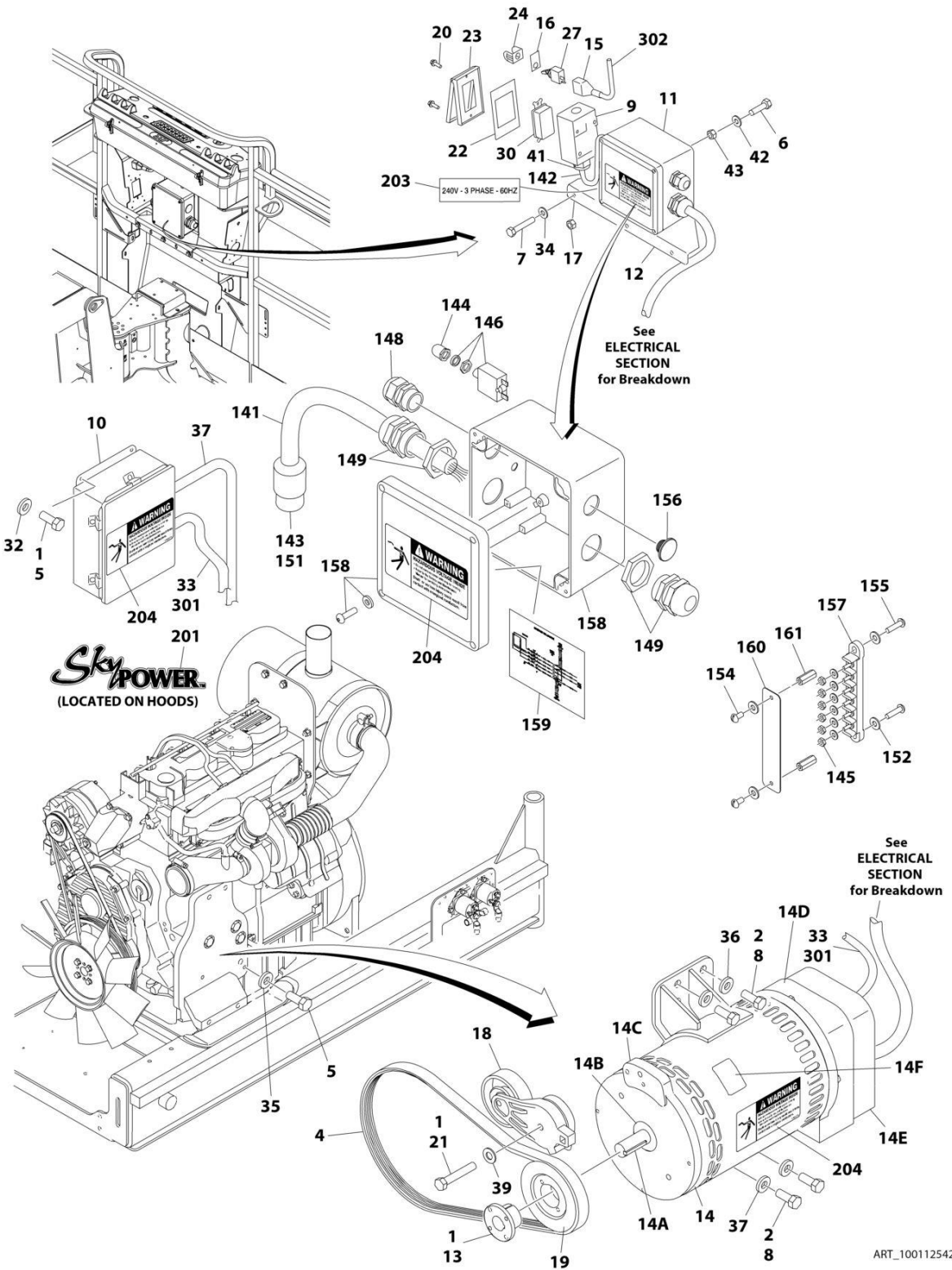
ITEM	PART NUMBER	QTY	DESCRIPTION	REV
	1001171273	Ref	4000W GENERATOR INSTALLATION - 50HZ SPEC (DEUTZ TCD2.9L4 ENGINES	C
		Ref	Note: See ELECTRICAL SECTION for Boom Cable Installation.	
1	0100011	AR	Compound, Locking	
2	0100019	AR	Compound, Locking	
3	0100048	AR	Grease, Dielectric	
4	0641404	5	Bolt 1/4 x 1/2	
7	0641618	1	Bolt 3/8 x 2-1/4	
8	0641810	2	Bolt 1/2 x 1-1/4	
9	0741607	3	Screw 3/8 x 0.88	
11	1001138566	1	Box, Generator Control	
11	70006552	1	Capacitor	
11	70006553	1	Relay	
13	0962520	1	Bushing, Taper	
14	2820031	AR	Insulator, Heat Shrink	
15	3251102	1	Nameplate, Generator	
17	3311801	2	Nut 1/2	
18	3580317	1	Pulley, Belt Tensioner	
19	3580319	1	Pulley, Generator	
20	4060802	1	Guard, Switch	
21	4240018	AR	Strap, Tie (Not Shown)	
22	4300157	2	Stud	
23	4360336	1	Switch, Toggle	
24	4711400	8	Washer 1/4	
25	4711600	1	Washer 3/8	
27	4791400	2	Starwasher 1/4	
28	4891800	4	Washer 1/2	
29	1001152533	1	Harness, Generator Cable (See Separate Breakdown in ELECTRICAL Section)	
30	1001140347	1	Generator, 4000W Assembly (See Items 101-114 for Breakdown)	
31	1001138011	1	Mount, Generator Tensioner	
32	1001136357	1	Belt, Generator	
35	1705489	AR	Decal - Hazardous Voltage	
37	3311405	2	Nut 1/4	
38	1001165368	1	Kit, Box and Breaker (See Separate Breakdown in ELECTRICAL Section)	
39	0641407	2	Bolt 1/4 x 7/8	
40	1001094915	1	Bracket	
41	4010408	2	Screw M4 x 16	
42	1001091102	4	Washer M4	
43	3290405	2	Nut M4	
	1001140347	Ref	4000W GENERATOR ASSEMBLY	
101	70003709	1	Ring, Retaining	
102	70003708	1	Ring, Retaining	
103	70001966	1	Bearing, Ball	
104	70004092	1	Endbell	
105	70004099	1	Key	
106	70004676	1	Rotor Assembly	
107	70004686	1	Stator, Generator 4000W	

SECTION 3 - ENGINE

ITEM	PART NUMBER	QTY	DESCRIPTION	REV
108	70004678	1	Endbell	
110	70004680	1	Enclosure	
111	70004681	1	Cover, Enclosure	
112	70004682	1	Protector, Supplementary, Manual Reset	
113	70004683	1	Bushing, Strain Relief	
114	4460224	1	Connector - 6 Position (50Hz) (Located on Enclosure Cover)	
114	4460294	2	Pin, Male (50Hz) (Located on Enclosure Cover)	

SECTION 3 - ENGINE

FIGURE 3-94. 7500W SKYPOWER GENERATOR INSTALLATION - 60HZ SPEC (DEUTZ TD2011 ENGINES) (OPTIONAL)



SECTION 3 - ENGINE

FIGURE 3-94. 7500W SKYPOWER GENERATOR INSTALLATION - 60HZ SPEC (DEUTZ TD2011 ENGINES) (OPTIONAL)

ITEM	PART NUMBER	QTY	DESCRIPTION	REV
	1001125427	Ref	7500W SKYPOWER GENERATOR INSTALLATION - 60HZ SPEC (DEUTZ TD2011 ENGINES)	D
		Ref	Note: See ELECTRICAL SECTION for Boom Cable Installation.	
1	0100011	AR	Compound, Locking	
2	0100019	AR	Compound, Locking	
4	0480128	1	Belt, Generator	
5	0641404	6	Bolt 1/4 x 1/2	
6	3931016	AR	Bolt 10 x 1	
7	0641516	3	Bolt 5/16 x 2	
8	0641810	4	Bolt 1/2 x 1-1/4	
9	0860038	1	Box, Switch	
10	0861538	1	Box, Generator Control	
10	7024488	1	Card, Circuit - Generator Power (Not Shown)	
10	See Note	1	Fuse (Note: Not Available - Purchase Locally)	
10	7024489	1	Card, Circuit - Control (Not Shown)	
		Ref	Note: When replacing card, rocker switch on card must be set for required application.	
10	70000619	1	Harness, Circuit Card	
11	1001157592	1	Junction Box Assembly Options (See Items 141-161 for Breakdown)	
12	0902888	1	Bracket, Generator Junction Box	
13	0962520	1	Bushing, Taper	
14	2460048	1	Generator, 7500W	
14	70001100	1	Rotor (Includes p/n 70001384 & 70000863) (Not Shown)	
14	70001384	1	Bearing, Shaft (Rear) (Not Shown)	
14	70000863	1	Fan, Generator (Not Shown)	
14	70002088	1	Stator (Not Shown)	
14	70002297	2	Stud 1/4 x 12-7/8 (Not Shown)	
14	70003631	1	Brushholder Assembly (Not Shown) (was p/n 7024484)	
14A	70004171	1	Key	
14B	70001966	1	Bearing, Ball Radial (Located in Belt Tensioner Endbell)	
14B	70003709	1	Ring, Retaining (Small)	
14B	70003708	1	Ring, Retaining (Large)	
14C	70001953	1	Endbell, Belt Tensioner	
14D	70004169	1	Kit, Endbell (Includes Endbell, Brush Block and Shroud Assembly)	
14E	7027799	1	Block, Connector 6 Position (Not Shown)	
14E	70002460	6	Nut, Brass (Attaches p/n 7027799 to Cover) (Not Shown)	
14E	7024485	1	Breaker, Circuit 30Amp (Not Shown)	
14E	70001696	1	Boot, Breaker (Not Shown)	
14E	7026597	1	Connector with Leads (Not Shown)	
14E	7026626	1	Connector with Pins (Not Shown)	
14E	7026188	1	Clamp, Cable (Not Shown)	
14E	70002255	1	Plate, End Panel (Not Shown)	
14E	See Note	NSS	Insulator, End Panel (Note: Not Available for Purchase)	
14E	70001974	1	Decal - Terminal Connections (Not Shown)	
14F	70001973	1	Decal - Warning Moving Parts	
15	2820031	AR	Insulator, Heat Shrink	
16	3251102	1	Nameplate, Generator	
17	3311508	3	Nut 5/16	

SECTION 3 - ENGINE

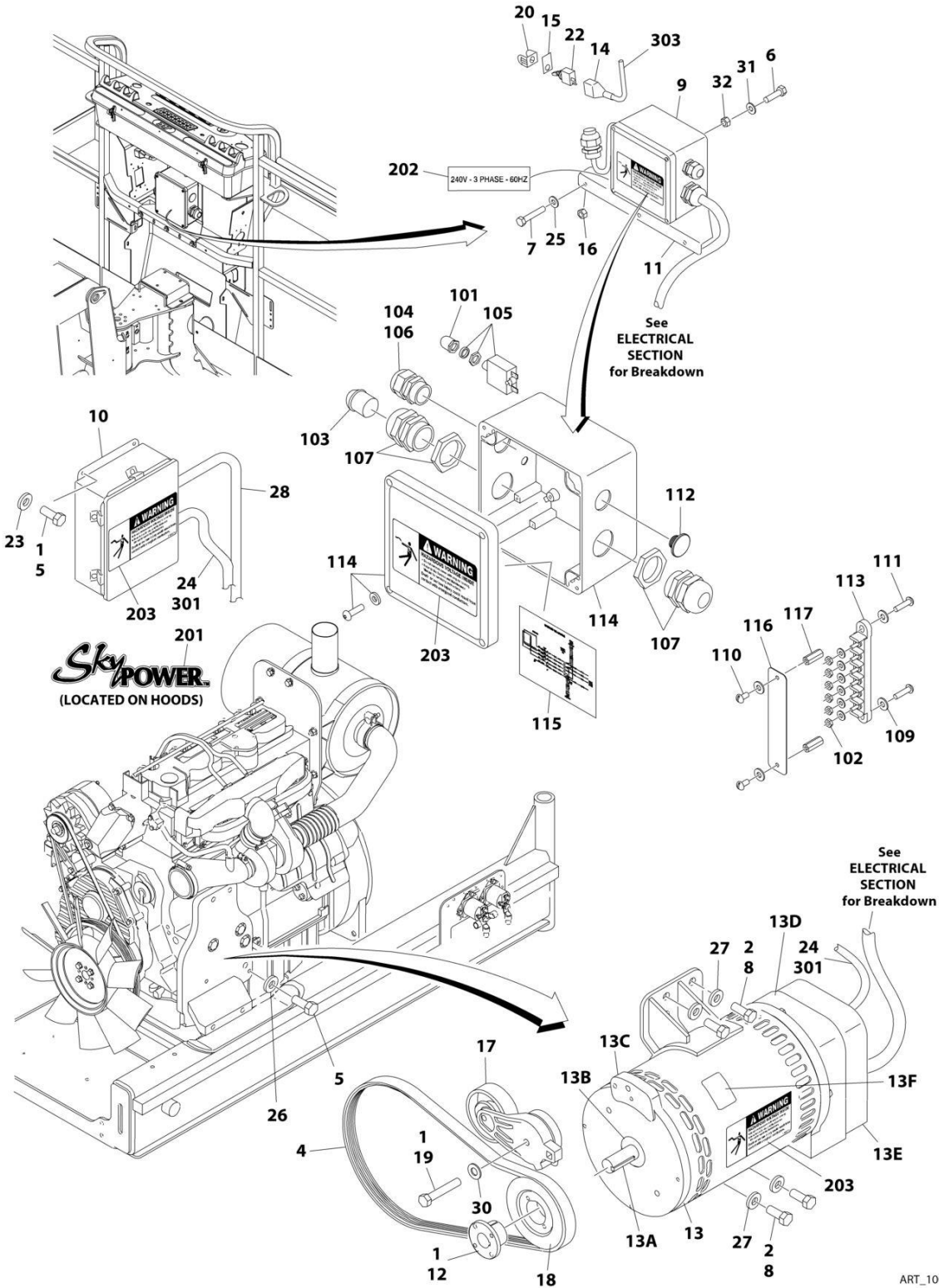
ITEM	PART NUMBER	QTY	DESCRIPTION	REV
18	3580317	1	Pulley, Belt Tensioner	
19	3580318	1	Pulley, Generator	
20	3910606	4	Screw #6 x 3/8	
21	0641618	1	Bolt 3/8 x 2	
22	3960422	1	Gasket, AC Receptacle	
23	1001110873	1	Shield, Receptacle Cover	
24	4060802	1	Guard, Switch	
26	4240018	AR	Strap, Tie (Not Shown)	
27	4360336	1	Switch, Toggle	
30	4460346	1	Terminal, Receptacle	
32	4711400	4	Washer 1/4	
33	0100048	AR	Grease, Dielectric	
34	4751500	3	Washer 5/16	
35	4791400	2	Starwasher 1/4	
36	4891800	4	Washer 1/2	
37	4922972	1	Harness, Generator Cable (See Separate Breakdown in ELECTRICAL SECTION)	
39	4711600	1	Washer 3/8	
40	0100020	AR	Sealant, Pipe (Not Shown)	
41	4460071	1	Connector, Strain Relief	
42	4751000	4	Washer #10	
43	3311005	4	Nut #10	
	1001157592	Ref	JUNCTION BOX ASSEMBLY	C
141	1060343	1.5 ft/ 0.5m	Cable, Electrical 10/4	
142	1001179154	2.5 ft/ 0.8m	Cable, 12/3	
143	1671092	1	Cover	
144	3300396	1	Cover, Fuse	
145	3311001	6	Nut #10	
146	4360070	1	Circuit Breaker - 15Amp	
148	4460425	1	Strain Relief, Terminal	
149	4460426	2	Connector, Strain Relief	
151	4460963	1	Connector	
152	4711000	10	Washer #10	
154	10702077	2	Screw #10 x 3/8	
155	10702082	2	Screw #10 x 3/4	
156	1001152525	1	Plug	
157	1001157520	1	Block, Terminal	
158	1001157521	1	Box, Junction	
159	1001157528	1	Decal - Wiring Schematic	
160	1001158007	1	Decal - PVC	
161	1001158008	2	Stand-Off	
	0272435	Ref	DECAL INSTALLATION	D
201	1705460	2	Decal - SkyPower	
202	3251243	1	Decal - 120V - 60Hz (Located at Platform Receptacle)	
203	1705375	1	Decal - 240V - 3 Phase	
204	1705387	3	Decal - Hazardous Voltage	
	1001122528	Ref	ELECTRICAL DIAGRAM COMPONENTS	B
301	1001119968	1	Generator Harness	B
301A	4460967	1	Plug, Male - 3 Position (Not Shown)	
301A	4460465	6	Socket, Female	

SECTION 3 - ENGINE

ITEM	PART NUMBER	QTY	DESCRIPTION	REV
301B	1001117078	1	Fuseholder with Fuse (Not Shown)	
302	4922641	1	Switch, Harness	

SECTION 3 - ENGINE

FIGURE 3-95. 7500W SKYPOWER GENERATOR INSTALLATION - 50HZ SPEC (DEUTZ TD2011 ENGINES) (OPTIONAL)



ART_1001125428

SECTION 3 - ENGINE

FIGURE 3-95. 7500W SKYPOWER GENERATOR INSTALLATION - 50HZ SPEC (DEUTZ TD2011 ENGINES) (OPTIONAL)

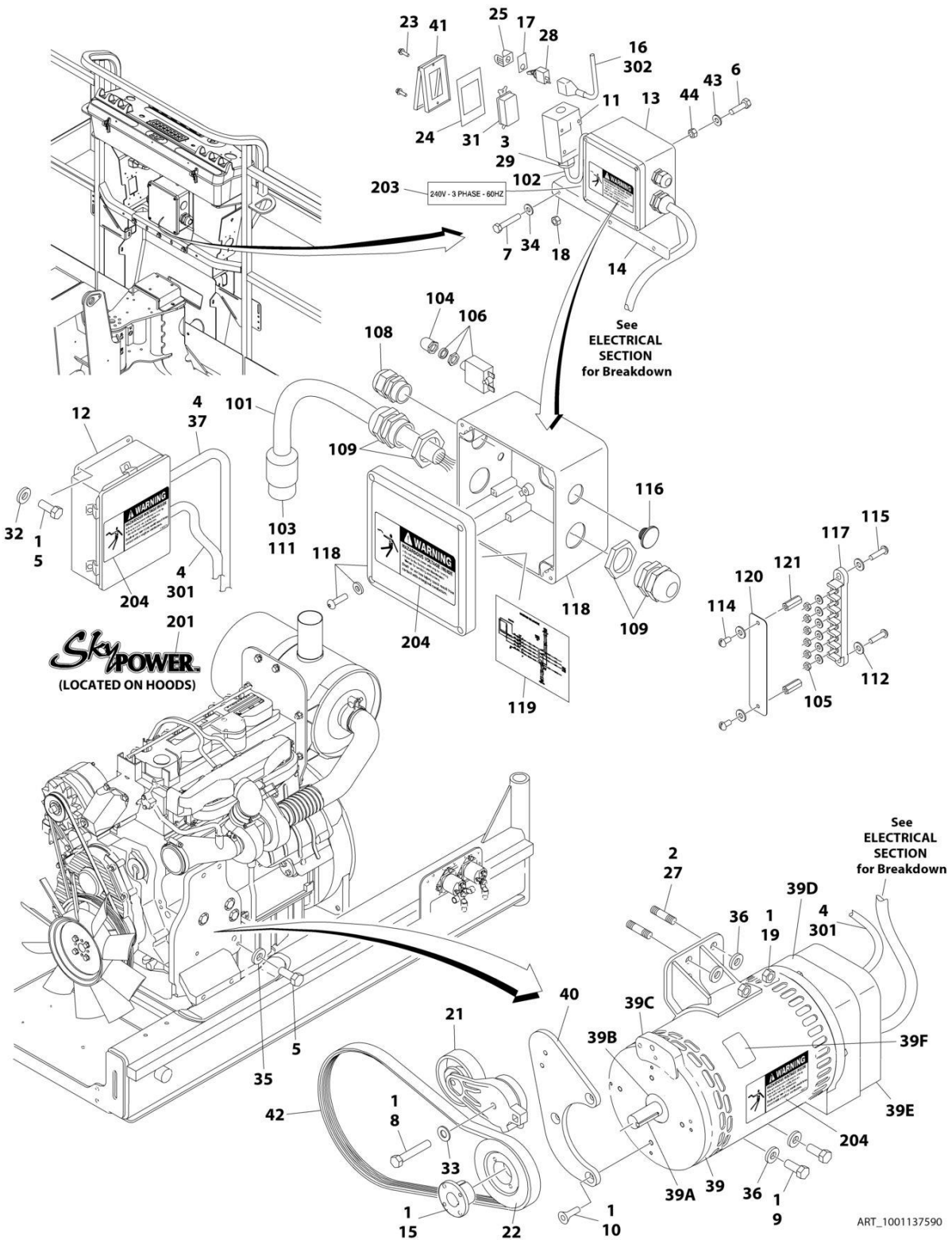
ITEM	PART NUMBER	QTY	DESCRIPTION	REV
	1001125428	Ref	7500W SKYPOWER GENERATOR INSTALLATION - 50HZ SPEC (DEUTZ TD2011 ENGINES)	C
		Ref	Note: See ELECTRICAL SECTION for Boom Cable Installation.	
1	0100011	AR	Compound, Locking	
2	0100019	AR	Compound, Locking	
4	0480129	1	Belt, Generator	
5	0641404	5	Bolt 1/4 x 1/2	
6	3931016	4	Bolt 10 x 1	
7	0641516	3	Bolt 5/16 x 2	
8	0641810	4	Bolt 1/2 x 1-1/4	
9	1001157525	1	Junction Box Assembly (See Items 101-117 for Breakdown)	
10	0861572	1	Box, Generator Control	
10	7024488	1	Card, Circuit - Generator Power (Not Shown)	
10	See Note	1	Fuse (Note: Not Available - Purchase Locally)	
10	7024489	1	Card, Circuit - Control (Not Shown)	
		Ref	Note: When replacing card, rocker switch on card must be set for required application.	
10	70000619	1	Harness, Circuit Card	
11	0902888	1	Bracket, Generator Junction Box	
12	0962520	1	Bushing, Taper	
13	2460048	1	Generator, 7500W	
13	70001100	1	Rotor (Includes p/n 70001384 & 70000863) (Not Shown)	
13	70001384	1	Bearing, Shaft (Rear) (Not Shown)	
13	70000863	1	Fan, Generator (Not Shown)	
13	70002088	1	Stator (Not Shown)	
13	70002297	2	Stud 1/4 x 12-7/8	
13	70003631	1	Brushholder Assembly (Not Shown)	
13A	70004171	1	Key	
13B	70001966	1	Bearing, Ball Radial (Located in Belt Tensioner Endbell)	
13B	70003709	1	Ring, Retaining (Small)	
13B	70003708	1	Ring, Retaining (Large)	
13C	70001953	1	Endbell, Belt Tensioner	
13D	70004169	1	Kit, Endbell (Includes Endbell, Brush Block and Shroud Assembly)	
13E	7027799	1	Block, Connector 6 Position (Not Shown)	
13E	70002460	6	Nut, Brass (Attaches p/n 7027799 to Cover) (Not Shown)	
13E	7024485	1	Breaker, Circuit 30Amp (Not Shown)	
13E	70001696	1	Boot, Breaker (Not Shown)	
13E	7026597	1	Connector with Lead (Not Shown)	
13E	7026626	1	Connector with Pins (Not Shown)	
13E	7026188	1	Clamp, Cable (Not Shown)	
13E	70002255	1	Plate, End Panel (Not Shown)	
13E	See Note	1	Insulator, End Panel (Not Shown) (Note: Not Available for Purchase)	
13E	70001974	1	Decal - Terminal Connections (Not Shown)	
13F	70001973	1	Decal - Warning Moving Parts	
14	2820031	AR	Insulator, Heat Shrink	
15	3251102	1	Nameplate, Generator	
16	3311508	3	Nut 5/16	
17	3580317	1	Pulley, Belt Tensioner	

SECTION 3 - ENGINE

ITEM	PART NUMBER	QTY	DESCRIPTION	REV
18	3580319	1	Pulley, Generator	
19	0641618	1	Bolt 3/8 x 2	
20	4060802	1	Guard, Switch	
21	4240018	AR	Strap, Tie (Not Shown)	
22	4360336	1	Switch, Toggle	
23	4711400	4	Washer 1/4	
24	0100048	AR	Grease, Dielectric	
25	4751500	3	Washer 5/16	
26	4791400	2	Starwasher 1/4	
27	4891800	4	Washer 1/2	
28	4922972	1	Harness, Generator Cable (See Separate Breakdown in ELECTRICAL SECTION)	
30	4711600	1	Washer 3/8	
31	4751000	4	Washer #10	
32	3311005	4	Nut #10	
	1001157525	Ref	JUNCTION BOX ASSEMBLY	B
101	3300396	1	Cover, Fuse	
102	3311001	6	Nut #10	
103	3520189	1	Plug	
104	3520192	1	Plug	
105	4360070	1	Circuit Breaker - 15Amp	
106	4460425	1	Strain Relief, Terminal	
107	4460426	2	Connector, Strain Relief	
109	4711000	10	Washer #10	
110	10702077	2	Screw #10 x 3/8	
111	10702082	2	Screw #10 x 3/4	
112	1001152525	1	Plug	
113	1001157520	1	Block, Terminal	
114	1001157521	1	Box, Junction	
115	1001157528	1	Decal - Wiring Schematic	
116	1001158007	1	Cover, PVC	
117	1001158008	2	Stand-Off	
	0272589	Ref	DECAL INSTALLATION	A
201	1705460	2	Decal - SkyPower	
202	1705461	1	Decal - 240V - 3 Phase	
203	1705489	3	Decal - Hazardous Voltage	
	1001122528	Ref	ELECTRICAL DIAGRAM COMPONENTS	B
301	1001119968	1	Generator Harness	B
301A	4460967	1	Plug, Male - 3 Position (Not Shown)	
301A	4460465	6	Socket, Female	
301B	1001117078	1	Fuseholder with Fuse (Not Shown)	
303	4922641	1	Switch Harness	

SECTION 3 - ENGINE

FIGURE 3-96. 7500W SKYPOWER GENERATOR INSTALLATION - 60HZ SPEC (DEUTZ TCD2.9L4 ENGINES) (OPTIONAL)



SECTION 3 - ENGINE

FIGURE 3-96. 7500W SKYPOWER GENERATOR INSTALLATION - 60HZ SPEC (DEUTZ TCD2.9L4 ENGINES) (OPTIONAL)

ITEM	PART NUMBER	QTY	DESCRIPTION	REV
	1001137590	Ref	7500W SKYPOWER GENERATOR INSTALLATION - 60HZ SPEC (DEUTZ TCD2.9L4 ENGINES)	G
		Ref	Note: See ELECTRICAL SECTION for Boom Cable Installation.	
1	0100011	AR	Compound, Locking	
2	0100019	AR	Compound, Locking	
3	0100020	AR	Sealant, Pipe	
4	0100048	AR	Grease, Dielectric	
5	0641404	5	Bolt 1/4 x 1/2	
6	3931016	4	Bolt 10 x 1	
7	0641516	3	Bolt 5/16 x 2	
8	0641618	1	Bolt 3/8 x 2	
9	0641810	2	Bolt 1/2 x 1-1/4	
10	0741607	3	Screw 3/8 x 7/8	
11	0860038	1	Box, Switch	
12	0861538	1	Box, Generator Control	
12	7024488	1	Card, Circuit - Generator Power (Not Shown)	
12	See Note	1	Fuse (Note: Not Available Purchase Locally)	
12	7024489	1	Card, Circuit - Control (Not Shown)	
		Ref	Note: When replacing card, rocker switch on card must be set for required application.	
12	70000619	1	Harness, Circuit Card	
13	1001157592	1	Junction Box Assembly (See Items 101-121 for Breakdown)	
14	0902888	1	Bracket, Generator Junction Box	
15	0962520	1	Bushing, Taper	
16	2820031	AR	Insulator, Heat Shrink	
17	3251102	1	Nameplate, Generator	
18	3311508	3	Nut 5/16	
19	3311801	2	Nut 1/2	
21	3580317	1	Pulley, Belt Tensioner	
22	3580318	1	Pulley, Generator	
23	3910606	AR	Screw #6 x 3/8	
24	3960422	1	Gasket, AC Receptacle	
25	4060802	1	Guard, Switch	
26	4240018	AR	Strap, Tie (Not Shown)	
27	4300157	2	Stud 1/2	
28	4360336	1	Switch, Toggle	
29	4460071	1	Connector, Strain Relief	
30	4460315	3	Terminal, Spade (Not Shown)	
31	4460346	1	Terminal, Receptacle	
32	4711400	4	Washer 1/4	
33	4711600	1	Washer 3/8	
34	4751500	3	Washer 5/16	
35	4791400	2	Starwasher 1/4	
36	4891800	4	Washer 1/2	
37	4922972	1	Harness, Generator Cable (See Separate Breakdown in ELECTRICAL SECTION)	
39	1001212223	1	Generator, 7500W	
39	70001100	1	Rotor (Includes p/n 70001384 & 70000863)	
39	70001384	1	Bearing, Shaft (Rear)	

SECTION 3 - ENGINE

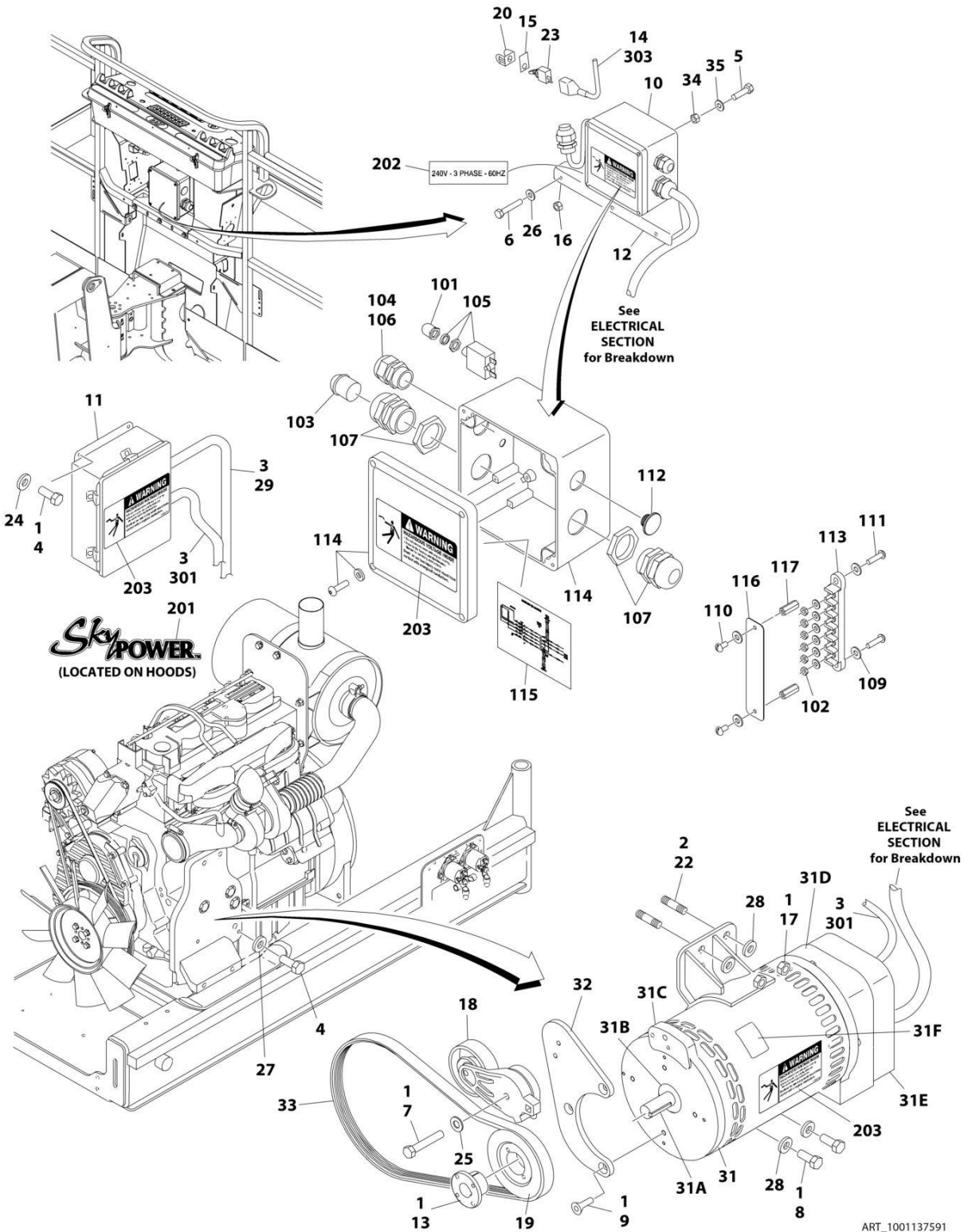
ITEM	PART NUMBER	QTY	DESCRIPTION	REV
39	7000863	1	Fan, Generator	
39	70006093	1	Stater	
39	70003631	1	Brush-holder Assembly (was p/n 7024484)	
39A	70004099	NLA	Key (Use p/n 70004171)	
39B	70001966	1	Bearing, Ball Radial (Located in Belt Tensioner Endbell)	
39B	70003709	1	Ring, Retaining (Small)	
39B	70003708	1	Ring, Retaining (Large)	
39C	70004092	1	Endbell, Belt Tensioner	
39D	70004094	1	Endbell, Brush Block	
39E	70006094	1	Shroud Assembly	
39E	7027799	1	Block, Connector - 6 Position (Not Shown)	
39E	70002460	6	Nut, Brass (Attaches p/n 7027799 to Cover) (Not Shown)	
39E	70006095	1	Breaker, Circuit 30Amp (Not Shown)	
39E	70006096	1	Boot, Breaker (Not Shown)	
39E	7026597	1	Connector with Leads (Not Shown)	
39E	7026626	1	Connector with Pins (Not Shown)	
39E	70004098	1	Clamp, Cable (Not Shown)	
39E	70006097	1	Plate, End Panel (Not Shown)	
39E	70002291	1	Insulator, End Panel Generator (Not Shown)	
39E	70001974	1	Decal - Terminal Connections (Not Shown)	
39F	70001973	1	Decal - Warning Moving Parts	
40	1001138011	1	Bracket	
41	1001110873	1	Shield, Receptacle Cover	
42	1001142645	1	Belt, Generator	
43	4751000	4	Washer #10	
44	3311005	4	Nut #10	
	1001157592	Ref	JUNCTION BOX ASSEMBLY	C
101	1060343	1.5 ft/ 0.5m	Cable, Electrical 10/4	
102	1001179154	2.5 ft/ 0.8m	Cable, Electrical 12/3	
103	1671092	1	Cover	
104	3300396	1	Cover, Fuse	
105	3311001	6	Nut #10	
106	4360070	1	Circuit Breaker - 15Amp	
108	4460425	1	Strain Relief, Terminal	
109	4460426	2	Connector, Strain Relief	
111	4460963	1	Connector	
112	4711000	10	Washer #10	
114	10702077	2	Screw #10 x 3/8	
115	10702082	2	Screw #10 x 3/4	
116	1001152525	1	Plug	
117	1001157520	1	Block, Terminal	
118	1001157521	1	Box, Junction	
119	1001157528	1	Decal - Wiring Schematic	
120	1001158007	1	Cover, PVC	
121	1001158008	2	Stand-Off	
	0272435	Ref	DECAL INSTALLATION	D
201	1705460	2	Decal - SkyPower	
202	3251243	1	Decal - 120V - 60Hz (Not Shown - Located at Platform Receptacle)	
203	1705375	1	Decal - 240V - 3 Phase	

SECTION 3 - ENGINE

ITEM	PART NUMBER	QTY	DESCRIPTION	REV
204	1705387	3	Decal - Hazardous Voltage	
	1001122528	Ref	ELECTRICAL DIAGRAM COMPONENTS	B
301	1001119968	1	Generator Harness	B
301A	4460967	1	Plug, Male - 3 Position (Not Shown)	
301A	4460465	6	Socket, Female	
301B	1001117078	1	Fuseholder with Fuse (Not Shown)	
302	4922641	1	Switch Harness	

SECTION 3 - ENGINE

FIGURE 3-97. 7500W SKYPOWER GENERATOR INSTALLATION - 50HZ SPEC (DEUTZ TCD2.9L4 ENGINES AND DEUTZ TCD2.9L4 (STAGE V ENGINES) (OPTIONAL))



ART_1001137591

SECTION 3 - ENGINE

FIGURE 3-97. 7500W SKYPOWER GENERATOR INSTALLATION - 50HZ SPEC (DEUTZ TCD2.9L4 ENGINES AND DEUTZ TCD2.9L4 (STAGE V ENGINES) (OPTIONAL)

ITEM	PART NUMBER	QTY	DESCRIPTION	REV
	1001137591	Ref	7500W SKYPOWER GENERATOR INSTALLATION - 50HZ SPEC (DEUTZ TCD2.9L4 ENGINES)	D
		Ref	Note: See ELECTRICAL SECTION for Boom Cable Installation.	
1	0100011	AR	Compound, Locking	
2	0100019	AR	Compound, Locking	
3	0100048	AR	Grease, Dielectric	
4	0641404	5	Bolt 1/4 x 1/2	
5	3931016	4	Bolt 10 x 1	
6	0641516	3	Bolt 5/16 x 2	
7	0641618	1	Bolt 3/8 x 2	
8	0641810	2	Bolt 1/2 x 1-1/4	
9	0741607	3	Screw 3/8 x 7/8	
10	1001157525	1	Junction Box Assembly (See Items 101-117 for Breakdown)	
11	0861572	1	Box, Generator Control	
11	7024488	1	Card, Circuit - Generator Power (Not Shown)	
11	See Note	1	Fuse (Note: Not Available - Purchase Locally)	
11	7024489	1	Card, Circuit - Control (Not Shown)	
		Ref	Note: When replacing card, rocker switch on card must be set for required application.	
11	70000619	1	Harness, Circuit Card	
12	0902888	1	Bracket, Generator Junction Box	
13	0962520	1	Bushing, Taper	
14	2820031	AR	Insulator, Heat Shrink	
15	3251102	1	Nameplate, Generator	
16	3311508	3	Nut 5/16	
17	3311801	2	Nut 1/2	
18	3580317	1	Pulley, Belt Tensioner	
19	3580319	1	Pulley, Generator	
20	4060802	1	Guard, Switch	
21	4240018	AR	Strap, Tie (Not Shown)	
22	4300157	2	Stud 1/2	
23	4360336	1	Switch, Toggle	
24	4711400	4	Washer 1/4	
25	4711600	1	Washer 3/8	
26	4751500	3	Washer 5/16	
27	4791400	2	Starwasher 1/4	
28	4891800	4	Washer 1/2	
29	4922972	1	Harness, Generator Cable (See Separate Breakdown in ELECTRICAL Section)	
31	1001212223	1	Generator, 7500W	
31	70001100	1	Rotor (Includes p/n 70001384 & 70000863) (Not Shown)	
31	70001384	1	Bearing, Shaft (Rear) (Not Shown)	
31	70000863	1	Fan, Generator (Not Shown)	
31	70006093	1	Stator (Not Shown)	
31	70003631	1	Brush-holder Assembly (Not Shown)	
31A	70004099	NLA	Key (Use p/n 70004171)	
31B	70001966	1	Bearing, Ball Radial (Located in Belt Tensioner Endbell)	
31B	70003709	1	Ring, Retaining (Small)	
31B	70003708	1	Ring, Retaining (Large)	

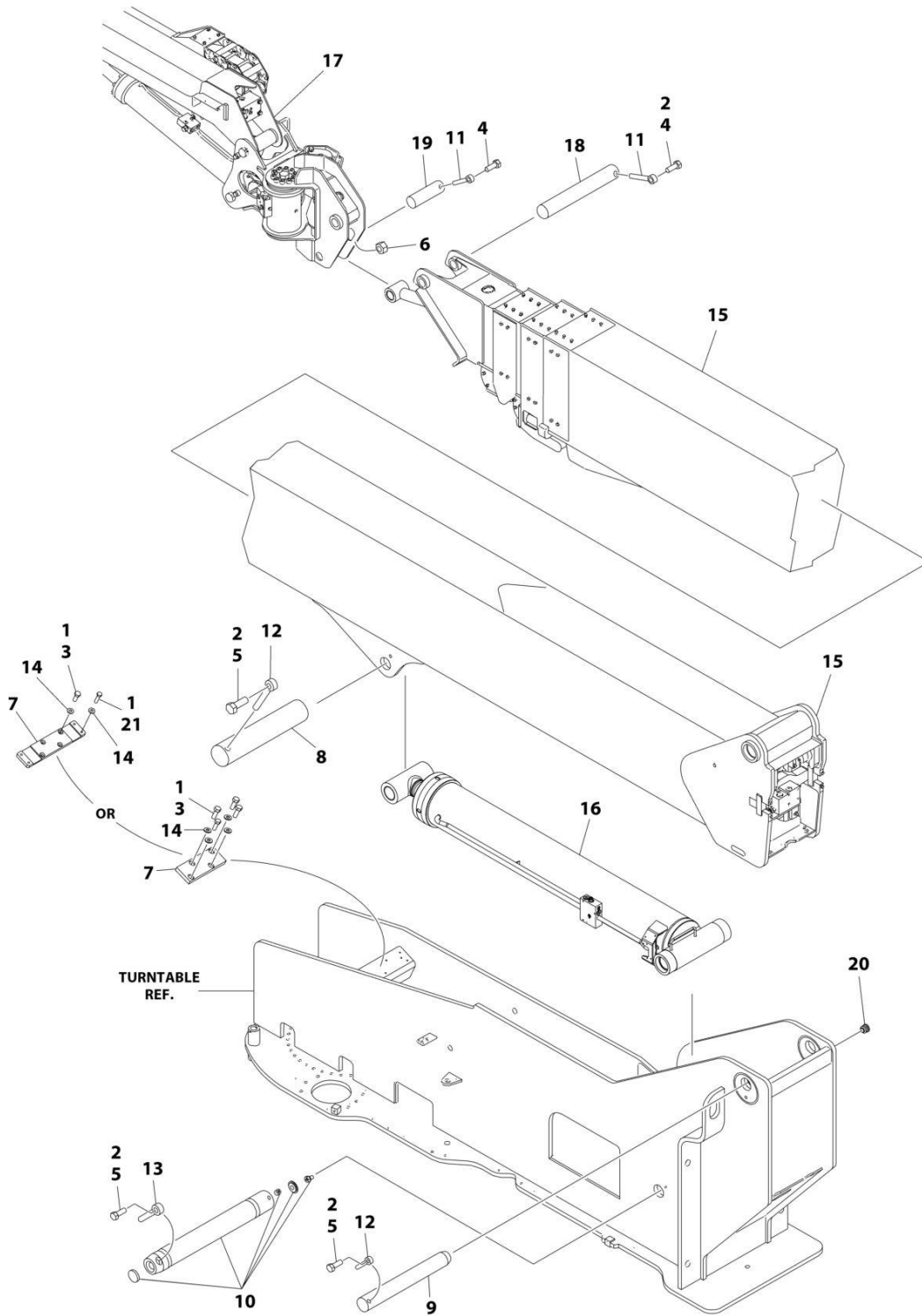
SECTION 3 - ENGINE

ITEM	PART NUMBER	QTY	DESCRIPTION	REV
31C	70004092	1	Endbell, Belt Tensioner	
31D	70004094	1	Endbell, Brush Block	
31E	70006094	1	Shroud Assembly	
31E	7027799	1	Block, Connector - 6 Position (Not Shown)	
31E	70002460	6	Nut, Brass (Attaches p/n 7027799 to Cover) (Not Shown)	
31E	70006095	1	Breaker, Circuit 30Amp (Not Shown)	
31E	70006096	1	Boot, Breaker (Not Shown)	
31E	7026597	1	Connector with Leads (Not Shown)	
31E	7026626	1	Connector with Pins (Not Shown)	
31E	70004098	1	Clamp, Cable (Not Shown)	
31E	70006097	1	Plate, End Panel (Not Shown)	
31E	70002291	1	Insulator, End Panel (Not Shown)	
31E	70001974	1	Decal - Terminal Connections (Not Shown)	
31F	70001973	1	Decal - Warning Moving Parts	
32	1001138011	1	Bracket	
33	1001136357	1	Belt, Generator	
34	3311005	4	Nut #10	
35	4751000	4	Washer #10	
	1001157525	Ref	JUNCTION BOX ASSEMBLY	B
101	3300396	1	Cover, Fuse	
102	3311001	6	Nut #10	
103	3520189	1	Plug (50Hz Spec Only)	
104	3520192	1	Plug	
105	4360070	1	Circuit Breaker - 15Amp	
106	4460425	1	Strain Relief, Terminal	
107	4460426	2	Connector, Strain Relief	
109	4711000	10	Washer #10	
110	10702077	2	Screw #10 x 3/8	
111	10702082	2	Screw #10 x 3/4	
112	1001152525	1	Plug	
113	1001157520	1	Block, Terminal	
114	1001157521	1	Box, Junction	
115	1001157528	1	Decal - Wiring Schematic	
116	1001158007	1	Cover, PVC	
117	1001158008	2	Stand-Off	
	0272589	Ref	DECAL INSTALLATION	A
201	1705460	2	Decal - SkyPower	
202	1705461	1	Decal - 240V - 3 Phase	
203	1705489	3	Decal - Hazardous Voltage	
	1001122528	Ref	ELECTRICAL DIAGRAM COMPONENTS	B
301	1001119968	1	Generator Harness (With UGM)	B
301A	4460967	1	Plug, Male - 3 Position (Not Shown)	
301A	4460465	6	Socket, Female	
301B	1001117078	1	Fuseholder with Fuse (Not Shown)	
303	4922641	1	Switch Harness	

SECTION 4 - BOOM

SECTION 4 - BOOM

FIGURE 4-1. BOOM INSTALLATION - WITHOUT COLD WEATHER PLUS PACKAGE



ART_1001119970_G

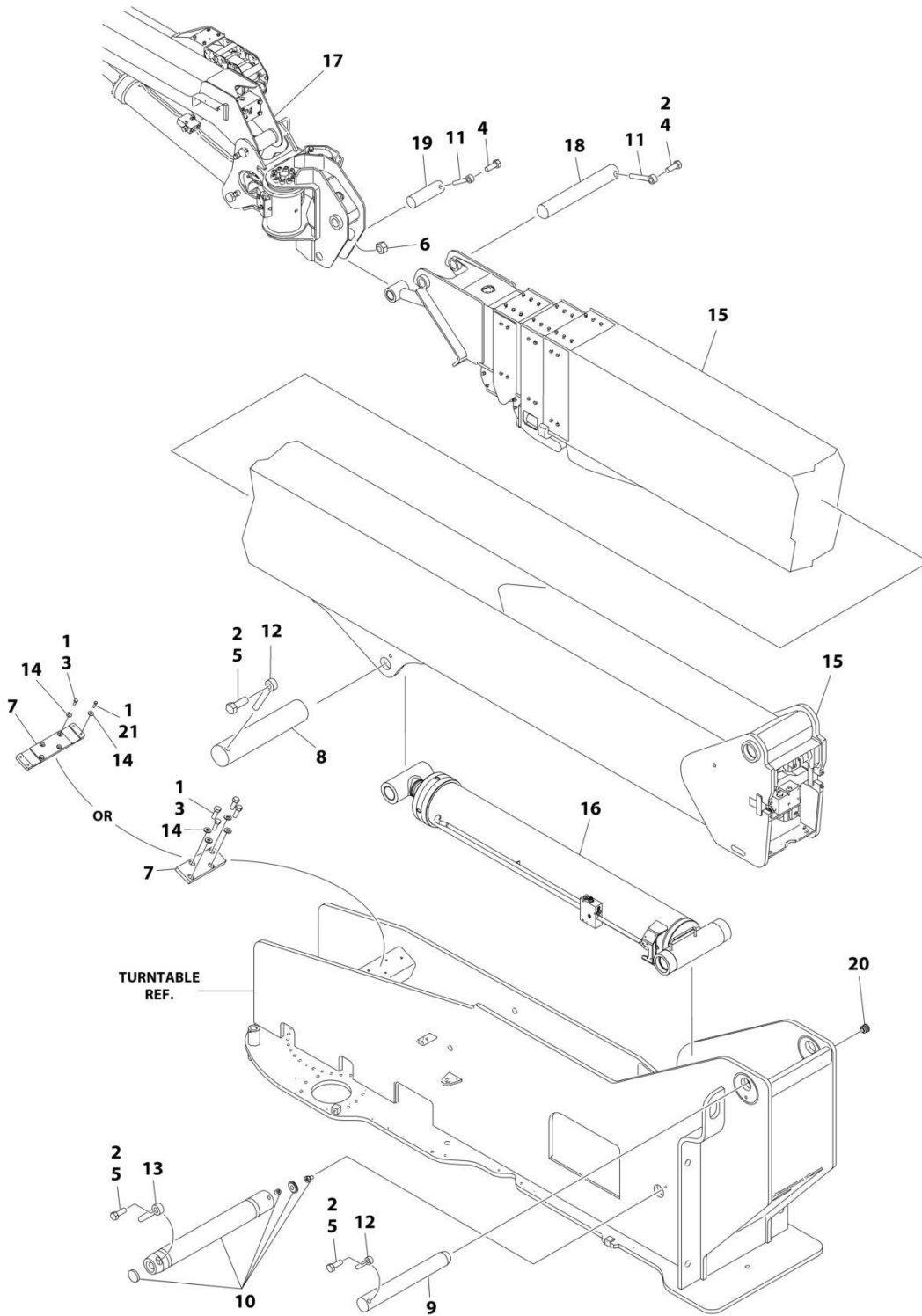
SECTION 4 - BOOM

FIGURE 4-1. BOOM INSTALLATION - WITHOUT COLD WEATHER PLUS PACKAGE

ITEM	PART NUMBER	QTY	DESCRIPTION	REV
	1001119970	Ref	BOOM INSTALLATION - WITHOUT COLD WEATHER PLUS PACKAGE	G
1	0100011	AR	Compound, Locking	
2	0100019	AR	Compound, Locking	
3	0641608	4	Bolt 3/8 x 1	
4	0642012	2	Bolt 5/8 x 1-1/2	
5	0642214	3	Bolt 3/4 x 1-3/4	
6	3312005	1	Nut 5/8	
7	1001237755	1	Pad	
8	3422955	1	Pin	
9	3422988	1	Pin	
10	3423208	1	Pin, Load Sensing	
11	3841258	2	Keeper, Pin	
12	3841287	2	Keeper, Pin	
13	3841581	1	Keeper, Pin	
14	4751600	AR	Washer 3/8	
15	1001117455	1	Boom Assembly (See Separate Breakdown in this Section)	
16	1001251045	1	Lift Cylinder Assembly (See Separate Breakdown in CYLINDER Section)	
17	1001140108	1	Jib Installation (See Separate Breakdown in this Section)	
18	1001119899	1	Pin	
19	1001119999	1	Pin	
20	1001213705	1	Plug	
21	0641612	4	Bolt 3/8 x 1-1/2	

SECTION 4 - BOOM

FIGURE 4-2. BOOM INSTALLATION - WITH COLD WEATHER PLUS PACKAGE



ART_1001140105

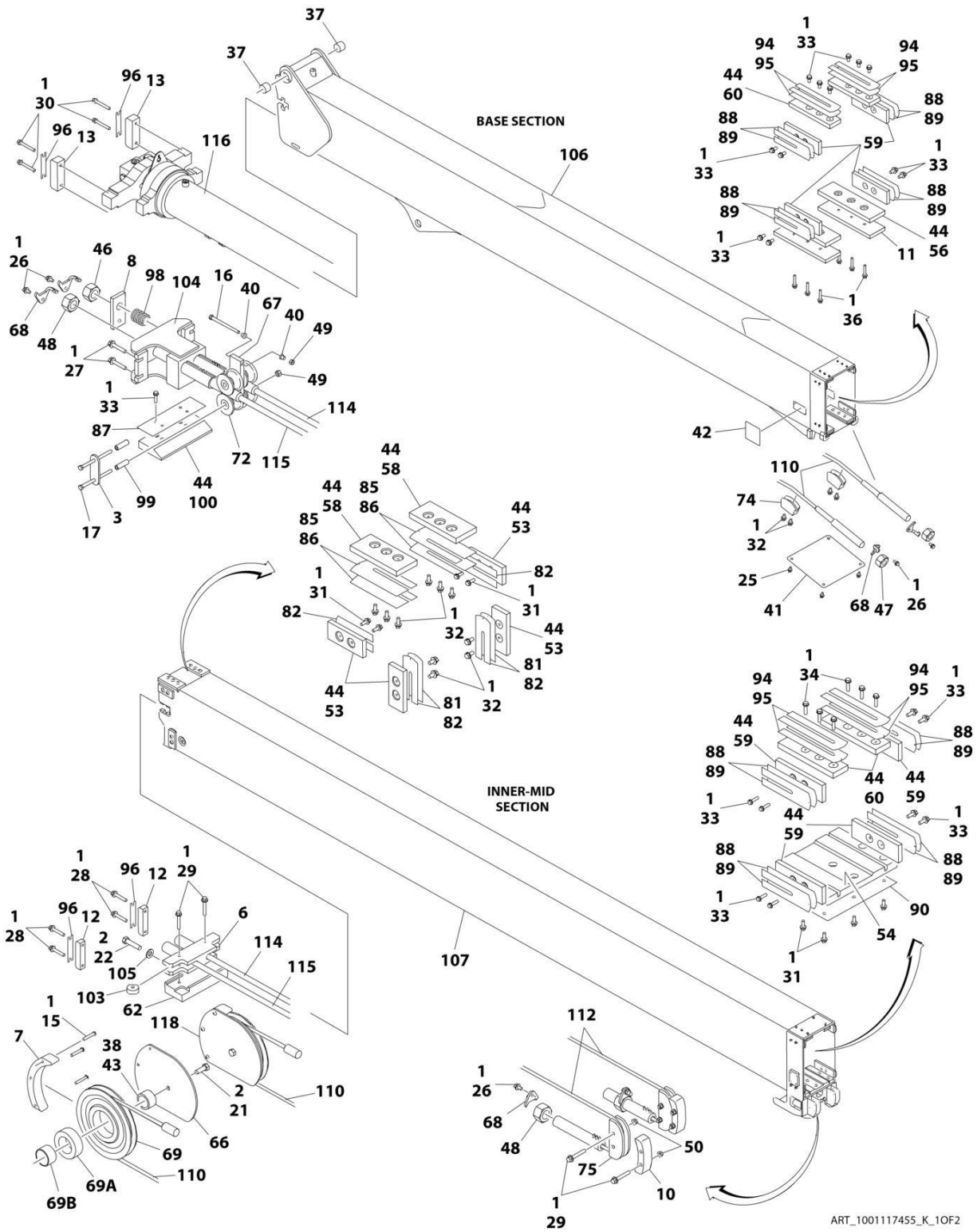
SECTION 4 - BOOM

FIGURE 4-2. BOOM INSTALLATION - WITH COLD WEATHER PLUS PACKAGE

ITEM	PART NUMBER	QTY	DESCRIPTION	REV
	1001140105	Ref	BOOM INSTALLATION - WITH COLD WEATHER PLUS PACKAGE	F
1	0100011	AR	Compound, Locking	
2	0100019	AR	Compound, Locking	
3	0641608	4	Bolt 3/8 x 1	
4	0642012	2	Bolt 5/8 x 1-1/2	
5	0642214	3	Bolt 3/4 x 1-3/4	
6	3312005	1	Nut 5/8	
7	1001237755	1	Pad	
8	3422955	1	Pin	
9	3422988	1	Pin	
10	3423208	1	Pin, Load Sensing	
11	3841258	2	Keeper, Pin	
12	3841287	2	Keeper, Pin	
13	3841581	1	Keeper, Pin	
14	4751600	AR	Washer 3/8	
15	1001140107	1	Boom Assembly (See Separate Breakdown in this Section)	
16	1001251045	1	Lift Cylinder Assembly (See Separate Breakdown in CYLINDER Section)	
17	1001140108	1	Jib Installation (See Separate Breakdown in this Section)	
18	1001119899	1	Pin	
19	1001119999	1	Pin	
20	1001213705	1	Plug	
21	0641612	1	Bolt 3/8 x 1-1/2	

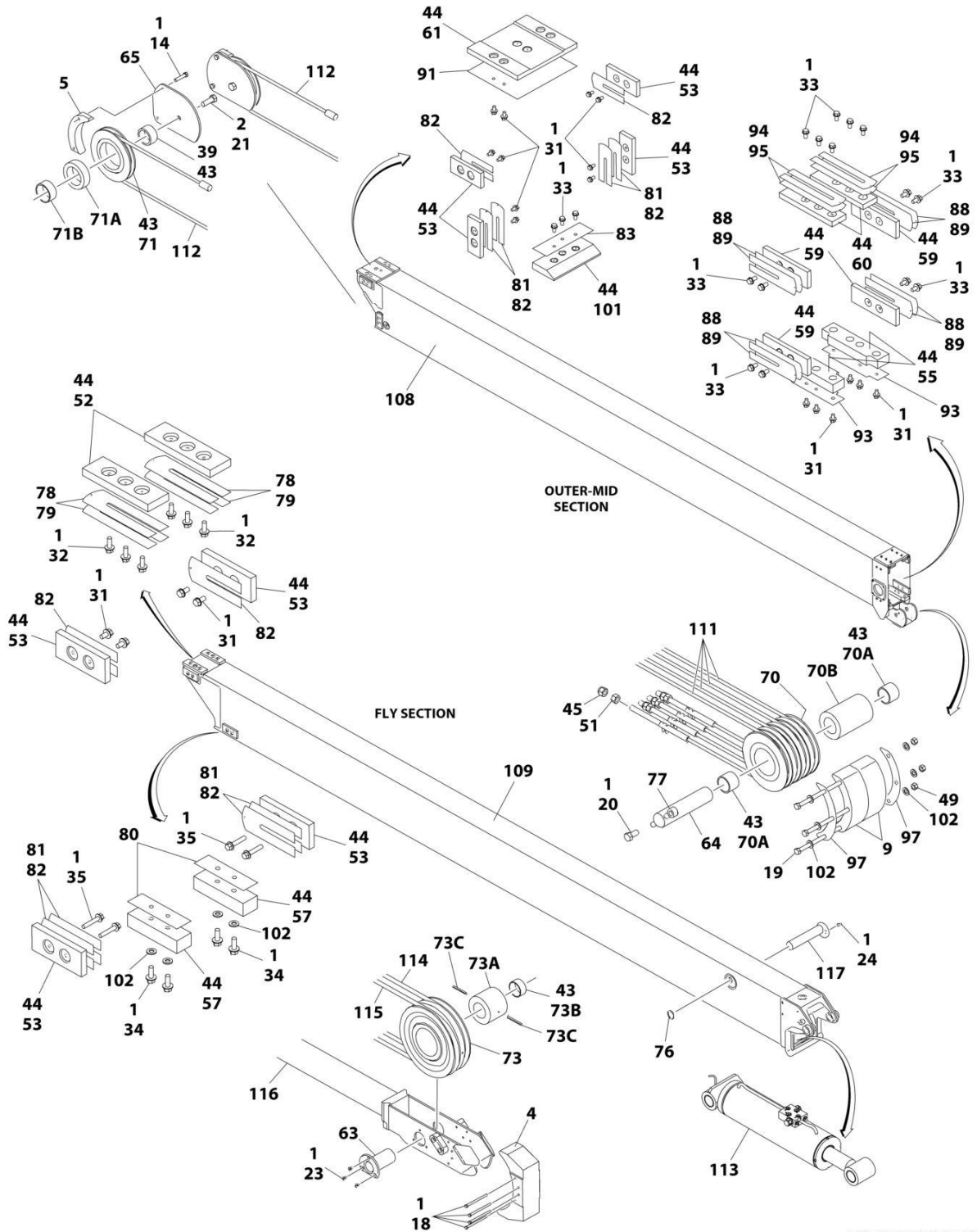
SECTION 4 - BOOM

FIGURE 4-3. BOOM ASSEMBLY - WITHOUT COLD WEATHER PLUS PACKAGE



ART_100117455_K_10F2

SECTION 4 - BOOM



ART_100117455_K_20F2

SECTION 4 - BOOM

FIGURE 4-3. BOOM ASSEMBLY - WITHOUT COLD WEATHER PLUS PACKAGE

ITEM	PART NUMBER	QTY	DESCRIPTION	REV
	1001117455	Ref	BOOM ASSEMBLY - WITHOUT COLD WEATHER PLUS PACKAGE	K
1	0100011	AR	Compound, Locking	
2	0100019	AR	Compound, Locking	
3	0363066	2	Bar, Stabilizer	
4	0561431	1	Block, Rope Retainer	
5	0561437	2	Block, Rope Retainer	
6	0561439	1	Block, Outer Mid Extend	
7	0561444	2	Block, Cable Retainer	
8	0561454	1	Block, Switch Adjuster	
9	0561457	2	Block, Cable Retainer	
10	0561458	2	Block, Cable Retainer	
11	0561471	2	Block, Spacer	
12	0561482	2	Block, Trunnion Keeper	
13	0561500	2	Block, Trunnion Keeper	
14	0641615	4	Bolt 3/8 x 1-7/8	
15	0641618	6	Screw 3/8 x 2-1/4	
16	0641640	1	Bolt 3/8 x 5	
17	0641644	2	Bolt 3/8 x 5-1/2	
18	0641646	4	Bolt 3/8 x 5-3/4	
19	0641652	3	Bolt 3/8 x 6-1/2	
20	0641808	1	Bolt 1/2 x 1	
21	0642014	4	Bolt 5/8 x 1-3/4	
22	0642022	2	Bolt 5/8 x 2-3/4	
23	0741606	3	Screw 3/8 x 3/4	
24	0741806	1	Screw 1/2 x 3/4	
25	0791604	4	Screw 3/8 x 1/2	
26	0791605	6	Screw 3/8 x 5/8	
27	0791612	4	Screw 3/8 x 1-1/2	
28	0791618	4	Screw 3/8 x 2-1/4	
29	0791620	10	Screw 3/8 x 2-1/2	
30	0791624	4	Screw 3/8 x 3	
31	0811606	30	Screw 3/8 x 3/4	
32	0811607	24	Screw 3/8 x 7/8	
33	0811608	43	Screw 3/8 x 1	
34	0811610	10	Screw 3/8 x 1-1/4	
35	0811614	4	Screw 3/8 x 1-3/4	
36	0811616	6	Screw 3/8 x 2	
37	0962297	2	Bushing	
38	0962409	2	Bushing	
39	0962410	2	Bushing	
40	0962447	2	Bearing, Flanged	
41	1671032	1	Cover	
42	1671033	1	Cover	
43	3020039	AR	Lubricant, Moly	
44	3020042	AR	Lubricant with PTFE	
45	3300239	4	Nut, Nylon Insert	
46	3300458	1	Nut 1-12	
47	3300460	2	Nut 1-1/4-7	
48	3300461	3	Nut 1-3/8-6	

SECTION 4 - BOOM

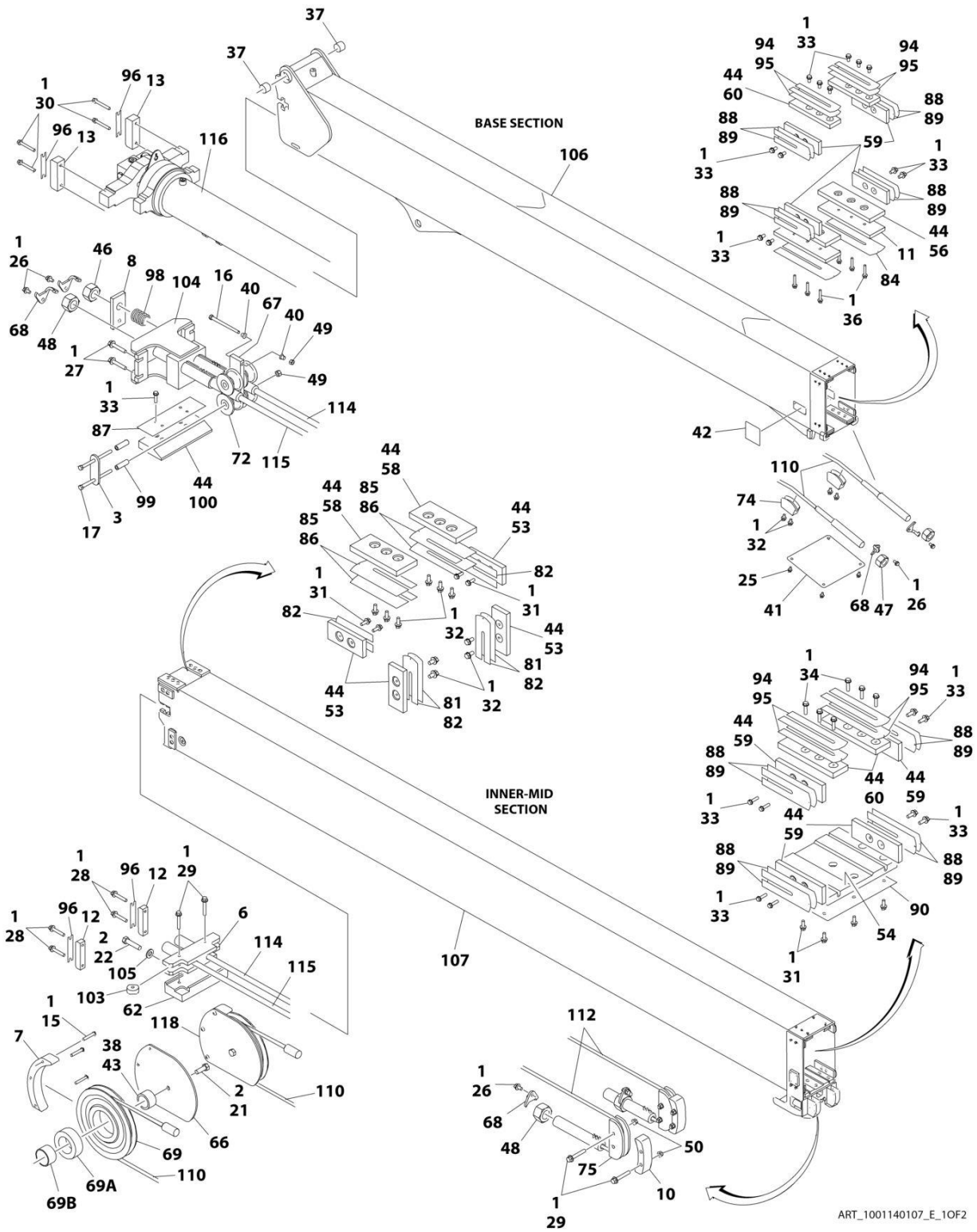
ITEM	PART NUMBER	QTY	DESCRIPTION	REV
49	3311605	6	Nut 3/8-16	
50	3311608	8	Nut 3/8-16	
51	3311801	4	Nut 1/2-13	
52	3340871	2	Pad, Wear	
53	3340881	12	Pad, Wear	
54	3340910	1	Pad, Wear	
55	3340912	2	Pad, Wear	
56	3340916	2	Pad, Wear	
57	3340917	2	Pad, Wear	
58	3340918	2	Pad, Wear	
59	3340921	12	Pad, Wear	
60	3340922	6	Pad, Wear	
61	3340926	1	Pad, Wear	
62	3340955	1	Pad	
63	3422926	1	Pin	
64	3422959	1	Pin	
65	3572950	2	Plate, Cable Retract Retainer	
66	1001131292	1	Plate, Cable Retract Retainer (LH)	
67	3573437	1	Plate, Pulley Adjustment	
68	3573444	6	Plate, Lock	
69	1001131330	2	Sheave	
69A	0962402	2	Bushing (Outer)	
69B	0962406	2	Bushing (Inner)	
70	3580300	1	Sheave	
70A	1001139972	1	Bushing (Inner)	
70B	0962403	1	Bushing (Outer)	
71	3580302	2	Sheave	
71A	0962404	2	Bushing (Outer)	
71B	0962411	2	Bushing (Inner)	
72	3580306	4	Pulley	
73	1001154260	2	Sheave	
73A	1001154306	2	Bushing (Outer)	
73B	1001154304	2	Bushing (Inner)	
73C	1001154294	2	Ring, Retainer	
74	3580341	2	Sheave	
75	3580342	2	Sheave	
76	3760217	1	Ring, Retaining	
77	3841203	1	Keeper, Pin	
78	4070863	2	Shim #11 Gauge	
79	4070864	2	Shim #18 Gauge	
80	4070895	2	Shim #16 Gauge	
81	4070897	6	Shim #18 Gauge	
82	4070898	12	Shim #11 Gauge	
83	4071012	1	Shim #16 Gauge	
85	4071015	2	Shim #16 Gauge	
86	4071016	2	Shim #11 Gauge	
87	4071017	1	Shim #16 Gauge	
88	4071018	8	Shim #16 Gauge	
89	4071019	12	Shim #11 Gauge	
90	4071024	1	Shim #16 Gauge	
91	4071025	1	Shim #16 Gauge	

SECTION 4 - BOOM

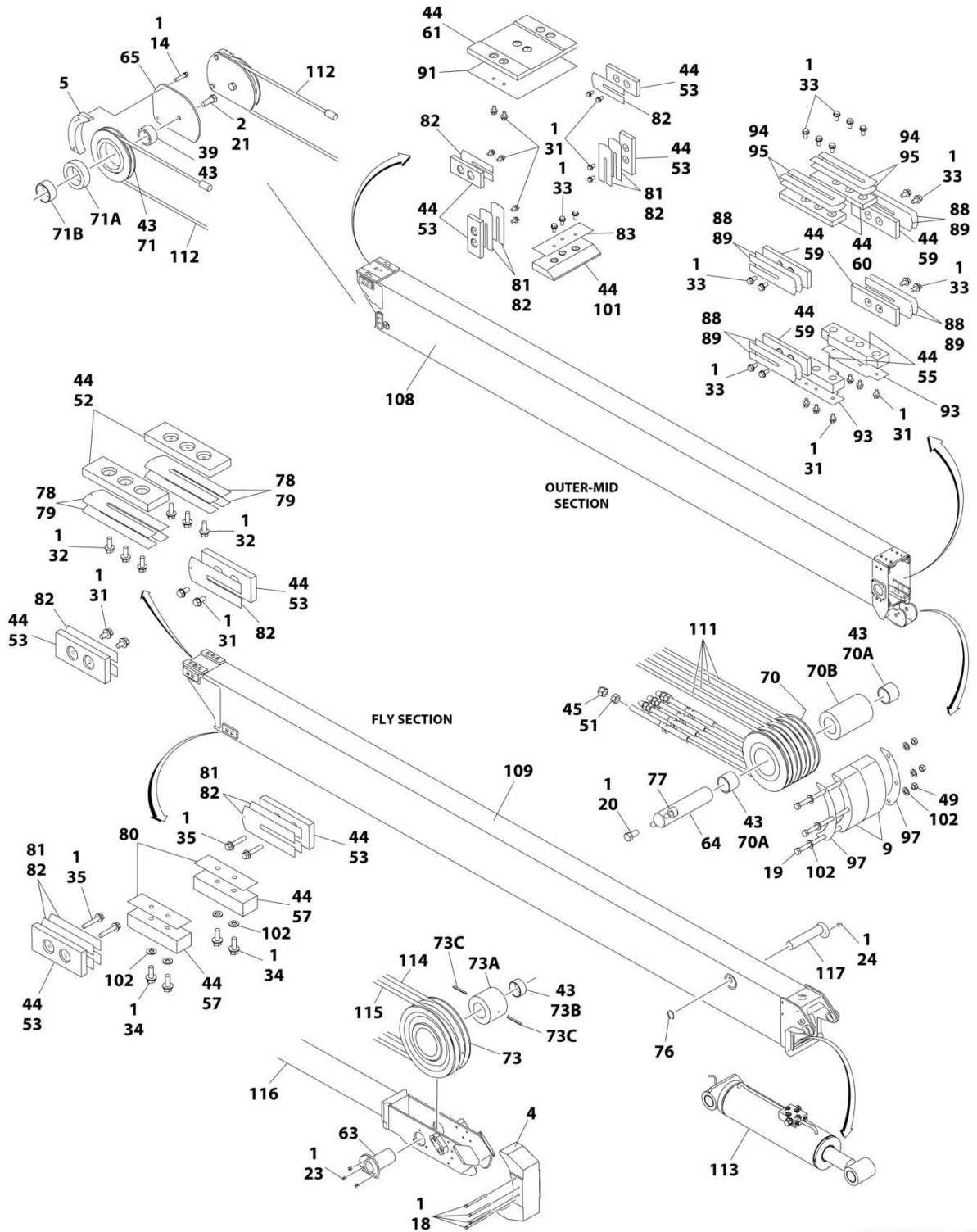
ITEM	PART NUMBER	QTY	DESCRIPTION	REV
93	4071027	2	Shim #16 Gauge	
94	4071028	6	Shim #16 Gauge	
95	4071029	6	Shim #11 Gauge	
96	4071031	4	Shim #16 Gauge	
97	4071046	2	Shim #16 Gauge	
98	4160197	1	Spring	
99	4568423	4	Tube, Spacer	
100	1001131296	1	Pad, Wear	
101	4700039	1	Pad, Wear	
102	4711600	10	Washer 3/8	
103	4740509	2	Spacer	
104	4846453	1	Plate, Mounting	
105	4892000	2	Washer 5/8	
106	1001117456	1	Base, Boom	
107	1001117457	1	Mid, Inner	
108	1001117458	1	Mid, Outer	
109	1001117459	1	Fly, Boom	
110	1001117479	2	Cable, Outer Mid Retract	
111	1001117480	4	Cable, Fly Extend	
112	1001117481	2	Cable, Fly Retract	
113	1001228043	1	Jib Level Cylinder Assembly (See Separate Breakdown in CYLINDER Section)	
114	1001118430	1	Cable, Outer Mid Extend	
115	1001118431	1	Cable, Outer Mid Extend	
116	1001228047	1	Telescope Cylinder Assembly (See Separate Breakdown in CYLINDER Section)	
117	1001119571	1	Pin	
118	1001131293	1	Plate, Cable Retract Retainer (RH)	
		Ref	Kit Options:	
	1001143929	1	Main Boom Wear Pad Kit (Includes Items 11, 31-36, 52-61, 78-95 & 101-102)	
	1001143927	1	Wire Rope Kit (Includes Items 14-23, 26-30, 38-40, 45-51, 63, 64, 69A, 69B, 70-73, 77, 99, 102, 105 & 110-115)	

SECTION 4 - BOOM

FIGURE 4-4. BOOM ASSEMBLY - WITH COLD WEATHER PLUS PACKAGE



SECTION 4 - BOOM



ART_1001140107_E_20F2

SECTION 4 - BOOM

FIGURE 4-4. BOOM ASSEMBLY - WITH COLD WEATHER PLUS PACKAGE

ITEM	PART NUMBER	QTY	DESCRIPTION	REV
	1001140107	Ref	BOOM ASSEMBLY - WITH COLD WEATHER PLUS PACKAGE	E
1	0100011	AR	Compound, Locking	
2	0100019	AR	Compound, Locking	
3	0363066	2	Bar, Stabilizer	
4	0561431	1	Block, Rope Retainer	
5	0561437	2	Block, Rope Retainer	
6	0561439	1	Block, Outer Mid Extend	
7	0561444	2	Block, Cable Retainer	
8	0561454	1	Block, Switch Adjuster	
9	0561457	2	Block, Cable Retainer	
10	0561458	2	Block, Cable Retainer	
11	0561471	2	Block, Spacer	
12	0561482	2	Block, Trunnion Keeper	
13	0561500	2	Block, Trunnion Keeper	
14	0641615	4	Bolt 3/8 x 1-7/8	
15	0641618	6	Screw 3/8 x 2-1/4	
16	0641640	1	Bolt 3/8 x 5	
17	0641644	2	Bolt 3/8 x 5-1/2	
18	0641646	4	Bolt 3/8 x 5-3/4	
19	0641652	3	Bolt 3/8 x 6-1/2	
20	0641808	1	Bolt 1/2 x 1	
21	0642014	4	Bolt 5/8 x 1-3/4	
22	0642022	2	Bolt 5/8 x 2-3/4	
23	0741606	3	Screw 3/8 x 3/4	
24	0741806	1	Screw 1/2 x 3/4	
25	0791604	4	Screw 3/8 x 1/2	
26	0791605	6	Screw 3/8 x 5/8	
27	0791612	4	Screw 3/8 x 1-1/2	
28	0791618	4	Screw 3/8 x 2-1/4	
29	0791620	10	Screw 3/8 x 2-1/2	
30	0791624	4	Screw 3/8 x 3	
31	0811606	30	Screw 3/8 x 3/4	
32	0811607	24	Screw 3/8 x 7/8	
33	0811608	43	Screw 3/8 x 1	
34	0811610	10	Screw 3/8 x 1-1/4	
35	0811614	4	Screw 3/8 x 1-3/4	
36	0811616	6	Screw 3/8 x 2	
37	0962297	2	Bushing	
38	0962409	2	Bushing	
39	0962410	2	Bushing	
40	0962447	2	Bearing, Flanged	
41	1671032	1	Cover	
42	1671033	1	Cover	
43	3020039	AR	Lubricant, Moly	
44	3020042	AR	Lubricant with PTFE	
45	3300239	4	Nut, Nylon Insert	
46	3300458	1	Nut 1-12	
47	3300460	2	Nut 1-1/4-7	
48	3300461	3	Nut 1-3/8-6	
49	3311605	6	Nut 3/8-16	

SECTION 4 - BOOM

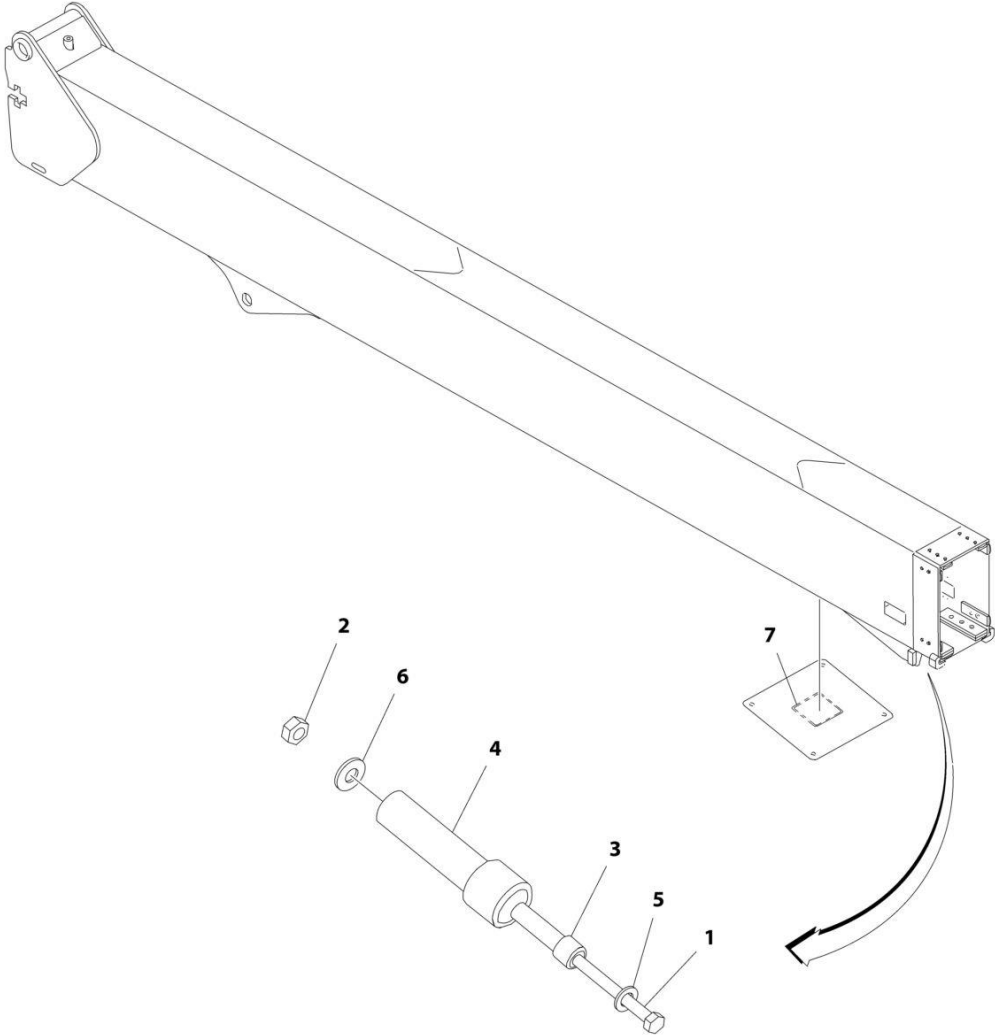
ITEM	PART NUMBER	QTY	DESCRIPTION	REV
50	3311608	8	Nut 3/8-16	
51	3311801	4	Nut 1/2-13	
52	3340871	2	Pad, Wear	
53	3340881	12	Pad, Wear	
54	3340910	1	Pad, Wear	
55	3340912	2	Pad, Wear	
56	3340916	2	Pad, Wear	
57	3340917	2	Pad, Wear	
58	3340918	2	Pad, Wear	
59	3340921	12	Pad, Wear	
60	3340922	6	Pad, Wear	
61	3340926	1	Pad, Wear	
62	3340955	1	Pad	
63	3422926	1	Pin	
64	3422959	1	Pin	
65	3572950	2	Plate, Cable Retract Retainer	
66	1001131292	1	Plate, Cable Retract Retainer (LH)	
67	3573437	1	Plate, Pulley Adjustment	
68	3573444	6	Plate, Lock	
69	1001131330	2	Sheave	
69A	0962402	2	Bushing (Outer)	
69B	0962406	2	Bushing (Inner)	
70	3580300	1	Sheave	
70A	1001139972	1	Bushing (Inner)	
70B	0962403	1	Bushing (Outer)	
71	3580302	2	Sheave	
71A	0962404	2	Bushing (Outer)	
71B	0962411	2	Bushing (Inner)	
72	3580306	4	Pulley	
73	1001154260	2	Sheave	
73A	1001154306	2	Bushing (Outer)	
73B	1001154304	2	Bushing (Inner)	
73C	1001154294	2	Ring, Retainer	
74	3580341	2	Sheave	
75	3580342	2	Sheave	
76	3760217	1	Ring, Retaining	
77	3841203	1	Keeper, Pin	
78	4070863	2	Shim #11 Gauge	
79	4070864	2	Shim #18 Gauge	
80	4070895	2	Shim #16 Gauge	
81	4070897	6	Shim #18 Gauge	
82	4070898	12	Shim #11 Gauge	
83	4071012	1	Shim #16 Gauge	
84	4071013	2	Shim #16 Gauge	
85	4071015	2	Shim #16 Gauge	
86	4071016	2	Shim #11 Gauge	
87	4071017	1	Shim #16 Gauge	
88	4071018	8	Shim #16 Gauge	
89	4071019	12	Shim #11 Gauge	
90	4071024	1	Shim #16 Gauge	
91	4071025	1	Shim #16 Gauge	

SECTION 4 - BOOM

ITEM	PART NUMBER	QTY	DESCRIPTION	REV
93	4071027	2	Shim #16 Gauge	
94	4071028	6	Shim #16 Gauge	
95	4071029	6	Shim #11 Gauge	
96	4071031	4	Shim #16 Gauge	
97	4071046	2	Shim #16 Gauge	
98	4160197	1	Spring	
99	4568423	4	Tube, Spacer	
100	1001131296	1	Pad, Wear	
101	4700039	1	Pad, Wear	
102	4711600	10	Washer 3/8	
103	4740509	2	Spacer	
104	4846453	1	Plate, Mounting	
105	4892000	2	Washer 5/8	
106	1001117456	1	Base, Boom	
107	1001117457	1	Mid, Inner	
108	1001117458	1	Mid, Outer	
109	1001117459	1	Fly, Boom	
110	1001117479	2	Cable, Outer Mid Retract	
111	1001117480	4	Cable, Fly Extend	
112	1001117481	2	Cable, Fly Retract	
113	1001228043	1	Jib Level Cylinder Assembly (See Separate Breakdown in CYLINDER Section)	
114	1001118430	1	Cable, Outer Mid Extend	
115	1001118431	1	Cable, Outer Mid Extend	
116	1001228047	1	Telescope Cylinder Assembly (See Separate Breakdown in CYLINDER Section)	
117	1001119571	1	Pin	
118	1001131293	1	Plate, Cable Retract Retainer (RH)	
		Ref	Kit Options:	
	1001143929	1	Main Boom Wear Pad Kit (Includes Items 11, 31-36, 52-61, 78-95 & 101-102)	
	1001143927	1	Wire Rope Kit (Includes Items 14-23, 26-30, 38-40, 45-51, 63, 64, 69A, 69B, 70-73, 77, 99, 102, 105 & 110-115)	

SECTION 4 - BOOM

FIGURE 4-5. WIRE ROPE TOOLS INSTALLATION (OPTIONAL)



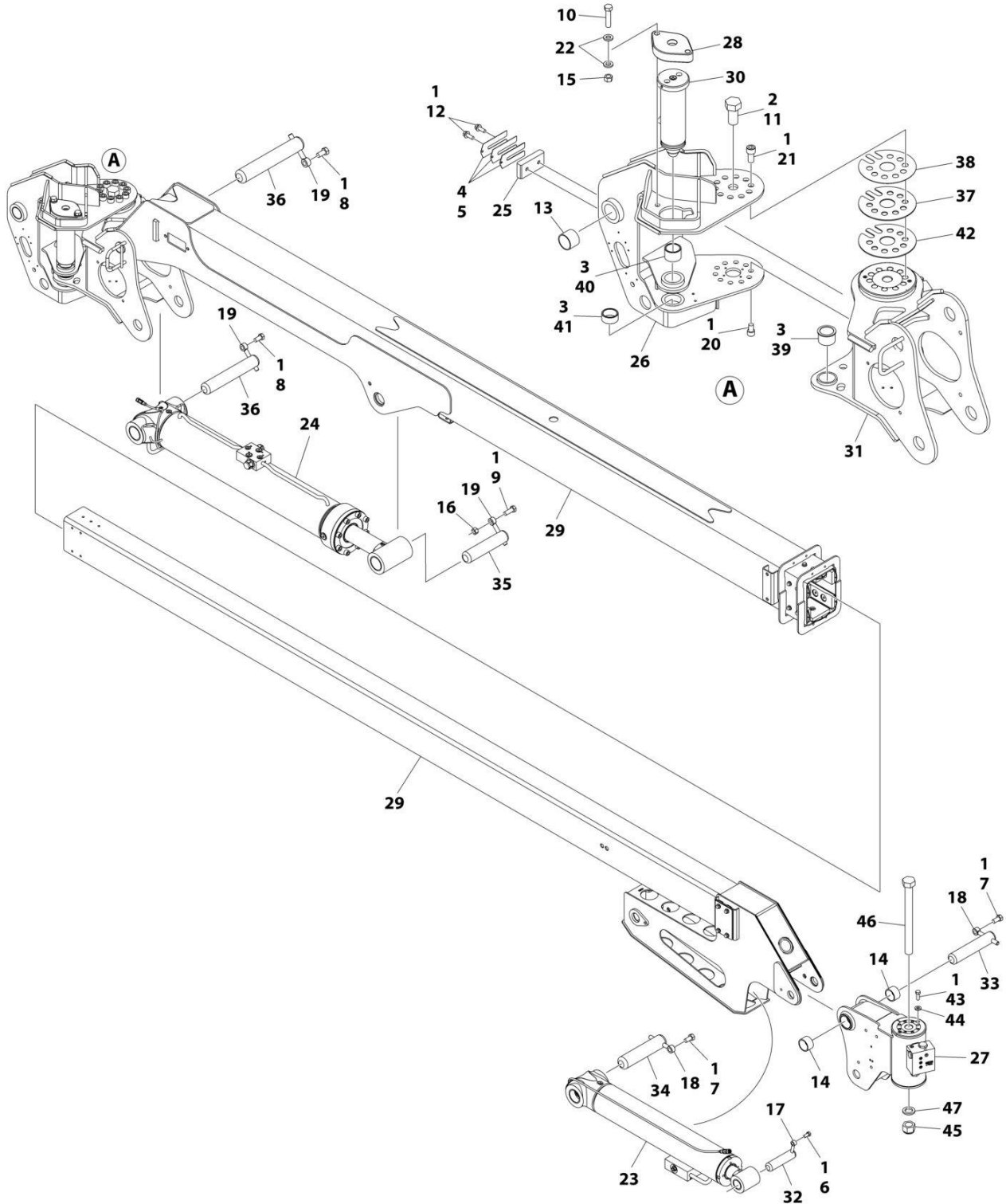
ART_0272048

FIGURE 4-5. WIRE ROPE TOOLS INSTALLATION (OPTIONAL)

ITEM	PART NUMBER	QTY	DESCRIPTION	REV
	0272048	Ref	WIRE ROPE TOOLS INSTALLATION (OPTIONAL)	B
1	0641676	1	Bolt 3/8 x 9-1/2	
2	3311605	1	Nut 3/8	
3	4120040	1	Socket 3/4	
4	4120043	1	Socket 2	
5	4711600	1	Washer 3/8	
6	4891600	1	Washer 3/8	
7	1705307	1	Decal - Tool Location	

SECTION 4 - BOOM

FIGURE 4-6. JIB INSTALLATION



ART_1001140108_I

FIGURE 4-6. JIB INSTALLATION

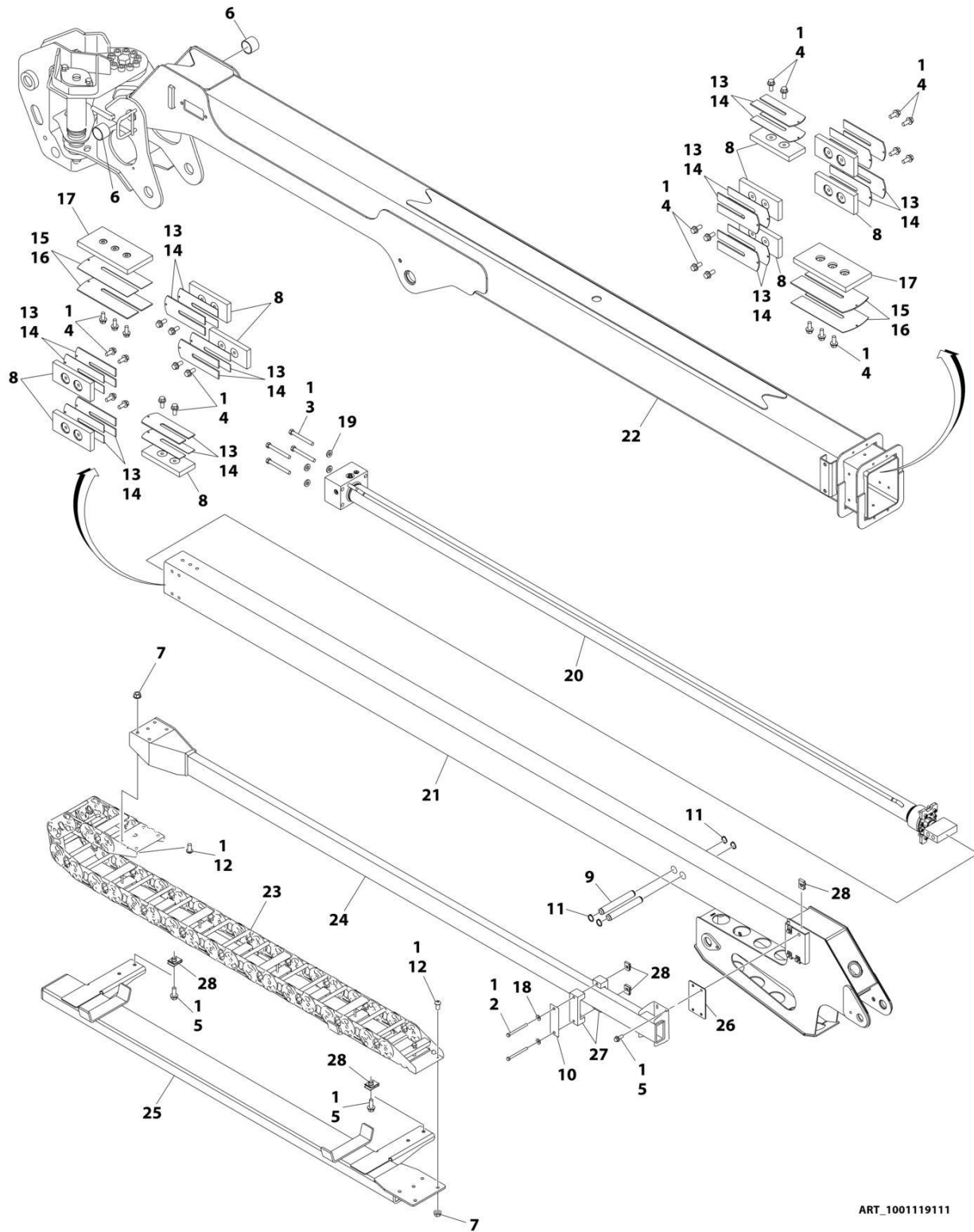
ITEM	PART NUMBER	QTY	DESCRIPTION	REV
	1001140108	Ref	JIB INSTALLATION	I
1	0100011	AR	Compound, Locking	
2	0100019	AR	Compound, Locking	
3	0100063	AR	Compound, Locking	
4	91471226	AR	Shim 16Ga	
5	91471227	AR	Shim 20Ga	
6	0641606	1	Bolt 3/8 x 3/4	
7	0641808	2	Bolt 1/2 x 1	
8	0642010	2	Bolt 5/8 x 1-1/4	
9	0642014	1	Bolt 5/8 x 1-3/4	
10	0682022	2	Bolt 5/8 x 2-3/4 Grade 8	
11	0683020	1	Bolt 1-1/4 x 2-1/4 Grade 8	
12	0811608	2	Screw 3/8 x 1	
13	0961950	2	Bushing	
14	0962181	2	Bushing	
15	3272005	2	Nut 5/8 Grade 8	
16	3312005	1	Nut 5/8	
17	3841143	1	Keeper, Pin	
18	3841203	2	Keeper, Pin	
19	3841258	3	Keeper, Pin	
20	3932016	10	Capscrew 5/8 x 1	
21	3932224	10	Capscrew 3/4 x 1-1/2	
22	4892000	4	Washer 5/8	
23	1001251057	1	Platform Level Cylinder Assembly (See Separate Breakdown in CYLINDER Section)	
24	1001251058	1	Jib Lift Cylinder Assembly (See Separate Breakdown in CYLINDER Section)	
25	1001118369	1	Pad, Wear	
26	1001118564	1	Pivot, Jib	
27	1001307713	1	Platform Rotate Actuator Assembly (See Separate Breakdown in this Section)	
28	1001119042	1	Cap	
29	1001119111	1	Jib Boom Assembly (See Separate Breakdown in this Section)	
30	1001251046	1	Jib Lock Cylinder Assembly (See Separate Breakdown in CYLINDER Section)	
31	1001178250	1	Jib Rotate Actuator Assembly (See Separate Breakdown in this Section)	
32	1001119985	1	Pin	
33	1001119990	1	Pin	
34	1001119991	1	Pin	
35	1001119998	1	Pin	
36	1001120000	2	Pin	
37	1001120014	1	Shim 11Ga	
38	1001120015	AR	Shim 18Ga	
39	1001120037	1	Bearing, Flange	
40	1001120038	1	Bearing	
41	1001120039	1	Bearing	
42	1001225266	AR	Shim	
43	0681608	8	Bolt 3/8 x 1	
44	4891600	8	Washer 3/8	
45	1001174040	1	Nut	

SECTION 4 - BOOM

ITEM	PART NUMBER	QTY	DESCRIPTION	REV
46	1001255133	1	Bolt 1 x 11	
47	4892600001	1	Washer	

SECTION 4 - BOOM

FIGURE 4-7. JIB BOOM ASSEMBLY



ART_1001119111

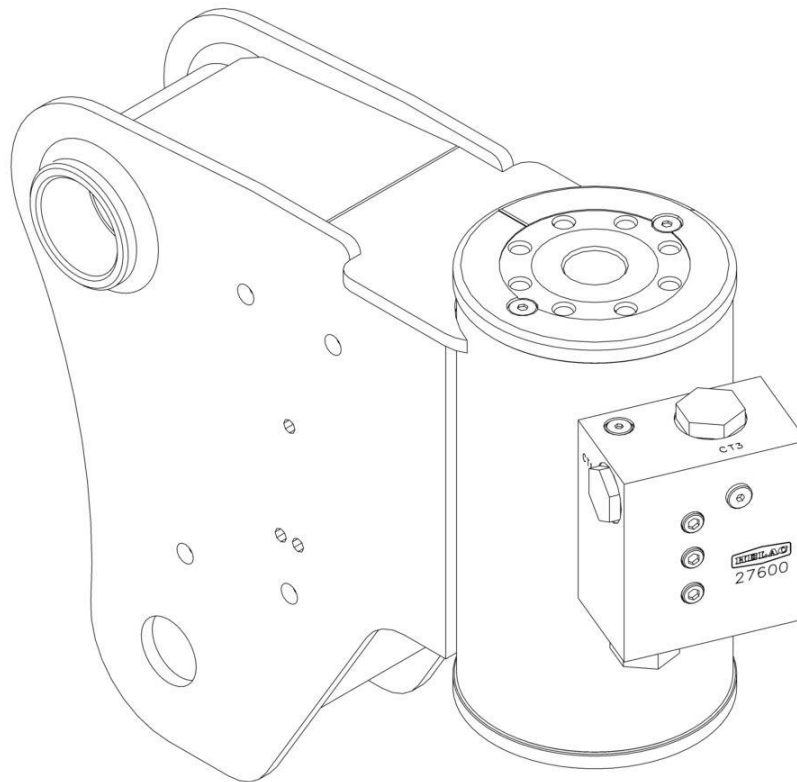
SECTION 4 - BOOM

FIGURE 4-7. JIB BOOM ASSEMBLY

ITEM	PART NUMBER	QTY	DESCRIPTION	REV
	1001119111	Ref	JIB BOOM ASSEMBLY	M
1	0100011	AR	Compound, Locking	
2	0641636	2	Bolt 3/8 x 4-1/2	
3	0681836	4	Bolt 1/2 x 4-1/2 Grade 8	
4	0811607	26	Screw 3/8 x 7/8	
5	0811608	8	Screw 3/8 x 1	
6	0961950	2	Bushing	
7	3311608	8	Nut 3/8	
8	3340881	10	Pad, Wear	
9	3423161	2	Pin	
10	3575889	1	Plate	
11	3760351	4	Ring, Retaining	
12	3900283	8	Screw 3/8 x 3/4	
13	4070897	10	Pad, Wear	
14	4070898	10	Pad, Wear	
15	4071039	2	Shim 18Ga	
16	4071040	2	Shim 11Ga	
17	1001129961	2	Pad, Wear	
18	4751600	2	Washer 3/8	
19	4891800	4	Washer 1/2	
20	1001228048	1	Jib Telescope Cylinder Assembly (See Separate Breakdown in CYLINDER SECTION)	
21	1001119413	1	Boom, Jib Fly	
22	1001119414	1	Boom, Jib Base	
23	1001134180	1	Power Track Assembly	
23	70003923	AR	Repair Section (Includes links, cross bars and mounting hardware)	
23	70003924	1	Mounting Bracket Repair Kit (Includes mounting feet for both ends of power track and attaching hardware)	
24	1001119654	1	Tube, Push	
25	1001119668	1	Support, Power Track	
26	1001119710	1	Shim, Push Tube	
27	1001119714	2	Pad, Push Tube	
28	88662523	10	Nut, Retainer	
	1001143928	1	Jib Wear Pad Kit (Includes Items 4, 5, 8 & 13-17)	

SECTION 4 - BOOM

FIGURE 4-8. PLATFORM ROTATOR ASSEMBLY



ART_1001307713

FIGURE 4-8. PLATFORM ROTATOR ASSEMBLY

ITEM	PART NUMBER	QTY	DESCRIPTION	REV
	1001307713 See Note	Ref NSS	PLATFORM ROTATOR ASSEMBLY Note: No Service Parts Available at Time of Printing	A

SECTION 4 - BOOM

FIGURE 4-9. JIB ROTATE ACTUATOR ASSEMBLY

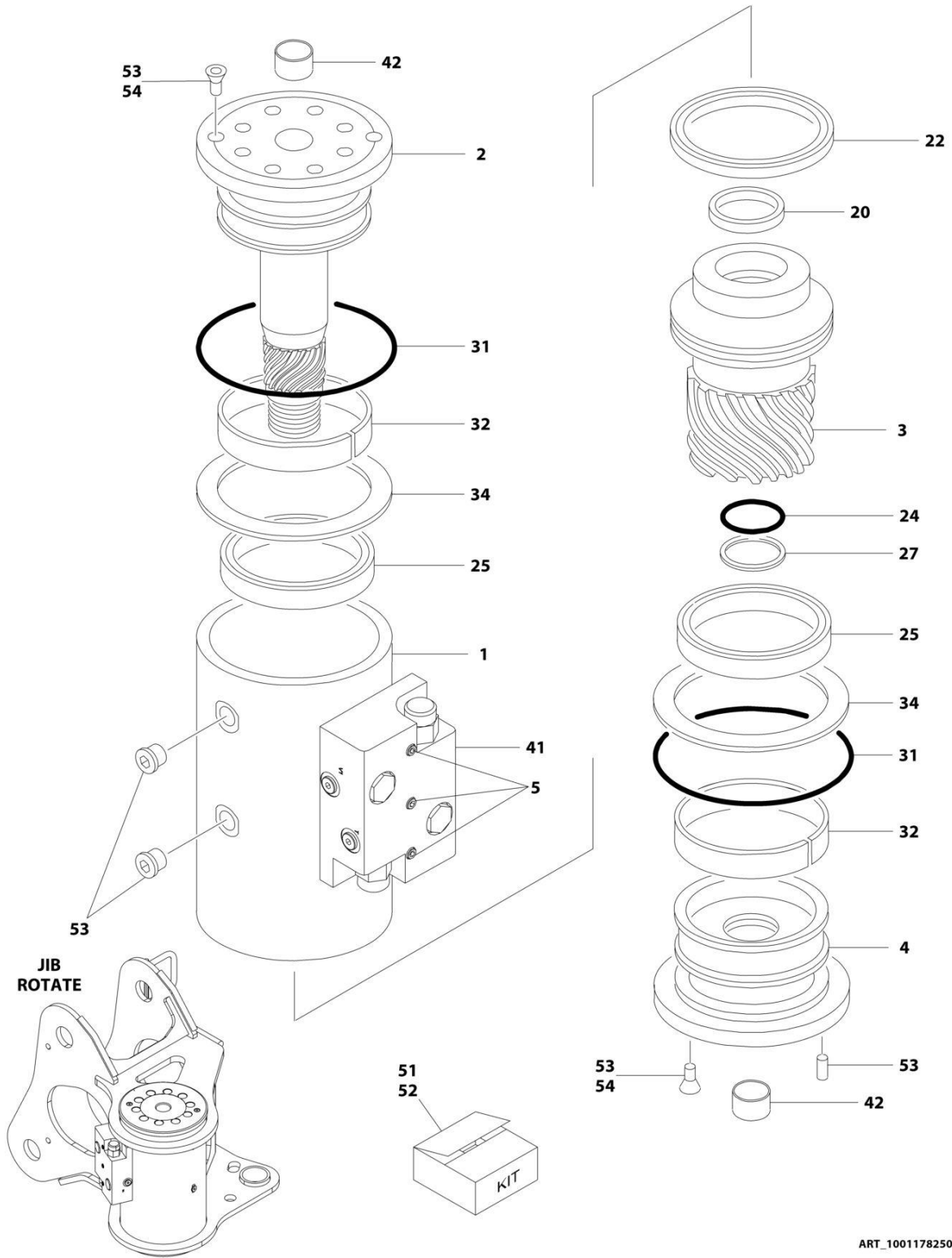
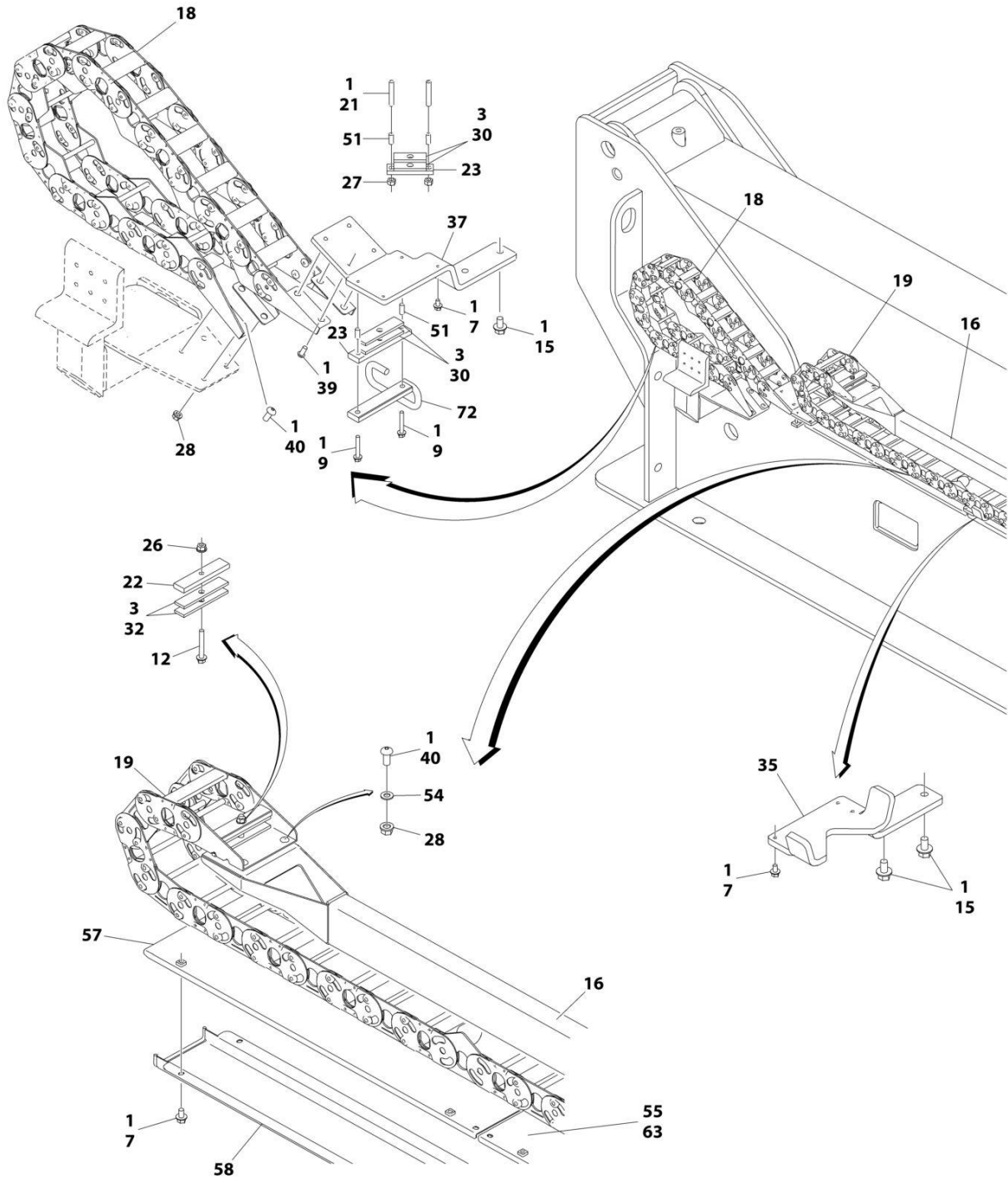


FIGURE 4-9. JIB ROTATE ACTUATOR ASSEMBLY

ITEM	PART NUMBER	QTY	DESCRIPTION	REV
	1001178250	Ref	JIB ROTATE ACTUATOR ASSEMBLY	A
1	See Note	NSS	Case/Bracket Weldment (Note: Use p/n 1001178250)	
2	70002853	1	Shaft	
3	70002854	1	Sleeve, Piston	
4	70002855	1	Cap, End	
5	See Note	NSS	Capscrew 1/4 x 1-1/2 Grade 8 (Note: Not Available for Purchase)	
20	See Note	NSS	Seal, Rod (Note: Use Item 52)	
22	See Note	NSS	Seal, Piston (Note: Use Item 52)	
24	See Note	NSS	Seal, Cap (Note: Use Item 52)	
25	See Note	NSS	Packing, Bearing (Note: Use Item 52)	
27	See Note	NSS	Ring, Cap Back-up (Note: Use Item 52)	
31	See Note	NSS	Seal (Note: Use Item 52)	
32	See Note	NSS	Bearing, Shaft (Note: Use Item 51)	
34	See Note	NSS	Thrustwasher (Note: Use Item 51)	
41	70002859	NSS	Motion Control Valve Assembly (No Service Parts Available)	
42	See Note	NSS	Bushing, Shaft (Note: Not Available for Purchase)	
51	70002857	1	Bearing Kit (Includes Items 32 & 34)	
52	70005170	1	Seal Kit (Includes Items 20, 22, 24, 25, 27 & 31)	
53	70002858	1	Hardware Kit	
54	70001697	4	Screw 1/4 x 3/8 Grade 8	

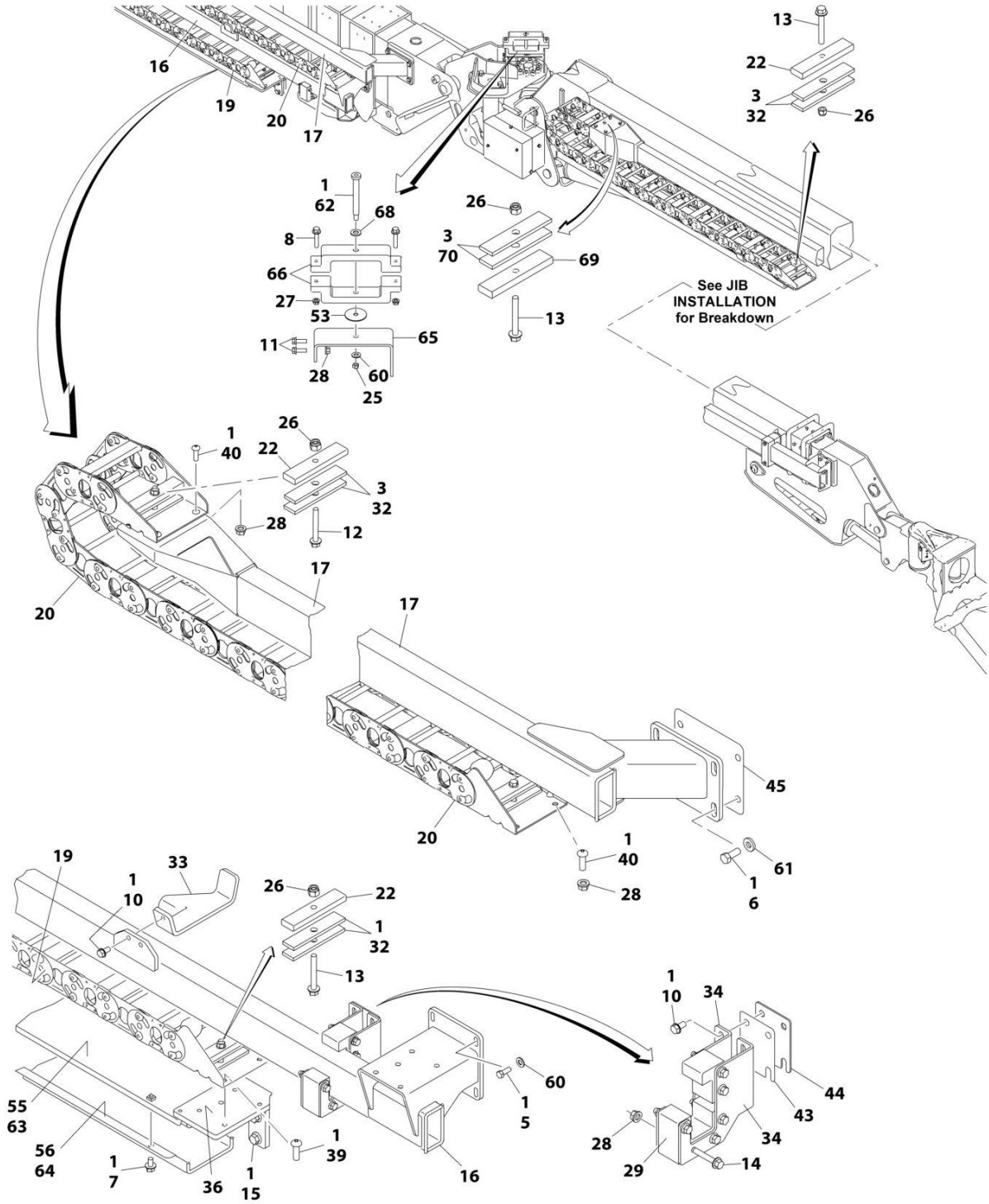
SECTION 4 - BOOM

FIGURE 4-10. POWER TRACK INSTALLATION



ART_100119944_10F2

SECTION 4 - BOOM



ART_1001119944_20F2

SECTION 4 - BOOM

FIGURE 4-10. POWER TRACK INSTALLATION

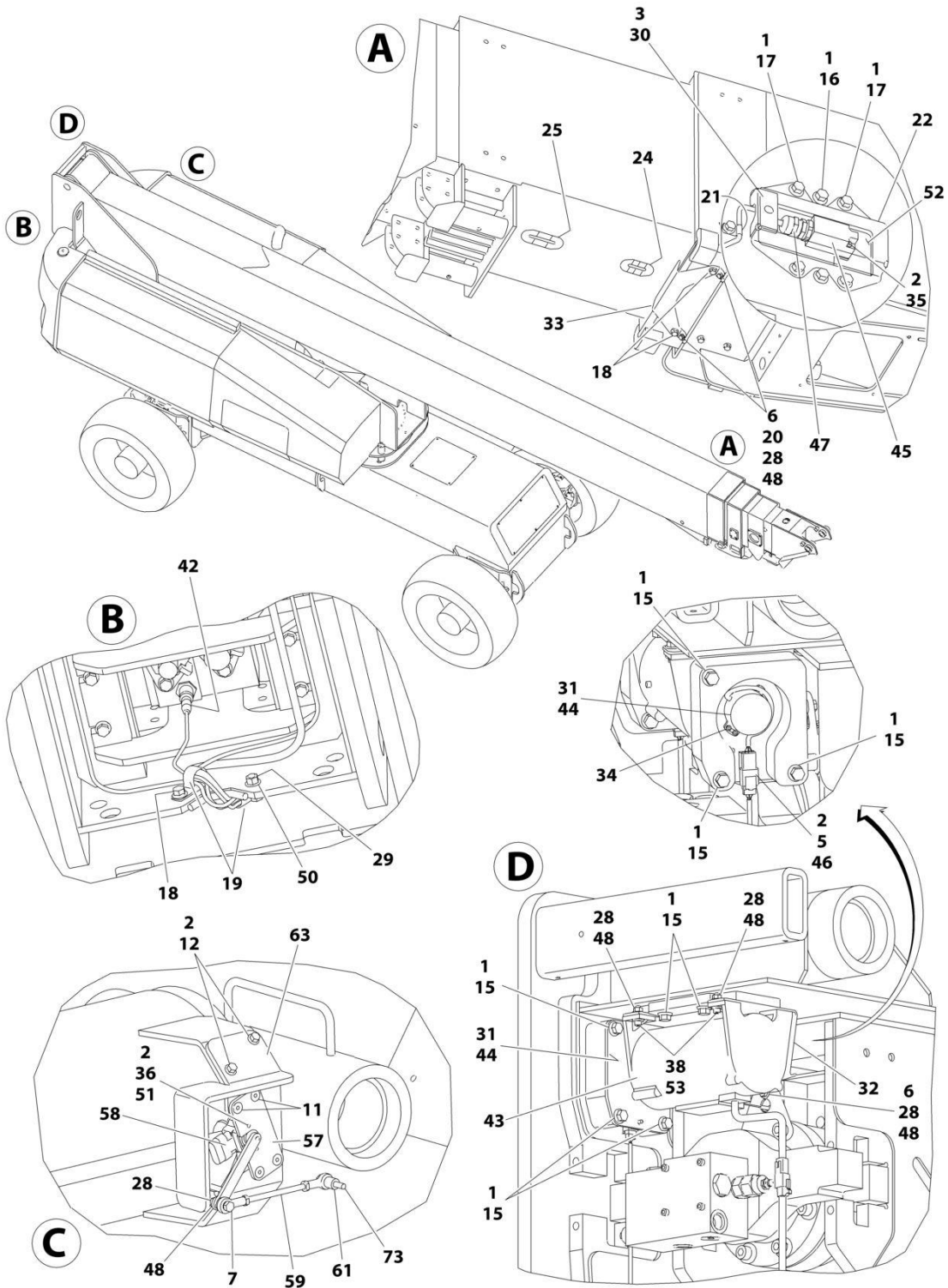
ITEM	PART NUMBER	QTY	DESCRIPTION	REV
	1001119944	Ref	POWER TRACK INSTALLATION	M
1	0100011	AR	Compound, Locking	
2	0100019	AR	Compound, Locking (Not Shown)	
3	0100081	AR	Adhesive #454	
5	0641608	4	Bolt 3/8 x 1	
6	0641810	4	Bolt 1/2 x 1-1/4	
7	0791504	66	Screw 5/16 x 1/2	
8	0791516	2	Screw 5/16 x 2	
9	0791520	2	Setscrew 5/16 x 2-1/2	
10	0791607	10	Screw 3/8 x 7/8	
11	0791609	2	Screw 3/8 x 1-1/8	
12	0791620	2	Screw 3/8 x 2-1/2	
13	0791622	4	Screw 3/8 x 2-3/4	
14	0791624	6	Screw 3/8 x 3	
15	0791808	16	Screw 1/2 x 1	
16	1180362	1	Tube, Push (Lower)	
17	1180363	1	Tube, Push (Upper)	
18	1001131620	1	Carrier (T/T to Boom)	
18	70003917	AR	Section Repair Kit (Includes Inner and Outer Links, Joining Bars and Rollers and Assembling Hardware)	
18	70003918	1	Mounting Bracket Kit (Includes Mounting Brackets for Both Ends, 1 Roller Assembly and Assembling Hardware)	
19	1001131733	1	Carrier (Lower)	
19	70003913	AR	Section Repair Kit (Includes Inner and Outer Links, Joining Bars and Rollers and Assembling Hardware)	
19	70003915	1	Mounting Bracket Kit (Includes Mounting Brackets for Both Ends, 1 Roller Assembly and Assembling Hardware)	
19	70003914	AR	Center Bracket Kit (Includes 1 Flat Bar, 1 Round Bar, 1 Roller and Assembling Hardware)	
20	1001131728	1	Carrier (Upper)	
20	70003913	AR	Section Repair Kit (Includes Inner and Outer Links, Joining Bars and Rollers and Assembling Hardware)	
20	70003915	1	Mounting Bracket Kit (Includes Mounting Brackets for Both Ends, 1 Roller Assembly and Assembling Hardware)	
20	70003914	AR	Center Bracket Kit (Includes 1 Flat Bar, 1 Round Bar, 1 Roller and Assembling Hardware)	
21	3951522	2	Setscrew 5/16 x 2-3/4	
22	1320294	5	Clamp, Bar	
23	1320295	AR	Clamp, Bar	
25	3271601	2	Nut 3/8 Grade 8	
26	3300492	6	Nut, Nylon Insert	
27	3311508	4	Nut 5/16	
28	3311608	24	Nut 3/8	
29	3340925	1	Pad	
30	3340940	4	Pad, Rubber	
32	3340942	10	Pad, Rubber	
33	3573016	3	Support, Track	
34	3573179	2	Plate, Mounting	
35	3573181	6	Support, Track	
36	3573194	1	Plate, Track Mounting	
37	3573210	1	Plate, Track Mounting	

SECTION 4 - BOOM

ITEM	PART NUMBER	QTY	DESCRIPTION	REV
39	3900283	AR	Screw 3/8 x 3/4	
40	3900316	16	Screw 3/8 x 1	
42	4060804	11 in /28cm	Shield, Flex Trim 3/16 (Not Shown)	
43	4071021	1	Shim, Adjusting 16Ga	
44	4071022	1	Shim, Adjusting 11Ga	
45	4071023	1	Shim, Adjusting 11Ga	
47	4240018	10	Tie-Strap (Not Shown)	
48	4240153	3	Strap, 4 Cinch (Not Shown)	
49	4240155	6	Strap, 8 Cinch (Not Shown)	
50	1001137263	1	Strap, 12 Cinch (Not Shown)	
51	4562516	AR	Tubing, Poly	
53	4740400	1	Washer, Special	
54	4751500	4	Washer 5/16	
55	4846423	5	Cover, Cable (Rear)	
56	4846429	5	Support, Cable (Rear)	
57	4846431	1	Cover, Cable (Front)	
58	4846485	1	Support, Cable (Front)	
60	4891600	5	Washer 3/8	
61	4891800	4	Washer 1/2	
62	8310235	1	Capscrew 3/8	
63	1001119521	1	Cover, Cable (Middle)	
64	1001119522	1	Support, Cable (Middle)	
65	1001120209	1	Bracket, Guide Block	
66	1001120257	2	Pad, Guide	
68	4711800	1	Washer 1/2	
69	1320298	1	Clamp, Bar	
70	3340939	2	Pad, Rubber	
71	1001137262	1	Strap, 4 Cinch (Not Shown)	
72	1001212790	1	Clamp	
73	1001307894	1	Cable, Platform Power A	
74	1001308291	1	Cable, Platform Power B	

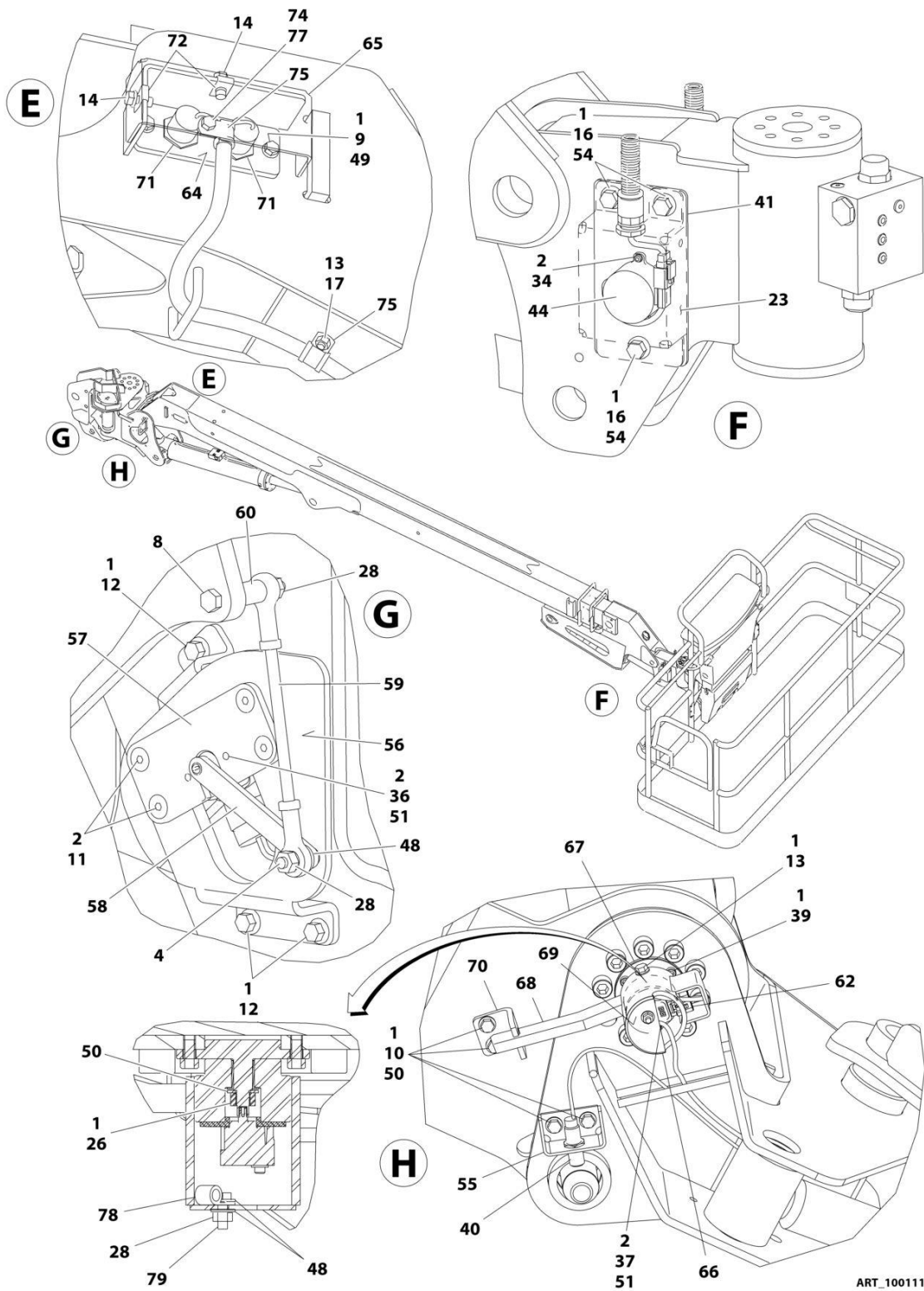
SECTION 4 - BOOM

FIGURE 4-11. BOOM SENSORS AND SWITCHES INSTALLATION



ART_1001119225_I_10F2

SECTION 4 - BOOM



ART_1001119225_L_20F2

SECTION 4 - BOOM

FIGURE 4-11. BOOM SENSORS AND SWITCHES INSTALLATION

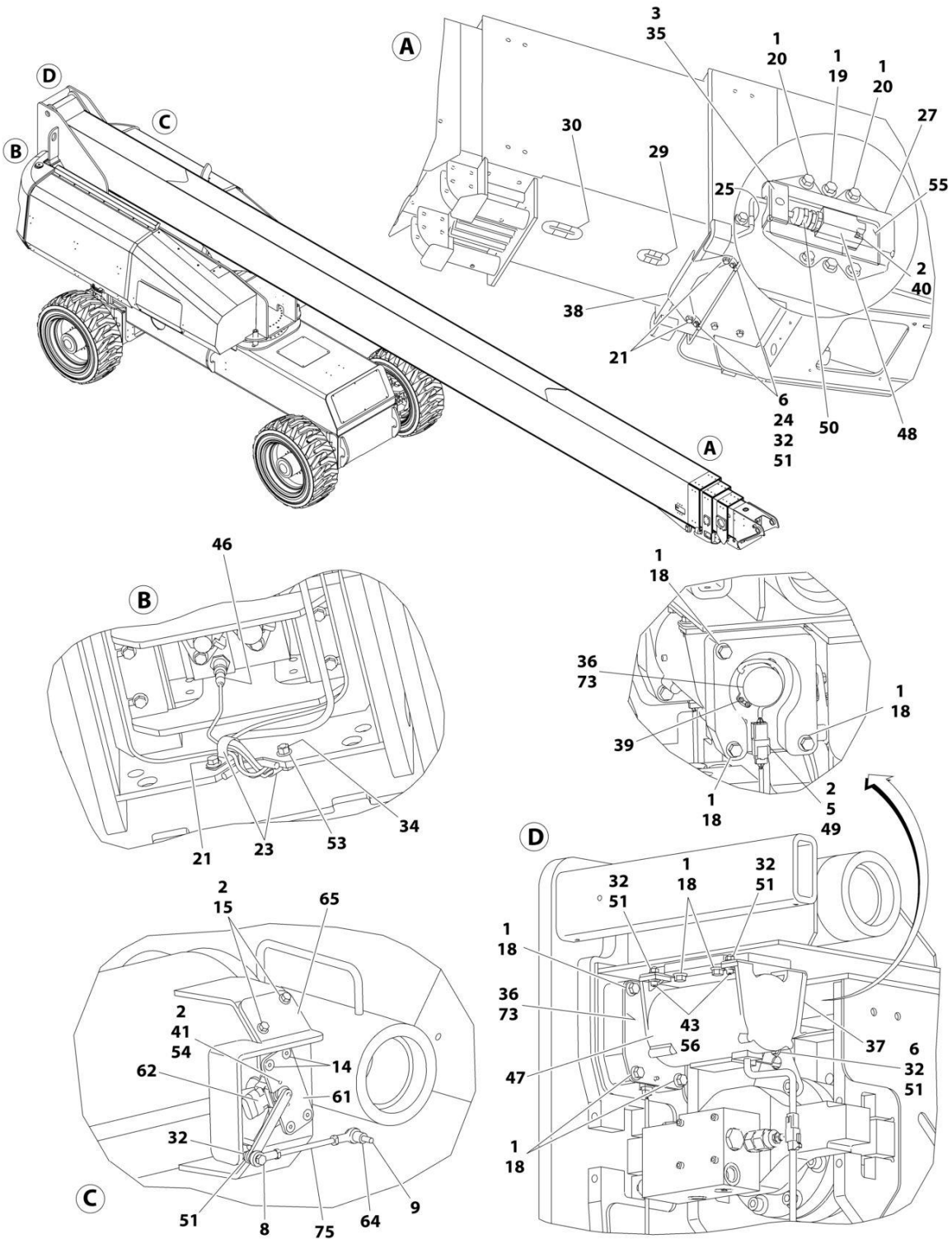
ITEM	PART NUMBER	QTY	DESCRIPTION	REV
	1001119225	Ref	BOOM SENSORS AND SWITCHES INSTALLATION	I
1	0100011	AR	Compound, Locking	
2	0100035	AR	Compound, Locking	
3	0100081	AR	Adhesive	
4	0630357	1	Screw 1/4 x 1	
5	0630464	2	Screw #10 x 1/2	
6	0641405	3	Bolt 1/4 x 5/8	
7	0641408	1	Bolt 1/4 x 1	
8	0641418	1	Bolt 1/4 x 2-1/4	
9	0641508	2	Bolt 5/16 x 1	
10	0641607	4	Bolt 3/8 x 7/8	
11	0741404	8	Screw 1/4 x 1/2	
12	0791406	5	Screw 1/4 x 3/4	
13	0791505	3	Screw 5/16 x 5/8	
14	0791506	2	Screw 5/16 x 3/4	
15	0791604	8	Screw 3/8 x 1/2	
16	0791605	10	Screw 3/8 x 5/8	
17	0791606	4	Screw 3/8 x 3/4	
18	0791608	2	Screw 3/8 x 1	
19	1320130	2	Clamp, Hose	
20	1320136	2	Clamp, Hose	
21	1320301	1	Clamp, Cable	
22	1671031	1	Cover, Limit Switch	
23	1671044	2	Cover, Level Sensor	
24	1705366	1	Decal - Boom Length (500LB Cap)	
25	1705367	1	Decal - Boom Length (1000LB Cap)	
26	3281601	1	Nut 3/8 Grade 8	
28	3311405	11	Nut 1/4	
29	3311605	2	Nut 3/8	
30	3340941	1	Pad, Rubber	
31	3573301	2	Plate, Sensor Mounting	
32	3574431	1	Plate, Switch Mounting	
33	3574616	1	Plate, Boom Length	
34	3930606	12	Capscrew #6 x 3/8	
35	3930816	2	Capscrew #8 x 1	
36	3930820	4	Capscrew #8 x 1-1/4	
37	3930824	2	Capscrew #8 x 1-1/2	
38	3931414	4	Capscrew 1/4 x 7/8	
39	3931508	4	Capscrew 5/16 x 1/2	
40	4000008	1	Sensor, Proximity (Jib Lock) (Note: Control System must be recalibrated when Sensor is replaced)	
41	4341158	2	Plate, Mounting Sensor	
42	4360527	1	Switch, Proximity (Cable Break) (Note: Control System must be recalibrated when Switch is replaced)	
43	4360543	1	Sensor, String (Boom Length) (Note: Control System must be recalibrated when Sensor is replaced)	
44	1001147479	4	Sensor, Angle Indicator (Platform Level and Main Boom Angle) (Note: Control System must be recalibrated when Sensor is replaced)	
45	4360578	1	Switch, Limit (Boom Length) (Note: Control System must be recalibrated when Switch is replaced)	

SECTION 4 - BOOM

ITEM	PART NUMBER	QTY	DESCRIPTION	REV
46	4460914	2	Terminal, Base	
47	4460968	1	Connector, Strain Relief	
48	4711400	15	Washer 1/4	
49	4711500	2	Washer 5/16	
50	4711600	7	Washer 3/8	
51	4750800	6	Washer 1/4	
52	4846484	1	Mount, Switch	
53	4891400	4	Washer 1/4	
54	8310070	6	Pushnut 3/8	
55	1001118373	1	Bracket, Sensor Mounting	
56	1001118930	1	Cover, Sensor	
57	1001118931	2	Mount, Sensor	
58	1001118971	2	Sensor, Angle Indicator (Main Boom Protractor) (Note: Control System must be recalibrated when Sensor is replaced)	
58	70005667	1	Arm (1 Per Sensor)	
59	1001119033	2	Link, Sensor	
60	1001119137	1	Sleeve, Spacer	
61	1001119141	1	Sleeve, Spacer	
62	1001135479	1	Sensor, Angle Indicator (Jib Rotate) (Note: Control System must be recalibrated when Sensor is replaced)	
63	1001119729	1	Cover, Sensor	
64	1001120028	1	Mount, Sensor	
65	1001120048	1	Cover, Sensor	
66	1001179510	1	Cover, Sensor	
67	1001135483	1	Pin, Angle Sensor	
68	1001120076	1	Mount, Sensor	
69	1001135484	1	Adapter	
70	1001120084	1	Bracket	
71	1001285878	2	Switch, Proximity (Jib Telescope) (Note: Control System must be recalibrated when Switch is replaced)	
72	88662530	2	Nut, Retainer	
73	0641412	1	Bolt 1/4 x 1-1/2	
74	0641504	1	Bolt 5/16 x 1/2	
75	1320061	2	Clamp, Cable	
77	3311505	2	Nut 5/16	
78	1321293	1	Clamp	
79	0641406	1	Bolt 1/4 x 3/4	

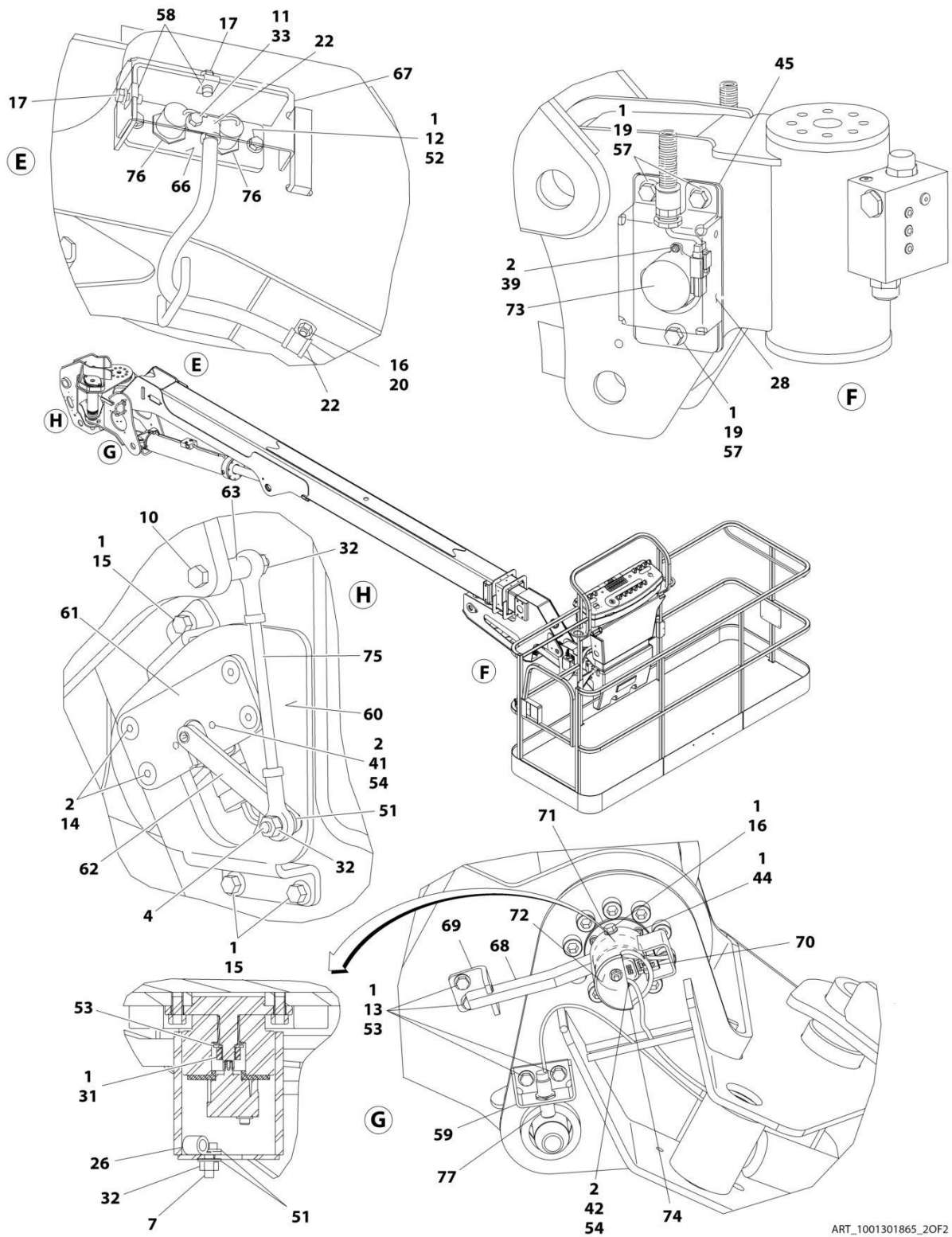
SECTION 4 - BOOM

FIGURE 4-12. BOOM SENSORS AND SWITCHES INSTALLATION MACHINES WITH SN STARTING WITH B3



ART_1001301865_1OF2

SECTION 4 - BOOM



ART_1001301865_20F2

SECTION 4 - BOOM

FIGURE 4-12. BOOM SENSORS AND SWITCHES INSTALLATION MACHINES WITH SN STARTING WITH B3

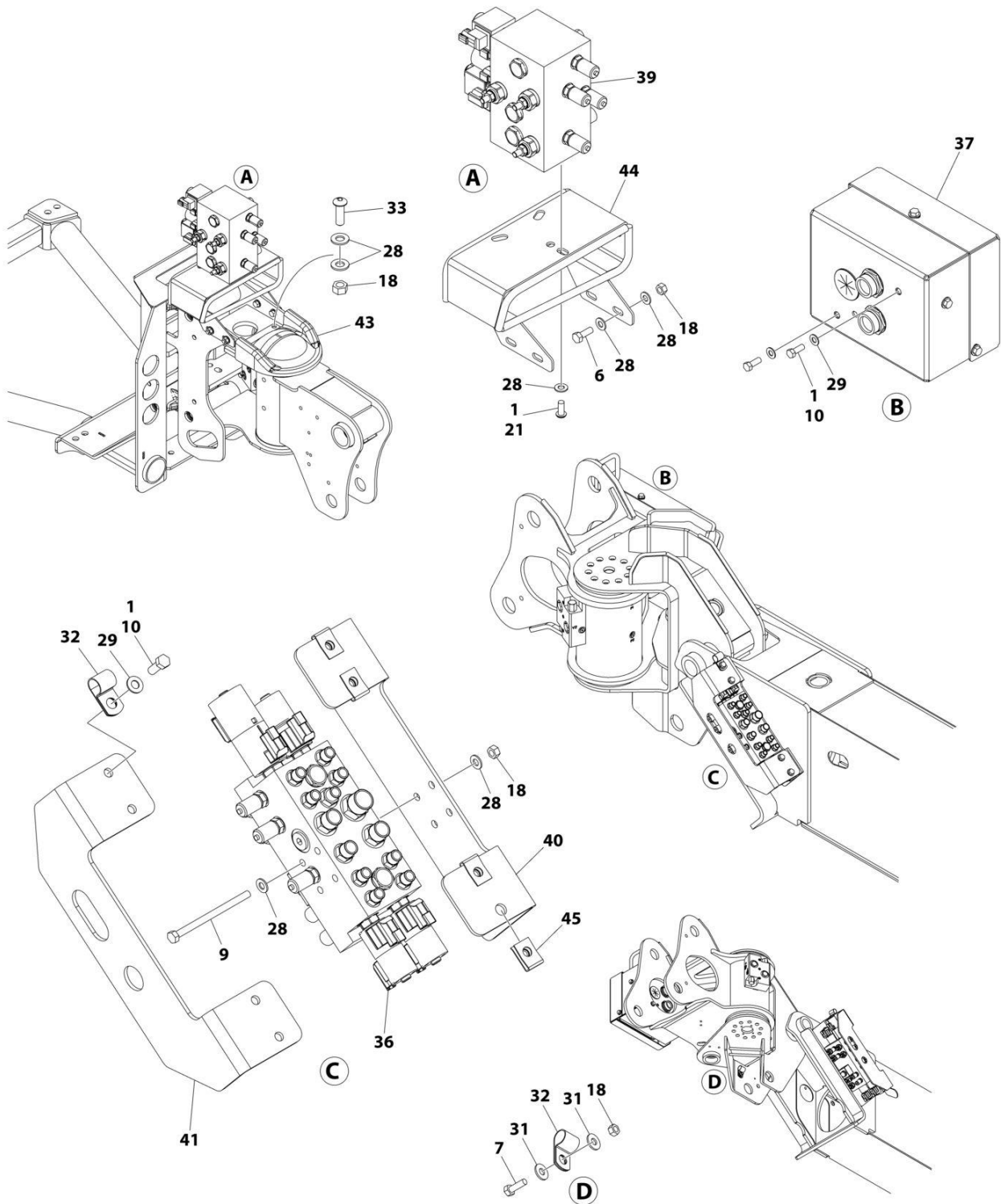
ITEM	PART NUMBER	QTY	DESCRIPTION	REV
	1001301865	Ref	BOOM SENSORS AND SWITCHES INSTALLATION	A
1	0100011	AR	Compound, Locking	
2	0100035	AR	Compound, Locking	
3	0100081	AR	Adhesive	
4	0630457	1	Screw 1/4 x 1	
5	0630464	2	Screw #10 x 1/2	
6	0641405	3	Bolt 1/4 x 5/8	
7	0641406	1	Bolt 1/4 x 3/4	
8	0641408	1	Bolt 1/4 x 1	
9	0641412	1	Bolt 1/4 x 1-1/2	
10	0641418	1	Bolt 1/4 x 2-1/4	
11	0641504	1	Bolt 5/16 x 1/2	
12	0641508	2	Bolt 5/16 x 1	
13	0641607	4	Bolt 3/8 x 7/8	
14	0741404	8	Screw 1/4 x 1/2	
15	0791406	5	Screw 1/4 x 3/4	
16	0791505	3	Screw 5/16 x 5/8	
17	0791506	2	Screw 5/16 x 3/4	
18	0791604	8	Screw 3/8 x 1/2	
19	0791605	10	Screw 3/8 x 5/8	
20	0791606	4	Screw 3/8 x 3/4	
21	0791608	2	Screw 3/8 x 1	
22	1320061	2	Clamp	
23	1320130	2	Clamp	
24	1320136	2	Clamp	
25	1320301	1	Clamp	
26	1321293	1	Clamp	
27	1671031	1	Cover	
28	1671044	2	Cover	
29	1705366	1	Decal - Boom Length (500LB Cap)	
30	1705367	1	Decal - Boom Length (1000LB Cap)	
31	3281601	1	Nut 3/8 Grade 8	
32	3311405	11	Nut 1/4	
33	3311505	2	Nut 5/16	
34	3311605	2	Nut 3/8	
35	3340941	1	Pad	
36	3573301	2	Plate	
37	3574431	1	Plate	
38	3574616	1	Plate	
39	3930606	12	Capscrew #6 x 3/8	
40	3930816	2	Capscrew #8 x 1	
41	3930820	4	Capscrew #8 x 1-1/4	
42	3930824	2	Capscrew #8 x 1-1/2	
43	3931414	4	Capscrew 1/4 x 7/8	
44	3931508	4	Capscrew 5/16 x 1/2	
45	4341158	2	Mount	
46	4360527	1	Switch, Proximity (Cable Break) (Note: Control System must be recalibrated when Switch is replaced)	

SECTION 4 - BOOM

ITEM	PART NUMBER	QTY	DESCRIPTION	REV
47	4360543	1	Sensor, String (Boom Length) (Note: Control System must be recalibrated when Sensor is replaced)	
48	4360578	1	Switch, Limit (Boom Length) (Note: Control System must be recalibrated when Switch is replaced)	
49	4460914	2	Terminal, Base	
50	4460968	1	Connector, Strain Relief	
51	4711400	15	Washer 1/4	
52	4711500	2	Washer 5/16	
53	4711600	7	Washer 3/8	
54	4750800	6	Washer #8	
55	4846484	1	Mount	
56	4891400	4	Washer 1/4	
57	8310070	6	Pushnut 3/8	
58	88662530	2	Nut, Retainer	
59	1001118373	1	Bracket	
60	1001118930	1	Cover	
61	1001118931	2	Mount	
62	1001118971	2	Sensor, Angle Indicator (Main Boom Protractor) (Note: Control System must be recalibrated when Sensor is replaced)	
63	1001119137	1	Sleeve, Spacer	
64	1001119141	1	Sleeve, Spacer	
65	1001119729	1	Cover, Sensor	
66	1001120028	1	Mount	
67	1001120048	1	Cover	
68	1001120076	1	Mount	
69	1001120084	1	Bracket	
70	1001135479	1	Sensor, Angle Indicator (Jib Rotate) (Note: Control System must be recalibrated when Sensor is replaced)	
71	1001135483	1	Pin	
72	1001135484	1	Adapter	
73	1001147479	4	Switch, Angle Sensor (Platform Level and Main Boom Angle) (Note: Control System must be recalibrated when Sensor is replaced)	
74	1001179510	1	Cover	
75	1001301016	2	Link, Sensor	
76	1001285878	2	Switch, Proximity (Jib Telescope) (Note: Control System must be recalibrated when Switch is replaced)	
77	4000008	1	Sensor, Proximity (Jib Lock) (Note: Control System must be recalibrated when Sensor is replaced)	

SECTION 4 - BOOM

FIGURE 4-13. VALVES INSTALLATION - BOOM MOUNTED



ART_1001219992_I_30F3

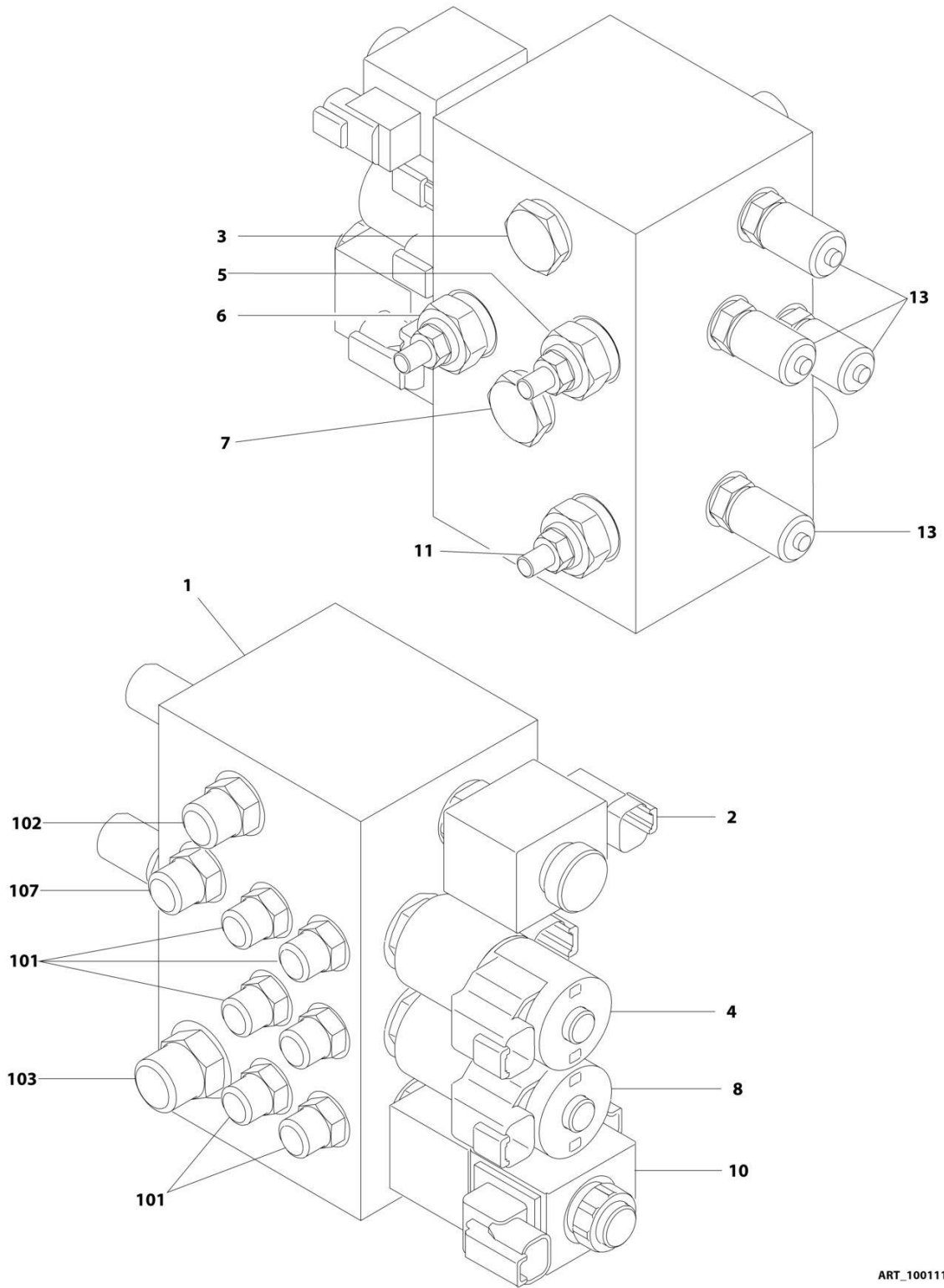
SECTION 4 - BOOM

FIGURE 4-13. VALVES INSTALLATION - BOOM MOUNTED

ITEM	PART NUMBER	QTY	DESCRIPTION	REV
	1001219992	Ref	VALVES INSTALLATION - BOON MOUNTED	I
1	0100011	AR	Compound, Locking	
6	0641507	4	Bolt 5/16 x 7/8	
7	0641508	1	Bolt 5/16 x 1	
9	0641538	4	Bolt 5/16 x 3/4	
10	0641608	20	Bolt 3/8 x 1	
18	3311505	15	Nut 5/16	
21	3900210	3	Screw 5/16 x 3/4	
28	4711500	43	Washer 5/16	
29	4711600	24	Washer 3/8	
31	4751500	2	Washer 5/16	
32	8406105	2	Clamp	
33	88261024	2	Screw 5/16 x 1	
36	1001118286	1	Jib Valve Assembly (See Separate Breakdown in this Section)	
37	1001119212	1	Enclosure Box Assembly (See Separate Breakdown in this Section)	
39	1001119702	1	Platform Valve Assembly (See Separate Breakdown in this Section)	
40	1001119703	1	Plate, Valve Mounting	
41	1001119704	1	Plate, Valve Protection	
43	1001207969	1	Cover	
44	1001208994	1	Mount, Valve	
45	88662523	4	Nut	

SECTION 4 - BOOM

FIGURE 4-14. PLATFORM VALVE ASSEMBLY



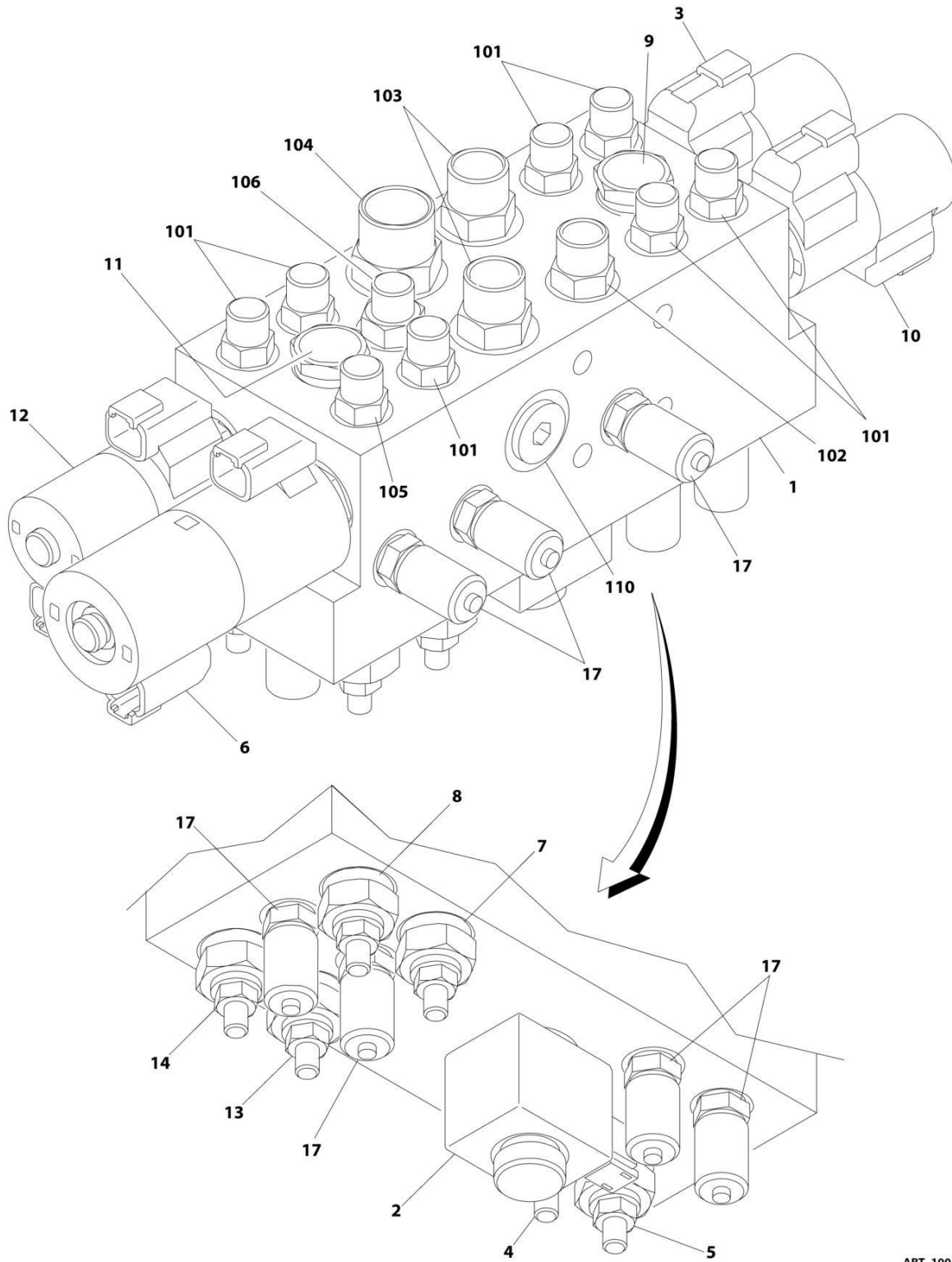
ART_1001119702

FIGURE 4-14. PLATFORM VALVE ASSEMBLY

ITEM	PART NUMBER	QTY	DESCRIPTION	REV
	1001119702	Ref	PLATFORM VALVE ASSEMBLY	F
		Ref	Cartridges:	
1	See Note	NSS	Block, Valve (Note: Not Available for Purchase)	
2	70003025	1	Valve, Cartridge (Valve Inlet)	
2	70004050	1	Seal Kit - 70003025 Cartridge	
2	70004051	1	Nut, Coil	
2	70003026	1	Coil	
3	70003021	1	Valve, Cartridge (Valve Inlet)	
3	70004052	1	Seal Kit - 70003021 Cartridge	
4	7024899	1	Valve, Cartridge (Platform Level)	
4	7017402	1	Seal Kit - 7024899 Cartridge	
4	7022390	1	Nut, Coil	
4	70003023	1	Spacer, Coil	
4	7024885	2	Coil	
5	70003019	1	Valve, Cartridge (Platform Level)	
5	70004052	1	Seal Kit - 70003019 Cartridge	
6	70003019	1	Valve, Cartridge (Platform Level)	
6	70004052	1	Seal Kit - 70003019 Cartridge	
7	70003027	1	Valve, Cartridge (Platform Rotate)	
7	70004052	1	Seal Kit - 70003027 Cartridge	
8	7024899	1	Valve, Cartridge (Platform Rotate)	
8	7017402	1	Seal Kit - 7024899 Cartridge	
8	7022390	1	Nut, Coil	
8	70003023	1	Spacer, Coil	
8	7024885	2	Coil	
10	70003028	1	Valve, Cartridge (Jib Lock Pin)	
10	70004053	1	Seal Kit - 70003028 Cartridge	
10	70004054	1	Nut, Coil	
10	70003026	2	Coil	
11	70003019	1	Valve, Cartridge (Jib Lock Pin)	
11	70004052	1	Seal Kit - 70003019 Cartridge	
13	2221086	4	Check, Pressure	
		Ref	Fittings:	
101	2110404	6	Fitting, Straight ORFS/ORB	
102	2110606	1	Fitting, Straight ORFS/ORB	
103	2110808	1	Fitting, Straight ORFS/ORB	
107	2110406	1	Fitting, Straight ORFS/ORB	

SECTION 4 - BOOM

FIGURE 4-15. JIB VALVE ASSEMBLY



ART_100118286

FIGURE 4-15. JIB VALVE ASSEMBLY

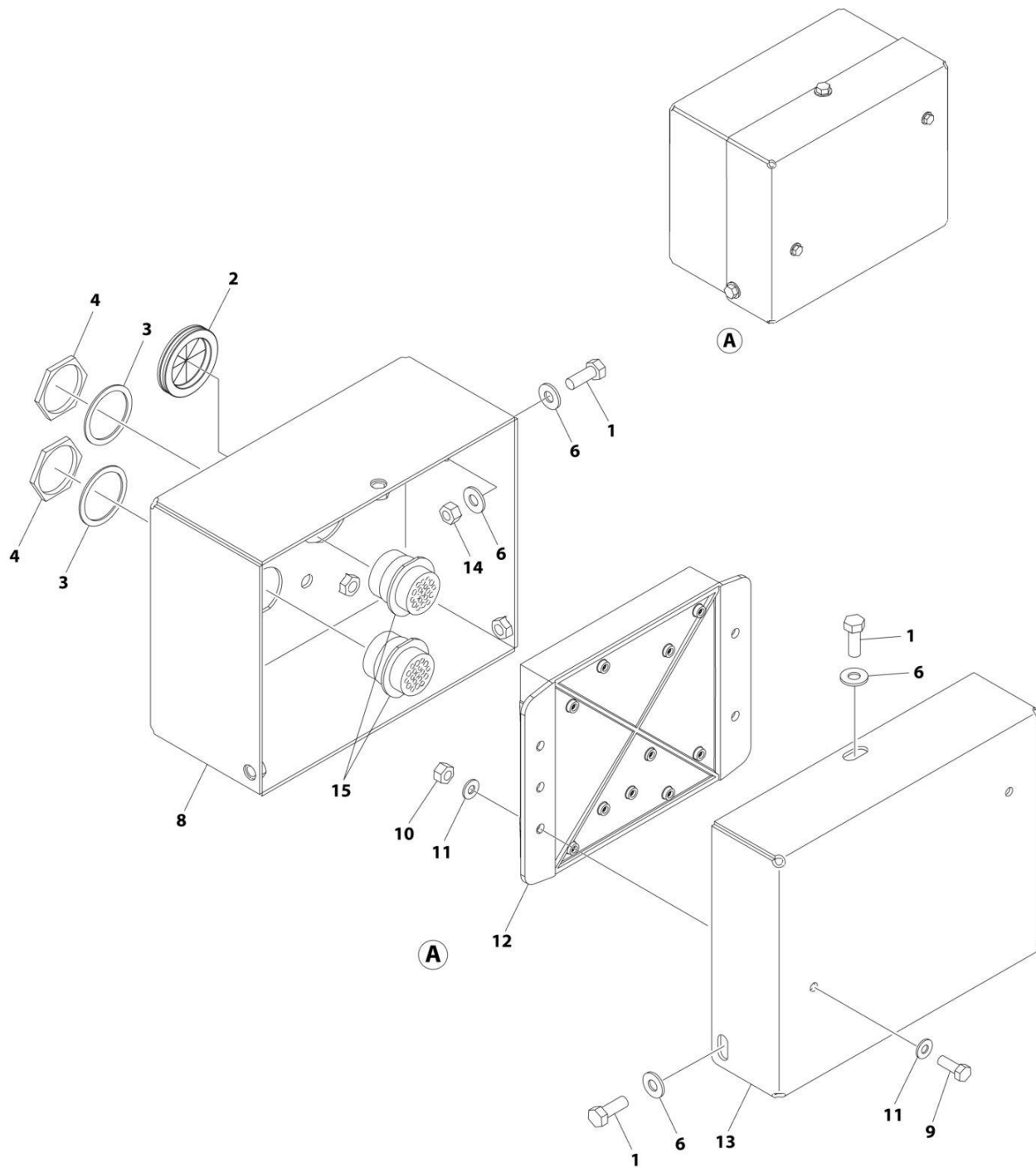
ITEM	PART NUMBER	QTY	DESCRIPTION	REV
	1001118286	Ref	JIB VALVE ASSEMBLY	E
		Ref	Cartridges:	
1	See Note	1	Block, Valve (Note: Not Available for Purchase)	
2	70003017	1	Valve, Cartridge (Valve Inlet)	
2	70004055	1	Seal Kit - 70003017 Cartridge	
2	70004051	1	Nut, Coil	
2	70022147	1	Coil	
3	7023922	1	Valve, Cartridge (Jib Level)	
3	7017402	1	Seal Kit - 7023922 Cartridge	
3	7022390	1	Nut, Coil	
3	70003023	1	Spacer, Coil	
3	7024885	2	Coil	
4	70003019	1	Valve, Cartridge (Jib Level)	
4	70004052	1	Seal Kit - 70003019 Cartridge	
5	70003019	1	Valve, Cartridge (Jib Level)	
5	70004052	1	Seal Kit - 70003019 Cartridge	
6	70003022	1	Valve, Cartridge (Jib Tele)	
6	7012903	1	Seal Kit - 70003022 Cartridge	
6	7022390	1	Nut, Coil	
6	70003024	1	Spacer, Coil	
6	7024883	2	Coil	
7	70003019	1	Valve, Cartridge (Jib Tele)	
7	70004052	1	Seal Kit - 70003019 Cartridge	
8	70003019	1	Valve, Cartridge (Jib Tele)	
8	70004052	1	Seal Kit - 70003019 Cartridge	
9	70003020	1	Valve, Cartridge (Jib Swing)	
9	70004052	1	Seal Kit - 70003020 Cartridge	
10	7024899	1	Valve, Cartridge (Jib Swing)	
10	7017402	1	Seal Kit - 7024899 Cartridge	
10	7022390	1	Nut, Coil	
10	70003023	1	Spacer, Coil	
10	7024885	2	Coil	
11	70003021	1	Valve, Cartridge (Jib Lift)	
11	70004052	1	Seal Kit - 70003021 Cartridge	
12	7023922	1	Valve, Cartridge (Jib Lift)	
12	7017402	1	Seal Kit - 7023922 Cartridge	
12	7022390	1	Nut, Coil	
12	70003023	1	Spacer, Coil	
12	7024885	2	Coil	
13	70003019	1	Valve, Cartridge (Jib Lift)	
13	70004052	1	Seal Kit - 70003019 Cartridge	
14	70003019	1	Valve, Cartridge (Jib Lift)	
14	70004052	1	Seal Kit - 70003019 Cartridge	
17	2221086	7	Check, Pressure	
		Ref	Fittings:	
101	2110404	7	Fitting, Straight ORFS/ORB	
102	2110606	1	Fitting, Straight ORFS/ORB	
103	2110808	2	Fitting, Straight ORFS/ORB	
104	2111010	1	Fitting, Straight ORFS/ORB	
105	2110604	1	Fitting, Straight ORFS/ORB	

SECTION 4 - BOOM

ITEM	PART NUMBER	QTY	DESCRIPTION	REV
106	2110406	1	Fitting, Straight ORFS/ORB	
110	70002759	1	Plug	

SECTION 4 - BOOM

FIGURE 4-16. ENCLOSURE BOX ASSEMBLY



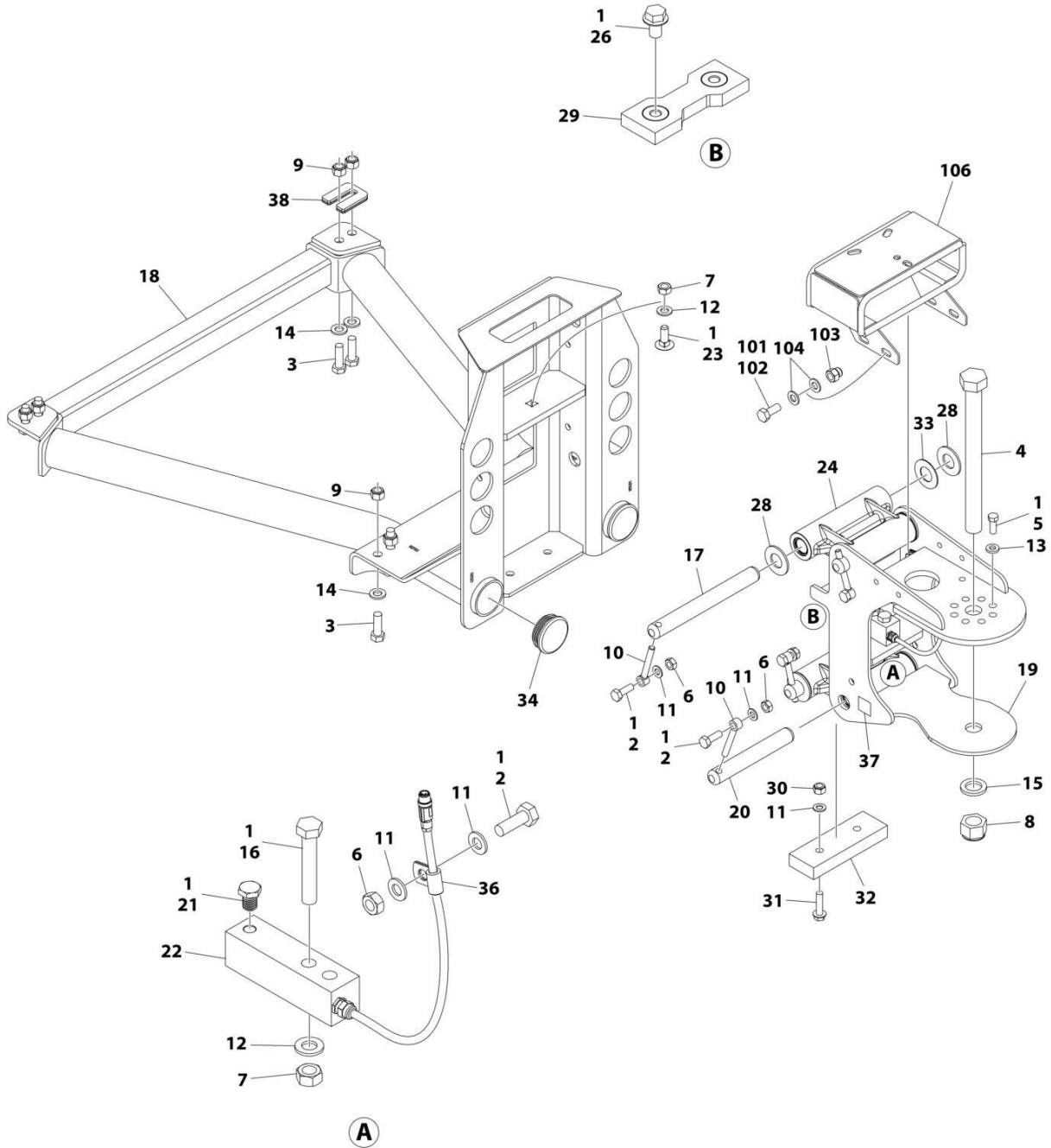
ART_1001119212_F

FIGURE 4-16. ENCLOSURE BOX ASSEMBLY

ITEM	PART NUMBER	QTY	DESCRIPTION	REV
	1001119212	Ref	ENCLOSURE BOX ASSEMBLY	F
1	0641608	5	Bolt 3/8 x 1	
2	1001227254	1	Grommet	
3	4460470	2	Washer, Terminal	
4	4460971	2	Nut, Terminal	
6	4711600	7	Washer 3/8	
8	1001119214	1	Box Assembly	
9	0641406	2	Bolt 1/4 x 3/4	
10	3311405	2	Nut 1/4	
11	4711400	4	Washer 1/4	
12	1001306080	1	Module, Jib Control (Note: Control System must be recalibrated when replaced)	
13	1001119215	1	Cover	
14	3311605	2	Nut 3/8	
15	1001119392	1	Harness, Jib Valve (See Separate Breakdown in ELECTRICAL Section)	

SECTION 4 - BOOM

FIGURE 4-17. PLATFORM SUPPORT INSTALLATION



ART_1001167596_N

SECTION 4 - BOOM

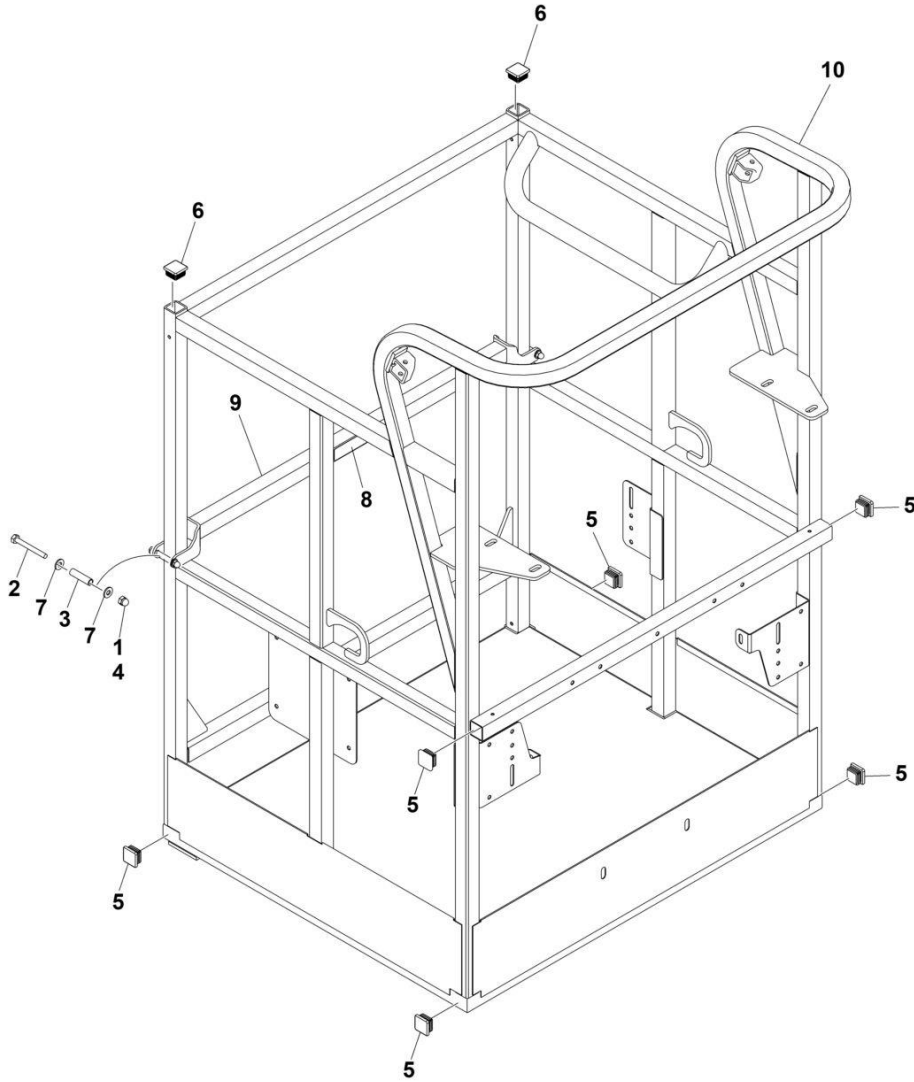
FIGURE 4-17. PLATFORM SUPPORT INSTALLATION

ITEM	PART NUMBER	QTY	DESCRIPTION	REV
	1001167596	Ref	PLATFORM SUPPORT INSTALLATION	N
1	0100011	AR	Compound, Locking	
2	0761014	5	Bolt M10 x 30	
3	0761216	8	Bolt M12 x 40	
4	1001255133	1	Bolt 1 x 11 GRD8	
5	0681608	8	Bolt 3/8 x 1 GRD8	
6	3291001	5	Nut M10	
7	3291201	3	Nut M12	
8	1001174040	1	Nut 1	
9	3291205	8	Nut M12	
10	3841143	4	Keeper, Pin	
11	4812000	8	Washer M10	
12	4812100	3	Washer M12	
13	4891600	8	Washer 3/8	
14	5241200	8	Washer M12	
15	4892600001	1	Washer 1	
16	1001098828	2	Bolt M12 x 70 CL10.9	
17	1001167565	2	Pin	
18	1001200494	1	Support, Platform	
19	1001167567	1	Support, Rotator	
20	1001168402	2	Pin	
21	1001188622	1	Screw	
22	1001247468	1	Loadcell	
23	1001188844	1	Bolt M12 x 35	
24	1001201351	2	Link	
24	1001187382	4	Bearing	
24	1001187383	4	Seal	
26	5251008	2	Bolt M10 x 16 CL10.9	
28	1001189002	8	Bearing	
29	1001190985	1	Pad, Wear	
30	3291005	2	Nut M10	
31	5251016	2	Bolt M10 x 40 CL10.9	
32	1001200491	1	Pad, Wear	
33	1001189001	4	Bearing	
34	1001204725	2	Plug	
36	91203039	1	Clamp	
37	1001216630	2	Decal - Tie Down/No Lift	
38	1001238421	Ref	Kit, Platform Leveling (Not Shown)	
	1001202687	Ref	VALVE MOUNT INSTALLATION	B
101	0100011	AR	Compound, Locking	
102	0760810	4	Bolt M8 x 20	
103	3290806	4	Nut M8	
104	4811900	8	Washer M8	
106	1001208994	1	Mount, Valve	

SECTION 5 - PLATFORM

SECTION 5 - PLATFORM

FIGURE 5-1. PLATFORM ASSEMBLY - 30IN X 3FT (76CM X .91M) - DROP BAR ENTRY



ART_1001228215

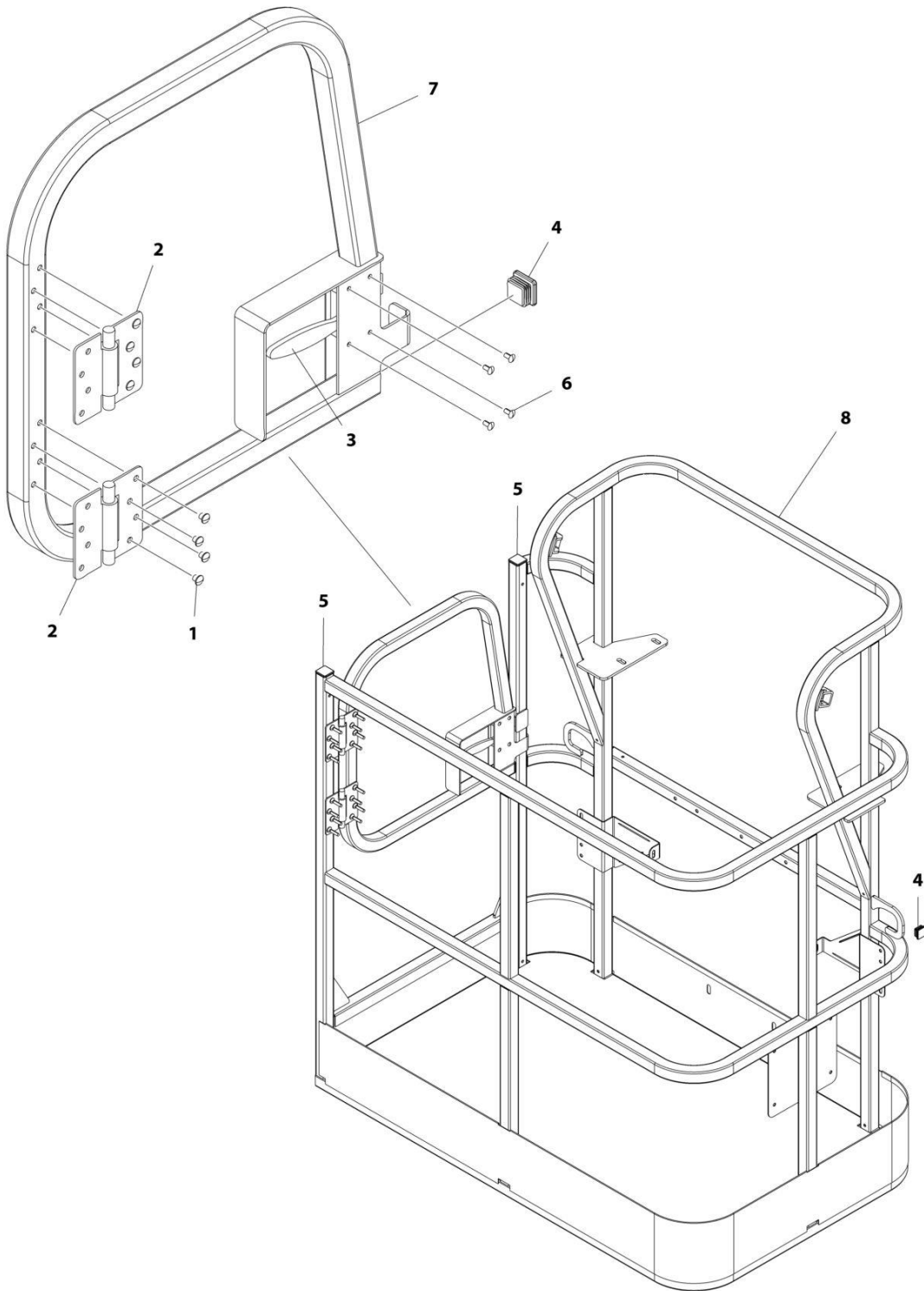
SECTION 5 - PLATFORM

FIGURE 5-1. PLATFORM ASSEMBLY - 30IN X 3FT (76CM X .91M) - DROP BAR ENTRY

ITEM	PART NUMBER	QTY	DESCRIPTION	REV
	1001228215	Ref	PLATFORM ASSEMBLY	A
	See Note	Ref	Note: Platform and Mesh must be ordered separately for Platforms with Mesh. See SPECIAL OPTIONS SECTION for Mesh Installations.	
	See Note	Ref	Note: Replacement Decals Must be Ordered Separately - See DECAL SECTION.	
1	0100011	AR	Compound, Locking	
2	0641418	2	Bolt 1/4 x 2-1/4	
3	0961845	2	Bushing	
4	3300151	2	Nut 1/4	
5	3520072	6	Cap, Plug	
6	3520198	2	Cap, Plug	
7	4711400	4	Washer 1/4	
8	1001140429	1	Decal - Drop Bar	
9	1001226872	1	Bar, Drop	
10	See Note	NSS	Platform (Note: Not Available - Purchase Platform Assembly)	

SECTION 5 - PLATFORM

FIGURE 5-2. PLATFORM ASSEMBLY - 30IN X 4FT (76CM X 1.22M) - SIDE GATE ENTRY



ART_1001186387

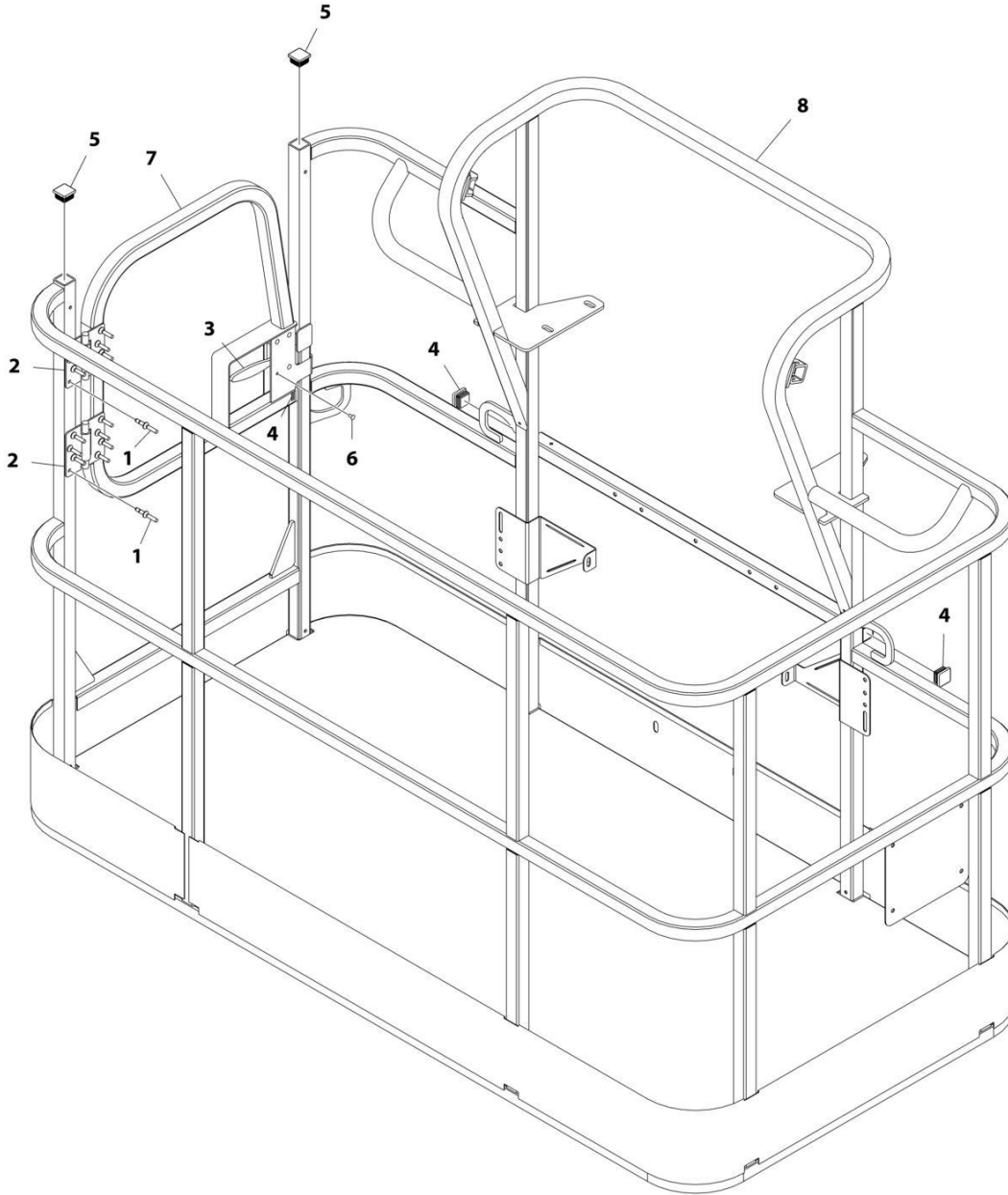
SECTION 5 - PLATFORM

FIGURE 5-2. PLATFORM ASSEMBLY - 30IN X 4FT (76CM X 1.22M) - SIDE GATE ENTRY

ITEM	PART NUMBER	QTY	DESCRIPTION	REV
	1001186387	Ref	PLATFORM ASSEMBLY	C
		Ref	Note: Platform and Mesh must be ordered separately for Platforms with Mesh. See SPECIAL OPTIONS SECTION for Mesh Installations.	
		Ref	Note: Replacement Decals Must be Ordered Separately - See DECALS SECTION.	
1	2080040	16	Fastener, Huck	
2	2600281	2	Hinge, Self-Closing	
3	2940074	1	Latch	
4	3520072	3	Plug	
5	3520198	2	Plug	
6	3820020	4	Rivet	
7	1001144629	1	Gate	
8	See Note	1	Platform (Note: Not Available - Purchase Platform Assembly)	

SECTION 5 - PLATFORM

FIGURE 5-3. PLATFORM ASSEMBLY - 36IN X 6FT (91.5CM X 1.83M) WITH SWING GATE



ART_1001186384

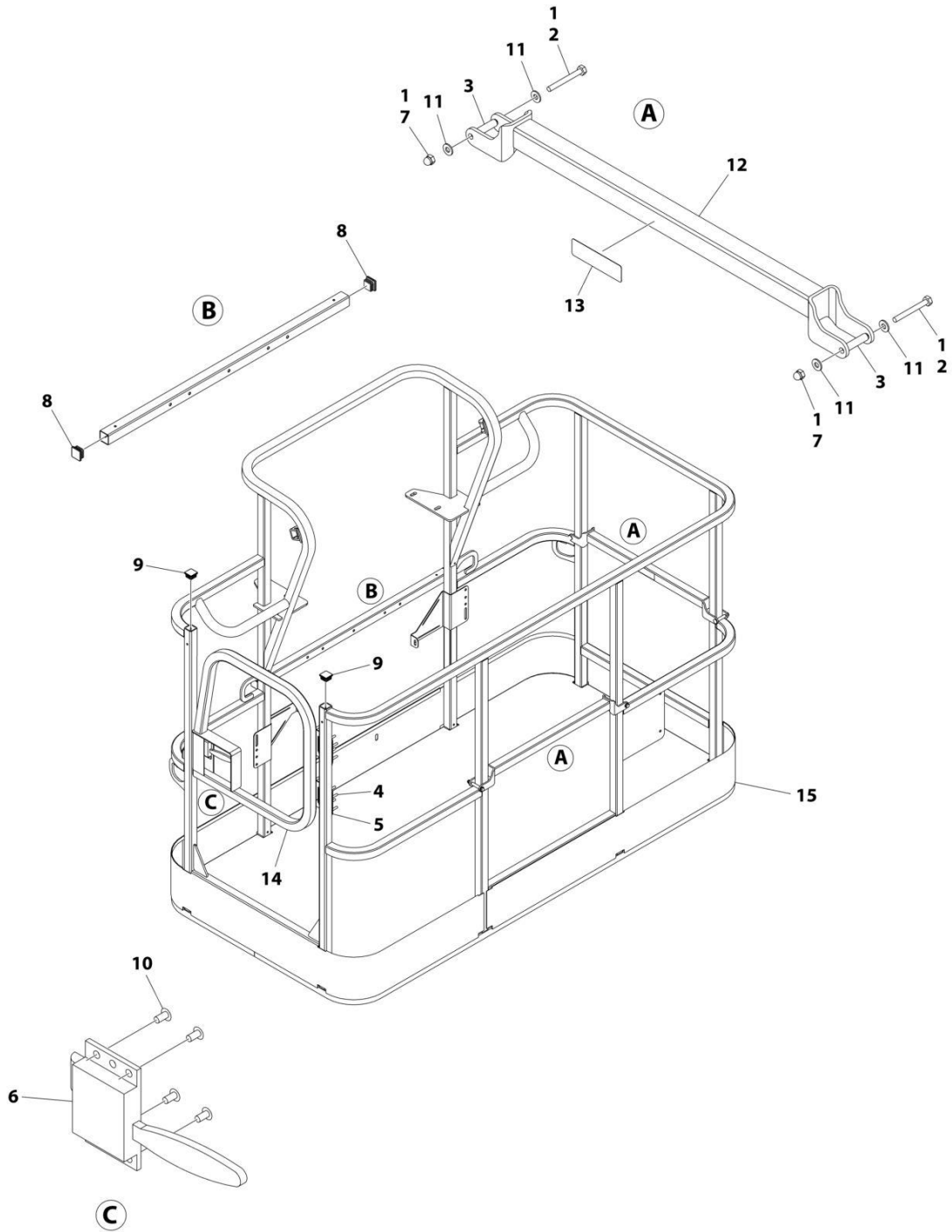
SECTION 5 - PLATFORM

FIGURE 5-3. PLATFORM ASSEMBLY - 36IN X 6FT (91.5CM X 1.83M) WITH SWING GATE

ITEM	PART NUMBER	QTY	DESCRIPTION	REV
	1001186384	Ref	PLATFORM ASSEMBLY - 36IN X 6FT (91.5CM X 1.83M) WITH SWING GATE	C
	See Note	Ref	Note: Platform and Mesh must be ordered separately for Platforms with Mesh. See SPECIAL OPTIONS SECTION for Mesh Installations.	
	See Note	Ref	Note: Replacement Decals Must be Ordered Separately - See DECALS SECTION.	
1	2080040	16	Fastener, Huck	
2	2600281	2	Hinge	
3	2940074	1	Latch	
4	3520072	3	Plug	
5	3520198	2	Plug	
6	3820020	4	Rivet	
7	1001144629	1	Gate	
8	See Note	NSS	Platform (Note: Not Available - Purchase Platform Assembly)	

SECTION 5 - PLATFORM

FIGURE 5-4. PLATFORM ASSEMBLY - 36IN X 6FT (91.5CM X 1.83M) TRI-ENTRY WITH SWING GATE



ART_1001228376

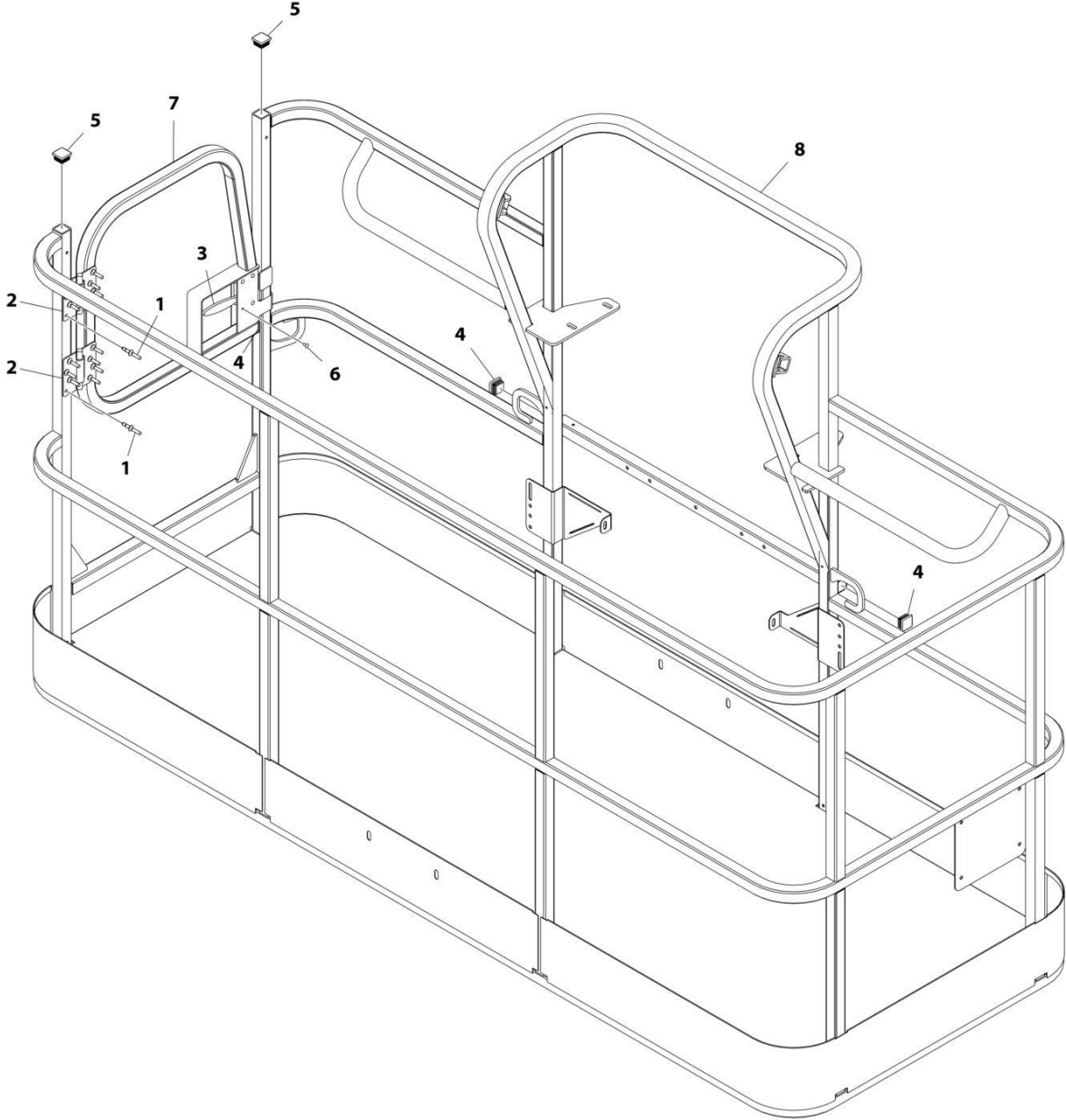
SECTION 5 - PLATFORM

FIGURE 5-4. PLATFORM ASSEMBLY - 36IN X 6FT (91.5CM X 1.83M) TRI-ENTRY WITH SWING GATE

ITEM	PART NUMBER	QTY	DESCRIPTION	REV
	1001228376	Ref	PLATFORM ASSEMBLY - 36IN x 6FT (91.5CM x 1.83M)	B
		Ref	Note: Platform and Mesh must be ordered separately for Platforms with Mesh. See SPECIAL OPTIONS SECTION for Mesh Installations.	
		Ref	Note: Replacement Decals Must be Ordered Separately - See DECAL SECTION.	
1	0100011	AR	Compound, Locking	
2	0641418	4	Bolt 1/4 x 2-1/4	
3	0961845	4	Bushing	
4	2080040	16	Fastener	
5	2600281	2	Hinge	
6	2940074	1	Latch	
7	3300151	4	Nut 1/4	
8	3520072	3	Plug	
9	3520198	2	Plug	
10	3820020	4	Rivet	
11	4711400	8	Washer 1/4	
12	1001138494	2	Bar, Drop	
13	1001140429	2	Decal - Drop Bar	
14	1001144629	1	Gate	
15	See Note	NSS	Platform (Note: Not Available - Purchase Platform Assembly)	

SECTION 5 - PLATFORM

FIGURE 5-5. PLATFORM ASSEMBLY - 36IN X 8FT (91.5CM X 2.44M) WITH SWING GATE



ART_1001186383

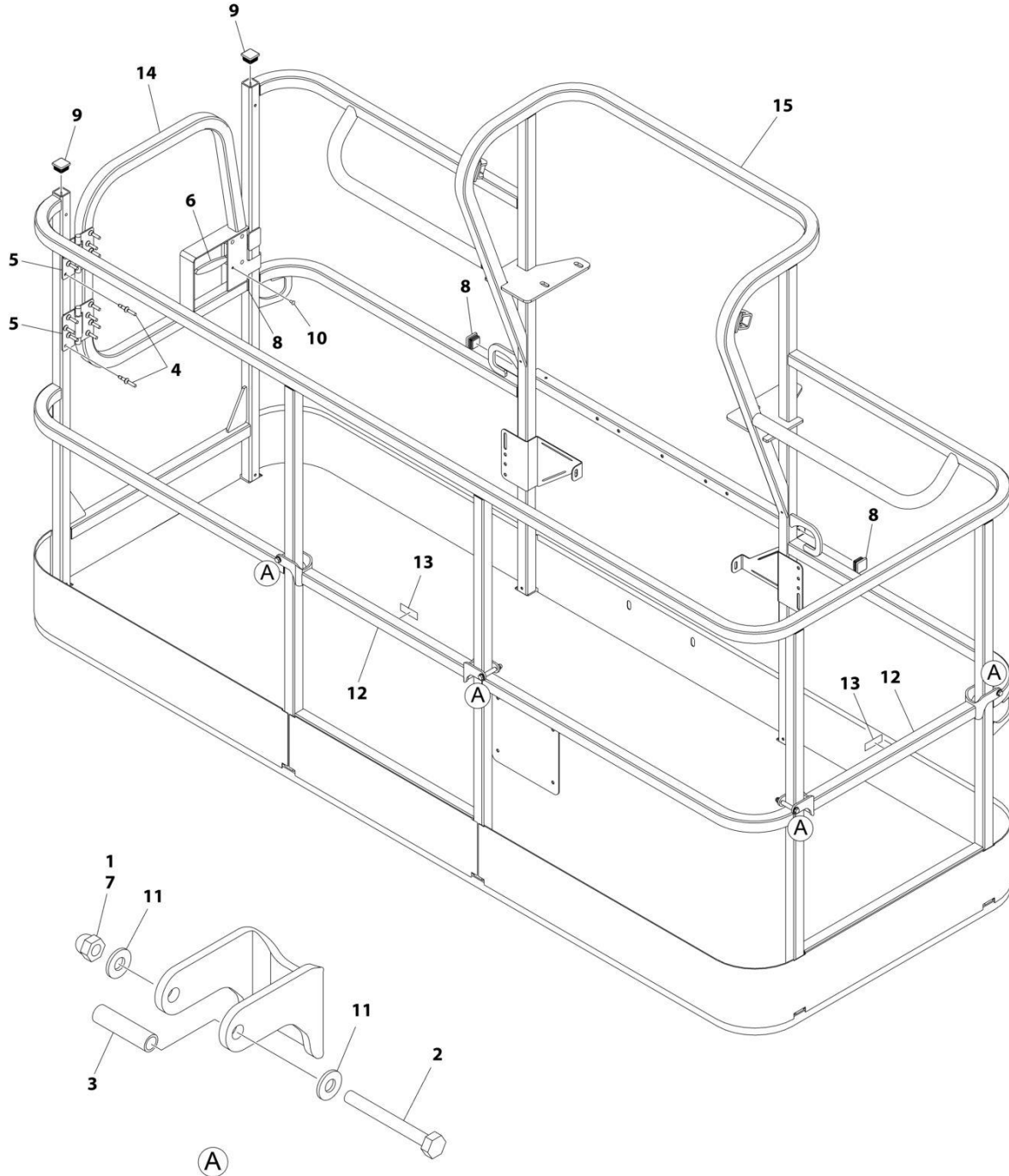
SECTION 5 - PLATFORM

FIGURE 5-5. PLATFORM ASSEMBLY - 36IN X 8FT (91.5CM X 2.44M) WITH SWING GATE

ITEM	PART NUMBER	QTY	DESCRIPTION	REV
	1001186383	Ref	PLATFORM ASSEMBLY - 36IN X 8FT (91.5CM X 2.44M) WITH SWING GATE	D
		Ref	Note: Platform and Mesh must be ordered separately for Platforms with Mesh. See SPECIAL OPTIONS SECTION for Mesh Installations.	
		Ref	Note: Replacement Decals Must be Ordered Separately - See DECALS SECTION.	
1	2080040	16	Fastener, Huck	
2	2600281	2	Hinge	
3	2940074	1	Latch	
4	3520072	3	Plug	
5	3520198	2	Plug	
6	3820020	4	Rivet	
7	1001144629	1	Gate	
8	See Note	NSS	Platform (Note: Not Available - Purchase Platform Assembly)	

SECTION 5 - PLATFORM

FIGURE 5-6. PLATFORM ASSEMBLY - 36IN X 8FT (91.5CM X 2.44M) WITH TRI-ENTRY (1 GATE/2 DROP BARS)



ART_1001228243

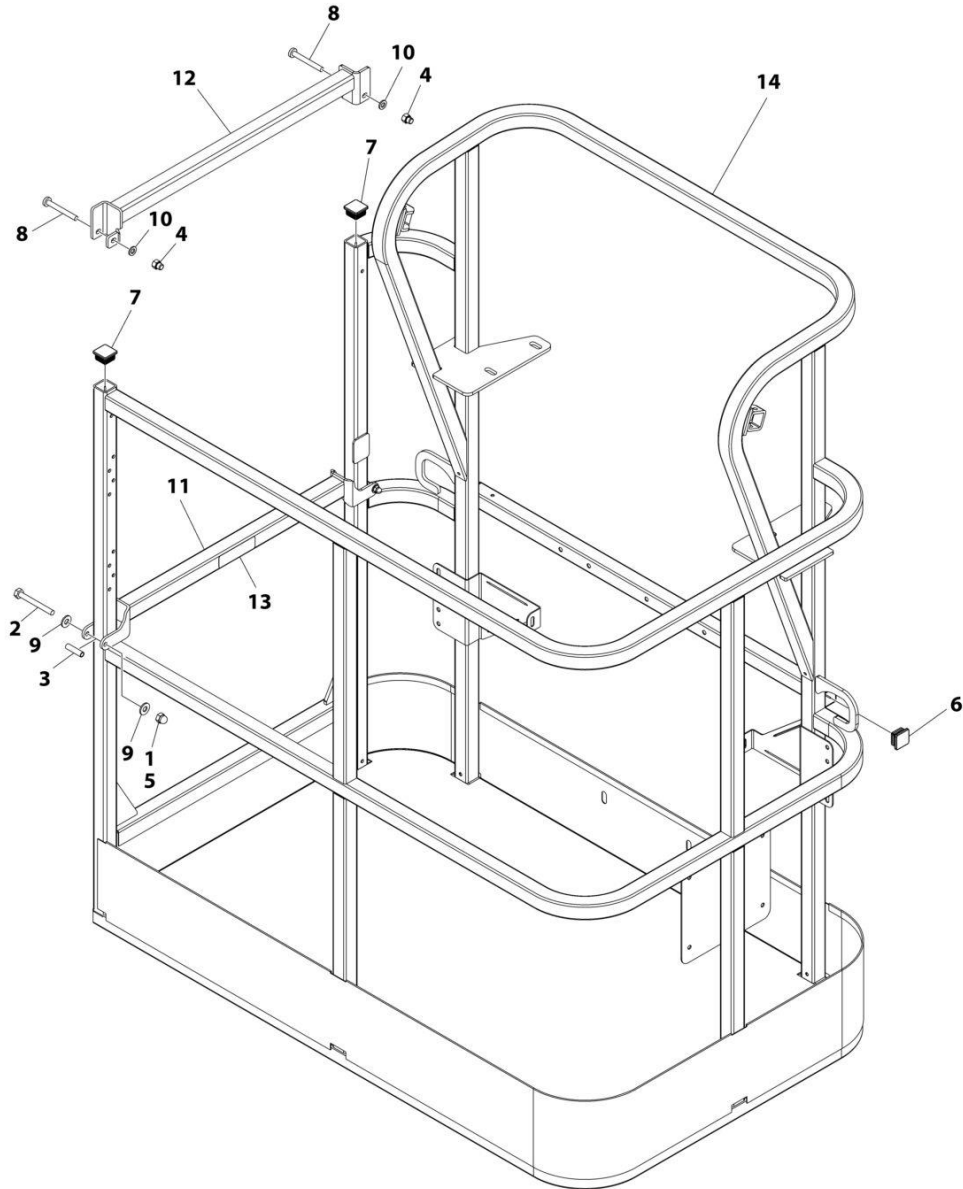
SECTION 5 - PLATFORM

FIGURE 5-6. PLATFORM ASSEMBLY - 36IN X 8FT (91.5CM X 2.44M) WITH TRI-ENTRY (1 GATE/2 DROP BARS)

ITEM	PART NUMBER	QTY	DESCRIPTION	REV
	1001228243	Ref	PLATFORM ASSEMBLY - 36IN X 8FT (91.5CM X 2.44M) WITH TRI-ENTRY	A
		Ref	Note: Platform and Mesh must be ordered separately for Platforms with Mesh. See SPECIAL OPTIONS SECTION for Mesh Installations.	
1	0100011	AR	Compound, Locking	
2	0641418	4	Bolt 1/4 x 2-1/4	
3	0961845	4	Bushing	
4	2080040	16	Fastener, Huck	
5	2600281	2	Hinge, Self-Closing	
6	2940074	1	Latch	
7	3300151	4	Nut 1/4	
8	3520072	3	Cap, Plug	
9	3520198	2	Cap, Plug	
10	3820020	4	Rivet	
11	4711400	8	Washer 1/4	
12	1001138494	2	Bar, Drop	
13	1001140429	2	Decal - Drop Bar	
14	1001144629	1	Gate, Weldment	
15	See Note	1	Platform (Note: Not Available - Purchase Platform Assembly)	

SECTION 5 - PLATFORM

FIGURE 5-7. PLATFORM ASSEMBLY - 30IN X 4FT (76CM X 1.22M) WITH DROP BAR



ART_1001186375

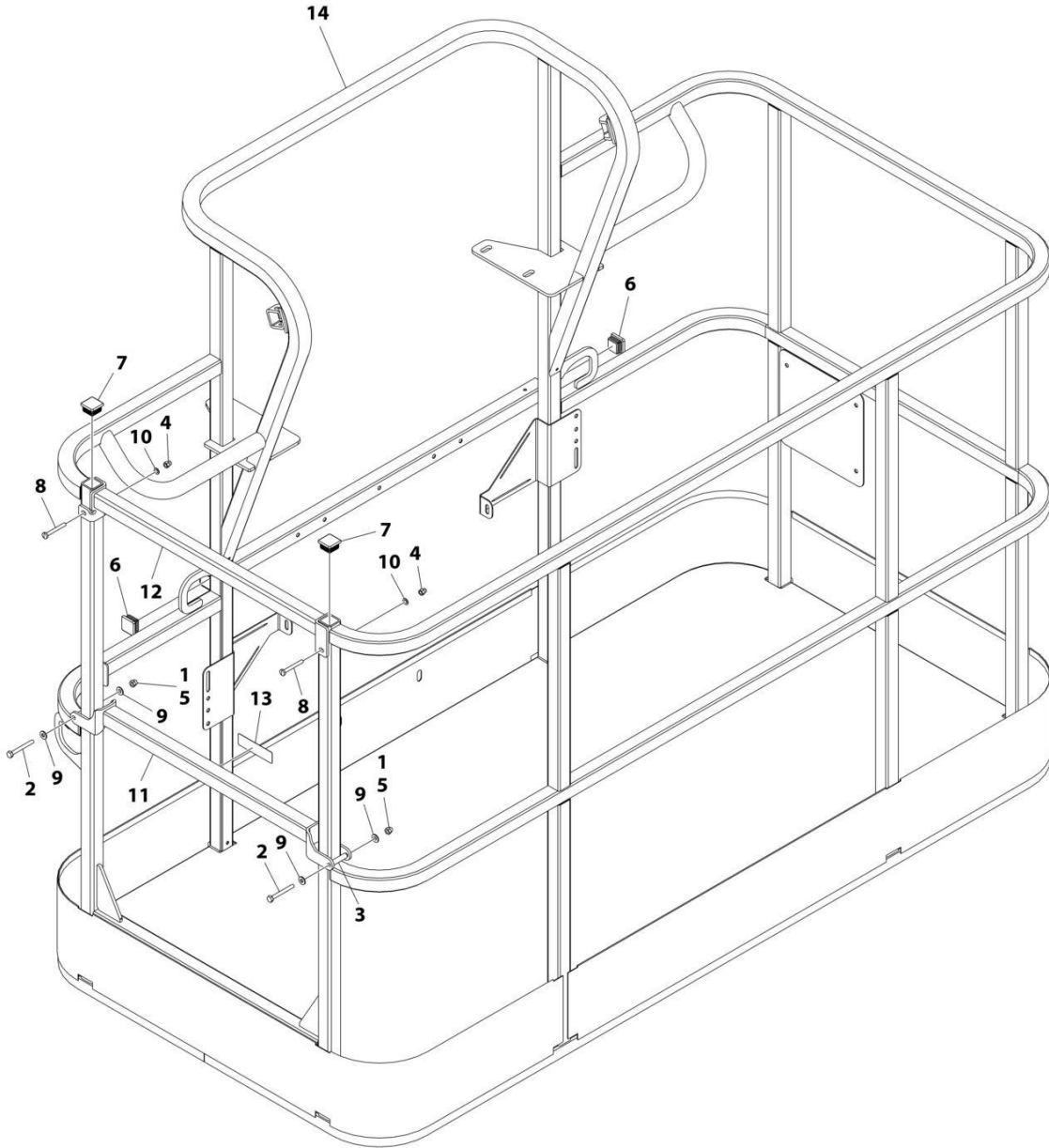
SECTION 5 - PLATFORM

FIGURE 5-7. PLATFORM ASSEMBLY - 30IN X 4FT (76CM X 1.22M) WITH DROP BAR

ITEM	PART NUMBER	QTY	DESCRIPTION	REV
	1001186375	Ref	PLATFORM ASSEMBLY	B
		Ref	Note: Platform and Mesh must be ordered separately for Platforms with Mesh. See SPECIAL OPTIONS SECTION for Mesh Installations.	
		Ref	Note: Replacement Decals Must be Ordered Separately - See DECALS SECTION.	
1	0100011	AR	Compound, Locking	
2	0641418	2	Bolt 1/4 x 2-1/4	
3	0961845	2	Bushing	
4	3290606	2	Nut M6	
5	3300151	2	Nut 1/4	
6	3520072	2	Plug	
7	3520198	2	Plug	
8	4010618	2	Screw M6 x 50	
9	4711400	4	Washer 1/4	
10	4811700	2	Washer M6	
11	1001138494	1	Bar, Drop	
12	1001138514	1	Rail - Top	
13	1001140429	1	Decal - Drop Bar	
14	See Note	1	Platform (Note: Not Available - Purchase Platform Assembly)	

SECTION 5 - PLATFORM

FIGURE 5-8. PLATFORM ASSEMBLY - 36IN X 6FT (91.5CM X 1.83M) WITH DROP BAR



ART_1001186379

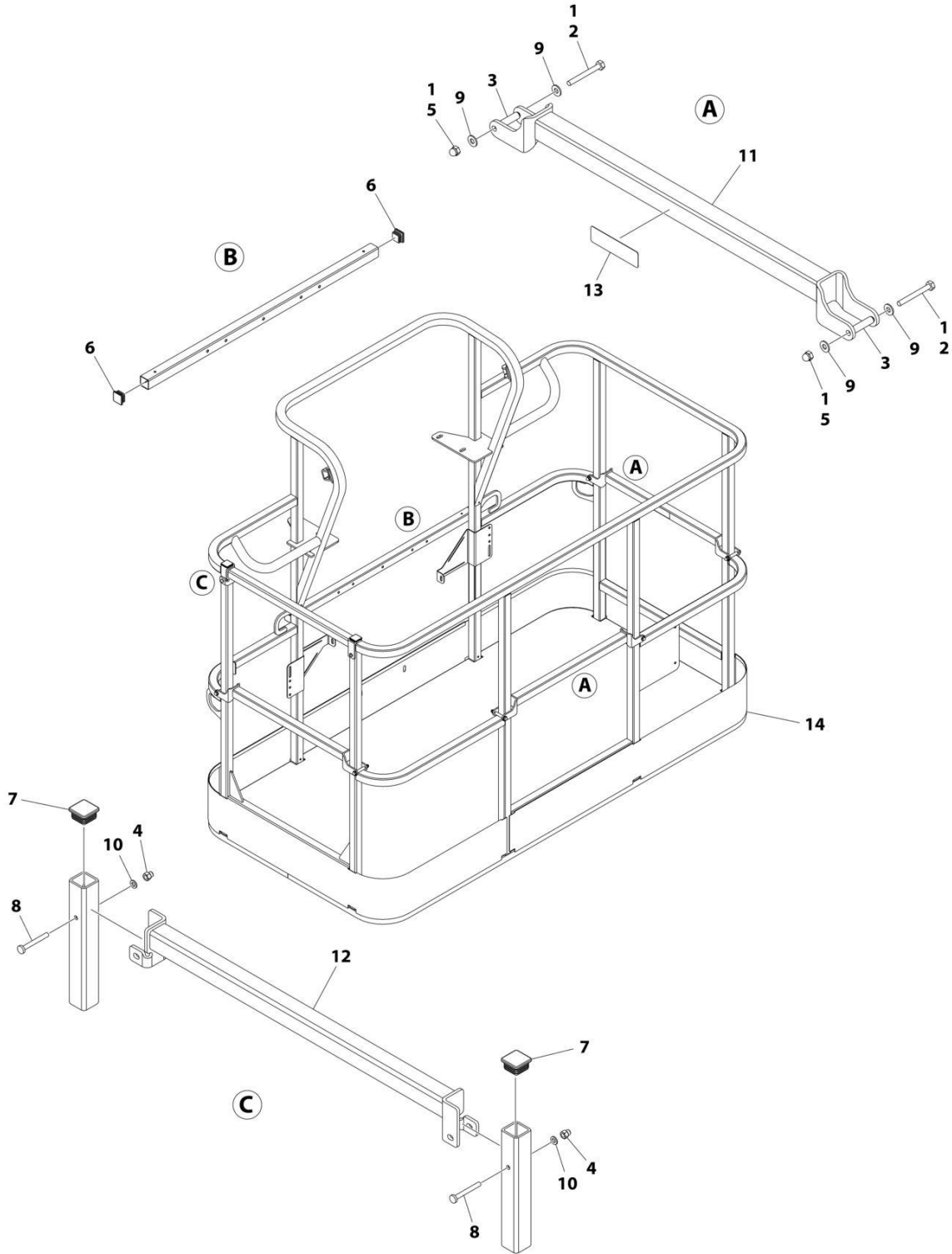
SECTION 5 - PLATFORM

FIGURE 5-8. PLATFORM ASSEMBLY - 36IN X 6FT (91.5CM X 1.83M) WITH DROP BAR

ITEM	PART NUMBER	QTY	DESCRIPTION	REV
	1001186379	Ref	PLATFORM ASSEMBLY - 36IN X 6FT (91.5CM X 1.83M) WITH DROP BAR	B
		Ref	Note: Platform and Mesh must be ordered separately for Platforms with Mesh. See SPECIAL OPTIONS SECTION for Mesh Installations.	
		Ref	Note: Replacement Decals Must be Ordered Separately - See DECALS SECTION.	
1	0100011	AR	Compound, Locking	
2	0641418	2	Bolt 1/4 x 2-1/4	
3	0961845	2	Bushing	
4	3290606	2	Nut M6	
5	3300151	2	Nut 1/4	
6	3520072	2	Plug	
7	3520198	2	Plug	
8	4010618	2	Screw M6 x 50	
9	4711400	4	Washer 1/4	
10	4811700	2	Washer M6	
11	1001138494	1	Bar, Drop	
12	1001138514	1	Rail (Top)	
13	1001140429	1	Decal - Drop Bar	
14	See Note	NSS	Platform (Note: Not Available - Purchase Platform Assembly)	

SECTION 5 - PLATFORM

FIGURE 5-9. PLATFORM ASSEMBLY - 36IN X 6FT (91.5CM X 1.83M) TRI-ENTRY WITH DROPBAR



ART_1001228377

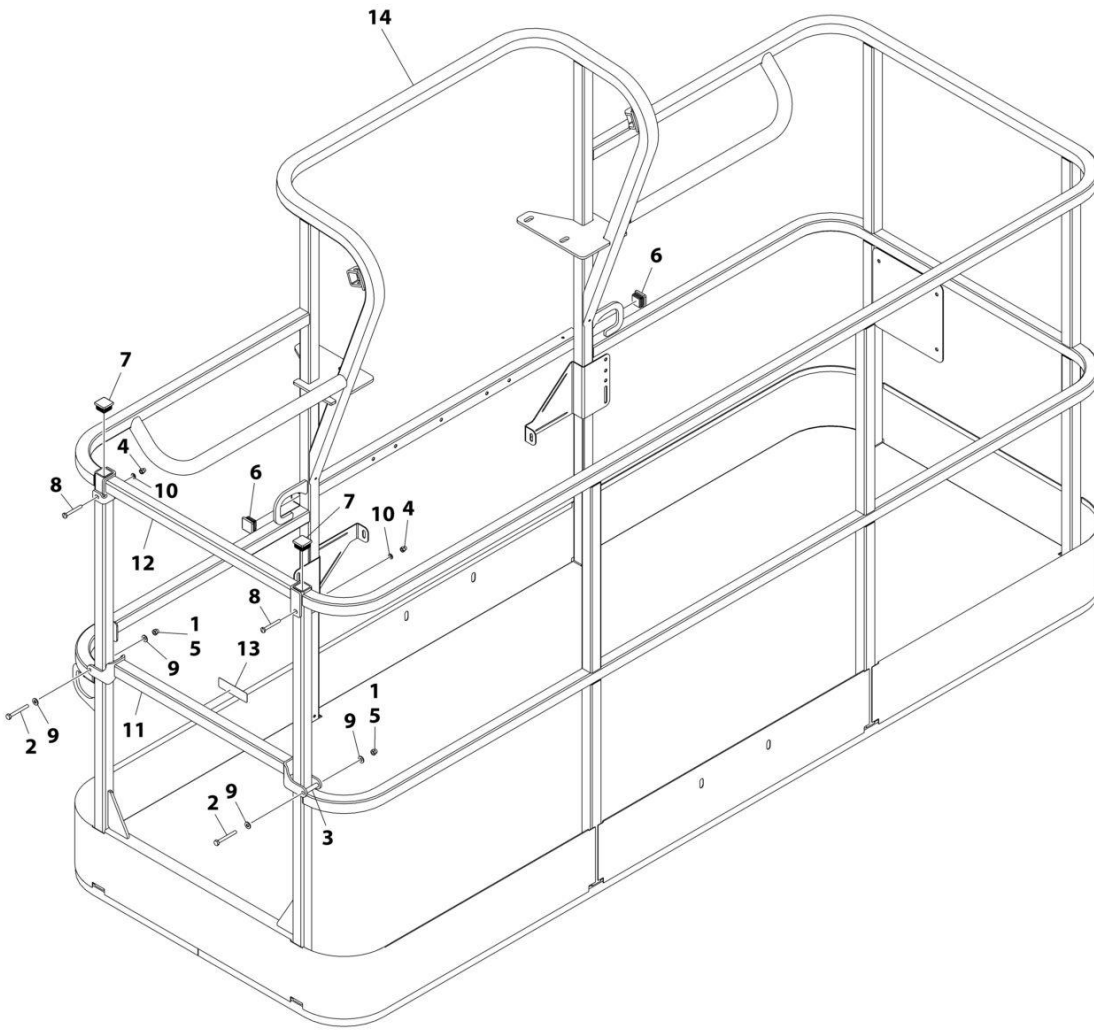
SECTION 5 - PLATFORM

FIGURE 5-9. PLATFORM ASSEMBLY - 36IN X 6FT (91.5CM X 1.83M) TRI-ENTRY WITH DROPBAR

ITEM	PART NUMBER	QTY	DESCRIPTION	REV
	1001228377	Ref	PLATFORM ASSEMBLY - 36IN x 6FT (91.5CM x 1.83M)	B
		Ref	Note: Platform and Mesh must be ordered separately for Platforms with Mesh. See SPECIAL OPTIONS SECTION for Mesh Installations.	
		Ref	Note: Replacement Decals Must be Ordered Separately - See DECAL SECTION.	
1	0100011	1	Compound, Locking	
2	0641418	6	Bolt 1/4 x 2-1/4	
3	0961845	6	Bushing	
4	3290606	2	Nut M6	
5	3300151	6	Nut 1/4	
6	3520072	2	Plug	
7	3520198	2	Plug	
8	4010618	2	Screw M6 x 50	
9	4711400	12	Washer 1/4	
10	4811700	2	Washer M6	
11	1001138494	3	Bar, Drop	
12	1001138514	1	Rail (Top)	
13	1001140429	3	Decal - Drop Bar	
14	See Note	NSS	Platform, Weldment (Note: Not Available - Purchase Platform Assembly)	

SECTION 5 - PLATFORM

FIGURE 5-10. PLATFORM ASSEMBLY - 36IN X 8FT (91.5CM X 2.44M) WITH DROP BAR



ART_1001186382

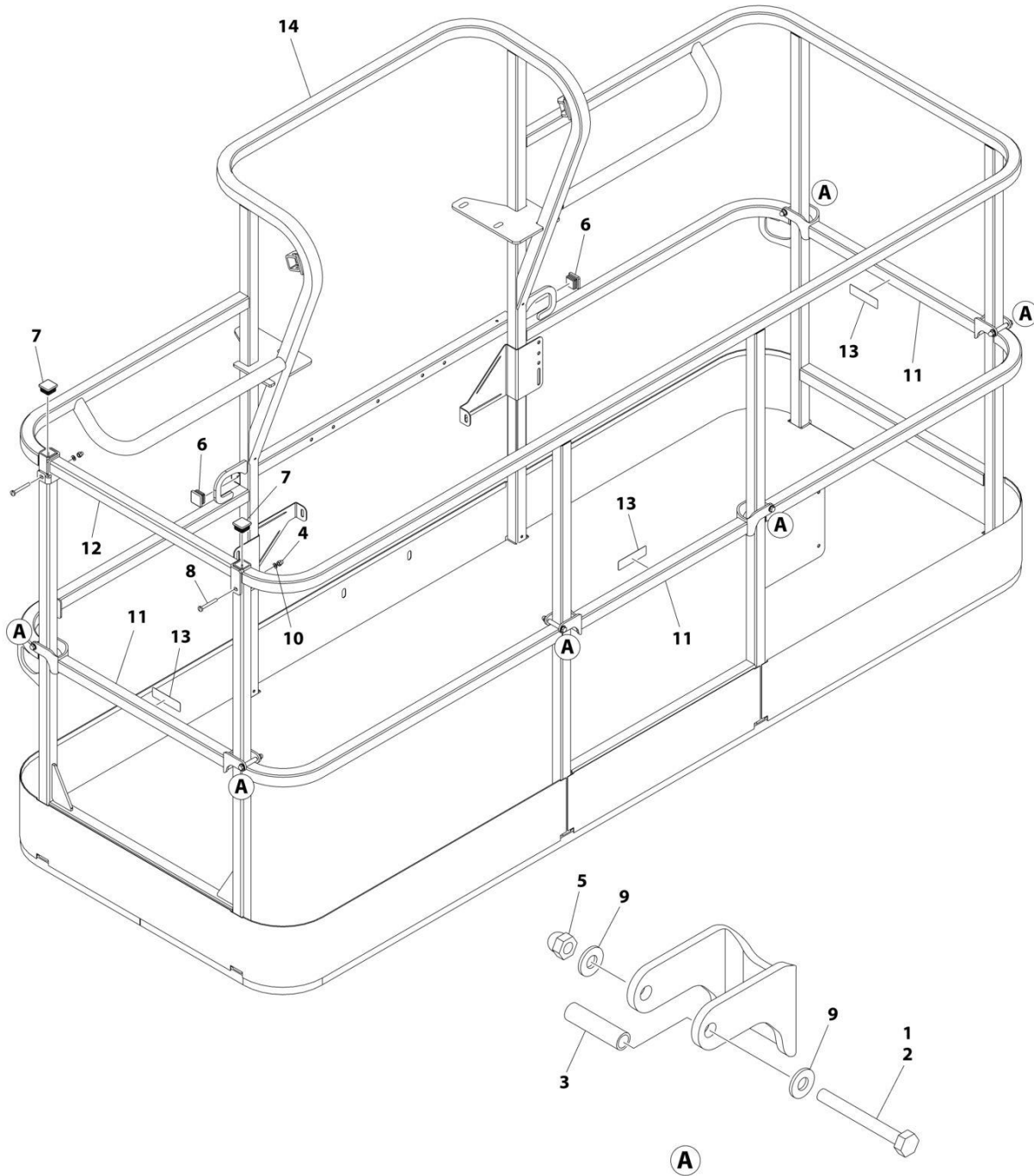
SECTION 5 - PLATFORM

FIGURE 5-10. PLATFORM ASSEMBLY - 36IN X 8FT (91.5CM X 2.44M) WITH DROP BAR

ITEM	PART NUMBER	QTY	DESCRIPTION	REV
	1001186382	Ref	PLATFORM ASSEMBLY - 36IN X 8FT (91.5CM X 2.44M) WITH DROP BAR	C
		Ref	Note: Platform and Mesh must be ordered separately for Platforms with Mesh. See SPECIAL OPTIONS SECTION for Mesh Installations.	
		Ref	Note: Replacement Decals Must be Ordered Separately - See DECALS SECTION.	
1	0100011	AR	Compound, Locking	
2	0641418	2	Bolt 1/4 x 2-1/4	
3	0961845	2	Bushing	
4	3290606	2	Nut M6	
5	3300151	2	Nut 1/4	
6	3520072	2	Plug	
7	3520198	2	Plug	
8	4010618	2	Screw M6 x 50	
9	4711400	4	Washer 1/4	
10	4811700	2	Washer M6	
11	1001138494	1	Bar, Drop	
12	1001138514	1	Rail (Top)	
13	1001140429	1	Decal - Drop Bar	
14	See Note	NSS	Platform (Note: Not Available - Purchase Platform Assembly)	

SECTION 5 - PLATFORM

FIGURE 5-11. PLATFORM ASSEMBLY - 36IN X 8FT (91.5CM X 2.44M) WITH TRI-ENTRY (3 DROP BARS)



ART_1001228375

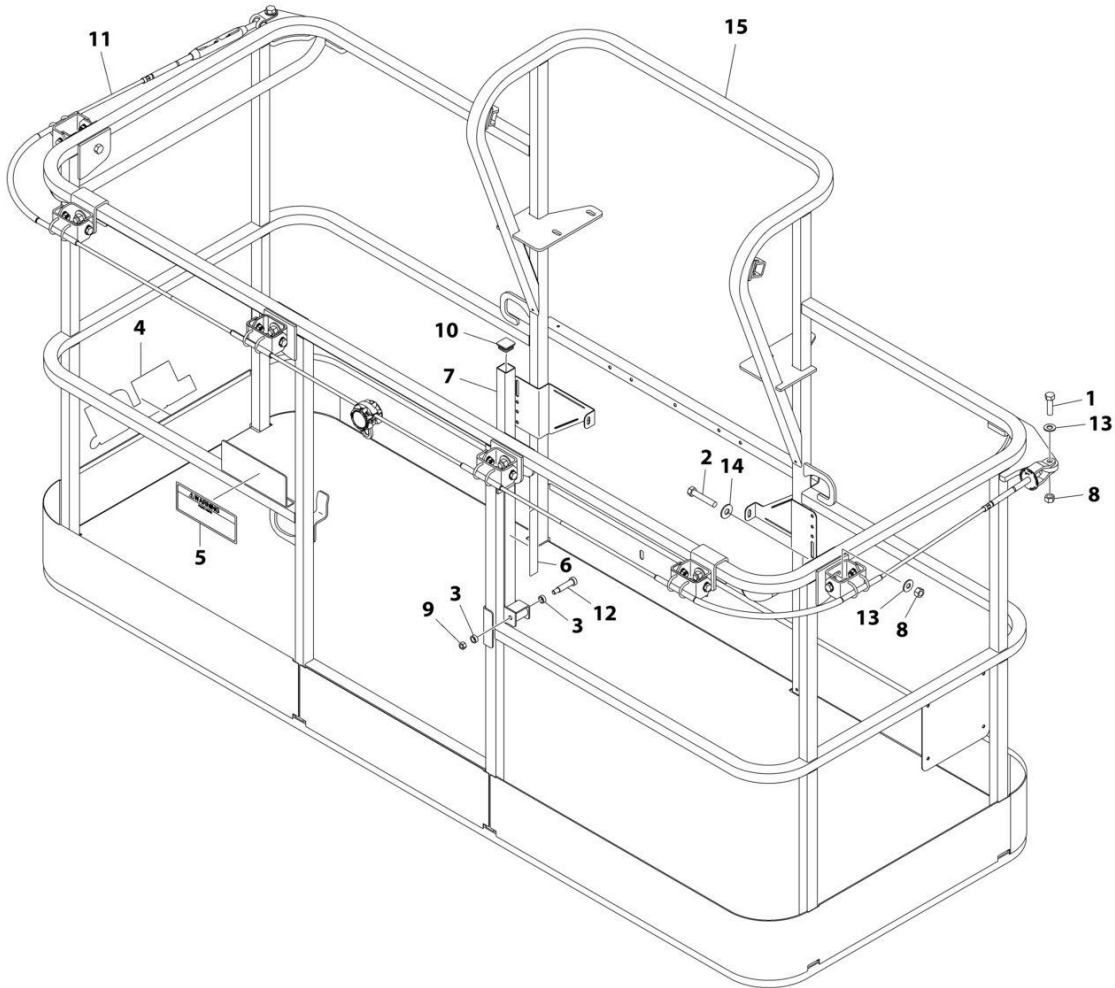
SECTION 5 - PLATFORM

FIGURE 5-11. PLATFORM ASSEMBLY - 36IN X 8FT (91.5CM X 2.44M) WITH TRI-ENTRY (3 DROP BARS)

ITEM	PART NUMBER	QTY	DESCRIPTION	REV
	1001228375	Ref	PLATFORM ASSEMBLY - 36IN X 8FT (91.5CM X 2.44M) WITH TRI-ENTRY	A
		Ref	Note: Platform and Mesh must be ordered separately for Platforms with Mesh. See SPECIAL OPTIONS SECTION for Mesh Installations.	
		Ref	Note: Replacement Decals Must be Ordered Separately - See DECAL SECTION.	
1	0100011	AR	Compound, Locking	
2	0641418	6	Bolt 1/4 x 2-1/4	
3	0961845	6	Bushing	
4	3290606	2	Nut M6 x 1	
5	3300151	6	Nut 1/4	
6	3520072	2	Cap, Plug	
7	3520198	2	Cap, Plug	
8	4010618	2	Screw M6 x 50	
9	4711400	12	Washer 1/4	
10	4811700	2	Washer M6	
11	1001138494	3	Bar, Drop	
12	1001138514	1	Rail (Top)	
13	1001140429	3	Decal - Drop Bar	
14	See Note	1	Platform (Note: Not Available - Purchase Platform Assembly)	

SECTION 5 - PLATFORM

FIGURE 5-12. PLATFORM ASSEMBLY - 36IN X 8FT (91.5CM X 2.44M) WITH FALL ARREST (ANSI SPECS)



ART_1001186334

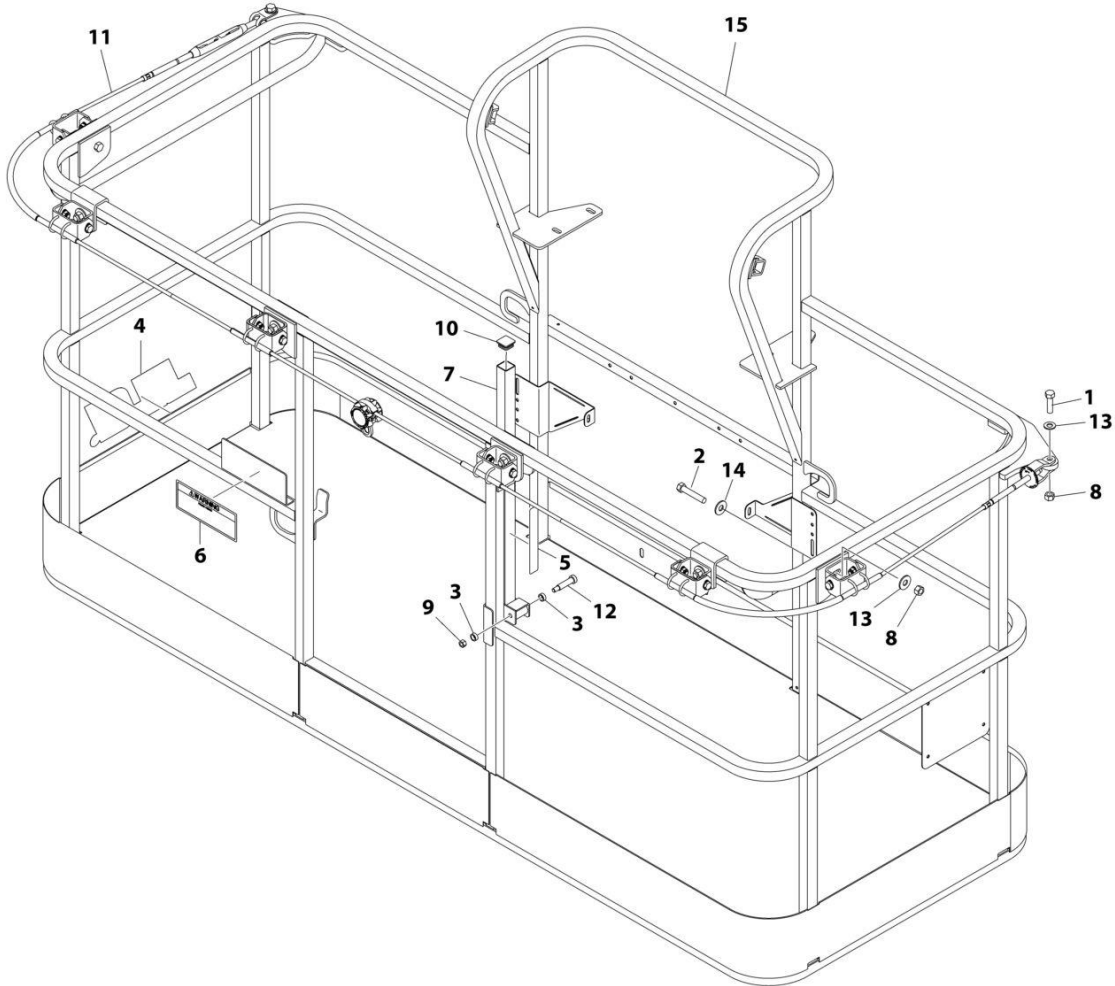
SECTION 5 - PLATFORM

FIGURE 5-12. PLATFORM ASSEMBLY - 36IN X 8FT (91.5CM X 2.44M) WITH FALL ARREST (ANSI SPECS)

ITEM	PART NUMBER	QTY	DESCRIPTION	REV
	1001186334	Ref	PLATFORM ASSEMBLY	D
		Ref	Note: Replacement Decals Must be Ordered Separately - See DECALS SECTION.	
1	0681814	2	Bolt 1/2 x 1-3/4 Grade 8	
2	0681822	6	Bolt 1/2 x 2-3/4 Grade 8	
3	0962270	2	Bearing	
4	1702773	1	Decal - JLG	
5	1705014	1	Decal - Safety	
6	1706385	1	Decal - Drop Bar	
7	2410014	1	Bar, Drop	
8	3271805	8	Nut 1/2 Grade 8	
9	3311605	1	Nut 3/8	
10	3520072	1	Plug	
11	1001203656	1	Cable	
12	3900054	1	Bolt 1/2 x 1-3/4	
13	4711800	2	Washer 1/2	
14	4751800	6	Washer 1/2	
15	See Note	NSS	Platform (Note: Purchase Platform Assembly)	

SECTION 5 - PLATFORM

FIGURE 5-13. PLATFORM ASSEMBLY - 36IN X 8FT (91.5CM X 2.44M) WITH FALL ARREST (AUSTRALIAN SPECS)



ART_1001186389

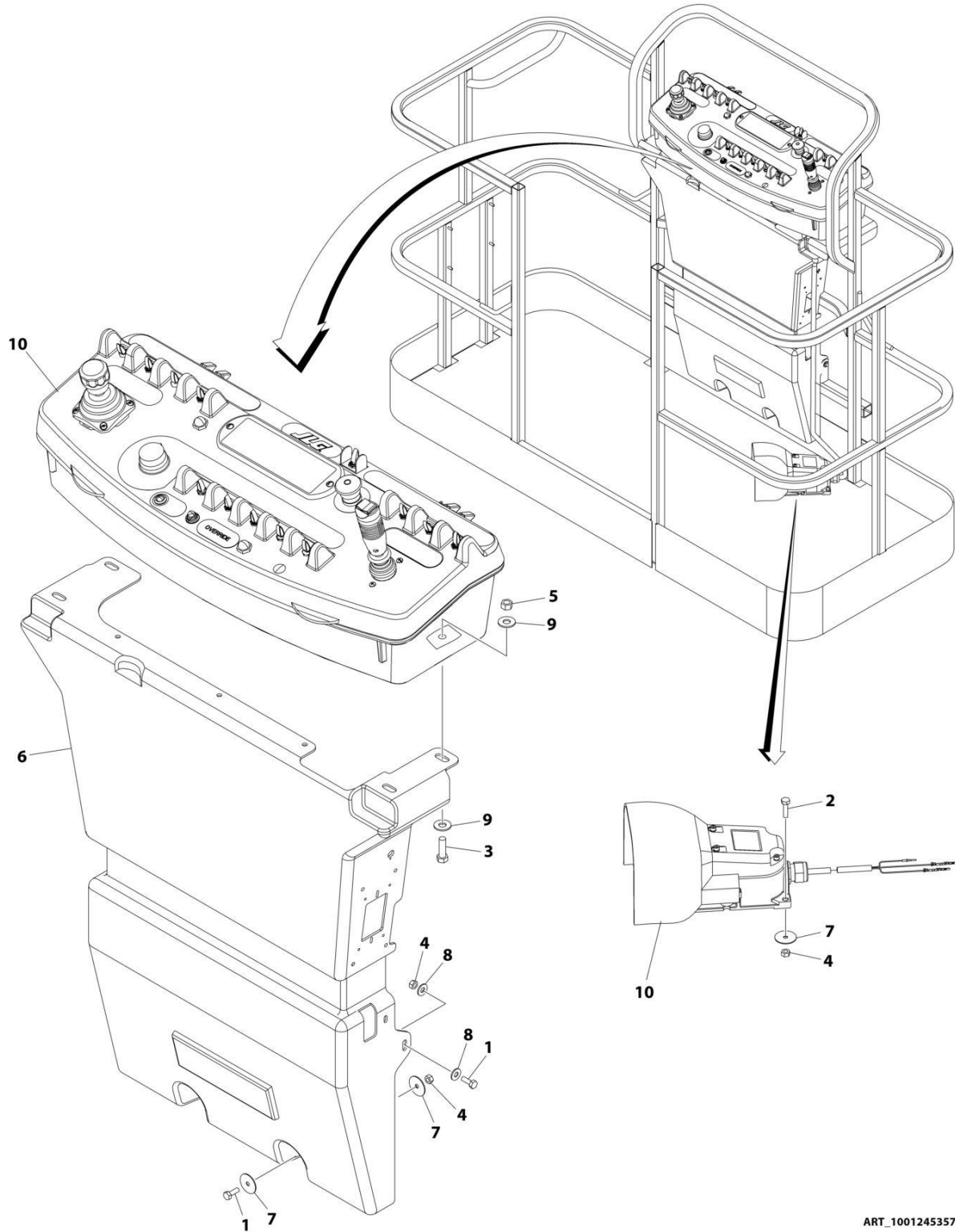
SECTION 5 - PLATFORM

**FIGURE 5-13. PLATFORM ASSEMBLY - 36IN X 8FT (91.5CM X 2.44M) WITH FALL ARREST
(AUSTRALIAN SPECS)**

ITEM	PART NUMBER	QTY	DESCRIPTION	REV
	1001186389	Ref	PLATFORM ASSEMBLY - 36IN X 8FT (91.5CM X 2.44M) WITH FALL ARREST	D
		Ref	Note: Standard decals must be ordered separately - See DECAL SECTION.	
1	0681814	2	Bolt 1/2 x 1-3/4 Grade 8	
2	0681822	6	Bolt 1/2 x 2-3/4 Grade 8	
3	0962270	2	Bearing	
4	1702773	1	Decal - JLG	
5	1706493	1	Decal - Drop Bar	
6	1706501	1	Decal - Safety	
7	2410014	1	Gate	
8	3271805	8	Nut 1/2 Grade 8	
9	3311605	1	Nut 3/8	
10	3520072	1	Plug	
11	1001203656	1	Cable	
12	3900054	1	Bolt 1/2 x 1-3/4	
13	4711800	8	Washer 1/2	
14	4751800	6	Washer 1/2	
15	1001186318	NSS	Platform (Note: Not Available - Purchase Platform Assembly)	

SECTION 5 - PLATFORM

FIGURE 5-14. PLATFORM CONSOLE BOX INSTALLATION



ART_1001245357

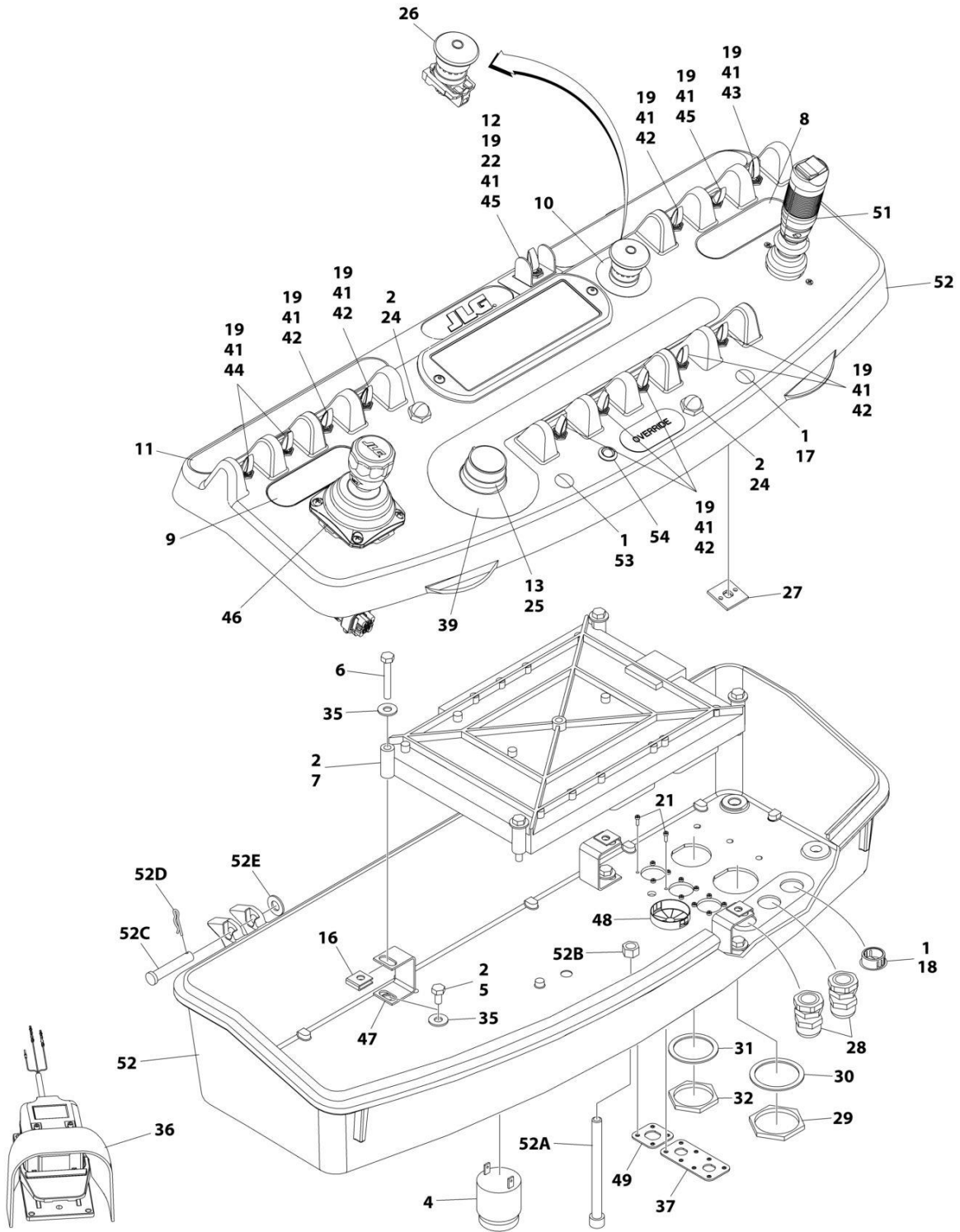
SECTION 5 - PLATFORM

FIGURE 5-14. PLATFORM CONSOLE BOX INSTALLATION

ITEM	PART NUMBER	QTY	DESCRIPTION	REV
	1001245357	Ref	PLATFORM CONSOLE BOX INSTALLATION	A
		Ref	Note: Replacement Decals Must be Ordered Separately - See DECALS SECTION.	
1	0641406	4	Bolt 1/4 x 3/4	
2	0641408	3	Bolt 1/4 x 1	
3	0641610	4	Bolt 3/8 x 1-1/4	
4	3311405	7	Nut 1/4	
5	3311605	4	Nut 3/8	
6	3380434	1	Panel, Molded	
7	4740362	7	Washer, Fender	
8	4751400	4	Washer 1/4	
9	4751600	8	Washer 3/8	
10	1001245356	1	Platform Console Box Assembly (See Separate Breakdown in this Section)	

SECTION 5 - PLATFORM

FIGURE 5-15. PLATFORM CONSOLE ASSEMBLY



ART_1001245356_G

SECTION 5 - PLATFORM

FIGURE 5-15. PLATFORM CONSOLE ASSEMBLY

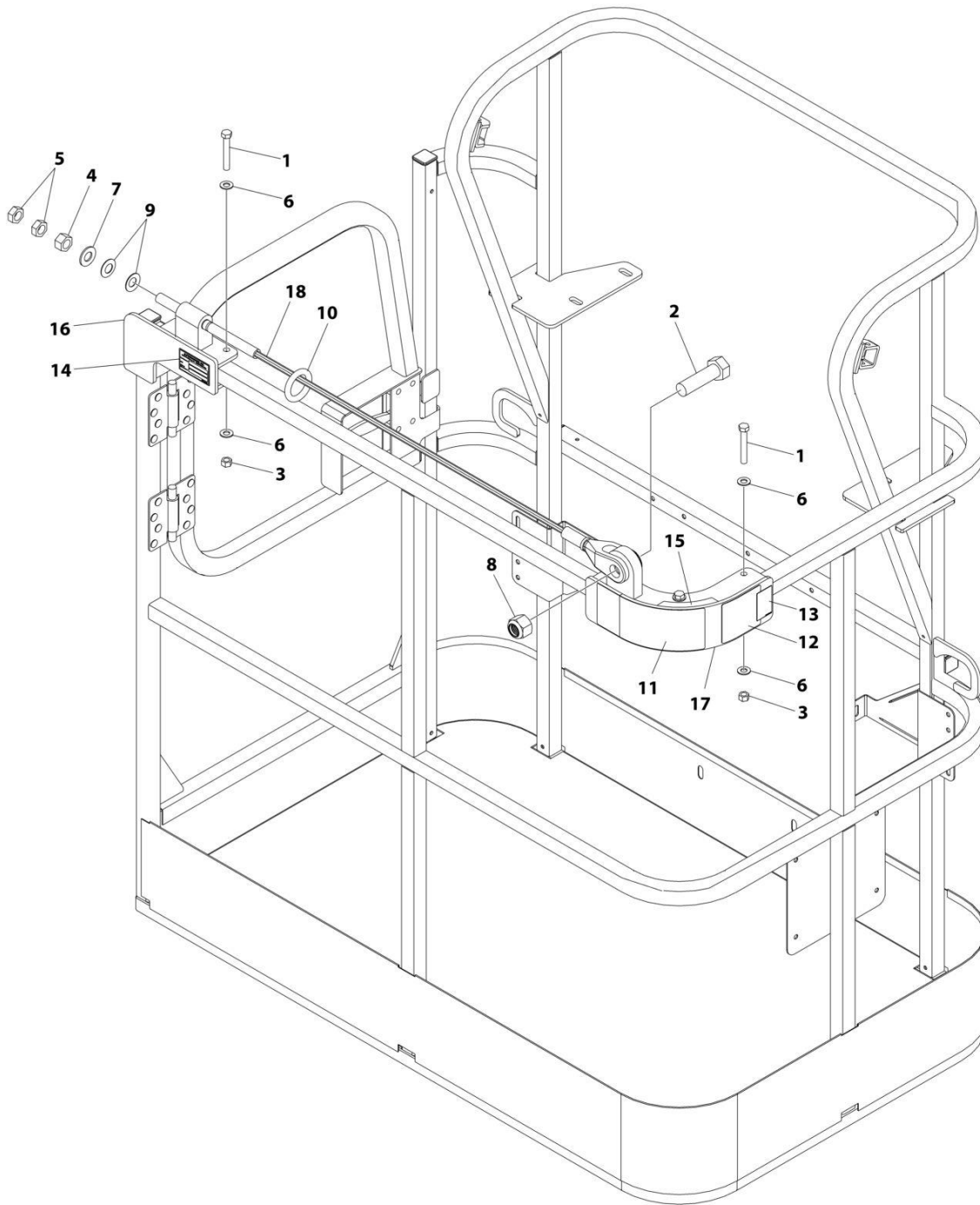
ITEM	PART NUMBER	QTY	DESCRIPTION	REV
	1001245356	Ref	PLATFORM CONSOLE ASSEMBLY	G
1	0100009	AR	Sealant	
2	0100035	AR	Compound, Locking	
4	0140011	1	Alarm	
5	0641405	4	Bolt 1/4 x 5/8	
6	0641414	4	Bolt 1/4 x 1-3/4	
7	1600343	1	Module, Control (Note: Re-calibration Required when Replaced)	
8	1702565	1	Decal - Drive and Steer	
9	1702566	1	Decal - Lift and Swing	
10	1704260	1	Decal - EMS	
11	1705744	1	Decal - Horn	
12	1706741	1	Decal - Jib Select	
13	2560136	1	Handle, Knob	
16	3300353	4	Nut, Retainer	
17	3520026	1	Plug, Hole	
18	3520030	1	Plug, Hole	
19	3790012	13	O-Ring	
21	3900349	12	Capscrew M2.5	
22	4060906	1	Guard, Switch	
24	4360387	2	Switch, Pushbutton	
25	4360407	1	Controller, Speed	
25	See Note	NSS	Gasket "Top Hat" (Included with Switch) (Note: Not Available - Purchase Complete Controller)	
25	70003784	1	Seal	
26	1001274559	1	Switch, Emergency Stop	
27	4460234	AR	Base, Mounting	
28	4460428	2	Connector, Strain Relief	
29	4460470	1	Nut, Terminal	
30	4460471	1	Washer, Terminal	
31	4460496	1	Washer, Terminal	
32	4460497	1	Washer	
35	4751400	8	Washer 1/4	
36	1001117174	1	Footswitch Assembly (See Separate Breakdown in this Section)	
37	1001120338	1	Mount, Connector	
39	1001125195	1	Decal - Function Speed	
41	1001155044	13	Nut 15/32-32	
42	1001155045	8	Switch, Toggle	
43	1001159256	1	Switch, Toggle	
44	1001161709	2	Switch, Toggle	
45	1001161710	2	Switch, Toggle	
46	1001275629	1	Controller Assembly - Lift and Swing	
47	1001172760	4	Bracket, Support	
48	1001185281	1	Plug	
49	1001220929	1	Mount, Connector	
50	1001242189	1	Harness, Console Box (Not Shown - See Separate Breakdown in ELECTRICAL Section)	
51	1001275628	1	Controller Assembly - Drive and Steer	
52	1001245916	1	Box, Console	
52A	0630568	1	Capscrew 3/8 x 4-1/2	
52B	3311601	1	Nut 3/8	

SECTION 5 - PLATFORM

ITEM	PART NUMBER	QTY	DESCRIPTION	REV
52C	3430616	2	Pin, Clevis	
52D	3470003	2	Pin, Hair	
52E	4711600	2	Washer, 3/8	
53	3520027	1	Plug	
54	1001206532	1	Lamp, Indicator	
55	4240099	AR	Tie-Strap (Not Shown)	

SECTION 5 - PLATFORM

FIGURE 5-16. FALL ARREST INSTALLATION (BOLT - ON EXTERNAL) 4FFT/1.22M PLATFORM)



ART_1001261338

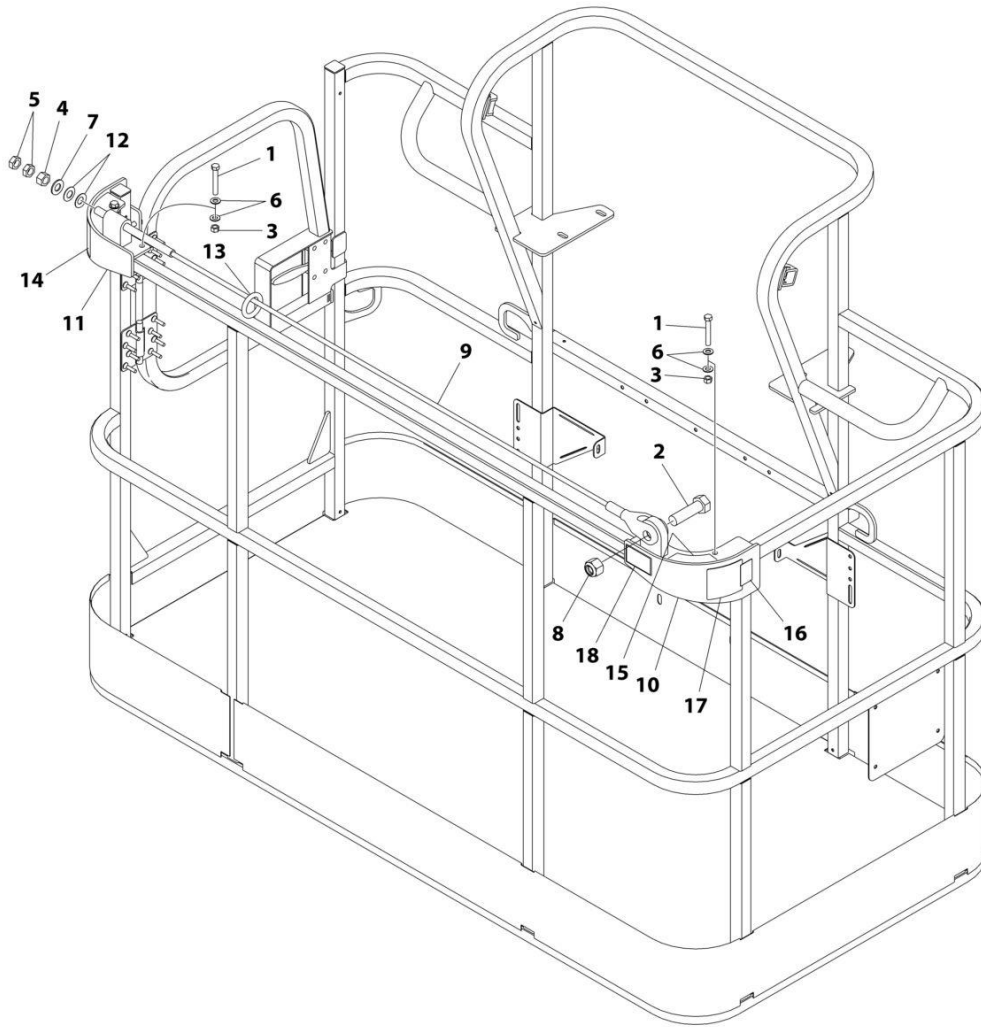
SECTION 5 - PLATFORM

FIGURE 5-16. FALL ARREST INSTALLATION (BOLT - ON EXTERNAL) 4FFT/1.22M PLATFORM)

ITEM	PART NUMBER	QTY	DESCRIPTION	REV
	1001261338	Ref	FALL ARREST INSTALLATION	A
1	0681620	6	Bolt 3/8 x 2-1/2	
2	0682424	1	Bolt 7/8 x 3	
3	3271605	6	Nut 3/8	
4	3272001	1	Nut 5/8	
5	3312002	2	Nut 5/8	
6	4711600	12	Washer 3/8	
7	4712000	1	Washer 5/8	
8	88521214	1	Nut 7/8	
9	1001236891	2	Washer	
10	1001236895	1	Ring	
11	1001238263	1	Decal - Warning Falling Hazard	
12	1001248140	1	Decal - Bolt Fall Arrest Re-Cert	
13	1001248141	1	Decal - Incription	
14	See Note	NSS	Nameplate - Manufacturers Serial Number (Note: Not Available for Purchase)	
15	1001252629	1	Decal - Weight	
16	1001257271	1	Bracket (RH)	
17	1001257274	1	Bracket (LH)	
18	1001261335	1	Rope	

SECTION 5 - PLATFORM

FIGURE 5-17. FALL ARREST INSTALLTION (BOLT-ON EXTERNAL) (6FT/1.82M PLATFORM)



ART_1001236747

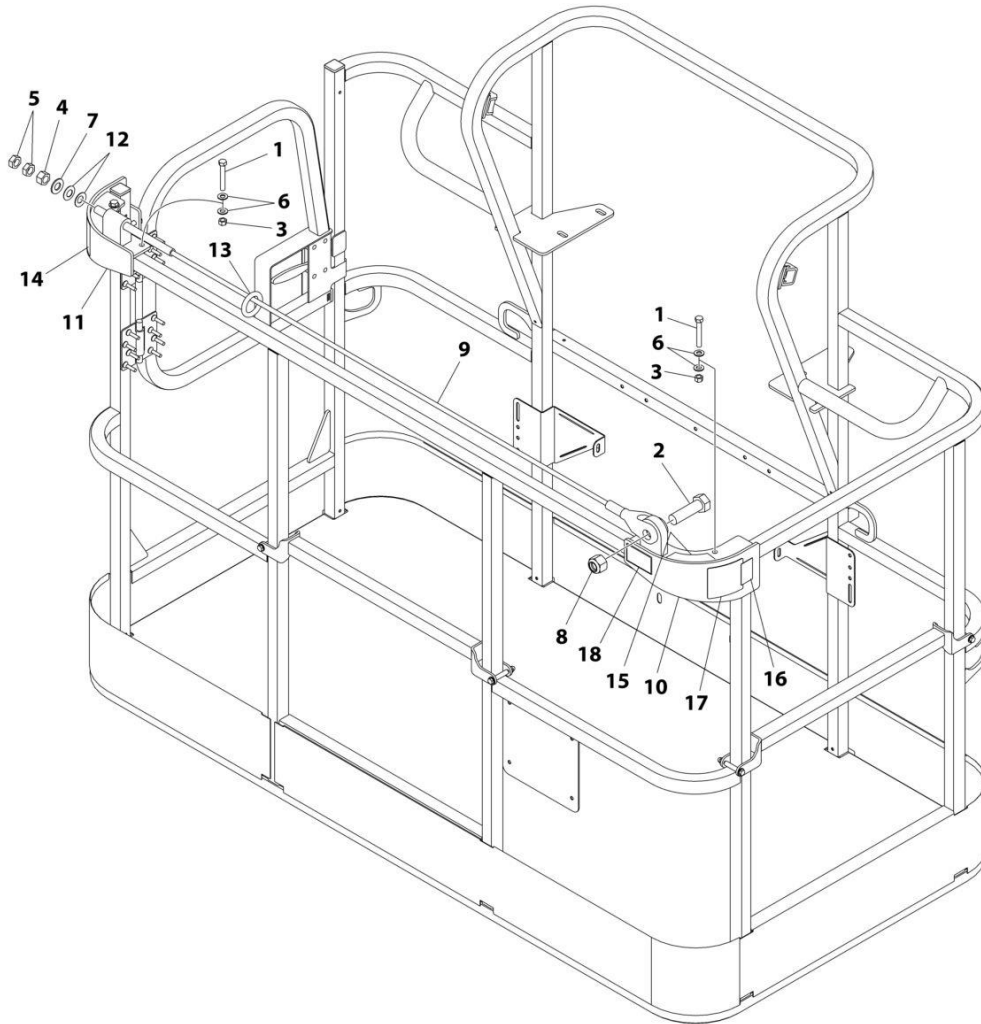
SECTION 5 - PLATFORM

FIGURE 5-17. FALL ARREST INSTALLTION (BOLT-ON EXTERNAL) (6FT/1.82M PLATFORM)

ITEM	PART NUMBER	QTY	DESCRIPTION	REV
	1001236747	Ref	FALL ARREST INSTALLATION (BOLT - ON) 6FT/1.82M PLATFORM	C
1	0681620	6	Bolt 3/8 x 2-1/2	
2	0682424	1	Bolt 7/8 x 3	
3	3271605	6	Nut 3/8	
4	3272001	1	Nut 5/8	
5	3312002	2	Nut 5/8	
6	4711600	12	Washer 3/8	
7	4712000	1	Washer 5/8	
8	88521214	1	Nut 7/8	
9	1001231950	1	Rope	
10	1001232010	1	Bracket (RH)	
11	1001232011	1	Bracket (LH)	
12	1001236891	2	Washer	
13	1001236895	1	Ring	
14	1001238263	1	Decal - Warning Falling Hazard	
15	1001252629	1	Decal - Weight	
16	1001248140	1	Decal - Bolt Fall Arrest Re-Cert	
17	1001248141	1	Decal - Inscription	

SECTION 5 - PLATFORM

FIGURE 5-18. FALL ARREST INSTALLTION (BOLT-ON EXTERNAL) (6FT/1.82M TRI-ENTRY PLATFORM)



ART_1001238463

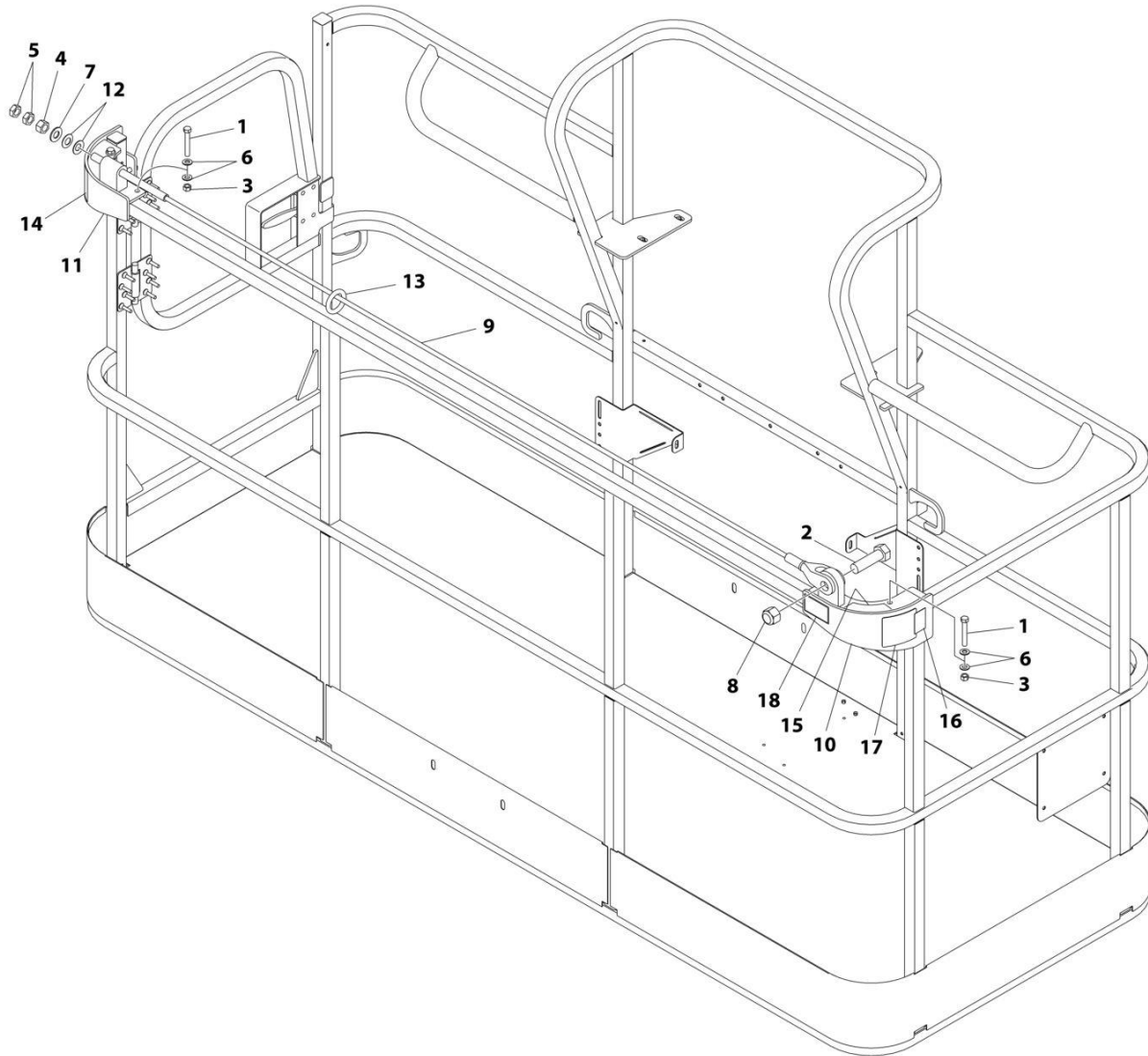
SECTION 5 - PLATFORM

FIGURE 5-18. FALL ARREST INSTALLTION (BOLT-ON EXTERNAL) (6FT/1.82M TRI-ENTRY PLATFORM)

ITEM	PART NUMBER	QTY	DESCRIPTION	REV
	1001238463	Ref	FALL ARREST INSTALLATION (BOLT - ON) 6FT/1.82M PLATFORM	C
1	0681620	6	Bolt 3/8 x 2-1/2	
2	0682424	1	Bolt 7/8 x 3	
3	3271605	6	Nut 3/8	
4	3272001	1	Nut 5/8	
5	3312002	2	Nut 5/8	
6	4711600	12	Washer 3/8	
7	4712000	1	Washer 5/8	
8	88521214	1	Nut 7/8	
9	1001231950	1	Rope	
10	1001232010	1	Bracket (RH)	
11	1001232011	1	Bracket (LH)	
12	1001236891	2	Washer	
13	1001236895	1	Ring	
14	1001238263	1	Decal - Warning Falling Hazard	
15	1001252629	1	Decal - Weight	
16	1001248140	1	Decal - Bolt Fall Arrest Re-Cert	
17	1001248141	1	Decal - Inscription	

SECTION 5 - PLATFORM

FIGURE 5-19. FALL ARREST INSTALLTION (BOLT-ON EXTERNAL) (8FT/2.4M PLATFORM)



ART_1001236746

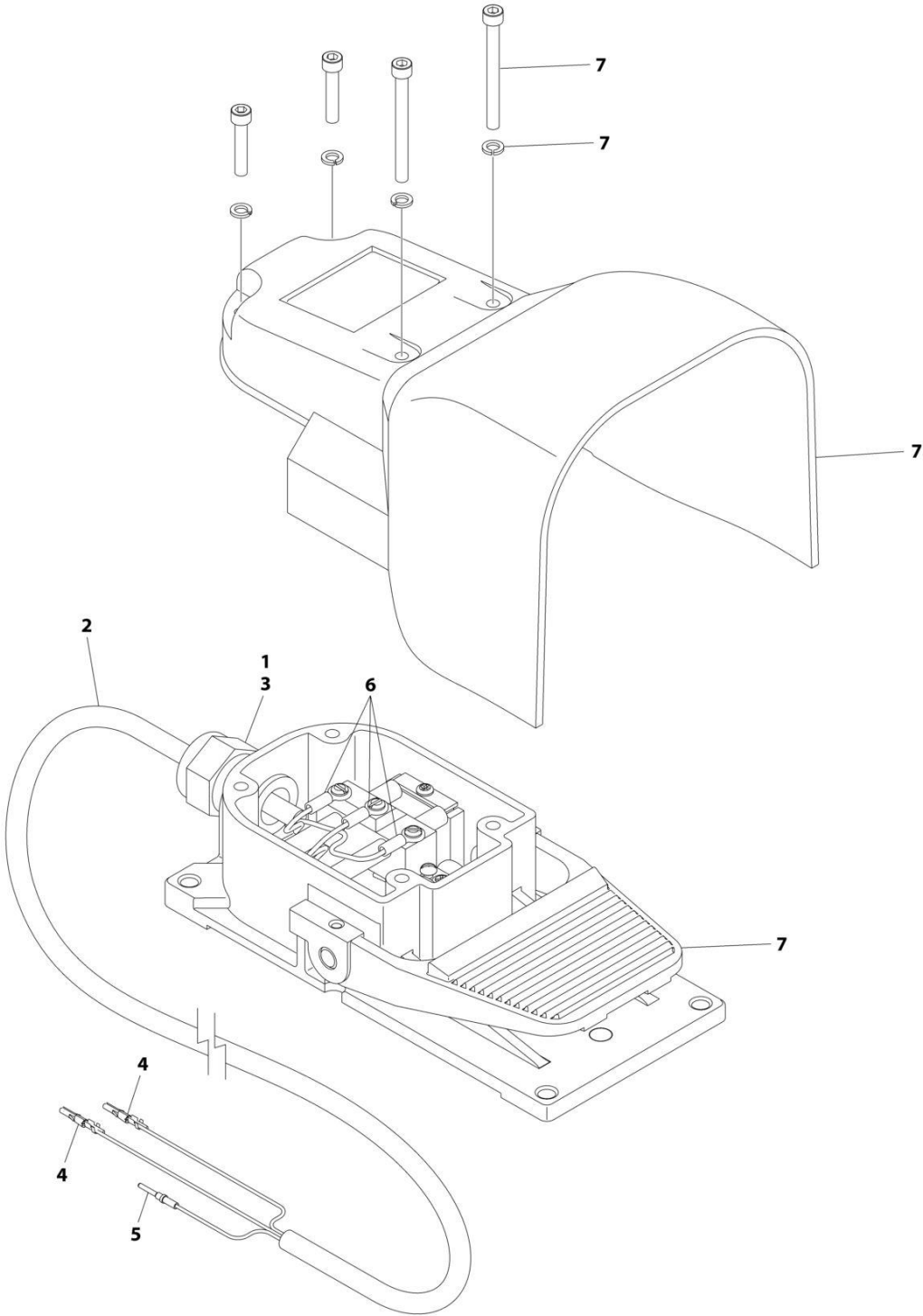
SECTION 5 - PLATFORM

FIGURE 5-19. FALL ARREST INSTALLTION (BOLT-ON EXTERNAL) (8FT/2.4M PLATFORM)

ITEM	PART NUMBER	QTY	DESCRIPTION	REV
	1001236746	Ref	FALL ARREST INSTALLATION (BOLT - ON) 8FT/2.4M PLATFORM	C
1	0681620	6	Bolt 3/8 x 2-1/2	
2	0682424	1	Bolt 7/8 x 3	
3	3271605	6	Nut 3/8	
4	3272001	1	Nut 5/8	
5	3312002	2	Nut 5/8	
6	4711600	12	Washer 3/8	
7	4712000	1	Washer 5/8	
8	88521214	1	Nut 7/8	
9	1001231949	1	Rope	
10	1001232010	1	Bracket (RH)	
11	1001232011	1	Bracket (LH)	
12	1001236891	2	Washer	
13	1001236895	1	Ring	
14	1001238263	1	Decal - Warning Falling Hazard	
15	1001252629	1	Decal - Weight 23LBS/10.4KG	
16	1001248140	1	Decal - Bolt Fall Arrest Re-Cert	
17	1001248141	1	Decal - Inscription	

SECTION 5 - PLATFORM

FIGURE 5-20. FOOTSWITCH ASSEMBLY



ART_1001117174

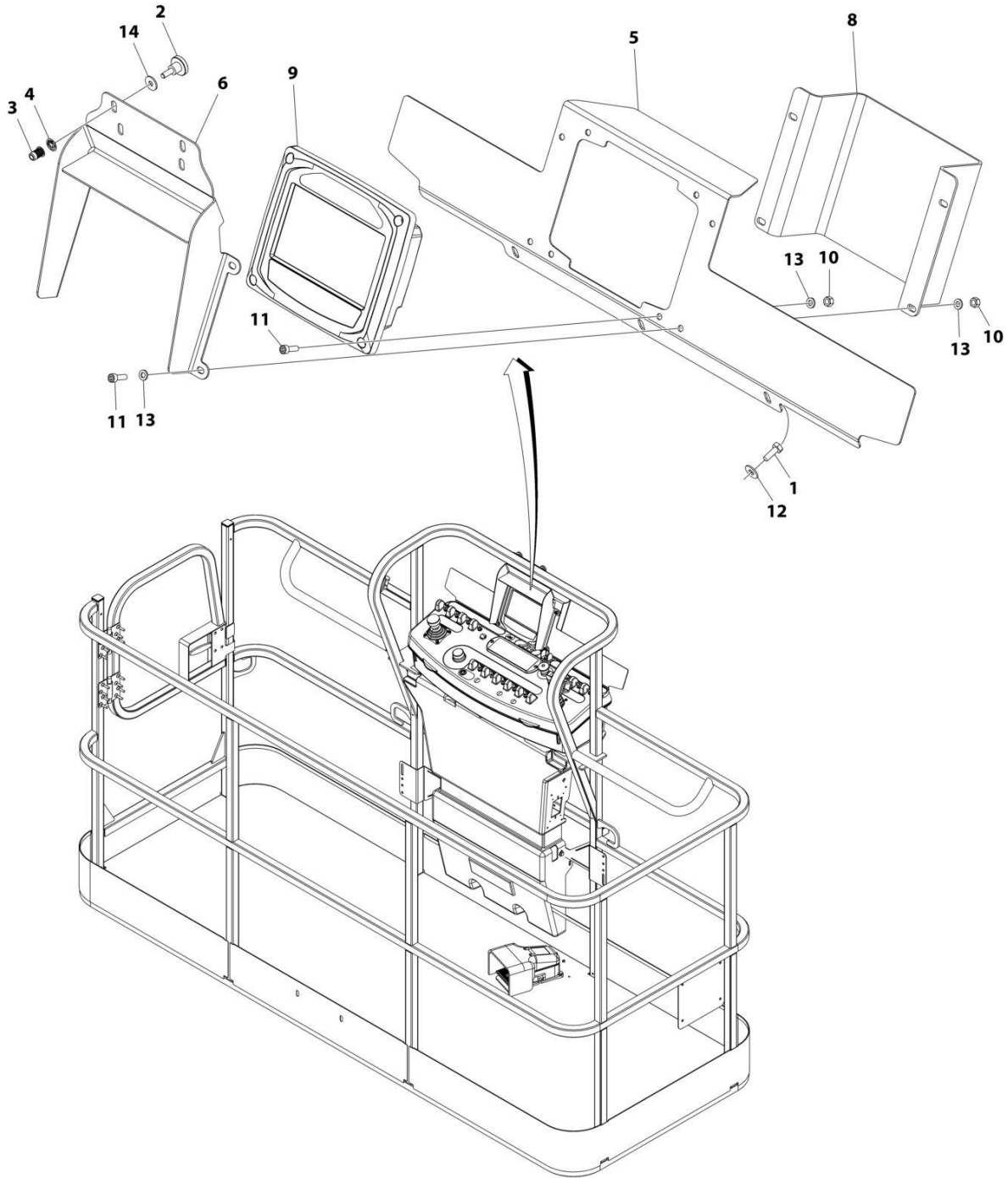
SECTION 5 - PLATFORM

FIGURE 5-20. FOOTSWITCH ASSEMBLY

ITEM	PART NUMBER	QTY	DESCRIPTION	REV
	1001117174	Ref	FOOTSWITCH ASSEMBLY	C
1	0100020	AR	Sealant	
2	1060918	7.5 ft/ 2.3m	Cable, Electrical - 18/3	
3	4460071	1	Connector, Strain Relief	
4	4460226	2	Socket, Female	
5	4460464	1	Pin, Male	
6	1001098122	3	Terminal	
7	1001117172	1	Footswitch	
7	70002902	1	Switch, 20Amp	
7	70002903	1	Gasket	
7	70002905	1	Cover	
7	70002904	1	Kit, Replacement Bolt	

SECTION 5 - PLATFORM

FIGURE 5-21. LCD DISPLAY INSTALLATION



ART_1001215375

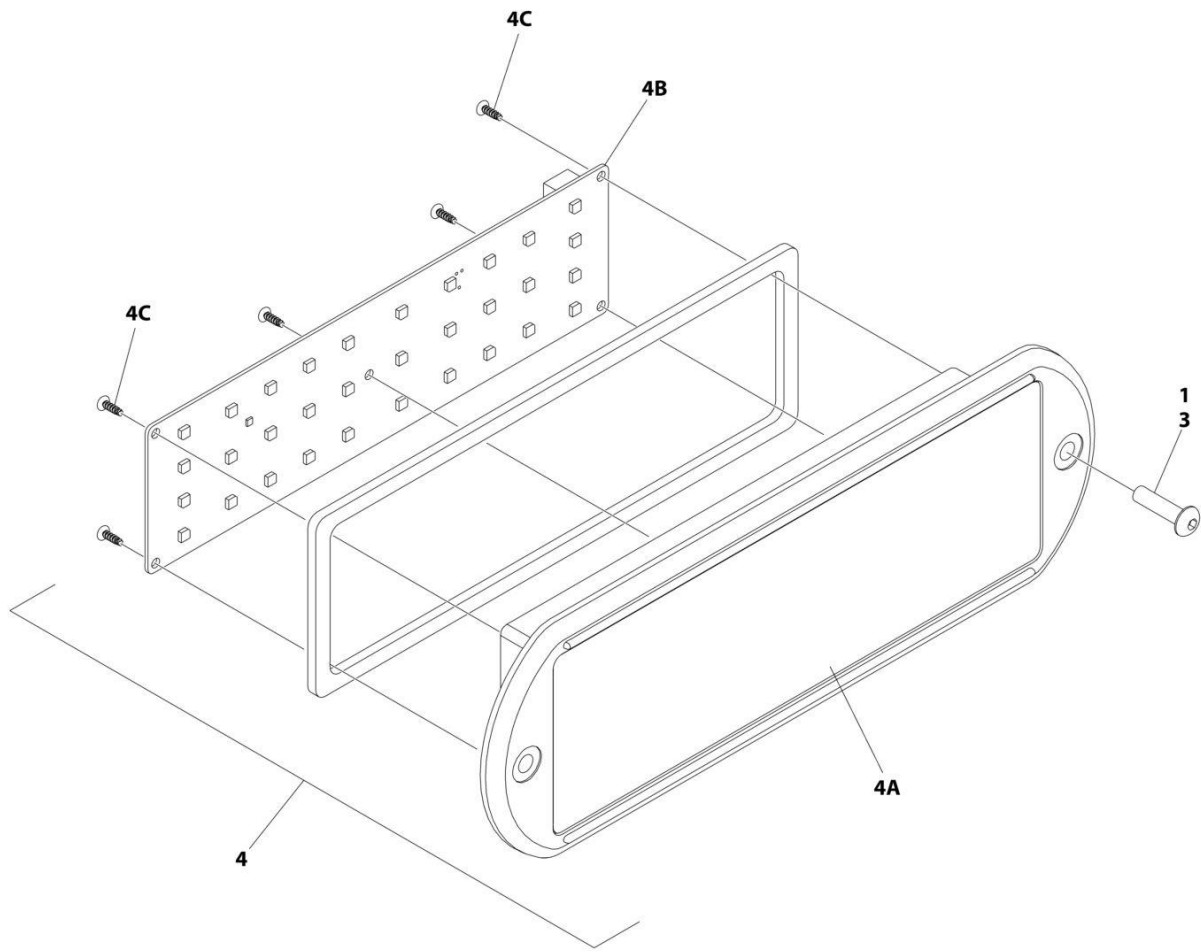
SECTION 5 - PLATFORM

FIGURE 5-21. LCD DISPLAY INSTALLATION

ITEM	PART NUMBER	QTY	DESCRIPTION	REV
	1001215375	Ref	LCD DISPLAY INSTALLATION	A
1	0641406001	3	Bolt 1/4 x 3/4	
2	1001173609	2	Screw, Thumb M6 x 16	
3	1001176636	2	Rivet, Nut M6	
4	1001177635	2	Nut M6	
5	1001215379	1	Bracket, Mounting	
6	1001215380	1	Bracket, Visor	
7	1001220482	1	Harness, LCD Display (Not Shown - See Separate Breakdown in ELECTRICAL SECTION)	
8	1001228976	1	Cover	
9	1001229485	1	Electrical Assembly	
9	1001220955	1	Gauge, LCD Display	
9	1001176582	1	Decal - Platform Display	
9	1001180491	4	Screw #10	
9	1001229922	1	Screen Protector, LCD Display	
10	3290605001	8	Nut M6	
11	4031708001	8	Bolt M6 x 20	
12	4751400001	3	Washer 1/4	
13	4811700001	12	Washer M6	
14	4811702001	2	Washer M6	

SECTION 5 - PLATFORM

FIGURE 5-22. LIGHT PANEL INSTALLATION - PLATFORM CONSOLE



ART_1001233959_C_20F2

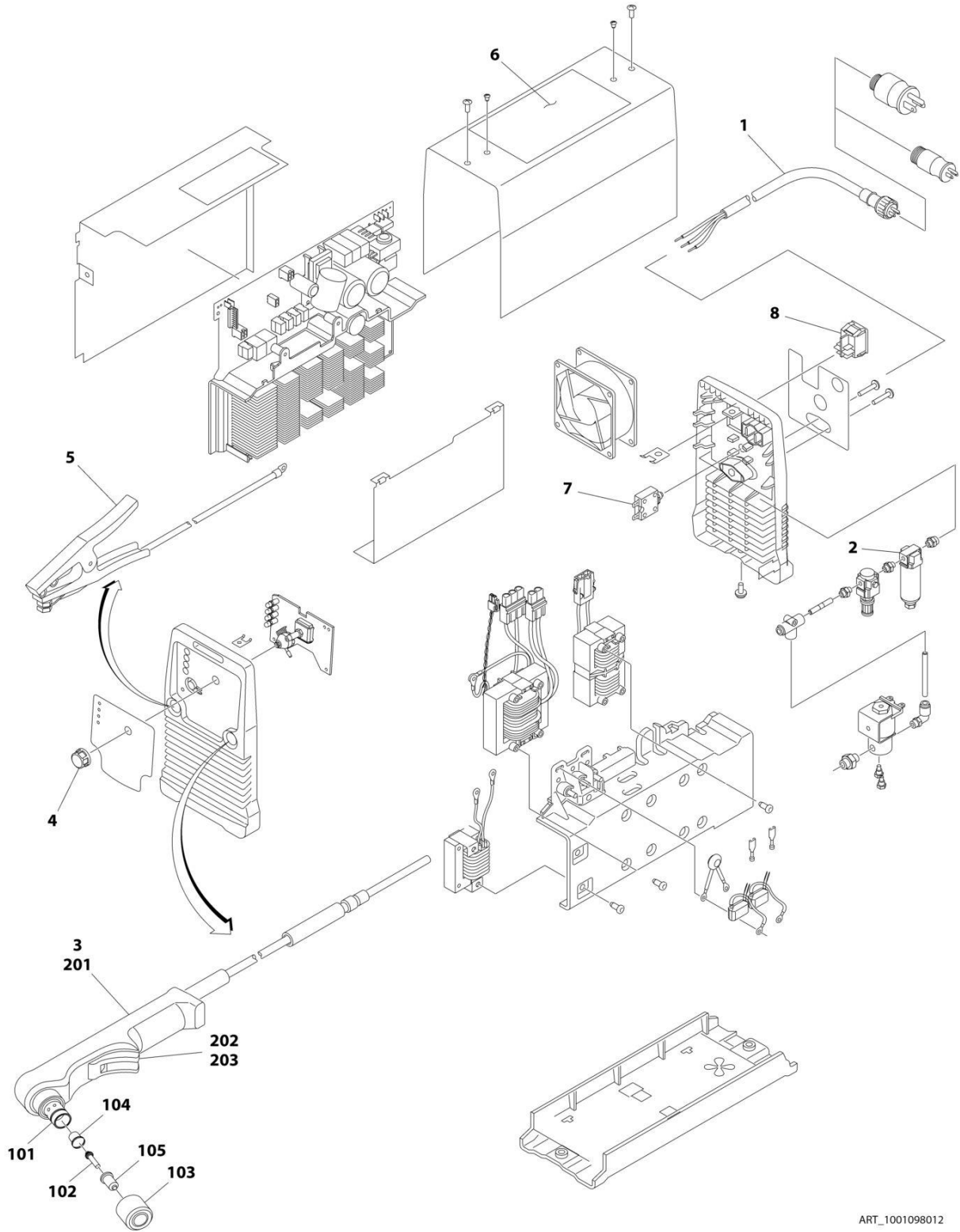
SECTION 5 - PLATFORM

FIGURE 5-22. LIGHT PANEL INSTALLATION - PLATFORM CONSOLE

ITEM	PART NUMBER	QTY	DESCRIPTION	REV
	1001233959	Ref	LIGHT PANEL INSTALLATION - PLATFORM CONSOLE	C
1	0100035	AR	Compound, Locking	
3	0630518	2	Screw #10 x 3/4	
4	1001237544	1	Light Panel Assembly	H
4A	1001236087	1	Lens, I-Con	
4B	1001187807	1	Panel, LED Light	
4C		Ref	Screw	

SECTION 5 - PLATFORM

FIGURE 5-23. PLASMA CUTTER ASSEMBLY



ART_1001098012

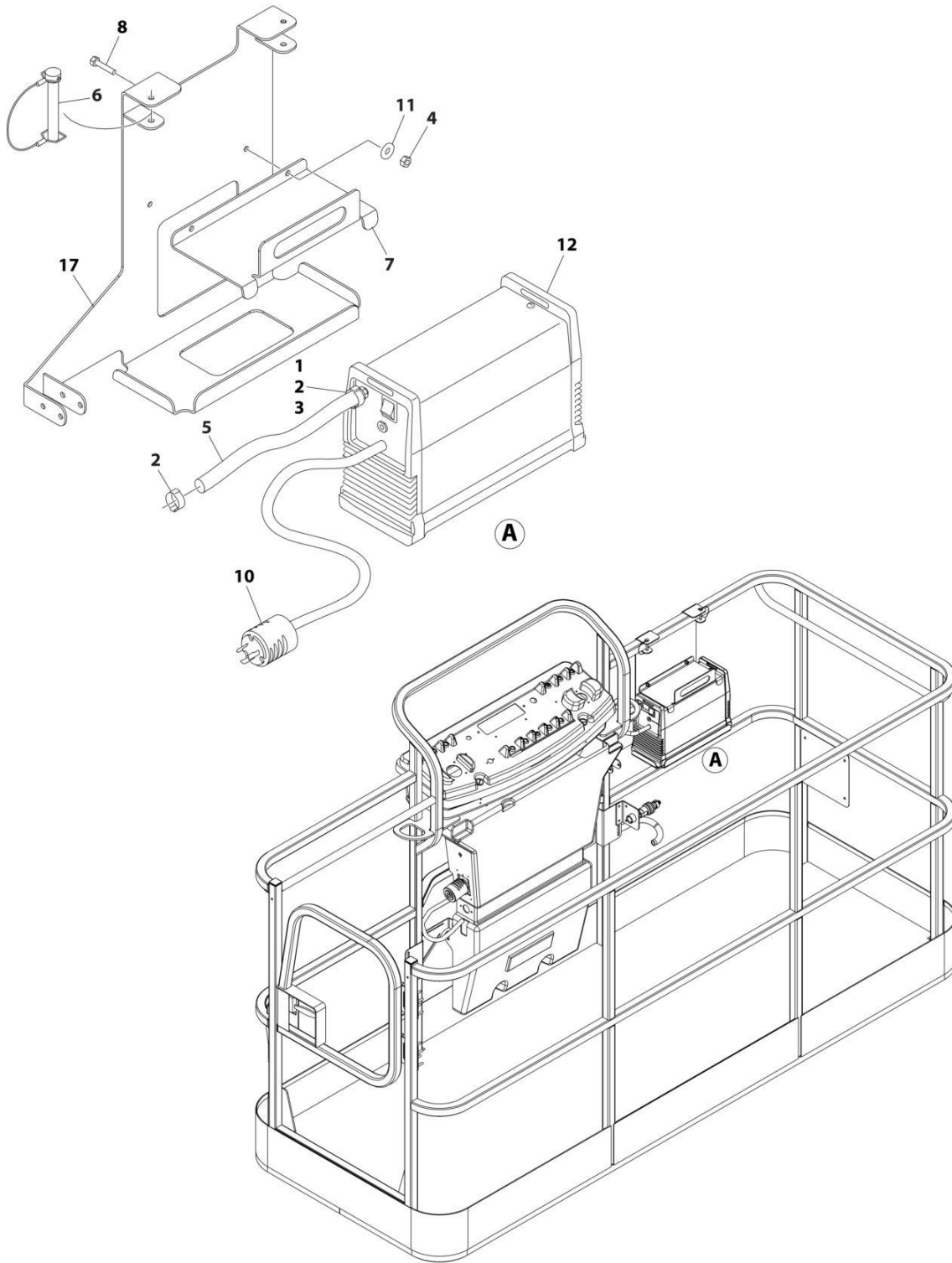
SECTION 5 - PLATFORM

FIGURE 5-23. PLASMA CUTTER ASSEMBLY

ITEM	PART NUMBER	QTY	DESCRIPTION	REV
	1001098012	Ref	PLASMA CUTTER ASSEMBLY	A
		Ref	Note: For Other Components, contact your Miller Welder Dealer.	
1	70001424	1	Cable, Power	
1	70001425	1	Decal - Voltage Warning	
2	70001427	1	Filter, Regulator	
3	70001428	1	Torch Assembly (See Items 101-203 for Breakdown)	
4	7024471	1	Knob	
5	70001429	1	Clamp with Cable	
6	70001430	1	Decal - Caution	
7	70001431	1	Breaker, Circuit	
8	70001432	1	Switch, Rocker	
	70001428	Ref	TORCH ASSEMBLY	
101	7024530	1	O-Ring	
102	7024531	1	Electrode	
103	7024532	1	Cup, Retaining	
104	7024533	1	Swirl Ring	
105	7024534	1	Tip	
201	7024535	1	Handle, Torch	
202	7024536	1	Switch	
203	7024537	1	Trigger	

SECTION 5 - PLATFORM

FIGURE 5-24. SKYCUTTER INSTALLATION



ART_1001098149_E

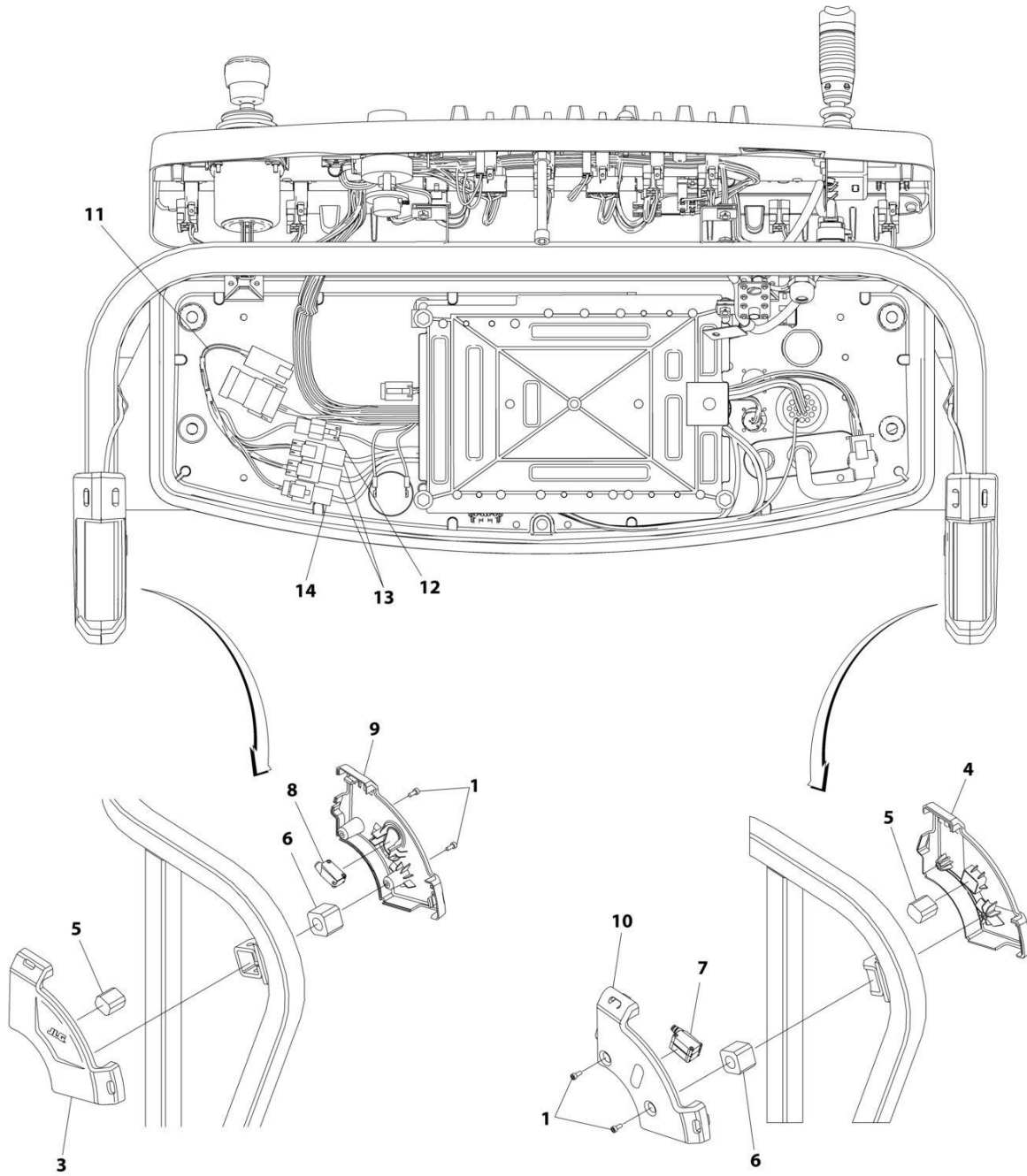
SECTION 5 - PLATFORM

FIGURE 5-24. SKYCUTTER INSTALLATION

ITEM	PART NUMBER	QTY	DESCRIPTION	REV
	1001098149	Ref	SKYCUTTER INSTALLATION	E
		Ref	Note: When replacing platform on machines with SkyCutter option, new bracket p/n 1001145405 must be purchased to accommodate SkyCutter components.	
1	0100020	AR	Sealant	
2	1320177	2	Clamp, Hose	
3	2180832	1	Fitting, NPT/Barbed	
4	3290605	2	Nut M6	
5	2720160	3 ft	Hose	
6	3421453	3	Pin	
7	3576799	1	Plate, Hold-Down	
8	4010608	2	Screw M6 x 16	
10	4460971	1	Plug, Twistlock	
11	4811700	2	Washer M6	
12	1001098012	1	Plasma Cutter Assembly (See Separate Breakdown in this Section)	
17	1001145405	1	Support	

SECTION 5 - PLATFORM

FIGURE 5-25. SKYEYE INSTALLATION



ART_1001229341

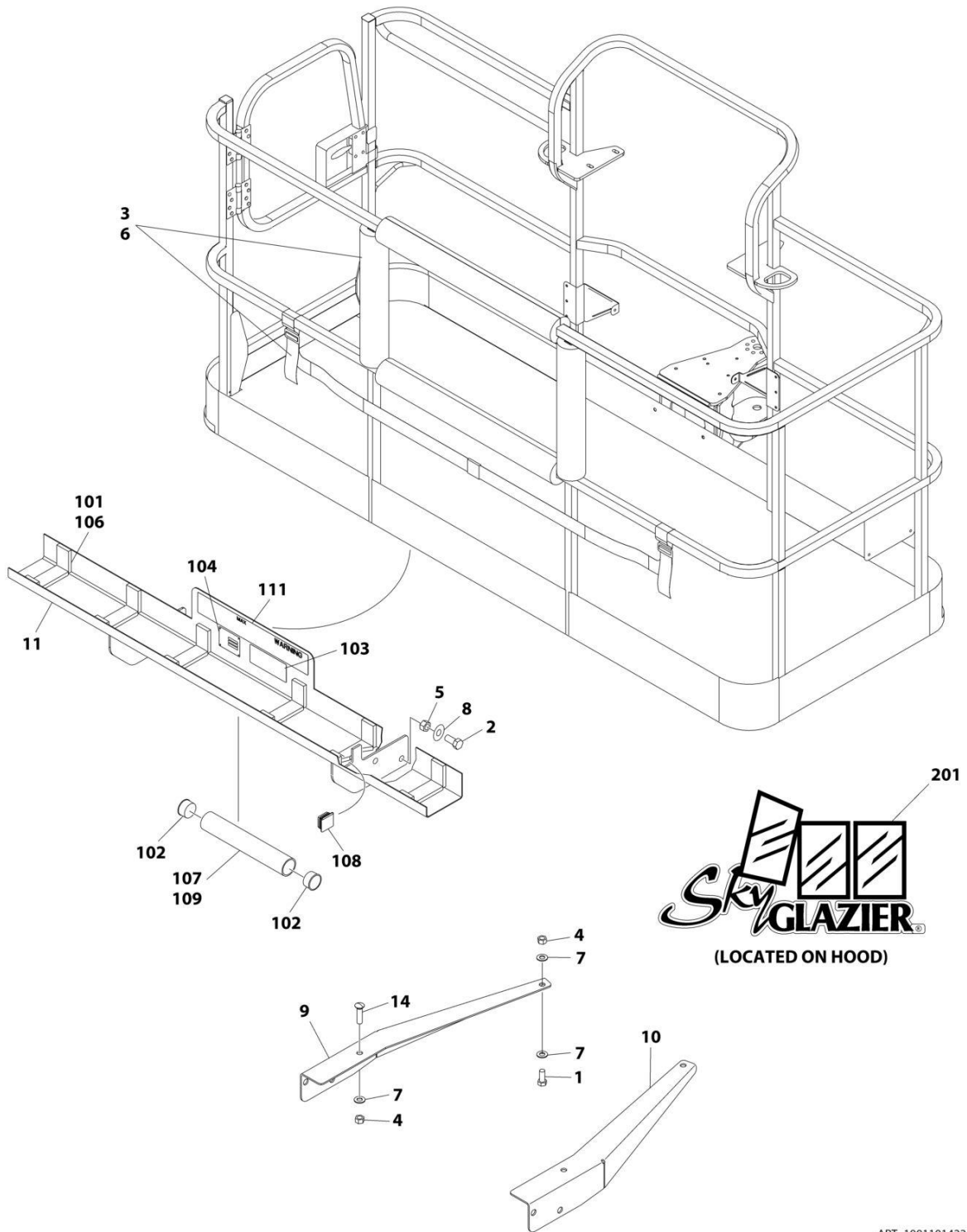
SECTION 5 - PLATFORM

FIGURE 5-25. SKYEYE INSTALLATION

ITEM	PART NUMBER	QTY	DESCRIPTION	REV
	1001229341	Ref	SKYEYE INSTALLATION	B
1	4031505	4	Bolt M4 x 10	
2	4240033	AR	Tie-Strap (Not Shown)	
3	1001227633	1	Housing, LH Outer	
4	1001227634	1	Housing, RH Outer	
5	1001227985	2	Shim	
6	1001227987	2	Shim	
7	1001228224	2	Sensor, Receiver	
8	1001228225	1	Sensor, Emitter	
9	1001232164	1	Housing, LH Inner	
10	1001232165	1	Housing, RH Inner	
11	1001237865	1	Harness, Skyeeye Intermediate (See Separate Breakdown in ELECTRICAL Section)	
12	1001238319	NLA	Harness, Skyeeye Drain Jumper	
12	1001187674	1	Plug, Male - 2 Position	
12	4460942	1	Terminal	
12	4460466	1	Plug, Terminal	
12	4460508	1	Pin, Male	
13	1001237863	2	Harness, Skyeeye Receiver (See Separate Breakdown in ELECTRICAL Section)	
14	1001237864	1	Harness, Skyeeye Emitter (See Separate Breakdown in ELECTRICAL Section)	

SECTION 5 - PLATFORM

FIGURE 5-26. SKYGLAZIER INSTALLATIONS (ANSI, AUSTRALIAN AND CSA SPECS)



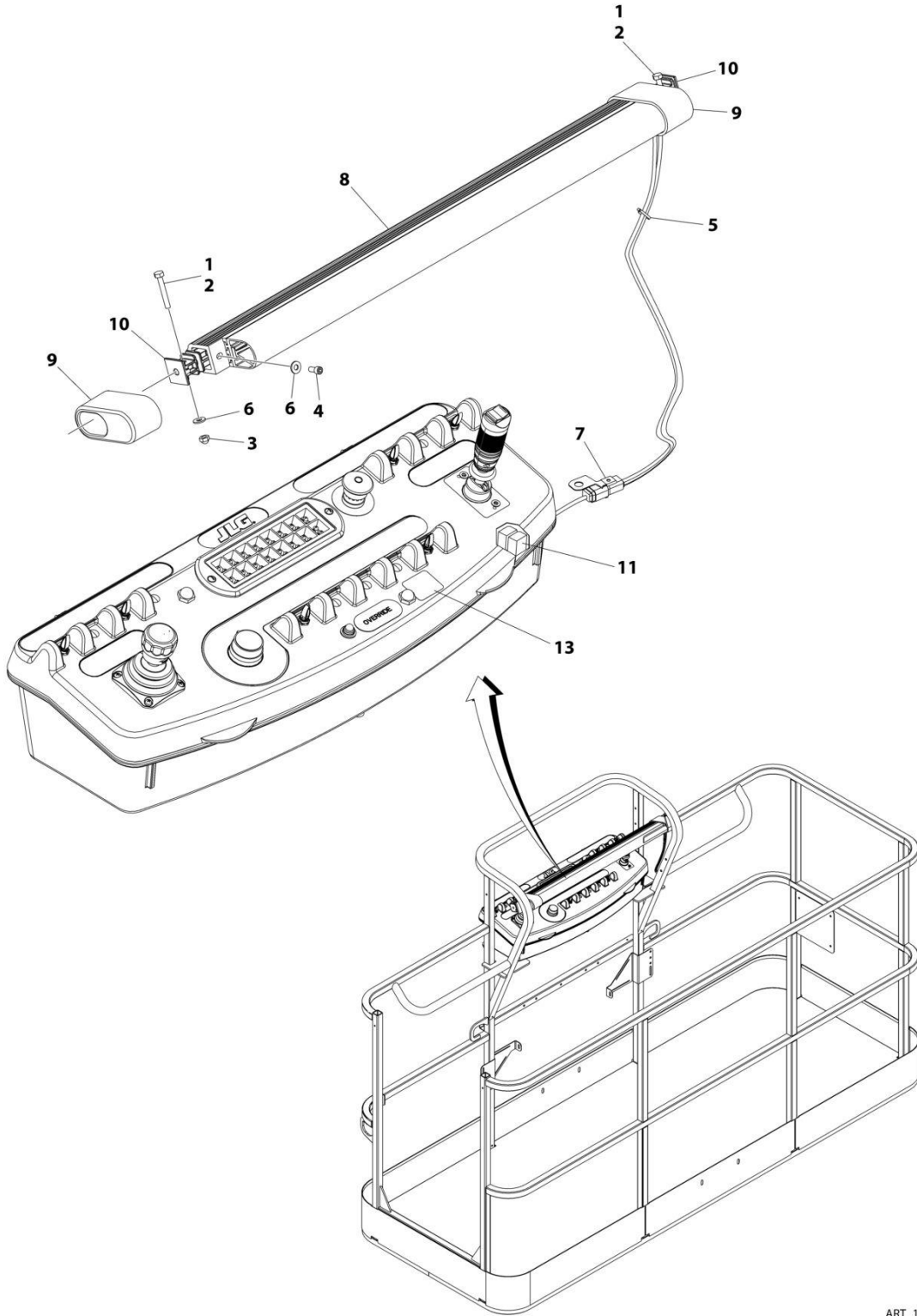
SECTION 5 - PLATFORM

FIGURE 5-26. SKYGLAZIER INSTALLATIONS (ANSI, AUSTRALIAN AND CSA SPECS)

ITEM	PART NUMBER	QTY	DESCRIPTION	REV
	1001101422	Ref	SKYGLAZIER INSTALLATION	C
1	0642012	2	Bolt 5/8 x 1-1/2	
2	0642212	4	Bolt 3/4 x 1-1/2	
3	2902212	1	Bumpers and Strap Kit	
3	0940102	1	Bumper Only	
3	4240149	1	Strap Only	
4	3312005	4	Nut 5/8	
5	3312205	4	Nut 3/4	
6	4420014	AR	Tape	
7	4712000	6	Washer 5/8	
8	4712200	8	Washer 3/4	
9	1001099366	1	Support	
10	1001099367	1	Support	
11	1001101421	1	Tray Assembly (See Items 101-111 for Breakdown)	
14	8310129	2	Bolt 3/4 x 2-1/2	
	1001101421	Ref	TRAY ASSEMBLY	F
101	0100081	AR	Adhesive	
102	1120555	2	Cap, Tube	
103	1701509	1	Decal - Manual	
104	See Note	NSS	Nameplate - Serial Number (Note: Not Available for Purchase)	
106	3340956	1	Pad Kit	
107	3460334	1	Tube	
108	3520071	2	Plug	
109	4420066	AR	Tape, Double Sided	
111	1001163131	2	Decal - Glazier Capacity	
	0272418	Ref	SKYGLAZIER DECAL INSTALLATION	4
201	1705358	2	Decal - SkyGlazier	

SECTION 5 - PLATFORM

FIGURE 5-27. SKYGUARD BAR INSTALLATION



ART_1001238495

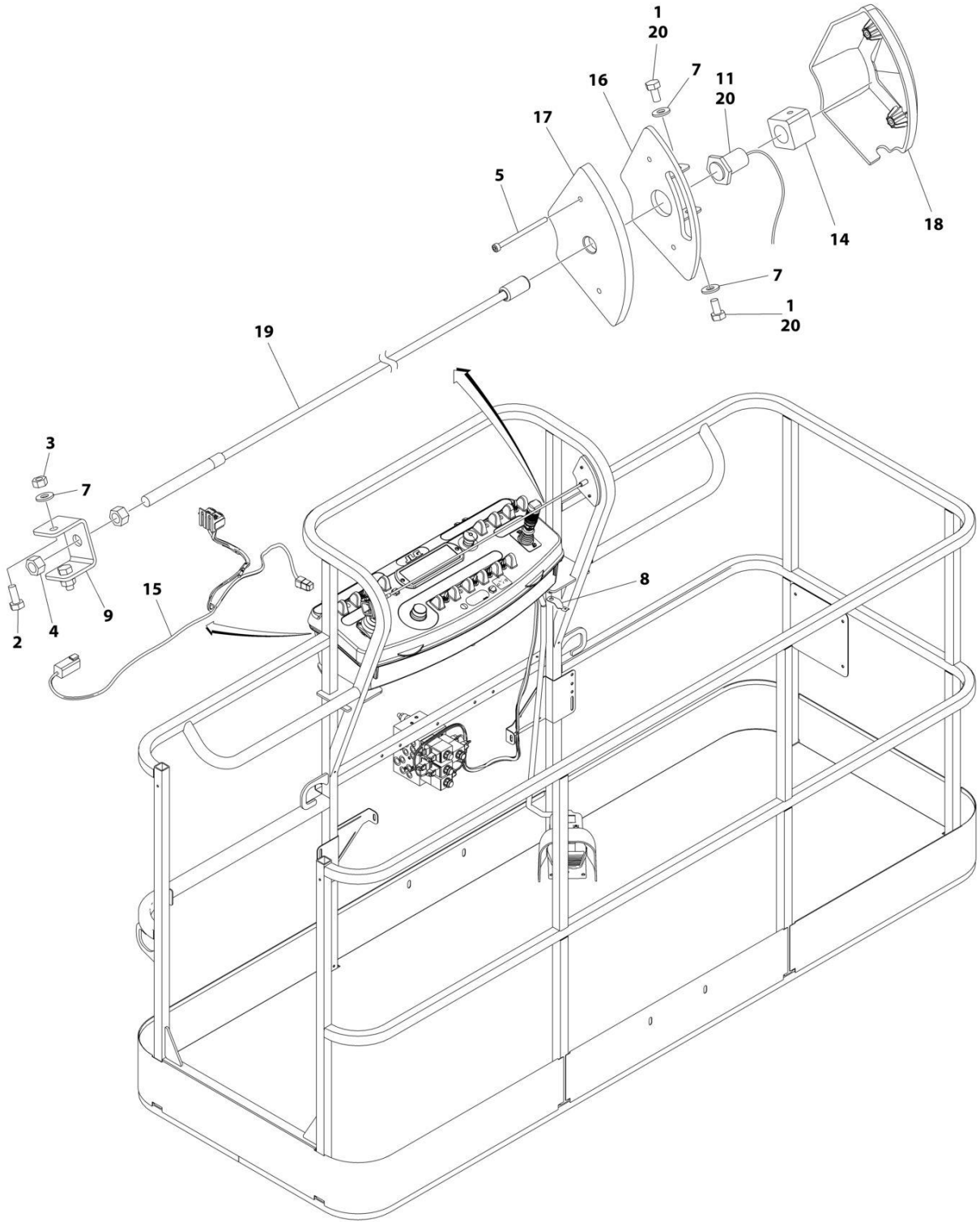
SECTION 5 - PLATFORM

FIGURE 5-27. SKYGUARD BAR INSTALLATION

ITEM	PART NUMBER	QTY	DESCRIPTION	REV
	1001238495	Ref	SKYGUARD BAR INSTALLATION	A
1	0100011	AR	Compound, Locking	
2	0641414	2	Bolt 1/4 x 1-3/4	
3	3300430	2	Nut 1/4	
4	3931408	2	Capscrew 1/4 x 1/2	
5	4240033	8	Tie-Strap	
6	4711400	6	Washer 1/4	
7	1001120328	1	Mount	
8	1001137673	1	SkyGuard Switch Assembly	
9	1001186517	2	Cover, Platform Sensor	
10	1001209664	2	Support, Block	
11	1001186431	2	Relay	
12	1001225580	1	Interface Harness Assembly (Not Shown - Located Inside Console Box) (See Separate Breakdown in ELECTRICAL Section)	
13	1001144433	1	Decal - No Weight SkyGuard	

SECTION 5 - PLATFORM

FIGURE 5-28. SKYLINE INSTALLATION



ART_1001238559_D

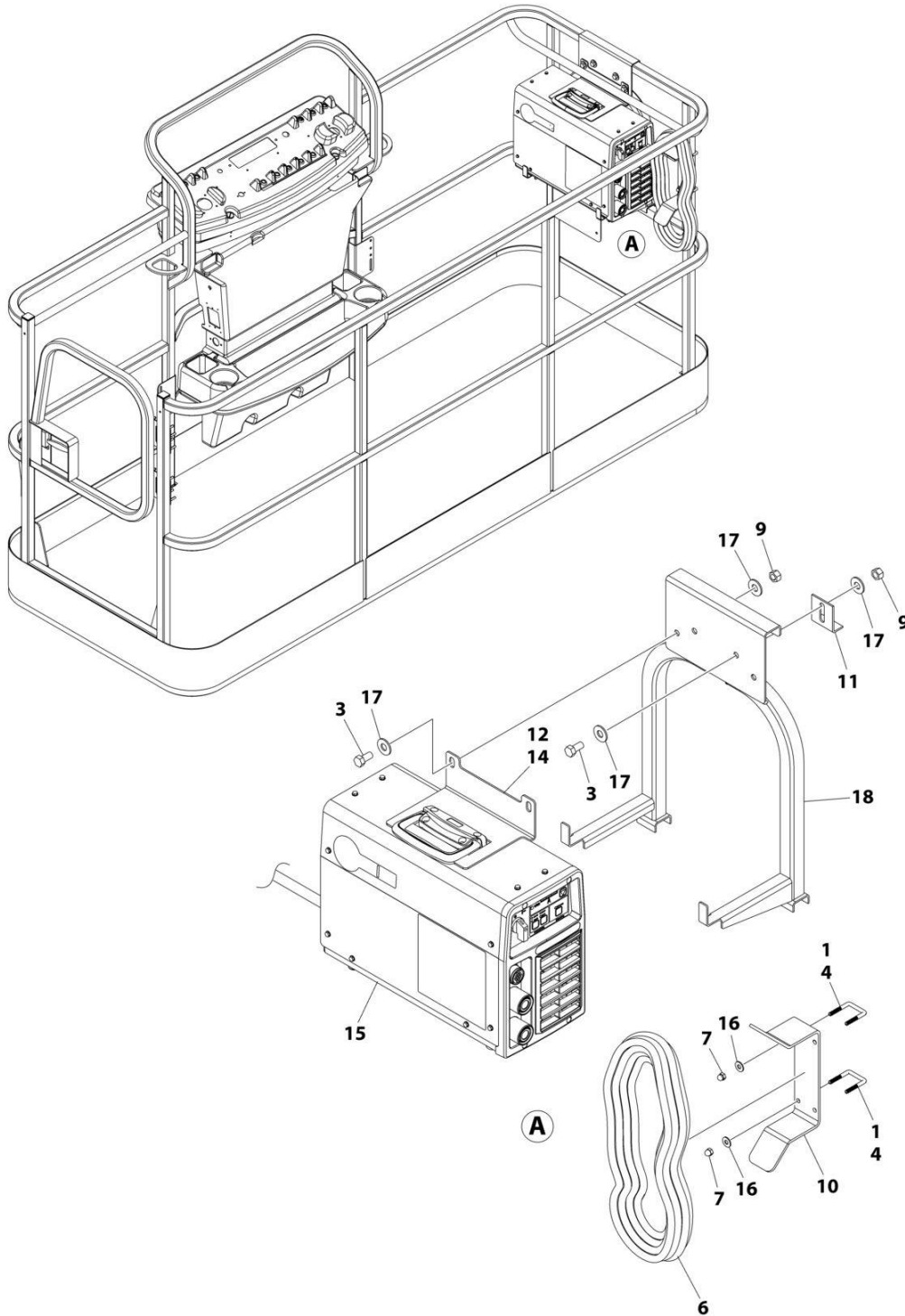
SECTION 5 - PLATFORM

FIGURE 5-28. SKYLINE INSTALLATION

ITEM	PART NUMBER	QTY	DESCRIPTION	REV
	1001238559	Ref	SKYLINE INSTALLATION	D
1	0641404	2	Bolt 1/4 x 1/2	
2	0641405	2	Bolt 1/4 x 5/8	
3	3311405	2	Nut 1/4	
4	3311601	2	Nut 3/8	
5	4031516	2	Capscrew M4 x 60	
6	4240033	AR	Tie-Strap (Not Shown)	
7	4711400	4	Washer 1/4	
8	1001120328	1	Mount	
9	1001232642	1	Bracket	
11	1001232667	1	Sensor, Proximity	
11	1001311034	1	Sensor, Proximity	
14	1001236552	1	Block	
15	1001238418	1	Harness, Skyline (See Separate Breakdown in ELECTRICAL Section)	
16	1001238472	1	Mount	
17	1001254473	1	Housing, LH	
18	1001241965	1	Housing, RH	
19	1001254472	1	Rod	
20	0100011	AR	Compound, Locking	

SECTION 5 - PLATFORM

FIGURE 5-29. SKYWELDER INSTALLATION (50HZ)



ART_0272521_H

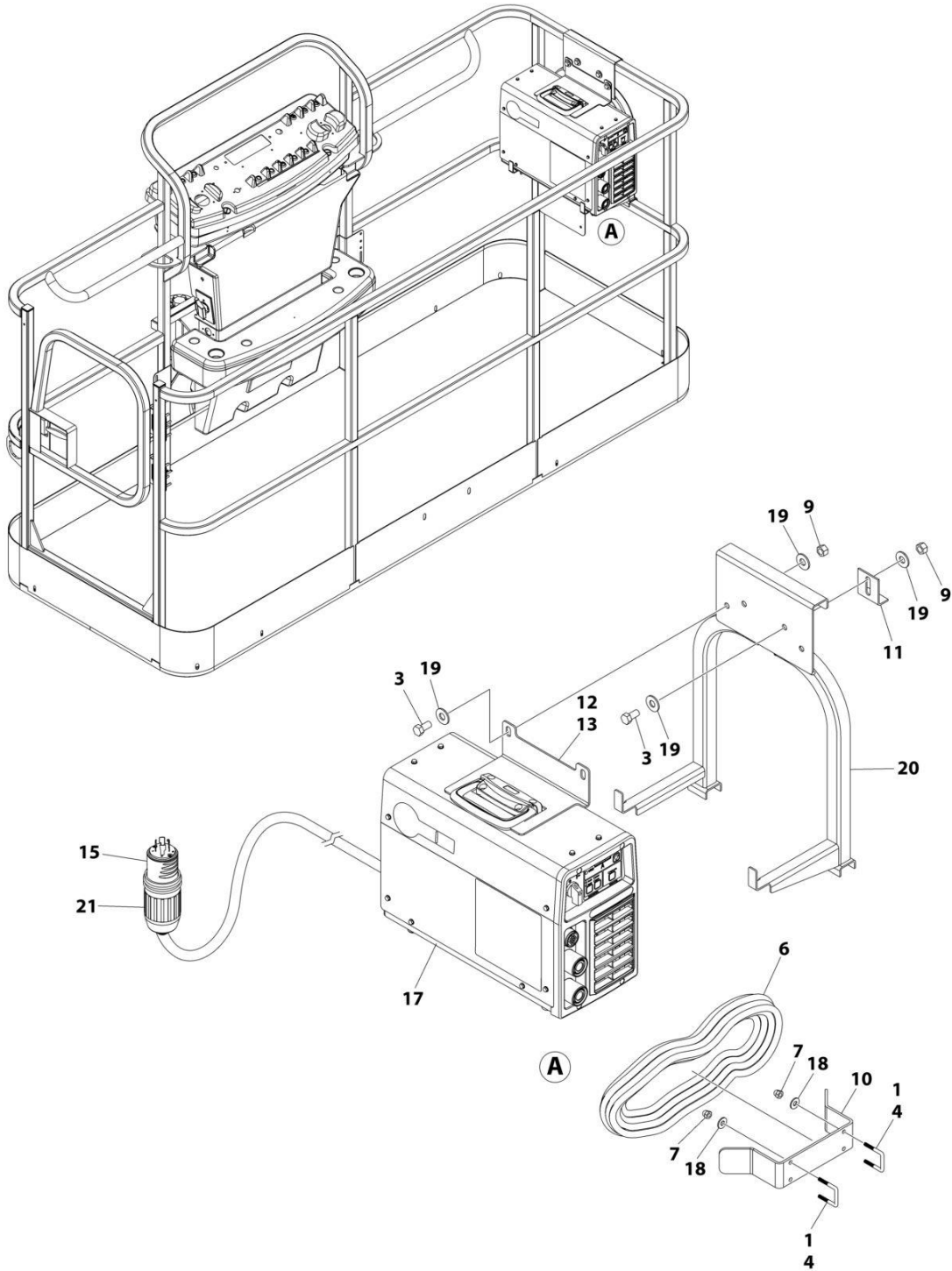
SECTION 5 - PLATFORM

FIGURE 5-29. SKYWELDER INSTALLATION (50HZ)

ITEM	PART NUMBER	QTY	DESCRIPTION	REV
	0272521	Ref	SKYWELDER INSTALLATION	H
1	0100011	AR	Compound, Locking	
3	0641606	4	Bolt 3/8 x 3/4	
4	1320302	2	U-Clamp	
6	2902217	1	Weld Leads Kit	
7	3300151	4	Nut 1/4	
9	3311605	4	Nut 3/8	
10	3573400	1	Bracket	
11	3577121	2	Angle	
12	1001269573	1	Plate	
13	4240099	AR	Tie-Strap (Not Shown)	
14	4420037	AR	Tape	
15	1001268820	1	Welder Assembly (See Separate Breakdown in this Section)	
16	4751400	4	Washer 1/4	
17	4751600	8	Washer 3/8	
18	1001269322	1	Support	

SECTION 5 - PLATFORM

FIGURE 5-30. SKYWELDER INSTALLATION (60HZ)



ART_0272254_K

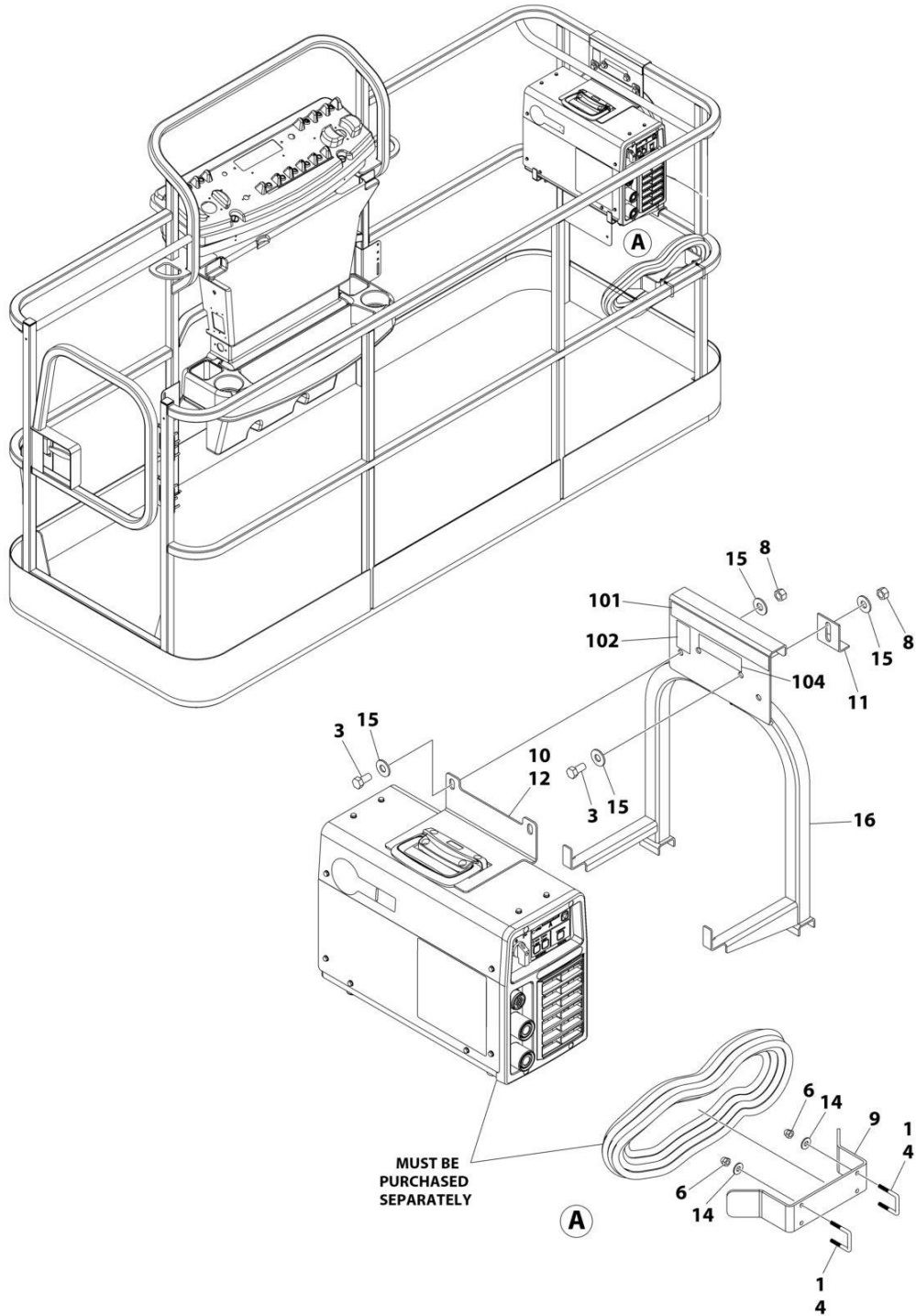
SECTION 5 - PLATFORM

FIGURE 5-30. SKYWELDER INSTALLATION (60HZ)

ITEM	PART NUMBER	QTY	DESCRIPTION	REV
	0272254	Ref	SKYWELDER INSTALLATION	K
1	0100011	AR	Compound, Locking	
3	0641606	4	Bolt 3/8 x 3/4	
4	1320302	2	U-Clamp	
6	2902217	1	Weld Leads Kit	
7	3300151	4	Nut 1/4	
9	3311605	4	Nut 3/8	
10	3573400	1	Bracket	
11	3577121	2	Angle	
12	1001269573	1	Plate	
13	4420037	AR	Tape	
14	4240099	AR	Tie-Strap (Not Shown)	
15	4460962	1	Plug, Male Twistlock	
17	1001268820	1	Welder Assembly (See Separate Breakdown in this Section)	
18	4751400	4	Washer 1/4	
19	4751600	8	Washer 3/8	
20	1001269322	1	Support	
21	1671093	1	Cover, Plug	

SECTION 5 - PLATFORM

FIGURE 5-31. SKYWELDER PREP PACKAGE (60HZ)



ART_1001128527_D

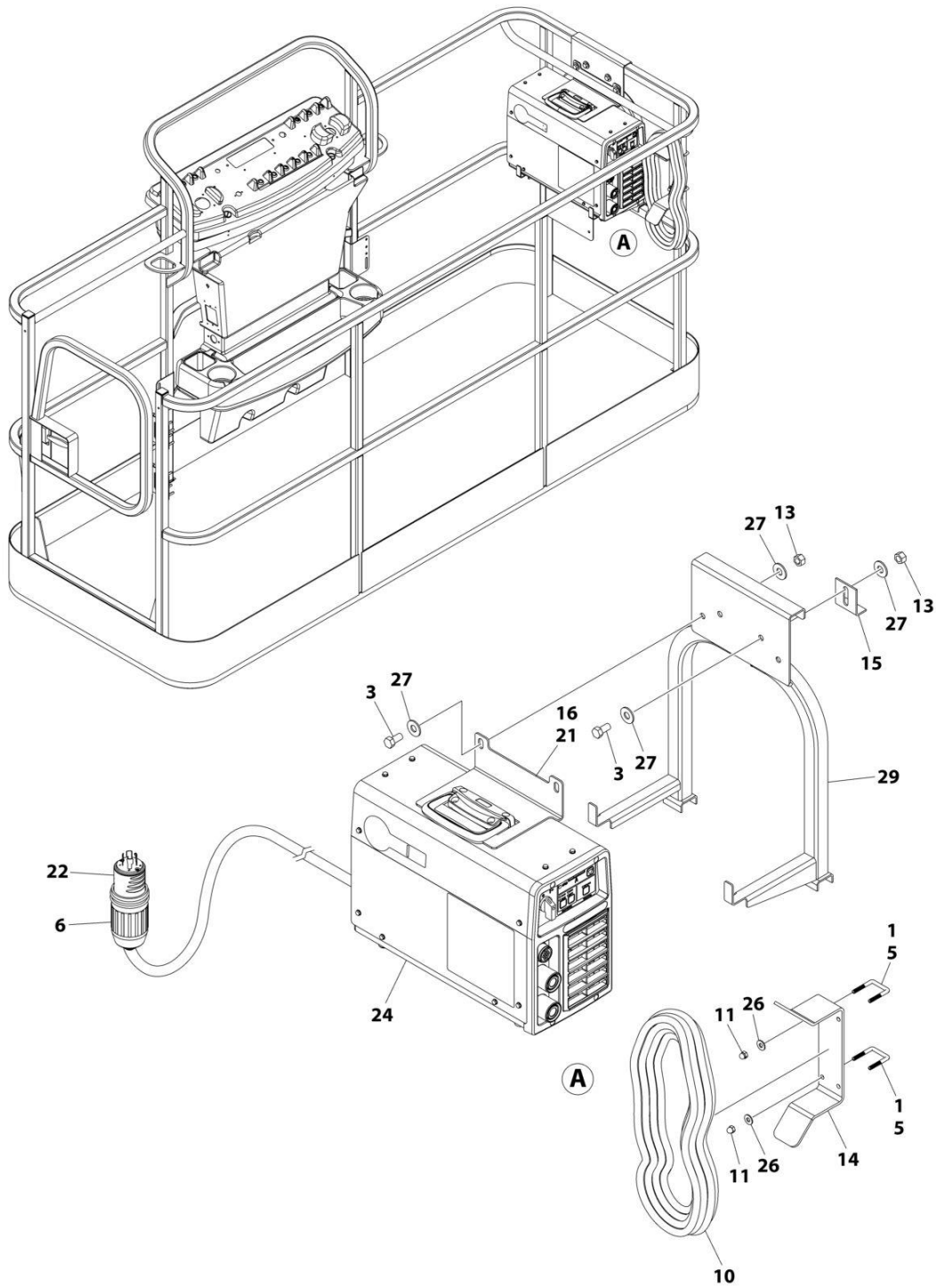
SECTION 5 - PLATFORM

FIGURE 5-31. SKYWELDER PREP PACKAGE (60HZ)

ITEM	PART NUMBER	QTY	DESCRIPTION	REV
	1001128527	Ref	SKYWELDER PREP PACKAGE	D
1	0100011	AR	Compound, Locking	
3	0641606	4	Bolt 3/8 x 3/4	
4	1320302	2	U-Clamp	
6	3300151	4	Nut 1/4	
8	3311605	4	Nut 3/8	
9	3573400	1	Bracket	
10	1001269573	1	Plate	
11	3577121	2	Angle	
12	4420037	AR	Tape	
14	4751400	4	Washer 1/4	
15	4751600	8	Washer 3/8	
16	1001269322	1	Support	
	1001128556	Ref	SKYWELDER DECAL INSTALLATION	D
101	1702868	1	Decal - No Hands	
102	1705305	1	Decal - Weld Lead	
104	1001228988	1	Decal - Weight	

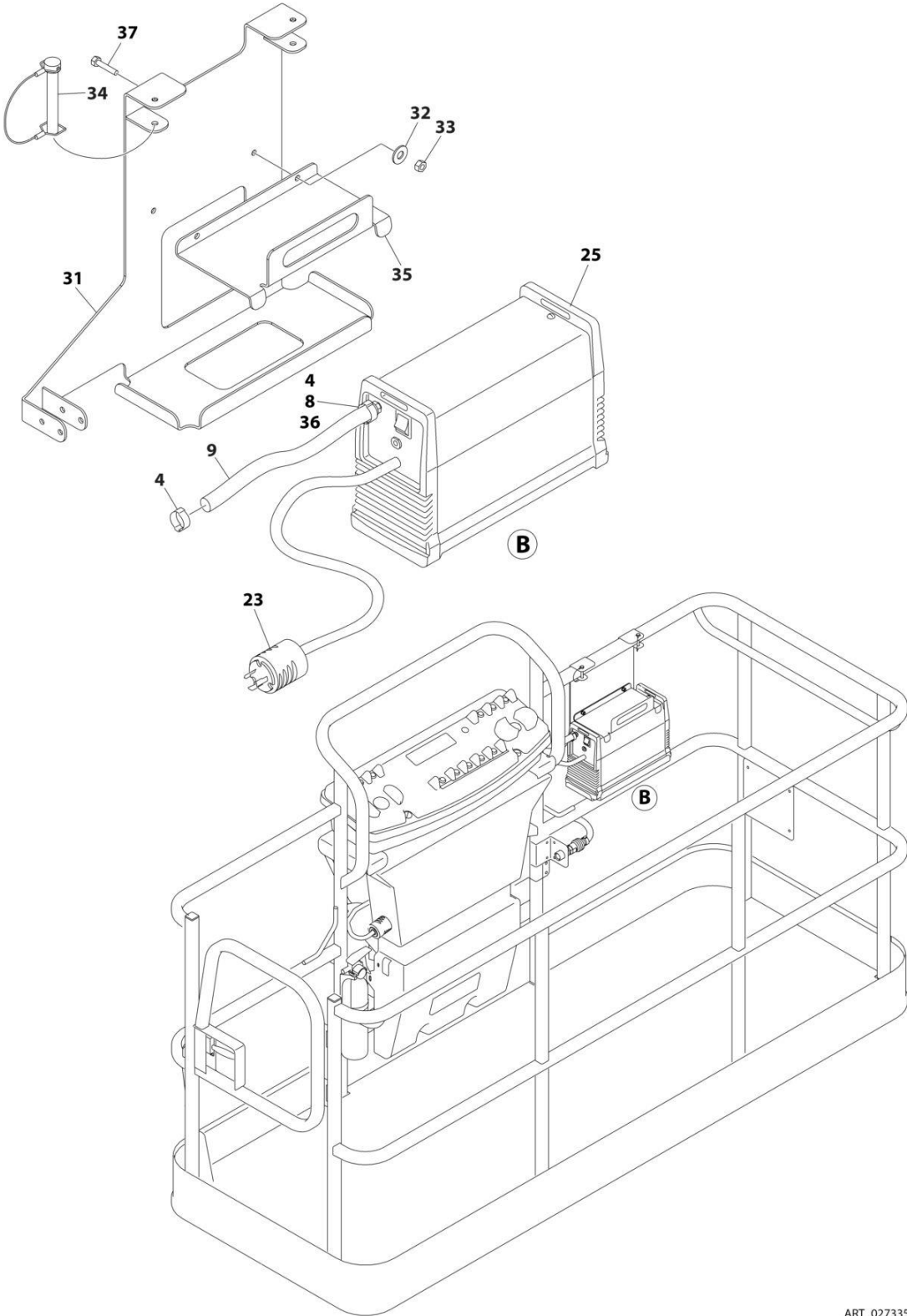
SECTION 5 - PLATFORM

FIGURE 5-32. SKYWELDER/SKYCUTTER COMBO INSTALLATION (60HZ)



ART_0273353_I_10F2

SECTION 5 - PLATFORM



ART_0273353_L_20F2

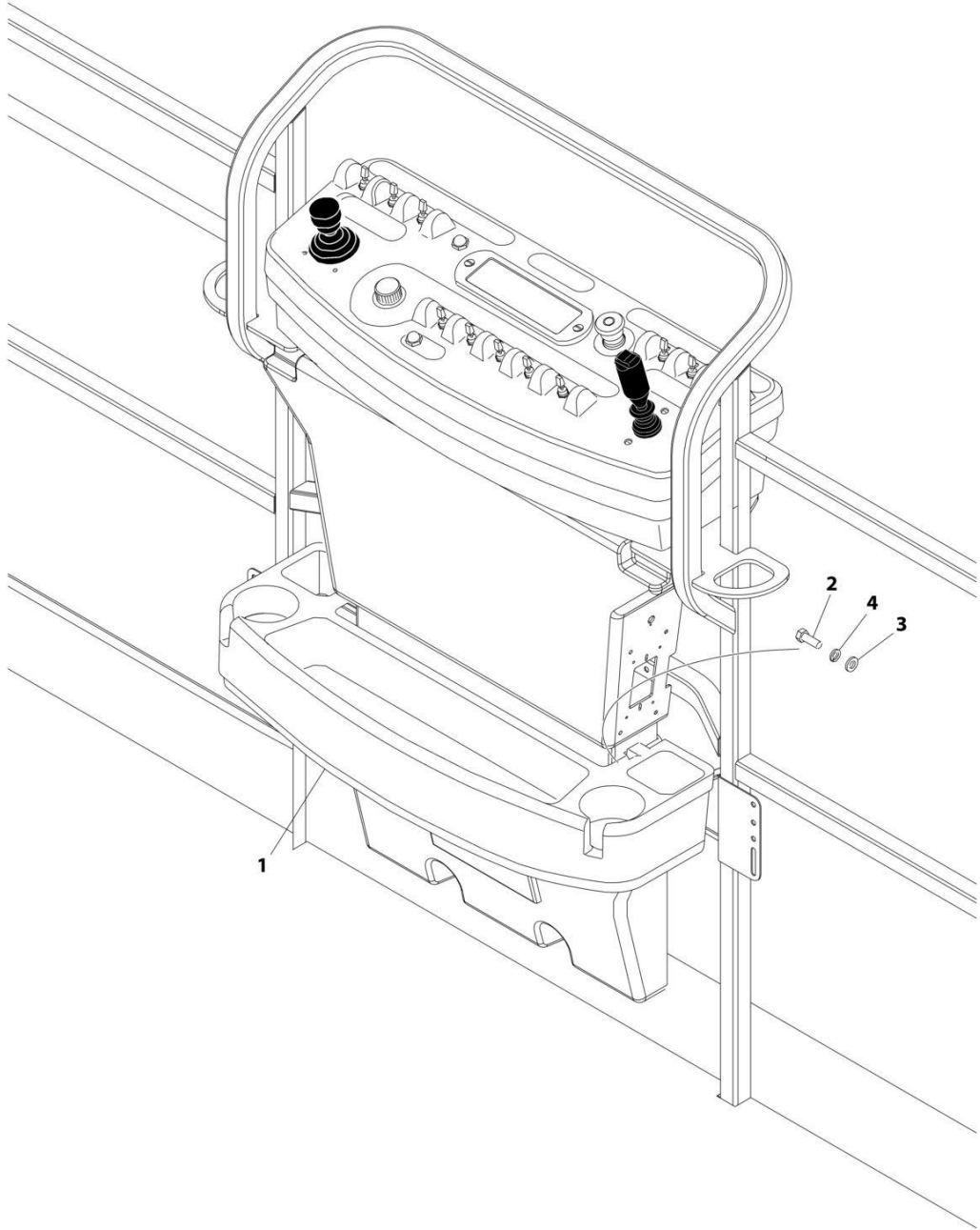
SECTION 5 - PLATFORM

FIGURE 5-32. SKYWELDER/SKYCUTTER COMBO INSTALLATION (60HZ)

ITEM	PART NUMBER	QTY	DESCRIPTION	REV
	0273353	Ref	SKYWELDER/SKYCUTTER COMBO INSTALLATION (60HZ)	I
1	0100011	AR	Compound, Locking	
3	0641606	4	Bolt 3/8 x 3/4	
4	1320177	2	Clamp	
5	1320302	2	Clamp	
6	1671093	1	Cover, Plug	
8	2180832	1	Fitting, Barbed/NPT	
9	2720160	4.5 ft /2 m	Hose	
10	2902217	1	Weld Leads Kit	
11	3300151	4	Nut 1/4	
13	3311605	4	Nut 3/8	
14	3573400	1	Bracket	
15	3577121	2	Angle	
16	1001269573	1	Plate	
20	4240099	AR	Tie-Strap (Not Shown)	
21	4420037	2.4 ft /1 m	Tape	
22	4460962	1	Plug, Twist Lock	
23	4460971	1	Plug, Twist Lock	
24	1001268820	1	Welder Assembly (See Separate Breakdown in this Section)	
25	1001098012	1	Plasma Cutter Assembly (See Separate Breakdown in this Section)	
26	4751400	4	Washer 1/4	
27	4751600	8	Washer 3/8	
29	1001269322	1	Support	
31	1001145405	1	Bracket	
32	4811700	2	Washer M6	
33	3290605	2	Nut M6	
34	3421453	3	Pin	
35	3576799	1	Plate, Hold-Down	
36	0100020	AR	Sealant	
37	4010608	2	Screw M6 x 16	

SECTION 5 - PLATFORM

FIGURE 5-33. TRAY INSTALLATION



ART_1580012

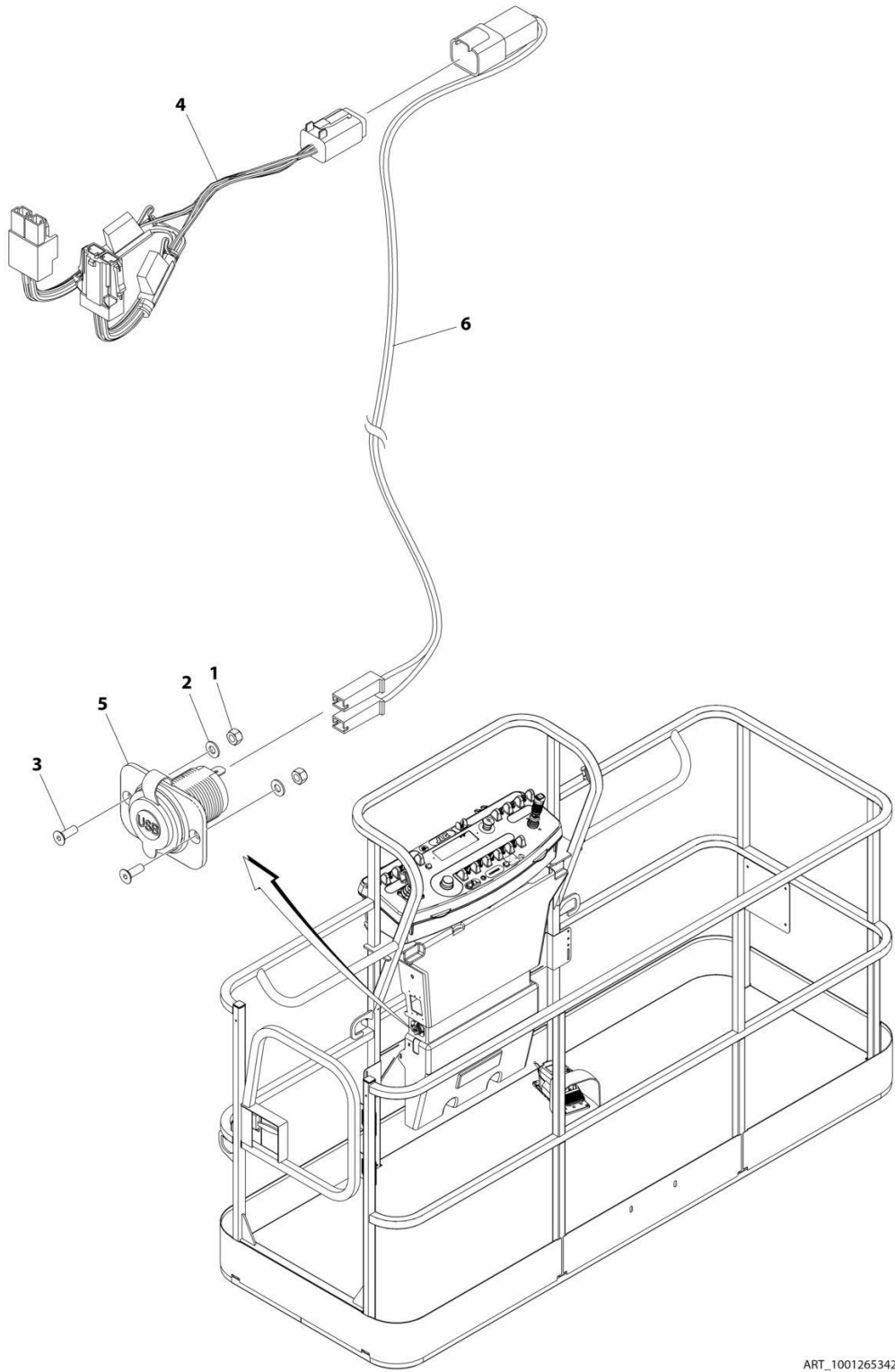
SECTION 5 - PLATFORM

FIGURE 5-33. TRAY INSTALLATION

ITEM	PART NUMBER	QTY	DESCRIPTION	REV
	1580012	Ref	TRAY ASSEMBLY	C
1	See Note	NSS	Tray, Storage (Center) (Note: Purchase p/n 1580012)	
2	0641406	2	Bolt 1/4 x 3/4	
3	4751400	2	Washer 1/4	
4	4761400	2	Washer 1/4	

SECTION 5 - PLATFORM

FIGURE 5-34. USB CHARGER INSTALLATION



ART_1001265342

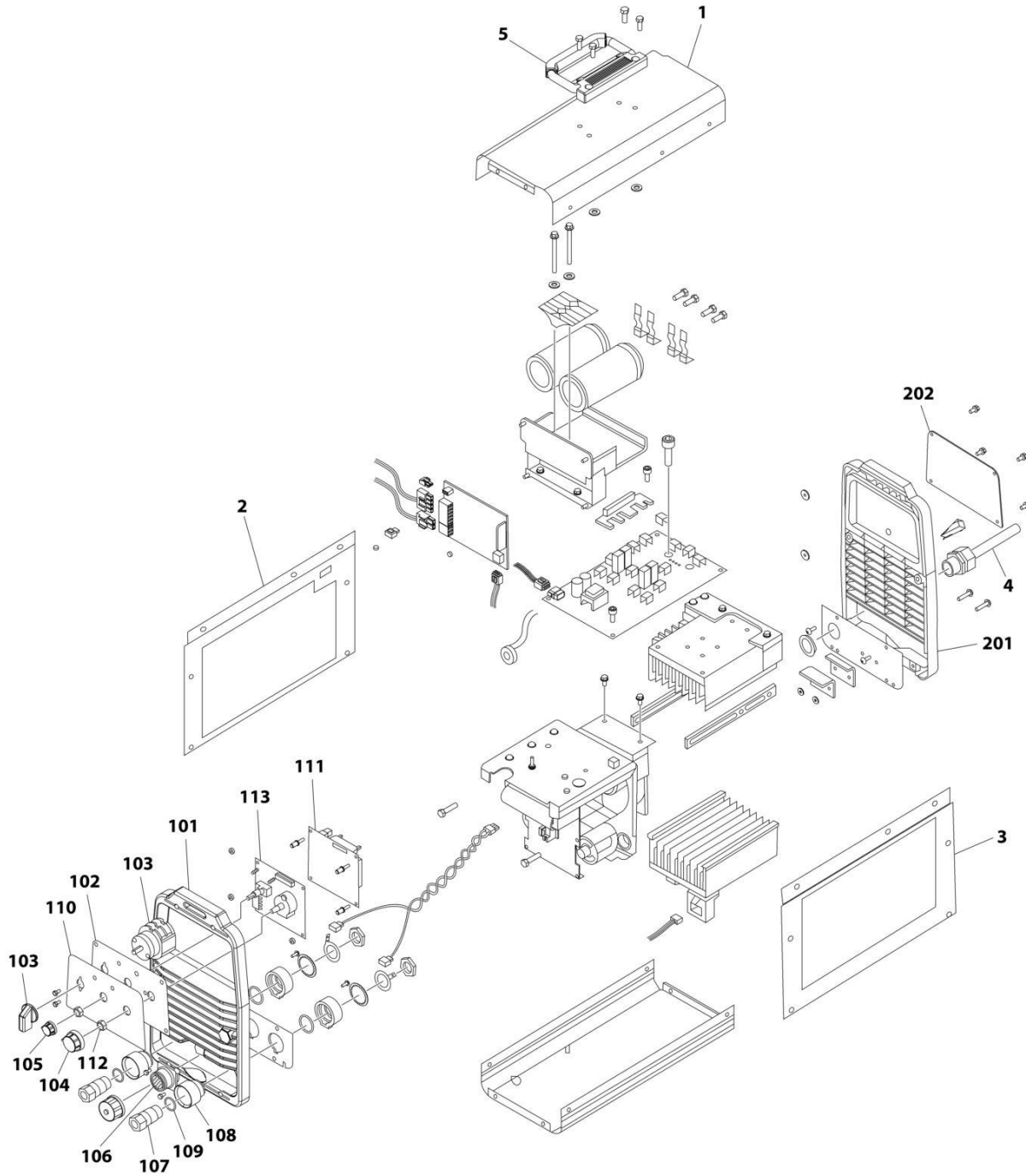
SECTION 5 - PLATFORM

FIGURE 5-34. USB CHARGER INSTALLATION

ITEM	PART NUMBER	QTY	DESCRIPTION	REV
	1001265342	Ref	USB CHARGER INSTALLATION	A
1	3290405	2	Nut M4	
2	4811400	2	Washer M4	
3	1001097244	2	Screw M4 x 12	
4	1001120484	1	Harness, Work Lights	
4	4460879	1	Plug, Male - 2 Position	
4	4460887	2	Terminal	
4	2400060	2	Fuseholder Includes Cover	
4	8229249	2	Fuse, 3 Amp	
4	4460884	1	Connector - 4 Position	
4	4460465	4	Socket, Female	
4	1001120471	1	Connector - 2 Position	
4	1001120477	2	Terminal	
5	1001210636	1	Receptacle, USB	
6	1001265163	1	Harness, USB	A
6	4460260	2	Cover, Terminal	
6	4460259	2	Terminal	
6	4460932	1	Receptacle, Bussbar - 4 Position	
6	4460464	2	Pin, Male	
6	4460466	2	Plug, Terminal	

SECTION 5 - PLATFORM

FIGURE 5-35. WELDER ASSEMBLY



ART_4530028

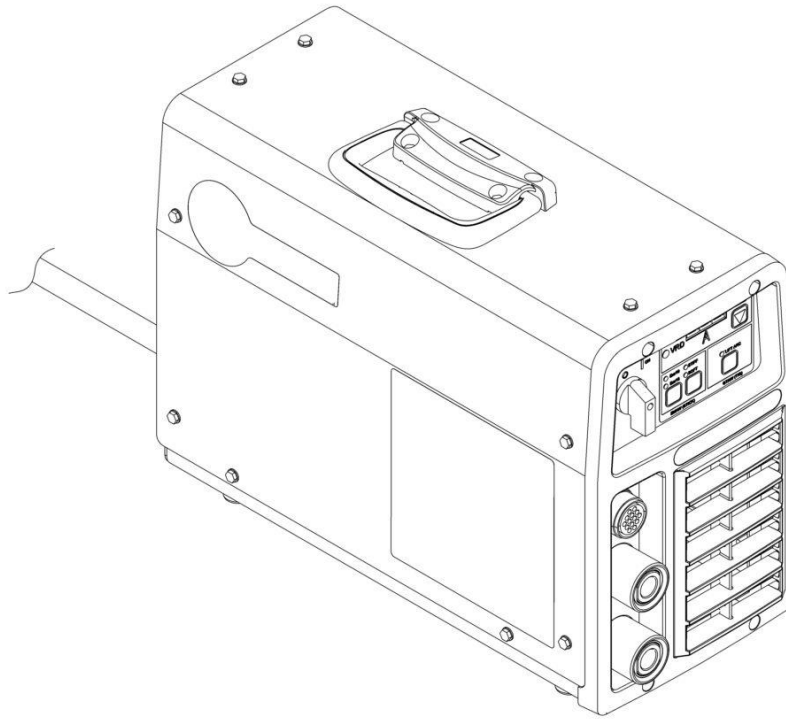
SECTION 5 - PLATFORM

FIGURE 5-35. WELDER ASSEMBLY

ITEM	PART NUMBER	QTY	DESCRIPTION	REV
	4530028	Ref	WELDER ASSEMBLY	B
		Ref	Note: For Other Components, contact your Miller Welder Dealer.	
1	7027773	1	Cover, Top	
1	7027774	1	Decal - Static Precautionary Warning	
2	See Note	NSS	Panel, LH Side (Note: Part of Item 1. Purchase Item 1)	
3	See Note	NSS	Panel, RH Side (Note: Part of Item 1. Purchase Item 1)	
4	7024467	1	Cable, Power	
4	7027775	1	Decal - Electrical Shock Warning (Not Shown)	
5	7027776	1	Handle, Carrying	
101	7024462	1	Panel, Front	
102	7024463	1	Panel, Console	
103	7024469	1	Switch with Lead	
104	7024470	1	Knob	
105	7024471	1	Knob	
106	7024472	1	Receptacle with Leads and Plugs	
107	7024473	2	Receptacle, Twistlock Female	
108	7024474	2	Insulator	
109	7024475	2	O-Ring	
110	7027777	1	Nameplate	
111	7027779	1	Circuit Card Assembly (Process Control)	
112	7024478	2	Nut	
113	7027778	1	Circuit Card Assembly (Operator Interface)	
201	7024462	1	Panel, Rear	
202	7027780	1	Panel, Cover	

SECTION 5 - PLATFORM

FIGURE 5-36. WELDER ASSEMBLY (CST282)



ART_1001268820

SECTION 5 - PLATFORM

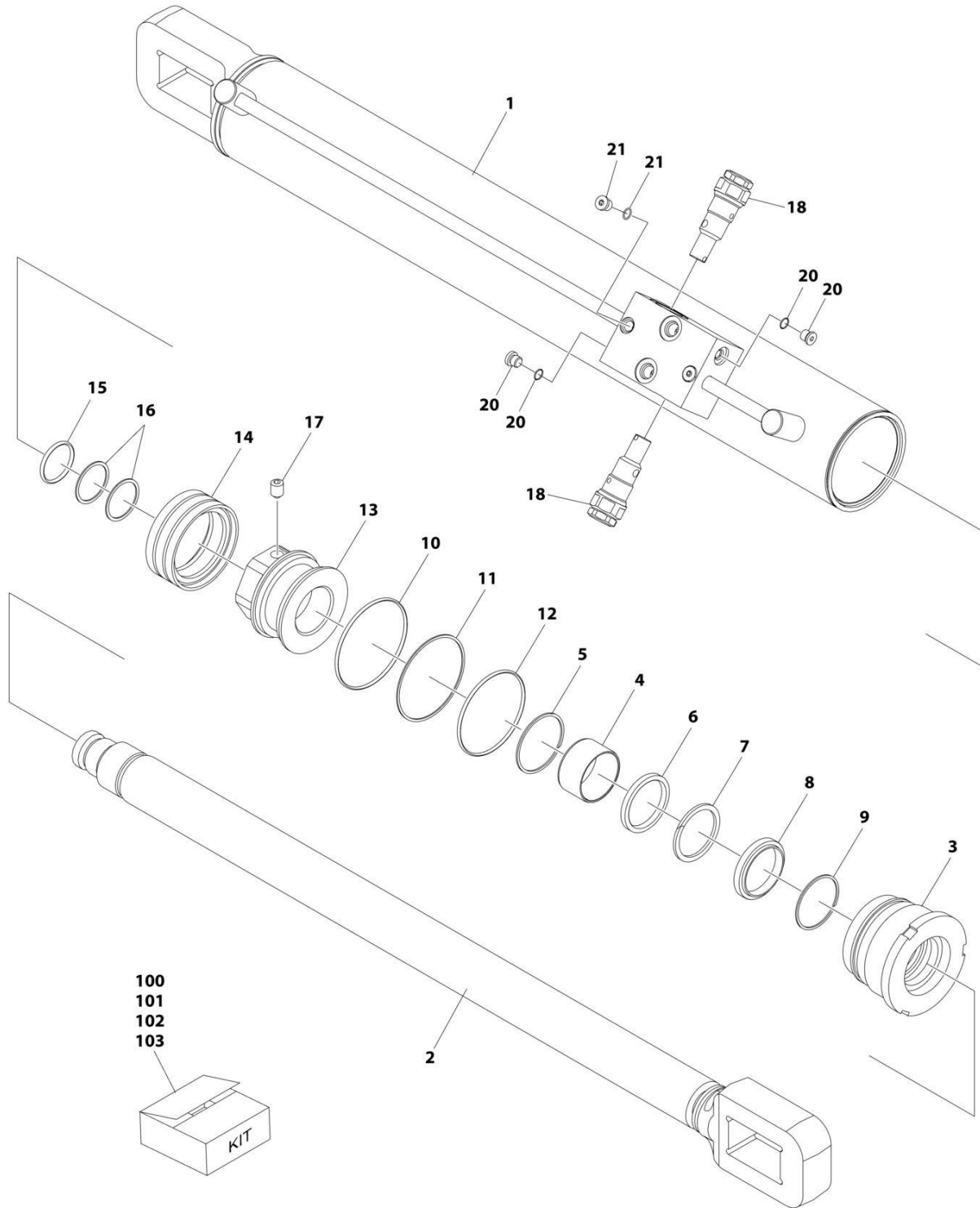
FIGURE 5-36. WELDER ASSEMBLY (CST282)

ITEM	PART NUMBER	QTY	DESCRIPTION	REV
	1001268820	1 Ref	WELDER ASSEMBLY Note: No Service Parts available at time of Printing.	B

SECTION 6 - CYLINDER

SECTION 6 - CYLINDER

FIGURE 6-1. AXLE EXTENSION CYLINDER ASSEMBLY



ART_1001251020

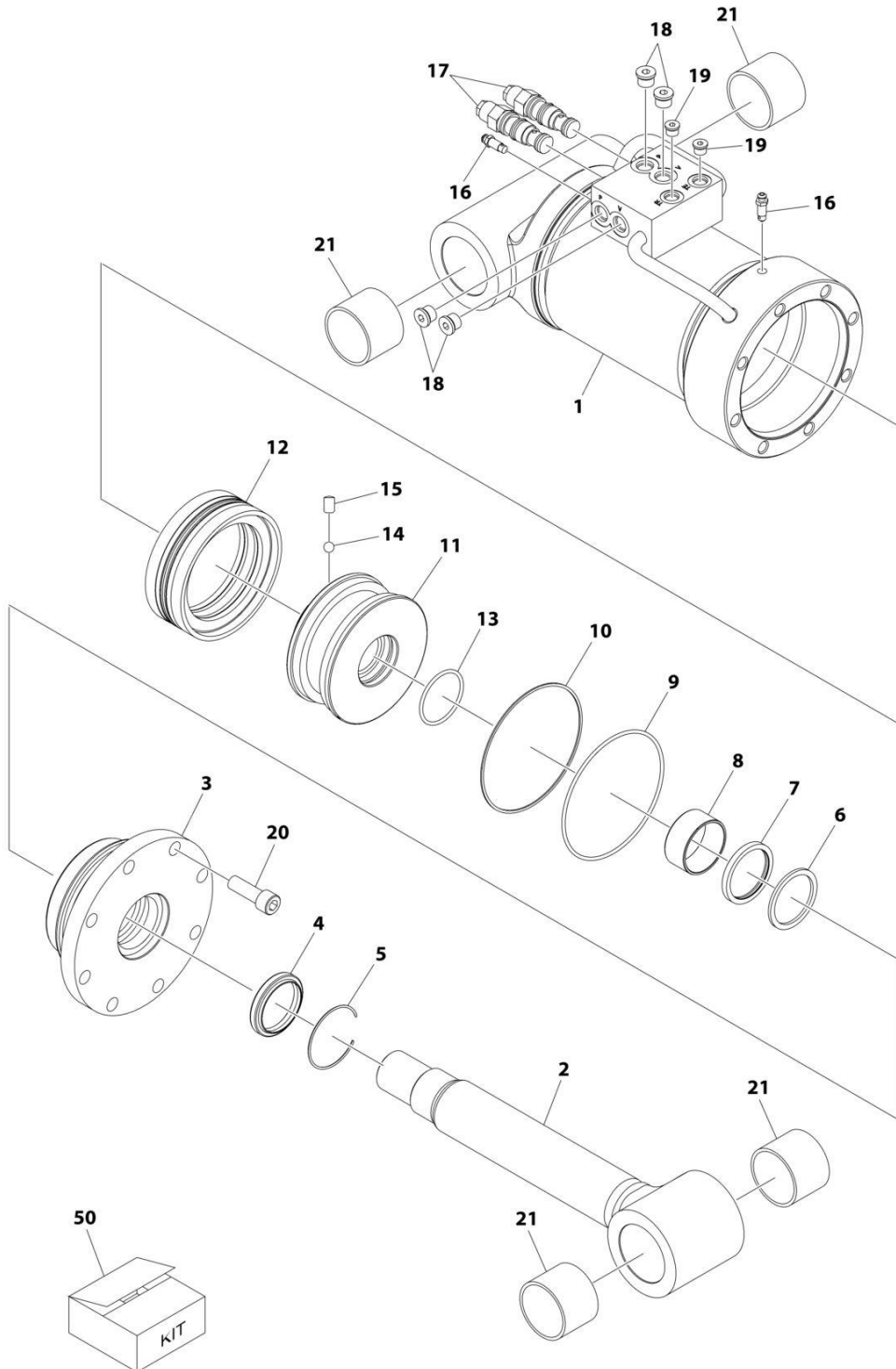
SECTION 6 - CYLINDER

FIGURE 6-1. AXLE EXTENSION CYLINDER ASSEMBLY

ITEM	PART NUMBER	QTY	DESCRIPTION	REV
	1001251020	Ref	AXLE EXTENSION CYLINDER ASSEMBLY	A
		Ref	Note: Original Cylinder May Have Been Replaced with Service Replacement. Identify PN Stamped on Cylinder Before Ordering Parts.	
1	See Note	NSS	Barrel (Note: Use p/n 1001251020)	
2	70007382	1	Rod	
3	See Note	NSS	Head (Use Item 100)	
5	See Note	NSS	Ring (Note: Use Item 100)	
6	See Note	NSS	Seal (Note: Use Item 101)	
7	See Note	NSS	Ring, Back-up (Note: Use Item 101)	
8	See Note	NSS	Wiper, Rod (Note: Use Item 101)	
9	See Note	NSS	Ring, Retaining (Note: Use Item 101)	
10	See Note	NSS	O-Ring (Note: Use Item 101)	
11	See Note	NSS	Ring, Back-up (Note: Use Item 101)	
12	See Note	NSS	O-Ring (Note: Use Item 101)	
13	See Note	NSS	Piston (Note: Use Item 102)	
14	See Note	NSS	Seal (Note: Use Item 101)	
15	See Note	NSS	O-Ring (Note: Use Item 101)	
16	See Note	NSS	Ring, Back-up (Note: Use Item 101)	
17	See Note	NSS	Setscrew (Note: Use Item 102)	
18	4640509	2	Cartridge, Holding Valve	
18	2900792	2	Seal Kit - 4640509 Cartridge Valve (1 Per Assembly)	
20	See Note	NSS	Plug (Note: Use Item 103)	
21	See Note	NSS	Plug (Note: Use Item 103)	
100	70007383	1	Rod Cover Kit (Includes Items 3-5)	
101	70007384	1	Seal Kit (Includes Items 6-12 & 14-16)	
102	70007385	1	Piston Kit (Includes Items 13 & 17)	
103	70007386	1	Plug Kit (Includes Items 20 & 21)	

SECTION 6 - CYLINDER

FIGURE 6-2. AXLE LOCKOUT CYLINDER ASSEMBLY



ART_1001251019

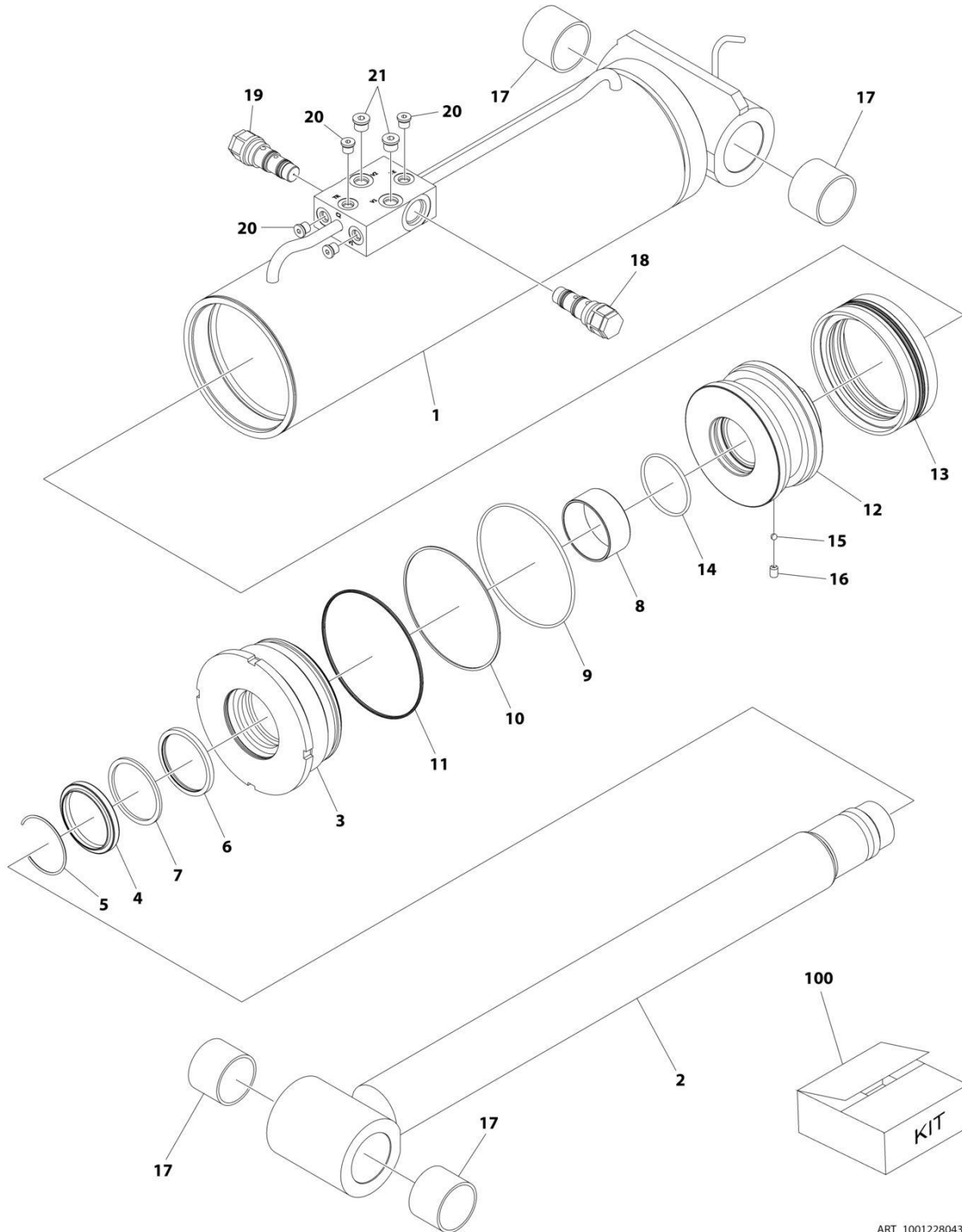
SECTION 6 - CYLINDER

FIGURE 6-2. AXLE LOCKOUT CYLINDER ASSEMBLY

ITEM	PART NUMBER	QTY	DESCRIPTION	REV
	1001251019	Ref	AXLE LOCKOUT CYLINDER ASSEMBLY	B
		Ref	Note: Original Cylinder May Have Been Replaced with Service Replacement. Identify PN Stamped on Cylinder Before Ordering Parts.	
1	See Note	NSS	Barrel (Note: Use PN 1001251019)	
2	70007984	1	Rod	
3	70007985	1	Head	
4	See Note	NSS	Wiper (Note: Use Item 50)	
5	70002412	1	Ring, Retaining	
6	See Note	NSS	Seal, Rod (Note: Use Item 50)	
7	See Note	NSS	Ring, Back-up (Note: Use Item 50)	
8	70005153	1	Bearing	
9	See Note	NSS	O-Ring (Note: Use Item 50)	
10	See Note	NSS	Ring, Back-up (Note: Use Item 50)	
11	7007986	1	Piston	
12	See Note	NSS	Seal, Piston (Note: Use Item 50)	
13	See Note	NSS	O-Ring (Note: Use Item 50)	
14	70022564	1	Ball	
15	70006596	1	Setscrew M8 x 12	
16	70007987	2	Bleeder	
17	4641276	2	Cartridge, Valve - Counterbalance	
17	2900770	2	Seal Kit - 4641276 Valve	
18	2220885	4	Plug 9/16	
19	2220883	2	Plug 7/16	
20	70007988	8	Bolt M12 x 50	
21	0961950	4	Bearing	
50	70007989	1	Seal Kit - 1001251019 Cylinder (Includes Items 4, 6, 7, 9, 10, 12 & 13)	

SECTION 6 - CYLINDER

FIGURE 6-3. LEVEL (JIB) CYLINDER ASSEMBLY - WITH OR WITHOUT COLD WEATHER PLUS PACKAGE



ART_1001228043

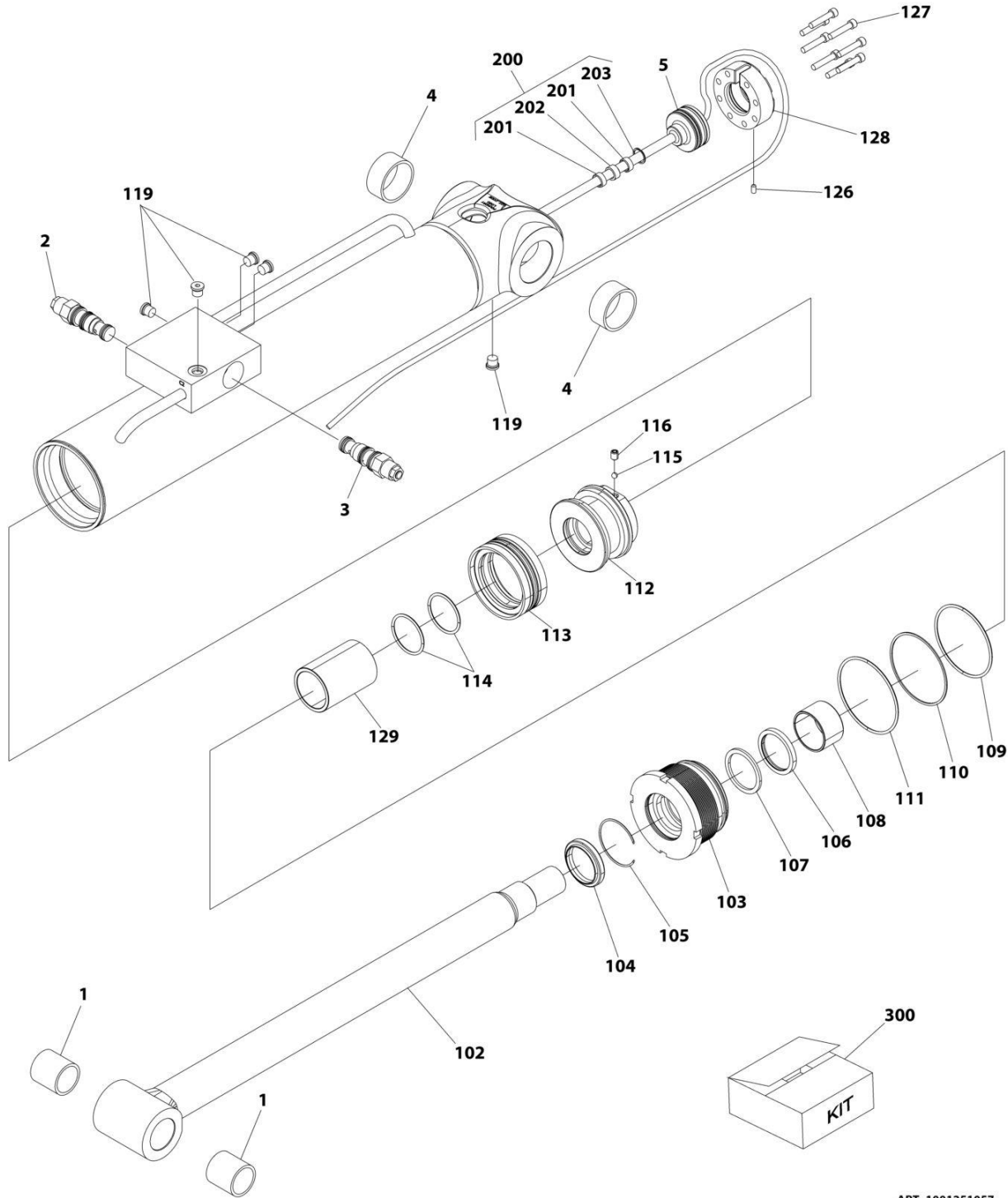
SECTION 6 - CYLINDER

FIGURE 6-3. LEVEL (JIB) CYLINDER ASSEMBLY - WITH OR WITHOUT COLD WEATHER PLUS PACKAGE

ITEM	PART NUMBER	QTY	DESCRIPTION	REV
	1001228043	Ref	LEVEL (JIB) CYLINDER ASSEMBLY - WITH OR WITHOUT COLD WEATHER PLUS PACKAGE	B
		Ref	Note: Original Cylinder May Have Been Replaced with Service Replacement. Identify PN Stamped on Cylinder Before Ordering Parts.	
1	See Note	NSS	Barrel Weldment (Note: Not Available for Purchase)	
2	70006646	1	Rod Weldment	
3	70006635	1	Head	
4	See Note	NSS	Wiper, Rod (Note: Use Item 100)	
5	70050795	1	Ring, Retaining	
6	See Note	NSS	Seal, Rod (Note: Use Item 100)	
7	See Note	NSS	Ring, Back-up (Note: Use Item 100)	
8	70006636	1	Ring, Wear	
9	See Note	NSS	O-Ring (Note: Use Item 100)	
10	See Note	NSS	Ring, Back-up (Note: Use Item 100)	
11	See Note	NSS	O-Ring (Note: Use Item 100)	
12	70006637	1	Piston	
13	See Note	NSS	Seal, Piston (Note: Use Item 100)	
14	See Note	NSS	O-Ring (Note: Use Item 100)	
15	70006596	1	Ball, Steel	
16	70022564	1	Setscrew	
17	0961950	4	Bushing	
18	4640999	1	Cartridge, Holding Valve (Non Vented)	
18	2900792	1	Seal Kit - 4640999 Cartridge Valve	
19	4641248	1	Cartridge, Counterbalance Valve (Non Vented)	
19	See Note	1	Seal Kit - 4641248 Cartridge Valve (Note: Not Available for Purchase)	
20	2220883	4	Plug, O-Ring	
21	2220885	2	Plug, O-Ring	
100	70006647	1	Seal Kit (Includes Items 4, 6, 7, 9-11, 13 & 14)	

SECTION 6 - CYLINDER

FIGURE 6-4. LEVEL (PLATFORM) CYLINDER ASSEMBLY



ART_1001251057

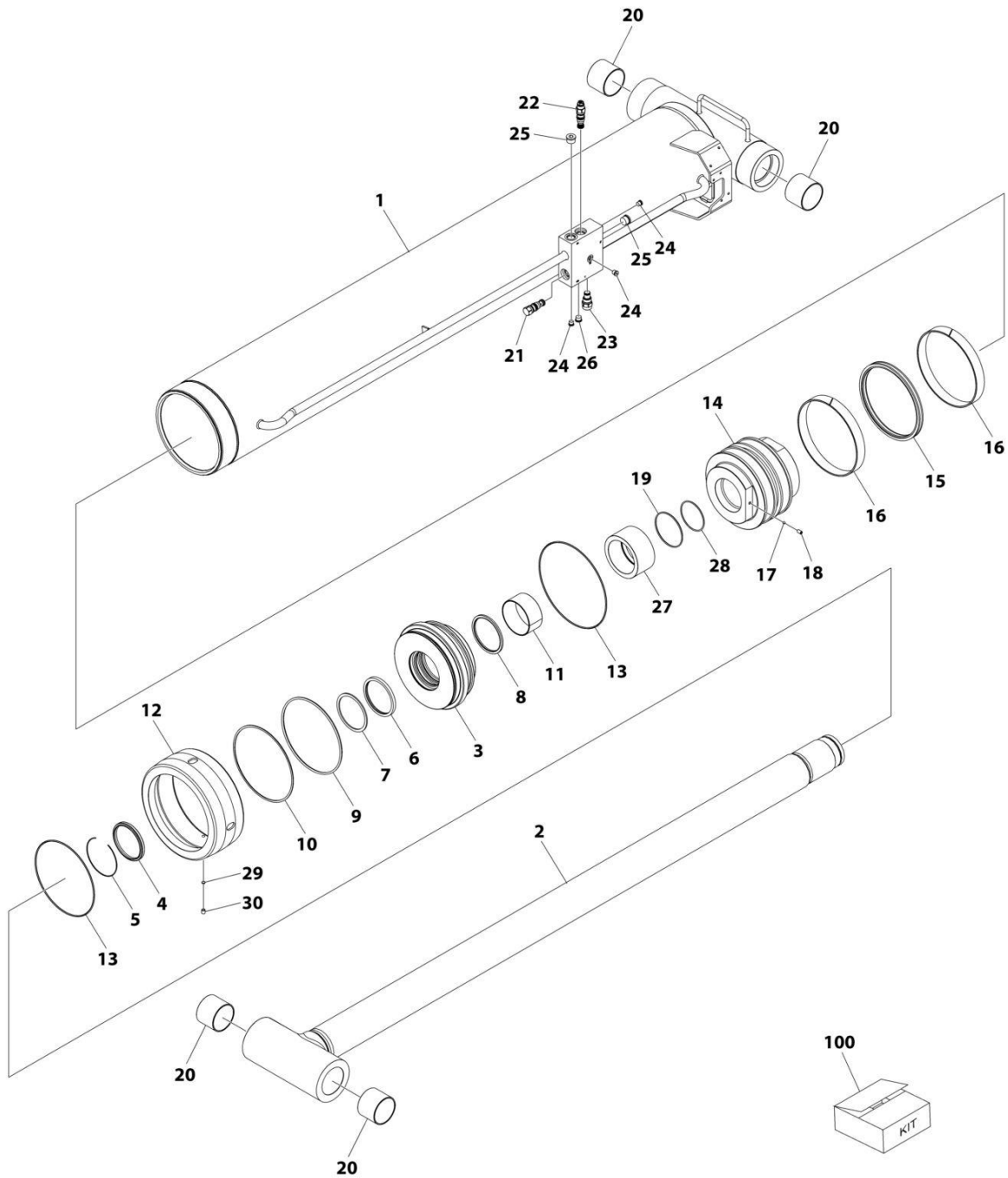
SECTION 6 - CYLINDER

FIGURE 6-4. LEVEL (PLATFORM) CYLINDER ASSEMBLY

ITEM	PART NUMBER	QTY	DESCRIPTION	REV
	1001251057	Ref	LEVEL (PLATFORM) CYLINDER ASSEMBLY	A
		Ref	Note: Original Cylinder May Have Been Replaced with Service Replacement. Identify PN Stamped on Cylinder Before Ordering Parts.	
1	0962006	2	Bushing	
2	4640489	1	Cartridge, Counterbalance Valve	
2	2900770	1	Seal Kit - For 4640489 Counterbalance Valve	
3	4641260	1	Cartridge, Counterbalance Valve	
3	2900770	1	Seal Kit - For 4641260 Counterbalance Valve	
4	1001117969	2	Bushing	
5	1001117990	1	Sensor, Cylinder Length	
102	70008028	1	Rod	
103	70008029	1	Head	
104	See Note	NSS	Wiper (Note: Use Item 300)	
105	70002410	1	Ring, Retaining	
106	See Note	NSS	Seal (Note: Use Item 300)	
107	See Note	NSS	Ring (Note: Use Item 300)	
108	70004237	1	Bearing	
109	See Note	NSS	O-Ring (Note: Use Item 300)	
110	See Note	NSS	Ring (Note: Use Item 300)	
111	See Note	NSS	O-Ring (Note: Use Item 300)	
112	70008030	1	Piston	
113	See Note	NSS	Seal (Note: Use Item 300)	
114	See Note	NSS	O-Ring (Note: Use Item 300)	
115	70022564	1	Ball, Steel	
116	70023369	1	Setscrew M8 x 1-1/4	
119	2220883	5	Plug	
126	70006464	1	Setscrew M5 x 10	
127	70008031	8	Bolt M6 x 35	
128	70008024	1	Cover	
129	70008032	1	Spacer	
200	1001119105	1	Sensor Magnet Kit (Includes Items 201-203)	
201	1001117994	2	Sleeve, Spacer	
202	1001118066	1	Magnet, Sensor	
203	1001118069	1	Ring, Internal Retaining	
300	70008033	1	Seal Kit (Includes Items 104, 106, 107, 109-111, 113 & 114)	

SECTION 6 - CYLINDER

FIGURE 6-5. LIFT (BOOM) CYLINDER ASSEMBLY



ART_1001251045

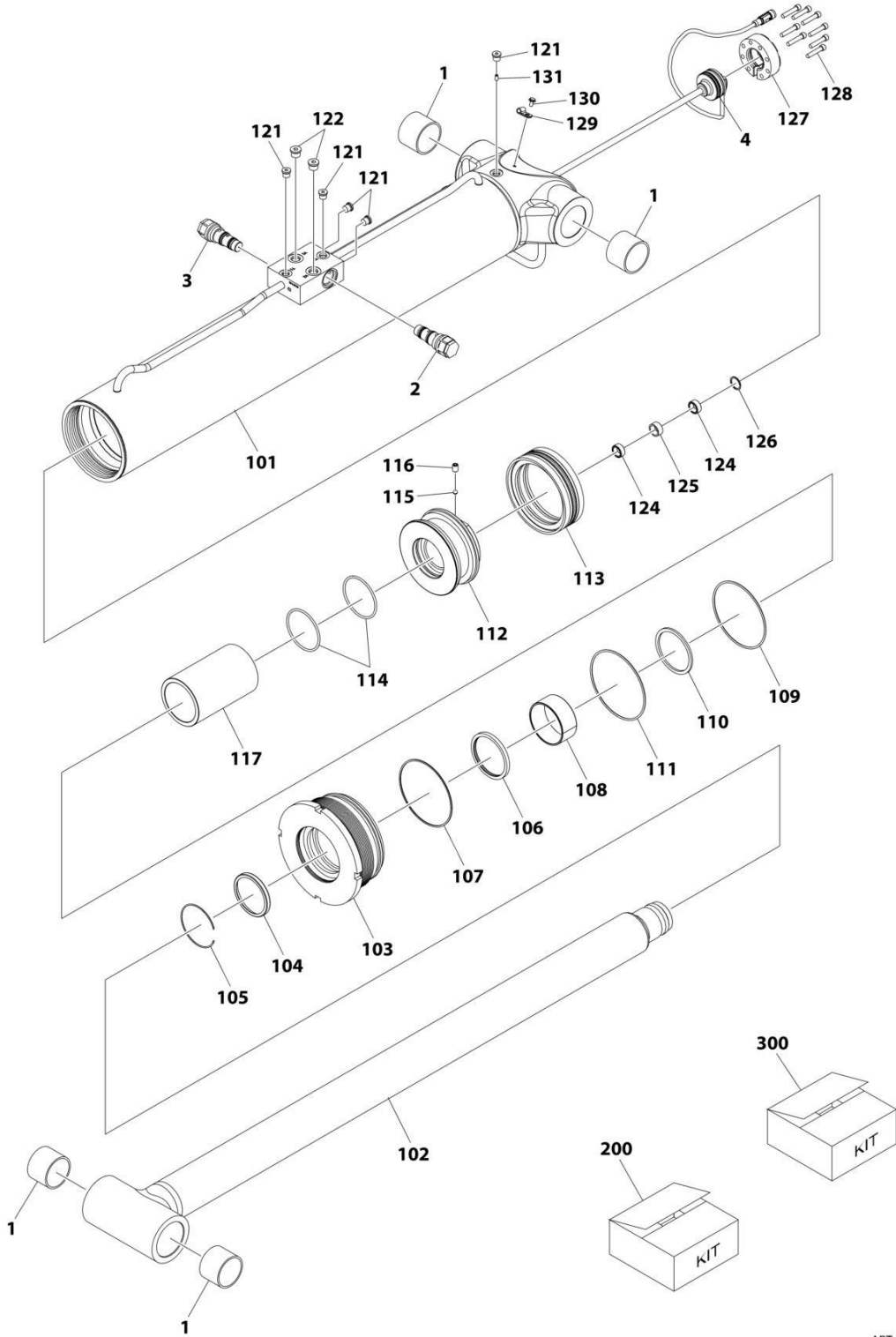
SECTION 6 - CYLINDER

FIGURE 6-5. LIFT (BOOM) CYLINDER ASSEMBLY

ITEM	PART NUMBER	QTY	DESCRIPTION	REV
	1001251045	Ref	LIFT (BOOM) CYLINDER ASSEMBLY	A
		Ref	Note: Original Cylinder may have been replaced with Service Replacement. Identify PN Stamped on Cylinder before ordering parts	
1	See Note	NSS	Barrel (Note: Not Available for Purchase)	
2	70007440	1	Rod	
3	70007441	1	Head	
4	See Note	NSS	Wiper, Rod (Note: Use Item 100)	
5	70026283	1	Ring, Retaining	
6	See Note	NSS	Seal, Rod (Note: Use Item 100)	
7	See Note	NSS	Ring, Back-up (Note: Use Item 100)	
8	See Note	NSS	O-Ring (Note: Use Item 100)	
9	See Note	NSS	O-Ring (Note: Use Item 100)	
10	See Note	NSS	Ring, Back-up (Note: Use Item 100)	
11	70026284	1	Ring, Wear (Note: Use Item 100)	
12	70007435	1	Cap, Cylinder	
13	See Note	NSS	O-Ring (Note: Use Item 100)	
14	70007442	1	Piston	
15	See Note	NSS	Seal, Piston (Note: Use Item 100)	
16	See Note	NSS	Ring, Wear (Note: Use Item 100)	
17	70022564	1	Ball, Steel	
18	70007442	1	Setscrew	
19	See Note	NSS	O-Ring (Note: Use Item 100)	
20	0962297	4	Bearing	
21	4640438	1	Cartridge, Check Valve	
21	2900770	1	Seal Kit - 4640438 Cartridge Valve	
22	1001125279	1	Cartridge, Valve	
22	2900770	1	Seal Kit - 1001125279 Cartridge Valve	
23	4641210	1	Cartridge, Pressure Regulator Valve	
23	7010545	1	Seal Kit - 4641210 Cartridge Valve	
24	2220883	3	Plug, O-Ring	
25	70005433	2	Plug, O-Ring	
26	2220885	1	Plug, O-Ring	
27	70007443	1	Spacer	
28	See Note	NSS	O-Ring (Note: Use Item 100)	
29	70007282	1	Insert, Locking	
30	70007438	1	Setscrew	
100	70007444	1	Seal Kit (Includes Items 4, 6-10, 13, 15, 16, 19 & 28)	

SECTION 6 - CYLINDER

FIGURE 6-6. LIFT (JIB) CYLINDER ASSEMBLY



ART_1001251058

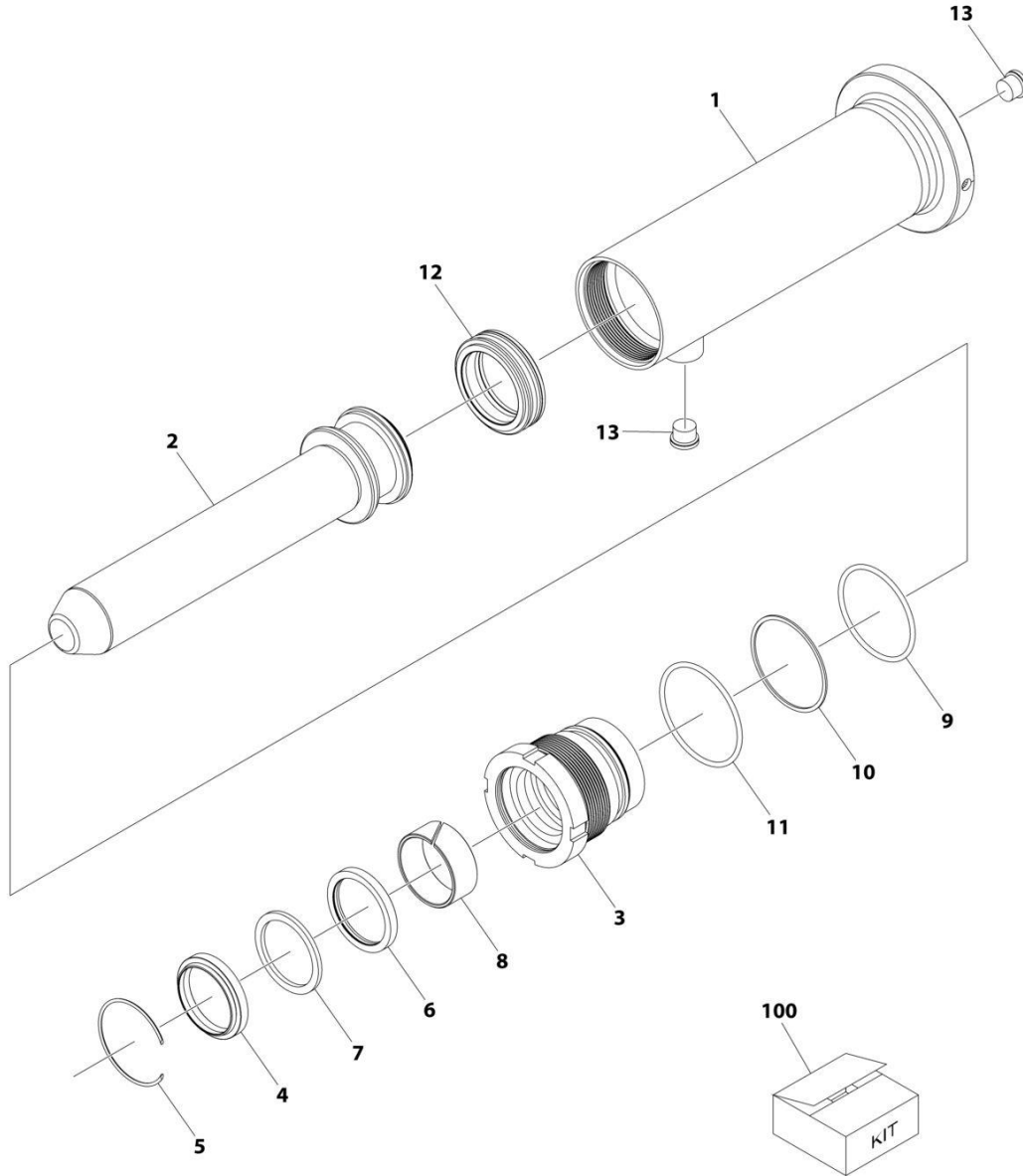
SECTION 6 - CYLINDER

FIGURE 6-6. LIFT (JIB) CYLINDER ASSEMBLY

ITEM	PART NUMBER	QTY	DESCRIPTION	REV
	1001251058	Ref	LIFT (JIB) CYLINDER ASSEMBLY	A
		Ref	Note: Original Cylinder May Have Been Replaced with Service Replacement. Identify PN Stamped on Cylinder Before Ordering Parts.	
1	0961950	4	Bushing	
2	4641248	1	Cartridge, Counterbalance Valve	
2	70004186	1	Seal Kit - 4641248 Counterbalance Valve	
3	4640999	1	Cartridge, Holding Valve	
3	2900792	1	Seal Kit - 4640999 Cartridge Valve	
4	1001117991	1	Sensor	
101	See Note	NSS	Barrel (Note: Not available for Purchase)	
102	70008020	1	Rod	
103	70008021	1	Head	
104	See Note	NSS	Wiper (Note: Use Item 200)	
105	70050795	1	Ring, Retaining	
106	See Note	NSS	Seal, Rod (Note: Use Item 200)	
107	See Note	NSS	Ring, Backup (Note: Use Item 200)	
108	70006636	1	Bushing	
109	See Note	NSS	O-Ring (Note: Use Item 200)	
110	See Note	NSS	Ring, Backup (Note Use Item 200)	
111	See Note	NSS	O-Ring (Note: Use Item 200)	
112	70008022	1	Piston	
113	See Note	NSS	Seal, Piston (Note: Use Item 200)	
114	See Note	NSS	O-Ring (Note: Use Item 200)	
115	70022564	1	Ball, Steel	
116	70006596	1	Setscrew M8 x 12	
117	70008023	1	Spacer	
121	2220883	5	Plug 7/16	
122	2220885	2	Plug 9/16	
124	See Note	2	Sleeve (Note: Use Item 300)	
125	See Note	1	Magnet (Note: Use Item 300)	
126	See Note	1	Ring, Retaining (Note: Use Item 300)	
127	70008024	1	Cover	
128	70008025	8	Bolt M6 x 35	
129	70008026	1	Clamp	
130	70006462	1	Bolt M5 x 8	
131	70006464	1	Set Screw M5 X 10	
200	70008027	1	Seal Kit (Includes Items 104, 106-107, 109-111, 113-114)	
300	1001119105	1	Magnet Kit (Includes Items 124-126)	

SECTION 6 - CYLINDER

FIGURE 6-7. LOCK (JIB) CYLINDER ASSEMBLY



ART_1001251046

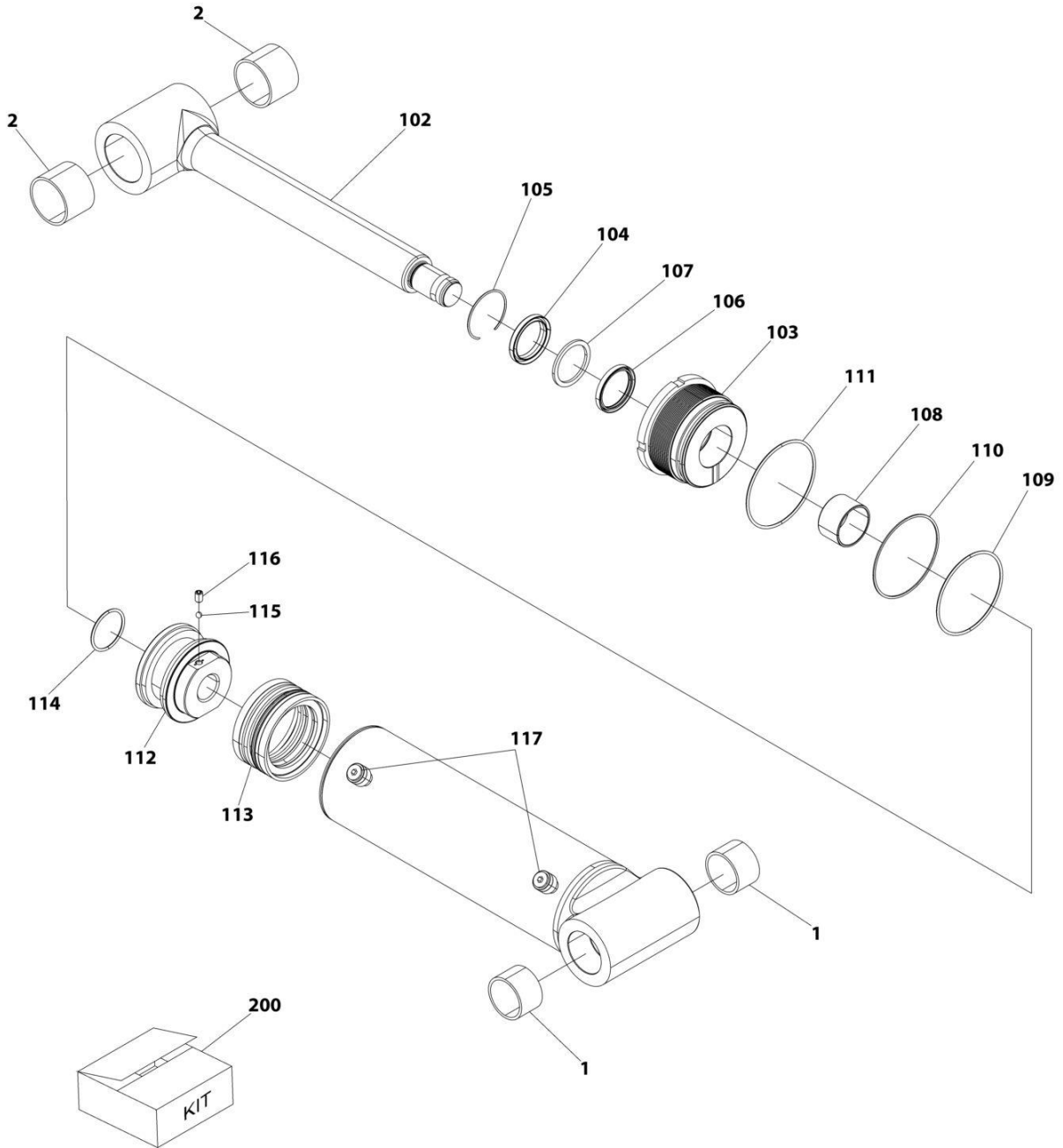
SECTION 6 - CYLINDER

FIGURE 6-7. LOCK (JIB) CYLINDER ASSEMBLY

ITEM	PART NUMBER	QTY	DESCRIPTION	REV
	1001251046	Ref	LOCK (JIB) CYLINDER ASSEMBLY	A
		Ref	Note: Original Cylinder May Have Been Replaced with Service Replacement. Identify PN Stamped on Cylinder Before Ordering Parts.	
1	See Note	NSS	Barrel (Note: Not Available for Purchase)	
2	70008036	1	Rod	
3	70008037	1	Gland	
4	See Note	1	Dust Wiper (Note: Use Item 100)	
5	70002410	1	Ring, Retaining	
6	See Note	1	Rod Seal (Note: Use Item 100)	
7	See Note	1	Ring, Backup (Note: Use Item 100)	
8	See Note	1	Ring, Wear (Note: Use Item 100)	
9	See Note	1	O-Ring (Note: Use Item 100)	
10	See Note	1	Ring, Backup (Note: Use Item 100)	
11	See Note	1	O-Ring (Note: Use Item 100)	
12	See Note	1	Seal, Piston (Note: Use Item 100)	
13	2220885	2	Plug 9/16	
100	70008038	1	Seal Kit (Includes Items 4 & 6-12)	

SECTION 6 - CYLINDER

FIGURE 6-8. STEER CYLINDER ASSEMBLY



ART_1001251031

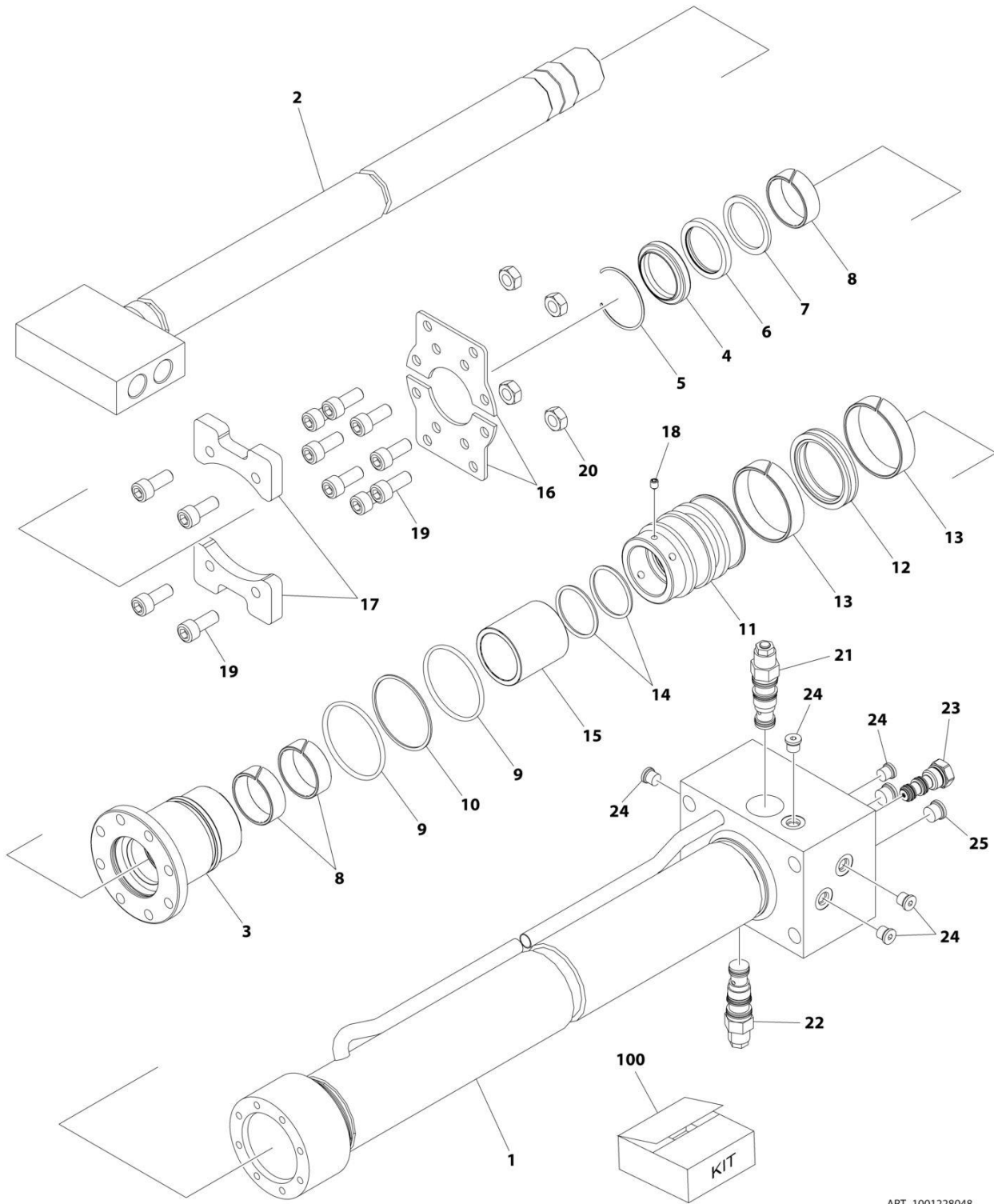
SECTION 6 - CYLINDER

FIGURE 6-8. STEER CYLINDER ASSEMBLY

ITEM	PART NUMBER	QTY	DESCRIPTION	REV
	1001251031	Ref	STEER CYLINDER ASSEMBLY	A
		Ref	Note: Original Cylinder May Have Been Replaced with Service Replacement. Identify PN Stamped on Cylinder Before Ordering Parts.	
1	0961949	2	Bushing	
2	0961950	2	Bushing	
102	70008004	1	Rod	
103	70008005	1	Head	
104	See Note	NSS	Wiper (Note: Use Item 200)	
105	70002410	1	Ring, Retaining	
106	See Note	NSS	Seal (Note: Use Item 200)	
107	See Note	NSS	Ring (Note: Use Item 200)	
108	70004237	1	Bearing	
109	See Note	NSS	O-Ring (Note: Use Item 200)	
110	See Note	NSS	Ring (Note: Use Item 200)	
111	See Note	NSS	O-Ring (Note: Use Item 200)	
112	70008006	1	Piston	
113	See Note	NSS	Seal (Note: Use Item 200)	
114	See Note	NSS	O-Ring (Note: Use Item 200)	
115	70022564	1	Ball, Steel	
116	70006596	1	Setscrew M8 x 1-1/4	
117	2220885	2	Plug	
200	70008007	1	Seal Kit (Includes Items 104, 106, 107, 109-111, 113 & 114)	

SECTION 6 - CYLINDER

FIGURE 6-9. TELESCOPE (JIB) CYLINDER ASSEMBLY



ART_1001228048

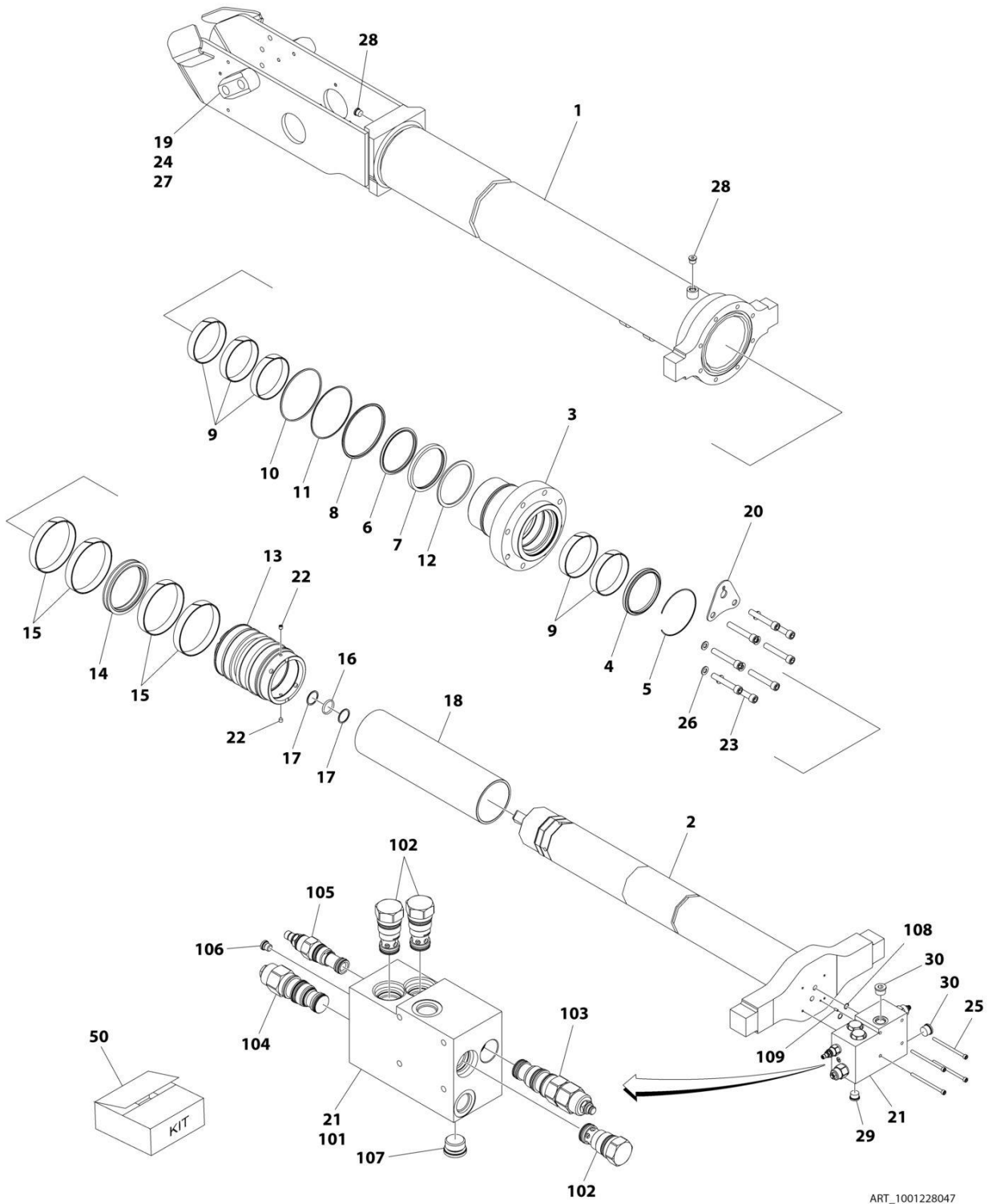
SECTION 6 - CYLINDER

FIGURE 6-9. TELESCOPE (JIB) CYLINDER ASSEMBLY

ITEM	PART NUMBER	QTY	DESCRIPTION	REV
	1001228048	Ref	TELESCOPE (JIB) CYLINDER ASSEMBLY	C
		Ref	Note: Original Cylinder May Have Been Replaced with Service Replacement. Identify PN Stamped on Cylinder Before Ordering Parts.	
1	See Note	NSS	Barrel Weldment (Note: Not Available for Purchase)	
2	70006845	1	Rod Weldment	
3	70006846	1	Head	
4	See Note	NSS	Wiper, Rod (Note: Use Item 100)	
5	70002373	1	Ring, Retaining	
6	See Note	NSS	Seal, Rod (Note: Use Item 100)	
7	See Note	NSS	Ring, Back-up (Note: Use Item 100)	
8	See Note	NSS	Ring, Wear (Note: Use Item 100)	
9	See Note	NSS	O-Ring (Note: Use Item 100)	
10	See Note	NSS	Ring, Back-up (Note: Use Item 100)	
11	70006847	1	Piston	
12	See Note	NSS	Seal, Piston (Note: Use Item 100)	
13	See Note	NSS	Ring, Wear (Note: Use Item 100)	
14	70006848	2	O-Ring	
15	70006849	1	Spacer	
16	70006850	2	Plate	
17	70006851	2	Bracket	
18	70005879	1	Setscrew	
19	70005885	12	Capscrew M8	
20	70005594	4	Nut M8	
21	4640771	1	Cartridge, Counterbalance Valve	
21	2900770	1	Seal Kit - 4640771 Valve	
22	1001121155	1	Cartridge, Counterbalance Valve	
22	2900770	1	Seal Kit - 1001121155 Valve	
23	10837580	1	Cartridge, Shuttle Valve	
23	7010543	1	Seal Kit - 10837580 Valve	
24	2220883	6	Plug (With O-Ring)	
25	2220885	2	Plug (With O-Ring)	
100	70006852	1	Seal Kit (Includes Items 4, 6-10, 12 & 13)	

SECTION 6 - CYLINDER

FIGURE 6-10. TELESCOPE (MAIN BOOM) CYLINDER ASSEMBLY



ART_1001228047

SECTION 6 - CYLINDER

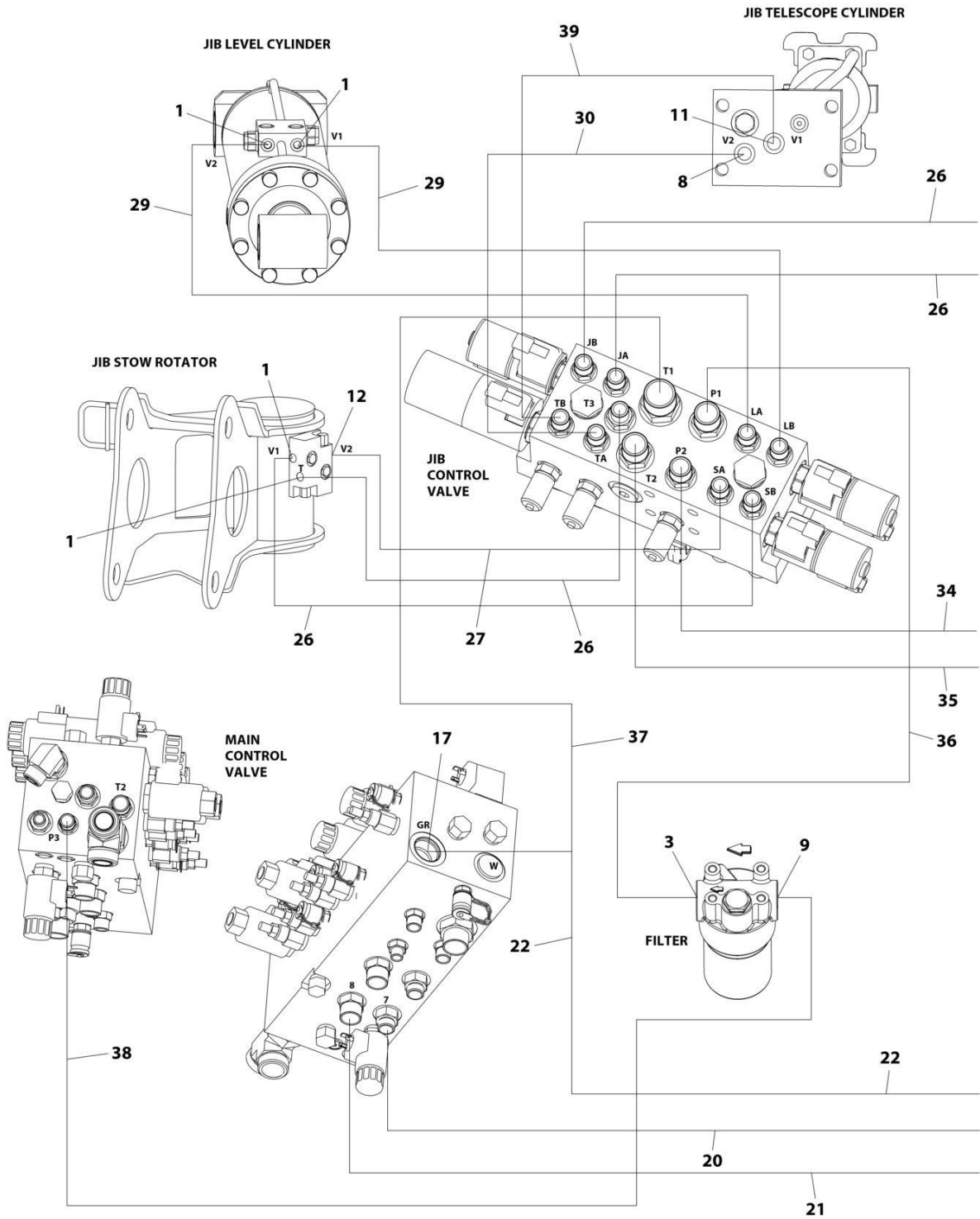
FIGURE 6-10. TELESCOPE (MAIN BOOM) CYLINDER ASSEMBLY

ITEM	PART NUMBER	QTY	DESCRIPTION	REV
	1001228047	Ref	TELESCOPE (MAIN BOOM) CYLINDER ASSEMBLY	C
		Ref	Note: Original Cylinder May Have Been Replaced with Service Replacement. Identify PN Stamped on Cylinder Before Ordering Parts.	
1	See Note	NSS	Barrel (Note: Not Available for Purchase)	
2	70006824	1	Rod	
3	70006825	1	Head	
4	See Note	NSS	Wiper, Rod (Note: Use Item 50)	
5	70026283	1	Ring, Retaining	
6	See Note	NSS	Seal, Rod (Note: Use Item 50)	
7	See Note	NSS	Ring, Back-up (Note: Use Item 50)	
8	See Note	NSS	O-Ring (Note: Use Item 50)	
9	See Note	NSS	Ring, Wear (Note: Use Item 50)	
10	See Note	NSS	O-Ring (Note: Use Item 50)	
11	See Note	NSS	Ring, Back-up (Note: Use Item 50)	
12	See Note	NSS	O-Ring (Note: Use Item 50)	
13	70006826	1	Piston	
14	See Note	NSS	Seal, Piston (Note: Use Item 50)	
15	See Note	NSS	Ring, Wear (Note: Use Item 50)	
16	See Note	NSS	O-Ring (Note: Use Item 50)	
17	See Note	NSS	Ring, Back-up (Note: Use Item 50)	
18	70006827	1	Spacer	
19	70006828	2	Pad, Wear	
20	70006829	1	Bracket	
21	1001144398	1	Valve Assembly (See Items 101-109 for Breakdown)	
22	70006799	2	Setscrew	
23	70005882	8	Capscrew M12	
24	70005885	4	Capscrew	
25	70006830	4	Capscrew	
26	70005883	6	Washer M12	
27	70006344	4	Washer	
28	2220885	2	Plug, O-Ring	
29	2220886	1	Plug, O-Ring	
30	70005433	2	Plug, O-Ring	
50	70006831	1	Seal Kit (Includes Items 4, 6-12 & 14-17)	
	1001144398	Ref	VALVE ASSEMBLY	A
101	See Note	NSS	Body, Valve (Note: Not Available for Purchase)	
102	7011368	3	Cartridge, Check Valve	
102	7011351	3	Seal Kit - 7011368 Cartridge	
103	70004029	1	Cartridge, Counterbalance Valve	
103	7011371	1	Seal Kit - 70004029 Cartridge	
104	4641289	1	Cartridge, Counterbalance Valve	
104	2900789	1	Seal Kit - 4641289 Cartridge	
105	70004030	1	Cartridge, Relief Valve	
105	7011311	1	Seal Kit - 70004030 Cartridge	
106	70003031	1	Plug, O-Ring	
107	70003030	1	Plug, O-Ring	
108	70003029	2	O-Ring	
109	See Note	NSS	Pin (Note: Not Available for Purchase)	

SECTION 7 - HYDRAULIC

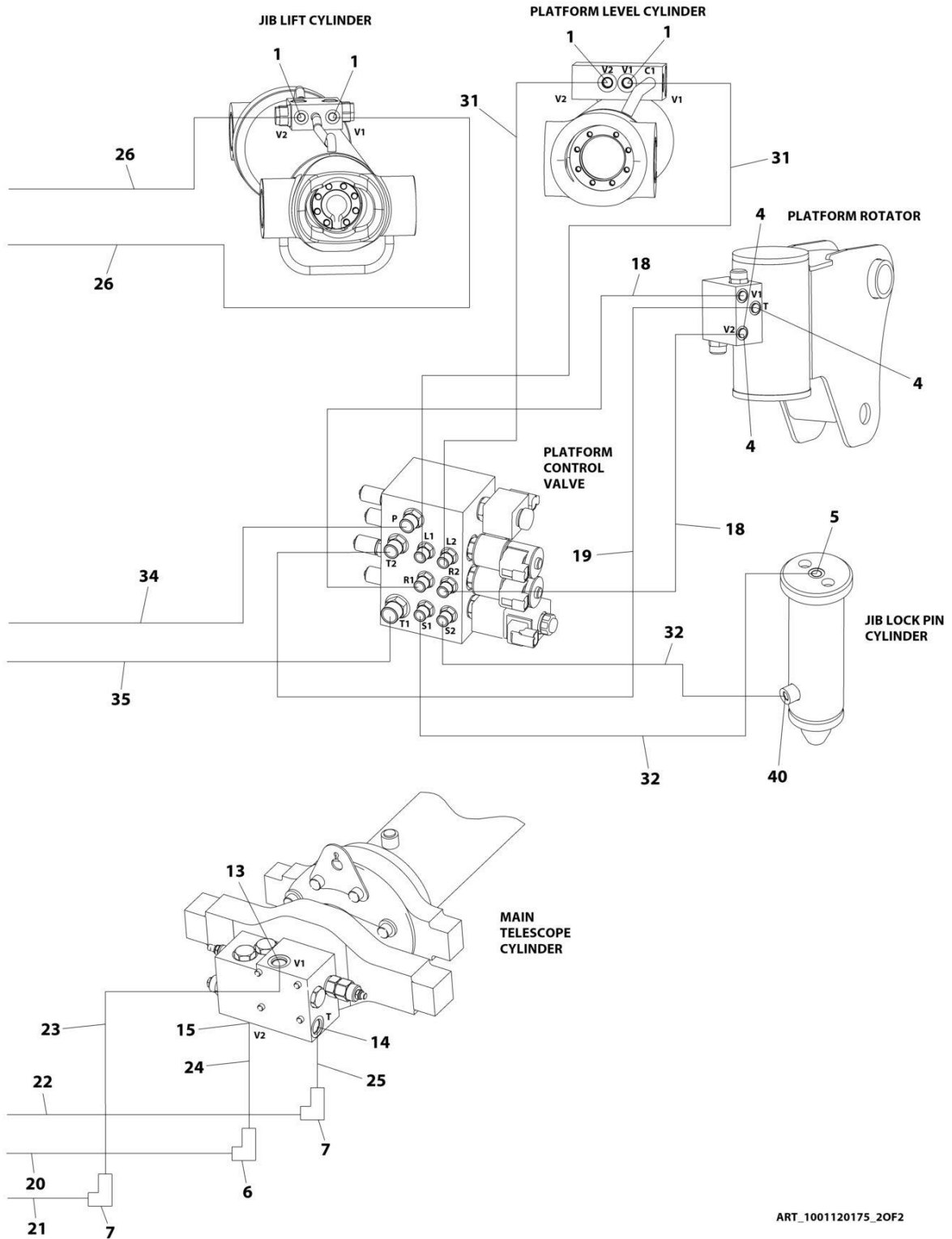
SECTION 7 - HYDRAULIC

FIGURE 7-1. HYDRAULIC DIAGRAM - BOOM



ART_1001120175_10F2

SECTION 7 - HYDRAULIC



ART_1001120175_20F2

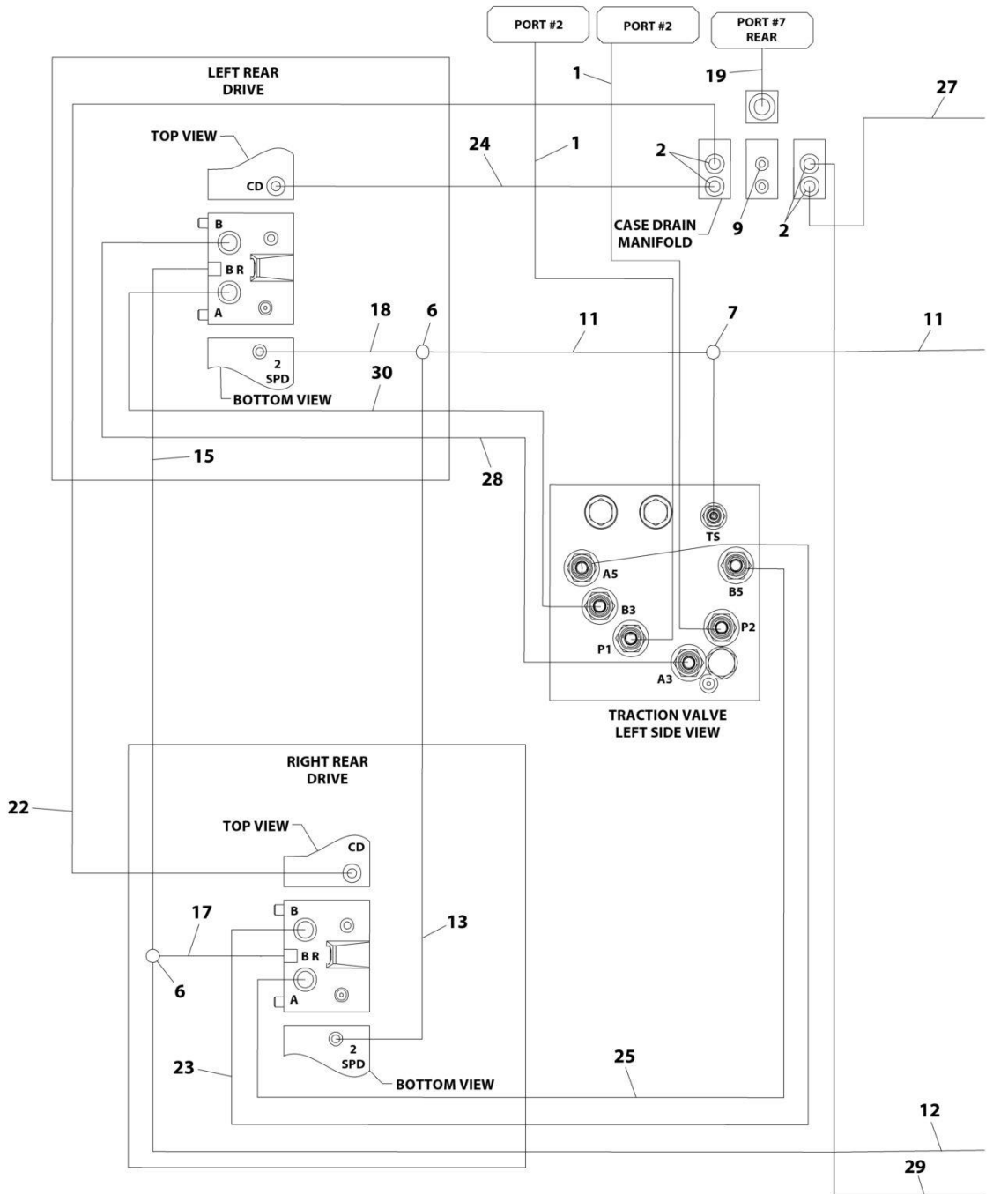
SECTION 7 - HYDRAULIC

FIGURE 7-1. HYDRAULIC DIAGRAM - BOOM

ITEM	PART NUMBER	QTY	DESCRIPTION	REV
		Ref	HYDRAULIC DIAGRAM - BOOM	
	1001120168	Ref	Hydraulic Diagram Chart for Deutz TD2011 Engine Machines with Rexroth Pumps	F
	1001152972	Ref	Hydraulic Diagram Chart for Deutz TCD2.9L4 Engine Machines with Rexroth Pumps	B
	1001120169	Ref	Hydraulic Diagram Chart for Deutz TD2011 & Deutz TCD2.9L4 Engine Machines with Sauer Pumps	E
	1001120175	Ref	Hydraulic Diagram - Main Boom and Jib	G
1	2110404	8	Fitting, Straight ORFS/ORB	
3	2110812	1	Fitting, Straight ORFS/ORB	
4	2150404	3	Fitting, 45 ORFS/ORB	
5	2110406	2	Fitting, Straight ORFS/ORB	
6	2171208	1	Fitting, 90 ORFS/ORB	
7	2171210	2	Fitting, 90 ORFS/ORB	
8	2130406	2	Fitting, 90 ORFS/ORB	
9	2130812	1	Fitting, 90 ORFS/ORB	
11	1001134728	1	Fitting, 90 with 0.090 Orifice	
12	2130404	1	Fitting, 90 ORFS/ORB	
13	2111010	1	Fitting, Straight ORFS/ORB	
14	2131010	1	Fitting, 90 ORFS/ORB	
15	2130808	1	Fitting, 90 ORFS/ORB	
17	2170710	1	Fitting, Straight Adapter ORFS/ORFS/ORB	
18	2753545	2	Hose	
19	1001120348	1	Hose	
20	2753755	1	Hose	
21	2753767	1	Hose	
22	1001120349	1	Hose	
23	2753763	1	Hose	
24	1001120350	1	Hose	
25	1001120351	1	Hose	
26	2753784	4	Hose	
27	2753675	1	Hose	
29	2753743	2	Hose	
30	1001213385	1	Hose	
31	2754470	1	Hose	
32	1001120352	2	Hose	
34	1001120354	1	Hose	
35	1001120355	1	Hose	
36	1001120356	1	Hose	
37	1001120357	1	Hose	
38	1001119546	1	Hose	
39	2717235	1	Hose	
40	2150406	1	Adapter ORFS/ORB	

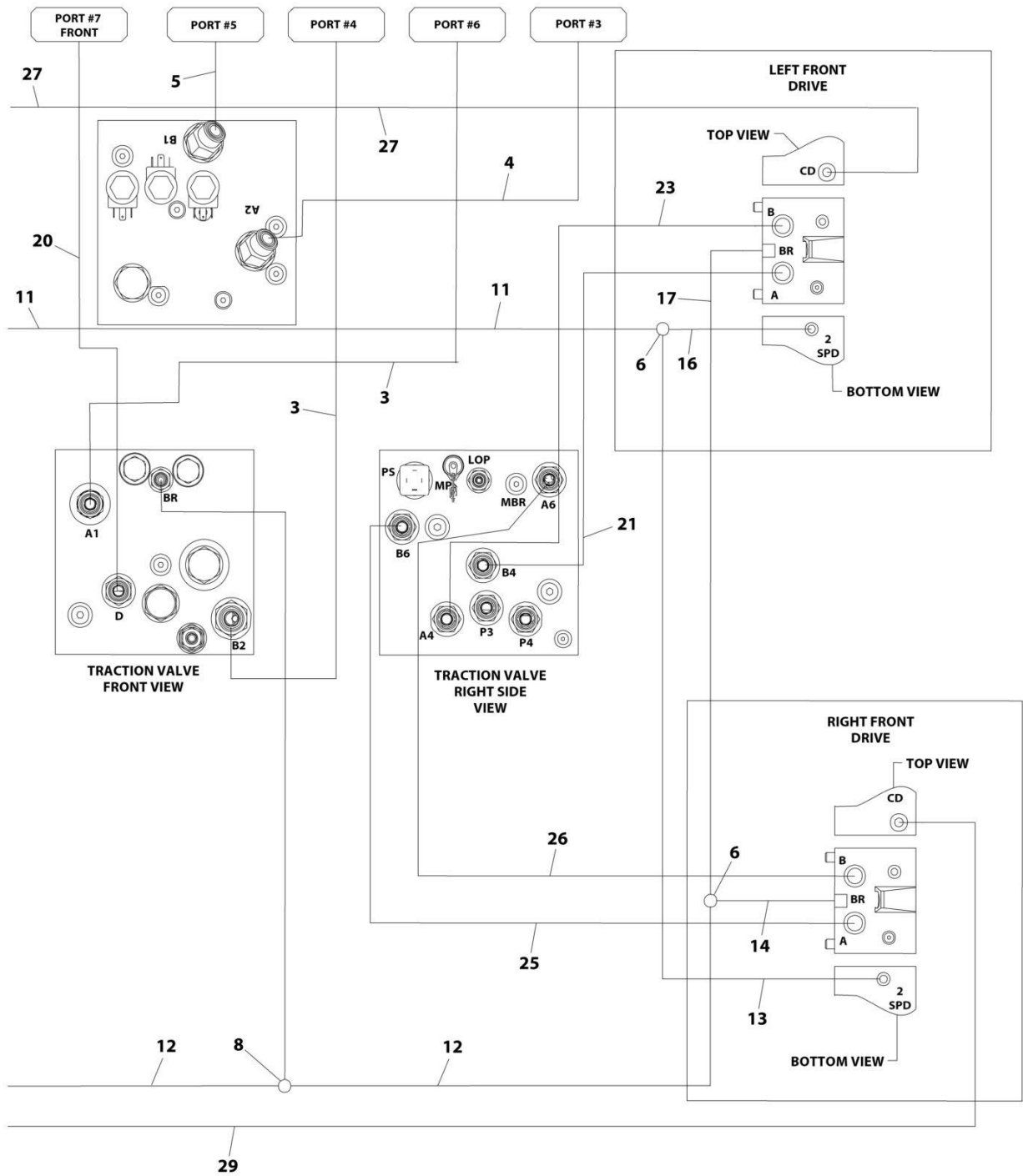
SECTION 7 - HYDRAULIC

FIGURE 7-2. HYDRAULIC DIAGRAM - DRIVE



ART_1001120172_10F2

SECTION 7 - HYDRAULIC



ART_1001120172_20F2

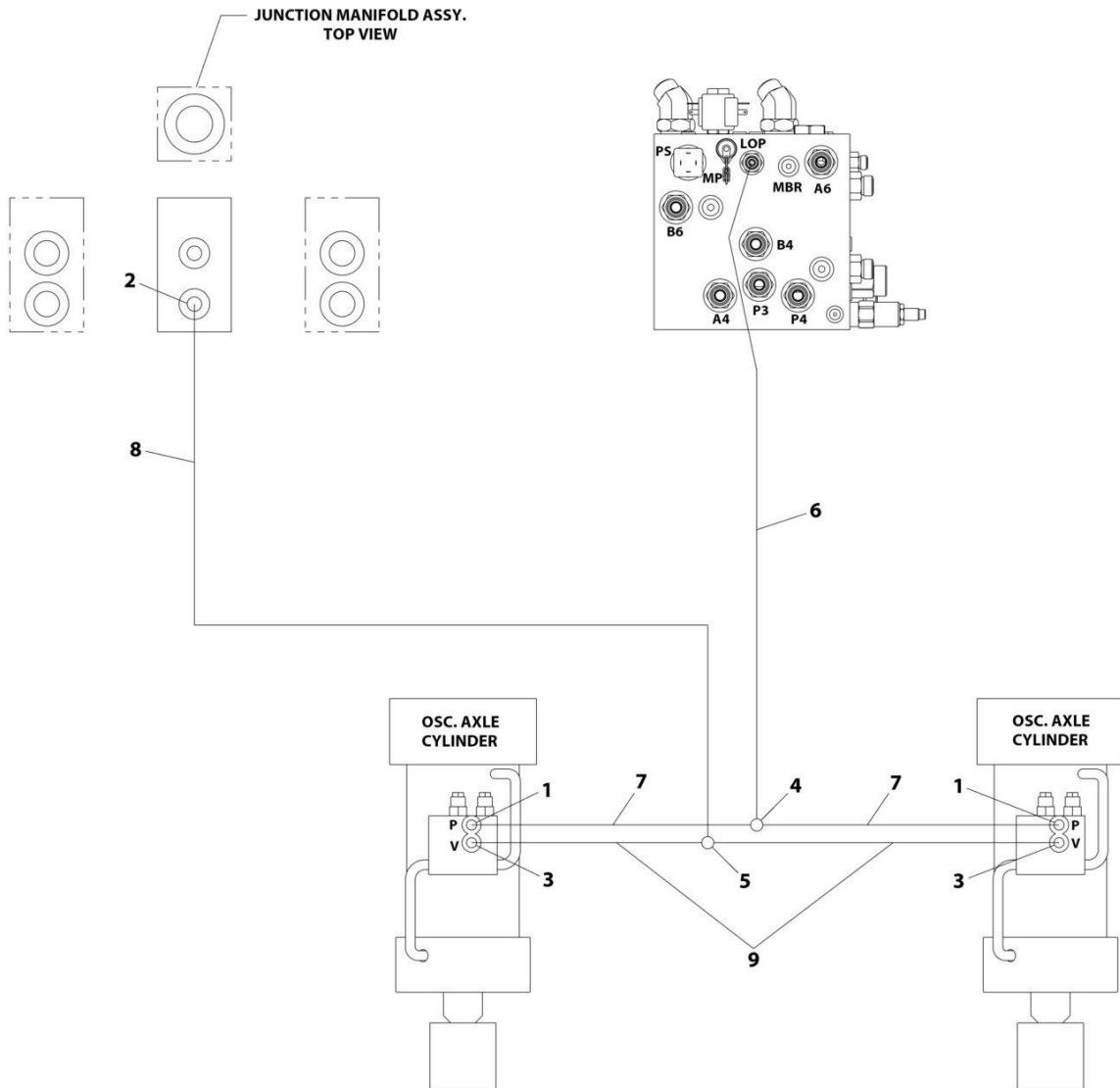
SECTION 7 - HYDRAULIC

FIGURE 7-2. HYDRAULIC DIAGRAM - DRIVE

ITEM	PART NUMBER	QTY	DESCRIPTION	REV
		Ref	HYDRAULIC DIAGRAM - DRIVE	
	1001120168	Ref	Hydraulic Diagram Chart for Deutz TD2011 Engine Machines with Rexroth Pumps	F
	1001152972	Ref	Hydraulic Diagram Chart for Deutz TCD2.9L4 Engine Machines with Rexroth Pumps	B
	1001120169	Ref	Hydraulic Diagram Chart for Deutz TD2011 & Deutz TCD2.9L4 Engine Machines with Sauer Pumps	E
	1001120172	Ref	Hydraulic Diagram - Drive	B
1	2753685	2	Hose	
2	2110808	4	Fitting, Straight ORFS/ORB	
3	2753703	2	Hose	
4	2753764	1	Hose	
5	2753768	1	Hose	
6	2170504	4	Fitting, Tee ORFS/ORFS/ORFS	
7	2170704	1	Fitting, Tee ORFS/ORB/ORFS	
8	2170804	1	Fitting, Tee ORFS/ORB/ORFS	
9	2220235	1	Plug	
11	2753541	2	Hose	
12	2753545	2	Hose	
13	2753677	2	Hose	
14	2753714	1	Hose	
15	2753713	1	Hose	
16	2753716	1	Hose	
17	2753715	2	Hose	
18	2753552	1	Hose	
19	2753752	1	Hose	
20	2753582	1	Hose	
21	2753756	1	Hose	
22	2753747	1	Hose	
23	2753757	2	Hose	
24	2753748	1	Hose	
25	2753759	2	Hose	
26	2753760	1	Hose	
27	2753749	1	Hose	
28	2753761	1	Hose	
29	2753750	1	Hose	
30	2753762	1	Hose	

SECTION 7 - HYDRAULIC

FIGURE 7-3. HYDRAULIC DIAGRAM - OSCILLATING AXLE



ART_1001120174

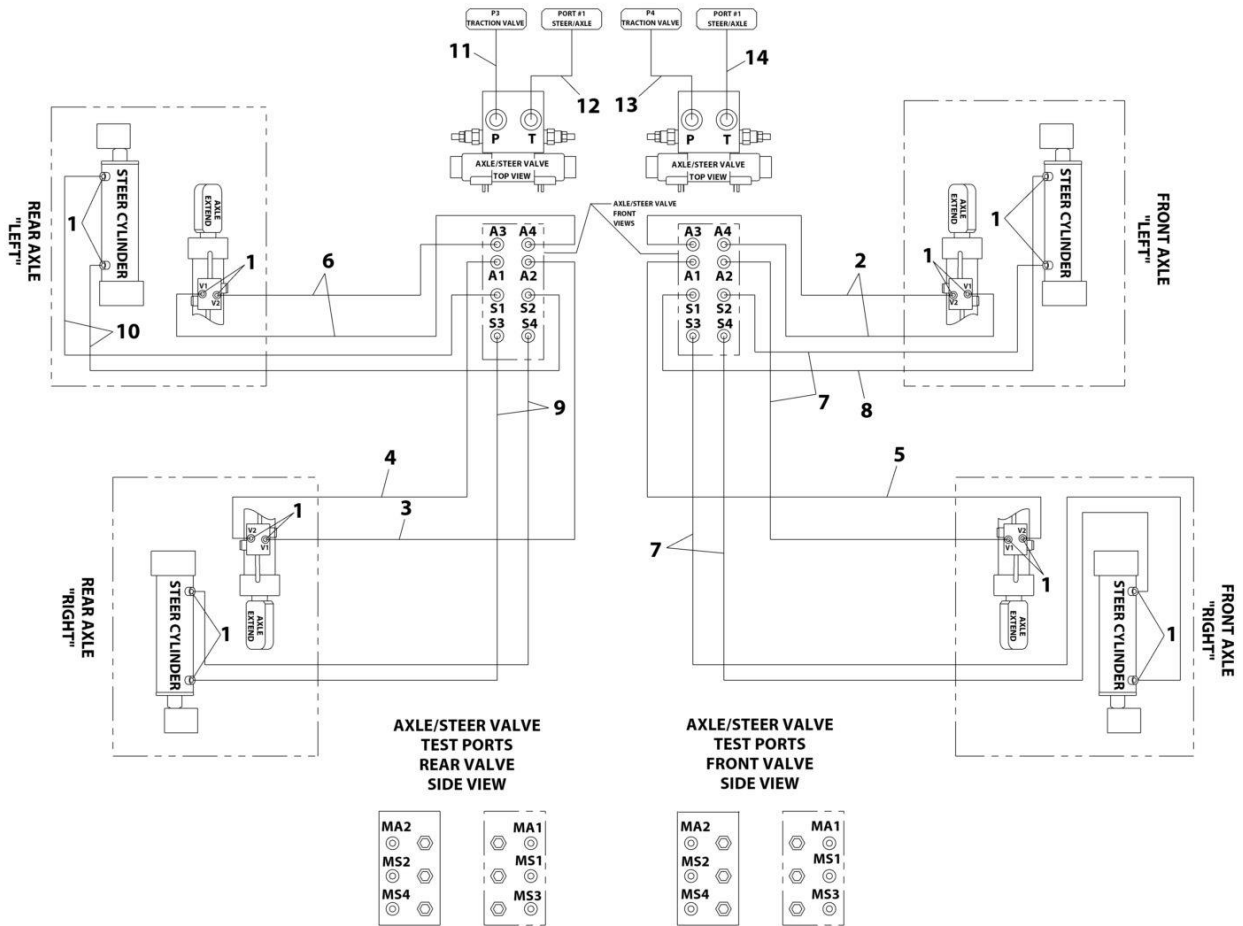
SECTION 7 - HYDRAULIC

FIGURE 7-3. HYDRAULIC DIAGRAM - OSCILLATING AXLE

ITEM	PART NUMBER	QTY	DESCRIPTION	REV
		Ref	HYDRAULIC DIAGRAM - OSCILLATING AXLE	
	1001120168	Ref	Hydraulic Diagram Chart for Deutz TD2011 Engine Machines with Rexroth Pumps	F
	1001152972	Ref	Hydraulic Diagram Chart for Deutz TCD2.9L4 Engine Machines with Rexroth Pumps	B
	1001120169	Ref	Hydraulic Diagram Chart for Deutz TD2011 & Deutz TCD2.9L4 Engine Machines with Sauer Pumps	E
	1001120174	Ref	Hydraulic Diagram - Oscillating Axle	1
1	2110406	2	Fitting, Straight ORFS/ORB	
2	2110604	1	Fitting, Straight ORFS/ORB	
3	2110606	2	Fitting, Straight ORFS/ORB	
4	2170504	1	Fitting, Tee ORFS/ORFS/ORFS	
5	2170506	1	Fitting, Tee ORFS/ORFS/ORFS	
6	2753726	1	Hose	
7	2753719	2	Hose	
8	2753727	1	Hose	
9	2753729	2	Hose	

SECTION 7 - HYDRAULIC

FIGURE 7-4. HYDRAULIC DIAGRAM - STEER



ART_1001120173

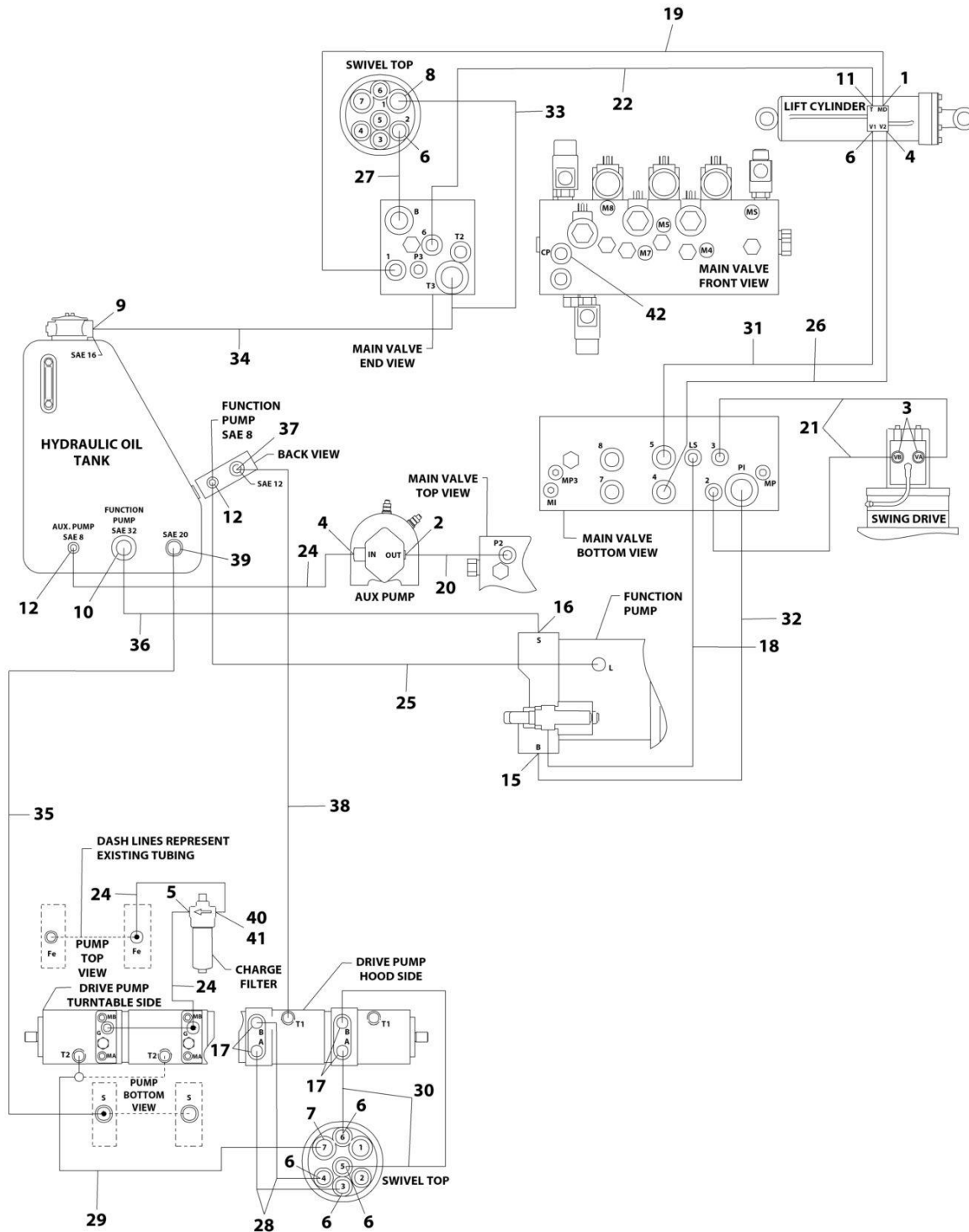
SECTION 7 - HYDRAULIC

FIGURE 7-4. HYDRAULIC DIAGRAM - STEER

ITEM	PART NUMBER	QTY	DESCRIPTION	REV
		Ref	HYDRAULIC DIAGRAM - STEER	
	1001120168	Ref	Hydraulic Diagram Chart for Deutz TD2011 Engine Machines with Rexroth Pumps	F
	1001152972	Ref	Hydraulic Diagram Chart for Deutz TCD2.9L4 Engine Machines with Rexroth Pumps	B
	1001120169	Ref	Hydraulic Diagram Chart for Deutz TD2011 & Deutz TCD2.9L4 Engine Machines with Sauer Pumps	E
	1001120173	Ref	Hydraulic Diagram - Steer	1
1	2130606	16	Fitting, 90 ORFS/ORB	
2	2753732	2	Hose	
3	2753733	1	Hose	
4	2753728	1	Hose	
5	2753734	1	Hose	
6	2753735	2	Hose	
7	2753736	4	Hose	
8	2753737	1	Hose	
9	2753738	2	Hose	
10	2753739	2	Hose	
11	2753753	1	Hose	
12	2753742	1	Hose	
13	2753754	1	Hose	
14	2753743	1	Hose	

SECTION 7 - HYDRAULIC

FIGURE 7-5. HYDRAULIC DIAGRAM - TURNTABLE (DEUTZ TD2011 ENGINE MACHINES WITH REXROTH PUMPS)



ART_1001120170

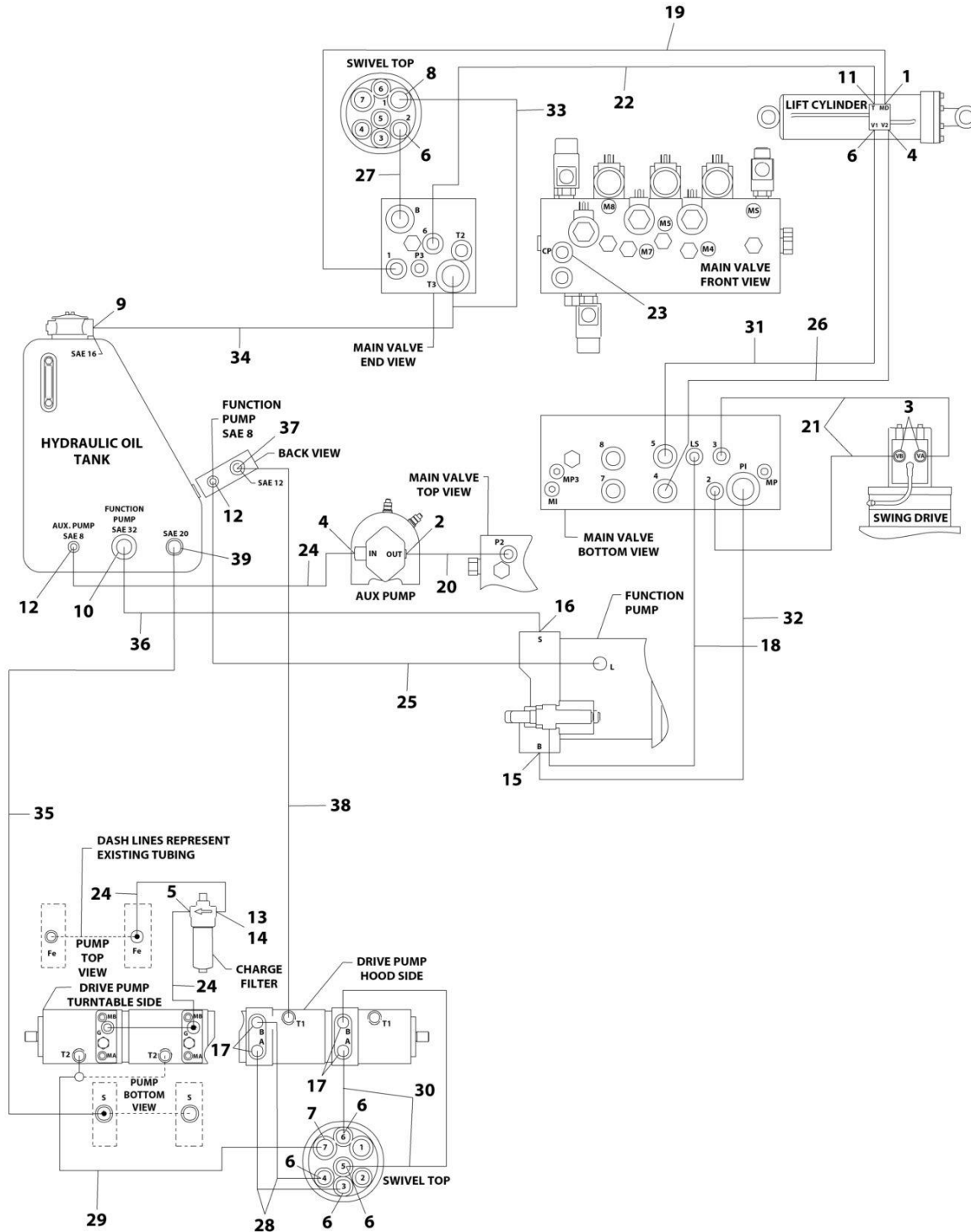
SECTION 7 - HYDRAULIC

FIGURE 7-5. HYDRAULIC DIAGRAM - TURNTABLE (DEUTZ TD2011 ENGINE MACHINES WITH REXROTH PUMPS)

ITEM	PART NUMBER	QTY	DESCRIPTION	REV
		Ref	HYDRAULIC DIAGRAM - TURNTABLE (DEUTZ TD2011 ENGINE MACHINES WITH REXROTH PUMPS)	
	1001120168	Ref	Hydraulic Diagram Chart for Deutz TD2011 Engine Machines with Rexroth Pumps	F
	1001120170	Ref	Hydraulic Diagram - Turntable	C
1	2110404	1	Fitting, Straight ORFS/ORB	
2	2110608	1	Fitting, Straight ORFS/ORB	
3	2110610	2	Fitting, Straight ORFS/ORB	
4	2110810	2	Fitting, Straight ORFS/ORB	
5	2110812	1	Fitting, Straight ORFS/ORB	
6	2111010	6	Fitting, Straight ORFS/ORB	
7	2111012	1	Fitting, Straight ORFS/ORB	
8	2111212	1	Fitting, Straight ORFS/ORB	
9	2111616	1	Fitting, Straight ORFS/ORB	
10	2113232	1	Fitting, Straight ORFS/ORB	
11	2130606	1	Fitting, 90 ORFS/ORB	
12	2130808	2	Fitting, 90 ORFS/ORB	
15	2220478	1	Flange Kit	
16	2220737	1	Flange Kit	
17	2221117	4	Flange Kit	
18	1001213385	1	Hose	
19	2753718	1	Hose	
20	2753730	1	Hose	
21	2753731	2	Hose	
22	2753734	1	Hose	
24	2753746	3	Hose	
25	2753741	1	Hose	
26	2753744	1	Hose	
27	2753766	1	Hose	
28	2753769	2	Hose	
29	2753708	1	Hose	
30	2753770	2	Hose	
31	2753765	1	Hose	
32	2753771	1	Hose	
33	2753772	1	Hose	
34	2753774	1	Hose	
35	2753775	1	Hose	
36	2753776	1	Hose	
37	2131212	1	Fitting, 90 ORFS/ORB	
38	2753773	1	Hose	
39	2112020	1	Fitting, Straight ORFS/ORB	
40	2221084	1	Fitting, Tee ORFS/ORB/ORFS	
41	2170908	1	Fitting, Cap ORFS	
42	1001119455	1	Valve, Oil Sampling	

SECTION 7 - HYDRAULIC

FIGURE 7-6. HYDRAULIC DIAGRAM - TURNTABLE (DEUTZ TCD2.9L4 ENGINE MACHINES WITH REXROTH PUMPS)



ART_1001152969

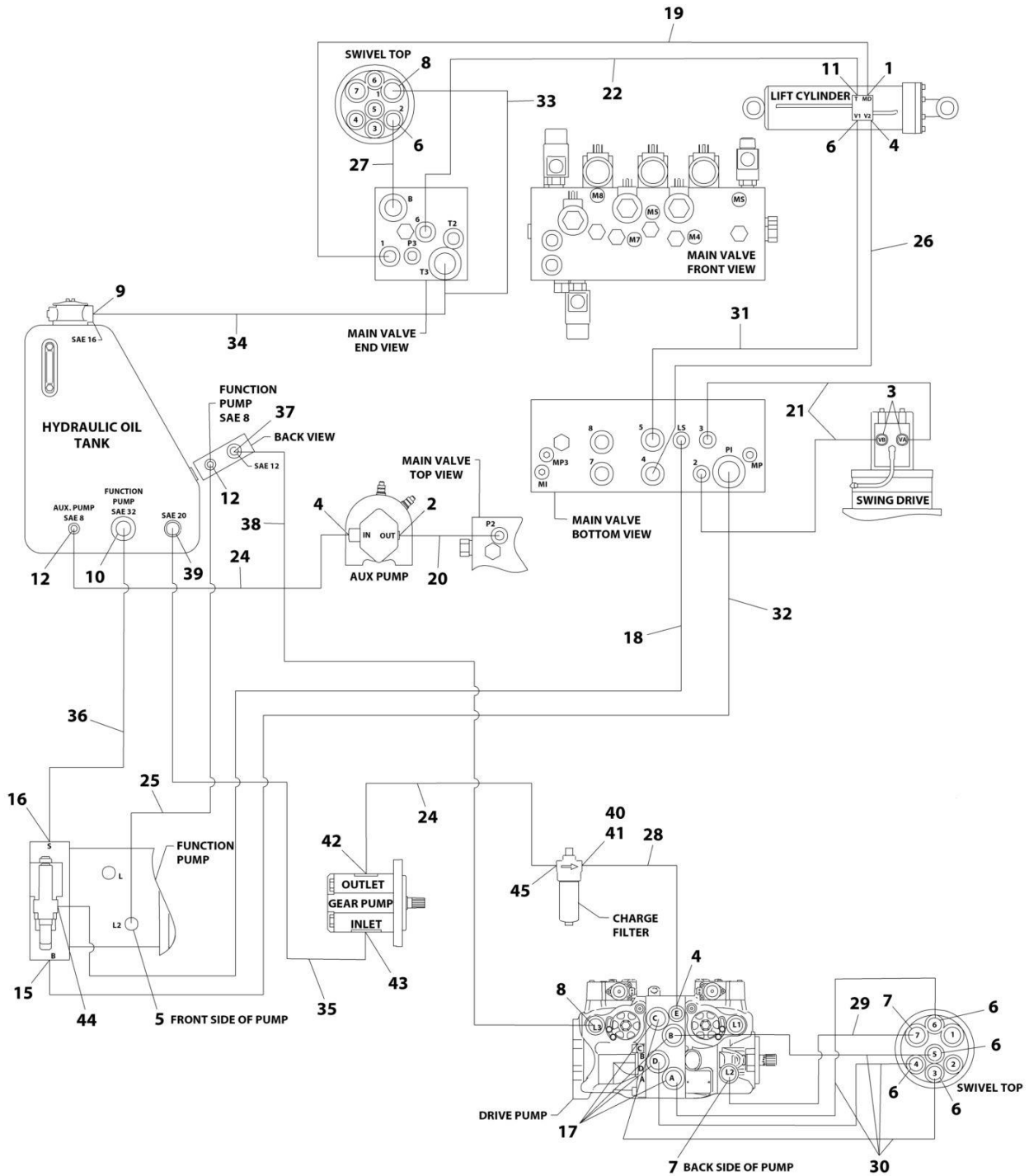
SECTION 7 - HYDRAULIC

FIGURE 7-6. HYDRAULIC DIAGRAM - TURNTABLE (DEUTZ TCD2.9L4 ENGINE MACHINES WITH REXROTH PUMPS)

ITEM	PART NUMBER	QTY	DESCRIPTION	REV
		Ref	HYDRAULIC DIAGRAM - TURNTABLE (DEUTZ TCD2.9L4 ENGINE MACHINES WITH REXROTH PUMPS)	
	1001152972	Ref	Hydraulic Diagram Chart for Deutz TCD2.9L4 Engine Machines with Rexroth Pumps	B
	1001152969	Ref	Hydraulic Diagram - Turntable	A
1	2110404	1	Fitting, Straight ORFS/ORB	
2	2110608	1	Fitting, Straight ORFS/ORB	
3	2110610	2	Fitting, Straight ORFS/ORB	
4	2110810	2	Fitting, Straight ORFS/ORB	
5	2110812	1	Fitting, Straight ORFS/ORB	
6	2111010	6	Fitting, Straight ORFS/ORB	
7	2111012	1	Fitting, Straight ORFS/ORB	
8	2111212	1	Fitting, Straight ORFS/ORB	
9	2111616	1	Fitting, Straight ORFS/ORB	
10	2113232	1	Fitting, Straight ORFS/ORB	
11	2130606	1	Fitting, 90 ORFS/ORB	
12	2130808	2	Fitting, 90 ORFS/ORB	
13	2221084	1	Fitting, Tee ORFS/ORB/ORFS	
14	2170908	1	Fitting, Cap ORFS	
15	2220478	1	Flange Kit	
16	2220737	1	Flange Kit	
17	2221117	4	Flange Kit	
18	2753622	1	Hose	
19	2753718	1	Hose	
20	2753730	1	Hose	
21	2753731	2	Hose	
22	2753734	1	Hose	
23	1001119455	1	Valve, Oil Sampling	
24	2753746	3	Hose	
25	2753741	1	Hose	
26	2753744	1	Hose	
27	2753766	1	Hose	
28	2753769	2	Hose	
29	2753708	1	Hose	
30	2753770	2	Hose	
31	2753765	1	Hose	
32	2753771	1	Hose	
33	2753772	1	Hose	
34	2753774	1	Hose	
35	1001152966	1	Hose	
36	2753776	1	Hose	
37	2131212	1	Fitting, 90 ORFS/ORB	
38	2753773	1	Hose	
39	2112020	1	Fitting, Straight ORFS/ORB	

SECTION 7 - HYDRAULIC

FIGURE 7-7. HYDRAULIC DIAGRAM - TURNTABLE (DEUTZ TD2011 AND DEUTZ TCD2.9L4 ENGINE MACHINES WITH SAUER PUMPS)



ART_1001120171

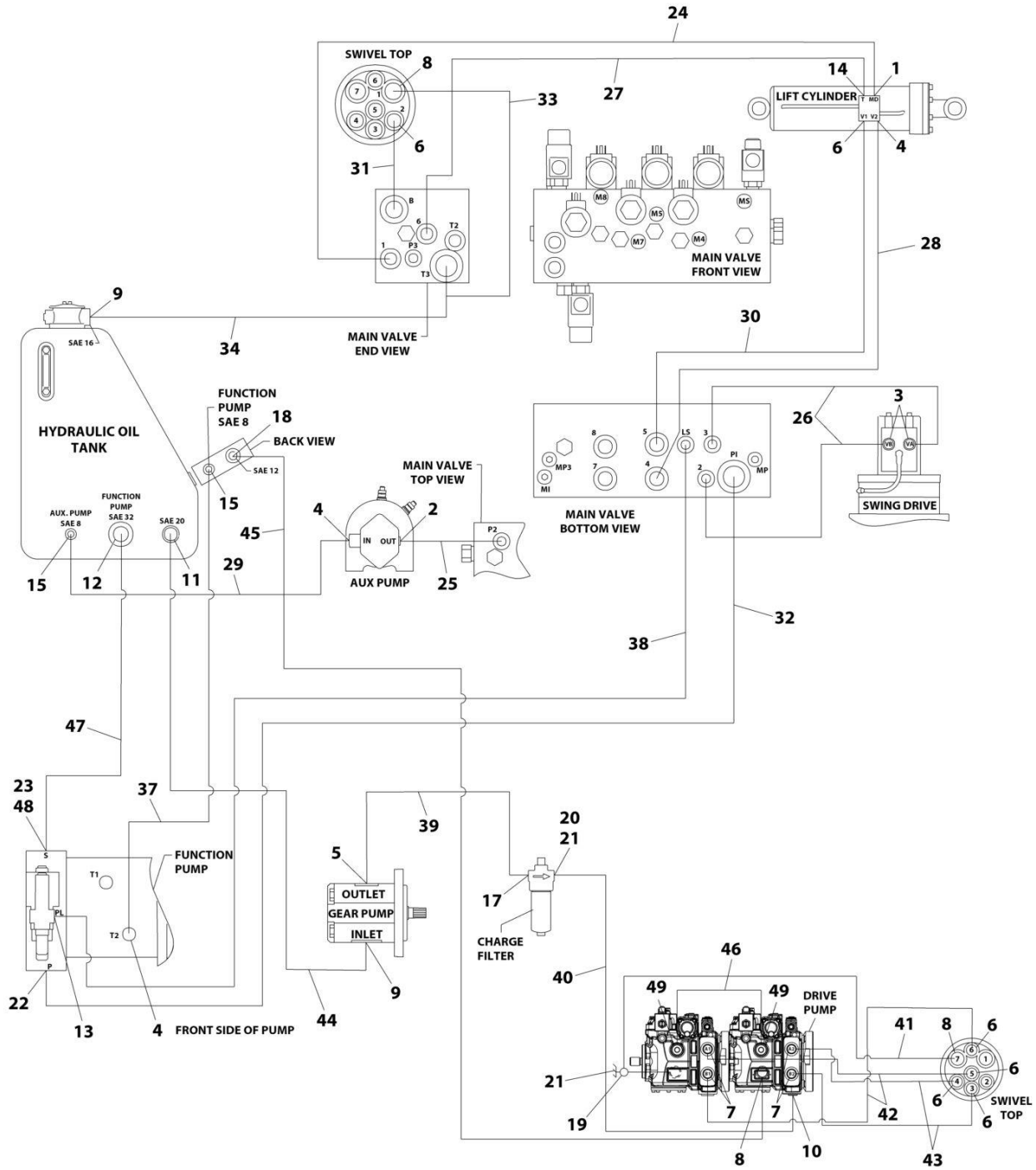
SECTION 7 - HYDRAULIC

FIGURE 7-7. HYDRAULIC DIAGRAM - TURNTABLE (DEUTZ TD2011 AND DEUTZ TCD2.9L4 ENGINE MACHINES WITH SAUER PUMPS)

ITEM	PART NUMBER	QTY	DESCRIPTION	REV
		Ref	HYDRAULIC DIAGRAM - TURNTABLE (DEUTZ TD2011 AND DEUTZ TCD2.9L4 ENGINE MACHINES WITH SAUER PUMPS)	
	1001120169	Ref	Hydraulic Diagram Chart for Deutz TD2011 and Deutz TCD2.9L4 Engine Machines with Sauer Pumps	E
	1001120171	Ref	Hydraulic Diagram - Turntable	E
1	2110404	1	Fitting, Straight ORFS/ORB	
2	2110608	1	Fitting, Straight ORFS/ORB	
3	2110610	2	Fitting, Straight ORFS/ORB	
4	2110810	3	Fitting, Straight ORFS/ORB	
5	2130810	1	Fitting, 90 ORFS/ORB	
6	2111010	6	Fitting, Straight ORFS/ORB	
7	2111012	2	Fitting, Straight ORFS/ORB	
8	2111212	1	Fitting, Straight ORFS/ORB	
9	2111616	1	Fitting, Straight ORFS/ORB	
10	2113232	1	Fitting, Straight ORFS/ORB	
11	2130606	1	Fitting, 90 ORFS/ORB	
12	2130808	AR	Fitting, 90 ORFS/ORB	
15	2220478	1	Flange Kit	
16	1001110604	1	Flange Kit	
17	2111016	4	Fitting, Straight ORFS/ORB	
18	1001213385	1	Hose	
19	2753718	1	Hose	
20	2753730	1	Hose	
21	2753731	2	Hose	
22	2753734	1	Hose	
24	2753746	2	Hose	
25	1001118934	1	Hose	
26	2753744	1	Hose	
27	2753766	1	Hose	
28	1001118933	1	Hose	
29	2753708	1	Hose	
30	1001109468	4	Hose	
31	2753765	1	Hose	
32	2753771	1	Hose	
33	2753772	1	Hose	
34	2753774	1	Hose	
35	1001119817	1	Hose	
36	1001118935	1	Hose	
37	2131612	1	Fitting, 90 ORFS/ORB	
38	1001119138	1	Hose	
39	2112020	1	Fitting, Straight ORFS/ORB	
40	2221084	1	Fitting, Tee ORFS/ORFS/ORB	
41	2170908	1	Fitting, Cap ORFS	
42	2110812	1	Fitting, Straight ORFS/ORB	
43	2112016	1	Fitting, Straight ORFS/ORB	
44	2130404	1	Fitting, 90 ORFS/ORB	
45	2130812	1	Fitting, 90 ORFS/ORB	

SECTION 7 - HYDRAULIC

FIGURE 7-8. HYDRAULIC DIAGRAM - TURNTABLE (WITH PMP PUMPS)



ART_1001300101

SECTION 7 - HYDRAULIC

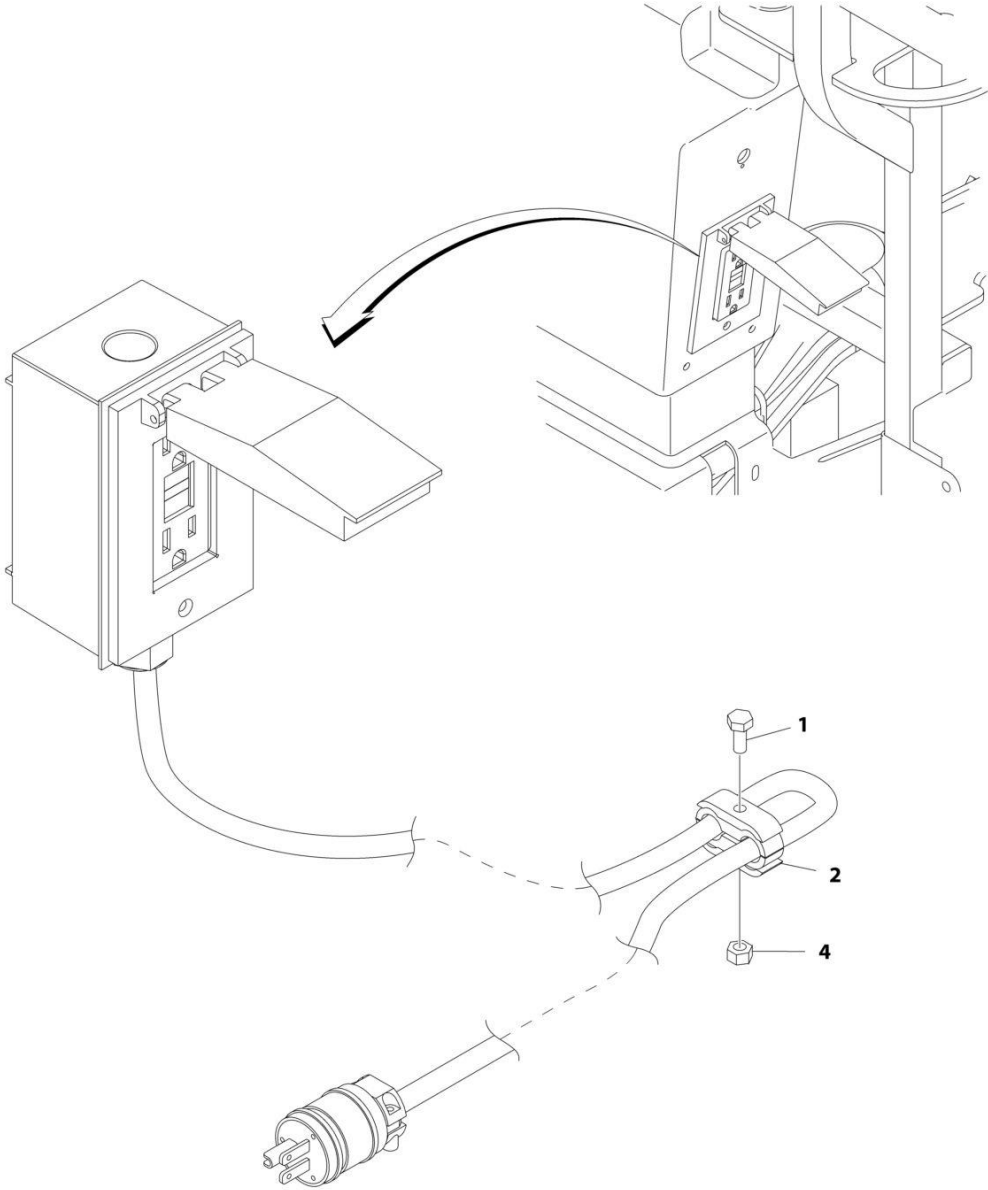
FIGURE 7-8. HYDRAULIC DIAGRAM - TURNTABLE (WITH PMP PUMPS)

ITEM	PART NUMBER	QTY	DESCRIPTION	REV
	1001300101	Ref	HYDRAULIC DIAGRAM - TURNTABLE (WITH PMP PUMPS)	B
1	2110404	1	Fitting, Straight ORFS/ORB	
2	2110608	1	Fitting, Straight ORFS/ORB	
3	2110610	2	Fitting, Straight ORFS/ORB	
4	2110810	3	Fitting, Straight ORFS/ORB	
5	2110812	1	Fitting, Straight ORFS/ORB	
6	2111010	6	Fitting, Straight ORFS/ORB	
7	2111012	4	Fitting, Straight ORFS/ORB	
8	2111212	3	Fitting, Straight ORFS/ORB	
9	2111616	2	Fitting, Straight ORFS/ORB	
10	2111620	1	Fitting, Straight ORFS/ORB	
11	2112020	1	Fitting, Straight ORFS/ORB	
12	2113232	1	Fitting, Straight ORFS/ORB	
13	2130404	1	Fitting, 90 ORFS/ORB	
14	2130606	1	Fitting, 90 ORFS/ORB	
15	2130808	2	Fitting, 90 ORFS/ORB	
17	2130812	1	Fitting, 90 ORFS/ORB	
18	2131612	1	Fitting, 90 ORFS/ORB	
19	2170312	1	Fitting, Tee ORFS	
20	2170412	1	Fitting, Tee ORFS/ORB	
21	2170912	2	Fitting, Cap	
22	2220478	1	Flange Kit	
23	2220737	1	Flange Kit	
24	2753718	1	Hose	
25	2753730	1	Hose	
26	2753731	2	Hose	
27	2753734	1	Hose	
28	2753744	1	Hose	
29	2753746	1	Hose	
30	2753765	1	Hose	
31	2753766	1	Hose	
32	2753771	1	Hose	
33	2753772	1	Hose	
34	2753774	1	Hose	
35	4061032	1	Hose (Not Shown)	
36	4240018	2	Tie-Strap (Not Shown)	
37	1001307624	1	Hose	
38	1001213385	1	Hose	
39	1001297564	1	Hose	
40	1001297565	1	Hose	
41	1001297566	1	Hose	
42	1001297567	2	Hose	
43	1001297568	2	Hose	
44	1001297569	1	Hose	
45	1001297570	1	Hose	
46	1001297571	1	Hose	
47	1001297572	1	Hose	
48	1001297601	1	Fitting, 90	
49	2170112	2	Fitting, Straight ORFS/ORB	

SECTION 8 - ELECTRICAL

SECTION 8 - ELECTRICAL

FIGURE 8-1. AC BOX AT PLATFORM - 110V (ANSI SPECS)



ART_0271955

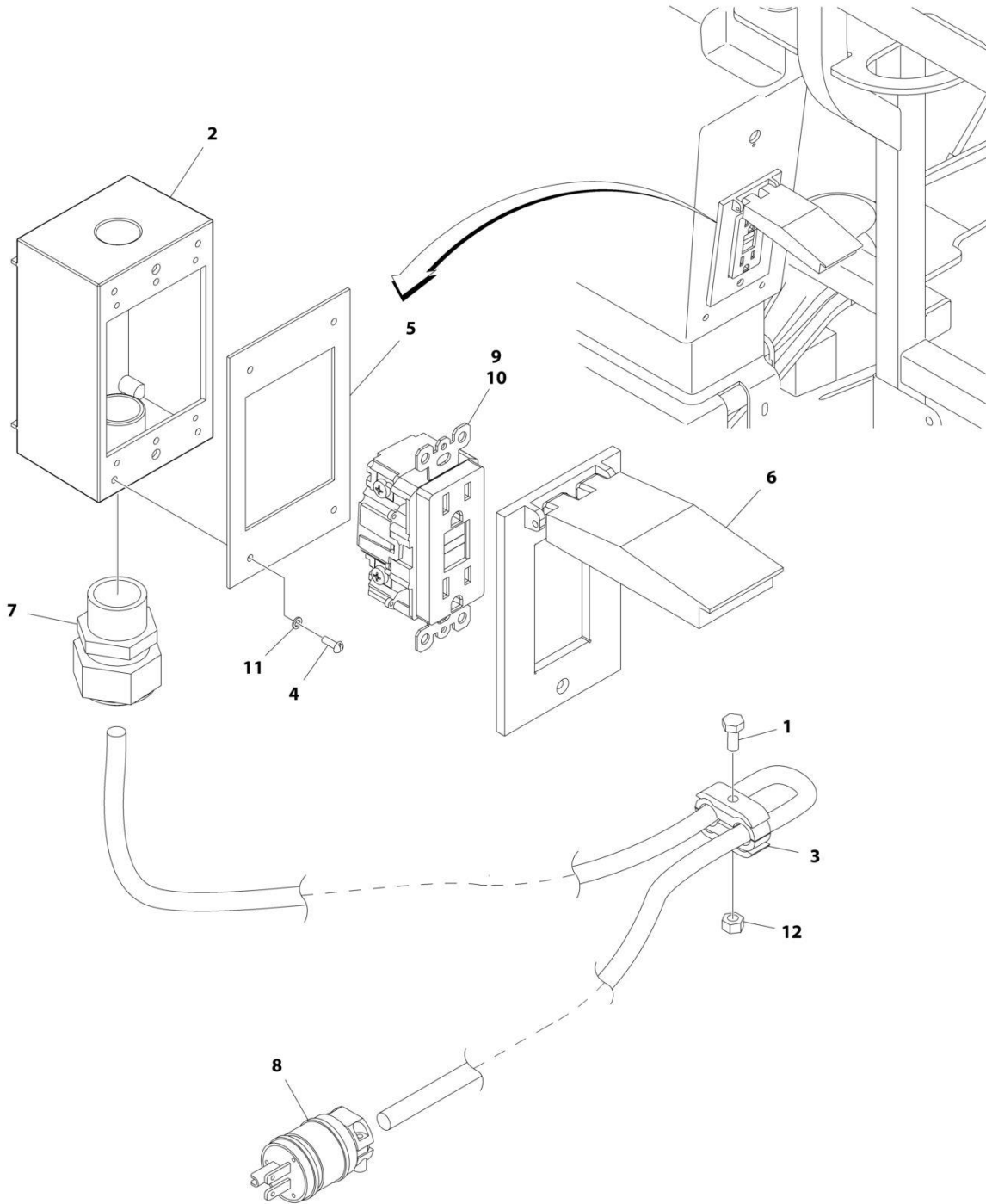
SECTION 8 - ELECTRICAL

FIGURE 8-1. AC BOX AT PLATFORM - 110V (ANSI SPECS)

ITEM	PART NUMBER	QTY	DESCRIPTION	REV
	0271955	Ref	AC BOX AT PLATFORM - 110V	C
1	0641416	1	Bolt 1/4 x 2	
2	1320146	1	Clamp	
4	3311405	1	Nut 1/4	

SECTION 8 - ELECTRICAL

FIGURE 8-2. AC BOX AT PLATFORM - 110V GFI RECEPTACLE (ANSI SPECS)



ART_0271953

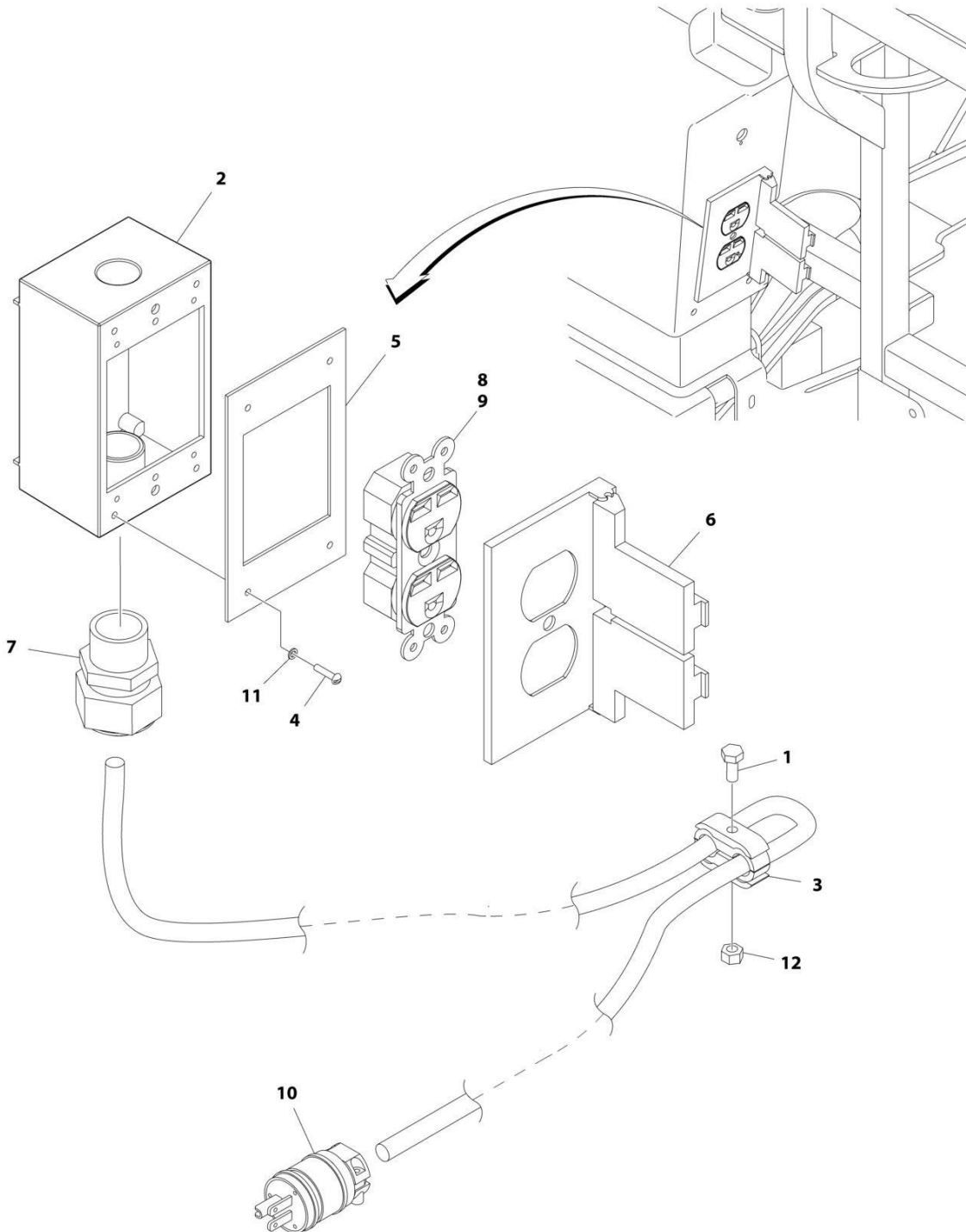
SECTION 8 - ELECTRICAL

FIGURE 8-2. AC BOX AT PLATFORM - 110V GFI RECEPTACLE (ANSI SPECS)

ITEM	PART NUMBER	QTY	DESCRIPTION	REV
	0271953	Ref	AC BOX AT PLATFORM - 110V GFI RECEPTACLE	D
1	0641416	1	Bolt 1/4 x 2	
2	0860038	1	Box, Switch	
3	1320146	1	Clamp	
4	3910606	4	Screw 6 x 3/8	
5	3960422	1	Gasket, AC Receptacle	
6	1001110873	1	Shield, Receptacle Cover	
7	4460051	1	Connector, Strain Relief	
8	4460205	1	Plug, Male	
9	4460315	1	Terminal, Spade	
10	4460346	1	Terminal, Receptacle	
11	4760600	4	Washer 6	
12	3311405	1	Nut 1/4	

SECTION 8 - ELECTRICAL

FIGURE 8-3. AC BOX AT PLATFORM - 220V GFI RECEPTACLE (ANSI SPECS)



ART_0271954

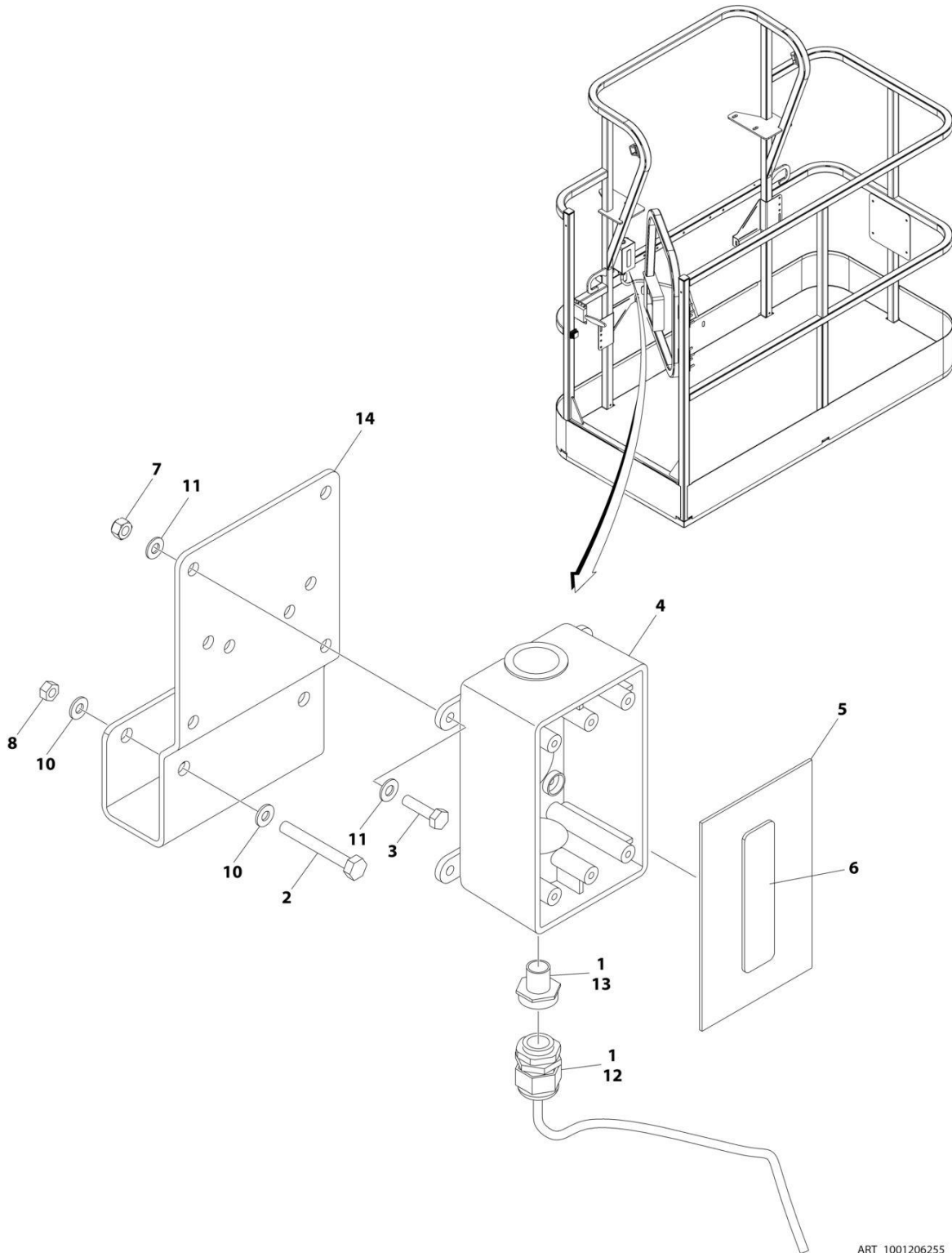
SECTION 8 - ELECTRICAL

FIGURE 8-3. AC BOX AT PLATFORM - 220V GFI RECEPTACLE (ANSI SPECS)

ITEM	PART NUMBER	QTY	DESCRIPTION	REV
	0271954	Ref	AC BOX AT PLATFORM - 220V GFI RECEPTACLE	C
1	0641416	1	Bolt 1/4 x 2	
2	0860038	1	Box, Switch	
3	1320146	1	Clamp	
4	3910606	4	Screw 6 x 3/8	
5	3960422	1	Gasket, AC Receptacle	
6	4060092	1	Shield, Receptacle Cover	
7	4460051	1	Connector, Strain Relief	
8	4460125	1	Terminal, Receptacle	
9	4460315	1	Terminal, Spade	
10	4460709	1	Plug, Male	
11	4760600	4	Washer 6	
12	3311405	1	Nut 1/4	

SECTION 8 - ELECTRICAL

FIGURE 8-4. AC BOX AT PLATFORM INSTALLATION - BOX WITH COVER (2X4 BOX) WITH 4000W GENERATOR (ANSI EXPORT, AUSTRALIAN, CHINA AND JAPANESE SPECS)



ART_1001206255

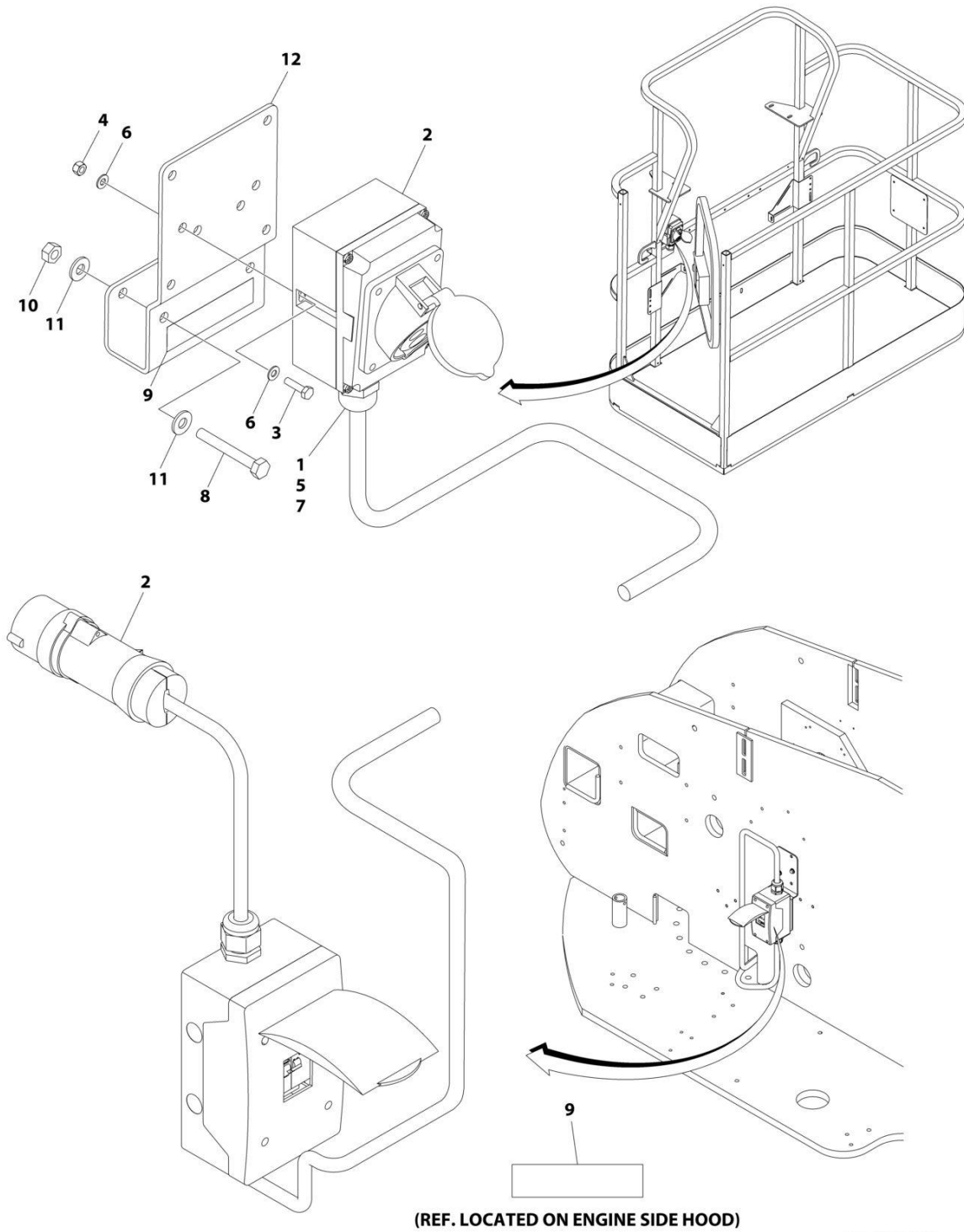
SECTION 8 - ELECTRICAL

FIGURE 8-4. AC BOX AT PLATFORM INSTALLATION - BOX WITH COVER (2X4 BOX) WITH 4000W GENERATOR (ANSI EXPORT, AUSTRALIAN, CHINA AND JAPANESE SPECS)

ITEM	PART NUMBER	QTY	DESCRIPTION	REV
	1001206255	Ref	AC BOX AT PLATFORM INSTALLATION - BOX WITH COVER (2X4 BOX) WITH 4000W GENERATOR	A
1	0100020	AR	Sealant, Pipe	
2	0641416	2	Bolt 1/4 x 2	
3	0700408	4	Bolt M4 x 16	
4	0861731	1	Box, Switch	
5	1670603	1	Cover	
6	3251242	1	Decal - 240V-50Hz	
7	3290405	4	Nut M4	
8	3311405	2	Nut 1/4	
10	4711400	4	Washer 1/4	
11	4811400	8	Washer M4	
12	1001101191	1	Connector, Strain Relief	
13	1001101197	1	Adapter	
14	1001193018	1	Bracket, AC Receptacle	

SECTION 8 - ELECTRICAL

FIGURE 8-5. AC BOX AT PLATFORM INSTALLATION - 110V IEC 60309 YELLOW WITHOUT 2500W GENERATOR (CE & UK CA SPECS)



ART_1001091969

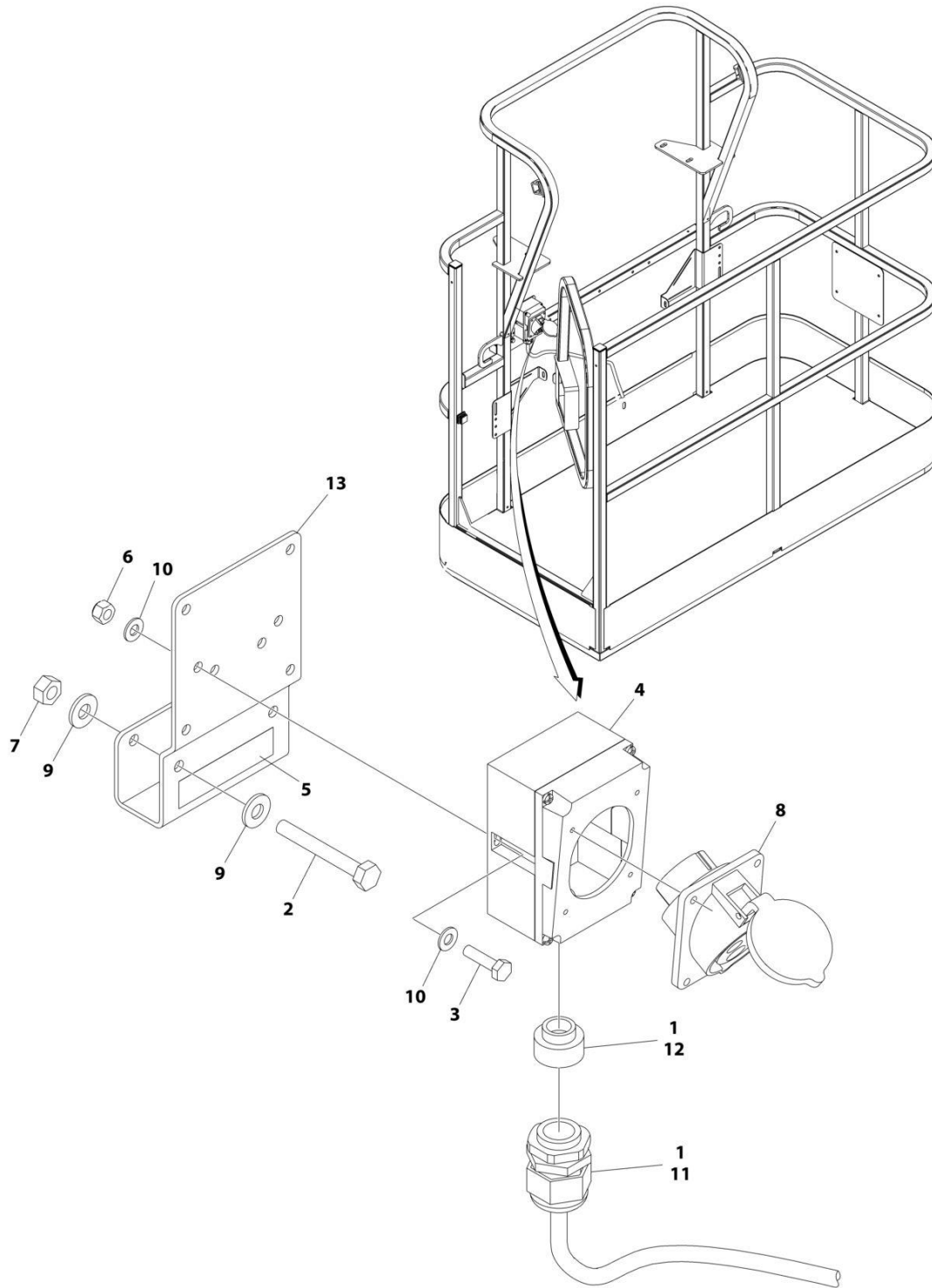
SECTION 8 - ELECTRICAL

FIGURE 8-5. AC BOX AT PLATFORM INSTALLATION - 110V IEC 60309 YELLOW WITHOUT 2500W GENERATOR (CE & UK CA SPECS)

ITEM	PART NUMBER	QTY	DESCRIPTION	REV
	1001091969	Ref	AC BOX AT PLATFORM INSTALLATION - 110V IEC YELLOW	D
1	0100020	AR	Sealant, Pipe	
2	0275216	1	Receptacle Box Kit (See Separate Breakdown in this Section)	
3	0700408	2	Bolt M4 x 16	
4	3290405	2	Nut M4	
5	1001101196	1	Adapter	
6	4811400	4	Washer M4	
7	1001101191	1	Connector, Strain Relief	
8	0641416	2	Bolt 1/4 x 2	
9	1705325	2	Decal - 110V	
10	3311405	2	Nut 1/4	
11	4711400	4	Washer 1/4	
12	1001193018	1	Bracket	

SECTION 8 - ELECTRICAL

FIGURE 8-6. AC BOX AT PLATFORM INSTALLATION - 110V IEC 60309 YELLOW WITH 4000W GENERATOR (CE & UK CA SPECS)



ART_1001206253

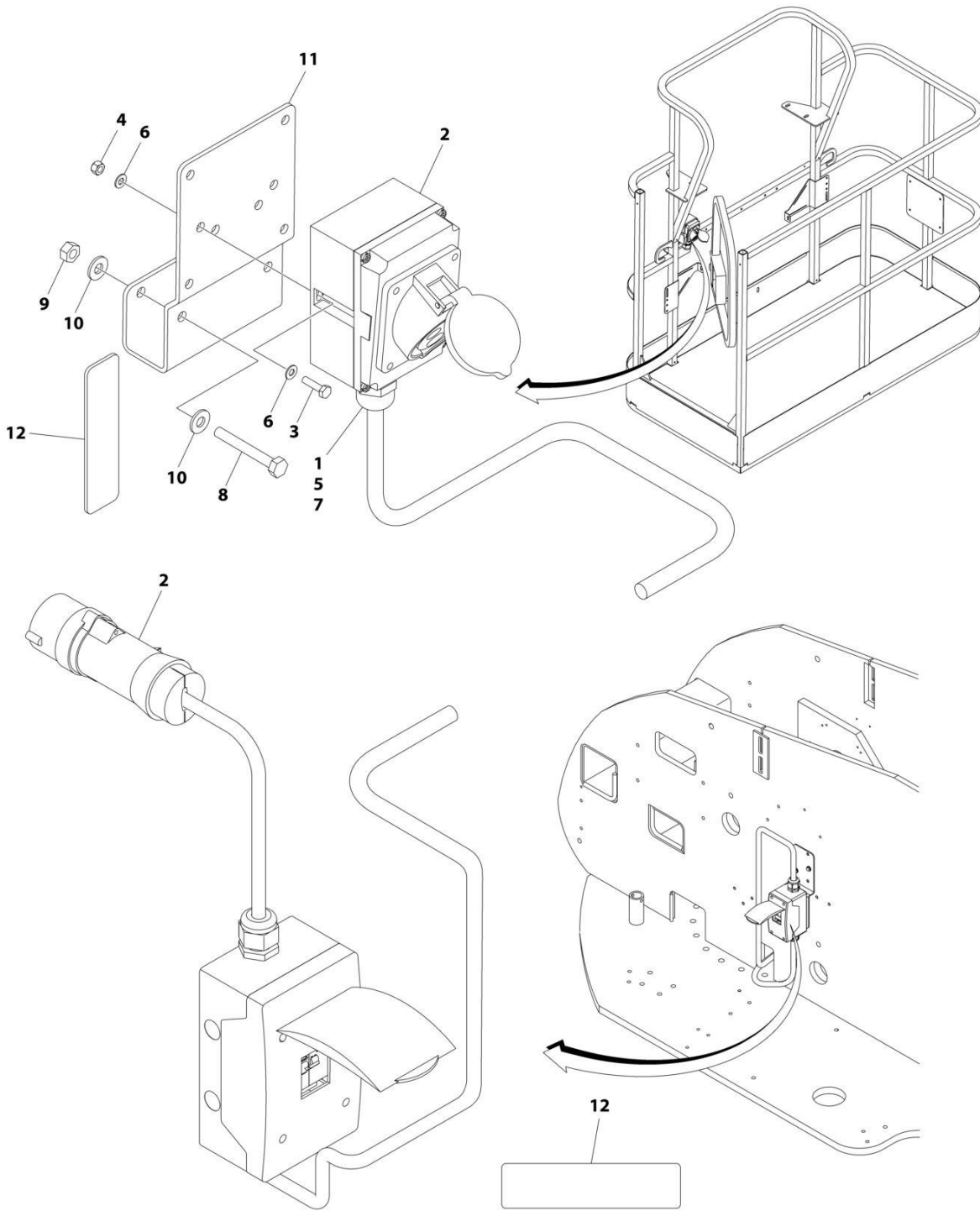
SECTION 8 - ELECTRICAL

FIGURE 8-6. AC BOX AT PLATFORM INSTALLATION - 110V IEC 60309 YELLOW WITH 4000W GENERATOR (CE & UK CA SPECS)

ITEM	PART NUMBER	QTY	DESCRIPTION	REV
	1001206253	Ref	AC BOX AT PLATFORM INSTALLATION - 110V IEC 60309 YELLOW WITHOUT 4000W GENERATOR	A
1	0100020	AR	Sealant, Pipe	
2	0641416	2	Bolt 1/4 x 2	
3	0700408	2	Bolt M4 x 16	
4	0861781	1	Box, Switch	
5	1705325	1	Decal - 110V	
6	3290405	2	Nut M4	
7	3311405	2	Nut 1/4	
8	4461198	1	Receptacle	
9	4711400	4	Washer 1/4	
10	4811400	4	Washer M4	
11	1001101191	1	Connector, Strain Relief	
12	1001101196	1	Adapter	
13	1001193018	1	Bracket, AC Receptacle	

SECTION 8 - ELECTRICAL

FIGURE 8-7. AC BOX AT PLATFORM INSTALLATION - 220V IEC 60309 BLUE WITHOUT 2500W GENERATOR (CE & UK CA SPECS)



(REF. LOCATED ON ENGINE SIDE HOOD)

ART_1001091970

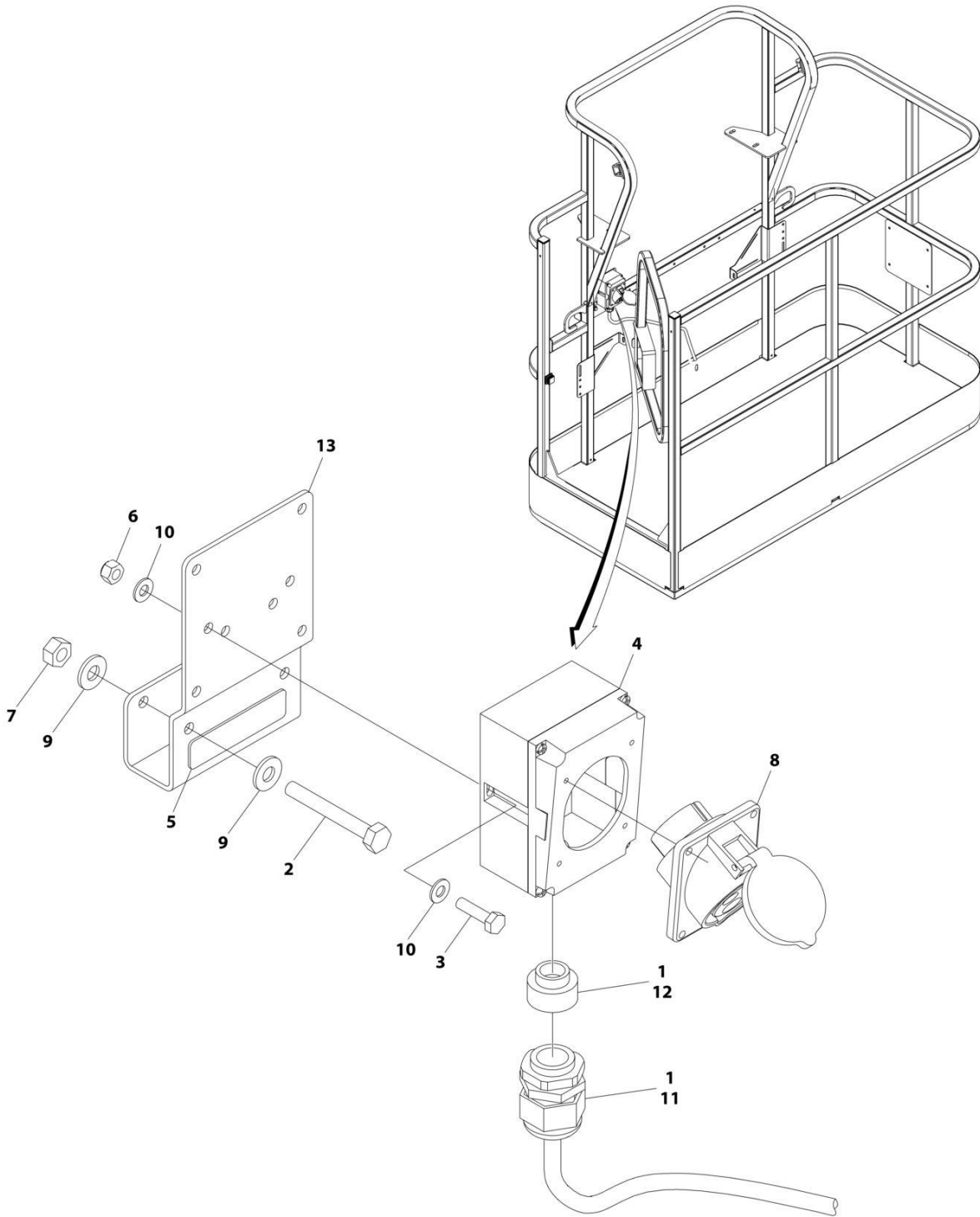
SECTION 8 - ELECTRICAL

FIGURE 8-7. AC BOX AT PLATFORM INSTALLATION - 220V IEC 60309 BLUE WITHOUT 2500W GENERATOR (CE & UK CA SPECS)

ITEM	PART NUMBER	QTY	DESCRIPTION	REV
	1001091970	Ref	AC BOX AT PLATFORM INSTALLATION - 220V IEC BLUE	D
1	0100020	AR	Sealant, Pipe	
2	0275217	1	Receptacle Box Kit (See Separate Breakdown in this Section)	
3	0700408	2	Bolt M4 x 16	
4	3290405	2	Nut M4	
5	1001101196	1	Adapter	
6	4811400	4	Washer M4	
7	1001101191	1	Connector, Strain Relief	
8	0641416	2	Bolt 1/4 x 2	
9	3311405	2	Nut 1/4	
10	4711400	4	Washer 1/4	
11	1001193018	1	Bracket	
12	3251242	2	Decal - 240V/50Hz	

SECTION 8 - ELECTRICAL

FIGURE 8-8. AC BOX AT PLATFORM INSTALLATION - 220V IEC 60309 BLUE WITH 4000W GENERATOR (CE & UK CA SPECS)



ART_1001206254

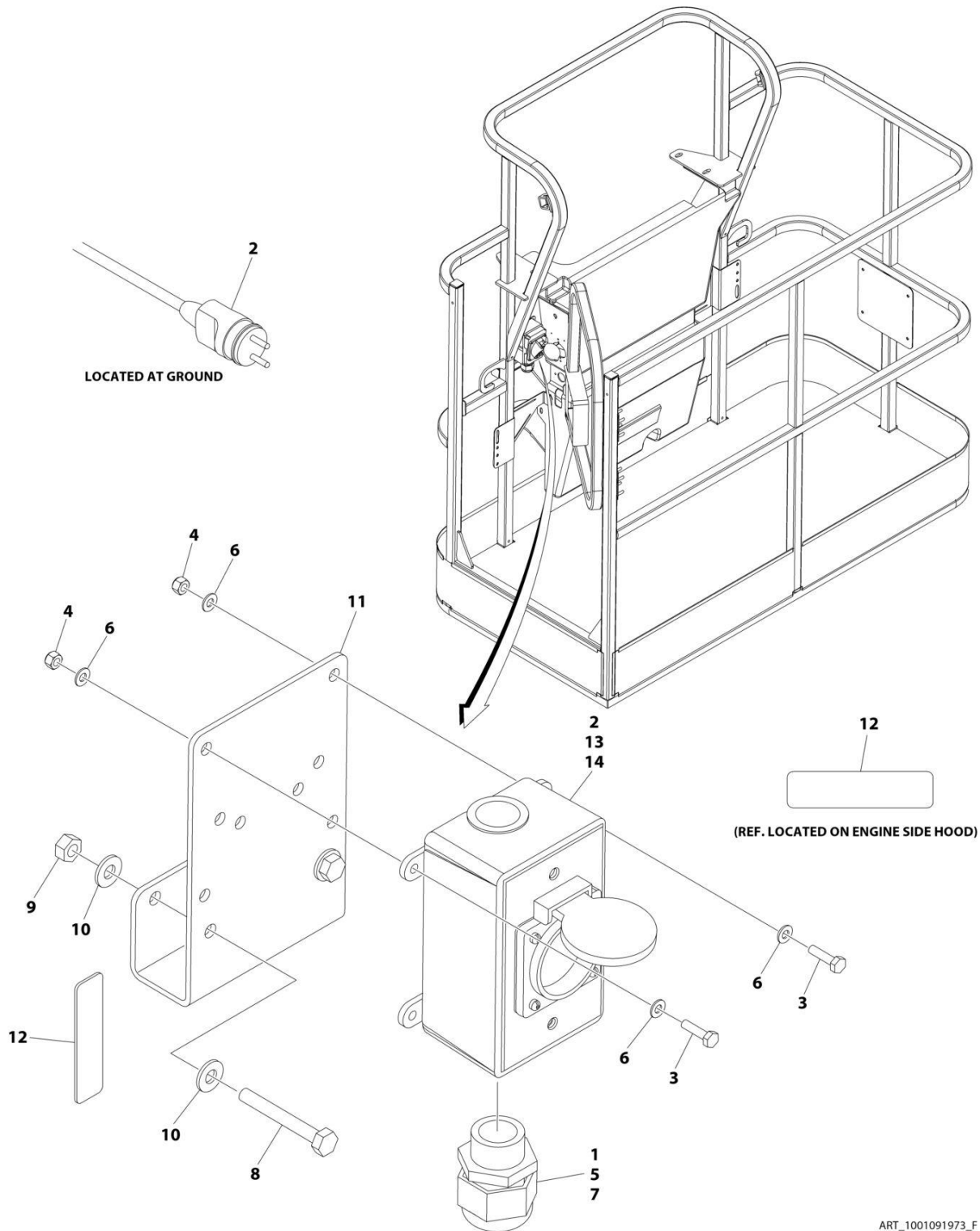
SECTION 8 - ELECTRICAL

FIGURE 8-8. AC BOX AT PLATFORM INSTALLATION - 220V IEC 60309 BLUE WITH 4000W GENERATOR (CE & UK CA SPECS)

ITEM	PART NUMBER	QTY	DESCRIPTION	REV
	1001206254	Ref	AC BOX AT PLATFORM INSTALLATION - 220V IEC BLUE	A
1	0100020	AR	Sealant, Pipe	
2	0641416	2	Bolt 1/4 x 2	
3	0700408	2	Bolt M4 x 16	
4	0861781	1	Box, Switch	
5	3251242	1	Decal - 240V/50Hz	
6	3290405	2	Nut M4	
7	3311405	2	Nut 1/4	
8	4461201	1	Receptacle	
9	4711400	4	Washer 1/4	
10	4811400	4	Washer M4	
11	1001101191	1	Connector, Strain Relief	
12	1001101196	1	Adapter	
13	1001193018	1	Bracket, AC Receptacle	

SECTION 8 - ELECTRICAL

FIGURE 8-9. AC BOX AT PLATFORM INSTALLATION - 220V CEE7 POST GROUND (2X4 BOX) WITHOUT 2500W GENERATOR (CE & UK CA SPECS)



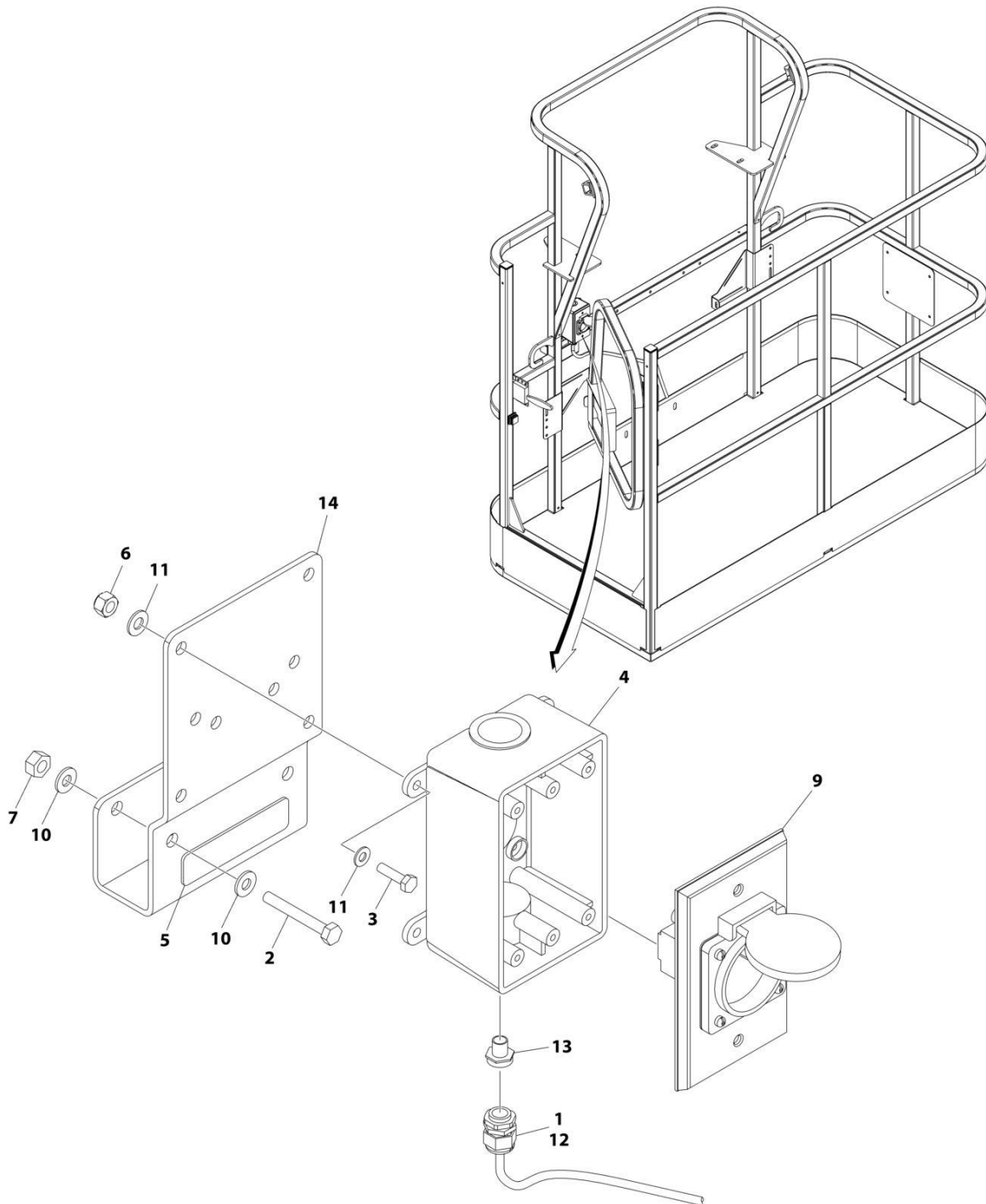
SECTION 8 - ELECTRICAL

**FIGURE 8-9. AC BOX AT PLATFORM INSTALLATION - 220V CEE7 POST GROUND (2X4 BOX)
WITHOUT 2500W GENERATOR (CE & UK CA SPECS)**

ITEM	PART NUMBER	QTY	DESCRIPTION	REV
	1001091973	Ref	AC BOX AT PLATFORM INSTALLATION - 220V CEE7 2X4 BOX POST GROUND	F
1	0100020	AR	Sealant, Pipe	
2	0275452	1	Receptacle Box Kit (See Separate Breakdown in this Section)	
3	0700408	4	Bolt M4 x 16	
4	3290405	4	Nut M4	
5	1001101197	1	Adapter	
6	4811400	8	Washer M4	
7	1001101191	1	Connector, Strain Relief	
8	0641416	2	Bolt 1/4 x 2	
9	3311405	2	Nut 1/4	
10	4711400	4	Washer 1/4	
11	1001193018	1	Bracket	
12	3251242	2	Decal - 240V/50Hz	
13	4460806	2	Terminal, Fork (Not Shown)	
14	1001205958	1	Terminal (Not Shown)	

SECTION 8 - ELECTRICAL

FIGURE 8-10. AC BOX AT PLATFORM INSTALLATION - 220V CEE7 POST GROUND (2X4 BOX) WITH 4000W GENERATOR (CE & UK CA SPECS)



ART_1001206250

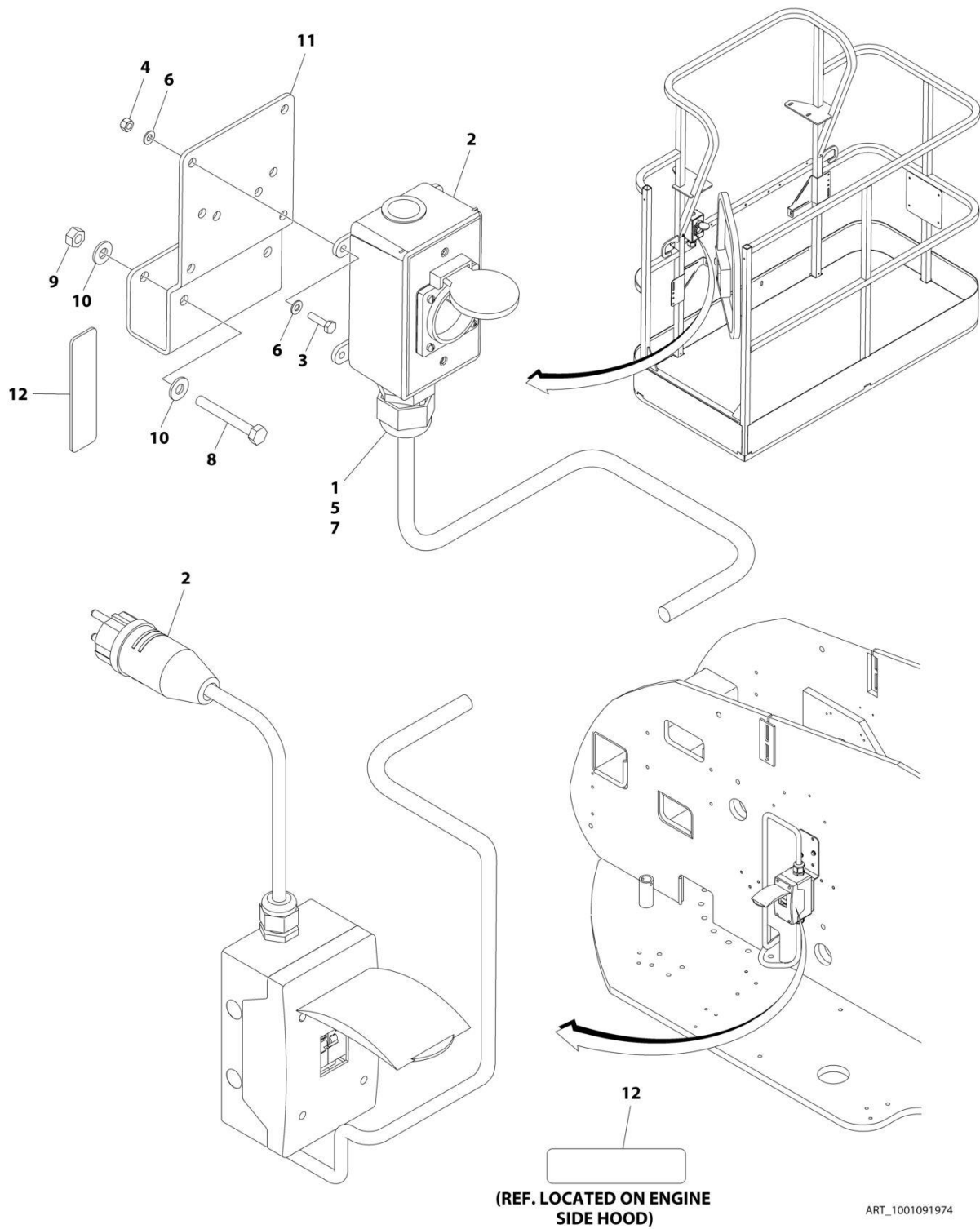
SECTION 8 - ELECTRICAL

FIGURE 8-10. AC BOX AT PLATFORM INSTALLATION - 220V CEE7 POST GROUND (2X4 BOX) WITH 4000W GENERATOR (CE & UK CA SPECS)

ITEM	PART NUMBER	QTY	DESCRIPTION	REV
	1001206250	Ref	AC BOX AT PLATFORM INSTALLATION - 220V CEE7 2X4 BOX POST GROUND	A
1	0100020	AR	Sealant, Pipe	
2	0641416	2	Bolt 1/4 x 2	
3	0700408	4	Bolt M4 x 16	
4	0861731	1	Box, Switch	
5	3251242	1	Decal - 240V/50Hz	
6	3290405	4	Nut M4	
7	3311405	2	Nut 1/4	
8	4460806	2	Terminal, Fork (Not Shown)	
9	4461244	1	Receptacle	
10	4711400	4	Washer 1/4	
11	4811400	8	Washer M4	
12	1001101191	1	Connector, Strain Relief	
13	1001101197	1	Adapter	
14	1001193018	1	Bracket, AC Receptacle	
15	1001205958	1	Terminal (Not Shown)	

SECTION 8 - ELECTRICAL

**FIGURE 8-11. AC BOX AT PLATFORM INSTALLATION - 220V CEE7 SIDE GROUND (2X4 BOX)
WITHOUT 2500W GENERATOR (CE & UK CA SPECS)**



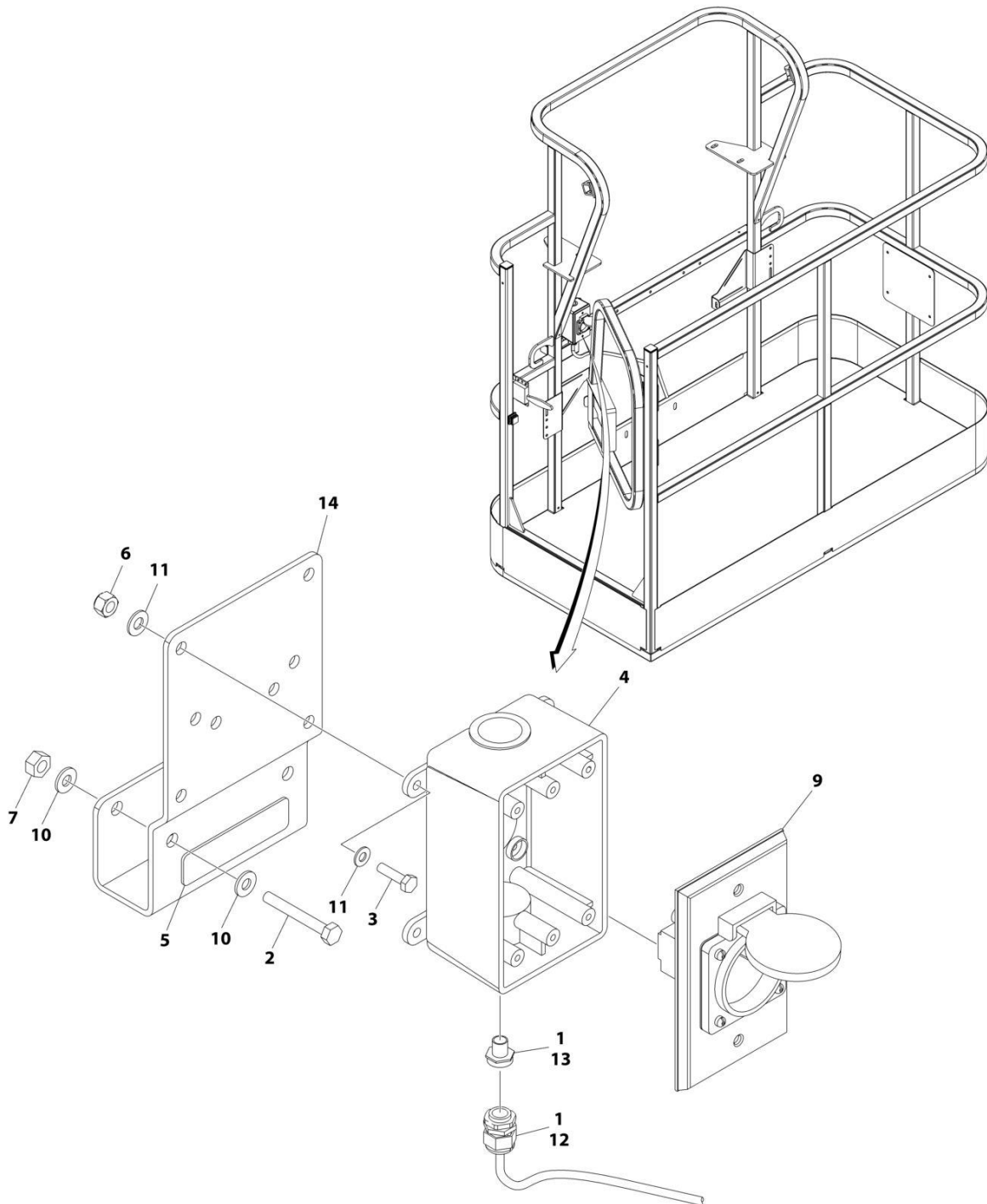
SECTION 8 - ELECTRICAL

**FIGURE 8-11. AC BOX AT PLATFORM INSTALLATION - 220V CEE7 SIDE GROUND (2X4 BOX)
WITHOUT 2500W GENERATOR (CE & UK CA SPECS)**

ITEM	PART NUMBER	QTY	DESCRIPTION	REV
	1001091974	Ref	AC BOX AT PLATFORM INSTALLATION - 220V CEE7 2X4 BOX SIDE GROUND	F
1	0100020	AR	Sealant, Pipe	
2	0275453	1	Receptacle Box Kit (See Separate Breakdown in this Section)	
3	0700408	4	Bolt M4 x 16	
4	3290405	4	Nut M4	
5	1001101197	1	Adapter	
6	4811400	8	Washer M4	
7	1001101191	1	Connector, Strain Relief	
8	0641416	2	Bolt 1/4 x 2	
9	3311405	2	Nut 1/4	
10	4711400	4	Washer 1/4	
11	1001193018	1	Bracket	
12	3251242	2	Decal - 240V/50Hz	
13	4460806	2	Terminal, Fork (Not Shown)	
14	1001205958	1	Terminal (Not Shown)	

SECTION 8 - ELECTRICAL

FIGURE 8-12. AC BOX AT PLATFORM INSTALLATION - 220V CEE7 SIDE GROUND (2X4 BOX) WITH 4000W GENERATOR (CE & UK CA SPECS)



ART_1001206251

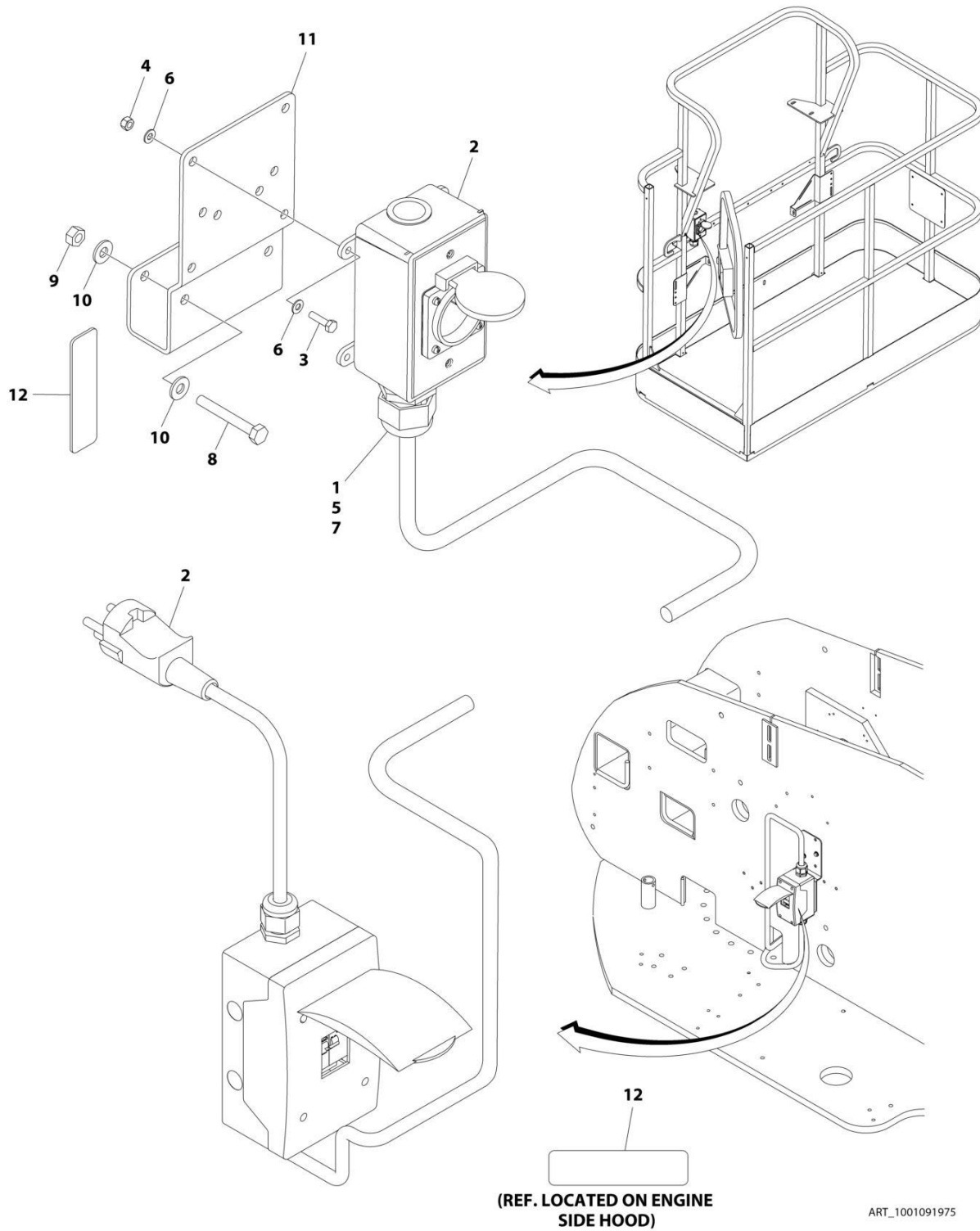
SECTION 8 - ELECTRICAL

FIGURE 8-12. AC BOX AT PLATFORM INSTALLATION - 220V CEE7 SIDE GROUND (2X4 BOX) WITH 4000W GENERATOR (CE & UK CA SPECS)

ITEM	PART NUMBER	QTY	DESCRIPTION	REV
	1001206251	Ref	AC BOX AT PLATFORM INSTALLATION - 220V CEE7 2X4 BOX SIDE GROUND	A
1	0100020	AR	Sealant, Pipe	
2	0641416	2	Bolt 1/4 x 2	
3	0700408	4	Bolt M4 x 16	
4	0861731	1	Box, Switch	
5	3251242	1	Decal - 240V/50Hz	
6	3290405	4	Nut M4	
7	3311405	2	Nut 1/4	
8	4460806	2	Terminal, Fork (Not Shown)	
9	4461245	1	Receptacle	
10	4711400	4	Washer 1/4	
11	4811400	8	Washer M4	
12	1001101191	1	Connector, Strain Relief	
13	1001101197	1	Adapter	
14	1001193018	1	Bracket, AC Receptacle	
15	1001205958	1	Terminal (Not Shown)	

SECTION 8 - ELECTRICAL

FIGURE 8-13. AC BOX AT PLATFORM INSTALLATION - 220V AFSINT 107 KEYED GROUND (2X4 BOX) WITHOUT 2500W GENERATOR (CE & UK CA SPECS)



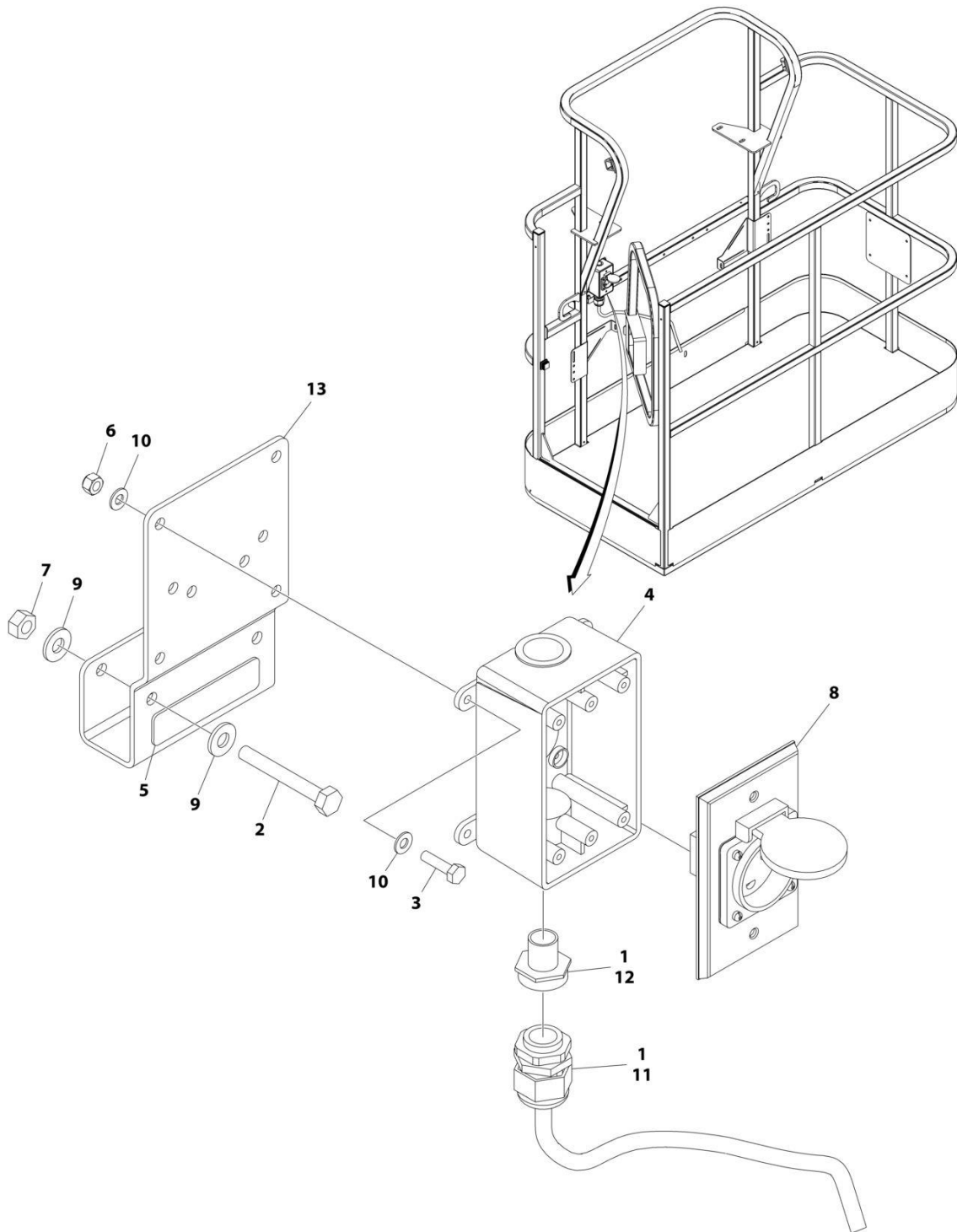
SECTION 8 - ELECTRICAL

FIGURE 8-13. AC BOX AT PLATFORM INSTALLATION - 220V AFSINT 107 KEYED GROUND (2X4 BOX) WITHOUT 2500W GENERATOR (CE & UK CA SPECS)

ITEM	PART NUMBER	QTY	DESCRIPTION	REV
	1001091975	Ref	AC BOX AT PLATFORM INSTALLATION - 220V AFSINT 107 2X4 BOX KEYED GROUND	F
1	0100020	AR	Sealant, Pipe	
2	0275454	1	Receptacle Box Kit (See Separate Breakdown in this Section)	
3	0700408	4	Bolt M4 x 16	
4	3290405	4	Nut M4	
5	1001101197	1	Adapter	
6	4811400	8	Washer M4	
7	1001101191	1	Connector, Strain Relief	
8	0641416	2	Bolt 1/4 x 2	
9	3311405	2	Nut 1/4	
10	4711400	4	Washer 1/4	
11	1001193018	1	Bracket	
12	3251242	2	Decal - 240V/50Hz	
13	1001205958	3	Terminal (Not Shown)	

SECTION 8 - ELECTRICAL

FIGURE 8-14. AC BOX AT PLATFORM INSTALLATION - 220V AFSINT 107 KEYED GROUND (2X4 BOX) WITH 4000W GENERATOR (CE & UK CA SPECS)



ART_1001206252

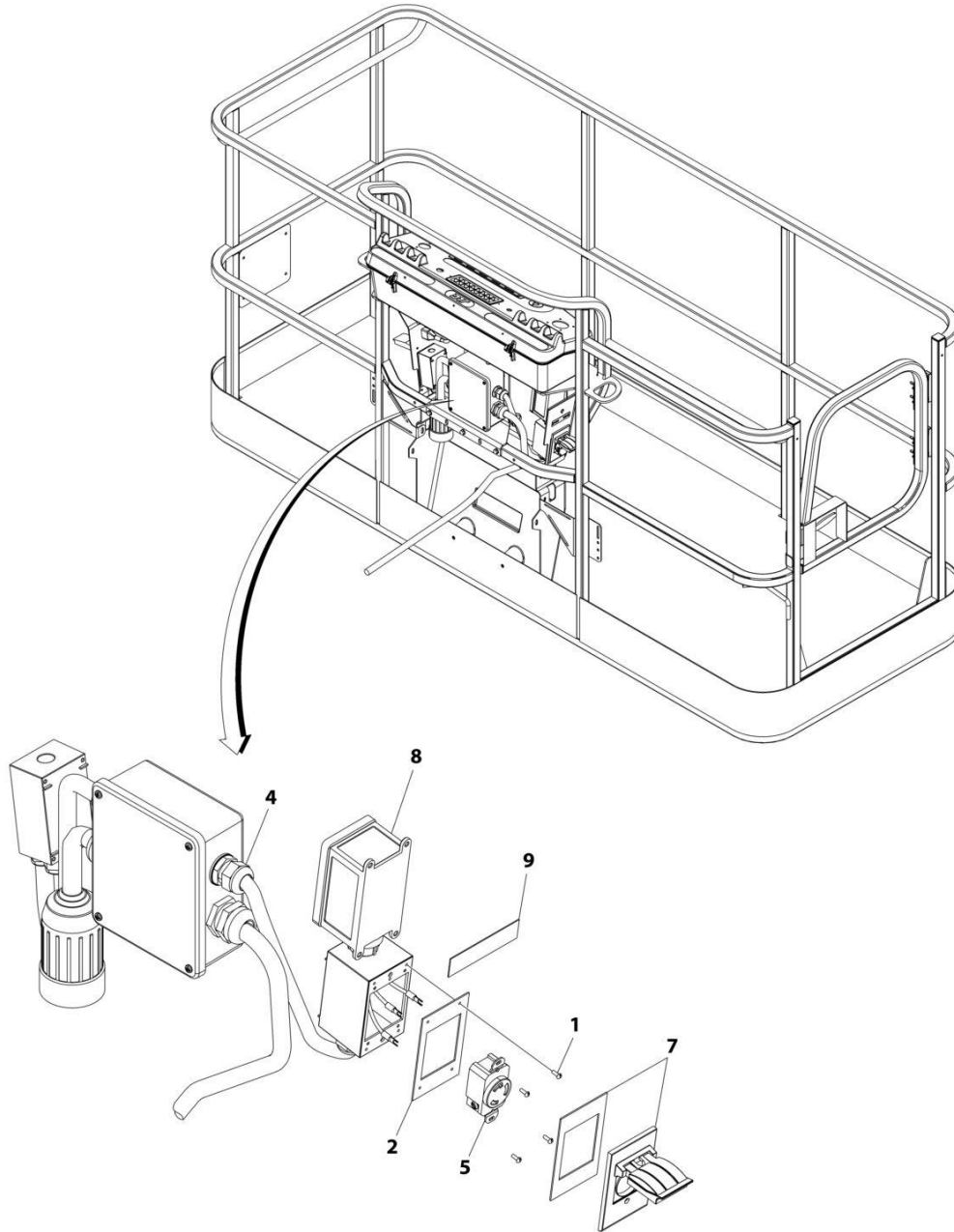
SECTION 8 - ELECTRICAL

FIGURE 8-14. AC BOX AT PLATFORM INSTALLATION - 220V AFSINT 107 KEYED GROUND (2X4 BOX) WITH 4000W GENERATOR (CE & UK CA SPECS)

ITEM	PART NUMBER	QTY	DESCRIPTION	REV
	1001206252	Ref	AC BOX AT PLATFORM INSTALLATION - 220V AFSINT 107 2x4 BOX KEYED GROUND	A
1	0100020	AR	Sealant, Pipe	
2	0641416	2	Bolt 1/4 x 2	
3	0700408	4	Bolt M4 x 16	
4	0861731	1	Box, Switch	
5	3251242	1	Decal - 240V/50Hz	
6	3290405	4	Nut M4	
7	3311405	2	Nut 1/4	
8	4461246	1	Receptacle	
9	4711400	4	Washer 1/4	
10	4811400	8	Washer M4	
11	1001101191	1	Connector, Strain Relief	
12	1001101197	1	Adapter	
13	1001193018	1	Bracket, AC Receptacle	
14	1001205958	3	Terminal (Not Shown)	

SECTION 8 - ELECTRICAL

FIGURE 8-15. AC BOX AT PLATFORM INSTALLATION - 240V (WITH 7500W SKYPOWER GENERATOR) (ALL SPECS EXCEPT AUSTRALIAN, CHINA, CE & UK CA SPECS)



ART_1001159121

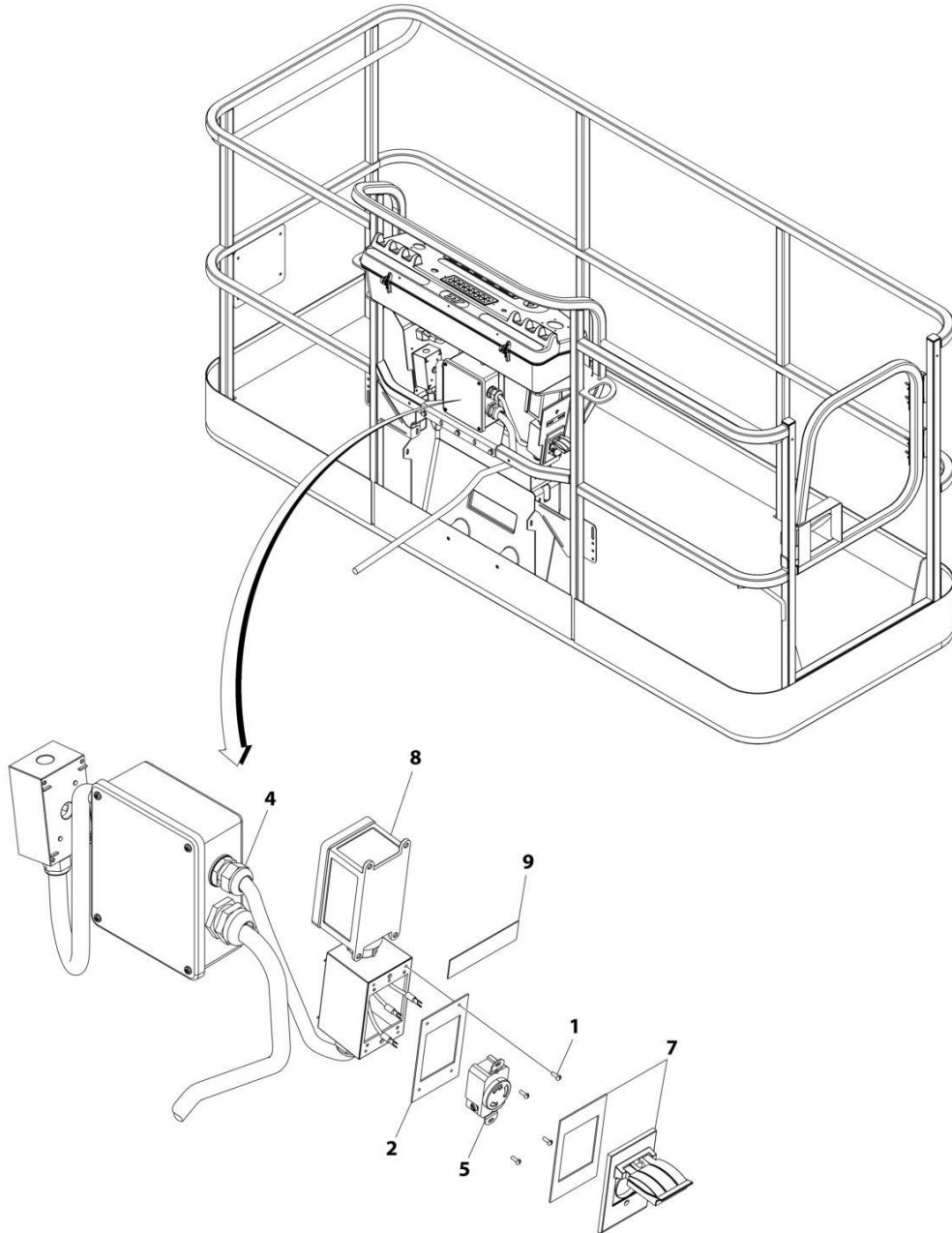
SECTION 8 - ELECTRICAL

FIGURE 8-15. AC BOX AT PLATFORM INSTALLATION - 240V (WITH 7500W SKYPOWER GENERATOR) (ALL SPECS EXCEPT AUSTRALIAN, CHINA, CE & UK CA SPECS)

ITEM	PART NUMBER	QTY	DESCRIPTION	REV
	1001159121	Ref	AC BOX AT PLATFORM INSTALLATION - 240V RECEPTACLE	B
1	3910606	4	Screw 6 x 3/8	
2	3960422	1	Gasket	
3	4240018	AR	Tie-Strap (Not Shown)	
4	4460425	1	Connector, Strain Relief	
5	4460958	1	Receptacle	
7	1001110872	1	Cover, Receptacle	
8	1001159120	1	Receptacle/Breaker Box Assembly	
8	1001148675	1	Box, Receptacle	
8	1001159118	1	Breaker Box Assembly	
8	4460612	1	Connector, Strain Relief	
8	1001159119	1	Connector (Between Boxes)	
9	1705374	1	Decal - 240V/60Hz	

SECTION 8 - ELECTRICAL

FIGURE 8-16. AC BOX AT PLATFORM INSTALLATION - 240V (WITH 4000W GENERATOR) (ALL SPECS EXCEPT AUSTRALIAN, CHINA, CE & UK CA SPECS)



ART_1001171131

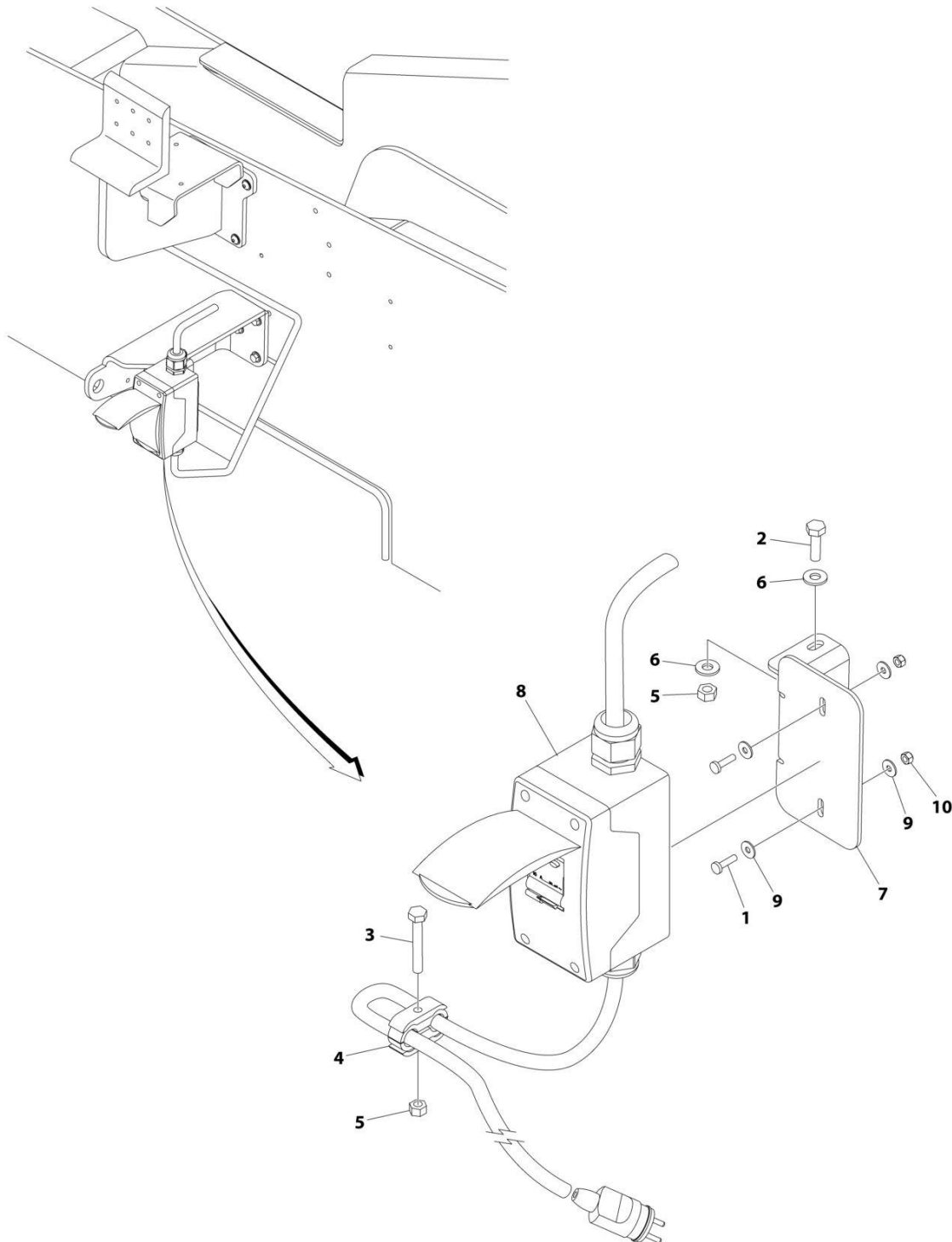
SECTION 8 - ELECTRICAL

FIGURE 8-16. AC BOX AT PLATFORM INSTALLATION - 240V (WITH 4000W GENERATOR) (ALL SPECS EXCEPT AUSTRALIAN, CHINA, CE & UK CA SPECS)

ITEM	PART NUMBER	QTY	DESCRIPTION	REV
	1001171131	Ref	AC BOX AT PLATFORM INSTALLATION - 240V RECEPTACLE	B
1	3910606	4	Screw 6 x 3/8	
2	3960422	1	Gasket	
3	4240018	AR	Tie-Strap (Not Shown)	
4	4460425	1	Connector, Strain Relief	
5	1001176862	1	Receptacle	
7	1001110872	1	Cover, Receptacle	
8	1001159120	1	Receptacle/Breaker Box Assembly	
8	1001148675	1	Box, Receptacle	
8	1001159118	1	Breaker GFCI 30Amp 240VAC	
8	4460612	1	Connector, Strain Relief	
8	1001159119	1	Connector (Between Boxes)	
9	1705374	1	Decal - 240V/60Hz	

SECTION 8 - ELECTRICAL

FIGURE 8-17. AC 16 AMP BREAKER BOX INSTALLATION (CE & UK CA SPECS)



ART_1001095976

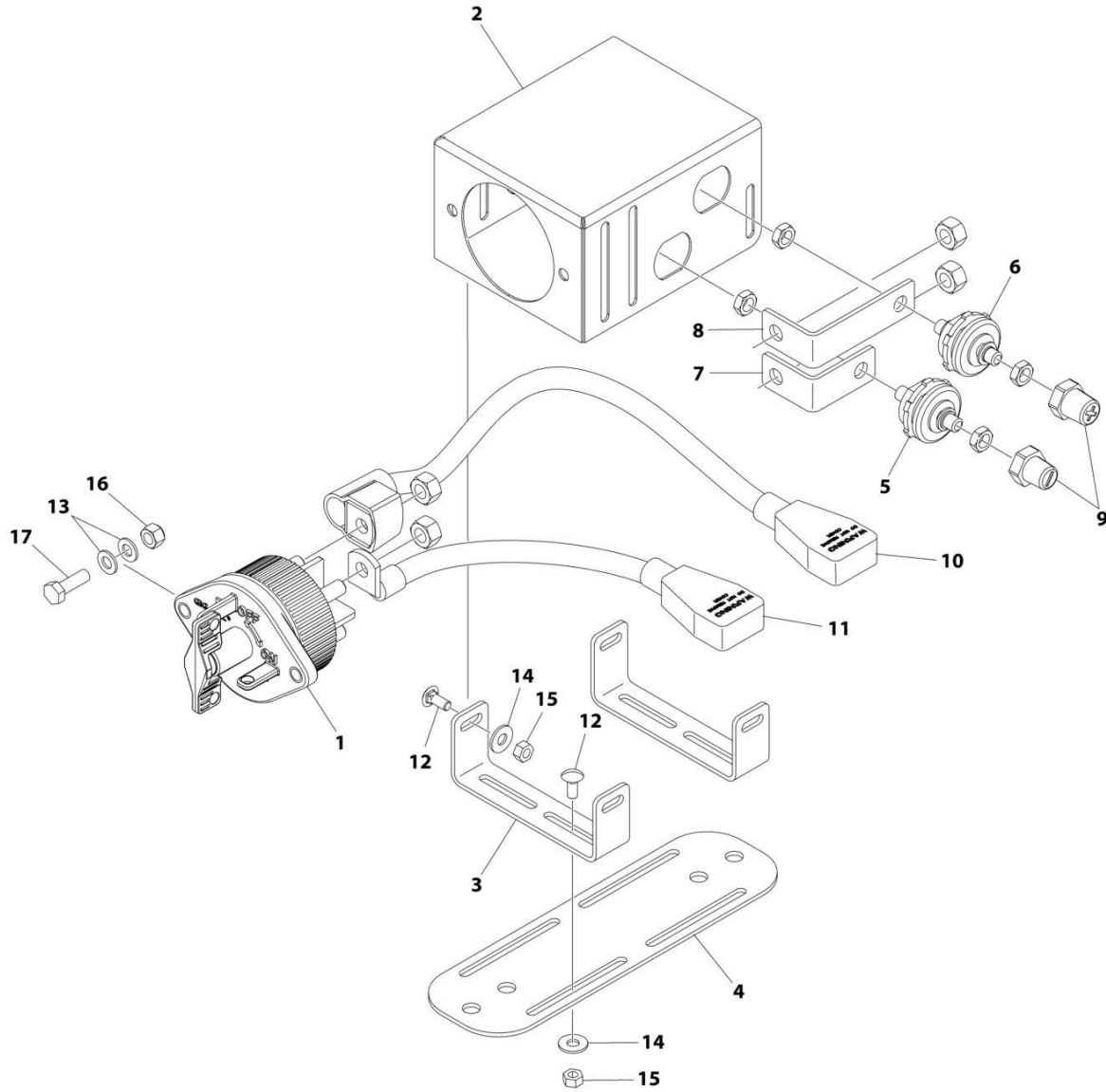
SECTION 8 - ELECTRICAL

FIGURE 8-17. AC 16 AMP BREAKER BOX INSTALLATION (CE & UK CA SPECS)

ITEM	PART NUMBER	QTY	DESCRIPTION	REV
	1001095976	Ref	AC 16 AMP BREAKER BOX INSTALLATION	D
1	4010408	2	Screw M4 x 16	
2	0641407	2	Bolt 1/4 x 7/8	
3	0641416	AR	Bolt 1/4 x 2	
4	1320146	1	Clamp	
5	3311405	AR	Nut 1/4	
6	4711400	AR	Washer 1/4	
7	1001094915	1	Bracket	
8	1001109654	1	Breaker Box Kit - 16 Amp (See Separate Breakdown in this Section)	
9	1001091102	4	Washer M4	
10	3290405	2	Nut M4	

SECTION 8 - ELECTRICAL

FIGURE 8-18. BATTERY DISCONNECT INSTALLATION



ART_1001241630

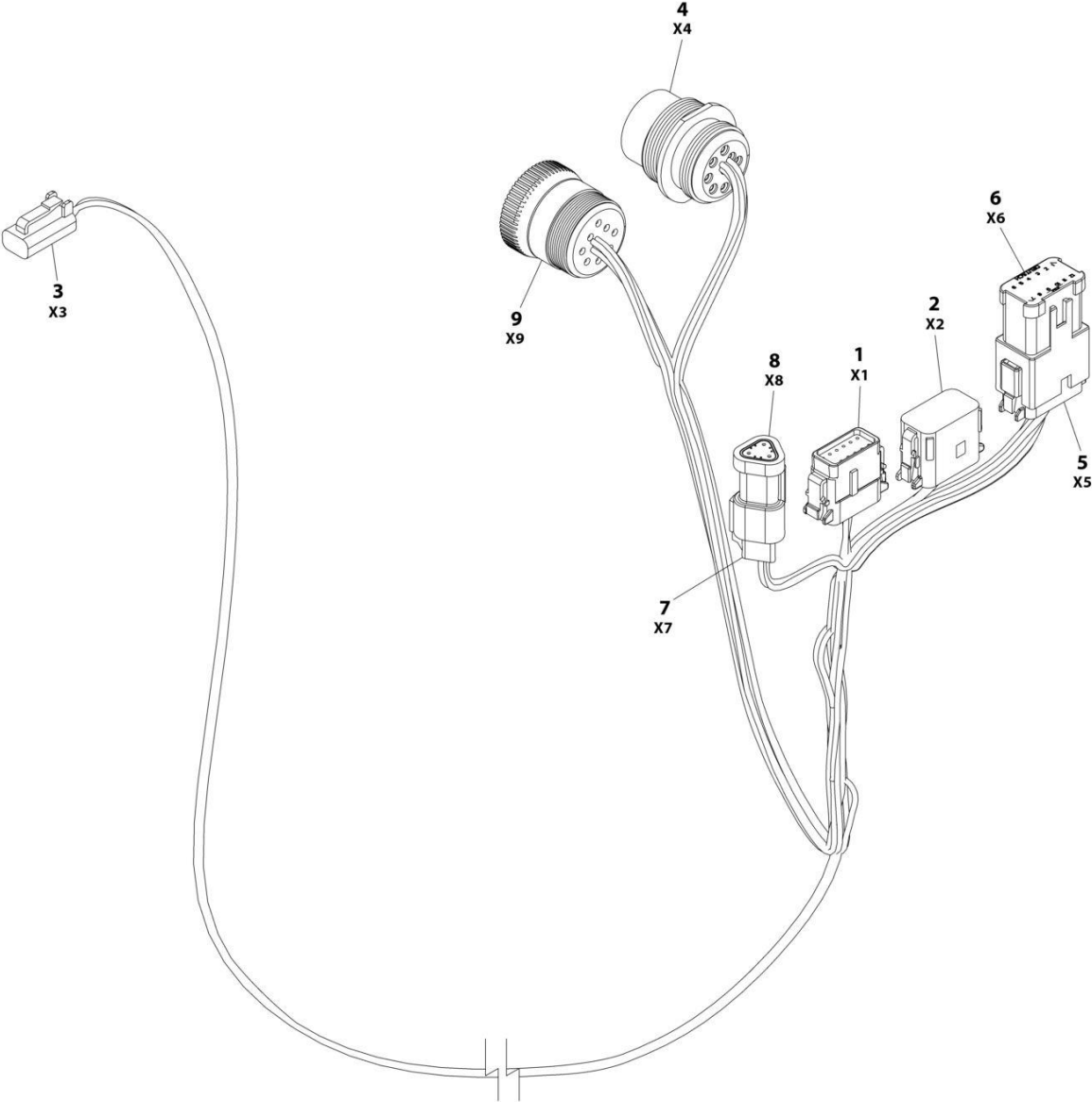
SECTION 8 - ELECTRICAL

FIGURE 8-18. BATTERY DISCONNECT INSTALLATION

ITEM	PART NUMBER	QTY	DESCRIPTION	REV
	1001241630	Ref	BATTERY DISCONNECT SWITCH	A
1	1001225346	1	Switch, Battery Disconnect	
2	1001226531	1	Mount	
3	1001239805	2	Mount	
4	1001241585	1	Plate	
5	1001214571	1	Connector (Black)	
6	1001214570	1	Connector (Red)	
7	1001209474	1	Buss bar	
8	1001209432	1	Buss bar	
9	1001206476	1	Connector	
10	1001236504	1	Cable (Positive)	
11	1001236505	1	Cable (Negative)	
12	88411013	8	Bolt 1/4 x 3/4	
13	4811900	4	Washer M8	
14	4751400	8	Washer 1/4	
15	3311405	8	Nut 1/4	
16	3290805	2	Nut M8	
17	0760812	2	Bolt M8 x 25	

SECTION 8 - ELECTRICAL

FIGURE 8-19. BEACON LIGHT HARNESS



ART_1001142736

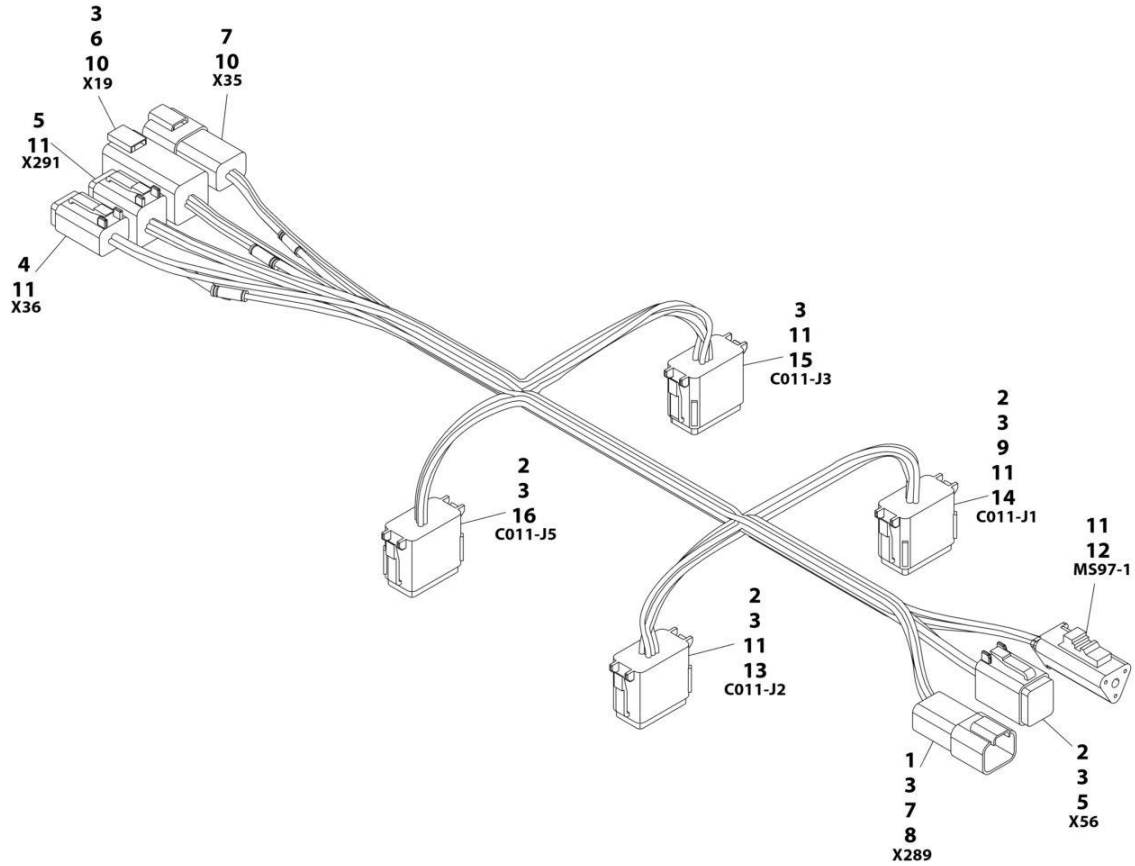
SECTION 8 - ELECTRICAL

FIGURE 8-19. BEACON LIGHT HARNESS

ITEM	PART NUMBER	QTY	DESCRIPTION	REV
	1001142736	Ref	STROBE LIGHT HARNESS	F
1	1001116808	1	Plug, Male - 12 Position	
1	4460928	3	Socket, Female	
1	4460518	9	Plug, Terminal	
2	1001116774	1	Plug, Male - 12 Position	
2	4460928	3	Socket, Female	
2	4460518	9	Plug, Terminal	
3	4460891	1	Plug, Male - 2 Position	
3	4460465	2	Socket, Female	
4	1001112612	1	Connector - 9 Position	
4	4460464	6	Pin, Male	
4	4460466	3	Plug, Terminal	
5	4460933	1	Plug, Male - 12 Position	
5	4460465	12	Socket, Female	
6	1001119020	1	Bussbar - 12 Position	
7	4461095	1	Plug, Male - 3 Position	
7	4460465	3	Socket, Female	
8	4461070	1	Bussbar - 3 Position	
9	1001112796	1	Connector - 9 Position	
9	4460465	6	Socket, Female	
9	4460466	3	Plug, Terminal	

SECTION 8 - ELECTRICAL

FIGURE 8-20. B.L.A.M. HARNESS



ART_1001242185_C

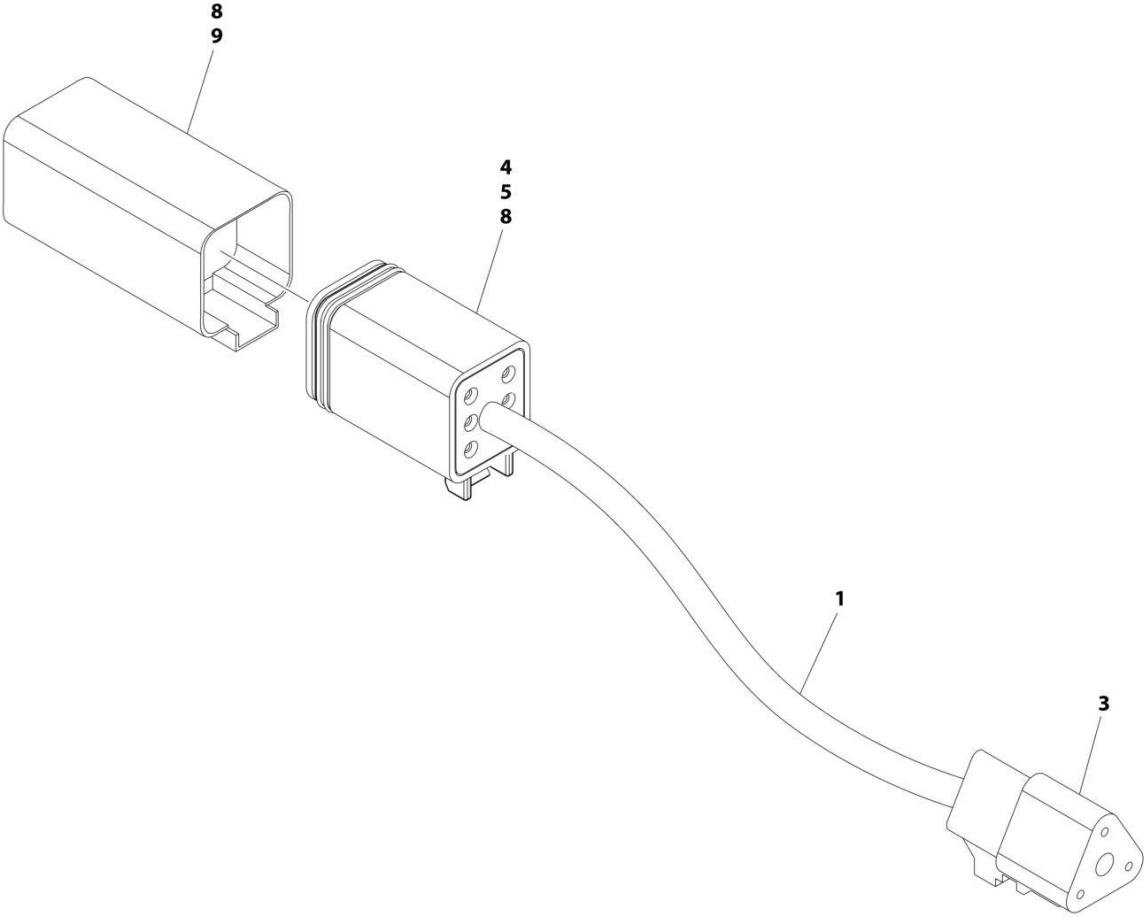
SECTION 8 - ELECTRICAL

FIGURE 8-20. B.L.A.M. HARNESS

ITEM	PART NUMBER	QTY	DESCRIPTION	REV
	1001242185	Ref	B.L.A.M. HARNESS	C
1	4460464	1	Pin	
2	4460465	17	Socket	
3	4460466	19	Plug, Seal	
4	4460884	1	Connector	
5	4460894	2	Connector	
6	4460899	1	Connector	
7	4460932	2	Connector	
8	4460941	2	Pin	
9	4460942	2	Socket	
10	4460943	8	Pin	
11	4460944	32	Socket	
12	4460965	1	Connector	
13	1001270340	1	Connector	
14	1001270339	1	Connector	
15	1001239344	1	Connector	
16	1001239345	1	Connector	

SECTION 8 - ELECTRICAL

FIGURE 8-21. B.L.A.M. TO BOOM LENGTH SENSOR HARNESS



ART_4922716

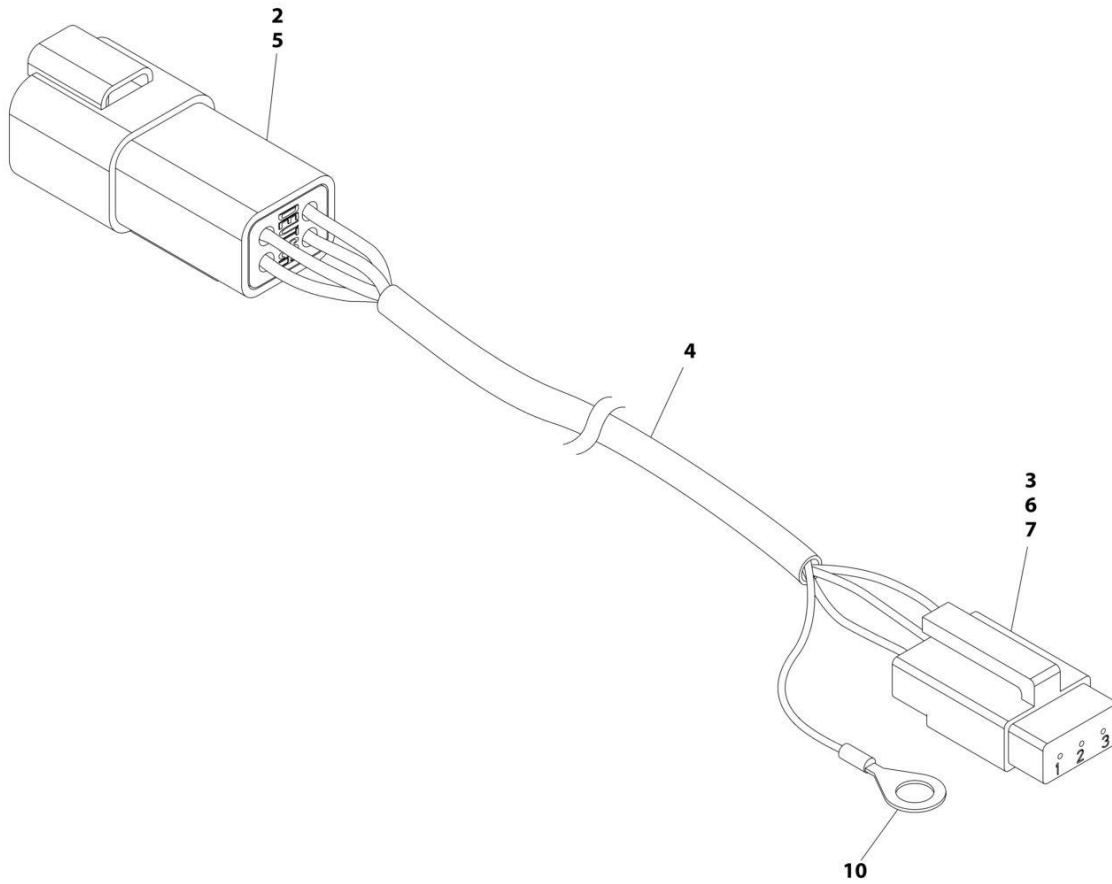
SECTION 8 - ELECTRICAL

FIGURE 8-21. B.L.A.M. TO BOOM LENGTH SENSOR HARNESS

ITEM	PART NUMBER	QTY	DESCRIPTION	REV
	4922716	Ref	B.L.A.M. TO BOOM LENGTH SENSOR HARNESS	H
1	1060981	14 ft/ 4.3m	Cable, Electrical 18/3	
3	4460539	1	Connector - 3 Position	
4	4460944	7	Socket, Female (Gold)	
5	4460894	1	Plug, Male - 6 Position	
8	4460466	AR	Plug, Terminal	
9	4460899	1	Connector, Female - 6 Position	

SECTION 8 - ELECTRICAL

FIGURE 8-22. B.L.A.M. TO BOOM ANGLE SENSOR HARNESS (LEFT SIDE)



ART_4922781

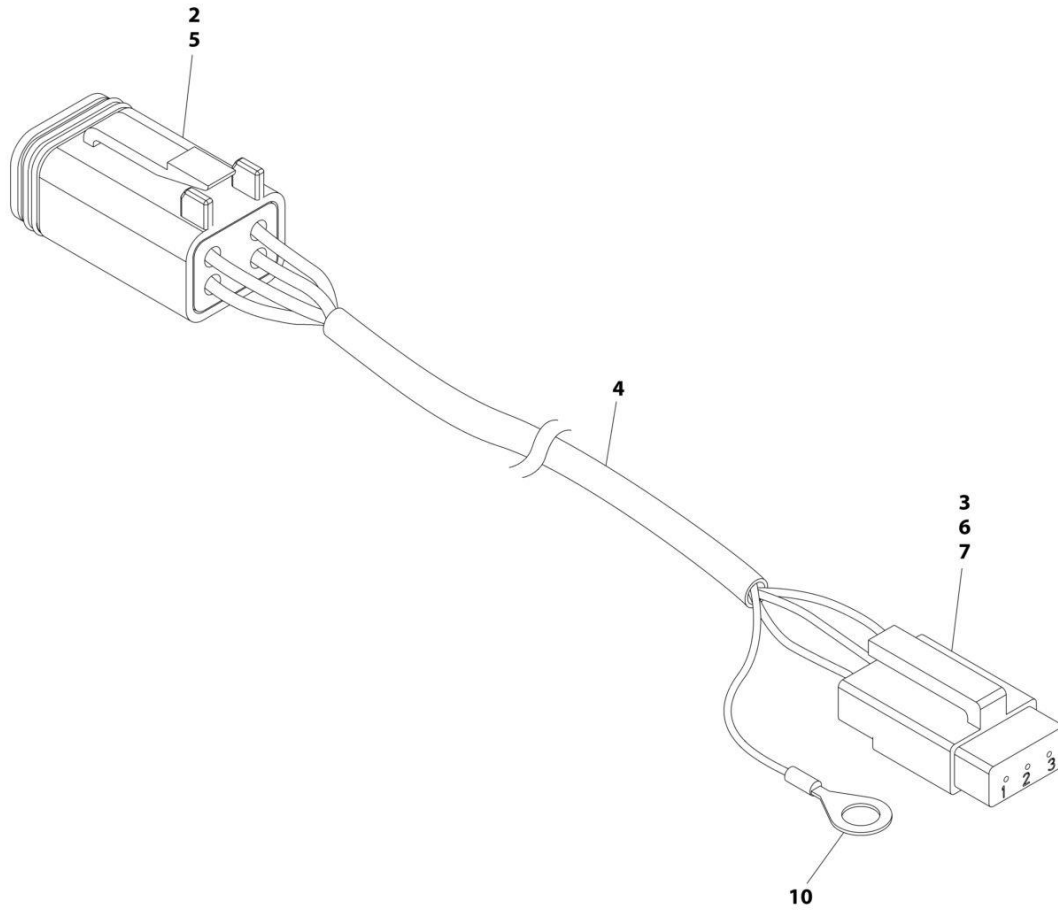
SECTION 8 - ELECTRICAL

FIGURE 8-22. B.L.A.M. TO BOOM ANGLE SENSOR HARNESS (LEFT SIDE)

ITEM	PART NUMBER	QTY	DESCRIPTION	REV
	4922781	Ref	B.L.A.M. TO BOOM ANGLE SENSOR HARNESS (LEFT SIDE)	F
2	4460932	1	Connector, Female - 4 Position	
3	4460912	1	Lock, Wedge - Position	
4	1060982	16.2 ft/ 4.9m	Cable, Electrical 18/3	
5	4460943	4	Pin, Male 16 Ga	
6	4460911	1	Plug, Male - 3 Position	
7	4460918	3	Socket, Female (Gold)	
10	4460722	1	Terminal, Ring	

SECTION 8 - ELECTRICAL

FIGURE 8-23. B.L.A.M. TO BOOM ANGLE SENSOR HARNESS (RIGHT SIDE)



ART_4922780

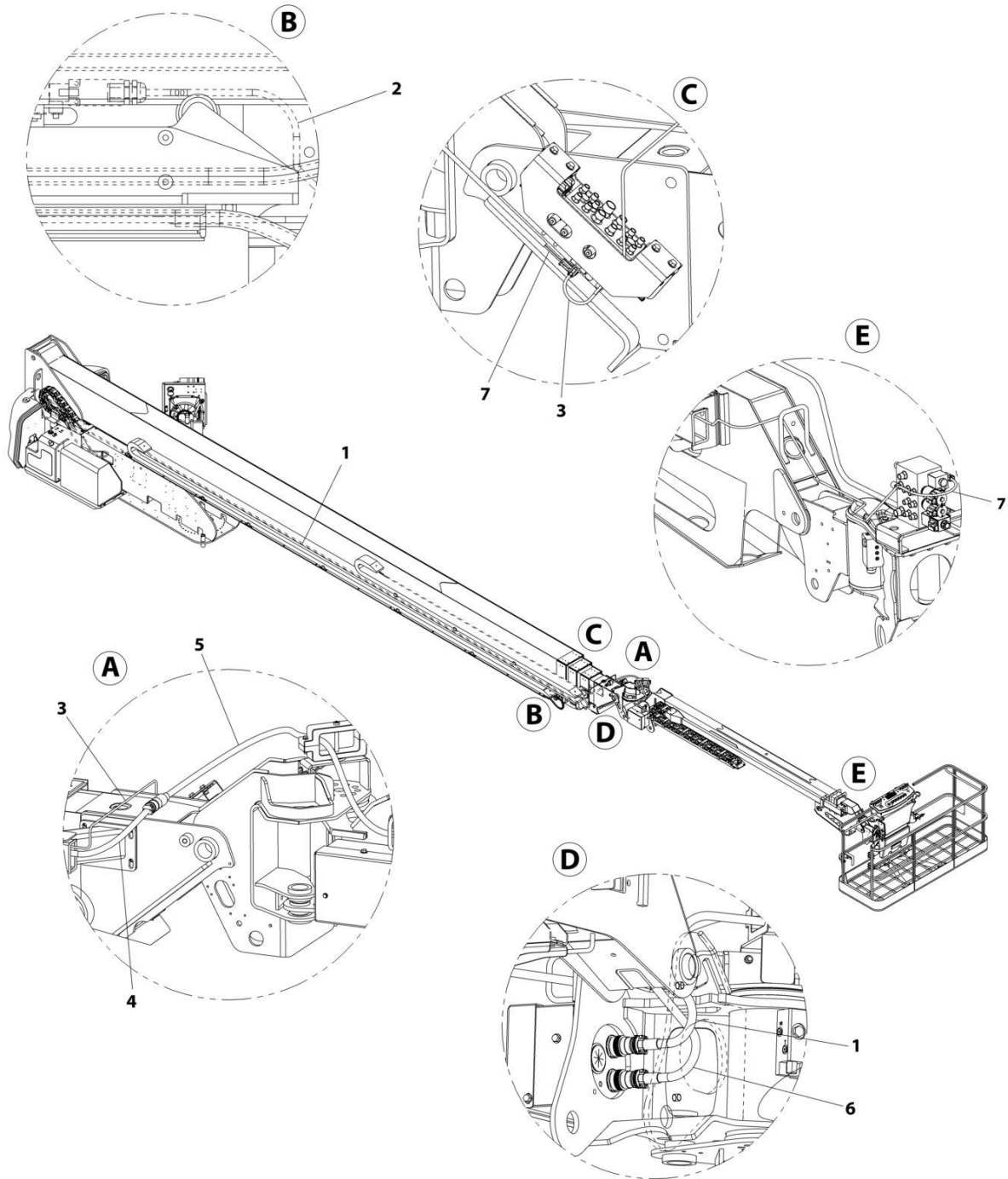
SECTION 8 - ELECTRICAL

FIGURE 8-23. B.L.A.M. TO BOOM ANGLE SENSOR HARNESS (RIGHT SIDE)

ITEM	PART NUMBER	QTY	DESCRIPTION	REV
	4922780	Ref	B.L.A.M. TO BOOM ANGLE SENSOR HARNESS (RIGHT SIDE)	E
2	4460884	1	Connector, Gray - 4 Position	
3	4460912	1	Lock, Wedge - Position	
4	1060981	16.2 ft/ 4.9m	Cable, Electrical 18/3	
5	4460944	4	Socket, Female (Gold)	
6	4460911	1	Plug, Male - 3 Position	
7	4460918	3	Socket, Female (Gold)	
10	4460722	1	Terminal, Ring	

SECTION 8 - ELECTRICAL

FIGURE 8-24. BOOM CABLES INSTALLATION (ANSI, CSA AND JAPANESE SPECS)



ART_1001120137

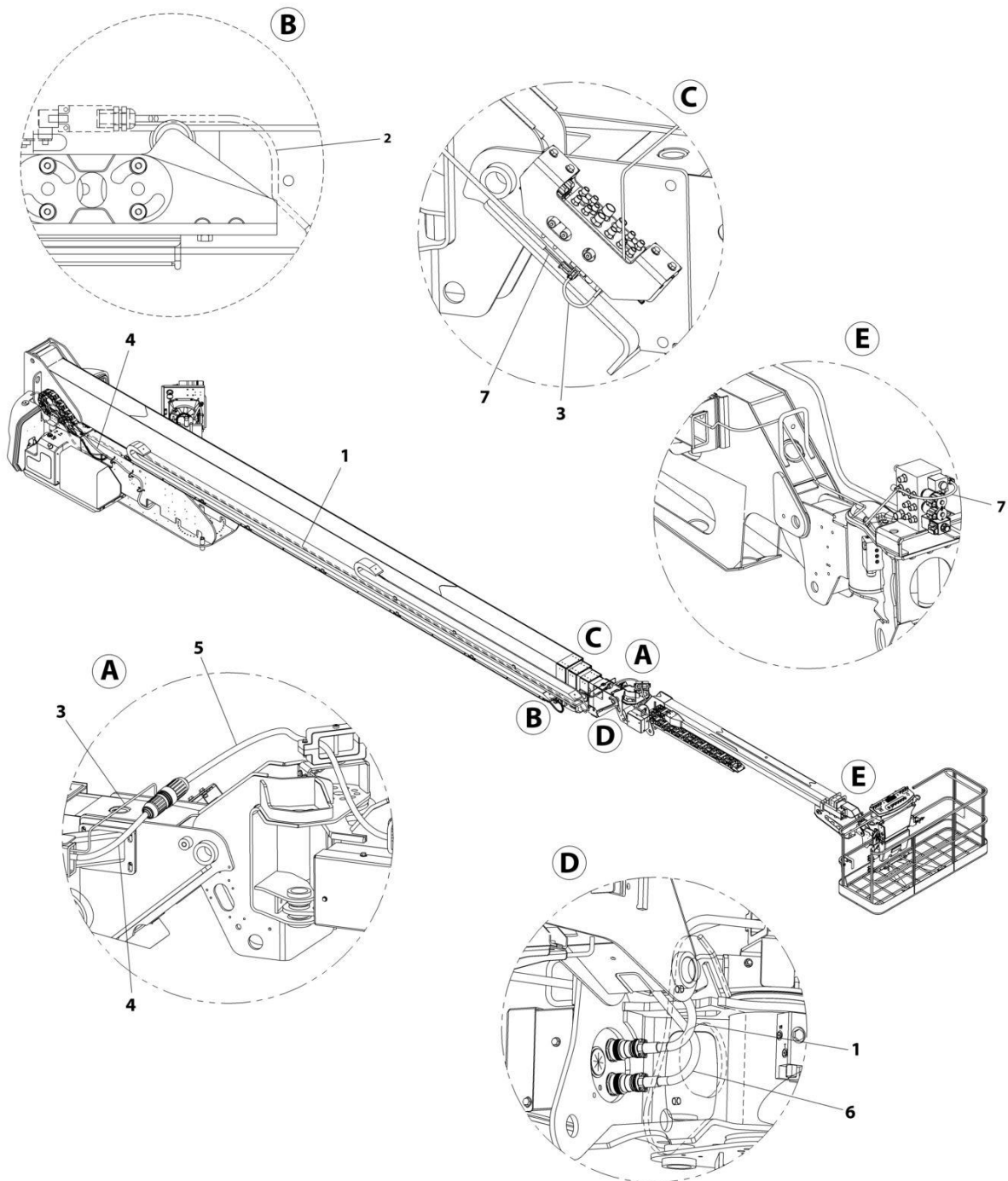
SECTION 8 - ELECTRICAL

FIGURE 8-24. BOOM CABLES INSTALLATION (ANSI, CSA AND JAPANESE SPECS)

ITEM	PART NUMBER	QTY	DESCRIPTION	REV
	1001120137	Ref	BOOM CABLES INSTALLATION (ANSI, CSA AND JAPANESE SPECS)	E
1	1001122396	1	Harness, Main Boom Control (See Separate Breakdown in this Section)	
2	1001179216	1	Transport Switch Cable	
3	1001119393	1	Harness, Jib Enable (See Separate Breakdown in this Section)	
4	1001120099	1	Harness, Main Boom AC/Generator Power	
4	4460134	1	Receptacle, Female	
5	1001120107	1	Harness, Jib Boom AC/Generator Power	
5	4460205	1	Plug, Male	
6	1001120098	1	Harness, Jib Control (See Separate Breakdown in this Section)	
7	1001125666	1	Harness, Platform Dump	
7	4460891	2	Plug, Male - 2 Position	
7	4460942	4	Socket, Female	
8	1001307894	1	Cable, Platform Power A	
9	1001308291	1	Cable, Platform Power B	

SECTION 8 - ELECTRICAL

FIGURE 8-25. BOOM CABLES INSTALLATION - WITH 4000W 60HZ GENERATOR (ALL SPECS EXCEPT AUSTRALIAN, CE & UK CA SPECS)



ART_1001161052

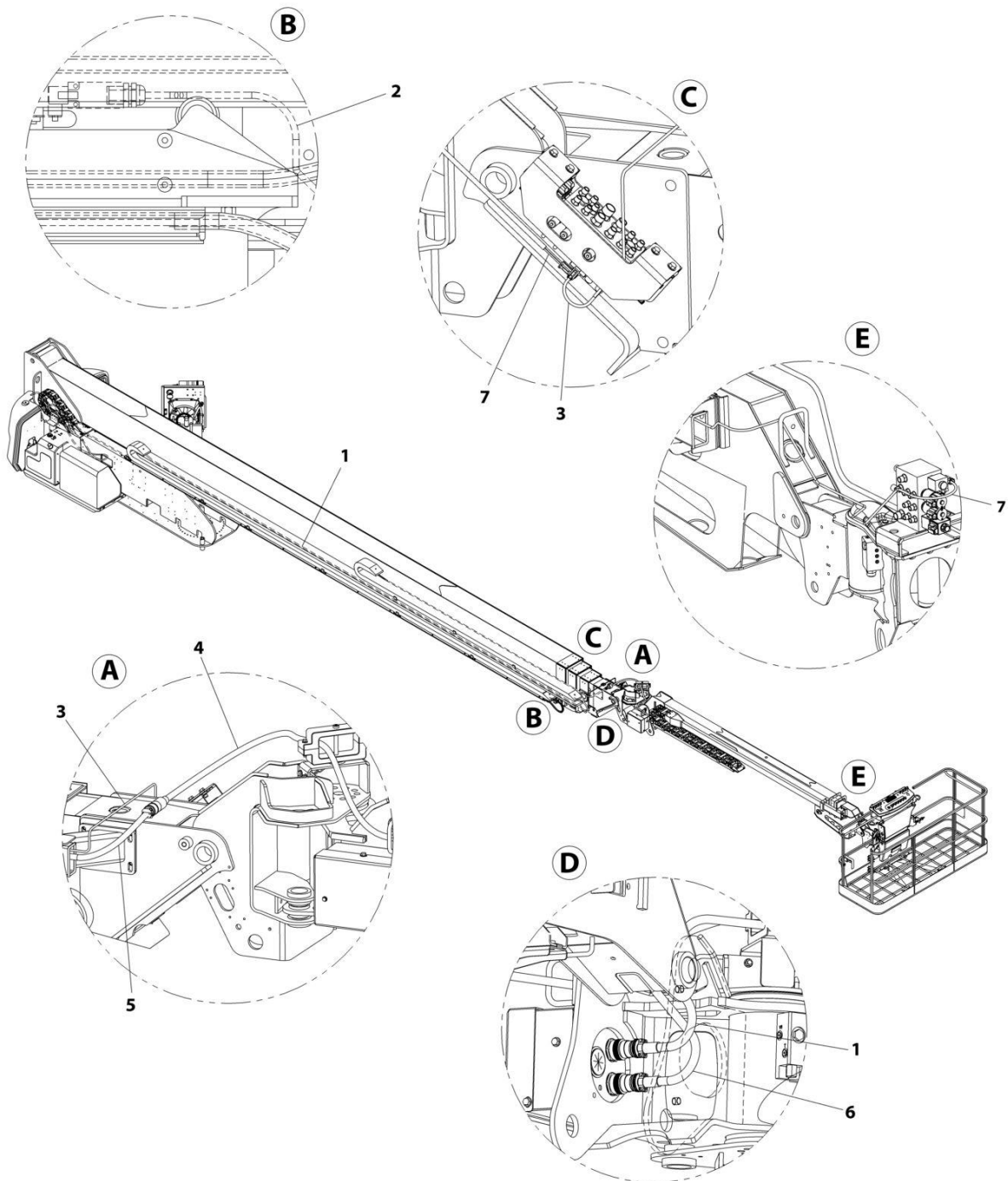
SECTION 8 - ELECTRICAL

FIGURE 8-25. BOOM CABLES INSTALLATION - WITH 4000W 60HZ GENERATOR (ALL SPECS EXCEPT AUSTRALIAN, CE & UK CA SPECS)

ITEM	PART NUMBER	QTY	DESCRIPTION	REV
	1001161052	Ref	BOOM CABLES INSTALLATION - WITH 4000W 60HZ GENERATOR	C
1	1001122396	1	Harness, Main Boom Control (See Separate Breakdown in this Section)	
2	1001179216	1	Transport Switch Cable	
3	1001119393	1	Harness, Jib Enable (See Separate Breakdown in this Section)	
4	1001161046	1	Harness, Main Boom AC/Generator Power	
4	1671092	1	Cover	
4	4460963	1	Connector, Female	
5	1001161047	1	Harness, Jib Boom AC/Generator Power	
5	1671093	1	Cover	
5	4460962	1	Plug, Male	
6	1001120098	1	Harness, Jib Control (See Separate Breakdown in this Section)	
7	1001125666	1	Harness, Platform Dump	
7	4460891	2	Plug, Male - 2 Position	
7	4460942	4	Socket, Female	
8	1001307894	1	Cable, Platform Power A	
9	1001308291	1	Cable, Platform Power B	

SECTION 8 - ELECTRICAL

FIGURE 8-26. BOOM CABLES INSTALLATION - WITH 4000W 50HZ GENERATOR (ANSI EXPORT, AUSTRALIAN, CHINA, CE & UK CA SPECS)



ART_1001120138

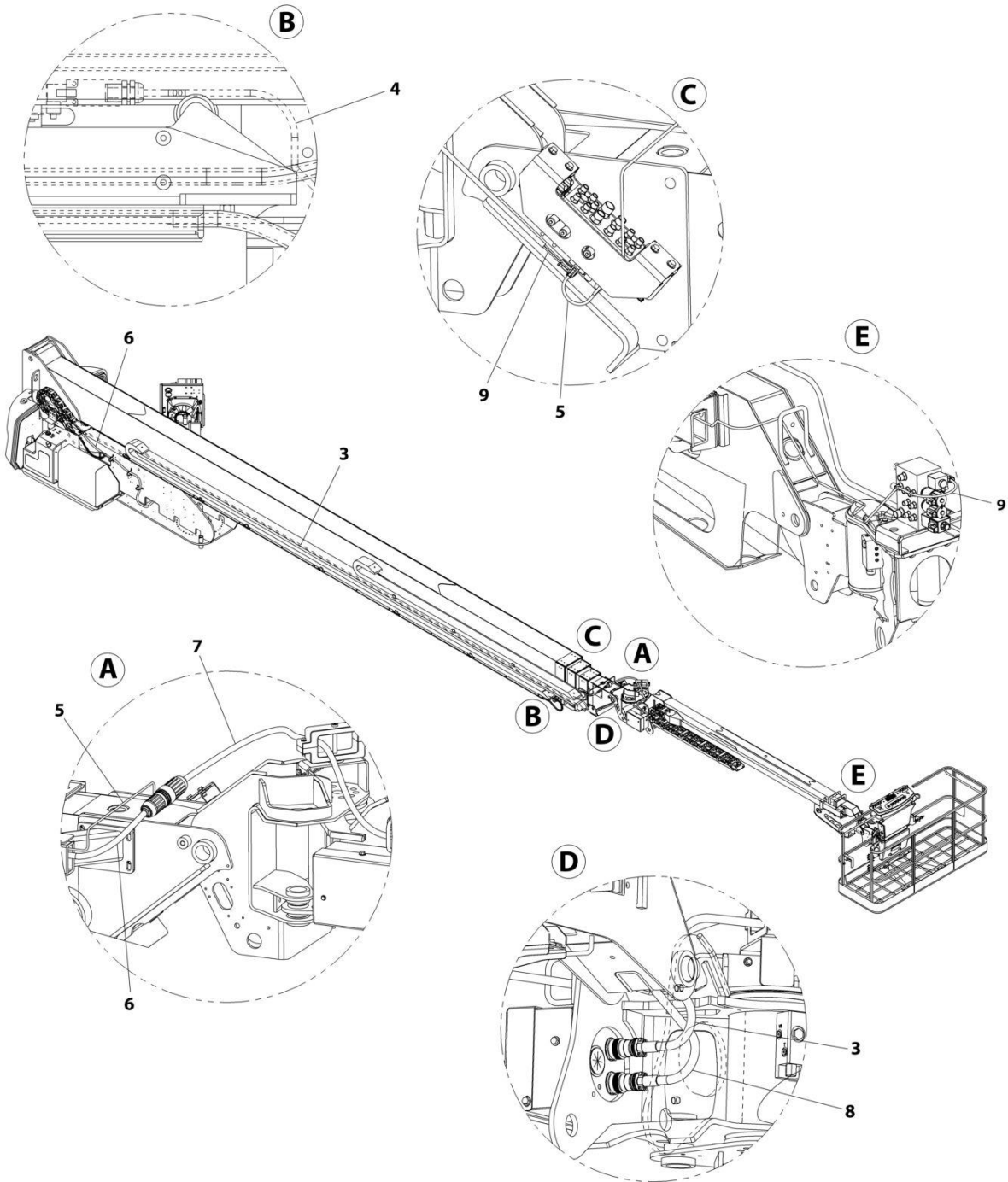
SECTION 8 - ELECTRICAL

FIGURE 8-26. BOOM CABLES INSTALLATION - WITH 4000W 50HZ GENERATOR (ANSI EXPORT, AUSTRALIAN, CHINA, CE & UK CA SPECS)

ITEM	PART NUMBER	QTY	DESCRIPTION	REV
	1001120138	Ref	BOOM CABLES INSTALLATION - WITH 4000W 50HZ GENERATOR	F
1	1001122396	1	Harness, Main Boom Control (See Separate Breakdown in this Section)	
2	1001179216	1	Transport Switch Cable	
3	1001119393	1	Harness, Jib Enable (See Separate Breakdown in this Section)	
4	1001120108	1	Harness, Jib Boom AC/Generator Power	
4	4460709	1	Plug, Male	
5	1001120111	1	Harness, Main Boom AC/Generator Power	
5	4460710	1	Receptacle, Female	
6	1001120098	1	Harness, Jib Control (See Separate Breakdown in this Section)	
7	1001125666	1	Harness, Platform Dump	
7	4460891	2	Plug, Male - 2 Position	
7	4460942	4	Socket, Female	
8	1001307894	1	Cable, Platform Power A	
9	1001308291	1	Cable, Platform Power B	

SECTION 8 - ELECTRICAL

FIGURE 8-27. BOOM CABLES INSTALLATION - WITH 7500W GENERATOR



ART_1001120139

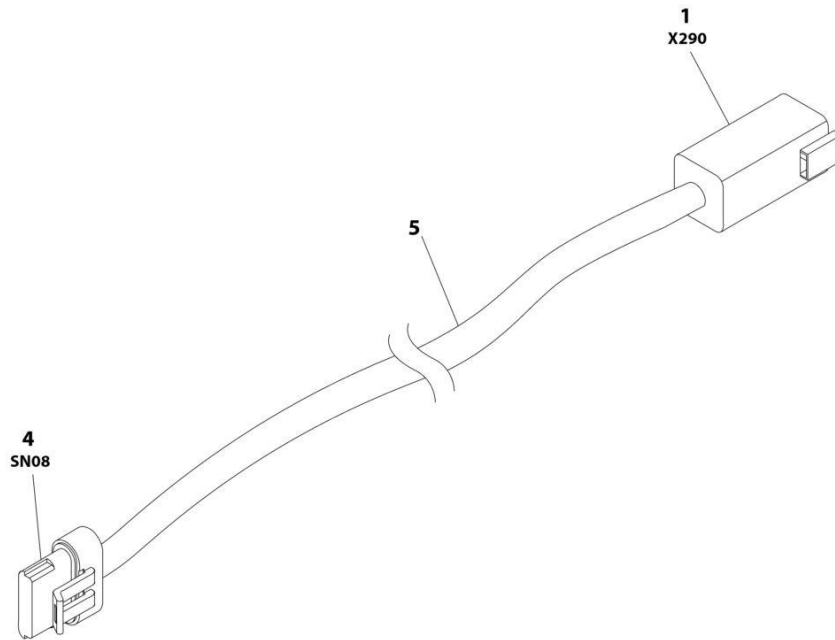
SECTION 8 - ELECTRICAL

FIGURE 8-27. BOOM CABLES INSTALLATION - WITH 7500W GENERATOR

ITEM	PART NUMBER	QTY	DESCRIPTION	REV
	1001120139	Ref	BOOM CABLES INSTALLATION - WITH 7500W GENERATOR	G
3	1001122396	1	Harness, Main Boom Control (See Separate Breakdown in this Section)	
4	1001179216	1	Transport Switch Cable	
5	1001119393	1	Harness, Jib Enable (See Separate Breakdown in this Section)	
6	1001226289	1	Harness, Main Boom AC/Generator Power	
6	1001218623	1	Connector, Female	
7	1001226290	1	Harness, Jib Boom AC/Generator Power	
7	1001218622	1	Plug, Male	
8	1001120098	1	Harness, Jib Control (See Separate Breakdown in this Section)	
9	1001125666	1	Harness, Platform Dump	
9	4460891	2	Plug, Male - 2 Position	
9	4460942	4	Socket, Female	
10	1001307894	1	Cable, Platform Power A	
11	1001308291	1	Cable, Platform Power B	

SECTION 8 - ELECTRICAL

FIGURE 8-28. BOOM CYLINDER ANGLE HARNESS



ART_1001120278

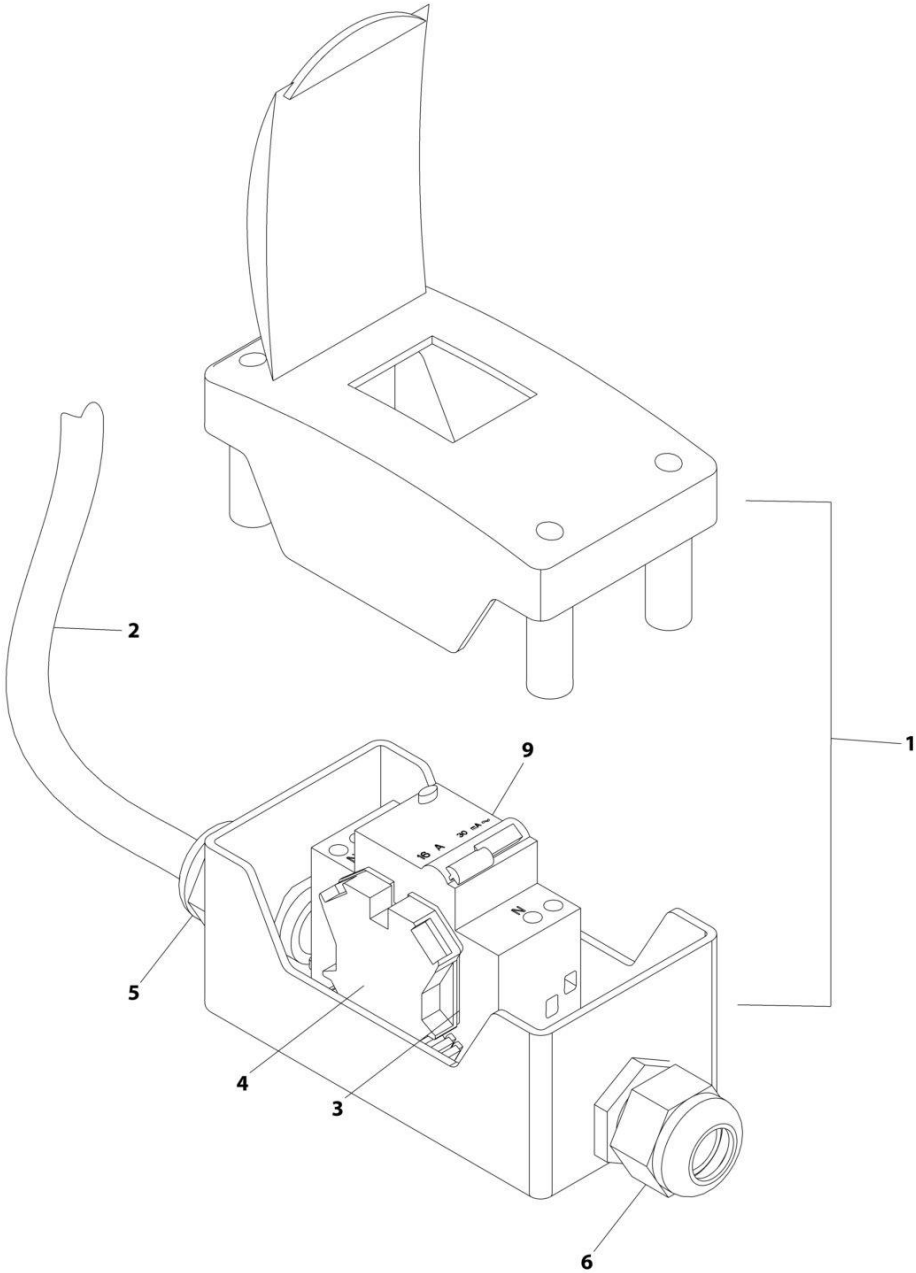
SECTION 8 - ELECTRICAL

FIGURE 8-28. BOOM CYLINDER ANGLE HARNESS

ITEM	PART NUMBER	QTY	DESCRIPTION	REV
	1001120278	Ref	BOOM CYLINDER ANGLE HARNESS	D
1	4460899	1	Connector, Female - 6 Position	
1	4460943	6	Pin, Male 16 Ga	
4	1001230931	1	Plug, Male - 6 Position	
4	1001116748	6	Socket, Female	
5	1060979	10.5 ft/ 4.4m	Cable, Electrical 18/6	

SECTION 8 - ELECTRICAL

FIGURE 8-29. BREAKER BOX KIT - 16 AMP



ART_1001109654

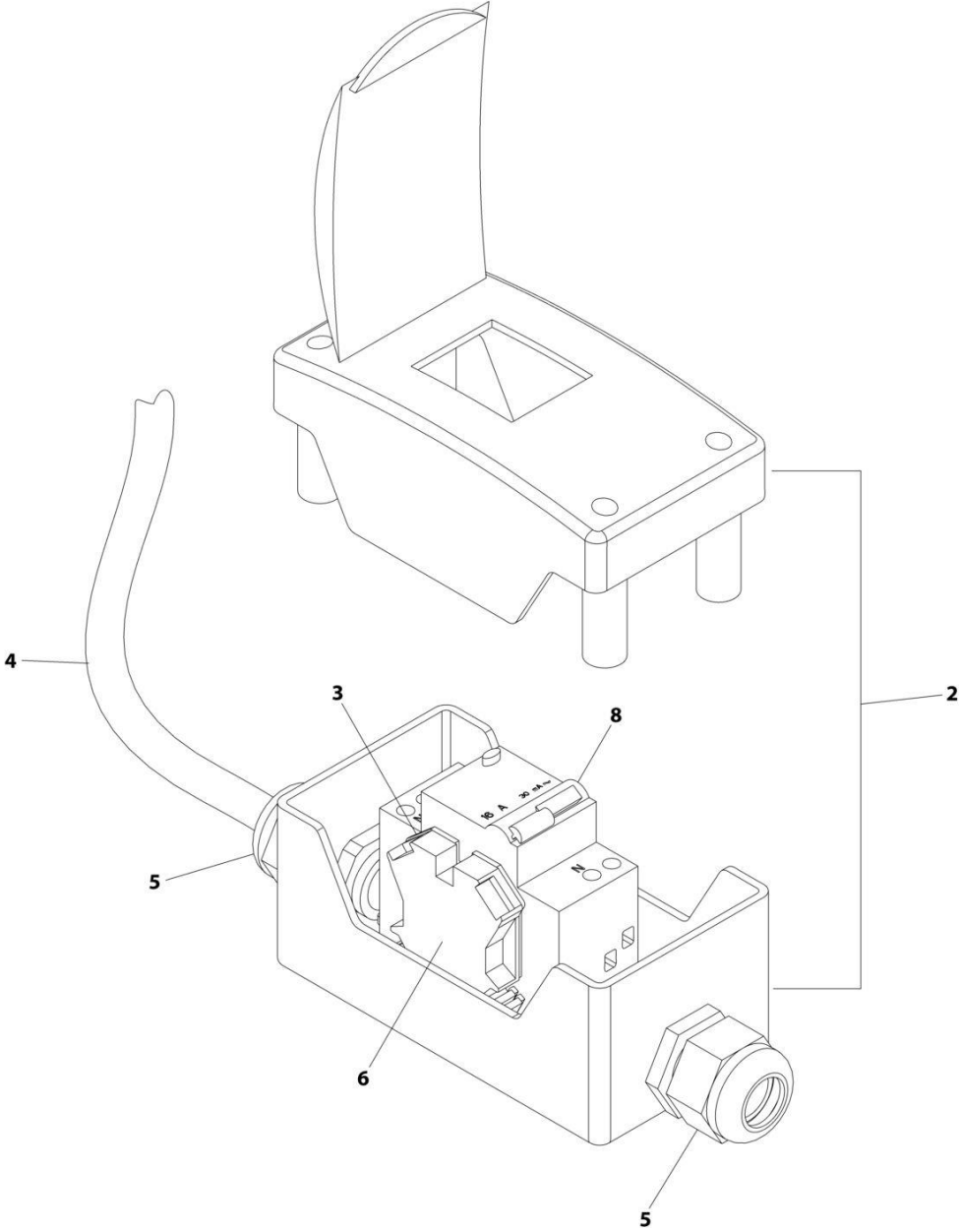
SECTION 8 - ELECTRICAL

FIGURE 8-29. BREAKER BOX KIT - 16 AMP

ITEM	PART NUMBER	QTY	DESCRIPTION	REV
	1001109654	Ref	BREAKER BOX KIT	C
1	0861880	1	Box, Breaker	
2	1060908	12 ft/ 3.6m	Cable 12/3	
3	4460956	1	Barrier, Terminal Block End	
4	4460957	1	Block, Terminal	
5	1001097150	1	Connector, Strain Relief	
6	1001101191	1	Connector, Strain Relief	
9	1001181045	1	Breaker - 30mA/16Amp	
10	1001100231	3	Terminal (Not Shown)	

SECTION 8 - ELECTRICAL

FIGURE 8-30. BREAKER BOX KIT - 16 AMP (4000W GENERATOR)



ART_1001165368_B

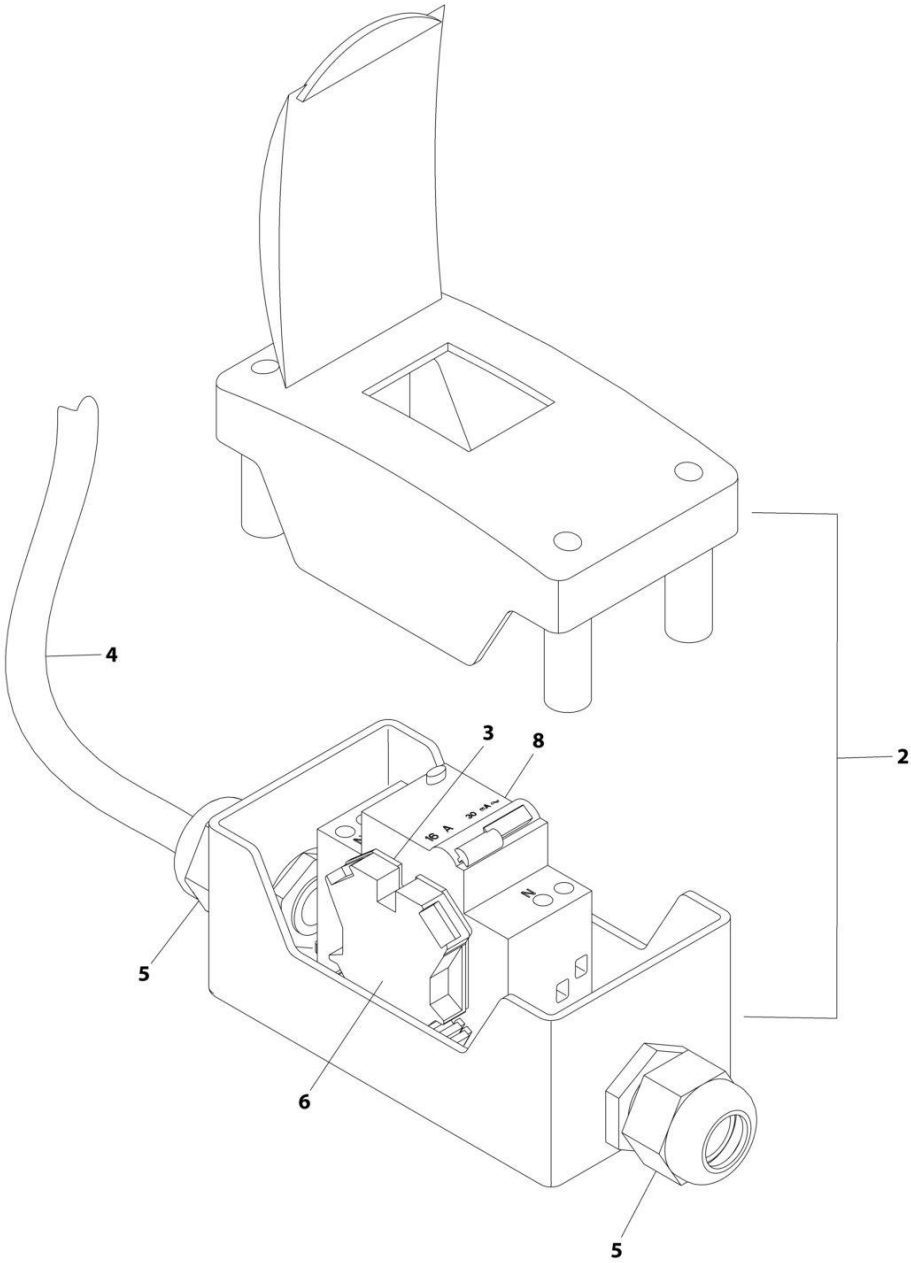
SECTION 8 - ELECTRICAL

FIGURE 8-30. BREAKER BOX KIT - 16 AMP (4000W GENERATOR)

ITEM	PART NUMBER	QTY	DESCRIPTION	REV
	1001165368	Ref	BREAKER BOX KIT	B
2	0861880	1	Box, Circuit Breaker	
3	4460956	1	Barrier, Terminal Block End	
4	1060545	12 ft/ 3.6m	Cable, Electrical 10/3	
5	1001101191	2	Connector, Strain Relief	
6	4460957	1	Block, Terminal	
8	1001181045	1	Breaker 30mA/16Amp	

SECTION 8 - ELECTRICAL

FIGURE 8-31. BREAKER BOX KIT - 16 AMP/30MA



ART_1001096070

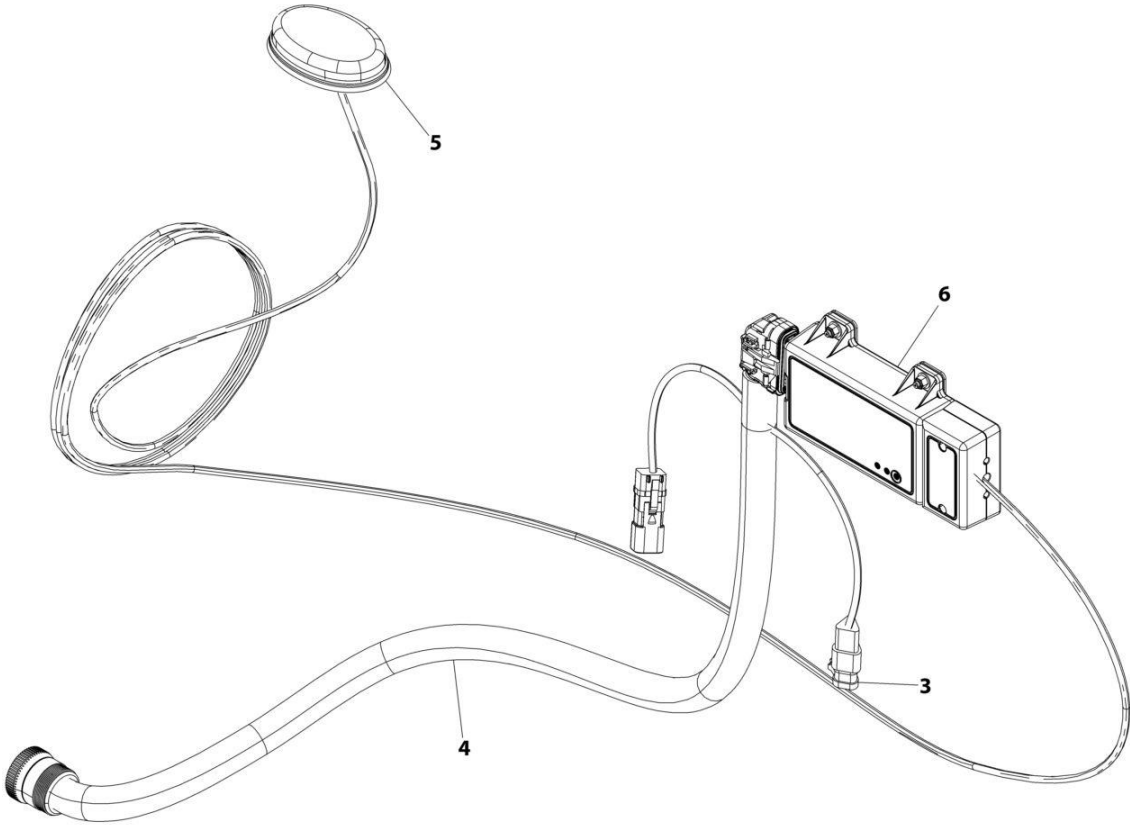
SECTION 8 - ELECTRICAL

FIGURE 8-31. BREAKER BOX KIT - 16 AMP/30MA

ITEM	PART NUMBER	QTY	DESCRIPTION	REV
	1001096070	Ref	BREAKER BOX KIT	E
2	0861880	1	Box	
3	4460956	1	Barrier, Terminal Block End	
4	1060908	12 ft/ 3.6m	Cable, 12/3	
5	1001097150	2	Connector, Strain Relief	
6	4460957	1	Block, Terminal	
8	1001181045	1	Breaker, 16Amp	

SECTION 8 - ELECTRICAL

FIGURE 8-32. CLEARSKY INSTALLATION - 3G CANBUS CONNECTION (ANSI EXPORT, CE & UK CA SPECS)



ART_1001228952

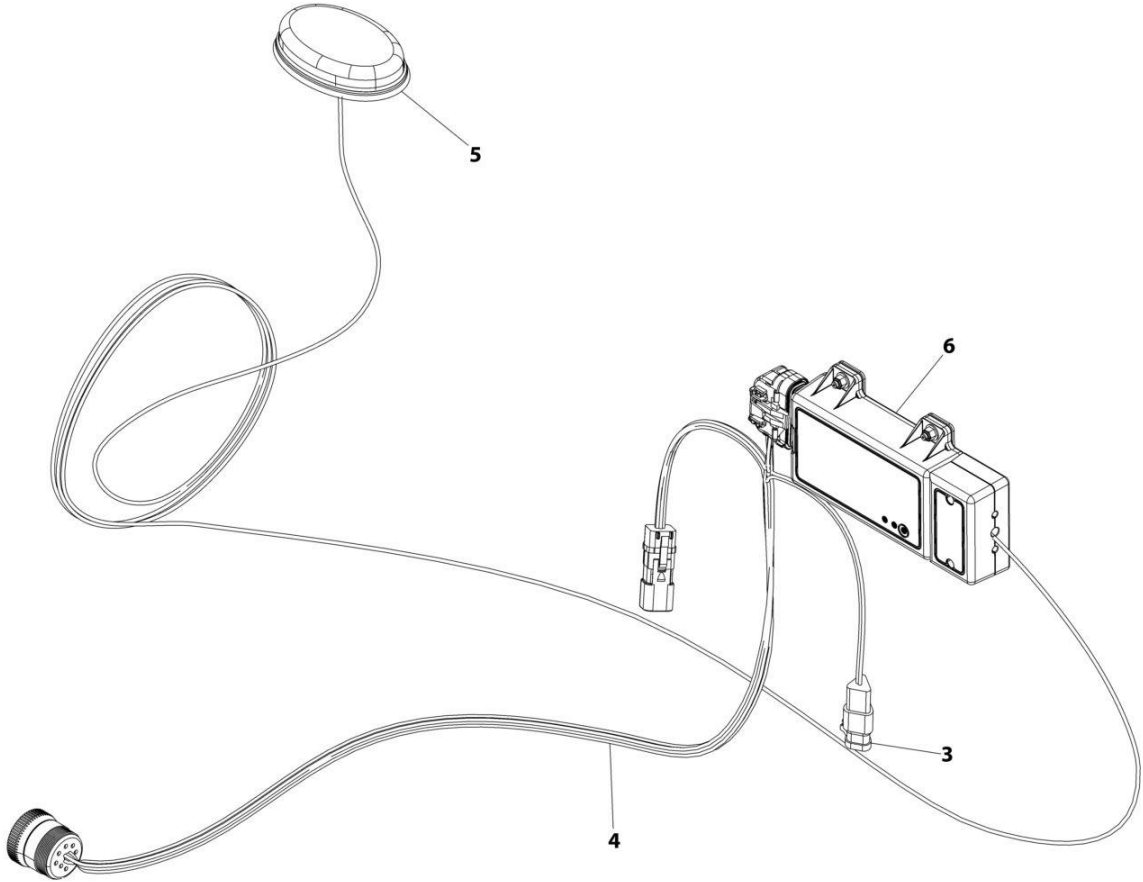
SECTION 8 - ELECTRICAL

FIGURE 8-32. CLEARSKY INSTALLATION - 3G CANBUS CONNECTION (ANSI EXPORT, CE & UK CA SPECS)

ITEM	PART NUMBER	QTY	DESCRIPTION	REV
	1001228952	Ref	CLEARSKY INSTALLATION CANBUS CONNECTION	A
1	4240032	AR	Tie-Strap (Not Shown)	
2	4460234	AR	Strap, Cable -Tie (Not Shown)	
3	1001129408	1	Connector	
4	1001226739	1	ClearSky Harness (See Separate Breakdown in this Section)	
5	1001226799	1	Antenna	
6	1001228954	1	Telematics Control Module (Note: Re-calibration Required when Replaced)	

SECTION 8 - ELECTRICAL

FIGURE 8-33. CLEARSKY INSTALLATION - 3G CANBUS CONNECTION (AUSTRALIAN SPECS)



ART_1001246127

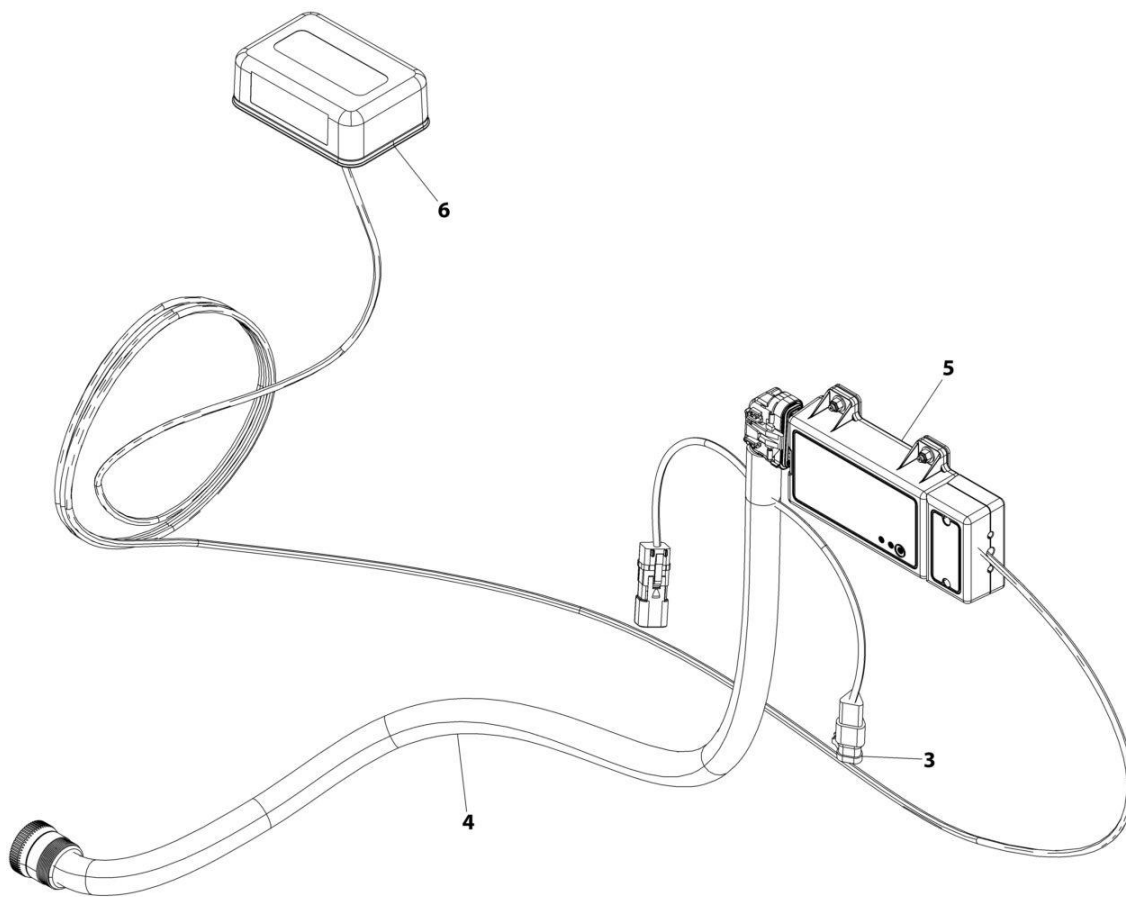
SECTION 8 - ELECTRICAL

FIGURE 8-33. CLEARSKY INSTALLATION - 3G CANBUS CONNECTION (AUSTRALIAN SPECS)

ITEM	PART NUMBER	QTY	DESCRIPTION	REV
	1001246127	Ref	CLEARSKY INSTALLATION CANBUS CONNECTION	A
1	4240032	AR	Tie-Strap (Not Shown)	
2	4460234	AR	Strap, Cable -Tie (Not Shown)	
3	1001129408	1	Connector	
4	1001226739	1	ClearSky Harness (See Separate Breakdown in this Section)	
5	1001226799	1	Antenna	
6	1001246144	1	Telematics Control Module (Note: Re-calibration Required when Replaced)	

SECTION 8 - ELECTRICAL

FIGURE 8-34. CLEARSKY INSTALLATION - 4G CANBUS CONNECTION (ALL SPECS EXCEPT CHINA SPECS)



ART_1001227451

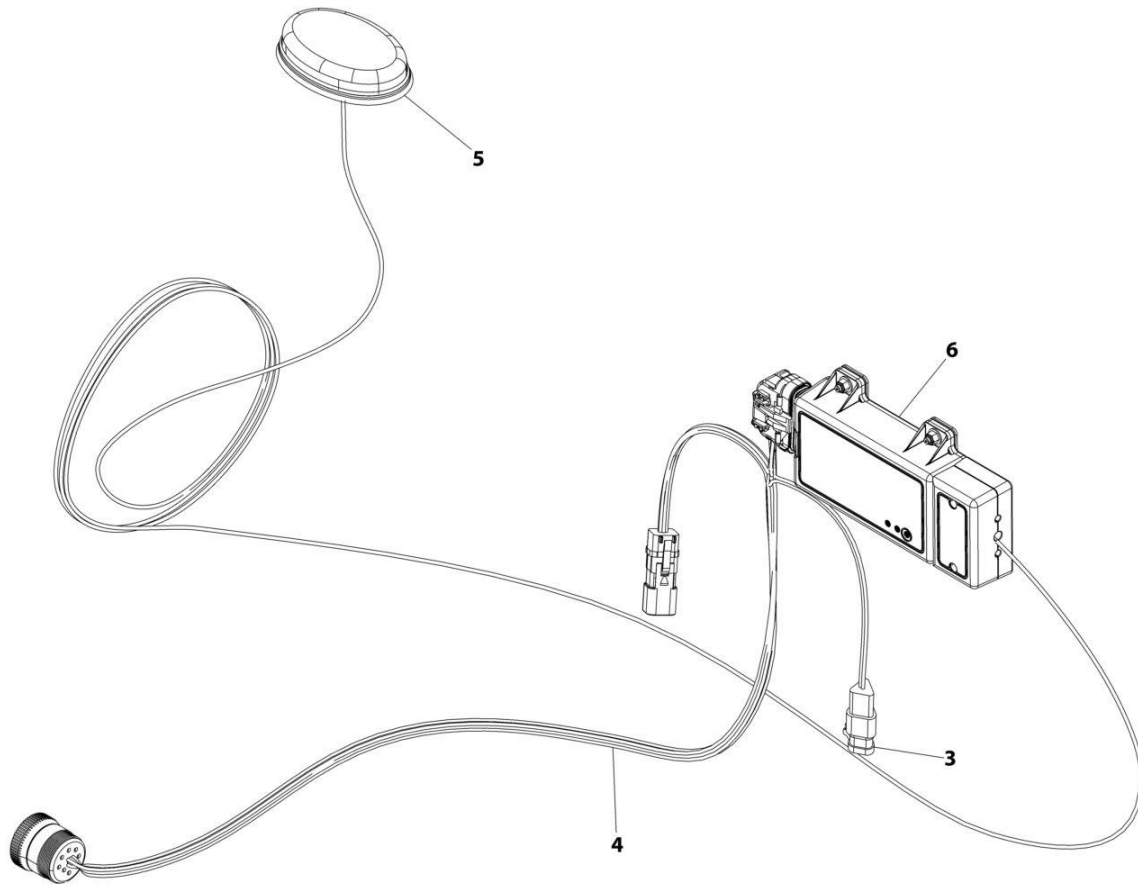
SECTION 8 - ELECTRICAL

FIGURE 8-34. CLEARSKY INSTALLATION - 4G CANBUS CONNECTION (ALL SPECS EXCEPT CHINA SPECS)

ITEM	PART NUMBER	QTY	DESCRIPTION	REV
	1001227451	Ref	CLEARSKY INSTALLATION CANBUS CONNECTION	B
1	4240032	AR	Tie-Strap (Not Shown)	
2	4460234	AR	Strap, Cable -Tie (Not Shown)	
3	1001129408	1	Connector	
4	1001226739	1	ClearSky Harness (See Separate Breakdown in this Section)	
5	1001262322	1	Telematics Control Module (Note: Re-calibration Required when Replaced)	
6	1001262326	1	Antenna	

SECTION 8 - ELECTRICAL

FIGURE 8-35. CLEARSKY INSTALLATION - 4G CANBUS CONNECTION (CHINA SPECS)



ART_1001246128

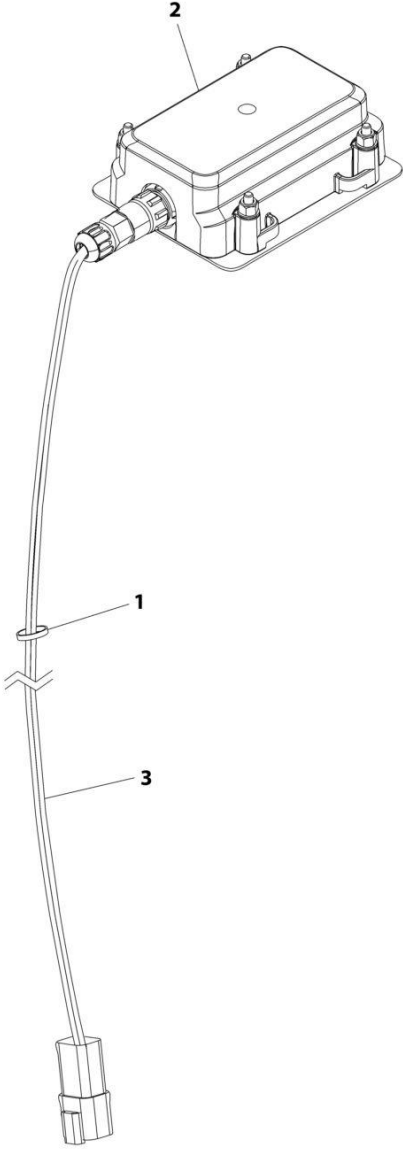
SECTION 8 - ELECTRICAL

FIGURE 8-35. CLEARSKY INSTALLATION - 4G CANBUS CONNECTION (CHINA SPECS)

ITEM	PART NUMBER	QTY	DESCRIPTION	REV
	1001246128	Ref	CLEARSKY INSTALLATION CANBUS CONNECTION	A
1	4240032	AR	Tie-Strap (Not Shown)	
2	4460234	AR	Strap, Cable -Tie (Not Shown)	
3	1001129408	1	Connector	
4	1001226739	1	ClearSky Harness (See Separate Breakdown in this Section)	
5	1001226799	1	Antenna	
6	1001246145	1	Telematics Control Module (Note: Re-calibration Required when Replaced)	

SECTION 8 - ELECTRICAL

FIGURE 8-36. CLEARSKY INSTALLATION 3-WIRE CONNECTION (ALL SPECS EXCEPT CHINA SPECS)



ART_1001276610

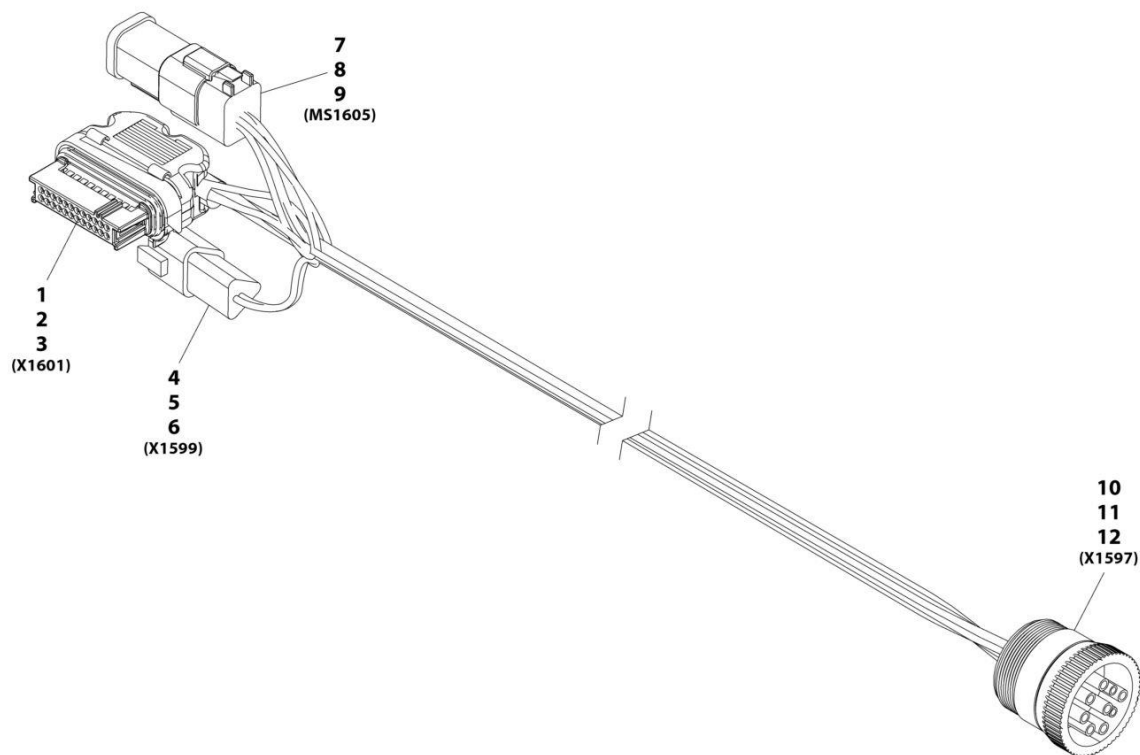
SECTION 8 - ELECTRICAL

FIGURE 8-36. CLEARSKY INSTALLATION 3-WIRE CONNECTION (ALL SPECS EXCEPT CHINA SPECS)

ITEM	PART NUMBER	QTY	DESCRIPTION	REV
	1001276610	Ref	CLEARSKY INSTALLATION 3-WIRE CONNECTION	A
1	4240032	AR	Tie-Strap	
2	1001272659	1	Telematics Control Module Assembly (Note: Re-calibration Required when Replaced)	
3	1001273012	1	ClearSky Harness (See Separate Breakdown in this Section)	

SECTION 8 - ELECTRICAL

FIGURE 8-37. CLEARSKY HARNESS - 3G & 4G CANBUS CONNECTIONS



ART_1001226739-A

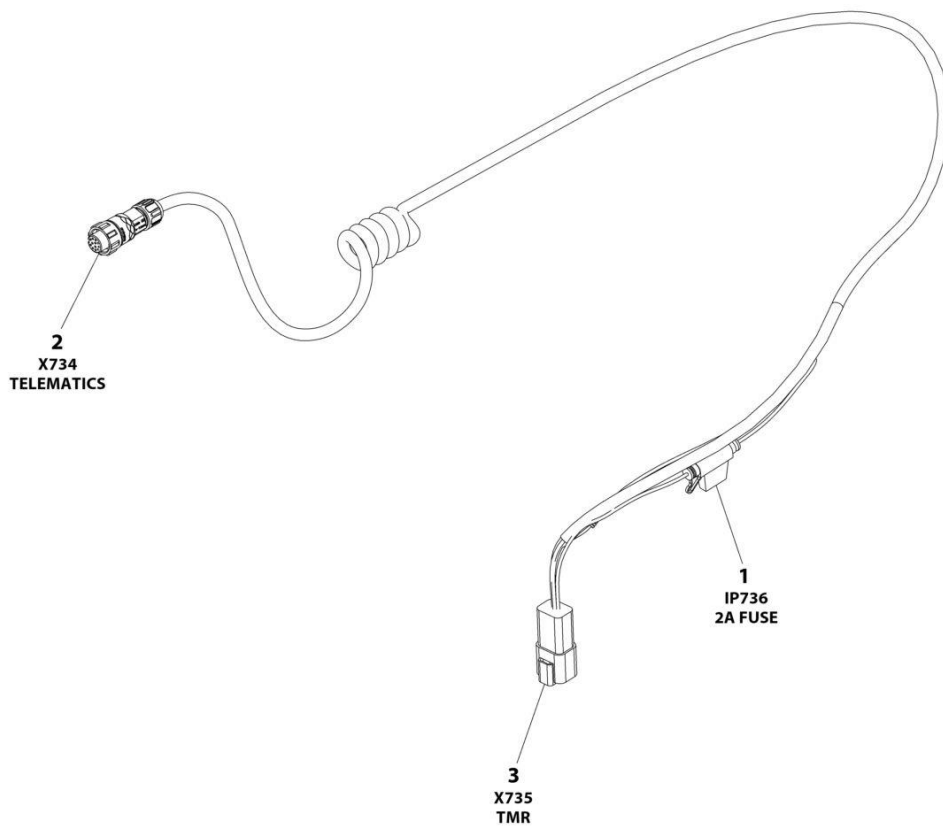
SECTION 8 - ELECTRICAL

FIGURE 8-37. CLEARSKY HARNESS - 3G & 4G CANBUS CONNECTIONS

ITEM	PART NUMBER	QTY	DESCRIPTION	REV
	1001226739	Ref	Clearsky Harness	A
1	1001226636	1	Connector	
2	1001116731	16	Plug, Terminal	
3	1001226637	8	Terminal	
4	1001144147	1	Connector	
5	4460464	2	Terminal	
6	4460466	1	Plug, Terminal	
7	4460894	1	Connector	
8	4460465	6	Terminal	
9	1001226541	1	Connector- 6 Pin Bussbar	
10	1001112796	1	Connector	
11	4460465	8	Terminal	
12	4460466	1	Plug, Terminal	

SECTION 8 - ELECTRICAL

FIGURE 8-38. CLEARSKY HARNESS - 3 WIRE GT1030



ART_1001273012

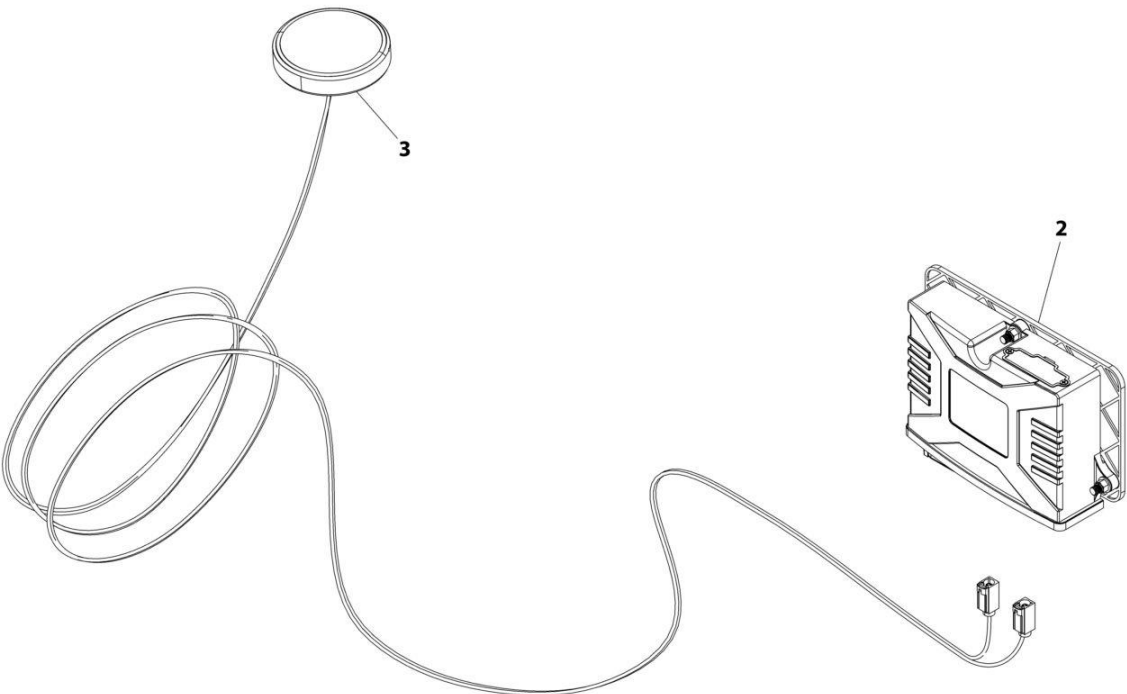
SECTION 8 - ELECTRICAL

FIGURE 8-38. CLEARSKY HARNESS - 3 WIRE GT1030

ITEM	PART NUMBER	QTY	DESCRIPTION	REV
	1001273012	Ref	CLEARSKY TELEMATICS HARNESS - GT1030	D
1	1001255901	1	Fuseholder	
1	1001196634	1	Fuse - 2Amp	
2	1001272997	1	Connector - 12 Position	
2		Ref	Terminal	
3	4460932	1	Receptacle, Female - 4 Position	
3	4460464	4	Pin, Male	

SECTION 8 - ELECTRICAL

FIGURE 8-39. CLEARSKY CONTROL MODULE ASSEMBLY



ART_1001289138

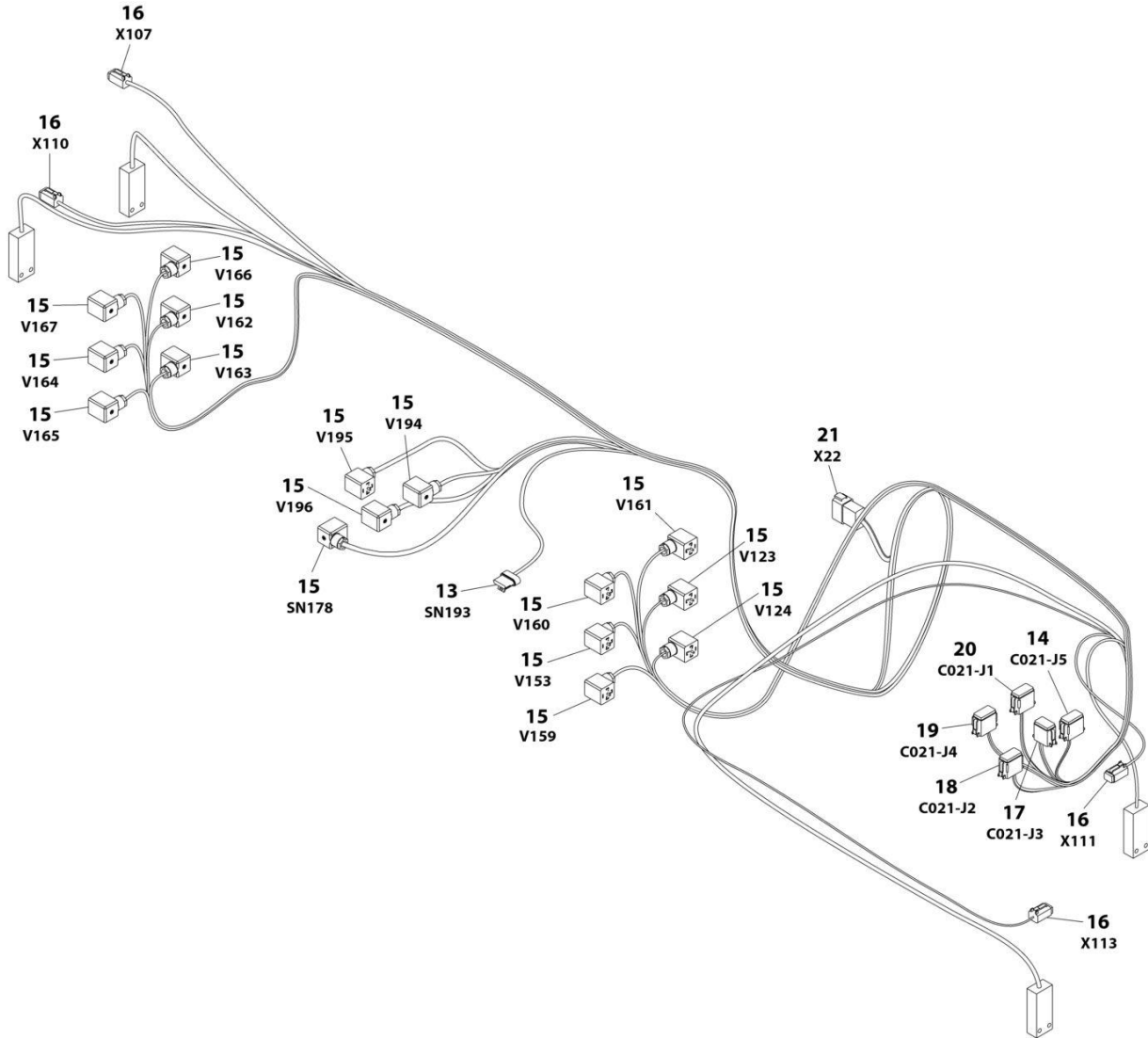
SECTION 8 - ELECTRICAL

FIGURE 8-39. CLEARSKY CONTROL MODULE ASSEMBLY

ITEM	PART NUMBER	QTY	DESCRIPTION	REV
	1001289138	Ref	CLEARSKY CONTROL MODULE ASSEMBLY	A
2	1001289140	1	ClearSky Control Module	
3	1001289199	1	Antenna	

SECTION 8 - ELECTRICAL

FIGURE 8-40. CHASSIS HARNESS



ART_1001119395

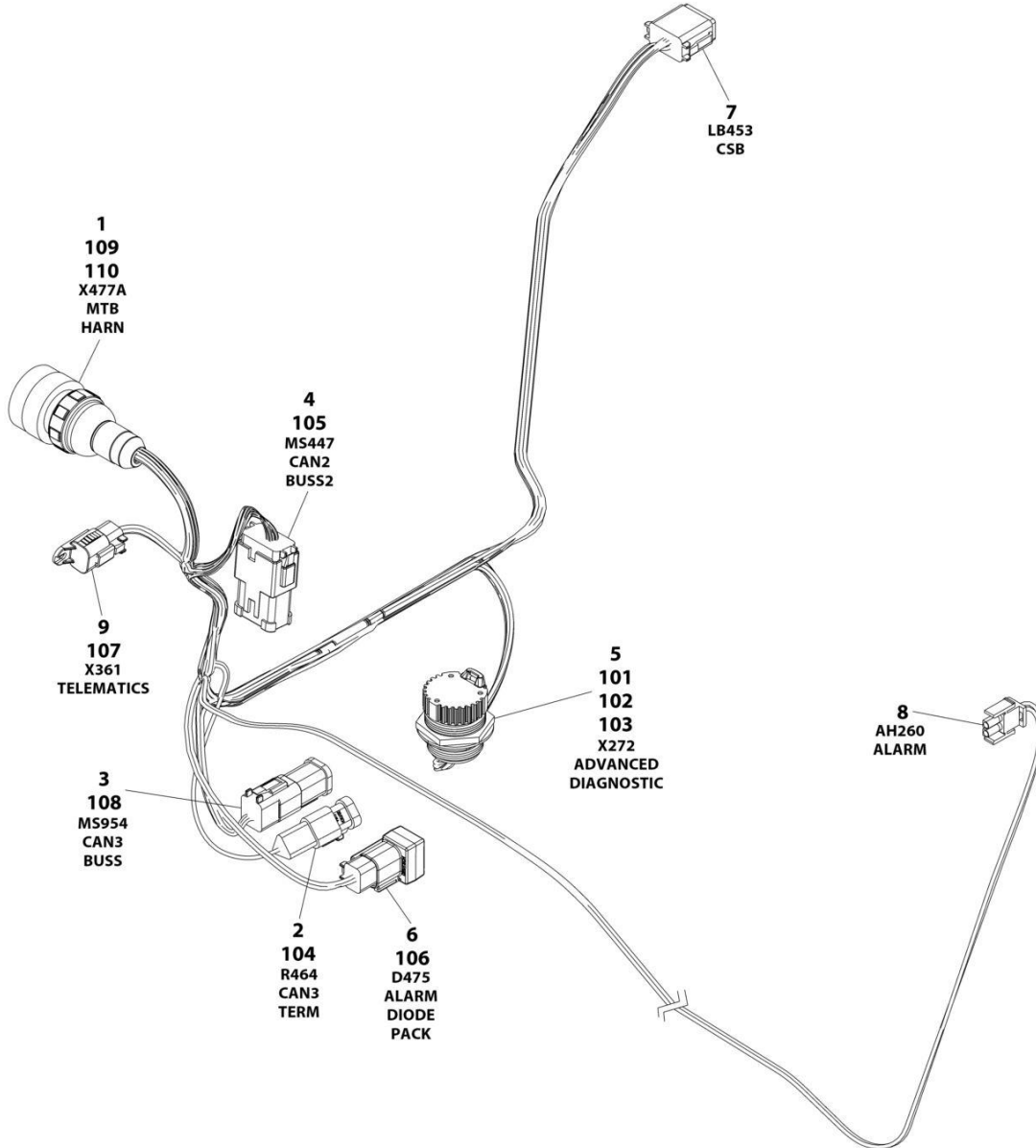
SECTION 8 - ELECTRICAL

FIGURE 8-40. CHASSIS HARNESS

ITEM	PART NUMBER	QTY	DESCRIPTION	REV
	1001119395	Ref	CHASSIS HARNESS ASSEMBLY	C
13	1001230931	1	Plug, Male - 6 Position	
13	1001116748	6	Socket, Female	
14	4460836	1	Plug, Male - 12 Position	
14	4460465	9	Socket, Female 18 Gauge	
15	4460880	16	DIN Connector	
16	4460884	4	Connector, Gray - 4 Position	
16	4460944	16	Socket, Female (Gold)	
17	4460930	1	Connector, Gray - 8 Position	
17	4460465	4	Socket, Female	
18	4460933	1	Connector, Male - 12 Position (Gray)	
18	4460465	4	Socket, Female	
18	4460944	3	Socket, Female (Gold)	
18	4460942	2	Socket, Female	
19	4460934	1	Plug, Male - 12 Position (Green)	
19	4460944	12	Socket, Female (Gold)	
20	4460935	1	Plug, Male - 12 Position (Brown)	
20	4460465	10	Socket, Female 18 Gauge	
21	4460950	1	Connector, Female - 12 Position	
21	4460464	4	Pin, Male	
21	4460943	3	Pin, Male 16 Ga	
21	4460941	2	Pin, Male	

SECTION 8 - ELECTRICAL

FIGURE 8-41. DIAGNOSTIC HARNESS



ART_1001287523

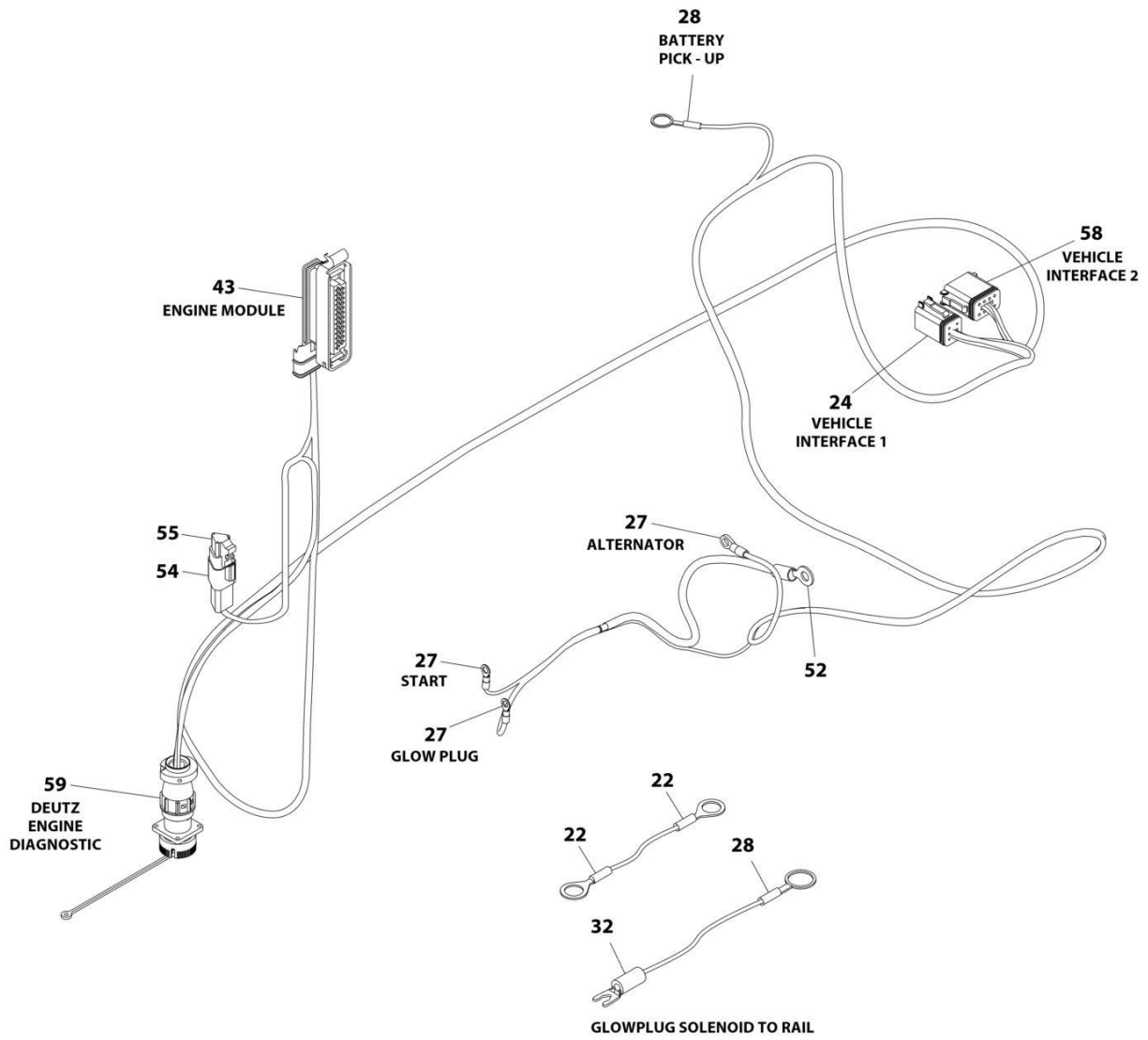
SECTION 8 - ELECTRICAL

FIGURE 8-41. DIAGNOSTIC HARNESS

ITEM	PART NUMBER	QTY	DESCRIPTION	REV
	1001287523	Ref	DIAGNOSTIC HARNESS	A
1	1001109485	1	Connector	
1	4460465	13	Socket	
1	4460466	1	Plug	
2	1001144147	1	Connector	
2	4460464	2	Pin	
2	4460466	1	Plug	
3	4460894	1	Connector	
3	4460465	6	Socket	
4	4460933	1	Connector	
4	4460465	12	Socket	
5	1001112612	1	Connector	
5	4460464	6	Pin	
5	4460466	3	Plug	
6	4460884	1	Connector	
6	4460465	3	Socket	
6	4460466	1	Plug	
7	4460930	1	Connector	
7	4460465	8	Socket	
8	4460320	1	Connector	
8	4460267	2	Pin	
9	4460884	1	Connector	
9	4460465	4	Socket	
101	4460496	1	Washer, Terminal Lock	
102	4460497	1	Nut, Terminal	
103	1001106736	1	Cap, Dust	
104	1001116815	1	Connector, Plug	
105	1001119020	1	Connector, Bussbar	
106	1001152266	1	Connector, Diode	
107	1001192401	1	Cap, Dust	
108	1001226541	1	Connector, Bussbar	
109	1001241590	1	Backshell, Connector	
110	1001241591	1	Nut, Compression	

SECTION 8 - ELECTRICAL

FIGURE 8-42. ENGINE HARNESS - DEUTZ TD2011 ENGINES



ART_1001119470

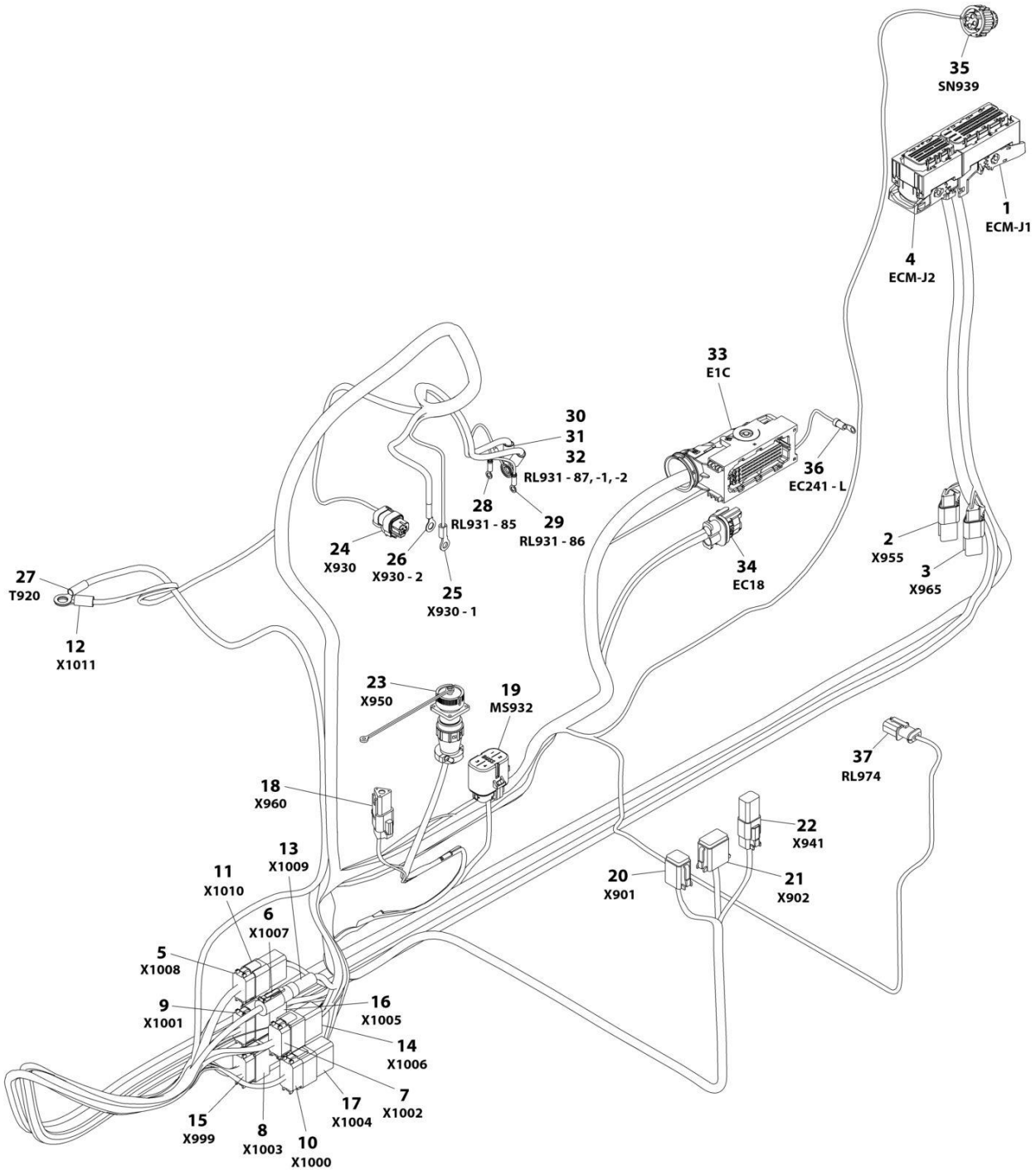
SECTION 8 - ELECTRICAL

FIGURE 8-42. ENGINE HARNESS - DEUTZ TD2011 ENGINES

ITEM	PART NUMBER	QTY	DESCRIPTION	REV
	1001119470	Ref	ENGINE HARNESS - DEUTZ TD2011 ENGINES	B
22	4460702	2	Terminal, Eyelet	
24	4460894	1	Connector - 6 Position	
24	4460465	2	Socket, Female	
24	4460466	1	Plug, Terminal	
24	4460944	3	Socket, Female	
27	4460313	3	Terminal, Eyelet	
28	4460019	2	Terminal, Eyelet	
32	4460315	1	Terminal, Fork	
43	4461052	1	Connector - 25 Position	
43	4461005	5	Terminal	
43	4461006	5	Seal	
43	4461060	2	Terminal (Tin)	
43	4461054	2	Seal, Terminal	
43	4461008	18	Plug, Hole	
43	4461053	1	Cover, Plug	
50	4240032	AR	Tie-Strap (Not Shown)	
51	4240033	AR	Tie-Strap (Not Shown)	
52	4461097	1	Terminal, Eyelet	
54	4461095	1	Connector - 3 Position	
54	4460944	3	Socket, Female	
55	4461070	1	Connector with Resistor (3 Position)	
58	4460930	1	Connector - 8 Position	
58	4460465	2	Socket, Female	
58	4460466	6	Seal, Plug	
59	2902443	1	Kit, Receptacle	
59	4461071	8	Terminal, Female (Gold)	
59	4461072	1	Connector, Flange Mount	
59	4461073	1	Connector, Dust Cap	
59	4461074	1	Connector, Shell	

SECTION 8 - ELECTRICAL

FIGURE 8-43. ENGINE HARNESS - DEUTZ TCD2.9L4 ENGINES



ART_1001138346

SECTION 8 - ELECTRICAL

FIGURE 8-43. ENGINE HARNESS - DEUTZ TCD2.9L4 ENGINES

ITEM	PART NUMBER	QTY	DESCRIPTION	REV
	1001138346	Ref	ENGINE HARNESS - DEUTZ TCD2.9L4 ENGINES AND DEUTZ TCD2.9L4 (STAGE V PRE-BUY) ENGINES	H
1	1001133956	1	Connector (Includes Cover, Locks and Retention Plate)	
1	1001182361	6	Terminal	
1	1001230934	15	Terminal	
1	1001126351	1	Terminal	
1	1001256507	4	Terminal	
1	1001230936	3	Plug, Terminal	
1	1001230935	62	Plug, Terminal	
1	1001126352	6	Terminal	
1	1001126384	19	Terminal	
1	1001126357	3	Plug, Seal	
1	1001126356	65	Plug, Seal	
2	4461070	1	Connector with Resistor (3 Position)	
2	4461095	1	Connector - 3 Position	
2	4460944	2	Socket, Female	
2	4460466	1	Seal, Plug	
3	4461070	1	Connector with Resistor (3 Position)	
3	4461095	1	Connector - 3 Position	
3	4460944	2	Socket, Female	
3	4460466	1	Seal, Plug	
4	1001133957	1	Connector (Includes Cover, Locks and Retention Plate)	
4	1001126351	13	Terminal	
4	1001230934	11	Terminal	
4	1001252527	4	Terminal	
4	1001256507	2	Terminal	
4	1001230935	19	Plug, Terminal	
4	1001230936	11	Plug, Terminal	
5	4460930	1	Connector - 8 Position	
5	4460944	5	Socket, Female (Gold)	
5	4460465	2	Socket, Female	
5	4460466	1	Seal, Plug	
6	1001116707	1	Connector - 1 Position	
6	91143340	1	Terminal	
7	4460935	1	Plug, Brown - 12 Position	
7	4460465	12	Socket, Female	
8	4460970	1	Connector - 12 Position	
8	4460941	12	Pin, Male	
9	4460934	1	Connector, Green - 12 Position	
9	4460465	10	Socket, Female	
9	4460466	2	Seal, Plug	
10	4460836	1	Connector, Black - 12 Position	
10	4460465	8	Socket, Female	
10	4460466	4	Seal, Plug	
11	4460931	1	Connector - 8 Position (Gray)	
11	4460943	5	Pin, Male (Gold)	
11	4460466	3	Plug, Socket	
12	8220164	1	Terminal, Eyelet	
13	1001116967	1	Connector - 1 Position	
13	91143339	1	Terminal	

SECTION 8 - ELECTRICAL

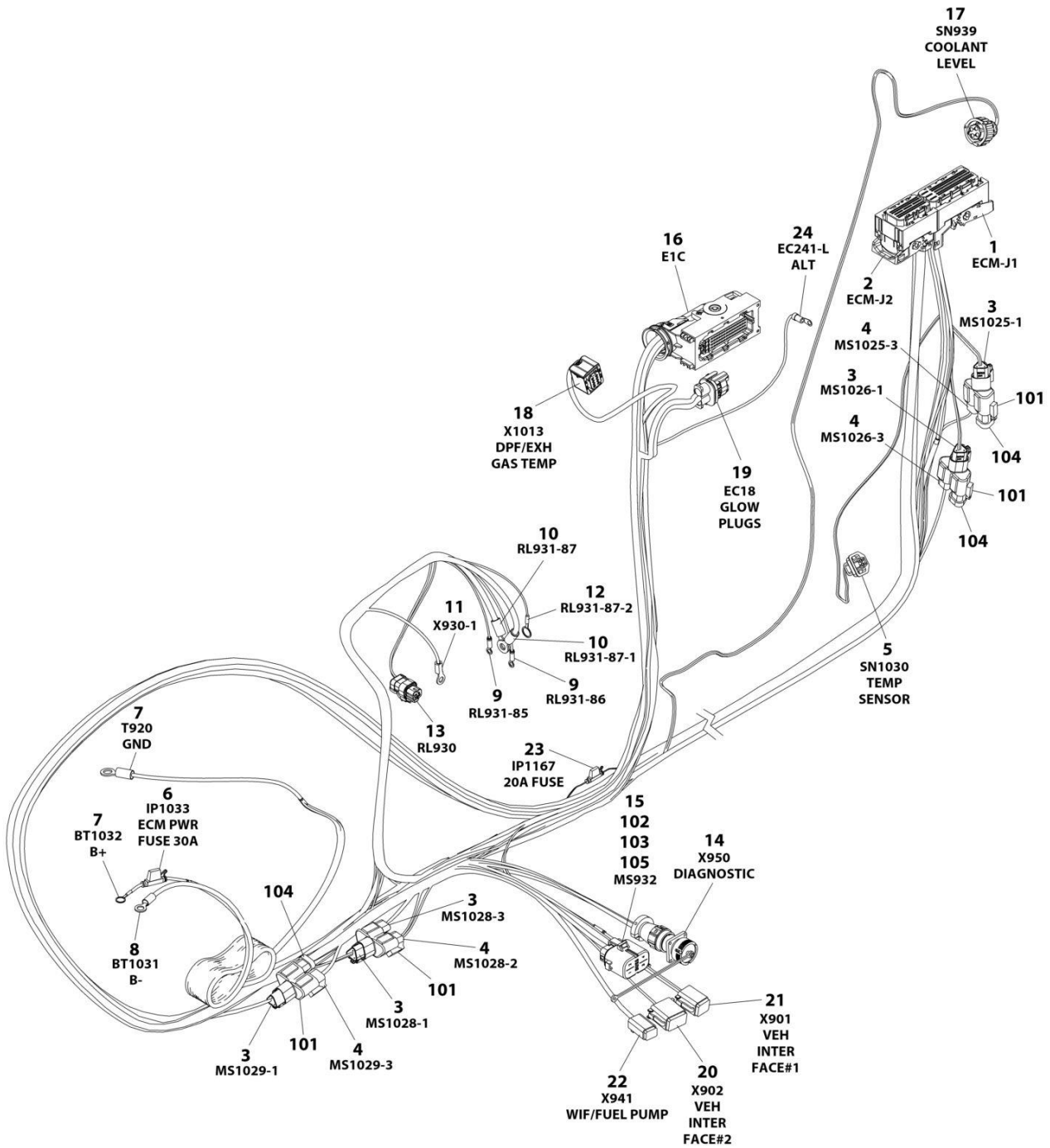
ITEM	PART NUMBER	QTY	DESCRIPTION	REV
14	4460982	1	Connector - 12 Position	
14	4460464	12	Pin, Male	
15	4460933	1	Connector, Gray - 12 Position	
15	4460942	12	Socket, Female	
16	1001152742	1	Connector - 12 Position	
16	4460464	10	Pin, Male	
16	4460466	2	Seal, Plug	
17	4460950	1	Connector - 12 Position	
17	4460464	8	Pin, Male	
17	4460466	4	Plug, Seal	
18	4461070	1	Connector with Resistor (3 Position)	
18	4461095	1	Connector - 3 Position	
18	4460944	2	Socket, Female	
18	4460466	1	Seal, Plug	
19	80484084	1	Connector - 8 Position	
19	8229242	1	Fuse - 5A	
19	80983191	1	Fuse - 10A	
19	1001147264	1	Cap	
19	1001116728	4	Plug	
19	4460458	4	Seal	
20	4460894	1	Connector - 6 Position	
20	4460465	3	Socket, Female	
20	4460944	2	Socket, Female	
20	4460466	1	Seal, Plug	
21	4460930	1	Connector - 8 Position	
21	4460465	1	Socket, Female	
21	4460466	7	Plug, Seal	
22	1001220379	1	Connector - 4 Position	
22	4460465	2	Socket, Female	
22	4460942	2	Socket, Female	
22	4460932	1	Connector - 4 Position	
22	4460466	4	Seal, Plug	
23	2902443	1	Kit, Receptacle	
23	4461071	8	Terminal, Female (Gold)	
23	4461072	1	Connector, Flange Mount	
23	4461073	1	Connector, Dust Cap	
23	4461074	1	Connector, Shell	
24	1001116952	1	Connector - 2 Position	
24	4460465	2	Socket, Female	
25	4460043	1	Terminal, Eyelet	
26	1001117106	1	Terminal, Eyelet	
27	4460019	1	Terminal, Eyelet	
28	4460247	1	Terminal, Eyelet	
29	4460247	1	Terminal, Eyelet	
30	1001117107	1	Terminal, Eyelet	
31	1001117107	1	Terminal, Eyelet	
32	4460703	1	Terminal, Eyelet	
33	1001126362	1	Connector - 62 Position	
33	1001126363	23	Terminal	
33	1001256506	2	Seal	
33	1001126364	21	Seal	

SECTION 8 - ELECTRICAL

ITEM	PART NUMBER	QTY	DESCRIPTION	REV
33	1001126392	10	Terminal	
33	1001223459	10	Seal	
33	1001126365	2	Terminal	
33	4461054	2	Seal	
33	1001126391	22	Plug, Terminal	
33	4461008	4	Plug, Cavity	
34	1001142938	1	Connector - 2 Position	
34	1001142940	2	Terminal, Female	
34	1001142941	2	Seal	
35	1001133714	1	Connector - 4 Position	
35	1001133715	3	Terminal, Female	
35	1001135650	1	Seal	
35	1001135651	1	Plug, Cavity	
36	4460042	1	Terminal, Eyelet	
37	1001138110	1	Connector - 2 Position	
37	1001138111	2	Socket, Female	
37	1001138113	2	Seal	

SECTION 8 - ELECTRICAL

FIGURE 8-44. ENGINE HARNESS - DEUTZ TCD2.9L4 (CHINA IV) ENGINES



ART_1001276646

SECTION 8 - ELECTRICAL

FIGURE 8-44. ENGINE HARNESS - DEUTZ TCD2.9L4 (CHINA IV) ENGINES

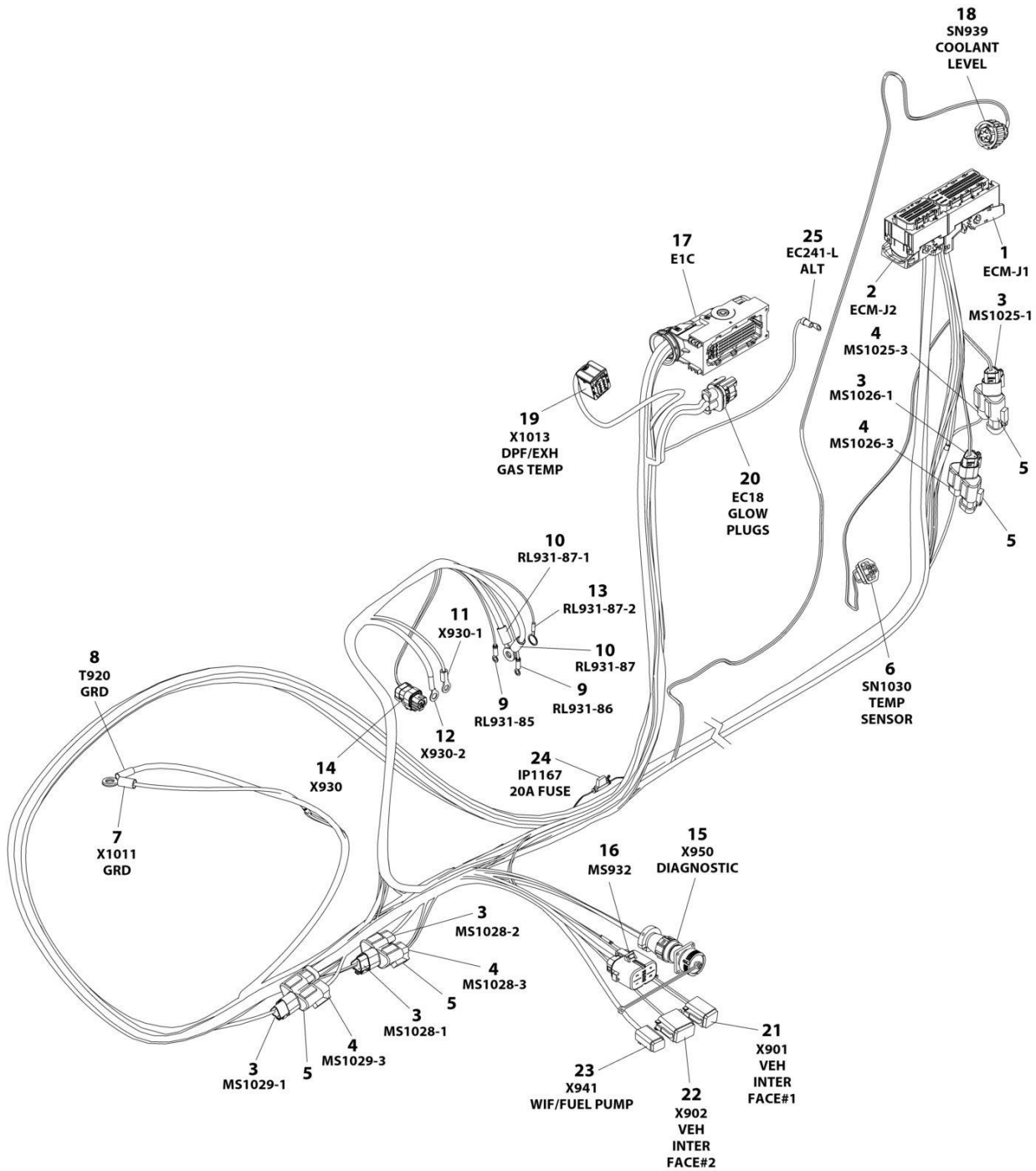
ITEM	PART NUMBER	QTY	DESCRIPTION	REV
	1001276646	Ref	DEUTZ TCD2.9L4 STAGE V ENGINE HARNESS	B
1	1001133956	1	Connector (Includes Cover, Locks and Retention Plate)	
1	1001182361	6	Socket 18 - 15AWG Wire	
1	1001182365	6	Seal	
1	1001230934	23	Socket 0.75 MM2 Wire	
1	1001126351	3	Socket 2.5 - 1.5 MM2 Wire	
1	1001252527	4	Socket 0.85 MM2 Wire	
1	1001230935	57	Plug - Black	
1	1001230936	1	Plug - Natural	
2	1001133957	1	Connector (Includes Cover, Locks and Retention Plate)	
2	1001126351	13	Socket 2.5 - 1.5 MM2 Wire	
2	1001230934	26	Socket 0.75 MM2 Wire	
2	1001230935	10	Plug - Black	
2	1001230936	11	Plug - Natural	
3	1001116812	5	Connector	
3	4460944	10	Socket	
3	4460466	5	Plug	
4	4460539	4	Connector	
4	4460944	8	Socket	
4	4460466	4	Plug	
5	1001126487	1	Connector	
5	1001167635	2	Socket	
5	1001126485	2	Seal	
6	1001172064	1	Fuseholder	
6	1001172065	1	Fuse, 30Amp	
7	4460019	2	Terminal, Eyelet	
8	8220115	1	Terminal, Eyelet	
9	4460247	2	Terminal, Eyelet	
10	1001117107	2	Terminal, Eyelet	
11	4460043	1	Terminal, Eyelet	
12	4460703	1	Terminal, Eyelet	
13	1001116952	1	Connector	
13	4460465	2	Socket	
14	2902443	1	Kit, Receptacle	
14	4461071	8	Socket	
14	4461072	1	Connector	
14	4461073	1	Dust Cap	
14	4461074	1	Shell	
15	80484084	1	Connector	
15	4460748	4	Plug	
15	4460746	3	Socket 1.0 - 0.5 MM2 Wire	
15	1001234800	1	Socket 2.0 - 1.0 MM2 Wire	
15	4460458	4	Seal	
16	1001126362	1	Connector	
16	1001126363	37	Socket 20 - 17AWG	
16	1001126364	37	Seal (Use With 1001126363)	
16	1001126391	7	Plug - White	
16	4461008	4	Plug - Clear	
16	1001126392	12	Socket 16AWG	
16	1001223459	12	Seal (Use With 1001223459)	

SECTION 8 - ELECTRICAL

ITEM	PART NUMBER	QTY	DESCRIPTION	REV
16	1001167632	2	Socket 1.0 - 0.5 MM2 Wire	
16	4461054	2	Seal (Use With 10011676323)	
16	1001151856	1	Backshell	
17	1001133714	1	Connector	
17	1001133715	3	Socket	
17	1001135650	3	Seal	
17	1001135651	1	Plug	
18	1001239202	1	Connector	
18	1001126363	7	Socket	
18	1001126364	7	Seal	
18	1001135651	1	Plug	
19	1001142938	1	Connector	
19	1001142940	2	Socket	
19	1001142941	2	Seal	
20	4460930	1	Connector	
20	4460465	1	Socket	
20	4460466	7	Plug	
21	4460894	1	Connector	
21	4460465	2	Socket - Nickel	
21	4460944	2	Socket - Gold	
21	4460466	2	Plug	
22	4460884	1	Connector	
22	4460465	2	Socket 20 - 16AWG	
22	4460942	2	Socket 16 - 14AWG	
23	1001170764	1	Fuseholder with Cover and 20AMP Fuse	
23	1001197719	1	Resistor 620ohm/5 watt	
24	4460042	1	Terminal, Eyelet	
101	4460945	4	Connector	
102	8229242	1	Fuse, 5Amp	
103	80983191	1	Fuse, 10Amp	
104	1001116815	3	Connector	
105	1001147264	1	Cap	

SECTION 8 - ELECTRICAL

FIGURE 8-45. ENGINE HARNESS - DEUTZ TCD2.9L4 & DEUTZ TCD2.9L4 (STAGE V) ENGINES



ART_1001237285

SECTION 8 - ELECTRICAL

FIGURE 8-45. ENGINE HARNESS - DEUTZ TCD2.9L4 & DEUTZ TCD2.9L4 (STAGE V) ENGINES

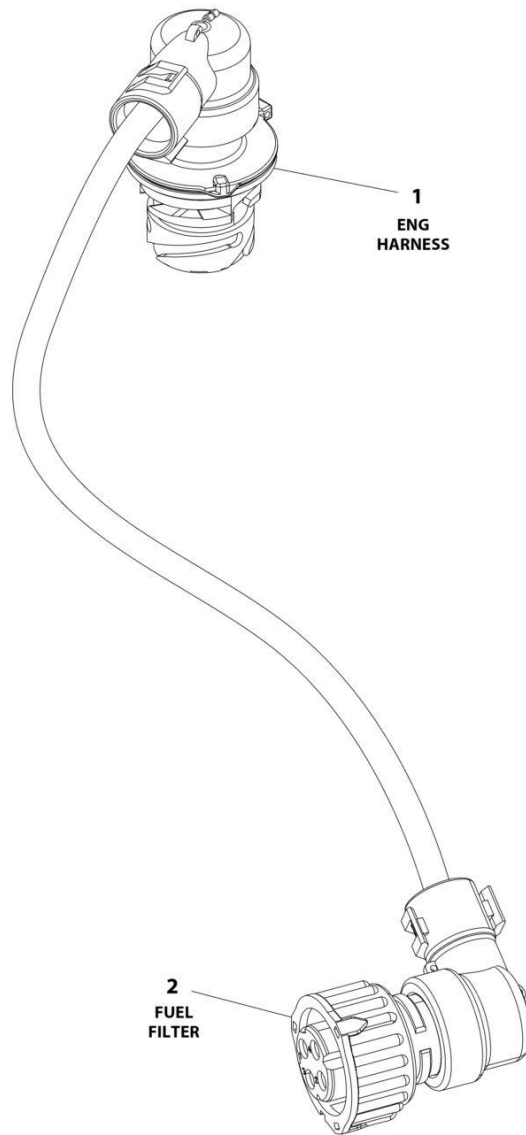
ITEM	PART NUMBER	QTY	DESCRIPTION	REV
	1001237285	Ref	ENGINE HARNESS	G
1	1001133956	1	Connector (Includes Cover, Locks and Retention Plate)	
1	1001182361	6	Terminal	
1	1001230934	25	Terminal	
1	1001126351	3	Terminal	
1	1001252527	4	Terminal	
1	1001230935	55	Plug, Terminal	
1	1001230936	1	Plug, Terminal	
2	1001133957	1	Connector (Includes Cover, Locks and Retention Plate)	
2	1001126351	13	Terminal	
2	1001230934	26	Terminal	
2	1001230935	9	Terminal	
2	1001230936	11	Plug, Terminal	
3	1001116812	5	Plug, Male - 3 Position	
3	4460944	10	Socket, Female	
3	4460466	5	Plug, Terminal	
4	4460539	4	Plug, Male - 3 Position	
4	4460944	8	Socket, Female	
4	4460466	4	Plug, Terminal	
5	4460945	4	Connector - 3 Way	
6	1001126487	1	Connector - 3 Position	
6	1001167635	2	Terminal	
6	1001126485	2	Seal	
7	8220164	1	Terminal, Eyelet	
8	4460019	1	Terminal, Eyelet	
9	4460247	2	Terminal, Eyelet	
10	1001117107	2	Terminal, Eyelet	
11	4460043	1	Terminal, Eyelet	
12	1001117106	1	Terminal, Eyelet	
13	4460703	1	Terminal, Eyelet	
14	1001116952	1	Connector - 2 Position	
14	4460465	2	Socket, Female	
15	2902443	1	Kit, Receptacle	
15	4461071	8	Terminal, Female (Gold)	
15	4461072	1	Connector, Flange Mount	
15	4461073	1	Connector, Dust Cap	
15	4461074	1	Connector, Shell	
16	80484084	1	Connector - 8 Position	
16	4460748	4	Plug, Terminal	
16	4460746	3	Terminal	
16	1001234800	1	Terminal	
16	4460458	4	Seal	
17	1001126362	1	Connector - 62 Position	
17	1001126363	36	Terminal	
17	1001126364	36	Seal	
17	1001126391	7	Plug, Terminal	
17	4461008	4	Plug, Cavity	
17	1001126392	12	Terminal	
17	1001223459	12	Seal	
17	1001167632	2	Terminal	

SECTION 8 - ELECTRICAL

ITEM	PART NUMBER	QTY	DESCRIPTION	REV
17	4461054	2	Seal	
18	1001133714	1	Connector - 4 Position	
18	1001133715	3	Terminal, Female	
18	1001135650	1	Seal	
18	1001135651	1	Plug, Cavity	
19	1001239202	1	Connector - 8 Position	
19	1001126363	7	Terminal	
19	1001126364	7	Seal	
19	1001135651	1	Plug, Terminal	
20	1001142938	1	Connector - 2 Position	
20	1001142940	2	Terminal, Female	
20	1001142941	2	Seal	
21	4460894	1	Connector - 6 Position	
21	4460465	2	Socket, Female	
21	4460944	2	Socket, Female	
21	4460466	2	Seal, Plug	
22	4460930	1	Connector - 8 Position	
22	4460465	1	Socket, Female	
22	4460466	7	Seal, Plug	
23	4460884	1	Connector - 4 Position	
23	4460465	2	Socket, Female	
23	4460942	2	Socket, Female	
24	1001170764	1	Fuseholder with Cover and 20AMP Fuse	
24	1001197719	1	Resistor 620ohm/5 watt	
25	4460042	1	Terminal, Eyelet	

SECTION 8 - ELECTRICAL

FIGURE 8-46. FUEL FILTER HARNESS - DEUTZ TCD2.9L4 ENGINES



ART_1001148843

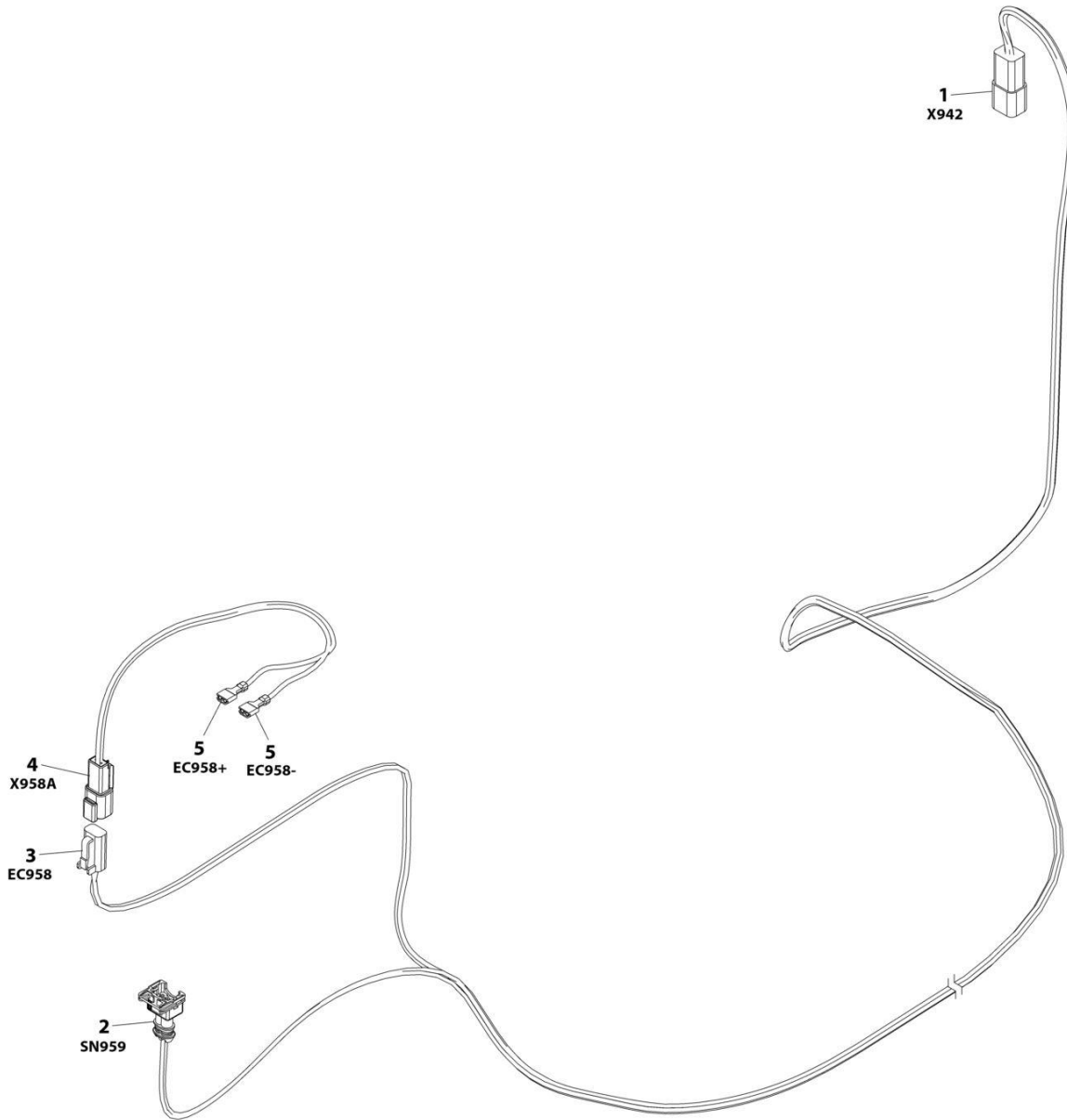
SECTION 8 - ELECTRICAL

FIGURE 8-46. FUEL FILTER HARNESS - DEUTZ TCD2.9L4 ENGINES

ITEM	PART NUMBER	QTY	DESCRIPTION	REV
	1001148843	Ref	FUEL FILTER HARNESS - DEUTZ TCD2.9L4 ENGINES	A
1	1001148842	1	Connector - 4 Position	
1	1001148841	4	Pin, Male	
1	1001135650	4	Seal	
2	1001133714	1	Plug, Male - 4 Position	
2	1001133715	4	Socket, Female	
2	1001135650	4	Seal	

SECTION 8 - ELECTRICAL

FIGURE 8-47. FUEL HARNESS - DEUTZ TCD2.9L4 & DEUTZ TCD2.9L4 (STAGE V PRE-BUY) ENGINES



ART_1001138491

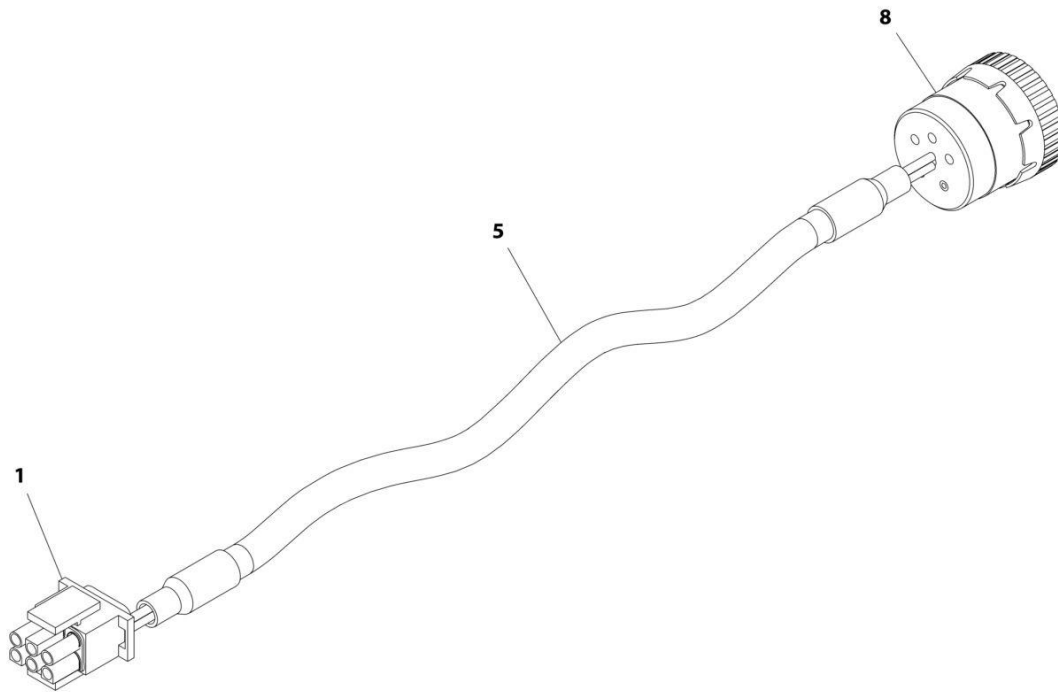
SECTION 8 - ELECTRICAL

FIGURE 8-47. FUEL HARNESS - DEUTZ TCD2.9L4 & DEUTZ TCD2.9L4 (STAGE V PRE-BUY) ENGINES

ITEM	PART NUMBER	QTY	DESCRIPTION	REV
	1001138491	Ref	FUEL PUMP HARNESS	D
1	4460932	1	Receptacle, Female - 4 Position	
1	4460941	2	Pin, Male	
1	4460464	2	Pin, Male	
2	1001116983	1	Plug, Male - 2 Position	
2	1001116710	2	Socket, Female	
2	4461054	2	Seal	
3	4460891	1	Plug, Male - 2 Position	
3	4460942	2	Socket, Female	
4	4460897	1	Connector - 2 Position	
4	4460941	2	Pin, Male	
5	8220051	2	Terminal, Ring	

SECTION 8 - ELECTRICAL

FIGURE 8-48. GENERATOR HARNESS - 4000W GENERATOR



ART_1001152533

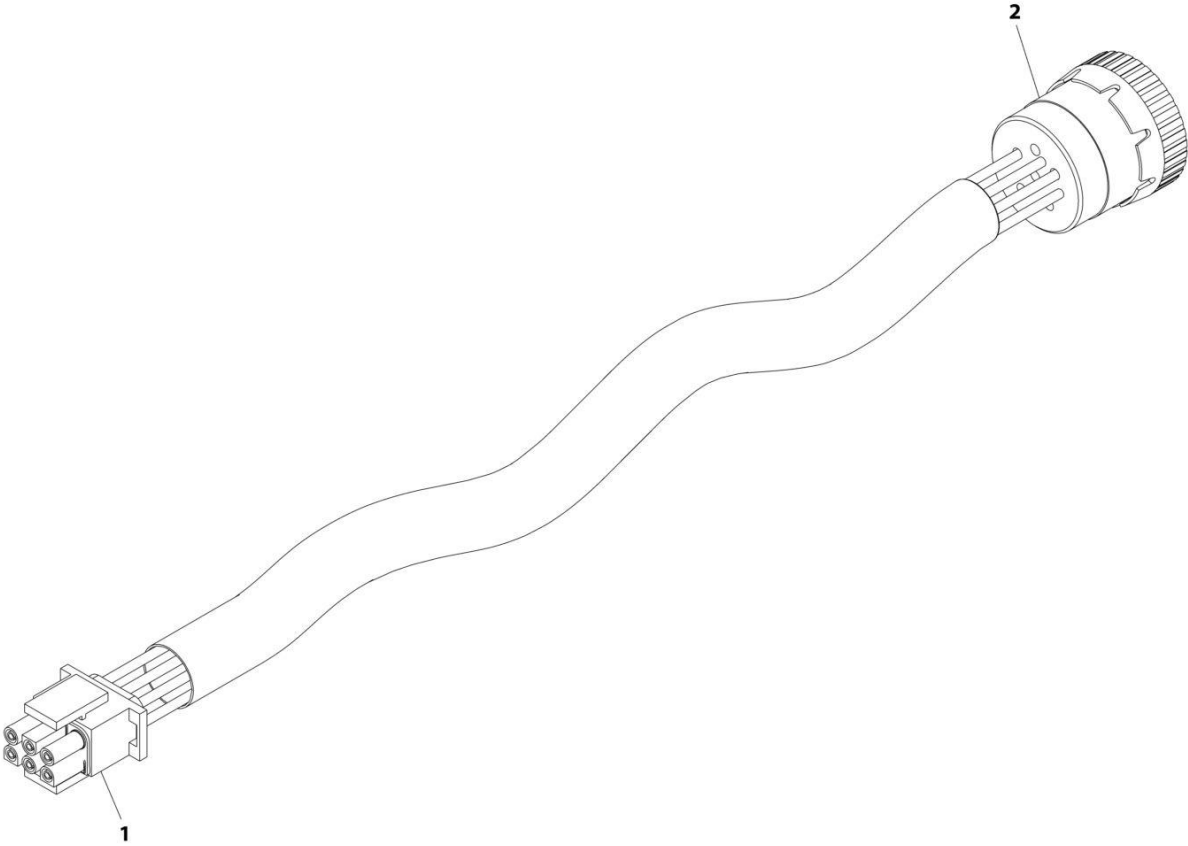
SECTION 8 - ELECTRICAL

FIGURE 8-48. GENERATOR HARNESS - 4000W GENERATOR

ITEM	PART NUMBER	QTY	DESCRIPTION	REV
	1001152533	Ref	GENERATOR HARNESS - 4000W GENERATOR	A
1	4460225	1	Connector - 6 Position	
1	4460268	2	Socket, Female	
1	4460807	1	Seal, Plug	
1	4460808	1	Seal, Plug	
5	1060341	8 ft /2.4m	Cable, 16/2	
8	77363233	1	Connector - 6 Position	
8	4460465	2	Socket, Female	

SECTION 8 - ELECTRICAL

FIGURE 8-49. GENERATOR HARNESS - 7500W GENERATOR



ART_4922972

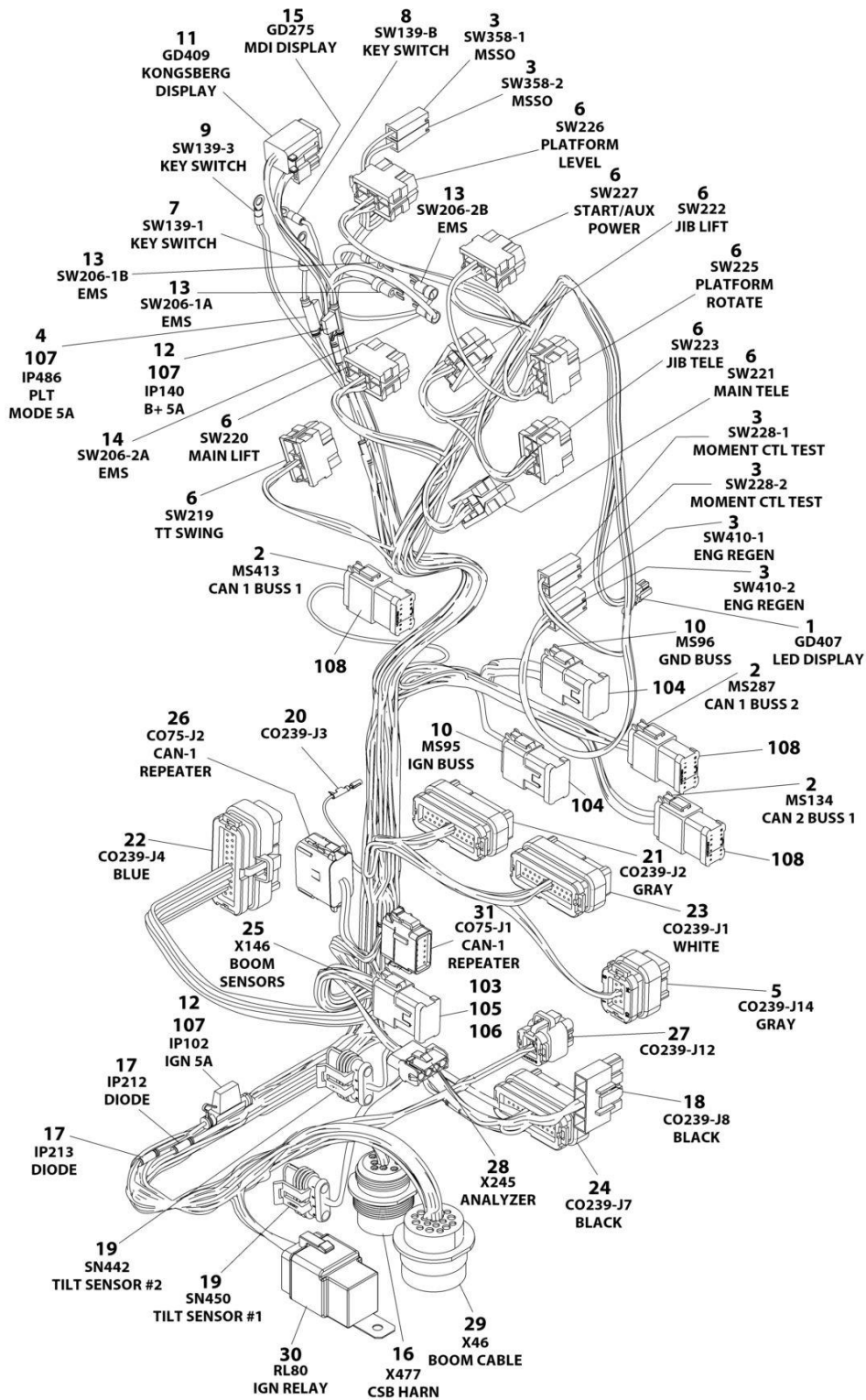
SECTION 8 - ELECTRICAL

FIGURE 8-49. GENERATOR HARNESS - 7500W GENERATOR

ITEM	PART NUMBER	QTY	DESCRIPTION	REV
	4922972	Ref	GENERATOR HARNESS - 7500W GENERATOR	C
1	4460225	1	Connector - 6 Position	
1	4460268	6	Socket, Female	
1	4460807	1	Seal, Plug	
1	4460808	1	Seal, Plug	
2	77363233	1	Connector - 6 Position	
2	4460465	6	Socket, Female	

SECTION 8 - ELECTRICAL

FIGURE 8-50. GROUND CONTROL BOX HARNESS



ART_1001285576

SECTION 8 - ELECTRICAL

FIGURE 8-50. GROUND CONTROL BOX HARNESS

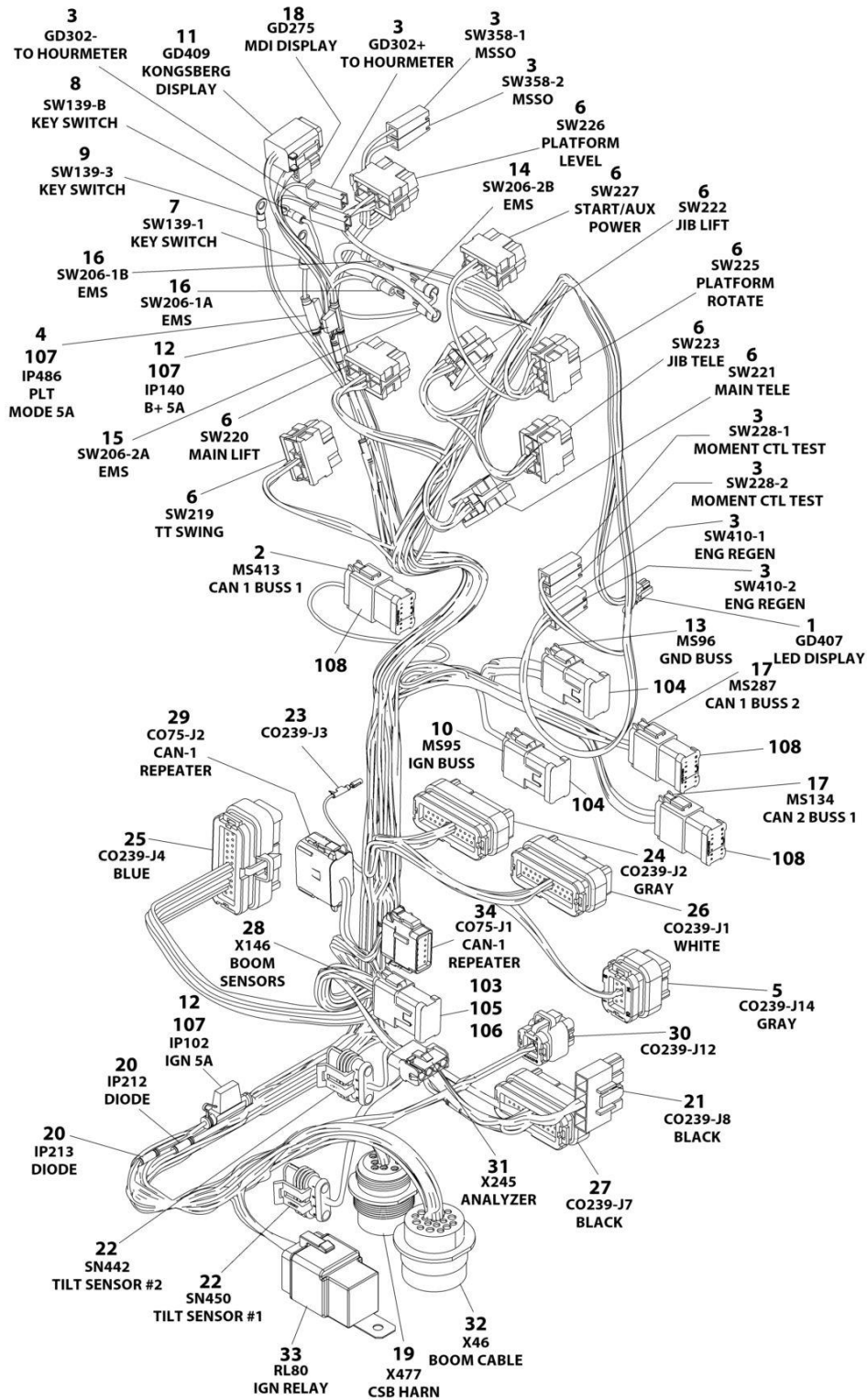
ITEM	PART NUMBER	QTY	DESCRIPTION	REV
	1001285576	Ref	GROUND CONTROL BOX HARNESS	A
1	1001237667	1	Connector	
1	1001237668	5	Socket	
2	4460933	3	Connector	
2	4460465	24	Socket	
2	4460466	6	Plug	
3	4460260	6	Connector	
3	4460259	8	Socket	
4	2400060	1	Fuseholder	
5	1001246859	1	Connector	
5	4460905	8	Plug	
5	4460871	6	Socket	
6	4460418	8	Connector	
6	4460419	32	Socket	
7	4460142	1	Terminal, Ring	
8	4460313	1	Terminal, Ring	
9	4460042	1	Terminal, Ring	
10	4460836	2	Connector	
10	4460465	14	Socket	
10	4460466	2	Plug	
11	4460894	1	Connector	
11	4460465	4	Socket	
11	4460466	2	Plug	
12	2400066	2	Fuseholder	
13	4460806	3	Terminal, Fork	
14	4460144	1	Terminal, Fork	
15	4460868	1	Connector	
15	4460877	4	Socket	
16	1001109484	1	Connector	
16	4460464	6	Pin	
16	4460466	3	Plug	
17	3990001	2	Diode - 3Amp	
18	4460878	1	Connector	
18	4460877	2	Socket	
19	1001103012	2	Connector	
19	1001107854	8	Socket	
19	1001104498	8	Seal	
20	4460871	1	Socket	
21	4460875	1	Connector	
21	4460871	8	Socket	
21	4460905	27	Plug	
22	4460876	1	Connector	
22	4460905	16	Plug	
22	4460871	19	Socket	
23	4460874	1	Connector	
23	4460871	7	Socket	
23	4460905	28	Plug	
24	4460873	1	Connector	
24	4460871	18	Socket	
24	4460905	17	Plug	

SECTION 8 - ELECTRICAL

ITEM	PART NUMBER	QTY	DESCRIPTION	REV
25	4460970	1	Connector	
25	4460464	10	Pin	
25	4460466	2	Plug	
26	1001116808	1	Connector	
26	4460918	3	Socket	
26	4460518	9	Plug	
27	1001113961	1	Connector	
27	4460871	6	Socket	
27	4460905	2	Plug	
28	4460761	1	Connector	
28	4460227	4	Pin	
29	4460866	1	Connector	
29	4460464	11	Pin (20-16Awg)	
29	4460508	4	Pin (14-12Awg)	
29	4460466	4	Plug	
30	1001117025	1	Relay with Connector	
30	3740080	1	Relay, Sealed	
30	4460374	1	Plug	
30	4460375	5	Socket	
31	1001116774	1	Connector	
31	4460928	2	Socket (Nickel)	
31	4460918	2	Socket (Gold)	
31	4460518	8	Plug	
103	4460465	6	Socket (20-16Awg)	
104	4460837	2	Connector - 12 Position	
105	4460933	1	Connector	
106	4460942	4	Socket (16-14Awg)	
107	8229242	3	Fuse 5Amp	
108	1001119020	3	Connector, Bussbar	

SECTION 8 - ELECTRICAL

FIGURE 8-51. GROUND CONTROL BOX HARNESS (R96)



ART_1001299824

SECTION 8 - ELECTRICAL

FIGURE 8-51. GROUND CONTROL BOX HARNESS (R96)

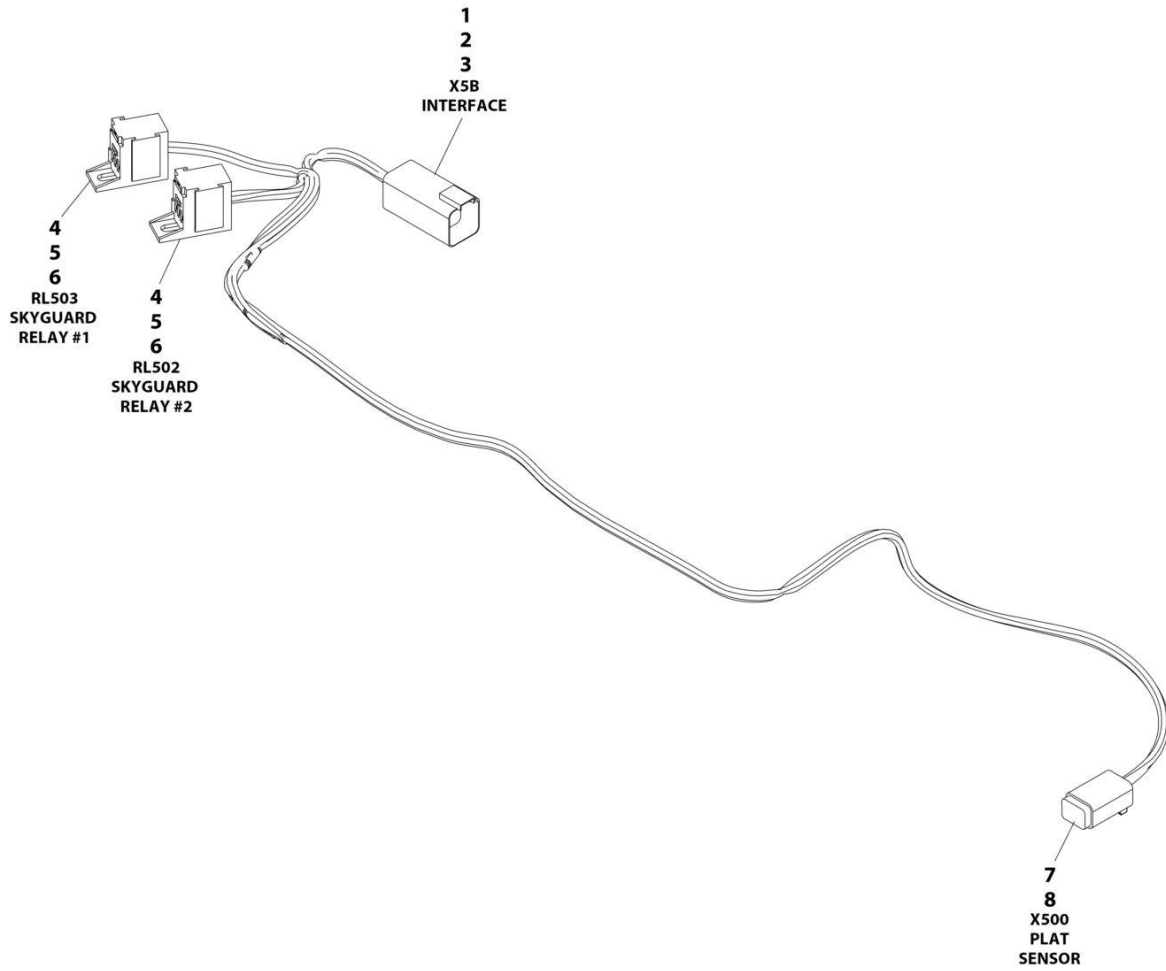
ITEM	PART NUMBER	QTY	DESCRIPTION	REV
	1001299824	Ref	GROUND CONTROL BOX HARNESS	A
1	1001237667	1	Connector	
1	1001237668	5	Socket	
2	4460933	1	Connector	
2	4460465	10	Socket	
2	4460466	2	Plug	
3	4460260	8	Connector	
3	4460259	10	Socket	
4	2400060	1	Fuseholder	
5	1001246859	1	Connector	
5	4460871	6	Socket	
5	4460905	8	Plug	
6	4460418	8	Connector	
6	4460419	32	Socket	
7	4460142	1	Terminal, Ring	
8	4460313	1	Terminal, Ring	
9	4460042	1	Terminal, Ring	
10	4460836	1	Connector	
10	4460465	7	Socket	
10	4460466	1	Plug	
11	4460894	1	Connector	
11	4460465	4	Socket	
11	4460466	2	Plug	
12	2400066	2	Fuseholder	
13	4460836	1	Connector	
13	4460465	7	Socket	
13	4460466	1	Plug	
14	4460183	1	Terminal, Fork	
15	4460144	1	Terminal, Fork	
16	4460806	2	Terminal, Fork	
17	4460933	2	Connector	
17	4460465	14	Socket	
17	4460466	4	Plug	
18	4460868	1	Connector	
18	4460877	4	Socket	
19	1001109484	1	Connector	
19	4460464	13	Pin	
19	4460466	1	Plug	
20	3990001	2	Diode - 3Amp	
21	4460878	1	Connector	
21	4460887	2	Socket	
22	1001103012	2	Connector	
22	1001107854	8	Socket	
22	1001104498	8	Seal	
23	4460871	1	Pin	
24	4460875	1	Connector	
24	4460871	8	Socket	
24	4460905	27	Plug	
25	4460876	1	Connector	
25	4460871	21	Socket	

SECTION 8 - ELECTRICAL

ITEM	PART NUMBER	QTY	DESCRIPTION	REV
25	4460905	14	Plug	
26	4460874	1	Connector	
26	4460871	7	Socket	
26	4460905	17	Plug	
27	4460873	1	Connector	
27	4460871	18	Socket	
27	4460905	17	Plug	
28	4460970	1	Connector	
28	4460464	10	Pin	
28	4460466	2	Plug	
29	1001116808	1	Connector	
29	4460918	3	Socket	
29	4460518	9	Plug	
30	1001113961	1	Connector	
30	4460871	6	Socket	
30	4460905	2	Plug	
31	4460761	1	Connector	
31	4460227	4	Pin	
32	4460866	1	Connector	
32	4460464	11	Pin	
32	4460508	4	Pin	
32	4460466	4	Plug	
33	1001117025	1	Connector	
33	4460375	5	Socket	
34	1001116774	1	Connector	
34	4460918	2	Socket	
34	4460928	2	Socket	
34	4460518	8	Plug	
103	4460465	6	Socket	
104	4460837	2	Connector	
105	4460933	1	Connector	
106	4460942	4	Socket	
107	8229242	3	Fuse 5Amp	
108	1001119020	3	Connector	

SECTION 8 - ELECTRICAL

FIGURE 8-52. INTERFACE HARNESS



ART_1001225580_E

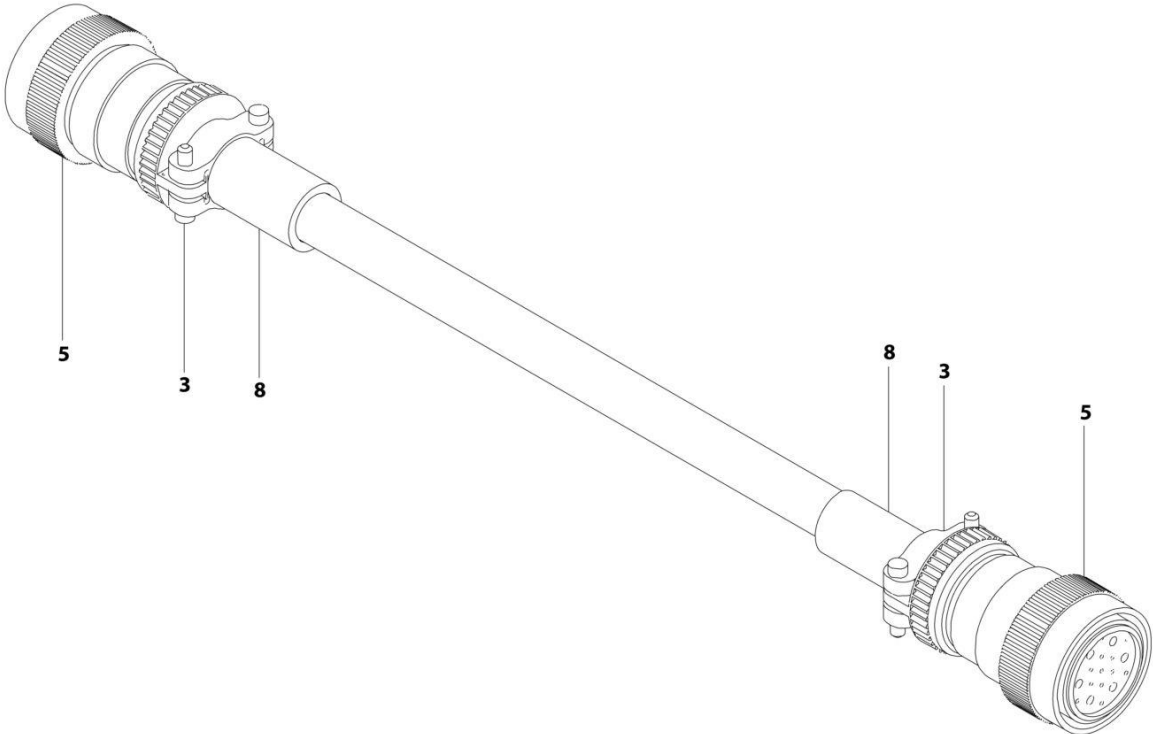
SECTION 8 - ELECTRICAL

FIGURE 8-52. INTERFACE HARNESS

ITEM	PART NUMBER	QTY	DESCRIPTION	REV
	1001225580	Ref	PLATFORM INTERFACE HARNESS - WITH 1 CELL LSS	E
1	4460899	1	Connector	
2	4460464	4	Terminal	
3	4460466	2	Plug	
4	1001186432	2	Connector	
5	1001253375	4	Terminal	
6	1001104519	4	Terminal	
7	4460884	1	Connector	
8	4460465	4	Terminal	

SECTION 8 - ELECTRICAL

FIGURE 8-53. JIB BOOM CONTROL HARNESS



ART_1001120098

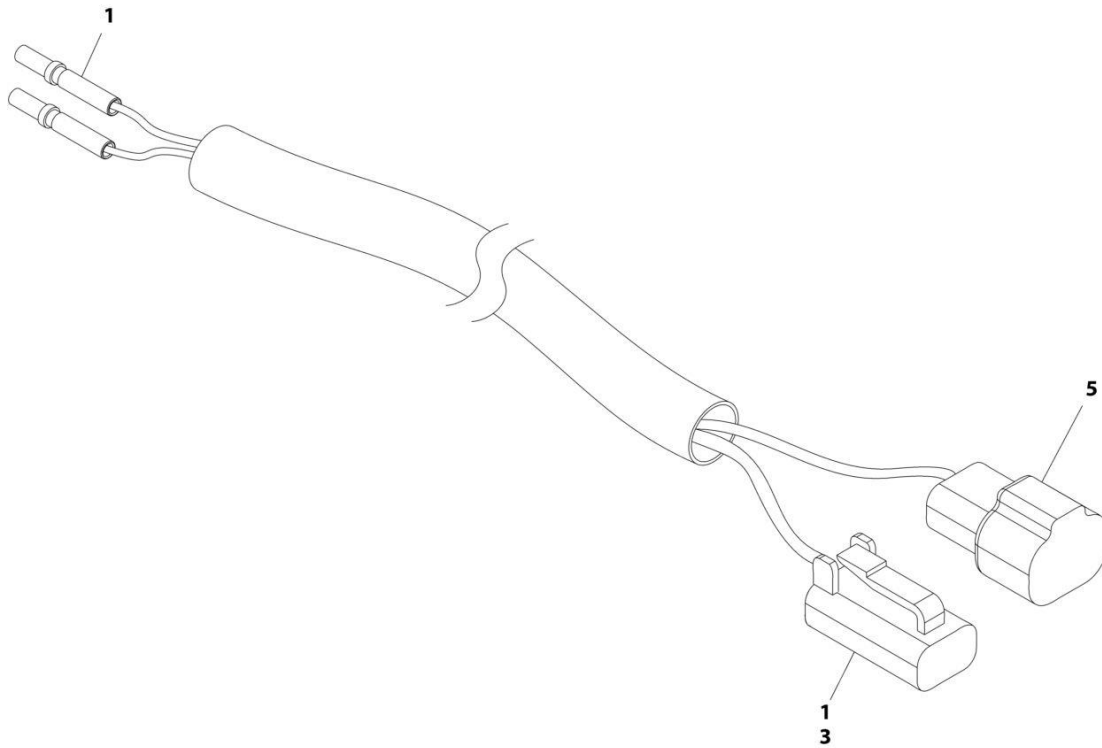
SECTION 8 - ELECTRICAL

FIGURE 8-53. JIB BOOM CONTROL HARNESS

ITEM	PART NUMBER	QTY	DESCRIPTION	REV
	1001120098	Ref	JIB BOOM CONTROL HARNESS	D
3	4460473	2	Clamp	
5	4460865	2	Connector - 19 Position	
5	4460509	8	Socket, Female	
5	4460465	22	Socket, Female	
5	4460466	8	Plug, Socket	
8	1001226400	2	Heat Shrink	

SECTION 8 - ELECTRICAL

FIGURE 8-54. JIB ENABLE HARNESS



ART_100119393

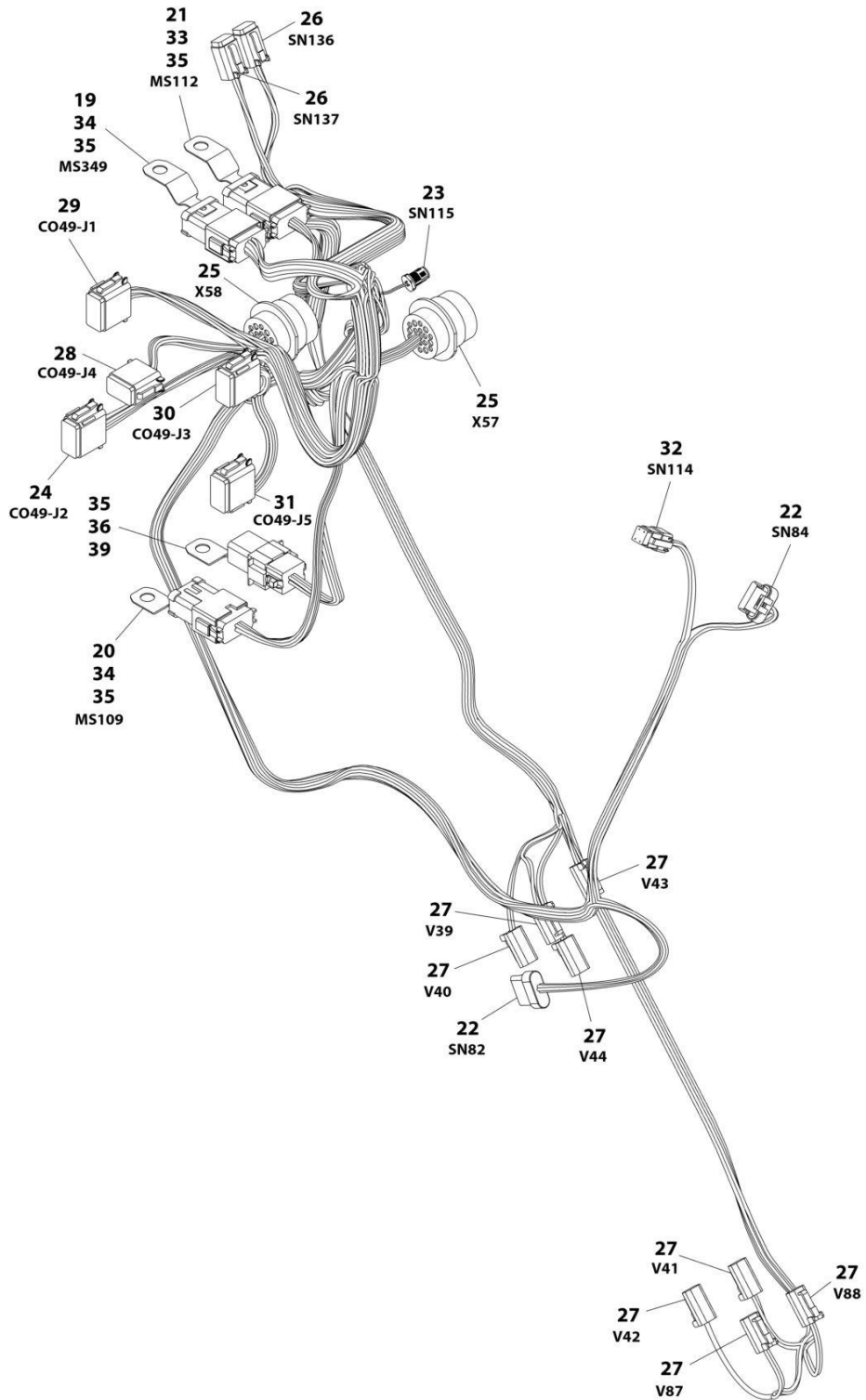
SECTION 8 - ELECTRICAL

FIGURE 8-54. JIB ENABLE HARNESS

ITEM	PART NUMBER	QTY	DESCRIPTION	REV
	1001119393	Ref	JIB ENABLE HARNESS	D
1	4460942	4	Socket, Female	
3	4460891	1	Plug, Male - 2 Position	
3	4460942	2	Socket, Female	
5	4460897	1	Plug, Male - 2 Position (Includes Wedge Lock and Seal)	
5	4460941	2	Pin, Male	

SECTION 8 - ELECTRICAL

FIGURE 8-55. JIB VALVE HARNESS



ART_1001119392

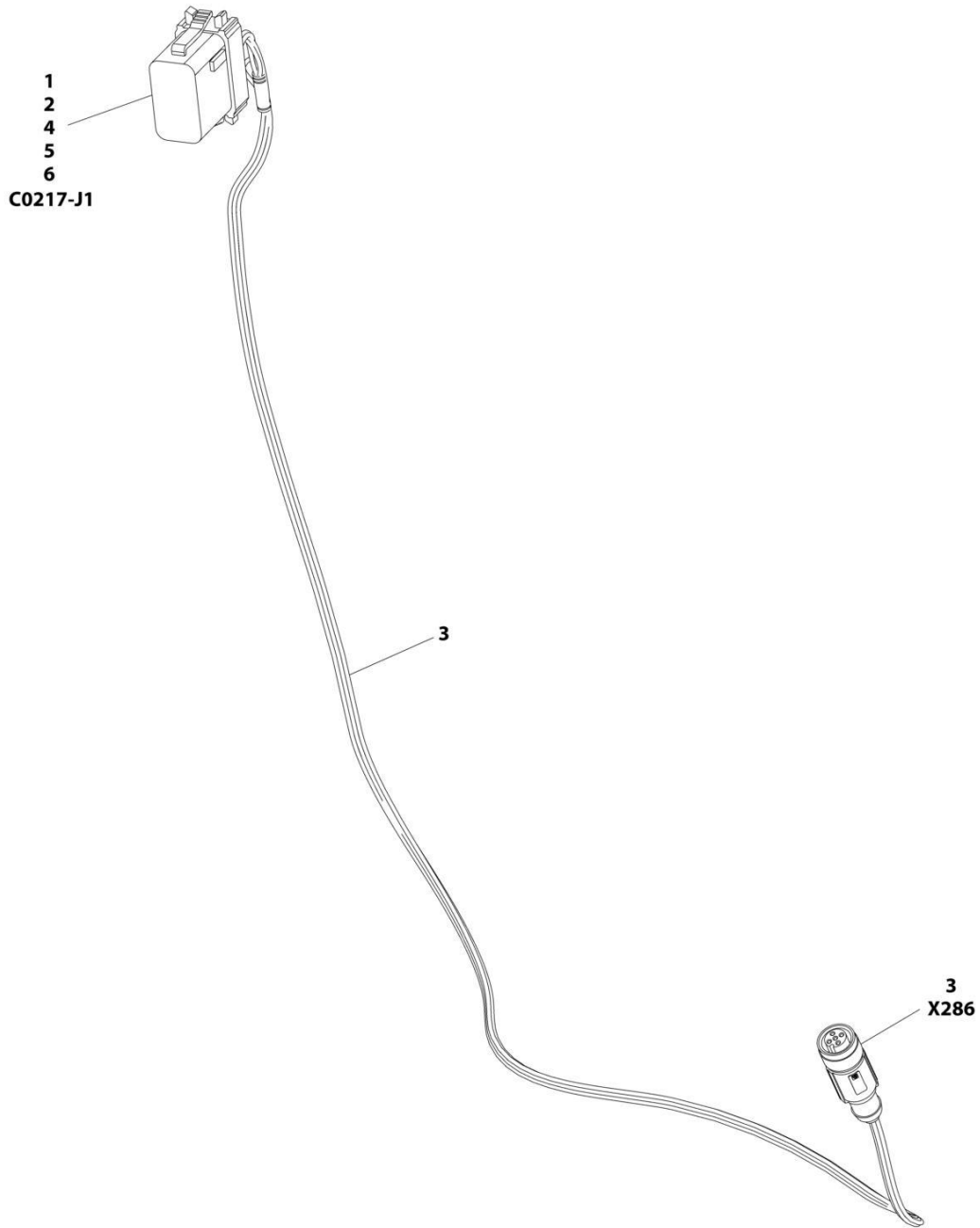
SECTION 8 - ELECTRICAL

FIGURE 8-55. JIB VALVE HARNESS

ITEM	PART NUMBER	QTY	DESCRIPTION	REV
	1001119392	Ref	JIB VALVE HARNESS	K
19	4460933	1	Connector, Male - 12 Position (Gray)	
19	4460465	9	Socket, Female	
20	4460933	1	Connector, Male - 12 Position (Gray)	
20	4460944	8	Socket, Female (Gold)	
21	4460933	1	Connector, Male - 12 Position (Gray)	
21	4460465	2	Socket, Female	
21	4460942	2	Socket, Female	
21	1001157890	8	Socket, Female	
22	1001230931	2	Plug, Male - 6 Position	
22	1001116748	12	Socket, Female	
23	1001120055	1	Connector - 5 Position with Leads	
24	4460836	1	Connector - 12 Position	
24	4460465	9	Socket, Female	
25	4460866	2	Connector - 19 Position	
25	4460464	20	Pin, Male	
25	4460508	8	Pin, Male Deutsch 12 Ga	
26	4460884	2	Connector, Gray - 4 Position	
26	4460465	8	Socket, Female	
27	4460891	8	Plug, Male - 2 Position	
27	4460465	16	Socket, Female	
28	4460930	1	Connector - 8 Position (Gray)	
28	4460465	6	Socket, Female	
29	4460933	1	Connector, Male - 12 Position (Gray)	
29	4460465	7	Socket, Female	
29	4460942	2	Socket, Female	
30	4460934	1	Plug, Male - 12 Position (Green)	
30	4460465	12	Socket, Female	
31	4460935	1	Plug, Male - 12 Position (Brown)	
31	4460465	7	Socket, Female 18 Gauge	
32	4461077	1	Plug, Male - 4 Position	
32	1001126008	4	Socket, Female	
33	1001125677	1	Connector - 12 Position Buss Bar	
34	1001119020	2	Connector - 12 Position Buss Bar	
35	1001120328	4	Mount, Deutsch	
36	4460852	1	Connector - 8 Position Buss Bar	
39	4460851	1	Plug, Male - 8 Position	
39	4460465	7	Socket, Female 18 Gauge	

SECTION 8 - ELECTRICAL

FIGURE 8-56. LCD DISPLAY HARNESS



ART_1001220482

SECTION 8 - ELECTRICAL

FIGURE 8-56. LCD DISPLAY HARNESS

ITEM	PART NUMBER	QTY	DESCRIPTION	REV
	1001220482	Ref	LCD DISPLAY HARNESS	A
1	4460465	3	Socket, Female	
2	4460944	2	Socket, Female (Gold)	
3	1001125295	1	Connector with Cable	
4	1001176333	1	Connector - 12 Position	
5	4460466	13	Plug, Seal	
6	2820171	3	Tube, Heat Shrink	

SECTION 8 - ELECTRICAL

FIGURE 8-57. LOAD SENSING PIN HARNESS



ART_4923256

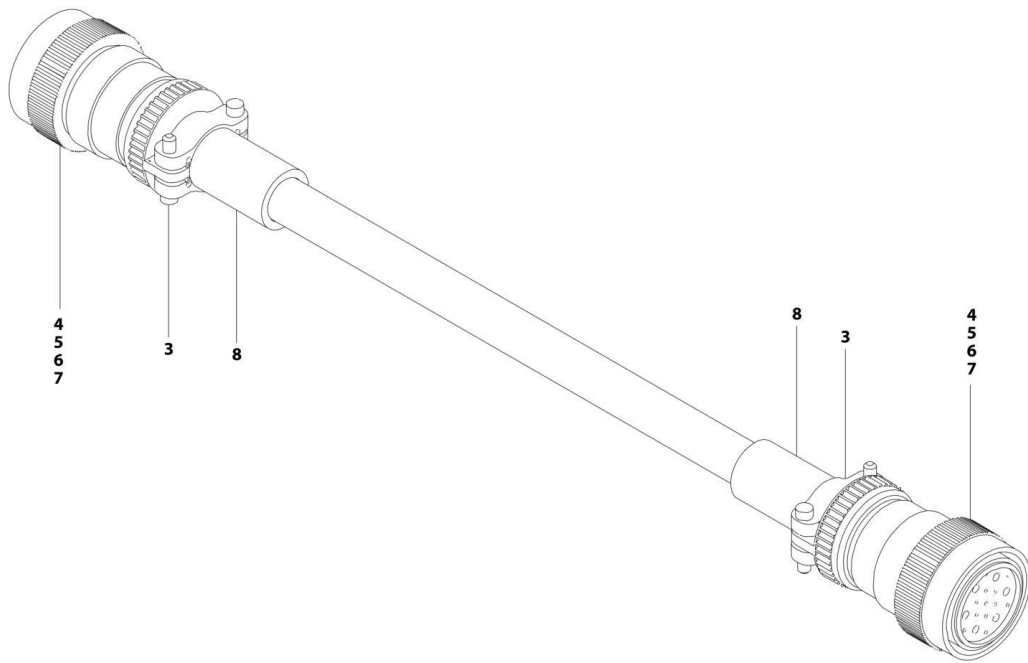
SECTION 8 - ELECTRICAL

FIGURE 8-57. LOAD SENSING PIN HARNESS

ITEM	PART NUMBER	QTY	DESCRIPTION	REV
	4923256	Ref	LOAD SENSING PIN HARNESS	C
1	4460930	1	Connector - 8 Position (Gray)	
1	4460465	4	Socket, Female	
1	4460466	3	Plug, Sealing	
2	See Note	NSS	Connector - 4 Position (Note: Not Available for Purchase)	
2	See Note	NSS	Terminal (Note: Not Available for Purchase)	

SECTION 8 - ELECTRICAL

FIGURE 8-58. MAIN BOOM CONTROL HARNESS



ART_1001122396

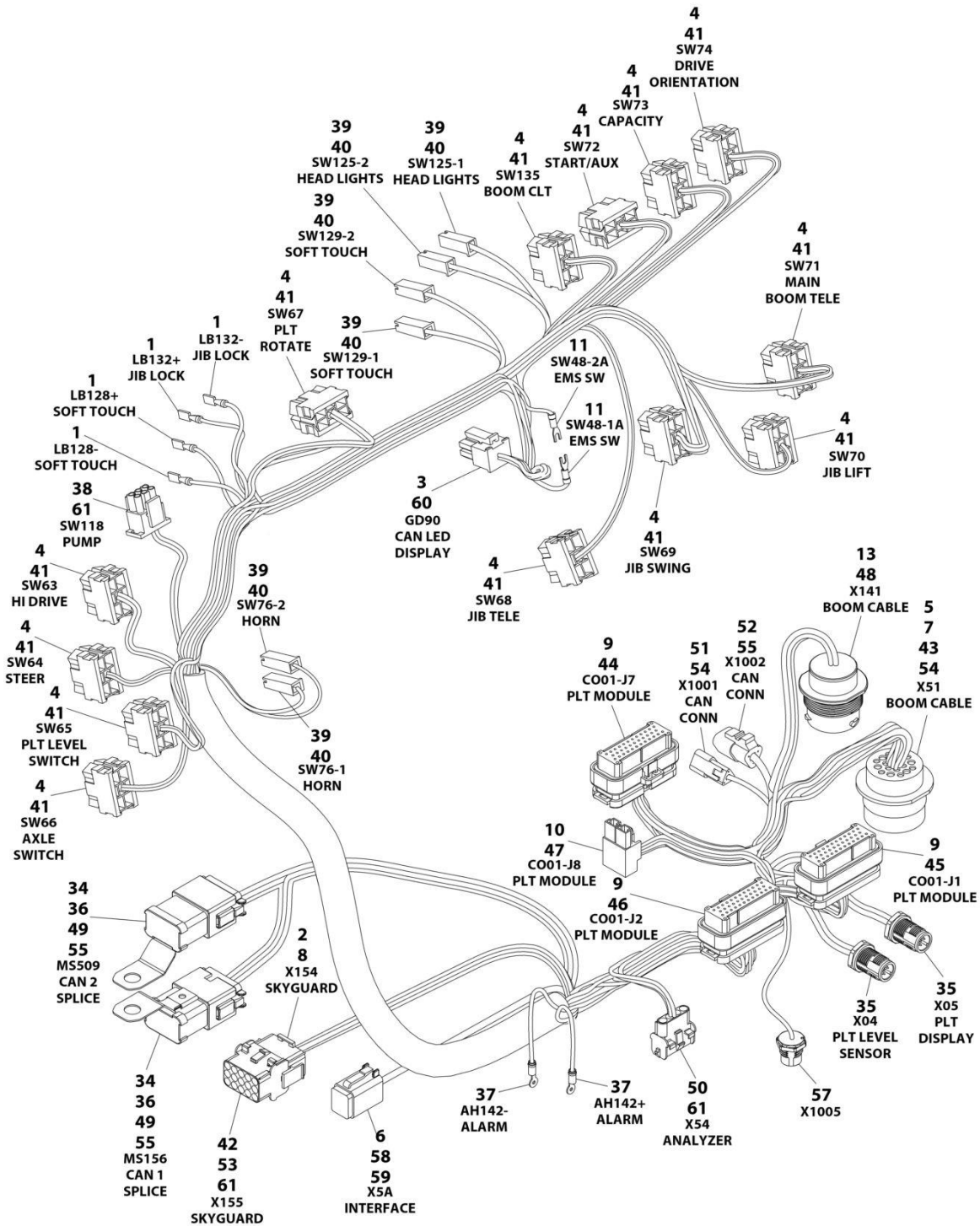
SECTION 8 - ELECTRICAL

FIGURE 8-58. MAIN BOOM CONTROL HARNESS

ITEM	PART NUMBER	QTY	DESCRIPTION	REV
	1001122396	Ref	MAIN BOOM CONTROL HARNESS	D
3	4460473	2	Clamp	
4	4460509	8	Socket, Female	
5	4460865	2	Connector - 19 Position	
6	4460465	22	Socket, Female	
7	4460466	8	Plug, Socket	
8	1001226400	2	Heat Shrink	

SECTION 8 - ELECTRICAL

FIGURE 8-59. PLATFORM CONSOLE BOX HARNESS



ART_1001242189

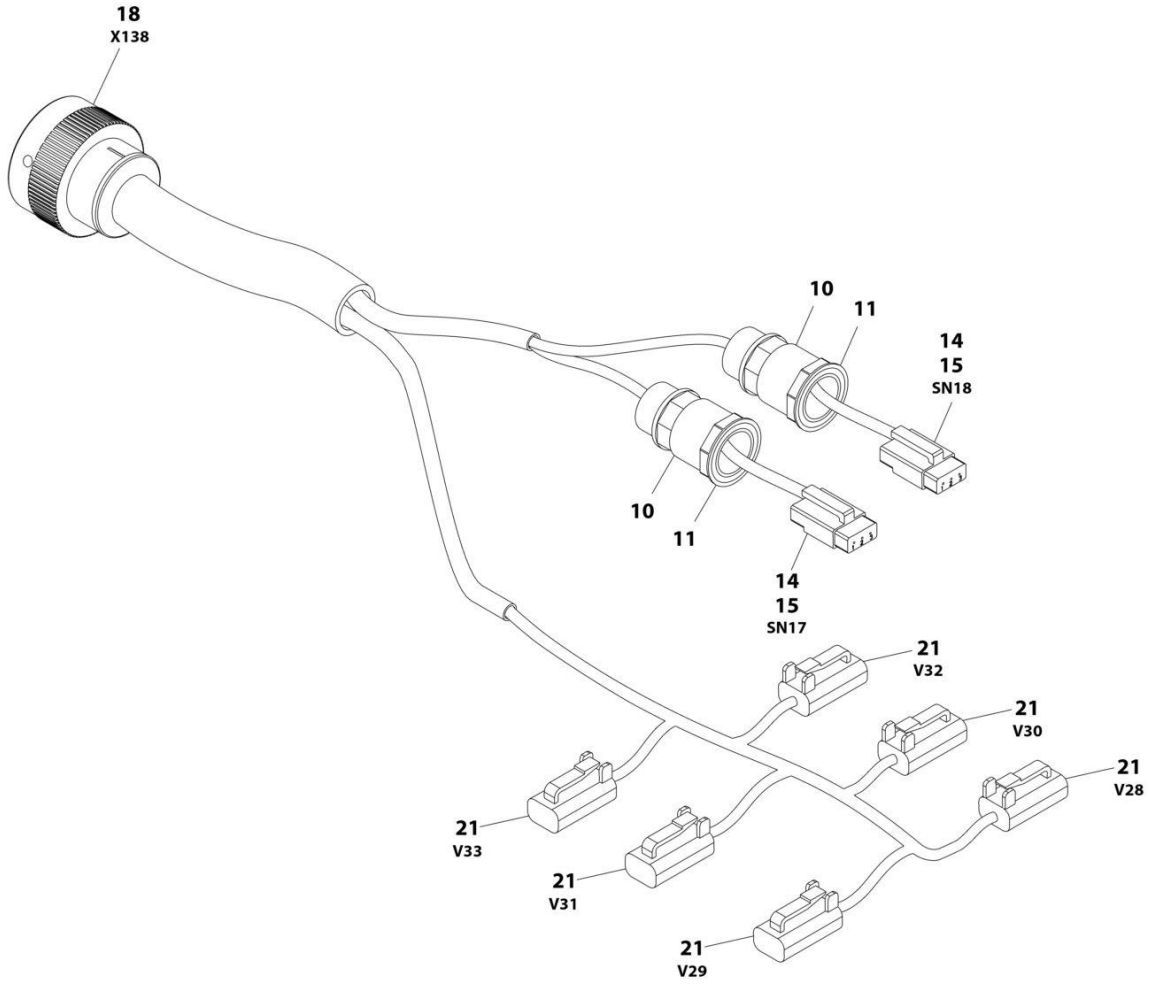
SECTION 8 - ELECTRICAL

FIGURE 8-59. PLATFORM CONSOLE BOX HARNESS

ITEM	PART NUMBER	QTY	DESCRIPTION	REV
	1001242189	Ref	PLATFORM CONSOLE BOX HARNESS	F
1	4460016	5	Terminal	
2	4460226	21	Socket	
3	1001237667	1	Connector	
4	4460419	36	Socket	
5	4460464	7	Pin (20-16Awg Nickel)	
6	4460466	10	Plug	
7	4460508	4	Pin (14-12Awg Nickel)	
8	4460708	1	Connector	
9	4460871	70	Socket	
10	4460887	2	Socket	
11	4460888	2	Terminal, Fork	
13	4460929	12	Pin	
34	1001119020	2	Connector, Bussbar	
35	1001120055	2	Connector	
36	1001120328	2	Mount	
37	4460213	2	Terminal, Ring	
38	4460225	1	Connector	
39	4460259	6	Socket	
40	4460260	6	Connector	
41	4460418	13	Connector	
42	4460434	1	Connector	
43	4460866	1	Connector	
44	4460873	1	Connector	
45	4460874	1	Connector	
46	4460876	1	Connector	
47	4460879	1	Connector	
48	4460925	1	Connector	
49	4460933	2	Connector	
50	4460761	1	Connector	
51	4460536	1	Connector	
52	4460539	1	Connector (Includes Wedge Lock and Seal)	
53	4460267	2	Pin (20-14Awg)	
54	4460943	6	Pin (20-16Awg Gold)	
55	4460944	25	Socket	
57	1001213447	1	Connector	
58	4460894	1	Connector	
59	4460465	5	Socket	
60	1001237668	4	Socket	
61	4460227	19	Pin (24-18Awg)	

SECTION 8 - ELECTRICAL

FIGURE 8-60. PLATFORM VALVE HARNESS



ART_1001119390

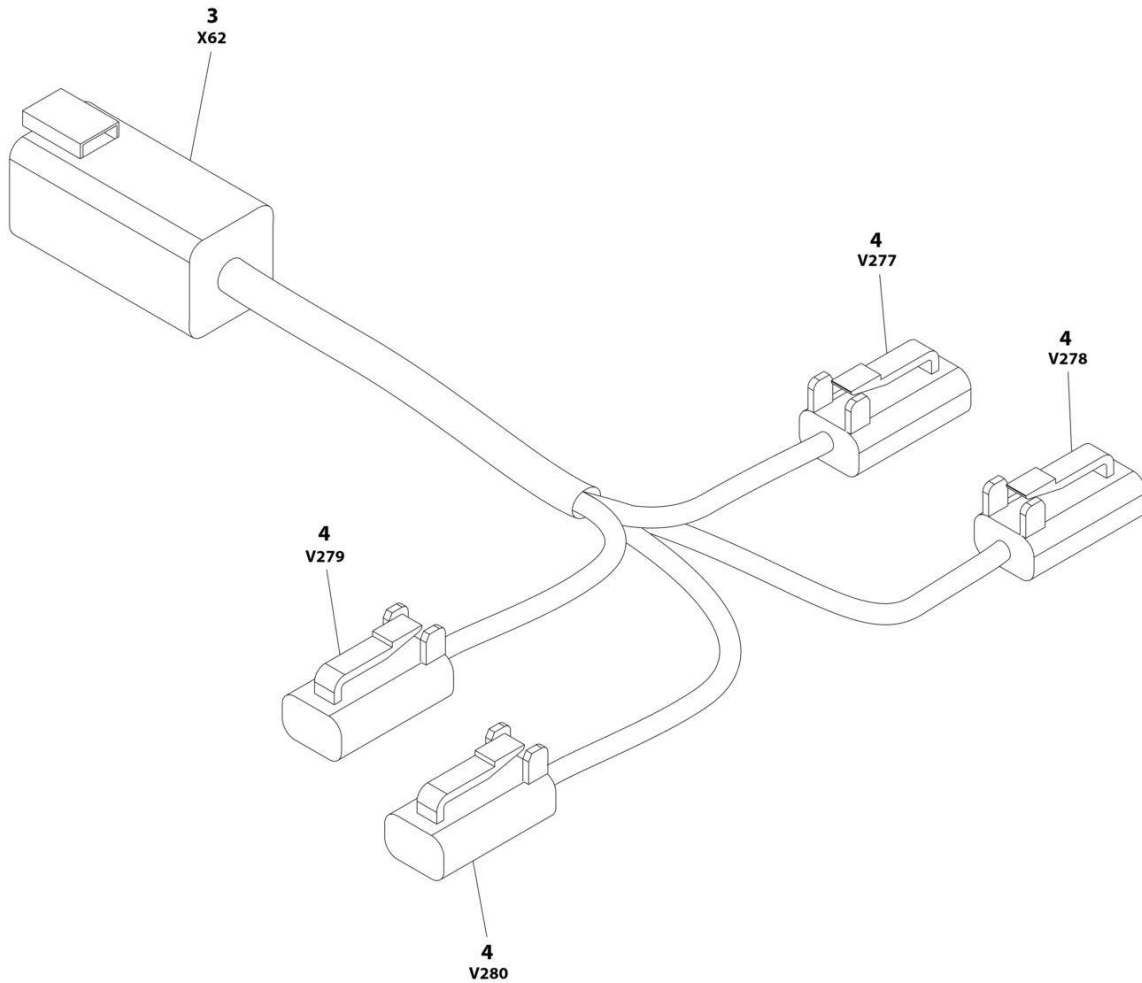
SECTION 8 - ELECTRICAL

FIGURE 8-60. PLATFORM VALVE HARNESS

ITEM	PART NUMBER	QTY	DESCRIPTION	REV
	1001119390	Ref	PLATFORM VALVE HARNESS	D
10	1560011	2	Connector, Conduit	
11	1560012	2	Nut, Conduit Connector	
14	4460911	2	Plug, Male - 3 Position	
14	4460918	6	Socket, Female (Gold)	
15	4460912	2	Lock, Wedge - Position	
18	4460926	1	Connector - 21 Position	
18	4460918	6	Socket, Female (Gold)	
18	4460928	8	Socket, Female	
21	4460891	6	Plug, Male - 2 Position	
21	4460465	12	Socket, Female	

SECTION 8 - ELECTRICAL

FIGURE 8-61. PUMP HARNESS



ART_1001120276

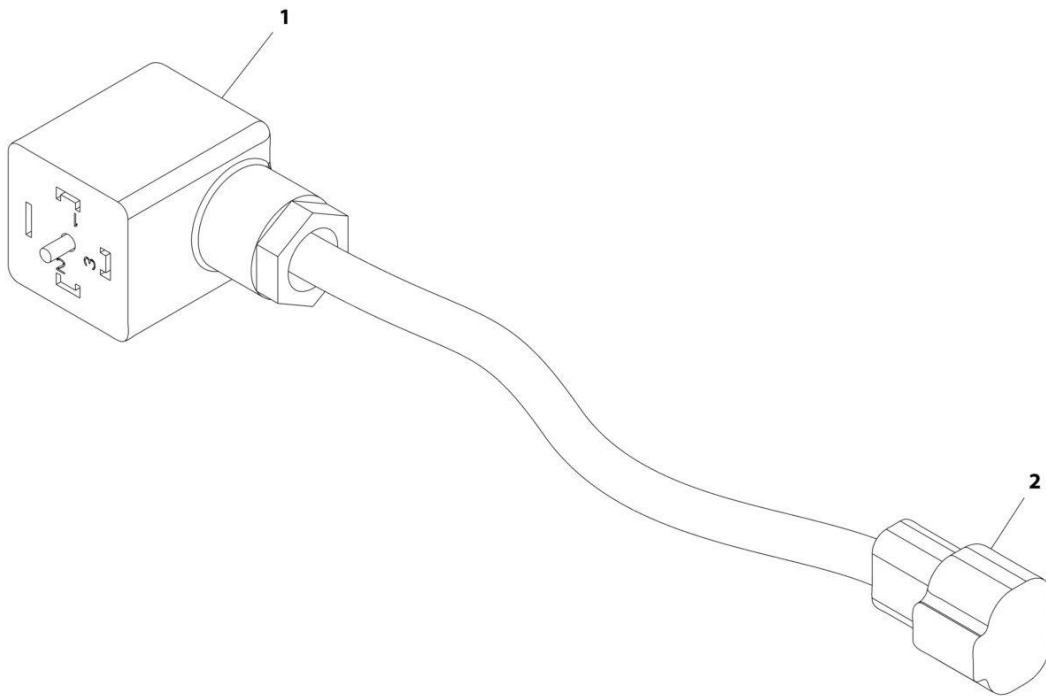
SECTION 8 - ELECTRICAL

FIGURE 8-61. PUMP HARNESS

ITEM	PART NUMBER	QTY	DESCRIPTION	REV
	1001120276	Ref	PUMP HARNESS	A
3	4460899	1	Connector, Female - 6 Position	
3	4460464	5	Pin, Male	
4	4460891	4	Plug, Male - 2 Position	
4	4460465	8	Socket, Female	

SECTION 8 - ELECTRICAL

FIGURE 8-62. PUMP ADAPTER HARNESS - SAUER PUMP TO REXROTH PUMP



ART_1001119456

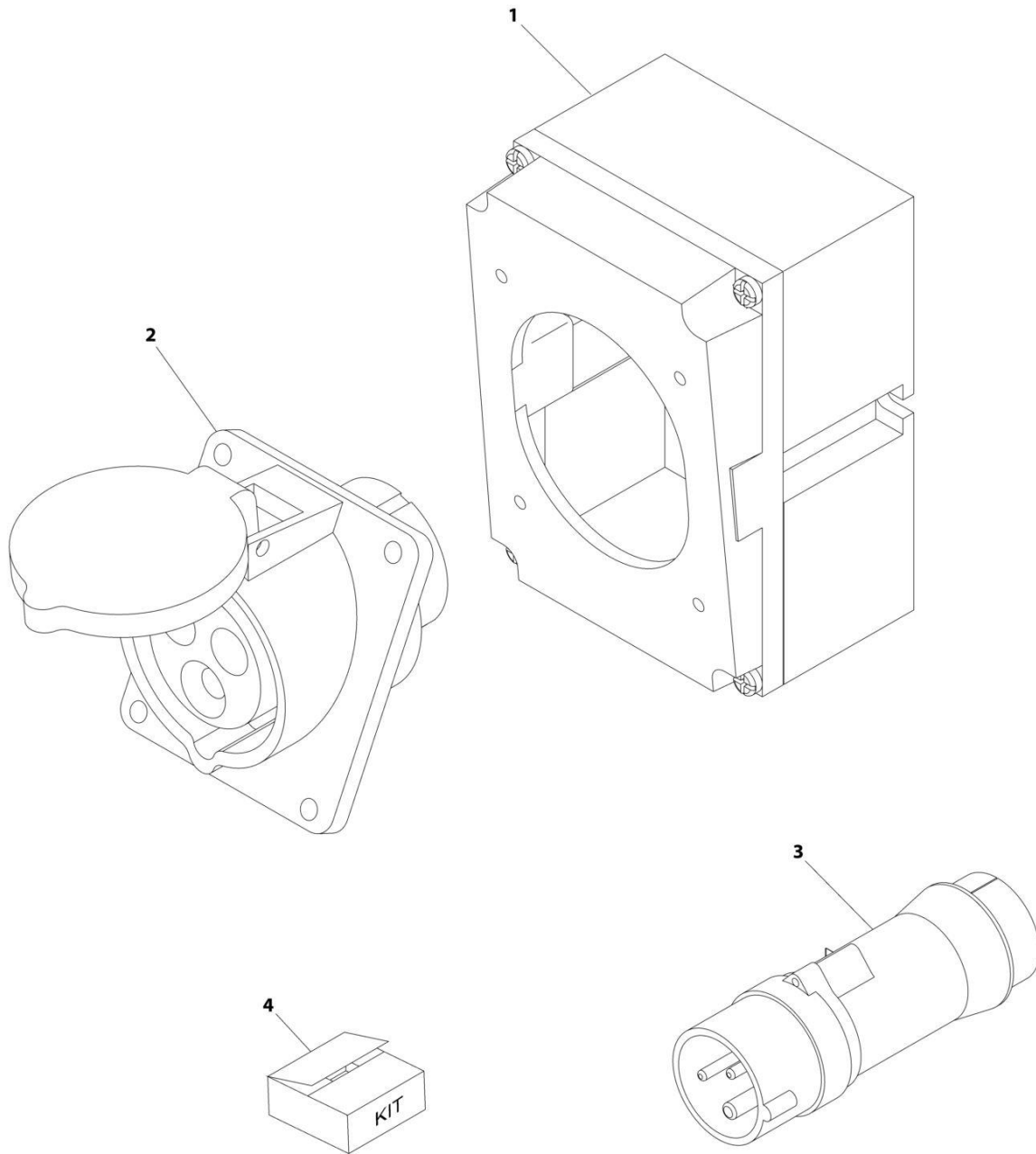
SECTION 8 - ELECTRICAL

FIGURE 8-62. PUMP ADAPTER HARNESS - SAUER PUMP TO REXROTH PUMP

ITEM	PART NUMBER	QTY	DESCRIPTION	REV
	1001119456	Ref	PUMP ADAPTER HARNESS - SAUER PUMPS	C
1	4460880	2	DIN Connector	
2	4460897	2	Connector - 2 Position	
2	4460464	4	Pin, Male	

SECTION 8 - ELECTRICAL

FIGURE 8-63. RECEPTACLE BOX KIT - 110V IEC YELLOW WITHOUT 2500W GENERATOR (CE & UK CA SPECS)



ART_0275216

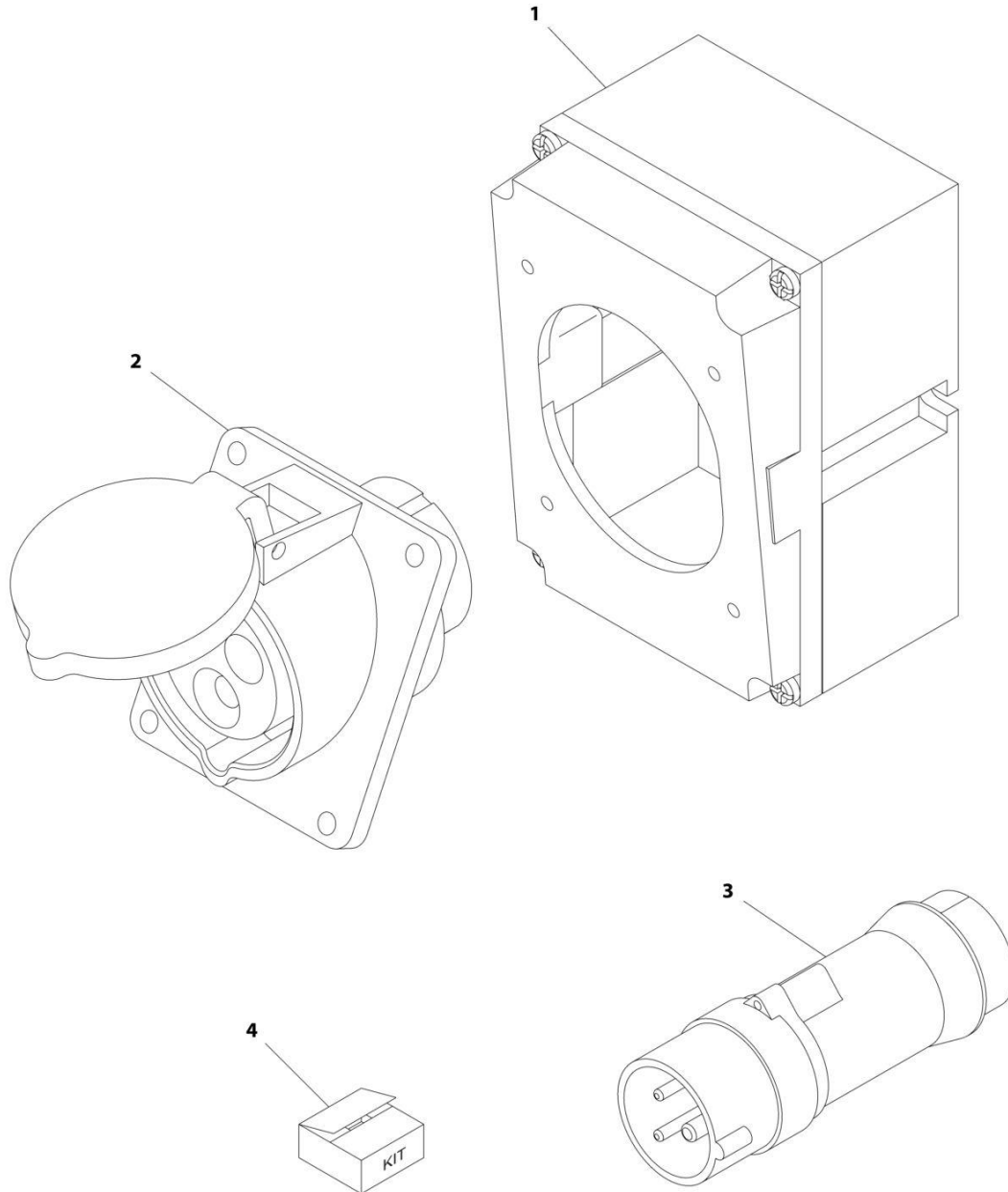
SECTION 8 - ELECTRICAL

FIGURE 8-63. RECEPTACLE BOX KIT - 110V IEC YELLOW WITHOUT 2500W GENERATOR (CE & UK CA SPECS)

ITEM	PART NUMBER	QTY	DESCRIPTION	REV
	0275216	Ref	RECEPTACLE BOX KIT - 110V IEC YELLOW	B
1	0861781	1	Box, Switch	
2	4461198	1	Receptacle	
3	4461196	1	Plug, Male	
4	1001100341	1	Plug and Socket Kit (Includes Items 1-3 and Female Plug p/n 4461197)	

SECTION 8 - ELECTRICAL

FIGURE 8-64. RECEPTACLE BOX KIT - 220V IEC BLUE WITHOUT 2500W GENERATOR (CE & UK CA SPECS)



ART_0275217

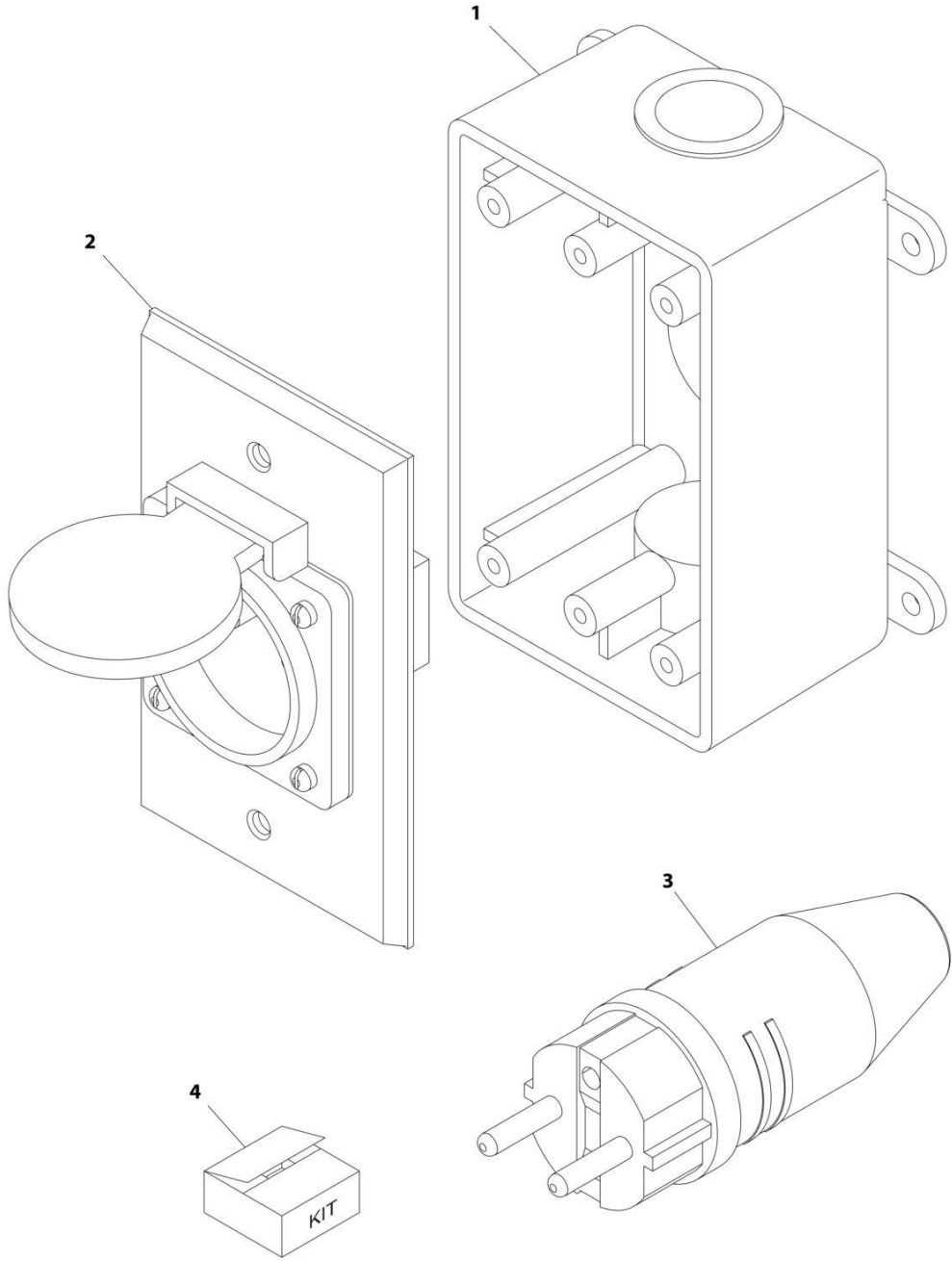
SECTION 8 - ELECTRICAL

FIGURE 8-64. RECEPTACLE BOX KIT - 220V IEC BLUE WITHOUT 2500W GENERATOR (CE & UK CA SPECS)

ITEM	PART NUMBER	QTY	DESCRIPTION	REV
	0275217	Ref	RECEPTACLE BOX KIT - 220V IEC BLUE	B
1	0861781	1	Box, Switch	
2	4461201	1	Receptacle	
3	4461199	1	Plug, Male	
4	1001100342	1	Plug and Socket Kit (Includes Items 1-3 and Female Plug p/n 4461200)	

SECTION 8 - ELECTRICAL

**FIGURE 8-65. RECEPTACLE BOX KIT - 220V CEE7 POST GROUND WITHOUT 2500W GENERATOR
(2X4 BOX) (CE & UK CA SPECS)**



ART_0275452-C

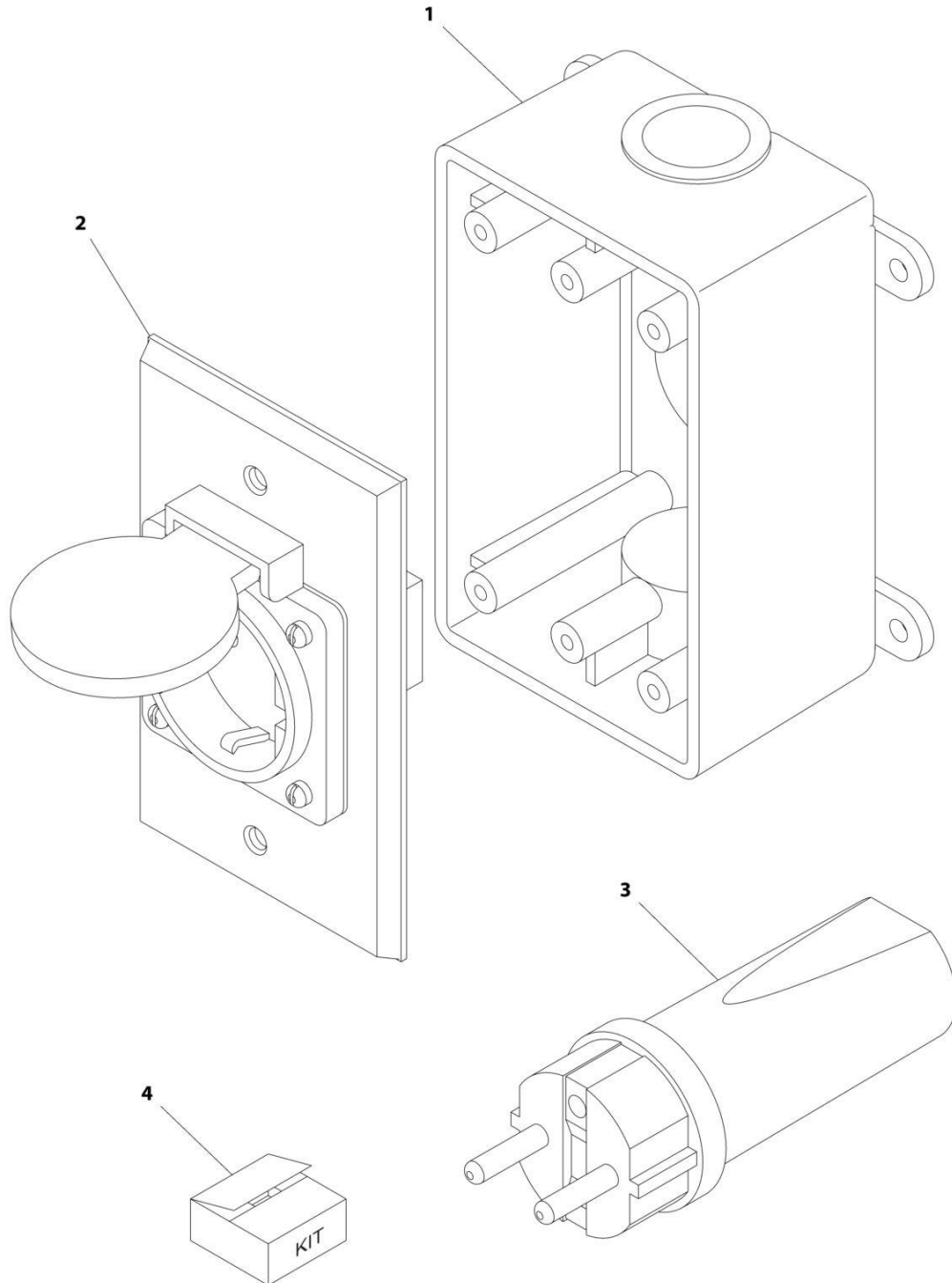
SECTION 8 - ELECTRICAL

**FIGURE 8-65. RECEPTACLE BOX KIT - 220V CEE7 POST GROUND WITHOUT 2500W GENERATOR
(2X4 BOX) (CE & UK CA SPECS)**

ITEM	PART NUMBER	QTY	DESCRIPTION	REV
	0275452	Ref	RECEPTACLE BOX KIT - 220V CEE7 POST GROUND 2IN X 4IN BOX	C
1	0861731	1	Box, Switch	
2	4461244	1	Receptacle	
3	4461205	1	Plug, Male	
4	1001100345	1	Plug and Socket Kit (Includes Items 1-3 and Female Plug p/n 4461203)	

SECTION 8 - ELECTRICAL

FIGURE 8-66. RECEPTACLE BOX KIT - 220V CEE7 SIDE GROUND WITHOUT 2500W GENERATOR
(2X4 BOX) (CE & UK CA SPECS)



ART_0275453

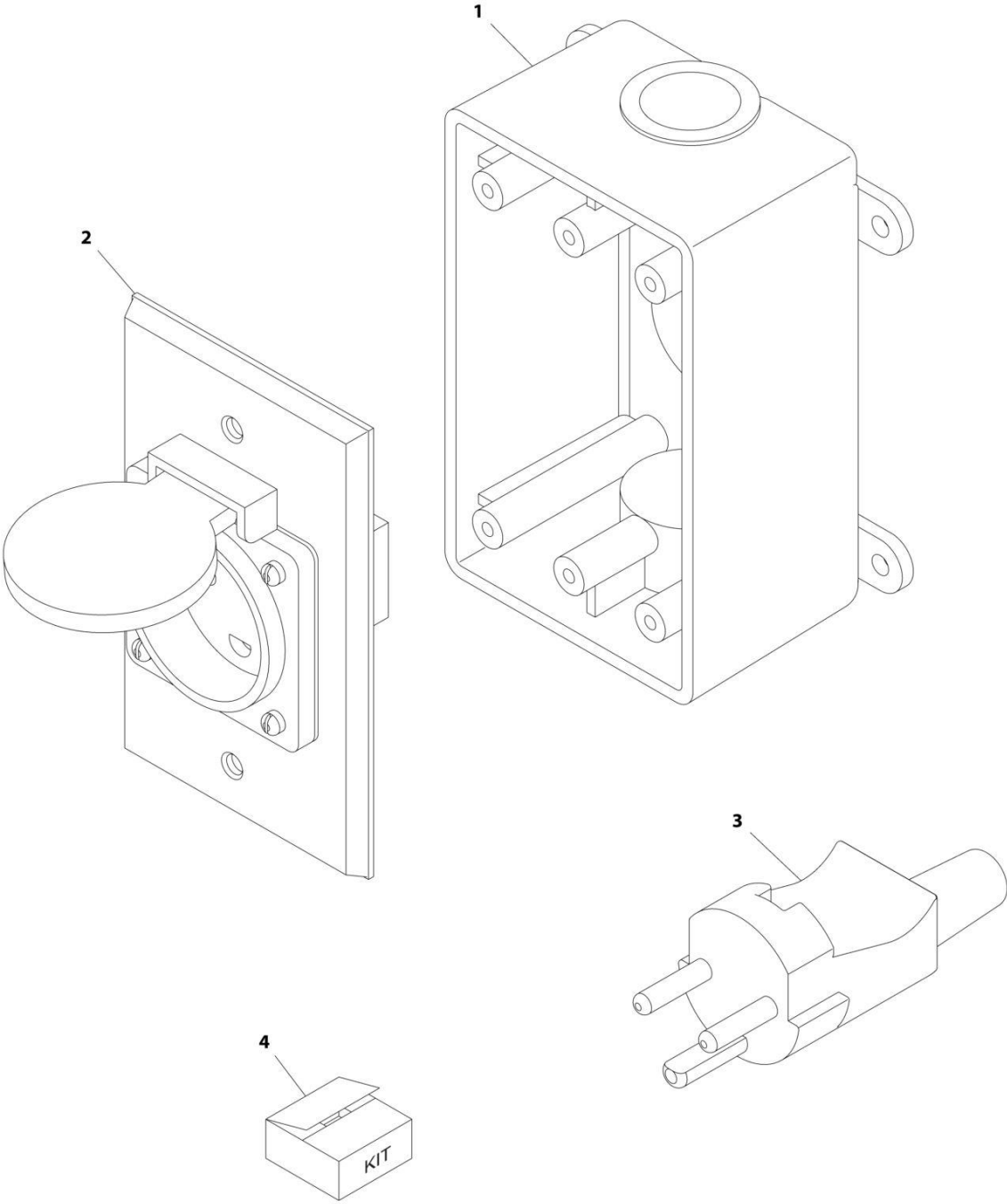
SECTION 8 - ELECTRICAL

**FIGURE 8-66. RECEPTACLE BOX KIT - 220V CEE7 SIDE GROUND WITHOUT 2500W GENERATOR
(2X4 BOX) (CE & UK CA SPECS)**

ITEM	PART NUMBER	QTY	DESCRIPTION	REV
	0275453	Ref	RECEPTACLE BOX KIT - 220V CEE7 SIDE GROUND	B
1	0861731	1	Box, Switch	
2	4461245	1	Receptacle	
3	4461205	1	Plug, Male	
4	1001100347	1	Plug and Socket Kit (Includes Items 1-3 and Female Plug p/n 4461206)	

SECTION 8 - ELECTRICAL

FIGURE 8-67. RECEPTACLE BOX KIT - 220V AFSINT 107 KEYED GROUND WITHOUT 2500W GENERATOR (2X4 BOX) (CE & UK CA SPECS)



ART_0275454

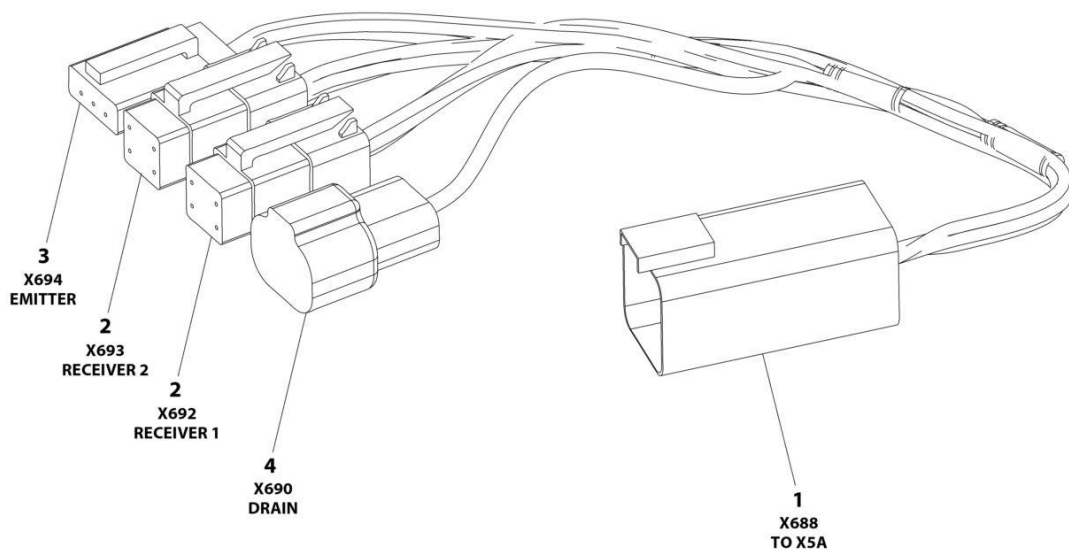
SECTION 8 - ELECTRICAL

FIGURE 8-67. RECEPTACLE BOX KIT - 220V AFSINT 107 KEYED GROUND WITHOUT 2500W GENERATOR (2X4 BOX) (CE & UK CA SPECS)

ITEM	PART NUMBER	QTY	DESCRIPTION	REV
	0275454	Ref	RECEPTACLE BOX KIT - 220V AFSINT 107	B
1	0861731	1	Box, Switch	
2	4461246	1	Receptacle	
3	4461249	1	Plug, Male	
4	1001100346	1	Plug and Socket Kit (Includes Items 1-3 and Female Plug p/n 4461250)	

SECTION 8 - ELECTRICAL

FIGURE 8-68. SKYEYE INTERMEDIATE HARNESS



ART_1001237865

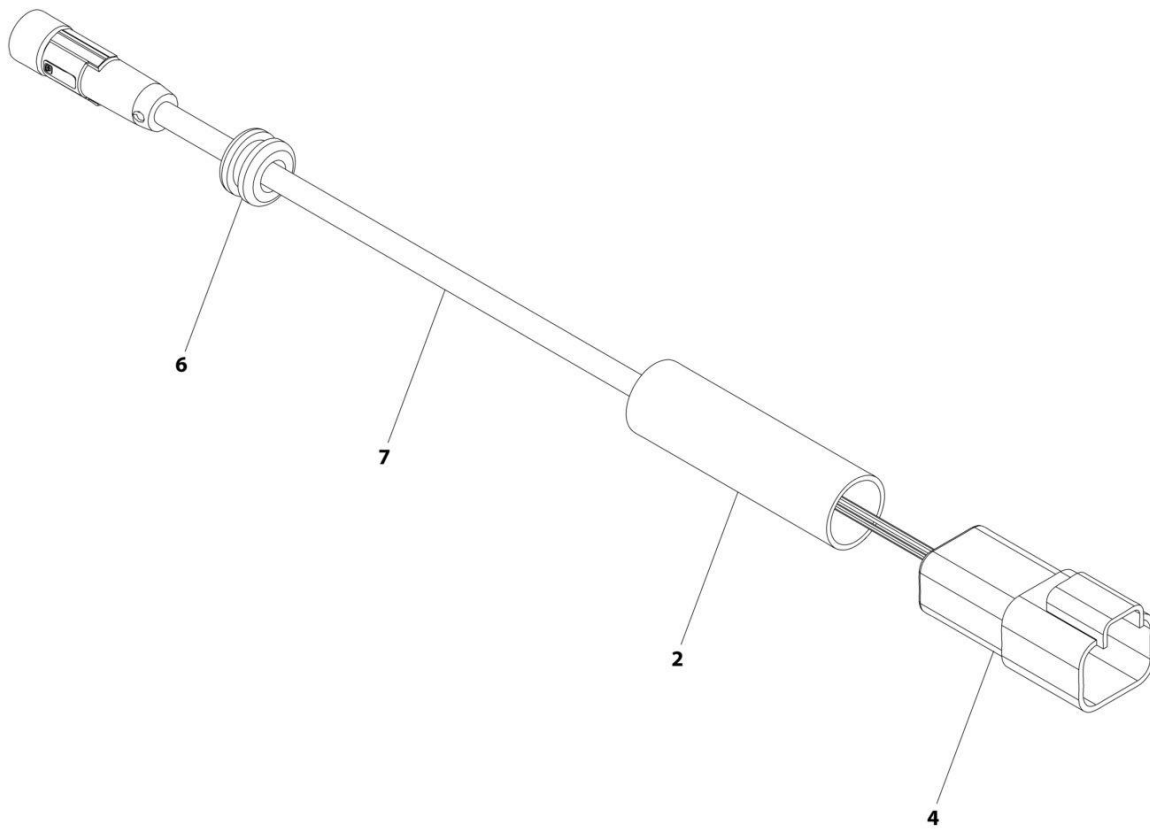
SECTION 8 - ELECTRICAL

FIGURE 8-68. SKYEYE INTERMEDIATE HARNESS

ITEM	PART NUMBER	QTY	DESCRIPTION	REV
	1001237865	Ref	SKYEYE INTERMEDIATE HARNESS	A
1	4460899	1	Connector - 6 Position	
1	4460943	4	Pin, Male	
1	4460466	2	Plug, Terminal	
2	4461077	2	Connector - 4 Position	
2	1001119619	8	Socket, Female	
3	4460911	1	Connector - 3 Position	
3	1001119619	3	Socket, Female	
4	1001187681	1	Connector - 2 Position	
4	4460941	1	Pin, Male	
4	4460466	1	Plug, Terminal	

SECTION 8 - ELECTRICAL

FIGURE 8-69. SKYEYE RECEIVER HARNESS



ART_1001237863

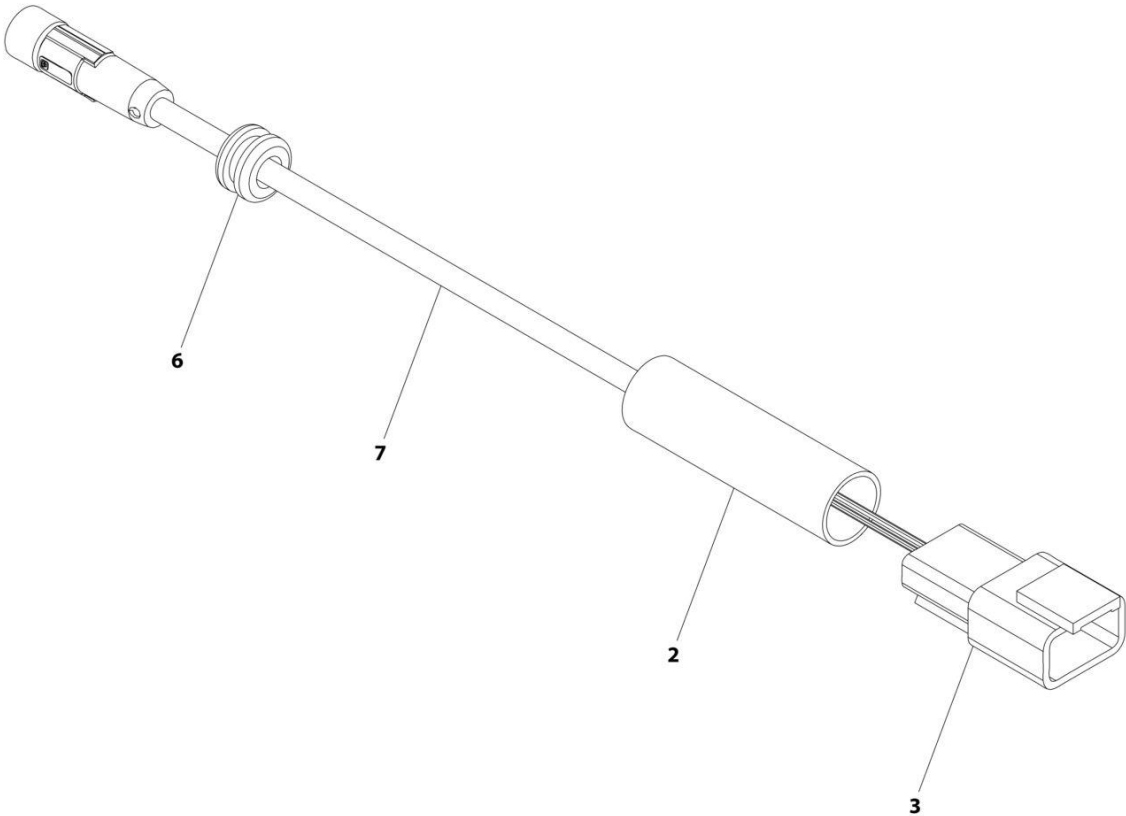
SECTION 8 - ELECTRICAL

FIGURE 8-69. SKYEYE RECEIVER HARNESS

ITEM	PART NUMBER	QTY	DESCRIPTION	REV
	1001237863	Ref	SKYEYE RECEIVER HARNESS	A
2	2820247	AR	Tubing, Heat Shrink	
4	1001097051	1	Connector - 4 Position	
4	1001119620	4	Pin, Male	
6	1001227996	1	Grommet	
7	1001237862	1	Cable, M8 Female Cordset	

SECTION 8 - ELECTRICAL

FIGURE 8-70. SKYEYE EMITTER HARNESS



ART_1001237864

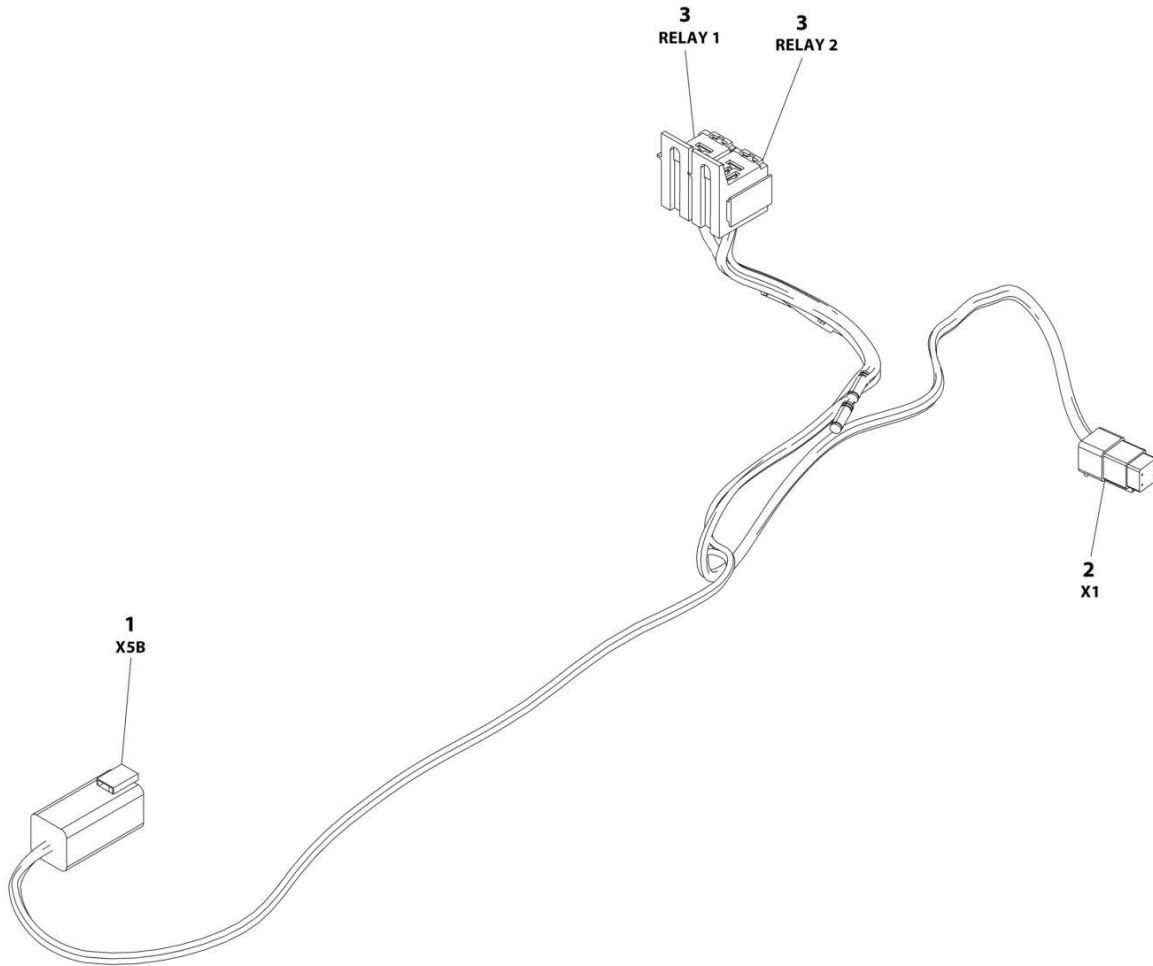
SECTION 8 - ELECTRICAL

FIGURE 8-70. SKYEYE EMITTER HARNESS

ITEM	PART NUMBER	QTY	DESCRIPTION	REV
	1001237864	Ref	SKYEYE EMITTER HARNESS	A
2	2820247	AR	Tubing, Heat Shrink	
3	4460910	1	Connector - 3 Position	
3	1001119620	3	Pin, Male	
6	1001227996	1	Grommet	
7	1001237862	1	Cable, M8 Female Cordset	

SECTION 8 - ELECTRICAL

FIGURE 8-71. SKYLINE HARNESS



ART_1001238418

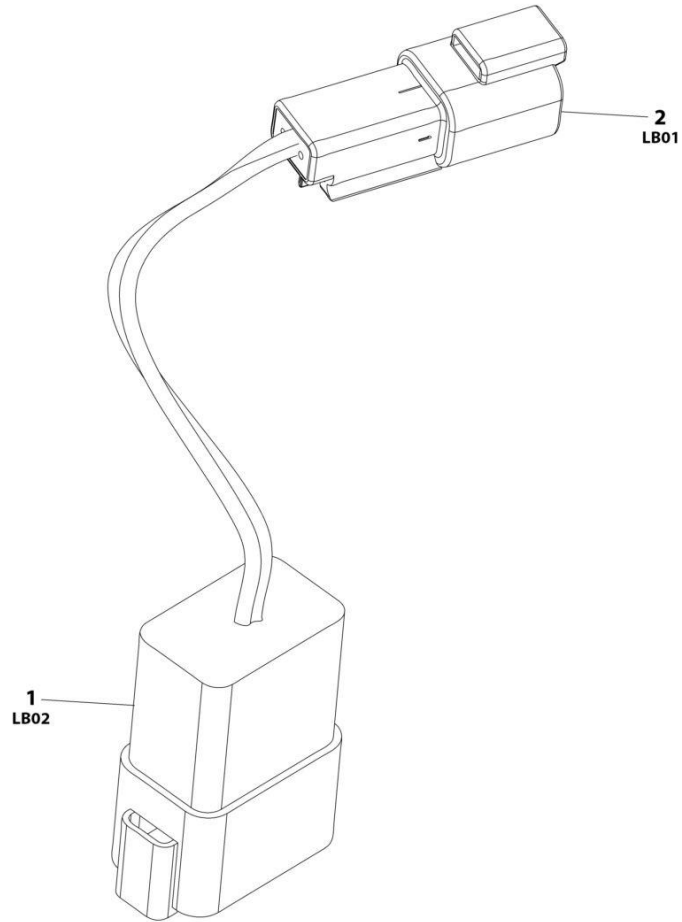
SECTION 8 - ELECTRICAL

FIGURE 8-71. SKYLINE HARNESS

ITEM	PART NUMBER	QTY	DESCRIPTION	REV
	1001238418	Ref	SKYLINE HARNESS	B
1	4460899	1	Connector - 6 Position	
1	4460464	4	Pin, Male	
1	4460466	2	Plug, Terminal	
2	4461077	1	Connector - 4 Position	
2	1001126009	4	Socket, Female	
3	1001186432	2	Plug, Relay	
3	1001118388	5	Terminal	
3	1001118384	3	Terminal	
3	3740086	2	Relay	

SECTION 8 - ELECTRICAL

FIGURE 8-72. STROBE LIGHT HARNESS (AMBER)



ART_1001283776

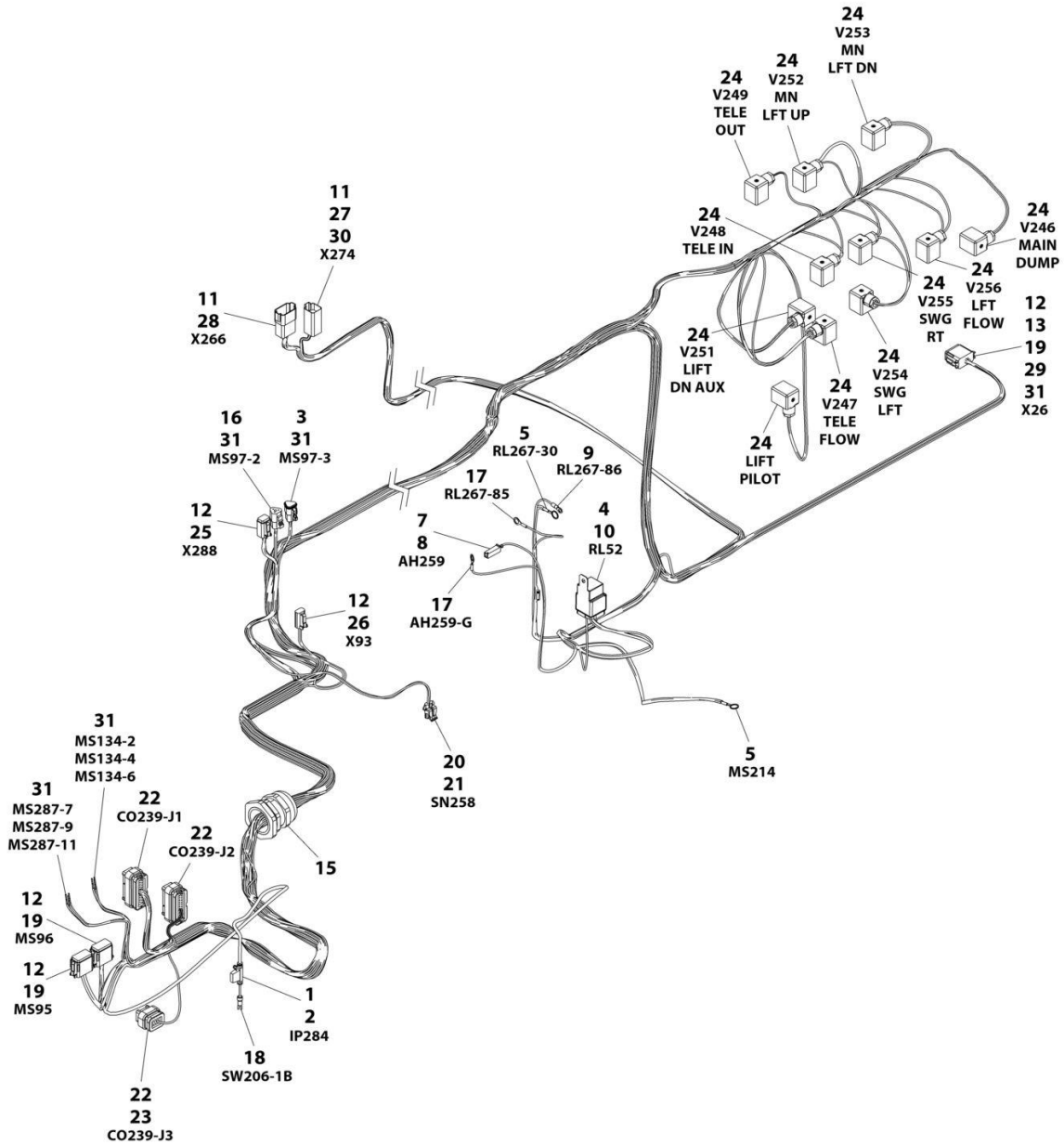
SECTION 8 - ELECTRICAL

FIGURE 8-72. STROBE LIGHT HARNESS (AMBER)

ITEM	PART NUMBER	QTY	DESCRIPTION	REV
	1001283776	Ref	STROBE LIGHT HARNESS (AMBER)	A
1	4460931	1	Connector	
1	4460464	2	Pin	
1	4460466	6	Plug	
2	4460897	1	Connector	
2	4460464	2	Pin	

SECTION 8 - ELECTRICAL

FIGURE 8-73. TURNTABLE HARNESS



ART_1001285524_B

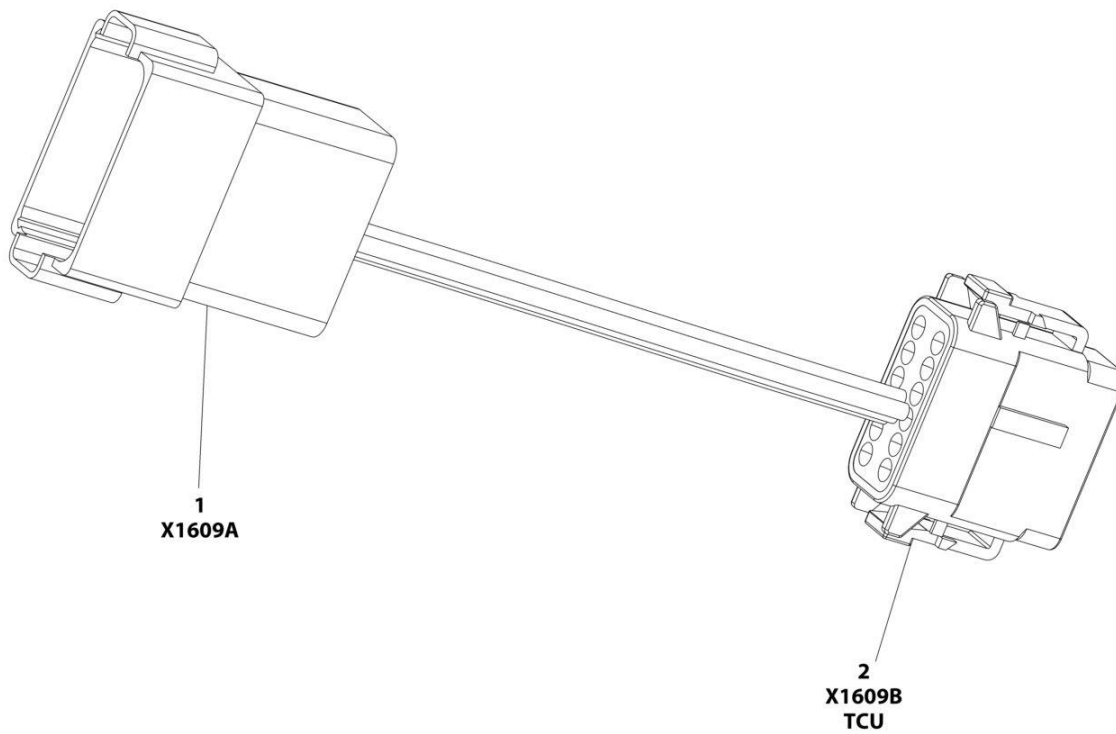
SECTION 8 - ELECTRICAL

FIGURE 8-73. TURNTABLE HARNESS

ITEM	PART NUMBER	QTY	DESCRIPTION	REV
	1001285524	Ref	TURNTABLE HARNESS	B
1	2400065	1	Fuse 30Amp	
2	2400066	1	Fuse Holder	
3	1001116812	1	Connector	
4	1001117025	1	Relay	
5	4460019	2	Terminal, Ring	
7	4460259	1	Socket	
8	4460260	1	Connector	
9	4460313	1	Terminal, Ring	
10	4460375	4	Socket	
11	4460464	12	Pin (Nickel)	
12	4460465	10	Socket (20-16Awg Nickel)	
13	4460466	4	Plug	
15	4460526	1	Grommet, Strain Relief	
16	4460539	1	Connector	
17	4460702	2	Terminal, Ring	
18	4460806	1	Terminal, Fork	
19	4460836	3	Connector	
20	4460842	2	Socket	
21	4460843	1	Connector	
22	4460871	30	Socket	
23	4460872	1	Connector	
24	4460880	11	Connector	
25	4460884	1	Connector	
26	4460891	1	Connector	
27	4460899	1	Connector	
28	4460931	1	Connector	
29	4460942	1	Socket (16-14Awg Nickel)	
30	4460943	2	Pin (Gold)	
31	4460944	15	Socket (20-16Awg Gold)	
52	1001157890	7	Socket (12-16AWG Nickel) (Not Shown)	

SECTION 8 - ELECTRICAL

FIGURE 8-74. TELEMATICS JUMPER HARNESS



ART_1001282406

SECTION 8 - ELECTRICAL

FIGURE 8-74. TELEMATICS JUMPER HARNESS

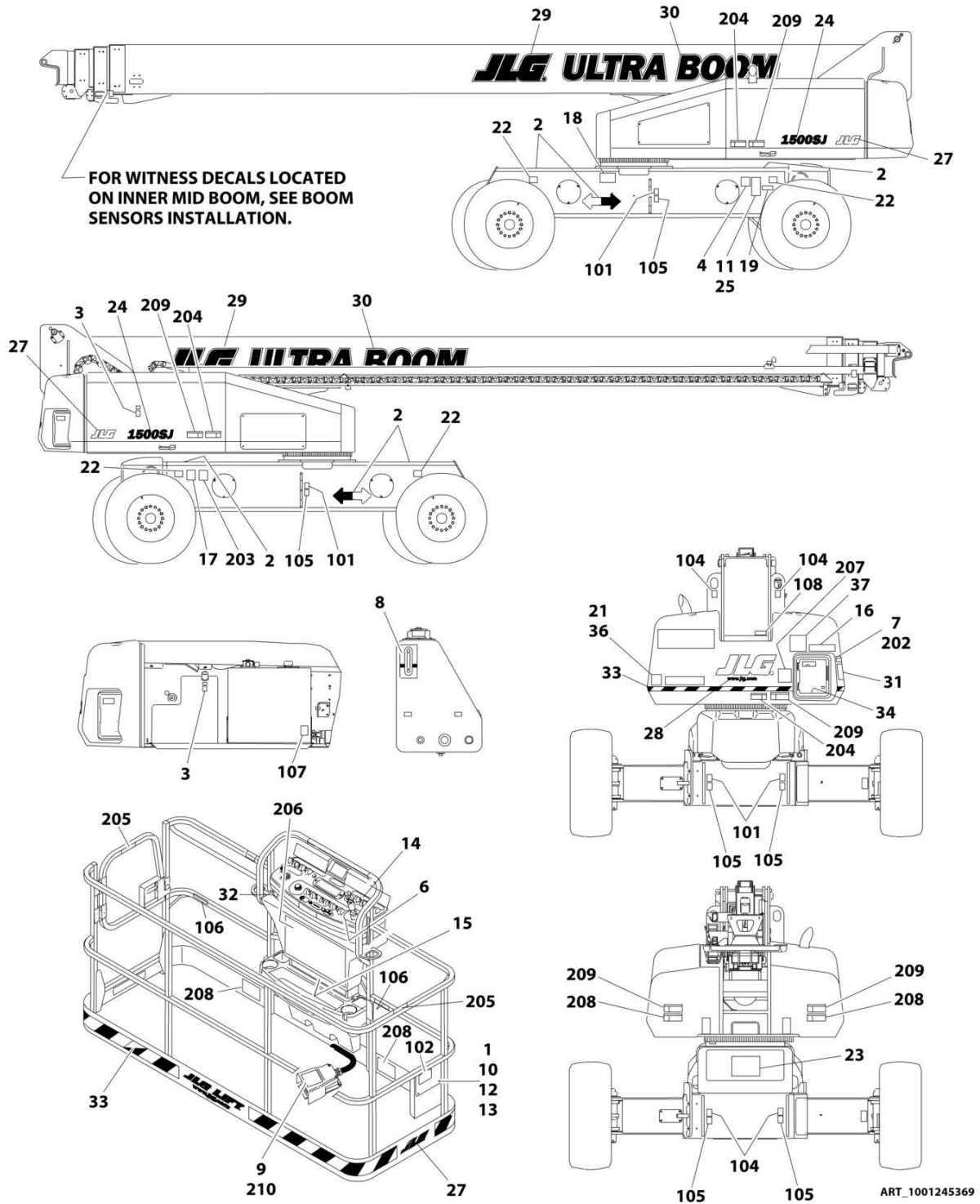
ITEM	PART NUMBER	QTY	DESCRIPTION	REV
	1001282406	REF	TELEMATICS JUMPER HARNESS	B
1	4460970	1	Connector	
1	1001116693	5	Socket	
1	4460466	7	Plug, Sealing	
2	1001116774	1	Connector	
2	4460518	5	Plug Sealing	
2	1001116694	7	Socket	

SECTION 9 - DECALS

SECTION 9 - DECALS

FIGURE 9-1. DECAL INSTALLATION - ANSI SPEC

NOTE: ITEMS SHOWN MAY NOT BE REQUIRED FOR ALL SPECS. REFER TO PARTS LISTS FOR USAGE.



SECTION 9 - DECALS

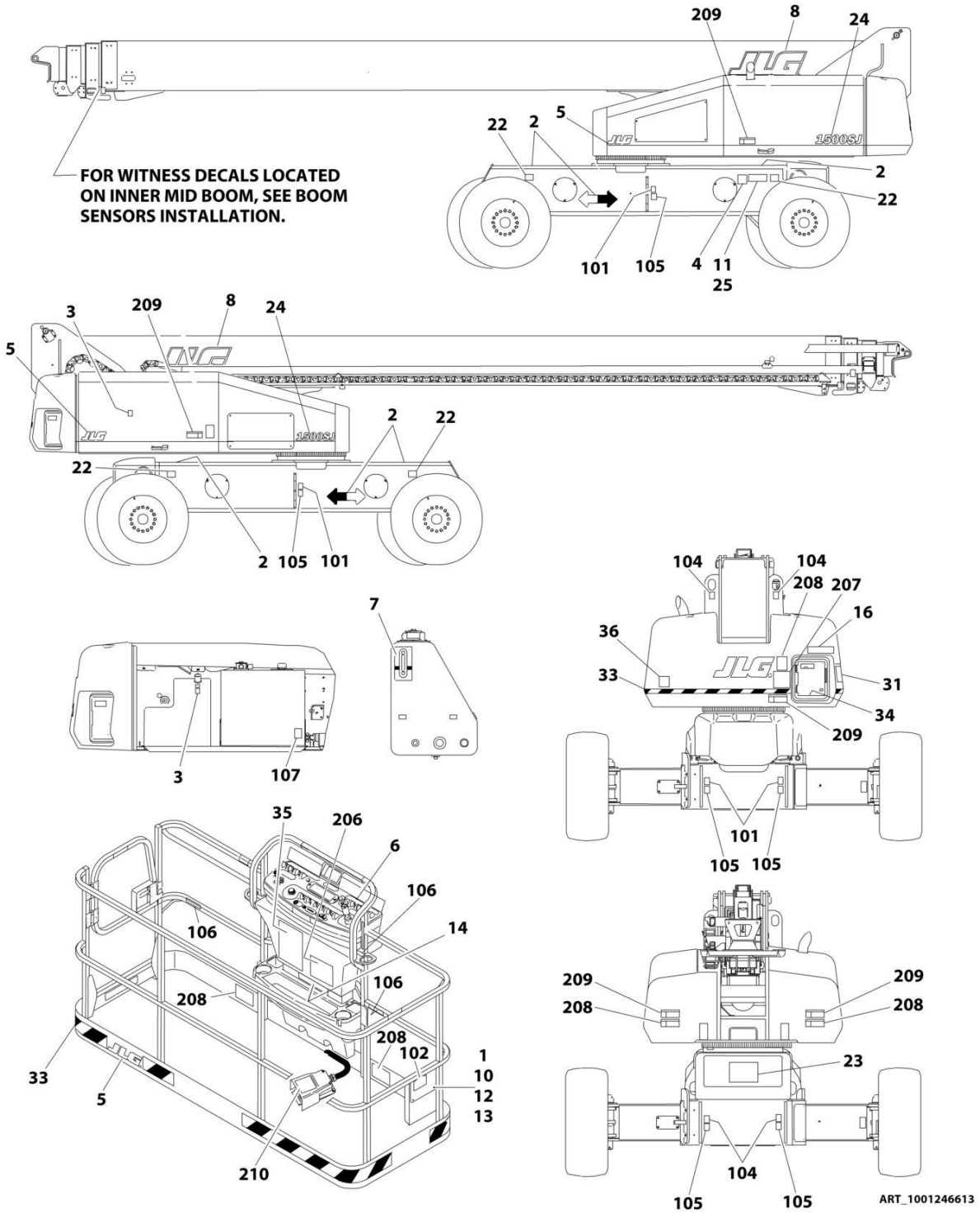
FIGURE 9-1. DECAL INSTALLATION - ANSI SPEC

ITEM	PART NUMBER	QTY	DESCRIPTION	REV
	1001248555	Ref	DECAL INSTALLATION - REFERENCE CHART	C
	1001245369	Ref	DECAL INSTALLATION - ANSI SPEC	B
1	0641406	4	Bolt 1/4 x 3/4	
2	1701501	4	Decal - Arrow	
3	1701505	2	Decal - Fuel	
4	See Note	1	Decal - Bar Code (Note: Not Available for Purchase)	
5	1704972	1	Decal - Warning Explosion/Fire (Not Shown - Located on Air Intake Box in Engine Compartment)	
6	1705351	1	Decal - Drive/Steer Instructions	
7	1705492	1	Decal - Tip Over Hazard	
8	1705511	1	Decal - Oil Level	
9	3252347	1	Decal - Footswitch	
10	3311405	4	Nut 1/4	
11	3820001	2	Rivet	
12	4751400	4	Washer 1/4	
13	91403230	1	Box, Manual Storage	
14	1001122611	1	Decal - Stop	
15	1001253543	1	Decal - Capacity (Platform)	
16	1001253544	1	Decal - Capacity (Ground Control)	
17	1001131269	1	Decal - Patent	
18	1001223055	1	Decal - Yearly Inspection	
19	1001223453	1	Decal - ICES	
100	1001248539	1	Decal Kit - Master (Includes Items 101-108)	
101	1701499	4	Decal - No Lift	
102	1701509	1	Decal - Manual	
104	1703811	4	Decal - Tie Down/Lift	
105	1703814	6	Decal - Tie Down	
106	1704277	3	Decal - Attach Lanyard Here	
107	1704412	1	Decal - Hydraulic Oil Chart	
108	3251243	1	Nameplate - 120V-60Hz	
200	1001248547	1	Decal Kit - Country Spec (Includes Items 204-209)	
204	1703953	7	Decal - Warning/Crushing	
205	1702868	2	Decal - No Hands	
206	1001231315	1	Decal - Danger/Warning (Platform)	
207	1705336	1	Decal - Danger/Warning (Ground Control)	
208	1703804	5	Decal - Warning Crushing	
209	1703805	5	Decal - Danger/Electrocution	

SECTION 9 - DECALS

FIGURE 9-2. DECAL INSTALLATION - AUSTRALIAN SPEC

NOTE: ITEMS SHOWN MAY NOT BE REQUIRED FOR ALL SPECS. REFER TO PARTS LISTS FOR USAGE.



SECTION 9 - DECALS

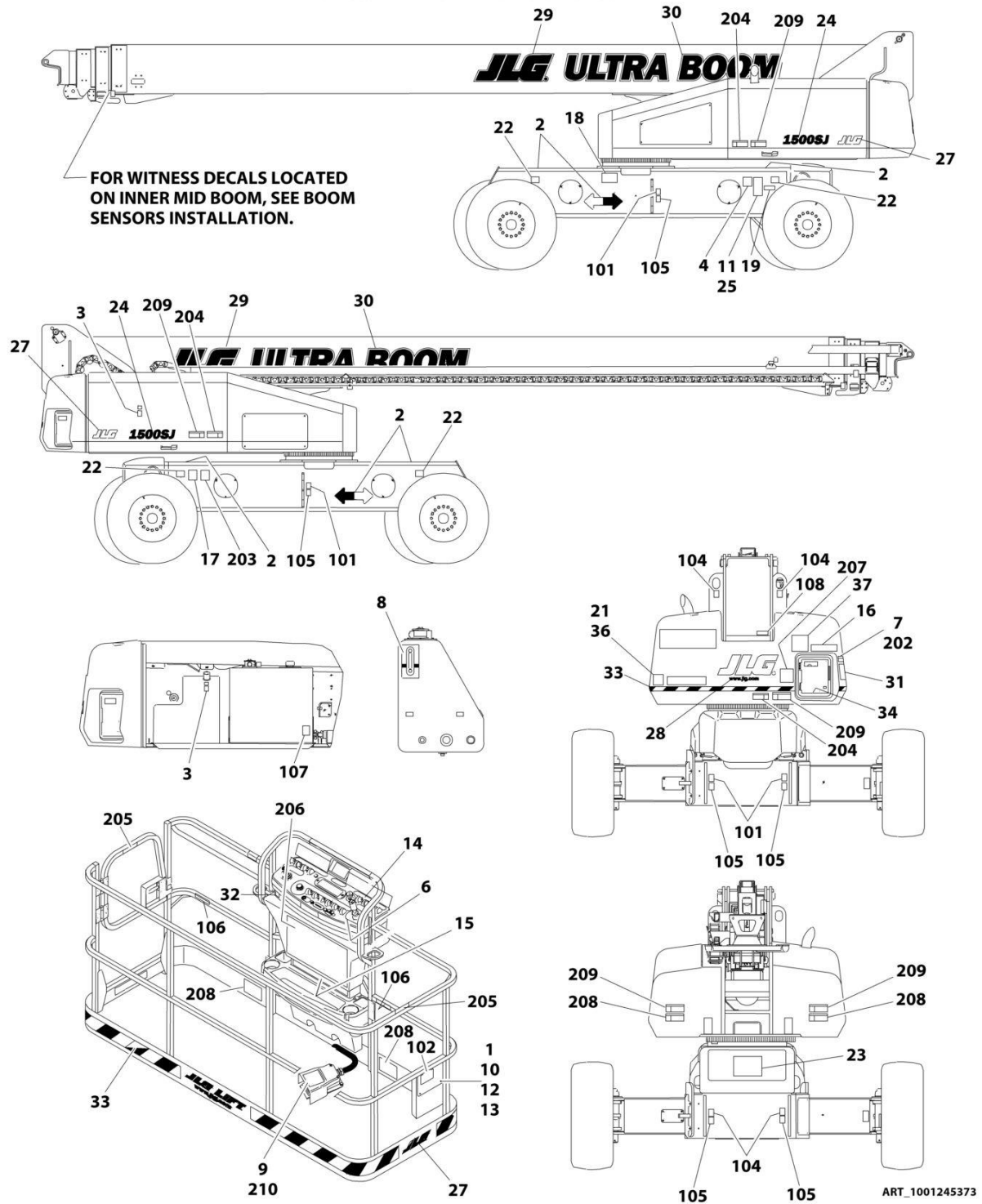
FIGURE 9-2. DECAL INSTALLATION - AUSTRALIAN SPEC

ITEM	PART NUMBER	QTY	DESCRIPTION	REV
	1001248561	Ref	DECAL INSTALLATION - REFERENCE CHART	B
	1001246613	Ref	DECAL INSTALLATION - AUSTRALIAN SPEC	A
1	0641406	4	Bolt 1/4 x 3/4	
2	1701501	4	Decal - Arrow	
3	1701505	2	Decal - Fuel	
4	See Note	1	Decal - Bar Code (Note: Not Available for Purchase)	
5	1706098	1	Decal - Warning Explosion/Fire (Not Shown - Located on Air Intake Box in Engine Compartment)	
6	1001125178	1	Decal - Capacity (Ground Control)	
8	1705511	1	Decal - Oil Level	
10	3311405	4	Nut 1/4	
11	3820001	6	Rivet	
12	4751400	4	Washer 1/4	
13	91403230	1	Box, Manual Storage	
14	1705174	1	Decal - Stop	
15	1001125177	1	Decal - Capacity (Platform)	
37	1001112551	1	Decal - Emergency Controls	
100	1001248540	1	Decal Kit - Master (Includes Items 101-107)	
101	1701499	4	Decal - No Lift	
102	1701509	1	Decal - Manual	
104	1703811	4	Decal - Tie Down/Lift	
105	1703814	6	Decal - Tie Down	
106	1704277	4	Decal - Attach Lanyard Here	
107	1704412	1	Decal - Hydraulic Oil Chart	
200	1001248546	1	Decal Kit - Country Spec (Includes Items 206-210)	
206	1705921	1	Decal - Tipping/Electrical (Platform)	
207	1705822	1	Decal - Electrical/Safety (Ground Control)	
208	1701518	10	Decal - Warning Crushing	
209	1705961	5	Decal - Danger Electrocution	
210	1705828	1	Decal - Footswitch	

SECTION 9 - DECALS

FIGURE 9-3. DECAL INSTALLATION - BRAZIL SPEC (PORTUGUESE/ENGLISH)

NOTE: ITEMS SHOWN MAY NOT BE REQUIRED FOR ALL SPECS. REFER TO PARTS LISTS FOR USAGE.



SECTION 9 - DECALS

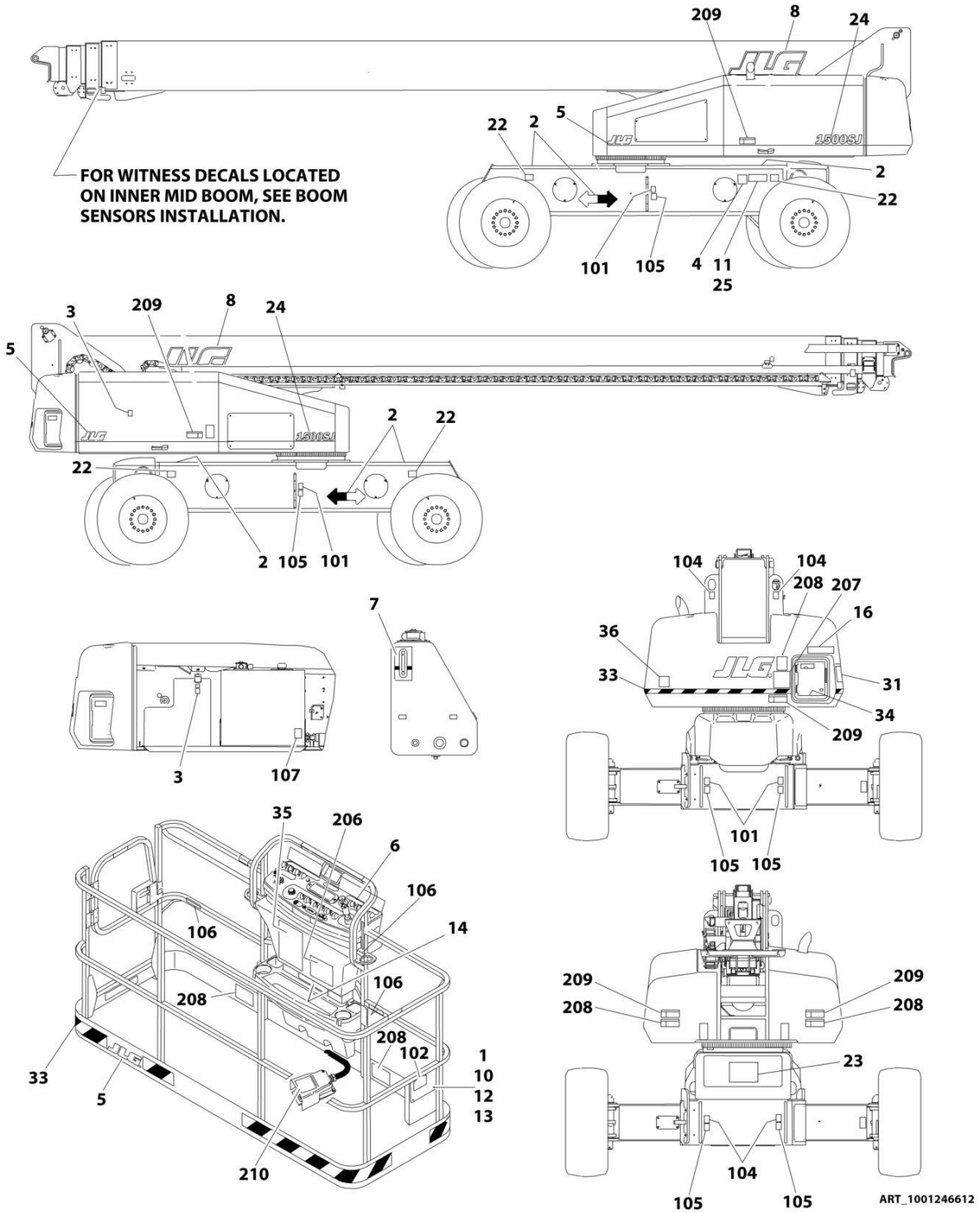
FIGURE 9-3. DECAL INSTALLATION - BRAZIL SPEC (PORTUGUESE/ENGLISH)

ITEM	PART NUMBER	QTY	DESCRIPTION	REV
	1001248555	Ref	DECAL INSTALLATION - REFERENCE CHART	C
	1001245373	Ref	DECAL INSTALLATION - BRAZIL SPEC (PORTUGUESE/ENGLISH)	B
1	0641406	4	Bolt 1/4 x 3/4	
2	1701501	4	Decal - Arrow	
3	1701505	2	Decal - Fuel	
4	See Note	1	Decal - Bar Code (Note: Not Available for Purchase)	
5	1706059	1	Decal - Warning Explosion/Fire (Not Shown - Located on Air Intake Box in Engine Compartment)	
6	1705905	1	Decal - Drive/Steer Instructions	
8	1705511	1	Decal - Oil Level	
10	3311405	4	Nut 1/4	
11	3820001	2	Rivet	
12	4751400	4	Washer 1/4	
13	91403230	1	Box, Manual Storage	
14	1001122611	1	Decal - Stop	
15	1001253551	1	Decal - Capacity (Platform)	
16	1001253552	1	Decal - Capacity (Ground Control)	
18	1001224052	1	Decal - Yearly Inspection	
100	1001248539	1	Decal Kit - Master (Includes Items 101-107)	
101	1701499	4	Decal - No Lift	
102	1701509	1	Decal - Manual	
104	1703811	8	Decal - Tie Down/Lift	
105	1703814	6	Decal - Tie Down	
106	1704277	4	Decal - Attach Lanyard Here	
107	1704412	1	Decal - Hydraulic Oil Chart	
200	1001248551	1	Decal Kit - Country Spec (Includes Items 202-210)	
202	1705906	1	Decal - Tip Over Hazard	
203	1705901	1	Decal - Inspection	
204	1705903	7	Decal - Warning/Crushing	
205	1705967	2	Decal - No Hands	
206	1001231319	1	Decal - Danger/Warning (Platform)	
207	1705896	1	Decal - Danger/Warning (Ground Control)	
208	1705898	5	Decal - Warning Crushing	
209	1705897	5	Decal - Danger/Electrocution	
210	1705902	1	Decal - Footswitch	

SECTION 9 - DECALS

FIGURE 9-4. DECAL INSTALLATION - CE & UK CA SPEC

NOTE: ITEMS SHOWN MAY NOT BE REQUIRED FOR ALL SPECS. REFER TO PARTS LISTS FOR USAGE.



SECTION 9 - DECALS

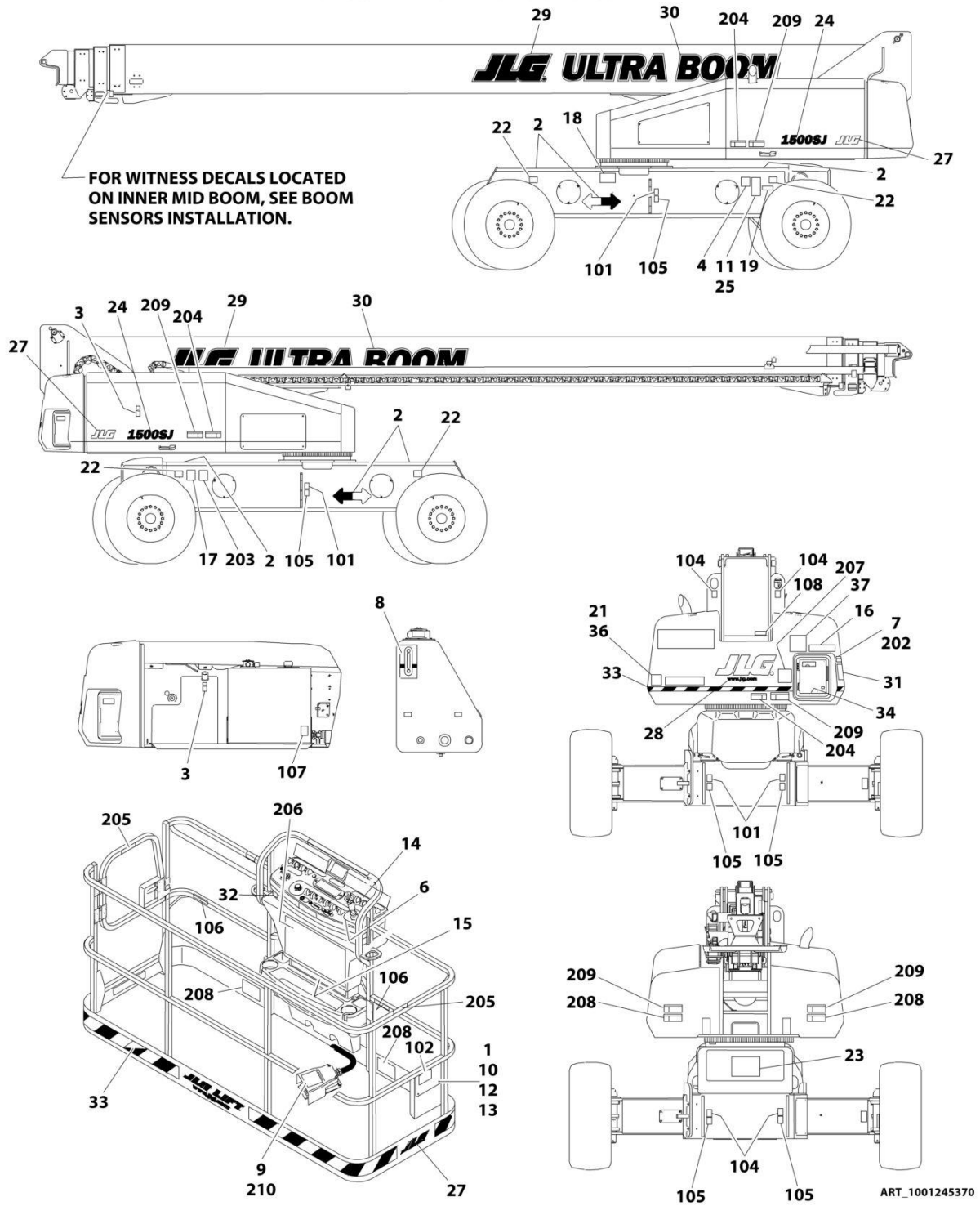
FIGURE 9-4. DECAL INSTALLATION - CE & UK CA SPEC

ITEM	PART NUMBER	QTY	DESCRIPTION	REV
	1001248561	Ref	DECAL INSTALLATION - REFERENCE CHART	B
	1001246612	Ref	DECAL INSTALLATION - CE & UK CA SPEC	A
1	0641406	4	Bolt 1/4 x 3/4	
2	1701501	4	Decal - Arrow	
3	1701505	2	Decal - Fuel	
4	See Note	1	Decal - Bar Code (Note: Not Available for Purchase)	
5	1702773	3	Decal - JLG	
6	1705174	1	Decal - Stop	
7	1705511	1	Decal - Oil Level	
8	1705864	2	Decal - JLG	
9	1706098	1	Decal - Warning Explosion/Fire (Not Shown - Located on Air Intake Box in Engine Compartment)	
10	3311405	4	Nut 1/4	
11	3820001	2	Rivet	
12	4751400	4	Washer 1/4	
13	91403230	1	Box, Manual Storage	
14	1001125177	1	Decal - Capacity (Platform)	
15	1001125178	1	Decal - Capacity (Ground Control)	
100	1001248540	1	Decal Kit - Master (Includes Items 101-107)	
101	1701499	4	Decal - No Lift	
102	1701509	1	Decal - Manual	
104	1703811	4	Decal - Tie Down/Lift	
105	1703814	6	Decal - Tie Down	
106	1704277	4	Decal - Attach Lanyard Here	
107	1704412	1	Decal - Hydraulic Oil Chart	
200	1001248546	1	Decal Kit - Country Spec (Includes Items 206-210)	
206	1705921	1	Decal - Tipping/Electrical (Platform)	
207	1705822	1	Decal - Electrical/Safety (Ground Control)	
208	1701518	10	Decal - Warning Crushing	
209	1705961	5	Decal - Danger Electrocution	
210	1705828	1	Decal - Footswitch	

SECTION 9 - DECALS

FIGURE 9-5. DECAL INSTALLATION - CSA SPEC (FRENCH/ENGLISH)

NOTE: ITEMS SHOWN MAY NOT BE REQUIRED FOR ALL SPECS. REFER TO PARTS LISTS FOR USAGE.



SECTION 9 - DECALS

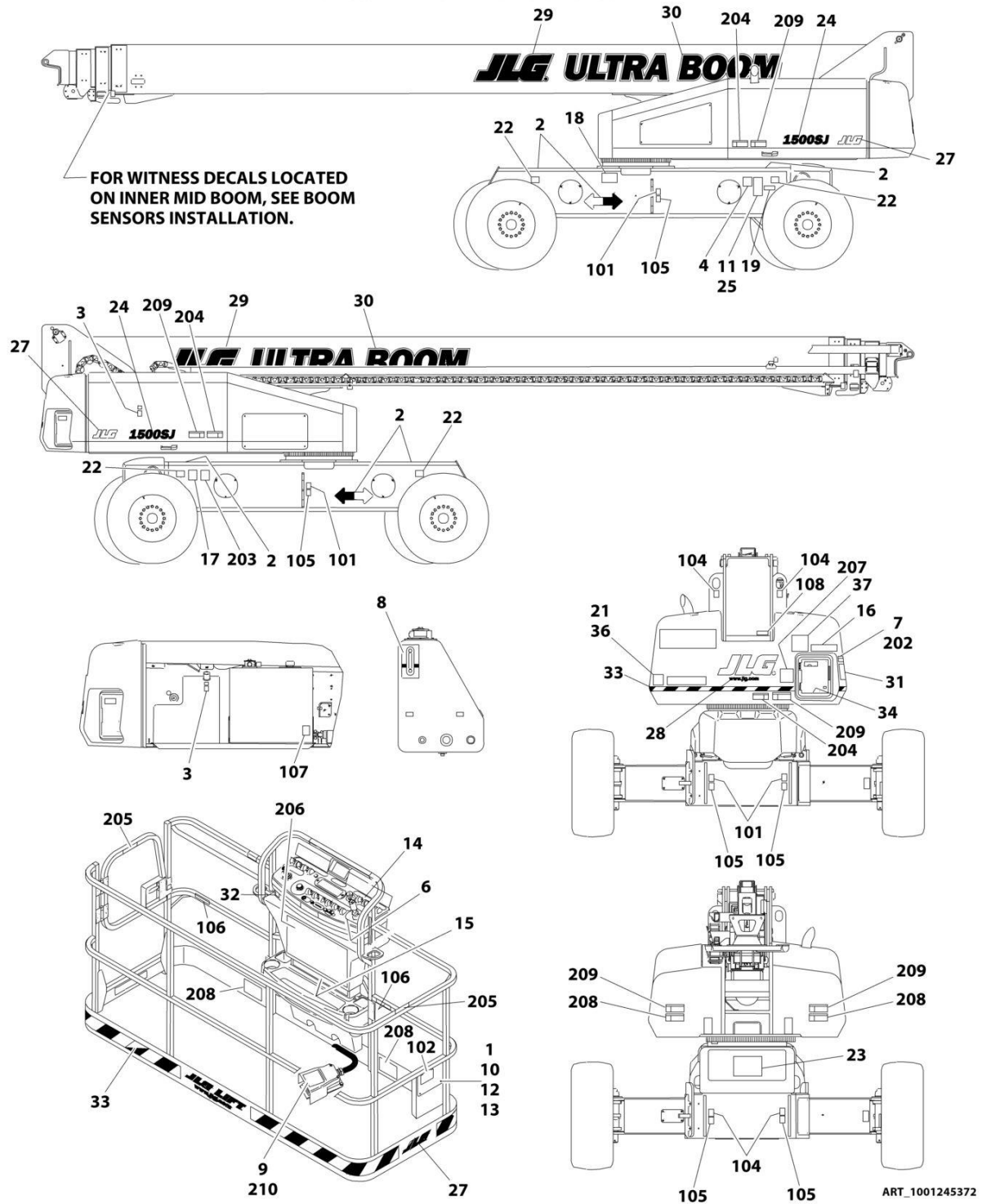
FIGURE 9-5. DECAL INSTALLATION - CSA SPEC (FRENCH/ENGLISH)

ITEM	PART NUMBER	QTY	DESCRIPTION	REV
	1001248555	Ref	DECAL INSTALLATION - REFERENCE CHART	C
	1001245370	Ref	DECAL INSTALLATION - CSA SPEC (FRENCH/ENGLISH)	B
1	0641406	4	Bolt 1/4 x 3/4	
2	1701501	4	Decal - Arrow	
3	1701505	2	Decal - Fuel	
4	See Note	1	Decal - Bar Code (Note: Not Available for Purchase)	
5	1706064	1	Decal - Warning Explosion/Fire (Not Shown - Located on Air Intake Box in Engine Compartment)	
6	1705429	1	Decal - Drive/Steer Instructions	
8	1705511	1	Decal - Oil Level	
10	3311405	4	Nut 1/4	
11	3820001	2	Rivet	
12	4751400	4	Washer 1/4	
13	91403230	1	Box, Manual Storage	
14	1705174	1	Decal - Stop	
15	1001253545	1	Decal - Capacity (Platform)	
16	1001253546	1	Decal - Capacity (Ground Control)	
30	1001131269	1	Decal - Patent	
18	1001223971	1	Decal - Yearly Inspection	
19	1001223453	1	Decal - ICES	
100	1001248539	1	Decal Kit - Master (Includes Items 101-108)	
101	1701499	4	Decal - No Lift	
102	1701509	1	Decal - Manual	
104	1703811	8	Decal - Tie Down/Lift	
105	1703814	6	Decal - Tie Down	
106	1704277	4	Decal - Attach Lanyard Here	
107	1704412	1	Decal - Hydraulic Oil Chart	
108	3251243	1	Nameplate - 120V-60Hz	
200	1001248548	1	Decal Kit - Country Spec (Includes Items 202-210)	
202	1705505	1	Decal - Tip Over Hazard	
203	1704006	1	Decal - Inspection	
204	1703942	7	Decal - Warning/Crushing	
205	1704000	2	Decal - No Hands	
206	1001231316	1	Decal - Danger/Warning (Platform)	
207	1705347	1	Decal - Danger/Warning (Ground Control)	
208	1703948	5	Decal - Warning Crushing	
209	1703936	5	Decal - Danger/Electrocution	
210	1703984	1	Decal - Footswitch	

SECTION 9 - DECALS

FIGURE 9-6. DECAL INSTALLATION - CHINESE SPEC (ENGLISH)

NOTE: ITEMS SHOWN MAY NOT BE REQUIRED FOR ALL SPECS. REFER TO PARTS LISTS FOR USAGE.



ART_1001245372

SECTION 9 - DECALS

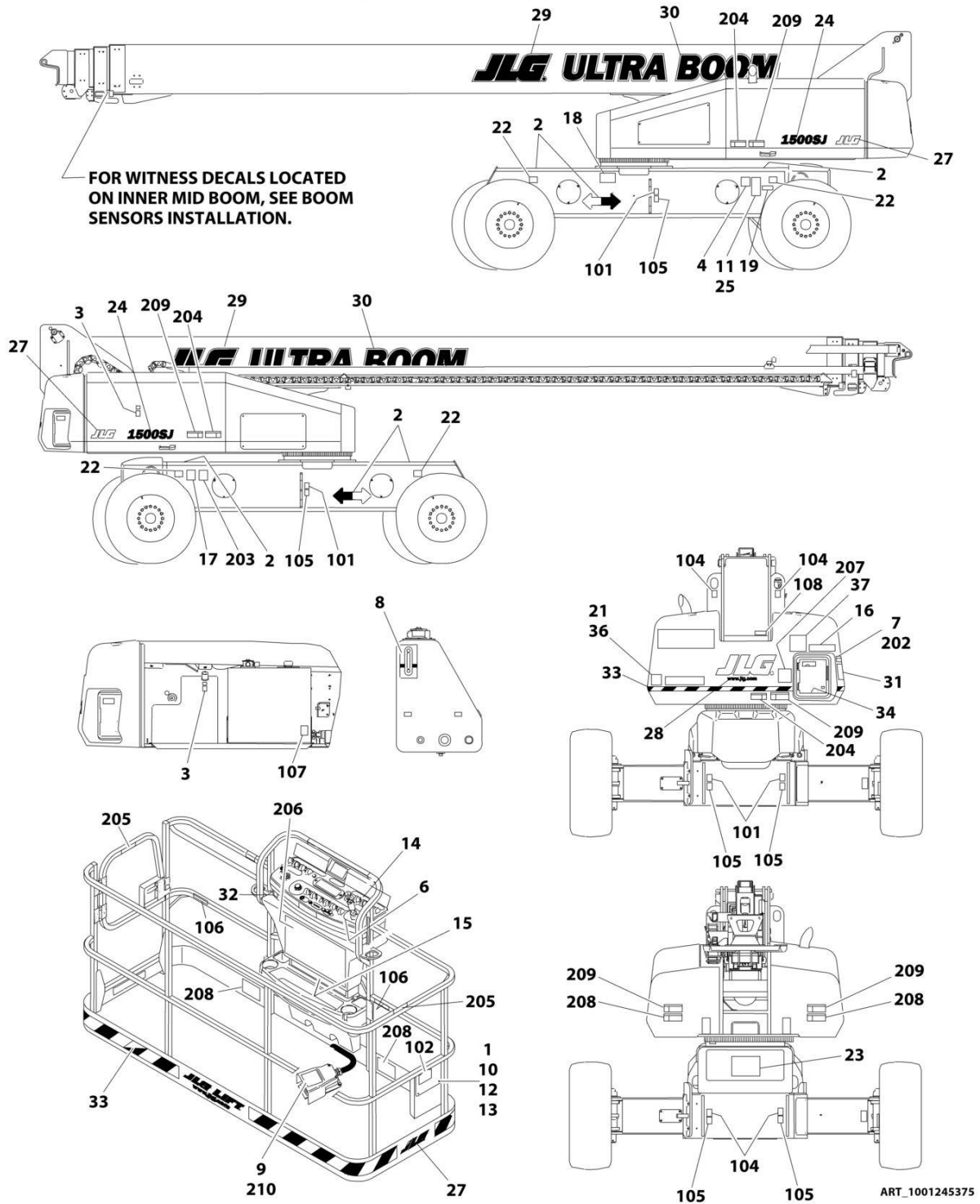
FIGURE 9-6. DECAL INSTALLATION - CHINESE SPEC (ENGLISH)

ITEM	PART NUMBER	QTY	DESCRIPTION	REV
	1001248555	Ref	DECAL INSTALLATION - REFERENCE CHART	C
	1001245372	Ref	DECAL INSTALLATION - CHINESE SPEC (ENGLISH)	C
1	0641406	4	Bolt 1/4 x 3/4	
2	1701501	4	Decal - Arrow	
3	1701505	2	Decal - Fuel	
4	See Note	1	Decal - Bar Code (Note: Not Available for Purchase)	
5	1706060	1	Decal - Warning Explosion/Fire (Not Shown - Located on Air Intake Box in Engine Compartment)	
6	1705430	1	Decal - Drive/Steer Instructions	
8	1705511	1	Decal - Oil Level	
10	3311405	4	Nut 1/4	
11	3820001	2	Rivet	
12	4751400	4	Washer 1/4	
13	91403230	1	Box, Manual Storage	
14	1001122611	1	Decal - Stop	
15	1001253549	1	Decal - Capacity (Platform)	
16	1001253550	1	Decal - Capacity (Ground Control)	
18	1001224050	1	Decal - Yearly Inspection	
100	1001248539	1	Decal Kit - Master (Includes Items 101-108)	
101	1701499	4	Decal - No Lift	
102	1701509	1	Decal - Manual	
104	1703811	8	Decal - Tie Down/Lift	
105	1703814	6	Decal - Tie Down	
106	1704277	4	Decal - Attach Lanyard Here	
107	1704412	1	Decal - Hydraulic Oil Chart	
108	3251243	1	Nameplate - 120V-60Hz	
200	1001248553	1	Decal Kit - Country Spec (Includes Items 202-210)	
202	1001117035	1	Decal - Tip Over Hazard	
204	1703943	7	Decal - Warning/Crushing	
205	1001116846	1	Decal - No Hands	
206	1001231321	1	Decal - Danger/Warning (Platform)	
207	1001116849	1	Decal - Warning Inspection (MTB)	
208	1703949	5	Decal - Warning Crushing	
209	1001116851	1	Decal - Danger Electrocution	
210	1703982	1	Decal - Footswitch	

SECTION 9 - DECALS

FIGURE 9-7. DECAL INSTALLATION - JAPANESE SPEC (JAPANESE/ENGLISH)

NOTE: ITEMS SHOWN MAY NOT BE REQUIRED FOR ALL SPECS. REFER TO PARTS LISTS FOR USAGE.



ART_1001245375

SECTION 9 - DECALS

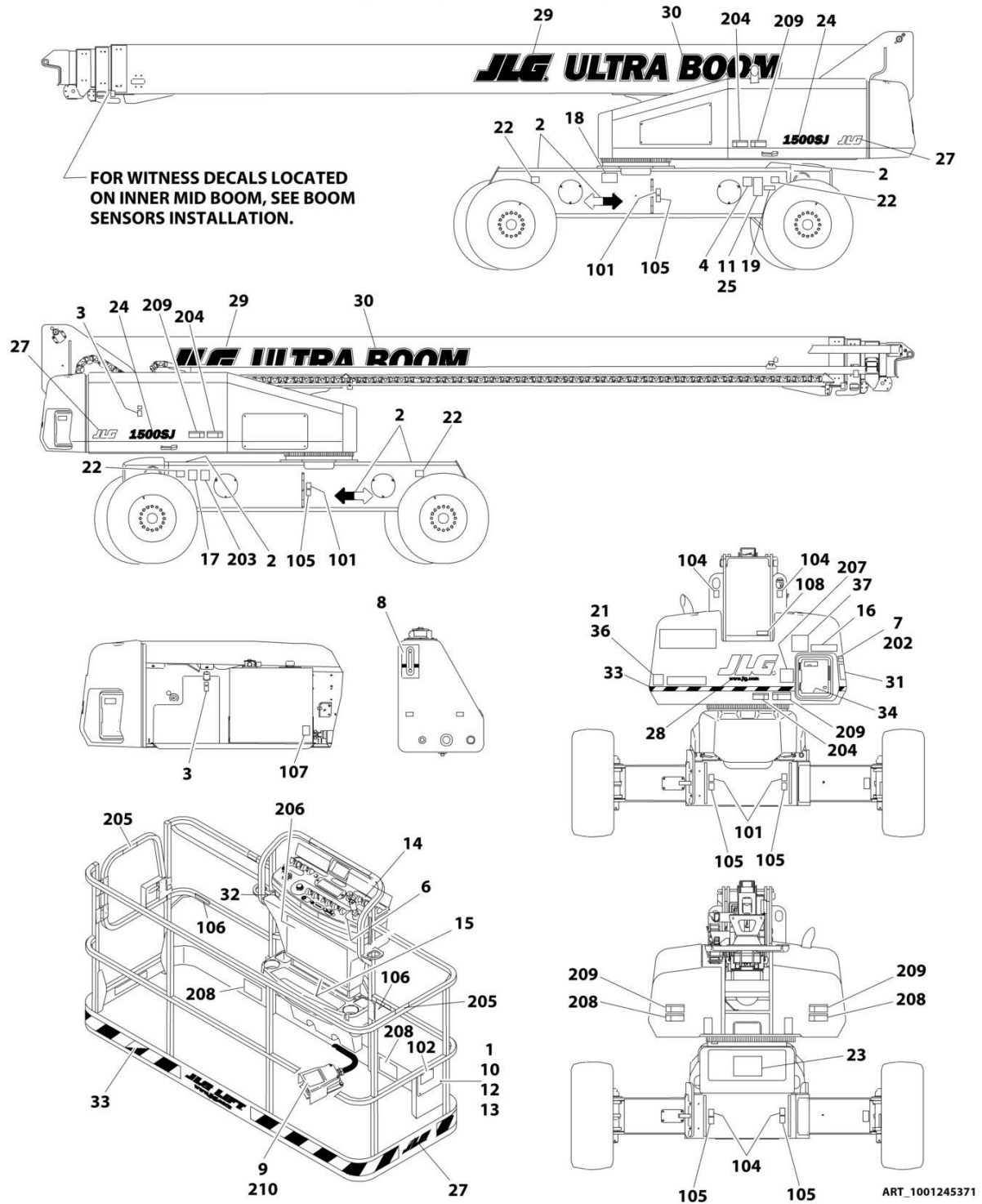
FIGURE 9-7. DECAL INSTALLATION - JAPANESE SPEC (JAPANESE/ENGLISH)

ITEM	PART NUMBER	QTY	DESCRIPTION	REV
	1001248555	Ref	DECAL INSTALLATION - REFERENCE CHART	C
	1001245375	Ref	DECAL INSTALLATION - JAPANESE SPEC (JAPANESE/ENGLISH)	B
1	0641406	4	Bolt 1/4 x 3/4	
2	1701501	4	Decal - Arrow	
3	1701505	2	Decal - Fuel	
4	See Note	1	Decal - Bar Code (Note: Not Available for Purchase)	
5	1706062	1	Decal - Warning Explosion/Fire (Not Shown - Located on Air Intake Box in Engine Compartment)	
6	1705426	1	Decal - Drive/Steer Instructions	
8	1705511	1	Decal - Oil Level	
10	3311405	4	Nut 1/4	
11	3820001	2	Rivet	
12	4751400	4	Washer 1/4	
13	91403230	1	Box, Manual Storage	
14	1001122611	1	Decal - Stop	
15	1001253555	1	Decal - Capacity (Platform)	
16	1001253556	1	Decal - Capacity (Ground Control)	
18	1001224053	1	Decal - Yearly Inspection	
100	1001248539	1	Decal Kit - Master (Includes Items 101-107)	
101	1701499	4	Decal - No Lift	
102	1701509	1	Decal - Manual	
104	1703811	8	Decal - Tie Down/Lift	
105	1703814	6	Decal - Tie Down	
106	1704277	4	Decal - Attach Lanyard Here	
107	1704412	1	Decal - Hydraulic Oil Chart	
200	1001248552	1	Decal Kit - Country Spec (Includes Items 202-210)	
202	1705493	1	Decal - Tip Over Hazard	
204	1703944	7	Decal - Warning/Crushing	
206	1001231320	1	Decal - Danger/Warning (Platform)	
207	1705344	1	Decal - Danger/Warning (Ground Control)	
208	1703950	5	Decal - Warning Crushing	
209	1703938	5	Decal - Danger/Electrocution	
210	1703980	1	Decal - Footswitch	

SECTION 9 - DECALS

FIGURE 9-8. DECAL INSTALLATION - KOREAN SPEC (KOREAN/ENGLISH)

NOTE: ITEMS SHOWN MAY NOT BE REQUIRED FOR ALL SPECS. REFER TO PARTS LISTS FOR USAGE.



SECTION 9 - DECALS

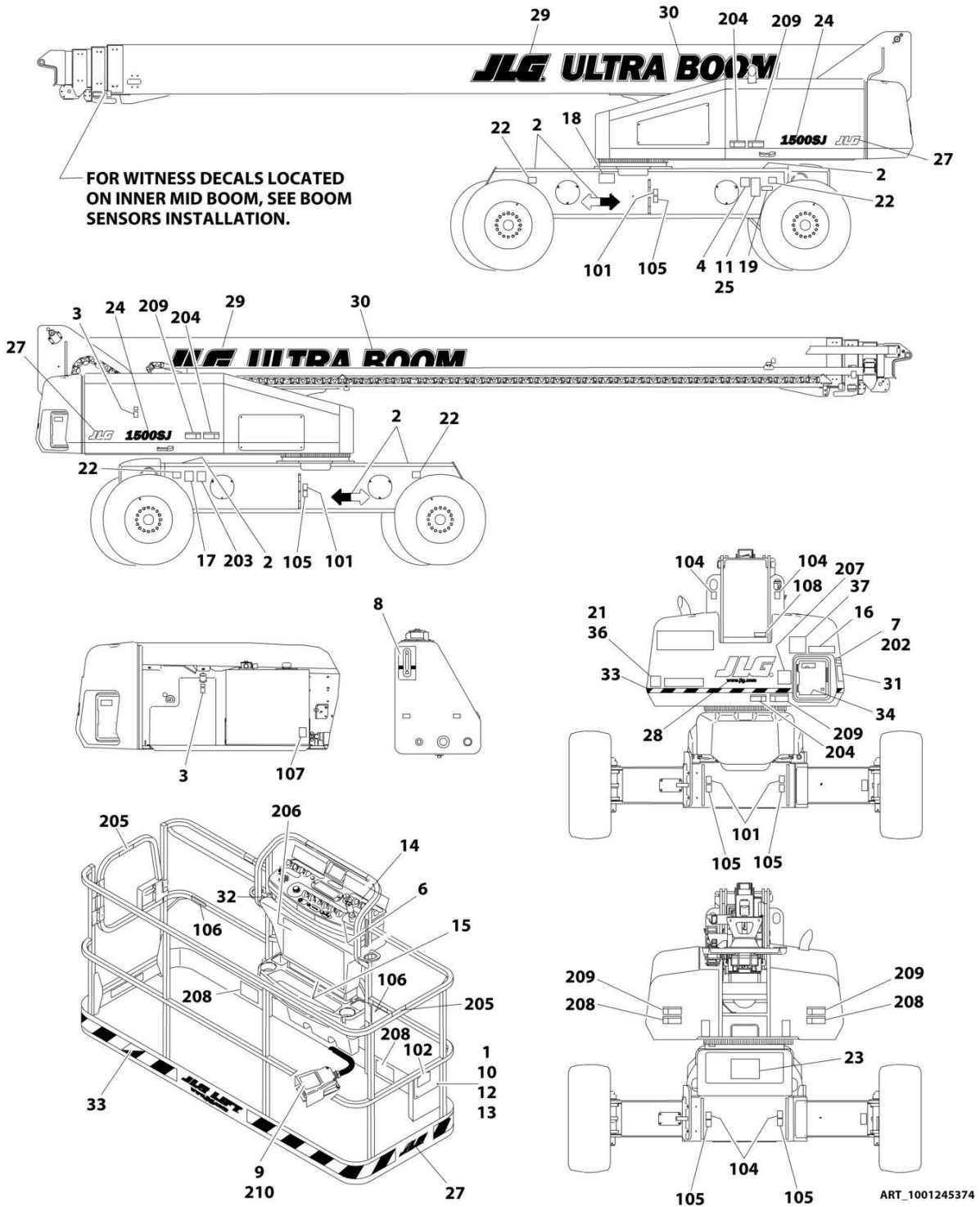
FIGURE 9-8. DECAL INSTALLATION - KOREAN SPEC (KOREAN/ENGLISH)

ITEM	PART NUMBER	QTY	DESCRIPTION	REV
	1001248555	Ref	DECAL INSTALLATION - REFERENCE CHART	C
	1001245371	Ref	DECAL INSTALLATION - KOREAN SPEC (KOREAN/ENGLISH)	B
1	0641406	4	Bolt 1/4 x 3/4	
2	1701501	4	Decal - Arrow	
3	1701505	2	Decal - Fuel	
4	See Note	1	Decal - Bar Code (Note: Not Available for Purchase)	
5	1706061	1	Decal - Warning Explosion/Fire (Not Shown - Located on Air Intake Box in Engine Compartment)	
6	1705427	1	Decal - Drive/Steer Instructions	
8	1705511	1	Decal - Oil Level	
10	3311405	4	Nut 1/4	
11	3820001	2	Rivet	
12	4751400	4	Washer 1/4	
13	91403230	1	Box, Manual Storage	
14	1001122611	1	Decal - Stop	
15	1001253547	1	Decal - Capacity (Platform)	
16	1001253548	1	Decal - Capacity (Ground Control)	
18	1001224048	1	Decal - Yearly Inspection	
100	1001248539	1	Decal Kit - Master (Includes Items 101-107)	
101	1701499	4	Decal - No Lift	
102	1701509	1	Decal - Manual	
104	1703811	8	Decal - Tie Down/Lift	
105	1703814	6	Decal - Tie Down	
106	1704277	4	Decal - Attach Lanyard Here	
107	1704412	1	Decal - Hydraulic Oil Chart	
200	1001248549	1	Decal Kit - Country Spec (Includes Items 202-210)	
202	1705503	1	Decal - Tip Over Hazard	
204	1703945	7	Decal - Warning/Crushing	
205	1705969	2	Decal - No Hands	
206	1001231317	1	Decal - Danger/Warning (Platform)	
207	1705345	1	Decal - Danger/Warning (Ground Control)	
208	1703951	5	Decal - Warning Crushing	
209	1703939	5	Decal - Danger/Electrocution	
210	1703981	1	Decal - Footswitch	

SECTION 9 - DECALS

FIGURE 9-9. DECAL INSTALLATION - LATIN AMERICAN SPEC (SPANISH/ENGLISH)

NOTE: ITEMS SHOWN MAY NOT BE REQUIRED FOR ALL SPECS. REFER TO PARTS LISTS FOR USAGE.



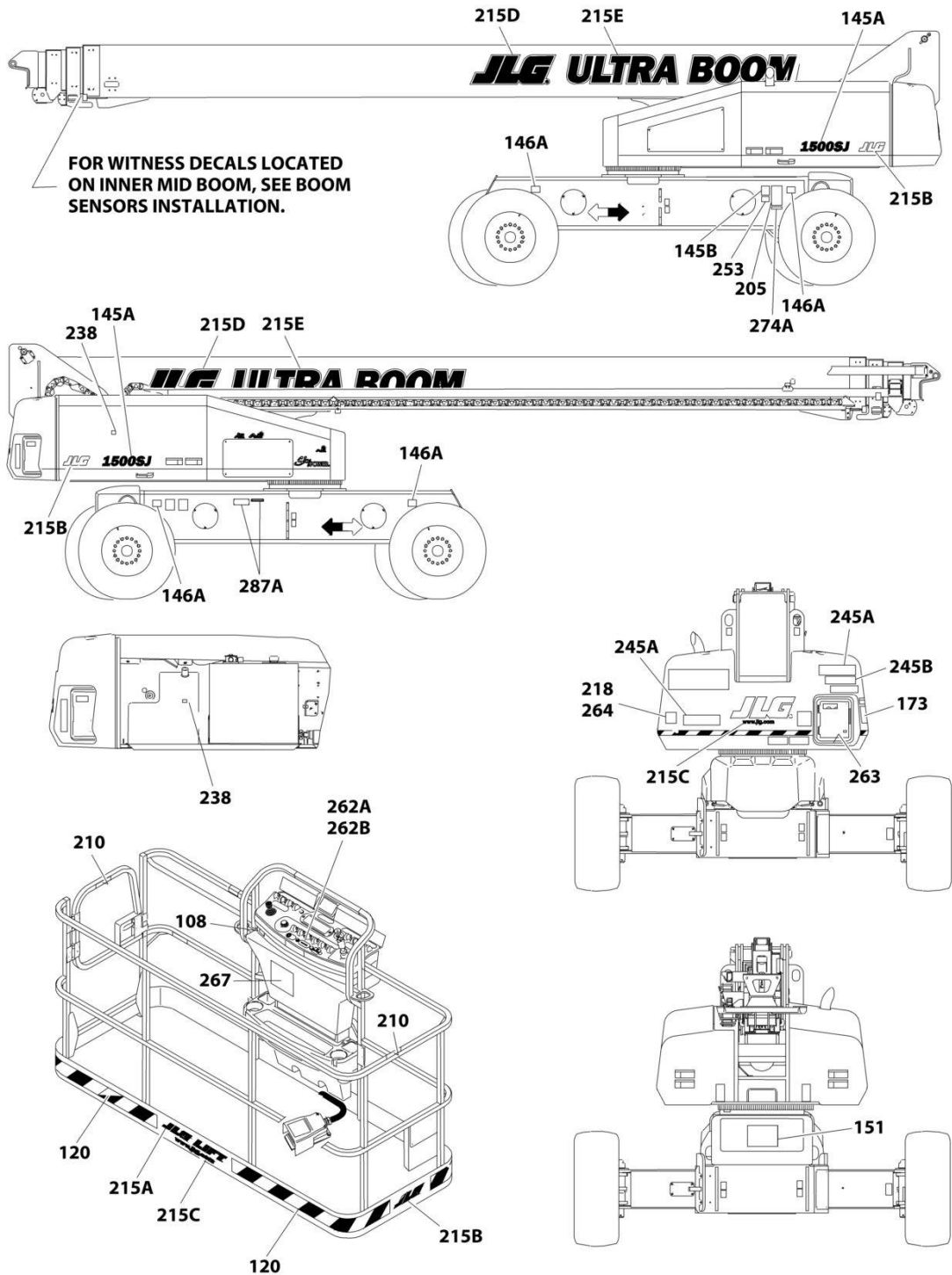
SECTION 9 - DECALS

FIGURE 9-9. DECAL INSTALLATION - LATIN AMERICAN SPEC (SPANISH/ENGLISH)

ITEM	PART NUMBER	QTY	DESCRIPTION	REV
	1001248555	Ref	DECAL INSTALLATION - REFERENCE CHART	C
	1001245374	Ref	DECAL INSTALLATION - LATIN AMERICAN SPEC (SPANISH/ENGLISH)	B
1	0641406	4	Bolt 1/4 x 3/4	
2	1701501	4	Decal - Arrow	
3	1701505	2	Decal - Fuel	
4	See Note	1	Decal - Bar Code (Note: Not Available for Purchase)	
5	1706063	1	Decal - Warning Explosion/Fire (Not Shown - Located on Air Intake Box in Engine Compartment)	
6	1705910	1	Decal - Drive/Steer Instructions	
8	1705511	1	Decal - Oil Level	
10	3311405	4	Nut 1/4	
11	3820001	2	Rivet	
12	4751400	4	Washer 1/4	
13	91403230	1	Box, Manual Storage	
14	1001122611	1	Decal - Stop	
15	1001253553	1	Decal - Capacity (Platform)	
16	1001253554	1	Decal - Capacity (Ground Control)	
18	1001224049	1	Decal - Yearly Inspection	
100	1001248539	1	Decal Kit - Master (Includes Items 101-107)	
101	1701499	4	Decal - No Lift	
102	1701509	1	Decal - Manual	
104	1703811	8	Decal - Tie Down/Lift	
105	1703814	6	Decal - Tie Down	
106	1704277	4	Decal - Attach Lanyard Here	
107	1704412	1	Decal - Hydraulic Oil Chart	
200	1001248550	1	Decal Kit - Country Spec (Includes Items 202-210)	
202	1705915	1	Decal - Tip Over Hazard	
203	1704007	1	Decal - Inspection	
204	1703941	4	Decal - Warning/Crushing	
205	1704001	2	Decal - No Hands	
206	1001231318	1	Decal - Danger/Warning (Platform)	
207	1705917	1	Decal - Danger/Warning (Ground Control)	
208	1703947	5	Decal - Warning Crushing	
209	1703935	5	Decal - Danger/Electrocution	
210	1703983	1	Decal - Footswitch	

SECTION 9 - DECALS

FIGURE 9-10. DECAL INSTALLATION - OPTIONS



ART_DECAL_OPTIONS

SECTION 9 - DECALS

FIGURE 9-10. DECAL INSTALLATION - OPTIONS

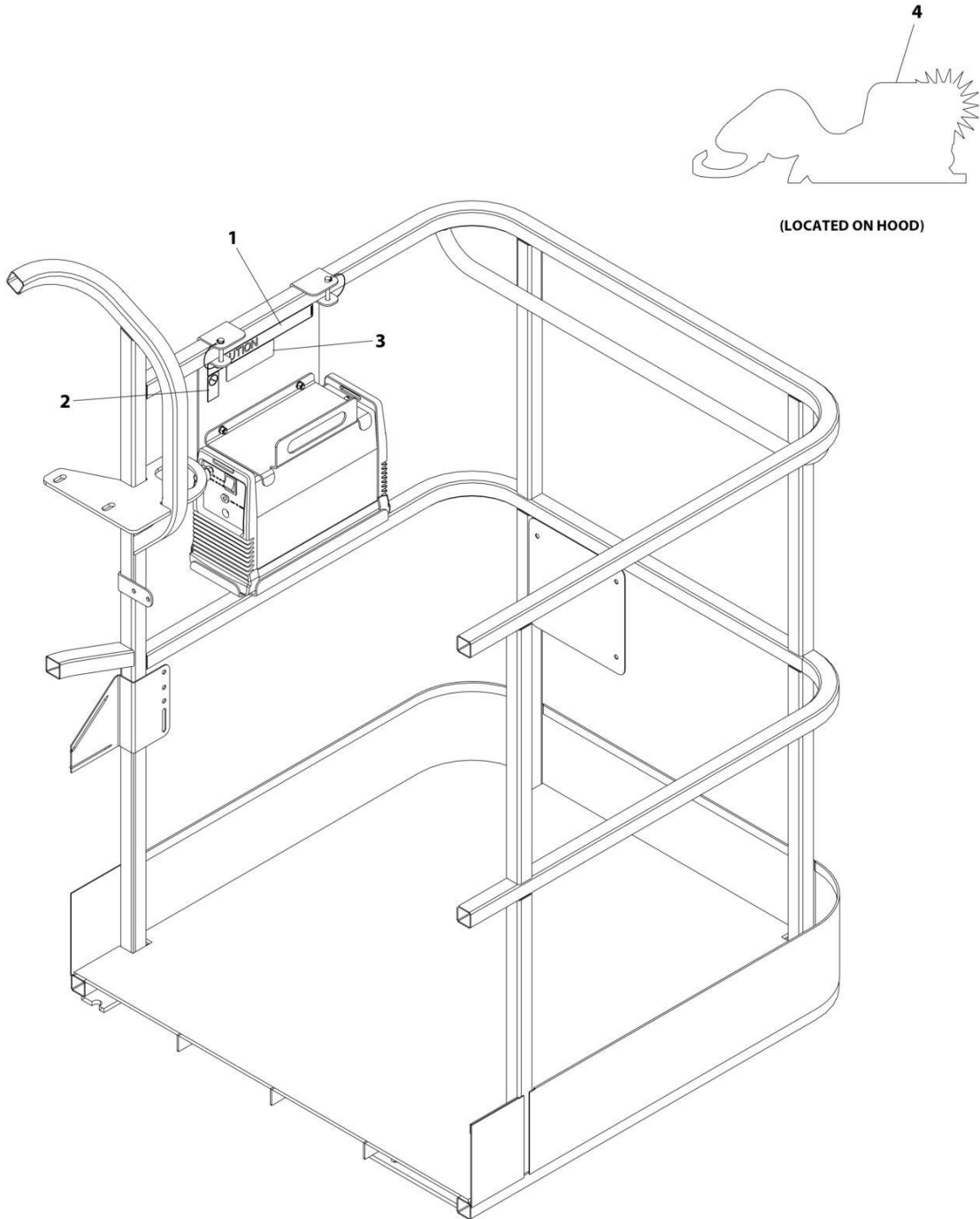
ITEM	PART NUMBER	QTY	DESCRIPTION	REV
	1001248555	Ref	DECAL INSTALLATION - REFERENCE CHART	C
	1001261500	Ref	DECAL INSTALLATION - OPTIONS	K
108	1001231801	1	Decal - Warning (Proposition 65) (ANSI Spec Only)	
120	4420051	22 ft/6.71m	Decal - Warning Stripes	
145	1001125152	1	Decal - Model Designation Installation	C
145A	1001125191	2	Decal - 1500SJ (Prior to SN 0300280580)	
145A	1001268240	2	Decal - 1500SJ (SN 0300280580 to Present)	
145B	See Note	1	Decal - Bar Code (Note: Not Available for Purchase)	
146	1001125153	1	Decal - Max Tire Load Kit	1
146A	1001125192	4	Decal - Max Tire Load	
151	1001284692	1	Decal - Lift Diagram	
173	1001125196	1	Decal - Daily Check List - ANSI Spec	
173	1001125196	1	Decal - Daily Check List - Australian Spec	
173	1001125200	1	Decal - Daily Check List - Brazil Spec (Spanish/Portuguese)	
173	1001125198	1	Decal - Daily Check List - Chinese Spec (Chinese/English)	
173	1001125201	1	Decal - Daily Check List - CSA Spec (English/French)	
173	1001125209	1	Decal - Daily Check List - Danish Spec	
173	1001125203	1	Decal - Daily Check List - Dutch Spec	
173	1001172840	1	Decal - Daily Check List - Estonian Spec	
173	1001125207	1	Decal - Daily Check List - Finnish Spec	
173	1001125204	1	Decal - Daily Check List - French Spec	
173	1001125211	1	Decal - Daily Check List - German Spec	
173	1001125205	1	Decal - Daily Check List - Italian Spec	
173	1001125202	1	Decal - Daily Check List - Japanese Spec (Japanese/English)	
173	1001125197	1	Decal - Daily Check List - Korean Spec (Korean/English)	
173	1001125199	1	Decal - Daily Check List - Latin American Spec (Spanish/English)	
173	1001125210	1	Decal - Daily Check List - Norwegian Spec	
173	1001125212	1	Decal - Daily Check List - Polish Spec	
173	1001125200	1	Decal - Daily Check List - Portuguese Spec	
173	1001125206	1	Decal - Daily Check List - Spanish Spec	
173	1001125208	1	Decal - Daily Check List - Swedish Spec	
173	1001125196	1	Decal - Daily Check List - UK English Spec	
205	See Note	1	Decal - Nameplate (Note: Not Available for Purchase)	
210	1702868	2	Decal - No Hands - ANSI Spec	
210	1704000	2	Decal - No Hands - CSA Spec (French/English)	
210	1705969	2	Decal - No Hands - Korean Spec (Korean/English)	
210	1001218850	2	Decal - No Hands - (CE & UK CA LRC Spec)	
215	1001116025	1	Decal - JLG Decal Installation	D
215	1001291459	1	Decal - JLG Decal Installation (Chinese)	A
215A	1702774	1	Decal - JLG Lift	
215A	1001288705	1	Decal - JLG Lift (Chinese)	
215B	1702773	3	Decal - JLG	
215C	1704885	1	Decal - Website	
215D	1705864	2	Decal - JLG	
215D	1001290403	2	Decal - JLG (Chinese)	
215E	1705865	2	Decal - Ultra Boom	
215E	1001267315	2	Decal - Ultra Boom (Chinese)	
215F	1001290348	2	Decal - JLG (Chinese)	
218	3251813	1	Decal - USA (ANSI, ANSI Export and CSA Specs)	

SECTION 9 - DECALS

ITEM	PART NUMBER	QTY	DESCRIPTION	REV
238	1001125387	1	Decal - Ultra Low Sulfur Fuel (Deutz TCD2.9L4 Engines) (ANSI and CSA Specs)	
238	1001139654	1	Decal - Ultra Low Sulfur Fuel (Deutz TCD2.9L4 Engines) (ANSI Export (HRC), Japanese, CE & UK CA Specs)	
245	1001120994	1	Decal - ClearSky Telematics Decal Installation	A
245A	1001116208	2	Decal - ClearSky	
245B	1001120989	1	Decal - Radio Frequency Device	
245	1001294761	1	ClearSky Smart Fleet Decal Installation	A
245A	1001120989	1	Decal - Radio Frequency	
245B	1001294815	1	Decal - ClearSky	
253	1001143852	1	Decal - EPA (ANSI Export (LRC), Australian, CE & UK CA (LRC) Specs)	
262A	1001141300	1	Decal - SkyGuard Override	
262B	1001141302	1	Decal - SkyGuard/Soft Touch Override	
263	1001197408	1	Decal - MSSO (CE& UK CA Specs Only)	
264	8007508	1	Decal - Sound Power (104dB) (Deutz TD2011 Engines)	
264	1705980	1	Decal - Sound Power (106dB) (Deutz TD2011 Engines)	
264	1001191525	1	Decal - Sound Power (108dB) (Deutz TCD2.9L4 Engines, Deutz TCD2.9L4(Stage V Pre-Buy) Engines and Deutz TCD2.9L4(Stage V) Engines)	
267	1001200067	1	Decal - Quick Start Guide (Danish)	
267	1001200065	1	Decal - Quick Start Guide (Dutch)	
267	1001177562	1	Decal - Quick Start Guide (English)	
267	1001200064	1	Decal - Quick Start Guide (French)	
267	1001200066	1	Decal - Quick Start Guide (German)	
267	1001200071	1	Decal - Quick Start Guide (Norwegian)	
267	1001200070	1	Decal - Quick Start Guide (Spanish)	
267	1001200069	1	Decal - Quick Start Guide (Swedish)	
274	1001214029	1	Decal - EAC Installation (CIS and Russia Specs)	
274A	1001173703	1	Decal - EAC	
287A	1001292058	1	Decal Installation - ECO Label	
287A	3820001	8	Rivet	
287A	See Note	1	Plate - Environmental Protection (Note: Not Available for Purchase)	
287A	See Note	1	Plate - Mein Code (Note: Not Available for Purchase)	

SECTION 9 - DECALS

FIGURE 9-11. SKYCUTTER DECAL INSTALLATION (ANSI, ANSI EXPORT AND CSA SPECS)



ART_0272599

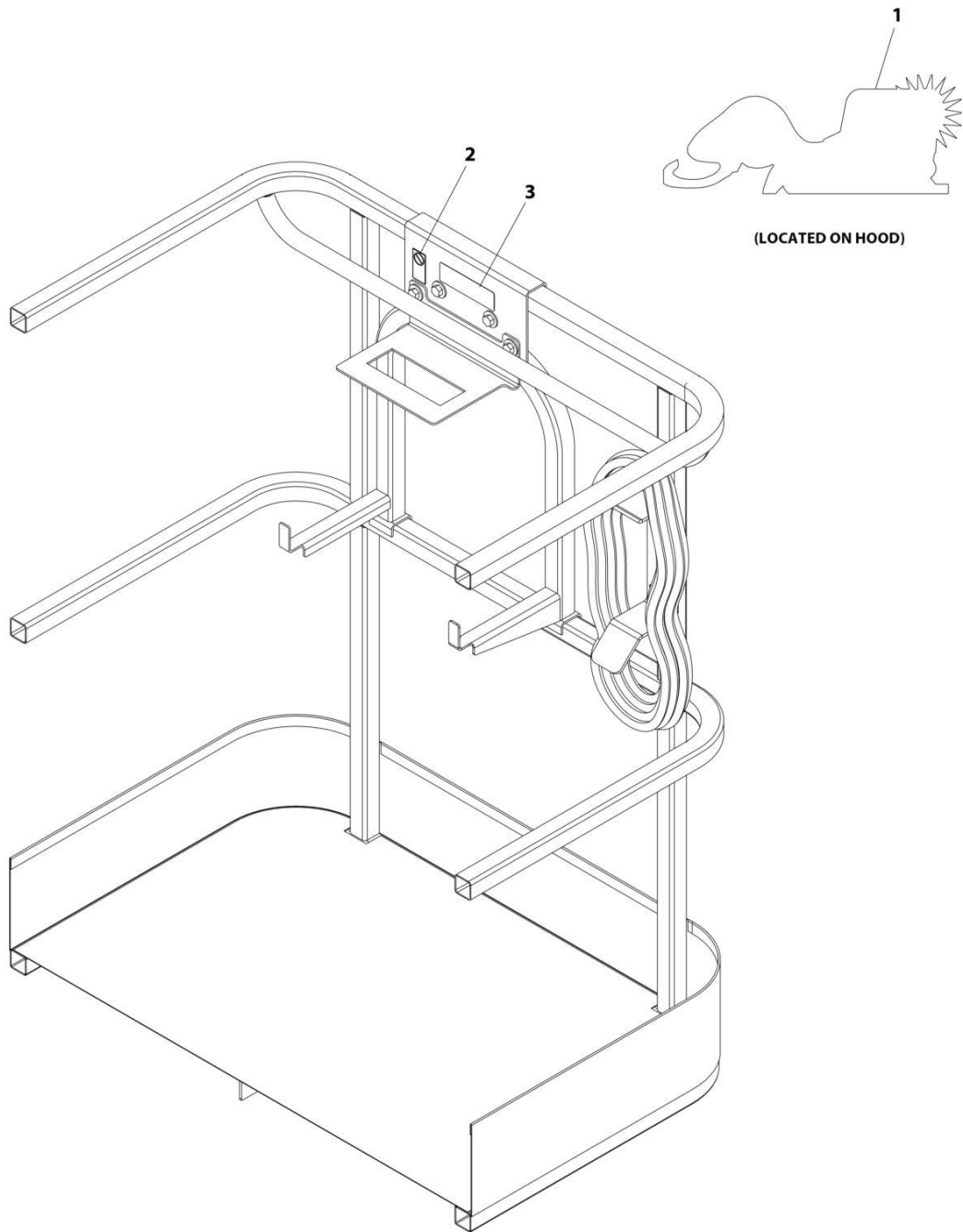
SECTION 9 - DECALS

FIGURE 9-11. SKYCUTTER DECAL INSTALLATION (ANSI, ANSI EXPORT AND CSA SPECS)

ITEM	PART NUMBER	QTY	DESCRIPTION	REV
	0272599	Ref	SKYCUTTER DECAL INSTALLATION	C
1	1702868	1	Decal - No Hands	
2	1705305	1	Decal - Weld Leads	
3	1001252627	1	Decal - Weight	
4	1705490	2	Decal - SkyCutter	

SECTION 9 - DECALS

FIGURE 9-12. SKYCUTTER DECAL INSTALLATION (JAPANESE SPECS)



ART_0272607_C

SECTION 9 - DECALS

FIGURE 9-12. SKYCUTTER DECAL INSTALLATION (JAPANESE SPECS)

ITEM	PART NUMBER	QTY	DESCRIPTION	REV
	0272607	1	SKYCUTTER DECAL INSTALLATION	C
1	1705490	2	Decal - SkyCutter	
2	1705305	1	Decal - Weld Lead	
3	1001252627	1	Decal - Weight	

SECTION 10 - RECOMMENDED SERVICE PARTS STOCK

SECTION 10 - RECOMMENDED SERVICE PARTS STOCK

SECTION 10 - RECOMMENDED SERVICE PARTS STOCK

FIGURE 10-1. RECOMMENDED SERVICE PARTS STOCK

ITEM	PART NUMBER	QTY	DESCRIPTION	REV
		Ref	Note: The following list will service one machine (built to current production per date on the front cover) with emergency repair parts which can be installed in the field. Parts from the list should be replaced when inventory is depleted to keep service parts stock supplied. For further information, contact your JLG dealer or the JLG Industries Parts Department.	
	4360070	1	Breaker, Circuit 15Amp (Machines with Generator)	
	7024485	1	Breaker, Circuit 30Amp	
	1001159118	1	Breaker, GFCI 30Amp	
	1001181045	1	Breaker 30mAmp/16Amp (CE & UK CA Spec Machines)	
	7018991	1	Coil (Steer Valve)	
	7012944	1	Coil (Traction Valve)	
	70003026	1	Coil (Platform Valve)	
	7024885	1	Coil (Platform Valve & Jib Valve)	
	70022147	1	Coil (Jib Valve)	
	7024883	1	Coil (Jib Valve)	
	70003485	1	Contactora, Rotary Circuit (Rotary Coupling & Collector Ring)	
	1001138566	1	Control, Generator Box (4000w)	
	0861538	1	Control, Generator Box (7500w 60Hz)	
	0861572	1	Control, Generator Box (7500w 50Hz)	
	1001275628	1	Controller, Drive/Steer	
	1001275629	1	Controller, Lift/Swing	
	4360407	1	Controller, Speed (Potentiometer)	
	3990001	2	Diode - 3Amp (Ground Control Box Harness)	
		Ref	Engine - Deutz TD2011	
	7003655	12	Element, Air Filter	
	1001202281	12	Element, Fuel/Water Separator	
	7016328	12	Filter, Fuel	
	7016331	12	Filter, Oil	
	1600443	Ref	Module, EMR2 Controller (Note: Not available to order. Please Contact JLG Part Center)	
	3740067	1	Relay	
	3740080	1	Relay	
	7026608	1	Relay, Start	
		Ref	Engine - Deutz TCD2.9L4	
	70025210	Ref	ECU (Engine Control Unit) (Note: Not available to order. Please Contact JLG Part Center)	
	70024190	12	Element, Air Filter	
	70006405	12	Element, Fuel/Water Separator	
	1001225430	12	Filter, Fuel Primary	
	1001225431	12	Filter, Fuel Secondary	
	7016331	12	Filter, Oil	
	1001196634	2	Fuse, 2A	
	8229242	2	Fuse, 5A	
	80983191	2	Fuse, 10A	
	70023592	2	Fuse, 20A	
	70023593	2	Fuse, 30A	
	1001117308	1	Relay	
	70005648	1	Relay	
	1001138228	1	Relay, Power Module	

SECTION 10 - RECOMMENDED SERVICE PARTS STOCK

ITEM	PART NUMBER	QTY	DESCRIPTION	REV
	70025203	1	Module, EGR	
		Ref	Engine - Deutz TCD2.9L4 Stage V	
	70024190	1	Element, Air Filter	
	1001196634	2	Fuse, 2A	
	70023592	2	Fuse, 20A	
	70023593	2	Fuse, 30A	
	7024375	12	Element, Hydraulic Oil Filter (Hydraulic Tank)	
	70002231	12	Element, Pressure Filter	
	2120217	12	Filter, High Pressure	
	8229249	2	Fuse, 3A (USB Charger)	
	2400064	2	Fuse, 5A (Ground Control Box Harness) (Prior to SN 0300296324)	
	8229242	2	Fuse, 5A (Ground Control Box Harness) (SN 0300296324 to Present)	
	2400065	2	Fuse, 30A (Turntable Harness)	
	2860030	1	Key, Replacement	
	2940074	1	Latch, Platform	
	1001247468	1	Loadcell (Platform Support)	
	1001227960	1	Module, B.L.A.M.	
	1001112758	1	Module, Chassis (Valves & Modules - Frame)	
	1600343	1	Module, Control (Platform Control Box)	
	1001142683	1	Module, Control Beacon (Red & Blue Beacons)	
	1001281100	1	Module, Ground Control (Ground Control Box)	
	1001119262	1	Module, Jib Control (Enclosure Box)	
	1001119512	1	Module, Repeater (Ground Control Box)	
	3740067	1	Relay (Battery, Horn & Aux Pump)	
	3740080	1	Relay (Ground Control Box, Ground Control Harness & Turntable Harness))	
	70006553	1	Relay (4000w Generator)	
	1001186431	1	Relay (SkyGuard Bar)	
	3740086	1	Relay (SkyLine Harness)	
	1001133759	1	Sensor, Angle (Rotary Coupling & Collector Ring)	
	1001135479	1	Switch, Angle Indicator (Jib Rotate)	
	1001118971	1	Switch, Angle Indicator (Main Boom Protractor)	
	1001147479	1	Sensor, Angle Indicator (Platform Level & Main Boom Angle)	
	1001138827	1	Sensor, Coolant (All Deutz Engines)	
	1001117991	1	Sensor, Cylinder Length (Jib Cylinder)	
	1001117990	1	Sensor, Cylinder Length (Level Cylinder)	
	1001228225	1	Sensor, Emitter (SkyEye)	
	7026031	1	Sensor, Proximity (Rotary Coupling & Collector Ring)	
	1001232667	1	Sensor, Proximity (SkyLine)	
	1001311034	1	Sensor, Proximity (SkyLine)	
	4000008	1	Sensor, Proximity (Jib Lock)	
	1001228224	1	Sensor, Receiver (SkyEye)	
	4360543	1	Sensor, String (Boom Length)	
	1001219601	1	Sensor, Tilt Dual Axis CAN (Ground Control Box)	
	1001225346	1	Switch, Battery Disconnect	
	1001117172	1	Switch, Foot	
	4360469	1	Switch, Key (Ground Control)	
	4360274	1	Switch, Pushbutton Gray (Ground Control)	
	4360387	1	Switch, Pushbutton Yellow (Ground Control & Platform Console Box)	

SECTION 10 - RECOMMENDED SERVICE PARTS STOCK

ITEM	PART NUMBER	QTY	DESCRIPTION	REV
	4360475	1	Switch, Push-Pull Emergency Stop (Ground Controls)	
	1001274559	1	Switch, Push-Pull Emergency Stop (Platform Control Box)	
	1001137673	1	Switch, SkyGuard Bar	
	4360336	1	Switch, Toggle (4000w Generator)	
	1001155045	1	Switch, Toggle (Platform Console Box)	
	1001159256	1	Switch, Toggle (Platform Console Box)	
	1001161709	1	Switch, Toggle (Platform Console Box)	
	1001161710	1	Switch, Toggle (Platform Console Box)	
	4360328	1	Switch, Toggle (Ground Control Box)	

SECTION 11 - SPECIAL OPTIONS

SECTION 11 - SPECIAL OPTIONS

FIGURE 11-1. SPECIAL OPTIONS/ACCESSORIES/KITS

ITEM	PART NUMBER	QTY	DESCRIPTION	REV
		Ref	Note: This list is to accommodate machines ordered with special equipment. Options may not be applicable to all models. For more specific parts information contact JLG Parts Department.	
	0272078	Ref	Accessory Counterweight (Required with SkyWelder and/or Fall Arrest Platform Options)	
	1340067	Ref	Air Cleaner Pre-Cleaner	
	1001120325	Ref	Airline Installation, 1/2	
	1001202697	Ref	Air Intake Shut-off Valve (Deutz TCD2.9L4 Engines) (ANSI and CSA Specs)	
	1001249695	Ref	Analyzer, Machine System with Cable	
	1001249941	Ref	Analyzer, Machine System with Cable (Battery Powered)	
	1001298014	Ref	Axle Hose Service Kit	
	1001298016	Ref	Axle Hose Service Kit	
	0271803	Ref	Bellows, Cylinder (Fixed Axle)	
	0271804	Ref	Bellows, Cylinder (Oscillating Axle)	
	1001122591	Ref	Bellows, Cylinder (Boom)	
	0271875	Ref	Boom Wipers Installation (Boom)	
	1001134627	Ref	Boom Wipers Installation (Jib)	
	1001233047	Ref	Breather Heater Add-on Kit (Deutz TCD2.9L4 Engines) (Dealer Installed)	
		Ref	ClearSky (Telematics) Installations (Dealer Installed)	
	1001242192	Ref	ClearSky (Telematics) Access Control Installation Kit (Dealer Installed) (ANSI, ANSI Export and CSA Specs)	
	1001243183	Ref	ClearSky (Telematics) Add-on Kit (Dealer Installed) (ANSI, ANSI Export and CSA Specs)	
	1001246142	Ref	ClearSky (Telematics) Add-on Kit (Dealer Installed) (Australian Specs)	
	1001243184	Ref	ClearSky (Telematics) Add-on Kit (Dealer Installed) (CE & UK CA Specs)	
	1001276923	Ref	ClearSky (Telematics) Add-on Kit (Dealer Installed) (Contact JLG for Approved Countries)	
	1001293501	Ref	ClearSky Telematics CS550 Installation	
	1001289762	Ref	ClearSky (Telematics) Add-on Kit (Dealer Installed) (Chinese Spec) (Machines starting with 03)	
	1001297562	Ref	ClearSky (Telematics) Add-on Kit (Dealer Installed) (Chinese Spec) (Machines starting with B3)	
	0273862	Ref	Cold Weather Package (Deutz TD2011 Engines)	
	1001235617	Ref	Cold Weather Package (Deutz TCD2.9L4 Engines, Deutz TCD2.9L4 (Stage V Pre-Buy) Engines and Deutz TCD2.9L4 (Stage V) Engines)	
	1001271731	Ref	Cold Weather Package CE & UK CA, Ultra	
	1001282063	Ref	Cold Weather Package - Deutz TCD2.9L4 Engines (China IV)	
	0272621	Ref	Control System Analyzer Installation	
	1001216363	Ref	Cribbing Enable Installation	
	1001293369	Ref	Hood Plug Installation	
		Ref	Decal Kits	
	1001270521	Ref	Decal Kit - Machine (ANSI Spec)	
	1001272203	Ref	Decal Kit - Platform (ANSI Spec)	
	1001272091	Ref	Decal Kit - Platform Console Box (ANSI Spec)	
		Ref	Electrical Connector Kits	
	1001148902	Ref	Amp/Tyco Electrical Connector Kit	

SECTION 11 - SPECIAL OPTIONS

ITEM	PART NUMBER	QTY	DESCRIPTION	REV
	1001148903	Ref	Deutsch DT Electrical Connector Kit	
	1001148904	Ref	Deutsch HD Electrical Connector Kit	
	1001148905	Ref	Packard Electrical Connector Kit	
	1001148906	Ref	Various Electrical Connectors Kit	
	1001237883	Ref	Fall Arrest (Bolt-on) Add-on Kit (6ft/1.82m Platform) (ANSI, ANSI Export, China, CSA & Japanese Specs Only) (Fits Platform p/ns 1001186384)	
	1001237882	Ref	Fall Arrest (Bolt-on) Add-on Kit (8ft/2.4m Platform) (ANSI, ANSI Export, China, CSA & Japanese Specs Only) (Fits Platform p/ns 1001186383)	
	1001182600	Ref	Fan and Belt Shield Kit (Deutz TD2011 Engines Only) (Use p/n 1001202221)	
	1001202221	Ref	Fan and Belt Shield Kit (Deutz TD2011 Engines Only)	
	1001206794	Ref	Fan and Belt Shield Add-on Kit (Deutz TD2011 Engines Only)	
	1001145708	Ref	Fan Guard Installation (Deutz TCD2.9L4 Engines, Deutz TCD2.9L4 (Stage V Pre-Buy) Engines and Deutz TCD2.9L4 (Stage V) Engines Only)	
	1001309217	Ref	Fan Guard Installation (Deutz TD2.9L4 (R96) Engines)	
	1001203564	Ref	Fan and Belt Guard Installation (Deutz TCD2.9L4 Engines, Deutz TCD2.9L4 (Stage V Pre-Buy) Engines and Deutz TCD2.9L4 (Stage V) Engines Only)	
	1001309218	Ref	Fan and Belt Guard Installation (Deutz TD2.9L4 (R96) Engines)	
	1001206797	Ref	Fan and Belt Guard Add-on Kit (Deutz TCD2.9L4 Engines Only)	
	1001274833	Ref	Floor Mat Add-on Kit (30x48 Platform) (Dealer Installed)	
	1001274830	Ref	Floor Mat Add-on Kit (36x72 Platform) (Dealer Installed)	
	1001274829	Ref	Floor Mat Add-on Kit (36x96 Platform) (Dealer Installed)	
		Ref	Filter Kits:	
	1001133071	Ref	Combined Filter Kit (Hydraulic/Air and Fuel/Engine Oil) (Deutz TD2011 Engines)	
	1001181151	Ref	Combined Filter Kit (Hydraulic/Air and Fuel/Engine Oil) (Deutz TCD2.9L4 Engines)	
	1001139099	Ref	Fire Extinguisher(20lbs) Installation	
	1001305520	Ref	Fire Extinguisher(2.5lbs) Installation	
	1001117294	Ref	Foot Switch Shield	
	1001191395	Ref	Fuel Cap Cover (Lockable) (Green)	
	1001202749	Ref	Fuel Cap Cover (Lockable) (Black)	
	1001222665	Ref	Fuel Pump Harness Kit (Deutz TCD2.9L4 Engines)	
	1001103286	Ref	Generator Hourmeter Installation	
	0271769	Ref	Headlight and Taillights Installation	
	1001228431	Ref	Hose/Cable Protection Installation (Boom)	
	1001187456	Ref	Hose/Cable Protection Installation - Without LSS (Platform)	
	1001233494	Ref	Hose/Cable Protection Installation - With LSS (Platform)	
	1001239634	Ref	Hose Kit - Jib Valve	
	1001204900	Ref	Hose Kit - Platform Valve	
	1001187787	Ref	Hose Kit - Upper Power Track	
	1001241420	Ref	Hostile Environment Kit	
	1001299797	Ref	Hourmeter Gauge Kit	
	0271808	Ref	Illumination Lights Installation	
	1001148971	Ref	Lanyard (Bolt-on) Installation Kit	
	1001236951	Ref	Low Temperature Cutout Installation (Russian Specs)	
	1001288636	Ref	Lockout Cylinder Kit	
	1001272166	Ref	Pipe Rack Kit	
	1001172045	Ref	Platform Cable Carrier Installation	
	1001197436	Ref	Platform Console Cover Installation	

SECTION 11 - SPECIAL OPTIONS

ITEM	PART NUMBER	QTY	DESCRIPTION	REV
	1001308593	Ref	Platform Console Cover Installation (Fabric)	
	1001309057	Ref	Console Cover Kit	
	1580013	Ref	Platform Corner Storage Tray	
		Ref	Platform Entry Kits	
	1001142504	Ref	Drop Bar (Replacing Swing Gate with Drop Bar)	
	1001142505	Ref	Swing Gate (Replacing Drop Bar with Swing Gate)	
	1001120467	Ref	Platform Floodlights Installation	
		Ref	Platform Mesh to Top Rail Installations	
	1001266056	Ref	Platform Mesh (Nylon) to Top Rail Installation - 36in x 8ft (91.5cm x 2.44m) (Factory Installed) (ANSI & CSA Specs)	
	1001269187	Ref	Platform Mesh (Steel) to Top Rail Installation - 36in x 8ft (91.5cm x 2.44m) (Factory Installed) (ANSI Spec)	
	1001266489	Ref	Platform Mesh (Nylon) to Top Rail Installation - 36in x 6ft (91.5cm x 1.83m) (Factory Installed) (ANSI, ANSI Export, CSA & China Specs)	
	1001271642	Ref	Platform Mesh (Steel) to Top Rail Installation - 36in x 6ft (91.5cm x 1.83m) (Factory Installed) (ANSI and ANSI Export Specs)	
	1001281453	Ref	Platform Mesh (Steel) to Top Rail Add-On Kit - 36in x 6ft (91.5cm x 1.83m) with Gate (ANSI, ANSI EXP, CSA & China Specs)	
	1001281452	Ref	Platform Mesh (Steel) to Top Rail Add-On Kit - 36in x 8ft (91.5cm x 2.44m) with Gate (ANSI & CSA Specs)	
		Ref	Platform Mesh to Mid Rail Installations	
	1001266098	Ref	Platform Mesh (Nylon) to Mid Rail Installation - 36in x 8ft (91.5cm x 2.44m) (Factory Installed) (ANSI, ANSI Export, Australian & China Specs)	
	1001269389	Ref	Platform Mesh (Steel) to Mid Rail Installation - 36in x 8ft (91.5cm x 2.44m) (Factory Installed) (ANSI, ANSI Export and Australian Specs)	
	1001266284	Ref	Platform Mesh (Nylon) to Mid Rail Installation - 36in x 6ft (91.5cm x 1.83m) (Factory Installed) (ANSI, ANSI Export, Australian & China Specs)	
	1001271760	Ref	Platform Mesh (Steel) to Mid Rail Installation - 36in x 6ft (91.5cm x 1.83m) (Factory Installed) (ANSI, ANSI Export and Australian Specs)	
	1001266969	Ref	Platform Mesh (Nylon) to Mid Rail Installation - 30in x 4ft (76.2cm x 1.22m) (Factory Installed) (ANSI, ANSI Export, Australian & China Specs)	
	1001272274	Ref	Platform Mesh (Steel) to Mid Rail Installation - 30in x 4ft (76.2cm x 1.22m) (Factory Installed) (ANSI, ANSI Export and Australian Specs)	
	1001281461	Ref	Platform Mesh (Steel) to Top Rail Add-On Kit - 36in x 4ft (91.5cm x 1.22m) with Gate (ANSI, ANSI EXPORT, AUSTRALIAN & CHINA SPECS)	
	1001281458	Ref	Platform Mesh (Steel) to Top Rail Add-On Kit - 36in x 6ft (91.5cm x 1.83m) with Gate (ANSI, ANSI EXPORT, AUSTRALIAN & CHINA SPECS)	
	1001281457	Ref	Platform Mesh (Steel) to Top Rail Add-On Kit - 36in x 8ft (91.5cm x 2.44m) with Gate (ANSI, ANSI EXPORT, AUSTRALIAN & CHINA SPECS)	
	1001149730	Ref	Platform Mid Rail Repair Kit	
		Ref	Platform Rail Extensions	
	0272733	Ref	6ft Platform	
	0272725	Ref	8ft Platform	
	1001303656	Ref	Platform Worklights Installation	
	1001209059	Ref	Platform Work Surface Installation	
	1001190893	Ref	Service Tools & Kits	W
	1001247073	Ref	SkyEye Retrofit Kit	

SECTION 11 - SPECIAL OPTIONS

ITEM	PART NUMBER	QTY	DESCRIPTION	REV
	1001241547	Ref	SkyEye Housing Repair Kit (LH)	
	1001241548	Ref	SkyEye Housing Repair Kit (RH)	
	1001209481	Ref	SkyGuard Complete Add-on Kit (Blue Beacon)	
	1001210043	Ref	SkyGuard Complete Add-on Kit (Red Beacon)	
	1001250035	Ref	SkyGuard Platform Sensor Kit	
	1001249052	Ref	SkyGuard Retrofit Kit	
	1001206544	Ref	SkyGuard Strobe Light Kit (Blue Beacon)	
	1001210028	Ref	SkyGuard Strobe Light Kit (Red Beacon)	
	1001250595	Ref	SkyGuard 6-Pin Retrofit Installation Kit	
	1001262016	Ref	SkyLine Add-on Kit (Dealer Installed)	
	1001289831	Ref	SkySense/Enhanced Detection System (EDS) Level 1 (2-Bar) Installation Kit (Factory Installed)	
	1001289832	Ref	SkySense/Enhanced Detection System (EDS) Level 2 (3-Bar) Installation (Factory Installed)	
	1001289905	Ref	SkySense/Enhanced Detection System (EDS) Level 1 (2-Bar) Add-on Kit (Dealer Installed)	
	1001289906	Ref	SkySense/Enhanced Detection System (EDS) Level 2 (3-Bar) Add-on Kit (Dealer Installed)	
	1001282461	Ref	SkySense Padding Installation - For 30 x 48 Platforms Equipped with SkySense	
	1001282434	Ref	SkySense Pre-Cut Bumper Kit (use with 1001282461)	
	1001275642	Ref	SkySense Padding Installation - For 36 x 72 Platforms Equipped with SkySense	
	1001275650	Ref	SkySense Pre-Cut Bumper Kit (use with 1001275642)	
	1001269655	Ref	SkySense Padding Installation - For 36 x 96 Platforms Equipped with SkySense	
	1001276062	Ref	SkySense Pre-Cut Bumper Kit (use with 1001269655)	
	1001253618	Ref	SkySense Module Kit (EDS) Level 1 (2-Bar) (Dealer Installed)	
	1001253619	Ref	SkySense Module Kit (EDS) Level 2 (3-Bar) (Dealer Installed)	
	1001231235	Ref	SkyWelder Locking Bracket	
	1001303167	Ref	SkyWelder Extension Cord Cable	
	0273824	Ref	Soft Touch System Installation - 6ft/1.8m Platforms	
	0272427	Ref	Soft Touch System Installation - 8ft/2.4m Platforms	
	0273706	Ref	Soft Touch System Installation - 6ft/1.8m Platforms (With Fall Arrest)	
	1001292586	Ref	Strobe Light (Amber) Kit	
	1001294070	Ref	Strobe Light (Blue) Kit	
	1001293874	Ref	Strobe Light (Red) Kit	
	1001284519	Ref	Telematics Gateway (Dealer Installed)	
		Ref	Tools For Service:	
	2901443	Ref	Analyzer Kit	
	0272048	Ref	Boom Cable Tools Installation	
	4120040	Ref	Socket 3/4	
	4120043	Ref	Socket 2	
	1705307	Ref	Decal - Tool Location	
	7002821	Ref	Crimper, Wire	
	7002823	Ref	Pin Extractor - Universal (For Electrical Connectors with Pins and Sockets)	
	4460467	Ref	Extractor - 16-18 Gauge (For Removal of Pin/Sockets from Deutsch Connectors)	
	4460510	Ref	Extractor - 12-14 Gauge (For Removal of Pin/Sockets from Deutsch Connectors)	
	7016654	Ref	Screwdriver, Magnetic	
	7002822	Ref	Screwdriver, Potentiometer	

SECTION 11 - SPECIAL OPTIONS

ITEM	PART NUMBER	QTY	DESCRIPTION	REV
	7004275	Ref	Seal Tool 1 (For Cylinders)	
	7004276	Ref	Seal Tool 1 1/2 (For Cylinders)	
	7002828	Ref	Stripper, Wire	
	4921850	Ref	Throttle Service Harness	
	70004185	Ref	Torque Multiplier	
	7016655	Ref	Wire Rope Sheave Gauge	
	1001137005	Ref	Software Cable Kit	
	70004646	Ref	Puller (Hub Assembly)	
	70004647	Ref	Seal Tool (Hub Assembly)	
	70004648	Ref	Puller (Hub Assembly)	
	2915072	Ref	Turntable Bearing Kit	
	1001277845	Ref	UGM2 Retrofit Kit	
	1001274249	Ref	USB Charger Add-on Kit (Dealer Installed)	
	1001262959	Ref	Voltage Regulator Relocation Add-on Kit (Dealer Installed)	
	1001143928	Ref	Wear Pad Kit - Jib Boom	
	1001143929	Ref	Wear Pad Kit - Main Boom	
	1001277222	Ref	White Noise Alarm Kit	
	1001277191	Ref	White Noise Ambient Alarm Kit	
	1001143927	Ref	Wire Rope Kit	

PART NUMBER INDEX

SECTION 11 - SPECIAL OPTIONS

0080237.....195, 219	371, 407, 411, 429,	0561444 534, 540	0641503.....290, 294, 302,
0080244.....203, 211, 227,	433, 437, 485	0561454 534, 540	334, 340, 388, 394,
235	0100081 ... 558, 562, 566,	0561457 534, 540	420, 448
0080277.....27	635	0561458 534, 540	0641504..... 51, 563, 566
0100009.....611	0140001 65	0561471 534, 540	0641505.....27
0100011....19, 23, 27, 34,	0140011 611	0561482 534, 540	0641506.....63, 159, 178,
41, 51, 57, 59, 63, 65,	0140032 159	0561500 534, 540	182, 186, 191, 195,
83, 85, 91, 93, 95, 97,	0200833 27	0630357 562	199, 203, 207, 211,
119, 121, 123, 125,	0236768 65	0630407 ... 136, 140, 144,	215, 219, 223, 227,
127, 129, 131, 133,	0257887 159	148, 152	231, 235
135, 139, 140, 143,	0259666 155	0630457 566	0641507.... 195, 203, 211,
144, 147, 148, 151,	0271512 75	0630464 27, 135, 139,	219, 227, 235, 569
152, 171, 178, 179,	0271520 27	143, 147, 151, 562, 566	0641508....113, 117, 288,
182, 183, 186, 187,	0271769 897	0630518 157, 627	300, 388, 394, 420,
191, 195, 199, 203,	0271803 896	0630548 ... 135, 139, 143,	448, 562, 566, 569
207, 211, 215, 219,	0271804 896	147, 151	0641509.....51, 175, 191,
223, 227, 231, 235,	0271806 159	0630568 611	199, 207, 215, 223, 231
243, 247, 249, 253,	0271808 897	0641404 ... 497, 501, 505,	0641510....290, 302, 388,
255, 259, 261, 265,	0271852 45	509, 513, 517, 521,	394, 422, 450
267, 271, 273, 277,	0271874 171	525, 639	0641511.....27, 191, 199,
279, 283, 285, 289,	0271875 896	0641405 ... 562, 566, 611,	207, 215, 223, 231,
294, 300, 309, 313,	0271953 707	639	243, 249, 255, 261,
317, 321, 325, 327,	0271954 709	0641406 59, 135, 139,	267, 273, 279, 309,
329, 331, 334, 340,	0271955 705	143, 147, 151, 161,	313, 317, 321, 347,
347, 351, 355, 359,	0272048 545, 899	182, 186, 195, 203,	351, 355, 359, 363,
363, 367, 371, 375,	0272055 45	211, 219, 227, 235,	367, 371, 407, 411,
377, 379, 381, 383,	0272056 45	253, 271, 288, 294,	429, 433, 437
385, 388, 394, 407,	0272060 ... 196, 203, 211,	300, 309, 313, 317,	0641516....497, 505, 513,
411, 415, 417, 420,	220, 227, 235	321, 334, 340, 388,	517, 521, 525
429, 433, 437, 441,	0272064 173	394, 420, 448, 563,	0641520.... 103, 105, 107,
443, 445, 448, 487,	0272078 896	566, 577, 609, 651,	109, 111, 115
489, 497, 501, 505,	0272080 103	865, 867, 869, 871,	0641524.....77, 113, 117
509, 513, 517, 521,	0272254 643	873, 875, 877, 879, 881	0641538.....569
525, 529, 531, 534,	0272418 635	0641406001 625	0641605.... 191, 195, 199,
540, 547, 551, 558,	0272427 899	0641407 63, 163, 253,	203, 207, 211, 215,
562, 566, 569, 579,	0272435 514, 522	271, 309, 313, 317,	219, 223, 227, 231,
583, 589, 593, 595,	0272521 641	321, 420, 448, 501,	235, 243, 249, 255,
597, 599, 601, 603,	0272589 518, 526	509, 737	261, 267, 273, 279,
637, 639, 641, 643,	0272599 887	0641408 65, 167, 169,	309, 313, 317, 321,
645, 648	0272607 889	179, 183, 187, 243,	347, 351, 355, 359,
0100019....19, 23, 27, 29,	0272621 896	253, 255, 261, 271,	363, 367, 371, 407,
39, 73, 75, 505, 509,	0272725 898	273, 279, 309, 313,	411, 429, 433, 437
513, 517, 521, 525,	0272733 898	317, 321, 347, 351,	0641606 19, 23, 178, 182,
529, 531, 534, 540,	0273353 648	355, 359, 363, 367,	186, 192, 200, 208,
547, 558	0273706 899	371, 407, 411, 429,	216, 224, 232, 243,
0100020....289, 294, 300,	0273824 899	433, 437, 562, 566, 609	249, 255, 261, 267,
334, 340, 388, 394,	0273862 896	0641410 ... 135, 139, 143,	273, 279, 288, 294,
420, 448, 497, 505,	0275216 713, 839	147, 151, 191, 199,	300, 309, 313, 317,
514, 521, 623, 631,	0275217 717, 841	207, 215, 223, 231,	321, 334, 340, 347,
648, 711, 713, 715,	0275452 721, 843	243, 249, 255, 261,	351, 355, 359, 363,
717, 719, 721, 723,	0275453 725, 845	267, 273, 279, 309,	367, 371, 388, 394,
725, 727, 729, 731	0275454 729, 847	313, 317, 321, 347,	407, 411, 420, 429,
0100035.....27, 296, 334,	0340003 ... 195, 203, 211,	351, 355, 359, 363,	433, 437, 448, 547,
340, 562, 566, 611, 627	219, 227, 235	367, 371, 407, 411,	641, 643, 645, 648
0100048.....87, 161, 163,	0340051 ... 195, 203, 211,	429, 433, 437	0641607..... 65, 562, 566
497, 505, 509, 514,	219, 227, 235	0641412 . 57, 59, 65, 563,	0641608.... 19, 23, 51, 63,
518, 521, 525	0363037 19, 23	566	91, 93, 95, 97, 103,
0100062....290, 294, 302,	0363062 65	0641414 59, 611, 637	105, 107, 171, 173,
334, 340, 388, 394,	0363066 534, 540	0641416 ... 705, 707, 709,	175, 178, 182, 186,
420, 448	0363076 19	711, 713, 715, 717,	195, 203, 211, 219,
0100063.....547	0400020 65	719, 721, 723, 725,	227, 235, 243, 249,
0100079.... 191, 199, 207,	0440251 75	727, 729, 731, 737	255, 261, 265, 267,
215, 223, 231, 243,	0480128 497, 513	0641418 ... 562, 566, 583,	271, 273, 277, 279,
249, 255, 261, 267,	0480129 517	589, 593, 595, 597,	283, 285, 288, 294,
273, 279, 309, 313,	0561431 534, 540	599, 601, 603	300, 309, 313, 317,
317, 321, 347, 351,	0561437 534, 540	0641424 51	321, 329, 331, 334,
355, 359, 363, 367,	0561439 534, 540		340, 347, 351, 355,

SECTION 11 - SPECIAL OPTIONS

359, 363, 367, 371, 375, 377, 383, 385, 388, 394, 407, 411, 415, 417, 420, 429, 433, 437, 443, 445, 448, 491, 529, 531, 558, 569, 577	0641810 49, 497, 501, 505, 509, 513, 517, 521, 525, 558	0701617.....29, 39	0791808 558
0641609 19, 23, 113, 117, 195, 203, 211, 219, 227, 235	0641812 83, 85, 195, 203, 211, 247, 253, 259, 265, 271, 277, 283, 285, 325, 327, 329, 331, 375, 377, 383, 385, 417, 445	0701619.....45, 47, 49	0811606 534, 540
0641610 ... 178, 182, 186, 191, 195, 199, 203, 207, 211, 215, 219, 223, 227, 231, 235, 243, 249, 255, 261, 267, 273, 279, 288, 294, 300, 309, 313, 317, 321, 334, 340, 347, 351, 355, 359, 363, 367, 371, 388, 394, 407, 411, 420, 429, 433, 437, 448, 485, 489, 609	0641813 178, 182, 186	0711214.... 195, 203, 211, 219, 227, 235	0811607 ... 534, 540, 551
0641611 19, 23, 487	0641814 20, 219, 227, 235, 247, 259, 265, 277, 379, 381, 415, 441, 443	0711417....203, 211, 227, 235	0811608 ... 534, 540, 547, 551
0641612 ... 243, 249, 255, 261, 267, 273, 279, 290, 302, 309, 313, 317, 321, 347, 351, 355, 359, 363, 367, 371, 388, 394, 407, 411, 422, 429, 433, 437, 450, 485, 529, 531	0641816 175	0721006.....487, 489	0811610 534, 540
0641613 19, 23	0641818 ... 173, 195, 203, 211, 219, 227, 235	0731007....91, 93, 95, 97	0811614 534, 540
0641614 91, 93, 95, 97	0641820 83, 85	0741404.....562, 566	0811616 534, 540
0641615 534, 540	0641826 ... 195, 203, 211, 219, 227, 235	0741606.....27, 534, 540	0860038 ... 497, 505, 513, 521, 707, 709
0641616 497, 501	0642010 ... 191, 199, 207, 215, 223, 231, 243, 249, 255, 261, 267, 273, 279, 309, 313, 317, 321, 347, 351, 355, 359, 363, 367, 371, 407, 411, 429, 433, 437, 547	0741607....497, 501, 505, 509, 521, 525	0861538 513, 521, 892
0641618 ... 505, 509, 514, 518, 521, 525, 534, 540	0642012 529, 531, 635	0741806.....534, 540	0861572 517, 525, 892
0641630 178, 182, 186	0642014 534, 540, 547	0760612.... 135, 139, 143, 147, 151	0861731 ... 711, 723, 727, 731, 843, 845, 847
0641634 27	0642016 27	0760808.....420, 448	0861781 ... 715, 719, 839, 841
0641636 551	0642020 23	0760810....290, 294, 302, 334, 340, 388, 394, 579	0861880 761, 763, 765
0641640 534, 540	0642022 534, 540	0760812.....739	0902755 63
0641644 534, 540	0642212 635	0760814....295, 334, 340	0902800 63
0641646 534, 540	0642214 19, 23, 529, 531	0760814001.....295	0902888 ... 497, 505, 513, 517, 521, 525
0641652 534, 540	0681608 547, 579	0761014.....579	0902915 83, 85
0641676 545	0681620 ... 615, 617, 619, 621	0761016....294, 334, 340	0903530 63
0641706 ... 288, 294, 300, 334, 340, 388, 394, 420, 448	0681813 19, 23	0761210....243, 249, 255, 261, 267, 273, 279, 297, 309, 313, 317, 321, 334, 340, 347, 351, 355, 359, 363, 367, 371, 407, 411, 429, 433, 437	0940070 ... 195, 203, 211, 219, 227, 235, 288, 294, 300, 334, 340, 388, 394, 420, 448
0641708 ... 244, 249, 256, 262, 267, 274, 279, 288, 294, 300, 309, 313, 317, 321, 334, 340, 347, 351, 355, 359, 363, 367, 371, 388, 394, 407, 411, 420, 429, 433, 437, 448	0681814 19, 23, 605, 607	0761212.....420, 448	0940102 635
0641808 . 19, 23, 51, 191, 195, 199, 203, 207, 211, 215, 219, 223, 227, 231, 235, 243, 249, 255, 261, 267, 273, 279, 309, 313, 317, 321, 347, 351, 355, 359, 363, 367, 371, 407, 411, 429, 433, 437, 534, 540, 547	0681815 19, 23	0761214 34, 41, 290, 294, 302, 334, 340, 388, 394, 420, 448, 493	0961845 ... 583, 589, 593, 595, 597, 599, 601, 603
	0681816 19, 23	0761215....220, 227, 236, 265, 271, 277, 283, 285, 329, 331, 375, 377, 383, 385, 415, 417, 443, 445	0961949 675
	0681822 605, 607	0771216.....579	0961950 ... 547, 551, 663, 665, 671, 675
	0681836 551	0771212....288, 294, 300, 334, 340, 388, 394, 420, 448	0961986 ... 195, 203, 211, 219, 227, 235, 288, 294, 300, 334, 340, 388, 394, 420, 448
	0682022 547	0771414.... 195, 203, 211, 219, 227, 235, 288, 294, 300, 334, 340, 388, 394, 420, 448	0962006 667
	0682026 75	0791406.....562, 566	0962033 19, 23
	0682028 ... 288, 294, 300, 334, 340, 388, 394, 420, 448	0791410.....57, 59	0962051 173, 175
	0682040 75	0791504.....558	0962181 547
	0682422 73	0791505.....562, 566	0962270 605, 607
	0682424 ... 615, 617, 619, 621	0791506.....562, 566	0962297 ... 534, 540, 669
	0683020 547	0791516.....558	0962402 535, 541
	0700408 ... 711, 713, 715, 717, 719, 721, 723, 725, 727, 729, 731	0791520.....558	0962403 535, 541
	0700615 167, 169	0791604 57, 59, 178, 182, 186, 534, 540, 562, 566	0962404 535, 541
	0700616 179, 183, 187	0791605....534, 540, 562, 566	0962406 535, 541
	0700812 ... 290, 302, 388, 394	0791606.....562, 566	0962409 534, 540
	0700815 ... 288, 294, 300, 334, 340, 388, 394, 420, 448	0791607.....57, 558	0962410 534, 540
	0701022 297, 334, 340	0791608.....562, 566	0962411 535, 541
	0701024 294	0791609.....558	0962423 27
	0701025 294, 334, 340	0791612.....534, 540	0962447 534, 540
		0791618.....534, 540	0962520 ... 497, 501, 505, 509, 513, 517, 521, 525
		0791620....534, 540, 558	1001091102 501, 509, 737
		0791622.....558	1001091969 713
		0791624....534, 540, 558	1001091970 717
			1001091973 721
			1001091974 725
			1001091975 729
			1001094915 501, 509, 737
			1001095976 737
			1001096070 765
			1001097051 851
			1001097150 761, 765

SECTION 11 - SPECIAL OPTIONS

1001097244.....653	1001110109..... 59	1001116792 243, 249,	1001119053.....223
1001098012.....629, 631,	1001110110..... 59	255, 261, 267, 273,	1001119054.....231
648	1001110111..... 59	279, 347, 351, 355,	1001119105..... 667, 671
1001098122.....623	1001110112..... 59	359, 363, 367, 371	1001119111..... 547, 551
1001098149.....631	1001110113..... 59	1001116808 741, 810,	1001119137..... 563, 567
1001098513..... 192, 195	1001110186..... 77	814	1001119138..... 699
1001098530..... 200, 203	1001110194..... 178	1001116812 793, 797,	1001119141..... 563, 567
1001098531..... 208, 211	1001110425 243, 249,	859	1001119212..... 569, 577
1001098601..... 195, 204,	255, 261, 267, 273,	1001116815 785, 794	1001119214..... 577
212, 219, 228, 236, 239	279, 309, 313, 317,	1001116846 875	1001119215..... 577
1001098828..... 579	321, 347, 351, 355,	1001116849 875	1001119225..... 562
1001099366..... 635	359, 363, 367, 371,	1001116851 875	1001119262..... 893
1001099367..... 635	407, 411, 429, 433, 437	1001116952 790, 793,	1001119273..... 83
1001099632..... 27	1001110433 178, 182,	797	1001119390..... 833
1001100231..... 761	186	1001116967 789	1001119392..... 577, 823
1001100341..... 839	1001110486 178, 182,	1001116983 803	1001119393..... 751, 753,
1001100342..... 841	186	1001117025 143, 147,	755, 757, 821
1001100345..... 843	1001110513 59	810, 814, 859	1001119395..... 783
1001100346..... 847	1001110604 699	1001117035 875	1001119413..... 551
1001100347..... 845	1001110872 733, 735	1001117078 515, 518,	1001119414..... 551
1001101191 711, 713,	1001110873 497, 505,	523, 526	1001119455. 63, 695, 697
715, 717, 719, 721,	514, 522, 707	1001117106 790, 797	1001119456..... 119, 121,
723, 725, 727, 729,	1001110877 59	1001117107 790, 793,	837
731, 761, 763	1001111132 192, 200,	797	1001119470..... 119, 121,
1001101196..... 713, 715,	208, 216, 224, 232	1001117172 623, 893	123, 125, 787
717, 719	1001112551 867	1001117174 611, 623	1001119512..... 135, 139,
1001101197..... 711, 721,	1001112612 741, 785	1001117294 897	143, 147, 151, 893
723, 725, 727, 729, 731	1001112669 47	1001117308 289, 295,	1001119521..... 559
1001101421..... 635	1001112691 178, 182,	301, 335, 341, 389,	1001119522..... 559
1001101422..... 635	186	395, 421, 449, 892	1001119546..... 684
1001101550..... 33, 41	1001112716 47	1001117370 191	1001119571..... 536, 542
1001103012..... 809, 813	1001112758 893	1001117371 199	1001119619..... 849
1001103286..... 897	1001112766 195, 203,	1001117455 529, 534	1001119620..... 851, 853
1001104315..... 29, 31	211, 219, 227, 235	1001117456 536, 542	1001119654..... 551
1001104324..... 29	1001112796 741, 777	1001117457 536, 542	1001119668..... 551
1001104325..... 31, 33	1001112878 191, 199,	1001117458 536, 542	1001119702..... 569, 571
1001104498..... 809, 813	207, 215, 223, 231	1001117459 536, 542	1001119703..... 569
1001104519..... 817	1001112879 191, 199,	1001117479 536, 542	1001119704..... 551
1001106736..... 785	207, 215, 223, 231	1001117480 536, 542	1001119710..... 551
1001107359..... 91, 95	1001112880 191, 199,	1001117481 536, 542	1001119714..... 551
1001107854..... 809, 813	207, 215, 223, 231	1001117969 667	1001119727..... 295, 335,
1001107971..... 216, 219	1001112927 220, 228,	1001117990 667, 893	341
1001107973..... 224, 227	236, 265, 271, 277,	1001117991 671, 893	1001119729..... 563, 567
1001107975..... 232, 235	283, 285, 329, 331,	1001117994 667	1001119817..... 699
1001108579..... 93, 97	375, 377, 383, 385,	1001118066 667	1001119899..... 529, 531
1001108616..... 220, 228,	415, 417, 443, 445, 475	1001118069 667	1001119944..... 558
237, 265, 271, 277,	1001113006 109	1001118286 569, 573	1001119952..... 65
329, 331, 383, 385,	1001113047 178, 182,	1001118369 547	1001119968..... 514, 518,
415, 443, 468	186	1001118373 563, 567	523, 526
1001108617 191, 199,	1001113103 93, 97	1001118384 855	1001119970..... 529
207, 215, 223, 231,	1001113961 810, 814	1001118388 855	1001119985..... 547
243, 249, 255, 261,	1001115961 47	1001118430 536, 542	1001119990..... 547
267, 273, 279, 309,	1001116015 207	1001118431 536, 542	1001119991..... 547
313, 317, 321, 347,	1001116025 883	1001118564 547	1001119998..... 547
351, 355, 359, 363,	1001116208 884	1001118930 563, 567	1001119999..... 529, 531
367, 371, 407, 411,	1001116290 179, 183,	1001118931 563, 567	1001120000..... 547
429, 433, 437	187	1001118933 699	1001120014..... 547
1001109048..... 93, 97	1001116693 861	1001118934 699	1001120015..... 547
1001109468..... 699	1001116694 861	1001118935 699	1001120028..... 563, 567
1001109484..... 809, 813	1001116707 789	1001118957 107	1001120037..... 547
1001109485..... 785	1001116710 803	1001118971 563, 567,	1001120038..... 547
1001109654..... 737, 761	1001116728 790	893	1001120039..... 547
1001109677..... 105, 107,	1001116731 777	1001119020 741, 785,	1001120048..... 563, 567
109, 115, 117	1001116748 759, 783,	810, 814, 823, 831	1001120055..... 823, 831
1001110027..... 178	823	1001119033 563	1001120076..... 563, 567
1001110059..... 93, 97	1001116774 741, 810,	1001119042 547	1001120084..... 563, 567
1001110108..... 59	814, 861	1001119052 215	

SECTION 11 - SPECIAL OPTIONS

1001120098 751, 753, 755, 757, 819	1001125205..... 883	1001133634..... 289, 295, 301, 335, 341, 389, 395, 421, 449	1001136665 289, 295, 301, 335, 341, 389, 395, 421, 449
1001120099 751	1001125206..... 883	1001133714..... 791, 794, 798, 801	1001136834 289, 295, 301, 335, 341, 389, 395, 421, 449
1001120107 751	1001125207..... 883	1001133715..... 791, 794, 798, 801	1001137005 900
1001120108 755	1001125208..... 883	1001133759..... 893	1001137262 559
1001120111 755	1001125209..... 883	1001133956..... 789, 793, 797	1001137263 559
1001120137 751	1001125210..... 883	1001133957..... 789, 793, 797	1001137276 289, 295, 301, 335, 341, 389, 395, 421, 449
1001120138 755	1001125211..... 883	1001134180..... 551	1001137336 294, 335, 341
1001120139 757	1001125212..... 883	1001134389..... 261	1001137354 68
1001120168 684, 688, 691, 693, 695	1001125279..... 669	1001134390..... 261, 265	1001137590 521
1001120169 684, 688, 691, 693, 699	1001125295..... 825	1001134392..... 247, 265, 283, 288	1001137591 525
1001120170 695	1001125387..... 884	1001134488..... 288, 295, 302, 335, 341, 389, 395, 421, 449	1001137673 637, 894
1001120171 699	1001125427..... 513	1001134627..... 896	1001138011 505, 509, 522, 526
1001120172 688	1001125428..... 517	1001134728..... 684	1001138110 791
1001120173 693	1001125666..... 751, 753, 755, 757	1001135124..... 111	1001138111 791
1001120174 691	1001126008..... 823	1001135138..... 289, 295, 301, 389, 395, 449	1001138113 791
1001120175 684	1001126009..... 855	1001135479..... 563, 567, 893	1001138228 289, 295, 301, 335, 341, 389, 395, 421, 449, 892
1001120209 559	1001126351..... 789, 793, 797	1001135483..... 563, 567	1001138248 289, 296, 301, 335, 341, 389, 395, 421, 449
1001120257 559	1001126352..... 789	1001135484..... 563, 567	1001138253 289, 295, 301, 335, 341, 389, 395, 421, 449
1001120276 835	1001126356..... 789	1001135560..... 289, 295, 301, 335, 341, 389, 395, 421, 449	1001138346 289, 295, 301, 789
1001120278 759	1001126357..... 789	1001135650..... 791, 794, 798, 801	1001138491 243, 249, 255, 261, 267, 273, 279, 309, 313, 317, 321, 347, 351, 355, 359, 363, 367, 371, 407, 411, 429, 433, 437, 803
1001120325 896	1001126362..... 790, 793, 797	1001135651..... 791, 794, 798	1001138494 589, 593, 595, 597, 599, 601, 603
1001120328 637, 639, 823, 831	1001126363..... 790, 793, 794, 797, 798	1001135663..... 175	1001138514 595, 597, 599, 601, 603
1001120338 611	1001126364..... 790, 793, 794, 797, 798	1001135679..... 289, 295, 301, 335, 341, 389, 395	1001138524 289, 296, 301, 335, 342, 389, 395, 421, 449
1001120348 684	1001126365..... 791	1001135680..... 289, 301, 389, 395, 421, 449	1001138559 289, 297, 301, 336, 342, 390, 396, 421, 449
1001120349 684	1001126384..... 789	1001135779..... 290, 296, 301, 335, 341, 389, 395, 421, 449	1001138565 501
1001120350 684	1001126391..... 791, 793, 797	1001135901..... 289, 301, 389, 395, 421, 449	1001138566 497, 501, 505, 509, 892
1001120351 684	1001126392..... 791, 793, 797	1001135903..... 295, 335, 341, 421, 449	1001138717 290, 302, 390, 396
1001120352 684	1001126485..... 793, 797	1001135913..... 289, 301, 389, 395, 421, 449	1001138827 289, 295, 301, 336, 342, 390, 396, 421, 449, 893
1001120354 684	1001126487..... 793, 797	1001135924..... 289, 301, 389, 395, 421, 449	1001139099 897
1001120355 684	1001128527..... 645	1001135926..... 289, 301, 389, 395, 421, 449	1001139240 289, 295, 301, 336, 342, 390, 396, 421, 449
1001120356 684	1001128556..... 645	1001135943..... 289, 301, 389, 395, 421, 449	1001139357 497, 501
1001120357 684	1001129408..... 767, 769, 771, 773	1001135946..... 295, 335, 341, 421, 449	1001139492 115
1001120467 898	1001129858..... 497, 498	1001136356..... 501	1001139494 111
1001120471 653	1001129961..... 551	1001136357..... 509, 526	1001139654 884
1001120477 653	1001131269..... 865, 873	1001136626..... 289, 301, 389, 395, 421, 449	
1001120484 653	1001131292..... 535, 541		
1001120564 103, 107	1001131293..... 536, 542		
1001120989 884	1001131296..... 536, 542		
1001120994 884	1001131330..... 535, 541		
1001121155 677	1001131462..... 178, 182, 186		
1001122396 751, 753, 755, 757, 829	1001131482..... 175		
1001122528 514, 518, 523, 526	1001131542..... 195, 203, 211, 219, 227, 235, 244, 249, 256, 262, 267, 274, 279, 309, 313, 317, 321, 347, 351, 355, 359, 363, 367, 371, 407, 411, 429, 433, 437		
1001122591 896	1001131620..... 558		
1001122611 865, 869, 875, 877, 879, 881	1001131728..... 558		
1001125152 883	1001131733..... 558		
1001125153 883	1001133071..... 897		
1001125177 867, 871	1001133633..... 289, 296, 301, 335, 341, 389, 395, 421, 449		
1001125178 867, 871			
1001125191 883			
1001125192 883			
1001125195 611			
1001125196 883			
1001125197 883			
1001125198 883			
1001125199 883			
1001125200 883			
1001125201 883			
1001125202 883			
1001125203 883			
1001125204 883			

SECTION 11 - SPECIAL OPTIONS

1001139665.....109, 111, 115	1001142719 167, 169	1001148843 290, 296, 302, 336, 342, 390, 396, 422, 450, 801	1001157592.....513, 514, 521, 522
1001139666.....109, 111, 115	1001142736 167, 169, 741	1001148902 896	1001157890.....823, 859
1001139958.....497	1001142938 791, 794, 798	1001148903 897	1001158007.....514, 518, 522, 526
1001139959.....501	1001142940 791, 794, 798	1001148904 897	1001158008.....498, 506, 514, 518, 522, 526
1001139972.....535, 541	1001142941 791, 794, 798	1001148905 897	1001158363.....498, 506
1001140105.....531	1001143087 109, 111, 113, 115, 117	1001148906 897	1001159118.....733, 735, 892
1001140107.....531, 540	1001143123 111, 115	1001148971 897	1001159119.....733, 735
1001140108.....529, 531, 547	1001143294 175	1001149730 898	1001159120.....733, 735
1001140222.....487	1001143298 175	1001149955 165	1001159121.....733
1001140312.....302, 342, 390	1001143390 290, 295, 302, 336, 342, 390, 396, 422, 450	1001151393 155	1001159256.....611, 894
1001140344.....505	1001143852 884	1001151856 794	1001160567.....91, 95
1001140346.....506	1001143927 536, 542, 900	1001152266 785	1001161046.....753
1001140347.....509	1001143928 551, 900	1001152456 498, 506	1001161047.....753
1001140429.....583, 589, 593, 595, 597, 599, 601, 603	1001143929 536, 542, 900	1001152457 497, 505, 506	1001161052.....753
1001140485.....182, 186	1001144089 290, 296, 302, 336, 342, 390, 396, 422, 450	1001152525 498, 506, 514, 518, 522, 526	1001161401.....19, 24
1001140564.....288, 295, 301, 336, 342, 390, 396, 421, 449	1001144147 777, 785	1001152530 498, 506	1001161402.....19, 24
1001140604.....243, 255, 261, 273, 279, 347, 351, 355, 359, 363, 367, 371, 407, 411, 429, 433, 437	1001144398 679	1001152533 497, 501, 505, 509, 805	1001161403.....19, 24
1001141225.....243, 249, 255, 261, 267, 273, 279, 309, 313, 317, 321, 347, 351, 355, 359, 363, 367, 371, 407, 411, 429, 433, 437	1001144433 637	1001152742 790	1001161709.....611, 894
1001141300.....884	1001144629 585, 587, 589, 591, 593	1001152963 247, 253, 259, 325, 327, 379, 381, 441, 462	1001161710.....611, 894
1001141302.....884	1001145089 243, 255, 261, 273, 280, 348, 352, 356, 360, 364, 368, 372, 408, 412, 430, 434, 438	1001152966 697	1001163131.....635
1001141304.....290, 295, 301, 336, 342, 390, 396, 421, 450	1001145154 290, 296, 302, 336, 342, 390, 396, 422, 450	1001152969 697	1001165035.....289, 296, 301, 336, 342, 390, 396, 422, 450
1001141717.....290, 295, 301, 336, 342, 390, 396, 422, 450	1001145162 182, 186	1001152972 684, 688, 691, 693, 697	1001165101.....247, 259, 265, 277, 283, 285, 375, 377, 379, 381, 383, 385, 450, 487
1001141718.....487, 489	1001145382 196, 204, 212, 220, 228, 236	1001153024 289, 301, 390, 396, 422, 450	1001165368.....501, 509, 763
1001141719.....288, 295, 301, 336, 342, 390, 396, 422, 450	1001145405 631, 648	1001153257 497, 505	1001165820.....290, 302, 390, 396, 422, 450
1001141744.....273	1001145708 897	1001153260 498, 506	1001166393.....289, 295, 301, 336, 342, 390, 396, 422, 450
1001141745.....273, 277	1001145842 244, 256, 262, 274, 280, 348, 352, 356, 360, 364, 368, 372, 408, 412, 430, 434, 438	1001153387 290, 302, 390, 396, 422, 450	1001167164.....253, 271, 310, 314, 318, 322
1001141746.....259, 277, 285, 300	1001146132 182, 186	1001154260 535, 541	1001167565.....579
1001141811.....243	1001146178 182, 186	1001154294 535, 541	1001167567.....579
1001141812.....243, 247	1001146183 182, 186	1001154304 535, 541	1001167596.....579
1001141813.....255, 259	1001146219 288, 296, 300, 336, 342, 390, 396, 422, 450	1001154306 535, 541	1001167632.....794, 797
1001141815.....255	1001146244 182, 186	1001154405 243, 255, 261, 273, 280, 290, 296, 302, 336, 342, 348, 352, 356, 360, 364, 368, 372, 390, 396, 408, 412, 422, 430, 434, 438, 450, 487, 489, 491	1001167635.....793, 797
1001142501.....290, 295, 302, 336, 342, 390, 396, 422, 450	1001146588 408, 412, 422, 430, 434, 438, 450	1001155044 611	1001168166.....296, 336, 342
1001142504.....898	1001147264 790, 794	1001155045 611, 894	1001168402.....579
1001142505.....898	1001147479 562, 567, 893	1001155575 289, 296, 301, 336, 342, 390, 396, 422, 450	1001169054.....296, 336, 342
1001142637.....422, 450	1001147551 101	1001155743 63	1001169138.....296, 336, 342
1001142645.....505, 522	1001148675 733, 735	1001155823 290, 296, 302, 336, 342, 390, 396, 422, 450	1001170035.....296, 336, 342
1001142683.....167, 169, 893	1001148841 801	1001157520 514, 518, 522, 526	1001170764.....794, 798
1001142685.....290, 295, 302, 336, 342, 390, 396, 422, 450	1001148842 801	1001157521 514, 518, 522, 526	1001170982.....296, 336, 342, 422, 450

SECTION 11 - SPECIAL OPTIONS

1001172760 611	1001177959..... 253, 271, 310, 314, 318, 322	1001191395..... 897	1001213705 529, 531
1001172840 883	1001178236..... 296, 336, 342	1001191525..... 884	1001214029 884
1001173163 179, 183, 187	1001178250..... 547, 555	1001191541..... 19, 24	1001214570 739
1001173164 179, 183, 187	1001178797..... 491	1001191620..... 422, 450	1001214571 739
1001173166 178, 183, 186	1001178894..... 296, 336, 342	1001192401..... 785	1001215375 625
1001173170 178, 183, 187	1001179154..... 498, 506, 514, 522	1001193018..... 711, 713, 715, 717, 719, 721, 723, 725, 727, 729, 731	1001215379 625
1001173171 ... 91, 93, 95, 97	1001179216..... 751, 753, 755, 757	1001193674..... 19, 24	1001215380 625
1001173183 179	1001179510..... 563, 567	1001196634..... 483, 779, 892, 893	1001216363 896
1001173185 178, 183, 187	1001180051..... 178, 183, 187	1001197408..... 884	1001216630 579
1001173186 178, 183, 187	1001180491..... 625	1001197436..... 897	1001216876 49
1001173187 178, 183, 187	1001180620..... 296, 336, 342, 422, 450	1001197719..... 794, 798	1001216877 49
1001173188 178	1001181045..... 761, 763, 765, 892	1001198751..... 485	1001218622 757
1001173609 625	1001181129..... 113, 117	1001200064..... 884	1001218623 757
1001173647 178, 183, 187	1001181151..... 897	1001200065..... 884	1001218850 883
1001173651 178, 183, 187	1001181895..... 302, 342, 390	1001200066..... 884	1001219601 135, 139, 144, 147, 151, 893
1001173703 884	1001181899..... 422, 450	1001200067..... 884	1001219642 296, 403
1001173912 178	1001182361..... 789, 793, 797	1001200069..... 884	1001219992 .. 51, 63, 569
1001173913 23	1001182365..... 793	1001200070..... 884	1001220379 790
1001173914 19	1001182600..... 897	1001200071..... 884	1001220482 625, 825
1001173915 91	1001182806..... 163	1001200091..... 579	1001220560 113, 117
1001173918 93	1001182997..... 296, 336, 342	1001200491..... 579	1001220735 253, 271, 294
1001174040 547, 579	1001184682..... 161	1001200494..... 579	1001220770 296
1001174331 179	1001185281..... 611	1001201351..... 579	1001220929 611
1001175250 179	1001186318..... 607	1001202221..... 897	1001220955 625
1001175859 178, 183, 187	1001186334..... 605	1001202280..... 485	1001221203 296, 336, 342
1001175879 178, 183, 187	1001186375..... 595	1001202281..... 485, 892	1001221205 296, 336, 342
1001175880 178, 183, 187	1001186379..... 597	1001202687..... 579	1001221212 296, 336, 342, 495
1001176329 296, 336, 342	1001186382..... 601	1001202697..... 896	1001221217 296, 336, 342
1001176330 296, 336, 342	1001186383..... 591	1001202749..... 897	1001221219 296, 336, 342
1001176333 825	1001186384..... 587	1001203564..... 897	1001221259 249
1001176346 57	1001186387..... 585	1001203656..... 605, 607	1001221261 267
1001176347 59	1001186389..... 607	1001203866..... 485	1001221263 250, 253
1001176415 296, 336, 342	1001186431..... 637, 893	1001204725..... 579	1001221265 268, 271
1001176416 296, 336, 342	1001186432..... 817, 855	1001204900..... 897	1001221427 296, 336, 342
1001176469 139, 143, 151	1001186517..... 637	1001205958..... 721, 723, 725, 727, 729, 731	1001221666 117
1001176582 625	1001187011..... 296, 336, 342	1001206250..... 723	1001221802 113
1001176636 625	1001187382..... 579	1001206251..... 727	1001222665 897
1001176862 735	1001187383..... 579	1001206252..... 731	1001222773 489
1001177562 884	1001187456..... 897	1001206253..... 715	1001222817 491
1001177635 625	1001187674..... 633	1001206254..... 719	1001223055 865
1001177945 253, 271, 310, 314, 318, 322	1001187681..... 849	1001206255..... 711	1001223068 491
1001177946 253, 271, 310, 314, 318, 322	1001187787..... 897	1001206476..... 739	1001223453 865, 873
1001177957 253, 271, 310, 314, 318, 322	1001187807..... 157, 627	1001206532..... 612	1001223459 791, 793, 797
1001177958 253, 271, 310, 314, 318, 322	1001188376..... 113, 117	1001206544..... 899	1001223883 49
	1001188382..... 113, 117	1001206794..... 897	1001223971 873
	1001188622..... 579	1001206797..... 897	1001224048 879
	1001188844..... 485	1001207969..... 569	1001224049 881
	1001188887..... 485	1001208299..... 422, 450	1001224050 875
	1001189001..... 579	1001208994..... 569, 579	1001224052 869
	1001189002..... 579	1001209059..... 898	1001224053 877
	1001190893..... 898	1001209432..... 739	1001224066 65, 71
	1001190985..... 579	1001209474..... 739	1001225118 196, 204, 212, 220, 228, 236
	1001191272..... 289, 301, 390, 396, 422, 450	1001209481..... 899	1001225266 547
		1001209664..... 637	1001225346 739, 893
		1001210028..... 899	1001225430 305, 399, 425, 892
		1001210043..... 899	
		1001210636..... 653	
		1001211556..... 425	
		1001212223..... 521, 525	
		1001212790..... 559	
		1001213385..... 684, 695, 699, 701	
		1001213447..... 831	
		1001213448..... 151	

SECTION 11 - SPECIAL OPTIONS

1001225431.....305, 399, 892	1001231318..... 881	1001239202 794, 798	1001248550..... 881
1001225432.....426	1001231319..... 869	1001239281 161	1001248551..... 869
1001225580.....637, 817	1001231320..... 877	1001239344 743	1001248552..... 877
1001226289.....757	1001231321..... 875	1001239345 743	1001248553..... 875
1001226290.....757	1001231801..... 883	1001239634 897	1001248555..... 865, 869, 873, 875, 877, 879, 881, 883
1001226400.....819, 829	1001231886 161	1001239805 739	1001248561..... 867, 871
1001226531.....739	1001231949 621	1001241383 163	1001249052..... 899
1001226541.....777, 785	1001231950 617, 619	1001241420 897	1001249695..... 896
1001226636.....777	1001232010 617, 619, 621	1001241547 899	1001249941..... 896
1001226637.....777	1001232011 617, 619, 621	1001241548 899	1001249964..... 289, 301, 305
1001226739.....767, 769, 771, 773, 777	1001232164 633	1001241585 739	1001250035..... 899
1001226799.....767, 769, 773	1001232165 633	1001241590 785	1001250296..... 183, 186
1001226872.....583	1001232642 639	1001241630 739	1001250297..... 183, 187
1001226923.....491	1001232667 639, 893	1001241965 639	1001250595..... 899
1001227254.....577	1001232842 483	1001242185 743	1001251019..... 23, 663
1001227451.....771	1001233047 896	1001242189 611, 831	1001251020... 19, 23, 661
1001227606.....249, 267, 310, 314, 318, 322, 422, 489	1001233047 896	1001242192 896	1001251031..... 27, 675
1001227633.....633	1001233492 422, 450	1001242373 136, 140, 144, 148, 152	1001251045..... 529, 531, 669
1001227634.....633	1001233494 897	1001243183 896	1001251046..... 547, 673
1001227960.....893	1001233763 483	1001243184 896	1001251057..... 547, 667
1001227985.....633	1001233959 157, 627	1001243414 183, 187	1001251058..... 547, 671
1001227987.....633	1001234800 793, 797	1001243731 163	1001252527..... 789, 793, 797
1001227996.....851, 853	1001235617 896	1001243734 161	1001252627..... 887, 889
1001228043.....536, 542, 665	1001235952 422, 450	1001243849 163	1001252629..... 615, 617, 619, 621
1001228047.....536, 542, 679	1001236087 627	1001243895 483	1001253375..... 817
1001228048.....551, 677	1001236091 157	1001244026 167	1001253543..... 865
1001228215.....583	1001236411 187	1001244027 169	1001253544..... 865
1001228224.....633, 893	1001236504 739	1001245356 609, 611	1001253545..... 873
1001228225.....633, 893	1001236505 739	1001245357 609	1001253546..... 873
1001228243.....593	1001236552 639	1001245358 127	1001253547..... 879
1001228245.....593	1001236686 143	1001245359 119	1001253548..... 879
1001228375.....603	1001236746 621	1001245360 123	1001253549..... 875
1001228376.....589	1001236747 617	1001245363 121	1001253550..... 875
1001228377.....599	1001236755 129	1001245372 875	1001253551..... 869
1001228431.....897	1001236891 615, 617, 619, 621	1001245373 869	1001253552..... 869
1001228488.....73, 79	1001236895 615, 617, 619, 621	1001245374 881	1001253553..... 881
1001228617.....73	1001236951 897	1001245375 877	1001253554..... 881
1001228952.....767	1001237111 186	1001245376 877	1001253555..... 877
1001228954.....767	1001237113 183, 187	1001245377 875	1001253556..... 877
1001228976.....625	1001237285 797	1001245378 869	1001253618..... 899
1001228988.....645	1001237544 627	1001245379 881	1001253619..... 899
1001229058.....73	1001237546 157	1001245380 877	1001254472..... 639
1001229341.....633	1001237667 809, 813, 831	1001245381 869	1001254473..... 639
1001229485.....625	1001237668 809, 813, 831	1001245382 877	1001255133..... 548, 579
1001229599.....296, 336, 342	1001237755 529, 531	1001245383 869	1001255901..... 779
1001229600.....296, 336, 342	1001237827 433	1001245384 877	1001256212..... 183
1001229922.....625	1001237828 429	1001245385 867	1001256216..... 182
1001230931.....759, 783, 823	1001237862 851, 853	1001245386 867	1001256506..... 790
1001230934.....789, 793, 797	1001237863 633, 851	1001245387 867	1001256507..... 789
1001230935.....789, 793, 797	1001237864 633, 853	1001245388 865	1001256859..... 109, 113, 115, 117
1001230936.....789, 793, 797	1001237865 633, 849	1001245389 865	1001256864..... 289, 301, 390, 396, 422, 450
1001231235.....899	1001237866 897	1001245390 879	1001256879..... 408, 412, 430, 434, 438
1001231315.....865	1001237882 897	1001245391 879	1001257155..... 296, 336, 342
1001231316.....873	1001237883 897	1001245392 879	1001257271..... 615
1001231317.....879	1001238263 615, 617, 619, 621	1001245393 879	1001257274..... 615
	1001238319 633	1001245394 879	1001257276..... 495
	1001238418 639, 855	1001245395 879	
	1001238421 579	1001245396 879	
	1001238463 619	1001245397 879	
	1001238472 639	1001245398 879	
	1001238495 637	1001245399 879	
	1001238559 639		

SECTION 11 - SPECIAL OPTIONS

1001257277 195, 204, 212, 220, 228, 236	1001274833..... 897	1001284100..... 493	1001295235 327, 331, 340
1001258800 422, 450	1001275149..... 165, 167, 169	1001284101..... 493	1001295310 322, 331
1001260432 450	1001275628..... 611, 892	1001284519..... 899	1001295313 314, 327
1001261045 422, 450	1001275629..... 611, 892	1001284692..... 883	1001295351 321
1001261085 422, 450	1001275637..... 49	1001285524..... 135, 139, 143, 147, 151, 859	1001295352 313
1001261335 615	1001275642..... 899	1001285576..... 135, 139, 143, 147, 809	1001296427 135, 139, 144, 147
1001261338 615	1001275650..... 899	1001285878..... 563, 567	1001297305 109
1001261500 883	1001276062..... 899	1001286114..... 135, 139, 143, 147, 151	1001297306 105
1001262016 899	1001276610..... 775	1001286957 283, 285, 375, 377, 417, 445, 477	1001297394 144
1001262322 771	1001276626..... 135, 139, 143, 147, 151	1001286958..... 283, 285, 375, 377, 417, 445, 479	1001297395 136, 140
1001262326 771	1001276646..... 336, 342, 390, 396, 422, 450, 793	1001286968..... 351	1001297562 896
1001262959 900	1001276923..... 896	1001286969..... 285, 352	1001297564 701
1001264917 289, 301, 390, 396	1001277191..... 900	1001286982..... 438, 445	1001297565 701
1001264982 289, 301, 390, 396	1001277222..... 900	1001286984..... 412, 417	1001297566 701
1001265163 653	1001277593..... 450, 453	1001286991..... 437	1001297567 701
1001265342 653	1001277599..... 441, 443, 445, 448	1001286992..... 411	1001297568 701
1001265880 148, 152	1001277607..... 434, 441	1001286998..... 39	1001297569 701
1001266048 135	1001277608..... 430, 443	1001286999..... 39, 41	1001297570 701
1001266049 139, 143, 144, 147, 151	1001277845..... 900	1001287523..... 119, 121, 125, 127, 129, 131, 133, 785	1001297571 701
1001266051 119, 123, 127, 135	1001278483..... 135, 140, 144, 147, 151	1001288370 63	1001297572 701
1001266052 121, 125, 139	1001278608..... 83, 87	1001288636 897	1001297573 101
1001266053 135	1001278850..... 167, 169	1001288705 883	1001297577 897
1001266054 139, 151	1001281100..... 135, 139, 143, 147, 151, 893	10012889138..... 781	1001299797 897
1001266056 898	1001281192..... 422	1001289140 781	1001299824 151, 813
1001266068 129, 143	1001281298..... 493	1001289149 781	1001300101 701
1001266098 898	1001281304..... 493	1001289199 781	1001301016 567
1001266284 898	1001281305..... 493	1001289762 896	1001301545 390, 396, 399
1001266489 898	1001281307..... 493	1001289831 899	1001301546 377, 381, 385, 394
1001266969 898	1001281309..... 493	1001289832 899	1001301590 375, 379, 383, 388
1001267315 883	1001281310..... 493	1001289905 899	1001301654 356, 375
1001268240 883	1001281311..... 493	1001289906 899	1001301672 348, 379
1001268820 641, 643, 648, 657	1001281359..... 493	1001289964 336, 343, 421	1001301710 360, 377
1001269187 898	1001281360..... 493	1001290348 883	1001301713 364, 381
1001269322 641, 643, 645, 648	1001281404..... 493	1001290403 883	1001301718 359
1001269389 898	1001281452..... 898	1001291401 290, 297, 302, 336, 343, 390, 396, 422, 450	1001301722 363
1001269573 641, 643, 645, 648	1001281453..... 898	1001291459 883	1001301725 355
1001269655 899	1001281457..... 898	1001291868 425	1001301728 347
1001270106 63, 67	1001281458..... 898	1001292058 884	1001301865 566
1001270339 743	1001281461..... 898	1001292586 899	1001302540 95
1001270340 743	1001281656..... 493	1001292604 422, 425	1001302541 97
1001270521 896	1001281985..... 336, 342, 390, 396	1001293369 896	1001302756 372, 385
1001270594 165	1001281986..... 336, 342, 390, 396	1001293501 896	1001302757 368, 383
1001271642 898	1001282063..... 896	1001293874 899	1001302758 371
1001271731 896	1001282199..... 408, 415	1001293889 337, 343, 345	1001302761 367
1001271760 898	1001282200..... 415, 417, 420	1001294070 899	1001303167 899
1001272091 896	1001282203..... 407	1001294761 884	1001303270 337, 343
1001272166 897	1001282251..... 131, 147	1001294778 325, 329, 334	1001303656 898
1001272203 896	1001282252..... 131	1001294808 318, 329	1001305410 495
1001272274 898	1001282253..... 147	1001294815 884	1001305414 495
1001272659 775	1001282333..... 493	1001294825 310, 325	1001305520 897
1001272681 167	1001282406..... 861	1001294846 309	1001306077 63
1001272682 169	1001282434..... 899	1001294878 95, 97, 101	1001306079 51
1001272997 779	1001282461..... 899	1001294928 317	1001306080 577
1001273012 775, 779	1001283008..... 289, 295, 301, 336, 343, 390, 396, 422, 450		1001306438 337, 343
1001274249 900	1001283776..... 165, 857		1001306692 85, 89
1001274559 611, 894	1001284070..... 493		1001307624 701
1001274829 897			1001307713 547, 553
1001274830 897			1001307894 559, 751, 753, 755, 757

SECTION 11 - SPECIAL OPTIONS

1001308291.....559, 751, 753, 755, 757	1320190... 191, 199, 207, 215, 223, 231, 243, 249, 255, 261, 267, 273, 279, 309, 313, 317, 321, 347, 351, 355, 359, 363, 367, 371, 407, 411, 429, 433, 437	1701505 ... 865, 867, 869, 871, 873, 875, 877, 879, 881	1705345.....879
1001308593.....898	1320223... 195, 203, 211, 219, 227, 235	1701509 ... 635, 865, 867, 869, 871, 873, 875, 877, 879, 881	1705347.....873
1001309057.....898	1320263..... 19, 23	1701518 867, 871	1705351.....865
1001309212.....133	1320294..... 558	1702565 611	1705358.....635
1001309214.....133, 151	1320295..... 558	1702566 611	1705366.....562, 566
1001309217.....897	1320298..... 559	1702773 ... 605, 607, 871, 883	1705367.....562, 566
1001309218.....897	1320301 562, 566	1702774 883	1705374....497, 505, 733, 735
1001309594.....85	1320302 ... 641, 643, 645, 648	1702868 ... 645, 865, 883, 887	1705375.....514, 522
1001311034.....639, 893	1321289... 290, 302, 388, 394	1702942 208, 232	1705387....497, 505, 514, 523
1060341.....805	1321293 563, 566	1703162 ... 195, 203, 211, 219, 227, 235, 290, 294, 302, 334, 340, 388, 394, 420, 448	1705426.....877
1060343.....514, 522	1321716... 309, 313, 317, 321, 347, 355, 359, 363, 367, 371, 407, 411, 430, 434, 437	1703804 865	1705427.....879
1060545.....763	1340065... 195, 203, 211, 219, 227, 235	1703805 865	1705429.....873
1060904.....211, 235	1340067 896	1703811 ... 865, 867, 869, 871, 873, 875, 877, 879, 881	1705430.....875
1060908.....761, 765	1380147 173, 175	1703814 ... 865, 867, 869, 871, 873, 875, 877, 879, 881	1705460....514, 518, 522, 526
1060918.....623	1380169.... 178, 182, 186	1703935 881	1705461.....518, 526
1060979.....759	1560011 833	1703936 873	1705489....501, 509, 518, 526
1060981.....745, 749	1560012 833	1703938 877	1705490.....887, 889
1060982.....747	1580012 651	1703939 879	1705492.....865
10702077..514, 518, 522, 526	1580013 898	1703941 881	1705493.....877
10702082..514, 518, 522, 526	1600343 611, 893	1703942 873	1705503.....879
10836804..135, 139, 143, 147, 151	1600443 239, 892	1703943 875	1705505.....873
10837580.....677	1670603 711	1703944 877	1705511....865, 867, 869, 871, 873, 875, 877, 879, 881
1120549.....27	1670996 57	1703945 879	1705511....865, 867, 869, 871, 873, 875, 877, 879, 881
1120550.....27	1671023... 195, 203, 211, 219, 227, 235	1703947 881	1705744.....611
1120555.....635	1671031 562, 566	1703948 873	1705822.....867, 871
1180362.....558	1671032 534, 540	1703949 875	1705828.....867, 871
1180363.....558	1671033 534, 540	1703950 877	1705864.....871, 883
1260017.....77	1671038 178, 182, 186	1703951 879	1705865.....883
1320022.... 191, 195, 199, 203, 207, 211, 215, 219, 223, 227, 231, 235, 243, 249, 255, 261, 267, 273, 279, 289, 296, 301, 309, 313, 317, 321, 334, 340, 347, 351, 355, 359, 363, 367, 371, 388, 394, 407, 411, 420, 429, 433, 437, 448, 485	1671040 27	1703953 865	1705896.....869
1320058.... 195, 203, 211, 219, 227, 235	1671044 562, 566	1703980 877	1705897.....869
1320060.... 195, 203, 211, 219, 227, 235	1671045 57, 59	1703981 879	1705898.....869
1320061.....563, 566	1671046 57, 59	1703982 875	1705901.....869
1320095.... 135, 139, 143, 147, 151	1671047 57, 59	1703983 881	1705902.....869
1320130....296, 334, 340, 562, 566	1671048 57, 59	1703984 873	1705903.....869
1320136.....562, 566	1671049 57, 59	1704000 873, 883	1705905.....869
1320146.... 705, 707, 709, 737	1671092 ... 514, 522, 753	1704001 881	1705906.....869
1320162.... 103, 105, 107, 109, 111, 115	1671093 ... 643, 648, 753	1704006 873	1705910.....881
1320177.....631, 648	1671121 ... 191, 199, 207, 215, 223, 231, 243, 249, 255, 261, 267, 273, 279, 309, 313, 317, 321, 347, 351, 355, 359, 363, 367, 371, 407, 411, 429, 433, 437	1704007 881	1705915.....881
1320187.... 191, 199, 207, 215, 223, 231, 243, 249, 255, 261, 267, 273, 279, 309, 313, 317, 321, 347, 351, 355, 359, 363, 367, 371, 407, 411, 429, 433, 437	1701499 ... 865, 867, 869, 871, 873, 875, 877, 879, 881	1704008 873	1705917.....881
	1701501 ... 865, 867, 869, 871, 873, 875, 877, 879, 881	1704009 881	1705921.....867, 871
		1704260 611	1705961.....867, 871
		1704277 ... 865, 867, 869, 871, 873, 875, 877, 879, 881	1705967.....869
		1704412 ... 865, 867, 869, 871, 873, 875, 877, 879, 881	1705969.....879, 883
		1704885 883	1705980.....884
		1704972 865	1706059.....869
		1705014 605	1706060.....875
		1705174 867, 871, 873	1706061.....879
		1705305 645, 887, 889	1706062.....877
		1705307 545, 899	1706063.....881
		1705325 713, 715	1706064.....873
		1705336 865	1706098.....867, 871
		1705344 877	1706385.....605
			1706493.....607
			1706501.....607
			1706741.....611
			2060025.... 195, 203, 211, 219, 227, 235
			2080040.... 585, 587, 589, 591, 593
			2110404 34, 41, 571, 573, 684, 695, 697, 699, 701

SECTION 11 - SPECIAL OPTIONS

211040655, 68, 571, 574, 684, 691	2171112 ... 109, 111, 113, 115, 117	2720160.....631, 648	2753760..... 688
2110408 68	2171208 684	2720500....195, 203, 211, 219, 227, 235	2753761 688
2110604 573, 691	2171210 684	2720501....195, 203, 211, 219, 227, 235	2753762 688
211060653, 68, 571, 573, 691	2172112 113, 117	2750528.....75	2753763 684
2110608 68, 695, 697, 699, 701	2180344 75	2750532....191, 195, 199, 203, 207, 211, 215, 219, 223, 229, 231, 235, 243, 249, 255, 261, 267, 273, 279, 309, 313, 317, 321, 347, 351, 355, 359, 363, 367, 371, 407, 411, 429, 433, 437, 631, 648	2753764 688
2110610 ... 695, 697, 699, 701	2180348 ... 191, 199, 207, 215, 223, 231, 485	2753541.....688	2753765 ... 695, 697, 699, 701
2110806 67	2180467 93, 97	2753545.....684, 688	2753766 ... 695, 697, 699, 701
211080834, 41, 571, 573, 688	2180832 ... 243, 249, 255, 261, 267, 273, 279, 309, 313, 317, 321, 347, 351, 355, 359, 363, 367, 371, 407, 411, 429, 433, 437, 631, 648	2753552.....688	2753767 684
211081055, 68, 695, 697, 699, 701	2220063 75	2753582.....688	2753768 688
211081234, 41, 684, 695, 697, 699, 701	2220235 20, 688	2753582.....688	2753769 695, 697
2111010 68, 573, 684, 695, 697, 699, 701	2220273 294, 334, 340	2753622.....697	2753770 695, 697
2111012 55, 695, 697, 699, 701	2220313 ... 191, 199, 207, 215, 223, 231, 243, 249, 255, 261, 267, 273, 279, 309, 313, 317, 321, 347, 351, 355, 359, 363, 367, 371, 407, 411, 429, 433, 437	2753675684	2753771 ... 695, 697, 699, 701
2111016 68, 699	2220451 ... 195, 203, 211, 219, 227, 235	2753677688	2753772 ... 695, 697, 699, 701
2111212 ... 695, 697, 699, 701	2220478 ... 695, 697, 699, 701	2753685688	2753773 695, 697
2111216 67	2220498 ... 195, 203, 211, 219, 227, 235	2753703.....688	2753774 ... 695, 697, 699, 701
2111616 ... 695, 697, 699, 701	2220737 695, 697, 701	2753708....695, 697, 699	2753775 695
2111620 701	2220816 485, 491	2753713.....688	2753776 695, 697
2112016 699	2220883 55, 663, 665, 667, 669, 671, 677	2753714.....688	2753778 103, 105, 107
2112020 ... 695, 697, 699, 701	2220885 ... 663, 665, 669, 671, 673, 675, 677, 679	2753715.....688	2753784 684
2113232 ... 695, 697, 699, 701	2220886 67, 679	2753716.....688	2753843 103
2120217 63, 893	2221084 695, 697, 699	2753718....695, 697, 699, 701	2753999 107
2130404 684, 699, 701	2221086 .53, 55, 67, 571, 573	2753719.....691	2754470 684
2130406 34, 41, 684	2221117 695, 697	2753726.....691	2820031 ... 497, 501, 505, 509, 513, 517, 521, 525
2130606 67, 693, 695, 697, 699, 701	2221176 ... 191, 199, 207, 215, 223, 231	2753727.....691	2820035 159, 483
2130808 ... 684, 695, 697, 699, 701	2400060 ... 483, 653, 809, 813	2753728.....693	2820170 ... 191, 199, 207, 215, 223, 231
2130810 53, 699	2400064 893	2753729.....691	2820171 825
213081234, 41, 684, 699, 701	2400065 859, 893	2753730....695, 697, 699, 701	2820247 851, 853
2131010 684	2400066 ... 809, 813, 859	2753731695, 697, 699, 701	2840016 173, 175
2131012 68	2410014 605, 607	2753732.....693	2860030 143, 155, 893
2131212 ... 103, 105, 107, 109, 111, 113, 115, 117, 695, 697	2420191 91, 95	2753733.....693	2900770 67, 663, 667, 669, 677
2131612 699, 701	2460048 513, 517	2753734693, 695, 697, 699, 701	2900789 679
2150404 684	2540038 294, 334, 340	2753735.....693	2900792 661, 665, 671
2150406 684	2560136 611	2753736.....693	2901443 899
2151012 55	2560187 179, 183, 187	2753737693	2902065 ... 195, 203, 211, 219, 227, 235, 289, 294, 300, 334, 340, 388, 394, 420, 448, 481
2160002 75	2580062 211, 235	2753738.....693	2902099 ... 191, 199, 207, 215, 223, 231
2170112 701	2600279 ... 136, 140, 144, 148, 152	2753739.....693	2902212 635
2170312 701	2600281 ... 585, 587, 589, 591, 593	2753741695, 697	2902217 641, 643, 648
2170316 67	2717235684	2753742.....693	2902443 ... 787, 790, 793, 797
2170412 701	2720015 ... 289, 296, 301, 334, 340, 388, 394	2753743.....684, 693	2915072 75, 900
2170504 688, 691	2720058 ... 195, 203, 211, 219, 227, 235, 485	2753744....695, 697, 699, 701	2940074 ... 585, 587, 589, 591, 593, 893
2170506 691		2753746....695, 697, 699, 701	2940173 179, 183, 187
2170512 113, 117		2753747688	3020039 534, 540
2170704 688		2753748.....688	3020042 534, 540
2170710 684		2753749.....688	3160339 31, 37
2170712 ... 103, 105, 107, 109, 111, 115		2753750.....688	3200362 ... 195, 203, 212, 219, 227, 236
2170804 688		2753752.....688	3200401 ... 195, 203, 212, 219, 227, 236
2170908 695, 697, 699		2753753.....693	3251102 ... 497, 501, 505, 509, 513, 517, 521, 525
2170912 701		2753754.....693	3251242 ... 711, 717, 719, 721, 723, 725, 727, 729, 731
		2753755.....684	
		2753756.....688	
		2753757688	
		2753759.....688	

SECTION 11 - SPECIAL OPTIONS

3251243.....497, 506, 514, 522, 865, 873, 875	3311001 ... 135, 139, 143, 147, 151, 487, 489, 498, 506, 514, 518, 522, 526	388, 394, 407, 411, 420, 429, 433, 437, 448	3460334.....635
3251813.....883	3311005 ... 497, 505, 514, 518, 522, 526	3311801 ... 505, 509, 521, 525, 535, 541	3470003.....612
3252347.....865	3311402 ... 136, 140, 144, 148, 152	3311805 . 49, 83, 85, 173, 175, 178, 182, 186, 196, 204, 212, 220, 228, 236	3520026.....611
3271601.....485, 558	3311405 . 51, 59, 65, 135, 139, 143, 147, 151, 161, 163, 182, 186, 196, 204, 212, 220, 228, 236, 243, 253, 255, 261, 271, 273, 279, 288, 294, 300, 309, 313, 317, 321, 334, 340, 347, 351, 355, 359, 363, 367, 371, 388, 394, 407, 411, 420, 429, 433, 437, 448, 501, 509, 562, 566, 577, 609, 639, 705, 707, 709, 711, 713, 715, 717, 719, 721, 723, 725, 727, 729, 731, 737, 739, 865, 867, 869, 871, 873, 875, 877, 879, 881	3312002 73, 615, 617, 619, 621	3520027.....612
3271605.....615, 617, 619, 621	3311505 . 27, 51, 77, 103, 105, 107, 109, 111, 113, 115, 117, 159, 175, 178, 179, 182, 183, 186, 187, 191, 196, 199, 204, 207, 212, 215, 220, 223, 228, 231, 236, 563, 566, 569	3312005 23, 529, 531, 547, 635	3520030.....611
3271805.....605, 607	3311601 ... 65, 91, 93, 95, 97, 182, 187, 611, 639	3312205 635	3520034..... 178, 182, 186
3272001.....288, 294, 300, 334, 340, 388, 394, 420, 448, 615, 617, 619, 621	331160551, 65, 103, 105, 107, 113, 117, 173, 175, 178, 182, 186, 196, 204, 212, 220, 228, 236, 243, 249, 255, 261, 267, 273, 279, 288, 294, 300, 309, 313, 317, 321, 334, 340, 347, 351, 355, 359, 363, 367, 371, 388, 394, 407, 411, 420, 429, 433, 437, 448, 487, 489, 491, 535, 540, 545, 562, 566, 577, 605, 607, 609, 641, 643, 645, 648	3312602 165, 167, 169	3520054.....23, 196, 204, 212, 220, 228, 236, 244, 249, 256, 262, 267, 274, 279, 309, 313, 317, 321, 347, 351, 355, 359, 363, 367, 371, 407, 411, 420, 429, 433, 437, 448
3272005.....547	3311705 ... 244, 249, 256, 262, 267, 274, 279, 288, 294, 300, 309, 313, 317, 321, 334, 340, 347, 351, 355, 359, 363, 367, 371,	3322201 83, 85	3520071.....635
3281601.....562, 566	3311805 . 49, 83, 85, 173, 175, 178, 182, 186, 196, 204, 212, 220, 228, 236	3340871 535, 541	3520072.....583, 585, 587, 589, 591, 593, 595, 597, 599, 601, 603, 605, 607
3290405..... 165, 167, 169, 501, 509, 653, 711, 713, 715, 717, 719, 721, 723, 725, 727, 729, 731, 737	3311805 . 49, 83, 85, 173, 175, 178, 182, 186, 196, 204, 212, 220, 228, 236	3340881 19, 23, 535, 541, 551	3520079.....583, 585, 587, 589, 591, 593, 595, 597, 599, 601, 603, 605, 607
3290601..... 179, 183, 187	3311805 . 49, 83, 85, 173, 175, 178, 182, 186, 196, 204, 212, 220, 228, 236	3340910 535, 541	3520189.....518, 526
3290605..... 135, 139, 143, 147, 151, 631, 648	3311805 . 49, 83, 85, 173, 175, 178, 182, 186, 196, 204, 212, 220, 228, 236	3340912 535, 541	3520192.....518, 526
3290605001.....625	3311805 . 49, 83, 85, 173, 175, 178, 182, 186, 196, 204, 212, 220, 228, 236	3340916 535, 541	3520198.....583, 585, 587, 589, 591, 593, 595, 597, 599, 601, 603
3290606.....595, 597, 599, 601, 603	3311805 . 49, 83, 85, 173, 175, 178, 182, 186, 196, 204, 212, 220, 228, 236	3340917 535, 541	3537416.... 196, 204, 212, 220, 228, 236
3290607..... 167, 169	3311805 . 49, 83, 85, 173, 175, 178, 182, 186, 196, 204, 212, 220, 228, 236	3340918 535, 541	3537445.....173
3290801.....288, 294, 300, 334, 340, 388, 394, 420, 448	3311805 . 49, 83, 85, 173, 175, 178, 182, 186, 196, 204, 212, 220, 228, 236	3340921 535, 541	3539971.... 196, 204, 212, 220, 228, 236
3290805.....296, 334, 340, 739	3311805 . 49, 83, 85, 173, 175, 178, 182, 186, 196, 204, 212, 220, 228, 236	3340922 535, 541	3572950.....535, 541
3290806.....290, 302, 388, 394, 579	3311805 . 49, 83, 85, 173, 175, 178, 182, 186, 196, 204, 212, 220, 228, 236	3340925 558	3573016.....558
3290807.....296, 334, 340	3311805 . 49, 83, 85, 173, 175, 178, 182, 186, 196, 204, 212, 220, 228, 236	3340926 535, 541	3573142.... 196, 204, 212, 220, 228, 236
3291001.....294, 579	3311805 . 49, 83, 85, 173, 175, 178, 182, 186, 196, 204, 212, 220, 228, 236	3340939 559	3573144.... 136, 140, 144, 148, 152
3291005.....579	3311805 . 49, 83, 85, 173, 175, 178, 182, 186, 196, 204, 212, 220, 228, 236	3340940 558	3573179.....558
3291007.....294, 334, 340	3311805 . 49, 83, 85, 173, 175, 178, 182, 186, 196, 204, 212, 220, 228, 236	3340941 562, 566	3573181.....558
3291201.....579	3311805 . 49, 83, 85, 173, 175, 178, 182, 186, 196, 204, 212, 220, 228, 236	3340942 558	3573194.....558
3291205.....579	3311805 . 49, 83, 85, 173, 175, 178, 182, 186, 196, 204, 212, 220, 228, 236	3340955 535, 541	3573210.....558
3300151.... 583, 589, 593, 595, 597, 599, 601, 603, 641, 643, 645, 648	3311805 . 49, 83, 85, 173, 175, 178, 182, 186, 196, 204, 212, 220, 228, 236	3340956 635	3573232.... 178, 182, 186
3300220.... 243, 249, 255, 261, 267, 273, 279, 309, 313, 317, 321, 351, 407, 411, 429, 433, 437	3311805 . 49, 83, 85, 173, 175, 178, 182, 186, 196, 204, 212, 220, 228, 236	3380434 609	3573294..... 19, 23
3300239.....534, 540	3311805 . 49, 83, 85, 173, 175, 178, 182, 186, 196, 204, 212, 220, 228, 236	3380473 ... 191, 199, 207, 215, 223, 231	3573301.....562, 566
3300353.....611	3311805 . 49, 83, 85, 173, 175, 178, 182, 186, 196, 204, 212, 220, 228, 236	3421453 631, 648	3573335..... 19, 23
3300396.... 498, 506, 514, 518, 522, 526	3311805 . 49, 83, 85, 173, 175, 178, 182, 186, 196, 204, 212, 220, 228, 236	3421563 77	3573355.....171
3300408.....157	3311805 . 49, 83, 85, 173, 175, 178, 182, 186, 196, 204, 212, 220, 228, 236	3421565 77	3573400.... 641, 643, 645, 648
3300430.....637	3311805 . 49, 83, 85, 173, 175, 178, 182, 186, 196, 204, 212, 220, 228, 236	3422446 ... 191, 199, 207, 215, 223, 231, 243, 249, 255, 261, 267, 273, 279, 309, 313, 317, 321, 347, 351, 355, 359, 363, 367, 371, 407, 411, 429, 433, 437	3573411.... 196, 204, 212, 220, 228, 236
330045459, 63, 167, 169, 196, 204, 212, 220, 228, 236	3311805 . 49, 83, 85, 173, 175, 178, 182, 186, 196, 204, 212, 220, 228, 236	3422532 ... 196, 204, 212, 220, 228, 236	3573412.... 196, 204, 212, 220, 228, 236
3300458.....534, 540	3311805 . 49, 83, 85, 173, 175, 178, 182, 186, 196, 204, 212, 220, 228, 236	3422833 23	3573437..... 535, 541
3300460.....534, 540	3311805 . 49, 83, 85, 173, 175, 178, 182, 186, 196, 204, 212, 220, 228, 236	3422915 23	3573444.....535, 541
3300461.....534, 540	3311805 . 49, 83, 85, 173, 175, 178, 182, 186, 196, 204, 212, 220, 228, 236	3422917 27	3573454.....173
3300464.....27	3311805 . 49, 83, 85, 173, 175, 178, 182, 186, 196, 204, 212, 220, 228, 236	3422918 19, 23	3573529.... 196, 204, 212, 220, 228, 236
3300492.....558	3311805 . 49, 83, 85, 173, 175, 178, 182, 186, 196, 204, 212, 220, 228, 236	3422926 535, 541	3573644.... 191, 199, 207, 215, 223, 231
3310401.... 289, 294, 300, 334, 340, 388, 394, 420, 448	3311805 . 49, 83, 85, 173, 175, 178, 182, 186, 196, 204, 212, 220, 228, 236	3422940 27	3573669.... 191, 199, 207, 215, 223, 231
3310601..... 173, 175	3311805 . 49, 83, 85, 173, 175, 178, 182, 186, 196, 204, 212, 220, 228, 236	3422941 27	3573728.... 191, 199, 207, 215, 223, 231
3310805.....19, 23	3311805 . 49, 83, 85, 173, 175, 178, 182, 186, 196, 204, 212, 220, 228, 236	3422955 529, 531	3574431.....562, 566
	3311805 . 49, 83, 85, 173, 175, 178, 182, 186, 196, 204, 212, 220, 228, 236	3422959 535, 541	3574616.....562, 566
	3311805 . 49, 83, 85, 173, 175, 178, 182, 186, 196, 204, 212, 220, 228, 236	3422960 19, 23	3575889.....551
	3311805 . 49, 83, 85, 173, 175, 178, 182, 186, 196, 204, 212, 220, 228, 236	3422988 529, 531	3576799.....631, 648
	3311805 . 49, 83, 85, 173, 175, 178, 182, 186, 196, 204, 212, 220, 228, 236	3423161 551	3577121.... 641, 643, 645, 648
	3311805 . 49, 83, 85, 173, 175, 178, 182, 186, 196, 204, 212, 220, 228, 236	3423208 529, 531	
	3311805 . 49, 83, 85, 173, 175, 178, 182, 186, 196, 204, 212, 220, 228, 236	3423256 27	
	3311805 . 49, 83, 85, 173, 175, 178, 182, 186, 196, 204, 212, 220, 228, 236	3430616 612	
	3311805 . 49, 83, 85, 173, 175, 178, 182, 186, 196, 204, 212, 220, 228, 236	3430816 173, 175	
	3311805 . 49, 83, 85, 173, 175, 178, 182, 186, 196, 204, 212, 220, 228, 236	3450404 173, 175	
	3311805 . 49, 83, 85, 173, 175, 178, 182, 186, 196, 204, 212, 220, 228, 236	3451214 27	

SECTION 11 - SPECIAL OPTIONS

3580158	196, 220	3900251 ...	136, 140, 144, 148, 152	4010608.....	631, 648	355, 359, 363, 367, 371, 407, 411, 429, 433, 437, 497, 501, 505, 509, 514, 518, 521, 525, 559, 701, 733, 735
3580300	535, 541	3900267	498, 506	4010618....	595, 597, 599, 601, 603	4240032 ... 119, 121, 125, 127, 129, 131, 133, 167, 169, 290, 297, 302, 335, 341, 388, 394, 422, 450, 767, 769, 771, 773, 775, 787
3580302	535, 541	3900270	19, 23	4031505.....	633	4240033 ... 633, 637, 639, 787
3580306	535, 541	3900272 ...	191, 199, 207, 215, 223, 231	4031509.....	165, 167, 169	4240099 ... 191, 196, 199, 204, 207, 212, 215, 220, 223, 228, 231, 236, 290, 294, 302, 335, 341, 388, 394, 407, 411, 420, 430, 434, 437, 448, 483, 612, 641, 643, 648
3580317 ...	497, 501, 505, 509, 514, 517, 521, 525	3900283 ...	57, 63, 91, 93, 95, 97, 551, 559	4031516.....	639	4240139 91, 95
3580318 ...	497, 505, 514, 521	3900300	498, 506	4031708001	625	4240149 635
3580319 ...	501, 509, 518, 525	3900316	559	4031907.....	294, 334, 340	4240153 559
3580320 ...	204, 212, 228, 236, 288, 294, 300, 334, 340, 388, 394	3900349	611	4031908.....	334, 340	4240155 19, 24, 559
3580341	535, 541	3900363	179, 183, 187	4031912.....	335, 341, 420	4300157 ... 505, 509, 521, 525
3580342	535, 541	3910408 ...	289, 294, 300, 334, 340, 388, 394, 420, 448	4031914....	288, 294, 300, 388, 394, 448	4340999 178, 182, 186
3600339 ...	196, 204, 212, 456	3910606 ...	497, 505, 514, 521, 707, 709, 733, 735	4032014....	288, 294, 300, 335, 341, 388, 394	4341158 562, 566
3620034	103, 105, 107	3910608	173, 175	4032022....	196, 204, 212, 220, 228, 236	4360070 ... 498, 506, 514, 518, 522, 526, 892
3740067	65, 196, 204, 212, 220, 228, 236, 892, 893	3910804	155	4060092.....	709	4360274 ... 135, 139, 143, 147, 151, 893
3740080 ...	143, 196, 204, 210, 220, 228, 236, 810, 892, 893	3930606	562, 566	4060802....	497, 501, 505, 509, 514, 518, 521, 525	4360328 ... 135, 139, 143, 147, 151, 894
3740086	855, 893	3930816	562, 566	4060804....	196, 204, 212, 220, 228, 236, 559	4360336 ... 497, 501, 505, 509, 514, 518, 521, 525, 894
3760170	77	3930820 19, 23,	562, 566	4060805....	196, 204, 212, 220, 228, 236	4360387 ... 139, 143, 151, 611, 893
3760217	535, 541	3931016 ...	497, 505, 513, 517, 521, 525	4060808.....	51	4360407 611, 892
3760308	179, 182, 186	3931020	27	4060906.....	611	4360469 ... 143, 147, 155, 893
3760351	551	3931408	637	4061032.....	701	4360475 ... 135, 139, 143, 147, 151, 894
3760383	27	3931412	27	4070863.....	535, 541	4360476 ... 135, 139, 143, 147, 151
3790012	611	3931414	562, 566	4070864.....	535, 541	4360505 27
3790152 ...	220, 228, 237, 265, 271, 277, 283, 285, 329, 331, 375, 377, 383, 385, 415, 417, 443, 445	3931432 ...	289, 294, 300, 334, 340, 388, 394, 420, 448	4070895.....	535, 541	4360527 562, 566
3790155 ...	220, 229, 237, 265, 271, 277, 283, 285, 329, 331, 375, 377, 383, 385, 415, 417, 443, 445	3931508 ...	290, 294, 302, 388, 394, 420, 448, 562, 566	4070897....	535, 541, 551	4360543 562, 567, 893
3820001 ...	865, 867, 869, 871, 873, 875, 877, 879, 881, 884	3931512	87, 288, 294, 300, 388, 394, 420, 448	4071012.....	535, 541	4400457 91, 93, 99
3820020 ...	585, 587, 589, 591, 593	3931616 ...	119, 121, 123, 125, 127, 129, 131, 133, 135, 139, 143, 147, 151	4071013.....	541	4420014 635
3841143 ...	191, 199, 207, 215, 223, 231, 243, 249, 255, 261, 267, 273, 279, 309, 313, 317, 321, 347, 351, 355, 359, 363, 367, 371, 407, 411, 429, 433, 437, 547, 579	3931628 ...	288, 294, 300, 334, 340, 388, 394	4071015.....	535, 541	4420037 65, 641, 643, 645, 648
3841203	535, 541, 547	3932016	547	4071016.....	535, 541	4420038 91, 93, 95, 97
3841258 23, 27,	529, 531, 547	3932024	27	4071017.....	535, 541	4420051 883
3841287 19, 23,	529, 531	3932224	547	4071018.....	535, 541	4420066 635
3841340 ...	51, 91, 93, 95, 97	3951522	558	4071019.....	535, 541	4460016 831
3841581	529, 531	3952020	73	4071021.....	559	4460019 ... 787, 790, 793, 797, 859
3900054	605, 607	3960418 ...	136, 140, 144, 148, 152	4071022.....	559	4460042 ... 791, 794, 798, 809, 813
3900174	178, 182, 186	3960422 ...	497, 505, 514, 521, 707, 709, 733, 735	4071023.....	559	4460043 ... 483, 790, 793, 797
3900210 ...	178, 179, 182, 183, 186, 187, 569	3960447	179, 182, 186	4071024.....	535, 541	4460051 707, 709
3900232	178, 182, 186	3960543 ...	196, 204, 212, 220, 228, 236, 288, 294, 300, 334, 340, 388, 394, 420, 448	4071025.....	535, 541	
		3960544 ...	196, 204, 212, 220, 228, 236, 288, 294, 300, 334, 340, 388, 394, 420, 448	4071027.....	536, 542	
		3960551	27	4071028.....	536, 542	
		3960552	27	4071029.....	536, 542	
		3980006	65	4071031.....	536, 542	
		3990001	809, 813, 892	4071033.....	19, 23	
		4000008	562, 567, 893	4071035.....	19, 23	
		4010408 ...	501, 509, 737	4071036.....	19, 23	
				4071039.....	19, 23, 551	
				4071040.....	19, 23, 551	
				4071041.....	73	
				4071042.....	19, 23	
				4071046.....	536, 542	
				4071049.....	20	
				4071050.....	20	
				4071054.....	19, 23	
				4071055.....	19, 23	
				4120040.....	545, 899	
				4120043.....	545, 899	
				4160194....	178, 182, 186	
				4160197.....	536, 542	
				4240018....	191, 199, 207, 215, 223, 231, 243, 249, 255, 261, 267, 273, 279, 309, 313, 317, 321, 347, 351,	

SECTION 11 - SPECIAL OPTIONS

4460068.....	498, 506	4460466.....	87, 633, 653, 741, 743, 745, 777, 785, 787, 789, 790, 793, 794, 797, 798, 809, 810, 813, 814, 817, 819, 825, 827, 829, 831, 849, 855, 857, 859, 861	4460884.....	87, 653, 743, 749, 783, 785, 794, 798, 817, 823, 859	4460982.....	790			
4460071.....	497, 505, 514, 521, 623	4460470... 135, 139, 143, 147, 151, 577, 611	4460891 ... 165, 741, 751, 753, 755, 757, 803, 821, 823, 833, 835, 859	4461005.....	787	4461006.....	787			
4460125.....	709	4460471 ... 135, 139, 143, 147, 151, 611	4460897 ... 167, 169, 803, 821, 837, 857	4461008....	787, 791, 793, 797	4461052.....	787			
4460134.....	751	4460473.....	819, 829	4460888.....	831	4461053.....	787			
4460142.....	809, 813	4460483.....	498, 506	4460894 ... 743, 745, 777, 785, 787, 790, 794, 798, 809, 813, 831	4461054....	787, 791, 794, 798, 803	4461060.....	787		
4460144.....	809, 813	4460488.....	167, 169	4460897 ... 167, 169, 803, 821, 837, 857	4461070....	741, 787, 789, 790	4461071....	787, 790, 793, 797		
4460183.....	813	4460496... 135, 139, 143, 147, 151, 611, 785	4460905 ... 809, 810, 813, 814	4460899 ... 743, 745, 759, 817, 835, 849, 855, 859	4461073....	787, 790, 793, 797	4461072....	787, 790, 793, 797		
4460205.....	707, 751	4460497 ... 135, 139, 143, 147, 151, 611, 785	4460905 ... 809, 810, 813, 814	4460905 ... 809, 810, 813, 814	4461074....	787, 790, 793, 797	4461077....	823, 849, 855		
4460213.....	831	4460508... 633, 810, 814, 823, 831	4460912 747, 749, 833	4460910.....	853	4461074....	787, 790, 793, 797	4461095....	741, 787, 789, 790	
4460224.....	510	4460509.....	819, 829	4460911 ... 747, 749, 833, 849	4460911.....	853	4461097.....	787		
4460225.....	805, 807, 831	4460510.....	899	4460912 747, 749, 833	4460912.....	853	4461196.....	839		
4460226.....	623, 831	4460518... 741, 810, 814, 861	4460918 ... 747, 749, 810, 814, 833	4460914.....	27, 135, 139, 143, 147, 151, 563, 567	4460918.....	831	4461198.....	715, 839	
4460227.....	810, 814, 831	4460526... 135, 139, 143, 147, 151, 859	4460925.....	831	4460918 ... 747, 749, 810, 814, 833	4460925.....	831	4461199.....	841	
4460234....	119, 121, 125, 127, 129, 131, 133, 212, 236, 302, 309, 313, 317, 321, 341, 348, 356, 360, 364, 368, 372, 388, 408, 412, 430, 434, 438, 611, 767, 769, 771, 773	4460536.....	831	4460926.....	833	4460926.....	833	4461201.....	719, 841	
4460247.....	790, 793, 797	4460539 ... 745, 793, 797, 831, 859	4460929.....	831	4460928 ... 741, 810, 814, 833	4460929.....	831	4461205.....	843, 845	
4460259....	653, 809, 813, 831, 859	4460612.....	733, 735	4460930 ... 783, 785, 787, 789, 790, 794, 798, 823, 827	4460932 ... 653, 743, 747, 779, 790, 803	4460930 ... 783, 785, 787, 789, 790, 794, 798, 823, 827	4460930 ... 783, 785, 787, 789, 790, 794, 798, 823, 827	4461244.....	723, 843	
4460260....	653, 809, 813, 831, 859	4460702.....	787, 859	4460931 789, 857, 859	4460933 ... 741, 810, 814, 833	4460931 789, 857, 859	4460931 789, 857, 859	4461245.....	727, 845	
4460267.....	785, 831	4460703 790, 793, 797	4460703 790, 793, 797	4460932 ... 653, 743, 747, 779, 790, 803	4460933 ... 741, 810, 814, 833	4460932 ... 653, 743, 747, 779, 790, 803	4460932 ... 653, 743, 747, 779, 790, 803	4461246.....	731, 847	
4460268....	159, 161, 163, 805, 807	4460708.....	831	4460933 ... 741, 810, 814, 833	4460934.....	783, 789, 823	4460934.....	783, 789, 823	4461249.....	847
4460294.....	510	4460709.....	709, 755	4460934.....	783, 789, 823	4460935 783, 789, 823	4460935 783, 789, 823	4530028.....	655	
4460313....	787, 809, 813, 859	4460710.....	755	4460936 ... 743, 783, 789, 803, 821, 849	4460936 ... 743, 783, 789, 803, 821, 849	4460941 ... 743, 783, 789, 803, 821, 849	4460941 ... 743, 783, 789, 803, 821, 849	4562516.....	559	
4460315....	521, 707, 709, 787	4460722 483, 747, 749	4460722 483, 747, 749	4460942 ... 633, 743, 751, 753, 755, 757, 783, 790, 794, 798, 803, 810, 814, 821, 823, 859	4460942 ... 633, 743, 751, 753, 755, 757, 783, 790, 794, 798, 803, 810, 814, 821, 823, 859	4460942 ... 633, 743, 751, 753, 755, 757, 783, 790, 794, 798, 803, 810, 814, 821, 823, 859	4460942 ... 633, 743, 751, 753, 755, 757, 783, 790, 794, 798, 803, 810, 814, 821, 823, 859	4568293....	196, 204, 212, 220, 228, 236	
4460320.....	785	4460746.....	793, 797	4460943 ... 743, 747, 759, 783, 789, 831, 849, 859	4460943 ... 743, 747, 759, 783, 789, 831, 849, 859	4460943 ... 743, 747, 759, 783, 789, 831, 849, 859	4460943 ... 743, 747, 759, 783, 789, 831, 849, 859	4568423.....	536, 542	
4460346....	497, 505, 514, 521, 707	4460748.....	793, 797	4460944 87, 743, 745, 749, 783, 787, 789, 790, 793, 794, 797, 798, 823, 825, 831, 859	4460944 87, 743, 745, 749, 783, 787, 789, 790, 793, 794, 797, 798, 823, 825, 831, 859	4460944 87, 743, 745, 749, 783, 787, 789, 790, 793, 794, 797, 798, 823, 825, 831, 859	4460944 87, 743, 745, 749, 783, 787, 789, 790, 793, 794, 797, 798, 823, 825, 831, 859	4568426....	103, 105, 107	
4460374.....	143, 810	4460761 ... 810, 814, 831	4460761 ... 810, 814, 831	4460945.....	794, 797	4460945.....	794, 797	4568427....	103, 105, 107	
4460375....	143, 810, 814, 859	4460806... 721, 723, 725, 727, 809, 813, 859	4460806... 721, 723, 725, 727, 809, 813, 859	4460950.....	87, 783, 790	4460950.....	87, 783, 790	4640438.....	669	
4460418....	809, 813, 831	4460807.....	805, 807	4460956 761, 763, 765	4460956 761, 763, 765	4460956 761, 763, 765	4460956 761, 763, 765	4640465.....	87	
4460419....	809, 813, 831	4460808.....	805, 807	4460957 761, 763, 765	4460957 761, 763, 765	4460957 761, 763, 765	4460957 761, 763, 765	4640489.....	667	
4460424....	159, 161, 163	4460836.....	87, 783, 789, 809, 813, 823, 859	4460958.....	733	4460958.....	733	4640509.....	661	
4460425....	498, 506, 514, 518, 522, 526, 733, 735	4460837.....	810, 814	4460962 643, 648, 753	4460962 643, 648, 753	4460962 643, 648, 753	4460962 643, 648, 753	4640751....	196, 204, 212, 220, 228, 236, 290, 296, 302, 335, 341, 388, 394, 420, 448	
4460426....	135, 139, 143, 147, 151, 498, 506, 514, 518, 522, 526	4460842.....	859	4460963 514, 522, 753	4460963 514, 522, 753	4460963 514, 522, 753	4460963 514, 522, 753	4640771.....	677	
4460428.....	611	4460843.....	859	4460965.....	743	4460965.....	743	4640999.....	665, 671	
4460434.....	831	4460851.....	823	4460967 ... 514, 518, 523, 526	4460967 ... 514, 518, 523, 526	4460967 ... 514, 518, 523, 526	4460967 ... 514, 518, 523, 526	4641155.....	51	
4460458....	790, 793, 797	4460852.....	823	4460968 19, 23, 563, 567	4460968 19, 23, 563, 567	4460968 19, 23, 563, 567	4460968 19, 23, 563, 567	4641210.....	669	
4460464....	167, 169, 623, 653, 741, 743, 777, 779, 783, 785, 790, 803, 809, 810, 813, 814, 817, 823, 831, 835, 837, 855, 857, 859	4460865.....	819, 829	4460970 ... 789, 810, 814, 861	4460970 ... 789, 810, 814, 861	4460970 ... 789, 810, 814, 861	4460970 ... 789, 810, 814, 861	4641210.....	669	
4460465....	165, 514, 518, 523, 526, 653, 741, 743, 777, 783, 785, 787, 789, 790, 793, 794, 797, 798, 805, 807, 809, 810, 813, 814, 817, 819, 823, 825, 827, 829, 831, 833, 835, 859	4460866... 810, 814, 823, 831	4460866... 810, 814, 823, 831	4460971 577, 631, 648	4460971 577, 631, 648	4460971 577, 631, 648	4460971 577, 631, 648	4641247....	103, 111, 113	
		4460868.....	809, 813					4641248.....	665, 671	
		4460871 ... 809, 810, 813, 814, 831, 859	4460871 ... 809, 810, 813, 814, 831, 859					4641260.....	667	
		4460872.....	859					4641268.....	51, 53	
		4460873 809, 814, 831	4460873 809, 814, 831					4641276.....	663	
		4460874 809, 814, 831	4460874 809, 814, 831					4641289.....	679	
		4460875.....	809, 813					4641454.....	51, 55	
		4460876 809, 813, 831	4460876 809, 813, 831					4700039.....	536, 542	
		4460877.....	809, 813					4710400....	289, 294, 300, 335, 341, 389, 395, 420, 448	
		4460878.....	809, 813					4711000....	487, 489, 498, 506, 514, 518, 522, 526	
		4460879.....	653, 831					4711400....	51, 59, 63, 65, 161, 163, 179, 182,	
		4460880....	783, 837, 859							

SECTION 11 - SPECIAL OPTIONS

183, 186, 187, 191, 199, 207, 215, 223, 231, 243, 249, 253, 255, 261, 267, 271, 273, 279, 289, 294, 300, 309, 313, 317, 321, 335, 341, 347, 351, 355, 359, 363, 367, 371, 389, 395, 407, 411, 420, 429, 433, 437, 448, 497,501, 505, 509, 514, 518, 521, 525, 563, 567, 577, 583, 589, 593, 595, 597, 599, 601, 603, 637, 639, 711, 713, 715, 717, 719, 721, 723, 725, 727, 729, 731, 737	474018127 474022927 4740274 ... 196, 204, 212, 220, 228, 236 4740362609 4740397 ... 135, 139, 143, 147, 151 4740400559 4740430 57, 59, 253, 271, 309, 313, 317, 321 4740461 19, 23 474050527 4740509 536, 542 4740518 ... 196, 204, 212, 220, 228, 236 4750600 173, 175 4750800 19, 23, 563, 567 4751000 ... 91, 93, 95, 97, 135, 139, 143, 147, 151, 497, 505, 514, 518, 522, 526 4751400 ... 135, 139, 143, 147, 151, 167, 169, 179, 183, 187, 196, 204, 212, 220, 228, 236, 288, 295, 300, 335, 341, 389, 395, 420, 448, 609, 611, 641, 643, 645, 648, 651, 739, 865, 867, 869, 871, 873, 875, 877, 879, 881 4751400001..... 625 4751500 ... 159, 178, 182, 186, 497, 505, 514, 518, 521, 525, 559, 569 4751600 ... 27, 57, 91, 93, 95, 97, 103, 105, 107, 119, 121, 123, 125, 127, 129, 131, 133, 135, 139, 143, 147, 151, 171, 178, 182, 186, 529, 531, 551, 609, 641, 643, 645, 648 4751700 ... 288, 295, 300, 335, 341, 389, 395, 420, 448 4751800 . 49, 83, 85, 178, 182, 186, 605, 607 4752000 ... 191, 199, 207, 215, 223, 231, 243, 249, 255, 261, 267, 273, 279, 309, 313, 317, 321, 347, 351, 355, 359, 363, 367, 371, 407, 411, 429, 433, 437 475500027 4760600 707, 709 4761400651 4770600 173, 175 4791400 65, 196, 204, 212, 220, 228, 236, 288, 300, 389, 395, 420, 448, 497, 501, 505, 509, 514, 518, 521, 525	4811400.... 165, 167, 169, 653, 711, 713, 715, 717, 719, 721, 723, 725, 727, 729, 731 4811600.....27 4811700.... 135, 139, 144, 147, 151, 167, 169, 595, 597, 599, 601, 603, 631, 648 4811700001.....625 4811702001.....625 4811900....288, 295, 300, 335, 341, 389, 395, 420, 449, 579, 739 4811902....288, 295, 300, 335, 341, 389, 395, 421, 449 4812000....288, 295, 300, 335, 341, 389, 395, 421, 449, 579 4812002....296, 335, 341 4812100....243, 249, 255, 261, 267, 273, 279, 288, 295, 300, 309, 313, 317, 321, 335, 341, 347, 351, 355, 359, 363, 367, 371, 389, 395, 407, 411, 421, 429, 433, 437, 449, 493, 579 4812200....288, 295, 300, 335, 341, 389, 395, 421, 449 4831900....288, 300, 389, 395, 421, 449 4846383..... 19, 24 4846423.....559 4846429.....559 4846431.....559 4846453.....536, 542 4846484.....563, 567 4846485.....559 4846552.... 196, 204, 212, 220, 228, 236 4846637..... 19, 24 4846945....204, 212, 228, 236 4846946.... 196, 204, 212, 220, 228, 236 4891400.....563, 567 4891600.... 182, 187, 220, 228, 236, 265, 271, 277, 283, 285, 329, 331, 375, 377, 383, 385, 415, 417, 443, 445, 545, 547, 559, 579 4891800.... 173, 175, 196, 204, 212, 220, 228, 236, 247, 253, 265, 271, 277, 283, 285, 325, 327, 329, 331, 375, 377, 381, 383, 385, 415, 417, 441, 443, 445, 497, 501, 505, 509, 514, 518, 521, 525, 551, 559	4892000 ... 29, 39, 45, 47, 49, 75, 288, 295, 300, 335, 341, 389, 395, 421, 449, 536, 542, 547 4892400 73 4892600001 548, 579 4920385 296, 335, 341 4921850 900 4922641 ... 515, 518, 523, 526 4922716 745 4922780 749 4922781 747 4922972 ... 514, 518, 521, 525, 807 4923256 827 4923468 ... 196, 204, 212, 220, 228, 236 4923592 ... 196, 204, 220, 228 5241200 34, 41, 579 5250808 296, 335, 341 5251008 579 5251016 579 70000044 239 70000345 . 239, 305, 399, 403, 425 70000619. 513, 517, 521, 525 70000793 481 70000801 55 70000802 55 70000803 55 70000804 55 70000805 55 70000806 55 70000852 37 70000853 37 70000854 37 70000855 37 70000856 37 70000857 37 70000858 37 70000859 37 70000860 37 70000861 37 70000862 37 70000863. 513, 517, 522, 525 70000916 239 70000917 239 70000918 239 70000919 239 70000950 463 70001000 71 70001001 71 70001100. 513, 517, 521, 525 70001101 87 70001102 87 70001125 239 70001126 239 70001128 239 70001129 239 70001130 239 70001131 239 70001135 239
---	---	--	--

SECTION 11 - SPECIAL OPTIONS

70001384..513, 517, 521, 525	70002097..... 63	70002599..... 472	70003784..... 611
70001424..... 629	70002132..... 468	70002600..... 468	70003913..... 558
70001425..... 629	70002133..... 468, 471	70002601..... 468	70003914..... 558
70001427..... 629	70002134..... 468	70002602..... 468	70003915..... 558
70001428..... 629	70002135..... 468	70002604..... 469	70003917..... 558
70001429..... 629	70002136..... 468	70002605..... 469	70003918..... 558
70001430..... 629	70002137..... 468	70002606..... 469	70003923..... 551
70001431..... 629	70002138..... 468	70002607..... 469	70003924..... 551
70001432..... 629	70002139..... 468	70002608..... 469	70004029..... 679
70001435..... 239	70002140..... 468	70002609..... 469	70004030..... 679
70001606..... 67	70002141..... 468	70002610..... 469	70004050..... 571
70001696..... 513, 517	70002142..... 468	70002612..... 469	70004051..... 571, 573
70001697..... 555	70002145..... 468	70002616..... 469	70004052..... 67, 571, 573
70001847..... 239	70002148..... 468	70002617..... 469	70004053..... 571
70001850..... 239	70002150..... 468	70002618..... 468	70004054..... 571
70001857..... 239	70002151..... 468	70002619..... 468	70004055..... 573
70001867..... 239	70002152..... 468	70002620..... 468	70004092.. 498, 501, 506, 509, 522, 526
70001868..... 239	70002153..... 468	70002621..... 469	70004094..... 522, 526
70001870.. 239, 305, 400, 403, 426	70002154..... 468	70002622..... 469	70004098.. 498, 506, 522, 526
70001871..... 239	70002155..... 468	70002623..... 469	70004099.. 506, 509, 522, 525
70001930..... 67	70002156..... 468	70002674..... 33	70004169..... 513, 517
70001939..... 53	70002157..... 468	70002718 . 239, 305, 400, 403, 426	70004171.. 498, 501, 513, 517
70001952..... 456	70002158..... 468	70002759..... 574	70004185..... 900
70001953..... 513, 517	70002159..... 468	70002853..... 555	70004186..... 671
70001955..... 471	70002160..... 468	70002854..... 555	70004237..... 667, 675
70001956..... 471	70002161..... 468	70002855..... 555	70004276..... 404
70001958..... 469	70002162..... 468	70002857..... 555	70004277.. 306, 400, 405, 426
70001966.. 498, 501, 506, 509, 513, 517, 522, 525	70002163..... 468	70002858..... 555	70004280... 305, 403, 426
70001968..... 457, 463	70002164..... 468	70002859..... 555	70004282..... 306, 404
70001973.. 513, 517, 522, 526	70002165..... 468	70002902..... 623	70004328..... 63
70001974.. 513, 517, 522, 526	70002168..... 469	70002903..... 623	70004413..... 93, 97
70001976..... 53, 67	70002174..... 469	70002904..... 623	70004414..... 91, 95
70002015..... 33	70002175..... 469	70002905..... 623	70004416..... 471
70002016..... 33	70002177..... 469	70003017..... 573	70004417..... 471
70002018..... 33	70002178..... 469	70003019..... 571, 573	70004420..... 471
70002019..... 33	70002179..... 469	70003020..... 573	70004421..... 471
70002020..... 33	70002231 . 191, 199, 207, 215, 223, 231, 243, 249, 255, 261, 267, 273, 279, 309, 313, 317, 321, 347, 351, 355, 359, 363, 367, 371, 429, 433, 893	70003021 ... 67, 571, 573	70004422..... 472
70002021..... 33	70002247..... 34	70003022..... 573	70004423..... 471
70002026..... 33	70002248..... 34	70003023..... 571, 573	70004426..... 471
70002027..... 33	70002249..... 34	70003024..... 573	70004477..... 79
70002029..... 33	70002255..... 513, 517	70003025..... 571	70004480..... 79
70002030..... 33	70002291..... 522, 526	70003026..... 571, 892	70004481..... 79
70002031..... 33	70002297..... 513, 517	70003027..... 571	70004494..... 80
70002032..... 33, 79	70002373..... 677	70003028..... 571	70004501..... 306, 404
70002033..... 33	70002410.. 667, 673, 675	70003029..... 679	70004502..... 306
70002034..... 33	70002412..... 663	70003030..... 679	70004504... 306, 399, 425
70002035..... 33	70002460 . 513, 517, 522, 526	70003031..... 679	70004505... 305, 399, 426
70002036..... 33	70002569..... 458	70003135..... 239	70004506..... 305
70002037..... 33	70002576..... 475	70003136..... 239	70004507..... 305
70002039..... 33	70002578..... 471	70003165..... 464	70004508... 305, 399, 426
70002040..... 33	70002580..... 471	70003167..... 463	70004509..... 305
70002041..... 33	70002582..... 471	70003170..... 464	70004510..... 305
70002044..... 33	70002585..... 471	70003173..... 462	70004511..... 403
70002045..... 33	70002586..... 471	70003174..... 462	70004512..... 403
70002046..... 33	70002588..... 471	70003175..... 462	70004646..... 900
70002047..... 33	70002589..... 471	70003177..... 462	70004647..... 900
70002048..... 33	70002590..... 471	70003340..... 463, 464	70004648..... 900
70002049..... 33	70002592..... 472	70003475..... 239	70004676.. 498, 501, 506, 509
70002050..... 33	70002593..... 472	70003485..... 892	
70002052..... 33		70003628..... 37	
70002057..... 33, 79		70003631 . 513, 517, 522, 525	
70002088..... 513, 517		70003708 . 498, 501, 506, 509, 513, 517, 522, 525	
		70003709 . 498, 501, 506, 509, 513, 517, 522, 525	

SECTION 11 - SPECIAL OPTIONS

70004677	501	70006403	491	70007178	464	70008038	673
70004678 . 498, 501, 506, 510		70006404	491	70007282	669	70008296	400
70004680 . 498, 501, 506, 510		70006405	491, 892	70007325...306, 399, 425		70008360	87
70004681	501, 510	70006406	491	70007326	306, 425	70008361	87
70004682 . 498, 501, 506, 510		70006407	491	70007327	306	70008362	87
70004683	502, 510	70006408	491	70007328...306, 399, 425		70008363	87
70004684	498	70006409	491	70007329	306	70008364	87
70004685	498, 506	70006410	491	70007330	306, 399	70008365	87
70004686	509	70006462	671	70007331	306, 399	70008366	87
70004687	506	70006464	667, 671	70007353	240	70008422	399, 426
70005023	43, 477	70006552 . 497, 501, 505, 509		70007354	399, 425	70008431	425
70005041	477	70006553 . 497, 501, 505, 509, 893		70007382	661	70008432	425
70005153	663	70006596 . 663, 665, 671, 675		70007383	661	70008436	399
70005170	555	70006635	665	70007384	661	70008490	477
70005171 .. 305, 403, 426		70006636	665, 671	70007385	661	70008491	477
70005172 . 305, 400, 403, 426		70006637	665	70007386	661	70008492	477
70005173 .. 400, 403, 426		70006646	665	70007435	669	70008493	477
70005174	403	70006647	665	70007438	669	70008494	477
70005176	400, 426	70006653	306	70007440	669	70008495	477
70005177 .. 400, 404, 426		70006799	679	70007441	669	70008496	477
70005181	404	70006824	679	70007442	669	70008497	477
70005184 .. 399, 404, 425		70006825	679	70007443	669	70008498	477
70005188	404	70006826	679	70007444	669	70008499	477
70005189	404	70006827	679	70007510	87	70008500	477
70005191	405	70006828	679	70007603	399, 425	70008501	477
70005317	79	70006829	679	70007605	67	70008502	477
70005318	79	70006830	679	70007786	479	70008503	477
70005418	472	70006831	679	70007787	479	70008504	477
70005433	669, 679	70006845	677	70007788	479	70008505	477
70005480	462	70006846	677	70007789	479	70008506	477
70005481	462	70006847	677	70007790	479	70008507	477
70005527	306	70006848	677	70007791	479	70008508	477
70005594	677	70006849	677	70007792	479	70008509	477
70005647	306, 405	70006850	677	70007793	479	70008510	477
70005648 .. 306, 405, 892		70006851	677	70007794	479	70008511	477
70005667	563	70006852	677	70007795	479	70008512	477
70005879	677	70006859	677	70007796	479	70008513	43
70005882	679	70006851	677	70007797	479	70008514	43
70005883	679	70006852	677	70007798	479	70008515	43
70005885	677, 679	70006986	79	70007799	479	70008516	43
70005920	403	70006987	79	70007800	479	70008517	43
70005921	305, 403	70006988	79	70007801	479	70008518	43
70005923	404	70006989	79	70007984	663	70008519	43
70005924	404	70006990	79	70007985	663	70008520	43
70005925	404	70006991	79	70007987	663	70008521	43
70005926	306, 404	70006992	79	70007988	663	70008522	43
70005927	404	70006993	79	70007989	663	70008523	43
70005928	404	70006994	79	70008004	675	70008524	43
70005929	306, 404	70006995	79	70008005	675	70008525	479
70005931 .. 306, 399, 425		70006996	79	70008006	675	70008526	479
70005938	400, 426	70006997	79	70008007	675	70008527	479
70005941 . 305, 400, 403, 426		70006998	79	70008020	671	70008528	479
70005942 . 305, 400, 403, 426		70006999	79	70008021	671	70008537	425
70006093	522, 525	70007000	79	70008022	671	70008558	425
70006094	522, 526	70007001	79	70008023	671	70008564	425
70006095	522, 526	70007002	79	70008024	667, 671	70008604	425
70006096	522, 526	70007003	79	70008025	671	70008607	426
70006097	522, 526	70007004	80	70008026	671	70008608	425
70006127	403	70007005	80	70008027	671	70020329	463
70006144	305	70007006	80	70008028	667	70020336	464
70006344	679	70007007	80	70008029	667	70021867	456, 462
		70007008	80	70008030	667	70021895	404
		70007009	79	70008031	667	70022147	573, 892
		70007010	80	70008032	667	70022286	471
		70007011	79	70008033	667	70022564 . 663, 665, 667, 669, 671, 675	
		70007012	80	70008036	673	70023369	667
		70007013	80	70008037	673		

SECTION 11 - SPECIAL OPTIONS

70023592..289, 295, 301, 389, 395, 421, 449, 892, 893	70025151 305, 404	70031137 399	7017495.....67
70023593..289, 295, 301, 389, 395, 421, 449, 892, 893	70025152 .. 305, 403, 426	70031138 425	7018936.....458, 464
70024190..289, 296, 301, 335, 341, 389, 395, 421, 449, 892, 893	70025153 403	70031142 399, 425	7018943.....67
70024484.....404	70025154 305, 403	70031143 399, 425	7018944.....67
70024488.....403	70025155 404	70031144 399, 425	7018945.....67
70024494.....305, 403	70025158 404	70031388 400, 426	7018991.....53, 67, 892
70024502.....404	70025162 403	70031474 400, 426	7020043.....91, 95
70024504..306, 399, 403, 405, 425	70025164 . 306, 399, 404, 425	70035212 405	7020175....135, 139, 143, 147, 151
70024505.....425	70025171 403	7003655 ... 195, 203, 211, 219, 227, 235, 892	7020176....135, 139, 143, 147, 151
70024507..306, 399, 405, 425	70025176 403	7004275 900	7020414.....239
70024509.....404	70025178 404	7004276 900	7020447.....239
70024513..305, 399, 403, 425	70025179 404	70050795 665, 671	7020460.....239
70024517.....403	70025180 404	7007207 468, 471	7020465....239, 305, 400, 403, 426
70024904..305, 400, 426	70025181 .. 305, 399, 403	7007415 469, 471, 472	7020468.....239
70024905..305, 400, 403, 426	70025182 305, 404	7007418 468	7020471.....239
70024906..305, 400, 403, 426	70025183 306, 404	7007419 468	7020479.....239
70024910.....404	70025184 306, 404	7007420 37	7020486.....239
70024912.....306, 404	70025185 404	7007437 37	7020492....306, 399, 404
70024915.....306, 405	70025200 306, 404	7007438 37	7021249.....37
70024917.....306	70025203 404, 893	7007439 37, 469	7021256.....469
70024918.....405	70025205 .. 305, 400, 403	7007446 37, 468, 471	7021265.....469
70024919.....305	70025210 .. 306, 404, 892	7007489 475	7021275.....37, 468, 471
70024920..305, 306, 404, 405	70025231 399, 403	7007986 663	7021293.....469
70024922.....405	70025235 305, 404	7010543 55, 677	7021375.....67
70024924.....305, 403	70025239 305, 403	7010545 669	7021636.....67
70024925.....305, 403	70025240 404	7010639 71	7022300.....469
70024961.....305, 403	70025242 306, 425	7010640 71	7022301.....468
70025076.....403	70025477 404	7010924 71	7022311.....37
70025077.....405	70025533 405	7011044 71	7022314.....37
70025080.....403	70025660 405	7011311 67, 679	7022321.....37
70025082.....403	70025733 400	7011321 67	7022340.....471
70025084.....404	70025768 404	7011346 53, 67	7022368.....37
70025091.....403	70025788 306	7011351 679	7022371.....37
70025101.....404	70025877 306	7011354 67	7022390.....571, 573
70025107.....404	70025931 404	7011368 679	7023306.....99
70025109.....404	70026210 . 306, 399, 405, 425	7011371 679	7023347.....99
7002511 305	70026283 669, 679	7012706 456, 462	7023881.....457
70025111.....403	70026284 669	7012709 456	7023887.....462
70025112.....306, 404	70026995 404	7012715 456	7023922.....573
70025115.....404	70027432 400, 426	7012773 53, 67	7023962.....471
70025120.....306, 405	70027432 400, 426	7012903 573	7023964.....471, 472
70025130.....399, 425	70028185 400, 426	7012941 55	7024005.....457
70025133.....404	7002821 899	7012942 55	7024006.....463
70025135..305, 400, 403, 426	7002822 899	7012944 55, 892	7024038.....456, 462
70025136.....305	7002823 899	7012955 55	7024042.....456
70025137.....305, 403	7002828 900	7012967 55	7024043.....456
70025140.....305, 403	70028540 .. 306, 399, 425	7012998 55	7024044.....456, 462
70025142..306, 399, 404, 425	70028699 306, 400	7015003 ... 195, 203, 211, 219, 227, 235	7024064.....456, 462
70025144..305, 399, 403, 426	70029401 306	7015013 ... 195, 203, 211, 219, 227, 235	7024065.....457, 463
70025145.....305, 403	70029407 425	7015014 ... 195, 203, 211, 219, 227, 235	7024068.....457
70025146.....305, 403	70029409 425	7015015 ... 195, 203, 211, 219, 227, 235	7024069.....458, 464
70025149.....405	70029433 306	7016314 93, 97	7024070.....457
	70029451 305	7016322 173, 175	7024071.....457, 463
	70029512 399	7016328 239, 892	7024072.....457, 463
	70029517 .. 306, 399, 425	7016331 ... 239, 305, 400, 403, 426, 892	7024073.....457, 463
	70029520 .. 306, 399, 425	7016374 173, 175	7024075.....457, 463
	70029557 .. 306, 399, 425	7016654 899	7024076.....457, 463
	70029797 306	7016655 900	7024077.....457, 463
	70029997 67	7017402 571, 573	7024078.....463
	70030097 425	7017405 55	7024079.....463
	70030099 425	7017451 67	7024080.....457
	70030359 426		7024081.....457, 464
	70030360 399		7024083.....457
	70030381 399, 426		7024084.....457
	70031055 399, 425		
	70031095 399		

SECTION 11 - SPECIAL OPTIONS

7024085 458	7024865 37	348, 352, 356, 360,	407, 411, 421, 429,
7024087 458	7024867 37	364, 368, 372, 407,	433, 437, 449, 487,
7024088 458	7024868 37	411, 429, 433, 437	489, 491
7024089 458	7024883 573, 892	7027045....243, 249, 255,	8405007... 289, 295, 302,
7024096 464	7024885 ... 571, 573, 892	261, 267, 273, 280,	335, 341, 389, 395,
7024097 457	7024899 571, 573	310, 314, 318, 322,	421, 449
7024374 99	7024905 463	348, 352, 356, 360,	8405009.93, 97, 421, 449
7024375 99, 893	7024906 457, 463	364, 368, 372, 407,	8405201... 288, 295, 301,
7024439 99	7024907 463	411, 430, 434, 437	335, 341, 389, 395,
7024440 99	7024908 457, 463	7027235.....239	421, 449
7024441 99	7024909 463	7027236.....239	8405204... 288, 295, 301,
7024442 99	7024911 457, 463	7027239.....239	335, 341, 389, 395,
7024443 99	7024913 456, 462	7027240.....239	421, 449
7024444 99	7024914 456	7027276.....239	8405212 421, 449
7024445 99	7024915 456	7027740.....37	8405213 421, 449
7024446 99	7024916 456	7027773.....655	8406102... 290, 295, 302,
7024462 655	7024917 456, 462	7027774.....655	335, 341, 389, 395,
7024463 655	7024918 456, 462	7027775.....655	421, 449
7024467 655	7024919 456, 462	7027776.....655	8406105 569
7024469 655	7024920 456, 462	7027777.....655	8406109.... 295, 335, 341
7024470 655	7024921 456, 462	7027778.....655	8406112... 290, 295, 302,
7024471 629, 655	7024922 456, 462	7027779.....655	335, 341, 389, 395,
7024472 655	7024924 67	7027780.....655	421, 449
7024473 655	7024925 67	7027790.....239	8406201 421, 449
7024474 655	7024927 53	7027791.....239	8406302... 288, 295, 300,
7024475 655	7026000 67	7027792.....239	335, 341, 389, 395,
7024478 655	7026001 67	7027799....513, 517, 522,	421, 449
7024485 513, 517, 892	7026002 67	526	8410011... 290, 295, 302,
7024488 ... 513, 517, 521,	7026003 67	77143013.. 135, 139, 144,	335, 341, 389, 395
525	7026004 67	147, 151	8410013... 196, 204, 212,
7024489 ... 513, 517, 521,	7026007 67	77363233.....805, 807	220, 228, 236, 288,
525	7026008 67	8007508.....884	296, 301, 335, 341,
7024530 629	7026016 67	80334079.....464	389, 395
7024531 629	7026028 53	80363179.....87	8410014 421, 449
7024532 629	7026031 893	80484084...790, 793, 797	8580420 57, 59
7024533 629	7026188 513, 517	80604016.....87	8750024 113, 117
7024534 629	7026571 99	80604021.....87	88261024 569
7024535 629	7026597 ... 513, 517, 522,	80934174.....463	88411013 739
7024536 629	526	80934644.....464	88521214. 615, 617, 619,
7024537 629	7026608 239, 892	80983191...790, 794, 892	621
7024565 239	7026626 ... 513, 517, 522,	8220051.....803	88662523. 178, 182, 186,
7024570 67	526	8220115.....793	551, 569
7024571 67	7026980 464	8220164.....789, 797	88662530 563, 567
7024574 67	7027042 ... 243, 249, 255,	8229242....790, 794, 810,	91143339 789
7024579 ... 239, 305, 400,	261, 267, 273, 279,	814, 892, 893	91143340 789
403, 426	309, 313, 317, 321,	8229249.....653, 893	91203039 579
7024580 ... 191, 199, 207,	347, 351, 355, 359,	8310056....283, 285, 375,	91403230. 865, 867, 869,
215, 223, 231	363, 367, 371, 407,	377, 417, 445	871, 873, 875, 877,
7024581 ... 191, 199, 207,	411, 429, 433, 437	8310070....135, 139, 144,	879, 881
215, 223, 231	7027043 ... 243, 249, 255,	147, 151, 563, 567	91471226 547
7024582 ... 191, 199, 207,	261, 267, 273, 279,	8310129.....635	91471227 547
215, 223, 231	310, 314, 318, 322,	8310235.....559	91563070. 288, 301, 389,
7024583 ... 191, 199, 207,	347, 351, 355, 359,	8310658.....182, 186	395, 421, 449
215, 223, 231	363, 367, 371, 407,	8405006....243, 255, 261,	SEE NOTE 67, 68
7024584 ... 191, 199, 207,	411, 429, 433, 437	273, 279, 290, 295,	
215, 223, 231	7027044 ... 243, 249, 255,	302, 335, 341, 347,	
7024598 173, 175	261, 267, 273, 280,	351, 355, 359, 363,	
7024800 469	310, 314, 318, 322,	367, 371, 389, 395,	



**Corporate Office
JLG Industries, Inc.
1 JLG Drive
McConnellsburg, PA 17233-9533 USA
☎ (717) 485-5161 (Corporate)
☎ (877) 554-5438 (Customer Support)
📠 (717) 485-6417**

**Visit our website for JLG Worldwide Locations.
www.jlg.com**



OSHKOSH™