



---

# Illustrated Parts Manual

## EC600SJ, EC600SJP, H600SJ, H600SJP

PVC 2407

3122317400

July 1, 2024 - Rev A

**ANSI**  **CE**   
**AS/NZS**

English (en-US)

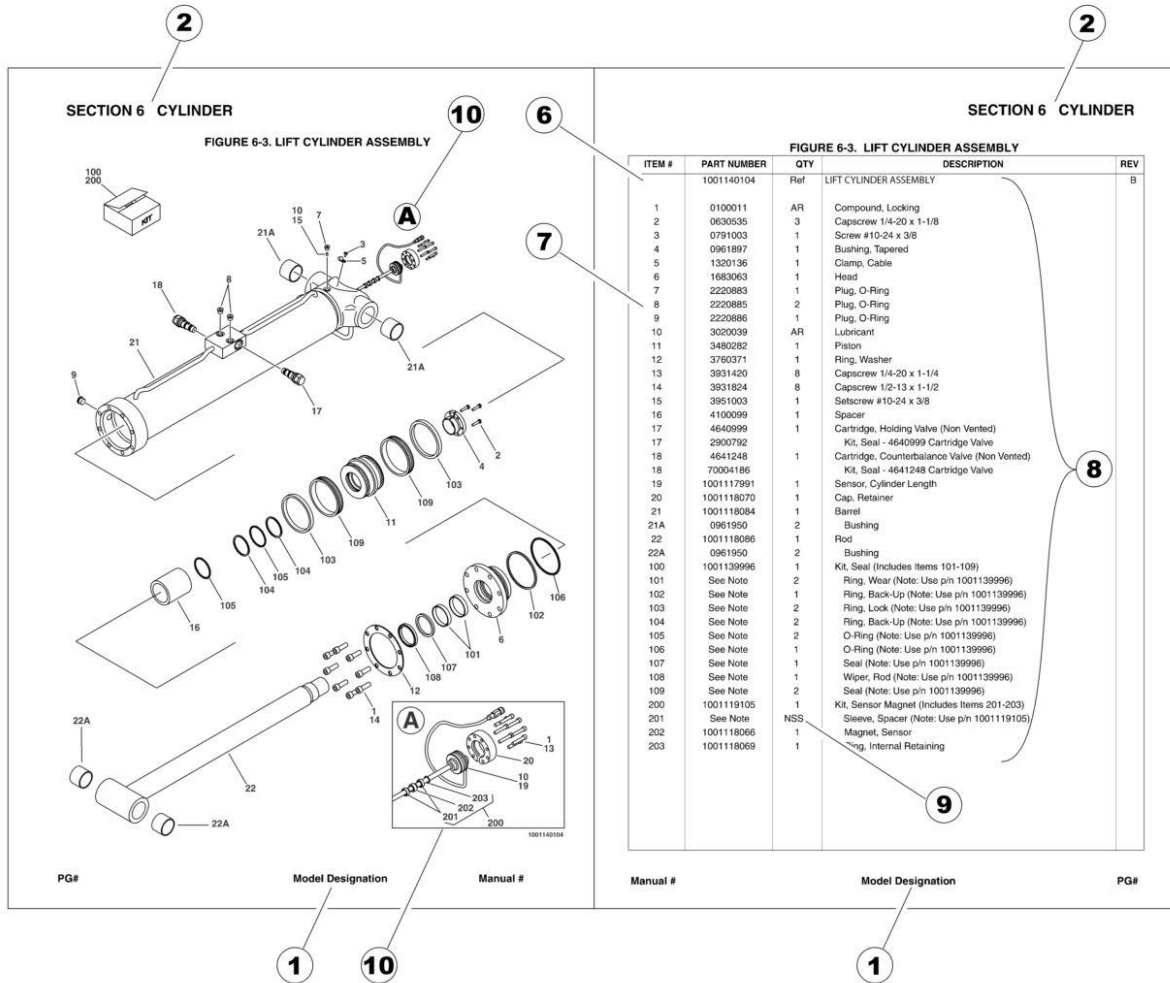
---



# REVISION LOG

July 1, 2024 - A - Original Issue of Manual (Edited to B/M 1001263600 Revision AH)

# GENERAL INFORMATION



## 1) MACHINE IDENTIFICATION

Machines are identified by model and in some cases a combination of models, serial number (SN) or regional standard (i.e ANSI, CE, CSA). Components may also be identified by SN or manufacturer. Common components that may be identified by these characteristics are engines and hydraulic components.

## 2) PARTS MANUAL ORGANIZATION

Product information in this manual is organized under section titles. Frame, Cylinder, Hydraulic and Electrical are a few examples. Each section is organized by figure and page number. The information within the Figure is then organized by item number, part number, description and corresponding illustration (s).

## 3) TABLE OF CONTENTS (NOT SHOWN)

A table of contents is found toward the beginning of the manual. Figure number, description and page number are provided for quick reference to the page containing the related information.

## 4) RECOMMENDED SPARE PARTS (NOT SHOWN)

The Recommended Spare Parts List, located near the end of the manual, reference most frequently used maintenance parts.

## 5) PART NUMBER INDEX (NOT SHOWN)

A numerical index listing all part numbers and the corresponding page number(s) appears at the back of the manual.

# GENERAL INFORMATION

## 6) NON-SERVICED PARTS

In some instances, it is necessary to display non-serviced parts, assemblies or installations. In the case of assemblies and installations there will be a Ref in the Qty. column. In case of parts that are not available for service within assemblies or components, there will be a NSS (Not Sold Separately) or NLA (No Longer Available) listed in the Qty. column of the manual.

## 7) PARTS LIST ITEM NUMBERS

Numbers shown in the item# column correspond to numbers used in the associated illustration (s). Item numbers which are missing from the sequence in the parts list are not used on that page.

## 8) INDENTED PARTS DESCRIPTION

An indented part description is included in the item under which it is indented.

## 9) ABBREVIATION AND SYMBOLS

AC.....	Alternating Current	L.....	Liter
ADE.....	Advanced Design Electronics	LB(LBS).....	Pounds
AG.....	Agricultural	LCD.....	Liquid Crystal Display
ANSI.....	American National Standards Institute	LED.....	Light Emitting Diodes
AR.....	As Required	LH.....	Left Hand
ASSY.....	Assembly	LRC.....	Low Rated Countries
AUS.....	Australia	LSS.....	Load Sensing System
AUX.....	Auxiliary	M(m).....	Metric/Meter
AWG.....	American Wire Gauge	MM(mm).....	Milimeter
B/M.....	Bill of Material	mA.....	Miliamps
CAC.....	Charge Air Cooler	NLA.....	No Longer Available
CE.....	European Conformity	NPT.....	National Pipe Threads
CCW.....	Counter Clockwise	NSS.....	Not Sold Separately
CM.....	Centimeter	OD.....	Outside Diameter
CW.....	Clockwise	ORB.....	O-Ring Boss
CSA.....	Canadian Standards Association	ORFS.....	O-Ring Face Seal
CYL.....	Cylinder	OZ (oz).....	Ounces
DIA.....	Diameter	PG.....	Page
DC.....	Direct Current	PN.....	Part Number
DEF.....	Diesel Exhaust Fluid	QT(qt.).....	Quarts
EMS.....	Emergency Stop	QTY.....	Quantity
ENG.....	Engine	REF.....	Reference
FT(ft).....	Feet	REV.....	Revision Level
GA(Ga).....	Gauge	RH.....	Right Hand
HRC.....	High Rated Countries	SAE.....	Society of Automotive Engineers
HVAC.....	Heating, Ventilating, and Air Conditioning	SN.....	Serial Number
HYD.....	Hydraulic	SPEC(S).....	Specifications
Hz.....	Hertz	T/T.....	Turntable
ID.....	Inside Diameter	UGM.....	Universal Ground Module
IN.....	inches	V.....	Volts
ISO.....	International Organization for Standards	W.....	Watts
JIC.....	Joint Industry Council	#.....	Number
KG.....	Kilogram		

## 10) ILLUSTRATION REFERENCE LETTERS

When necessary, illustrations may contain reference letters that are intended to track information (i. e. hoses, harnesses) from one point to another or to track visual enlargement of components to show details that may be located in another area on the illustration.

*Note: Due to continuous product improvements, JLG Industries, Inc. reserves the right to make specification changes without prior notification. Contact JLG Industries, Inc. for updated information.*



# TABLE OF CONTENTS

SECTION 1 - FRAME.....	15
FIGURE 1-1. AXLE INSTALLATION - FIXED (2WD) .....	16
FIGURE 1-2. AXLE INSTALLATION - FIXED (4WD) .....	18
FIGURE 1-3. AXLE INSTALLATION - OSCILLATING WITHOUT TOW PACKAGE (2WD) (MACHINES WITH SN STARTING WITH 03).....	20
FIGURE 1-4. AXLE INSTALLATION - OSCILLATING WITHOUT TOW PACKAGE (2WD) (MACHINES WITH SN STARTING WITH B3).....	22
FIGURE 1-5. AXLE INSTALLATION - OSCILLATING WITH TOW PACKAGE (2WD).....	24
FIGURE 1-6. AXLE INSTALLATION - OCILLATION (2WD) (MACHINES WITH SN STARTING WITH B3).....	26
FIGURE 1-7. AXLE INSTALLATION - OSCILLATING (4WD) (MACHINES WITH SN STARTING WITH 03).....	28
FIGURE 1-8. AXLE INSTALLATION - OSCILLATING (4WD) (MACHINES WITH SN STARTING WITH B3) .....	30
FIGURE 1-9. AXLE INSTALLATION - OCILLATION (4WD) (MACHINES WITH SN STARTING WITH B3).....	32
FIGURE 1-10. AXLE LOCKOUT VALVE ASSEMBLY.....	34
FIGURE 1-11. STEER INSTALLATION - WITHOUT TOW PACKAGE (2WD/2WS) .....	36
FIGURE 1-12. STEER INSTALLATION - WITH TOW PACKAGE (2WD/2WS).....	38
FIGURE 1-13. STEER INSTALLATION - (4WD/2WS)(MACHINES WITH SN STARTING WITH B3) (EC600SJP,H600SJP).....	40
FIGURE 1-14. STEER INSTALLATION - (4WD/2WS) (EC600SJ,H600SJ) .....	44
FIGURE 1-15. STEER INSTALLATION - (4WD/2WS)(MACHINES WITH SN STARTING WITH B3) (EC600SJ,H600SJ) .....	48
FIGURE 1-16. STEER INSTALLATION - (4WD/2WS) (EC600SJP,H600SJP) .....	52
FIGURE 1-17. STEER INSTALLATION - (2WD/2WS) (MACHINES WITH SN STARTING WITH B3).....	56
FIGURE 1-18. WHEEL DRIVE INSTALLATION (NON-UL SPECS).....	58
FIGURE 1-19. WHEEL DRIVE INSTALLATION (UL SPECS).....	60
FIGURE 1-20. NON-DRIVE HUB ASSEMBLY - LH (2WD FRONT).....	62
FIGURE 1-21. NON-DRIVE HUB ASSEMBLY - RH (2WD FRONT) .....	64
FIGURE 1-22. DRIVE HUB ASSEMBLY (REAR).....	66
FIGURE 1-23. DRIVE MOTOR ASSEMBLY (4WD FRONT).....	70
FIGURE 1-24. DRIVE MOTOR ASSEMBLY (REAR) .....	72
FIGURE 1-25. DRIVE VALVE ASSEMBLY (4WD ONLY) .....	74
FIGURE 1-26. AC DRIVE ELECTRICAL PLATE ASSEMBLY (NON-UL SPECS) .....	76
FIGURE 1-27. AC DRIVE ELECTRICAL PLATE ASSEMBLY (UL SPECS) .....	78
FIGURE 1-28. DRIVE MODULE PLATE ASSEMBLY .....	80
FIGURE 1-29. TIRE AND WHEEL INSTALLATION - 36/14LL X 22.5 FOAM-FILLED NON-MARKING .....	82
FIGURE 1-30. TIRE AND WHEEL INSTALLATION - 355/55D625 FOAM FILLED .....	84
FIGURE 1-31. FRAME SHIELDS INSTALLATION.....	86
FIGURE 1-32. TOW PACKAGE INSTALLATION WITHOUT NATO EYE .....	88
FIGURE 1-33. TOW PACKAGE INSTALLATION WITH NATO EYE.....	90
SECTION 2 - TURNTABLE.....	93
FIGURE 2-1. MAIN CONTROL INSTALLATION (EC600SJ,H600SJ).....	94
FIGURE 2-2. MAIN CONTROL INSTALLATION (EC600SJP,H600SJP) .....	96
FIGURE 2-3. MAIN CONTROL VALVE ASSEMBLY.....	98
FIGURE 2-4. SWING DRIVE INSTALLATION .....	102
FIGURE 2-5. SWING MOTOR ASSEMBLY .....	104
FIGURE 2-6. TURNTABLE BEARING, STOP AND LUBE INSTALLATION.....	108
FIGURE 2-7. TURNTABLE BEARING, STOP AND LUBE INSTALLATION (MACHINES WITH SN STARTING WITH B3).....	110

# TABLE OF CONTENTS

FIGURE 2-8. TURNTABLE LOCK INSTALLATION .....	112
FIGURE 2-9. DRIVE ORIENTATION INSTALLATION.....	114
FIGURE 2-10. HYDRAULIC TANK AND PUMP/MOTOR INSTALLATION (NON-UL SPECS).....	116
FIGURE 2-11. HYDRAULIC TANK AND PUMP/MOTOR INSTALLATION (UL SPECS).....	118
FIGURE 2-12. ELECTRIC MOTOR ASSEMBLY .....	120
FIGURE 2-13. FUEL TANK AND ENGINE MODULE INSTALLATION - WITH STANDARD BATTERIES (H600SJ,H600SJP) ...	122
FIGURE 2-14. FUEL TANK AND ENGINE MODULE INSTALLATION - WITH AGM BATTERIES (H600SJ,H600SJP).....	124
FIGURE 2-15. BATTERY CHARGER INSTALLATION - 110V/60HZ SMART CHARGER (ALL SPECS EXCEPT AUSTRALIAN, CE & UK CA SPECS).....	126
FIGURE 2-16. BATTERY CHARGER INSTALLATION - 120V-230V/45-65HZ SMART CHARGER (ALL SPECS EXCEPT UL SPECS).....	128
FIGURE 2-17. BATTERY CHARGER INSTALLATION - 250V/50HZ SMART CHARGER (ANSI EXPORT, CE, AUSTRALIAN AND CHINA SPECS) .....	130
FIGURE 2-18. BATTERY CHARGER INSTALLATION - GREEN POWER CHARGER.....	132
FIGURE 2-19. BATTERY BOX INSTALLATION - METAL LATCH - STANDARD BATTERIES (415 AMP HOUR) .....	134
FIGURE 2-20. BATTERY BOX INSTALLATION - RUBBER LATCH - STANDARD BATTERIES (415 AMP HOUR) .....	136
FIGURE 2-21. BATTERY BOX INSTALLATION - METAL LATCH - AGM BATTERIES (390 AMP HOUR).....	138
FIGURE 2-22. BATTERY BOX INSTALLATION - RUBBER LATCH - AGM BATTERIES (390 AMP HOUR).....	140
FIGURE 2-23. BATTERY BOX INSTALLATION - RUBBER LATCH - AGM BATTERIES (400 AMP HOUR).....	142
FIGURE 2-24. GROUND CONTROL ELECTRICAL SYSTEM INSTALLATION .....	144
FIGURE 2-25. GROUND CONTROL PANEL INSTALLATION - DISPLAY WITHOUT BUTTONS(ALL SPECS EXCEPT CE & UK CA SPECS) (EC600SJ,H600SJ).....	146
FIGURE 2-26. GROUND CONTROL PANEL INSTALLATION - DISPLAY WITHOUT BUTTONS(CE & UK CA SPECS) (EC600SJ,H600SJ).....	148
FIGURE 2-27. GROUND CONTROL PANEL INSTALLATION - DISPLAY WITHOUT BUTTONS(ALL SPECS EXCEPT CE & UK CA SPECS) (EC600SJP,H600SJP).....	150
FIGURE 2-28. GROUND CONTROL PANEL INSTALLATION - DISPLAY WITHOUT BUTTONS(CE & UK CA SPECS) (EC600SJP,H600SJP) .....	152
FIGURE 2-29. ENGINE CONTROLS INSTALLATION - STANDARD BATTERIES (H600SJ,H600SJP).....	154
FIGURE 2-30. ENGINE CONTROLS INSTALLATION - AGM BATTERIES (H600SJ,H600SJP) .....	156
FIGURE 2-31. LIMIT SWITCH INSTALLATION.....	158
FIGURE 2-32. ALARM INSTALLATION.....	160
FIGURE 2-33. WHITE NOISE ALARM INSTALLATION .....	162
FIGURE 2-34. BEACON LIGHT INSTALLATION - AMBER.....	164
FIGURE 2-35. BEACON LIGHT INSTALLATION - BLUE.....	166
FIGURE 2-36. BEACON LIGHT INSTALLATION - RED.....	168
FIGURE 2-37. NO BEACON INSTALLATION.....	170
FIGURE 2-38. INVERTER INSTALLATION - 110V (OPTIONAL) .....	172
FIGURE 2-39. INVERTER INSTALLATION - 110V 3000W (OPTIONAL).....	174
FIGURE 2-40. INVERTER INSTALLATION - 240V 2000W (SN 0300313230 to Present, SN B300024424 to Present, Including B300024318 and B300024323) .....	176
FIGURE 2-41. INVERTER INSTALLATION - 220V (OPTIONAL) .....	178
FIGURE 2-42. INVERTER INSTALLATION - 220V 3000W (OPTIONAL).....	180
FIGURE 2-43. INVERTER INSTALLATION - 120V 2000W (SN 0300313230 to Present, SN B300024424 to Present, Including B300024318 and B300024323) .....	182
FIGURE 2-44. HOODS INSTALLATION .....	184
SECTION 3 - ENGINE .....	187
FIGURE 3-1. ENGINE AND GENERATOR INSTALLATION - WITH STANDARD BATTERIES (H600SJ,H600SJP) .....	188



# TABLE OF CONTENTS

FIGURE 3-2. ENGINE AND GENERATOR INSTALLATION - WITH AGM BATTERIES (H600SJ,H600SJP) .....	190
FIGURE 3-3. KUBOTA ENGINE ASSEMBLY (H600SJ,H600SJP) .....	192
FIGURE 3-4. KUBOTA ENGINE COMPONENTS (H600SJ,H600SJP).....	194
FIGURE 3-5. EXHAUST STACK AND HOOD BAFFLES INSTALLATION - STANDARD BATTERIES (H600SJ,H600SJP).....	198
FIGURE 3-6. EXHAUST STACK AND HOOD BAFFLES INSTALLATION - AGM BATTERIES (H600SJ,H600SJP) .....	200
SECTION 4 - BOOM .....	203
FIGURE 4-1. BOOM INSTALLATION (MACHINES WITH SN STARTING WITH 03) (EC600SJ,H600SJ) .....	204
FIGURE 4-2. BOOM INSTALLATION (MACHINES WITH SN STARTING WITH B3) (EC600SJ,H600SJ).....	208
FIGURE 4-3. BOOM INSTALLATION (MACHINES WITH SN STARTING WITH 03) (EC600SJP,H600SJP) .....	212
FIGURE 4-4. BOOM INSTALLATION (MACHINES WITH SN STARTING WITH B3) (EC600SJP,H600SJP).....	216
FIGURE 4-5. MAIN BOOM ASSEMBLY (MACHINES WITH SN STARTING WITH 03) (EC600SJ,H600SJ) .....	220
FIGURE 4-6. BOOM ASSEMBLY (MACHINES WITH SN STARTING WITH B3) (EC600SJ) .....	222
FIGURE 4-7. MAIN BOOM ASSEMBLY (MACHINES WITH SN STARTING WITH 03) (EC600SJP,H600SJP) .....	224
FIGURE 4-8. BOOM ASSEMBLY (MACHINES WITH SN STARTING WITH B3) (EC600SJP) .....	226
FIGURE 4-9. POWER TRACK ASSEMBLY .....	228
FIGURE 4-10. POWER TRACK ASSEMBLY (MACHINES WITH SN STARTING WITH B3) .....	230
FIGURE 4-11. ROTATOR ASSEMBLY (EC600SJ,H600SJ).....	232
FIGURE 4-12. ROTATOR ASSEMBLY - PLATFORM ROTATE (EC600SJP/H600SJP) (E600JP,EC600SJP,H600SJP,M600JP) .....	234
FIGURE 4-13. ROTATOR ASSEMBLY - SIDE SWING ROTATE (EC600SJP/H600SJP) (E600JP,EC600SJP,H600SJP,M600JP) .....	236
FIGURE 4-14. PLATFORM SUPPORT INSTALLATION.....	238
FIGURE 4-15. BOOM VALVE INSTALLATION (EC600SJ,H600SJ).....	240
FIGURE 4-16. BOOM VALVE INSTALLATION (EC600SJP,H600SJP) .....	242
FIGURE 4-17. BOOM VALVE ASSEMBLY (EC600SJ,H600SJ) .....	244
FIGURE 4-18. BOOM VALVE ASSEMBLY (EC600SJP,H600SJP) .....	246
FIGURE 4-19. BOOM LIMIT SWITCH INSTALLATION (CE & UK CA SPEC ONLY) .....	248
SECTION 5 - PLATFORM.....	251
FIGURE 5-1. PLATFORM ASSEMBLY - 30IN X 3FT (76CM X 91.5CM) - WITH DROP BAR .....	252
FIGURE 5-2. PLATFORM ASSEMBLY - 30IN X 4FT (76CM X 1.22M) - SIDE GATE ENTRY .....	254
FIGURE 5-3. PLATFORM ASSEMBLY - 30IN X 4FT (76CM X 1.22M) - WITH DROP BAR.....	256
FIGURE 5-4. PLATFORM ASSEMBLY - 30IN X 6FT (76CM X 1.83M) - SIDE GATE ENTRY .....	258
FIGURE 5-5. PLATFORM ASSEMBLY - 30IN X 6FT (76CM X 1.83M) - WITH DROP BAR.....	260
FIGURE 5-6. PLATFORM ASSEMBLY - 30IN X 6FT (0.9M X 1.83M) (FALL ARREST PLATFORM) .....	262
FIGURE 5-7. PLATFORM ASSEMBLY - 36IN X 6FT (91.5CM X 1.83M) WITH SWING GATE.....	264
FIGURE 5-8. PLATFORM ASSEMBLY - 3FT X 6FT (91.5CM X 1.83M) - TRI-ENTRY - 1 SWING GATE/2 DROP BARS.....	266
FIGURE 5-9. PLATFORM ASSEMBLY - 3FT X 6FT (91.5CM X 1.83M) - TRI-ENTRY - 3 DROP BARS .....	268
FIGURE 5-10. PLATFORM ASSEMBLY - 3F X 6FT (91.5CM X 1.83M) (FALL ARREST PLATFORM) .....	270
FIGURE 5-11. PLATFORM ASSEMBLY - 3FT X 8FT (91.5CM X 2.44M) WITH SWING GATE .....	272
FIGURE 5-12. PLATFORM ASSEMBLY - 36IN X 8FT (91.5CM X 2.44M) WITH SWING GATE.....	274
FIGURE 5-13. PLATFORM ASSEMBLY - 36IN X 8FT (91.5CM X 2.44M) WITH DROP BAR .....	276
FIGURE 5-14. PLATFORM CONSOLE INSTALLATION - 2WD (ALL SPECS EXCEPT UL SPECS).....	278
FIGURE 5-15. PLATFORM CONSOLE INSTALLATION - 2WD (UL SPECS) .....	280
FIGURE 5-16. PLATFORM CONSOLE INSTALLATION - 4WD (ALL SPECS EXCEPT UL SPECS).....	282
FIGURE 5-17. PLATFORM CONSOLE INSTALLATION - 4WD (UL SPECS) .....	284

# TABLE OF CONTENTS

FIGURE 5-18. PLATFORM CONSOLE ASSEMBLY - 2WD (ALL SPECS EXCEPT UL SPECS) .....	286
FIGURE 5-19. PLATFORM CONSOLE ASSEMBLY - 2WD (UL SPECS) .....	290
FIGURE 5-20. PLATFORM CONSOLE ASSEMBLY - 4WD (ALL SPECS EXCEPT UL SPECS) .....	294
FIGURE 5-21. PLATFORM CONSOLE ASSEMBLY - 4WD (UL SPECS) .....	298
FIGURE 5-22. FOOTSWITCH ASSEMBLY .....	302
FIGURE 5-23. ENGINE CONTROLS INSTALLATION - STANDARD BATTERIES (H600SJ,H600SJP).....	304
FIGURE 5-24. ENGINE CONTROLS INSTALLATION - AGM BATTERIES (H600SJ,H600SJP) .....	306
FIGURE 5-25. JIB ROTATE SWITCH INSTALLATION (EC600SJP,H600SJP) .....	308
FIGURE 5-26. LIGHT PANEL INSTALLATION.....	310
FIGURE 5-27. TRAY ASSEMBLY .....	312
FIGURE 5-28. SKYEYE INSTALLATION.....	314
FIGURE 5-29. SKYGUARD BAR INSTALLATION.....	316
FIGURE 5-30. SKYLINE INSTALLATION .....	318
FIGURE 5-31. SKYSENSE MID TUBE SENSOR ASSEMBLY .....	320
FIGURE 5-32. SKYSENSE OVERHEAD SENSOR ASSEMBLY .....	322
FIGURE 5-33. SOFT TOUCH INSTALLATION (SIDE ENTRY PLATFORM) (OPTIONAL) .....	324
FIGURE 5-34. SOFT TOUCH INSTALLATION - WITH FALL ARREST (SIDE ENTRY PLATFORM) (OPTIONAL).....	326
FIGURE 5-35. SKYGLAZIER INSTALLATION (ANSI AND CSA SPECS).....	328
FIGURE 5-36. SKYGLAZIER INSTALLATION (ANSI EXPORT SPECS) (SPANISH/PORTUGUESE) .....	330
FIGURE 5-37. SKYGLAZIER INSTALLATION (ANSI EXPORT SPECS) (ENGLISH/SPANISH) .....	332
FIGURE 5-38. FALL ARREST INSTALLATION (BOLT-ON EXTERNAL) (30IN X 4FT /76CM X 1.22M PLATFORM) .....	334
FIGURE 5-39. FALL ARREST INSTALLATION (BOLT-ON EXTERNAL) (30IN X 6FT /76CM X 1.82M PLATFORM) .....	336
FIGURE 5-40. FALL ARREST INSTALLATION (BOLT-ON EXTERNAL) (6FT/1.82M PLATFORM).....	338
FIGURE 5-41. FALL ARREST INSTALLATION (BOLT-ON EXTERNAL) (6FT/1.82M TRI-ENTRY PLATFORM).....	340
FIGURE 5-42. FALL ARREST INSTALLATION (BOLT-ON EXTERNAL) (8FT/2.4M PLATFORM).....	342
FIGURE 5-43. USB CHARGER INSTALLATION .....	344
<b>SECTION 6 - CYLINDERS .....</b>	<b>347</b>
FIGURE 6-1. AXLE LOCKOUT CYLINDER ASSEMBLY (MACHINES WITH SN STARTING WITH 03) .....	348
FIGURE 6-2. AXLE LOCKOUT CYLINDER ASSEMBLY (MACHINES WITH SN STARTING WITH B3).....	350
FIGURE 6-3. LEVEL CYLINDER ASSEMBLY - PLATFORM SLAVE .....	352
FIGURE 6-4. LIFT CYLINDER ASSEMBLY - JIB .....	354
FIGURE 6-5. LIFT CYLINDER ASSEMBLY - MAIN (WITH SN STARTING WITH 03) (EC600SJP,H600SJP) .....	356
FIGURE 6-6. LIFT CYLINDER ASSEMBLY - MAIN (MACHINES WITH SN STARTING WITH B3).....	358
FIGURE 6-7. MASTER CYLINDER ASSEMBLY .....	360
FIGURE 6-8. STEER CYLINDER ASSEMBLY .....	362
FIGURE 6-9. TELESCOPE CYLINDER ASSEMBLY .....	364
<b>SECTION 7 - HYDRAULIC .....</b>	<b>367</b>
FIGURE 7-1. HYDRAULIC DIAGRAM - AXLE (FIXED).....	368
FIGURE 7-2. HYDRAULIC DIAGRAM - AXLE (OSCILLATING).....	370
FIGURE 7-3. HYDRAULIC DIAGRAM - DRIVE (2WD).....	372
FIGURE 7-4. HYDRAULIC DIAGRAM - DRIVE (4WD).....	374
FIGURE 7-5. HYDRAULIC DIAGRAM - STANDARD (EC600SJ,H600SJ) .....	376
FIGURE 7-6. HYDRAULIC DIAGRAM - STANDARD (EC600SJP,H600SJP) .....	380
FIGURE 7-7. HYDRAULIC DIAGRAM - TOW.....	384

# TABLE OF CONTENTS

SECTION 8 - ELECTRICAL .....	387
FIGURE 8-1. AC BOX AT PLATFORM - LOCALLY SUPPLIED COMPONENTS .....	388
FIGURE 8-2. AC BOX AT PLATFORM INSTALLATION - 110V (ALL SPECS EXCEPT AUSTRALIAN, CE & UK CA SPECS)..	390
FIGURE 8-3. AC BOX AT PLATFORM INSTALLATION - 110V IEC YELLOW (CE & UK CA SPEC) .....	392
FIGURE 8-4. AC BOX AT PLATFORM INSTALLATION - 220V IEC BLUE (CE & UK CA SPEC).....	394
FIGURE 8-5. AC BOX AT PLATFORM INSTALLATION - 220V CEE7 POST GROUND WITH 2IN X 4IN BOX (CE & UK CA SPEC).....	396
FIGURE 8-6. AC BOX AT PLATFORM INSTALLATION - 220V CEE7 SIDE GROUND WITH 2IN X 4IN BOX (CE & UK CA SPEC).....	398
FIGURE 8-7. AC BOX AT PLATFORM INSTALLATION - 220V AFSINT 107 KEYED GROUND WITH 2IN X 4IN BOX.....	400
FIGURE 8-8. AC BOX AT PLATFORM INSTALLATION - 220V AFSINT 107 KEYED GROUND WITH 2IN X 4IN BOX (MACHINES WITH SN STARTING WITH B3).....	402
FIGURE 8-9. AC BOX AT PLATFORM INSTALLATION - 110V IEC YELLOW (CE & UK CA SPEC) (MACHINES WITH SN STARTING WITH B3).....	404
FIGURE 8-10. AC BOX AT PLATFORM INSTALLATION - 220V IEC BLUE (CE & UK CA SPEC) (MACHINES WITH SN STARTING WITH B3).....	406
FIGURE 8-11. AC BOX AT PLATFORM INSTALLATION - 220V (ANSI, CSA & JAPANESE SPECS) .....	408
FIGURE 8-12. BATTERY BOX CABLE ASSEMBLY (RH SIDE BOX) (STANDARD BATTERIES).....	410
FIGURE 8-13. BATTERY BOX CABLE ASSEMBLY (LH SIDE BOX) (STANDARD BATTERIES) .....	412
FIGURE 8-14. BATTERY BOX CABLE ASSEMBLY - AGM BATTERIES (MACHINES WITH SN STARTING WITH 03) .....	414
FIGURE 8-15. BATTERY BOX CABLE ASSEMBLY - AGM BATTERIES (MACHINES WITH SN STARTING WITH B3).....	416
FIGURE 8-16. BEACON LIGHT HARNESS (AMBER BEACON ONLY) .....	418
FIGURE 8-17. BOOM TRANSPORT HARNESS (CE & UK CA SPECS ONLY) .....	420
FIGURE 8-18. BOOM CABLE - LOWER .....	422
FIGURE 8-19. BOOM CABLE - UPPER (EC600SJ,H600SJ).....	424
FIGURE 8-20. BOOM CABLE - UPPER (EC600SJP,H600SJP).....	426
FIGURE 8-21. BREAKER BOX KIT WITH ONE BREAKER - CE & UK CA SPEC.....	428
FIGURE 8-22. BREAKER BOX KIT WITH TWO BREAKERS - CE & UK CA SPEC.....	430
FIGURE 8-23. BREAKER BOX KIT WITH ONE BREAKER - MACHINES WITH S/N STARTING WITH B3).....	432
FIGURE 8-24. CABLES AND CLAMPS INSTALLATION (ALL SPECS EXCEPT AUSTRALIAN, CE & UK CA SPECS) (CHINA SPEC MACHINES WITH SN STARTING WITH 03) (EC600SJ,H600SJ) .....	434
FIGURE 8-25. CABLES AND CLAMPS INSTALLATION (CE & UK CA SPECS) (EC600SJ,H600SJ) .....	436
FIGURE 8-26. CABLES AND CLAMPS INSTALLATION - WITHOUT AC CABLE (CHINA SPECS WITH SN STARTING WITH B3) (EC600SJ,H600SJ) .....	438
FIGURE 8-27. CABLES AND CLAMPS INSTALLATION - WITH AC CABLE (CHINA SPEC WITH SN STARTING WITH B3) (EC600SJ,H600SJ) .....	440
FIGURE 8-28. CABLES AND CLAMPS INSTALLATION (ALL SPECS EXCEPT AUSTRALIAN, CE & UK CA SPECS) (CHINA SPEC MACHINES WITH SN STARTING WITH 03) (EC600SJP,H600SJP).....	442
FIGURE 8-29. CABLES AND CLAMPS INSTALLATION (AUSTRALIAN, CE & UK CA SPECS) (EC600SJP,H600SJP) .....	444
FIGURE 8-30. CABLES AND CLAMPS INSTALLATION - DUAL AC BOXES (CE & UK CA SPECS) (EC600SJP,H600SJP)....	446
FIGURE 8-31. CABLES AND CLAMPS INSTALLATION - WITHOUT AC CABLE (CHINA SPECS WITH SN STARTING WITH B3) (EC600SJP,H600SJP).....	448
FIGURE 8-32. CABLES AND CLAMPS INSTALLATION - WITH AC CABLE (CHINA SPEC WITH SN STARTING WITH B3) (EC600SJP,H600SJP).....	450
FIGURE 8-33. CAN JUMPER HARNESS .....	452
FIGURE 8-34. CENTRAL PANEL CAN BUSS HARNESS .....	454
FIGURE 8-35. CHARGER CORD PLUG INSTALLATION - 110V - IEC YELLOW (CE & UK CA SPEC).....	456
FIGURE 8-36. CHARGER CORD PLUG INSTALLATION - 220V - IEC BLUE (CE & UK CA SPEC) .....	458
FIGURE 8-37. CHARGER CORD PLUG INSTALLATION - 220V - CEE7 POST GROUND (CE & UK CA SPEC).....	460

# TABLE OF CONTENTS

FIGURE 8-38. CHARGER CORD PLUG INSTALLATION - 220V - CEE7 SIDE GROUND (CE & UK CA SPEC) .....	462
FIGURE 8-39. CHARGER CORD PLUG INSTALLATION - 220V - AFSINT 107 KEYED GROUND (CE & UK CA SPEC) .....	464
FIGURE 8-40. CHARGER CORD PLUG INSTALLATION (CHINA SPEC).....	466
FIGURE 8-41. CHARGER DC CONNECTION HARNESS .....	468
FIGURE 8-42. CHARGER HARNESS .....	470
FIGURE 8-43. CLEARSKY INSTALLATION - 4G CANBUS CONNECTION (ALL SPECS EXCEPT CHINA SPECS).....	472
FIGURE 8-44. CLEARSKY INSTALLATION - 3G CANBUS CONNECTION (ANSI EXPORT, CE & UK CA SPECS) .....	474
FIGURE 8-45. CLEARSKY INSTALLATION - 3G CANBUS CONNECTION (AUSTRALIAN SPECS) .....	476
FIGURE 8-46. CLEARSKY INSTALLATION - 4G CANBUS CONNECTION (CHINA SPECS).....	478
FIGURE 8-47. CLEARSKY INSTALLATION 3-WIRE CONNECTION (ALL SPECS EXCEPT UL AND CHINA SPECS) .....	480
FIGURE 8-48. CLEARSKY HARNESS - 3G & 4G CANBUS CONNECTIONS.....	482
FIGURE 8-49. CLEARSKY HARNESS - 3 WIRE GT1030.....	484
FIGURE 8-50. DRIVE CABLE KIT (ALL SPECS EXCEPT UL SPECS).....	486
FIGURE 8-51. DRIVE CABLE KIT (UL SPECS) .....	488
FIGURE 8-52. EBOOM CAN SPLICE HARNESS.....	490
FIGURE 8-53. GENERATOR HARNESS.....	492
FIGURE 8-54. GROUND CONTROL HARNESS .....	494
FIGURE 8-55. INVERTER IGNITION HARNESS (110V INVERTER).....	496
FIGURE 8-56. INVERTER IGNITION HARNESS (220V INVERTER).....	498
FIGURE 8-57. INVERTER HARNESS (110V INVERTER) .....	500
FIGURE 8-58. INVERTER HARNESS (220V INVERTER) .....	502
FIGURE 8-59. LED REMOTE HARNESS .....	504
FIGURE 8-60. LIMIT SWITCH CABLE.....	506
FIGURE 8-61. PLATFORM CONSOLE HARNESS (ALL SPECS EXCEPT UL SPECS).....	508
FIGURE 8-62. PLATFORM CONSOLE HARNESS .....	512
FIGURE 8-63. RECEPTACLE BOX KIT - 110V IEC YELLOW (CE & UK CA SPEC).....	516
FIGURE 8-64. RECEPTACLE BOX KIT - 220V IEC BLUE (CE & UK CA SPEC) .....	518
FIGURE 8-65. RECEPTACLE BOX KIT - 220V CEE7 POST GROUND 2IN X 4IN BOX (CE & UK CA SPEC).....	520
FIGURE 8-66. RECEPTACLE BOX KIT - 220V CEE7 SIDE GROUND 2IN X 4IN BOX (CE & UK CA SPEC) .....	522
FIGURE 8-67. RECEPTACLE BOX KIT - 220V AFSINT 107 (CE & UK CA SPEC) .....	524
FIGURE 8-68. SKYEYE EMITTER HARNESS .....	526
FIGURE 8-69. SKYEYE INTERMEDIATE HARNESS .....	528
FIGURE 8-70. SKYEYE RECEIVER HARNESS.....	530
FIGURE 8-71. SKYGUARD INTERFACE HARNESS.....	532
FIGURE 8-72. SKYLINE HARNESS .....	534
FIGURE 8-73. STEERING SENSOR HARNESS.....	536
FIGURE 8-74. TRACTION HARNESS .....	538
FIGURE 8-75. TRACTION TO TURNTABLE HARNESS.....	542
FIGURE 8-76. TURNTABLE HARNESS .....	544
FIGURE 8-77. VALVE HARNESS - BOOM VALVE .....	548
FIGURE 8-78. VALVE HARNESS - MAIN CONTROL VALVE .....	550
FIGURE 8-79. WHITE NOISE ALARM HARNESS .....	552
SECTION 9 - DECALS .....	555
FIGURE 9-1. DECAL INSTALLATION - ANSI, ANSI EXPORT, CHINA & UL SPECS (ENGLISH LANGUAGE).....	556
FIGURE 9-2. DECAL INSTALLATION - AUSTRALIAN, CE & UK CA SPECS (ENGLISH LANGUAGE) .....	558

# TABLE OF CONTENTS

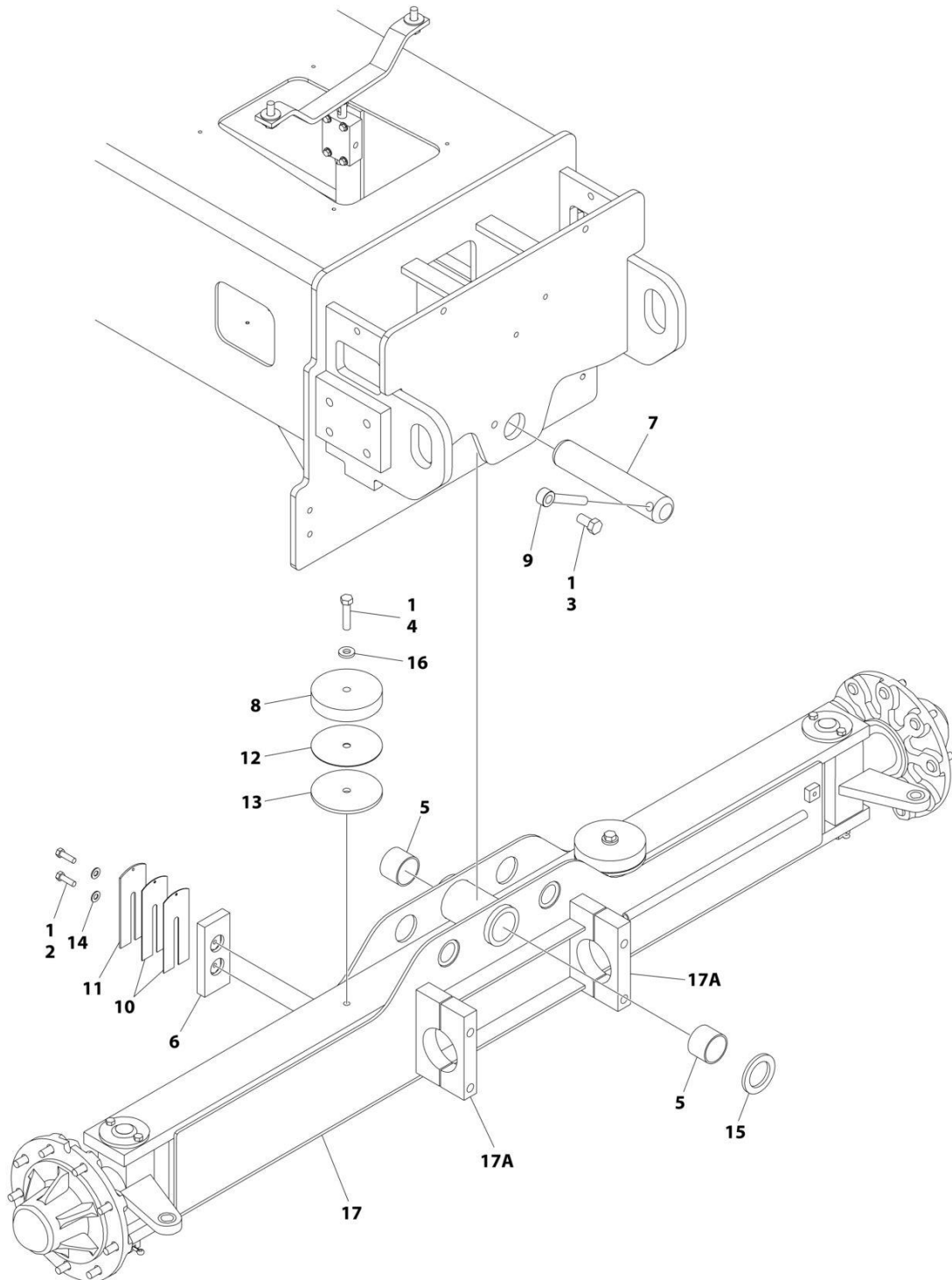
FIGURE 9-3. DECAL INSTALLATION - BRAZIL SPECS (PORTUGUESE/SPANISH LANGUAGES).....	560
FIGURE 9-4. DECAL INSTALLATION - CHINESE SPECS (CHINESE/ENGLISH LANGUAGES) .....	562
FIGURE 9-5. DECAL INSTALLATION - CSA & UL SPECS (ENGLISH/FRENCH LANGUAGES).....	564
FIGURE 9-6. DECAL INSTALLATION - JAPANESE SPECS (JAPANESE LANGUAGE).....	566
FIGURE 9-7. DECAL INSTALLATION - KOREAN SPECS (KOREAN LANGUAGE) .....	568
FIGURE 9-8. DECAL INSTALLATION - LATIN AMERICAN SPECS (SPANISH/ENGLISH LANGUAGES) .....	570
FIGURE 9-9. DECALS INSTALLATION - OPTIONS .....	572
FIGURE 9-10. TOW BAR DECAL INSTALLATION (ALL SPECS EXCEPT CSA & JAPANESE SPECS) (ENGLISH LANGUAGE) .....	574
FIGURE 9-11. TOW BAR DECAL INSTALLATION (ANSI EXPORT SPECS) (SPANISH/ENGLISH LANGUAGES).....	576
FIGURE 9-12. TOW BAR DECAL INSTALLATION (CE & UK CA SPECS) (SPANISH LANGUAGE)) .....	578
FIGURE 9-13. TOW BAR DECAL INSTALLATION (AUSTRALIAN, UL, CE & UK CA SPECS) (ALL LANGUAGES)) .....	580
SECTION 10 - RECOMMENDED SERVICE PARTS STOCK .....	583
FIGURE 10-1. RECOMMENDED SERVICE PARTS STOCK .....	584
SECTION 11 - SPECIAL OPTIONS.....	587
FIGURE 11-1. SPECIAL OPTIONS/ACCESSORIES/KITS .....	588
PART NUMBER INDEX .....	593



**SECTION 1 - FRAME**

# SECTION 1 - FRAME

## FIGURE 1-1. AXLE INSTALLATION - FIXED (2WD)



ART\_1001174522



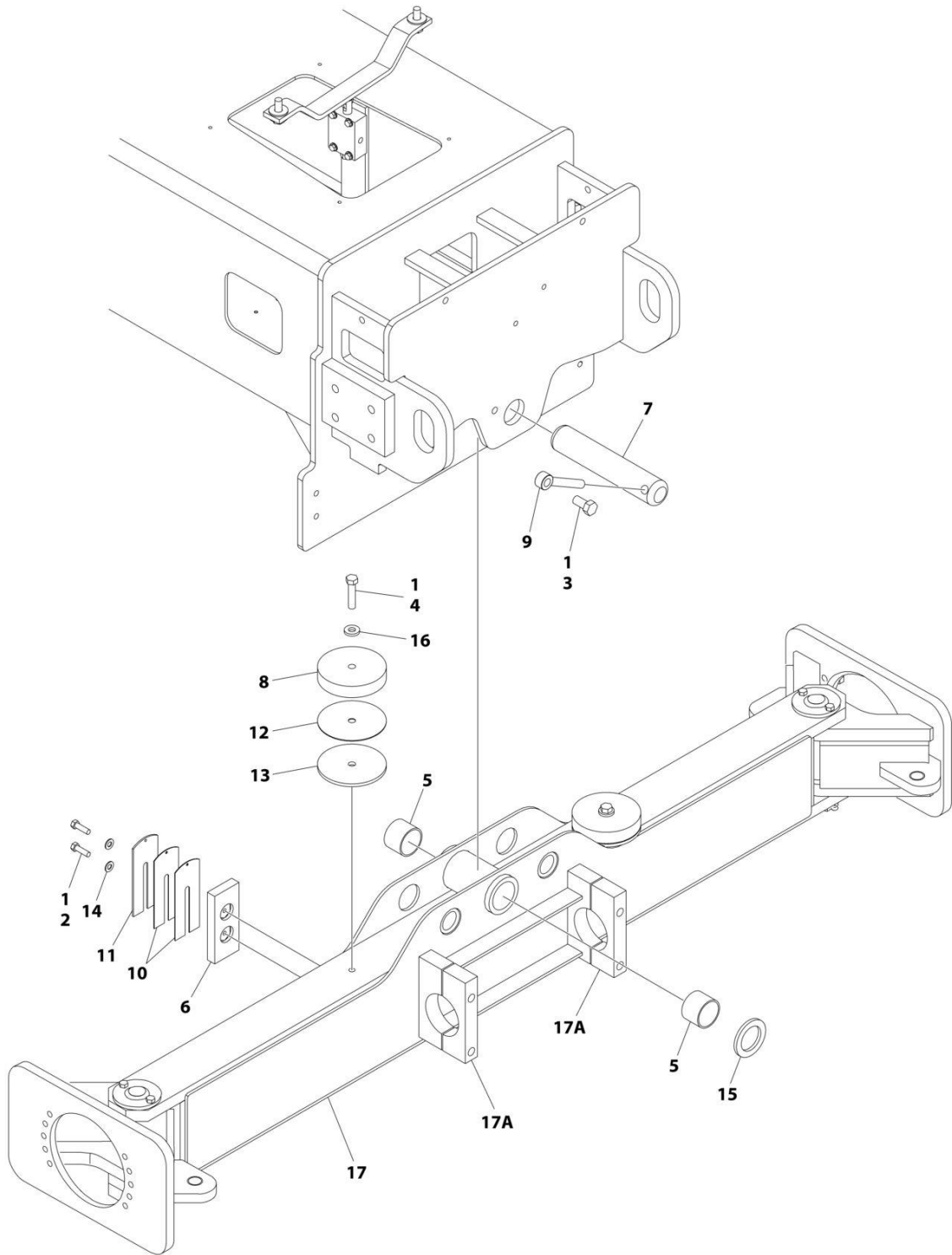
## SECTION 1 - FRAME

**FIGURE 1-1. AXLE INSTALLATION - FIXED (2WD)**

ITEM	PART NUMBER	QTY	DESCRIPTION	REV
	1001174522	Ref	AXLE INSTALLATION - FIXED (2WD)	C
1	0100011	AR	Compound, Locking	
2	0641610	4	Bolt 3/8 x 1-1/4	
3	0642010	1	Bolt 5/8 x 1-1/4	
4	0681818	2	Bolt 1/2 x 2-1/4 Grade 8	
4	0641818	2	Bolt 1/2 x 2-1/4	
5	0961950	2	Bushing	
6	3340837	2	Pad, Wear	
7	3422592	1	Pin, Axle Pivot	
8	3539877	2	Plate, Stop	
9	3841258	1	Keeper, Pin	
10	4070897	2	Shim #18Ga	
11	4070898	2	Shim #11Ga	
12	4070944	2	Shim #16Ga	
13	4070945	2	Shim 1/4	
14	4711600	4	Washer 3/8	
15	4740158	1	Thrustwasher	
16	4891800	2	Washer 1/2	
17	1001174461	1	Axle	
17A	1001175158	2	Steer Cylinder Mounting Block Assembly	

# SECTION 1 - FRAME

## FIGURE 1-2. AXLE INSTALLATION - FIXED (4WD)



ART\_1001174523

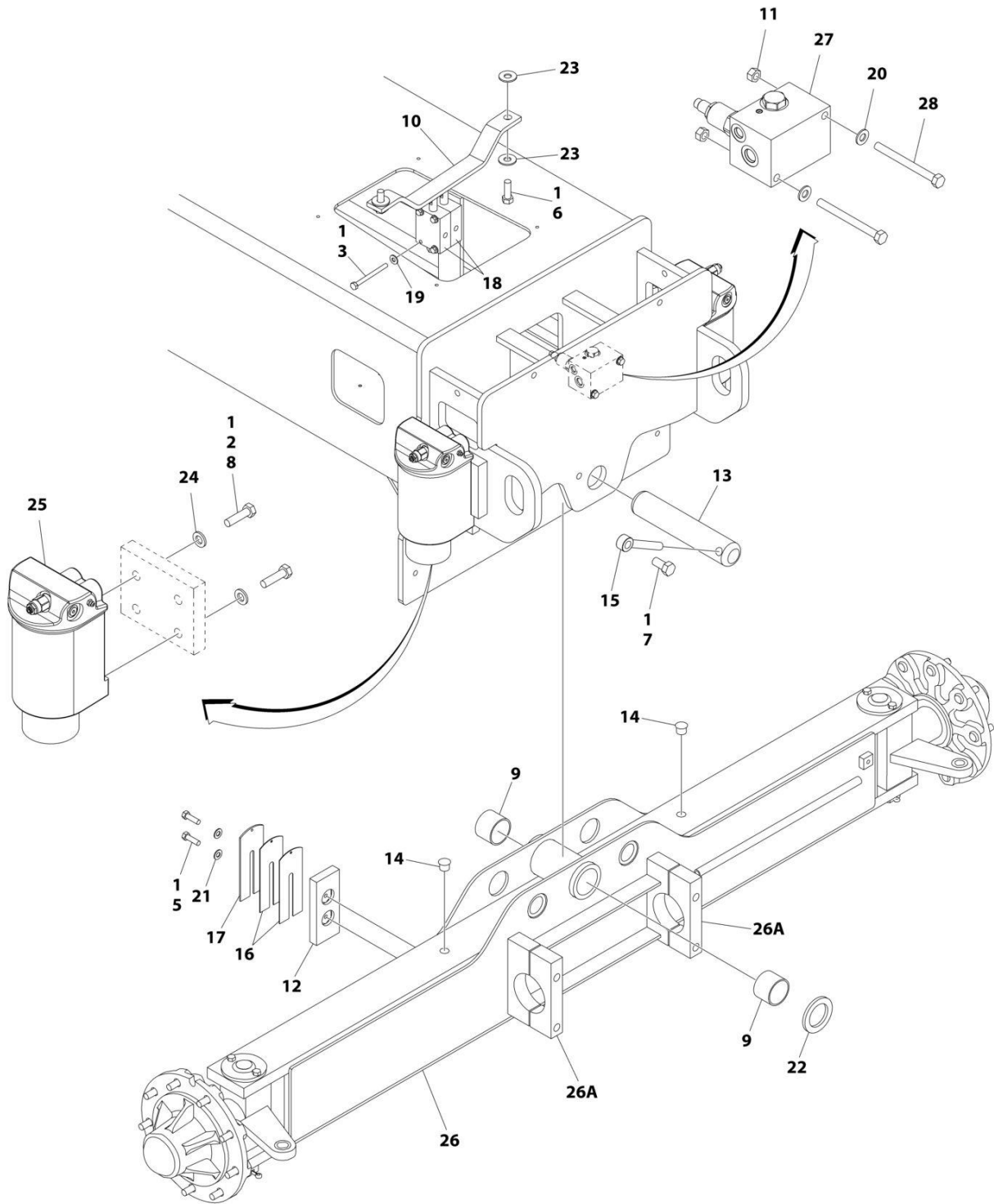
## SECTION 1 - FRAME

**FIGURE 1-2. AXLE INSTALLATION - FIXED (4WD)**

ITEM	PART NUMBER	QTY	DESCRIPTION	REV
	1001174523	Ref	AXLE INSTALLATION - FIXED (4WD)	C
1	0100011	AR	Compound, Locking	
2	0641610	4	Bolt 3/8 x 1-1/4	
3	0642010	1	Bolt 5/8 x 1-1/4	
4	0681818	2	Bolt 1/2 x 2-1/4 Grade 8	
4	0641818	2	Bolt 1/2 x 2-1/4	
5	0961950	2	Bushing	
6	3340837	2	Pad, Wear	
7	3422592	1	Pin, Axle Pivot	
8	3539877	2	Plate, Stop	
9	3841258	1	Keeper, Pin	
10	4070897	2	Shim #18Ga	
11	4070898	2	Shim #11Ga	
12	4070944	2	Shim #16Ga	
13	4070945	2	Shim 1/4	
14	4711600	4	Washer 3/8	
15	4740158	1	Thrustwasher	
16	4891800	2	Washer 1/2	
17	1001174792	1	Axle	
17A	1001175158	2	Steer Cylinder Mounting Block Assembly	

# SECTION 1 - FRAME

FIGURE 1-3. AXLE INSTALLATION - OSCILLATING WITHOUT TOW PACKAGE (2WD) (MACHINES WITH SN STARTING WITH 03)



ART\_1001174525

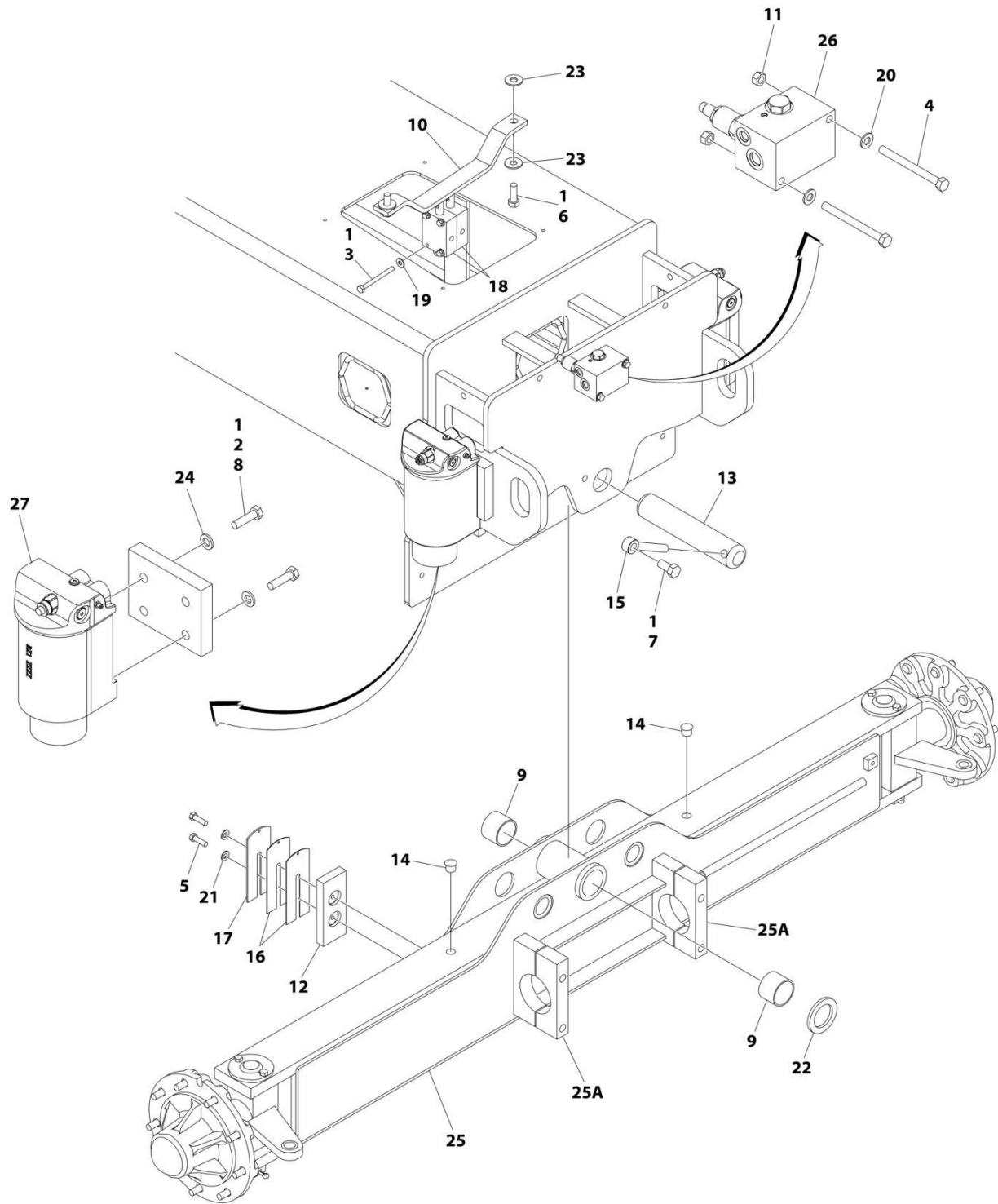
## SECTION 1 - FRAME

**FIGURE 1-3. AXLE INSTALLATION - OSCILLATING WITHOUT TOW PACKAGE (2WD) (MACHINES WITH SN STARTING WITH 03)**

ITEM	PART NUMBER	QTY	DESCRIPTION	REV
	1001174525	Ref	AXLE INSTALLATION - OSCILLATING WITHOUT TOW PACKAGE (2WD) (CE & UK CA SPECS)	D
1	0100011	AR	Compound, Locking	
2	0100038	AR	Primer, Locking	
3	0641424	4	Bolt 1/4 x 3	
5	0641610	4	Bolt 3/8 x 1-1/4	
6	0641812	2	Bolt 1/2 x 1-1/2	
7	0642010	1	Bolt 5/8 x 1-1/4	
8	0701217	8	Bolt M12 x 45	
9	0961950	2	Bushing	
10	1100124	1	Cam, Lockout	
11	3311501	2	Nut 5/16	
12	3340837	2	Pad, Wear	
13	3422592	1	Pin, Axle Pivot	
14	3520054	2	Plug, Hole	
15	3841258	1	Keeper, Pin	
16	4070897	4	Shim #18Ga	
17	4070898	2	Shim #11Ga	
18	4640871	2	Lockout Valve Assembly	
19	4711400	4	Washer 1/4	
20	4711500	2	Washer 5/16	
21	4711600	4	Washer 3/8	
22	4740158	1	Thrustwasher	
23	4751800	4	Washer 1/2	
24	5241200	8	Washer M12	
25	1001163580	2	Axle Lockout Cylinder Assembly (See Separate Breakdown in CYLINDER Section)	
26	1001174461	1	Axle	
26A	1001175158	2	Steer Cylinder Mounting Block Assembly	
27	1001182136	1	Axle Lockout Valve Assembly (See Separate Breakdown in this Section)	
28	0641528	2	Bolt 5/16 x 3-1/2	

# SECTION 1 - FRAME

## FIGURE 1-4. AXLE INSTALLATION - OSCILLATING WITHOUT TOW PACKAGE (2WD) (MACHINES WITH SN STARTING WITH B3)



ART\_1001281189

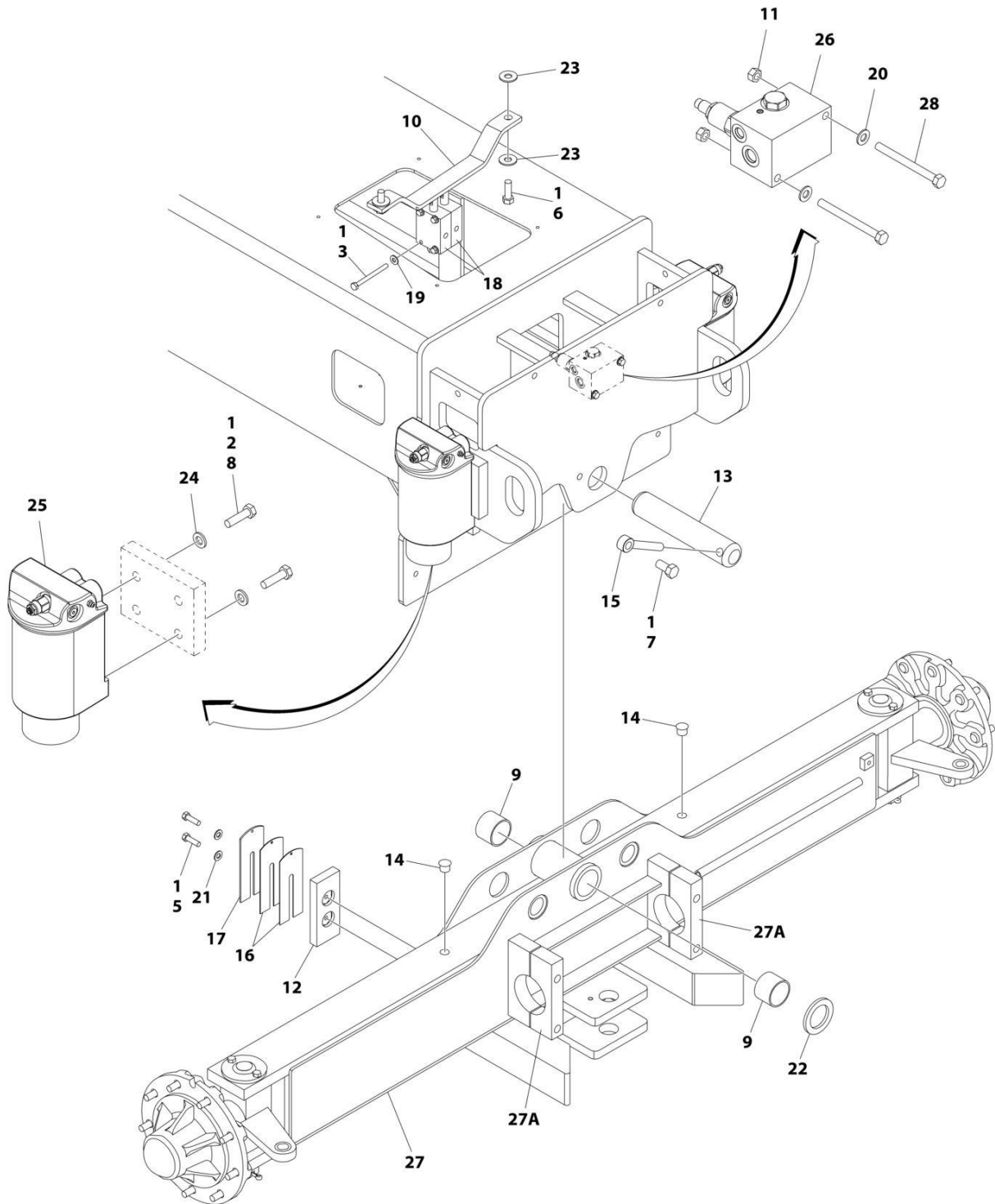
## SECTION 1 - FRAME

**FIGURE 1-4. AXLE INSTALLATION - OSCILLATING WITHOUT TOW PACKAGE (2WD) (MACHINES WITH SN STARTING WITH B3)**

ITEM	PART NUMBER	QTY	DESCRIPTION	REV
	1001281189	Ref	AXLE INSTALLATION - OSCILLATING WITHOUT TOW PACKAGE (2WD)	B
1	0100011	AR	Compound, Locking	
2	0100038	AR	Primer, Locking	
3	0641424	4	Bolt 1/4 x 3	
4	0641528	2	Bolt 5/16 x 3-1/2	
5	0641610	4	Bolt 3/8 x 1-1/4	
6	0641812	2	Bolt 1/2 x 1-1/2	
7	0642010	1	Bolt 5/8 x 1-1/4	
8	0701217	8	Bolt M12 x 45	
9	0961950	2	Bushing	
10	1100124	1	Cam, Lockout	
11	3311501	2	Nut 5/16	
12	3340837	2	Pad, Wear	
13	3422592	1	Pin, Axle Pivot	
14	3520054	2	Plug, Hole	
15	3841258	1	Keeper, Pin	
16	4070897	4	Shim #18Ga	
17	4070898	2	Shim #11Ga	
18	4640871	2	Lockout Valve Assembly	
19	4711400	4	Washer 1/4	
20	4711500	2	Washer 5/16	
21	4711600	4	Washer 3/8	
22	4740158	1	Thrustwasher	
23	4751800	4	Washer 1/2	
24	5241200	8	Washer M12	
25	1001174461	1	Axle	
25A	1001175158	2	Steer Cylinder Mounting Block Assembly	
26	1001182136	1	Axle Lockout Valve Assembly (See Separate Breakdown in this Section)	
27	1001256179	2	Axle Lockout Cylinder Assembly (See Separate Breakdown in CYLINDER Section)	

# SECTION 1 - FRAME

## FIGURE 1-5. AXLE INSTALLATION - OSCILLATING WITH TOW PACKAGE (2WD)



ART\_1001174528



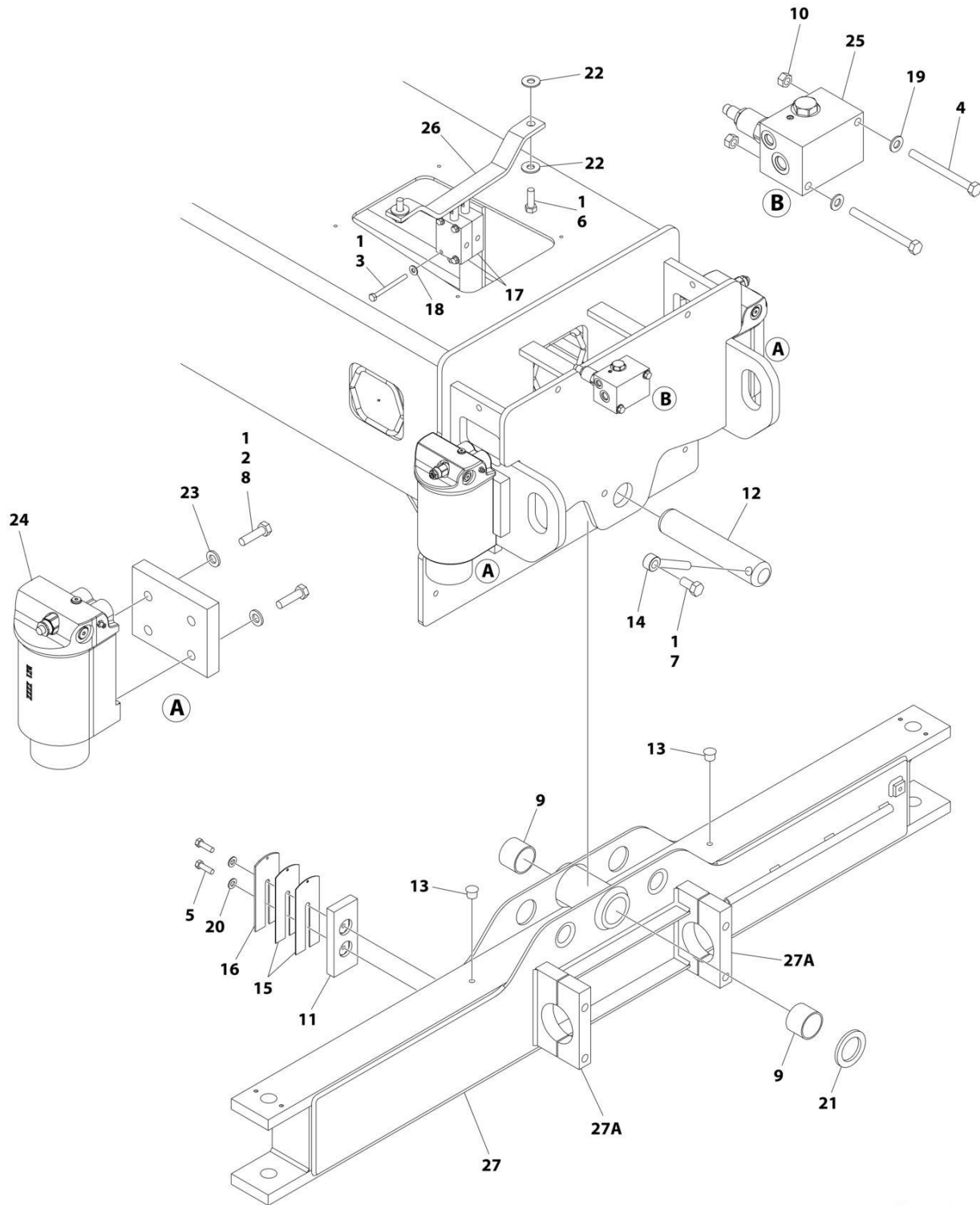
## SECTION 1 - FRAME

**FIGURE 1-5. AXLE INSTALLATION - OSCILLATING WITH TOW PACKAGE (2WD)**

ITEM	PART NUMBER	QTY	DESCRIPTION	REV
	1001174528	Ref	AXLE INSTALLATION - OSCILLATING WITH TOW PACKAGE (2WD) (CE & UK CA SPECS)	D
1	0100011	AR	Compound, Locking	
2	0100038	AR	Primer, Locking	
3	0641424	4	Bolt 1/4 x 3	
5	0641610	4	Bolt 3/8 x 1-1/4	
6	0641812	2	Bolt 1/2 x 1-1/2	
7	0642010	1	Bolt 5/8 x 1-1/4	
8	0701217	8	Bolt M12 x 45	
9	0961950	2	Bushing	
10	1100124	1	Cam, Lockout	
11	3311501	2	Nut 5/16	
12	3340837	2	Pad, Wear	
13	3422592	1	Pin, Axle Pivot	
14	3520054	2	Plug, Hole	
15	3841258	1	Keeper, Pin	
16	4070897	4	Shim #18Ga	
17	4070898	2	Shim #11Ga	
18	4640871	2	Lockout Valve Assembly	
19	4711400	4	Washer 1/4	
20	4711500	2	Washer 5/16	
21	4711600	4	Washer 3/8	
22	4740158	1	Thrustwasher	
23	4751800	4	Washer 1/2	
24	5241200	8	Washer M12	
25	1001163580	2	Axle Lockout Cylinder Assembly (See Separate Breakdown in CYLINDER Section)	
26	1001182136	1	Axle Lockout Valve Assembly (See Separate Breakdown in this Section)	
27	1001182707	1	Axle	
27A	1001175158	2	Steer Cylinder Mounting Block Assembly	
28	0641528	2	Bolt 5/16 x 3-1/2	

# SECTION 1 - FRAME

FIGURE 1-6. AXLE INSTALLATION - OCILLATION (2WD) (MACHINES WITH SN STARTING WITH B3)



ART\_1001293404

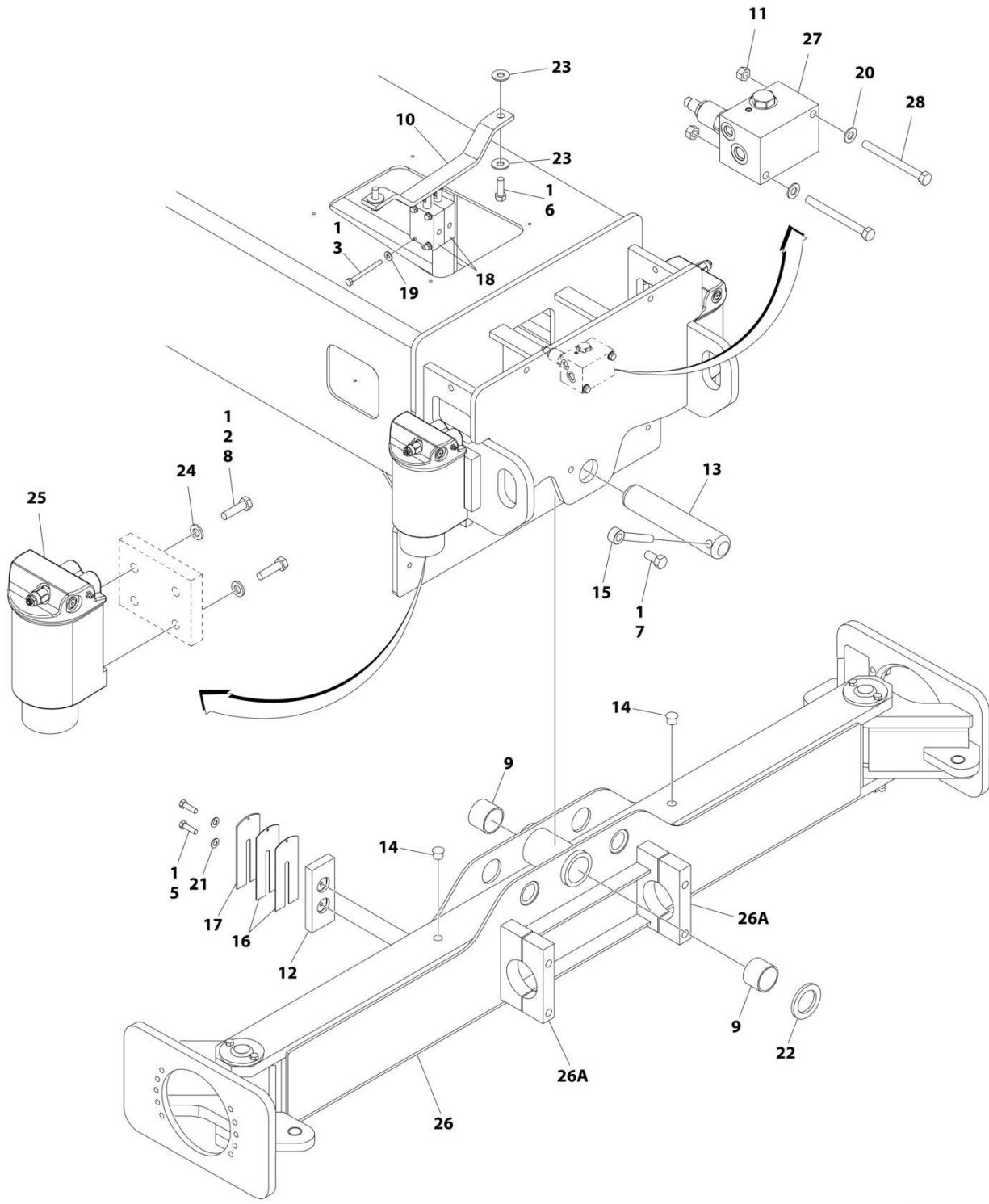
## SECTION 1 - FRAME

**FIGURE 1-6. AXLE INSTALLATION - OCILLATION (2WD) (MACHINES WITH SN STARTING WITH B3)**

ITEM	PART NUMBER	QTY	DESCRIPTION	REV
	1001293404	Ref	AXLE INSTALLATION - OSCILLATION (2WD)	A
1	0100011	AR	Compound, Locking	
2	0100038	AR	Primer, Locking	
3	0641424	4	Bolt 1/4 x 3	
4	0641528	2	Bolt 5/16 x 3-1/2	
5	0641610	4	Bolt 3/8 x 1-1/4	
6	0641812	2	Bolt 1/2 x 1-1/2	
7	0642010	1	Bolt 5/8 x 1-1/4	
8	0701217	8	Bolt M12 x 45	
9	0961950	2	Bushing	
10	3311501	2	Nut 5/16	
11	3340837	2	Pad, Wear	
12	3422592	1	Pin, Axle Pivot	
13	3520054	2	Plug, Hole	
14	3841258	1	Keeper, Pin	
15	4070897	AR	Shim #18Ga	
16	4070898	AR	Shim #11Ga	
17	4640871	2	Lockout Valve Assembly	
18	4711400	4	Washer 1/4	
19	4711500	2	Washer 5/16	
20	4711600	4	Washer 3/8	
21	4740158	1	Thrustwasher	
22	4751800	4	Washer 1/2	
23	5241200	8	Washer M12	
24	1001256179	2	Axle Lockout Cylinder Assembly (See Separate Breakdown in CYLINDER Section)	
25	1001182136	1	Axle Lockout Valve Assembly (See Separate Breakdown in this Section)	
26	1001277827	1	Cam, Lockout	
27	1001293403	1	Axle	
27A	1001277539	2	Steer Cylinder Mounting Block Assembly	

# SECTION 1 - FRAME

FIGURE 1-7. AXLE INSTALLATION - OSCILLATING (4WD) (MACHINES WITH SN STARTING WITH 03)



ART\_1001174527

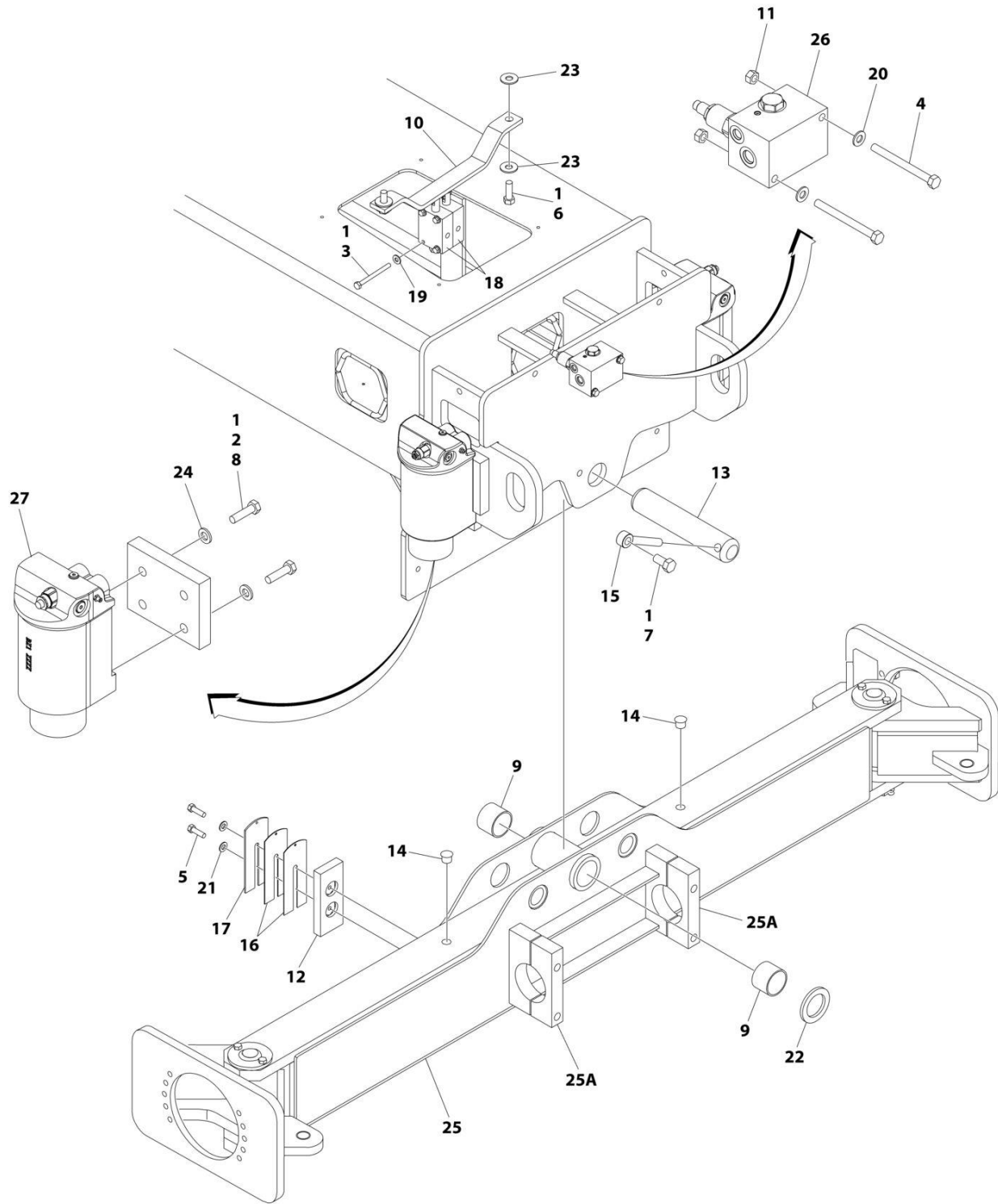
## SECTION 1 - FRAME

**FIGURE 1-7. AXLE INSTALLATION - OSCILLATING (4WD) (MACHINES WITH SN STARTING WITH 03)**

ITEM	PART NUMBER	QTY	DESCRIPTION	REV
	1001174527	Ref	AXLE INSTALLATION - OSCILLATING (4WD) (CE & UK CA SPECS)	D
1	0100011	AR	Compound, Locking	
2	0100038	AR	Primer, Locking	
3	0641424	4	Bolt 1/4 x 3	
5	0641610	4	Bolt 3/8 x 1-1/4	
6	0641812	2	Bolt 1/2 x 1-1/2	
7	0642010	1	Bolt 5/8 x 1-1/4	
8	0701217	8	Bolt M12 x 45	
9	0961950	2	Bushing	
10	1100124	1	Cam, Lockout	
11	3311501	2	Nut 5/16	
12	3340837	2	Pad, Wear	
13	3422592	1	Pin, Axle Pivot	
14	3520054	2	Plug, Hole	
15	3841258	1	Keeper, Pin	
16	4070897	4	Shim #18Ga	
17	4070898	2	Shim #11Ga	
18	4640871	2	Lockout Valve Assembly	
19	4711400	4	Washer 1/4	
20	4711500	2	Washer 5/16	
21	4711600	4	Washer 3/8	
22	4740158	1	Thrustwasher	
23	4751800	4	Washer 1/2	
24	5241200	8	Washer M12	
25	1001163580	2	Axle Lockout Cylinder Assembly (See Separate Breakdown in CYLINDER Section)	
26	1001174792	1	Axle	
26A	1001175158	2	Steer Cylinder Mounting Block Assembly	
27	1001182136	1	Axle Lockout Valve Assembly (See Separate Breakdown in this Section)	
28	0641528	2	Bolt 5/16 x 3-1/2	

# SECTION 1 - FRAME

FIGURE 1-8. AXLE INSTALLATION - OSCILLATING (4WD) (MACHINES WITH SN STARTING WITH B3)



ART\_1001281190

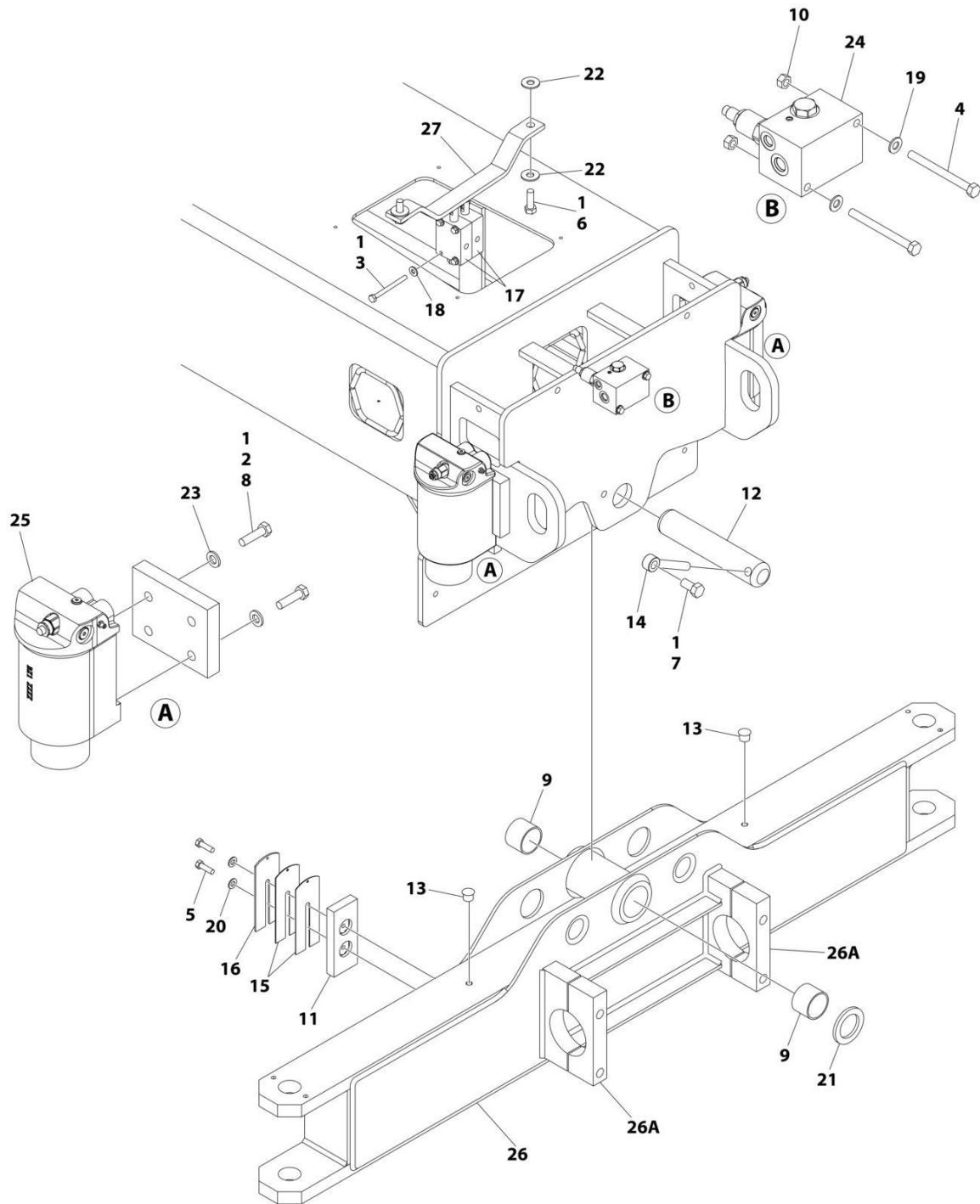
## SECTION 1 - FRAME

**FIGURE 1-8. AXLE INSTALLATION - OSCILLATING (4WD) (MACHINES WITH SN STARTING WITH B3)**

ITEM	PART NUMBER	QTY	DESCRIPTION	REV
	1001281190	Ref	AXLE INSTALLATION - OSCILLATING (4WD)	B
1	0100011	AR	Compound, Locking	
2	0100038	AR	Primer, Locking	
3	0641424	4	Bolt 1/4 x 3	
4	0641528	2	Bolt 5/16 x 3-1/2	
5	0641610	4	Bolt 3/8 x 1-1/4	
6	0641812	2	Bolt 1/2 x 1-1/2	
7	0642010	1	Bolt 5/8 x 1-1/4	
8	0701217	8	Bolt M12 x 45	
9	0961950	2	Bushing	
10	1100124	1	Cam, Lockout	
11	3311501	2	Nut 5/16	
12	3340837	2	Pad, Wear	
13	3422592	1	Pin, Axle Pivot	
14	3520054	2	Plug, Hole	
15	3841258	1	Keeper, Pin	
16	4070897	4	Shim #18Ga	
17	4070898	2	Shim #11Ga	
18	4640871	2	Lockout Valve Assembly	
19	4711400	4	Washer 1/4	
20	4711500	2	Washer 5/16	
21	4711600	4	Washer 3/8	
22	4740158	1	Thrustwasher	
23	4751800	4	Washer 1/2	
24	5241200	8	Washer M12	
25	1001174792	1	Axle	
25A	1001175158	2	Steer Cylinder Mounting Block Assembly	
26	1001182136	1	Axle Lockout Valve Assembly (See Separate Breakdown in this Section)	
27	1001256179	2	Axle Lockout Cylinder Assembly (See Separate Breakdown in CYLINDER Section)	

# SECTION 1 - FRAME

FIGURE 1-9. AXLE INSTALLATION - OCILLATION (4WD) (MACHINES WITH SN STARTING WITH B3)



ART\_1001277428



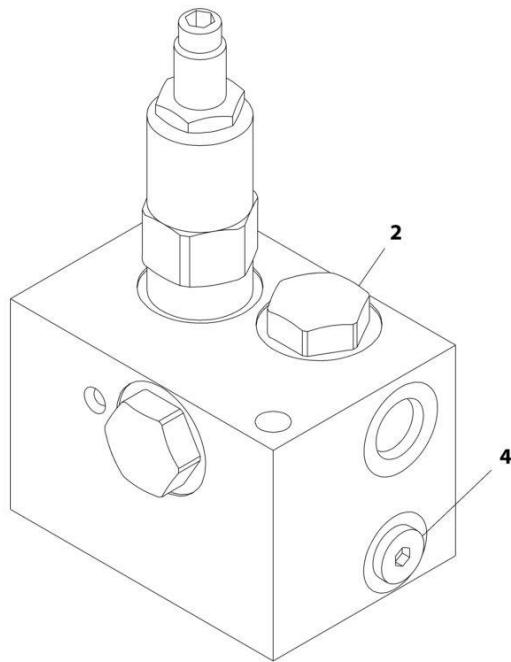
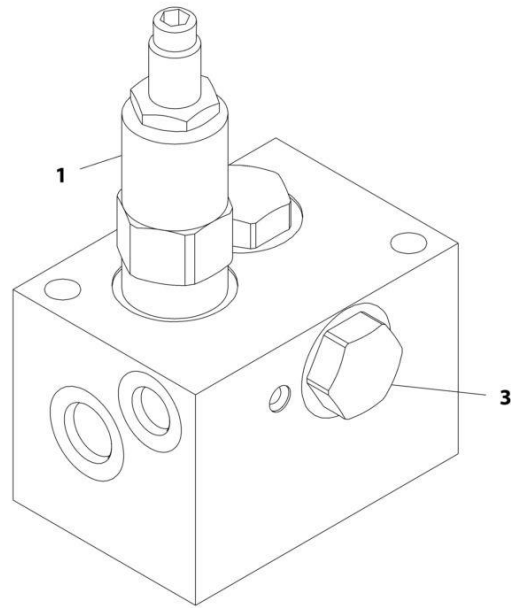
## SECTION 1 - FRAME

**FIGURE 1-9. AXLE INSTALLATION - OCILLATION (4WD) (MACHINES WITH SN STARTING WITH B3)**

ITEM	PART NUMBER	QTY	DESCRIPTION	REV
	1001277428	Ref	AXLE INSTALLATION - OSCILLATION (4WD)	A
1	0100011	AR	Compound, Locking	
2	0100038	AR	Primer, Locking	
3	0641424	4	Bolt 1/4x 3	
4	0641528	2	Bolt 5/16 x 3-1/2	
5	0641610	4	Bolt 3/8 x 1-1/4	
6	0641812	2	Bolt 1/2 x 1-1/2	
7	0642010	1	Bolt 5/8 x 1-1/4	
8	0701217	8	Bolt M12 x 45	
9	0961950	2	Bushing	
10	3311501	2	Nut 5/16	
11	3340837	2	Pad, Wear	
12	3422592	1	Pin, Axle Pivot	
13	3520054	2	Plug, Hole	
14	3841258	1	Keeper, Pin	
15	4070897	AR	Shim #18Ga	
16	4070898	AR	Shim #11Ga	
17	4640871	2	Lockout Valve Assembly	
18	4711400	4	Washer 1/4	
19	4711500	2	Washer 5/16	
20	4711600	4	Washer 3/8	
21	4740158	1	Thrustwasher	
22	4751800	4	Washer 1/2	
23	5241200	8	Washer M12	
24	1001182136	1	Axle Lockout Valve Assembly (See Separate Breakdown in this Section)	
25	1001256179	2	Axle Lockout Valve Assembly (See Separate Breakdown in this Section)	
26	1001277427	1	Axle	
26A	1001277539	2	Steer Cylinder Mounting Block Assembly	
27	1001277827	1	Cam, Lockout	

# SECTION 1 - FRAME

## FIGURE 1-10. AXLE LOCKOUT VALVE ASSEMBLY



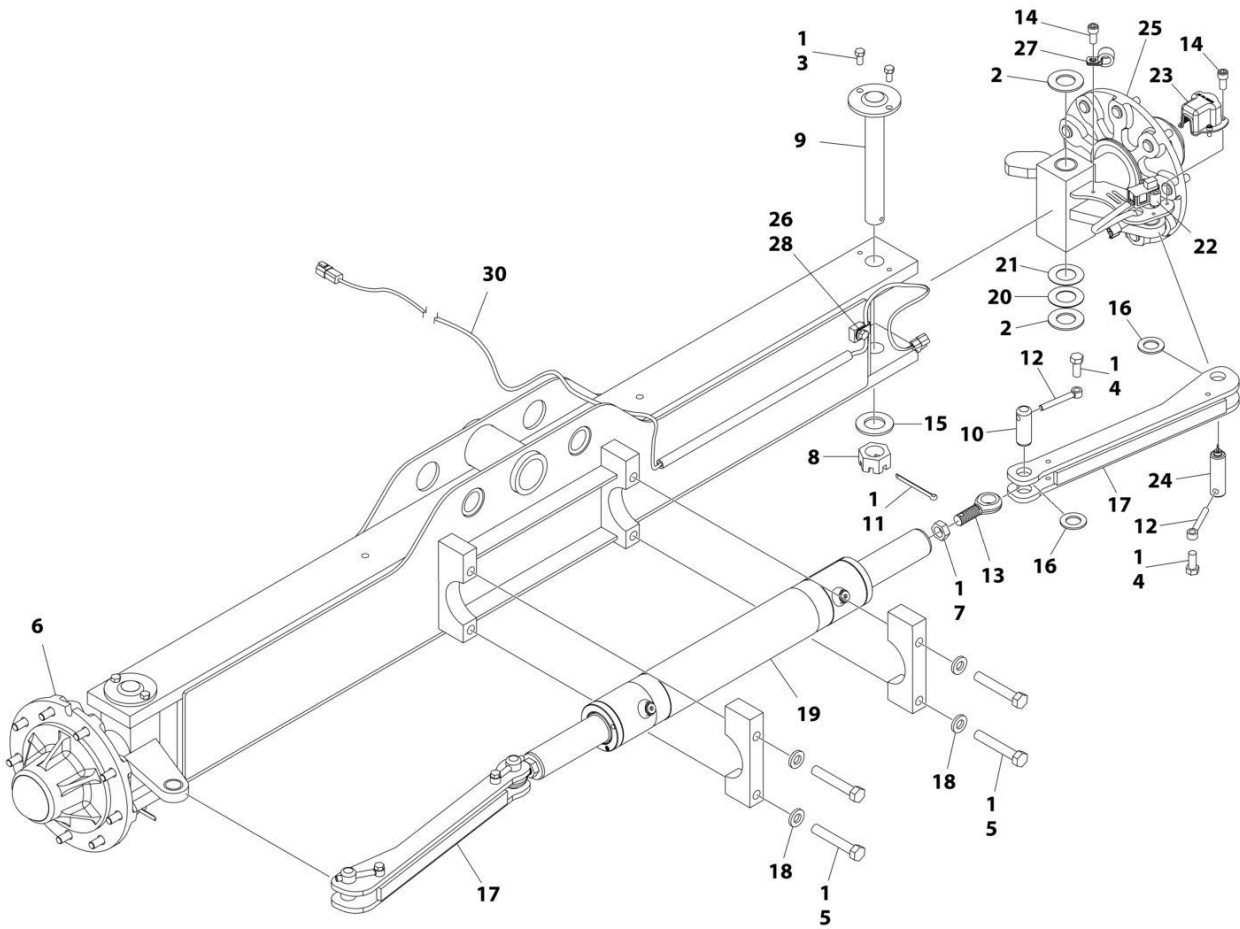
ART\_1001182136

**FIGURE 1-10. AXLE LOCKOUT VALVE ASSEMBLY**

ITEM	PART NUMBER	QTY	DESCRIPTION	REV
	1001182136	Ref	AXLE LOCKOUT VALVE ASSEMBLY	C
1	70004388	1	Cartridge	
1	7021653	1	Seal Kit - 70004388 Cartridge	
2	7012955	1	Cartridge	
2	7012967	1	Seal Kit - 7012955 Cartridge	
3	7023976	1	Cartridge	
3	7012967	1	Seal Kit - 7023976 Cartridge	
4	2220883	1	Plug	

# SECTION 1 - FRAME

## FIGURE 1-11. STEER INSTALLATION - WITHOUT TOW PACKAGE (2WD/2WS)



ART\_1001180934

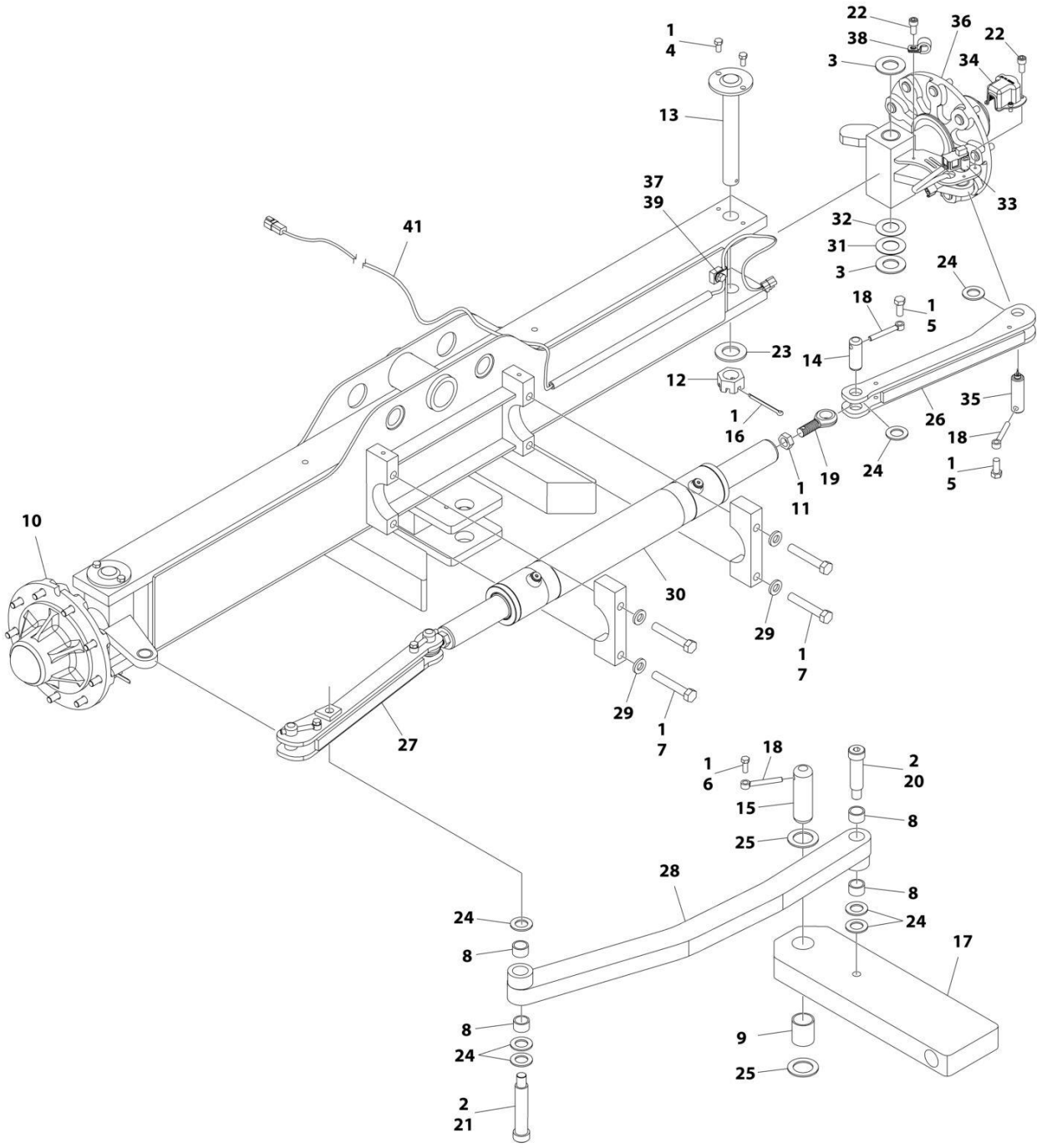
## SECTION 1 - FRAME

**FIGURE 1-11. STEER INSTALLATION - WITHOUT TOW PACKAGE (2WD/2WS)**

ITEM	PART NUMBER	QTY	DESCRIPTION	REV
	1001180934	Ref	STEER INSTALLATION - WITHOUT TOW PACKAGE (2WD/2WS)	D
1	0100011	AR	Compound, Locking	
2	0440162	4	Thrustwasher	
3	0641606	4	Bolt 3/8 x 3/4	
4	0641607	4	Bolt 3/8 x 7/8	
5	0642030	4	Bolt 5/8 x 3-3/4	
6	2780245	1	Hub/Spindle Assembly (RH) (See Separate Breakdown in this Section)	
7	3322202	2	Nut 3/4	
8	3323003	2	Nut 1-1/4	
9	3422692	2	Kingpin	
10	3422817	3	Pin	
11	3450812	2	Pin, Cotter 1/4 x 3	
12	3841143	4	Keeper, Pin	
13	3841443	2	Rod-End	
14	3931408	4	Capscrew 1/4 x 1/2	
15	4713000	2	Washer 1-1/4	
16	4740111	4	Thrustwasher	
17	4846076	2	Tie-Rod	
18	4892000	4	Washer 5/8	
19	1001140281	1	Steer Cylinder Assembly (See Separate Breakdown in CYLINDER Section)	
20	1001151395	AR	Shim .048	
21	1001151428	AR	Shim .036	
22	1001161117	1	Switch, Rotary Angle Sensor	
23	1001169423	1	Cover	
24	1001180908	1	Pin	
25	1001180912	1	Hub/Spindle Assembly (LH) (See Separate Breakdown in this Section)	
26	0641604	1	Bolt 3/8 x 1/2	
27	1320043	1	Clamp	
28	1320263	1	Clamp	
29	4240032	2	Tie-Strap (Not Shown)	
30	1001195835	1	Steer Harness (See Separate Breakdown in ELECTRICAL Section)	

# SECTION 1 - FRAME

## FIGURE 1-12. STEER INSTALLATION - WITH TOW PACKAGE (2WD/2WS)



ART\_1001180936

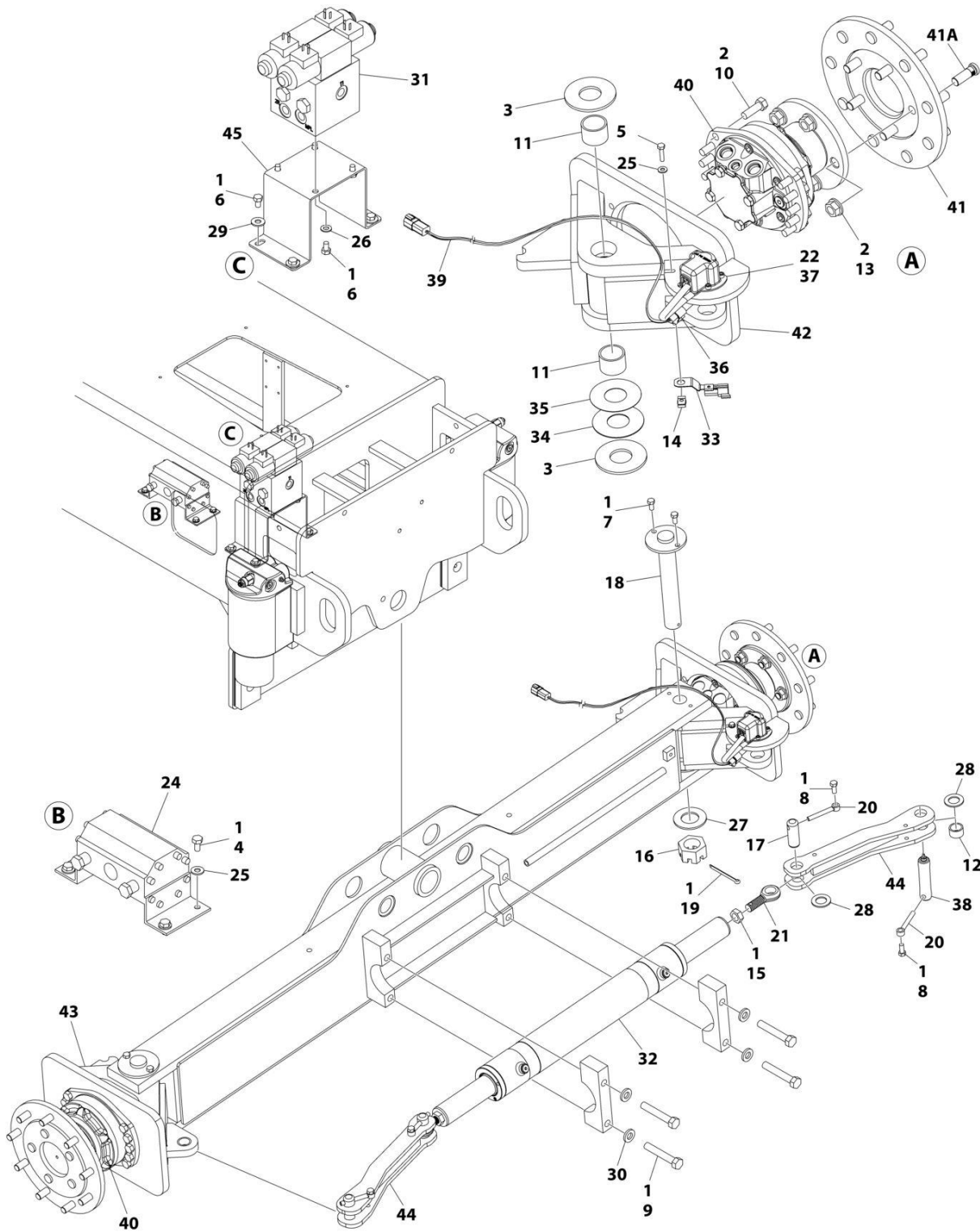
## SECTION 1 - FRAME

**FIGURE 1-12. STEER INSTALLATION - WITH TOW PACKAGE (2WD/2WS)**

ITEM	PART NUMBER	QTY	DESCRIPTION	REV
	1001180936	Ref	STEER INSTALLATION - WITH TOW PACKAGE (2WD/2WS)	D
1	0100011	AR	Compound, Locking	
2	0100019	AR	Compound, Locking	
3	0440162	4	Thrustwasher	
4	0641606	4	Bolt 3/8 x 3/4	
5	0641607	4	Bolt 3/8 x 7/8	
6	0641608	1	Bolt 3/8 x 1	
7	0642030	4	Bolt 5/8 x 3-3/4	
8	0962292	4	Bearing	
9	0962348	1	Bearing	
10	2780245	1	Hub/Spindle Assembly (RH) (See Separate Breakdown in this Section)	
11	3322202	2	Nut 3/4	
12	3323003	2	Nut 1-1/4	
13	3422692	2	Kingpin	
14	3422817	3	Pin	
15	3422848	1	Pin, Hitch	
16	3450812	2	Pin, Cotter 1/4 x 3	
17	3572490	1	Plate, Tow Bar Pivot	
18	3841143	5	Keeper, Pin	
19	3841443	2	Rod-End	
20	3900295	1	Bolt 1 x 3	
21	3900296	1	Bolt 1 x 4-1/2	
22	3931408	4	Capscrew 1/4 x 1/2	
23	4713000	2	Washer 1-1/4	
24	4740111	9	Thrustwasher	
25	4740155	2	Thrustwasher	
26	4846076	1	Tie-Rod (Left Side)	
27	4846292	1	Tie-Rod (Right Side)	
28	4846294	1	Link, Tow Bar	
29	4892000	4	Washer 5/8	
30	1001140281	1	Steer Cylinder Assembly (See Separate Breakdown in CYLINDER Section)	
31	1001151395	AR	Shim .048	
32	1001151428	AR	Shim .036	
33	1001161117	1	Switch, Rotary Angle Sensor	
34	1001169423	1	Cover	
35	1001180908	1	Pin	
36	1001180912	1	Hub/Spindle Assembly (LH) (See Separate Breakdown in this Section)	
37	0641604	1	Bolt 3/8 x 1/2	
38	1320043	1	Clamp	
39	1320263	1	Clamp	
40	4240032	2	Tie-Strap (Not Shown)	
41	1001195835	1	Steer Harness (See Separate Breakdown in ELECTRICAL Section)	

# SECTION 1 - FRAME

FIGURE 1-13. STEER INSTALLATION - (4WD/2WS)(MACHINES WITH SN STARTING WITH B3)  
(EC600SJP,H600SJP)



ART\_1001277732



## SECTION 1 - FRAME

**FIGURE 1-13. STEER INSTALLATION - (4WD/2WS)(MACHINES WITH SN STARTING WITH B3)  
(EC600SJP,H600SJP)**

ITEM	PART NUMBER	QTY	DESCRIPTION	REV
	1001277732	Ref	STEER INSTALLATION - (4WD/2WS)	B
1	0100011	AR	Compound, Locking	
2	0100019	AR	Compound, Locking	
3	0440161	4	Thrustwasher	
4	0641404	4	Bolt 1/4 x 1/2	
5	0641409	1	Bolt 1/4 x 1-1/8	
6	0641504	8	Bolt 5/16 x 1/2	
7	0641606	4	Bolt 3/8 x 3/4	
8	0641607	4	Bolt 3/8 x 7/8	
9	0642030	4	Bolt 5/8 x 3-3/4	
10	0681812	20	Bolt 1/2 x 3-1/4 Grade 8	
11	0961948	4	Bushing	
12	0962292	2	Bearing	
13	3300426	10	Nut 5/8	
14	3300454	1	Nut 1/4	
15	3322202	2	Nut 3/4	
16	3323403	2	Nut 1-1/4	
17	3422817	3	Pin	
18	3422819	2	Pin	
19	3450812	2	Pin, Cotter	
20	3841143	4	Keeper, Pin	
21	3841443	2	Rod-End	
22	3931408	3	Capscrew 1/4 x 1/2	
23	4240033	AR	Tie-Strap (Not Shown)	
24	4641148	1	Flow Divider Assembly	
24	See Note	NSS	Seal Kit - 4641148 Valve (Note: Not Available for Purchase)	
25	4711400	5	Washer 1/4	
26	4711500	4	Washer 5/16	
27	4713400	2	Washer 1-1/2	
28	4740111	4	Thrustwasher	
29	4751500	4	Washer 5/16	
30	4892000	4	Washer 5/8	
31	1001092586	1	Valve Assembly - Drive (See Separate Breakdown in this Section)	
32	1001140281	1	Steer Cylinder Assembly (See Separate Breakdown in CYLINDER Section)	
33	1001141581	1	Mount	
34	1001156429	AR	Shim .060	
35	1001156430	AR	Shim .030	
36	1001161117	1	Switch, Rotary Angle Sensor	
37	1001169423	1	Cover	
38	1001180904	1	Pin, Steer Sensor	
39	1001195835	1	Steer Harness (See Separate Breakdown in ELECTRICAL Section)	
40	1001228232	2	Drive Motor Assembly (See Separate Breakdown in this Section)	
41	1001296272	2	Drive Adapter Assembly	
41A	1001296271	28	Stud, Wheel (14 Per Assembly)	
42	1001277736	1	Spindle (Left Side)	
43	1001277746	1	Spindle (Right Side)	
44	1001277749	2	Tie-Rod	

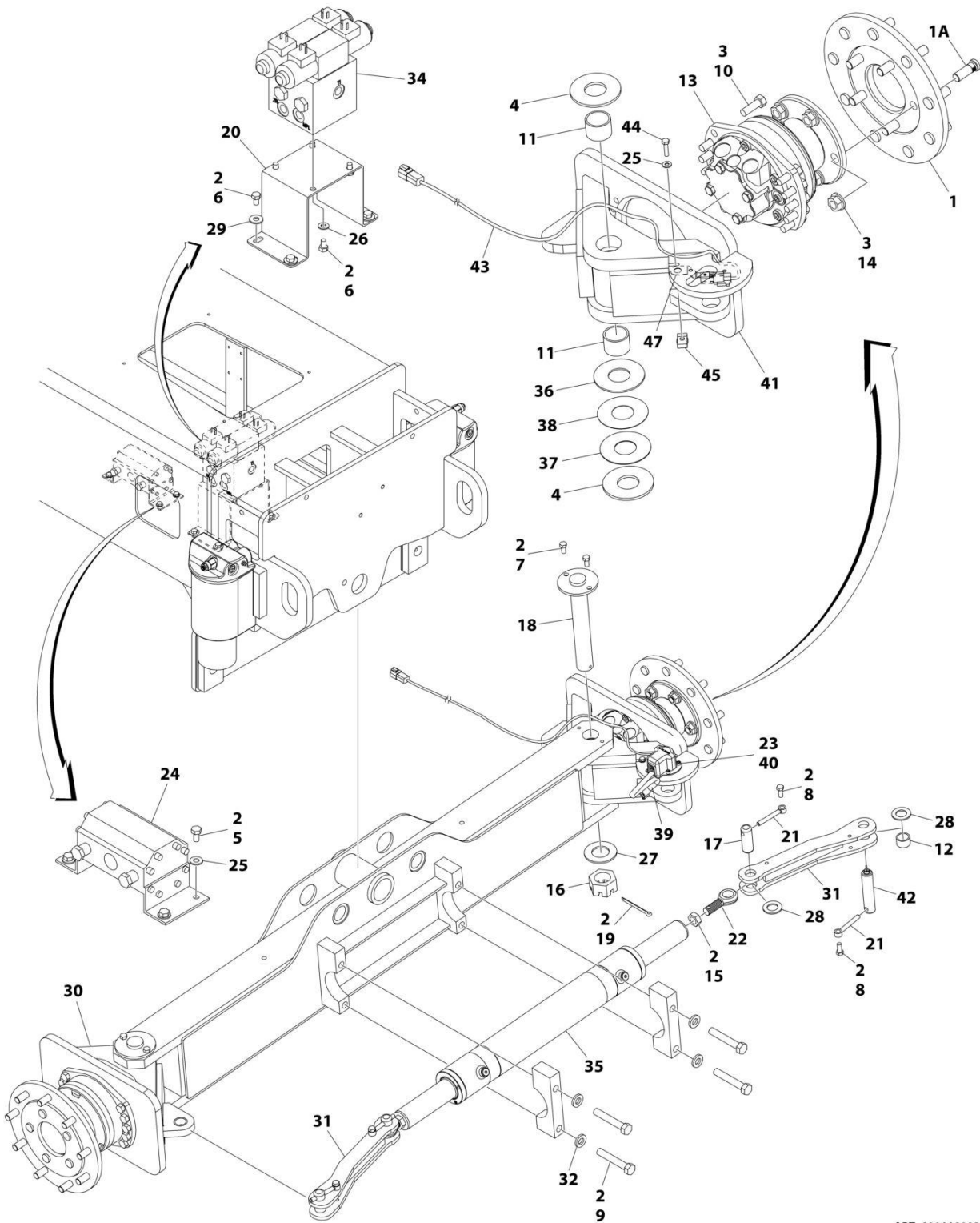
## SECTION 1 - FRAME

ITEM	PART NUMBER	QTY	DESCRIPTION	REV
45	1001277753	1	Plate	



# SECTION 1 - FRAME

FIGURE 1-14. STEER INSTALLATION - (4WD/2WS) (EC600SJ,H600SJ)



ART\_1001180935

# SECTION 1 - FRAME

## FIGURE 1-14. STEER INSTALLATION - (4WD/2WS) (EC600SJ,H600SJ)

ITEM	PART NUMBER	QTY	DESCRIPTION	REV
	1001180935	Ref	STEER INSTALLATION - (4WD/2WS)	E
1	0080233	2	Drive Adapter Assembly	
1A	4300145	28	Stud, Wheel (14 Per Assembly)	
2	0100011	AR	Compound, Locking	
3	0100019	AR	Compound, Locking	
4	0440161	4	Thrustwasher	
5	0641404	4	Bolt 1/4 x 1/2	
6	0641504	8	Bolt 5/16 x 1/2	
7	0641606	4	Bolt 3/8 x 3/4	
8	0641607	4	Bolt 3/8 x 7/8	
9	0642030	4	Bolt 5/8 x 3-3/4	
10	0681812	20	Bolt 1/2 x 3-1/4 Grade 8	
11	0961948	4	Bushing	
12	0962292	2	Bearing	
13	1001228232	2	Drive Motor Assembly (Front) (See Separate Breakdown in this Section)	
14	3300426	10	Nut 5/8	
15	3322202	2	Nut 3/4	
16	3323403	2	Nut 1-1/2	
17	3422817	3	Pin	
18	3422819	2	Kingpin	
19	3450812	2	Pin, Cotter 1/4 x 3	
20	3572328	1	Plate, Mounting	
21	3841143	4	Keeper, Pin	
22	3841443	2	Rod-End	
23	3931408	3	Capscrew 1/4 x 1/2	
24	4641148	1	Flow Divider Assembly	
24	See Note	NSS	Seal Kit - 4641148 Valve (Note: Not Available for Purchase)	
25	4711400	5	Washer 1/4	
26	4711500	4	Washer 5/16	
27	4713400	2	Washer 1-1/2	
28	4740111	4	Thrustwasher	
29	4751500	4	Washer 5/16	
30	4846135	1	Spindle	
31	4846141	2	Tie-Rod	
32	4892000	4	Washer 5/8	
34	1001092586	1	Valve Assembly - Drive (See separate Breakdown in this Section)	
35	1001140281	1	Steer Cylinder Assembly (See Separate Breakdown in CYLINDER Section)	
36	1001156428	AR	Shim .120	
37	1001156429	AR	Shim .060	
38	1001156430	AR	Shim .030	
39	1001161117	1	Switch, Rotary Angle Sensor	
40	1001169423	1	Cover	
41	1001180902	1	Spindle	
42	1001180904	1	Pin, Steer Sensor	
43	1001195835	1	Steer Harness (See Separate Breakdown in ELECTRICAL Section)	
44	0641409	1	Bolt 1/4 x 1-1/8	
45	3300454	1	Nut 1/4	

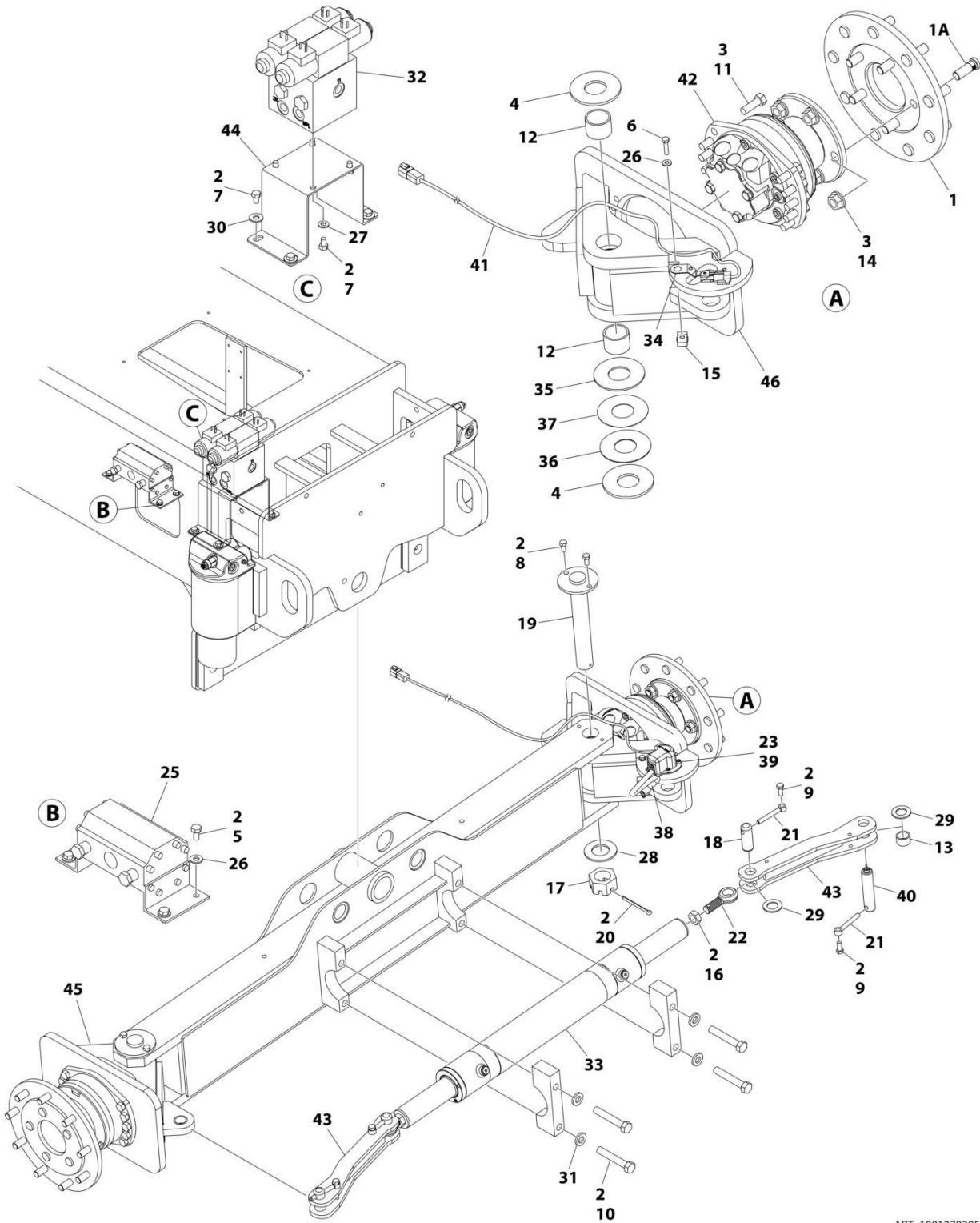
## SECTION 1 - FRAME

ITEM	PART NUMBER	QTY	DESCRIPTION	REV
46	4240033	AR	Tie-Strap (Not Shown)	
47	1001141581	1	Mount	



# SECTION 1 - FRAME

FIGURE 1-15. STEER INSTALLATION - (4WD/2WS)(MACHINES WITH SN STARTING WITH B3)  
(EC600SJ,H600SJ)



ART\_1001278285



## SECTION 1 - FRAME

**FIGURE 1-15. STEER INSTALLATION - (4WD/2WS)(MACHINES WITH SN STARTING WITH B3)  
(EC600SJ,H600SJ)**

ITEM	PART NUMBER	QTY	DESCRIPTION	REV
	1001278285	Ref	STEER INSTALLATION - (4WD/2WS)	B
1	1001296272	2	Drive Adapter Assembly	
1A	1001296271	28	Stud, Wheel (14 Per Assembly)	
2	0100011	AR	Compound, Locking	
3	0100019	AR	Compound, Locking	
4	0440161	4	Thrustwasher	
5	0641404	4	Bolt 1/4 x 1/2	
6	0641409	1	Bolt 1/4 x 1-1/8	
7	0641504	8	Bolt 5/16 x 1/2	
8	0641606	4	Bolt 3/8 x 3/4	
9	0641607	4	Bolt 3/8 x 7/8	
10	0642030	4	Bolt 5/8 x 3-3/4	
11	0681812	20	Bolt 1/2 x 3-1/4 Grade 8	
12	0961948	4	Bushing	
13	0962292	2	Bearing	
14	3300426	10	Nut 5/8	
15	3300454	1	Nut 1/4	
16	3322202	2	Nut 3/4	
17	3323403	2	Nut 1-1/2	
18	3422817	3	Pin	
19	3422819	2	Pin	
20	3450812	2	Pin, Cotter 1/4 x 3	
21	3841143	4	Keeper, Pin	
22	3841443	2	Rod-End	
23	3931408	3	Capscrew 1/4 x 1/2	
24	4240033	AR	Tie-Strap (Not Shown)	
25	4641148	1	Flow Divider Assembly	
25	See Note	NSS	Seal Kit - 4641148 Valve (Note: Not Available for Purchase)	
26	4711400	5	Washer 1/4	
27	4711500	4	Washer 5/16	
28	4713400	2	Washer 1-1/2	
29	4740111	4	Thrustwasher	
30	4751500	4	Washer 5/16	
31	4892000	4	Washer 5/8	
32	1001092586	1	Valve Assembly - Drive (See separate Breakdown in this Section)	
33	1001140281	1	Steer Cylinder Assembly (See Separate Breakdown in CYLINDER Section)	
34	1001141581	1	Mount	
35	1001156428	AR	Shim .120	
36	1001156429	AR	Shim .060	
37	1001156430	AR	Shim .030	
38	1001161117	1	Switch, Rotary Angle Sensor	
39	1001169423	1	Cover	
40	1001180904	1	Pin, Steer Sensor	
41	1001195835	1	Steer Harness (See Separate Breakdown in ELECTRICAL Section)	
42	1001228232	2	Drive Motor Assembly (Front) (See Separate Breakdown in this Section)	
43	1001277749	2	Tie-Rod	

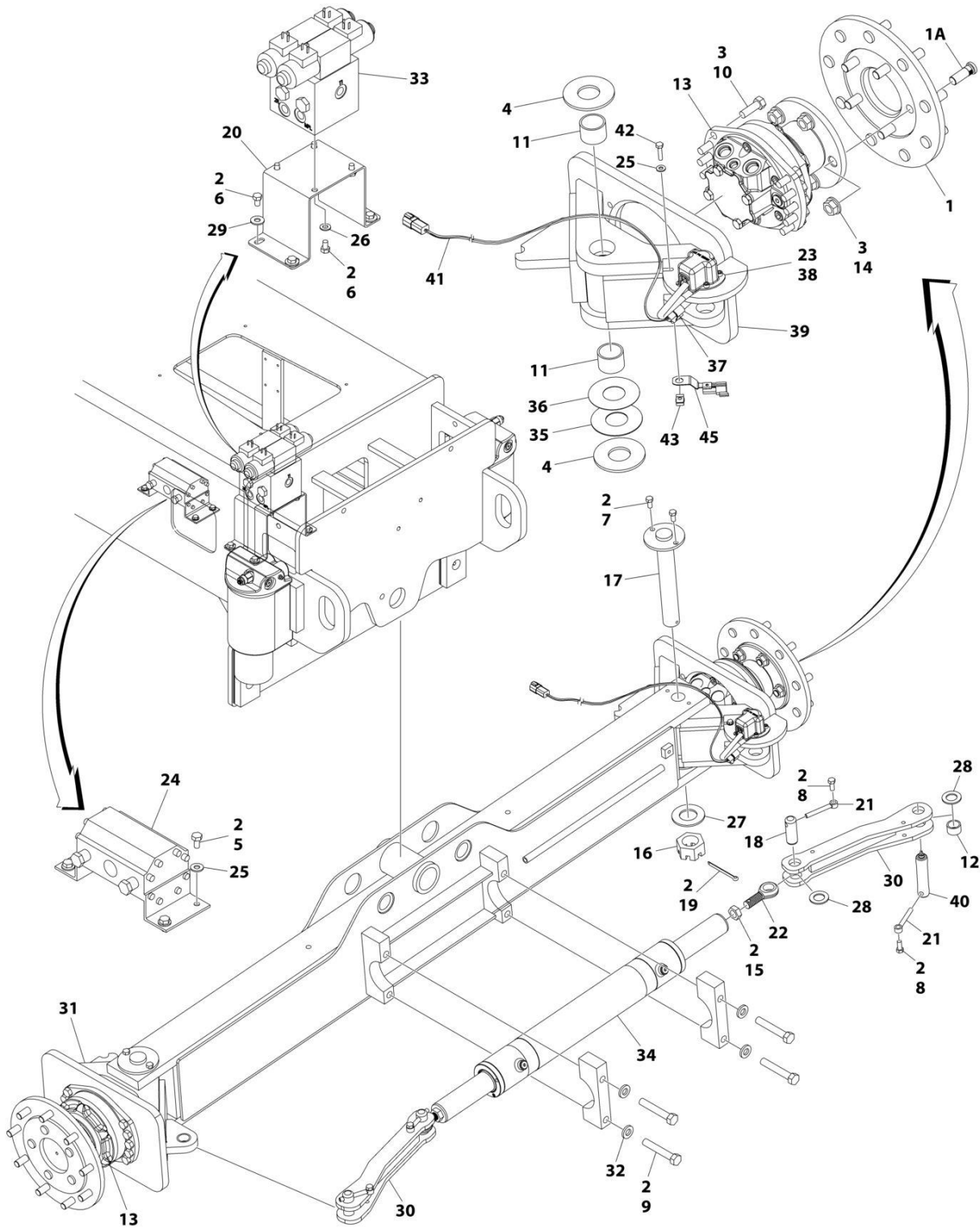
## SECTION 1 - FRAME

ITEM	PART NUMBER	QTY	DESCRIPTION	REV
44	1001277753	1	Plate	
45	1001278294	1	Spindle (Right Side)	
46	1001278297	1	Spindle (Left Side)	



# SECTION 1 - FRAME

## FIGURE 1-16. STEER INSTALLATION - (4WD/2WS) (EC600SJP,H600SJP)



ART\_1001180937

## SECTION 1 - FRAME

**FIGURE 1-16. STEER INSTALLATION - (4WD/2WS) (EC600SJP,H600SJP)**

ITEM	PART NUMBER	QTY	DESCRIPTION	REV
	1001180937	Ref	STEER INSTALLATION - (4WD/2WS) (E600JP/M600JP)	G
1	0080233	2	Drive Adapter Assembly	
1A	4300145	28	Stud, Wheel (14 Per Assembly)	
2	0100011	AR	Compound, Locking	
3	0100019	AR	Compound, Locking	
4	0440161	4	Thrustwasher	
5	0641404	4	Bolt 1/4 x 1/2	
6	0641504	8	Bolt 5/16 x 1/2	
7	0641606	4	Bolt 3/8 x 3/4	
8	0641607	4	Bolt 3/8 x 7/8	
9	0642030	4	Bolt 5/8 x 3-3/4	
10	0681812	20	Bolt 1/2 x 3-1/4 Grade 8	
11	0961948	4	Bushing	
12	0962292	2	Bearing	
13	1001228232	2	Drive Motor Assembly (See Separate Breakdown in this Section)	
14	3300426	10	Nut 5/8	
15	3322202	2	Nut 3/4	
16	3323403	2	Nut 1-1/4	
17	3422819	2	Kingpin	
18	3422817	3	Pin	
19	3450812	2	Pin, Cotter 1/4 x 3	
20	3572328	1	Plate, Mounting	
21	3841143	4	Keeper, Pin	
22	3841443	2	Rod-End	
23	3931408	3	Capscrew 1/4 x 1/2	
24	4641148	1	Flow Divider Assembly	
24	See Note	NSS	Seal Kit - 4641148 Valve (Note: Not Available for Purchase)	
25	4711400	5	Washer 1/4	
26	4711500	4	Washer 5/16	
27	4713000	2	Washer 1-1/4	
27	4713400	2	Washer 1-1/2	
28	4740111	4	Thrustwasher	
29	4751500	4	Washer 5/16	
30	4846141	2	Tie-Rod	
31	4846350	1	Spindle (Right Side)	
32	4892000	4	Washer 5/8	
33	1001092586	1	Valve Assembly - Drive (See Separate Breakdown in this Section)	
34	1001140281	1	Steer Cylinder Assembly (See Separate Breakdown in CYLINDER Section)	
35	1001156429	AR	Shim .060	
36	1001156430	AR	Shim .030	
37	1001161117	1	Switch, Rotary Angle Sensor	
38	1001169423	1	Cover	
39	1001183584	1	Spindle (Left Side)	
40	1001180904	1	Pin, Steer Sensor	
41	1001195835	1	Steer Harness (See Separate Breakdown in ELECTRICAL Section)	
42	0641409	1	Bolt 1/4 x 1-1/8	
43	3300454	1	Nut 1/4	
44	4240033	AR	Tie-Strap (Not Shown)	

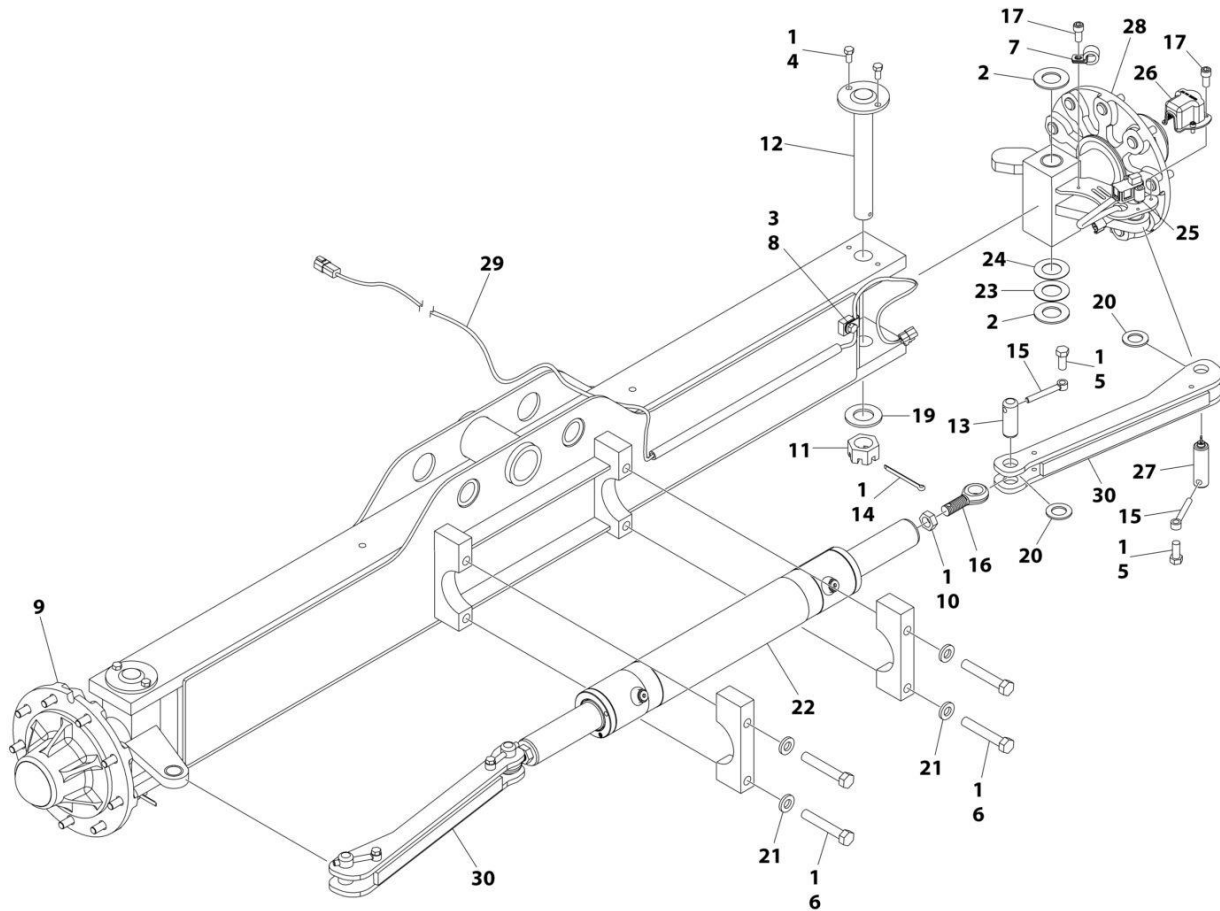
## SECTION 1 - FRAME

ITEM	PART NUMBER	QTY	DESCRIPTION	REV
45	1001141581	1	Mount	



# SECTION 1 - FRAME

FIGURE 1-17. STEER INSTALLATION - (2WD/2WS) (MACHINES WITH SN STARTING WITH B3)



ART\_1001293399



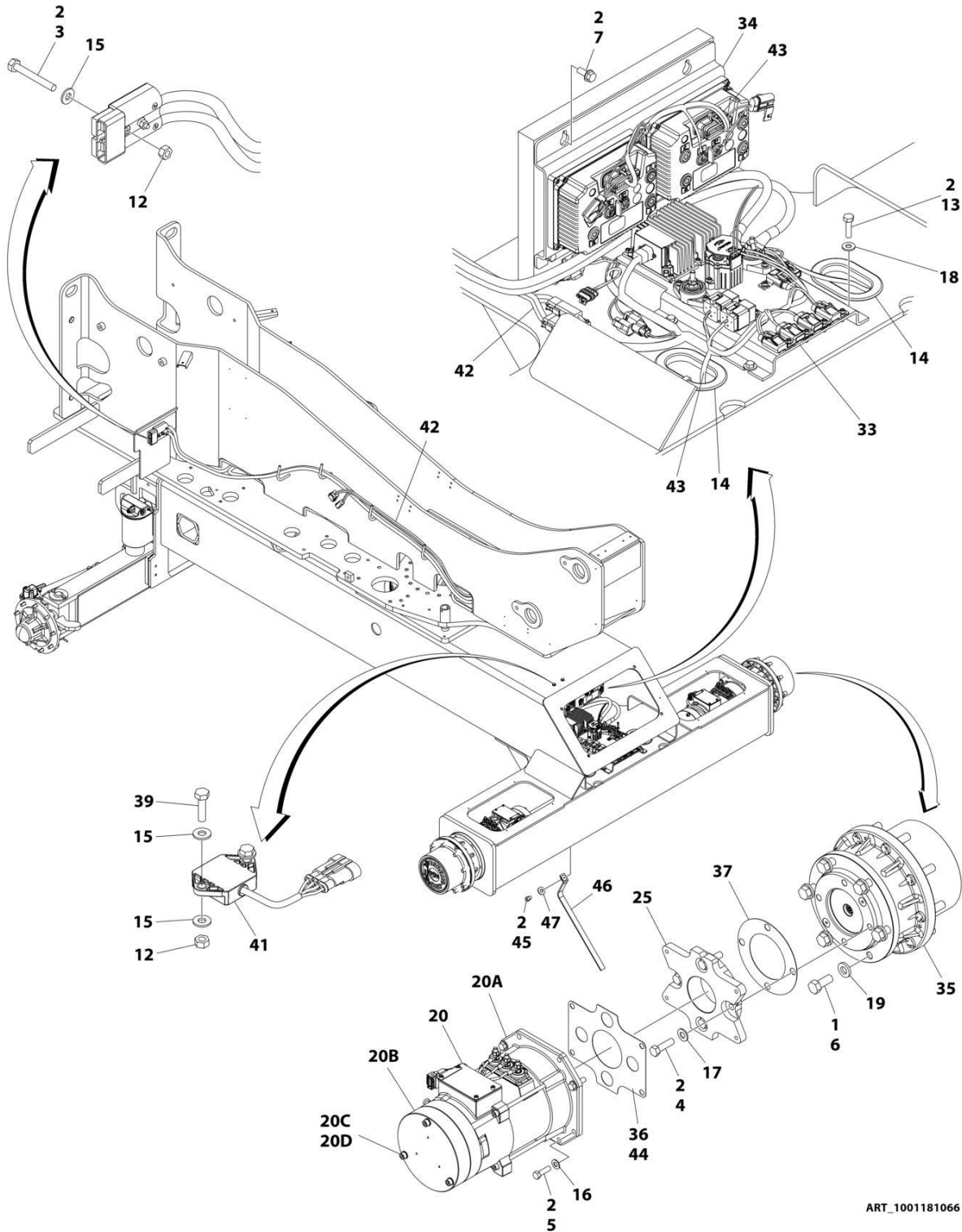
## SECTION 1 - FRAME

**FIGURE 1-17. STEER INSTALLATION - (2WD/2WS) (MACHINES WITH SN STARTING WITH B3)**

ITEM	PART NUMBER	QTY	DESCRIPTION	REV
	1001293399	Ref	STEER INSTALLATION - (2WD/2WS)	A
1	0100011	AR	Compound, Locking	
2	0440162	4	Thrustwasher	
3	0641604	1	Bolt 3/8 x 1/2	
4	0641606	4	Bolt 3/8 x 3/4	
5	0641607	4	Bolt 3/8 x 7/8	
6	0642030	4	Bolt 5/8 x 3-3/4	
7	1320043	1	Clamp	
8	1320263	1	Clamp	
9	2780245	1	Hub/Spindle Assembly (RH) (See Separate Breakdown in this Section)	
10	3322202	2	Nut 3/4	
11	3323003	2	Nut 1-1/4	
12	3422692	2	Kingpin	
13	3422817	3	Pin	
14	3450812	2	Pin, Cotter 1/4 x 3	
15	3841143	4	Keeper, Pin	
16	3841443	2	Rod-End	
17	3931408	4	Capscrew 1/4 x 1/2	
18	4240032	2	Tie-Strap (Not Shown)	
19	4713000	2	Washer 1-1/4	
20	4740111	4	Thrustwasher	
21	4892000	4	Washer 5/8	
22	1001140281	1	Steer Cylinder Assembly (See Separate Breakdown in CYLINDER Section)	
23	1001151395	AR	Shim .048	
24	1001151428	AR	Shim .036	
25	1001161117	1	Switch, Rotary Angle Sensor	
26	1001169423	1	Cover	
27	1001180908	1	Pin	
28	1001180912	1	Hub/Spindle Assembly (LH) (See Separate Breakdown in this Section)	
29	1001195835	1	Steer Harness (See Separate Breakdown in ELECTRICAL Section)	
30	1001293398	2	Tie-Rod	

# SECTION 1 - FRAME

## FIGURE 1-18. WHEEL DRIVE INSTALLATION (NON-UL SPECS)



ART\_1001181066

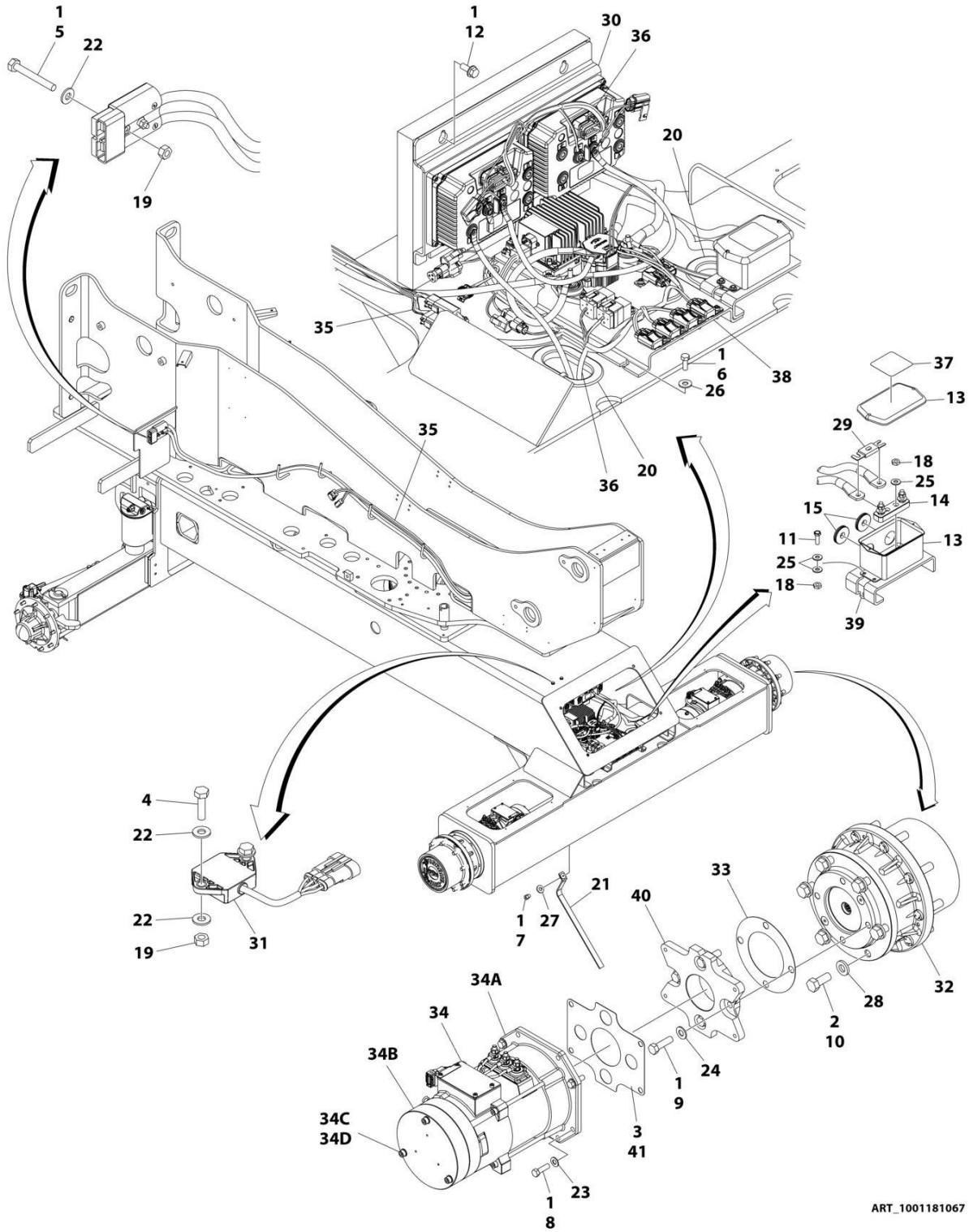
## SECTION 1 - FRAME

**FIGURE 1-18. WHEEL DRIVE INSTALLATION (NON-UL SPECS)**

ITEM	PART NUMBER	QTY	DESCRIPTION	REV
	1001181066	Ref	WHEEL DRIVE INSTALLATION	K
1	0100019	AR	Compound, Locking	
2	0100011	AR	Compound, Locking	
3	0641416	4	Bolt 1/4 x 2	
4	0641814	8	Bolt 1/2 x 1-3/4	
5	0641610	8	Bolt 3/8 x 1-1/4	
6	0682012	12	Bolt 5/8 x 1-1/2 Grade 8	
7	0791506	4	Screw 5/16 x 3/4	
12	3311401	6	Nut 1/4	
13	0641506	4	Bolt 5/16 x 3/4	
14	4060808	20.5 in /52cm	Flex-Trim	
15	4711400	8	Washer 1/4	
16	4751600	8	Washer 3/8	
17	4711800	8	Washer 1/2	
18	4751500	4	Washer 5/16	
19	4892000	12	Washer 5/8	
20	1001184855	2	Drive Motor/Brake Assembly	
20A	1001184206	2	Drive Motor Assembly (See Separate Breakdown in this Section)	
20B	1001184853	2	Drive Brake Assembly	
20C	4031920	3	Capscrew M8 x 80	
20D	4811900	3	Washer M8	
25	1001219722	2	Plate, Motor Adapter	
33	1001180654	1	AC Drive Electrical Plate Assembly (See Separate Breakdown in this Section)	
34	1001180780	1	Drive Module Plate Assembly (See Separate Breakdown in this Section)	
35	1001182494	2	Drive Hub Assembly (See Separate Breakdown in this Section)	
36	1001220271	2	Seal, Motor	
37	1001182960	2	Seal, Hub	
39	0641408	2	Bolt 1/4 x 1	
41	1001219601	1	Sensor, Tilt Dual Axis	
42	1001195836	1	Traction to Turntable Harness (See Separate Breakdown in ELECTRICAL Section)	
43	1001195867	1	Traction Harness (See Separate Breakdown in ELECTRICAL Section)	
44	0100020	AR	Sealant, Pipe	
45	0641604	1	Bolt 3/8 x 1/2	
46	4240084	1	Strap, Anti-Static	
47	4751600	1	Washer 3/8	
100	1001196485	1	Drive Cable Kit (Not Shown - See Separate Breakdown in ELECTRICAL Section)	

# SECTION 1 - FRAME

## FIGURE 1-19. WHEEL DRIVE INSTALLATION (UL SPECS)



ART\_1001181067

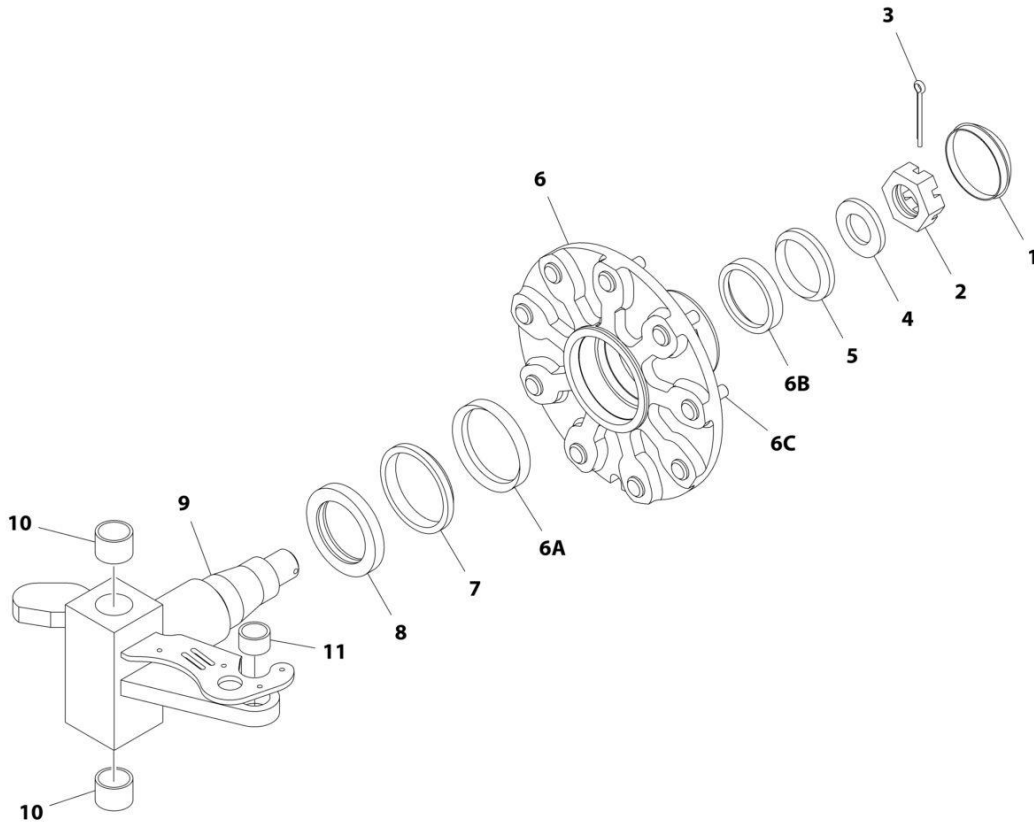
# SECTION 1 - FRAME

## FIGURE 1-19. WHEEL DRIVE INSTALLATION (UL SPECS)

ITEM	PART NUMBER	QTY	DESCRIPTION	REV
	1001181067	Ref	WHEEL DRIVE INSTALLATION	E
1	0100011	AR	Compound, Locking	
2	0100019	AR	Compound, Locking	
3	0100020	AR	Sealant, Pipe	
4	0641408	2	Bolt 1/4 x 1	
5	0641416	4	Bolt 1/4 x 2	
6	0641507	4	Bolt 5/16 x 7/8	
7	0641604	1	Bolt 3/8 x 1/2	
8	0641610	8	Bolt 3/8 x 1-1/4	
9	0641814	8	Bolt 1/2 x 1-3/4	
10	0682012	12	Bolt 5/8 x 1-1/2 Grade 8	
11	0721005	4	Screw #10 x 5/8	
12	0791506	4	Screw 5/16 x 3/4	
13	0861375	1	Box	
14	2400044	1	Fuse, Mounting Block	
15	2540037	2	Grommet	
18	3311001	6	Nut #10	
19	3311401	6	Nut 1/4	
20	4060808	20.5 in/ 52cm	Flex-Trim	
21	4240084	1	Strap, Anti-Static	
22	4711400	8	Washer 1/4	
23	4751600	8	Washer 3/8	
24	4711800	8	Washer 1/2	
25	4751000	10	Washer #10	
26	4751500	4	Washer 5/16	
27	4751600	1	Washer 3/8	
28	4892000	12	Washer 5/8	
29	1001170365	1	Fuse, 400 Amp	
30	1001180780	1	Drive Module Plate Assembly (See Separate Breakdown in this Section)	
31	1001219601	1	Sensor, Tilt Dual Axis	
32	1001182494	2	Drive Hub Assembly (See Separate Breakdown in this Section)	
33	1001182960	2	Seal, Hub	
34	1001184855	2	Drive Motor/Brake Assembly	
34A	1001184206	2	Drive Motor Assembly (See Separate Breakdown in this Section)	
34B	1001184853	2	Drive Brake Assembly	
34C	4031920	3	Capscrew M8 x 80	
34D	4811900	3	Washer M8	
35	1001195836	1	Traction to Turntable Harness (See Separate Breakdown in ELECTRICAL Section)	
36	1001195867	1	Traction Harness (See Separate Breakdown in ELECTRICAL Section)	
37	1001213626	1	Decal - Fuse, 400 Amp	
38	1001214669	1	AC Drive Electrical Plate Assembly (See Separate Breakdown in this Section)	
39	1001214804	1	Bracket	
40	1001219722	2	Plate, Motor Adapter	
41	1001220271	2	Seal, Motor	
100	1001214800	1	Drive Cable Kit (Not Shown - See Separate Breakdown in ELECTRICAL Section)	

# SECTION 1 - FRAME

## FIGURE 1-20. NON-DRIVE HUB ASSEMBLY - LH (2WD FRONT)



ART\_1001180912

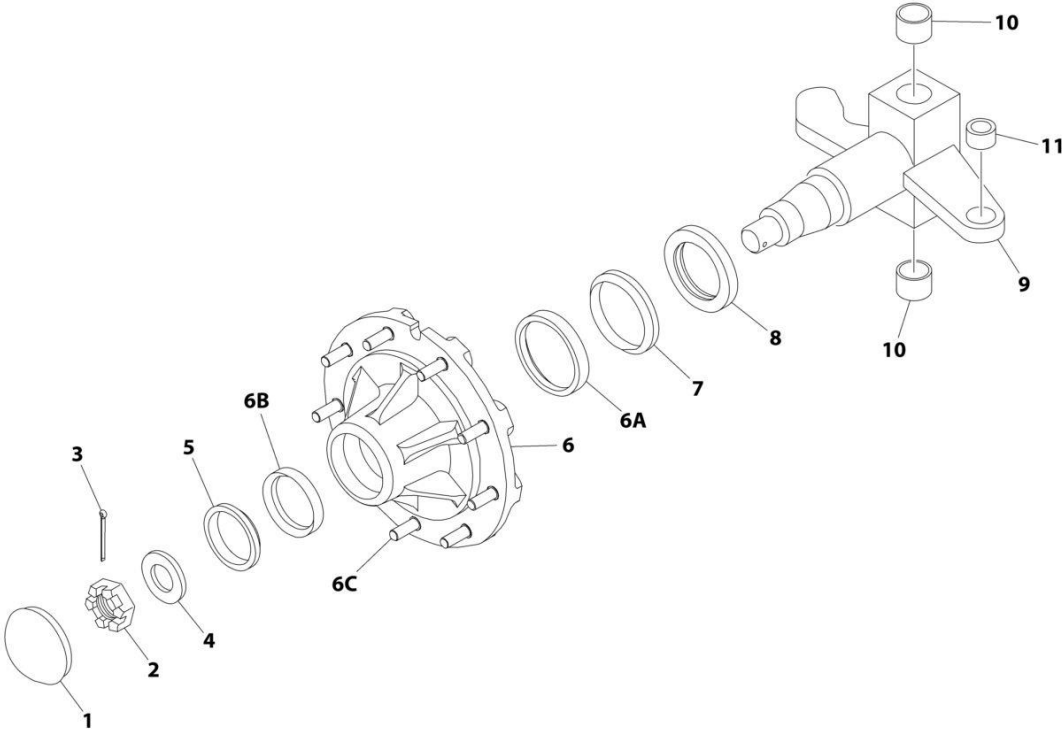
## SECTION 1 - FRAME

**FIGURE 1-20. NON-DRIVE HUB ASSEMBLY - LH (2WD FRONT)**

ITEM	PART NUMBER	QTY	DESCRIPTION	REV
	1001180912	Ref	HUB ASSEMBLY - LH	B
1	7020137	1	Cap, Dust	
2	7020054	1	Nut, Castle	
3	3450406	1	Pin, Cotter	
4	7020055	1	Washer, Spindle	
5	7020039	1	Cone, Bearing - Outer	
6	70002434	1	Hub	
6A	7020036	2	Cup, Bearing - Inner	
6B	7020038	2	Cup, Bearing - Outer	
6C	7020041	9	Stud, Wheel	
7	7020037	1	Cone, Bearing - Inner	
8	7020040	1	Seal	
9	70005649	1	Spindle Assembly	
10	0961951	2	Bushing	
11	0962292	1	Bearing	

**SECTION 1 - FRAME**

**FIGURE 1-21. NON-DRIVE HUB ASSEMBLY - RH (2WD FRONT)**



ART\_2780245



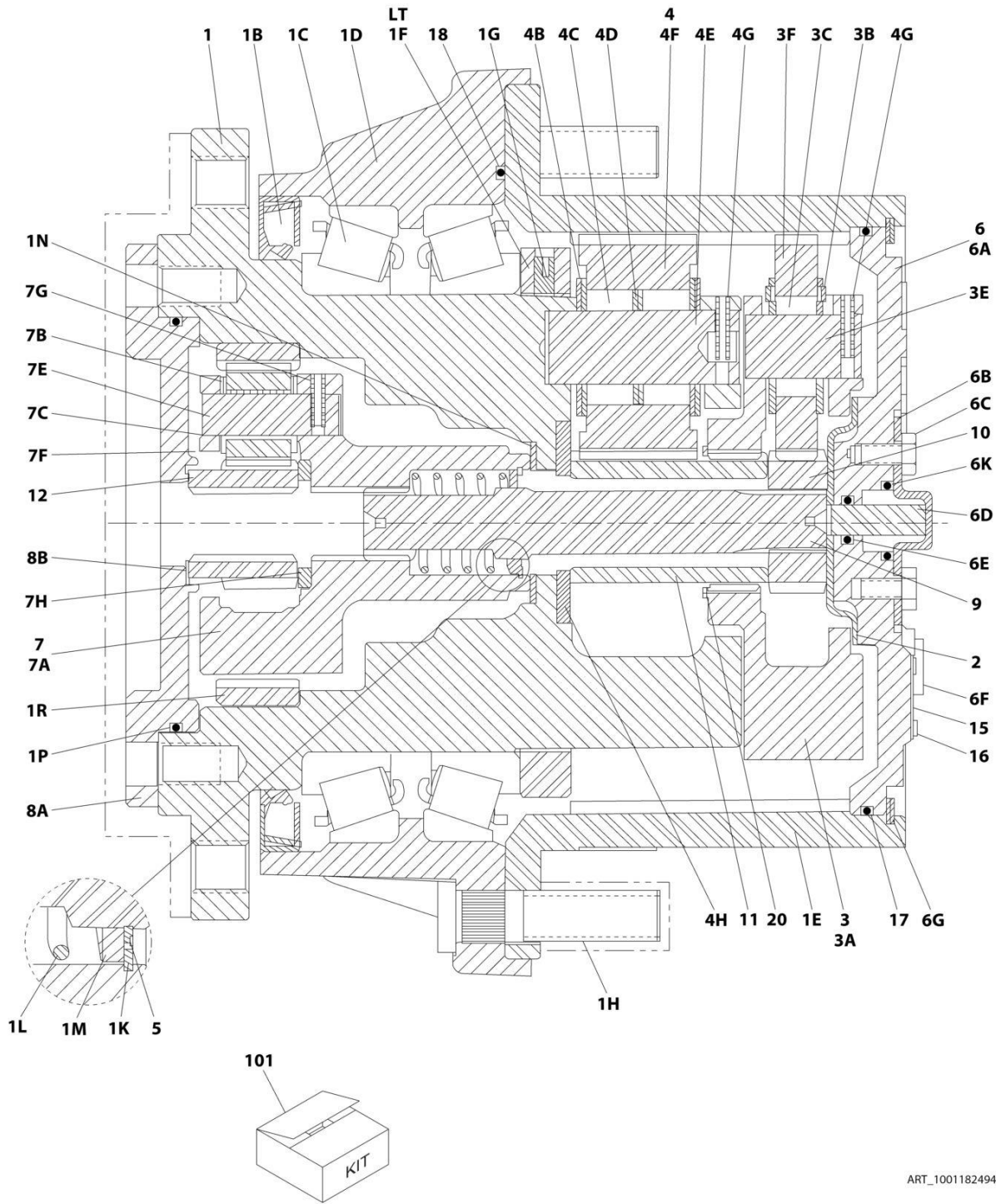
## SECTION 1 - FRAME

**FIGURE 1-21. NON-DRIVE HUB ASSEMBLY - RH (2WD FRONT)**

ITEM	PART NUMBER	QTY	DESCRIPTION	REV
	2780245	Ref	HUB ASSEMBLY - RH	C
1	7020137	1	Cap, Dust	
2	7020054	1	Nut, Castle	
3	7020140	1	Pin, Cotter	
4	7020055	1	Washer, Spindle	
5	7020039	1	Cone, Bearing - Outer	
6	7020035	1	Hub	
6A	7020036	1	Cup, Bearing - Inner	
6B	7020038	1	Cup, Bearing - Outer	
6C	7020041	9	Stud, Wheel	
7	7020037	1	Cone, Bearing - Inner	
8	7020040	1	Seal	
9	7020251	1	Spindle Assembly	
10	0961951	2	Bushing	
11	0962292	1	Bearing	

# SECTION 1 - FRAME

## FIGURE 1-22. DRIVE HUB ASSEMBLY (REAR)



ART\_1001182494

# SECTION 1 - FRAME

## FIGURE 1-22. DRIVE HUB ASSEMBLY (REAR)

ITEM	PART NUMBER	QTY	DESCRIPTION	REV
	1001182494	Ref	DRIVE HUB ASSEMBLY (REAR)	E
1	70005610	1	Spindle, Sub Assembly	
1B	70001119	1	Seal, Lip	
1C	7024735	2	Bearing, Tapered	
1D	See Note	NSS	Housing (Note: Not Available for Purchase)	
1E	7024730	1	Gear, Ring	
1F	70003000	1	Nut, Bearing	
1G	70002996	2	Screw	
1H	7007640	9	Stud	
1K	70005613	1	Ring, Retaining (Internal)	
1L	7024124	1	Spring	
1M	7024129	1	Thrustwasher	
1N	7001922	1	Thrustwasher	
1P	70005614	1	O-Ring	
1R	See Note	NSS	Gear, Ring Blank (Note: Not Available for Purchase)	
2	7024741	1	Spacer, Thrust	
3	70005604	1	Carrier, Sub Assembly	
3A	See Note	NSS	Carrier (Note: Not Available for Purchase)	
3B	7024127	6	Thrustwasher	
3C	7024733	42	Bearing, Needle	
3E	7024724	3	Shaft, Planet	
3F	See Note	NSS	Gear, Planet (Note: Not Available for Purchase)	
4	70002983	1	Planet Gear Sub Assembly	
4B	7024740	12	Thrustwasher	
4C	7024734	84	Bearing, Needle	
4D	7024736	3	Spacer, Thrust	
4E	7024726	3	Shaft, Planet	
4F	70002983	1	Gear, Planet	
4G	7001913	3	Pin, Roll	
4H	7024742	1	Thrustwasher	
4F	See Note	NSS	Gear, Planet (Note: Not Available for Purchase)	
5	7017027	1	Ring, Retaining (External)	
6	70001368	1	Cover Gear Sub Assembly	
6A	See Note	NSS	Flange, Plate/Cover (Note: Use Item 6)	
6B	7017093	1	Cap, Disengage	
6C	7000216	2	Bolt 1/4 x 1/2	
6D	7024739	1	Pin, Dowel	
6E	7017095	1	O-Ring	
6F	7017072	2	Plug	
6G	7024738	1	Ring, Retaining (Internal)	
6K	See Note	NSS	O-Ring (Note: Not Available for Purchase)	
7	70005605	1	Carrier, Sub Assembly	
7A	See Note	NSS	Carrier (Note: Not Available for Purchase)	
7B	See Note	NSS	Thrustwasher	
7C	See Note	NSS	Bushing (Note: Not Available for Purchase)	
7E	See Note	NSS	Shaft, Planet (Note: Not Available for Purchase)	
7F	See Note	NSS	Gear, Planet (Note: Not Available for Purchase)	
7G	7010474	3	Pin, Roll	
7H	7017020	1	Thrustwasher	
8A	70005611	1	Adapter, Mounting	

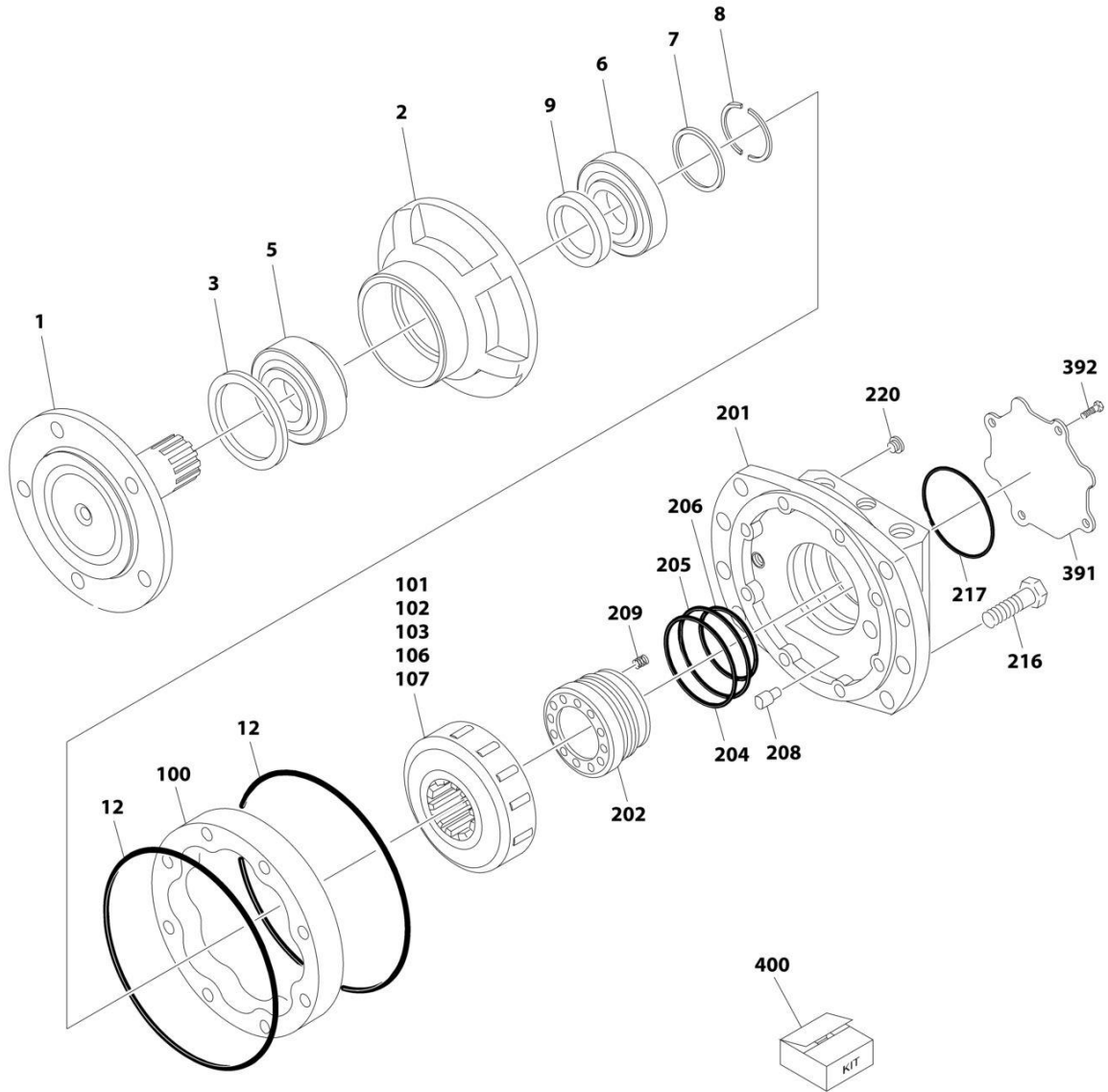
## SECTION 1 - FRAME

ITEM	PART NUMBER	QTY	DESCRIPTION	REV
8B	7007642	1	Thrustwasher	
9	70005606	1	Shaft, Input	
10	70005607	1	Gear, Sun	
11	70005609	1	Gear, Sun	
12	70005608	1	Gear, Sun	
15	See Note	NSS	Plate, ID (Note: Not Available for Purchase)	
16	See Note	NSS	Rivet (Note: Not Available for Purchase)	
17	7024134	1	O-Ring	
18	70002997	1	O-Ring	
19	7017022	5	Bolt (Not Shown)	
20	70005612	1	Ring, Retaining (External)	
101	7024744	1	Seal Kit (Includes Items 1B, 1F, 1G, 17, 18 & 19)	



# SECTION 1 - FRAME

## FIGURE 1-23. DRIVE MOTOR ASSEMBLY (4WD FRONT)



ART\_1001228232

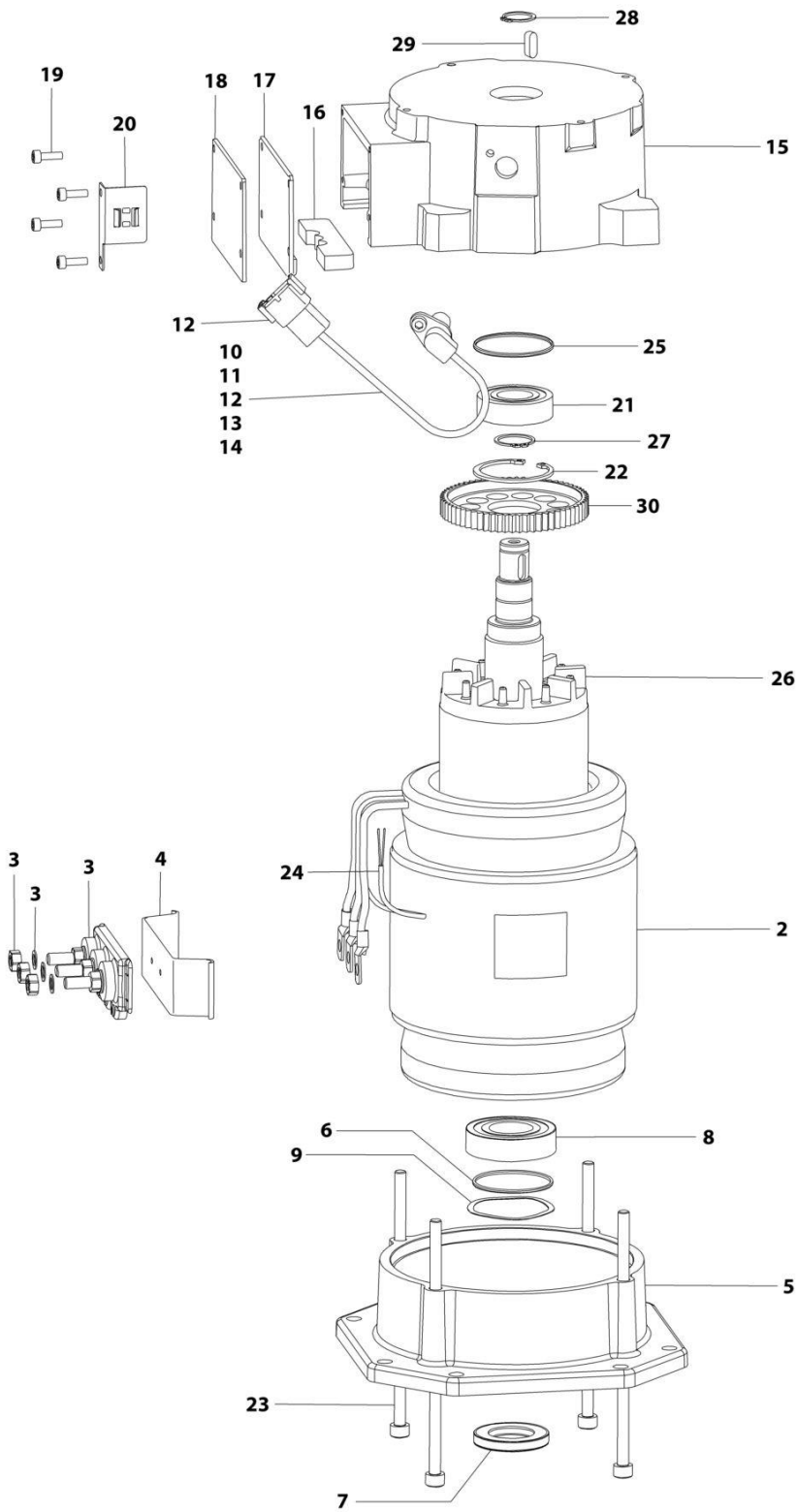
## SECTION 1 - FRAME

**FIGURE 1-23. DRIVE MOTOR ASSEMBLY (4WD FRONT)**

ITEM	PART NUMBER	QTY	DESCRIPTION	REV
	1001228232	Ref	DRIVE MOTOR ASSEMBLY (4WD FRONT)	A
1	7022586	1	Shaft	
2	See Note	NSS	Casting, Front (Note: Use p/n 1001228232)	
3	See Note	NSS	Seal, Face (Note: Use Item 400)	
5	7022587	1	Bearing, Front	
6	7022588	1	Bearing, Rear	
7	70006747	1	Washer	
8	7022589	1	Ring, Split	
9	See Note	NSS	Seal, Shaft (Note: Use Item 400)	
12	See Note	NSS	Seal, Square (Note: Use Item 400)	
100	7023870	1	Cam	
101	70006763	1	Block, Cylinder	
102	70006752	1	Piston	
103	70006753	8	Roller	
106	70006756	2	Clip	
107	70006757	2	Ring, Retaining	
201	See Note	NSS	Housing, Rear (Note: Use p/n 1001228232)	
202	7023871	1	Ring, Distributor	
204	See Note	NSS	Seal (Note: Use Item 400)	
205	See Note	NSS	Seal (Note: Use Item 400)	
206	See Note	NSS	Seal (Note: Use Item 400)	
208	70006759	1	Pin, Dowel	
209	7023872	9	Spring	
216	70001091	6	Screw, Cap	
217	See Note	NSS	Seal, Square (Note: Use Item 400)	
220	7022591	1	Plug	
391	See Note	NSS	Plate, Rear Cover (Note: Use p/n 1001228232)	
392	70002264	4	Screw, Cap	
400	70006762	1	Seal Kit (Includes Items 3, 9, 12, 204-206 & 217)	

# SECTION 1 - FRAME

## FIGURE 1-24. DRIVE MOTOR ASSEMBLY (REAR)



ART\_1001184206



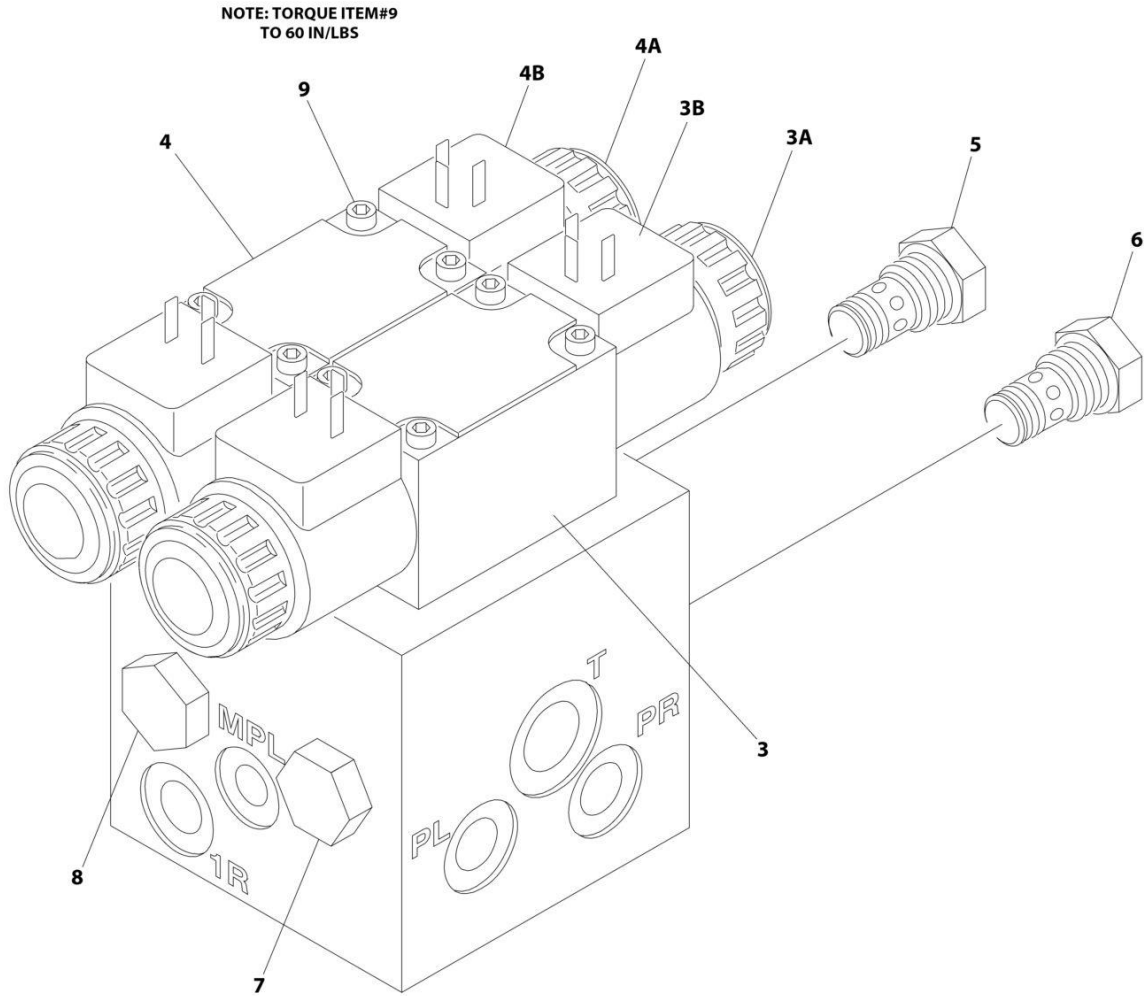
## SECTION 1 - FRAME

**FIGURE 1-24. DRIVE MOTOR ASSEMBLY (REAR)**

ITEM	PART NUMBER	QTY	DESCRIPTION	REV
	1001184206	Ref	DRIVE MOTOR ASSEMBLY	F
2	70005385	1	Stator	
3	70005685	1	Board, Terminal	
3	70005387	3	Nut M8	
3	70005388	3	Washer M8	
3	70005390	2	Screw M5 x 14	
4	70005389	1	Base, Terminal	
5	70005391	1	Plate, Drive End	
6	70004811	1	O-Ring	
7	70005392	1	Seal, Shaft	
8	70004809	1	Bearing	
9	70005393	1	Washer, Wavy	
10	70005394	1	Sensor (Includes Items 11-14)	
11	70005395	1	Screw M8 x 16	
12	70005397	1	Connector	
13	70005396	1	Wedge	
14	4460516	4	Pin, Male	
15	70005686	1	Shield, End	
16	70005687	1	Seal	
17	70005400	1	Seal	
18	70005401	1	Cover	
19	70005402	4	Screw M5 x 16	
20	70005403	1	Plate, Retaining	
21	70005404	1	Bearing	
22	70005405	1	Clip, Retainer	
23	70005406	4	Screw M8 x 180	
24	70005407	1	Temperature, Sensor	
25	70005408	1	O-Ring	
26	70005688	1	Rotor	
27	70004820	1	Clip, Retainer	
28	70005410	1	Clip, Retainer	
29	70005689	1	Key	
30	70005412	1	Gear	

# SECTION 1 - FRAME

## FIGURE 1-25. DRIVE VALVE ASSEMBLY (4WD ONLY)



ART\_1001092586

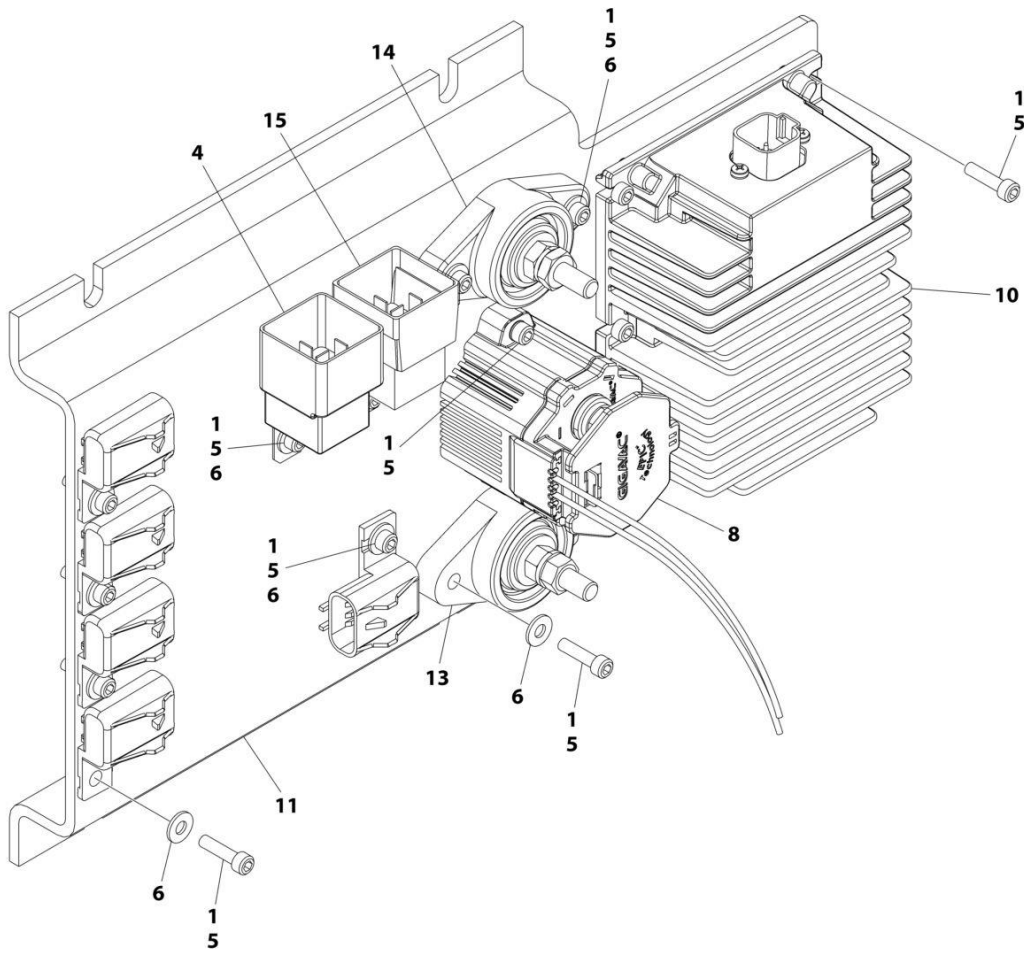
## SECTION 1 - FRAME

**FIGURE 1-25. DRIVE VALVE ASSEMBLY (4WD ONLY)**

ITEM	PART NUMBER	QTY	DESCRIPTION	REV
	1001092586	Ref	DRIVE VALVE ASSEMBLY	C
3	70001422	1	Control Valve Assembly	
3	7012773	1	Seal Kit - 70001422 Valve	
3A	7021375	1	Nut, Coil	
3B	70002947	1	Coil	
4	70001422	1	Control Valve Assembly	
4	7012773	1	Seal Kit - 70001422 Valve	
4A	7021375	1	Nut, Coil	
4B	70002947	1	Coil	
5	7012969	1	Cartridge, Check	
5	7012540	1	Seal Kit - 7012969 Valve	
6	7012969	1	Cartridge, Check	
6	7012540	1	Seal Kit - 7012969 Valve	
7	7012969	1	Cartridge, Check	
7	7012540	1	Seal Kit - 7012969 Valve	
8	7012969	1	Cartridge, Check	
8	7012540	1	Seal Kit - 7012969 Valve	
9	7018942	8	Capscrew #10 x 2	

# SECTION 1 - FRAME

## FIGURE 1-26. AC DRIVE ELECTRICAL PLATE ASSEMBLY (NON-UL SPECS)



ART\_1001180654\_E

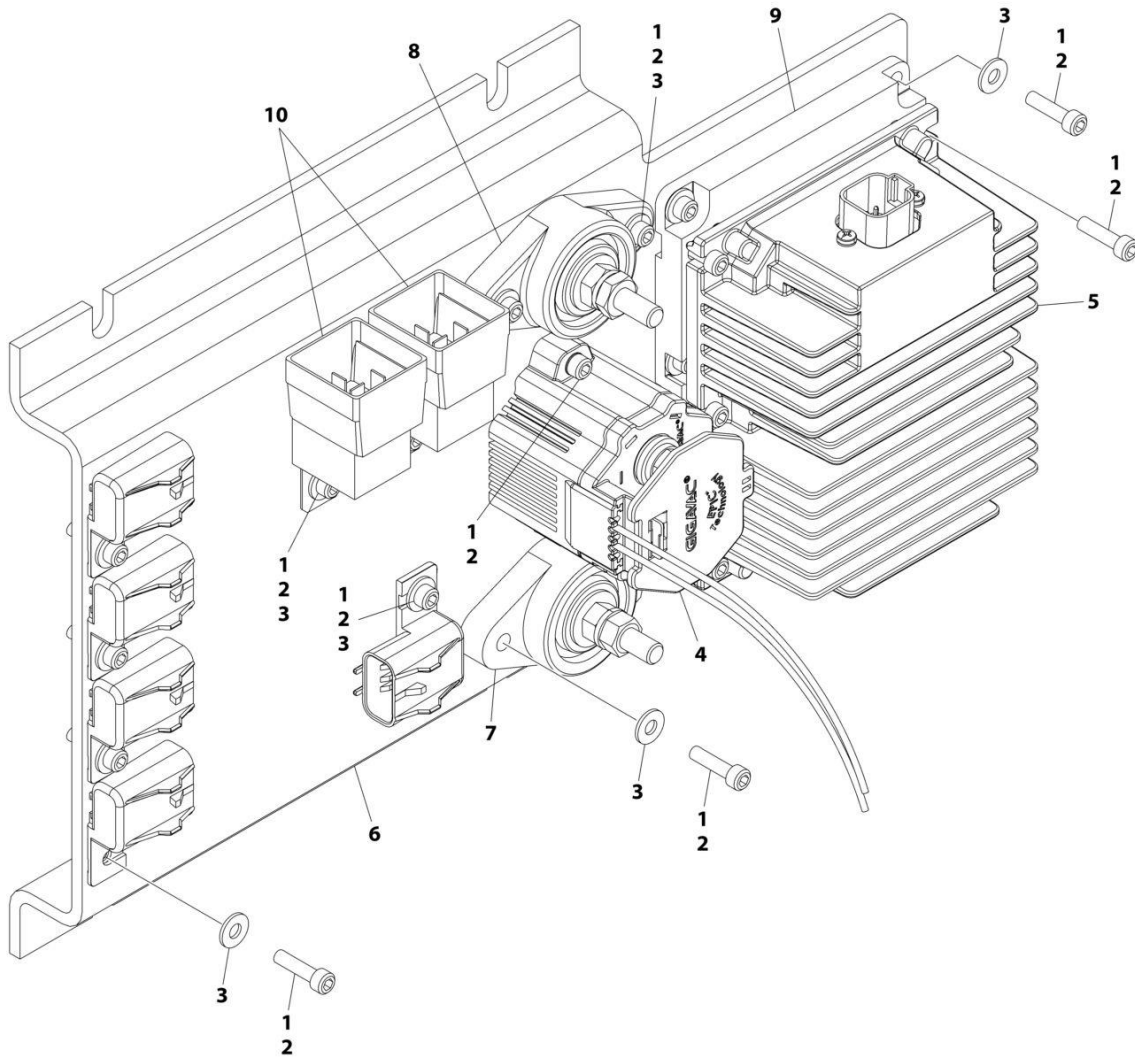
## SECTION 1 - FRAME

**FIGURE 1-26. AC DRIVE ELECTRICAL PLATE ASSEMBLY (NON-UL SPECS)**

ITEM	PART NUMBER	QTY	DESCRIPTION	REV
	1001180654	Ref	AC DRIVE ELECTRICAL PLATE ASSEMBLY (NON UL SPECS)	E
1	0100035	AR	Compound, Locking	
4	3740080	1	Relay	
5	3931012	19	Capscrew #10 x 3/4	
6	4711000	11	Washer #10	
8	1001272006	1	Relay	
10	1001174447	1	Converter	
11	1001180653	1	Plate, Mounting	
13	1001186860	1	Stud, Power Distribution	
14	1001212359	1	Stud, Power Distribution (Red)	
15	1001214667	1	Relay	

# SECTION 1 - FRAME

## FIGURE 1-27. AC DRIVE ELECTRICAL PLATE ASSEMBLY (UL SPECS)



ART\_1001214669

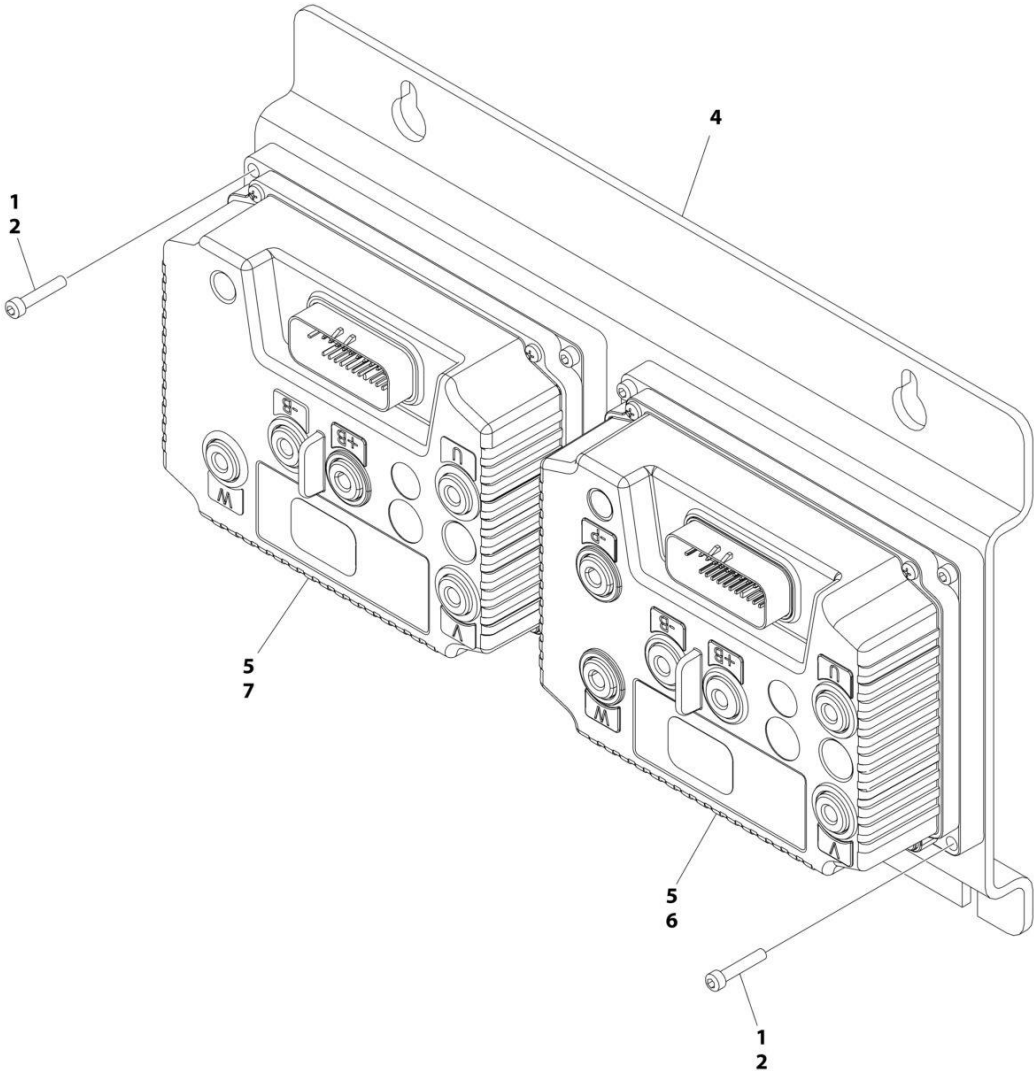
## SECTION 1 - FRAME

**FIGURE 1-27. AC DRIVE ELECTRICAL PLATE ASSEMBLY (UL SPECS)**

ITEM	PART NUMBER	QTY	DESCRIPTION	REV
	1001214669	Ref	AC DRIVE ELECTRICAL PLATE ASSEMBLY (UL SPECS)	B
1	0100035	AR	Compound, Locking	
2	3931012	25	Capscrew #10 x 3/4	
3	4711000	17	Washer #10	
4	1001170367	1	Relay, 300Amp	
4	1001272006	1	Relay, 350Amp	
5	1001174447	1	Converter	
6	1001180653	1	Plate, Mounting	
7	1001186860	1	Stud, Power Distribution	
8	1001212359	1	Stud, Power Distribution (Red)	
9	1001212450	1	Insulate, Converter	
10	1001214667	2	Relay	

**SECTION 1 - FRAME**

**FIGURE 1-28. DRIVE MODULE PLATE ASSEMBLY**



ART\_1001180780

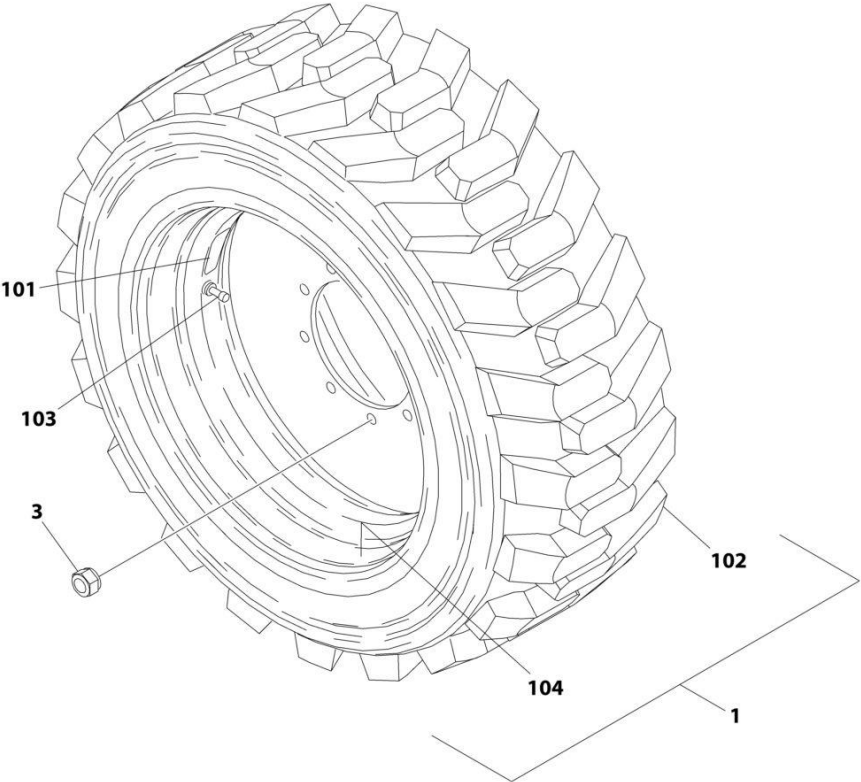


FIGURE 1-28. DRIVE MODULE PLATE ASSEMBLY

ITEM	PART NUMBER	QTY	DESCRIPTION	REV
	1001180780	Ref	DRIVE MODULE PLATE ASSEMBLY	C
1	0100035	AR	Compound, Locking	
2	3931016	8	Capscrew #10 x 1	
4	1001180779	1	Plate, Mounting	
5	0100083	AR	Grease	
6	1001178339	1	Module, Drive	
7	1001192212	1	Module, Drive	

**SECTION 1 - FRAME**

**FIGURE 1-29. TIRE AND WHEEL INSTALLATION - 36/14LL X 22.5 FOAM-FILLED NON-MARKING**



ART\_0272694

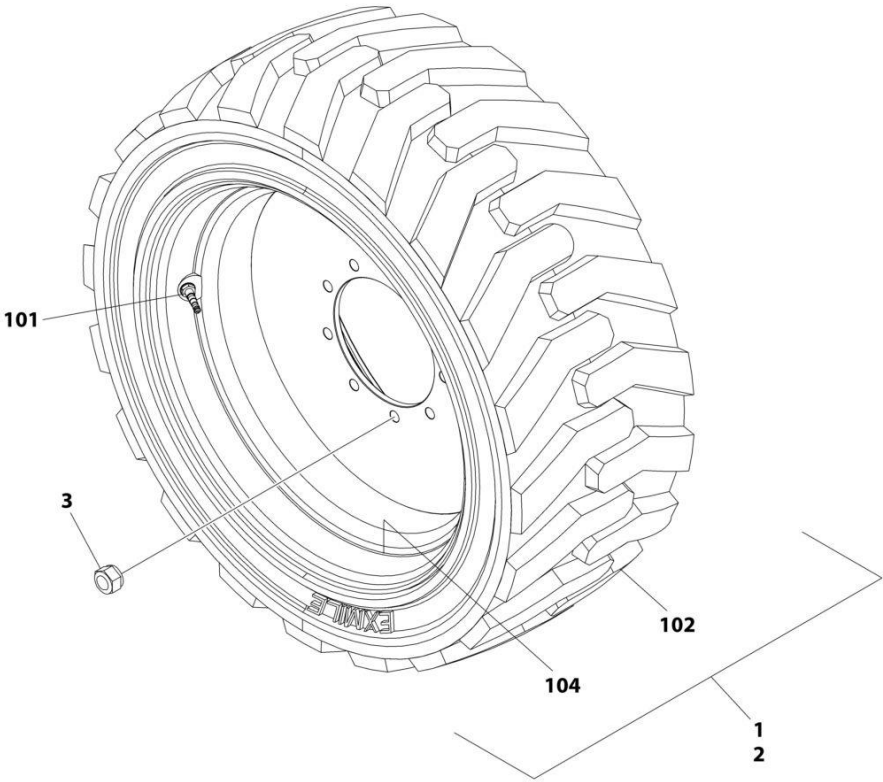
## SECTION 1 - FRAME

**FIGURE 1-29. TIRE AND WHEEL INSTALLATION - 36/14LL X 22.5 FOAM-FILLED NON-MARKING**

ITEM	PART NUMBER	QTY	DESCRIPTION	REV
	0272694	Ref	TIRE AND WHEEL INSTALLATION - 36/14LL X 22.5 FOAM-FILLED NON-MARKING	B
		Ref	Note: Assemblies may require ballast/foam filling to manufacturer's specifications prior to installing on a machine. Refer to Operation and Safety or Service and Maintenance Manuals. Purchase individual tire and/or rim only if able to foam fill tire and wheel assembly, otherwise, purchase complete assembly.	
1	0272692	2	36/14LL x 22.5 Foam-Filled Non-Marking (Right Side)	E
1	0272693	2	36/14LL x 22.5 Foam-Filled Non-Marking (Left Side)	E
3	3300426	36	Nut 5/8	
101	1702698	1	Decal - 55PSI/4BAR (Pneumatic Only)	
102	4520264	1	Tire, Replacement (36/14LL x 22.5)	
103	4641122	1	Valve, Air	
104	4860212	1	Rim, Wheel	

**SECTION 1 - FRAME**

**FIGURE 1-30. TIRE AND WHEEL INSTALLATION - 355/55D625 FOAM FILLED**



ART\_1001285720

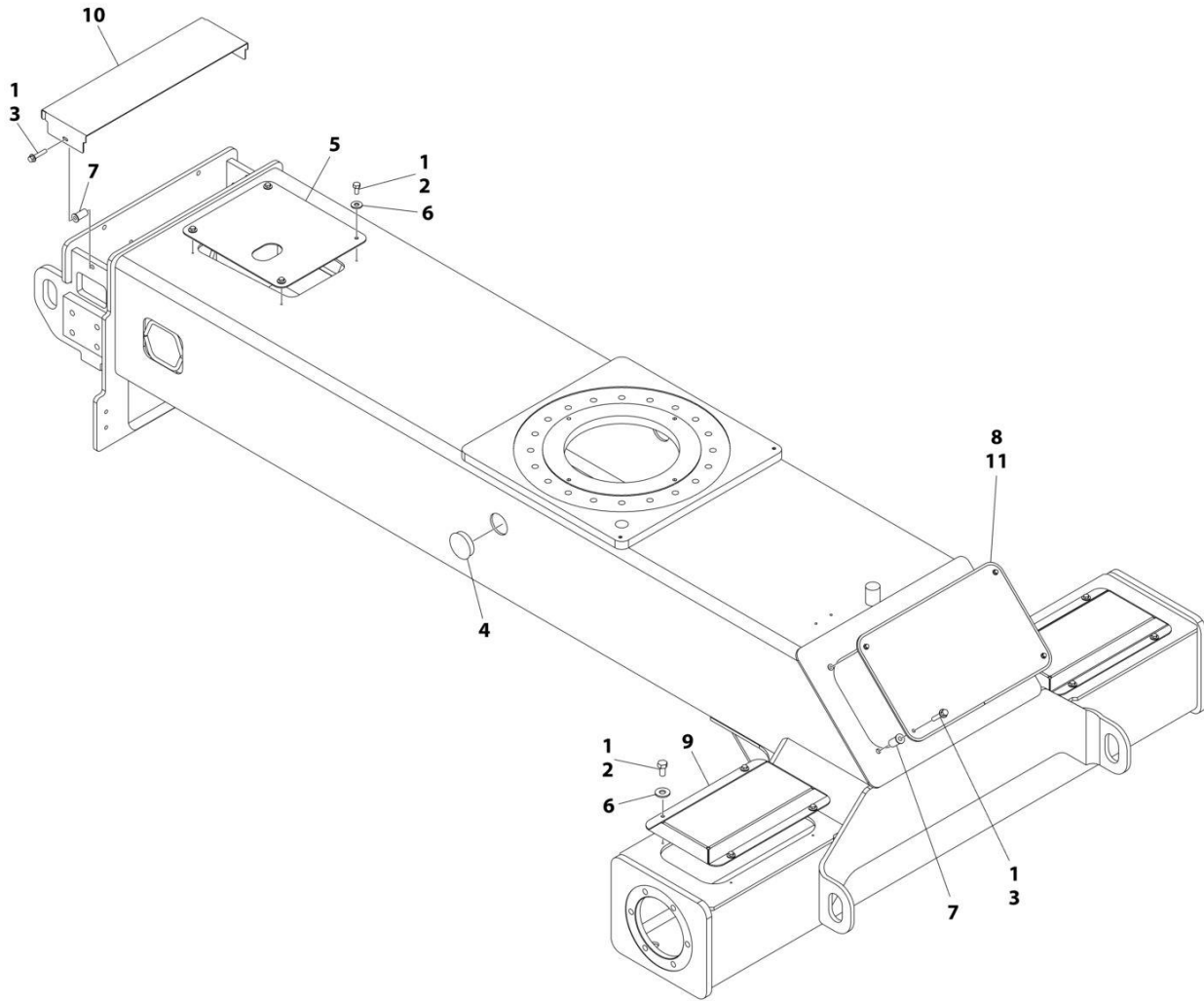
## SECTION 1 - FRAME

**FIGURE 1-30. TIRE AND WHEEL INSTALLATION - 355/55D625 FOAM FILLED**

ITEM	PART NUMBER	QTY	DESCRIPTION	REV
	1001285720	Ref	TIRE AND WHEEL INSTALLATION - 355/55D625 FOAM FILLED	A
		Ref	Note: Assemblies may require ballast/foam filling to manufacturer's specifications prior to installing on a machine. Refer to Operation and Safety or Service and Maintenance Manuals. Purchase individual tire and/or rim only if able to foam fill tire and wheel assembly, otherwise, purchase complete assembly.	
1	1001282160	2	355/55D625 Foam-Filled (Left Side) (Includes Items 101-104)	B
2	1001282161	2	355/55D625 Foam-Filled (Right Side) (Includes Items 101-104)	B
3	3300426	36	Nut 5/8	
101	4641122	1	Valve, Air	
102	1001277859	1	Tire, Replacement (355/55D625)	
104	1001285719	1	Rim, Wheel	

# SECTION 1 - FRAME

## FIGURE 1-31. FRAME SHIELDS INSTALLATION



ART\_1001181065

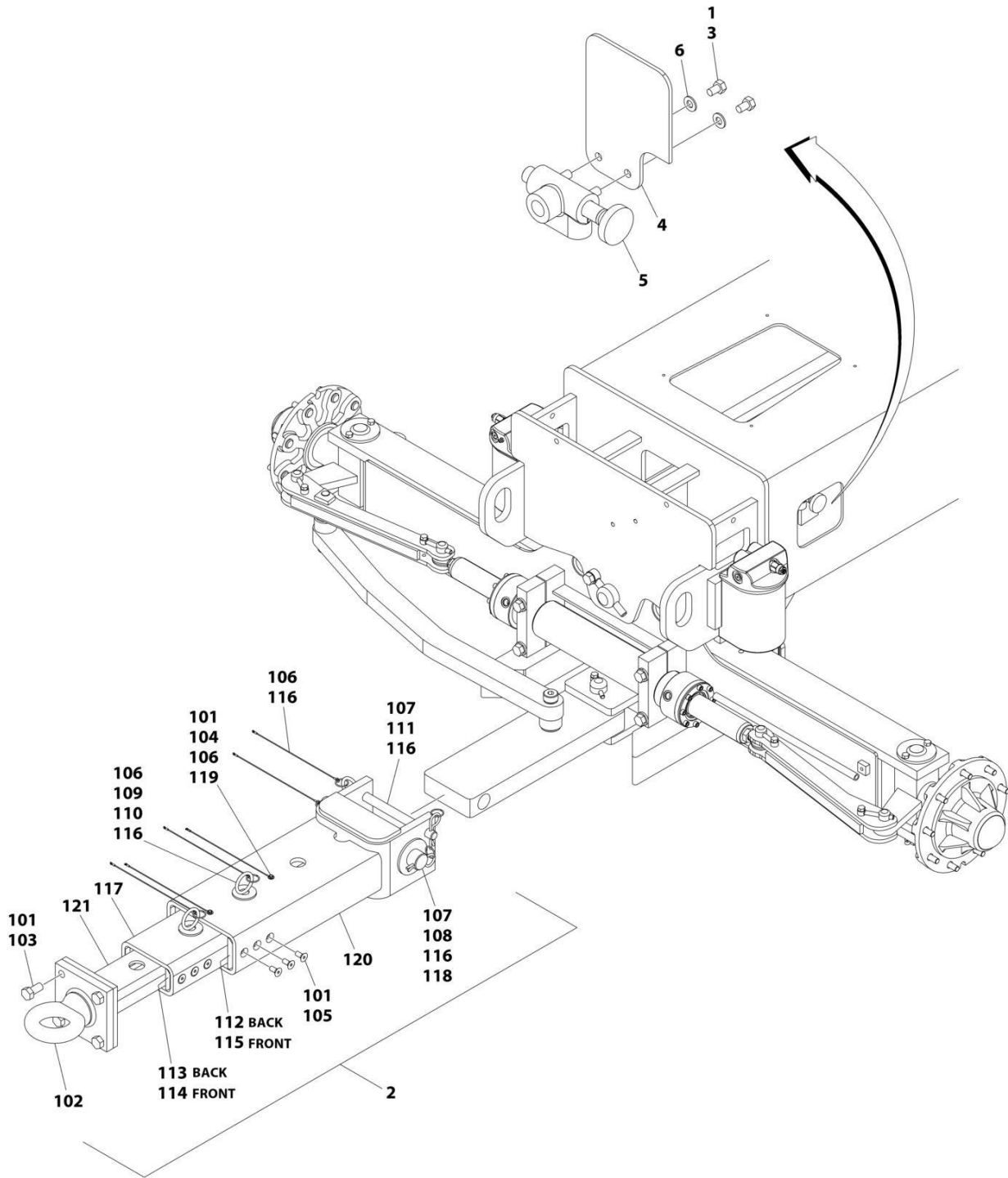
**SECTION 1 - FRAME**

**FIGURE 1-31. FRAME SHIELDS INSTALLATION**

ITEM	PART NUMBER	QTY	DESCRIPTION	REV
	1001181065	Ref	FRAME SHIELDS INSTALLATION	C
1	0100011	AR	Compound, Locking	
2	0641505	12	Bolt 5/16 x 5/8	
3	0791410	8	Screw 1/4 x 1-1/4	
4	3520064	2	Plug	
5	1001194312	1	Cover, Front Frame	
6	4751500	12	Washer 5/16	
7	8580420	8	Nut, Well	
8	1001172293	1	Cover, Rear Frame	
9	1001180652	2	Cover, Axle	
10	1001181924	1	Cover, Front Frame	
11	4060804	5.5 ft/ 1.7m	Flex-Trim	

# SECTION 1 - FRAME

## FIGURE 1-32. TOW PACKAGE INSTALLATION WITHOUT NATO EYE



ART\_0270527



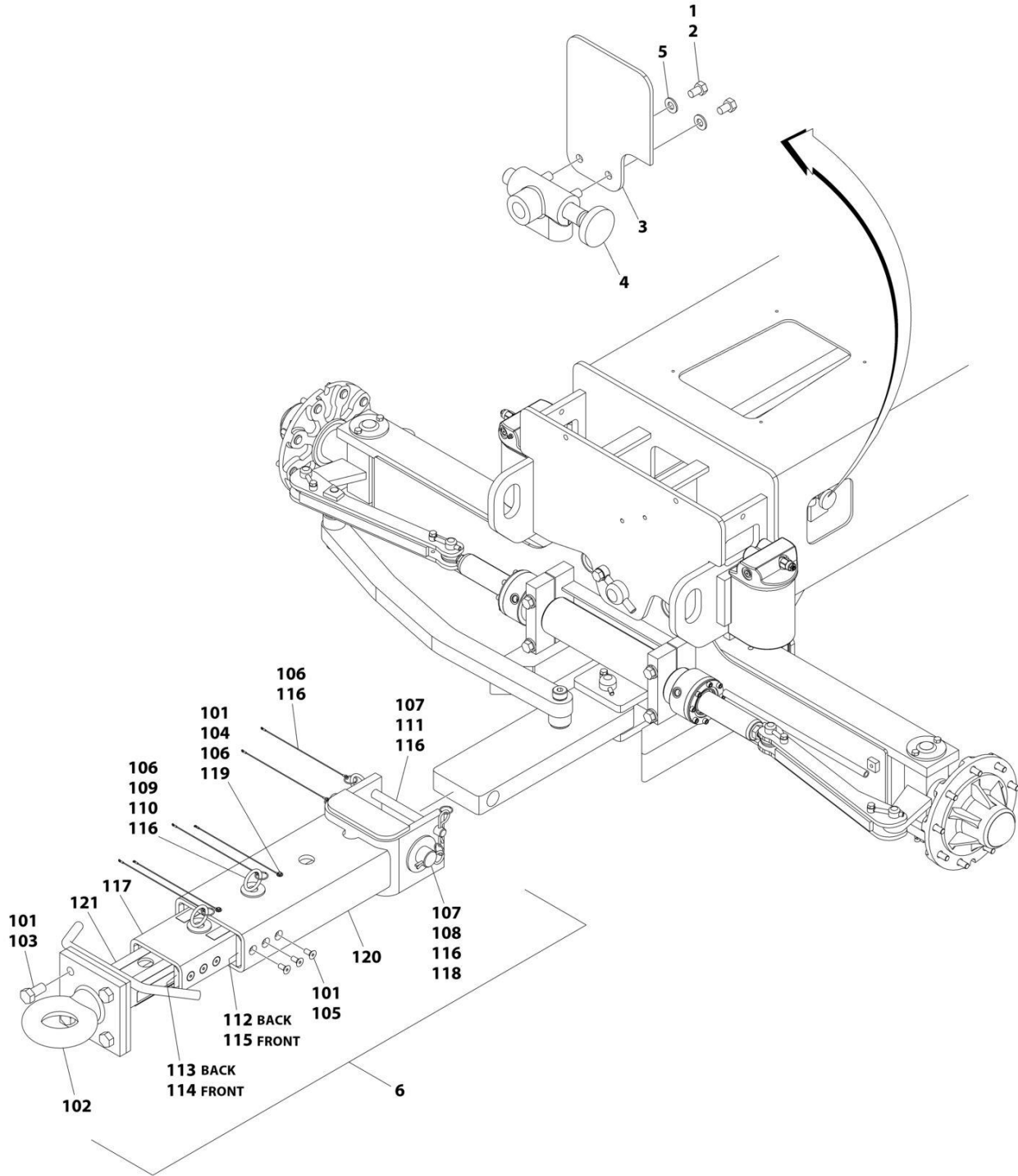
## SECTION 1 - FRAME

**FIGURE 1-32. TOW PACKAGE INSTALLATION WITHOUT NATO EYE**

ITEM	PART NUMBER	QTY	DESCRIPTION	REV
	0270527	Ref	TOW PACKAGE INSTALLATION WITHOUT NATO EYE	C
1	0100011	AR	Compound, Locking	
2	0270528	1	Tow Bar Assembly (See Items 101-121 for Breakdown)	
3	0641504	2	Bolt 5/16 x 1/2	
4	3572506	1	Plate, Valve Mounting	
5	4640261	1	Valve, Tow	
6	4711500	2	Washer 5/16	
	0270528	Ref	TOW BAR ASSEMBLY	B
101	0100011	AR	Compound, Locking	
102	0362910	1	Hook, Pintle Eye	
103	0642010	4	Bolt 5/8 x 1-1/4	
104	0721004	2	Screw	
105	0741607	24	Screw 3/8 x 7/8	
106	1060584	6	Lanyard	
107	3420372	2	Pin, Cotter	
108	3420447	1	Pin, Towing	
109	3421565	2	Pin, Snap	
110	3422841	2	Pin	
111	3422847	1	Pin	
112	3572009	2	Plate, Slide Stop	
113	3572010	2	Plate, Slide Stop	
114	3572011	2	Plate, Slide Stop	
115	3572012	2	Plate, Slide Stop	
116	3760170	8	Ring, Split	
117	4568133	1	Tow Bar - Middle	
118	4740036	1	Washer	
119	4751000	2	Washer #10	
120	4846295	1	Tow Bar - Outer	
121	4846296	1	Tow Bar - Inner	

# SECTION 1 - FRAME

## FIGURE 1-33. TOW PACKAGE INSTALLATION WITH NATO EYE



ART\_1001191471

## SECTION 1 - FRAME

**FIGURE 1-33. TOW PACKAGE INSTALLATION WITH NATO EYE**

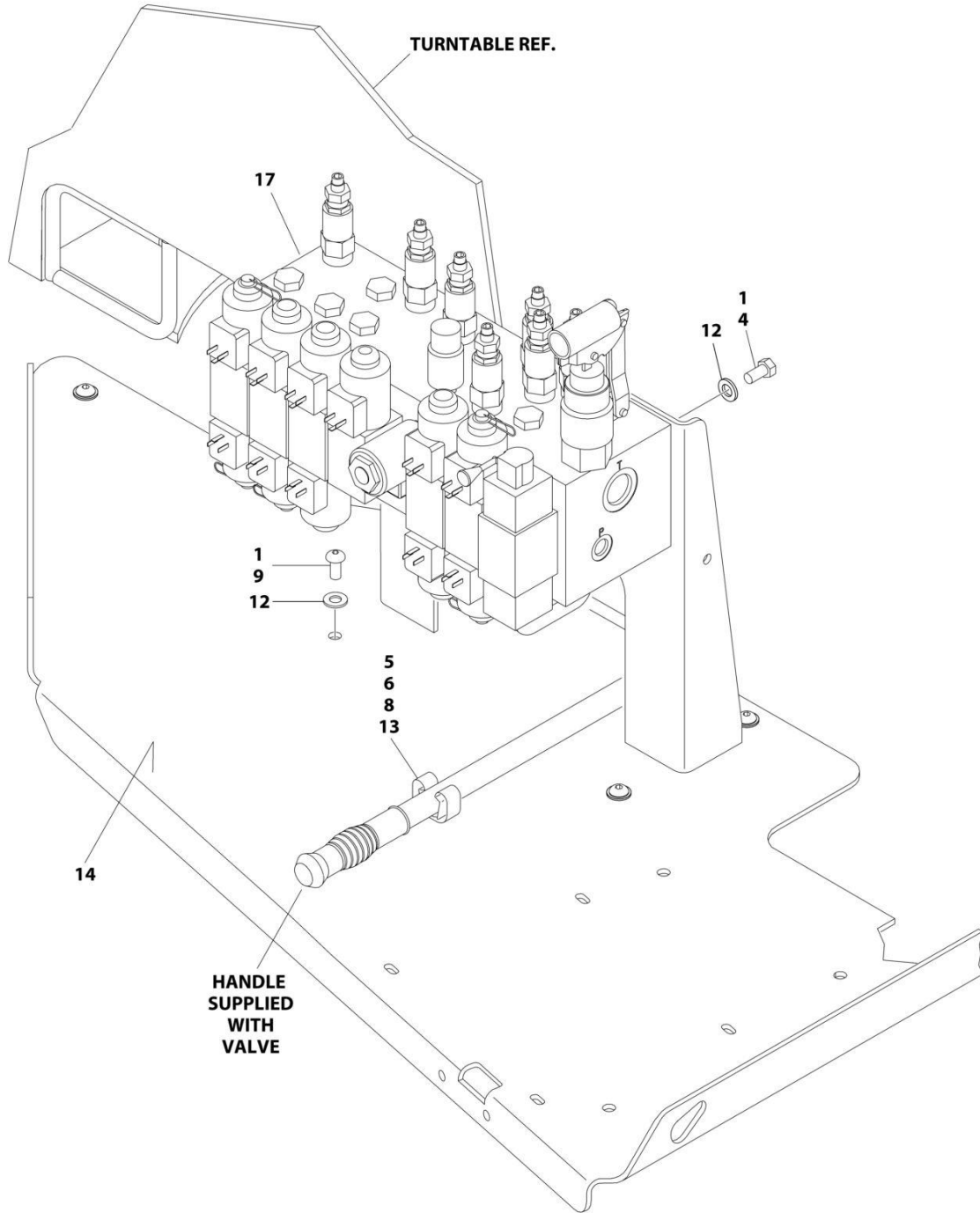
ITEM	PART NUMBER	QTY	DESCRIPTION	REV
	1001191471	Ref	TOW PACKAGE INSTALLATION WITH NATO EYE	B
1	0100011	AR	Compound, Locking	
2	0641504	2	Bolt 5/16 x 1/2	
3	3572506	1	Plate, Valve Mounting	
4	4640261	1	Valve, Tow	
5	4711500	2	Washer 5/16	
6	1001191469	1	Tow Bar Assembly (See Items 101-121 for Breakdown)	
	1001191469	Ref	TOW BAR ASSEMBLY	A
101	0100011	AR	Compound, Locking	
102	1001191463	1	Eye-Hook, Pintle	
103	0682212	4	Bolt 3/4 x 1-1/2	
104	0721004	2	Screw	
105	0741607	24	Screw 3/8 x 7/8	
106	1060584	6	Lanyard	
107	3420372	2	Pin, Cotter	
108	3420447	1	Pin, Towing	
109	3421565	2	Pin, Snap	
110	3422841	2	Pin	
111	3422847	1	Pin	
112	3572009	2	Plate, Slide Stop	
113	3572010	2	Plate, Slide Stop	
114	3572011	2	Plate, Slide Stop	
115	3572012	2	Plate, Slide Stop	
116	3760170	8	Ring, Split	
117	4568133	1	Tow Bar - Middle	
118	4740036	1	Washer	
119	4751000	2	Washer #10	
120	1001191489	1	Tow Bar - Outer	
121	1001191493	1	Tow Bar - Inner	



**SECTION 2 - TURNTABLE**

# SECTION 2 - TURNTABLE

FIGURE 2-1. MAIN CONTROL INSTALLATION (EC600SJ,H600SJ)



ART\_1001250318\_10F2

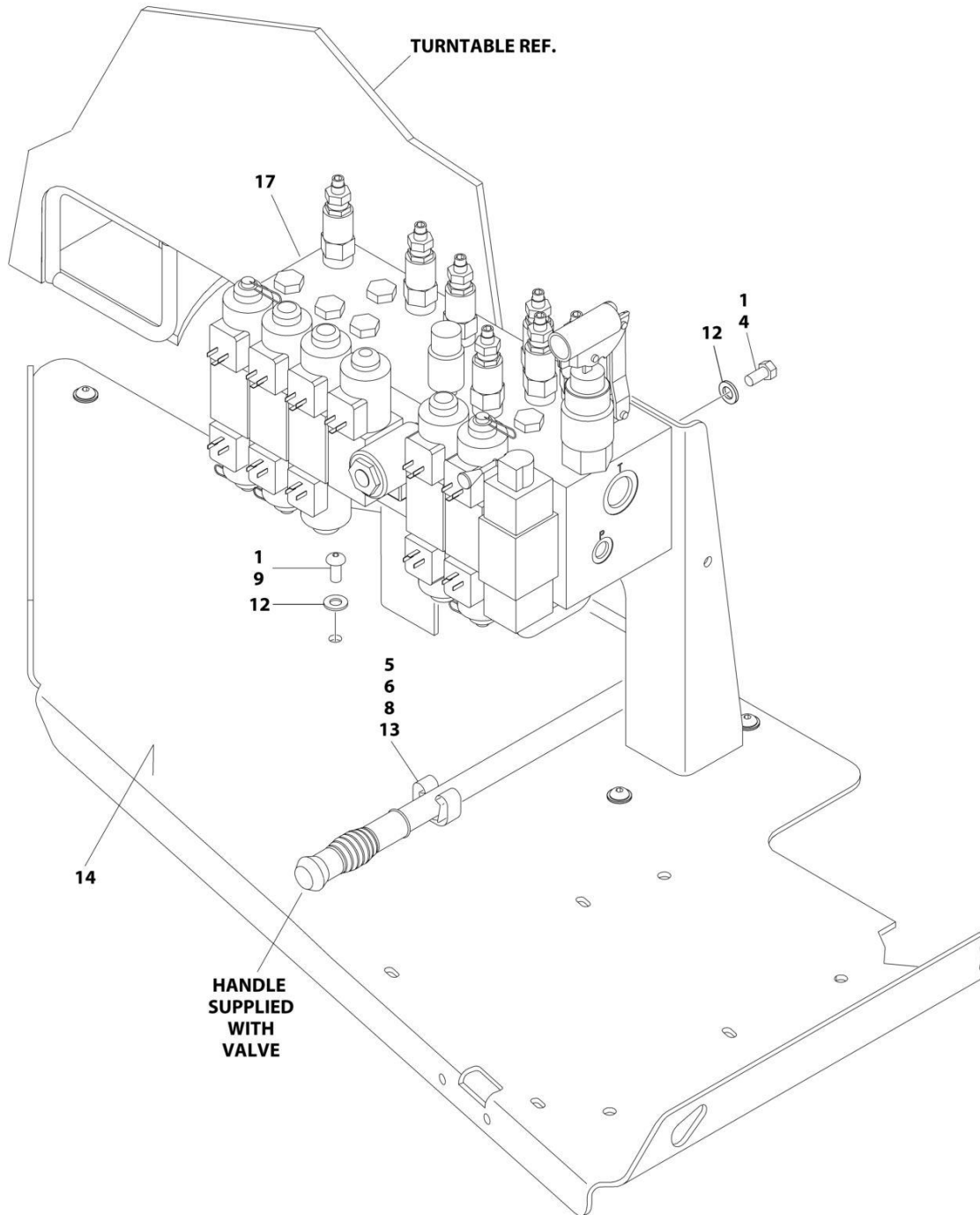
# SECTION 2 - TURNTABLE

**FIGURE 2-1. MAIN CONTROL INSTALLATION (EC600SJ,H600SJ)**

ITEM	PART NUMBER	QTY	DESCRIPTION	REV
	1001250318	Ref	MAIN VALVE INSTALLATION	B
1	0100011	AR	Compound, Locking	
4	0641606	4	Bolt 3/8 x 3/4	
5	0741005	2	Bolt #10 x 5/8	
6	1380136	2	Clip	
8	3311005	2	Nut #10	
9	3900283	7	Screw	
12	4711600	11	Washer 3/8	
13	4751000	4	Washer #10	
14	4846183	1	Tray	
17	1001219391	1	Main Control Valve Assembly (See Separate Breakdown in this Section)	

## SECTION 2 - TURNTABLE

FIGURE 2-2. MAIN CONTROL INSTALLATION (EC600SJP,H600SJP)



ART\_1001250319\_10F2



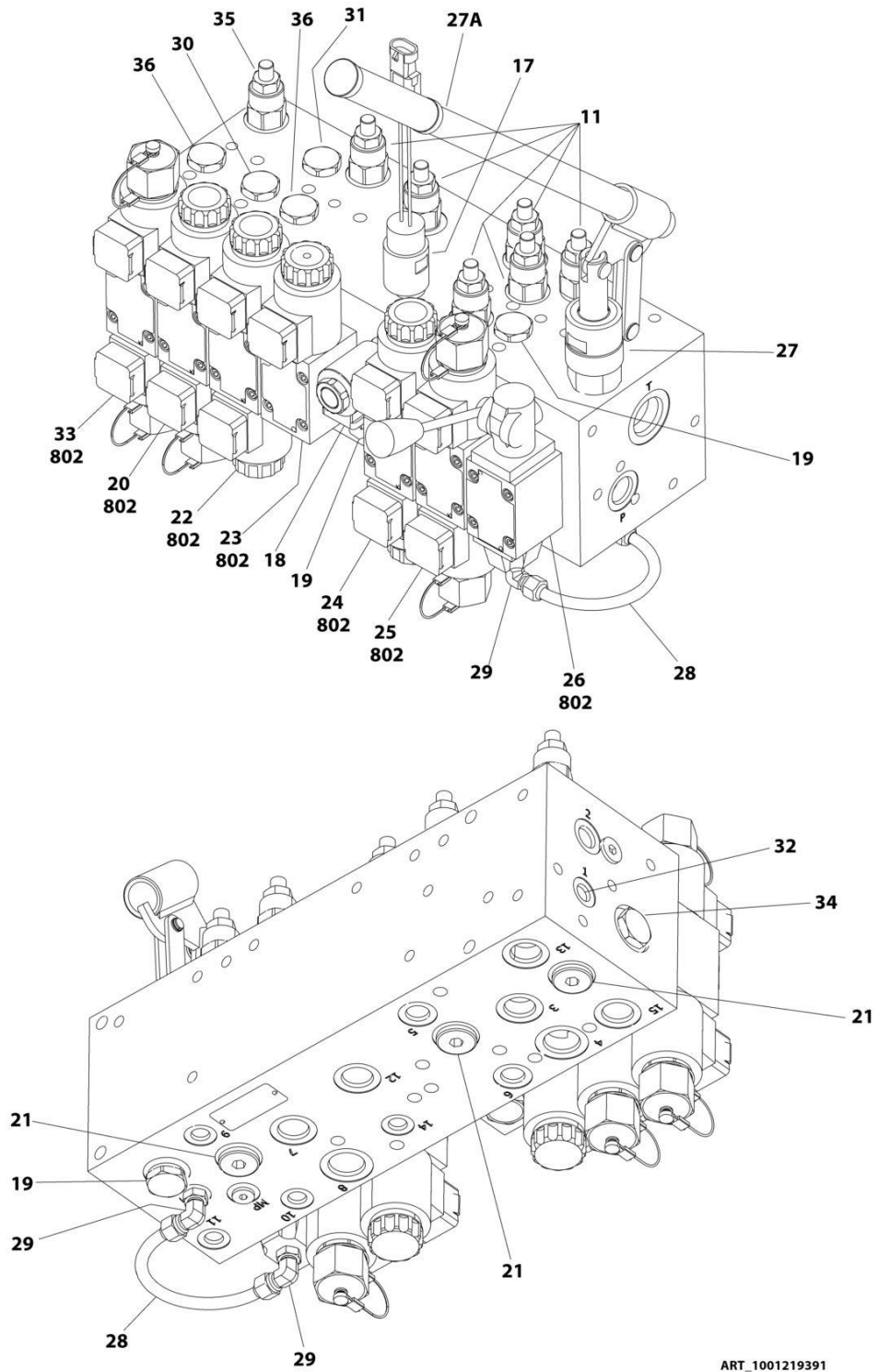
**SECTION 2 - TURNTABLE**

**FIGURE 2-2. MAIN CONTROL INSTALLATION (EC600SJP,H600SJP)**

ITEM	PART NUMBER	QTY	DESCRIPTION	REV
	1001250319	Ref	MAIN VALVE INSTALLATION	B
1	0100011	AR	Compound, Locking	
4	0641606	4	Bolt 3/8 x 3/4	
5	0741005	2	Bolt #10 x 5/8	
6	1380136	2	Clip	
8	3311005	2	Nut #10	
9	3900283	7	Screw	
12	4711600	11	Washer 3/8	
13	4751000	4	Washer #10	
14	4846183	1	Tray	
17	1001219391	1	Main Control Valve Assembly (See Separate Breakdown in this Section)	

# SECTION 2 - TURNTABLE

## FIGURE 2-3. MAIN CONTROL VALVE ASSEMBLY



ART\_1001219391

## SECTION 2 - TURNTABLE

**FIGURE 2-3. MAIN CONTROL VALVE ASSEMBLY**

ITEM	PART NUMBER	QTY	DESCRIPTION	REV
	1001219391	Ref	MAIN CONTROL VALVE ASSEMBLY	D
11	70003019	6	Cartridge, Relief	
11	70004052	6	Seal Kit - 70003019 Valve	
17	7021619	1	Cartridge, Pressure Switch (Brake)	
18	70007284	1	Cartridge without Coil (Brake)	
18	70007285	1	Coil	
19	70004585	3	Cartridge, Valve	
20	70001440	1	Control Valve Assembly (Telescope)	
20	7012773	1	Seal Kit	
20	70003525	1	Nut	
20	70003526	1	Lanyard	
20	7021375	1	Nut	
20	7018943	2	O-Ring between Nut & Coil	
20	70002947	2	Coil	
20	7018945	4	Seal between Valve and Block	
21	70023859	3	Valve, Shuttle	
22	70001342	1	Control Valve Assembly (Steer)	
22	7012773	1	Seal Kit	
22	7021375	1	Nut	
22	7018943	2	O-Ring between Nut & Coil	
22	70002947	2	Coil	
22	7018945	4	Seal between Valve and Block	
13	7022521	1	Control Valve Assembly (Flow Control)	
23	7012773	1	Seal Kit	
23	7021375	1	Nut	
23	7018943	1	O-Ring between Nut & Coil	
23	7018991	2	Coil	
23	7018945	4	Seal between Valve and Block	
24	7024991	1	Control Valve Assembly (Lift)	
24	7012773	1	Seal Kit	
24	7021375	2	Nut	
24	7018943	2	O-Ring between Nut & Coil	
24	7018991	2	Coil	
24	7018945	4	Seal between Valve and Block	
25	70005374	1	Control Valve Assembly (Swing)	
25	70003526	2	Lanyard	
25	70003525	2	Nut	
25	70004461	2	O-Ring between Nut & Coil	
25	7018991	2	Coil	
25	7018945	4	Seal between Valve and Block	
26	7024022	1	Control Valve Assembly (Manual Descent)	
26	7024024	1	Seal Kit	
26	7024023	1	Handle and Actuator End	
27	70007286	1	Pump Assembly	
27A	70007287	1	Handle with Grip	
28	70000435	1	Hose	
29	7018904	1	Fitting, Elbow	
30	70005952	1	Cartridge, Check	
31	70005951	1	Cartridge, Check	
32	7018900	1	Orifice	

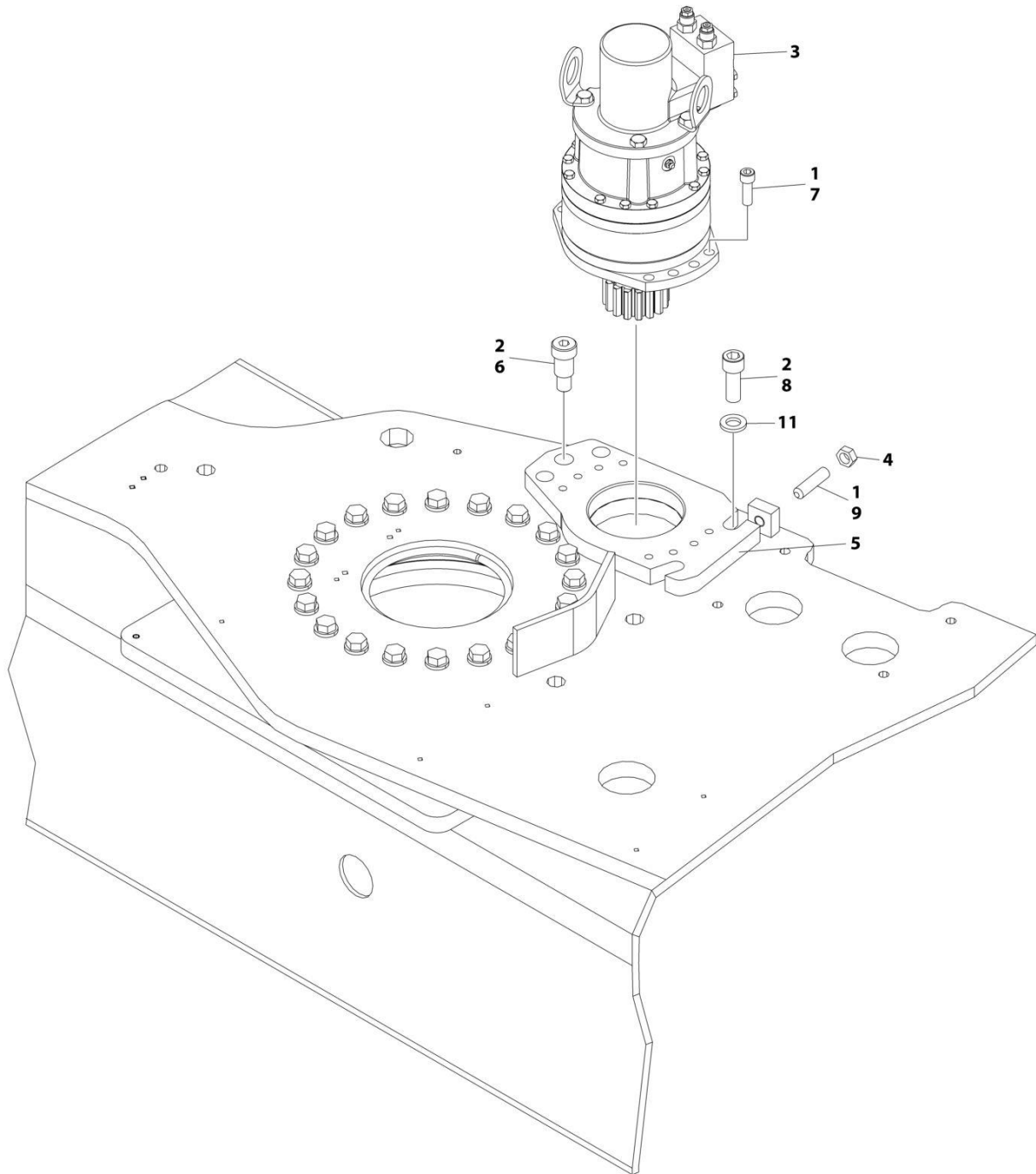
## SECTION 2 - TURNTABLE

ITEM	PART NUMBER	QTY	DESCRIPTION	REV
33	70007288	1	Control Valve Assembly (Jib)	
33	70003526	2	Lanyard	
33	70003525	2	Nut	
33	70004461	2	O-Ring between Nut & Coil	
33	70002947	2	Coil	
33	7018945	4	Seal between Valve and Block	
34	70003021	1	Cartridge, Valve	
34	70004052	1	Seal Kit - 70003021 Valve	
35	70003019	1	Cartridge, Relief	
35	70004052	1	Seal Kit - 70003019 Valve	
36	70005952	2	Cartridge, Check	
802	7018942	28	Capscrew #10 x 2	



# SECTION 2 - TURNTABLE

## FIGURE 2-4. SWING DRIVE INSTALLATION



ART\_0270752

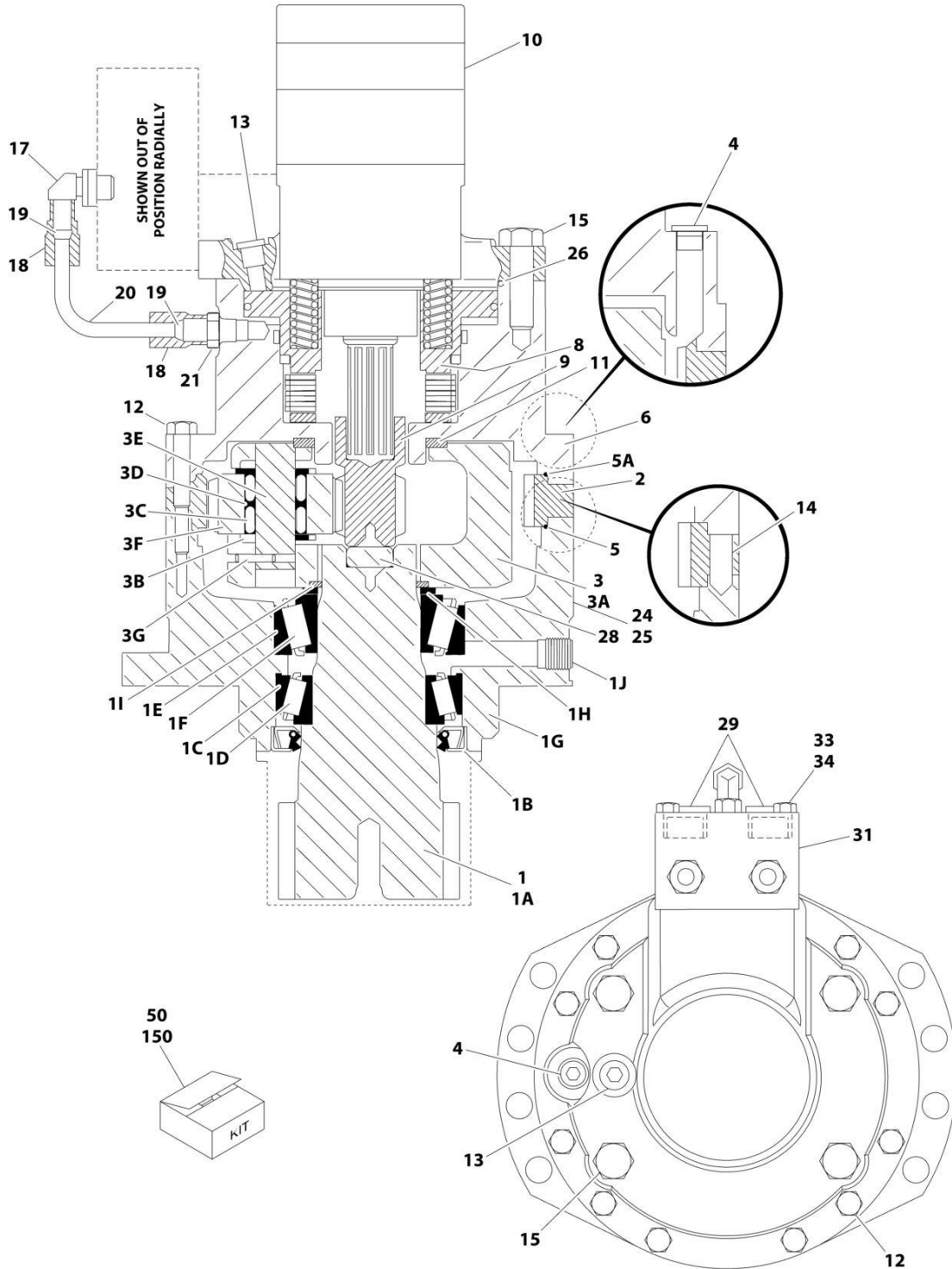
**SECTION 2 - TURNTABLE**

**FIGURE 2-4. SWING DRIVE INSTALLATION**

ITEM	PART NUMBER	QTY	DESCRIPTION	REV
	0270752	Ref	SWING DRIVE INSTALLATION	C
1	0100011	AR	Compound, Locking	
2	0100019	AR	Compound, Locking	
3	3160257	1	Swing Motor Assembly (See Separate Breakdown in this Section)	
4	3312002	1	Nut 5/8	
5	3572628	1	Plate, Mounting	
6	3900293	1	Screw, Shoulder	
7	3931824	8	Capscrew 1/2 x 1-1/2 Grade 8	
8	3932232	4	Bolt 3/4 x 2 Grade 8	
9	3952020	1	Setscrew 5/8 x 2-1/2	
10	4071009	1	Shim (Not Shown - Used on setting gear backlash)	
11	4892200	4	Washer 3/4	

# SECTION 2 - TURNTABLE

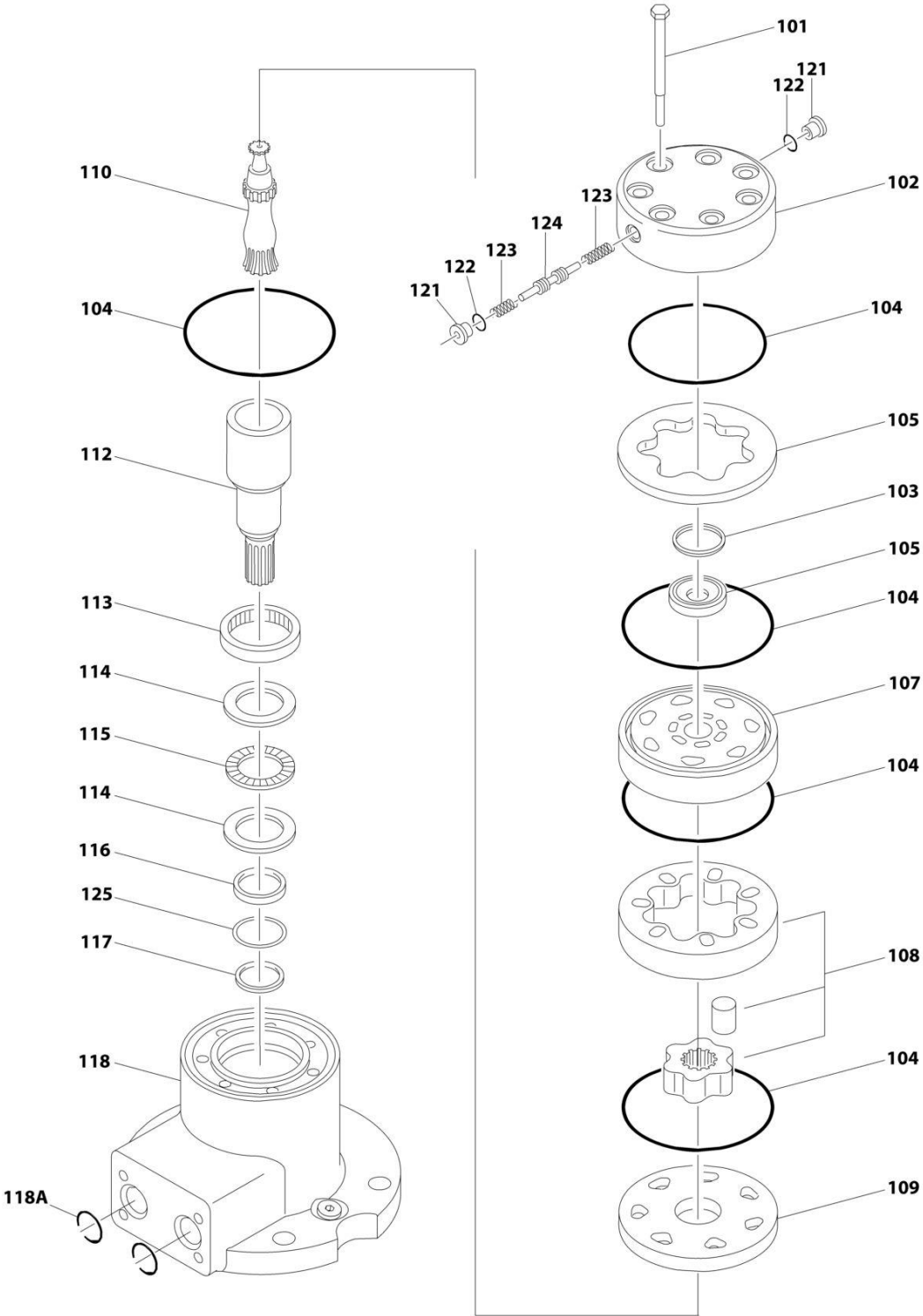
## FIGURE 2-5. SWING MOTOR ASSEMBLY



ART\_3160257\_10F2



# SECTION 2 - TURNTABLE



ART\_3160257\_20F2

## SECTION 2 - TURNTABLE

### FIGURE 2-5. SWING MOTOR ASSEMBLY

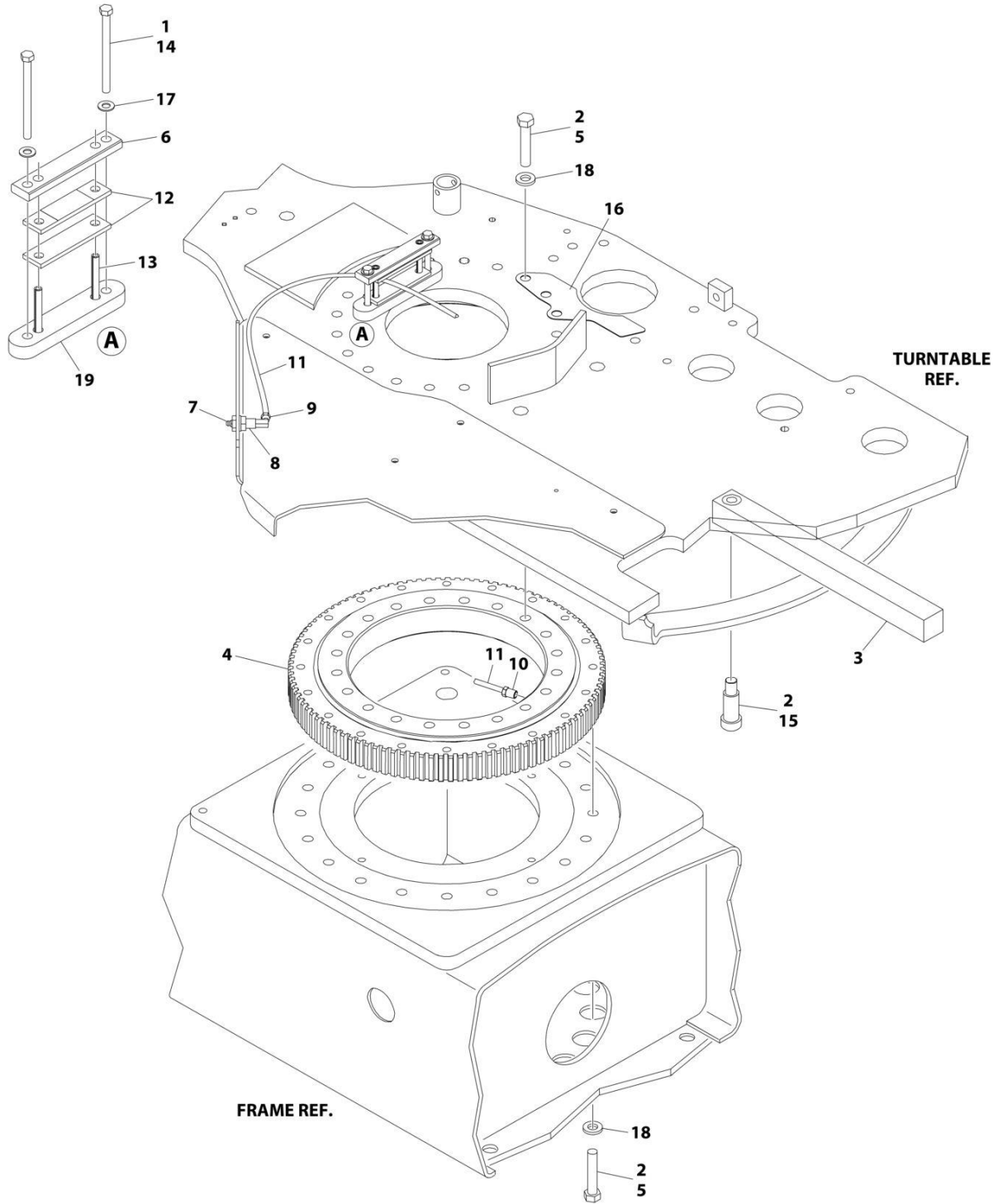
ITEM	PART NUMBER	QTY	DESCRIPTION	REV
	3160257	Ref	SWING MOTOR ASSEMBLY	C
1	See Note	NSS	Housing Assembly (Note: Use p/n 3160257)	
1A	7017069	1	Shaft, Output	
1B	See Note	NSS	Seal, Lip (Note: Use Item 50)	
1C	7000255	1	Bearing, Tapered-Cup	
1D	7000256	1	Bearing, Tapered-Cone	
1E	7000257	1	Bearing, Tapered-Cup	
1F	7000258	1	Bearing, Tapered-Cone	
1G	7017071	1	Housing	
1H	7007633	1	Thrustwasher	
1I	See Note	NSS	Ring, Retaining (Note: Use Item 50)	
1J	7017072	1	Plug, Pipe (With O-Ring)	
2	7000203	1	Gear, Ring	
3	See Note	NSS	Carrier Assembly (Note: Not Available - Purchase Individual Components)	
3A	7017074	1	Carrier	
3B	7001908	6	Thrustwasher, Tanged	
3C	7007637	96	Bearing, Needle	
3D	7000263	3	Spacer, Thrust	
3E	7017073	3	Shaft, Planet	
3F	7017075	3	Gear, Planet	
3G	7001913	3	Pin, Roll	
4	7017023	1	Plug, Pipe (With O-Ring)	
5	See Note	NSS	O-Ring (Special) (Note: Use Item 50)	
5A	See Note	NSS	O-Ring (White) (Note: Use Item 50)	
6	7017077	1	Hub, Brake	
8	7017079	1	Brake, Input	
8	7024199	1	Friction Disc Kit	
8	7024700	1	Spring Kit	
8	7024701	1	Brake Seal Kit	
9	7017076	1	Gear, Sun	
10	7017088	1	Motor, Hydraulic (See Items 101-150 for Breakdown)	
11	See Note	NSS	Thrustwasher (Note: Use Item 50)	
12	See Note	NSS	Bolt (Note: Use Item 50)	
13	7017082	1	Plug, Pipe (With O-Ring)	
14	7017080	4	Pin, Dowel	
15	7024136	4	Bolt	
17	7017085	1	Elbow	
18	7017083	2	Nut, Tube	
19	7017084	2	Tube, Female	
20	7017087	1	Tubing	
21	7017086	1	Connector, Straight	
24	See Note	NSS	Plate, ID (Note: Not Available for Purchase)	
25	7000281	2	Screw, Drive	
26	See Note	NSS	O-Ring (Note: Use Item 50)	
28	7017078	1	Spacer, Input	
29	7001926	2	Plug, Pipe (With O-Ring)	
31	4640741	1	Valve, Motor Control	
33	See Note	NSS	Washer, Flat (Note: Use Item 50)	
34	7024135	4	Bolt	

## SECTION 2 - TURNTABLE

ITEM	PART NUMBER	QTY	DESCRIPTION	REV
50	7024136	1	Seal Kit (Includes Items 1B, 11, 5, 5A, 11, 12, 15, 26 & 33)	B
	7017088	Ref	HYDRAULIC MOTOR ASSEMBLY	
101	7024382	7	Bolt	
102	7004035	1	Cover, End	
103	See Note	NSS	Seal, Commutator (Note: Use Item 150)	
104	See Note	NSS	Seal, Ring (Note: Use Item 150)	
105	7024378	1	Commutator and Ring Assembly	
107	7024379	1	Manifold	
108	7024383	1	Rotor Set	
108	See Note	NSS	Rotor (Note: Use p/n 7024383)	
108	See Note	NSS	Stator (Note: Use p/n 7024383)	
108	See Note	NSS	Vane (Note: Use p/n 7024383)	
109	7024380	1	Plate, Wear	
110	7024384	1	Link, Drive	
112	7024386	1	Shaft, Coupling	
113	7024381	1	Bushing, Bronze	
114	7004043	2	Thrustwasher	
115	7004044	1	Bearing, Thrust	
116	See Note	NSS	Seal, Inner (Note: Use Item 150)	
117	See Note	NSS	Washer, Back-up (Note: Use Item 150)	
118	7024385	1	Housing	
118A	See Note	NSS	O-Ring (Note: Use Item 150)	
121	7010795	2	Plug	
122	7024387	2	O-Ring	
123	7024388	2	Spring	
124	7017088	1	Valve (Note: Not Available for Purchase)	
125	See Note	NSS	Washer, Back-up (Note: Use Item 150)	
150	7024389	1	Seal Kit (Includes Items 103, 104, 116, 117, 118A & 125)	

# SECTION 2 - TURNTABLE

## FIGURE 2-6. TURNTABLE BEARING, STOP AND LUBE INSTALLATION



ART\_1001175087\_C

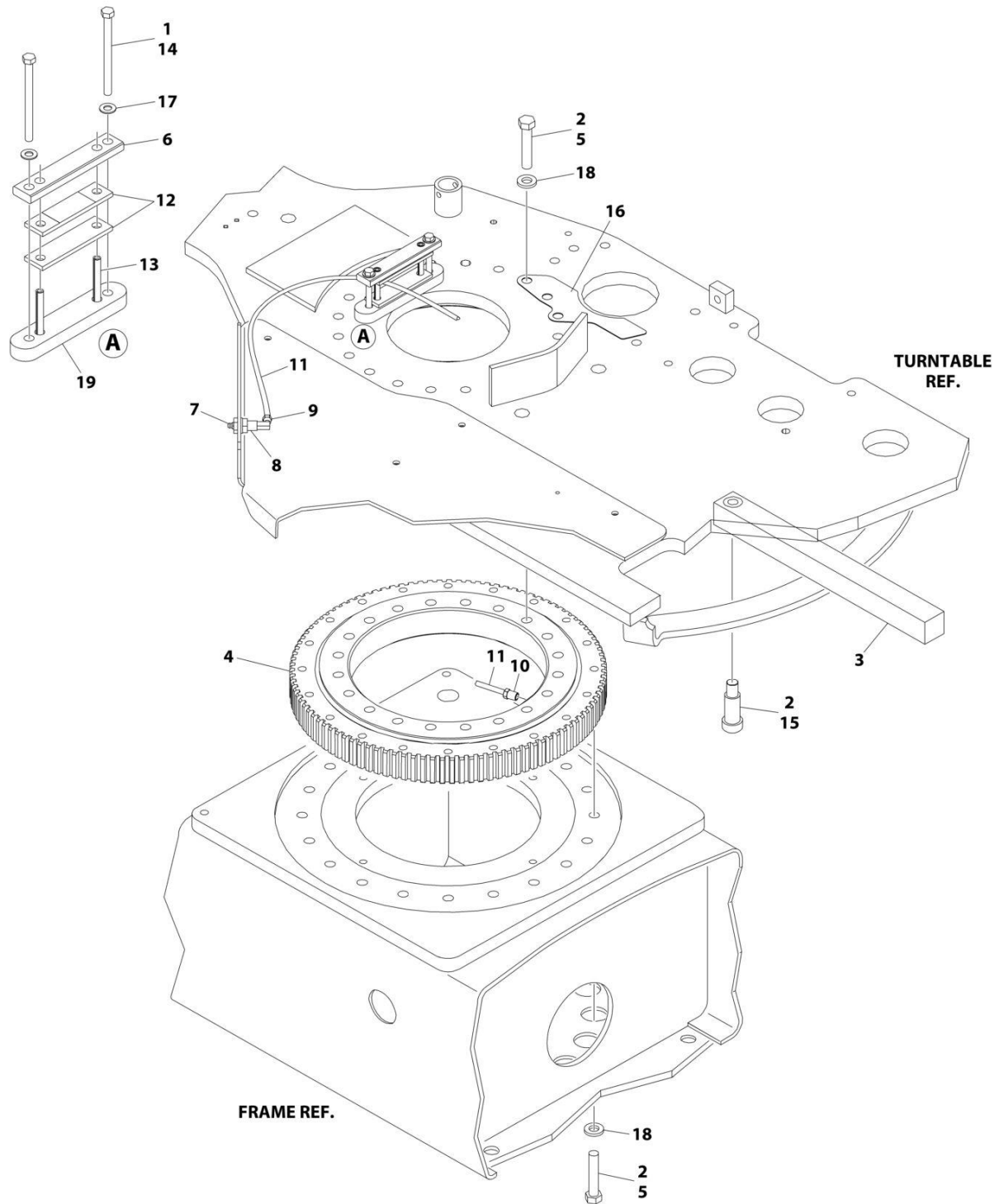
## SECTION 2 - TURNTABLE

**FIGURE 2-6. TURNTABLE BEARING, STOP AND LUBE INSTALLATION**

ITEM	PART NUMBER	QTY	DESCRIPTION	REV
	1001175087	Ref	TURNTABLE BEARING, STOP AND LUBE INSTALLATION	C
1	0100011	AR	Compound, Locking	
2	0100019	AR	Compound, Locking	
3	0259849	1	Stop, Turntable	
4	0440240	1	Bearing, Turntable	
5	0682026	40	Bolt 5/8 x 3-1/4 Grade 8	
6	1320271	1	Bar, Clamp	
7	2160002	1	Fitting, Grease	
8	2180344	1	Fitting, Bulkhead	
9	2220063	1	Fitting, Adapter	
10	2220273	1	Fitting, Reducer	
11	2751095	1	Hose	
12	1001152708	2	Pad, Rubber	
13	3441260	2	Rollpin	
14	3900262	2	Capscrew 3/8 x 4-3/4	
15	3900284	1	Screw, Shoulder	
16	4071010	1	Shim	
17	4711600	2	Washer 3/8	
18	4892000	40	Washer 5/8	
19	1001175088	1	Clamp, Hose Protector	

# SECTION 2 - TURNTABLE

FIGURE 2-7. TURNTABLE BEARING, STOP AND LUBE INSTALLATION (MACHINES WITH SN STARTING WITH B3)



ART\_100127782

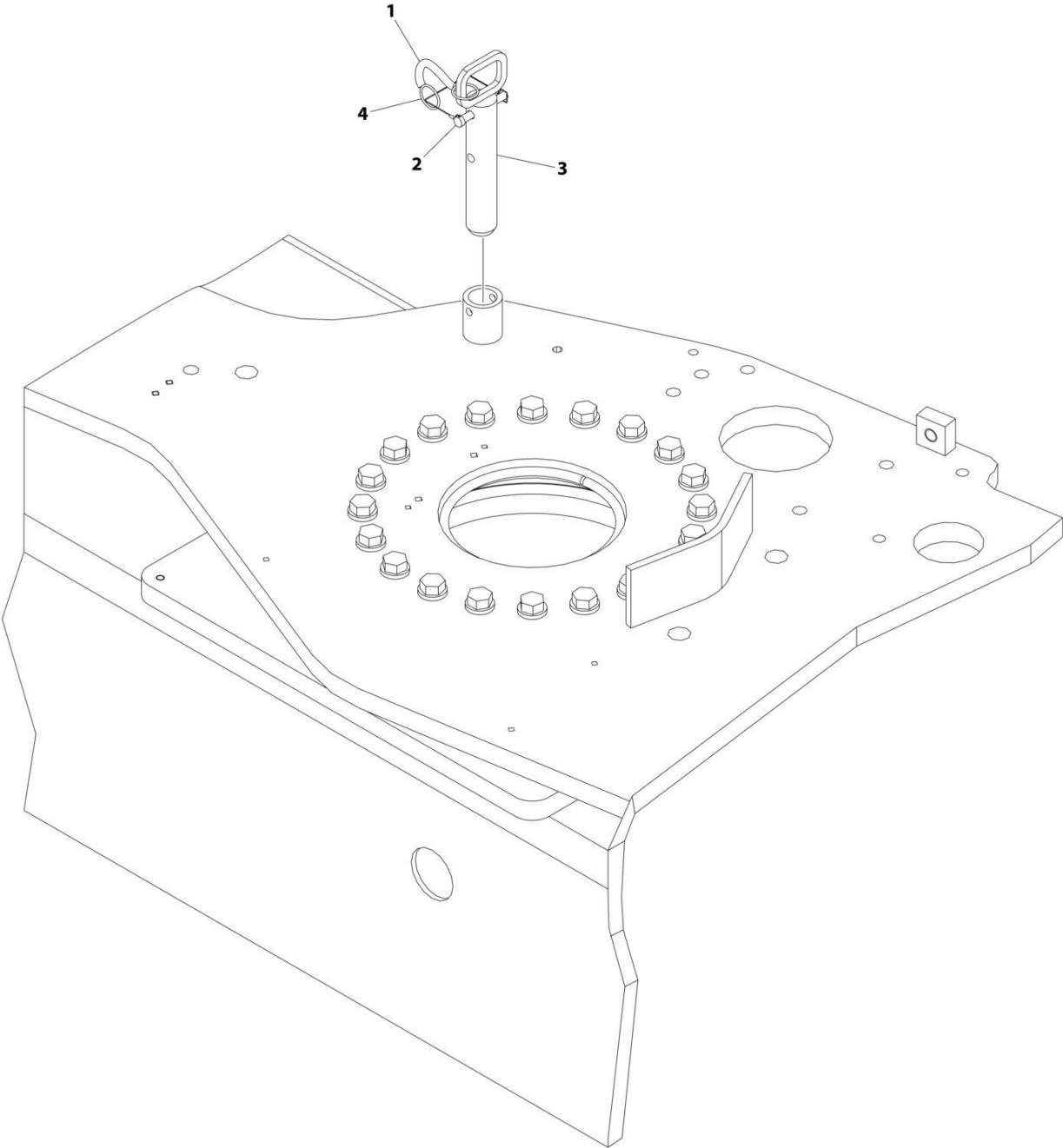
## SECTION 2 - TURNTABLE

**FIGURE 2-7. TURNTABLE BEARING, STOP AND LUBE INSTALLATION (MACHINES WITH SN STARTING WITH B3)**

ITEM	PART NUMBER	QTY	DESCRIPTION	REV
	1001277782	Ref	TURNTABLE BEARING, STOP AND LUBE INSTALLATION	A
1	0100011	AR	Compound, Locking	
2	0100019	AR	Compound, Locking	
3	1001277792	1	Stop, Turntable	
4	0440240	1	Bearing, Turntable	
5	0682026	40	Bolt 5/8 x 3-1/4 Grade 8	
6	1001276921	1	Bar, Clamp	
7	2160002	1	Fitting, Grease	
8	2180344	1	Fitting, Bulkhead	
9	2220063	1	Fitting, Adapter	
10	2220273	1	Fitting, Reducer	
11	2751095	1	Hose	
12	3340860	2	Pad, Rubber	
13	3441260	2	Rollpin	
14	3900262	2	Capscrew 3/8 x 4-3/4	
15	3900284	1	Screw, Shoulder	
16	1001276874	1	Shim	
17	4711600	2	Washer 3/8	
18	4892000	40	Washer 5/8	
19	1001175088	1	Clamp, Hose Protector	

**SECTION 2 - TURNTABLE**

**FIGURE 2-8. TURNTABLE LOCK INSTALLATION**



ART\_0239585



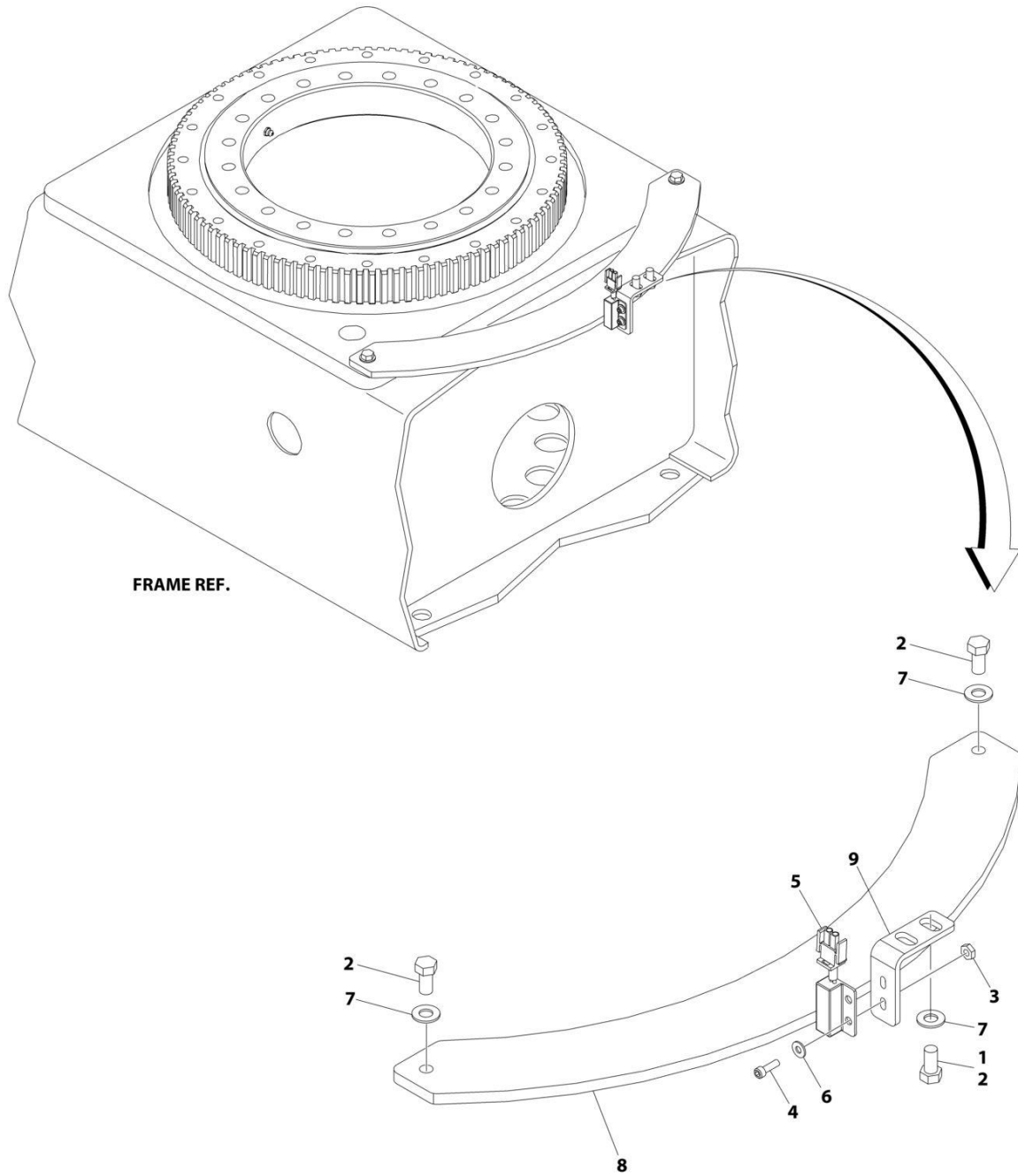
**SECTION 2 - TURNTABLE**

**FIGURE 2-8. TURNTABLE LOCK INSTALLATION**

<b>ITEM</b>	<b>PART NUMBER</b>	<b>QTY</b>	<b>DESCRIPTION</b>	<b>REV</b>
	0239585	Ref	TURNTABLE LOCK INSTALLATION	D
1	1260017	9 in/23cm	Chain	
2	3421565	1	Pin, Snap	
3	1001169582	1	Pin, Lock	
4	3760170	2	Ring, Quick Release	

# SECTION 2 - TURNTABLE

## FIGURE 2-9. DRIVE ORIENTATION INSTALLATION



ART\_1001200255

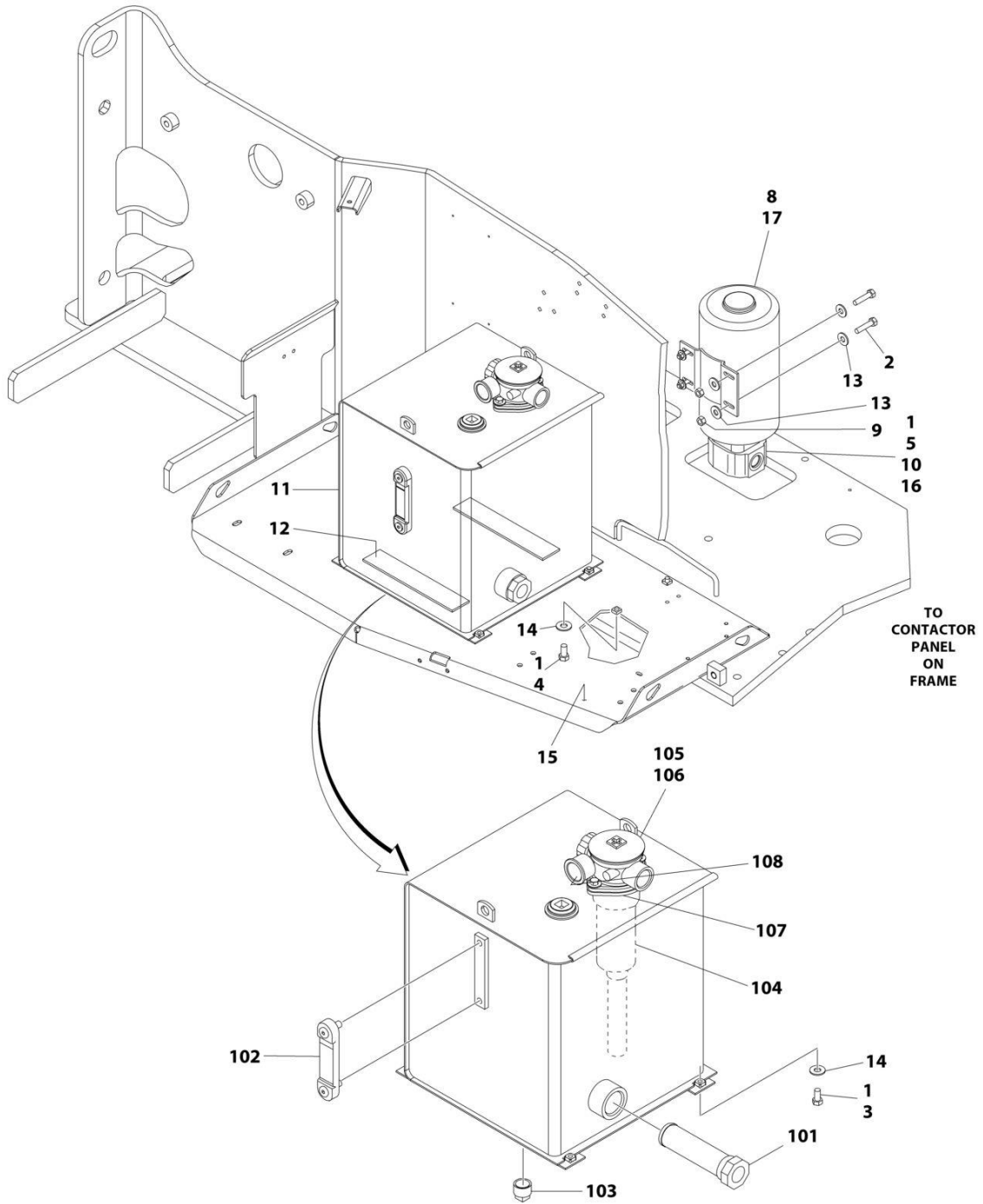
**SECTION 2 - TURNTABLE**

**FIGURE 2-9. DRIVE ORIENTATION INSTALLATION**

<b>ITEM</b>	<b>PART NUMBER</b>	<b>QTY</b>	<b>DESCRIPTION</b>	<b>REV</b>
	1001200255	Ref	DRIVE ORIENTATION INSTALLATION	A
1	0100011	AR	Compound, Locking	
2	0641606	4	Bolt 3/8 x 3/4	
3	3311005	2	Nut #10	
4	3931010	2	Capscrew #10 x 5/8	
5	4360517	1	Switch, Proximity	
6	4711000	2	Washer #10	
7	4711600	4	Washer 3/8	
8	1001116031	1	Cam	
9	1001116106	1	Bracket, Switch Mounting	

# SECTION 2 - TURNTABLE

## FIGURE 2-10. HYDRAULIC TANK AND PUMP/MOTOR INSTALLATION (NON-UL SPECS)



ART\_1001174891

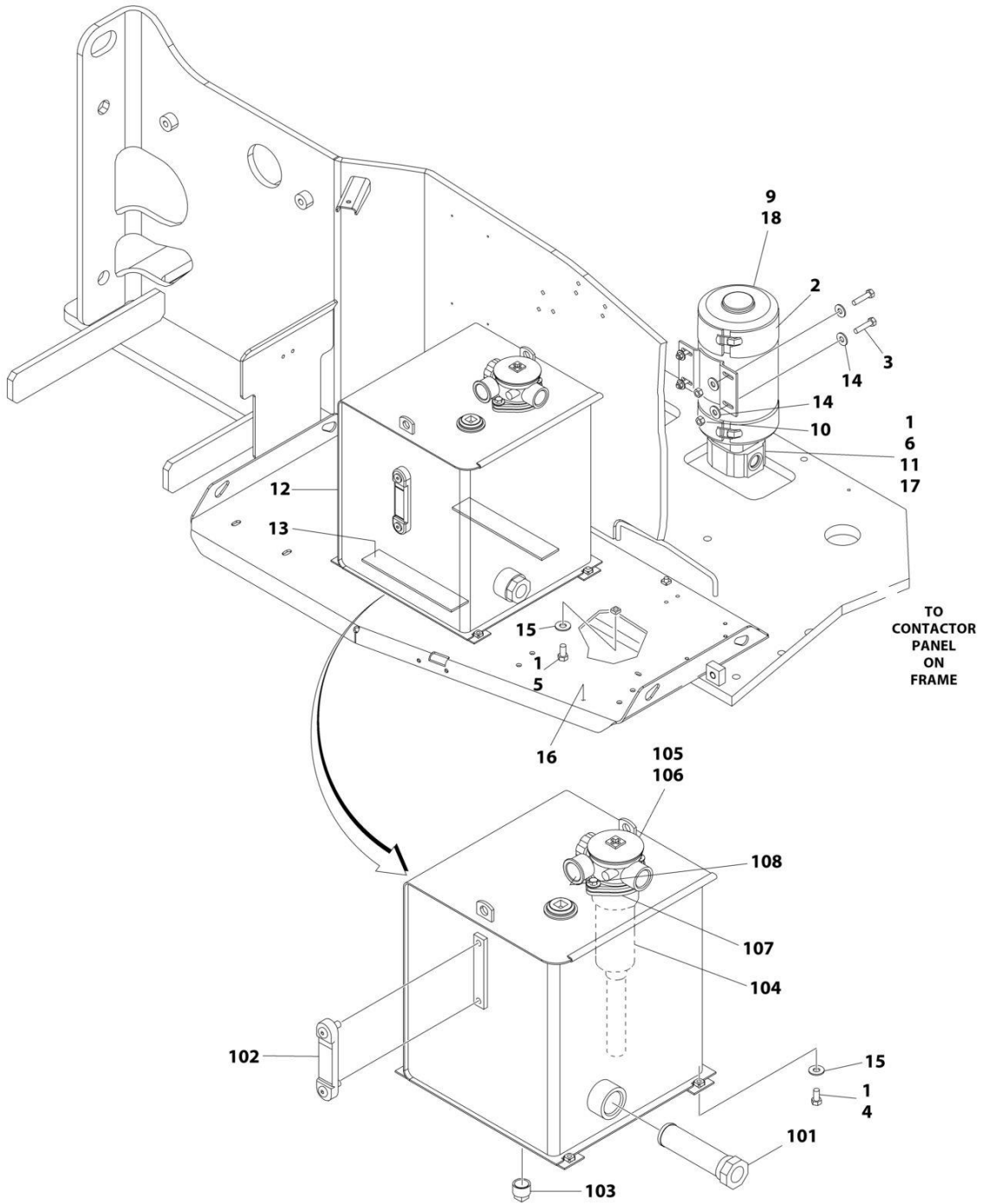
## SECTION 2 - TURNTABLE

**FIGURE 2-10. HYDRAULIC TANK AND PUMP/MOTOR INSTALLATION (NON-UL SPECS)**

ITEM	PART NUMBER	QTY	DESCRIPTION	REV
	1001174891	Ref	HYDRAULIC TANK AND PUMP/MOTOR INSTALLATION	F
1	0100011	AR	Compound, Locking	
2	0641511	4	Bolt 5/16 x 1-3/8	
3	0641606	4	Bolt 3/8 x 3/4	
4	0641614	7	Bolt 3/8 x 1-3/4	
5	0700812	2	Bolt M8 x 25	
8	3160252	1	Electricity Motor Assembly (See Separate Breakdown in this Section)	
9	3311505	4	Nut 5/16	
10	3600310	1	Pump Assembly (Note: Seal Kit is the only available replacement part)	
10	7024056	1	Seal Kit - 3600310 Pump	
11	4400455	1	Tank Assembly - Hydraulic (See Items 101-108 for Breakdown)	
12	4420038	30 in /76cm	Tape, Rubber	
13	4751500	8	Washer 5/16	
14	4751600	11	Washer 3/8	
15	4846178	1	Tray	
16	4891500	2	Washer 5/16	
17	3020037	AR	Grease, Coupling	
	4400455	Ref	HYDRAULIC TANK ASSEMBLY	E
101	7026121	1	Strainer, Suction	
102	7024441	1	Gauge, Level Indicator	
103	7024446	1	Plug, Magnetic	
104	7023268	1	Filter with Pressure Switch	
104	7023224	1	Element, Filter	
105	7023268	1	Breather with Pressure Switch	
105	7023269	1	Element, Breather	
106	7023306	1	Seal, Cover Plate	
107	7023347	1	Gasket	
108	7023270	1	Gauge, Indicator	

# SECTION 2 - TURNTABLE

## FIGURE 2-11. HYDRAULIC TANK AND PUMP/MOTOR INSTALLATION (UL SPECS)



ART\_1001175539

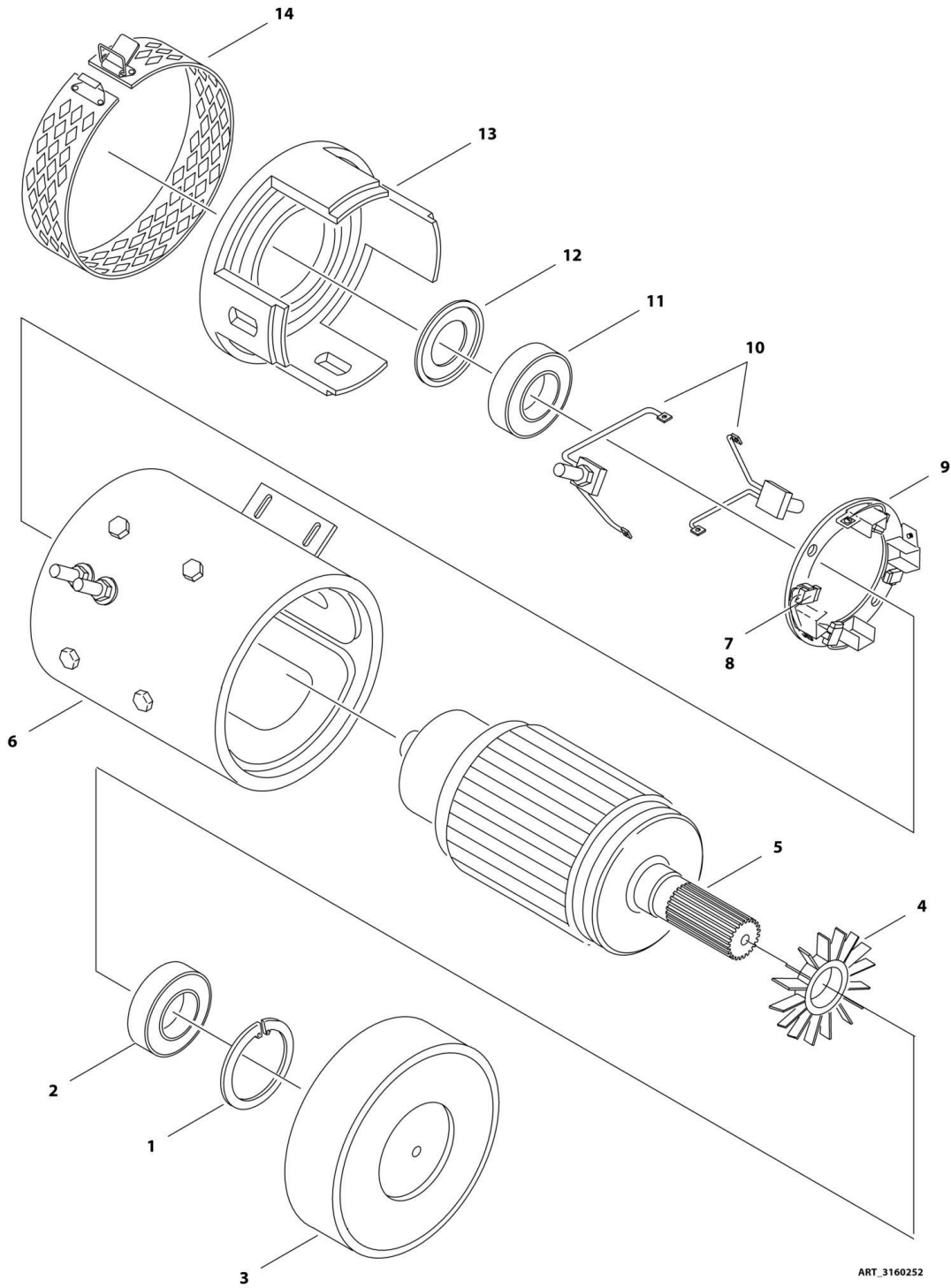
## SECTION 2 - TURNTABLE

**FIGURE 2-11. HYDRAULIC TANK AND PUMP/MOTOR INSTALLATION (UL SPECS)**

ITEM	PART NUMBER	QTY	DESCRIPTION	REV
	1001175539	Ref	HYDRAULIC TANK AND PUMP/MOTOR INSTALLATION (UL SPECS)	F
1	0100011	AR	Compound, Locking	
2	0340049	1	Pump Motor Band Kit	
3	0641511	4	Bolt 5/16 x 1-3/8	
4	0641606	4	Bolt 3/8 x 3/4	
5	0641614	7	Bolt 3/8 x 1-3/4	
6	0700812	2	Bolt M8 x 25	
9	3160252	1	Electricity Motor Assembly (See Separate Breakdown in this Section)	
10	3311505	4	Nut 5/16	
11	3600310	1	Pump Assembly (Note: Seal Kit is only available service part)	
11	7024056	1	Seal Kit - 3600310 Pump	
12	4400455	1	Tank Assembly - Hydraulic (See Items 101-108 for Breakdown)	
13	4420038	30 in /76cm	Tape, Rubber	
14	4751500	8	Washer 5/16	
15	4751600	11	Washer 3/8	
16	4846178	1	Tray Weldment	
17	4891500	2	Washer 5/16	
18	3020037	AR	Grease, Coupling	
	4400455	Ref	HYDRAULIC TANK ASSEMBLY	E
101	7026121	1	Strainer, Suction	
102	7024441	1	Gauge, Level Indicator	
103	7024446	1	Plug, Magnetic	
104	7023268	1	Filter with Pressure Switch	
104	7023224	1	Element, Filter	
105	7023268	1	Breather with Pressure Switch	
105	7023269	1	Element, Breather	
106	7023306	1	Seal, Cover Plate	
107	7023347	1	Gasket	
108	7023270	1	Gauge, Indicator	

# SECTION 2 - TURNTABLE

## FIGURE 2-12. ELECTRIC MOTOR ASSEMBLY



ART\_3160252



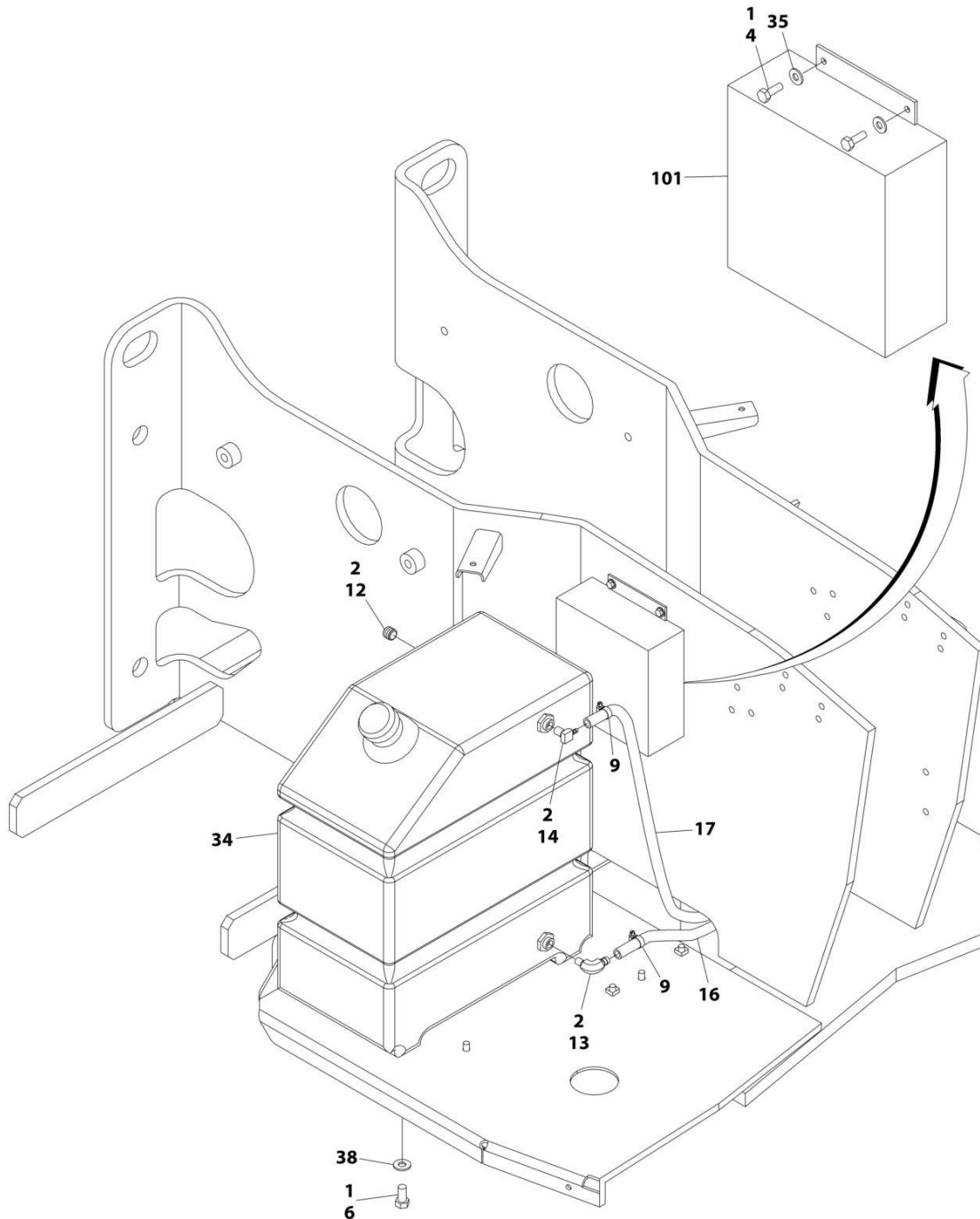
**SECTION 2 - TURNTABLE**

**FIGURE 2-12. ELECTRIC MOTOR ASSEMBLY**

<b>ITEM</b>	<b>PART NUMBER</b>	<b>QTY</b>	<b>DESCRIPTION</b>	<b>REV</b>
	3160252	Ref	MOTOR ASSEMBLY	C
1	7020291	1	Ring, Retaining	
2	7020292	1	Bearing (Shaft End)	
3	7020293	1	Endhead, Shaft	
4	7020294	1	Fan	
5	7020295	1	Armature Assembly	
6	7020296	1	Field Coil/Case Kit	
7	7012548	8	Spring, Brush	
8	7020297	8	Brush	
9	7020298	1	Box Assembly - Brush	
10	7020299	1	Lead Kit, Brush Wire	
11	7012545	1	Bearing (Commutator End)	
12	7012549	1	Washer	
13	7023200	1	Endhead, Commutator	
14	7023272	1	Headband Assembly	

## SECTION 2 - TURNTABLE

FIGURE 2-13. FUEL TANK AND ENGINE MODULE INSTALLATION - WITH STANDARD BATTERIES (H600SJ,H600SJP)



ART\_1001199313\_10F5

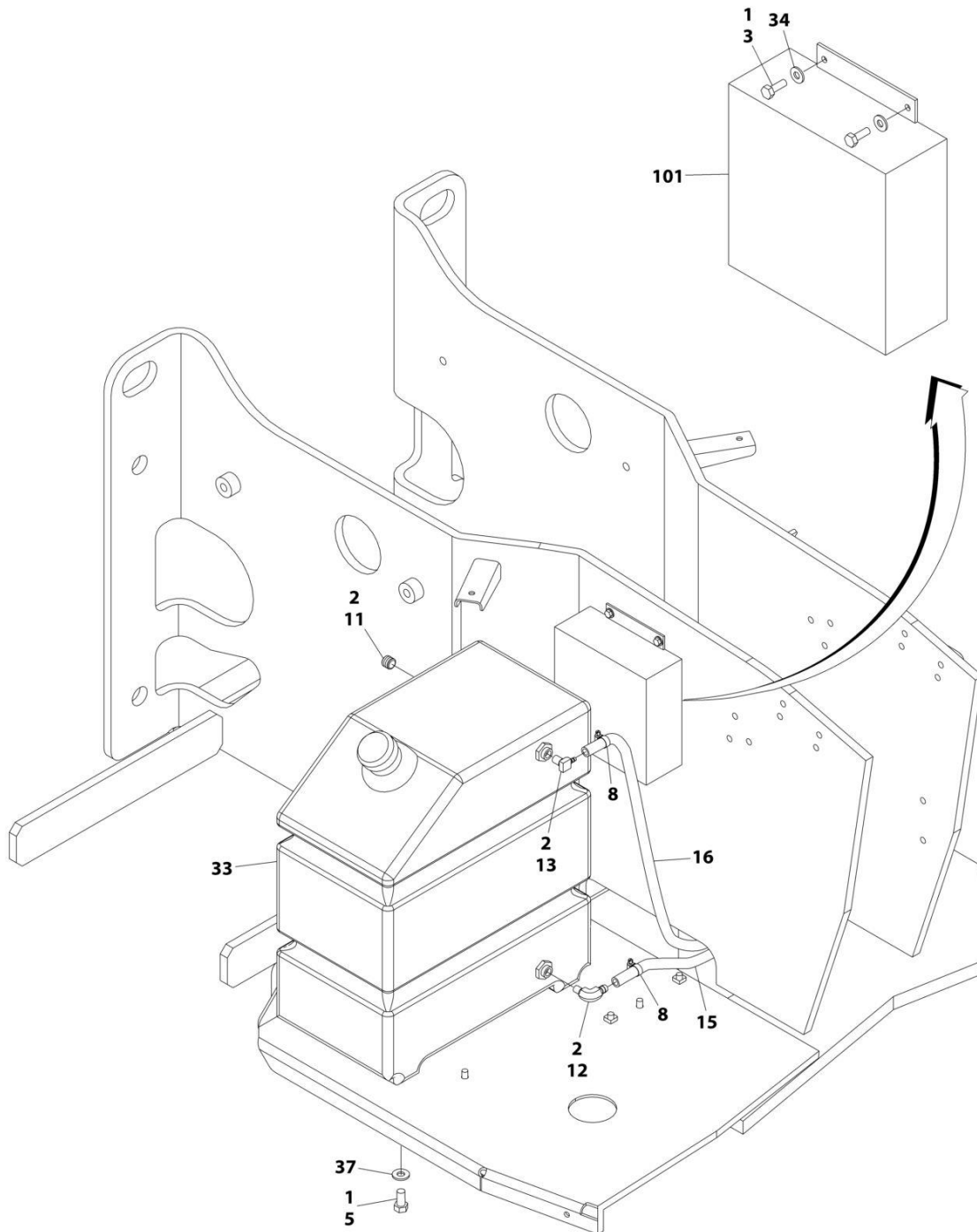
## SECTION 2 - TURNTABLE

**FIGURE 2-13. FUEL TANK AND ENGINE MODULE INSTALLATION - WITH STANDARD BATTERIES  
(H600SJ,H600SJP)**

ITEM	PART NUMBER	QTY	DESCRIPTION	REV
	1001199313	Ref	FUEL TANK AND MODULE INSTALLATION	H
1	0100011	AR	Compound, Locking	
2	0100020	AR	Sealant, Pipe	
4	0641406	4	Bolt 1/4 x 3/4	
6	0641606	4	Bolt 3/8 x 3/4	
9	1320022	2	Clamp, Hose	
12	2200222	2	Plug, Pipe	
13	2221046	1	Fitting, Elbow Barbed	
14	2221047	1	Fitting, Elbow Barbed	
16	2720058	AR	Hose, Fuel Line	
17	2720271	AR	Hose, Fuel Line	
34	4400430	1	Tank, Fuel	
201	7020257	1	Non-Locking Cap	
201	7016649	1	Seal, Cap	
35	4711400	4	Washer 1/4	
38	4751600	4	Washer 3/8	
101	70000326	1	Module, Contactor (Kubota Engine)	
101	70000328	1	Harness, Module (Not Shown)	

## SECTION 2 - TURNTABLE

FIGURE 2-14. FUEL TANK AND ENGINE MODULE INSTALLATION - WITH AGM BATTERIES (H600SJ,H600SJP)



ART\_1001207674\_10F5

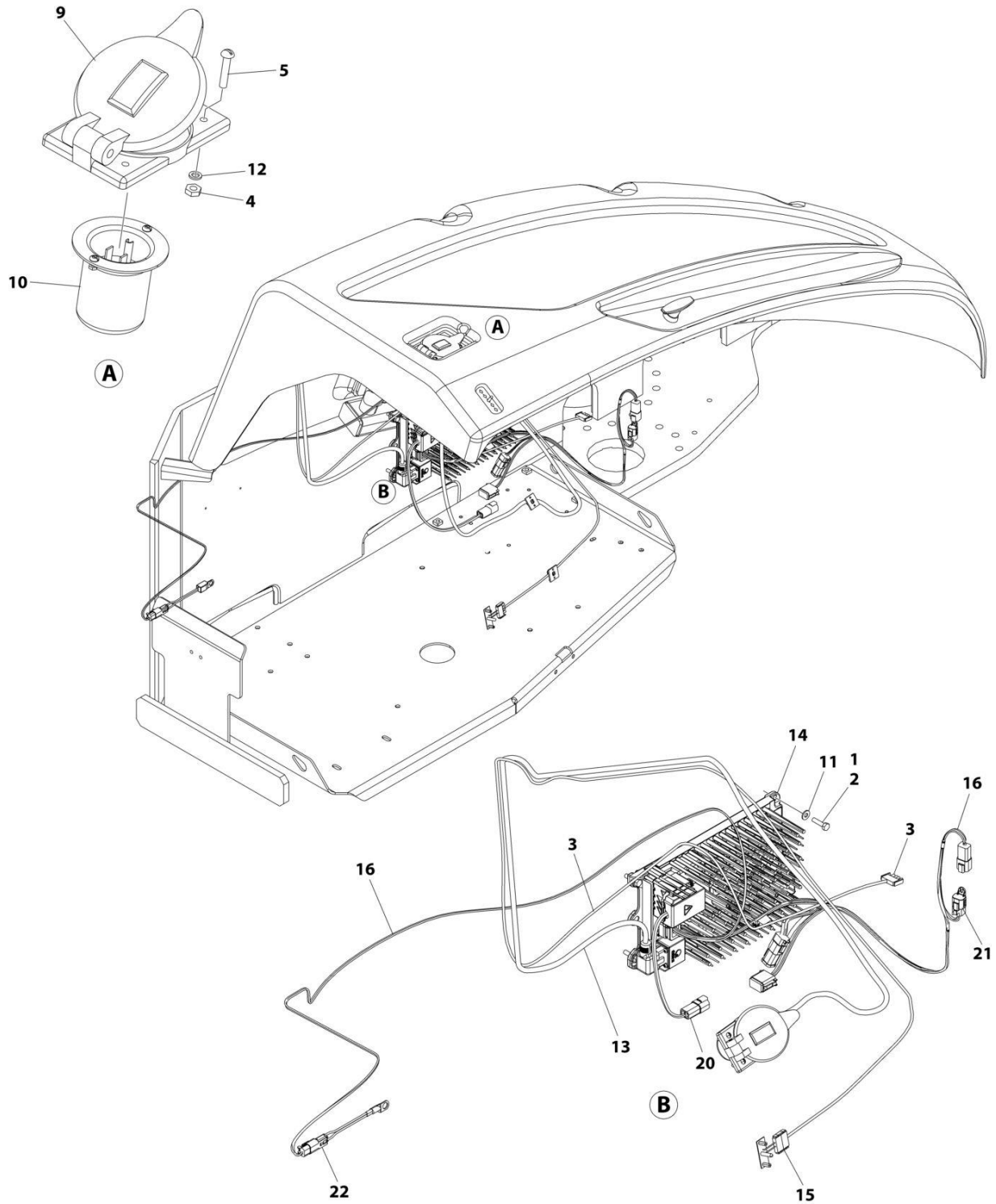
## SECTION 2 - TURNTABLE

**FIGURE 2-14. FUEL TANK AND ENGINE MODULE INSTALLATION - WITH AGM BATTERIES  
(H600SJ,H600SJP)**

ITEM	PART NUMBER	QTY	DESCRIPTION	REV
	1001207674	Ref	FUEL TANK AND MODULE INSTALLATION - WITH AGM BATTERIES	G
1	0100011	AR	Compound, Locking	
2	0100020	AR	Sealant, Pipe	
3	0641406	4	Bolt 1/4 x 3/4	
5	0641606	4	Bolt 3/8 x 3/4	
8	1320022	2	Clamp, Hose	
11	2200222	2	Plug, Pipe	
12	2221046	1	Fitting, Elbow Barbed	
13	2221047	1	Fitting, Elbow Barbed	
15	2720058	AR	Hose, Fuel Line	
16	2720271	AR	Hose, Fuel Line	
33	4400430	1	Tank, Fuel	
33	7020257	1	Non-Locking Cap (Supplied with Tank)	
33	7016649	1	Seal, Cap	
34	4711400	4	Washer 1/4	
37	4751600	4	Washer 3/8	
101	70000326	1	Module, Contactor (Kubota Engine)	
101	70000328	1	Module Harness (Not Shown)	

## SECTION 2 - TURNTABLE

FIGURE 2-15. BATTERY CHARGER INSTALLATION - 110V/60HZ SMART CHARGER (ALL SPECS EXCEPT AUSTRALIAN, CE & UK CA SPECS)



ART\_1001251479\_C

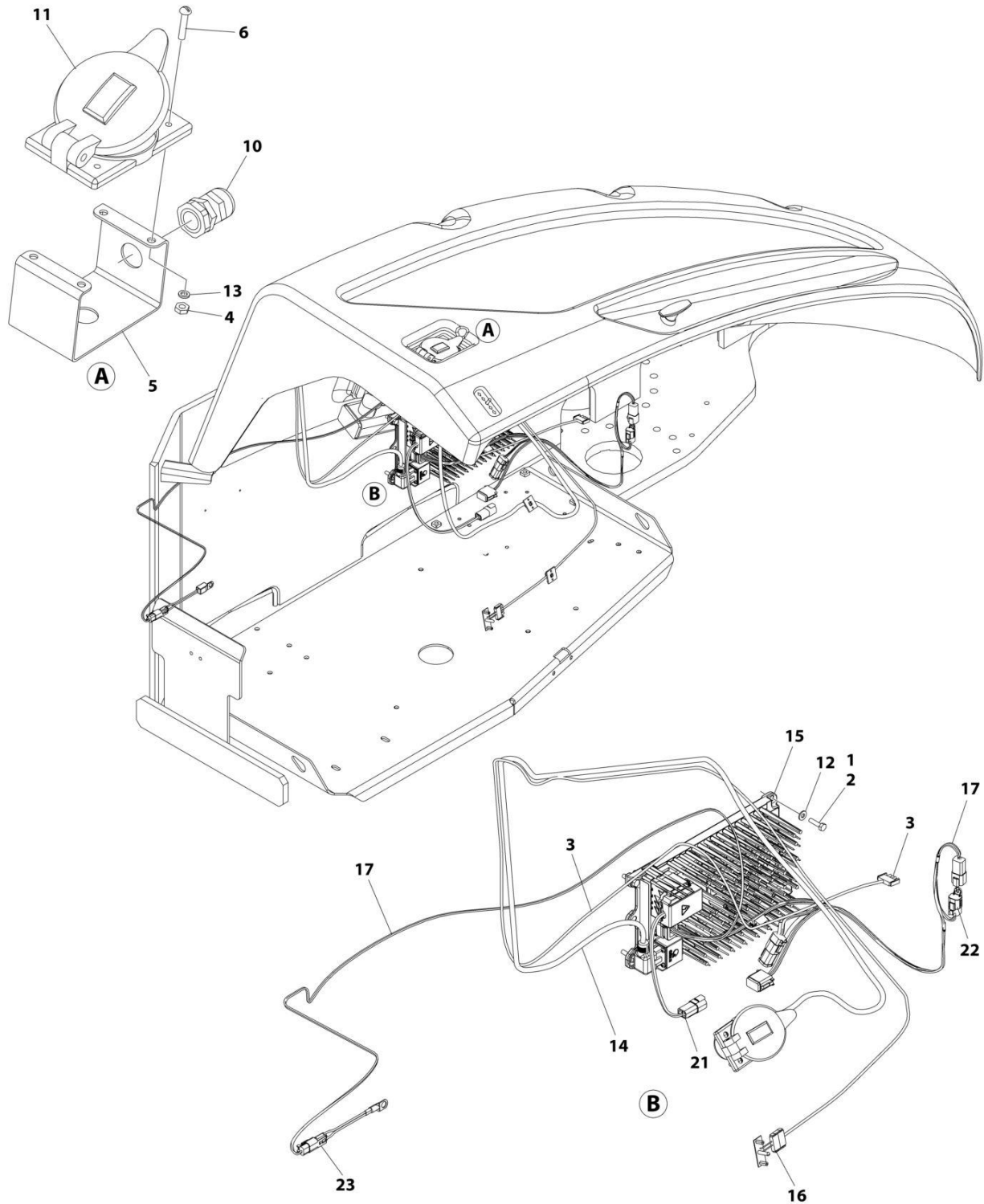
## SECTION 2 - TURNTABLE

**FIGURE 2-15. BATTERY CHARGER INSTALLATION - 110V/60HZ SMART CHARGER (ALL SPECS EXCEPT AUSTRALIAN, CE & UK CA SPECS)**

ITEM	PART NUMBER	QTY	DESCRIPTION	REV
	1001251479	Ref	BATTERY CHARGER INSTALLATION - 110V/60HZ	C
1	0100011	AR	Compound, Locking	
2	0641408	4	Bolt 1/4 x 1	
3	1060813	1	Cable, LED (See Separate Breakdown in ELECTRICAL Section)	
4	3311001	4	Nut #10	
5	3911016	4	Screw #10 x 1	
6	4240032	AR	Tie-Strap (Not Shown)	
7	4240033	AR	Tie-Strap (Not Shown)	
8	4460234	AR	Mount, Tie-Strap (Not Shown)	
9	4460802	1	Cover, Terminal	
10	4460803	1	Terminal, Plug	
11	4711400	4	Washer 1/4	
12	4761000	4	Washer #10	
13	1001289899	1	AC Cord Cable	
14	1001251382	1	Charger	
15	1001259489	1	Lamp, Battery Charger	
16	1001289963	1	Harness, Charger (See Separate Breakdown in ELECTRICAL Section)	
20	1001260408	1	Harness, Charger DC Connection (See Separate Breakdown in ELECTRICAL Section)	
21	1001192401	1	Cap, Dust	
22	1001225131	1	Harness, Temperature Sensor	

## SECTION 2 - TURNTABLE

FIGURE 2-16. BATTERY CHARGER INSTALLATION - 120V-230V/45-65HZ SMART CHARGER (ALL SPECS EXCEPT UL SPECS)



ART\_1001251478\_C



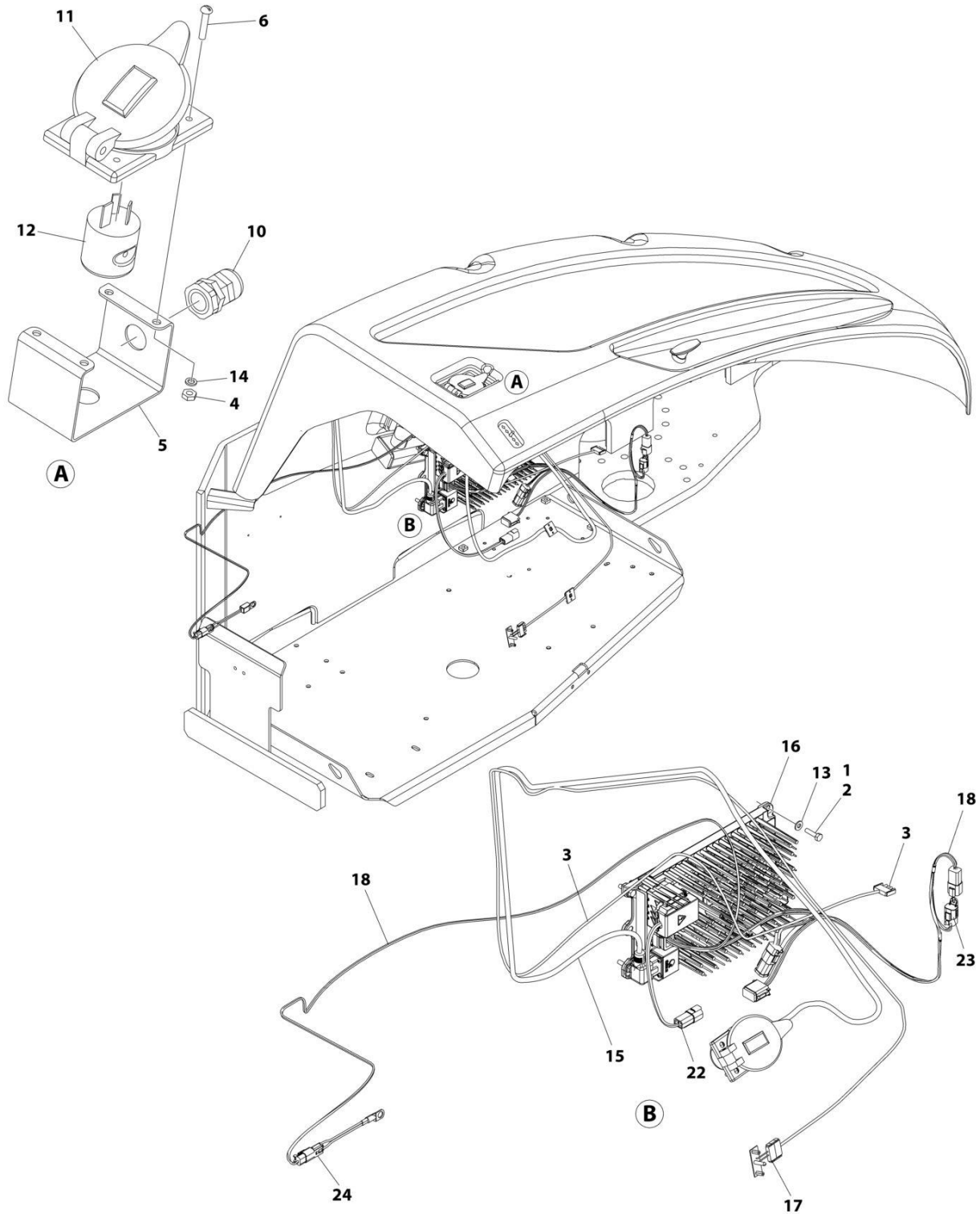
## SECTION 2 - TURNTABLE

**FIGURE 2-16. BATTERY CHARGER INSTALLATION - 120V-230V/45-65HZ SMART CHARGER (ALL SPECS EXCEPT UL SPECS)**

ITEM	PART NUMBER	QTY	DESCRIPTION	REV
	1001251478	Ref	BATTERY CHARGER INSTALLATION - 120-230V/45-65HZ	C
1	0100011	AR	Compound, Locking	
2	0641408	4	Bolt 1/4 x 1	
3	1060813	1	Cable, LED (See Separate Breakdown in ELECTRICAL Section)	
4	3311001	4	Nut #10	
5	3571584	1	Plate, Mounting	
6	3911016	4	Screw #10 x 1	
7	4240032	AR	Tie-Strap (Not Shown)	
8	4240033	AR	Tie-Strap (Not Shown)	
9	4460234	AR	Mount, Tie-Strap (Not Shown)	
10	4460428	1	Connector, Strain Relief	
11	4460802	1	Cover, Terminal	
12	4711400	4	Washer 1/4	
13	4761000	4	Washer #10	
14	1001289899	1	AC Cord Cable	
15	1001251382	1	Charger	
16	1001259489	1	Lamp, Battery Charger LED	
17	1001289963	1	Harness, Charger (See Separate Breakdown in ELECTRICAL Section)	
21	1001260408	1	Harness, Charger DC Connection (See Separate Breakdown in ELECTRICAL Section)	
22	1001192401	1	Cap, Dust	
23	1001225131	1	Harness, Temperature Sensor	

## SECTION 2 - TURNTABLE

FIGURE 2-17. BATTERY CHARGER INSTALLATION - 250V/50HZ SMART CHARGER (ANSI EXPORT, CE, AUSTRALIAN AND CHINA SPECS)



ART\_1001251480\_C

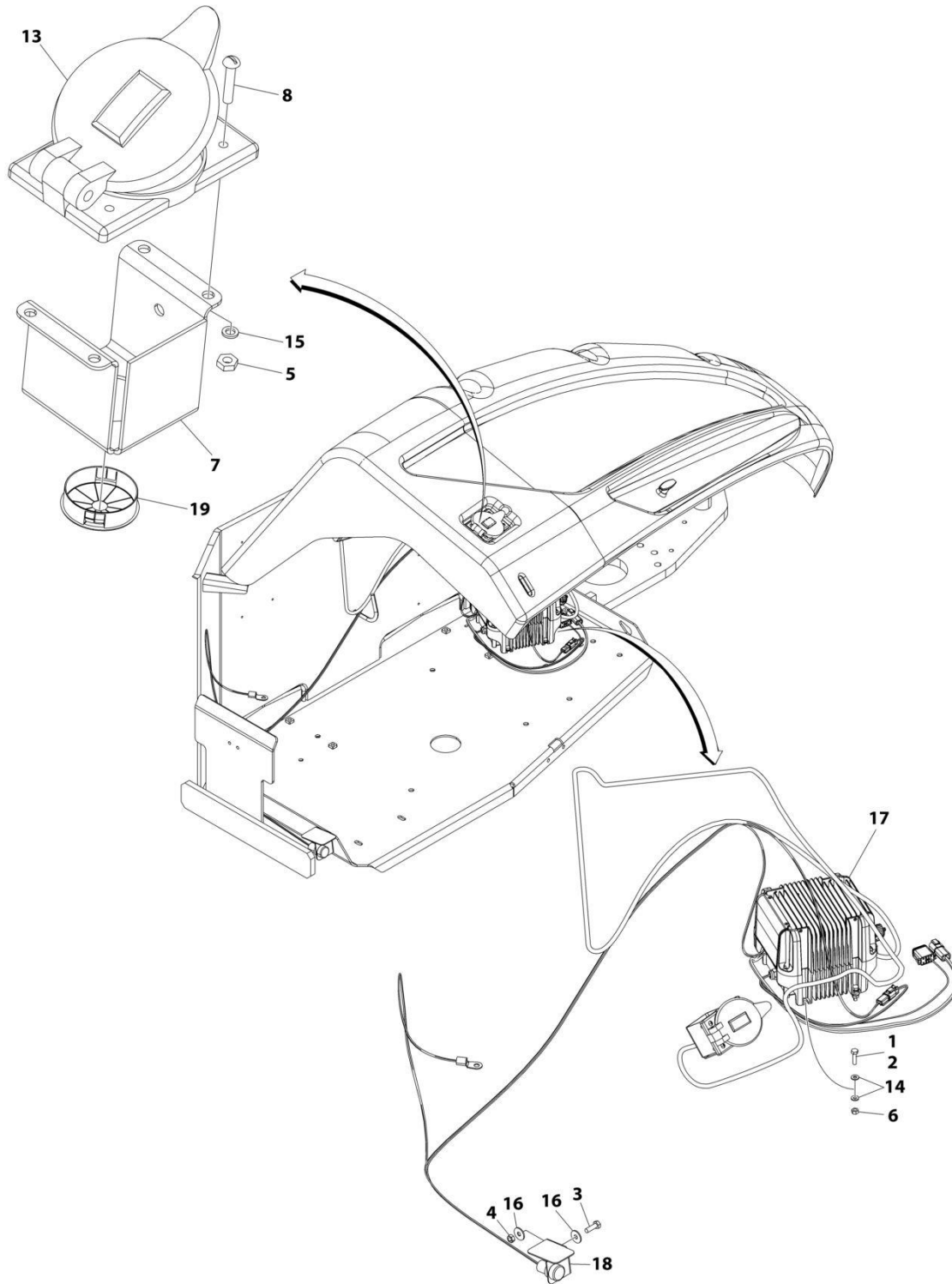
## SECTION 2 - TURNTABLE

**FIGURE 2-17. BATTERY CHARGER INSTALLATION - 250V/50HZ SMART CHARGER (ANSI EXPORT, CE, AUSTRALIAN AND CHINA SPECS)**

ITEM	PART NUMBER	QTY	DESCRIPTION	REV
	1001251480	Ref	BATTERY CHARGER INSTALLATION - 250V/50HZ	C
1	0100011	AR	Compound, Locking	
2	0641408	4	Bolt 1/4 x 1	
3	1060813	1	Cable, LED (See Separate Breakdown in ELECTRICAL Section)	
4	3311001	4	Nut #10	
5	3571584	1	Plate, Mounting	
6	3911016	4	Screw #10 x 1	
7	4240032	AR	Tie-Strap (Not Shown)	
8	4240033	AR	Tie-Strap (Not Shown)	
9	4460234	AR	Mount, Tie-Strap (Not Shown)	
10	4460428	1	Connector, Strain Relief	
11	4460802	1	Cover, Terminal	
12	4460805	1	Terminal, Plug	
13	4711400	4	Washer 1/4	
14	4761000	4	Washer #10	
15	1001289899	1	AC Cord Cable	
16	1001251382	1	Charger	
17	1001259489	1	Lamp, Battery Charger	
18	1001289963	1	Harness, Charger (See Separate Breakdown in ELECTRICAL Section)	
22	1001260408	1	Harness, Charger DC connection (See Separate Breakdown in ELECTRICAL Section)	
23	1001192401	1	Cap, Dust	
24	1001225131	1	Harness, Temperature Sensor	

# SECTION 2 - TURNTABLE

## FIGURE 2-18. BATTERY CHARGER INSTALLATION - GREEN POWER CHARGER



ART\_1001289239

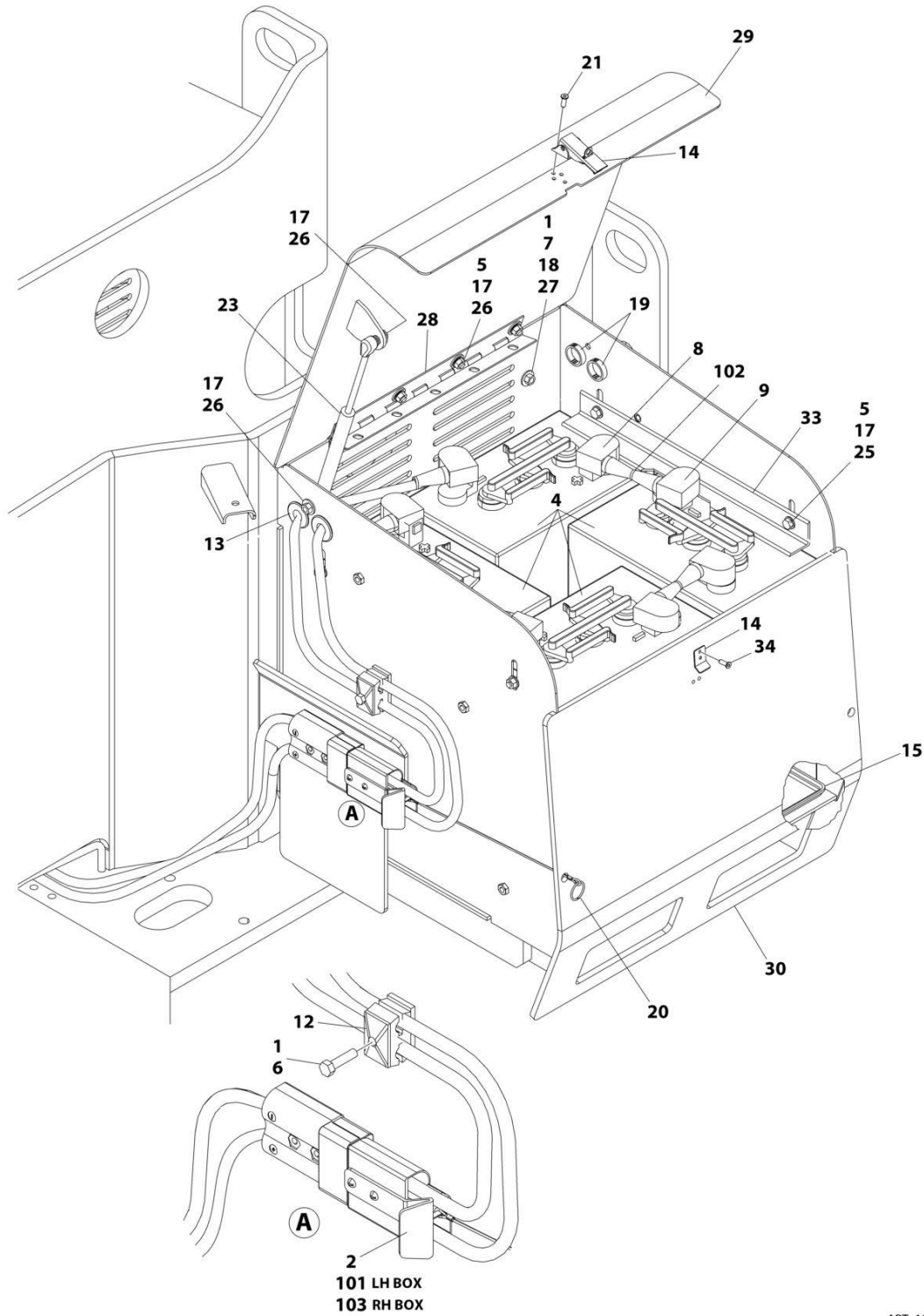
**SECTION 2 - TURNTABLE**

**FIGURE 2-18. BATTERY CHARGER INSTALLATION - GREEN POWER CHARGER**

ITEM	PART NUMBER	QTY	DESCRIPTION	REV
	1001289239	Ref	BATTERY CHARGER INSTALLATION - GREEN POWER CHARGER	B
1	0100011	AR	Compound, Locking	
2	0641408	3	Bolt 1/4 x 1	
3	0760812	1	Bolt M8 x 25	
4	3290801	1	Nut M8	
5	3311001	4	Nut #10	
6	3311401	3	Nut 1/4in-20NC	
7	1001290662	1	Plate, Mounting	
8	3911016	4	Screw #10 x 1	
9	4240032	2	Tie-Strap (Not Shown)	
10	4240033	AR	Tie-Strap (Not Shown)	
11	4460234	2	Mount, Tie-Strap (Not Shown)	
13	4460802	1	Cover, Terminal	
14	4711200	6	Washer #12	
15	4761000	4	Washer #10	
16	4811902	2	Washer M8	
17	1001281178	1	Charger	
18	1001284290	1	Bracket	
19	1001185281	1	Plug	

## SECTION 2 - TURNTABLE

FIGURE 2-19. BATTERY BOX INSTALLATION - METAL LATCH - STANDARD BATTERIES (415 AMP HOUR)



ART\_1001183374\_F

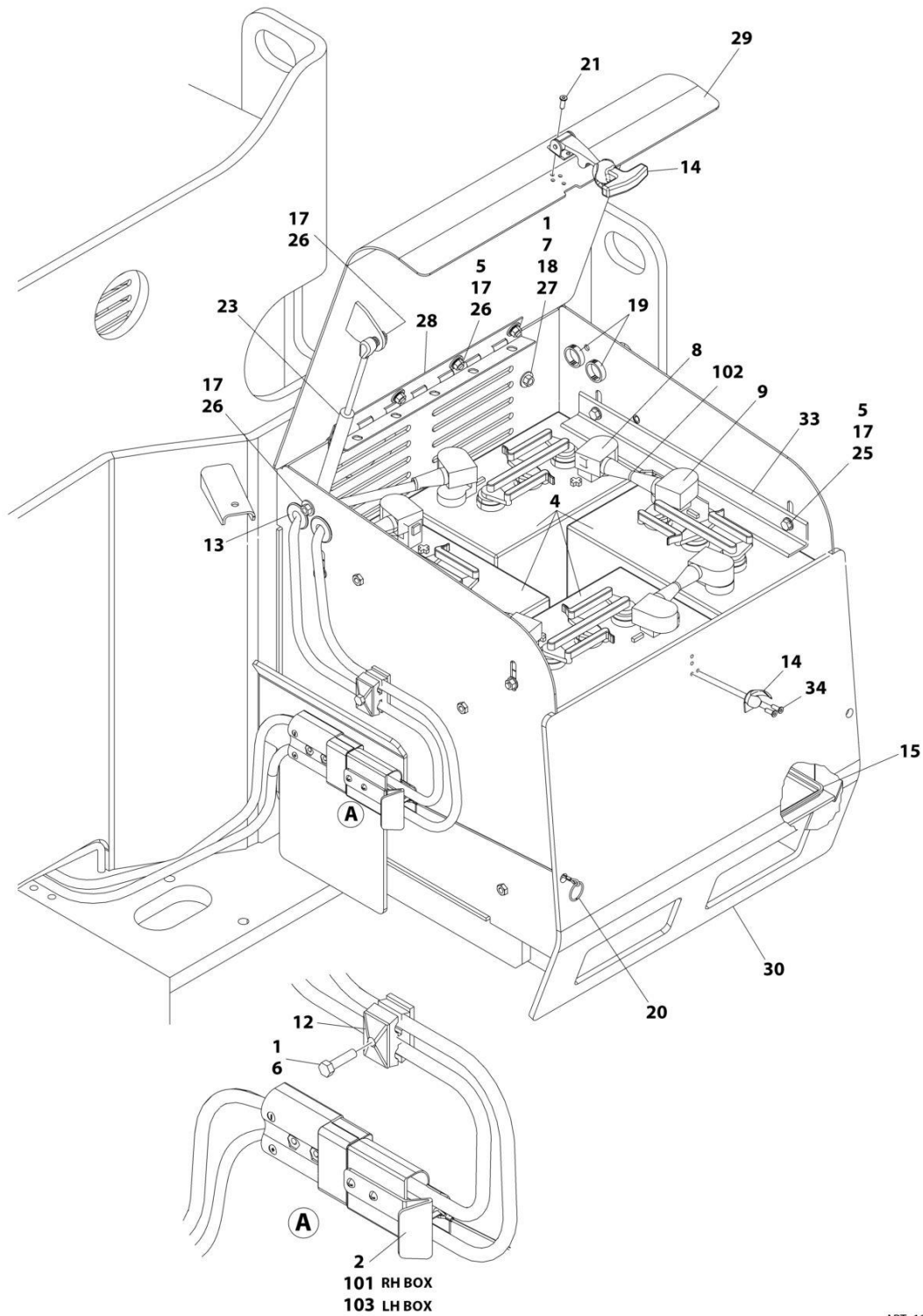
## SECTION 2 - TURNTABLE

**FIGURE 2-19. BATTERY BOX INSTALLATION - METAL LATCH - STANDARD BATTERIES (415 AMP HOUR)**

ITEM	PART NUMBER	QTY	DESCRIPTION	REV
	1001183374	Ref	BATTERY BOX INSTALLATION (UL SPECS)	F
1	0100011	AR	Compound, Locking	
2	0100048	AR	Grease, Dielectric	
4	0400202	8	Battery	
5	0641506	26	Bolt 5/16 x 3/4	
6	0641510	2	Bolt 5/16 x 1-1/4	
7	0641820	4	Bolt 1/2 x 2-1/2	
8	0840031	8	Boot, Terminal (d Shaped)	
9	0840032	8	Boot, Terminal (b Shaped)	
12	1320159	2	Clamp	
13	2540020	4	Grommet	
14	2940130	2	Latch (Lockable)	
15	3000014	2	Liner, Battery Box	
17	3311505	30	Nut 5/16	
18	3311801	4	Nut 1/2	
19	3520031	4	Plug, Hole	
20	3760170	2	Ring, Split	
21	3820017	4	Rivet	
23	1001233560	2	Spring, Gas	
25	4711500	16	Washer 5/16	
26	4751500	40	Washer 5/16	
27	4751800	8	Washer 1/2	
28	1001096148	2	Hinge	
29	1001172260	2	Lid, Battery Box	
30	1001172876	2	Box, Battery	
33	1001179842	4	Angle, Hold-Down	
34	3820021	4	Rivet	
100	1001205056	1	Battery Cable Kit (Includes Items 101-103)	
101	1060803	1	Cable Assembly - Battery Box Internal (LH Side) (See Separate Breakdown in ELECTRICAL Section)	
102	1060848	6	Cable, Battery (Terminal to Terminal)	
103	1001194037	1	Cable Assembly - Battery Box Internal (RH Side) (See Separate Breakdown in ELECTRICAL Section)	

## SECTION 2 - TURNTABLE

FIGURE 2-20. BATTERY BOX INSTALLATION - RUBBER LATCH - STANDARD BATTERIES (415 AMP HOUR)





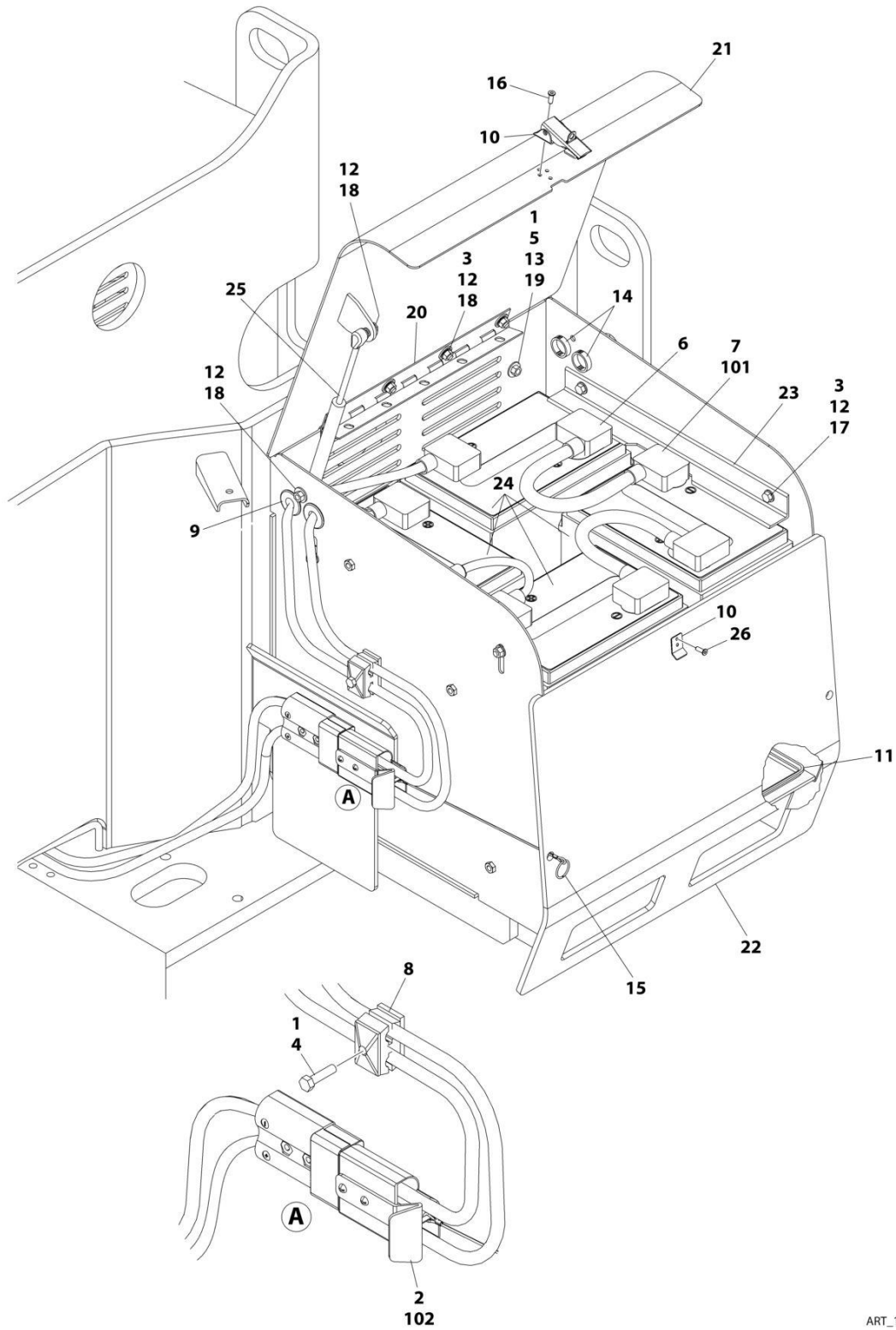
## SECTION 2 - TURNTABLE

**FIGURE 2-20. BATTERY BOX INSTALLATION - RUBBER LATCH - STANDARD BATTERIES (415 AMP HOUR)**

ITEM	PART NUMBER	QTY	DESCRIPTION	REV
	1001183373	Ref	BATTERY BOX INSTALLATION - STANDARD BATTERIES	F
1	0100011	AR	Compound, Locking	
2	0100048	AR	Grease, Dielectric	
4	0400202	8	Battery	
5	0641506	26	Bolt 5/16 x 3/4	
6	0641510	2	Bolt 5/16 x 1-1/4	
7	0641820	4	Bolt 1/2 x 2-1/2	
8	0840031	8	Boot, Terminal (d Shaped)	
9	0840032	8	Boot, Terminal (b Shaped)	
12	1320159	2	Clamp	
13	2540020	4	Grommet	
14	2940095	2	Latch	
15	3000014	2	Liner, Battery Box	
17	3311505	30	Nut 5/16	
18	3311801	4	Nut 1/2	
19	3520031	4	Plug, Hole	
20	3760170	2	Ring, Split	
21	3820017	4	Rivet	
23	1001233560	2	Spring, Gas	
25	4711500	16	Washer 5/16	
26	4751500	40	Washer 5/16	
27	4751800	8	Washer 1/2	
28	1001096148	2	Hinge	
29	1001172260	2	Lid, Battery Box	
30	1001172876	2	Box, Battery	
33	1001179842	4	Angle, Hold-Down	
34	3820021	4	Rivet	
100	1001205056	1	Battery Cable Kit (Includes Items 101-103)	
101	1060803	1	Cable Assembly - Battery Box Internal (RH Side) (See Separate Breakdown in ELECTRICAL Section)	
102	1060848	6	Cable, Battery (Terminal to Terminal)	
103	1001194037	1	Cable Assembly - Battery Box Internal (LH Side) (See Separate Breakdown in ELECTRICAL Section)	

## SECTION 2 - TURNTABLE

FIGURE 2-21. BATTERY BOX INSTALLATION - METAL LATCH - AGM BATTERIES (390 AMP HOUR)



ART\_1001276177\_B

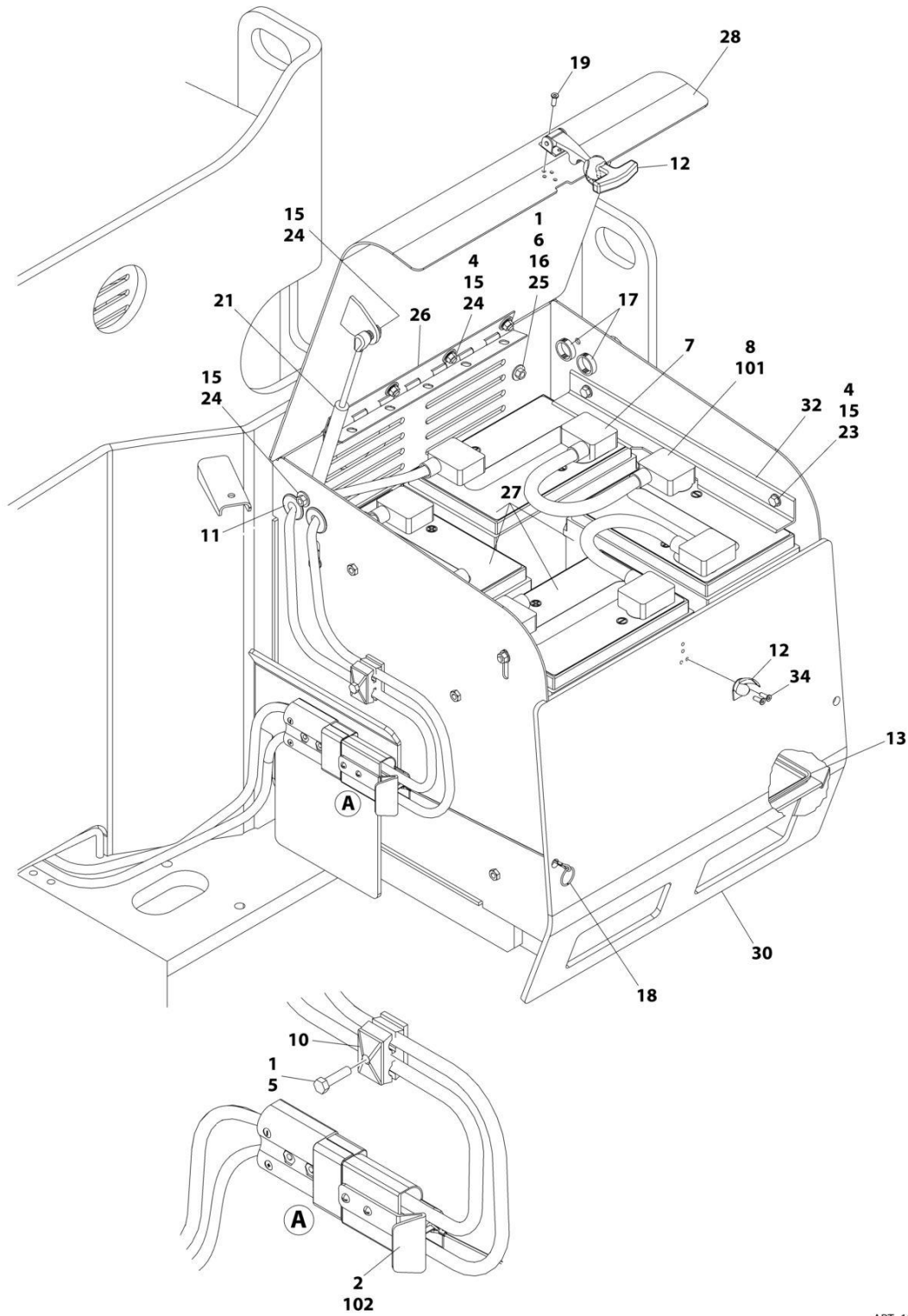
## SECTION 2 - TURNTABLE

**FIGURE 2-21. BATTERY BOX INSTALLATION - METAL LATCH - AGM BATTERIES (390 AMP HOUR)**

ITEM	PART NUMBER	QTY	DESCRIPTION	REV
	1001276177	Ref	BATTERY BOX INSTALLATION - AGM BATTERIES	B
1	0100011	AR	Compound, Locking	
2	0100048	AR	Grease, Dielectric	
3	0641506	26	Bolt 5/16 x 3/4	
4	0641510	2	Bolt 5/16 x 1-1/4	
5	0641820	4	Bolt 1/2 x 2-1/2	
6	0840048	8	Boot, Terminal (d Shaped)	
7	0840049	8	Boot, Terminal (b Shaped)	
8	1320159	2	Clamp	
9	2540020	4	Grommet	
10	2940130	2	Latch	
11	3000014	2	Liner, Battery Box	
12	3311505	30	Nut 5/16	
13	3311801	4	Nut 1/2	
14	3520031	4	Plug, Hole	
15	3760170	2	Ring, Split	
16	3820017	4	Rivet	
17	4711500	16	Washer 5/16	
18	4751500	40	Washer 5/16	
19	4751800	8	Washer 1/2	
20	1001096148	2	Hinge	
21	1001172260	2	Lid, Battery Box	
22	1001172876	2	Box, Battery	
23	1001179842	4	Angle, Hold-Down	
24	1001228392	8	Battery	
25	1001233560	2	Spring, Gas	
26	3820021	4	Rivet	
100	1001228858	1	Battery Cable Kit (Includes Items 101-102)	
101	1001228395	6	Cable, Battery (Terminal to Terminal)	
102	1001228857	2	Cable Assembly - Battery Box Internal (See Separate Breakdown in ELECTRICAL Section)	

## SECTION 2 - TURNTABLE

FIGURE 2-22. BATTERY BOX INSTALLATION - RUBBER LATCH - AGM BATTERIES (390 AMP HOUR)



ART\_1001183375\_G

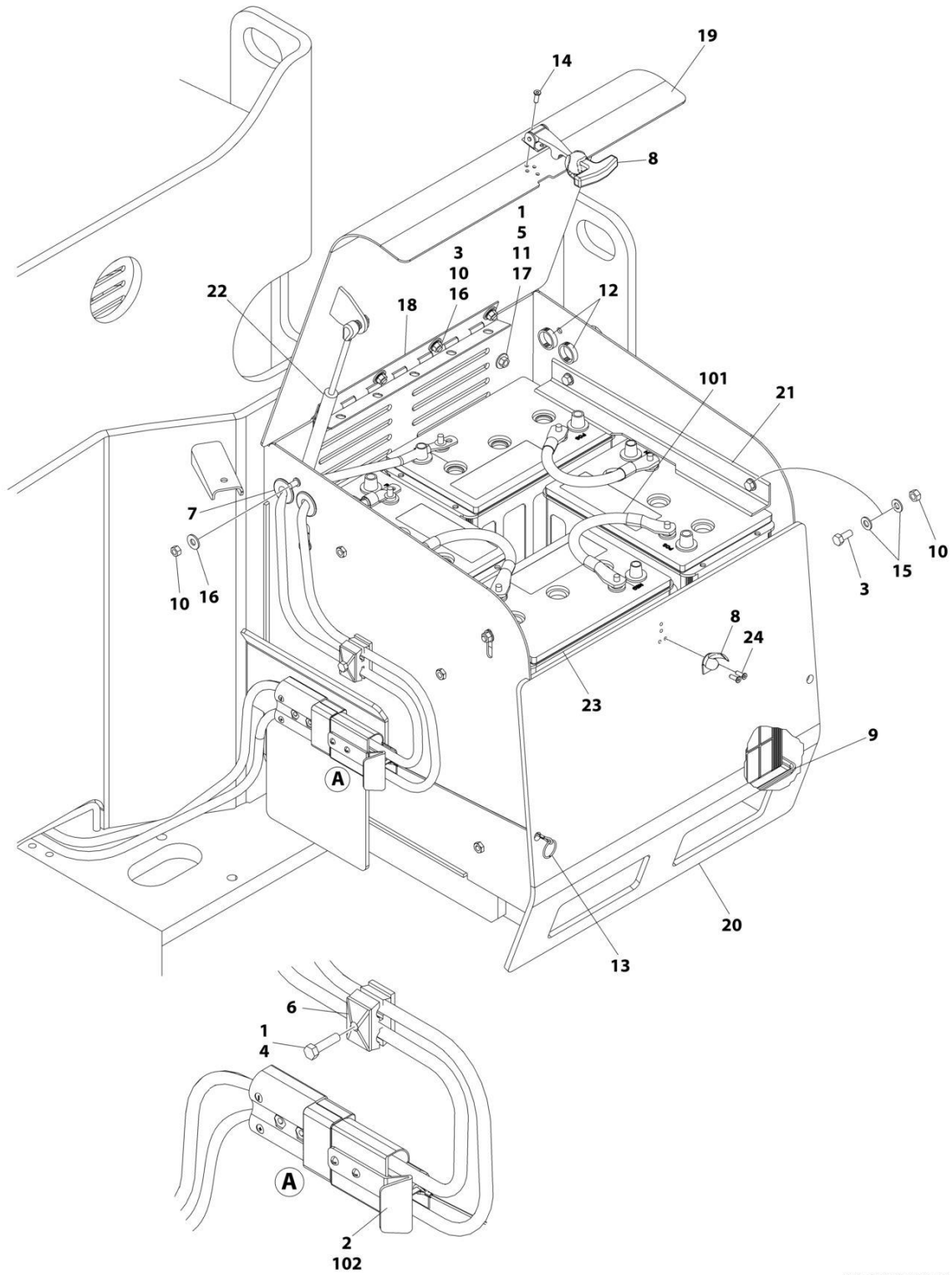
## SECTION 2 - TURNTABLE

**FIGURE 2-22. BATTERY BOX INSTALLATION - RUBBER LATCH - AGM BATTERIES (390 AMP HOUR)**

ITEM	PART NUMBER	QTY	DESCRIPTION	REV
	1001183375	Ref	BATTERY BOX INSTALLATION - AGM BATTERIES	G
1	0100011	AR	Compound, Locking	
2	0100048	AR	Grease, Dielectric	
4	0641506	26	Bolt 5/16 x 3/4	
5	0641510	2	Bolt 5/16 x 1-1/4	
6	0641820	4	Bolt 1/2 x 2-1/2	
7	0840048	8	Boot, Terminal (d Shaped)	
8	0840049	8	Boot, Terminal (b Shaped)	
10	1320159	2	Clamp	
11	2540020	4	Grommet	
12	2940095	2	Latch	
13	3000014	2	Liner, Battery Box	
15	3311505	30	Nut 5/16	
16	3311801	4	Nut 1/2	
17	3520031	4	Plug, Hole	
18	3760170	2	Ring, Split	
19	3820017	4	Rivet	
21	1001233560	2	Spring, Gas	
23	4711500	16	Washer 5/16	
24	4751500	40	Washer 5/16	
25	4751800	8	Washer 1/2	
26	1001096148	2	Hinge	
27	1001228392	8	Battery	
28	1001172260	2	Lid, Battery Box	
30	1001172876	2	Box, Battery	
32	1001179842	4	Angle, Hold-Down	
33	3820021	4	Rivet	
100	1001228858	1	Battery Cable Kit (Includes Items 101-102)	
101	1001228395	6	Cable, Battery (Terminal to Terminal)	
102	1001228857	2	Cable Assembly - Battery Box Internal (See Separate Breakdown in ELECTRICAL Section)	

## SECTION 2 - TURNTABLE

FIGURE 2-23. BATTERY BOX INSTALLATION - RUBBER LATCH - AGM BATTERIES (400 AMP HOUR)



ART\_1001283138\_B

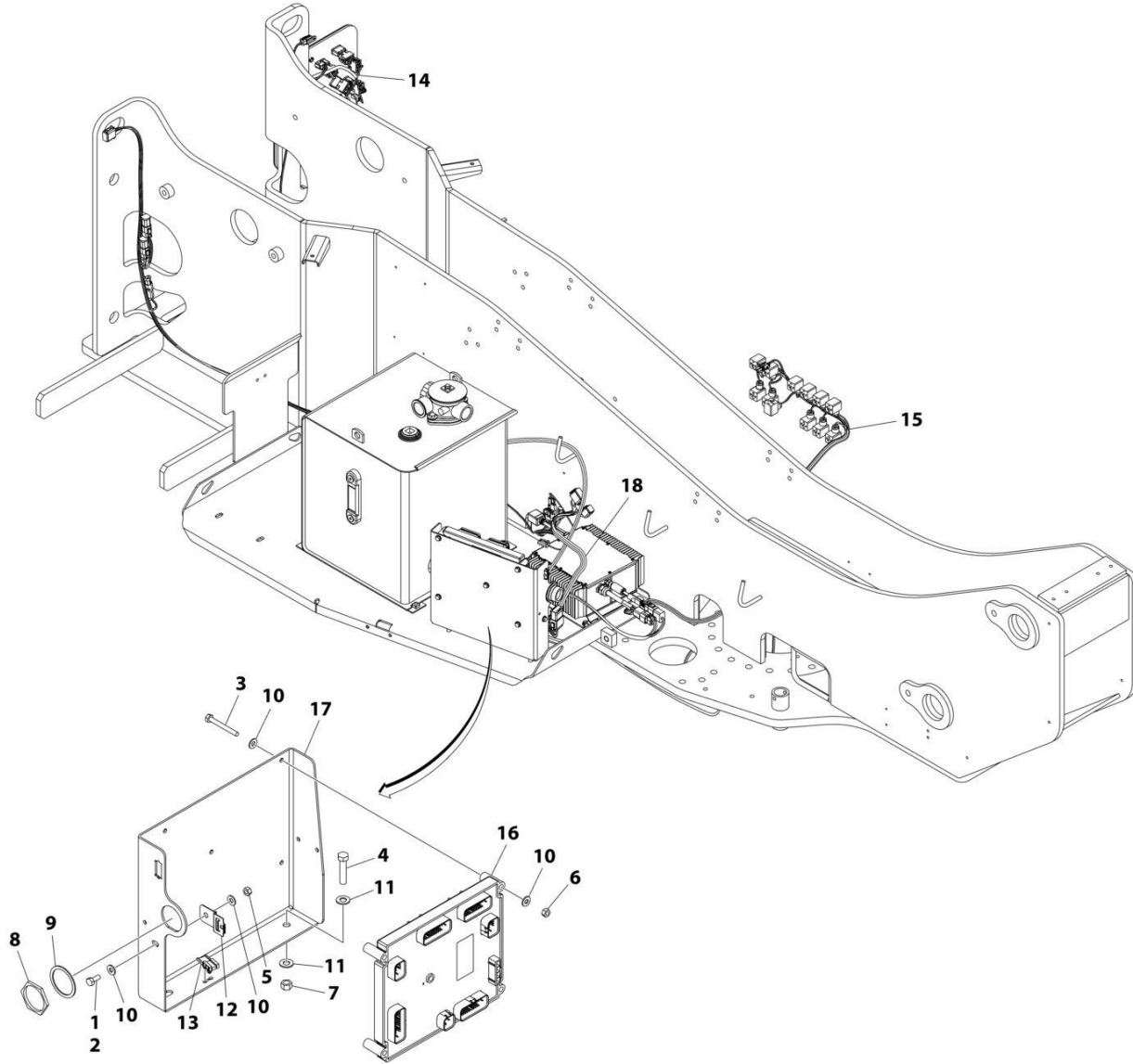
## SECTION 2 - TURNTABLE

**FIGURE 2-23. BATTERY BOX INSTALLATION - RUBBER LATCH - AGM BATTERIES (400 AMP HOUR)**

ITEM	PART NUMBER	QTY	DESCRIPTION	REV
	1001283138	Ref	BATTERY BOX INSTALLATION - AGM BATTERIES	B
1	0100011	AR	Compound, Locking	
2	0100048	AR	Grease, Dielectric	
3	0641506	26	Bolt 5/16 x 3/4	
4	0641510	2	Bolt 5/16 x 1-1/4	
5	0641820	4	Bolt 1/2 x 2-1/2	
6	1320159	2	Clamp	
7	2540020	4	Grommet	
8	2940095	2	Latch	
9	3000014	2	Liner, Battery Box	
10	3311505	30	Nut 5/16	
11	3311801	4	Nut 1/2	
12	3520031	4	Plug, Hole	
13	3760170	2	Ring, Split	
14	3820017	4	Rivet	
15	4711500	16	Washer 5/16	
16	4751500	40	Washer 5/16	
17	4751800	8	Washer 1/2	
18	1001096148	2	Hinge	
19	1001172260	2	Lid, Battery Box	
20	1001172876	2	Box, Battery	
21	1001179842	4	Angle, Hold-Down	
22	1001233560	2	Spring, Gas	
23	1001282350	8	Battery	
24	3820021	4	Rivet	
100	1001283167	1	Battery Cable Kit (Not Shown - Includes Items 101-102)	
101	1001283168	6	Cable, Battery (Terminal to Terminal)	
102	1001283169	2	Cable Assembly - Battery Box Internal (See Separate Breakdown in ELECTRICAL Section)	

# SECTION 2 - TURNTABLE

## FIGURE 2-24. GROUND CONTROL ELECTRICAL SYSTEM INSTALLATION



ART\_1001148324\_D



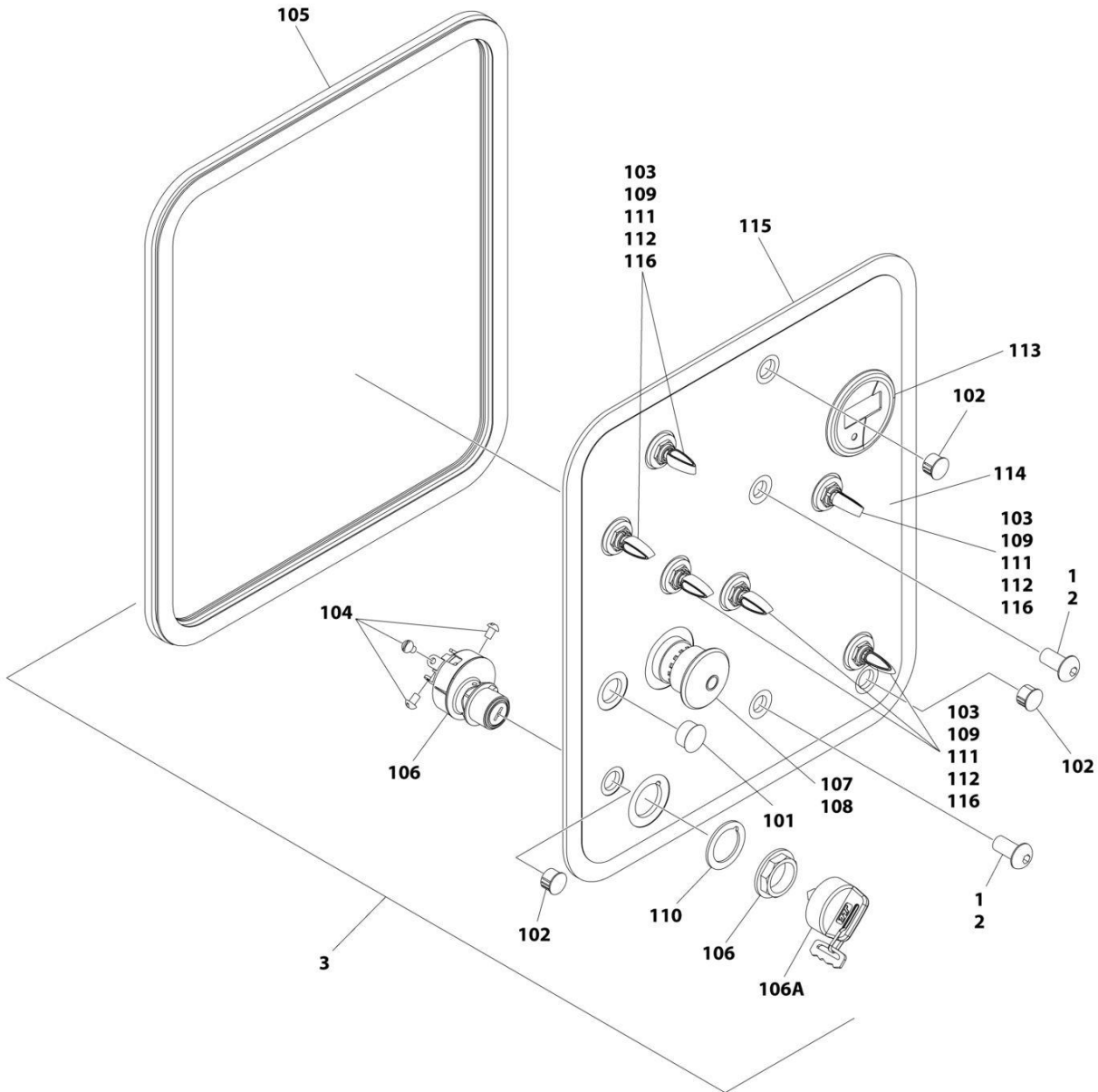
# SECTION 2 - TURNTABLE

**FIGURE 2-24. GROUND CONTROL ELECTRICAL SYSTEM INSTALLATION**

ITEM	PART NUMBER	QTY	DESCRIPTION	REV
	1001248324	Ref	GROUND CONTROL ELECTRICAL SYSTEM INSTALLATION	D
1	0100011	AR	Compound, Locking	
2	0641405	1	Bolt 1/4 x 5/8	
3	0641418	5	Bolt 1/4 x 2-1/4	
4	0641614	2	Bolt 3/8 x 1-3/4	
5	3311401	1	Nut 1/4	
6	3311405	5	Nut 1/4	
7	3311605	2	Nut 3/8	
8	4460470	1	Nut, Terminal	
9	4460471	1	Washer, Terminal	
10	4711400	12	Washer 1/4	
11	4711600	4	Washer 3/8	
12	1001153749	1	Clip	
13	1001173387	1	Clip, Connector Mount	
14	1001289962	1	Ground Control Harness (See Separate Breakdown in ELECTRICAL Section)	
15	1001286021	1	Lower Valve Harness (See Separate Breakdown in ELECTRICAL Section)	
16	1001283300	1	Module, Ground (Note: Re-calibration Required when Replaced)	
17	1001183229	1	Plate, Base	
18	1001289961	1	Turntable Harness (See Separate Breakdown in ELECTRICAL Section)	

## SECTION 2 - TURNTABLE

FIGURE 2-25. GROUND CONTROL PANEL INSTALLATION - DISPLAY WITHOUT BUTTONS(ALL SPECS EXCEPT CE & UK CA SPECS) (EC600SJ,H600SJ)



ART\_1001249330\_C

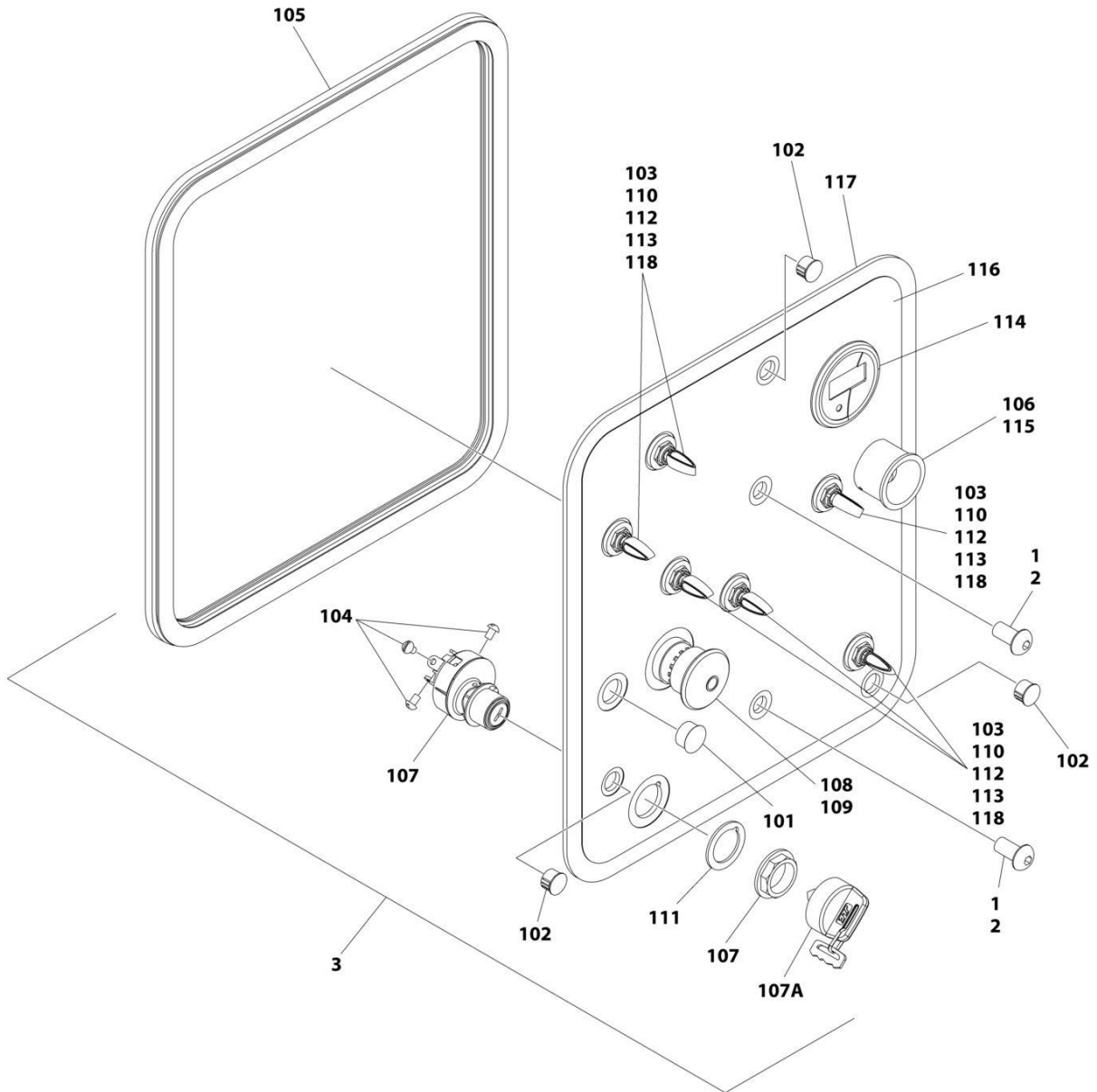
## SECTION 2 - TURNTABLE

**FIGURE 2-25. GROUND CONTROL PANEL INSTALLATION - DISPLAY WITHOUT BUTTONS(ALL SPECS EXCEPT CE & UK CA SPECS) (EC600SJ,H600SJ)**

ITEM	PART NUMBER	QTY	DESCRIPTION	REV
	1001249330	Ref	GROUND CONTROL PANEL INSTALLATION	C
1	0100011	AR	Compound, Locking	
2	3900283	2	Screw	
3	1001266513	1	Ground Control Panel Assembly	C
101	3520026	1	Plug, Hole	
102	3520028	3	Plug, Hole	
103	3790012	6	O-Ring	
104	3910804	6	Screw #8 x 1/2	
105	3960447	51 in/1.3m	Seal	
106	4360469	1	Keypad	
106A	2860030	1	Key, Replacement	
107	4360475	1	Switch, Emergency Stop	
107	7020175	1	Mushroom Head	
107	7020176	1	Block, Contact	
108	4360476	1	Block, Contact	
109	4740397	6	Spacer, Washer	
110	1001151393	1	Shim, Nylon .063	
111	1001155044	6	Nut 15/32	
112	1001155045	6	Switch, Toggle	
113	1001109503	1	Gauge, Display	
114	1001266505	1	Decal - Control Panel	
115	1001280412	1	Panel, Ground Control	
116	1001155043	6	Washer, Keyed	

## SECTION 2 - TURNTABLE

FIGURE 2-26. GROUND CONTROL PANEL INSTALLATION - DISPLAY WITHOUT BUTTONS(CE & UK CA SPECS) (EC600SJ,H600SJ)



ART\_1001248333\_C

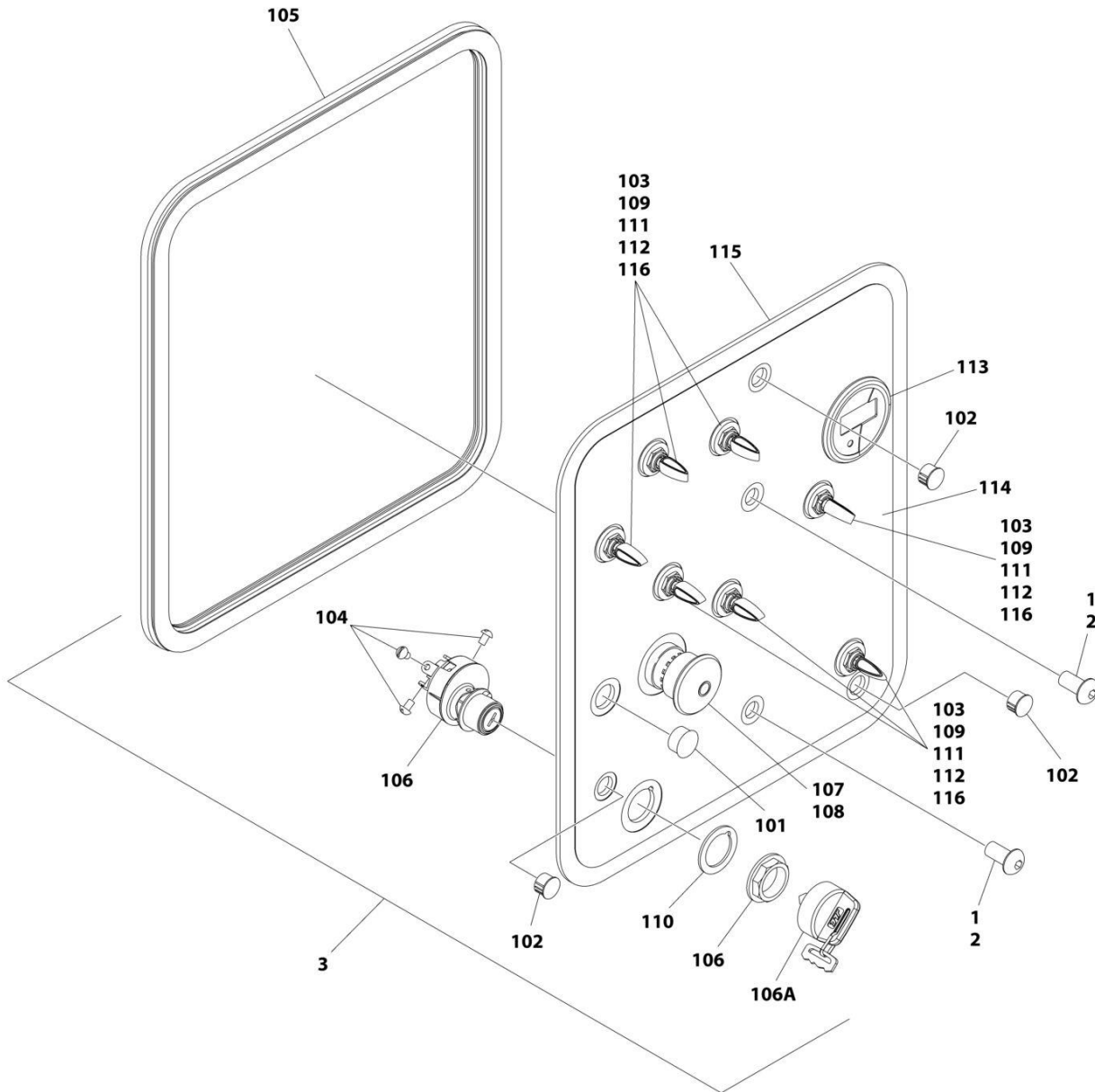
**SECTION 2 - TURNTABLE**

**FIGURE 2-26. GROUND CONTROL PANEL INSTALLATION - DISPLAY WITHOUT BUTTONS(CE & UK CA SPECS) (EC600SJ,H600SJ)**

ITEM	PART NUMBER	QTY	DESCRIPTION	REV
	1001248333	Ref	GROUND CONTROL PANEL INSTALLATION	C
1	0100011	AR	Compound, Locking	
2	3900283	2	Screw, Button Head	
3	1001266511	1	Ground Control Panel Assembly	C
101	3520026	1	Plug, Hole	
102	3520028	3	Plug, Hole	
103	3790012	6	O-Ring	
104	3910804	6	Screw #8 x 1/2	
105	3960447	51 in/1.3m	Seal	
106	4360387	1	Switch, Push Button	
107	4360469	1	Keyswitch	
107A	2860030	1	Key, Replacement	
108	4360475	1	Switch, Emergency Stop	
108	7020175	1	Mushroom Head	
108	7020176	1	Block, Contact	
109	4360476	1	Block, Contact	
110	4740397	6	Spacer, Washer	
111	1001151393	1	Shim, Nylon .063	
112	1001155044	6	Nut 15/32	
113	1001155045	6	Switch, Toggle	
114	1001109503	1	Gauge, Display	
115	1001176469	1	Shroud	
116	1001266503	1	Decal - Control Panel	
117	1001280412	1	Panel, Ground Control	
118	1001155043	6	Washer, Keyed	

## SECTION 2 - TURNTABLE

FIGURE 2-27. GROUND CONTROL PANEL INSTALLATION - DISPLAY WITHOUT BUTTONS(ALL SPECS EXCEPT CE & UK CA SPECS) (EC600SJP,H600SJP)



ART\_1001249333\_C

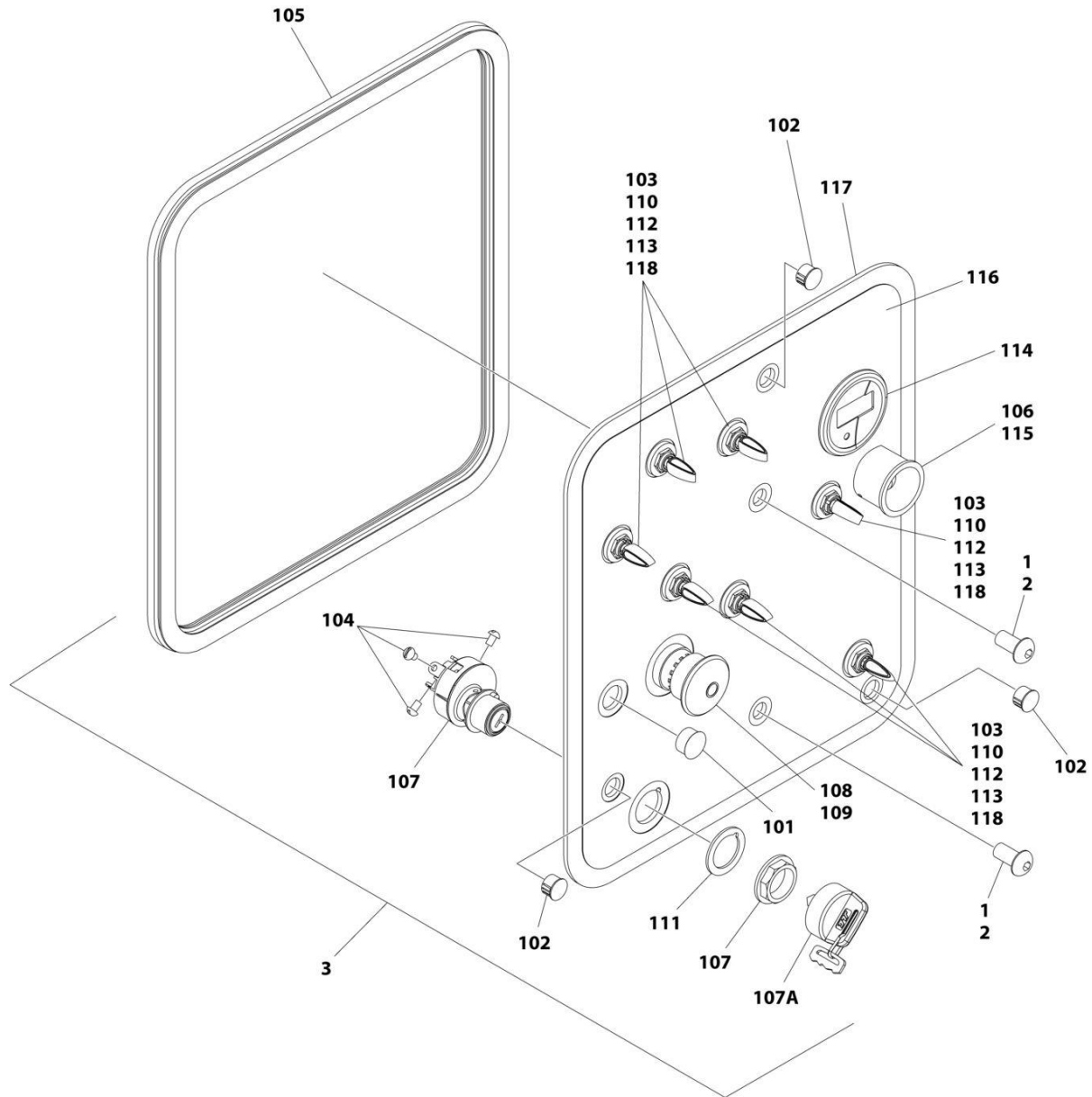
## SECTION 2 - TURNTABLE

**FIGURE 2-27. GROUND CONTROL PANEL INSTALLATION - DISPLAY WITHOUT BUTTONS(ALL SPECS EXCEPT CE & UK CA SPECS) (EC600SJP,H600SJP)**

ITEM	PART NUMBER	QTY	DESCRIPTION	REV
	1001249333	Ref	GROUND CONTROL PANEL INSTALLATION	C
1	0100011	AR	Compound, Locking	
2	3900283	2	Screw, Button Head	
3	1001266514	1	Ground Control Panel Assembly	C
101	3520026	1	Plug, Hole	
102	3520028	3	Plug, Hole	
103	3790012	7	O-Ring	
104	3910804	6	Screw #8 x 1/2	
105	3960447	51 in/1.3m	Seal	
106	4360469	1	Keypad	
106A	2860030	1	Key, Replacement	
107	4360475	1	Switch, Emergency Stop	
107	7020175	1	Mushroom Head	
107	7020176	1	Block, Contact	
108	4360476	1	Block, Contact	
109	4740397	7	Spacer, Washer	
110	1001151393	1	Shim, Nylon .063	
111	1001155044	7	Nut 15/32	
112	1001155045	7	Switch, Toggle	
113	1001109503	1	Gauge, Display	
114	1001266509	1	Decal - Control Panel	
115	1001280412	1	Panel, Ground Control	
116	1001155043	7	Washer, Keyed	

## SECTION 2 - TURNTABLE

FIGURE 2-28. GROUND CONTROL PANEL INSTALLATION - DISPLAY WITHOUT BUTTONS(CE & UK CA SPECS) (EC600SJP,H600SJP)



ART\_1001248336\_C



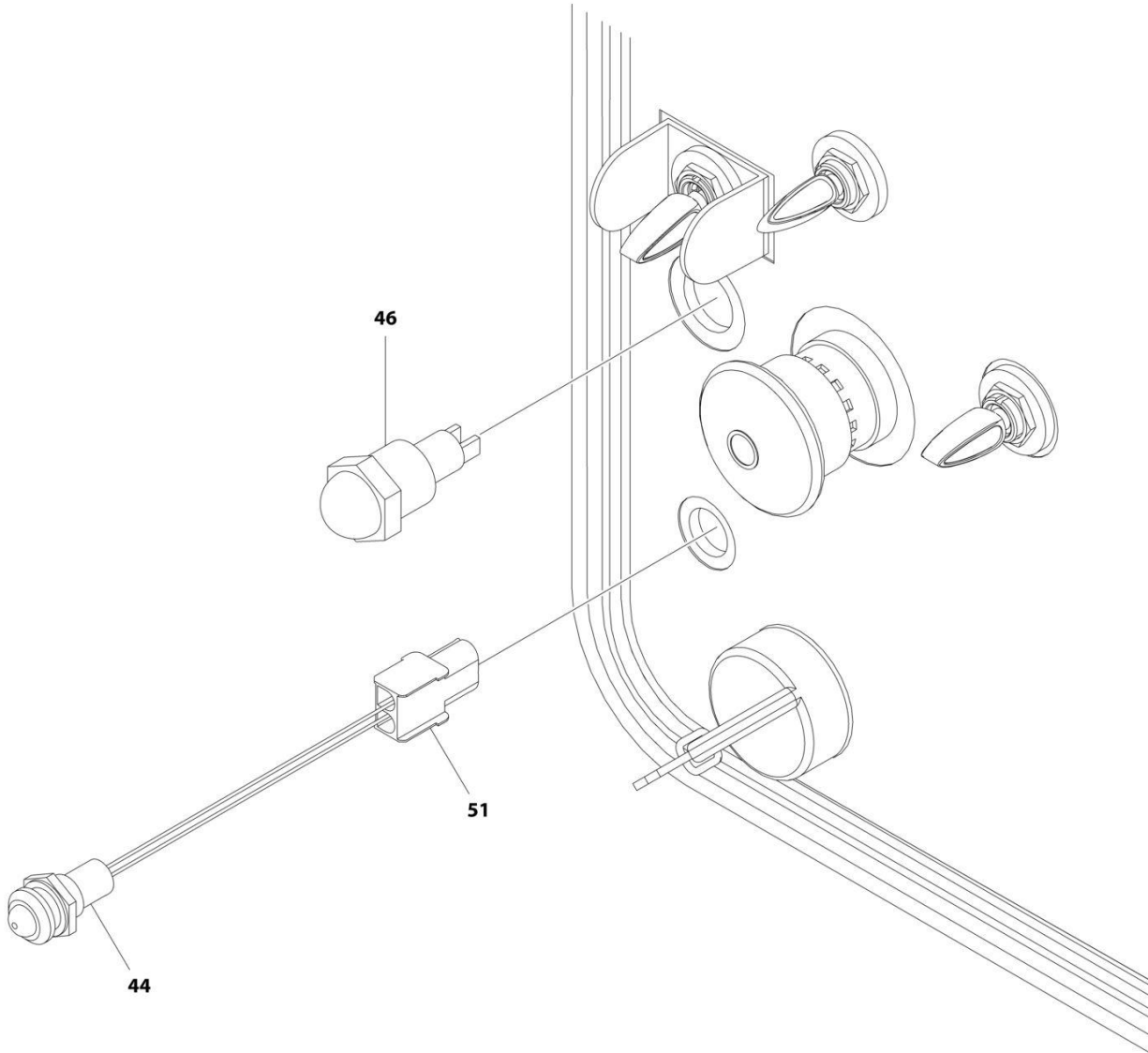
**SECTION 2 - TURNTABLE**

**FIGURE 2-28. GROUND CONTROL PANEL INSTALLATION - DISPLAY WITHOUT BUTTONS(CE & UK CA SPECS) (EC600SJP,H600SJP)**

ITEM	PART NUMBER	QTY	DESCRIPTION	REV
	1001248336	Ref	GROUND CONTROL PANEL INSTALLATION	C
1	0100011	AR	Compound, Locking	
2	3900283	2	Screw, Button Head	
3	1001266512	1	Ground Control Panel Assembly	C
101	3520026	1	Plug, Hole	
102	3520028	3	Plug, Hole	
103	3790012	7	O-Ring	
104	3910804	6	Screw #8 x 1/2	
105	3960447	51 in/1.3m	Seal	
106	4360387	1	Switch, Push Button	
107	4360469	1	Keyswitch	
107A	2860030	1	Key, Replacement	
108	4360475	1	Switch, Emergency Stop	
108	7020175	1	Mushroom Head	
108	7020176	1	Block, Contact	
109	4360476	1	Block, Contact	
110	4740397	7	Spacer, Washer	
111	1001151393	1	Shim, Nylon .063	
112	1001155044	7	Nut 15/32	
113	1001155045	7	Switch, Toggle	
114	1001109503	1	Gauge, Display	
115	1001176469	1	Shroud	
116	1001266504	1	Decal - Control Panel	
117	1001280412	1	Panel, Ground Control	
118	1001155043	7	Washer, Keyed	

## SECTION 2 - TURNTABLE

FIGURE 2-29. ENGINE CONTROLS INSTALLATION - STANDARD BATTERIES (H600SJ,H600SJP)



ART\_1001199313\_20F5

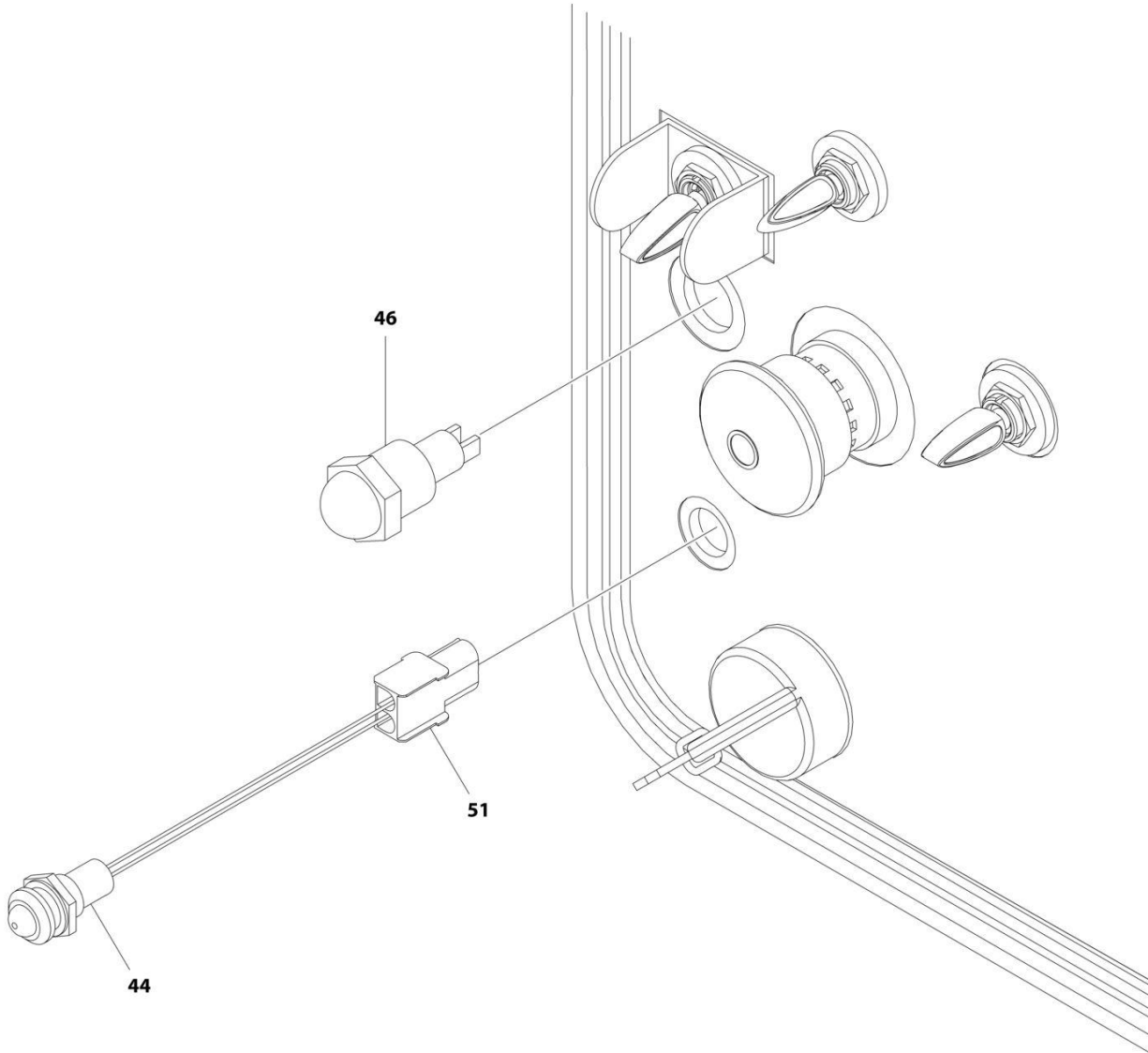
**SECTION 2 - TURNTABLE**

**FIGURE 2-29. ENGINE CONTROLS INSTALLATION - STANDARD BATTERIES (H600SJ,H600SJP)**

ITEM	PART NUMBER	QTY	DESCRIPTION	REV
	1001199313	Ref	ENGINE CONTROLS INSTALLATION	H
44	2920151	1	Light	
46	4360274	1	Switch, Push Button	
51	4460424	1	Connector - 2 Position	
51	4460226	2	Socket, Female	

## SECTION 2 - TURNTABLE

FIGURE 2-30. ENGINE CONTROLS INSTALLATION - AGM BATTERIES (H600SJ,H600SJP)



ART\_1001207674\_20F5

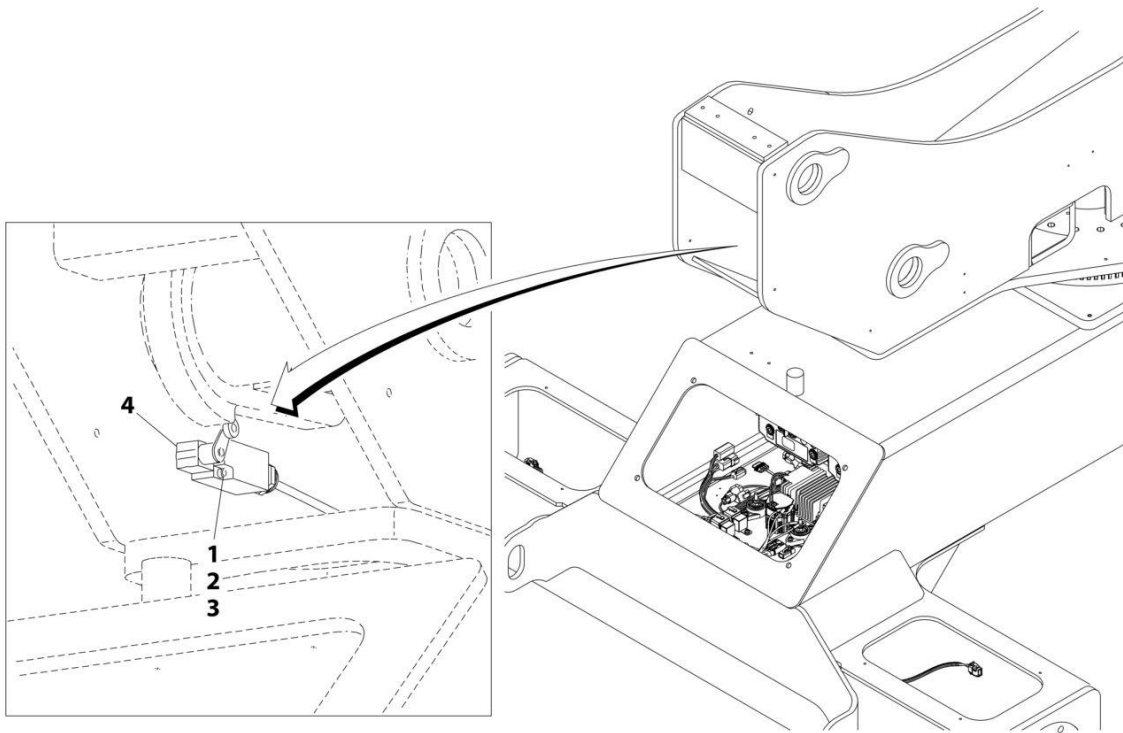
**SECTION 2 - TURNTABLE**

**FIGURE 2-30. ENGINE CONTROLS INSTALLATION - AGM BATTERIES (H600SJ,H600SJP)**

ITEM	PART NUMBER	QTY	DESCRIPTION	REV
	1001207674	Ref	MOTOR CONTROLS INSTALLATION - AGM BATTERIES (M600/M600J/M600JP)	G
44	2920151	1	Light	
46	4360274	1	Switch, Push Button	
51	4460424	1	Connector - 2 Position	
51	4460226	2	Socket, Female	

## SECTION 2 - TURNTABLE

FIGURE 2-31. LIMIT SWITCH INSTALLATION



ART\_1001200254

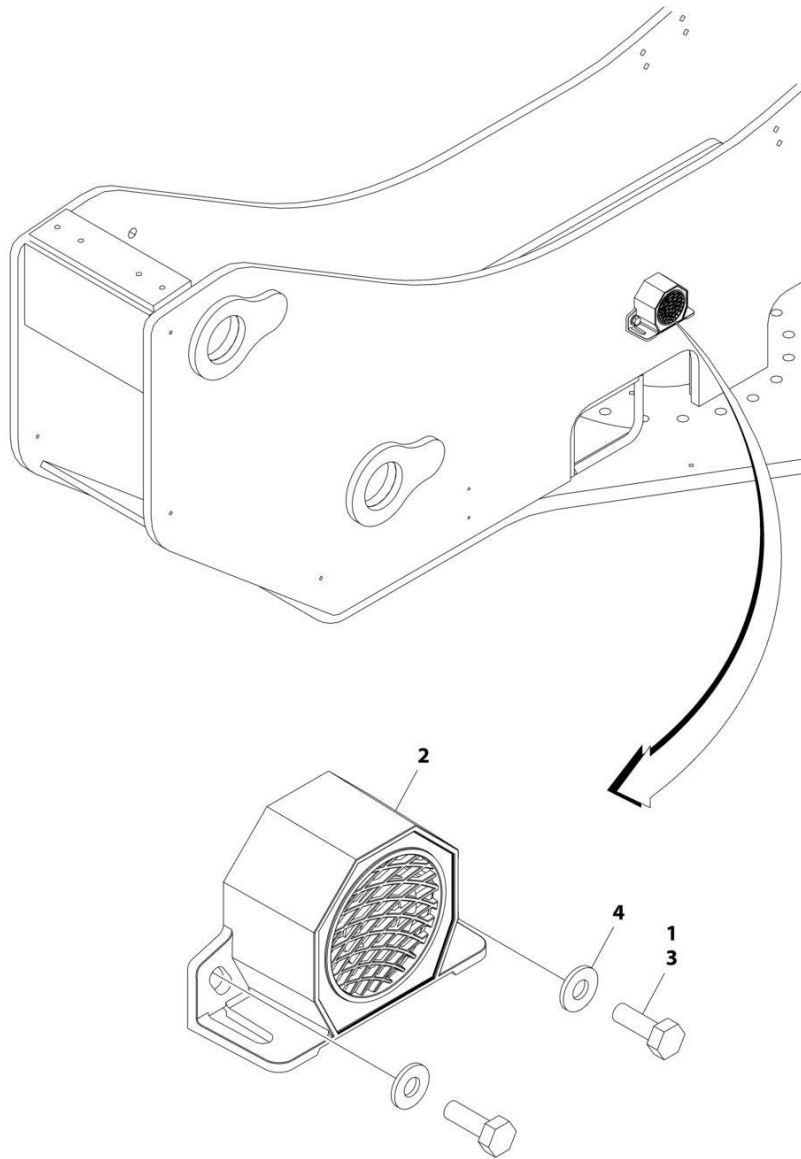
**SECTION 2 - TURNTABLE**

**FIGURE 2-31. LIMIT SWITCH INSTALLATION**

<b>ITEM</b>	<b>PART NUMBER</b>	<b>QTY</b>	<b>DESCRIPTION</b>	<b>REV</b>
	1001200254	Ref	LIMIT SWITCH INSTALLATION	A
1	3310805	2	Nut #8	
2	3930828	2	Capscrew #8 x 1-3/4	
3	4750800	2	Washer #8	
4	1001200173	1	Switch, Limit (See Separate Breakdown in ELECTRICAL Section)	

# SECTION 2 - TURNTABLE

## FIGURE 2-32. ALARM INSTALLATION



ART\_1001183368



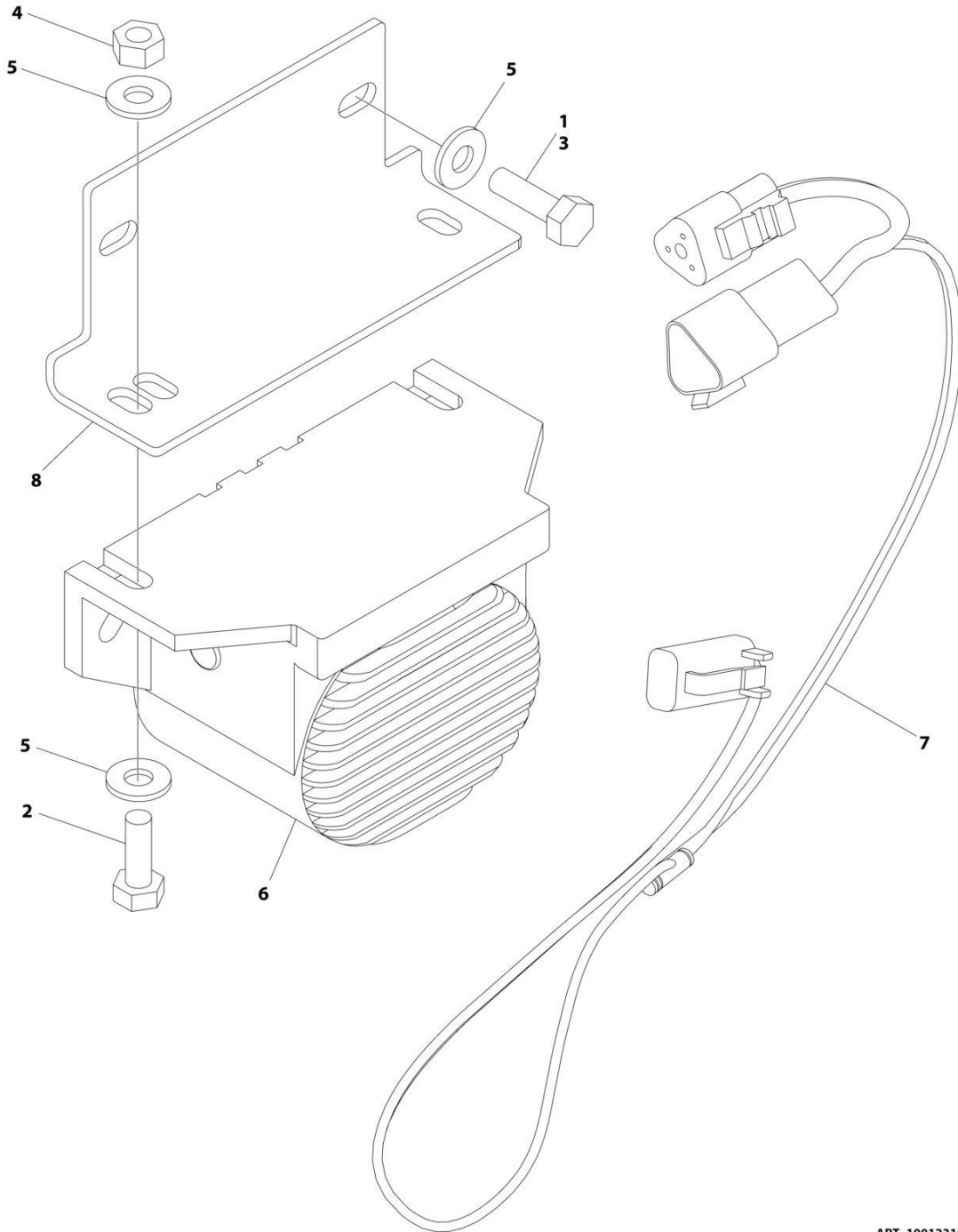
**SECTION 2 - TURNTABLE**

**FIGURE 2-32. ALARM INSTALLATION**

<b>ITEM</b>	<b>PART NUMBER</b>	<b>QTY</b>	<b>DESCRIPTION</b>	<b>REV</b>
	1001183368	Ref	ALARM INSTALLATION	A
1	0100011	AR	Compound, Locking	
2	0140043	1	Alarm, Motion/Descent/Horn	
3	0641406	2	Bolt 1/4 x 3/4	
4	4711400	2	Washer 1/4	

# SECTION 2 - TURNTABLE

## FIGURE 2-33. WHITE NOISE ALARM INSTALLATION



ART\_1001231990

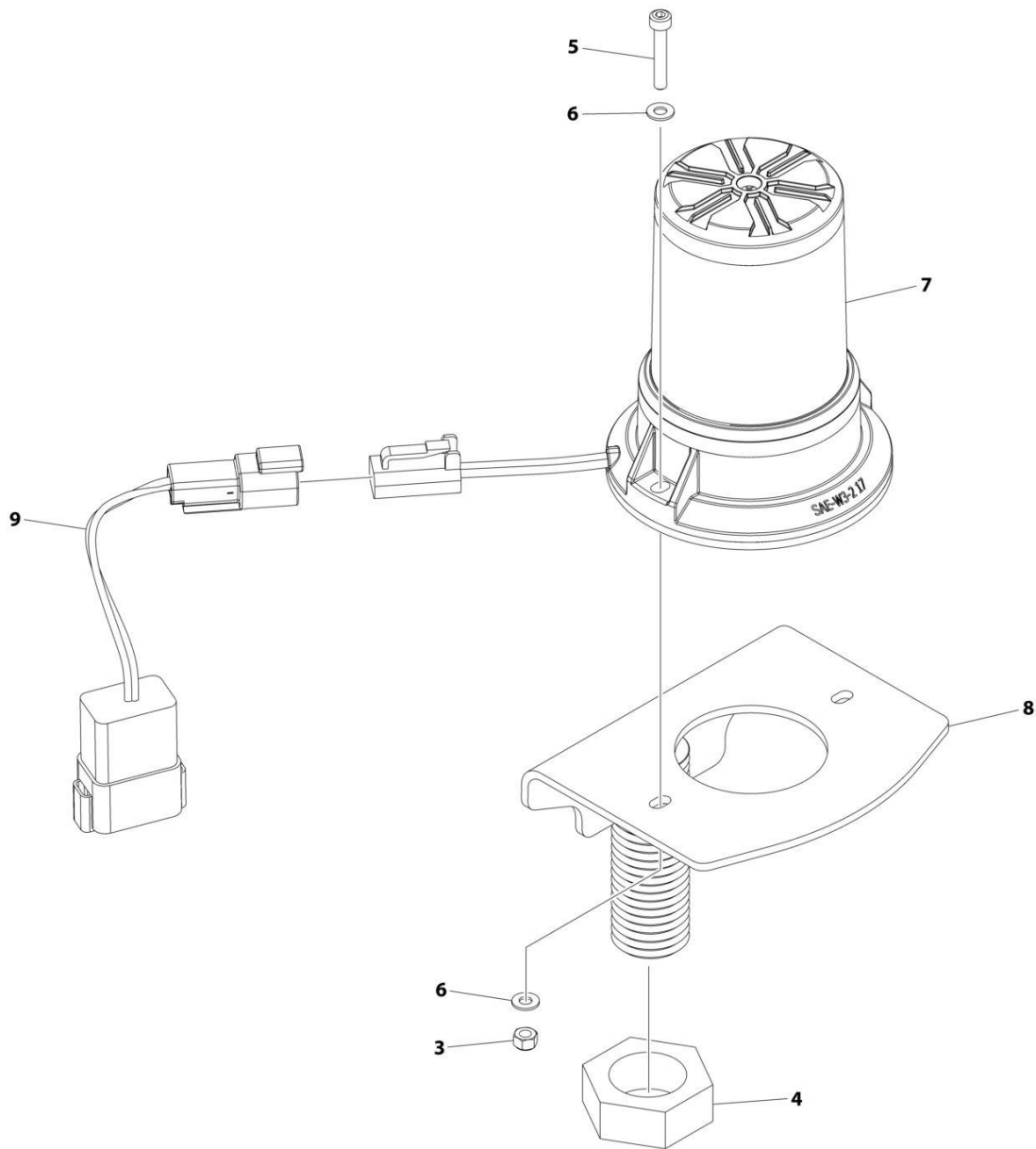
**SECTION 2 - TURNTABLE**

**FIGURE 2-33. WHITE NOISE ALARM INSTALLATION**

<b>ITEM</b>	<b>PART NUMBER</b>	<b>QTY</b>	<b>DESCRIPTION</b>	<b>REV</b>
	1001231990	Ref	WHITE NOISE ALARM INSTALLATION	A
1	0100011	AR	Compound, Locking	
2	0641406	2	Bolt 1/4 x 3/4	
3	0641407	2	Bolt 1/4 x 7/8	
4	3311405	2	Nut 1/4	
5	4711400	6	Washer 1/4	
6	1001182806	1	Alarm	
6	4460897	1	Connector - 2 Position	
6	4460464	2	Pin, Male	
7	1001231007	1	Harness, White Noise Motion Alarm (See Separate Breakdown in ELECTRICAL Section)	
8	1001231886	1	Plate	

## SECTION 2 - TURNTABLE

FIGURE 2-34. BEACON LIGHT INSTALLATION - AMBER



ART\_1001214093\_C

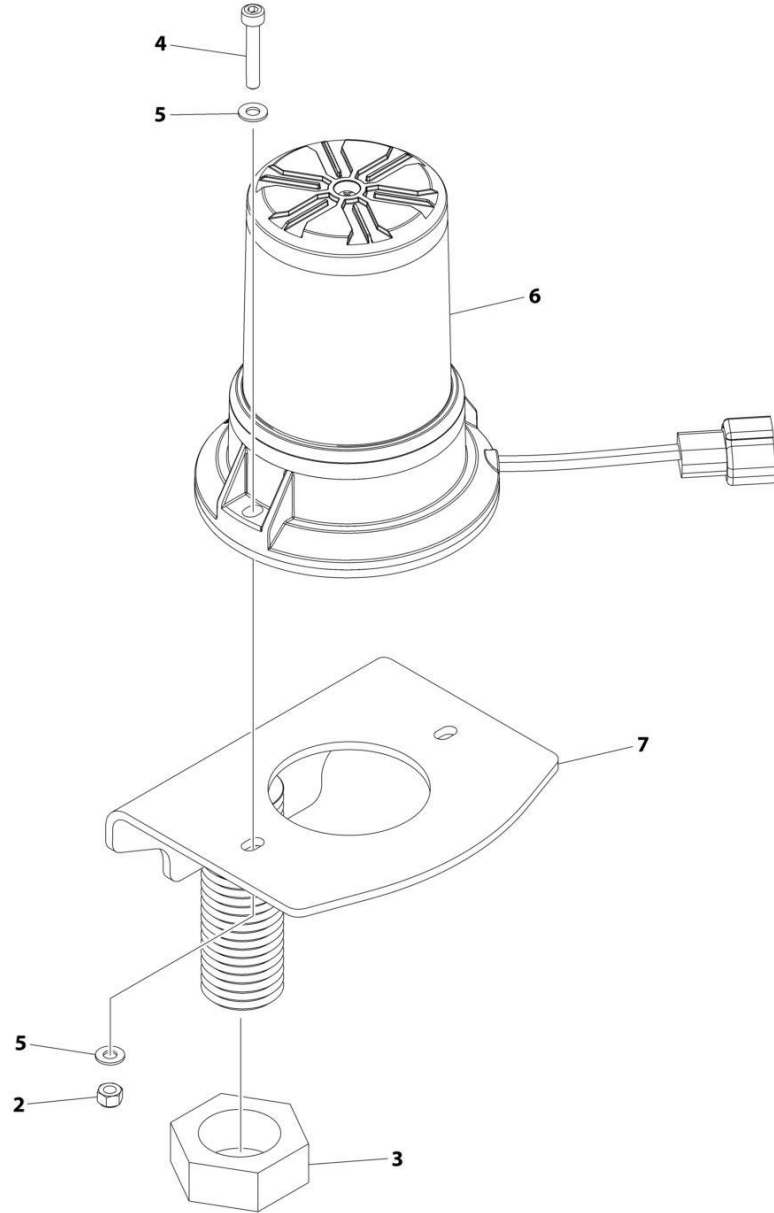
**SECTION 2 - TURNTABLE**

**FIGURE 2-34. BEACON LIGHT INSTALLATION - AMBER**

<b>ITEM</b>	<b>PART NUMBER</b>	<b>QTY</b>	<b>DESCRIPTION</b>	<b>REV</b>
	1001214093	Ref	BEACON LIGHT INSTALLATION - AMBER	C
3	3290405	2	Nut M4	
4	3312602	1	Nut 1	
5	4031509	2	Capscrew M4 x 25	
6	4811400	4	Washer M4	
7	1001270594	1	Light, Strobe	
8	1001275149	1	Mount	
9	1001283776	1	Harness, Strobe Light Jumper	
9	4460931	1	Connector - 8 Position	
9	4460897	1	Connector - 2 Position	
9	4460464	4	Pin	
9	4460466	6	Plug, Terminal	

## SECTION 2 - TURNTABLE

FIGURE 2-35. BEACON LIGHT INSTALLATION - BLUE



ART\_1001239801\_C

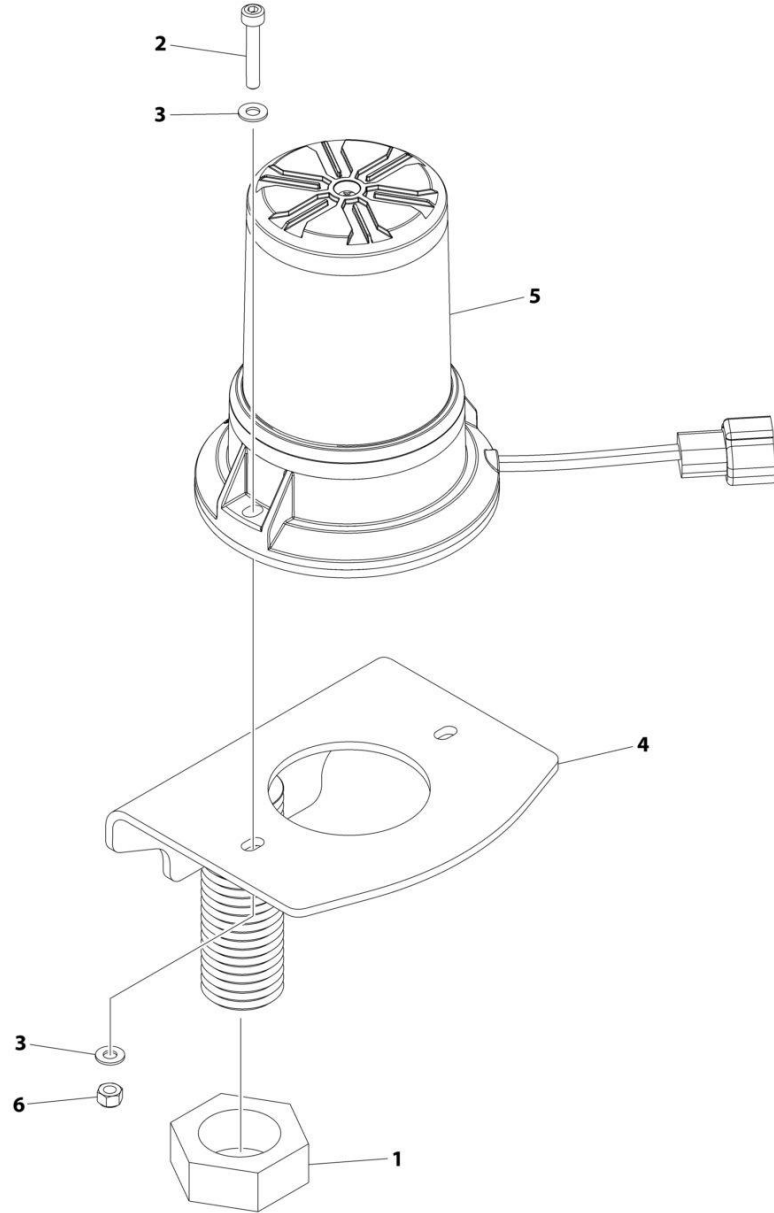
**SECTION 2 - TURNTABLE**

**FIGURE 2-35. BEACON LIGHT INSTALLATION - BLUE**

<b>ITEM</b>	<b>PART NUMBER</b>	<b>QTY</b>	<b>DESCRIPTION</b>	<b>REV</b>
	1001239801	Ref	BEACON LIGHT INSTALLATION - BLUE	C
2	3290405	2	Nut M4	
3	3312602	1	Nut 1	
4	4031509	2	Capscrew M4 x 25	
5	4811400	4	Washer M4	
6	1001272681	1	Light, Strobe	
7	1001275149	1	Mount	

# SECTION 2 - TURNTABLE

## FIGURE 2-36. BEACON LIGHT INSTALLATION - RED



ART\_1001239800\_C



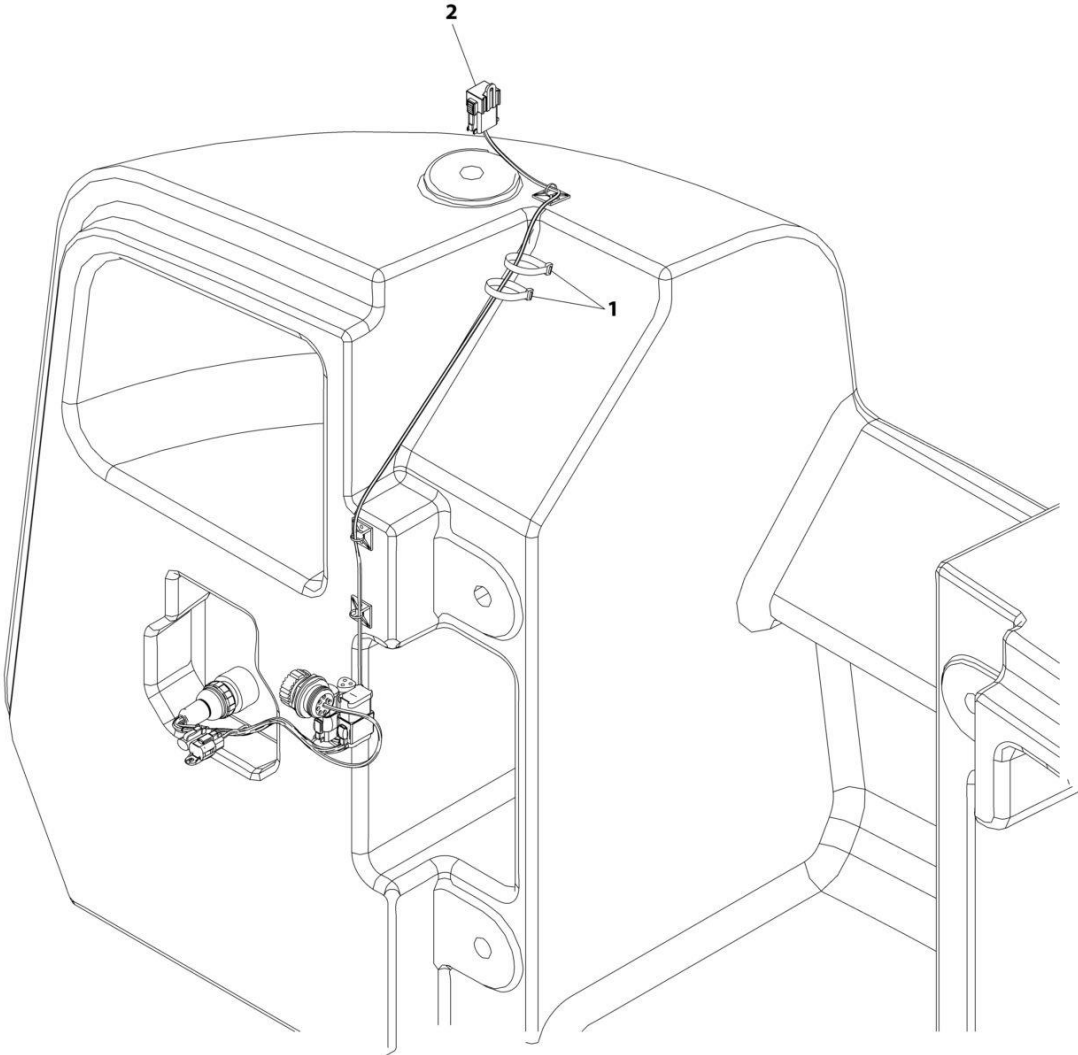
**SECTION 2 - TURNTABLE**

**FIGURE 2-36. BEACON LIGHT INSTALLATION - RED**

<b>ITEM</b>	<b>PART NUMBER</b>	<b>QTY</b>	<b>DESCRIPTION</b>	<b>REV</b>
	1001239800	Ref	BEACON LIGHT INSTALLATION - RED	C
1	3312602	1	Nut 1	
2	4031509	2	Capscrew M4 x 25	
3	4811400	4	Washer M4	
4	1001275149	1	Mount	
5	1001272682	1	Light, Strobe	
6	3290405	2	Nut M4	

**SECTION 2 - TURNTABLE**

**FIGURE 2-37. NO BEACON INSTALLATION**



ART\_1001293369

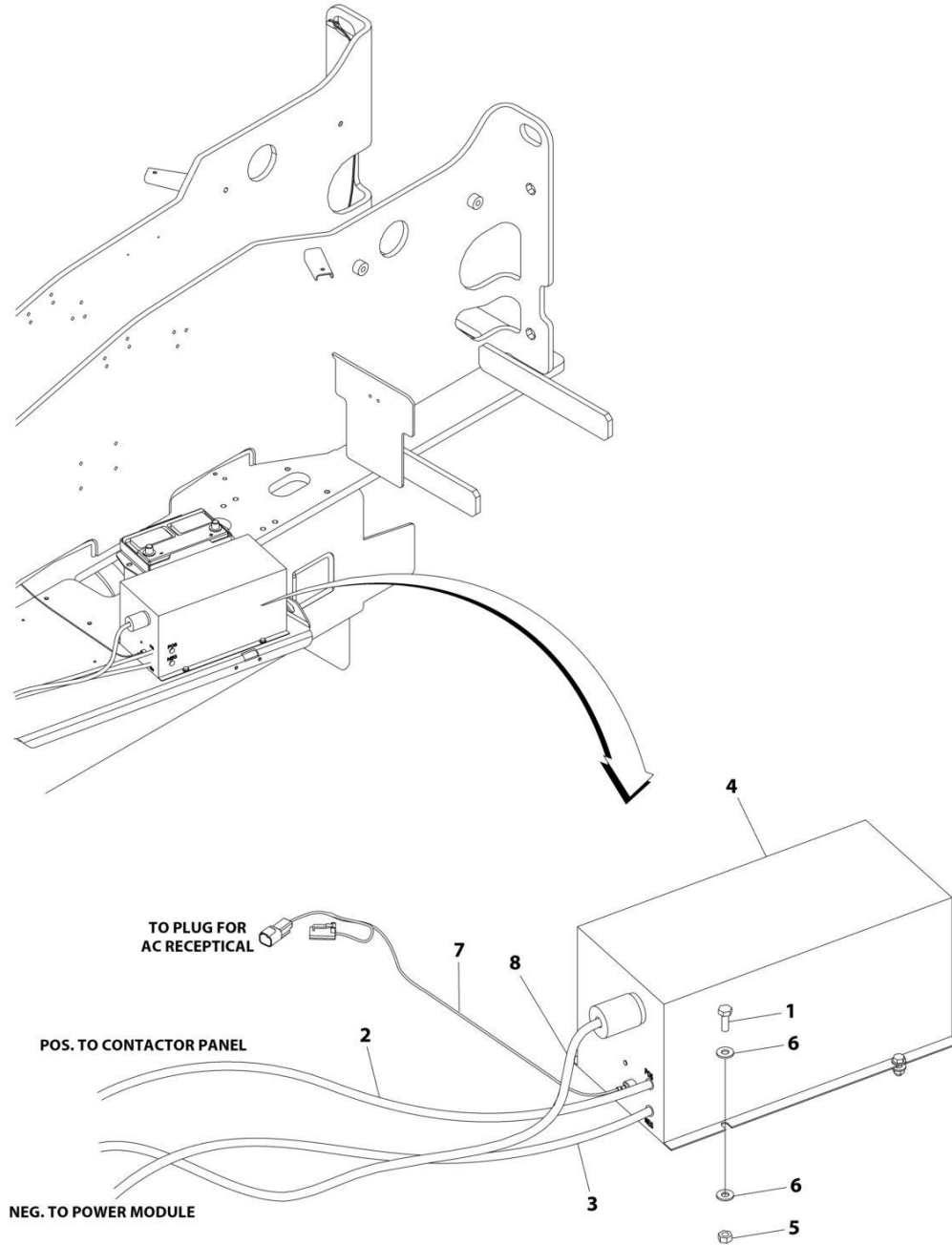
**SECTION 2 - TURNTABLE**

**FIGURE 2-37. NO BEACON INSTALLATION**

<b>ITEM</b>	<b>PART NUMBER</b>	<b>QTY</b>	<b>DESCRIPTION</b>	<b>REV</b>
	1001293369	Ref	NO BECON INSTALLATION	A
1	4240018	2	Strap, Cable Tie	
2	1001244462	1	Connector, Dust Cap	

## SECTION 2 - TURNTABLE

FIGURE 2-38. INVERTER INSTALLATION - 110V (OPTIONAL)



ART\_1001196190

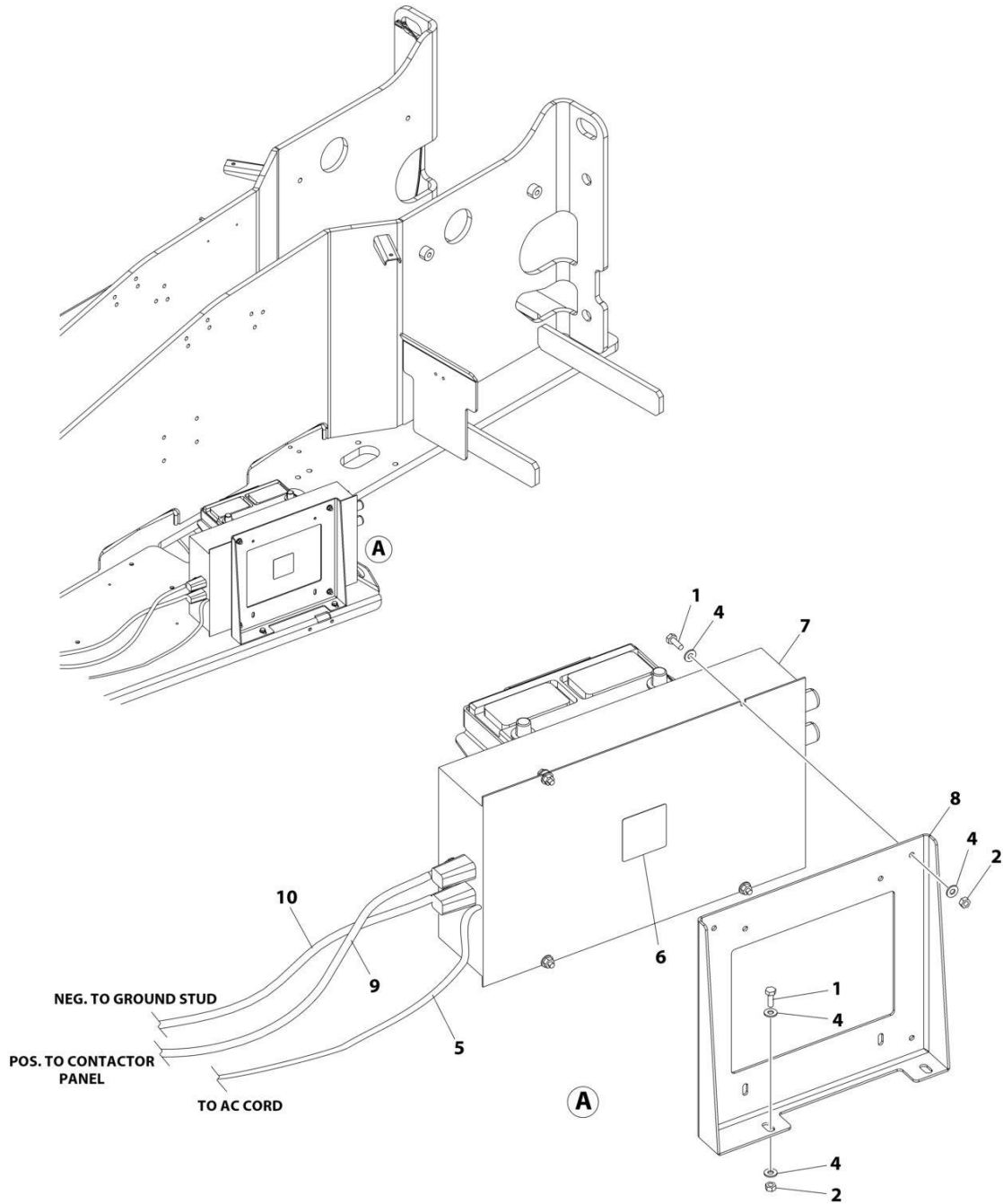
**SECTION 2 - TURNTABLE**

**FIGURE 2-38. INVERTER INSTALLATION - 110V (OPTIONAL)**

<b>ITEM</b>	<b>PART NUMBER</b>	<b>QTY</b>	<b>DESCRIPTION</b>	<b>REV</b>
	1001196190	Ref	INVERTER INSTALLATION - 110V (OPTIONAL)	B
1	0641406	4	Bolt 1/4 x 3/4	
2	1060827	1	Cable, Electrical (+)	
3	1060828	1	Cable, Electrical (-)	
4	2460037	1	Inverter Assembly	
5	3311405	4	Nut 1/4	
6	4711400	8	Washer 1/4	
7	1001192293	1	Inverter Ignition Harness (See Separate Breakdown in ELECTRICAL Section)	
8	4922390	1	Inverter Harness (See Separate Breakdown in ELECTRICAL Section)	

# SECTION 2 - TURNTABLE

## FIGURE 2-39. INVERTER INSTALLATION - 110V 3000W (OPTIONAL)



ART\_1001293025

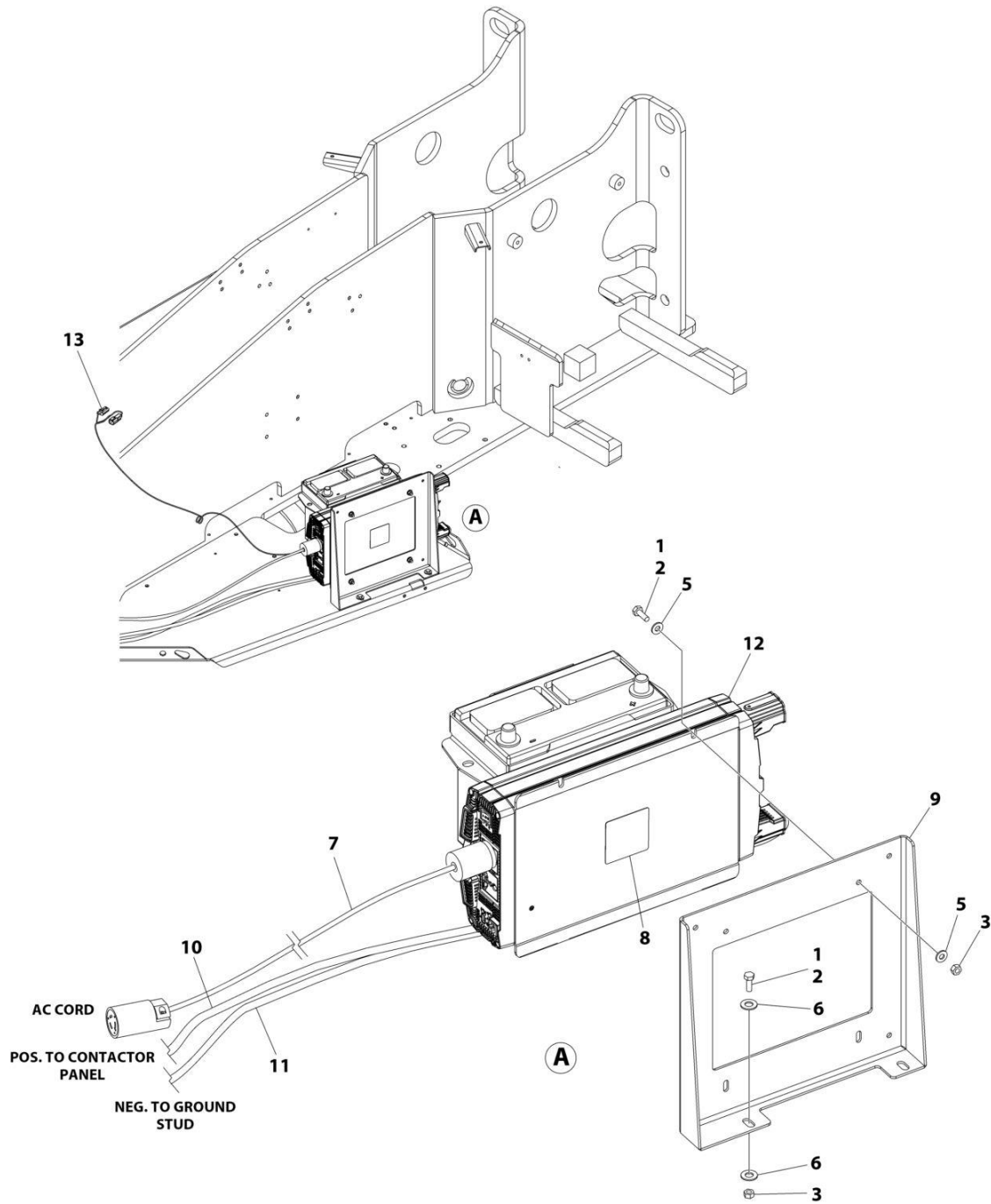
**SECTION 2 - TURNTABLE**

**FIGURE 2-39. INVERTER INSTALLATION - 110V 3000W (OPTIONAL)**

ITEM	PART NUMBER	QTY	DESCRIPTION	REV
	1001293025	Ref	INVERTER INSTALLATION - 110V 3000W	A
1	0641406	6	Bolt 1/4 x 3/4	
2	3311405	6	Nut 1/4	
3	4460806	3	Terminal, Fork (Not Shown)	
4	4711400	12	Washer 1/4	
5	4922390	1	Inverter Harness (See Separate Breakdown in ELECTRICAL Section)	
6	1001125483	1	Decal - Pressure Wash	
7	1001173138	1	Inverter Assembly	
8	1001290653	1	Bracket	
9	1001292551	1	Cable, Electrical (+)	
10	1001292552	1	Cable, Electrical (-)	

## SECTION 2 - TURNTABLE

FIGURE 2-40. INVERTER INSTALLATION - 240V 2000W (SN 0300313230 to Present, SN B300024424 to Present, Including B300024318 and B300024323)



ART\_1001299368



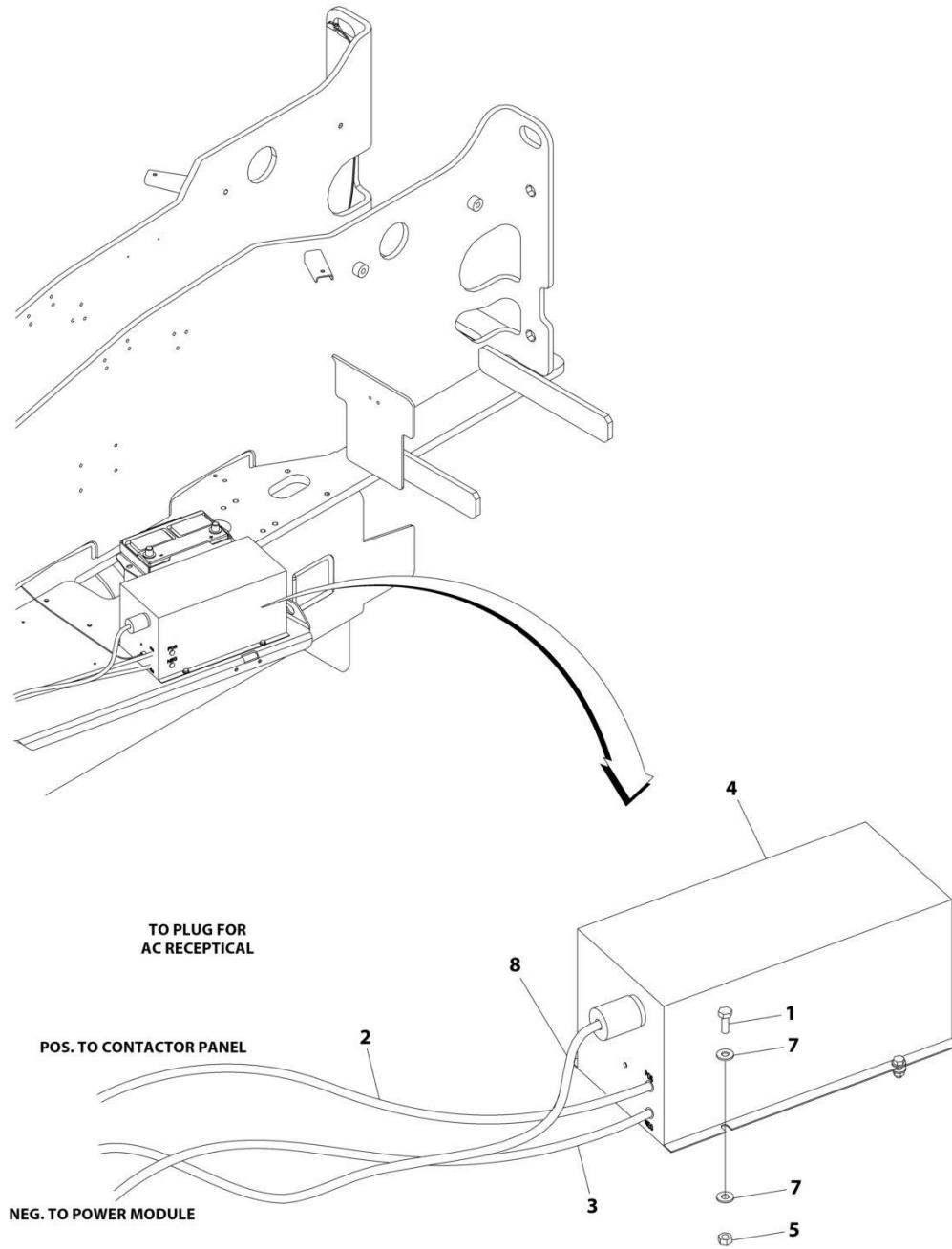
## SECTION 2 - TURNTABLE

**FIGURE 2-40. INVERTER INSTALLATION - 240V 2000W (SN 0300313230 to Present, SN B300024424 to Present, Including B300024318 and B300024323)**

ITEM	PART NUMBER	QTY	DESCRIPTION	REV
	1001299368	Ref	INVERTER INSTALLATION - 240V 2000W	A
1	0100011	AR	Compound, Locking	
2	0641406	6	Bolt 1/4 x 3/4	
3	3311405	6	Nut 1/4	
4	4461205	1	Terminal (Not Shown)	
5	4711400	8	Washer 1/4	
6	4711600	4	Washer 3/8	
7	4922647	1	Inverter Harness (See Separate Breakdown in ELECTRICAL Section)	
8	1001125483	1	Decal - Pressure Wash	
9	1001290653	1	Bracket	
10	1001292551	1	Cable, Electrical (+)	
11	1001292552	1	Cable, Electrical (-)	
12	1001297639	1	Generator, Inverter	
13	1001299040	1	Inverter Ignition Harness (See Separate Breakdown in ELECTRICAL Section)	

# SECTION 2 - TURNTABLE

## FIGURE 2-41. INVERTER INSTALLATION - 220V (OPTIONAL)



ART\_0271382

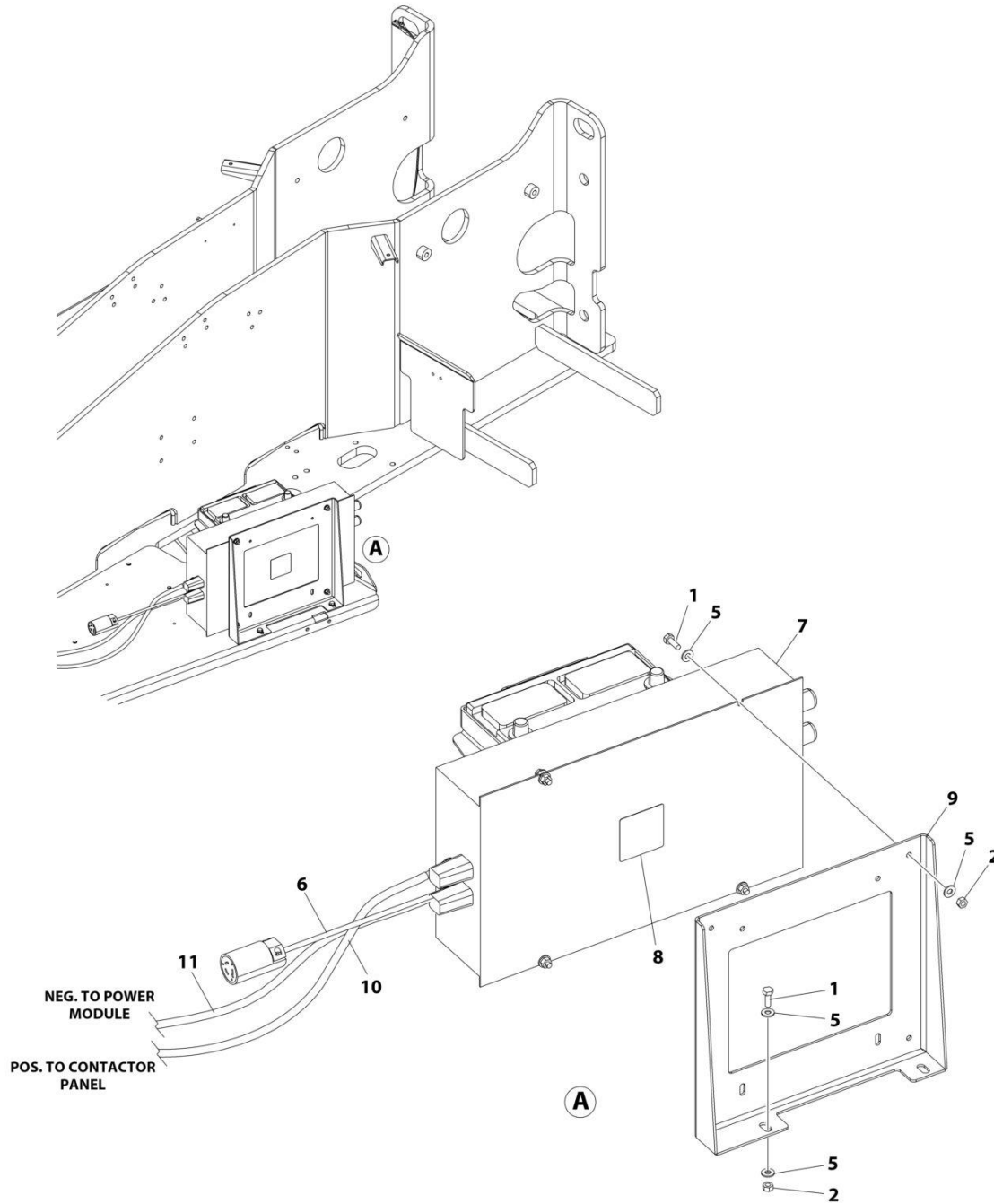
**SECTION 2 - TURNTABLE**

**FIGURE 2-41. INVERTER INSTALLATION - 220V (OPTIONAL)**

<b>ITEM</b>	<b>PART NUMBER</b>	<b>QTY</b>	<b>DESCRIPTION</b>	<b>REV</b>
	0271382	Ref	INVERTER INSTALLATION - 220V (OPTIONAL)	B
1	0641406	4	Bolt 1/4 x 3/4	
2	1060827	1	Cable, Electrical (+)	
3	1060828	1	Cable, Electrical (-)	
4	2460038	1	Inverter Assembly	
5	3311405	4	Nut 1/4	
7	4711400	8	Washer 1/4	
8	4922647	1	Inverter Harness (See Separate Breakdown in ELECTRICAL Section)	
9	4460709	1	Plug, Male (Not Shown - Plugs into Item 8)	

# SECTION 2 - TURNTABLE

## FIGURE 2-42. INVERTER INSTALLATION - 220V 3000W (OPTIONAL)



ART\_1001293169

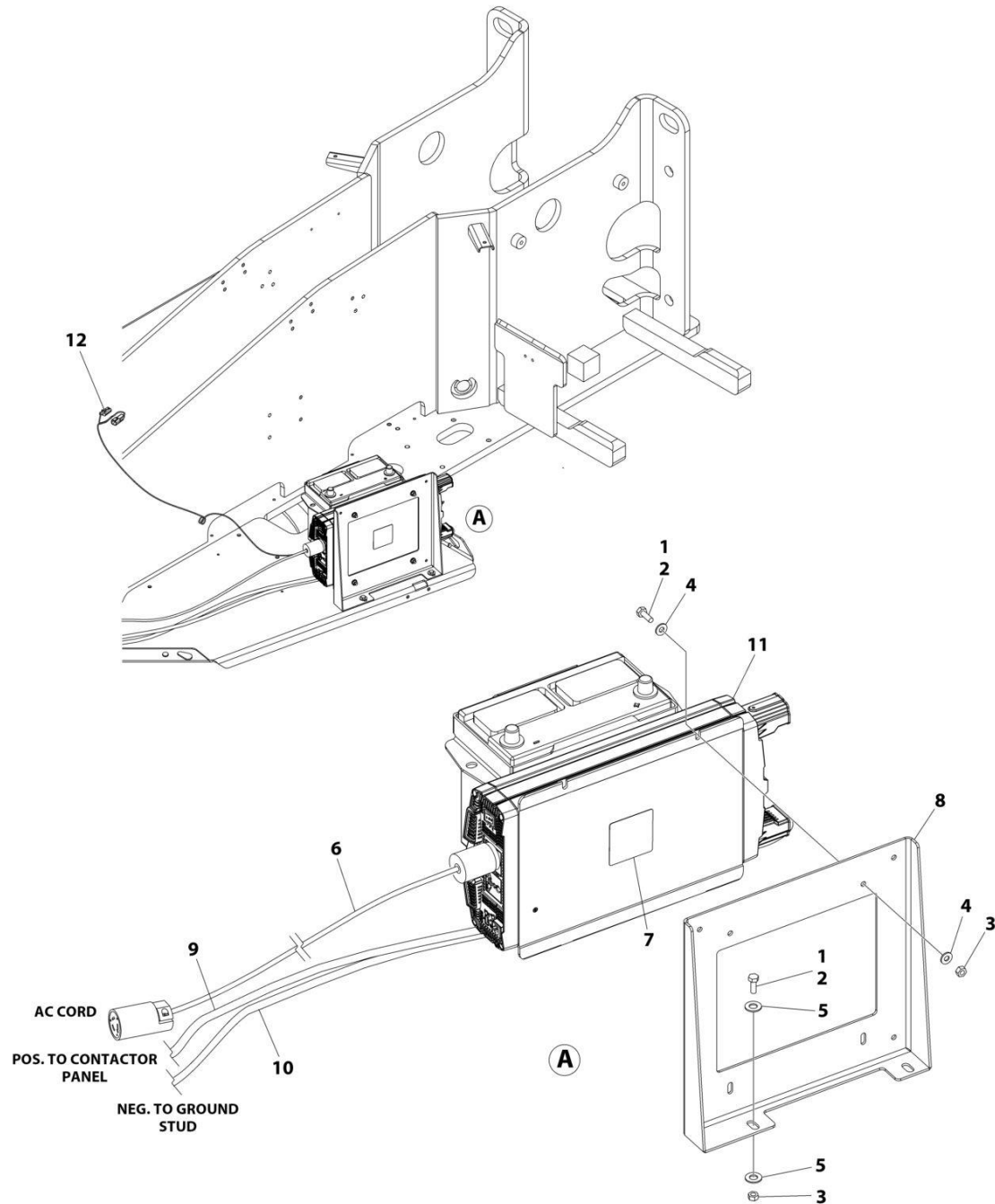
**SECTION 2 - TURNTABLE**

**FIGURE 2-42. INVERTER INSTALLATION - 220V 3000W (OPTIONAL)**

ITEM	PART NUMBER	QTY	DESCRIPTION	REV
	1001293169	Ref	INVERTER INSTALLATION - 220V 3000W	A
1	0641406	6	Bolt 1/4 x 3/4	
2	3311405	6	Nut 1/4	
3	4460709	1	Plug, Male (Not Shown - Plugs into Item 8)	
4	4460806	3	Terminal, Fork (Not Shown)	
5	4711400	12	Washer 1/4	
6	4922647	1	Inverter Harness (See Separate Breakdown in ELECTRICAL Section)	
7	1001173137	1	Inverter Assembly	
8	1001125483	1	Decal - Pressure Wash	
9	1001290653	1	Bracket	
10	1001292551	1	Cable, Electrical (+)	
11	1001292552	1	Cable, Electrical (-)	

## SECTION 2 - TURNTABLE

FIGURE 2-43. INVERTER INSTALLATION - 120V 2000W (SN 0300313230 to Present, SN B300024424 to Present, Including B300024318 and B300024323)



ART\_1001299366

**SECTION 2 - TURNTABLE**

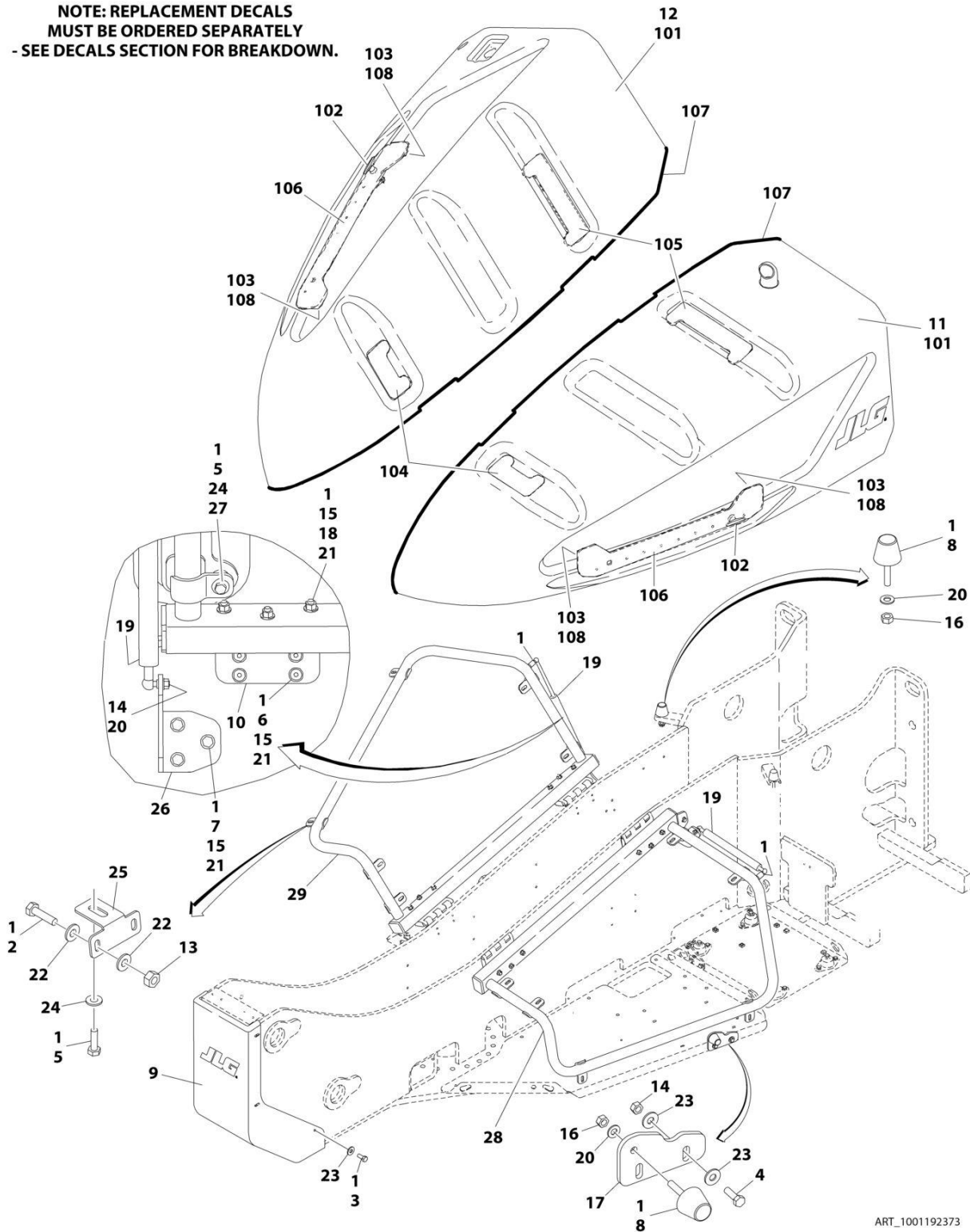
**FIGURE 2-43. INVERTER INSTALLATION - 120V 2000W (SN 0300313230 to Present, SN B300024424 to Present, Including B300024318 and B300024323)**

ITEM	PART NUMBER	QTY	DESCRIPTION	REV
	1001299366	Ref	INVERTER INSTALLATION - 120V 2000W	A
1	0100011	AR	Compound, Locking	
2	0641406	6	Bolt 1/4 x 3/4	
3	3311405	6	Nut 1/4	
4	4711400	8	Washer 1/4	
5	4711600	4	Washer 3/8	
6	4922390	1	Inverter Harness (See Separate Breakdown in ELECTRICAL Section)	
7	1001125483	1	Decal - Pressure Wash	
8	1001290653	1	Bracket	
9	1001292551	1	Cable, Electrical (+)	
10	1001292552	1	Cable, Electrical (-)	
11	1001297638	1	Generator, Inverter	
12	1001299040	1	Inverter Ignition Harness (See Separate Breakdown in ELECTRICAL Section)	

# SECTION 2 - TURNTABLE

## FIGURE 2-44. HOODS INSTALLATION

NOTE: REPLACEMENT DECALS  
MUST BE ORDERED SEPARATELY  
- SEE DECALS SECTION FOR BREAKDOWN.



ART\_1001192373



**SECTION 2 - TURNTABLE**

**FIGURE 2-44. HOODS INSTALLATION**

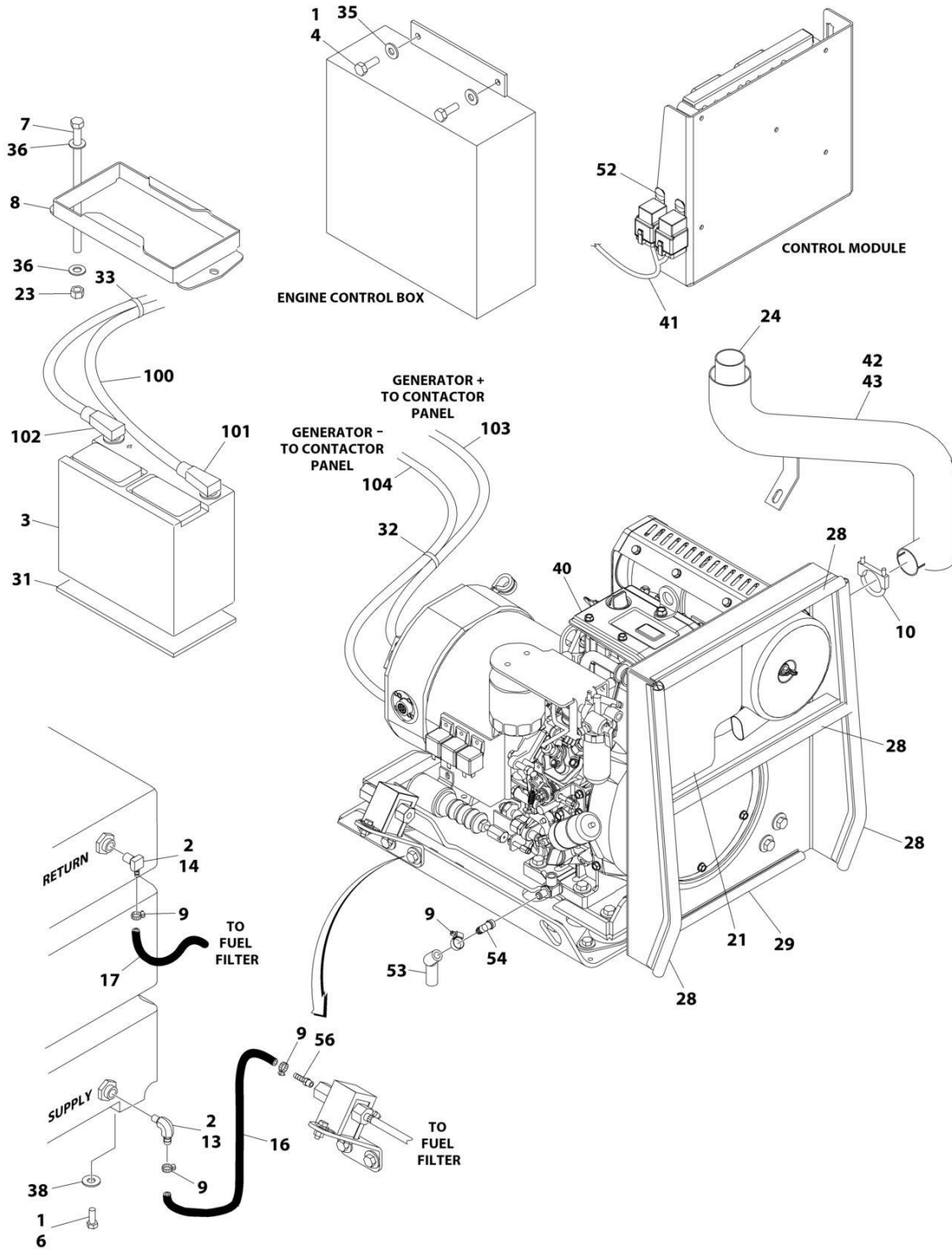
ITEM	PART NUMBER	QTY	DESCRIPTION	REV
	1001192373	Ref	HOODS INSTALLATION	C
1	0100011	AR	Compound, Locking	
2	0641407	8	Bolt 1/4 x 7/8	
3	0641506	6	Bolt 5/16 x 3/4	
4	0641508	4	Bolt 5/16 x 1	
5	0641606	12	Bolt 3/8 x 3/4	
6	0641610	16	Bolt 3/8 x 1-1/4	
7	0641612	6	Bolt 3/8 x 1-1/2	
8	0940088	4	Bumper	
9	1670930	1	Cover, End	
10	2600262	4	Hinge, Offset	
11	2680468	1	Hood Assembly - Right Side (See Items 101-108 for Breakdown)	
12	2680477	1	Hood Assembly - Left Side (See Items 101-108 for Breakdown)	
13	3311401	8	Nut 1/4	
14	3311505	6	Nut 5/16	
15	3311601	34	Nut 3/8	
16	3321501	4	Nut 5/16	
17	3572063	2	Plate, Latch	
18	3900232	12	Screw 3/8 x 1-1/4	
19	4160194	2	Spring, Gas	
20	4711500	6	Washer 5/16	
21	4711600	68	Washer 3/8	
22	4751400	16	Washer 1/4	
23	4751500	14	Washer 5/16	
24	4751600	12	Washer 3/8	
25	1001174542	4	Bracket, Clamp	
26	1001175575	2	Plate, Gas Spring	
27	1001175596	8	Clamp	
28	1001191596	1	Support, Hood - Right Side	
29	1001191597	1	Support, Hood - Left Side	
		Ref	HOOD ASSEMBLIES	
	2680468	Ref	Right Side	E
	2680477	Ref	Left Side	E
		Ref	Note: Replacement Decals Must Be Ordered Separately - See DECALS Section.	
101	See Note	NSS	Hood, Molded (Note: Purchase Item #11 or #12 as Complete Assembly)	
102		Ref	Latch (1 Per Assembly) Options:	
102	2940124	2	Non-Lockable	
102	7027859	2	Lockable	
103	3340877	12	Pad, Rubber (6 Per Assembly)	
104	3571856	2	Plate, Front Support (1 Per Assembly)	
105	3571857	2	Plate, Rear Support (1 Per Assembly)	
106	3571858	2	Plate, Handle (1 Per Assembly)	
107	3960464	146 ft /44.5m	Seal (73ft/22.5m Per Assembly)	
108	0100081	AR	Adhesive	



**SECTION 3 - ENGINE**

# SECTION 3 - ENGINE

## FIGURE 3-1. ENGINE AND GENERATOR INSTALLATION - WITH STANDARD BATTERIES (H600SJ,H600SJP)



ART\_1001199313\_40F5

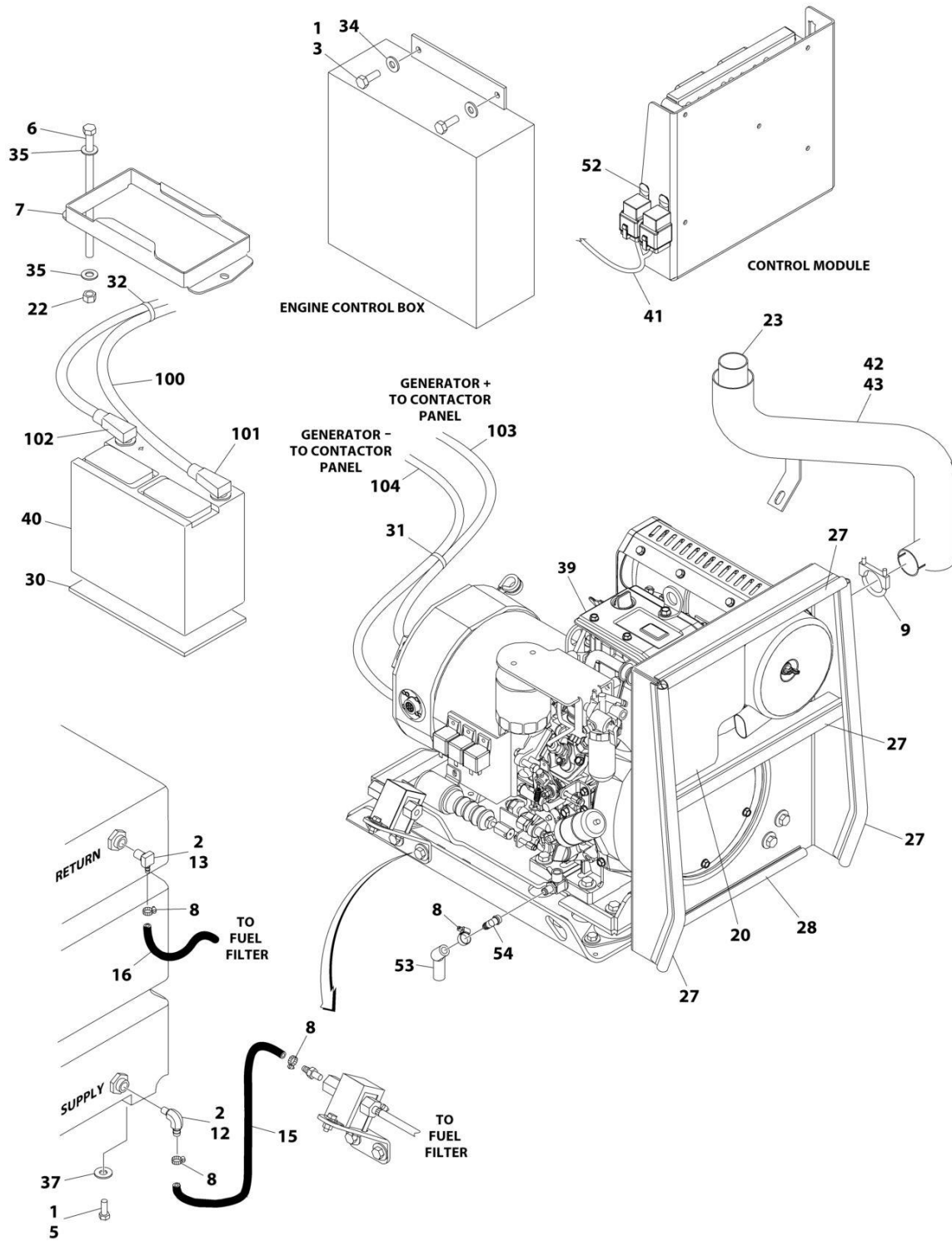
## SECTION 3 - ENGINE

**FIGURE 3-1. ENGINE AND GENERATOR INSTALLATION - WITH STANDARD BATTERIES  
(H600SJ,H600SJP)**

ITEM	PART NUMBER	QTY	DESCRIPTION	REV
	1001199313	Ref	ENGINE AND GENERATOR INSTALLATION	H
1	0100011	AR	Locking, Compound	
2	0100020	AR	Sealant, Pipe	
3	0400201	1	Battery, Standard	
4	0641406	4	Bolt 1/4 x 3/4	
6	0641606	4	Bolt 3/8 x 3/4	
7	0641660	2	Bolt 3/8 x 7-1/2	
8	0902659	1	Bracket, Battery Hold-Down	
9	1320022	4	Clamp, Hose	
10	1320135	1	Clamp, Muffler	
11	1701505	1	Decal - Diesel Fuel (Not Shown - Located on Hood)	
12	2200222	2	Plug, Pipe (Not Shown - Fuel Tank)	
13	2221046	1	Fitting, Elbow Barbed	
14	2221047	1	Fitting, Elbow Barbed	
16	2720058	3.5 ft/ 1.1m	Hose, Fuel Line	
17	2720271	5.5 ft/ 1.8m	Hose, Fuel Line	
21	2820232	1	Insulation, Noise Reduction	
23	3311605	2	Nut 3/8	
24	3460492	1	Tube, Exhaust	
28	3960389	5.6 ft/ 1.8m	Seal, Rubber	
29	3960418	1.1 ft/ 0.3m	Seal, Rubber	
31	3980035	1	Seat, Battery	
32	4240018	AR	Tie-Strap	
33	4240178	1	Strap, Cable Tie	
35	4711400	4	Washer 1/4	
36	4711600	4	Washer 3/8	
38	4751600	4	Washer 3/8	
40	1001248082	1	Engine, Kubota Assembly (See Separate Breakdown in this Section)	
41	1001199409	1	Generator Harness (See Separate Breakdown in ELECTRICAL Section)	
42	1001208628	1	Sleeve	
43	4920385	8.5 in/ 21.6cm	Wire, Safety	
52	1380158	2	Clip	
53	1001165035	3.5 in/ 8.89cm	Hose	
54	1001221386	1	Adapter	
56	2220794	1	Fitting, Straight Barbed	
100	1001200381	1	Battery Cable Kit	
101	1060819	1	Cable, Battery (Battery - to Ground)	
102	1060820	1	Cable, Battery (Battery + to Starter)	
103	1001202373	1	Cable, Battery (Generator + to Contactor Panel)	
104	1001202374	1	Cable, Battery (Generator - to Contactor Panel)	

# SECTION 3 - ENGINE

## FIGURE 3-2. ENGINE AND GENERATOR INSTALLATION - WITH AGM BATTERIES (H600SJ,H600SJP)



ART\_1001207674\_40F5

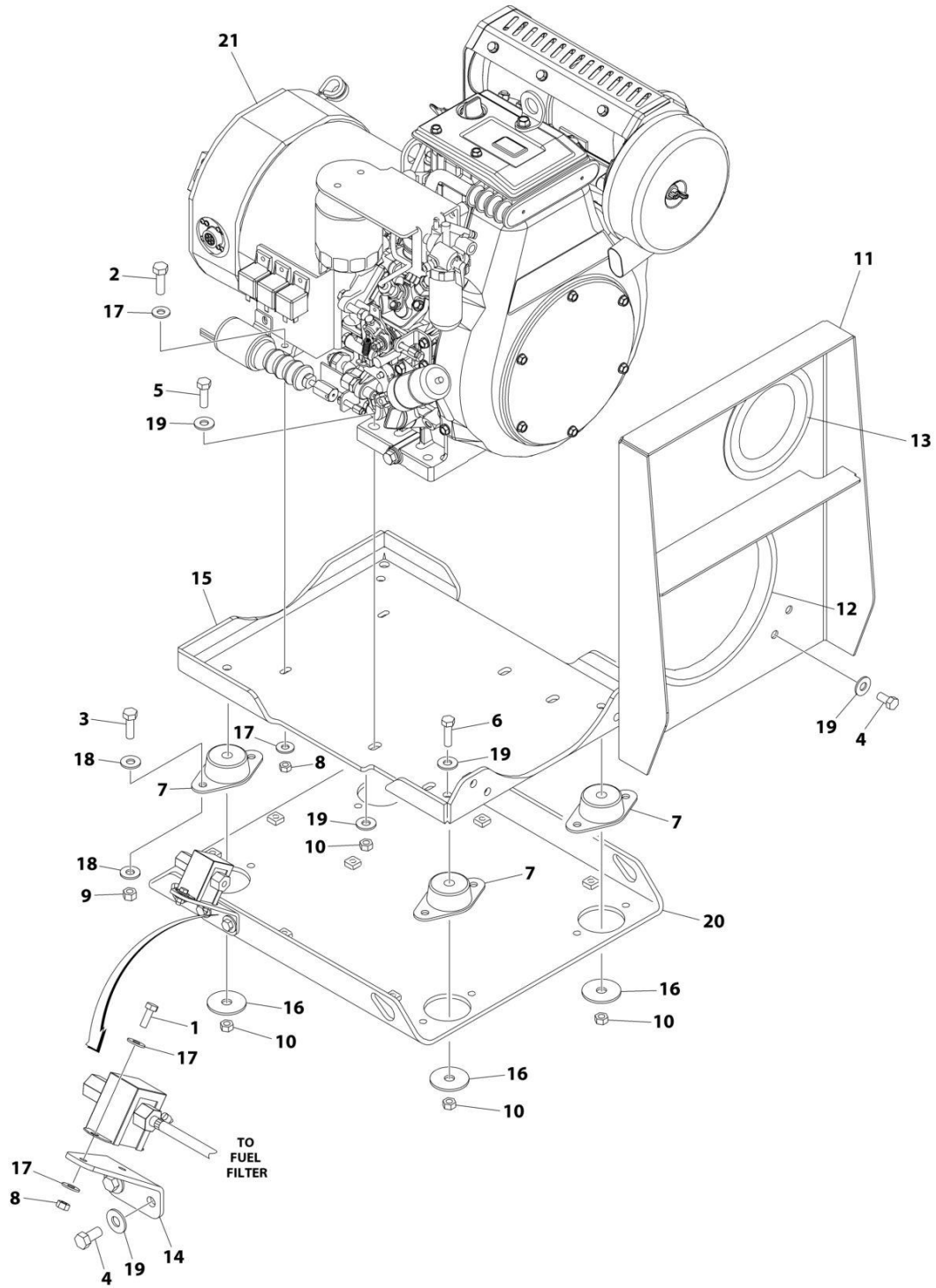
## SECTION 3 - ENGINE

**FIGURE 3-2. ENGINE AND GENERATOR INSTALLATION - WITH AGM BATTERIES  
(H600SJ,H600SJP)**

ITEM	PART NUMBER	QTY	DESCRIPTION	REV
	1001207674	Ref	ENGINE AND GENERATOR INSTALLATION - WITH AGM BATTERIES	G
1	0100011	AR	Locking, Compound	
2	0100020	AR	Sealant, Pipe	
3	0641406	4	Bolt 1/4 x 3/4	
5	0641606	4	Bolt 3/8 x 3/4	
6	0641660	2	Bolt 3/8 x 7-1/2	
7	0902659	1	Bracket, Battery Hold-Down	
8	1320022	4	Clamp, Hose	
9	1320135	1	Clamp, Muffler	
10	1701505	1	Decal - Diesel Fuel (Not Shown - Located on Hood)	
11	2200222	2	Plug, Pipe (Not Shown - Fuel Tank)	
12	2221046	1	Fitting, Elbow Barbed	
13	2221047	1	Fitting, Elbow Barbed	
15	2720058	3.5 ft/ 1.1m	Hose, Fuel Line	
16	2720271	5.5 ft/ 1.8m	Hose, Fuel Line	
20	2820232	1	Insulation, Noise Reduction	
22	3311605	2	Nut 3/8	
23	3460492	1	Tube, Exhaust	
27	3960389	5.6 ft/ 1.8m	Seal, Rubber	
28	3960418	1.1 ft/ 0.3m	Seal, Rubber	
30	3980035	1	Seat, Battery	
31	4240018	AR	Tie-Strap	
32	4240178	1	Strap, Cable Tie	
34	4711400	4	Washer 1/4	
35	4711600	4	Washer 3/8	
37	4751600	4	Washer 3/8	
39	1001248082	1	Engine, Kubota Assembly (See Separate Breakdown in this Section)	
40	1001196117	1	Battery, AGM	
41	1001199409	1	Harness, Generator (See Separate Breakdown in ELECTRICAL Section)	
42	1001208628	1	Sleeve	
43	4920385	8.5 in/ 21.6cm	Wire, Safety	
52	1380158	2	Clip	
53	1001165035	3.5 in/ 8.89cm	Hose	
54	1001221386	1	Adapter	
100	1001200381	1	Battery Cable Kit	
101	1060819	1	Cable, Battery (Battery - to Ground)	
102	1060820	1	Cable, Battery (Battery + to Starter)	
103	1001202373	1	Cable, Battery (Generator + to Contactor Panel)	
104	1001202374	1	Cable, Battery (Generator - to Contactor Panel)	

# SECTION 3 - ENGINE

## FIGURE 3-3. KUBOTA ENGINE ASSEMBLY (H600SJ,H600SJP)



ART\_1001248082



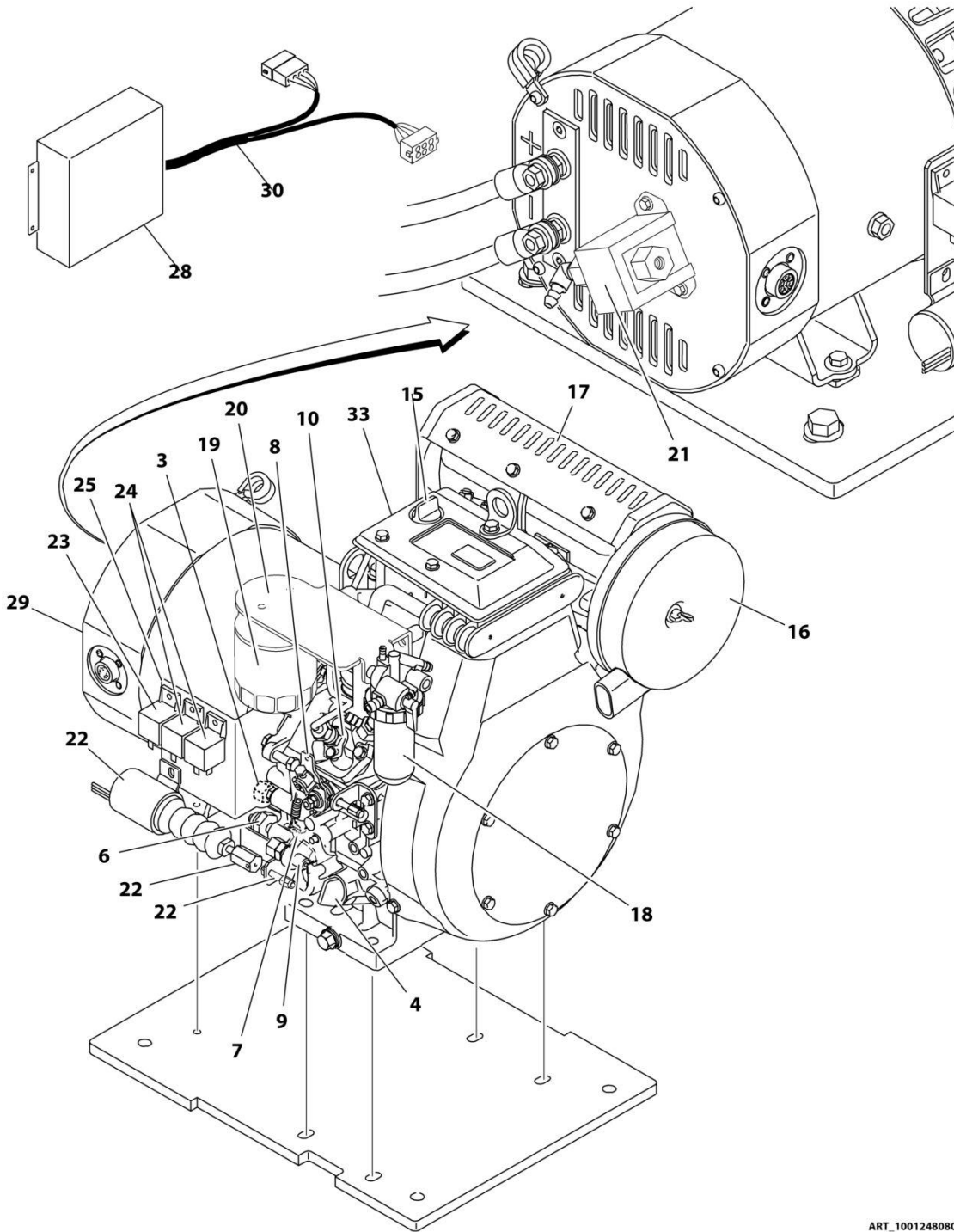
## SECTION 3 - ENGINE

**FIGURE 3-3. KUBOTA ENGINE ASSEMBLY (H600SJ,H600SJP)**

ITEM	PART NUMBER	QTY	DESCRIPTION	REV
	1001248082	Ref	KUBOTA ENGINE ASSEMBLY	B
1	0641406	2	Bolt 1/4 x 3/4	
2	0641408	2	Bolt 1/4 x 1	
3	0641508	8	Bolt 5/16 x 1	
4	0641606	6	Bolt 3/8 x 3/4	
5	0641614	4	Bolt 3/8 x 1-3/4	
6	0641618	4	Bolt 3/8 x 2-1/4	
7	3200425	4	Mount, Motor	
8	3311405	4	Nut 1/4	
9	3311505	8	Nut 5/16	
10	3311605	8	Nut 3/8	
11	3380620	1	Engine, Baffle	
12	3960389	18 in /46cm	Seal	
13	3960418	28 in /71cm	Seal	
14	4341107	1	Plate, Fuel Pump Mounting	
15	4341109	1	Plate, Engine Mounting	
16	4740274	4	Washer, Snubbing	
17	4751400	8	Washer 1/4	
18	4751500	16	Washer 5/16	
19	4751600	18	Washer 3/8	
20	4846188	1	Tray	
21	1001248080	1	Engine, Kubota (See Separate Breakdown in this Section)	

# SECTION 3 - ENGINE

## FIGURE 3-4. KUBOTA ENGINE COMPONENTS (H600SJ,H600SJP)



ART\_1001248080

## SECTION 3 - ENGINE

**FIGURE 3-4. KUBOTA ENGINE COMPONENTS (H600SJ,H600SJP)**

ITEM	PART NUMBER	QTY	DESCRIPTION	REV
	1001248080	Ref	KUBOTA MOTOR/GENERATOR COMPONENTS	A
1	70000290	1	Glow Plug (Not Shown)	
1	70000291	1	Harness, Glow Plug (Not Shown)	
2	70000292	1	Screen, Oil Sump (Includes O-Ring) (Not Shown)	
3	70000293	1	Cap, Oil Filler (Includes O-Ring)	
4	70000294	1	Dipstick	
5	70000295	1	Pump, Oil Rotor (Not Shown - Located beside Item 6)	
5	70000296	1	O-Ring Oil Rotor Pump (Not Shown)	
6	70000297	1	Switch, Oil	
7	70000298	1	Lever, Governor	
7	70000299	1	Pin, Governor Lever	
7	70000300	1	Spring, Governor Lever	
8	70000301	1	Spring, Idling	
8	70000304	1	Lever, Spring Control	
8	70000305	1	Spring, Stop (Speed Control Lever)	
9	70000302	1	Valve, Fuel Limit	
9	70000303	1	Gasket, Fuel Limit	
10	70000306	1	Pump, Injection	
10	70000307	1	Kit, Pump Adjustment Shim	
11	70000308	1	Flywheel/Ring Gear Assembly (Not Shown - Located Behind Front Cover)	
11	70000309	1	Ring Gear (Not Shown)	
11	70001121	1	Stator, Engine (Not Shown - Located Behind Flywheel) (Includes Coil & Grommet)	
12	70003557	1	Regulator, Voltage (Not Shown - Located on Opposite Side of Engine)	
13	70000310	1	Starter (Not Shown - Located on Opposite of Engine)	
14	70000311	1	Solenoid, Starter (Not Shown - Located on Opposite Side of Engine)	
15	70002244	1	Cap, Oil Filler (Includes O-Ring)	
16	70000312	1	Air Filter Assembly	
16	70000313	1	Element, Air Cleaner	
16	70000314	1	Gasket, Air Cleaner	
17	70000315	1	Muffler Assembly	
17	70000316	1	Gasket, Muffler	
18	70000317	1	Inline Fuel Check Valve Assembly	
18	70000967	1	Fuel Filter Assembly	
18	70000318	1	Element, Fuel Filter	
19	70000319	1	Element, Oil Filter	
19	70001144	1	Head, Oil Filter Head (Note: Does Not Include Element)	
20	70002544	1	Bracket, Oil Filter Mount	
21	70000320	1	Pump, Fuel	
22	70000321	1	Solenoid, Fuel	
22	70003618	1	Adapter, Solenoid	
22	70003619	1	Screw	
23	70000322	1	Relay	
24	70000323	2	Relay	
25	70002083	1	Bracket, Solenoid/Relay	
26	70000324	1	Sensor, Speed (Not Shown - Located Inside Front Cover)	
26	70004265	1	Bracket, Speed Sensor (Not Show - Located Inside Front Cover)	

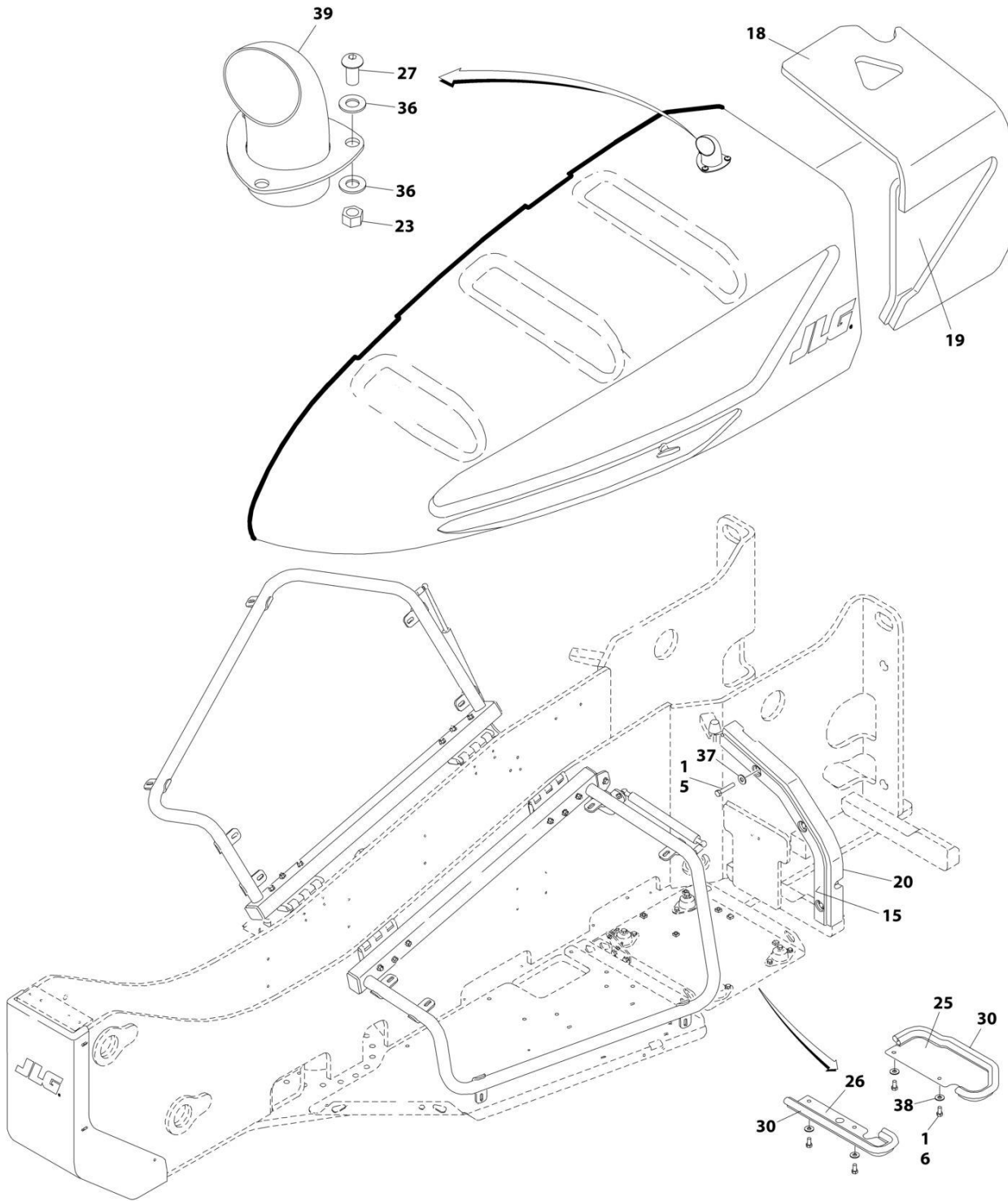
## SECTION 3 - ENGINE

ITEM	PART NUMBER	QTY	DESCRIPTION	REV
27	70000325	1	Sensor, Oil Temperature (Not Shown - Located on Opposite Side of Engine Base)	
28	70000326	1	Module, Engine Control	
29	70000327	1	Alternator	
29	70000382	1	Stator, Alternator	
29	70004394	1	Lead, Field Terminal Block Diode	
30	70000328	1	Harness, Generator	
31	70000329	1	Fuse 15Amp (Not Shown)	
32	70000330	1	Fuse 20Amp (Not Shown)	
33	70002543	1	Engine, Kubota (without Generator)	
34	70000289	1	Regulator, Voltage (Not Shown - Located on Opposite Side of Engine)	



# SECTION 3 - ENGINE

## FIGURE 3-5. EXHAUST STACK AND HOOD Baffles INSTALLATION - STANDARD BATTERIES (H600SJ,H600SJP)



ART\_1001199313\_30F5

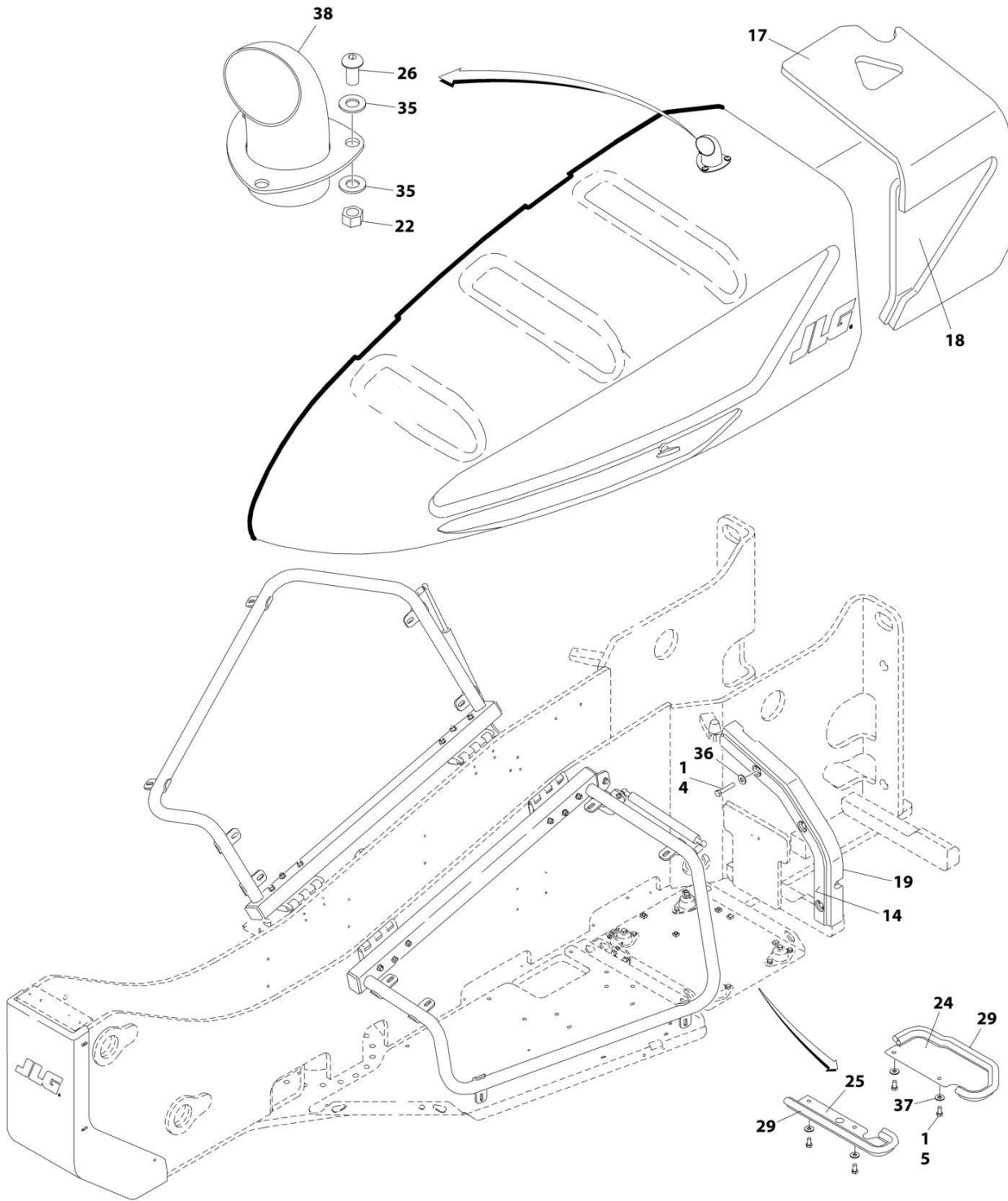
## SECTION 3 - ENGINE

**FIGURE 3-5. EXHAUST STACK AND HOOD BAFFLES INSTALLATION - STANDARD BATTERIES  
(H600SJ,H600SJP)**

ITEM	PART NUMBER	QTY	DESCRIPTION	REV
	1001199313	Ref	EXHAUST STACK AND BAFFLES INSTALLATION - WITH STANDARD BATTERIES	H
1	0100011	AR	Compound, Locking	
5	0641514	3	Bolt 5/16 x 1-3/4	
6	0641606	4	Bolt 3/8 x 3/4	
15	2680482	1	Trim, Hood	
18	2820122	1	Insulation	
19	2820123	1	Insulation	
20	2820126	1	Insulator	
23	3311605	3	Nut 3/8	
25	3572348	1	Plate, Cover	
26	3572349	1	Plate, Cover	
27	3900283	3	Screw	
30	3960464	4 ft/ 1.2m	Seal	
36	4711600	6	Washer 3/8	
37	4751500	3	Washer 5/16	
38	4751600	6	Washer 3/8	
39	4846210	1	Tube, Exhaust	
55	0641614	6	Bolt 3/8 x 1-3/4 (Not Shown)	

# SECTION 3 - ENGINE

## FIGURE 3-6. EXHAUST STACK AND HOOD Baffles INSTALLATION - AGM BATTERIES (H600SJ,H600SJP)



ART\_1001207674\_30F5



## SECTION 3 - ENGINE

**FIGURE 3-6. EXHAUST STACK AND HOOD BAFFLES INSTALLATION - AGM BATTERIES  
(H600SJ,H600SJP)**

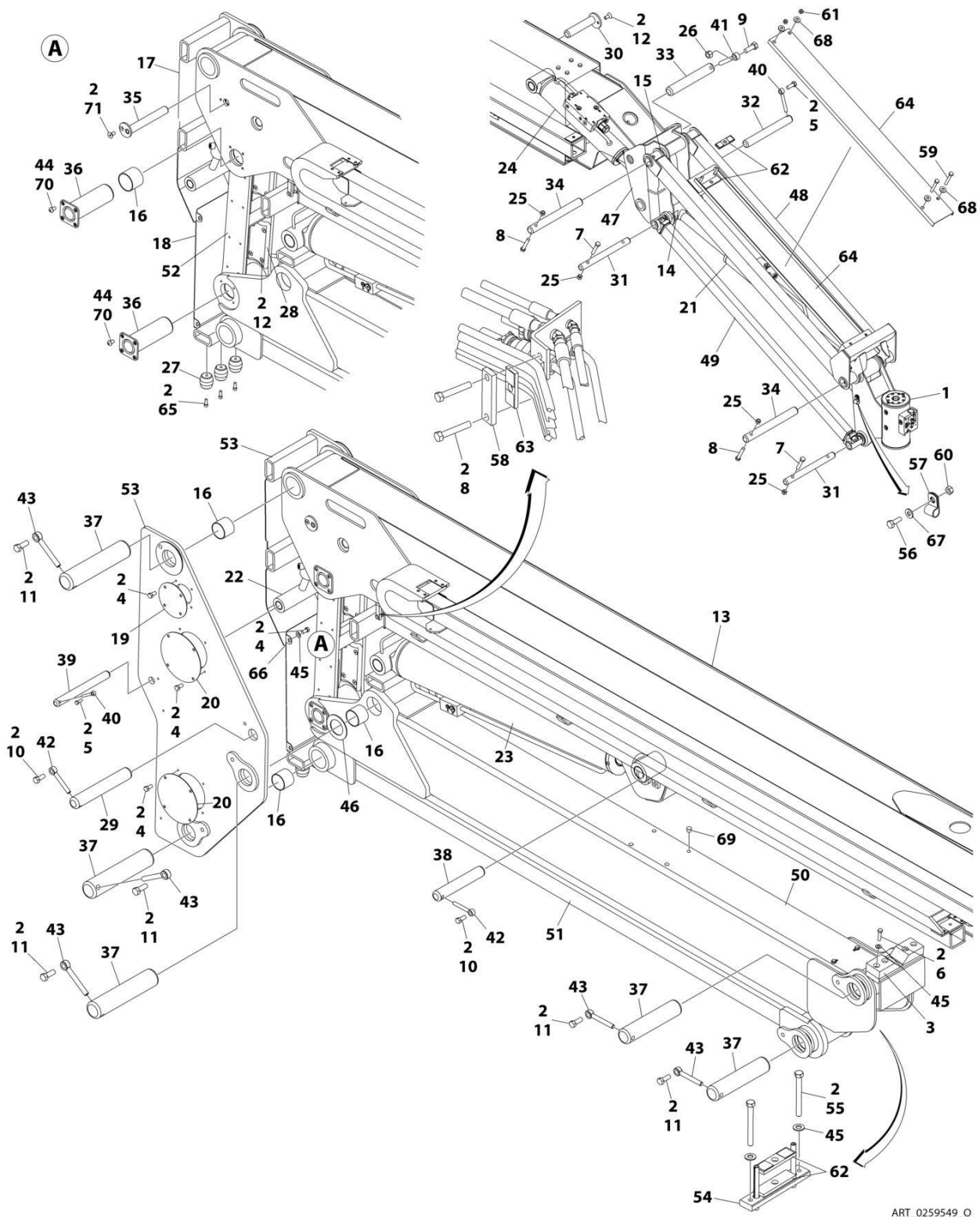
ITEM	PART NUMBER	QTY	DESCRIPTION	REV
	1001207674	Ref	EXHAUST STACK AND BAFFLES INSTALLATION - WITH STANDARD BATTERIES	G
1	0100011	AR	Compound, Locking	
4	0641514	3	Bolt 5/16 x 1-3/4	
5	0641606	4	Bolt 3/8 x 3/4	
14	2680482	1	Trim, Hood	
17	2820122	1	Insulation	
18	2820123	1	Insulation	
19	2820126	1	Insulator	
22	3311605	3	Nut 3/8	
24	3572348	1	Plate, Cover	
25	3572349	1	Plate, Cover	
26	3900283	3	Screw	
29	3960464	4 ft/1.2m	Seal	
35	4711600	6	Washer 3/8	
36	4751500	3	Washer 5/16	
37	4751600	6	Washer 3/8	
38	4846210	1	Tube, Exhaust	
55	0641614	6	Bolt 3/8 x 1-3/4 (Not Shown)	



**SECTION 4 - BOOM**

# SECTION 4 - BOOM

FIGURE 4-1. BOOM INSTALLATION (MACHINES WITH SN STARTING WITH 03) (EC600SJ,H600SJ)



ART\_0259549\_O

## SECTION 4 - BOOM

**FIGURE 4-1. BOOM INSTALLATION (MACHINES WITH SN STARTING WITH 03) (EC600SJ,H600SJ)**

ITEM	PART NUMBER	QTY	DESCRIPTION	REV
	0259549	Ref	BOOM INSTALLATION (E600J,EC600SJ,H600SJ,M600J)	O
1	1001217779	1	Platform Rotator Assembly (See Separate Breakdown in this Section)	
2	0100011	AR	Compound, Locking	
3	0561380	2	Block, Boom Rest	
4	0641606	32	Bolt 3/8 x 3/4	
5	0641608	2	Bolt 3/8 x 1	
6	0641612	4	Bolt 3/8 x 1-1/2	
7	0641616	4	Bolt 3/8 x 2	
8	0641618	4	Bolt 3/8 x 2-1/4	
9	0641811	1	Bolt 1/2 x 1-3/8	
10	0642012	2	Bolt 5/8 x 1-1/2	
11	0642216	5	Bolt 3/4 x 2	
12	0741607	17	Screw 3/8 x 7/8	
13	0801207	1	Main Boom Assembly (See Separate Breakdown in this Section)	
14	0962292	2	Bushing	
15	0961951	2	Bushing	
16	0962297	12	Bushing	
17	1670911	1	Cover, Upright Upper	
18	1670912	1	Cover, Upright Lower	
19	1670913	2	Cover, Pin	
20	1670928	4	Cover, Pin	
21	1001140282	1	Lift Cylinder Assembly - Jib (See Separate Breakdown in CYLINDER Section)	
22	1683866	1	Master Cylinder Assembly (See Separate Breakdown in CYLINDER Section)	
23	1001251014	1	Lift Cylinder Assembly - Main Boom (See Separate Breakdown in CYLINDER Section)	
24	1001140596	1	Level Cylinder Assembly - Platform Slave (See Separate Breakdown in CYLINDER Section)	
25	3311605	6	Nut 3/8	
26	3311805	1	Nut 1/2	
27	4160187	3	Spring, Rubber	
28	3340873	4	Pad, Hose Guide	
29	3422568	1	Pin	
30	3422583	1	Pin	
31	3422791	2	Pin	
32	3422792	1	Pin	
33	3422793	1	Pin	
34	3422794	2	Pin	
35	3422808	1	Pin	
36	3422811	2	Pin	
37	3422830	5	Pin	
38	3422833	1	Pin	
39	3422834	1	Pin	
40	3841143	2	Keeper, Pin 3/8	
41	3841203	1	Keeper, Pin 1/2	
42	3841258	2	Keeper, Pin 5/8	
43	3841287	5	Keeper, Pin 3/4	
44	3900280	8	Screw 3/8 x 5/8	
45	4711600	14	Washer 3/8	

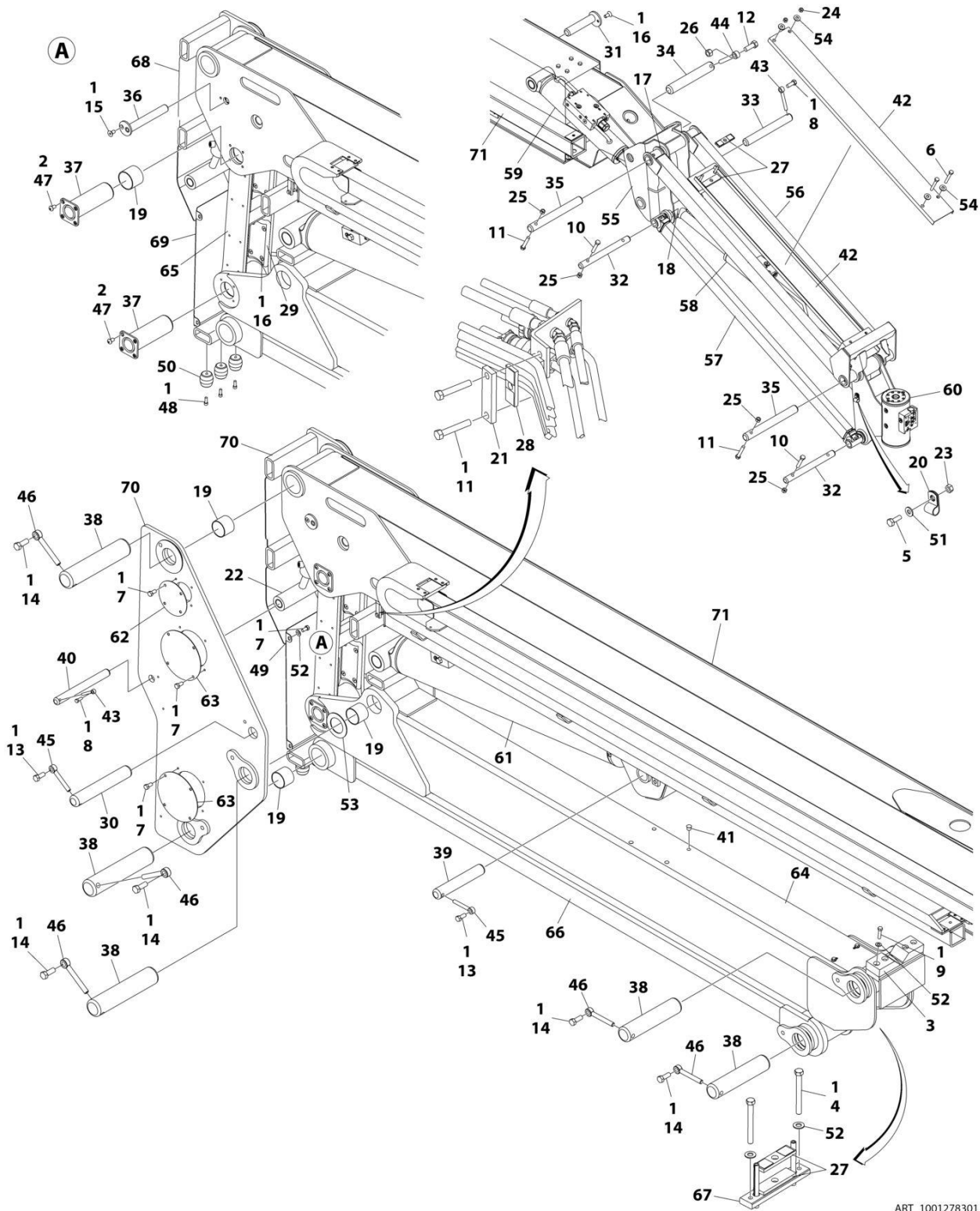
## SECTION 4 - BOOM

ITEM	PART NUMBER	QTY	DESCRIPTION	REV
46	4740492	2	Thrustwasher	
47	4845925	1	Pivot Weldment	
48	4846278	1	Link, Jib (Top)	
49	1001094670	2	Link, Jib (Bottom)	
50	4846066	1	Tower Boom Weldment	
51	4846067	1	Tower Link Weldment	
52	4846074	1	Upright Link Weldment	
53	4846075	1	Upright Weldment	
54	0362929	1	Clamp, Bar	
55	0630539	2	Capscrew 3/8 x 2-1/4	
56	0641406	2	Bolt 1/4 x 3/4	
57	1320070	2	Clamp, Cable	
58	1320277	1	Clamp, Hose	
59	0641518	2	Bolt 5/16 x 2-1/4	
60	3311405	2	Nut 1/4	
61	3311501	4	Nut 5/16	
62	3340860	6	Pad, Rubber	
63	3340861	2	Pad, Rubber	
64	3572551	2	Channel, Hose Carrier	
65	3931616	3	Bolt 3/8 x 2	
66	3960418	10 in/ 25cm	Seal	
67	4711400	2	Washer 1/4	
68	4751500	6	Washer 5/16	
69	3520034	4	Plug, Hole	
70	0100019	AR	Compound, Locking	
71	0741606	1	Bolt 3/8 x 3/4	



# SECTION 4 - BOOM

FIGURE 4-2. BOOM INSTALLATION (MACHINES WITH SN STARTING WITH B3) (EC600SJ,H600SJ)



ART\_1001278301



## SECTION 4 - BOOM

**FIGURE 4-2. BOOM INSTALLATION (MACHINES WITH SN STARTING WITH B3) (EC600SJ,H600SJ)**

ITEM	PART NUMBER	QTY	DESCRIPTION	REV
	1001278301	Ref	BOOM INSTALLATION (EC600SJ)	B
1	0100011	AR	Compound, Locking	
2	0100019	AR	Compound, Locking	
3	0561380	2	Block, Boom Rest	
4	0630539	2	Capscrew 3/8 x 2-1/4	
5	0641406	2	Bolt 1/4 x 3/4	
6	0641518	2	Bolt 5/16 x 2-1/4	
7	0641606	32	Bolt 3/8 x 3/4	
8	0641608	2	Bolt 3/8 x 1	
9	0641612	4	Bolt 3/8 x 1-1/2	
10	0641616	4	Bolt 3/8 x 2	
11	0641618	4	Bolt 3/8 x 2-1/4	
12	0641811	1	Bolt 1/2 x 1-3/8	
13	0642012	2	Bolt 5/8 x 1-1/2	
14	0642216	5	Bolt 3/4 x 2	
15	0741606	1	Bolt 3/8 x 3/4	
16	0741607	17	Screw 3/8 x 7/8	
17	0961951	2	Bushing	
18	0962292	2	Bushing	
19	0962297	12	Bushing	
20	1320070	2	Clamp, Cable	
21	1320277	1	Clamp, Hose	
22	1683866	1	Master Cylinder Assembly (See Separate Breakdown in CYLINDER Section)	
23	3311405	2	Nut 1/4	
24	3311501	4	Nut 5/16	
25	3311605	6	Nut 3/8	
26	3311805	1	Nut 1/2	
27	3340860	6	Pad, Rubber	
28	3340861	2	Pad, Rubber	
29	3340873	4	Pad, Hose Guide	
30	3422568	1	Pin	
31	3422583	1	Pin	
32	3422791	2	Pin	
33	3422792	1	Pin	
34	3422793	1	Pin	
35	3422794	2	Pin	
36	3422808	1	Pin	
37	3422811	2	Pin	
38	3422830	5	Pin	
39	3422833	1	Pin	
40	3422834	1	Pin	
41	3520034	4	Plug, Hole	
42	3572551	2	Channel, Hose Carrier	
43	3841143	2	Keeper, Pin 3/8	
44	3841203	1	Keeper, Pin 1/2	
45	3841258	2	Keeper, Pin 5/8	
46	3841287	5	Keeper, Pin 3/4	
47	3900280	8	Screw 3/8 x 5/8	
48	3931616	3	Bolt 3/8 x 2	

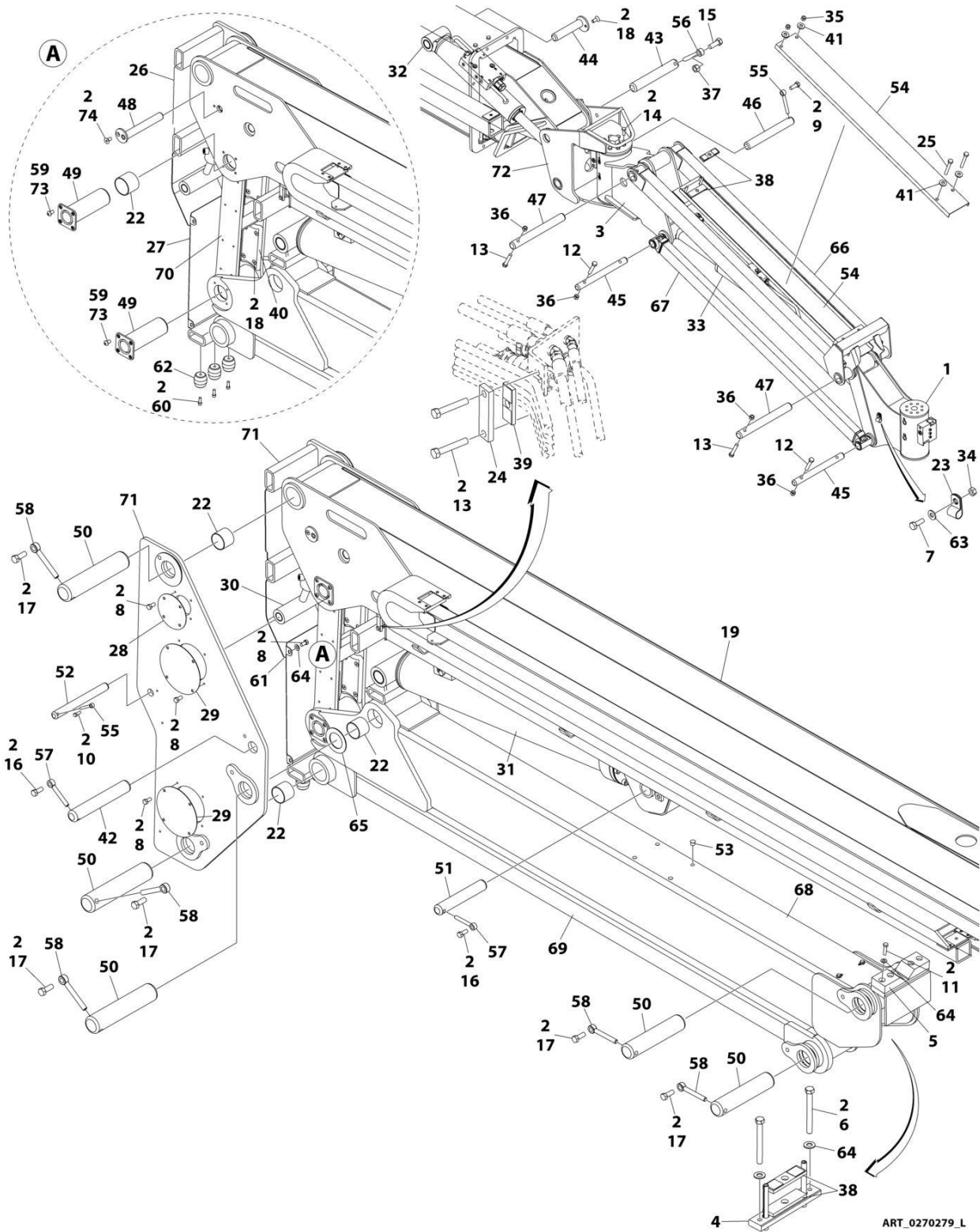
## SECTION 4 - BOOM

ITEM	PART NUMBER	QTY	DESCRIPTION	REV
49	3960418	10 in/ 25cm	Seal	
50	4160187	3	Spring, Rubber	
51	4711400	2	Washer 1/4	
52	4711600	14	Washer 3/8	
53	4740492	2	Thrustwasher	
54	4751500	6	Washer 5/16	
55	4845925	1	Pivot Weldment	
56	4846278	1	Link, Jib (Top)	
57	1001094670	2	Link, Jib (Bottom)	
58	1001140282	1	Lift Cylinder Assembly - Jib (See Separate Breakdown in CYLINDER Section)	
59	1001140596	1	Level Cylinder Assembly - Platform Slave (See Separate Breakdown in CYLINDER Section)	
60	1001217779	1	Platform Rotator Assembly (See Separate Breakdown in this Section)	
61	1001251014	1	Lift Cylinder Assembly - Main Boom (See Separate Breakdown in CYLINDER Section)	
62	1001276068	2	Plate, Pin	
63	1001276113	4	Plate, Pin	
64	1001276159	1	Tower Boom Mount	
65	1001276163	1	Boom Link Mount	
66	1001276169	1	Tower Link Mount	
67	1001276170	1	Clamp, Bar	
68	1001276178	1	Cover, Upright Upper	
69	1001276179	1	Cover, Upright Lower	
70	1001276239	1	Upright Mount	
71	1001278302	1	Boom Assembly (See Separate Breakdown in this Section)	



# SECTION 4 - BOOM

FIGURE 4-3. BOOM INSTALLATION (MACHINES WITH SN STARTING WITH 03) (EC600SJP,H600SJP)



## SECTION 4 - BOOM

**FIGURE 4-3. BOOM INSTALLATION (MACHINES WITH SN STARTING WITH 03) (EC600SJP,H600SJP)**

ITEM	PART NUMBER	QTY	DESCRIPTION	REV
	0270279	Ref	BOOM INSTALLATION	L
1	0060056	1	Platform Rotator Assembly (See Separate Breakdown in this Section)	
2	0100011	AR	Compound, Locking	
3	0060057	1	Jib Rotator Assembly (See Separate Breakdown in this Section) (E600JP,EC600SJP,H600SJP,M600JP)	
4	0362929	1	Clamp, Bar	
5	0561380	2	Block, Boom Rest	
6	0630539	2	Capscrew 3/8 x 2-1/4	
7	0641406	2	Bolt 1/4 x 3/4	
8	0641606	32	Bolt 3/8 x 3/4	
9	0641607	1	Bolt 3/8 x 7/8	
10	0641608	1	Bolt 3/8 x 1	
11	0641612	4	Bolt 3/8 x 1-1/2	
12	0641616	4	Bolt 3/8 x 2	
13	0641618	4	Bolt 3/8 x 2-1/4	
14	0641810	8	Bolt 1/2 x 1-1/4	
15	0641812	1	Bolt 1/2 x 1-1/2	
16	0642012	2	Bolt 5/8 x 1-1/2	
17	0642216	5	Bolt 3/4 x 2	
18	0741607	17	Screw 3/8 x 7/8	
19	0801239	1	Main Boom Assembly (See Separate Breakdown in this Section)	
22	0962297	12	Bushing	
23	1320070	2	Clamp, Cable	
24	1320277	1	Clamp, Hose	
25	0641518	2	Bolt 5/16 x 2-1/4	
26	1670911	1	Cover, Upright Upper	
27	1670912	1	Cover, Upright Lower	
28	1670913	2	Cover, Pin	
29	1670928	4	Cover, Pin	
30	1683866	1	Master Cylinder Assembly (See Separate Breakdown in CYLINDER Section)	
31	1001228014	1	Lift Cylinder Assembly (See Separate Breakdown in CYLINDER Section)	
32	1001140596	1	Level Cylinder Assembly (See Separate Breakdown in CYLINDER Section)	
33	1001140282	1	Jib Cylinder Assembly (See Separate Breakdown in CYLINDER Section)	
34	3311405	2	Nut 1/4	
35	3311501	4	Nut 5/16	
36	3311605	6	Nut 3/8	
37	3311805	1	Nut 1/2	
38	3340860	6	Pad, Rubber	
39	3340861	2	Pad, Rubber	
40	3340873	4	Pad, Hose Guide	
41	4751500	6	Washer 5/16	
42	3422568	1	Pin	
43	3422576	1	Pin	
44	3422583	1	Pin	
45	3422791	2	Pin	
46	3422792	1	Pin	

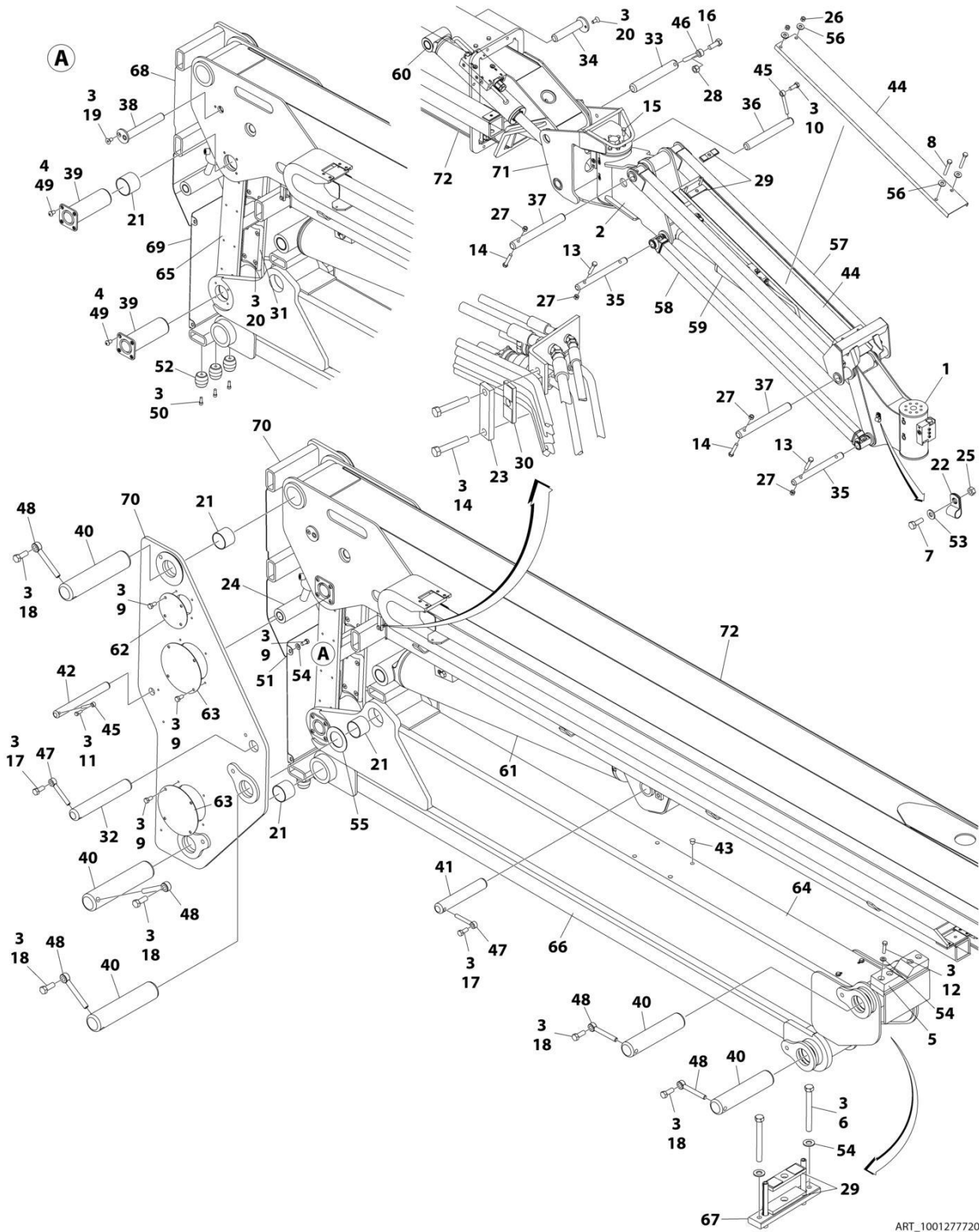
## SECTION 4 - BOOM

ITEM	PART NUMBER	QTY	DESCRIPTION	REV
47	3422794	2	Pin	
48	3422808	1	Pin	
49	3422811	2	Pin	
50	3422830	5	Pin	
51	3422833	1	Pin	
52	3422834	1	Pin	
53	3520034	4	Plug, Hole	
54	3572551	2	Channel, Hose Carrier	
55	3841143	2	Keeper, Pin 3/8	
56	3841203	1	Keeper, Pin 1/2	
57	3841258	2	Keeper, Pin 5/8	
58	3841287	5	Keeper, Pin 3/4	
59	3900280	8	Screw 3/8 x 5/8	
60	3931616	3	Bolt 3/8 x 2	
61	3960418	10 in /53cm	Seal	
62	4160187	3	Spring, Rubber	
63	4711400	2	Washer 1/4	
64	4711600	14	Washer 3/8	
65	4740492	2	Thrustwasher	
66	4846278	1	Link, Jib (Top)	
67	1001094670	2	Link, Jib (Bottom)	
68	4846066	1	Tower Boom Weldment	
69	4846067	1	Tower Link Weldment	
70	4846074	1	Upright Link Weldment	
71	4846075	1	Upright Weldment	
72	4846258	1	Pivot Weldment	
73	0100019	AR	Compound, Locking	
74	0741606	1	Bolt 3/8 x 3/4	



# SECTION 4 - BOOM

## FIGURE 4-4. BOOM INSTALLATION (MACHINES WITH SN STARTING WITH B3) (EC600SJP,H600SJP)



ART\_1001277720



## SECTION 4 - BOOM

**FIGURE 4-4. BOOM INSTALLATION (MACHINES WITH SN STARTING WITH B3)  
(EC600SJP,H600SJP)**

ITEM	PART NUMBER	QTY	DESCRIPTION	REV
	1001277720	Ref	BOOM INSTALLATION (EC600SJP)	B
1	0060056	1	Platform Rotator Assembly (See Separate Breakdown in this Section)	
2	0060057	1	Jib Rotator Assembly (See Separate Breakdown in this Section) (E600JP,EC600SJP,H600SJP,M600JP)	
3	0100011	AR	Compound, Locking	
4	0100019	AR	Compound, Locking	
5	0561380	2	Block, Boom Rest	
6	0630539	2	Capscrew 3/8 x 2-1/4	
7	0641406	2	Bolt 1/4 x 3/4	
8	0641518	2	Bolt 5/16 x 2-1/4	
9	0641606	32	Bolt 3/8 x 3/4	
10	0641607	1	Bolt 3/8 x 7/8	
11	0641608	1	Bolt 3/8 x 1	
12	0641612	4	Bolt 3/8 x 1-1/2	
13	0641616	4	Bolt 3/8 x 2	
14	0641618	4	Bolt 3/8 x 2-1/4	
15	0641810	8	Bolt 1/2 x 1-1/4	
16	0641812	1	Bolt 1/2 x 1-1/2	
17	0642012	2	Bolt 5/8 x 1-1/2	
18	0642216	5	Bolt 3/4 x 2	
19	0741606	1	Bolt 3/8 x 3/4	
20	0741607	17	Screw 3/8 x 7/8	
21	0962297	12	Bushing	
22	1320070	2	Clamp, Cable	
23	1320277	1	Clamp, Hose	
24	1683866	1	Master Cylinder Assembly (See Separate Breakdown in CYLINDER Section)	
25	3311405	2	Nut 1/4	
26	3311501	4	Nut 5/16	
27	3311605	6	Nut 3/8	
28	3311805	1	Nut 1/2	
29	3340860	6	Pad, Rubber	
30	3340861	2	Pad, Rubber	
31	3340873	4	Pad, Hose Guide	
32	3422568	1	Pin	
33	3422576	1	Pin	
34	3422583	1	Pin	
35	3422791	2	Pin	
36	3422792	1	Pin	
37	3422794	2	Pin	
38	3422808	1	Pin	
39	3422811	2	Pin	
40	3422830	5	Pin	
41	3422833	1	Pin	
42	3422834	1	Pin	
43	3520034	4	Plug, Hole	
44	3572551	2	Channel, Hose Carrier	
45	3841143	2	Keeper, Pin 3/8	

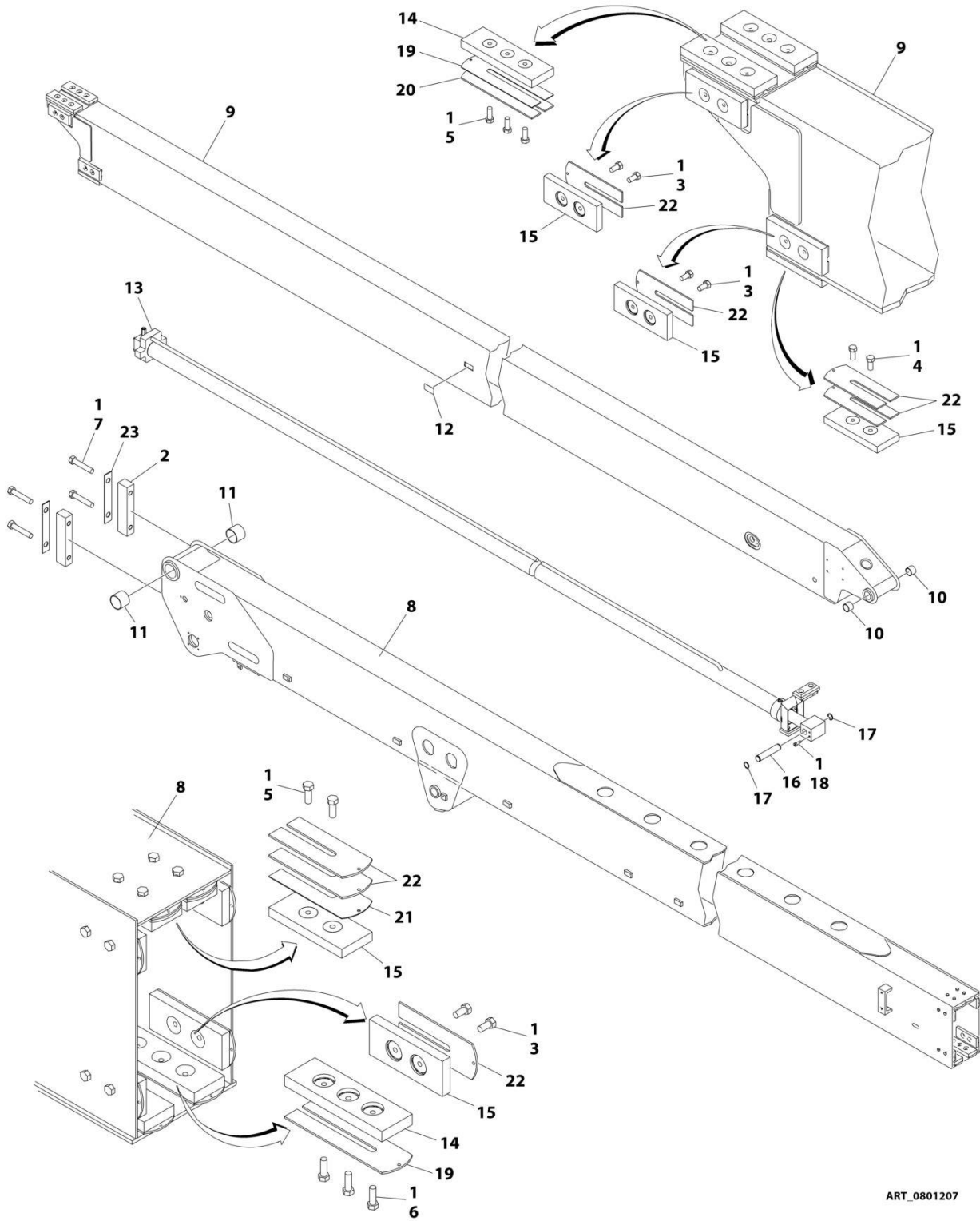
## SECTION 4 - BOOM

ITEM	PART NUMBER	QTY	DESCRIPTION	REV
46	3841203	1	Keeper, Pin 1/2	
47	3841258	2	Keeper, Pin 5/8	
48	3841287	5	Keeper, Pin 3/4	
49	3900280	8	Screw 3/8 x 5/8	
50	3931616	3	Bolt 3/8 x 2	
51	3960418	10 in /25cm	Seal	
52	4160187	3	Spring, Rubber	
53	4711400	2	Washer 1/4	
54	4711600	14	Washer 3/8	
55	4740492	2	Thrustwasher	
56	4751500	6	Washer 5/16	
57	4846278	1	Link, Jib (Top)	
58	1001094670	2	Link, Jib (Bottom)	
59	1001140282	1	Jib Cylinder Assembly (See Separate Breakdown in CYLINDER Section)	
60	1001140596	1	Level Cylinder Assembly (See Separate Breakdown in CYLINDER Section)	
61	1001251014	1	Lift Cylinder Assembly (See Separate Breakdown in CYLINDER Section)	
62	1001276068	2	Plate, Pin	
63	1001276113	4	Plate, Pin	
64	1001276159	1	Tower Boom Mount	
65	1001276163	1	Boom Link Mount	
66	1001276169	1	Tower Link Mount	
67	1001276170	1	Clamp, Bar	
68	1001276178	1	Cover, Upright Upper	
69	1001276179	1	Cover, Upright Lower	
70	1001276239	1	Upright Mount	
71	1001276316	1	Pivot Weldment	
72	1001277722	1	Boom Assembly (See Separate Breakdown in this Section)	



# SECTION 4 - BOOM

FIGURE 4-5. MAIN BOOM ASSEMBLY (MACHINES WITH SN STARTING WITH 03) (EC600SJ,H600SJ)



ART\_0801207

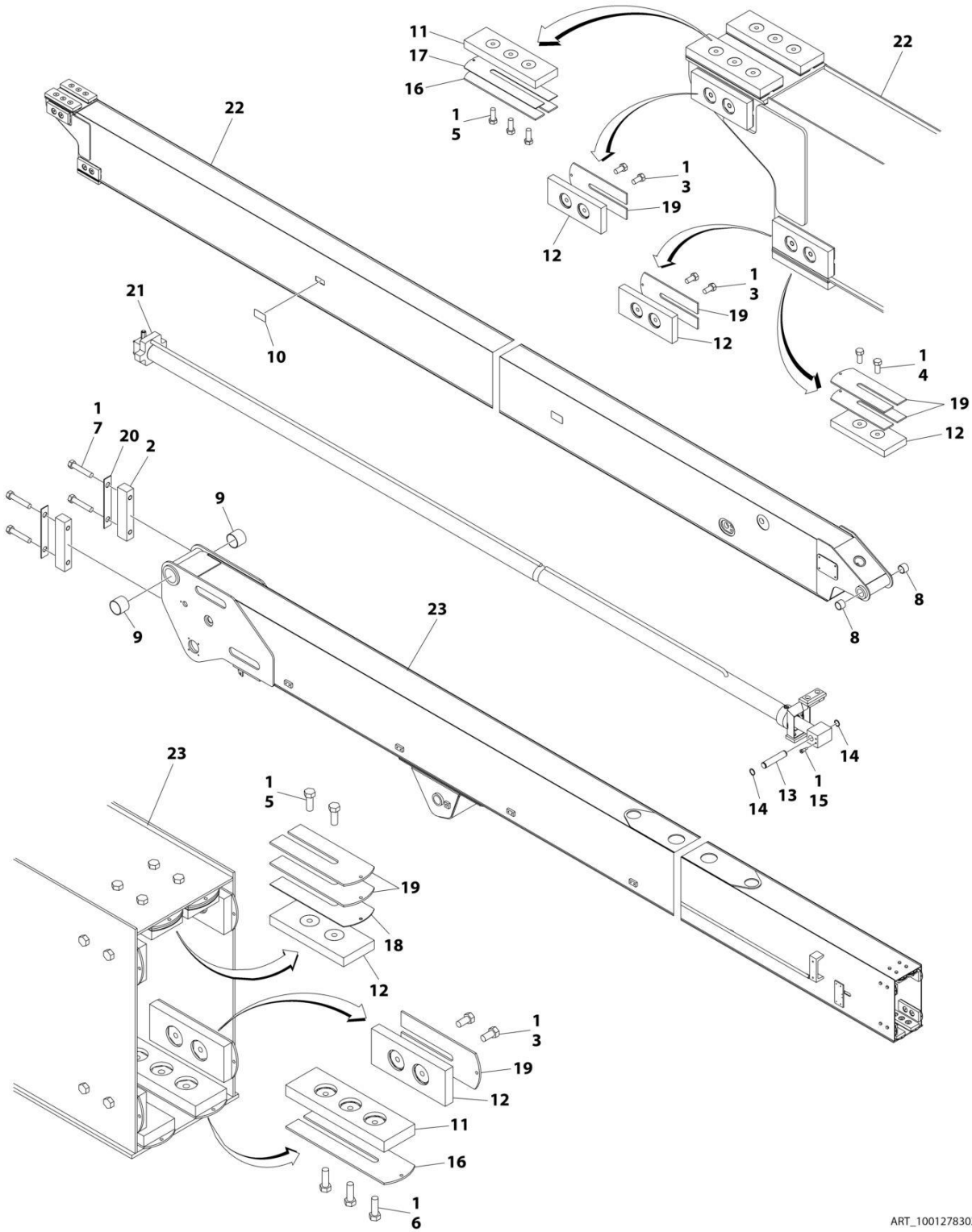
## SECTION 4 - BOOM

**FIGURE 4-5. MAIN BOOM ASSEMBLY (MACHINES WITH SN STARTING WITH 03) (EC600SJ,H600SJ)**

ITEM	PART NUMBER	QTY	DESCRIPTION	REV
	0801207	Ref	MAIN BOOM ASSEMBLY	F
1	0100011	AR	Compound, Locking	
2	0561185	2	Block, Telescope Attach	
3	0641606	16	Bolt 3/8 x 3/4	
4	0641607	4	Bolt 3/8 x 7/8	
5	0641608	10	Bolt 3/8 x 1	
6	0641609	6	Bolt 3/8 x 1-1/8	
7	0641616	4	Bolt 3/8 x 2	
8	0801606	1	Base Boom Weldment	
9	0801582	1	Fly Boom Weldment	
10	0961948	2	Bearing	
11	0962297	2	Bearing	
12	1670836	6	Cover, Boom	
13	1001228017	1	Telescope Cylinder Assembly (See Separate Breakdown in CYLINDER Section)	
14	3340871	4	Pad	
15	3340881	12	Pad	
16	3422457	1	Pin	
17	3760133	2	Ring, Retaining	
18	3900259	4	Screw, Shoulder	
19	4070863	4	Shim #11Ga	
20	4070864	2	Shim #18Ga	
21	4070897	2	Shim #18Ga	
22	4070898	16	Shim #11Ga	
23	4070929	2	Shim #16Ga	

# SECTION 4 - BOOM

## FIGURE 4-6. BOOM ASSEMBLY (MACHINES WITH SN STARTING WITH B3) (EC600SJ)



ART\_1001278302

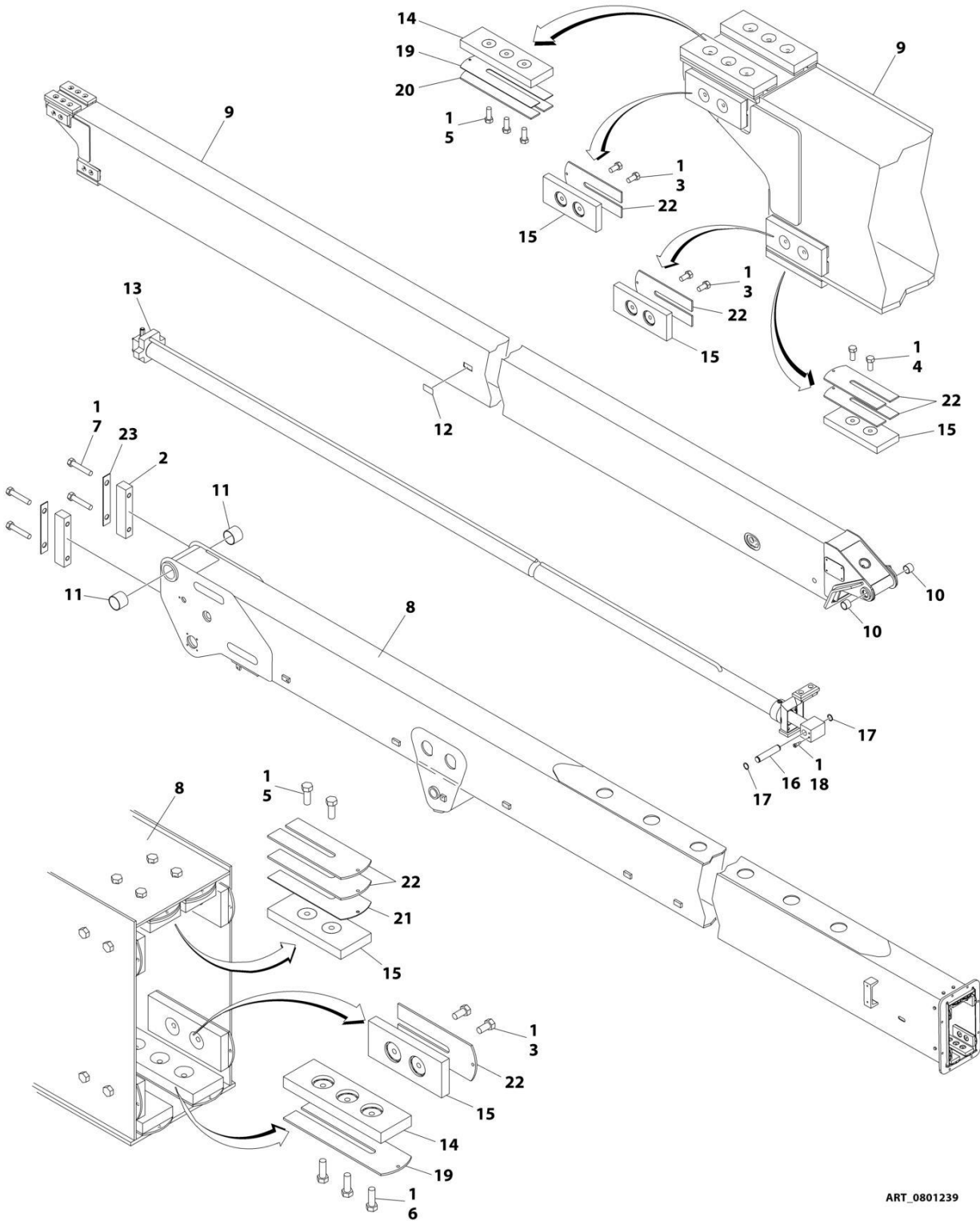
## SECTION 4 - BOOM

**FIGURE 4-6. BOOM ASSEMBLY (MACHINES WITH SN STARTING WITH B3) (EC600SJ)**

ITEM	PART NUMBER	QTY	DESCRIPTION	REV
	1001278302	Ref	BOOM ASSEMBLY (EC600SJ)	A
1	0100011	AR	Compound, Locking	
2	0561185	2	Block, Telescope Attach	
3	0641606	16	Bolt 3/8 x 3/4	
4	0641607	4	Bolt 3/8 x 7/8	
5	0641608	10	Bolt 3/8 x 1	
6	0641609	6	Bolt 3/8 x 1-1/8	
7	0641616	4	Bolt 3/8 x 2	
8	0961948	2	Bearing	
9	0962297	2	Bearing	
10	1670836	6	Cover, Boom	
11	3340871	4	Pad	
12	3340881	12	Pad	
13	3422457	1	Pin	
14	3760133	2	Ring, Retaining	
15	3900259	4	Screw, Shoulder	
16	4070863	4	Shim #11Ga	
17	4070864	2	Shim #18Ga	
18	4070897	2	Shim #18Ga	
19	4070898	16	Shim #11Ga	
20	4070929	2	Shim #16Ga	
21	1001228017	1	Telescope Cylinder Assembly (See Separate Breakdown in CYLINDER Section)	
22	1001278303	1	Fly Boom Weldment	
23	1001278306	1	Base Boom Weldment	

# SECTION 4 - BOOM

FIGURE 4-7. MAIN BOOM ASSEMBLY (MACHINES WITH SN STARTING WITH 03)  
(EC600SJP,H600SJP)



ART\_0801239



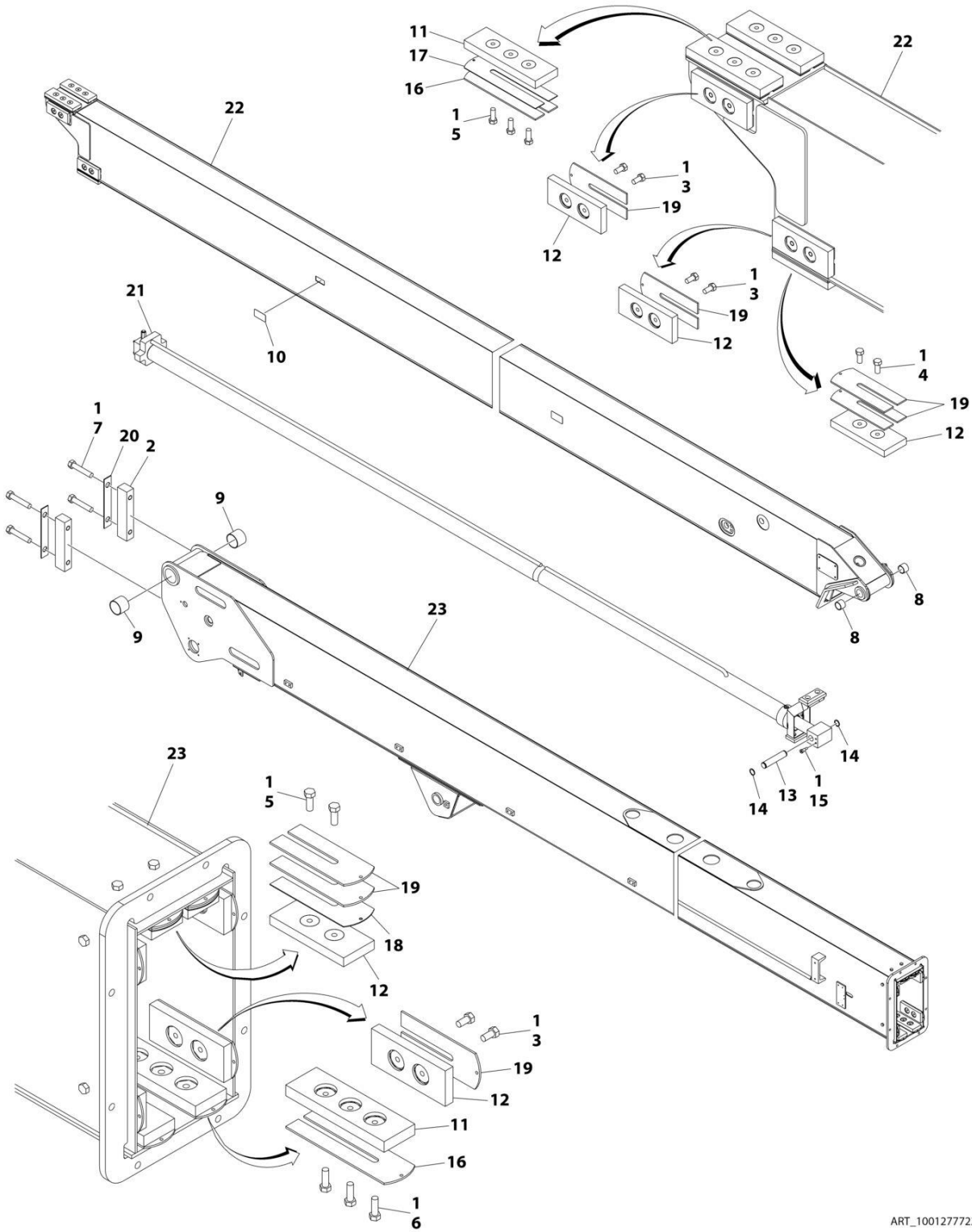
## SECTION 4 - BOOM

**FIGURE 4-7. MAIN BOOM ASSEMBLY (MACHINES WITH SN STARTING WITH 03)  
(EC600SJP,H600SJP)**

ITEM	PART NUMBER	QTY	DESCRIPTION	REV
	0801239	Ref	MAIN BOOM ASSEMBLY (E600JP/M600JP)	F
1	0100011	AR	Compound, Locking	
2	0561185	2	Block, Telescope Attach	
3	0641606	16	Bolt 3/8 x 3/4	
4	0641607	4	Bolt 3/8 x 7/8	
5	0641608	10	Bolt 3/8 x 1	
6	0641609	6	Bolt 3/8 x 1-1/8	
7	0641616	4	Bolt 3/8 x 2	
8	0801611	1	Base Boom Weldment	
9	0801583	1	Fly Boom Weldment	
10	0961948	2	Bearing	
11	0962297	2	Bearing	
12	1670836	6	Cover, Boom	
13	1001228017	1	Telescope Cylinder Assembly (See Separate Breakdown in CYLINDER Section)	
14	3340871	4	Pad	
15	3340881	12	Pad	
16	3422457	1	Pin	
17	3760133	2	Ring, Retaining	
18	3900259	4	Screw, Shoulder	
19	4070863	4	Shim #11Ga	
20	4070864	2	Shim #18Ga	
21	4070897	2	Shim #18Ga	
22	4070898	16	Shim #11Ga	
23	4070929	2	Shim #16Ga	

# SECTION 4 - BOOM

FIGURE 4-8. BOOM ASSEMBLY (MACHINES WITH SN STARTING WITH B3) (EC600SJP)



ART\_1001277722

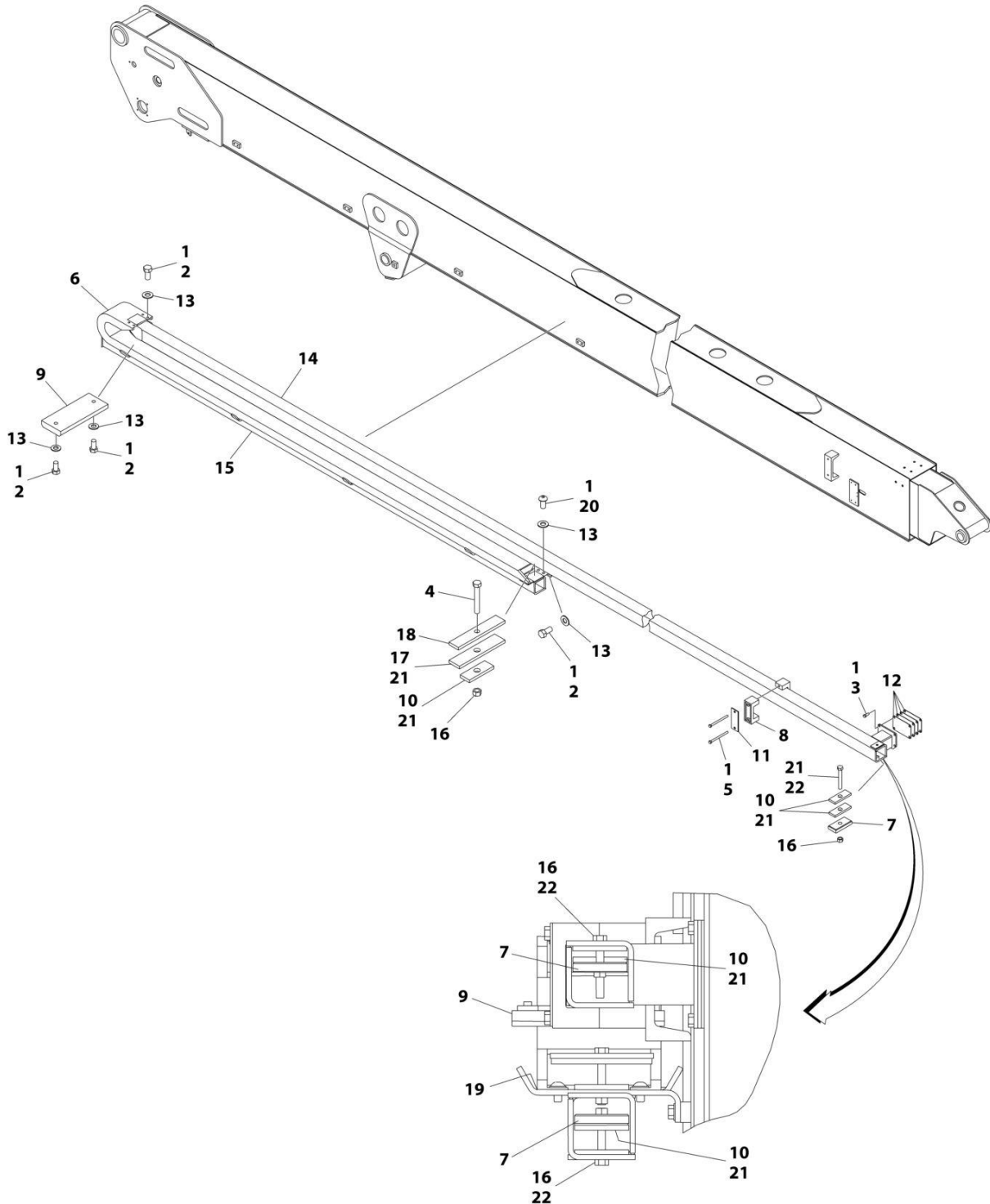
## SECTION 4 - BOOM

**FIGURE 4-8. BOOM ASSEMBLY (MACHINES WITH SN STARTING WITH B3) (EC600SJP)**

ITEM	PART NUMBER	QTY	DESCRIPTION	REV
	1001277722	Ref	BOOM ASSEMBLY (EC600SJP)	A
1	0100011	AR	Compound, Locking	
2	0561185	2	Block, Telescope Attach	
3	0641606	16	Bolt 3/8 x 3/4	
4	0641607	4	Bolt 3/8 x 7/8	
5	0641608	10	Bolt 3/8 x 1	
6	0641609	6	Bolt 3/8 x 1-1/8	
7	0641616	4	Bolt 3/8 x 2	
8	0961948	2	Bearing	
9	0962297	2	Bearing	
10	1670836	6	Cover, Boom	
11	3340871	4	Pad	
12	3340881	12	Pad	
13	3422457	1	Pin	
14	3760133	2	Ring, Retaining	
15	3900259	4	Screw, Shoulder	
16	4070863	4	Shim #11Ga	
17	4070864	2	Shim #18Ga	
18	4070897	2	Shim #18Ga	
19	4070898	16	Shim #11Ga	
20	4070929	2	Shim #16Ga	
21	1001228017	1	Telescope Cylinder Assembly (See Separate Breakdown in CYLINDER Section)	
22	1001276172	1	Fly Boom Weldment	
23	1001277693	1	Base Boom Weldment	

# SECTION 4 - BOOM

## FIGURE 4-9. POWER TRACK ASSEMBLY



ART\_0259837

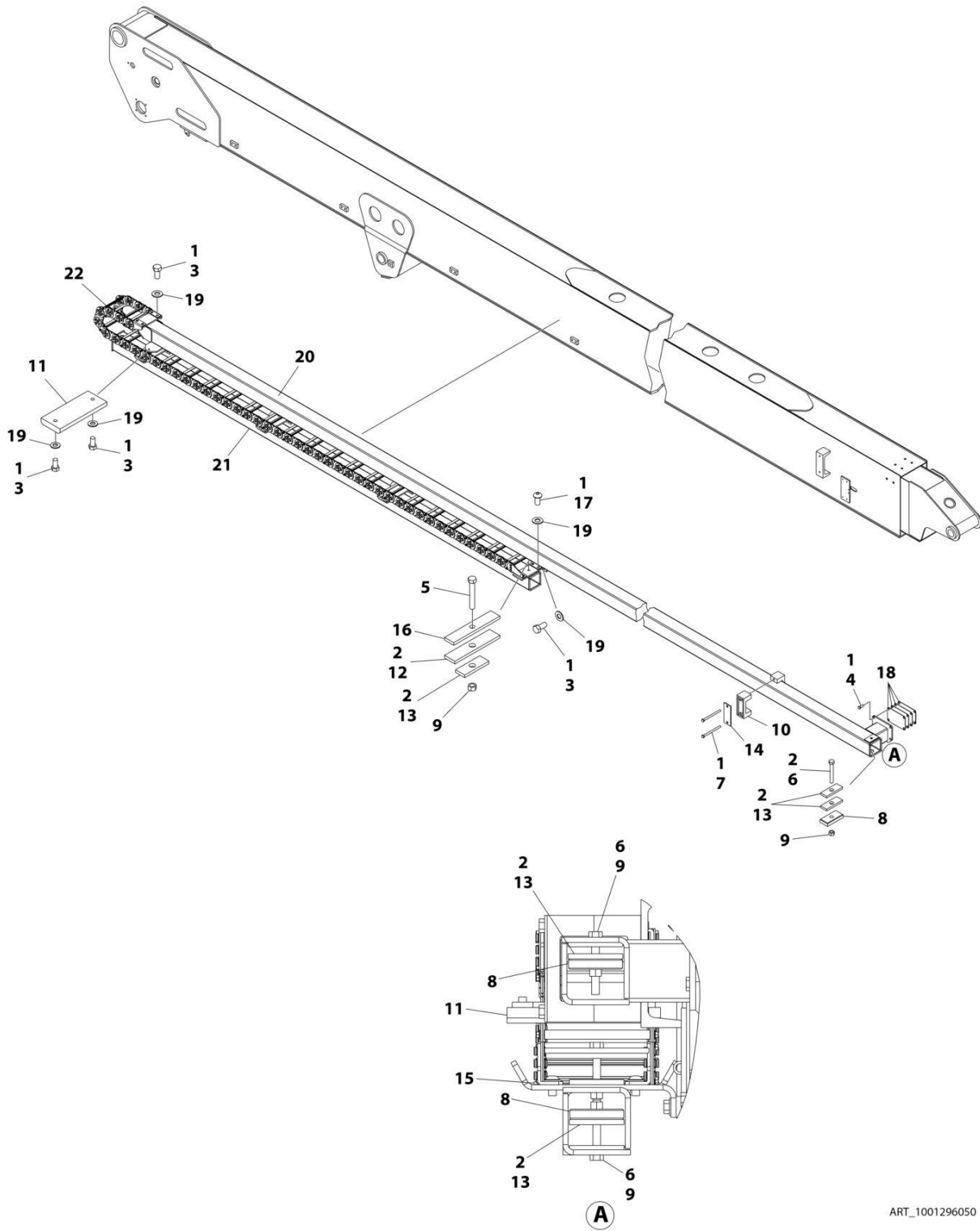
## SECTION 4 - BOOM

**FIGURE 4-9. POWER TRACK ASSEMBLY**

ITEM	PART NUMBER	QTY	DESCRIPTION	REV
	0259837	Ref	POWER TRACK ASSEMBLY	G
1	0100011	AR	Compound, Locking	
2	0641606	14	Bolt 3/8 x 3/4	
3	0641608	4	Bolt 3/8 x 1	
4	0641620	1	Bolt 3/8 x 2-1/2	
5	0641640	2	Bolt 3/8 x 5	
6	1180356	1	Powertrack	
6	7020266	4	Bar (Top Plastic)	
6	7020265	4	Link (Inner)	
6	7020264	12	Link (Outer)	
6	7020262	6	Ring, Retaining	
6	7020260	4	Foot, Mounting	
6	7020261	6	Pin (Center)	
6	7026182	2	Roller, Poly	
6	7026170	2	Bar, Aluminum	
7	1320288	2	Clamp, Hose	
8	3340764	2	Pad, Push Tube	
9	3340787	1	Pad, Wear	
10	3340941	5	Pad, Rubber	
11	3538758	1	Plate, Backing	
12	4070969	AR	Shim	
13	4711600	18	Washer 3/8	
14	4846163	1	Tube, Push	
15	4846165	1	Support	
16	3311605	3	Nut 3/8	
17	3340939	1	Pad, Rubber	
18	3572448	1	Plate, Clamp	
19	3340896	2	Pad, Rubber	
20	3900283	4	Screw	
21	0100081	AR	Adhesive	
22	0641622	2	Bolt 3/8 x 2-3/4	

# SECTION 4 - BOOM

## FIGURE 4-10. POWER TRACK ASSEMBLY (MACHINES WITH SN STARTING WITH B3)



ART\_1001296050

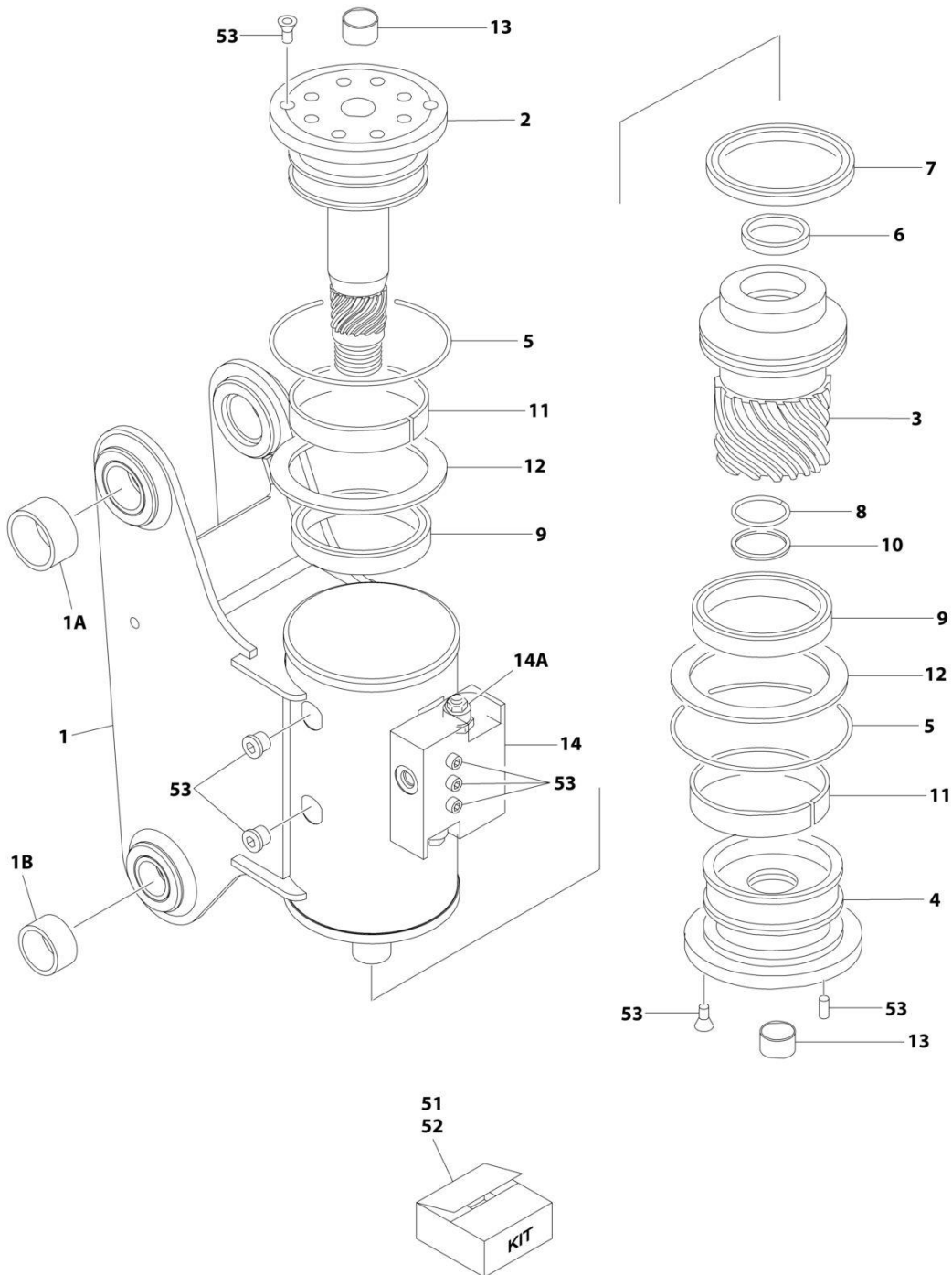
## SECTION 4 - BOOM

**FIGURE 4-10. POWER TRACK ASSEMBLY (MACHINES WITH SN STARTING WITH B3)**

ITEM	PART NUMBER	QTY	DESCRIPTION	REV
	1001296050	Ref	POWER TRACK ASSEMBLY	B
1	0100011	AR	Compound, Locking	
2	0100081	AR	Adhesive	
3	0641606	14	Bolt 3/8 x 3/4	
4	0641608	4	Bolt 3/8 x 1	
5	0641620	1	Bolt 3/8 x 2-1/2	
6	0641622	2	Bolt 3/8 x 2-3/4	
7	0641640	2	Bolt 3/8 x 5	
8	1320288	2	Clamp, Hose	
9	3311605	3	Nut 3/8	
10	3340764	2	Pad, Push Tube	
11	3340787	1	Pad, Wear	
12	3340939	1	Pad, Rubber	
13	3340941	5	Pad, Rubber	
14	3538758	1	Plate, Backing	
15	3340896	2	Pad, Rubber	
16	3572448	1	Plate, Clamp	
17	3900283	4	Screw	
18	4070969	AR	Shim	
19	4711600	18	Washer 3/8	
20	4846163	1	Tube, Push	
21	4846165	1	Support	
22	1001296049	1	Power Track	

# SECTION 4 - BOOM

## FIGURE 4-11. ROTATOR ASSEMBLY (EC600SJ,H600SJ)



ART\_1001217779

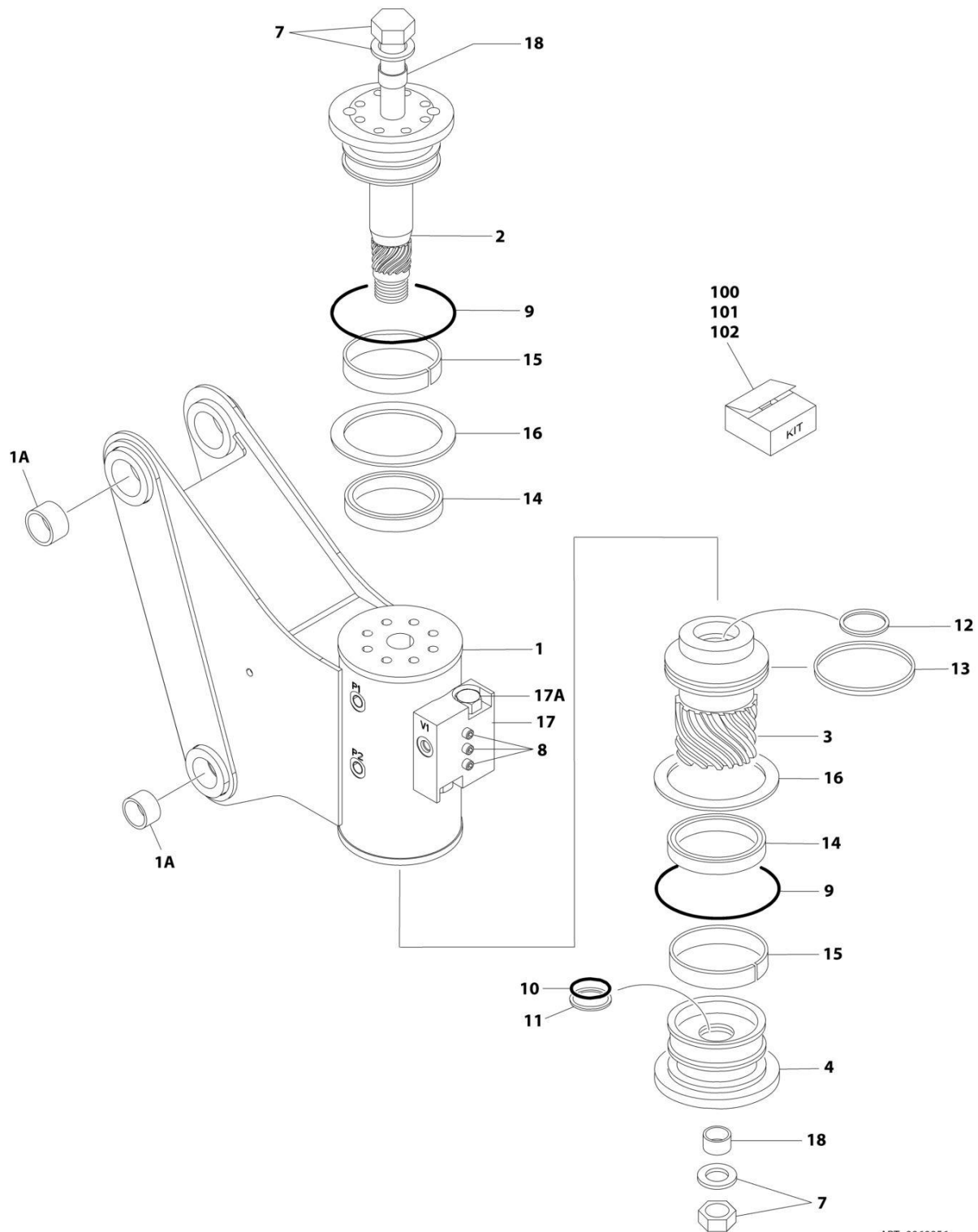


FIGURE 4-11. ROTATOR ASSEMBLY (EC600SJ,H600SJ)

ITEM	PART NUMBER	QTY	DESCRIPTION	REV
	1001217779	Ref	ROTATOR ASSEMBLY	B
1	See Note	NSS	Housing (Note: Purchase Complete Assembly)	
1A	0962257	2	Bushing	
1B	0961947	2	Bushing	
2	7017162	1	Shaft	
3	7017163	1	Piston	
4	7017164	1	Cap, End	
5	See Note	NSS	O-Ring (Note: Use p/n 70000342)	
6	See Note	NSS	Seal, Rod (Note: Purchase p/n 70000342)	
7	See Note	NSS	Seal, Piston (Note: Purchase p/n 70000342)	
8	See Note	NSS	Seal, Cap (Note: Purchase p/n 70000342)	
9	See Note	NSS	Packing, Bearing (Note: Purchase p/n 70000342)	
10	See Note	NSS	Ring, Back-up (Note: Purchase p/n 70000342)	
11	See Note	NSS	Bearing, Shaft (Note: Purchase p/n 7017159)	
12	See Note	NSS	Washer, Thrust (Note: Purchase p/n 7017159)	
13	7017195	2	Bushing	
14	7017172	1	Counterbalance Valve Assembly	
14A	7017192	2	Valve Cartridge (No Seal Kit Available)	
51	70000342	1	Seal Kit (Includes Items 5-10)	
52	7017159	1	Bearing Kit (Includes Items 11 & 12)	
53	7017142	1	Hardware Kit	

# SECTION 4 - BOOM

## FIGURE 4-12. ROTATOR ASSEMBLY - PLATFORM ROTATE (EC600SJP/H600SJP) (E600JP,EC600SJP,H600SJP,M600JP)



ART\_0060056

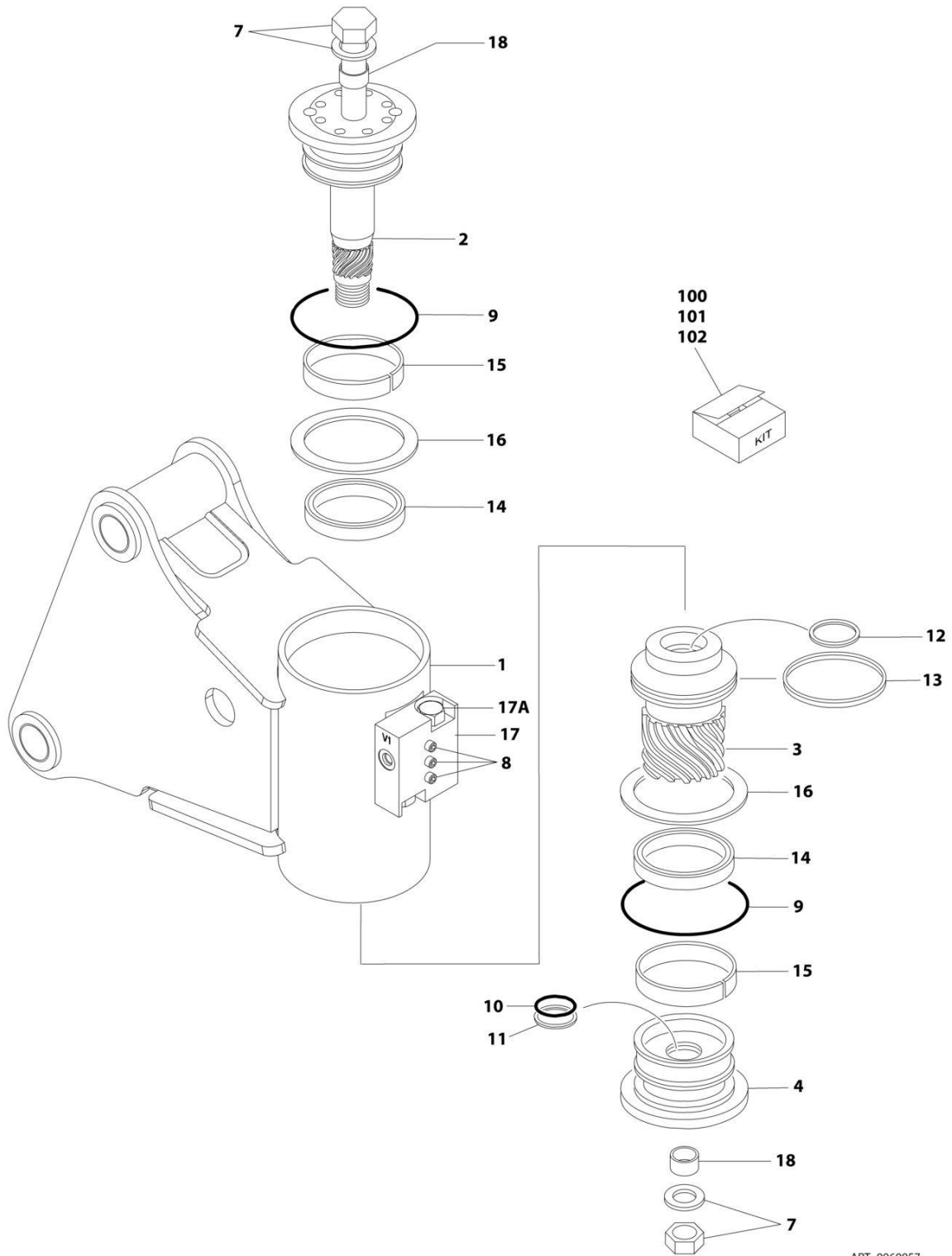
## SECTION 4 - BOOM

**FIGURE 4-12. ROTATOR ASSEMBLY - PLATFORM ROTATE (EC600SJP/H600SJP)  
(E600JP,EC600SJP,H600SJP,M600JP)**

ITEM	PART NUMBER	QTY	DESCRIPTION	REV
	0060056	Ref	ROTATOR ASSEMBLY - PLATFORM ROTATE (E600JP,EC600SJP,H600SJP,M600JP)	B
1	See Note	NSS	Case/Bracket Weldment (Note: Not Available - Purchase Complete Assembly)	
1A	7017170	4	Bushing	
2	7017162	1	Shaft	
3	7017163	1	Sleeve, Piston	
4	7017164	1	Cap, End	
7	0642684	1	Bolt 1-8 x 10-1/2	
7	4892600	2	Washer	
7	3272605	1	Nut 1-8	
8	See Note	NSS	Capscrew 1/4 x 1-1/2 Grade 8 (Note: Not Available - Purchase Locally)	
9	See Note	NSS	Seal (Note: Use Item 100)	
10	See Note	NSS	O-Ring (Note: Use Item 100)	
11	See Note	NSS	Ring, Back-up Cap (Note: Use Item 100)	
12	See Note	NSS	Seal, Rod (Note: Use Item 100)	
13	See Note	NSS	Seal, Piston (Note: Use Item 100)	
14	See Note	NSS	Seal, Cap (Note: Use Item 100)	
15	See Note	NSS	Guide, Wear (Note: Use Item 101)	
16	See Note	NSS	Thrustwasher (Note: Use Item 101)	
17		Ref	Counterbalance Valve Assembly Options:	
17	7017172	1	Helac p/n 24327 Stamped beside Mounting Screws	
17	7017172	1	Helac p/n 26553 or 26554 Stamped beside Mounting Screws	
17A		Ref	Valve, Cartridge Options:	
17A	7011323	2	Valve, Cartridge for Helac p/n 24327 Valve	
17A	2900770	2	Seal Kit - 7011323 Cartridge (1 Per Assembly)	
17A	7017192	2	Valve, Cartridge Helac p/n 26553 (No Seal Kit Available)	
18	7017195	2	Bushing	
100		Ref	KIT OPTIONS:	
100		Ref	Seal Kit Options: (Includes Items 9-14)	
100	7017158	1	Standard	
100	70000342	1	Cold Climate	
101	7017159	1	Bearing Kit (Includes Items 15 & 16)	
102	7017160	1	Bushing Kit (Includes Items 1A, 1B & 18)	

# SECTION 4 - BOOM

FIGURE 4-13. ROTATOR ASSEMBLY - SIDE SWING ROTATE (EC600SJP/H600SJP)  
(E600JP,EC600SJP,H600SJP,M600JP)



ART\_0060057

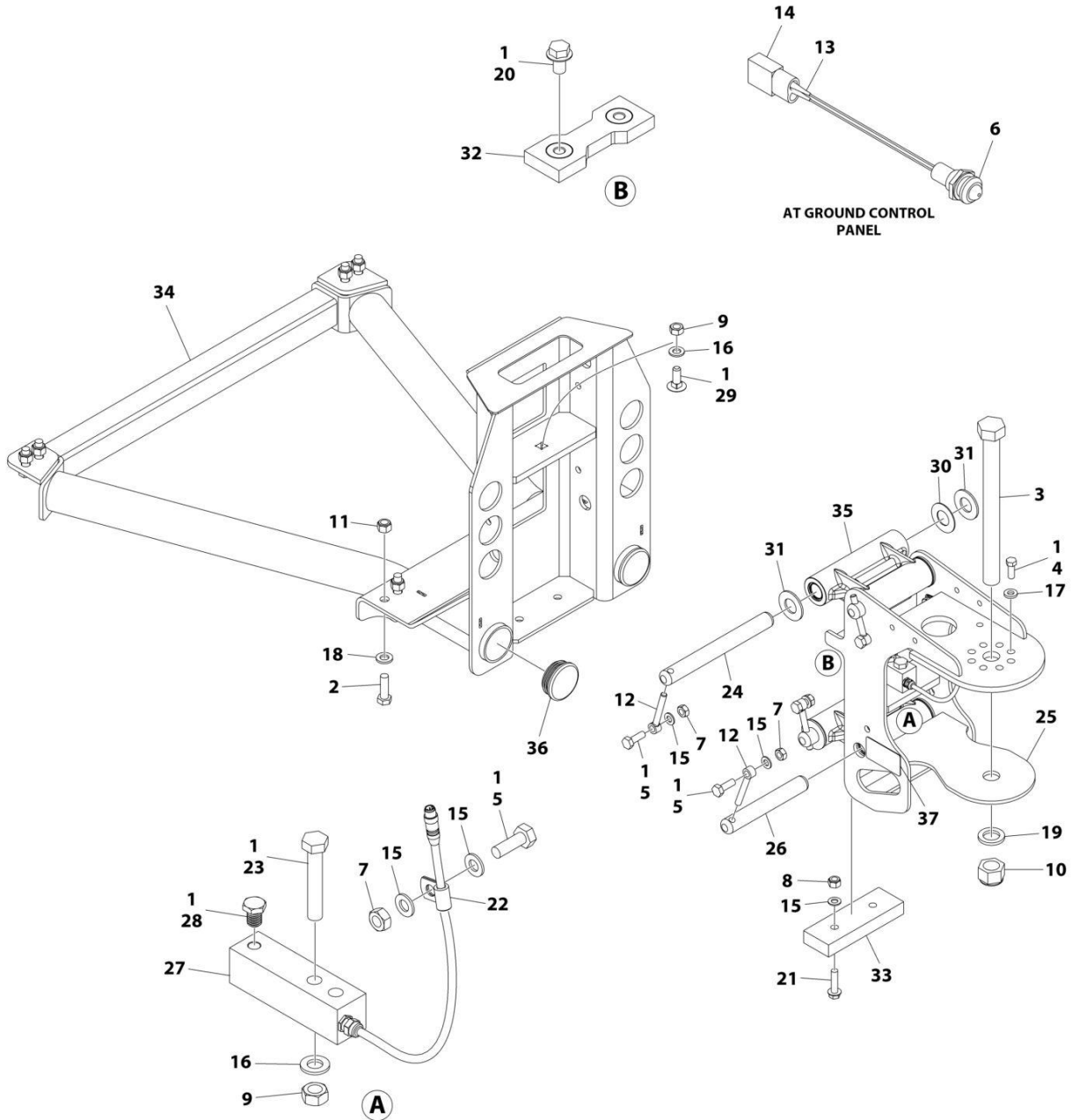
## SECTION 4 - BOOM

**FIGURE 4-13. ROTATOR ASSEMBLY - SIDE SWING ROTATE (EC600SJP/H600SJP)  
(E600JP,EC600SJP,H600SJP,M600JP)**

ITEM	PART NUMBER	QTY	DESCRIPTION	REV
	0060057	Ref	ROTATOR ASSEMBLY - SIDE SWING ROTATE (E600JP,EC600SJP,H600SJP,M600JP)	D
1	See Note	NSS	Case/Bracket Weldment (Note: Not Available - Purchase Complete Assembly)	
2	7017167	1	Shaft	
3	7017168	1	Sleeve, Piston	
4	7017169	1	Cap, End	
7	0642684	1	Bolt 1-8 x 10-1/2	
7	4892600	2	Washer	
7	3272605	1	Nut 1-8	
8	See Note	NSS	Capscrew 1/4 x 1-1/2 Grade 8 (Note: Not Available - Purchase Locally)	
9	See Note	NSS	Seal (Note: Use Item 100)	
10	See Note	NSS	O-Ring (Note: Use Item 100)	
11	See Note	NSS	Ring, Back-up Cap (Note: Use Item 100)	
12	See Note	NSS	Seal, Rod (Note: Use Item 100)	
13	See Note	NSS	Seal, Piston (Note: Use Item 100)	
14	See Note	NSS	Seal, Cap (Note: Use Item 100)	
15	See Note	NSS	Guide, Wear (Note: Use Item 101)	
16	See Note	NSS	Thrustwasher (Note: Use Item 101)	
17		Ref	Counterbalance Valve Assembly Options:	
17	7017172	1	Helac p/n 24327 Stamped beside Mounting Screws	
17	7017172	1	Helac p/n 26553 or 26554 Stamped beside Mounting Screws	
17A		Ref	Valve, Cartridge Options:	
17A	7011323	2	Valve, Cartridge for Helac p/n 24327 Valve	
17A	2900770	2	Seal Kit - 7011323 Cartridge (1 Per Assembly)	
17A	7017192	2	Valve, Cartridge Helac p/n 26553 (No Seal Kit Available)	
18	7017195	2	Bushing	
		Ref	KIT OPTIONS:	
100		Ref	Seal Kit (Includes Items 9-14)	
100	7017165	1	Standard	
100	70000340	1	Cold Climate	
101	7017178	1	Bearing Kit (Includes Items 15 & 16)	
102	7017160	1	Bushing Kit (Includes Item 18)	

# SECTION 4 - BOOM

## FIGURE 4-14. PLATFORM SUPPORT INSTALLATION



ART\_1001219342

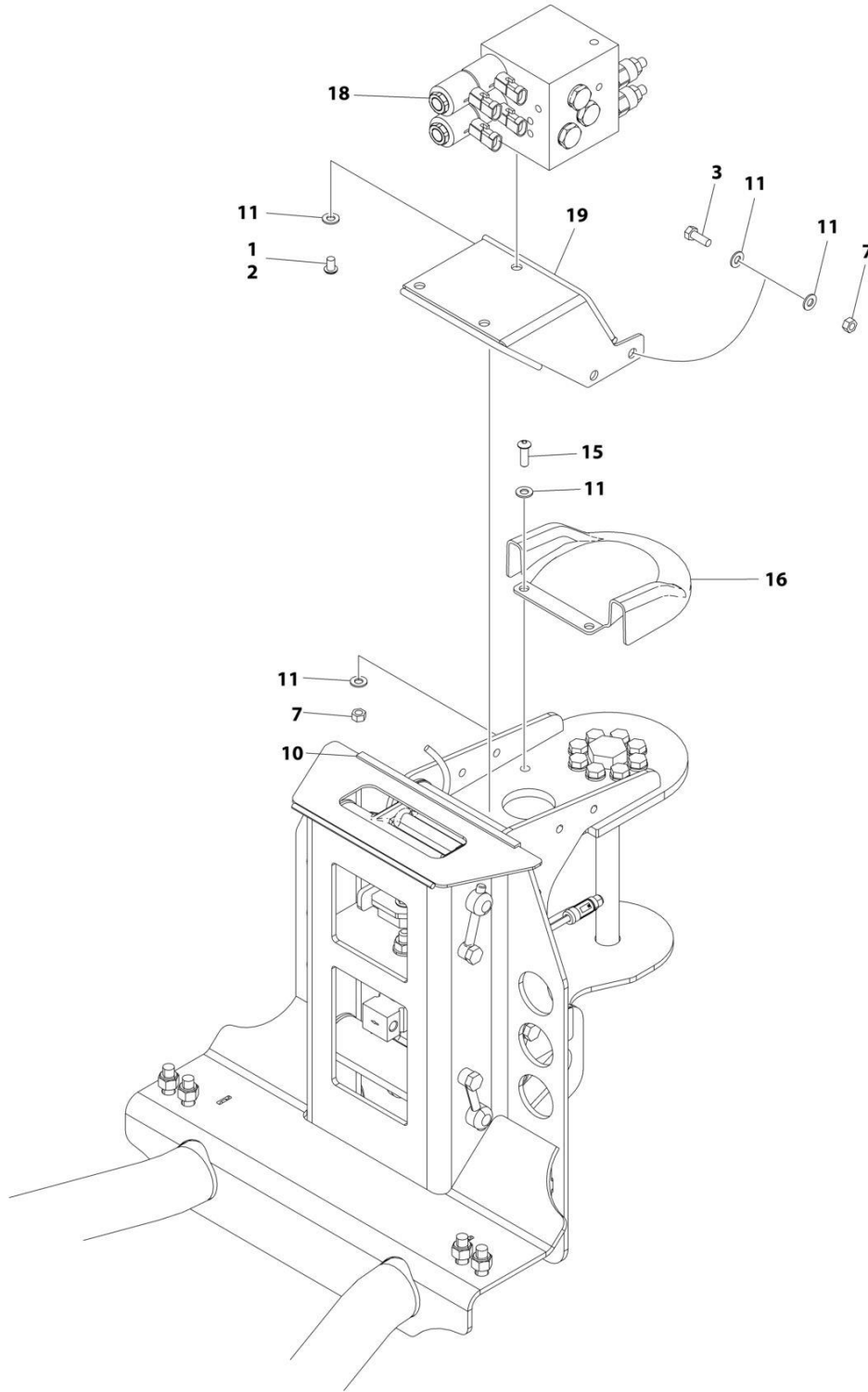
## SECTION 4 - BOOM

**FIGURE 4-14. PLATFORM SUPPORT INSTALLATION**

ITEM	PART NUMBER	QTY	DESCRIPTION	REV
	1001219342	Ref	PLATFORM SUPPORT INSTALLATION - WITH 1 CELL LSS	E
1	0100011	AR	Compound, Locking	
2	0641812	1	Bolt 1/2 x 1-1/2	
2	0761216	8	Bolt M12 x 40	
3	1001255133	1	Bolt 1 x 11	
4	0681608	8	Bolt 3/8 x 1	
5	0761014	5	Bolt M10 x 30	
6	2920151	1	Light	
7	3291001	5	Nut M10	
8	3291005	2	Nut M10	
9	3291201	3	Nut M12	
10	1001174040	1	Nut 1	
11	3311805	8	Nut 1/2	
11	3291205	8	Nut M12	
12	3841143	4	Keeper	
13	4460226	2	Socket, Female	
14	4460424	1	Connector - 2 Position	
15	4812000	8	Washer M10	
16	4812100	3	Washer M12	
17	4891600	8	Washer 3/8	
18	4891800	8	Washer 1/2	
18	5241200	8	Washer M12	
19	4892600001	1	Washer 1	
20	5251008	2	Bolt M10 x 16	
21	5251016	2	Bolt M10 x 40	
22	91203039	1	Clamp, Support	
23	1001098828	2	Bolt M12 x 70 Grade 10.9	
24	1001167565	2	Pin	
25	1001167567	1	Platform Support	
26	1001168402	2	Pin	
27	1001247468	1	Cell, Load Sensing	
28	1001188622	1	Screw M12	
29	1001188844	1	Bolt M12 x 35	
30	1001189001	4	Bearing	
31	1001189002	8	Bearing	
32	1001190985	1	Pad, Wear	
33	1001200491	1	Plate	
34	1001200494	1	Support	
35	1001201351	2	LSS Link Assembly	
35	1001187382	4	Bearing	
35	1001187383	4	Seal	
36	1001204725	2	Plug	
37	1001216630	2	Decal - Tie Down/No Lift	

# SECTION 4 - BOOM

## FIGURE 4-15. BOOM VALVE INSTALLATION (EC600SJ,H600SJ)



ART\_1001250318\_20F2



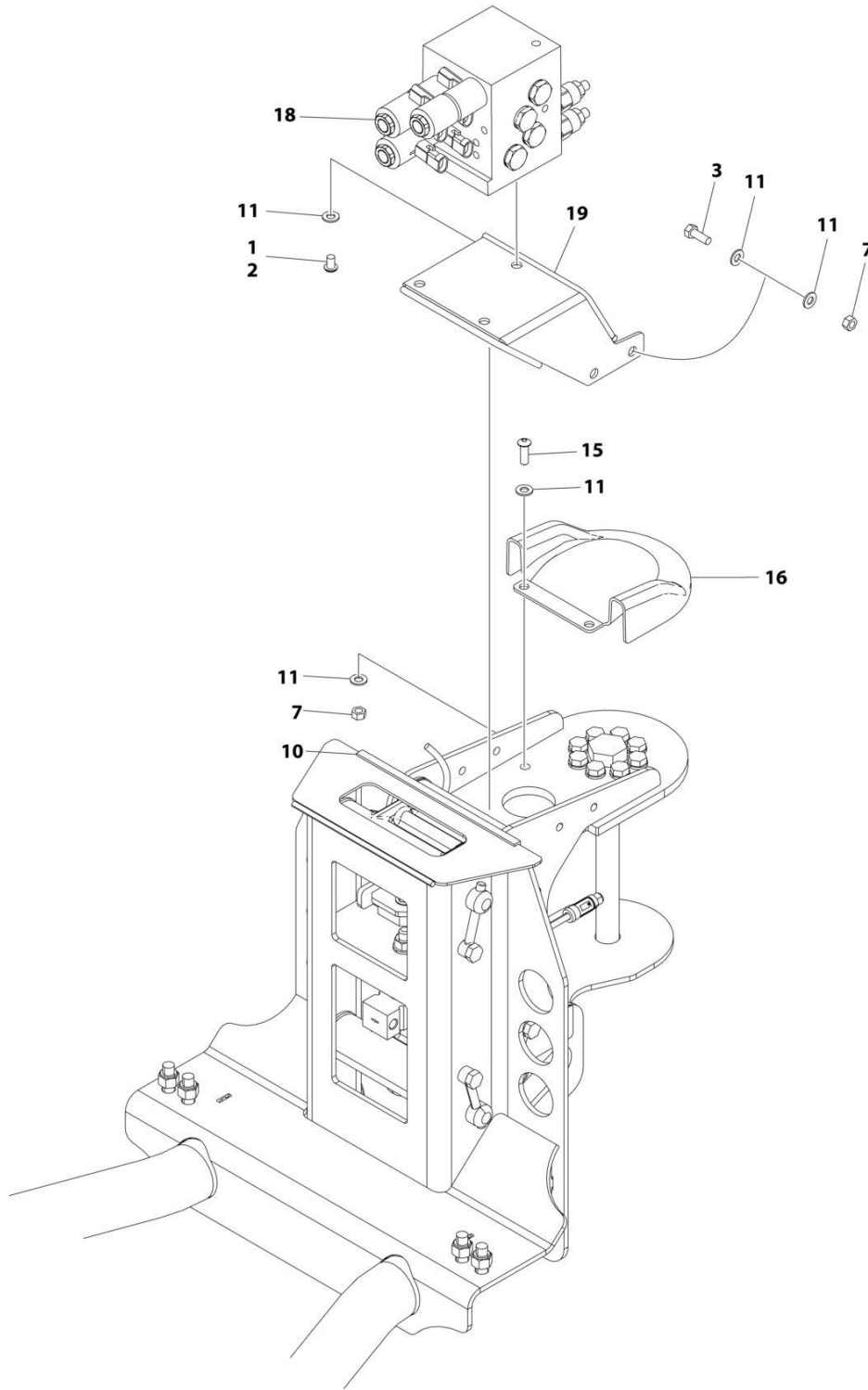
## SECTION 4 - BOOM

### FIGURE 4-15. BOOM VALVE INSTALLATION (EC600SJ,H600SJ)

ITEM	PART NUMBER	QTY	DESCRIPTION	REV
	1001250318	Ref	BOOM VALVE INSTALLATION	B
1	0100011	AR	Compound, Locking	
2	0630467	3	Screw	
3	0641507	4	Bolt 5/16 x 7/8	
7	3271505	6	Nut 5/16	
10	4060803	AR	Flex-Trim	
11	4711500	15	Washer 5/16	
15	88261024	2	Screw 5/16-18 x 1	
16	1001207969	1	Cover	
18	1001219392	1	Boom Valve Assembly (See Separate Breakdown in this Section)	
19	1001233259	1	Mount, LSS Valve	

# SECTION 4 - BOOM

## FIGURE 4-16. BOOM VALVE INSTALLATION (EC600SJP,H600SJP)



ART\_1001250319\_2OF2

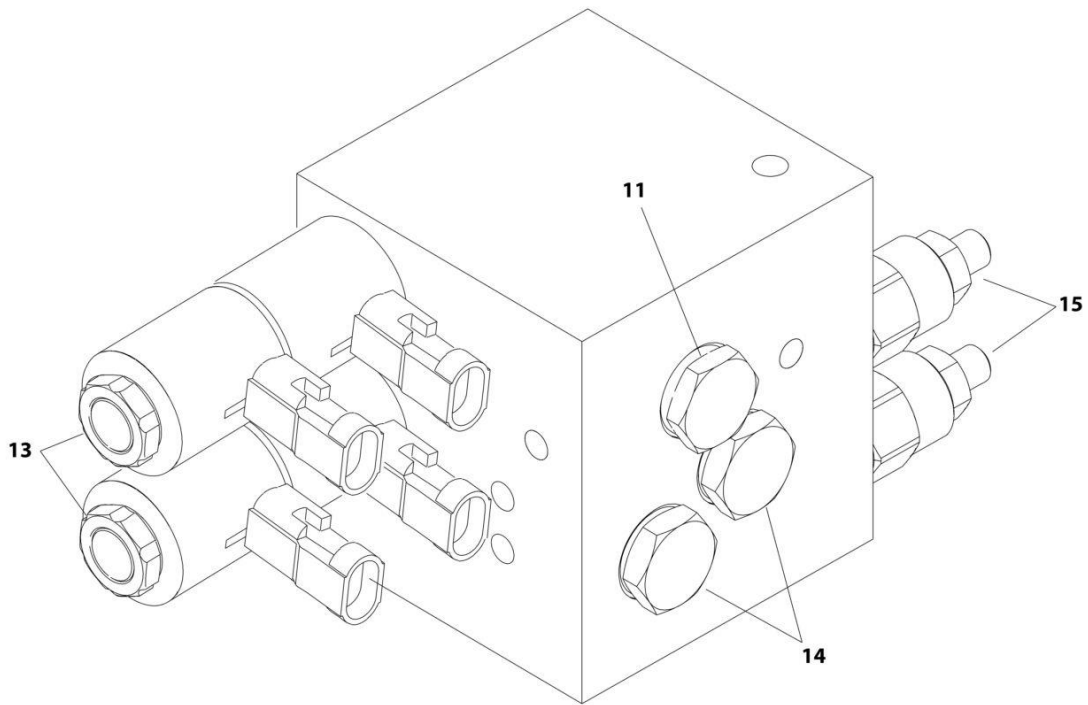
## SECTION 4 - BOOM

### FIGURE 4-16. BOOM VALVE INSTALLATION (EC600SJP,H600SJP)

ITEM	PART NUMBER	QTY	DESCRIPTION	REV
	1001250319	Ref	BOOM VALVE INSTALLATION	B
1	0100011	AR	Compound, Locking	
2	0630467	3	Screw	
3	0641507	4	Bolt 5/16 x 7/8	
7	3271505	6	Nut 5/16	
10	4060803	AR	Flex-Trim	
11	4711500	15	Washer 5/16	
15	88261024	2	Screw 5/16-18 x 1	
16	1001207969	1	Cover	
18	1001219393	1	Boom Valve Assembly (See Separate Breakdown in this Section)	
19	1001233259	1	Mount, LSS Valve	

## SECTION 4 - BOOM

FIGURE 4-17. BOOM VALVE ASSEMBLY (EC600SJ,H600SJ)



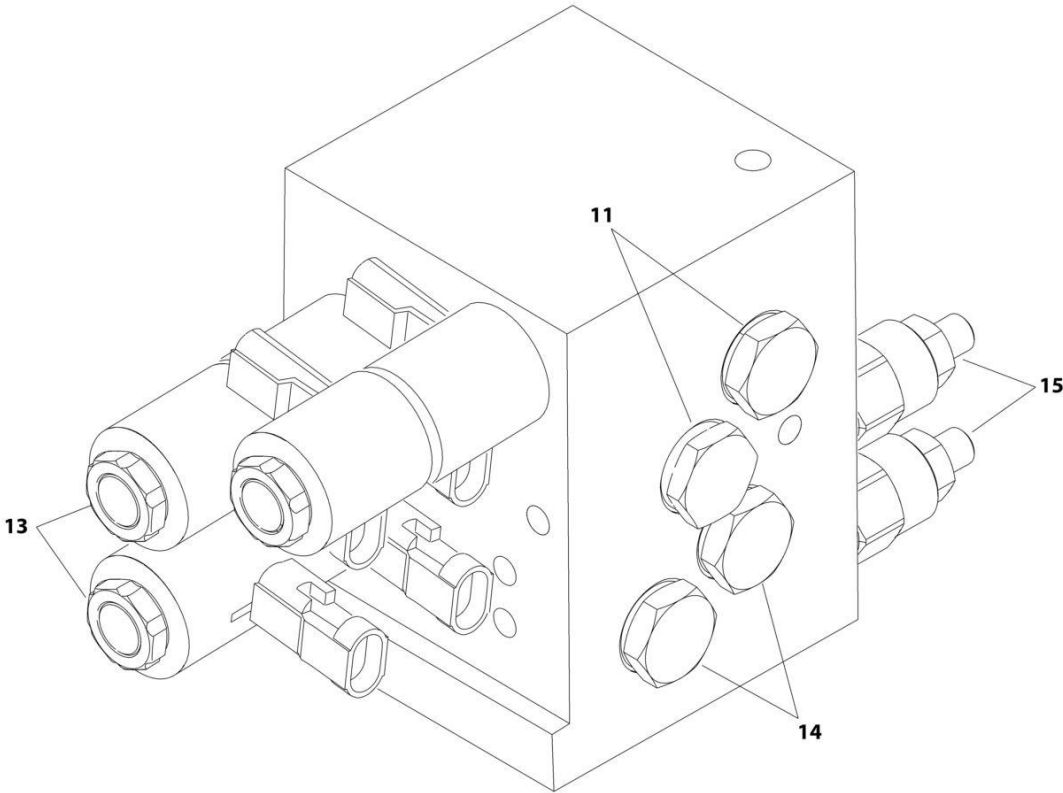
ART\_1001219392

**SECTION 4 - BOOM****FIGURE 4-17. BOOM VALVE ASSEMBLY (EC600SJ,H600SJ)**

<b>ITEM</b>	<b>PART NUMBER</b>	<b>QTY</b>	<b>DESCRIPTION</b>	<b>REV</b>
	1001219392	Ref	BOOM VALVE ASSEMBLY	D
11	70003027	1	Cartridge, Flow Control (Rotate)	
11	70004052	1	Seal Kit - 70003027 Cartridge	
13	70007290	2	Cartridge, Solenoid Valve (Less Coil)	
13	70007291	4	Coil	
14	70005629	2	Cartridge, Check (Platform Level)	
14	70023860	2	Seal Kit - 70005629 Cartridge	
15	70003019	2	Cartridge, Relief (Platform Level and Jib)	
15	70004052	2	Seal Kit - 70003019 Cartridge	

**SECTION 4 - BOOM**

**FIGURE 4-18. BOOM VALVE ASSEMBLY (EC600SJP,H600SJP)**



ART\_1001219393

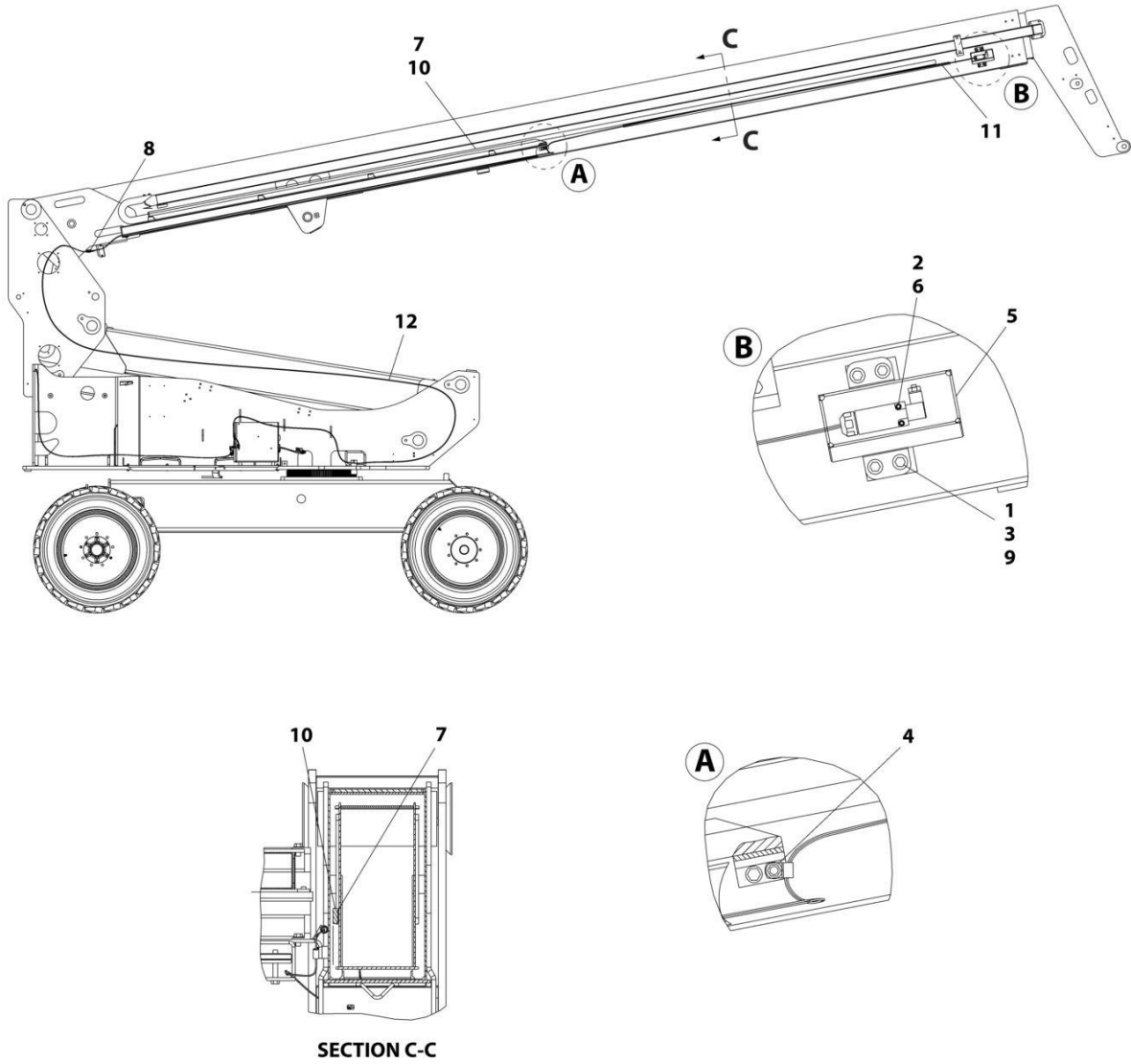
## SECTION 4 - BOOM

**FIGURE 4-18. BOOM VALVE ASSEMBLY (EC600SJP,H600SJP)**

ITEM	PART NUMBER	QTY	DESCRIPTION	REV
	1001219393	Ref	BOOM VALVE ASSEMBLY	D
11	70003027	2	Cartridge, Flow Control (Rotate)	
11	70004052	2	Seal Kit - 70003027 Cartridge	
13	70007290	3	Cartridge, Solenoid Valve (Less Coil)	
13	70007291	6	Coil	
14	70005629	2	Cartridge, Check (Platform Level)	
14	70023860	2	Seal Kit - 70005629 Cartridge	
15	70003019	2	Cartridge, Relief (Platform Level and Jib)	
15	70004052	2	Seal Kit - 70003019 Cartridge	

# SECTION 4 - BOOM

FIGURE 4-19. BOOM LIMIT SWITCH INSTALLATION (CE & UK CA SPEC ONLY)



ART\_1001201365



## SECTION 4 - BOOM

**FIGURE 4-19. BOOM LIMIT SWITCH INSTALLATION (CE & UK CA SPEC ONLY)**

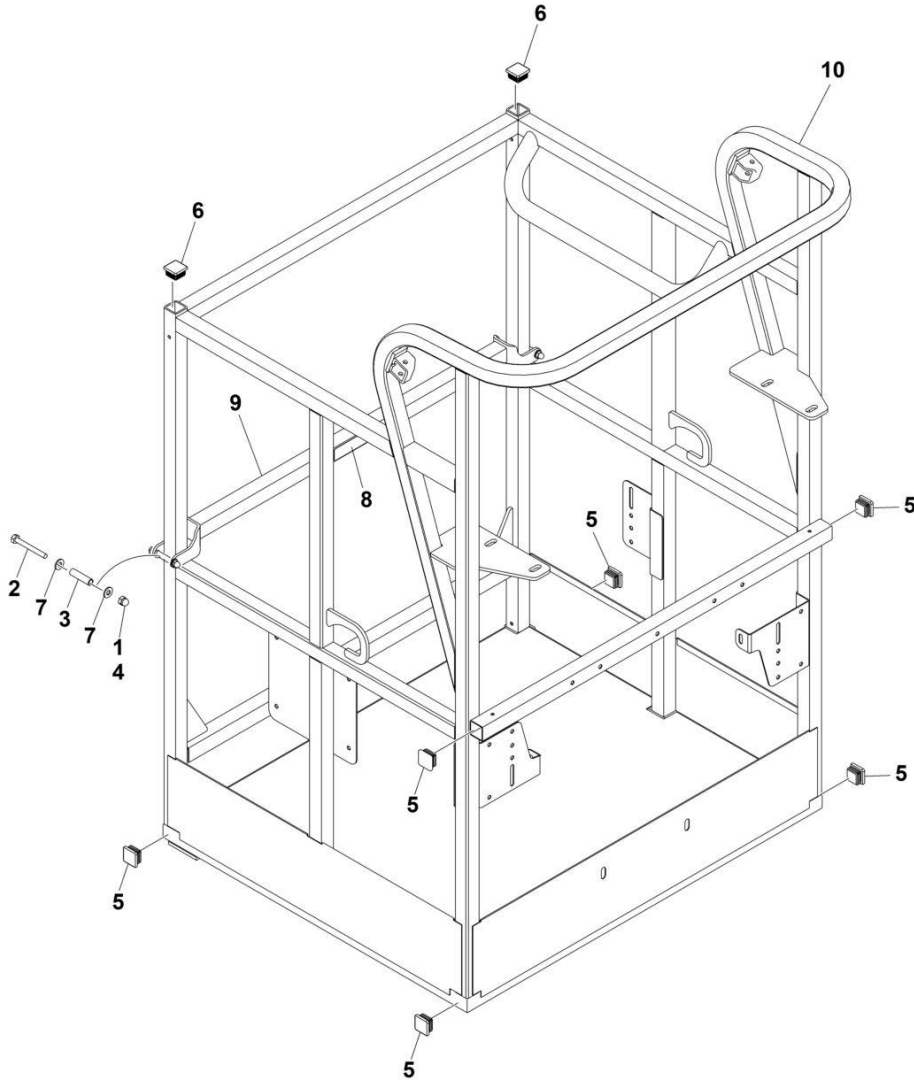
ITEM	PART NUMBER	QTY	DESCRIPTION	REV
	1001201365	Ref	BOOM LIMIT SWITCH INSTALLATION	A
1	0100011	AR	Compound, Locking	
2	0100035	AR	Compound, Locking	
3	0641403	4	Bolt 1/4 x 3/8	
4	1320263	1	Clamp, Cable	
5	1670824	1	Cover, Switch	
6	3930816	2	Bolt #8 x 1	
7	4420060	20 ft/6.1m	Tape, Double Sided	
8	4460897	1	Connector - 2 Position	
9	4751400	4	Washer 1/4	
10	1001106481	1	Bar, PVC	
11	1001201247	1	Harness	
11	4460464	2	Pin, Male	
12	1001201329	1	Transport Boom Harness (See Separate Breakdown in ELECTRICAL Section)	



**SECTION 5 - PLATFORM**

# SECTION 5 - PLATFORM

FIGURE 5-1. PLATFORM ASSEMBLY - 30IN X 3FT (76CM X 91.5CM) - WITH DROP BAR



ART\_1001228215

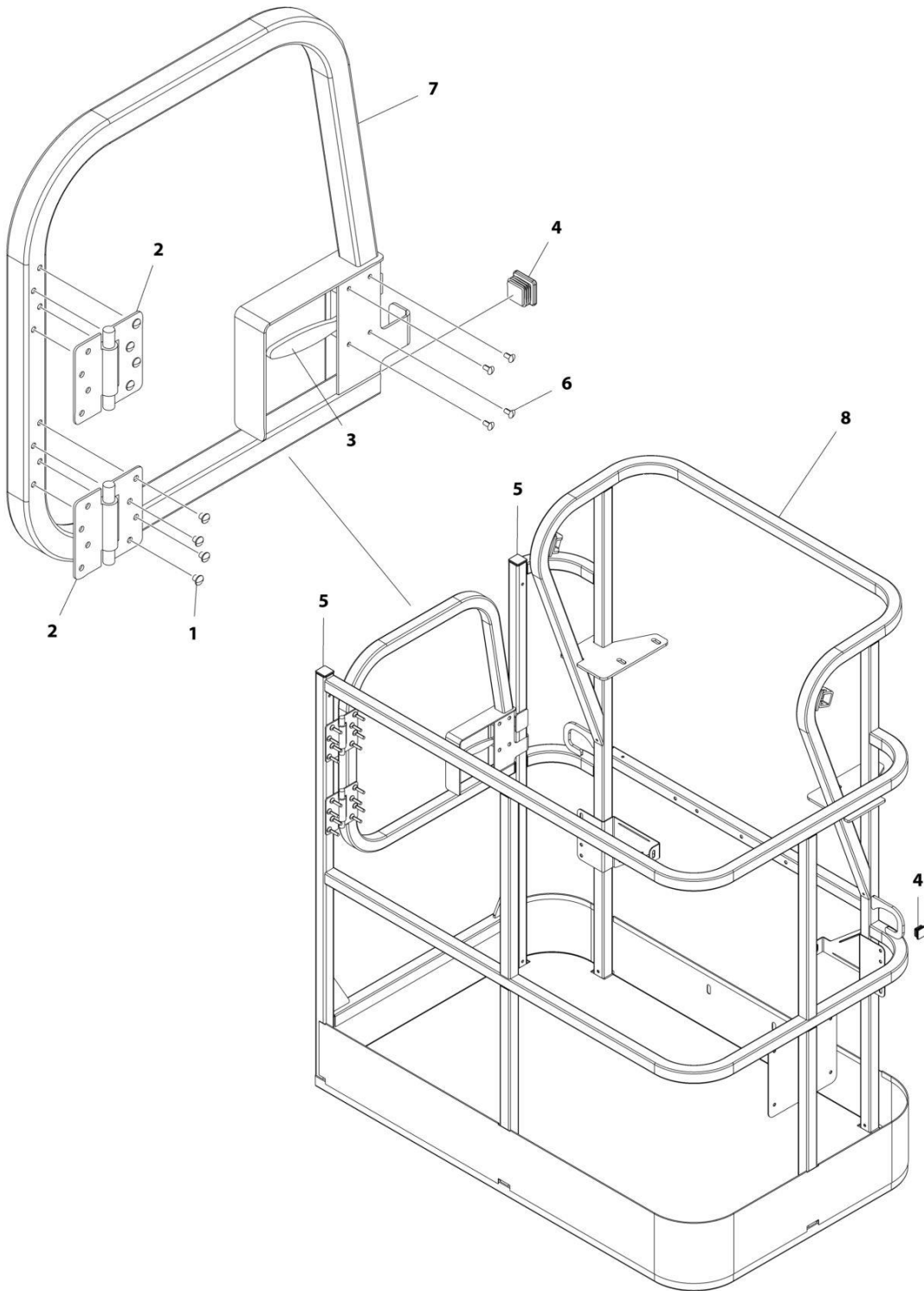
## SECTION 5 - PLATFORM

**FIGURE 5-1. PLATFORM ASSEMBLY - 30IN X 3FT (76CM X 91.5CM) - WITH DROP BAR**

ITEM	PART NUMBER	QTY	DESCRIPTION	REV
	1001228215	Ref	PLATFORM ASSEMBLY	A
	See Note	Ref	Note: Platform and Mesh must be ordered separately for Platforms with Mesh. See SPECIAL OPTIONS SECTION for Mesh Installations.	
	See Note	Ref	Note: Replacement Decals Must be Ordered Separately - See DECAL SECTION.	
1	0100011	AR	Compound, Locking	
2	0641418	2	Bolt 1/4 x 2-1/4	
3	0961845	2	Bushing	
4	3300151	2	Nut 1/4	
5	3520072	6	Cap, Plug	
6	3520198	2	Cap, Plug	
7	4711400	4	Washer 1/4	
8	1001140429	1	Decal - Drop Bar	
9	1001226872	1	Bar, Drop	
10	See Note	NSS	Platform (Note: Not Available - Purchase Platform Assembly)	

# SECTION 5 - PLATFORM

FIGURE 5-2. PLATFORM ASSEMBLY - 30IN X 4FT (76CM X 1.22M) - SIDE GATE ENTRY



ART\_1001186387

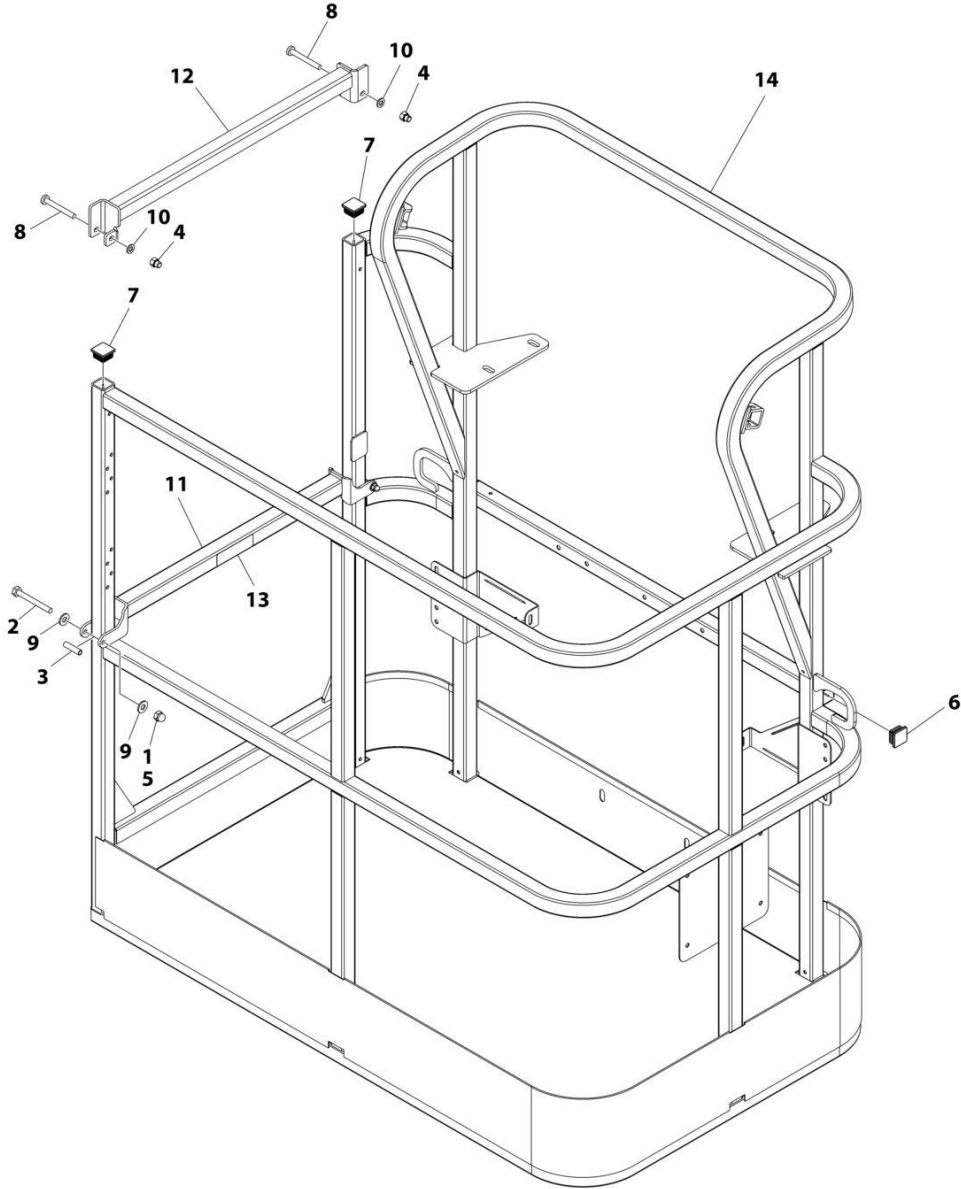
## SECTION 5 - PLATFORM

**FIGURE 5-2. PLATFORM ASSEMBLY - 30IN X 4FT (76CM X 1.22M) - SIDE GATE ENTRY**

ITEM	PART NUMBER	QTY	DESCRIPTION	REV
	1001186387	Ref	PLATFORM ASSEMBLY	C
		Ref	Note: Platform and Mesh must be ordered separately for Platforms with Mesh. See SPECIAL OPTIONS SECTION for Mesh Installations.	
		Ref	Note: Replacement Decals Must be Ordered Separately - See DECALS SECTION.	
1	2080040	16	Fastener, Huck	
2	2600281	2	Hinge, Self-Closing	
3	2940074	1	Latch	
4	3520072	3	Plug	
5	3520198	2	Plug	
6	3820020	4	Rivet	
7	1001144629	1	Gate	
8	See Note	1	Platform (Note: Not Available - Purchase Platform Assembly)	

# SECTION 5 - PLATFORM

FIGURE 5-3. PLATFORM ASSEMBLY - 30IN X 4FT (76CM X 1.22M) - WITH DROP BAR



ART\_1001186375



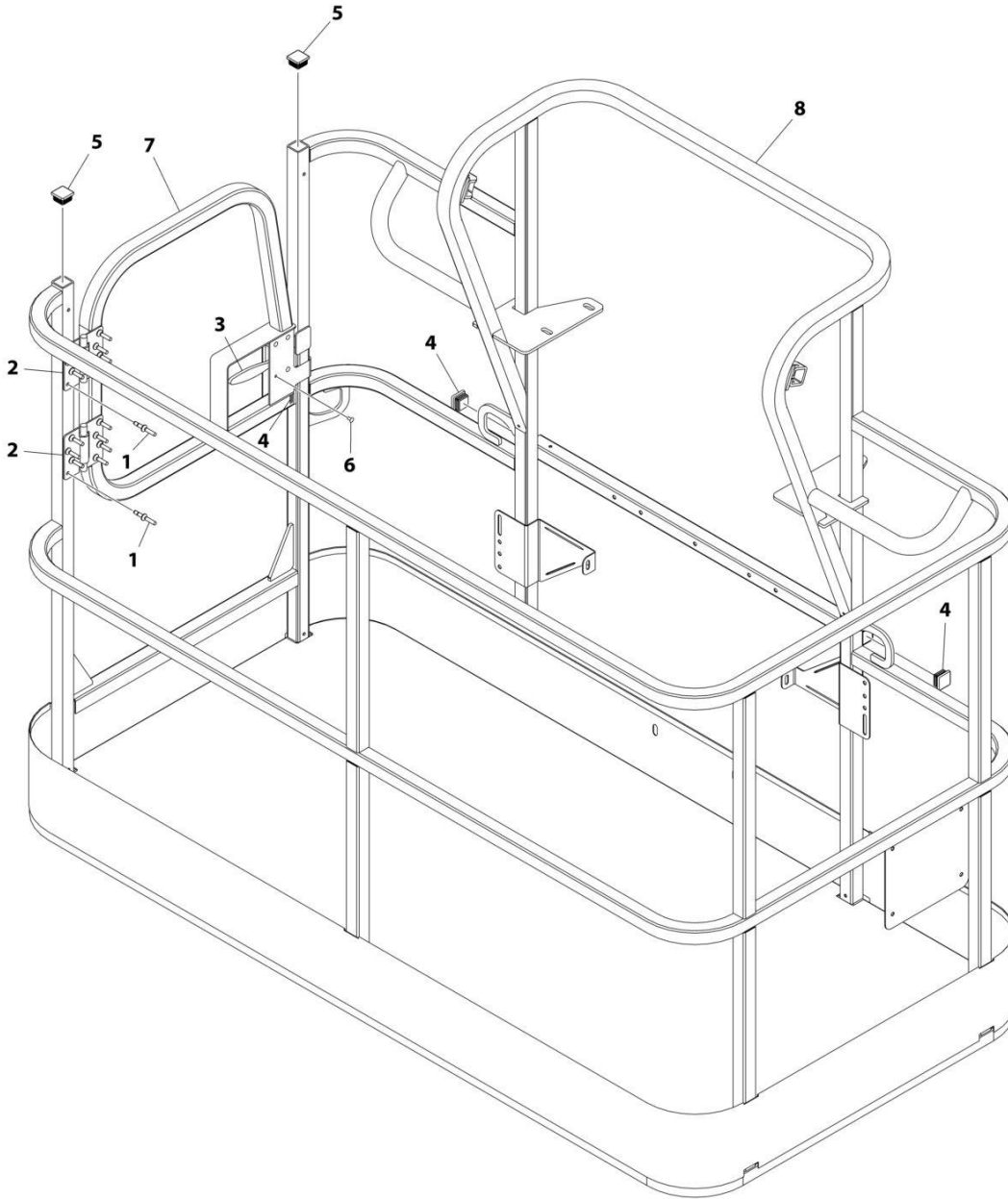
## SECTION 5 - PLATFORM

**FIGURE 5-3. PLATFORM ASSEMBLY - 30IN X 4FT (76CM X 1.22M) - WITH DROP BAR**

ITEM	PART NUMBER	QTY	DESCRIPTION	REV
	1001186375	Ref	PLATFORM ASSEMBLY	B
		Ref	Note: Platform and Mesh must be ordered separately for Platforms with Mesh. See SPECIAL OPTIONS SECTION for Mesh Installations.	
		Ref	Note: Replacement Decals Must be Ordered Separately - See DECALS SECTION.	
1	0100011	AR	Compound, Locking	
2	0641418	2	Bolt 1/4 x 2-1/4	
3	0961845	2	Bushing	
4	3290606	2	Nut M6	
5	3300151	2	Nut 1/4	
6	3520072	2	Plug	
7	3520198	2	Plug	
8	4010618	2	Screw M6 x 50	
9	4711400	4	Washer 1/4	
10	4811700	2	Washer M6	
11	1001138494	1	Bar, Drop	
12	1001138514	1	Rail - Top	
13	1001140429	1	Decal - Drop Bar	
14	See Note	1	Platform (Note: Not Available - Purchase Platform Assembly)	

# SECTION 5 - PLATFORM

FIGURE 5-4. PLATFORM ASSEMBLY - 30IN X 6FT (76CM X 1.83M) - SIDE GATE ENTRY



ART\_1001186385

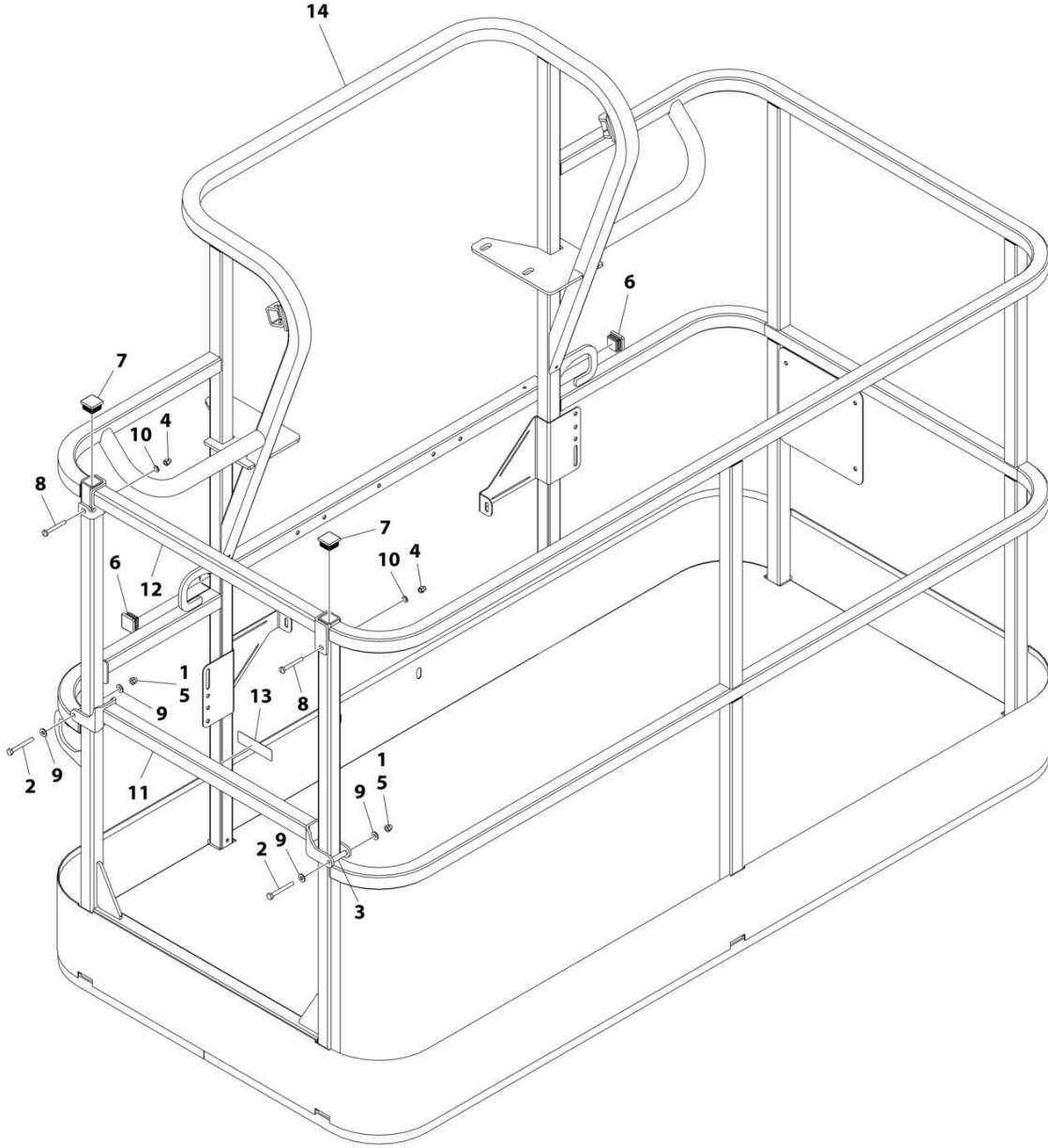
## SECTION 5 - PLATFORM

**FIGURE 5-4. PLATFORM ASSEMBLY - 30IN X 6FT (76CM X 1.83M) - SIDE GATE ENTRY**

ITEM	PART NUMBER	QTY	DESCRIPTION	REV
	1001186385	Ref	PLATFORM ASSEMBLY	D
		Ref	Note: Platform and Mesh must be ordered separately for Platforms with Mesh. See SPECIAL OPTIONS SECTION for Mesh Installations.	
		Ref	Note: Replacement Decals Must be Ordered Separately - See DECALS SECTION.	
1	2080040	16	Fastener, Huck	
2	2600281	2	Hinge	
3	2940074	1	Latch	
4	3520072	3	Plug	
5	3520198	2	Plug	
6	3820020	4	Rivet	
7	1001144629	1	Gate	
8	See Note	NSS	Platform (Note: Not Available - Purchase Platform Assembly)	

# SECTION 5 - PLATFORM

FIGURE 5-5. PLATFORM ASSEMBLY - 30IN X 6FT (76CM X 1.83M) - WITH DROP BAR



ART\_1001186378

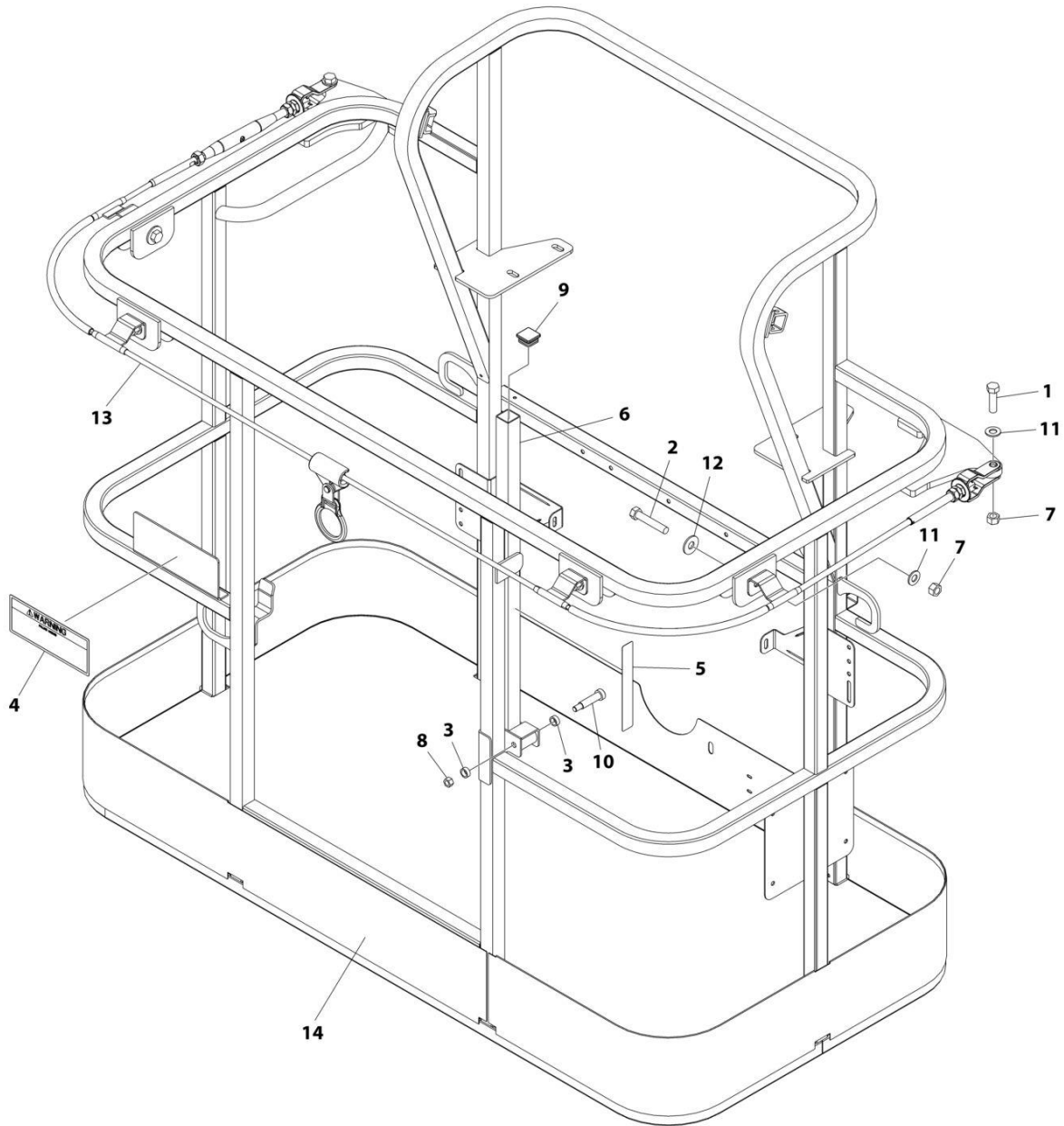
## SECTION 5 - PLATFORM

**FIGURE 5-5. PLATFORM ASSEMBLY - 30IN X 6FT (76CM X 1.83M) - WITH DROP BAR**

ITEM	PART NUMBER	QTY	DESCRIPTION	REV
	1001186378	Ref	PLATFORM ASSEMBLY	C
		Ref	Note: Platform and Mesh must be ordered separately for Platforms with Mesh. See SPECIAL OPTIONS SECTION for Mesh Installations.	
		Ref	Note: Replacement Decals Must be Ordered Separately - See DECALS SECTION.	
1	0100011	AR	Compound, Locking	
2	0641418	2	Bolt 1/4 x 2-1/4	
3	0961845	2	Bushing	
4	3290606	2	Nut M6	
5	3300151	2	Nut 1/4	
6	3520072	2	Plug	
7	3520198	2	Plug	
8	4010618	2	Screw M6 x 50	
9	4711400	4	Washer 1/4	
10	4811700	2	Washer M6	
11	1001138494	1	Bar, Drop	
12	1001138514	1	Rail (Top)	
13	1001140429	1	Decal - Drop Bar	
14	See Note	NSS	Platform (Note: Not Available - Purchase Platform Assembly)	

# SECTION 5 - PLATFORM

FIGURE 5-6. PLATFORM ASSEMBLY - 30IN X 6FT (0.9M X 1.83M) (FALL ARREST PLATFORM)



ART\_1001186388

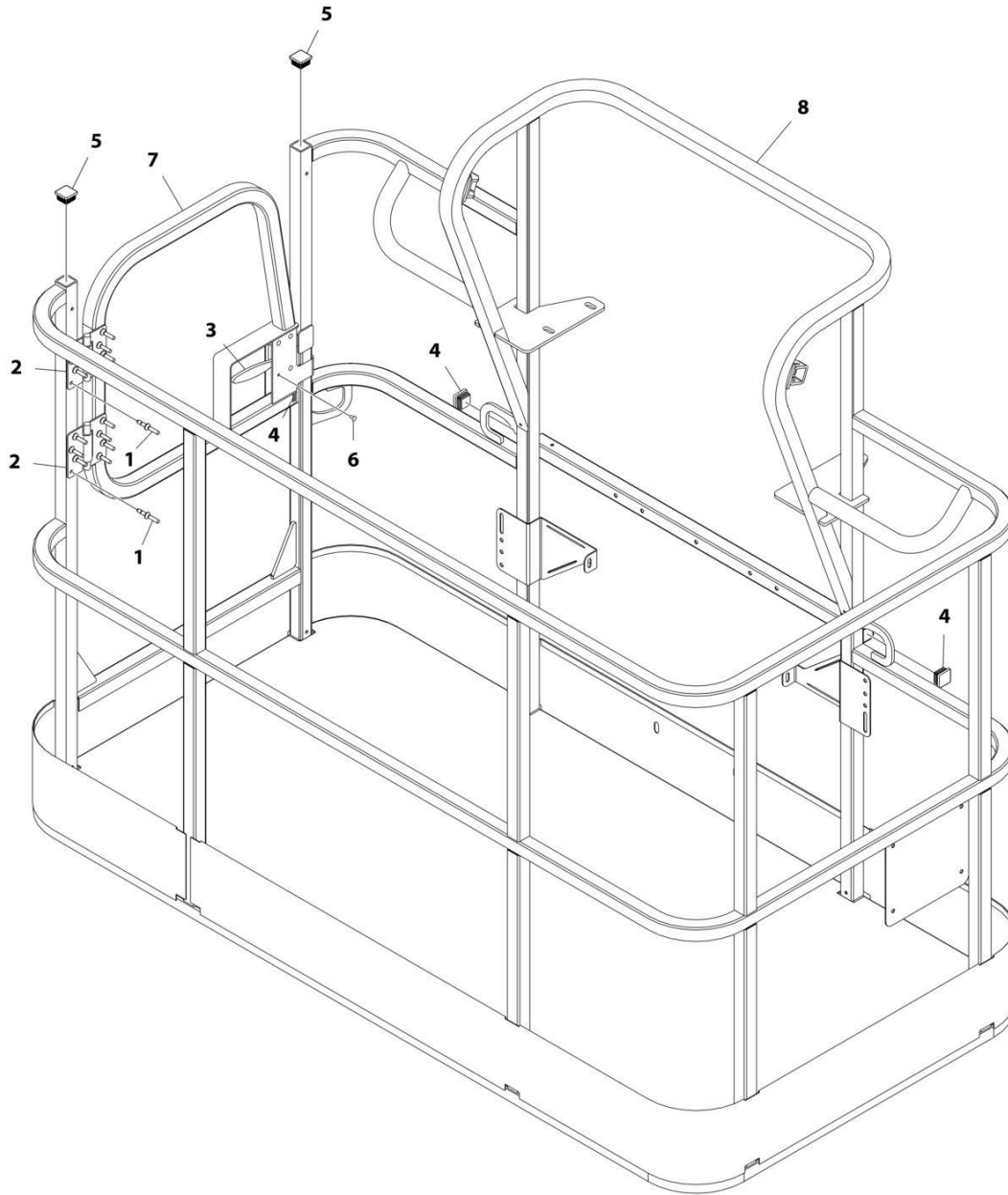
## SECTION 5 - PLATFORM

**FIGURE 5-6. PLATFORM ASSEMBLY - 30IN X 6FT (0.9M X 1.83M) (FALL ARREST PLATFORM)**

ITEM	PART NUMBER	QTY	DESCRIPTION	REV
	1001186388	Ref	PLATFORM ASSEMBLY	C
	See Note	Ref	Note: Replacement Decals Must be Ordered Separately - See DECALS SECTION.	
1	0681814	2	Bolt 1/2 x 1-3/4 (Grade 8)	
2	0681822	4	Bolt 1/2 x 2-3/4 (Grade 8)	
3	0962270	2	Bearing	
4	1705014	1	Decal - Safety	
5	1706385	1	Decal - Drop Bar	
6	2410014	1	Gate, Weldment	
7	3271805	6	Nut 1/2	
8	3311605	1	Nut 3/8	
9	3520072	1	Cap, Plug	
10	3900054	1	Bolt 1/2 x 1-3/4	
11	4711800	6	Washer 1/2	
12	4751800	4	Washer 1/2	
13	1001203654	1	Lanyard	
14	See Note	NSS	Platform (Note: Not Available - Purchase Platform Assembly)	

# SECTION 5 - PLATFORM

FIGURE 5-7. PLATFORM ASSEMBLY - 36IN X 6FT (91.5CM X 1.83M) WITH SWING GATE



ART\_1001186384



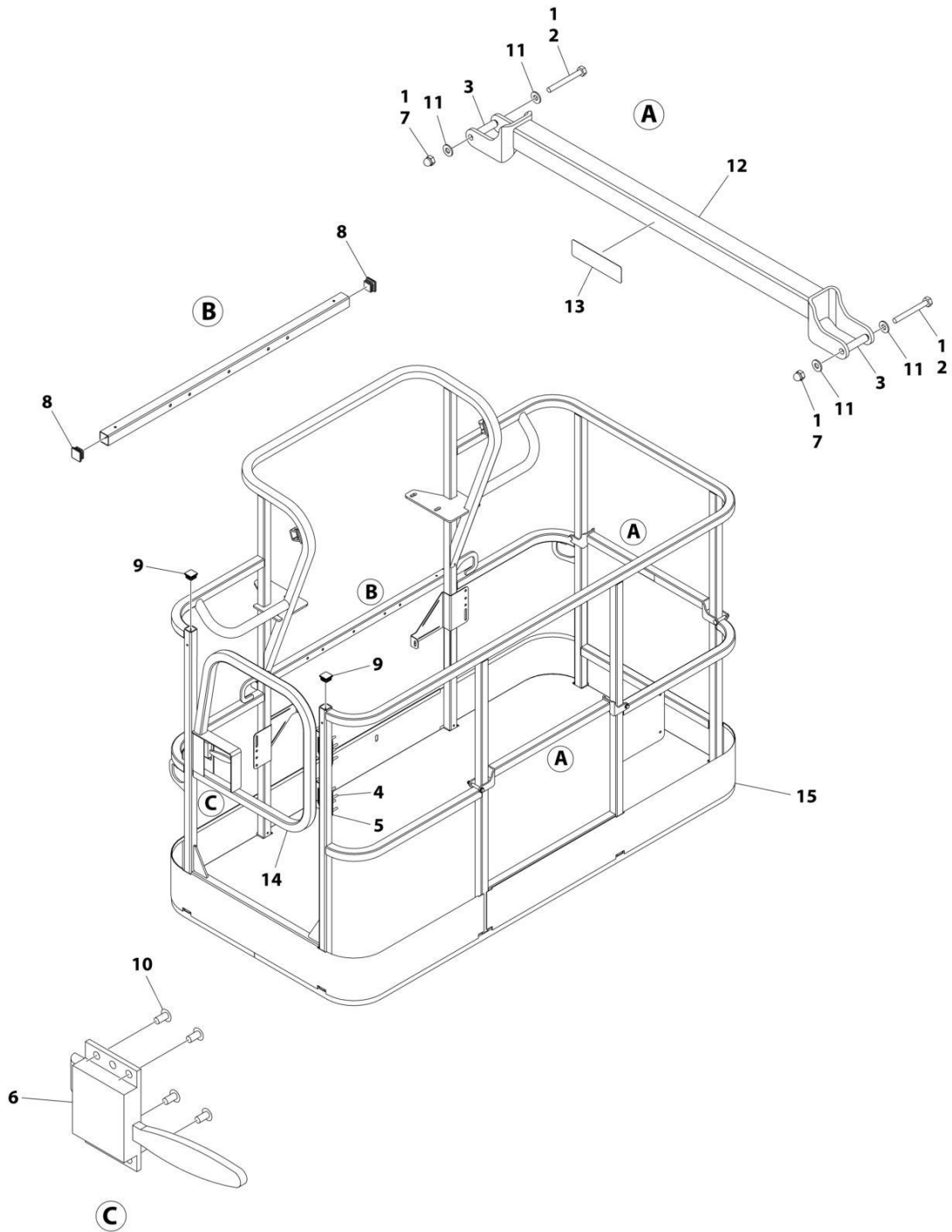
## SECTION 5 - PLATFORM

**FIGURE 5-7. PLATFORM ASSEMBLY - 36IN X 6FT (91.5CM X 1.83M) WITH SWING GATE**

ITEM	PART NUMBER	QTY	DESCRIPTION	REV
	1001186384	Ref	PLATFORM ASSEMBLY - 36IN X 6FT (91.5CM X 1.83M) WITH SWING GATE	C
	See Note	Ref	Note: Platform and Mesh must be ordered separately for Platforms with Mesh. See SPECIAL OPTIONS SECTION for Mesh Installations.	
	See Note	Ref	Note: Replacement Decals Must be Ordered Separately - See DECALS SECTION.	
1	2080040	16	Fastener, Huck	
2	2600281	2	Hinge	
3	2940074	1	Latch	
4	3520072	3	Plug	
5	3520198	2	Plug	
6	3820020	4	Rivet	
7	1001144629	1	Gate	
8	See Note	NSS	Platform (Note: Not Available - Purchase Platform Assembly)	

# SECTION 5 - PLATFORM

FIGURE 5-8. PLATFORM ASSEMBLY - 3FT X 6FT (91.5CM X 1.83M) - TRI-ENTRY - 1 SWING GATE/2 DROP BARS



ART\_1001228376

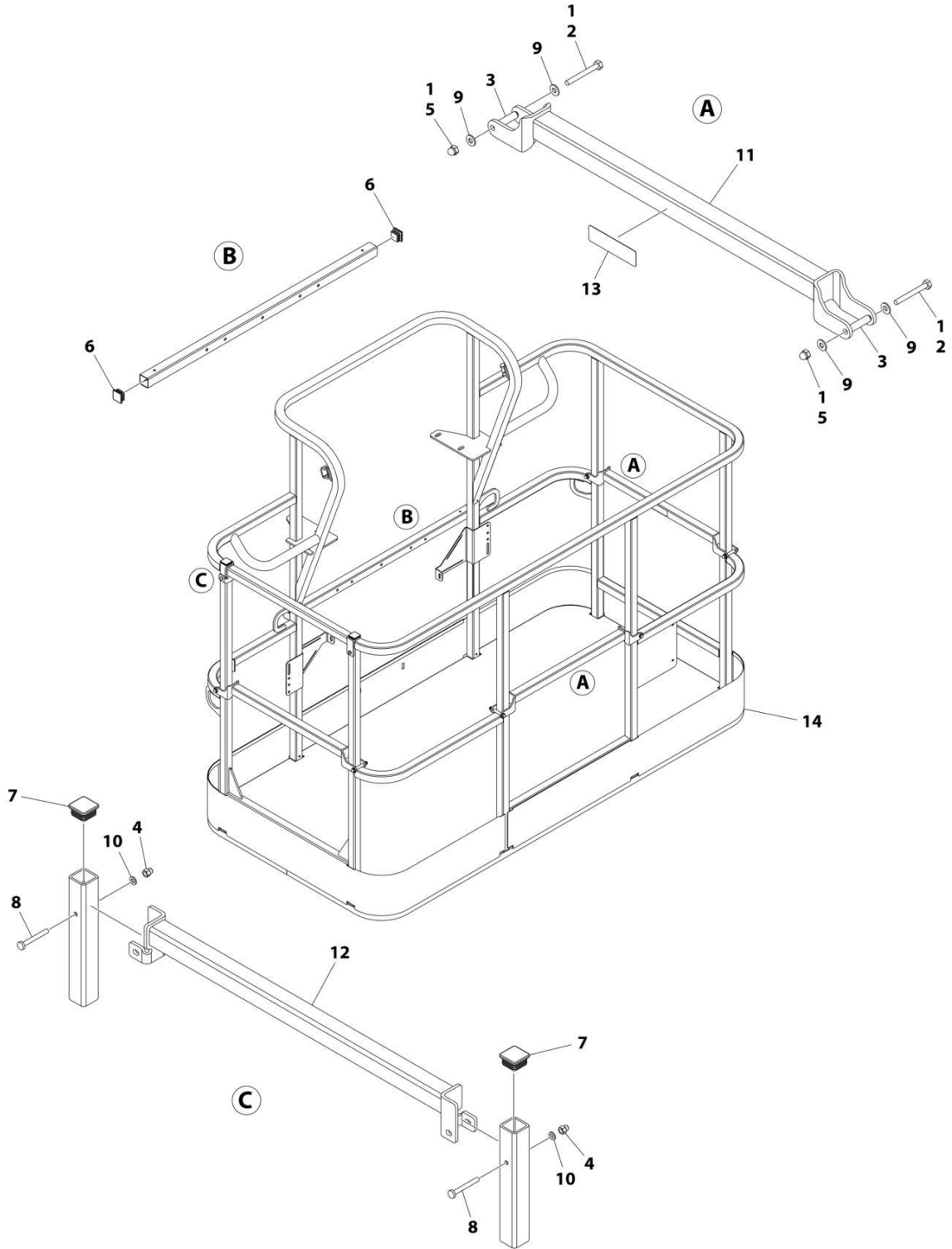
## SECTION 5 - PLATFORM

**FIGURE 5-8. PLATFORM ASSEMBLY - 3FT X 6FT (91.5CM X 1.83M) - TRI-ENTRY - 1 SWING GATE/2 DROP BARS**

ITEM	PART NUMBER	QTY	DESCRIPTION	REV
	1001228376	Ref	PLATFORM ASSEMBLY - 36IN x 6FT (91.5CM x 1.83M)	B
		Ref	Note: Platform and Mesh must be ordered separately for Platforms with Mesh. See SPECIAL OPTIONS SECTION for Mesh Installations.	
		Ref	Note: Replacement Decals Must be Ordered Separately - See DECAL SECTION.	
1	0100011	AR	Compound, Locking	
2	0641418	4	Bolt 1/4 x 2-1/4	
3	0961845	4	Bushing	
4	2080040	16	Fastener	
5	2600281	2	Hinge	
6	2940074	1	Latch	
7	3300151	4	Nut 1/4	
8	3520072	3	Plug	
9	3520198	2	Plug	
10	3820020	4	Rivet	
11	4711400	8	Washer 1/4	
12	1001138494	2	Bar, Drop	
13	1001140429	2	Decal - Drop Bar	
14	1001144629	1	Gate	
15	See Note	NSS	Platform (Note: Not Available - Purchase Platform Assembly)	

# SECTION 5 - PLATFORM

FIGURE 5-9. PLATFORM ASSEMBLY - 3FT X 6FT (91.5CM X 1.83M) - TRI-ENTRY - 3 DROP BARS



ART\_1001228377

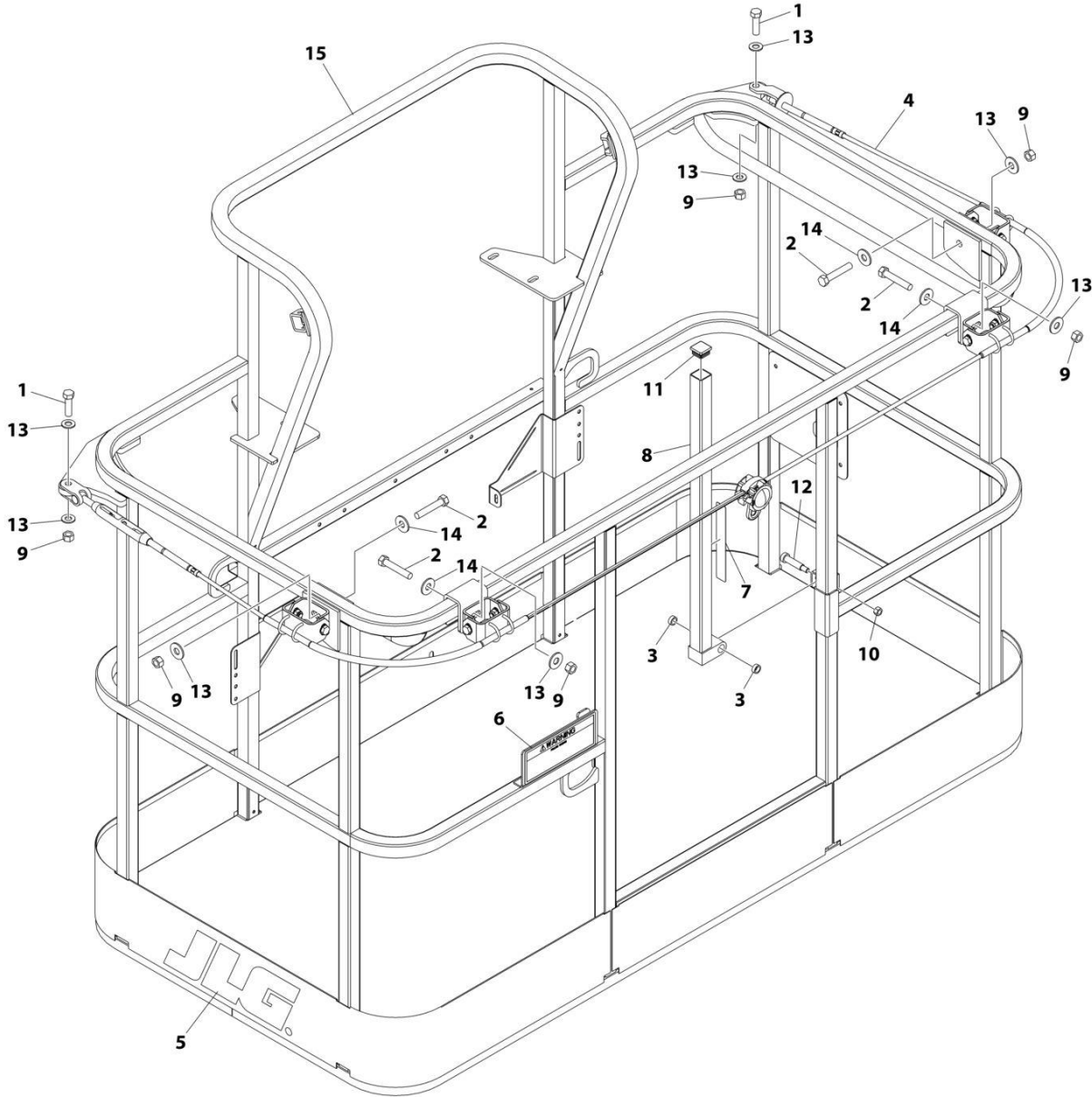
## SECTION 5 - PLATFORM

**FIGURE 5-9. PLATFORM ASSEMBLY - 3FT X 6FT (91.5CM X 1.83M) - TRI-ENTRY - 3 DROP BARS**

ITEM	PART NUMBER	QTY	DESCRIPTION	REV
	1001228377	Ref	PLATFORM ASSEMBLY - 36IN x 6FT (91.5CM x 1.83M)	B
		Ref	Note: Platform and Mesh must be ordered separately for Platforms with Mesh. See SPECIAL OPTIONS SECTION for Mesh Installations.	
		Ref	Note: Replacement Decals Must be Ordered Separately - See DECAL SECTION.	
1	0100011	1	Compound, Locking	
2	0641418	6	Bolt 1/4 x 2-1/4	
3	0961845	6	Bushing	
4	3290606	2	Nut M6	
5	3300151	6	Nut 1/4	
6	3520072	2	Plug	
7	3520198	2	Plug	
8	4010618	2	Screw M6 x 50	
9	4711400	12	Washer 1/4	
10	4811700	2	Washer M6	
11	1001138494	3	Bar, Drop	
12	1001138514	1	Rail (Top)	
13	1001140429	3	Decal - Drop Bar	
14	See Note	NSS	Platform, Weldment (Note: Not Available - Purchase Platform Assembly)	

# SECTION 5 - PLATFORM

FIGURE 5-10. PLATFORM ASSEMBLY - 3F X 6FT (91.5CM X 1.83M) (FALL ARREST PLATFORM)



ART\_1001186333

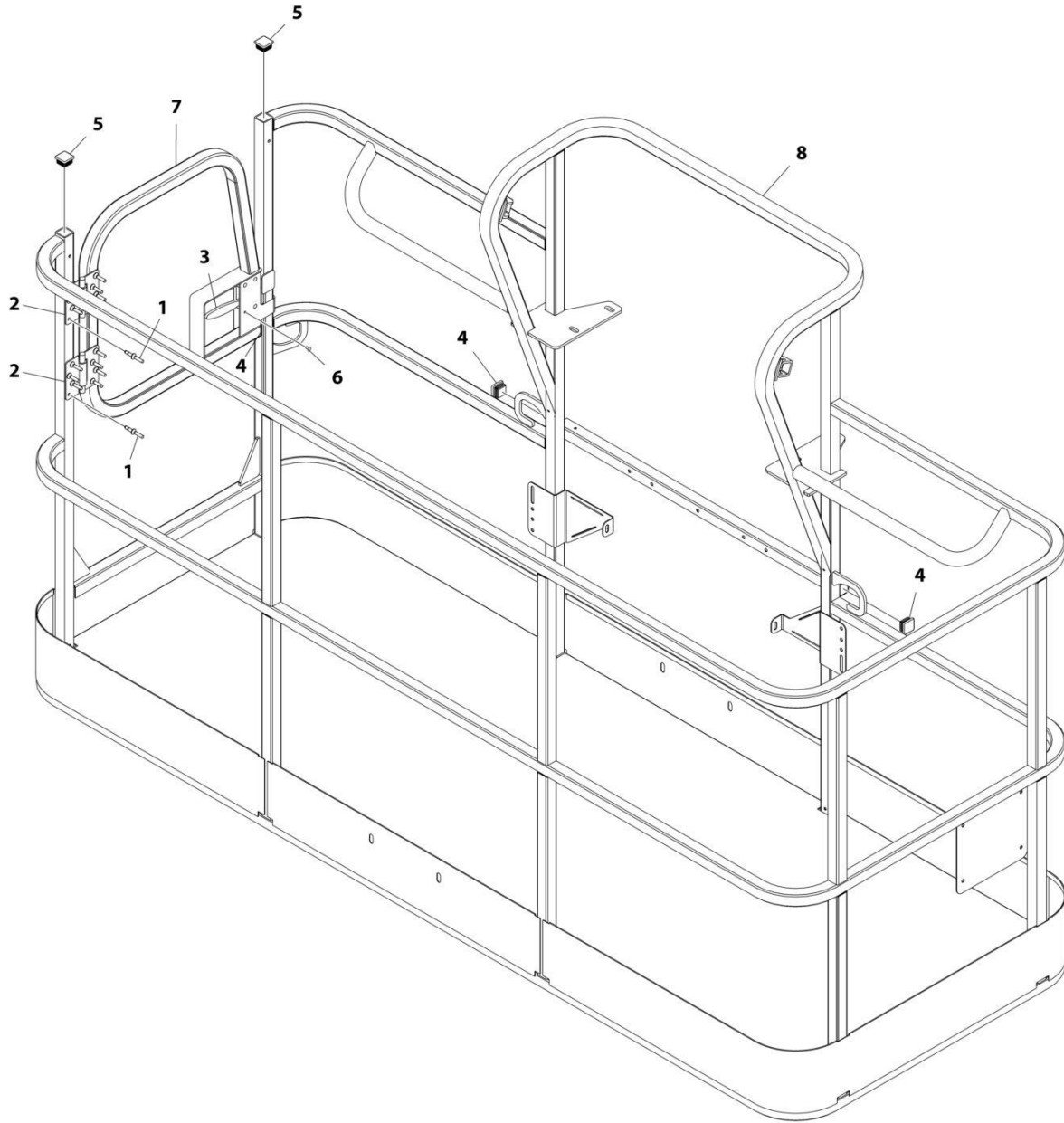
## SECTION 5 - PLATFORM

**FIGURE 5-10. PLATFORM ASSEMBLY - 3F X 6FT (91.5CM X 1.83M) (FALL ARREST PLATFORM)**

ITEM	PART NUMBER	QTY	DESCRIPTION	REV
	1001186333	Ref	PLATFORM ASSEMBLY	C
		Ref	Note: Replacement Decals Must be Ordered Separately - See DECALS SECTION.	
1	0681814	2	Bolt 1/2 x 1-3/4 Grade 8	
2	0681822	4	Bolt 1/2 x 2-3/4 Grade 8	
3	0962270	2	Bearing	
4	1001203655	1	Cable	
5	1702773	1	Decal - JLG	
6	1705014	1	Decal - Safety	
7	1706385	1	Decal - Drop Bar	
8	2410014	1	Bar, Drop	
9	3271805	6	Nut 1/2 Grade 8	
10	3311605	1	Nut 3/8	
11	3520072	1	Plug	
12	3900054	1	Bolt 1/2 x 1-3/4	
13	4711800	8	Washer 1/2	
14	4751800	4	Washer 1/2	
15	See Note	NSS	Platform (Note: Not Available - Purchase Platform Assembly)	

# SECTION 5 - PLATFORM

FIGURE 5-11. PLATFORM ASSEMBLY - 3FT X 8FT (91.5CM X 2.44M) WITH SWING GATE



ART\_1001186383



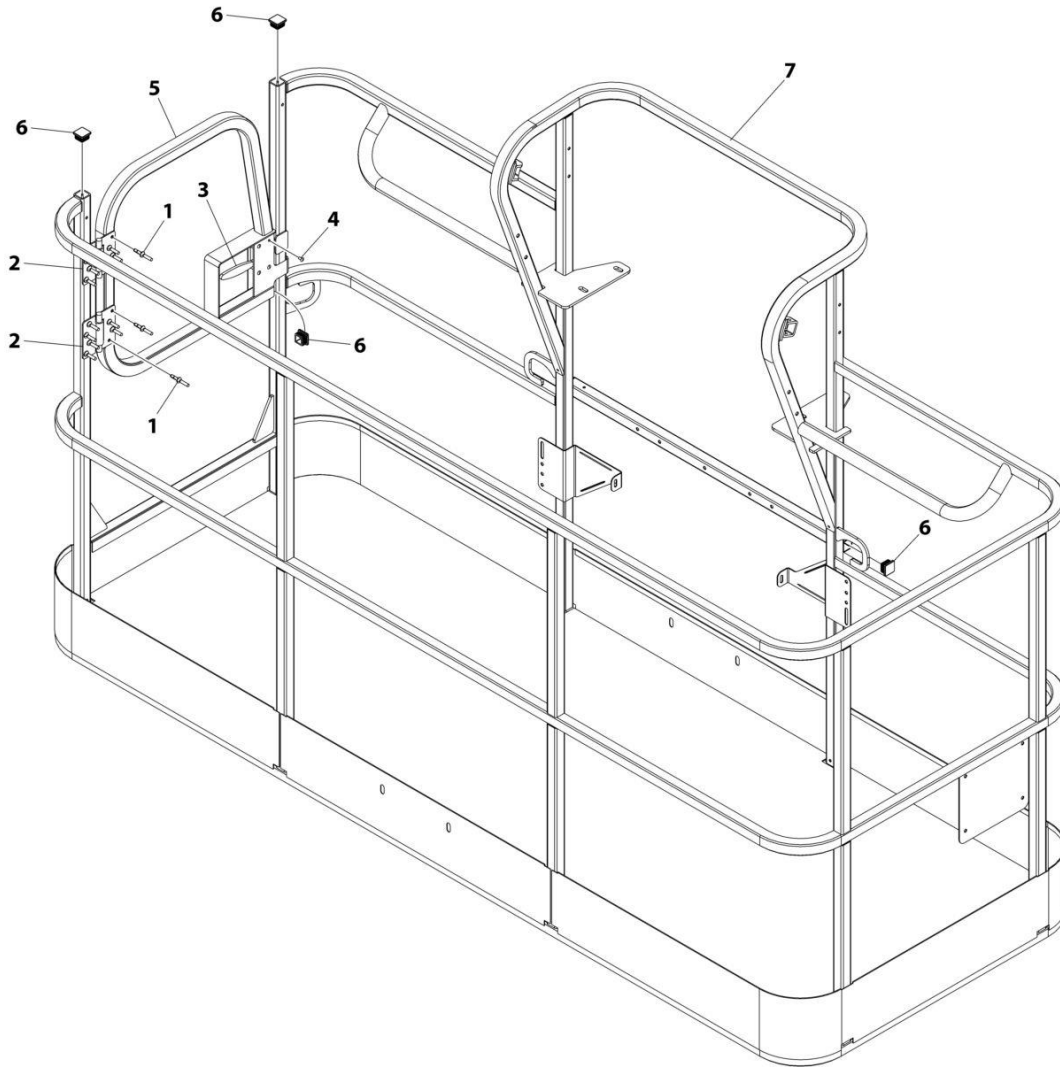
## SECTION 5 - PLATFORM

**FIGURE 5-11. PLATFORM ASSEMBLY - 3FT X 8FT (91.5CM X 2.44M) WITH SWING GATE**

ITEM	PART NUMBER	QTY	DESCRIPTION	REV
	1001186383	Ref	PLATFORM ASSEMBLY - 36IN X 8FT (91.5CM X 2.44M) WITH SWING GATE	D
		Ref	Note: Platform and Mesh must be ordered separately for Platforms with Mesh. See SPECIAL OPTIONS SECTION for Mesh Installations.	
		Ref	Note: Replacement Decals Must be Ordered Separately - See DECALS SECTION.	
1	2080040	16	Fastener, Huck	
2	2600281	2	Hinge	
3	2940074	1	Latch	
4	3520072	3	Plug	
5	3520198	2	Plug	
6	3820020	4	Rivet	
7	1001144629	1	Gate	
8	See Note	NSS	Platform (Note: Not Available - Purchase Platform Assembly)	

# SECTION 5 - PLATFORM

FIGURE 5-12. PLATFORM ASSEMBLY - 36IN X 8FT (91.5CM X 2.44M) WITH SWING GATE



ART\_1001188308

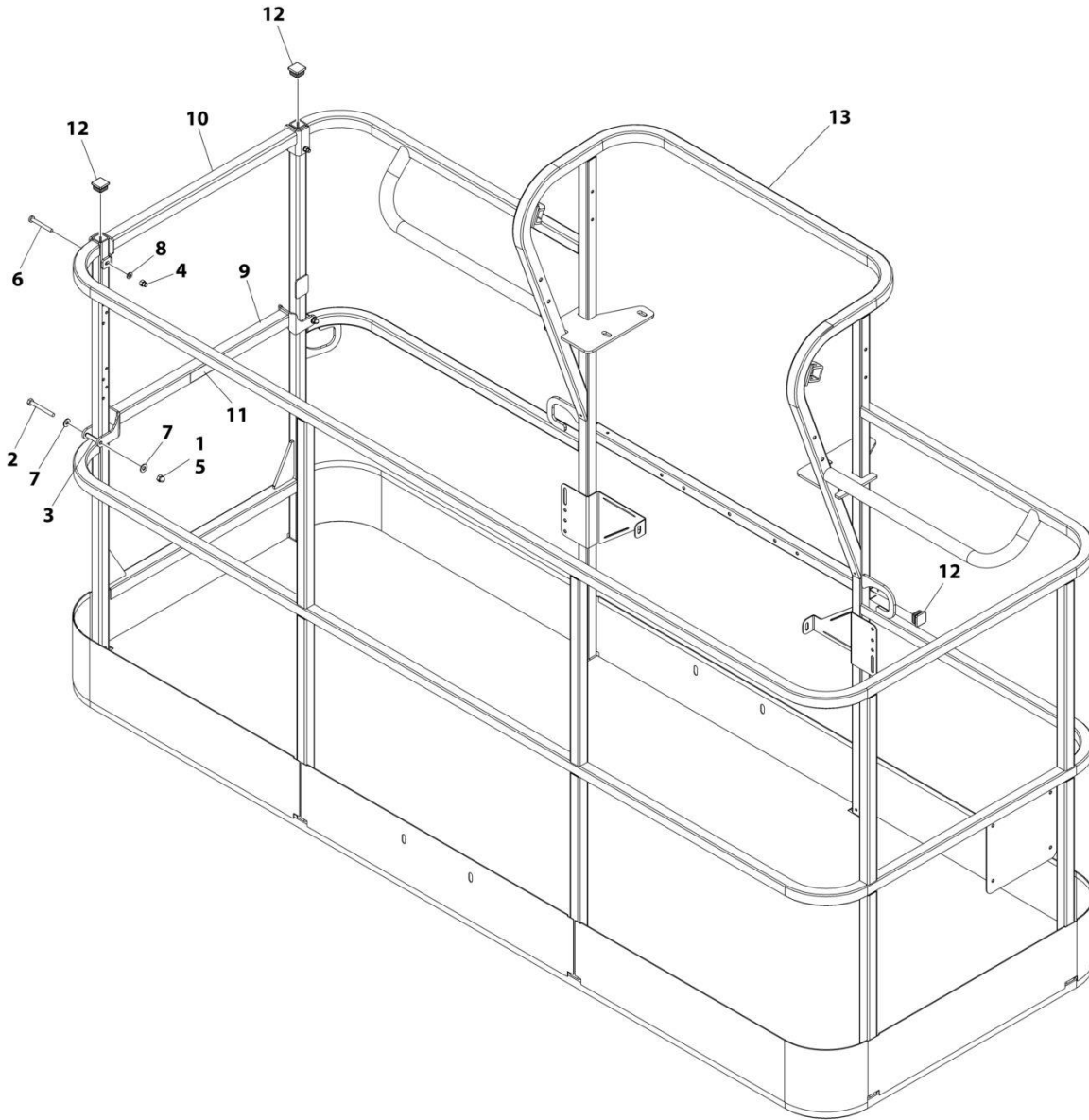
## SECTION 5 - PLATFORM

**FIGURE 5-12. PLATFORM ASSEMBLY - 36IN X 8FT (91.5CM X 2.44M) WITH SWING GATE**

ITEM	PART NUMBER	QTY	DESCRIPTION	REV
	1001188308	Ref	PLATFORM ASSEMBLY - 36IN X 8FT (91.5CM X 2.44M) WITH SWING GATE	F
	See Note	Ref	Note: Platform and Mesh must be ordered separately for Platforms with Mesh. See SPECIAL OPTIONS SECTION for Mesh Installations.	
	See Note	Ref	Note: Replacement Decals Must be Ordered Separately - See DECALS SECTION.	
1	2080040	16	Fastener, Huck	
2	2600281	2	Hinge	
3	2940074	1	Latch	
4	3820020	4	Rivet	
5	1001144629	1	Gate	
6	1001145781	5	Plug	
7	See Note	NSS	Platform (Note: Not Available - Purchase Platform Assembly)	

# SECTION 5 - PLATFORM

FIGURE 5-13. PLATFORM ASSEMBLY - 36IN X 8FT (91.5CM X 2.44M) WITH DROP BAR



ART\_1001188309

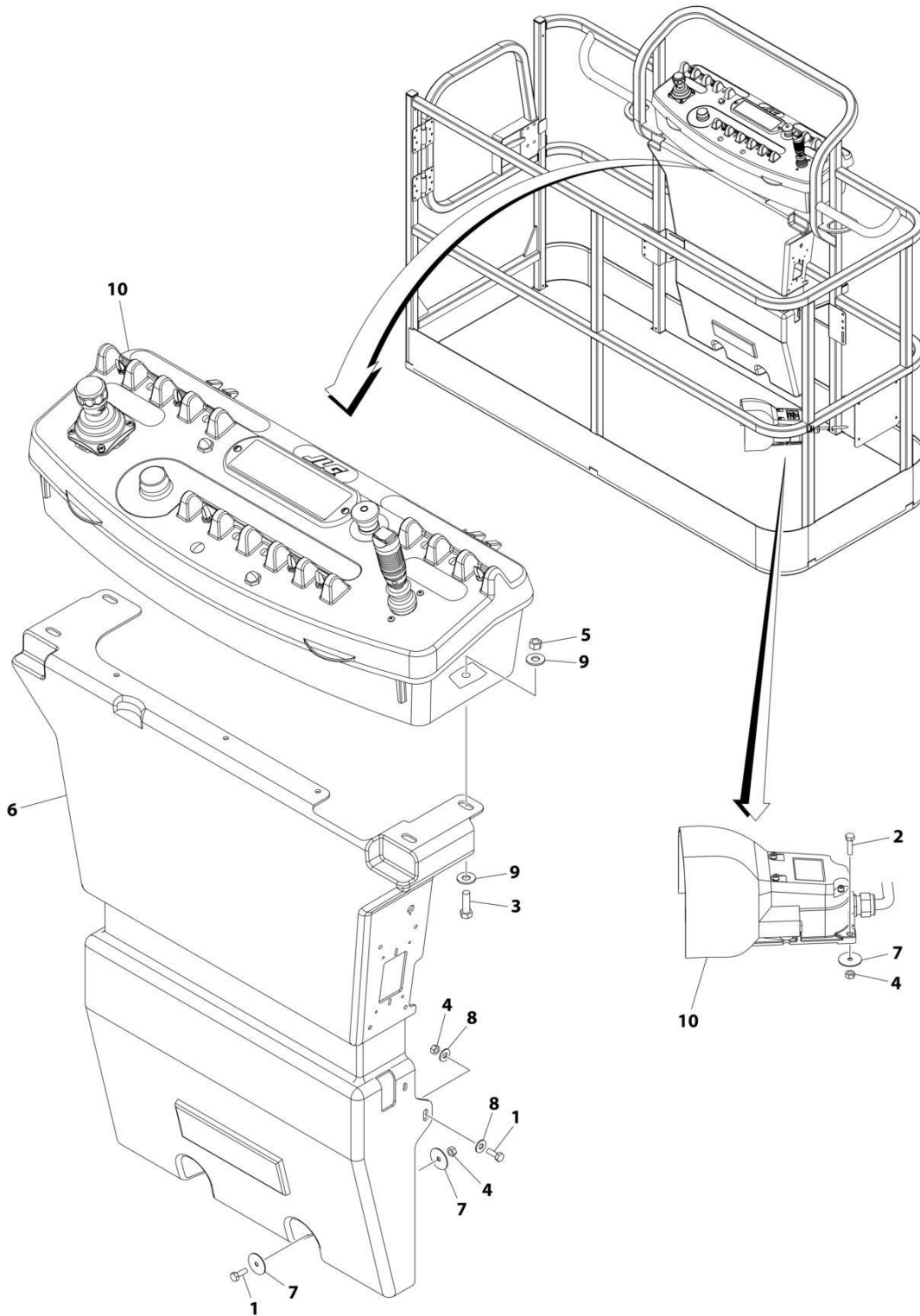
## SECTION 5 - PLATFORM

**FIGURE 5-13. PLATFORM ASSEMBLY - 36IN X 8FT (91.5CM X 2.44M) WITH DROP BAR**

ITEM	PART NUMBER	QTY	DESCRIPTION	REV
	1001188309	Ref	PLATFORM ASSEMBLY - 36IN X 8FT (91.5CM X 2.44M) WITH DROP BAR	B
	See Note	Ref	Note: Platform and Mesh must be ordered separately for Platforms with Mesh. See SPECIAL OPTIONS SECTION for Mesh Installations.	
	See Note	Ref	Note: Replacement Decals Must be Ordered Separately - See DECALS SECTION.	
1	0100011	AR	Compound, Locking	
2	0641418	2	Bolt 1/4 x 2-1/4	
3	0961845	2	Bushing	
4	3290606	2	Nut M6	
5	3300151	2	Nut 1/4	
6	4010618	2	Screw M6 x 50	
7	4711400	4	Washer 1/4	
8	4811700	2	Washer M6	
9	1001138494	1	Bar, Drop	
10	1001138514	1	Rail (Top)	
11	1001140429	1	Decal - Drop Bar	
12	1001145781	4	Plug	
13	See Note	NSS	Platform (Note: Not Available - Purchase Platform Assembly)	

# SECTION 5 - PLATFORM

FIGURE 5-14. PLATFORM CONSOLE INSTALLATION - 2WD (ALL SPECS EXCEPT UL SPECS)



ART\_1001248317

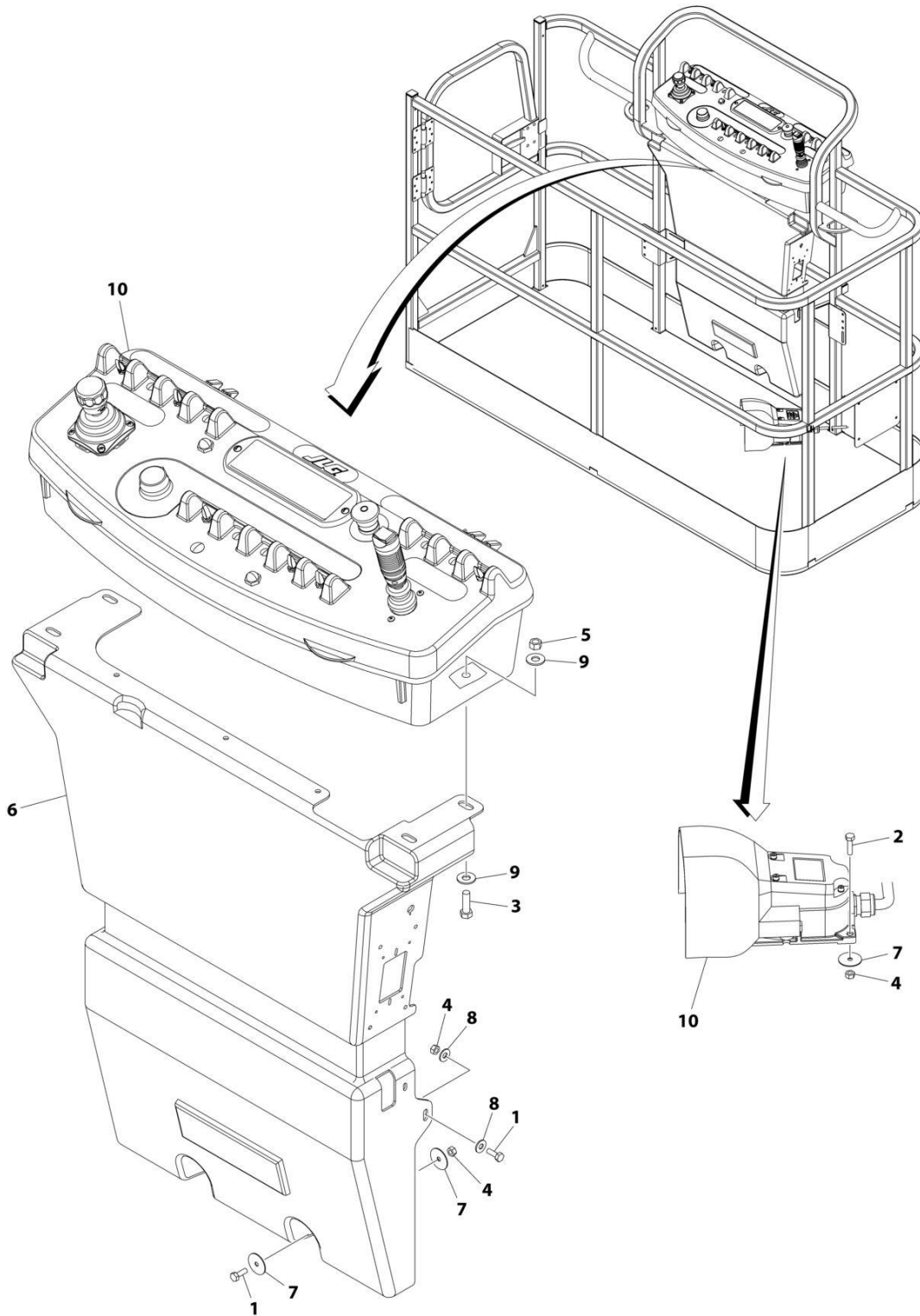
## SECTION 5 - PLATFORM

**FIGURE 5-14. PLATFORM CONSOLE INSTALLATION - 2WD (ALL SPECS EXCEPT UL SPECS)**

ITEM	PART NUMBER	QTY	DESCRIPTION	REV
	1001248317	Ref	PLATFORM CONSOLE BOX INSTALLATION	B
1	0641406	4	Bolt 1/4 x 3/4	
2	0641408	3	Bolt 1/4 x 1	
3	0641610	4	Bolt 3/8 x 1-1/4	
4	3311405	7	Nut 1/4	
5	3311605	4	Nut 3/8	
6	3380434	1	Panel, Decal Mount	
7	4740362	7	Washer 1/4	
8	4751400	4	Washer 1/4	
9	4751600	8	Washer 3/8	
10	1001248316	1	Console Box Assembly (See Separate Breakdown in this Section)	

# SECTION 5 - PLATFORM

## FIGURE 5-15. PLATFORM CONSOLE INSTALLATION - 2WD (UL SPECS)



ART\_1001248319



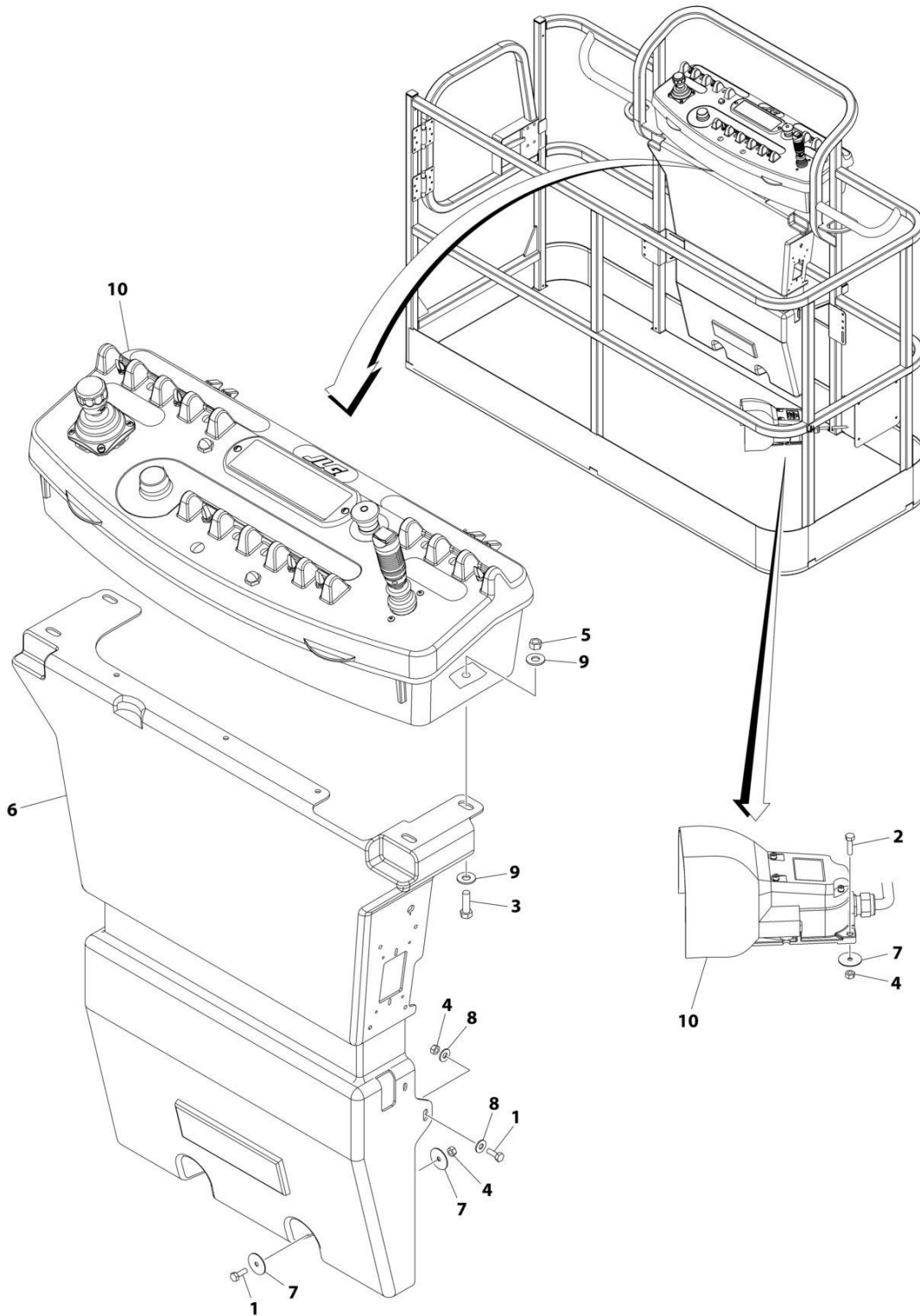
## SECTION 5 - PLATFORM

**FIGURE 5-15. PLATFORM CONSOLE INSTALLATION - 2WD (UL SPECS)**

ITEM	PART NUMBER	QTY	DESCRIPTION	REV
	1001248319	Ref	PLATFORM CONSOLE BOX INSTALLATION	A
1	0641406	4	Bolt 1/4 x 3/4	
2	0641408	3	Bolt 1/4 x 1	
3	0641610	4	Bolt 3/8 x 1-1/4	
4	3311405	7	Nut 1/4	
5	3311605	4	Nut 3/8	
6	3380434	1	Panel, Decal Mount	
7	4740362	7	Washer 1/4	
8	4751400	4	Washer 1/4	
9	4751600	8	Washer 3/8	
10	1001248318	1	Console Box Assembly (See Separate Breakdown in this Section)	

# SECTION 5 - PLATFORM

FIGURE 5-16. PLATFORM CONSOLE INSTALLATION - 4WD (ALL SPECS EXCEPT UL SPECS)



ART\_1001248323

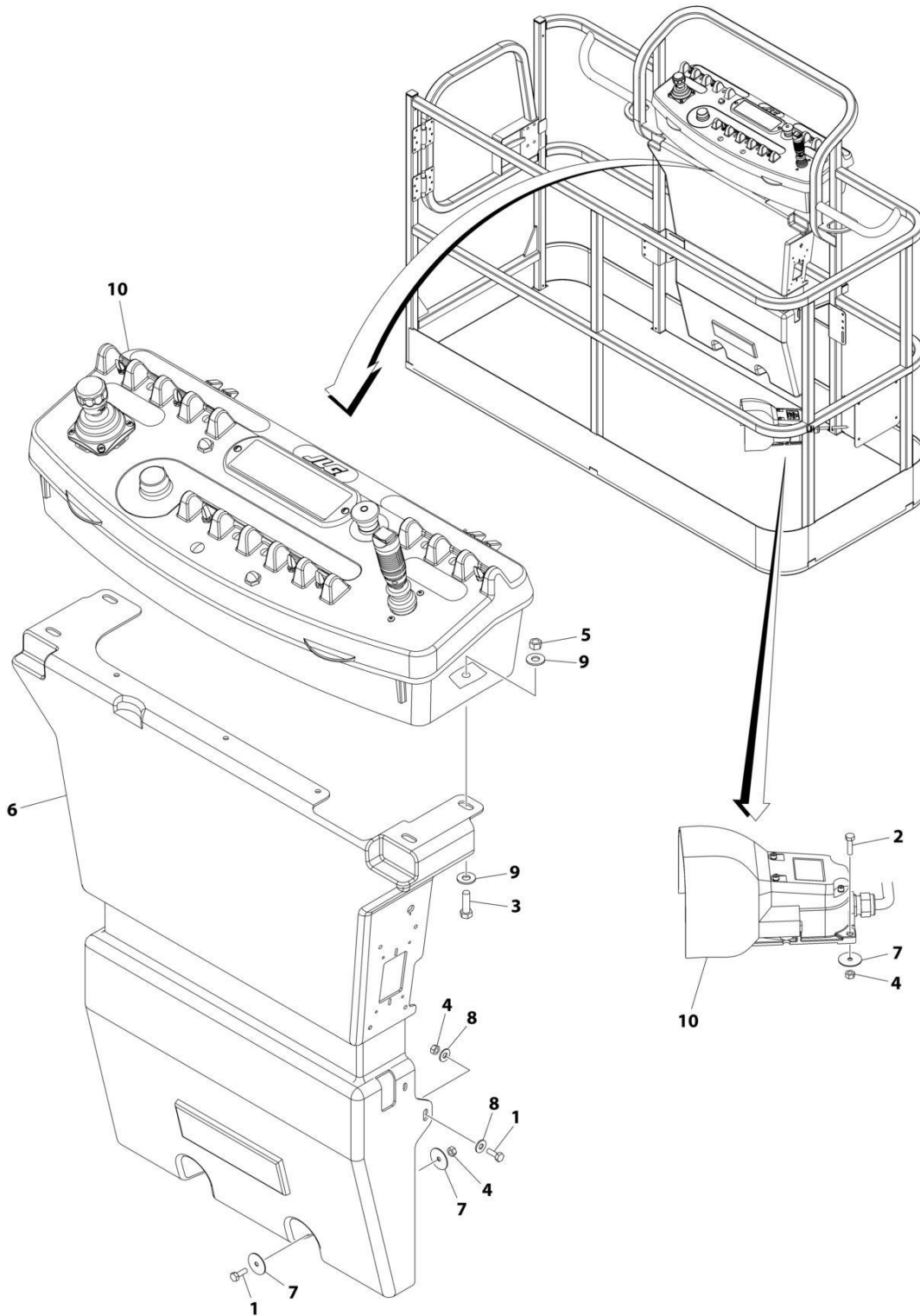
## SECTION 5 - PLATFORM

**FIGURE 5-16. PLATFORM CONSOLE INSTALLATION - 4WD (ALL SPECS EXCEPT UL SPECS)**

ITEM	PART NUMBER	QTY	DESCRIPTION	REV
	1001248323	Ref	PLATFORM CONSOLE BOX INSTALLATION	A
1	0641406	4	Bolt 1/4 x 3/4	
2	0641408	3	Bolt 1/4 x 1	
3	0641610	4	Bolt 3/8 x 1-1/4	
4	3311405	7	Nut 1/4	
5	3311605	4	Nut 3/8	
6	3380434	1	Panel, Decal Mount	
7	4740362	7	Washer 1/4	
8	4751400	4	Washer 1/4	
9	4751600	8	Washer 3/8	
10	1001248322	1	Console Box Assembly (See Separate Breakdown in this Section)	

# SECTION 5 - PLATFORM

## FIGURE 5-17. PLATFORM CONSOLE INSTALLATION - 4WD (UL SPECS)



ART\_1001248321

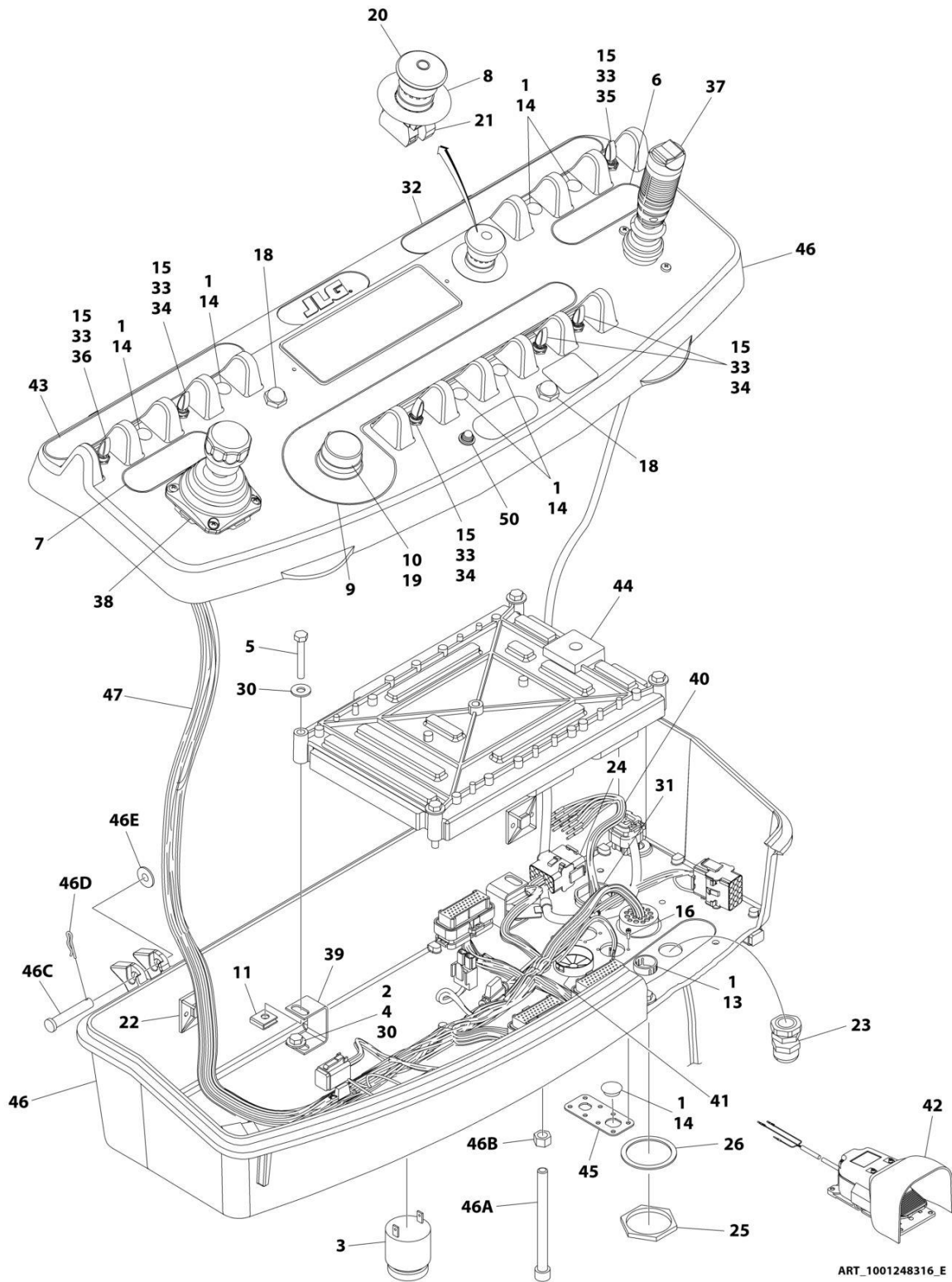
## SECTION 5 - PLATFORM

**FIGURE 5-17. PLATFORM CONSOLE INSTALLATION - 4WD (UL SPECS)**

ITEM	PART NUMBER	QTY	DESCRIPTION	REV
	1001248321	Ref	PLATFORM CONSOLE BOX INSTALLATION	B
1	0641406	4	Bolt 1/4 x 3/4	
2	0641408	3	Bolt 1/4 x 1	
3	0641610	4	Bolt 3/8 x 1-1/4	
4	3311405	7	Nut 1/4	
5	3311605	4	Nut 3/8	
6	3380434	1	Panel, Decal Mount	
7	4740362	7	Washer 1/4	
8	4751400	4	Washer 1/4	
9	4751600	8	Washer 3/8	
10	1001248320	1	Console Box Assembly (See Separate Breakdown in this Section)	

# SECTION 5 - PLATFORM

FIGURE 5-18. PLATFORM CONSOLE ASSEMBLY - 2WD (ALL SPECS EXCEPT UL SPECS)



## SECTION 5 - PLATFORM

**FIGURE 5-18. PLATFORM CONSOLE ASSEMBLY - 2WD (ALL SPECS EXCEPT UL SPECS)**

ITEM	PART NUMBER	QTY	DESCRIPTION	REV
	1001248316	Ref	PLATFORM CONSOLE BOX ASSEMBLY	E
1	0100009	AR	Adhesive, Silicone	
2	0100035	AR	Compound, Locking	
3	0140011	1	Alarm	
4	0641405	4	Bolt 1/4 x 5/8	
5	0641414	4	Bolt 1/4 x 1-3/4	
6	1702565	1	Decal - Drive and Steer	
7	1702566	1	Decal - Lift and Swing	
8	1704260	1	Decal - EMS	
9	1704422	1	Decal - Function Speed	
10	2560136	1	Knob, Speed Control	
11	3300353	4	Nut, Tinnerman	
13	3520030	1	Plug, Hole	
14	3520054	7	Plug, Hole	
15	3790012	6	O-Ring	
16	3900349	8	Screw M2.5	
17	4240099	AR	Tie-Strap (Not Shown)	
18	4360387	2	Switch, Push Button	
19	4360407	1	Switch, Potentiometer	
20	1001274559	1	Switch, Emergency Stop	
21	4360476	1	Block, Contact	
22	4460234	6	Mount, Tie-Strap	
23	4460428	1	Connector, Strain Relief	
24	4460434	1	Connector - 15 Position	
25	4460470	1	Nut, Terminal	
26	4460471	1	Washer, Terminal	
30	4751400	8	Washer 1/4	
31	1001110434	1	Plug	
32	1001247538	1	Decal - Stop/Generator	
33	1001155044	6	Nut 15/32	
34	1001155045	4	Switch, Toggle	
35	1001159256	1	Switch, Toggle	
36	1001161710	1	Switch, Toggle	
37	1001275628	1	Controller Assembly - Drive and Steer	
38	1001275629	1	Controller Assembly - Lift and Swing	
39	1001172760	4	Bracket	
40	1001255918	1	Boom Valve Harness (See Separate Breakdown in ELECTRICAL Section)	
41	1001185281	1	Plug	
42	1001117174	1	Footswitch Assembly (See Separate Breakdown in this Section)	
43	1001193987	1	Decal - Stop and Drive Select	
44	1001196520	1	Module, Platform (Note: Re-calibration Required when Replaced)	
45	1001213882	1	Mount, Connector	
46	1001215228	1	Console Box Assembly	C
46A	0630568	1	Capscrew 3/8 x 4-1/2	
46B	3311601	1	Nut 3/8	
46C	3430616	2	Pin	
46D	3470003	2	Hairpin	
46E	4711600	2	Washer 3/8	

## SECTION 5 - PLATFORM

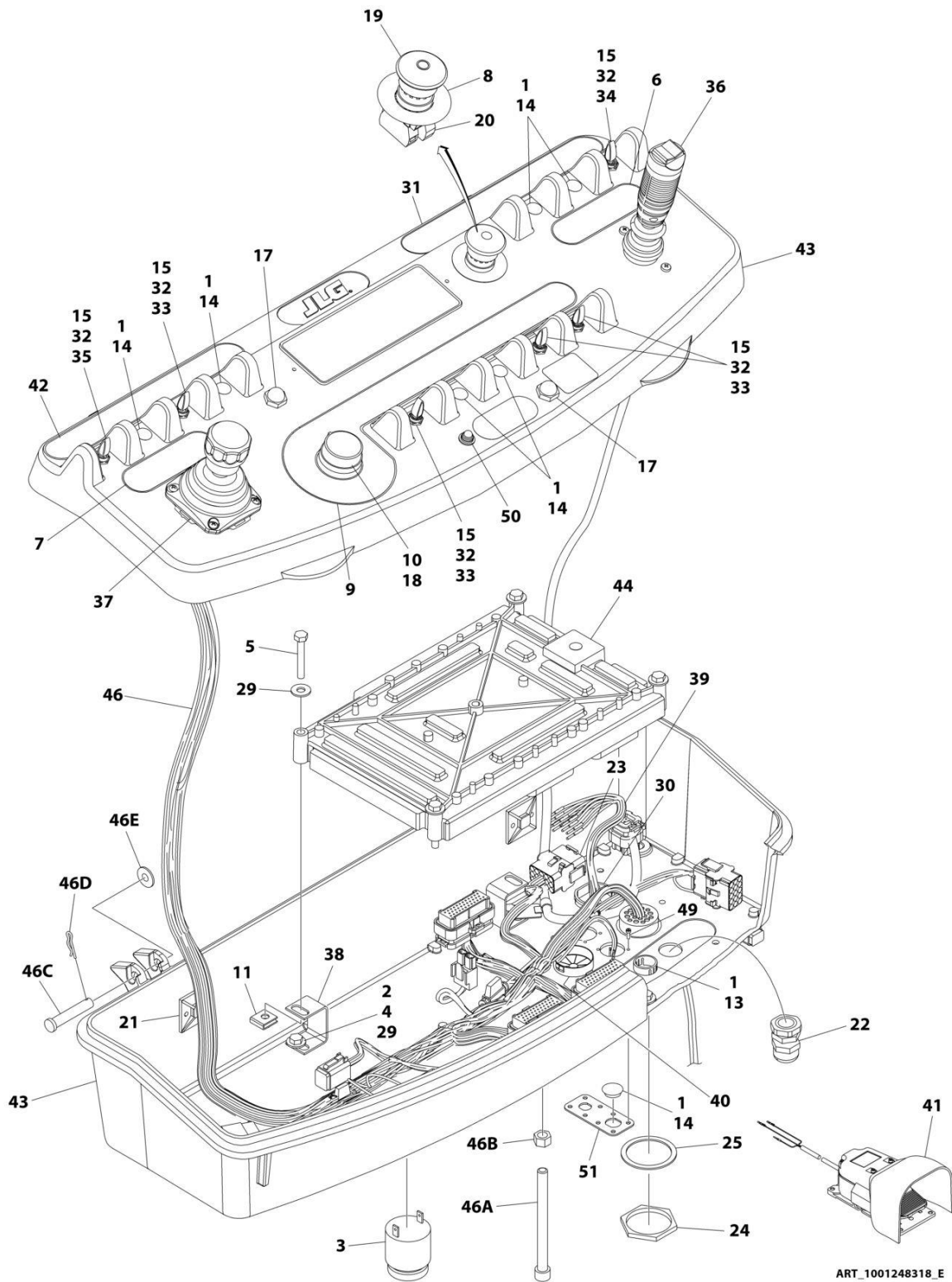
ITEM	PART NUMBER	QTY	DESCRIPTION	REV
47	1001272279	1	Platform Console Box Harness (See Separate Breakdown in ELECTRICAL Section)	
50	1001206532	1	Lamp, Indicator	





# SECTION 5 - PLATFORM

## FIGURE 5-19. PLATFORM CONSOLE ASSEMBLY - 2WD (UL SPECS)



## SECTION 5 - PLATFORM

**FIGURE 5-19. PLATFORM CONSOLE ASSEMBLY - 2WD (UL SPECS)**

ITEM	PART NUMBER	QTY	DESCRIPTION	REV
	1001248318	Ref	PLATFORM CONSOLE BOX ASSEMBLY	E
1	0100009	AR	Adhesive, Silicone	
2	0100035	AR	Compound, Locking	
3	0140011	1	Alarm	
4	0641405	4	Bolt 1/4 x 5/8	
5	0641414	4	Bolt 1/4 x 1-3/4	
6	1702565	1	Decal - Drive and Steer	
7	1702566	1	Decal - Lift and Swing	
8	1704260	1	Decal - EMS	
9	1704422	1	Decal - Function Speed	
10	2560136	1	Knob, Speed Control	
11	3300353	4	Nut, Tinnerman	
13	3520030	1	Plug, Hole	
14	3520054	7	Plug, Hole	
15	3790012	6	O-Ring	
16	4240099	AR	Tie-Strap (Not Shown)	
17	4360387	2	Switch, Push Button	
18	4360407	1	Switch, Potentiometer	
19	1001274559	1	Switch, Emergency Stop	
20	4360476	1	Block, Contact	
21	4460234	6	Mount, Tie-Strap	
22	4460428	1	Connector, Strain Relief	
23	4460434	1	Connector - 15 Position	
24	4460470	1	Nut, Terminal	
25	4460471	1	Washer, Terminal	
29	4751400	8	Washer 1/4	
30	1001110434	1	Plug	
31	1001247538	1	Decal - Stop/Generator	
32	1001155044	6	Nut 15/32	
33	1001155045	4	Switch, Toggle	
34	1001159256	1	Switch, Toggle	
35	1001161710	1	Switch, Toggle	
36	1001275628	1	Controller Assembly- Drive/Steer	
37	1001275629	1	Controller Assembly- Lift/Swing	
38	1001172760	4	Bracket	
39	1001255918	1	Boom Valve Harness (See Separate Breakdown in ELECTRICAL Section)	
40	1001185281	1	Plug	
41	1001117174	1	Footswitch Assembly (See Separate Breakdown in this Section)	
42	1001193987	1	Decal - Stop and Drive Select	
43	1001215228	1	Console Box Assembly	C
43A	0630568	1	Capscrew 3/8 x 4-1/2	
43B	3311601	1	Nut 3/8	
43C	3430616	2	Pin	
43D	3470003	2	Hairpin	
43E	4711600	2	Washer 3/8	
44	1001215835	1	Module, Platform (Note: Re-calibration Required when Replaced)	
46	1001272279	1	Platform Console Box Harness (See Separate Breakdown in ELECTRICAL Section)	
49	3900349	8	Screw M2.5	

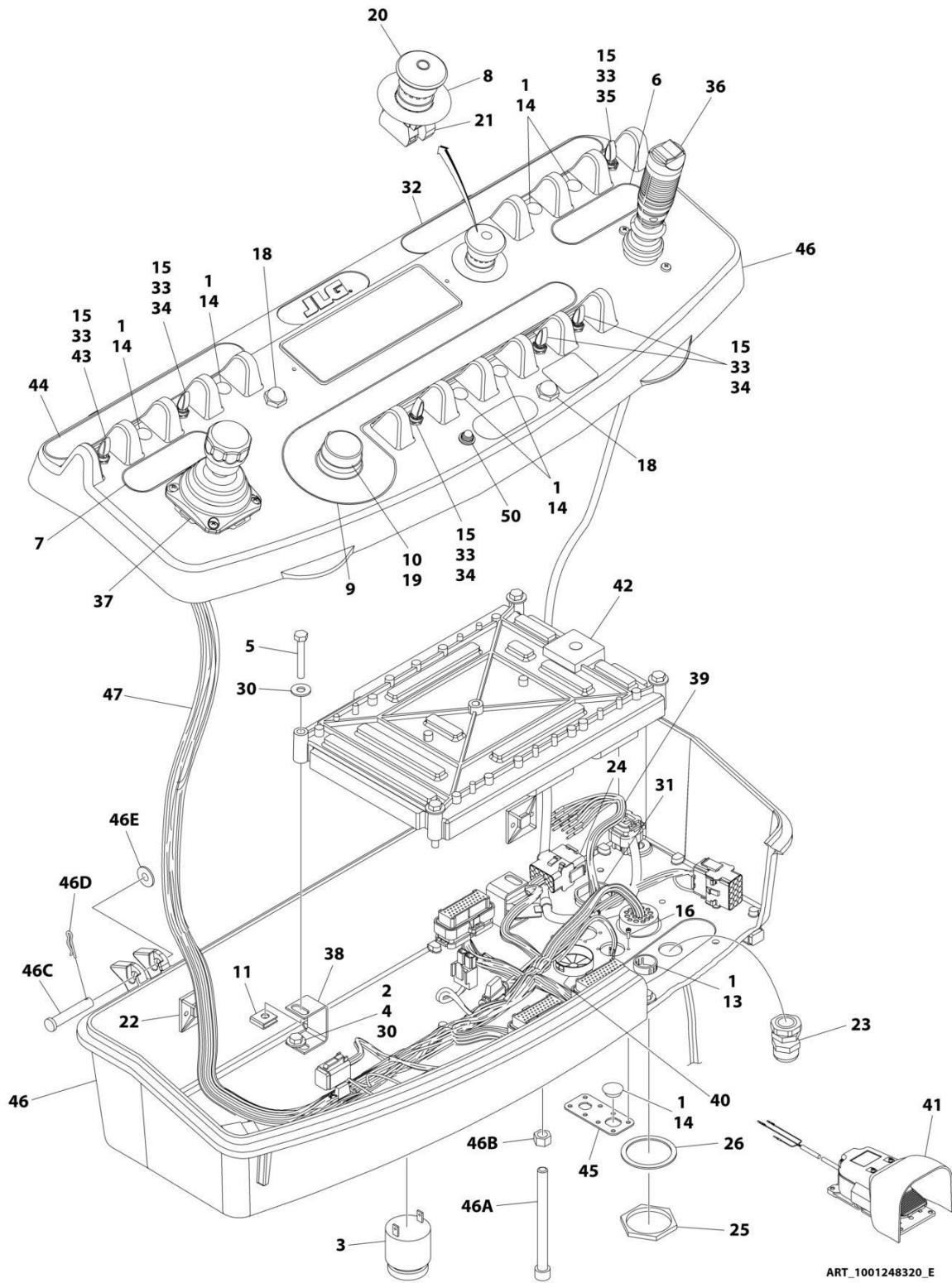
## SECTION 5 - PLATFORM

ITEM	PART NUMBER	QTY	DESCRIPTION	REV
50	1001206532	1	Lamp, Indicator	
51	1001213882	1	Mount, Connector	



# SECTION 5 - PLATFORM

## FIGURE 5-20. PLATFORM CONSOLE ASSEMBLY - 4WD (ALL SPECS EXCEPT UL SPECS)



## SECTION 5 - PLATFORM

**FIGURE 5-20. PLATFORM CONSOLE ASSEMBLY - 4WD (ALL SPECS EXCEPT UL SPECS)**

ITEM	PART NUMBER	QTY	DESCRIPTION	REV
	1001248320	Ref	PLATFORM CONSOLE BOX ASSEMBLY	E
1	0100009	AR	Adhesive, Silicone	
2	0100035	AR	Compound, Locking	
3	0140011	1	Alarm	
4	0641405	4	Bolt 1/4 x 5/8	
5	0641414	4	Bolt 1/4 x 1-3/4	
6	1702565	1	Decal - Drive and Steer	
7	1702566	1	Decal - Lift and Swing	
8	1704260	1	Decal - EMS	
9	1704422	1	Decal - Function Speed	
10	2560136	1	Knob, Speed Control	
11	3300353	4	Nut, Tinnerman	
13	3520030	1	Plug, Hole	
14	3520054	7	Plug, Hole	
15	3790012	6	O-Ring	
16	3900349	8	Screw M2.5	
17	4240099	AR	Tie-Strap (Not Shown)	
18	4360387	2	Switch, Push Button	
19	4360407	1	Switch, Potentiometer	
20	1001274559	1	Switch, Emergency Stop	
21	4360476	1	Block, Contact	
22	4460234	6	Mount, Tie-Strap	
23	4460428	1	Connector, Strain Relief	
24	4460434	1	Connector - 15 Position	
25	4460470	1	Nut, Terminal	
26	4460471	1	Washer, Terminal	
30	4751400	8	Washer 1/4	
31	1001110434	1	Plug	
32	1001247538	1	Decal - Stop/Generator	
33	1001155044	6	Nut 15/32	
34	1001155045	4	Switch, Toggle	
35	1001159256	1	Switch, Toggle	
36	1001275628	1	Controller Assembly - Drive and Steer	
37	1001275629	1	Controller Assembly - Lift and Swing	
38	1001172760	4	Bracket	
39	1001255918	1	Boom Valve Harness (See Separate Breakdown in ELECTRICAL Section)	
40	1001185281	1	Plug	
41	1001117174	1	Module, Platform (Note: Re-calibration Required when Replaced)	
42	1001196520	1	Module, Platform (All Specs Except UL Specs)	
43	1001211363	1	Switch, Toggle	
44	1001212277	1	Decal - Horn/Drive Select	
45	1001213882	1	Mount, Connector	
46	1001215228	1	Console Box Assembly	C
46A	0630568	1	Capscrew 3/8 x 4-1/2	
46B	3311601	1	Nut 3/8	
46C	3430616	2	Pin	
46D	3470003	2	Hairpin	
46E	4711600	2	Washer 3/8	

## SECTION 5 - PLATFORM

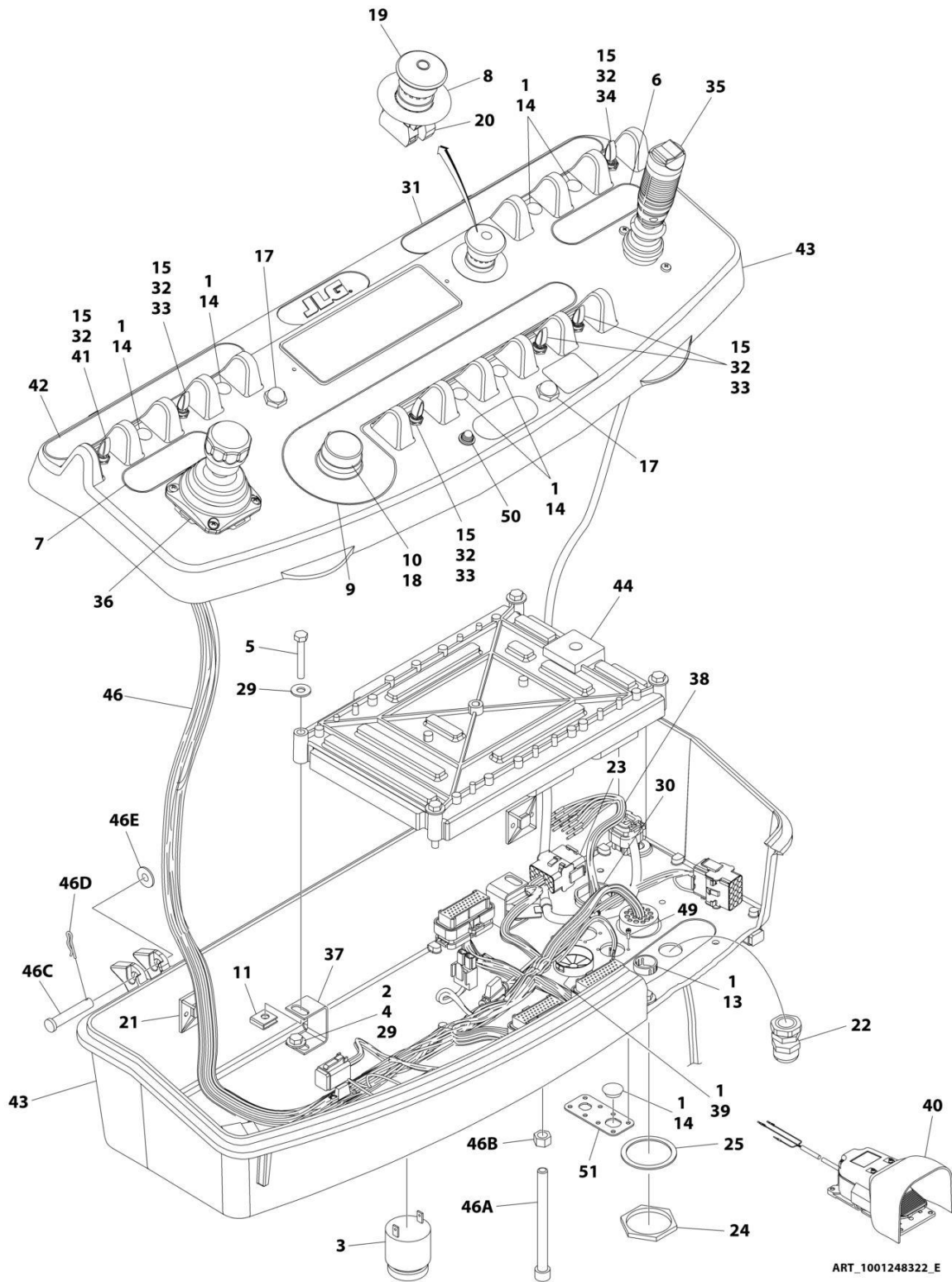
ITEM	PART NUMBER	QTY	DESCRIPTION	REV
47	1001272279	1	Platform Console Box Harness (See Separate Breakdown in ELECTRICAL Section)	
50	1001206532	1	Lamp, Indicator	





# SECTION 5 - PLATFORM

## FIGURE 5-21. PLATFORM CONSOLE ASSEMBLY - 4WD (UL SPECS)



## SECTION 5 - PLATFORM

**FIGURE 5-21. PLATFORM CONSOLE ASSEMBLY - 4WD (UL SPECS)**

ITEM	PART NUMBER	QTY	DESCRIPTION	REV
	1001248322	Ref	PLATFORM CONSOLE BOX ASSEMBLY	E
1	0100009	AR	Adhesive, Silicone	
2	0100035	AR	Compound, Locking	
3	0140011	1	Alarm	
4	0641405	4	Bolt 1/4 x 5/8	
5	0641414	4	Bolt 1/4 x 1-3/4	
6	1702565	1	Decal - Drive and Steer	
7	1702566	1	Decal - Lift and Swing	
8	1704260	1	Decal - EMS	
9	1704422	1	Decal - Function Speed	
10	2560136	1	Knob, Speed Control	
11	3300353	4	Nut, Tinnerman	
13	3520030	1	Plug, Hole	
14	3520054	7	Plug, Hole	
15	3790012	6	O-Ring	
16	4240099	AR	Tie-Strap (Not Shown)	
17	4360387	2	Switch, Push Button	
18	4360407	1	Switch, Potentiometer	
19	1001274559	1	Switch, Emergency Stop	
20	4360476	1	Block, Contact	
21	4460234	6	Mount, Tie-Strap	
22	4460428	1	Connector, Strain Relief	
23	4460434	1	Connector - 15 Position	
24	4460470	1	Nut, Terminal	
25	4460471	1	Washer, Terminal	
29	4751400	8	Washer 1/4	
30	1001110434	1	Plug	
31	1001247538	1	Decal - Stop/Generator	
32	1001155044	6	Nut 15/32	
33	1001155045	4	Switch, Toggle	
34	1001159256	1	Switch, Toggle	
35	1001275628	1	Controller Assembly - Drive and Steer	
36	1001275629	1	Controller Assembly - Lift and Swing	
37	1001172760	4	Bracket	
38	1001255918	1	Boom Valve Harness (See Separate Breakdown in ELECTRICAL Section)	
39	1001185281	1	Plug	
40	1001117174	1	Footswitch Assembly (See Separate Breakdown in this Section)	
41	1001211363	1	Switch , Toggle	
42	1001212277	1	Decal - Horn/Drive Select	
43	1001215228	1	Console Box Assembly	C
43A	0630568	1	Capscrew 3/8 x 4-1/2	
43B	3311601	1	Nut 3/8	
43C	3430616	2	Pin	
43D	3470003	2	Hairpin	
43E	4711600	2	Washer 3/8	
44	1001215835	1	Module, Platform (Note: Re-calibration Required when Replaced)	
46	1001272279	1	Platform Console Box Harness (See Separate Breakdown in ELECTRICAL Section)	
49	3900349	8	Screw M2.5	

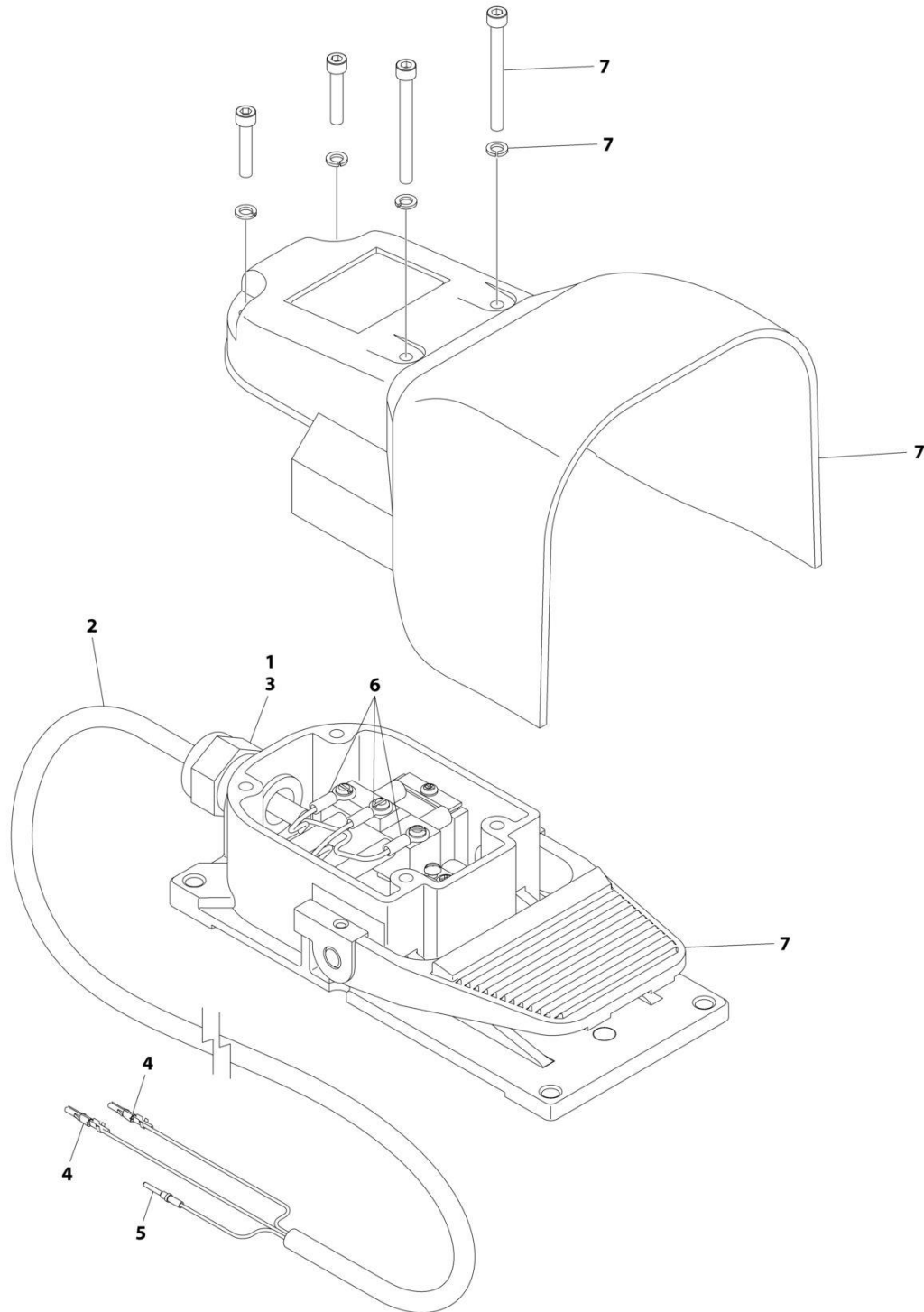
## SECTION 5 - PLATFORM

ITEM	PART NUMBER	QTY	DESCRIPTION	REV
50	1001206532	1	Lamp, Indicator	
51	1001213882	1	Mount, Connector	



# SECTION 5 - PLATFORM

## FIGURE 5-22. FOOTSWITCH ASSEMBLY



ART\_100117174

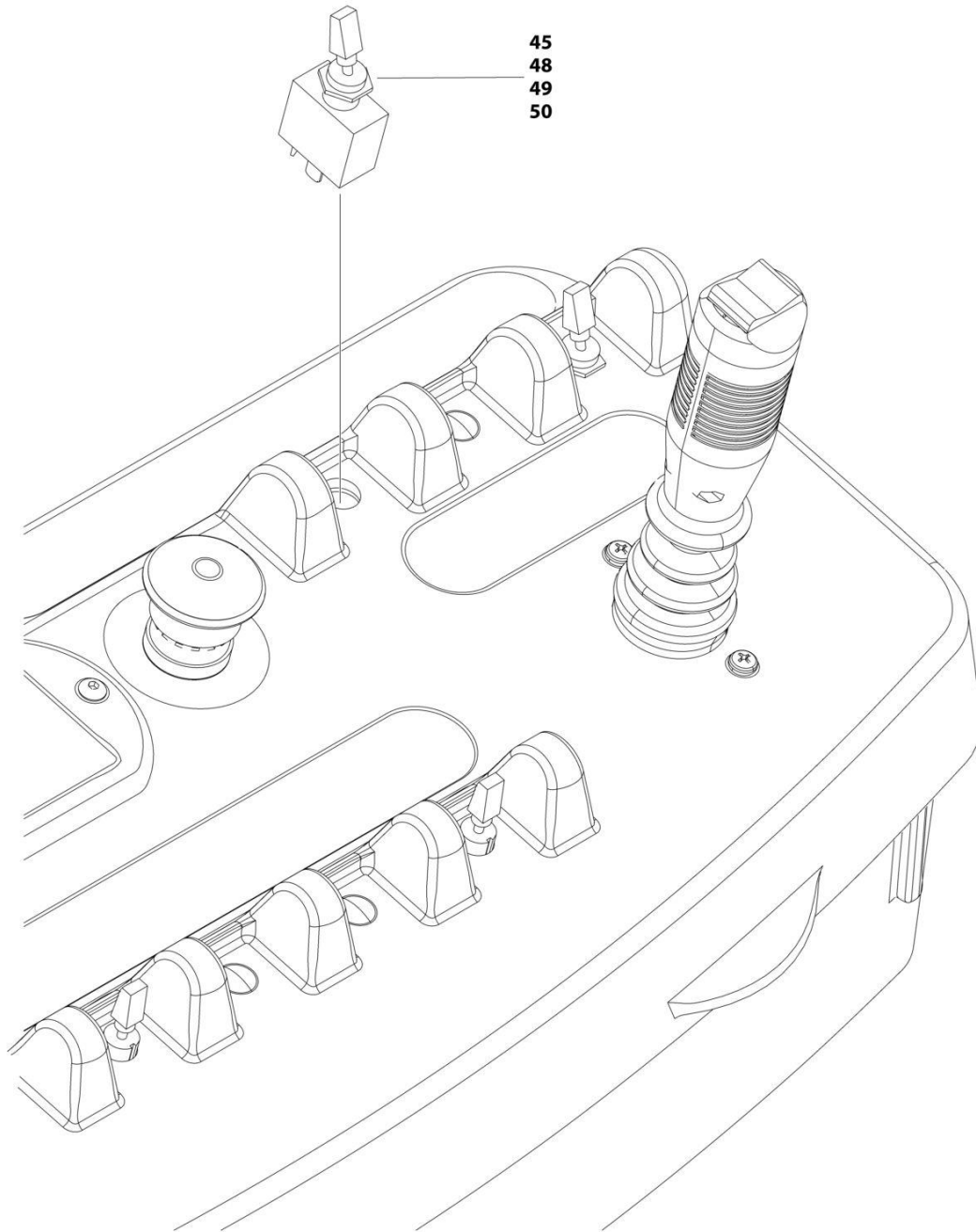
## SECTION 5 - PLATFORM

### FIGURE 5-22. FOOTSWITCH ASSEMBLY

ITEM	PART NUMBER	QTY	DESCRIPTION	REV
	1001117174	Ref	FOOTSWITCH ASSEMBLY	C
1	0100020	AR	Sealant	
2	1060918	7.5 ft/ 2.3m	Cable, Electrical - 18/3	
3	4460071	1	Connector, Strain Relief	
4	4460226	2	Socket, Female	
5	4460464	1	Pin, Male	
6	1001098122	3	Terminal	
7	1001117172	1	Footswitch	
7	70002902	1	Switch, 20Amp	
7	70002903	1	Gasket	
7	70002905	1	Cover	
7	70002904	1	Kit, Replacement Bolt	

# SECTION 5 - PLATFORM

FIGURE 5-23. ENGINE CONTROLS INSTALLATION - STANDARD BATTERIES (H600SJ,H600SJP)



ART\_1001199313\_50F5



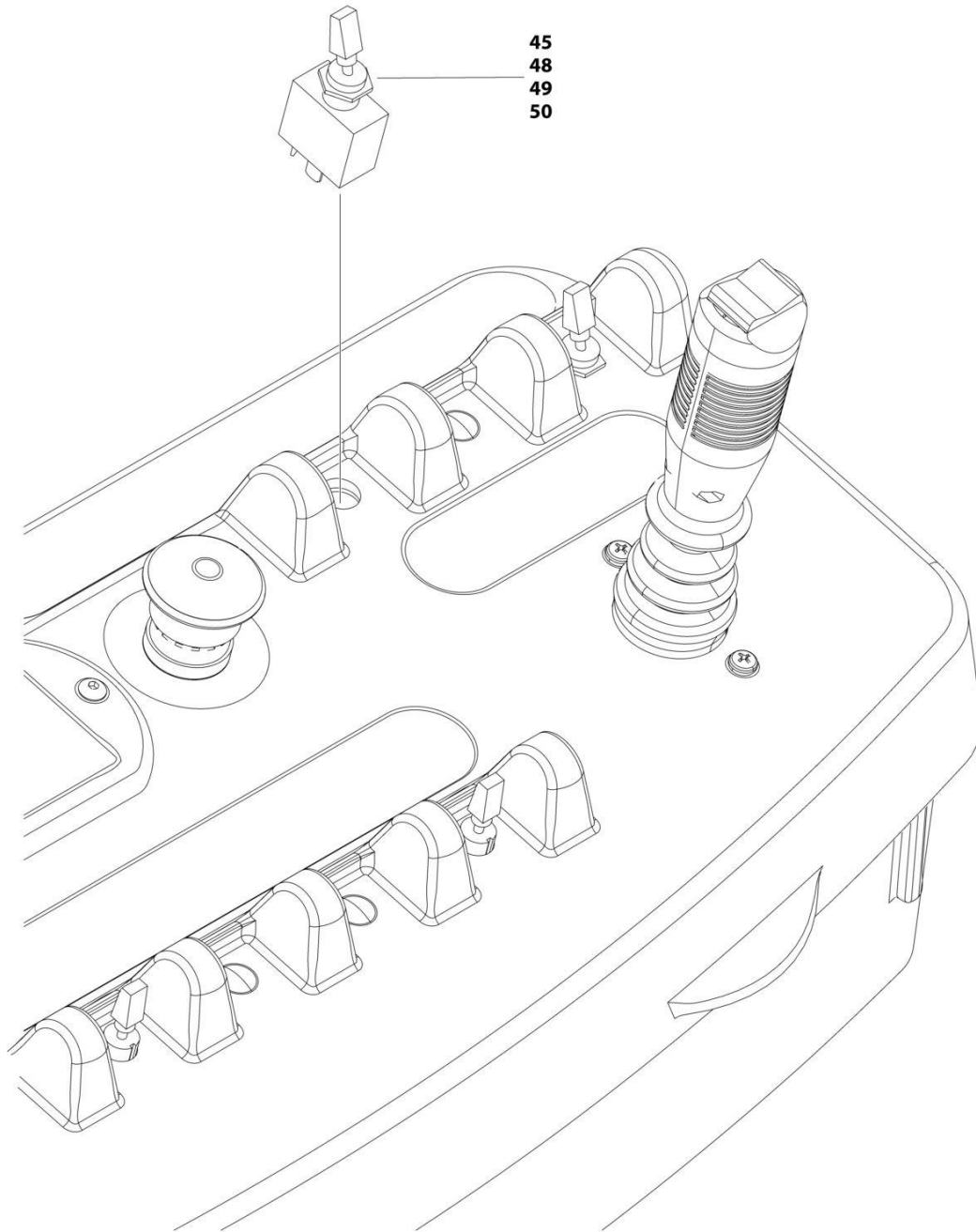
## SECTION 5 - PLATFORM

**FIGURE 5-23. ENGINE CONTROLS INSTALLATION - STANDARD BATTERIES (H600SJ,H600SJP)**

ITEM	PART NUMBER	QTY	DESCRIPTION	REV
	1001199313	Ref	MOTOR CONTROLS INSTALLATION - STANDARD BATTERIES (M600/M600J/M600JP)	H
45	3790012	1	O-Ring	
48	4740397	1	Spacer	
49	1001155044	1	Nut	
50	1001161710	1	Switch, Toggle	

# SECTION 5 - PLATFORM

## FIGURE 5-24. ENGINE CONTROLS INSTALLATION - AGM BATTERIES (H600SJ,H600SJP)



ART\_1001207674\_50F5

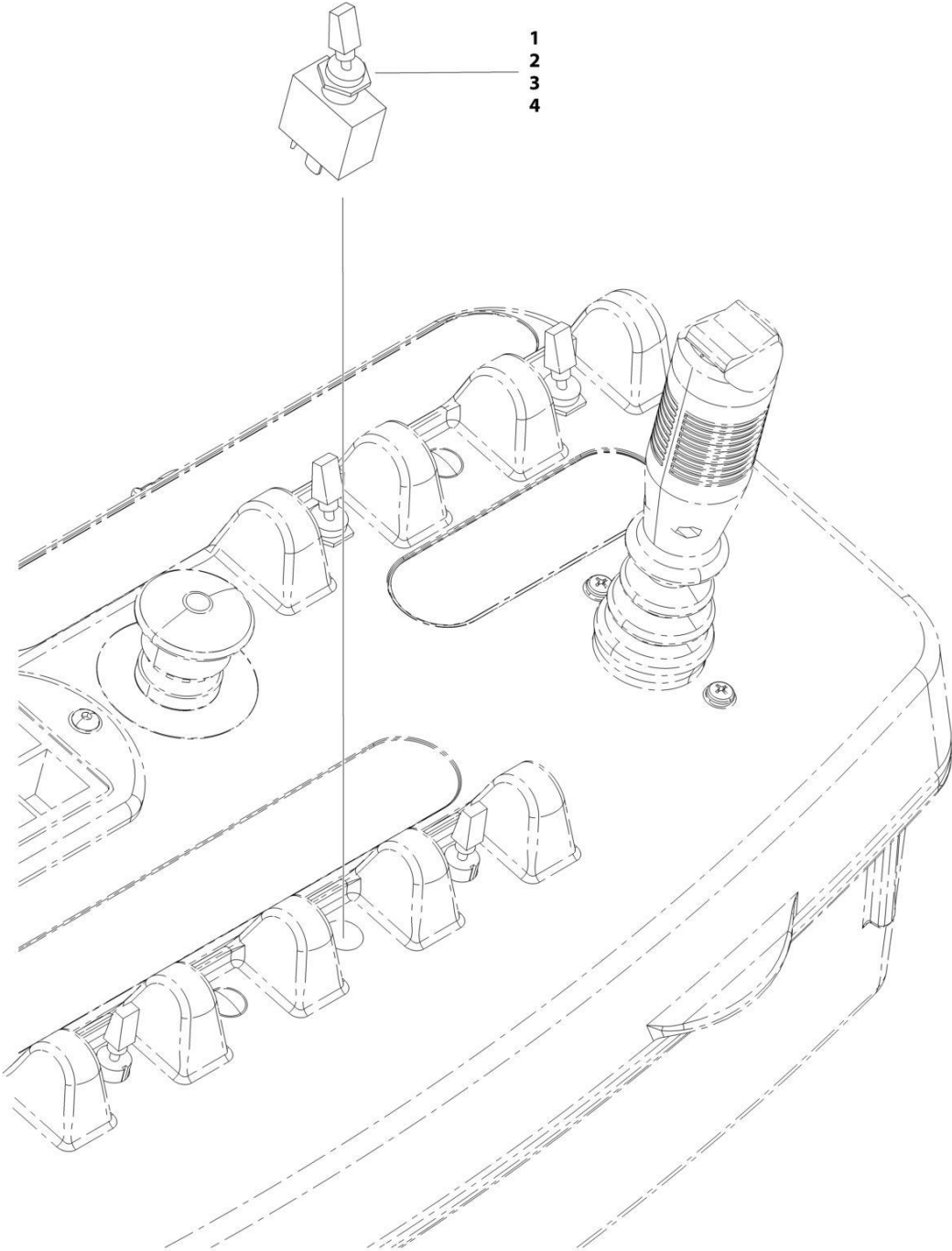
## SECTION 5 - PLATFORM

**FIGURE 5-24. ENGINE CONTROLS INSTALLATION - AGM BATTERIES (H600SJ,H600SJP)**

ITEM	PART NUMBER	QTY	DESCRIPTION	REV
	1001207674	Ref	ENGINE CONTROLS INSTALLATION - AGM BATTERIES	G
45	3790012	1	O-Ring	
48	4740397	1	Spacer	
49	1001155044	1	Nut	
50	1001161710	1	Switch, Toggle	

**SECTION 5 - PLATFORM**

**FIGURE 5-25. JIB ROTATE SWITCH INSTALLATION (EC600SJP,H600SJP)**



ART\_1001192053

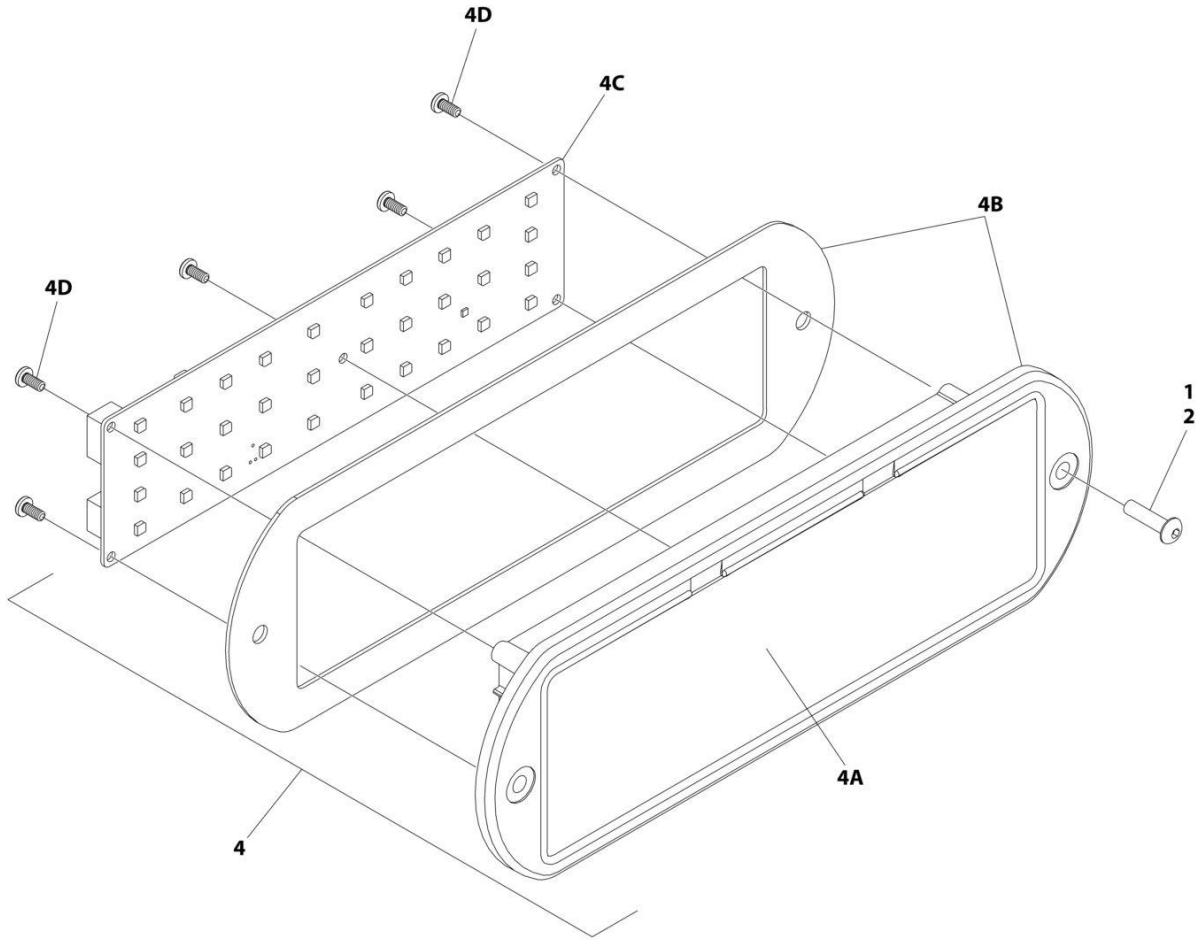
## SECTION 5 - PLATFORM

**FIGURE 5-25. JIB ROTATE SWITCH INSTALLATION (EC600SJP,H600SJP)**

ITEM	PART NUMBER	QTY	DESCRIPTION	REV
	1001192053	Ref	JIB ROTATE SWITCH INSTALLATION	A
1	3790012	1	O-Ring	
2	4740397	1	Spacer, Washer	
3	1001155044	1	Nut 15/32	
4	1001155045	1	Switch, Toggle	

# SECTION 5 - PLATFORM

## FIGURE 5-26. LIGHT PANEL INSTALLATION



ART\_1001245179

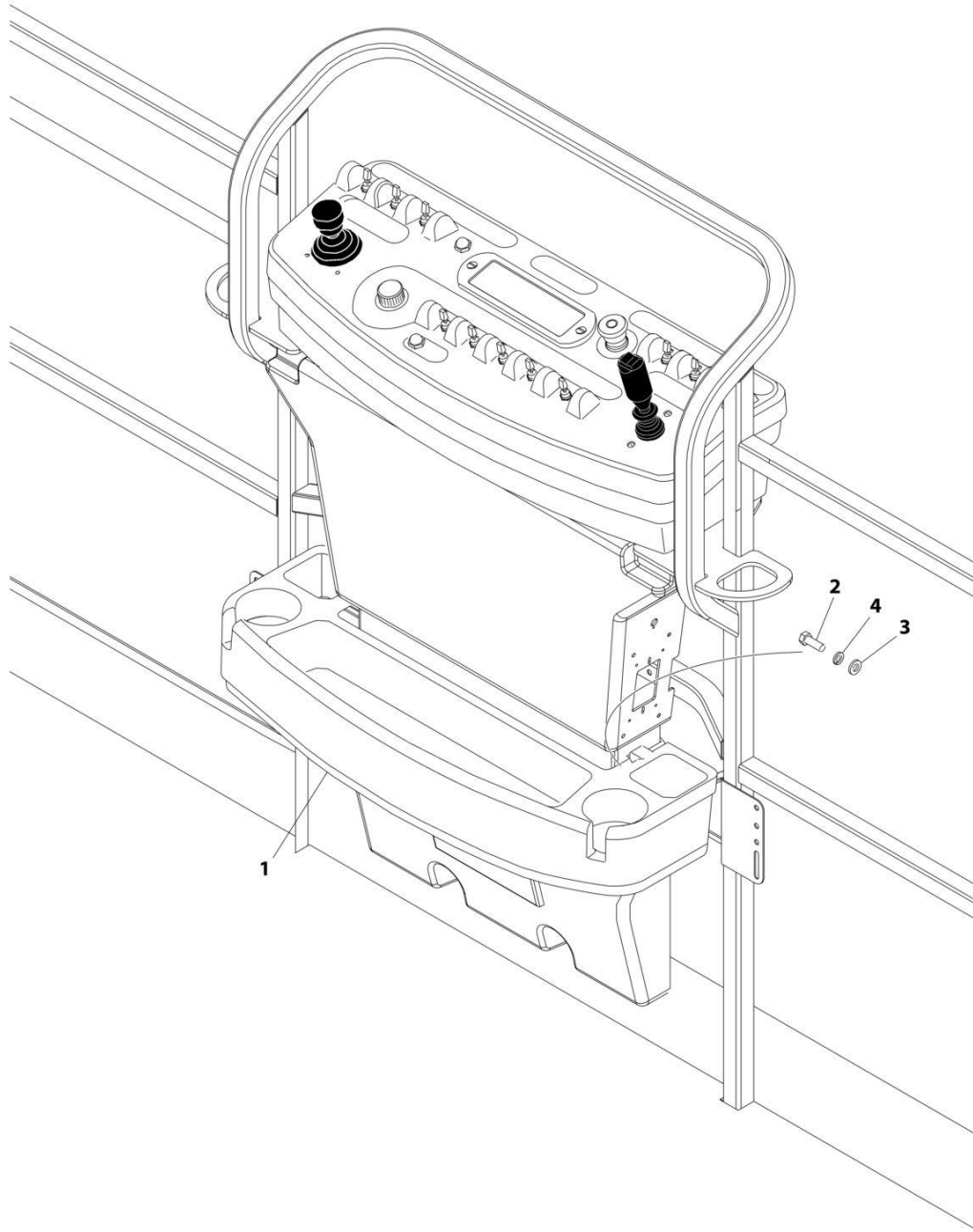
## SECTION 5 - PLATFORM

### FIGURE 5-26. LIGHT PANEL INSTALLATION

ITEM	PART NUMBER	QTY	DESCRIPTION	REV
	1001245179	Ref	LIGHT PANEL INSTALLATION	B
1	0100035	AR	Compound, Locking	
2	3911010	2	Screw #10 x 5/8	
4	1001245210	1	Light Panel Assembly	
4A	1001245164	1	Lens, I-Con	
4B	1001245173	1	Bezel (Includes Gasket)	
4C	1001238732	1	Panel, LED Light	
4D		Ref	Screw	

# SECTION 5 - PLATFORM

## FIGURE 5-27. TRAY ASSEMBLY



ART\_1580012



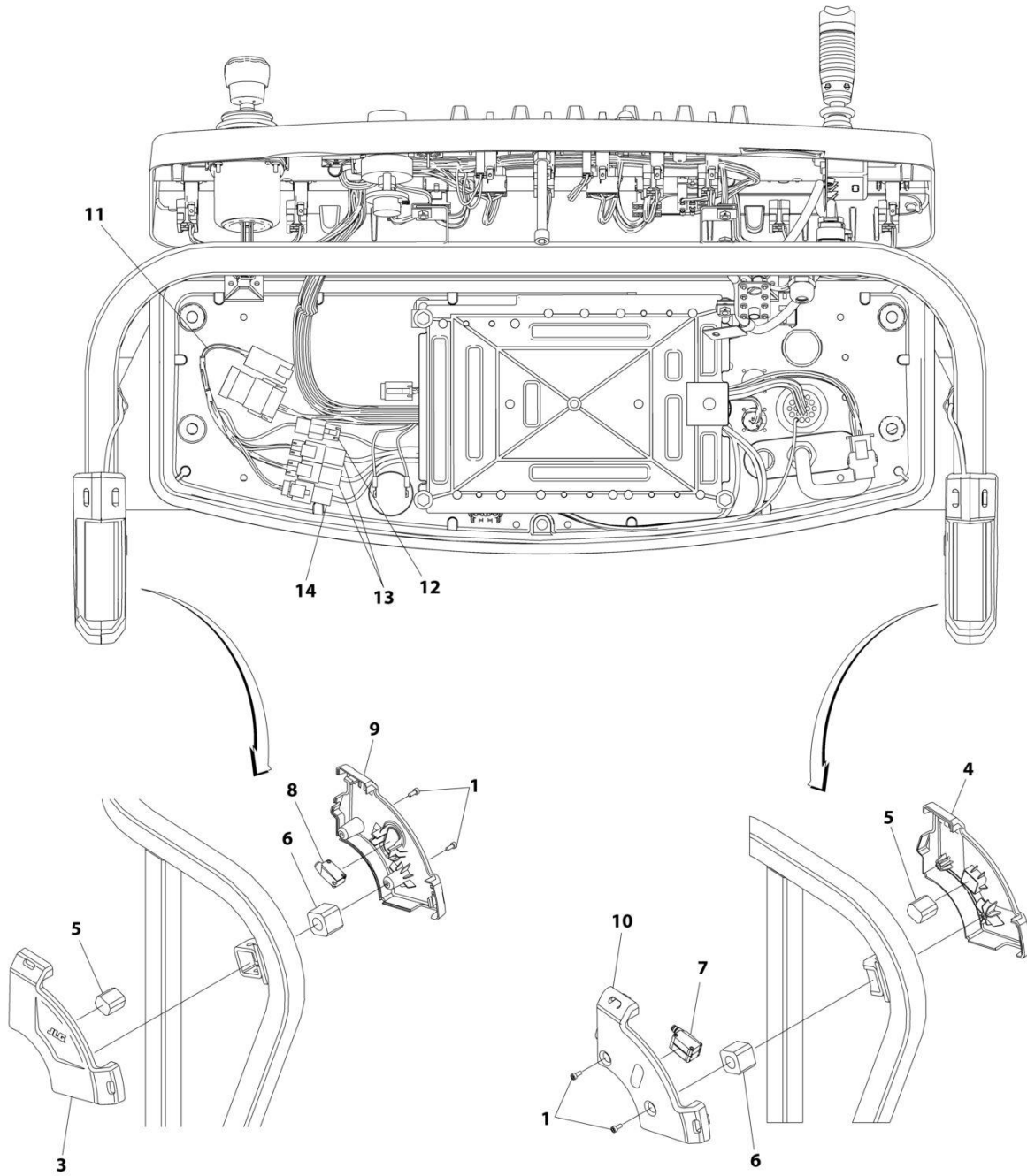
## SECTION 5 - PLATFORM

### FIGURE 5-27. TRAY ASSEMBLY

ITEM	PART NUMBER	QTY	DESCRIPTION	REV
	1580012	Ref	TRAY ASSEMBLY	C
1	See Note	NSS	Tray, Storage (Center) (Note: Purchase p/n 1580012)	
2	0641406	2	Bolt 1/4 x 3/4	
3	4751400	2	Washer 1/4	
4	4761400	2	Washer 1/4	

# SECTION 5 - PLATFORM

## FIGURE 5-28. SKYEYE INSTALLATION



ART\_1001229341

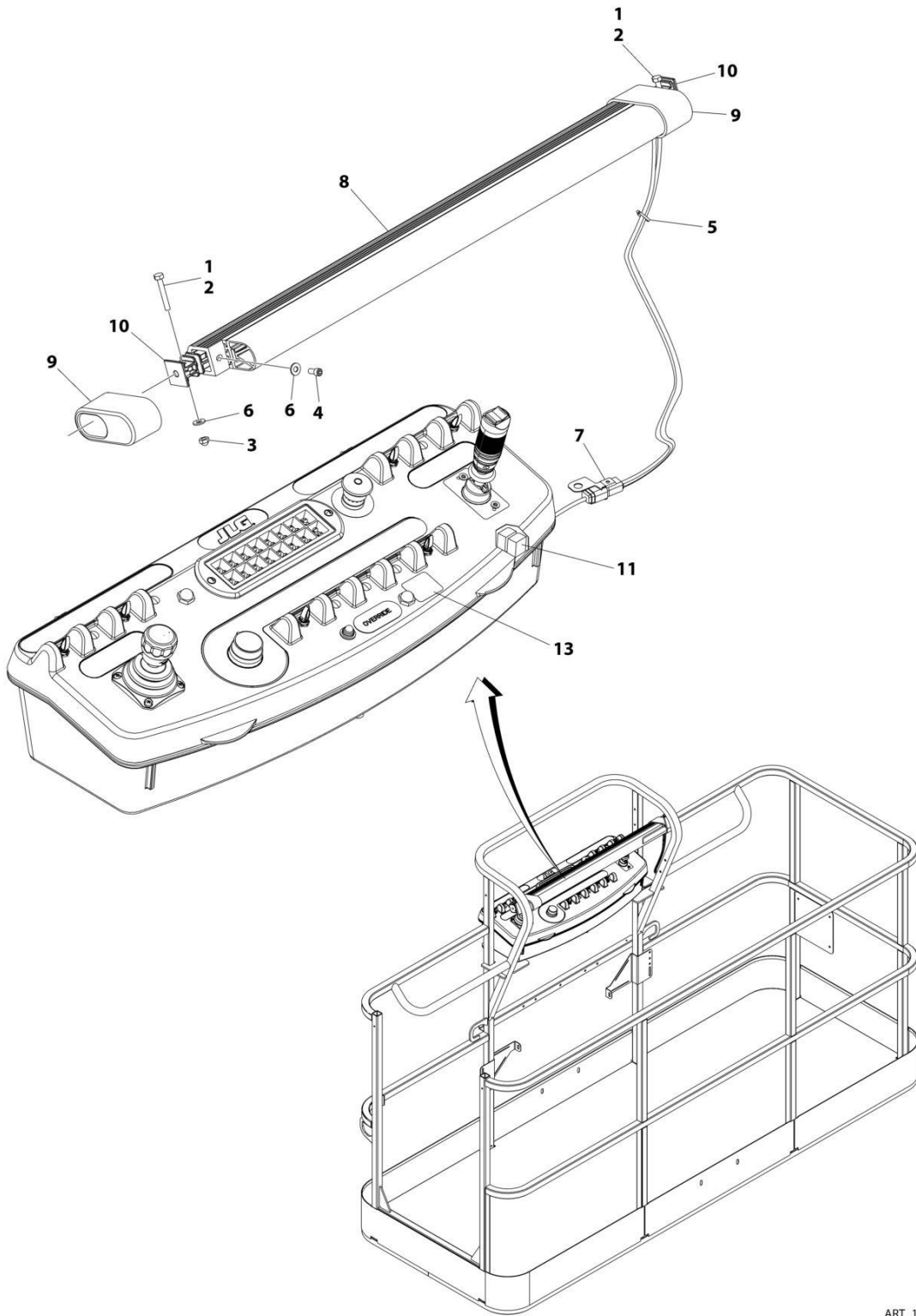
## SECTION 5 - PLATFORM

### FIGURE 5-28. SKYEYE INSTALLATION

ITEM	PART NUMBER	QTY	DESCRIPTION	REV
	1001229341	Ref	SKYEYE INSTALLATION	B
1	4031505	4	Bolt M4 x 10	
2	4240033	AR	Tie-Strap (Not Shown)	
3	1001227633	1	Housing, LH Outer	
4	1001227634	1	Housing, RH Outer	
5	1001227985	2	Shim	
6	1001227987	2	Shim	
7	1001228224	2	Sensor, Receiver	
8	1001228225	1	Sensor, Emitter	
9	1001232164	1	Housing, LH Inner	
10	1001232165	1	Housing, RH Inner	
11	1001237865	1	Harness, Skyeeye Intermediate (See Separate Breakdown in ELECTRICAL Section)	
12	1001238319	NLA	Harness, Skyeeye Drain Jumper	
12	1001187674	1	Plug, Male - 2 Position	
12	4460942	1	Terminal	
12	4460466	1	Plug, Terminal	
12	4460508	1	Pin, Male	
13	1001237863	2	Harness, Skyeeye Receiver (See Separate Breakdown in ELECTRICAL Section)	
14	1001237864	1	Harness, Skyeeye Emitter (See Separate Breakdown in ELECTRICAL Section)	

# SECTION 5 - PLATFORM

## FIGURE 5-29. SKYGUARD BAR INSTALLATION



ART\_1001238495

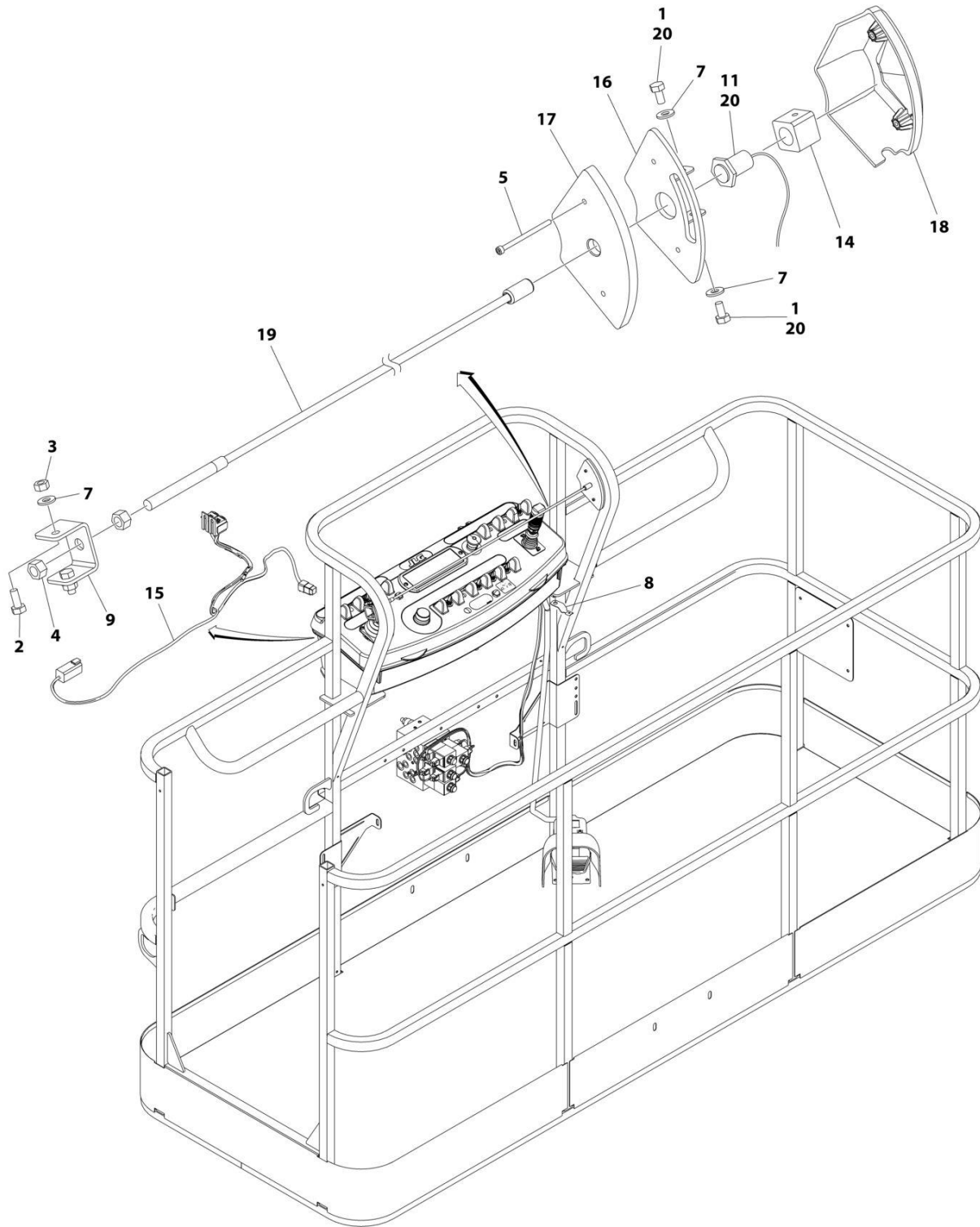
## SECTION 5 - PLATFORM

**FIGURE 5-29. SKYGUARD BAR INSTALLATION**

ITEM	PART NUMBER	QTY	DESCRIPTION	REV
	1001238495	Ref	SKYGUARD BAR INSTALLATION	A
1	0100011	AR	Compound, Locking	
2	0641414	2	Bolt 1/4 x 1-3/4	
3	3300430	2	Nut 1/4	
4	3931408	2	Capscrew 1/4 x 1/2	
5	4240033	8	Tie-Strap	
6	4711400	6	Washer 1/4	
7	1001120328	1	Mount	
8	1001137673	1	SkyGuard Switch Assembly	
9	1001186517	2	Cover, Platform Sensor	
10	1001209664	2	Support, Block	
11	1001186431	2	Relay	
12	1001225580	1	Interface Harness Assembly (Not Shown - Located Inside Console Box) (See Separate Breakdown in ELECTRICAL Section)	
13	1001144433	1	Decal - No Weight SkyGuard	

# SECTION 5 - PLATFORM

## FIGURE 5-30. SKYLINE INSTALLATION



ART\_1001238559\_D

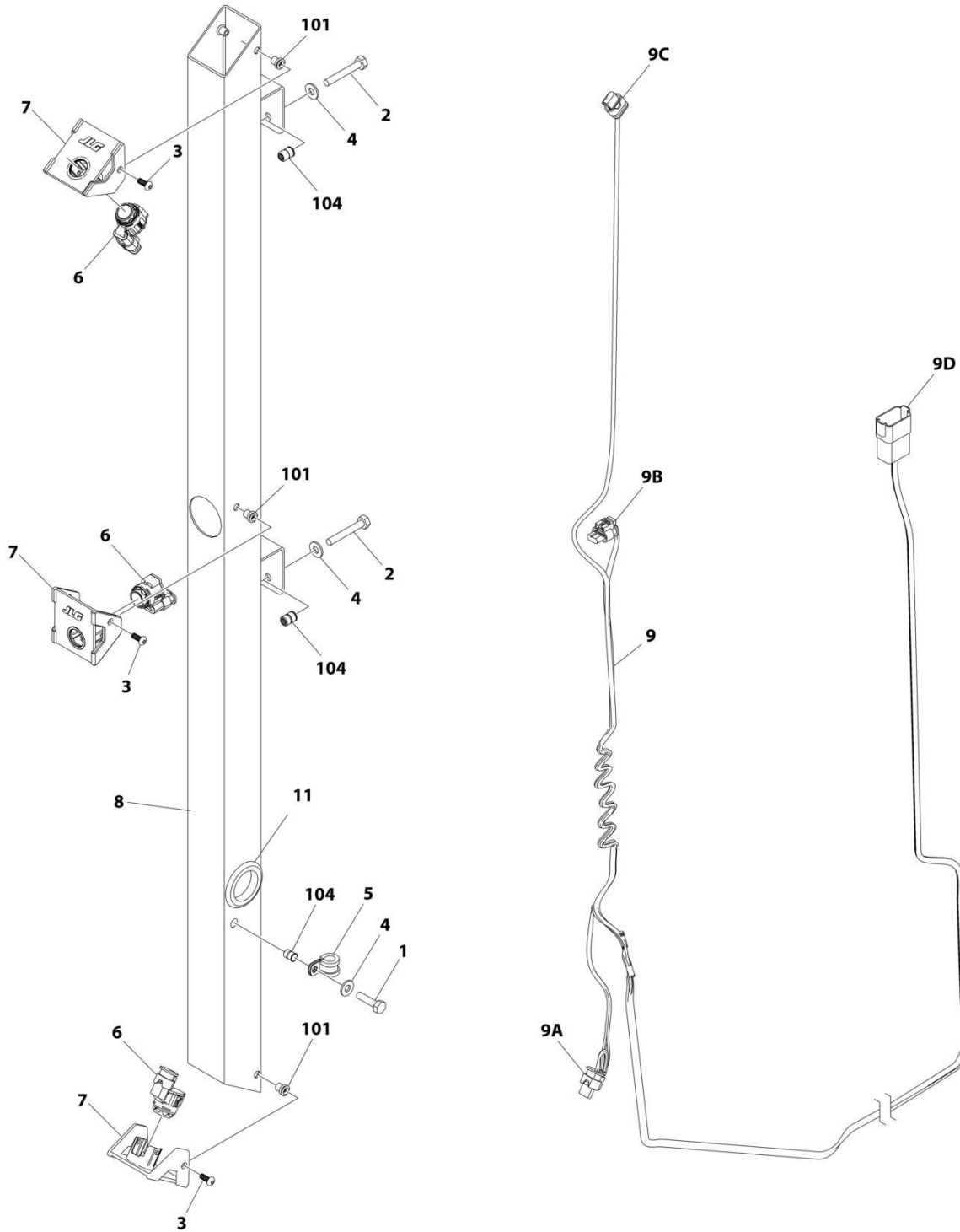
## SECTION 5 - PLATFORM

**FIGURE 5-30. SKYLINE INSTALLATION**

ITEM	PART NUMBER	QTY	DESCRIPTION	REV
	1001238559	Ref	SKYLINE INSTALLATION	D
1	0641404	2	Bolt 1/4 x 1/2	
2	0641405	2	Bolt 1/4 x 5/8	
3	3311405	2	Nut 1/4	
4	3311601	2	Nut 3/8	
5	4031516	2	Capscrew M4 x 60	
6	4240033	AR	Tie-Strap (Not Shown)	
7	4711400	4	Washer 1/4	
8	1001120328	1	Mount	
9	1001232642	1	Bracket	
11	1001232667	1	Sensor, Proximity	
11	1001311034	1	Sensor, Proximity	
14	1001236552	1	Block	
15	1001238418	1	Harness, Skyline (See Separate Breakdown in ELECTRICAL Section)	
16	1001238472	1	Mount	
17	1001254473	1	Housing, LH	
18	1001241965	1	Housing, RH	
19	1001254472	1	Rod	
20	0100011	AR	Compound, Locking	

# SECTION 5 - PLATFORM

## FIGURE 5-31. SKYSENSE MID TUBE SENSOR ASSEMBLY



ART\_1001243205



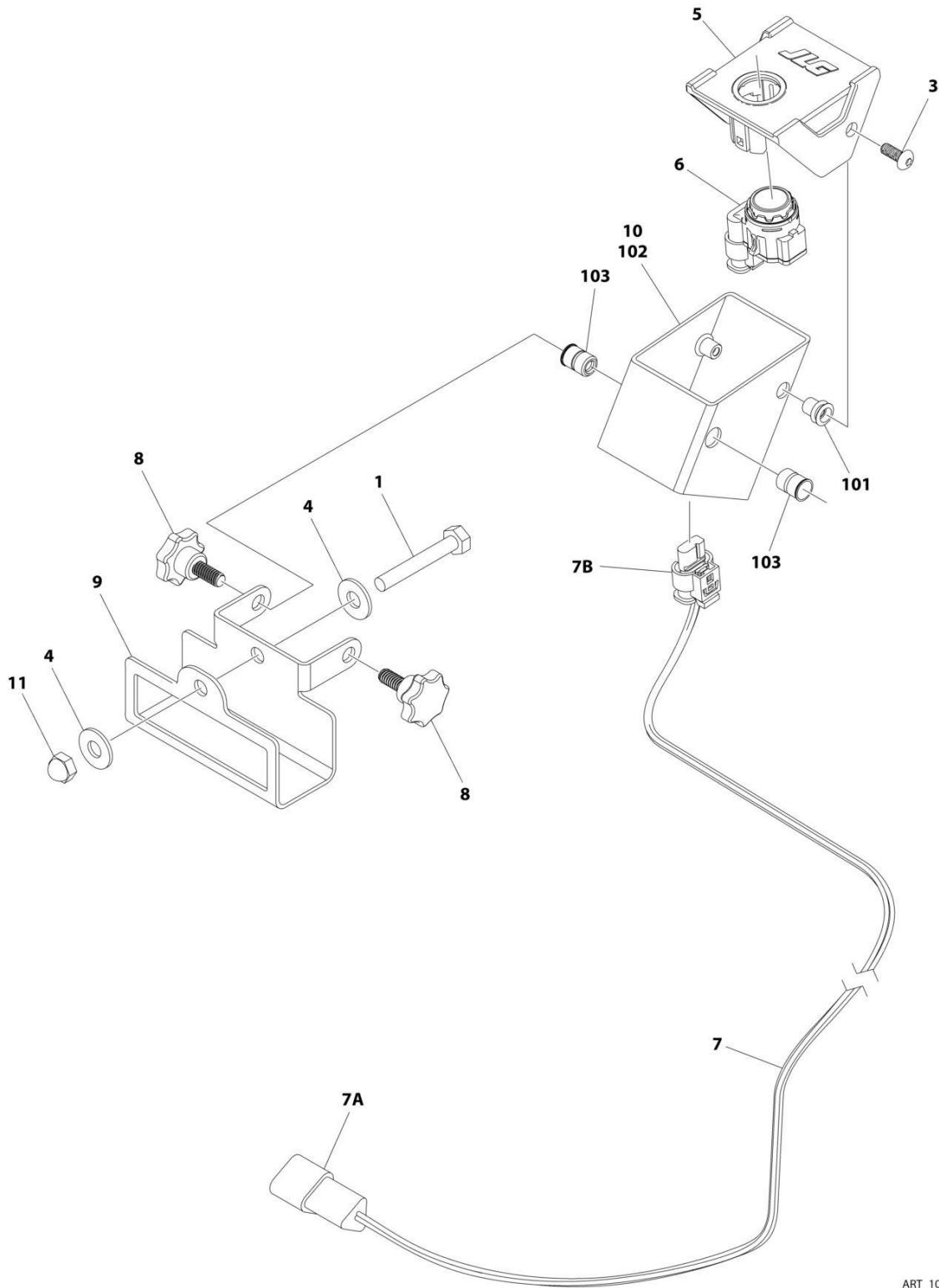
## SECTION 5 - PLATFORM

**FIGURE 5-31. SKYSENSE MID TUBE SENSOR ASSEMBLY**

ITEM	PART NUMBER	QTY	DESCRIPTION	REV
	1001243205	Ref	SKYSENSE MID TUBE SENSOR ASSEMBLY	C
1	0641408	1	Bolt 1/4 x 1	
2	0641414	2	Bolt 1/4 x 1-3/4	
3	1001260525	6	Screw #10 x 1/2	
4	4711400	3	Washer 1/4	
5	1001260524	1	Clamp	
6	1001237902	3	Sensor, SkySense	
7	1001241162	3	Mount, Sensor	
8	1001243092	1	Tube Assembly (Includes items 101 through 104)	C
9	1001244336	1	Harness, SkySense Mid Tube	D
9A	1001237898	1	Connector	
9A	1001237888	3	Terminal	
9B	1001237898	1	Connector	
9B	1001237888	3	Terminal	
9C	1001237898	1	Connector	
9C	1001237888	3	Terminal	
9D	4460931	1	Connector	
9D	4460943	7	Pin	
9D	4460466	1	Plug	
10	1001246389	1	Decal (Not Shown)	
11	1001247252	1	Grommet	
101	2080069	6	Fastener	
104	1001258730	3	Rivnut	

# SECTION 5 - PLATFORM

## FIGURE 5-32. SKYSENSE OVERHEAD SENSOR ASSEMBLY



ART\_1001244733

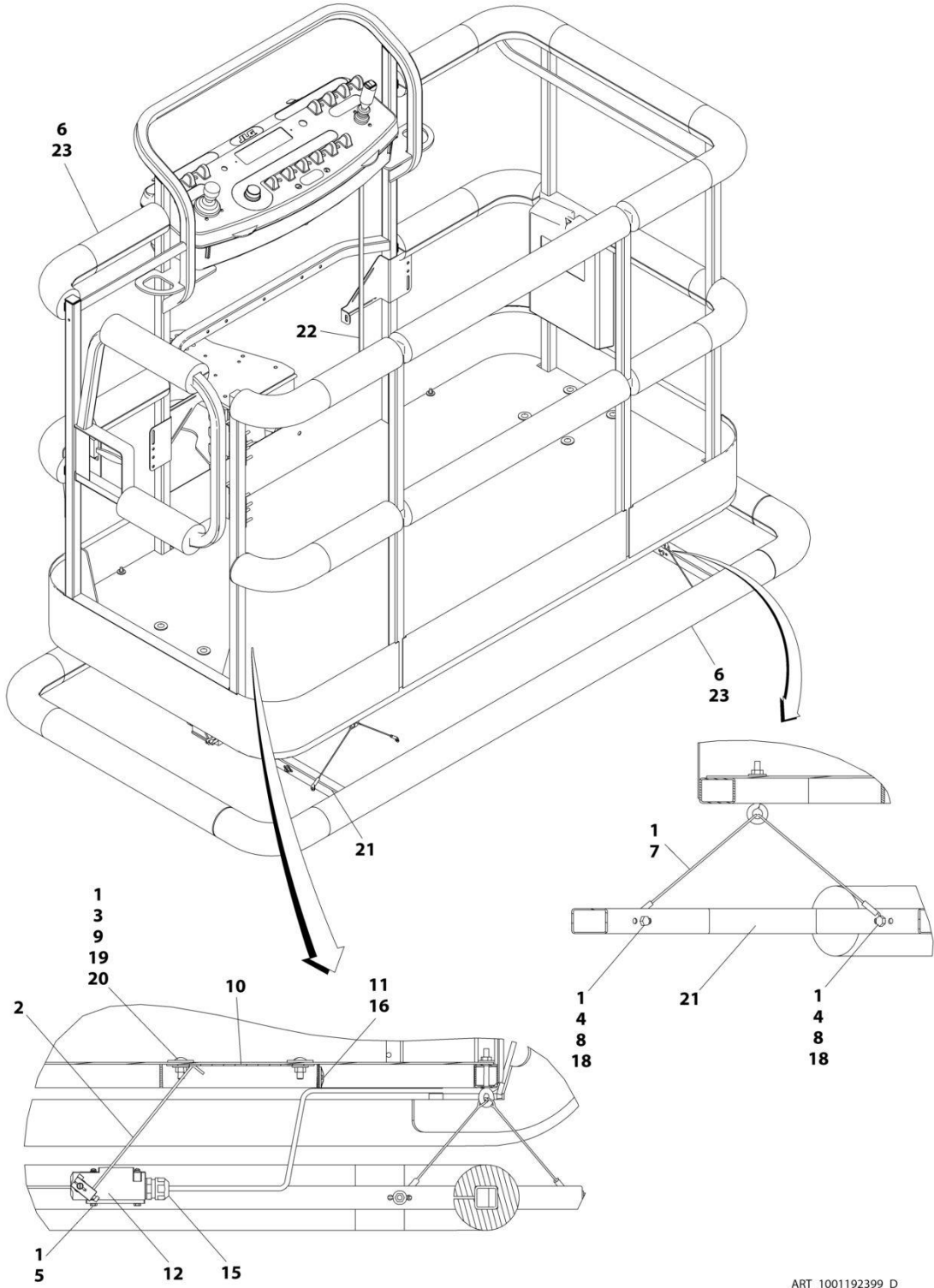
## SECTION 5 - PLATFORM

**FIGURE 5-32. SKYSENSE OVERHEAD SENSOR ASSEMBLY**

ITEM	PART NUMBER	QTY	DESCRIPTION	REV
	1001244733	Ref	SKYSENSE OVERHEAD SENSOR ASSEMBLY	D
1	0641414	1	Bolt 1/4 x 1-3/4	
3	1001260525	2	Screw #10 x 1/2	
4	4751400	2	Washer 1/4	
5	1001237891	1	Mount, Sensor	
6	1001237902	1	Sensor, SkySense	
7	1001244335	1	Harness, SkySense Overhead	D
7A	4460536	1	Connector	
7A	4460943	3	Pin	
7B	1001237898	1	Connector	
7B	1001237888	1	Terminal	
8	1001244671	2	Knob	
9	1001244709	1	Bracket, Mounting	
10	1001244732	1	Housing Assembly (Includes items 101 through 103)	B
11	3300430	1	Nut	
101	2080069	2	Fastener	
102	1001244710	1	Housing, Sensor	
103	1001258730	2	Rivnut	

# SECTION 5 - PLATFORM

## FIGURE 5-33. SOFT TOUCH INSTALLATION (SIDE ENTRY PLATFORM) (OPTIONAL)



ART\_1001192399\_D

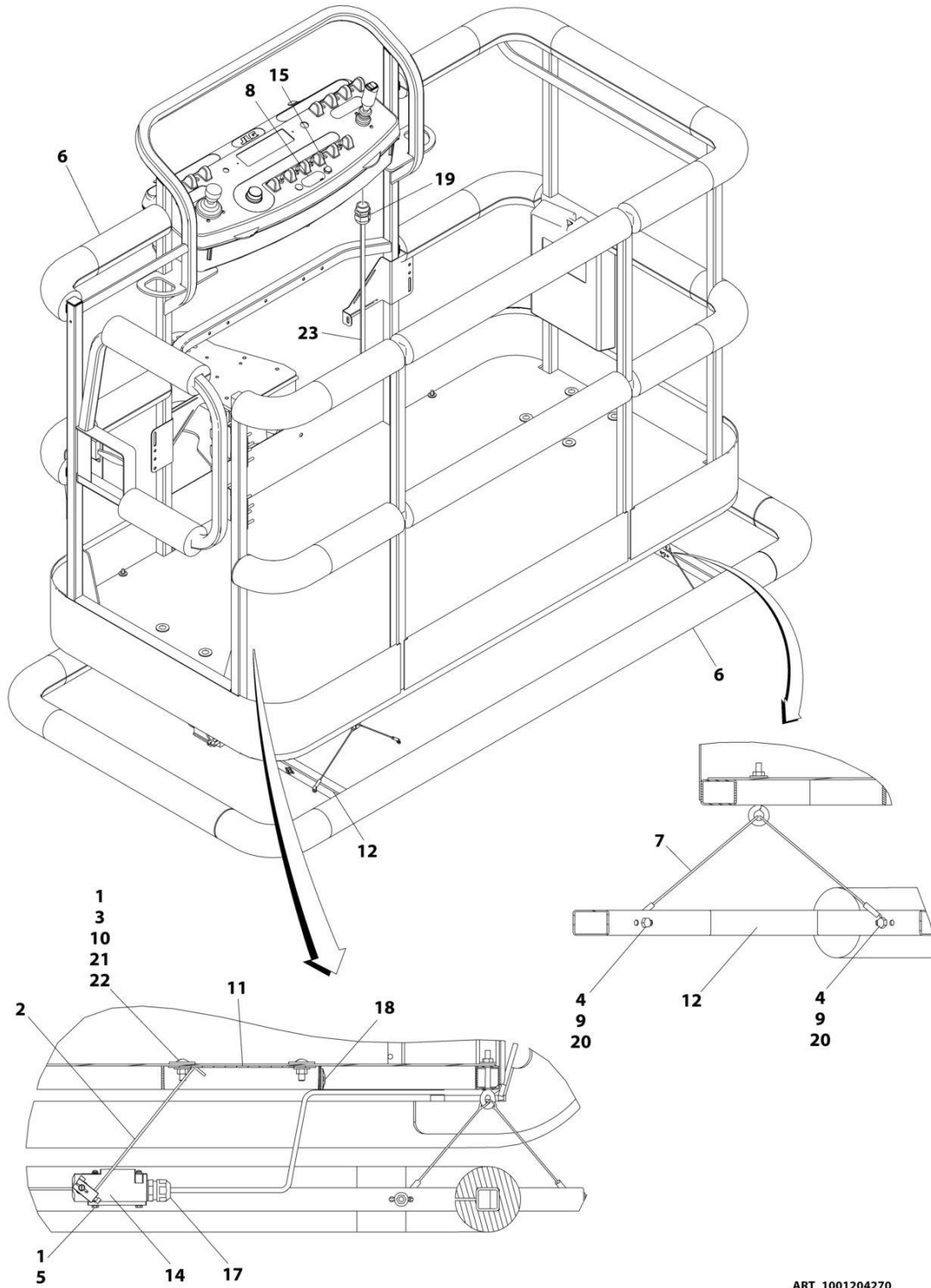
## SECTION 5 - PLATFORM

**FIGURE 5-33. SOFT TOUCH INSTALLATION (SIDE ENTRY PLATFORM) (OPTIONAL)**

ITEM	PART NUMBER	QTY	DESCRIPTION	REV
	1001192399	Ref	SOFT TOUCH INSTALLATION - 6FT/1.8M PLATFORM	D
1	0100011	AR	Compound, Locking	
2	0200048	2	Arm, Switch	
3	0630462	8	Bolt, Carriage	
4	0641414	8	Bolt 1/4 x 1-3/4	
5	0721005	4	Bolt #10 x 5/8	
6	0940167	1	Bumper Kits (Includes Corners and Enough Straight Material for One Platform)	
7	1060903	4	Wire Rope and Eyebolt Assembly	
8	3311401	8	Nut 1/4	
9	3311501	8	Nut 5/16	
10	3575705	2	Plate, Switch Strike	
11	4240099	AR	Tie-Strap	
12	4360057	2	Switch, Limit	
15	4460049	2	Connector, Strain Relief	
16	4460234	2	Tie-Strap Mount	
17	4460425	1	Connector, Strain Relief (Not Shown - Located on bottom of console box)	
18	4751400	16	Washer 1/4	
19	4751500	8	Washer 5/16	
20	4751800	8	Washer 1/2	
21	4846370	1	Rail, Soft Touch	
22	1001193419	1	Soft Touch Harness	
22	4460226	4	Socket, Female	
23	1001197017	AR	Strap, Cable Tie (Yellow)	

# SECTION 5 - PLATFORM

## FIGURE 5-34. SOFT TOUCH INSTALLATION - WITH FALL ARREST (SIDE ENTRY PLATFORM) (OPTIONAL)



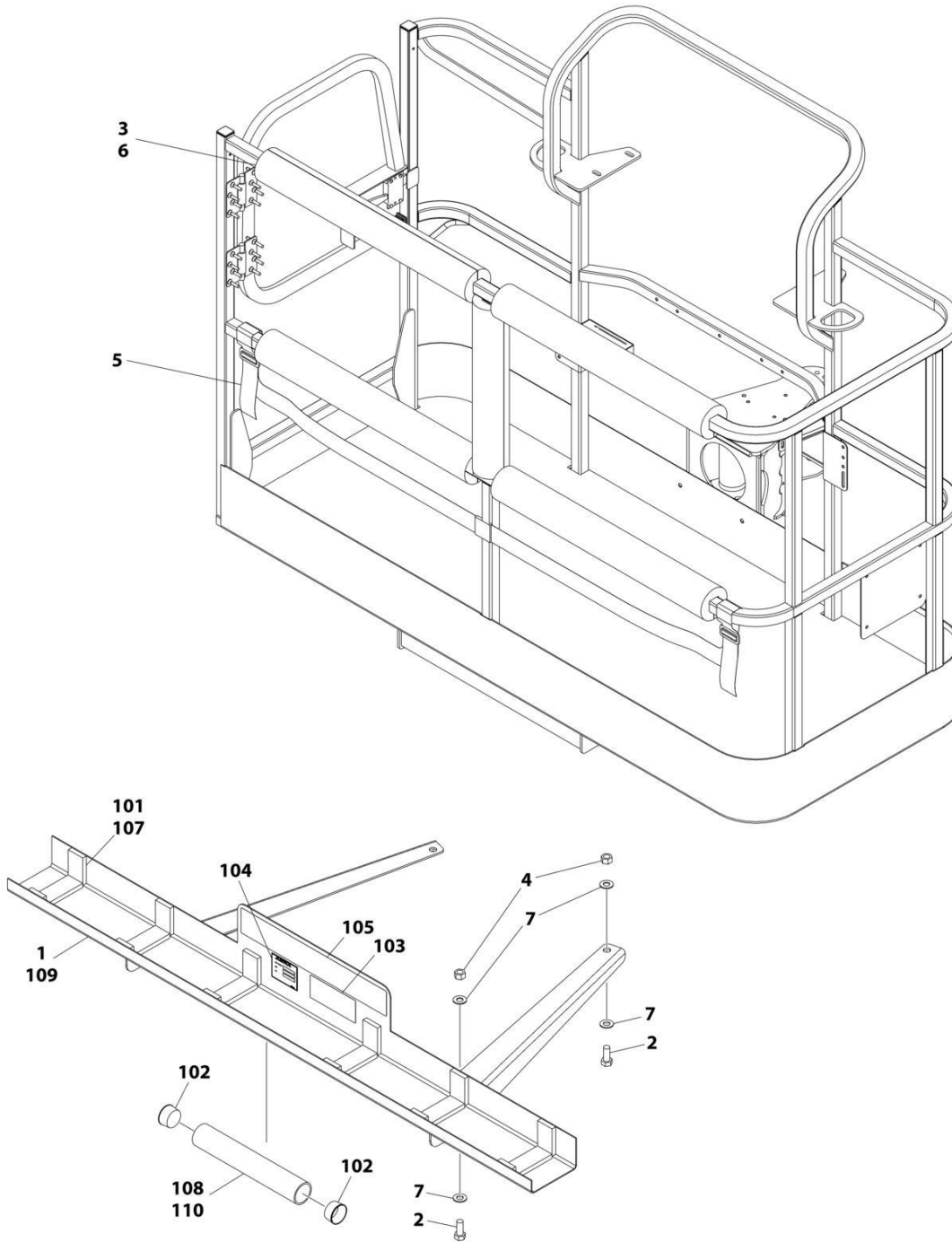
## SECTION 5 - PLATFORM

**FIGURE 5-34. SOFT TOUCH INSTALLATION - WITH FALL ARREST (SIDE ENTRY PLATFORM)  
(OPTIONAL)**

ITEM	PART NUMBER	QTY	DESCRIPTION	REV
	1001204270	Ref	SOFT TOUCH INSTALLATION - WITH FALL ARREST (SIDE ENTRY PLATFORM) (OPTIONAL)	B
1	0100011	AR	Compound, Locking	
2	0200048	2	Arm, Switch Activator	
3	0630462	8	Bolt, Carriage	
4	0641414	8	Bolt 1/4 x 1-3/4	
5	0731005	4	Screw #10 x 5/8	
6	0940177	1	Bumper, Kit	
6	0940092	8	Bumper (Corner)	
6	0940094	AR	Bumper (28ft Length)	
7	1060903	4	Wire Rope and Eyebolt Assembly	
8	1702938	1	Decal - Soft Touch Override	
9	3311401	8	Nut 1/4	
10	3311501	8	Nut 5/16	
11	3575359	2	Plate, Switch Strike	
12	3641569	1	Soft Touch Rail	
13	4240099	7	Tie, Wire (Not Shown)	
14	4360057	2	Switch, Limit	
15	4360387	1	Switch, Push Button	
17	4460049	2	Connector, Strain Relief	
18	4460234	7	Terminal, Mount	
19	4460425	1	Connector, Strain Relief	
20	4751400	8	Washer 1/4	
21	4751500	8	Washer 5/16	
22	4751800	8	Washer 1/2	
23	1001193419	1	Soft Touch Harness	
23	4460226	4	Socket, Female	

# SECTION 5 - PLATFORM

## FIGURE 5-35. SKYGLAZIER INSTALLATION (ANSI AND CSA SPECS)



ART\_0275945



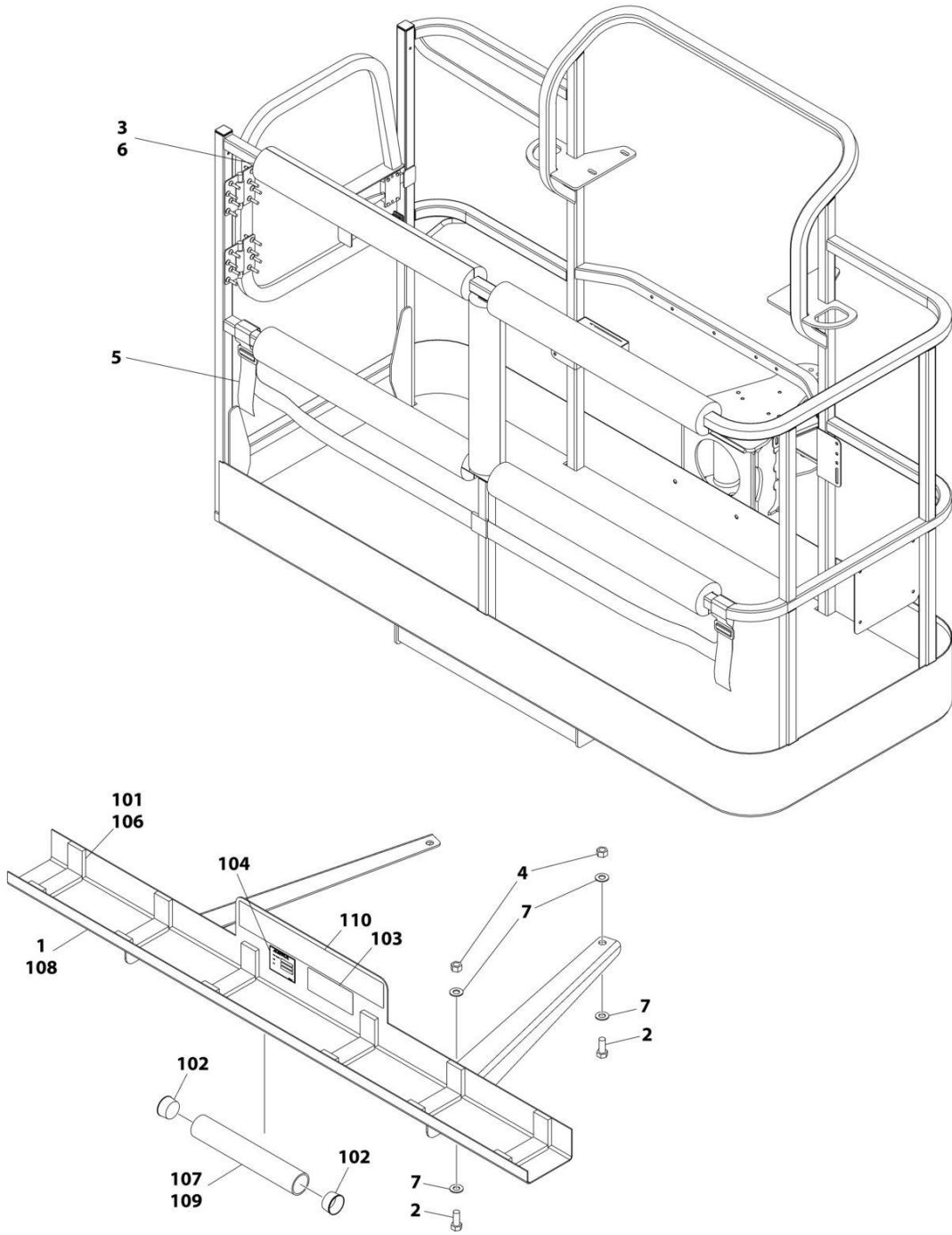
## SECTION 5 - PLATFORM

**FIGURE 5-35. SKYGLAZIER INSTALLATION (ANSI AND CSA SPECS)**

ITEM	PART NUMBER	QTY	DESCRIPTION	REV
	0275945	Ref	SKYGLAZIER INSTALLATION (ANSI AND CSA SPECS)	B
1	0275928	1	SkyGlazier Assembly (See Items 101-110 for Breakdown)	
2	0642012	4	Bolt 5/8 x 1-1/2	
3	0940199	1	Bumper Kit	
4	3312005	4	Nut 5/8	
5	4240149	1	Strap Kit	
6	4420014	AR	Tape, Plastic	
7	4712000	8	Washer 5/8	
	0275928	Ref	SKYGLAZIER ASSEMBLY	B
101	0100081	AR	Adhesive	
102	1120555	2	Cap, Manual Storage Tube	
103	1701509	1	Decal - Manual	
104	See Note	NSS	Nameplate (Note: Not Available for Purchase)	
105	1707192	1	Decal - Capacity	
107	3340956	1	Pad, Glazier Tray	
108	3460334	1	Tube, Manual Storage	
109	See Note	NSS	Tray (Note: Use Item 1)	
110	4420066	AR	Tape, Double Sided	

# SECTION 5 - PLATFORM

FIGURE 5-36. SKYGLAZIER INSTALLATION (ANSI EXPORT SPECS) (SPANISH/PORTUGUESE)



ART\_1001091433

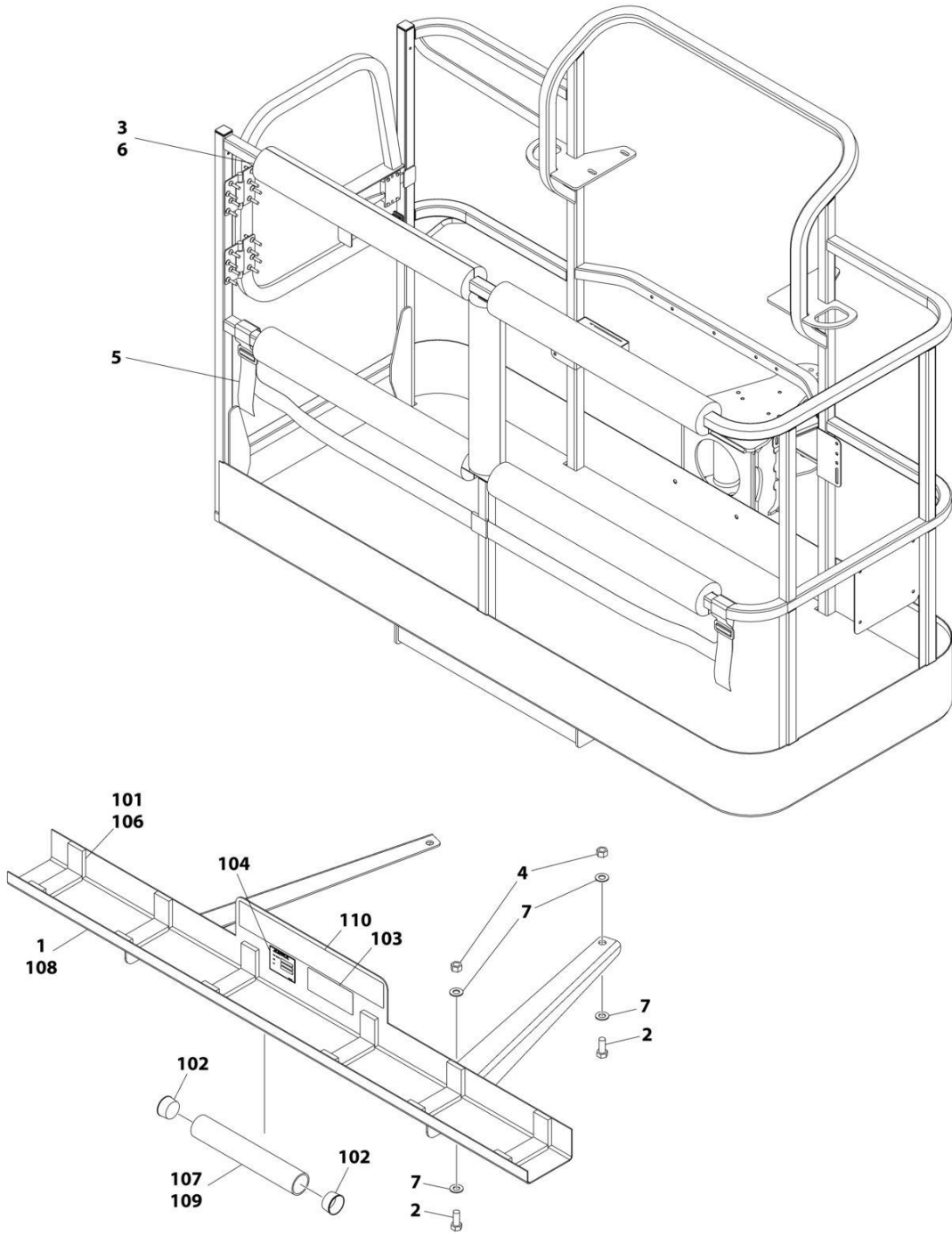
## SECTION 5 - PLATFORM

**FIGURE 5-36. SKYGLAZIER INSTALLATION (ANSI EXPORT SPECS) (SPANISH/PORTUGUESE)**

ITEM	PART NUMBER	QTY	DESCRIPTION	REV
	1001091433	Ref	SKYGLAZIER INSTALLATION (ANSI EXPORT SPECS) (SPANISH/PORTUGUESE)	B
1	1001091431	1	SkyGlazier Assembly (See Items 101-110 for Breakdown)	
2	0642012	4	Bolt 5/8 x 1-1/2	
3	0940199	1	Bumper Kit	
4	3312005	4	Nut 5/8	
5	4240149	1	Strap Kit	
6	4420014	AR	Tape, Plastic	
7	4712000	8	Washer 5/8	
	1001091431	Ref	SKYGLAZIER ASSEMBLY	B
101	0100081	AR	Adhesive	
102	1120555	2	Cap, Manual Storage Tube	
103	1701509	1	Decal - Manual	
104	See Note	NSS	Nameplate (Note: Not Available for Purchase)	
106	3340956	1	Pad, Glazier Tray	
107	3460334	1	Tube, Manual Storage	
108	See Note	NSS	Tray (Note: Use Item 1)	
109	4420066	AR	Tape, Double Sided	
110	1001091429	1	Decal - Capacity	

# SECTION 5 - PLATFORM

FIGURE 5-37. SKYGLAZIER INSTALLATION (ANSI EXPORT SPECS) (ENGLISH/SPANISH)



ART\_1001091434

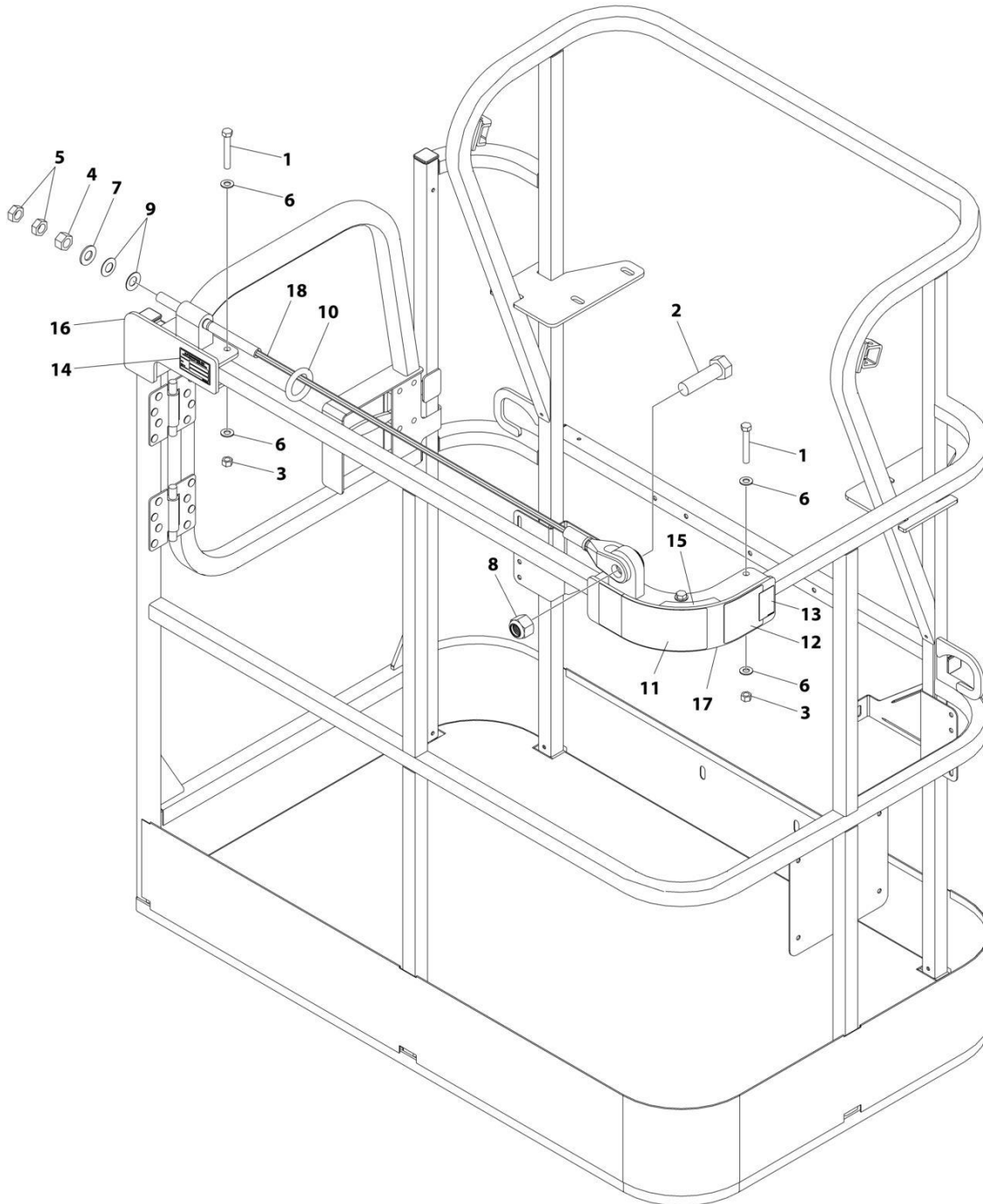
## SECTION 5 - PLATFORM

**FIGURE 5-37. SKYGLAZIER INSTALLATION (ANSI EXPORT SPECS) (ENGLISH/SPANISH)**

ITEM	PART NUMBER	QTY	DESCRIPTION	REV
	1001091434	Ref	SKYGLAZIER INSTALLATION (ANSI EXPORT SPECS) (ENGLISH/SPANISH)	B
1	1001091432	1	SkyGlazier Assembly (See Items 101-110 for Breakdown)	
2	0642012	4	Bolt 5/8 x 1-1/2	
3	0940199	1	Bumper Kit	
4	3312005	4	Nut 5/8	
5	4240149	1	Strap Kit	
6	4420014	AR	Tape, Plastic	
7	4712000	8	Washer 5/8	
	1001091432	Ref	SKYGLAZIER ASSEMBLY	A
101	0100081	AR	Loctite #454	
102	1120555	2	Cap, Manual Storage Tube	
103	1701509	1	Decal - Manual	
104	See Note	NSS	Nameplate (Note: Not Available for Purchase)	
106	3340956	1	Pad, Glazier Tray	
107	3460334	1	Tube, Manual Storage	
108	See Note	NSS	Tray (Note: Use Item 1)	
109	4420066	AR	Tape, Double Sided	
110	1001091430	1	Decal - Capacity	

# SECTION 5 - PLATFORM

FIGURE 5-38. FALL ARREST INSTALLATION (BOLT-ON EXTERNAL) (30IN X 4FT /76CM X 1.22M PLATFORM)



ART\_1001261338

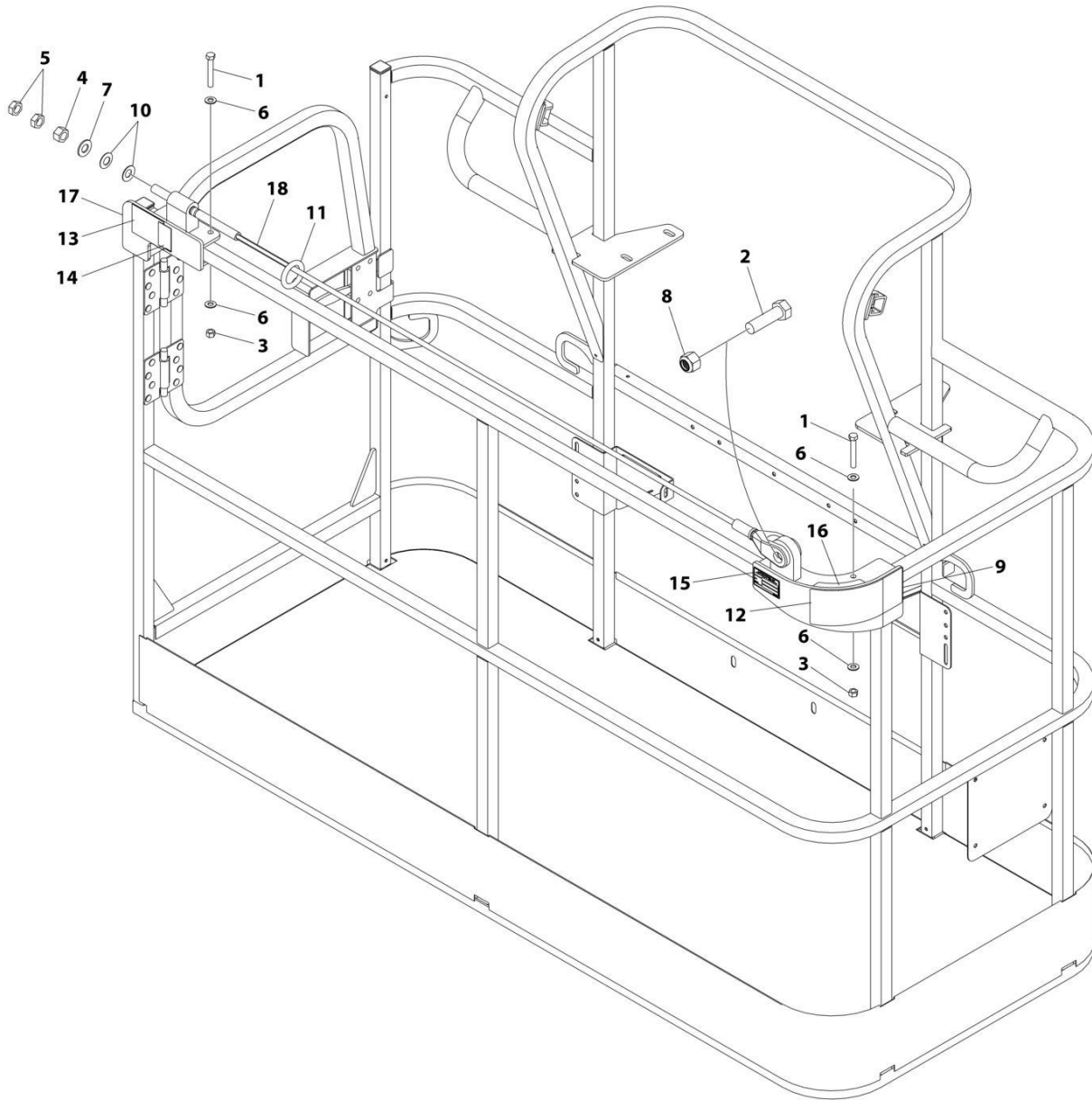
## SECTION 5 - PLATFORM

**FIGURE 5-38. FALL ARREST INSTALLATION (BOLT-ON EXTERNAL) (30IN X 4FT /76CM X 1.22M PLATFORM)**

ITEM	PART NUMBER	QTY	DESCRIPTION	REV
	1001261338	Ref	FALL ARREST INSTALLATION	A
1	0681620	6	Bolt 3/8 x 2-1/2	
2	0682424	1	Bolt 7/8 x 3	
3	3271605	6	Nut 3/8	
4	3272001	1	Nut 5/8	
5	3312002	2	Nut 5/8	
6	4711600	12	Washer 3/8	
7	4712000	1	Washer 5/8	
8	88521214	1	Nut 7/8	
9	1001236891	2	Washer	
10	1001236895	1	Ring	
11	1001238263	1	Decal - Warning Falling Hazard	
12	1001248140	1	Decal - Bolt Fall Arrest Re-Cert	
13	1001248141	1	Decal - Incription	
14	See Note	NSS	Nameplate - Manufacturers Serial Number (Note: Not Available for Purchase)	
15	1001252629	1	Decal - Weight	
16	1001257271	1	Bracket (RH)	
17	1001257274	1	Bracket (LH)	
18	1001261335	1	Rope	

# SECTION 5 - PLATFORM

FIGURE 5-39. FALL ARREST INSTALLATION (BOLT-ON EXTERNAL) (30IN X 6FT /76CM X 1.82M PLATFORM)



ART\_1001261339



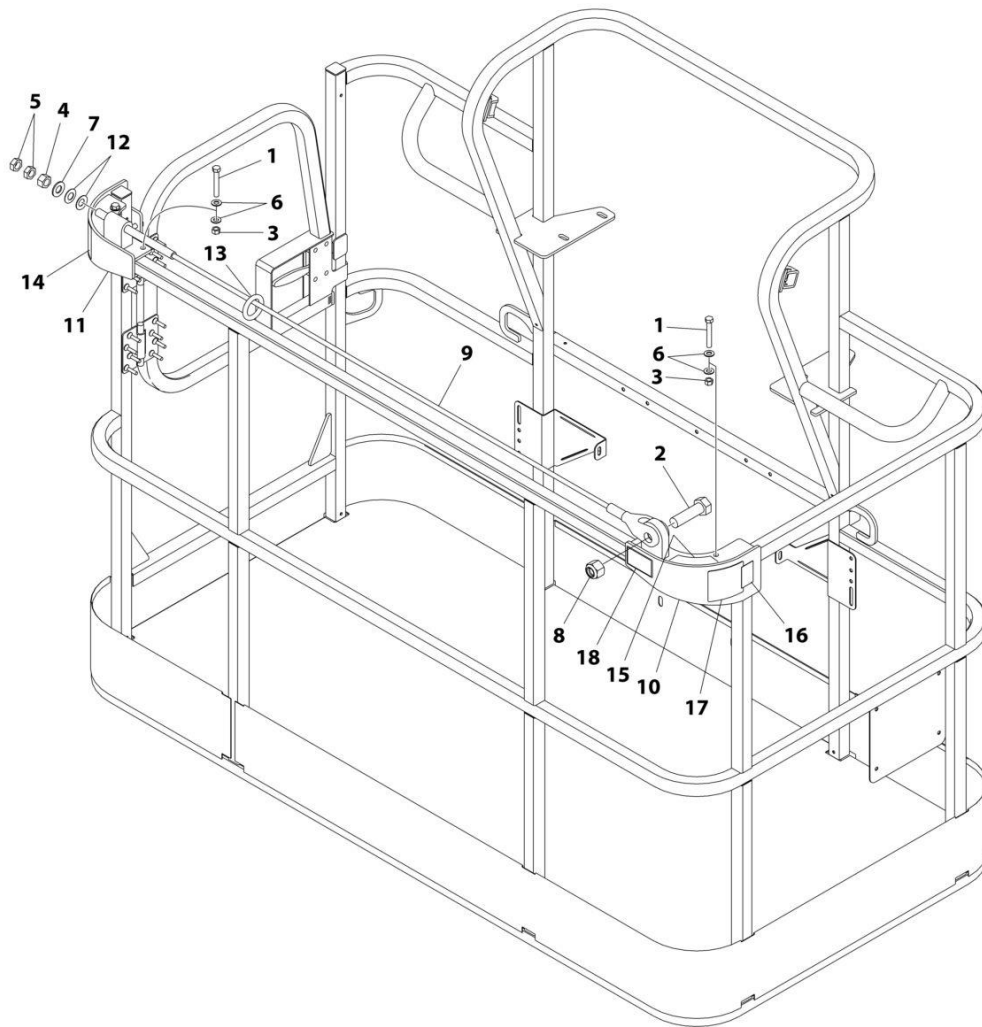
## SECTION 5 - PLATFORM

**FIGURE 5-39. FALL ARREST INSTALLATION (BOLT-ON EXTERNAL) (30IN X 6FT /76CM X 1.82M PLATFORM)**

ITEM	PART NUMBER	QTY	DESCRIPTION	REV
	1001261339	Ref	FALL ARREST INSTALLATION (BOLT-ON) 30IN X 6FT (76CM X 1.83M) PLATFORM	A
1	0681620	6	Bolt 3/8 x 2-1/2	
2	0682424	1	Bolt 7/8 x 3	
3	3271605	6	Nut 3/8	
4	3272001	1	Nut 5/8	
5	3312002	2	Nut 5/8	
6	4711600	12	Washer 3/8	
7	4712000	1	Washer 5/8	
8	88521214	1	Nut 7/8	
9	1001232010	1	Bracket	
10	1001236891	2	Washer	
11	1001236895	1	Ring	
12	1001238263	1	Decal - Warning Falling Hazard	
13	1001248140	1	Decal - Bolt Fall Arrest Re-Cert	
14	1001248141	1	Decal - Incription	
15	See Note	NSS	Nameplate - Manufacturers Serial Number (Note: Not Available for Purchase)	
16	1001252629	1	Decal - Weight	
17	1001257271	1	Bracket	
18	1001261336	1	Rope	

# SECTION 5 - PLATFORM

FIGURE 5-40. FALL ARREST INSTALLATION (BOLT-ON EXTERNAL) (6FT/1.82M PLATFORM)



ART\_1001236747

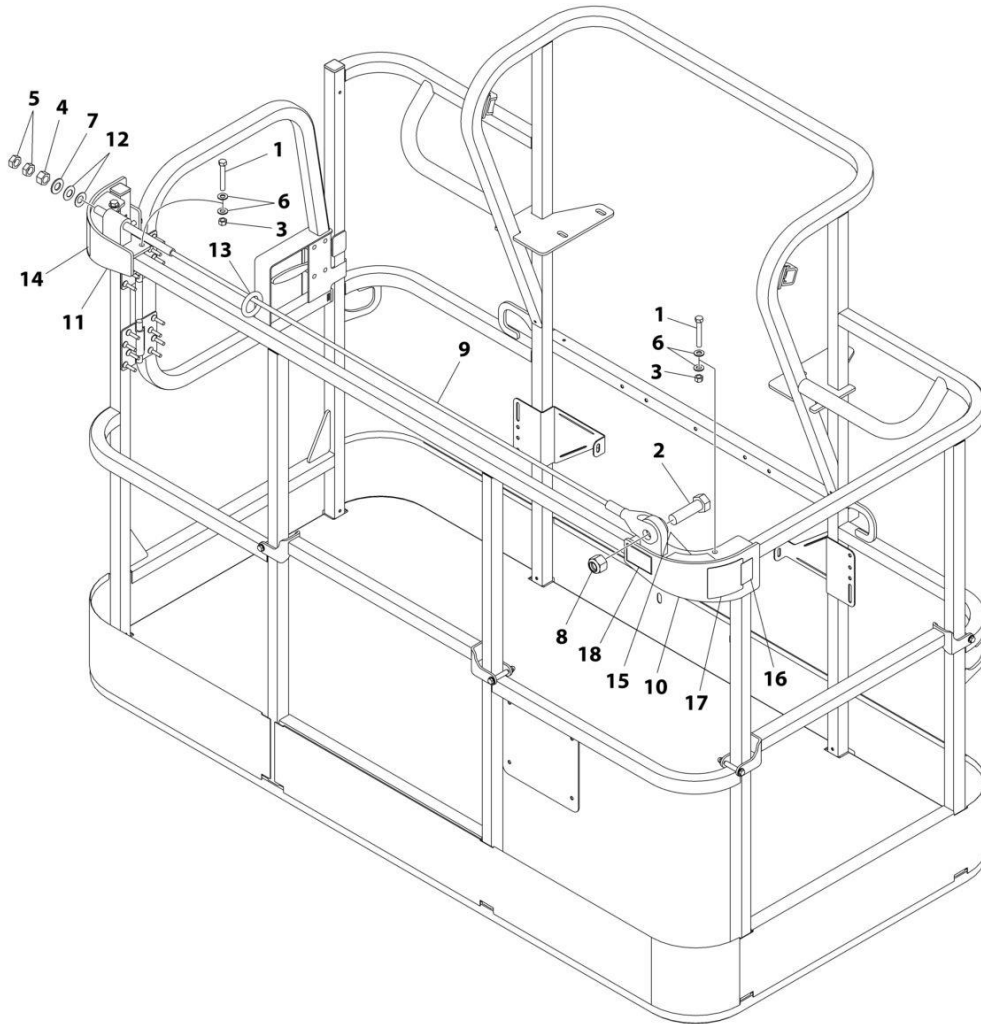
## SECTION 5 - PLATFORM

**FIGURE 5-40. FALL ARREST INSTALLATION (BOLT-ON EXTERNAL) (6FT/1.82M PLATFORM)**

ITEM	PART NUMBER	QTY	DESCRIPTION	REV
	1001236747	Ref	FALL ARREST INSTALLATION (BOLT - ON) 6FT/1.82M PLATFORM	C
1	0681620	6	Bolt 3/8 x 2-1/2	
2	0682424	1	Bolt 7/8 x 3	
3	3271605	6	Nut 3/8	
4	3272001	1	Nut 5/8	
5	3312002	2	Nut 5/8	
6	4711600	12	Washer 3/8	
7	4712000	1	Washer 5/8	
8	88521214	1	Nut 7/8	
9	1001231950	1	Rope	
10	1001232010	1	Bracket (RH)	
11	1001232011	1	Bracket (LH)	
12	1001236891	2	Washer	
13	1001236895	1	Ring	
14	1001238263	1	Decal - Warning Falling Hazard	
15	1001252629	1	Decal - Weight	
16	1001248140	1	Decal - Bolt Fall Arrest Re-Cert	
17	1001248141	1	Decal - Inscription	

# SECTION 5 - PLATFORM

## FIGURE 5-41. FALL ARREST INSTALLATION (BOLT-ON EXTERNAL) (6FT/1.82M TRI-ENTRY PLATFORM)



ART\_1001238463

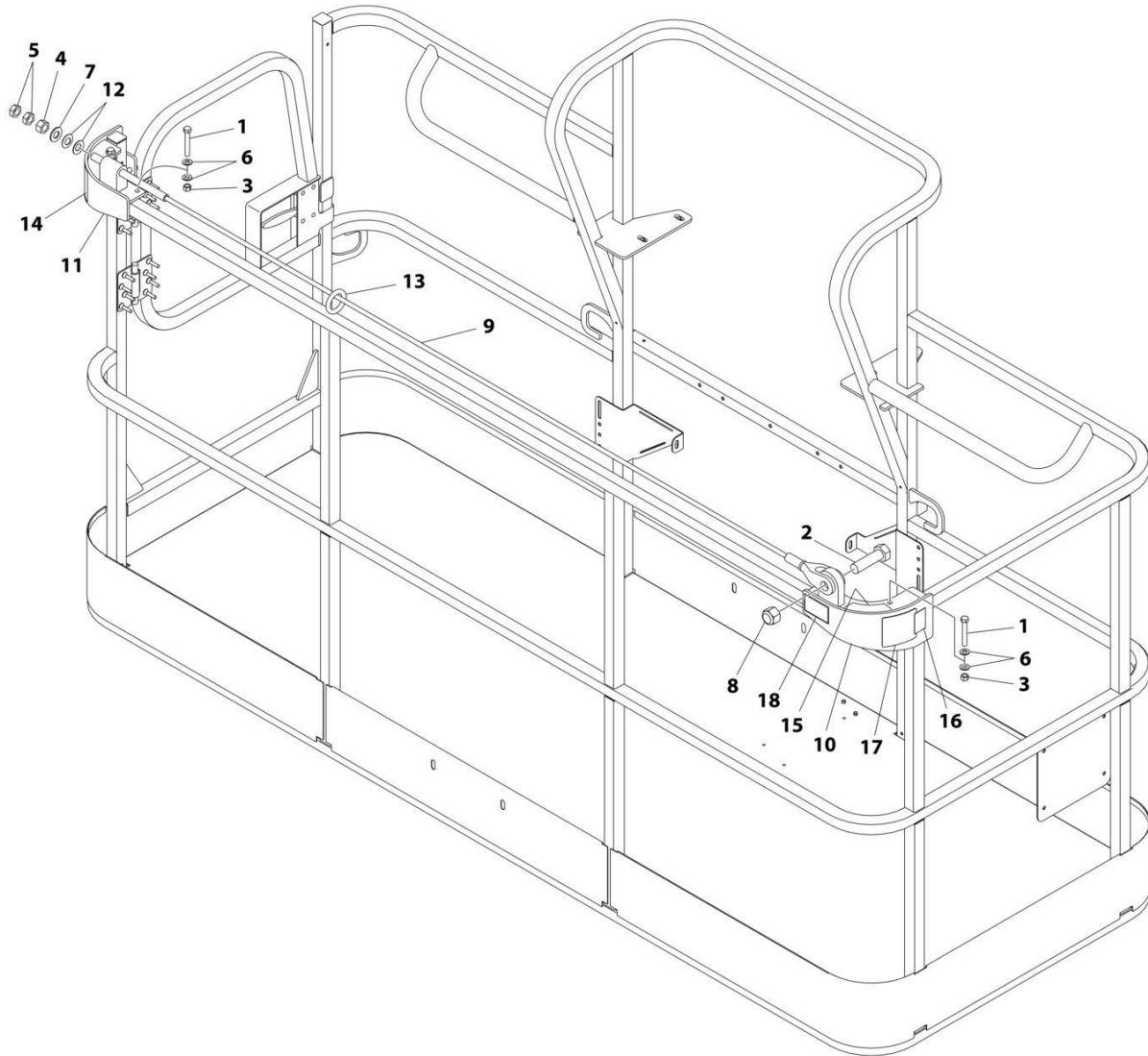
## SECTION 5 - PLATFORM

**FIGURE 5-41. FALL ARREST INSTALLATION (BOLT-ON EXTERNAL) (6FT/1.82M TRI-ENTRY PLATFORM)**

ITEM	PART NUMBER	QTY	DESCRIPTION	REV
	1001238463	Ref	FALL ARREST INSTALLATION (BOLT - ON) 6FT/1.82M PLATFORM	C
1	0681620	6	Bolt 3/8 x 2-1/2	
2	0682424	1	Bolt 7/8 x 3	
3	3271605	6	Nut 3/8	
4	3272001	1	Nut 5/8	
5	3312002	2	Nut 5/8	
6	4711600	12	Washer 3/8	
7	4712000	1	Washer 5/8	
8	88521214	1	Nut 7/8	
9	1001231950	1	Rope	
10	1001232010	1	Bracket (RH)	
11	1001232011	1	Bracket (LH)	
12	1001236891	2	Washer	
13	1001236895	1	Ring	
14	1001238263	1	Decal - Warning Falling Hazard	
15	1001252629	1	Decal - Weight	
16	1001248140	1	Decal - Bolt Fall Arrest Re-Cert	
17	1001248141	1	Decal - Inscription	

# SECTION 5 - PLATFORM

## FIGURE 5-42. FALL ARREST INSTALLATION (BOLT-ON EXTERNAL) (8FT/2.4M PLATFORM)



ART\_1001236746

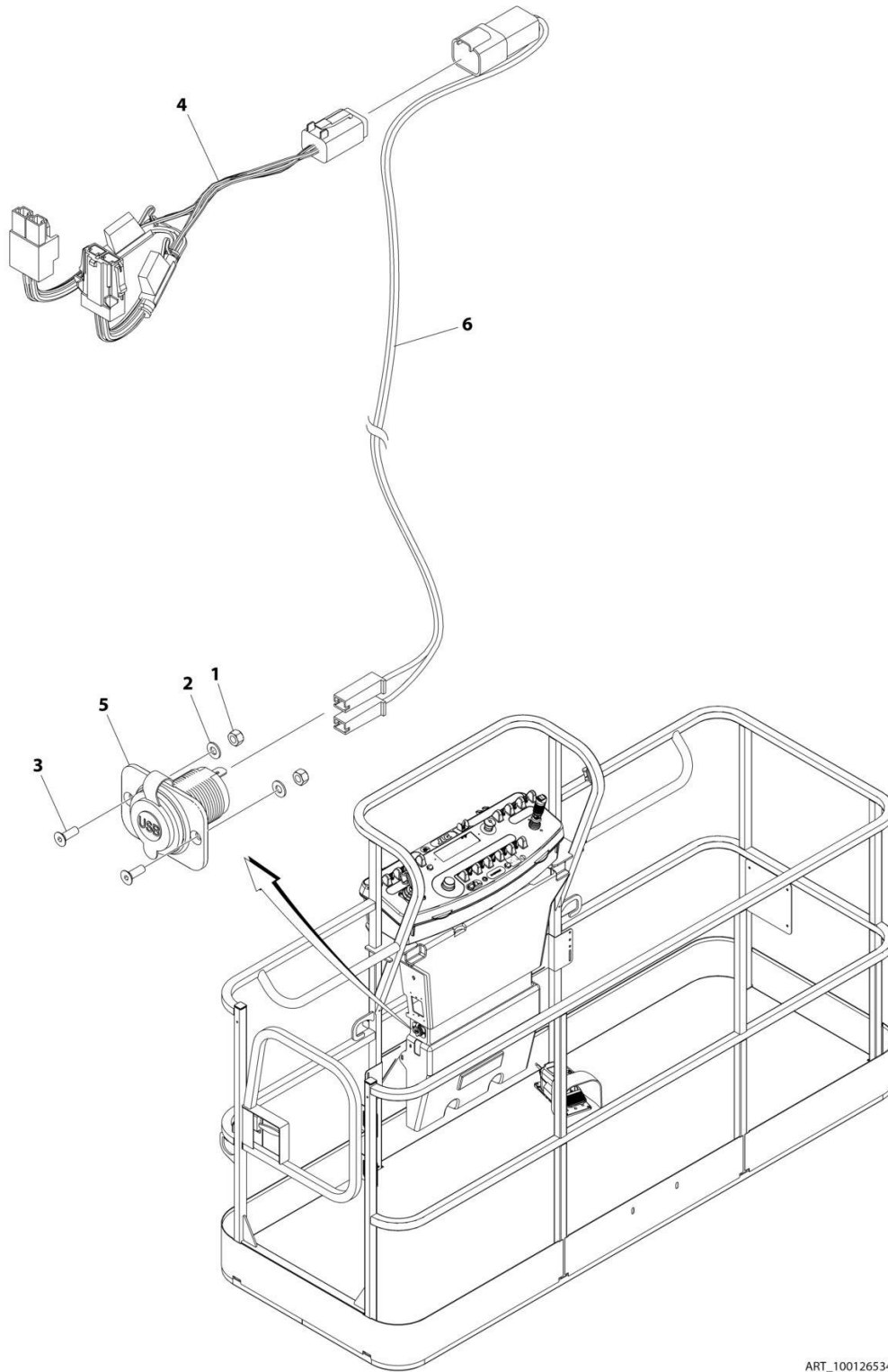
## SECTION 5 - PLATFORM

**FIGURE 5-42. FALL ARREST INSTALLATION (BOLT-ON EXTERNAL) (8FT/2.4M PLATFORM)**

ITEM	PART NUMBER	QTY	DESCRIPTION	REV
	1001236746	Ref	FALL ARREST INSTALLATION (BOLT - ON) 8FT/2.4M PLATFORM	C
1	0681620	6	Bolt 3/8 x 2-1/2	
2	0682424	1	Bolt 7/8 x 3	
3	3271605	6	Nut 3/8	
4	3272001	1	Nut 5/8	
5	3312002	2	Nut 5/8	
6	4711600	12	Washer 3/8	
7	4712000	1	Washer 5/8	
8	88521214	1	Nut 7/8	
9	1001231949	1	Rope	
10	1001232010	1	Bracket (RH)	
11	1001232011	1	Bracket (LH)	
12	1001236891	2	Washer	
13	1001236895	1	Ring	
14	1001238263	1	Decal - Warning Falling Hazard	
15	1001252629	1	Decal - Weight 23LBS/10.4KG	
16	1001248140	1	Decal - Bolt Fall Arrest Re-Cert	
17	1001248141	1	Decal - Inscription	

# SECTION 5 - PLATFORM

## FIGURE 5-43. USB CHARGER INSTALLATION



ART\_1001265342



## SECTION 5 - PLATFORM

**FIGURE 5-43. USB CHARGER INSTALLATION**

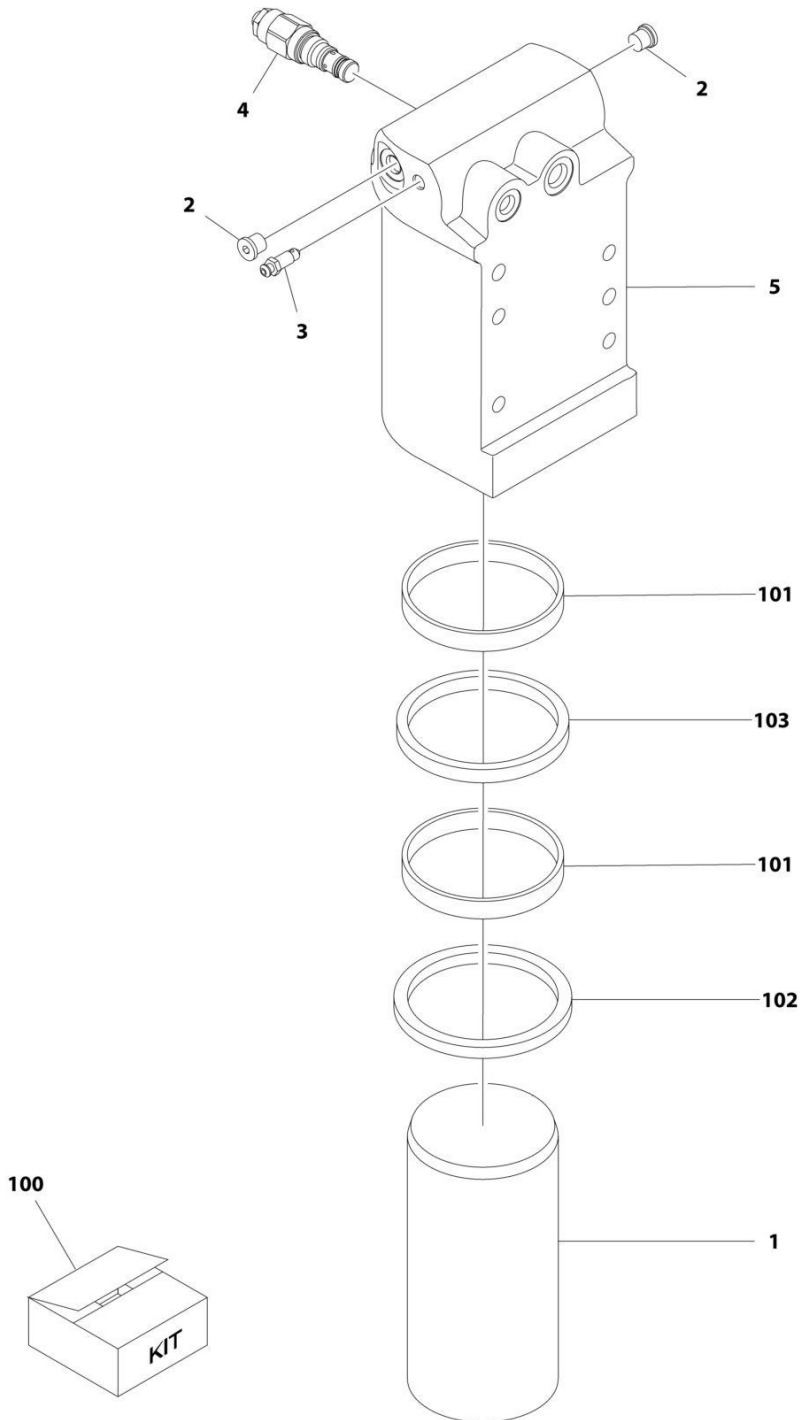
ITEM	PART NUMBER	QTY	DESCRIPTION	REV
	1001265342	Ref	USB CHARGER INSTALLATION	A
1	3290405	2	Nut M4	
2	4811400	2	Washer M4	
3	1001097244	2	Screw M4 x 12	
4	1001120484	1	Harness, Work Lights	
4	4460879	1	Plug, Male - 2 Position	
4	4460887	2	Terminal	
4	2400060	2	Fuseholder Includes Cover	
4	8229249	2	Fuse, 3 Amp	
4	4460884	1	Connector - 4 Position	
4	4460465	4	Socket, Female	
4	1001120471	1	Connector - 2 Position	
4	1001120477	2	Terminal	
5	1001210636	1	Receptacle, USB	
6	1001265163	1	Harness, USB	A
6	4460260	2	Cover, Terminal	
6	4460259	2	Terminal	
6	4460932	1	Receptacle, Bussbar - 4 Position	
6	4460464	2	Pin, Male	
6	4460466	2	Plug, Terminal	



**SECTION 6 - CYLINDERS**

# SECTION 6 - CYLINDERS

FIGURE 6-1. AXLE LOCKOUT CYLINDER ASSEMBLY (MACHINES WITH SN STARTING WITH 03)



ART\_1001163580

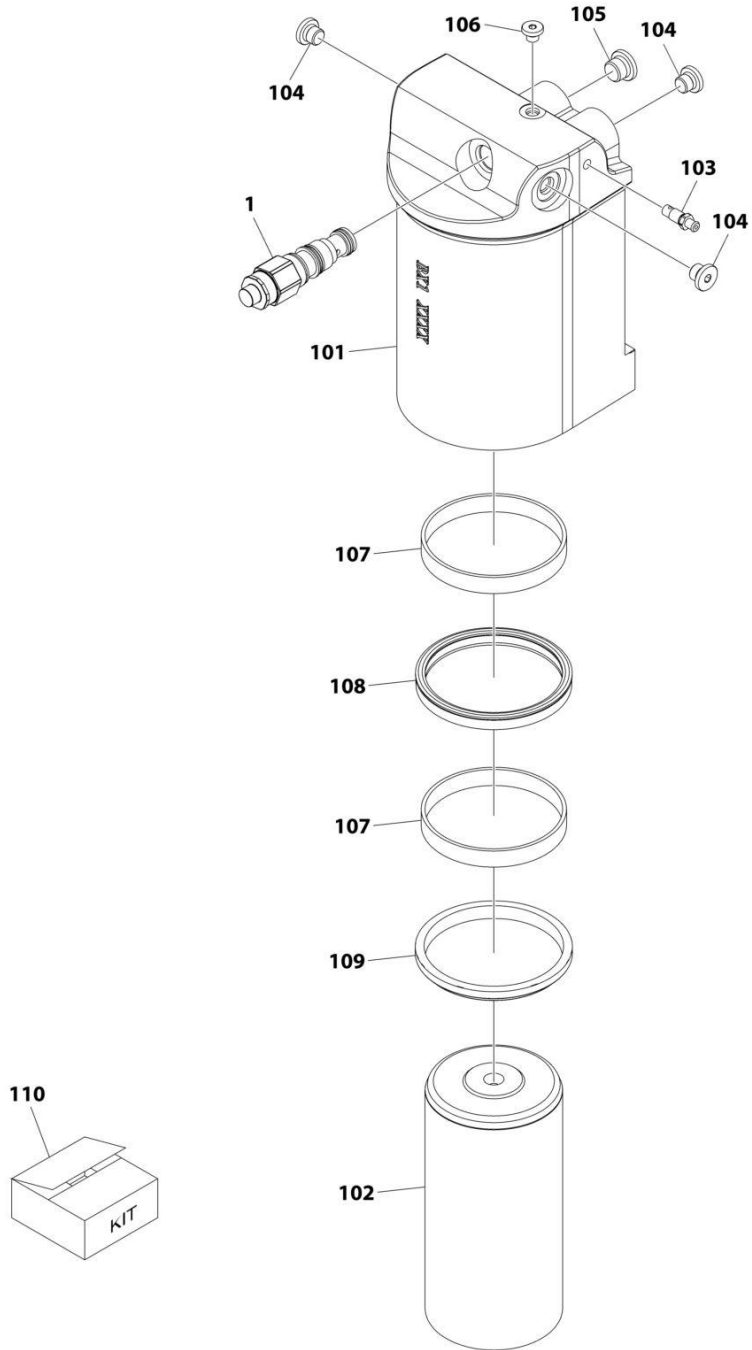
## SECTION 6 - CYLINDERS

**FIGURE 6-1. AXLE LOCKOUT CYLINDER ASSEMBLY (MACHINES WITH SN STARTING WITH 03)**

ITEM	PART NUMBER	QTY	DESCRIPTION	REV
	1001163580	Ref	AXLE LOCKOUT CYLINDER ASSEMBLY	1
		Ref	Note: Original Cylinder May Have Been Replaced with Service Replacement. Identify PN Stamped on Cylinder Before Ordering Parts.	
1	1684290	1	Rod	
2	2220883	2	Plug #4	
3	4640858	1	Valve, Bleeder	
4	1001117372	1	Cartridge, Valve	
4	70002842	1	Seal Kit - 1001117372 Valve	
5	1001164817	1	Barrel	
100	2902266	NLA	Seal Kit - 1001163590 Cylinder (Includes Items 101-103)	
101	See Note	NSS	Ring, Wear (Note: Use Item 100)	
102	See Note	NSS	Seal (Note: Use Item 100)	
103	See Note	NSS	Wiper (Note: Use Item 100)	

# SECTION 6 - CYLINDERS

FIGURE 6-2. AXLE LOCKOUT CYLINDER ASSEMBLY (MACHINES WITH SN STARTING WITH B3)



ART\_1001256179

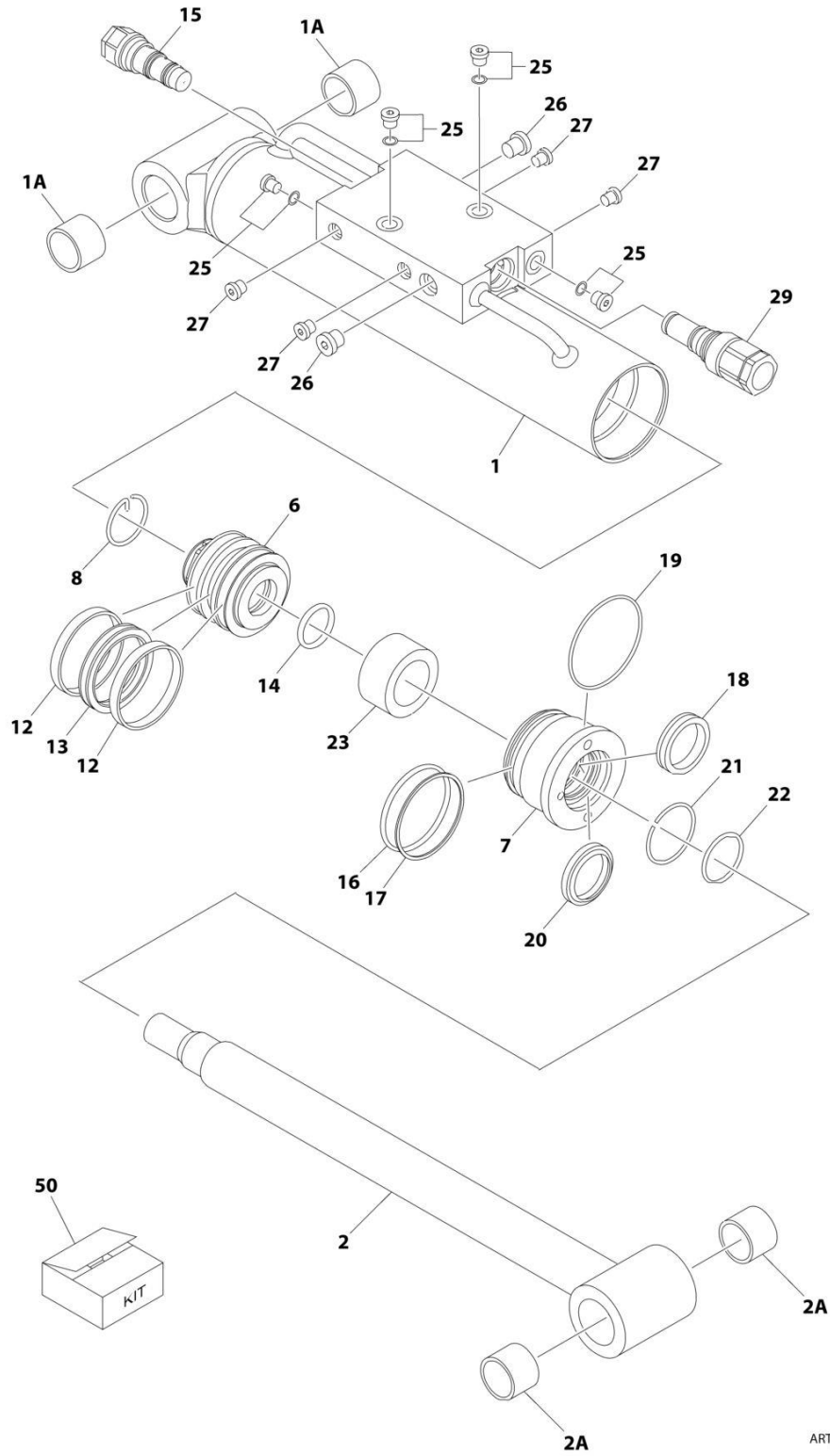
## SECTION 6 - CYLINDERS

**FIGURE 6-2. AXLE LOCKOUT CYLINDER ASSEMBLY (MACHINES WITH SN STARTING WITH B3)**

ITEM	PART NUMBER	QTY	DESCRIPTION	REV
	1001256179	Ref	MASTER CYLINDER ASSEMBLY	A
		Ref	Note: Original Cylinder May Have Been Replaced with Service Replacement. Identify PN Stamped on Cylinder Before Ordering Parts.	
1	1001117372	1	Cartridge, Valve	
1	70002842	1	Seal Kit - 1001117372	
101	See Note	NSS	Tube (Note: Not Available for Purchase)	
102	70008244	1	Rod	
103	70008246	1	Plug, Bleeder	
104	2220883	3	Plug 7/16	
105	2220885	1	Plug 9/16	
106	2220881	1	Plug 5/16	
107	See Note	NSS	Ring, Wear (Note: Use Item 110)	
108	See Note	NSS	Seal, Rod (Note: Use Item 110)	
109	See Note	NSS	Wiper, Rod (Note: Use Item 110)	
110	70008247	1	Seal Kit (Includes Items 107-109)	

# SECTION 6 - CYLINDERS

## FIGURE 6-3. LEVEL CYLINDER ASSEMBLY - PLATFORM SLAVE



ART\_1001140596



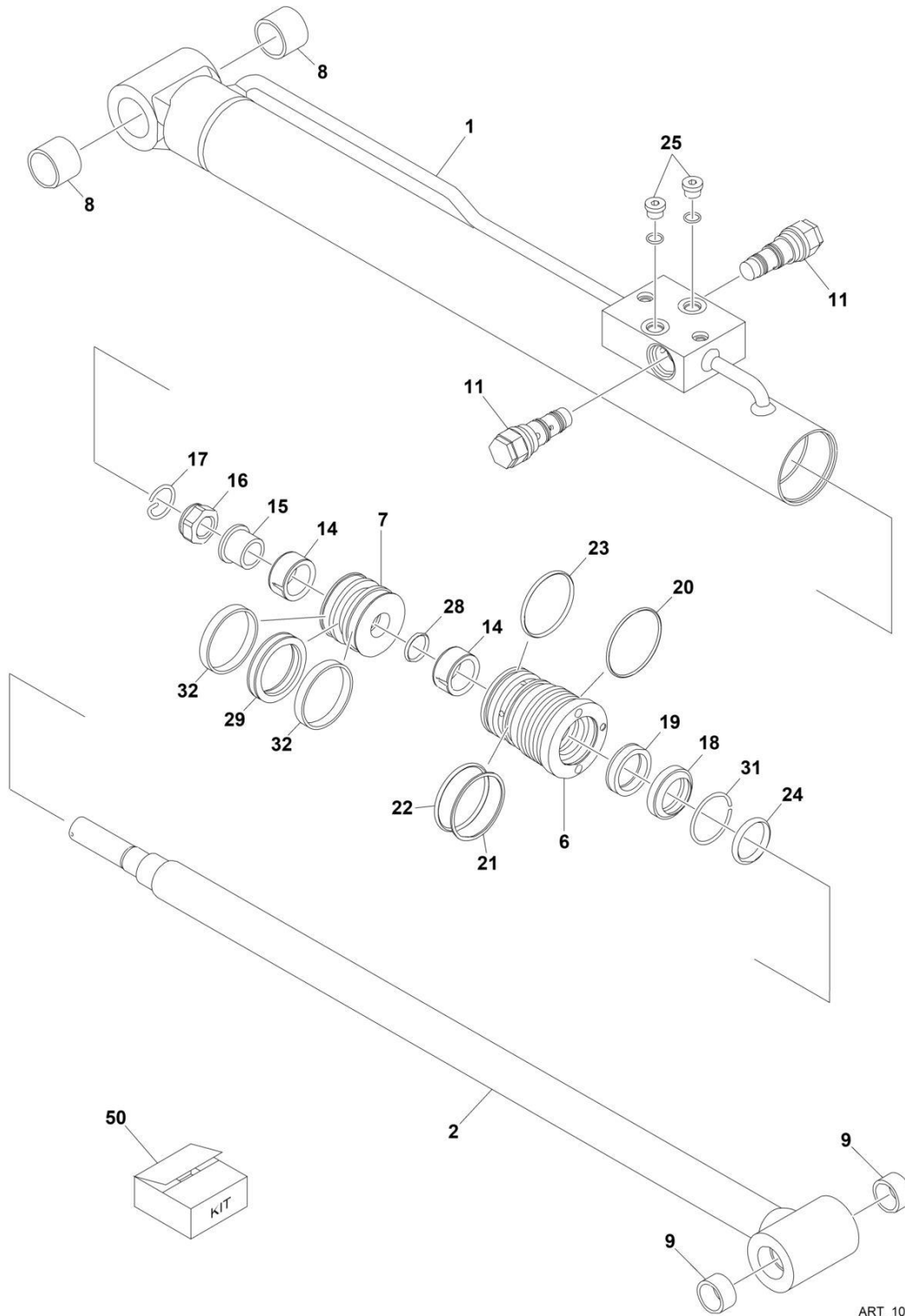
## SECTION 6 - CYLINDERS

**FIGURE 6-3. LEVEL CYLINDER ASSEMBLY - PLATFORM SLAVE**

ITEM	PART NUMBER	QTY	DESCRIPTION	REV
	1001140596	Ref	LEVEL CYLINDER ASSEMBLY - PLATFORM SLAVE	A
		Ref	Note: Original Cylinder May Have Been Replaced with Service Replacement. Identify PN Stamped on Cylinder Before Ordering Parts.	
1	70003840	1	Barrel	
1A	0961951	2	Bushing	
2	70003841	1	Rod	
2A	0961951	2	Bushing	
6	70003819	1	Head	
7	70003837	1	Piston	
8	70002216	1	Retainer	
12	See Note	NSS	Ring, Wear (Note: Use Item 50)	
13	See Note	NSS	Seal (Note: Use Item 50)	
14	See Note	NSS	O-Ring (Note: Use Item 50)	
15	4640509	1	Cartridge, Counterbalance Valve	
15	2900792	1	Seal Kit - 4640509 Valve	
16	See Note	NSS	O-Ring (Note: Use Item 50)	
17	See Note	NSS	Ring, Back-up (Note: Use Item 50)	
18	See Note	NSS	Seal (Note: Use Item 50)	
19	See Note	NSS	O-Ring (Note: Use Item 50)	
20	See Note	NSS	Wiper (Note: Use Item 50)	
21	70003838	1	Ring, Retaining	
22	7026084	1	O-Ring	
23	70003839	1	Spacer	
25	7017406	4	Plug	
26	See Note	2	Plug (Note: Not Available for Purchase)	
27	See Note	4	Plug (Note: Not Available for Purchase)	
29	4640932	1	Cartridge, Counterbalance Valve	
29	7011112	1	Seal Kit - 4640932 Valve	
50	70003842	1	Seal Kit - 1001140596 Cylinder (Includes Items 12-14 & 16-20)	

# SECTION 6 - CYLINDERS

## FIGURE 6-4. LIFT CYLINDER ASSEMBLY - JIB



ART\_1001140282

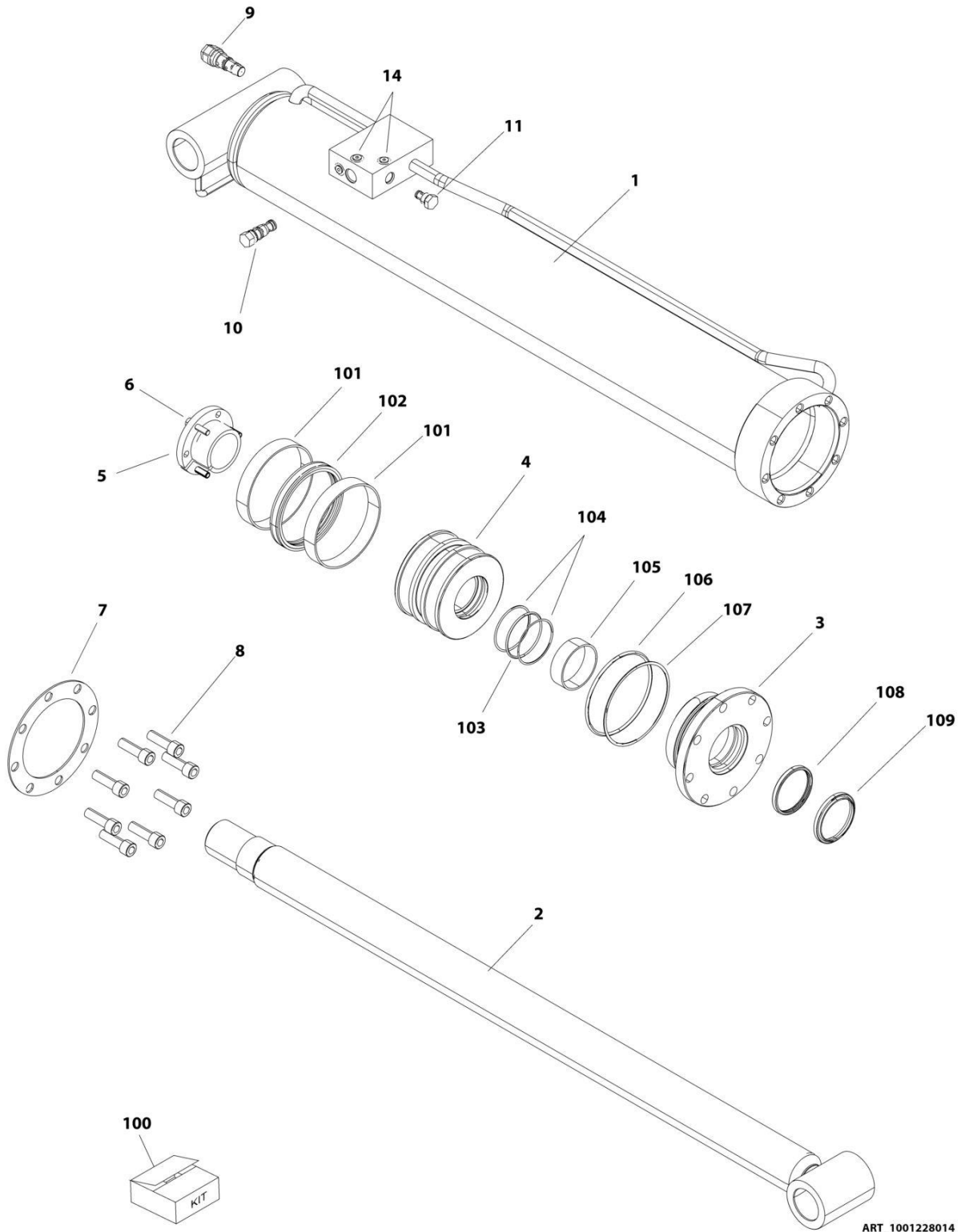
## SECTION 6 - CYLINDERS

**FIGURE 6-4. LIFT CYLINDER ASSEMBLY - JIB**

ITEM	PART NUMBER	QTY	DESCRIPTION	REV
	1001140282	Ref	LIFT CYLINDER ASSEMBLY - JIB (E600J/E600JP/M600J/M600JP)	A
		Ref	Note: Original Cylinder May Have Been Replaced with Service Replacement. Identify PN Stamped on Cylinder Before Ordering Parts.	
1	70003834	1	Barrel	
2	70003835	1	Rod	
6	7026088	1	Head	
7	70003833	1	Piston	
8	0961951	2	Bushing	
9	0961947	2	Bushing	
11	4640509	2	Cartridge, Counterbalance Valve	
11	2900792	2	Seal Kit - 4640509 Valve	
14	7026090	2	Bushing	
15	7026091	1	Sleeve	
16	7026092	1	Nut	
17	70002223	1	Retainer	
18	See Note	NSS	Wiper (Note: Use Item 50)	
19	See Note	NSS	Seal (Note: Use Item 50)	
20	See Note	NSS	O-Ring (Note: Use Item 50)	
21	See Note	NSS	Ring, Back-up (Note: Use Item 50)	
22	See Note	NSS	O-Ring (Note: Use Item 50)	
23	See Note	NSS	O-Ring (Note: Use Item 50)	
24	7026068	1	O-Ring	
25	7024844	2	Plug	
28	See Note	NSS	O-Ring (Note: Use Item 50)	
29	See Note	NSS	Seal (Note: Use Item 50)	
31	70002220	1	Ring, Retaining	
32	See Note	NSS	Ring, Wear (Note: Use Item 50)	
50	70003836	1	Seal Kit - 1001140282 Cylinder (Includes Items 18-23, 28, 29 & 32)	

# SECTION 6 - CYLINDERS

FIGURE 6-5. LIFT CYLINDER ASSEMBLY - MAIN (WITH SN STARTING WITH 03)  
(EC600SJP,H600SJP)



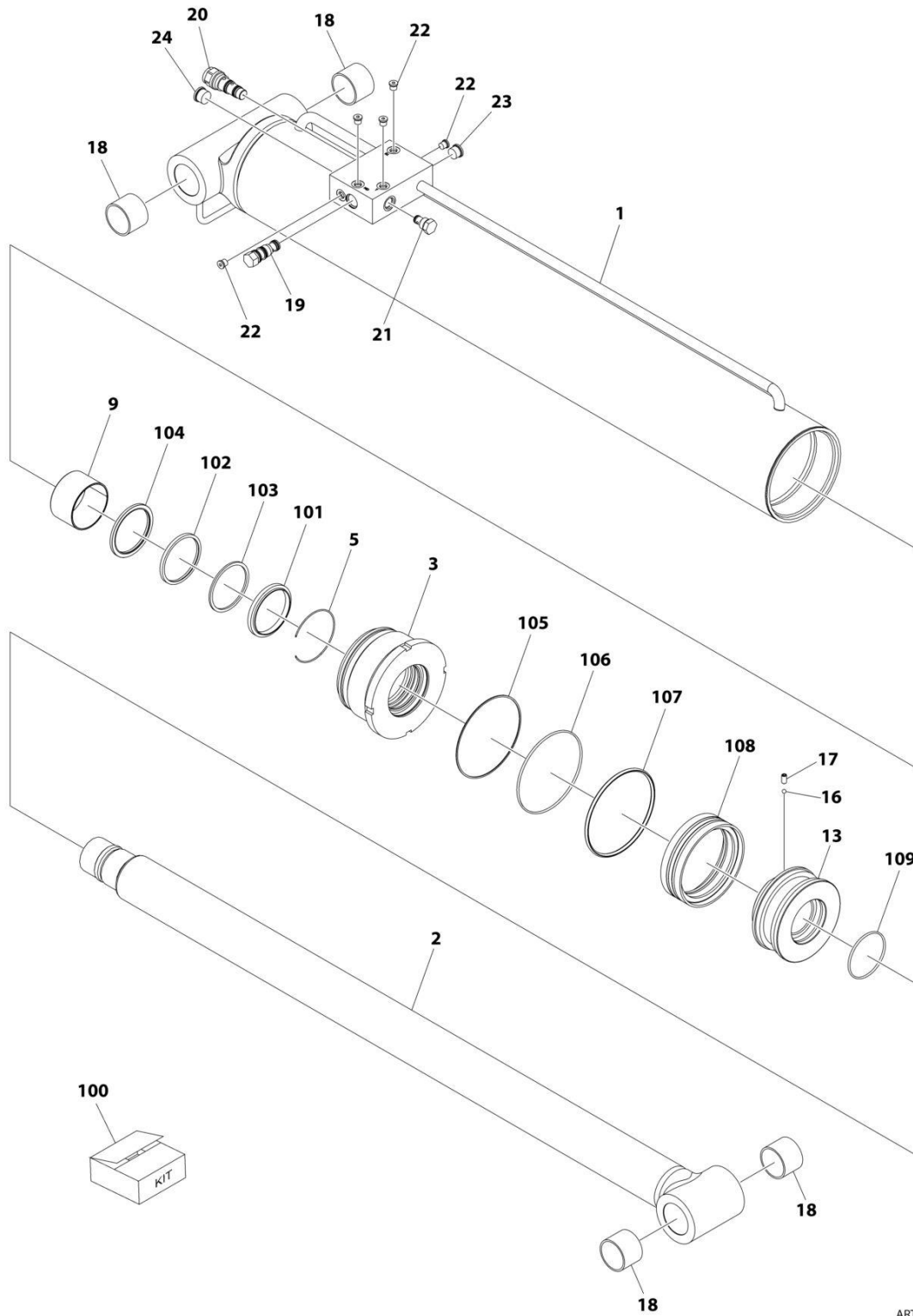
## SECTION 6 - CYLINDERS

**FIGURE 6-5. LIFT CYLINDER ASSEMBLY - MAIN (WITH SN STARTING WITH 03)  
(EC600SJP,H600SJP)**

ITEM	PART NUMBER	QTY	DESCRIPTION	REV
	1001228014	Ref	LIFT CYLINDER ASSEMBLY - MAIN	D
		Ref	Note: Original Cylinder May Have Been Replaced with Service Replacement. Identify PN Stamped on Cylinder Before Ordering Parts.	
1	See Note	NSS	Barrel (Note: Not Available for Purchase)	
2	70006368	1	Rod Weldment	
3	70006367	1	Head	
4	70006366	1	Piston	
5	70006365	1	Bushing, Tapered	
6	0630536	1	Screw	
7	70006364	1	Washer	
8	3932032	8	Capscrew	
9	4640509	1	Valve, Counterbalance	
10	4640438	1	Cartridge, Check Valve	
11	4641129	1	Cartridge, Check Valve	
12	See Note	NSS	Plug (Not Shown)	
13	See Note	NSS	Plug	
14	2220883	4	Plug	
100	2901886	1	Seal Kit (Includes Items 101-109)	
101	See Note	NSS	Ring, Wear (Note: Use Item 100)	
102	See Note	NSS	Seal, Piston (Note: Use Item 100)	
103	See Note	NSS	O-Ring (Note: Use Item 100)	
104	See Note	NSS	Ring, Back-up (Note: Use Item 100)	
105	See Note	NSS	Ring, Wear(Note: Use Item 100)	
106	See Note	NSS	O-Ring (Note: Use Item 100)	
107	See Note	NSS	Ring, Back-up (Note: Use Item 100)	
108	See Note	NSS	Seal, Rod (Note: Use Item 100)	
109	See Note	NSS	Wiper, Rod (Note: Use Item 100)	

# SECTION 6 - CYLINDERS

FIGURE 6-6. LIFT CYLINDER ASSEMBLY - MAIN (MACHINES WITH SN STARTING WITH B3)



ART\_1001251014

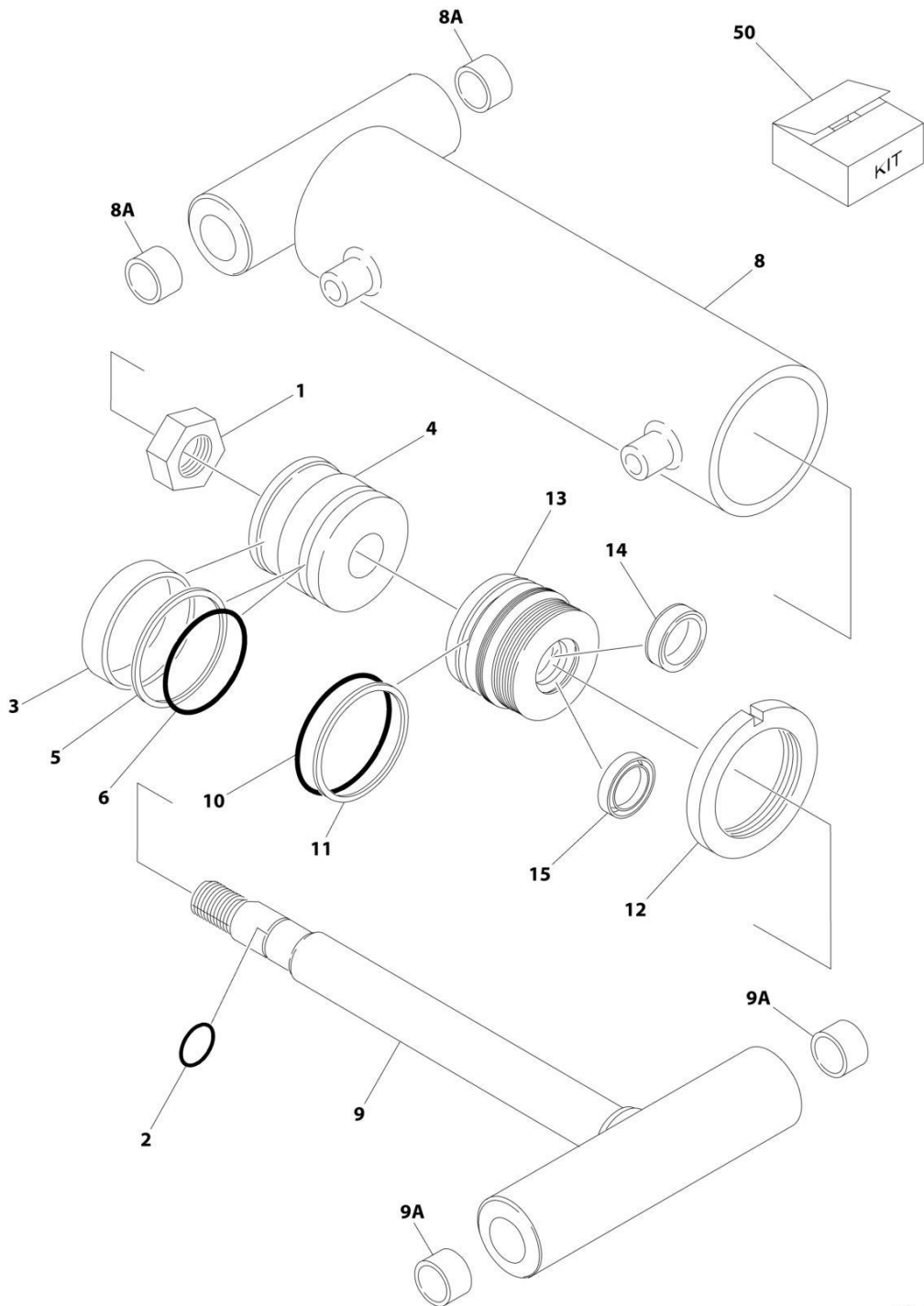
## SECTION 6 - CYLINDERS

**FIGURE 6-6. LIFT CYLINDER ASSEMBLY - MAIN (MACHINES WITH SN STARTING WITH B3)**

ITEM	PART NUMBER	QTY	DESCRIPTION	REV
	1001251014	Ref	LIFT CYLINDER ASSEMBLY - MAIN	C
		Ref	Note: Original Cylinder May Have Been Replaced with Service Replacement. Identify PN Stamped on Cylinder Before Ordering Parts.	
1	See Note	NSS	Barrel (Note: Not Available for Purchase)	
2	70007242	1	Rod Weldment	
3	70007243	1	Head	
5	70027750	1	Ring, Retaining	
9	70007244	1	Bearing, Dry	
13	70007245	1	Piston	
16	70022564	1	Ball, Steel	
17	70007246	1	Screw, Set	
18	0961950	4	Bearing	
19	4640438	1	Cartridge, Check Valve	
20	4640509	1	Valve, Counterbalance	
21	4641129	1	Cartridge, Check Valve	
22	2220883	5	Plug	
23	2220886	1	Plug	
24	2220887	1	Plug	
100	70007247	1	Seal Kit (Includes Items 101-109)	
101	See Note	NSS	Wiper (Note: Use Item 100)	
102	See Note	NSS	Seal, Rod (Note: Use Item 100)	
103	See Note	NSS	Ring, Back-up (Note: Use Item 100)	
104	See Note	NSS	Ring, Buffer (Note: Use Item 100)	
105	See Note	NSS	O-Ring (Note: Use Item 100)	
106	See Note	NSS	Ring, Back-up (Note: Use Item 100)	
107	See Note	NSS	O-Ring (Note: Use Item 100)	
108	See Note	NSS	Seal, Piston (Note: Use Item 100)	
109	See Note	NSS	O-Ring (Note: Use Item 100)	

# SECTION 6 - CYLINDERS

## FIGURE 6-7. MASTER CYLINDER ASSEMBLY



ART\_1683866



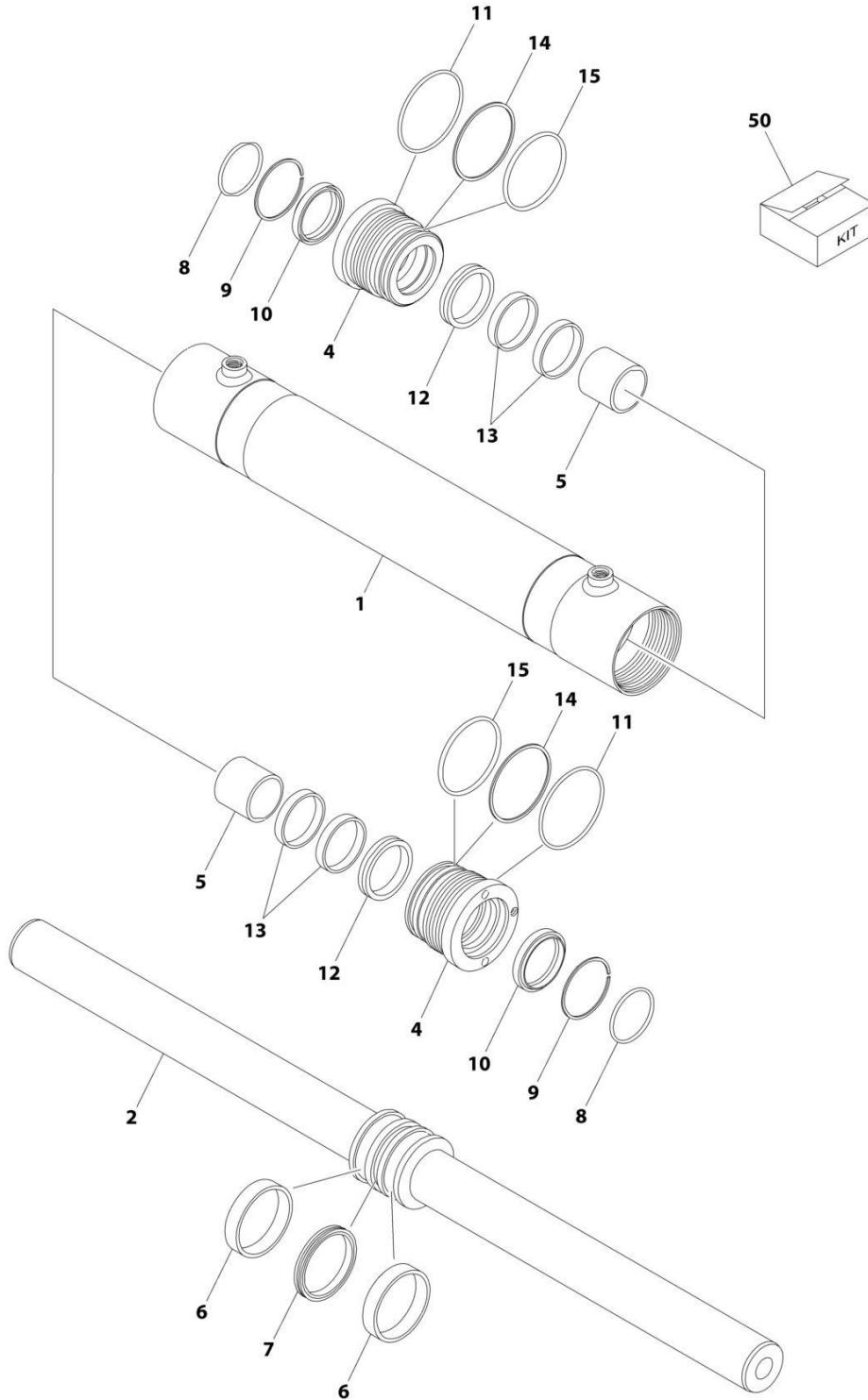
## SECTION 6 - CYLINDERS

### FIGURE 6-7. MASTER CYLINDER ASSEMBLY

ITEM	PART NUMBER	QTY	DESCRIPTION	REV
	1683866	Ref	MASTER CYLINDER ASSEMBLY	D
		Ref	Note: Original Cylinder May Have Been Replaced with Service Replacement. Identify PN Stamped on Cylinder Before Ordering Parts.	
1	7017278	1	Nut	
2	See Note	NSS	O-Ring (Note: Use Item 50)	
3	See Note	NSS	Ring, Wear (Note: Use Item 50)	
4	7017279	1	Piston	
5	See Note	NSS	Seal, Piston (Note: Use Item 50)	
6	See Note	NSS	O-Ring (Note: Use Item 50)	
8	7017280	1	Barrel Assembly	
8A	0961951	2	Bushing	
9	7017281	1	Rod Assembly	
9A	0961951	2	Bushing	
10	See Note	NSS	O-Ring (Note: Use Item 50)	
11	See Note	NSS	Ring, Back-up (Note: Use Item 50)	
12	7017283	1	Setscrew 1/4 x 3/8	
13	7017282	1	Guide	
14	See Note	NSS	Seal (Note: Use Item 50)	
15	See Note	NSS	Wiper (Note: Use Item 50)	
50	7017277	1	Seal Kit (Includes Items 2, 3, 5, 6, 10, 11, 14 & 15)	

# SECTION 6 - CYLINDERS

## FIGURE 6-8. STEER CYLINDER ASSEMBLY



ART\_1001140281

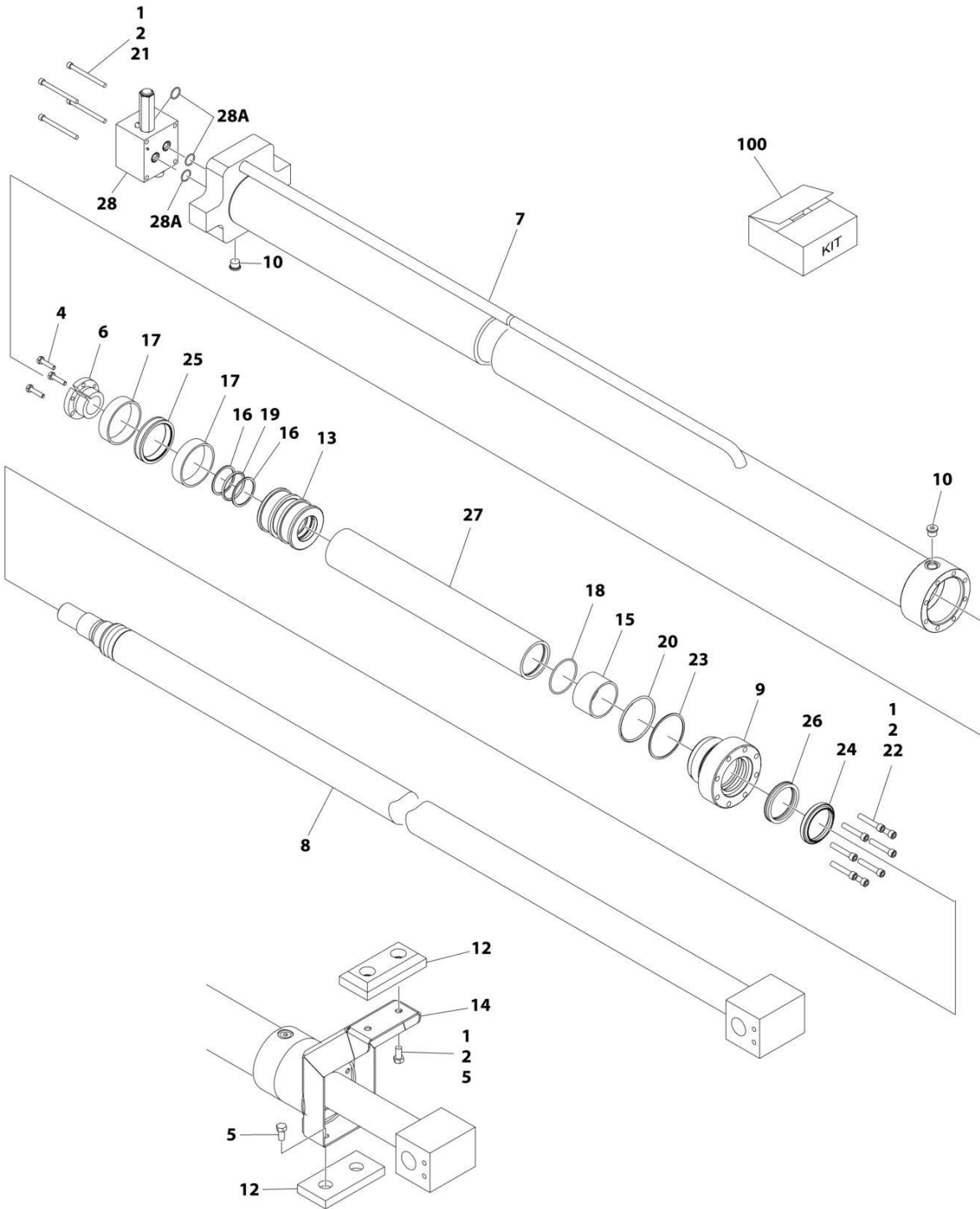
## SECTION 6 - CYLINDERS

**FIGURE 6-8. STEER CYLINDER ASSEMBLY**

ITEM	PART NUMBER	QTY	DESCRIPTION	REV
	1001140281	Ref	STEER CYLINDER ASSEMBLY	A
		Ref	Note: Original Cylinder may have been replaced with Service Replacement. Identify PN Stamped on Cylinder Before Ordering Parts.	
1	70004134	1	Barrel	
2	70004135	1	Rod	
4	70004132	2	Head	
5	70004133	2	Spacer	
6	See Note	NSS	Ring, Wear (Note: Use Item 50)	
7	See Note	NSS	T-Seal (Note: Use Item 50)	
8	70003820	2	O-Ring	
9	70002219	2	Retainer	
10	See Note	NSS	Wiper (Note: Use Item 50)	
11	See Note	NSS	O-Ring (Note: Use Item 50)	
12	See Note	NSS	Seal (Note: Use Item 50)	
13	See Note	NSS	Ring, Wear (Note: Use Item 50)	
14	See Note	NSS	Ring, Back-up (Note: Use Item 50)	
15	See Note	NSS	O-Ring (Note: Use Item 50)	
50	70004127	1	Seal Kit - 1001140281 Cylinder (Includes Items 6-7 & 10-15)	

# SECTION 6 - CYLINDERS

## FIGURE 6-9. TELESCOPE CYLINDER ASSEMBLY



ART\_1001228017

## SECTION 6 - CYLINDERS

**FIGURE 6-9. TELESCOPE CYLINDER ASSEMBLY**

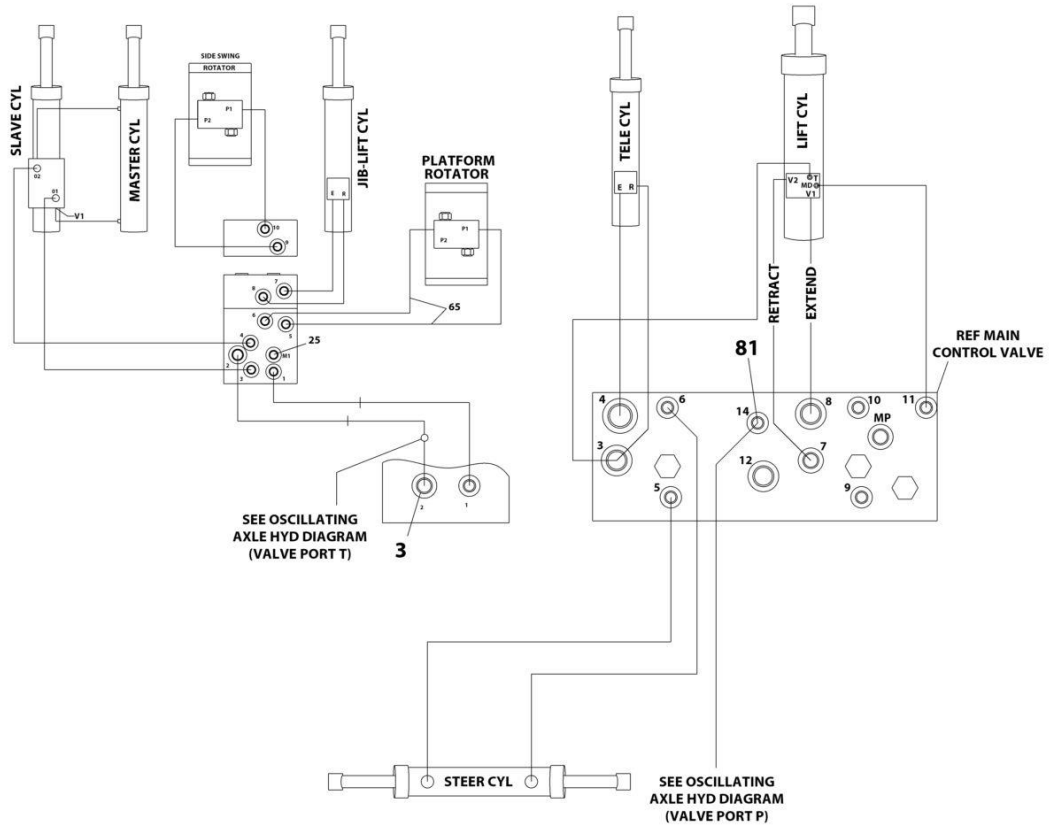
ITEM	PART NUMBER	QTY	DESCRIPTION	REV
	1001228017	Ref	TELESCOPE CYLINDER ASSEMBLY	A
		Ref	Note: Original Cylinder May Have Been Replaced with Service Replacement. Identify PN Stamped on Cylinder Before Ordering Parts.	
1	0100011	AR	Locking, Compound	
2	0100038	AR	Primer, Locking	
4	0630535	3	Bolt 1/4 x 1-1/8	
5	0641606	4	Bolt 3/8 x 3/4	
6	0961902	1	Bushing, Tapered	
7	See Note	NSS	Barrel (Note: Use Item 100)	
8	70006709	1	Rod	
9	70006710	1	Head	
10	2220885	2	Plug, O-Ring	
12	3340880	2	Pad, Support	
13	70006711	1	Piston	
14	3572040	1	Plate, Support	
15	See Note	NSS	Ring, Wear (Note: Use Item 100)	
16	See Note	NSS	Ring, Back-up (Note: Use Item 100)	
17	See Note	NSS	Ring, Wear (Note: Use Item 100)	
18	See Note	NSS	O-Ring (Note: Use Item 100)	
19	See Note	NSS	O-Ring (Note: Use Item 100)	
20	See Note	NSS	O-Ring (Note: Use Item 100)	
21	3931448	4	Capscrew 1/4 x 3	
22	3931528	8	Bolt 5/16 x 1-3/4	
23	See Note	NSS	Ring, Back-up (Note: Use Item 100)	
24	See Note	NSS	Wiper (Note: Use Item 100)	
25	See Note	NSS	Seal (Note: Use Item 100)	
26	See Note	NSS	Seal, Rod (Note: Use Item 100)	
27	70006712	1	Spacer	
28	4641179	1	Valve Assembly (Note: No Serviceable Parts - Purchase Complete Valve)	
28A	7026616	1	Seal Kit - 4641179 Valve	
100	2902019	1	Seal Kit (Includes Items 7, 15-20 & 23-26)	



**SECTION 7 - HYDRAULIC**

# SECTION 7 - HYDRAULIC

## FIGURE 7-1. HYDRAULIC DIAGRAM - AXLE (FIXED)



ART\_1001202439



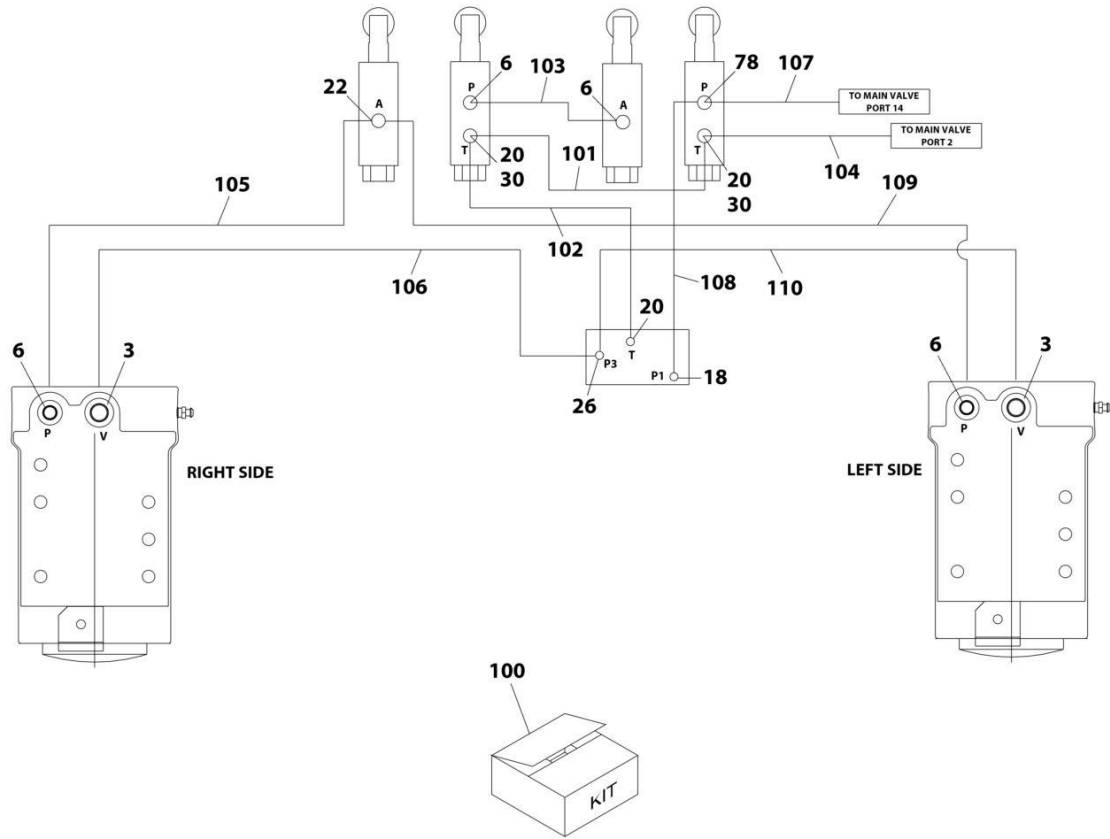
## SECTION 7 - HYDRAULIC

**FIGURE 7-1. HYDRAULIC DIAGRAM - AXLE (FIXED)**

ITEM	PART NUMBER	QTY	DESCRIPTION	REV
	1001202439	1	HYDRAULIC DIAGRAM - AXLE (FIXED)	1
3	2220371	1	Fitting, Straight JIC/ORB	
81	2220235	1	Plug	

# SECTION 7 - HYDRAULIC

## FIGURE 7-2. HYDRAULIC DIAGRAM - AXLE (OSCILLATING)



ART\_1001202444

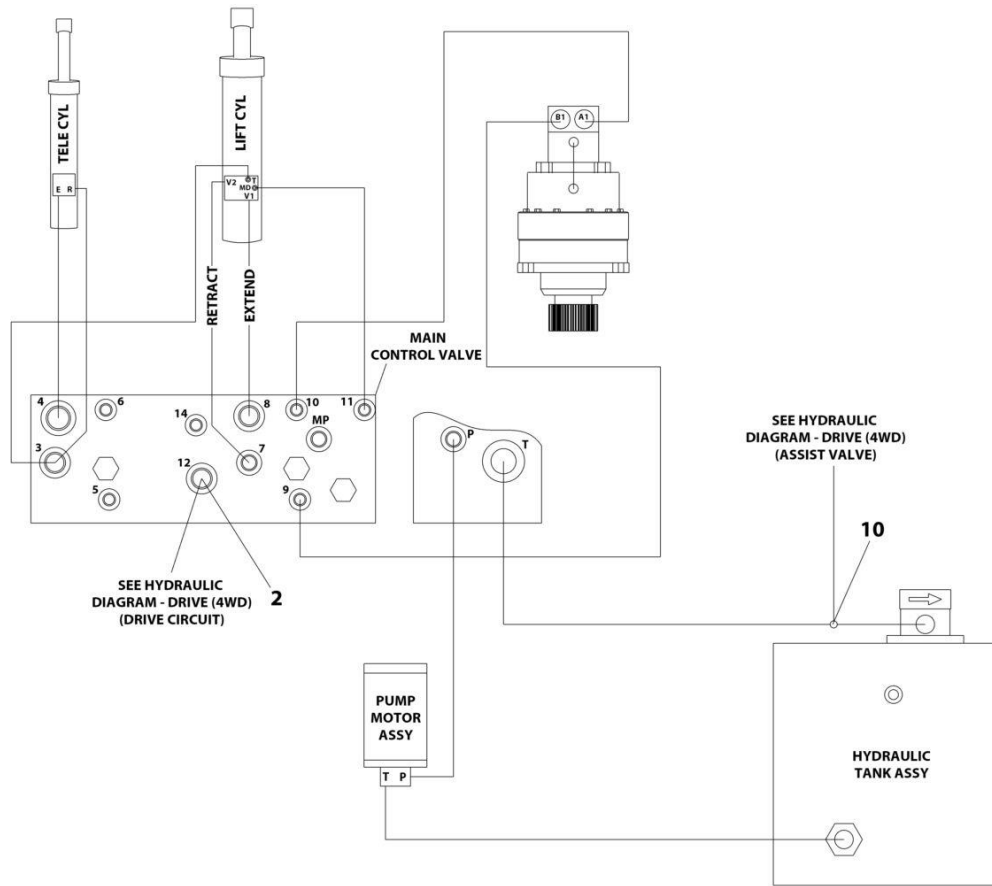
## SECTION 7 - HYDRAULIC

**FIGURE 7-2. HYDRAULIC DIAGRAM - AXLE (OSCILLATING)**

ITEM	PART NUMBER	QTY	DESCRIPTION	REV
	1001202444	Ref	OSCILLATING AXLE HYDRAULIC DIAGRAM	D
3	2220371	2	Fitting, Straight ORB-FL	
6	2220415	4	Fitting, Straight ORB-FL	
18	2220582	1	Fitting, Straight ORB-FL	
20	2220603	3	Fitting, Straight ORB-FL	
22	2220711	1	Fitting, Tee ORB-FL-FL	
26	2220899	1	Fitting, Tee ORB-FL-FL	
30	2220635	2	Fitting, Tee JIC/FSJIC/JIC	
78	2221034	1	Fitting, Tee ORB-FL-FL	
100	1001269832	1	Kit, Hose (OSC Axle)	
101	2752463	NSS	Hose	
102	2752471	NSS	Hose	
103	2752588	NSS	Hose	
104	2752631	NSS	Hose	
105	2753002	NSS	Hose	
106	2753397	NSS	Hose	
107	2753420	NSS	Hose	
108	1001200620	NSS	Hose	
109	1001200621	NSS	Hose	
110	1001200622	NSS	Hose	

# SECTION 7 - HYDRAULIC

## FIGURE 7-3. HYDRAULIC DIAGRAM - DRIVE (2WD)



ART\_2792427\_1

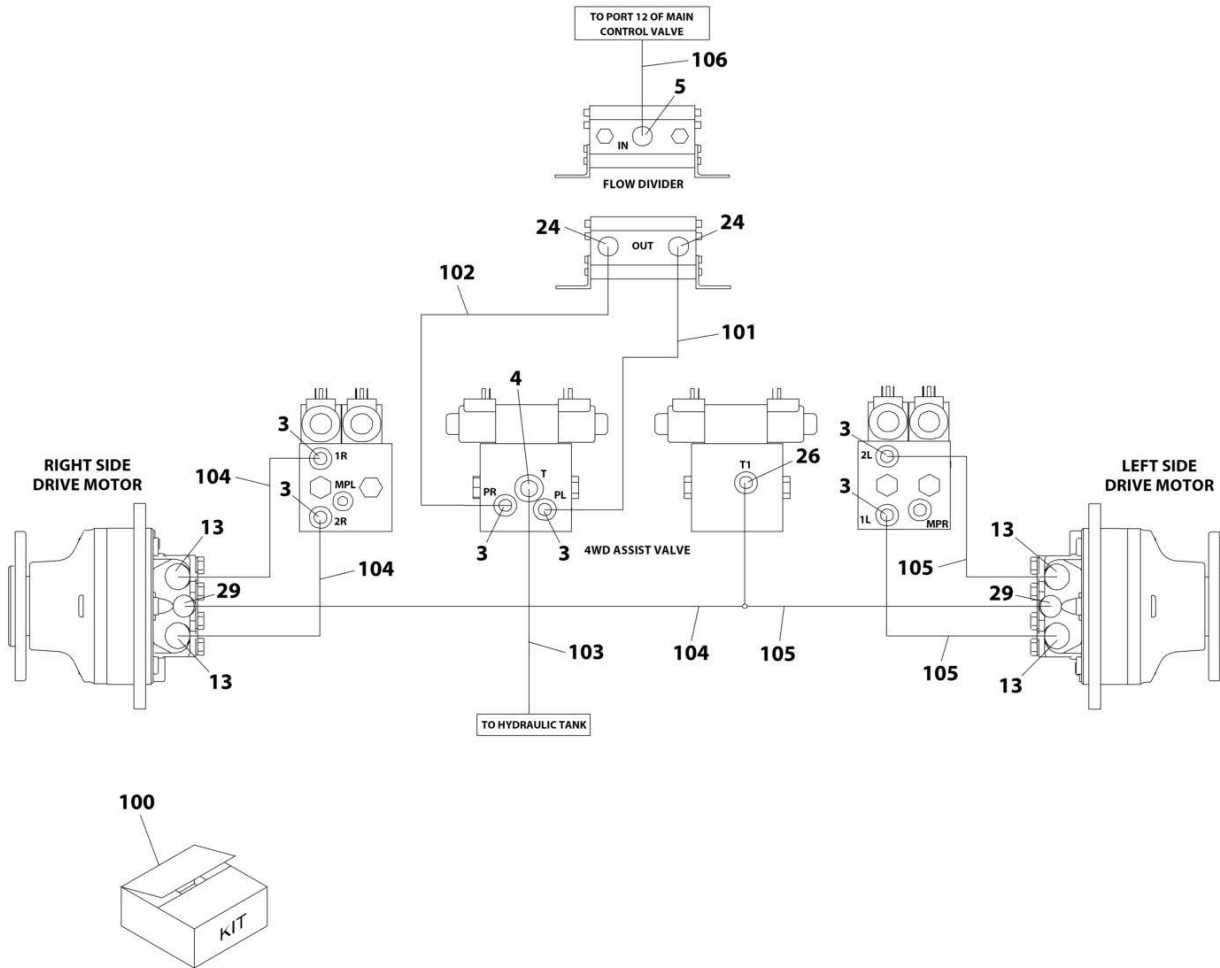
## SECTION 7 - HYDRAULIC

### FIGURE 7-3. HYDRAULIC DIAGRAM - DRIVE (2WD)

ITEM	PART NUMBER	QTY	DESCRIPTION	REV
	2792427	Ref	HYDRAULIC DIAGRAM - DRIVE (2WD)	1
2	2220238	1	Plug	
10	2220451	1	Fitting, Straight JIC/ORB	

# SECTION 7 - HYDRAULIC

## FIGURE 7-4. HYDRAULIC DIAGRAM - DRIVE (4WD)



ART\_2792423

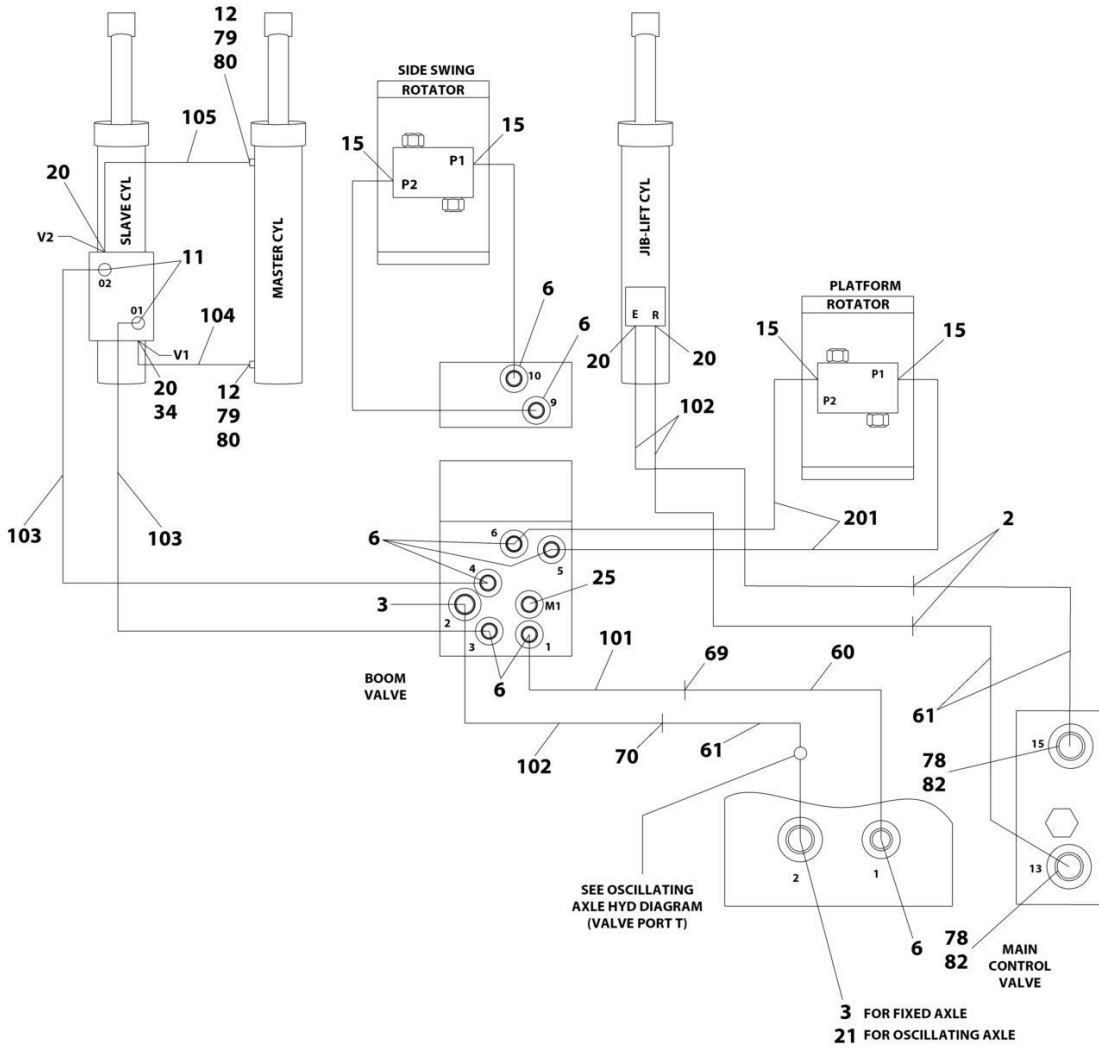
## SECTION 7 - HYDRAULIC

**FIGURE 7-4. HYDRAULIC DIAGRAM - DRIVE (4WD)**

ITEM	PART NUMBER	QTY	DESCRIPTION	REV
	2792423	Ref	4WD HYDRAULIC DIAGRAM	B
3	2220371	6	Fitting, Straight ORB-FL	
4	2220373	1	Fitting, Straight ORB-FL	
5	2220374	1	Fitting, Straight ORB-FL	
13	2220497	4	Fitting, Straight ORB-FL	
24	2220828	2	Fitting, 90 ORB-FL	
26	2220899	1	Fitting, Tee ORB-FL-FL	
29	2220998	2	Fitting, Straight ORB-FL	
100	1001269833	1	Kit, Hose (4WD Rear)	
101	2752648	NSS	Hose	
102	2753118	NSS	Hose	
103	2753452	NSS	Hose	
104	2753459	NSS	Hose	
105	2753460	NSS	Hose	
106	2753461	NSS	Hose	

# SECTION 7 - HYDRAULIC

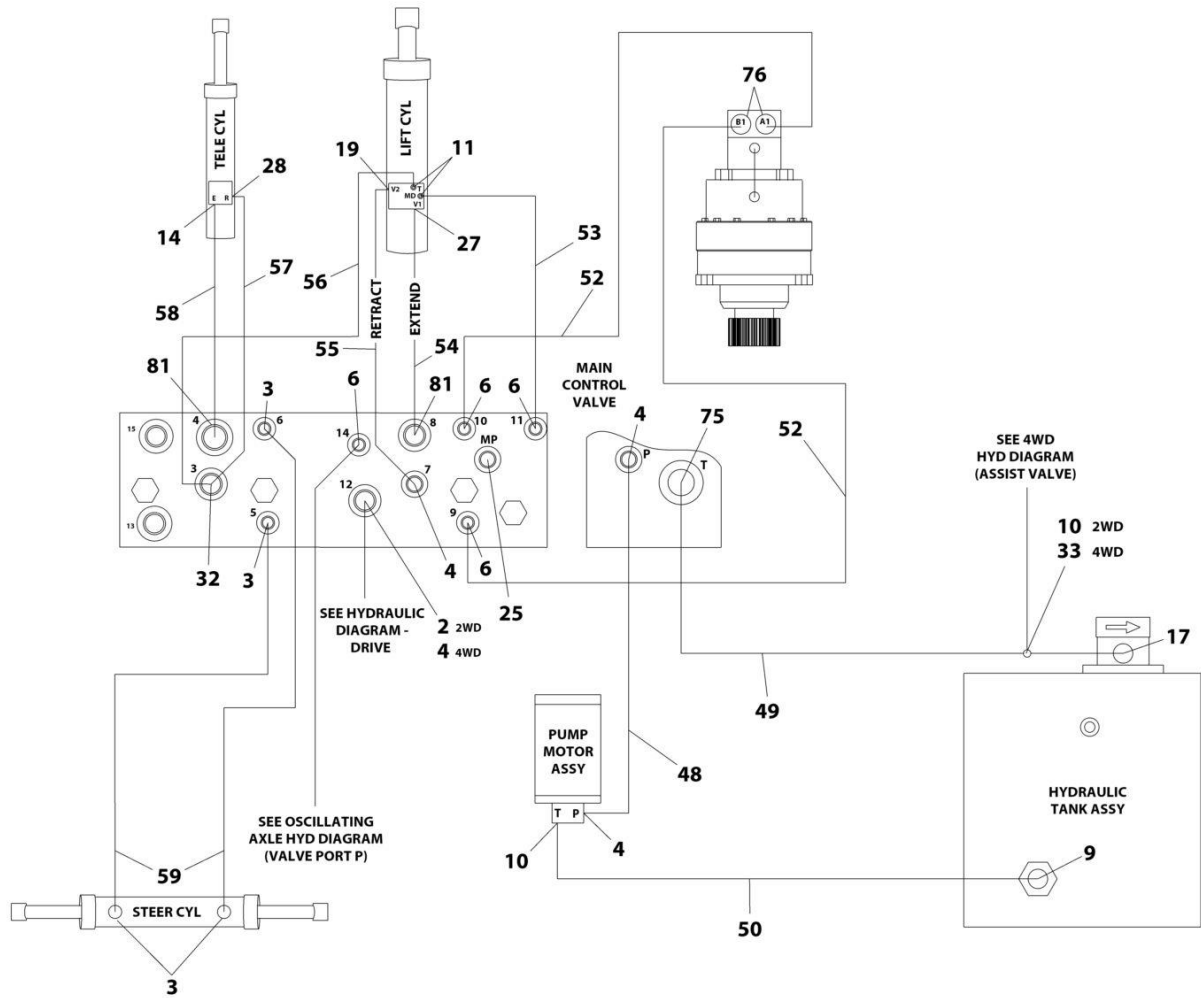
## FIGURE 7-5. HYDRAULIC DIAGRAM - STANDARD (EC600SJ,H600SJ)



ART\_1001220357\_B\_10F2



# SECTION 7 - HYDRAULIC



ART\_1001220357\_B\_20F2

# SECTION 7 - HYDRAULIC

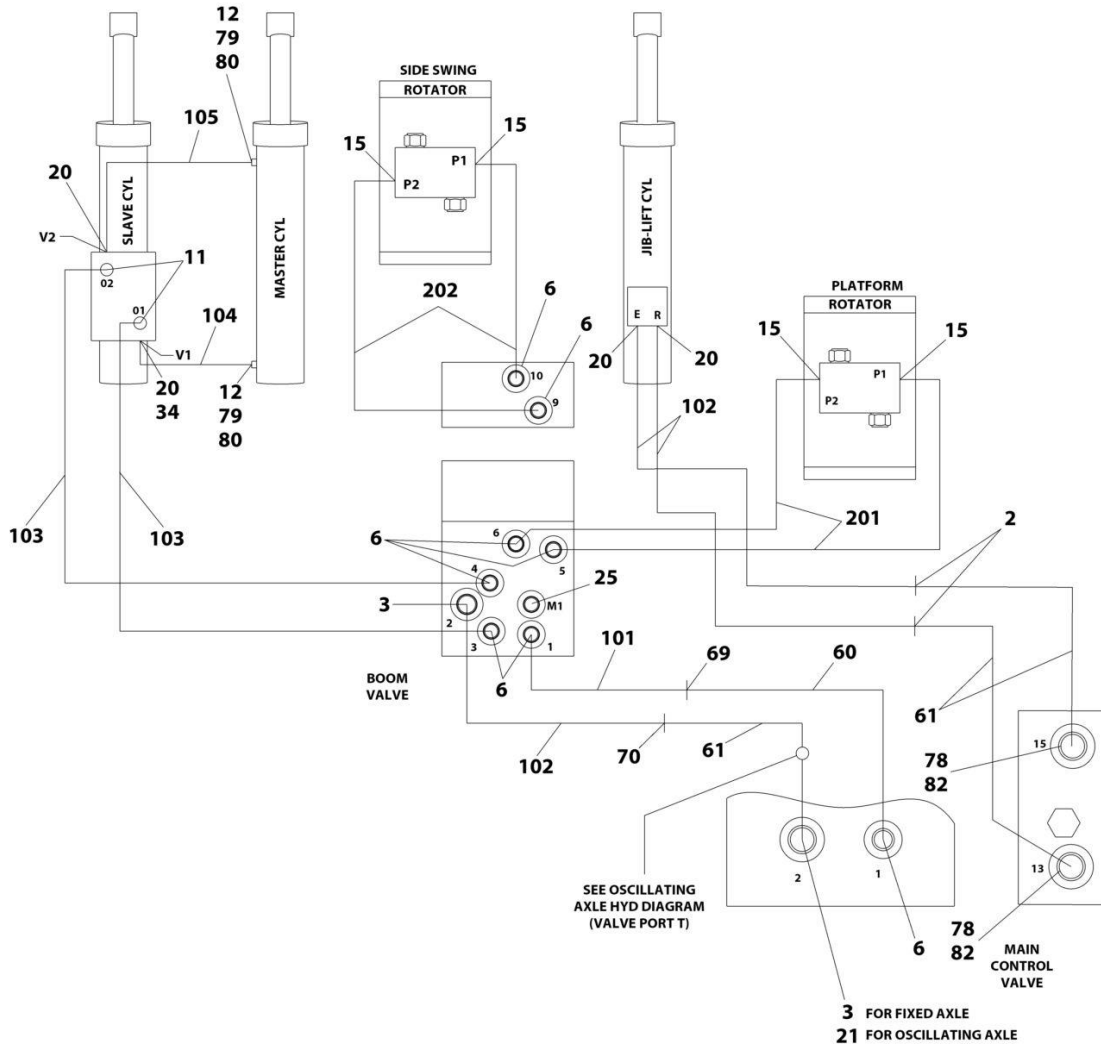
**FIGURE 7-5. HYDRAULIC DIAGRAM - STANDARD (EC600SJ,H600SJ)**

ITEM	PART NUMBER	QTY	DESCRIPTION	REV
	1001220357	Ref	HYDRAULIC DIAGRAM - STANDARD	B
2	2220511	2	Fitting, Straight JIC/JIC	
3	2220371	7	Fitting, Straight JIC/ORB	
4	2220373	4	Fitting, Straight JIC/ORB	
6	2220415	9	Fitting, Straight JIC/ORB	
9	2220435	1	Fitting, Straight JIC/ORB	
10	2220451	1	Fitting, Straight JIC/ORB	
11	2220466	4	Fitting, 90 JIC/ORB	
12	2220934	2	Fitting, Tee JIC/ORB/FNPTF	
14	2220500	1	Fitting, 45 JIC/ORB	
15	2220502	2	Fitting, 45 JIC/ORB	
17	2220550	1	Fitting Straight FORB/ORB	
19	2220596	1	Fitting, 90 JIC/ORB	
20	2220603	4	Fitting Straight JIC/ORB	
21	2220606	1	Fitting, Tee JIC/ORB/JIC	
25	2221086	2	Fitting, Diagnostic Test Port	
27	2220947	1	Fitting, Straight JIC/ORB	
28	2220950	1	Fitting, 45 JIC/ORB	
32	2221061	1	Fitting, Tee JIC/ORB/JIC	
33	2221063	1	Fitting, Tee JIC/ORB/JIC	
34	4567139	1	Tube	
48	2752498	1	Hose	
49	2753441	1	Hose	
50	2753440	1	Hose	
52	2753458	2	Hose	
53	2753444	1	Hose	
54	2753456	1	Hose	
55	2753454	1	Hose	
56	2753443	1	Hose	
57	2753453	1	Hose	
58	2753455	1	Hose	
59	2753451	2	Hose	
60	2753445	1	Hose	
61	2753447	3	Hose	
69	2230031	1	Fitting, 45 JIC/JIC	
70	8770189	1	Fitting, 45 JIC/JIC	
75	2220578	1	Fitting, 90 JIC/ORB	
76	2221033	2	Fitting, Straight JIC/ORB	
79	4640861	2	Fitting, Bleeder	
80	0100020	AR	Sealant	
81	88662037	2	Fitting, Straight JIC/ORB	
82	2220372	2	Fitting, Straight JIC/ORB	
100	1001260908	1	Kit, Hose (Upper Boom)	
101	2753446	NSS	Hose	
102	2753450	NSS	Hose	
103	2753442	NSS	Hose	
104	2753448	NSS	Hose	
105	2753449	NSS	Hose	
200	1001260910	1	Kit, Hose (Jib)	
201	2753458	NSS	Hose	



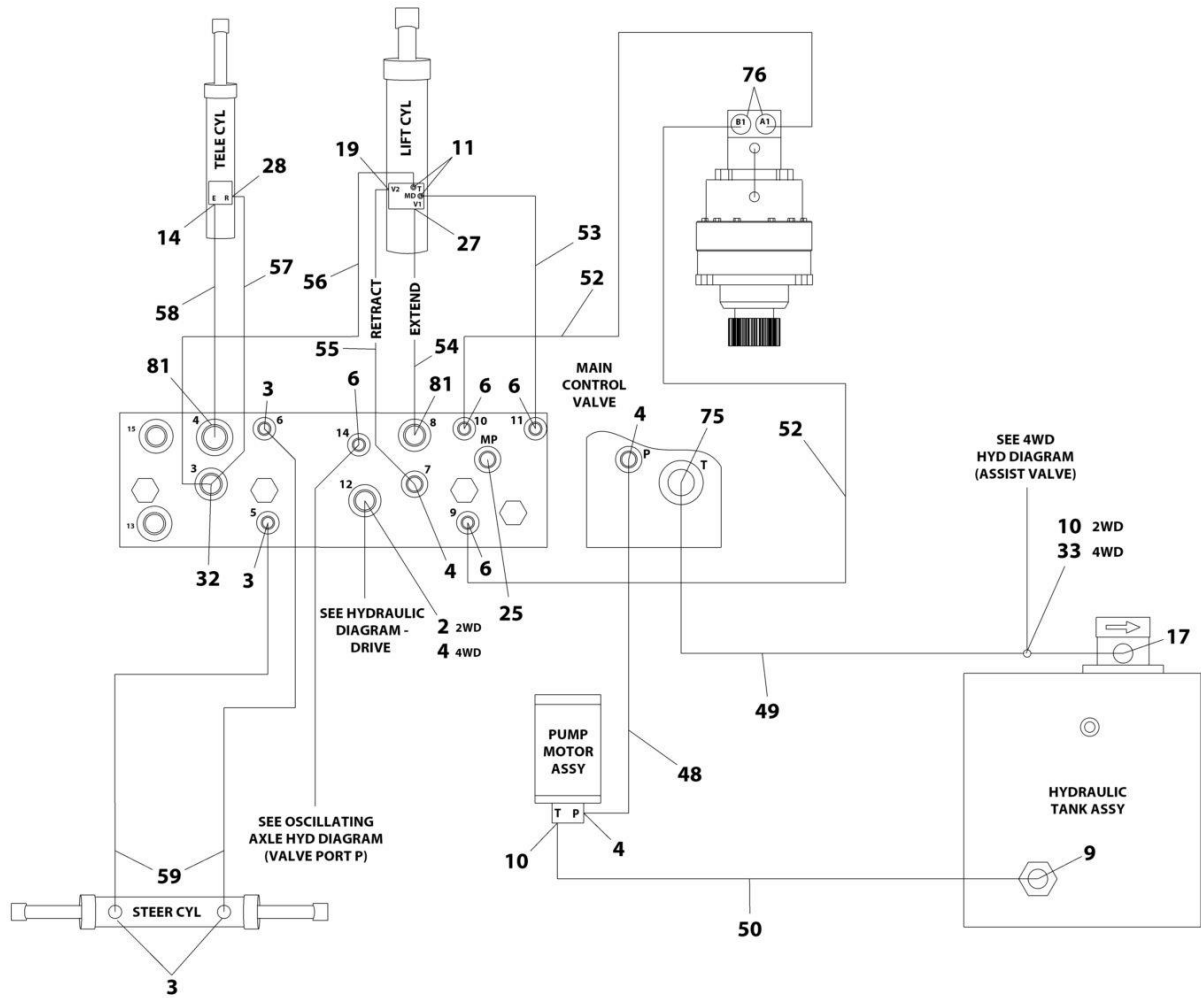
# SECTION 7 - HYDRAULIC

## FIGURE 7-6. HYDRAULIC DIAGRAM - STANDARD (EC600SJP,H600SJP)



ART\_1001220358\_C\_10F2

# SECTION 7 - HYDRAULIC



ART\_1001220358\_C\_20F2

# SECTION 7 - HYDRAULIC

**FIGURE 7-6. HYDRAULIC DIAGRAM - STANDARD (EC600SJP,H600SJP)**

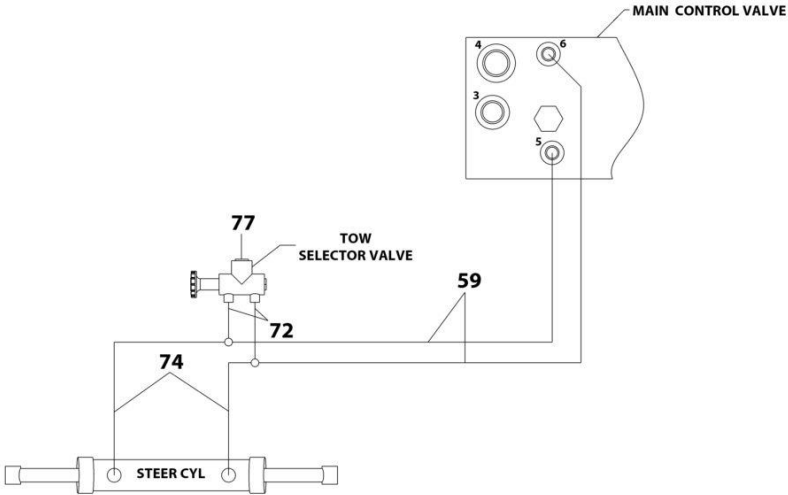
ITEM	PART NUMBER	QTY	DESCRIPTION	REV
	1001220358	Ref	HYDRAULIC DIAGRAM - STANDARD	C
2	2220511	2	Fitting, Straight JIC/JIC	
3	2220371	5	Fitting, Straight JIC/ORB	
4	2220373	4	Fitting, Straight JIC/ORB	
6	2220415	11	Fitting, Straight JIC/ORB	
9	2220435	1	Fitting, Straight JIC/ORB	
10	2220451	1	Fitting, Straight JIC/ORB	
11	2220466	4	Fitting, 90 JIC/ORB	
12	2220934	2	Fitting, Tee JIC/ORB/FNPTF	
14	2220500	1	Fitting, 45 JIC/ORB	
15	2220502	4	Fitting, 45 JIC/ORB	
17	2220550	1	Fitting Straight FORB/ORB	
19	2220596	1	Fitting, 90 JIC/ORB	
20	2220603	4	Fitting Straight JIC/ORB	
21	2220606	1	Fitting, Tee JIC/ORB/JIC	
25	2221086	2	Fitting, Diagnostic Test Port	
27	2220947	1	Fitting, Straight JIC/ORB	
28	2220950	1	Fitting, 45 JIC/ORB	
32	2221061	1	Fitting, Tee JIC/ORB/JIC	
33	2221063	1	Fitting, Tee JIC/ORB/JIC	
34	4567139	1	Tube	
48	2752498	1	Hose	
49	2753441	1	Hose	
50	2753440	1	Hose	
52	2753458	2	Hose	
53	2753444	1	Hose	
54	2753456	1	Hose	
55	2753454	1	Hose	
56	2753443	1	Hose	
57	2753453	1	Hose	
58	2753455	1	Hose	
59	2753451	2	Hose	
60	2753445	1	Hose	
61	2753447	3	Hose	
69	2230031	1	Fitting, 45 JIC/JIC	
70	8770189	1	Fitting, 45 JIC/JIC	
75	2220578	1	Fitting, 90 JIC/ORB	
76	2221033	2	Fitting, Straight JIC/ORB	
79	4640861	2	Fitting, Bleeder	
80	0100020	AR	Sealant	
81	88662037	2	Fitting, Straight JIC/ORB	
82	2220372	2	Fitting, Straight JIC/ORB	
100	1001260909	1	Kit, Hose (Upper Boom)	
101	2753493	NSS	Hose	
102	2753494	NSS	Hose	
103	2753492	NSS	Hose	
104	2753448	NSS	Hose	
105	2753449	NSS	Hose	
200	1001260911	1	Kit, Hose (Jib)	
201	2753458	NSS	Hose	

## SECTION 7 - HYDRAULIC

ITEM	PART NUMBER	QTY	DESCRIPTION	REV
202	2753491	NSS	Hose	

**SECTION 7 - HYDRAULIC**

**FIGURE 7-7. HYDRAULIC DIAGRAM - TOW**



ART\_1001202441



## SECTION 7 - HYDRAULIC

### FIGURE 7-7. HYDRAULIC DIAGRAM - TOW

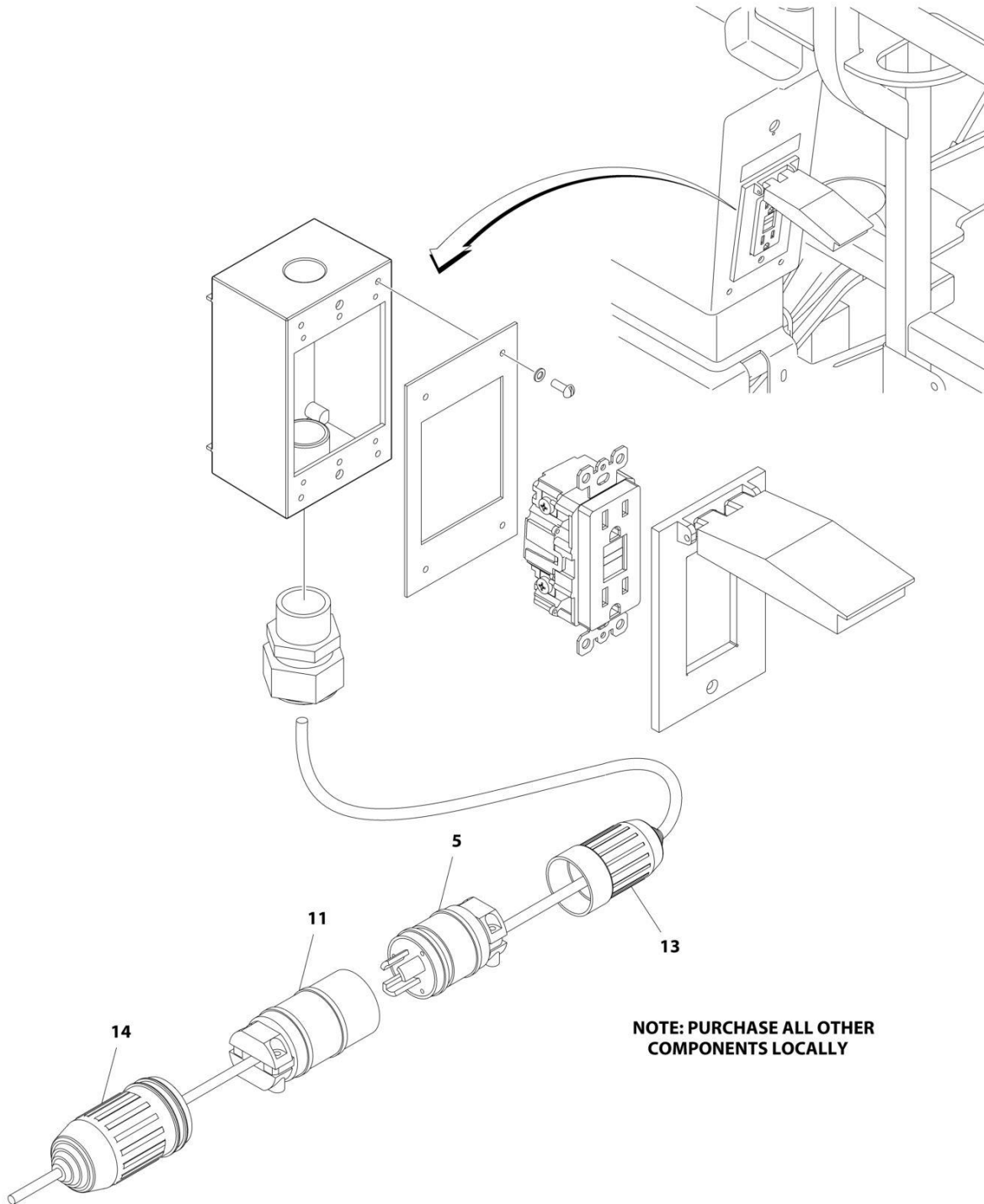
ITEM	PART NUMBER	QTY	DESCRIPTION	REV
	1001202441	Ref	TOW HYDRAULIC DIAGRAM	C
59	2753451	2	Hose	
72	2221052	AR	Fitting, Tee ORB-FL-FL	
74	2753327	2	Hose	
77	2220240	1	Fitting, Plug ORB	



**SECTION 8 - ELECTRICAL**

# SECTION 8 - ELECTRICAL

## FIGURE 8-1. AC BOX AT PLATFORM - LOCALLY SUPPLIED COMPONENTS



ART\_0258304

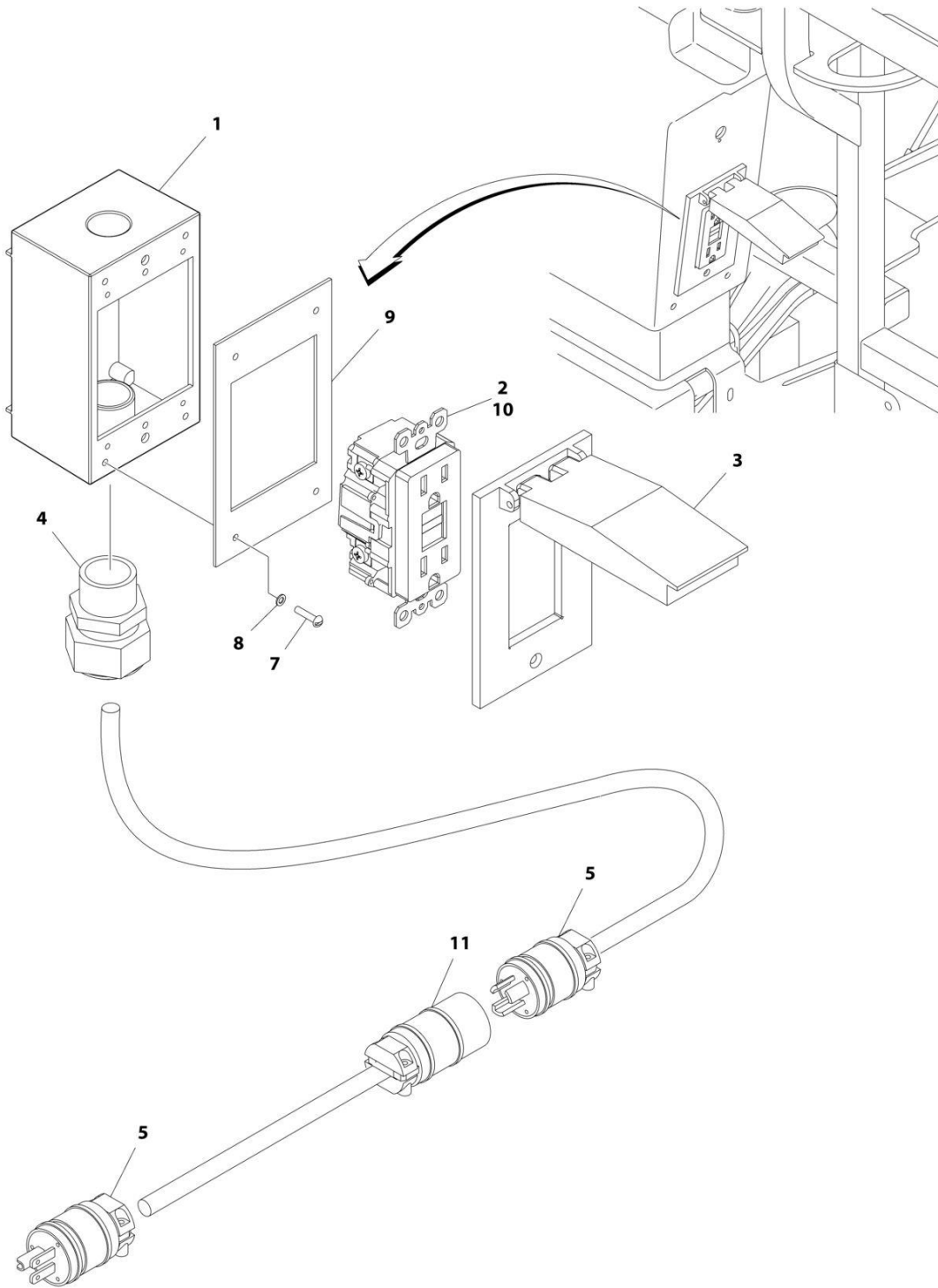
## SECTION 8 - ELECTRICAL

**FIGURE 8-1. AC BOX AT PLATFORM - LOCALLY SUPPLIED COMPONENTS**

ITEM	PART NUMBER	QTY	DESCRIPTION	REV
	0258304	Ref	AC BOX AT PLATFORM - LOCALLY SUPPLIED COMPONENTS	C
5	4460709	1	Plug	
11	4460710	1	Receptacle	
13	1001156351	1	Cover, Female Connector	
14	1001156352	1	Cover, Male Connector	

# SECTION 8 - ELECTRICAL

FIGURE 8-2. AC BOX AT PLATFORM INSTALLATION - 110V (ALL SPECS EXCEPT AUSTRALIAN, CE & UK CA SPECS)



ART\_0258303

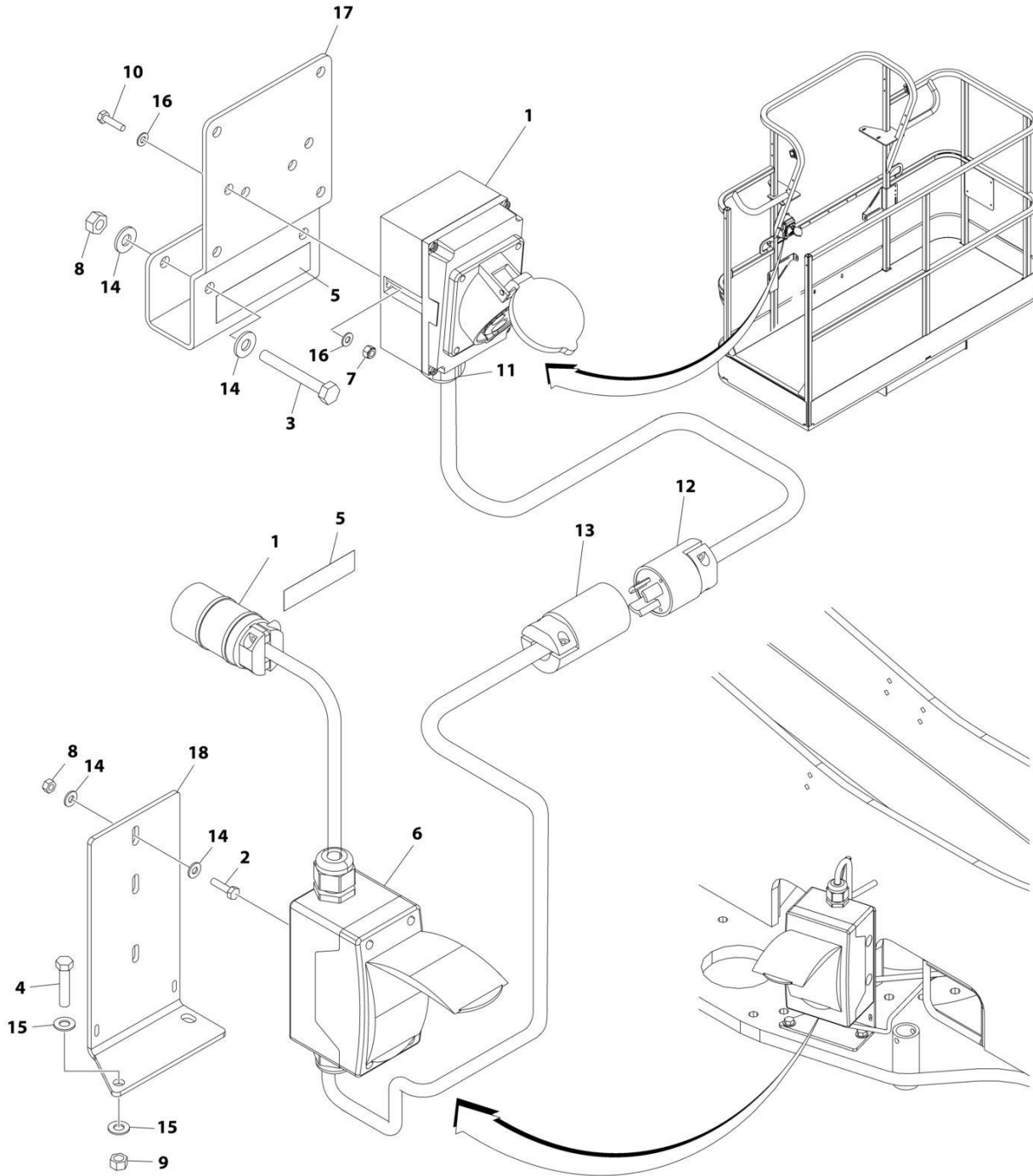
## SECTION 8 - ELECTRICAL

**FIGURE 8-2. AC BOX AT PLATFORM INSTALLATION - 110V (ALL SPECS EXCEPT AUSTRALIAN, CE & UK CA SPECS)**

ITEM	PART NUMBER	QTY	DESCRIPTION	REV
	0258303	Ref	AC BOX AT PLATFORM INSTALLATION - 110V - ANSI, ANSI EXPORT AND CSA SPECS	6
1	0860038	1	Box, Switch	
2	4460346	1	Receptacle	
3	1001110873	1	Shield, Cover	
4	4460071	1	Connector, Strain Relief	
5	4460205	2	Plug, Male	
7	3910610	4	Screw #6 x 5/8	
8	4760600	4	Washer #6	
9	3960422	1	Gasket	
10	4460315	1	Terminal, Spade	
11	4460134	1	Receptacle, Female	

# SECTION 8 - ELECTRICAL

FIGURE 8-3. AC BOX AT PLATFORM INSTALLATION - 110V IEC YELLOW (CE & UK CA SPEC)



ART\_1001221189



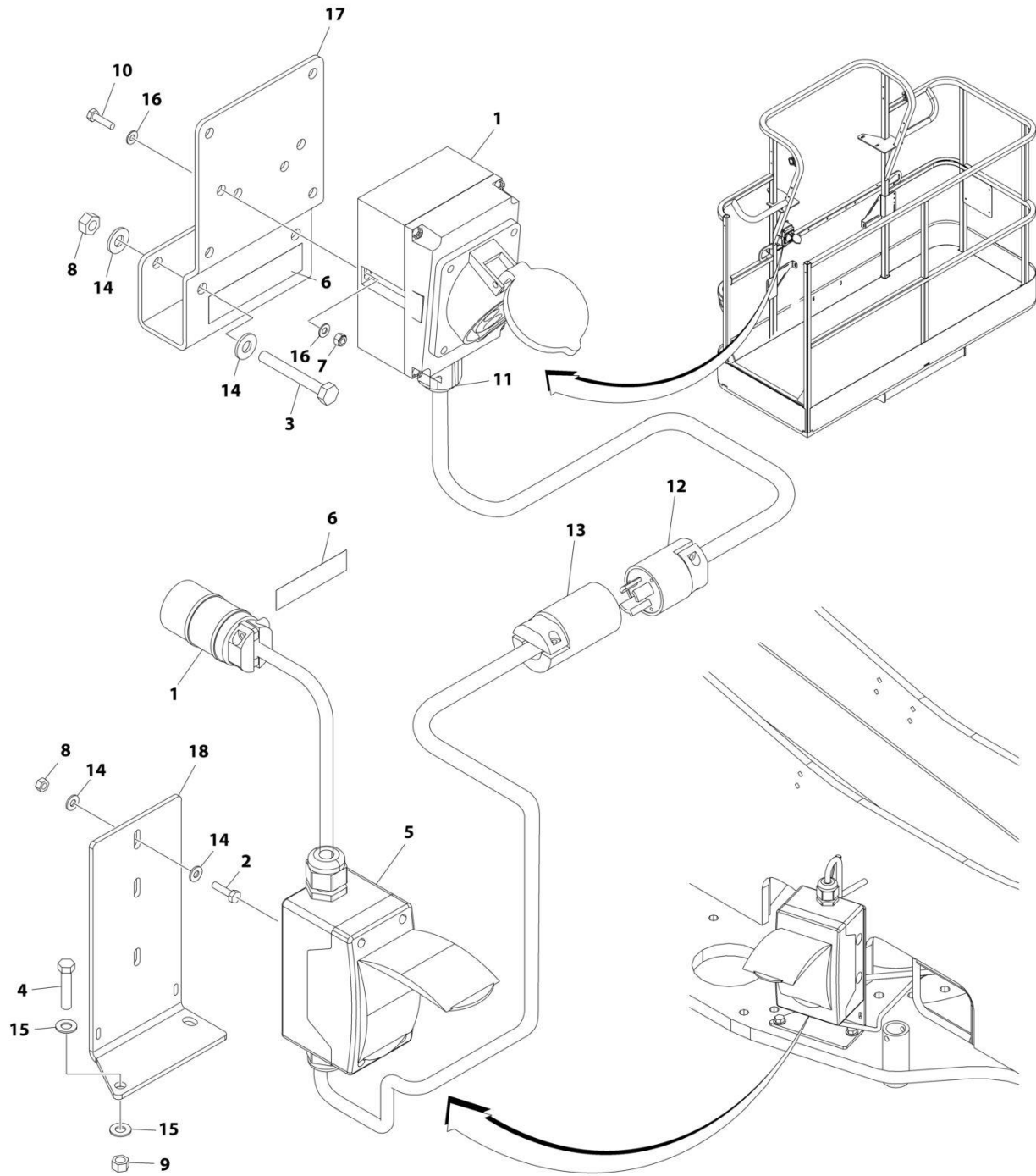
## SECTION 8 - ELECTRICAL

**FIGURE 8-3. AC BOX AT PLATFORM INSTALLATION - 110V IEC YELLOW (CE & UK CA SPEC)**

ITEM	PART NUMBER	QTY	DESCRIPTION	REV
	1001221189	Ref	AC BOX AT PLATZFORM INSTALLATION - 110V IEC YELLOW (CE & UK CA SPEC)	A
1	0275216	1	Receptacle Box Kit (See Separate Breakdown in this Section)	
2	0641408	2	Bolt 1/4 x 1	
3	0641416	2	Bolt 1/4 x 2	
4	0641614	2	Bolt 3/8 x 1-3/4	
5	1705325	2	Decal - 120V-50Hz	
6	2902549	1	Breaker Box Kit - CE & UK CA Spec (See Separate Breakdown in this Section)	
7	3290405	2	Nut M4	
8	3311405	4	Nut 1/4	
9	3311605	2	Nut 3/8	
10	4010408	2	Screw M4 x 16	
11	4460662	1	Connector, Strain Relief	
12	4460709	1	Plug, Male	
13	4460710	1	Receptacle, Female	
14	4711400	8	Washer 1/4	
15	4711600	4	Washer 3/8	
16	4811400	4	Washer M4	
17	1001193018	1	Bracket	
18	1001221130	1	Bracket	

# SECTION 8 - ELECTRICAL

## FIGURE 8-4. AC BOX AT PLATFORM INSTALLATION - 220V IEC BLUE (CE & UK CA SPEC)



ART\_1001221190

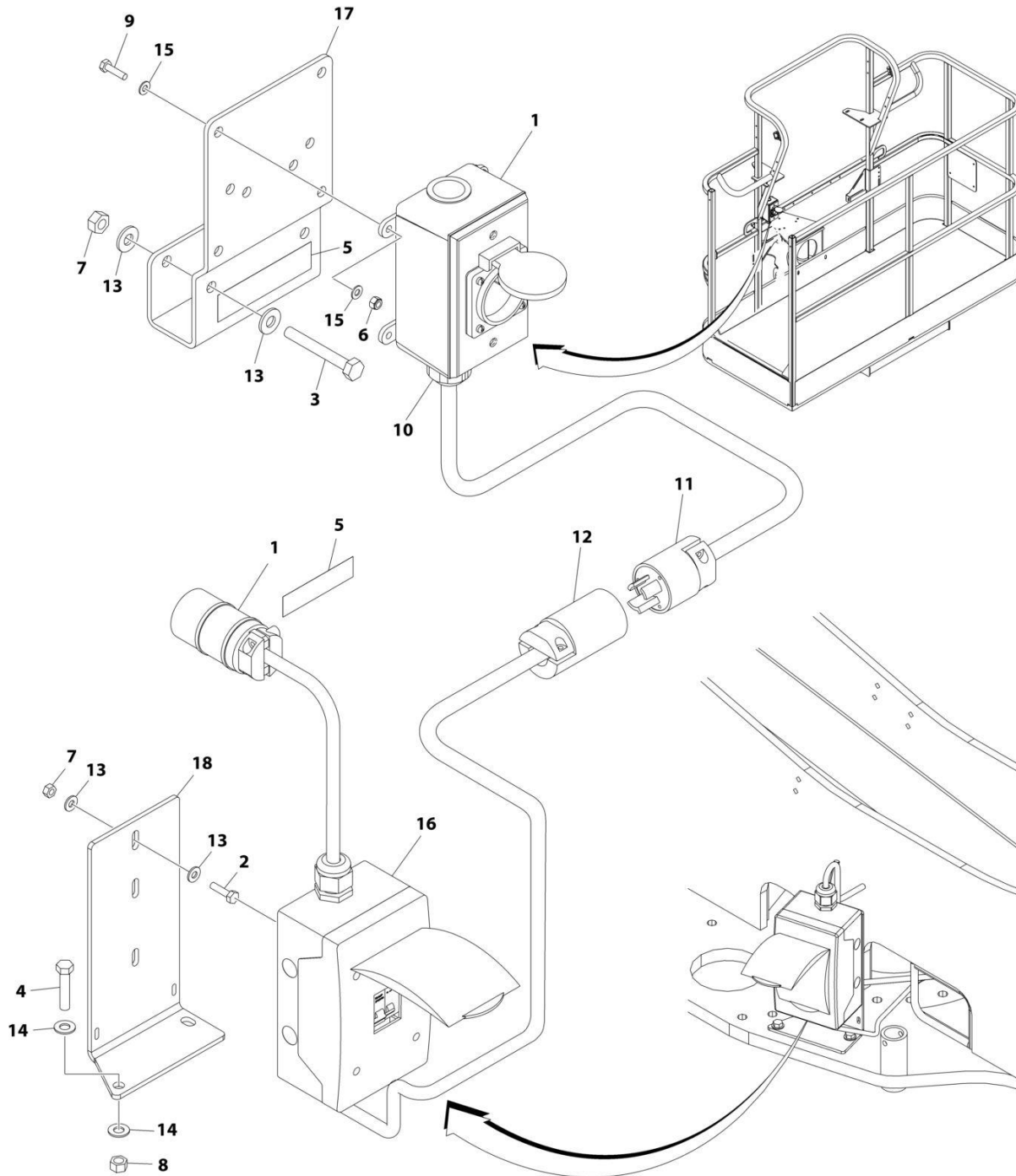
## SECTION 8 - ELECTRICAL

**FIGURE 8-4. AC BOX AT PLATFORM INSTALLATION - 220V IEC BLUE (CE & UK CA SPEC)**

ITEM	PART NUMBER	QTY	DESCRIPTION	REV
	1001221190	Ref	AC BOX AT PLATFORM INSTALLATION - 220V IEC BLUE (CE & UK CA SPEC)	A
1	0275217	1	Receptacle Box Kit (See Separate Breakdown in this Section)	
2	0641408	2	Bolt 1/4 x 1	
3	0641416	2	Bolt 1/4 x 2	
4	0641614	2	Bolt 3/8 x 1-3/4	
5	2902549	1	Breaker Box Kit (See Separate Breakdown in this Section)	
6	3252507	2	Decal - 220V-50Hz	
7	3290405	2	Nut M4	
8	3311405	4	Nut 1/4	
9	3311605	2	Nut 3/8	
10	4010408	2	Screw M4 x 16	
11	4460662	1	Connector, Strain Relief	
12	4460709	1	Plug, Male	
13	4460710	1	Receptacle, Female	
14	4711400	8	Washer 1/4	
15	4711600	4	Washer 3/8	
16	4811400	4	Washer M4	
17	1001193018	1	Bracket	
18	1001221130	1	Bracket	

# SECTION 8 - ELECTRICAL

FIGURE 8-5. AC BOX AT PLATFORM INSTALLATION - 220V CEE7 POST GROUND WITH 2IN X 4IN BOX (CE & UK CA SPEC)



ART\_1001221185

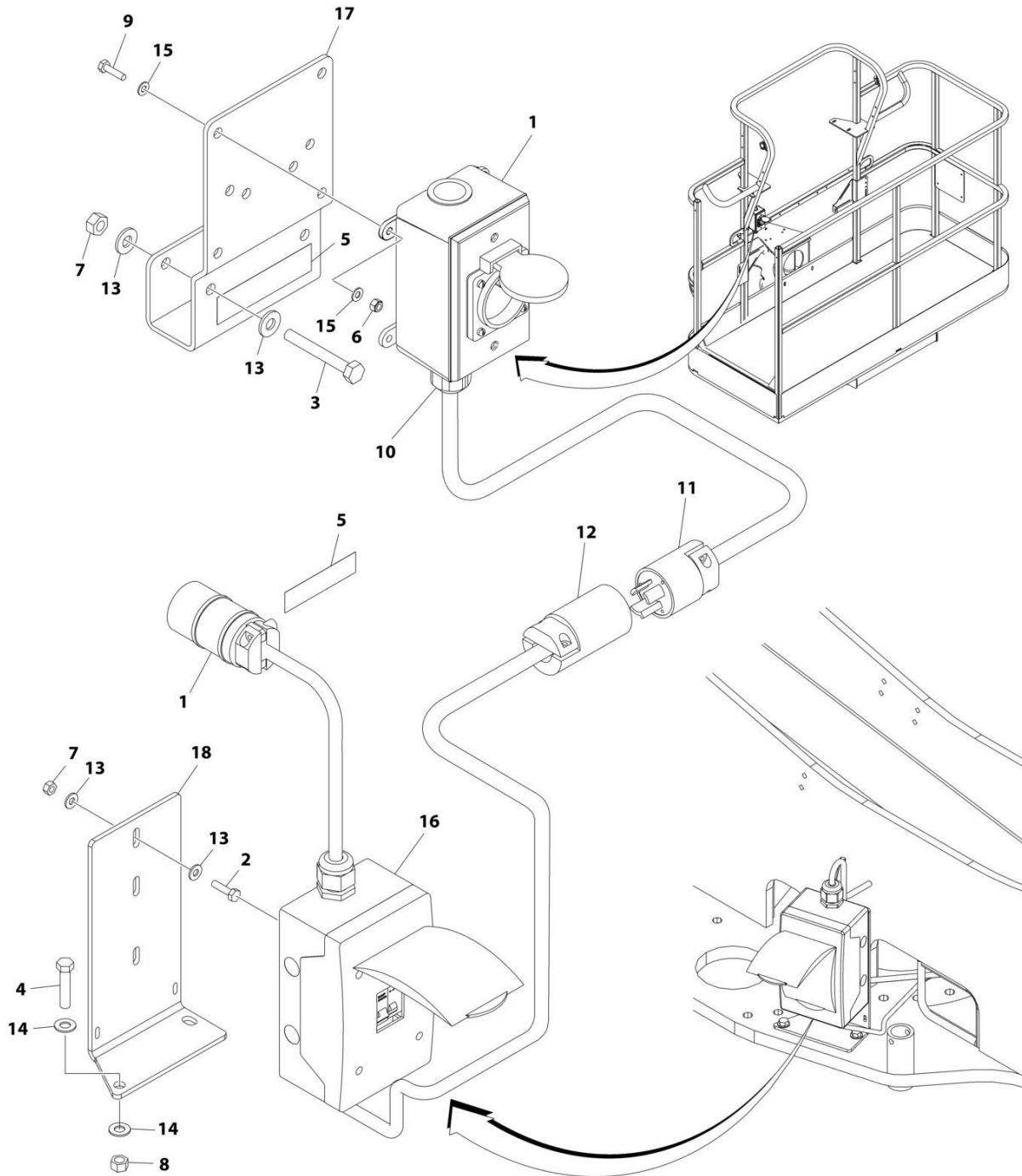
## SECTION 8 - ELECTRICAL

**FIGURE 8-5. AC BOX AT PLATFORM INSTALLATION - 220V CEE7 POST GROUND WITH 2IN X 4IN BOX (CE & UK CA SPEC)**

ITEM	PART NUMBER	QTY	DESCRIPTION	REV
	1001221185	Ref	AC BOX AT PLATFORM INSTALLATION - 220V CEE7 POST GROUND WITH 2IN X 4IN BOX (CE & UK CA SPEC)	A
1	0275452	1	Receptacle Box Kit (See Separate Breakdown in this Section)	
2	0641408	2	Bolt 1/4 x 1	
3	0641416	2	Bolt 1/4 x 2	
4	0641614	2	Bolt 3/8 x 1-3/4	
5	3252507	2	Decal - Voltage	
6	3290405	4	Nut M4	
7	3311405	4	Nut 1/4	
8	3311605	2	Nut 3/8	
9	4010408	4	Screw M4 x 16	
10	4460662	1	Connector, Strain Relief	
11	4460709	1	Plug, Male	
12	4460710	1	Receptacle, Female	
13	4711400	8	Washer 1/4	
14	4711600	4	Washer 3/8	
15	4811400	8	Washer M4	
16	1001152486	1	Breaker Box Kit (See Separate Breakdown in this Section)	
17	1001193018	1	Bracket	
18	1001221130	1	Bracket	

# SECTION 8 - ELECTRICAL

FIGURE 8-6. AC BOX AT PLATFORM INSTALLATION - 220V CEE7 SIDE GROUND WITH 2IN X 4IN BOX (CE & UK CA SPEC)



ART\_1001221187

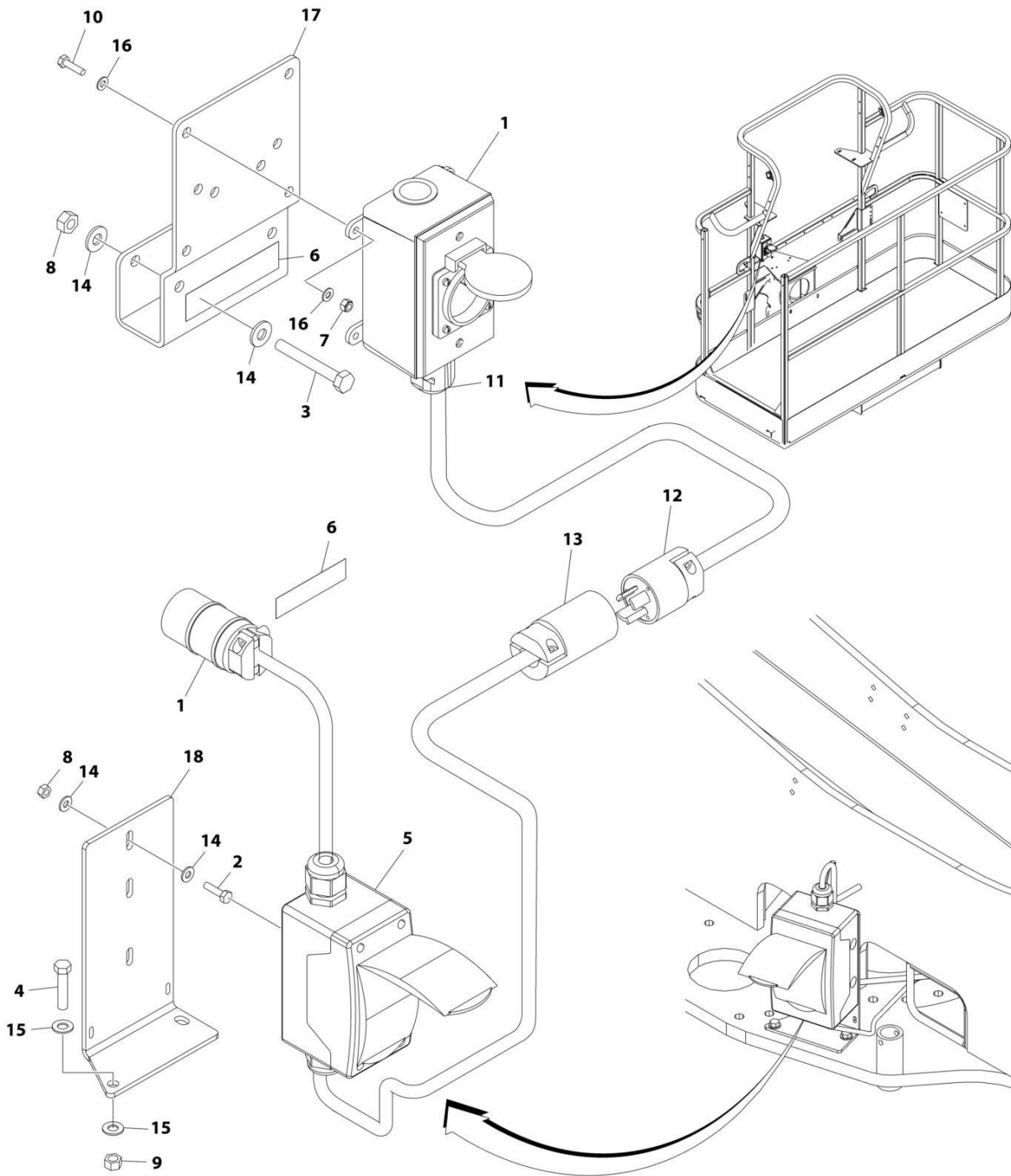
## SECTION 8 - ELECTRICAL

**FIGURE 8-6. AC BOX AT PLATFORM INSTALLATION - 220V CEE7 SIDE GROUND WITH 2IN X 4IN BOX (CE & UK CA SPEC)**

ITEM	PART NUMBER	QTY	DESCRIPTION	REV
	1001221187	Ref	AC BOX AT PLATFORM INSTALLATION - 220V CEE7 SIDE GROUND WITH 2IN X 4IN BOX (CE & UK CA SPEC) <b>(SN 0300223839 to Present)</b>	A
1	0275453	1	Receptacle Box Kit (See Separate Breakdown in this Section)	
2	0641408	2	Bolt 1/4 x 1	
3	0641416	2	Bolt 1/4 x 2	
4	0641614	2	Bolt 3/8 x 1-3/4	
5	3252507	2	Decal - Voltage	
6	3290405	4	Nut M4	
7	3311405	4	Nut 1/4	
8	3311605	2	Nut 3/8	
9	4010408	4	Screw M4 x 16	
10	4460662	1	Connector, Strain Relief	
11	4460709	1	Plug, Male	
12	4460710	1	Receptacle, Female	
13	4711400	8	Washer 1/4	
14	4711600	4	Washer 3/8	
15	4811400	8	Washer M4	
16	1001152486	1	Breaker Box Kit (See Separate Breakdown in this Section)	
17	1001193018	1	Bracket	
18	1001221130	1	Bracket	

# SECTION 8 - ELECTRICAL

FIGURE 8-7. AC BOX AT PLATFORM INSTALLATION - 220V AFSINT 107 KEYED GROUND WITH 2IN X 4IN BOX



ART\_1001221188



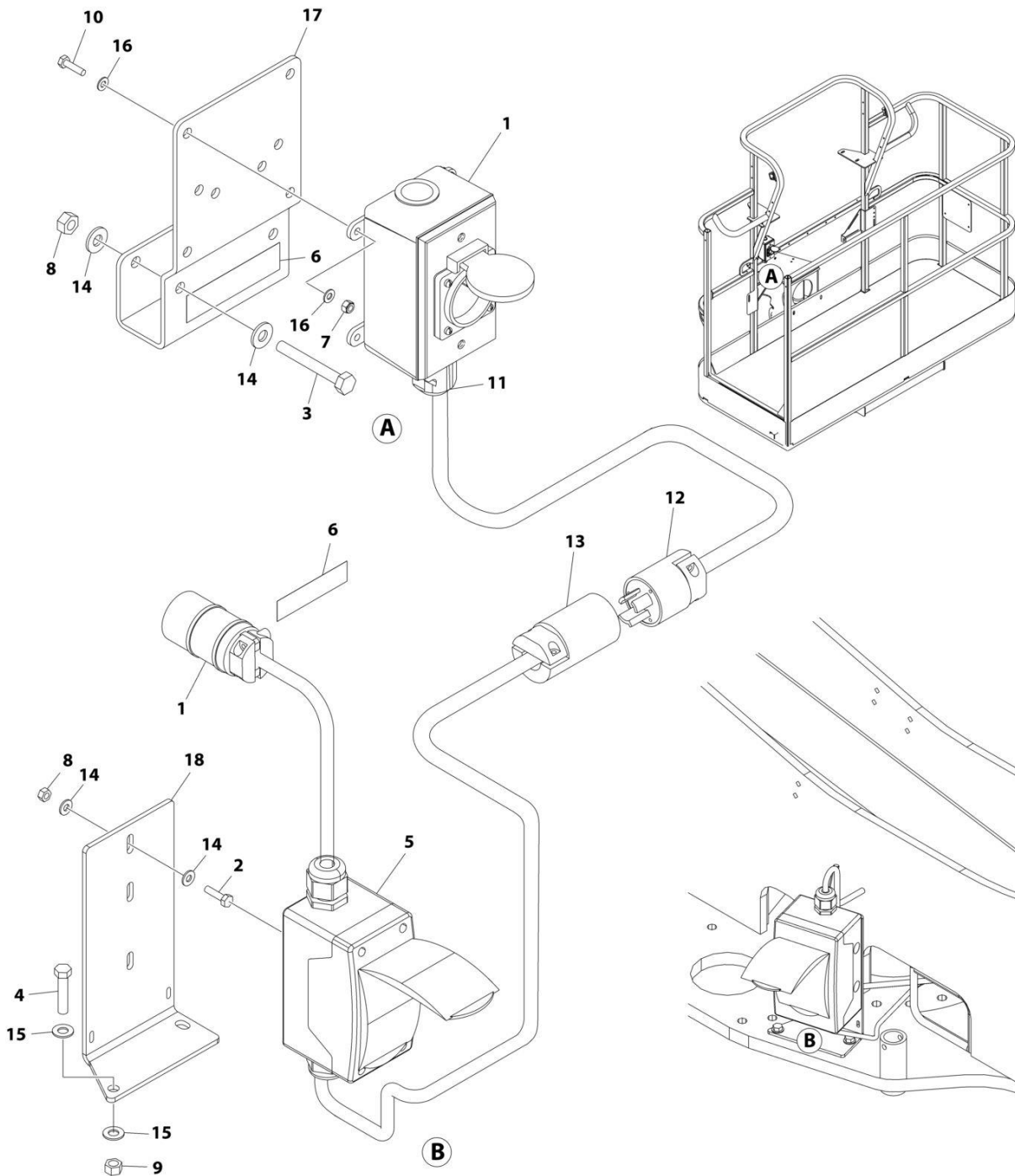
## SECTION 8 - ELECTRICAL

**FIGURE 8-7. AC BOX AT PLATFORM INSTALLATION - 220V AFSINT 107 KEYED GROUND WITH 2IN X 4IN BOX**

ITEM	PART NUMBER	QTY	DESCRIPTION	REV
	1001221188	Ref	AC BOX AT PLATFORM INSTALLATION - 220V AFSINT 107 KEYED GROUND WITH 2IN X 4IN BOX (CE & UK CA SPEC) <b>(SN 0300223839 to Present)</b>	A
1	0275454	1	Receptacle Box Kit (See Separate Breakdown in this Section)	
2	0641408	2	Bolt 1/4 x 1	
3	0641416	2	Bolt 1/4 x 2	
4	0641614	2	Bolt 3/8 x 1-3/4	
5	2902549	1	Breaker Box Kit (See Separate Breakdown in this Section)	
6	3252507	2	Decal - Voltage	
7	3290405	4	Nut M4	
8	3311405	4	Nut 1/4	
9	3311605	2	Nut 3/8	
10	4010408	4	Screw M4 x 16	
11	4460662	1	Connector, Strain Relief	
12	4460709	1	Plug, Male	
13	4460710	1	Receptacle, Female	
14	4711400	8	Washer 1/4	
15	4711600	4	Washer 3/8	
16	4811400	8	Washer M4	
17	1001193018	1	Bracket	
18	1001221130	1	Bracket	

# SECTION 8 - ELECTRICAL

FIGURE 8-8. AC BOX AT PLATFORM INSTALLATION - 220V AFSINT 107 KEYED GROUND WITH 2IN X 4IN BOX (MACHINES WITH SN STARTING WITH B3)



ART\_1001291610

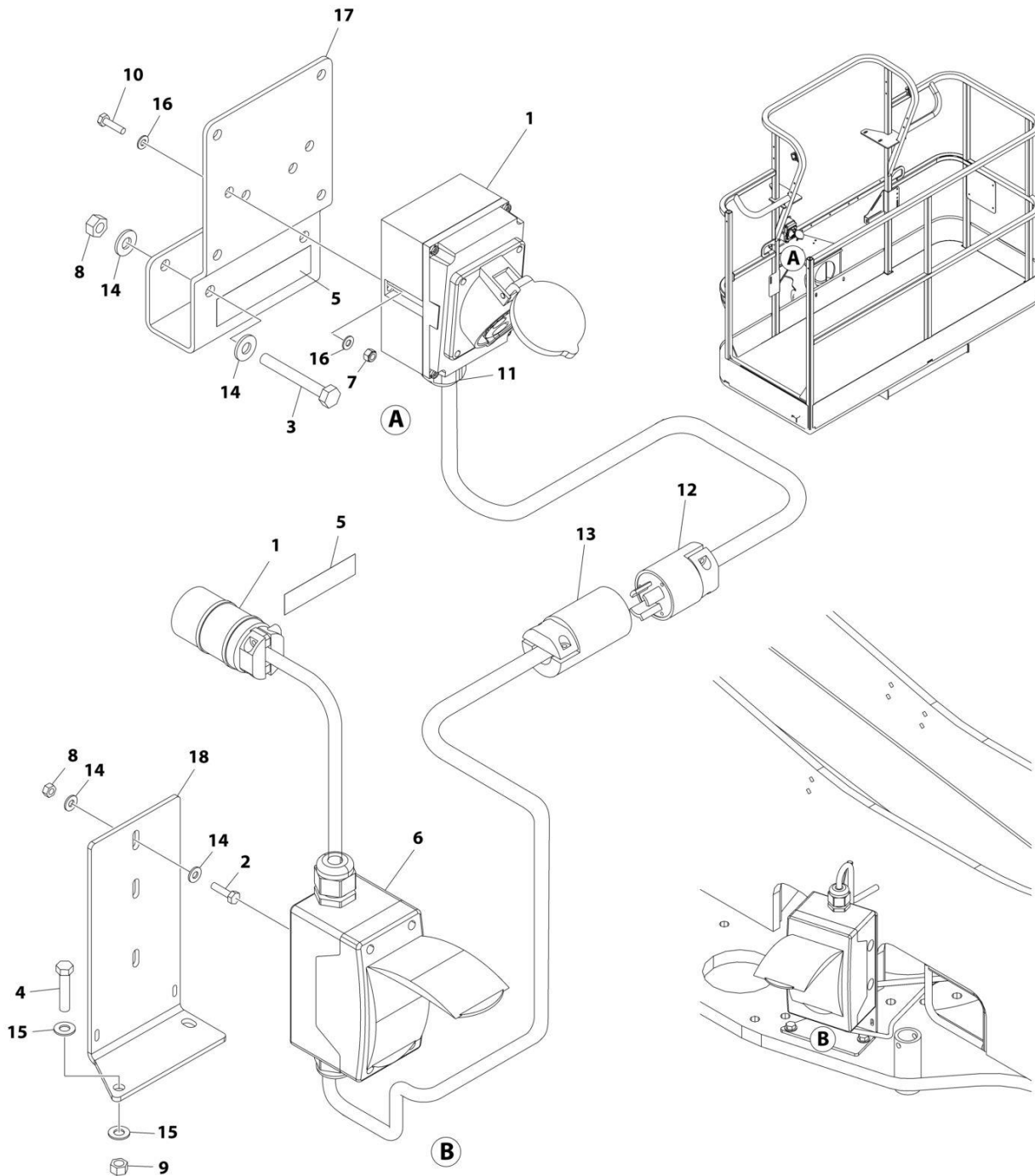
## SECTION 8 - ELECTRICAL

**FIGURE 8-8. AC BOX AT PLATFORM INSTALLATION - 220V AFSINT 107 KEYED GROUND WITH 2IN X 4IN BOX (MACHINES WITH SN STARTING WITH B3)**

ITEM	PART NUMBER	QTY	DESCRIPTION	REV
	1001291610	Ref	AC BOX AT FLATFORM INSTALLATION 220V AFSINT	A
1	0275454	1	Receptacle Box Kit (See Separate Breakdown in this Section)	
2	0641408	2	Bolt 1/4 x 1	
3	0641416	2	Bolt 1/4 x 2	
4	0641614	2	Bolt 3/8 x 1-3/4	
5	1001289592	1	Breaker Box Kit (See Separate Breakdown in this Section)	
6	3252507	2	Decal - Voltage	
7	3290405	4	Nut M4	
8	3311405	4	Nut 1/4	
9	3311605	2	Nut 3/8	
10	4010408	4	Screw M4 x 16	
11	4460662	1	Connector, Strain Relief	
12	4460709	1	Plug, Male	
13	4460710	1	Receptacle, Female	
14	4711400	8	Washer 1/4	
15	4711600	4	Washer 3/8	
16	4811400	8	Washer M4	
17	1001193018	1	Bracket	
18	1001221130	1	Bracket	

# SECTION 8 - ELECTRICAL

## FIGURE 8-9. AC BOX AT PLATFORM INSTALLATION - 110V IEC YELLOW (CE & UK CA SPEC) (MACHINES WITH SN STARTING WITH B3)



ART\_1001291613

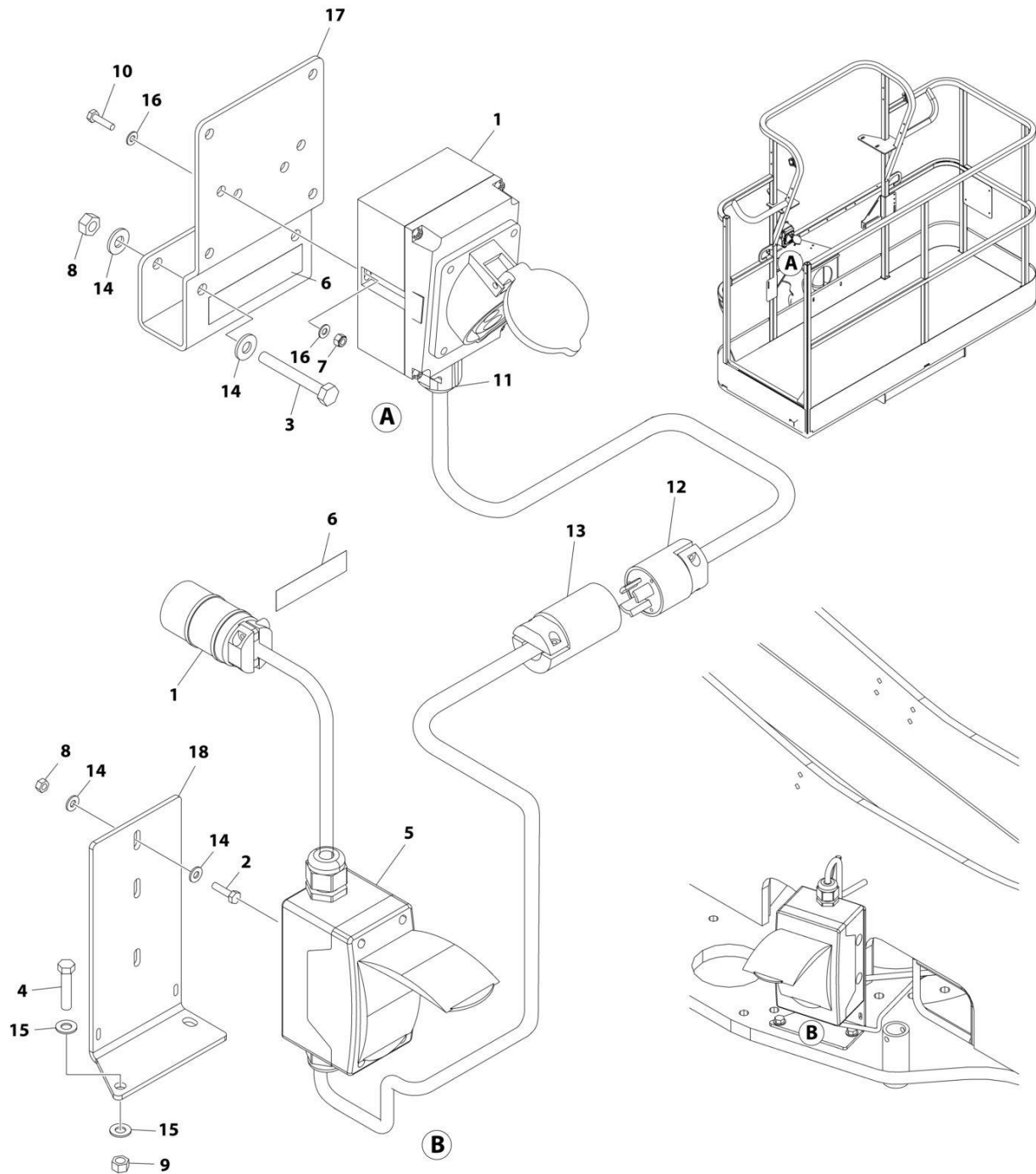
## SECTION 8 - ELECTRICAL

**FIGURE 8-9. AC BOX AT PLATFORM INSTALLATION - 110V IEC YELLOW (CE & UK CA SPEC)  
(MACHINES WITH SN STARTING WITH B3)**

ITEM	PART NUMBER	QTY	DESCRIPTION	REV
	1001291613	Ref	AC BOX AT PLATFORM INSTALLATION - 110V IEC YELLOW	A
1	0275216	1	Receptacle Box Kit (See Separate Breakdown in this Section)	
2	0641408	2	Bolt 1/4 x 1	
3	0641416	2	Bolt 1/4 x 2	
4	0641614	2	Bolt 3/8 x 1-3/4	
5	1705325	2	Decal - 120V-50Hz	
6	1001289592	1	Breaker Box Kit - CE & UK CA Spec (See Separate Breakdown in this Section)	
7	3290405	2	Nut M4	
8	3311405	4	Nut 1/4	
9	3311605	2	Nut 3/8	
10	4010408	2	Screw M4 x 16	
11	4460662	1	Connector, Strain Relief	
12	4460709	1	Plug, Male	
13	4460710	1	Receptacle, Female	
14	4711400	8	Washer 1/4	
15	4711600	4	Washer 3/8	
16	4811400	4	Washer M4	
17	1001193018	1	Bracket	
18	1001221130	1	Bracket	

# SECTION 8 - ELECTRICAL

FIGURE 8-10. AC BOX AT PLATFORM INSTALLATION - 220V IEC BLUE (CE & UK CA SPEC)  
(MACHINES WITH SN STARTING WITH B3)



ART\_1001291656

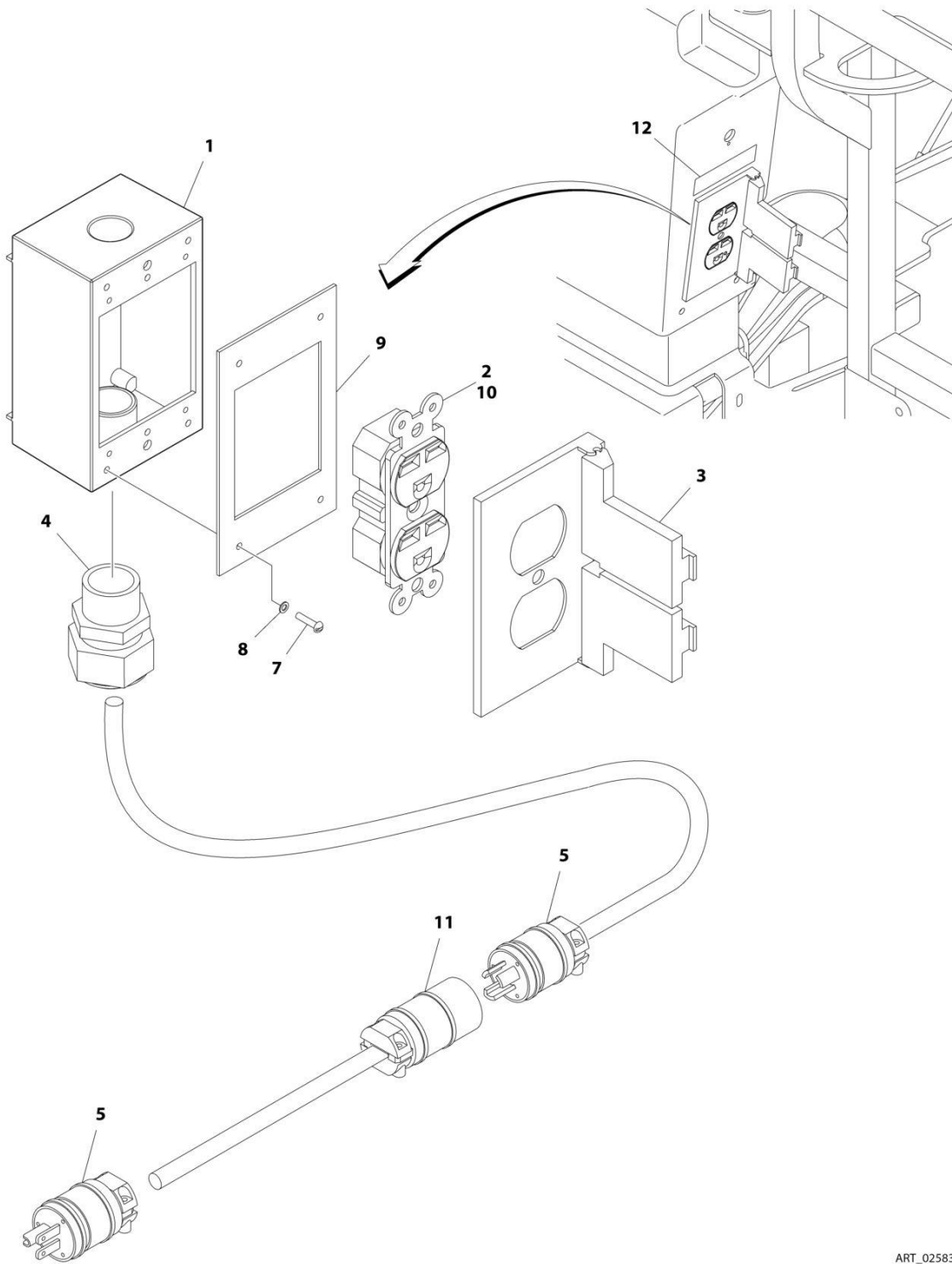
## SECTION 8 - ELECTRICAL

**FIGURE 8-10. AC BOX AT PLATFORM INSTALLATION - 220V IEC BLUE (CE & UK CA SPEC)  
(MACHINES WITH SN STARTING WITH B3)**

ITEM	PART NUMBER	QTY	DESCRIPTION	REV
	1001291656	Ref	AC BOX AT PLATFORM INSTALLATION 220V IEC BLUE	A
1	0275217	1	Receptacle Box Kit (See Separate Breakdown in this Section)	
2	0641408	2	Bolt 1/4 x 1	
3	0641416	2	Bolt 1/4 x 2	
4	0641614	2	Bolt 3/8 x 1-3/4	
5	1001289592	1	Breaker Box Kit (See Separate Breakdown in this Section)	
6	3252507	2	Decal - 220V-50Hz	
7	3290405	2	Nut M4	
8	3311405	4	Nut 1/4	
9	3311605	2	Nut 3/8	
10	4010408	2	Screw M4 x 16	
11	4460662	1	Connector, Strain Relief	
12	4460709	1	Plug, Male	
13	4460710	1	Receptacle, Female	
14	4711400	8	Washer 1/4	
15	4711600	4	Washer 3/8	
16	4811400	4	Washer M4	
17	1001193018	1	Bracket	
18	1001221130	1	Bracket	

# SECTION 8 - ELECTRICAL

FIGURE 8-11. AC BOX AT PLATFORM INSTALLATION - 220V (ANSI, CSA & JAPANESE SPECS)



ART\_0258305



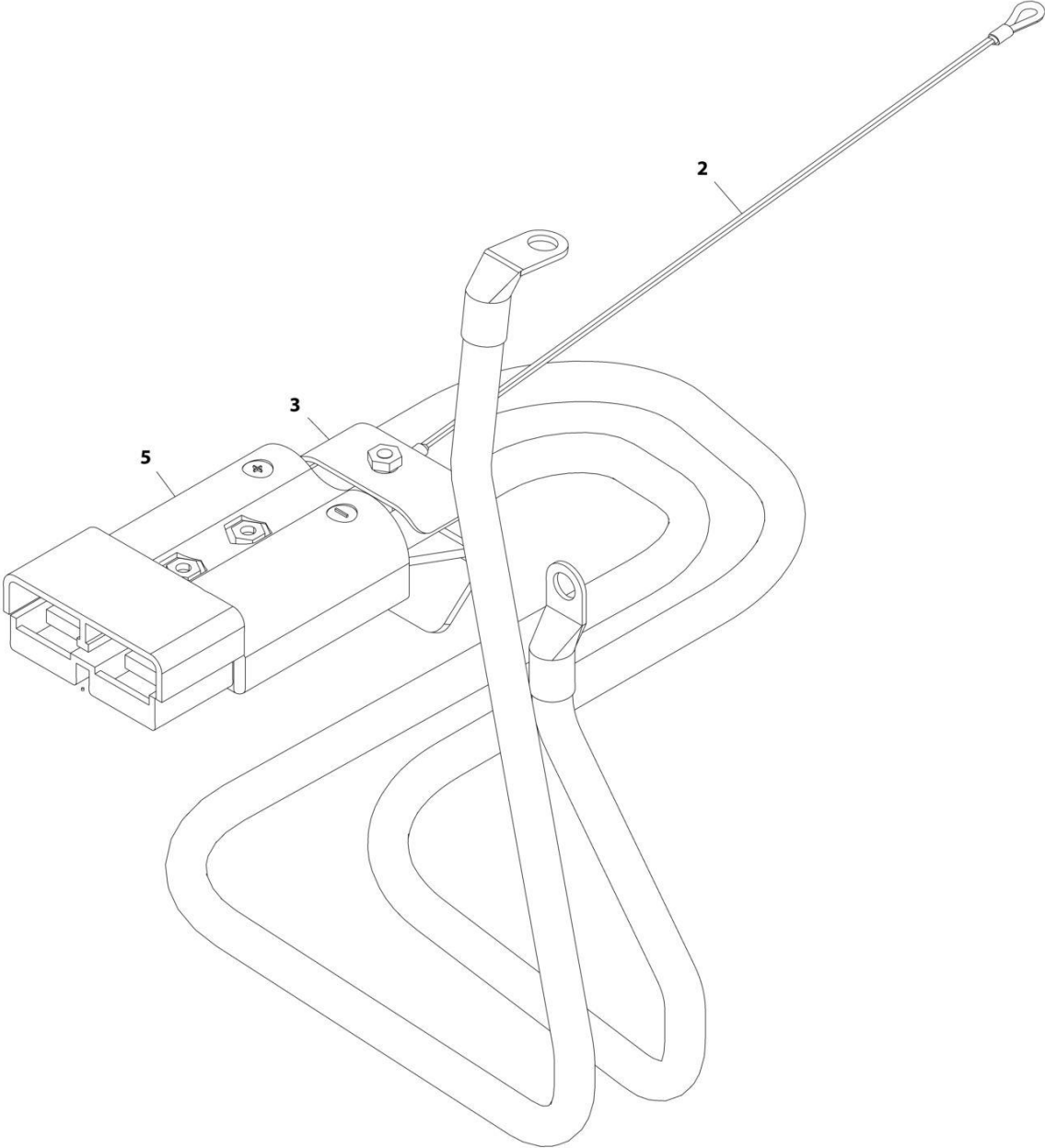
## SECTION 8 - ELECTRICAL

**FIGURE 8-11. AC BOX AT PLATFORM INSTALLATION - 220V (ANSI, CSA & JAPANESE SPECS)**

ITEM	PART NUMBER	QTY	DESCRIPTION	REV
	0258305	Ref	AC BOX AT PLATFORM INSTALLATION - 220V - ANSI, ANSI EXPORT AND CSA SPECS	B
1	0860038	1	Box, Switch	
2	4460125	1	Receptacle	
3	4060092	1	Shield	
4	4460071	1	Connector, Strain Relief	
5	4460233	2	Plug, Male	
7	3910610	4	Screw #6 x 5/8	
8	4760600	4	Washer #6	
9	3960422	1	Gasket	
10	4460315	1	Terminal, Spade	
11	4460701	1	Receptacle, Female	
12	3252507	1	Decal - Voltage	

**SECTION 8 - ELECTRICAL**

**FIGURE 8-12. BATTERY BOX CABLE ASSEMBLY (RH SIDE BOX) (STANDARD BATTERIES)**



ART\_1060803

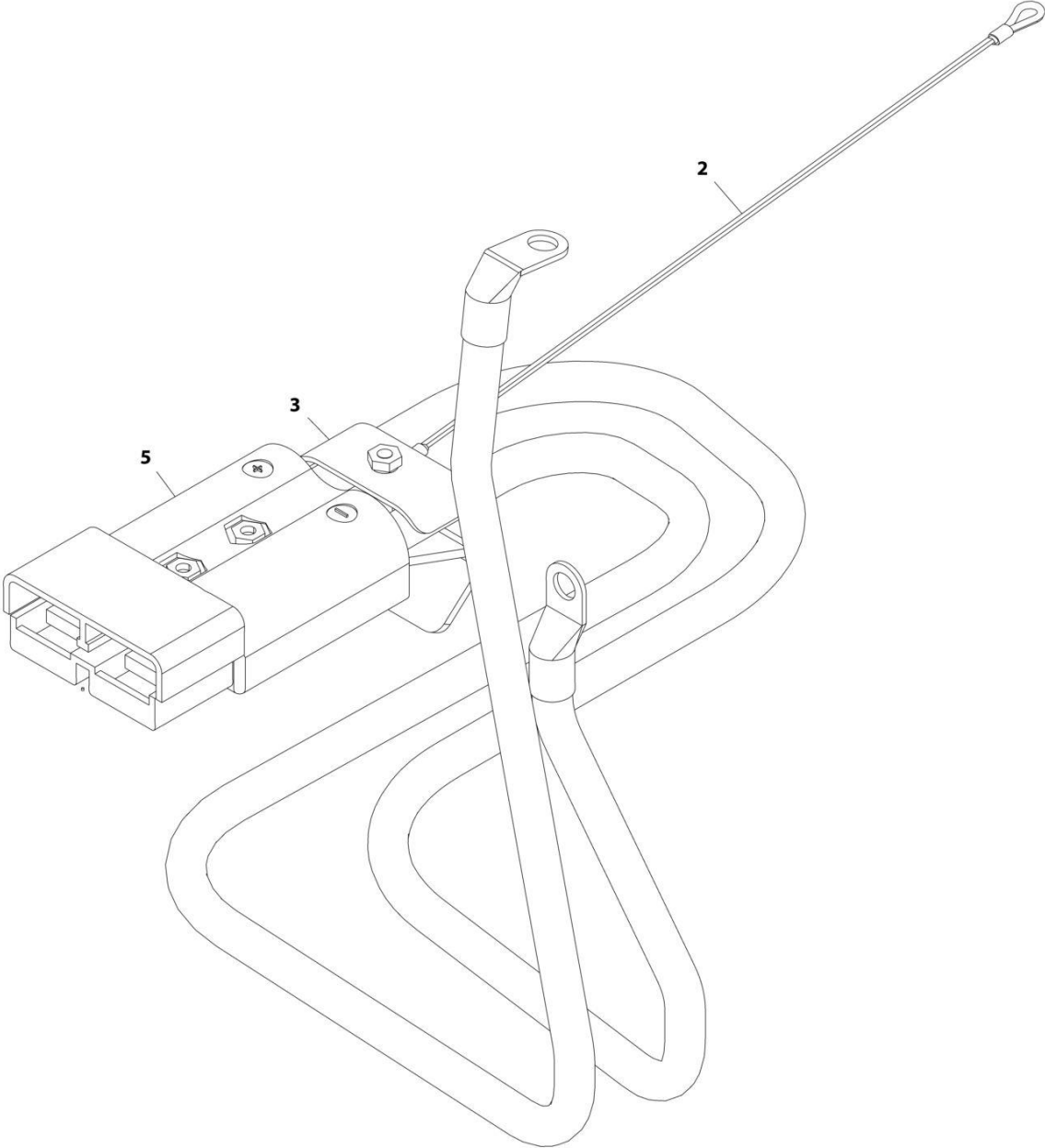
## SECTION 8 - ELECTRICAL

**FIGURE 8-12. BATTERY BOX CABLE ASSEMBLY (RH SIDE BOX) (STANDARD BATTERIES)**

ITEM	PART NUMBER	QTY	DESCRIPTION	REV
	1060803	Ref	BATTERY BOX CABLE ASSEMBLY (RH SIDE BOX) (STANDARD BATTERIES)	D
2	1060799	1	Lanyard	
3	1320172	1	Handle, Pull	
5	4460025	1	Connector	

**SECTION 8 - ELECTRICAL**

**FIGURE 8-13. BATTERY BOX CABLE ASSEMBLY (LH SIDE BOX) (STANDARD BATTERIES)**



ART\_1001194037

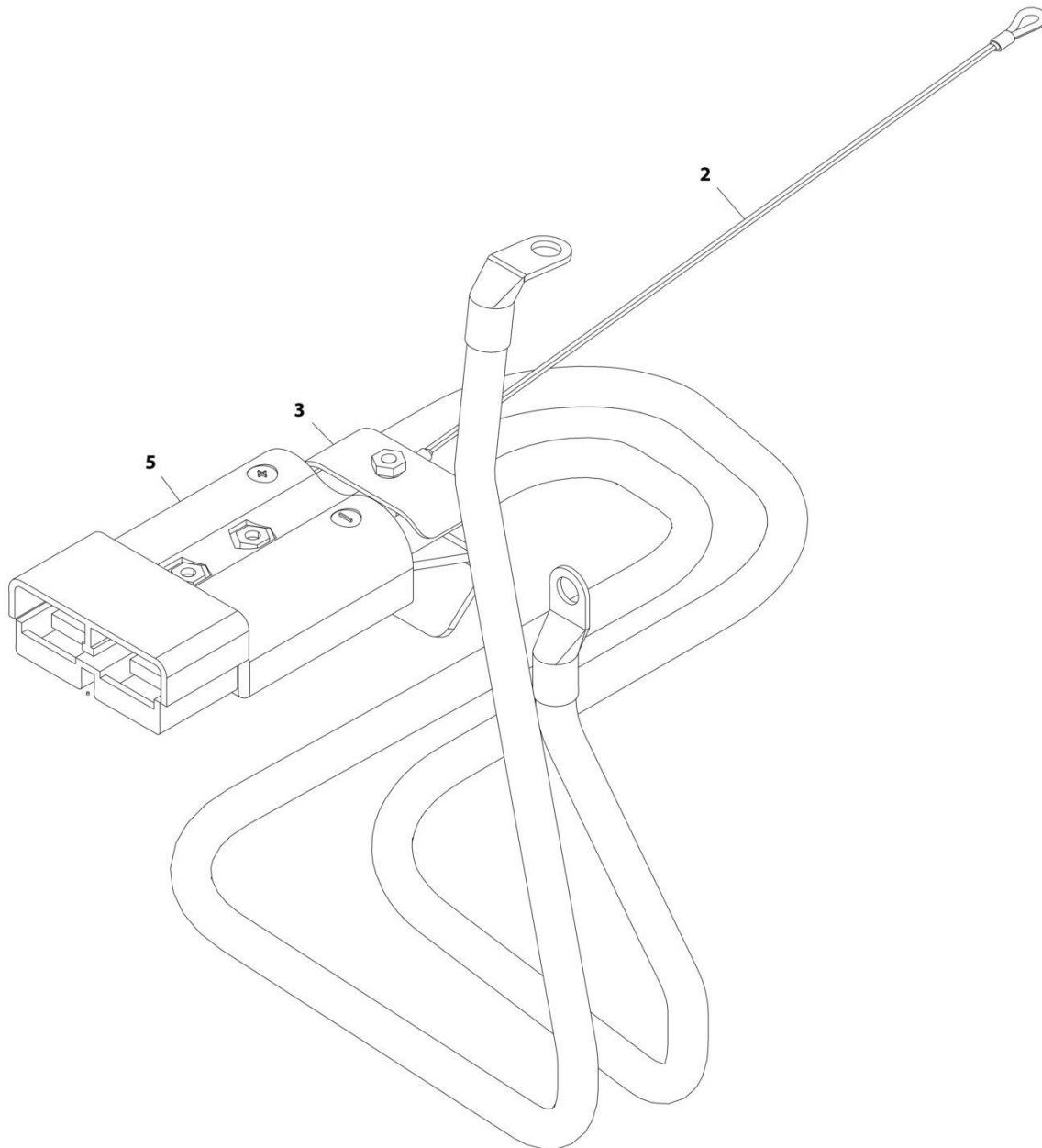
## SECTION 8 - ELECTRICAL

**FIGURE 8-13. BATTERY BOX CABLE ASSEMBLY (LH SIDE BOX) (STANDARD BATTERIES)**

ITEM	PART NUMBER	QTY	DESCRIPTION	REV
	1001194037	Ref	BATTERY BOX CABLE ASSEMBLY (LH SIDE BOX) (STANDARD BATTERIES)	B
2	1060799	1	Lanyard	
3	1320172	1	Handle, Pull	
5	4460025	1	Connector	

## SECTION 8 - ELECTRICAL

FIGURE 8-14. BATTERY BOX CABLE ASSEMBLY - AGM BATTERIES (MACHINES WITH SN STARTING WITH 03)



ART\_1001228857

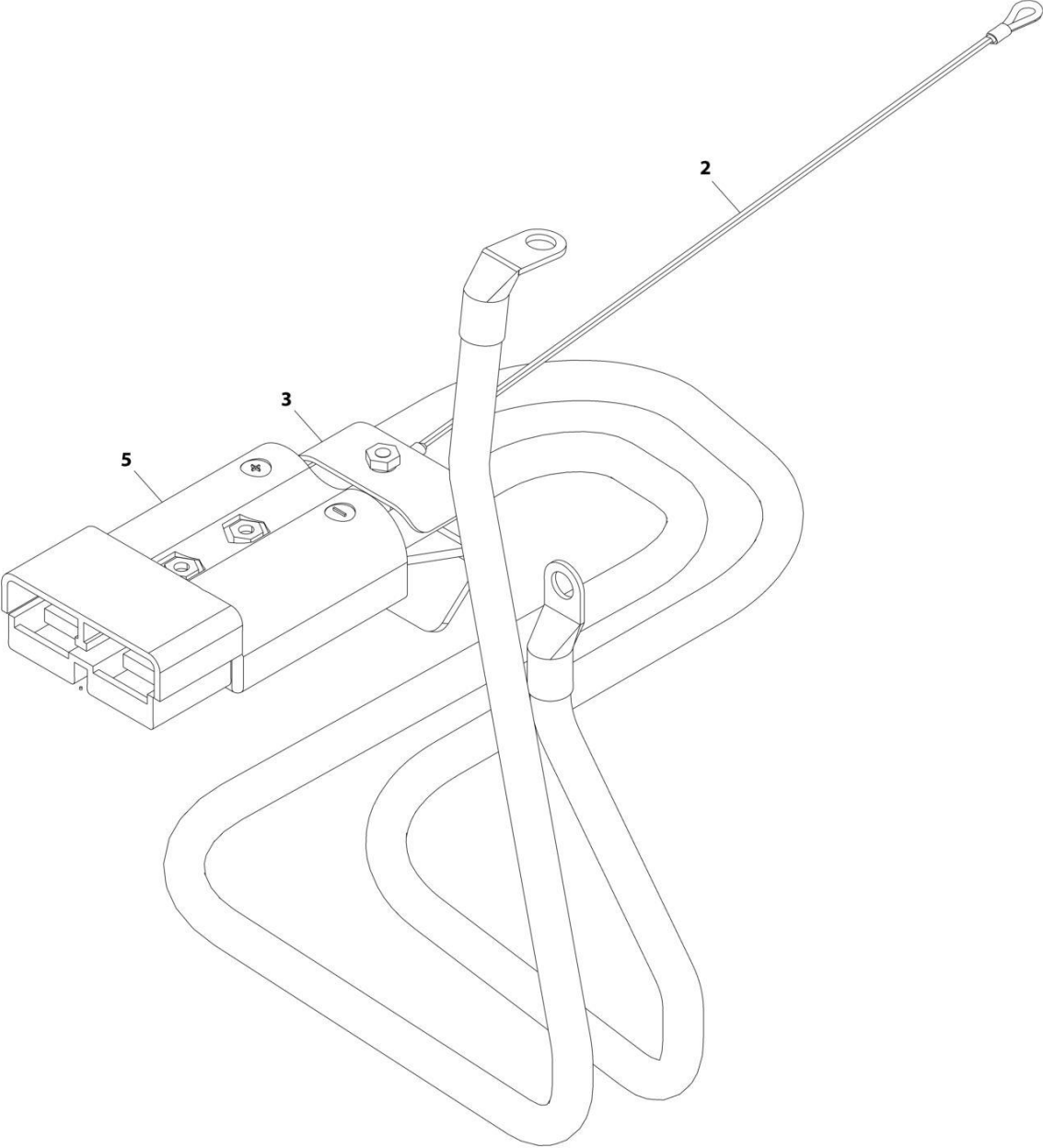
## SECTION 8 - ELECTRICAL

**FIGURE 8-14. BATTERY BOX CABLE ASSEMBLY - AGM BATTERIES (MACHINES WITH SN STARTING WITH 03)**

ITEM	PART NUMBER	QTY	DESCRIPTION	REV
	1001228857	Ref	BATTERY BOX CABLE ASSEMBLY (AGM BATTERIES)	A
2	1060799	1	Lanyard	
3	1320172	1	Handle, Pull	
5	4460025	1	Connector	

**SECTION 8 - ELECTRICAL**

**FIGURE 8-15. BATTERY BOX CABLE ASSEMBLY - AGM BATTERIES (MACHINES WITH SN STARTING WITH B3)**



ART\_1001283169



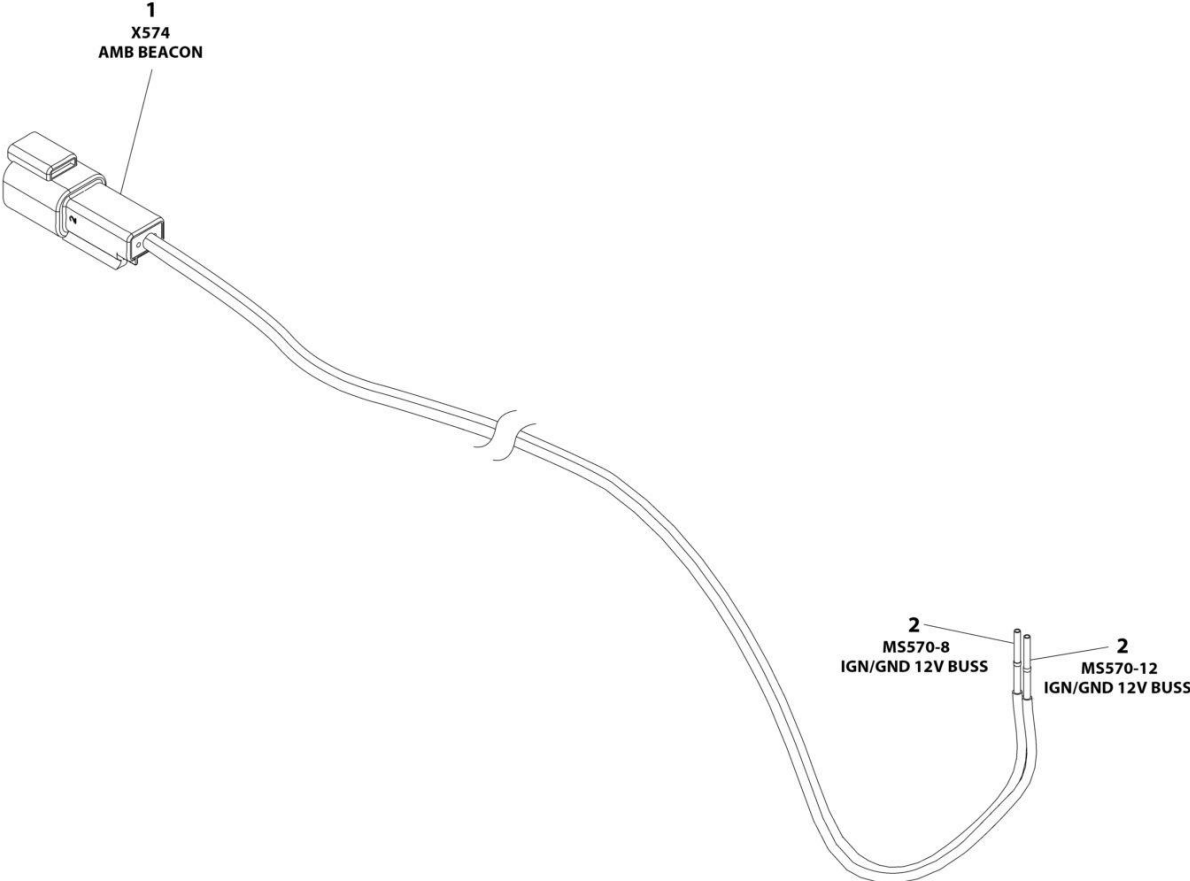
## SECTION 8 - ELECTRICAL

**FIGURE 8-15. BATTERY BOX CABLE ASSEMBLY - AGM BATTERIES (MACHINES WITH SN STARTING WITH B3)**

ITEM	PART NUMBER	QTY	DESCRIPTION	REV
	1001283169	Ref	BATTERY BOX CABLE ASSEMBLY (AGM BATTERIES)	A
2	1060799	1	Lanyard	
3	1320172	1	Handle, Pull	
5	4460025	1	Connector	

**SECTION 8 - ELECTRICAL**

**FIGURE 8-16. BEACON LIGHT HARNESS (AMBER BEACON ONLY)**



ART\_1001198866

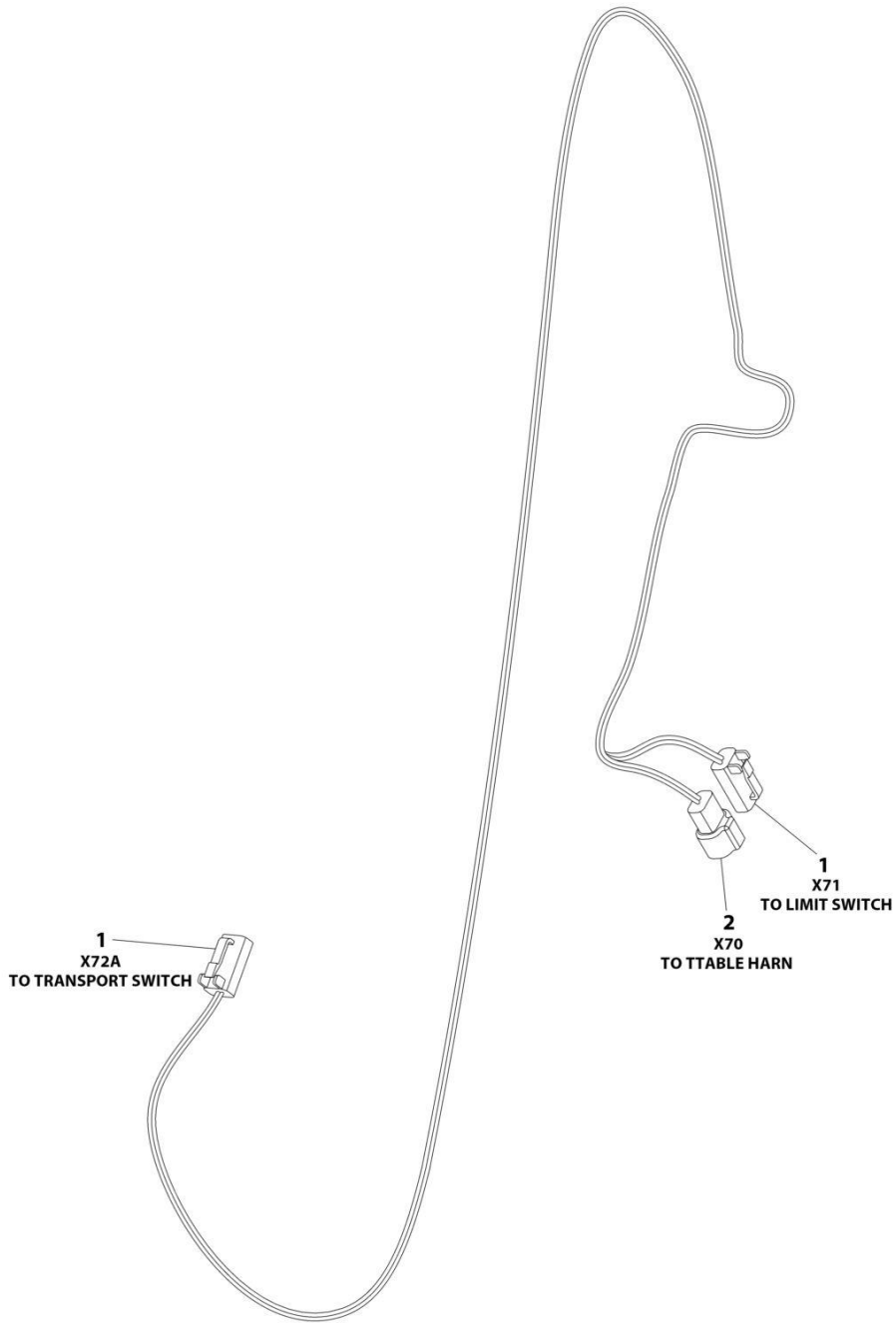
## SECTION 8 - ELECTRICAL

**FIGURE 8-16. BEACON LIGHT HARNESS (AMBER BEACON ONLY)**

ITEM	PART NUMBER	QTY	DESCRIPTION	REV
	1001198866	Ref	BEACON LIGHT HARNESS (AMBER BEACON ONLY)	D
1	4460897	1	Connector - 2 Position	
1	4460464	2	Socket, Female	
2	4460464	2	Socket, Female	

# SECTION 8 - ELECTRICAL

FIGURE 8-17. BOOM TRANSPORT HARNESS (CE & UK CA SPECS ONLY)



ART\_1001201329

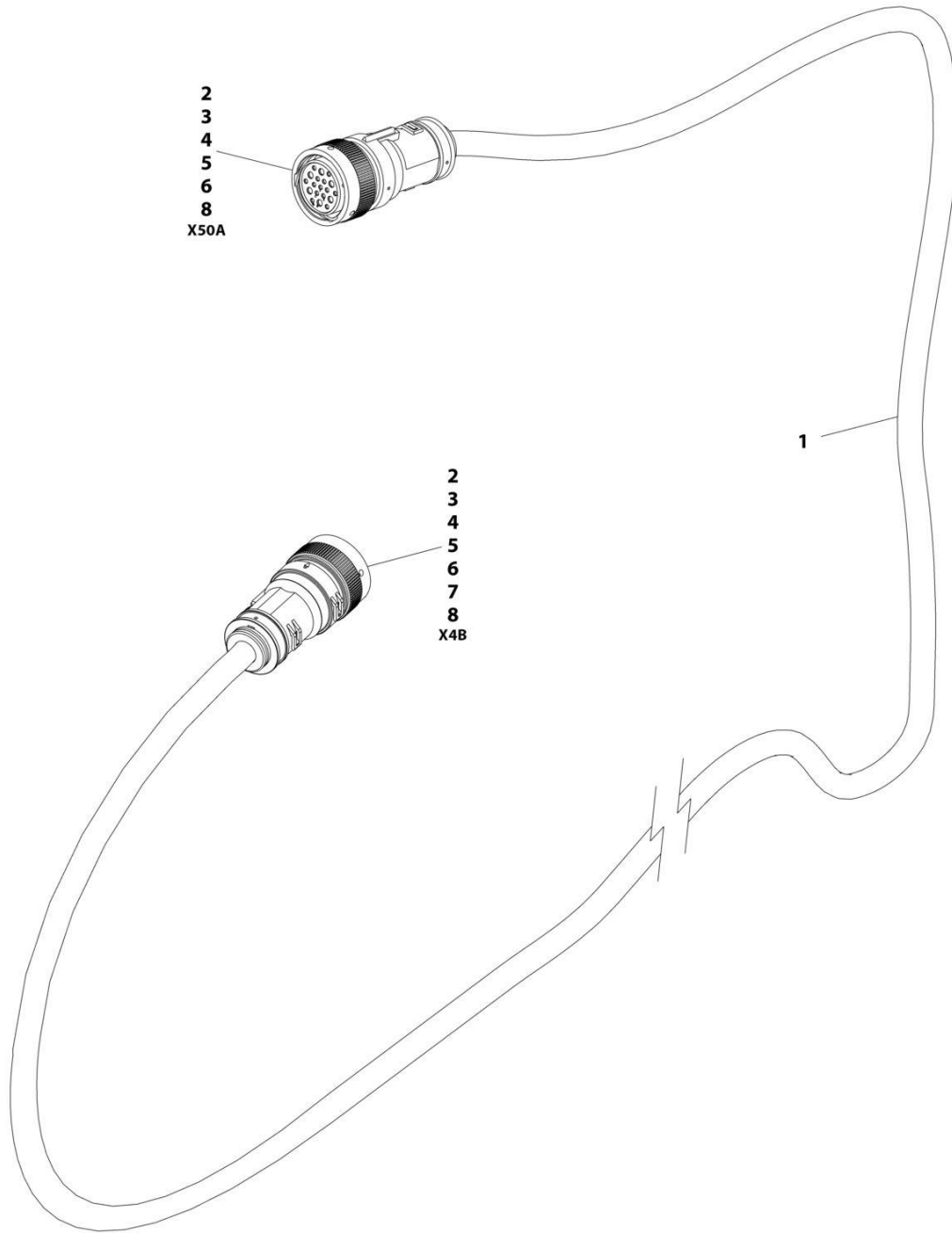
## SECTION 8 - ELECTRICAL

**FIGURE 8-17. BOOM TRANSPORT HARNESS (CE & UK CA SPECS ONLY)**

ITEM	PART NUMBER	QTY	DESCRIPTION	REV
	1001201329	Ref	BOOM TRANSPORT HARNESS	D
1	4460891	2	Connector - 2 Position	
1	4460465	4	Socket, Female	
2	1001187681	1	Connector - 2 Position	
2	4460464	2	Pin, Male	

# SECTION 8 - ELECTRICAL

## FIGURE 8-18. BOOM CABLE - LOWER



ART\_1001183882

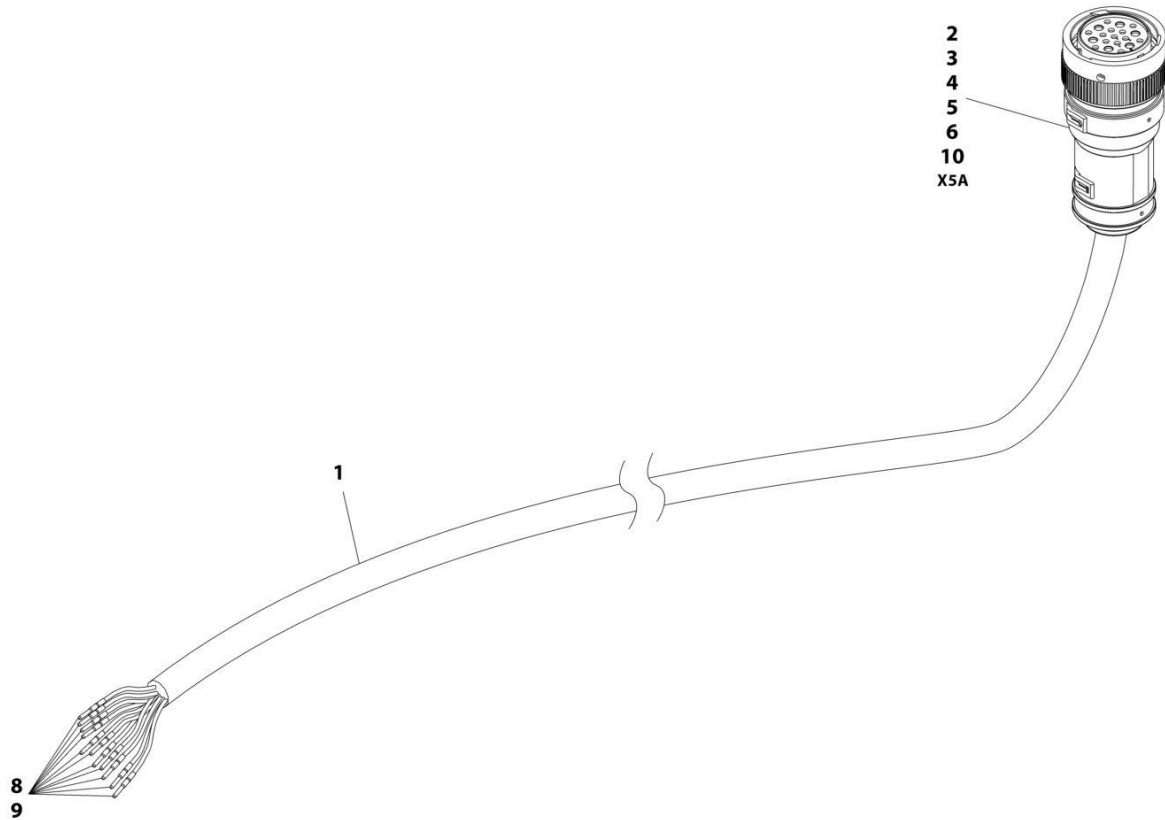
## SECTION 8 - ELECTRICAL

**FIGURE 8-18. BOOM CABLE - LOWER**

ITEM	PART NUMBER	QTY	DESCRIPTION	REV
	1001183882	Ref	LOWER BOOM CABLE	C
1	1060896	20 ft/6.1m	Cable, Electrical	
2	1001188292	AR	Connector - 19 Position	
3	1001188291	AR	Connector, Backshell	
4	4460465	22	Socket, Female	
5	4460509	8	Socket, Female	
6	4460466	AR	Plug, Seal	
7	2820118	6 in/ 15.3cm	Heat Shrink	
8	1001188354	AR	Grommet	
9	4240033	AR	Tie-Strap (Not Shown)	

# SECTION 8 - ELECTRICAL

FIGURE 8-19. BOOM CABLE - UPPER (EC600SJ,H600SJ)



ART\_1001183885



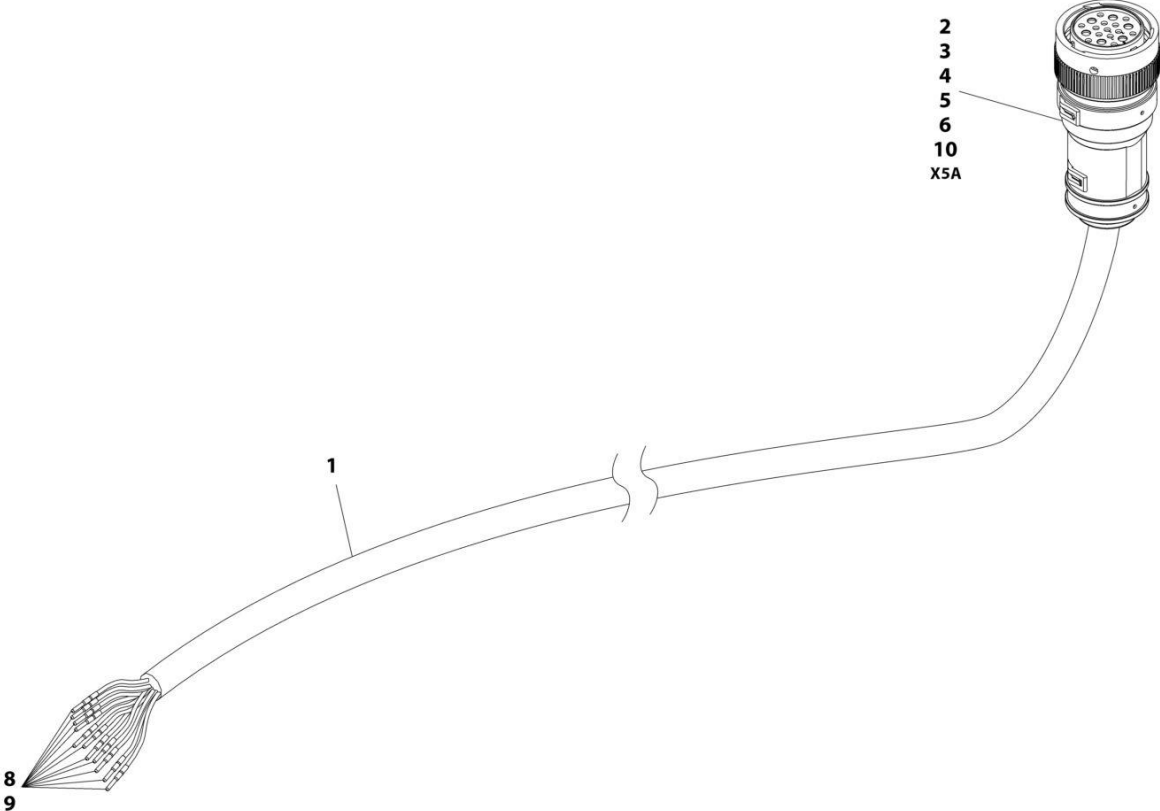
## SECTION 8 - ELECTRICAL

**FIGURE 8-19. BOOM CABLE - UPPER (EC600SJ,H600SJ)**

ITEM	PART NUMBER	QTY	DESCRIPTION	REV
1	1001183885	Ref	UPPER BOOM CABLE (E600J/M600J)	B
	1060896	53.5 ft /16.3m	Cable, Electrical	
2	1001188292	1	Connector - 19 Position	
3	1001188291	1	Connector, Backshell	
4	4460465	11	Socket, Female	
5	4460509	4	Socket, Female	
6	4460466	4	Plug, Seal	
8	4460464	11	Pin, Male	
9	4460508	4	Pin, Male	
10	1001188354	1	Grommet	
11	4240033	2	Tie-Strap (Not Shown)	

**SECTION 8 - ELECTRICAL**

**FIGURE 8-20. BOOM CABLE - UPPER (EC600SJP,H600SJP)**



ART\_1001183884

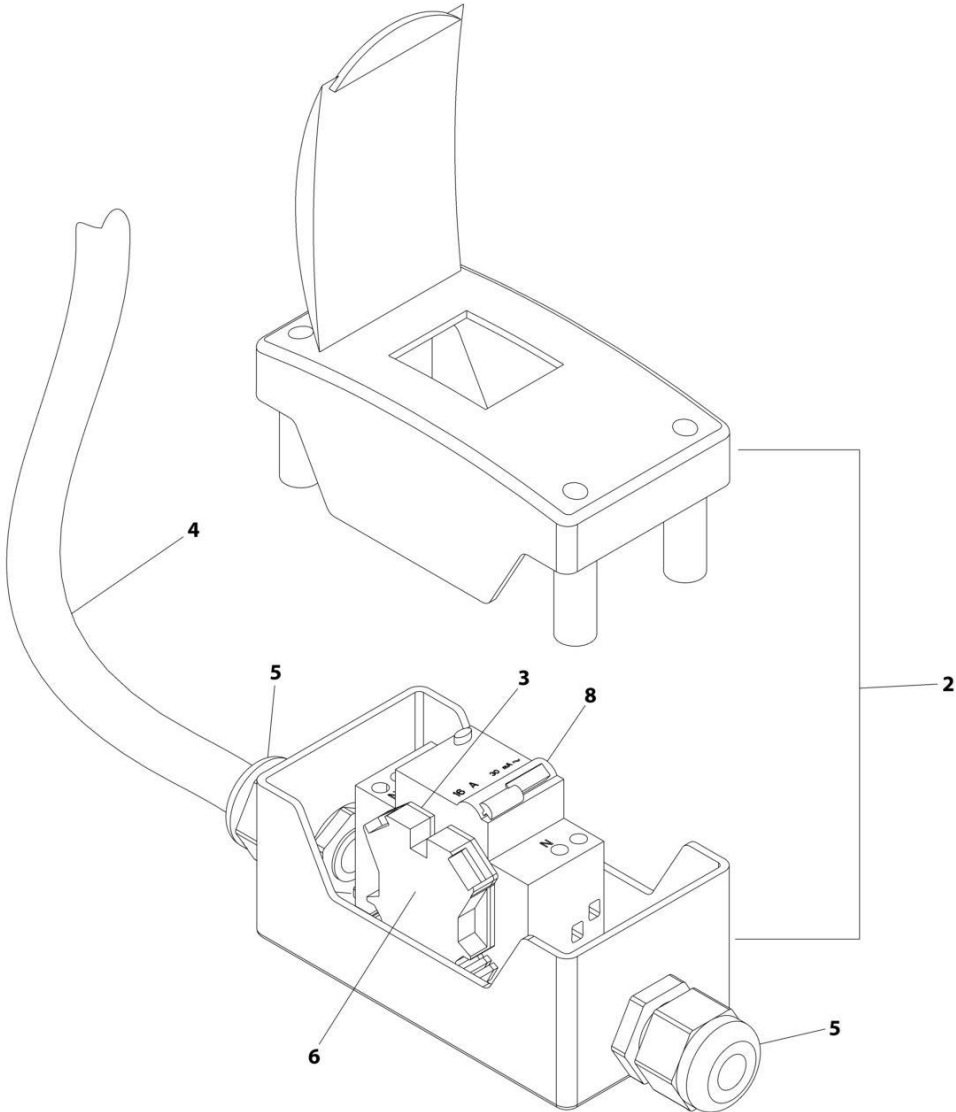
## SECTION 8 - ELECTRICAL

**FIGURE 8-20. BOOM CABLE - UPPER (EC600SJP,H600SJP)**

ITEM	PART NUMBER	QTY	DESCRIPTION	REV
1	1001183884	Ref	UPPER BOOM CABLE (E600JP/M600JP)	B
	1060896	54.5 ft /16.6m	Cable, Electrical	
2	1001188292	1	Connector - 19 Position	
3	1001188291	1	Connector, Backshell	
4	4460465	11	Socket, Female	
5	4460509	4	Socket, Female	
6	4460466	4	Plug, Seal	
8	4460464	11	Pin, Male	
9	4460508	4	Pin, Male	
10	1001188354	1	Grommet	
11	4240033	2	Tie-Strap (Not Shown)	

**SECTION 8 - ELECTRICAL**

**FIGURE 8-21. BREAKER BOX KIT WITH ONE BREAKER - CE & UK CA SPEC**



ART\_2902549\_F

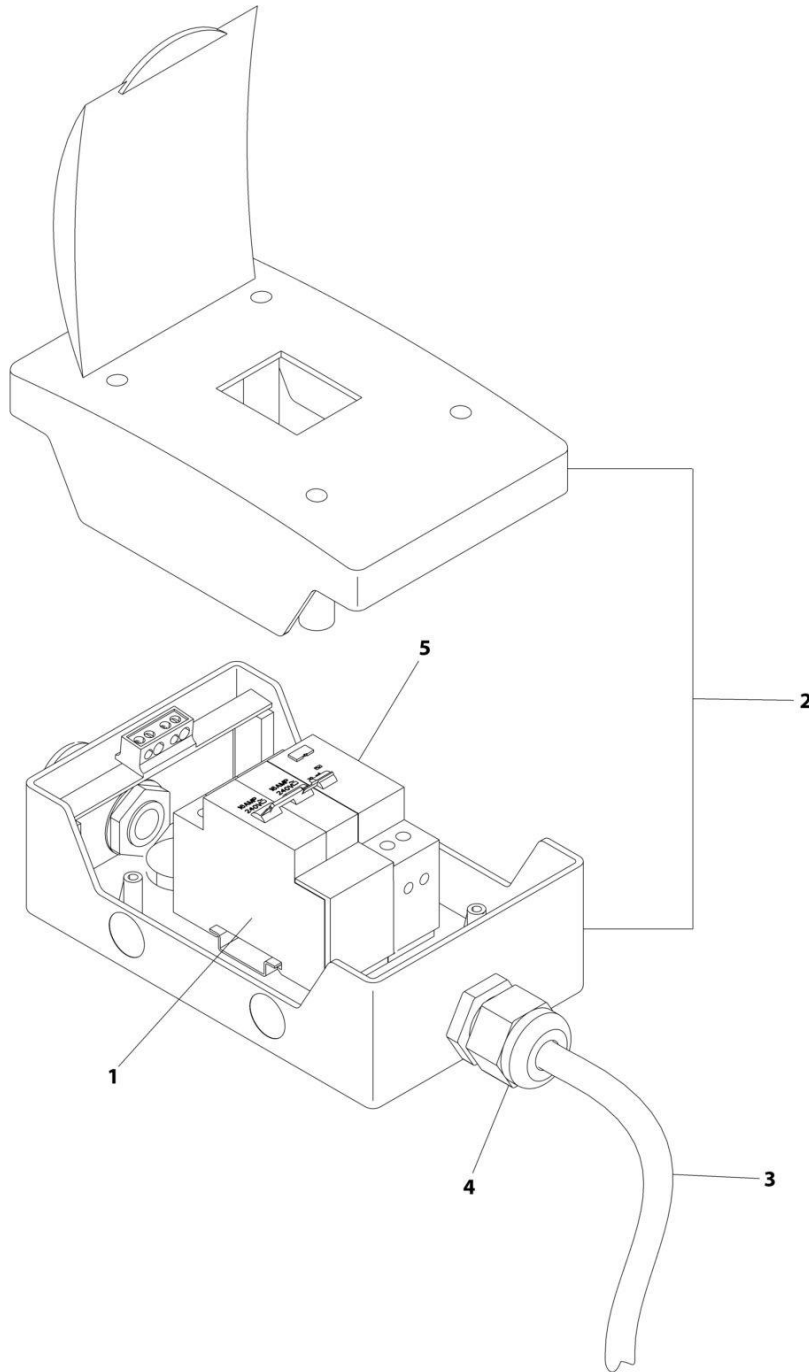
## SECTION 8 - ELECTRICAL

**FIGURE 8-21. BREAKER BOX KIT WITH ONE BREAKER - CE & UK CA SPEC**

ITEM	PART NUMBER	QTY	DESCRIPTION	REV
	2902549	Ref	BREAKER BOX KIT	F
2	0861880	1	Box	
3	4460956	1	Barrier, Terminal	
4	1060908	6 ft/1.8m	Cable, 12/3	
5	1001097150	2	Connector, Strain Relief	
6	4460957	1	Block, Terminal	
8	1001181045	1	Breaker, 16Amp	

# SECTION 8 - ELECTRICAL

## FIGURE 8-22. BREAKER BOX KIT WITH TWO BREAKERS - CE & UK CA SPEC



ART\_1001152486\_C

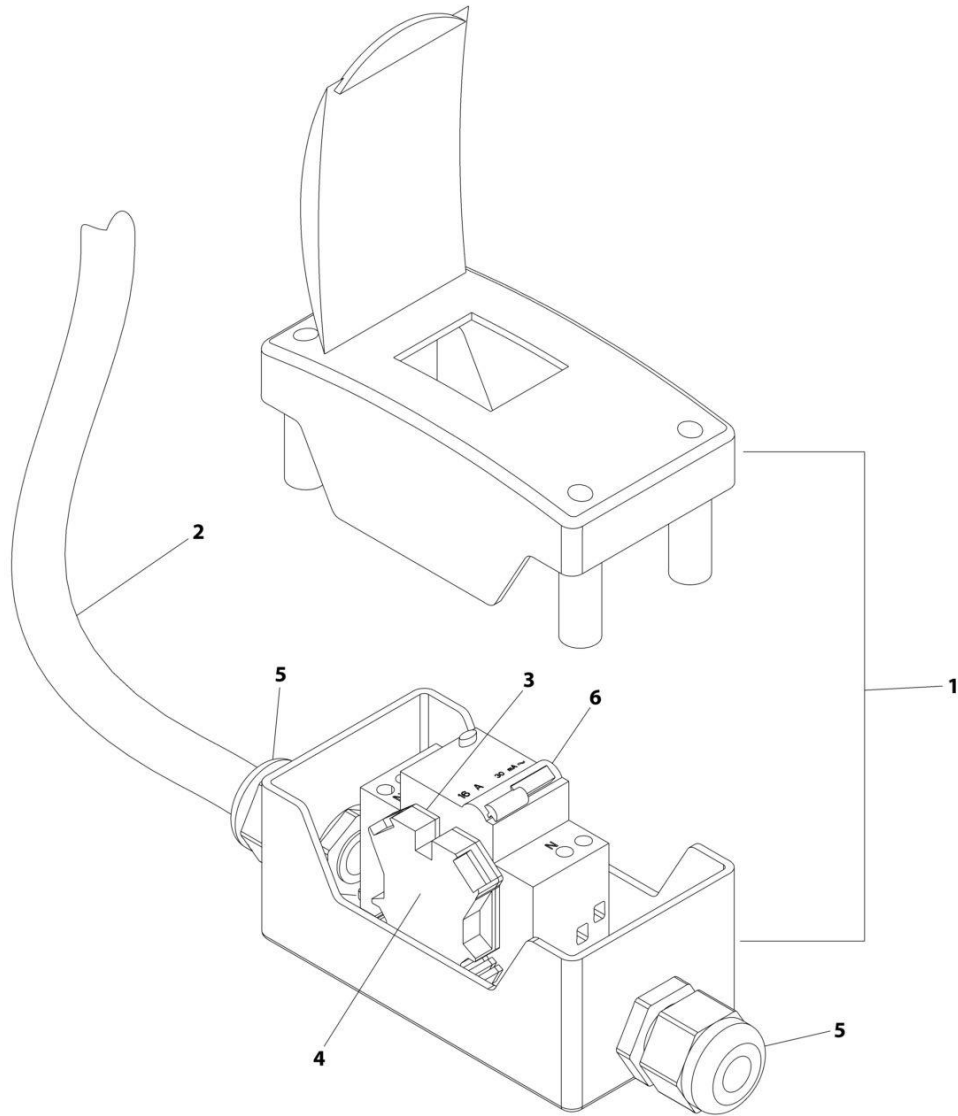
## SECTION 8 - ELECTRICAL

**FIGURE 8-22. BREAKER BOX KIT WITH TWO BREAKERS - CE & UK CA SPEC**

ITEM	PART NUMBER	QTY	DESCRIPTION	REV
	1001152486	Ref	BREAKER BOX KIT	C
1	1001189172	1	Breaker, 16 Amp (Double)	
2	1001152483	1	Box	
3	1060908	12 ft/ 3.66m	Cable, 12/3	
4	1001097150	1	Connector, Strain Relief	
5	1001189171	1	Breaker, 30mA	

# SECTION 8 - ELECTRICAL

FIGURE 8-23. BREAKER BOX KIT WITH ONE BREAKER - MACHINES WITH S/N STARTING WITH B3)



ART\_1001289592



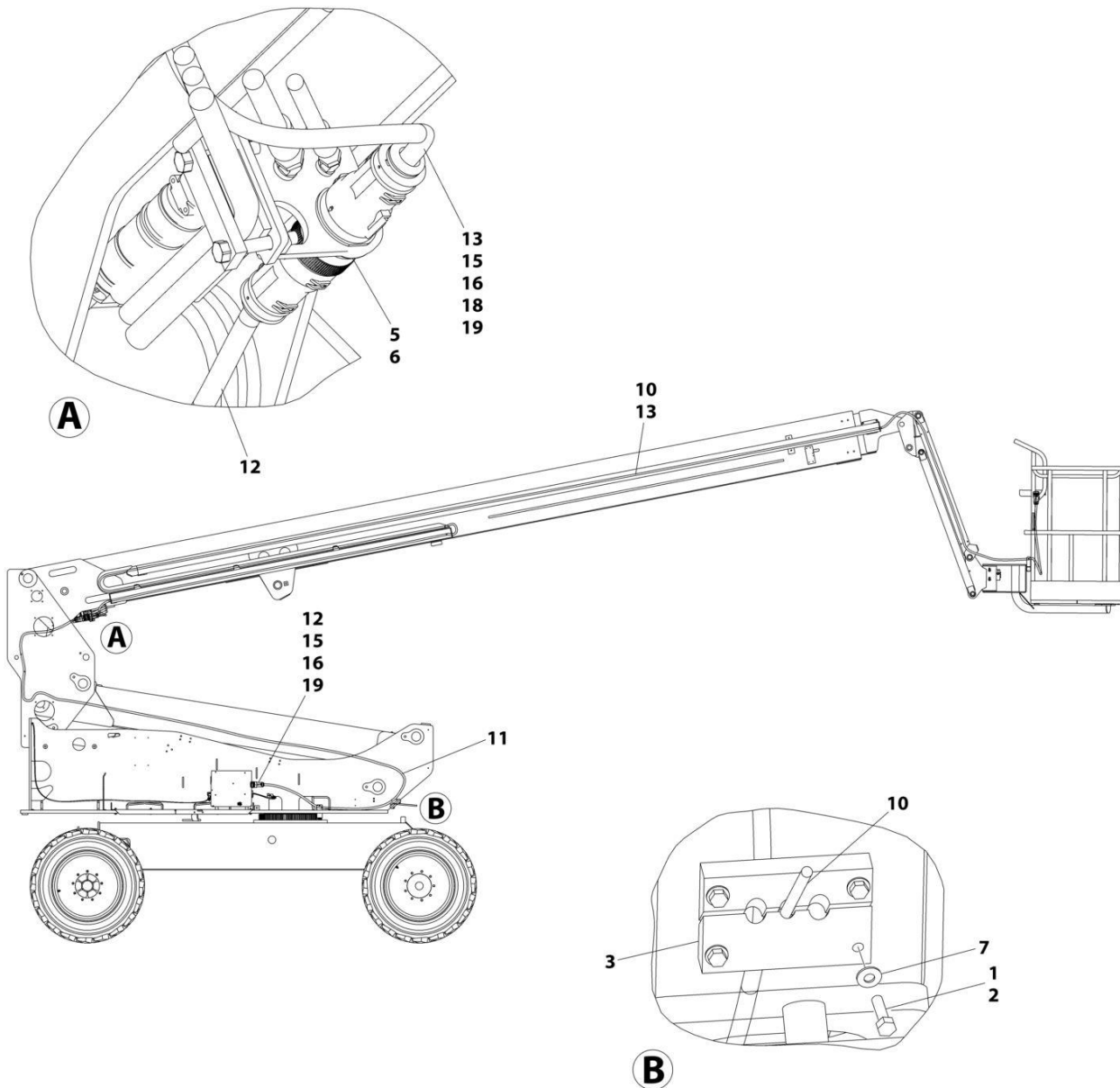
## SECTION 8 - ELECTRICAL

**FIGURE 8-23. BREAKER BOX KIT WITH ONE BREAKER - MACHINES WITH S/N STARTING WITH B3)**

ITEM	PART NUMBER	QTY	DESCRIPTION	REV
	1001289592	Ref	BREAKER BOX KIT	A
1	0861880	1	Box	
2	1060908	6 ft/1.8m	Cable 12/3	
3	4460956	1	Barrier, Terminal	
4	4460957	2	Block, Terminal	
5	1001097150	2	Connector, Strain Relief	
6	1001289589	1	Breaker, 16Amp	

# SECTION 8 - ELECTRICAL

FIGURE 8-24. CABLES AND CLAMPS INSTALLATION (ALL SPECS EXCEPT AUSTRALIAN, CE & UK CA SPECS) (CHINA SPEC MACHINES WITH SN STARTING WITH 03) (EC600SJ,H600SJ)



ART\_1001183535

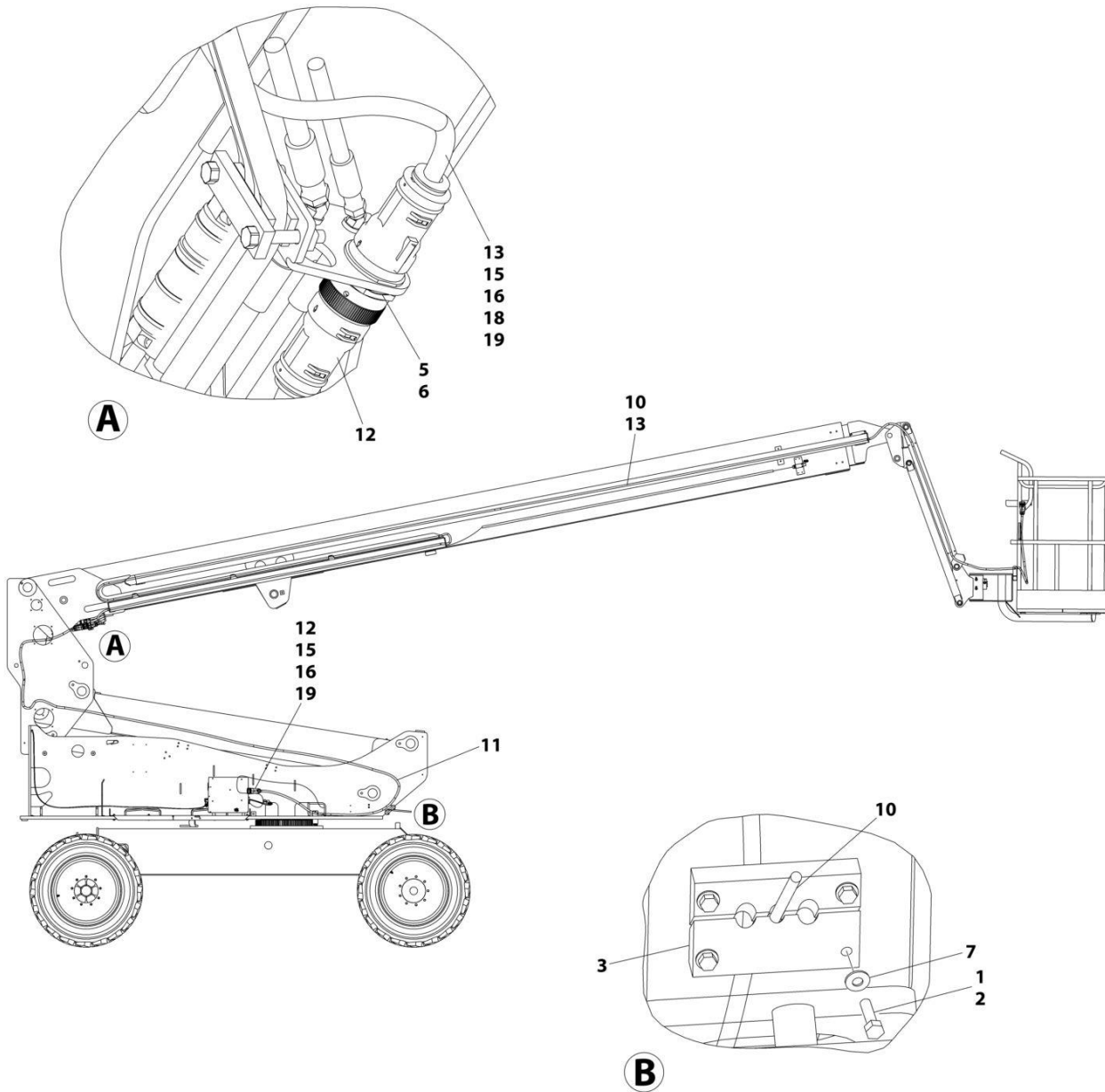
## SECTION 8 - ELECTRICAL

**FIGURE 8-24. CABLES AND CLAMPS INSTALLATION (ALL SPECS EXCEPT AUSTRALIAN, CE & UK CA SPECS) (CHINA SPEC MACHINES WITH SN STARTING WITH 03) (EC600SJ,H600SJ)**

ITEM	PART NUMBER	QTY	DESCRIPTION	REV
	1001183535	Ref	CABLES AND CLAMPS INSTALLATION (ALL SPECS EXCEPT AUSTRALIAN, CE & UK CA SPECS)	D
1	0100011	AR	Locking, Compound	
2	0641612	4	Bolt 3/8 x 1-1/2	
3	1320256	1	Clamp, Block	
5	1001205044	1	Washer	
6	1001205043	1	Nut	
7	4711600	4	Washer 3/8	
10	4922937	1	Cable, 12/3	
11	4922938	1	Cable, 12/3	
12	1001183882	1	Boom Cable - Lower (See Separate Breakdown in this Section)	
13	1001183885	1	Boom Cable - Upper (See Separate Breakdown in this Section)	
14	4240033	AR	Tie-Strap (Not Shown)	
15	4460466	AR	Plug, Seal	
16	1001188291	AR	Connector, Backshell	
18	1001188293	1	Connector - 19 Position	
19	1001188354	AR	Grommet	

# SECTION 8 - ELECTRICAL

FIGURE 8-25. CABLES AND CLAMPS INSTALLATION (CE & UK CA SPECS) (EC600SJ,H600SJ)



ART\_1001183538

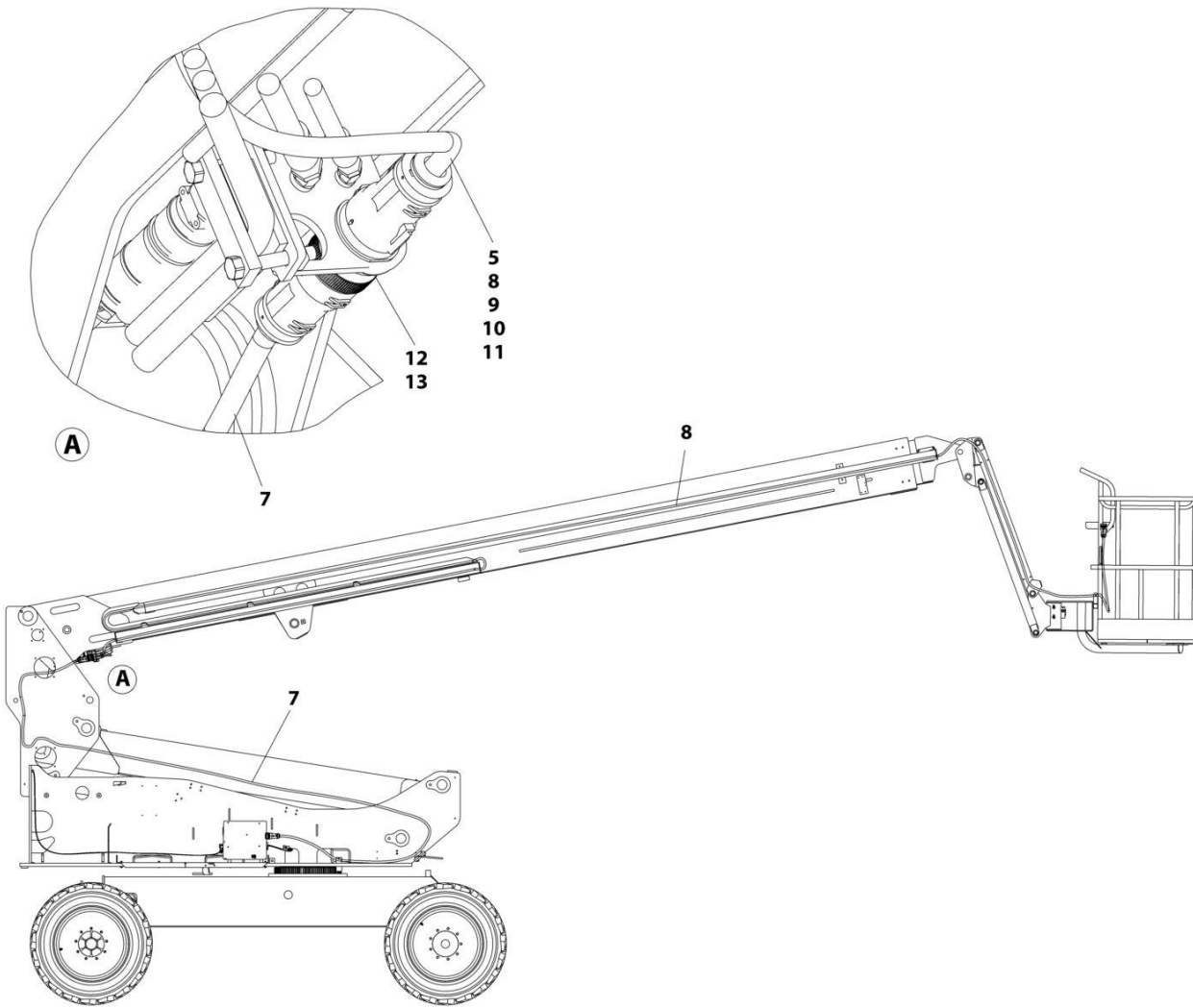
## SECTION 8 - ELECTRICAL

**FIGURE 8-25. CABLES AND CLAMPS INSTALLATION (CE & UK CA SPECS) (EC600SJ,H600SJ)**

ITEM	PART NUMBER	QTY	DESCRIPTION	REV
	1001183538	Ref	CABLES AND CLAMPS INSTALLATION	D
1	0100011	AR	Locking, Compound	
2	0641612	4	Bolt 3/8 x 1-1/2	
3	1320256	1	Clamp, Block	
5	1001205044	1	Washer	
6	1001205043	1	Nut	
7	4711600	4	Washer 3/8	
10	4922939	1	Cable, 12/3	
11	4922940	1	Cable, 12/3	
12	1001183882	1	Boom Cable - Lower (See Separate Breakdown in this Section)	
13	1001183885	1	Boom Cable - Upper (See Separate Breakdown in this Section)	
14	4240033	AR	Tie-Strap (Not Shown)	
15	4460466	AR	Plug, Seal	
16	1001188291	AR	Connector, Backshell	
18	1001188293	1	Connector - 19 Position	
19	1001188354	AR	Grommet	

# SECTION 8 - ELECTRICAL

FIGURE 8-26. CABLES AND CLAMPS INSTALLATION - WITHOUT AC CABLE (CHINA SPECS WITH SN STARTING WITH B3) (EC600SJ,H600SJ)



ART\_1001281442

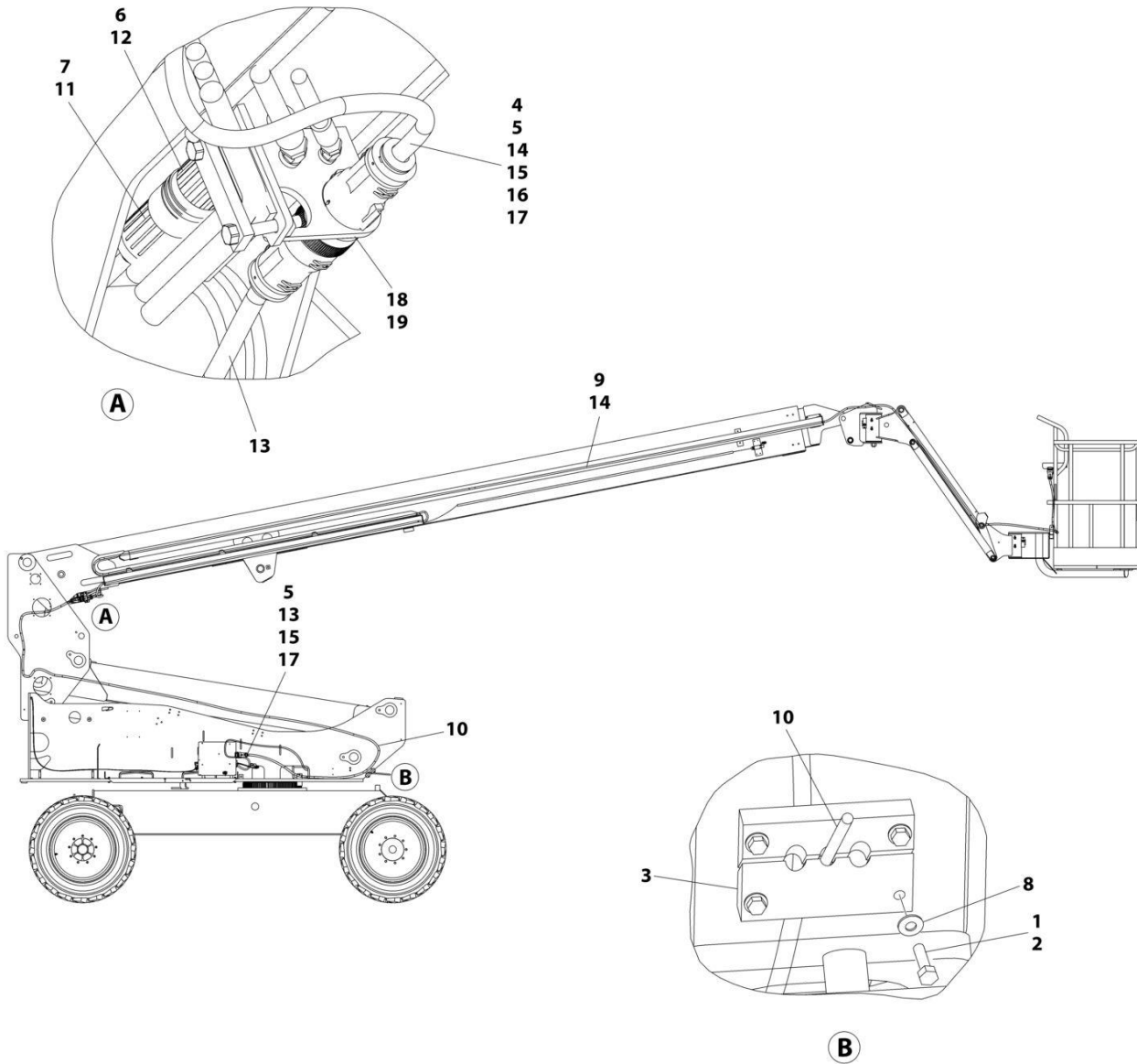
## SECTION 8 - ELECTRICAL

**FIGURE 8-26. CABLES AND CLAMPS INSTALLATION - WITHOUT AC CABLE (CHINA SPECS WITH SN STARTING WITH B3) (EC600SJ,H600SJ)**

ITEM	PART NUMBER	QTY	DESCRIPTION	REV
	1001281442	Ref	CABLES AND CLAMPS INSTALLATION - WITHOUT AC CABLE (EC600SJ) (CHINA SPECS)	B
4	4240033	AR	Tie-Strap (Not Shown)	
5	4460466	4	Plug, Seal	
7	1001183882	1	Boom Cable - Lower (See Separate Breakdown in this Section)	
8	1001183885	1	Boom Cable - Upper (See Separate Breakdown in this Section)	
9	1001188291	AR	Connector, Backshell	
10	1001188293	1	Connector - 19 Position	
11	1001188354	AR	Grommet	
12	1001205043	1	Nut	
13	1001205044	1	Washer	

# SECTION 8 - ELECTRICAL

FIGURE 8-27. CABLES AND CLAMPS INSTALLATION - WITH AC CABLE (CHINA SPEC WITH SN STARTING WITH B3) (EC600SJ,H600SJ)



ART\_1001286162



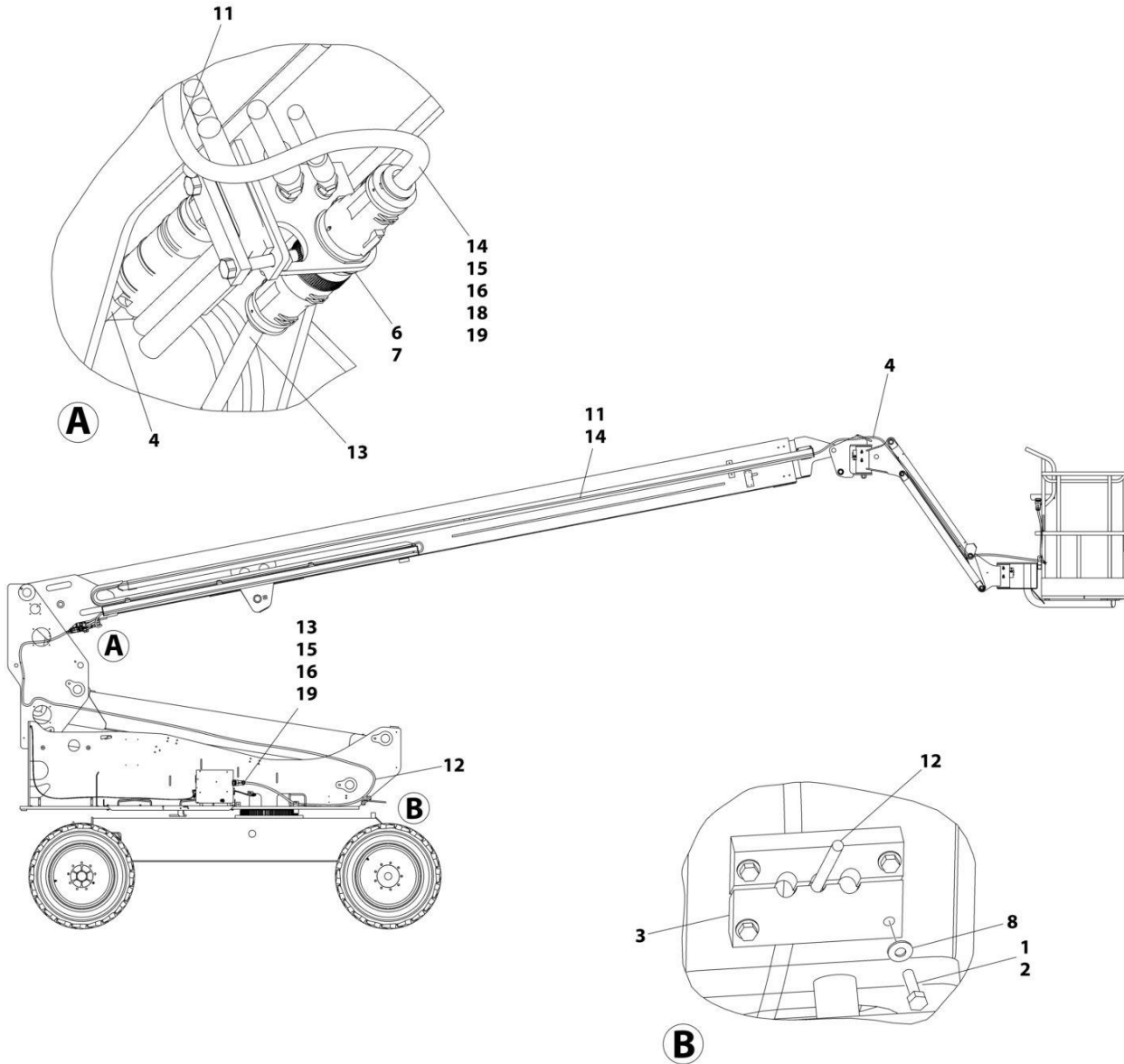
## SECTION 8 - ELECTRICAL

**FIGURE 8-27. CABLES AND CLAMPS INSTALLATION - WITH AC CABLE (CHINA SPEC WITH SN STARTING WITH B3) (EC600SJ,H600SJ)**

ITEM	PART NUMBER	QTY	DESCRIPTION	REV
	1001286162	Ref	CABLES AND CLAMPS INSTALLATION	A
1	0100011	AR	Locking, Compound	
2	0641612	4	Bolt 3/8 x 1-1/2	
3	1320256	1	Clamp, Block	
4	4240033	AR	Tie-Strap	
5	4460466	AR	Plug, Seal	
6	4460709	1	Connector, Male Twist	
7	4460710	1	Connector, Female Twist	
8	4711600	4	Washer 3/8	
9	4922937	1	Cable, 12/3	
10	4922938	1	Cable, 12/3	
11	1001156351	1	Cover, Female Connector	
12	1001156352	1	Cover, Male Connector	
13	1001183882	1	Boom Cable - Lower (See Separate Breakdown in this Section)	
14	1001183885	1	Boom Cable - Upper (See Separate Breakdown in this Section)	
15	1001188291	AR	Connector, Backshell	
16	1001188293	1	Connector - 19 Position	
17	1001188354	AR	Grommet	
18	1001205043	1	Nut	
19	1001205044	1	Washer	

# SECTION 8 - ELECTRICAL

FIGURE 8-28. CABLES AND CLAMPS INSTALLATION (ALL SPECS EXCEPT AUSTRALIAN, CE & UK CA SPECS) (CHINA SPEC MACHINES WITH SN STARTING WITH 03) (EC600SJP,H600SJP)



ART\_1001183536

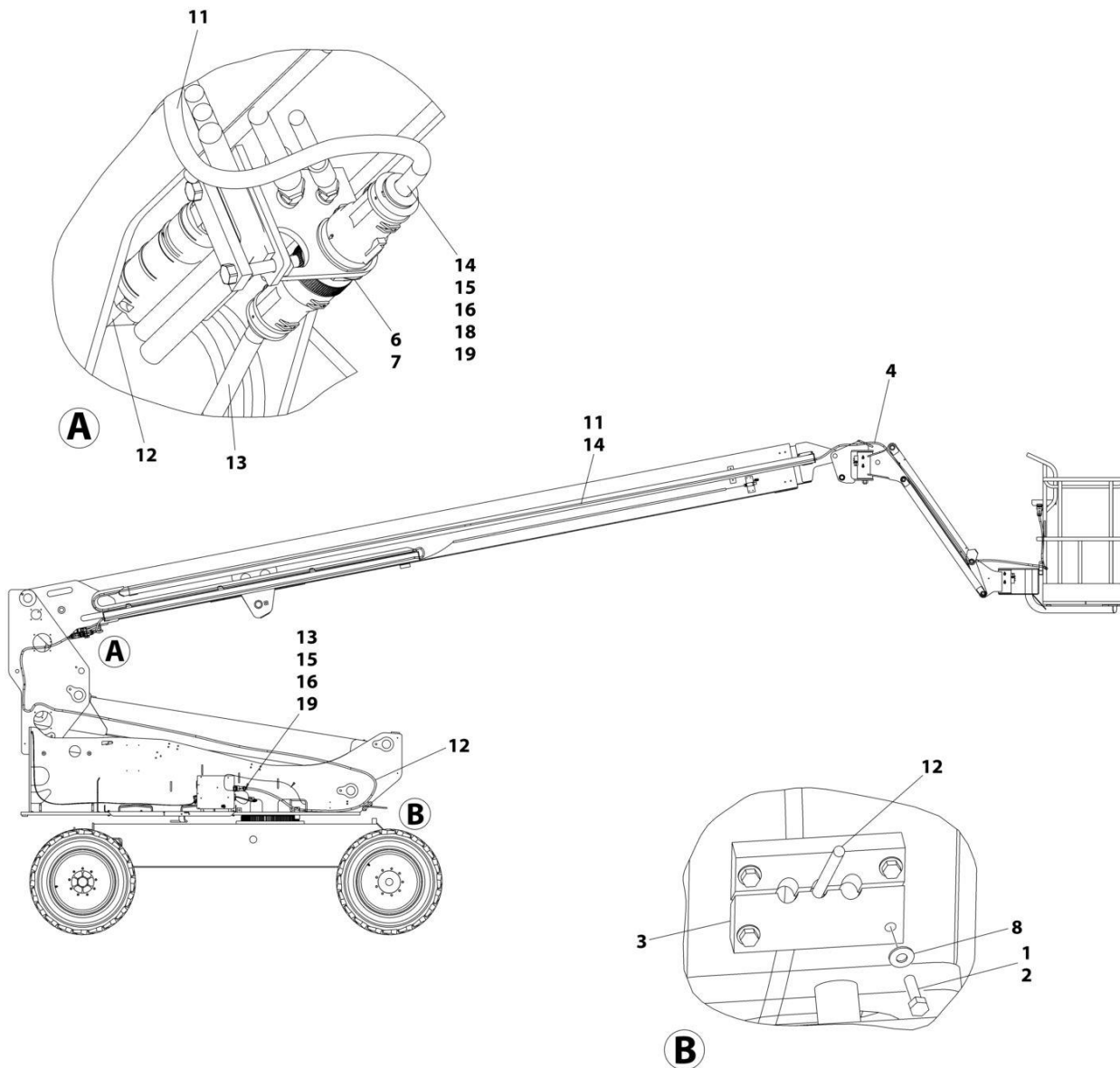
## SECTION 8 - ELECTRICAL

**FIGURE 8-28. CABLES AND CLAMPS INSTALLATION (ALL SPECS EXCEPT AUSTRALIAN, CE & UK CA SPECS) (CHINA SPEC MACHINES WITH SN STARTING WITH 03) (EC600SJP,H600SJP)**

ITEM	PART NUMBER	QTY	DESCRIPTION	REV
	1001183536	Ref	CABLES AND CLAMPS INSTALLATION	C
1	0100011	AR	Locking, Compound	
2	0641612	4	Bolt 3/8 x 1-1/2	
3	1320256	1	Clamp, Block	
4	4100026	1	Sleeve, Hose Protector	
5	4240033	AR	Tie-Strap (Not Shown)	
6	1001205044	1	Washer	
7	1001205043	1	Nut	
8	4711600	4	Washer 3/8	
11	4922937	1	Cable, 12/3	
12	4922938	1	Cable, 12/3	
13	1001183882	1	Boom Cable - Lower (See Separate Breakdown in this Section)	
14	1001183884	1	Boom Cable - Upper (See Separate Breakdown in this Section)	
15	4460466	AR	Plug, Seal	
16	1001188291	AR	Connector, Backshell	
18	1001188293	1	Connector - 19 Position	
19	1001188354	AR	Grommet	

# SECTION 8 - ELECTRICAL

FIGURE 8-29. CABLES AND CLAMPS INSTALLATION (AUSTRALIAN, CE & UK CA SPECS)  
(EC600SJP,H600SJP)



ART\_1001183539

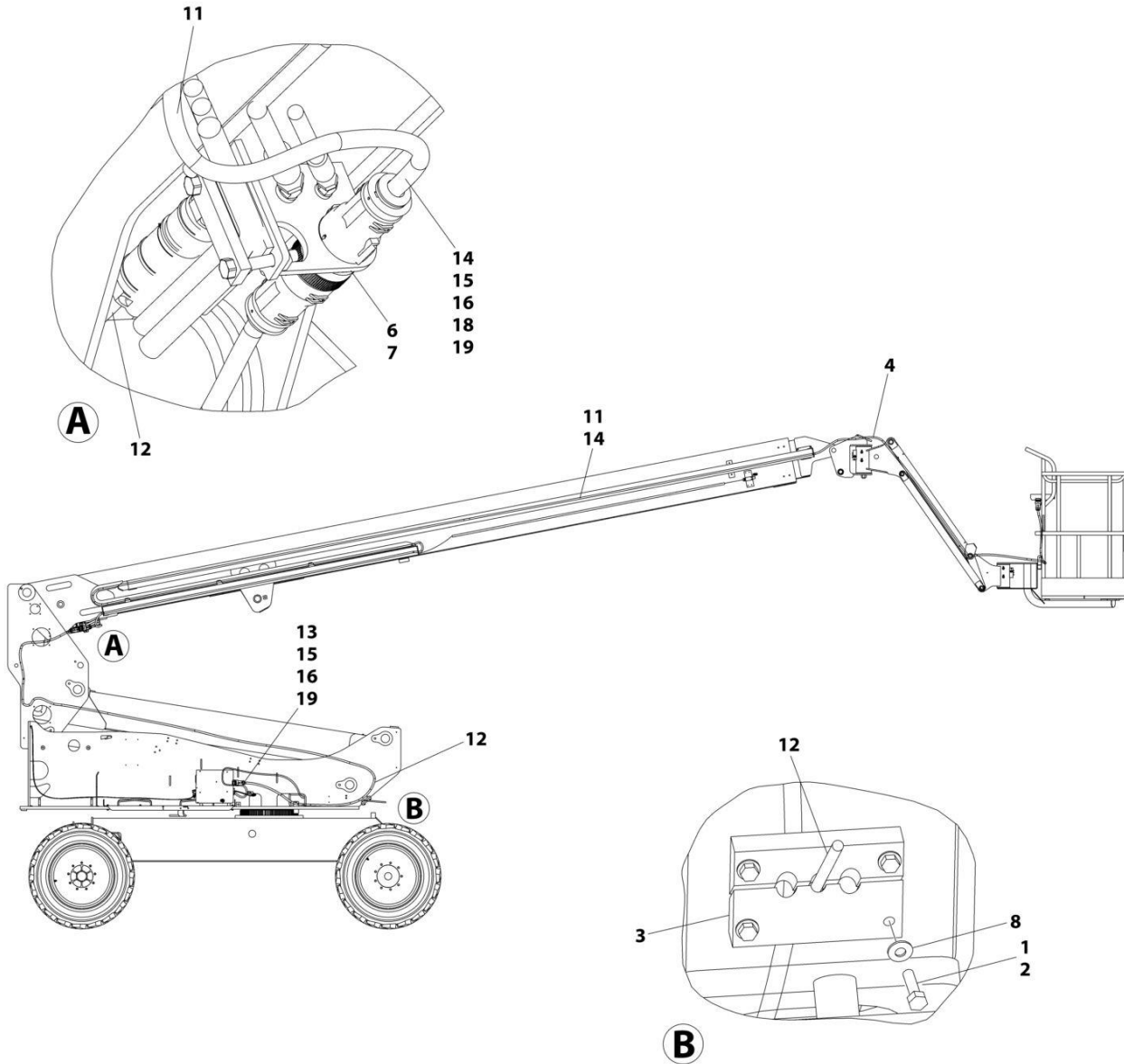
## SECTION 8 - ELECTRICAL

**FIGURE 8-29. CABLES AND CLAMPS INSTALLATION (AUSTRALIAN, CE & UK CA SPECS)  
(EC600SJP,H600SJP)**

ITEM	PART NUMBER	QTY	DESCRIPTION	REV
	1001183539	Ref	CABLES AND CLAMPS INSTALLATION	C
1	0100011	AR	Locking, Compound	
2	0641612	4	Bolt 3/8 x 1-1/2	
3	1320256	1	Clamp, Block	
4	4100026	1	Sleeve, Hose Protector	
5	4240033	AR	Tie-Strap (Not Shown)	
6	1001205044	1	Washer	
7	1001205043	1	Nut	
8	4711600	4	Washer 3/8	
11	4922939	1	Cable, 12/3	
12	4922940	1	Cable, 12/3	
13	1001183882	1	Boom Cable - Lower (See Separate Breakdown in this Section)	
14	1001183884	1	Boom Cable - Upper (See Separate Breakdown in this Section)	
15	4460466	AR	Plug, Seal	
16	1001188291	AR	Connector, Backshell	
18	1001188293	1	Connector - 19 Position	
19	1001188354	AR	Grommet	

# SECTION 8 - ELECTRICAL

FIGURE 8-30. CABLES AND CLAMPS INSTALLATION - DUAL AC BOXES (CE & UK CA SPECS)  
(EC600SJP,H600SJP)



ART\_1001183540

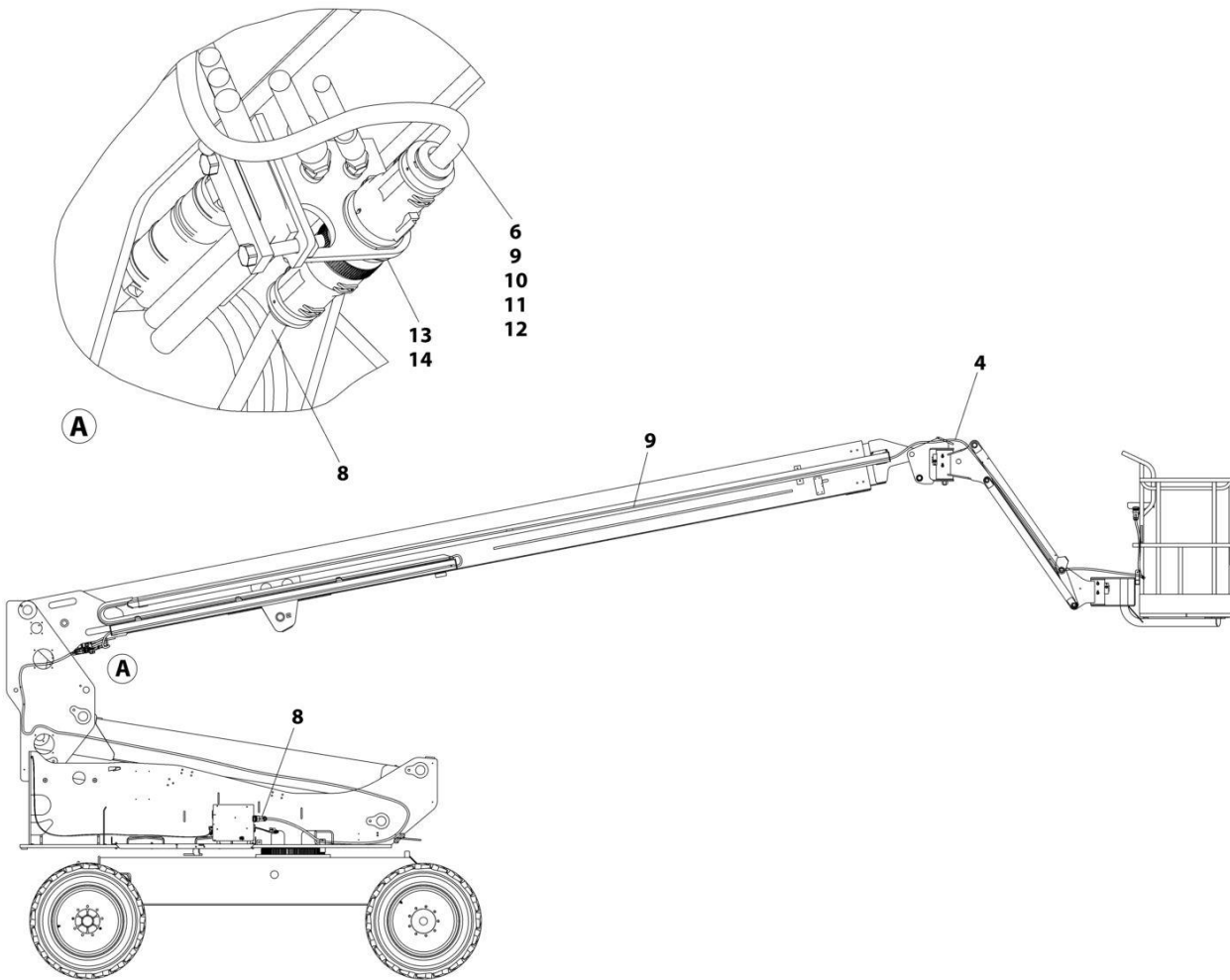
## SECTION 8 - ELECTRICAL

**FIGURE 8-30. CABLES AND CLAMPS INSTALLATION - DUAL AC BOXES (CE & UK CA SPECS)  
(EC600SJP,H600SJP)**

ITEM	PART NUMBER	QTY	DESCRIPTION	REV
	1001183540	Ref	CABLES AND CLAMPS INSTALLATION	C
1	0100011	AR	Locking, Compound	
2	0641612	4	Bolt 3/8 x 1-1/2	
3	1320256	1	Clamp, Block	
4	4100026	1	Sleeve, Hose Protector	
5	4240033	AR	Tie-Strap (Not Shown)	
6	1001205044	1	Washer	
7	1001205043	1	Nut	
8	4711600	4	Washer 3/8	
11	4922939	2	Cable, 12/3	
12	4922940	2	Cable, 12/3	
13	1001183882	1	Boom Cable - Lower (See Separate Breakdown in this Section)	
14	1001183884	1	Boom Cable - Upper (See Separate Breakdown in this Section)	
15	4460466	AR	Plug, Seal	
16	1001188291	AR	Connector, Backshell	
18	1001188293	1	Connector - 19 Position	
19	1001188354	AR	Grommet	

# SECTION 8 - ELECTRICAL

FIGURE 8-31. CABLES AND CLAMPS INSTALLATION - WITHOUT AC CABLE (CHINA SPECS WITH SN STARTING WITH B3) (EC600SJP,H600SJP)



ART\_1001281443



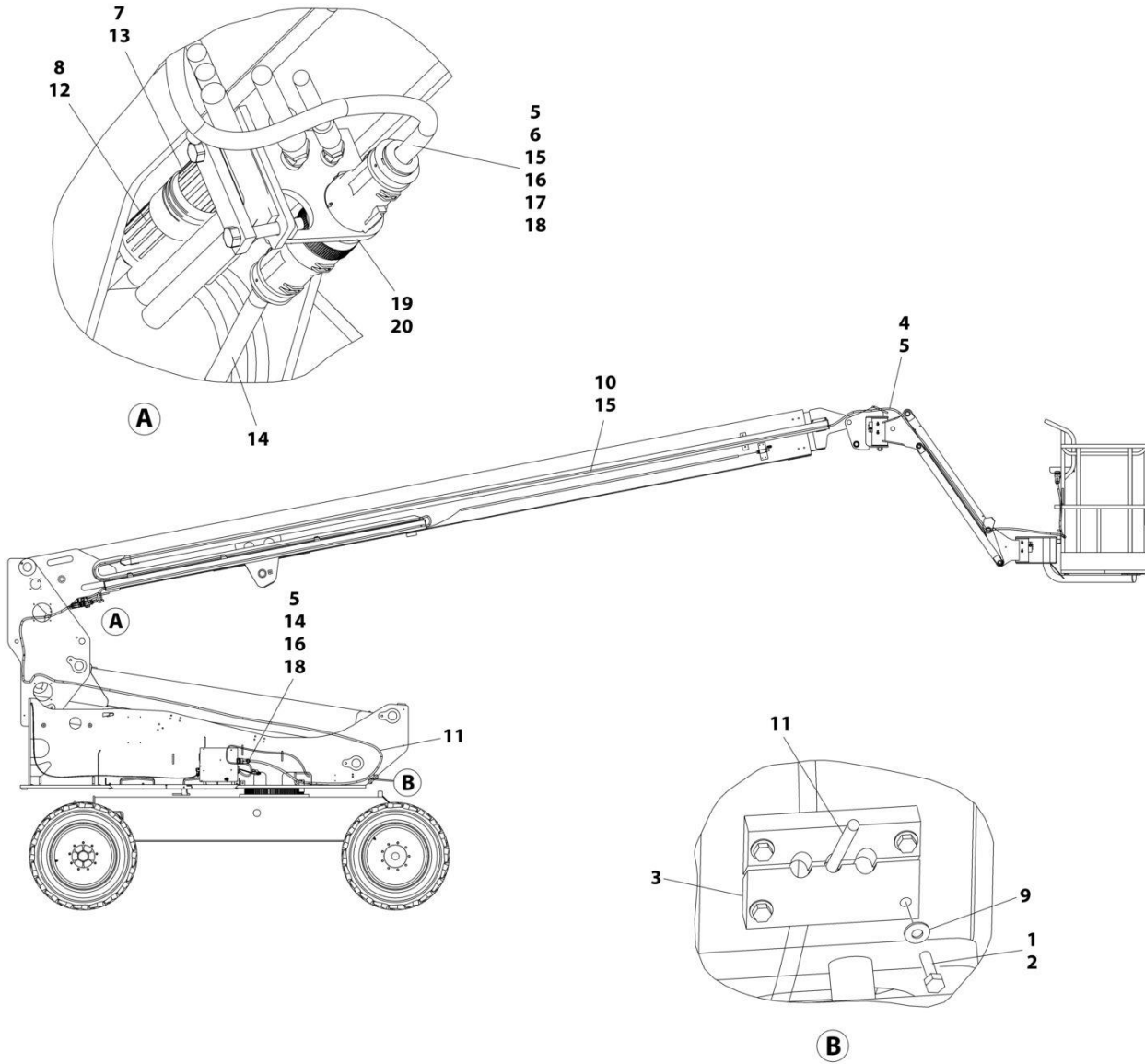
## SECTION 8 - ELECTRICAL

**FIGURE 8-31. CABLES AND CLAMPS INSTALLATION - WITHOUT AC CABLE (CHINA SPECS WITH SN STARTING WITH B3) (EC600SJP,H600SJP)**

ITEM	PART NUMBER	QTY	DESCRIPTION	REV
	1001281443	Ref	CABLES AND CLAMPS INSTALLATION - WITHOUT AC CABLE (EC600SJP) (CHINA SPECS)	B
4	4100026	1	Sleeve, Hose Protector	
5	4240033	AR	Tie-Strap (Not Shown)	
6	4460466	4	Plug, Seal	
8	1001183882	1	Boom Cable - Lower (See Separate Breakdown in this Section)	
9	1001183884	1	Boom Cable - Upper (See Separate Breakdown in this Section)	
10	1001188291	AR	Connector, Backshell	
11	1001188293	1	Connector - 19 Position	
12	1001188354	AR	Grommet	
13	1001205043	1	Nut	
14	1001205044	1	Washer	

# SECTION 8 - ELECTRICAL

FIGURE 8-32. CABLES AND CLAMPS INSTALLATION - WITH AC CABLE (CHINA SPEC WITH SN STARTING WITH B3) (EC600SJP,H600SJP)



ART\_1001286163

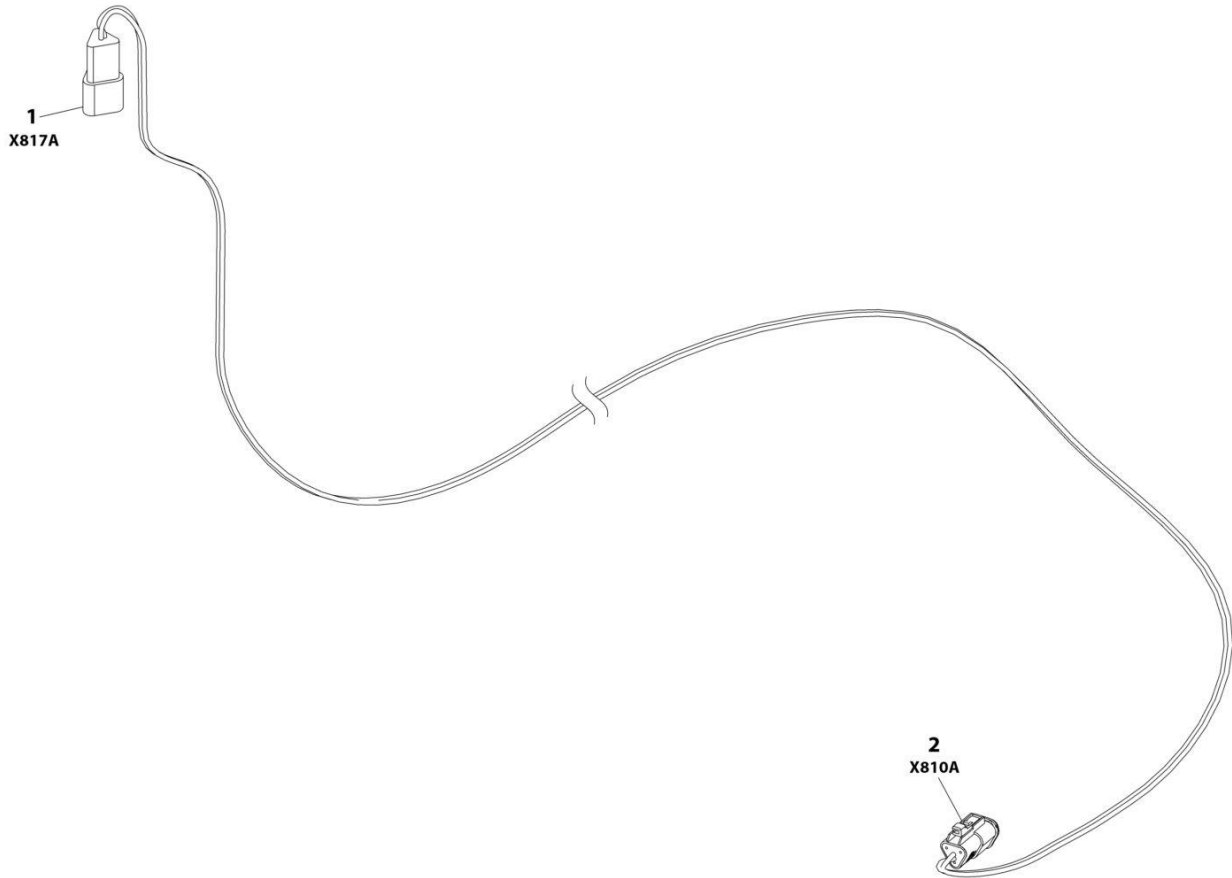
## SECTION 8 - ELECTRICAL

**FIGURE 8-32. CABLES AND CLAMPS INSTALLATION - WITH AC CABLE (CHINA SPEC WITH SN STARTING WITH B3) (EC600SJP,H600SJP)**

ITEM	PART NUMBER	QTY	DESCRIPTION	REV
	1001286163	Ref	CABLES AND CLAMPS INSTALLATION	A
1	0100011	AR	Locking, Compound	
2	0641612	4	Bolt 3/8 x 1-1/2	
3	1320256	1	Clamp, Block	
4	4100026	1	Sleeve, Hose Protector	
5	4240033	AR	Tie-Strap	
6	4460466	AR	Plug, Seal	
7	4460709	1	Connector, Male Twist	
8	4460710	1	Connector, Female Twist	
9	4711600	4	Washer 3/8	
10	4922937	1	Cable, 12/3	
11	4922938	1	Cable, 12/3	
12	1001156351	1	Cover, Female Connector	
13	1001156352	1	Cover, Male Connector	
14	1001183882	1	Boom Cable - Lower (See Separate Breakdown in this Section)	
15	1001183884	1	Boom Cable - Upper (See Separate Breakdown in this Section)	
16	1001188291	AR	Connector, Backshell	
17	1001188293	1	Connector - 19 Position	
18	1001188354	AR	Grommet	
19	1001205043	1	Nut	
20	1001205044	1	Washer	

# SECTION 8 - ELECTRICAL

## FIGURE 8-33. CAN JUMPER HARNESS



ART\_1001259548

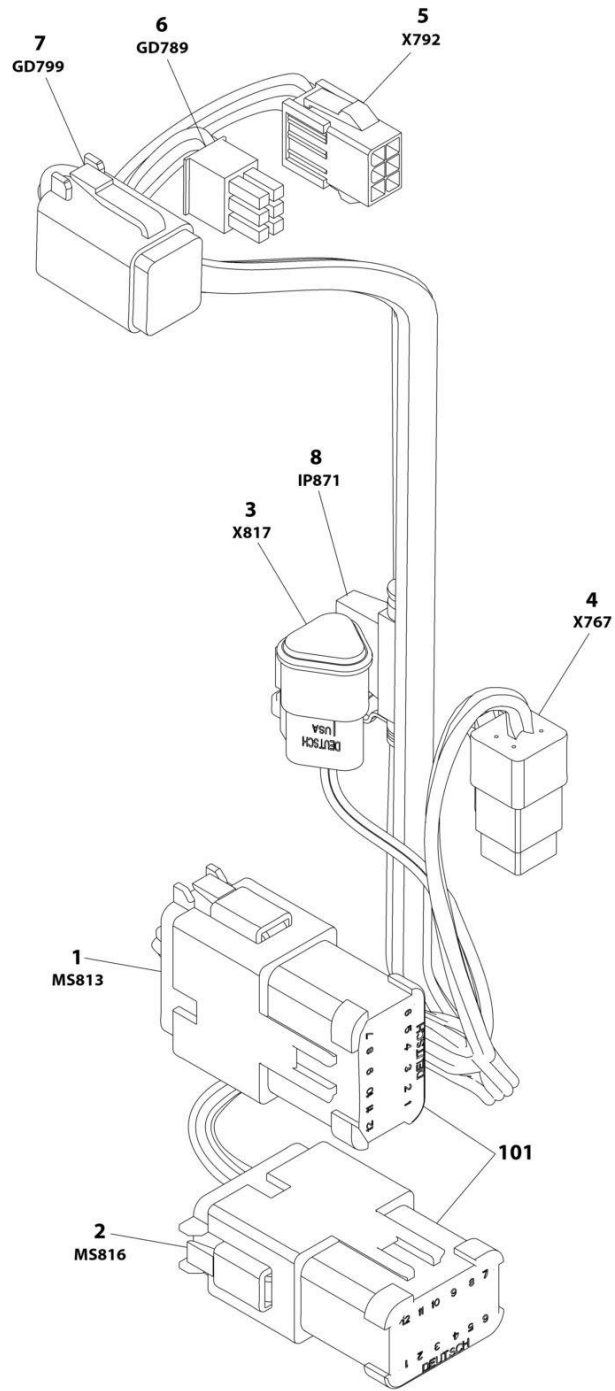
## SECTION 8 - ELECTRICAL

### FIGURE 8-33. CAN JUMPER HARNESS

ITEM	PART NUMBER	QTY	DESCRIPTION	REV
	1001259548	Ref	CAN JUMPER HARNESS	A
1	1001144147	1	Connector	
1	4460943	2	Socket	
1	4460466	1	Plug	
2	1001116812	1	Connector	
2	4460944	2	Socket	
2	4460466	1	Plug	

# SECTION 8 - ELECTRICAL

## FIGURE 8-34. CENTRAL PANEL CAN BUSS HARNESS



ART\_1001259560

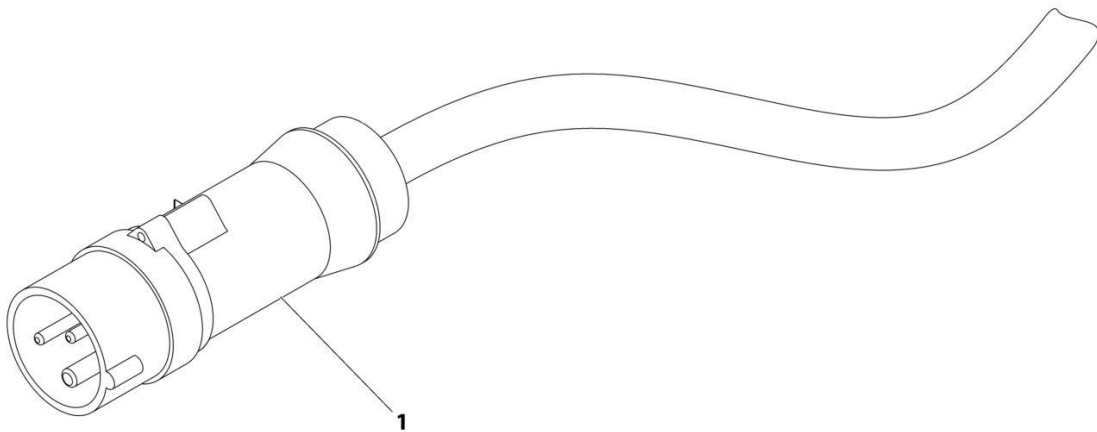
## SECTION 8 - ELECTRICAL

**FIGURE 8-34. CENTRAL PANEL CAN BUSS HARNESS**

ITEM	PART NUMBER	QTY	DESCRIPTION	REV
	1001259560	Ref	CENTRAL PANEL CAN BUSS HARNESS	C
1	4460933	1	Connector	
1	4460465	10	Socket	
1	4460466	2	Plug	
2	4460933	1	Connector	
2	4460465	8	Socket	
2	4460466	4	Plug	
3	1001116812	1	Connector	
3	4460944	2	Socket	
3	4460466	1	Plug	
4	4461077	1	Connector	
4	4460928	2	Socket	
4	4460918	2	Socket	
5	1001132049	1	Connector	
5	1001132050	4	Pin	
6	4460868	1	Connector	
6	4460877	4	Socket	
7	4460894	1	Connector	
7	4460465	4	Socket	
7	4460466	2	Plug	
8	2400060	1	Holder, Fuse	
8	8229242	1	Fuse, 5 Amp	
101	1001125677	2	Connector	

## SECTION 8 - ELECTRICAL

FIGURE 8-35. CHARGER CORD PLUG INSTALLATION - 110V - IEC YELLOW (CE & UK CA SPEC)



ART\_0275666



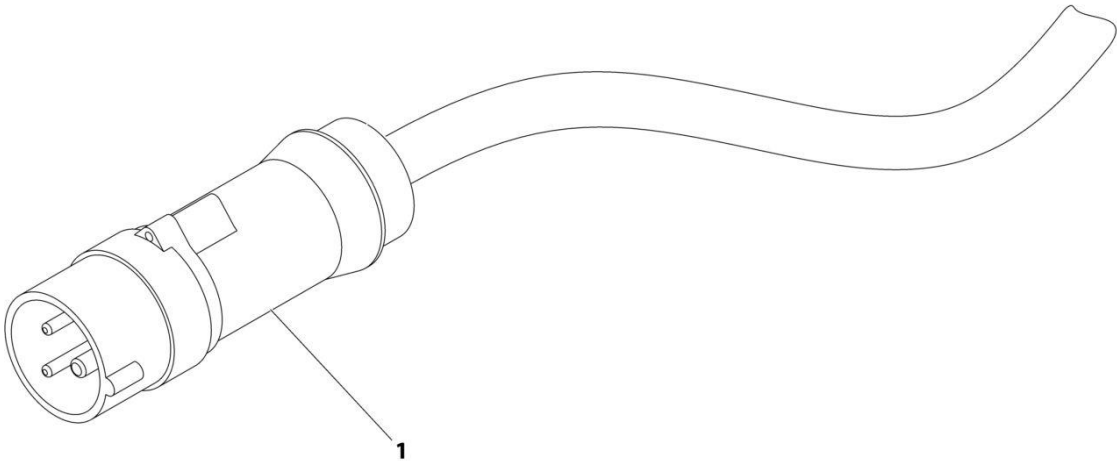
## SECTION 8 - ELECTRICAL

**FIGURE 8-35. CHARGER CORD PLUG INSTALLATION - 110V - IEC YELLOW (CE & UK CA SPEC)**

ITEM	PART NUMBER	QTY	DESCRIPTION	REV
	0275666	Ref	CHARGER CORD PLUG INSTALLATION - 110V IEC YELLOW	B
1	4461196	1	PLUG Plug	

**SECTION 8 - ELECTRICAL**

**FIGURE 8-36. CHARGER CORD PLUG INSTALLATION - 220V - IEC BLUE (CE & UK CA SPEC)**



ART\_0275667

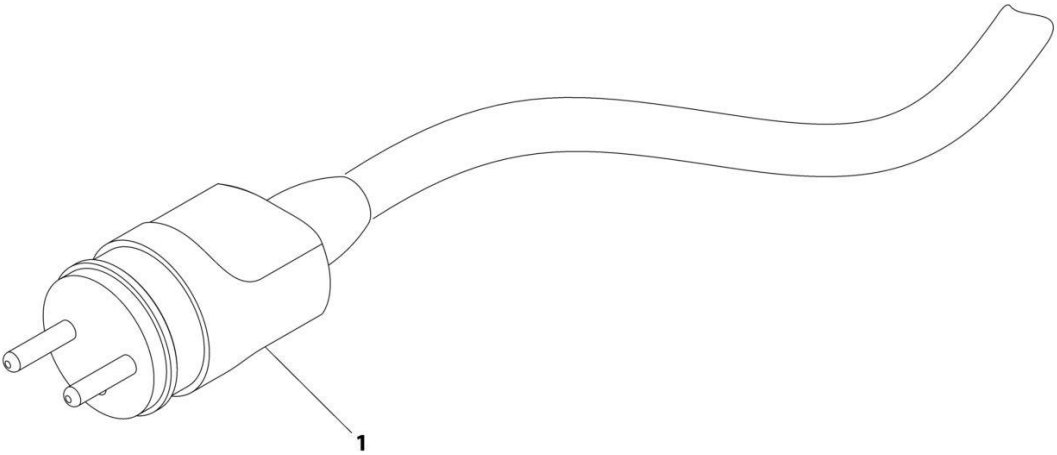
## SECTION 8 - ELECTRICAL

**FIGURE 8-36. CHARGER CORD PLUG INSTALLATION - 220V - IEC BLUE (CE & UK CA SPEC)**

ITEM	PART NUMBER	QTY	DESCRIPTION	REV
1	0275667 4461199	Ref 1	CHARGER CORD PLUG INSTALLATION - 220V IEC BLUE PLUG Plug	B

**SECTION 8 - ELECTRICAL**

**FIGURE 8-37. CHARGER CORD PLUG INSTALLATION - 220V - CEE7 POST GROUND (CE & UK CA SPEC)**



ART\_0275663-C

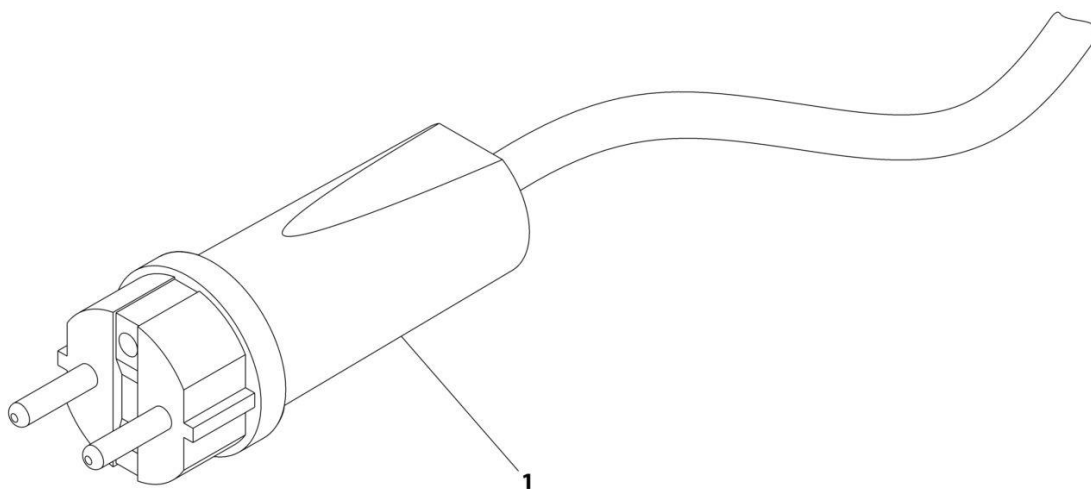
## SECTION 8 - ELECTRICAL

**FIGURE 8-37. CHARGER CORD PLUG INSTALLATION - 220V - CEE7 POST GROUND (CE & UK CA SPEC)**

ITEM	PART NUMBER	QTY	DESCRIPTION	REV
1	0275663 4461205	Ref 1	CHARGER CORD PLUG INSTALLATION - 220V POST GROUND Plug	C

## SECTION 8 - ELECTRICAL

FIGURE 8-38. CHARGER CORD PLUG INSTALLATION - 220V - CEE7 SIDE GROUND (CE & UK CA SPEC)



ART\_0275664

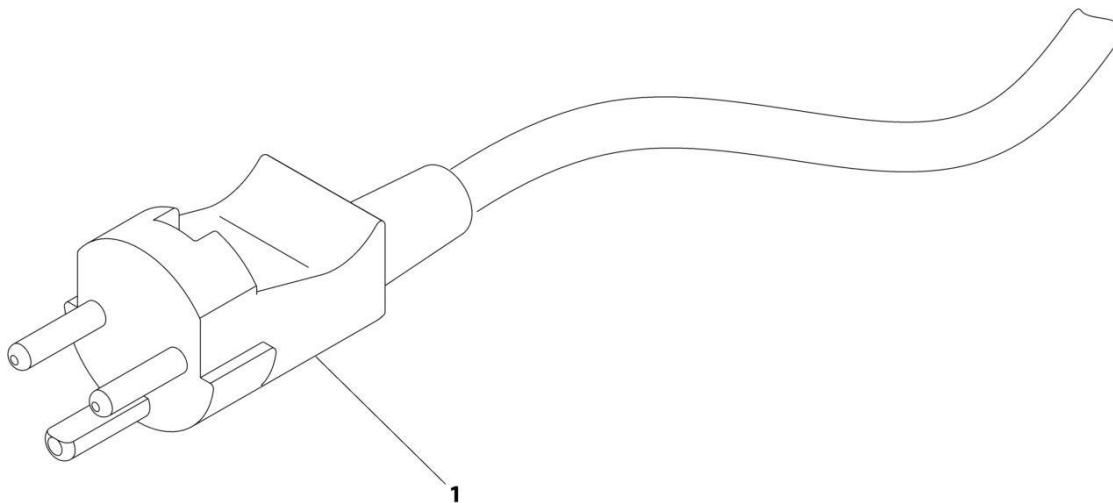
## SECTION 8 - ELECTRICAL

**FIGURE 8-38. CHARGER CORD PLUG INSTALLATION - 220V - CEE7 SIDE GROUND (CE & UK CA SPEC)**

ITEM	PART NUMBER	QTY	DESCRIPTION	REV
	0275664	Ref	CHARGER CORD PLUG INSTALLATION - 220V CEE7 SIDE GROUND	A
1	4461205	1	Plug	

## SECTION 8 - ELECTRICAL

FIGURE 8-39. CHARGER CORD PLUG INSTALLATION - 220V - AFSINT 107 KEYED GROUND (CE & UK CA SPEC)



ART\_0275665



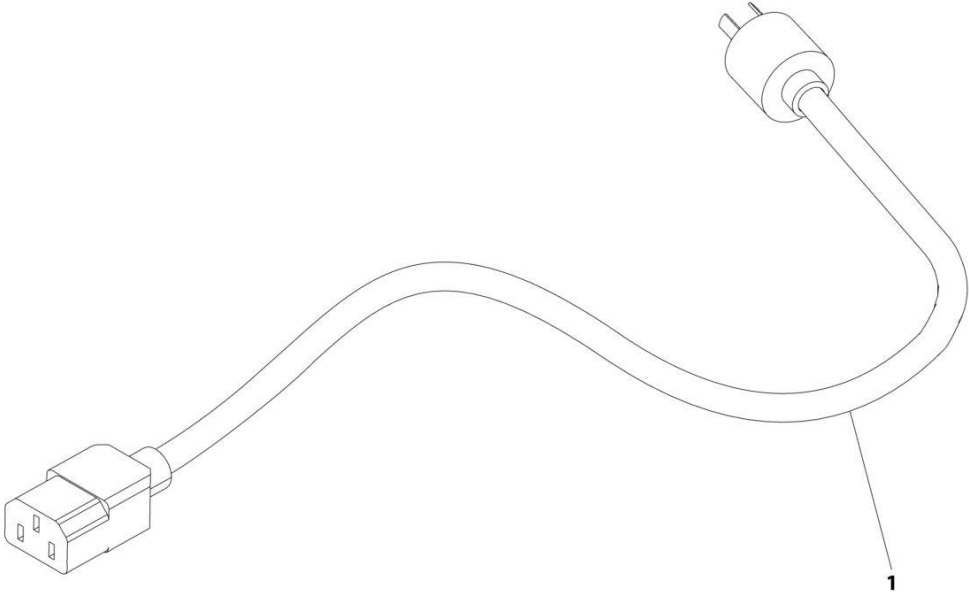
## SECTION 8 - ELECTRICAL

**FIGURE 8-39. CHARGER CORD PLUG INSTALLATION - 220V - AFSINT 107 KEYED GROUND (CE & UK CA SPEC)**

ITEM	PART NUMBER	QTY	DESCRIPTION	REV
	0275665	Ref	CHARGER CORD PLUG INSTALLATION - 220V AFSINT 107 KEYED GROUND	B
1	4461249	1	Plug	

**SECTION 8 - ELECTRICAL**

**FIGURE 8-40. CHARGER CORD PLUG INSTALLATION (CHINA SPEC)**



ART\_1001253917

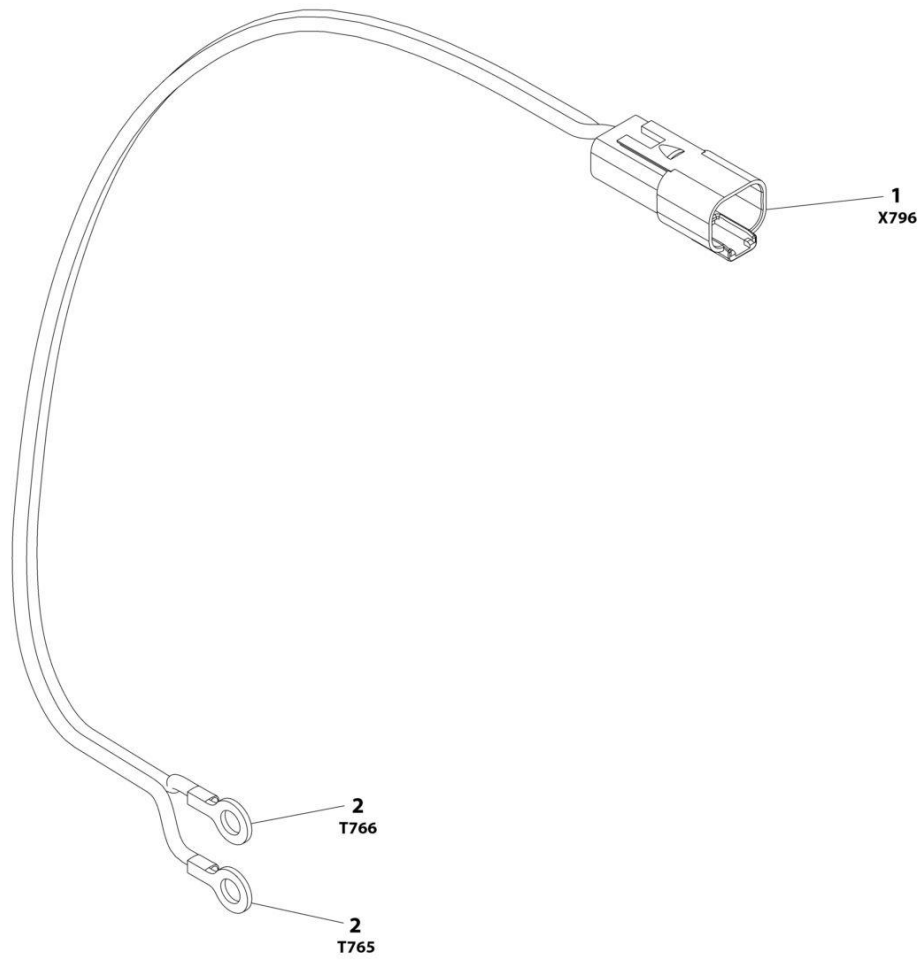
## SECTION 8 - ELECTRICAL

**FIGURE 8-40. CHARGER CORD PLUG INSTALLATION (CHINA SPEC)**

ITEM	PART NUMBER	QTY	DESCRIPTION	REV
1	1001253917 1001187816	Ref 1	CHARGER CORD PLUG INSTALLATION - CHINA PLUG Plug	A

# SECTION 8 - ELECTRICAL

## FIGURE 8-41. CHARGER DC CONNECTION HARNESS



ART\_1001260408

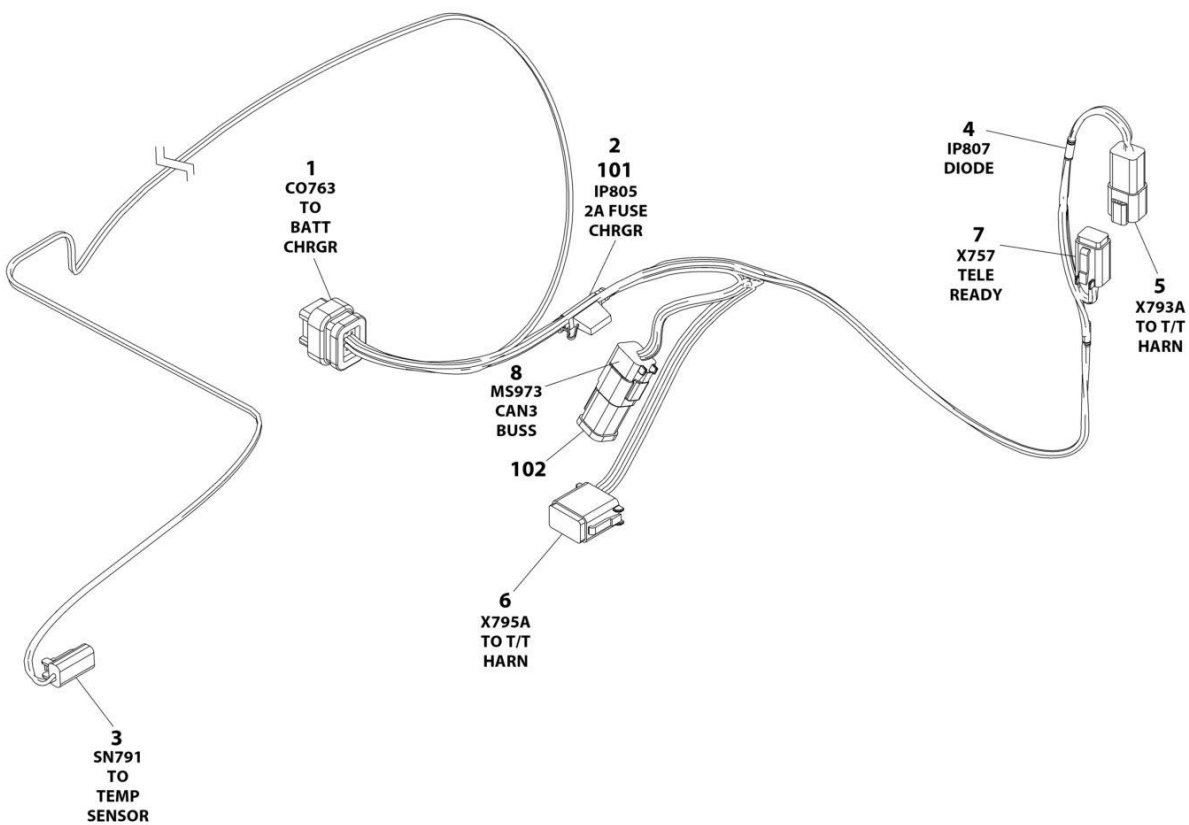
## SECTION 8 - ELECTRICAL

### FIGURE 8-41. CHARGER DC CONNECTION HARNESS

ITEM	PART NUMBER	QTY	DESCRIPTION	REV
	1001260408	Ref	CHARGER DC CONNECTION HARNESS	A
1	1001116811	1	Connector	
1	4460508	2	Pin	
1	4460466	2	Plug	
2	4460312	2	Terminal Ring	

# SECTION 8 - ELECTRICAL

## FIGURE 8-42. CHARGER HARNESS



ART\_1001289963

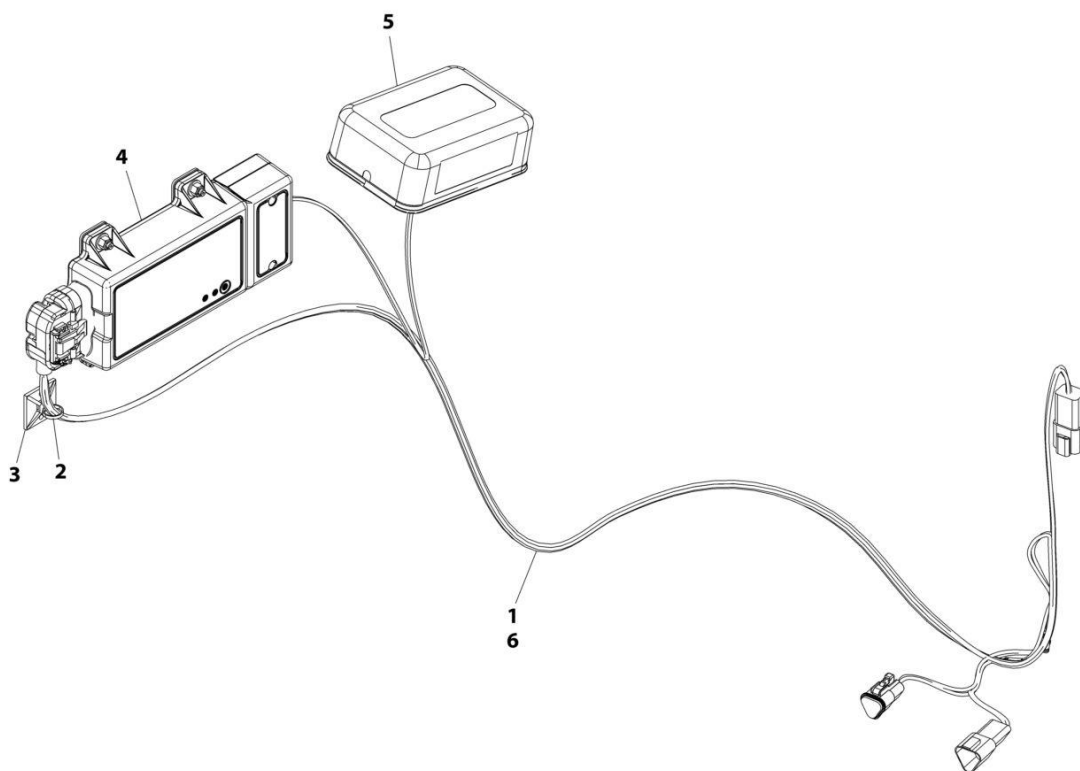
## SECTION 8 - ELECTRICAL

### FIGURE 8-42. CHARGER HARNESS

ITEM	PART NUMBER	QTY	DESCRIPTION	REV
	1001289963	Ref	CHARGER HARNESS	A
1	4460872	1	Connector - 14 Position	
1	4460905	5	Plug	
1	4460871	9	Socket	
2	2400060	1	Fuseholder with Cover	
3	4460891	1	Connector - 2 Position	
3	4460465	2	Socket	
4	3990001	1	Diode	
5	4460932	1	Connector - 4 Position	
5	4460464	4	Pin	
6	4460930	1	Connector - 8 Position	
6	4460465	7	Socket	
6	4460466	1	Plug	
7	4460884	1	Connector	
7	4460465	4	Socket	
8	4460894	1	Connector - 6 Position	
8	4460465	6	Socket	
101	1001196634	1	Fuse, 2AMP	
102	1001226541	1	Connector, Bussbar - 6 Position	

## SECTION 8 - ELECTRICAL

FIGURE 8-43. CLEARSKY INSTALLATION - 4G CANBUS CONNECTION (ALL SPECS EXCEPT CHINA SPECS)



ART\_1001235649



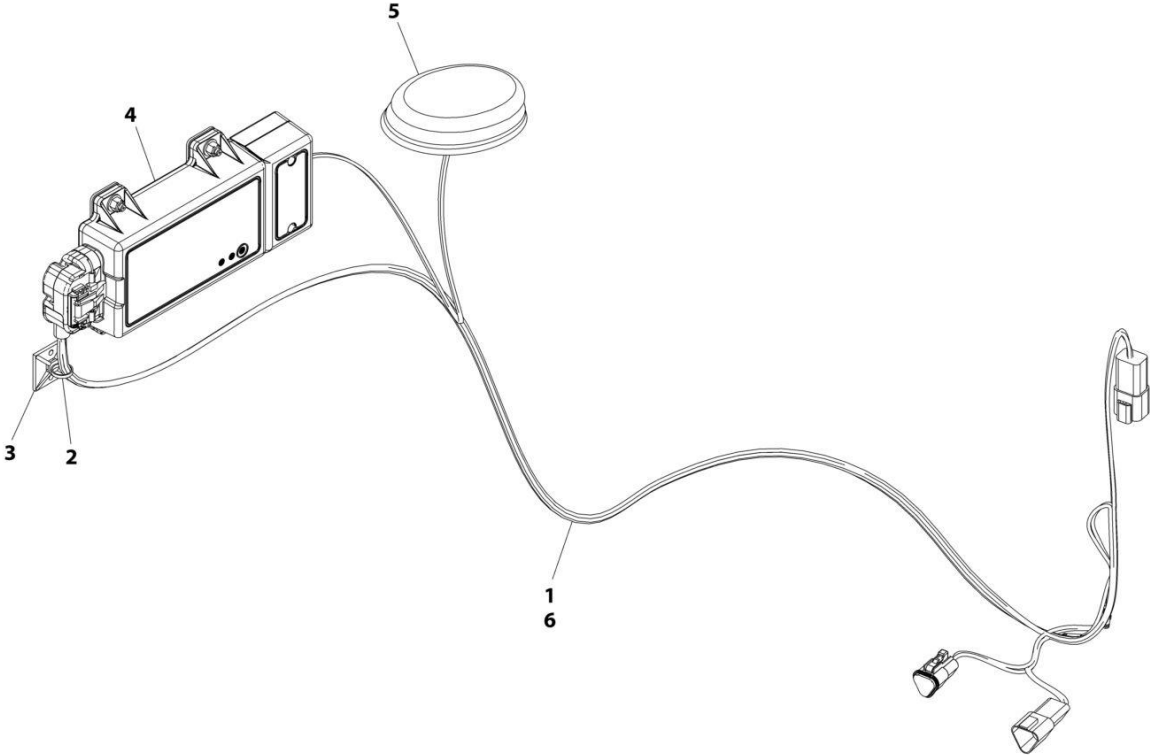
## SECTION 8 - ELECTRICAL

**FIGURE 8-43. CLEARSKY INSTALLATION - 4G CANBUS CONNECTION (ALL SPECS EXCEPT CHINA SPECS)**

ITEM	PART NUMBER	QTY	DESCRIPTION	REV
	1001235649	Ref	CLEARSKY INSTALLATION CANBUS CONNECTION	B
1	1062255	AR	Tie, Strap	
2	4240032	AR	Tie, Strap	
3	4460234	AR	Strap, Cable Tie	
4	1001262322	1	Telematics Control Module (Note: Re-calibration Required when Replaced)	
5	1001262326	1	Antenna	
6	1001235091	1	ClearSky Harness (See Separate Breakdown in this section)	

**SECTION 8 - ELECTRICAL**

**FIGURE 8-44. CLEARSKY INSTALLATION - 3G CANBUS CONNECTION (ANSI EXPORT, CE & UK CA SPECS)**



ART\_1001236535

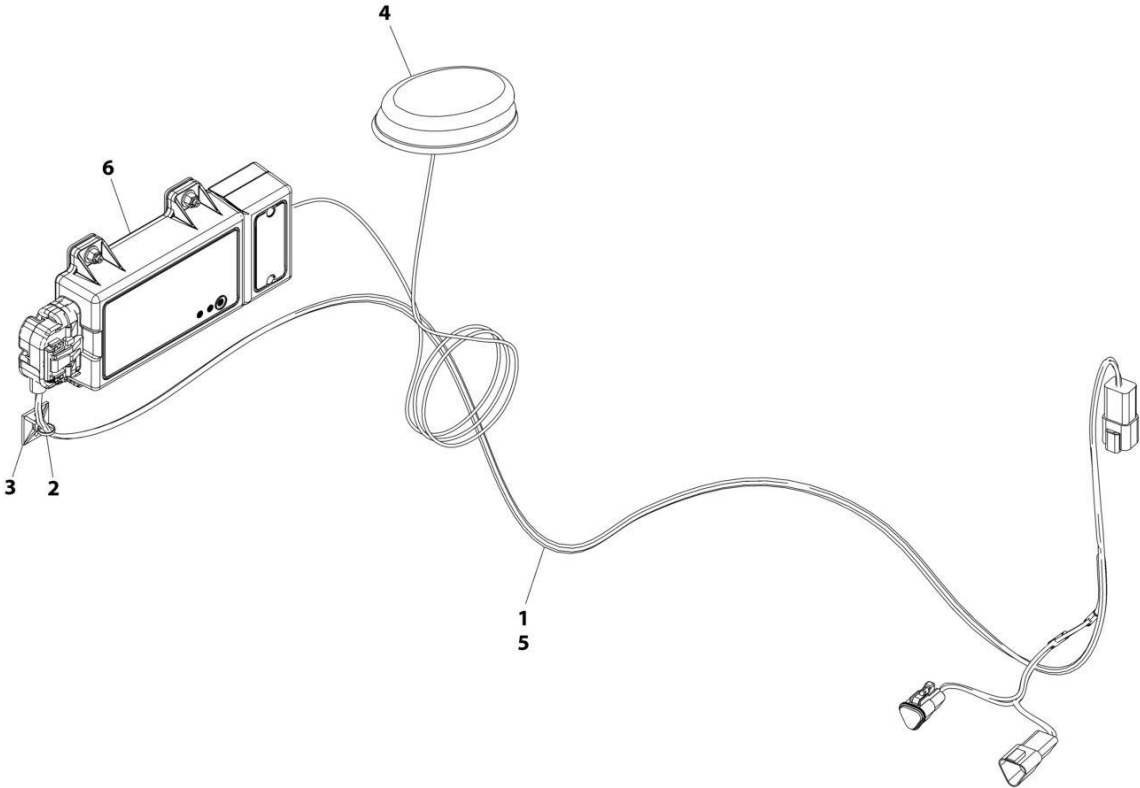
## SECTION 8 - ELECTRICAL

**FIGURE 8-44. CLEARSKY INSTALLATION - 3G CANBUS CONNECTION (ANSI EXPORT, CE & UK CA SPECS)**

ITEM	PART NUMBER	QTY	DESCRIPTION	REV
	1001236535	Ref	CLEARSKY INSTALLATION CANBUS CONNECTION	A
1	1062255	AR	Tie, Strap	
2	4240032	AR	Tie, Strap	
3	4460234	AR	Strap, Cable Tie	
4	1001228954	1	Telematics Control Module (Note: Re-calibration Required when Replaced)	
5	1001226799	1	Antenna	
6	1001235091	1	ClearSky Harness (See Separate Breakdown in this section)	

# SECTION 8 - ELECTRICAL

FIGURE 8-45. CLEARSKY INSTALLATION - 3G CANBUS CONNECTION (AUSTRALIAN SPECS)



ART\_1001246541

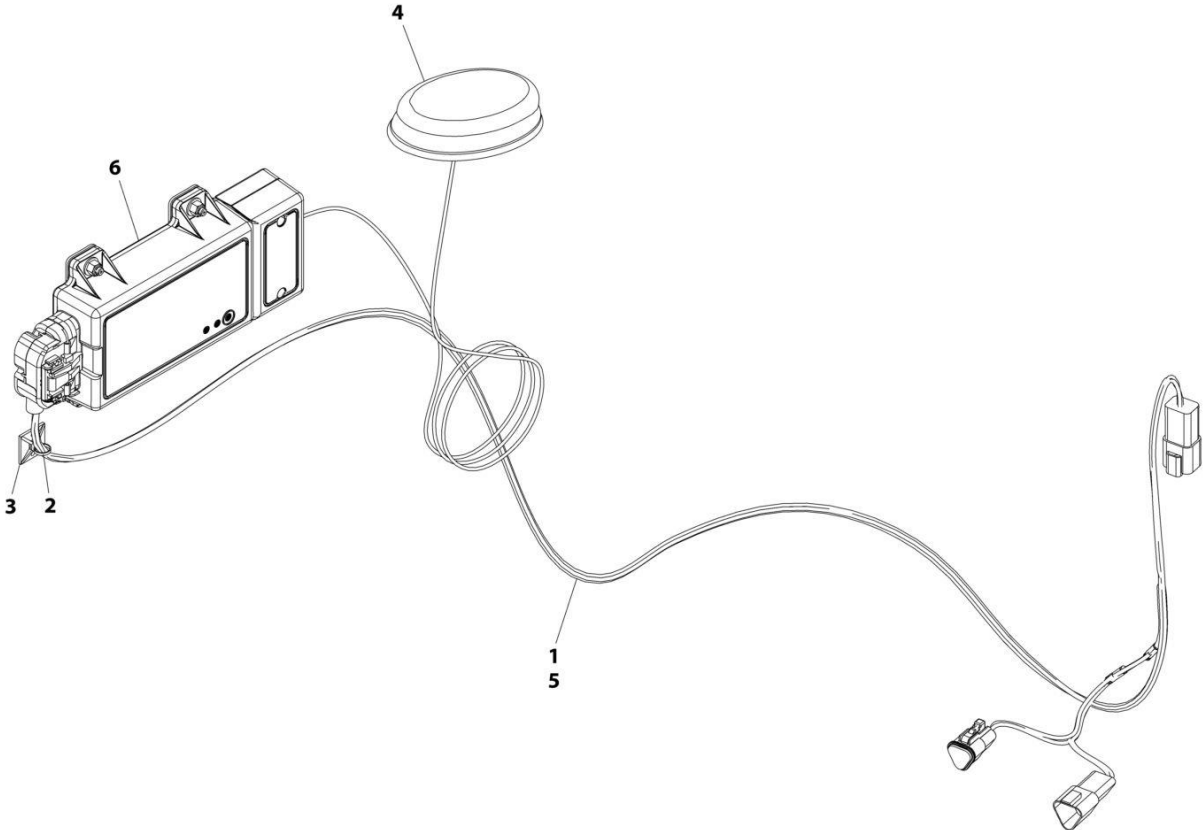
## SECTION 8 - ELECTRICAL

**FIGURE 8-45. CLEARSKY INSTALLATION - 3G CANBUS CONNECTION (AUSTRALIAN SPECS)**

ITEM	PART NUMBER	QTY	DESCRIPTION	REV
	1001246541	Ref	CLEARSKY INSTALLATION CANBUS CONNECTION	A
1	1062255	AR	Tie, Strap	
2	4240032	AR	Tie, Strap	
3	4460234	AR	Strap, Cable Tie	
4	1001226799	1	Antenna	
5	1001235091	1	ClearSky Harness (See Separate Breakdown in this section)	
6	1001246144	1	Telematics Control Module (Note: Re-calibration Required when Replaced)	

**SECTION 8 - ELECTRICAL**

**FIGURE 8-46. CLEARSKY INSTALLATION - 4G CANBUS CONNECTION (CHINA SPECS)**



ART\_1001246542

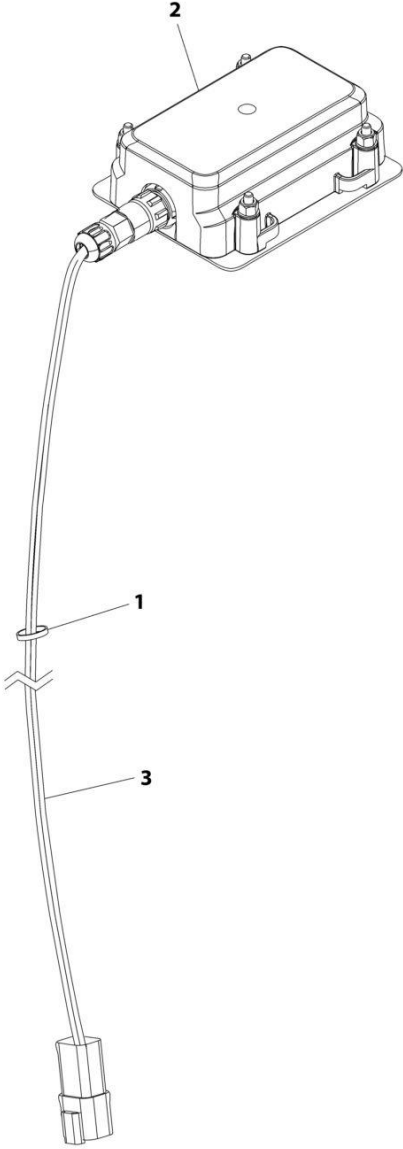
## SECTION 8 - ELECTRICAL

**FIGURE 8-46. CLEARSKY INSTALLATION - 4G CANBUS CONNECTION (CHINA SPECS)**

ITEM	PART NUMBER	QTY	DESCRIPTION	REV
	1001246542	Ref	CLEARSKY INSTALLATION CANBUS CONNECTION	A
1	1062255	AR	Tie, Strap	
2	4240032	AR	Tie, Strap	
3	4460234	AR	Strap, Cable Tie	
4	1001226799	1	Antenna	
5	1001235091	1	ClearSky Harness (See Separate Breakdown in this section)	
6	1001246145	1	Telematics Control Module (Note: Re-calibration Required when Replaced)	

**SECTION 8 - ELECTRICAL**

**FIGURE 8-47. CLEARSKY INSTALLATION 3-WIRE CONNECTION (ALL SPECS EXCEPT UL AND CHINA SPECS)**



ART\_1001276610



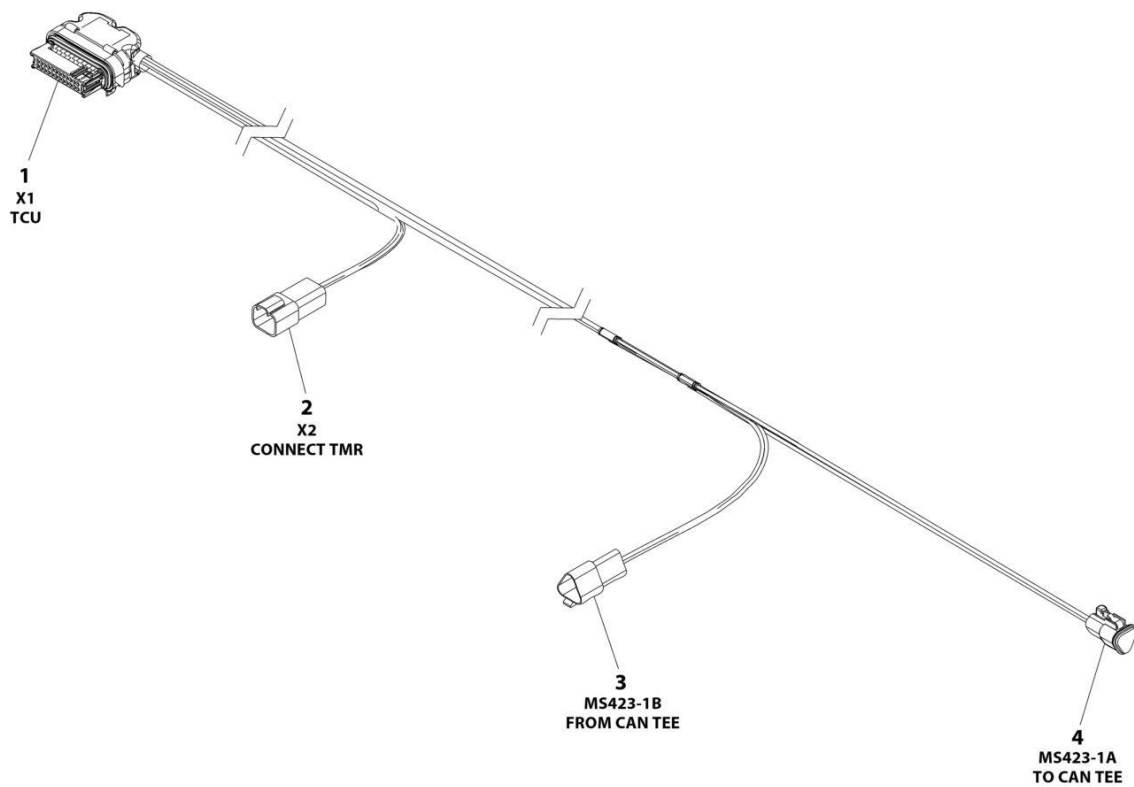
## SECTION 8 - ELECTRICAL

**FIGURE 8-47. CLEARSKY INSTALLATION 3-WIRE CONNECTION (ALL SPECS EXCEPT UL AND CHINA SPECS)**

ITEM	PART NUMBER	QTY	DESCRIPTION	REV
	1001276610	Ref	CLEARSKY INSTALLATION 3-WIRE CONNECTION	A
1	4240032	AR	Tie-Strap	
2	1001272659	1	Telematics Control Module Assembly (Note: Re-calibration Required when Replaced)	
3	1001273012	1	ClearSky Harness (See Separate Breakdown in this Section)	

# SECTION 8 - ELECTRICAL

## FIGURE 8-48. CLEARSKY HARNESS - 3G & 4G CANBUS CONNECTIONS



ART\_1001235091

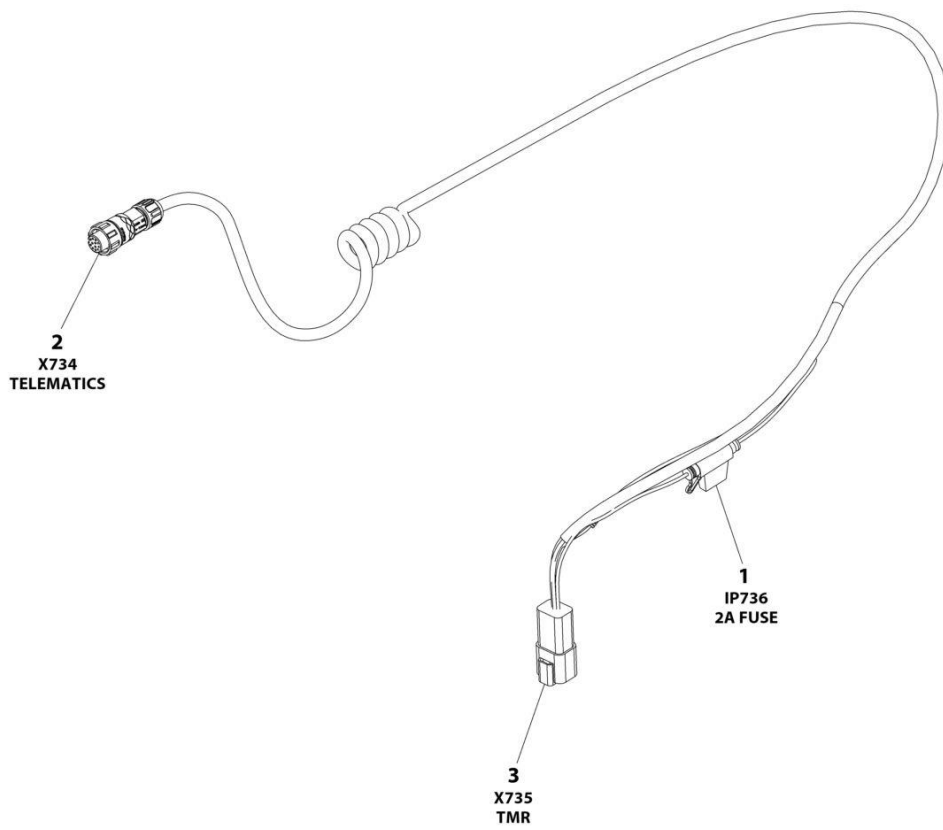
## SECTION 8 - ELECTRICAL

**FIGURE 8-48. CLEARSKY HARNESS - 3G & 4G CANBUS CONNECTIONS**

ITEM	PART NUMBER	QTY	DESCRIPTION	REV
	1001235091	1	CLEARSKY HARNESS	A
1	1001226636	1	Connector	
1	1001116731	19	Plug	
1	1001226637	5	Terminal	
2	4460932	1	Connector	
2	4460464	3	Terminal	
2	4460466	1	Plug	
3	1001144147	1	Connector	
3	4460464	2	Terminal	
3	4460466	1	Plug	
4	1001116812	1	Connector	
4	4460465	2	Terminal	
4	4460466	1	Plug	

# SECTION 8 - ELECTRICAL

## FIGURE 8-49. CLEARSKY HARNESS - 3 WIRE GT1030



ART\_1001273012

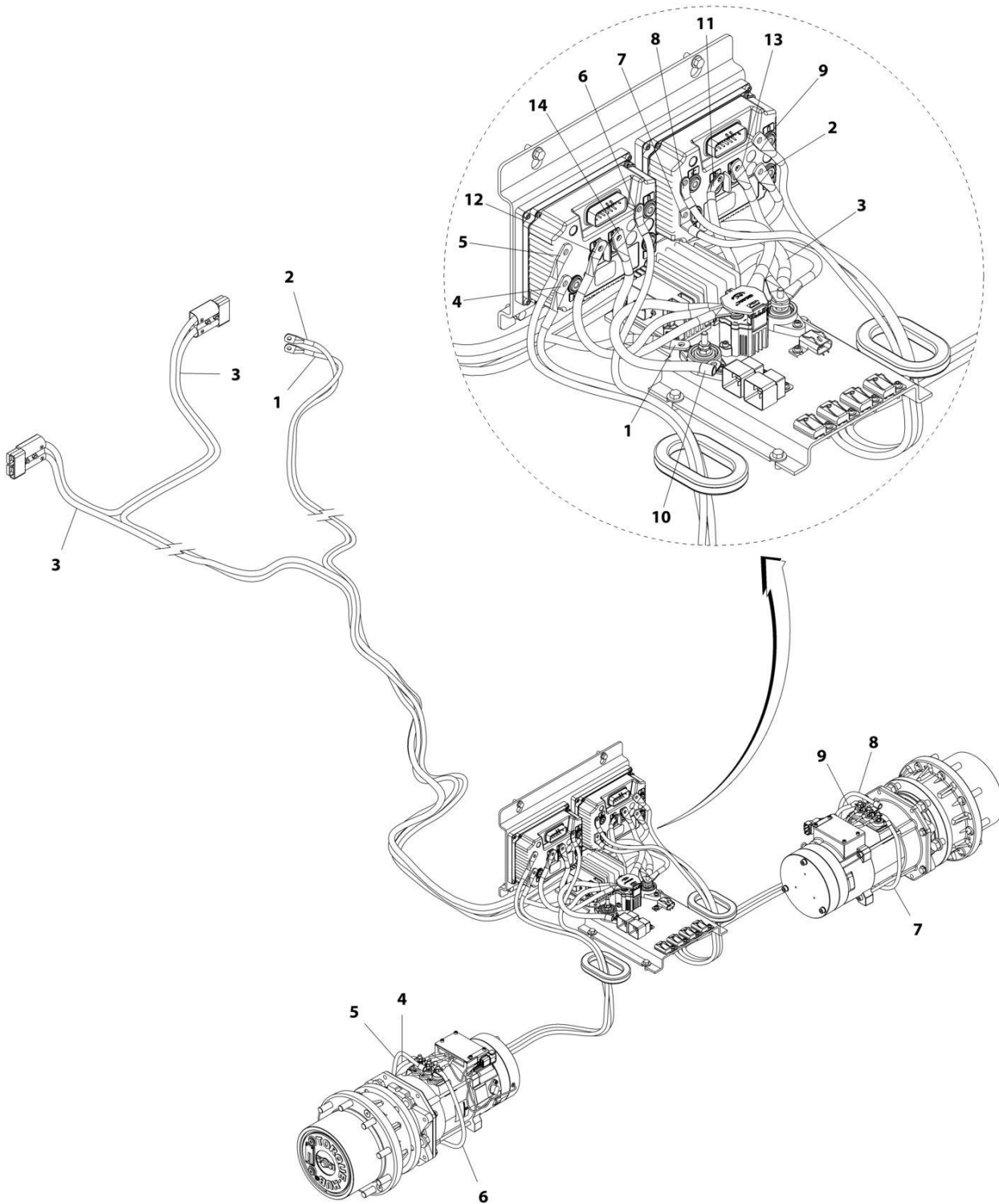
## SECTION 8 - ELECTRICAL

### FIGURE 8-49. CLEARSKY HARNESS - 3 WIRE GT1030

ITEM	PART NUMBER	QTY	DESCRIPTION	REV
	1001273012	Ref	CLEARSKY TELEMATICS HARNESS - GT1030	D
1	1001255901	1	Fuseholder	
1	1001196634	1	Fuse - 2Amp	
2	1001272997	1	Connector - 12 Position	
2		Ref	Terminal	
3	4460932	1	Receptacle, Female - 4 Position	
3	4460464	4	Pin, Male	

# SECTION 8 - ELECTRICAL

FIGURE 8-50. DRIVE CABLE KIT (ALL SPECS EXCPET UL SPECS)



ART\_1001196485

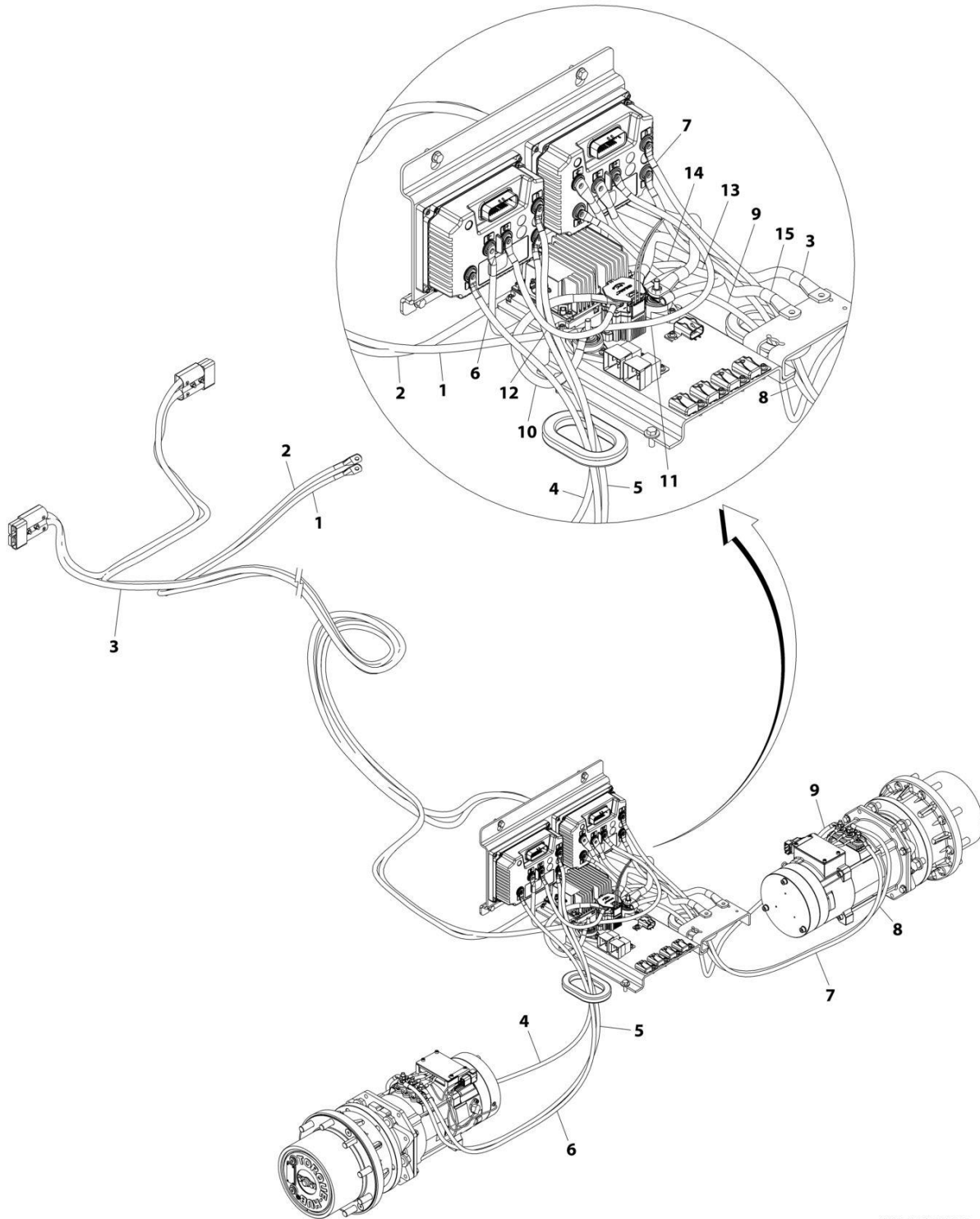
## SECTION 8 - ELECTRICAL

**FIGURE 8-50. DRIVE CABLE KIT (ALL SPECS EXCPET UL SPECS)**

ITEM	PART NUMBER	QTY	DESCRIPTION	REV
	1001196485	Ref	DRIVE CABLE KIT (NON UL SPECS)	D
1	1001179499	1	Cable - Pump Motor + to Fuse	
2	1001179500	1	Cable - Pump Motor - to LH Module P	
3	1001182996	1	Cable - Battery	
4	1001196061	1	Cable - LH Motor U	
5	1001196062	1	Cable - LH Motor V	
6	1001196063	1	Cable - LH Motor W	
7	1001196065	1	Cable - RH Motor U	
8	1001196066	1	Cable - RH Motor V	
9	1001196067	1	Cable - RH Motor W	
10	1001196237	1	Cable - Contactor to Fuse	
11	1001196238	1	Cable - RH Zapi +	
12	1001196239	1	Cable - LH Zapi +	
13	1001196240	1	Cable - RH Zapi -	
14	1001196241	1	Cable - LH Zapi -	

# SECTION 8 - ELECTRICAL

## FIGURE 8-51. DRIVE CABLE KIT (UL SPECS)



ART\_1001214800



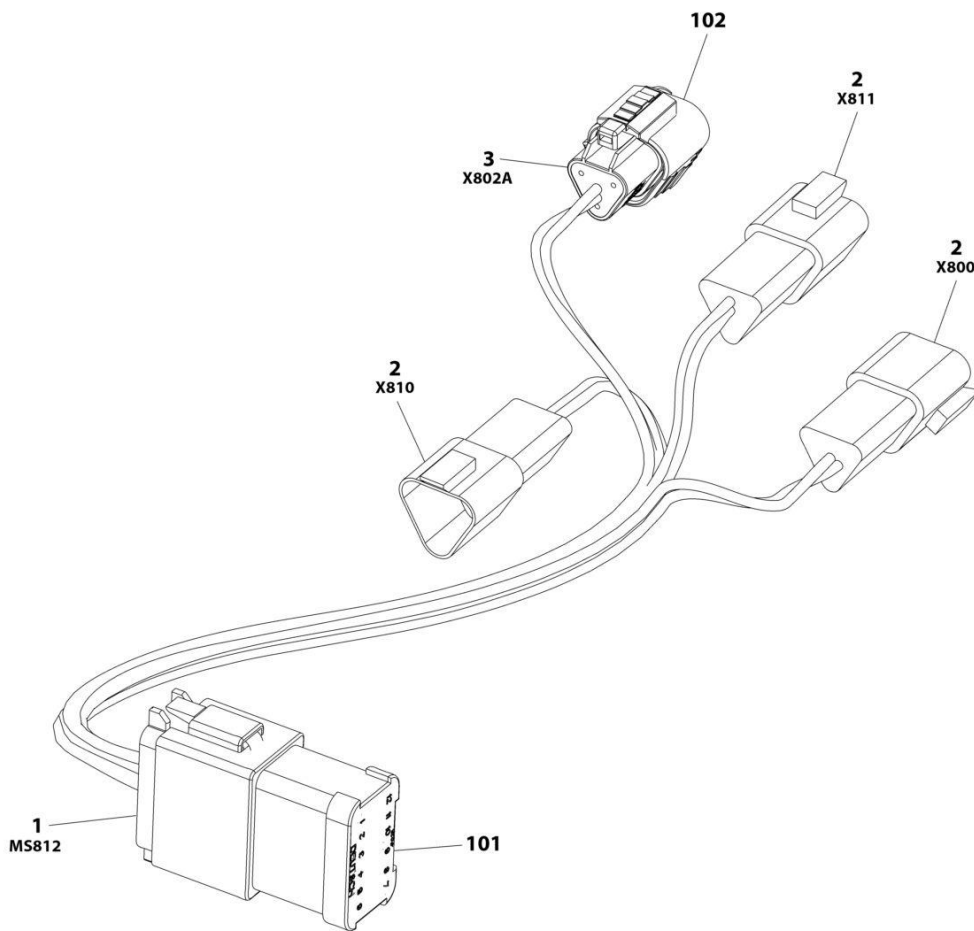
## SECTION 8 - ELECTRICAL

**FIGURE 8-51. DRIVE CABLE KIT (UL SPECS)**

ITEM	PART NUMBER	QTY	DESCRIPTION	REV
	1001214800	Ref	DRIVE CABLE KIT (UL SPECS)	C
1	1001179499	1	Cable - Pump Motor + to Fuse	
2	1001179500	1	Cable - Pump Motor - to LH Module P	
3	1001182996	1	Cable - Battery	
4	1001196061	1	Cable - LH Motor U	
5	1001196062	1	Cable - LH Motor V	
6	1001196063	1	Cable - LH Motor W	
7	1001196065	1	Cable - RH Motor U	
8	1001196066	1	Cable - RH Motor V	
9	1001196067	1	Cable - RH Motor W	
10	1001196237	1	Cable - Contactor to Fuse	
11	1001196238	1	Cable - RH Zapi +	
12	1001196239	1	Cable - LH Zapi +	
13	1001196240	1	Cable - RH Zapi -	
14	1001196241	1	Cable - LH Zapi -	
15	1001214801	1	Cable - Drive Jumper	

# SECTION 8 - ELECTRICAL

## FIGURE 8-52. EBOOM CAN SPLICE HARNESS



ART\_1001259541

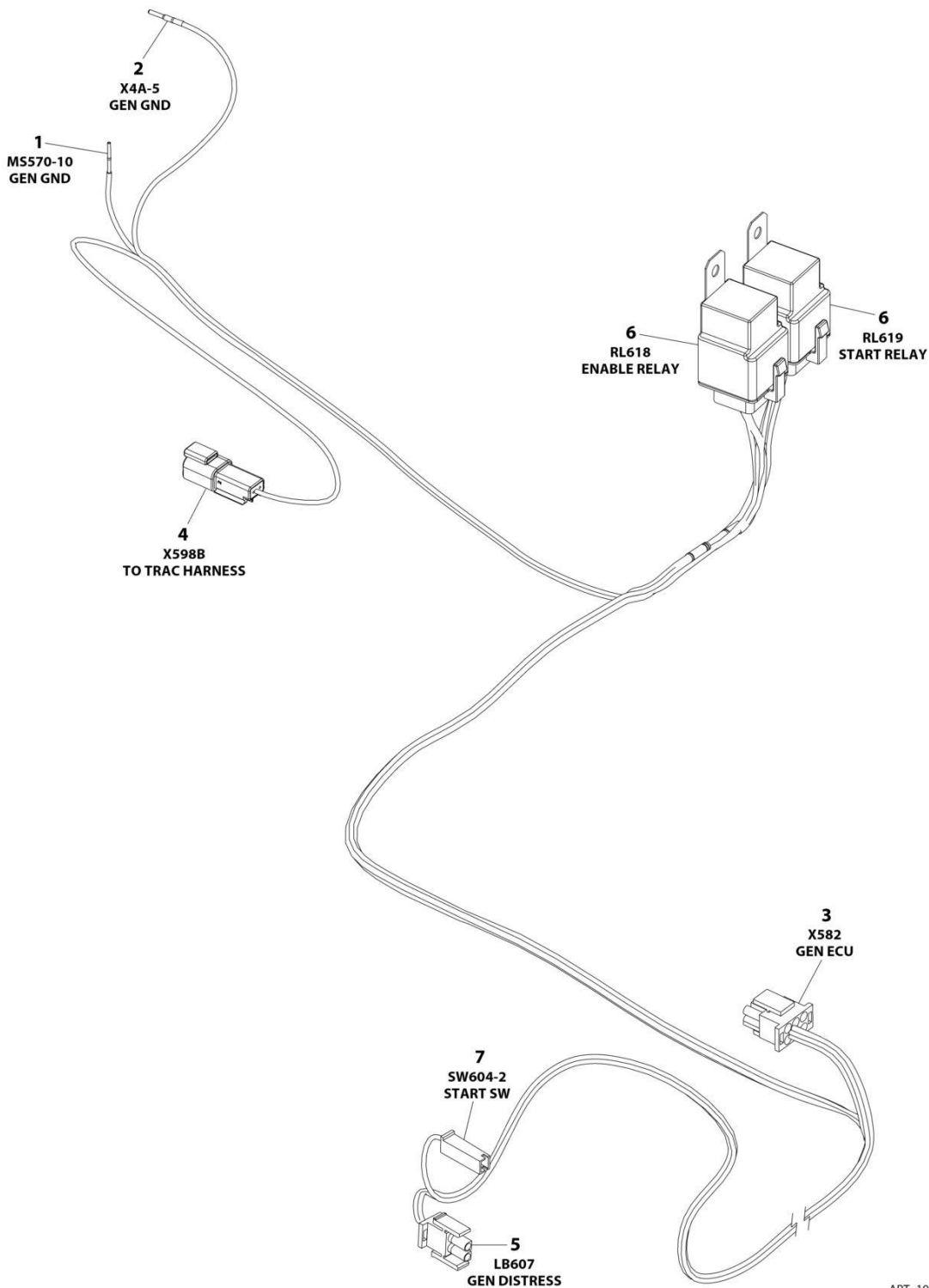
## SECTION 8 - ELECTRICAL

**FIGURE 8-52. EBOOM CAN SPLICE HARNESS**

ITEM	PART NUMBER	QTY	DESCRIPTION	REV
	1001259541	Ref	EBOOM CAN SPLICE HARNESS	A
1	4460933	1	Connector	
1	4460465	8	Socket	
1	4460466	4	Plug	
2	1001144147	3	Connector	
2	4460943	6	Socket	
2	4460466	3	Plug	
3	1001116812	1	Connector	
3	4460944	2	Socket	
3	4460466	1	Plug	
101	1001125677	1	Connector	
102	1001144296	1	Dust Cap	

# SECTION 8 - ELECTRICAL

## FIGURE 8-53. GENERATOR HARNESS



ART\_1001199409

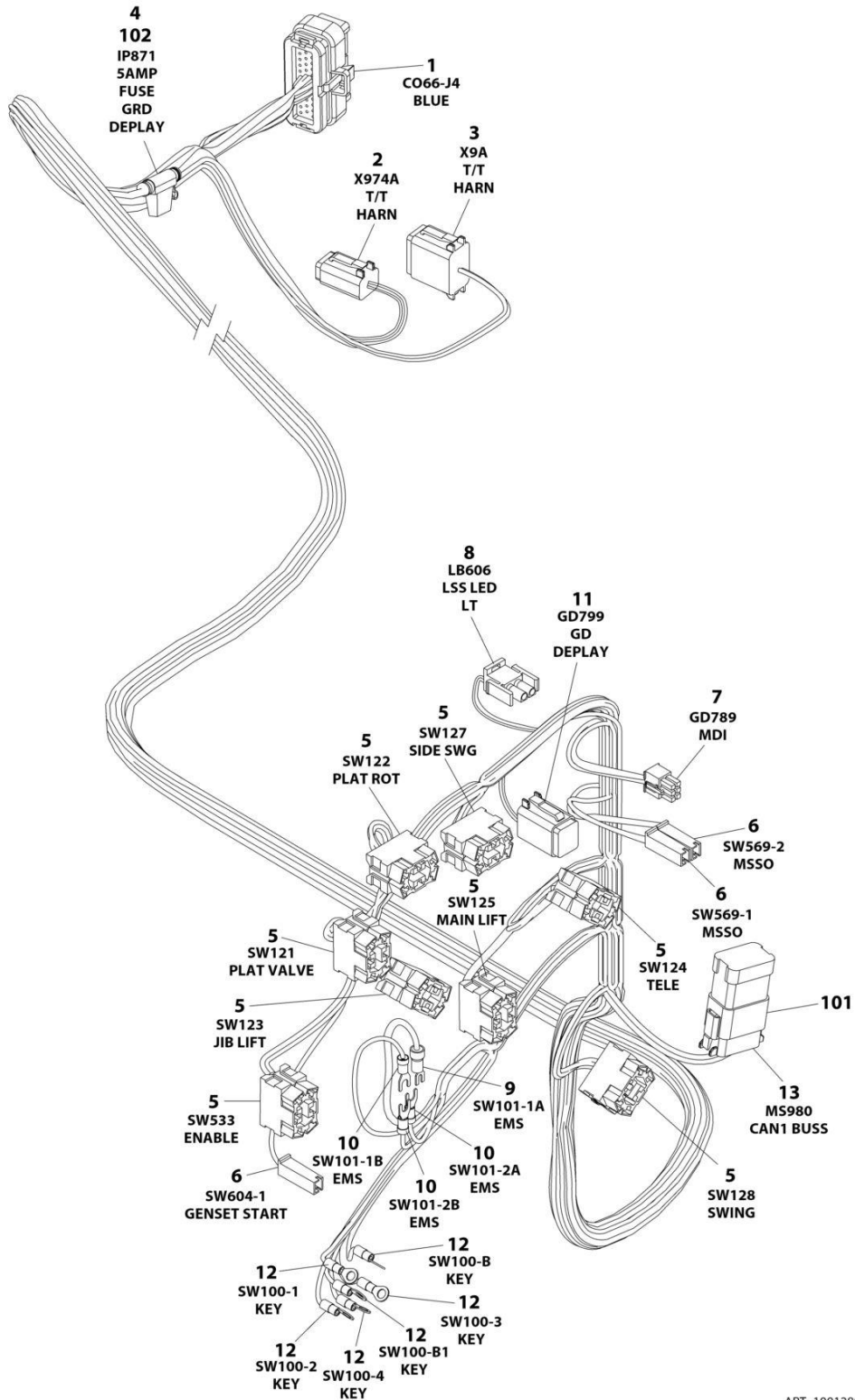
## SECTION 8 - ELECTRICAL

### FIGURE 8-53. GENERATOR HARNESS

ITEM	PART NUMBER	QTY	DESCRIPTION	REV
	1001199409	Ref	GENERATOR HARNESS	C
1	4460465	1	Socket, Female	
2	4460464	1	Pin, Male	
3	4460225	1	Plug, Male - 6 Position	
3	4460267	5	Pin, Male	
4	4460897	1	Connector - 2 Position	
4	4460464	1	Pin, Male	
4	4460466	1	Plug, Seal	
5	4460320	1	Connector - 2 Position	
5	4460227	2	Pin, Male	
6	3740080	2	Relay	
6	1001203734	2	Plug, Relay	
6	1001116733	4	Terminal	
6	1001116732	4	Terminal	
7	4460260	1	Housing, Terminal	
7	4460259	1	Terminal	

# SECTION 8 - ELECTRICAL

## FIGURE 8-54. GROUND CONTROL HARNESS



ART\_1001289962

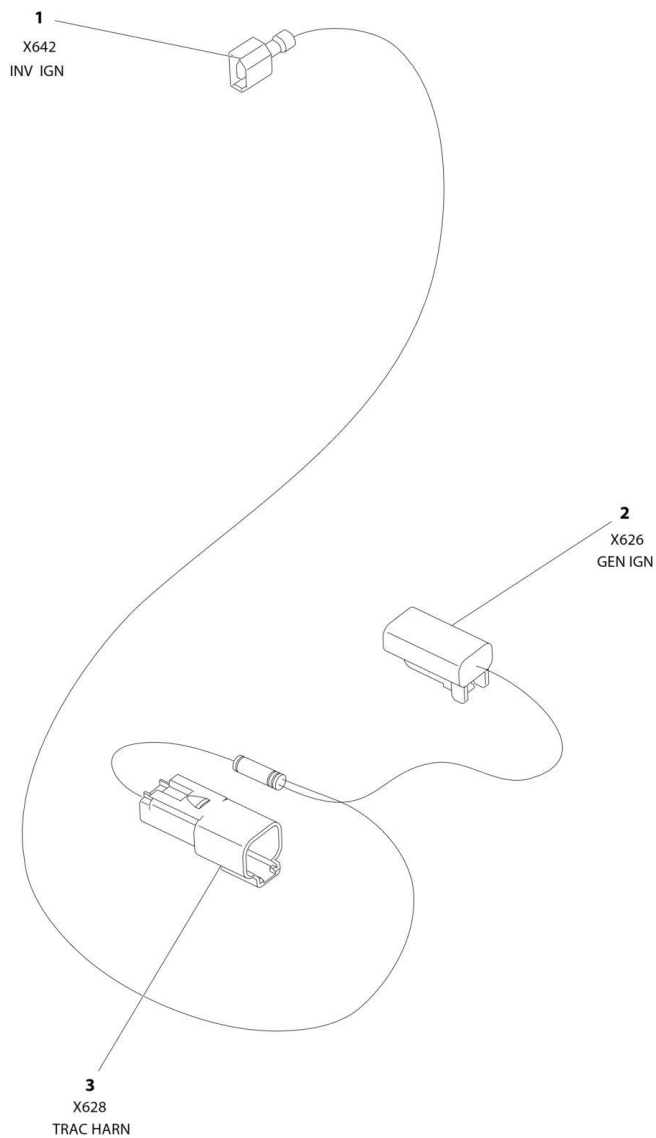
## SECTION 8 - ELECTRICAL

### FIGURE 8-54. GROUND CONTROL HARNESS

ITEM	PART NUMBER	QTY	DESCRIPTION	REV
	1001289962	Ref	GROUND CONTROL HARNESS	B
1	4460876	1	Connector - 35 Position	
1	4460871	20	Socket, Female	
1	4460905	15	Plug, Terminal	
2	4460884	1	Connector - 4 Position	
2	4460465	4	Socket, Female	
3	4460930	1	Connector - 8 Position	
3	1001116692	7	Socket, Female	
3	4460466	1	Plug, Seal	
4	2400060	1	Fuseholder with Cover	
5	4460418	8	Connector - 6 Position	
5	4460419	16	Terminal	
5	1001159186	15	Terminal	
6	4460260	3	Housing, Terminal	
6	4460259	3	Terminal	
7	4460868	1	Connector - 6 Position	
7	4460877	4	Socket, Female	
8	4460320	1	Connector - 2 Position	
8	4460227	1	Pin, Male	
8	4460267	2	Pin, Male	
9	4460806	1	Terminal, Fork	
10	4460183	3	Terminal, Fork	
11	4460894	1	Connector - 6 Position	
11	4460465	4	Socket, Female	
11	4460466	2	Plug, Terminal	
12	4460313	6	Terminal, Ring	
13	4460930	1	Connector - 8 Position	
13	4460465	8	Socket, Female	
101	4460894	1	Connector, Bussbar - 8 Position	
102	8229242	1	Fuse 5Amp	

# SECTION 8 - ELECTRICAL

## FIGURE 8-55. INVERTER IGNITION HARNESS (110V INVERTER)



ART\_1001192293



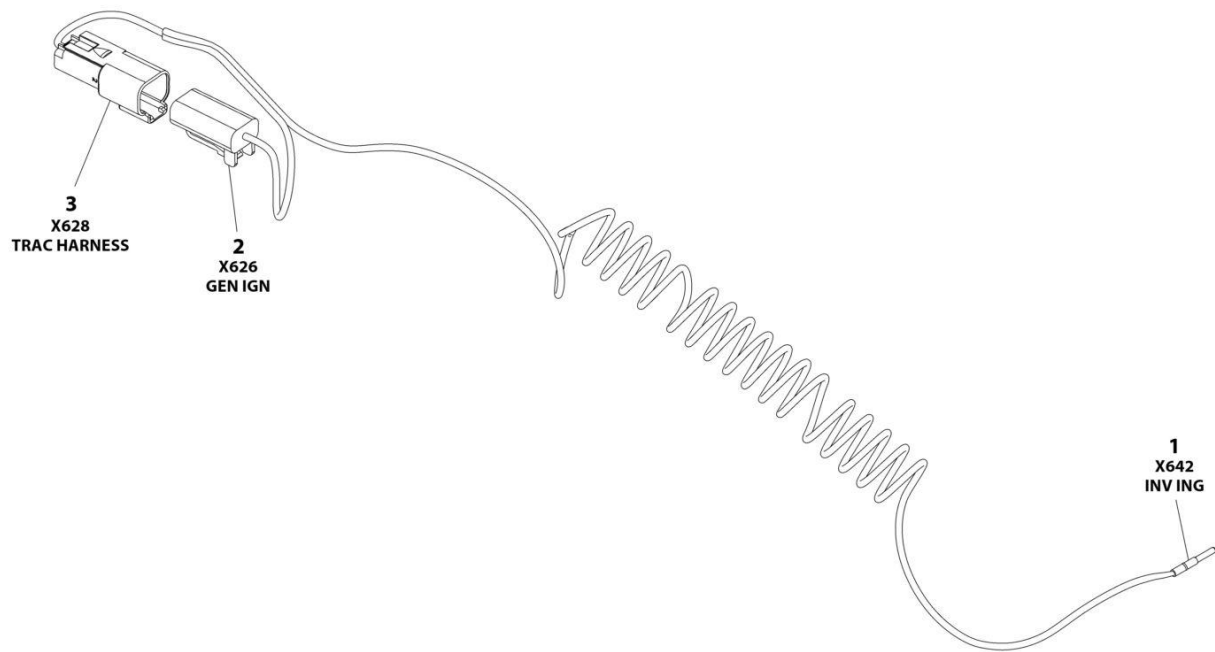
## SECTION 8 - ELECTRICAL

### FIGURE 8-55. INVERTER IGNITION HARNESS (110V INVERTER)

ITEM	PART NUMBER	QTY	DESCRIPTION	REV
	1001192293	Ref	INVERTER IGNITION HARNESS	C
1	1001193545	1	Terminal	
2	4460891	1	Plug, Male - 2 Position	
2	4460465	1	Socket, Female	
2	4460466	1	Plug, Terminal	
3	4460897	1	Receptacle, Female - 2 Position	
3	4460464	1	Pin, Male	
3	4460466	1	Plug, Seal	

# SECTION 8 - ELECTRICAL

## FIGURE 8-56. INVERTER IGNITION HARNESS (220V INVERTER)



ART\_1001299040

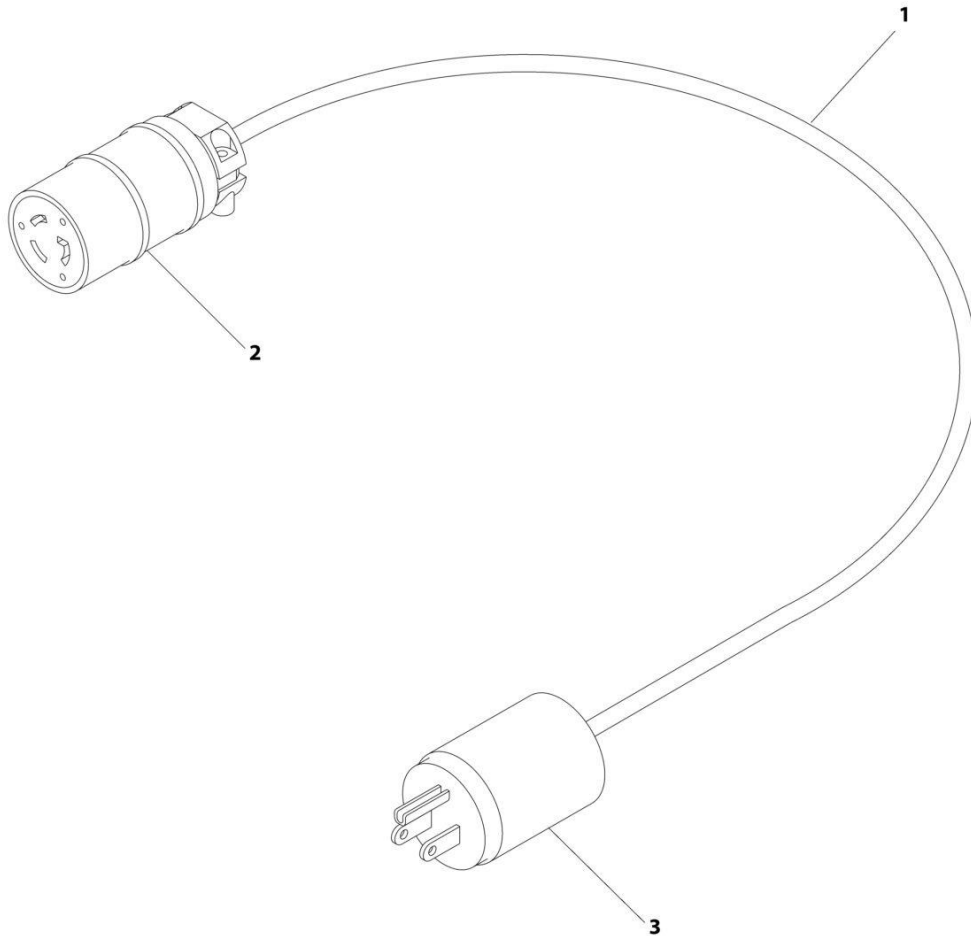
## SECTION 8 - ELECTRICAL

**FIGURE 8-56. INVERTER IGNITION HARNESS (220V INVERTER)**

ITEM	PART NUMBER	QTY	DESCRIPTION	REV
	1001299040	Ref	INVERTER IGNITION HARNESS	A
1	4460464	1	Pin	
2	4460891	1	Connector	
2	4460465	1	Pin	
2	4460466	1	Plug	
3	4460897	1	Connector	
3	4460464	1	Pin	
3	4460466	1	Plug	

# SECTION 8 - ELECTRICAL

## FIGURE 8-57. INVERTER HARNESS (110V INVERTER)



ART\_4922390

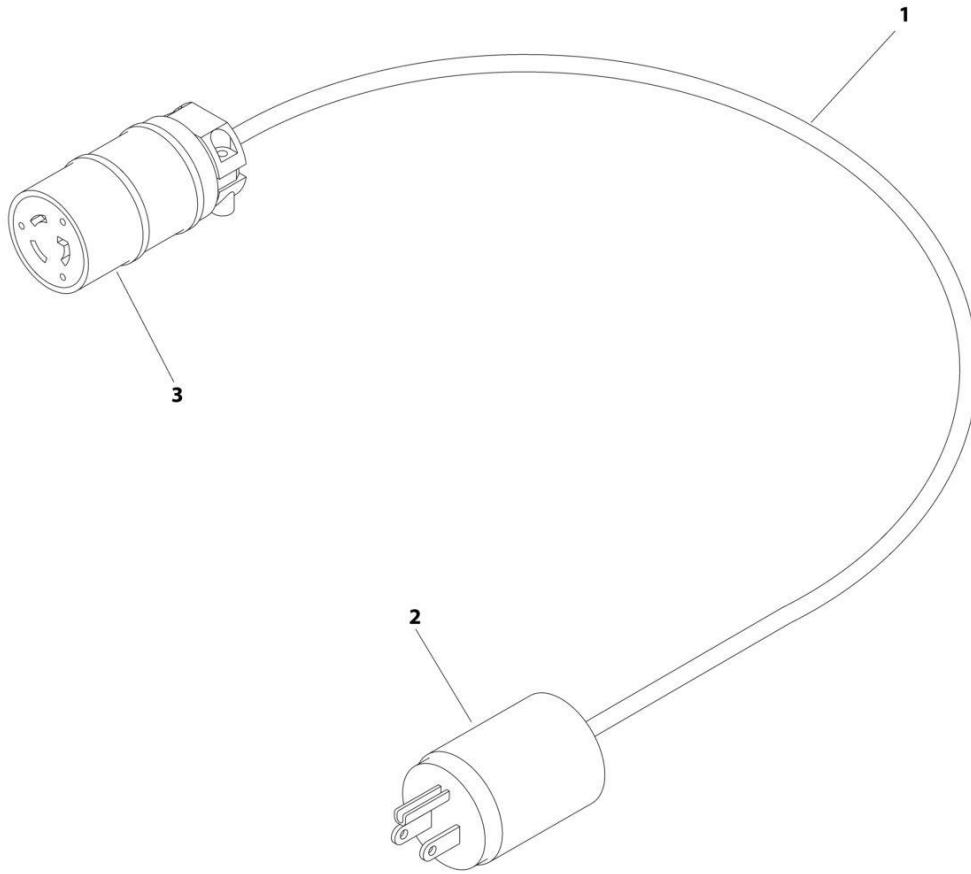
## SECTION 8 - ELECTRICAL

### FIGURE 8-57. INVERTER HARNESS (110V INVERTER)

ITEM	PART NUMBER	QTY	DESCRIPTION	REV
1	4922390 1060494	Ref 75 in/ 190.5cm	INVERTER HARNESS Cable 12/3	C
2	4460134	1	Receptacle, Female	
3	4460138	1	Plug, Connector	

# SECTION 8 - ELECTRICAL

## FIGURE 8-58. INVERTER HARNESS (220V INVERTER)



ART\_4922647

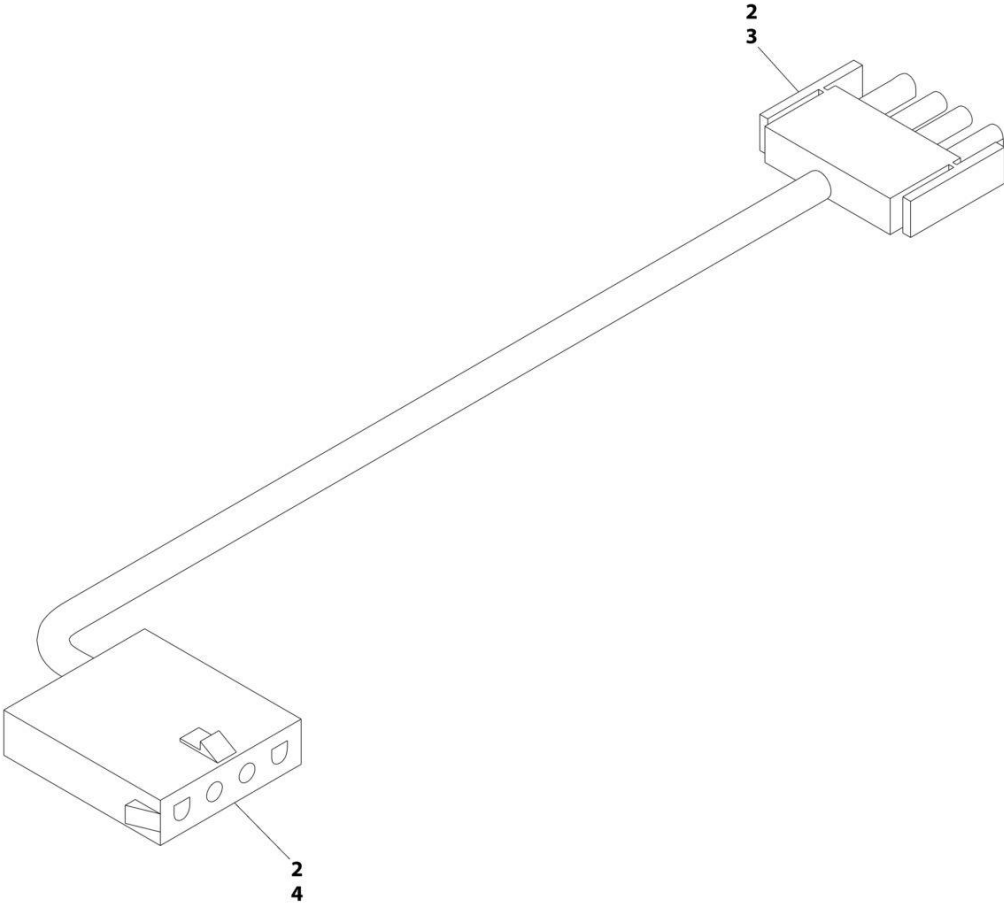
## SECTION 8 - ELECTRICAL

**FIGURE 8-58. INVERTER HARNESS (220V INVERTER)**

ITEM	PART NUMBER	QTY	DESCRIPTION	REV
1	4922647	Ref	INVERTER HARNESS	A
	1060461	75 in/ 190.5cm	Cable 12/3	
2	4460138	1	Plug, Connector	
3	4460710	1	Receptacle, Female	

**SECTION 8 - ELECTRICAL**

**FIGURE 8-59. LED REMOTE HARNESS**



ART\_1060813



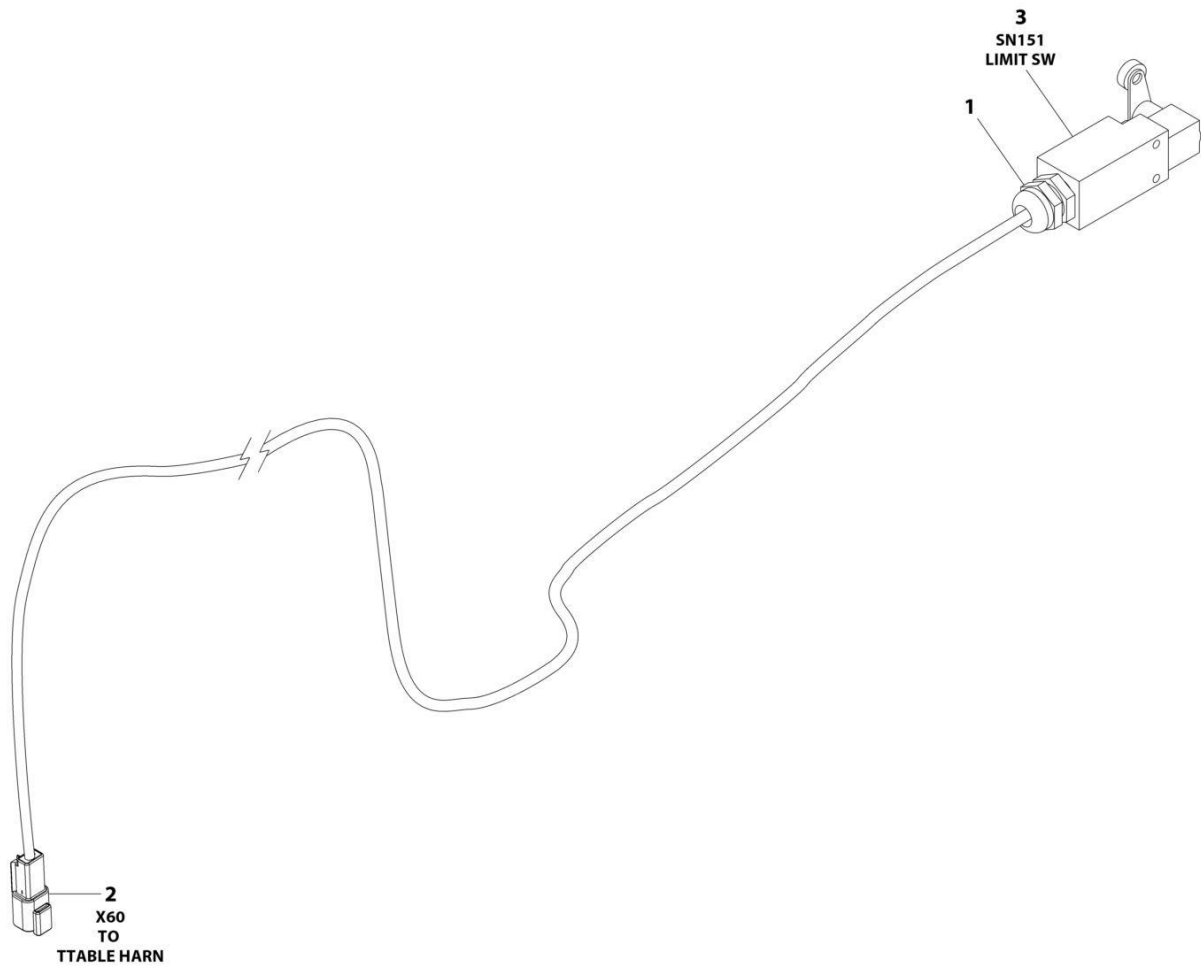
## SECTION 8 - ELECTRICAL

### FIGURE 8-59. LED REMOTE HARNESS

ITEM	PART NUMBER	QTY	DESCRIPTION	REV
	1060813	Ref	LED REMOTE HARNESS	A
2	4460226	8	Socket, Female	
3	4460321	1	Connector - 4 Position	
4	4460761	1	Connector, Female - 4 Position	

# SECTION 8 - ELECTRICAL

## FIGURE 8-60. LIMIT SWITCH CABLE



ART\_1001200173

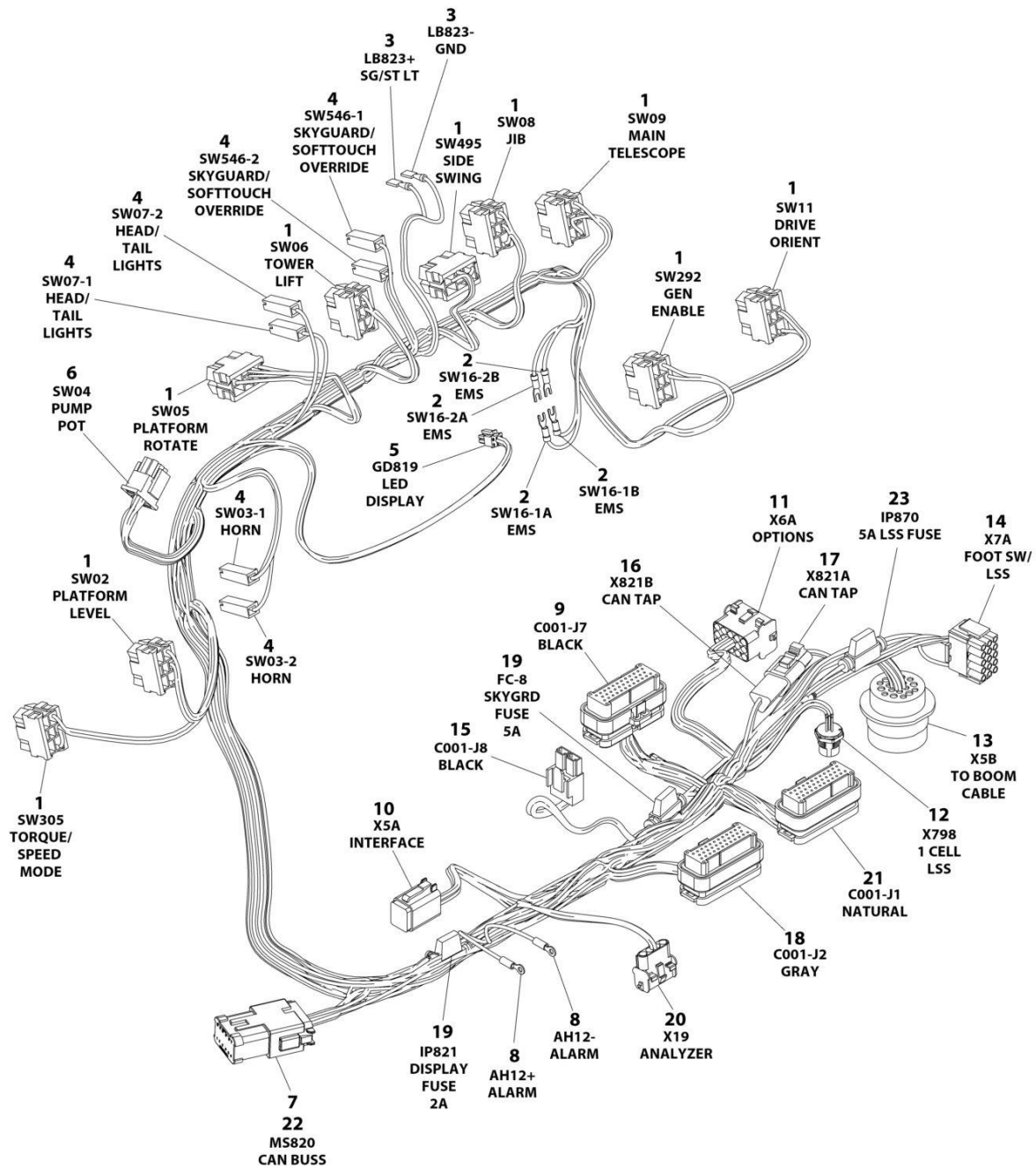
## SECTION 8 - ELECTRICAL

### FIGURE 8-60. LIMIT SWITCH CABLE

ITEM	PART NUMBER	QTY	DESCRIPTION	REV
	1001200173	Ref	LIMIT SWITCH CABLE	C
1	4460968	1	Connector, Strain Relief	
2	4460897	1	Connector - 2 Position	
2	4460464	2	Pin, Male	
3	4360578	1	Switch, Limit	

# SECTION 8 - ELECTRICAL

FIGURE 8-61. PLATFORM CONSOLE HARNESS (ALL SPECS EXCEPT UL SPECS)



ART\_1001245673\_E

## SECTION 8 - ELECTRICAL

**FIGURE 8-61. PLATFORM CONSOLE HARNESS (ALL SPECS EXCEPT UL SPECS)**

ITEM	PART NUMBER	QTY	DESCRIPTION	REV
	1001245673	Ref	PLATFORM CONSOLE HARNESS	E
1	4460418	9	Connector - 6 Position	
1	4460419	14	Terminal	
1	1001159186	18	Terminal	
2	4460888	4	Terminal, Fork	
3	4460016	2	Terminal	
4	4460260	6	Housing, Terminal	
4	4460259	8	Terminal	
5	1001237667	1	Connector - 6 Position	
5	1001237668	4	Terminal	
6	4460225	1	Connector - 6 Position	
6	4460267	7	Socket, Female	
7	4460933	1	Plug, Male - 12 Position	
7	4460465	10	Socket, Female	
7	4460466	2	Plug, Terminal	
8	1001098122	2	Terminal, Ring	
9	4460873	1	Connector - 35 Position	
9	4460871	21	Socket, Female	
9	4460905	14	Plug, Terminal	
10	4460894	1	Plug, Male - 6 Position	
10	4460465	6	Socket, Female	
11	4460708	1	Connector - 15 Position	
11	4460268	10	Socket, Female	
12	1001213447	1	Connector, Female - 5 Position	
13	4460866	1	Connector - 19 Position	
13	4460466	7	Plug, Terminal	
13	4460464	10	Pin, Male	
13	4460508	2	Pin, Male	
14	4460434	1	Plug, Male - 15 Position	
14	4460294	9	Pin, Male	
15	4460879	1	Plug, Male - 2 Position	
15	4460887	2	Terminal	
16	4460536	1	Receptacle, Female - 3 Position	
16	4460464	2	Pin, Male	
16	4460466	1	Plug, Terminal	
17	4460539	1	Plug, Male - 3 Position	
17	4460465	2	Socket, Female	
17	4460466	1	Plug, Terminal	
18	4460875	1	Connector - 35 Position	
18	4460905	24	Plug, Terminal	
18	4460871	11	Socket, Female	
19	2400060	2	Holder, Fuse	
19	8229242	1	Fuse - 5Amp	
19	See Note	1	Fuse - 2Amp (Note: Purchase Locally)	
20	4460761	1	Receptacle, Female - 4 Position	
20	4460294	4	Pin, Male	
21	4460874	1	Connector - 35 Position	
21	4460871	24	Socket, Female	
21	4460905	11	Plug, Terminal	
22	1001125677	1	Connector, Bussbar	

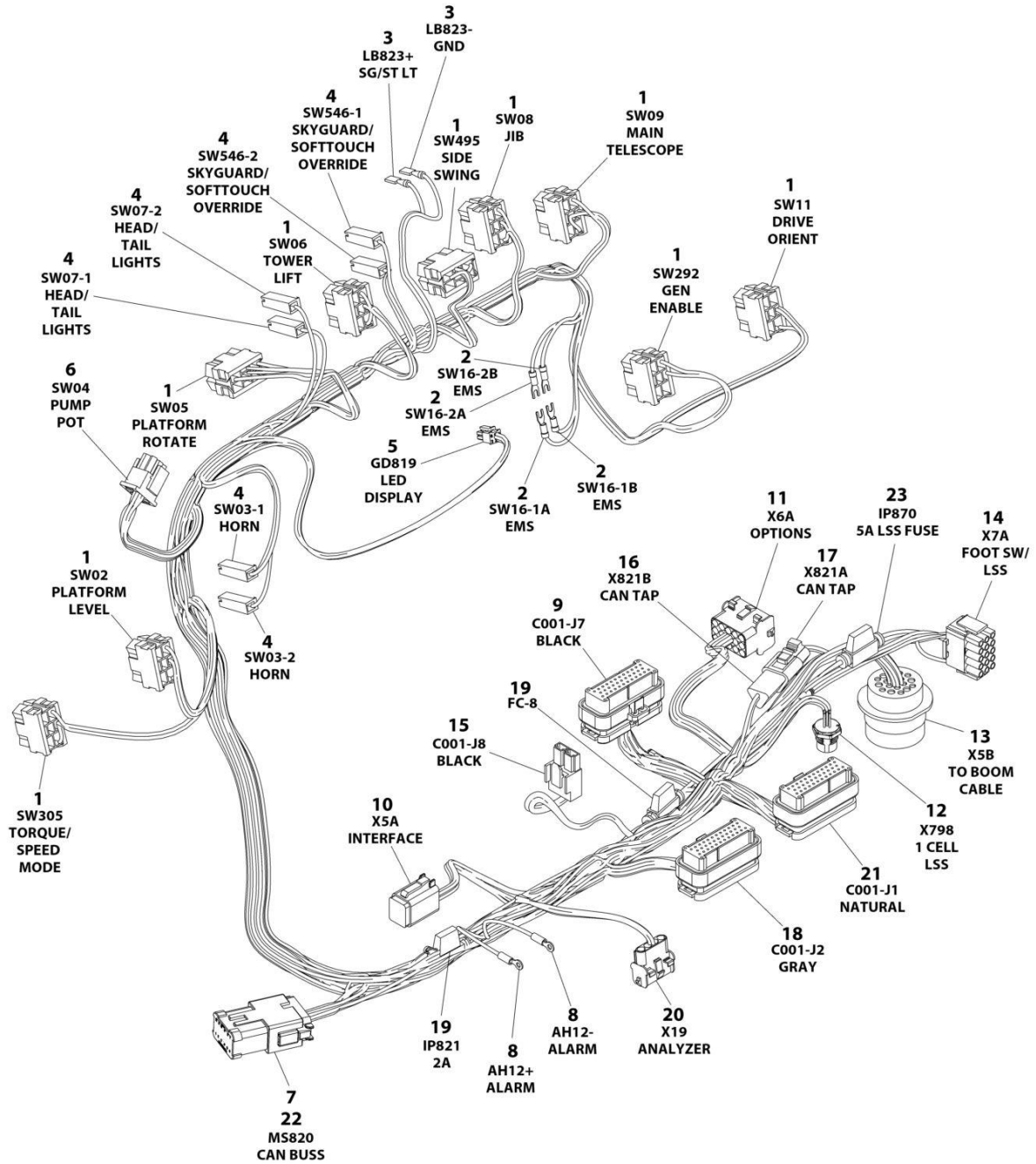
## SECTION 8 - ELECTRICAL

ITEM	PART NUMBER	QTY	DESCRIPTION	REV
23	2400060	1	Fuse Holder	
23	8229242	1	Fuse, 5A	



# SECTION 8 - ELECTRICAL

## FIGURE 8-62. PLATFORM CONSOLE HARNESS



ART\_1001272279



## SECTION 8 - ELECTRICAL

**FIGURE 8-62. PLATFORM CONSOLE HARNESS**

ITEM	PART NUMBER	QTY	DESCRIPTION	REV
	1001272279	Ref	PLATFORM CONSOLE HARNESS (UL SPECS)	C
1	4460418	9	Connector - 6 Position	
1	4460419	14	Terminal	
1	1001159186	17	Terminal	
2	4460888	4	Terminal, Fork	
3	1001293138	2	Terminal	
4	4460260	6	Housing, Terminal	
4	4460259	8	Terminal	
5	1001237667	1	Connector - 6 Position	
5	1001237668	4	Terminal	
6	4460225	1	Connector - 6 Position	
6	4460267	7	Socket, Female	
7	4460933	1	Plug, Male - 12 Position	
7	4460465	10	Socket, Female	
7	4460466	2	Plug, Terminal	
8	1001098122	2	Terminal, Ring	
9	4460873	1	Connector - 35 Position	
9	4460871	21	Socket, Female	
9	4460905	14	Plug, Terminal	
10	4460894	1	Plug, Male - 6 Position	
10	4460465	6	Socket, Female	
11	4460708	1	Connector - 15 Position	
11	4460268	10	Socket, Female	
12	1001213447	1	Connector, Female - 5 Position	
13	4460866	1	Connector - 19 Position	
13	4460466	7	Plug, Terminal	
13	4460464	10	Pin, Male	
13	4460508	2	Pin, Male	
14	4460434	1	Plug, Male - 15 Position	
14	4460294	9	Pin, Male	
15	4460879	1	Plug, Male - 2 Position	
15	4460887	2	Terminal	
16	4460536	1	Receptacle, Female - 3 Position	
16	4460464	2	Pin, Male	
16	4460466	1	Plug, Terminal	
17	4460539	1	Plug, Male - 3 Position	
17	4460465	2	Socket, Female	
17	4460466	1	Plug, Terminal	
18	4460875	1	Connector - 35 Position	
18	4460905	24	Plug, Terminal	
18	4460871	11	Socket, Female	
19	2400060	2	Holder, Fuse	
19	8229242	1	Fuse - 5Amp	
19	See Note	1	Fuse - 2Amp (Note: Purchase Locally)	
20	4460761	1	Receptacle, Female - 4 Position	
20	4460294	4	Pin, Male	
21	4460874	1	Connector - 35 Position	
21	4460871	24	Socket, Female	
21	4460905	11	Plug, Terminal	
22	1001125677	1	Connector, Bussbar	

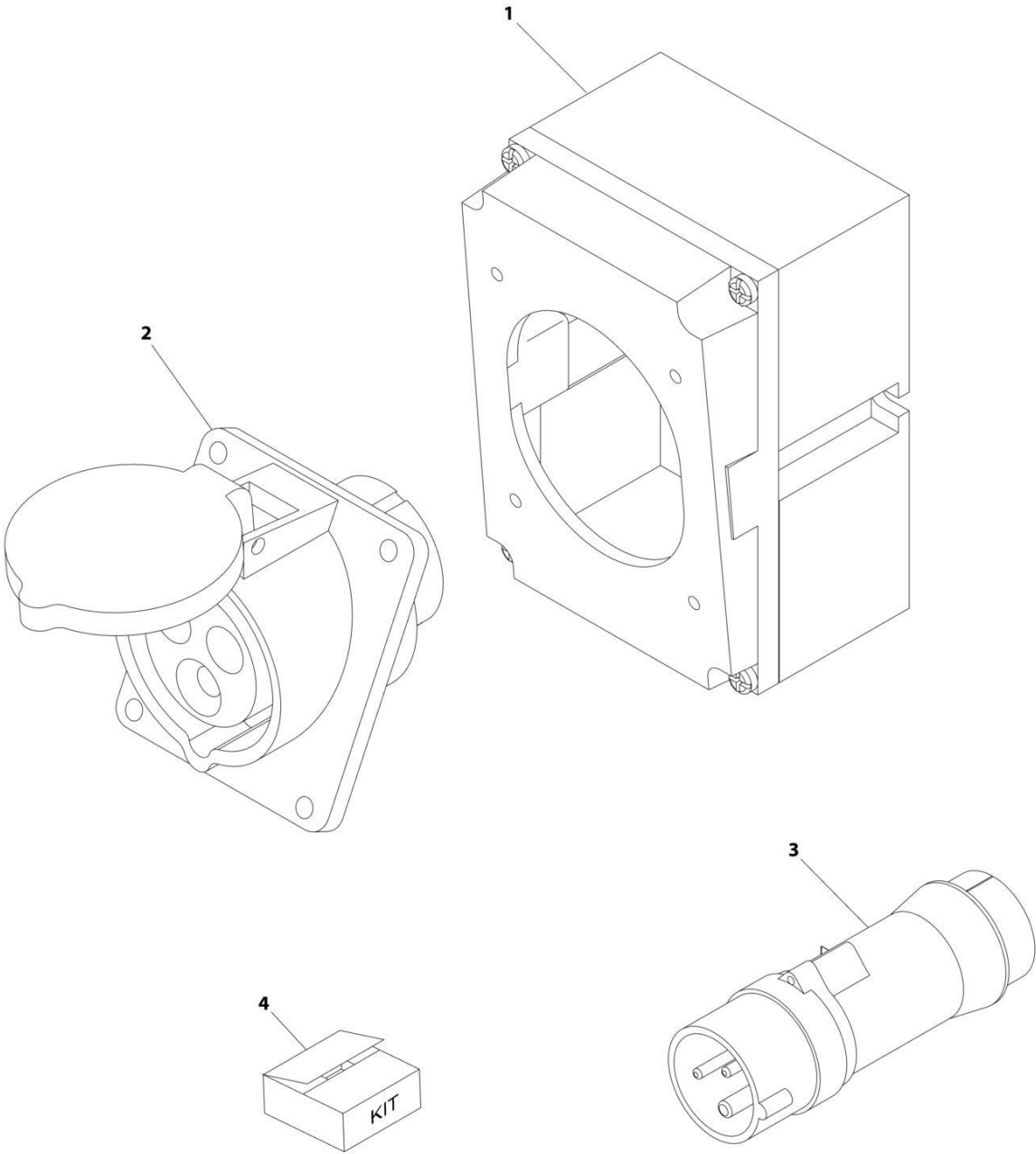
## SECTION 8 - ELECTRICAL

ITEM	PART NUMBER	QTY	DESCRIPTION	REV
23	2400060	1	Fuse Holder	
23	8229242	1	Fuse, 5A	



**SECTION 8 - ELECTRICAL**

**FIGURE 8-63. RECEPTACLE BOX KIT - 110V IEC YELLOW (CE & UK CA SPEC)**



ART\_0275216

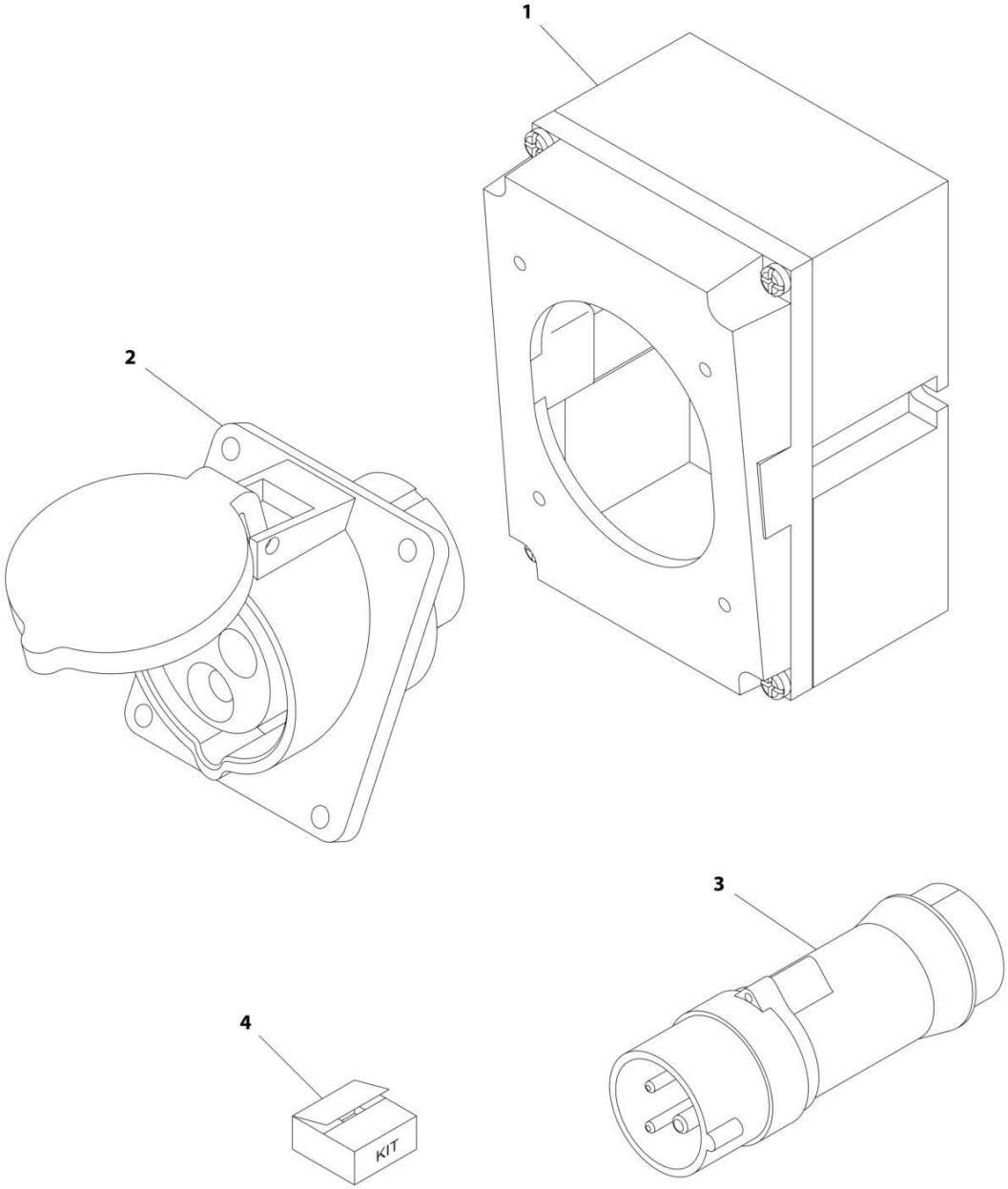
## SECTION 8 - ELECTRICAL

**FIGURE 8-63. RECEPTACLE BOX KIT - 110V IEC YELLOW (CE & UK CA SPEC)**

ITEM	PART NUMBER	QTY	DESCRIPTION	REV
	0275216	Ref	RECEPTACLE BOX KIT - 110V IEC YELLOW	B
1	0861781	1	Box, Switch	
2	4461198	1	Receptacle	
3	4461196	1	Plug, Male	
4	1001100341	1	Plug and Socket Kit (Includes Items 1-3 and Female Plug p/n 4461197)	

**SECTION 8 - ELECTRICAL**

**FIGURE 8-64. RECEPTACLE BOX KIT - 220V IEC BLUE (CE & UK CA SPEC)**



ART\_0275217

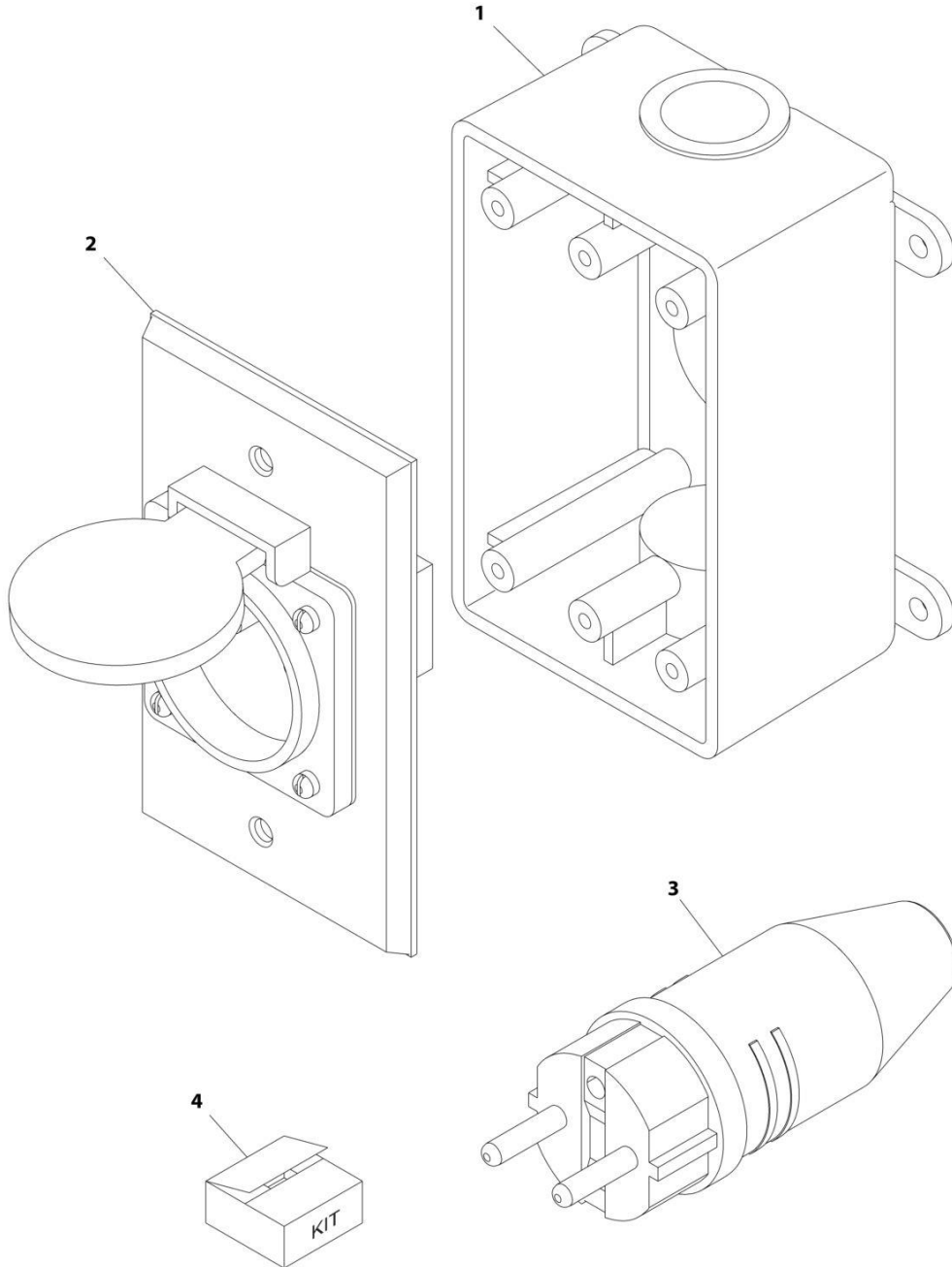
## SECTION 8 - ELECTRICAL

**FIGURE 8-64. RECEPTACLE BOX KIT - 220V IEC BLUE (CE & UK CA SPEC)**

ITEM	PART NUMBER	QTY	DESCRIPTION	REV
	0275217	Ref	RECEPTACLE BOX KIT - 220V IEC BLUE	B
1	0861781	1	Box, Switch	
2	4461201	1	Receptacle	
3	4461199	1	Plug, Male	
4	1001100342	1	Plug and Socket Kit (Includes Items 1-3 and Female Plug p/n 4461200)	

# SECTION 8 - ELECTRICAL

FIGURE 8-65. RECEPTACLE BOX KIT - 220V CEE7 POST GROUND 2IN X 4IN BOX (CE & UK CA SPEC)



ART\_0275452-C



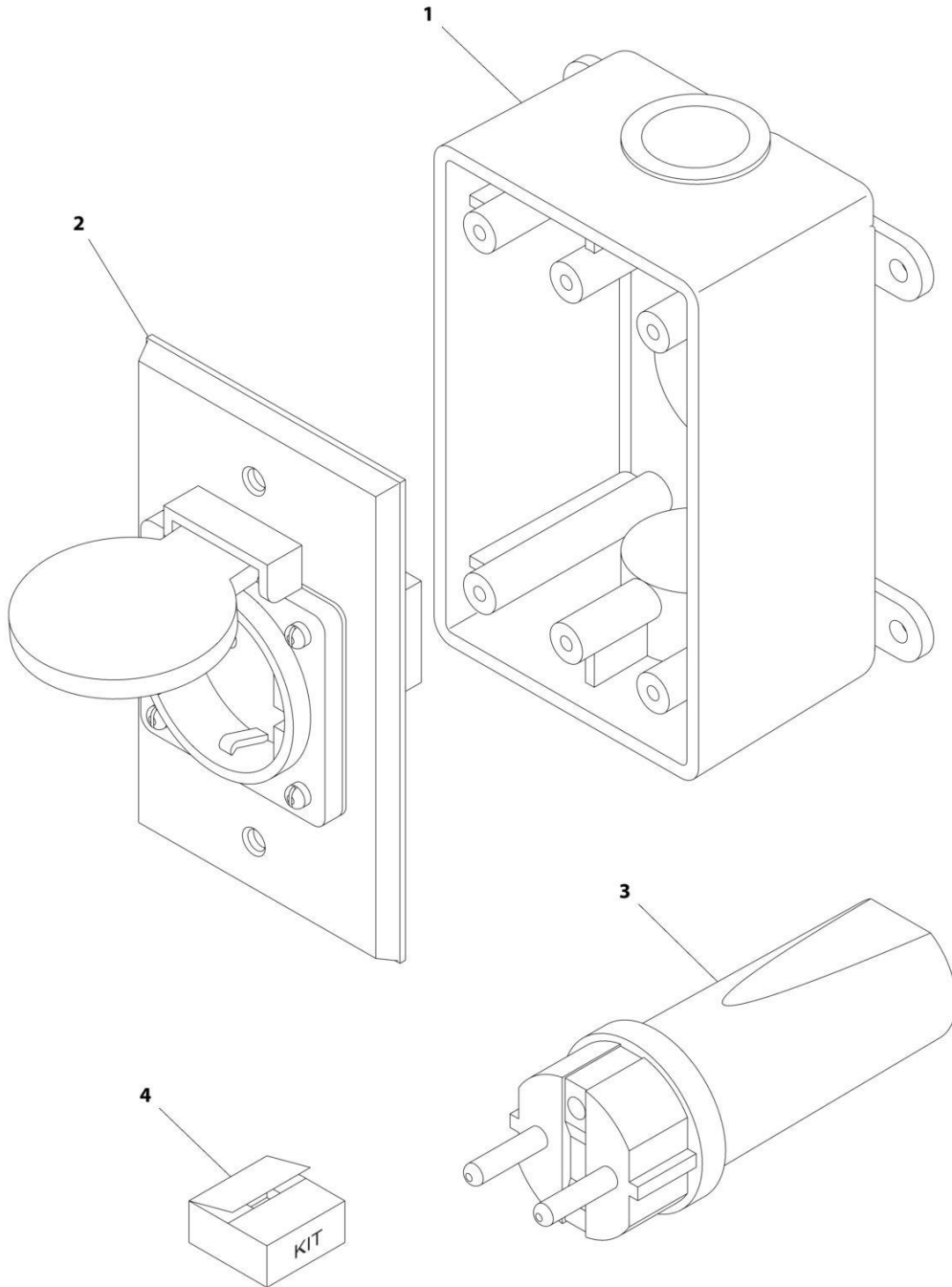
## SECTION 8 - ELECTRICAL

**FIGURE 8-65. RECEPTACLE BOX KIT - 220V CEE7 POST GROUND 2IN X 4IN BOX (CE & UK CA SPEC)**

ITEM	PART NUMBER	QTY	DESCRIPTION	REV
	0275452	Ref	RECEPTACLE BOX KIT - 220V CEE7 POST GROUND 2IN X 4IN BOX	C
1	0861731	1	Box, Switch	
2	4461244	1	Receptacle	
3	4461205	1	Plug, Male	
4	1001100345	1	Plug and Socket Kit (Includes Items 1-3 and Female Plug p/n 4461203)	

# SECTION 8 - ELECTRICAL

FIGURE 8-66. RECEPTACLE BOX KIT - 220V CEE7 SIDE GROUND 2IN X 4IN BOX (CE & UK CA SPEC)



ART\_0275453

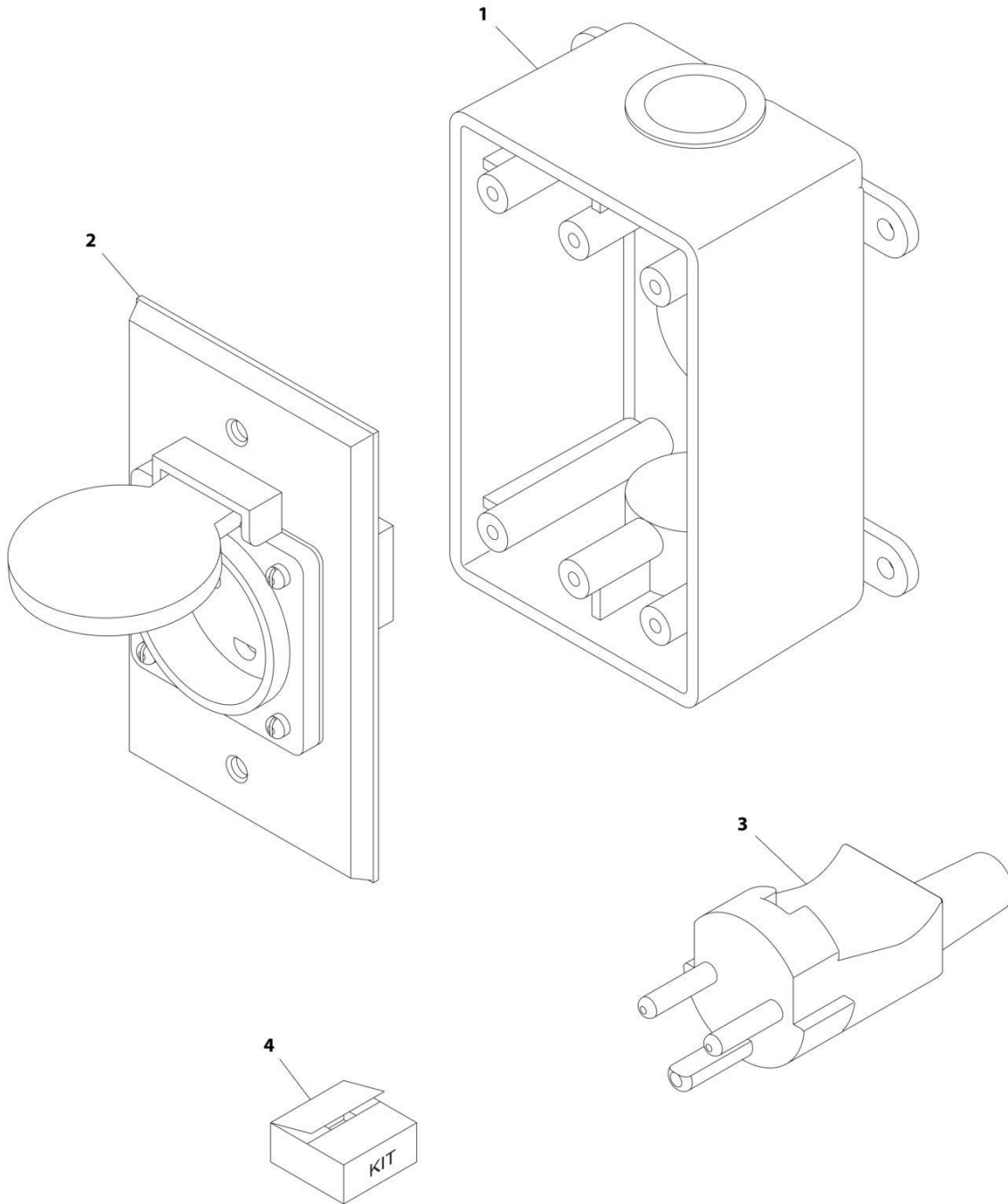
## SECTION 8 - ELECTRICAL

**FIGURE 8-66. RECEPTACLE BOX KIT - 220V CEE7 SIDE GROUND 2IN X 4IN BOX (CE & UK CA SPEC)**

ITEM	PART NUMBER	QTY	DESCRIPTION	REV
	0275453	Ref	RECEPTACLE BOX KIT - 220V CEE7 SIDE GROUND	B
1	0861731	1	Box, Switch	
2	4461245	1	Receptacle	
3	4461205	1	Plug, Male	
4	1001100347	1	Plug and Socket Kit (Includes Items 1-3 and Female Plug p/n 4461206)	

# SECTION 8 - ELECTRICAL

FIGURE 8-67. RECEPTACLE BOX KIT - 220V AFSINT 107 (CE & UK CA SPEC)



ART\_0275454

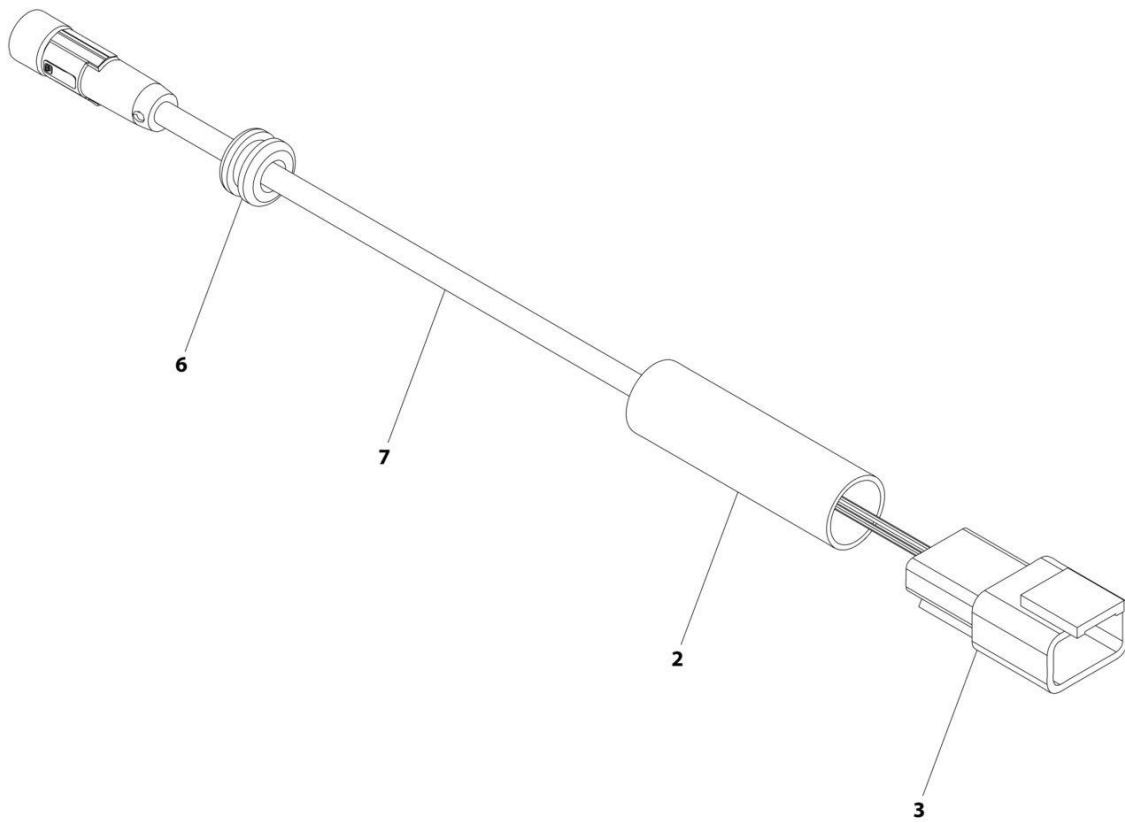
## SECTION 8 - ELECTRICAL

**FIGURE 8-67. RECEPTACLE BOX KIT - 220V AFSINT 107 (CE & UK CA SPEC)**

ITEM	PART NUMBER	QTY	DESCRIPTION	REV
	0275454	Ref	RECEPTACLE BOX KIT - 220V AFSINT 107	B
1	0861731	1	Box, Switch	
2	4461246	1	Receptacle	
3	4461249	1	Plug, Male	
4	1001100346	1	Plug and Socket Kit (Includes Items 1-3 and Female Plug p/n 4461250)	

# SECTION 8 - ELECTRICAL

## FIGURE 8-68. SKYEYE EMITTER HARNESS



ART\_1001237864

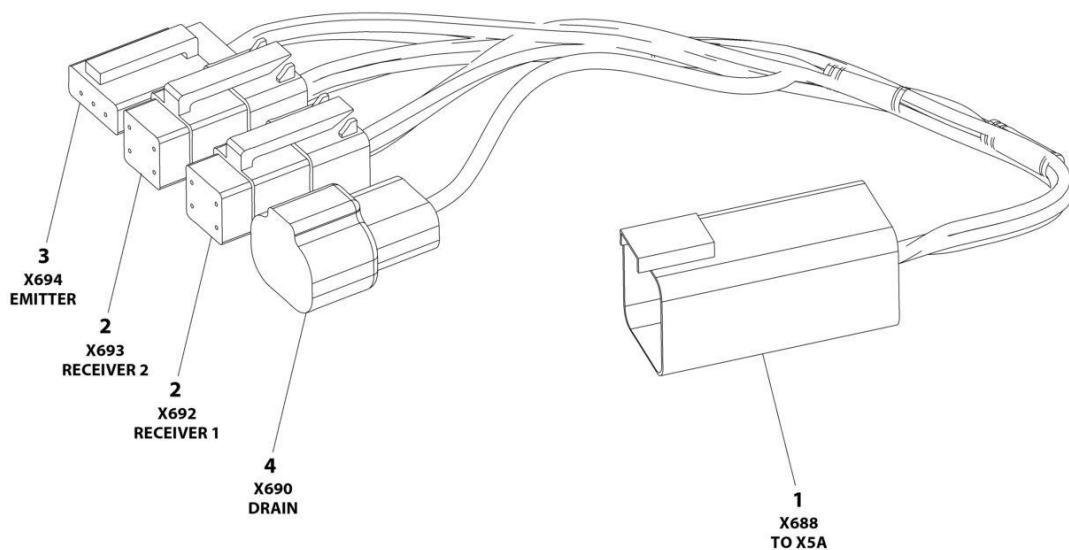
## SECTION 8 - ELECTRICAL

### FIGURE 8-68. SKYEYE EMITTER HARNESS

ITEM	PART NUMBER	QTY	DESCRIPTION	REV
	1001237864	Ref	SKYEYE EMITTER HARNESS	A
2	2820247	AR	Tubing, Heat Shrink	
3	4460910	1	Connector - 3 Position	
3	1001119620	3	Pin, Male	
6	1001227996	1	Grommet	
7	1001237862	1	Cable, M8 Female Cordset	

# SECTION 8 - ELECTRICAL

## FIGURE 8-69. SKYEYE INTERMEDIATE HARNESS



ART\_1001237865



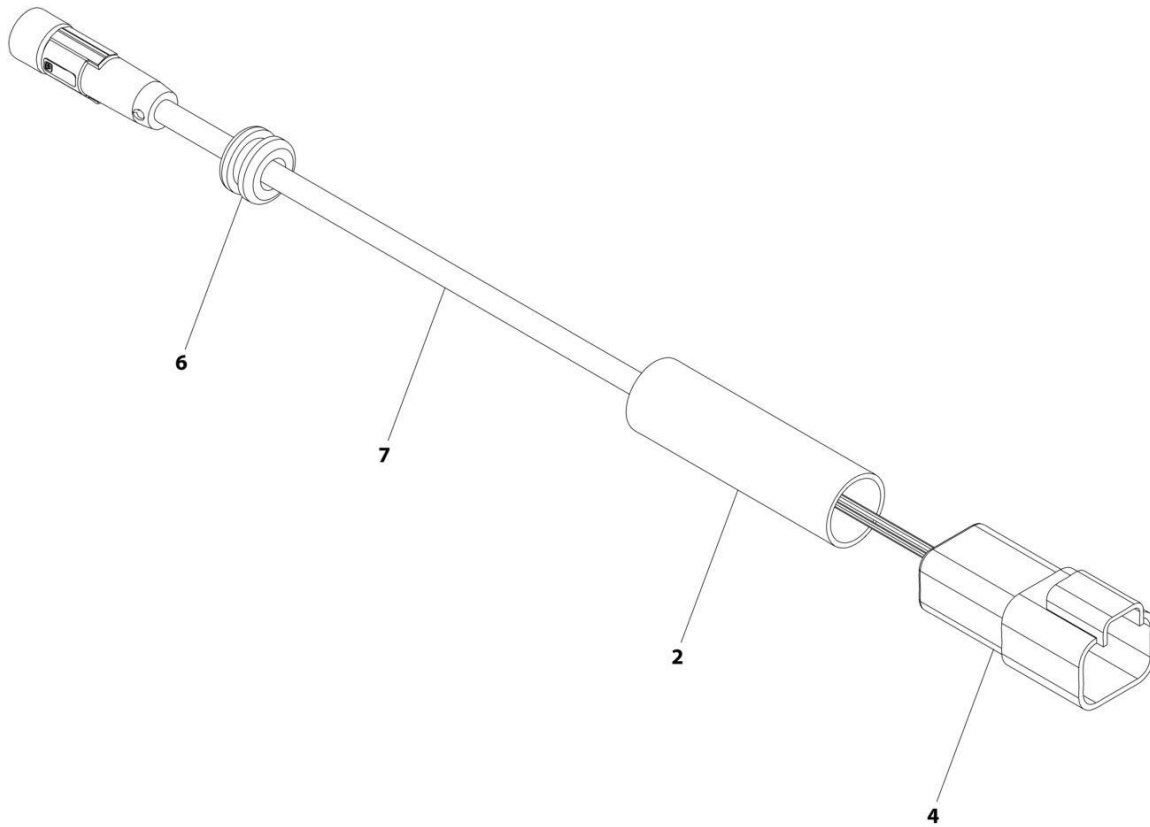
## SECTION 8 - ELECTRICAL

### FIGURE 8-69. SKYEYE INTERMEDIATE HARNESS

ITEM	PART NUMBER	QTY	DESCRIPTION	REV
	1001237865	Ref	SKYEYE INTERMEDIATE HARNESS	A
1	4460899	1	Connector - 6 Position	
1	4460943	4	Pin, Male	
1	4460466	2	Plug, Terminal	
2	4461077	2	Connector - 4 Position	
2	1001119619	8	Socket, Female	
3	4460911	1	Connector - 3 Position	
3	1001119619	3	Socket, Female	
4	1001187681	1	Connector - 2 Position	
4	4460941	1	Pin, Male	
4	4460466	1	Plug, Terminal	

# SECTION 8 - ELECTRICAL

## FIGURE 8-70. SKYEYE RECEIVER HARNESS



ART\_1001237863

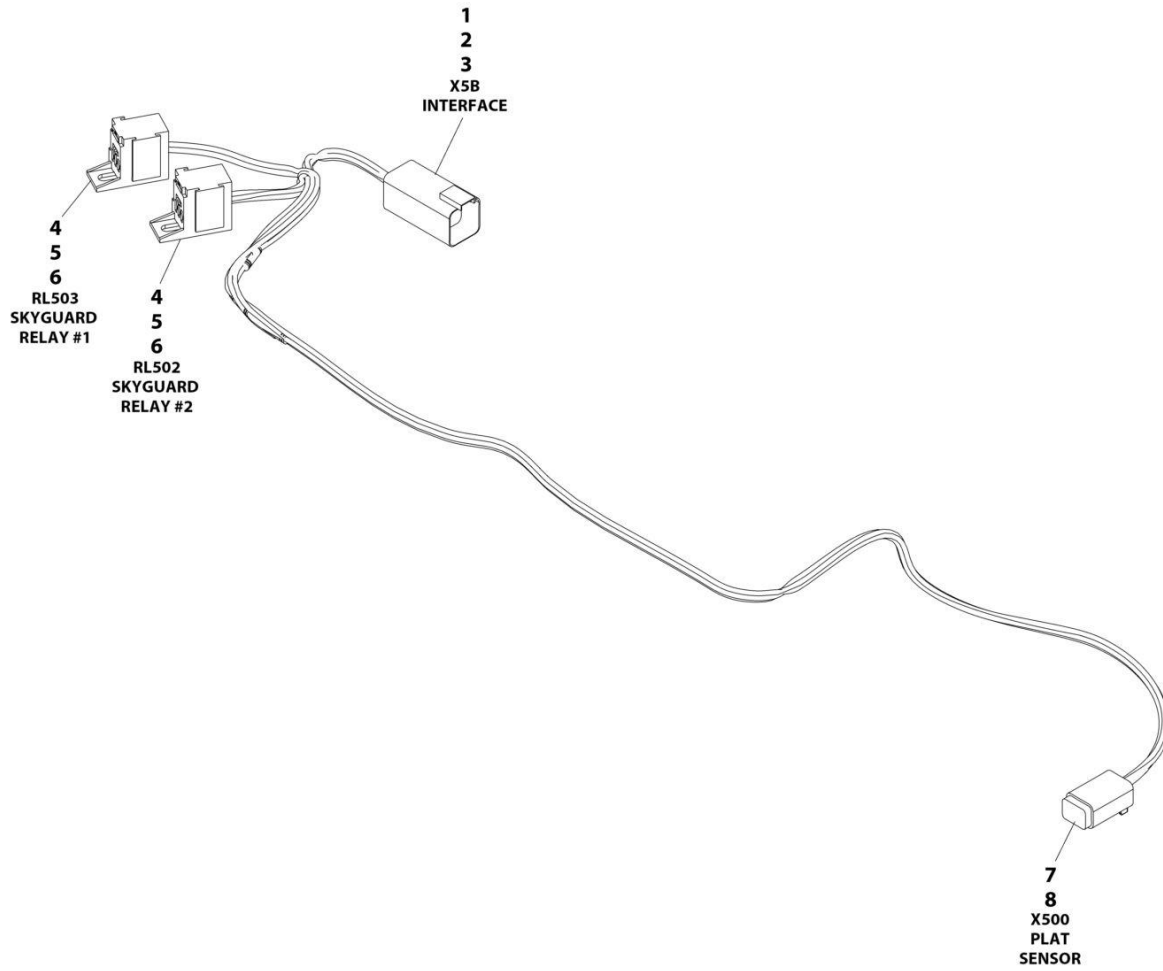
## SECTION 8 - ELECTRICAL

### FIGURE 8-70. SKYEYE RECEIVER HARNESS

ITEM	PART NUMBER	QTY	DESCRIPTION	REV
	1001237863	Ref	SKYEYE RECEIVER HARNESS	A
2	2820247	AR	Tubing, Heat Shrink	
4	1001097051	1	Connector - 4 Position	
4	1001119620	4	Pin, Male	
6	1001227996	1	Grommet	
7	1001237862	1	Cable, M8 Female Cordset	

# SECTION 8 - ELECTRICAL

## FIGURE 8-71. SKYGUARD INTERFACE HARNESS



ART\_1001225580

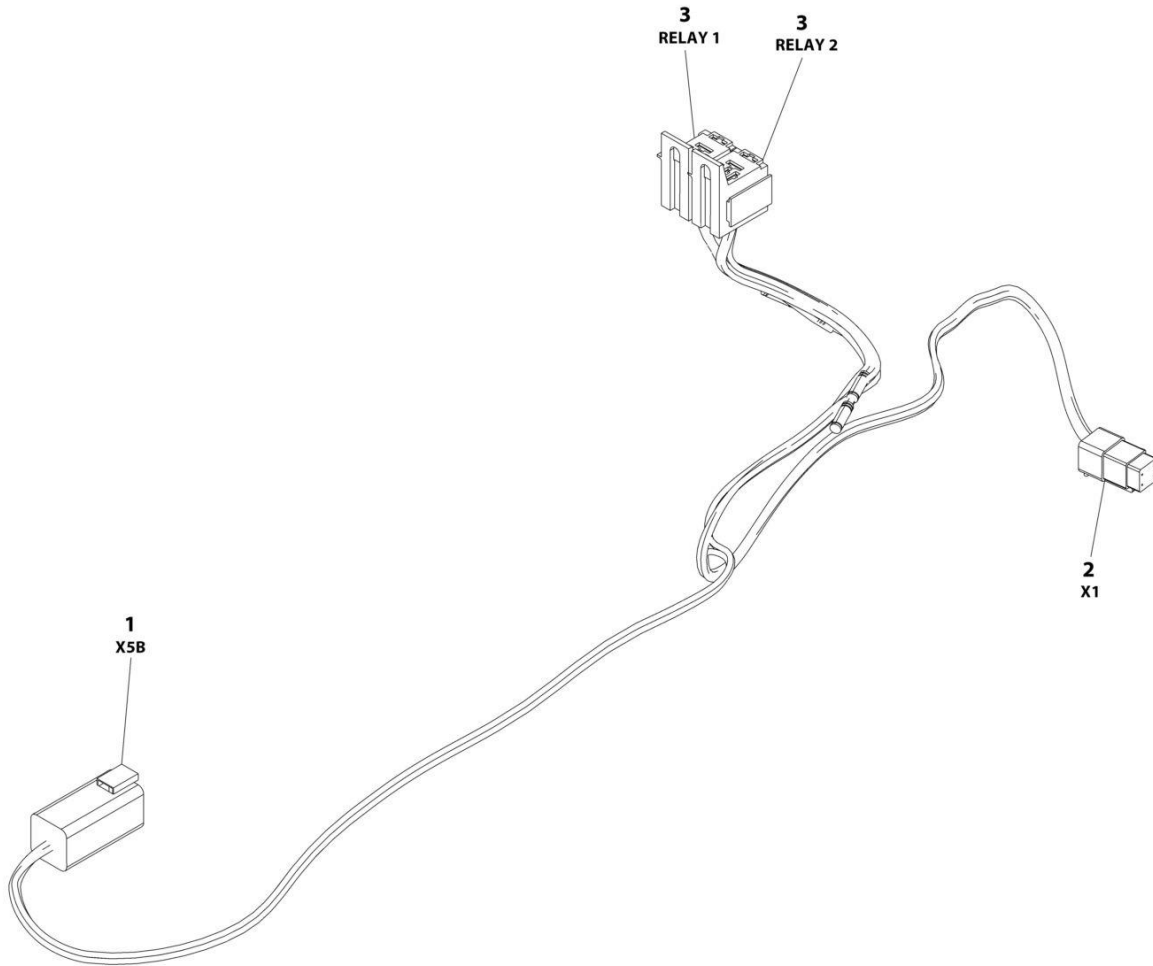
## SECTION 8 - ELECTRICAL

### FIGURE 8-71. SKYGUARD INTERFACE HARNESS

ITEM	PART NUMBER	QTY	DESCRIPTION	REV
	1001225580	Ref	INTERFACE HARNESS - WITH 1 CELL LSS	D
1	4460899	1	Connector	
2	4460464	4	Terminal	
3	4460466	2	Plug	
4	1001186432	2	Connector	
5	1001116720	4	Terminal	
6	1001118388	4	Terminal	
7	4460884	1	Connector	
8	4460465	4	Terminal	

# SECTION 8 - ELECTRICAL

## FIGURE 8-72. SKYLINE HARNESS



ART\_1001238418

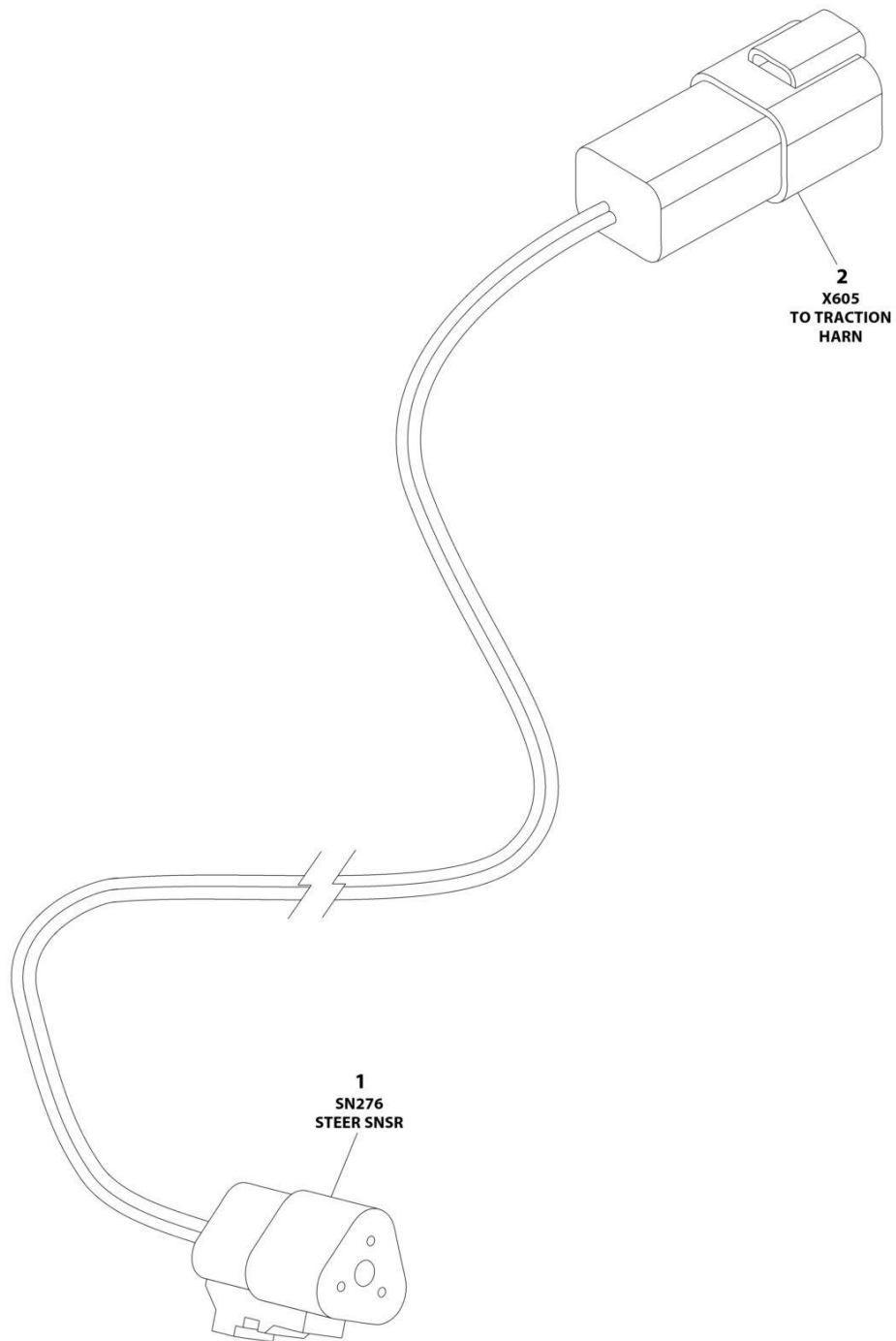
## SECTION 8 - ELECTRICAL

### FIGURE 8-72. SKYLINE HARNESS

ITEM	PART NUMBER	QTY	DESCRIPTION	REV
	1001238418	Ref	SKYLINE HARNESS	B
1	4460899	1	Connector - 6 Position	
1	4460464	4	Pin, Male	
1	4460466	2	Plug, Terminal	
2	4461077	1	Connector - 4 Position	
2	1001126009	4	Socket, Female	
3	1001186432	2	Plug, Relay	
3	1001118388	5	Terminal	
3	1001118384	3	Terminal	
3	3740086	2	Relay	

# SECTION 8 - ELECTRICAL

## FIGURE 8-73. STEERING SENSOR HARNESS



ART\_1001195835



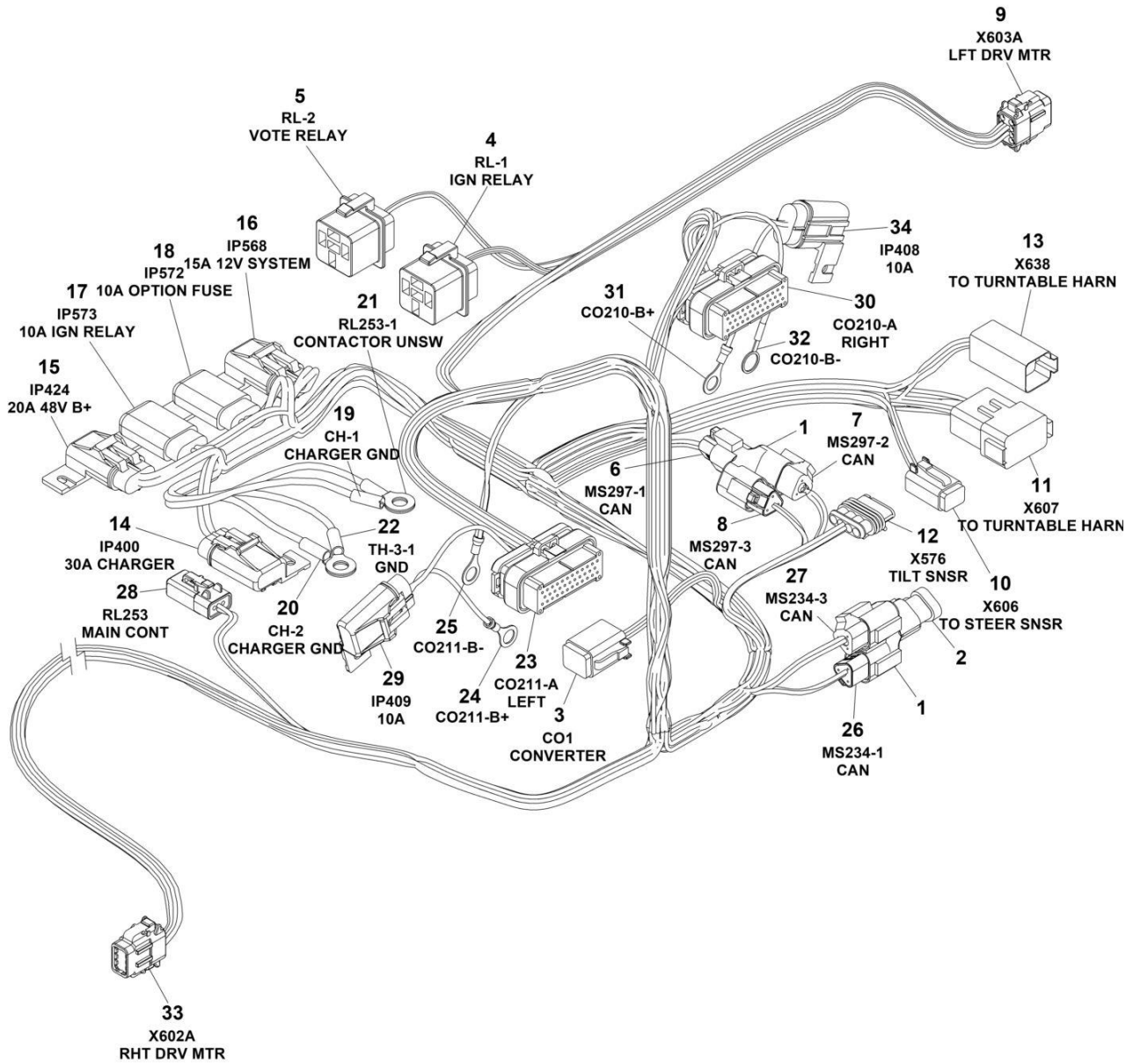
## SECTION 8 - ELECTRICAL

### FIGURE 8-73. STEERING SENSOR HARNESS

ITEM	PART NUMBER	QTY	DESCRIPTION	REV
	1001195835	Ref	STEERING SENSOR HARNESS	C
1	4460539	1	Connector - 4 Position	
1	4460944	3	Socket, Female	
2	4460932	1	Connector - 4 Position	
2	4460464	4	Pin, Male	

# SECTION 8 - ELECTRICAL

## FIGURE 8-74. TRACTION HARNESS



ART\_1001195867\_H

## SECTION 8 - ELECTRICAL

### FIGURE 8-74. TRACTION HARNESS

ITEM	PART NUMBER	QTY	DESCRIPTION	REV
	1001195867	Ref	TRACTION HARNESS	H
1	4460945	2	Connector, 3 Way	
2	1001116815	1	Resistor Assembly	
3	4460894	1	Connector - 6 Position	
3	1001157890	5	Socket, Female	
3	1001116692	1	Socket, Female	
4	1001117057	1	Plug, Relay	
4	1001116732	4	Terminal	
5	1001117057	1	Plug, Relay	
5	1001116732	2	Terminal	
5	1001116733	2	Terminal	
6	1001116812	1	Connector - 3 Position	
6	4460944	2	Socket, Female	
6	4460466	1	Plug, Seal	
7	4460539	1	Connector - 3 Position	
7	4460944	2	Socket, Female	
7	4460466	1	Plug, Seal	
8	1001116812	1	Connector - 3 Position	
8	4460944	2	Socket, Female	
8	4460466	1	Plug, Seal	
9	1001190577	1	Connector - 8	
9	1001126008	8	Socket, Female	
10	4460884	1	Connector - 4 Position	
10	4460465	4	Socket, Female	
11	4460950	1	Connector - 12 Position	
11	1001157891	5	Pin, Male	
11	4460464	5	Pin, Male	
11	4460943	2	Pin, Male	
12	1001103012	1	Connector - 4 Position	
12	1001107854	4	Terminal	
12	1001104498	4	Seal	
13	4460899	1	Connector - 6 Position	
13	4460943	2	Pin, Male	
13	1001157891	2	Pin, Male	
13	4460464	2	Pin, Male	
14	1001217844	1	Fuse Holder	
14	1001217842	1	Fuse, Cap Cover	
14	1001170762	1	Fuse, 30Amp	
14	8229236	1	Fuse, 30Amp	
14	1001116734	2	Terminal	
15	1001217844	1	Fuse Holder	
15	1001217842	1	Fuse, Cap Cover	
15	1001170761	1	Fuse, 20Amp	
15	8229235	1	Fuse, 20Amp	
15	1001116734	2	Terminal	
16	1001217844	1	Fuse Holder	
16	1001217842	1	Fuse, Cap Cover	
16	8229237	1	Fuse, 15Amp	
16	1001116734	2	Terminal	
17	1001217844	1	Fuse Holder	

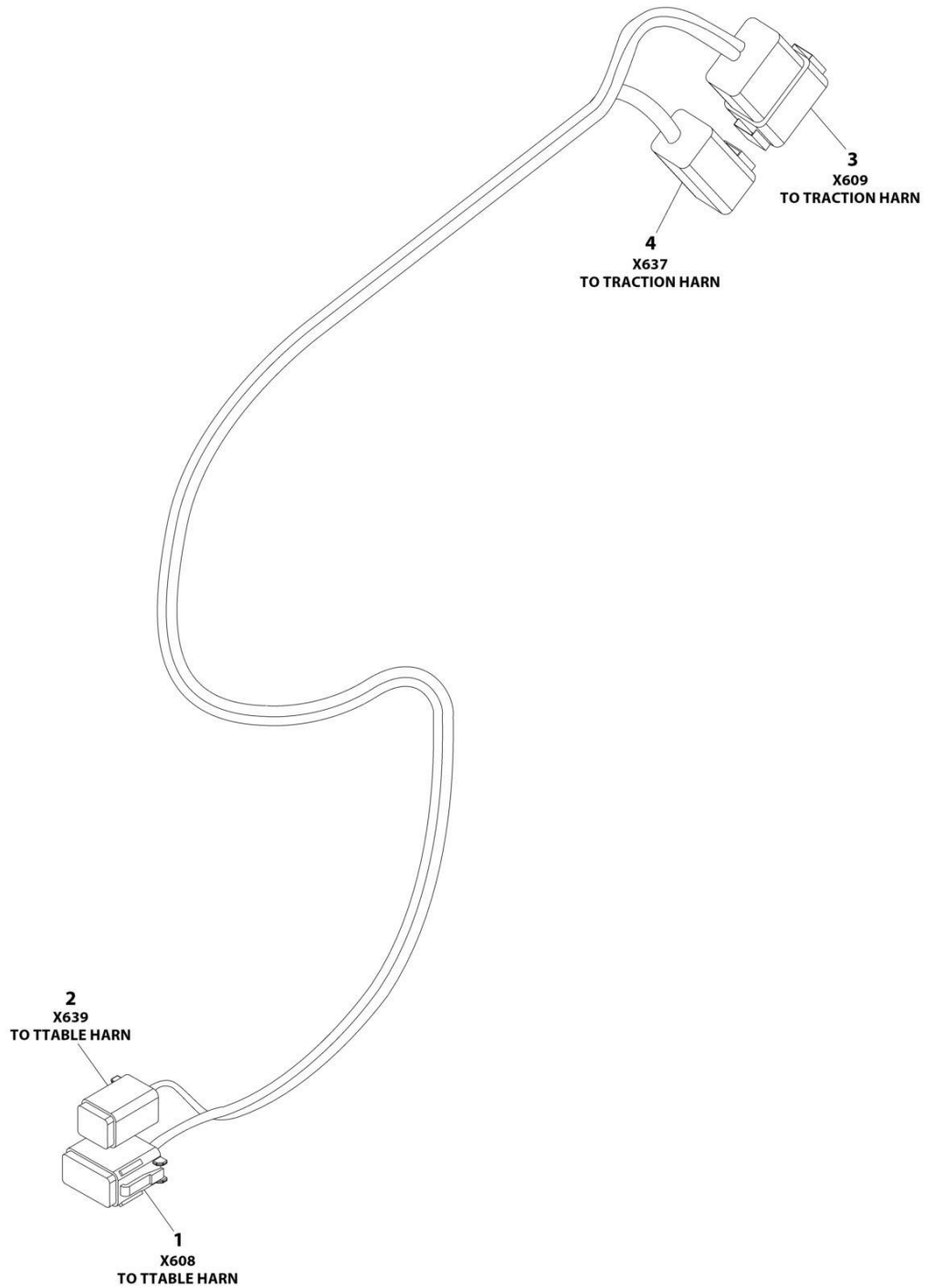
## SECTION 8 - ELECTRICAL

ITEM	PART NUMBER	QTY	DESCRIPTION	REV
17	1001217842	1	Fuse, Cap Cover	
17	8229235	1	Fuse, 20Amp	
17	1001116734	2	Terminal	
18	1001217844	1	Fuse Holder	
18	1001217842	1	Fuse, Cap Cover	
18	8229261	1	Fuse, 5Amp	
18	1001116734	1	Terminal	
18	1001116733	1	Terminal	
19	8220045	1	Terminal, Ring	
20	8220045	1	Terminal, Ring	
21	8220045	1	Terminal, Ring	
22	8220045	1	Terminal, Ring	
23	4460873	1	Connector - 35 Position	
23	4460871	15	Socket, Female	
23	4460905	20	Plug, Terminal	
24	4460670	1	Terminal, Ring	
25	4460670	1	Terminal, Ring	
26	1001116812	1	Connector - 3 Position	
26	4460944	2	Socket, Female	
26	4460466	1	Plug, Seal	
27	4460539	1	Connector - 3 Position	
27	4460944	2	Socket, Female	
27	4460466	1	Plug, Seal	
28	1001126245	1	Connector - 2 Position	
28	1001126008	2	Socket, Female	
29	1001217843	1	Fuse Holder	
29	1001217842	1	Fuse, Cap Cover	
29	8229234	1	Fuse, 10Amp	
29	1001116733	2	Terminal	
30	4460873	1	Connector - 35 Position	
30	4460871	12	Socket, Female	
30	4460905	23	Plug, Terminal	
31	4460670	1	Terminal, Ring	
32	4460703	1	Terminal, Ring	
33	1001190577	1	Connector - 8 Position	
33	1001126008	8	Socket, Female	
34	1001217843	1	Fuse Holder	
34	1001217842	1	Fuse, Cap Cover	
34	8229234	1	Fuse, 10Amp	
34	1001116733	2	Terminal	



# SECTION 8 - ELECTRICAL

## FIGURE 8-75. TRACTION TO TURNTABLE HARNESS



ART\_1001195836

## SECTION 8 - ELECTRICAL

**FIGURE 8-75. TRACTION TO TURNTABLE HARNESS**

ITEM	PART NUMBER	QTY	DESCRIPTION	REV
	1001195836	Ref	TRACTION TO TURNTABLE HARNESS	D
1	4460950	1	Connector - 12 Position	
1	1001157891	5	Pin, Male	
1	4460464	5	Pin, Male	
1	4460943	2	Pin, Male	
2	4460899	1	Connector - 6 Position	
2	1001157891	2	Pin, Male	
2	4460464	2	Pin, Male	
2	4460943	2	Pin, Male	
3	4460836	1	Connector - 12 Position	
3	1001157890	5	Socket, Female	
3	4460465	5	Socket, Female	
3	4460944	2	Socket, Female	
4	4460894	1	Connector - 6 Position	
4	1001157890	2	Socket, Female	
4	4460465	2	Socket, Female	
4	4460944	2	Socket, Female	





## SECTION 8 - ELECTRICAL

### FIGURE 8-76. TURNTABLE HARNESS

ITEM	PART NUMBER	QTY	DESCRIPTION	REV
	1001289961	Ref	TURNTABLE HARNESS	C
1	4460874	1	Connector - 35 Position (Natural)	
1	4460871	10	Socket, Female	
1	4460905	25	Plug, Terminal	
2	4460873	1	Connector - 35 Position (Black)	
2	4460871	15	Socket, Female	
2	4460905	20	Plug, Terminal	
3	1001246859	1	Connector - 14 Position	
3	4460871	4	Socket, Female	
3	4460905	10	Plug, Terminal	
4	4460884	2	Connector - 4 Position	
4	4460465	6	Socket, Female	
4	4460942	2	Socket, Female	
5	4460878	1	Connector - 4 Position	
5	4460887	3	Terminal	
5	4461271	1	Terminal	
6	1001113961	1	Connector - 8 Position	
6	4460871	3	Socket, Female	
6	4460905	5	Plug, Terminal	
7	2400060	1	Fuse Holder with Cover	
8	4460866	1	Connector - 19 Pin	
8	4460464	7	Pin, Male	
8	4460508	4	Pin, Male	
8	4460943	2	Pin, Male	
8	4460466	6	Plug, Seal	
9	4460932	1	Connector - 4 Position	
9	4460464	4	Pin, Male	
10	1001144147	2	Connector - 3 Position	
10	4460943	4	Socket, Female	
10	4460466	2	Plug, Terminal	
11	1001116812	1	Connector - 3 Position	
11	4460944	2	Socket, Female	
11	4460466	1	Plug, Terminal	
12	4460761	2	Connector, Female - 4 Position	
12	4460227	6	Socket, Female	
13	4460933	1	Connector - 12 Position (Gray)	
13	4460465	2	Socket, Female	
13	4460942	3	Socket, Female	
13	1001157890	1	Socket, Female	
13	4460466	6	Plug, Terminal	
14	4460931	1	Connector - 8 Position	
14	1001157891	2	Pin, Male	
14	1001116693	5	Pin, Male	
14	4460466	1	Plug, Terminal	
15	4460891	4	Connector - 2 Position	
15	4460465	6	Pin, Male	
15	4460466	2	Plug, Terminal	
16	4460931	1	Connector - 8 Position	
16	4460464	7	Pin, Male	
16	4460466	1	Plug, Terminal	

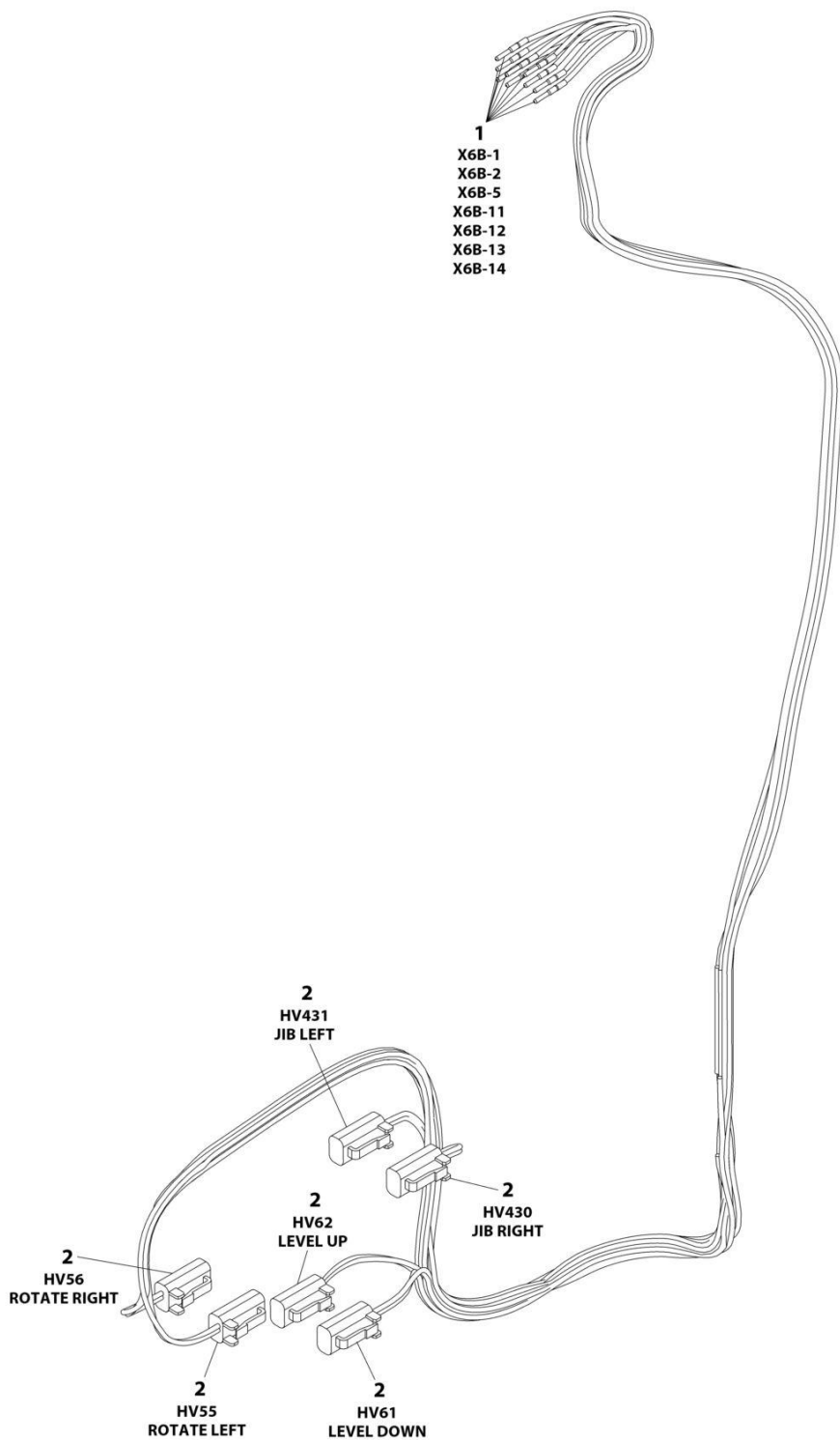
## SECTION 8 - ELECTRICAL

ITEM	PART NUMBER	QTY	DESCRIPTION	REV
17	4460894	4	Connector - 6 Position	
17	1001157890	2	Socket, Female	
17	4460465	20	Socket, Female	
17	4460944	2	Socket, Female	
18	4460836	1	Connector - 12 Position	
18	1001157890	5	Socket, Female	
18	4460465	5	Socket, Female	
18	4460944	2	Socket, Female	
19	4460930	1	Connector - 8 Position	
19	4460465	8	Socket, Female	
20	4460424	1	Connector - 2 Position	
20	4460226	2	Socket, Female	
21	1001116810	1	Connector - 4 Position	
21	4460509	2	Socket, Female	
21	4460466	2	Plug, Terminal	
101	8229242	2	Fuse 5 Amp	
102	1001116815	1	Connector	
103	1001125677	1	Buss Bar - 12 Position	
104	1001144295	1	Cap, Dust	
105	1001186231	1	Connector, Can Terminal	
106	1001226541	3	Buss Bar - 6 Position	



# SECTION 8 - ELECTRICAL

## FIGURE 8-77. VALVE HARNESS - BOOM VALVE



ART\_1001255918

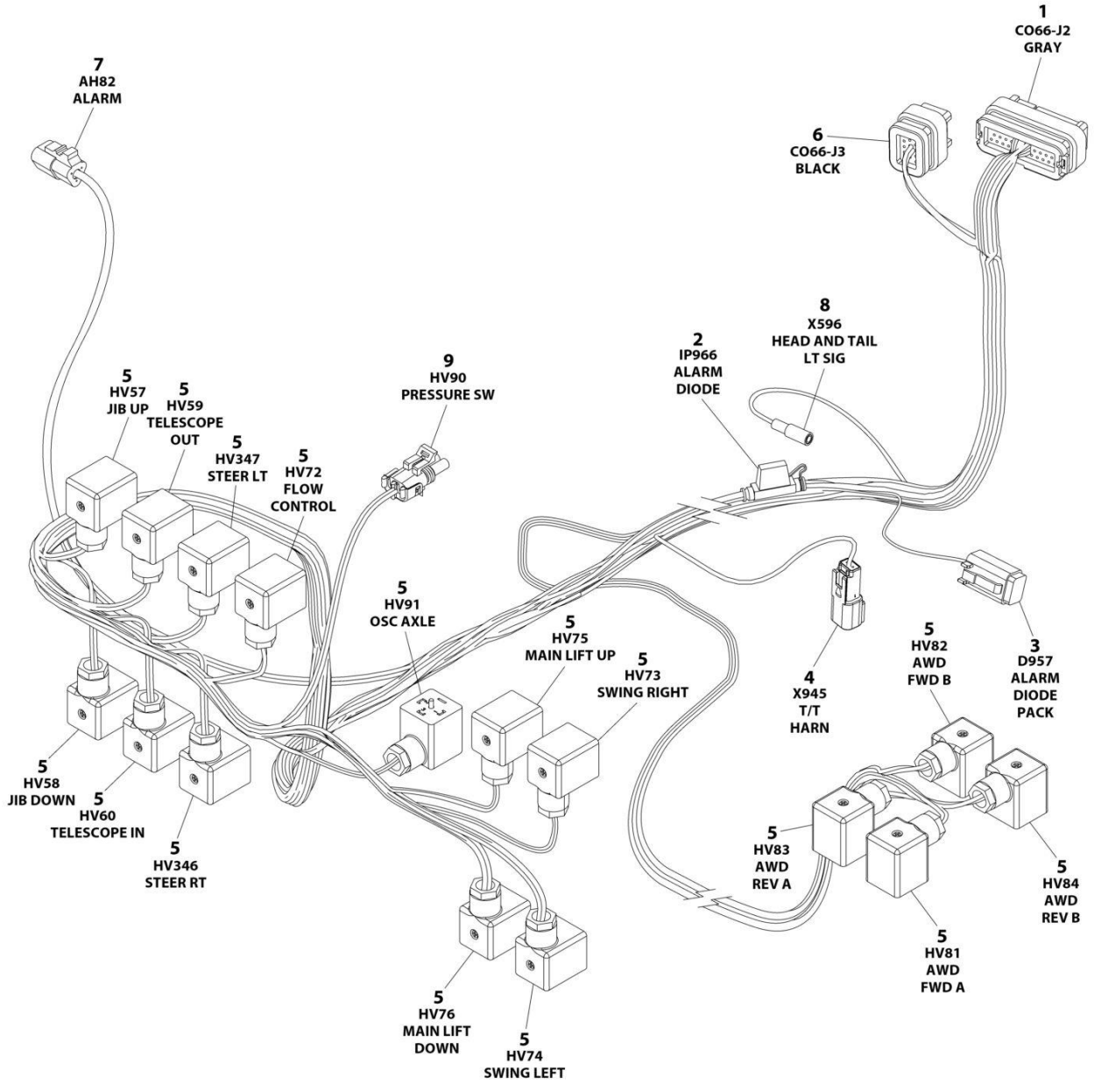
## SECTION 8 - ELECTRICAL

### FIGURE 8-77. VALVE HARNESS - BOOM VALVE

ITEM	PART NUMBER	QTY	DESCRIPTION	REV
	1001255918	Ref	VALVE HARNESS - BOOM VALVE	A
1	4460227	7	Pin, Male	
2	4460891	6	Plug, Male - 2 Position	
2	4460465	12	Socket, Female	

# SECTION 8 - ELECTRICAL

## FIGURE 8-78. VALVE HARNESS – MAIN CONTROL VALVE



ART\_1001286021

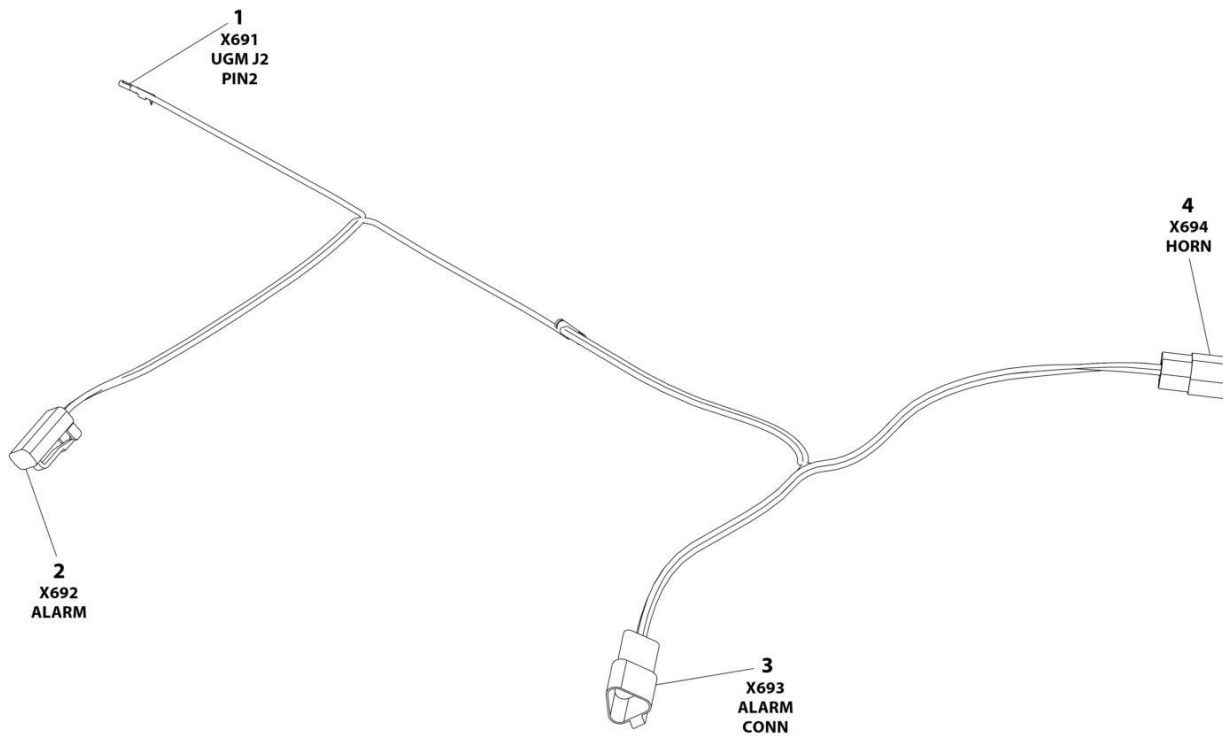
## SECTION 8 - ELECTRICAL

**FIGURE 8-78. VALVE HARNESS – MAIN CONTROL VALVE**

ITEM	PART NUMBER	QTY	DESCRIPTION	REV
	1001286021	Ref	VALVE HARNESS - MAIN CONTROL VALVE	A
1	4460875	1	Connector - 35 Position (Gray)	
1	4460871	26	Socket, Female	
1	4460905	9	Plug, Terminal	
2	1001170764	1	Diode - 1Amp	
3	4460884	1	Connector - 4 Position	
3	4460465	4	Socket, Female	
4	4460897	1	Connector - 2 Position	
4	4460464	1	Pin, Male	
4	4460466	1	Plug, Terminal	
5	4460449	16	DIN Connector without Diode	
6	4460872	1	Connector - 14 Position	
6	4460871	4	Socket, Female	
6	4460905	10	Plug, Terminal	
7	4460539	1	Connector - 3 Position	
7	4460465	3	Socket, Female	
8	8220068	1	Terminal	
9	4460742	1	Connector - 2 Position	
9	4460743	2	Terminal, Female	
9	4460458	2	Seal, Cable	

# SECTION 8 - ELECTRICAL

## FIGURE 8-79. WHITE NOISE ALARM HARNESS



ART\_1001231007



## SECTION 8 - ELECTRICAL

### FIGURE 8-79. WHITE NOISE ALARM HARNESS

ITEM	PART NUMBER	QTY	DESCRIPTION	REV
	1001231007	Ref	WHITE NOISE ALARM INSTALLATION	B
1	4460871	1	Terminal	
2	4460891	1	Plug, Male - 2 Position	
2	4460465	2	Socket, Female	
3	4460536	1	Receptacle, Female - 3 Position	
3	4460464	3	Pin, Male	
4	4460539	1	Plug, Male - 3 Position	
4	4460465	3	Socket, Female	

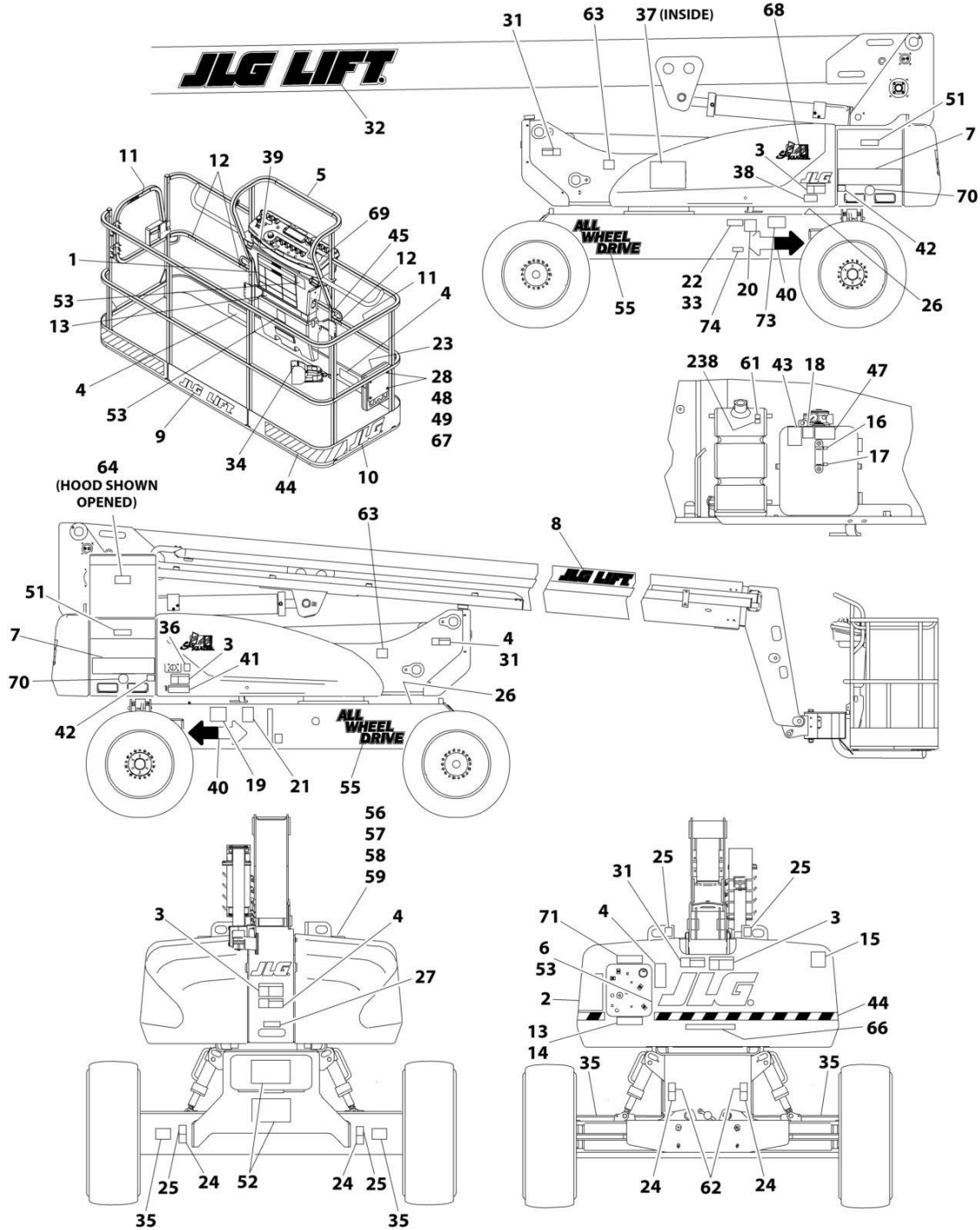


**SECTION 9 - DECALS**

# SECTION 9 - DECALS

## FIGURE 9-1. DECAL INSTALLATION - ANSI, ANSI EXPORT, CHINA & UL SPECS (ENGLISH LANGUAGE)

NOTE: ITEMS SHOWN MAY NOT BE REQUIRED FOR ALL SPECS. REFER TO PARTS LISTS FOR USAGE.  
 NOTE: SOME DECALS ARE CALLED OUT ON OPTIONAL DECALS INSTALLTION.



ART\_1001248325\_E

## SECTION 9 - DECALS

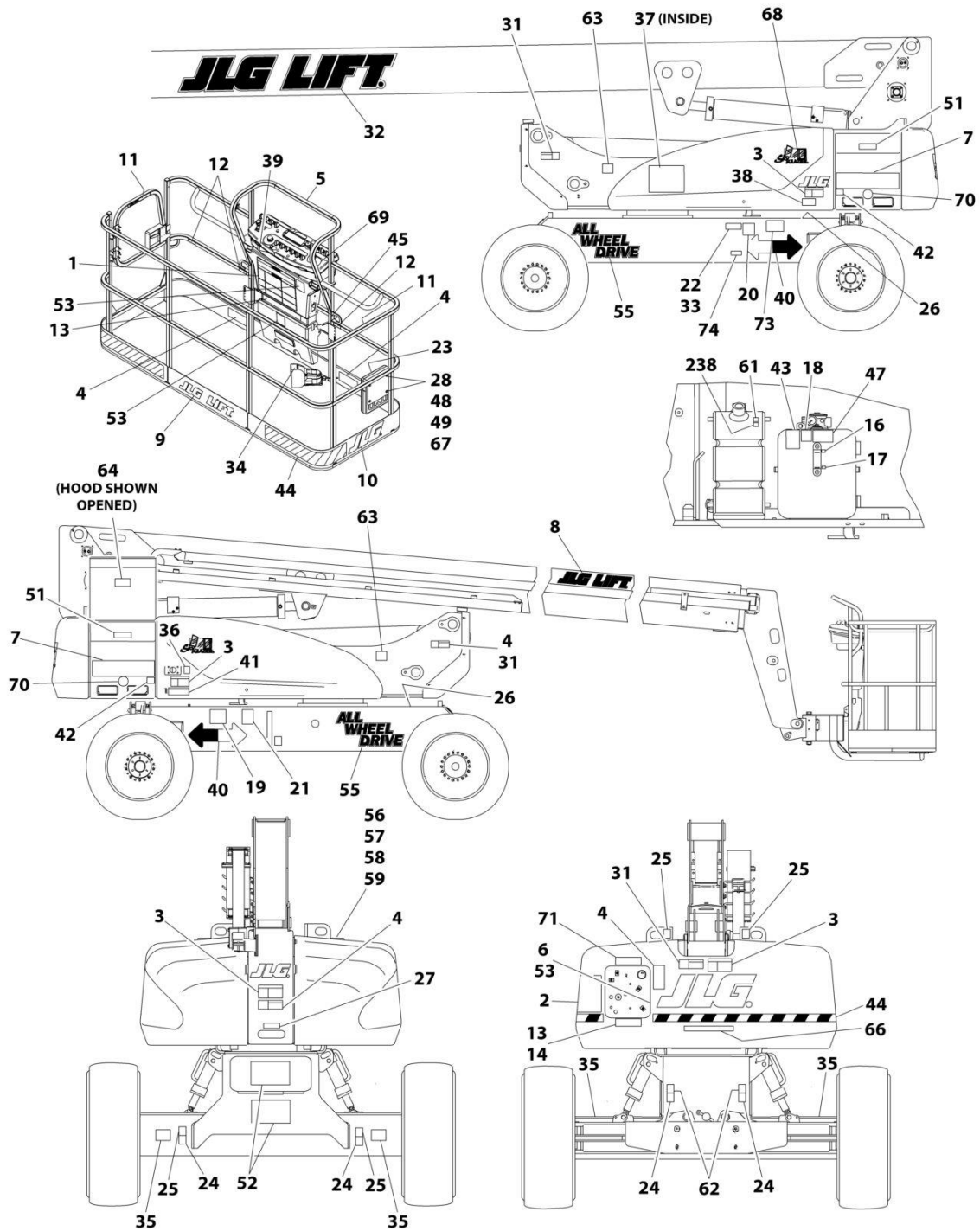
**FIGURE 9-1. DECAL INSTALLATION - ANSI, ANSI EXPORT, CHINA & UL SPECS (ENGLISH LANGUAGE)**

ITEM	PART NUMBER	QTY	DESCRIPTION	REV
	1001248325	Ref	DECAL INSTALLATION	E
	1001249148	Ref	DECAL INSTALLATION - REFERENCE CHART	F
1	1703797	1	Decal - Danger/Warning (Platform)	
2	1704575	1	Decal - Danger/Warning (MTB)	
3	1703805	4	Decal - Electrocutation	
4	1703804	3	Decal - Crushing	
11	1702868	2	Decal - No Hands	
12	1704277	3	Decal - Attach Lanyard	
13	1001253920	1	Decal - Warning / Capacity	
14	1001253921	1	Decal - Warning / Capacity	
16	1701502	1	Decal - Hydraulic Oil Level High	
17	1701503	1	Decal - Hydraulic Oil Level Low	
18	1701504	1	Decal - Hydraulic Oil	
20	See Note	NSS	Decal - Barcode (Note: Not Available for Purchase)	
21	1001131269	1	Decal - Patent	
23	1701509	1	Decal - Manual	
24	1702300	6	Decal - Tie Down	
25	1701500	4	Decal - Lift	
26	1701529	2	Decal - Arrow	
27	3251243	1	Nameplate	
28	0860520	1	Box, Manual Storage	
31	1703953	3	Decal - Warning/Crushing	
33	3820001	2	Rivet	
34	3252347	1	Nameplate - Footswitch	
35	1704708	4	Decal - Max Tire Load	
36	1701644	1	Decal - Charger	
37	1001261130	1	Decal - Manual Descent	
38	1702901	1	Decal - Instructions Inside	
40	1701501	2	Decal - Arrow	
41	1704248	1	Decal - Battery Charger Instructions	
42	1702155	2	Decal - Battery Disconnect	
43	1704412	1	Decal - Oil Chart	
46	1001231801	1	Decal - Prop 65	
48	3311405	4	Nut 1/4	
49	4751400	4	Washer 1/4	
51	1703813	2	Decal - Warning Battery Ventilation	
52	1001284695	1	Decal - Lift Diagram	
54	1001209679	1	Decal - Cable Routing	
62	1701499	2	Decal - No Lift	
63	1702391	2	Decal - Warning Hand Crushing	
64	1704725	2	Decal - Tip Over (Battery Weight)	
66	1704885	1	Decal - Website	
67	0641406	4	Bolt 1/4 x 3/4	
69	1705351	1	Decal - Drive/Steer Instructions	
73	1001223055	1	Decal - Yearly Inspection	
74	1001228370	1	Decal - ICES (Canada Spec)	

# SECTION 9 - DECALS

FIGURE 9-2. DECAL INSTALLATION - AUSTRALIAN, CE & UK CA SPECS (ENGLISH LANGUAGE)

NOTE: ITEMS SHOWN MAY NOT BE REQUIRED FOR ALL SPECS. REFER TO PARTS LISTS FOR USAGE.  
 NOTE: SOME DECALS ARE CALLED OUT ON OPTIONAL DECALS INSTALLATION.



ART\_1001248326\_E

## SECTION 9 - DECALS

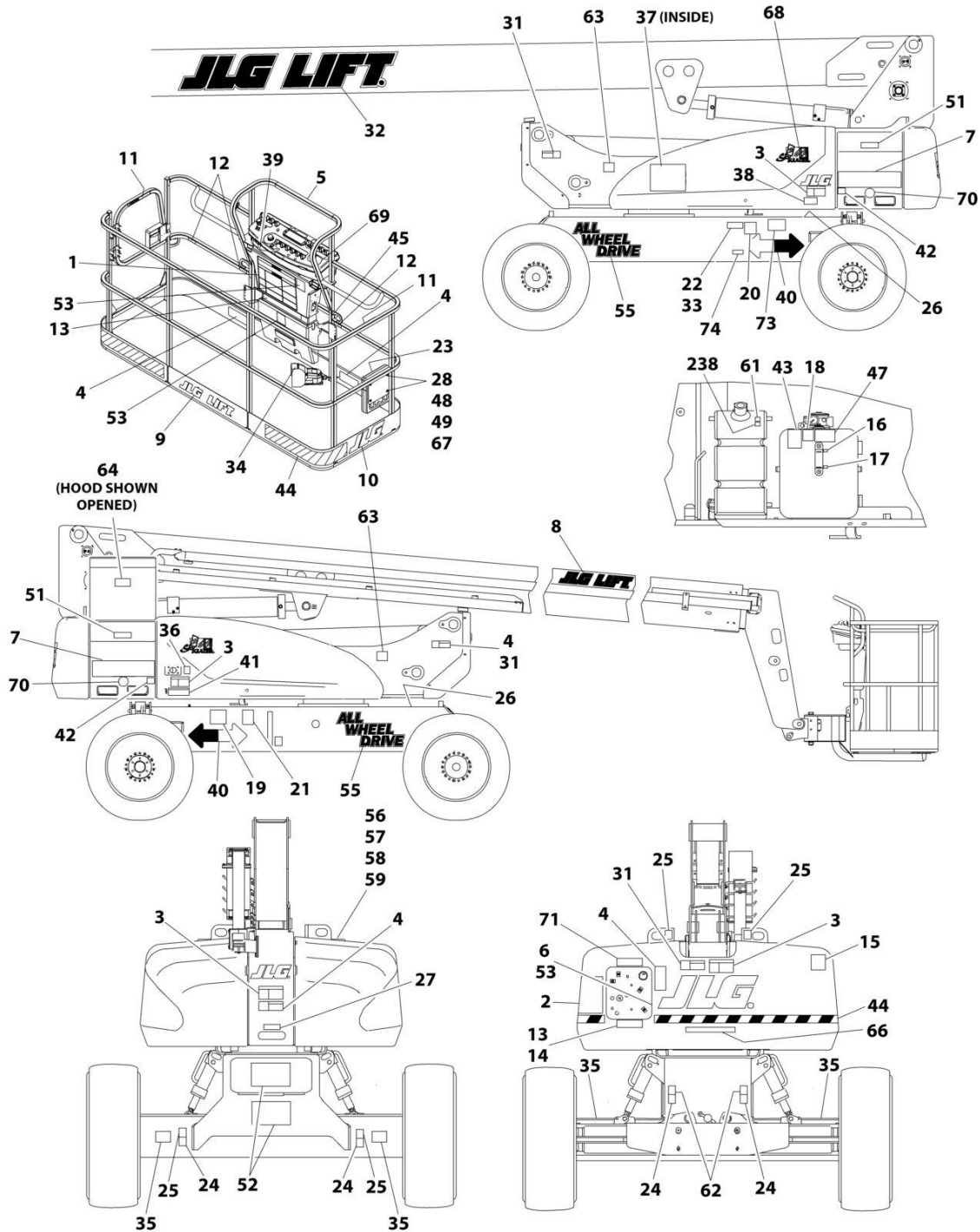
**FIGURE 9-2. DECAL INSTALLATION - AUSTRALIAN, CE & UK CA SPECS (ENGLISH LANGUAGE)**

ITEM	PART NUMBER	QTY	DESCRIPTION	REV
	1001248326	Ref	DECAL INSTALLATION	E
	1001249148	Ref	DECAL INSTALLATION - REFERENCE CHART	F
1	1705921	1	Decal - Danger/Caution (Platform)	
2	1705822	1	Decal - Danger/Caution (MTB)	
4	1701518	6	Decal - Crushing	
12	1704277	3	Decal - Attach Lanyard	
13	1705978	2	Decal - 500 LBS Max Capacity	
16	1701502	1	Decal - Hydraulic Oil Level High	
17	1701503	1	Decal - Hydraulic Oil Level Low	
18	1701504	1	Decal - Hydraulic Oil	
20	See Note	NSS	Decal - Bar Code (Note: Not Available for Purchase)	
23	1701509	1	Decal - Manual	
24	1702300	6	Decal - Tie Down	
25	1701500	4	Decal - Lift	
26	1701529	2	Decal - Arrow	
28	0860520	1	Box, Manual Storage	
33	3820001	4	Rivet	
34	1705828	1	Nameplate - Footswitch	
35	1704708	4	Decal - Maximum Tire Load	
36	1701644	1	Decal - Charger	
37	1001261130	1	Decal - Manual Descent	
38	1706392	1	Decal - Instructions Inside	
40	1701501	2	Decal - Arrow	
41	1706378	1	Decal - Battery Charger Instructions	
42	1702155	2	Decal - Battery Disconnect	
43	1704412	1	Decal - Oil Chart	
48	3311405	4	Nut 1/4	
49	4751400	4	Washer 1/4	
51	1705670	2	Decal - Warning Battery Ventilation	
52	1001284695	1	Decal - Lift Diagram	
54	1001209679	1	Decal - Cable Routing	
62	1701499	2	Decal - No Lift	
63	1701517	2	Decal - Warning Hand Crushing	
64	1704728	2	Decal - Tip Over (Battery Weight)	
66	1704885	1	Decal - Website	

# SECTION 9 - DECALS

## FIGURE 9-3. DECAL INSTALLATION - BRAZIL SPECS (PORTUGUESE/SPANISH LANGUAGES)

NOTE: ITEMS SHOWN MAY NOT BE REQUIRED FOR ALL SPECS. REFER TO PARTS LISTS FOR USAGE.  
 NOTE: SOME DECALS ARE CALLED OUT ON OPTIONAL DECALS INSTALLTION.



ART\_1001248332\_E



## SECTION 9 - DECALS

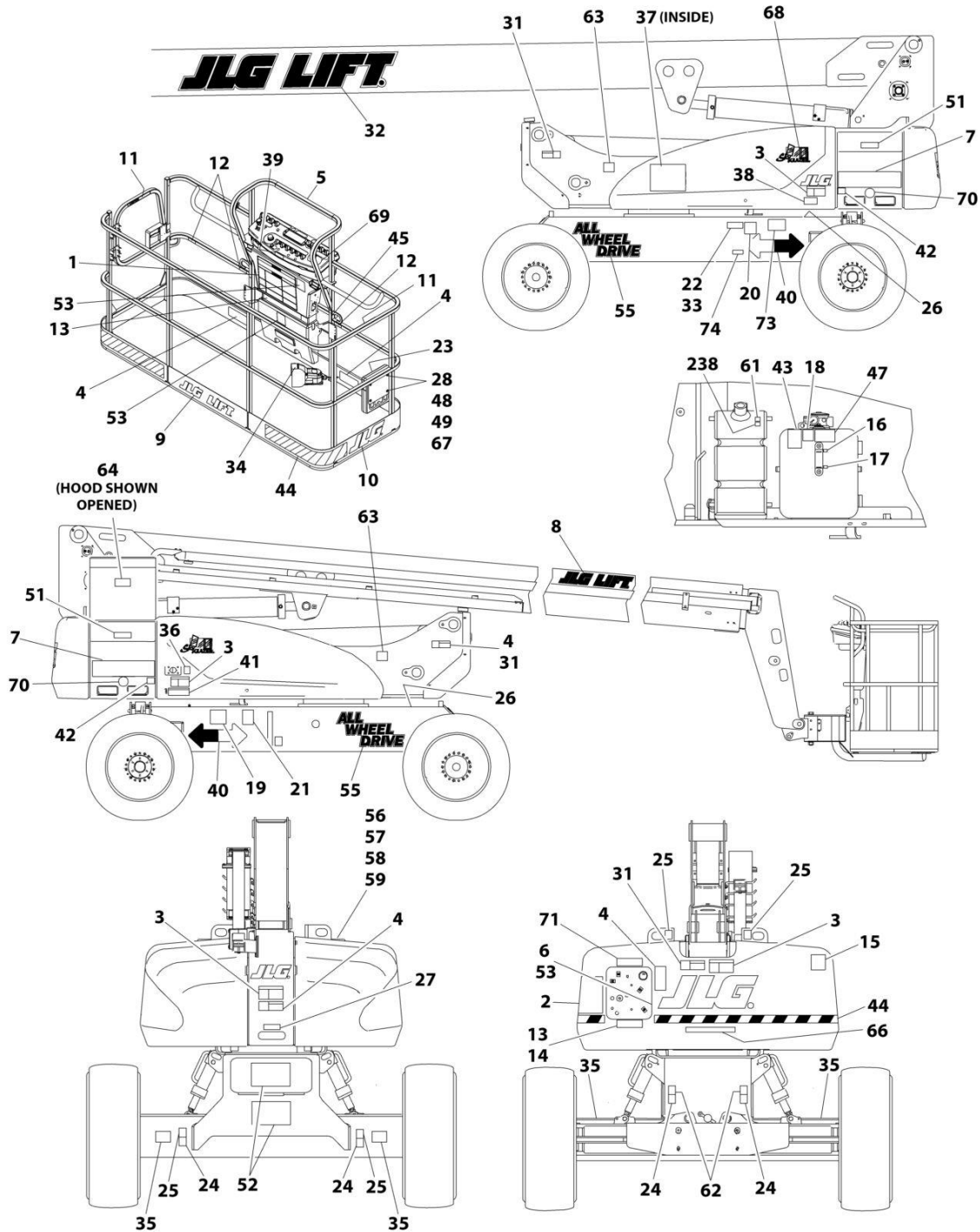
**FIGURE 9-3. DECAL INSTALLATION - BRAZIL SPECS (PORTUGUESE/SPANISH LANGUAGES)**

ITEM	PART NUMBER	QTY	DESCRIPTION	REV
	1001248332	Ref	DECAL INSTALLATION	E
	1001249148	Ref	DECAL INSTALLATION - REFERENCE CHART	F
1	1703928	1	Decal - Danger/Warning (Platform)	
3	1703940	4	Decal - Electrocution	
4	1703952	3	Decal - Crushing	
11	1704002	2	Decal - No Hands	
12	1704277	3	Decal - Attach Lanyard	
13	1001253928	1	Decal - Warning / Capacity	
14	1001253929	1	Decal - Warning / Capacity	
16	1701502	1	Decal - Hydraulic Oil Level High	
17	1701503	1	Decal - Hydraulic Oil Level Low	
18	1701504	1	Decal - Hydraulic Oil	
20	See Note	NSS	Decal - Bar Code (Note: Not Available for Purchase)	
23	1701509	1	Decal - Manual	
24	1702300	6	Decal - Tie Down	
25	1701500	4	Decal - Lift	
26	1701529	2	Decal - Arrow	
27	3251243	1	Nameplate 120V/60Hz	
28	0860520	1	Box, Manual Storage	
31	1703946	3	Decal - Warning/Crushing	
33	3820001	2	Rivet	
34	1703985	1	Nameplate - Footswitch	
35	1704708	4	Decal - Maximum Tire Load	
36	1701644	1	Decal - Charger	
37	1001261130	1	Decal - Manual Descent	
38	1704118	1	Decal - Instructions Inside	
40	1701501	2	Decal - Arrow	
41	1704330	1	Decal - Battery Charger Instructions	
42	1702155	2	Decal - Battery Disconnect	
43	1704412	1	Decal - Oil Chart	
48	3311405	4	Nut 1/4	
49	4751400	4	Washer 1/4	
51	1704341	2	Decal - Warning Battery Ventilation	
52	1001284695	1	Decal - Lift Diagram	
54	1001209679	1	Decal - Cable Routing	
60	1703934	1	Decal - Danger/Caution	
62	1701499	2	Decal - No Lift	
63	1701517	2	Decal - Warning Hand Crushing	
64	1704618	2	Decal - Tip Over (Battery Weight)	
66	1704885	1	Decal - Website	
67	0641406	4	Bolt 1/4 x 3/4 (Not Shown)	
69	1001113680	1	Decal - Drive/Steer Instructions	
73	1001224052	1	Decal - Yearly Inspection	

# SECTION 9 - DECALS

## FIGURE 9-4. DECAL INSTALLATION - CHINESE SPECS (CHINESE/ENGLISH LANGUAGES)

NOTE: ITEMS SHOWN MAY NOT BE REQUIRED FOR ALL SPECS. REFER TO PARTS LISTS FOR USAGE.  
 NOTE: SOME DECALS ARE CALLED OUT ON OPTIONAL DECALS INSTALLTION.



ART\_1001248331\_E

## SECTION 9 - DECALS

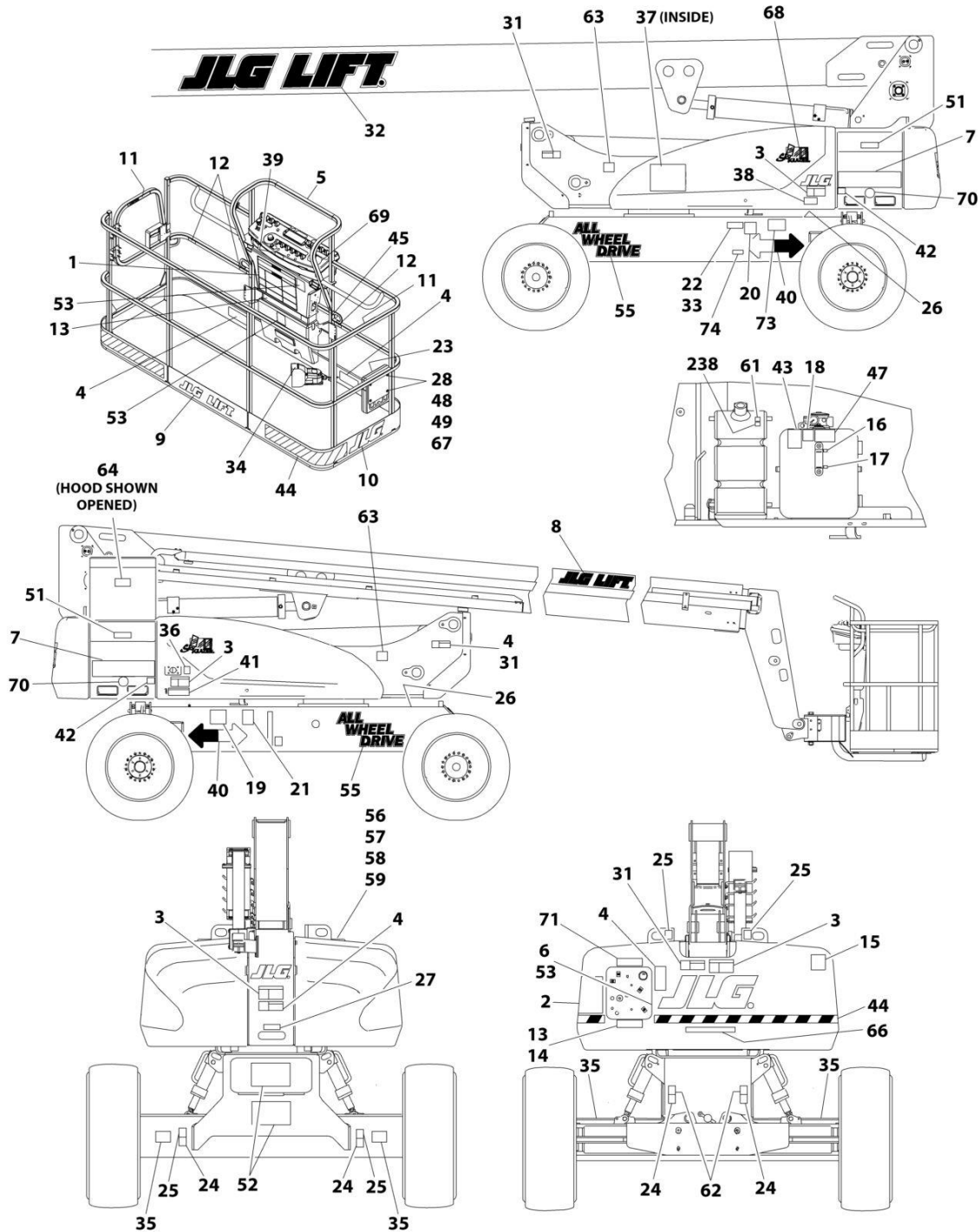
**FIGURE 9-4. DECAL INSTALLATION - CHINESE SPECS (CHINESE/ENGLISH LANGUAGES)**

ITEM	PART NUMBER	QTY	DESCRIPTION	REV
	1001248331	Ref	DECAL INSTALLATION	E
	1001249148	Ref	DECAL INSTALLATION - REFERENCE CHART	F
1	1703925	1	Decal - Danger/Warning (Platform)	
3	1703937	4	Decal - Electrocution	
4	1703949	3	Decal - Crushing	
11	1001116846	2	Decal - No Hands	
12	1704277	3	Decal - Attach Lanyard	
13	1001253926	1	Decal - Warning / Capacity	
14	1001253927	1	Decal - Warning / Capacity	
16	1701502	1	Decal - Hydraulic Oil Level High	
17	1701503	1	Decal - Hydraulic Oil Level Low	
18	1701504	1	Decal - Hydraulic Oil	
20	See Note	NSS	Decal - Bar Code (Note: Not Available for Purchase)	
23	1701509	1	Decal - Manual	
24	1702300	6	Decal - Tie Down	
25	1701500	4	Decal - Lift	
26	1701529	2	Decal - Arrow	
28	0860520	1	Box, Manual Storage	
31	1703943	3	Decal - Warning/Crushing	
33	3820001	2	Rivet	
34	1703982	1	Nameplate - Footswitch	
35	1704708	4	Decal - Maximum Tire Load	
36	1701644	1	Decal - Charger	
37	1001261130	1	Decal - Manual Descent	
38	1704121	1	Decal - Instructions Inside	
40	1701501	2	Decal - Arrow	
41	1704333	1	Decal - Battery Charger Instructions	
42	1702155	2	Decal - Battery Disconnect	
43	1704412	1	Decal - Oil Chart	
48	3311405	4	Nut 1/4	
49	4751400	4	Washer 1/4	
51	1704344	2	Decal - Warning Battery Ventilation	
52	1001284695	1	Decal - Lift Diagram	
54	1001209679	1	Decal - Cable Routing	
60	1703931	1	Decal - Danger/Caution	
62	1701499	2	Decal - No Lift	
63	1701517	2	Decal - Warning Hand Crushing	
64	1704731	2	Decal - Tip Over (Battery Weight)	
66	1704885	1	Decal - Website	
67	0641406	4	Bolt 1/4 x 3/4 (Not Shown)	
69	1705430	1	Decal - Drive/Steer Instructions (Machines with Drive Orientation Only)	
73	1001224050	1	Decal - Yearly Inspection	

# SECTION 9 - DECALS

## FIGURE 9-5. DECAL INSTALLATION - CSA & UL SPECS (ENGLISH/FRENCH LANGUAGES)

NOTE: ITEMS SHOWN MAY NOT BE REQUIRED FOR ALL SPECS. REFER TO PARTS LISTS FOR USAGE.  
 NOTE: SOME DECALS ARE CALLED OUT ON OPTIONAL DECALS INSTALLTION.



ART\_1001248330\_E

## SECTION 9 - DECALS

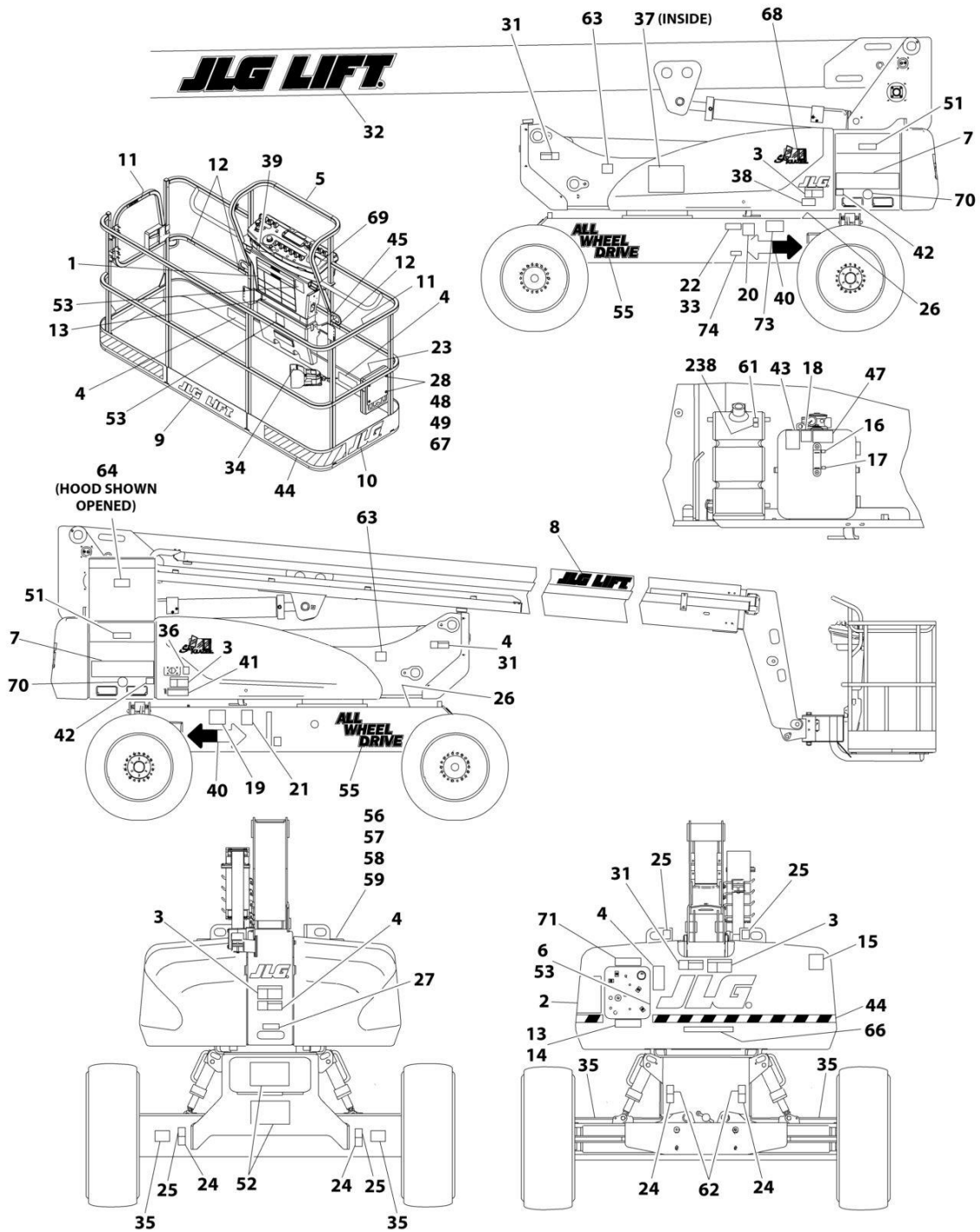
**FIGURE 9-5. DECAL INSTALLATION - CSA & UL SPECS (ENGLISH/FRENCH LANGUAGES)**

ITEM	PART NUMBER	QTY	DESCRIPTION	REV
	1001248330	Ref	DECAL INSTALLATION	E
	1001249148	Ref	DECAL INSTALLATION - REFERENCE CHART	F
1	1703924	1	Decal - Danger/Warning (Platform)	
3	1703936	4	Decal - Electrocution	
4	1703948	3	Decal - Crushing	
11	1704000	2	Decal - No Hands	
12	1704277	3	Decal - Attach Lanyard	
13	1001253922	1	Decall - Warning / Capacity	
14	1001253923	1	Decall - Warning / Capacity	
16	1701502	1	Decal - Hydraulic Oil Level High	
17	1701503	1	Decal - Hydraulic Oil Level Low	
18	1701504	1	Decal - Hydraulic Oil	
20	See Note	NSS	Decal - Bar Code (Note: Not Available for Purchase)	
21	1001131269	1	Decal - Patent	
23	1701509	1	Decal - Manual	
24	1702300	6	Decal - Tie Down	
25	1701500	4	Decal - Lift	
26	1701529	4	Decal - Arrow	
27	3251243	1	Nameplate 120V/60Hz	
28	0860520	1	Box, Manual Storage	
31	1703942	3	Decal - Warning/Crushing	
33	3820001	2	Rivet	
34	1703984	1	Nameplate - Footswitch	
35	1704708	4	Decal - Maximum Tire Load	
36	1701644	1	Decal - Charger	
37	1001261130	1	Decal - Manual Descent	
38	1704116	1	Decal - Instructions Inside	
40	1701501	2	Decal - Arrow	
41	1704329	1	Decal - Battery Charger Instructions	
42	1702155	2	Decal - Battery Disconnect	
43	1704412	1	Decal - Oil Chart	
48	3311405	4	Nut 1/4	
49	4751400	4	Washer 1/4	
51	1704340	2	Decal - Warning Battery Ventilation	
52	1001284695	1	Decal - Lift Diagram	
54	1001209679	1	Decal - Cable Routing	
60	1703930	1	Decal - Danger/Caution	
62	1701499	2	Decal - No Lift	
63	1701517	2	Decal - Warning Hand Crushing	
64	1704733	2	Decal - Tip Over (Battery Weight)	
66	1704885	1	Decal - Website	
67	0641406	4	Bolt 1/4 x 3/4 (Not Shown)	
69	1705429	1	Decal - Drive/Steer Instructions (Machines with Drive Orientation Only)	
73	1001223971	1	Decal - Yearly Inspection	
74	1001228370	1	Decal - ICES (Canada Spec)	

# SECTION 9 - DECALS

## FIGURE 9-6. DECAL INSTALLATION - JAPANESE SPECS (JAPANESE LANGUAGE)

NOTE: ITEMS SHOWN MAY NOT BE REQUIRED FOR ALL SPECS. REFER TO PARTS LISTS FOR USAGE.  
NOTE: SOME DECALS ARE CALLED OUT ON OPTIONAL DECALS INSTALLATION.



ART\_1001248327\_E

## SECTION 9 - DECALS

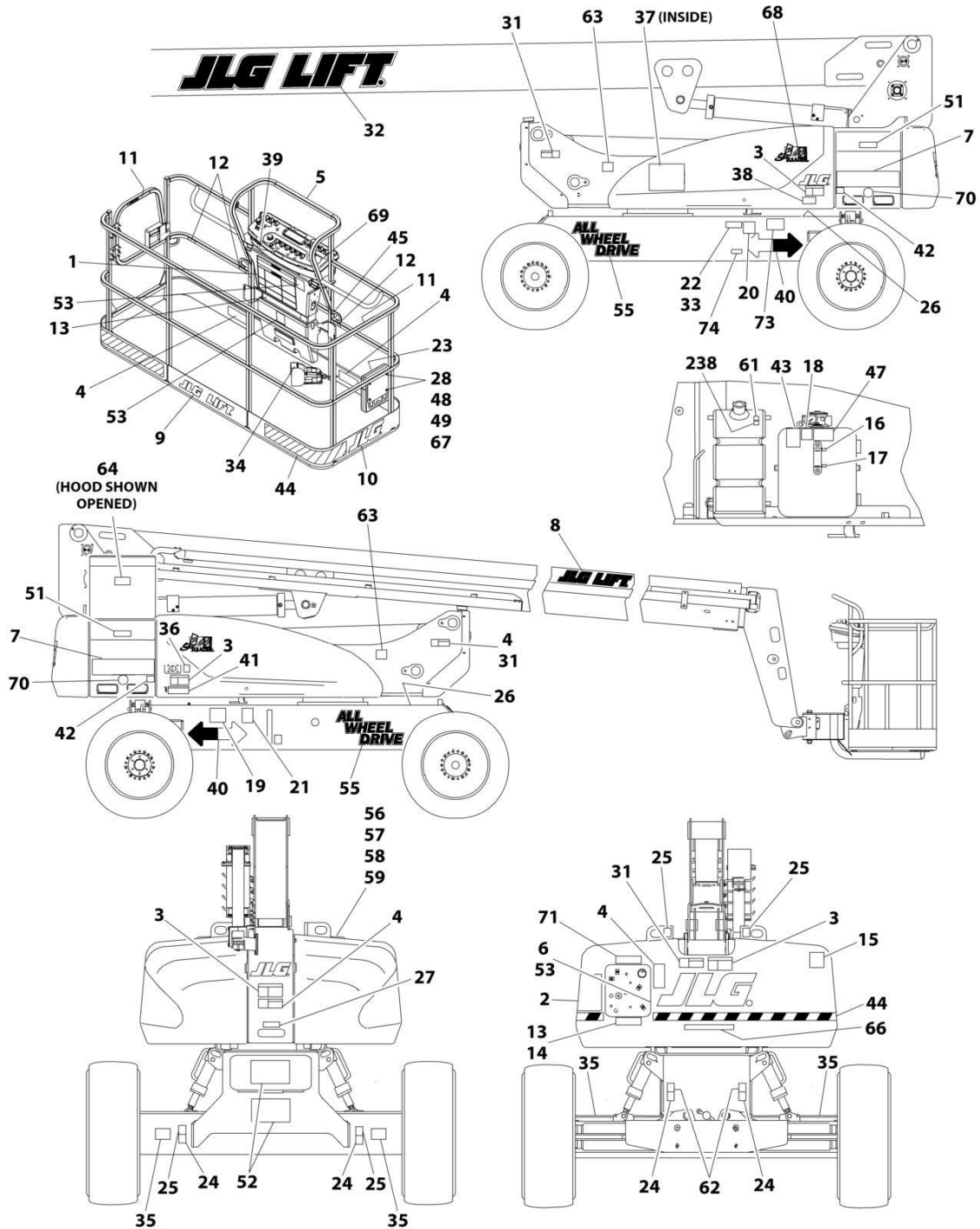
**FIGURE 9-6. DECAL INSTALLATION - JAPANESE SPECS (JAPANESE LANGUAGE)**

ITEM	PART NUMBER	QTY	DESCRIPTION	REV
	1001248327	Ref	DECAL INSTALLATION	E
	1001249148	Ref	DECAL INSTALLATION - REFERENCE CHART	F
1	1703926	1	Decal - Danger/Warning (Platform)	
2	1704667	1	Decal - Danger/Warning (MTB)	
3	1703938	4	Decal - Electrocution	
4	1703950	3	Decal - Crushing	
12	1704277	3	Decal - Attach Lanyard	
13	1001253932	1	Decal - Warning / Capacity	
14	1001253933	1	Decal - Warning / Capacity	
16	1701502	1	Decal - Hydraulic Oil Level High	
17	1701503	1	Decal - Hydraulic Oil Level Low	
18	1701504	1	Decal - Hydraulic Oil	
20	See Note	NSS	Decal - Bar Code (Note: Not Available for Purchase)	
23	1701509	1	Decal - Manual	
24	1702300	6	Decal - Tie Down	
25	1701500	4	Decal - Lift	
26	1701529	2	Decal - Arrow	
28	0860520	1	Box, Manual Storage	
31	1703944	3	Decal - Warning/Crushing	
33	3820001	2	Rivet	
34	1703980	1	Nameplate - Footswitch	
35	1704708	4	Decal - Maximum Tire Load	
36	1701644	1	Decal - Charger	
37	1001261130	1	Decal - Manual Descent	
38	1704119	1	Decal - Instructions Inside	
40	1701501	2	Decal - Arrow	
41	1704331	1	Decal - Battery Charger Instructions	
42	1702155	2	Decal - Battery Disconnect	
43	1704412	1	Decal - Oil Chart	
48	3311405	4	Nut 1/4	
49	4751400	4	Washer 1/4	
51	1704342	2	Decal - Warning Battery Ventilation	
52	1001284695	1	Decal - Lift Diagram	
54	1001209679	1	Decal - Cable Routing	
62	1701499	2	Decal - No Lift	
63	1701517	2	Decal - Warning Hand Crushing	
64	1704671	2	Decal - Tip Over (Battery Weight)	
66	1704885	1	Decal - Website	
67	0641406	4	Bolt 1/4 x 3/4 (Not Shown)	
69	1705426	1	Decal - Drive/Steer Instructions (Machines with Drive Orientation Only)	
73	1001224053	1	Decal - Yearly Inspection	

# SECTION 9 - DECALS

## FIGURE 9-7. DECAL INSTALLATION - KOREAN SPECS (KOREAN LANGUAGE)

NOTE: ITEMS SHOWN MAY NOT BE REQUIRED FOR ALL SPECS. REFER TO PARTS LISTS FOR USAGE.  
 NOTE: SOME DECALS ARE CALLED OUT ON OPTIONAL DECALS INSTALLTION.



ART\_1001248328\_E



## SECTION 9 - DECALS

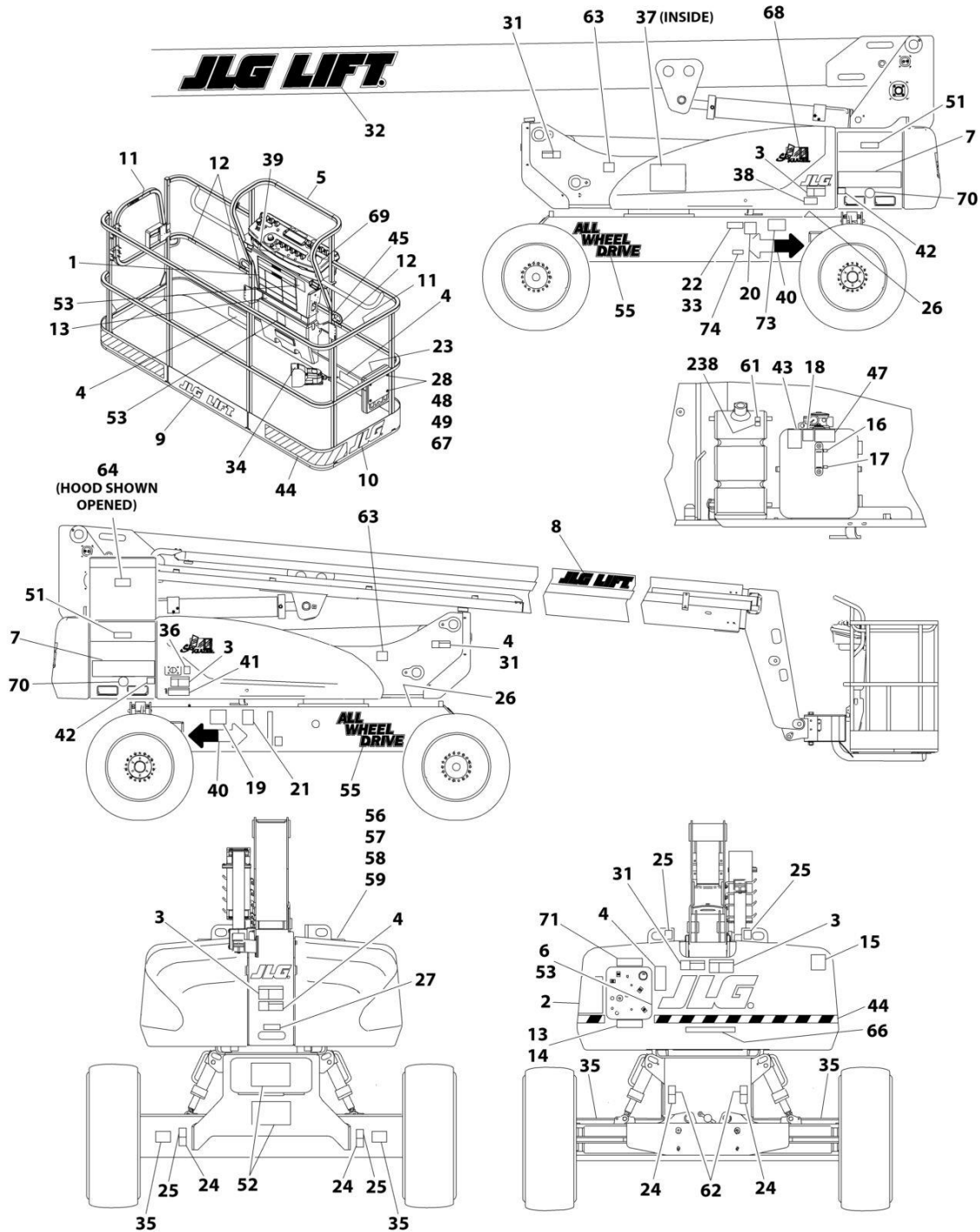
**FIGURE 9-7. DECAL INSTALLATION - KOREAN SPECS (KOREAN LANGUAGE)**

ITEM	PART NUMBER	QTY	DESCRIPTION	REV
	1001248328	Ref	DECAL INSTALLATION	E
	1001249148	Ref	DECAL INSTALLATION - REFERENCE CHART	F
1	1703927	1	Decal - Danger/Warning (Platform)	
2	1704668	1	Decal - Danger/Warning (MTB)	
3	1703939	4	Decal - Electrocution	
4	1703951	3	Decal - Crushing	
12	1704277	3	Decal - Attach Lanyard	
13	1001253924	1	Decal - Warning/ Capacity	
14	1001253925	1	Decal - Warning/ Capacity	
16	1701502	1	Decal - Hydraulic Oil Level High	
17	1701503	1	Decal - Hydraulic Oil Level Low	
18	1701504	1	Decal - Hydraulic Oil	
20	See Note	NSS	Decal - Bar Code (Note: Not Available for Purchase)	
23	1701509	1	Decal - Manual	
24	1702300	6	Decal - Tie Down	
25	1701500	4	Decal - Lift	
26	1701529	2	Decal - Arrow	
28	0860520	1	Box, Manual Storage	
31	1703945	3	Decal - Warning/Crushing	
33	3820001	2	Rivet	
34	1703981	1	Nameplate - Footswitch	
35	1704708	4	Decal - Maximum Tire Load	
36	1701644	1	Decal - Charger	
37	1001261130	1	Decal - Manual Descent	
38	1704120	1	Decal - Instructions Inside	
40	1701501	2	Decal - Arrow	
41	1704332	1	Decal - Battery Charger Instructions	
42	1702155	2	Decal - Battery Disconnect	
43	1704412	1	Decal - Oil Chart	
48	3311405	4	Nut 1/4	
49	4751400	4	Washer 1/4	
51	1704343	2	Decal - Warning Battery Ventilation	
52	1001284695	1	Decal - Lift Diagram	
54	1001209679	1	Decal - Cable Routing	
62	1701499	2	Decal - No Lift	
63	1701517	2	Decal - Warning Hand Crushing	
64	1704670	2	Decal - Tip Over (Battery Weight)	
66	1704885	1	Decal - Website	
67	0641406	4	Bolt 1/4 x 3/4 (Not Shown)	
69	1705427	1	Decal - Drive/Steer Instructions	
73	1001224048	1	Decal - Yearly Inspection	

# SECTION 9 - DECALS

FIGURE 9-8. DECAL INSTALLATION - LATIN AMERICAN SPECS (SPANISH/ENGLISH LANGUAGES)

NOTE: ITEMS SHOWN MAY NOT BE REQUIRED FOR ALL SPECS. REFER TO PARTS LISTS FOR USAGE.  
 NOTE: SOME DECALS ARE CALLED OUT ON OPTIONAL DECALS INSTALLTION.



ART\_1001248329\_E

## SECTION 9 - DECALS

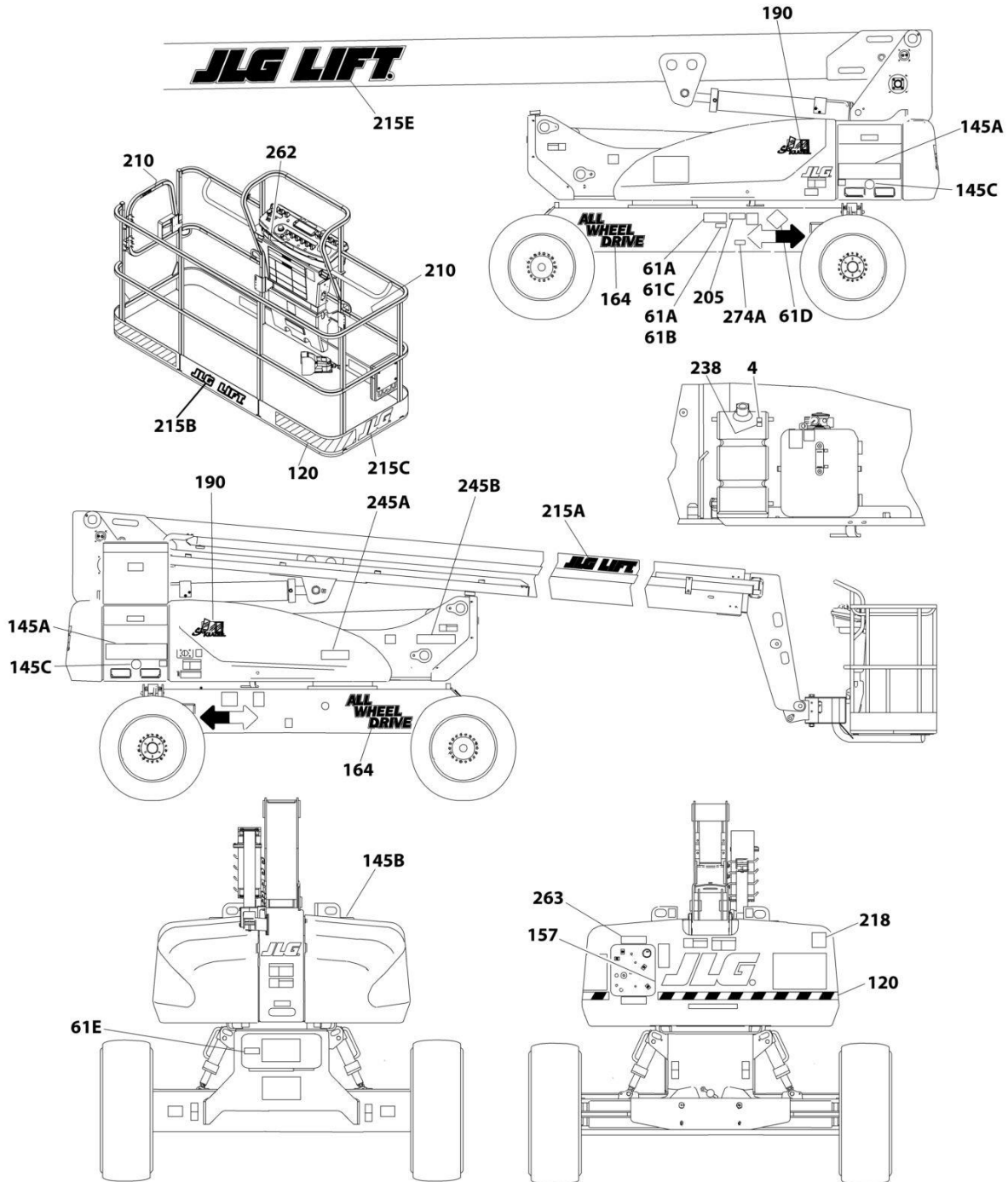
**FIGURE 9-8. DECAL INSTALLATION - LATIN AMERICAN SPECS (SPANISH/ENGLISH LANGUAGES)**

ITEM	PART NUMBER	QTY	DESCRIPTION	REV
	1001248329	Ref	DECAL INSTALLATION	E
	1001249148	Ref	DECAL INSTALLATION - REFERENCE CHART	F
1	1703923	1	Decal - Danger/Warning (Platform)	
3	1703935	4	Decal - Electrocution	
4	1703947	3	Decal - Crushing	
11	1704001	2	Decal - No Hands	
12	1704277	3	Decal - Attach Lanyard	
13	1001253930	1	Decal - Warning / Capacity	
14	1001253931	1	Decal - Warning / Capacity	
16	1701502	1	Decal - Hydraulic Oil Level High	
17	1701503	1	Decal - Hydraulic Oil Level Low	
18	1701504	1	Decal - Hydraulic Oil	
20	See Note	NSS	Decal - Bar Code (Note: Not Available for Purchase)	
23	1701509	1	Decal - Manual	
24	1702300	6	Decal - Tie Down	
25	1701500	4	Decal - Lift	
26	1701529	2	Decal - Arrow	
27	3251243	1	Nameplate 120V/60Hz	
28	0860520	1	Box, Manual Storage	
31	1703941	3	Decal - Warning/Crushing	
33	3820001	2	Rivet	
34	1703983	1	Nameplate - Footswitch	
35	1704708	4	Decal - Maximum Tire Load	
36	1701644	1	Decal - Charger	
37	1001261130	1	Decal - Manual Descent	
38	1704117	1	Decal - Instructions Inside	
40	1701501	2	Decal - Arrow	
41	1704328	1	Decal - Battery Charger Instructions	
42	1702155	2	Decal - Battery Disconnect	
43	1704412	1	Decal - Oil Chart	
48	3311405	4	Nut 1/4	
49	4751400	4	Washer 1/4	
51	1704339	2	Decal - Warning Battery Ventilation	
52	1001284695	1	Decal - Lift Diagram	
54	1001209679	1	Decal - Cable Routing	
60	1703929	1	Decal - Danger/Caution	
62	1701499	2	Decal - No Lift	
63	1701517	2	Decal - Warning Hand Crushing	
64	1704732	2	Decal - Tip Over (Battery Weight)	
66	1704885	1	Decal - Website	
67	0641406	4	Bolt 1/4 x 3/4	
69	1705910	1	Decal - Drive/Steer Instructions	
73	1001224049	1	Decal - Yearly Inspection	

# SECTION 9 - DECALS

## FIGURE 9-9. DECALS INSTALLATION - OPTIONS

NOTE: ITEMS SHOWN MAY NOT BE REQUIRED FOR ALL SPECS. REFER TO PARTS LISTS FOR USAGE.



ART\_DECAL\_OPTIONS

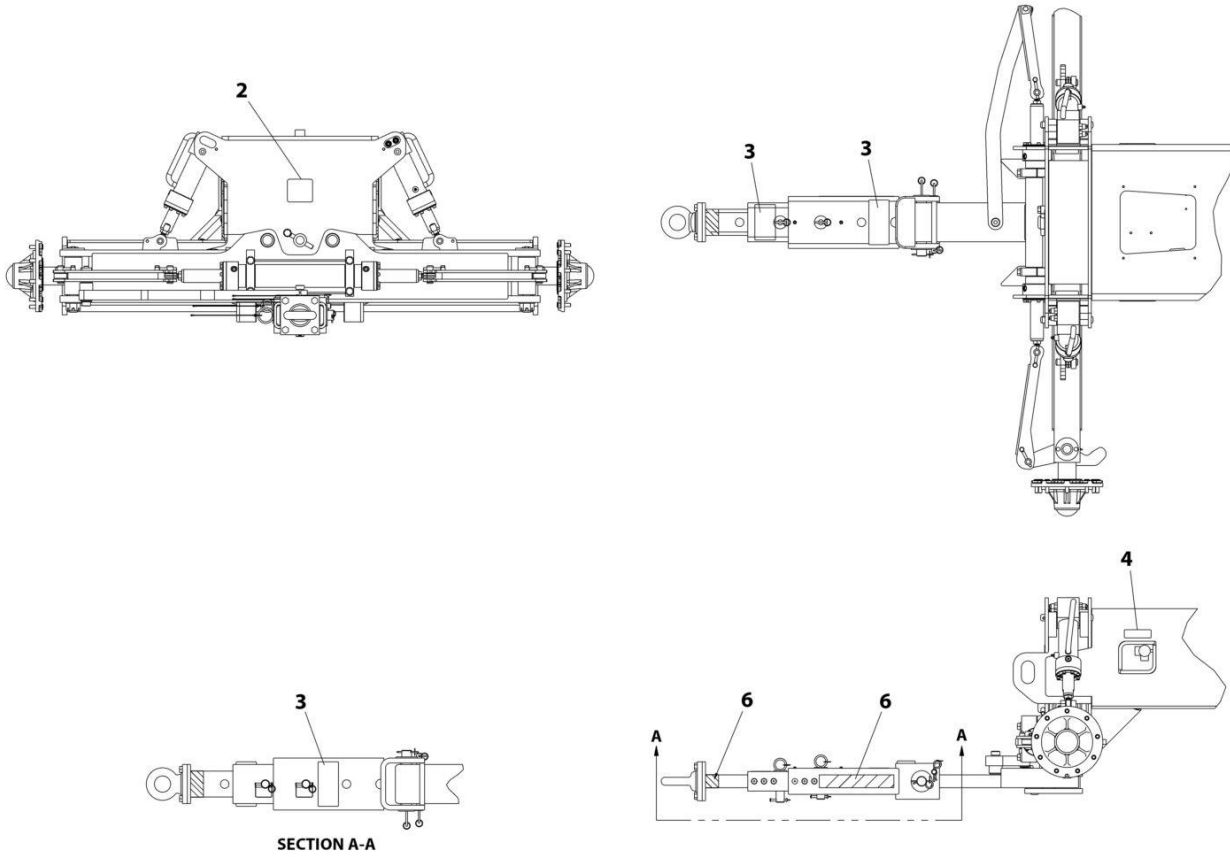
## SECTION 9 - DECALS

**FIGURE 9-9. DECALS INSTALLATION - OPTIONS**

ITEM	PART NUMBER	QTY	DESCRIPTION	REV
	1001263600	Ref	DECAL INSTALLATION - OPTIONS	
	1001249148	Ref	DECAL INSTALLATION - REFERENCE CHART	F
4	1701505	1	Decal - Fuel (H600SJ/H600SJP)	
61	0270430	Ref	Decal Installation - UL Tags	B
61A	3820001	8	Pop Rivet	
61B	3252331	1	Nameplate - Battery Info	
61C	3252780	1	Nameplate - UL Certification Tag	
61D	1702251	2	Nameplate - EE	
61E	1001213625	1	Decal - Replacement Fuse 400 Amp	
120	4420051	15.5 ft/ 4.7m	Decal - Warning Stripes	
145	1001256653	Ref	Model Designation Decal Installation - EC600SJ	B
145	1001256656	Ref	Model Designation Decal Installation - EC600SJP	B
145	1001256654	Ref	Model Designation Decal Installation - H600SJ	B
145	1001256655	Ref	Model Designation Decal Installation - H600SJP	B
145A	1001267318	2	Decal - EC600SJ	
145A	1001267320	2	Decal - EC600SJP	
145A	1001267326	2	Decal - H600SJ	
145A	1001267327	2	Decal - H600SJP	
164	1704724	2	Decal - All Wheel Drive 4WD	
190	0272418	Ref	Decal - SkyGlazier	4
190	1705358	2	Decal - SkyGlazier	
205	See Note	NSS	Nameplate - Serial Number (Note: Not Available for Purchase)	
210	1702868	2	Decal - No Hands (ANSI Specs)	
210	1001116846	2	Decal - No Hands (Chinese/English Specs)	
210	1001246659	2	Decal - No Hands (Danish/English Specs)	
210	1704000	2	Decal - No Hands (French/English Specs)	
210	1001218850	2	Decal - No Hands (Australian, CE & UK CA Specs)	
215A	1702860	1	Decal - JLG Lift	
215B	1702774	1	Decal - JLG Lift	
238	1001108923	1	Decal - EPA/Carb Fuel Spec Only (H600SJ/H600SJP ANSI & CSA Specs)	
238	1001139654	1	Decal - Ultra Low Sulfur Diesel Fuel (H600SJ/H600SJP Japanese, CE & UK CA Specs)	
245	1001229692	Ref	ClearSky Decals Installation	A
245A	1001120989	1	Decal - Radio Frequency	
245B	1001116208	1	Decal - ClearSky	
262	1001141300	1	Decal - SkyGuard Override	
262	1001141302	1	Decal - SkyGuard/Soft Touch Override	
263	1001189882	1	Decal - MSSO (CE & UK CA Specs)	
264	1705084	1	Decal - Sound Power Level	
274	1001214029	Ref	Decal - EAC Installation (CIS and Russia Specs)	
274A	1001173703	1	Decal - EAC	

# SECTION 9 - DECALS

FIGURE 9-10. TOW BAR DECAL INSTALLATION (ALL SPECS EXCEPT CSA & JAPANESE SPECS)  
(ENGLISH LANGUAGE)



ART\_0270629

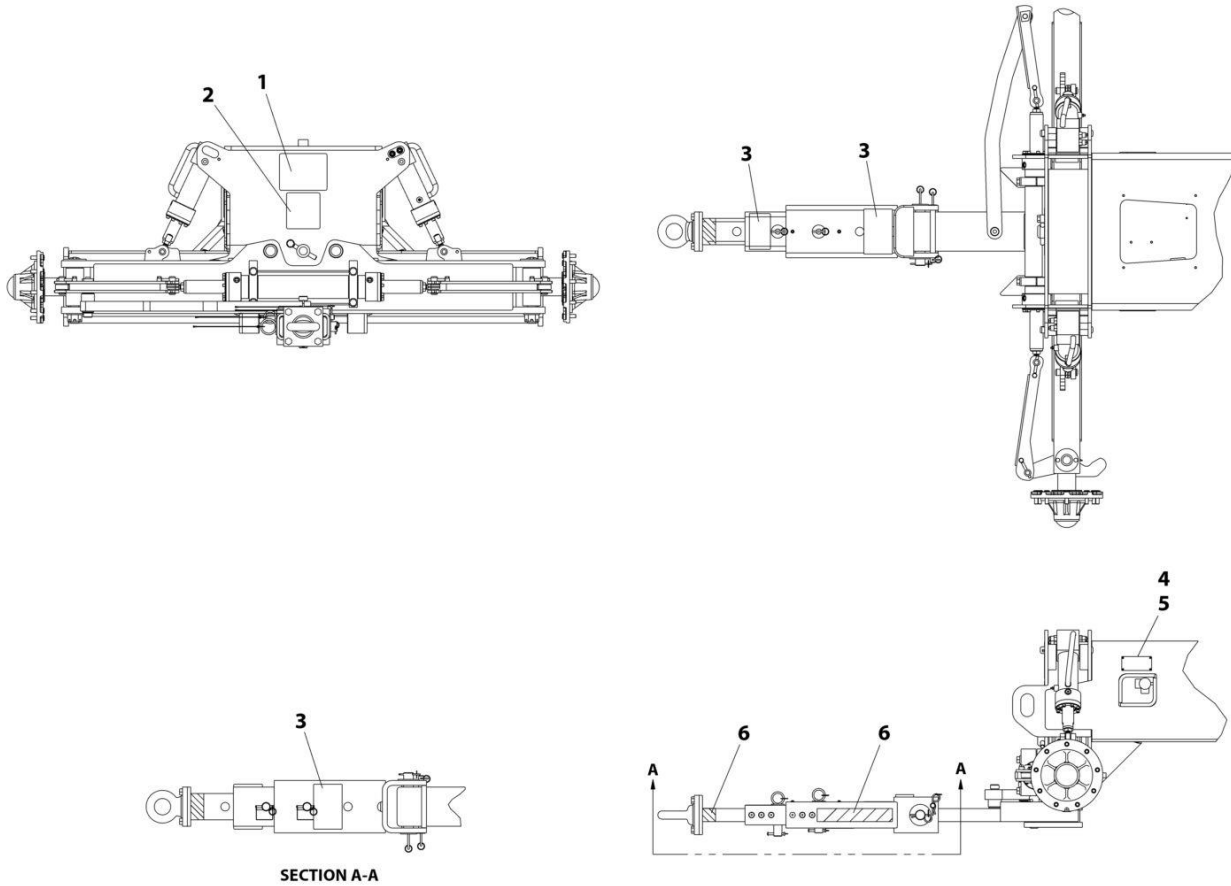
## SECTION 9 - DECALS

**FIGURE 9-10. TOW BAR DECAL INSTALLATION (ALL SPECS EXCEPT CSA & JAPANESE SPECS)  
(ENGLISH LANGUAGE)**

ITEM	PART NUMBER	QTY	DESCRIPTION	REV
	0270629	Ref	TOW BAR DECAL INSTALLATION (ANSI SPECS)	C
2	1001196121	1	Decal - Tow Instructions	
3	1704578	3	Decal - Crushing	
4	1001196122	1	Nameplate - Steer/Tow Select	
6	1001195754	35 in /89cm	Tape, Safety	

# SECTION 9 - DECALS

## FIGURE 9-11. TOW BAR DECAL INSTALLATION (ANSI EXPORT SPECS) (SPANISH/ENGLISH LANGUAGES)



ART\_0270631



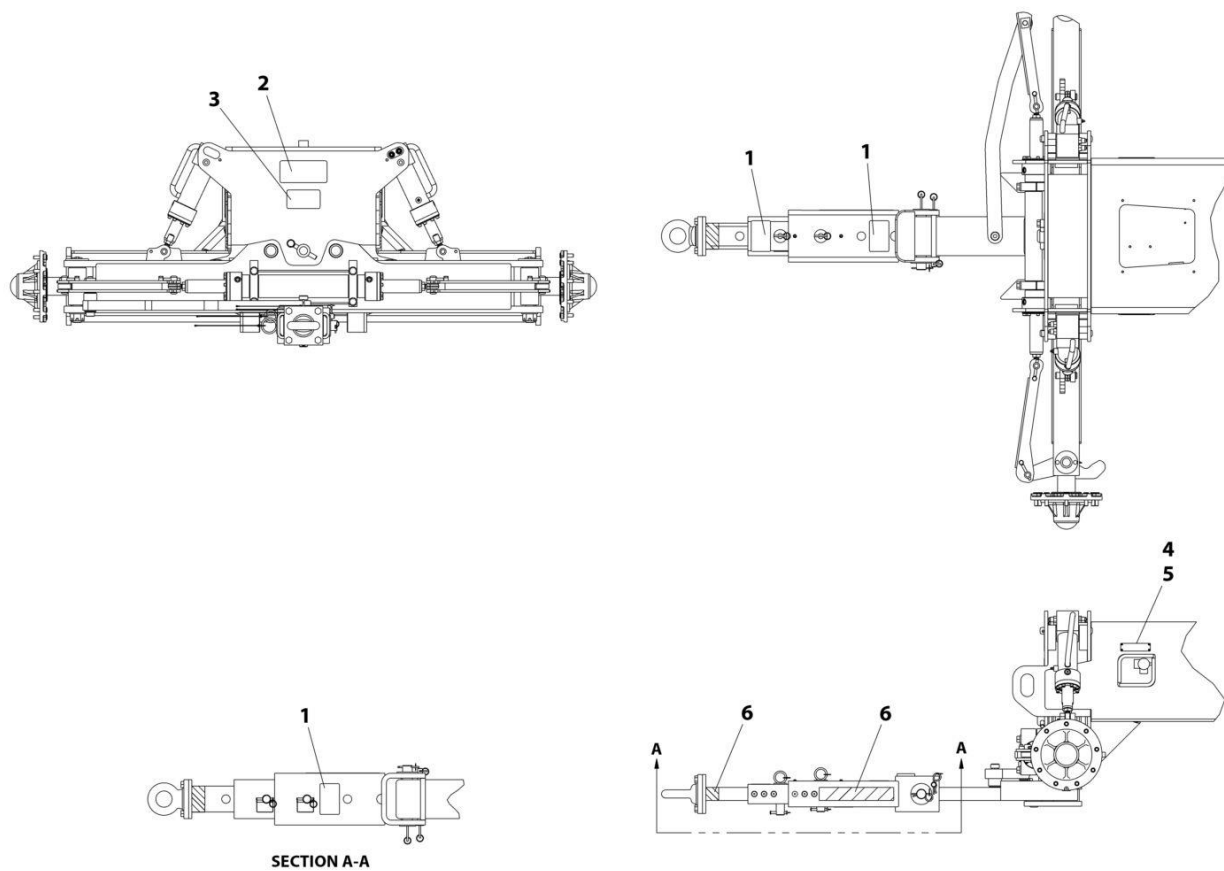
## SECTION 9 - DECALS

**FIGURE 9-11. TOW BAR DECAL INSTALLATION (ANSI EXPORT SPECS) (SPANISH/ENGLISH LANGUAGES)**

ITEM	PART NUMBER	QTY	DESCRIPTION	REV
	0270631	Ref	TOW BAR DECAL INSTALLATION (SPANISH/ENGLISH SPECS)	B
1	1704457	1	Decal - Tow Instructions	
2	1704576	1	Decal - Warning	
3	1704577	3	Decal - Crushing	
4	3252693	1	Nameplate - Steer/Tow Select	
5	3820001	4	Rivet	
6	4420051	35 in /89cm	Tape, Safety	

# SECTION 9 - DECALS

## FIGURE 9-12. TOW BAR DECAL INSTALLATION (CE & UK CA SPECS) (SPANISH LANGUAGE)



ART\_0270630

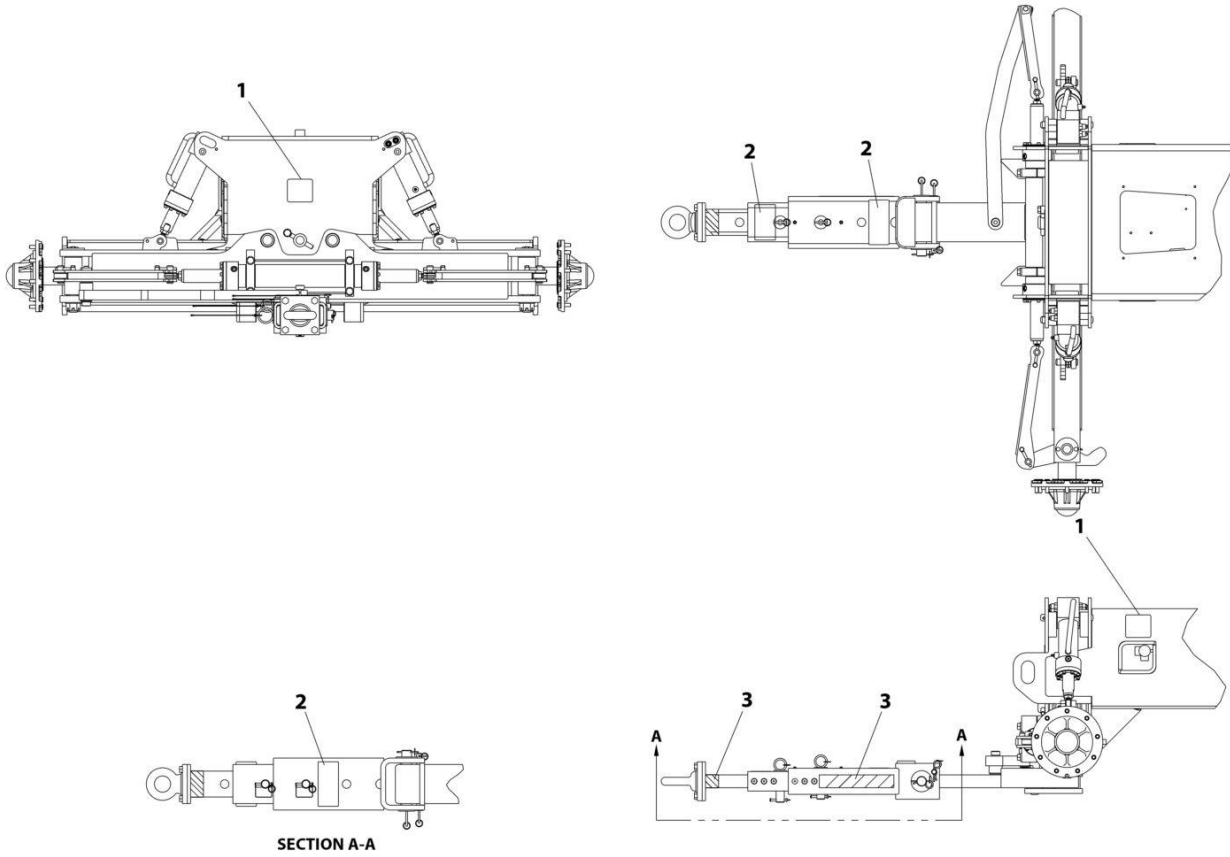
## SECTION 9 - DECALS

**FIGURE 9-12. TOW BAR DECAL INSTALLATION (CE & UK CA SPECS) (SPANISH LANGUAGE))**

ITEM	PART NUMBER	QTY	DESCRIPTION	REV
	0270630	Ref	TOW BAR DECAL INSTALLATION (SPANISH/ENGLISH SPECS)	B
1	1701518	3	Decal - Crushing	
2	1704455	1	Decal - Tow Instructions	
3	1704456	1	Decal - Warning	
4	3252692	1	Nameplate - Steer/Tow Select	
5	3820001	4	Rivet	
6	4420051	35 in /89cm	Tape, Safety	

# SECTION 9 - DECALS

FIGURE 9-13. TOW BAR DECAL INSTALLATION (AUSTRALIAN, UL, CE & UK CA SPECS) (ALL LANGUAGES)



ART\_1001264633

## SECTION 9 - DECALS

**FIGURE 9-13. TOW BAR DECAL INSTALLATION (AUSTRALIAN, UL, CE & UK CA SPECS) (ALL LANGUAGES))**

ITEM	PART NUMBER	QTY	DESCRIPTION	REV
	1001264633	Ref	TOW BAR DECAL INSTALLATION	A
1	1706957	2	Decal - Tow Instructions	
2	1706960	3	Decal - Crushing	
3	1001195754	35 in /89cm	Tape, Safety	



## **SECTION 10 - RECOMMENDED SERVICE PARTS STOCK**

## **SECTION 10 - RECOMMENDED SERVICE PARTS STOCK**

# SECTION 10 - RECOMMENDED SERVICE PARTS STOCK

FIGURE 10-1. RECOMMENDED SERVICE PARTS STOCK

ITEM	PART NUMBER	QTY	DESCRIPTION	REV
		Ref	Note: The following list will service one machine (built to current production per date on the front cover) with emergency repair parts which can be installed in the field. Parts from the list should be replaced when inventory is depleted to keep service parts stock supplied. For further information, contact your JLG dealer or the JLG Industries Parts Department.	
	1001181045	1	Breaker, 16Amp (One Breaker Box)	
	1001189172	1	Breaker, 16 Amp (Double) (Two Breaker Box)	
	1001189171	1	Breaker, 30mA (Two Breaker Box)	
	70002947	1	Coil (Drive Valve (4WD) & Main Valve)	
	70007285	1	Coil (Main Valve)	
	7018991	1	Coil (Main Valve)	
	70007291	1	Coil (Boom Valve)	
	1001275628	1	Controller, Drive/Steer	
	1001275629	1	Controller, Lift/Swing	
	3990001	2	Diode (Charger Harness)	
	70000313	12	Element, Air Cleaner (Kubota)	
	7023269	12	Element, Breather (Hydraulic Tank)	
	7023224	12	Element, Filter Hydraulic (Hydraulic Tank)	
	70000318	12	Element, Fuel Filter (Kubota)	
	70000319	12	Element, Oil Filter (Kubota)	
	1001196634	2	Fuse, 2A (Charger Harness)	
	8229249	2	Fuse, 3A (USB Charger)	
	1001196635	2	Fuse, 3A (Bluetooth Module Harness)	
	8229242	2	Fuse, 5A (CAN Buss Harness, Platform Console Harness & Turntable Harness)	
	8229261	2	Fuse, 5A (Traction Harness)	
	8229234	2	Fuse, 10A (Traction Harness)	
	70000329	2	Fuse, 15A (Kubota)	
	8229237	2	Fuse, 15A (Traction Harness)	
	70000330	2	Fuse, 20A (Kubota)	
	1001170761	2	Fuse, 20A (Traction Harness)	
	8229235	2	Fuse, 20A (Traction Harness)	
	1001170762	2	Fuse, 30A (Traction Harness)	
	8229236	2	Fuse, 30A (Traction Harness)	
	1001170365	2	Fuse, 400 Amp (UL Specs)	
	2860030	1	Key, Replacement	
	2940074	1	Latch (Platforms with Side Gate Entry)	
	1001247468	1	Loadcell (Platform Support)	
	1001245293	1	Module, Bluetooth Control	
	1001178339	1	Module, Drive (Drive Module Plate)	
	1001192212	1	Module, Drive (Drive Module Plate)	
	70000326	1	Module, Engine Control (Fuel Tank & Engine Module Installation)	
	1001182700	1	Module, Ground	
	1001196520	1	Module, Platform (All Specs Except UL Specs)	
	1001215835	1	Module, Platform (UL Specs)	
	3740080	1	Relay (Electrical Plate & Generator Harness)	
	1001214667	1	Relay (Electrical Plate UL Specs)	
	70000322	1	Relay (Kubota)	
	70000323	1	Relay (Kubota)	



## SECTION 10 - RECOMMENDED SERVICE PARTS STOCK

ITEM	PART NUMBER	QTY	DESCRIPTION	REV
	1001186431	1	Relay (SkyGuard)	
	3740086	1	Relay (SkyLine)	
	1001170367	1	Relay, 300Amp (Electrical Plate)	
	1001272006	1	Relay, 350Amp (UL Specs)	
	1001228225	1	Sensor, Emitter (SkyEye)	
	1001200173	1	Sensor, Limit (Limit Switch Installation)	
	4360057	1	Sensor, Limit (Soft Touch)	
	4360578	1	Sensor, Limit (Limit Switch Cable)	
	70000325	1	Sensor, Oil Temperature (Kubota)	
	1001232667	1	Sensor, Proximity (SkyLine)	
	1001311034	1	Sensor, Proximity (SkyLine)	
	4360517	1	Sensor, Proximity (Drive Orientation)	
	1001228224	1	Sensor, Receiver (SkyEye)	
	1001161117	1	Sensor, Rotary Angle (Steer Installation)	
	1001137673	1	Sensor, SkyGuard Bar	
	1001237902	1	Sensor, SkySense	
	70005394	1	Sensor, Speed (Drive Motor)	
	70000324	1	Sensor, Speed (Kubota)	
	1001102771	1	Sensor, Temperature (Charger Harness)	
	70005407	1	Sensor, Temperature (Drive Motor)	
	1001176711	1	Sensor, Temperature (Battery Box Installations)	
	1001219601	1	Sensor, Tilt Dual Axis	
	4360475	1	Switch, Emergency Stop	
	1001117174	1	Switch, Foot	
	4360469	1	Switch, Key	
	4360407	1	Switch, Potentiometer	
	4360274	1	Switch, Pushbutton Gray (Engine Controls)	
	4360387	1	Switch, Pushbutton Yellow (Console Box, Ground Control Panel & Soft Touch)	
	1001155045	1	Switch, Toggle (Console Box, Ground Control Panel & Jib Rotate Switch)	
	1001159256	1	Switch, Toggle (Console Box)	
	1001161710	1	Switch, Toggle (Console Box & Engine Controls)	
	1001211363	1	Switch, Toggle (4WD Machines)	



**SECTION 11 - SPECIAL OPTIONS**

# SECTION 11 - SPECIAL OPTIONS

## FIGURE 11-1. SPECIAL OPTIONS/ACCESSORIES/KITS

ITEM	PART NUMBER	QTY	DESCRIPTION	REV
		Ref	Note: This list is to accommodate machines ordered with special equipment. Options may not be applicable to all models. For more specific parts information contact JLG Parts Department.	
	1001270615	Ref	12V Charger with Disconnect Kit	
	1001221191	Ref	AC Dual Boxes at Platform Installation - 220V (CEE7 Side Ground) (CE & UK CA Specs Only)	
		Ref	Airline Installations - 1/2in	
	0270447	Ref	Airline Installations - EC600SJ & H600SJ	
	0270437	Ref	Airline Installations - EC600SJP & H600SJP	
	1001200913	Ref	Battery (Trickle) Charger Installation	
	1001269901	Ref	Battery Charger (E600) Kit	
	1001268352	Ref	Battery Isolator Kit	
	1001214094	1	Beacon Platform/Ground Installation	
	1001148971	Ref	Bolt-on Lanyard Kit (Platform)	
		Ref	Boom Wiper Installations	
	0270364	Ref	Boom Wiper Installation (Whiskers) - EC600SJ & H600SJ	
	0270413	Ref	Boom Wiper Installation (Whiskers) - EC600SJP & H600SJP	
	1001278511	Ref	Boom Wiper Installation (Blades) - EC600SJP & H600SJP	
	1001281983	1	Boom Wiper Blade Replacement Kit	
	1001282100	1	Boom Wiper Blade Mount Replacement Kit	B
		Ref	ClearSky Telematics Kit Options (DEALER INSTALLED)	
	1001250537	Ref	ClearSky Add-on Kit (ANSI Specs) (Dealer Installed)	
	1001254285	Ref	ClearSky Add-on Kit (CE & UK CA Specs) (Dealer Installed)	
	1001276923	Ref	ClearSky GT1030 Add-on Kit (Dealer Installed)	
	1001243575	Ref	ClearSky Access Control Add-on Kit (Dealer Installed)	
	1001243183	Ref	ClearSky Access Control Telematics Single Can Add-on Kit (ANSI Specs)	
	1001243184	Ref	ClearSky Access Control Telematics Single Can Add-on Kit (CE & UK CA Specs)	
	1001294862	Ref	ClearSky Decals Installation	
	1001265360	Ref	ClearSky Telematics Add-on Kit - Canbus Connection (ANSI Specs)	
	1001247426	Ref	ClearSky Telematics Add-on Kit - Canbus Connection (Australian Specs)	
	1001237110	Ref	ClearSky Telematics Add-on Kit - Canbus Connection (ANSI Export, CE & UK CA Specs)	
	1001247427	Ref	ClearSky Telematics Add-on Kit - Canbus Connection (China Specs)	
	1001230504	Ref	ClearSky Telematics Add-on Kit - 3 Wire Connection (ANSI Specs)	
	1001234102	Ref	ClearSky Telematics Add-on Kit - 3 Wire Connection (ANSI Export, CE & UK CA Specs)	
	1001293501	Ref	ClearSky Telematics CS550 Installation	
		Ref	ClearSky (Telematics) Installations (Factory Installed)	
	0270374	Ref	Cold Weather Package Installation- H600SJ & H600SJP	
	1001270482	Ref	Console Cover (Lockable) Kit	
	1001309057	Ref	Console Cover Kit	
	0273172	Ref	Container Shipment Preparation (Wheel Installation)	
		Ref	Cylinder Bellow Installations	
	1001188098	Ref	Cylinder Bellow Installation - Chassis	
	0270314	Ref	Cylinder Bellow Installations - Boom	

## SECTION 11 - SPECIAL OPTIONS

ITEM	PART NUMBER	QTY	DESCRIPTION	REV
		Ref	Decal Kits:	
	1001108728	Ref	Decal Kit - Platform	
	1001223824	Ref	Decal Kit - Platform Box	
		Ref	Electrical Connector Kits:	
	1001148902	Ref	Amp/Tyco Electrical Connector Kit	
	1001148903	Ref	Deutsch DT Electrical Connector Kit	
	1001148904	Ref	Deutsch HD Electrical Connector Kit	
	1001148905	Ref	Packard Electrical Connector Kit	
	1001148906	Ref	Various Electrical Connectors Kit	
	1001237883	Ref	Fall Arrest (Bolt-on) Add-on Kit (6ft/1.82m Platform (ANSI, ANSI Export, China, CSA & Japanese Specs Only) (Fits Platform p/n 1001228376)	
	1001237882	Ref	Fall Arrest (Bolt-on) Add-on Kit (8ft/2.4m Platform (ANSI, ANSI Export, China, CSA & Japanese Specs Only) (Fits Platform p/n 1001186383)	
	1001274833	Ref	Floor Mat Add-on Kit (30x48 Platform) (Dealer Installed)	
	1001274832	Ref	Floor Mat Add-on Kit (30x60 Platform) (Dealer Installed)	
	1001274831	Ref	Floor Mat Add-on Kit (30x72 Platform) (Dealer Installed)	
	1001274830	Ref	Floor Mat Add-on Kit (36x72 Platform) (Dealer Installed)	
	4060959	Ref	Footswitch Shield (Note: Must Purchase New Decal)	
	1001191395	Ref	Fuel Cap Cover (Lockable) (Green) (Note: Does not include Lock. Lock Must be Purchased Separately)	
	1001202749	Ref	Fuel Cap Cover (Lockable) (Black) (Note: Does not include Lock. Lock Must be Purchased Separately)	
	1001281877	Ref	Gateway Plus Installation	
	1001293369	Ref	Hood Plug Installation	
	1001199312	Ref	Headlight and Taillight Installation	
		Ref	Hose Kit Options:	
	1001239579	Ref	Hose Kit - Platform Valve (EC600SJ & H600SJ)	
	1001239580	Ref	Hose Kit - Platform Valve (EC600SJP & H600SJP)	
	1001198662	Ref	Hose Kit - Power Track (Upper Boom) (EC600SJ & H600SJ)	
	1001198661	Ref	Hose Kit - Power Track (Upper Boom) (EC600SJ & H600SJP)	
	1001241407	Ref	Hostile Environment Add-on Kit - Fixed Axle (Dealer Installed)	
	1001241408	Ref	Hostile Environment Add-on Kit - Oscillating Axle (Dealer Installed)	
	1001196190	Ref	Inverter Installation (110AVC/1000WATT)	
	0271382	Ref	Inverter Installation (220VAC/1000WATT)	
	1001293025	Ref	Inverter Installation (120VAC/3000WATT)	
	1001293169	Ref	Inverter Installation (240VAC/3000WATT)	
	1001253618	Ref	Module Box Assembly Kit (Service Kit for P/N 1001246867)	
	1001253619	Ref	Module Box Assembly Kit (Service Kit for P/N 1001246860)	
	1001272166	Ref	Pipe Rack Add-on Kit (Dealer Installed)	
	1001195304	Ref	Platform Console Cover - Plastic	
	1001266290	Ref	Platform Console Cover - Steel	
	1001308593	Ref	Platform Console Cover - Fabric	
	1001295280	Ref	Platform Console Cover - Steel (China Spec)	
	2915227	Ref	Platform Conversion Kit (Side Entry)	
	1580013	Ref	Platform Corner Storage Tray	
		Ref	Platform Entry Kit Options:	
	1001142504	Ref	Platform Entry Kit (Replace Swing Gate with Drop Bar)	
	1001142505	Ref	Platform Entry Kit (Replace Drop Bar with Swing Gate)	
		Ref	Platform Mesh Installation Options (Side Entry Platforms) (Factory Installed)	

## SECTION 11 - SPECIAL OPTIONS

ITEM	PART NUMBER	QTY	DESCRIPTION	REV
	1001272274	Ref	Platform Mesh Installation - 30in x 4ft (76cm x 1.22m) Platform (To Mid-Rail) (Factory Installed)	
	1001272313	Ref	Platform Mesh Installation - 30in x 6ft (76cm x 1.83m) Platform (To Mid-Rail) (Factory Installed)	
	1001272182	Ref	Platform Mesh Installation - 30in x 4ft (76cm x 1.22m) Platform (To Top-Rail) (Factory Installed)	
	1001272310	Ref	Platform Mesh Installation - 30in x 6ft (76cm x 1.83m) Platform (To Top-Rail) (Factory Installed)	
		Ref	Platform Padding Installations (Side Entry Platforms)	
	0273381	Ref	30in x 4ft (76cm x 1.22m)	
	0274382	Ref	30in x 6ft (76cm x 1.83m) (Without SkySense)	
	1001275642	Ref	36in x 6ft (91cm x 1.83m) (With SkySense)	
	1001269655	Ref	36in x 8ft (91cm x 2.13m) (With SkySense)	
	1001275643	Ref	30in x 4ft (76cm x 1.83m) (With SkySense)	
	1001282461	Ref	30in x 8ft (76cm x 1.22m) (With SkySense)	
	1001266969	Ref	Platform Plastic Mesh Installation - 30in x 4ft (76cm x 1.22m) Platform (To Mid-Rail) (Factory Installed)	
	1001266465	Ref	Platform Plastic Mesh Installation - 30in x 6ft (76cm x 1.83m) Platform (To Mid-Rail) (Factory Installed)	
	1001266807	Ref	Platform Plastic Mesh Installation - 30in x 4ft (76cm x 1.22m) Platform (To Top-Rail) (Factory Installed)	
	1001266491	Ref	Platform Plastic Mesh Installation - 30in x 6ft (76cm x 1.83m) Platform (To Top-Rail) (Factory Installed)	
		Ref	Platform Mesh Add-on Kits Options (Side Entry Platforms) (Dealer Installed)	
	1001281461	Ref	Platform Mesh Add-on Kit - 30in x 4ft (76cm x 1.22m) Platform (To Mid-Rail) (Dealer Installed)	
	1001281459	Ref	Platform Mesh Add-on Kit - 30in x 6ft (76cm x 1.83m) Platform (To Mid-Rail) (Dealer Installed)	
	1001281456	Ref	Platform Mesh Add-on Kit - 30in x 4ft (76cm x 1.22m) Platform (To Top-Rail) (Dealer Installed)	
	1001281454	Ref	Platform Mesh Add-on Kit - 30in x 6ft (76cm x 1.83m) Platform (To Top-Rail) (Dealer Installed)	
	1001283853	Ref	Mid Rail Deck Installation	
	1001297298	Ref	Mid Rail Deck Kit	
		Ref	Platform Rail Extension Installations (Side Entry Platforms)	
	1001103617	Ref	Platform Rail Extension Installation -30in x 4ft (76cm x 1.22m) Platform	
	0274095	Ref	Platform Rail Extension Installation - 30in x 6ft (76cm x 1.83m) Platform	
	1001120466	Ref	Platform Worklights	
	1001282215	1	Platform Worklights Kit	
	1001190897	Ref	Service Kits	W
		Ref	SkyGuard Options:	
	1001247073	Ref	SkyEye Retrofit Kit	
	1001241547	Ref	SkyEye Repair Kit - LH Housing	
	1001241548	Ref	SkyEye Repair Kit - RH Housing	
	1001218499	Ref	SkyGuard Kit (Without Beacon)	
	1001218502	Ref	SkyGuard With Beacon (Blue)	
	1001218503	Ref	SkyGuard With Beacon (Red)	
	1001250595	Ref	SkyGuard 6-Pin Retrofit Installation Kit	
	1001249052	Ref	SkyGuard Retrofit Kit	
	1001250035	Ref	SkyGuard Platform Sensor Retrofit Kit	
	1001262016	Ref	SkyLine Add-on Kit	

## SECTION 11 - SPECIAL OPTIONS

ITEM	PART NUMBER	QTY	DESCRIPTION	REV
		Ref	SkySense/Enhanced Detection System Installation (Factory Installed)	
	1001289831	Ref	SkySense/Enhanced Detection System - Level 1 Boom (Factory Installed)	
	1001289832	Ref	SkySense/Enhanced Detection System - Level 2 Boom (Factory Installed)	
		Ref	SkySense/Enhanced Detection System Add-on Kit (Dealer Installed)	
	1001289905	Ref	SkySense/Enhanced Detection System Add-on Kit - Level 1 Boom (Dealer Installed)	
	1001289906	Ref	SkySense/Enhanced Detection System Add-on Kit- Level 2 Boom (Dealer Installed)	
	1001191144	Ref	Strobe Light (Platform Mounted)	
	1001293876	Ref	Strobe Light (Red) Kit	
	1001294071	Ref	Strobe Light (Blue) Kit	
	1001292586	Ref	Strobe Light (Amber) Kit	
	1001303167	Ref	SkyWelder Extension Cord Cable	
	1001286328	Ref	USB for Drive Kit	
		Ref	Tools for Service:	
	1001249695	Ref	Analyzer, Machine with Cable	
	1001249941	Ref	Analyzer, Machine (Battery Powered)	
	7002821	Ref	Crimper, Wire	
	7002823	Ref	Pin Extractor - Universal (For Electrical Connectors with Pins and Sockets)	
	4460467	Ref	Extractor - 16-18 Gauge (For Removal of Pin/Sockets from Deutsch Connectors)	
	4460510	Ref	Extractor - 12-14 Gauge (For Removal of Pin/Sockets from Deutsch Connectors)	
	7016654	Ref	Screwdriver, Magnetic	
	7002822	Ref	Screwdriver, Potentiometer	
	7004275	Ref	Seal Tool 1 in (For Cylinders)	
	7004276	Ref	Seal Tool 1-1/2 in (For Cylinders)	
	1001137005	Ref	Software Cable Kit (Service Kit)	
	7002828	Ref	Stripper, Wire	
	70004185	Ref	Torque Multiplier	
	2915102	Ref	Turntable Bearing Kit	
	1001277843	Ref	UGM Retrofit Kit	
	1001274249	Ref	USB Charger Add-on Kit (Dealer Installed)	
	1001227293	Ref	Voltage Guard Installation (120-240V, 50/60Hz)	
	1001262959	Ref	Voltage Regulator ClearSky Locate Kit	
	2910886	Ref	Wear Pad Kit	
		Ref	Weld Lead Installations	
	0270436	Ref	Weld Lead Installations - EC600SJ & H600SJ	
	0270448	Ref	Weld Lead Installations - EC600SJP & H600SJP	
		Ref	White Noise Alarm Installations:	
	1001231989	Ref	White Noise Alarm Add-on Installation (Factory Installed)	
	1001235850	Ref	White Noise Alarm Add-on Kit (Dealer Installed)	
	1001235853	Ref	White Noise Ambient Alarm Add-on Kit	





**PART NUMBER INDEX**

## SECTION 11 - SPECIAL OPTIONS

0060056.....213, 217, 235	0272418 ..... 573	0641418 ... 145, 253, 257, 261, 267, 269, 277	0642012.....205, 209, 213, 217, 329, 331, 333
0060057.....213, 217, 237	0272692 ..... 83	0641424 ... 21, 23, 25, 27, 29, 31, 33	0642030....37, 39, 41, 45, 49, 53, 57
0080233.....45, 53	0272693 ..... 83	0641504 ... 41, 45, 49, 53, 89, 91	0642216....205, 209, 213, 217
0100009....287, 291, 295, 299	0273172 ..... 588	0641505 ..... 87	0642684.....235, 237
0100011....17, 19, 21, 23, 25, 27, 29, 31, 33, 37, 39, 41, 45, 49, 53, 57, 59, 61, 87, 89, 91, 95, 97, 103, 109, 111, 115, 117, 119, 123, 125, 127, 129, 131, 133, 135, 137, 139, 141, 143, 145, 147, 149, 151, 153, 161, 163, 177, 183, 185, 189, 191, 199, 201, 205, 209, 213, 217, 221, 223, 225, 227, 229, 231, 239, 241, 243, 249, 253, 257, 261, 267, 269, 277, 317, 319, 325, 327, 365, 435, 437, 441, 443, 445, 447, 451	0273381 ..... 590	0641506 ..... 59, 135, 137, 139, 141, 143, 185	0681608.....239
0100019....39, 41, 45, 49, 53, 59, 61, 103, 109, 111, 206, 209, 214, 217	0274095 ..... 590	0641507 ..... 61, 241, 243	0681620....335, 337, 339, 341, 343
010002059, 61, 123, 125, 189, 191, 303, 378, 382	0274382 ..... 590	0641508 ..... 185, 193	0681812.....41, 45, 49, 53
0100035..77, 79, 81, 249, 287, 291, 295, 299, 311	0275216 .... 393, 405, 517	0641510 ... 135, 137, 139, 141, 143	0681814.....263, 271
0100038....21, 23, 25, 27, 29, 31, 33, 365	0275452 ..... 397, 521	0641511 ..... 117, 119	0681818.....17, 19
0100048....135, 137, 139, 141, 143	0275453 ..... 399, 523	0641514 ..... 199, 201	0681822.....263, 271
0100081....185, 229, 231, 329, 331, 333	0275454 .... 401, 403, 525	0641518 ... 206, 209, 213, 217	0682012.....59, 61
0100083.....81	0275663 ..... 461	0641528 ... 21, 23, 25, 27, 29, 31, 33	0682026.....109, 111
0140011....287, 291, 295, 299	0275664 ..... 463	0641604 ... 37, 39, 57, 59, 61	0682212.....91
0140043.....161	0275665 ..... 465	0641606 ... 37, 39, 41, 45, 49, 53, 57, 95, 97, 115, 117, 119, 123, 125, 185, 189, 191, 193, 199, 201, 205, 209, 213, 217, 221, 223, 225, 227, 229, 231, 365	0682424....335, 337, 339, 341, 343
0200048.....325, 327	0275666 ..... 457	0641607 ... 37, 39, 41, 45, 49, 53, 57, 213, 217, 221, 223, 225, 227	0700812.....117, 119
0239585.....113	0275667 ..... 459	0641608 ..... 39, 205, 209, 213, 217, 221, 223, 225, 227, 229, 231	0701217....21, 23, 25, 27, 29, 31, 33
0258303.....391	0275928 ..... 329	0641609 ... 221, 223, 225, 227	0721004.....89, 91
0258304.....389	0275945 ..... 329	0641610 ... 17, 19, 21, 23, 25, 27, 29, 31, 33, 59, 61, 185, 279, 281, 283, 285	0721005.....61, 325
0258305.....409	0340049 ..... 119	0641612 ... 185, 205, 209, 213, 217, 435, 437, 441, 443, 445, 447, 451	0731005.....327
0259549.....205	0362910 ..... 89	0641614 ... 117, 119, 145, 193, 199, 201, 393, 395, 397, 399, 401, 403, 405, 407	0741005.....95, 97
0259837.....229	0362929 ..... 206, 213	0641616 ... 205, 209, 213, 217, 221, 223, 225, 227	0741606....206, 209, 214, 217
0259849.....109	0400201 ..... 189	0641618 ... 193, 205, 209, 213, 217	074160789, 91, 205, 209, 213, 217
0270279.....213	0400202 ..... 135, 137	0641620 ..... 229, 231	0760812.....133
0270314.....588	0440161 ... 41, 45, 49, 53	0641622 ..... 229, 231	0761014.....239
0270364.....588	0440162 ..... 37, 39, 57	0641640 ..... 229, 231	0761216.....239
0270374.....588	0440240 ..... 109, 111	0641660 ..... 189, 191	0791410.....87
0270413.....588	0561185 ... 221, 223, 225, 227	0641810 ..... 213, 217	0791506.....59, 61
0270430.....573	0561380 ... 205, 209, 213, 217	0641811 ..... 205, 209	0801207.....205, 221
0270436.....591	0630462 ..... 325, 327	0641812 ... 21, 23, 25, 27, 29, 31, 33, 213, 217, 239	0801239.....213, 225
0270437.....588	0630467 ..... 241, 243	0641814 ..... 59, 61	0801582.....221
0270447.....588	0630535 ..... 365	0641818 ..... 17, 19	0801583.....225
0270448.....591	0630536 ..... 357	0641820 ... 135, 137, 139, 141, 143	0801606.....221
0270527.....89	0630539 ... 206, 209, 213, 217	0642010 ... 17, 19, 21, 23, 25, 27, 29, 31, 33, 89	0801611.....225
0270528.....89	0630568 ... 287, 291, 295, 299		0840031.....135, 137
0270629.....575	0641403 ..... 249		0840032.....135, 137
0270630.....579	0641404 ... 41, 45, 49, 53, 319		0840048.....139, 141
0270631.....577	0641405 ... 145, 287, 291, 295, 299, 319		0840049.....139, 141
0270752.....103	0641406 ... 123, 125, 161, 163, 173, 175, 177, 179, 181, 183, 189, 191, 193, 206, 209, 213, 217, 279, 281, 283, 285, 313, 557, 561, 563, 565, 567, 569, 571		0860038.....391, 409
0271382.....179, 589	0641407 ..... 163, 185		0860520....557, 559, 561, 563, 565, 567, 569, 571

## SECTION 11 - SPECIAL OPTIONS

096195163, 65, 205, 209, 353, 355, 361	1001117174.....287, 291, 295, 299, 303, 585	1001155043.....147, 149, 151, 153	1001175088..... 109, 111
0962257 ..... 233	1001117372..... 349, 351	1001155044.....147, 149, 151, 153, 287, 291, 295, 299, 305, 307, 309	1001175158... 17, 19, 21, 23, 25, 29, 31
0962270 ..... 263, 271	1001118384..... 535	1001155045.....147, 149, 151, 153, 287, 291, 295, 299, 309, 585	1001175539 ..... 119
0962292 ... 39, 41, 45, 49, 53, 63, 65, 205, 209	1001118388..... 533, 535	1001156351.....389, 441, 451	1001175575 ..... 185
0962297 ... 205, 209, 213, 217, 221, 223, 225, 227	1001119619..... 529	1001156352.....389, 441, 451	1001175596 ..... 185
0962348 ..... 39	1001119620..... 527, 531	1001156428.....45, 49	1001176469 ..... 149, 153
1001091429 ..... 331	1001120328..... 317, 319	1001156429....41, 45, 49, 53	1001176711 ..... 585
1001091430 ..... 333	1001120466..... 590	1001156430....41, 45, 49, 53	1001178339 ..... 81, 584
1001091431 ..... 331	1001120471..... 345	1001157890.....539, 543, 545, 546	1001179499 ..... 487, 489
1001091432 ..... 333	1001120477..... 345	1001157891.....539, 543, 545	1001179500 ..... 487, 489
1001091433 ..... 331	1001120484..... 345	1001159186.....495, 509, 513	1001179842 .... 135, 137, 139, 141, 143
1001091434 ..... 333	1001120989..... 573	1001159256.....287, 291, 295, 299, 585	1001180652 ..... 87
1001092586 ... 41, 45, 49, 53, 75	1001125483..... 175, 177, 181, 183	1001161117....37, 39, 41, 45, 49, 53, 57, 585	1001180653 ..... 77, 79
1001094670 .... 206, 210, 214, 218	1001125677..... 455, 491, 509, 513, 546	10011616710.....287, 291, 305, 307, 585	1001180654 ..... 59, 77
1001096148 .... 135, 137, 139, 141, 143	1001126008..... 539, 540	1001163580....21, 25, 29, 349	1001180779 ..... 81
1001097051 ..... 531	1001126009..... 535	1001164817.....349	1001180780 .... 59, 61, 81
1001097150 .... 429, 431, 433	1001126245..... 540	1001165035.....189, 191	1001180902 ..... 45
1001097244 ..... 345	1001131269..... 557, 565	1001167565.....239	1001180904 ... 41, 45, 49, 53
1001098122 .... 303, 509, 513	1001132049..... 455	1001167567.....239	1001180908 ... 37, 39, 57
1001098828 ..... 239	1001132050..... 455	1001168402.....239	1001180912 ... 37, 39, 57, 63
1001100341 ..... 517	1001137005..... 591	1001169423....37, 39, 41, 45, 49, 53, 57	1001180934 ..... 37
1001100342 ..... 519	1001137673..... 317, 585	1001169582.....113	1001180935 ..... 45
1001100345 ..... 521	1001138494..... 257, 261, 267, 269, 277	1001170365.....61, 584	1001180936 ..... 39
1001100346 ..... 525	1001138514..... 257, 261, 269, 277	1001170367.....79, 585	1001180937 ..... 53
1001100347 ..... 523	1001139654..... 573	1001170761.....539, 584	1001181045 ..... 429, 584
1001102771 ..... 585	1001140281.... 37, 39, 41, 45, 49, 53, 57, 363	1001170762.....539, 584	1001181065 ..... 87
1001103012 ..... 539	1001140282..... 205, 210, 213, 218, 355	1001170764.....551	1001181066 ..... 59
1001103617 ..... 590	1001140429..... 253, 257, 261, 267, 269, 277	1001172260.... 135, 137, 139, 141, 143	1001181067 ..... 61
1001104498 ..... 539	1001140596..... 205, 210, 213, 218, 353	1001172293.....87	1001181924 ..... 87
1001106481 ..... 249	1001141300..... 573	1001172760.....287, 291, 295, 299	1001182136 ... 21, 23, 25, 27, 29, 31, 33, 35
1001107854 ..... 539	1001141302..... 573	1001172876.... 135, 137, 139, 141, 143	1001182494 .... 59, 61, 67
1001108728 ..... 589	1001141581.... 41, 46, 49, 54	1001173137.....181	1001182700 ..... 584
1001108923 ..... 573	1001142504..... 589	1001173138.....175	1001182707 ..... 25
1001109503 .... 147, 149, 151, 153	1001142505..... 589	1001173387.....145	1001182806 ..... 163
1001110434 .... 287, 291, 295, 299	1001144147..... 453, 483, 491, 545	1001173703.....573	1001182960 ..... 59, 61
1001110873 ..... 391	1001144295..... 546	1001174040.....239	1001182996 ..... 487, 489
1001113680 ..... 561	1001144296..... 491	1001174447.....77, 79	1001183229 ..... 145
1001113961 ..... 545	1001144433..... 317	1001174461....17, 21, 23	1001183368 ..... 161
1001116031 ..... 115	1001144629..... 255, 259, 265, 267, 273, 275	1001174522.....17	1001183373 ..... 137
1001116106 ..... 115	1001145781..... 275, 277	1001174523.....19	1001183374 ..... 135
1001116208 ..... 573	1001148902..... 589	1001174525.....21	1001183375 ..... 141
1001116692 ..... 495, 539	1001148903..... 589	1001174527.....29	1001183535 ..... 435
1001116693 ..... 545	1001148904..... 589	1001174528.....25	1001183536 ..... 443
1001116720 ..... 533	1001148905..... 589	1001174542.....185	1001183538 ..... 437
1001116731 ..... 483	1001148906..... 589	1001174792....19, 29, 31	1001183539 ..... 445
1001116732 ..... 493, 539	1001148971..... 588	1001174891.....117	1001183540 ..... 447
1001116733 .... 493, 539, 540	1001151393..... 147, 149, 151, 153	1001175087 ..... 109	1001183584 ..... 53
1001116734 ..... 539, 540	1001151395.... 37, 39, 57		1001183882 .... 423, 435, 437, 439, 441, 443, 445, 447, 449, 451
1001116810 ..... 546	1001151428.... 37, 39, 57		1001183884 .... 427, 443, 445, 447, 449, 451
1001116811 ..... 469	1001152483..... 431		1001183885 .... 425, 435, 437, 439, 441
1001116812 .... 453, 455, 483, 491, 539, 540, 545	1001152486..... 397, 399, 431		1001184206 .... 59, 61, 73
1001116815 ..... 539, 546	1001152708..... 109		1001184853 ..... 59, 61
1001116846 ..... 563, 573	1001153749..... 145		1001184855 ..... 59, 61
1001117057 ..... 539			1001185281 .... 133, 287, 291, 295, 299
1001117172 ..... 303			1001186231 ..... 546

## SECTION 11 - SPECIAL OPTIONS

1001186378.....261	1001195754..... 575, 581	1001205056 ..... 135, 137	1001224049.....571
1001186383.....273	1001195835... 37, 39, 41, 45, 49, 53, 57, 537	1001206532 ..... 288, 292, 296, 300	1001224050.....563
1001186384.....265	1001195836.. 59, 61, 543	1001207674 ..... 125, 157, 191, 201, 307	1001224052.....561
1001186385.....259	1001195867.. 59, 61, 539	1001207969 ..... 241, 243	1001224053.....567
1001186387.....255	1001196061 ..... 487, 489	1001208628 ..... 189, 191	1001225131.....127, 129, 131
1001186388.....263	1001196062 ..... 487, 489	1001209664 ..... 317	1001225580.....317, 533
1001186431.....317, 585	1001196063 ..... 487, 489	1001209679 ..... 557, 559, 561, 563, 565, 567, 569, 571	1001226541.....471, 546
1001186432.....533, 535	1001196065 ..... 487, 489	1001210636 ..... 345	1001226636.....483
1001186517.....317	1001196066 ..... 487, 489	1001211363 ..... 295, 299, 585	1001226637.....483
1001186860.....77, 79	1001196067 ..... 487, 489	1001212277 ..... 295, 299	1001226799.....475, 477, 479
1001187382.....239	1001196117 ..... 191	1001212359 ..... 77, 79	1001226872.....253
1001187383.....239	1001196121 ..... 575	1001212450 ..... 79	1001227293.....591
1001187674.....315	1001196122 ..... 575	1001213447 ..... 509, 513	1001227633.....315
1001187681.....421, 529	1001196190 ..... 173, 589	1001213625 ..... 573	1001227634.....315
1001187816.....467	1001196237 ..... 487, 489	1001213626 ..... 61	1001227985.....315
1001188098.....588	1001196238 ..... 487, 489	1001213882 ..... 287, 292, 295, 300	1001227987.....315
1001188291.....423, 425, 427, 435, 437, 439, 441, 443, 445, 447, 449, 451	1001196240 ..... 487, 489	1001214029 ..... 573	1001227996.....527, 531
1001188292.....423, 425, 427	1001196241 ..... 487, 489	1001214093 ..... 165	1001228014.....213, 357
1001188293.....435, 437, 439, 441, 443, 445, 447, 449, 451	1001196485 ..... 59, 487	1001214094 ..... 588	1001228017.....221, 223, 225, 227, 365
1001188308.....275	1001196520 ..... 287, 295, 584	1001214667 .. 77, 79, 584	1001228215.....253
1001188309.....277	1001196634 ..... 471, 485, 584	1001214669 ..... 61, 79	1001228224.....315, 585
1001188354.....423, 425, 427, 435, 437, 439, 441, 443, 445, 447, 449, 451	1001196635 ..... 584	1001214800 ..... 61, 489	1001228225.....315, 585
1001188622.....239	1001197017 ..... 325	1001214801 ..... 489	1001228232.... 41, 45, 49, 53, 71
1001188844.....239	1001198661 ..... 589	1001214804 ..... 61	1001228370.....557, 565
1001189001.....239	1001198662 ..... 589	1001215228 ..... 287, 291, 295, 299	1001228376.....267
1001189002.....239	1001198866 ..... 419	1001215835 ..... 291, 299, 584	1001228377.....269
1001189171.....431, 584	1001199312 ..... 589	1001216630 ..... 239	1001228392.....139, 141
1001189172.....431, 584	1001199313 ..... 123, 155, 189, 199, 305	1001217779 ..... 205, 210, 233	1001228395.....139, 141
1001189882.....573	1001199409 ..... 189, 191, 493	1001217842 ..... 539, 540	1001228857.....139, 141, 415
1001190577.....539, 540	1001200173 ..... 159, 507, 585	1001217843 ..... 540	1001228858.....139, 141
1001190897.....590	1001200254 ..... 159	1001217844 ..... 539, 540	1001228954.....475
1001190985.....239	1001200255 ..... 115	1001218499 ..... 590	1001229341.....315
1001191144.....591	1001200381 ..... 189, 191	1001218502 ..... 590	1001229692.....573
1001191395.....589	1001200491 ..... 239	1001218503 ..... 590	1001230504.....588
1001191463.....91	1001200494 ..... 239	1001218850 ..... 573	1001231007.....163, 553
1001191469.....91	1001200620 ..... 371	1001219342 ..... 239	1001231801.....557
1001191471.....91	1001200622 ..... 371	1001219391 ..... 95, 97, 99	1001231886.....163
1001191489.....91	1001200913 ..... 588	1001219392 ..... 241, 245	1001231949.....343
1001191493.....91	1001201247 ..... 249	1001219393 ..... 243, 247	1001231950.....339, 341
1001191596.....185	1001201329 ..... 249, 421	1001219601 .. 59, 61, 585	1001231989.....591
1001191597.....185	1001201351 ..... 239	1001219722 ..... 59, 61	1001231990.....163
1001192053.....309	1001201365 ..... 249	1001220271 ..... 59, 61	1001232010.....337, 339, 341, 343
1001192212.....81, 584	1001202373 ..... 189, 191	1001220357 ..... 378	1001232011.....339, 341, 343
1001192293.....173, 497	1001202374 ..... 189, 191	1001220358 ..... 382	1001232164.....315
1001192373.....185	1001202439 ..... 369	1001221130 ..... 393, 395, 397, 399, 401, 403, 405, 407	1001232165.....315
1001192399.....325	1001202441 ..... 385	1001221185 ..... 397	1001232642.....319
1001192401.....127, 129, 131	1001202444 ..... 371	1001221187 ..... 399	1001232667.....319, 585
1001193018.....393, 395, 397, 399, 401, 403, 405, 407	1001202749 ..... 589	1001221188 ..... 401	1001233259.....241, 243
1001193419.....325, 327	1001203654 ..... 263	1001221189 ..... 393	1001233560.....135, 137, 139, 141, 143
1001193545.....497	1001203655 ..... 271	1001221190 ..... 395	1001234102.....588
1001193987.....287, 291	1001203734 ..... 493	1001221191 ..... 588	1001235091.....473, 475, 477, 479, 483
1001194037.....135, 137, 413	1001204270 ..... 327	1001221386 ..... 189, 191	1001235649.....473
1001194312.....87	1001204725 ..... 239	1001223055 ..... 557	1001235850.....591
1001195304.....589	1001205043 ..... 435, 437, 439, 441, 443, 445, 447, 449, 451	1001223824 ..... 589	1001235853.....591
	1001205044 ..... 435, 437, 439, 441, 443, 445, 447, 449, 451	1001223971 ..... 565	1001236535.....475
		1001224048 ..... 569	1001236552.....319
			1001236746.....343
			1001236747.....339

## SECTION 11 - SPECIAL OPTIONS

1001236891 ..... 335, 337, 339, 341, 343	1001247468.....239, 584	1001253933.....567	1001269901 ..... 588
1001236895 ..... 335, 337, 339, 341, 343	1001247538.....287, 291, 295, 299	1001254285.....588	1001270482 ..... 588
1001237110 ..... 588	1001248080..... 193, 195	1001254472.....319	1001270594 ..... 165
1001237667 ..... 509, 513	1001248082..... 189, 191, 193	1001254473.....319	1001270615 ..... 588
1001237668 ..... 509, 513	1001248140..... 335, 337, 339, 341, 343	1001255133.....239	1001272006 .. 77, 79, 585
1001237862 ..... 527, 531	1001248141..... 335, 337, 339, 341, 343	1001255901.....485	1001272166 ..... 589
1001237863 ..... 315, 531	1001248316..... 279, 287	1001255918.....287, 291, 295, 299, 549	1001272182 ..... 590
1001237864 ..... 315, 527	1001248317..... 279	1001256179.....23, 27, 31, 33, 351	1001272274 ..... 590
1001237865 ..... 315, 529	1001248318..... 281, 291	1001256653.....573	1001272279 ..... 288, 291, 296, 299, 513
1001237882 ..... 589	1001248319..... 281	1001256654.....573	1001272310 ..... 590
1001237883 ..... 589	1001248320..... 285, 295	1001256655.....573	1001272313 ..... 590
1001237888 ..... 321, 323	1001248321..... 285	1001256656.....573	1001272659 ..... 481
1001237891 ..... 323	1001248322..... 283, 299	1001257271..... 335, 337	1001272681 ..... 167
1001237898 ..... 321, 323	1001248323..... 283	1001257274 ..... 335	1001272682 ..... 169
1001237902 ..... 321, 323, 585	1001248324..... 145	1001258730..... 321, 323	1001272997 ..... 485
1001238263 ..... 335, 337, 339, 341, 343	1001248325..... 557	1001259489..... 127, 129, 131	1001273012 ..... 481, 485
1001238319 ..... 315	1001248326..... 559	1001259541 ..... 491	1001274249 ..... 591
1001238418 ..... 319, 535	1001248327..... 567	1001259548.....453	1001274559 ..... 287, 291, 295, 299
1001238463 ..... 341	1001248328..... 569	1001259560.....455	1001274830 ..... 589
1001238472 ..... 319	1001248329..... 571	1001260408..... 127, 129, 131, 469	1001274831 ..... 589
1001238495 ..... 317	1001248330..... 565	1001260524.....321	1001274832 ..... 589
1001238559 ..... 319	1001248331..... 563	1001260525..... 321, 323	1001274833 ..... 589
1001238732 ..... 311	1001248332..... 561	1001260908.....378	1001275149 ..... 165, 167, 169
1001239579 ..... 589	1001248333..... 149	1001260909.....382	1001275628 ..... 287, 291, 295, 299, 584
1001239580 ..... 589	1001248336..... 153	1001260910.....378	1001275629 ..... 287, 291, 295, 299, 584
1001239800 ..... 169	1001249052..... 590	1001260911.....382	1001275642 ..... 590
1001239801 ..... 167	1001249148..... 557, 559, 561, 563, 565, 567, 569, 571, 573	1001261130.....557, 559, 561, 563, 565, 567, 569, 571	1001275643 ..... 590
1001241162 ..... 321	1001249330..... 147	1001261335.....335	1001276068 ..... 210, 218
1001241407 ..... 589	1001249333..... 151	1001261336.....337	1001276113 ..... 210, 218
1001241408 ..... 589	1001249695..... 591	1001261338.....335	1001276159 ..... 210, 218
1001241547 ..... 590	1001249941..... 591	1001261339.....337	1001276163 ..... 210, 218
1001241548 ..... 590	1001250035..... 590	1001262016..... 590	1001276169 ..... 210, 218
1001241965 ..... 319	1001250318..... 95, 241	1001262322.....473	1001276170 ..... 210, 218
1001243092 ..... 321	1001250319..... 97, 243	1001262326.....473	1001276172 ..... 227
1001243183 ..... 588	1001250537..... 588	1001262959..... 591	1001276177 ..... 139
1001243184 ..... 588	1001250595..... 590	1001263600.....573	1001276178 ..... 210, 218
1001243205 ..... 321	1001251014..... 205, 210, 218, 359	1001264633.....581	1001276179 ..... 210, 218
1001243575 ..... 588	1001251382..... 127, 129, 131	1001265163.....345	1001276239 ..... 210, 218
1001244335 ..... 323	1001251478..... 129	1001265342.....345	1001276316 ..... 218
1001244336 ..... 321	1001251479..... 127	1001265360.....588	1001276610 ..... 481
1001244462 ..... 171	1001251480..... 131	1001266290.....589	1001276874 ..... 111
1001244671 ..... 323	1001252629..... 335, 337, 339, 341, 343	1001266465..... 590	1001276921 ..... 111
1001244709 ..... 323	1001253618..... 589	1001266491..... 590	1001276923 ..... 588
1001244710 ..... 323	1001253619..... 589	1001266503.....149	1001277427 ..... 33
1001244732 ..... 323	1001253917..... 467	1001266504..... 153	1001277428 ..... 33
1001244733 ..... 323	1001253920..... 557	1001266505..... 147	1001277539 ..... 27, 33
1001245164 ..... 311	1001253921..... 557	1001266509..... 151	1001277693 ..... 227
1001245173 ..... 311	1001253922..... 565	1001266511..... 149	1001277720 ..... 217
1001245179 ..... 311	1001253923..... 565	1001266512..... 153	1001277722 ..... 218, 227
1001245210 ..... 311	1001253924..... 569	1001266513..... 147	1001277732 ..... 41
1001245293 ..... 584	1001253925..... 569	1001266514..... 151	1001277736 ..... 41
1001245673 ..... 509	1001253926..... 563	1001266807.....590	1001277746 ..... 41
1001246144 ..... 477	1001253927..... 563	1001266969.....590	1001277749 ..... 41, 49
1001246145 ..... 479	1001253928..... 561	1001267318..... 573	1001277753 ..... 42, 50
1001246389 ..... 321	1001253929..... 561	1001267320.....573	1001277782 ..... 111
1001246389 ..... 321	1001253930..... 571	1001267326.....573	1001277792 ..... 111
1001246541 ..... 477	1001253931..... 571	1001267327.....573	1001277827 ..... 27, 33
1001246542 ..... 479	1001253932..... 567	1001268352.....588	1001277843 ..... 591
1001246659 ..... 573		1001269655.....590	1001277859 ..... 85
1001246859 ..... 545		1001269832.....371	1001278285 ..... 49
1001247073 ..... 590		1001269833.....375	1001278294 ..... 50
1001247252 ..... 321			1001278297 ..... 50
1001247426 ..... 588			
1001247427 ..... 588			

## SECTION 11 - SPECIAL OPTIONS

1001278301.....209	1001293138..... 513	1320288..... 229, 231	1703930.....565
1001278302.....210, 223	1001293169..... 181, 589	1380136..... 95, 97	1703931.....563
1001278303.....223	1001293369..... 171, 589	1380158..... 189, 191	1703934.....561
1001278306.....223	1001293398..... 57	1580012..... 313	1703935.....571
1001278511.....588	1001293399..... 57	1580013..... 589	1703936.....565
1001280412.....147, 149, 151, 153	1001293403..... 27	1670824..... 249	1703937.....563
1001281178..... 133	1001293404..... 27	1670836 ... 221, 223, 225, 227	1703938.....567
1001281189.....23	1001293501..... 588	1670911..... 205, 213	1703939.....569
1001281190.....31	1001293876..... 591	1670912..... 205, 213	1703940.....561
1001281442.....439	1001294071..... 591	1670913..... 205, 213	1703941.....571
1001281443.....449	1001294862..... 588	1670928..... 205, 213	1703942.....565
1001281454.....590	1001295280..... 589	1670930..... 185	1703943.....563
1001281456.....590	1001296049..... 231	1683866 ... 205, 209, 213, 217, 361	1703944.....567
1001281459.....590	1001296050..... 231	1684290..... 349	1703945.....569
1001281461.....590	1001296271..... 41, 49	1701499 ... 557, 559, 561, 563, 565, 567, 569, 571	1703946.....561
1001281877.....589	1001296272..... 41, 49	1701500 ... 557, 559, 561, 563, 565, 567, 569, 571	1703947.....571
1001281983.....588	1001297298..... 590	1701501 ... 557, 559, 561, 563, 565, 567, 569, 571	1703948.....565
1001282100.....588	1001297638..... 183	1701502 ... 557, 559, 561, 563, 565, 567, 569, 571	1703949.....563
1001282160.....85	1001297639..... 177	1701503 ... 557, 559, 561, 563, 565, 567, 569, 571	1703950.....567
1001282161.....85	1001299040..... 177, 183, 499	1701504 ... 557, 559, 561, 563, 565, 567, 569, 571	1703951.....569
1001282215.....590	1001299366..... 183	1701505 ... 189, 191, 573	1703952.....561
1001282350.....143	1001299368..... 177	1701509 ... 329, 331, 333, 557, 559, 561, 563, 565, 567, 569, 571	1703953.....557
1001282461.....590	1001303167..... 591	1701517 ... 559, 561, 563, 565, 567, 569, 571	1703980.....567
1001283138.....143	1001308593..... 589	1701518..... 559, 579	1703981.....569
1001283167.....143	1001309057..... 588	1701529 ... 557, 559, 561, 563, 565, 567, 569, 571	1703982.....563
1001283168.....143	1001311034..... 319, 585	1701644 ... 557, 559, 561, 563, 565, 567, 569, 571	1703983.....571
1001283169..... 143, 417	1060461..... 503	1702155 ... 557, 559, 561, 563, 565, 567, 569, 571	1703984.....565
1001283300.....145	1060494..... 501	1702251..... 573	1703985.....561
1001283776.....165	1060584..... 89, 91	1702300 ... 557, 559, 561, 563, 565, 567, 569, 571	1704000.....565, 573
1001283853.....590	1060799 ... 411, 413, 415, 417	1702391..... 557	1704001.....571
1001284290..... 133	1060803 ... 135, 137, 411	1702565 ... 287, 291, 295, 299	1704002.....561
1001284695.....557, 559, 561, 563, 565, 567, 569, 571	1060813 ... 127, 129, 131, 505	1702698..... 83	1704116.....565
1001285719.....85	1060819..... 189, 191	1702773..... 271	1704117.....571
1001285720.....85	1060820..... 189, 191	1702774..... 573	1704118.....561
1001286021..... 145, 551	1060827..... 173, 179	1702860..... 573	1704119.....567
1001286162.....441	1060828..... 173, 179	1702868..... 557, 573	1704120.....569
1001286163.....451	1060848..... 135, 137	1702901..... 557	1704121.....563
1001286328.....591	1060896 ... 423, 425, 427	1702938..... 327	1704248.....557
1001289239..... 133	1060903..... 325, 327	1703797..... 557	1704260....287, 291, 295, 299
1001289589.....433	1060908 ... 429, 431, 433	1703804..... 557	1704277....557, 559, 561, 563, 565, 567, 569, 571
1001289592.....403, 405, 407, 433	1060918..... 303	1703805..... 557	1704328.....571
1001289831.....591	1062255 ... 473, 475, 477, 479	1703813..... 557	1704329.....565
1001289832.....591	1100124 ... 21, 23, 25, 29, 31	1703923..... 571	1704330.....561
1001289899.....127, 129, 131	1120555 ... 329, 331, 333	1703924..... 565	1704331.....567
1001289905.....591	1180356..... 229	1703925..... 563	1704332.....569
1001289906.....591	1260017..... 113	1703926..... 567	1704333.....563
1001289961..... 145, 545	1320022 ... 123, 125, 189, 191	1703927..... 569	1704340.....565
1001289962..... 145, 495	1320043..... 37, 39, 57	1703928..... 561	1704341.....561
1001289963.....127, 129, 131, 471	1320070 ... 206, 209, 213, 217	1703929..... 571	1704342.....567
1001290653.....175, 177, 181, 183	1320135..... 189, 191		1704343.....569
1001290662..... 133	1320159 ... 135, 137, 139, 141, 143		1704344.....563
1001291610.....403	1320172 ... 411, 413, 415, 417		1704412....557, 559, 561, 563, 565, 567, 569, 571
1001291613.....405	1320256 ... 435, 437, 441, 443, 445, 447, 451		1704422....287, 291, 295, 299
1001291656.....407	1320263...37, 39, 57, 249		1704455.....579
1001292551.....175, 177, 181, 183	1320271..... 109		1704456.....579
1001292552.....175, 177, 181, 183	1320277 ... 206, 209, 213, 217		1704457.....577
1001292586.....591			1704575.....557
1001293025.....175, 589			1704576.....577
			1704577.....577
			1704578.....575
			1704618.....561
			1704667.....567

## SECTION 11 - SPECIAL OPTIONS

1704668 ..... 569	2220794 ..... 189	2753449..... 378, 382	3290405 ... 165, 167, 169,
1704670 ..... 569	2220828 ..... 375	2753450..... 378	345, 393, 395, 397,
1704671 ..... 567	2220881 ..... 351	2753451..... 378, 382, 385	399, 401, 403, 405, 407
1704708 ... 557, 559, 561,	2220883 .... 35, 349, 351,	2753452..... 375	3290606 ... 257, 261, 269,
563, 565, 567, 569, 571	357, 359	2753453..... 378, 382	277
1704724 ..... 573	2220885 ..... 351, 365	2753454..... 378, 382	3290801 ..... 133
1704725 ..... 557	2220886 ..... 359	2753455..... 378, 382	3291001 ..... 239
1704728 ..... 559	2220887 ..... 359	2753456..... 378, 382	3291005 ..... 239
1704731 ..... 563	2220899 ..... 371, 375	2753458..... 378, 382	3291201 ..... 239
1704732 ..... 571	2220934 ..... 378, 382	2753459..... 375	3291205 ..... 239
1704733 ..... 565	2220947 ..... 378, 382	2753460..... 375	3300151 ... 253, 257, 261,
1704885 ... 557, 559, 561,	2220950 ..... 378, 382	2753461..... 375	267, 269, 277
563, 565, 567, 569, 571	2220998 ..... 375	2753491..... 383	3300353 ... 287, 291, 295,
1705014 ..... 263, 271	2221033 ..... 378, 382	2753492..... 382	299
1705084 ..... 573	2221034 ..... 371	2753493..... 382	3300426 ... 41, 45, 49, 53,
1705325 ..... 393, 405	2221046 ... 123, 125, 189,	2753494..... 382	83, 85
1705351 ..... 557	191	2780245..... 37, 39, 57, 65	3300430 ..... 317, 323
1705358 ..... 573	2221047 ... 123, 125, 189,	2792423..... 375	3300454 .... 41, 45, 49, 53
1705426 ..... 567	191	2792427..... 373	3310805 ..... 159
1705427 ..... 569	2221052 ..... 385	2820118..... 423	3311001 .... 61, 127, 129,
1705429 ..... 565	2221061 ..... 378, 382	2820122..... 199, 201	131, 133
1705430 ..... 563	2221063 ..... 378, 382	2820123..... 199, 201	3311005 ..... 95, 97, 115
1705670 ..... 559	2221086 ..... 378, 382	2820126..... 199, 201	331140159, 61, 133, 145,
1705822 ..... 559	2230031 ..... 378, 382	2820232..... 189, 191	185, 325, 327
1705828 ..... 559	2400044 ..... 61	2820247..... 527, 531	3311405 ... 145, 163, 173,
1705910 ..... 571	2400060 ... 345, 455, 471,	2860030.... 147, 149, 151,	175, 177, 179, 181,
1705921 ..... 559	495, 509, 510, 513,	153, 584	183, 193, 206, 209,
1705978 ..... 559	514, 545	2900770..... 235, 237	213, 217, 279, 281,
1706378 ..... 559	2410014 ..... 263, 271	2900792..... 353, 355	283, 285, 319, 393,
1706385 ..... 263, 271	2460037 ..... 173	2901886..... 357	395, 397, 399, 401,
1706392 ..... 559	2460038 ..... 179	2902019..... 365	403, 405, 407, 557,
1706957 ..... 581	2540020 ... 135, 137, 139,	2902266..... 349	559, 561, 563, 565,
1706960 ..... 581	141, 143	2902549.... 393, 395, 401,	567, 569, 571
1707192 ..... 329	2540037 ..... 61	429	3311501 ... 21, 23, 25, 27,
2080040 ... 255, 259, 265,	2560136 ... 287, 291, 295,	2910886..... 591	29, 31, 33, 206, 209,
267, 273, 275	299	2915102..... 591	213, 217, 325, 327
2080069 ..... 321, 323	2600262 ..... 185	2915227..... 589	3311505 ... 117, 119, 135,
2160002 ..... 109, 111	2600281 ... 255, 259, 265,	2920151.... 155, 157, 239	137, 139, 141, 143,
2180344 ..... 109, 111	267, 273, 275	2940074.... 255, 259, 265,	185, 193
2200222 ... 123, 125, 189,	2680468 ..... 185	267, 273, 275, 584	3311601 ... 185, 287, 291,
191	2680477 ..... 185	2940095.... 137, 141, 143	295, 299, 319
2220063 ..... 109, 111	2680482 ..... 199, 201	2940124..... 185	3311605 ... 145, 189, 191,
2220235 ..... 369	2720058 ... 123, 125, 189,	2940130..... 135, 139	193, 199, 201, 205,
2220238 ..... 373	191	3000014.... 135, 137, 139,	209, 213, 217, 229,
2220240 ..... 385	2720271 ... 123, 125, 189,	141, 143	231, 263, 271, 279,
2220273 ..... 109, 111	191	3020037..... 117, 119	281, 283, 285, 393,
2220371 ... 369, 371, 375,	2751095 ..... 109, 111	3160252.... 117, 119, 121	395, 397, 399, 401,
378, 382	2752463 ..... 371	3160257..... 103, 106	403, 405, 407
2220372 ..... 378, 382	2752471 ..... 371	3200425..... 193	3311801 ... 135, 137, 139,
2220373 .... 375, 378, 382	2752498 ..... 378, 382	3251243.... 557, 561, 565,	141, 143
2220374 ..... 375	2752588 ..... 371	571	3311805 ... 205, 209, 213,
2220415 .... 371, 378, 382	2752631 ..... 371	3252331..... 573	217, 239
2220435 ..... 378, 382	2752648 ..... 375	3252347..... 557	3312002 ... 103, 335, 337,
2220451 .... 373, 378, 382	2753002 ..... 371	3252507 ... 395, 397, 399,	339, 341, 343
2220466 ..... 378, 382	2753118 ..... 375	401, 403, 407, 409	3312005 .... 329, 331, 333
2220497 ..... 375	2753327 ..... 385	3252692..... 579	3312602 .... 165, 167, 169
2220500 ..... 378, 382	2753397 ..... 371	3252693..... 577	3321501 ..... 185
2220502 ..... 378, 382	2753420 ..... 371	3252780..... 573	3322202 ... 37, 39, 41, 45,
2220511 ..... 378, 382	2753440 ..... 378, 382	3271505..... 241, 243	49, 53, 57
2220550 ..... 378, 382	2753441 ..... 378, 382	3271605.... 335, 337, 339,	3323003 ..... 37, 39, 57
2220578 ..... 378, 382	2753442 ..... 378	341, 343	3323403 .... 41, 45, 49, 53
2220582 ..... 371	2753443 ..... 378, 382	3271805..... 263, 271	3340764 ..... 229, 231
2220596 ..... 378, 382	2753444 ..... 378, 382	3272001 .... 335, 337, 339,	3340787 ..... 229, 231
2220603 .... 371, 378, 382	2753445 ..... 378, 382	341, 343	3340837 ... 17, 19, 21, 23,
2220606 ..... 378, 382	2753446 ..... 378	3272605..... 235, 237	25, 27, 29, 31, 33
2220635 ..... 371	2753447 ..... 378, 382		3340860 ... 111, 206, 209,
2220711 ..... 371	2753448 ..... 378, 382		213, 217

## SECTION 11 - SPECIAL OPTIONS

3340861 ....206, 209, 213, 217	3520030 ... 287, 291, 295, 299	3841287 ... 205, 209, 214, 218	4070897 .... 17, 19, 21, 23, 25, 27, 29, 31, 33, 221, 223, 225, 227
3340871 ....221, 223, 225, 227	3520031 ... 135, 137, 139, 141, 143	3841443 ... 37, 39, 41, 45, 49, 53, 57	4070898 .... 17, 19, 21, 23, 25, 27, 29, 31, 33, 221, 223, 225, 227
3340873 ....205, 209, 213, 217	3520034 ... 206, 209, 214, 217	3900054 ..... 263, 271	4070929 .... 221, 223, 225, 227
3340877 ..... 185	3520054 ... 21, 23, 25, 27, 29, 31, 33, 287, 291, 295, 299	3900232 ..... 185	4070944 ..... 17, 19
3340880 ..... 365	3520064 ..... 87	3900259 ... 221, 223, 225, 227	4070945 ..... 17, 19
3340881 ....221, 223, 225, 227	3520072 ... 253, 255, 257, 259, 261, 263, 265, 267, 269, 271, 273	3900262 ..... 109, 111	4070969 ..... 229, 231
3340896 ..... 229, 231	3520198 ... 253, 255, 257, 259, 261, 265, 267, 269, 273	3900280 ... 205, 209, 214, 218	4071009 ..... 103
3340939 ..... 229, 231	3538758 ..... 229, 231	3900283 95, 97, 147, 149, 151, 153, 199, 201, 229, 231	4071010 ..... 109
3340941 ..... 229, 231	3539877 ..... 17, 19	3900284 ..... 109, 111	4100026 .... 443, 445, 447, 449, 451
3340956 .... 329, 331, 333	3571584 ..... 129, 131	3900293 ..... 103	4160187 .... 205, 210, 214, 218
3380434 .... 279, 281, 283, 285	3571856 ..... 185	3900295 ..... 39	4160194 ..... 185
3380620 ..... 193	3571857 ..... 185	3900296 ..... 39	4240018 .... 171, 189, 191
3420372 ..... 89, 91	3571858 ..... 185	3900349 ... 287, 291, 295, 299	4240032 .. 37, 39, 57, 127, 129, 131, 133, 473, 475, 477, 479, 481
3420447 ..... 89, 91	3572009 ..... 89, 91	3910610 ..... 391, 409	4240033 .... 41, 46, 49, 53, 127, 129, 131, 133, 315, 317, 319, 423, 425, 427, 435, 437, 439, 441, 443, 445, 447, 449, 451
3421565 ..... 89, 91, 113	3572010 ..... 89, 91	3910804 ... 147, 149, 151, 153	4240084 ..... 59, 61
3422457 .... 221, 223, 225, 227	3572011 ..... 89, 91	3911010 ..... 311	4240099 .... 287, 291, 295, 299, 325, 327
3422568 .... 205, 209, 213, 217	3572012 ..... 89, 91	3911016 ... 127, 129, 131, 133	4240149 .... 329, 331, 333
3422576 ..... 213, 217	3572040 ..... 365	3930816 ..... 249	4240178 ..... 189, 191
3422583 .... 205, 209, 213, 217	3572063 ..... 185	3930828 ..... 159	4300145 ..... 45, 53
3422592 .... 17, 19, 21, 23, 25, 27, 29, 31, 33	3572328 ..... 45, 53	3931010 ..... 115	4341107 ..... 193
3422692 ..... 37, 39, 57	3572348 ..... 199, 201	3931012 ..... 77, 79	4341109 ..... 193
3422791 .... 205, 209, 213, 217	3572349 ..... 199, 201	3931016 ..... 81	4360057 .... 325, 327, 585
3422792 .... 205, 209, 213, 217	3572448 ..... 229, 231	3931408 ... 37, 39, 41, 45, 49, 53, 57, 317	4360274 .... 155, 157, 585
3422793 ..... 205, 209	3572490 ..... 39	3931448 ..... 365	4360387 .... 149, 153, 287, 291, 295, 299, 327, 585
3422794 .... 205, 209, 214, 217	3572506 ..... 89, 91	3931528 ..... 365	4360407 .... 287, 291, 295, 299, 585
3422808 .... 205, 209, 214, 217	3572551 ... 206, 209, 214, 217	3931616 ... 206, 209, 214, 218	4360469 .... 147, 149, 151, 153, 585
3422811 .... 205, 209, 214, 217	3572628 ..... 103	3931824 ..... 103	4360475 .... 147, 149, 151, 153, 585
3422817 .... 37, 39, 41, 45, 49, 53, 57	3575359 ..... 327	3932032 ..... 357	4360476 .... 147, 149, 151, 153, 287, 291, 295, 299
3422819 .... 41, 45, 49, 53	3600310 ..... 117, 119	3932232 ..... 103	4360517 ..... 115, 585
3422830 .... 205, 209, 214, 217	3641569 ..... 327	3952020 ..... 103	4360578 ..... 507, 585
3422833 .... 205, 209, 214, 217	3740080 ..... 77, 493, 584	3960389 ... 189, 191, 193	4400430 ..... 123, 125
3422834 .... 205, 209, 214, 217	3740086 ..... 535, 585	3960418 ... 189, 191, 193, 206, 210, 214, 218	4400455 ..... 117, 119
3422841 ..... 89, 91	3760133 ... 221, 223, 225, 227	3960422 ..... 391, 409	4420014 .... 329, 331, 333
3422847 ..... 89, 91	3760170 89, 91, 113, 135, 137, 139, 141, 143	3960447 ... 147, 149, 151, 153	4420038 ..... 117, 119
3422848 ..... 39	3790012 ... 147, 149, 151, 153, 287, 291, 295, 299, 305, 307, 309	3960464 .... 185, 199, 201	4420051 .... 573, 577, 579
3430616 .... 287, 291, 295, 299	3820001 ... 557, 559, 561, 563, 565, 567, 569, 571, 573, 577, 579	3980035 ..... 189, 191	4420060 ..... 249
3441260 ..... 109, 111	3820017 ... 135, 137, 139, 141, 143	3990001 ..... 471, 584	4420066 .... 329, 331, 333
3450406 ..... 63	3820020 ... 255, 259, 265, 267, 273, 275	4010408 ... 393, 395, 397, 399, 401, 403, 405, 407	4460016 ..... 509
3450812 .... 37, 39, 41, 45, 49, 53, 57	3820021 ... 135, 137, 139, 141, 143	4010618 ... 257, 261, 269, 277	4460025 .... 411, 413, 415, 417
3460334 .... 329, 331, 333	3841143 ... 37, 39, 41, 45, 49, 53, 57, 205, 209, 214, 217, 239	4031505 ..... 315	4460049 ..... 325, 327
3460492 ..... 189, 191	3841203 ... 205, 209, 214, 218	4031509 ... 165, 167, 169	4460071 .... 303, 391, 409
3470003 .... 287, 291, 295, 299	3841258 ... 17, 19, 21, 23, 25, 27, 29, 31, 33, 205, 209, 214, 218	4031516 ..... 319	4460125 ..... 409
3520026 .... 147, 149, 151, 153		4031920 ..... 59, 61	4460134 ..... 391, 501
3520028 .... 147, 149, 151, 153		4060092 ..... 409	4460138 ..... 501, 503
		4060803 ..... 241, 243	4460183 ..... 495
		4060804 ..... 87	4460205 ..... 391
		4060808 ..... 59, 61	
		4060959 ..... 589	
		4070863 ... 221, 223, 225, 227	
		4070864 ... 221, 223, 225, 227	



## SECTION 11 - SPECIAL OPTIONS

4460225 .... 493, 509, 513	4460516 ..... 73	4460941 ..... 529	299, 335, 337, 339,
4460226 ... 155, 157, 239,	4460536 ... 323, 509, 513,	4460942 ..... 315, 545	341, 343, 393, 395,
303, 325, 327, 505, 546	553	4460943 .... 321, 323, 453,	397, 399, 401, 403,
4460227 ... 493, 495, 545,	4460539 ... 509, 513, 537,	491, 529, 539, 543, 545	405, 407, 435, 437,
549	539, 540, 551, 553	4460944 .... 453, 455, 491,	441, 443, 445, 447, 451
4460233 ..... 409	4460662 ... 393, 395, 397,	537, 539, 540, 543,	4711800 59, 61, 263, 271
4460234 ... 127, 129, 131,	399, 401, 403, 405, 407	545, 546	4712000 ... 329, 331, 333,
133, 287, 291, 295,	4460670 ..... 540	4460945 ..... 539	335, 337, 339, 341, 343
299, 325, 327, 473,	4460701 ..... 409	4460950 ..... 539, 543	4713000 .... 37, 39, 53, 57
475, 477, 479	4460703 ..... 540	4460956 ..... 429, 433	4713400 .... 41, 45, 49, 53
4460259 ... 345, 493, 495,	4460708 ..... 509, 513	4460957 ..... 429, 433	4740036 ..... 89, 91
509, 513	4460709 ... 179, 181, 389,	4460968 ..... 507	4740111 ... 37, 39, 41, 45,
4460260 ... 345, 493, 495,	393, 395, 397, 399,	4461077 ..... 455, 529, 535	49, 53, 57
509, 513	401, 403, 405, 407,	4461196 ..... 457, 517	4740155 ..... 39
4460267 ... 493, 495, 509,	441, 451	4461198 ..... 517	4740158 ... 17, 19, 21, 23,
513	4460710 ... 389, 393, 395,	4461199 ..... 459, 519	25, 27, 29, 31, 33
4460268 ..... 509, 513	397, 399, 401, 403,	4461201 ..... 519	4740274 ..... 193
4460294 ..... 509, 513	405, 407, 441, 451, 503	4461205 .... 177, 461, 463,	4740362 ... 279, 281, 283,
4460312 ..... 469	4460742 ..... 551	521, 523	285
4460313 ..... 495	4460743 ..... 551	4461244 ..... 521	4740397 ... 147, 149, 151,
4460315 ..... 391, 409	4460761 ... 505, 509, 513,	4461245 ..... 523	153, 305, 307, 309
4460320 ..... 493, 495	545	4461246 ..... 525	4740492 ... 206, 210, 214,
4460321 ..... 505	4460802 ... 127, 129, 131,	4461249 ..... 465, 525	218
4460346 ..... 391	133	4461271 ..... 545	4750800 ..... 159
4460418 .... 495, 509, 513	4460803 ..... 127	4520264 ..... 83	4751000 ... 61, 89, 91, 95,
4460419 .... 495, 509, 513	4460805 ..... 131	4567139 ..... 378, 382	97
4460424 ... 155, 157, 239,	4460806 .... 175, 181, 495	4568133 ..... 89, 91	4751400 ... 185, 193, 249,
546	4460836 ..... 543, 546	4640261 ..... 89, 91	279, 281, 283, 285,
4460425 ..... 325, 327	4460866 .... 509, 513, 545	4640438 ..... 357, 359	287, 291, 295, 299,
4460428 ... 129, 131, 287,	4460868 ..... 455, 495	4640509 .... 353, 355, 357,	313, 323, 325, 327,
291, 295, 299	4460871 ... 471, 495, 509,	359	557, 559, 561, 563,
4460434 ... 287, 291, 295,	513, 540, 545, 551, 553	4640741 ..... 106	565, 567, 569, 571
299, 509, 513	4460872 ..... 471, 551	4640858 ..... 349	4751500 ... 41, 45, 49, 53,
4460449 ..... 551	4460873 ... 509, 513, 540,	4640861 ..... 378, 382	59, 61, 87, 117, 119,
4460458 ..... 551	545	4640871 .... 21, 23, 25, 27,	135, 137, 139, 141,
4460464 ... 163, 165, 249,	4460874 .... 509, 513, 545	29, 31, 33	143, 185, 193, 199,
303, 345, 419, 421,	4460875 .... 509, 513, 551	4640932 ..... 353	201, 206, 210, 213,
425, 427, 471, 483,	4460876 ..... 495	4641122 ..... 83, 85	218, 325, 327
485, 493, 497, 499,	4460877 ..... 455, 495	4641129 ..... 357, 359	4751600 59, 61, 117, 119,
507, 509, 513, 533,	4460878 ..... 545	4641148 .... 41, 45, 49, 53	123, 125, 185, 189,
535, 537, 539, 543,	4460879 .... 345, 509, 513	4641179 ..... 365	191, 193, 199, 201,
545, 551, 553	4460884 ... 345, 471, 495,	4711000 ..... 77, 79, 115	279, 281, 283, 285
4460465 ... 345, 421, 423,	533, 539, 545, 551	4711200 ..... 133	4751800 ... 21, 23, 25, 27,
425, 427, 455, 471,	4460887 ... 345, 509, 513,	4711400 .... 21, 23, 25, 27,	29, 31, 33, 135, 137,
483, 491, 493, 495,	545	29, 31, 33, 41, 45, 49,	139, 141, 143, 263,
497, 499, 509, 513,	4460888 ..... 509, 513	53, 59, 61, 123, 125,	271, 325, 327
533, 539, 543, 545,	4460891 ... 421, 471, 497,	127, 129, 131, 145,	4760600 ..... 391, 409
546, 549, 551, 553	499, 545, 549, 553	161, 163, 173, 175,	4761000 ... 127, 129, 131,
4460466 ... 165, 315, 321,	4460894 ... 455, 471, 495,	177, 179, 181, 183,	133
345, 423, 425, 427,	509, 513, 539, 543, 546	189, 191, 206, 210,	4761400 ..... 313
435, 437, 439, 441,	4460897 ... 163, 165, 249,	214, 218, 253, 257,	4811400 ... 165, 167, 169,
443, 445, 447, 449,	419, 493, 497, 499,	261, 267, 269, 277,	345, 393, 395, 397,
451, 453, 455, 469,	507, 551	317, 319, 321, 393,	399, 401, 403, 405, 407
471, 483, 491, 493,	4460899 ... 529, 533, 535,	395, 397, 399, 401,	4811700 ... 257, 261, 269,
495, 497, 499, 509,	539, 543	403, 405, 407	277
513, 529, 533, 535,	4460905 ... 471, 495, 509,	4711500 .... 21, 23, 25, 27,	4811900 ..... 59, 61
539, 540, 545, 546, 551	513, 540, 545, 551	29, 31, 33, 41, 45, 49,	4811902 ..... 133
4460467 ..... 591	4460910 ..... 527	53, 89, 91, 135, 137,	4812000 ..... 239
4460470 ... 145, 287, 291,	4460911 ..... 529	139, 141, 143, 185,	4812100 ..... 239
295, 299	4460918 ..... 455	241, 243	4845925 ..... 206, 210
4460471 ... 145, 287, 291,	4460928 ..... 455	4711600 .... 17, 19, 21, 23,	4846066 ..... 206, 214
295, 299	4460930 .... 471, 495, 546	25, 27, 29, 31, 33, 95,	4846067 ..... 206, 214
4460508 ... 315, 425, 427,	4460931 .... 165, 321, 545	97, 109, 111, 115, 145,	4846074 ..... 206, 214
469, 509, 513, 545	4460932 ... 345, 471, 483,	177, 183, 185, 189,	4846075 ..... 206, 214
4460509 ... 423, 425, 427,	485, 537, 545	191, 199, 201, 205,	4846076 ..... 37, 39
546	4460933 ... 455, 491, 509,	210, 214, 218, 229,	4846135 ..... 45
4460510 ..... 591	513, 545	231, 287, 291, 295,	4846141 ..... 45, 53

## SECTION 11 - SPECIAL OPTIONS

4846163.....	229, 231	70000316.....	195	70003819.....	353	70005687.....	73
4846165.....	229, 231	70000317.....	195	70003820.....	363	70005688.....	73
4846178.....	117, 119	70000318.....	195, 584	70003833.....	355	70005689.....	73
4846183.....	95, 97	70000319.....	195, 584	70003834.....	355	70005951.....	99
4846188.....	193	70000320.....	195	70003835.....	355	70005952.....	99, 100
4846210.....	199, 201	70000321.....	195	70003836.....	355	70006364.....	357
4846258.....	214	70000322.....	195, 584	70003837.....	353	70006365.....	357
4846278.....	206, 210, 214, 218	70000323.....	195, 584	70003838.....	353	70006366.....	357
4846292.....	39	70000324.....	195, 585	70003839.....	353	70006367.....	357
4846294.....	39	70000325.....	196, 585	70003840.....	353	70006368.....	357
4846295.....	89	70000326.....	123, 125, 196, 584	70003841.....	353	70006709.....	365
4846296.....	89	70000327.....	196	70003842.....	353	70006710.....	365
4846350.....	53	70000328.....	123, 125, 196	70004052.....	99, 100, 245, 247	70006711.....	365
4846370.....	325	70000329.....	196, 584	70004127.....	363	70006712.....	365
4860212.....	83	70000330.....	196, 584	70004132.....	363	70006747.....	71
4891500.....	117, 119	70000332.....	237	70004133.....	363	70006752.....	71
4891600.....	239	70000340.....	233, 235	70004134.....	363	70006753.....	71
4891800.....	17, 19, 239	70000342.....	196	70004135.....	363	70006756.....	71
4892000.....	37, 39, 41, 45, 49, 53, 57, 59, 61, 109, 111	70000382.....	99	70004135.....	363	70006757.....	71
4892200.....	103	70000435.....	99	70004185.....	591	70006759.....	71
4892600.....	235, 237	70000967.....	195	70004265.....	195	70006762.....	71
4892600001.....	239	70001091.....	71	70004388.....	35	70006763.....	71
4920385.....	189, 191	70001119.....	67	70004394.....	196	70007242.....	359
4922390.....	173, 175, 183, 501	70001121.....	195	70004461.....	99, 100	70007243.....	359
4922647.....	177, 179, 181, 503	70001144.....	195	70004585.....	99	70007244.....	359
4922937.....	435, 441, 443, 451	70001342.....	99	70004809.....	73	70007245.....	359
4922938.....	435, 441, 443, 451	70001368.....	67	70004811.....	73	70007246.....	359
4922939.....	437, 445, 447	70001422.....	75	70004820.....	73	70007247.....	359
4922940.....	437, 445, 447	70001440.....	99	70005374.....	99	70007284.....	99
5241200.....	21, 23, 25, 27, 29, 31, 33, 239	7000203.....	106	70005385.....	73	70007285.....	99, 584
5251008.....	239	70002083.....	195	70005387.....	73	70007286.....	99
5251016.....	239	7000216.....	67	70005388.....	73	70007287.....	99
70000289.....	196	70002216.....	353	70005389.....	73	70007288.....	100
70000290.....	195	70002219.....	363	70005390.....	73	70007290.....	245, 247
70000291.....	195	70002220.....	355	70005391.....	73	70007291.....	245, 247, 584
70000292.....	195	70002223.....	355	70005392.....	73	70008244.....	351
70000293.....	195	70002244.....	195	70005393.....	73	70008246.....	351
70000294.....	195	70002264.....	71	70005394.....	73, 585	70008247.....	351
70000295.....	195	70002434.....	63	70005395.....	73	7001908.....	106
70000296.....	195	70002543.....	196	70005396.....	73	7001913.....	67, 106
70000297.....	195	70002544.....	195	70005397.....	73	7001922.....	67
70000298.....	195	7000255.....	106	70005400.....	73	7001926.....	106
70000299.....	195	7000256.....	106	70005401.....	73	70022564.....	359
70000300.....	195	7000257.....	106	70005402.....	73	70023859.....	99
70000301.....	195	7000258.....	106	70005403.....	73	70023860.....	245, 247
70000302.....	195	7000263.....	106	70005404.....	73	70027750.....	359
70000303.....	195	7000281.....	106	70005405.....	73	7002821.....	591
70000304.....	195	7000282.....	349, 351	70005406.....	73	7002822.....	591
70000305.....	195	70002842.....	303	70005407.....	73, 585	7002823.....	591
70000306.....	195	70002902.....	303	70005408.....	73	7002828.....	591
70000307.....	195	70002903.....	303	70005410.....	73	7004035.....	107
70000308.....	195	70002904.....	303	70005412.....	73	7004043.....	107
70000309.....	195	70002905.....	303	70005604.....	67	7004044.....	107
70000310.....	195	70002947.....	75, 99, 100, 584	70005605.....	67	7004275.....	591
70000311.....	195	70002983.....	67	70005606.....	68	7004276.....	591
70000312.....	195	70002996.....	67	70005607.....	68	7007633.....	106
70000313.....	195, 584	70002997.....	68	70005608.....	68	7007637.....	106
70000314.....	195	70003000.....	67	70005609.....	68	7007640.....	67
70000315.....	195	70003019.....	99, 100, 245, 247	70005610.....	67	7007642.....	68
		70003021.....	100	70005611.....	67	7010474.....	67
		70003027.....	245, 247	70005612.....	68	7010795.....	107
		70003525.....	99, 100	70005613.....	67	7011112.....	353
		70003526.....	99, 100	70005614.....	67	7011323.....	235, 237
		70003557.....	195	70005629.....	245, 247	7012540.....	75
		70003618.....	195	70005649.....	63	7012545.....	121
		70003619.....	195	70005685.....	73	7012548.....	121
				70005686.....	73	7012549.....	121

## SECTION 11 - SPECIAL OPTIONS

7012773 ..... 75, 99	7017277 ..... 361	7021375.....75, 99	7024700 ..... 106
7012955 ..... 35	7017278 ..... 361	7021619.....99	7024701 ..... 106
7012967 ..... 35	7017279 ..... 361	7021653.....35	7024724 ..... 67
7012969 ..... 75	7017280 ..... 361	7022521.....99	7024726 ..... 67
7016649 ..... 123, 125	7017281 ..... 361	7022586.....71	7024730 ..... 67
7016654 ..... 591	7017282 ..... 361	7022587.....71	7024733 ..... 67
7017020 ..... 67	7017283 ..... 361	7022588.....71	7024734 ..... 67
7017022 ..... 68	7017406 ..... 353	7022589.....71	7024735 ..... 67
7017023 ..... 106	7018900 ..... 99	7022591.....71	7024736 ..... 67
7017027 ..... 67	7018904 ..... 99	7023200.....121	7024738 ..... 67
7017069 ..... 106	7018942 ..... 75, 100	7023224..... 117, 119, 584	7024739 ..... 67
7017071 ..... 106	7018943 ..... 99	7023268..... 117, 119	7024740 ..... 67
7017072 ..... 67, 106	7018945 ..... 99, 100	7023269..... 117, 119, 584	7024741 ..... 67
7017073 ..... 106	7018991 ..... 99, 584	7023270..... 117, 119	7024742 ..... 67
7017074 ..... 106	7020035 ..... 65	7023272..... 121	7024744 ..... 68
7017075 ..... 106	7020036 ..... 63, 65	7023306..... 117, 119	7024844 ..... 355
7017076 ..... 106	7020037 ..... 63, 65	7023347..... 117, 119	7024991 ..... 99
7017077 ..... 106	7020038 ..... 63, 65	7023870.....71	7026068 ..... 355
7017078 ..... 106	7020039 ..... 63, 65	7023871.....71	7026084 ..... 353
7017079 ..... 106	7020040 ..... 63, 65	7023872.....71	7026088 ..... 355
7017080 ..... 106	7020041 ..... 63, 65	7023976.....35	7026090 ..... 355
7017082 ..... 106	7020054 ..... 63, 65	7024022.....99	7026091 ..... 355
7017083 ..... 106	7020055 ..... 63, 65	7024023.....99	7026092 ..... 355
7017084 ..... 106	7020137 ..... 63, 65	7024024.....99	7026121 ..... 117, 119
7017085 ..... 106	7020140 ..... 65	7024056..... 117, 119	7026170 ..... 229
7017086 ..... 106	7020175 ... 147, 149, 151, 153	7024124.....67	7026182 ..... 229
7017087 ..... 106	7020176 ... 147, 149, 151, 153	7024127.....67	7026616 ..... 365
7017088 ..... 106, 107	7020251 ..... 65	7024129.....67	7027859 ..... 185
7017093 ..... 67	7020257 ..... 123, 125	7024134.....68	8220045 ..... 540
7017095 ..... 67	7020260 ..... 229	7024135.....106	8220068 ..... 551
7017142 ..... 233	7020261 ..... 229	7024136..... 106, 107	8229234 ..... 540, 584
7017158 ..... 235	7020262 ..... 229	7024199.....106	8229235 ... 539, 540, 584
7017159 ..... 233, 235	7020264 ..... 229	7024378.....107	8229236 ..... 539, 584
7017160 ..... 235, 237	7020265 ..... 229	7024379.....107	8229237 ..... 539, 584
7017162 ..... 233, 235	7020266 ..... 229	7024380.....107	8229242 ... 455, 495, 509, 510, 513, 514, 546, 584
7017163 ..... 233, 235	7020291 ..... 121	7024381.....107	8229249 ..... 345, 584
7017164 ..... 233, 235	7020292 ..... 121	7024382.....107	8229261 ..... 540, 584
7017165 ..... 237	7020293 ..... 121	7024383.....107	8580420 ..... 87
7017167 ..... 237	7020294 ..... 121	7024384.....107	8770189 ..... 378, 382
7017168 ..... 237	7020295 ..... 121	7024385.....107	88261024 ..... 241, 243
7017169 ..... 237	7020296 ..... 121	7024386.....107	88521214. 335, 337, 339, 341, 343
7017170 ..... 235	7020297 ..... 121	7024387.....107	88662037 ..... 378, 382
7017172 ... 233, 235, 237	7020298 ..... 121	7024388.....107	91203039 ..... 239
7017178 ..... 237	7020299 ..... 121	7024389.....107	
7017192 ... 233, 235, 237		7024441..... 117, 119	
7017195 ... 233, 235, 237		7024446..... 117, 119	



**Corporate Office  
JLG Industries, Inc.  
1 JLG Drive  
McConnellsburg, PA 17233-9533 USA**  
☎ (717) 485-5161 (Corporate)  
☎ (877) 554-5438 (Customer Support)  
📠 (717) 485-6417

**Visit our website for JLG Worldwide Locations.  
[www.jlg.com](http://www.jlg.com)**



**OSHKOSH™**