



---

# Illustrated Parts Manual

## 800S, 860SJ

PVC 2407

3122320400

July 1, 2024 - Rev A

**ANSI**  **CE**   
**AS/NZS**

English (en-US)

---





# REVISION LOG

July 1, 2024 - A - Original Issue of Manual (Edited to B/M 1001245337 Revision BM)

# GENERAL INFORMATION

**SECTION 6 CYLINDER**

**FIGURE 6-3. LIFT CYLINDER ASSEMBLY**

PG#                      Model Designation                      Manual #

**SECTION 6 CYLINDER**

**FIGURE 6-3. LIFT CYLINDER ASSEMBLY**

ITEM #	PART NUMBER	QTY	DESCRIPTION	REV
	1001140104	Ref	LIFT CYLINDER ASSEMBLY	B
1	0100011	AR	Compound, Locking	
2	0630305	3	Capscrew 1/4-20 x 1-1/8	
3	0791003	1	Screw #10-24 x 3/8	
4	0961897	1	Bushing, Tapered	
5	1320136	1	Clamp, Cable	
6	1683063	1	Head	
7	2220683	1	Plug, O-Ring	
8	2220685	2	Plug, O-Ring	
9	2220686	1	Plug, O-Ring	
10	3020039	AR	Lubricant	
11	3480282	1	Piston	
12	3760371	1	Ring, Washer	
13	3931420	8	Capscrew 1/4-20 x 1-1/4	
14	3931824	8	Capscrew 1/2-13 x 1-1/2	
15	3951003	1	Setscrew #10-24 x 3/8	
16	4100099	1	Spacer	
17	4640999	1	Cartridge, Holding Valve (Non Vented)	
17	2900792	1	Kit, Seal - 4640999 Cartridge Valve	
18	4641248	1	Cartridge, Countbalance Valve (Non Vented)	
18	70004186	1	Kit, Seal - 4641248 Cartridge Valve	
19	1001117991	1	Sensor, Cylinder Length	
20	1001118070	1	Cap, Retainer	
21	1001119084	1	Barrel	
21A	0961950	2	Bushing	
22	1001118086	1	Rod	
22A	0961950	2	Bushing	
100	1001139996	1	Kit, Seal (Includes Items 101-109)	
101	See Note	2	Ring, Wear (Note: Use p/n 1001139996)	
102	See Note	1	Ring, Back-Up (Note: Use p/n 1001139996)	
103	See Note	2	Ring, Lock (Note: Use p/n 1001139996)	
104	See Note	2	Ring, Back-Up (Note: Use p/n 1001139996)	
105	See Note	2	O-Ring (Note: Use p/n 1001139996)	
106	See Note	1	O-Ring (Note: Use p/n 1001139996)	
107	See Note	1	Seal (Note: Use p/n 1001139996)	
108	See Note	1	Wiper, Rod (Note: Use p/n 1001139996)	
109	See Note	2	Seal (Note: Use p/n 1001139996)	
200	1001119105	1	Kit, Sensor Magnet (Includes Items 201-203)	
201	See Note		Sleeve, Spacer (Note: Use p/n 1001119105)	
202	1001118066		Magnet, Sensor	
203	1001118069	1	Ring, Internal Retaining	

Manual #                      Model Designation                      PG#

## 1) MACHINE IDENTIFICATION

Machines are identified by model and in some cases a combination of models, serial number (SN) or regional standard (i.e ANSI, CE, CSA). Components may also be identified by SN or manufacturer. Common components that may be identified by these characteristics are engines and hydraulic components.

## 2) PARTS MANUAL ORGANIZATION

Product information in this manual is organized under section titles. Frame, Cylinder, Hydraulic and Electrical are a few examples. Each section is organized by figure and page number. The information within the Figure is then organized by item number, part number, description and corresponding illustration (s).

## 3) TABLE OF CONTENTS (NOT SHOWN)

A table of contents is found toward the beginning of the manual. Figure number, description and page number are provided for quick reference to the page containing the related information.

## 4) RECOMMENDED SPARE PARTS (NOT SHOWN)

The Recommended Spare Parts List, located near the end of the manual, reference most frequently used maintenance parts.

## 5) PART NUMBER INDEX (NOT SHOWN)

A numerical index listing all part numbers and the corresponding page number(s) appears at the back of the manual.

# GENERAL INFORMATION

## 6) NON-SERVICED PARTS

In some instances, it is necessary to display non-serviced parts, assemblies or installations. In the case of assemblies and installations there will be a Ref in the Qty. column. In case of parts that are not available for service within assemblies or components, there will be a NSS (Not Sold Separately) or NLA (No Longer Available) listed in the Qty. column of the manual.

## 7) PARTS LIST ITEM NUMBERS

Numbers shown in the item# column correspond to numbers used in the associated illustration (s). Item numbers which are missing from the sequence in the parts list are not used on that page.

## 8) INDENTED PARTS DESCRIPTION

An indented part description is included in the item under which it is indented.

## 9) ABBREVIATION AND SYMBOLS

AC.....	Alternating Current	L.....	Liter
ADE.....	Advanced Design Electronics	LB(LBS).....	Pounds
AG.....	Agricultural	LCD.....	Liquid Crystal Display
ANSI.....	American National Standards Institute	LED.....	Light Emitting Diodes
AR.....	As Required	LH.....	Left Hand
ASSY.....	Assembly	LRC.....	Low Rated Countries
AUS.....	Australia	LSS.....	Load Sensing System
AUX.....	Auxiliary	M(m).....	Metric/Meter
AWG.....	American Wire Gauge	MM(mm).....	Milimeter
B/M.....	Bill of Material	mA.....	Miliamps
CAC.....	Charge Air Cooler	NLA.....	No Longer Available
CE.....	European Conformity	NPT.....	National Pipe Threads
CCW.....	Counter Clockwise	NSS.....	Not Sold Separately
CM.....	Centimeter	OD.....	Outside Diameter
CW.....	Clockwise	ORB.....	O-Ring Boss
CSA.....	Canadian Standards Association	ORFS.....	O-Ring Face Seal
CYL.....	Cylinder	OZ (oz).....	Ounces
DIA.....	Diameter	PG.....	Page
DC.....	Direct Current	PN.....	Part Number
DEF.....	Diesel Exhaust Fluid	QT(qt.).....	Quarts
EMS.....	Emergency Stop	QTY.....	Quantity
ENG.....	Engine	REF.....	Reference
FT(ft).....	Feet	REV.....	Revision Level
GA(Ga).....	Gauge	RH.....	Right Hand
HRC.....	High Rated Countries	SAE.....	Society of Automotive Engineers
HVAC.....	Heating, Ventilating, and Air Conditioning	SN.....	Serial Number
HYD.....	Hydraulic	SPEC(S).....	Specifications
Hz.....	Hertz	T/T.....	Turntable
ID.....	Inside Diameter	UGM.....	Universal Ground Module
IN.....	inches	V.....	Volts
ISO.....	International Organization for Standards	W.....	Watts
JIC.....	Joint Industry Council	#.....	Number
KG.....	Kilogram		

## 10) ILLUSTRATION REFERENCE LETTERS

When necessary, illustrations may contain reference letters that are intended to track information (i. e. hoses, harnesses) from one point to another or to track visual enlargement of components to show details that may be located in another area on the illustration.

*Note: Due to continuous product improvements, JLG Industries, Inc. reserves the right to make specification changes without prior notification. Contact JLG Industries, Inc. for updated information.*



# TABLE OF CONTENTS

SECTION 1 - FRAME.....	19
FIGURE 1-1. AXLE INSTALLATION - FIXED (WITHOUT TOW PACKAGE) .....	20
FIGURE 1-2. AXLE INSTALLATION - OSCILLATING (WITHOUT TOW PACKAGE) (MACHINES WITH SN STARTING WITH 03 OR 13) .....	22
FIGURE 1-3. AXLE INSTALLATION - OSCILLATING (WITHOUT TOW PACKAGE) (MACHINES WITH SN STARTING WITH B3) .....	24
FIGURE 1-4. AXLE INSTALLATION - OSCILLATING (WITH TOW PACKAGE) (MACHINES WITH SN STARTING WITH 03) ...	26
FIGURE 1-5. AXLE INSTALLATION - OSCILLATING (WITH TOW PACKAGE) (MACHINES WITH SN STARTING WITH B3)...	28
FIGURE 1-6. STEERING INSTALLATION - WITHOUT TOW PACKAGE (MACHINES WITH SN STARTING WITH 03 OR 13) ..	30
FIGURE 1-7. STEERING INSTALLATION - WITHOUT TOW PACKAGE (MACHINES WITH SN STARTING WITH B3) .....	32
FIGURE 1-8. STEERING INSTALLATION - WITH TOW PACKAGE (MACHINES WITH SN STARTING WITH 03) .....	34
FIGURE 1-9. STEERING INSTALLATION - WITH TOW PACKAGE (MACHINES WITH SN STARTING WITH B3).....	36
FIGURE 1-10. WHEEL DRIVE AND FRAME VALVES INSTALLATION - 2WD .....	38
FIGURE 1-11. WHEEL DRIVE AND FRAME VALVES INSTALLATION - 4WD - DANFOSS MOTOR.....	40
FIGURE 1-12. WHEEL DRIVE AND FRAME VALVES INSTALLATION - 4WD - HENGLI MOTOR .....	42
FIGURE 1-13. HUB ASSEMBLY - 2WD FRONT .....	44
FIGURE 1-14. DRIVE HUB/BRAKE ASSEMBLY .....	46
FIGURE 1-15. DRIVE MOTOR ASSEMBLY - 2WD .....	48
FIGURE 1-16. DRIVE MOTOR ASSEMBLY - 4WD - DANFOSS MOTOR.....	50
FIGURE 1-17. DRIVE MOTOR ASSEMBLY - 4WD - HENGLI MOTOR.....	52
FIGURE 1-18. TIRE & WHEEL INSTALLATION - 15-625 NHS FOAM-FILLED.....	54
FIGURE 1-19. TIRE AND WHEEL INSTALLATION 18-625 NHS FOAM-FILLED TIRE .....	56
FIGURE 1-20. TIRE AND WHEEL INSTALLATION 18-625 NHS FOAM-FILLED NON-MARKING TIRE .....	58
FIGURE 1-21. TIRE AND WHEEL INSTALLATION 18-22.5 NHS FOAM-FILLED NON-MARKING TIRE .....	60
FIGURE 1-22. LP TANK BRACKETS INSTALLATIONS .....	62
FIGURE 1-23. FRAME SHIELDS INSTALLATION - 2WS.....	64
FIGURE 1-24. TOW PACKAGE INSTALLATION (ENGLISH DECALS).....	66
FIGURE 1-25. TOW PACKAGE INSTALLATION (FRENCH/ENGLISH DECALS).....	68
FIGURE 1-26. TOW BAR ASSEMBLY .....	70
SECTION 2 - TURNTABLE .....	73
FIGURE 2-1. CONTROL VALVES INSTALLATION (800S) .....	74
FIGURE 2-2. CONTROL VALVES INSTALLATION (860SJ).....	76
FIGURE 2-3. MAIN CONTROL VALVE ASSEMBLY .....	78
FIGURE 2-4. SWING DRIVE INSTALLATION .....	80
FIGURE 2-5. SWING MOTOR/HUB ASSEMBLY .....	82
FIGURE 2-6. TURNTABLE BEARING INSTALLATION (ALL SPECS EXCEPT CHINA SPECS) .....	84
FIGURE 2-7. TURNTABLE BEARING INSTALLATION (CHINA SPECS).....	86
FIGURE 2-8. REMOTE BEARING LUBE INSTALLATION.....	88
FIGURE 2-9. TURNTABLE LOCK INSTALLATION.....	90
FIGURE 2-10. ROTARY COUPLING INSTALLATION .....	92
FIGURE 2-11. TANK INSTALLATION - GAS ENGINES (HELGESEN 25 GAL HYDRAULIC TANK WITH 6IN DIA BREATHER) ..	94
FIGURE 2-12. TANK INSTALLATION - GAS ENGINES (JIANGYING 25 GAL HYDRAULIC TANK WITH 4IN DIA BREATHER) ..	96
FIGURE 2-13. TANK INSTALLATION - GAS ENGINES (47.8 GAL CAPACITY HYDRAULIC TANK).....	98
FIGURE 2-14. TANK INSTALLATION - DIESEL ENGINES (HELGESEN 25 GAL HYDRAULIC TANK WITH 6IN BREATHER) ..	100

# TABLE OF CONTENTS

FIGURE 2-15. TANK INSTALLATION - DIESEL ENGINES (JIANGYING 25 GAL HYDRAULIC TANK WITH 4IN DIA BREATHER)	102
FIGURE 2-16. TANK INSTALLATION - DIESEL ENGINES (47.8 GAL CAPACITY HYDRAULIC TANK)	104
FIGURE 2-17. TANK INSTALLATION - DIESEL ENGINES (MACHINES WITH HOSTILE ENVIRONMENT PACKAGE) (25 GAL HYDRAULIC TANK WITH 6 INCH BREATHER)	106
FIGURE 2-18. TANK INSTALLATION - DIESEL ENGINES (MACHINES WITH HOSTILE ENVIRONMENT PACKAGE) (25 GAL HYDRAULIC TANK WITH 4 INCH BREATHER)	108
FIGURE 2-19. TANK INSTALLATION - DIESEL ENGINES (MACHINES WITH HOSTILE ENVIRONMENT PACKAGE) (47.8 GAL CAPACITY HYDRAULIC TANK)	110
FIGURE 2-20. HYDRAULIC TANK ASSEMBLY (HELGESEN 25 GAL HYDRAULIC TANK WITH 6IN DIA BREATHER)	112
FIGURE 2-21. HYDRAULIC TANK ASSEMBLY (JIANGYING 25 GAL HYDRAULIC TANK WITH 4IN DIA BREATHER)	114
FIGURE 2-22. HYDRAULIC TANK ASSEMBLY (47.8 GAL CAPACITY HYDRAULIC TANK)	116
FIGURE 2-23. AUXILIARY PUMP WITHOUT BATTERY DISCONNECT SWITCH INSTALLATION (MACHINES WITH SN STARTING WITH 03)	118
FIGURE 2-24. AUXILIARY PUMP WITHOUT BATTERY DISCONNECT SWITCH INSTALLATION (MACHINES WITH SN STARTING WITH B3)	120
FIGURE 2-25. AUXILIARY PUMP WITH BATTERY DISCONNECT SWITCH INSTALLATION (MACHINES WITH SN STARTING WITH 03)	122
FIGURE 2-26. AUXILIARY PUMP WITH BATTERY DISCONNECT SWITCH INSTALLATION (MACHINES WITH SN STARTING WITH B3)	124
FIGURE 2-27. AUXILIARY PUMP WITH BATTERY DISCONNECT SWITCH INSTALLATION (MACHINES WITH SN STARTING WITH B3)	126
FIGURE 2-28. GROUND CONTROL BOX ASSEMBLY - WITH DEUTZ D2011 - WITH MECHANICAL HOUR METER (ANSI EXPORT (LRC) AND AUSTRALIAN SPECS)	128
FIGURE 2-29. GROUND CONTROL BOX ASSEMBLY - WITH DEUTZ D2011 (CE & UK CA SPECS)	132
FIGURE 2-30. GROUND CONTROL BOX ASSEMBLY - WITH DEUTZ D2011 - WITH MECHANICAL HOUR METER (ANSI EXPORT (LRC) AND AUSTRALIAN SPECS) WITH TILT SENSOR	136
FIGURE 2-31. GROUND CONTROL BOX ASSEMBLY - WITH DEUTZ D2011 (CE & UK CA SPECS) WITH TILT SENSOR	140
FIGURE 2-32. GROUND CONTROL BOX ASSEMBLY - WITH DEUTZ D2011 (HIGH TEMP MARKETS) (ANSI EXPORT (LRC) AND AUSTRALIAN SPECS) (860SJ)	144
FIGURE 2-33. GROUND CONTROL BOX ASSEMBLY - WITH DEUTZ TD2.9L4 - WITH MECHANICAL HOUR METER (ANSI, ANSI EXPORT (HRC), CSA AND JAPANESE SPECS)	148
FIGURE 2-34. GROUND CONTROL BOX ASSEMBLY - WITH DEUTZ TD2.9L4 (STAGE V) (CE & UK CA SPECS)	152
FIGURE 2-35. GROUND CONTROL BOX ASSEMBLY - WITH DEUTZ TD2.9L4 - WITH MECHANICAL HOUR METER (ANSI, ANSI EXPORT (HRC), ANSI EXPORT (LRC WITH SN B3), CSA, JAPANESE, AUSTRALIAN (SN B3), RUSSIAN (SN B3) AND CHINA SPECS) WITH TILT SENSOR	156
FIGURE 2-36. GROUND CONTROL BOX ASSEMBLY - WITH DEUTZ TD2.9L4 (STAGE V) (CE & UK CA SPECS) WITH TILT SENSOR	160
FIGURE 2-37. GROUND CONTROL BOX ASSEMBLY - WITH FORD DF 2.5L - WITH MECHANICAL HOUR METER (ANSI, ANSI EXPORT (LRC & HRC) AND CSA SPECS)	164
FIGURE 2-38. GROUND CONTROL BOX ASSEMBLY - WITH FORD DF 2.5L - WITH MECHANICAL HOUR METER (ANSI, ANSI EXPORT (LRC & HRC), AUSTRALIAN AND CSA SPECS)	168
FIGURE 2-39. GROUND CONTROL BOX ASSEMBLY - WITH DEUTZ TD2.9L4 (UNR96) ENGINE (860SJ)	172
FIGURE 2-40. GROUND CONTROL BOX ASSEMBLY - WITH DEUTZ TD2.9L4 (UNR96) ENGINE (800S)	176
FIGURE 2-41. LIGHT PANEL INSTALLATION (MACHINES WITH SN STARTING WITH 03 OR 13)	180
FIGURE 2-42. LIGHT PANEL INSTALLATION (MACHINES WITH SN STARTING WITH B3)	182
FIGURE 2-43. ALARM INSTALLATION	184
FIGURE 2-44. WHITE NOISE ALARM INSTALLATION - AMBIENT	186
FIGURE 2-45. WHITE NOISE ALARM INSTALLATION - CONSTANT	188
FIGURE 2-46. CLEARSKY INSTALLATION	190
FIGURE 2-47. STROBE LIGHT INSTALLATION (AMBER) (ALL SPECS EXCEPT CHINEASE SPECS)	192

# TABLE OF CONTENTS

FIGURE 2-48. STROBE LIGHT INSTALLATION (AMBER) (CHINEASE SPECS).....	194
FIGURE 2-49. STROBE LIGHT INSTALLATION (BLUE).....	196
FIGURE 2-50. STROBE LIGHT INSTALLATION (RED) .....	198
FIGURE 2-51. NO BEACON INSTALLATION .....	200
FIGURE 2-52. DUAL CAPACITY INSTALLATION - ELEVATION AND TRANSPORTATION (800S).....	202
FIGURE 2-53. DUAL CAPACITY INSTALLATION - ELEVATION AND TRANSPORTATION (860SJ).....	204
FIGURE 2-54. LOWER SENSOR ASSEMBLY .....	206
FIGURE 2-55. EXHAUST STACK INSTALLATION - STEEL HOOD (DEUTZ D2011 ENGINES).....	208
FIGURE 2-56. EXHAUST STACK INSTALLATION - STEEL HOOD WITH HOSTILE ENVIRONMENT MACHINES (DEUTZ D2011 ENGINES).....	210
FIGURE 2-57. EXHAUST STACK INSTALLATION - STEEL HOOD WITH HOSTILE ENVIRONMENT MACHINES (DEUTZ TD2.9L4 ENGINES) (MACHINES WITH SN STARTING WITH B3).....	212
FIGURE 2-58. EXHAUST STACK INSTALLATION - STEEL HOOD (DEUTZ TD2.9L4 ENGINES) (MACHINES WITH SN STARTING WITH 03 OR 13).....	214
FIGURE 2-59. EXHAUST STACK INSTALLATION - STEEL HOOD (DEUTZ TD2.9L4 (STAGE V) ENGINES) (MACHINES WITH SN STARTING WITH 03) .....	216
FIGURE 2-60. EXHAUST STACK INSTALLATION - STEEL HOOD (DEUTZ TD2.9L4 ENGINES) (MACHINES WITH SN STARTING WITH B3).....	218
FIGURE 2-61. EXHAUST STACK INSTALLATION - STEEL HOOD (DEUTZ TD2.9L4 (STAGE V) ENGINES) (MACHINES WITH SN STARTING WITH B3).....	220
FIGURE 2-62. EXHAUST STACK INSTALLATION - STEEL HOOD WITH HOSTILE ENVIRONMENT MACHINES (DEUTZ TD2.9L4 ENGINES) (MACHINES WITH SN STARTING WITH 03 OR 13).....	222
FIGURE 2-63. EXHAUST STACK INSTALLATION - STEEL HOOD (FORD DF 2.5L ENGINES) .....	224
FIGURE 2-64. HOODS INSTALLATION - ABS (DEUTZ D2011 ENGINES) .....	226
FIGURE 2-65. HOODS INSTALLATION - ABS (DEUTZ TD2.9L4 AND DEUTZ TD2.9L4 (STAGE V) ENGINES) (CE & UK CA SPECS ONLY).....	230
FIGURE 2-66. HOODS INSTALLATION - STEEL (DEUTZ D2011 ENGINES).....	234
FIGURE 2-67. HOODS INSTALLATION - STEEL WITH HOSTILE ENVIRONMENT MACHINES (DEUTZ D2011 ENGINES) (MACHINES WITH SN STARTING WITH 03 OR 13).....	238
FIGURE 2-68. HOODS INSTALLATION - STEEL WITH HOSTILE ENVIRONMENT MACHINES (DEUTZ TD2.9L4 ENGINES) (MACHINES WITH SN STARTING WITH B3).....	242
FIGURE 2-69. HOODS INSTALLATION - STEEL (DEUTZ TD2.9L4 AND DEUTZ TD2.9L4 (STAGE V) ENGINES) (MACHINES WITH SN STARTING WITH 03 OR 13).....	246
FIGURE 2-70. HOODS INSTALLATION - STEEL (DEUTZ TD2.9L4 ENGINES) (MACHINES WITH SN STARTING WITH B3) .....	250
FIGURE 2-71. HOOD INSTALLATION - STEEL (DEUTZ TD2.9L4 ENGINES) (MACHINES WITH SN STARTING WITH B3) (CE & UK CA SPECS).....	254
FIGURE 2-72. HOODS INSTALLATION - STEEL (DEUTZ TD2.9L4 (STAGE V) ENGINES) (MACHINES WITH SN STARTING WITH B3).....	258
FIGURE 2-73. HOODS INSTALLATION - STEEL WITH HOSTILE ENVIRONMENT MACHINES (DEUTZ TD2.9L4 ENGINES).....	262
FIGURE 2-74. HOODS INSTALLATION - STEEL (FORD DF 2.5L ENGINES) .....	266
FIGURE 2-75. HOOD ASSEMBLY - ENGINE SIDE REAR (DEUTZ TD2.9L4 ENGINES) (MACHINES WITH SN STARTING WITH B3).....	270
FIGURE 2-76. HOOD ASSEMBLY - ENGINE SIDE REAR (DEUTZ TD2.9L4 ENGINES) (MACHINES WITH SN STARTING WITH B3) (CE & UK CA SPECS) .....	272
FIGURE 2-77. HOOD ASSEMBLY - ENGINE SIDE REAR (DEUTZ TD2.9L4 (STAGE V) ENGINES) (MACHINES WITH SN STARTING WITH B3).....	274
FIGURE 2-78. HOOD ASSEMBLY - TANK SIDE REAR (DEUTZ TD2.9L4 AND DEUTZ TD2.9L4 (STAGE V) ENGINES) (MACHINES WITH SN STARTING WITH B3).....	276
FIGURE 2-79. LIFTING PLATE INSTALLATION.....	278
FIGURE 2-80. SKYAIR AIR COMPRESSOR INSTALLATION (DEUTZ D2011 AND FORD DF 2.5L ENGINES) .....	280

# TABLE OF CONTENTS

FIGURE 2-81. SKYAIR AIR COMPRESSOR INSTALLATION (DEUTZ TD2.9L4 ENGINES) .....	282
FIGURE 2-82. AIR COMPRESSOR ASSEMBLY .....	284
FIGURE 2-83. WHITE NOISE ALARM HARNESS .....	288
SECTION 3 - ENGINE .....	291
FIGURE 3-1. DEUTZ D2011 ENGINE INSTALLATION (WITHOUT ARCTIC PACKAGE) .....	292
FIGURE 3-2. DEUTZ D2011 ENGINE INSTALLATION (WITH ARCTIC PACKAGE) .....	294
FIGURE 3-3. DEUTZ D2011 ENGINE INSTALLATION - (WITH ARCTIC PACKAGE) (WITH 47.8 GAL CAPACITY HYDRAULIC TANK) .....	298
FIGURE 3-4. DEUTZ D2011 ENGINE INSTALLATION (HIGH TEMP MARKETS) .....	302
FIGURE 3-5. DEUTZ D2011 ENGINE/PUMP SUB-ASSEMBLY (WITHOUT ARCTIC PACKAGE) .....	304
FIGURE 3-6. DEUTZ D2011 ENGINE/PUMP SUB-ASSEMBLY (WITH ARCTIC PACKAGE) .....	306
FIGURE 3-7. DEUTZ D2011 ENGINE AND PUMP SUB-ASSEMBLY - (WITH ARCTIC PACKAGE) (WITH 47.8 GAL CAPACITY HYDRAULIC TANK) .....	308
FIGURE 3-8. DEUTZ D2011 ENGINE ASSEMBLY (WITHOUT ARCTIC PACKAGE) .....	310
FIGURE 3-9. DEUTZ D2011 ENGINE ASSEMBLY (WITH ARCTIC PACKAGE) .....	314
FIGURE 3-10. DEUTZ D2011 ENGINE COMPONENTS .....	318
FIGURE 3-11. DEUTZ TD 2.9L4 (UN R96) ENGINE INSTALLATION - WITHOUT ARCTIC PACKAGE (WITH PLASTIC HOODS) .....	322
FIGURE 3-12. DEUTZ TD 2.9L4 (UN R96) ENGINE INSTALLATION - WITHOUT ARCTIC PACKAGE (WITH STEEL HOODS) .....	326
FIGURE 3-13. DEUTZ TD 2.9L4 (UN R96) ENGINE AND PUMP SUB-ASSEMBLY - WITHOUT ARCTIC PACKAGE (WITH STEEL HOODS) .....	330
FIGURE 3-14. DEUTZ TD 2.9L4 (UN R96) ENGINE ASSEMBLY - WITHOUT ARCTIC PACKAGE .....	332
FIGURE 3-15. DEUTZ TD 2.9L4 (UN R96) ENGINE INSTALLATION - WITH ARCTIC PACKAGE (WITH PLASTIC HOODS) .....	338
FIGURE 3-16. DEUTZ TD 2.9L4 (UN R96) ENGINE INSTALLATION - WITH ARCTIC PACKAGE (WITH STEEL HOODS) .....	342
FIGURE 3-17. DEUTZ TD 2.9L4 (UN R96) ENGINE AND PUMP SUB-ASSEMBLY - WITH ARCTIC PACKAGE (WITH STEEL HOODS) .....	346
FIGURE 3-18. DEUTZ TD 2.9L4 (UN R96) ENGINE ASSEMBLY - WITH ARCTIC PACKAGE .....	348
FIGURE 3-19. DEUTZ TD.9L4 (UN R96) ENGINE COMPONENTS .....	354
FIGURE 3-20. DEUTZ TD2.9L4 (STAGE V) ENGINE INSTALLATION .....	356
FIGURE 3-21. DEUTZ TD.9L4 ENGINE INSTALLATION (CHINA III) .....	360
FIGURE 3-22. DEUTZ TD.9L4 ENGINE INSTALLATION (CHINA IV) .....	364
FIGURE 3-23. DEUTZ TD.9L4 ENGINE/PUMP SUB-ASSEMBLY (STAGE V) .....	368
FIGURE 3-24. DEUTZ TD.9L4 ENGINE/PUMP SUB-ASSEMBLY (CHINA III) .....	370
FIGURE 3-25. DEUTZ TD.9L4 ENGINE/PUMP SUB-ASSEMBLY (CHINA IV) .....	372
FIGURE 3-26. DEUTZ TD.9L4 ENGINE ASSEMBLY (STAGE V) .....	374
FIGURE 3-27. DEUTZ TD.9L4 ENGINE ASSEMBLY (CHINA III ENGINE) .....	380
FIGURE 3-28. DEUTZ TD.9L4 ENGINE ASSEMBLY (CHINA IV ENGINE) .....	386
FIGURE 3-29. DEUTZ ENGINE CHINA IV .....	392
FIGURE 3-30. DEUTZ TD.9L4 ENGINE COMPONENTS (STAGE V) .....	394
FIGURE 3-31. DEUTZ TD.9L4 ENGINE COMPONENTS (CHINA III ENGINE) .....	396
FIGURE 3-32. DEUTZ TD.9L4 ENGINE COMPONENTS (CHINA IV ENGINE) .....	400
FIGURE 3-33. DEUTZ D2.9L4 - EMR5 ENGINE INSTALLATION WITH ARCTIC PACKAGE .....	402
FIGURE 3-34. DEUTZ D2.9L4 - EMR5 ENGINE AND PUMP SUB-ASSEMBLY WITH ARCTIC PACKAGE .....	406
FIGURE 3-35. ENGINE ASSEMBLY - DEUTZ D2.9L4 EMR5 ENGINE (WITH ARCTIC PACKAGE) .....	408
FIGURE 3-36. DEUTZ D2.9L4 - EMR5 ENGINE INSTALLATION WITHOUT ARCTIC PACKAGE .....	414
FIGURE 3-37. DEUTZ D2.9L4 - EMR5 ENGINE AND PUMP SUB-ASSEMBLY WITHOUT ARCTIC PACKAGE .....	418



# TABLE OF CONTENTS

FIGURE 3-38. ENGINE ASSEMBLY - DEUTZ D2.9L4 EMR5 ENGINE (WITHOUT ARCTIC PACKAGE)	420
FIGURE 3-39. ENGINE COMPONENTS - DEUTZ D2.9L4 EMR5 ENGINE	426
FIGURE 3-40. FUEL PUMP/FILTER BRACKET ASSEMBLY (DEUTZ TD2.9L4 ENGINES)	428
FIGURE 3-41. FUEL PUMP/FILTER BRACKET ASSEMBLY (DEUTZ TD2.9L4 (STAGE V) ENGINES)	430
FIGURE 3-42. FUEL PUMP/FILTER BRACKET ASSEMBLY (DEUTZ TD2.9L4 ENGINES) (CHINA III & CHINA IV ENGINE)	432
FIGURE 3-43. BREATHER HEATER INST (DEUTZ TD2.9L4 ENGINES)	434
FIGURE 3-44. FORD ENGINE INSTALLATION - (WITHOUT ARCTIC PACKAGE)	436
FIGURE 3-45. FORD ENGINE AND PUMP SUB-ASSEMBLY - (WITHOUT ARCTIC PACKAGE)	440
FIGURE 3-46. FORD ENGINE ASSEMBLY (WITHOUT ARCTIC PACKAGE)	442
FIGURE 3-47. FORD ENGINE PREP ASSEMBLY	448
FIGURE 3-48. FORD ENGINE BRACKETS AND EXHAUST MANIFOLD INSTALLATION	450
FIGURE 3-49. FORD ENGINE DRIVE BELT INSTALLATION (MACHINES WITHOUT GENERATOR)	452
FIGURE 3-50. FORD ENGINE COMPONENTS	454
FIGURE 3-51. PUMP COUPLING KIT (DEUTZ ENGINES)	458
FIGURE 3-52. HYDROSTATIC PUMP ASSEMBLY	460
FIGURE 3-53. VARIABLE PUMP ASSEMBLY - DEUTZ TD2.9L4 STAGE V ENGINES	462
FIGURE 3-54. VARIABLE PUMP ASSEMBLY - ALL ENGINES EXCEPT FOR DEUTZ TD2.9L4 STAGE V ENGINES	466
FIGURE 3-55. HYDROSTATIC PUMP ASSEMBLY	468
FIGURE 3-56. EXHAUST PIPE INSTALLATION - DEUTZ TD2.9L4 ENGINES	470
FIGURE 3-57. EXHAUST PIPE INSTALLATION - DEUTZ TD2.9L4 (STAGE V) ENGINES	472
FIGURE 3-58. EXHAUST PIPE INSTALLATION - FORD DF 2.5L ENGINES	474
FIGURE 3-59. SPARK ARRESTOR MUFFLER INSTALLATION - DEUTZ D2011 ENGINES	476
FIGURE 3-60. SPARK ARRESTING PIPE (MACHINES WITH SN STARTING WITH B3)	478
FIGURE 3-61. SPARK ARRESTOR INSTALLATION (WITH STEEL HOODS)	480
FIGURE 3-62. SPARK ARRESTOR INSTALLATION (WITH PLASTIC HOODS)	482
FIGURE 3-63. FUEL-WATER SEPARATOR INSTALLATION - DEUTZ D2011	484
FIGURE 3-64. FUEL-WATER SEPARATOR INSTALLATION - DEUTZ TD2.9L4	486
FIGURE 3-65. FUEL FILTER ASSEMBLY (DEUTZ TD2.9L4 ENGINES)	488
FIGURE 3-66. RIGHT ENGINE SUPPORT INSTALLATION (DEUTZ D2011 ENGINES MACHINES WITHOUT GENERATORS)	490
FIGURE 3-67. RIGHT ENGINE SUPPORT INSTALLATION (DEUTZ D2011 ENGINES MACHINES WITH GENERATORS)	492
FIGURE 3-68. ENGINE HOOD BAFFLE INSTALLATION - DEUTZ TD2.9L4 AND DEUTZ 2.9L4 (STAGE V) ENGINES WITH ABS HOODS	494
FIGURE 3-69. ENGINE HOOD BAFFLE INSTALLATION - DEUTZ TD2.9L4 AND DEUTZ 2.9L4 (STAGE V) ENGINES WITH STEEL HOODS	496
FIGURE 3-70. ENGINE TRAY JACK INSTALLATION - DEUTZ ENGINES	498
FIGURE 3-71. ENGINE TRAY JACK INSTALLATION - FORD ENGINES	500
FIGURE 3-72. QUICKFIT OIL DRAIN VALVE (DEUTZ ENGINES)	502
FIGURE 3-73. 2500W/110V/60HZ GENERATOR INSTALLATION - DEUTZ D2011 ENGINES	504
FIGURE 3-74. 2500W/110V/60HZ GENERATOR INSTALLATION - DEUTZ TD2.9L4 ENGINES	506
FIGURE 3-75. 2500W/110V/60HZ GENERATOR INSTALLATION - FORD ENGINES	510
FIGURE 3-76. 2500W/220V/50HZ GENERATOR INSTALLATION - DEUTZ D2011 ENGINES	514
FIGURE 3-77. 4000W/50HZ GENERATOR INSTALLATION - DEUTZ D2011 ENGINES	516
FIGURE 3-78. 4000W/60HZ GENERATOR INSTALLATION - DEUTZ D2011 ENGINES	520
FIGURE 3-79. 4000W/50HZ GENERATOR INSTALLATION - DEUTZ TD2.9L4 AND DEUTZ TD2.9L4 (STAGE V) ENGINES	524
FIGURE 3-80. 4000W/60HZ GENERATOR INSTALLATION - DEUTZ TD2.9L4 ENGINES	528

# TABLE OF CONTENTS

FIGURE 3-81. 7500W/50HZ SKYPOWER GENERATOR INSTALLATION - DEUTZ D2011 ENGINES .....	532
FIGURE 3-82. 7500W/60HZ SKYPOWER GENERATOR INSTALLATION - DEUTZ D2011 ENGINES .....	536
FIGURE 3-83. 7500W/50HZ SKYPOWER GENERATOR INSTALLATION - DEUTZ TD2.9L4 AND DEUTZ TD2.9L4 (STAGE V) ENGINES .....	540
FIGURE 3-84. 7500W/60HZ SKYPOWER GENERATOR INSTALLATION - DEUTZ TD2.9L4 AND DEUTZ TD2.9L4 (STAGE V) ENGINES .....	544
FIGURE 3-85. 7500W/60HZ SKYPOWER GENERATOR INSTALLATION - FORD DF 2.5L ENGINES.....	548
SECTION 4 - BOOM.....	553
FIGURE 4-1. BOOMS AND CYLINDERS INSTALLATION (800S).....	554
FIGURE 4-2. BOOMS AND CYLINDERS INSTALLATION (MACHINES WITH SN STARTING WITH 03 OR 13) (860SJ).....	556
FIGURE 4-3. BOOMS AND CYLINDERS INSTALLATION (MACHINES WITH SN STARTING WITH B3) (860SJ) .....	558
FIGURE 4-4. MAIN BOOM ASSEMBLY (800S).....	562
FIGURE 4-5. MAIN BOOM ASSEMBLY (MACHINES WITH SN STARTING WITH 03 OR 13) (860SJ) .....	566
FIGURE 4-6. MAIN BOOM ASSEMBLY (MACHINES WITH SN STARTING WITH B3) (860SJ) .....	570
FIGURE 4-7. JIB ASSEMBLY (MACHINES WITH SN STARTING WITH 03 OR 13) .....	574
FIGURE 4-8. JIB ASSEMBLY (MACHINES WITH SN STARTING WITH B3) (860SJ).....	576
FIGURE 4-9. ROTATOR ASSEMBLY (800S) .....	578
FIGURE 4-10. PLATFORM ROTATOR ASSEMBLY (860SJ).....	580
FIGURE 4-11. PLATFORM ROTATOR ASSEMBLY (MACHINES WITH SN STARTING WITH B3).....	582
FIGURE 4-12. PLATFORM SUPPORT INSTALLATION - (MACHINES WITH SN STARTING WITH B3) .....	584
FIGURE 4-13. PLATFORM SUPPORT ASSEMBLY - (MACHINES WITH SN STARTING WITH B3).....	586
FIGURE 4-14. POWER TRACK INSTALLATION - MAIN BOOM (800S).....	588
FIGURE 4-15. POWER TRACK INSTALLATION - MAIN BOOM (860SJ).....	590
FIGURE 4-16. POWERTRACK WITH PLASTIC CLAMP INSTALLATION (MACHINES WITH SN STARTING WITH B3) (EXCEPT CHINESE SPECS).....	592
FIGURE 4-17. POWERTRACK WITH STEEL CLAMP INSTALLATION (MACHINES WITH SN STARTING WITH 03) (ALL SPECS) (800S) .....	594
FIGURE 4-18. POWERTRACK WITH STEEL CLAMP INSTALLATION (MACHINES WITH SN STARTING WITH 03) (ALL SPECS) (860SJ) .....	596
FIGURE 4-19. POWERTRACK WITH STEEL CLAMP INSTALLATION (MACHINES WITH SN STARTING WITH B3) (CHINESE SPECS).....	598
FIGURE 4-20. POWER TRACK SUPPORT BRACKET INSTALLATION - MAIN BOOM (860SJ).....	600
FIGURE 4-21. CONTROL VALVE INSTALLATION (800S) .....	602
FIGURE 4-22. CONTROL VALVE INSTALLATION (860SJ).....	604
FIGURE 4-23. PLATFORM VALVE ASSEMBLY (800S).....	606
FIGURE 4-24. PLATFORM VALVE ASSEMBLY (860SJ).....	608
FIGURE 4-25. LEVEL SENSOR SWITCH INSTALLATION.....	610
SECTION 5 - PLATFORM.....	613
FIGURE 5-1. PLATFORM ASSEMBLY WITH DROP-BAR - 30IN X 3FT (76CM X 1M) .....	614
FIGURE 5-2. PLATFORM ASSEMBLY WITH DROP-BAR - 30IN X 4FT (76CM X 1.22M) .....	616
FIGURE 5-3. PLATFORM ASSEMBLY WITH DROP-BAR - 30IN X 5FT (76CM X 1.52M) .....	618
FIGURE 5-4. PLATFORM ASSEMBLY WITH DROP-BAR - 36IN X 6FT (91.5CM X 1.83M) .....	620
FIGURE 5-5. PLATFORM ASSEMBLY WITH DROP BAR - 36IN X 6FT (91.5CM X 1.83M) (SHIPYARD MACHINES).....	622
FIGURE 5-6. PLATFORM ASSEMBLY WITH DROP BAR - 36IN X 6FT (91.5CM X 1.83M) (SHIPYARD MACHINES WITH PLATFORM BUMPERS REQUIRED).....	624
FIGURE 5-7. PLATFORM ASSEMBLY WITH DROP-BAR - 36IN X 8FT (91.5CM X 2.44M) .....	626

# TABLE OF CONTENTS

FIGURE 5-8. PLATFORM ASSEMBLY WITH GATE - 30IN X 4FT (76CM X 1.22M).....	628
FIGURE 5-9. PLATFORM ASSEMBLY WITH GATE - 30IN X 5FT (76CM X 1.52M).....	630
FIGURE 5-10. PLATFORM ASSEMBLY WITH GATE- 36IN X 6FT (91.5CM X 1.83M).....	632
FIGURE 5-11. PLATFORM ASSEMBLY WITH GATE - 36IN X 8FT (91.5CM X 2.44M).....	634
FIGURE 5-12. PLATFORM ASSEMBLY WITH 1 GATE / 2 DROP BARS (TRI-ENTRY) - 36IN X 6FT (91.5CM X 1.83M) .....	636
FIGURE 5-13. PLATFORM ASSEMBLY WITH 3 DROP BARS (TRI-ENTRY) - 36IN X 6FT (91.5CM X 1.83M) .....	638
FIGURE 5-14. PLATFORM ASSEMBLY WITH 1 GATE / 2 DROP BARS (TRI-ENTRY) - 36IN X 8FT (91.5CM X 2.44M) .....	640
FIGURE 5-15. PLATFORM ASSEMBLY WITH 3 DROP BARS (TRI-ENTRY) - 36IN X 8FT (91.5CM X 2.44M) .....	642
FIGURE 5-16. PLATFORM ASSEMBLY WITH FALL ARREST (6FT) .....	644
FIGURE 5-17. PLATFORM ASSEMBLY WITH FALL ARREST (8FT) .....	646
FIGURE 5-18. PLATFORM CONSOLE AND FOOTSWITCH INSTALLATION .....	648
FIGURE 5-19. PLATFORM CONSOLE ASSEMBLY.....	650
FIGURE 5-20. FOOTSWITCH ASSEMBLY.....	654
FIGURE 5-21. FALL ARREST INSTALLATION (BOLT-ON) (4FT/1.22M PLATFORM) .....	656
FIGURE 5-22. FALL ARREST INSTALLATION (BOLT-ON) (6FT/1.82M PLATFORM) .....	658
FIGURE 5-23. FALL ARREST INSTALLATION (BOLT-ON) (8FT/2.4M PLATFORM) .....	660
FIGURE 5-24. FALL ARREST INSTALLATION (BOLT-ON) (6FT/1.82M TRI-ENTRY PLATFORM) .....	662
FIGURE 5-25. LIGHT PANEL INSTALLATION (MACHINES WITH SN STARTING WITH 03 OR 13).....	664
FIGURE 5-26. LIGHT PANEL INSTALLATION (MACHINES WITH SN STARTING WITH B3) .....	666
FIGURE 5-27. JIB SWITCH INSTALLATION (860SJ).....	668
FIGURE 5-28. SKYEYE INSTALLATION .....	670
FIGURE 5-29. SKYGUARD BAR INSTALLATION .....	672
FIGURE 5-30. SKYLINE INSTALLATION .....	674
FIGURE 5-31. STORAGE TRAY INSTALLATION - CENTER.....	676
FIGURE 5-32. SKYCUTTER INSTALLATION.....	678
FIGURE 5-33. SKYWELDER/SKYCUTTER COMBO INSTALLATION (60HZ).....	680
FIGURE 5-34. PLASMA CUTTER ASSEMBLY.....	684
FIGURE 5-35. SKYWELDER INSTALLATION (50HZ).....	686
FIGURE 5-36. SKYWELDER INSTALLATION (60HZ) .....	688
FIGURE 5-37. WELDER ASSEMBLY .....	690
FIGURE 5-38. SKYWELDER PREP PACKAGE (60HZ) .....	692
FIGURE 5-39. SKYGLAZIER INSTALLATION (ENGLISH LANGUAGE DECALS) .....	694
FIGURE 5-40. SKYGLAZIER INSTALLATION (SPANISH LANGUAGE DECALS) .....	696
FIGURE 5-41. SKYGLAZIER INSTALLATION (PORTUGUESE LANGUAGE DECALS).....	698
FIGURE 5-42. SOFT TOUCH SYSTEM INSTALLATION - 6FT/1.83M PLATFORM.....	700
FIGURE 5-43. SOFT TOUCH SYSTEM INSTALLATION - 6FT/1.83M FALL ARREST PLATFORM.....	702
FIGURE 5-44. SOFT TOUCH SYSTEM INSTALLATION - 8FT/2.44M PLATFORM.....	704
FIGURE 5-45. SOFT TOUCH SYSTEM INSTALLATION - 8FT/2.44M FALL ARREST PLATFORM.....	706
FIGURE 5-46. PLATFORM BUMPER PADDING INSTALLATION (OPTIONAL) .....	708
FIGURE 5-47. USB CHARGER INSTALLATION .....	710
SECTION 6 - CYLINDER.....	713
FIGURE 6-1. AXLE LOCKOUT CYLINDER ASSEMBLY .....	714
FIGURE 6-2. AXLE LOCKOUT CYLINDER ASSEMBLY .....	716
FIGURE 6-3. LEVEL CYLINDER ASSEMBLY - PLATFORM SLAVE (800S).....	718

# TABLE OF CONTENTS

FIGURE 6-4. LEVEL CYLINDER ASSEMBLY - PLATFORM SLAVE (MACHINES WITH SN STARTING WITH 03 OR 13) (860SJ)	720
FIGURE 6-5. LEVEL CYLINDER ASSEMBLY - PLATFORM SLAVE (MACHINES WITH SN STARTING WITH B3) (860SJ)	722
FIGURE 6-6. LIFT CYLINDER ASSEMBLY - JIB (860SJ)	724
FIGURE 6-7. LIFT CYLINDER ASSEMBLY - JIB (860SJ)	726
FIGURE 6-8. LIFT CYLINDER ASSEMBLY - MAIN BOOM (800S)	728
FIGURE 6-9. LIFT CYLINDER ASSEMBLY - MAIN BOOM (860SJ)	730
FIGURE 6-10. LIFT CYLINDER ASSEMBLY - MAIN BOOM (860SJ)	732
FIGURE 6-11. STEER CYLINDER ASSEMBLY	734
FIGURE 6-12. STEER CYLINDER ASSEMBLY	736
FIGURE 6-13. TELESCOPE CYLINDER ASSEMBLY (800S)	738
FIGURE 6-14. TELESCOPE CYLINDER ASSEMBLY (860SJ)	740
FIGURE 6-15. TELESCOPE CYLINDER SUB-ASSEMBLY	742
FIGURE 6-16. TELESCOPE CYLINDER ASSEMBLY	744
SECTION 7 - HYDRAULIC	747
FIGURE 7-1. HYDRAULIC DIAGRAM - AXLE (OSCILLATING)	748
FIGURE 7-2. HYDRAULIC DIAGRAM - DRIVE (2WD)	750
FIGURE 7-3. HYDRAULIC DIAGRAM - DRIVE (2WD WITHOUT TOWBAR AND ARCTIC PACKAGE) (ALL SPECS)	754
FIGURE 7-4. HYDRAULIC DIAGRAM - DRIVE (2WD WITH TOW BAR PACKAGE)	758
FIGURE 7-5. HYDRAULIC DIAGRAM - DRIVE (4WD WITHOUT ARCTIC PACKAGE)	762
FIGURE 7-6. HYDRAULIC DIAGRAM - DRIVE (4WD WITH ARCTIC PACKAGE)	766
FIGURE 7-7. HYDRAULIC DIAGRAM - DRIVE (4WD WITH TOW BAR PACKAGE)	770
FIGURE 7-8. HYDRAULIC DIAGRAM - DRIVE (4WD WITH ARCTIC & TOW BAR PACKAGE)	774
FIGURE 7-9. HYDRAULIC DIAGRAM - DRIVE (4WD WITH ARCTIC PACKAGE)	778
FIGURE 7-10. HYDRAULIC DIAGRAM - STANDARD (WITH TOW BAR PACKAGE) (800S)	782
FIGURE 7-11. HYDRAULIC DIAGRAM - STANDARD (WITHOUT TOW BAR PACKAGE) (860SJ)	786
FIGURE 7-12. HYDRAULIC DIAGRAM - DRIVE (4WD WITHOUT ARCTIC PACKAGE) (ANSI, CSA AND JAPANESE SPECS ONLY)	790
FIGURE 7-13. HYDRAULIC DIAGRAM - DRIVE (4WD WITH ARCTIC PACKAGE) (ANSI, CSA AND RUSSIAN SPECS ONLY)	794
FIGURE 7-14. HYDRAULIC DIAGRAM - DRIVE (2WD WITH TOWBAR PACKAGE) (ANSI AND CSA SPECS ONLY)	798
FIGURE 7-15. HYDRAULIC DIAGRAM - DRIVE (4WD WITH TOWBAR PACKAGE) (ANSI, CSA AND RUSSIAN SPECS ONLY)	802
FIGURE 7-16. HYDRAULIC DIAGRAM - DRIVE (4WD WITH TOWBAR AND ARCTIC PACKAGE) (ANSI AND CSA SPECS ONLY)	806
FIGURE 7-17. HYDRAULIC DIAGRAM - STANDARD (WITH TOW BAR PACKAGE) (860SJ)	810
SECTION 8 - ELECTRICAL	815
FIGURE 8-1. AC BOX AT PLATFORM INSTALLATION - 110V GFI RECEPTACLE (ALL SPECS EXCEPT AUSTRALIAN, CE & UK CA SPECS)	816
FIGURE 8-2. AC BOX AT PLATFORM INSTALLATION - 220V (ANSI, CSA & JAPANESE SPECS)	818
FIGURE 8-3. AC BOX AT PLATFORM MID-BOOM PLUG INSTALLATION (WITHOUT 7500W SKYPOWER GENERATOR) (ANSI EXPORT, AUSTRALIAN, CE & UK CA SPECS)	820
FIGURE 8-4. AC BOX AT PLATFORM MID-BOOM PLUG INSTALLATION (WITHOUT GENERATOR) (CHINA SPECS)	822
FIGURE 8-5. AC BOX AT PLATFORM INSTALLATION - 110V IEC 60309 YELLOW WITHOUT 2500W GENERATOR (CE & UK CA SPECS)	824
FIGURE 8-6. AC BOX AT PLATFORM INSTALLATION - 110V IEC 60309 YELLOW WITH 2500W GENERATOR (CE & UK CA SPECS)	826

# TABLE OF CONTENTS

FIGURE 8-7. AC BOX AT PLATFORM INSTALLATION - 110V IEC YELLOW (CE & UK CA SPECS) (MACHINES WITH 4000W GENERATOR).....	828
FIGURE 8-8. AC BOX AT PLATFORM INSTALLATION - 220V IEC BLUE (CE & UK CA SPECS) (MACHINES WITH 2500W GENERATOR OR NO GENERATOR OPTION).....	830
FIGURE 8-9. AC BOX AT PLATFORM INSTALLATION - 220V IEC 60309 BLUE WITH 2500W GENERATOR (CE & UK CA SPECS) .....	832
FIGURE 8-10. AC BOX AT PLATFORM INSTALLATION - 220V IEC BLUE (CE & UK CA SPECS) (MACHINES WITH 4000W GENERATOR).....	834
FIGURE 8-11. AC BOX AT PLATFORM INSTALLATION - 220V CEE7 POST GROUND (CE & UK CA SPECS) (MACHINES WITH 2500W GENERATOR OR NO GENERATOR OPTION) .....	836
FIGURE 8-12. AC BOX AT PLATFORM INSTALLATION - 220V CEE7 POST GROUND (2X4 BOX) WITH 2500W GENERATOR (CE & UK CA SPECS).....	838
FIGURE 8-13. AC BOX AT PLATFORM INSTALLATION - 220V CEE7 POST GROUND (CE & UK CA SPECS) (MACHINES WITH 4000W GENERATOR) .....	840
FIGURE 8-14. AC BOX AT PLATFORM INSTALLATION - 220V CEE7 SIDE GROUND (CE & UK CA SPECS) (MACHINES WITH 2500W GENERATOR OR NO GENERATOR OPTION) .....	842
FIGURE 8-15. AC BOX AT PLATFORM INSTALLATION - 220V CEE7 SIDE GROUND (2X4 BOX) WITH 2500W GENERATOR (CE & UK CA SPECS).....	844
FIGURE 8-16. AC BOX AT PLATFORM INSTALLATION - 220V CEE7 SIDE GROUND (CE & UK CA SPECS) (MACHINES WITH 4000W GENERATOR) .....	846
FIGURE 8-17. AC BOX AT PLATFORM INSTALLATION - 220V AFSINT 107 KEYED GROUND (CE & UK CA SPECS) (MACHINES WITH 2500W GENERATOR OR NO GENERATOR OPTION) .....	848
FIGURE 8-18. AC BOX AT PLATFORM INSTALLATION - 220V AFSINT 107 KEYED GROUND (2X4 BOX) WITH 2500W GENERATOR (CE & UK CA SPECS) .....	850
FIGURE 8-19. AC BOX AT PLATFORM INSTALLATION - 220V AFSINT 107 KEYED GROUND (CE & UK CA SPECS) (MACHINES WITH 4000W GENERATOR) .....	852
FIGURE 8-20. AC BOX AT PLATFORM INSTALLATION - 220V (2X4 BOX & COVER ONLY - LOCALLY SUPPLIED RECEPTACLE) (4000W GENERATOR) .....	854
FIGURE 8-21. AC BOX AT PLATFORM INSTALLATION - 240V GFCI RECEPTACLE (ANSI, ANSI EXPORT AND CSA SPECS WITH 4000W SKYPOWER GENERATOR).....	856
FIGURE 8-22. AC BOX AT PLATFORM INSTALLATION - 240V GFCI RECEPTACLE (ANSI AND CSA SPECS WITH 7500W SKYPOWER GENERATOR) .....	858
FIGURE 8-23. AC CABLE WITH 16 AMP BREAKER INSTALLATION (WITHOUT 7500W SKYPOWER GENERATOR) (CE & UK CA SPECS) .....	860
FIGURE 8-24. AC CABLE WITH 10 AMP BREAKER INSTALLATION (WITHOUT 7500W SKYPOWER GENERATOR) (CE & UK CA SPECS) .....	862
FIGURE 8-25. ANALYZER CABLE HARNESS .....	864
FIGURE 8-26. BEACON CONTROL HARNESS (BLUE AND RED STROBE LIGHTS).....	866
FIGURE 8-27. BATTERY DISCONNECT SWITCH INSTALLATION .....	868
FIGURE 8-28. BOOM CABLES INSTALLATION - WITHOUT ARCTIC PACKAGE (ALL SPECS) (800S).....	870
FIGURE 8-29. BOOM CABLES INSTALLATION - WITH ARCTIC PACKAGE (ANSI, ANSI EXPORT AND CSA SPECS) (800S) .....	872
FIGURE 8-30. BOOM CABLES INSTALLATION - WITH 4000W GENERATOR AND WITHOUT ARCTIC PACKAGE (ANSI, ANSI EXPORT, CSA AND JAPANESE SPECS) (800S) .....	874
FIGURE 8-31. BOOM CABLES INSTALLATION - WITH 7500W GENERATOR AND WITHOUT ARCTIC PACKAGE (ALL SPECS) (800S).....	876
FIGURE 8-32. BOOM CABLES INSTALLATION - WITH 7500W GENERATOR AND WITH ARCTIC PACKAGE (ANSI, ANSI EXPORT AND CSA SPECS) (800S).....	878
FIGURE 8-33. BOOM CABLES INSTALLATION - WITHOUT ARCTIC PACKAGE (ALL SPECS) (860SJ).....	880
FIGURE 8-34. BOOM CABLES INSTALLATION - WITH ARCTIC PACKAGE (ANSI, ANSI EXPORT AND CSA SPECS) (860SJ) .....	882
FIGURE 8-35. BOOM CABLES INSTALLATION - WITH 4000W GENERATOR AND WITHOUT ARCTIC PACKAGE (ANSI, ANSI EXPORT, CSA AND JAPANESE SPECS) (860SJ).....	884

# TABLE OF CONTENTS

FIGURE 8-36. BOOM CABLES INSTALLATION - WITH 7500W GENERATOR AND WITHOUT ARCTIC PACKAGE (ALL SPECS) (860SJ) .....	886
FIGURE 8-37. BOOM CABLES INSTALLATION - WITH 7500W GENERATOR AND WITH ARCTIC PACKAGE (ANSI, ANSI EXPOERT AND CSA SPECS) (860SJ) .....	888
FIGURE 8-38. BOOM CABLES INSTALLATION - WITHOUT AC CABLES (CHINA SPECS) (860SJ) .....	890
FIGURE 8-39. BOOM HARNESS - (MAIN BOOM) (WITHOUT ARCTIC PACKAGE) (800S).....	892
FIGURE 8-40. BOOM HARNESS - (MAIN BOOM) (WITH ARCTIC PACKAGE) (800S) .....	894
FIGURE 8-41. BOOM HARNESS - (MAIN BOOM) (WITHOUT ARCTIC PACKAGE) (860SJ).....	896
FIGURE 8-42. BOOM HARNESS - (MAIN BOOM) (WITH ARCTIC PACKAGE) (860SJ) .....	898
FIGURE 8-43. BOOM CABLE (TOWER BOOM) (WITHOUT ARCTIC PACKAGE).....	900
FIGURE 8-44. BOOM CABLE (TOWER BOOM) (WITHOUT ARCTIC PACKAGE).....	902
FIGURE 8-45. BREAKER BOX KIT - ONE DOUBLE 16AMP BREAKER (CE & UK CA SPECS WITHOUT 7500W GENERATOR) .....	904
FIGURE 8-46. BREAKER BOX KIT - ONE DOUBLE 16AMP BREAKER (WITH 4000W/50HZ GENERATOR).....	906
FIGURE 8-47. BREAKER BOX KIT - 10 AMP (CE & UK CA SPECS WITHOUT 7500W GENERATOR) .....	908
FIGURE 8-48. CLEARSKY INSTALLATION - 3G CANBUS CONNECTION (ANSI EXPORT, CE & UK CA SPECS) .....	910
FIGURE 8-49. CLEARSKY INSTALLATION - 3G CANBUS CONNECTION (AUSTRALIAN SPECS) .....	912
FIGURE 8-50. CLEARSKY INSTALLATION - 4G CANBUS CONNECTION (ANSI & CSA SPECS).....	914
FIGURE 8-51. CLEARSKY INSTALLATION - 4G CANBUS CONNECTION (CHINA SPECS).....	916
FIGURE 8-52. CLEARSKY INSTALLATION 3-WIRE CONNECTION (ALL SPECS EXCEPT UL & CHINA SPECS) .....	918
FIGURE 8-53. CLEARSKY HARNESS - 3G & 4G CANBUS CONNECTIONS .....	920
FIGURE 8-54. CLEARSKY HARNESS - 3 WIRE CONNECTION.....	922
FIGURE 8-55. CSB HARNESS .....	924
FIGURE 8-56. ECU POWER JUMPER HARNESS.....	926
FIGURE 8-57. ENGINE HARNESS - DEUTZ D2011 ENGINES (ANSI EXPORT (LRC) AND AUSTRALIAN SPECS).....	928
FIGURE 8-58. ENGINE HARNESS - DEUTZ D2011 ENGINES (CE & UK CA SPECS) .....	930
FIGURE 8-59. GROUND CONTROL ENGINE HARNESS - DEUTZ TD2.9L4 (STAGE V) ENGINE .....	932
FIGURE 8-60. ENGINE HARNESS - DEUTZ TD2.9L4 ENGINES & CHINA IV ENGINES WITHOUT DIESEL PARTICULATE FILTER.....	934
FIGURE 8-61. ENGINE HARNESS - DEUTZ TD2.9L4 (STAGE V & CHINA IV) ENGINES WITH DIESEL PARTICULATE FILTER .....	938
FIGURE 8-62. ENGINE HARNESS - FORD DF 2.5L ENGINES .....	942
FIGURE 8-63. FUEL PUMP HARNESS - DEUTZ TD2.9L4 ENGINES .....	944
FIGURE 8-64. FUEL HARNESS - DEUTZ TD2.9L4 (STAGE V) ENGINE.....	946
FIGURE 8-65. GENERATOR TO ENGINE HARNESS - 2500W (FORD ENGINES).....	948
FIGURE 8-66. GENERATOR TO ENGINE HARNESS - 4000W/50HZ (DEUTZ D2011 ENGINES) .....	950
FIGURE 8-67. GENERATOR TO ENGINE HARNESS - 4000W/60HZ (DEUTZ ENGINES) .....	952
FIGURE 8-68. GENERATOR TO ENGINE HARNESS - 4000W/50HZ (DEUTZ TD2.9L4 ENGINES).....	954
FIGURE 8-69. GENERATOR TO ENGINE HARNESS - 7500W SKYPOWER GENERATOR (DEUTZ D2011 ENGINES) .....	956
FIGURE 8-70. GENERATOR HARNESS - 7500W SKYPOWER (DEUTZ TD2.9L4 T4F ENGINES) .....	958
FIGURE 8-71. GENERATOR TO ENGINE HARNESS - 7500W SKYPOWER (FORD DF 2.5L ENGINES).....	960
FIGURE 8-72. GENERATOR TO REAR OF BOOM HARNESS - 110V .....	962
FIGURE 8-73. GENERATOR TO REAR OF BOOM HARNESS - 220V .....	964
FIGURE 8-74. GROUND CONTROL BOX HARNESS (ANSI EXPORT (LRC) UK CA (LRC) & AUSTRALIAN SPECS) .....	966
FIGURE 8-75. GROUND CONTROL BOX HARNESS .....	970
FIGURE 8-76. HOLDING VALVE/LIFT DUMP HARNESS ASSEMBLY (WITHOUT ARCTIC PACKAGE).....	974
FIGURE 8-77. HOLDING VALVE/LIFT DUMP HARNESS ASSEMBLY (WITH ARCTIC PACKAGE) .....	976

# TABLE OF CONTENTS

FIGURE 8-78. PLATFORM CONSOLE BOX HARNESS .....	978
FIGURE 8-79. RECEPTACLE BOX KIT - 110V IEC YELLOW WITHOUT 2500W GENERATOR (CE & UK CA SPECS) .....	980
FIGURE 8-80. RECEPTACLE BOX KIT - 110V IEC YELLOW WITH 2500W GENERATOR (CE & UK CA SPECS) .....	982
FIGURE 8-81. RECEPTACLE BOX KIT - 220V IEC BLUE WITHOUT 2500W GENERATOR (CE & UK CA SPECS) .....	984
FIGURE 8-82. RECEPTACLE BOX KIT - 220V IEC BLUE WITH 2500W GENERATOR (CE & UK CA SPECS) .....	986
FIGURE 8-83. RECEPTACLE BOX KIT - 220V CEE7 POST GROUND 2X4 BOX (CE & UK CA SPEC) .....	988
FIGURE 8-84. RECEPTACLE BOX KIT - 220V CEE7 POST GROUND 2X4 BOX WITH 2500W GENERATOR (CE & UK CA SPEC).....	990
FIGURE 8-85. RECEPTACLE BOX KIT - 220V CEE7 SIDE GROUND 2X4 BOX (CE & UK CA SPEC).....	992
FIGURE 8-86. RECEPTACLE BOX KIT - 220V CEE7 SIDE GROUND 2X4 BOX WITH 2500W GENERATOR (CE & UK CA SPEC).....	994
FIGURE 8-87. RECEPTACLE BOX KIT - 220V AFSINT107 KEYED GROUND (CE & UK CA SPECS) .....	996
FIGURE 8-88. RECEPTACLE BOX KIT - 220V AFSINT107 KEYED GROUND 2X4 BOX WITH 2500W GENERATOR (CE & UK CA SPECS) .....	998
FIGURE 8-89. SKYEYE INTERMEDIATE HARNESS.....	1000
FIGURE 8-90. SKYEYE RECEIVER HARNESS .....	1002
FIGURE 8-91. SKYEYE EMITTER HARNESS.....	1004
FIGURE 8-92. SKYLINE HARNESS.....	1006
FIGURE 8-93. SKYGUARD INTERFACE HARNESS .....	1008
FIGURE 8-94. STROBE LIGHT JUMPER HARNESS.....	1010
FIGURE 8-95. TILT SENSOR HARNESS .....	1012
FIGURE 8-96. VALVE HARNESS .....	1014
SECTION 9 - DECALS.....	1017
FIGURE 9-1. DECAL INSTALLATION - 800S (ANSI SPECS) (800S).....	1018
FIGURE 9-2. DECAL INSTALLATION - 800S (AUSTRALIAN SPECS) (800S) .....	1022
FIGURE 9-3. DECAL INSTALLATION - 800S (BRAZILIAN SPECS) (800S) .....	1026
FIGURE 9-4. DECAL INSTALLATION - 800S (CE & UK CA SPECS) (800S).....	1030
FIGURE 9-5. DECAL INSTALLATION - (CHINESE SPECS) (800S) .....	1034
FIGURE 9-6. DECAL INSTALLATION - (CSA SPECS) (800S).....	1038
FIGURE 9-7. DECAL INSTALLATION - (JAPANESE SPECS) (800S).....	1042
FIGURE 9-8. DECAL INSTALLATION - (KOREAN SPECS) (800S) .....	1046
FIGURE 9-9. DECAL INSTALLATION - (LATIN AMERICAN SPECS) (800S) .....	1050
FIGURE 9-10. DECAL INSTALLATION - (ANSI SPECS) (860SJ) .....	1054
FIGURE 9-11. DECAL INSTALLATION - (AUSTRALIAN SPECS) (860SJ) .....	1058
FIGURE 9-12. DECAL INSTALLATION - (BRAZILIAN SPECS) (860SJ) .....	1062
FIGURE 9-13. DECAL INSTALLATION - (CE & UK CA SPECS) (860SJ) .....	1066
FIGURE 9-14. DECAL INSTALLATION - (CHINESE SPECS) (860SJ).....	1070
FIGURE 9-15. DECAL INSTALLATION - (CSA SPECS) (860SJ) .....	1074
FIGURE 9-16. DECAL INSTALLATION - (JAPANESE SPECS) (860SJ).....	1078
FIGURE 9-17. DECAL INSTALLATION - (KOREAN SPECS) (860SJ) .....	1082
FIGURE 9-18. DECAL INSTALLATION - (LATIN AMERICAN SPECS) (860SJ) .....	1086
FIGURE 9-19. DECAL INSTALLATION - OPTIONS .....	1090
FIGURE 9-20. SKYWELDER DECAL INSTALLATION - 50HZ .....	1094
FIGURE 9-21. SKYWELDER DECAL INSTALLATION - 60HZ .....	1096
SECTION 10 - RECOMMENDED SERVICE PARTS STOCK .....	1099

# TABLE OF CONTENTS

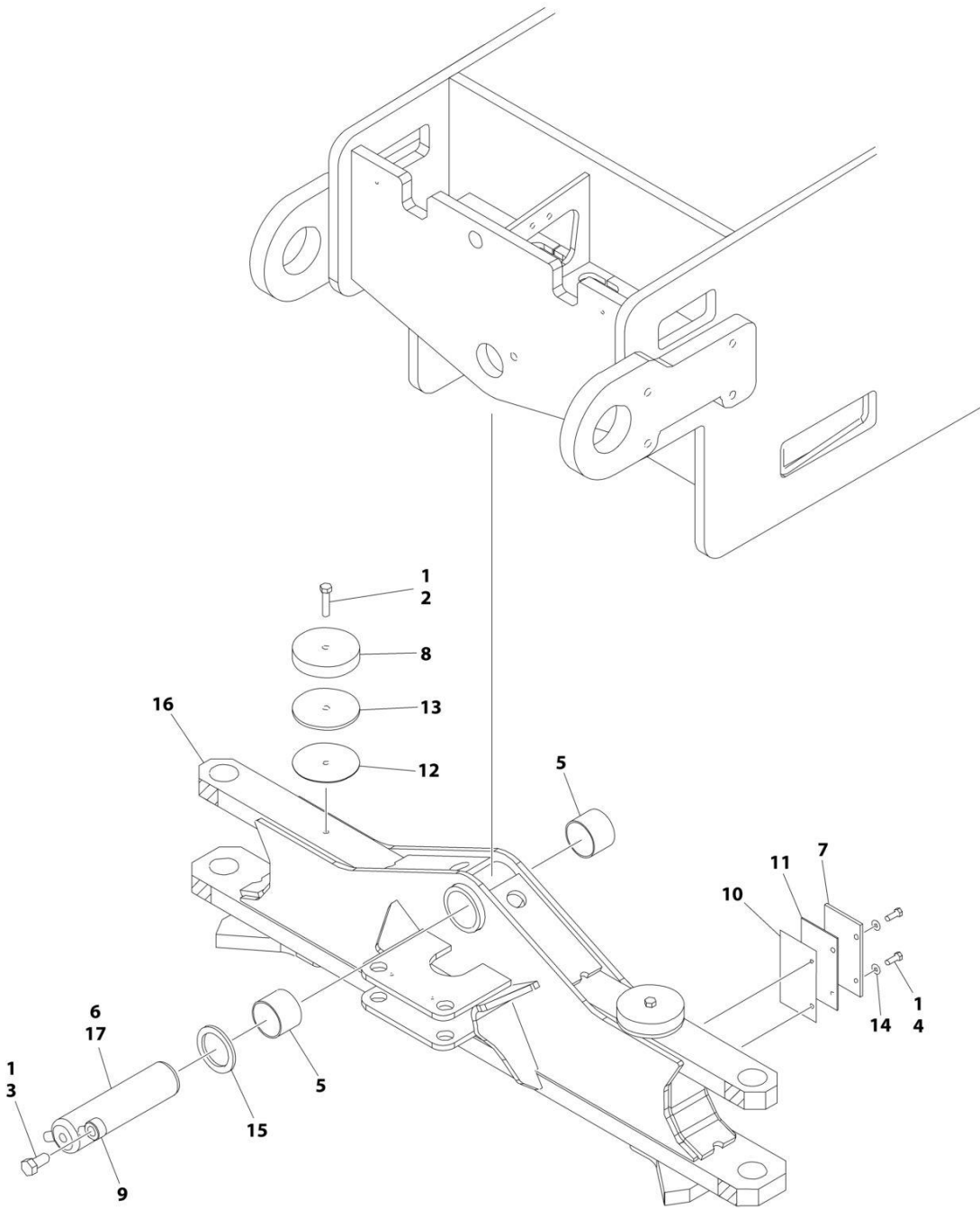
FIGURE 10-1. RECOMMENDED SERVICE PARTS STOCK.....	1100
SECTION 11 - SPECIAL OPTIONS .....	1103
FIGURE 11-1. SPECIAL OPTIONS/ACCESSORIES/KITS.....	1104
PART NUMBER INDEX.....	1111



**SECTION 1 - FRAME**

# SECTION 1 - FRAME

## FIGURE 1-1. AXLE INSTALLATION - FIXED (WITHOUT TOW PACKAGE)



ART\_1001151037

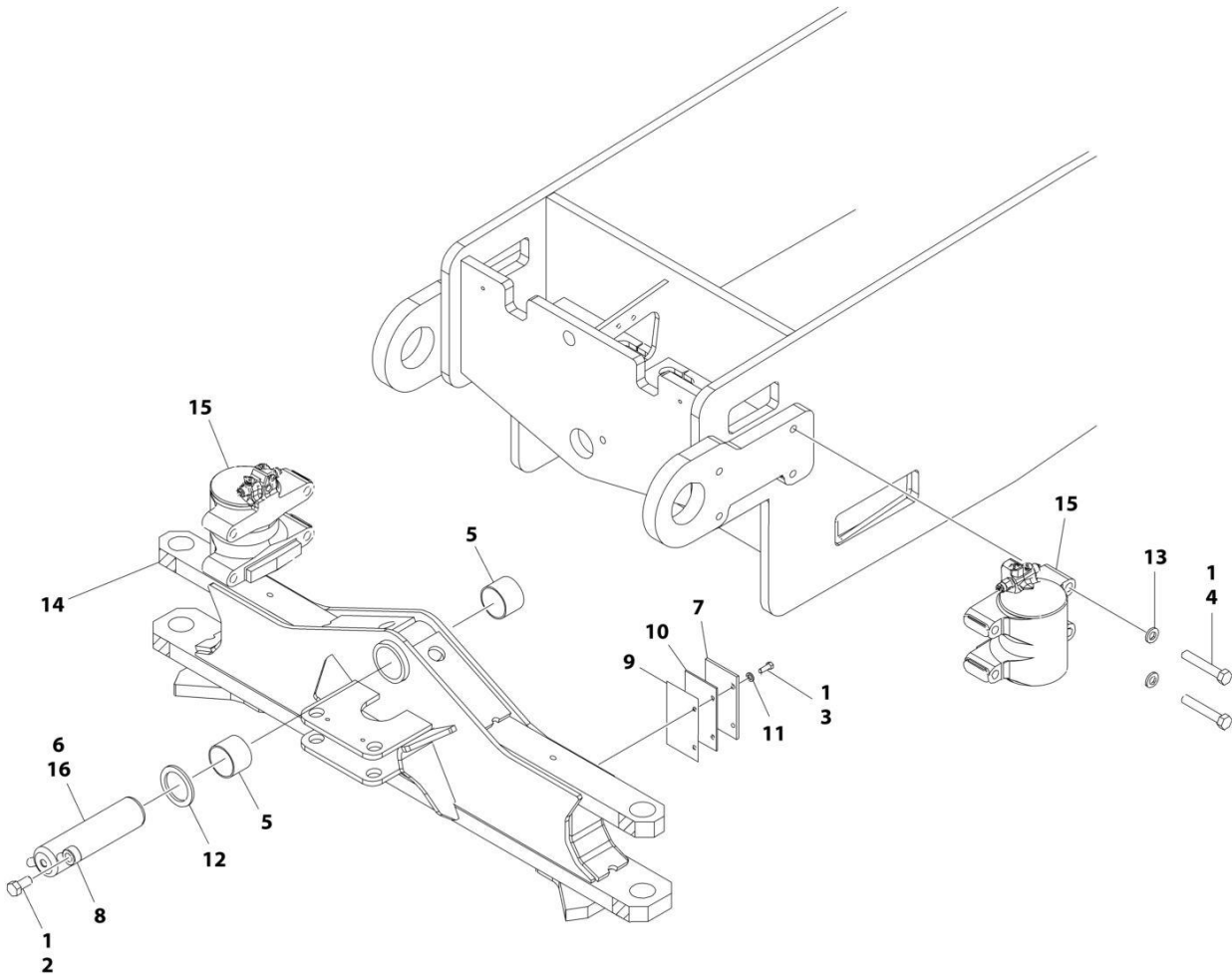
## SECTION 1 - FRAME

**FIGURE 1-1. AXLE INSTALLATION - FIXED (WITHOUT TOW PACKAGE)**

ITEM	PART NUMBER	QTY	DESCRIPTION	REV
	1001151037	Ref	FIXED AXLE INSTALLATION	C
1	0100011	AR	Compound, Locking	
2	0641818	2	Bolt 1/2 x 2-1/4	
3	0642212	1	Bolt 3/4 x 1-1/2	
4	0681608	4	Bolt 3/8 x 1 Grade 8	
5	0962102	2	Bushing	
6	3020039	AR	Lubricant	
7	3538047	2	Shim, Wear	
8	3539877	2	Plate, Stop	
9	3841287	1	Keeper, Pin	
10	4070878	AR	Shim 1/16	
11	4070879	AR	Shim 1/8	
12	4070944	AR	Shim 1/16	
13	4070945	AR	Shim 1/4	
14	4711600	4	Washer 3/8	
15	4740472	1	Washer, Special	
16	1001152719	1	Axle	
17	1001156710	1	Pin	

# SECTION 1 - FRAME

FIGURE 1-2. AXLE INSTALLATION - OSCILLATING (WITHOUT TOW PACKAGE) (MACHINES WITH SN STARTING WITH 03 OR 13)



ART\_1001154584

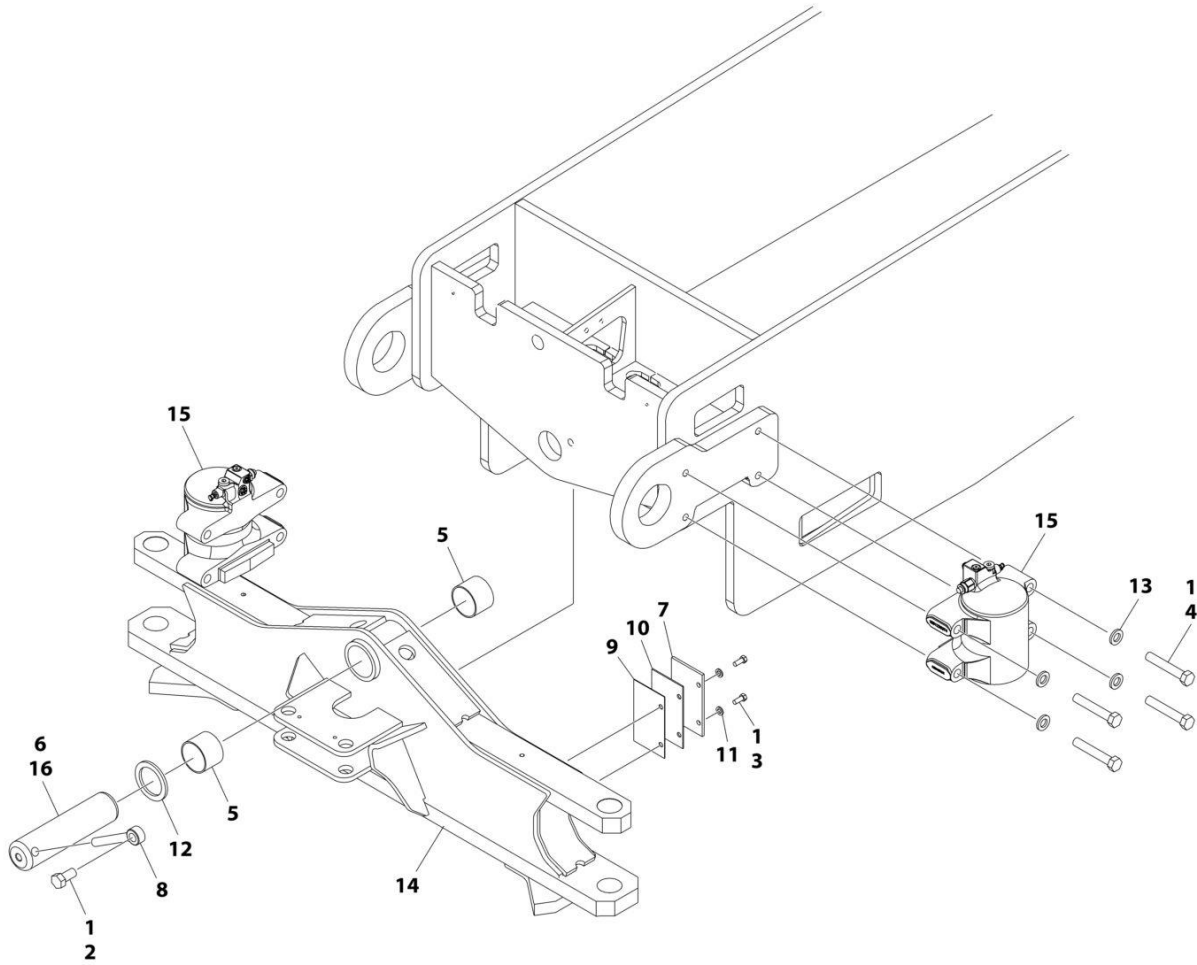
## SECTION 1 - FRAME

**FIGURE 1-2. AXLE INSTALLATION - OSCILLATING (WITHOUT TOW PACKAGE) (MACHINES WITH SN STARTING WITH 03 OR 13)**

ITEM	PART NUMBER	QTY	DESCRIPTION	REV
	1001154584	Ref	AXLE INSTALLATION	D
1	0100011	AR	Compound, Locking	
2	0642212	1	Bolt 3/4 x 1-1/2	
3	0681608	4	Bolt 3/8 x 1 Grade 8	
4	0682236	8	Bolt 3/4 x 4-1/2 Grade 8	
5	0962102	2	Bushing	
6	3020039	AR	Lubricant	
7	3538047	2	Shim .25	
8	3841287	1	Keeper, Pin	
9	4070878	AR	Shim 16 Gauge	
10	4070879	AR	Shim 11 Gauge	
11	4711600	4	Washer 3/8	
12	4740472	1	Washer	
13	4892200	8	Washer 3/4	
14	1001152719	1	Axle	
15	1001204560	2	Axle Lockout Cylinder Assembly (See Separate Breakdown in CYLINDER SECTION)	
16	1001156710	1	Pin	

# SECTION 1 - FRAME

FIGURE 1-3. AXLE INSTALLATION - OSCILLATING (WITHOUT TOW PACKAGE) (MACHINES WITH SN STARTING WITH B3)



ART\_1001231147

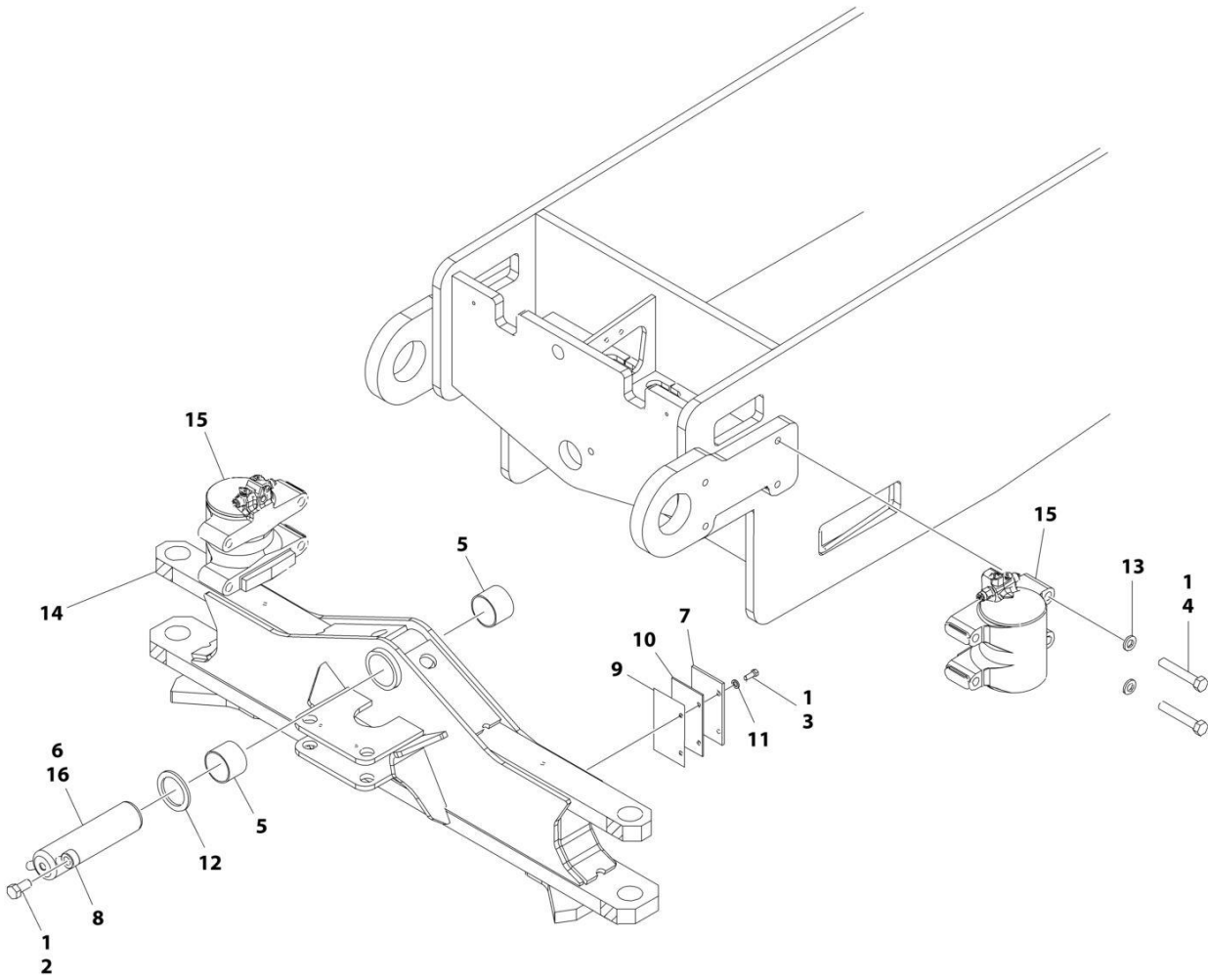
## SECTION 1 - FRAME

**FIGURE 1-3. AXLE INSTALLATION - OSCILLATING (WITHOUT TOW PACKAGE) (MACHINES WITH SN STARTING WITH B3)**

ITEM	PART NUMBER	QTY	DESCRIPTION	REV
	1001231147	Ref	OSCILLATING AXLE INSTALLATION	A
1	0100011	AR	Compound, Locking	
2	0642212	1	Bolt 3/4 x 1-1/2	
3	0681608	4	Bolt 3/8 x1 Grade 8	
4	0682236	8	Bolt 3/4 x 4-1/2 Grade 8	
5	0962102	2	Bushing	
6	3020039	AR	Lubricant	
7	3538047	2	Shim, Axle Wear	
8	3841287	1	Shaft, Keeper 3/8 x 6	
9	4070878	2	Shim, Axle Wear	
10	4070879	2	Shim, Axle Wear	
11	4711600	4	Washer 3/8	
12	4740472	1	Washer, Special	
13	4892200	8	Flatwasher 3/4in Hardened	
14	1001152719	1	Axle	
15	1001230374	2	Axle Lockout Cylinder Assembly (See Separate Breakdown in CYLINDER SECTION)	
16	1001156710	1	Pin	

# SECTION 1 - FRAME

FIGURE 1-4. AXLE INSTALLATION - OSCILLATING (WITH TOW PACKAGE) (MACHINES WITH SN STARTING WITH 03)



ART\_1001155194



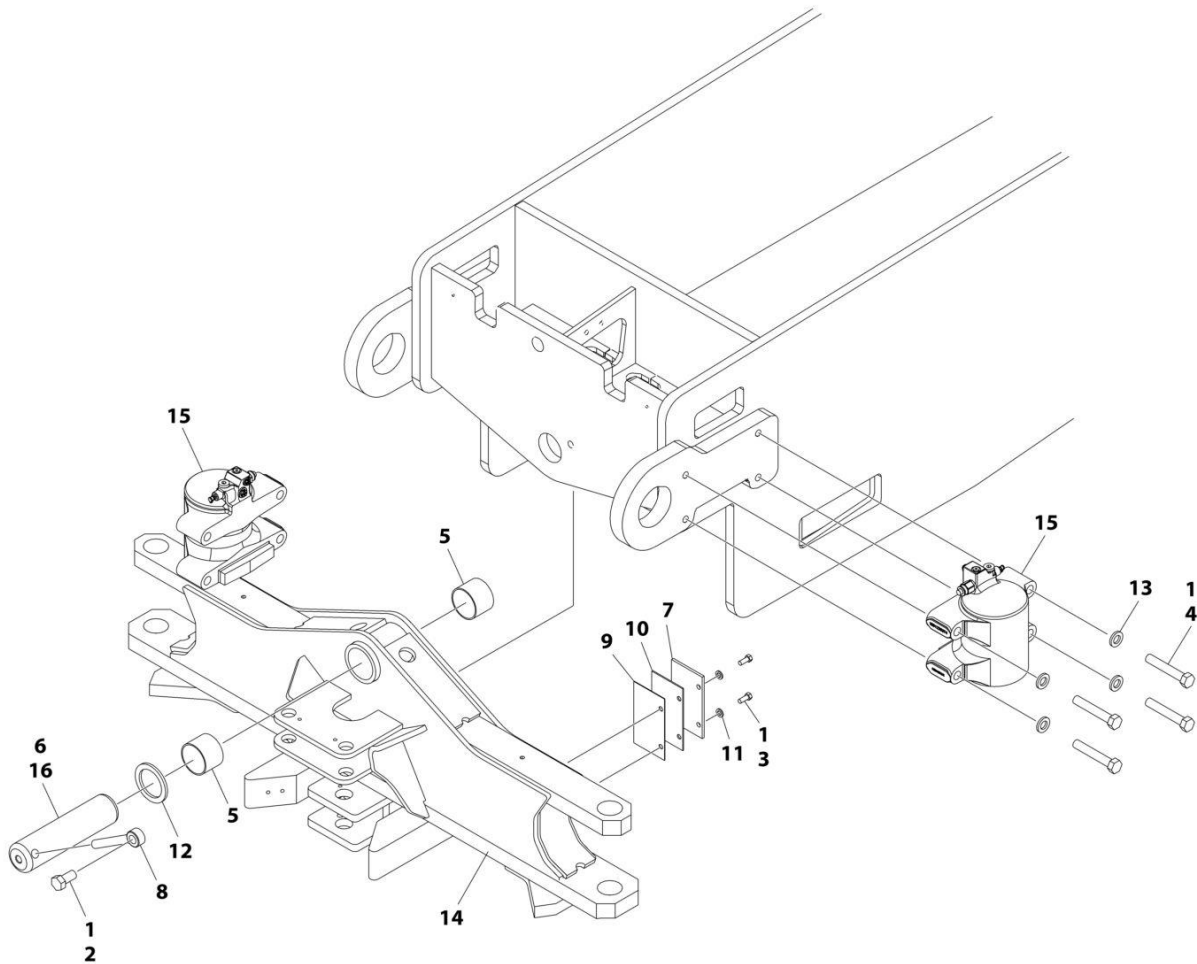
## SECTION 1 - FRAME

**FIGURE 1-4. AXLE INSTALLATION - OSCILLATING (WITH TOW PACKAGE) (MACHINES WITH SN STARTING WITH 03)**

ITEM	PART NUMBER	QTY	DESCRIPTION	REV
	1001155194	Ref	AXLE INSTALLATION	D
1	0100011	AR	Compound, Locking	
2	0642212	1	Bolt 3/4 x 1-1/2	
3	0681608	4	Bolt 3/8 x 1 Grade 8	
4	0682236	8	Bolt 3/4 x 4-1/2 Grade 8	
5	0962102	2	Bushing	
6	3020039	AR	Lubricant	
7	3538047	2	Shim .25	
8	3841287	1	Keeper, Pin	
9	4070878	AR	Shim 16 Gauge	
10	4070879	AR	Shim 11 Gauge	
11	4711600	4	Washer 3/8	
12	4740472	1	Washer	
13	4892200	8	Washer 3/4	
14	1001154875	1	Axle	
15	1001204560	2	Axle Lockout Cylinder Assembly (See Separate Breakdown in CYLINDER SECTION)	
16	1001156710	1	Pin	

# SECTION 1 - FRAME

FIGURE 1-5. AXLE INSTALLATION - OSCILLATING (WITH TOW PACKAGE) (MACHINES WITH SN STARTING WITH B3)



ART\_1001232540

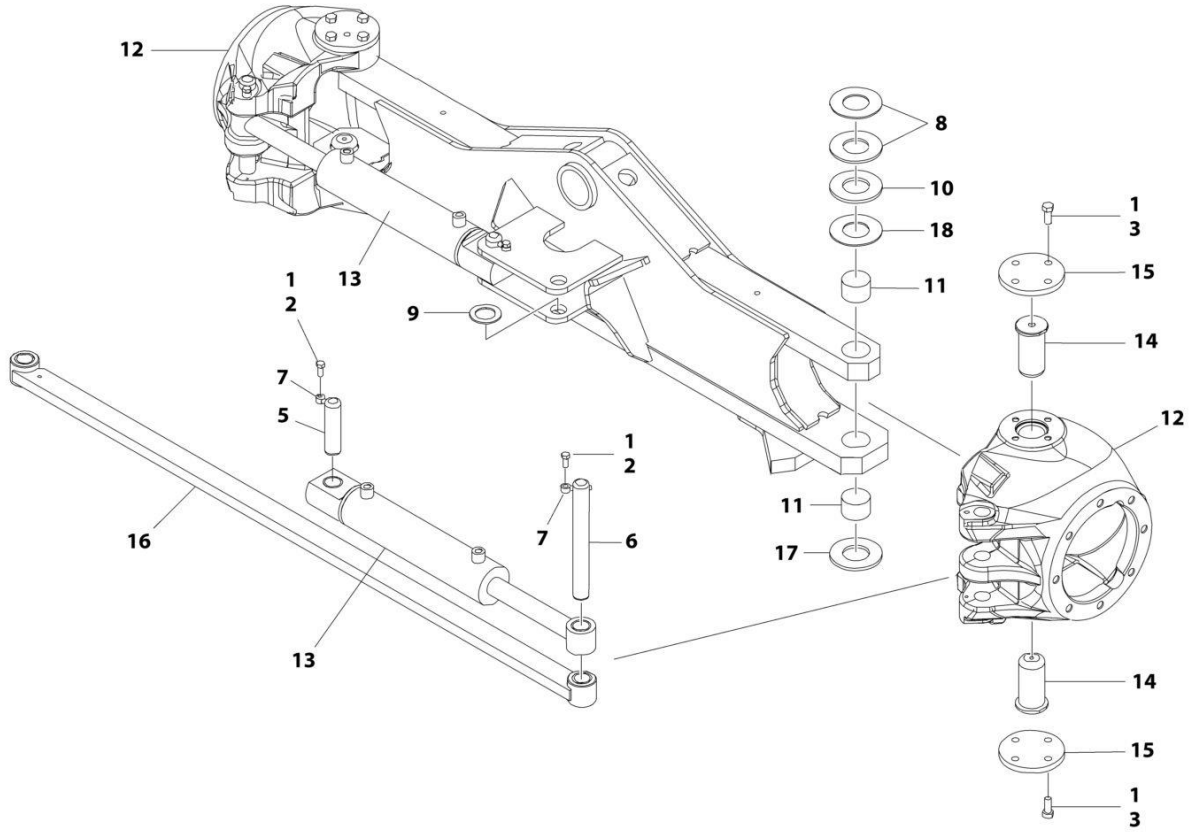
## SECTION 1 - FRAME

**FIGURE 1-5. AXLE INSTALLATION - OSCILLATING (WITH TOW PACKAGE) (MACHINES WITH SN STARTING WITH B3)**

ITEM	PART NUMBER	QTY	DESCRIPTION	REV
	1001232540	Ref	OSCILLATING AXLE INSTALLATION	A
1	0100011	AR	Compound, Locking	
2	0642212	1	Bolt 3/4 x 1-1/2	
3	0681608	4	Bolt 3/8 x1 Grade 8	
4	0682236	8	Bolt 3/4 x 4-1/2 Grade 8	
5	0962102	2	Bushing	
6	3020039	AR	Lubricant	
7	3538047	2	Shim, Axle Wear	
8	3841287	1	Shaft, Keeper 3/8 x 6	
9	4070878	2	Shim, Axle Wear	
10	4070879	2	Shim, Axle Wear	
11	4711600	4	Washer 3/8	
12	4740472	1	Washer, Special	
13	4892200	8	Washer 3/4 Hardened	
14	1001154875	1	Axle	
15	1001230374	2	Axle Lockout Cylinder Assembly (See Separate Breakdown in CYLINDER SECTION)	
16	1001156710	1	Pin	

# SECTION 1 - FRAME

FIGURE 1-6. STEERING INSTALLATION - WITHOUT TOW PACKAGE (MACHINES WITH SN STARTING WITH 03 OR 13)



ART\_1001151034

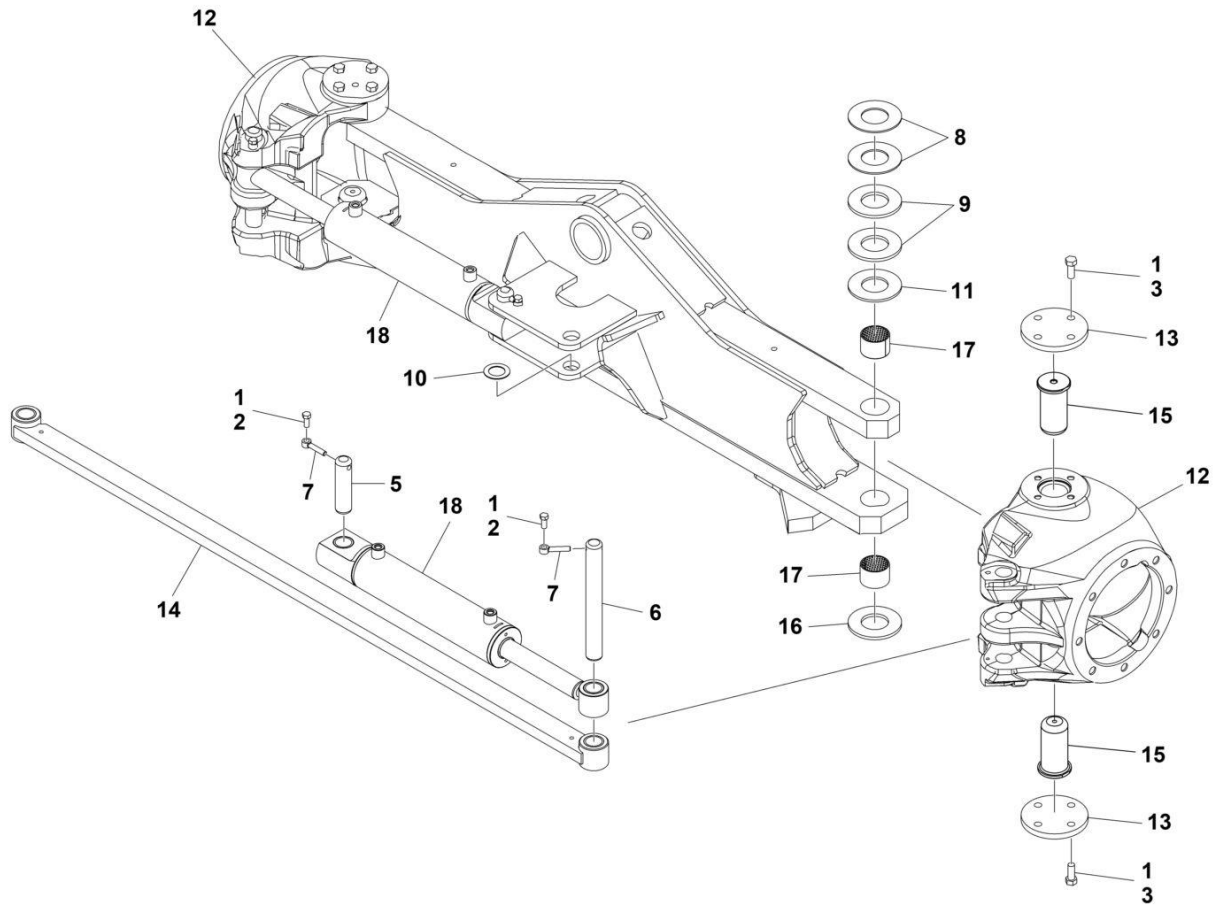
## SECTION 1 - FRAME

**FIGURE 1-6. STEERING INSTALLATION - WITHOUT TOW PACKAGE (MACHINES WITH SN STARTING WITH 03 OR 13)**

ITEM	PART NUMBER	QTY	DESCRIPTION	REV
	1001151034	Ref	STEER INSTALLATION	H
1	0100011	AR	Compound, Locking	
2	0641607	4	Bolt 3/8 x 7/8	
3	0641810	16	Bolt 1/2 x 1-1/4	
5	3422417	2	Pin	
6	3422790	2	Pin	
7	3841520	4	Keeper, Pin	
8	4740256	AR	Washer, Thrust	
9	4740473	2	Washer	
10	1001103810	AR	Washer, Thrust	
11	1001165657	4	Bearing	
12	1001150372	2	Spindle	
13	1001150539	2	Steer Cylinder Assembly (See Separate Breakdown in CYLINDER SECTION)	
14	1001161355	4	Kingpin	
15	1001150937	4	Plate	
16	1001151980	1	Tie-Rod	
17	1001161399	2	Washer, Thrust	
18	4740463	AR	Washer, Thrust	

# SECTION 1 - FRAME

## FIGURE 1-7. STEERING INSTALLATION - WITHOUT TOW PACKAGE (MACHINES WITH SN STARTING WITH B3)



ART\_1001230783

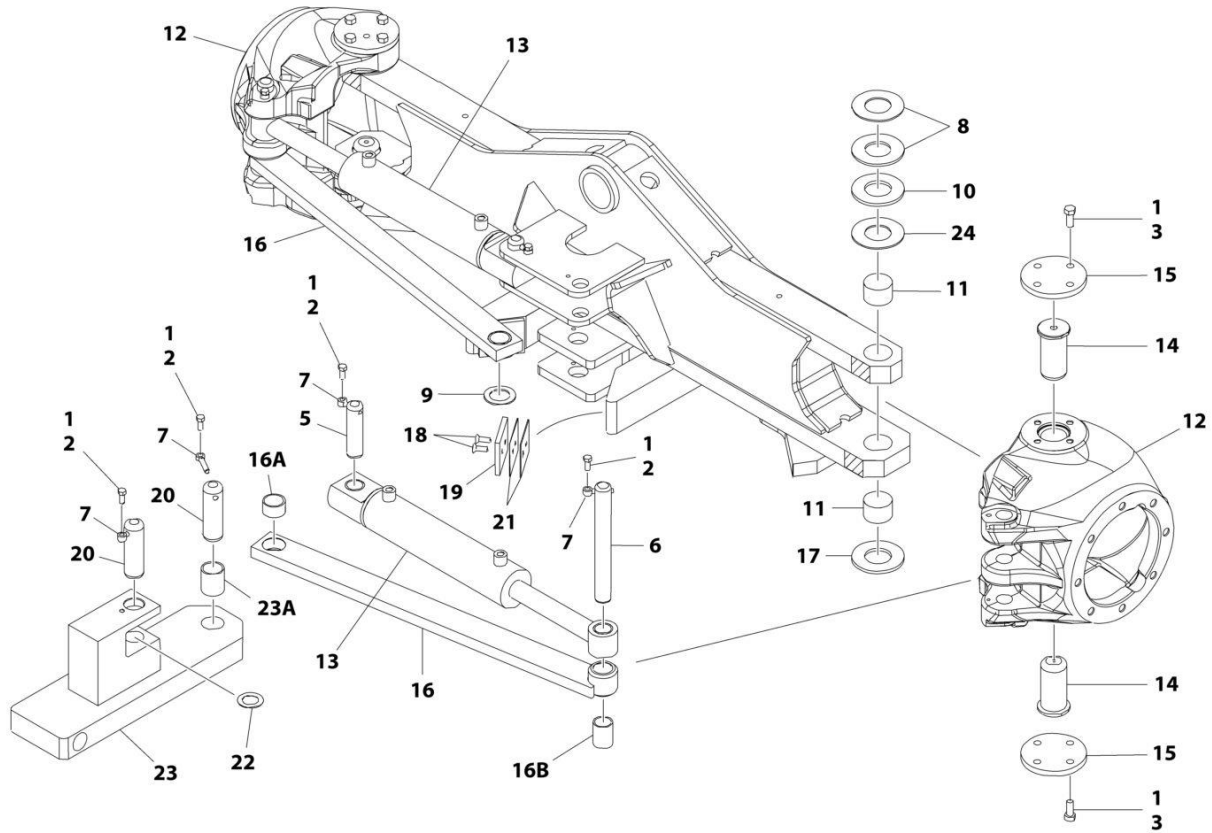
## SECTION 1 - FRAME

**FIGURE 1-7. STEERING INSTALLATION - WITHOUT TOW PACKAGE (MACHINES WITH SN STARTING WITH B3)**

ITEM	PART NUMBER	QTY	DESCRIPTION	REV
	1001230783	Ref	STEER INSTALLATIONS	C
1	0100011	AR	Compound, Locking	
2	0641607	4	Bolt 3/8 x 7/8	
3	0641810	16	Bolt 1/2 x 1-1/4	
4	3020029	AR	Lubricant	
5	3422417	2	Pin	
6	3422790	2	Pin	
7	3841520	4	Keeper, Pin	
8	4740256	4	Thrustwasher	
9	4740463	4	Thrustwasher	
10	4740473	2	Washer, Special	
11	1001103810	2	Thrustwasher	
12	1001150372	2	Spindle	
13	1001150937	4	Plate	
14	1001151980	1	Tie-Rod	
15	1001161355	4	Kingpin	
16	1001161399	2	Thrustwasher	
17	1001165657	4	Bearing	
18	1001230375	2	Steer Cylinder Assembly (See Separate Breakdown in CYLINDER SECTION)	

# SECTION 1 - FRAME

FIGURE 1-8. STEERING INSTALLATION - WITH TOW PACKAGE (MACHINES WITH SN STARTING WITH 03)



ART\_1001155192



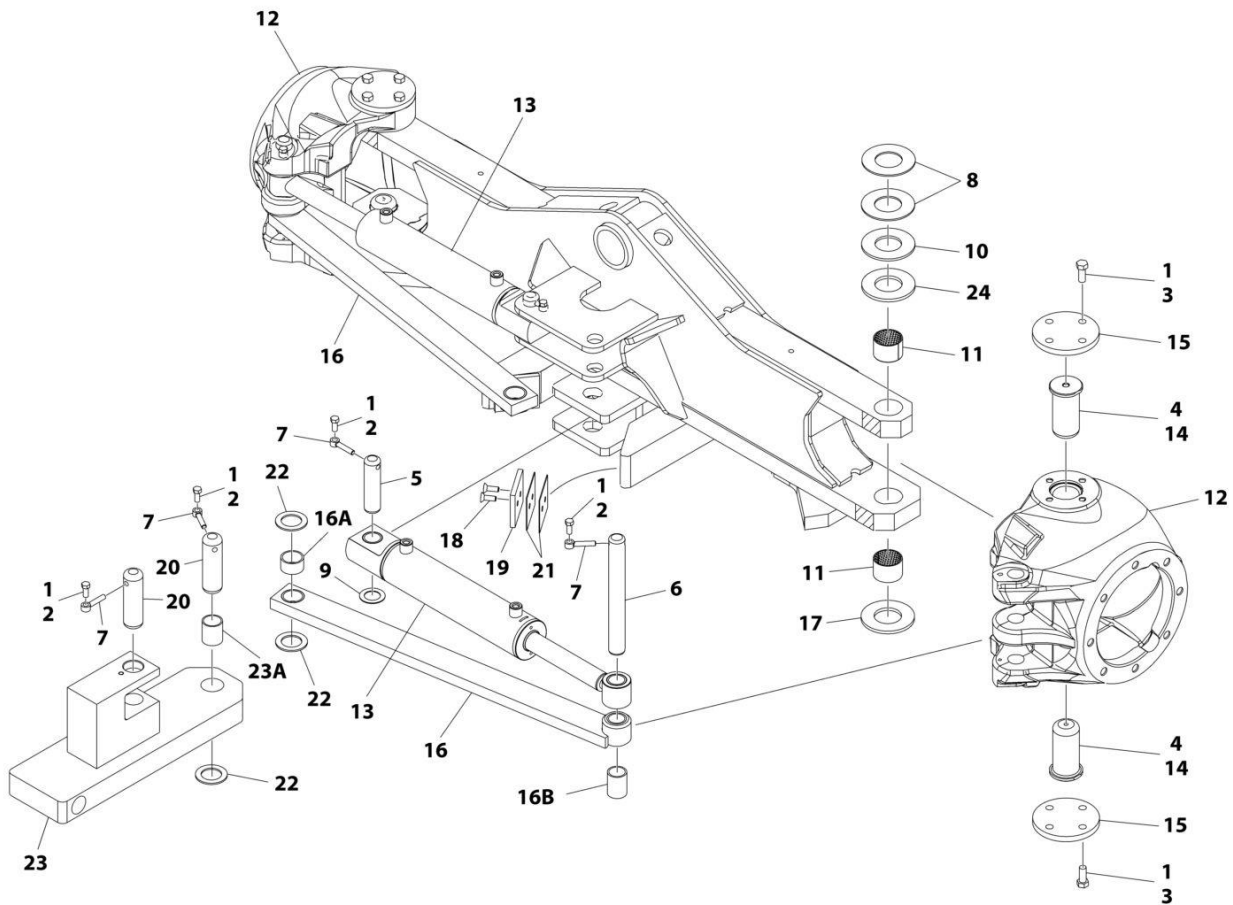
## SECTION 1 - FRAME

**FIGURE 1-8. STEERING INSTALLATION - WITH TOW PACKAGE (MACHINES WITH SN STARTING WITH 03)**

ITEM	PART NUMBER	QTY	DESCRIPTION	REV
	1001155192	Ref	STEER INSTALLATION	G
1	0100011	AR	Compound, Locking	
2	0641607	6	Bolt 3/8 x 7/8	
3	0641810	16	Bolt 1/2 x 1-1/4	
5	3422417	2	Pin	
6	3422790	2	Pin	
7	3841520	6	Keeper, Pin	
8	4740256	AR	Washer, Thrust	
9	4740473	2	Washer	
10	1001103810	AR	Washer, Thrust	
11	1001165657	4	Bearing	
12	1001150372	2	Spindle	
13	1001150539	2	Steer Cylinder Assembly (See Separate Breakdown in CYLINDER SECTION)	
14	1001161355	4	Kingpin	
15	1001150937	4	Plate	
16	1001154931	2	Tie-Rod	
16A	0962181	1	Bushing	
16B	0962152	1	Bushing	
17	1001161399	2	Washer, Thrust	
18	0741609	4	Screw 3/8 x 1-1/8	
19	3340966	2	Pad, Stop	
20	3422848	2	Pin, Hitch	
21	4071059	AR	Shim 16 Gauge	
22	4740155	3	Washer, Thrust	
23	1001155035	1	Link	
23A	0962348	1	Bushing	
24	4740463	AR	Washer, Thrust	

# SECTION 1 - FRAME

## FIGURE 1-9. STEERING INSTALLATION - WITH TOW PACKAGE (MACHINES WITH SN STARTING WITH B3)



ART\_1001232539

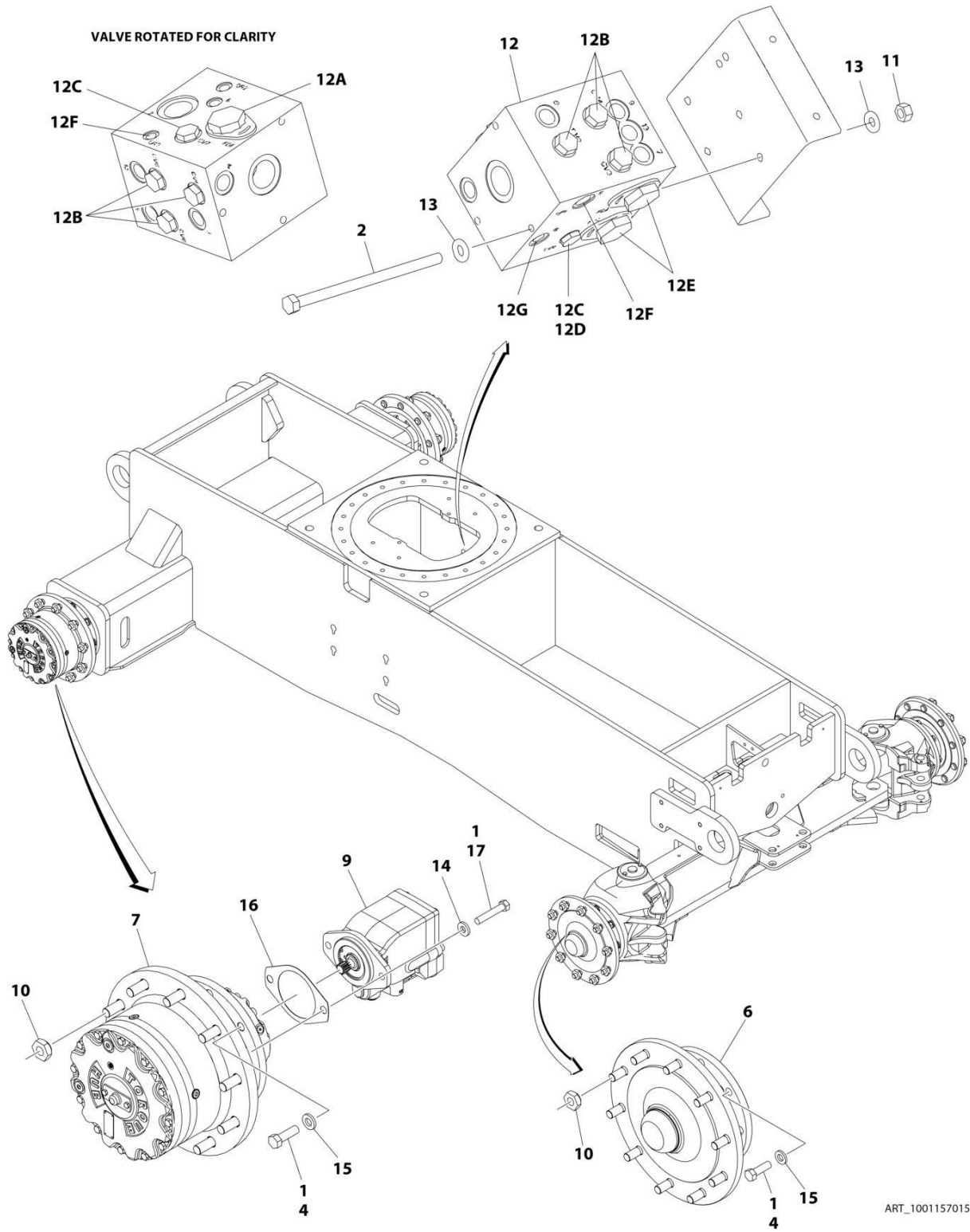
## SECTION 1 - FRAME

**FIGURE 1-9. STEERING INSTALLATION - WITH TOW PACKAGE (MACHINES WITH SN STARTING WITH B3)**

ITEM	PART NUMBER	QTY	DESCRIPTION	REV
	1001232539	Ref	STEER INSTALLATION	F
1	0100011	AR	Compound, Locking	
2	0641607	6	Bolt 3/8 x 7/8	
3	0641810	16	Bolt 1/2 x 1-1/4	
4	3020029	AR	Lubricant	
5	3422417	2	Pin	
6	3422790	2	Pin	
7	3841520	6	Keeper, Pin	
8	4740256	4	Thrustwasher	
9	4740473	2	Washer, Special	
10	1001103810	2	Thrustwasher	
11	1001165657	4	Bearing	
12	1001150372	2	Spindle	
13	1001230375	2	Steer Cylinder Assembly (See Separate Breakdown in CYLINDER SECTION)	
14	1001161355	4	Kingpin	
15	1001150937	4	Plate	
16	1001154931	2	Tie-Rod	
16A	0962181	1	Bushing	
16B	0962152	1	Bushing	
17	1001161399	2	Thrustwasher	
18	0741609	4	Screw 3/8 x 1-1/8	
19	3340966	2	Pad, Stop	
20	3422848	2	Pin, Hitch	
21	4071059	4	Shim	
22	4740155	3	Thrustwasher	
23	1001155035	1	Link	
23A	0962348	1	Bushing	
24	4740463	4	Thrustwasher	

# SECTION 1 - FRAME

## FIGURE 1-10. WHEEL DRIVE AND FRAME VALVES INSTALLATION - 2WD



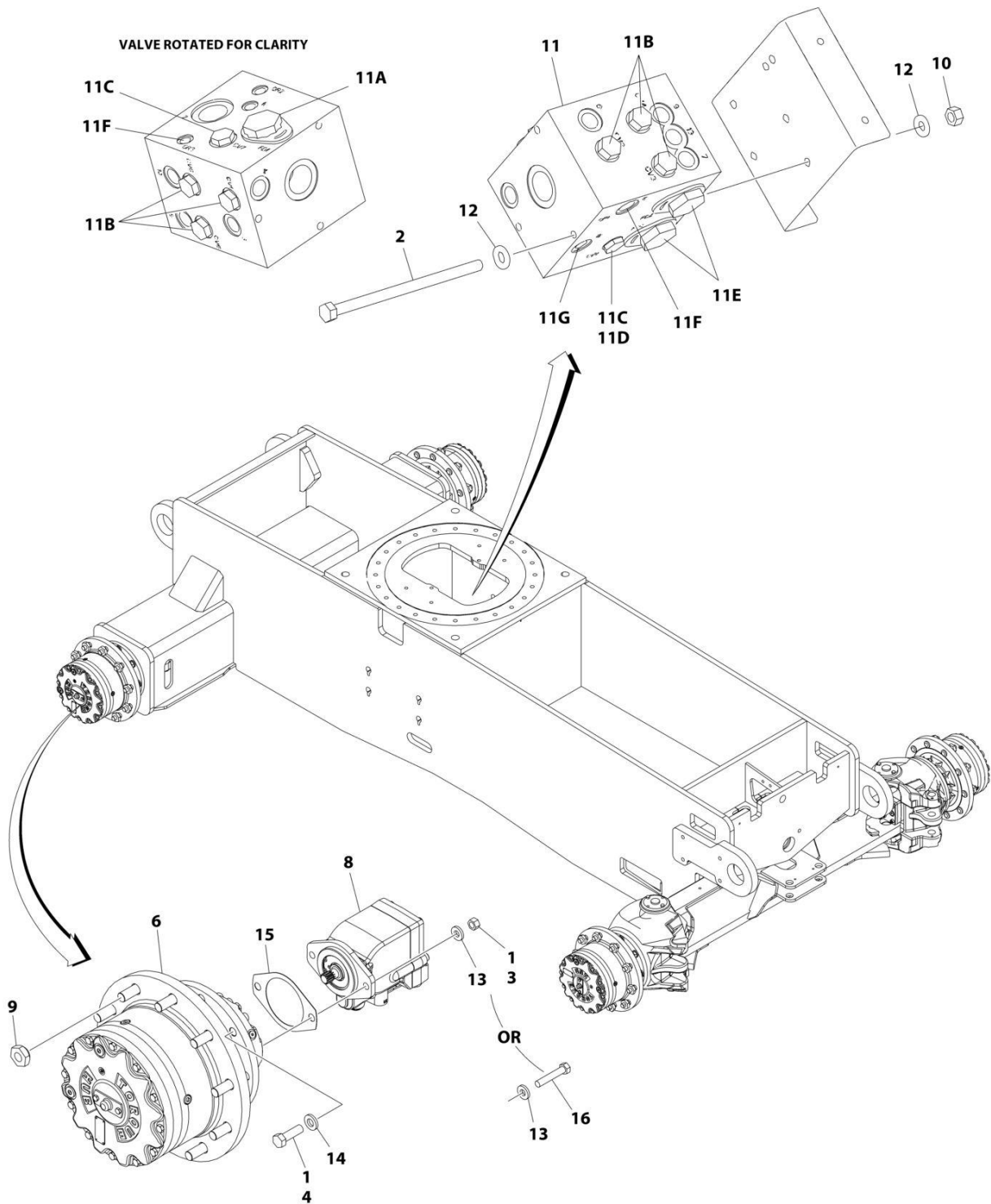
## SECTION 1 - FRAME

**FIGURE 1-10. WHEEL DRIVE AND FRAME VALVES INSTALLATION - 2WD**

ITEM	PART NUMBER	QTY	DESCRIPTION	REV
	1001157015	Ref	WHEEL DRIVE INSTALLATION - 2WD	E
1	0100011	AR	Compound, Locking	
2	0641542	2	Bolt 5/16 x 5 1/4	
4	0682016	32	Bolt 5/8 x 2 Grade 8	
6	2780229	2	Hub Assembly (See Separate Breakdown in this Section)	
7	1001219219	2	Drive Hub Assembly (See Separate Breakdown in this Section)	
9	3160347	2	Drive Motor Assembly (See Separate Breakdown in this Section)	
10	3300007	40	Nut, Wheel	
11	3311505	2	Nut 5/16	
12	1001099870	1	Flow Divider Valve Assembly	C
12A	7023933	1	Cartridge, Flow Divider	
12A	7021625	1	Seal Kit - 7023933 Cartridge	
12A	70000781	1	Lockdown Kit	
12B	7022397	1	Cartridge, Check	
12B	7022399	1	Seal Kit - 7022397 Cartridge	
12C	70002390	1	Cartridge, Check	
12C	7022399	1	Seal Kit - 70002390 Cartridge	
12D	7024881	1	Piston, Pilot	
12E	7017406	1	Plug	
12F	7024844	1	Plug	
12F	7017492	1	Orifice	
13	4711500	4	Washer 5/16	
14	4891800	4	Washer, 1/2	
15	4892000	32	Washer 5/8	
16	3960526	2	Gasket	
17	0681822	4	Bolt 1/2 x 2-3/4 Grade 8	

# SECTION 1 - FRAME

## FIGURE 1-11. WHEEL DRIVE AND FRAME VALVES INSTALLATION – 4WD - DANFOSS MOTOR



ART\_1001157016

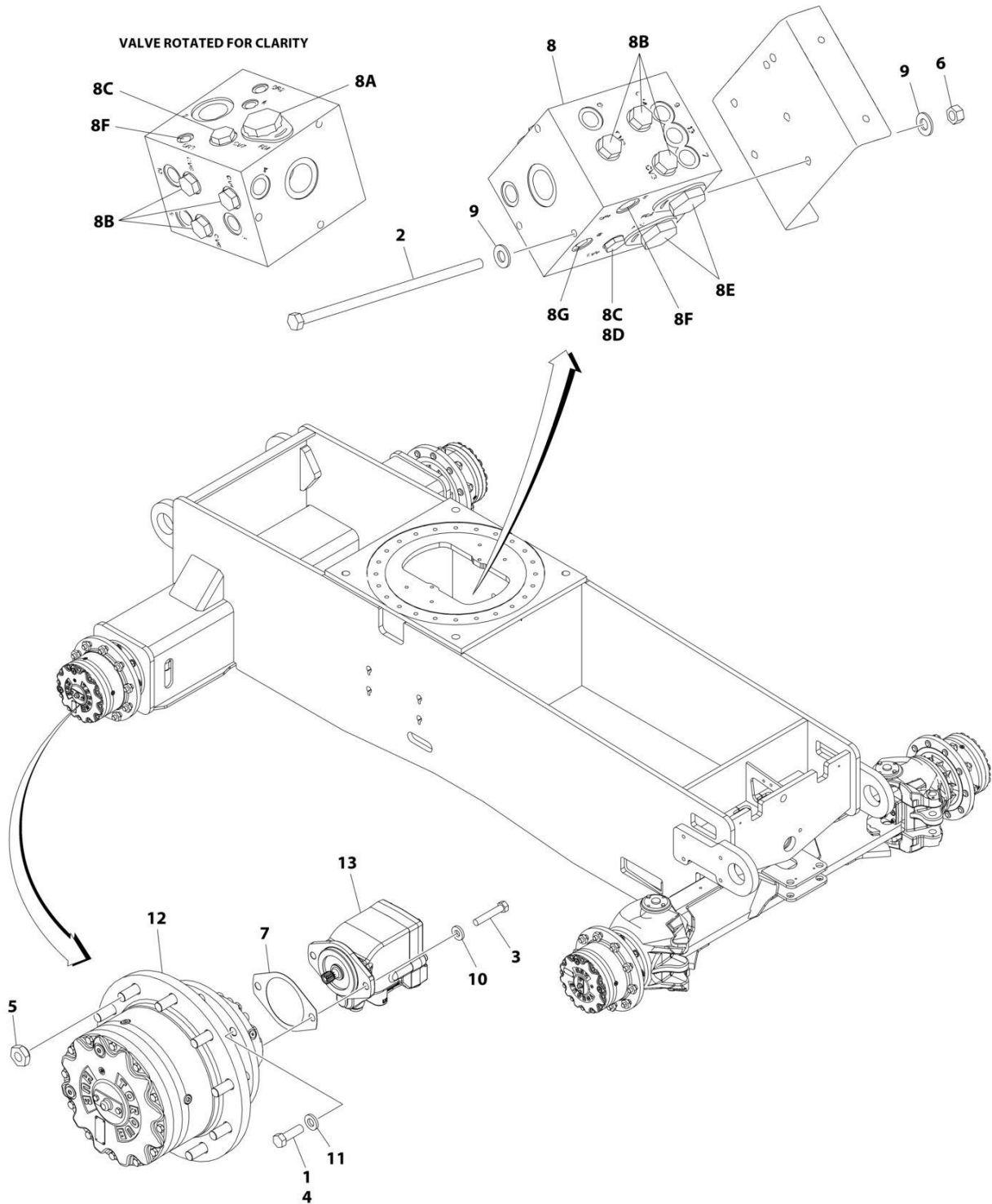
## SECTION 1 - FRAME

**FIGURE 1-11. WHEEL DRIVE AND FRAME VALVES INSTALLATION – 4WD - DANFOSS MOTOR**

ITEM	PART NUMBER	QTY	DESCRIPTION	REV
	1001157016	Ref	WHEEL DRIVE AND FRAME VALVES INSTALLATION	E
1	0100011	AR	Compound, Locking	
2	0641560	3	Bolt 5/16 x 7-1/2	
3	3311801	8	Nut 1/2	
4	0682016	32	Bolt 5/8 x 2 Grade 8	
5	2300016	AR	Fluid, Hydraulic (Not Shown)	
6	1001219219	4	Drive Hub Assembly (See Separate Breakdown in this Section)	
8	3160348	4	Drive Motor Assembly (See Separate Breakdown in this Section)	
9	3300007	40	Nut, Wheel	
10	3311505	3	Nut 5/16	
11	4641303	1	Flow Divider Valve Assembly	C
11A	7023933	1	Cartridge, Flow Divider	
11A	7021625	1	Seal Kit - 7023933 Cartridge	
11B	7022397	6	Cartridge, Check	
11B	7022399	6	Seal Kit - 7022397 Cartridge	
11C	7021639	2	Cartridge, Check Valves	
11C	2900756	2	Seal Kit - 7021639 Cartridge	
11D	7024881	1	Piston, Pilot	
11E	7023917	2	Cartridge, Flow Divider	
11E	7021625	2	Seal Kit - 7023917 Cartridge	
11F	70003935	2	Orifice	
11G	70003936	1	Orifice	
12	4711500	6	Washer 5/16	
13	4891800	8	Washer 1/2	
14	4892000	32	Washer 5/8	
15	3960526	2	Gasket	
16	0681822	4	Bolt 1/2 x 2-3/4	

# SECTION 1 - FRAME

## FIGURE 1-12. WHEEL DRIVE AND FRAME VALVES INSTALLATION - 4WD - HENGLI MOTOR



ART\_1001285009



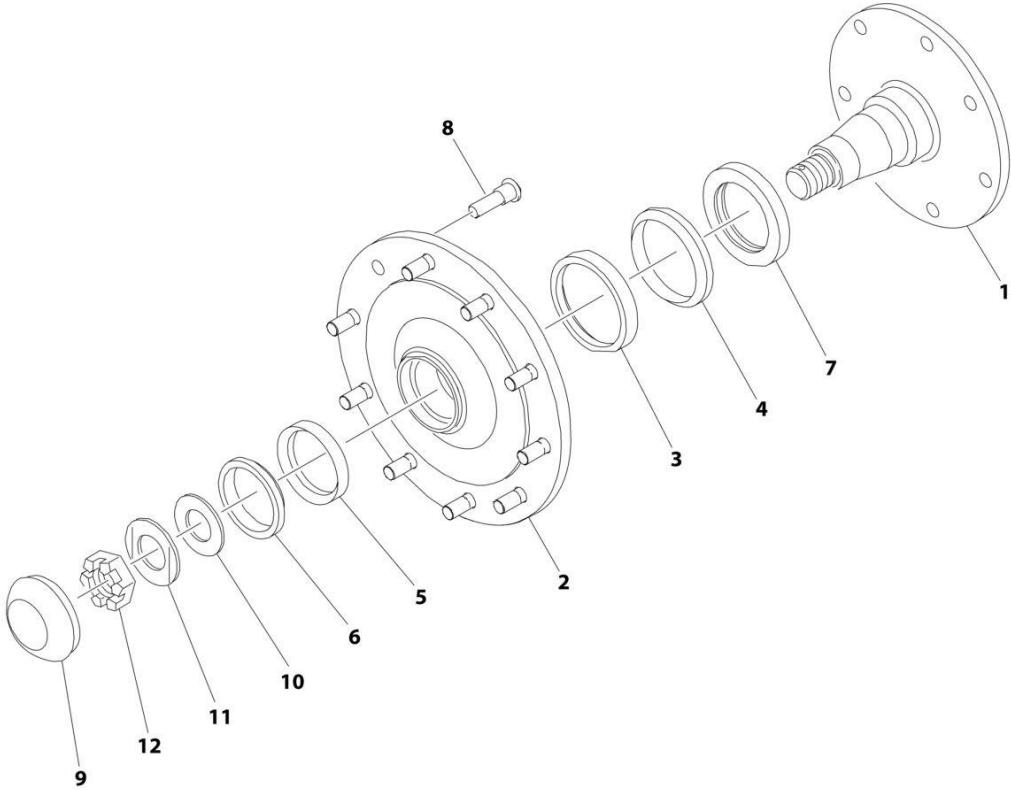
## SECTION 1 - FRAME

**FIGURE 1-12. WHEEL DRIVE AND FRAME VALVES INSTALLATION - 4WD - HENGLI MOTOR**

ITEM	PART NUMBER	QTY	DESCRIPTION	REV
	1001285009	Ref	WHEEL DRIVE AND FRAME VALVES INSTALLATION	A
1	0100011	AR	Compound, Locking	
2	0641560	3	Bolt 5/16 x 7-1/2	
3	0681822	8	Bolt 1/2 x 2-3/4	
4	0682016	32	Bolt 5/8 x 2 Grade 8	
5	3300007	40	Nut, Wheel	
6	3311505	3	Nut 5/16	
7	3960526	4	Gasket	
8	4641303	1	Flow Divider Valve Assembly	
8A	7023933	1	Cartridge, Flow Divider	
8A	7021625	1	Seal Kit - 7023933 Cartridge	
8B	7022397	6	Cartridge, Check	
8B	7022399	6	Seal Kit - 7022397 Cartridge	
8C	7021639	2	Cartridge, Check Valves	
8C	2900756	2	Seal Kit - 7021639 Cartridge	
8D	7024881	1	Piston, Pilot	
8E	7023917	2	Cartridge, Flow Divider	
8E	7021625	2	Seal Kit - 7023917 Cartridge	
8F	70003935	2	Orifice	
8G	70003936	1	Orifice	
9	4711500	6	Washer 5/16	
10	4891800	8	Washer 1/2	
11	4892000	32	Washer 5/8	
12	1001219219	4	Drive Hub Assembly (See Separate Breakdown in this Section)	
13	1001278022	4	Drive Motor Assembly (See Separate Breakdown in this Section)	

**SECTION 1 - FRAME**

**FIGURE 1-13. HUB ASSEMBLY - 2WD FRONT**



ART\_2780229

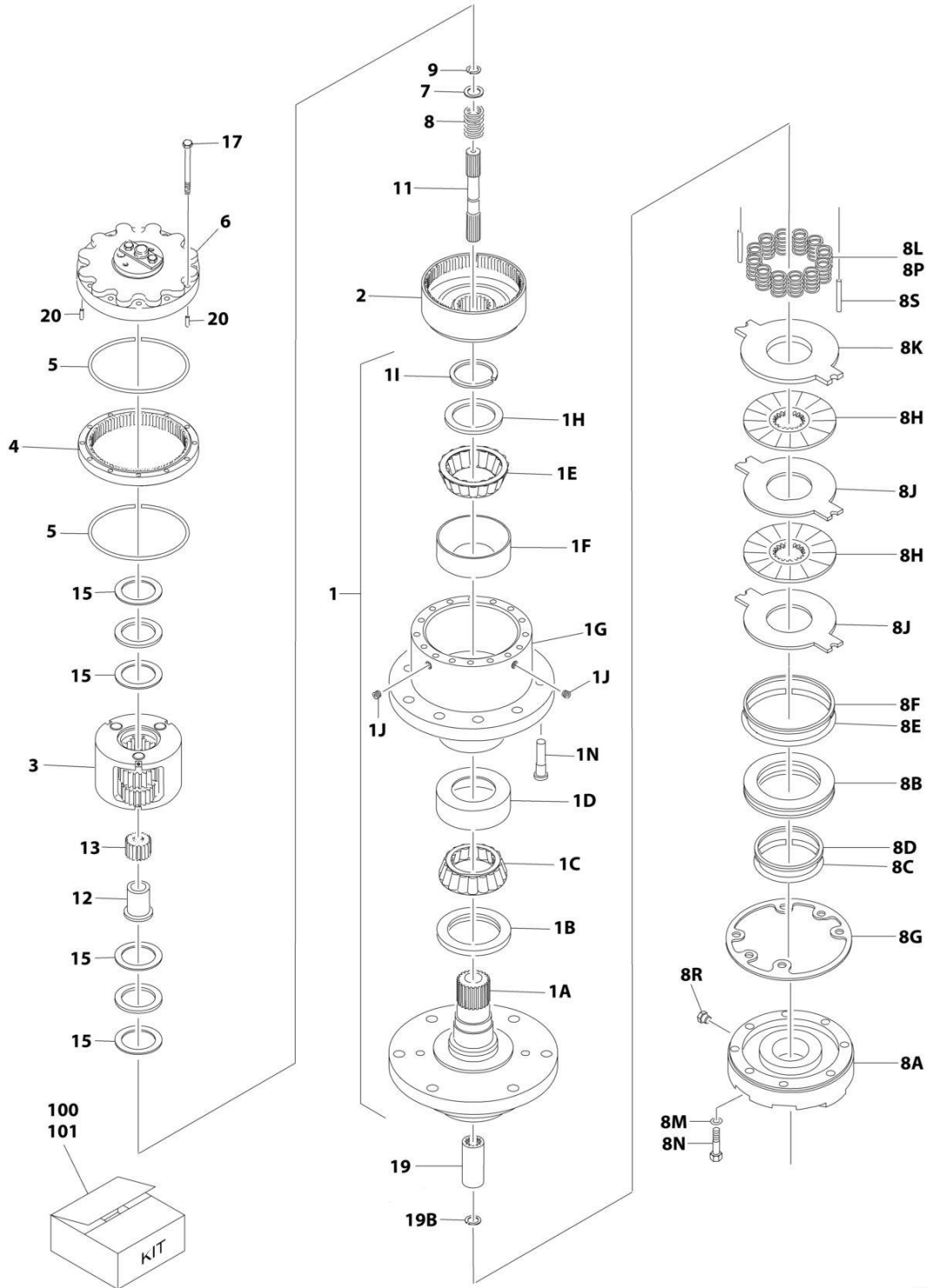
## SECTION 1 - FRAME

**FIGURE 1-13. HUB ASSEMBLY - 2WD FRONT**

ITEM	PART NUMBER	QTY	DESCRIPTION	REV
	2780229	Ref	HUB ASSEMBLY	A
1	7017052	1	Spindle (1 per Assembly)	
2	7017053	1	Housing (1 per Assembly)	
3	7010404	1	Cup, Bearing - Inner (1 per Assembly)	
4	7010405	1	Cone, Bearing - Inner (1 per Assembly)	
5	7017056	1	Cup, Bearing - Outer (1 per Assembly)	
6	7017055	1	Cone, Bearing - Outer (1 per Assembly)	
7	7010406	1	Seal, Lip (1 per Assembly)	
8	7000265	10	Stud (10 per Assembly)	
9	7017054	1	Dust Cap (1 per Assembly)	
10	7017051	1	Washer, Special (1 per Assembly)	
11	7017057	1	Washer, Tanged (1 per Assembly)	
12	7017058	1	Nut, Bearing (1 per Assembly)	

# SECTION 1 - FRAME

## FIGURE 1-14. DRIVE HUB/BRAKE ASSEMBLY



ART\_1001219219

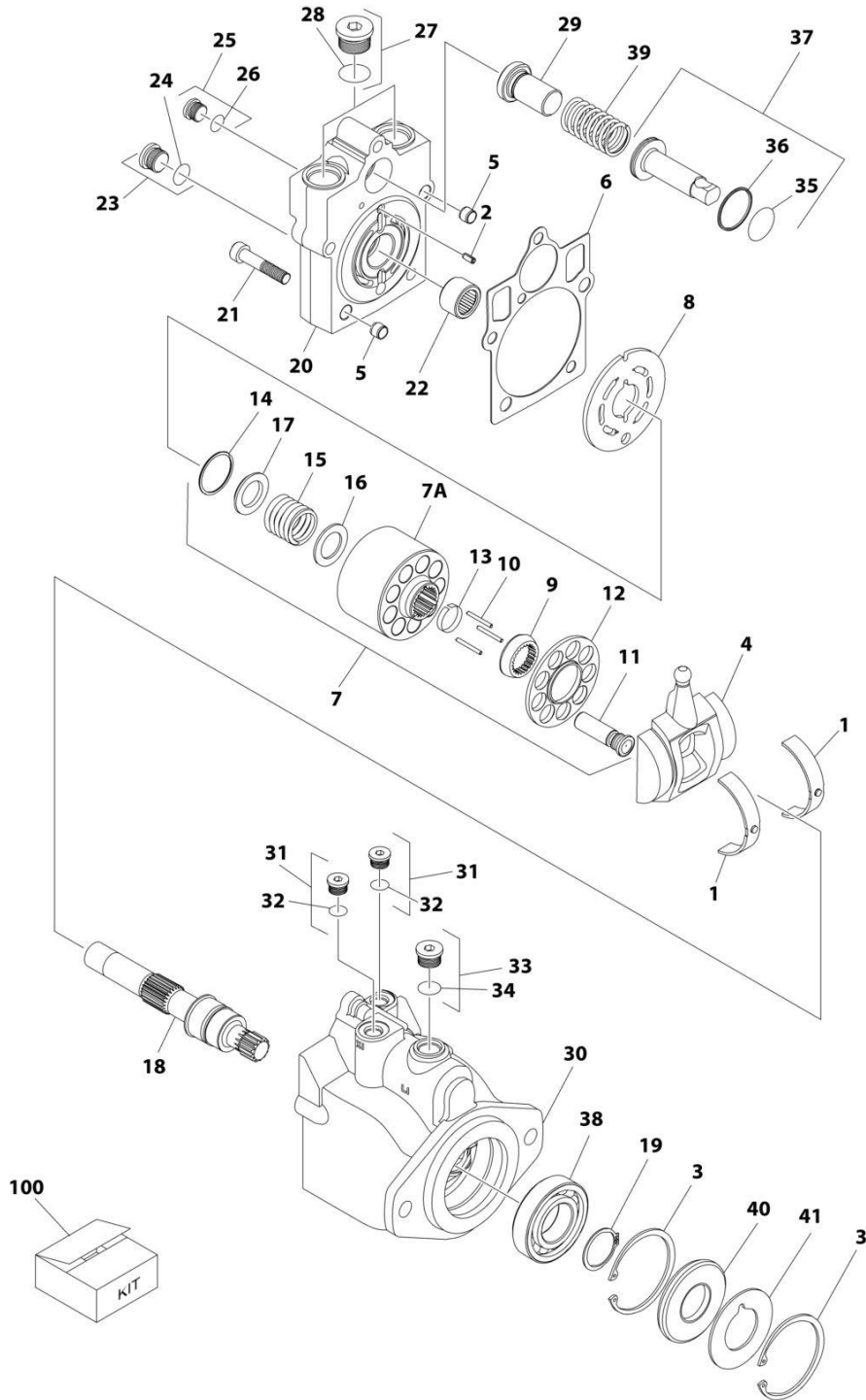
# SECTION 1 - FRAME

## FIGURE 1-14. DRIVE HUB/BRAKE ASSEMBLY

ITEM	PART NUMBER	QTY	DESCRIPTION	REV
	1001219219	Ref	DRIVE HUB/BRAKE ASSEMBLY	C
1	See Note	NSS	Spindle/Housing Assembly (Note: Not Available - Purchase Individual Components)	
1A	70006677	1	Spindle	
1B	70006678	1	Seal	
1C	1001091460	1	Cone, Bearing	
1D	1001091460	1	Cup, Bearing	
1E	1001091461	1	Cone, Bearing	
1F	1001091461	1	Cup, Bearing	
1G	See Note	NSS	Housing (Note: Not Available - Not Available for Purchase)	
1H	7000239	1	Thrustwasher	
1I	7000240	1	Ring, Retaining	
1J	7001928	1	Plug, Pipe	
1N	See Note	NSS	Stud, Wheel (Note: Not Available - Not Available for Purchase)	
2	7024782	1	Gear, Ring	
3	70006673	1	Carrier Assembly	
4	7024151	1	Gear, Internal	
5	7000224	2	O-Ring	
6	70006674	NSS	Cover Assembly (Note: Not Available - Not Available for Purchase)	
7	70006691	1	Thrustwasher	
8	7000283	1	Spring	
8A	7024191	1	Housing, Piston	
8B	70006684	1	Piston	
8C	See Note	NSS	O-Ring (Note: Use Item 101)	
8D	See Note	NSS	Ring, Back-up (Note: Use Item 101)	
8E	See Note	NSS	O-Ring (Note: Use Item 101)	
8F	See Note	NSS	Ring, Back-up (Note: Use Item 101)	
8G	See Note	NSS	Gasket (Note: Use Items 100 & 101)	
8H	See Note	NSS	Brake, Stator (Note: Use Item 100)	
8J	See Note	NSS	Brake, Rotor (Note: Use Item 100)	
8K	See Note	NSS	Plate, Pressure (Note: Use Item 100)	
8L	80344004	10	Spring	
8M	70006685	6	Capscrew	
8N	70006690	6	Lockwasher	
8P	70006680	2	Spring	
8R	7017082	2	Plug	
8S	7024190	2	Pin, Dowel	
9	7000284	1	Ring, Retaining	
11	70006675	1	Shaft, Input	
12	7024154	1	Spacer, Input	
13	7024149	1	Gear, Sun	
15	70006692	2	Thrustwasher	
17	7000289	12	Bolt 3/8 x 2-1/2in (Grade 8)	
19	70006676	1	Coupling	
19B	7017028	1	Ring, Retaining	
20	7017047	2	Pin, Dowel	
100	70006832	1	Friction Disc Kit (Includes Items 8G, 8H, 8J & 8K)	
101	70006833	1	Seal Kit (Includes Items - 8C-8G)	

# SECTION 1 - FRAME

## FIGURE 1-15. DRIVE MOTOR ASSEMBLY - 2WD



ART\_3160347

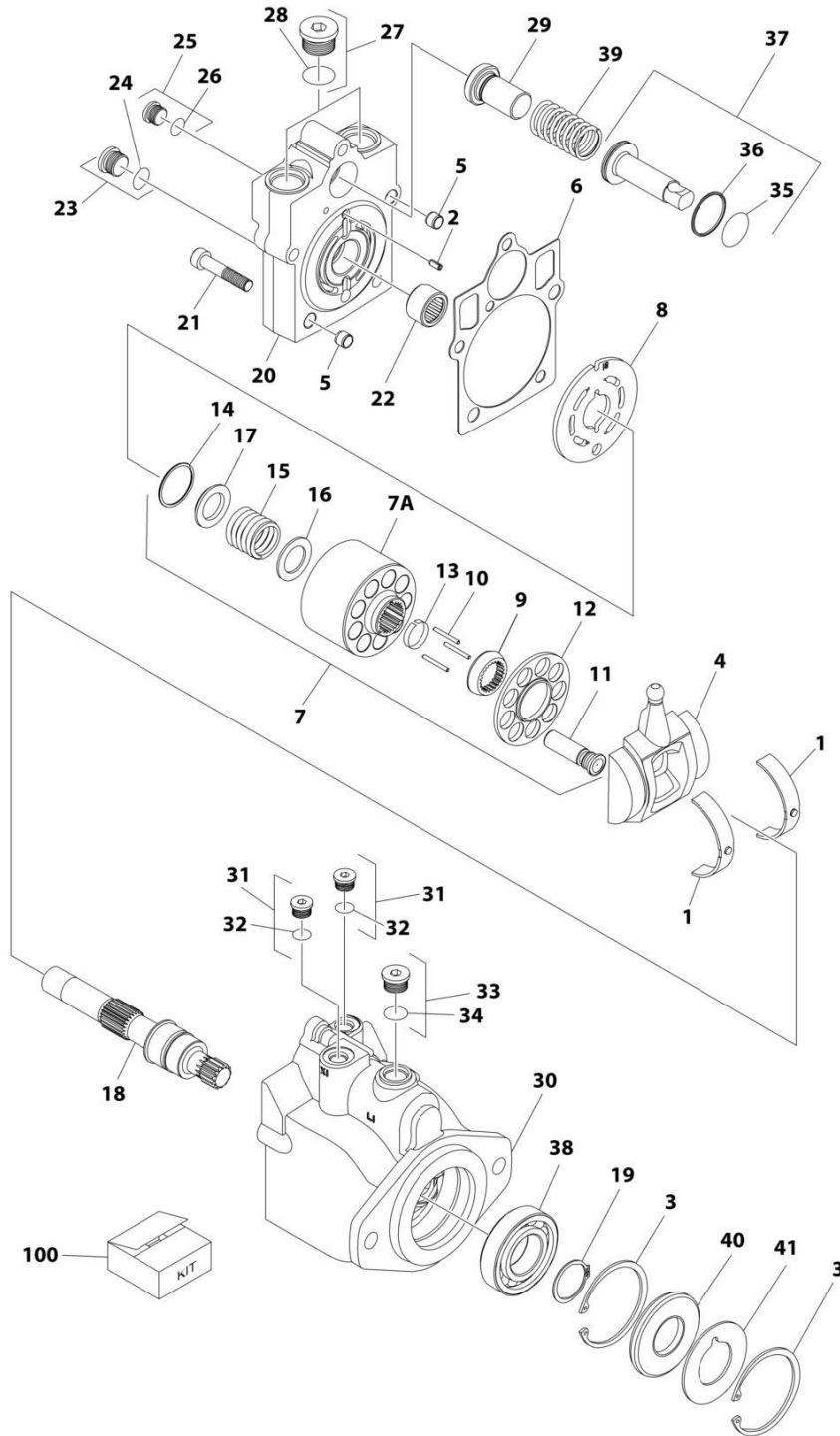
# SECTION 1 - FRAME

## FIGURE 1-15. DRIVE MOTOR ASSEMBLY - 2WD

ITEM	PART NUMBER	QTY	DESCRIPTION	REV
	3160347	Ref	DRIVE MOTOR ASSEMBLY	B
1	7022302	2	Bearing, Journal	
2	7007446	1	Pin	
3	7007438	2	Ring, Retaining	
4	7022305	1	Swash Plate	
5	See Note	2	Pin (Note: Not Available for Purchase)	
6	See Note	NSS	Gasket (Note: Use Item 100)	
7	7027740	1	Cylinder Block Kit (Includes Items 7A & 9-17)	
7A	See Note	NSS	Block, Cylinder (Note: Use Item 7)	
8	7024862	1	Plate, Valve	
9	7021277	1	Guide, Slipper Retainer	
10	7021275	3	Pin, Slipper Hold Down	
11	See Note	NSS	Piston Assembly (Note: Use Item 7)	
12	See Note	NSS	Retainer, Slipper (Note: Use Item 7)	
13	See Note	NSS	Retainer, Hold Down Pin (Note: Use Item 7)	
14	7022311	1	Ring, Retaining	
15	7024867	1	Spring	
16	7022313	1	Washer	
17	7022314	1	Retainer, Spring	
18	7023910	1	Shaft	
19	7007439	1	Ring, Retaining	
20	70000795	1	Cap, End - Axial	
21	7022368	5	Screw	
22	7021249	1	Bearing, Needle	
23	2220886	1	Plug (Includes Item 24)	
24	See Note	1	O-Ring (Note: Use Item 23 or 100)	
25	2220883	1	Plug (Includes Item 26)	
26	See Note	NSS	O-Ring (Note: Use Item 25 or 100)	
27	2220888	2	Plug (Includes Item 28)	
28	See Note	NSS	O-Ring (Note: Use Item 27 or 100)	
29	7027741	1	Seat, Spring	
30	See Note	NSS	Housing (Note: Not Available - Purchase Complete Assembly)	
31	2220883	2	Plug (Includes Item 32)	
32	See Note	NSS	O-Ring (Note: Use Item 31 or 100)	
33	2220886	1	Plug (Includes Item 34)	
34	See Note	NSS	O-Ring (Note: Use Item 33 or 100)	
35	See Note	NSS	O-Ring (Note: Use Item 100)	
36	See Note	NSS	Ring, Seal (Note: Use Item 100)	
37	7024871	1	Piston, Servo (Includes Items 35 & 36)	
38	7007437	1	Bearing	
39	7022326	1	Spring	
40	See Note	NSS	Seal, Lip (Note: Use Item 100)	
41	7022371	1	Washer, Support	
		Ref	KIT OPTIONS:	
100	7022328	1	Seal Kit (Includes Items 6, 24, 26, 28, 32, 34, 35, 36 & 40)	

# SECTION 1 - FRAME

## FIGURE 1-16. DRIVE MOTOR ASSEMBLY - 4WD - DANFOSS MOTOR



ART\_3160348



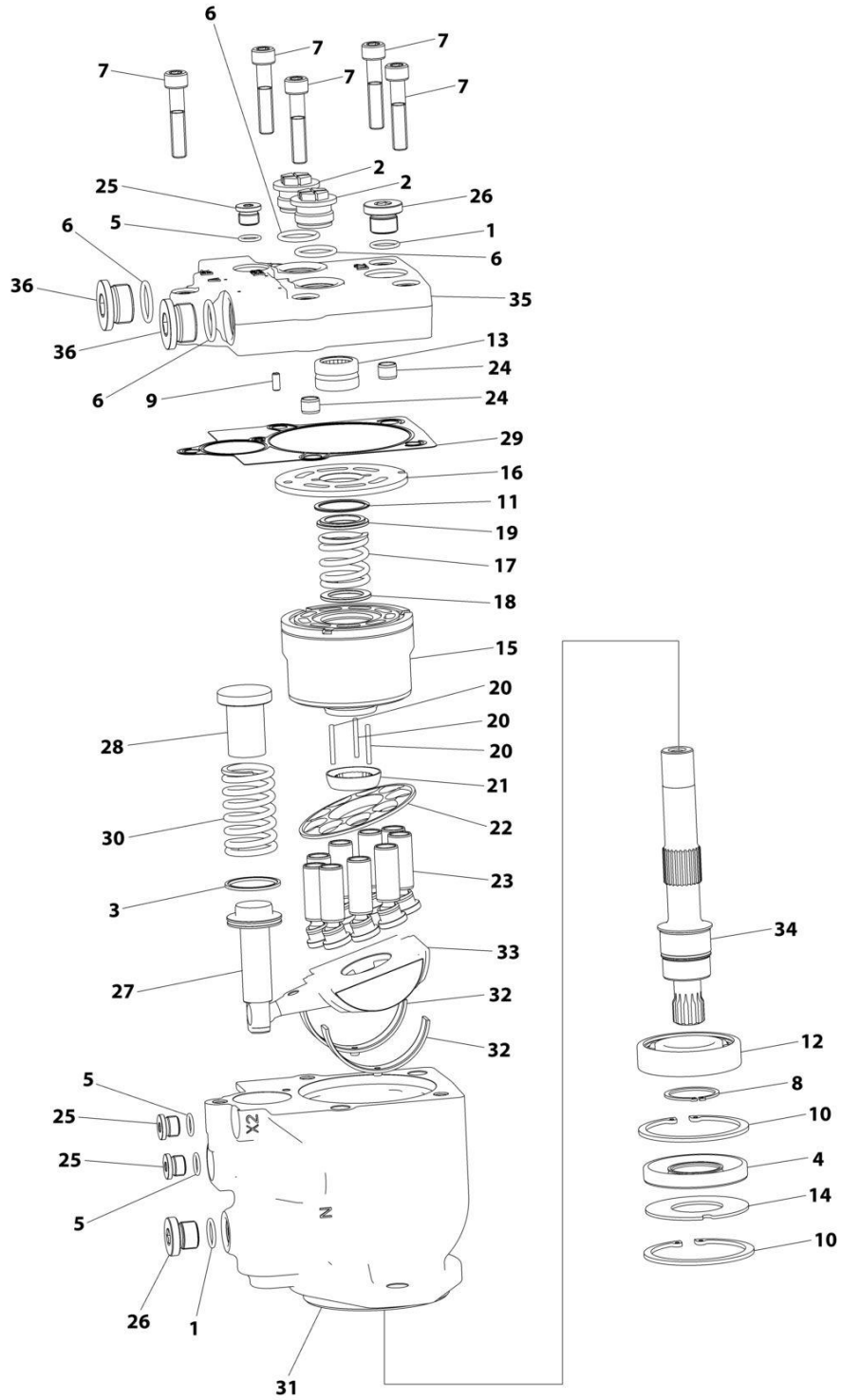
## SECTION 1 - FRAME

**FIGURE 1-16. DRIVE MOTOR ASSEMBLY - 4WD - DANFOSS MOTOR**

ITEM	PART NUMBER	QTY	DESCRIPTION	REV
	3160348	Ref	DRIVE MOTOR ASSEMBLY	D
1	7022302	2	Bearing, Journal	
2	7007446	1	Pin	
3	7007438	2	Ring, Retaining	
4	7022305	1	Swash Plate	
5	See Note	2	Pin (Note: Not Available for Purchase)	
6	See Note	NSS	Gasket (Note: Use Item 100)	
7	7023907	1	Cylinder Block Kit (Includes Items 7A & 9-17)	
7A	See Note	NSS	Block, Cylinder (Note: Use Item 7)	
8	7023908	1	Plate, Valve	
9	7021277	1	Guide, Slipper Retainer	
10	7021275	3	Pin, Slipper Hold Down	
11	See Note	NSS	Piston Assembly (Note: Use Item 7)	
12	7022310	1	Retainer, Slipper	
13	7021276	1	Retainer, Hold Down Pin	
14	7022311	1	Ring, Retaining	
15	7022312	1	Spring	
16	7024868	1	Washer	
17	7022314	1	Retainer, Spring	
18	7023910	1	Shaft	
19	7007439	1	Ring, Retaining	
20	70000797	1	Cap, End - Axial	
21	7022368	5	Screw	
22	7021249	1	Bearing, Needle	
23	2220886	1	Plug (Includes Item 24)	
24	See Note	1	O-Ring (Note: Use Item 23 or 100)	
25	2220883	1	Plug (Includes Item 26)	
26	See Note	NSS	O-Ring (Note: Use Item 25 or 100)	
27	2220888	2	Plug (Includes Item 28)	
28	See Note	NSS	O-Ring (Note: Use Item 27 or 100)	
29	7022372	1	Seat, Spring	
30	See Note	NSS	Housing (Note: Not Available - Purchase Complete Assembly)	
31	2220883	2	Plug (Includes Item 32)	
32	See Note	NSS	O-Ring (Note: Use Item 31 or 100)	
33	2220886	1	Plug (Includes Item 34)	
34	See Note	NSS	O-Ring (Note: Use Item 33 or 100)	
35	See Note	NSS	O-Ring (Note: Use Item 100)	
36	See Note	NSS	Ring, Seal (Note: Use Item 100)	
37	7024854	1	Piston, Servo (Includes Items 35 & 36)	
38	7007437	1	Bearing	
39	7022326	1	Spring	
40	See Note	1	Seal, Lip (Note: Use Item 100)	
41	7022371	1	Washer, Support	
		Ref	KIT OPTIONS:	
100	7022328	1	Seal Kit (Includes Items 6, 24, 26, 28, 32, 34, 35, 36 & 40)	

# SECTION 1 - FRAME

## FIGURE 1-17. DRIVE MOTOR ASSEMBLY - 4WD - HENGLI MOTOR



ART\_1001278022

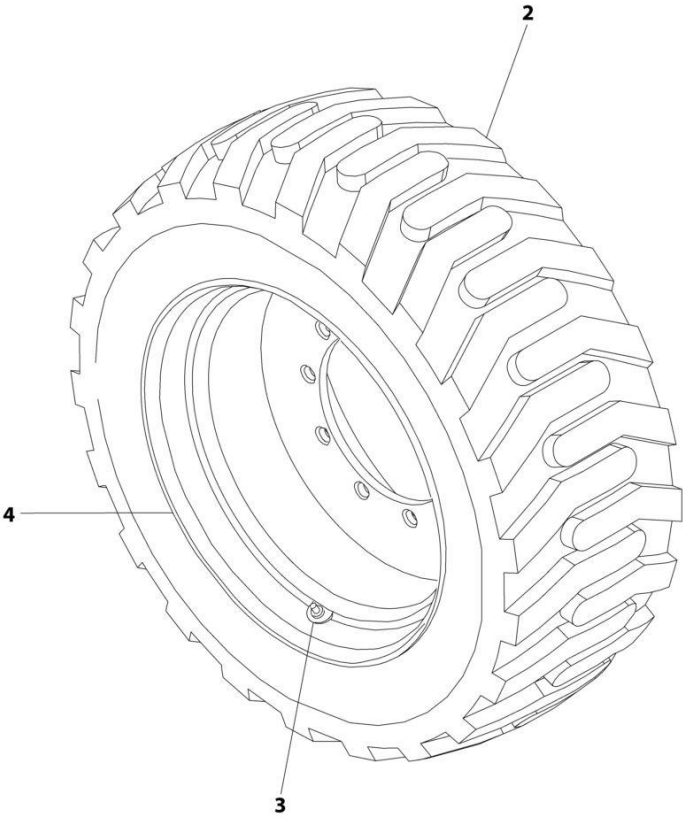
## SECTION 1 - FRAME

**FIGURE 1-17. DRIVE MOTOR ASSEMBLY - 4WD - HENGLI MOTOR**

ITEM	PART NUMBER	QTY	DESCRIPTION	REV
	1001278022	Ref	DRIVE MOTOR ASSEMBLY	B
1	70007847	2	O-Ring	
2	70007848	2	Plug	
3	70007849	1	Ring, Sealing	
4	70007850	1	Bearing	
5	70007851	3	O-Ring	
6	70007852	4	O-Ring	
7	70007853	5	Capscrew M10 x 50	
8	70007854	1	Circlip	
9	70007855	1	Pin	
10		Ref	Circlip	
11	70007856	1	Ring, Retaining	
12	70007857	1	Bearing	
13	70007858	1	Bearing	
14	70007859	1	Gasket	
15	70007860	1	Cylinder	
16	70007861	1	Plate, Valve	
17	70007862	1	Spring	
18	70007863	1	Gasket	
19	70007864	1	Gasket	
20	70007865	3	Pin	
21	70007866	1	Bushing	
22	70007867	1	Retainer	
23	70007868	9	Piston	
24	70007869	2	Pin	
25	70007870	3	Plug	
26	70007871	2	Plug	
27	70007872	1	Piston	
28	70007873	1	Seat, Spring	
29	70007874	1	Gasket	
30	70007875	1	Spring	
31	See Note	NSS	Housing (Note: Purchase Complete Assembly)	
32	70007876	2	Bushing	
33	70007877	1	Plate, Swash	
34	70007878	1	Shaft	
35	See Note	NSS	Cover (Note: Purchase Complete Assembly)	
36	See Note	Ref	Plug (Note: Shipping Use Only)	

**SECTION 1 - FRAME**

**FIGURE 1-18. TIRE & WHEEL INSTALLATION - 15-625 NHS FOAM-FILLED**



ART\_0270886

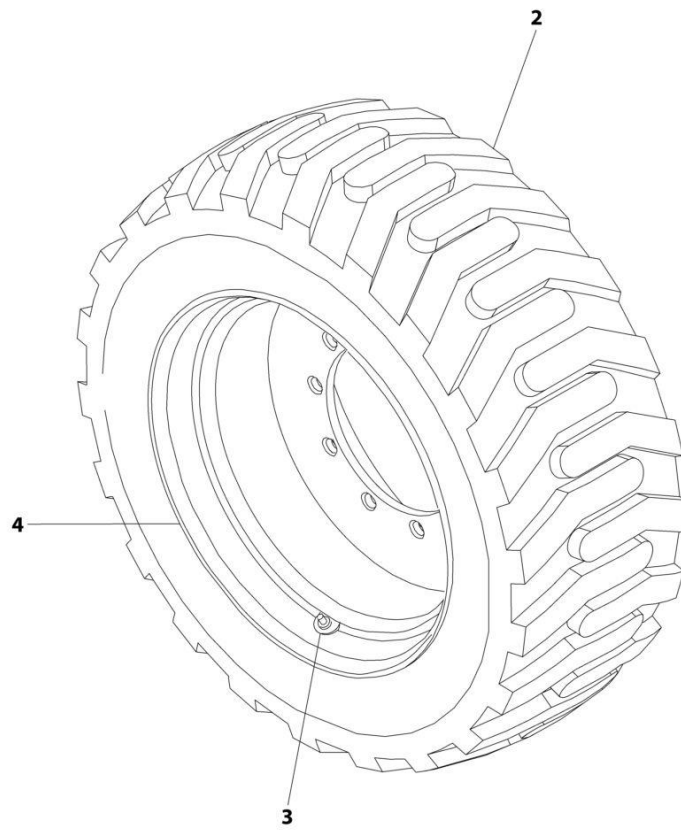
**SECTION 1 - FRAME**

**FIGURE 1-18. TIRE & WHEEL INSTALLATION - 15-625 NHS FOAM-FILLED**

ITEM	PART NUMBER	QTY	DESCRIPTION	REV
	0270886	Ref	TIRE AND WHEEL INSTALLATION	D
	0271085	2	Tire and Wheel Assembly - 15-625 NHS Foam-Filled LH Side	I
	0271086	2	Tire and Wheel Assembly - 15-625 NHS Foam-Filled RH Side	I
		Ref	Note: Assemblies may require ballast/foam filling to manufacturer's specifications prior to installing on a machine. Refer to Operation and Safety or Service and Maintenance Manuals.	
		Ref	Purchase individual tire and/or rim only if able to foam fill tire and wheel assembly, otherwise, purchase complete assembly.	
2	4520252	1	Tire 15-625	
3	4641122	1	Valve, Air	
4	4860224	1	Rim, Wheel - 13 x 24.5 Rim	

# SECTION 1 - FRAME

FIGURE 1-19. TIRE AND WHEEL INSTALLATION 18-625 NHS FOAM-FILLED TIRE



ART\_0270888

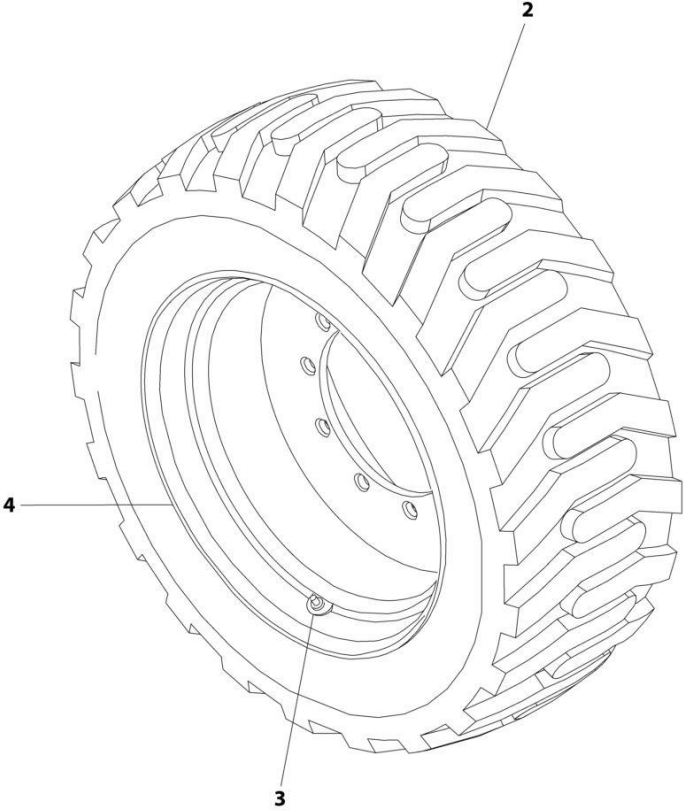
**SECTION 1 - FRAME**

**FIGURE 1-19. TIRE AND WHEEL INSTALLATION 18-625 NHS FOAM-FILLED TIRE**

ITEM	PART NUMBER	QTY	DESCRIPTION	REV
	0270888	Ref	TIRE AND WHEEL INSTALLATION	C
	0271090	2	Tire and Wheel Assembly - 18-625 NHS Foam-Filled LH Side	G
	0271091	2	Tire and Wheel Assembly - 18-625 NHS Foam-Filled RH Side	G
		Ref	Note: Assemblies may require ballast/foam filling to manufacturer's specifications prior to installing on a machine. Refer to Operation and Safety or Service and Maintenance Manuals.	
		Ref	Purchase individual tire and/or rim only if able to foam fill tire and wheel assembly, otherwise, purchase complete assembly.	
2	4520253	1	Tire 18-625	
3	4641122	1	Valve, Air	
4	4860225	1	Rim, Wheel - 15 x 24.5 Rim	

**SECTION 1 - FRAME**

**FIGURE 1-20. TIRE AND WHEEL INSTALLATION 18-625 NHS FOAM-FILLED NON-MARKING TIRE**



ART\_1001169757



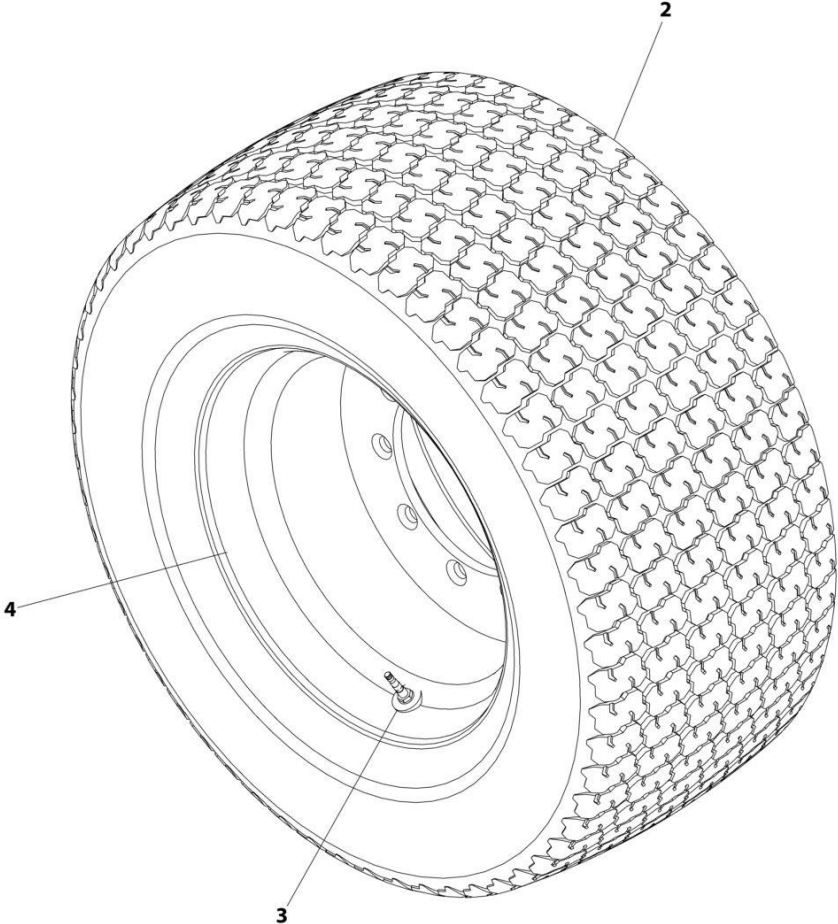
## SECTION 1 - FRAME

**FIGURE 1-20. TIRE AND WHEEL INSTALLATION 18-625 NHS FOAM-FILLED NON-MARKING TIRE**

ITEM	PART NUMBER	QTY	DESCRIPTION	REV
	1001169757	Ref	TIRE AND WHEEL INSTALLATION	A
	1001169755	2	Tire and Wheel Assembly - 18-625 NHS Foam-Filled Non-Marking LH Side	D
	1001169756	2	Tire and Wheel Assembly - 18-625 NHS Foam-Filled Non-Marking RH Side	D
		Ref	Note: Assemblies may require ballast/foam filling to manufacturer's specifications prior to installing on a machine. Refer to Operation and Safety or Service and Maintenance Manuals.	
		Ref	Purchase individual tire and/or rim only if able to foam fill tire and wheel assembly, otherwise, purchase complete assembly.	
2	1001169754	1	Tire 18-625 Non-Marking	
3	4641122	1	Valve, Air	
4	4860225	1	Rim, Wheel - 15 x 24.5 Rim	

**SECTION 1 - FRAME**

**FIGURE 1-21. TIRE AND WHEEL INSTALLATION 18-22.5 NHS FOAM-FILLED NON-MARKING TIRE**



ART\_1001268884

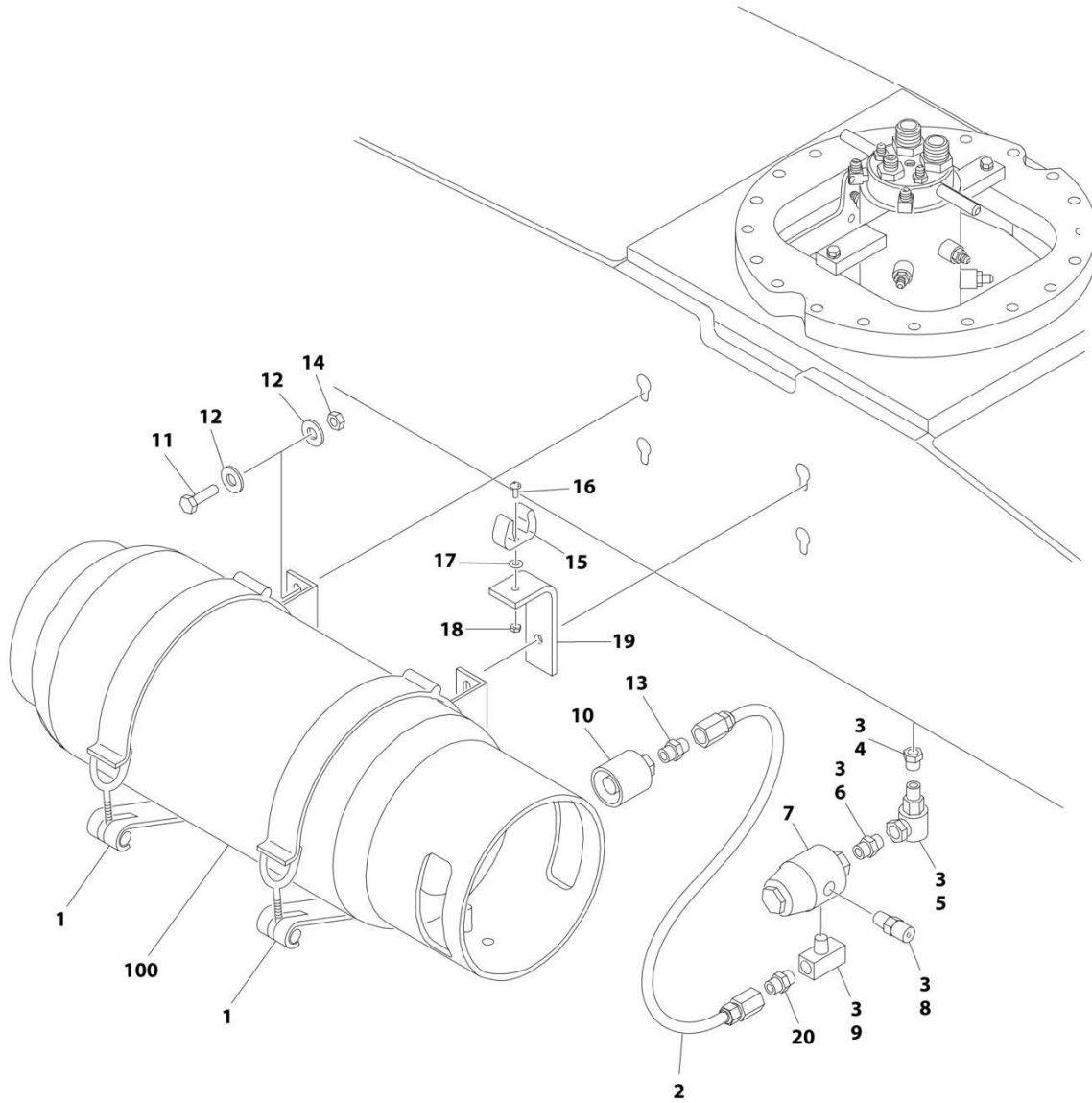
**SECTION 1 - FRAME**

**FIGURE 1-21. TIRE AND WHEEL INSTALLATION 18-22.5 NHS FOAM-FILLED NON-MARKING TIRE**

ITEM	PART NUMBER	QTY	DESCRIPTION	REV
	1001268884	Ref	TIRE AND WHEEL INSTALLATION	A
	1001268883	4	Tire and Wheel Assembly - 41 x 18LL x 22.5 NHS Foam-Filled Non-Marking	B
		Ref	Note: Assemblies may require ballast/foam filling to manufacturer's specifications prior to installing on a machine. Refer to Operation and Safety or Service and Maintenance Manuals.	
		Ref	Purchase individual tire and/or rim only if able to foam fill tire and wheel assembly, otherwise, purchase complete assembly.	
2	4520256	1	Tire 41 x 18LL x 22.5 Non-Marking	
3	4641122	1	Valve, Air	
4	1001209982	1	Rim, Wheel - 22.5 x 14 Rim	

# SECTION 1 - FRAME

## FIGURE 1-22. LP TANK BRACKETS INSTALLATIONS



ART\_1001151010

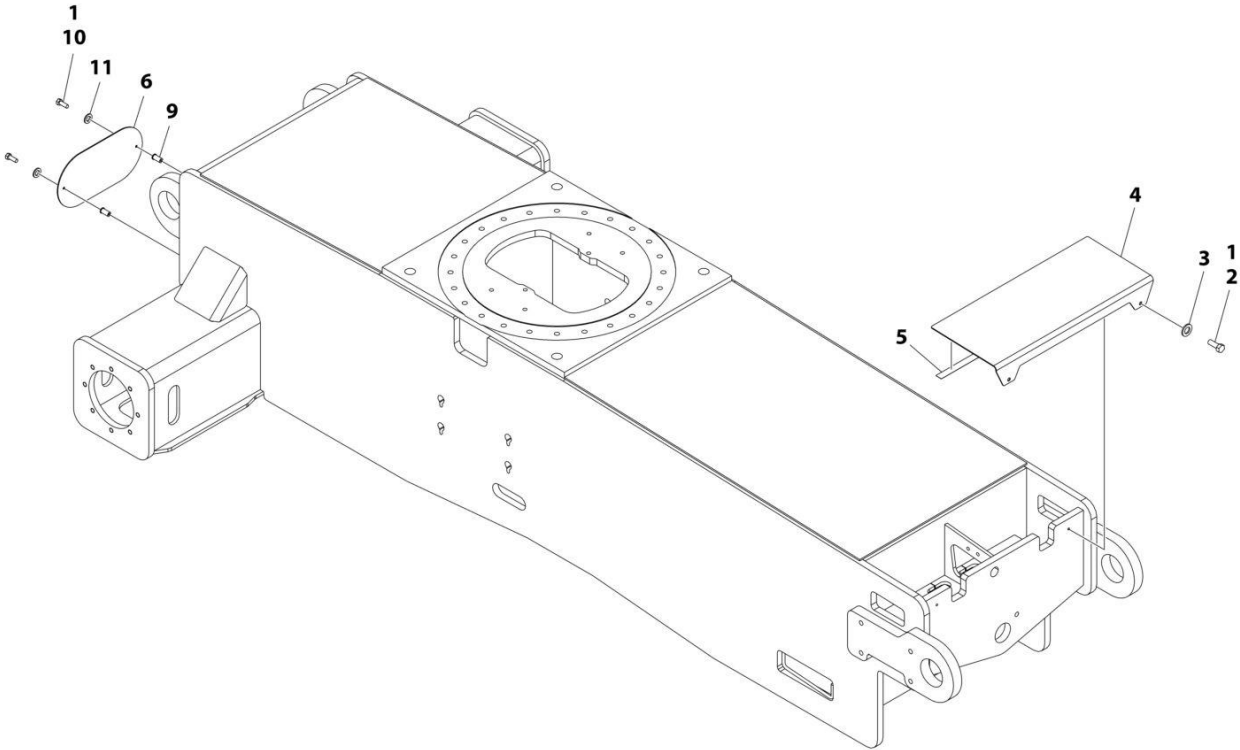
## SECTION 1 - FRAME

**FIGURE 1-22. LP TANK BRACKETS INSTALLATIONS**

ITEM	PART NUMBER	QTY	DESCRIPTION	REV
	1001151010	Ref	LP TANK BRACKETS INSTALLATION	E
1	1320220	2	Clamp	
1	1320127	2	Clamp, Toggle (1 Per Clamp)	
2	2720144	2	Hose	
3	0100020	AR	Sealant, Pipe	
4	2221197	1	Fitting, Reducer	
5	1001247358	1	Fitting, 90 Swivel	
6	2220261	1	Fitting, Nipple	
7	2180388	1	Fitting, Bulkhead	
8	2180389	1	Valve, Relief	
9	2220418	1	Fitting, Tee	
10	2180387	2	Fitting, Straight	
11	0641617	8	Bolt 3/8 x 2-1/8	
12	4751600	16	Washer 3/8	
13	2180418	2	Fitting, Connector	
14	3311605	8	Nut 3/8	
15	1320218	2	Clamp, Spring	
16	0720804	2	Screw #8 x 1/2	
17	4750800	4	Washer #8	
18	3310805	2	Nut #8	
19	0181949	2	Angle, Support	
20	2221024	2	Fitting, Union Ball Check	
100	4400275	1	Tank, LP - 43.5 Lbs. (Aluminum)	

**SECTION 1 - FRAME**

**FIGURE 1-23. FRAME SHIELDS INSTALLATION - 2WS**



ART\_1001158203

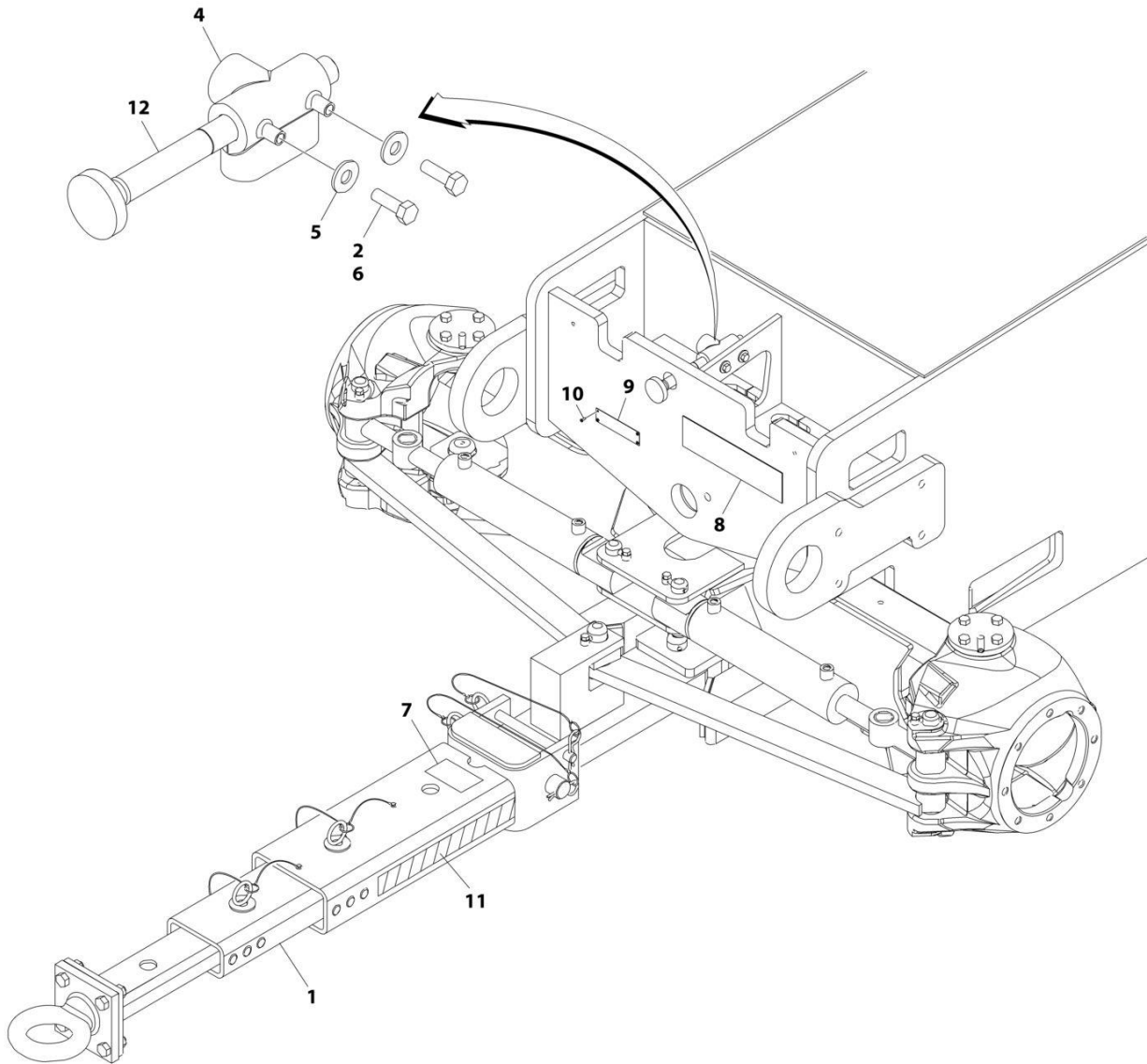
## SECTION 1 - FRAME

### FIGURE 1-23. FRAME SHIELDS INSTALLATION - 2WS

ITEM	PART NUMBER	QTY	DESCRIPTION	REV
	1001158203	Ref	FRAME SHIELDS INSTALLATION	D
1	0100011	AR	Compound, Locking	
2	0641606	2	Bolt 3/8 x 3/4	
3	4751600	2	Washer 3/8	
4	1001158187	1	Cover	
5	4280296	27 in/ 68cm	Trim	
6	1001158188	1	Cover	
9	8580420	2	Nut, Well	
10	0641410	2	Bolt 1/4 x 1-1/4	
11	4751400	2	Washer 1/4	

# SECTION 1 - FRAME

FIGURE 1-24. TOW PACKAGE INSTALLATION (ENGLISH DECALS)



ART\_1001158436



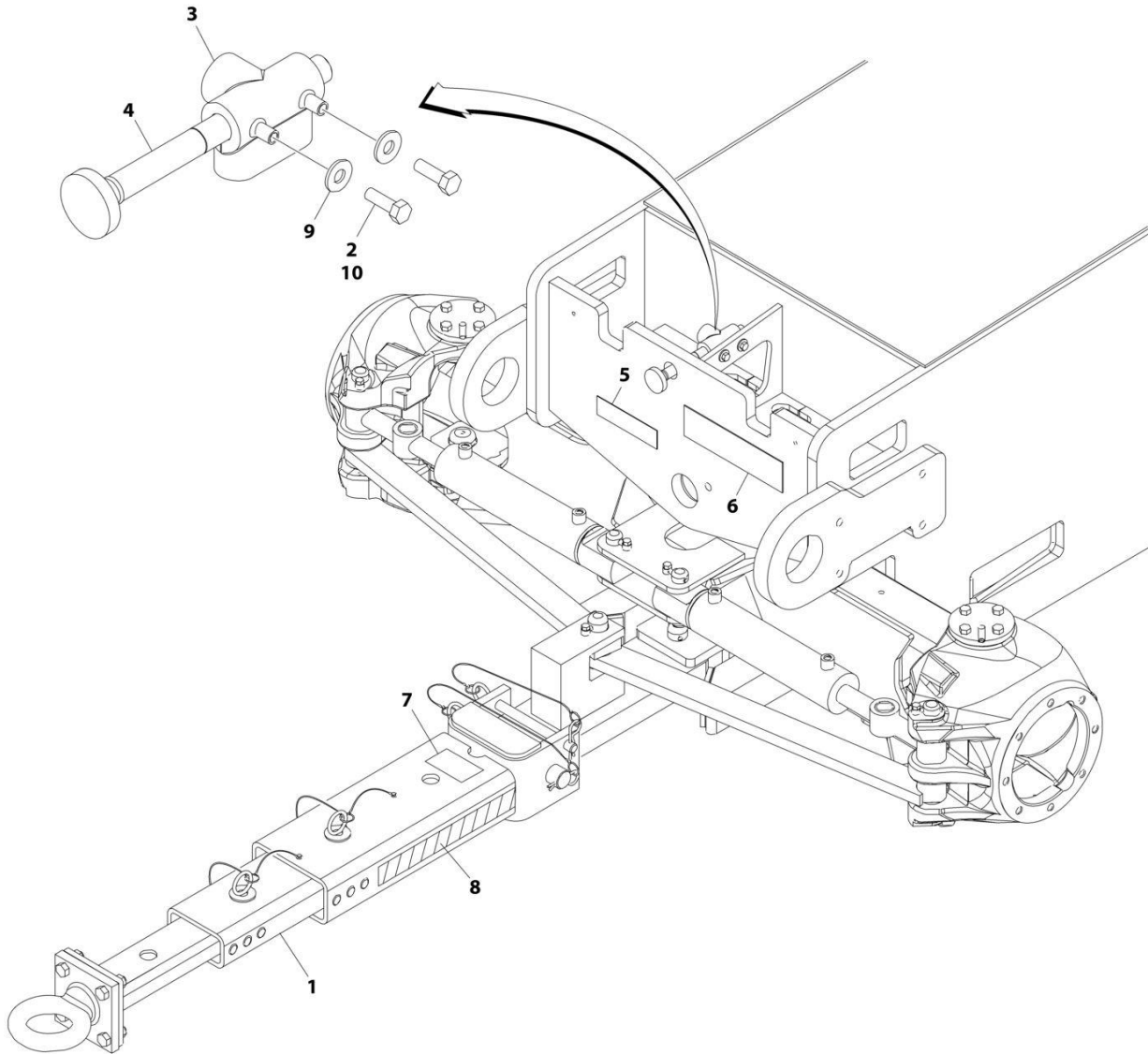
## SECTION 1 - FRAME

### FIGURE 1-24. TOW PACKAGE INSTALLATION (ENGLISH DECALS)

ITEM	PART NUMBER	QTY	DESCRIPTION	REV
	1001158436	Ref	TOW BAR INSTALLATION (ENGLISH DECALS)	B
	0270528	1	Tow Bar Assembly (See Separate Breakdown in this Section)	
2	0641508	2	Bolt 5/16 x 1	
4	4640261	1	Valve, Select	
5	4751500	4	Washer 5/16	
6	0100011	AR	Compound, Locking	
7	1704578	2	Decal - Crushing	
8	1705090	1	Decal - Towing Instructions	
9	3250872	1	Decal/Nameplate - Steer/Tow Select Valve	
10	3820001	4	Rivet	
11	4420051	AR	Tape, Safety	
12	1001160780	1	Extension, Rod	

# SECTION 1 - FRAME

FIGURE 1-25. TOW PACKAGE INSTALLATION (FRENCH/ENGLISH DECALS)



ART\_1001220283

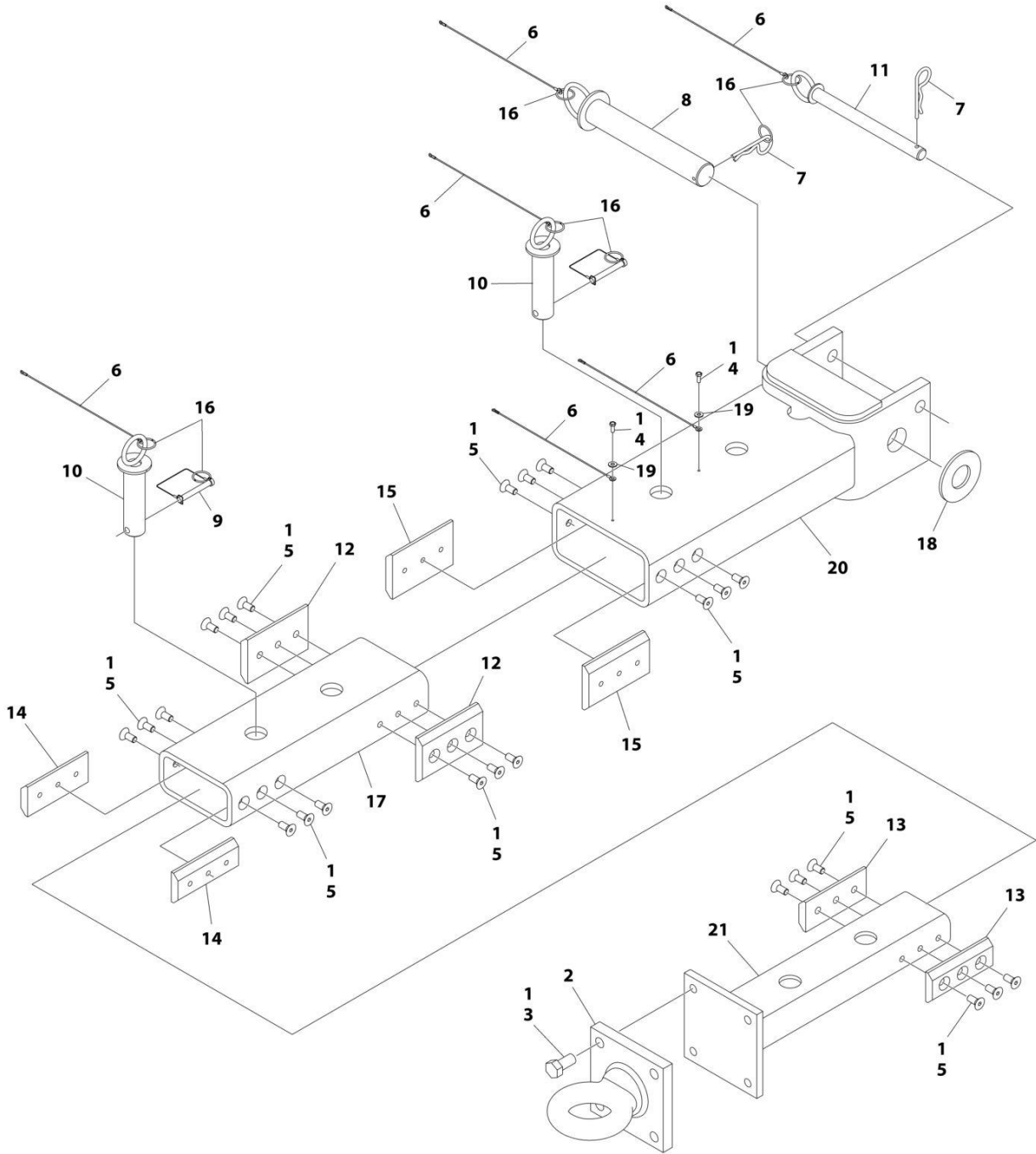
## SECTION 1 - FRAME

**FIGURE 1-25. TOW PACKAGE INSTALLATION (FRENCH/ENGLISH DECALS)**

ITEM	PART NUMBER	QTY	DESCRIPTION	REV
	1001220283	Ref	TOW BAR INSTALLATION (FRENCH/ENGLISH DECALS)	A
	0270528	1	Tow Bar Assembly (See Separate Breakdown in this Section)	
2	0641508	2	Bolt 5/16 x 1	
3	4640261	1	Valve, Select	
4	1001160780	1	Extension, Rod	
5	1704272	1	Decal/Nameplate - Steer/Tow Select Valve	
6	1705820	1	Decal - Towing Instructions	
7	1706593	2	Decal - Crushing	
8	4420051	AR	Tape, Safety	
9	4751500	4	Washer 5/16	
10	0100011	AR	Compound, Locking	

# SECTION 1 - FRAME

## FIGURE 1-26. TOW BAR ASSEMBLY



ART\_0270528

# SECTION 1 - FRAME

## FIGURE 1-26. TOW BAR ASSEMBLY

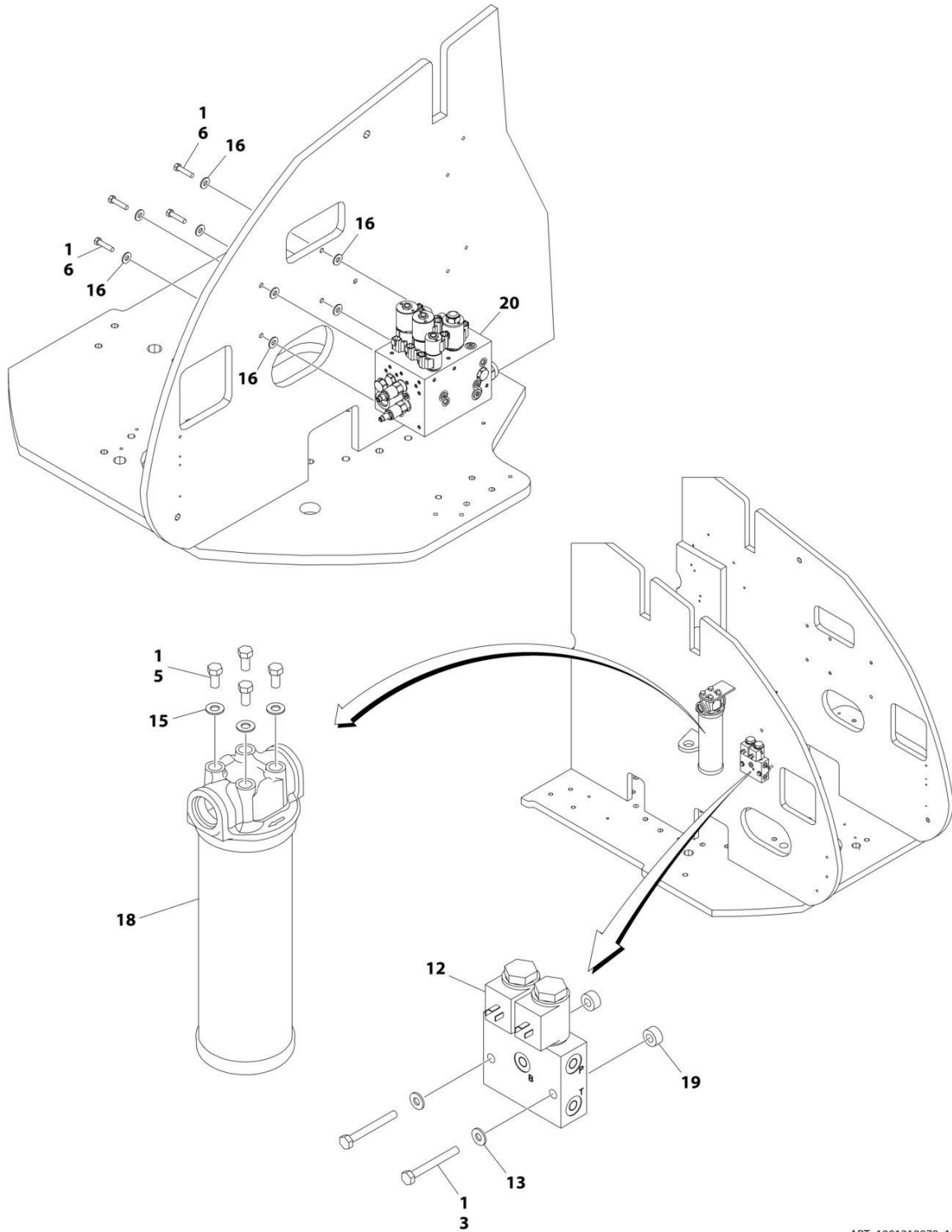
ITEM	PART NUMBER	QTY	DESCRIPTION	REV
	0270528	Ref	TOW BAR ASSEMBLY	B
1	0100011	AR	Compound, Locking	
2	0362910	1	Pintle, Draw Eye	
3	0642010	4	Bolt 5/8 x 1-1/4	
4	0721004	2	Screw, Hex Machine	
5	0741607	24	Screw, Countersunk 3/8 x 7/8	
6	1060584	6	Cable, Lanyard	
7	3420372	2	Pin, Cotter	
8	3420447	1	Pin, Towing	
9	3421565	2	Pin, Snap	
10	3422841	2	Pin	
11	3422847	1	Pin	
12	3572009	2	Plate, Slide Stop	
13	3572010	2	Plate, Slide Stop	
14	3572011	2	Plate, Slide Stop	
15	3572012	2	Plate, Slide Stop	
16	3760170	8	Ring, Split	
17	4568133	1	Tube, Tow Bar	
18	4740036	1	Washer	
19	4751000	2	Washer #10	
20	4846295	1	Tow Bar Attach Weldment	
21	4846296	1	Pintle Attach Weldment	



**SECTION 2 - TURNTABLE**

# SECTION 2 - TURNTABLE

## FIGURE 2-1. CONTROL VALVES INSTALLATION (800S)



ART\_1001219979\_10F2



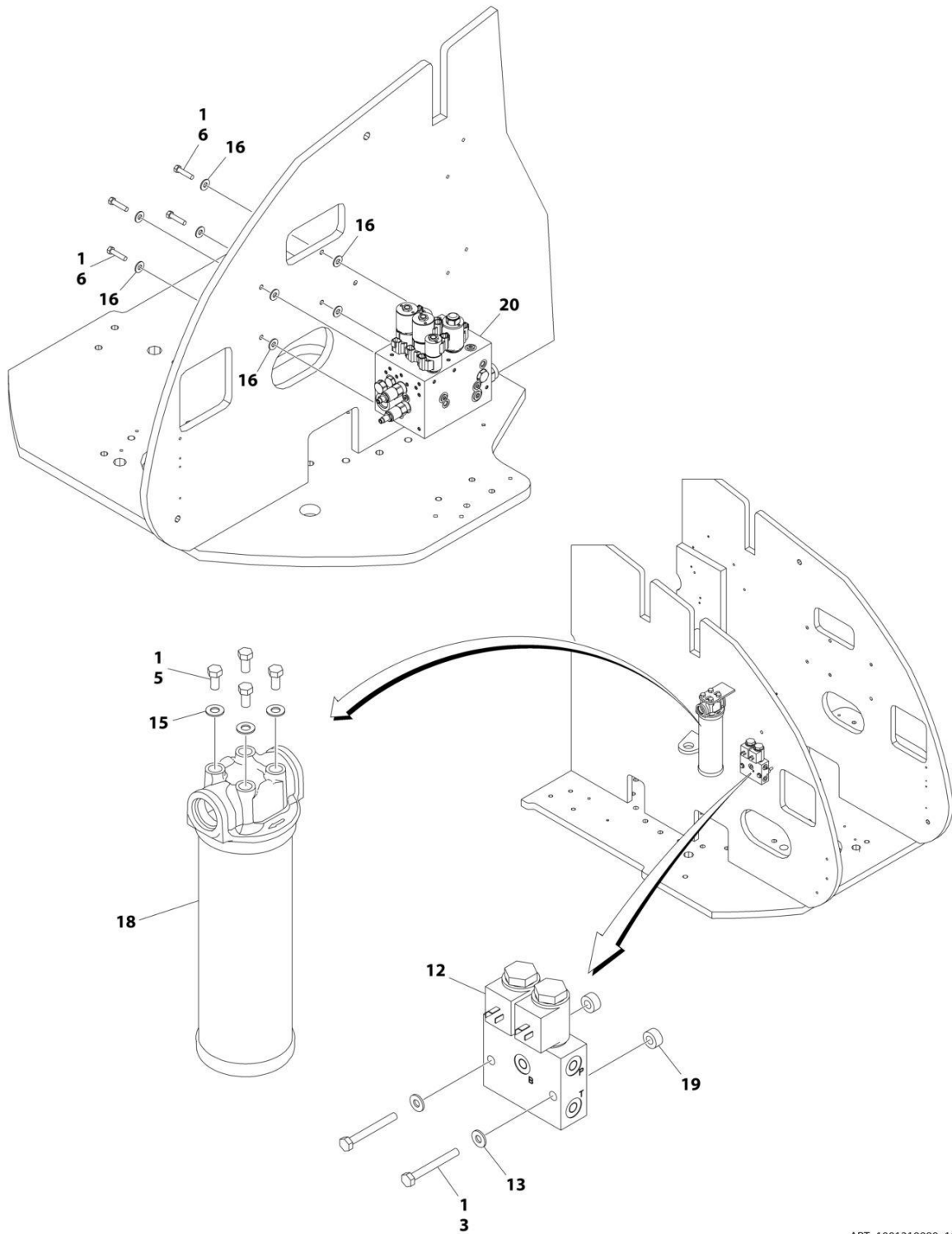
**SECTION 2 - TURNTABLE**

**FIGURE 2-1. CONTROL VALVES INSTALLATION (800S)**

ITEM	PART NUMBER	QTY	DESCRIPTION	REV
	1001219979	Ref	VALVES INSTALLATION	B
1	0100011	AR	Compound, Locking	
3	0641418	2	Bolt 1/4 x 2-1/4	
5	0641606	4	Bolt 3/8 x 3/4	
6	0641613	4	Bolt 3/8 x 1-5/8	
12	4641317	1	Dual Select Valve Assembly	C
12	7012944	2	Coil	
12	7012941	2	Cartridge Less Coil	
12	7010543	2	Seal Kit - 7012941 Valve (1 Per Cartridge)	
13	4711400	2	Washer 1/4	
15	4711600	4	Washer 3/8	
16	4751600	8	Washer 3/8	
18	1001108617	AR	Hydraulic Filter Assembly	
18	70002231	1	Element, Filter	
19	1001110425	1	Spacer	
20	1001235900	1	Main Control Valve Assembly (See Separate Breakdown in this Section)	

# SECTION 2 - TURNTABLE

## FIGURE 2-2. CONTROL VALVES INSTALLATION (860SJ)



ART\_1001219980\_10F2

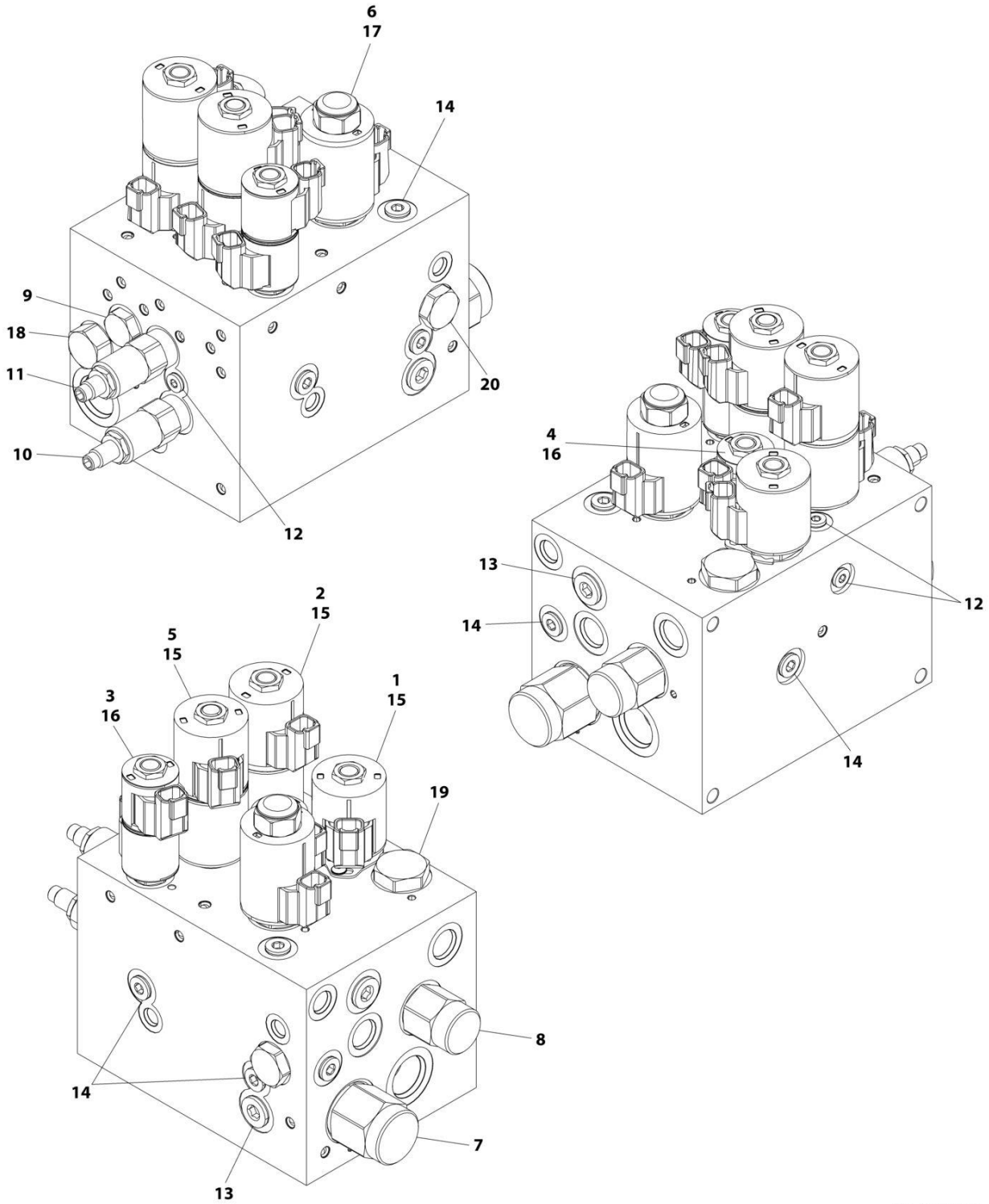
# SECTION 2 - TURNTABLE

**FIGURE 2-2. CONTROL VALVES INSTALLATION (860SJ)**

ITEM	PART NUMBER	QTY	DESCRIPTION	REV
	1001219980	Ref	VALVES INSTALLATION	B
1	0100011	AR	Compound, Locking	
3	0641418	2	Bolt 1/4 x 2-1/4	
5	0641606	4	Bolt 3/8 x 3/4	
6	0641613	4	Bolt 3/8 x 1-5/8	
12	4641317	1	Dual Select Valve Assembly	C
12	7012944	2	Coil	
12	7012941	2	Cartridge Less Coil	
12	7010543	2	Seal Kit - 7012941 Valve (1 Per Cartridge)	
13	4711400	2	Washer 1/4	
15	4711600	4	Washer 3/8	
16	4751600	8	Washer 3/8	
18	1001108617	AR	Hydraulic Filter Assembly	
18	70002231	1	Element, Filter	
19	1001110425	1	Spacer	
20	1001235900	1	Main Control Valve Assembly (See Separate Breakdown in this Section)	

# SECTION 2 - TURNTABLE

## FIGURE 2-3. MAIN CONTROL VALVE ASSEMBLY



ART\_1001235900

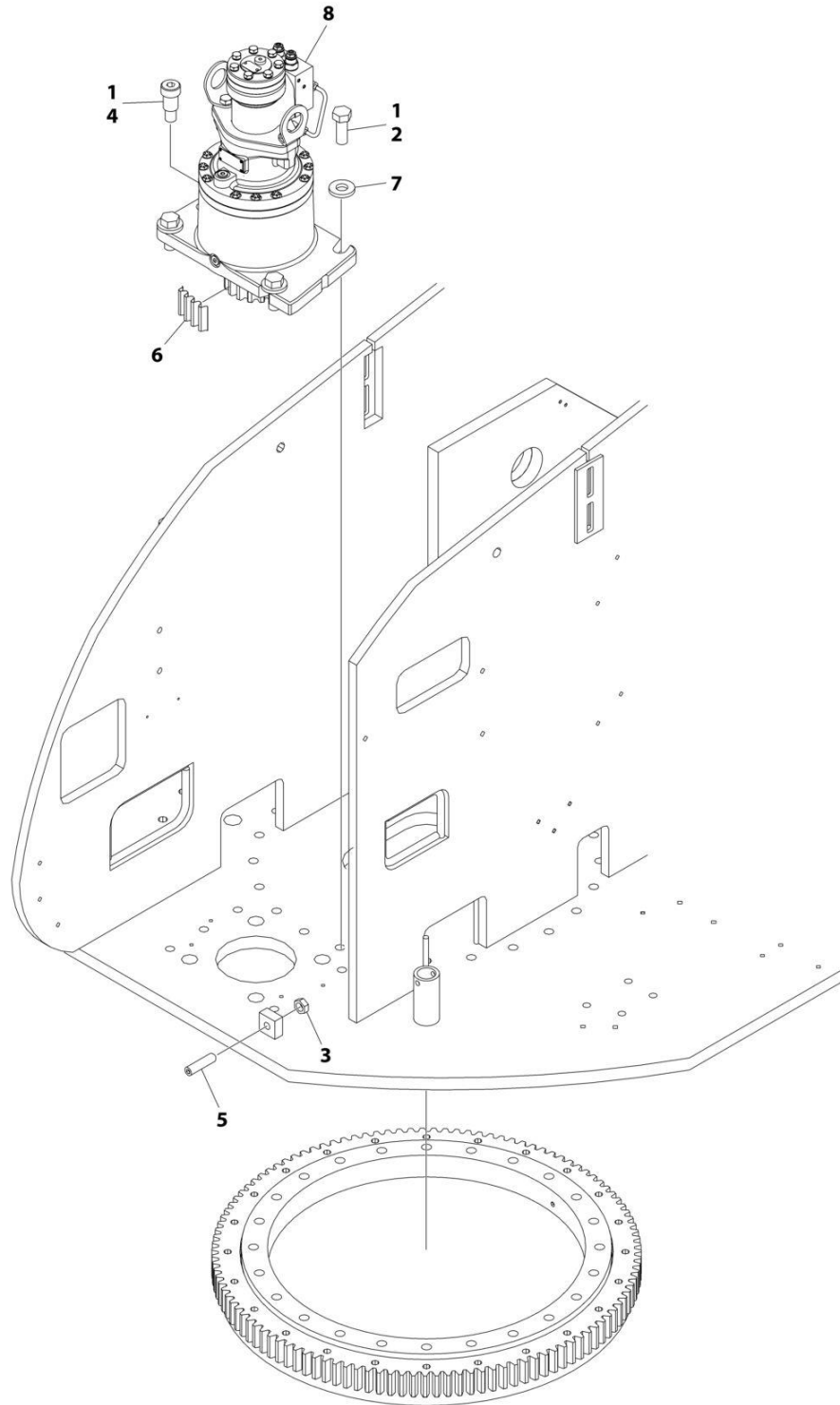
**SECTION 2 - TURNTABLE**

**FIGURE 2-3. MAIN CONTROL VALVE ASSEMBLY**

ITEM	PART NUMBER	QTY	DESCRIPTION	REV
	1001235900	Ref	MAIN CONTROL VALVE ASSEMBLY	B
1	70004570	1	Cartridge, Solenoid Valve (Main Dump)	
1	70004571	1	Seal Kit - 70004570 Valve	
1	70005725	1	Lock Down Kit	
2	7023925	1	Cartridge, Solenoid Valve (Steer)	
2	7012903	1	Seal Kit - 7023925 Valve	
3	7017452	1	Cartridge, Solenoid Valve (Tele)	
3	7017402	1	Seal Kit - 7017452 Valve	
4	7021612	1	Cartridge, Solenoid Valve (Lift)	
4	7012907	1	Seal Kit - 7021612 Valve	
5	70003022	1	Cartridge, Solenoid Valve (Swing)	
5	7012903	1	Seal Kit - 70003022 Valve	
6	70004572	1	Cartridge, Solenoid Valve (Tele)	
6	70004573	1	Seal Kit - 70004572 Valve	
7	70004574	1	Cartridge, Valve	
7	70004575	1	Seal Kit - 70004574 Valve	
8	70004576	1	Cartridge, Valve	
8	70004577	1	Seal Kit - 70004576 Valve	
9	10837580	1	Cartridge, Valve	
9	7010543	1	Seal Kit - 10837580 Valve	
10	7017422	1	Cartridge, Valve	
10	7012998	1	Seal Kit - 7017422 Valve	
11	70004578	1	Cartridge, Valve	
11	7021653	1	Seal Kit - 70004578 Valve	
12	91164059	3	Plug, #4	
13	91164057	3	Plug, #8	
14	91164079	6	Plug, #6	
15	70003788	5	Coil	
16	70002386	3	Coil	
17	70003789	1	Coil	
18	70004579	1	Cartridge, Valve	
18	70004580	1	Seal Kit - 70004579 Valve	
19	70004581	1	Cartridge, Valve	
19	70004571	1	Seal Kit - 70004581 Valve	
20	7023985	1	Cartridge, Valve	
20	7017496	1	Seal Kit - 7023985 Valve	

# SECTION 2 - TURNTABLE

## FIGURE 2-4. SWING DRIVE INSTALLATION



ART\_1001094899\_F

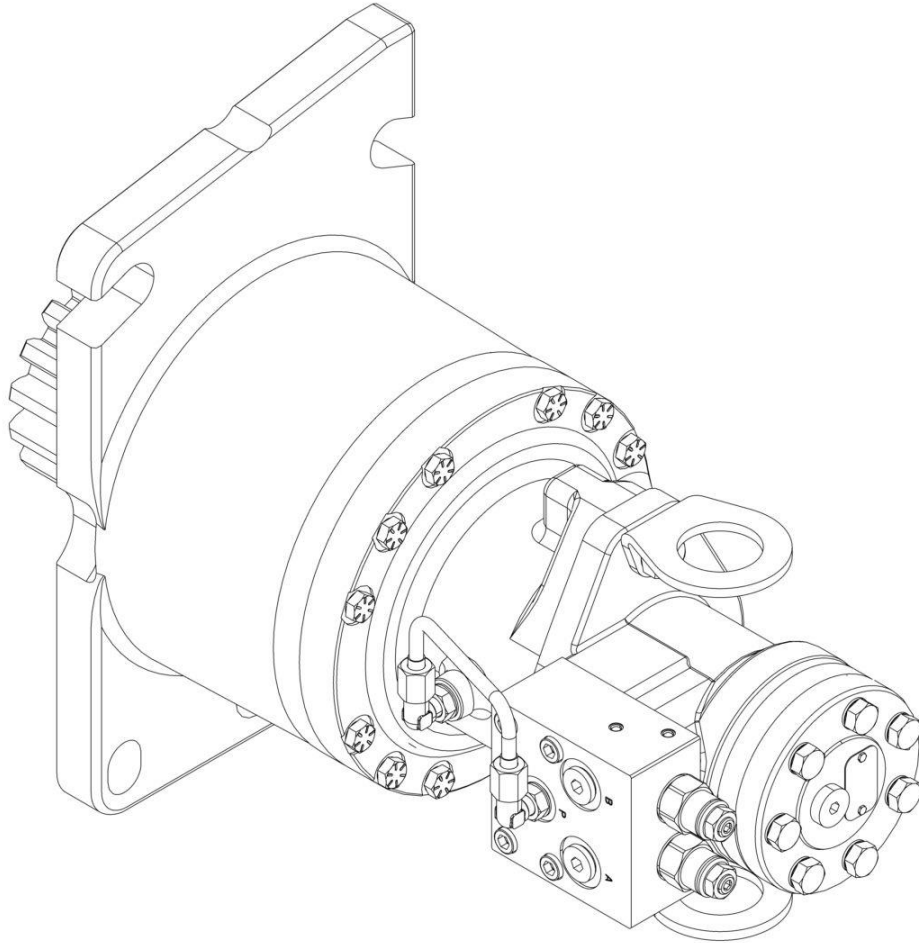
**SECTION 2 - TURNTABLE**

**FIGURE 2-4. SWING DRIVE INSTALLATION**

ITEM	PART NUMBER	QTY	DESCRIPTION	REV
	1001094899	Ref	SWING DRIVE INSTALLATION	F
1	0100019	AR	Compound, Locking	
2	0682216	4	Bolt 3/4 x 2 Grade 8	
3	3312002	1	Nut, Jam 3/4	
4	3900293	1	Bolt, Shoulder	
5	3952020	2	Setscrew 5/8 x 2-1/2	
6	1001125492	1	Shim	
7	4740057	4	Washer 3/4 Hardened	
8	1001306803	1	Swing Motor/Swing Hub Assembly (See Separate Breakdown in this Section)	

## SECTION 2 - TURNTABLE

FIGURE 2-5. SWING MOTOR/HUB ASSEMBLY



ART\_1001306803



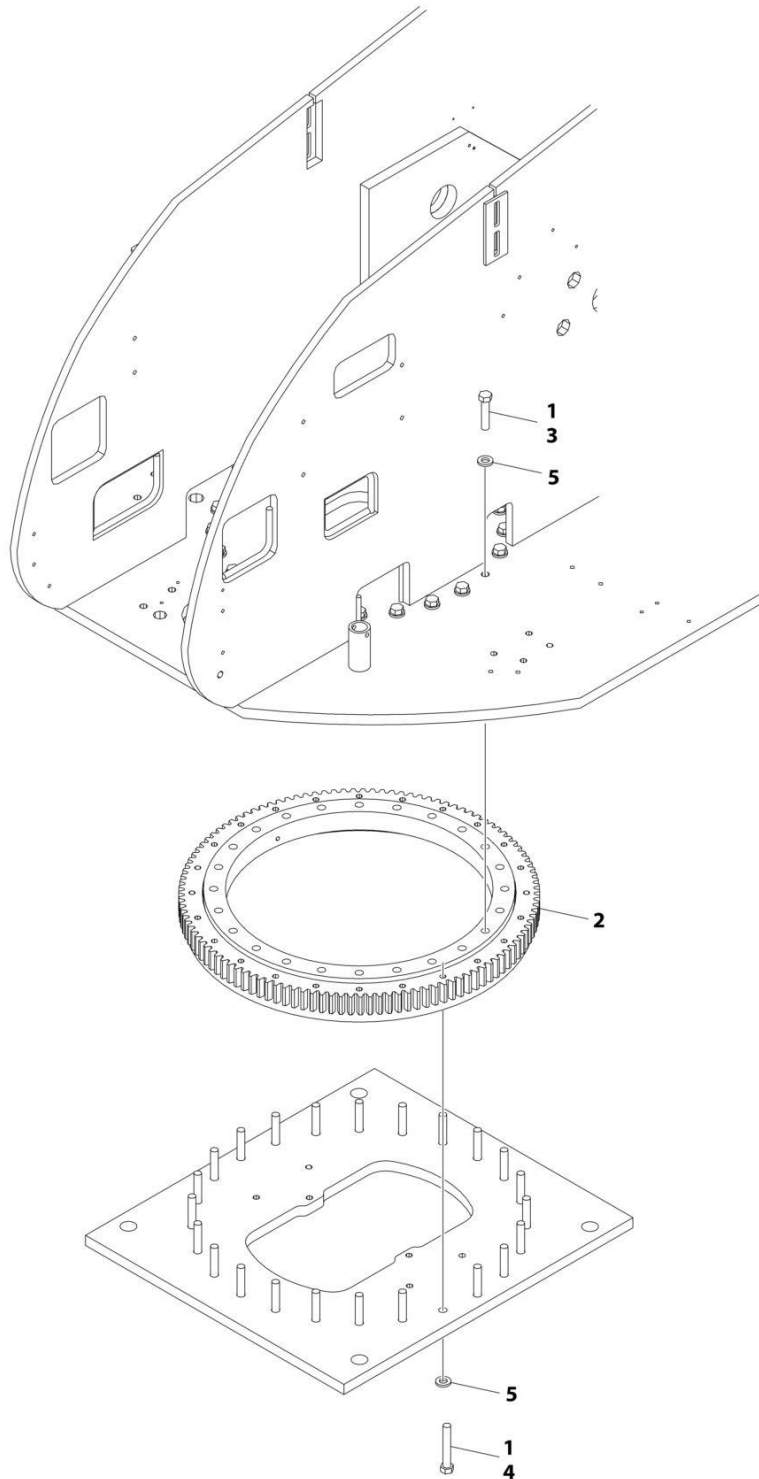
**SECTION 2 - TURNTABLE**

**FIGURE 2-5. SWING MOTOR/HUB ASSEMBLY**

ITEM	PART NUMBER	QTY	DESCRIPTION	REV
	1001306803 See Note	Ref NSS	SWING MOTOR/HUB ASSEMBLY Note: No Service Parts Available at Time of Printing	A

# SECTION 2 - TURNTABLE

FIGURE 2-6. TURNTABLE BEARING INSTALLATION (ALL SPECS EXCEPT CHINA SPECS)



ART\_0271002

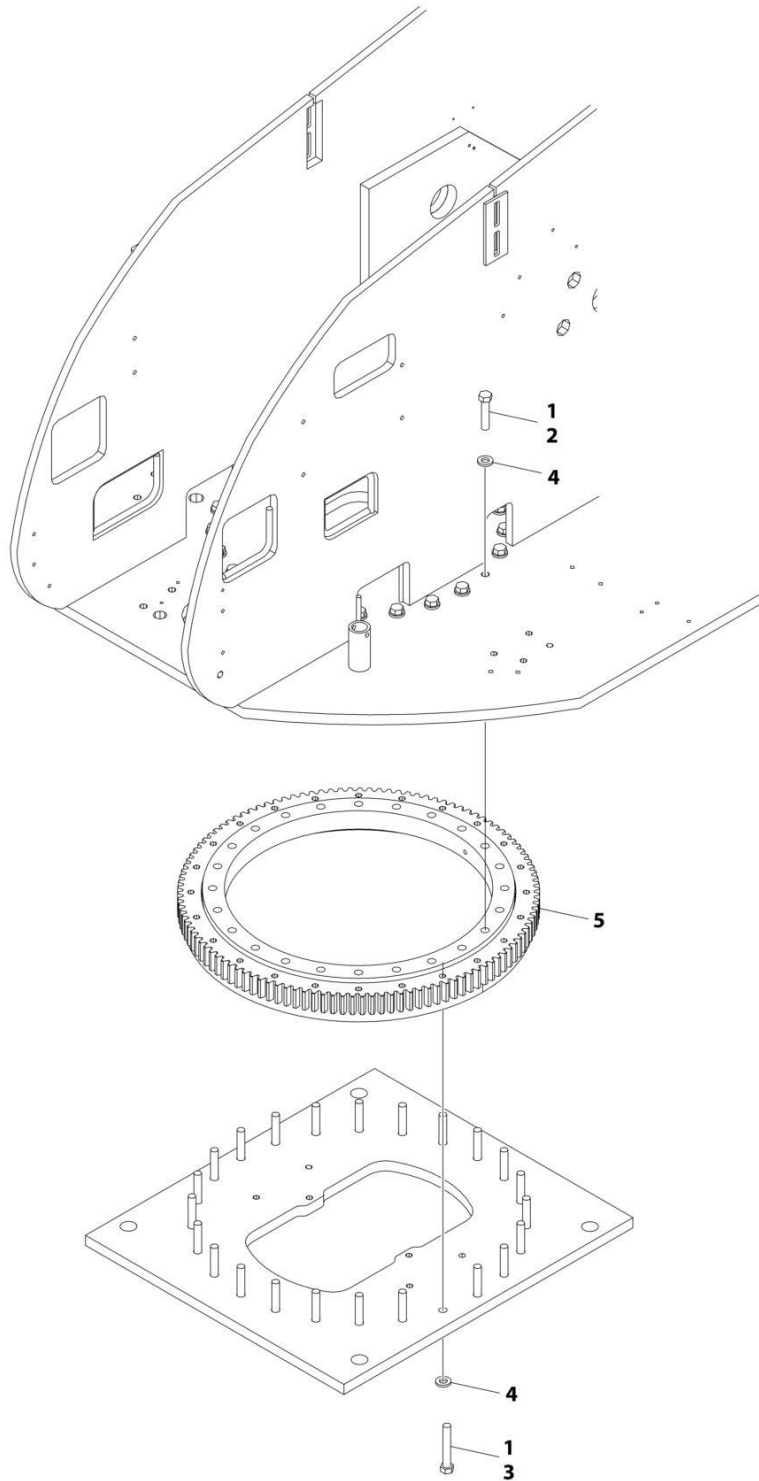
**SECTION 2 - TURNTABLE**

**FIGURE 2-6. TURNTABLE BEARING INSTALLATION (ALL SPECS EXCEPT CHINA SPECS)**

<b>ITEM</b>	<b>PART NUMBER</b>	<b>QTY</b>	<b>DESCRIPTION</b>	<b>REV</b>
	0271002	Ref	TURNTABLE BEARING INSTALLATION	E
1	0100019	AR	Compound, Locking	
2	0440244	1	Bearing, Turntable	
3	0682023	24	Bolt 5/8 x 2-7/8 Grade 8	
4	0682032	24	Bolt 5/8 x 4 Grade 8	
5	4892000	48	Washer, 5/8 Hardened	

# SECTION 2 - TURNTABLE

## FIGURE 2-7. TURNTABLE BEARING INSTALLATION (CHINA SPECS)



ART\_1001287730

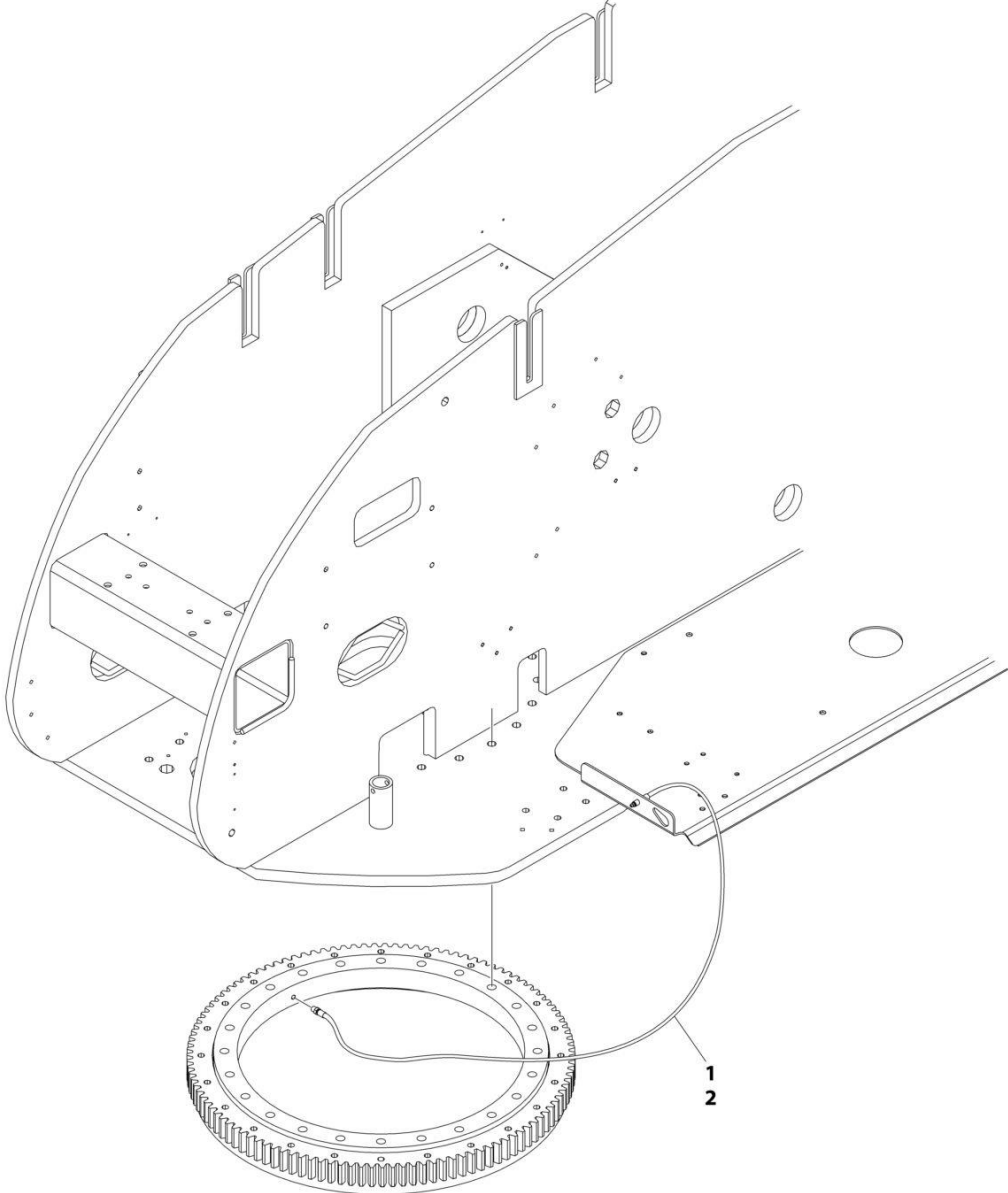
**SECTION 2 - TURNTABLE**

**FIGURE 2-7. TURNTABLE BEARING INSTALLATION (CHINA SPECS)**

<b>ITEM</b>	<b>PART NUMBER</b>	<b>QTY</b>	<b>DESCRIPTION</b>	<b>REV</b>
	1001287730	Ref	TURNTABLE BEARING INSTALLATION	A
1	0100019	AR	Compound, Locking	
2	0682023	24	Bolt 5/8 x 2-7/8	
3	0682032	24	Bolt 5/8 x 4	
4	4892000	48	Washer 5/8	
5	1001287729	1	Bearing, Turntable	

**SECTION 2 - TURNTABLE**

**FIGURE 2-8. REMOTE BEARING LUBE INSTALLATION**



ART\_1001161076

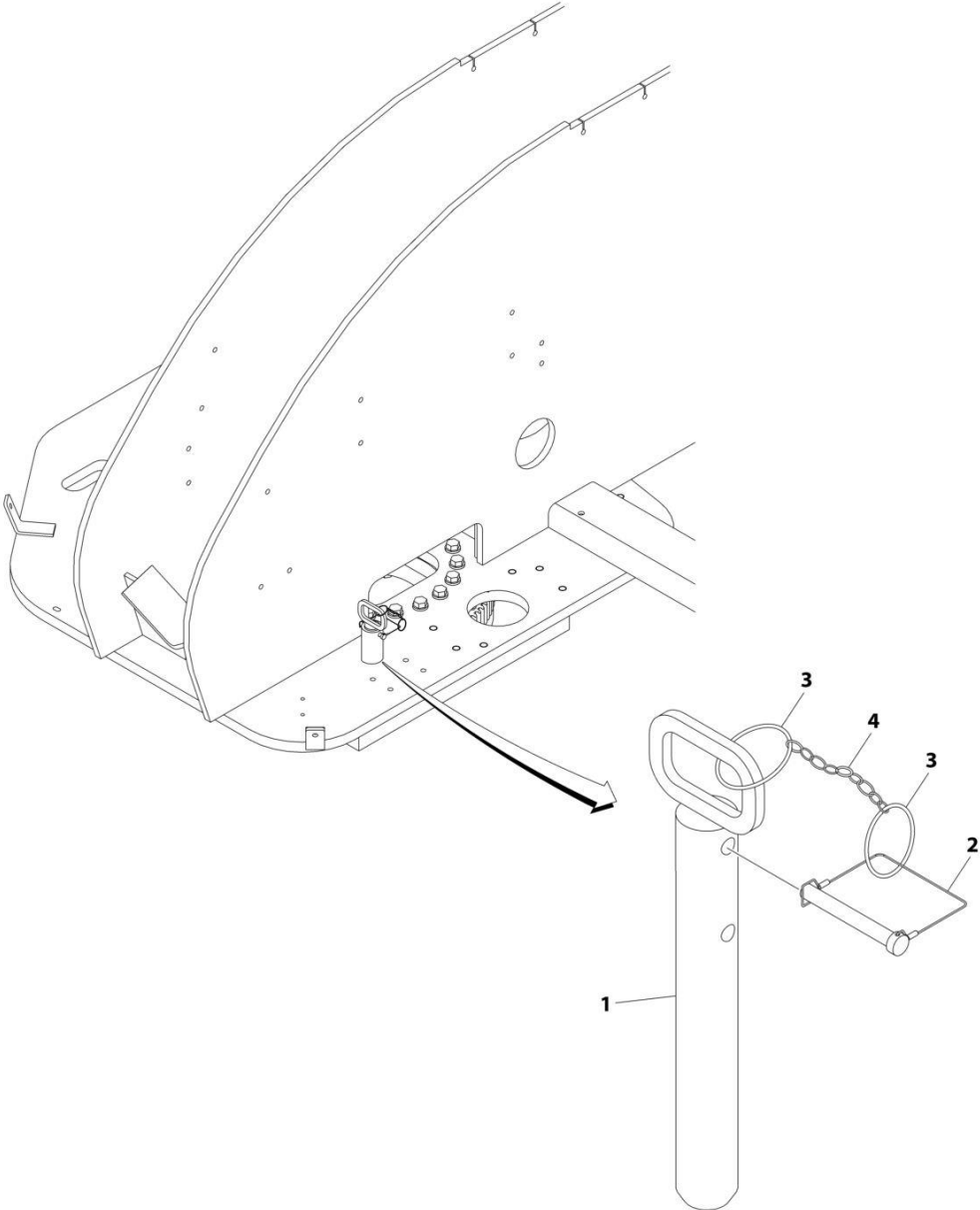
**SECTION 2 - TURNTABLE**

**FIGURE 2-8. REMOTE BEARING LUBE INSTALLATION**

<b>ITEM</b>	<b>PART NUMBER</b>	<b>QTY</b>	<b>DESCRIPTION</b>	<b>REV</b>
	1001161076	Ref	REMOTE BEARING LUBE INSTALLATION	B
1	0100011	AR	Compound, Locking	
2	1001188125	1	Hose and Fitting Assembly	

**SECTION 2 - TURNTABLE**

**FIGURE 2-9. TURNTABLE LOCK INSTALLATION**



ART\_0259147



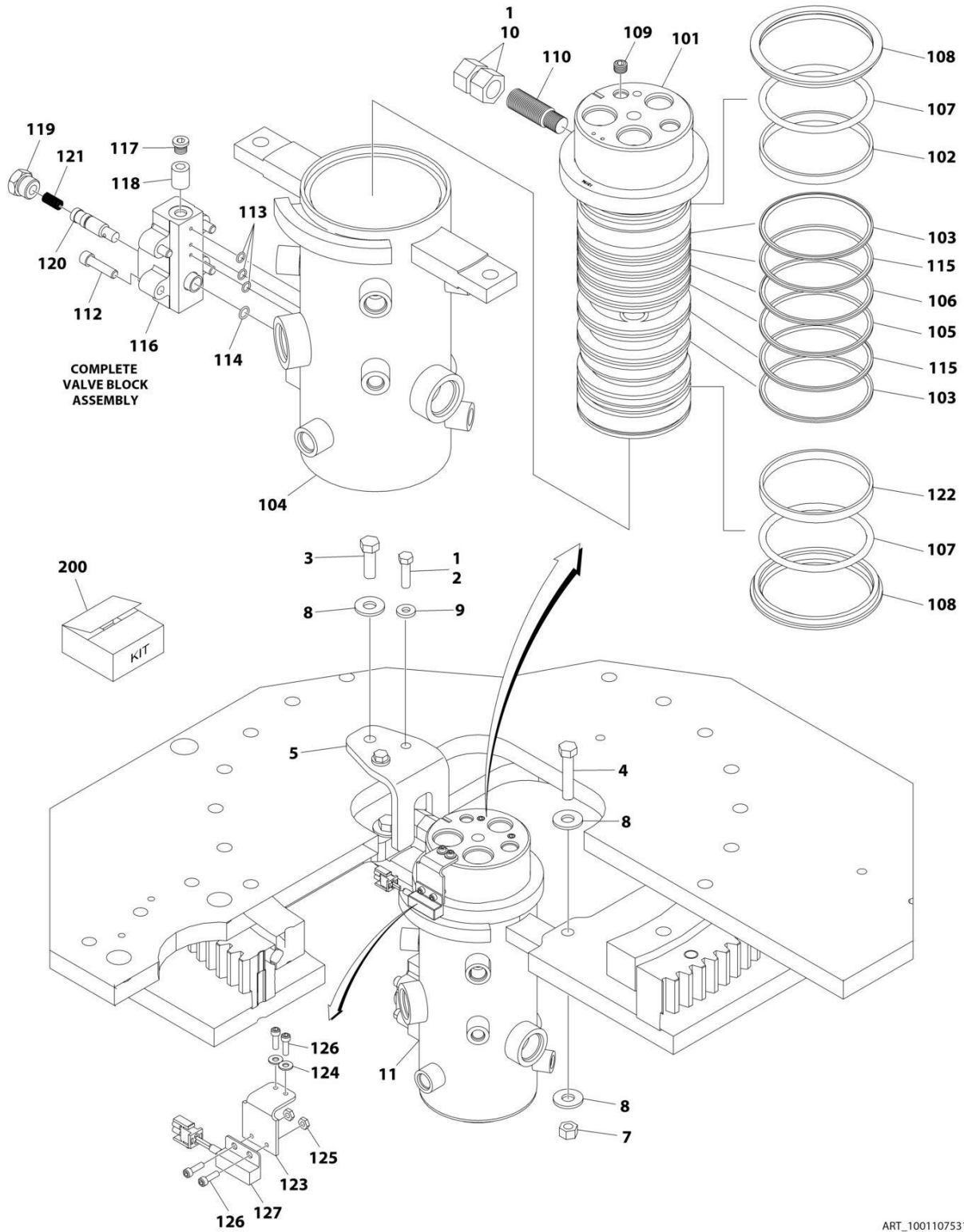
**SECTION 2 - TURNTABLE**

**FIGURE 2-9. TURNTABLE LOCK INSTALLATION**

<b>ITEM</b>	<b>PART NUMBER</b>	<b>QTY</b>	<b>DESCRIPTION</b>	<b>REV</b>
	0259147	Ref	TURNTABLE LOCK INSTALLATION	B
1	4844958	1	Pin	
2	3421565	1	Pin, Snap	
3	3760170	2	Ring, Quick Release	
4	1260017	9 in/ 23cm	Chain	

# SECTION 2 - TURNTABLE

## FIGURE 2-10. ROTARY COUPLING INSTALLATION



ART\_1001107531

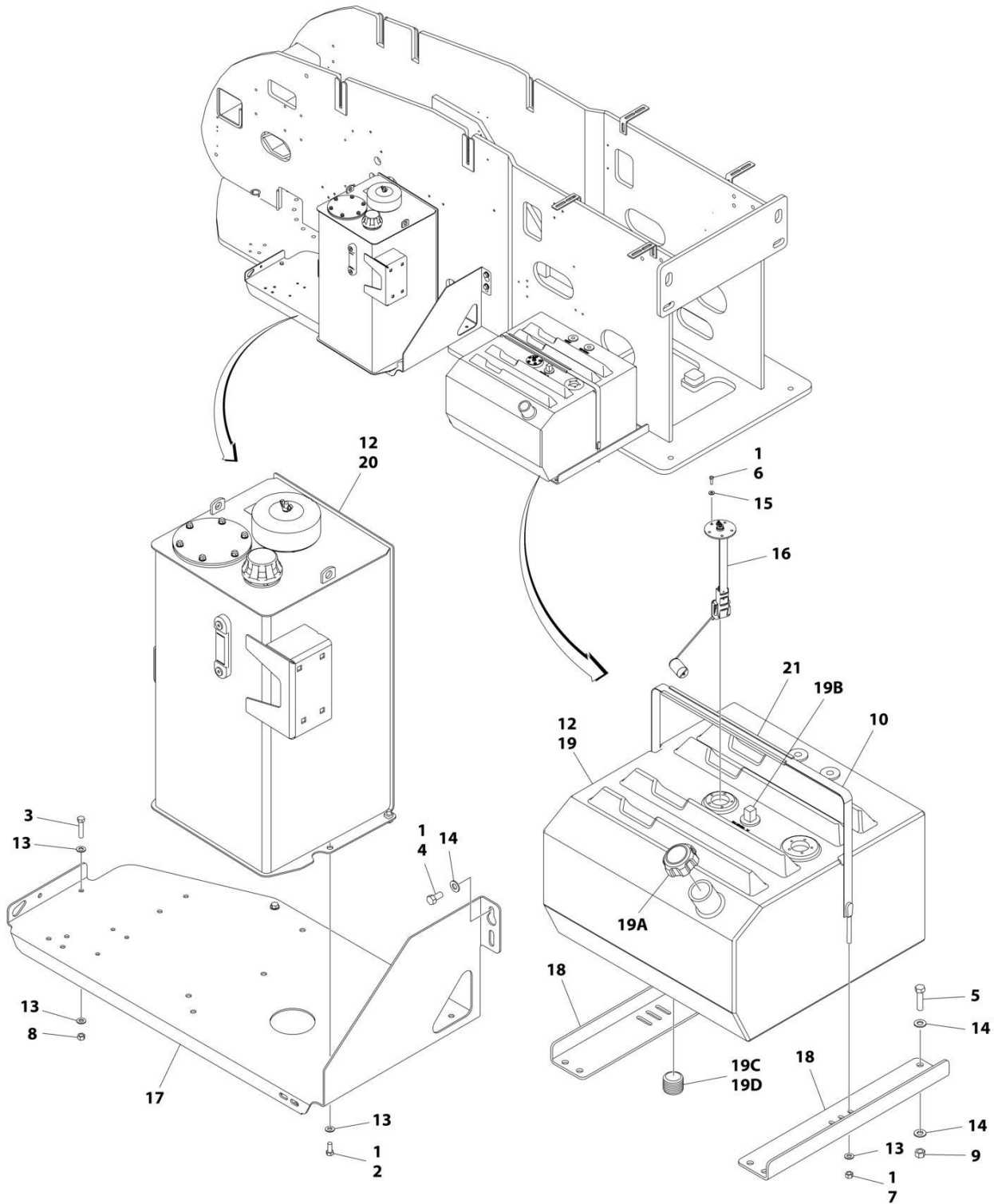
# SECTION 2 - TURNTABLE

**FIGURE 2-10. ROTARY COUPLING INSTALLATION**

ITEM	PART NUMBER	QTY	DESCRIPTION	REV
	1001107531	Ref	ROTARY COUPLING INSTALLATION	A
1	0100011	AR	Compound, Locking	
2	0641611	2	Bolt 3/8 x 1-3/8	
3	0641812	1	Bolt 1/2 x 1-1/2	
4	0641820	2	Bolt 1/2 x 2-1/2	
5	0903242	1	Bracket	
7	3271805	2	Nut 1/2	
8	4751800	5	Washer 1/2 Regular	
9	4891600	2	Washer 3/8 Hardened	
10	3322201	2	Nut 3/4	
11	1001106974	1	Coupling, Rotary (See Items 101-128 for Breakdown)	
	1001106974	Ref	ROTARY COUPLING ASSEMBLY	B
101	1001106974	1	Body (Note: Not Available - Purchase Complete Assembly)	
102	70001248	1	Seal, Poly	
103	70001248	2	O-Ring/Seal	
104	See Note	NSS	Housing (Note: Not Available - Purchase Complete Assembly)	
105	70001248	6	Seal, Cap	
106	70001248	6	O-Ring	
107	7026503	2	Ring, Thrust	
108	7026504	2	Ring, Retaining	
109	80934561	2	Plug	
110	See Note	NSS	Lug, Torque (Note: Not Available for Purchase)	
112	7026197	4	Capscrew	
113	70001248	3	O-Ring	
114	70001248	1	O-Ring	
115	70001248	2	Bearing	
116	7024404	1	Block Valve Assembly	
117	7026505	1	Plug	
118	7026506	1	Valve, Check	
119	7026507	1	Plug	
120	7024404	1	Plunger, Valve (Note: Not Available for Purchase)	
121	7026509	1	Spring	
122	70001248	1	Seal, Oil	
123	70003454	1	Bracket, Switch Mounting	
124	4711000	4	Washer #10	
125	See Note	NSS	Nut 1/4 (Note: Not Available for Purchase)	
126	See Note	NSS	Capscrew 1/4 (Note: Not Available for Purchase)	
127	4360517	1	Switch, Proximity	
128	See Note	AR	Protective Netting (Not Shown) (Note: Not Available for Purchase)	
200	70001248	Ref	Seal Kit - (Includes Items 102, 103, 105, 106, 113, 114, 115 & 122)	

## SECTION 2 - TURNTABLE

FIGURE 2-11. TANK INSTALLATION - GAS ENGINES (HELGESEN 25 GAL HYDRAULIC TANK WITH 6IN DIA BREATHER)



ART\_1001178210

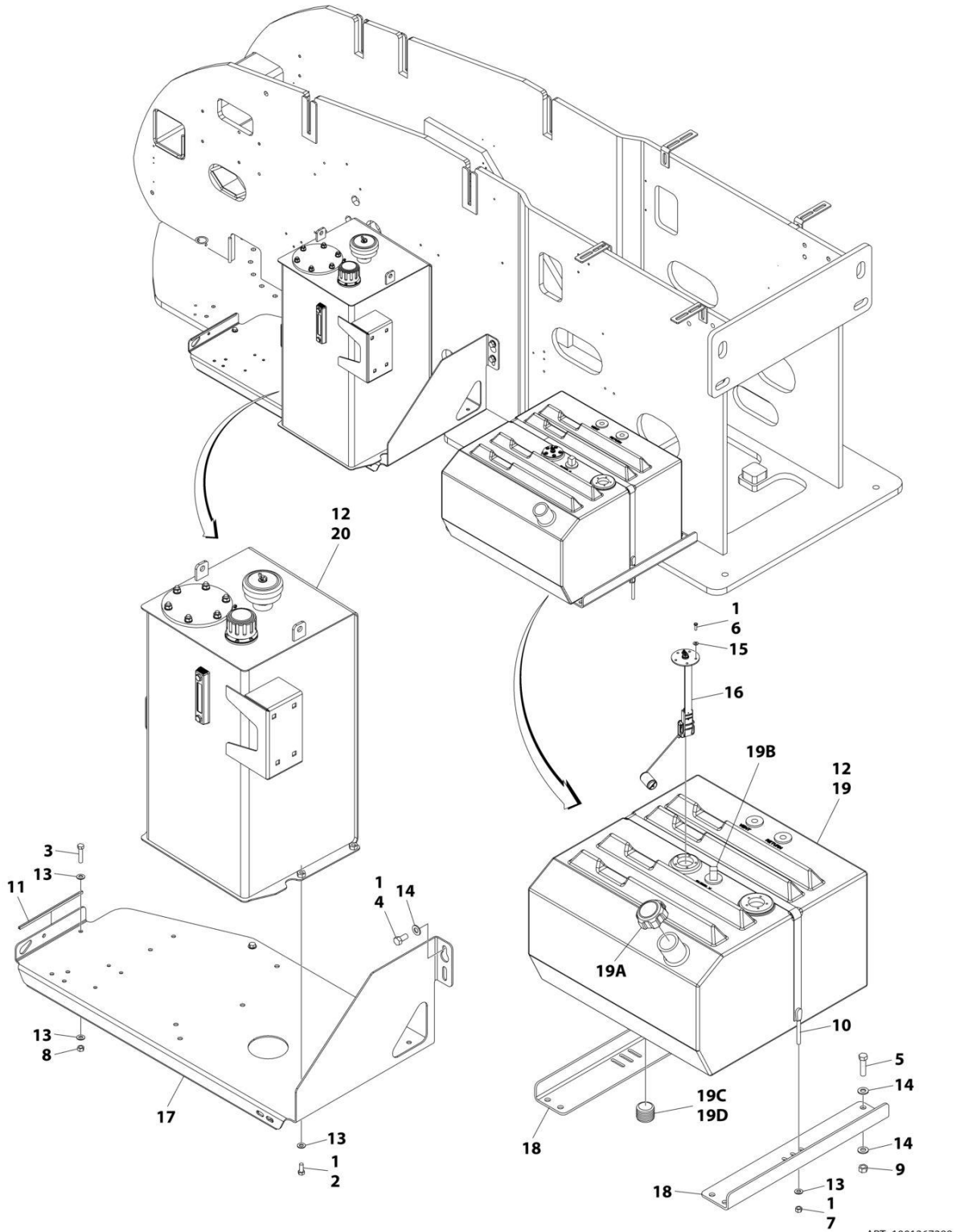
## SECTION 2 - TURNTABLE

**FIGURE 2-11. TANK INSTALLATION - GAS ENGINES (HELGESEN 25 GAL HYDRAULIC TANK WITH 6IN DIA BREATHER)**

ITEM	PART NUMBER	QTY	DESCRIPTION	REV
	1001178210	Ref	TANKS INSTALLATION – GAS ENGINES	D
1	0100011	AR	Compound, Locking	
2	0641607	4	Bolt 3/8 x 7/8	
3	0641614	2	Bolt 3/8 x 1-3/4	
4	0641808	2	Bolt 1/2 x 1	
5	0641816	4	Bolt 1/2 x 2	
6	0731005	5	Capscrew #10 x 5/8	
7	3311601	2	Nut 3/8	
8	3311605	2	Nut 3/8	
9	3311805	4	Nut 1/2	
10	4240139	1	Strap, Tank Mounting	
12	4420038	6 ft/ 1.7m	Tape, Rubber	
13	4711600	10	Washer 3/8	
14	4711800	10	Washer 1/2	
15	4751000	5	Washer #10	
16	1001148607	1	Gauge, Fuel Level	
17	1001156805	1	Tray, Tank	
18	1001157056	2	Mount	
19	1001160559	1	Fuel Tank Assembly	
19A	1001211336	1	Cap	
19B	7020043	1	Tube, Pickup	
19C	2200222	1	Plug	
19D	0100020	AR	Sealant	
20	1001178057	1	Hydraulic Tank Assembly (See Separate Breakdown in this Section)	
21	4060804	9 in/ 23 cm	Flex-Trim	

## SECTION 2 - TURNTABLE

FIGURE 2-12. TANK INSTALLATION - GAS ENGINES (JIANGYING 25 GAL HYDRAULIC TANK WITH 4IN DIA BREATHER)



ART\_1001267288

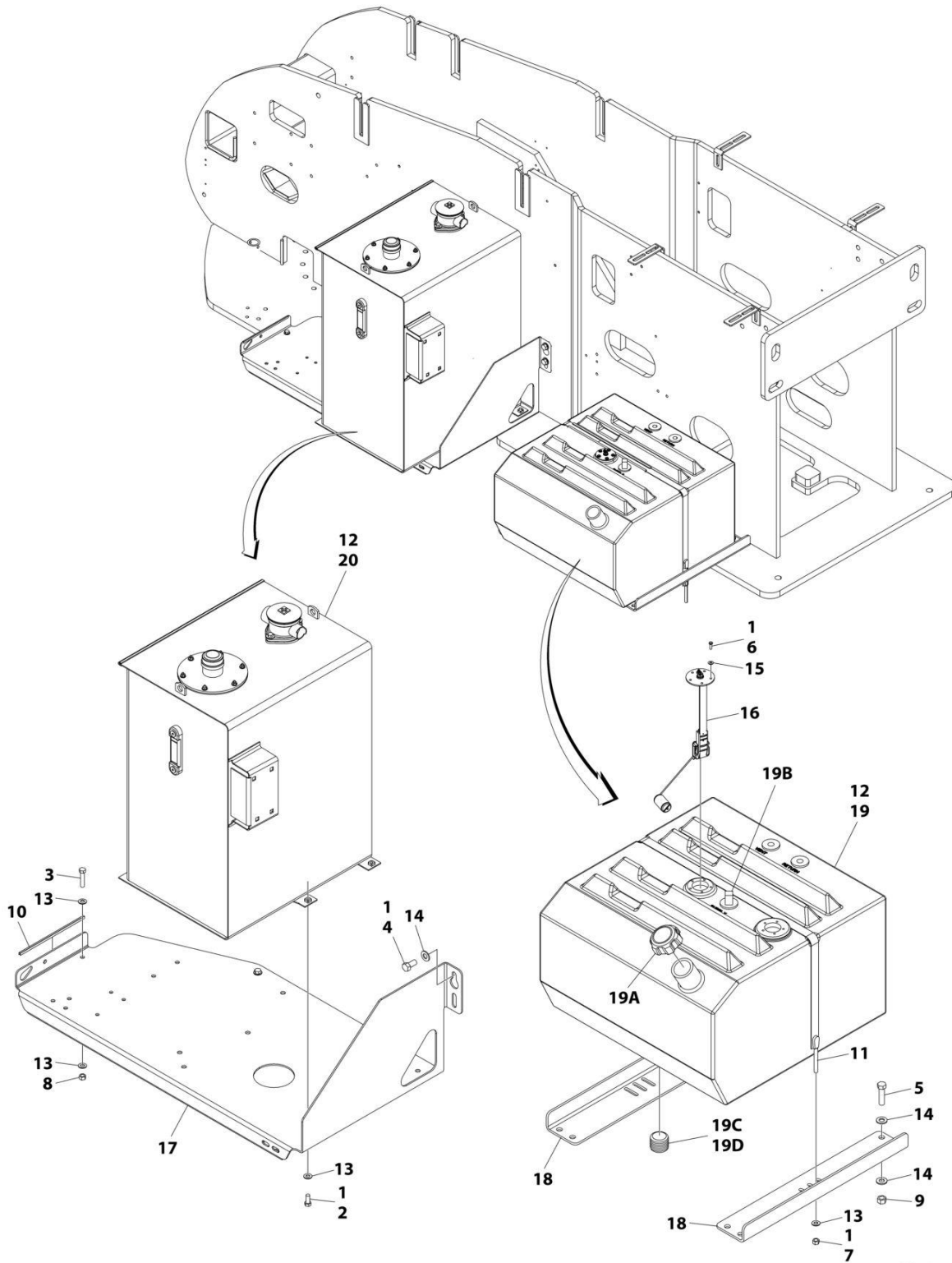
## SECTION 2 - TURNTABLE

**FIGURE 2-12. TANK INSTALLATION - GAS ENGINES (JIANGYING 25 GAL HYDRAULIC TANK WITH 4IN DIA BREATHER)**

ITEM	PART NUMBER	QTY	DESCRIPTION	REV
	1001267288	Ref	TANK INSTALLATION (Machines With SN Starting With B3)	A
1	0100011	AR	Compound, Locking	
2	0641607	4	Bolt 3/8 x 7/8	
3	0641614	2	Bolt 3/8 x 1-3/4	
4	0641808	2	Bolt 1/2 x 1	
5	0641816	4	Bolt 1/2 x 2	
6	0731005	5	Capscrew #10 x 5/8	
7	3311601	2	Nut 3/8	
8	3311605	2	Nut 3/8	
9	3311805	4	Nut 1/2	
10	4240139	1	Strap	
11	4060804	9 in/ 23cm	Flex-Trim	
12	4420038	6 ft/ 1.7m	Tape, Rubber	
13	4711600	10	Washer 3/8	
14	4711800	10	Washer 1/2	
15	4751000	5	Washer #10	
16	1001148607	1	Sensor, Fuel	
17	1001156805	1	Tray, Tank	
18	1001157056	2	Mount	
19	1001160559	1	Fuel Tank	
19A	1001211336	1	Vented Fuel Cap	
19B	7020043	1	Tube, Pickup	
19C	2200222	1	Plug	
19D	0100020	1	Sealant	
20	1001267678	1	Hydraulic Tank Assembly (See Separate Breakdown in this Section)	

# SECTION 2 - TURNTABLE

## FIGURE 2-13. TANK INSTALLATION - GAS ENGINES (47.8 GAL CAPACITY HYDRAULIC TANK)



ART\_1001285830



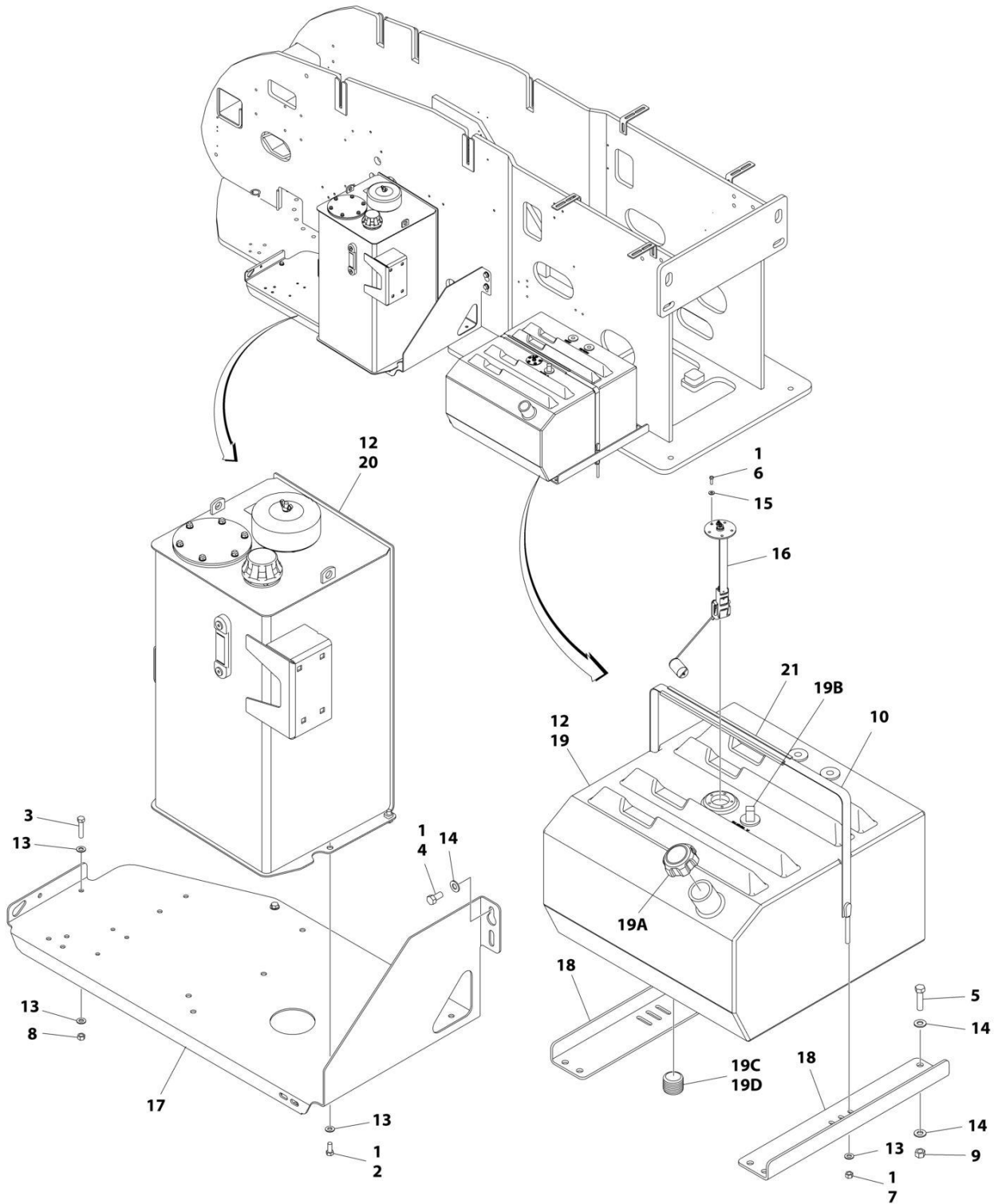
## SECTION 2 - TURNTABLE

**FIGURE 2-13. TANK INSTALLATION - GAS ENGINES (47.8 GAL CAPACITY HYDRAULIC TANK)**

ITEM	PART NUMBER	QTY	DESCRIPTION	REV
	1001285830	Ref	TANK INSTALLATION	B
1	0100011	AR	Compound, Locking	
2	0641607	4	Bolt 3/8 x 7/8	
3	0641614	2	Bolt 3/8 x 1-3/4	
4	0641808	2	Bolt 1/2 x 1	
5	0641816	4	Bolt 1/2 x 2	
6	0731005	5	Capscrew #10 x 5/8	
7	3311601	2	Nut 3/8	
8	3311605	2	Nut 3/8	
9	3311805	4	Nut 1/2	
10	4060804	9 in/ 23cm	Flex-Trim	
11	4240139	1	Strap	
12	4420038	6 ft/ 1.7m	Tape, Rubber	
13	4711600	10	Washer 3/8	
14	4711800	10	Washer 1/2	
15	4751000	5	Washer #10	
16	1001148607	1	Sensor, Fuel	
17	1001156805	1	Tray, Tank	
18	1001157056	2	Mount	
19	1001160559	1	Fuel Tank	
19A	1001211336	1	Vented Fuel Cap	
19B	7020043	1	Tube, Pickup	
19C	2200222	1	Plug	
19D	0100020	1	Sealant	
20	1001285379	1	Hydraulic Tank Assembly (See Separate Breakdown in this Section)	

## SECTION 2 - TURNTABLE

FIGURE 2-14. TANK INSTALLATION - DIESEL ENGINES (HELGESEN 25 GAL HYDRAULIC TANK WITH 6IN BREATHER)



ART\_1001178209

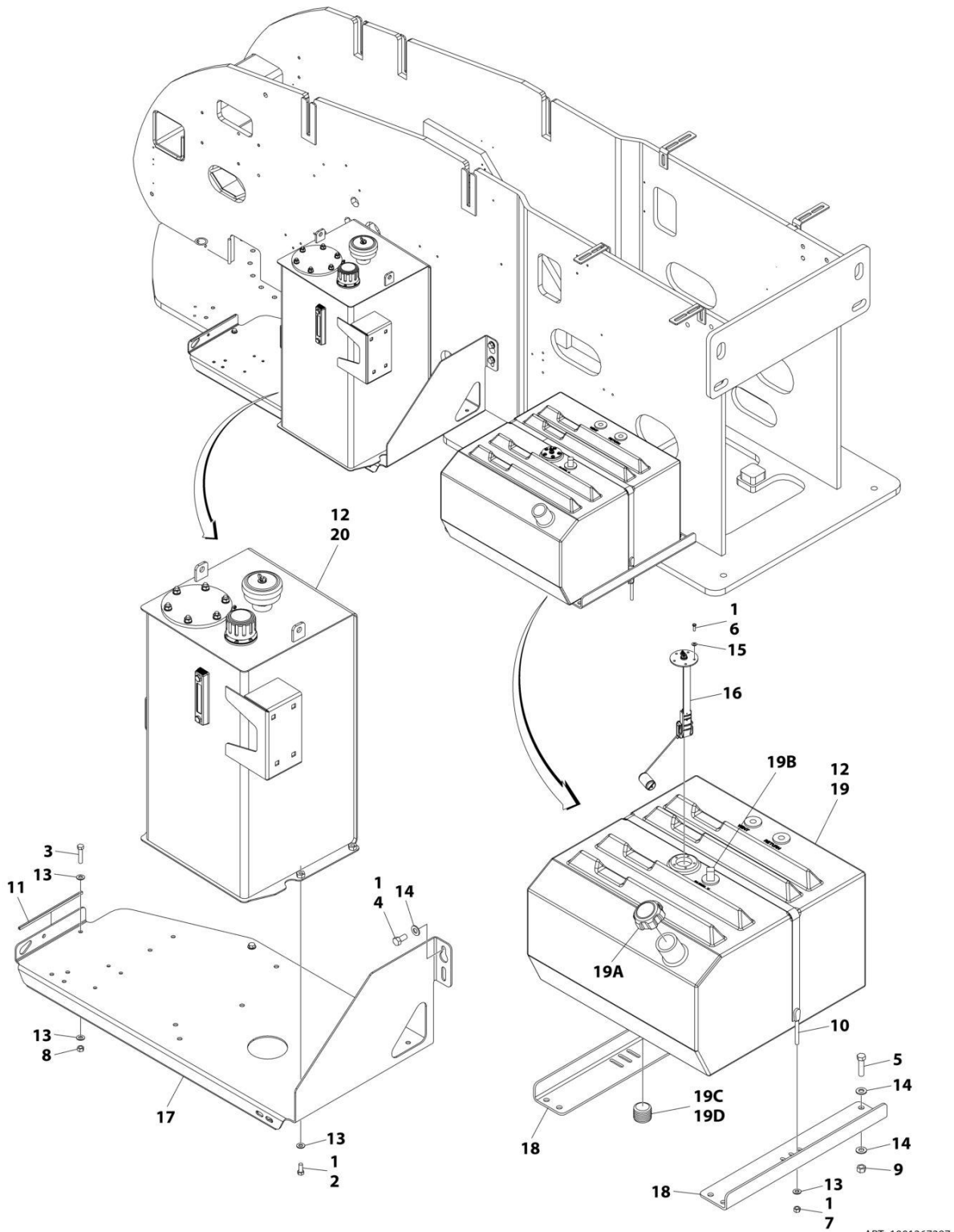
## SECTION 2 - TURNTABLE

**FIGURE 2-14. TANK INSTALLATION - DIESEL ENGINES (HELGESEN 25 GAL HYDRAULIC TANK WITH 6IN BREATHER)**

ITEM	PART NUMBER	QTY	DESCRIPTION	REV
	1001178209	Ref	TANKS INSTALLATION – DIESEL ENGINES	D
1	0100011	AR	Compound, Locking	
2	0641607	4	Bolt 3/8 x 7/8	
3	0641614	2	Bolt 3/8 x 1-3/4	
4	0641808	2	Bolt 1/2 x 1	
5	0641816	4	Bolt 1/2 x 2	
6	0731005	5	Capscrew #10 x 5/8	
7	3311601	2	Nut 3/8	
8	3311605	2	Nut 3/8	
9	3311805	4	Nut 1/2	
10	4240139	1	Strap, Tank Mounting	
12	4420038	6 ft/1.7 m	Tape, Rubber	
13	4711600	10	Washer 3/8	
14	4711800	10	Washer 1/2	
15	4751000	5	Washer #10	
16	1001148607	1	Gauge, Fuel Level	
17	1001156805	1	Tray, Tank	
18	1001157056	2	Mount	
19	1001160567	1	Fuel Tank Assembly	
19A	70004414	1	Cap	
19B	7020043	1	Tube, Pickup	
19C	2200222	1	Plug	
19D	0100020	AR	Sealant	
20	1001178057	1	Hydraulic Tank Assembly (See Separate Breakdown in this Section)	
21	4060804	9 in/23 cm	Flex-Trim	

## SECTION 2 - TURNTABLE

FIGURE 2-15. TANK INSTALLATION - DIESEL ENGINES (JIANGYING 25 GAL HYDRAULIC TANK WITH 4IN DIA BREATHER)



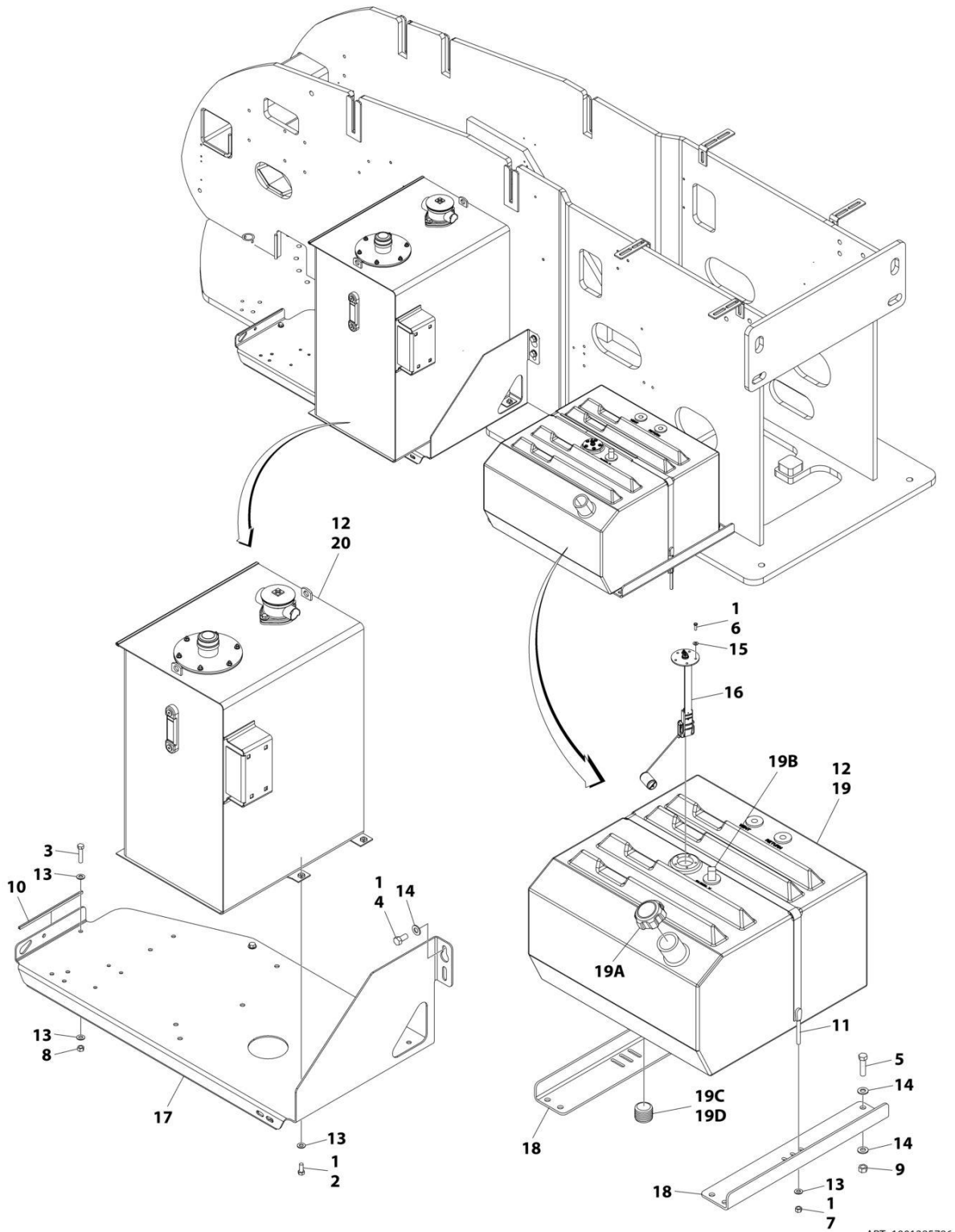
## SECTION 2 - TURNTABLE

**FIGURE 2-15. TANK INSTALLATION - DIESEL ENGINES (JIANGYING 25 GAL HYDRAULIC TANK WITH 4IN DIA BREATHER)**

ITEM	PART NUMBER	QTY	DESCRIPTION	REV
	1001267287	Ref	TANK INSTALLATION (Machines With SN Starting With B3)	B
1	0100011	AR	Compound, Locking	
2	0641607	4	Bolt 3/8 x 7/8	
3	0641614	2	Bolt 3/8 x 1-3/4	
4	0641808	2	Bolt 1/2 x 1	
5	0641816	4	Bolt 1/2 x 2	
6	0731005	5	Capscrew #10 x 5/8	
7	3311601	2	Nut 3/8	
8	3311605	2	Nut 3/8	
9	3311805	4	Nut 1/2	
10	4240139	1	Strap	
11	4060804	9 in/ 23cm	Flex-Trim	
12	4420038	6 ft/ 1.7m	Tape, Rubber	
13	4711600	10	Washer 3/8	
14	4711800	10	Washer 1/2	
15	4751000	5	Washer #10	
16	1001148607	1	Sensor, Fuel	
17	1001156805	1	Tray, Tank	
18	1001157056	2	Mount	
19	1001160567	1	Fuel Tank	
19A	70004414	1	Cap	
19B	7020043	1	Tube, Pickup	
19C	2200222	1	Plug	
19D	0100020	1	Sealant	
20	1001267678	1	Hydraulic Tank Assembly (See Separate Breakdown in this Section)	

# SECTION 2 - TURNTABLE

FIGURE 2-16. TANK INSTALLATION - DIESEL ENGINES (47.8 GAL CAPACITY HYDRAULIC TANK)



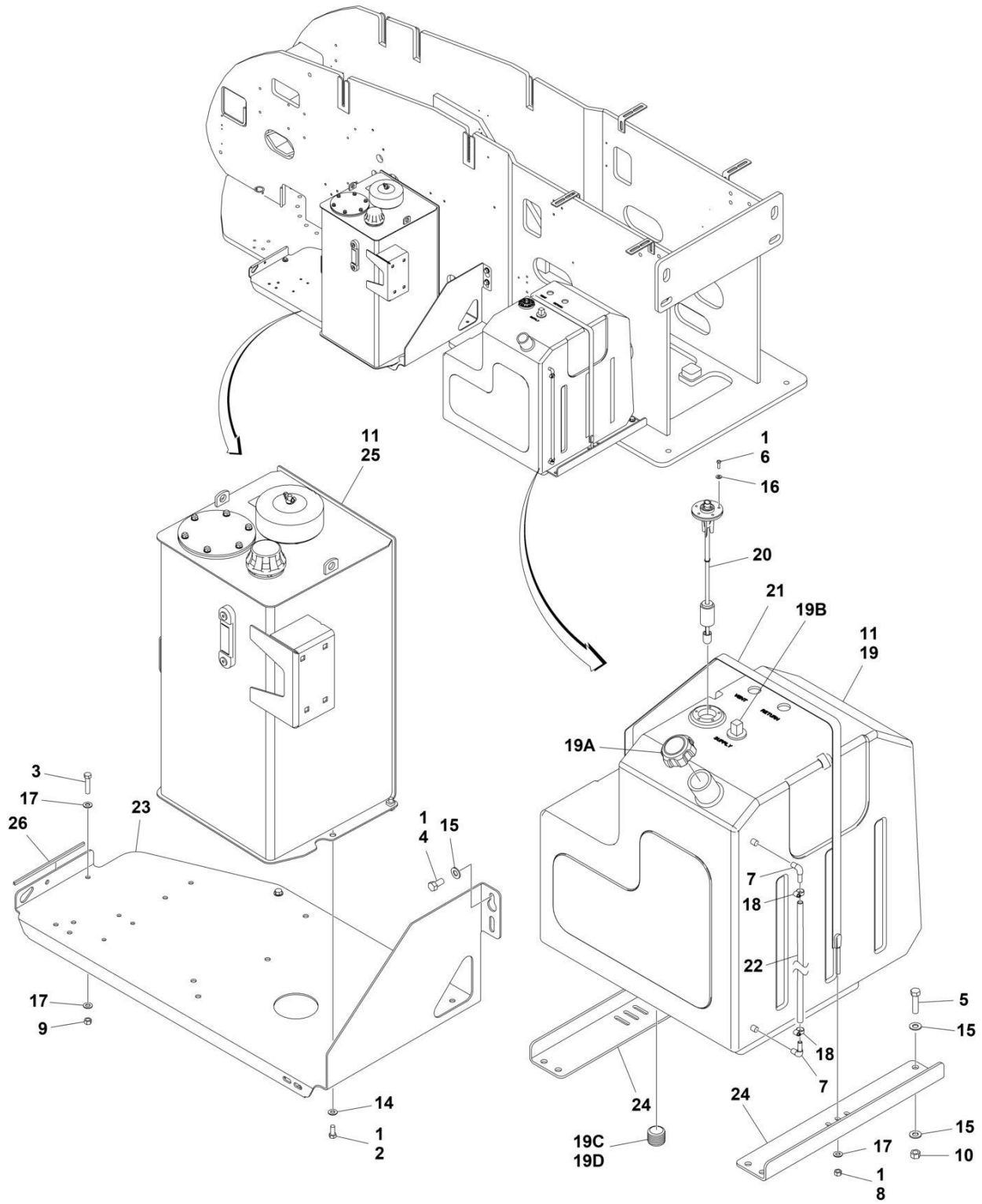
## SECTION 2 - TURNTABLE

**FIGURE 2-16. TANK INSTALLATION - DIESEL ENGINES (47.8 GAL CAPACITY HYDRAULIC TANK)**

ITEM	PART NUMBER	QTY	DESCRIPTION	REV
	1001285786	Ref	TANK INSTALLATION	B
1	0100011	AR	Compound, Locking	
2	0641607	4	Bolt 3/8 x 7/8	
3	0641614	2	Bolt 3/8 x 1-3/4	
4	0641808	2	Bolt 1/2 x 1	
5	0641816	4	Bolt 1/2 x 2	
6	0731005	5	Capscrew #10 x 5/8	
7	3311601	2	Nut 3/8	
8	3311605	2	Nut 3/8	
9	3311805	4	Nut 1/2	
10	4060804	9 in/ 23cm	Flex-Trim	
11	4240139	1	Strap	
12	4420038	6 ft/ 1.7m	Tape, Rubber	
13	4711600	10	Washer 3/8	
14	4711800	10	Washer 1/2	
15	4751000	5	Washer #10	
16	1001148607	1	Sensor, Fuel	
17	1001156805	1	Tray, Tank	
18	1001157056	2	Mount	
19	1001160567	1	Fuel Tank	
19A	70004414	1	Cap	
19B	7020043	1	Tube, Pickup	
19C	2200222	1	Plug	
19D	0100020	1	Sealant	
20	1001285379	1	Hydraulic Tank Assembly (See Separate Breakdown in this Section)	

## SECTION 2 - TURNTABLE

FIGURE 2-17. TANK INSTALLATION - DIESEL ENGINES (MACHINES WITH HOSTILE ENVIRONMENT PACKAGE) (25 GAL HYDRAULIC TANK WITH 6 INCH BREATHER)



ART\_1001178211



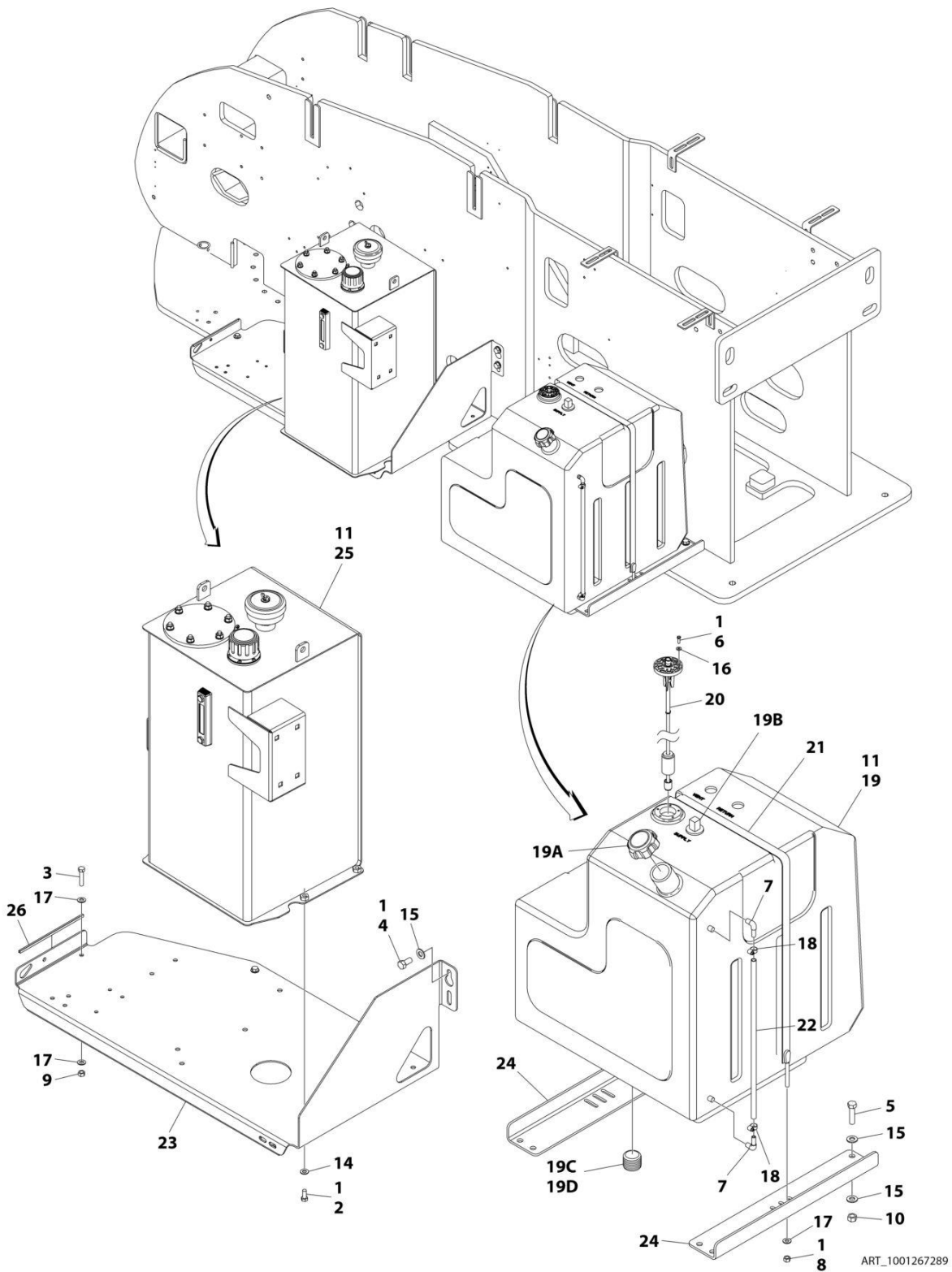
## SECTION 2 - TURNTABLE

**FIGURE 2-17. TANK INSTALLATION - DIESEL ENGINES (MACHINES WITH HOSTILE ENVIRONMENT PACKAGE) (25 GAL HYDRAULIC TANK WITH 6 INCH BREATHER)**

ITEM	PART NUMBER	QTY	DESCRIPTION	REV
	1001178211	Ref	TANKS INSTALLATION – DIESEL ENGINES	C
1	0100011	AR	Compound, Locking	
2	0641607	4	Bolt 3/8 x 7/8	
3	0641614	2	Bolt 3/8 x 1-3/4	
4	0641808	2	Bolt 1/2 x 1	
5	0641816	4	Bolt 1/2 x 2	
6	0731005	5	Capscrew #10 x 5/8	
7	2180467	2	Fitting, Straight NPT/Barbed	
8	3311601	2	Nut 3/8	
9	3311605	2	Nut 3/8	
10	3311805	4	Nut 1/2	
11	4420038	6 ft/ 1.7m	Tape, Rubber	
12	4460834	1	Connector - 2 Position (Not Shown)	
13	4460842	2	Terminal (Not Shown)	
14	4711600	4	Washer 3/8	
15	4711800	10	Washer 1/2	
16	4751000	6	Washer #10	
17	4751600	6	Washer 3/8	
18	8405009	2	Clamp	
19	1001108579	1	Fuel Tank Assembly	
19A	7016314	1	Cap	
19B	70004413	1	Tube, Pickup	
19C	2200222	2	Plug (Not Shown)	
19D	0100020	AR	Sealant (Not Shown)	
20	1001109048	1	Gauge, Fuel Level	
21	1001110059	1	Strap, Tank Mounting	
22	1001113103	1	Tube, Fuel Sight	
23	1001156805	1	Tray, Tank	
24	1001157056	2	Mount	
25	1001178057	1	Hydraulic Tank Assembly (See Separate Breakdown in this Section)	
26	4060804	9 in/ 23cm	Flex-Trim	

## SECTION 2 - TURNTABLE

FIGURE 2-18. TANK INSTALLATION - DIESEL ENGINES (MACHINES WITH HOSTILE ENVIRONMENT PACKAGE) (25 GAL HYDRAULIC TANK WITH 4 INCH BREATHER)



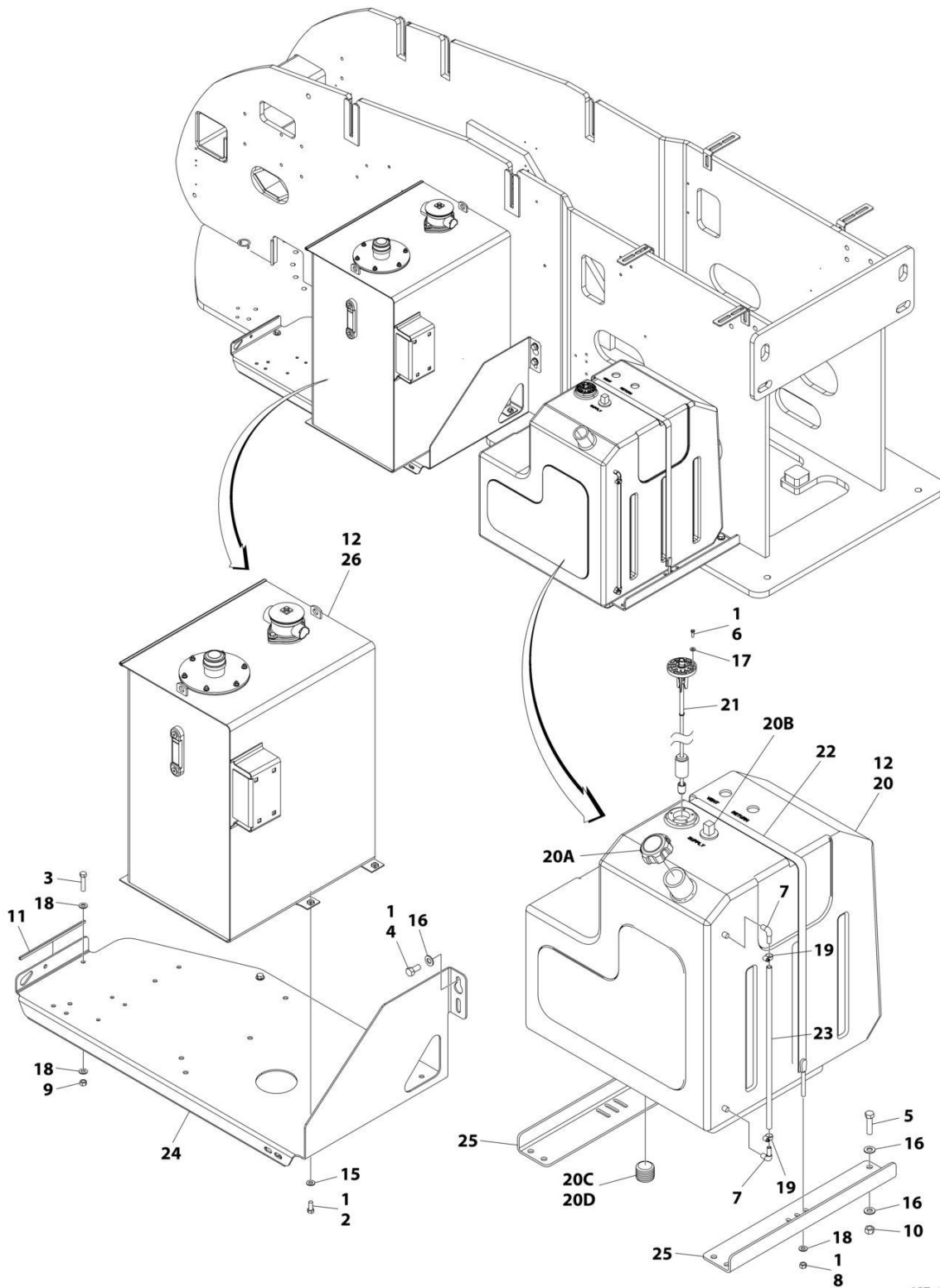
## SECTION 2 - TURNTABLE

**FIGURE 2-18. TANK INSTALLATION - DIESEL ENGINES (MACHINES WITH HOSTILE ENVIRONMENT PACKAGE) (25 GAL HYDRAULIC TANK WITH 4 INCH BREATHER)**

ITEM	PART NUMBER	QTY	DESCRIPTION	REV
	1001267289	Ref	TANK INSTALLATION (Machines With SN Starting With B3)	A
1	0100011	AR	Compound, Locking	
2	0641607	4	Bolt 3/8 x 7/8	
3	0641614	2	Bolt 3/8 x 1-3/4	
4	0641808	2	Bolt 1/2 x 1	
5	0641816	4	Bolt 1/2 x 2	
6	0731005	5	Capscrew #10 x 5/8	
7	2180467	2	Fitting 1/4 x 5/16	
8	3311601	2	Nut 3/8	
9	3311605	2	Nut 3/8	
10	3311805	4	Nut 1/2	
11	4420038	6 ft/ 1.7m	Tape, Rubber	
12	4460834	1	Connector (Not Shown)	
13	4460842	2	Terminal (Not Shown)	
14	4711600	4	Washer 3/8	
15	4711800	10	Washer 1/2	
16	4751000	6	Washer #10	
17	4751600	6	Washer 3/8	
18	8405009	2	Clamp, Hose	
19	1001108579	1	Fuel Tank	
19A	1001211336	1	Vented Fuel Cap	
19B	7020043	1	Tube, Pickup	
19C	2200222	1	Plug	
19D	0100020	1	Sealant	
20	1001109048	1	Gauge, Fuel Level	
21	1001110059	1	Strap	
22	1001113103	1	Tube	
23	1001156805	1	Tray, Tank	
24	1001157056	2	Mount	
25	1001267678	1	Hydraulic Tank Assembly (See Separate Breakdown in this Section)	
26	4060804	9 in/ 23cm	Flex-Trim	

## SECTION 2 - TURNTABLE

FIGURE 2-19. TANK INSTALLATION - DIESEL ENGINES (MACHINES WITH HOSTILE ENVIRONMENT PACKAGE) (47.8 GAL CAPACITY HYDRAULIC TANK)



ART\_1001285831

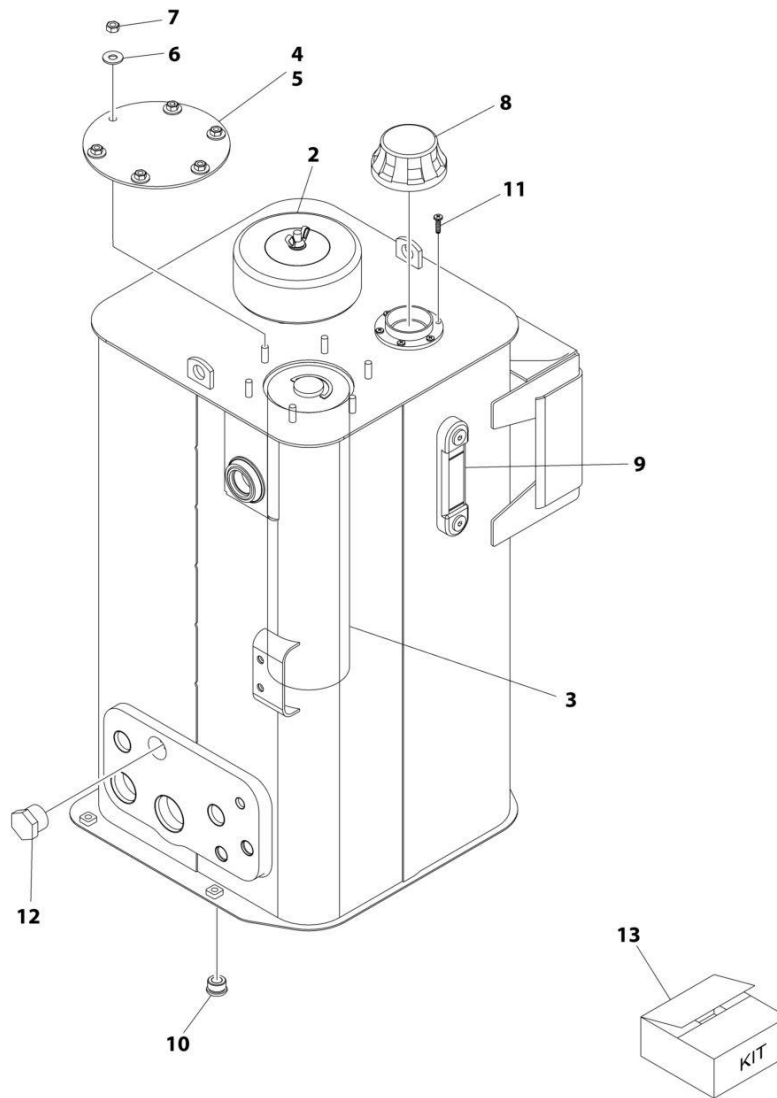
## SECTION 2 - TURNTABLE

**FIGURE 2-19. TANK INSTALLATION - DIESEL ENGINES (MACHINES WITH HOSTILE ENVIRONMENT PACKAGE) (47.8 GAL CAPACITY HYDRAULIC TANK)**

ITEM	PART NUMBER	QTY	DESCRIPTION	REV
	1001285831	Ref	TANK INSTALLATION	B
1	0100011	AR	Compound, Locking	
2	0641607	4	Bolt 3/8 x 7/8	
3	0641614	2	Bolt 3/8 x 1-3/4	
4	0641808	2	Bolt 1/2 x 1	
5	0641816	4	Bolt 1/2 x 2	
6	0731005	5	Capscrew #10 x 5/8	
7	2180467	2	Fitting 1/4 x 5/16	
8	3311601	2	Nut 3/8	
9	3311605	2	Nut 3/8	
10	3311805	4	Nut 1/2	
11	4060804	9 in/ 23cm	Flex-Trim	
12	4420038	6 ft/ 1.7m	Tape, Rubber	
13	4460834	1	Connector (Not Shown)	
14	4460842	2	Terminal (Not Shown)	
15	4711600	4	Washer 3/8	
16	4711800	10	Washer 1/2	
17	4751000	5	Washer #10	
18	4751600	6	Washer 3/8	
19	8405009	2	Clamp, Hose	
20	1001108579	1	Fuel Tank	
20A	1001211336	1	Vented Fuel Cap	
20B	7020043	1	Tube, Pickup	
20C	2200222	1	Plug	
20D	0100020	1	Sealant	
21	1001109048	1	Gauge, Fuel Level	
22	1001110059	1	Strap	
23	1001113103	1	Tube	
24	1001156805	1	Tray, Tank	
25	1001157056	2	Mount	
26	1001285379	1	Hydraulic Tank Assembly (See Separate Breakdown in this Section)	

## SECTION 2 - TURNTABLE

FIGURE 2-20. HYDRAULIC TANK ASSEMBLY (HELGESEN 25 GAL HYDRAULIC TANK WITH 6IN DIA BREATHER)



ART\_1001178057

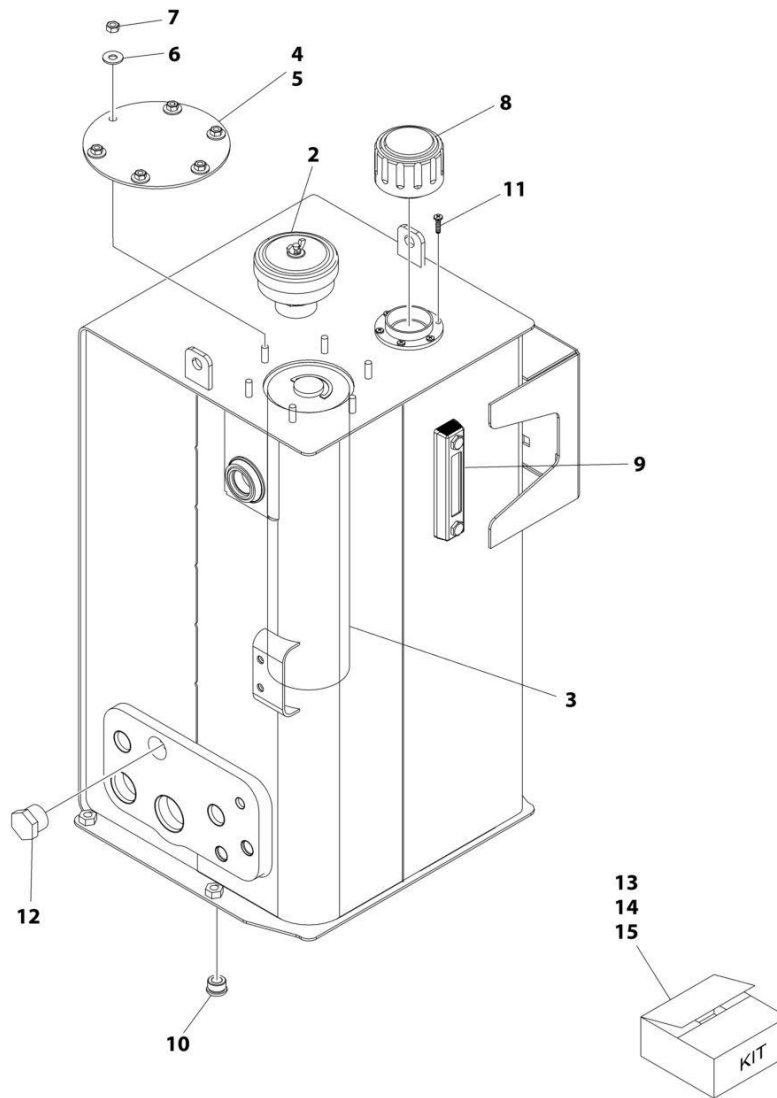
**SECTION 2 - TURNTABLE**

**FIGURE 2-20. HYDRAULIC TANK ASSEMBLY (HELGESEN 25 GAL HYDRAULIC TANK WITH 6IN DIA BREATHER)**

ITEM	PART NUMBER	QTY	DESCRIPTION	REV
	1001178057	Ref	HYDRAULIC TANK ASSEMBLY	D
2	70005708	1	Breather Assembly (Includes Breather, Element and Wingnut)	
2	See Note	NSS	Element, Breather (Note: Use p/n 70005708 or Item 13)	
3	See Note	NSS	Element, Hydraulic (Note: Use Item 13)	
4	70002839	1	Gasket	
5	See Note	NSS	Cover (Note: Not Available for Purchase)	
6	83304173	6	Washer 5/16	
7	70004199	6	Nut 5/16	
8	70002838	1	Cap, Fill	
9	7024441	1	Gauge, Level	
10	70002112	1	Plug	
11	70004795	6	Screw #10 x 3/4	
12	See Note	NSS	Plug (Note: Not Available - Purchase Locally)	
13	70002814	1	Hydraulic Tank Service Kit (Includes Items 2-4)	

## SECTION 2 - TURNTABLE

FIGURE 2-21. HYDRAULIC TANK ASSEMBLY (JIANGYING 25 GAL HYDRAULIC TANK WITH 4IN DIA BREATHER)



ART\_1001267678



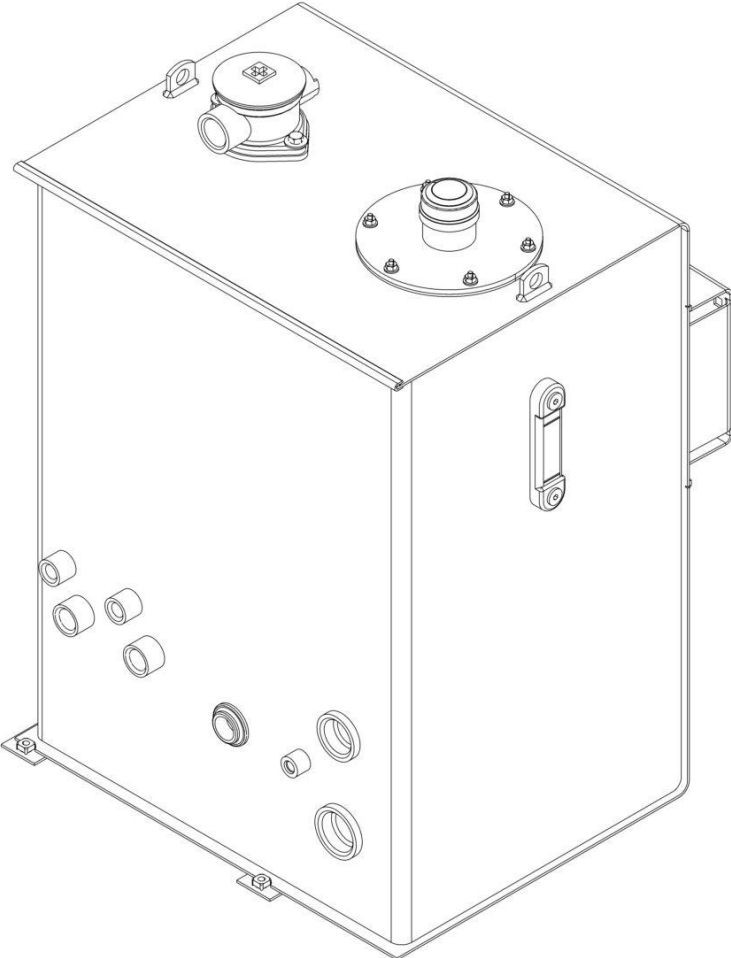
**SECTION 2 - TURNTABLE**

**FIGURE 2-21. HYDRAULIC TANK ASSEMBLY (JIANGYING 25 GAL HYDRAULIC TANK WITH 4IN DIA BREATHER)**

ITEM	PART NUMBER	QTY	DESCRIPTION	REV
	1001267678	REF	HYDRAULIC TANK ASSEMBLY	A
1	See Note	NSS	Hydraulic Tank Weldment (Not Shown) (Note: Not Available for Purchase)	
2	See Note	NSS	Breather Assembly (Note: Use Item 13)	
3	See Note	NSS	Element, Filter (Note: Use Item Use Item 14)	
4	70002839	1	Gasket	
5	See Note	NSS	Cover (Note: Not Available for Purchase)	
6	83304173	6	Washer 1/4	
7	70004199	6	Nut 5/16	
8	70002838	1	Cap, Fill	
9	70024441	1	Gauge, Level	
10	70002112	1	Plug	
11	70004795	6	Screw 10 x 3/4	
12	See Note	NSS	Plug (Note: Not Available for Purchase)	
13	70007726	1	Breather Kit (Note: Includes Item 2)	
14	70007727	1	Return Filter Kit (Note: Includes Item 3)	
15	70007725	1	Level Gauge Kit	

**SECTION 2 - TURNTABLE**

**FIGURE 2-22. HYDRAULIC TANK ASSEMBLY (47.8 GAL CAPACITY HYDRAULIC TANK)**



ART\_1001285379

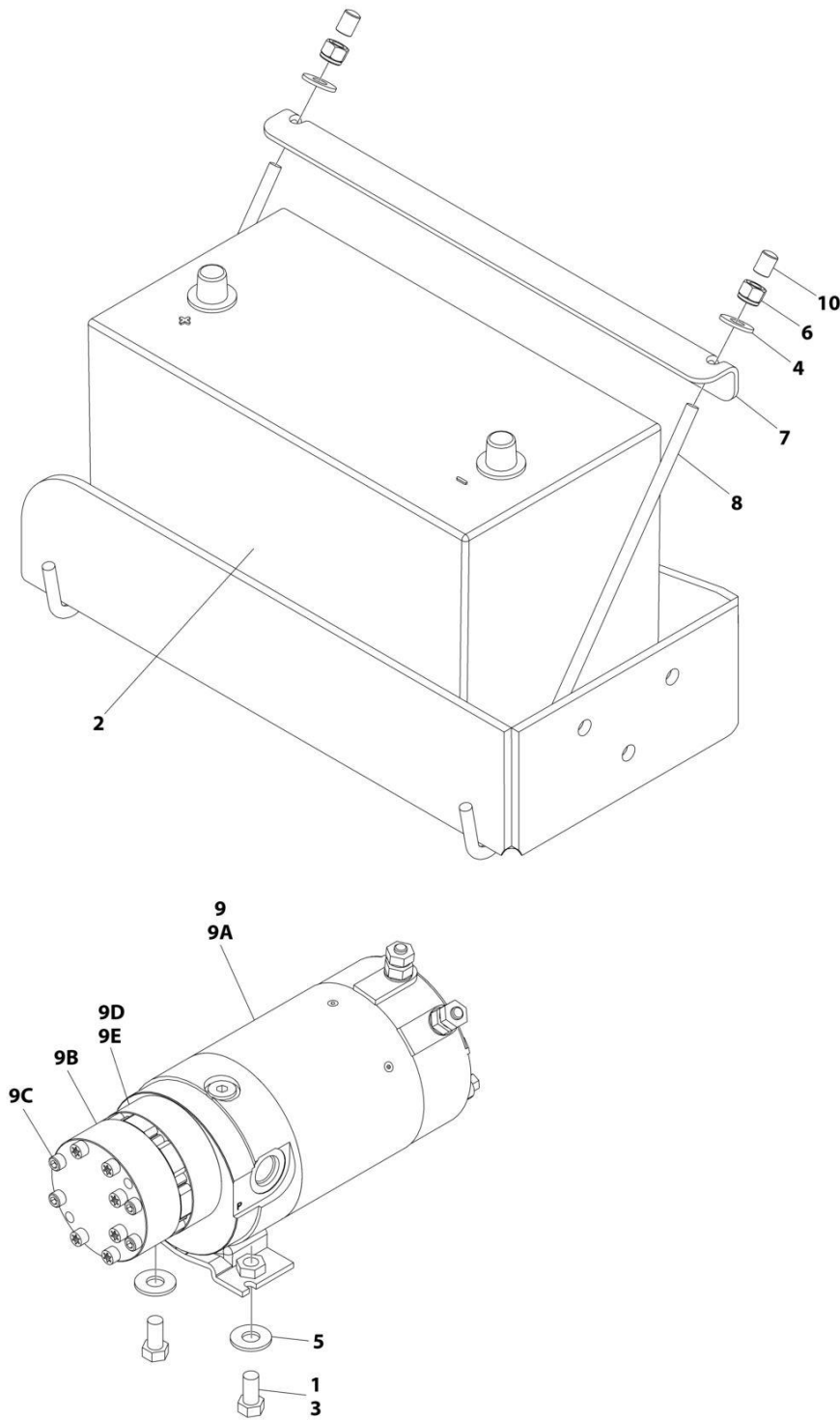
**SECTION 2 - TURNTABLE**

**FIGURE 2-22. HYDRAULIC TANK ASSEMBLY (47.8 GAL CAPACITY HYDRAULIC TANK)**

ITEM	PART NUMBER	QTY	DESCRIPTION	REV
	1001285379 See Note	Ref Ref	HYDRAULIC TANK ASSEMBLY Note: No Service Parts Available at Time of Printing	B

## SECTION 2 - TURNTABLE

FIGURE 2-23. AUXILIARY PUMP WITHOUT BATTERY DISCONNECT SWITCH INSTALLATION  
(MACHINES WITH SN STARTING WITH 03)



ART\_1001239472

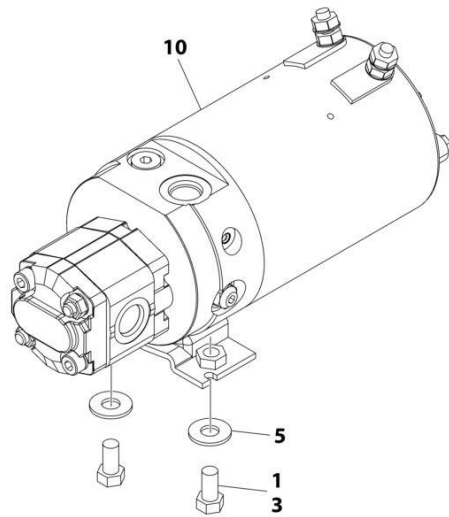
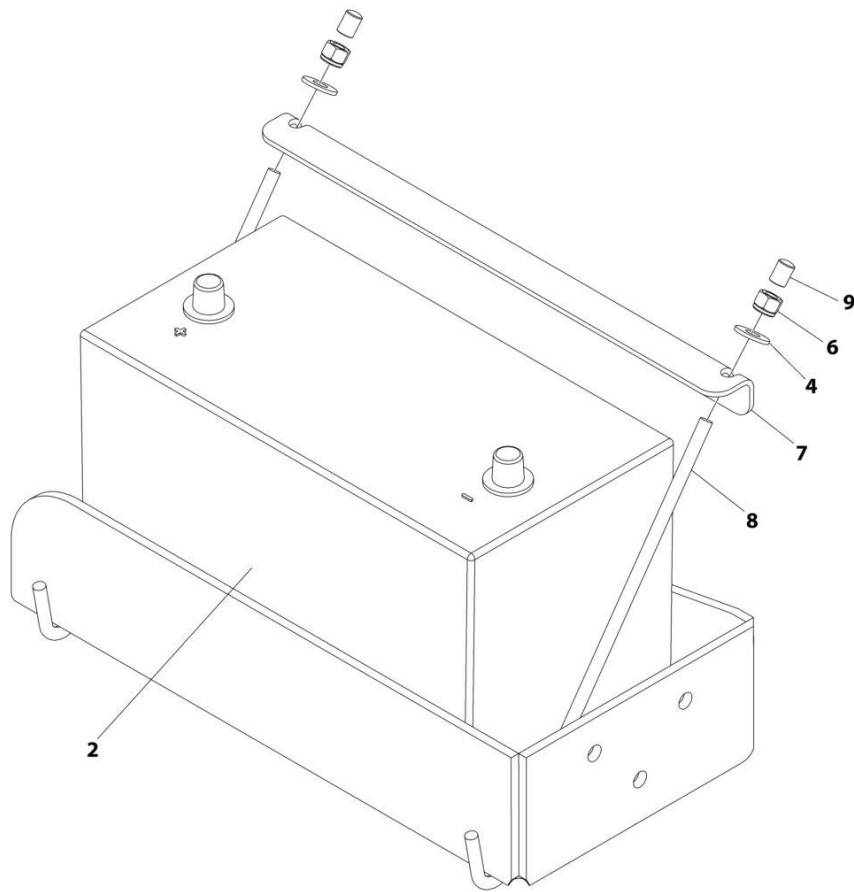
**SECTION 2 - TURNTABLE**

**FIGURE 2-23. AUXILIARY PUMP WITHOUT BATTERY DISCONNECT SWITCH INSTALLATION  
(MACHINES WITH SN STARTING WITH 03)**

ITEM	PART NUMBER	QTY	DESCRIPTION	REV
	1001239472	Ref	AUXILIARY PUMP WITH BATTERY WITHOUT BATTERY DISCONNECT SWITCH INSTALLATION	A
1	0100011	AR	Compound, Locking	
2	0400075	1	Battery	
3	0641606	2	Bolt 3/8 x 3/4	
4	4751500	2	Washer 5/16	
5	4751600	2	Washer 3/8	
6	88521205	2	Nut 5/16	
7	91401281	1	Hold-down, Battery	
8	1001093382	2	Bolt, Battery Hold-down	
9	1001137459	1	Auxiliary Pump Assembly	
9A	70003998	1	Motor	
9B	70004266	1	Pump	
9C	70001020	4	Screw	
9D	70003612	2	O-Ring	
9E	70004267	1	O-Ring	
10	1001218572	2	Cap, Vinyl	

## SECTION 2 - TURNTABLE

FIGURE 2-24. AUXILIARY PUMP WITHOUT BATTERY DISCONNECT SWITCH INSTALLATION  
(MACHINES WITH SN STARTING WITH B3)



ART\_1001284157

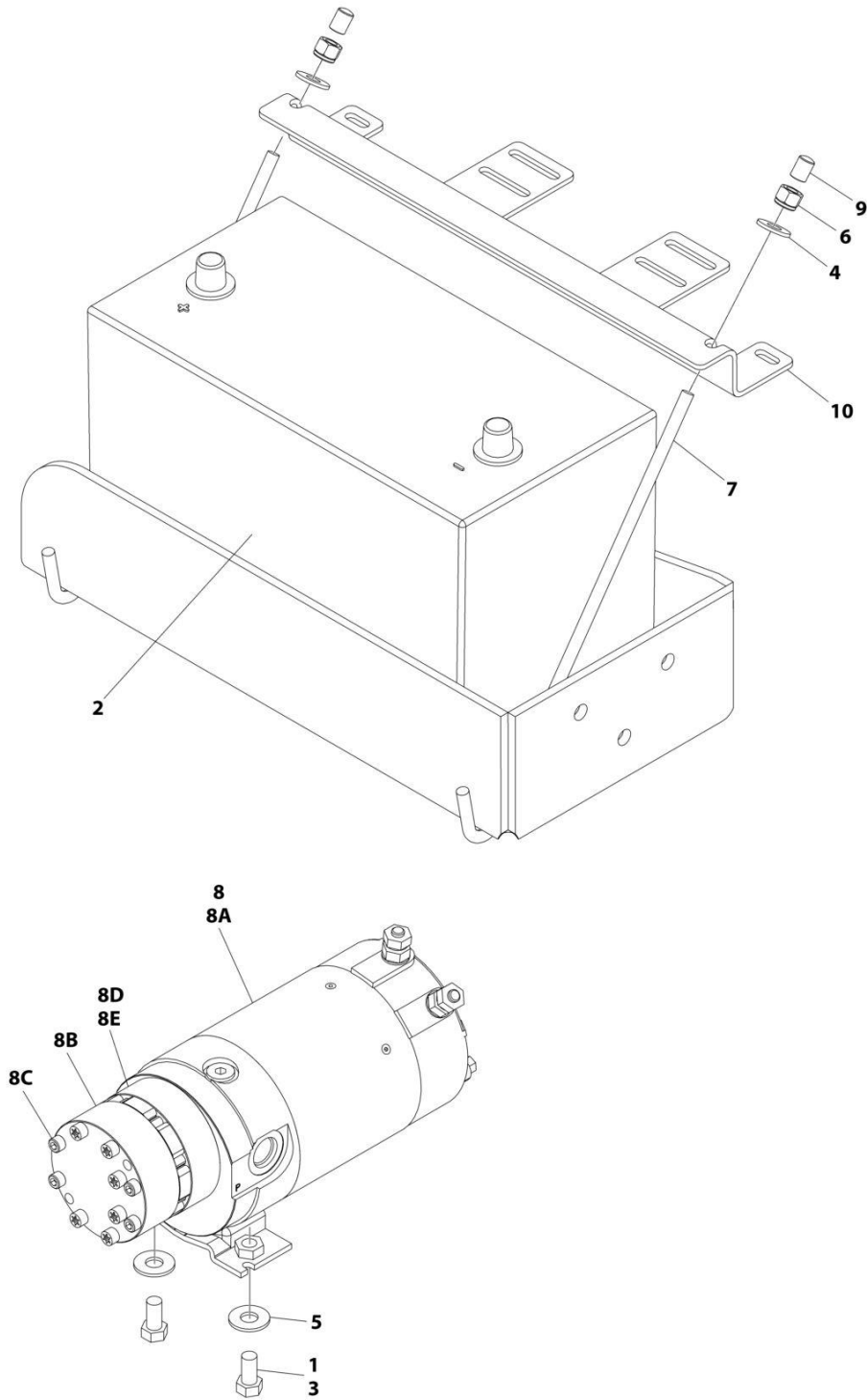
**SECTION 2 - TURNTABLE**

**FIGURE 2-24. AUXILIARY PUMP WITHOUT BATTERY DISCONNECT SWITCH INSTALLATION  
(MACHINES WITH SN STARTING WITH B3)**

ITEM	PART NUMBER	QTY	DESCRIPTION	REV
	1001284157	Ref	AUXILIARY PUMP WITHOUT BATTERY DISCONNECT SWITCH INSTALLATION	A
1	0100011	AR	Compound, Locking	
2	0400075	1	Battery	
3	0761010	2	Bolt M10 x 20	
4	4751500	2	Washer 5/16	
5	4812002	2	Washer M10	
6	88521205	2	Nut 5/16	
7	91401281	1	Hold-down, Battery	
8	1001093382	2	Bolt, Battery Hold-down	
9	1001218572	2	Cap, Vinyl	
10	1001284156	1	Auxiliary Pump Assembly	

## SECTION 2 - TURNTABLE

FIGURE 2-25. AUXILIARY PUMP WITH BATTERY DISCONNECT SWITCH INSTALLATION (MACHINES WITH SN STARTING WITH 03)



ART\_1001239471



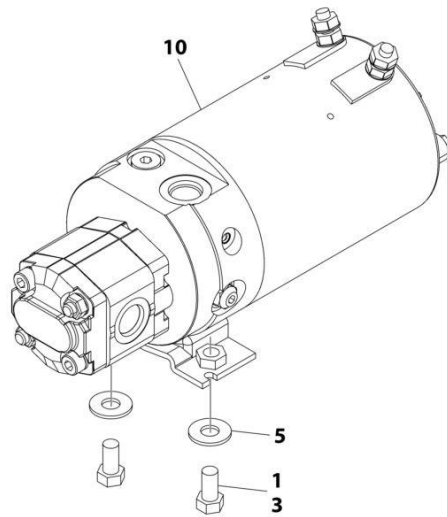
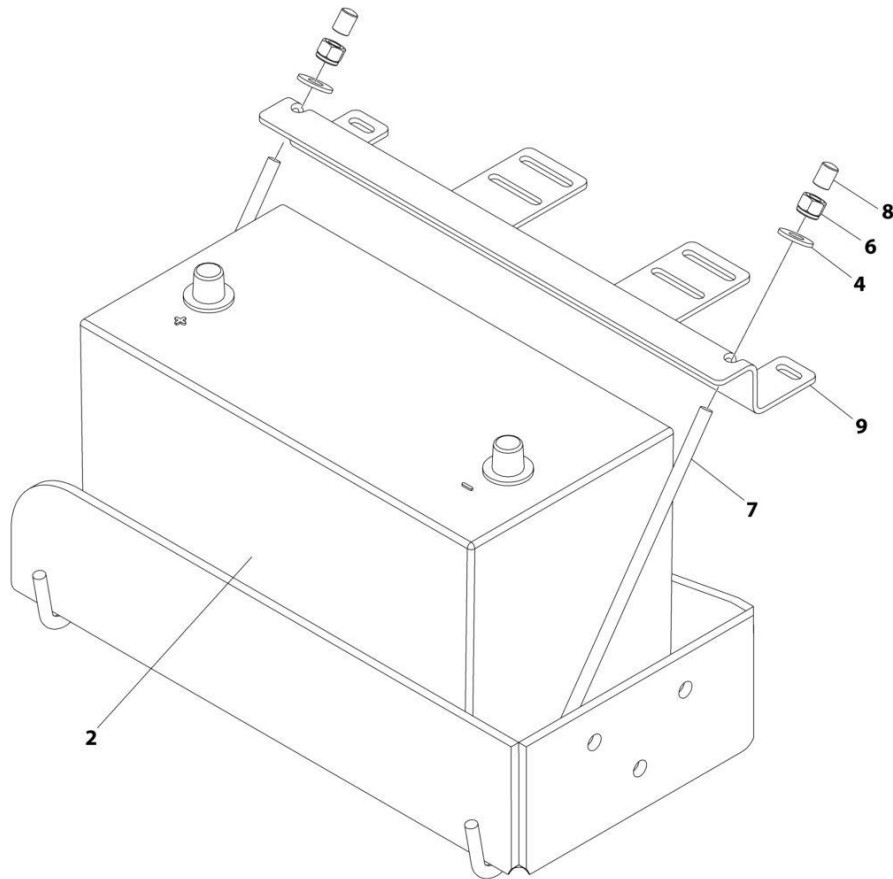
**SECTION 2 - TURNTABLE**

**FIGURE 2-25. AUXILIARY PUMP WITH BATTERY DISCONNECT SWITCH INSTALLATION (MACHINES WITH SN STARTING WITH 03)**

ITEM	PART NUMBER	QTY	DESCRIPTION	REV
	1001239471	Ref	AUXILIARY PUMP WITH BATTERY WITH BATTERY DISCONNECT SWITCH INSTALLATION	A
1	0100011	AR	Compound, Locking	
2	0400075	1	Battery	
3	0641606	2	Bolt 3/8 x 3/4	
4	4751500	2	Washer 5/16	
5	4751600	2	Washer 3/8	
6	88521205	2	Nut 5/16	
7	1001093382	2	Bolt, Battery Hold-down	
8	1001137459	1	Auxiliary Pump Assembly	
8A	70003998	1	Motor	
8B	70004266	1	Pump	
8C	70001020	4	Screw	
8D	70003612	2	O-Ring	
8E	70004267	1	O-Ring	
9	1001218572	2	Cap, Vinyl	
10	1001236303	1	Hold-down, Battery	

## SECTION 2 - TURNTABLE

FIGURE 2-26. AUXILIARY PUMP WITH BATTERY DISCONNECT SWITCH INSTALLATION (MACHINES WITH SN STARTING WITH B3)



ART\_1001287884

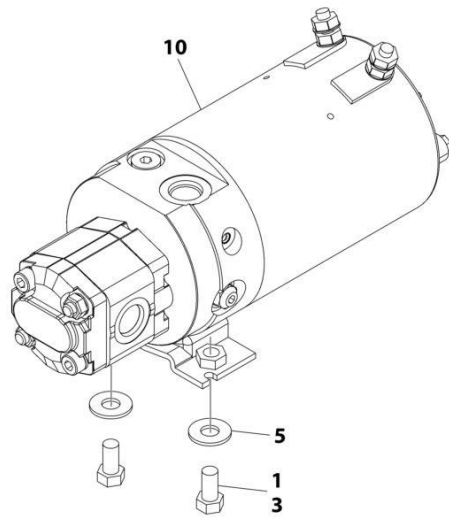
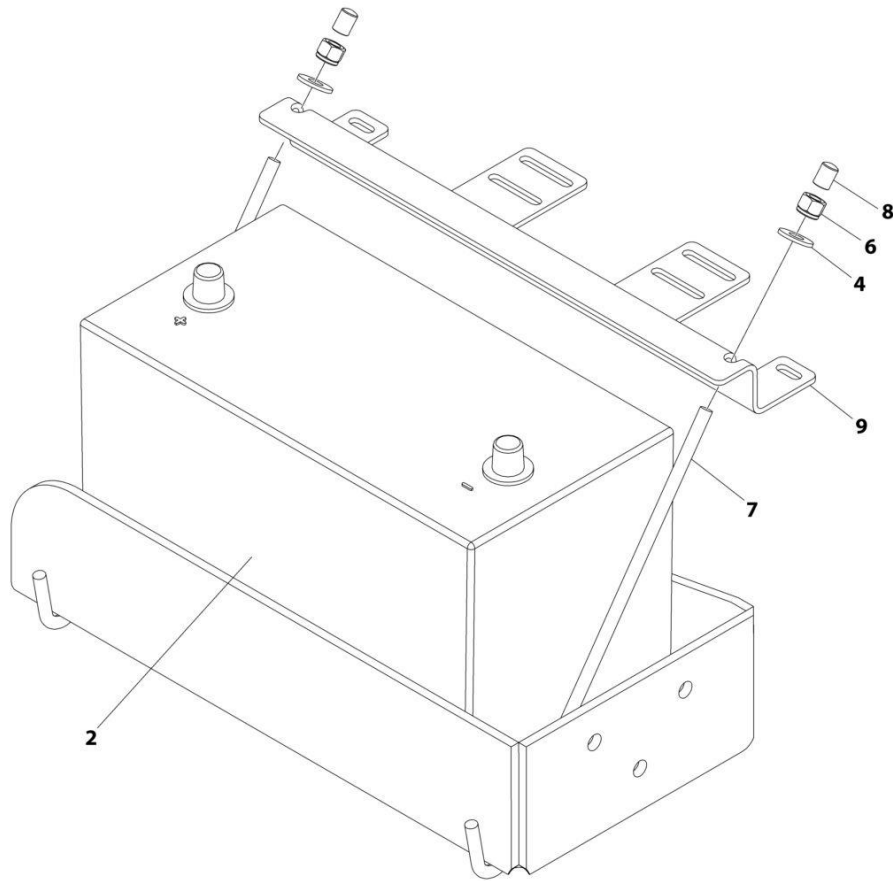
**SECTION 2 - TURNTABLE**

**FIGURE 2-26. AUXILIARY PUMP WITH BATTERY DISCONNECT SWITCH INSTALLATION (MACHINES WITH SN STARTING WITH B3)**

ITEM	PART NUMBER	QTY	DESCRIPTION	REV
	1001287884	Ref	AUXILIARY PUMP WITH BATTERY DISCONNECT SWITCH INSTALLATION	A
1	0100011	AR	Compound, Locking	
2	0400075	1	Battery	
3	0761010	2	Bolt M10 x 20	
4	4751500	2	Washer 5/16	
5	4812002	2	Washer M10	
6	88521205	2	Nut 5/16	
7	1001093382	2	Bolt, Battery Hold-down	
8	1001218572	2	Cap, Vinyl	
9	1001236303	1	Hold-down, Battery	
10	1001284156	1	Auxiliary Pump Assembly	

## SECTION 2 - TURNTABLE

FIGURE 2-27. AUXILIARY PUMP WITH BATTERY DISCONNECT SWITCH INSTALLATION (MACHINES WITH SN STARTING WITH B3)



ART\_1001287884

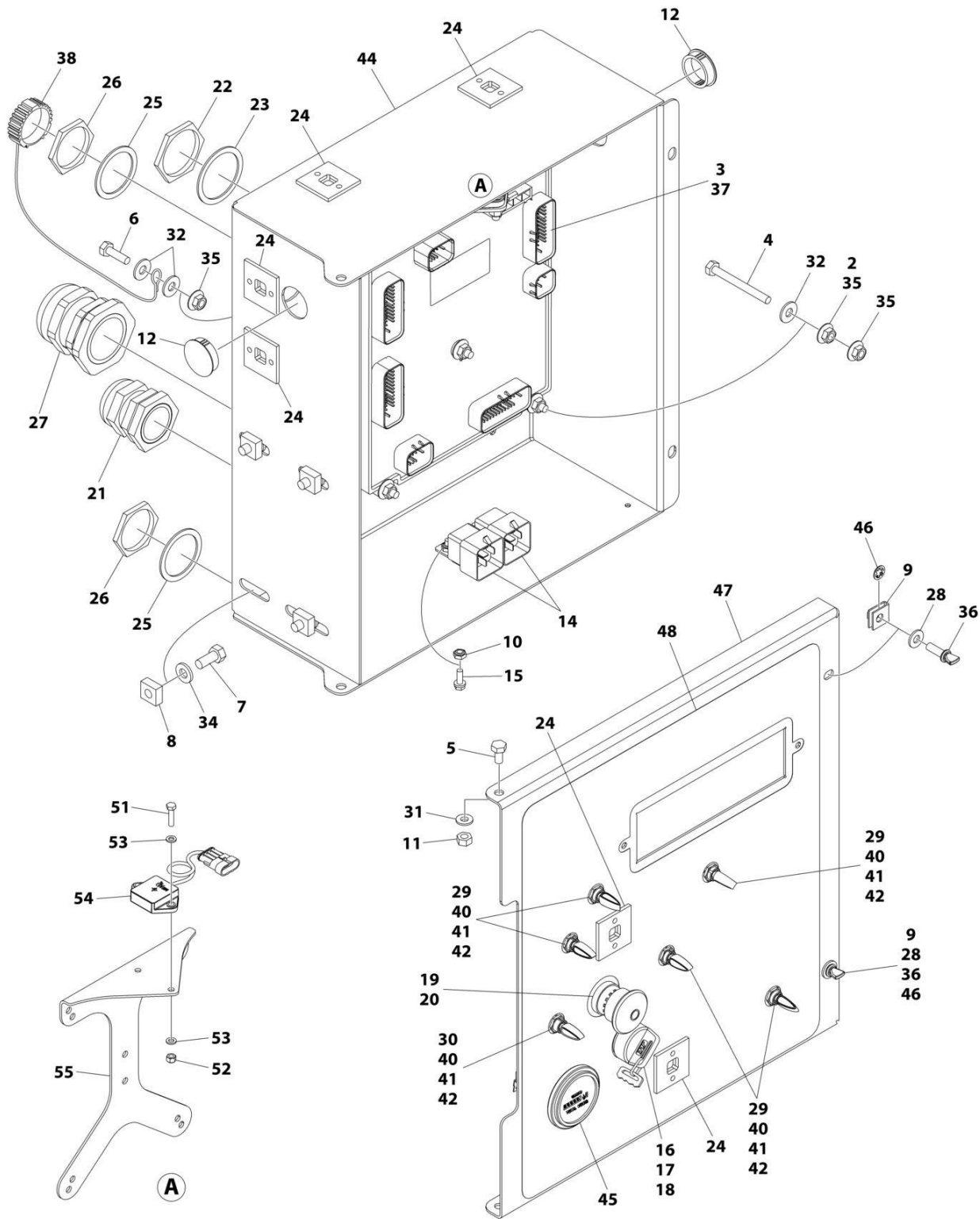
**SECTION 2 - TURNTABLE**

**FIGURE 2-27. AUXILIARY PUMP WITH BATTERY DISCONNECT SWITCH INSTALLATION (MACHINES WITH SN STARTING WITH B3)**

ITEM	PART NUMBER	QTY	DESCRIPTION	REV
	1001287884	Ref	AUXILIARY PUMP WITH BATTERY DISCONNECT SWITCH INSTALLATION	A
1	0100011	AR	Compound, Locking	
2	0400075	1	Battery	
3	0761010	2	Bolt M10 x 20	
4	4751500	2	Washer 5/16	
5	4812002	2	Washer M10	
6	88521205	2	Nut 5/16	
7	1001093382	2	Bolt, Battery Hold-down	
8	1001218572	2	Cap, Vinyl	
9	1001236303	1	Hold-down, Battery	
10	1001284156	1	Auxiliary Pump Assembly	

## SECTION 2 - TURNTABLE

FIGURE 2-28. GROUND CONTROL BOX ASSEMBLY - WITH DEUTZ D2011 - WITH MECHANICAL HOUR METER (ANSI EXPORT (LRC) AND AUSTRALIAN SPECS)



ART\_1001266469\_E

## SECTION 2 - TURNTABLE

**FIGURE 2-28. GROUND CONTROL BOX ASSEMBLY - WITH DEUTZ D2011 - WITH MECHANICAL HOUR METER (ANSI EXPORT (LRC) AND AUSTRALIAN SPECS)**

ITEM	PART NUMBER	QTY	DESCRIPTION	REV
	1001266469	Ref	GROUND CONTROL BOX ASSEMBLY	E
2	0100011	AR	Compound, Locking	
3	0100048	AR	Grease, Dielectric	
4	0630548	5	Bolt 2-1/2	
5	0641404	2	Bolt 1/4 x 1/2	
6	0641407	1	Bolt 1/4 x 7/8	
7	0641506	4	Bolt 5/16 x 3/4	
8	3300205	4	Nut, Retainer	
9	3300353	2	Nut, Tinnerman	
10	3300408	2	Nut	
11	3311405	2	Nut 1/4	
12	3520031	2	Plug	
14	3740049	2	Relay	
15	3900268	2	Bolt #10 x 1/2	
16	3910804	6	Screw #8 x 1/4	
17	4070991	1	Shim	
18	4360469	1	Switch, Key	
18	2860030	1 Set	Key Replacement	
19	4360475	1	Switch, Emergency Stop	
19	7020175	1	Cap, Mushroom	
19	7020176	1	Block, Contact	
20	4360476	1	Switch, Contact Block	
21	4460426	1	Connector, Strain Relief	
22	4460470	1	Nut, Terminal	
23	4460471	1	Lockwasher, Terminal	
24	4460488	6	Mounting Base, Terminal	
25	4460496	2	Washer, Terminal	
26	4460497	2	Nut, Terminal	
27	4460526	1	Connector, Strain Relief	
28	4711400	2	Washer 1/4	
29	4740397	5	Spacer	
30	4740444	1	Washer	
31	4740518	2	Washer	
32	4751400	7	Washer 1/4	
34	4891500	4	Washer 5/16	
35	77143013	11	Nut 1/4	
36	1001103308	2	Thumbscrew 1/4 x 3/4	
37	1001280600	1	Module, Ground Control (Note: Recalibration Required When Replaced)	
38	1001106736	1	Cap, Dust	
39	1001285515	1	Engine Harness (Not Shown - See Separate Breakdown in ELECTRICAL Section)	
40	1001155043	6	Washer	
41	1001155044	6	Nut 15/32	
42	1001155045	6	Switch, Toggle	
43	1001284973	1	Control Valve Harness (Not Shown - See Separate Breakdown in ELECTRICAL Section)	
44	1001287464	1	Plate	
45	10836804	1	Hour Meter	

## SECTION 2 - TURNTABLE

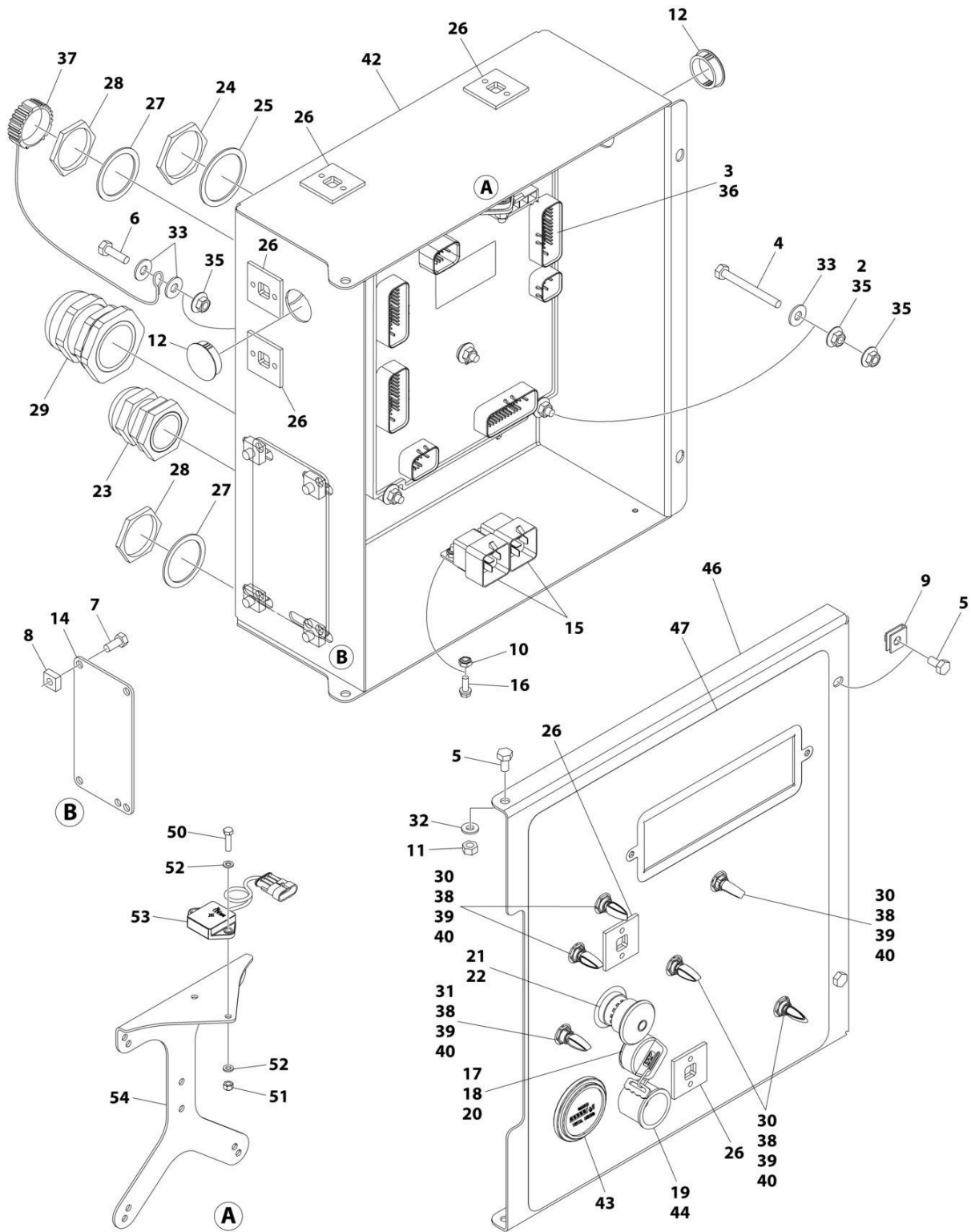
ITEM	PART NUMBER	QTY	DESCRIPTION	REV
46	1001188874	2	Nut	
47	1001280403	1	Plate	
48	1001266479	1	Decal - Ground Control Box	
49	1001306145	1	Ground Control Box Harness (Not Shown - See Separate Breakdown in ELECTRICAL Section)	
51	0760612	2	Bolt M6 x 25	
52	3290605	2	Nut, Lock M6	
53	4811700	4	Washer M6	
54	1001219601	1	Sensor, Tilt	
55	1001271794	1	Bracket, Tilt Sensor	





# SECTION 2 - TURNTABLE

## FIGURE 2-29. GROUND CONTROL BOX ASSEMBLY - WITH DEUTZ D2011 (CE & UK CA SPECS)



ART\_1001266471\_E

## SECTION 2 - TURNTABLE

**FIGURE 2-29. GROUND CONTROL BOX ASSEMBLY - WITH DEUTZ D2011 (CE & UK CA SPECS)**

ITEM	PART NUMBER	QTY	DESCRIPTION	REV
	1001266471	Ref	GROUND CONTROL BOX ASSEMBLY	E
2	0100011	AR	Compound, Locking	
3	0100048	AR	Grease, Dielectric	
4	0630548	5	Bolt 2-1/2	
5	0641404	4	Bolt 1/4 x 1/2	
6	0641407	1	Bolt 1/4 x 7/8	
7	0641506	4	Bolt 5/16 x 3/4	
8	3300205	4	Nut, Retainer	
9	3300353	2	Nut, Tinnerman	
10	3300408	2	Nut	
11	3311405	2	Nut 1/4	
12	3520031	2	Plug	
14	3539219	1	Plate	
15	3740049	2	Relay	
16	3900268	2	Bolt #10 x 1/2	
17	3910804	6	Screw #8 x 1/4	
18	4070991	1	Shim	
19	4360387	1	Switch, Push Button	
20	4360469	1	Switch, Key	
20	2860030	1 Set	Key Replacement	
21	4360475	1	Switch, Emergency Stop	
21	7020175	1	Cap, Mushroom	
21	7020176	1	Block, Contact	
22	4360476	1	Switch, Contact Block	
23	4460426	1	Connector, Strain Relief	
24	4460470	1	Nut, Terminal	
25	4460471	1	Lockwasher, Terminal	
26	4460488	6	Mounting Base, Terminal	
27	4460496	2	Washer, Terminal	
28	4460497	2	Nut, Terminal	
29	4460526	1	Connector, Strain Relief	
30	4740397	5	Spacer	
31	4740444	1	Washer	
32	4740518	2	Washer	
33	4751400	7	Washer 1/4	
35	77143013	11	Nut 1/4	
36	1001280600	1	Module, Ground Control (Note: Re-calibration Required When Replaced)	
37	1001106736	1	Cap, Dust	
38	1001155043	6	Washer	
39	1001155044	6	Nut 15/32	
40	1001155045	6	Switch, Toggle	
41	1001284973	1	Control Valve Harness (Not Shown - See Separate Breakdown in ELECTRICAL Section)	
42	1001287464	1	Plate	
43	10836804	1	Gauge, Display	
44	1001176469	1	Shroud	
45	1001286027	1	Engine Harness (Not Shown - See Separate Breakdown in ELECTRICAL Section)	
46	1001297391	1	Plate	

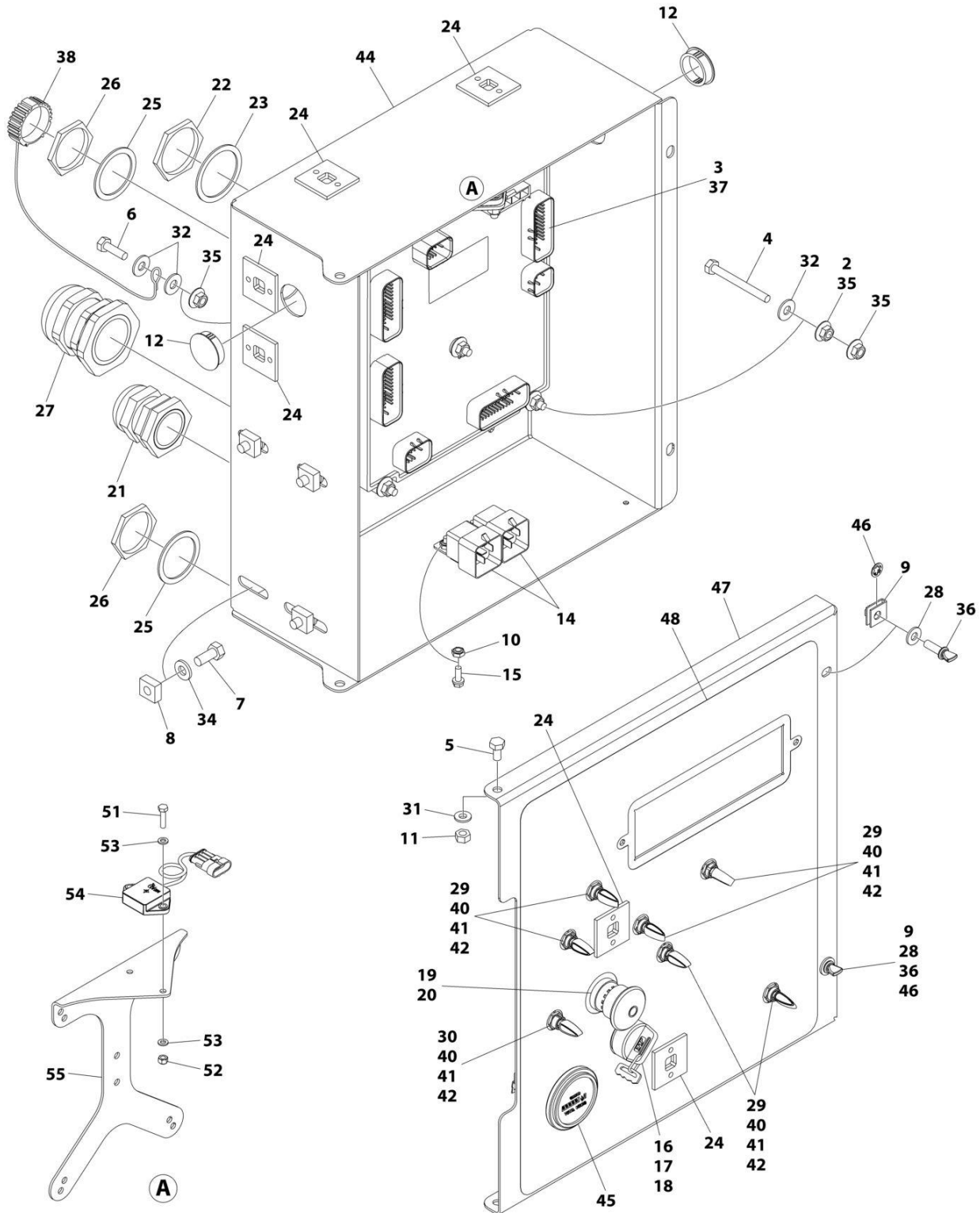
## SECTION 2 - TURNTABLE

ITEM	PART NUMBER	QTY	DESCRIPTION	REV
47	1001266481	1	Decal-Ground Control Box	
48	1001306145	1	Ground Control Box Harness (Not Shown - See Separate Breakdown in ELECTRICAL Section)	
50	0760612	2	Bolt M6 x 25	
51	3290605	2	Nut, Lock M6	
52	4811700	4	Washer M6	
53	1001219601	1	Sensor, Tilt	
54	1001271794	1	Bracket, Tilt Sensor	



# SECTION 2 - TURNTABLE

FIGURE 2-30. GROUND CONTROL BOX ASSEMBLY - WITH DEUTZ D2011 - WITH MECHANICAL HOUR METER (ANSI EXPORT (LRC) AND AUSTRALIAN SPECS) WITH TILT SENSOR



ART\_1001266470\_E

## SECTION 2 - TURNTABLE

**FIGURE 2-30. GROUND CONTROL BOX ASSEMBLY - WITH DEUTZ D2011 - WITH MECHANICAL HOUR METER (ANSI EXPORT (LRC) AND AUSTRALIAN SPECS) WITH TILT SENSOR**

ITEM	PART NUMBER	QTY	DESCRIPTION	REV
	1001266470	Ref	GROUND CONTROL BOX ASSEMBLY	E
2	0100011	AR	Compound, Locking	
3	0100048	AR	Grease, Dielectric	
4	0630548	5	Bolt 2-1/2	
5	0641404	2	Bolt 1/4 x 1/2	
6	0641407	1	Bolt 1/4 x 7/8	
7	0641506	4	Bolt 5/16 x 3/4	
8	3300205	4	Nut, Retainer	
9	3300353	2	Nut, Tinnerman	
10	3300408	2	Nut	
11	3311405	2	Nut 1/4	
12	3520031	2	Plug	
14	3740049	2	Relay	
15	3900268	2	Bolt #10 x 1/2	
16	3910804	6	Screw #8 x 1/4	
17	4070991	1	Shim	
18	4360469	1	Switch, Key	
18	2860030	1 Set	Key Replacement	
19	4360475	1	Switch, Emergency Stop	
19	7020175	1	Cap, Mushroom	
19	7020176	1	Block, Contact	
20	4360476	1	Switch, Contact Block	
21	4460426	1	Connector, Strain Relief	
22	4460470	1	Nut, Terminal	
23	4460471	1	Lockwasher, Terminal	
24	4460488	6	Mounting Base, Terminal	
25	4460496	2	Washer, Terminal	
26	4460497	2	Nut, Terminal	
27	4460526	1	Connector, Strain Relief	
28	4711400	2	Washer 1/4	
29	4740397	6	Spacer	
30	4740444	1	Washer	
31	4740518	2	Washer	
32	4751400	7	Washer 1/4	
34	4891500	4	Washer 5/16	
35	77143013	11	Nut 1/4	
36	1001103308	2	Thumbscrew 1/4 x 3/4	
37	1001280600	1	Module, Ground Control (Note: Recalibration Required When Replaced)	
38	1001106736	1	Cap, Dust	
39	1001285515	1	Engine Harness (Not Shown - See Separate Breakdown in ELECTRICAL Section)	
40	1001155043	7	Washer	
41	1001155044	7	Nut 15/32	
42	1001155045	7	Switch, Toggle	
43	1001284973	1	Control Valve Harness (Not Shown - See Separate Breakdown in ELECTRICAL Section)	
44	1001287464	1	Plate	
45	10836804	1	Hour Meter	

## SECTION 2 - TURNTABLE

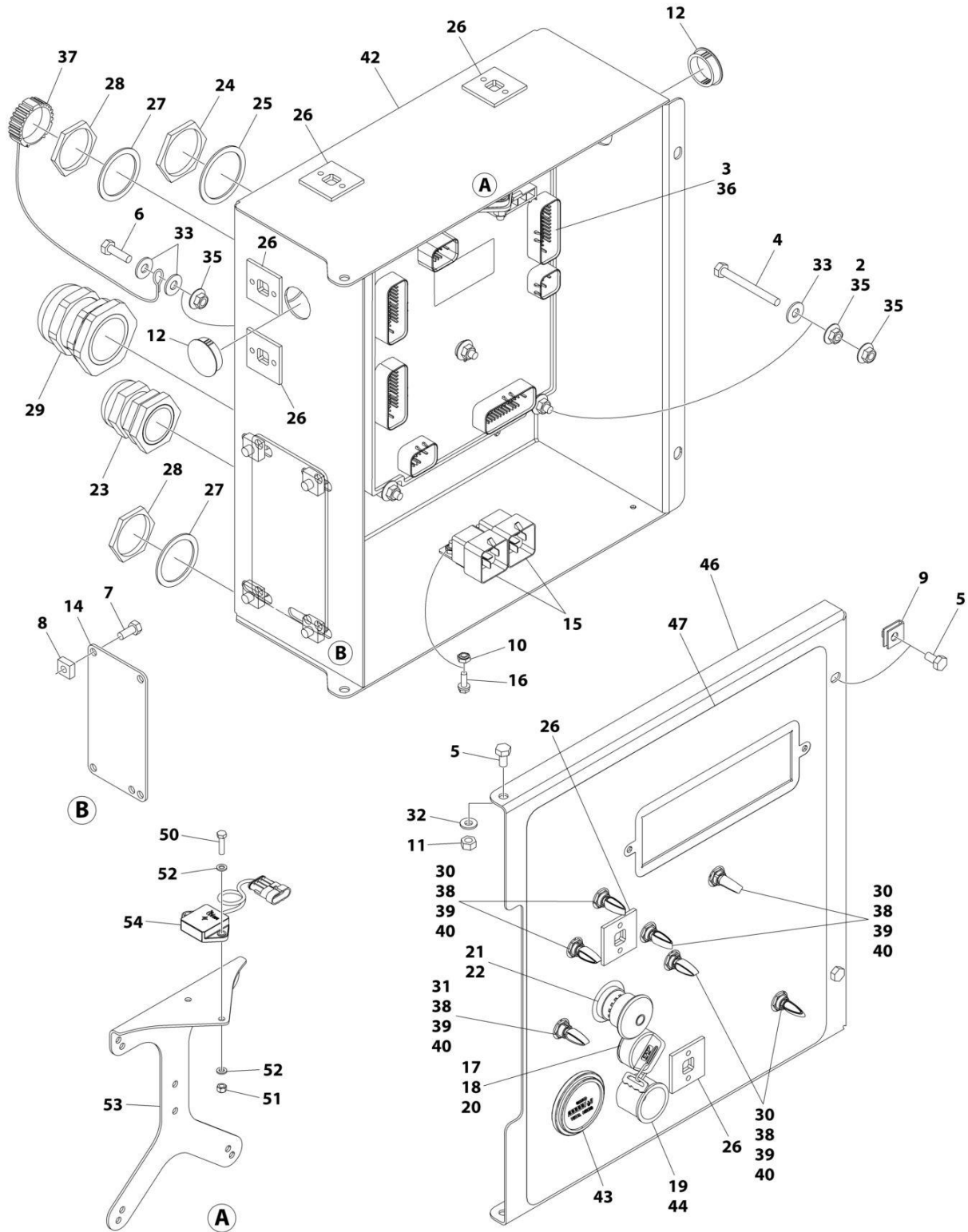
ITEM	PART NUMBER	QTY	DESCRIPTION	REV
46	1001188874	2	Nut	
47	1001280403	1	Plate	
48	1001266480	1	Decal - Ground Control Box	
49	1001306145	1	Ground Control Box Harness (Not Shown - See Separate Breakdown in ELECTRICAL Section)	
51	0760612	2	Bolt M6 x 25	
52	3290605	2	Nut, Lock M6	
53	4811700	4	Washer M6	
54	1001219601	1	Sensor, Tilt	
55	1001271794	1	Bracket, Tilt Sensor	





# SECTION 2 - TURNTABLE

## FIGURE 2-31. GROUND CONTROL BOX ASSEMBLY - WITH DEUTZ D2011 (CE & UK CA SPECS) WITH TILT SENSOR



ART\_1001266472\_E

## SECTION 2 - TURNTABLE

**FIGURE 2-31. GROUND CONTROL BOX ASSEMBLY - WITH DEUTZ D2011 (CE & UK CA SPECS)  
WITH TILT SENSOR**

ITEM	PART NUMBER	QTY	DESCRIPTION	REV
	1001266472	Ref	GROUND CONTROL BOX ASSEMBLY	E
2	0100011	AR	Compound, Locking	
3	0100048	AR	Grease, Dielectric	
4	0630548	5	Bolt 2-1/2	
5	0641404	4	Bolt 1/4 x 1/2	
6	0641407	1	Bolt 1/4 x 7/8	
7	0641506	4	Bolt 5/16 x 3/4	
8	3300205	4	Nut, Retainer	
9	3300353	2	Nut, Tinnerman	
10	3300408	2	Nut	
11	3311405	2	Nut 1/4	
12	3520031	2	Plug	
14	3539219	1	Plate	
15	3740049	2	Relay	
16	3900268	2	Bolt #10 x 1/2	
17	3910804	6	Screw #8 x 1/4	
18	4070991	1	Shim	
19	4360387	1	Switch, Push Button	
20	4360469	1	Switch, Key	
20	2860030	1 Set	Key Replacement	
21	4360475	1	Switch, Emergency Stop	
21	7020175	1	Cap, Mushroom	
21	7020176	1	Block, Contact	
22	4360476	1	Switch, Contact Block	
23	4460426	1	Connector, Strain Relief	
24	4460470	1	Nut, Terminal	
25	4460471	1	Lockwasher, Terminal	
26	4460488	6	Mounting Base, Terminal	
27	4460496	2	Washer, Terminal	
28	4460497	2	Nut, Terminal	
29	4460526	1	Connector, Strain Relief	
30	4740397	6	Spacer	
31	4740444	1	Washer	
32	4740518	2	Washer	
33	4751400	7	Washer 1/4	
35	77143013	11	Nut 1/4	
36	1001280600	1	Module, Ground Control (Note: Recalibration Required When Replaced)	
37	1001106736	1	Cap, Dust	
38	1001155043	7	Washer	
39	1001155044	7	Nut 15/32	
40	1001155045	7	Switch, Toggle	
41	1001284973	1	Control Valve Harness (Not Shown - See Separate Breakdown in ELECTRICAL Section)	
42	1001287464	1	Plate	
43	10836804	1	Gauge, Display	
44	1001176469	1	Shroud	
45	1001286027	1	Engine Harness (Not Shown - See Separate Breakdown in ELECTRICAL Section)	

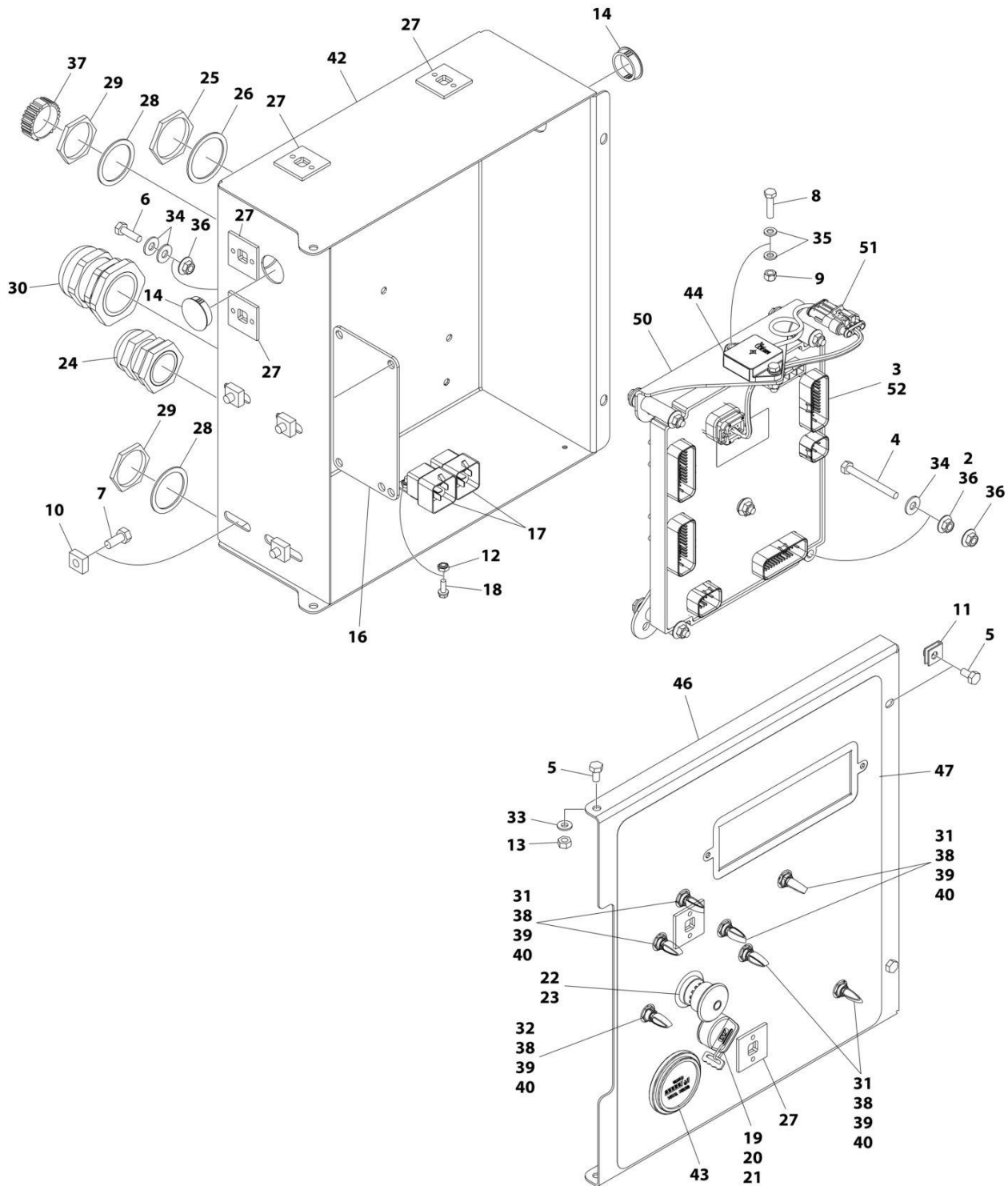
## SECTION 2 - TURNTABLE

ITEM	PART NUMBER	QTY	DESCRIPTION	REV
46	1001297391	1	Plate	
47	1001266482	1	Decal - Ground Control Box	
48	1001306145	1	Ground Control Box Harness (Not Shown - See Separate Breakdown in ELECTRICAL Section)	
50	0760612	2	Bolt M6 x 25	
51	3290605	2	Nut, Lock M6	
52	4811700	4	Washer M6	
53	1001271794	1	Bracket, Tilt Sensor	
54	1001219601	1	Sensor, Tilt	



# SECTION 2 - TURNTABLE

FIGURE 2-32. GROUND CONTROL BOX ASSEMBLY - WITH DEUTZ D2011 (HIGH TEMP MARKETS)  
(ANSI EXPORT (LRC) AND AUSTRALIAN SPECS) (860SJ)



ART\_1001278612\_C

## SECTION 2 - TURNTABLE

**FIGURE 2-32. GROUND CONTROL BOX ASSEMBLY - WITH DEUTZ D2011 (HIGH TEMP MARKETS)  
(ANSI EXPORT (LRC) AND AUSTRALIAN SPECS) (860SJ)**

ITEM	PART NUMBER	QTY	DESCRIPTION	REV
	1001278612	Ref	GROUND CONTROL BOX ASSEMBLY	C
2	0100011	AR	Compound, Locking	
3	0100048	AR	Grease, Dielectric	
4	0630548	5	Bolt 2-1/2 Tap	
5	0641404	4	Bolt 1/4 x 1/2	
6	0641407	1	Bolt 1/4 x 7/8	
7	0641506	4	Bolt 5/16 x 3/4	
8	0760612	2	Bolt M6 x 25	
9	3290605	2	Nut, Lock M6	
10	3300205	4	Nut, Retainer	
11	3300353	2	Nut, Tinnerman	
12	3300408	2	Nut, Plastic Insert	
13	3311405	2	Nut 1/4	
14	3520031	2	Plug	
16	3539219	1	Plate, Reinforcement	
17	3740049	2	Relay	
18	3900268	2	Bolt #10 x 1/2	
19	3910804	6	Bolt #8 x 1/4	
20	4070991	1	Shim	
21	4360469	1	Switch, Key	
22	4360475	1	Switch, Emergency Stop	
22	7020175	1	Cap, Mushroom	
22	7020176	1	Block, Contact	
23	4360476	1	Switch, Contact Block	
24	4460426	1	Connector, Strain Relief	
25	4460470	1	Nut, Terminal	
26	4460471	1	Washer, Terminal	
27	4460488	6	Mounting Base, Terminal	
28	4460496	2	Washer, Terminal	
29	4460497	2	Nut, Terminal	
30	4460526	1	Connector, Strain Relief	
31	4740397	6	Spacer	
32	4740444	1	Washer	
33	4740518	2	Washer	
34	4751400	7	Washer 1/4	
35	4811700	4	Washer M6	
36	77143013	11	Nut 1/4	
37	1001106736	1	Cap, Dust	
38	1001155043	7	Washer	
39	1001155044	7	Nut 15/32	
40	1001155045	7	Switch, Toggle	
41	1001284973	1	Harness, Platform Valve (Not Shown - See Separate Breakdown in ELECTRICAL Section)	
42	1001287464	1	Box Less Lid	
43	10836804	1	Gauge, Display	
44	1001219601	1	Sensor, Tilt	
45	1001286027	1	Harness, Engine (Not Shown - See Separate Breakdown in ELECTRICAL Section)	
46	1001280403	1	Plate	

## SECTION 2 - TURNTABLE

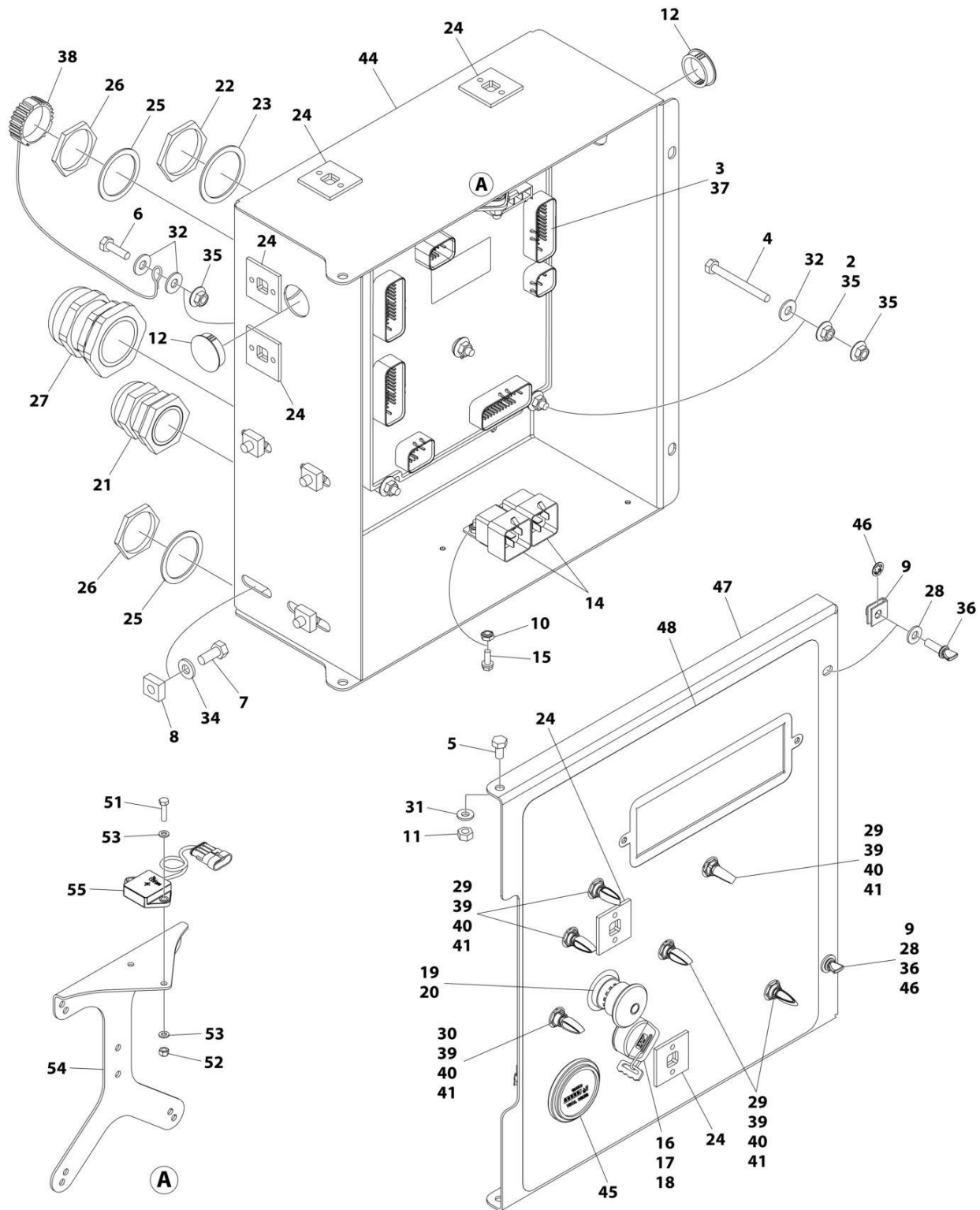
ITEM	PART NUMBER	QTY	DESCRIPTION	REV
47	1001266480	1	Decal, MTB	
48	1001285346	1	Harness, MTB (Not Shown - See Separate Breakdown in ELECTRICAL Section)	
49	1001285800	1	Wire, MTB (Not Shown)	
50	1001271794	1	Bracket, Tilt Sensor	
51	1001276143	1	Harness, Tilt Sensor (See Separate Breakdown in ELECTRICAL Section)	
52	1001280600	1	Module, Ground Control (Note: Re-calibration Required When Replaced)	





## SECTION 2 - TURNTABLE

FIGURE 2-33. GROUND CONTROL BOX ASSEMBLY - WITH DEUTZ TD2.9L4 - WITH MECHANICAL HOUR METER (ANSI, ANSI EXPORT (HRC), CSA AND JAPANESE SPECS)



ART\_1001266473\_F

## SECTION 2 - TURNTABLE

**FIGURE 2-33. GROUND CONTROL BOX ASSEMBLY - WITH DEUTZ TD2.9L4 - WITH MECHANICAL HOUR METER (ANSI, ANSI EXPORT (HRC), CSA AND JAPANESE SPECS)**

ITEM	PART NUMBER	QTY	DESCRIPTION	REV
	1001266473	Ref	GROUND CONTROL BOX ASSEMBLY	F
2	0100011	AR	Compound, Locking	
3	0100048	AR	Grease, Dielectric	
4	0630548	5	Bolt 2-1/2	
5	0641404	2	Bolt 1/4 x 1/2	
6	0641407	1	Bolt 1/4 x 7/8	
7	0641506	4	Bolt 5/16 x 3/4	
8	3300205	4	Nut, Retainer	
9	3300353	2	Nut, Tinnerman	
10	3300408	2	Nut	
11	3311405	2	Nut 1/4	
12	3520031	2	Plug	
14	3740049	2	Relay	
15	3900268	2	Bolt #10 x 1/2	
16	3910804	6	Screw #8 x 1/4	
17	4070991	1	Shim	
18	4360469	1	Switch, Key	
18	2860030	1 Set	Key Replacement	
19	1001274559	1	Switch, Emergency Stop	
20	4360476	1	Switch, Contact Block	
21	4460426	1	Connector, Strain Relief	
22	4460470	1	Nut, Terminal	
23	4460471	1	Lockwasher, Terminal	
24	4460488	6	Mounting Base, Terminal	
25	4460496	2	Washer, Terminal	
26	4460497	2	Nut, Terminal	
27	4460526	1	Connector, Strain Relief	
28	4711400	2	Washer 1/4	
29	4740397	5	Spacer	
30	4740444	1	Washer	
31	4740518	2	Washer	
32	4751400	7	Washer 1/4	
34	4891500	4	Washer 5/16	
35	77143013	11	Nut 1/4	
36	1001103308	2	Thumbscrew 1/4 x 3/4	
37	1001280600	1	Module, Ground Control (Note: Recalibration Required When Replaced)	
38	1001106736	1	Cap, Dust	
39	1001155043	6	Washer	
40	1001155044	6	Nut 15/32	
41	1001155045	6	Switch, Toggle	
42	1001295732	1	Engine Harness (Not Shown - See Separate Breakdown in ELECTRICAL Section)	
43	1001284973	1	Control Valve Harness (Not Shown - See Separate Breakdown in ELECTRICAL Section)	
44	1001287464	1	Plate	
45	10836804	1	Hour Meter	
46	1001188874	2	Nut	
47	1001280403	1	Plate	

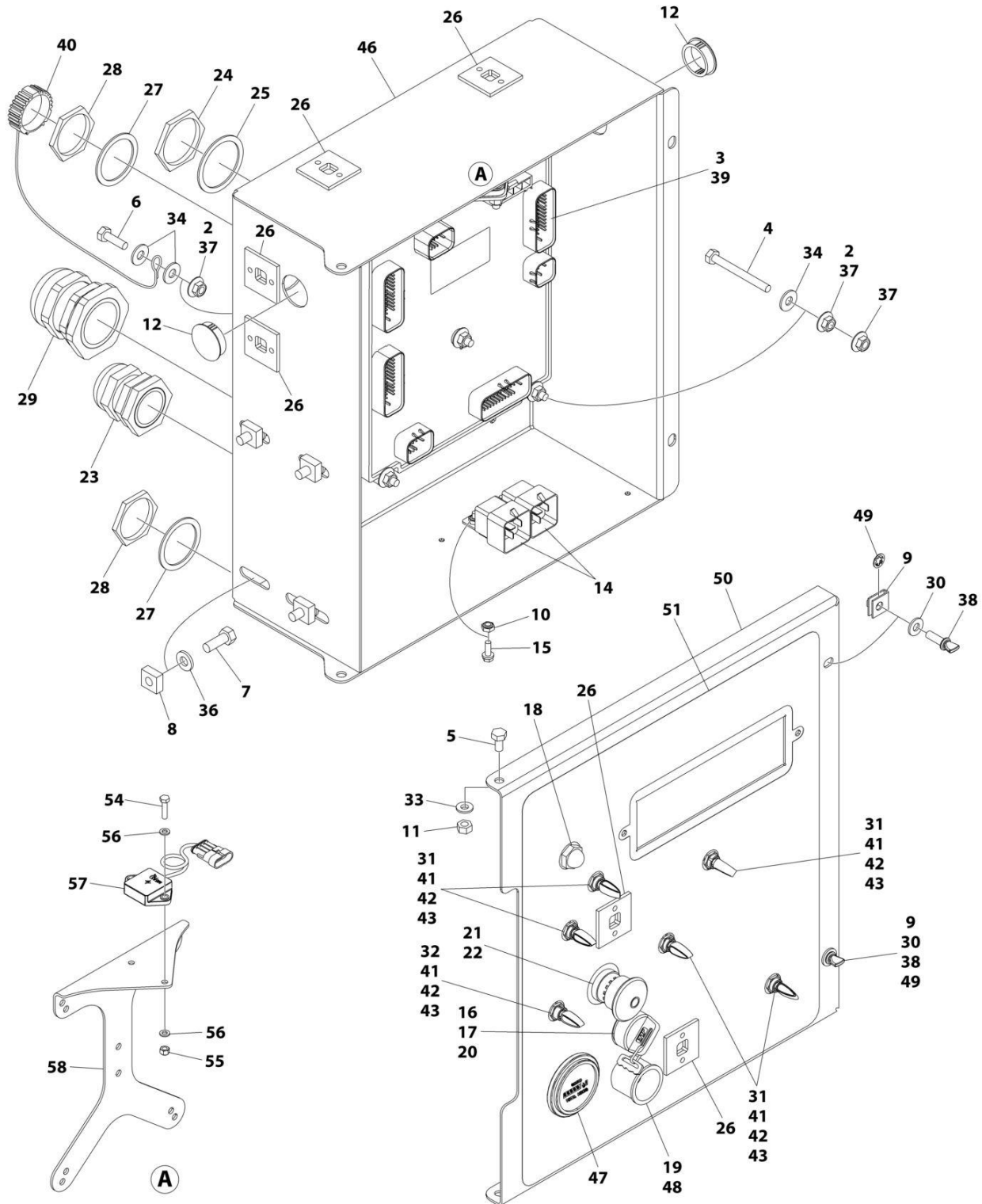
## SECTION 2 - TURNTABLE

ITEM	PART NUMBER	QTY	DESCRIPTION	REV
48	1001266479	1	Decal - Ground Control Box	
49	1001306145	1	Ground Control Box Harness (Not Shown - See Separate Breakdown in ELECTRICAL Section)	
51	0760612	2	Bolt M6 x 25	
52	3290605	2	Nut M6	
53	4811700	4	Washer M6	
54	1001271794	1	Bracket, Tilt Sensor	
55	1001219601	1	Sensor, Tilt	



# SECTION 2 - TURNTABLE

FIGURE 2-34. GROUND CONTROL BOX ASSEMBLY - WITH DEUTZ TD2.9L4 (STAGE V) (CE & UK CA SPECS)



ART\_1001266477\_F

## SECTION 2 - TURNTABLE

**FIGURE 2-34. GROUND CONTROL BOX ASSEMBLY - WITH DEUTZ TD2.9L4 (STAGE V) (CE & UK CA SPECS)**

ITEM	PART NUMBER	QTY	DESCRIPTION	REV
	1001266477	Ref	GROUND CONTROL BOX ASSEMBLY	F
2	0100011	AR	Compound, Locking	
3	0100048	AR	Grease, Dielectric	
4	0630548	5	Bolt 2-1/2	
5	0641404	2	Bolt 1/4 x 1/2	
6	0641407	1	Bolt 1/4 x 7/8	
7	0641507	4	Bolt 5/16 x 7/8	
8	3300205	4	Nut, Retainer	
9	3300353	2	Nut, Tinnerman	
10	3300408	2	Nut	
11	3311405	2	Nut 1/4	
12	3520031	2	Plug	
14	3740049	2	Relay	
15	3900268	2	Bolt #10 x 1/2	
16	3910804	6	Screw #8 x 1/4	
17	4070991	1	Shim	
18	4360274	1	Switch, Push Button	
19	4360387	1	Switch, Push Button	
20	4360469	1	Switch, Key	
20	2860030	1 Set	Key Replacement	
21	1001274559	1	Switch, Emergency Stop	
22	4360476	1	Switch, Contact Block	
23	4460426	1	Connector, Strain Relief	
24	4460470	1	Nut, Terminal	
25	4460471	1	Lockwasher, Terminal	
26	4460488	6	Mounting Base, Terminal	
27	4460496	2	Washer, Terminal	
28	4460497	2	Nut, Terminal	
29	4460526	1	Connector, Strain Relief	
30	4711400	2	Washer 1/4	
31	4740397	5	Spacer	
32	4740444	1	Washer	
33	4740518	2	Washer	
34	4751400	7	Washer 1/4	
36	4891500	4	Washer 5/16	
37	77143013	11	Nut 1/4	
38	1001103308	2	Thumbscrew 1/4 x 3/4	
39	1001280600	1	Module, Ground Control (Note: Re-calibration Required When Replaced)	
40	1001106736	1	Cap, Dust	
41	1001155043	6	Washer	
42	1001155044	6	Nut 15/32	
43	1001155045	6	Switch, Toggle	
44	1001295732	1	Engine Harness (Not Shown - See Separate Breakdown in ELECTRICAL Section)	
45	1001284973	1	Control Valve Harness (Not Shown - See Separate Breakdown in ELECTRICAL Section)	
46	1001287464	1	Plate	
47	10836804	1	Gauge, Display	

## SECTION 2 - TURNTABLE

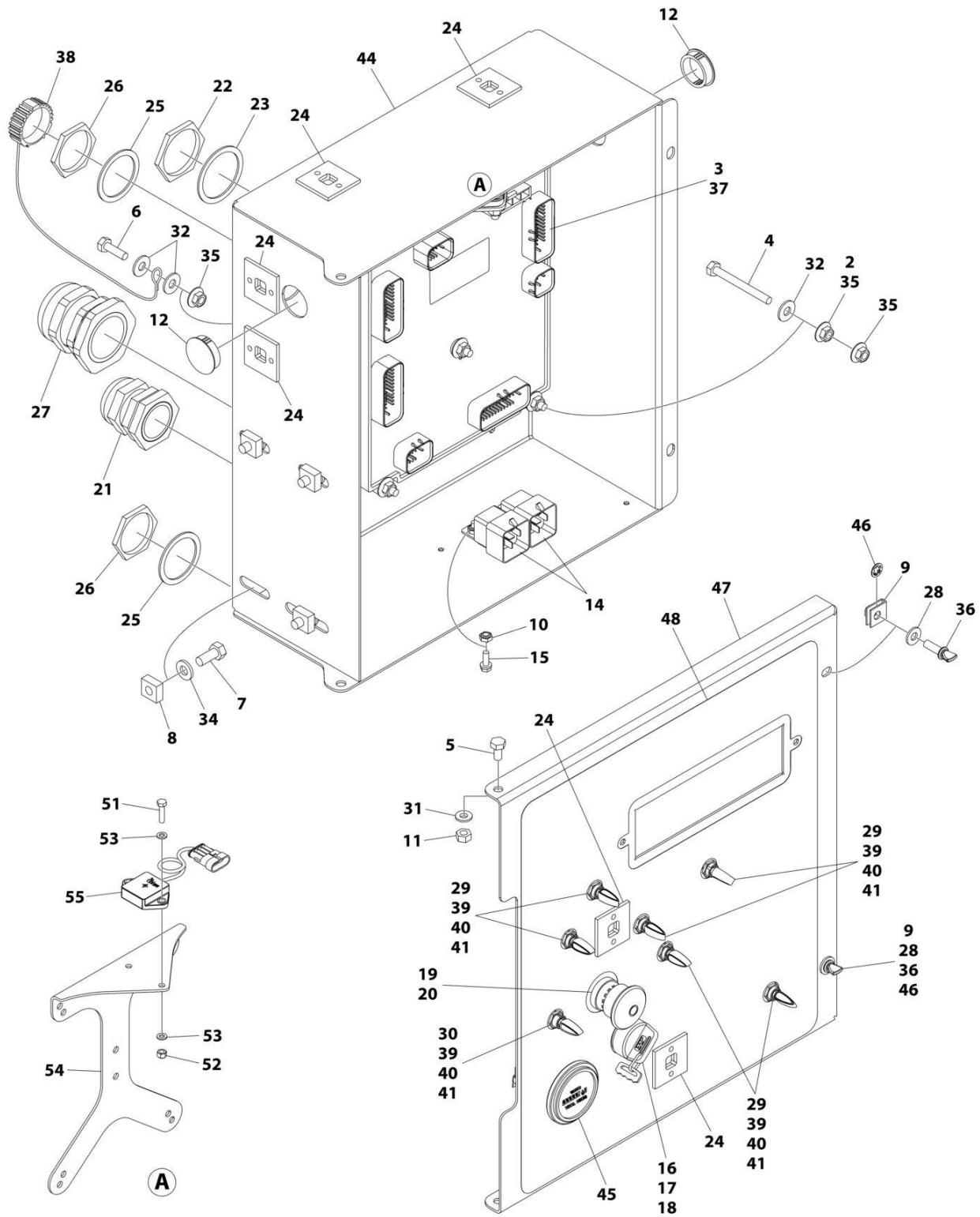
ITEM	PART NUMBER	QTY	DESCRIPTION	REV
48	1001176469	1	Shroud	
49	1001188874	2	Nut	
50	1001297391	1	Plate	
51	1001266483	1	Decal - Ground Control Box	
52	1001306145	1	Ground Control Box Harness (Not Shown - See Separate Breakdown in ELECTRICAL Section)	
54	0760612	2	Bolt M6 x 25	
55	3290605	2	Nut, Lock M6	
56	4811700	4	Washer M6	
57	1001219601	1	Sensor, Tilt	
58	1001271794	1	Bracket, Tilt Sensor	





# SECTION 2 - TURNTABLE

**FIGURE 2-35. GROUND CONTROL BOX ASSEMBLY - WITH DEUTZ TD2.9L4 - WITH MECHANICAL HOUR METER (ANSI, ANSI EXPORT (HRC), ANSI EXPORT (LRC WITH SN B3), CSA, JAPANESE, AUSTRALIAN (SN B3), RUSSIAN (SN B3) AND CHINA SPECS) WITH TILT SENSOR**



ART\_1001266474\_F

## SECTION 2 - TURNTABLE

**FIGURE 2-35. GROUND CONTROL BOX ASSEMBLY - WITH DEUTZ TD2.9L4 - WITH MECHANICAL HOUR METER (ANSI, ANSI EXPORT (HRC), ANSI EXPORT (LRC WITH SN B3), CSA, JAPANESE, AUSTRALIAN (SN B3), RUSSIAN (SN B3) AND CHINA SPECS) WITH TILT SENSOR**

ITEM	PART NUMBER	QTY	DESCRIPTION	REV
	1001266474	Ref	GROUND CONTROL BOX ASSEMBLY	F
2	0100011	AR	Compound, Locking	
3	0100048	AR	Grease, Dielectric	
4	0630548	5	Bolt 2-1/2	
5	0641404	2	Bolt 1/4 x 1/2	
6	0641407	1	Bolt 1/4 x 7/8	
7	0641506	4	Bolt 5/16 x 3/4	
8	3300205	4	Nut, Retainer	
9	3300353	2	Nut, Tinnerman	
10	3300408	2	Nut	
11	3311405	2	Nut 1/4	
12	3520031	2	Plug	
14	3740049	2	Relay	
15	3900268	2	Bolt #10 x 1/2	
16	3910804	6	Screw #8 x 1/4	
17	4070991	1	Shim	
18	4360469	1	Switch, Key	
18	2860030	1 Set	Key Replacement	
19	1001274559	1	Switch, Emergency Stop	
20	4360476	1	Switch, Contact Block	
21	4460426	1	Connector, Strain Relief	
22	4460470	1	Nut, Terminal	
23	4460471	1	Lockwasher, Terminal	
24	4460488	6	Mounting Base, Terminal	
25	4460496	2	Washer, Terminal	
26	4460497	2	Nut, Terminal	
27	4460526	1	Connector, Strain Relief	
28	4711400	2	Washer 1/4	
29	4740397	6	Spacer	
30	4740444	1	Washer	
31	4740518	2	Washer	
32	4751400	7	Washer 1/4	
34	4891500	4	Washer 5/16	
35	77143013	11	Nut 1/4	
36	1001103308	2	Thumbscrew 1/4 x 3/4	
37	1001280600	1	Module, Ground Control (Note: Recalibration Required When Replaced)	
38	1001106736	1	Cap, Dust	
39	1001155043	7	Washer	
40	1001155044	7	Nut 15/32	
41	1001155045	7	Switch, Toggle	
42	1001295732	1	Engine Harness (Not Shown - See Separate Breakdown in ELECTRICAL Section)	
43	1001284973	1	Control Valve Harness (Not Shown - See Separate Breakdown in ELECTRICAL Section)	
44	1001287464	1	Plate	
45	10836804	1	Hour Meter	
46	1001188874	2	Nut	

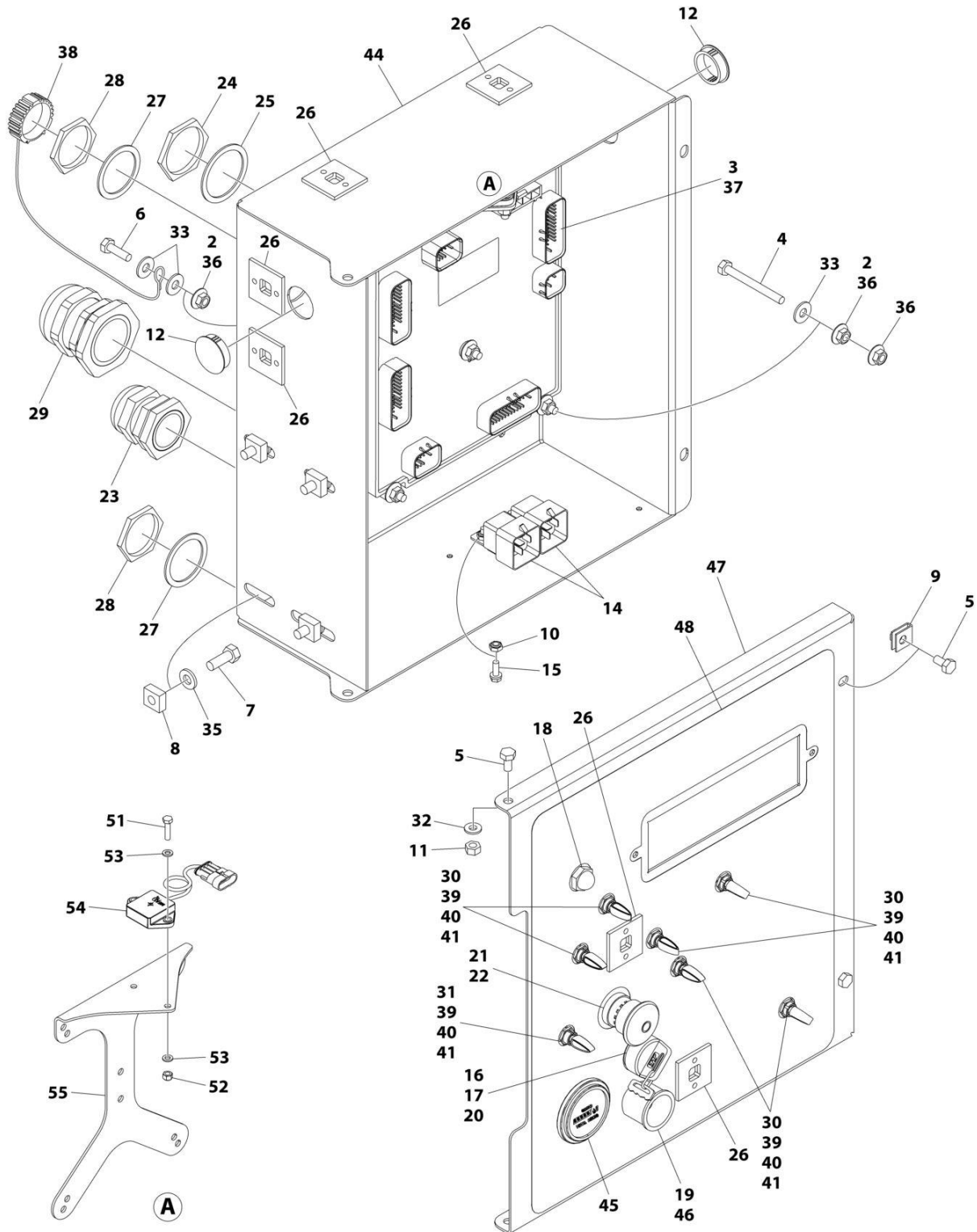
## SECTION 2 - TURNTABLE

ITEM	PART NUMBER	QTY	DESCRIPTION	REV
47	1001280403	1	Plate	
48	1001266480	1	Decal - Ground Control Box	
49	1001306145	1	Ground Control Box Harness (Not Shown - See Separate Breakdown in ELECTRICAL Section)	
51	0760612	2	Bolt M6 x 25	
52	3290605	2	Nut, Lock M6	
53	4811700	4	Washer M6	
54	1001271794	1	Bracket, Tilt Sensor	
55	1001219601	1	Sensor, Tilt	



## SECTION 2 - TURNTABLE

FIGURE 2-36. GROUND CONTROL BOX ASSEMBLY - WITH DEUTZ TD2.9L4 (STAGE V) (CE & UK CA SPECS) WITH TILT SENSOR



ART\_1001266478\_F

## SECTION 2 - TURNTABLE

**FIGURE 2-36. GROUND CONTROL BOX ASSEMBLY - WITH DEUTZ TD2.9L4 (STAGE V) (CE & UK CA SPECS) WITH TILT SENSOR**

ITEM	PART NUMBER	QTY	DESCRIPTION	REV
	1001266478	Ref	GROUND CONTROL BOX ASSEMBLY	F
2	0100011	AR	Compound, Locking	
3	0100048	AR	Grease, Dielectric	
4	0630548	5	Bolt 2-1/2	
5	0641404	4	Bolt 1/4 x 1/2	
6	0641407	1	Bolt 1/4 x 7/8	
7	0641507	4	Bolt 5/16 x 7/8	
8	3300205	4	Nut, Retainer	
9	3300353	2	Nut, Tinnerman	
10	3300408	2	Nut	
11	3311405	2	Nut 1/4	
12	3520031	2	Plug	
14	3740049	2	Relay	
15	3900268	2	Bolt #10 x 1/2	
16	3910804	6	Screw #8 x 1/4	
17	4070991	1	Shim	
18	4360274	1	Switch, Push Button	
19	4360387	1	Switch, Push Button	
20	4360469	1	Switch, Key	
20	2860030	1 Set	Key Replacement	
21	1001274559	1	Switch, Emergency Stop	
22	4360476	1	Switch, Contact Block	
23	4460426	1	Connector, Strain Relief	
24	4460470	1	Nut, Terminal	
25	4460471	1	Lockwasher, Terminal	
26	4460488	6	Mounting Base, Terminal	
27	4460496	2	Washer, Terminal	
28	4460497	2	Nut, Terminal	
29	4460526	1	Connector, Strain Relief	
30	4740397	6	Spacer	
31	4740444	1	Washer	
32	4740518	2	Washer	
33	4751400	7	Washer 1/4	
35	4891500	4	Washer 5/16	
36	77143013	11	Nut 1/4	
37	1001280600	1	Module, Ground Control (Note: Re-calibration Required When Replaced)	
38	1001106736	1	Cap, Dust	
39	1001155043	7	Washer	
40	1001155044	7	Nut 15/32	
41	1001155045	7	Switch, Toggle	
42	1001295732	1	Engine Harness (Not Shown - See Separate Breakdown in ELECTRICAL Section)	
43	1001284973	1	Control Valve Harness (Not Shown - See Separate Breakdown in ELECTRICAL Section)	
44	1001287464	1	Plate	
45	10836804	1	Gauge, Display	
46	1001176469	1	Shroud	
47	1001297391	1	Plate	

## SECTION 2 - TURNTABLE

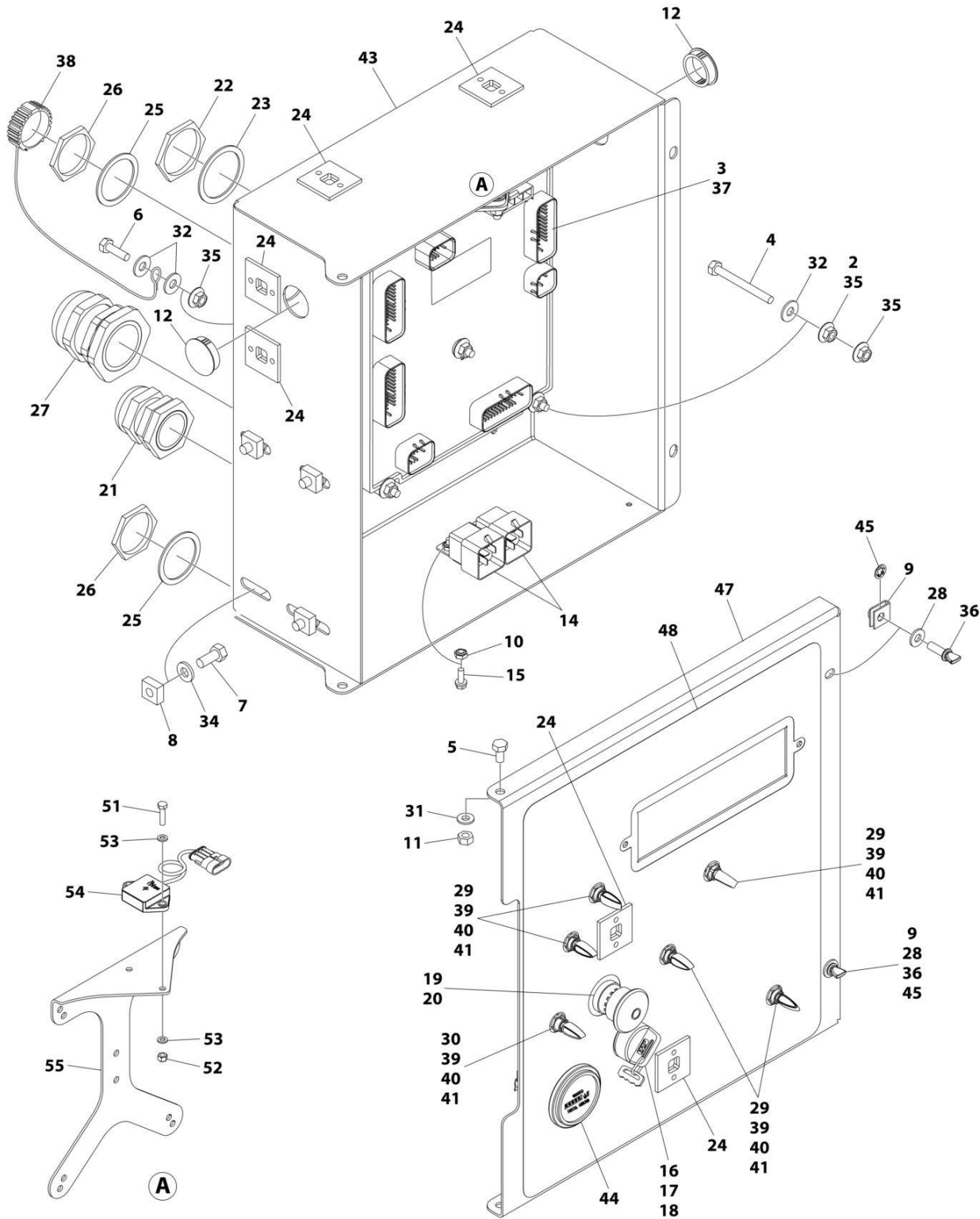
ITEM	PART NUMBER	QTY	DESCRIPTION	REV
48	1001266484	1	Decal - Ground Control Box	
49	1001306145	1	Ground Control Box Harness (Not Shown - See Separate Breakdown in ELECTRICAL Section)	
51	0760612	2	Bolt M6 x 25	
52	3290605	2	Nut, Lock M6	
53	4811700	4	Washer M6	
54	1001219601	1	Sensor, Tilt	
55	1001271794	1	Bracket, Tilt Sensor	





# SECTION 2 - TURNTABLE

FIGURE 2-37. GROUND CONTROL BOX ASSEMBLY - WITH FORD DF 2.5L - WITH MECHANICAL HOUR METER (ANSI, ANSI EXPORT (LRC & HRC) AND CSA SPECS)



ART\_1001266475\_E

## SECTION 2 - TURNTABLE

**FIGURE 2-37. GROUND CONTROL BOX ASSEMBLY - WITH FORD DF 2.5L - WITH MECHANICAL HOUR METER (ANSI, ANSI EXPORT (LRC & HRC) AND CSA SPECS)**

ITEM	PART NUMBER	QTY	DESCRIPTION	REV
	1001266475	Ref	GROUND CONTROL BOX ASSEMBLY	E
2	0100011	AR	Compound, Locking	
3	0100048	AR	Grease, Dielectric	
4	0630548	5	Bolt 2-1/2	
5	0641404	2	Bolt 1/4 x 1/2	
6	0641407	1	Bolt 1/4 x 7/8	
7	0641506	4	Bolt 5/16 x 3/4	
8	3300205	4	Nut, Retainer	
9	3300353	2	Nut, Tinnerman	
10	3300408	2	Nut	
11	3311405	2	Nut 1/4	
12	3520031	2	Plug	
14	3740049	2	Relay	
15	3900268	2	Bolt #10 x 1/2	
16	3910804	6	Screw #8 x 1/4	
17	4070991	1	Shim	
18	4360469	1	Switch, Key	
18	2860030	1 Set	Key Replacement	
19	4360475	1	Switch, Emergency Stop	
19	7020175	1	Cap, Mushroom	
19	7020176	1	Block, Contact	
20	4360476	1	Switch, Contact Block	
21	4460426	1	Connector, Strain Relief	
22	4460470	1	Nut, Terminal	
23	4460471	1	Lockwasher, Terminal	
24	4460488	6	Mounting Base, Terminal	
25	4460496	2	Washer, Terminal	
26	4460497	2	Nut, Terminal	
27	4460526	1	Connector, Strain Relief	
28	4711400	2	Washer 1/4	
29	4740397	5	Spacer	
30	4740444	1	Washer	
31	4740518	2	Washer	
32	4751400	7	Washer 1/4	
34	4891500	4	Washer 5/16	
35	77143013	11	Nut 1/4	
36	1001103308	2	Thumbscrew 1/4 x 3/4	
37	1001280600	1	Module, Ground Control (Note: Recalibration Required When Replaced)	
38	1001106736	1	Cap, Dust	
39	1001155043	6	Washer	
40	1001155044	6	Nut 15/32	
41	1001155045	6	Switch, Toggle	
42	1001284973	1	Control Valve Harness (Not Shown - See Separate Breakdown in ELECTRICAL Section)	
43	1001287464	1	Plate	
44	10836804	1	Hour Meter	
45	1001188874	2	Nut	

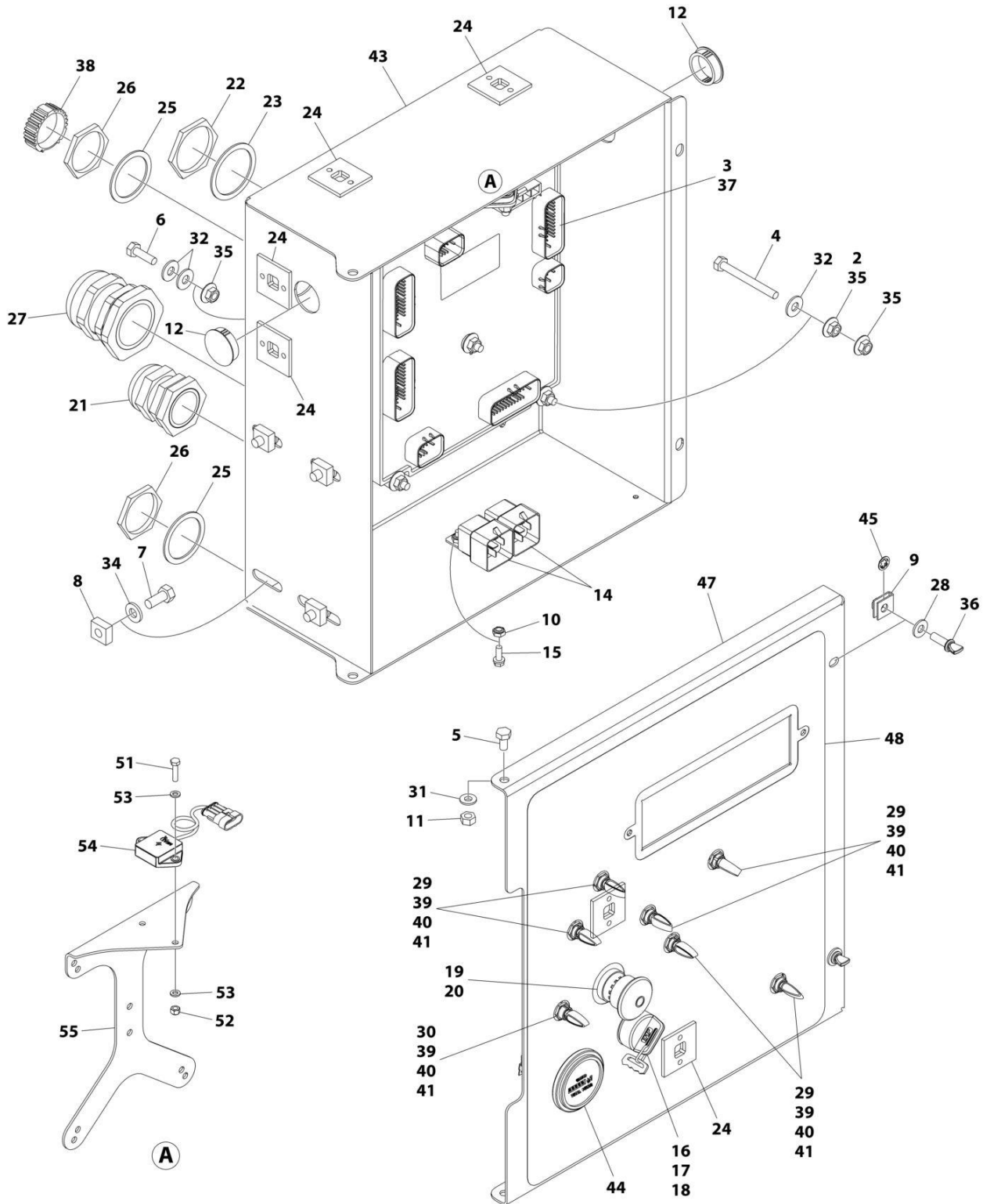
## SECTION 2 - TURNTABLE

ITEM	PART NUMBER	QTY	DESCRIPTION	REV
46	1001286028	1	Engine Harness (Not Shown - See Separate Breakdown in ELECTRICAL Section)	
47	1001280403	1	Plate	
48	1001266479	1	Decal - Ground Control Box	
49	1001306145	1	Ground Control Box Harness (Not Shown - See Separate Breakdown in ELECTRICAL Section)	
51	0760612	2	Bolt M6 x 25	
52	3290605	2	Nut, Lock M6	
53	4811700	4	Washer M6	
54	1001219601	1	Sensor, Tilt	
55	1001271794	1	Bracket, Tilt Sensor	



# SECTION 2 - TURNTABLE

**FIGURE 2-38. GROUND CONTROL BOX ASSEMBLY - WITH FORD DF 2.5L - WITH MECHANICAL HOUR METER (ANSI, ANSI EXPORT (LRC & HRC), AUSTRALIAN AND CSA SPECS)**



ART\_1001266476\_E

## SECTION 2 - TURNTABLE

**FIGURE 2-38. GROUND CONTROL BOX ASSEMBLY - WITH FORD DF 2.5L - WITH MECHANICAL HOUR METER (ANSI, ANSI EXPORT (LRC & HRC), AUSTRALIAN AND CSA SPECS)**

ITEM	PART NUMBER	QTY	DESCRIPTION	REV
	1001266476	Ref	GROUND CONTROL BOX ASSEMBLY	E
2	0100011	AR	Compound, Locking	
3	0100048	AR	Grease, Dielectric	
4	0630548	5	Screw 2-1/2 Tap	
5	0641404	2	Screw 1/4 x 1/2	
6	0641407	1	Screw 1/4 x 7/8	
7	0641506	4	Screw 5/16 x 3/4	
8	3300205	4	Nut, Retainer	
9	3300353	2	Nut, Tinnerman	
10	3300408	2	Nut, Plastic Insert	
11	3311405	2	Nut 1/4	
12	3520031	2	Plug	
14	3740049	2	Relay	
15	3900268	2	Screw #10 x 1/2	
16	3910804	6	Screw #8 x 1/4	
17	4070991	1	Shim	
18	4360469	1	Switch, Key	
19	4360475	1	Switch, Emergency Stop	
19	7020175	1	Cap, Mushroom	
19	7020176	1	Block, Contact	
20	4360476	1	Switch, Contact Block	
21	4460426	1	Connector, Strain Relief	
22	4460470	1	Nut, Terminal	
23	4460471	1	Washer, Terminal	
24	4460488	6	Mounting Base, Terminal	
25	4460496	2	Washer, Terminal	
26	4460497	2	Nut, Terminal	
27	4460526	1	Connector, Strain Relief	
28	4711400	2	Washer 1/4	
29	4740397	6	Spacer	
30	4740444	1	Washer	
31	4740518	2	Washer	
32	4751400	7	Washer 1/4	
34	4891500	4	Washer 5/16	
35	77143013	11	Nut 1/4	
36	1001103308	2	Screw 1/4	
37	1001280600	1	Module, Ground Control (Note: Re-calibration Required when Replaced)	
38	1001106736	1	Cap, Dust	
39	1001155043	7	Washer	
40	1001155044	7	Nut 15/32	
41	1001155045	7	Switch, Toggle	
42	1001284973	1	Harness, Platform Valve (Not Shown - See Separate Breakdown in ELECTRICAL Section)	
43	1001287464	1	Box Less Lid	
44	10836804	1	Hour Meter	
45	1001188874	2	Nut	
46	1001286028	1	Harness, Ford DF 2.5L Engine (Not Shown - See Separate Breakdown in ELECTRICAL Section)	

## SECTION 2 - TURNTABLE

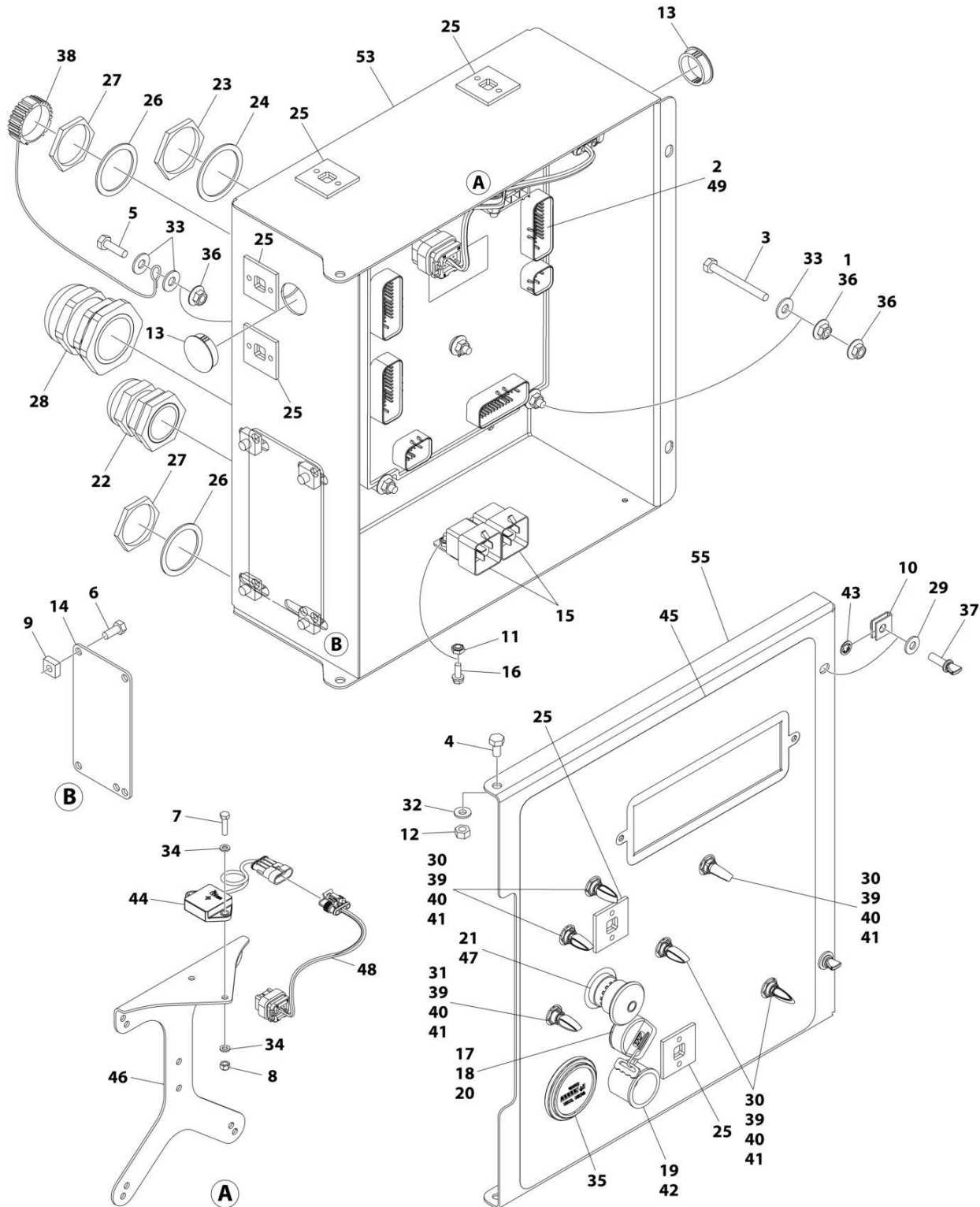
ITEM	PART NUMBER	QTY	DESCRIPTION	REV
47	1001280403	1	Plate	
48	1001266480	1	Decal, MTB	
49	1001306145	1	Harness, MTB (Not Shown - See Separate Breakdown in ELECTRICAL Section)	
50	1001285800	1	Wire, MTB (Not Shown)	
51	0760612	2	Bolt M6 x 25	
52	3290605	2	Nut, Lock M6	
53	4811700	4	Washer M6	
54	1001219601	1	Sensor, Tilt	
55	1001271794	1	Bracket, Tilt Sensor	





# SECTION 2 - TURNTABLE

## FIGURE 2-39. GROUND CONTROL BOX ASSEMBLY - WITH DEUTZ TD2.9L4 (UNR96) ENGINE (860SJ)



ART\_1001300363

## SECTION 2 - TURNTABLE

**FIGURE 2-39. GROUND CONTROL BOX ASSEMBLY - WITH DEUTZ TD2.9L4 (UNR96) ENGINE  
(860SJ)**

ITEM	PART NUMBER	QTY	DESCRIPTION	REV
	1001300363	Ref	GROUND CONTROL BOX ASSEMBLY	A
1	0100011	AR	Compound, Locking	
2	0100048	AR	Grease, Dielectric	
3	0630548	5	Bolt 2-1/2	
4	0641404	2	Bolt 1/4 x 1/2	
5	0641407	1	Bolt 1/4 x 7/8	
6	0641506	4	Bolt 5/16 x 3/4	
7	0760612	2	Bolt M6 x 25	
8	3290605	2	Nut M6	
9	3300205	4	Nut, Retainer	
10	3300353	2	Nut, Tinnerman	
11	3300408	2	Nut	
12	3311405	2	Nut 1/4	
13	3520031	2	Plug	
14	3539219	1	Plate	
15	3740049	2	Relay	
16	3900268	2	Bolt #10 x 1/2	
17	3910804	6	Screw #8 x 1/4	
18	4070991	1	Shim	
19	4360387	1	Switch, Push Button	
20	4360469	1	Switch, Key	
20	2860030	1 Set	Key Replacement	
21	4360476	1	Switch, Contact Block	
22	4460426	1	Connector, Strain Relief	
23	4460470	1	Nut, Terminal	
24	4460471	1	Lockwasher, Terminal	
25	4460488	6	Mounting Base, Terminal	
26	4460496	2	Lockwasher, Terminal	
27	4460497	2	Nut, Terminal	
28	4460526	1	Connector, Strain Relief	
29	4711400	2	Washer 1/4	
30	4740397	6	Spacer	
31	4740444	1	Washer	
32	4740518	2	Washer	
33	4751400	7	Washer 1/4	
34	4811700	4	Washer M6	
35	10836804	1	Gauge, Display	
36	77143013	11	Nut 1/4	
37	1001103308	2	Screw 1/4 x 3/4	
38	1001106736	1	Cap, Dust	
39	1001155043	7	Washer	
40	1001155044	7	Nut 15/32	
41	1001155045	7	Switch, Toggle	
42	1001176469	1	Shroud	
43	1001188874	2	Nut, Push	
44	1001219601	1	Sensor, Tilt	
45	1001266482	1	Decal - Ground Control Box	
46	1001271794	1	Bracket	
47	1001274559	1	Switch, Emergency Stop	

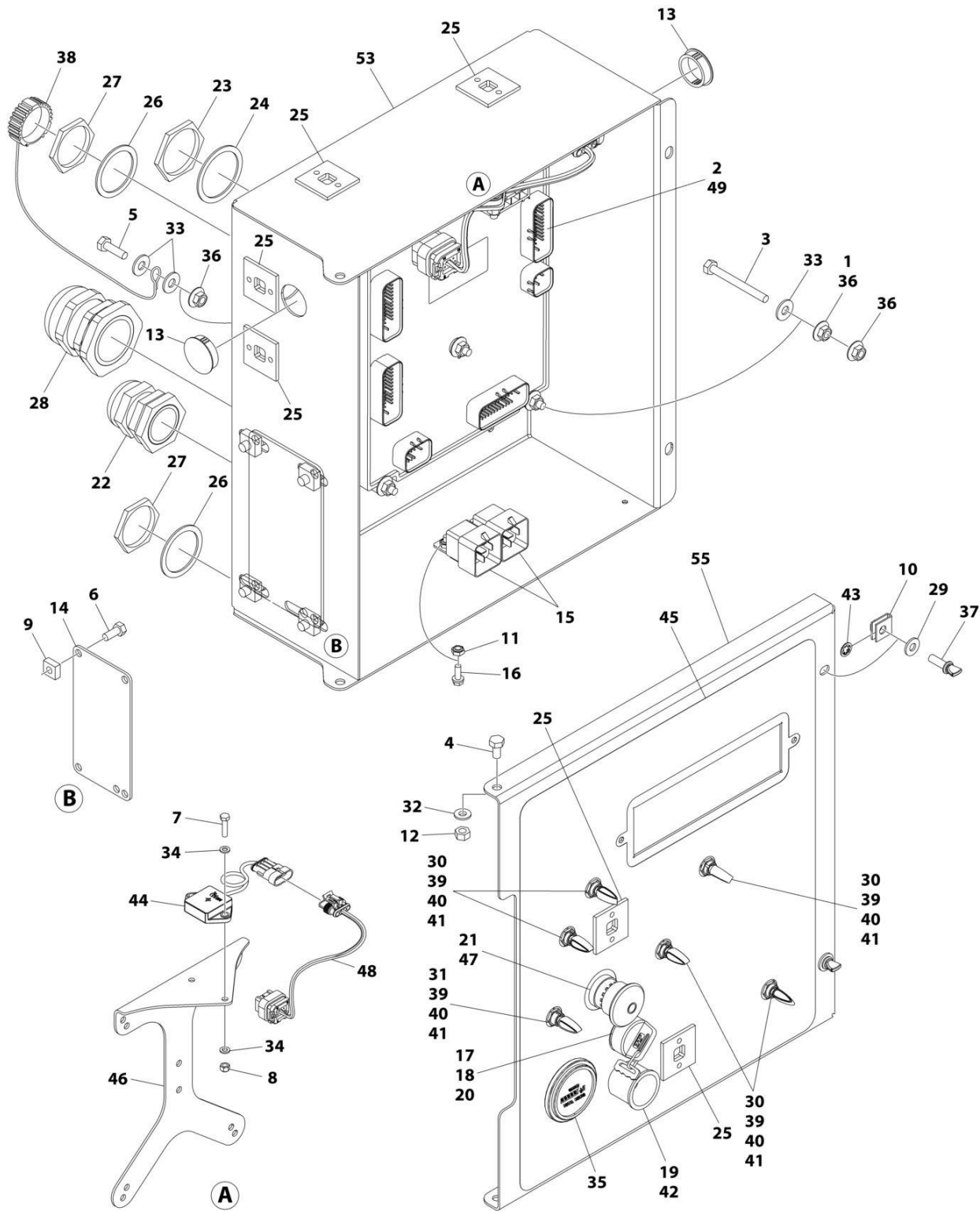
## SECTION 2 - TURNTABLE

ITEM	PART NUMBER	QTY	DESCRIPTION	REV
48	1001276143	1	Harness, Tilt Sensor (See Separate Breakdown in ELECTRICAL Section)	
49	1001280600	1	Module, Ground Control (Note: Recalibration Required When Replaced)	
50	1001284973	1	Control Valve Harness (Not Shown) (See Separate Breakdown in ELECTRICAL Section)	
51	1001285346	1	Ground Control Box Harness (Not Shown) (See Separate Breakdown in ELECTRICAL Section)	
53	1001287464	1	Plate	
54	1001295732	1	Engine Harness (Not Shown) (See Separate Breakdown in ELECTRICAL Section)	
55	1001297391	1	Plate	



# SECTION 2 - TURNTABLE

## FIGURE 2-40. GROUND CONTROL BOX ASSEMBLY - WITH DEUTZ TD2.9L4 (UNR96) ENGINE (800S)



ART\_1001300364

## SECTION 2 - TURNTABLE

**FIGURE 2-40. GROUND CONTROL BOX ASSEMBLY - WITH DEUTZ TD2.9L4 (UNR96) ENGINE (800S)**

ITEM	PART NUMBER	QTY	DESCRIPTION	REV
	1001300364	Ref	GROUND CONTROL BOX ASSEMBLY	A
1	0100011	AR	Compound, Locking	
2	0100048	AR	Grease, Dielectric	
3	0630548	5	Bolt 2-1/2	
4	0641404	2	Bolt 1/4 x 1/2	
5	0641407	1	Bolt 1/4 x 7/8	
6	0641506	4	Bolt 5/16 x 3/4	
7	0760612	2	Bolt M6 x 25	
8	3290605	2	Nut M6	
9	3300205	4	Nut, Retainer	
10	3300353	2	Nut, Tinnerman	
11	3300408	2	Nut	
12	3311405	2	Nut 1/4	
13	3520031	2	Plug	
14	3539219	1	Plate	
15	3740049	2	Relay	
16	3900268	2	Bolt #10 x 1/2	
17	3910804	6	Screw #8 x 1/4	
18	4070991	1	Shim	
19	4360387	1	Switch, Push Button	
20	4360469	1	Switch, Key	
20	2860030	1 Set	Key Replacement	
21	4360476	1	Switch, Contact Block	
22	4460426	1	Connector, Strain Relief	
23	4460470	1	Nut, Terminal	
24	4460471	1	Lockwasher, Terminal	
25	4460488	6	Mounting Base, Terminal	
26	4460496	2	Lockwasher, Terminal	
27	4460497	2	Nut, Terminal	
28	4460526	1	Connector, Strain Relief	
29	4711400	2	Washer 1/4	
30	4740397	5	Spacer	
31	4740444	1	Washer	
32	4740518	2	Washer	
33	4751400	7	Washer 1/4	
34	4811700	4	Washer M6	
35	10836804	1	Gauge, Display	
36	77143013	11	Nut 1/4	
37	1001103308	2	Screw 1/4 x 3/4	
38	1001106736	1	Cap, Dust	
39	1001155043	6	Washer	
40	1001155044	6	Nut 15/32	
41	1001155045	6	Switch, Toggle	
42	1001176469	1	Shroud	
43	1001188874	2	Nut, Push	
44	1001219601	1	Sensor, Tilt	
45	1001266481	1	Decal - Ground Control Box	
46	1001271794	1	Bracket	
47	1001274559	1	Switch, Emergency Stop	

## SECTION 2 - TURNTABLE

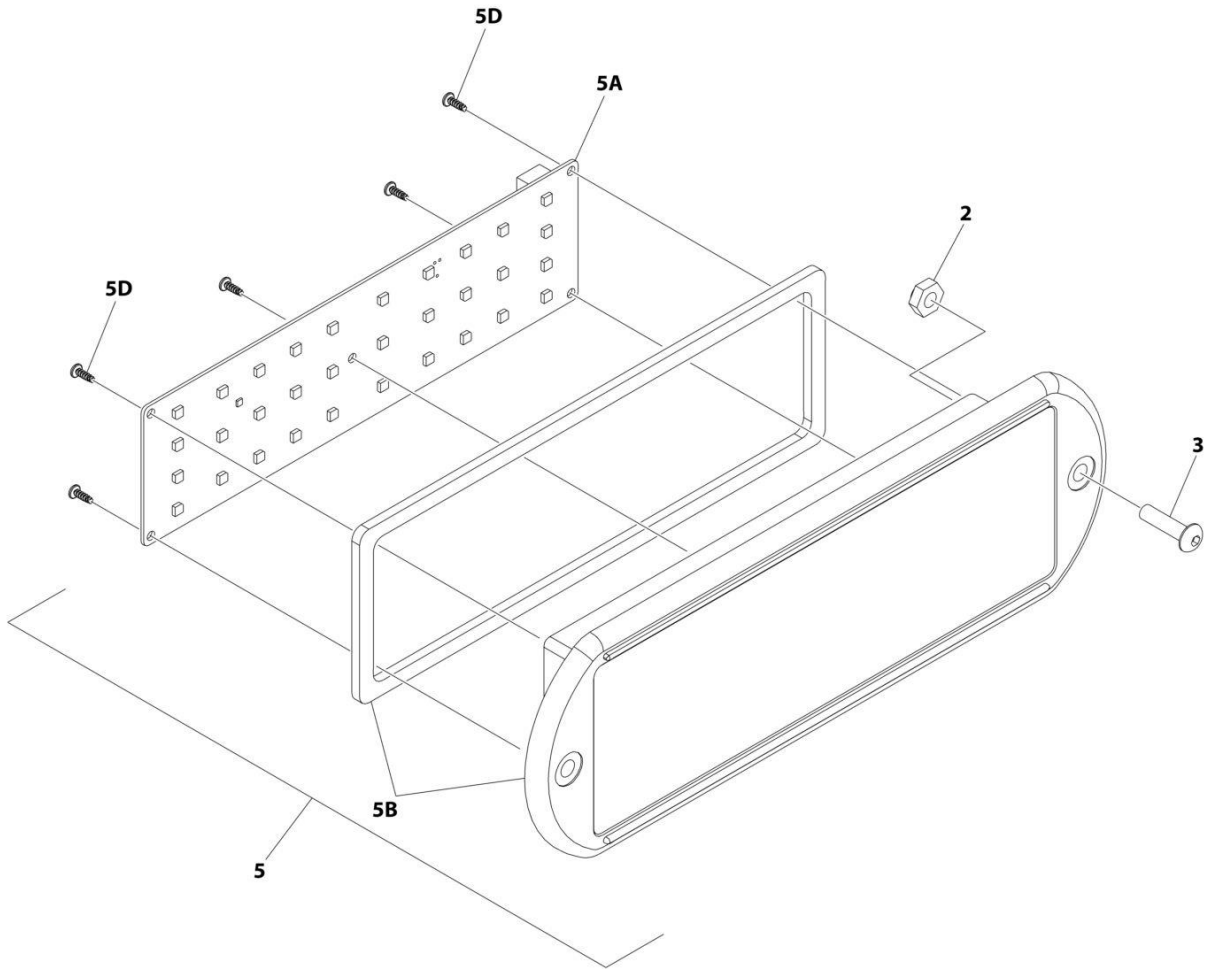
ITEM	PART NUMBER	QTY	DESCRIPTION	REV
48	1001276143	1	Harness, Tilt Sensor (See Separate Breakdown in ELECTRICAL Section)	
49	1001280600	1	Module, Ground Control (Note: Re-calibration Required When Replaced)	
50	1001284973	1	Control Valve Harness (Not Shown) (See Separate Breakdown in ELECTRICAL Section)	
51	1001285346	1	Ground Control Box Harness (Not Shown) (See Separate Breakdown in ELECTRICAL Section)	
53	1001287464	1	Plate	
54	1001295732	1	Engine Harness (Not Shown) (See Separate Breakdown in ELECTRICAL Section)	
55	1001297391	1	Plate	





## SECTION 2 - TURNTABLE

FIGURE 2-41. LIGHT PANEL INSTALLATION (MACHINES WITH SN STARTING WITH 03 OR 13)



ART\_1001233959\_D\_10F2

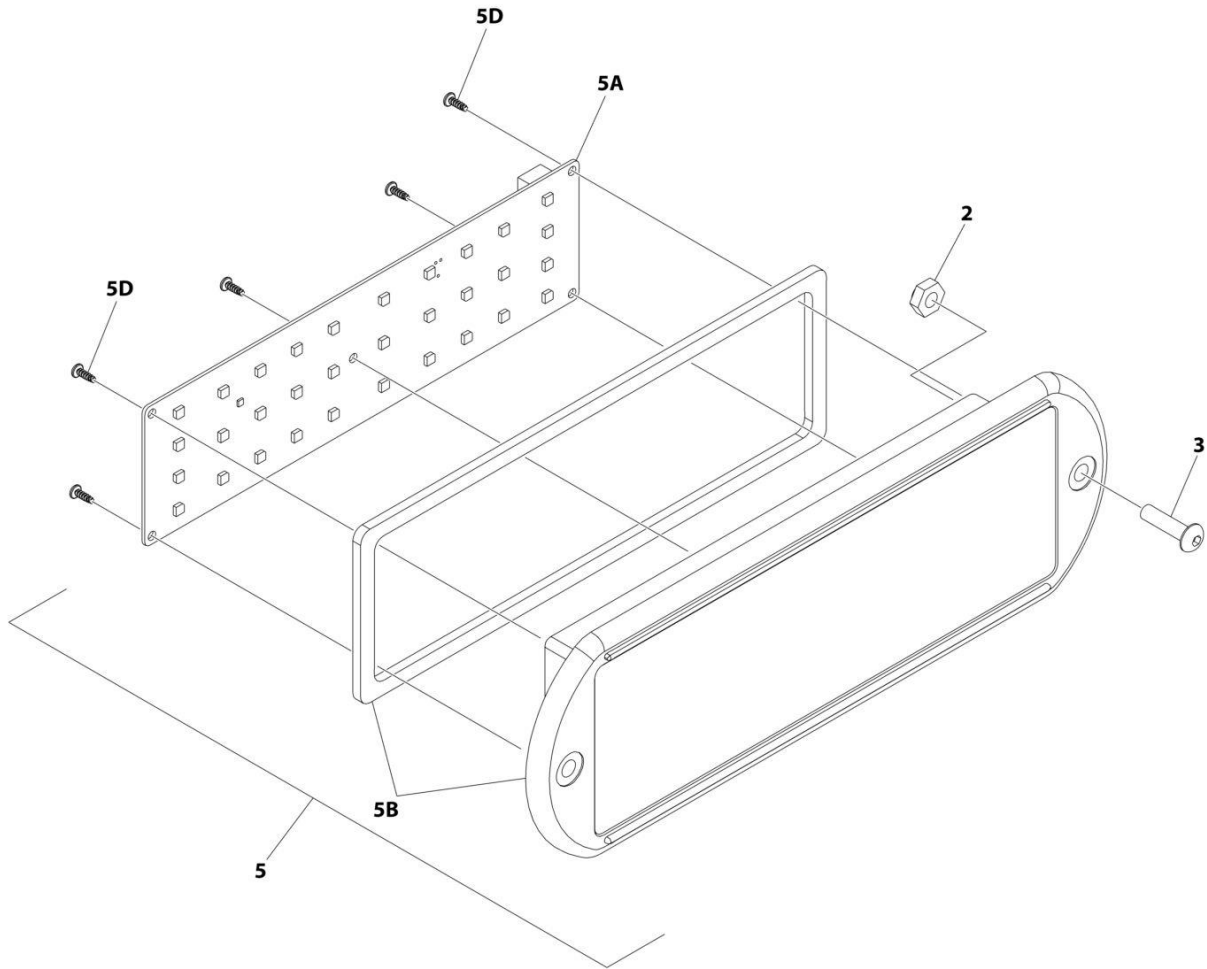
**SECTION 2 - TURNTABLE**

**FIGURE 2-41. LIGHT PANEL INSTALLATION (MACHINES WITH SN STARTING WITH 03 OR 13)**

<b>ITEM</b>	<b>PART NUMBER</b>	<b>QTY</b>	<b>DESCRIPTION</b>	<b>REV</b>
	1001233959	Ref	LIGHT PANEL INSTALLATION	D
2	3300408	2	Nut, Nylon Insert	
3	0630518	2	Screw #10 x 3/4	
5	1001237546	1	Light Panel Assembly	J
5A	1001282106	1	Panel, LED Light	
5B	1001236091	1	Lens, Icon (Includes Gasket)	
5D		Ref	Screw	

## SECTION 2 - TURNTABLE

FIGURE 2-42. LIGHT PANEL INSTALLATION (MACHINES WITH SN STARTING WITH B3)



ART\_1001241398\_D\_10F2

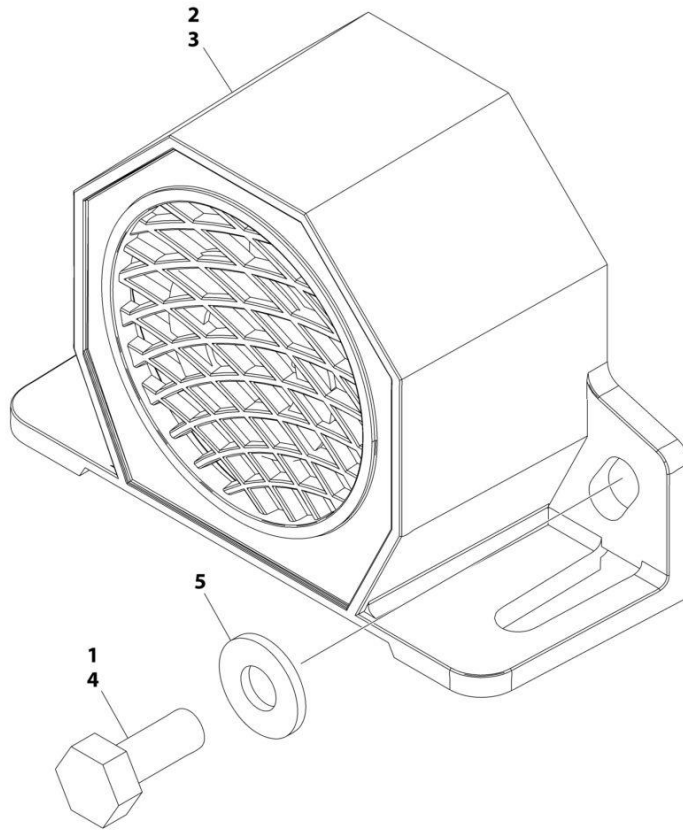
**SECTION 2 - TURNTABLE**

**FIGURE 2-42. LIGHT PANEL INSTALLATION (MACHINES WITH SN STARTING WITH B3)**

<b>ITEM</b>	<b>PART NUMBER</b>	<b>QTY</b>	<b>DESCRIPTION</b>	<b>REV</b>
	1001241398	Ref	LIGHT PANEL INSTALLATION	D
2	3300408	2	Nut, Nylon Insert	
3	0630518	2	Screw #10 x 3/4	
5	1001237546	1	Light Panel Assembly	J
5A	1001282106	1	Panel, LED Light	
5B	1001236091	1	Lens, Icon (Includes Gasket)	
5D		Ref	Screw	

## SECTION 2 - TURNTABLE

FIGURE 2-43. ALARM INSTALLATION



ART\_1001158364

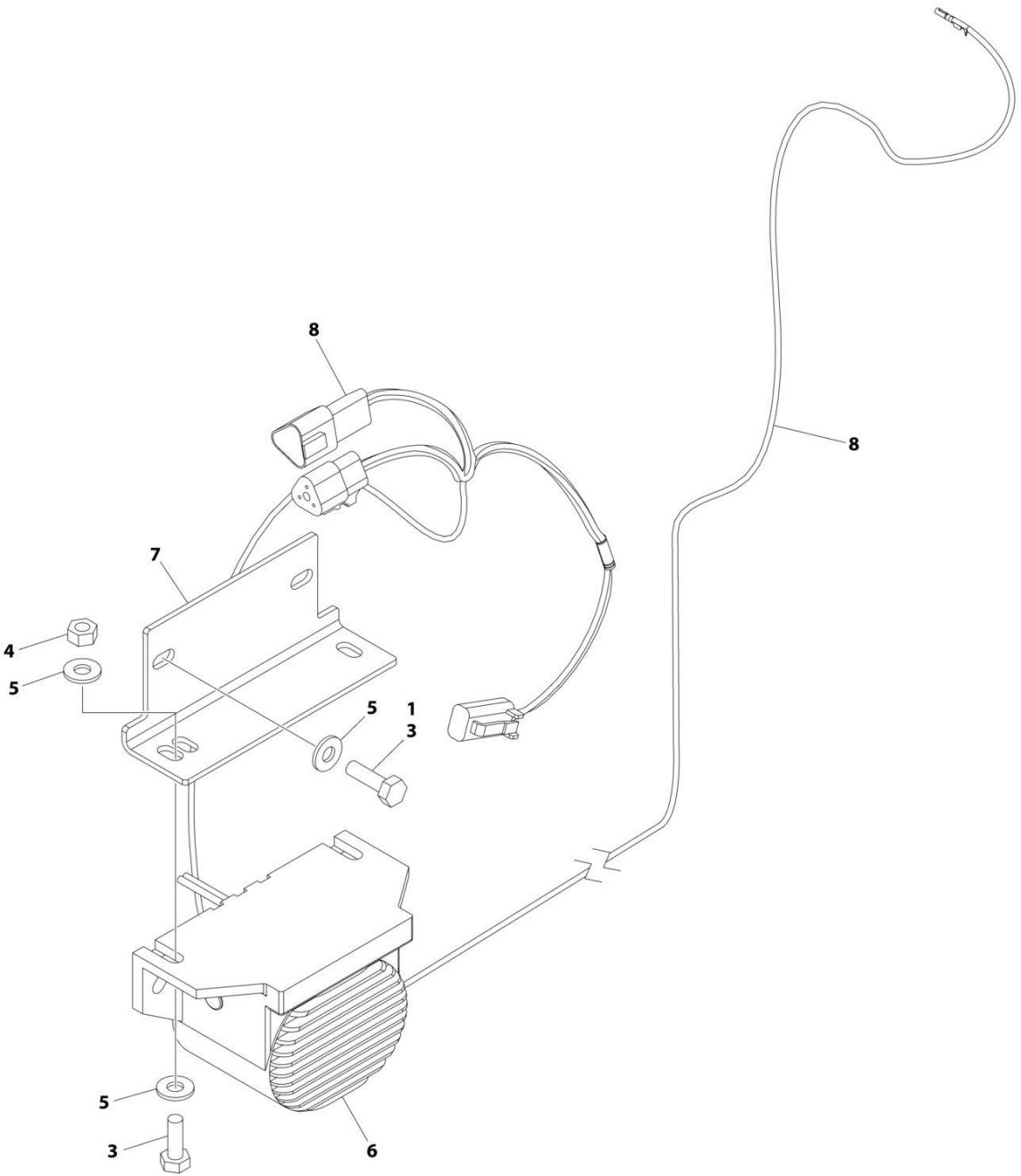
**SECTION 2 - TURNTABLE**

**FIGURE 2-43. ALARM INSTALLATION**

<b>ITEM</b>	<b>PART NUMBER</b>	<b>QTY</b>	<b>DESCRIPTION</b>	<b>REV</b>
	1001158364	Ref	ALARM INSTALLATION	A
1	0100011	AR	Compound, Locking	
2	0100048	AR	Grease, Dielectric	
3	0140044	1	Alarm	
4	0641405	2	Bolt 1/4 x 5/8	
5	4711400	2	Washer 1/4	

# SECTION 2 - TURNTABLE

## FIGURE 2-44. WHITE NOISE ALARM INSTALLATION - AMBIENT



ART\_1001247281



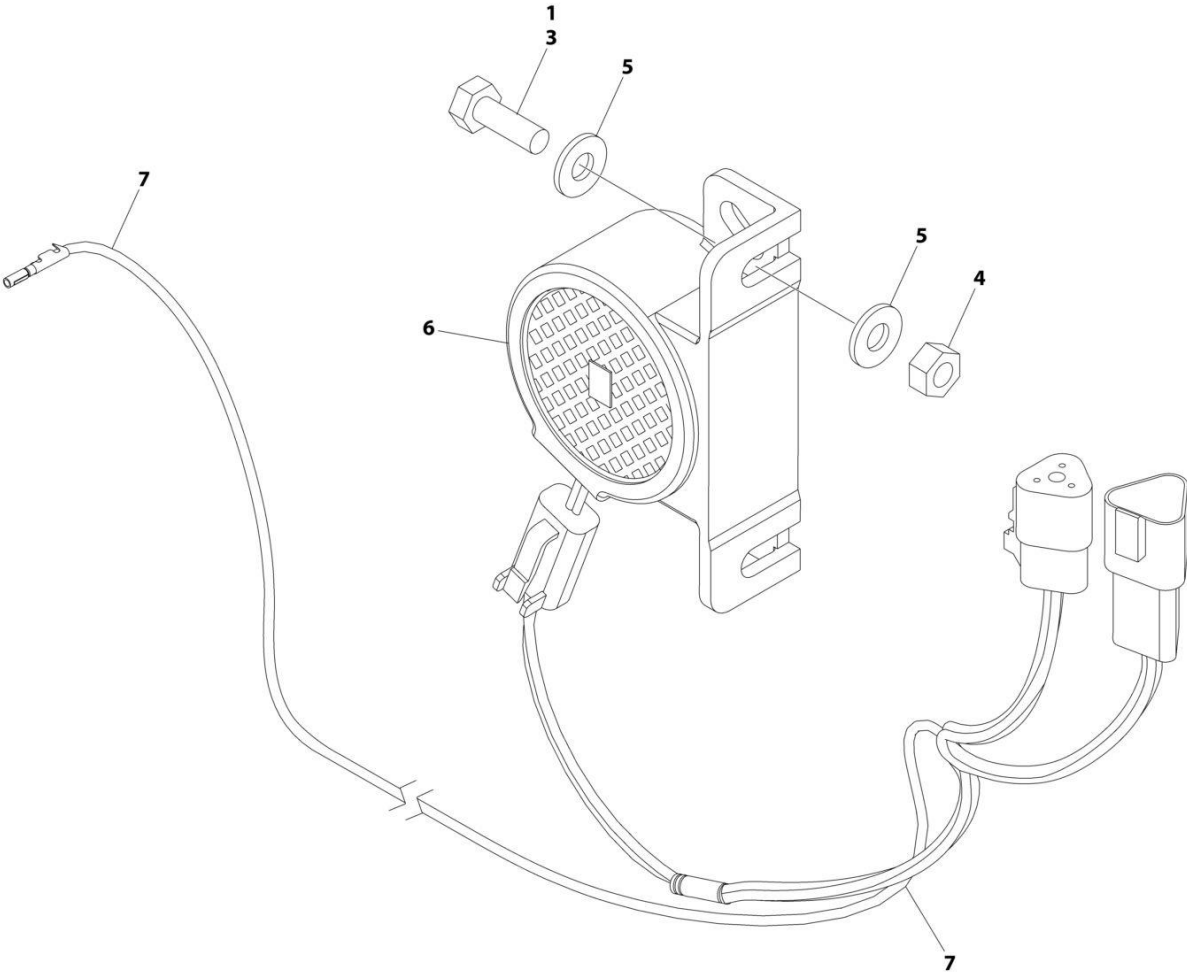
**SECTION 2 - TURNTABLE**

**FIGURE 2-44. WHITE NOISE ALARM INSTALLATION - AMBIENT**

<b>ITEM</b>	<b>PART NUMBER</b>	<b>QTY</b>	<b>DESCRIPTION</b>	<b>REV</b>
	1001247281	Ref	WHITE NOISE ALARM INSTALLATION	B
1	0100011	AR	Compound, Locking	
2	0100048	AR	Compound, Silicone (Not Shown)	
3	0641406	4	Bolt 1/4 x 3/4	
4	3311405	2	Nut 1/4	
5	4711400	6	Washer 1/4	
6	1001182806	1	Alarm	
7	1001231886	1	Plate	
8	1001243682	1	White Noise Motion Alarm Harness (See Separate Breakdown in this Section)	

**SECTION 2 - TURNTABLE**

**FIGURE 2-45. WHITE NOISE ALARM INSTALLATION - CONSTANT**



ART\_1001263179

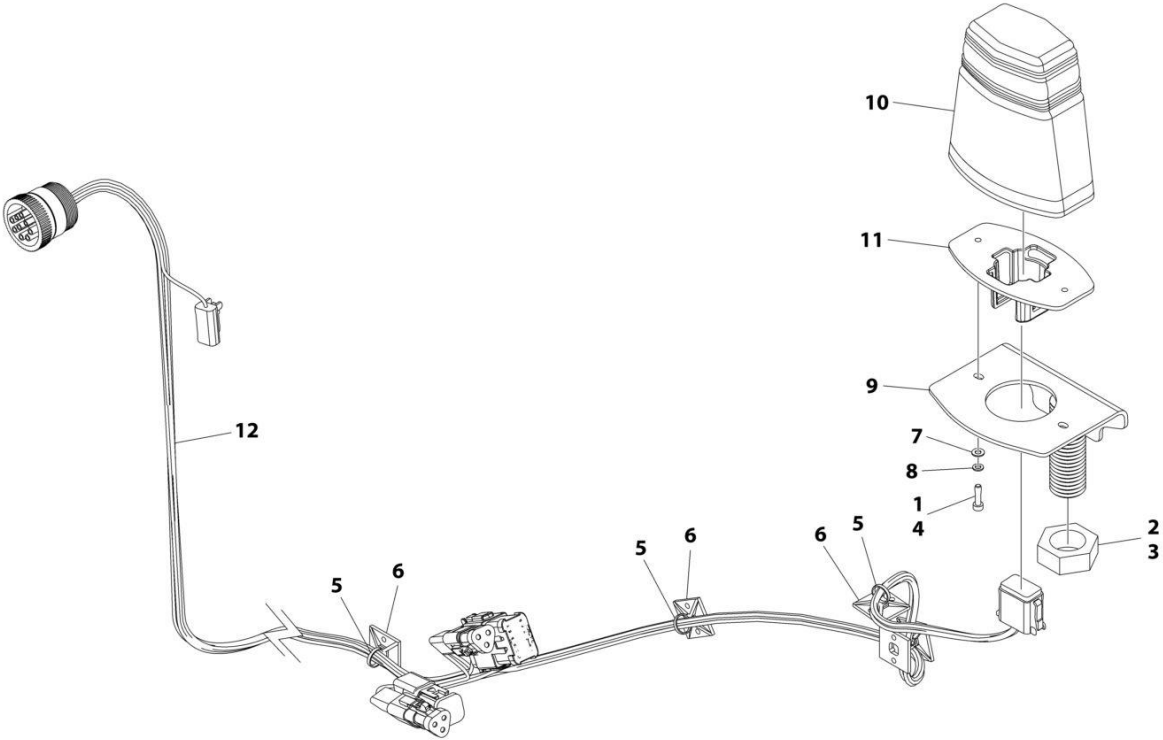
**SECTION 2 - TURNTABLE**

**FIGURE 2-45. WHITE NOISE ALARM INSTALLATION - CONSTANT**

<b>ITEM</b>	<b>PART NUMBER</b>	<b>QTY</b>	<b>DESCRIPTION</b>	<b>REV</b>
	1001263179	Ref	WHITE NOISE ALARM INSTALLATION	B
1	0100011	AR	Compound, Locking	
2	0100048	AR	Compound, Silicone (Not Shown)	
3	0641406	2	Bolt 1/4 x 3/4	
4	3311405	2	Nut 1/4	
5	4711400	4	Washer 1/4	
6	1001184682	1	Alarm	
7	1001243682	1	White Noise Motion Alarm Harness (See Separate Breakdown in this Section)	

**SECTION 2 - TURNTABLE**

**FIGURE 2-46. CLEARSKY INSTALLATION**



ART\_1001289850

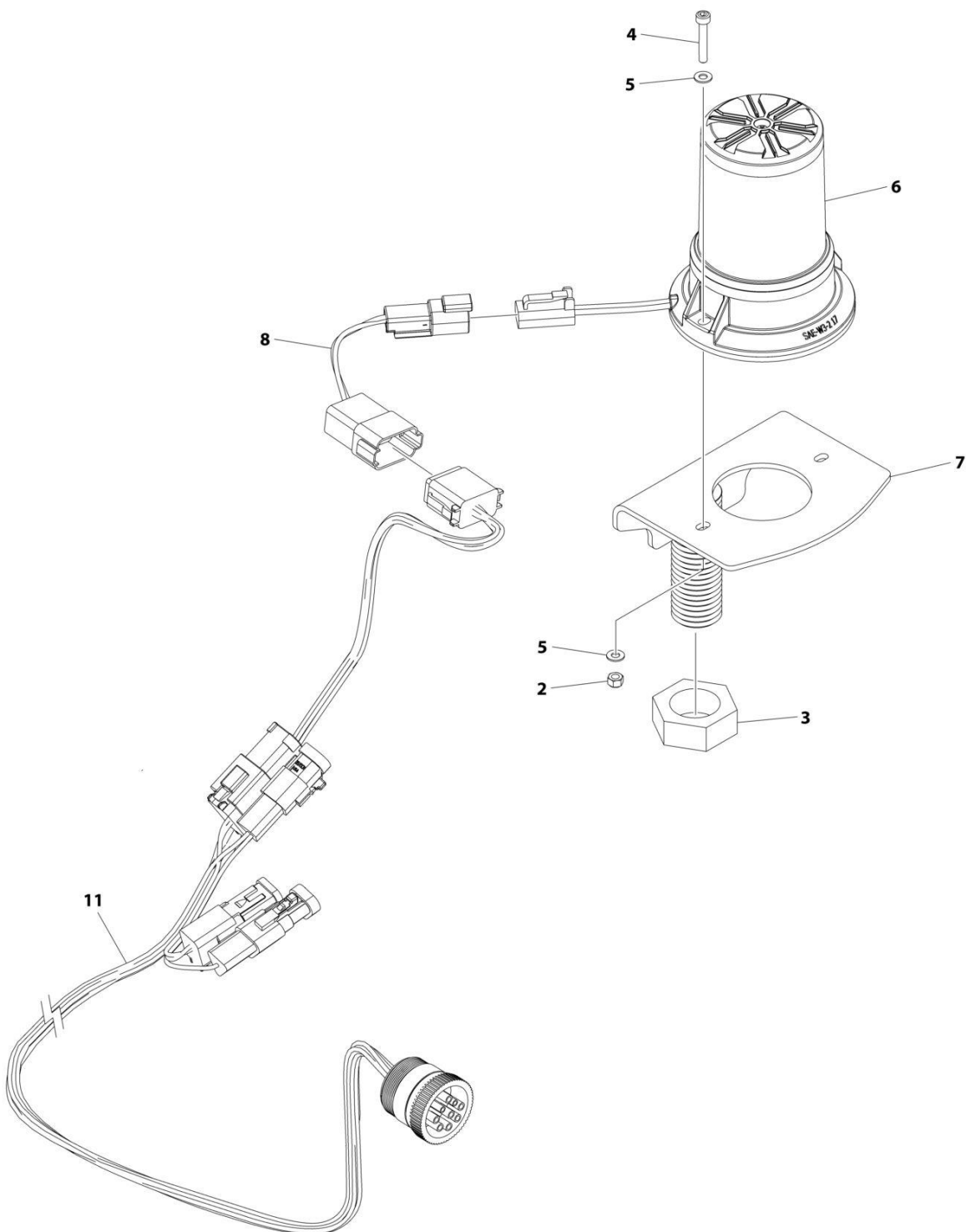
**SECTION 2 - TURNTABLE**

**FIGURE 2-46. CLEARSKY INSTALLATION**

ITEM	PART NUMBER	QTY	DESCRIPTION	REV
	1001289850	Ref	CLEARSKY INSTALLATION	B
1	0100011	AR	Compound, Locking	
2	3020043	AR	Lube, Anti-Seize	
3	3312602	1	Nut	
4	4031507	2	Bolt M4 x 16	
5	4240017	AR	Tie-Strap	
6	4460234	AR	Mount, Tie-Strap	
7	4811400	2	Washer M4	
8	4831400	2	Washer, Lock M4	
9	1001275149	1	Mount	
10	1001280661	1	Control, Clearsky	
11	1001289648	1	Plate	
12	1001286622	1	Harness	
13	3290401	2	Nut M4	
14	1001291056	2	Gasket	

## SECTION 2 - TURNTABLE

FIGURE 2-47. STROBE LIGHT INSTALLATION (AMBER) (ALL SPECS EXCEPT CHINESE SPECS)



ART\_1001160077\_E

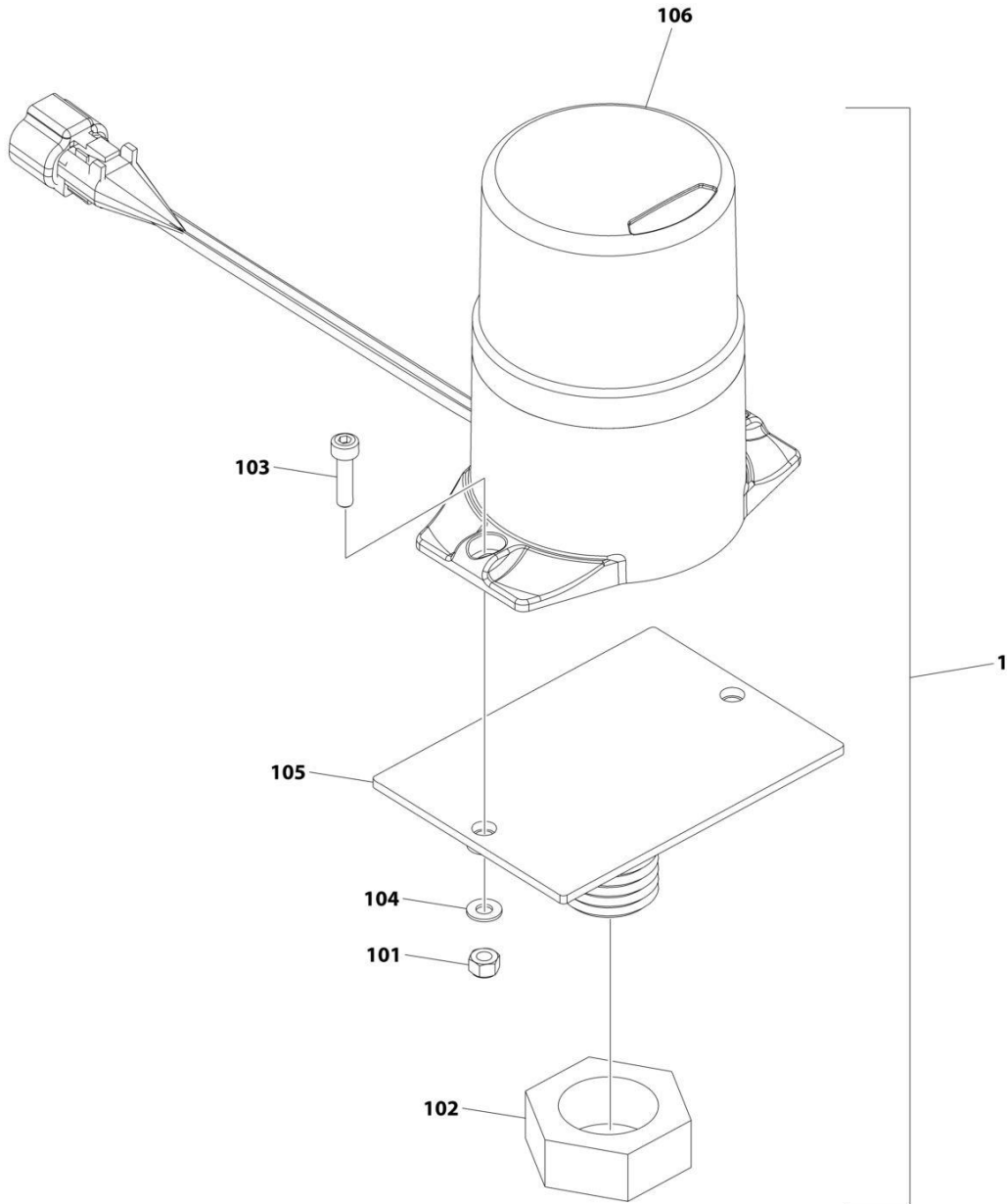
**SECTION 2 - TURNTABLE**

**FIGURE 2-47. STROBE LIGHT INSTALLATION (AMBER) (ALL SPECS EXCEPT CHINEASE SPECS)**

ITEM	PART NUMBER	QTY	DESCRIPTION	REV
	1001160077	Ref	STROBE LIGHT INSTALLATION (AMBER)	E
2	3290405	2	Nut, Lock M4	
3	3312602	1	Nut	
4	4031509	2	Capscrew M4 x 25	
5	4811400	4	Washer M4	
6	1001270594	1	Strobe Light/Harness Assembly	
6	4460891	1	Connector	
6	4460465	2	Socket	
7	1001275149	2	Mount	
8	1001283776	1	Harness, Strobe Jumper (See Separate Breakdown in ELECTRICAL Section)	
9	4240017	AR	Tie-Strap (Not Shown)	
10	4460234	AR	Mount, Tie-Strap (Not Shown)	
11	1001286622	1	CSB Harness (See Separate Breakdown in ELECTRICAL Section)	

# SECTION 2 - TURNTABLE

## FIGURE 2-48. STROBE LIGHT INSTALLATION (AMBER) (CHINESE SPECS)



ART\_1001270288



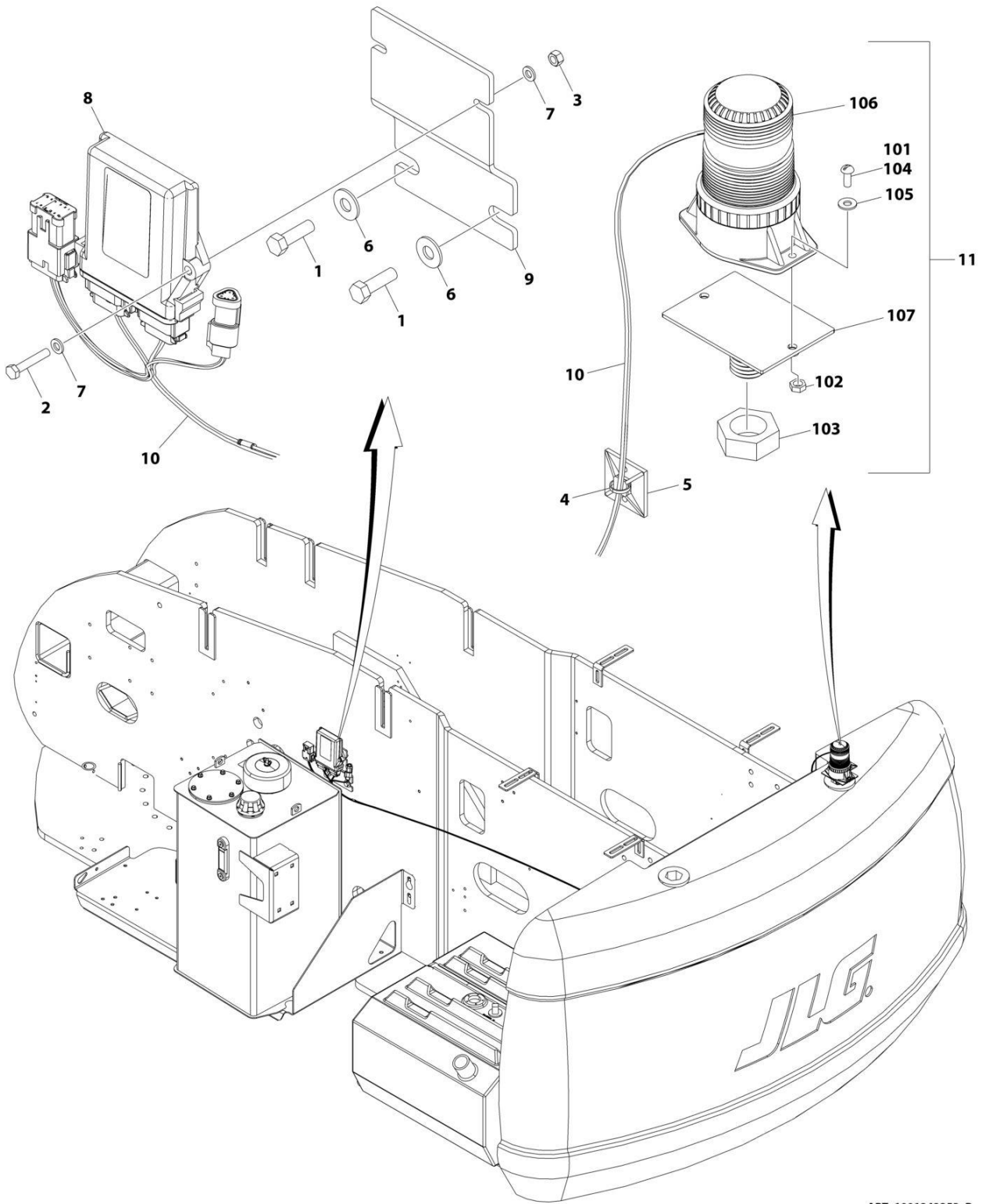
**SECTION 2 - TURNTABLE**

**FIGURE 2-48. STROBE LIGHT INSTALLATION (AMBER) (CHINEASE SPECS)**

<b>ITEM</b>	<b>PART NUMBER</b>	<b>QTY</b>	<b>DESCRIPTION</b>	<b>REV</b>
	1001270288	Ref	STROBE LIGHT INSTALLATION (AMBER)	A
1	1001270287	1	Strobe Light Assembly (Includes Items 101-106)	A
101	3290405	2	Nut M4	
102	3312602	1	Nut	
103	4031507	2	Screw M4	
104	4811400	2	Washer	
105	1001149994	1	Mount, Strobe	
106	1001233479	1	Lamp, Strobe Beacon	

# SECTION 2 - TURNTABLE

## FIGURE 2-49. STROBE LIGHT INSTALLATION (BLUE)



ART\_1001242253\_B

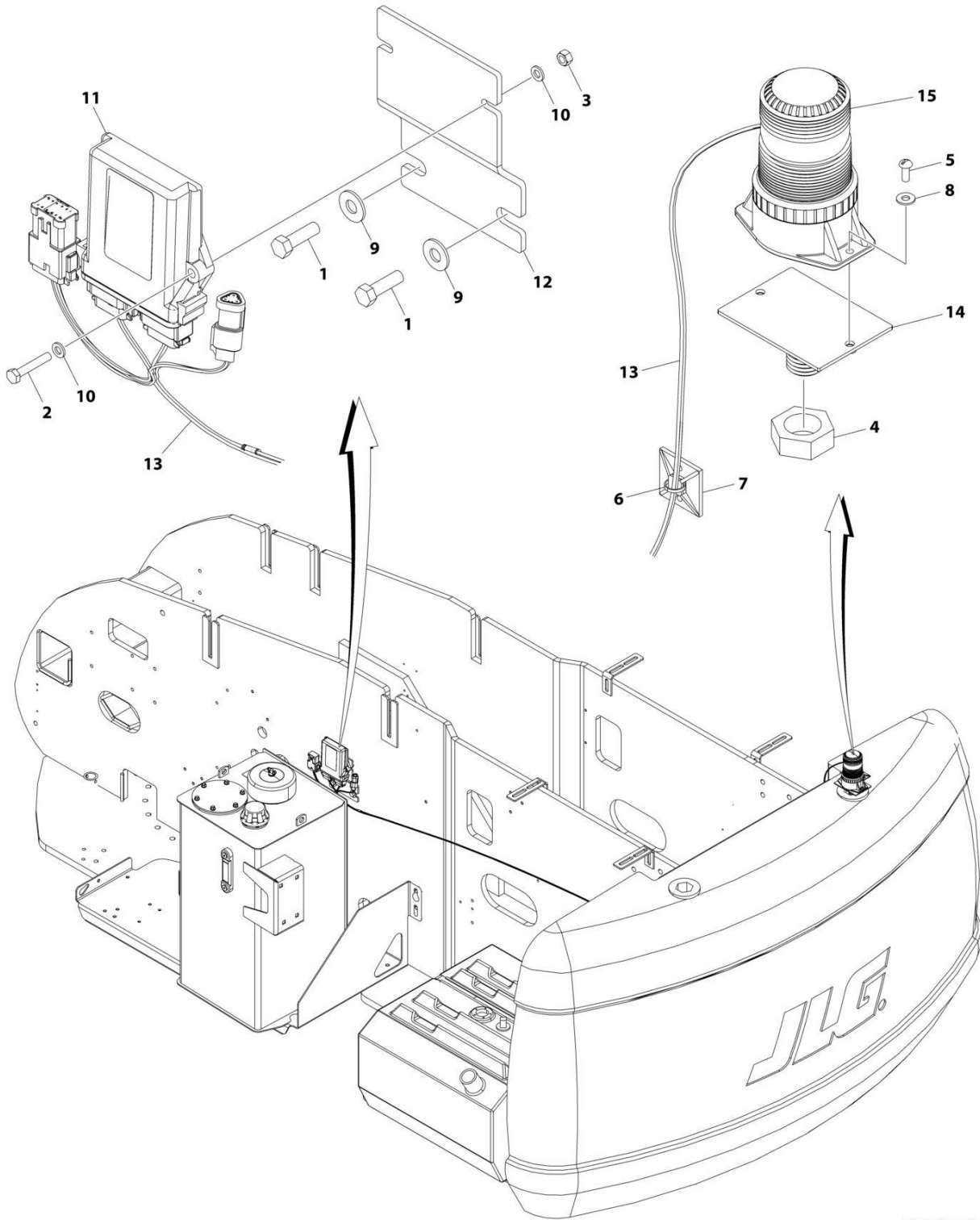
## SECTION 2 - TURNTABLE

### FIGURE 2-49. STROBE LIGHT INSTALLATION (BLUE)

ITEM	PART NUMBER	QTY	DESCRIPTION	REV
	1001242253	Ref	STROBE LIGHT INSTALLATION (BLUE)	B
1	0641610	2	Bolt 3/8 x 1-1/4	
2	0700615	2	Bolt 6 x 35	
3	3290607	2	Nut M6	
4	4240032	AR	Tie-Strap	
5	4460488	AR	Base, Terminal, Mounting	
6	4751600	2	Washer 3/8	
7	4811700	4	Washer M6	
8	1001142683	1	Module, Control - Beacon	
9	1001142722	1	Bracket	
10	1001142736	1	Beacon Control Harness (See Separate Breakdown in ELECTRICAL Section)	
11	1001278845	1	Beacon Kit - Blue (Includes Items 102 - 107)	
101	0100035	AR	Compound, Locking	
102	3290405	2	Nut, Lock M4	
103	3312602	1	Nut	
104	4031509	2	Capscrew M4 x 25	
105	4811400	2	Washer M4	
106	1001272681	1	Light, Beacon	
106	4460897	1	Connector	
106	4460464	2	Pin	
107	1001278850	1	Plate, Mounting	

# SECTION 2 - TURNTABLE

## FIGURE 2-50. STROBE LIGHT INSTALLATION (RED)



ART\_1001242254

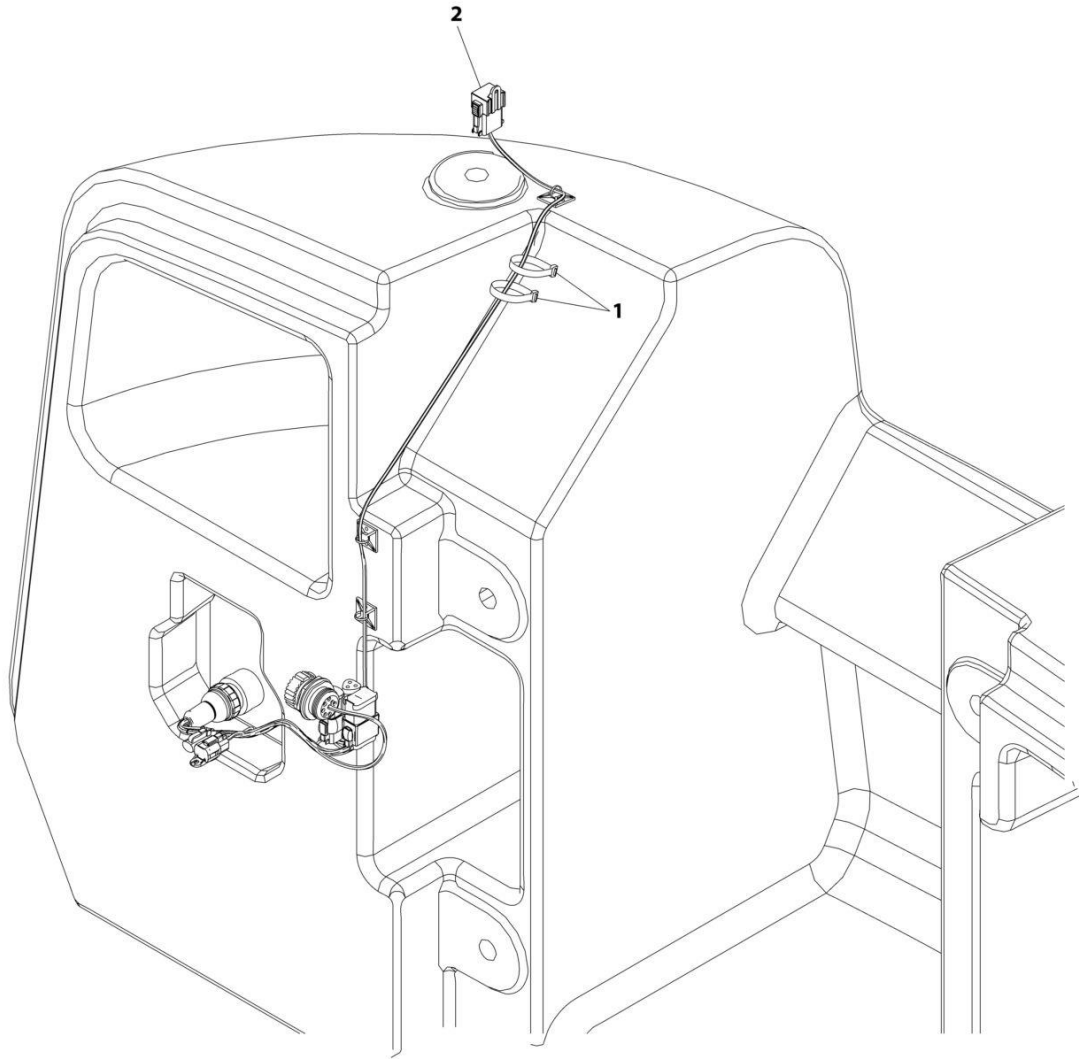
**SECTION 2 - TURNTABLE**

**FIGURE 2-50. STROBE LIGHT INSTALLATION (RED)**

ITEM	PART NUMBER	QTY	DESCRIPTION	REV
	1001242254	Ref	STROBE LIGHT INSTALLATION (RED)	A
1	0641610	2	Bolt 3/8 x 1-1/4	
2	0700615	2	Bolt 6 x 35	
3	3290607	2	Nut M6	
4	3312602	1	Nut	
5	3900085	2	Screw	
6	4240032	AR	Tie Strap	
7	4460488	AR	Base, Terminal, Mounting	
8	4751000	2	Washer	
9	4751600	2	Washer 3/8	
10	4811700	4	Washer M6	
11	1001142683	1	Module, Control - Beacon	
12	1001142722	1	Bracket	
13	1001142736	1	Beacon Control Harness (See Separate Breakdown in ELECTRICAL SECTION)	
14	1001149994	1	Mount, Strobe	
15	1001207004	1	Light, Beacon	

## SECTION 2 - TURNTABLE

FIGURE 2-51. NO BEACON INSTALLATION



ART\_1001293369

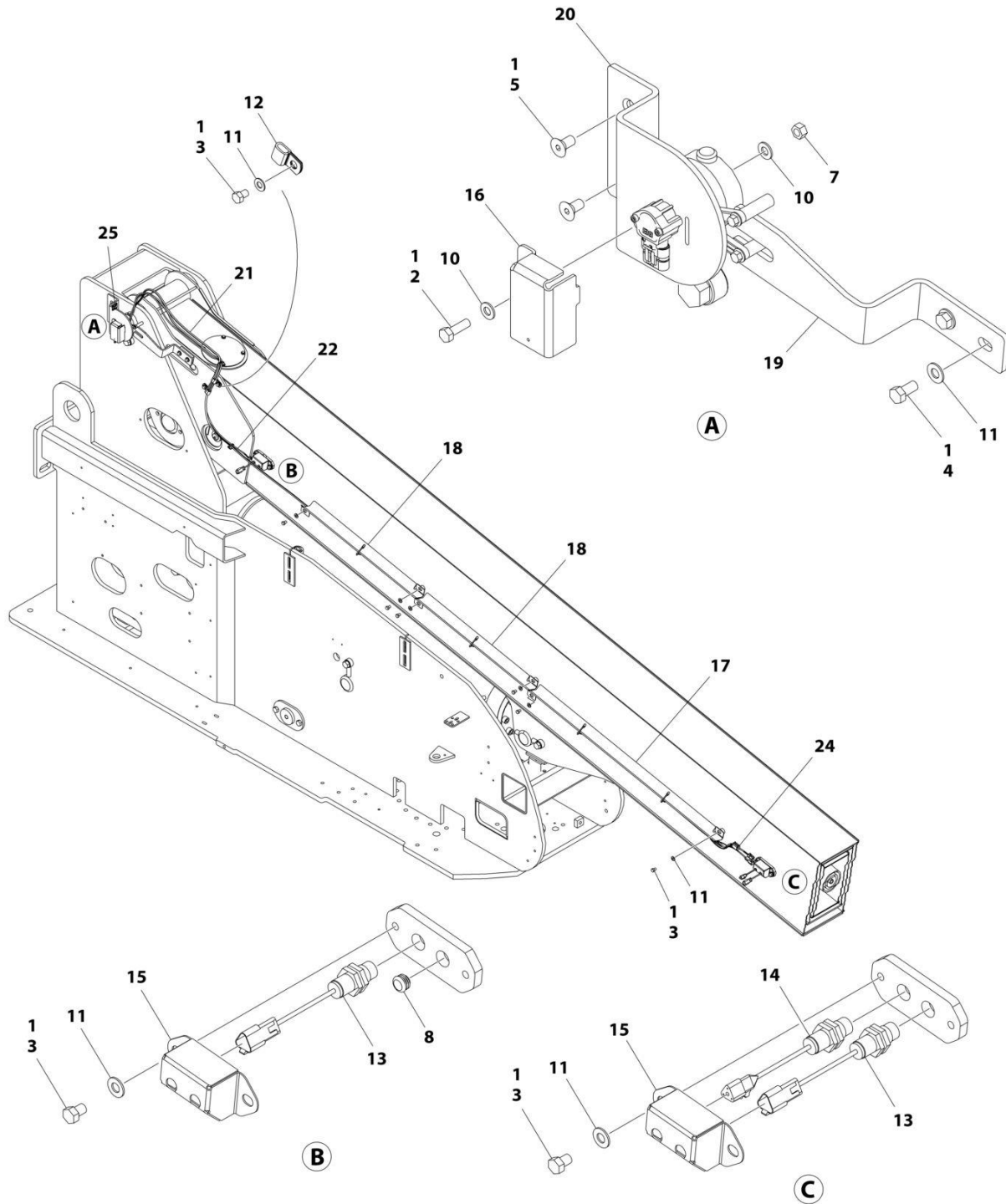
**SECTION 2 - TURNTABLE**

**FIGURE 2-51. NO BEACON INSTALLATION**

<b>ITEM</b>	<b>PART NUMBER</b>	<b>QTY</b>	<b>DESCRIPTION</b>	<b>REV</b>
	1001293369	Ref	NO BECON INSTALLATION	A
1	4240018	2	Strap, Cable Tie	
2	1001244462	1	Connector, Dust Cap	

# SECTION 2 - TURNTABLE

## FIGURE 2-52. DUAL CAPACITY INSTALLATION - ELEVATION AND TRANSPORTATION (800S)



ART\_1001254021



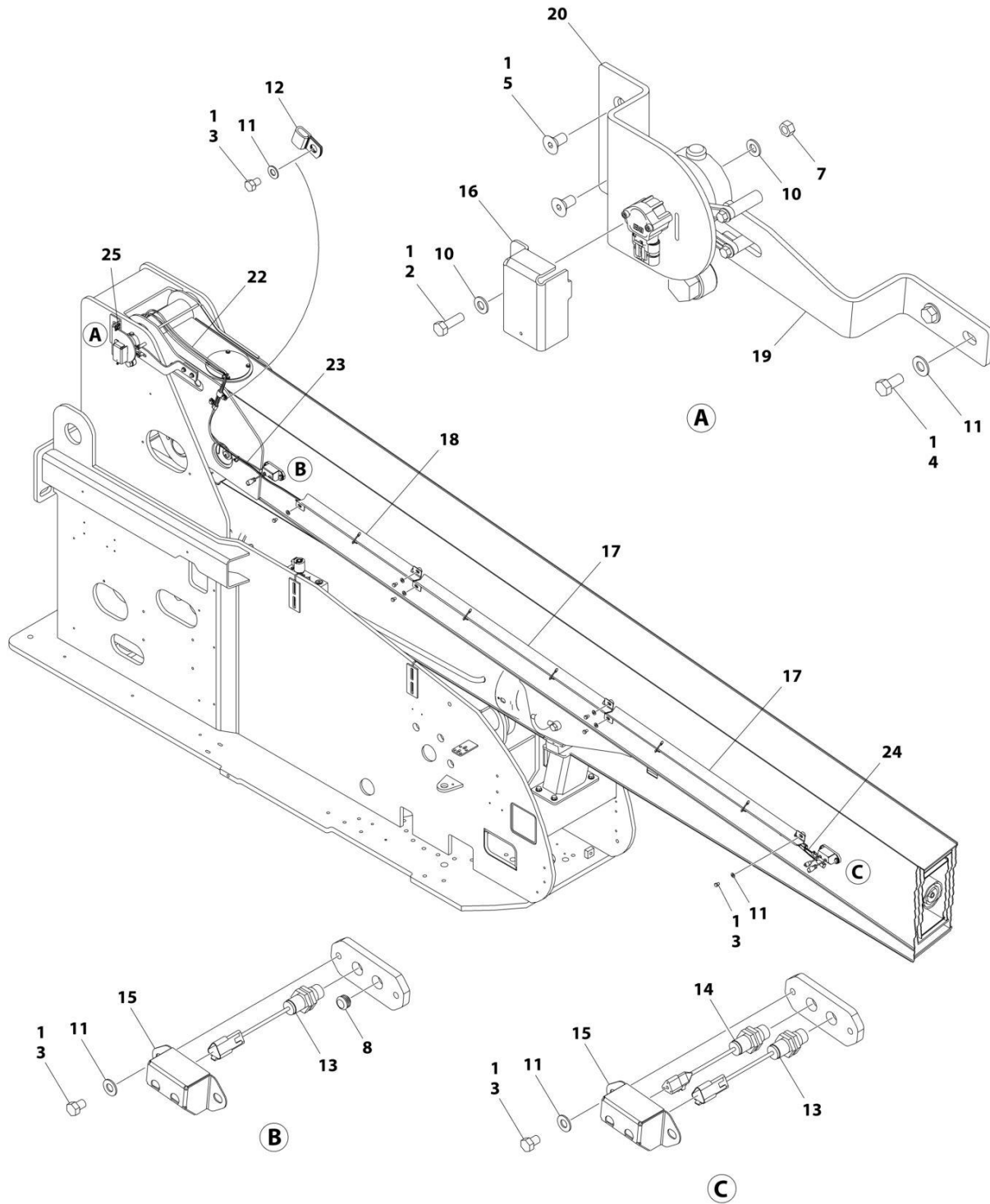
## SECTION 2 - TURNTABLE

**FIGURE 2-52. DUAL CAPACITY INSTALLATION - ELEVATION AND TRANSPORTATION (800S)**

ITEM	PART NUMBER	QTY	DESCRIPTION	REV
	1001254021	Ref	DUAL CAPACITY INSTALLATION	C
1	0100011	AR	Compound, Locking	
2	0641508	1	Bolt 5/16 x 1	
3	0641604	12	Bolt 3/8 x 1/2	
4	0641606	2	Bolt 3/8 x 3/4	
5	0741606	2	Bolt 3/8 x 3/4	
7	3311501	1	Nut 5/16	
8	3520193	1	Plug	
9	4240033	AR	Tie-Strap (Not Shown)	
10	4711500	2	Washer 5/16	
11	4711600	14	Washer 3/8	
12	1001102858	2	Clamp	
13	1001170847	2	Sensor, Proximity (with Female Connector)	
14	1001182570	1	Sensor, Proximity (with Male Connector)	
15	1001204715	2	Bracket	
16	1001211588	1	Shield	
17	1001238138	1	Angle	
18	1001238327	2	Angle	
19	1001254019	1	Plate	
20	1001254020	1	Lower Sensor Assembly (See Separate Breakdown in this Section)	
21	1001255356	1	Cable, Boom Angle	
22	1001255357	1	Cable, Transport	
23	1001255358	1	Cable, Lower Sensor (Not Shown)	
24	1001255359	1	Cable, Upper Sensor	
25	4460234	2	Mount, Tie-Strap	

# SECTION 2 - TURNTABLE

FIGURE 2-53. DUAL CAPACITY INSTALLATION - ELEVATION AND TRANSPORTATION (860SJ)



ART\_1001255117

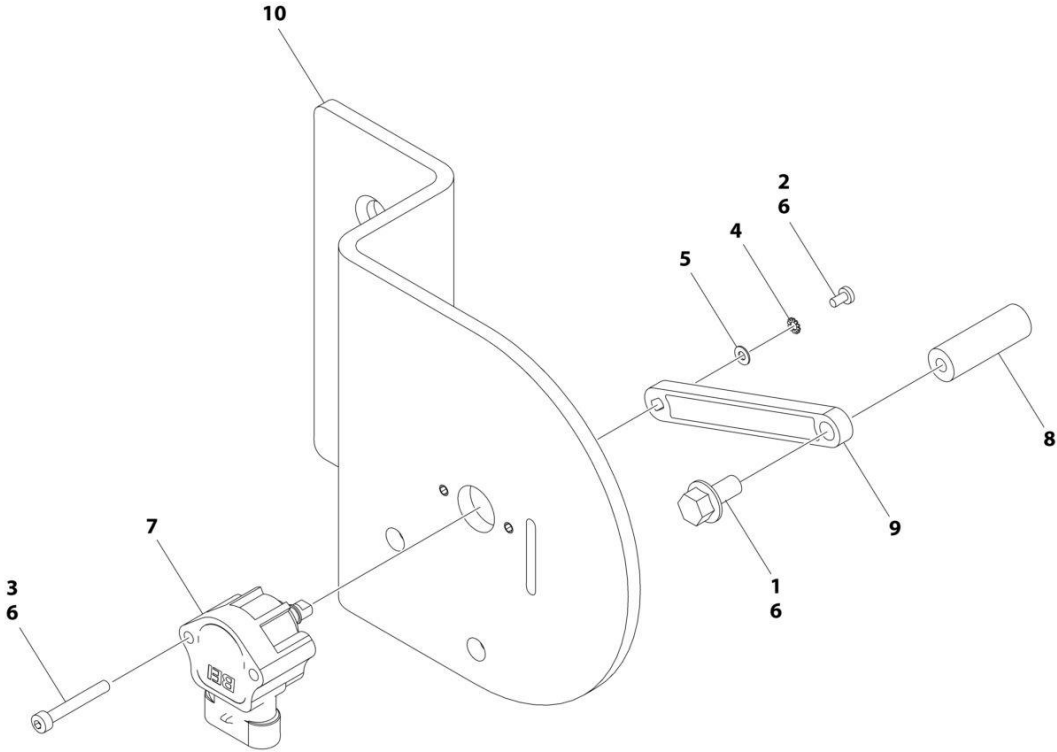
## SECTION 2 - TURNTABLE

**FIGURE 2-53. DUAL CAPACITY INSTALLATION - ELEVATION AND TRANSPORTATION (860SJ)**

ITEM	PART NUMBER	QTY	DESCRIPTION	REV
	1001255117	Ref	DUAL CAPACITY INSTALLATION	C
1	0100011	AR	Compound, Locking	
2	0641508	1	Bolt 5/16 x 1	
3	0641604	12	Bolt 3/8 x 1/2	
4	0641606	2	Bolt 3/8 x 3/4	
5	0741606	2	Bolt 3/8 x 3/4	
7	3311501	1	Nut 5/16	
8	3520193	1	Plug	
9	4240033	AR	Tie-Strap (Not Shown)	
10	4711500	2	Washer 5/16	
11	4711600	14	Washer 3/8	
12	1001102858	2	Clamp	
13	1001170847	2	Sensor, Proximity (with Female Connector)	
14	1001182570	1	Sensor, Proximity (with Male Connector)	
15	1001204715	2	Bracket	
16	1001211588	1	Shield	
17	1001238138	2	Angle	
18	1001238327	1	Angle	
19	1001254019	1	Plate	
20	1001254020	1	Lower Sensor Assembly (See Separate Breakdown in this Section)	
21	1001255358	1	Cable, Lower Sensor (Not Shown)	
22	1001255356	1	Cable, Boom Angle	
23	1001255357	1	Cable, Transport	
24	1001255359	1	Cable, Upper Sensor	
25	4460234	2	Mount, Tie-Strap	

**SECTION 2 - TURNTABLE**

**FIGURE 2-54. LOWER SENSOR ASSEMBLY**



ART\_1001254020

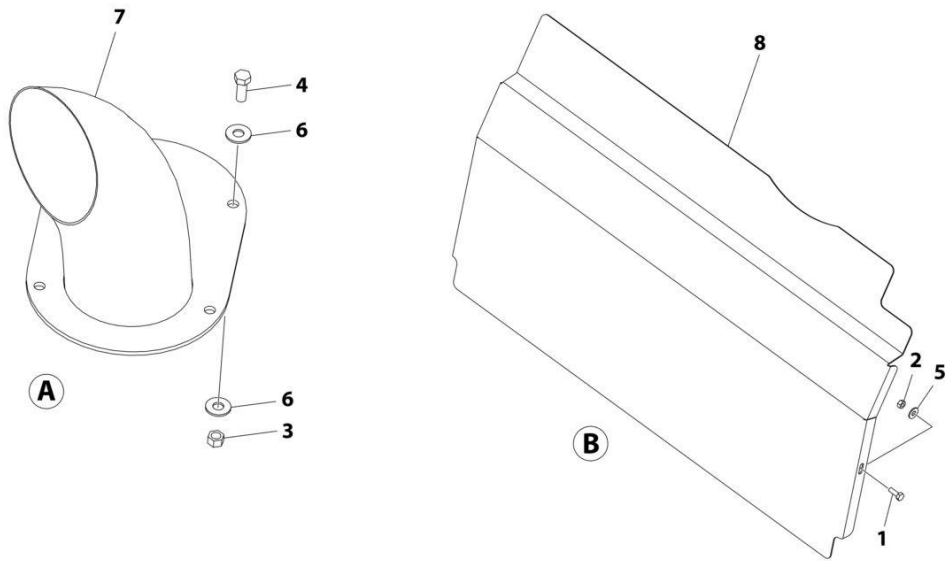
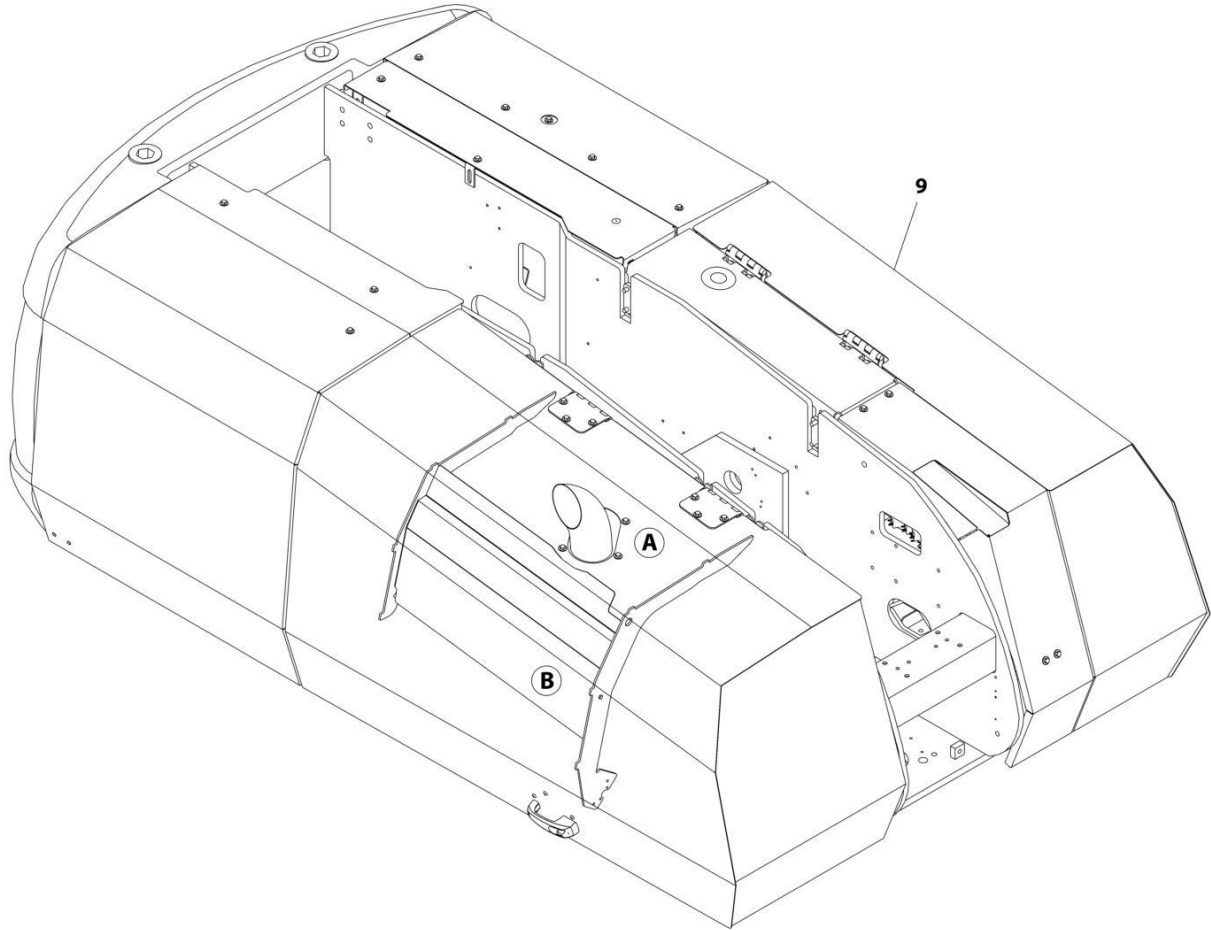
**SECTION 2 - TURNTABLE**

**FIGURE 2-54. LOWER SENSOR ASSEMBLY**

<b>ITEM</b>	<b>PART NUMBER</b>	<b>QTY</b>	<b>DESCRIPTION</b>	<b>REV</b>
	1001254020	Ref	DUAL CAPACITY INSTALLATION	B
1	0791404	1	Screw 1/4 x 1/2	
2	4010303	1	Screw M3 x 6	
3	4031510	2	Bolt M4 x 30	
4	4871200	1	Washer M3	
5	1001110544	1	Washer M3	
6	1001180620	AR	Adhesive	
7	1001191022	1	Sensor	
8	1001254016	1	Stud	
9	1001254017	1	Link, Angle Sensor Arm	
10	1001254018	1	Bracket	

# SECTION 2 - TURNTABLE

FIGURE 2-55. EXHAUST STACK INSTALLATION - STEEL HOOD (DEUTZ D2011 ENGINES)



ART\_1001157752

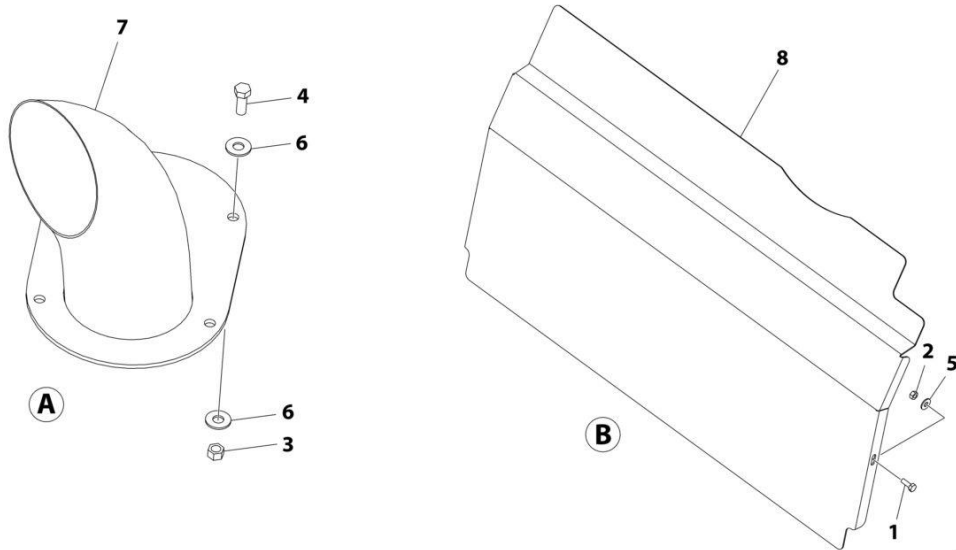
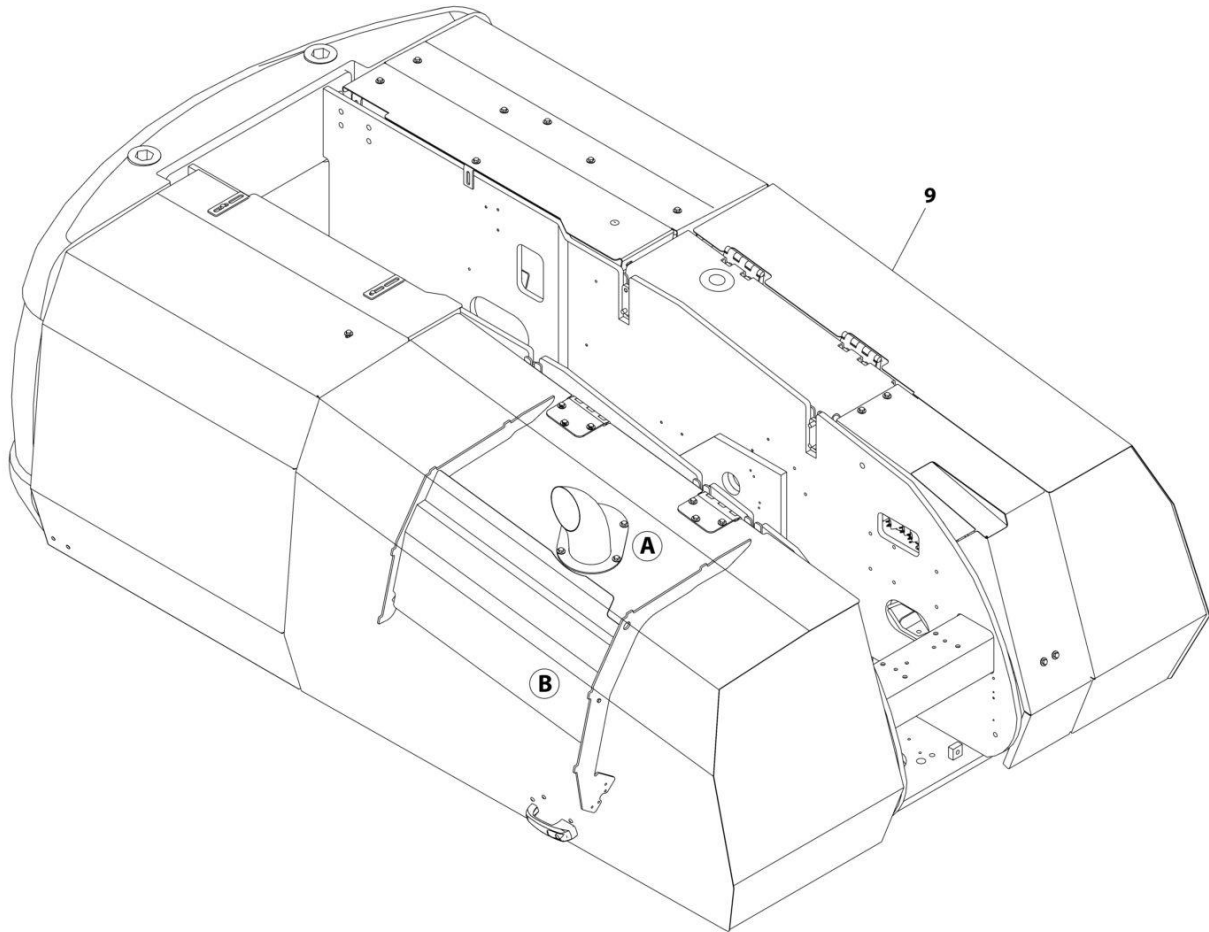
## SECTION 2 - TURNTABLE

**FIGURE 2-55. EXHAUST STACK INSTALLATION - STEEL HOOD (DEUTZ D2011 ENGINES)**

ITEM	PART NUMBER	QTY	DESCRIPTION	REV
		Ref	NOTE: REPLACEMENT DECALS MUST BE PURCHASED SEPARATELY - SEE DECALS SECTION.	
	1001157752	Ref	EXHAUST STACK INSTALLATION - STEEL HOOD	D
1	0641406	3	Bolt 1/4 x 3/4	
2	3311405	3	Nut 1/4	
3	3311605	4	Nut 3/8	
4	0641608	4	Bolt 3/8 x 1	
5	4751400	3	Washer 1/4	
6	4751600	8	Washer 3/8	
7	1001116456	1	Stack, Exhaust	
8	1001150561	1	Shield, Heat	
9	1001157416	1	Steel Hood Installation (See Separate Breakdown in this Section)	

## SECTION 2 - TURNTABLE

FIGURE 2-56. EXHAUST STACK INSTALLATION - STEEL HOOD WITH HOSTILE ENVIRONMENT MACHINES (DEUTZ D2011 ENGINES)



ART\_1001157755



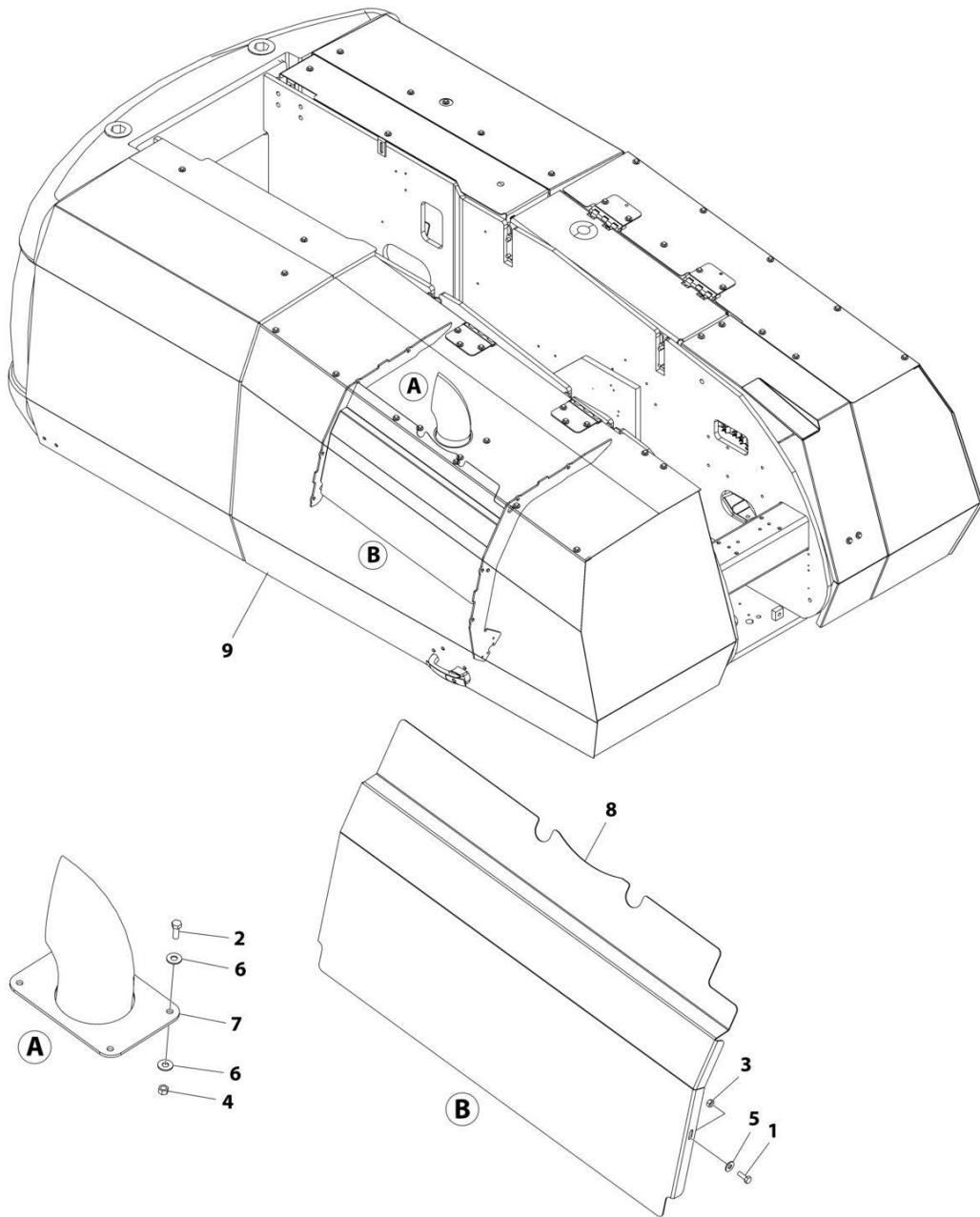
**SECTION 2 - TURNTABLE**

**FIGURE 2-56. EXHAUST STACK INSTALLATION - STEEL HOOD WITH HOSTILE ENVIRONMENT MACHINES (DEUTZ D2011 ENGINES)**

ITEM	PART NUMBER	QTY	DESCRIPTION	REV
		Ref	NOTE: REPLACEMENT DECALS MUST BE PURCHASED SEPARATELY - SEE DECALS SECTION.	
	1001157755	Ref	EXHAUST STACK INSTALLATION - STEEL HOOD	D
1	0641406	3	Bolt 1/4 x 3/4	
2	3311405	3	Nut 1/4	
3	3311605	4	Nut 3/8	
4	0641608	4	Bolt 3/8 x 1	
5	4751400	3	Washer 1/4	
6	4751600	8	Washer 3/8	
7	1001116456	1	Stack, Exhaust	
8	1001150561	1	Shield, Heat	
9	1001157753	1	Steel Hood Installation (See Separate Breakdown in this Section)	

## SECTION 2 - TURNTABLE

FIGURE 2-57. EXHAUST STACK INSTALLATION - STEEL HOOD WITH HOSTILE ENVIRONMENT MACHINES (DEUTZ TD2.9L4 ENGINES) (MACHINES WITH SN STARTING WITH B3)



ART\_1001256260

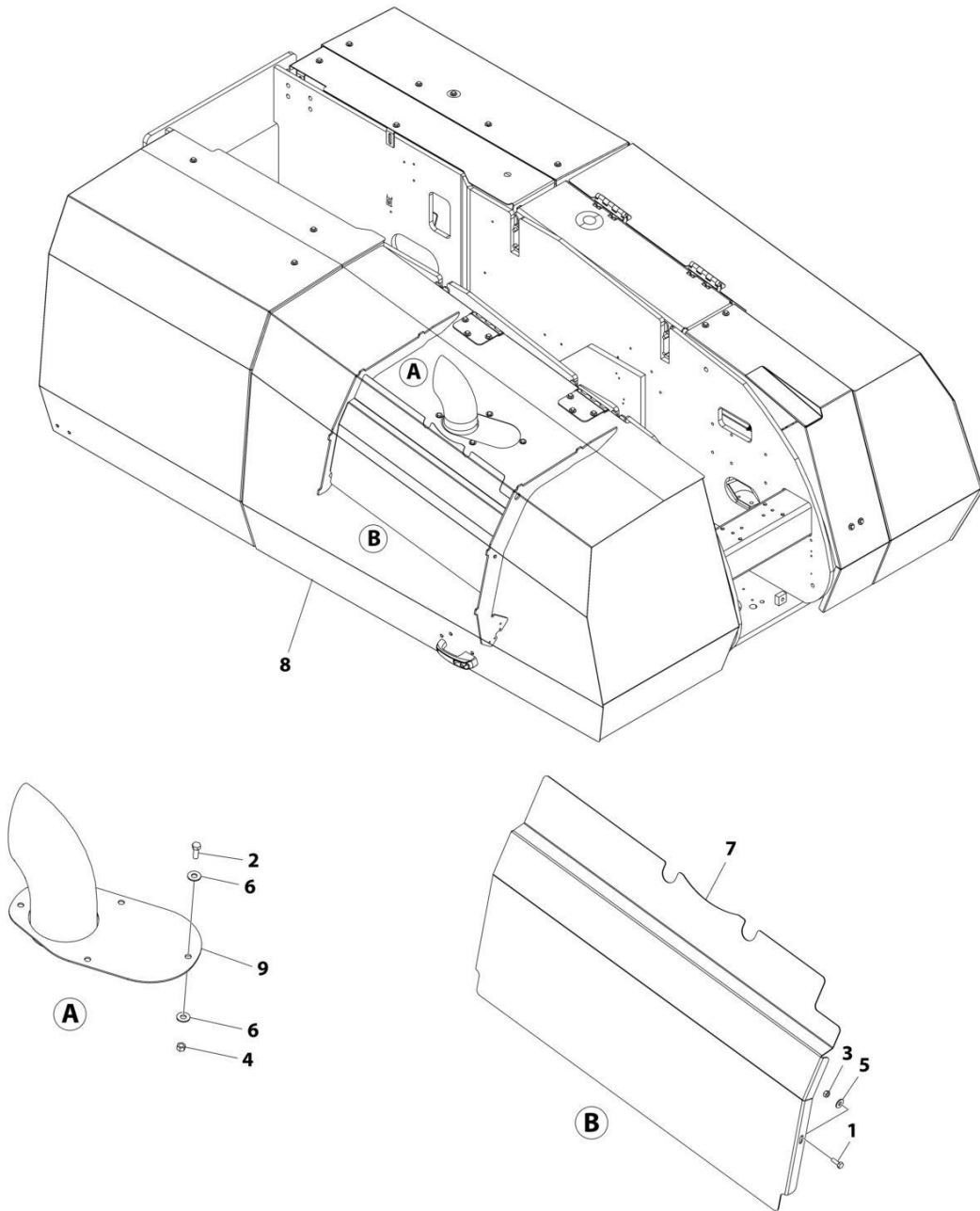
**SECTION 2 - TURNTABLE**

**FIGURE 2-57. EXHAUST STACK INSTALLATION - STEEL HOOD WITH HOSTILE ENVIRONMENT MACHINES (DEUTZ TD2.9L4 ENGINES) (MACHINES WITH SN STARTING WITH B3)**

ITEM	PART NUMBER	QTY	DESCRIPTION	REV
		Ref	NOTE: REPLACEMENT DECALS MUST BE PURCHASED SEPARATELY - SEE DECALS SECTION	
	1001256260	Ref	EXHAUST STACK INSTALLATION - STEEL HOOD	A
1	0641406	3	Bolt 1/4 x 3/4	
2	0641608	4	Bolt 3/8 x 1	
3	3311405	3	Nut 1/4	
4	3311605	4	Nut 3/8	
5	4751400	3	Washer 1/4	
6	4751600	8	Washer 3/8	
7	1001144527	1	Stack, Exhaust	
8	1001163101	1	Shield, Heat	
9	1001256259	1	Steel Hood Installation (See Separate Breakdown in this Section)	

## SECTION 2 - TURNTABLE

FIGURE 2-58. EXHAUST STACK INSTALLATION - STEEL HOOD (DEUTZ TD2.9L4 ENGINES)  
(MACHINES WITH SN STARTING WITH 03 OR 13)



ART\_1001238931

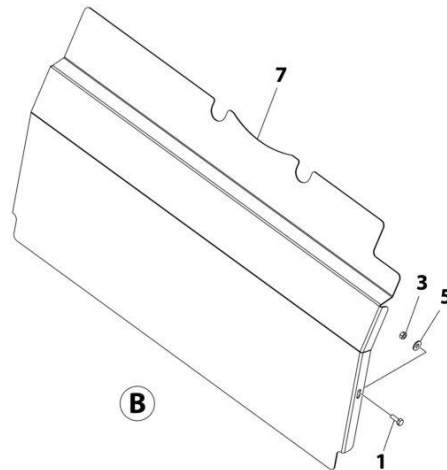
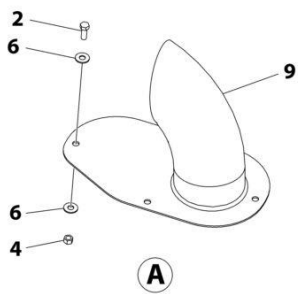
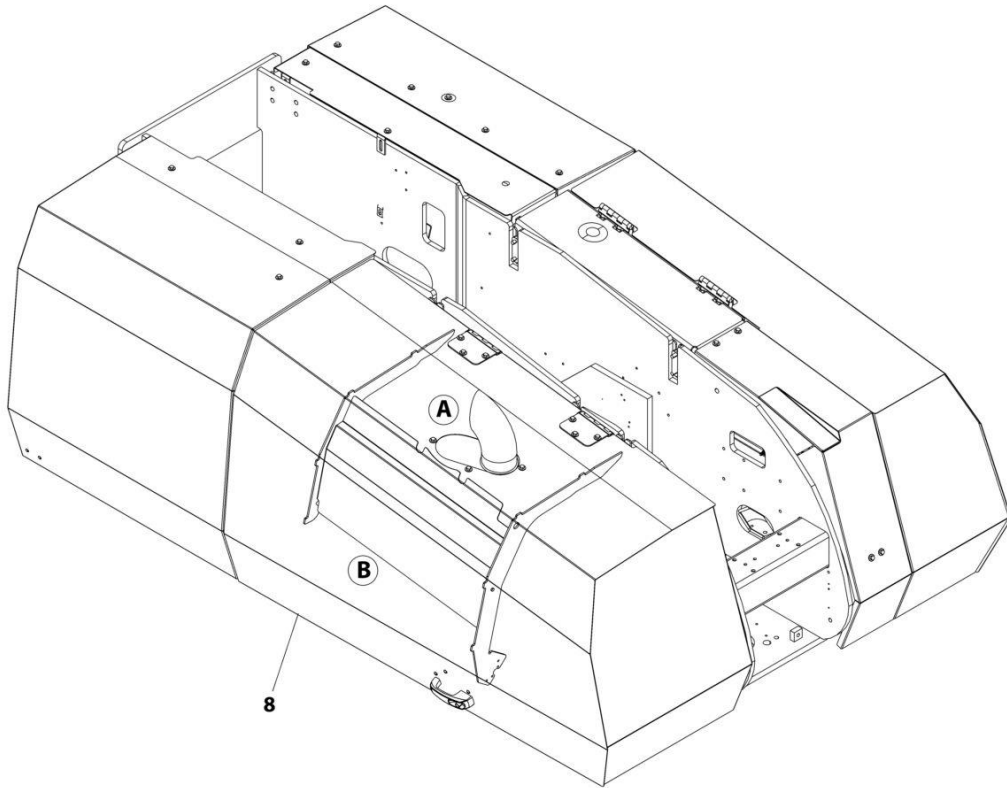
**SECTION 2 - TURNTABLE**

**FIGURE 2-58. EXHAUST STACK INSTALLATION - STEEL HOOD (DEUTZ TD2.9L4 ENGINES)  
(MACHINES WITH SN STARTING WITH 03 OR 13)**

ITEM	PART NUMBER	QTY	DESCRIPTION	REV
		Ref	NOTE: REPLACEMENT DECALS MUST BE PURCHASED SEPARATELY - SEE DECALS SECTION.	
	1001238931	Ref	EXHAUST STACK INSTALLATION - STEEL HOOD	B
1	0641406	3	Bolt 1/4 x 3/4	
2	0641608	4	Bolt 3/8 x 1	
3	3311405	3	Nut 1/4	
4	3311605	4	Nut 3/8	
5	4751400	3	Washer 1/4	
6	4751600	8	Washer 3/8	
7	1001163101	1	Shield, Heat	
8	1001237194	1	Steel Hood Installation (See Separate Breakdown in this Section)	
9	1001237259	1	Stack, Exhaust	

## SECTION 2 - TURNTABLE

FIGURE 2-59. EXHAUST STACK INSTALLATION - STEEL HOOD (DEUTZ TD2.9L4 (STAGE V) ENGINES) (MACHINES WITH SN STARTING WITH 03)



ART\_1001237193

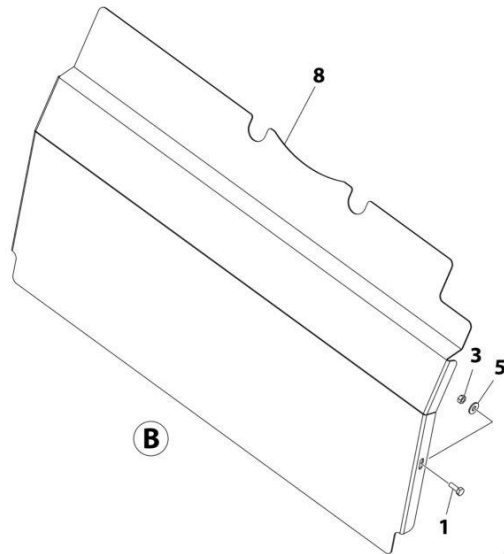
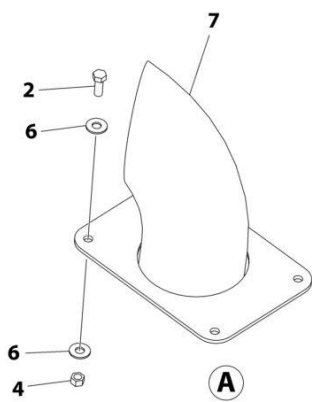
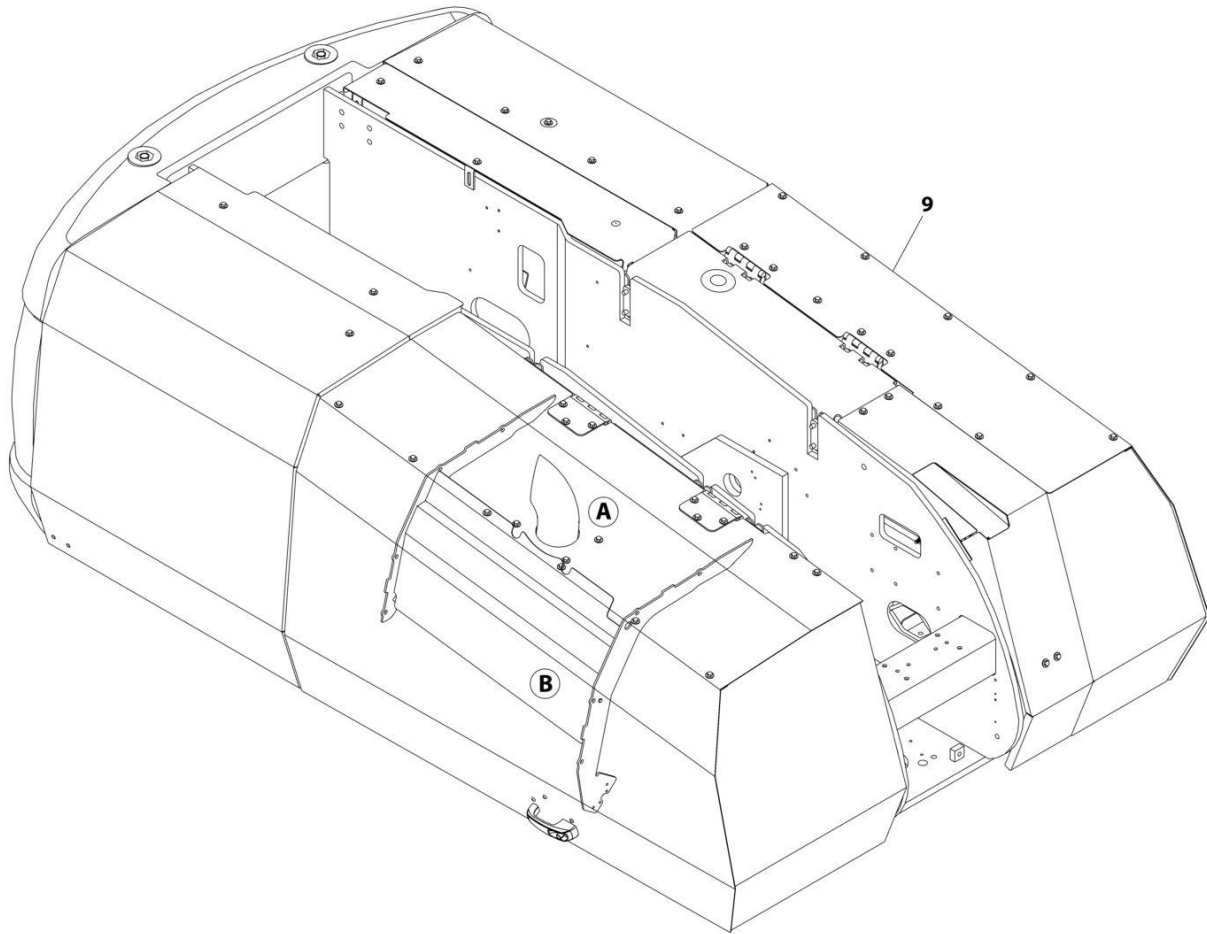
**SECTION 2 - TURNTABLE**

**FIGURE 2-59. EXHAUST STACK INSTALLATION - STEEL HOOD (DEUTZ TD2.9L4 (STAGE V) ENGINES) (MACHINES WITH SN STARTING WITH 03)**

ITEM	PART NUMBER	QTY	DESCRIPTION	REV
		Ref	NOTE: REPLACEMENT DECALS MUST BE PURCHASED SEPARATELY - SEE DECALS SECTION.	
	1001237193	Ref	EXHAUST STACK INSTALLATION - STEEL HOOD	B
1	0641406	3	Bolt 1/4 x 3/4	
2	0641608	4	Bolt 3/8 x 1	
3	3311405	3	Nut 1/4	
4	3311605	4	Nut 3/8	
5	4751400	3	Washer 1/4	
6	4751600	8	Washer 3/8	
7	1001163101	1	Shield, Heat	
8	1001237194	1	Steel Hood Installation (See Separate Breakdown in this Section)	
9	1001237261	1	Stack, Exhaust	

## SECTION 2 - TURNTABLE

FIGURE 2-60. EXHAUST STACK INSTALLATION - STEEL HOOD (DEUTZ TD2.9L4 ENGINES)  
(MACHINES WITH SN STARTING WITH B3)



ART\_1001244467



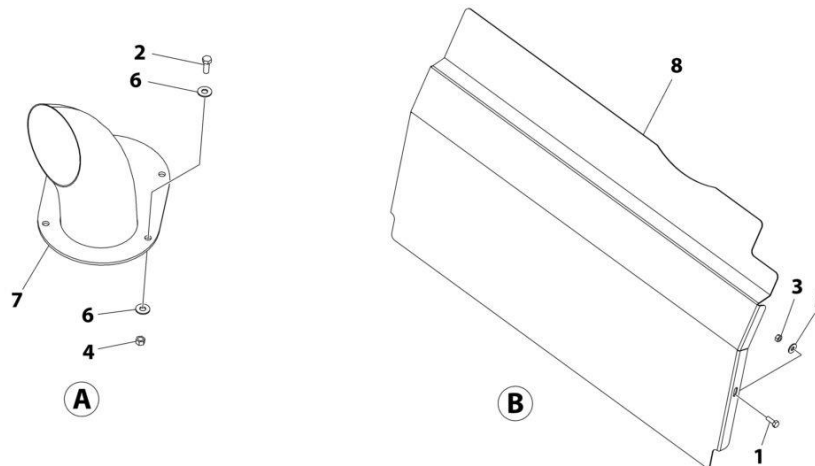
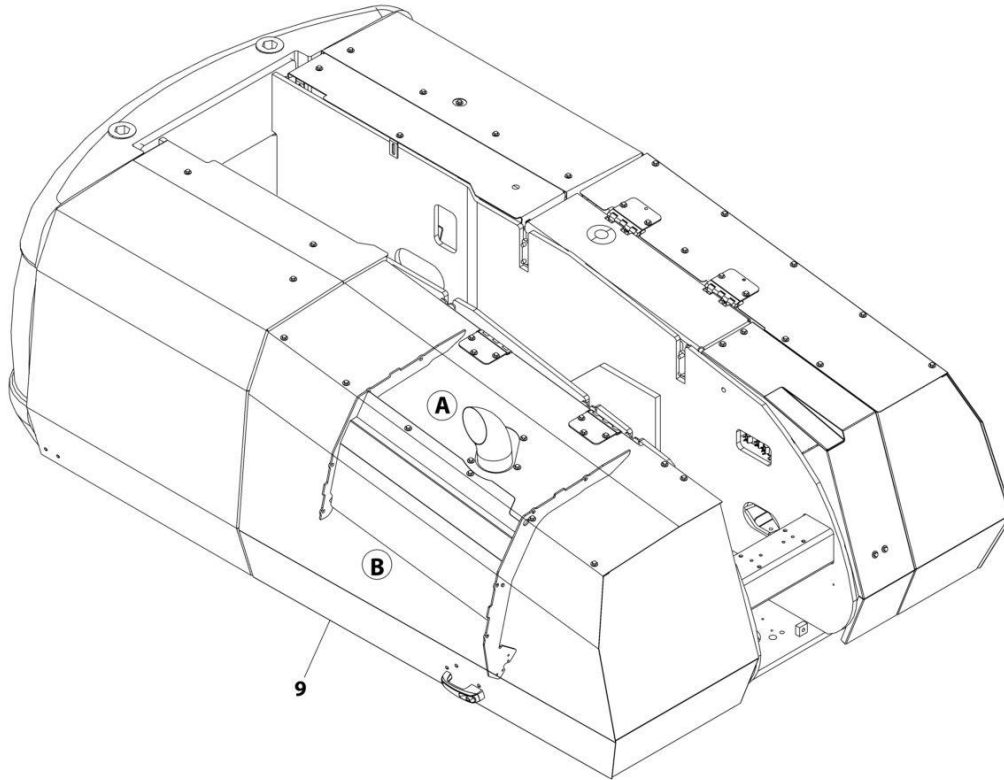
**SECTION 2 - TURNTABLE**

**FIGURE 2-60. EXHAUST STACK INSTALLATION - STEEL HOOD (DEUTZ TD2.9L4 ENGINES)  
(MACHINES WITH SN STARTING WITH B3)**

ITEM	PART NUMBER	QTY	DESCRIPTION	REV
		Ref	NOTE: REPLACEMENT DECALS MUST BE PURCHASED SEPARATELY - SEE DECALS SECTION	
	1001244467	Ref	EXHAUST STACK INSTALLATION - STEEL HOOD	C
1	0641406	3	Bolt 1/4 x 3/4	
2	0641608	4	Bolt 3/8 x 1	
3	3311405	3	Nut 1/4	
4	3311605	4	Nut 3/8	
5	4751400	3	Washer 1/4	
6	4751600	8	Washer 3/8	
7	1001144527	1	Stack, Exhaust	
8	1001163101	1	Shield, Heat	
9	1001244466	1	Steel Hood Installation (See Separate Breakdown in this Section)	

## SECTION 2 - TURNTABLE

FIGURE 2-61. EXHAUST STACK INSTALLATION - STEEL HOOD (DEUTZ TD2.9L4 (STAGE V) ENGINES) (MACHINES WITH SN STARTING WITH B3)



ART\_1001256251

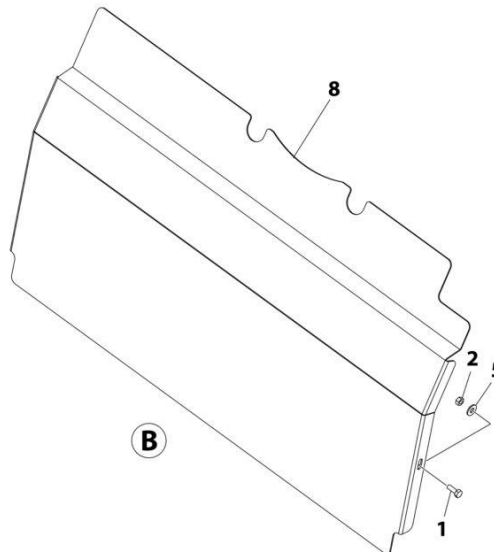
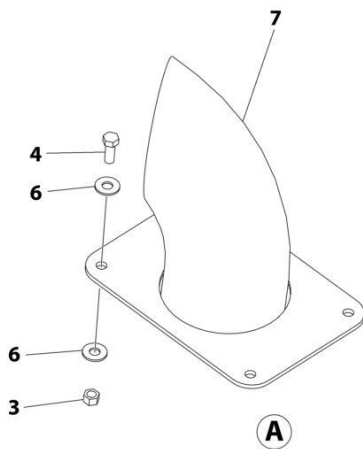
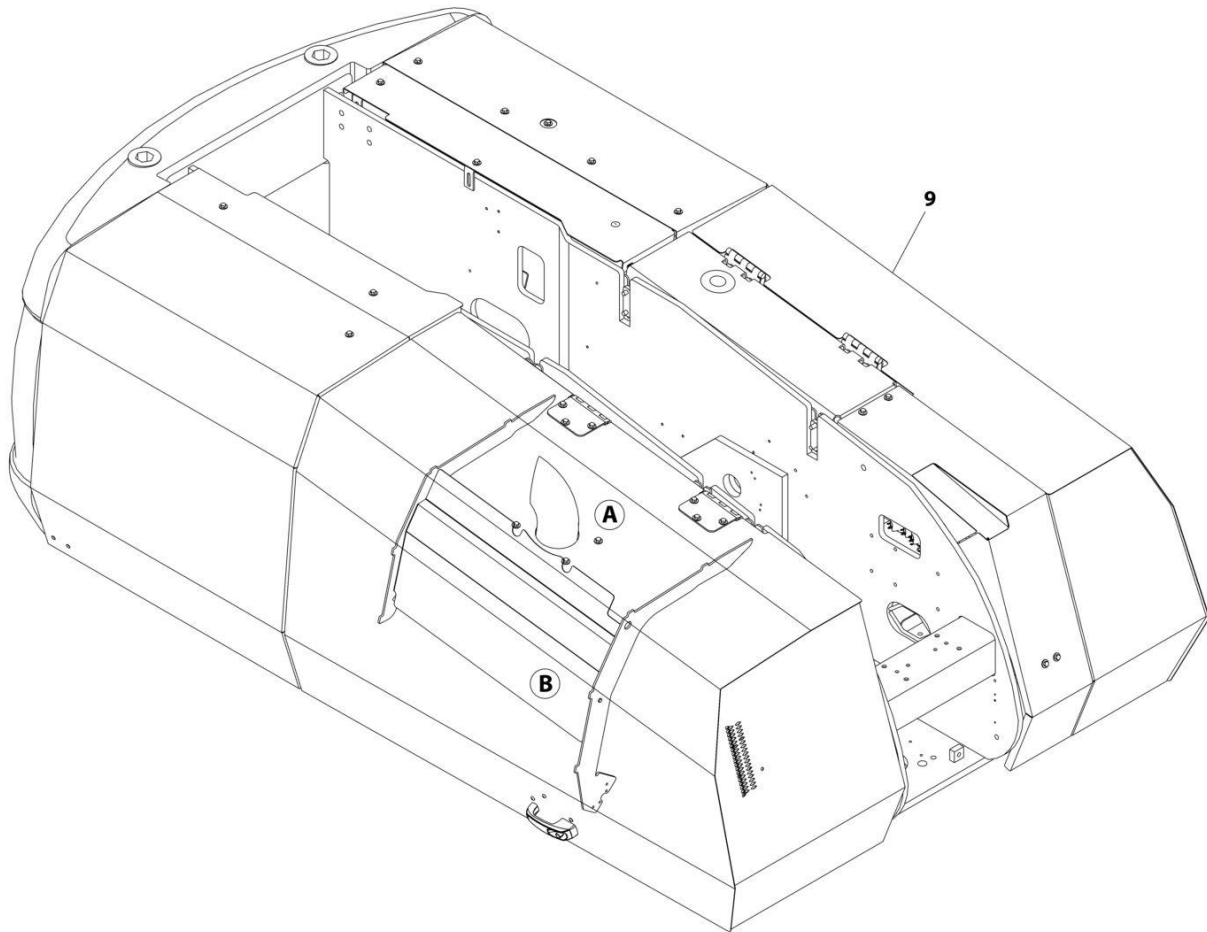
**SECTION 2 - TURNTABLE**

**FIGURE 2-61. EXHAUST STACK INSTALLATION - STEEL HOOD (DEUTZ TD2.9L4 (STAGE V) ENGINES) (MACHINES WITH SN STARTING WITH B3)**

ITEM	PART NUMBER	QTY	DESCRIPTION	REV
		Ref	NOTE: REPLACEMENT DECALS MUST BE PURCHASED SEPARATELY - SEE DECALS SECTION	
	1001256251	Ref	EXHAUST STACK INSTALLATION - STEEL HOOD	A
1	0641406	3	Bolt 1/4 x 3/4	
2	0641608	4	Bolt 3/8 x 1	
3	3311405	3	Nut 1/4	
4	3311605	4	Nut 3/8	
5	4751400	3	Washer 1/4	
6	4751600	8	Washer 3/8	
7	1001116456	1	Stack, Exhaust	
8	1001150561	1	Shield, Heat	
9	1001256248	1	Steel Hood Installation (See Separate Breakdown in this Section)	

## SECTION 2 - TURNTABLE

FIGURE 2-62. EXHAUST STACK INSTALLATION - STEEL HOOD WITH HOSTILE ENVIRONMENT MACHINES (DEUTZ TD2.9L4 ENGINES) (MACHINES WITH SN STARTING WITH 03 OR 13)



ART\_1001173869

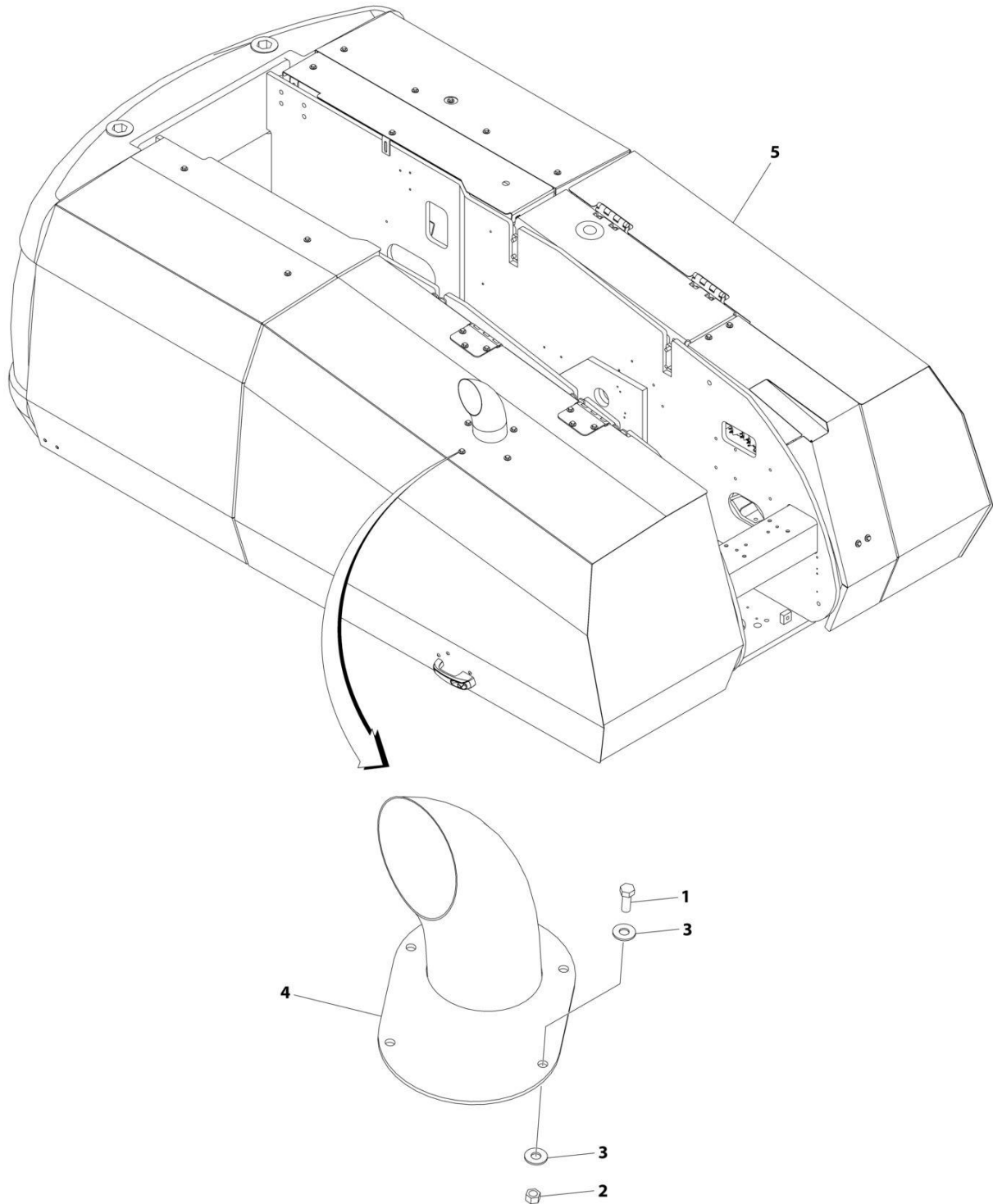
## SECTION 2 - TURNTABLE

**FIGURE 2-62. EXHAUST STACK INSTALLATION - STEEL HOOD WITH HOSTILE ENVIRONMENT MACHINES (DEUTZ TD2.9L4 ENGINES) (MACHINES WITH SN STARTING WITH 03 OR 13)**

ITEM	PART NUMBER	QTY	DESCRIPTION	REV
		Ref	NOTE: REPLACEMENT DECALS MUST BE PURCHASED SEPARATELY - SEE DECALS SECTION.	
	1001173869	Ref	EXHAUST STACK INSTALLATION - STEEL HOOD	C
1	0641406	3	Bolt 1/4 x 3/4	
2	3311405	3	Nut 1/4	
3	3311605	4	Nut 3/8	
4	0641608	4	Bolt 3/8 x 1	
5	4751400	3	Washer 1/4	
6	4751600	8	Washer 3/8	
7	1001144527	1	Stack, Exhaust	
8	1001163101	1	Shield, Heat	
9	1001173870	1	Steel Hood Installation (See Separate Breakdown in this Section)	

## SECTION 2 - TURNTABLE

FIGURE 2-63. EXHAUST STACK INSTALLATION - STEEL HOOD (FORD DF 2.5L ENGINES)



ART\_1001220392

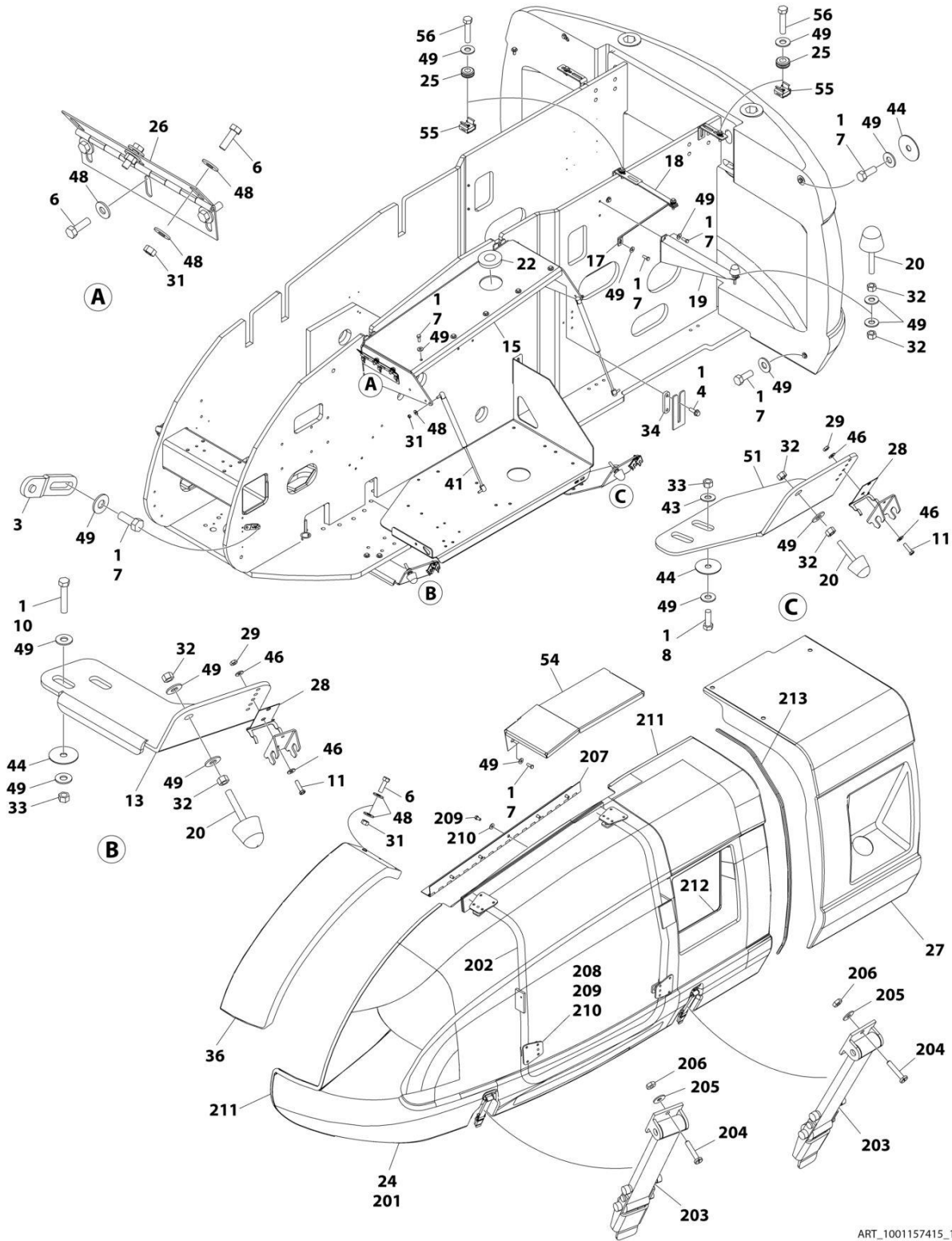
**SECTION 2 - TURNTABLE**

**FIGURE 2-63. EXHAUST STACK INSTALLATION - STEEL HOOD (FORD DF 2.5L ENGINES)**

ITEM	PART NUMBER	QTY	DESCRIPTION	REV
		Ref	NOTE: REPLACEMENT DECALS MUST BE PURCHASED SEPARATELY - SEE DECALS SECTION	
	1001220392	Ref	EXHAUST STACK INSTALLATION - STEEL HOOD	B
1	0641608	4	Bolt 3/8 x 1	
2	3311605	4	Nut 3/8	
3	4751600	8	Washer 3/8	
4	1001116457	1	Stack, Exhaust	
5	1001220393	1	Steel Hood Installation (See Separate Breakdown in this Section)	

# SECTION 2 - TURNTABLE

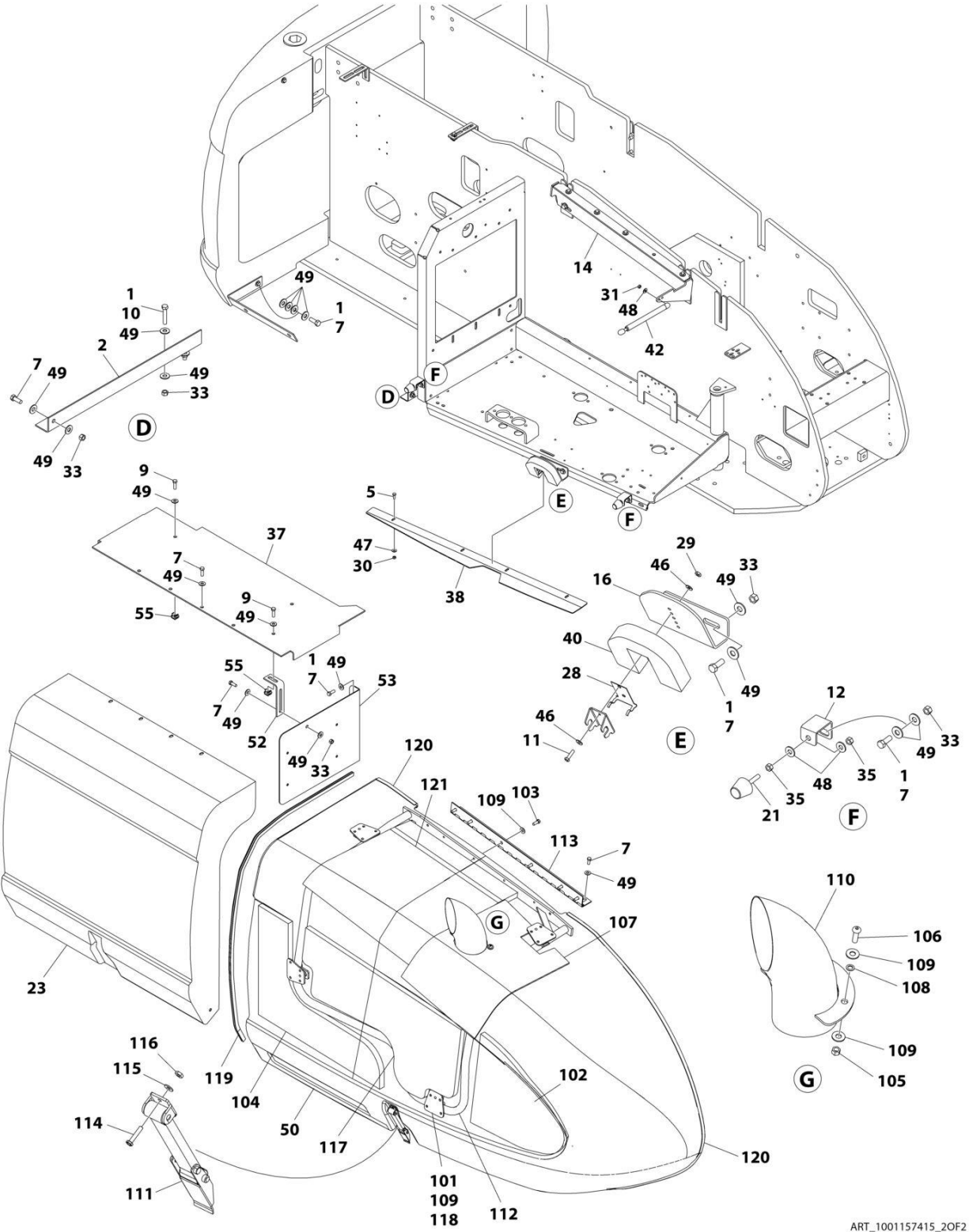
## FIGURE 2-64. HOODS INSTALLATION - ABS (DEUTZ D2011 ENGINES)



ART\_1001157415\_10F2



SECTION 2 - TURNTABLE



ART\_1001157415\_20F2

## SECTION 2 - TURNTABLE

**FIGURE 2-64. HOODS INSTALLATION - ABS (DEUTZ D2011 ENGINES)**

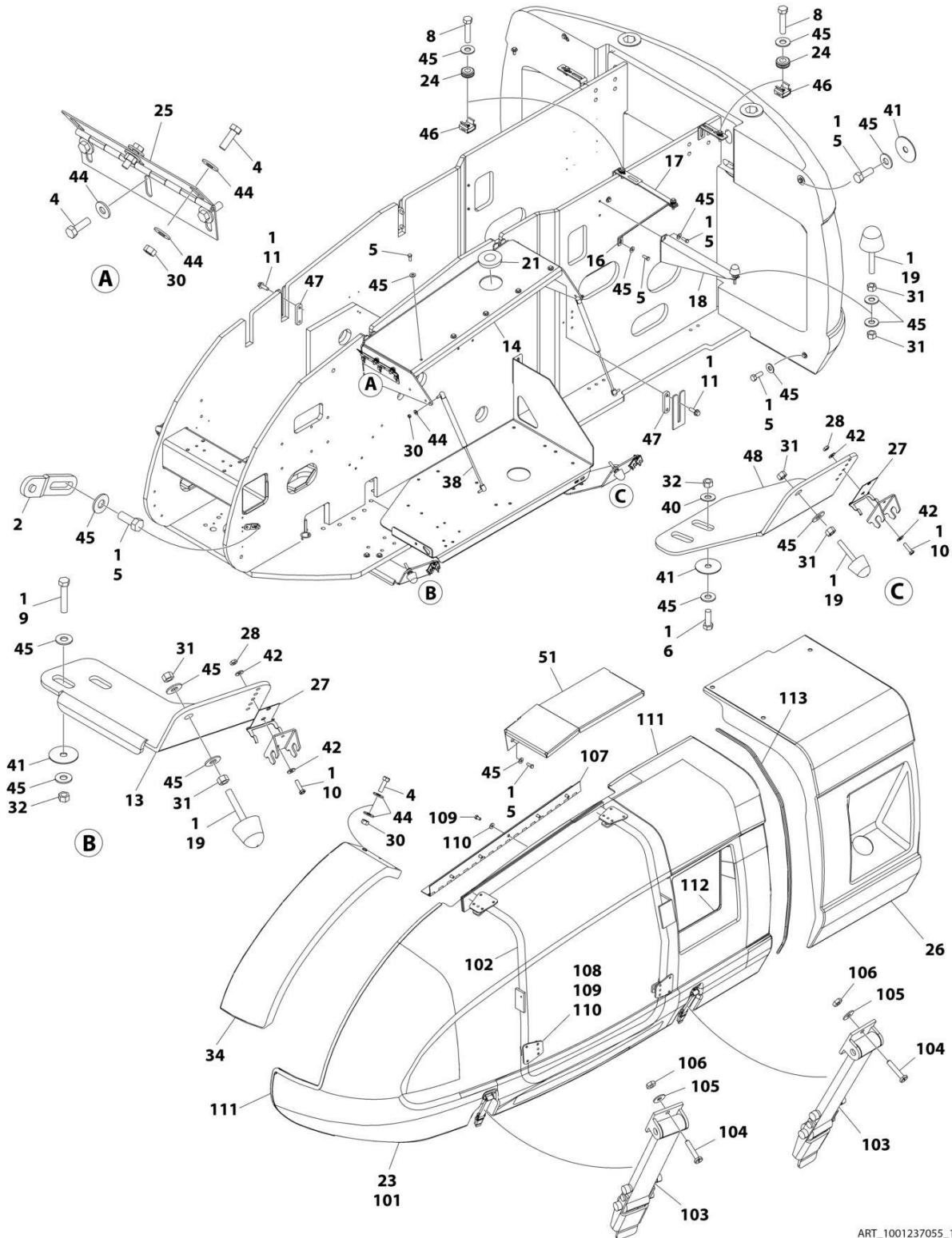
ITEM	PART NUMBER	QTY	DESCRIPTION	REV
		Ref	NOTE: REPLACEMENT DECALS MUST BE PURCHASED SEPARATELY - SEE DECALS SECTION.	
	1001157415	Ref	HOODS INSTALLATION - DEUTZ D2011 & GM ENGINES	G
1	0100011	AR	Compound, Locking	
2	1001161711	1	Angle, Hood Support	
3	0362770	1	Bar, Panel Mounting	
4	0811812	8	Bolt 1/2 x 1-1/2	
5	0641406	4	Bolt 1/4 x 3/4	
6	0641508	6	Bolt 5/16 x 1	
7	0641608	32	Bolt 3/8 x 1	
8	0641609	2	Bolt 3/8 x 1-1/8	
9	0641610	3	Bolt 3/8 x 1-1/4	
10	0641616	4	Bolt 3/8 x 2	
11	0721006	6	Screw #10 x 3/4	
12	0902219	2	Bracket, Bumper	
13	0902223	1	Bracket, Latch	
14	1001207558	1	Bracket, Hood Mounting	
15	0902412	1	Bracket, Hood Mounting	
16	0902491	1	Bracket, Latch	
17	0902673	1	Bracket, Support (Front Cover)	
18	0902674	1	Bracket, Support (Front Cover)	
19	0902769	1	Bracket, Bumper Support	
20	0940071	3	Bumper	
21	0940088	2	Bumper	
22	1120601	1	Plug, Cap	
23	1671201	1	Cover	
24	1671228	1	Hood Assembly - Tank Side (See Items 201-213 for Breakdown)	
25	2540035	3	Grommet	
26	2600244	1	Hinge, Adapter Panel	
27	2680490	1	Hood, Right Cover	
28	2940188	3	Latch, Spring Clip	
29	3311005	6	Nut #10	
30	3311405	4	Nut 1/4	
31	3311505	9	Nut 5/16	
32	3311601	6	Nut 3/8	
33	3311605	12	Nut 3/8	
34	1001150260	4	Plate	
35	3321501	4	Nut 5/16	
36	3380444	1	Panel, Adapter	
37	3380575	1	Panel, Cover	
38	1001208024	1	Plate, Seal	
39	3960389	3.5 ft/ 1.1m	Seal (Not Shown)	
40	3960470	1	Seal, Latch	
41	4160139	2	Spring, Gas (Tank Side)	
42	4160143	1	Spring, Gas (Engine Side)	
43	4711600	2	Washer 3/8	
44	4740076	5	Washer, Fender	
46	4751000	12	Washer #10	
47	4751400	4	Washer 1/4	

## SECTION 2 - TURNTABLE

ITEM	PART NUMBER	QTY	DESCRIPTION	REV
48	4751500	19	Washer 5/16	
49	4751600	62	Washer 3/8	
50	1001099138	1	Hood Assembly - Engine Side (See Items 101-151 for Breakdown)	
51	1001157021	1	Bracket	
52	1001157474	1	Bracket	
53	1001157475	1	Panel	
54	1001157736	1	Panel	
55	1001126828	6	Nut, Tinnerman	
56	0641614	3	Bolt 3/8 x 1-3/4	
	1001099138	Ref	HOOD ASSEMBLY (ENGINE SIDE)	C
101	0641606	4	Bolt 3/8 x 3/4	
102	2820233	1	Insulation, Rear Sound	
103	0641608	6	Bolt 3/8 x 1	
104	2820235	1	Insulation, Rear Sound	
105	3311605	2	Nut 3/8	
106	3900232	2	Screw, Button Head 3/8 x 1-1/4	
107	1001101623	1	Shield, Heat Gasket	
108	4740500	2	Washer (Special)	
109	4751600	14	Washer 3/8	
110	1001099121	1	Tube, Exhaust	
111	2940088	1	Latch	
112	1671230	1	Frame, Tubular	
113	2600209	1	Hinge	
114	0721008	2	Screw, Machine #10 x 1	
115	4751000	2	Washer #10	
116	3311001	2	Nut #10	
117	2820234	1	Insulation, Center Sound	
118	1321384	4	Hold Down	
119	3960462	61 in/ 1.55m	Seal	
120	3960464	65 in/ 1.67m	Seal	
121	1001101673	1	Insulation	
	1671228	Ref	HOOD ASSEMBLY (TANK SIDE)	B
201	1671231	1	Hood	
202	1671232	1	Frame, Tubular	
203	2940088	2	Latch	
204	0721008	4	Screw, Machine #10 x 1	
205	4751000	4	Washer #10	
206	3311001	4	Nut #10	
207	2600233	1	Hinge	
208	1321384	4	Hold Down	
209	0641606	9	Bolt 3/8 x 3/4	
210	4711600	9	Washer 3/8	
211	3960464	65 in/ 2.11m	Seal	
212	3960438	55 in/1.4m	Seal	
213	3960462	53 in/ 1.35m	Seal	
	0272081	Ref	NOISE REDUCTION INSTALLATION (DEUTZ ENGINE MACHINES)	4-D
301	2820078	1	Foam, Acoustical (Not Shown)	

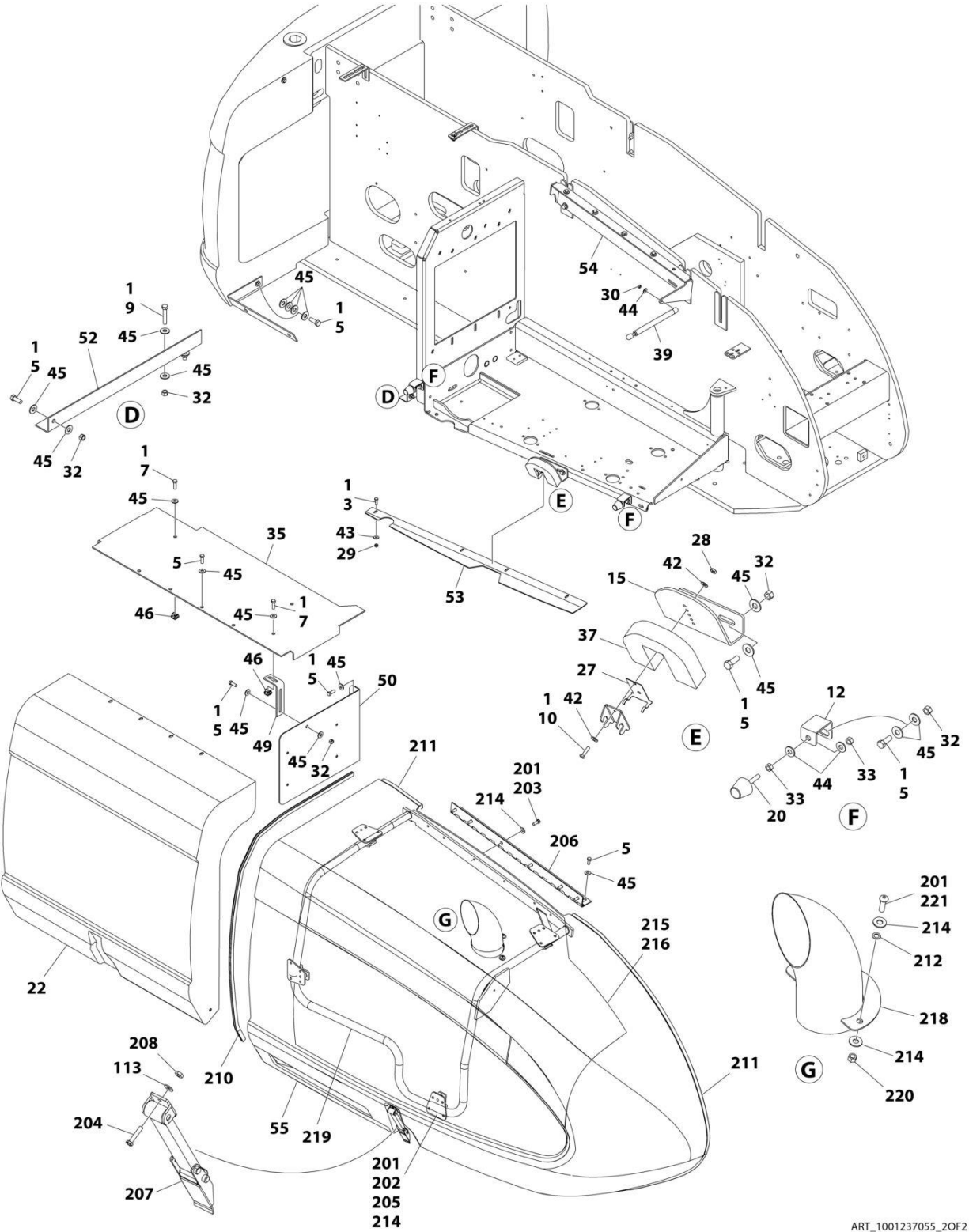
# SECTION 2 - TURNTABLE

## FIGURE 2-65. HOODS INSTALLATION - ABS (DEUTZ TD2.9L4 AND DEUTZ TD2.9L4 (STAGE V) ENGINES) (CE & UK CA SPECS ONLY)



ART\_1001237055\_10F2

# SECTION 2 - TURNTABLE



ART\_1001237055\_20F2

## SECTION 2 - TURNTABLE

**FIGURE 2-65. HOODS INSTALLATION - ABS (DEUTZ TD2.9L4 AND DEUTZ TD2.9L4 (STAGE V) ENGINES) (CE & UK CA SPECS ONLY)**

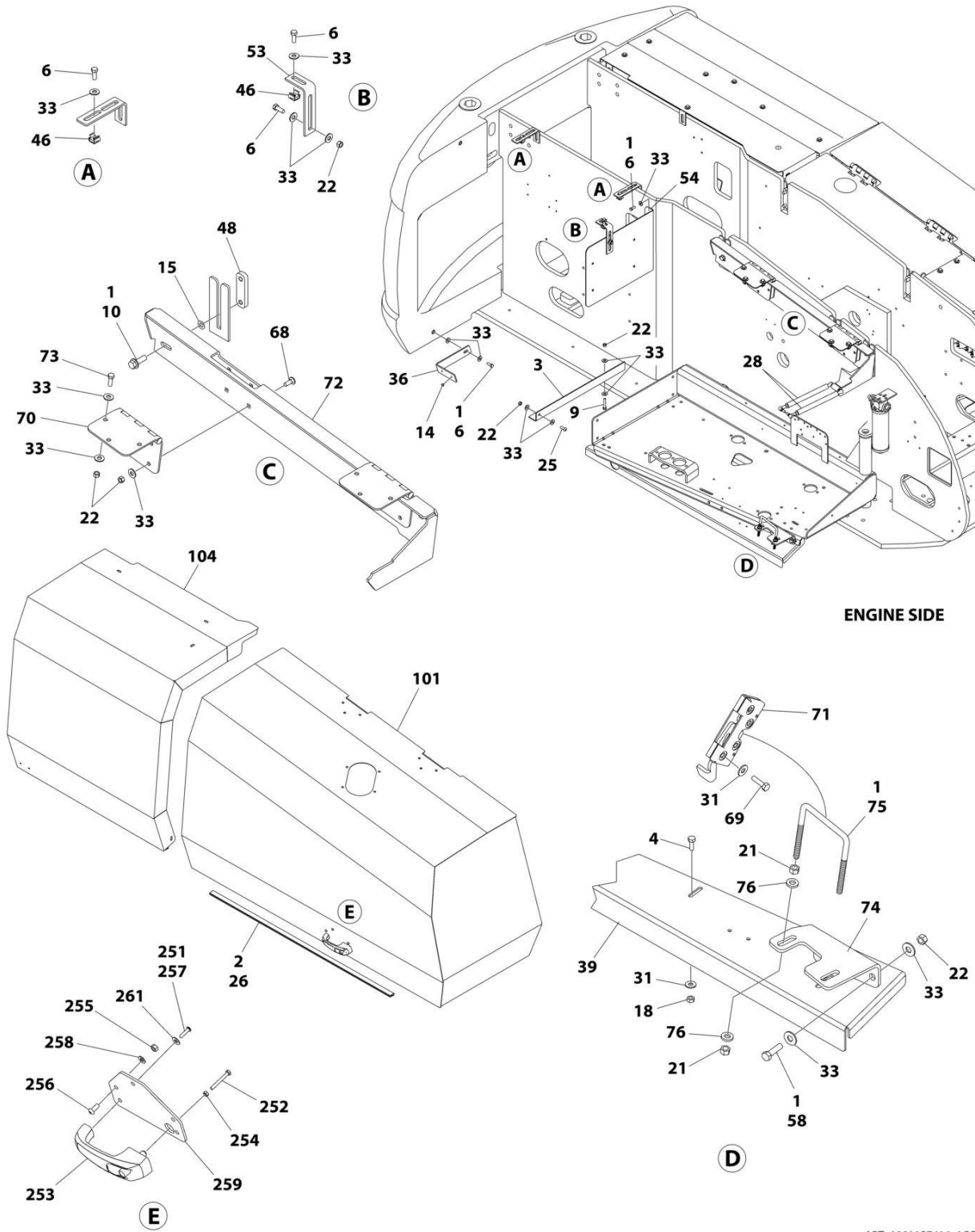
ITEM	PART NUMBER	QTY	DESCRIPTION	REV
		Ref	NOTE: REPLACEMENT DECALS MUST BE PURCHASED SEPARATELY - SEE DECALS SECTION.	
	1001237055	Ref	HOODS INSTALLATION	C
1	0100011	AR	Compound, Locking	
2	0362770	1	Bar, Panel Mounting	
3	0641406	4	Bolt 1/4 x 3/4	
4	0641508	6	Bolt 5/16i x 1	
5	0641608	32	Bolt 3/8 x 1	
6	0641609	2	Bolt 3/8 x 1-1/8	
7	0641610	3	Bolt 3/8 x 1-1/4	
8	0641614	3	Bolt 3/8 x 1-3/4	
9	0641616	4	Bolt 3/8 x 2	
10	0721006	6	Screw #10 x 3/4	
11	0811812	8	Bolt 1/2 x 1-1/2	
12	0902219	2	Bracket, Bumper	
13	0902223	1	Bracket, Latch	
14	0902412	1	Bracket, Hood Mounting	
15	0902491	1	Bracket, Latch	
16	0902673	1	Bracket, Support (Front Cover)	
17	0902674	1	Bracket, Support (Front Cover)	
18	0902769	1	Bracket, Bumper Support	
19	0940071	3	Bumper	
20	0940088	2	Bumper	
21	1120601	1	Plug, Cap	
22	1671201	1	Cover	
23	1671228	1	Hood Assembly - Tank Side (See Items 101-113 for Breakdown)	
24	2540035	3	Grommet	
25	2600244	1	Hinge, Adapter Panel	
26	2680490	1	Hood, Right Cover	
27	2940188	3	Latch, Spring Clip	
28	3311005	6	Nut #10	
29	3311405	4	Nut 1/4	
30	3311505	9	Nut 5/16	
31	3311601	6	Nut 3/8	
32	3311605	12	Nut 3/8	
33	3321501	4	Nut 5/16	
34	3380444	1	Panel, Adapter	
35	3380575	1	Panel, Cover	
36	3960389	3.5 ft/ 1.1m	Seal (Not Shown)	
37	3960470	1	Seal, Latch	
38	4160139	2	Spring, Gas (Tank Side)	
39	4160143	1	Spring, Gas (Engine Side)	
40	4711600	2	Washer 3/8	
41	4740076	5	Washer, Fender	
42	4751000	12	Washer #10	
43	4751400	4	Washer 1/4	
44	4751500	19	Washer 5/16	
45	4751600	63	Washer 5/16	

## SECTION 2 - TURNTABLE

ITEM	PART NUMBER	QTY	DESCRIPTION	REV
46	1001126828	6	Nut, Tinnerman	
47	1001150260	4	Plate	
48	1001157021	1	Bracket	
49	1001157474	1	Bracket	
50	1001157475	1	Panel	
51	1001157736	1	Panel	
52	1001161711	1	Angle, Hood Support	
53	1001204648	1	Plate, Seal	
54	1001236392	1	Bracket, Hood Mounting	
55	1001236387	1	Hood Assembly - Engine Side (See Items 201-251 for Breakdown)	
	1671228	Ref	HOOD ASSEMBLY (TANK SIDE)	A
101	1671231	1	Hood	
102	1671232	1	Frame, Tubular	
103	2940088	2	Latch	
104	0721008	4	Screw, Machine #10 x 1	
105	4751000	4	Washer #10	
106	3311001	4	Nut #10	
107	2600233	1	Hinge	
108	1321384	4	Hold Down	
109	0641606	9	Bolt 3/8 x 3/4	
110	4711600	9	Washer 3/8	
111	3960464	83 in/ 2.11m	Seal	
112	3960438	55 in/1.4m	Seal	
113	3960462	53 in/ 1.35m	Seal	
	1001236387	Ref	HOOD ASSEMBLY (ENGINE SIDE)	C
201	0100011	1	Compound, Locking	
202	0641606	4	Bolt 3/8 x 3/4	
203	0641608	6	Bolt 3/8 x 1	
204	0721008	2	Screw, Machine #10 x 1	
205	1321384	4	Hold Down	
206	2600209	1	Hinge	
207	2940088	1	Latch	
208	3311001	2	Nut #10	
210	3960462	61 in/ 1.55m	Seal	
211	3960464	65 in/ 1.67m	Seal	
212	4740500	3	Washer (Special)	
213	4751000	2	Washer #10	
214	4751600	16	Washer 3/8	
215	1001117140	AR	Tape, Aluminum	
216	1001270099	AR	Insulation, Heat	
218	1001236389	1	Tube, Exhaust	
219	1001236871	1	Frame, Tubular	
220	3271601	3	Nut 3/8	
221	3900232	3	Screw, Button Head 3/8 x 1-1/4	

# SECTION 2 - TURNTABLE

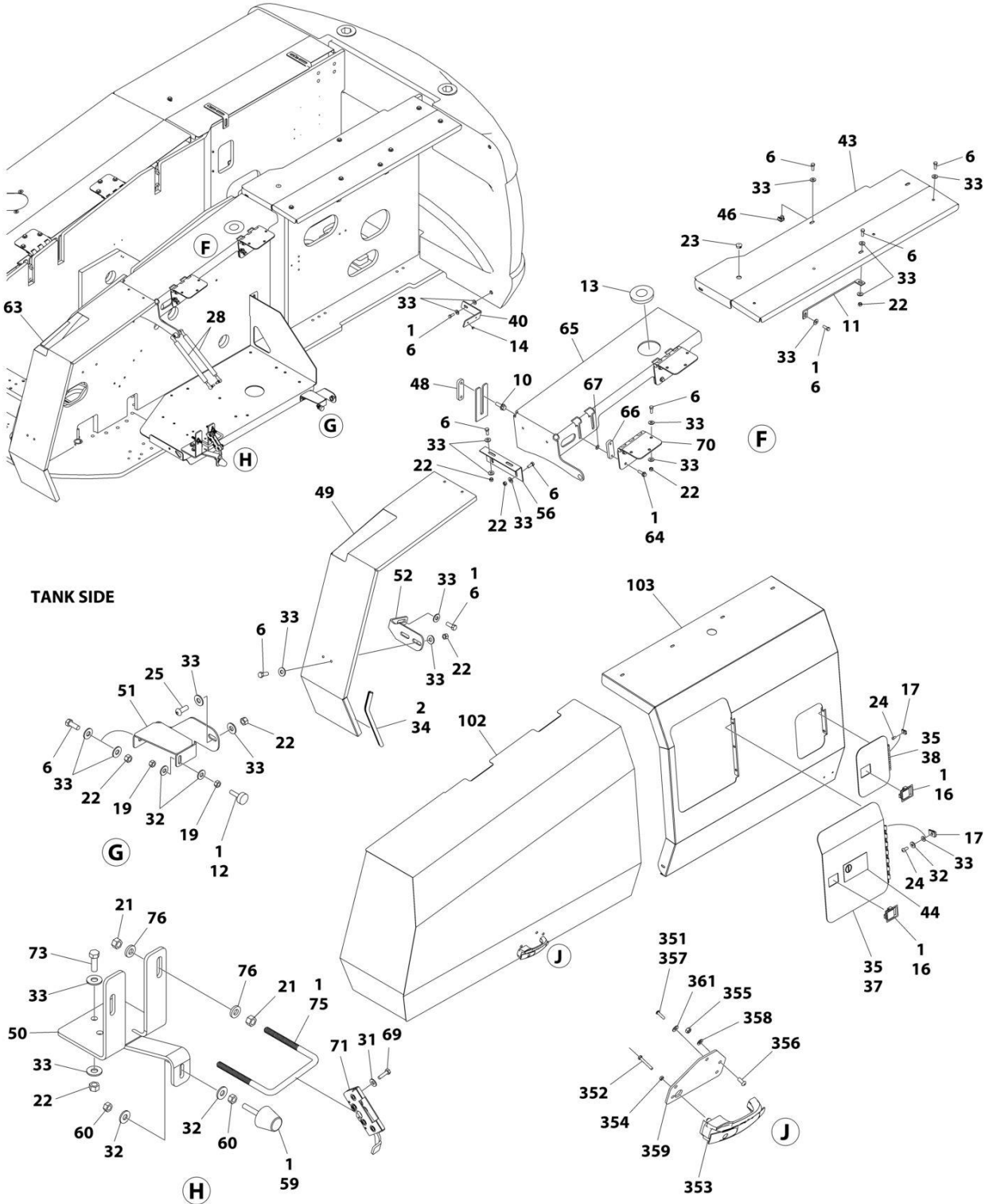
## FIGURE 2-66. HOODS INSTALLATION - STEEL (DEUTZ D2011 ENGINES)



ART\_1001157416\_10F2



# SECTION 2 - TURNTABLE



ART\_1001157416\_20F2

## SECTION 2 - TURNTABLE

FIGURE 2-66. HOODS INSTALLATION - STEEL (DEUTZ D2011 ENGINES)

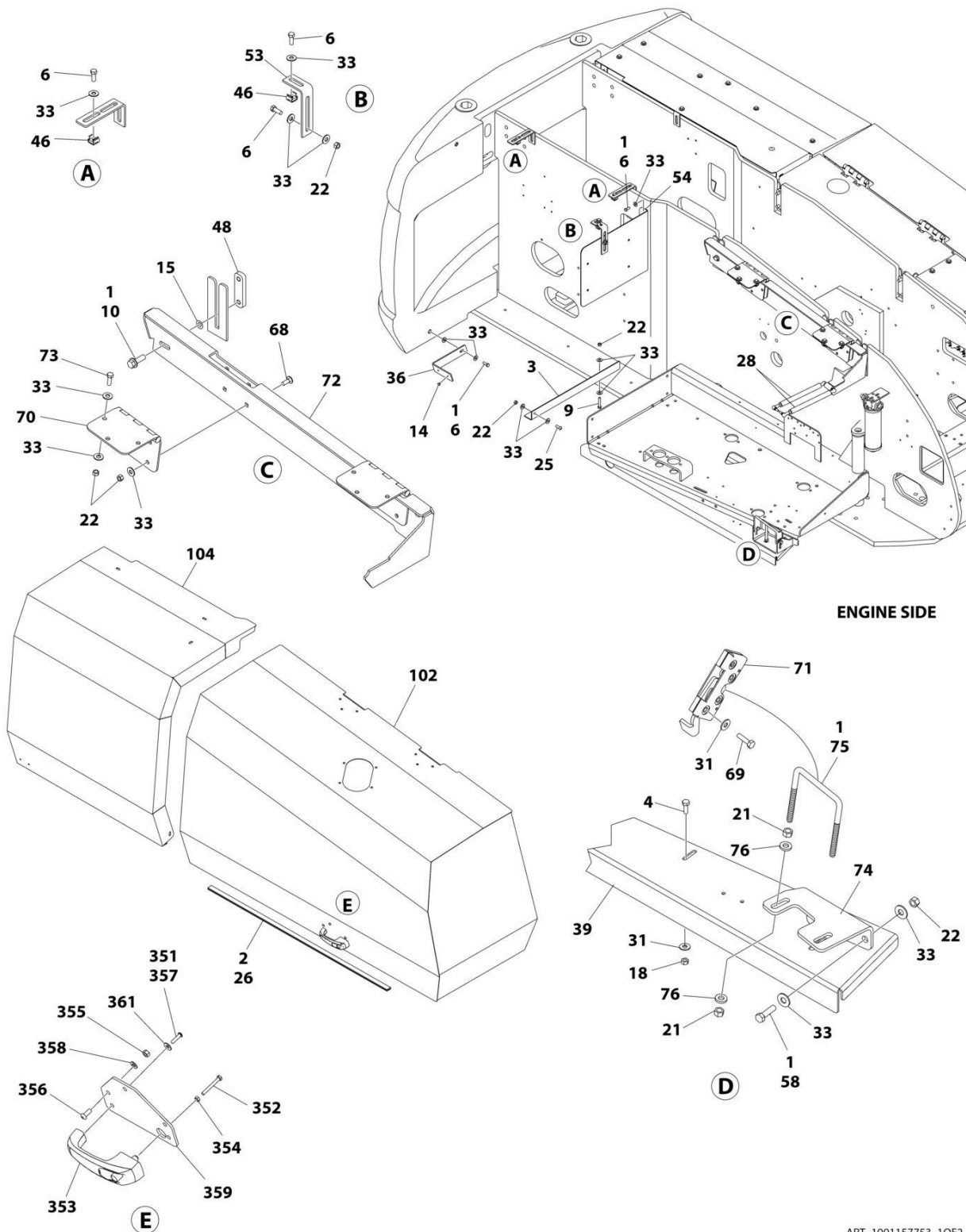
ITEM	PART NUMBER	QTY	DESCRIPTION	REV
		Ref	NOTE: REPLACEMENT DECALS MUST BE PURCHASED SEPARATELY - SEE DECALS SECTION.	
	1001157416	Ref	HOODS INSTALLATION	J
1	0100011	AR	Compound, Locking	
2	0100081	AR	Adhesive	
3	1001161711	1	Mount	
4	0641406	4	Bolt 1/4 x 3/4	
6	0641608	31	Bolt 3/8 x 7/8	
9	0641616	2	Bolt 3/8 x 2	
10	0811812	8	Bolt 1/2 x 1-1/2	
11	0902673	1	Bracket	
12	0940049	1	Stopper, Hood	
13	1120601	1	Plug	
14	2080040	4	Fastener, Huck	
15	2080072	4	Retainer	
16	2940045	2	Latch, Paddle	
17	3300364	5	Nut, Tinnerman	
18	3311405	4	Nut 1/4	
19	3311501	2	Nut 5/16	
21	3311601	8	Nut 3/8	
22	3311605	39	Nut 3/8	
23	3520030	1	Plug, Hole	
24	3900210	5	Screw, Button Head 5/16 x 3/4	
25	3900316	2	Screw, Button Head 3/8 x 1	
26	3960389	54 in/1.4m	Seal	
28	4160194	4	Spring, Gas	
31	4751400	12	Washer 1/4	
32	4751500	7	Washer 5/16	
33	4751600	80	Washer 3/8	
34	1001110166	59 in /1.5mm	Seal	
35	1001113047	84 in /2.14m	Seal	
36	1001116280	1	Bracket, Hood	
37	1001116322	1	Door	
38	1001116344	1	Door	
39	1001117249	1	Plate, Seal	
40	1001116358	1	Bracket	
43	1001117027	1	Bracket	
44	1001117307	1	Decal - Emergency Stop	
46	1001126828	5	Nut, Tinnerman	
48	1001150260	4	Plate	
49	1001173580	1	Plate	
50	1001250295	1	Bracket, Striker	
51	1001157025	1	Bracket	
52	1001157344	1	Bracket	
53	1001157474	1	Bracket	
54	1001157475	1	Panel	
56	1001157612	1	Bracket	
58	0641611	2	Bolt 3/8 x 1-3/8	

## SECTION 2 - TURNTABLE

ITEM	PART NUMBER	QTY	DESCRIPTION	REV
59	0940088	1	Bumper	
60	3321501	2	Nut 5/16	
63	4420038	6 in/16cm	Tape	
64	0811610	8	Screw 3/8 x 1-1/4	
65	1001157284	1	Mount	
66	1001186251	4	Plate	
67	8310070	8	Push-nut 3/8	
68	0630485	8	Bolt, Carriage	
69	0641408	8	Bolt 1/4 x 1	
70	1001186254	4	Hinge	
71	2940173	2	Latch	
72	1001196768	1	Bracket	
73	0641609	9	Bolt 3/8 x 1-1/8	
74	1001250294	1	Bracket	
75	1001243414	2	Bolt 3/8	
76	4891600	8	Washer 3/8	
100	1001174283	1	Hood Kit - Standard Machines (Not Shown - Includes Items 101-104)	C
101	1001157208	1	Hood Assembly - Engine Side Rear (See Items 251-261 for Breakdown)	
102	1001157209	1	Hood Assembly - Tank Side Rear (See Items 351-361 for Breakdown)	
103	1001116558	1	Hood - Tank Side Front	
104	1001116620	1	Hood - Engine Side Front	
	1001157208	Ref	HOOD ASSEMBLY - ENGINE SIDE REAR	D
251	0100011	AR	Compound, Locking	
252	0700618	1	Bolt M6 x 50	
253	2560187	1	Handle, Push Button	
254	3290601	1	Nut M6	
255	3311505	3	Nut 5/16	
256	3900210	3	Screw, Button Head 5/16 x 3/4	
257	3900363	2	Screw, Button Head M6 x 25	
258	4711500	3	Washer 5/16	
259	1001116290	1	Plate, Latch Mounting	
261	4751400	2	Washer 1/4	
	1001157209	Ref	HOOD ASSEMBLY - TANK SIDE REAR	C
351	0100011	AR	Compound, Locking	
352	0700617	1	Bolt M6 x 45	
353	2560187	1	Handle, Push Button	
354	0700615	1	Nut M6	
355	3311505	3	Nut 5/16	
356	3900210	3	Screw, Button Head 5/16 x 3/4	
357	3900363	2	Screw, Button Head M6 x 25	
358	4711500	3	Washer 5/16	
359	1001116290	1	Plate, Latch Mounting	
361	4751400	2	Washer 1/4	
	0272081	Ref	NOISE REDUCTION INSTALLATION (DEUTZ ENGINE MACHINES)	4-D
401	2820078	1	Foam, Acoustical (Not Shown)	

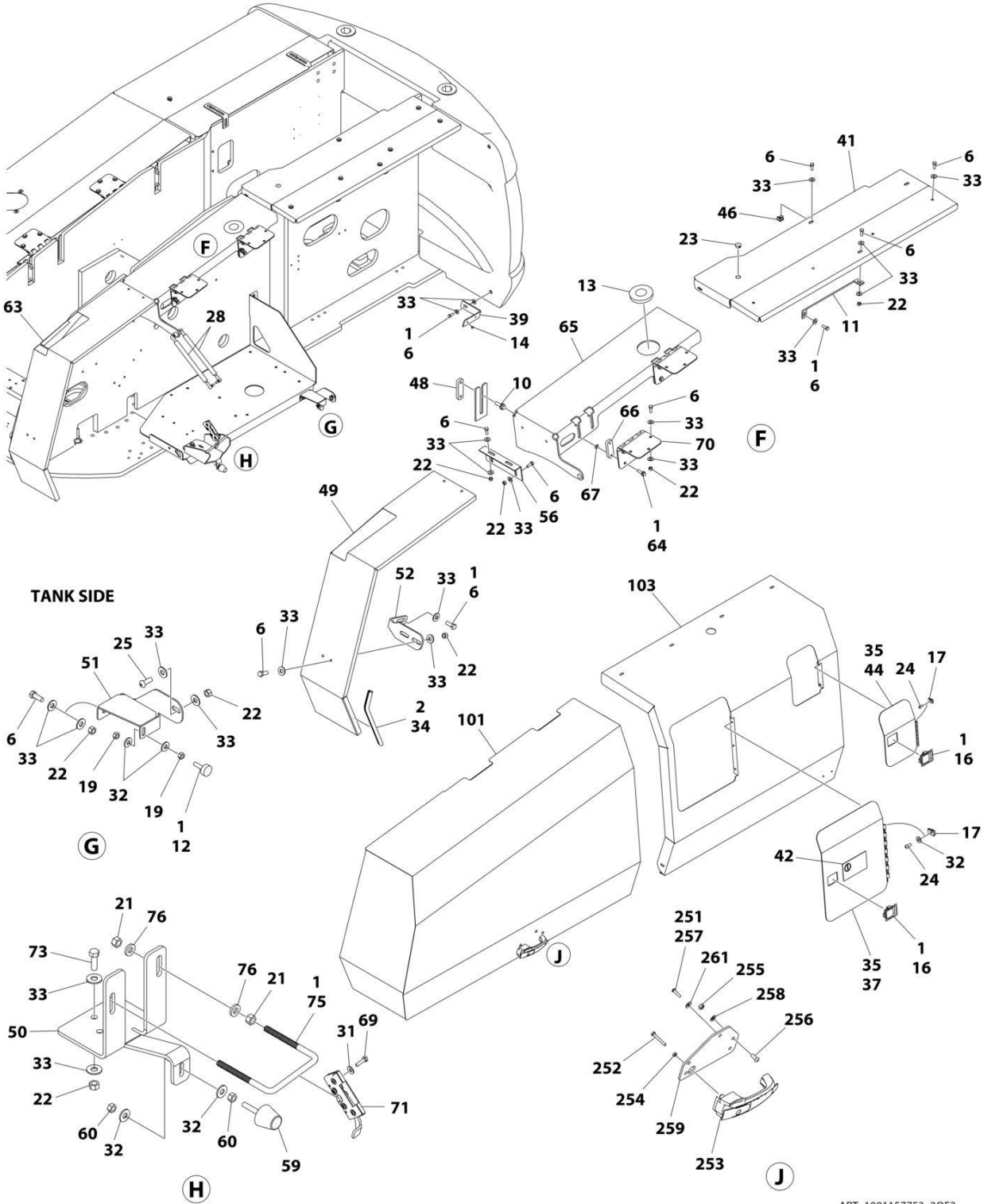
# SECTION 2 - TURNTABLE

FIGURE 2-67. HOODS INSTALLATION - STEEL WITH HOSTILE ENVIRONMENT MACHINES (DEUTZ D2011 ENGINES) (MACHINES WITH SN STARTING WITH 03 OR 13)



ART\_1001157753\_10F2

# SECTION 2 - TURNTABLE



## SECTION 2 - TURNTABLE

**FIGURE 2-67. HOODS INSTALLATION - STEEL WITH HOSTILE ENVIRONMENT MACHINES (DEUTZ D2011 ENGINES) (MACHINES WITH SN STARTING WITH 03 OR 13)**

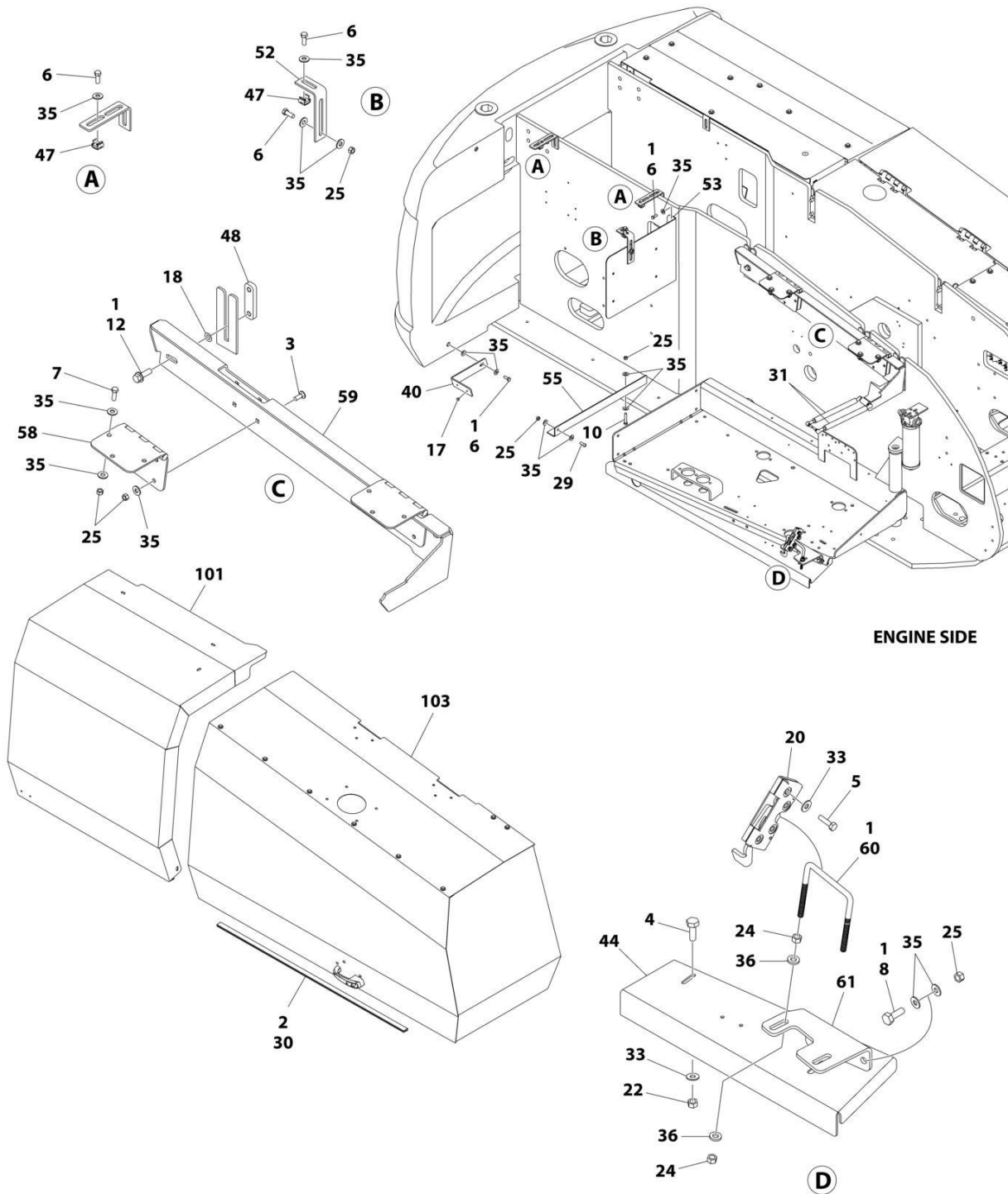
ITEM	PART NUMBER	QTY	DESCRIPTION	REV
		Ref	NOTE: REPLACEMENT DECALS MUST BE PURCHASED SEPARATELY - SEE DECALS SECTION.	
	1001157753	Ref	HOODS INSTALLATIONS	I
1	0100011	AR	Compound, Locking	
2	0100081	AR	Adhesive	
3	1001161711	1	Mount	
4	0641406	4	Bolt 1/4 x 3/4	
6	0641608	31	Bolt 3/8 x 7/8	
9	0641616	2	Bolt 3/8 x 2	
10	0811812	8	Bolt 1/2 x 1-1/2	
11	0902673	1	Bracket	
12	0940049	1	Stopper, Hood	
13	1120601	1	Plug	
14	2080040	4	Fastener, Huck	
15	2080072	4	Retainer	
16	2940045	2	Latch, Paddle	
17	3300364	5	Nut, Tinnerman	
18	3311405	4	Nut 1/4	
19	3311501	2	Nut 5/16	
21	3311601	1	Nut 3/8	
22	3311605	39	Nut 3/8	
23	3520030	1	Plug, Hole	
24	3900210	5	Screw, Button Head 5/16 x 3/4	
25	3900316	2	Screw, Button Head 3/8 x 1	
26	3960389	54 in/1.4m	Seal	
28	4160194	4	Spring, Gas	
31	4751400	12	Washer 1/4	
32	4751500	7	Washer 5/16	
33	4751600	80	Washer 3/8	
34	1001110166	59 in /1.5mm	Seal	
35	1001113047	84 in /2.14m	Seal	
36	1001116280	1	Bracket, Hood	
37	1001116322	1	Door	
38	1001117249	1	Plate, Seal	
39	1001116358	1	Bracket	
41	1001117027	1	Bracket	
42	1001117307	1	Decal - Emergency Stop	
44	1001125501	1	Door	
46	1001126828	5	Nut, Tinnerman	
48	1001150260	4	Plate	
49	1001173580	1	Plate	
50	1001250295	1	Bracket, Striker	
51	1001157025	1	Bracket	
52	1001157344	1	Bracket	
53	1001157474	1	Bracket	
54	1001157475	1	Panel	
56	1001157612	1	Bracket	

## SECTION 2 - TURNTABLE

ITEM	PART NUMBER	QTY	DESCRIPTION	REV
58	0641611	2	Bolt 3/8 x 1-3/8	
59	0940088	1	Bumper	
60	3321501	2	Nut 5/16	
63	4420038	6 in/16cm	Tape	
64	0811610	8	Screw 3/8 x 1-1/4	
65	1001157284	1	Mount	
66	1001186251	4	Plate	
67	8310070	8	Push-nut 3/8	
68	0630485	8	Bolt, Carriage	
69	0641408	8	Bolt 1/4 x 1	
70	1001186254	4	Hinge	
71	2940173	2	Latch	
72	1001196768	1	Bracket	
73	0641609	9	Bolt 3/8 x 1-1/8	
74	1001250294	1	Bracket	
75	1001243414	2	Bolt 3/8	
76	4891600	8	Washer 3/8	
100	1001174282	1	Hood Kit - Hostile Environment Machines (Not Shown - Includes Items 101-104)	C
101	1001157209	1	Hood Assembly - Tank Side Rear (See Items 251-261 for Breakdown)	
102	1001157208	1	Hood Assembly - Engine Side Rear (See Items 351-361 for Breakdown)	D
103	1001125502	1	Hood - Tank Side Front	
104	1001116620	1	Hood - Engine Side Front	
	1001157209	Ref	HOOD ASSEMBLY - TANK SIDE REAR	B
251	0100011	AR	Compound, Locking	
252	0700617	1	Bolt M6 x 45	
253	2560187	1	Handle, Push Button	
254	3290601	1	Nut M6	
255	3311505	3	Nut 5/16	
256	3900210	3	Screw, Button Head 5/16 x 3/4	
257	3900363	2	Screw, Button Head M6 x 25	
258	4711500	3	Washer 5/16	
259	1001116290	1	Plate, Latch Mounting	
261	4751400	2	Washer 1/4	
	1001157208	Ref	HOOD ASSEMBLY - ENGINE SIDE REAR	
351	0100011	AR	Compound, Locking	
352	0700618	AR	Bolt M6 x 50	
353	2560187	1	Handle, Push Button	
354	3290601	1	Nut M6	
355	3311505	3	Nut 5/16	
356	3900210	3	Screw, Button Head 5/16 x 3/4	
357	3900363	2	Screw, Button Head M6 x 25	
358	4711500	3	Washer 5/16	
359	1001116290	1	Plate, Latch Mounting	
361	4751400	2	Washer 1/4	
	0272081	Ref	NOISE REDUCTION INSTALLATION (DEUTZ ENGINE MACHINES)	4-D
401	2820078	1	Foam, Acoustical (Not Shown)	

# SECTION 2 - TURNTABLE

FIGURE 2-68. HOODS INSTALLATION – STEEL WITH HOSTILE ENVIRONMENT MACHINES (DEUTZ TD2.9L4 ENGINES) (MACHINES WITH SN STARTING WITH B3)

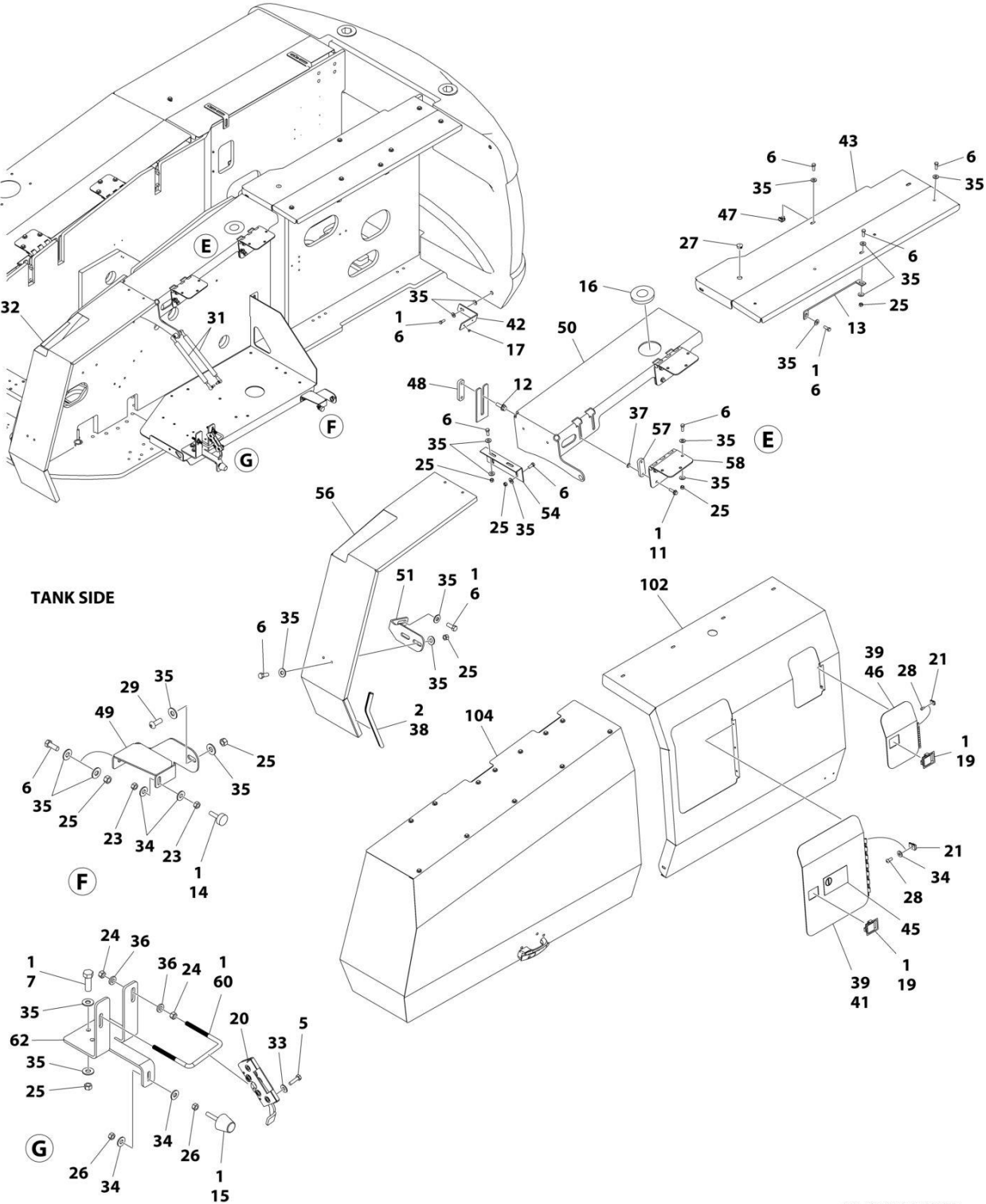


ENGINE SIDE

ART\_1001256259\_10F2



# SECTION 2 - TURNTABLE



ART\_1001256259\_20F2

## SECTION 2 - TURNTABLE

**FIGURE 2-68. HOODS INSTALLATION – STEEL WITH HOSTILE ENVIRONMENT MACHINES (DEUTZ TD2.9L4 ENGINES) (MACHINES WITH SN STARTING WITH B3)**

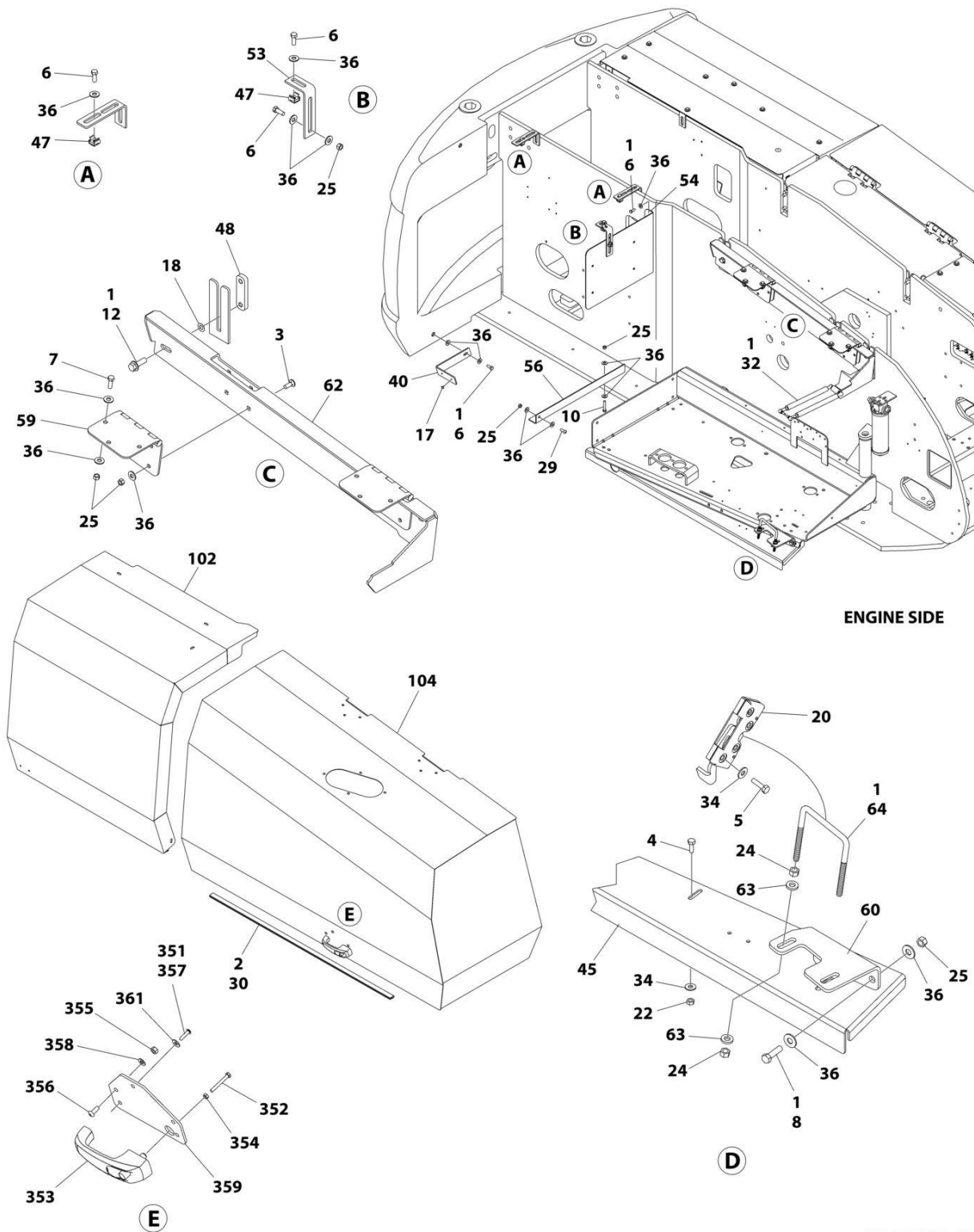
ITEM	PART NUMBER	QTY	DESCRIPTION	REV
		Ref	NOTE: REPLACEMENT DECALS MUST BE PURCHASED SEPARATELY - SEE DECALS SECTION.	
	1001256259	Ref	HOODS INSTALLATIONS	C
1	0100011	AR	Compound, Locking	
2	0100081	AR	Adhesive	
3	0630485	8	Bolt, Carriage	
4	0641406	4	Bolt 1/4 x 3/4	
5	0641408	8	Bolt 1/4 x 1	
6	0641608	31	Bolt 3/8 x 7/8	
7	0641609	9	Bolt 3/8 x 1-1/8	
8	0641611	2	Bolt 3/8 x 1-3/8	
10	0641616	2	Bolt 3/8 x 2	
11	0811610	8	Screw 3/8 x 1-1/4	
12	0811812	8	Bolt 1/2 x 1-1/2	
13	0902673	1	Bracket	
14	0940049	1	Stopper, Hood	
15	0940088	1	Bumper	
16	1120601	1	Plug	
17	2080040	4	Fastener, Huck	
18	2080072	4	Retainer	
19	2940045	2	Latch, Paddle	
20	2940173	2	Latch	
21	3300364	5	Nut, Tinnerman	
22	3311405	4	Nut 1/4	
23	3311501	2	Nut 5/16	
24	3311601	8	Nut 3/8	
25	3311605	39	Nut 3/8	
26	3321501	2	Nut 5/16	
27	3520030	1	Plug, Hole	
28	3900210	5	Screw, Button Head 5/16 x 3/4	
29	3900316	2	Screw, Button Head 3/8 x 1	
30	3960389	54 in/1.4m	Seal	
31	4160194	4	Spring, Gas	
32	4420038	6 in/16cm	Tape	
33	4751400	12	Washer 1/4	
34	4751500	7	Washer 5/16	
35	4751600	80	Washer 3/8	
36	4891600	8	Washer 3/8	
37	8310070	8	Push-nut 3/8	
38	1001110166	59 in /1.5mm	Seal	
39	1001113047	84 in /2.14m	Seal	
40	1001116280	1	Bracket, Hood	
41	1001116322	1	Door	
42	1001116358	1	Bracket	
43	1001117027	1	Bracket	
44	1001117249	1	Plate, Seal	
45	1001117307	1	Decal - Emergency Stop	

## SECTION 2 - TURNTABLE

ITEM	PART NUMBER	QTY	DESCRIPTION	REV
46	1001125501	1	Door	
47	1001126828	5	Nut, Tinnerman	
48	1001150260	4	Plate	
49	1001157025	1	Bracket	
50	1001157284	1	Mount	
51	1001157344	1	Bracket	
52	1001157474	1	Bracket	
53	1001157475	1	Panel	
54	1001157612	1	Bracket	
55	1001161711	1	Mount	
56	1001173580	1	Plate	
57	1001186251	4	Plate	
58	1001186254	4	Hinge	
59	1001196768	1	Bracket	
60	1001243414	2	Bolt 3/8	
61	1001250294	1	Bracket	
62	1001250295	1	Bracket	
100	1001256258	1	Hood Kit - Hostile Environment Machines (Not Shown - Includes Items 101-104)	
101	1001116620	1	Hood - Engine Side Front	
102	1001125502	1	Hood - Tank Side Front	
103	1001244463	1	Hood Assembly - Engine Side Rear (See Separate Breakdown in this Section)	
104	1001244465	1	Hood Assembly - Tank Side Rear (See Separate Breakdown in this Section)	

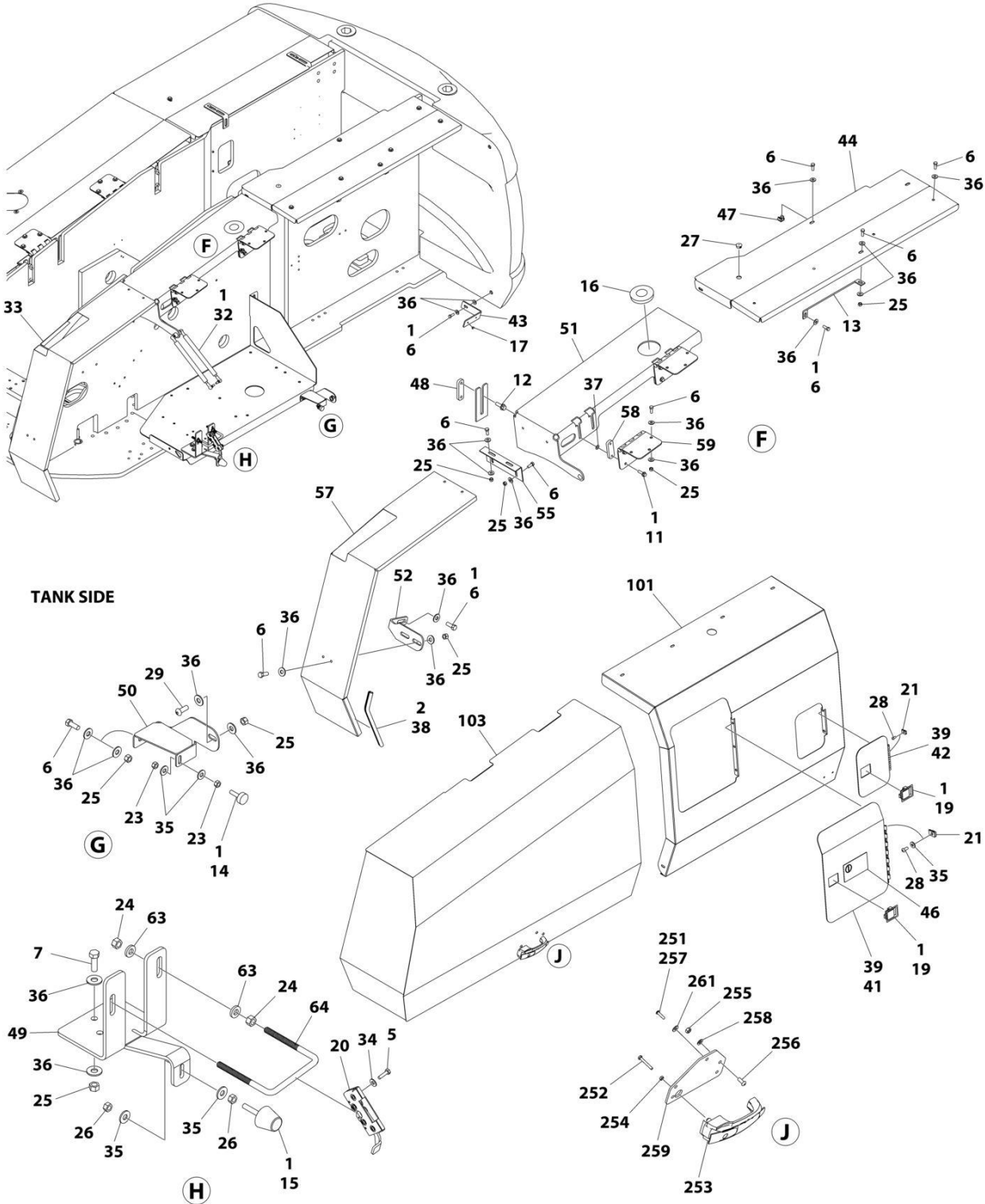
# SECTION 2 - TURNTABLE

FIGURE 2-69. HOODS INSTALLATION – STEEL (DEUTZ TD2.9L4 AND DEUTZ TD2.9L4 (STAGE V) ENGINES) (MACHINES WITH SN STARTING WITH 03 OR 13)



ART\_1001237194\_10F2

# SECTION 2 - TURNTABLE



ART\_1001237194\_20F2

## SECTION 2 - TURNTABLE

**FIGURE 2-69. HOODS INSTALLATION – STEEL (DEUTZ TD2.9L4 AND DEUTZ TD2.9L4 (STAGE V) ENGINES) (MACHINES WITH SN STARTING WITH 03)**

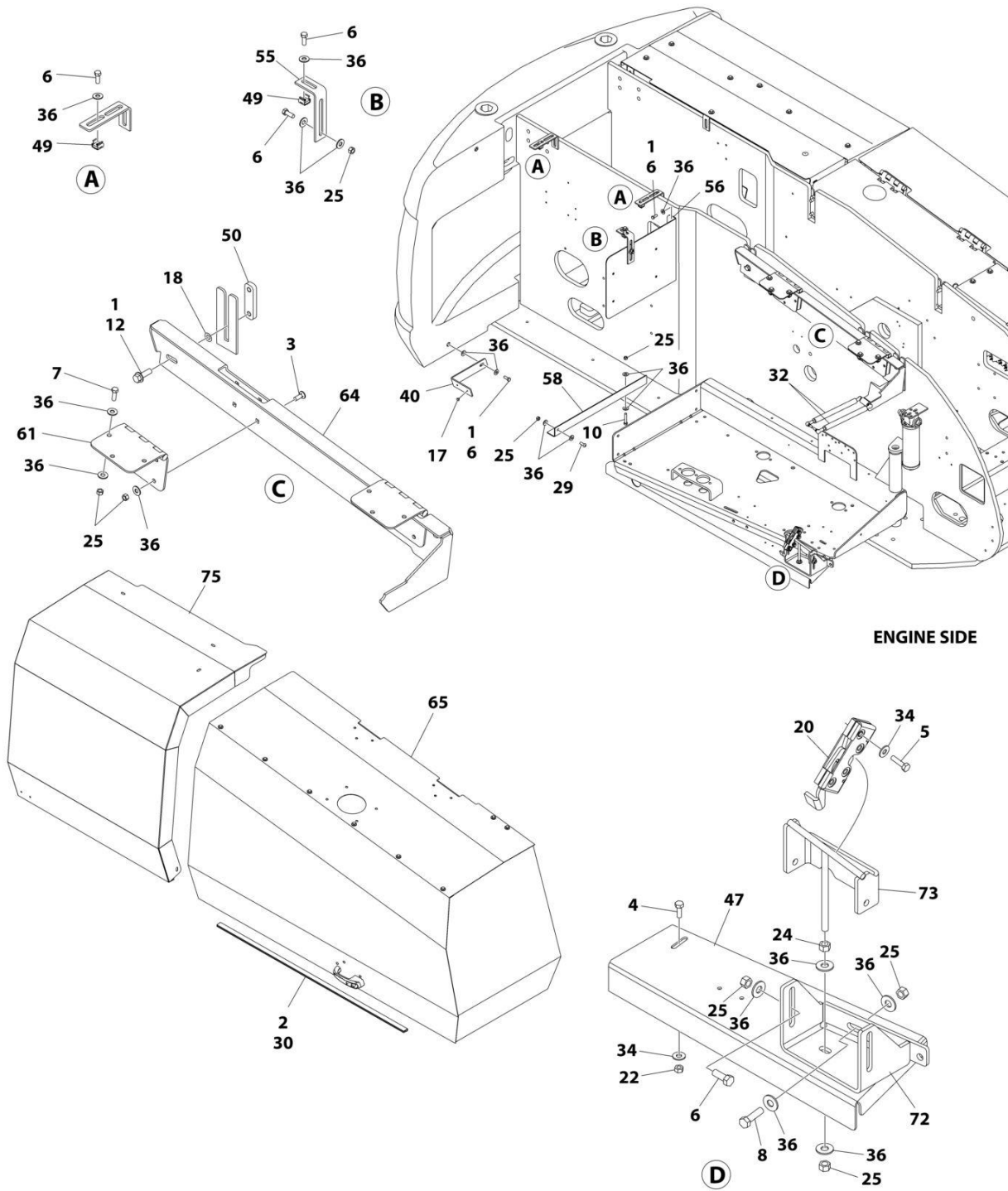
ITEM	PART NUMBER	QTY	DESCRIPTION	REV
		Ref	NOTE: REPLACEMENT DECALS MUST BE PURCHASED SEPARATELY - SEE DECALS SECTION.	
	1001237194	Ref	HOODS INSTALLATION	E
1	0100011	AR	Compound, Locking	
2	0100081	AR	Adhesive	
3	0630485	8	Bolt, Carriage	
4	0641406	4	Bolt 1/4 x 3/4	
5	0641408	8	Bolt 1/4 x 1	
6	0641608	30	Bolt 3/8 x 7/8	
7	0641609	9	Bolt 3/8 x 1-1/8	
8	0641611	2	Bolt 3/8 x 1-3/8	
10	0641616	2	Bolt 3/8 x 2	
11	0811610	8	Screw 3/8 x 1-1/4	
12	0811812	8	Bolt 1/2 x 1-1/2	
13	0902673	1	Bracket	
14	0940049	1	Stopper, Hood	
15	0940088	1	Bumper	
16	1120601	1	Plug	
17	2080040	4	Fastener, Huck	
18	2080072	4	Retainer	
19	2940045	2	Latch, Paddle	
20	2940173	2	Latch	
21	3300364	5	Nut, Tinnerman	
22	3311405	4	Nut 1/4	
23	3311501	2	Nut 5/16	
24	3311601	8	Nut 3/8	
25	3311605	39	Nut 3/8	
26	3321501	2	Nut 5/16	
27	3520030	1	Plug, Hole	
28	3900210	5	Screw, Button Head 5/16 x 3/4	
29	3900316	3	Screw, Button Head 3/8 x 1	
30	3960389	54 in/1.4m	Seal	
32	4160194	4	Spring, Gas	
33	4420038	6 in/16cm	Tape	
34	4751400	12	Washer 1/4	
35	4751500	7	Washer 5/16	
36	4751600	79	Washer 3/8	
37	8310070	8	Push-nut 3/8	
38	1001110166	59 in /1.5mm	Seal	
39	1001113047	84 in /2.14m	Seal	
40	1001116280	1	Bracket, Hood	
41	1001116322	1	Door	
42	1001116344	1	Door	
43	1001116358	1	Bracket	
44	1001117027	1	Bracket	
45	1001117249	1	Plate, Seal	
46	1001117307	1	Decal - Emergency Stop	

## SECTION 2 - TURNTABLE

ITEM	PART NUMBER	QTY	DESCRIPTION	REV
47	1001126828	5	Nut, Tinnerman	
48	1001150260	4	Plate	
49	1001250295	1	Bracket	
50	1001157025	1	Bracket	
51	1001157284	1	Mount	
52	1001157344	1	Bracket	
53	1001157474	1	Bracket	
54	1001157475	1	Panel	
55	1001157612	1	Bracket	
56	1001161711	1	Mount	
57	1001173580	1	Plate	
58	1001186251	4	Plate	
59	1001186254	4	Hinge	
60	1001250294	1	Bracket	
62	1001196768	1	Bracket	
63	4891600	8	Washer 3/8	
64	1001243414	2	Bolt 3/8	
100	1001237286	1	Hood Kit - Standard Machines (Not Shown - Includes Items 101-104)	
101	1001116558	1	Hood - Tank Side Front	
102	1001116620	1	Hood - Engine Side Front	
103	1001157209	1	Hood Assembly - Tank Side Rear (See Items 351-361 for Breakdown)	
104	1001237205	1	Hood Assembly - Engine Side Rear (See Items 351-361 for Breakdown)	
	1001157209	Ref	HOOD ASSEMBLY - TANK SIDE REAR	C
251	0100011	AR	Compound, Locking	
252	0700615	1	Bolt M6 x 35	
253	2560187	1	Handle, Push Button	
254	3290601	1	Nut M6	
255	3311505	3	Nut 5/16	
256	3900210	3	Screw, Button Head 5/16 x 3/4	
257	3900363	2	Screw, Button Head M6 x 25	
258	4711500	3	Washer 5/16	
259	1001116290	1	Plate, Latch Mounting	
261	4751400	2	Washer 1/4	
	1001237205	Ref	HOOD ASSEMBLY - ENGINE SIDE REAR	B
351	0100011	AR	Compound, Locking	
252	0700618	1	Bolt M6 x 50	
353	2560187	1	Handle, Push Button	
354	3290601	1	Nut M6	
355	3311505	3	Nut 5/16	
356	3900210	3	Screw, Button Head 5/16 x 3/4	
357	3900363	2	Screw, Button Head M6 x 25	
358	4711500	3	Washer 5/16	
359	1001116290	1	Plate, Latch Mounting	
361	4751400	2	Washer 1/4	

# SECTION 2 - TURNTABLE

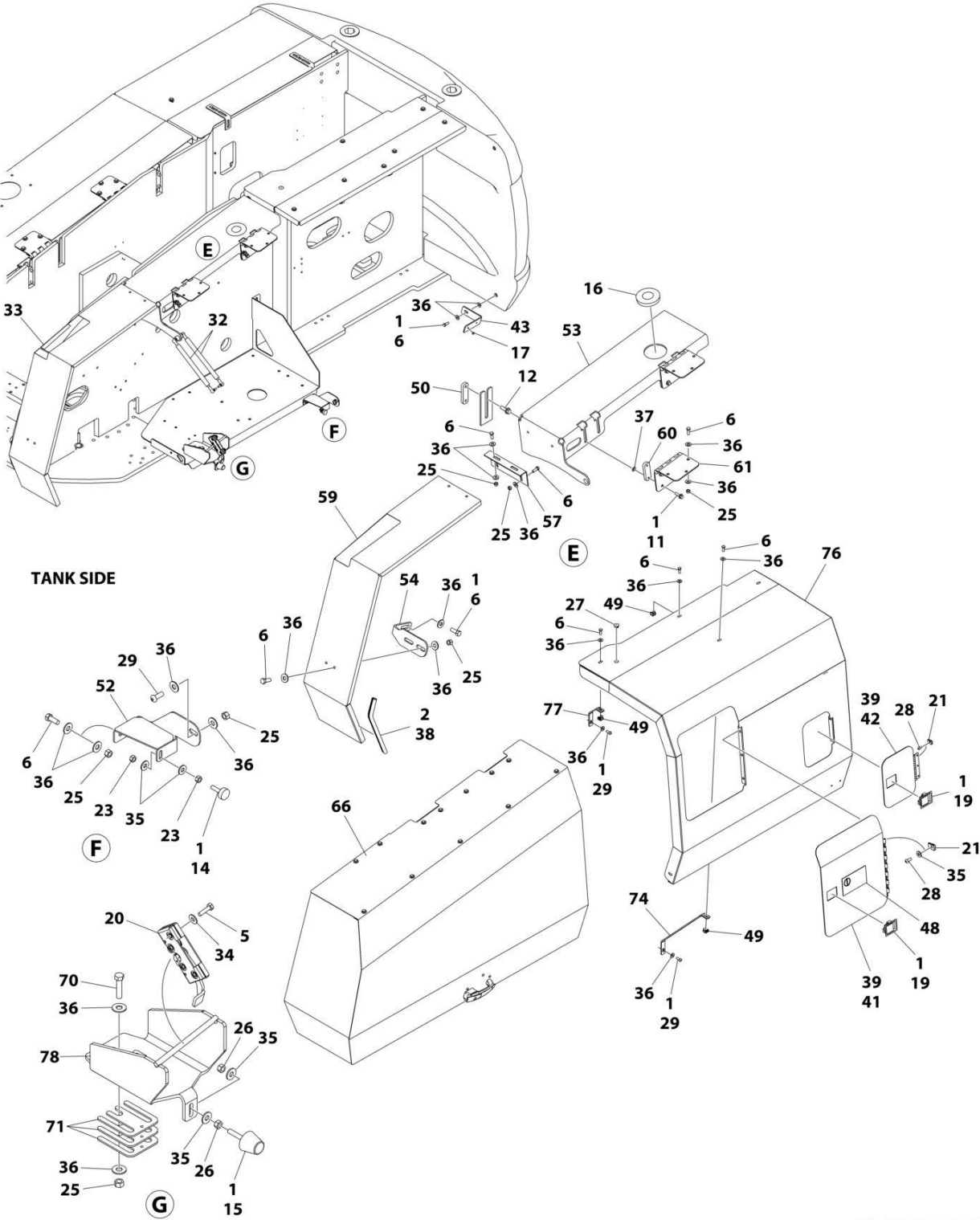
FIGURE 2-70. HOODS INSTALLATION - STEEL (DEUTZ TD2.9L4 ENGINES) (MACHINES WITH SN STARTING WITH B3)



ART\_1001244466\_G\_10F2



SECTION 2 - TURNTABLE



ART\_1001244466\_G\_2OF2

## SECTION 2 - TURNTABLE

**FIGURE 2-70. HOODS INSTALLATION - STEEL (DEUTZ TD2.9L4 ENGINES) (MACHINES WITH SN STARTING WITH B3)**

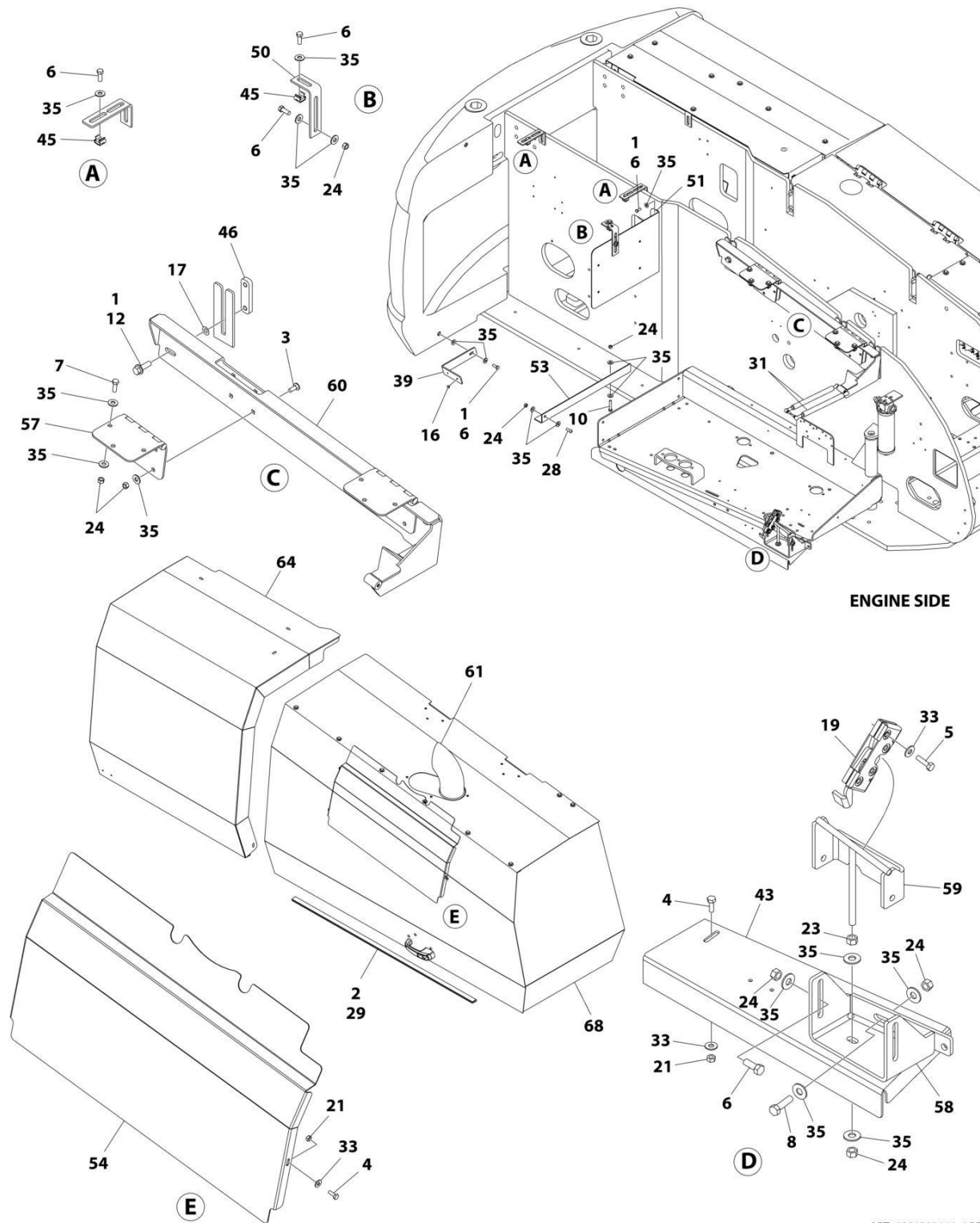
ITEM	PART NUMBER	QTY	DESCRIPTION	REV
		Ref	NOTE: REPLACEMENT DECALS MUST BE PURCHASED SEPARATELY - SEE DECALS SECTION.	
	1001244466	Ref	HOODS INSTALLATION	G
1	0100011	AR	Compound, Locking	
2	0100081	AR	Adhesive	
3	0630485	8	Bolt, Carriage	
4	0641406	4	Bolt 1/4 x 3/4	
5	0641408	8	Bolt 1/4 x 1	
6	0641608	AR	Bolt 3/8 x 7/8	
7	0641609	6	Bolt 3/8 x 1-1/8	
8	0641611	2	Bolt 3/8 x 1-3/8	
10	0641616	2	Bolt 3/8 x 2	
11	0811610	8	Screw 3/8 x 1-1/4	
12	0811812	8	Bolt 1/2 x 1-1/2	
14	0940049	1	Stopper, Hood	
15	0940088	1	Bumper	
16	1120601	1	Plug	
17	2080040	4	Fastener, Huck	
18	2080072	4	Retainer	
19	2940045	2	Latch, Paddle	
20	2940173	2	Latch	
21	3300364	5	Nut, Tinnerman	
22	3311405	4	Nut 1/4	
23	3311501	2	Nut 5/16	
24	3311601	1	Nut 3/8	
25	3311605	41	Nut 3/8	
26	3321501	2	Nut 5/16	
27	3520030	1	Plug, Hole	
28	3900210	5	Screw, Button Head 5/16 x 3/4	
29	3900316	4	Screw, Button Head 3/8 x 1	
30	3960389	54 in/1.4m	Seal	
32	4160194	4	Spring, Gas	
33	4420038	6 in/16cm	Tape	
34	4751400	12	Washer 1/4	
35	4751500	7	Washer 5/16	
36	4751600	AR	Washer 3/8	
37	8310070	8	Push-nut 3/8in	
38	1001110166	59 in /1.5mm	Seal	
39	1001113047	84 in /2.14m	Seal	
40	1001116280	1	Bracket, Hood	
41	1001116322	1	Door	
42	1001116344	1	Door	
43	1001116358	1	Bracket	
47	1001117249	1	Plate, Seal	
48	1001117307	1	Decal - Emergency Stop	
49	1001126828	7	Nut, Tinnerman	
50	1001150260	4	Plate	

## SECTION 2 - TURNTABLE

ITEM	PART NUMBER	QTY	DESCRIPTION	REV
52	1001157025	1	Bracket	
53	1001157284	1	Mount	
54	1001157344	1	Bracket	
55	1001157474	1	Bracket	
56	1001157475	1	Panel	
57	1001157612	1	Bracket	
58	1001161711	1	Mount	
59	1001173580	1	Plate	
60	1001186251	4	Plate	
61	1001186254	4	Hinge	
64	1001196768	1	Bracket	
65	1001244463	1	Hood Assembly - Engine Side Rear (See Separate Breakdown in This Section)	
66	1001244465	1	Hood Assembly - Tank Side Rear (See Separate Breakdown in This Section)	
70	0641613	3	Screw 3/8 x 1-5/8	
71	4071048	3	Shim	
72	1001186501	1	Bracket	
73	1001186502	1	Bracket	
74	1001269959	1	Bracket	
75	1001269988	1	Hood, Engine Side	
76	1001269989	1	Hood, Tank Side	
77	1001271074	1	Bracket	
78	1001272305	1	Bracket	
	0272081	Ref	NOISE REDUCTION INSTALLATION (DEUTZ ENGINE MACHINES)	4-D
401	2820078	1	Foam, Acoustical (Not Shown)	

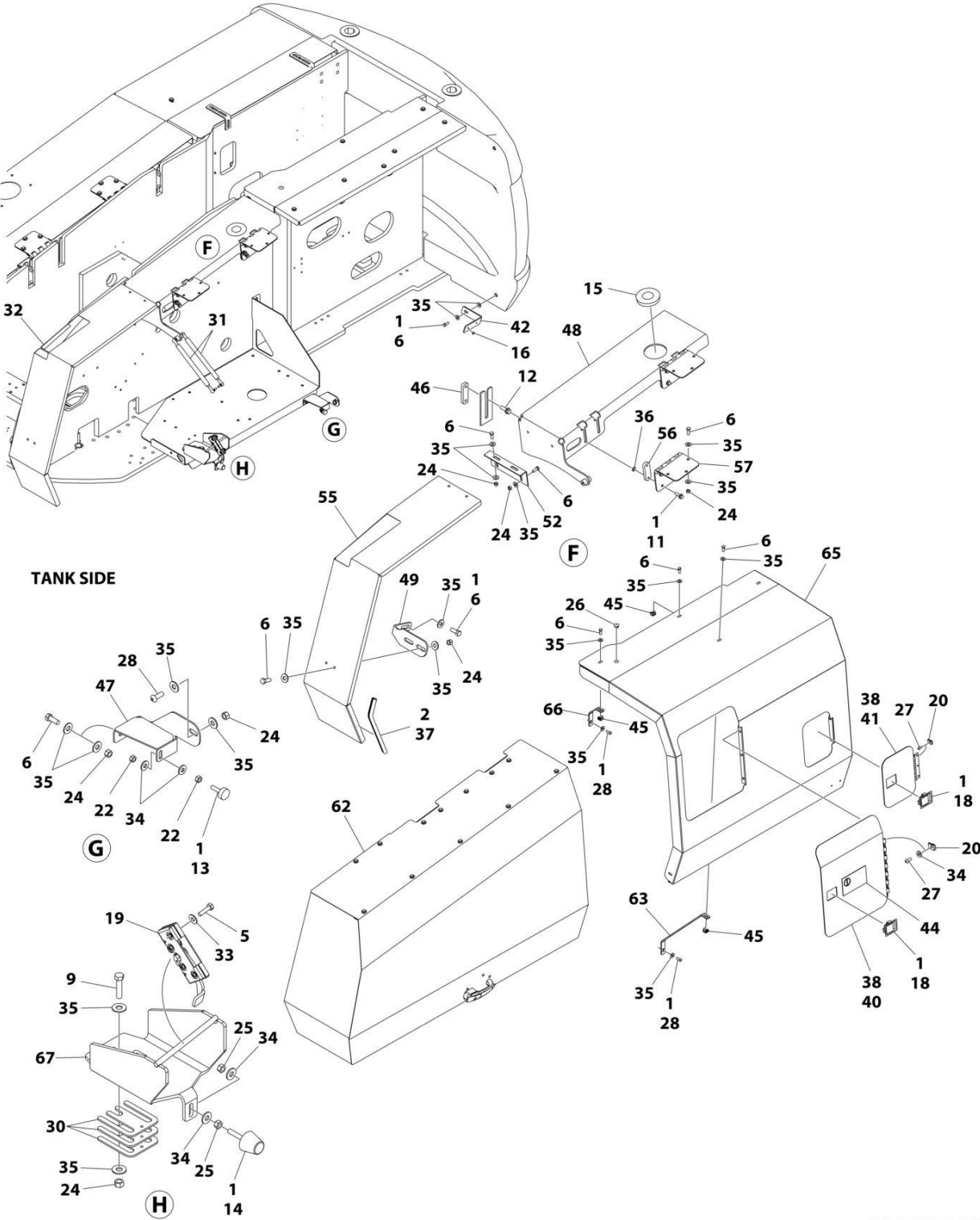
# SECTION 2 - TURNTABLE

FIGURE 2-71. HOOD INSTALLATION - STEEL (DEUTZ TD2.9L4 ENGINES) (MACHINES WITH SN STARTING WITH B3) (CE & UK CA SPECS)



ART\_1001302664\_10F2

# SECTION 2 - TURNTABLE



ART\_1001302664\_20F2

## SECTION 2 - TURNTABLE

**FIGURE 2-71. HOOD INSTALLATION - STEEL (DEUTZ TD2.9L4 ENGINES) (MACHINES WITH SN STARTING WITH B3) (CE & UK CA SPECS)**

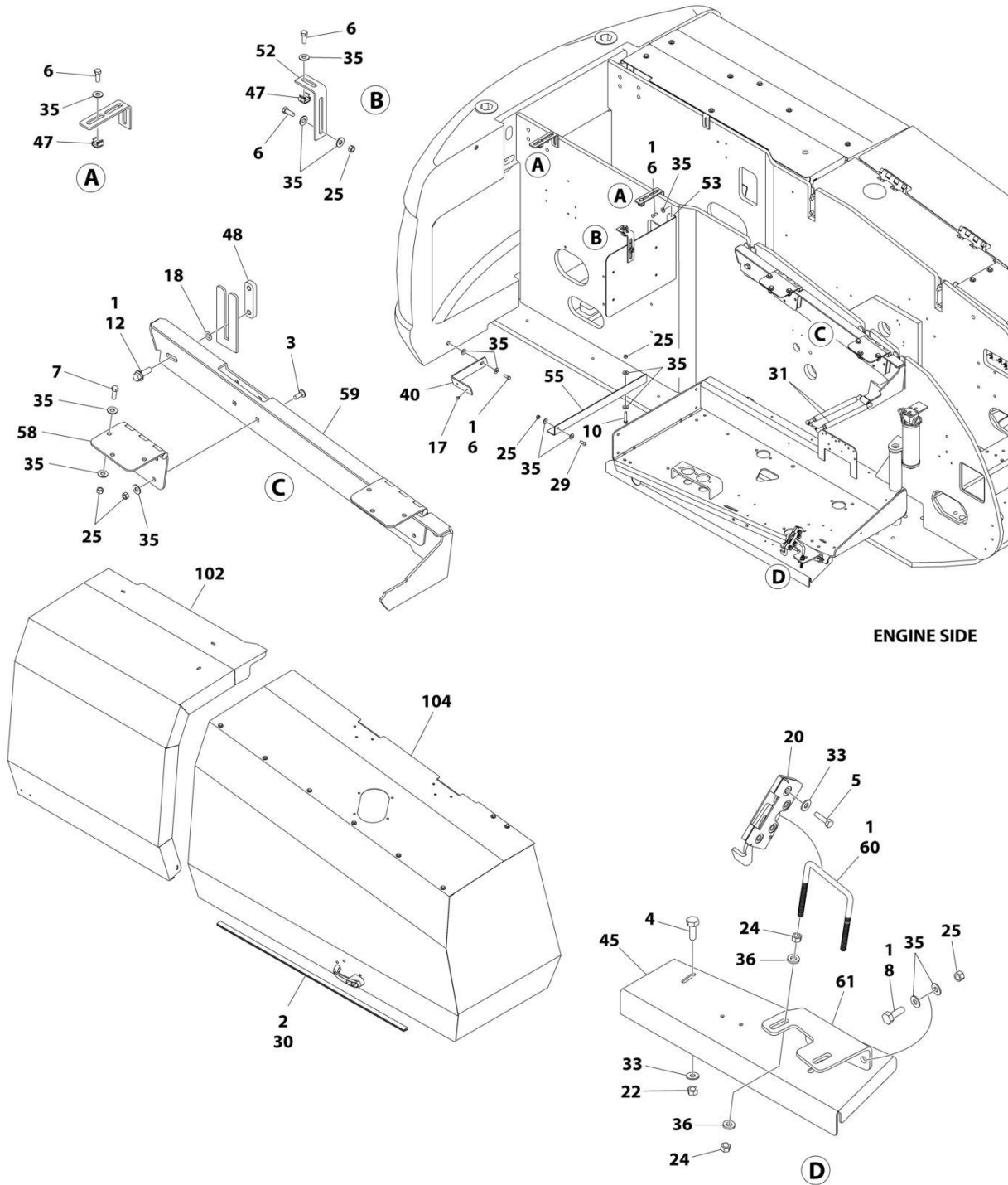
ITEM	PART NUMBER	QTY	DESCRIPTION	REV
		Ref	NOTE: REPLACEMENT DECALS MUST BE PURCHASED SEPARATELY - SEE DECALS SECTION.	
	1001302664	Ref	HOODS INSTALLATION	A
1	0100011	AR	Compound, Locking	
2	0100081	AR	Adhesive	
3	0630485	8	Bolt, Carriage	
4	0641406	7	Bolt 1/4 x 3/4	
5	0641408	8	Bolt 1/4 x 1	
6	0641608	AR	Bolt 3/8 x 7/8	
7	0641609	6	Bolt 3/8 x 1-1/8	
8	0641611	2	Bolt 3/8 x 1-3/8	
9	0641613	3	Screw 3/8 x 1-5/8	
10	0641616	2	Bolt 3/8 x 2	
11	0811610	8	Screw 3/8 x 1-1/4	
12	0811812	8	Bolt 1/2 x 1-1/2	
13	0940049	1	Stopper, Hood	
14	0940088	1	Bumper	
15	1120601	1	Plug	
16	2080040	4	Fastener, Huck	
17	2080072	4	Retainer	
18	2940045	2	Latch, Paddle	
19	2940173	2	Latch	
20	3300364	5	Nut, Tinnerman 5/16	
21	3311405	7	Nut 1/4	
22	3311501	2	Nut 5/16	
23	3311601	1	Nut 3/8	
24	3311605	45	Nut 3/8	
25	3321501	2	Nut 5/16	
26	3520030	1	Plug, Hole	
27	3900210	5	Screw 5/16 x 3/4	
28	3900316	4	Screw 3/8 x 1	
29	3960389	54 in/1.4m	Seal	
30	4071048	3	Shim	
31	4160194	4	Spring, Gas	
32	4420038	6 in/16cm	Tape	
33	4751400	15	Washer 1/4	
34	4751500	7	Washer 5/16	
35	4751600	AR	Washer 3/8	
36	8310070	8	Push-nut 3/8in	
37	1001110166	59 in /1.5mm	Seal	
38	1001113047	84 in /2.14m	Seal	
39	1001116280	1	Bracket, Hood	
40	1001116322	1	Door	
41	1001116344	1	Door	
42	1001116358	1	Bracket	
43	1001117249	1	Plate, Seal	
44	1001117307	1	Decal - Emergency Stop	

## SECTION 2 - TURNTABLE

ITEM	PART NUMBER	QTY	DESCRIPTION	REV
45	1001126828	7	Nut, Tinnerman 3/8	
46	1001150260	4	Plate	
47	1001157025	1	Bracket	
48	1001157284	1	Mount	
49	1001157344	1	Bracket	
50	1001157474	1	Bracket	
51	1001157475	1	Panel	
52	1001157612	1	Bracket	
53	1001161711	1	Mount	
54	1001163101	1	Plate	
55	1001173580	1	Plate	
56	1001186251	4	Plate	
57	1001186254	4	Hinge	
58	1001186501	1	Bracket	
59	1001186502	1	Bracket	
60	1001196768	1	Bracket	
61	1001237261	1	Pipe, Exhaust	
62	1001244465	1	Hood Assembly - Tank Side Rear (See Separate Breakdown in This Section)	
63	1001269959	1	Bracket	
64	1001269988	1	Hood, Engine Side	
65	1001269989	1	Hood, Tank Side	
66	1001271074	1	Bracket	
67	1001272305	1	Bracket	
68	1001302665	1	Hood Assembly - Engine Side Rear (See Separate Breakdown in this Section)	

# SECTION 2 - TURNTABLE

FIGURE 2-72. HOODS INSTALLATION - STEEL (DEUTZ TD2.9L4 (STAGE V) ENGINES) (MACHINES WITH SN STARTING WITH B3)

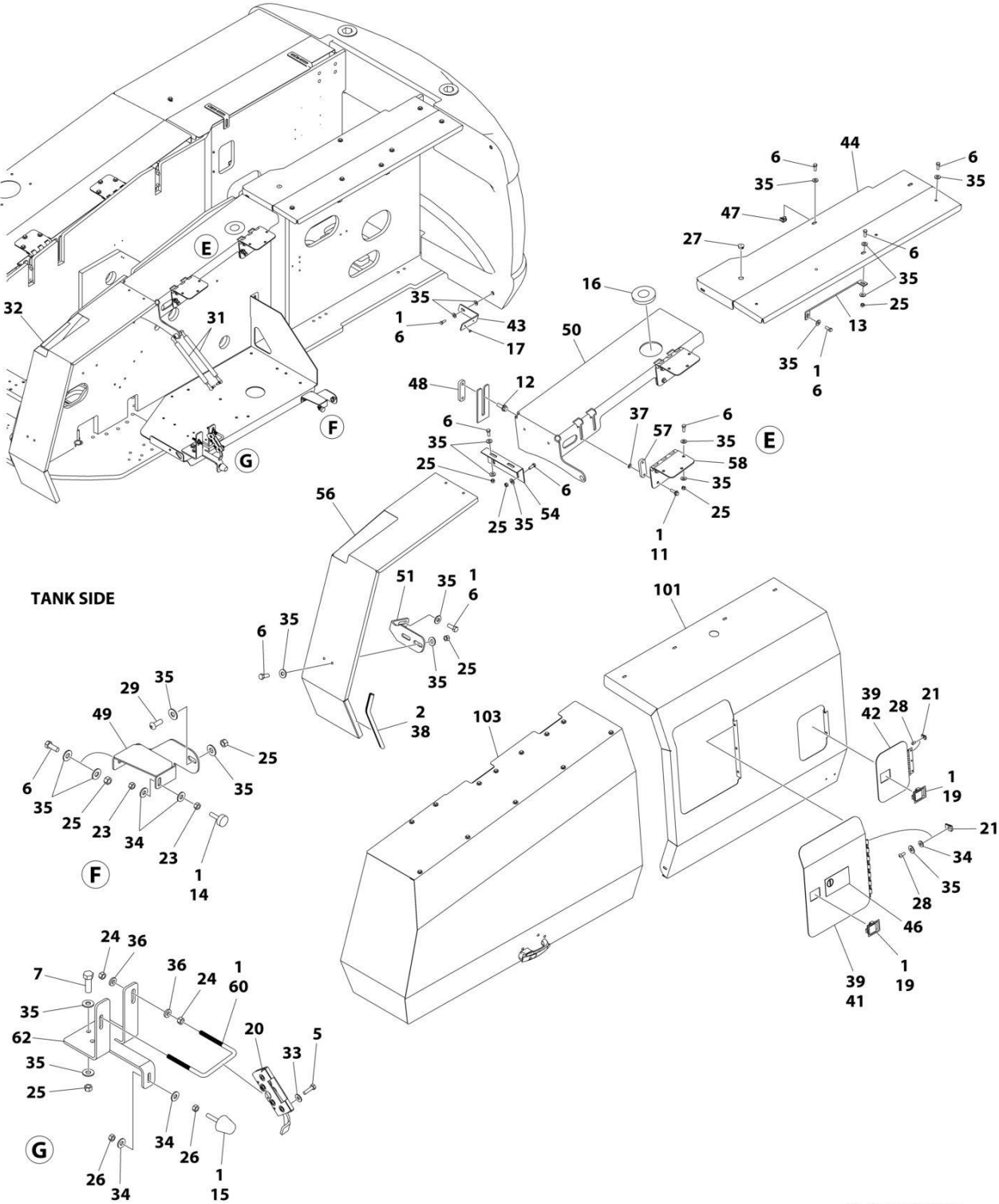


ENGINE SIDE

ART\_1001256248\_10F2



# SECTION 2 - TURNTABLE



ART\_1001256248\_20F2

## SECTION 2 - TURNTABLE

**FIGURE 2-72. HOODS INSTALLATION - STEEL (DEUTZ TD2.9L4 (STAGE V) ENGINES) (MACHINES WITH SN STARTING WITH B3)**

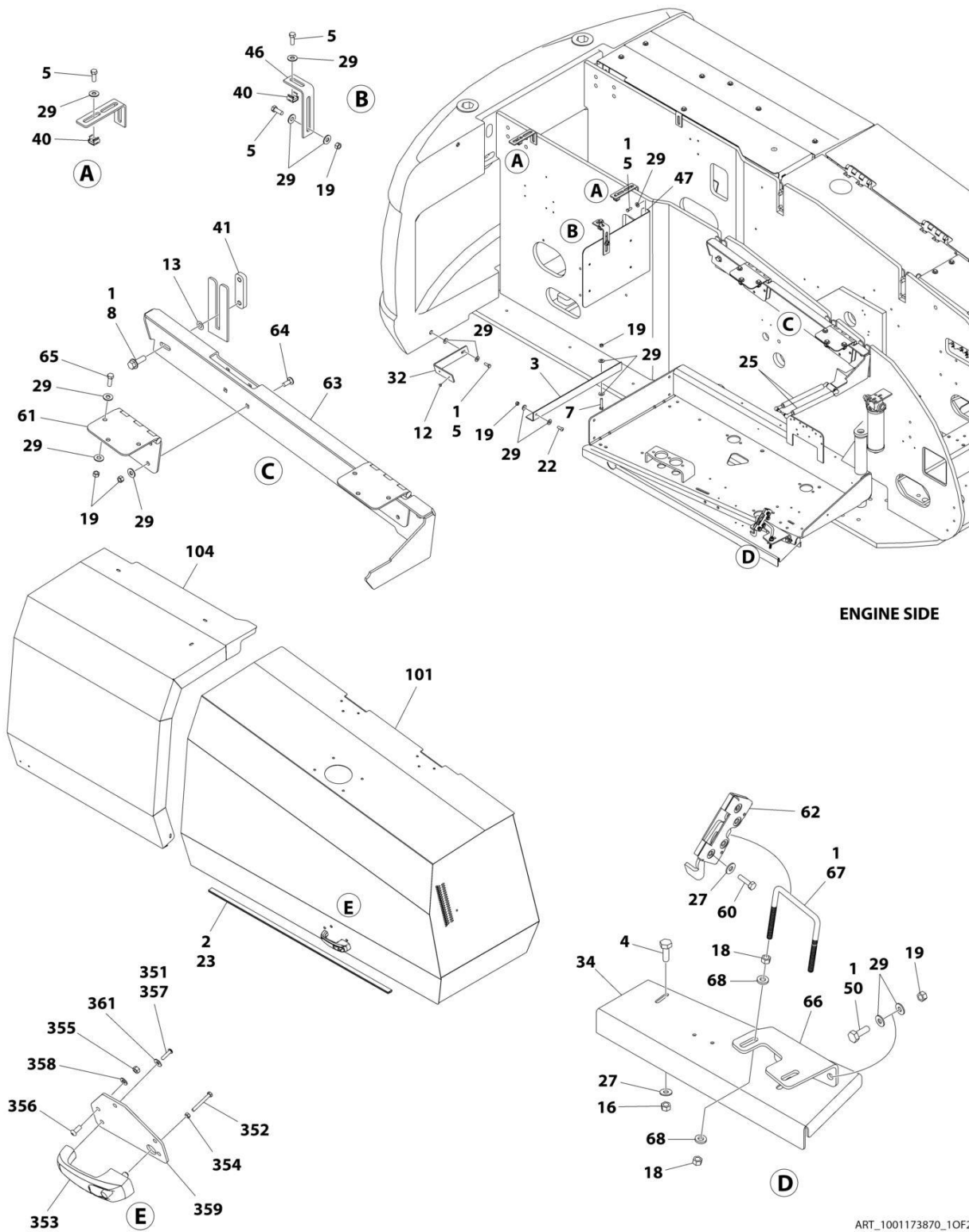
ITEM	PART NUMBER	QTY	DESCRIPTION	REV
		Ref	NOTE: REPLACEMENT DECALS MUST BE PURCHASED SEPARATELY - SEE DECALS SECTION.	
	1001256248	Ref	HOODS INSTALLATION	C
1	0100011	AR	Compound, Locking	
2	0100081	AR	Adhesive	
3	0630485	8	Bolt, Carriage	
4	0641406	4	Bolt 1/4 x 3/4	
5	0641408	8	Bolt 1/4 x 1	
6	0641608	31	Bolt 3/8 x 7/8	
7	0641609	9	Bolt 3/8 x 1-1/8	
8	0641611	2	Bolt 3/8 x 1-3/8	
10	0641616	2	Bolt 3/8 x 2	
11	0811610	8	Screw 3/8 x 1-1/4	
12	0811812	8	Bolt 1/2 x 1-1/2	
13	0902673	1	Bracket	
14	0940049	1	Stopper, Hood	
15	0940088	1	Bumper	
16	1120601	1	Plug	
17	2080040	4	Fastener, Huck	
18	2080072	4	Retainer	
19	2940045	2	Latch, Paddle	
20	2940173	2	Latch	
21	3300364	5	Nut, Tinnerman	
22	3311405	4	Nut 1/4	
23	3311501	2	Nut 5/16	
24	3311601	8	Nut 3/8	
25	3311605	39	Nut 3/8	
26	3321501	2	Nut 5/16	
27	3520030	1	Plug, Hole	
28	3900210	5	Screw, Button Head 5/16 x 3/4	
29	3900316	2	Screw, Button Head 3/8 x 1	
30	3960389	54 in/1.4m	Seal	
32	4160194	4	Spring, Gas	
33	4420038	6 in/16cm	Tape	
34	4751400	12	Washer 1/4	
35	4751500	7	Washer 5/16	
36	4751600	80	Washer 3/8	
37	8310070	8	Push-nut 3/8in	
38	1001110166	59 in /1.5mm	Seal	
39	1001113047	84 in /2.14m	Seal	
40	1001116280	1	Bracket, Hood	
41	1001116322	1	Door	
42	1001116344	1	Door	
43	1001116358	1	Bracket	
44	1001117027	1	Bracket	
45	1001117249	1	Plate, Seal	
46	1001117307	1	Decal - Emergency Stop	

## SECTION 2 - TURNTABLE

ITEM	PART NUMBER	QTY	DESCRIPTION	REV
47	1001126828	5	Nut, Tinnerman	
48	1001150260	4	Plate	
49	1001157025	1	Bracket	
50	1001157284	1	Mount	
51	1001157344	1	Bracket	
52	1001157474	1	Bracket	
53	1001157475	1	Panel	
54	1001157612	1	Bracket	
55	1001161711	1	Mount	
56	1001173580	1	Plate	
57	1001186251	4	Plate	
58	1001186254	4	Hinge	
59	1001196768	1	Bracket	
60	1001243414	2	Bolt 3/8	
61	1001250294	1	Bracket	
62	1001250295	1	Bracket	
100	1001256247	1	Hood Kit - Standard Machines (Not Shown - Includes Items 101-104)	
101	1001116558	1	Hood - Tank Side Front	
102	1001116620	1	Hood - Engine Side	
103	1001244465	1	Hood Assembly - Tank Side Rear (See Separate Breakdown in This Section)	
104	1001256244	1	Hood Assembly - Engine Side Rear (See Separate Breakdown in This Section)	

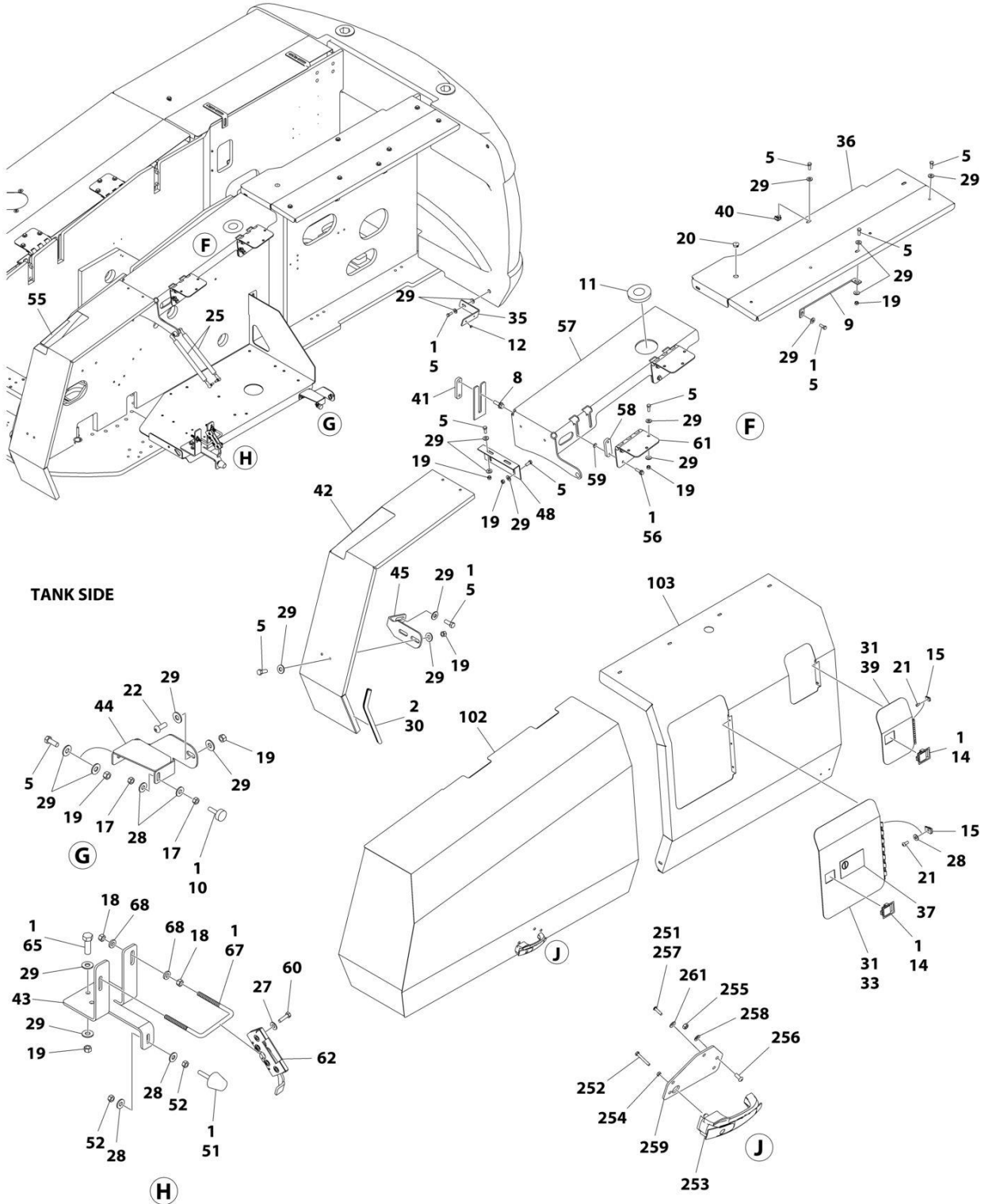
# SECTION 2 - TURNTABLE

## FIGURE 2-73. HOODS INSTALLATION – STEEL WITH HOSTILE ENVIRONMENT MACHINES (DEUTZ TD2.9L4 ENGINES)



ART\_1001173870\_10F2

SECTION 2 - TURNTABLE



ART\_1001173870\_20F2

## SECTION 2 - TURNTABLE

**FIGURE 2-73. HOODS INSTALLATION – STEEL WITH HOSTILE ENVIRONMENT MACHINES (DEUTZ TD2.9L4 ENGINES)**

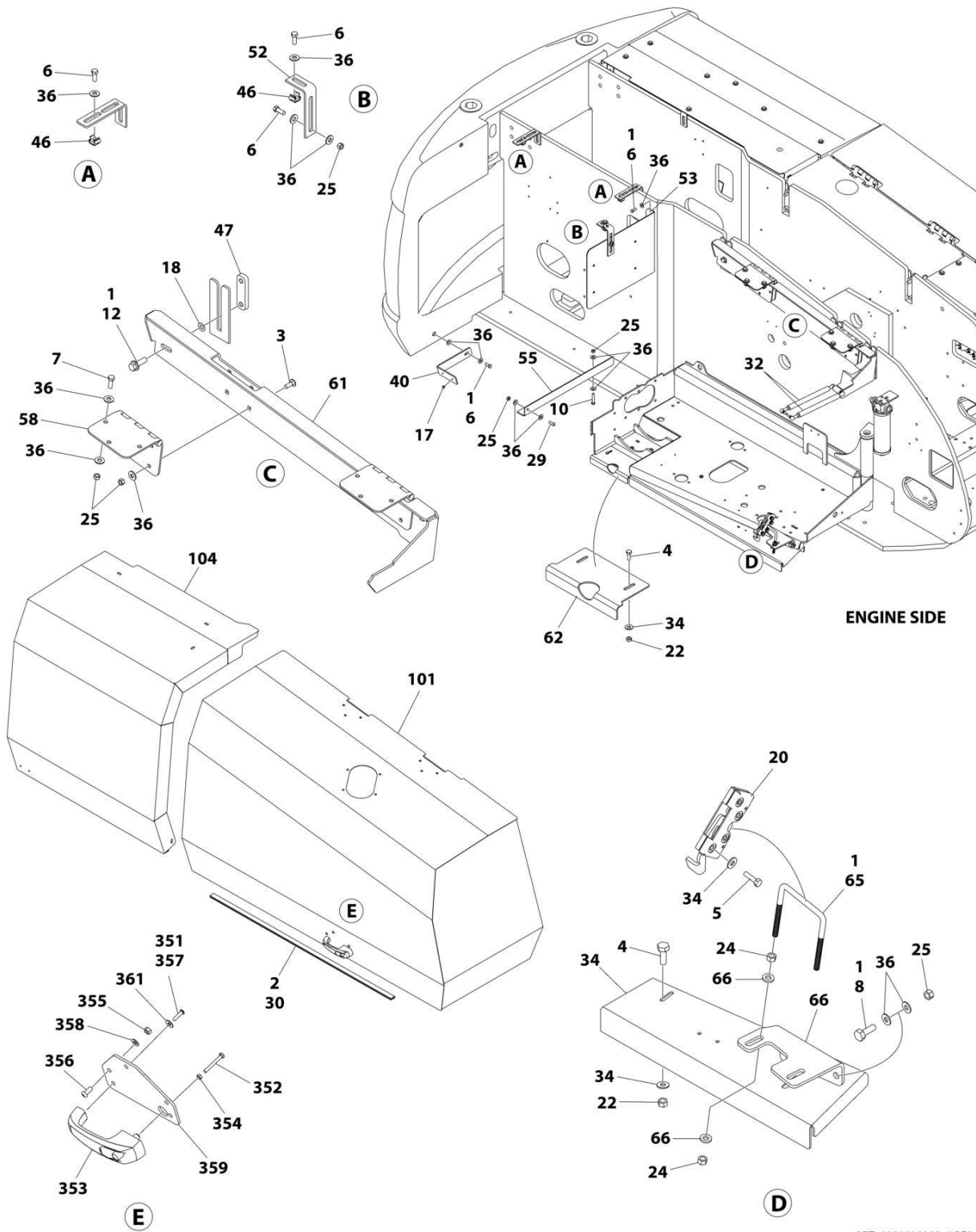
ITEM	PART NUMBER	QTY	DESCRIPTION	REV
		Ref	NOTE: REPLACEMENT DECALS MUST BE PURCHASED SEPARATELY - SEE DECALS SECTION.	
	1001173870	Ref	HOODS INSTALLATION	G
1	0100011	AR	Compound, Locking	
2	0100081	AR	Adhesive	
3	1001161711	1	Mount	
4	0641406	4	Bolt 1/4 x 3/4	
5	0641608	31	Bolt 3/8 x 7/8	
7	0641616	2	Bolt 3/8 x 2	
8	0811812	8	Bolt 1/2 x 1-1/2	
9	0902673	1	Bracket	
10	0940049	1	Stopper, Hood	
11	1120601	1	Plug	
12	2080040	4	Fastener, Huck	
13	2080072	4	Retainer	
14	2940045	2	Latch, Paddle	
15	3300364	5	Nut, Tinnerman	
16	3311405	4	Nut 1/4	
17	3311501	2	Nut 5/16	
18	3311601	8	Nut 3/8	
19	3311605	39	Nut 3/8	
20	3520030	1	Plug, Hole	
21	3900210	5	Screw, Button Head 5/16 x 3/4	
22	3900316	2	Screw, Button Head 3/8 x 1	
23	3960389	54 in/1.4m	Seal	
25	4160194	4	Spring, Gas	
27	4751400	12	Washer 1/4	
28	4751500	7	Washer 5/16	
29	4751600	80	Washer 3/8	
30	1001110166	59 in /1.5mm	Seal	
31	1001113047	84 in /2.14m	Seal	
32	1001116280	1	Bracket, Hood	
33	1001116322	1	Door	
34	1001117249	1	Plate, Seal	
35	1001116358	1	Bracket	
36	1001117027	1	Bracket	
37	1001117307	1	Decal - Emergency Stop	
39	1001125501	1	Door	
40	1001126828	5	Nut, Tinnerman	
41	1001150260	4	Plate	
42	1001173580	1	Plate	
43	1001250295	1	Bracket, Striker	
44	1001157025	1	Bracket	
45	1001157344	1	Bracket	
46	1001157474	1	Bracket	
47	1001157475	1	Panel	
48	1001157612	1	Bracket	

## SECTION 2 - TURNTABLE

ITEM	PART NUMBER	QTY	DESCRIPTION	REV
50	0641611	2	Bolt 3/8 x 1-3/8	
51	0940088	1	Bumper	
52	3321501	2	Nut 5/16	
55	4420038	6 in/16cm	Tape	
56	0811610	8	Screw 3/8 x 1-1/4	
57	1001157284	1	Mount	
58	1001186251	4	Plate	
59	8310070	8	Pushnut 3/8in	
60	0641408	8	Bolt 1/4 x 1	
61	1001186254	4	Hinge	
62	2940173	2	Latch	
63	1001196768	1	Bracket	
64	0630485	8	Bolt, Carriage	
65	0641609	6	Bolt 3/8 x 1-1/8	
66	1001250294	1	Bracket	
67	1001243414	2	Bolt 3/8	
68	4891600	8	Screw 3/8	
100	1001174101	1	Hood Kit - Hostile Environment Machines(Not Shown - Includes Items 101-104)	C
101	1001162915	1	Hood Assembly - Engine Side Rear (See Items 251-261 for Breakdown)	
102	1001157209	1	Hood Assembly - Tank Side Rear (See Items 351-361 for Breakdown)	
103	1001125502	1	Hood - Tank Side Front	
104	1001116620	1	Hood - Engine Side Front	
	1001162915	Ref	HOOD ASSEMBLY - ENGINE SIDE REAR	C
251	0100011	AR	Compound, Locking	
252	0700618	1	Bolt M6 x 50	
253	2560187	1	Handle, Push Button	
254	3290601	1	Nut M6	
255	3311505	3	Nut 5/16	
256	3900210	3	Screw, Button Head 5/16 x 3/4	
257	3900363	2	Screw, Button Head M6 x 25	
258	4711500	3	Washer 5/16	
259	1001116290	1	Plate, Latch Mounting	
261	4751400	2	Washer 1/4	
	1001157209	Ref	HOOD ASSEMBLY - TANK SIDE REAR	B
351	0100011	1	Compound, Locking	
352	0700617	1	Bolt M6 x 45	
353	2560187	1	Handle, Push Button	
354	3290601	1	Nut M6	
355	3311505	3	Nut 5/16	
356	3900210	3	Screw, Button Head 5/16 x 3/4	
357	3900363	2	Screw, Button Head M6 x 25	
358	4711500	3	Washer 5/16	
359	1001116290	1	Plate, Latch Mounting	
361	4751400	2	Washer 1/4	
	0272081	Ref	NOISE REDUCTION INSTALLATION (DEUTZ ENGINE MACHINES)	4-D
401	2820078	1	Foam, Acoustical (Not Shown)	

# SECTION 2 - TURNTABLE

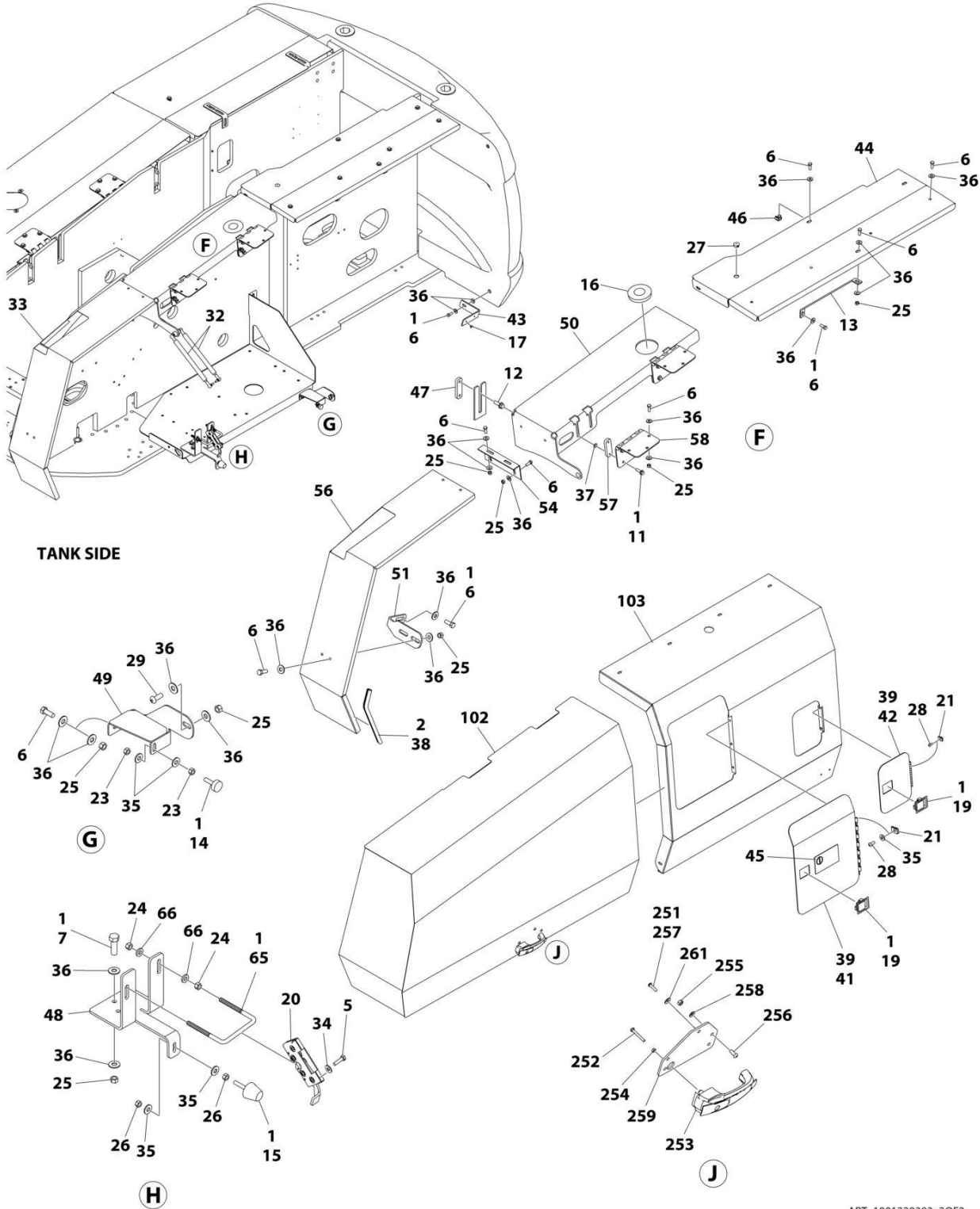
FIGURE 2-74. HOODS INSTALLATION – STEEL (FORD DF 2.5L ENGINES)



ART\_1001220393\_10F2



# SECTION 2 - TURNTABLE



ART\_1001220393\_20F2

## SECTION 2 - TURNTABLE

FIGURE 2-74. HOODS INSTALLATION – STEEL (FORD DF 2.5L ENGINES)

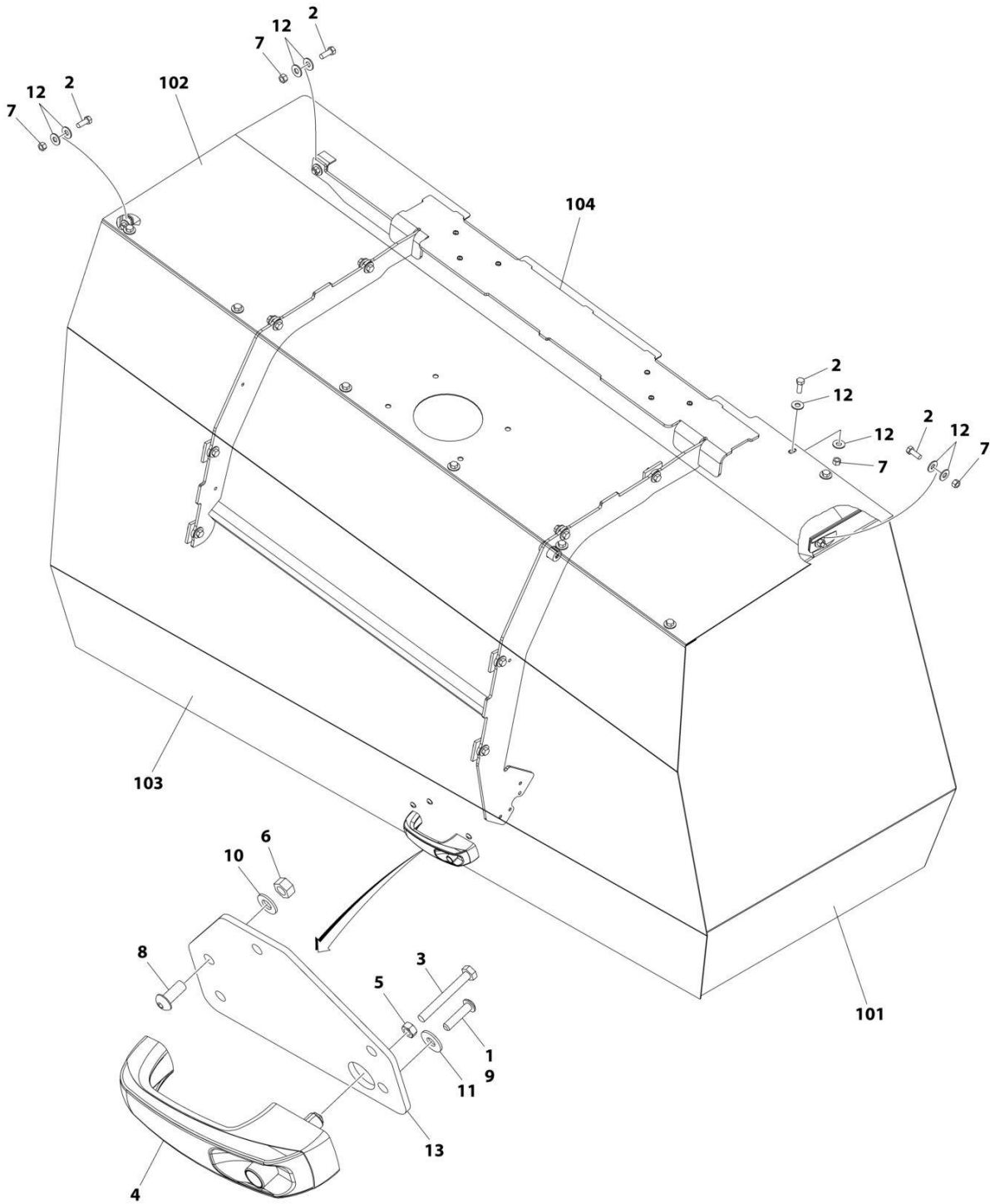
ITEM	PART NUMBER	QTY	DESCRIPTION	REV
		Ref	NOTE: REPLACEMENT DECALS MUST BE PURCHASED SEPARATELY - SEE DECALS SECTION.	
	1001220393	Ref	HOODS INSTALLATION	D
1	0100011	AR	Compound, Locking	
2	0100081	AR	Adhesive	
3	0630485	8	Bolt, Carriage	
4	0641406	5	Bolt 1/4 x 3/4	
5	0641408	8	Bolt 1/4 x 1	
6	0641608	31	Bolt 3/8 x 7/8	
7	0641609	9	Bolt 3/8 x 1-1/8	
8	0641611	2	Bolt 3/8 x 1-3/8	
10	0641616	2	Bolt 3/8 x 2	
11	0811610	8	Screw 3/8 x 1-1/4	
12	0811812	8	Bolt 1/2 x 1-1/2	
13	0902673	1	Bracket	
14	0940049	1	Stopper, Hood	
15	0940088	1	Bumper	
16	1120601	1	Plug	
17	2080040	4	Fastener, Huck	
18	2080072	4	Retainer	
19	2940045	2	Latch, Paddle	
20	2940173	2	Latch	
21	3300364	5	Nut, Tinnerman	
22	3311405	5	Nut 1/4	
23	3311501	2	Nut 5/16	
24	3311601	8	Nut 3/8	
25	3311605	39	Nut 3/8	
26	3321501	2	Nut 5/16	
27	3520030	1	Plug, Hole	
28	3900210	5	Screw, Button Head 5/16 x 3/4	
29	3900316	2	Screw, Button Head 3/8 x 1	
30	3960389	54 in/1.4m	Seal	
32	4160194	4	Spring, Gas	
33	4420038	6 in/16cm	Tape	
34	4751400	13	Washer 1/4	
35	4751500	7	Washer 5/16	
36	4751600	80	Washer 3/8	
37	8310070	8	Push-nut 3/8	
38	1001110166	59 in /1.5mm	Seal	
39	1001113047	84 in /2.14m	Seal	
40	1001116280	1	Bracket, Hood	
41	1001116322	1	Door	
42	1001116344	1	Door	
43	1001116358	1	Bracket	
44	1001117027	1	Bracket	
45	1001117307	1	Decal - Emergency Stop	
46	1001126828	5	Nut, Tinnerman	
47	1001150260	4	Plate	

## SECTION 2 - TURNTABLE

ITEM	PART NUMBER	QTY	DESCRIPTION	REV
48	1001250295	1	Bracket, Striker	
49	1001157025	1	Bracket	
50	1001157284	1	Mount	
51	1001157344	1	Bracket	
52	1001157474	1	Bracket	
53	1001157475	1	Panel	
54	1001157612	1	Bracket	
55	1001161711	1	Mount	
56	1001173580	1	Plate	
57	1001186251	4	Plate	
58	1001186254	4	Hinge	
61	1001196768	1	Bracket	
62	1001220002	1	Baffle	
63	1001220067	1	Plate, Seal	
64	1001250294	1	Bracket	
65	1001243414	2	Bolt 3/8	
66	4891600	8	Washer 3/8	
100	1001174283	1	Hood Kit - Standard Machines (Not Shown - Includes Items 101-104)	C
101	1001157208	1	Hood Assembly - Engine Side Rear (See Items 251-261 for Breakdown)	
102	1001157209	1	Hood Assembly - Tank Side Rear (See Items 351-361 for Breakdown)	
103	1001116558	1	Hood - Tank Side Front	
104	1001116620	1	Hood - Engine Side Front	
	1001157208	Ref	HOOD ASSEMBLY - ENGINE SIDE REAR	D
251	0100011	AR	Compound, Locking	
252	0700618	1	Bolt M6 x 50	
253	2560187	1	Handle, Push Button	
254	3290601	1	Nut M6	
255	3311505	3	Nut 5/16	
256	3900210	3	Screw, Button Head 5/16 x 3/4	
257	3900363	2	Screw, Button Head M6 x 25	
258	4711500	3	Washer 5/16	
259	1001116290	1	Plate, Latch Mounting	
261	4751400	2	Washer 1/4	
	1001157209	Ref	HOOD ASSEMBLY - TANK SIDE REAR	B
351	0100011	AR	Compound, Locking	
352	0700617	1	Bolt M6 x 45mm	
353	2560187	1	Handle, Push Button	
354	3290601	1	Nut M6	
355	3311505	3	Locknut 5/16in-18NC	
356	3900210	3	Screw, Button Head 5/16in-18 x 3/4in	
357	3900363	2	Screw, Button Head M6 x 25mm	
358	4711500	3	Flatwasher 5/16in Thin	
359	1001116290	1	Plate, Latch Mounting	
361	4751400	2	Flatwasher 1/4in Regular	

# SECTION 2 - TURNTABLE

FIGURE 2-75. HOOD ASSEMBLY - ENGINE SIDE REAR (DEUTZ TD2.9L4 ENGINES) (MACHINES WITH SN STARTING WITH B3)



ART\_1001244463

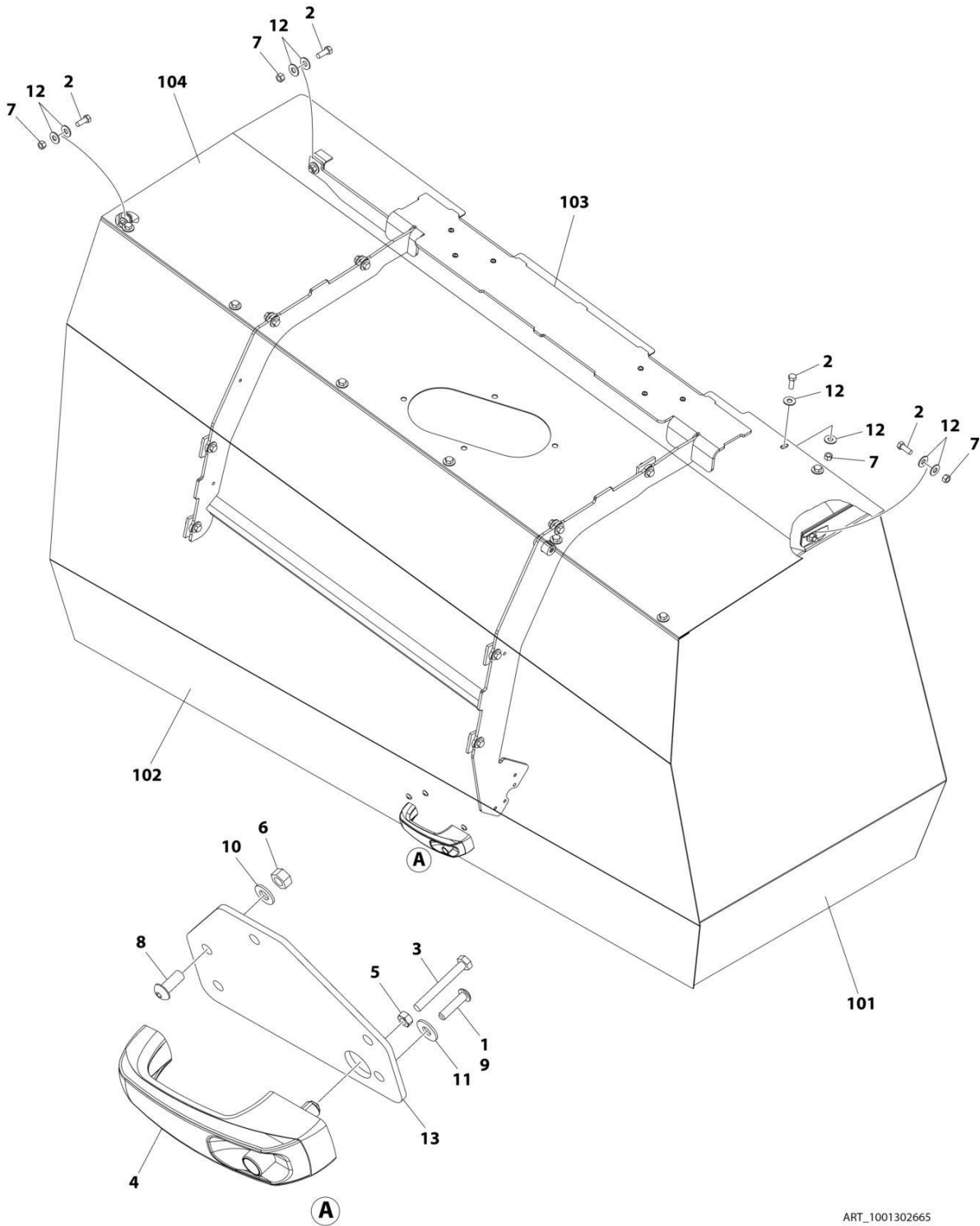
**SECTION 2 - TURNTABLE**

**FIGURE 2-75. HOOD ASSEMBLY - ENGINE SIDE REAR (DEUTZ TD2.9L4 ENGINES) (MACHINES WITH SN STARTING WITH B3)**

ITEM	PART NUMBER	QTY	DESCRIPTION	REV
	1001244463	Ref	HOOD ASSEMBLY - ENGINE SIDE REAR	A
1	0100011	AR	Compound, Locking	
2	0641608	28	Bolt 3/8 x 7/8	
3	0700618	1	Bolt M6 x 50	
4	2560187	1	Handle, Push Button	
5	3290601	1	Nut M6	
6	3311505	3	Nut 5/16	
7	3311605	28	Nut 3/8	
8	3900210	3	Screw, Button Head 5/16 x 3/4	
9	3900363	2	Screw, Button Head M6 x 25	
10	4711500	3	Washer 5/16	
11	4751400	2	Washer 1/4	
12	4751600	56	Washer 3/8	
13	1001116290	1	Plate, Latch Mounting	
100	1001243985	1	Hood Engine Side Kit (Not Shown - Includes Items 101-104)	
101	1001239688	1	End Panel	
102	1001239689	1	Top Panel	
103	1001239690	1	Side Panel	
104	1001239691	1	Support	

# SECTION 2 - TURNTABLE

FIGURE 2-76. HOOD ASSEMBLY - ENGINE SIDE REAR (DEUTZ TD2.9L4 ENGINES) (MACHINES WITH SN STARTING WITH B3) (CE & UK CA SPECS)



ART\_1001302665

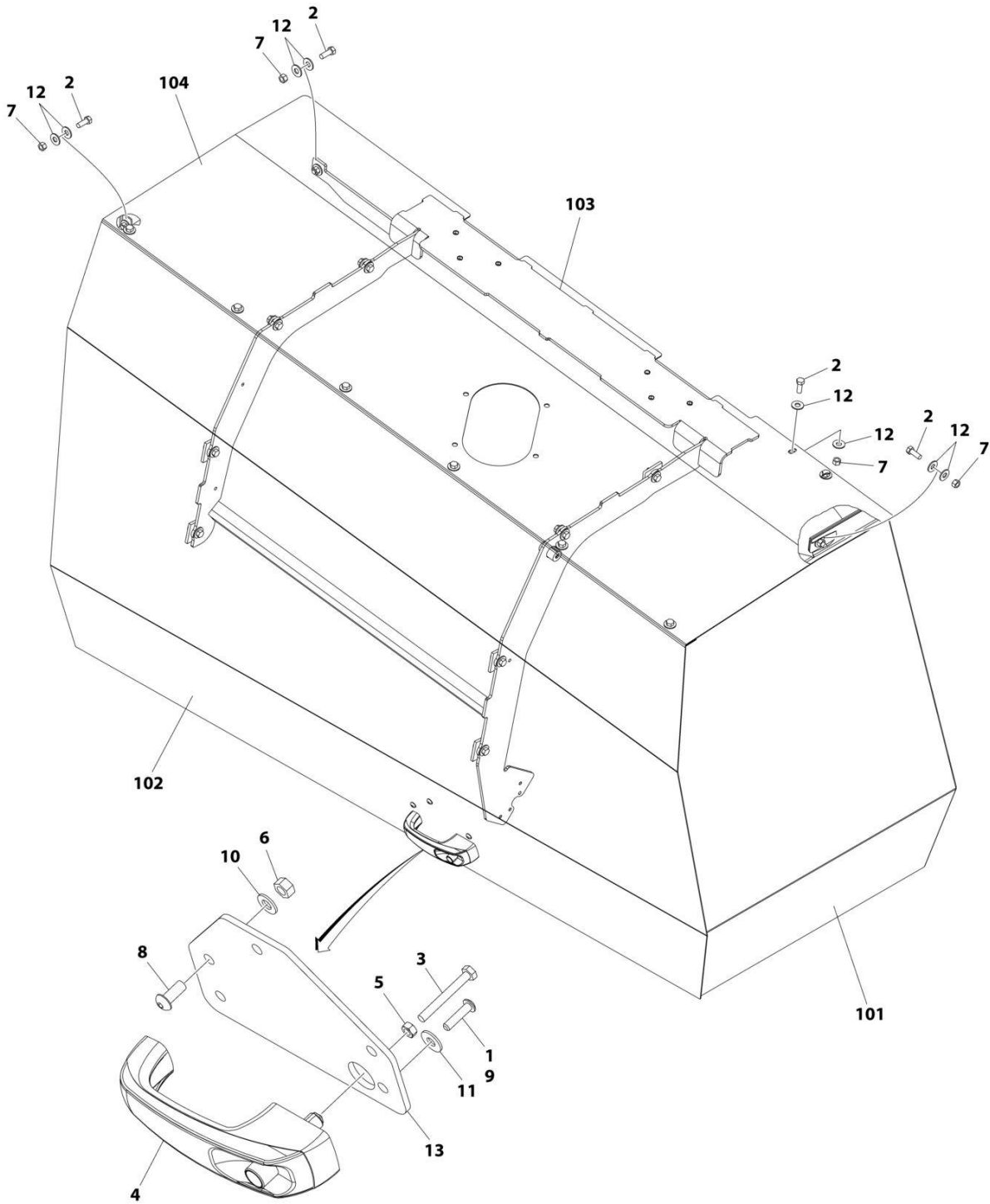
## SECTION 2 - TURNTABLE

**FIGURE 2-76. HOOD ASSEMBLY - ENGINE SIDE REAR (DEUTZ TD2.9L4 ENGINES) (MACHINES WITH SN STARTING WITH B3) (CE & UK CA SPECS)**

ITEM	PART NUMBER	QTY	DESCRIPTION	REV
	1001302665	Ref	HOOD ASSEMBLY - ENGINE SIDE REAR	A
1	0100011	AR	Compound, Locking	
2	0641608	28	Bolt 3/8 x 7/8	
3	0700618	1	Bolt M6 x 50	
4	2560187	1	Handle, Push Button	
5	3290601	1	Nut M6	
6	3311505	3	Nut 5/16	
7	3311605	28	Nut 3/8	
8	3900210	3	Screw 5/16 x 3/4	
9	3900363	2	Screw M6 x 25	
10	4711500	3	Washer 5/16	
11	4751400	2	Washer 1/4	
12	4751600	56	Washer 3/8	
13	1001116290	1	Plate, Latch Mounting	
100	1001302666	1	Hood, Engine Side Rear Kit (Not Shown)	
101	1001239688	1	End Panel	
102	1001239690	1	Side Panel	
103	1001239691	1	Support	
104	1001302667	1	Top Panel	

# SECTION 2 - TURNTABLE

FIGURE 2-77. HOOD ASSEMBLY - ENGINE SIDE REAR (DEUTZ TD2.9L4 (STAGE V) ENGINES)  
(MACHINES WITH SN STARTING WITH B3)



ART\_1001256244



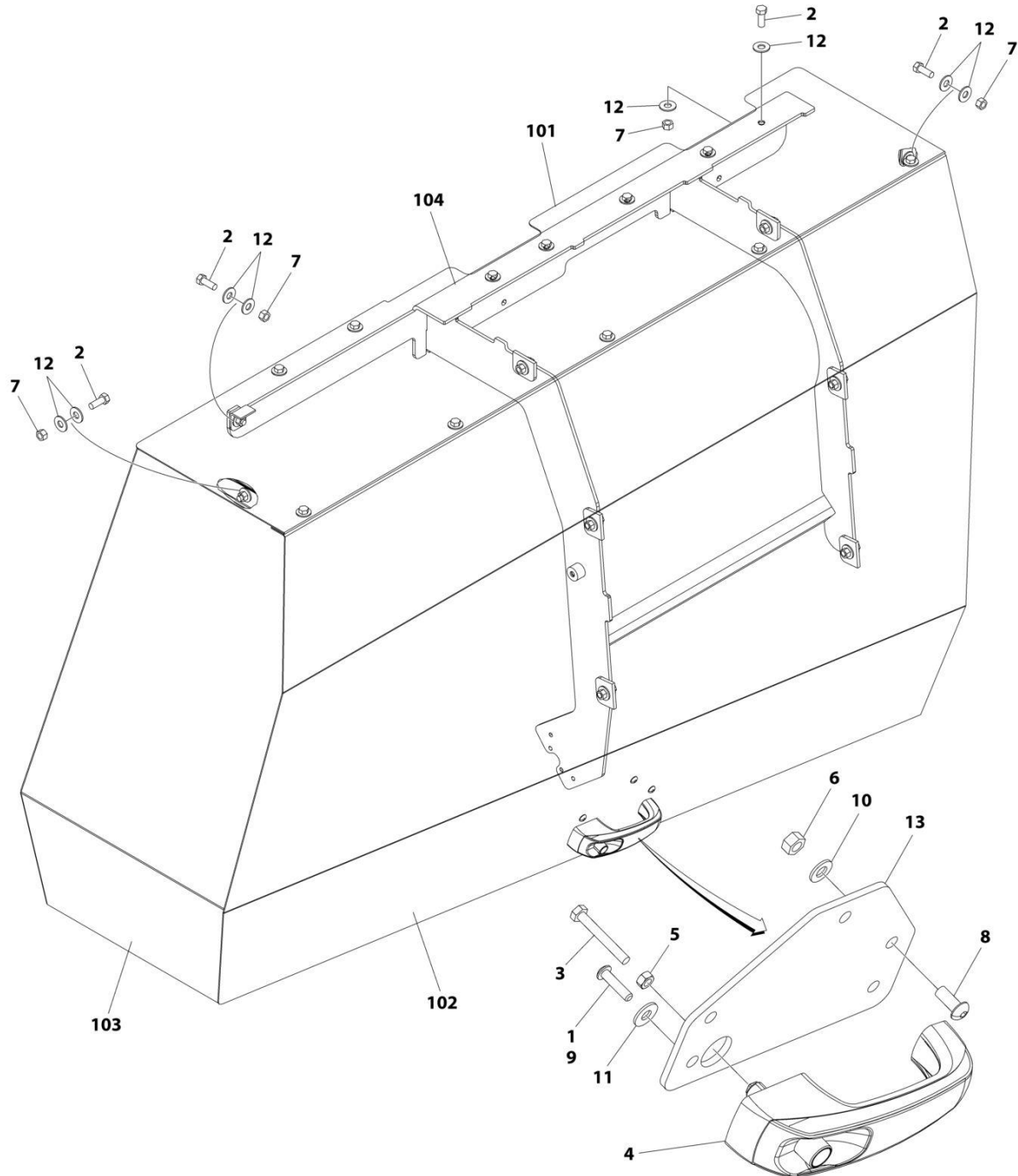
**SECTION 2 - TURNTABLE**

**FIGURE 2-77. HOOD ASSEMBLY - ENGINE SIDE REAR (DEUTZ TD2.9L4 (STAGE V) ENGINES)  
(MACHINES WITH SN STARTING WITH B3)**

ITEM	PART NUMBER	QTY	DESCRIPTION	REV
	1001256244	Ref	HOOD ASSEMBLY - ENGINE SIDE REAR	A
1	0100011	AR	Compound, Locking	
2	0641608	28	Bolt 3/8 x 7/8	
3	0700618	1	Bolt M6 x 50	
4	2560187	1	Handle, Push Button	
5	3290601	1	Nut M6	
6	3311505	3	Nut 5/16	
7	3311605	28	Nut 3/8	
8	3900210	3	Screw, Button Head 5/16 x 3/4	
9	3900363	2	Screw, Button Head M6 x 25	
10	4711500	3	Washer 5/16	
11	4751400	2	Washer 1/4	
12	4751600	56	Washer 3/8	
13	1001116290	1	Plate, Latch Mounting	
100	1001256250	1	Hood Engine Side Kit (Not Shown - Includes Items 101-104)	
101	1001239688	1	End Panel	
102	1001239690	1	Side Panel	
103	1001239691	1	Support	
104	1001256203	1	Top Panel	

## SECTION 2 - TURNTABLE

FIGURE 2-78. HOOD ASSEMBLY - TANK SIDE REAR (DEUTZ TD2.9L4 AND DEUTZ TD2.9L4 (STAGE V) ENGINES) (MACHINES WITH SN STARTING WITH B3)



ART\_1001244465

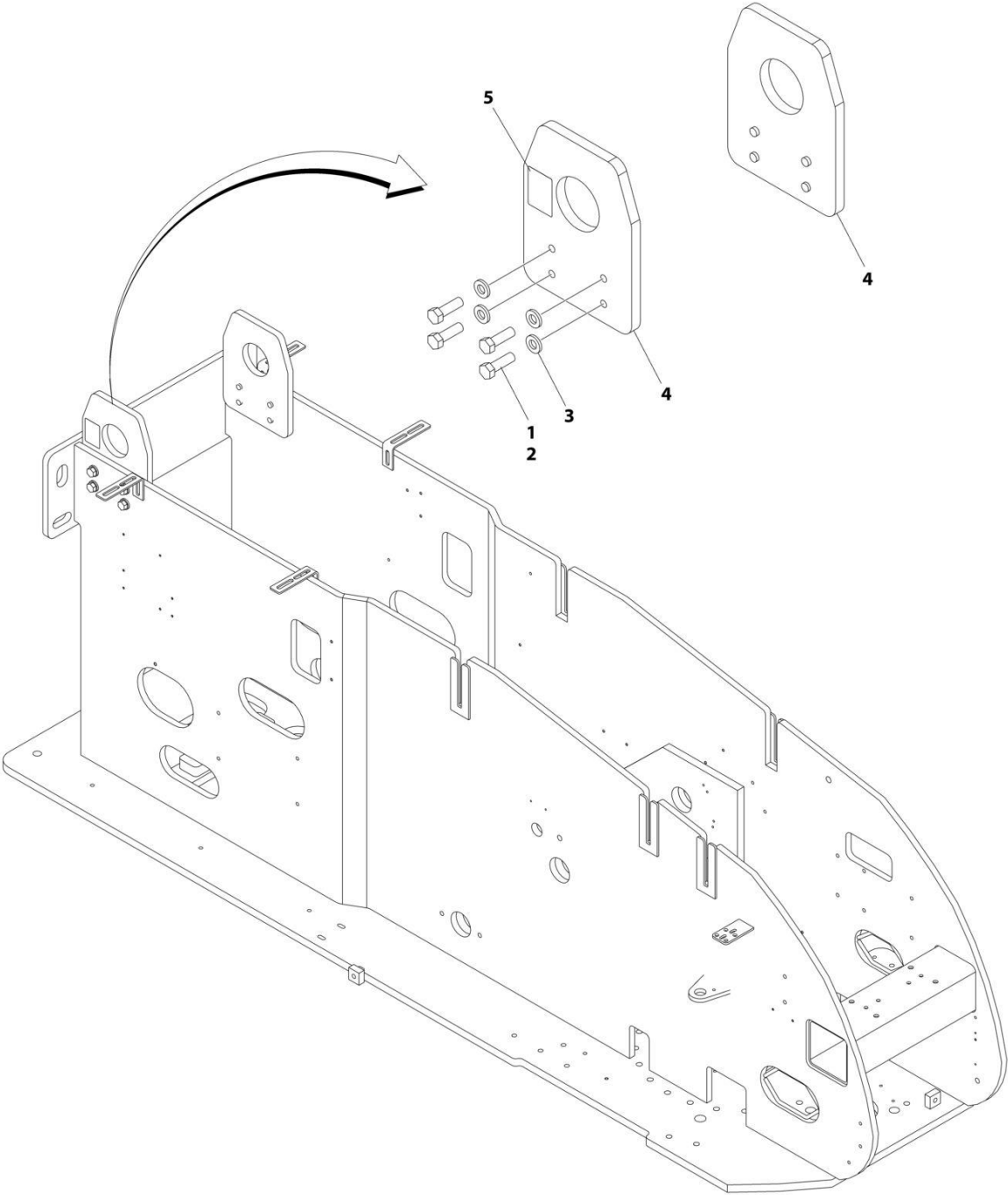
## SECTION 2 - TURNTABLE

**FIGURE 2-78. HOOD ASSEMBLY - TANK SIDE REAR (DEUTZ TD2.9L4 AND DEUTZ TD2.9L4 (STAGE V) ENGINES) (MACHINES WITH SN STARTING WITH B3)**

ITEM	PART NUMBER	QTY	DESCRIPTION	REV
	1001244465	Ref	HOOD ASSEMBLY - TANK SIDE REAR	A
1	0100011	AR	Compound, Locking	
2	0641608	28	Bolt 3/8 x 7/8	
3	0700617	1	Bolt M6 x 45	
4	2560187	1	Handle, Push Button	
5	3290601	1	Nut M6	
6	3311505	3	Nut 5/16	
7	3311605	28	Nut 3/8	
8	3900210	3	Screw, Button Head 5/16 x 3/4	
9	3900363	2	Screw, Button Head M6 x 25	
10	4711500	3	Washer 5/16	
11	4751400	2	Washer 1/4	
12	4751600	56	Washer 3/8	
13	1001116290	1	Plate, Latch Mounting	
100	1001243986	1	Hood Tank Side Kit (Not Shown - Includes Items 101-104)	
101	1001239721	1	Top Panel	
102	1001239722	1	Side Panel	
103	1001239723	1	End Panel	
104	1001239724	1	Support	

**SECTION 2 - TURNTABLE**

**FIGURE 2-79. LIFTING PLATE INSTALLATION**



ART\_1001158084

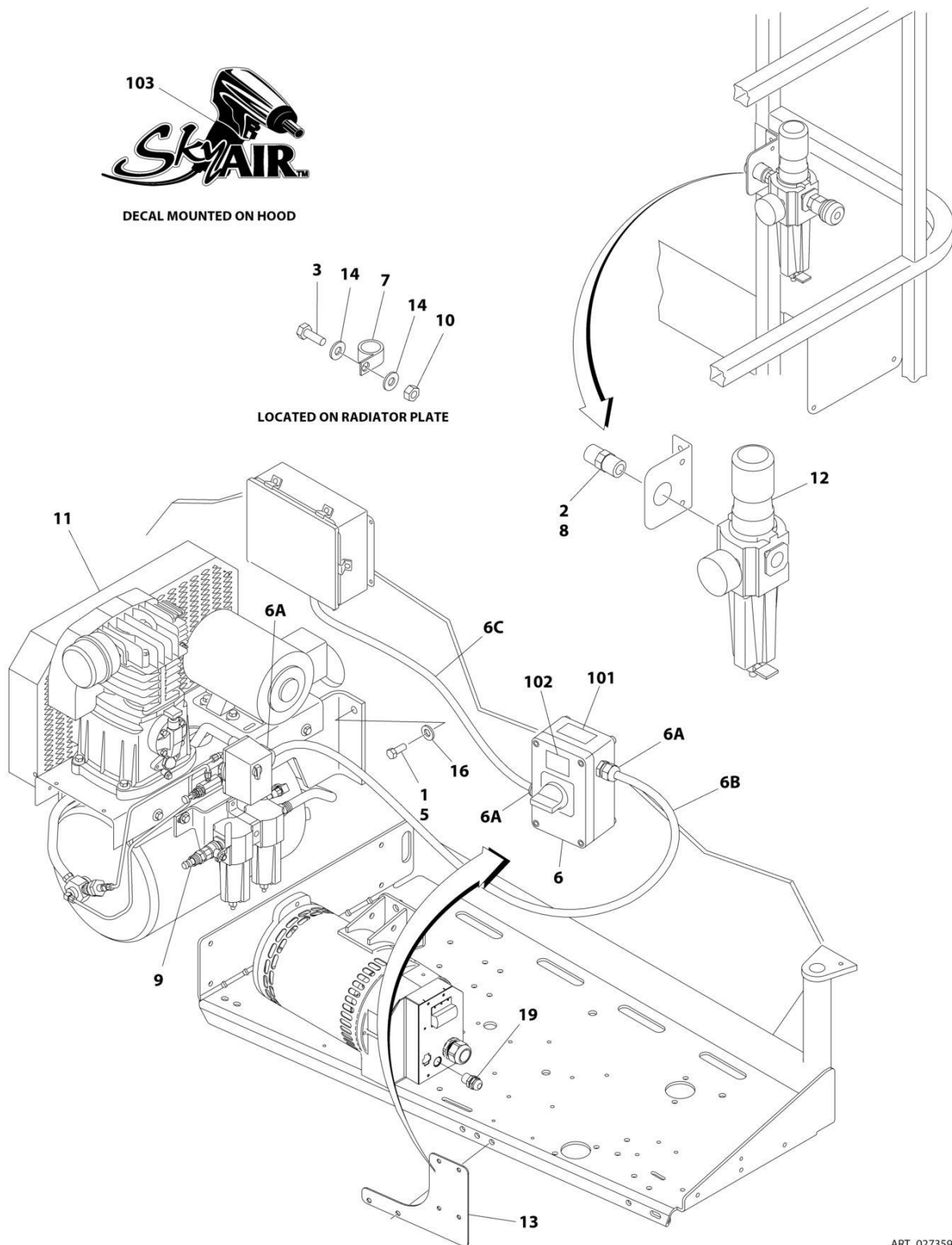
**SECTION 2 - TURNTABLE**

**FIGURE 2-79. LIFTING PLATE INSTALLATION**

<b>ITEM</b>	<b>PART NUMBER</b>	<b>QTY</b>	<b>DESCRIPTION</b>	<b>REV</b>
	1001158084	Ref	LIFTING PLATE INSTALLATION	B
1	0100019	AR	Compound, Locking	
2	0682016	8	Bolt 5/8in-11NC x 2in Grade 8	
3	4892000	8	Flatwasher 5/8in Hardened	
4	1001157870	2	Plate, Lifting	
5	1703811	2	Decal - Lift	

## SECTION 2 - TURNTABLE

FIGURE 2-80. SKYAIR AIR COMPRESSOR INSTALLATION (DEUTZ D2011 AND FORD DF 2.5L ENGINES)



ART\_0273596

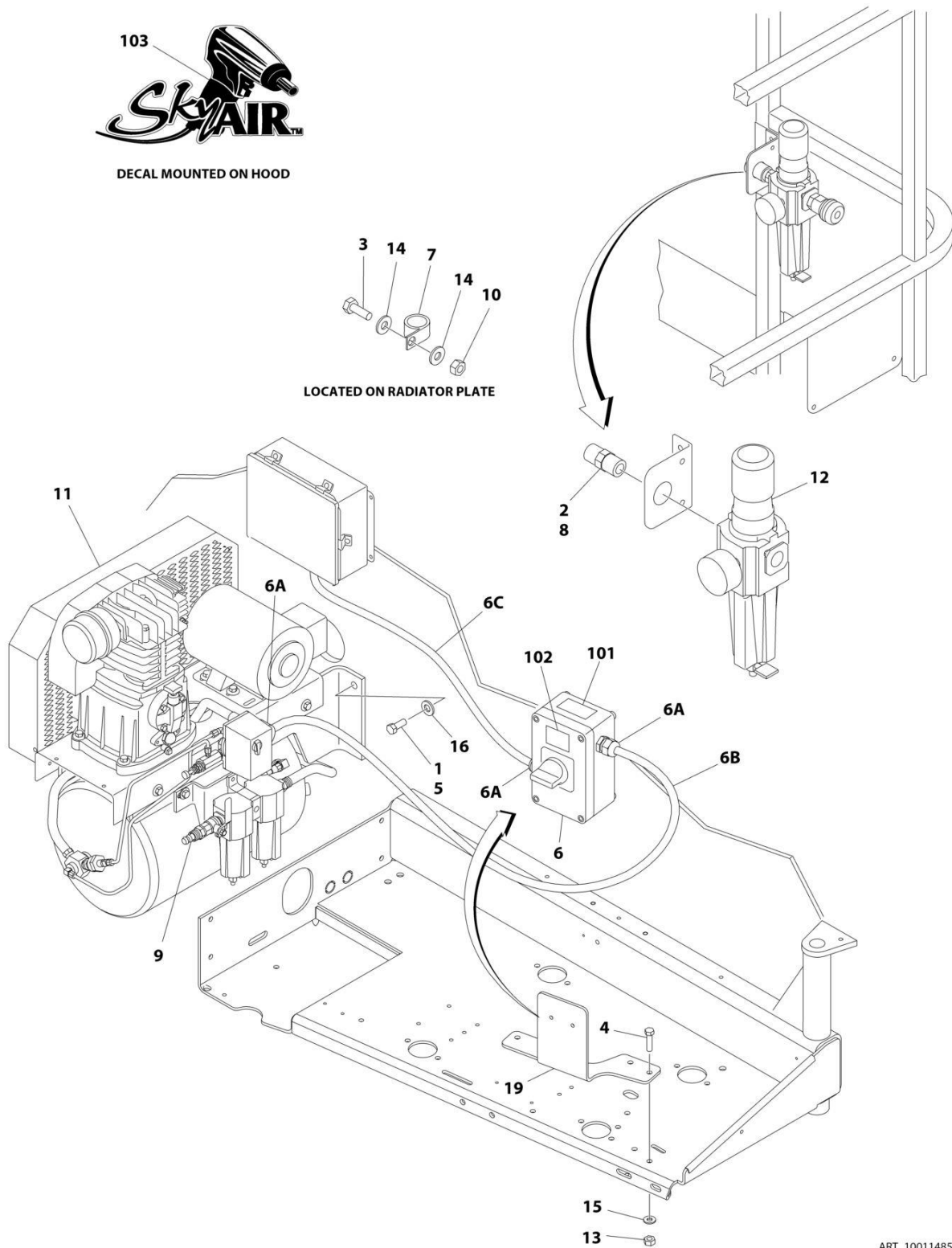
## SECTION 2 - TURNTABLE

**FIGURE 2-80. SKYAIR AIR COMPRESSOR INSTALLATION (DEUTZ D2011 AND FORD DF 2.5L ENGINES)**

ITEM	PART NUMBER	QTY	DESCRIPTION	REV
	0273596	Ref	SKYAIR AIR COMPRESSOR INSTALLATION	B
1	0100019	AR	Compound, Locking	
2	0100020	AR	Sealant #567	
3	0641406	2	Bolt 1/4 x 3/4	
5	0641810	4	Bolt 1/2 x 1-1/4	
6	0861642	1	Control Box Assembly	
6A	4460633	3	Connector, Strain Relief	
6B	70002948	AR	Cable, Electrical - 12/4 (13ft/4m)	
6C	70002948	AR	Cable, Electrical - 12/4 (30in/76cm)	
7	1320224	2	Clamp	
8	2220252	1	Fitting	
9	2220750	1	Fitting	
10	3311405	2	Nut 1/4	
11	3600386	1	Compressor Assembly (See Separate Breakdown in this Section)	
12	3720021	1	Filter/Regulator Assembly	
12	7027781	1	Service Kit (Includes Gaskets and Seals)	
12	7027782	1	Filter	
12	7027784	1	Gauge	
12	7027783	1	Valve, Drain	
13	4340747	1	Bracket, Control Box	
14	4711400	4	Washer 1/4	
16	4751800	4	Washer 1/2	
18	4240033	AR	Tie-Strap (Not Shown)	
19	4460428	1	Connector, Strain Relief	
	0273687	Ref	DECAL INSTALLATION	
101	1705836	1	Decal - Hazard Voltage	
102	1705837	1	Decal - Air Compressor	
103	1705886	2	Decal - SkyAir	

# SECTION 2 - TURNTABLE

## FIGURE 2-81. SKYAIR AIR COMPRESSOR INSTALLATION (DEUTZ TD2.9L4 ENGINES)



ART\_1001148565



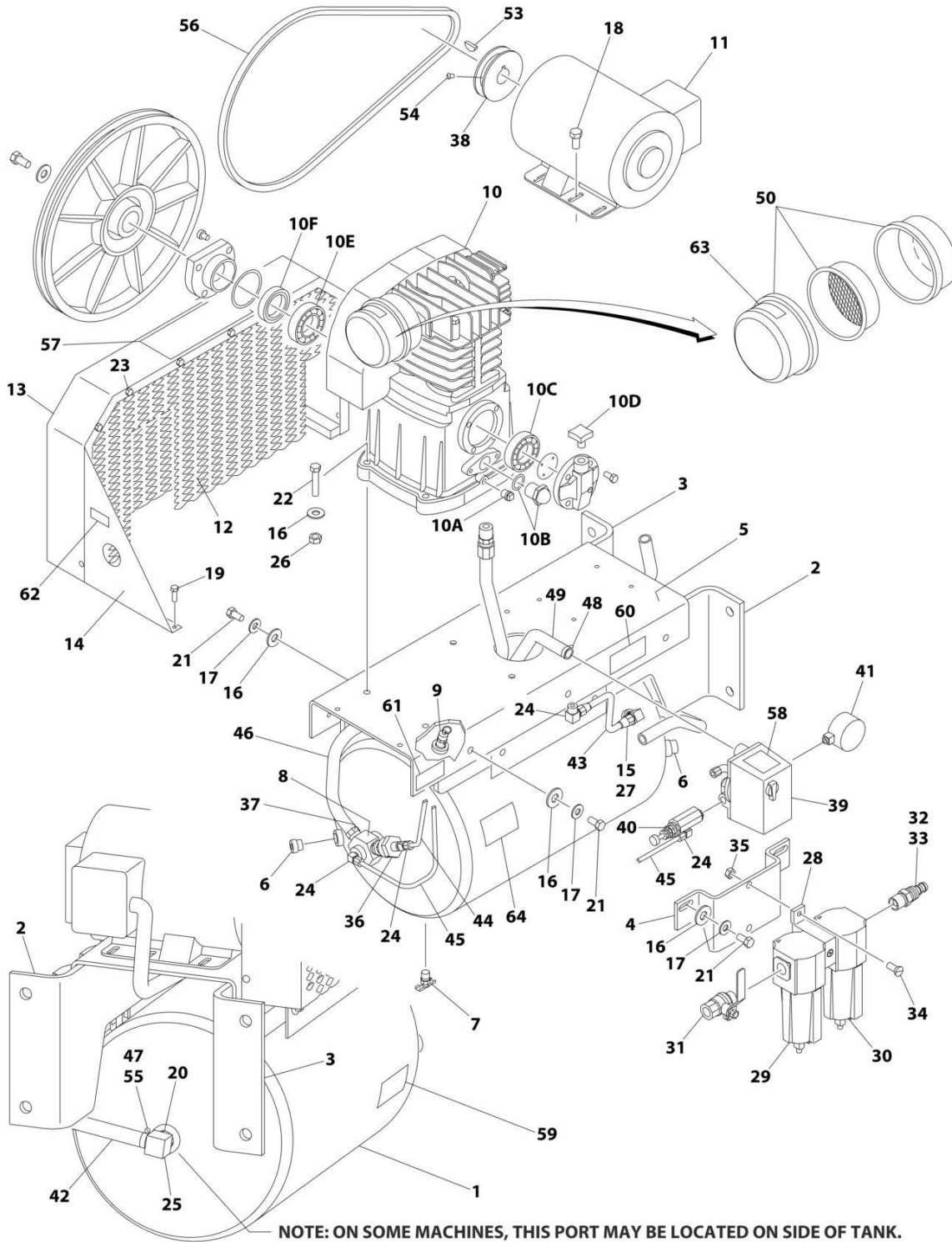
## SECTION 2 - TURNTABLE

**FIGURE 2-81. SKYAIR AIR COMPRESSOR INSTALLATION (DEUTZ TD2.9L4 ENGINES)**

ITEM	PART NUMBER	QTY	DESCRIPTION	REV
	1001148565	Ref	SKYAIR AIR COMPRESSOR INSTALLATION	B
1	0100019	AR	Compound, Locking	
2	0100020	AR	Sealant #567	
3	0641406	2	Bolt 1/4 x 3/4	
4	0641608	3	Bolt 3/8 x 1	
5	0641810	4	Bolt 1/2 x 1-1/4	
6	0861642	1	Control Box Assembly	
6A	4460633	3	Connector, Strain Relief	
6B	70002948	AR	Cable, Electrical - 12/4 (13ft/4m)	
6C	70002948	AR	Cable, Electrical - 12/4 (30in/76cm)	
7	1320224	2	Clamp	
8	2220252	1	Fitting	
9	2220750	1	Fitting	
10	3311405	2	Nut 1/4	
11	3600386	1	Compressor Assembly (See Separate Breakdown in this Section)	
12	3720021	1	Filter/Regulator Assembly	
12	7027781	1	Service Kit (Includes Gaskets and Seals)	
12	7027782	1	Filter	
12	7027784	1	Gauge	
12	7027783	1	Valve, Drain	
13	3311605	3	Nut 3/8	
14	4711400	4	Washer 1/4	
15	4711600	3	Washer 3/8	
16	4751800	4	Washer 1/2	
18	4240033	AR	Tie-Strap (Not Shown)	
19	1001144447	1	Bracket, Control Box	
	0273687	Ref	DECAL INSTALLATION	A
101	1705836	1	Decal - Hazard Voltage	
102	1705837	1	Decal - Air Compressor	
103	1705886	2	Decal - SkyAir	

# SECTION 2 - TURNTABLE

## FIGURE 2-82. AIR COMPRESSOR ASSEMBLY



NOTE: ON SOME MACHINES, THIS PORT MAY BE LOCATED ON SIDE OF TANK.

ART\_3600386

## SECTION 2 - TURNTABLE

### FIGURE 2-82. AIR COMPRESSOR ASSEMBLY

ITEM	PART NUMBER	QTY	DESCRIPTION	REV
	3600386	Ref	AIR COMPRESSOR ASSEMBLY	B
1	7026632	1	Tank	
2	See Note	1	Bracket, Mounting (Note: Not Available for Purchase)	
3	See Note	1	Bracket, Mounting (Note: Not Available for Purchase)	
4	See Note	1	Bracket, Regulator Mounting (Note: Not Available for Purchase)	
5	See Note	1	Deck (Note: Not Available for Purchase)	
6	See Note	2	Plug (Note: Not Available for Purchase)	
7	7026633	1	Valve, Drain	
8	7026634	1	Valve, Check	
9	7026635	1	Valve, Safety	
10	7026636	1	Pump Assembly	
10	7026659	1	Gasket and Seal Kit	
10A	7026651	1	Plug, Oil Drain	
10B	7026652	1	Gauge, Oil Sight	
10C	7026653	1	Bearing	
10D	7026654	1	Cap, Oil Fill	
10E	7026655	1	Bearing	
10F	7026656	1	Seal	
11	7026637	1	Motor Assembly	
11	See Note	1	Brush Kit (Note: Not Available for Purchase)	
12	See Note	1	Screen, Inner (Note: Not Available for Purchase)	
13	See Note	1	Guard, Belt (Note: Not Available for Purchase)	
14	See Note	2	Support (Note: Not Available for Purchase)	
15	See Note	1	Bushing (Note: Not Available for Purchase)	
16	4751600	18	Washer 3/8	
17	4761600	10	Washer 3/8	
18	0641506	4	Bolt 5/16 x 3/4	
19	0641406	8	Bolt 1/4 x 3/4	
20	See Note	1	Bushing (Note: Not Available for Purchase)	
21	0641610	10	Bolt 3/8 x 1-1/4	
22	0641616	4	Bolt 3/8 x 2	
23	See Note	10	Bolt 1/4 x 1/2 (Note: Not Available for Purchase)	
24	See Note	4	Fitting (Note: Not Available for Purchase)	
25	See Note	1	Fitting, Barbed (Note: Not Available for Purchase)	
26	3311605	4	Nut 3/8	
27	See Note	1	Fitting, Compression (Note: Not Available for Purchase)	
28	See Note	1	Bracket, Mounting (Note: Not Available for Purchase)	
29	7026660	1	Filter, Oil Removal	
30	7026661	1	Filter, Water Removal	
31	70001663	1	Valve, Ball Shut-Off	
32	See Note	1	Bushing (Note: Not Available for Purchase)	
33	See Note	1	Fitting, Barbed (Note: Not Available for Purchase)	
34	See Note	2	Screw 1/4 x 1 (Note: Not Available for Purchase)	
35	3311405	2	Nut 1/4	
36	See Note	1	Unloader (Note: Not Available for Purchase)	
37	See Note	1	Fitting (Note: Not Available for Purchase)	
38	See Note	1	Pulley (Note: Not Available for Purchase)	
39	7026638	1	Switch, Pressure	
40	7026639	1	Vale, Pilot	
41	7026640	1	Gauge	

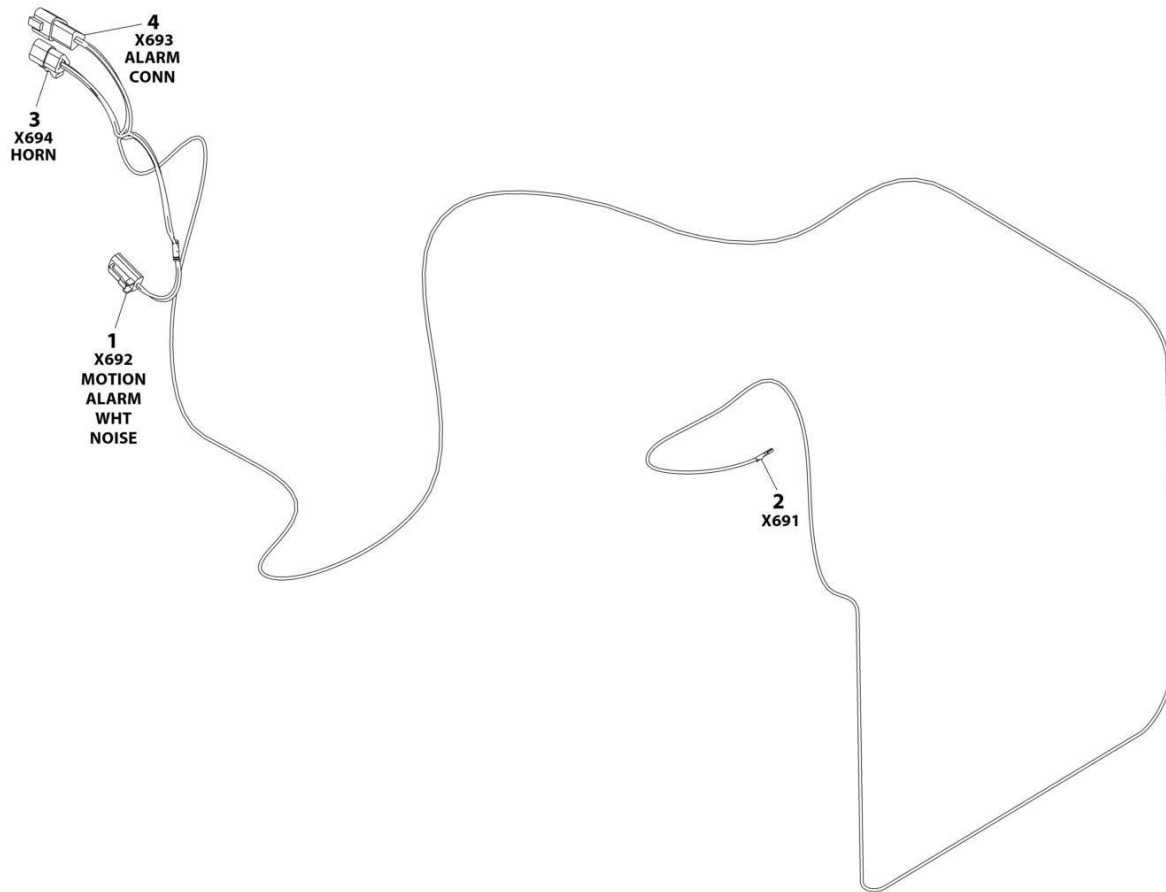
## SECTION 2 - TURNTABLE

ITEM	PART NUMBER	QTY	DESCRIPTION	REV
42	See Note	1	Hose (Note: Not Available for Purchase)	
43	See Note	1	Tube, Feed (Note: Not Available for Purchase)	
44	See Note	1	Tube (Note: Not Available for Purchase)	
45	See Note	1	Tube (Note: Not Available for Purchase)	
46	See Note	1	Aftercooler (Note: Not Available for Purchase)	
47	See Note	2	Clamp (Note: Not Available for Purchase)	
48	See Note	2	Clamp (Note: Not Available for Purchase)	
49	See Note	1	Harness, Wiring (Note: Not Available for Purchase)	
50	7026658	1	Filter Assembly	
50	7026641	1	Element, Filter	
51	See Note	23 oz	Oil, Compressor (Note: Not Available for Purchase)	
52	0100020	AR	Sealant	
53	See Note	1	Key (Note: Not Available for Purchase)	
54	See Note	2	Setscrew (Note: Not Available for Purchase)	
55	See Note	2	Cover, Clamp End (Note: Not Available for Purchase)	
56	7026642	1	Belt	
57	7026643	1	Decal - Unit Warning	
58	7026644	1	Decal - Pressure Switch Warning	
59	7026645	1	Decal - Drain Tank Warning	
60	7026646	1	Decal - Compressor Maintenance	
61	7026647	1	Decal - Initial Oil Fill	
62	7026648	1	Decal - Hot Surfaces Warning	
63	7026649	1	Decal - Paper Element Cleaning	
64	7026650	1	Decal - Dual Control	



# SECTION 2 - TURNTABLE

## FIGURE 2-83. WHITE NOISE ALARM HARNESS



ART\_1001243682

**SECTION 2 - TURNTABLE**

**FIGURE 2-83. WHITE NOISE ALARM HARNESS**

<b>ITEM</b>	<b>PART NUMBER</b>	<b>QTY</b>	<b>DESCRIPTION</b>	<b>REV</b>
	1001243682	Ref	WHITE NOISE ALARM HARNESS	A
1	4460891	1	Plug, Male - 2 Position	
1	4460465	2	Socket, Female	
2	4460871	1	Terminal	
3	4460539	1	Plug, Male- 3 Position	
3	4460465	3	Socket, Female	
4	4460536	1	Receptacle, Female- 3 Position	
4	4460464	3	Pin, Male	

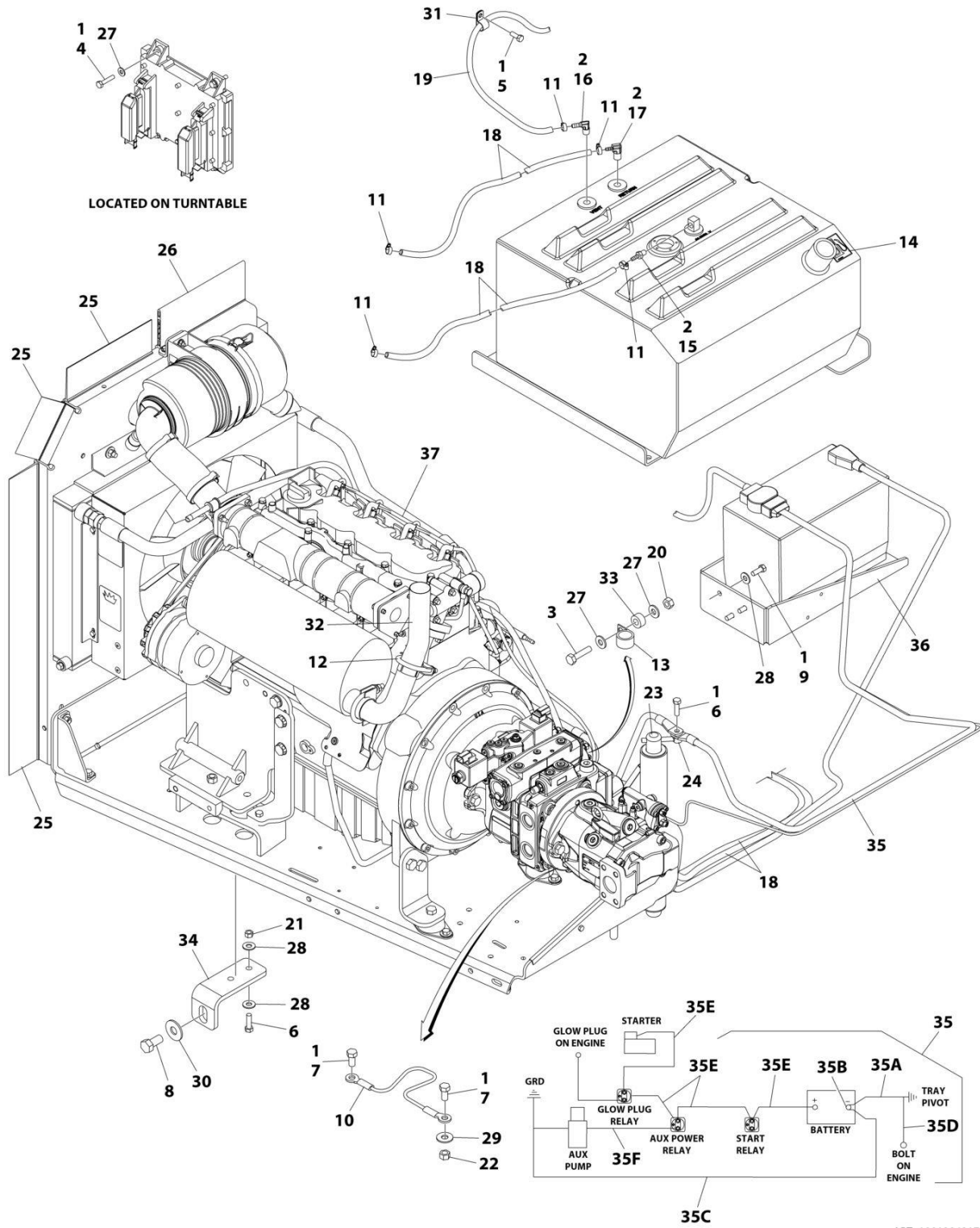




**SECTION 3 - ENGINE**

# SECTION 3 - ENGINE

## FIGURE 3-1. DEUTZ D2011 ENGINE INSTALLATION (WITHOUT ARCTIC PACKAGE)



ART\_1001296317

## SECTION 3 - ENGINE

**FIGURE 3-1. DEUTZ D2011 ENGINE INSTALLATION (WITHOUT ARCTIC PACKAGE)**

ITEM	PART NUMBER	QTY	DESCRIPTION	REV
	1001296317	Ref	DEUTZ D2011 ENGINE INSTALLATION	A
1	0100011	AR	Compound, Locking	
2	0100020	AR	Sealant, Pipe	
3	0641409	1	Bolt 1/4 x 1-1/8	
4	0641410	4	Bolt 1/4 x 1-1/4	
5	0641608	1	Bolt 3/8 x 1	
6	0641610	3	Bolt 3/8 x 1-1/4	
7	0641808	2	Bolt 1/2 x 1	
8	0642010	1	Bolt 5/8 x 1-1/4	
9	0681608	3	Bolt 3/8 x 1	
10	1060637	1	Lanyard	
11	1320022	5	Clamp	
12	1320176	1	Clamp	
13	1320224	1	Clamp	
14	1701505	1	Decal - Diesel	
15	2180348	1	Fitting, Straight NPTF/Barbed	
16	2220313	1	Fitting, 90 NPTF/Barbed	
17	2221176	1	Fitting, 90	
18	2720058	30 ft/9 m	Hose	
19	2750532	3.5 ft/1 m	Hose	
20	3311405	1	Nut 1/4	
21	3311605	2	Nut 3/8	
22	3311801	1	Nut 1/2	
23	3422446	1	Pin	
24	3841143	1	Pin, Keeper	
25	3960548	4 ft/1.5 m	Seal	
26	3960549	11 in/28 cm	Seal	
27	4711400	6	Washer 1/4	
28	4751600	7	Washer 3/8	
29	4751800	1	Washer 1/2	
30	4752000	1	Washer 5/8	
31	8406102	1	Clip	
32	1001101600	1	Tube, Exhaust	
33	1001110425	1	Spacer	
34	1001151070	1	Plate	
35	1001155143	1	Battery Cable Kit	D
35A	7027092	1	Cable, Battery (Black) (Battery - to Tray Pivot and Relay Grds)	
35B	8270147	1	Terminal, Battery (With Boot)	
35C	7027093	1	Cable, Battery (Black) (Battery - to Aux Pump and Relay Grds)	
35D	7027053	1	Cable, Battery (Black) (Engine to Tray Pivot Grd)	
35E	7027094	1	Cable (Red) (Battery + to Aux Relay/Power Module/Starter)	
35F	7027095	1	Cable (Red) (Aux Relay to Aux Pump)	
36	1001162497	1	Bracket	
37	1001296316	1	Engine and Pump Assembly without Arctic Package (See Separate Breakdown in this Section)	



## SECTION 3 - ENGINE

**FIGURE 3-2. DEUTZ D2011 ENGINE INSTALLATION (WITH ARCTIC PACKAGE)**

ITEM	PART NUMBER	QTY	DESCRIPTION	REV
	1001296320	Ref	DEUTZ D2011 ENGINE INSTALLATION	A
1	0100011	AR	Compound, Locking	
2	0100020	AR	Sealant, Pipe	
3	0641409	1	Bolt 1/4 x 1-1/8	
4	0641410	4	Bolt 1/4 x 1-1/4	
5	0641608	1	Bolt 3/8 x 1	
6	0641610	3	Bolt 3/8 x 1-1/4	
7	0641808	2	Bolt 1/2 x 1	
8	0642010	1	Bolt 5/8 x 1-1/4	
9	0681608	3	Bolt 3/8 x 1	
10	1060626	1	Cord, 3 Way Extension	
11	1060637	1	Lanyard	
12	1320022	5	Clamp	
13	1320176	1	Clamp	
14	1320224	1	Clamp	
15	1701505	1	Decal - Diesel	
16	1702941	1	Decal - Battery Heater	
17	1702942	1	Decal - Engine Block Heater	
18	1702943	1	Decal - Hydraulic Tank Heater	
19	1702944	1	Decal - Heater Cord	
20	2180348	1	Fitting, Straight NPTF/Barbed	
21	2220313	1	Fitting, 90 NPTF/Barbed	
22	2221176	1	Fitting, 90	
23	2580024	1	Heater, Battery	
24	2720058	30 ft/9 m	Hose	
25	2750532	3.5 ft/1 m	Hose	
26	3311405	1	Nut 1/4	
27	3311605	2	Nut 3/8	
28	3311801	1	Nut 1/2	
29	3422446	1	Pin, Pivot	
30	3841143	1	Pin, Keeper	
31	3960548	4 ft/1.5 m	Seal	
32	3960549	11 in/28 cm	Seal	
33	3980007	1	Seat, Battery	
34	4711400	6	Washer 1/4	
35	4751600	7	Washer 3/8	
36	4751800	1	Washer 1/2	
37	4752000	1	Washer 5/8	
38	8406102	1	Clip	
39	1001101600	1	Tube, Exhaust	
40	1001110425	1	Spacer	
41	1001150918	1	Cable, Immersion Heater (Not Shown)	
42	1001151070	1	Plate	
43	1001155143	1	Battery Cable Kit	
43A	7027092	1	Cable, Battery (Black) (Battery - to Tray Pivot and Relay Grds)	
43B	8270147	1	Terminal, Battery (With Boot)	
43C	7027093	1	Cable, Battery (Black) (Battery - to Aux Pump and Relay Grds)	
43D	7027053	1	Cable, Battery (Black) (Engine to Tray Pivot Grd)	
43E	7027094	1	Cable (Red) (Battery + to Aux Relay/Power Module/Starter)	

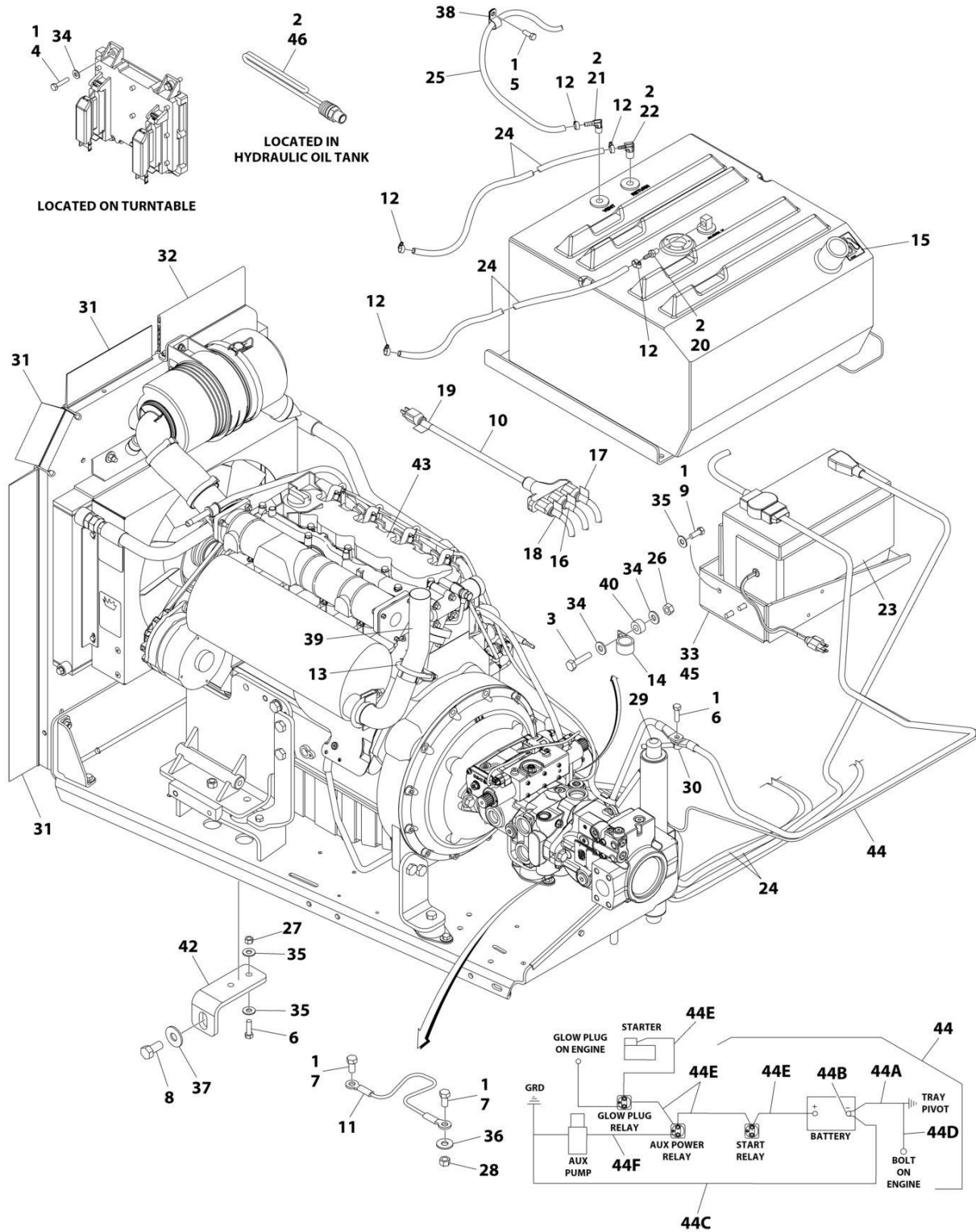
## SECTION 3 - ENGINE

ITEM	PART NUMBER	QTY	DESCRIPTION	REV
43F	7027095	1	Cable (Red) (Aux Relay to Aux Pump)	
44	1001162497	1	Bracket	
45	1001188972	1	Heater, Hydraulic Tank	
46	1001296318	1	Engine and Pump Assembly with Arctic Package (See Separate Breakdown in this Section)	



# SECTION 3 - ENGINE

## FIGURE 3-3. DEUTZ D2011 ENGINE INSTALLATION - (WITH ARCTIC PACKAGE) (WITH 47.8 GAL CAPACITY HYDRAULIC TANK)



ART\_1001287834



## SECTION 3 - ENGINE

**FIGURE 3-3. DEUTZ D2011 ENGINE INSTALLATION - (WITH ARCTIC PACKAGE) (WITH 47.8 GAL CAPACITY HYDRAULIC TANK)**

ITEM	PART NUMBER	QTY	DESCRIPTION	REV
	1001287834	Ref	DEUTZ D2011 ENGINE INSTALLATION	A
1	0100011	AR	Compound, Locking	
2	0100020	AR	Sealant, Pipe	
3	0641409	1	Bolt 1/4 x 1-1/8	
4	0641410	4	Bolt 1/4 x 1-1/4	
5	0641608	1	Bolt 3/8 x 1	
6	0641610	3	Bolt 3/8 x 1-1/4	
7	0641808	2	Bolt 1/2 x 1	
8	0642010	1	Bolt 5/8 x 1-1/4	
9	0681608	3	Bolt 3/8 x 1 Grade 8	
10	1060626	1	Cord, 3 Way Extension	
11	1060637	1	Cable, Lanyard	
12	1320022	5	Clamp, Hose	
13	1320176	1	Clamp	
14	1320224	1	Clamp	
15	1701505	1	Decal - Diesel	
16	1702941	1	Decal - Battery Heater	
17	1702942	1	Decal - Engine Block Heater	
18	1702943	1	Decal - Hydraulic Tank Heater	
19	1702944	1	Decal - Heater Cord	
20	2180348	1	Fitting, Straight Barbed	
21	2220313	1	Fitting, Elbow	
22	2221176	1	Fitting, Elbow Barbed	
23	2580024	1	Heater, Battery	
24	2720058	30 ft/ 9.2m	Hose	
25	2750532	3.6 ft/ 1m	Hose	
26	3311405	1	Nut 1/4	
27	3311605	2	Nut 3/8	
28	3311801	1	Nut 1/2	
29	3422446	1	Pin, Pivot	
30	3841143	1	Pin, Keeper	
31	3960548	44 in/ 1.1m	Seal	
32	3960549	11 in/ 28cm	Seal	
33	3980007	1	Seat, Battery	
34	4711400	6	Washer 1/4	
35	4751600	7	Washer 3/8	
36	4751800	1	Washer 1/2	
37	4752000	1	Washer 5/8	
38	8406102	1	Clip	
39	1001101600	1	Tube, Exhaust	
40	1001110425	1	Spacer	
41	1001150918	1	Cable, Immersion Heater (Not Shown)	
42	1001151070	1	Plate	
43	1001154237	1	Engine and Pump Assembly with Arctic Package (See Separate Breakdown in this Section)	
44	1001155143	1	Battery Cable Kit	
44A	7027092	1	Cable, Battery (Black) (Battery - to Tray Pivot and Relay Grds)	

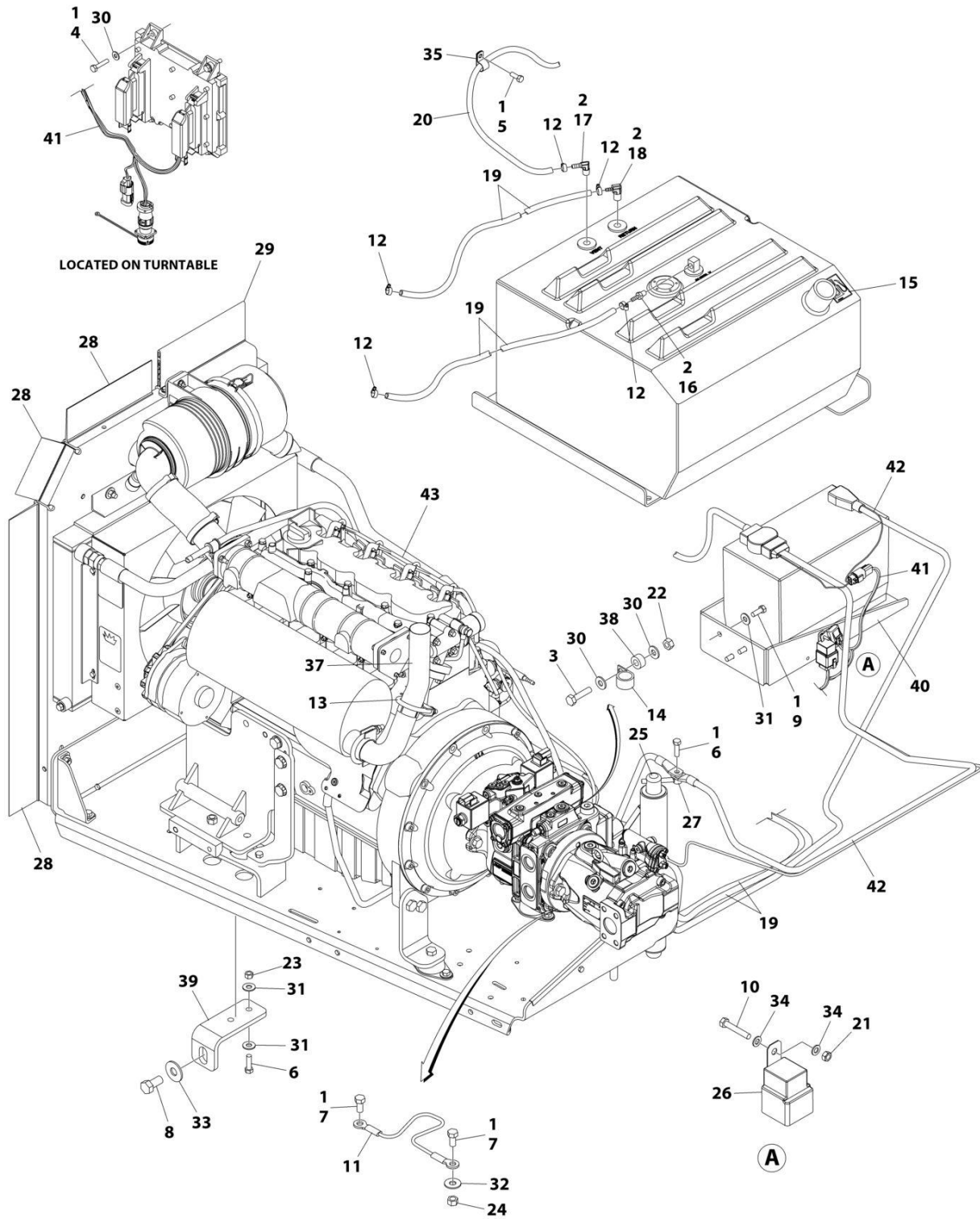
## SECTION 3 - ENGINE

ITEM	PART NUMBER	QTY	DESCRIPTION	REV
44B	8270147	1	Terminal, Battery (With Boot) Cable, Battery (Black)	
44C	7027093	1	Cable, Battery (Black) (Battery - to Aux Pump Ground)	
44D	7027053	1	Cable, Battery (Black) (Engine to Tray Pivot Grd)	
44E	7027094	1	Cable (Red) (Battery + to Relays/Starter)	
44F	7027095	1	Cable (Red) (Aux Relay to Aux Pump)	
45	1001162497	1	Bracket	
46	1001188972	1	Heater, Hydraulic Tank	



# SECTION 3 - ENGINE

FIGURE 3-4. DEUTZ D2011 ENGINE INSTALLATION (HIGH TEMP MARKETS)



ART\_1001296323

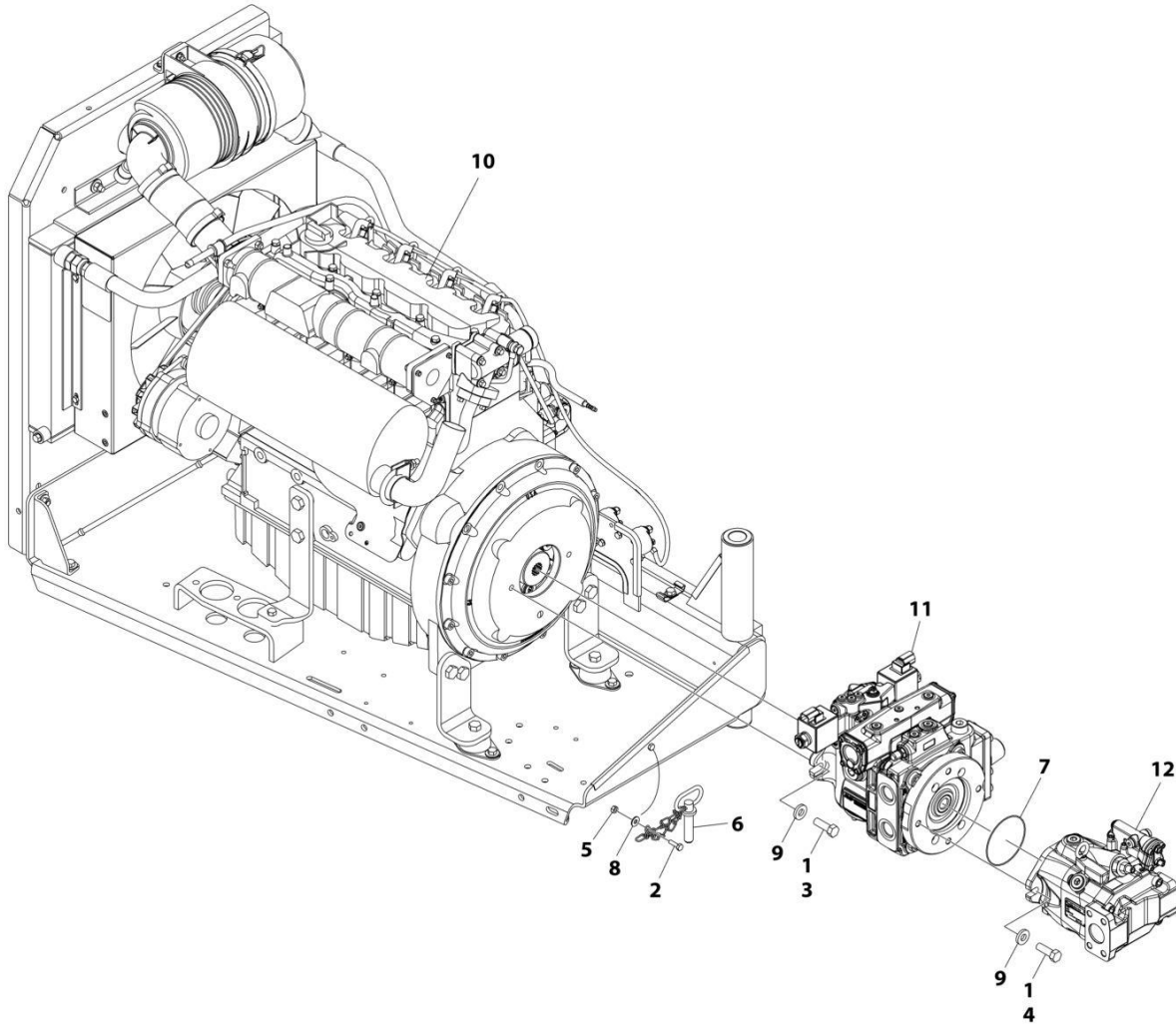
## SECTION 3 - ENGINE

**FIGURE 3-4. DEUTZ D2011 ENGINE INSTALLATION (HIGH TEMP MARKETS)**

ITEM	PART NUMBER	QTY	DESCRIPTION	REV
	1001296323	Ref	DEUTZ D2011 ENGINE INSTALLATION	A
1	0100011	AR	Compound, Locking	
2	0100020	AR	Sealant, Pipe	
3	0641409	1	Bolt 1/4 x 1-1/8	
4	0641410	4	Bolt 1/4 x 1-1/4	
5	0641608	1	Bolt 3/8 x 1	
6	0641610	3	Bolt 3/8 x 1-1/4	
7	0641808	2	Bolt 1/2 x 1	
8	0642010	1	Bolt 5/8 x 1-1/4	
9	0681608	3	Bolt 3/8 x 1	
10	0760514	1	Bolt M5 x 30	
11	1060637	1	Lanyard	
12	1320022	5	Clamp	
13	1320176	1	Clamp	
14	1320224	1	Clamp	
15	1701505	1	Decal - Diesel	
16	2180348	1	Fitting, Straight NPTF/Barbed	
17	2220313	1	Fitting, 90 NPTF/Barbed	
18	2221176	1	Fitting, 90	
19	2720058	30 ft/9 m	Hose	
20	2750532	3.5 ft/1 m	Hose	
21	3290501	1	Nut M5	
22	3311405	1	Nut 1/4	
23	3311605	2	Nut 3/8	
24	3311801	1	Nut 1/2	
25	3422446	1	Pin	
26	3740080	1	Relay	
27	3841143	1	Pin, Keeper	
28	3960548	4 ft/1.5 m	Seal	
29	3960549	11 in/28 cm	Seal	
30	4711400	6	Washer 1/4	
31	4751600	7	Washer 3/8	
32	4751800	1	Washer 1/2	
33	4752000	1	Washer 5/8	
34	4811600	2	Washer M5	
35	8406102	1	Clip	
36	1001004720	AR	Tie-Strap (Not Shown)	
37	1001101600	1	Tube, Exhaust	
38	1001110425	1	Spacer	
39	1001151070	1	Plate	
40	1001162497	1	Bracket	
41	1001243366	1	ECU Jumper Harness	
42	1001243992	1	Battery Cable Kit	
43	1001296316	1	Engine and Pump Assembly without Arctic Package (See Separate Breakdown in this Section)	

# SECTION 3 - ENGINE

## FIGURE 3-5. DEUTZ D2011 ENGINE/PUMP SUB-ASSEMBLY (WITHOUT ARCTIC PACKAGE)



ART\_1001296316

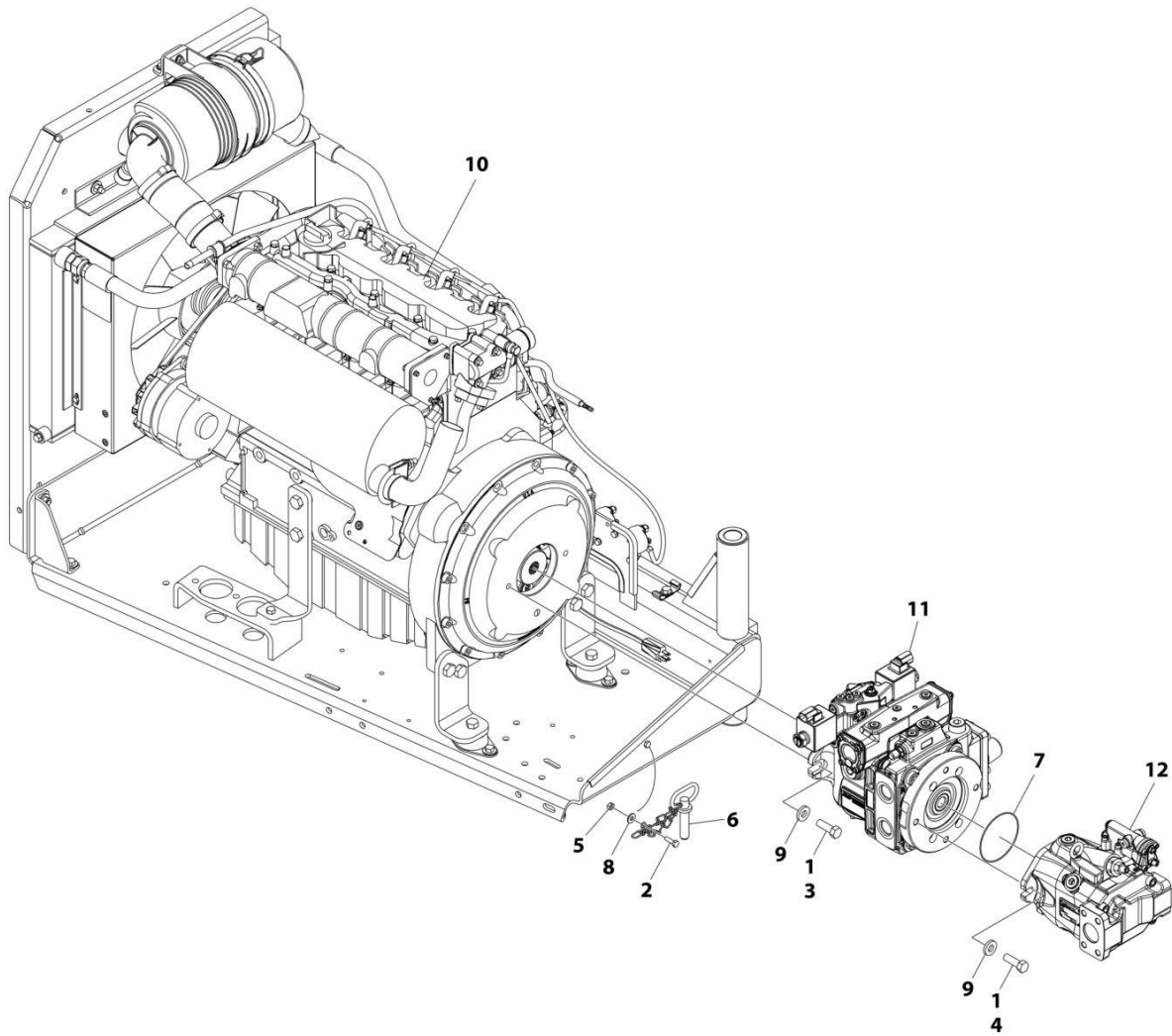
## SECTION 3 - ENGINE

**FIGURE 3-5. DEUTZ D2011 ENGINE/PUMP SUB-ASSEMBLY (WITHOUT ARCTIC PACKAGE)**

ITEM	PART NUMBER	QTY	DESCRIPTION	REV
	1001296316	Ref	DEUTZ D2011 ENGINE/PUMP SUB-ASSEMBLY	A
1	0100011	AR	Compound, Locking	
2	0641407	1	Bolt 1/4 x 7/8	
3	0641812	2	Bolt 1/2 x 1-1/2	
4	0711215	2	Bolt M12 x 35	
5	3311405	1	Nut 1/4	
6	3422532	1	Pin, Hitch	
7	3790044	1	O-Ring	
8	4751400	1	Washer 1/4	
9	4891800	4	Washer 1/2	
10	1001153396	1	Engine Assembly Without Arctic Package (See Separate Breakdown in this Section)	
11	1001276376	1	Hydrostatic Pump Assembly with Fittings (See Separate Breakdown in this Section)	
12	1001276377	1	Variable Pump Assembly with Fittings (See Separate Breakdown in this Section)	

# SECTION 3 - ENGINE

## FIGURE 3-6. DEUTZ D2011 ENGINE/PUMP SUB-ASSEMBLY (WITH ARCTIC PACKAGE)



ART\_1001296318



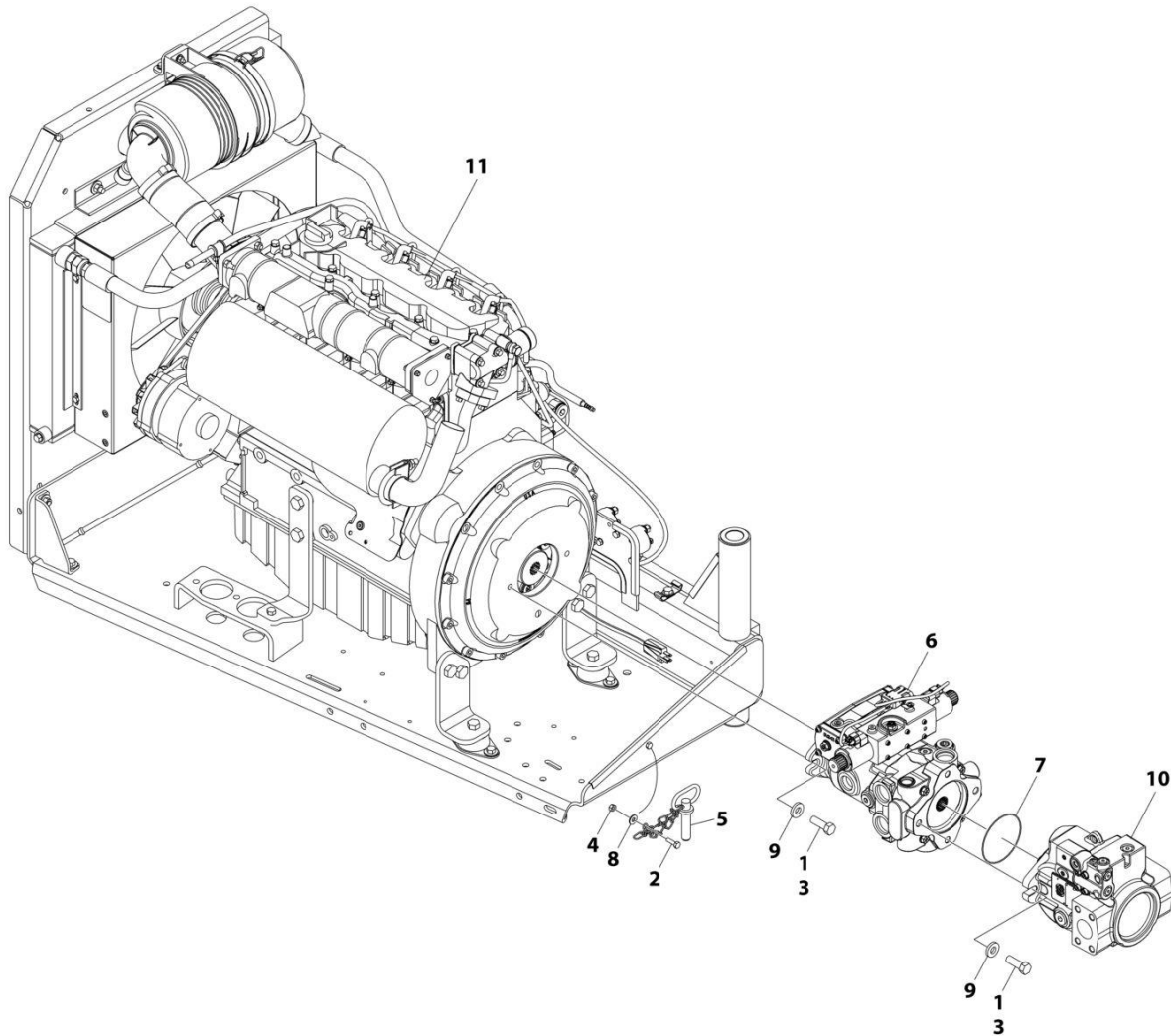
## SECTION 3 - ENGINE

**FIGURE 3-6. DEUTZ D2011 ENGINE/PUMP SUB-ASSEMBLY (WITH ARCTIC PACKAGE)**

ITEM	PART NUMBER	QTY	DESCRIPTION	REV
	1001296318	Ref	DEUTZ D2011 ENGINE/PUMP SUB-ASSEMBLY	A
1	0100011	AR	Compound, Locking	
2	0641407	1	Bolt 1/4 x 7/8	
3	0641812	2	Bolt 1/2 x 1-1/2	
4	0711215	2	Bolt M12 x 35	
5	3311405	1	Nut 1/4	
6	3422532	1	Pin	
7	3790044	1	O-Ring	
8	4751400	1	Washer 1/4	
9	4891800	4	Washer 1/2	
10	1001153779	1	Engine Assembly With Arctic Package (See Separate Breakdown in this Section)	
11	1001276376	1	Hydrostatic Pump Assembly with Fittings (See Separate Breakdown in this Section)	
12	1001276377	1	Variable Pump Assembly with Fittings (See Separate Breakdown in this Section)	

# SECTION 3 - ENGINE

FIGURE 3-7. DEUTZ D2011 ENGINE AND PUMP SUB-ASSEMBLY - (WITH ARCTIC PACKAGE) (WITH 47.8 GAL CAPACITY HYDRAULIC TANK)



ART\_1001154237

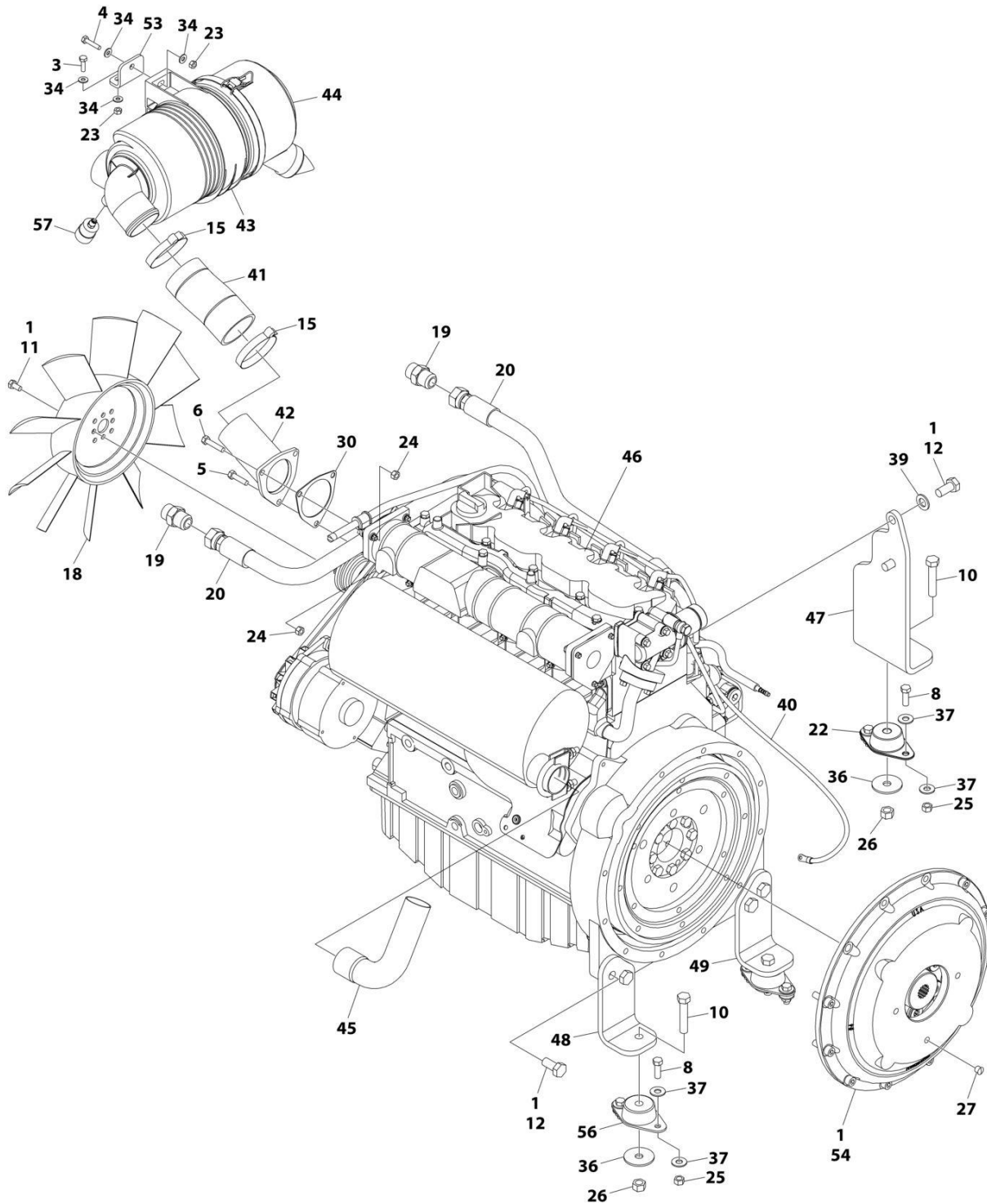
## SECTION 3 - ENGINE

**FIGURE 3-7. DEUTZ D2011 ENGINE AND PUMP SUB-ASSEMBLY - (WITH ARCTIC PACKAGE) (WITH 47.8 GAL CAPACITY HYDRAULIC TANK)**

ITEM	PART NUMBER	QTY	DESCRIPTION	REV
	1001154237	Ref	DEUTZ D2011 ENGINE AND PUMP SUB-ASSEMBLY (WITH ARCTIC PACKAGE)	D
1	0100011	AR	Compound, Locking	
2	0641407	1	Bolt 1/4 x 7/8	
3	0641812	4	Bolt 1/2 x 1-1/2	
4	3311405	1	Nut 1/4	
5	3422532	1	Pin, Hitch	
6	1001225745	1	Hydrostatic Pump Assembly with Fittings (See Separate Breakdown in this Section)	
7	3790044	1	O-Ring	
8	4751400	1	Washer 1/4	
9	4891800	4	Washer 1/2	
10	1001094595	1	Variable Pump Assembly with Fittings (See Separate Breakdown in this Section)	
11	1001153779	1	Engine Assembly With Arctic Package (See Separate Breakdown in this Section)	

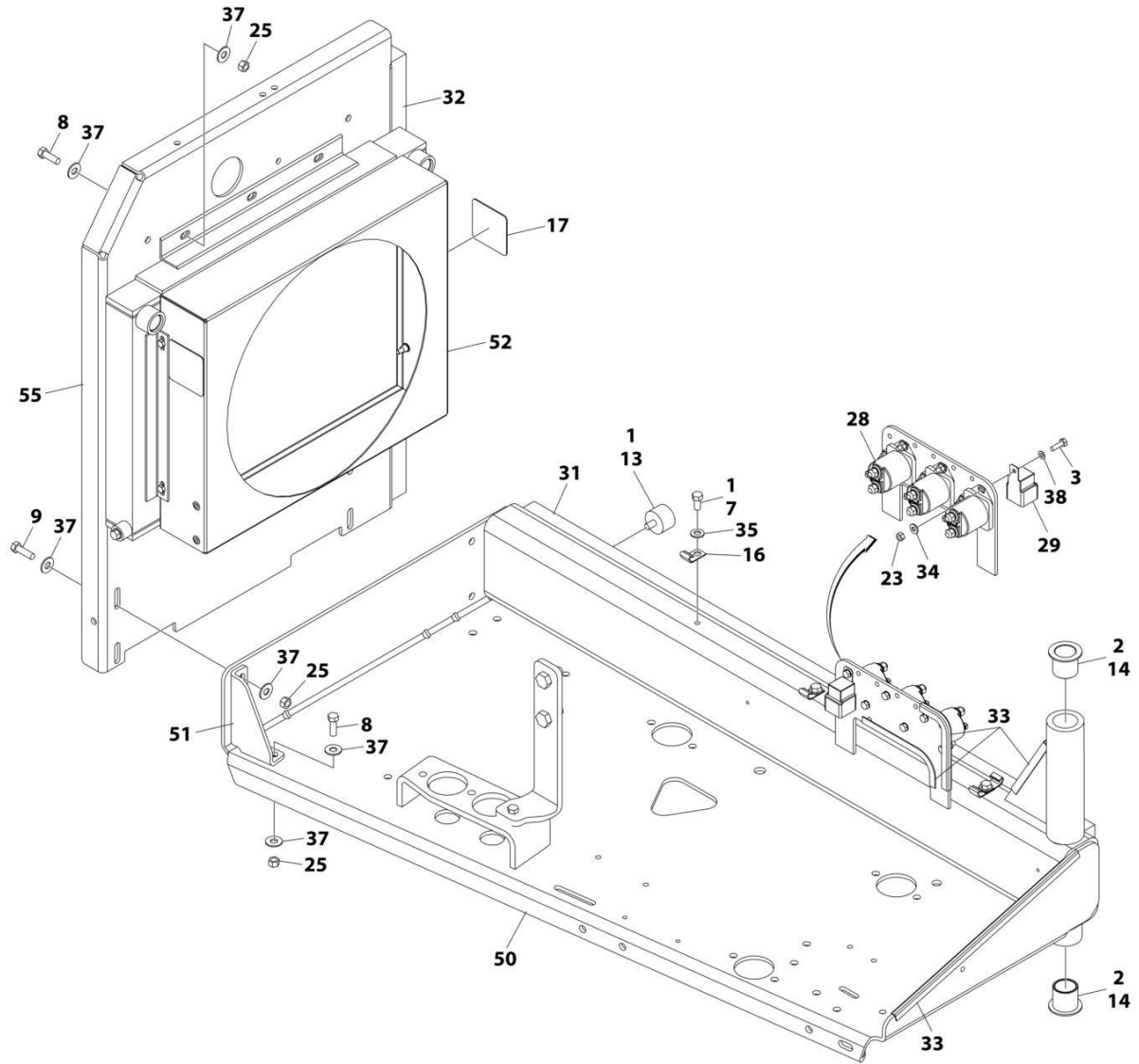
# SECTION 3 - ENGINE

## FIGURE 3-8. DEUTZ D2011 ENGINE ASSEMBLY (WITHOUT ARCTIC PACKAGE)



ART\_1001153396\_10F2

# SECTION 3 - ENGINE



ART\_1001153396\_20F2

## SECTION 3 - ENGINE

FIGURE 3-8. DEUTZ D2011 ENGINE ASSEMBLY (WITHOUT ARCTIC PACKAGE)

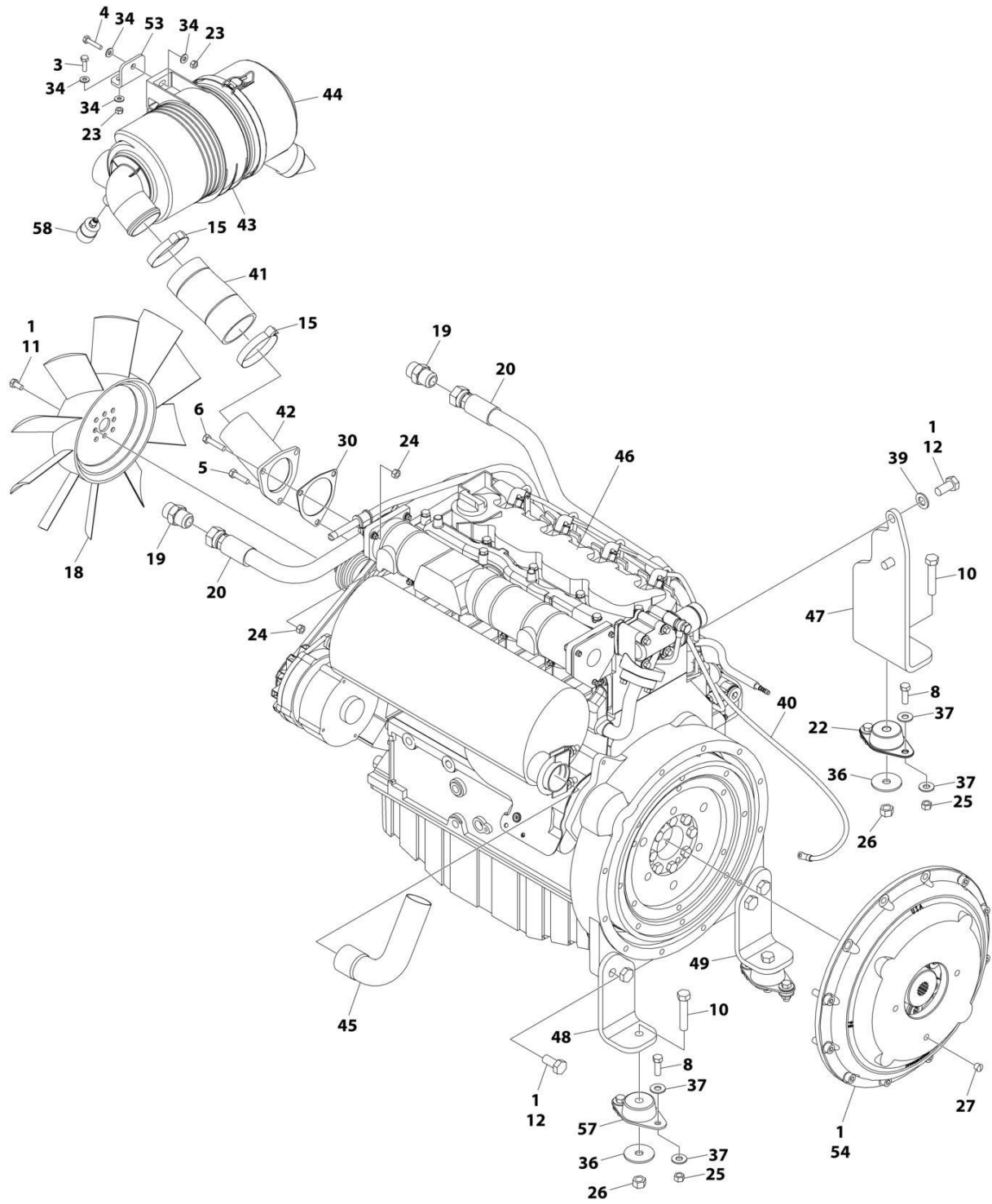
ITEM	PART NUMBER	QTY	DESCRIPTION	REV
	1001153396	Ref	ENGINE ASSEMBLY WITHOUT ARCTIC PACKAGE	H
1	0100011	AR	Compound, Locking	
2	0100062	AR	Compound, Locking	
3	0641407	8	Bolt 1/4 x 7/8	
4	0641410	2	Bolt 1/4 x 1-1/4	
5	0641510	2	Bolt 5/16 x 1-1/4	
6	0641512	1	Bolt 5/16 x 1-1/2	
7	0641606	3	Bolt 3/8 x 3/4	
8	0641609	14	Bolt 3/8 x 1-1/8	
9	0641610	4	Bolt 3/8 x 1-1/4	
10	0641820	3	Bolt 1/2 x 2-1/2	
11	0700808	4	Bolt M8 x 16	
12	0771414	6	Bolt M14 x 30	
13	0940070	1	Bumper	
14	0961986	2	Bushing, Flanged	
15	1320016	2	Clamp	
16	1320223	4	J-Clip	
17	1703162	2	Decal - Caution Fan Blade	
18	2060025	1	Fan	
19	2220451	2	Fitting, Straight	
20	2720398	2	Hose, Oil Cooler	
22	3200406	1	Mount, Motor	
23	3311405	10	Nut 1/4	
24	3311505	3	Nut 5/16	
25	3311605	18	Nut 3/8	
26	3311805	3	Nut 1/2	
27	3520054	2	Plug	
28	3740067	3	Relay	
29	3740080	1	Relay	
30	3960407	1	Gasket, Air Intake	
31	3960468	1	Seal	
32	3960469	1	Seal	
33	4060805	37 in/1m	Flex-Trim	
34	4711400	14	Washer 1/4	
35	4711600	3	Washer 3/8	
36	4740274	3	Washer, Snubbing	
37	4751600	36	Washer 3/8	
38	4791400	6	Washer, Star 1/4	
39	4812200	2	Washer M14	
40	4923379	1	Harness, Glow Plug	
41	1001001939	1	Hose, Flex	
42	1001146273	1	Adapter, Air Intake	
43	1001147812	1	Clamp	
44	1001147813	1	Air Cleaner Assembly Filter Element	
44	70004020	1	Element, Filter (Not Shown)	
45	1001147820	1	Pipe, Exhaust	
46	1001147823	1	Engine, Deutz D2011 (See Separate Breakdown in this section)	
47	1001149704	1	Support, Engine	
48	1001149705	1	Support, Engine	
49	1001149706	1	Support, Engine	

## SECTION 3 - ENGINE

ITEM	PART NUMBER	QTY	DESCRIPTION	REV
50	1001149793	1	Tray, Engine	
51	1001150915	1	Gusset	
52	1001150998	1	Radiator	
53	1001152459	1	Plate, Air Cleaner Mounting	
54	1001153282	1	Pump Coupling Kit (See Separate Breakdown in this section)	
55	1001153414	1	Plate, Radiator Mounting	
56	3200401	2	Mount, Motor	
57	1001143390	1	Indicator	

# SECTION 3 - ENGINE

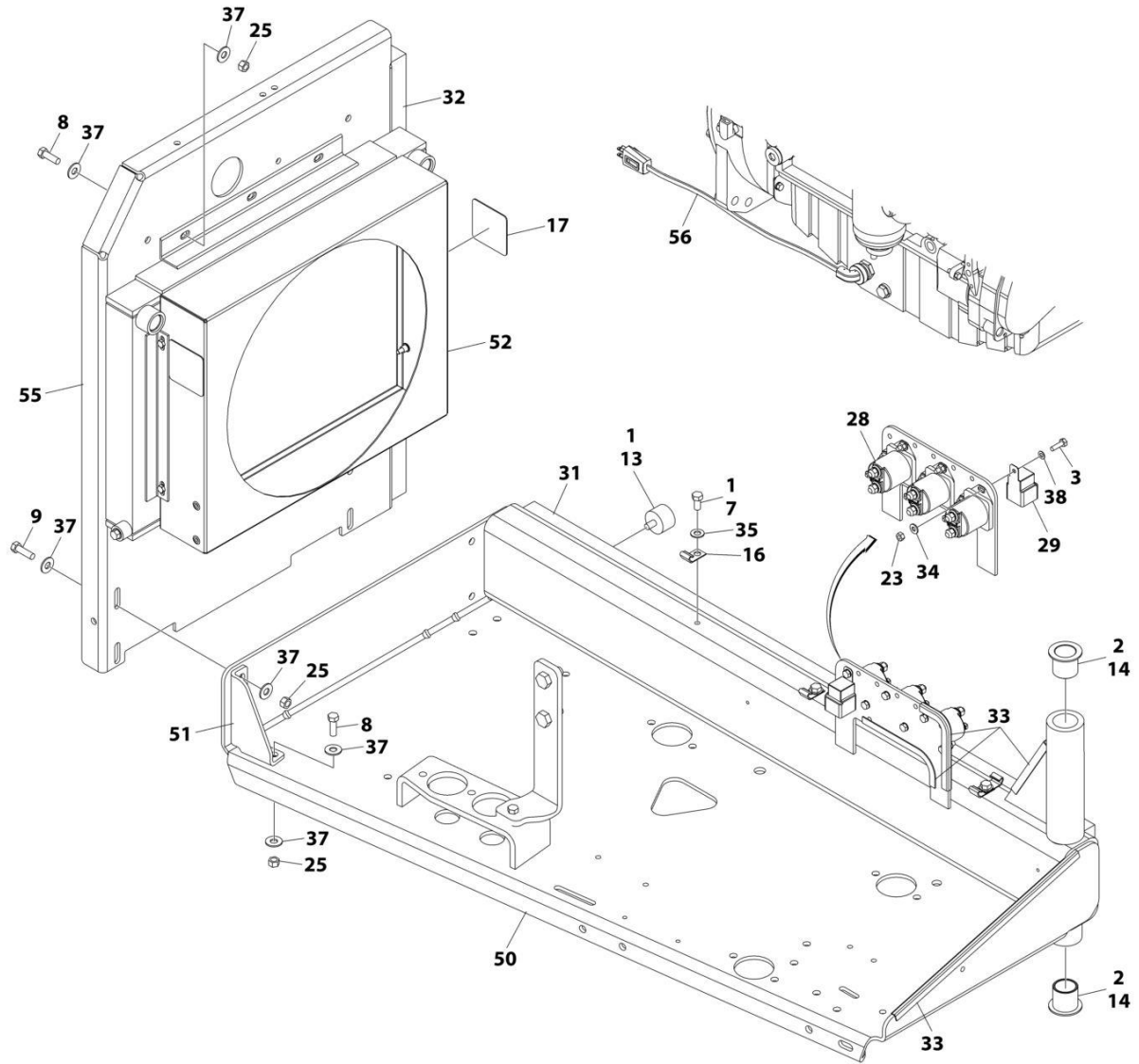
## FIGURE 3-9. DEUTZ D2011 ENGINE ASSEMBLY (WITH ARCTIC PACKAGE)



ART\_1001153779\_10F2



# SECTION 3 - ENGINE



ART\_1001153779\_2OF2

## SECTION 3 - ENGINE

**FIGURE 3-9. DEUTZ D2011 ENGINE ASSEMBLY (WITH ARCTIC PACKAGE)**

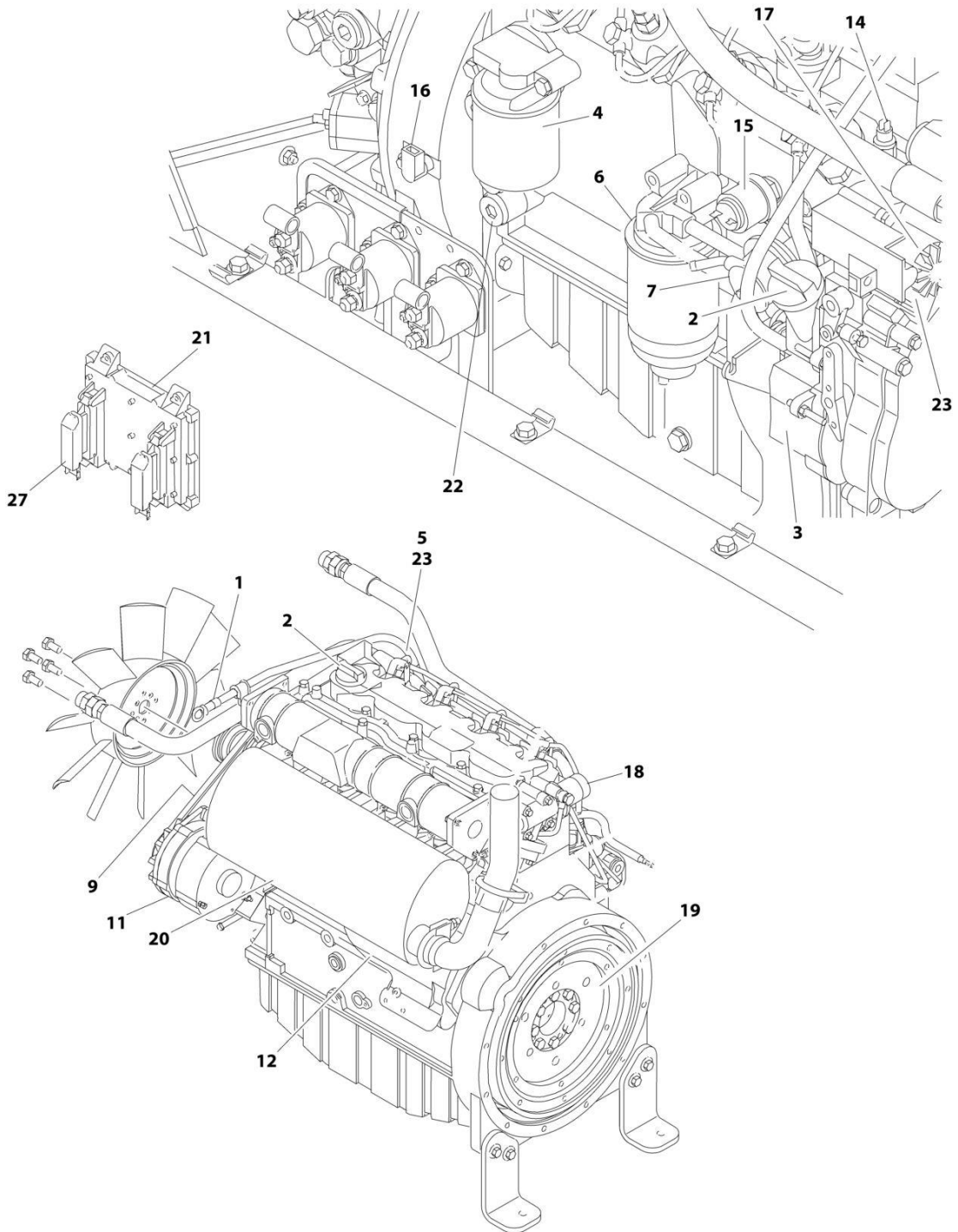
ITEM	PART NUMBER	QTY	DESCRIPTION	REV
	1001153779	Ref	ENGINE ASSEMBLY WITH ARCTIC PACKAGE	H
1	0100011	AR	Compound, Locking	
2	0100062	AR	Compound, Locking	
3	0641407	8	Bolt 1/4 x 7/8	
4	0641410	2	Bolt 1/4 x 1-1/4	
5	0641510	2	Bolt 5/16 x 1-1/4	
6	0641512	1	Bolt 5/16 x 1-1/2	
7	0641606	3	Bolt 3/8 x 3/4	
8	0641609	14	Bolt 3/8 x 1-1/8	
9	0641610	4	Bolt 3/8 x 1-1/4	
10	0641820	3	Bolt 1/2 x 2-1/2	
11	0700808	4	Bolt M8 x 16	
12	0771414	6	Bolt M14 x 30	
13	0940070	1	Bumper	
14	0961986	2	Bushing, Flanged	
15	1320016	2	Clamp	
16	1320223	4	J-Clip	
17	1703162	2	Decal - Caution Fan Blade	
18	2060025	1	Fan	
19	2220451	2	Fitting, Straight	
20	2720398	2	Hose, Oil Cooler	
22	3200406	1	Mount, Motor	
23	3311405	10	Nut 1/4	
24	3311505	3	Nut 5/16	
25	3311605	18	Nut 3/8	
26	3311805	3	Nut 1/2	
27	3520054	2	Plug	
28	3740067	3	Relay	
29	3740080	1	Relay	
30	3960407	1	Gasket, Air Intake	
31	3960468	1	Seal	
32	3960469	1	Seal	
33	4060805	37 in/1m	Flex-Trim	
34	4711400	14	Washer 1/4	
35	4711600	3	Washer 3/8	
36	4740274	3	Washer, Snubbing	
37	4751600	36	Washer 3/8	
38	4791400	6	Washer, Star 1/4	
39	4812200	2	Washer M14	
40	4923379	1	Harness, Glow Plug	
41	1001001939	1	Hose, Flex	
42	1001146273	1	Adapter, Air Intake	
43	1001147812	1	Clamp	
44	1001147813	1	Air Cleaner Assembly Filter Element	
44	70004020	1	Element, Filter (Not Shown)	
45	1001147820	1	Pipe, Exhaust	
46	1001147823	1	Engine, Deutz D2011 (See Separate Breakdown in this Section)	
47	1001149704	1	Support, Engine	
48	1001149705	1	Support, Engine	
49	1001149706	1	Support, Engine	

## SECTION 3 - ENGINE

ITEM	PART NUMBER	QTY	DESCRIPTION	REV
50	1001149793	1	Tray, Engine	
51	1001150915	1	Gusset	
52	1001150998	1	Radiator	
53	1001152459	1	Plate, Air Cleaner Mounting	
54	1001153282	1	Pump Coupling Kit (See Separate Breakdown in this Section)	
55	1001153414	1	Plate, Radiator Mounting	
56	2580062	1	Heater, Block	
57	3200401	2	Mount, Motor	
58	1001143390	1	Indicator	

# SECTION 3 - ENGINE

## FIGURE 3-10. DEUTZ D2011 ENGINE COMPONENTS



ART\_1001147823

## SECTION 3 - ENGINE

**FIGURE 3-10. DEUTZ D2011 ENGINE COMPONENTS**

ITEM	PART NUMBER	QTY	DESCRIPTION	REV
	1001147823	Ref	ENGINE COMPONENTS	C
1	70004287	1	Dipstick	
1	70000044	1	Seal, Dipstick	
1	70001002	1	Tube, Dipstick	
1	7020403	1	Seal, Dipstick Tube	
2	7020465	2	Cap, Filler	
3	70001850	1	Pump, Oil Lube	
3	7020468	1	Seal Between Oil Pump and Engine Block (Not Shown)	
4	7016331	1	Filter, Oil	
4	70003472	1	Bracket, Oil Filter	
4	7027236	1	Sender, Temperature	
4	70025082	1	Ring, Sealing	
5	70000912	4	Series A Injector	
5	70000913	4	Series B Injector	
5	70000914	4	Series C Injector	
5	70000915	4	Series D Injector	
5	70003464	4	Seal/Gasket, Pump (1 Per Injector)	
5	70003478	4	Injector, Fuel	
5	70003136	4	Seal/Gasket, Pump (1 Per Injector)	
6	7016328	1	Filter, Fuel	
6	70003465	1	Sensor	
6	70003466	1	Seal, Sensor	
7	70000916	1	Pump, Fuel Supply	
7	70001435	1	Repair Kit for Fuel Supply Pump	
7	70000919	1	Hand Pump for Fuel Supply Pump	
7	70000917	1	O - Seal Between Fuel Pump and Engine Block	
7	70000918	1	O - Seal Between Fuel Pump and Hand Pump	
8	70001871	4	Gasket, Intake Manifold	
9	7020408	1	V-Belt	
10		Ref	Exhaust Manifold Components (Not Shown)	
10	70001835	1	Gasket, Exhaust Adapter to Exhaust Rail	
10	70001841	1	Valve, Exhaust (Fits into Exhaust Adapter)	
10	70001836	1	Gasket, Exhaust Rail to Cylinder Head	
10	70001837	1	Gasket, Exhaust Manifold to Muffler	
10	70002200	4	Stud, Mounting	
10	See Note	AR	Nut, Exhaust Manifold	
11	70004056	1	Alternator	
11	70001868	1	Regulator, Voltage (Not Shown)	
11	70001866	1	Seal, Gasket for Voltage Regulator (Not Shown)	
11	70002234	1	Bar, Alternator Adjustment	
12	7020479	1	Starter	
12	70004058	1	Relay	
13	70004060	2	Plug-In Connector	
14	7027791	1	Transmitter, Temperature	
15	7027790	1	Sensor, Oil Pressure	
16	70004272	1	Sensor, Speed	
17	7027792	1	Throttle Actuator	
17	7027276	2	Spring	
18	70003475	1	Thermostat (Located at rear of engine block - Not Shown)	
19	70001870	1	Flywheel with Ring Gear	

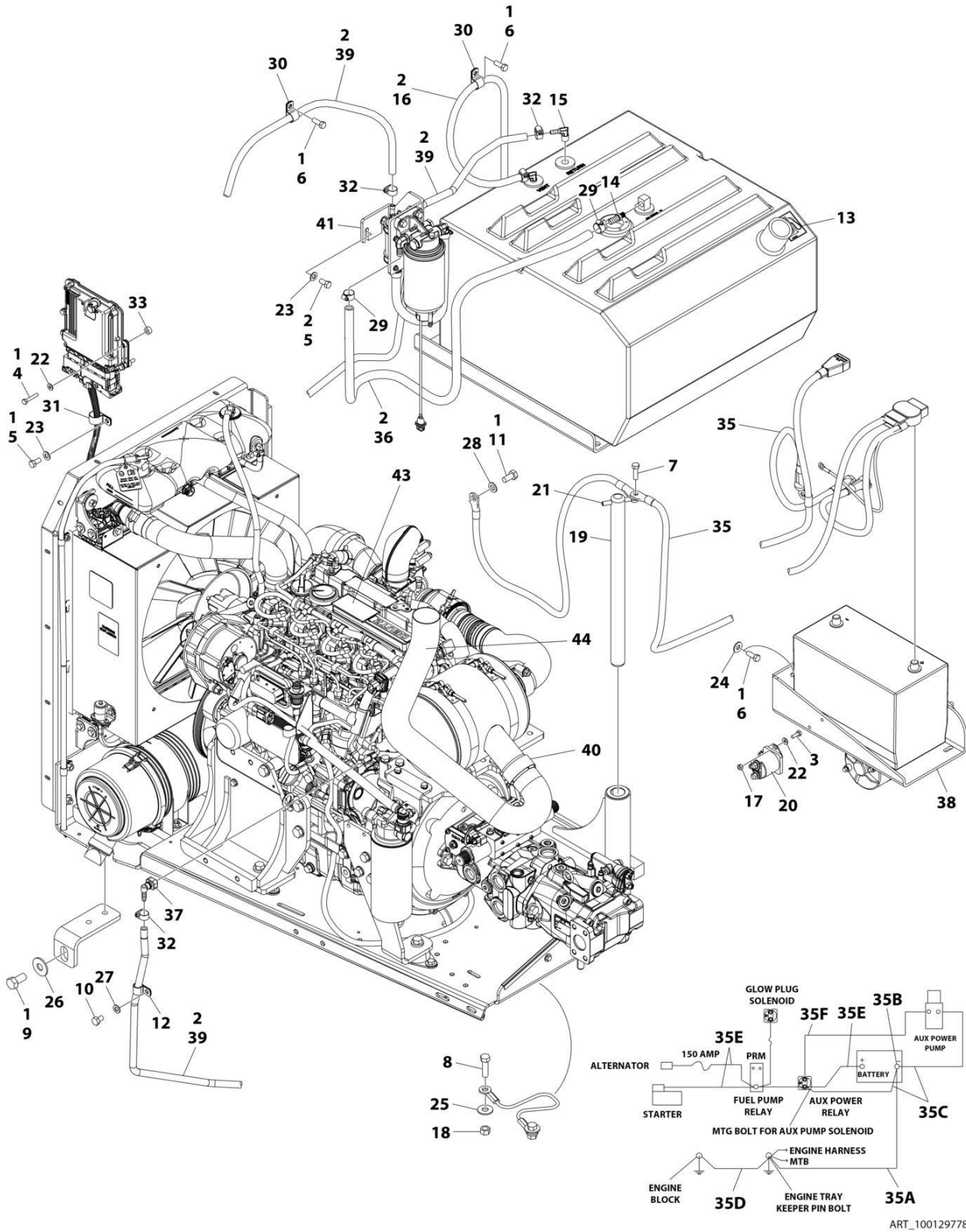
## SECTION 3 - ENGINE

ITEM	PART NUMBER	QTY	DESCRIPTION	REV
19	7024579	1	Gear, Ring 110 Tooth	
20	7000695	1	Muffler	
20	70001844	1	U-Ciamp	
20	7020471	4	Gasket	
21	7027795	1	Module, Control	
22	70001181	1	Valve, Pressure Control	
22	70124410	1	Spring	
22	70025082	1	Seal	
22	70124440	1	Screw, Locking	
23	70000345	4	Plug, Glow	
24	70000800	1	Camshaft Pulley Repair Kit (Not Shown)	
26	70002415	1	Gasket, Head with 1 Notch (Not Shown)	
62	70002416	1	Gasket, Head with 2 Notch (Not Shown)	
26	70002417	1	Gasket, Head with 3 Notch (Not Shown)	
27	7027796	1	Harness, Engine (Connects to Item 421)	
27	70001872	1	Harness, Engine (Connects to p/n 7027796)	
28		Ref	Gaskets and Seals - Miscellaneous (Not Shown)	
28	70004289	1	Gasket Set	
28	70002718	1	Seal, Rear Main	
28	70004280	1	Seal, Front Main	
29	70025752	1	Valve, Pressure Relief (Not Shown - Located at Engine Front Left)	
29	70025753	1	Spring	
29	70005916	1	Seal	
29	70005917	1	Plug, Locking	



# SECTION 3 - ENGINE

FIGURE 3-11. DEUTZ TD 2.9L4 (UN R96) ENGINE INSTALLATION - WITHOUT ARCTIC PACKAGE (WITH PLASTIC HOODS)





## SECTION 3 - ENGINE

**FIGURE 3-11. DEUTZ TD 2.9L4 (UN R96) ENGINE INSTALLATION - WITHOUT ARCTIC PACKAGE  
(WITH PLASTIC HOODS)**

ITEM	PART NUMBER	QTY	DESCRIPTION	REV
	1001297784	Ref	ENGINE INSTALLATION	A
1	0100011	AR	Compound, Locking	
2	0100020	AR	Sealant	
3	0641406	2	Bolt 1/4 x 3/4	
4	0641412	4	Bolt 1/4 x 1-1/2	
5	0641606	3	Bolt 3/8 x 3/4	
6	0641608	5	Bolt 3/8 x 1	
7	0641610	1	Bolt 3/8 x 1-1/4	
8	0641814	1	Bolt 1/2 x 1-3/4	
9	0642010	1	Bolt 5/8 x 1-1/4	
10	0761008	1	Bolt M10 x 16	
11	0771212	1	Bolt M12 x 25	
12	1320061	1	Clamp	
13	1701505	1	Decal - Diesel	
14	2180832	1	Fitting, Straight Barbed	
15	2220313	2	Fitting, 90 NPTF/Barbed	
16	2750532	4 ft /1.2 m	Hose	
17	3311405	2	Nut 1/4	
18	3311805	1	Nut 1/2	
19	3422446	1	Pin	
20	3740067	1	Relay	
21	3841143	1	Keeper, Pin	
22	4711400	7	Washer 1/4	
23	4711600	3	Washer 3/8	
24	4751600	3	Washer 3/8	
25	4751800	1	Washer 1/2	
26	4752000	1	Washer 5/8	
27	4812000	1	Washer M10	
28	4812100	1	Washer M12	
29	8405006	2	Clamp	
30	8406102	2	Clip	
31	8406201	1	Clip	
32	8410013	5	Clamp	
33	1001110425	4	Spacer	
34	1001138491	1	Fuel Harness (Not Shown) (See Separate Breakdown in ELECTRICAL Section)	
35	1001143736	1	Battery Cable Kit	
35	7027084	1	Cable, Battery (Black) (Battery - to Tray Pivot and Grds)	
35	8270147	1	Terminal, Battery (With Boot)	
35	7027085	1	Cable, Battery (Black) (Battery - to Aux Pump and Relay Grds)	
35	7027086	1	Cable, Battery (Black) (Engine to Tray Pivot)	
35	7027087	1	Cable (Red) (Battery + to Aux Relay/Power Module/Starter)	
35	7027088	1	Cable (Red) (Aux Relay to Aux Pump)	
35	See Note	1	Cable (Aux Relay to Starter) (Note: Use P/N 7027087)	
36	1001154405	5 ft /1.5 m	Hose	
37	1001155823	1	Fitting, 90 Quick Disconnect	
38	1001162497	1	Bracket	
39	1001165035	24 ft /7.2 m	Hose	

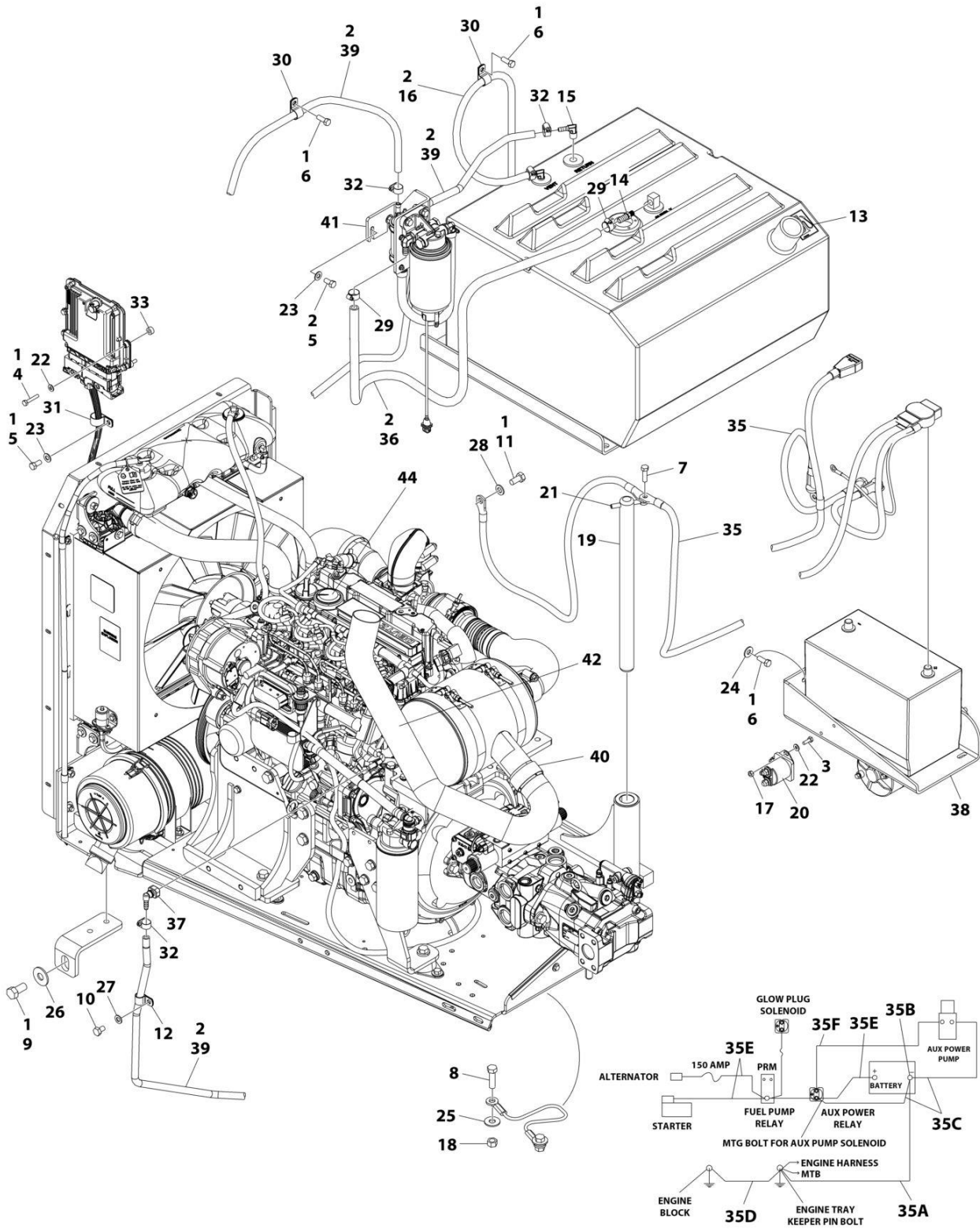
## SECTION 3 - ENGINE

ITEM	PART NUMBER	QTY	DESCRIPTION	REV
40	1001221212	1	Clamp	
41	1001227224	1	Bracket	
42	1001289593	1	ECU Power Jumper Harness (Not Shown) (See Separate Breakdown in ELECTRICAL Section)	
43	1001294448	1	Engine and Pump Sub-Assembly without Arctic Package (See Separate Breakdown in this Section)	
44	1001299207	1	Pipe	



# SECTION 3 - ENGINE

FIGURE 3-12. DEUTZ TD 2.9L4 (UN R96) ENGINE INSTALLATION - WITHOUT ARCTIC PACKAGE (WITH STEEL HOODS)



ART\_1001294449

## SECTION 3 - ENGINE

**FIGURE 3-12. DEUTZ TD 2.9L4 (UN R96) ENGINE INSTALLATION - WITHOUT ARCTIC PACKAGE  
(WITH STEEL HOODS)**

ITEM	PART NUMBER	QTY	DESCRIPTION	REV
	1001294449	Ref	ENGINE INSTALLATION	A
1	0100011	AR	Compound, Locking	
2	0100020	AR	Sealant	
3	0641406	2	Bolt 1/4 x 3/4	
4	0641412	4	Bolt 1/4 x 1-1/2	
5	0641606	3	Bolt 3/8 x 3/4	
6	0641608	5	Bolt 3/8 x 1	
7	0641610	1	Bolt 3/8 x 1-1/4	
8	0641814	1	Bolt 1/2 x 1-3/4	
9	0642010	1	Bolt 5/8 x 1-1/4	
10	0761008	1	Bolt M10 x 16	
11	0771212	1	Bolt M12 x 25	
12	1320061	1	Clamp	
13	1701505	1	Decal - Diesel	
14	2180832	1	Fitting, Straight Barbed	
15	2220313	2	Fitting, 90 NPTF/Barbed	
16	2750532	4 ft /1.2 m	Hose	
17	3311405	2	Nut 1/4	
18	3311805	1	Nut 1/2	
19	3422446	1	Pin	
20	3740067	1	Relay	
21	3841143	1	Keeper, Pin	
22	4711400	7	Washer 1/4	
23	4711600	3	Washer 3/8	
24	4751600	3	Washer 3/8	
25	4751800	1	Washer 1/2	
26	4752000	1	Washer 5/8	
27	4812000	1	Washer M10	
28	4812100	1	Washer M12	
29	8405006	2	Clamp	
30	8406102	2	Clip	
31	8406201	1	Clip	
32	8410013	5	Clamp	
33	1001110425	4	Spacer	
34	1001138491	1	Fuel Harness (Not Shown) (See Separate Breakdown in ELECTRICAL Section)	
35	1001143736	1	Battery Cable Kit	
35	7027084	1	Cable, Battery (Black) (Battery - to Tray Pivot and Grds)	
35	8270147	1	Terminal, Battery (With Boot)	
35	7027085	1	Cable, Battery (Black) (Battery - to Aux Pump and Relay Grds)	
35	7027086	1	Cable, Battery (Black) (Engine to Tray Pivot)	
35	7027087	1	Cable (Red) (Battery + to Aux Relay/Power Module/Starter)	
35	7027088	1	Cable (Red) (Aux Relay to Aux Pump)	
35	See Note	1	Cable (Aux Relay to Starter) (Note: Use P/N 7027087)	
36	1001154405	5 ft /1.5 m	Hose	
37	1001155823	1	Fitting, 90 Quick Disconnect	
38	1001162497	1	Bracket	
39	1001165035	24 ft /7.2 m	Hose	

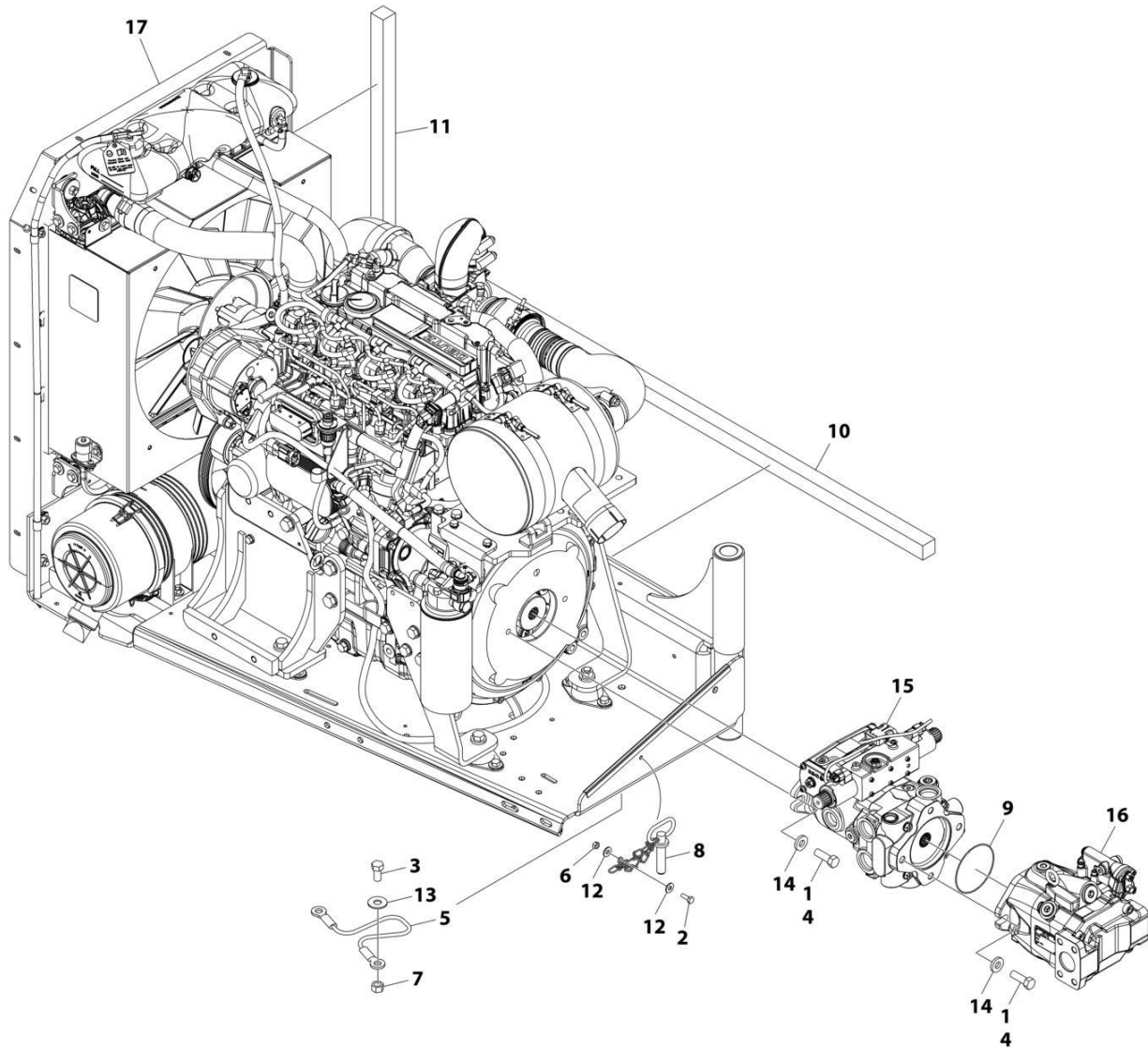
## SECTION 3 - ENGINE

ITEM	PART NUMBER	QTY	DESCRIPTION	REV
40	1001221212	1	Clamp	
41	1001227224	1	Bracket	
42	1001247011	1	Pipe	
43	1001289593	1	ECU Power Jumper Harness (Not Shown) (See Separate Breakdown in ELECTRICAL Section)	
44	1001294448	1	Engine and Pump Sub-Assembly without Arctic Package (See Separate Breakdown in this Section)	



# SECTION 3 - ENGINE

FIGURE 3-13. DEUTZ TD 2.9L4 (UN R96) ENGINE AND PUMP SUB-ASSEMBLY - WITHOUT ARCTIC PACKAGE (WITH STEEL HOODS)



ART\_1001294448



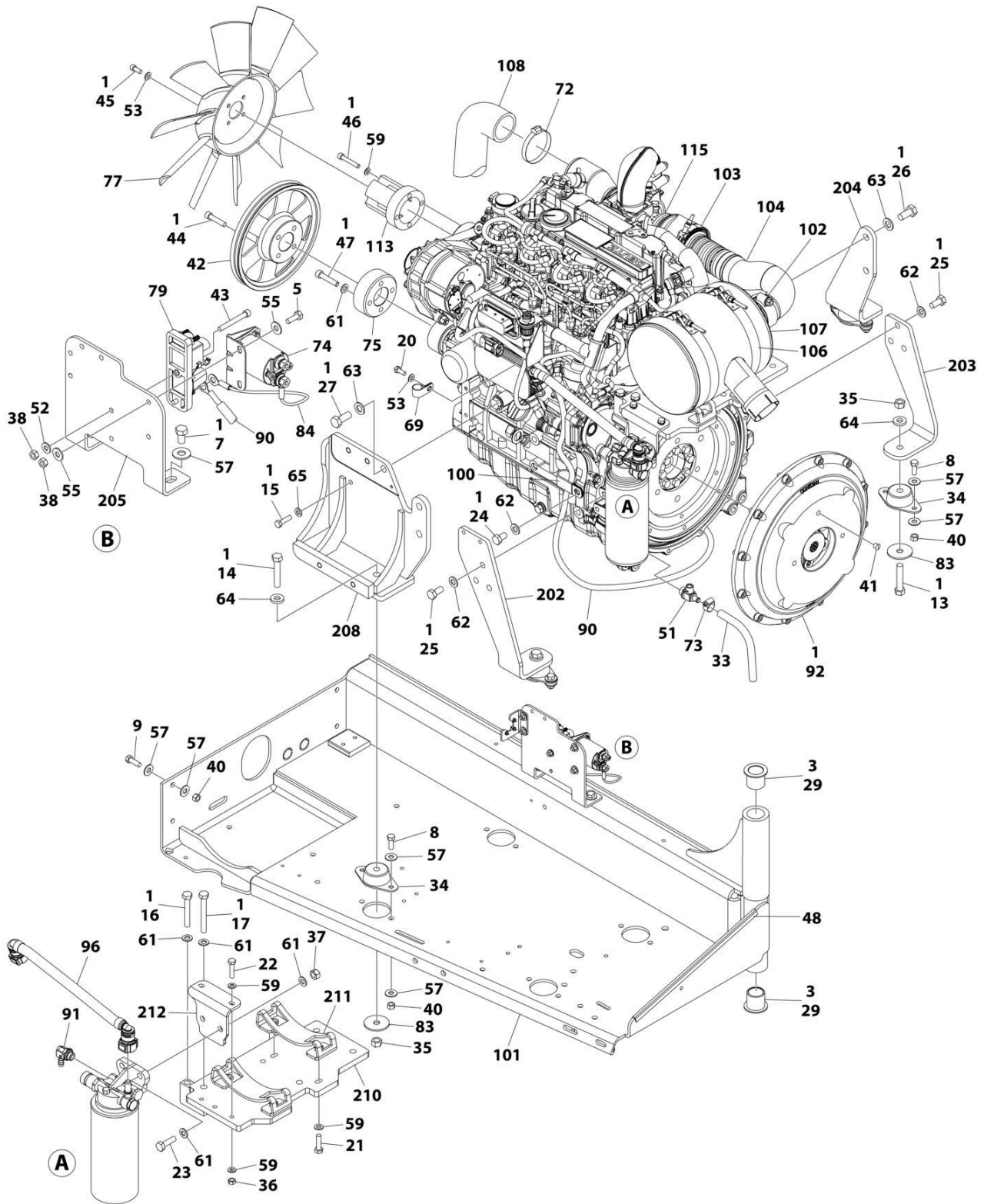
## SECTION 3 - ENGINE

**FIGURE 3-13. DEUTZ TD 2.9L4 (UN R96) ENGINE AND PUMP SUB-ASSEMBLY - WITHOUT ARCTIC PACKAGE (WITH STEEL HOODS)**

ITEM	PART NUMBER	QTY	DESCRIPTION	REV
	1001294448	Ref	ENGINE AND PUMP SUB-ASSEMBLY	A
1	0100011	AR	Compound, Locking	
2	0641406	1	Bolt 1/4 x 3/4	
3	0641808	1	Bolt 1/2 x 1	
4	0641812	4	Bolt 1/2 x 1-1/2	
5	1060637	1	Lanyard	
6	3311405	1	Nut 1/4	
7	3311801	1	Nut 1/2	
8	3422532	1	Pin	
9	3790044	1	O-Ring	
10	3960468	1	Seal	
11	3960469	1	Seal	
12	4751400	2	Washer 1/4	
13	4751800	1	Washer 1/2	
14	4891800	4	Washer 1/2	
15	1001225745	1	Hydrostatic Pump Assembly (See Separate Breakdown in this Section)	
16	1001276377	1	Variable Pump Assembly with Fittings (See Separate Breakdown in this Section)	
17	1001294445	1	Engine Assembly without Arctic Package (See Separate Breakdown in this Section)	

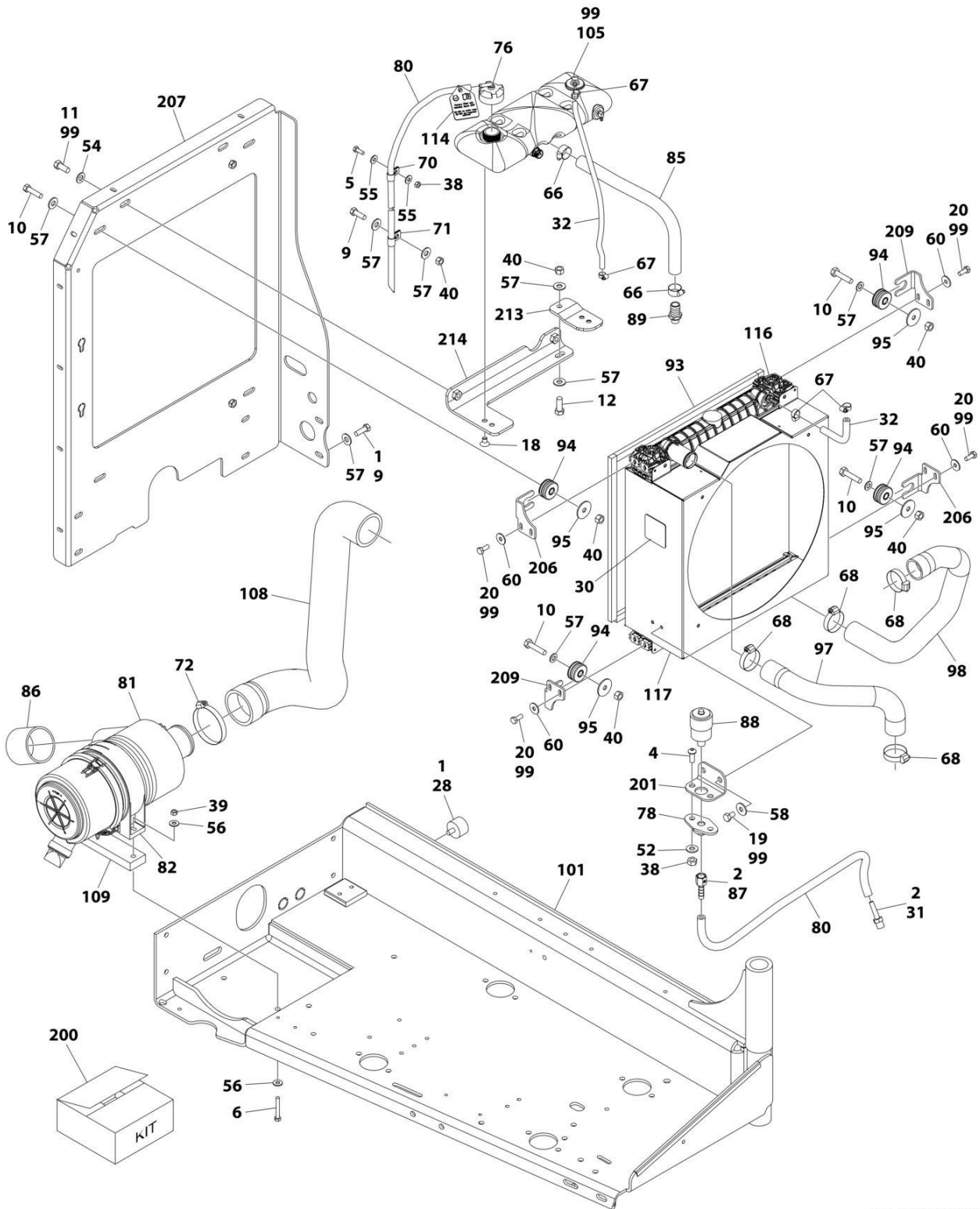
# SECTION 3 - ENGINE

## FIGURE 3-14. DEUTZ TD 2.9L4 (UN R96) ENGINE ASSEMBLY - WITHOUT ARCTIC PACKAGE



ART\_1001294445\_10F2

# SECTION 3 - ENGINE



ART\_1001294445\_20F2

## SECTION 3 - ENGINE

FIGURE 3-14. DEUTZ TD 2.9L4 (UN R96) ENGINE ASSEMBLY - WITHOUT ARCTIC PACKAGE

ITEM	PART NUMBER	QTY	DESCRIPTION	REV
	1001294445	Ref	ENGINE ASSEMBLY - WITHOUT ARCTIC PACKAGE	A
1	0100011	AR	Compound, Locking	
2	0100020	AR	Sealant	
3	0100062	AR	Adhesive	
4	0630407	2	Screw 1/4 x 5/8	
5	0641406	3	Bolt 1/4 x 3/4	
6	0641518	2	Bolt 5/16 x 2-1/4	
7	0641605	2	Bolt 3/8 x 5/8	
8	0641608	8	Bolt 3/8 x 1	
9	0641609	6	Bolt 3/8 x 1-1/8	
10	0641612	4	Bolt 3/8 x 1-1/2	
11	0641708	2	Bolt 7/16 x 1	
12	0681608	1	Bolt 3/8 x 1-1/2	
13	0681820	3	Bolt 1/2 x 2-1/2	
14	0681822	1	Bolt 1/2 x 2-3/4	
15	0700814	1	Bolt M8 x 30	
16	0701022	2	Bolt M10 x 70	
17	0701025	2	Bolt M10 x 85	
18	0741605	2	Screw 3/8 x 5/8	
19	0760605	2	Bolt M6 x 10	
20	0760810	13	Bolt M8 x 20	
21	0760814	4	Bolt M8 x 30	
22	0760815	2	Bolt M8 x 35	
23	0761015	2	Bolt M10 x 35	
24	0761210	1	Bolt M12 x 20	
25	0771212	6	Bolt M12 x 25	
26	0771414	2	Bolt M14 x 30	
27	0771415	3	Bolt M14 x 35	
28	0940070	1	Bumper	
29	0961986	2	Bearing	
30	1703162	1	Decal - Fan Blade	
31	2220315	1	Fitting, Straight Barbed	
32	2720015	28 in /71 cm	Hose	
33	2720340	12 in /31 cm	Hose	
34	3200401	4	Mount	
35	3271801	4	Nut 1/2	
36	3290801	2	Nut M8	
37	3291005	2	Nut M10	
38	3311405	6	Nut 1/4	
39	3311505	2	Nut 5/16	
40	3311605	17	Nut 3/8	
41	3520054	1	Plug	
42	3580320	1	Pulley	
43	3931432	1	Screw 1/4 x 2	
44	3931628	4	Screw 3/8 x 1-3/4	
45	4031908	4	Capscrew M8 x 20	
46	4031912	4	Capscrew M8 x 40	
47	4032014	4	Capscrew M10 x 50	

## SECTION 3 - ENGINE

ITEM	PART NUMBER	QTY	DESCRIPTION	REV
48	4060805	15 in /39 cm	Shield	
49	4240032	AR	Tie-Strap (Not Shown)	
50	4240099	AR	Tie-Strap (Not Shown)	
51	4640751	1	Valve, Oil Drain	
52	4711400	3	Washer 1/4	
53	4711500	5	Washer 5/16	
54	4711700	2	Washer 7/16	
55	4751400	6	Washer 1/4	
56	4751500	4	Washer 5/16	
57	4751600	34	Washer 3/8	
58	4811702	2	Washer M6	
59	4811900	12	Washer M8	
60	4811902	12	Washer M8	
61	4812000	12	Washer M10	
62	4812100	7	Washer M12	
63	4812200	5	Washer M14	
64	4891800	4	Washer 1/2	
65	5240800	1	Washer M8	
66	8405007	2	Clamp	
67	8405009	4	Clamp	
68	8405104	4	Clamp	
69	8406102	1	Clip	
70	8406109	1	Clip	
71	8406110	1	Clip	
72	8410011	2	Clamp	
73	8410013	1	Clamp	
74	1001117308	1	Contacto	
75	1001135679	1	Adapter	
76	1001136834	1	Cap	
77	1001137276	1	Fan	
78	1001138173	1	Support	
79	1001138228	1	Relay	
80	1001138248	6 ft /2 m	Tube	
81	1001138489	1	Filter, Air	
82	1001138557	1	Clamp	
83	1001139409	4	Washer	
84	1001141304	1	Wire, Glow Fuse	
85	1001141370	1	Hose	
86	1001141585	1	Hose	
87	1001141995	1	Fitting, Straight NPT/Barbed	
88	1001143390	1	Indicator	
89	1001143797	1	Fitting, Straight Barbed	
90	1001143907	1	Cable, Alternator Power	
91	1001152489	1	Fitting, 90 Barbed	
92	1001153282	1	Pump Coupling Kit (See Separate Breakdown in this Section)	
93	1001168166	4	Seal	
94	1001169054	4	Isolator	
95	1001169138	4	Pad	
96	1001177359	1	Hose	
97	1001177844	1	Hose	
98	1001177845	1	Hose	

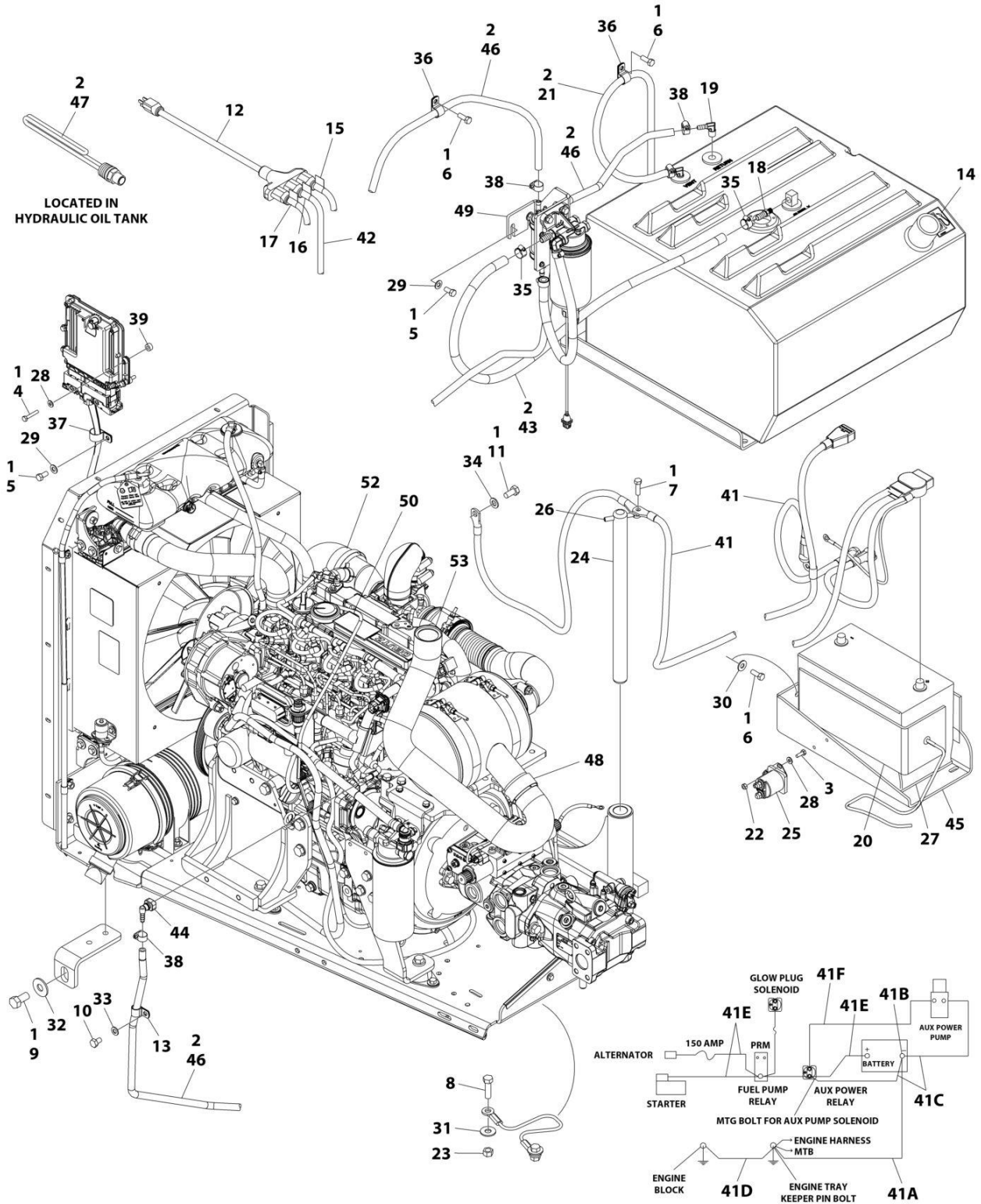
## SECTION 3 - ENGINE

ITEM	PART NUMBER	QTY	DESCRIPTION	REV
99	1001180620	AR	Adhesive	
100	1001181899	1	Clamp	
101	1001190610	1	Support	
102	1001221212	1	Clamp	
103	1001221219	1	Clamp	
104	1001224940	1	Pipe	
105	1001230635	1	Tank	
106	1001233089	2	Clamp	
107	1001257278	1	Muffler	
108	1001266525	1	Hose	
109	1001267256	1	Shim	
110	1001276644	1	Engine Harness (Not Shown) (See Separate Breakdown in ELECTRICAL Section)	
111	1001281985	1	Connector (Not Shown)	
112	1001281986	1	Connector (Not Shown)	
113	1001289964	1	Adapter	
114	1001291401	1	Tag, Coolant	
115	1001294438	1	Deutz TD2.9L4 (UN R96) Engine (See Separate Breakdown in this Section)	
116	1001303176	1	Cooler, Engine Core	
117	1001306283	1	Shroud	
200	1001299487	1	Bracket, (UN R96) Engine Kit	
201	1001138175	1	Bracket	
202	1001140448	1	Mount, Rear Engine	
203	1001140450	1	Mount, Rear Engine	
204	1001140454	1	Mount, Front Engine	
205	1001145154	1	Plate	
206	1001178223	2	Bracket	
207	1001186985	1	Support	
208	1001202368	1	Support	
209	1001204325	2	Bracket	
210	1001221203	1	Bracket, Muffler	
211	1001224936	2	Mount	
212	1001224937	1	Mount	
213	1001260412	1	Bracket	
214	1001260413	1	Bracket	



# SECTION 3 - ENGINE

FIGURE 3-15. DEUTZ TD 2.9L4 (UN R96) ENGINE INSTALLATION - WITH ARCTIC PACKAGE (WITH PLASTIC HOODS)



ART\_1001297787



## SECTION 3 - ENGINE

**FIGURE 3-15. DEUTZ TD 2.9L4 (UN R96) ENGINE INSTALLATION - WITH ARCTIC PACKAGE (WITH PLASTIC HOODS)**

ITEM	PART NUMBER	QTY	DESCRIPTION	REV
	1001297787	Ref	ENGINE INSTALLATION	A
1	0100011	AR	Compound, Locking	
2	0100020	AR	Sealant	
3	0641406	2	Bolt 1/4 x 3/4	
4	0641412	4	Bolt 1/4 x 1-1/2	
5	0641606	3	Bolt 3/8 x 3/4	
6	0641608	5	Bolt 3/8 x 1	
7	0641610	1	Bolt 3/8 x 1-1/4	
8	0641814	1	Bolt 1/2 x 1-3/4	
9	0642010	1	Bolt 5/8 x 1-1/4	
10	0761008	1	Bolt M10 x 16	
11	0771212	1	Bolt M12 x 25	
12	1060626	1	Cord, 3-Way Extension	
13	1320061	1	Clamp	
14	1701505	1	Decal - Diesel	
15	1702941	1	Decal - Battery Heater	
16	1702942	1	Decal - Engine Heater	
17	1702943	1	Decal - Hydraulic Tank Heater	
18	2180832	1	Fitting, Straight Barbed	
19	2220313	2	Fitting, 90 NPTF/Barbed	
20	2580024	1	Heater, Battery	
21	2750532	4 ft /1.2 m	Hose	
22	3311405	2	Nut 1/4	
23	3311805	1	Nut 1/2	
24	3422446	1	Pin	
25	3740067	1	Relay	
26	3841143	1	Keeper, Pin	
27	3980007	1	Seat, Battery	
28	4711400	7	Washer 1/4	
29	4711600	3	Washer 3/8	
30	4751600	3	Washer 3/8	
31	4751800	1	Washer 1/2	
32	4752000	1	Washer 5/8	
33	4812000	1	Washer M10	
34	4812100	1	Washer M12	
35	8405006	2	Clamp	
36	8406102	2	Clip	
37	8406201	1	Clip	
38	8410013	5	Clamp	
39	1001110425	4	Spacer	
40	1001138491	1	Fuel Harness (Not Shown) (See Separate Breakdown in ELECTRICAL Section)	
41	1001143736	1	Battery Cable Kit	
41	7027084	1	Cable, Battery (Black) (Battery - to Tray Pivot and Grds)	
41	8270147	1	Terminal, Battery (With Boot)	
41	7027085	1	Cable, Battery (Black) (Battery - to Aux Pump and Relay Grds)	
41	7027086	1	Cable, Battery (Black) (Engine to Tray Pivot)	
41	7027087	1	Cable (Red) (Battery + to Aux Relay/Power Module/Starter)	
41	7027088	1	Cable (Red) (Aux Relay to Aux Pump)	

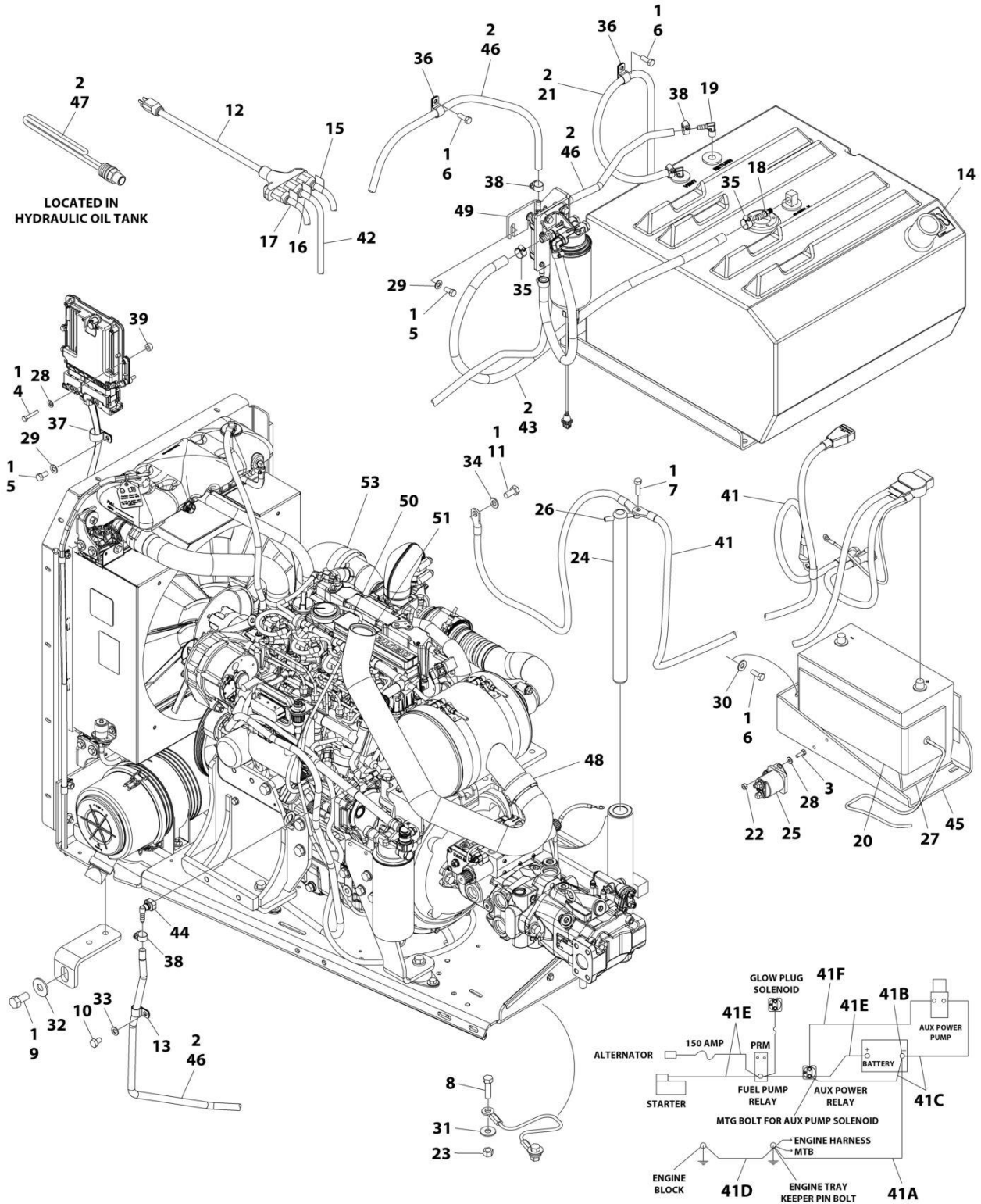
## SECTION 3 - ENGINE

ITEM	PART NUMBER	QTY	DESCRIPTION	REV
41	See Note	1	Cable (Aux Relay to Starter) (Note: Use P/N 7027087)	
42	1001150918	1	Cable, Extension Cord	
43	1001154405	5 ft /1.5 m	Hose	
44	1001155823	1	Fitting, 90 Quick Disconnect	
45	1001162497	1	Bracket	
46	1001165035	24 ft /7.2 m	Hose	
47	1001188972	1	Heater, Immersion	
48	1001221212	1	Clamp	
49	1001227224	1	Bracket	
50	1001233763	1	Breather Heater Installation (See Separate Breakdown in this Section)	
51	1001289593	1	ECU Power Jumper Harness (Not Shown) (See Separate Breakdown in ELECTRICAL Section)	
52	1001294516	1	Engine and Pump Sub-Assembly with Arctic Package (See Separate Breakdown in this Section)	
53	1001299207	1	Pipe	



# SECTION 3 - ENGINE

FIGURE 3-16. DEUTZ TD 2.9L4 (UN R96) ENGINE INSTALLATION - WITH ARCTIC PACKAGE (WITH STEEL HOODS)



ART\_1001294517

## SECTION 3 - ENGINE

**FIGURE 3-16. DEUTZ TD 2.9L4 (UN R96) ENGINE INSTALLATION - WITH ARCTIC PACKAGE (WITH STEEL HOODS)**

ITEM	PART NUMBER	QTY	DESCRIPTION	REV
	1001294517	Ref	ENGINE INSTALLATION	A
1	0100011	AR	Compound, Locking	
2	0100020	AR	Sealant	
3	0641406	2	Bolt 1/4 x 3/4	
4	0641412	4	Bolt 1/4 x 1-1/2	
5	0641606	3	Bolt 3/8 x 3/4	
6	0641608	5	Bolt 3/8 x 1	
7	0641610	1	Bolt 3/8 x 1-1/4	
8	0641814	1	Bolt 1/2 x 1-3/4	
9	0642010	1	Bolt 5/8 x 1-1/4	
10	0761008	1	Bolt M10 x 16	
11	0771212	1	Bolt M12 x 25	
12	1060626	1	Cord, 3-Way Extension	
13	1320061	1	Clamp	
14	1701505	1	Decal - Diesel	
15	1702941	1	Decal - Battery Heater	
16	1702942	1	Decal - Engine Heater	
17	1702943	1	Decal - Hydraulic Tank Heater	
18	2180832	1	Fitting, Barbed	
19	2220313	2	Fitting, 90 NPTF/Barbed	
20	2580024	1	Heater, Battery	
21	2750532	4 ft /1.2 m	Hose	
22	3311405	2	Nut 1/4	
23	3311805	1	Nut 1/2	
24	3422446	1	Pin	
25	3740067	1	Relay	
26	3841143	1	Keeper, Pin	
27	3980007	1	Seat, Battery	
28	4711400	7	Washer 1/4	
29	4711600	3	Washer 3/8	
30	4751600	3	Washer 3/8	
31	4751800	1	Washer 1/2	
32	4752000	1	Washer 5/8	
33	4812000	1	Washer M10	
34	4812100	1	Washer M12	
35	8405006	2	Clamp	
36	8406102	2	Clip	
37	8406201	1	Clip	
38	8410013	5	Clamp	
39	1001110425	4	Spacer	
40	1001138491	1	Fuel Harness (Not Shown) (See Separate Breakdown in ELECTRICAL Section)	
41	1001143736	1	Battery Cable Kit	
41	7027084	1	Cable, Battery (Black) (Battery - to Tray Pivot and Grds)	
41	8270147	1	Terminal, Battery (With Boot)	
41	7027085	1	Cable, Battery (Black) (Battery - to Aux Pump and Relay Grds)	
41	7027086	1	Cable, Battery (Black) (Engine to Tray Pivot)	
41	7027087	1	Cable (Red) (Battery + to Aux Relay/Power Module/Starter)	
41	7027088	1	Cable (Red) (Aux Relay to Aux Pump)	

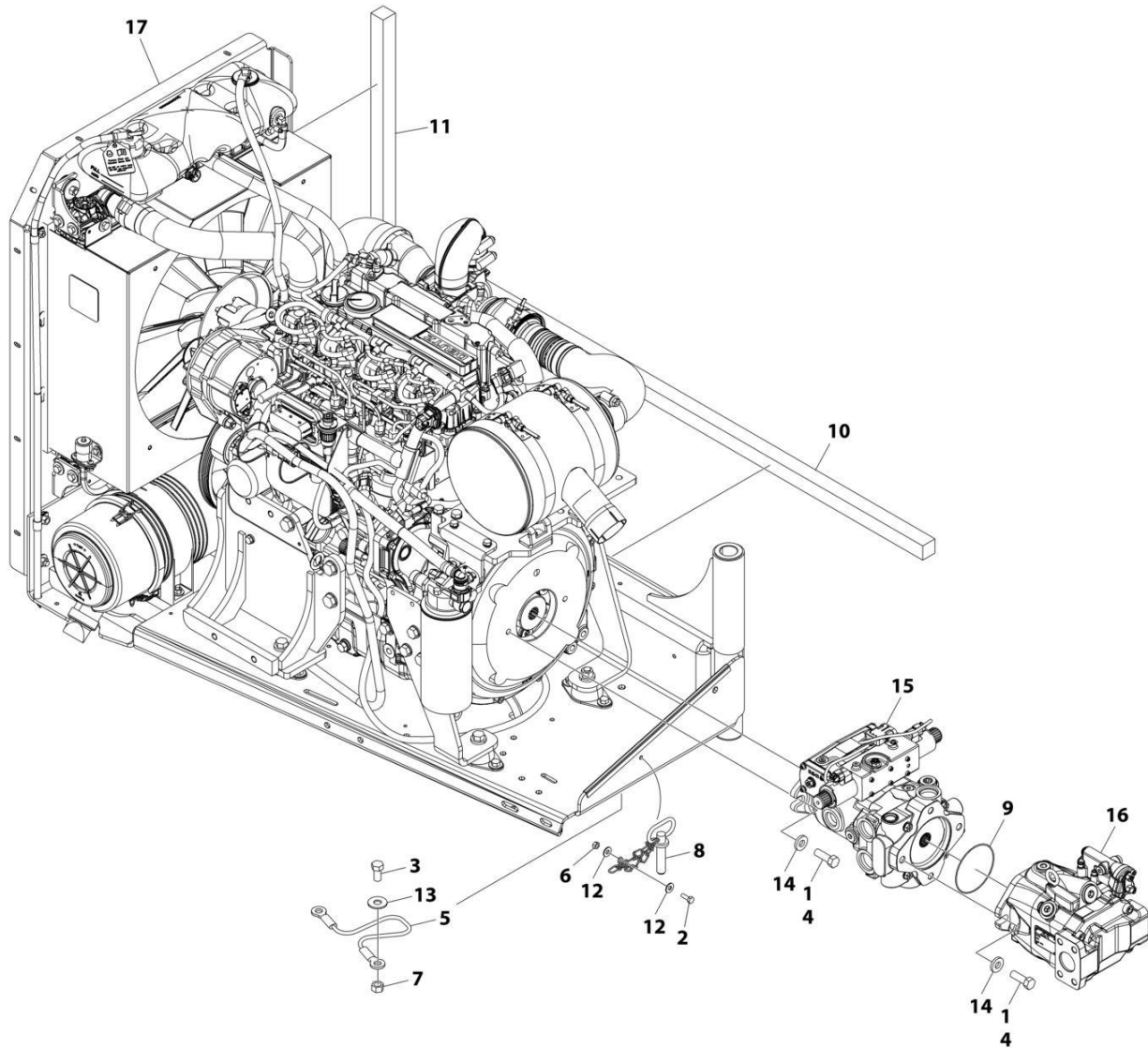
## SECTION 3 - ENGINE

ITEM	PART NUMBER	QTY	DESCRIPTION	REV
41	See Note	1	Cable (Aux Relay to Starter) (Note: Use P/N 7027087)	
42	1001150918	1	Cable, Extension Cord	
43	1001154405	5 ft /1.5 m	Hose	
44	1001155823	1	Fitting, 90 Quick Disconnect	
45	1001162497	1	Bracket	
46	1001165035	24 ft /7.2 m	Hose	
47	1001188972	1	Heater, Immersion	
48	1001221212	1	Clamp	
49	1001227224	1	Bracket	
50	1001233763	1	Breather Heater Installation (See Separate Breakdown in this Section)	
51	1001247011	1	Pipe	
52	1001289593	1	ECU Power Jumper Harness (Not Shown) (See Separate Breakdown in ELECTRICAL Section)	
53	1001294516	1	Engine and Pump Sub-Assembly with Arctic Package (See Separate Breakdown in this Section)	



# SECTION 3 - ENGINE

FIGURE 3-17. DEUTZ TD 2.9L4 (UN R96) ENGINE AND PUMP SUB-ASSEMBLY - WITH ARCTIC PACKAGE (WITH STEEL HOODS)



ART\_1001294516



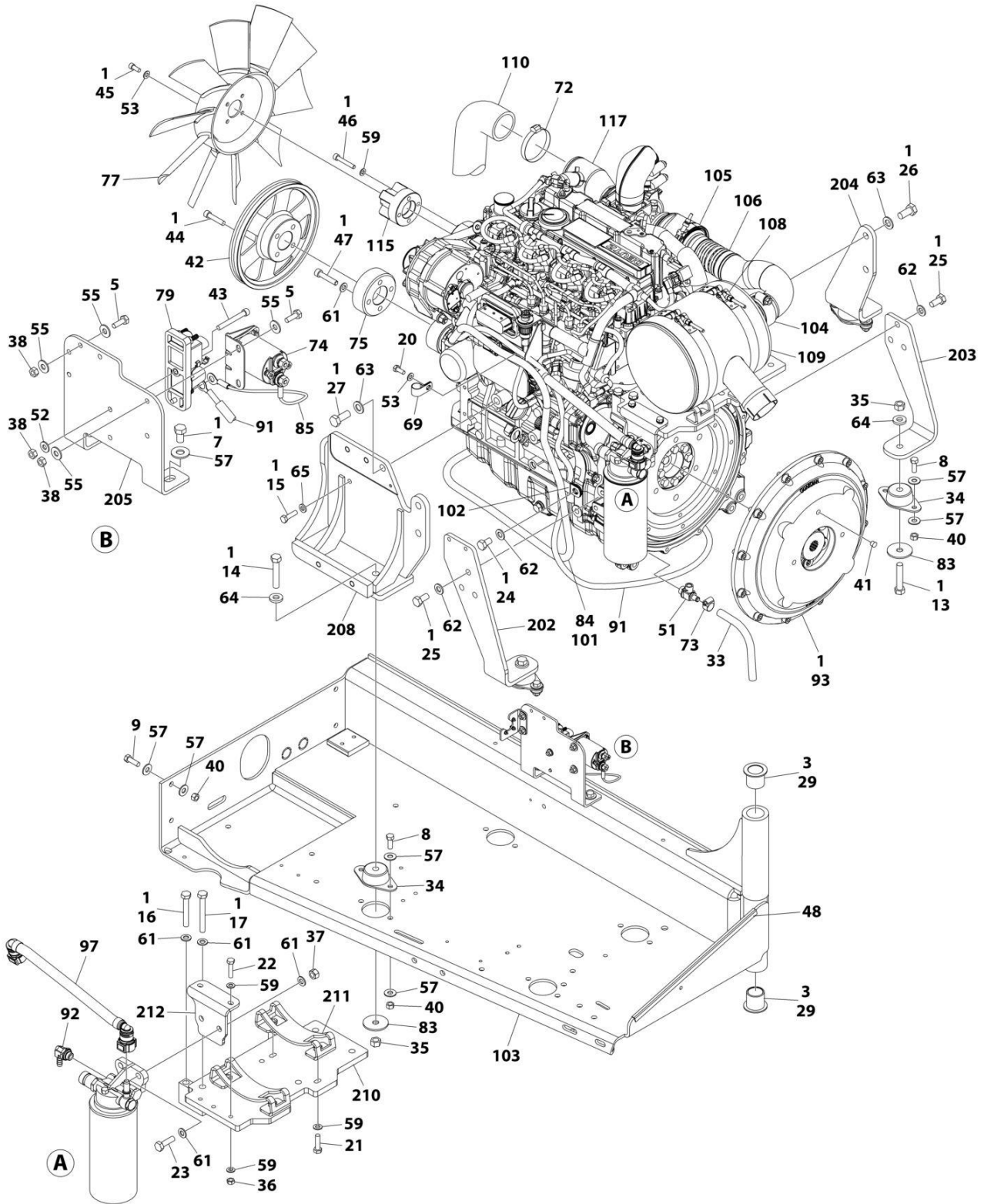
## SECTION 3 - ENGINE

**FIGURE 3-17. DEUTZ TD 2.9L4 (UN R96) ENGINE AND PUMP SUB-ASSEMBLY - WITH ARCTIC PACKAGE (WITH STEEL HOODS)**

ITEM	PART NUMBER	QTY	DESCRIPTION	REV
	1001294516	Ref	ENGINE AND PUMP SUB-ASSEMBLY	A
1	0100011	AR	Compound, Locking	
2	0641406	1	Bolt 1/4 x 3/4	
3	0641808	1	Bolt 1/2 x 1	
4	0641812	4	Bolt 1/2 x 1-1/2	
5	1060637	1	Lanyard	
6	3311405	1	Nut 1/4	
7	3311801	1	Nut 1/2	
8	3422532	1	Pin	
9	3790044	1	O-Ring	
10	3960468	1	Seal	
11	3960469	1	Seal	
12	4751400	2	Washer 1/4	
13	4751800	1	Washer 1/2	
14	4891800	4	Washer 1/2	
15	1001225745	1	Hydrostatic Pump Assembly (See Separate Breakdown in this Section)	
16	1001276377	1	Variable Pump Assembly with Fittings (See Separate Breakdown in this Section)	
17	1001294511	1	Engine Assembly with Arctic Package (See Separate Breakdown in this Section)	

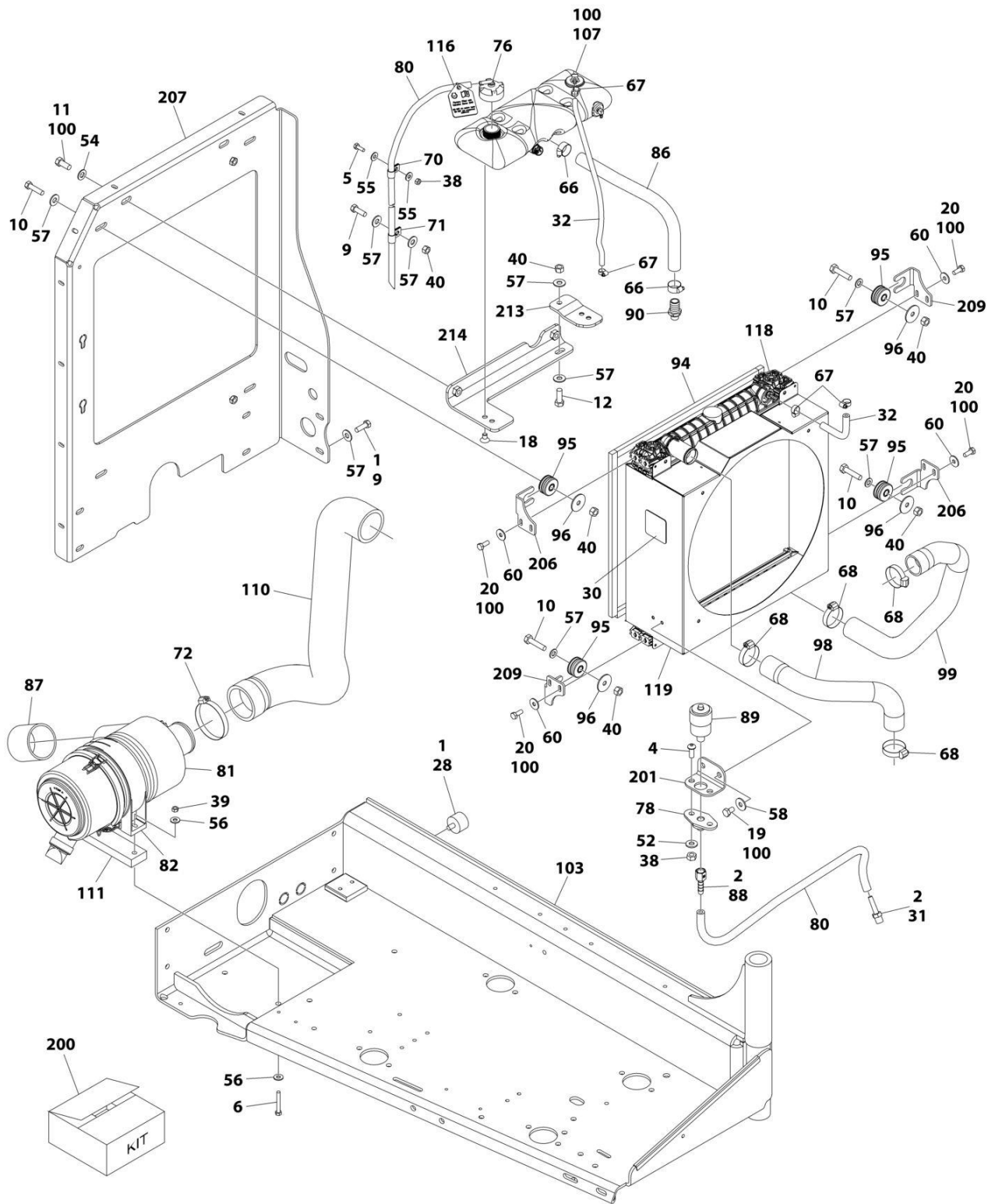
# SECTION 3 - ENGINE

## FIGURE 3-18. DEUTZ TD 2.9L4 (UN R96) ENGINE ASSEMBLY - WITH ARCTIC PACKAGE



ART\_1001294511\_10F2

# SECTION 3 - ENGINE



ART\_1001294511\_20F2

## SECTION 3 - ENGINE

**FIGURE 3-18. DEUTZ TD 2.9L4 (UN R96) ENGINE ASSEMBLY - WITH ARCTIC PACKAGE**

ITEM	PART NUMBER	QTY	DESCRIPTION	REV
	1001294511	Ref	ENGINE ASSEMBLY - WITH ARCTIC PACKAGE	A
1	0100011	AR	Compound, Locking	
2	0100020	AR	Sealant	
3	0100062	AR	Adhesive	
4	0630407	2	Screw 1/4 x 5/8	
5	0641406	3	Bolt 1/4 x 3/4	
6	0641518	2	Bolt 5/16 x 2-1/4	
7	0641605	2	Bolt 3/8 x 5/8	
8	0641608	8	Bolt 3/8 x 1	
9	0641609	6	Bolt 3/8 x 1-1/8	
10	0641612	4	Bolt 3/8 x 1-1/2	
11	0641708	2	Bolt 7/16 x 1	
12	0681608	1	Bolt 3/8 x 1-1/2	
13	0681820	3	Bolt 1/2 x 2-1/2	
14	0681822	1	Bolt 1/2 x 2-3/4	
15	0700814	1	Bolt M8 x 30	
16	0701022	2	Bolt M10 x 70	
17	0701025	2	Bolt M10 x 85	
18	0741605	2	Screw 3/8 x 5/8	
19	0760605	2	Bolt M6 x 10	
20	0760810	13	Bolt M8 x 20	
21	0760814	4	Bolt M8 x 30	
22	0760815	2	Bolt M8 x 35	
23	0761015	2	Bolt M10 x 35	
24	0761210	1	Bolt M12 x 20	
25	0771212	6	Bolt M12 x 25	
26	0771414	2	Bolt M14 x 30	
27	0771415	3	Bolt M14 x 35	
28	0940070	1	Bumper	
29	0961986	2	Bearing	
30	1703162	1	Decal - Fan Blade	
31	2220315	1	Fitting, Straight Barbed	
32	2720015	28 in /72 cm	Hose	
33	2720340	12 in /31 cm	Hose	
34	3200401	4	Mount	
35	3271801	4	Nut 1/2	
36	3290801	2	Nut M8	
37	3291005	2	Nut M10	
38	3311405	6	Nut 1/4	
39	3311505	2	Nut 5/16	
40	3311605	17	Nut 3/8	
41	3520054	1	Plug	
42	3580320	1	Pulley	
43	3931432	1	Screw 1/4 x 2	
44	3931628	4	Screw 3/8 x 1-3/4	
45	4031908	4	Capscrew M8 x 20	
46	4031912	4	Capscrew M8 x 40	
47	4032014	4	Capscrew M10 x 50	

## SECTION 3 - ENGINE

ITEM	PART NUMBER	QTY	DESCRIPTION	REV
48	4060805	15 in /39 cm	Shield	
49	4240032	AR	Tie-Strap (Not Shown)	
50	4240099	AR	Tie-Strap (Not Shown)	
51	4640751	1	Valve, Oil Drain	
52	4711400	3	Washer 1/4	
53	4711500	5	Washer 5/16	
54	4711700	2	Washer 7/16	
55	4751400	6	Washer 1/4	
56	4751500	4	Washer 5/16	
57	4751600	34	Washer 3/8	
58	4811702	2	Washer M6	
59	4811900	12	Washer M8	
60	4811902	12	Washer M8	
61	4812000	12	Washer M10	
62	4812100	7	Washer M12	
63	4812200	5	Washer M14	
64	4891800	4	Washer 1/2	
65	5240800	1	Washer M8	
66	8405007	2	Clamp	
67	8405009	4	Clamp	
68	8405104	4	Clamp	
69	8406102	1	Clip	
70	8406109	1	Clip	
71	8406110	1	Clip	
72	8410011	2	Clamp	
73	8410013	1	Clamp	
74	1001117308	1	Contacto	
75	1001135679	1	Adapter	
76	1001136834	1	Cap	
77	1001137276	1	Fan	
78	1001138173	1	Support	
79	1001138228	1	Relay	
80	1001138248	6 ft /1.6 m	Tube	
81	1001138489	1	Filter, Air	
82	1001138557	1	Clamp	
83	1001139409	4	Washer	
84	1001140312	1	Heater, Engine	
85	1001141304	1	Wire, Glow Fuse	
86	1001141370	1	Hose	
87	1001141585	1	Hose	
88	1001141995	1	Fitting, Straight NPT/Barbed	
89	1001143390	1	Indicator	
90	1001143797	1	Fitting, Straight Barbed	
91	1001143907	1	Cable, Alternator Power	
92	1001152489	1	Fitting, 90 Barbed	
93	1001153282	1	Pump Coupling Kit (See Separate Breakdown in this Section)	
94	1001168166	4	Seal	
95	1001169054	4	Isolator	
96	1001169138	4	Pad	
97	1001177359	1	Hose	
98	1001177844	1	Hose	

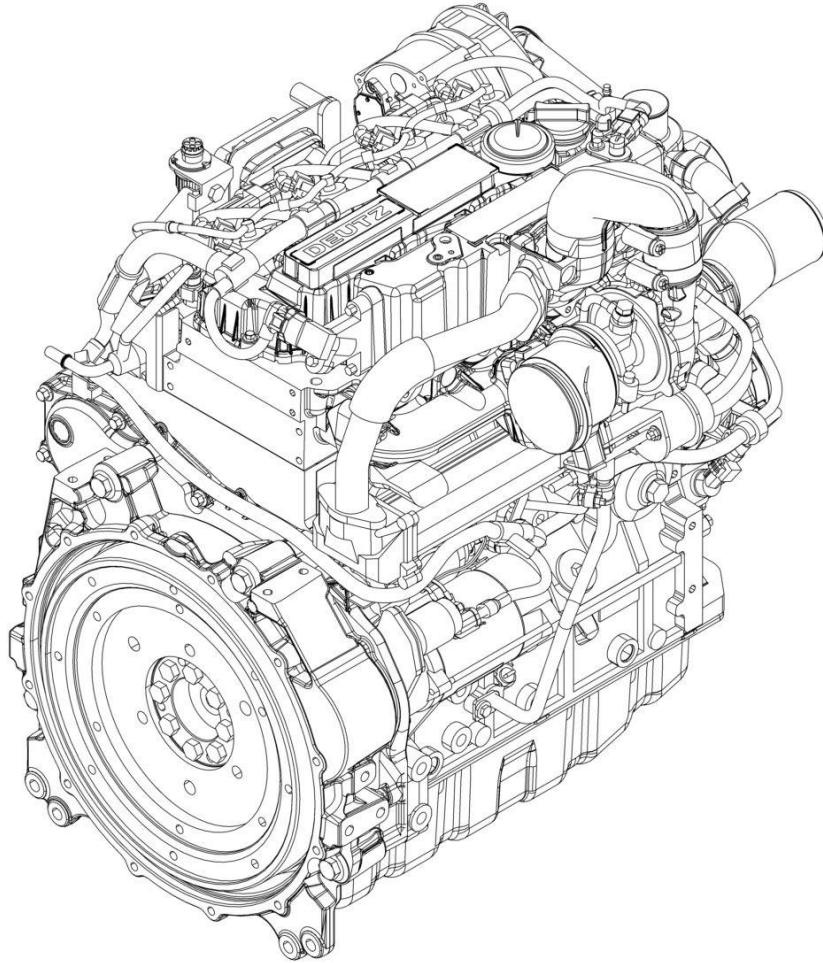
## SECTION 3 - ENGINE

ITEM	PART NUMBER	QTY	DESCRIPTION	REV
99	1001177845	1	Hose	
100	1001180620	AR	Adhesive	
101	1001181895	AR	Adhesive	
102	1001181899	1	Clamp	
103	1001190610	1	Support	
104	1001221212	1	Clamp	
105	1001221219	1	Clamp	
106	1001224940	1	Pipe	
107	1001230635	1	Tank	
108	1001233089	2	Clamp	
109	1001257278	1	Muffler	
110	1001266525	1	Hose	
111	1001267256	1	Shim	
112	1001276644	1	Engine Harness (Not Shown) (See Separate Breakdown in ELECTRICAL Section)	
113	1001281985	1	Connector (Not Shown)	
114	1001281986	1	Connector (Not Shown)	
115	1001289964	1	Adapter	
116	1001291401	1	Tag, Coolant	
117	1001294438	1	Deutz TD2.9L4 (UN R96) Engine (See Separate Breakdown in this Section)	
118	1001303176	1	Cooler, Engine Core	
119	1001306283	1	Shroud	
200	1001299487	1	Bracket, (UN R96) Engine Kit	
201	1001138175	1	Bracket	
202	1001140448	1	Mount, Rear Engine	
203	1001140450	1	Mount, Rear Engine	
204	1001140454	1	Mount, Front Engine	
205	1001145154	1	Plate	
206	1001178223	2	Bracket	
207	1001186985	1	Support	
208	1001202368	1	Support	
209	1001204325	2	Bracket	
210	1001221203	1	Bracket, Muffler	
211	1001224936	2	Mount	
212	1001224937	1	Mount	
213	1001260412	1	Bracket	
214	1001260413	1	Bracket	



## SECTION 3 - ENGINE

FIGURE 3-19. DEUTZ TD2.9L4 (UN R96) ENGINE COMPONENTS



ART\_1001294438



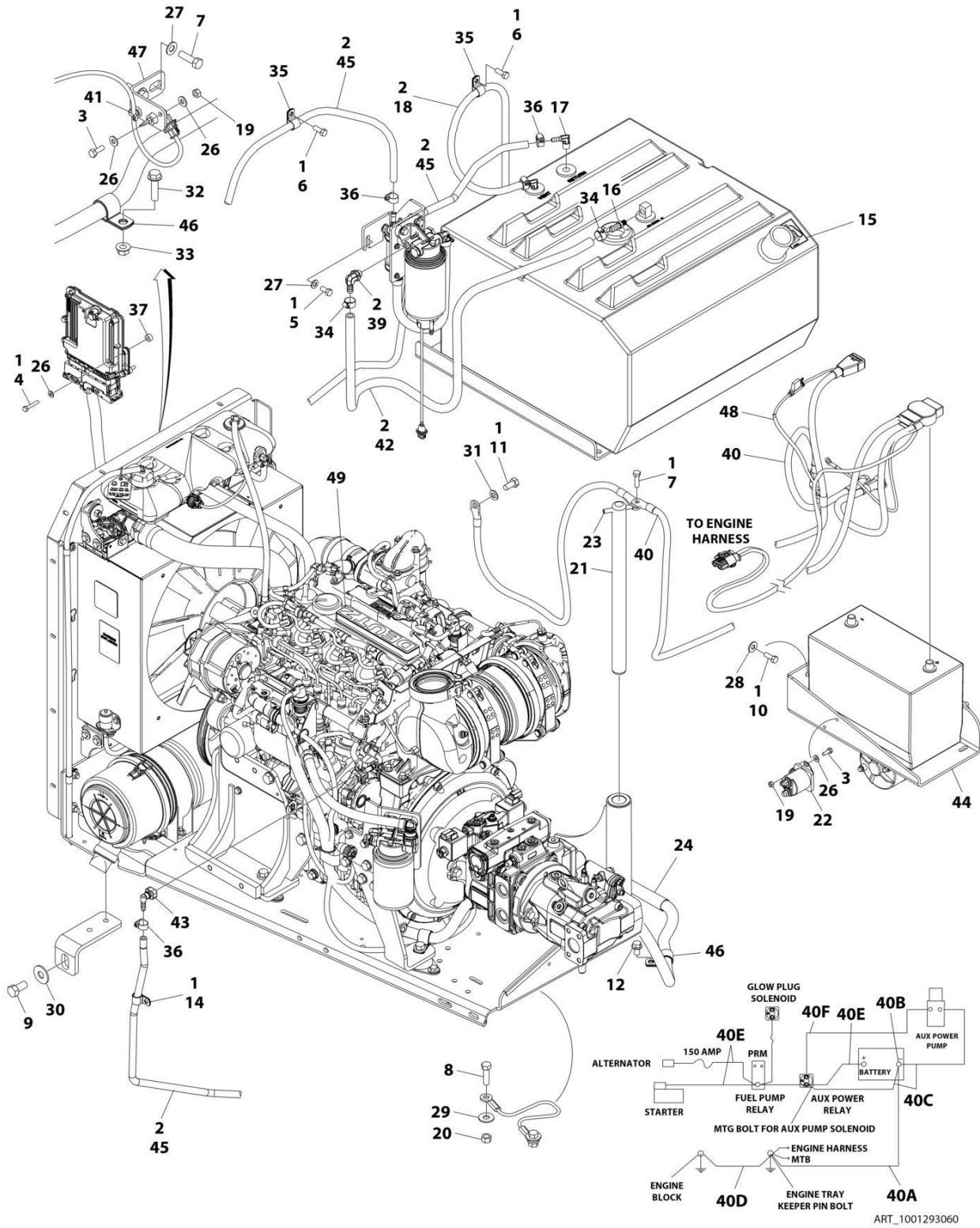
## SECTION 3 - ENGINE

**FIGURE 3-19. DEUTZ TD2.9L4 (UN R96) ENGINE COMPONENTS**

ITEM	PART NUMBER	QTY	DESCRIPTION	REV
	1001294438 See Note	Ref NSS	DEUTZ TD2.9L4 ENGINE COMPONENTS Note: No Service Parts Available at Time of Printing	A

# SECTION 3 - ENGINE

## FIGURE 3-20. DEUTZ TD2.9L4 (STAGE V) ENGINE INSTALLATION



## SECTION 3 - ENGINE

**FIGURE 3-20. DEUTZ TD2.9L4 (STAGE V) ENGINE INSTALLATION**

ITEM	PART NUMBER	QTY	DESCRIPTION	REV
	1001293060	Ref	DEUTZ TD2.9L4 (STAGE V) ENGINE INSTALLATION	A
1	0100011	AR	Compound, Locking	
2	0100020	AR	Sealant, Pipe	
3	0641406	3	Bolt 1/4 x 3/4	
4	0641412	4	Bolt 1/4 x 1-1/2	
5	0641606	2	Bolt 3/8 x 3/4	
6	0641608	2	Bolt 3/8 x 1	
7	0641610	3	Bolt 3/8 x 1-1/4	
8	0641814	1	Bolt 1/2 x 1-3/4	
9	0642010	1	Bolt 5/8 x 1-1/4	
10	0681608	3	Bolt 3/8 x 1	
11	0771212	1	Bolt M12 x 25	
12	0811606	1	Screw 3/8 x 3/4	
13	1062255	AR	Tie-Strap (Not Shown)	
14	1320061	1	Clamp	
15	1701505	1	Decal - Diesel Fuel (Located on Fuel Tank or Hood)	
16	2180832	1	Fitting, Straight Barbed	
17	2220313	2	Fitting, 90 NPTF/Barbed	
18	2750532	4 ft/1.5 m	Hose	
19	3311405	3	Nut 1/4	
20	3311805	1	Nut 1/2	
21	3422446	1	Pin	
22	3740067	1	Relay	
23	3841143	1	Pin, Keeper	
24	4100063	1	Sleeve, Hose Wrap	
25	4240099	AR	Tie-Strap (Not Shown)	
26	4711400	9	Washer 1/4	
27	4711600	4	Washer 3/8	
28	4751600	3	Washer 3/8	
29	4751800	1	Washer 1/2	
30	4752000	1	Washer 5/8	
31	4812100	1	Washer M12	
32	5251016	1	Bolt M10 x 40	
33	5261000	1	Nut M10	
34	8405006	2	Clamp	
35	8406102	2	Clip	
36	8410013	5	Clamp	
37	1001110425	4	Spacer	
38	1001138491	1	Fuel Pump Harness (Not Shown - See Separate Breakdown in ELECTRICAL Section)	
39	1001142501	1	Fitting, 90 Barbed	
40	1001143736	1	Battery Cable Kit	F
40A	7027084	1	Cable, Battery (Black) (Battery - to Tray Pivot Grd)	
40B	8270147	1	Terminal, Battery (With Boot)	
40C	7027085	1	Cable, Battery (Black) (Battery - to Aux Pump and Relay Grds)	
40D	7027086	1	Cable, Battery (Black) (Engine to Tray Pivot Grd)	
40E	7027087	1	Cable (Red) (Battery + to Aux Relay/Power Module/Starter)	
40F	7027088	1	Cable (Red) (Aux Relay to Aux Pump)	
41	1001146588	1	Strap	
42	1001154405	5 ft/1.5 m	Hose	

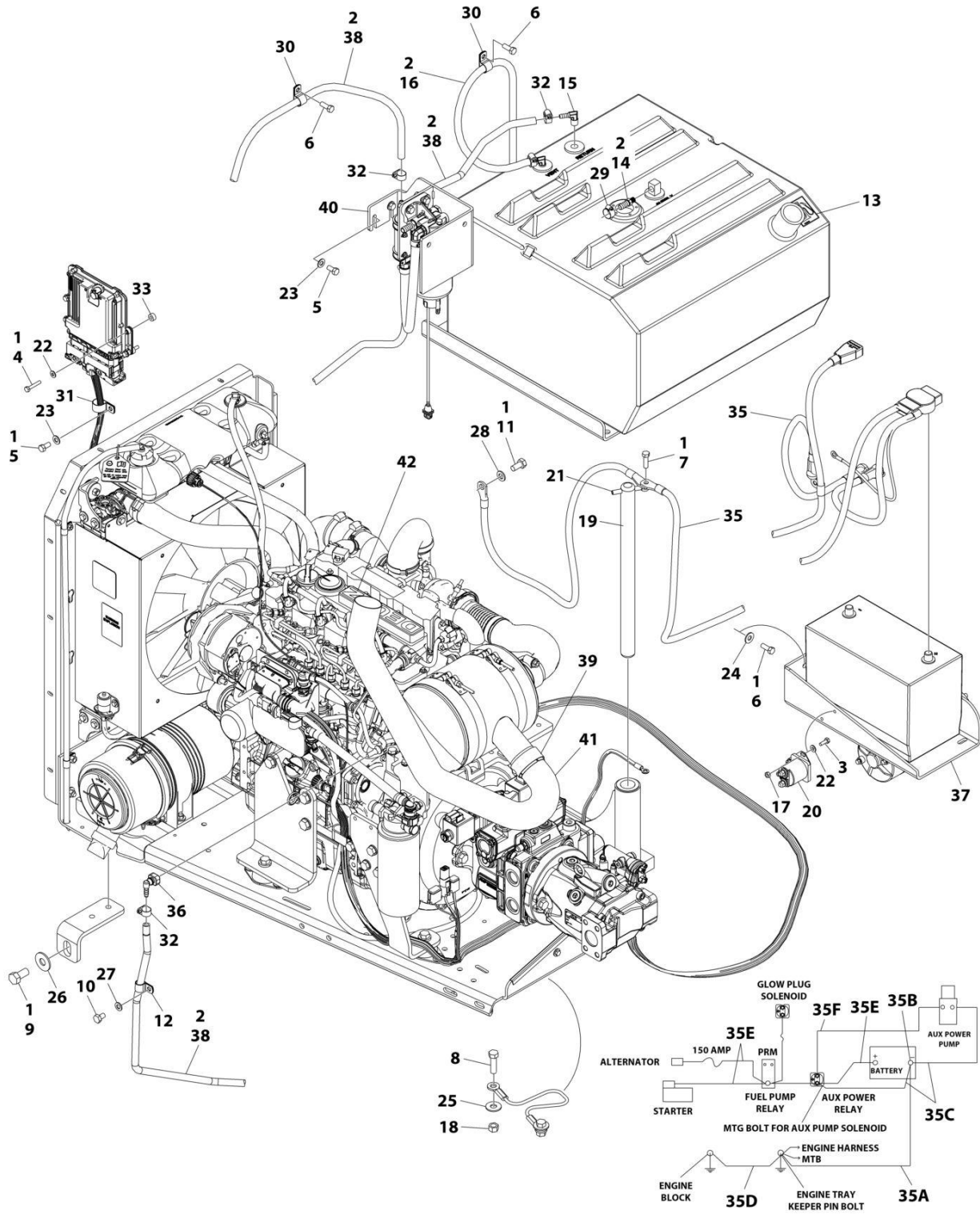
### SECTION 3 - ENGINE

ITEM	PART NUMBER	QTY	DESCRIPTION	REV
43	1001155823	1	Fitting, 90 Quick Disconnect	
44	1001162497	1	Bracket, Battery	
45	1001165035	28 ft/9 m	Hose	
46	1001191620	2	Clamp	
47	1001256879	1	Bracket	
48	1001289593	1	ECU Power Jumper Harness (See Separate Breakdown in ELECTRICAL Section)	
49	1001296655	1	Engine and Pump Assembly without Arctic Package (See Separate Breakdown in this Section)	



# SECTION 3 - ENGINE

## FIGURE 3-21. DEUTZ TD2.9L4 ENGINE INSTALLATION (CHINA III)



ART\_1001296328

## SECTION 3 - ENGINE

**FIGURE 3-21. DEUTZ TD2.9L4 ENGINE INSTALLATION (CHINA III)**

ITEM	PART NUMBER	QTY	DESCRIPTION	REV
	1001296328	Ref	DEUTZ TD2.9L4 ENGINE INSTALLATION (CHINA III)	A
1	0100011	AR	Compound, Locking	
2	0100020	AR	Sealant, Pipe	
3	0641406	2	Bolt 1/4 x 3/4	
4	0641412	4	Bolt 1/4 x 1-1/2	
5	0641606	3	Bolt 3/8 x 3/4	
6	0641608	5	Bolt 3/8 x 1	
7	0641610	1	Bolt 3/8 x 1-1/4	
8	0641814	1	Bolt 1/2 x 1-3/4	
9	0642010	1	Bolt 5/8 x 1-1/4	
10	0761008	1	Bolt M10 x 16	
11	0771212	1	Bolt M12 x 25	
12	1320061	1	Clamp	
13	1701505	1	Decal - Diesel Fuel (Located on Fuel Tank or Hood)	
14	2180832	1	Fitting, Straight Barbed	
15	2220313	2	Fitting, 90 NPTF/Barbed	
16	2750532	3.5 ft/1 m	Hose	
17	3311405	2	Nut 1/4	
18	3311805	1	Nut 1/2	
19	3422446	1	Pin, Pivot	
20	3740067	1	Relay	
21	3841143	1	Pin, Keeper	
22	4711400	7	Washer 1/4	
23	4711600	3	Washer 3/8	
24	4751600	3	Washer 3/8	
25	4751800	1	Washer 1/2	
26	4752000	1	Washer 5/8	
27	4812000	1	Washer M10	
28	4812100	1	Washer M12	
29	8405006	1	Clamp	
30	8406102	2	Clip	
31	8406201	1	Clip	
32	8410013	5	Clamp	
33	1001110425	4	Spacer	
34	1001138491	1	Fuel Pump Harness (Not Shown - See Separate Breakdown in ELECTRICAL Section)	
35	1001143736	1	Battery Cable Kit	
35A	7027084	1	Cable, Battery (Black) (Battery - to Tray Pivot Grd)	
35B	8270147	1	Terminal, Battery (With Boot)	
35C	7027085	1	Cable, Battery (Black) (Battery - to Aux Pump and Relay Grds)	
35D	7027086	1	Cable, Battery (Black) (Engine to Tray Pivot Grd)	
35E	7027087	1	Cable (Red) (Battery + to Aux Relay/Power Module/Starter)	
35F	7027088	1	Cable (Red) (Aux Relay to Aux Pump)	
36	1001155823	1	Fitting, 90 Quick Disconnect	
37	1001162497	1	Bracket, Battery	
38	1001165035	23.5 ft/7 m	Hose	
39	1001221212	1	Clamp	
40	1001227224	1	Bracket Assembly Less Filter/Pump (See Separate Breakdown in this Section)	

## SECTION 3 - ENGINE

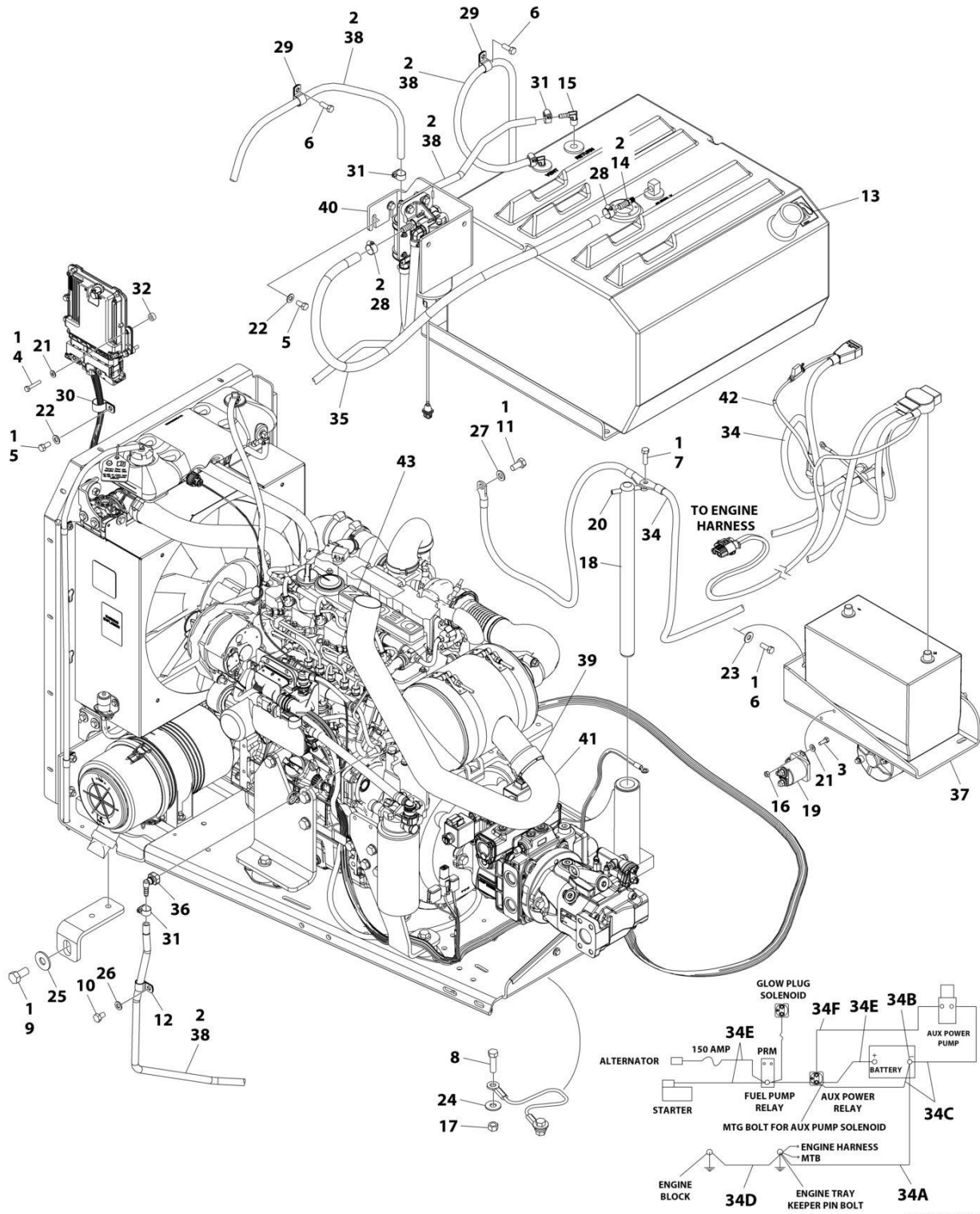
ITEM	PART NUMBER	QTY	DESCRIPTION	REV
41	1001247011	1	Pipe, Exhaust	
42	1001296327	1	Engine and Pump Assembly without Arctic Package (See Separate Breakdown in this Section)	





# SECTION 3 - ENGINE

## FIGURE 3-22. DEUTZ TD2.9L4 ENGINE INSTALLATION (CHINA IV)



## SECTION 3 - ENGINE

**FIGURE 3-22. DEUTZ TD2.9L4 ENGINE INSTALLATION (CHINA IV)**

ITEM	PART NUMBER	QTY	DESCRIPTION	REV
	1001296325	Ref	DEUTZ TD2.9L4 ENGINE INSTALLATION (CHINA IV)	A
1	0100011	AR	Compound, Locking	
2	0100020	AR	Sealant, Pipe	
3	0641406	2	Bolt 1/4 x 3/4	
4	0641412	4	Bolt 1/4 x 1-1/2	
5	0641606	3	Bolt 3/8 x 3/4	
6	0641608	5	Bolt 3/8 x 1	
7	0641610	1	Bolt 3/8 x 1-1/4	
8	0641814	1	Bolt 1/2 x 1-3/4	
9	0642010	1	Bolt 5/8 x 1-1/4	
10	0761008	1	Bolt M10 x 16	
11	0771212	1	Bolt M12 x 25	
12	1320061	1	Clamp	
13	1701505	1	Decal - Diesel Fuel (Located on Fuel Tank or Hood)	
14	2180832	1	Fitting, Straight Barbed	
15	2220313	2	Fitting, 90 NPTF/Barbed	
16	3311405	2	Nut 1/4	
17	3311805	1	Nut 1/2	
18	3422446	1	Pin	
19	3740067	1	Relay	
20	3841143	1	Pin, Keeper	
21	4711400	7	Washer 1/4	
22	4711600	3	Washer 3/8	
23	4751600	3	Washer 3/8	
24	4751800	1	Washer 1/2	
25	4752000	1	Washer 5/8	
26	4812000	1	Washer M10	
27	4812100	1	Washer M12	
28	8405006	2	Clamp	
29	8406102	2	Clip	
30	8406201	1	Clip	
31	8410013	5	Clamp	
32	1001110425	4	Spacer	
33	1001138491	1	Fuel Pump Harness (Not Shown - See Separate Breakdown in ELECTRICAL Section)	
34	1001143736	1	Battery Cable Kit	
34A	7027084	1	Cable, Battery (Black) (Battery - to Tray Pivot Grd)	
34B	8270147	1	Terminal, Battery (With Boot)	
34C	7027085	1	Cable, Battery (Black) (Battery - to Aux Pump and Relay Grds)	
34D	7027086	1	Cable, Battery (Black) (Engine to Tray Pivot Grd)	
34E	7027087	1	Cable (Red) (Battery + to Aux Relay/Power Module/Starter)	
34F	7027088	1	Cable (Red) (Aux Relay to Aux Pump)	
35	1001154405	4 ft/1.2 m	Hose	
36	1001155823	1	Fitting, 90 Quick Disconnect	
37	1001162497	1	Bracket, Battery	
38	1001165035	29 ft/9 m	Hose	
39	1001221212	1	Clamp	
40	1001227224	1	Bracket Assembly Less Filter/Pump (See Separate Breakdown in this Section)	
41	1001247011	1	Pipe, Exhaust	

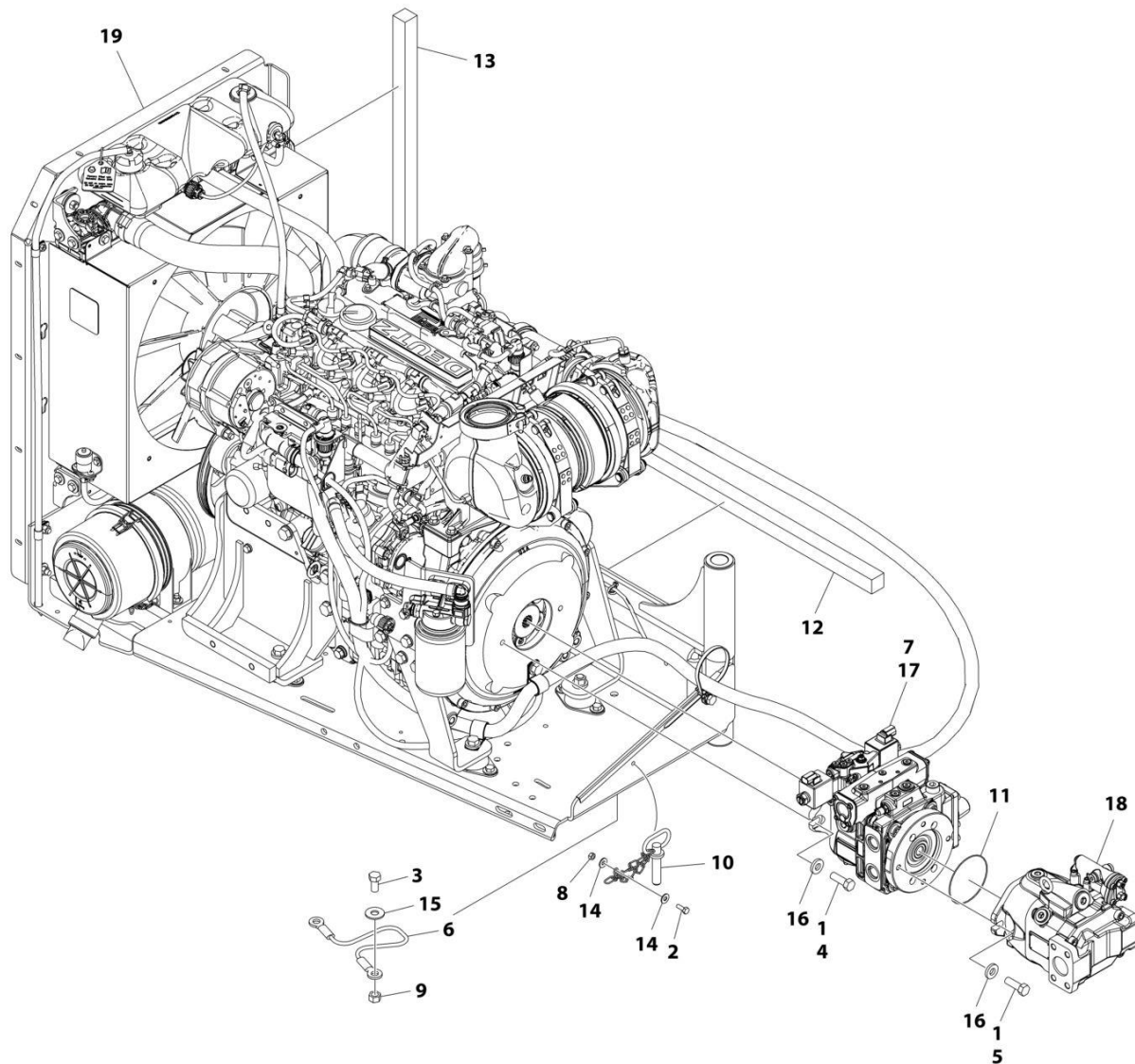
## SECTION 3 - ENGINE

ITEM	PART NUMBER	QTY	DESCRIPTION	REV
42	1001289593	1	ECU Power Jumper Harness (See Separate Breakdown in ELECTRICAL Section)	
43	1001296319	1	Engine and Pump Assembly without Arctic Package (See Separate Breakdown in this Section)	



# SECTION 3 - ENGINE

## FIGURE 3-23. DEUTZ TD2.9L4 ENGINE/PUMP SUB-ASSEMBLY (STAGE V)



ART\_1001296655

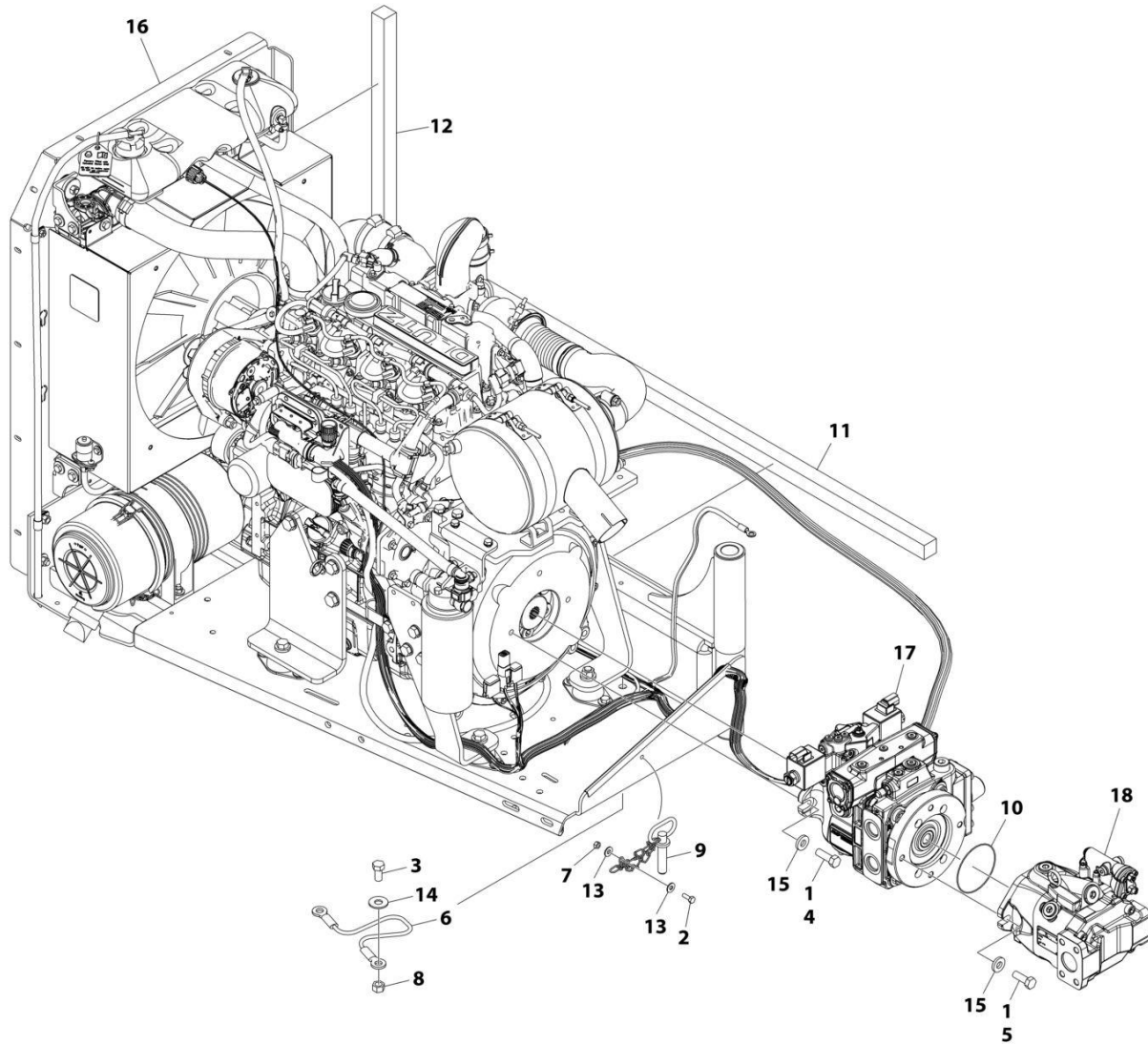
## SECTION 3 - ENGINE

**FIGURE 3-23. DEUTZ TD2.9L4 ENGINE/PUMP SUB-ASSEMBLY (STAGE V)**

ITEM	PART NUMBER	QTY	DESCRIPTION	REV
	1001296655	Ref	DEUTZ D2011 ENGINE/PUMP SUB-ASSEMBLY	A
1	0100011	AR	Compound, Locking	
2	0641406	1	Bolt 1/4 x 3/4	
3	0641808	1	Bolt 1/2 x 1	
4	0641812	2	Bolt 1/2 x 1-1/2	
5	0711215	2	Bolt M12 x 35	
6	1060637	1	Lanyard	
7	3020037	AR	Lubricant	
8	3311405	1	Nut 1/4	
9	3311801	1	Nut 1/2	
10	3422532	1	Pin, Hitch	
11	3790044	1	O-Ring	
12	3960468	1	Seal	
13	3960469	1	Seal	
14	4751400	2	Washer 1/4	
15	4751800	1	Washer 1/2	
16	4891800	4	Washer 1/2	
17	1001276376	1	Hydrostatic Pump Assembly (See Separate Breakdown in this Section)	
18	1001276377	1	Variable Pump Assembly with Fittings (See Separate Breakdown in this Section)	
19	1001277598	1	Engine Assembly - DEUTZ 2.9L4 (Stage V) Engines (See Separate Breakdown in this Section)	

# SECTION 3 - ENGINE

## FIGURE 3-24. DEUTZ TD2.9L4 ENGINE/PUMP SUB-ASSEMBLY (CHINA III)



ART\_1001296327



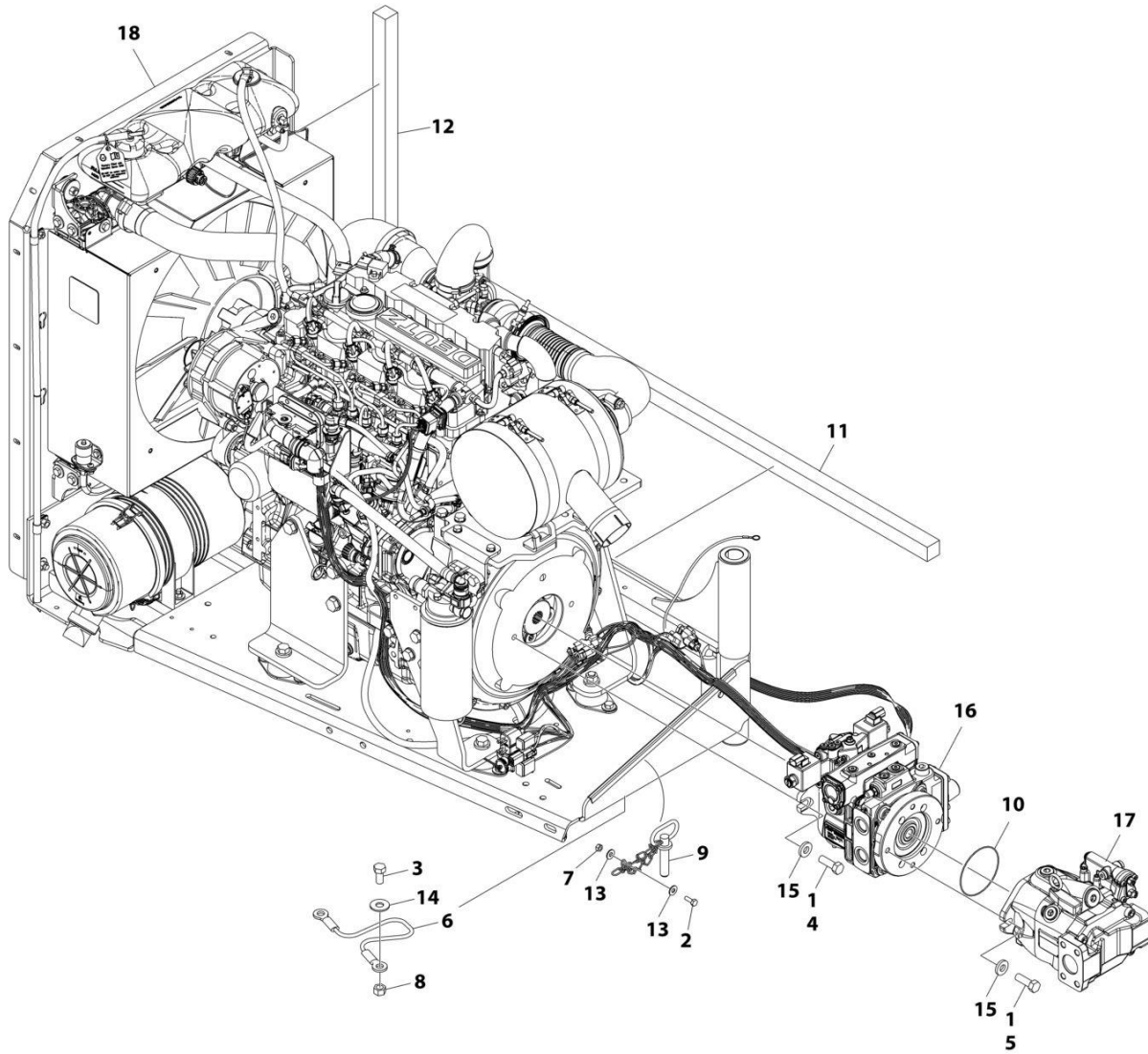
## SECTION 3 - ENGINE

**FIGURE 3-24. DEUTZ TD2.9L4 ENGINE/PUMP SUB-ASSEMBLY (CHINA III)**

ITEM	PART NUMBER	QTY	DESCRIPTION	REV
	1001296327	Ref	DEUTZ TD2.9L4 ENGINE/PUMP SUB-ASSEMBLY (CHINA III)	A
1	0100011	AR	Compound, Locking	
2	0641406	1	Bolt 1/4 x 3/4	
3	0641808	1	Bolt 1/2 x 1	
4	0641812	2	Bolt 1/2 x 1-1/2	
5	0711215	2	Bolt M12 x 35	
6	1060637	1	Lanyard	
7	3311405	1	Nut 1/4	
8	3311801	1	Nut 1/2	
9	3422532	1	Pin	
10	3790044	1	O-Ring	
11	3960468	1	Seal	
12	3960469	1	Seal	
13	4751400	2	Washer 1/4	
14	4751800	1	Washer 1/2	
15	4891800	4	Washer 1/2	
16	1001227614	1	Engine Assembly (See Separate Breakdown in this Section)	
17	1001276376	1	Hydrostatic Pump Assembly (See Separate Breakdown in this Section)	
18	1001276377	1	Variable Pump Assembly with Fittings (See Separate Breakdown Engine Assembly)	

# SECTION 3 - ENGINE

## FIGURE 3-25. DEUTZ TD2.9L4 ENGINE/PUMP SUB-ASSEMBLY (CHINA IV)



ART\_1001296319

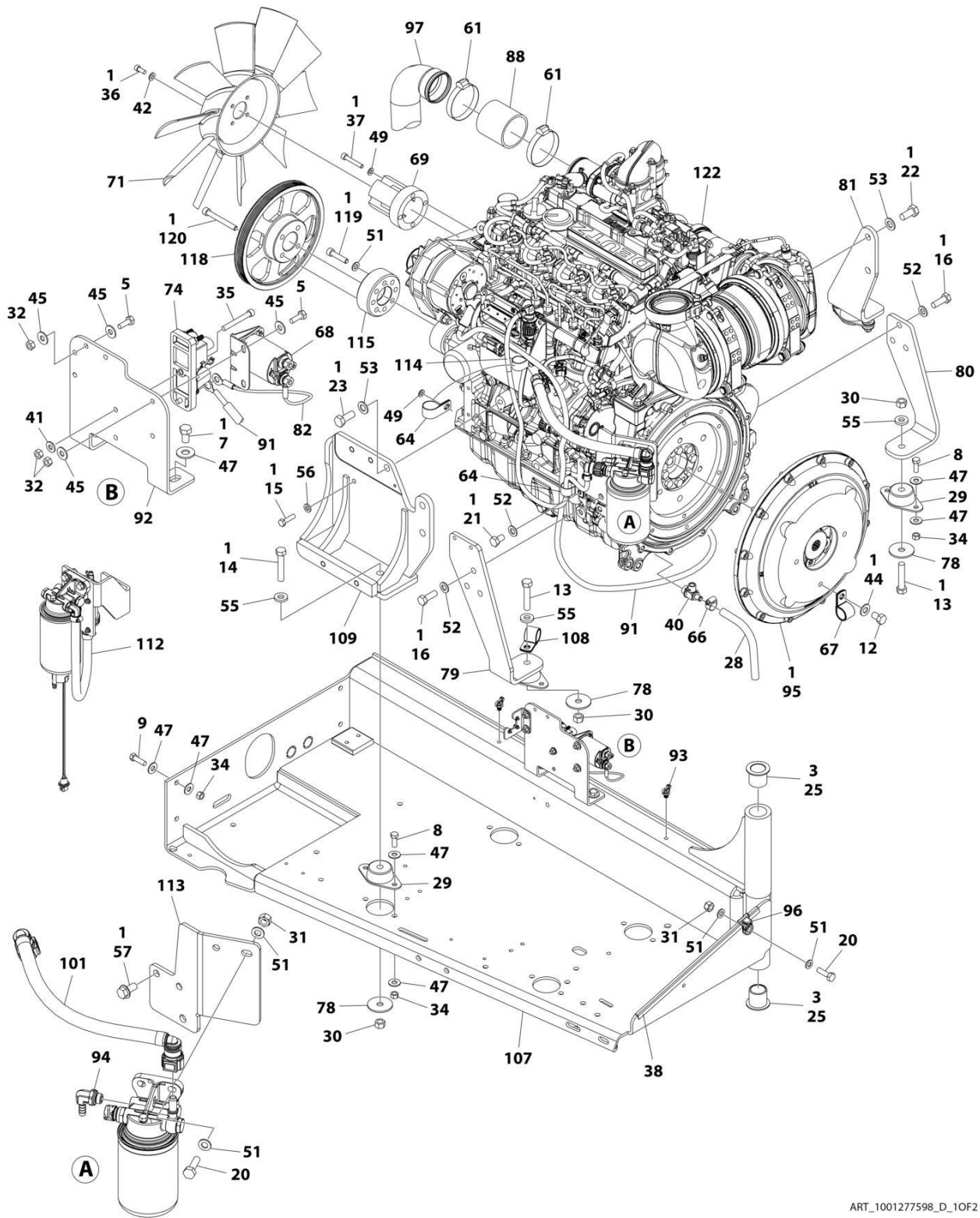
## SECTION 3 - ENGINE

**FIGURE 3-25. DEUTZ TD2.9L4 ENGINE/PUMP SUB-ASSEMBLY (CHINA IV)**

ITEM	PART NUMBER	QTY	DESCRIPTION	REV
	1001296319	Ref	DEUTZ TD2.9L4 ENGINE/PUMP SUB-ASSEMBLY	A
1	0100011	AR	Compound, Locking	
2	0641406	1	Bolt 1/4 x 3/4	
3	0641808	1	Bolt 1/2 x 1	
4	0641812	2	Bolt 1/2 x 1-1/2	
5	0711215	2	Bolt M12 x 35	
6	1060637	1	Lanyard	
6	3311405	1	Nut 1/4	
8	3311801	1	Nut 1/2	
9	3422532	1	Pin, Hitch	
10	3790044	1	O-Ring	
11	3960468	1	Seal	
12	3960469	1	Seal	
13	4751400	2	Washer 1/4	
14	4751800	1	Washer 1/2	
15	4891800	4	Washer 1/2	
16	1001276376	1	Hydrostatic Pump Assembly (See Separate Breakdown in this Section)	
17	1001276377	1	Variable Pump Assembly with Fittings (See Separate Breakdown in this Section)	
18	1001281609	1	Engine Assembly (See Separate Breakdown in this Section)	

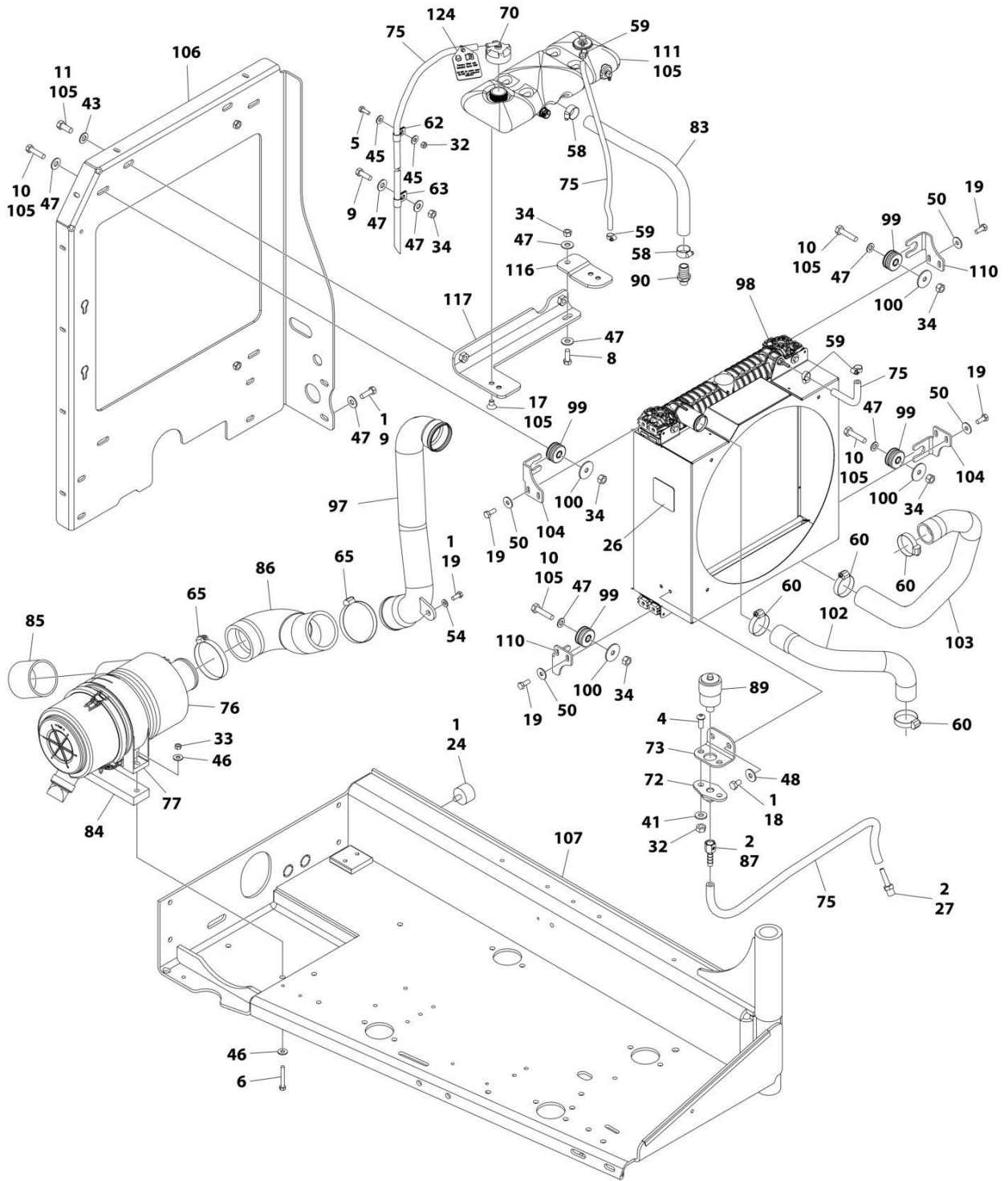
# SECTION 3 - ENGINE

## FIGURE 3-26. DEUTZ TD2.9L4 ENGINE ASSEMBLY (STAGE V)



ART\_1001277598\_D\_10F2

# SECTION 3 - ENGINE



ART\_1001277598\_D\_20F2

## SECTION 3 - ENGINE

FIGURE 3-26. DEUTZ TD2.9L4 ENGINE ASSEMBLY (STAGE V)

ITEM	PART NUMBER	QTY	DESCRIPTION	REV
	1001277598	Ref	DEUTZ TD2.9L4 ENGINE ASSEMBLY (STAGE V)	D
1	0100011	AR	Locking, Compound	
2	0100020	AR	Sealant	
3	0100062	AR	Compound, Locking	
4	0630407	2	Screw 1/4 x 5/8	
5	0641406	3	Bolt 1/4 x 3/4	
6	0641518	2	Bolt 5/16 x 2-1/4	
7	0641605	2	Bolt 3/8 x 5/8	
8	0641608	9	Bolt 3/8 x 1	
9	0641609	6	Bolt 3/8 x 1-1/8	
10	0641612	4	Bolt 3/8 x 1-1/2	
11	0641708	2	Bolt 7/16 x 1	
12	0641806	1	Bolt 1/2 x 3/4	
13	0681820	3	Bolt 1/2 x 2-1/2 Grade 8	
14	0681822	1	Bolt 1/2 x 2-3/4 Grade 8	
15	0700814	1	Bolt M8 x 30	
16	0711215	6	Bolt M12 x 35	
17	0741605	2	Screw 3/8 x 5/8	
18	0760605	2	Bolt M6 x 10	
19	0760810	9	Bolt M8 x 20	
20	0761015	3	Bolt M10 x 35	
21	0761210	1	Bolt M12 x 20	
22	0771414	2	Bolt M14 x 30 Grade 10.9	
23	0771415	3	Bolt M14 x 35 Grade 10.9	
24	0940070	1	Bumper	
25	0961986	2	Bushing, Flanged	
26	1703162	1	Decal - Caution Fan Blade	
27	2220315	1	Fitting, Straight Barbed	
28	2720340	1 ft /0.3 m	Hose	
29	3200401	4	Mount, Motor	
30	3271801	4	Nut 1/2 Grade 8	
31	3291005	3	Nut M10	
32	3311405	6	Nut 1/4	
33	3311505	2	Nut 5/16	
34	3311605	17	Nut 3/8	
35	3931432	1	Capscrew 1/4 x 2	
36	3931512	4	Capscrew 5/16 x 3/4	
37	4031914	4	Capscrew M8 x 50	
38	4060805	2 ft /0.4 m	Flex-Trim	
39	4240099	AR	Tie-Strap (Not Shown)	
40	4640751	1	Valve, Oil Drain	
41	4711400	3	Washer 1/4	
42	4711500	4	Washer 5/16	
43	4711700	2	Washer 7/16	
44	4711800	1	Washer 1/2	
45	4751400	6	Washer 1/4	
46	4751500	4	Washer 5/16	
47	4751600	34	Washer 3/8	
48	4811702	2	Washer M6	
49	4811900	5	Washer M8	

## SECTION 3 - ENGINE

ITEM	PART NUMBER	QTY	DESCRIPTION	REV
50	4811902	8	Washer M8	
51	4812000	10	Washer M10	
52	4812100	7	Washer M12	
53	4812200	5	Washer M14	
54	4891500	1	Washer 5/16	
55	4891800	4	Washer 1/2	
56	5240800	1	Washer M8	
57	5251010	2	Bolt M10 x 20	
58	8405007	2	Clamp	
59	8405009	4	Clamp	
60	8405104	4	Clamp	
61	8405204	2	Clamp	
62	8406109	1	Clip	
63	8406110	1	Clip	
64	8406201	2	Clip	
65	8410011	2	Clamp	
66	8410013	1	Clamp	
67	85031405	1	Clamp	
68	1001117308	1	Relay	
69	1001135138	1	Adapter	
70	1001136834	1	Cap, Tank	
71	1001137276	1	Fan	
72	1001138173	1	Support	
73	1001138175	1	Bracket	
74	1001138228	1	Relay, Power Module	
75	1001138248	8 ft /3 m	Tube	
76	1001138489	1	Air Cleaner Assembly	
77	1001138557	1	Clamp	
78	1001139409	4	Washer, Special	
79	1001140448	1	Mount, Rear Engine	
80	1001140450	1	Mount, Rear Engine	
81	1001140454	1	Mount, Front Engine	
82	1001141304	1	Harness, Glow Plug	
83	1001141370	1	Hose	
84	1001141419	1	Shim	
85	1001141585	1	Hose, Inlet	
86	1001141586	1	Pipe, Intake	
87	1001141995	1	Fitting, Straight NPT/Barbed	
88	1001142623	1	Hose, Inlet	
89	1001143390	1	Indicator, Service	
90	1001143797	1	Fitting, Straight Metric/Barbed	
91	1001143907	1	Cable, Alternator Power	
92	1001145154	1	Plate, Relay Mounting	
93	1001146588	3	Strap	
94	1001152489	1	Fitting, 90 Metric/ Barbed	
95	1001153282	1	Pump Coupling Kit (See Separate Breakdown in this section)	
96	1001156107	1	Holder, Cable	
97	1001165842	1	Pipe	
98	1001167042	1	Radiator (Modine Radiator)	
99	1001169054	4	Pad, Isolator	
100	1001169138	4	Washer	

## SECTION 3 - ENGINE

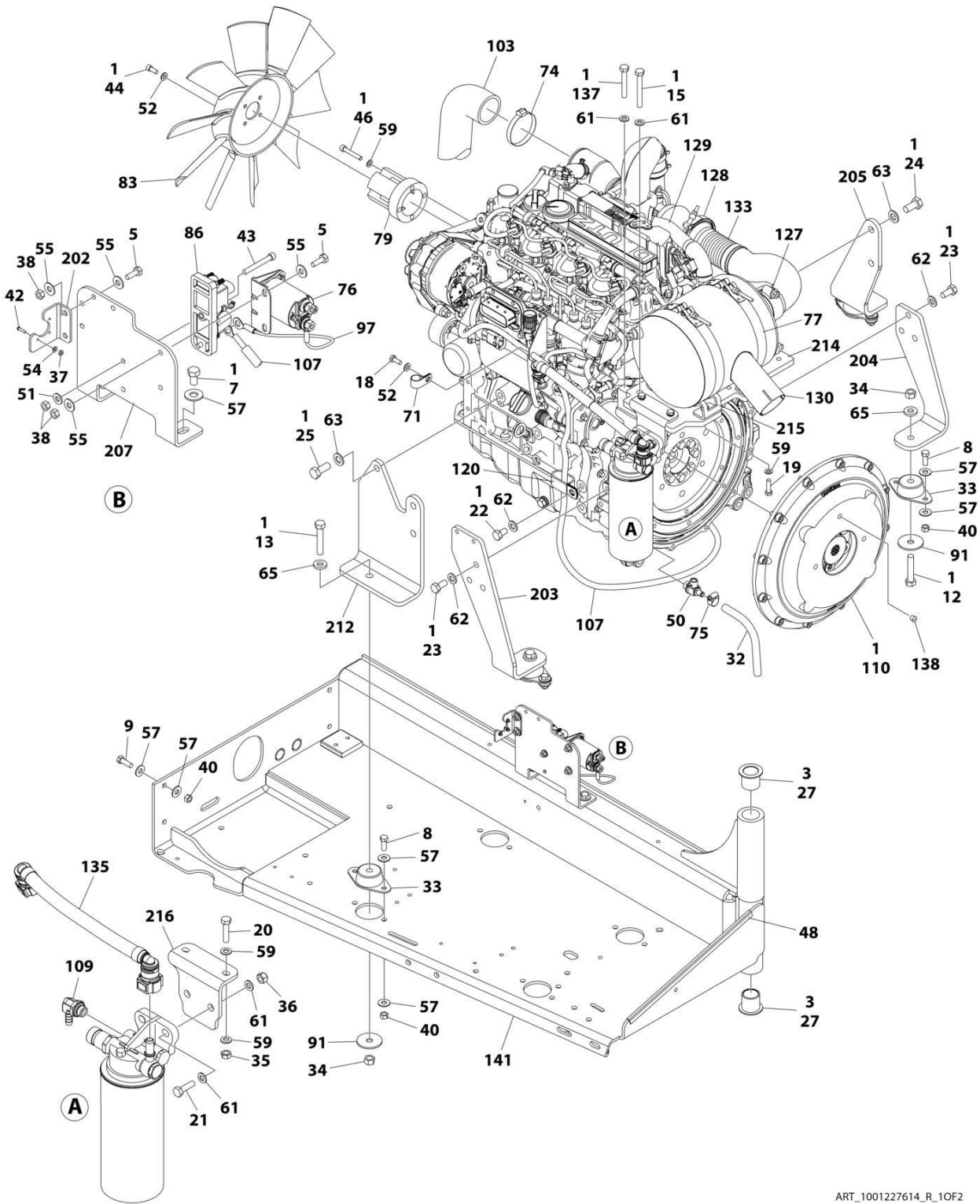
ITEM	PART NUMBER	QTY	DESCRIPTION	REV
101	1001177359	1	Hose	
102	1001177844	1	Hose, Radiator - Upper	
103	1001177845	1	Hose, Radiator - Lower	
104	1001178223	2	Bracket, Radiator	
105	1001180620	AR	Adhesive	
106	1001186985	1	Plate, Mounting	
107	1001190610	1	Tray	
108	1001191620	1	Clamp	
109	1001202368	1	Mount, Generator/Engine	
110	1001204325	2	Bracket, Radiator	
111	1001230635	1	Tank	
112	1001235949	1	Bracket, Fuel Pump/Filter Assy (See Separate Breakdown in this Section)	
113	1001238268	1	Mount, Fuel Filter	
114	1001245913	1	Harness, Deutz TD2.9L4 (Stage V) Engine Fuel Filter (See Separate Breakdown in ELECTRICAL Section)	
115	1001258800	1	Adapter	
116	1001260412	1	Bracket, Surge Tank	
117	1001260413	1	Bracket, Tank	
118	1001281192	1	Pulley	
119	1001261045	4	Capscrew M10 x 45	
120	1001261085	4	Capscrew M10 x 85	
121	1001276644	1	Harness Deutz (Not Shown - See Separate Breakdown in ELECTRICAL Section)	
122	1001277592	1	Engine Deutz (See Separate Breakdown in this section)	
123	4240032	AR	Tie-Strap (Not Shown)	
124	1001291401	1	Tag, Coolant	





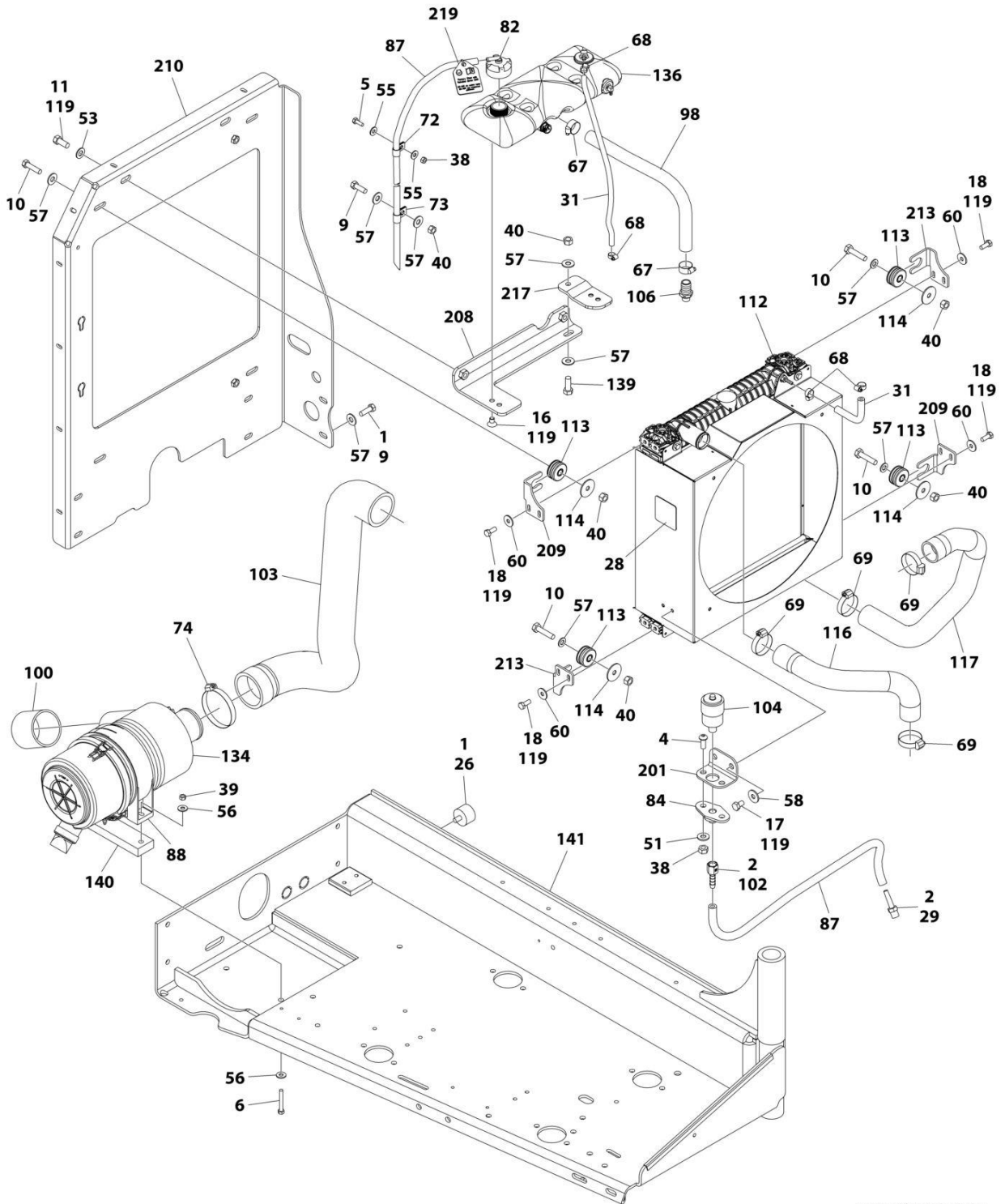
# SECTION 3 - ENGINE

## FIGURE 3-27. DEUTZ TD2.9L4 ENGINE ASSEMBLY (CHINA III ENGINE)



ART\_1001227614\_R\_10F2

# SECTION 3 - ENGINE



ART\_1001227614\_R\_20F2

## SECTION 3 - ENGINE

FIGURE 3-27. DEUTZ TD2.9L4 ENGINE ASSEMBLY (CHINA III ENGINE)

ITEM	PART NUMBER	QTY	DESCRIPTION	REV
	1001227614	Ref	DEUTZ TD2.9L4 ENGINE ASSEMBLY	R
1	0100011	AR	Compound, Locking	
2	0100020	AR	Sealant	
3	0100062	AR	Compound, Locking	
4	0630407	2	Screw 1/4 x 5/8	
5	0641406	5	Bolt 1/4 x 3/4	
6	0641518	2	Bolt 5/16 x 2-1/4	
7	0641605	2	Bolt 3/8 x 5/8	
8	0641608	8	Bolt 3/8 x 1	
9	0641609	6	Bolt 3/8 x 1-1/8	
10	0641612	4	Bolt 3/8 x 1-1/2	
11	0641708	2	Bolt 7/16 x 1	
12	0681820	3	Bolt 1/2 x 2-1/2 Grade 8	
13	0681822	1	Bolt 1/2 x 2-3/4 Grade 8	
15	0701025	2	Bolt M10 x 85	
16	0741605	2	Screw 3/8 x 5/8	
17	0760605	2	Bolt M6 x 10	
18	0760810	10	Bolt M8 x 20	
19	0760814	4	Bolt M8 x 30	
20	0760815	2	Bolt M8 x 35	
21	0761015	2	Bolt M10 x 35	
22	0761210	1	Bolt M12 x 20	
23	0771212	6	Bolt M12 x 25 Grade 10.9	
24	0771414	2	Bolt M14 x 30 Grade 10.9	
25	0771415	3	Bolt M14 x 35	
26	0940070	1	Bumper	
27	0961986	2	Bushing, Flanged	
28	1703162	1	Decal - Caution Fan Blade	
29	2220315	1	Fitting, Straight Barbed	
31	2720015	3 ft /1 m	Hose	
32	2720340	1 ft /0.4 m	Hose	
33	3200401	4	Mount, Motor	
34	3271801	4	Nut 1/2	
35	3290801	2	Nut M8	
36	3291005	2	Nut M10	
37	3310401	3	Nut #4	
38	3311405	8	Nut 1/4	
39	3311505	2	Locknut 5/16	
40	3311605	17	Nut 3/8	
42	3910408	3	Screw #4 x 1/2	
43	3931432	1	Capscrew 1/4 x 2	
44	3931512	4	Capscrew 5/16 x 3/4	
46	4031914	4	Capscrew M8 x 50	
48	4060805	2 ft /0.4 m	Flex-Trim	
49	4240099	AR	Tie-Strap (Not Shown)	
50	4640751	1	Valve, Oil Drain	
51	4711400	3	Washer 1/4	
52	4711500	5	Washer 5/16	
53	4711700	2	Washer 7/16	
54	4750400	3	Washer #4	

## SECTION 3 - ENGINE

ITEM	PART NUMBER	QTY	DESCRIPTION	REV
55	4751400	10	Washer 1/4	
56	4751500	4	Washer 5/16	
57	4751600	34	Washer 3/8	
58	4811702	2	Washer M6	
59	4811900	12	Washer M8	
60	4811902	8	Washer M8	
61	4812000	8	Washer M10	
62	4812100	7	Washer M12	
63	4812200	5	Washer M14	
65	4891800	4	Washer 1/2	
67	8405007	2	Clamp	
68	8405009	4	Clamp	
69	8405104	4	Clamp	
71	8406102	1	Clip	
72	8406109	1	Clip	
73	8406110	1	Clip	
74	8410011	2	Clamp	
75	8410013	1	Clamp	
76	1001117308	1	Relay	
77	1001233089	2	Strap	
79	1001135138	1	Adapter	
82	1001136834	1	Cap, Tank	
83	1001137276	1	Fan	
84	1001138173	1	Support	
86	1001138228	1	Relay, Power Module	
87	1001138248	6 ft /2 m	Tube	
88	1001138557	1	Clamp	
91	1001139409	4	Washer, Special	
97	1001141304	1	Harness, Glow Plug	
98	1001141370	1	Hose	
100	1001141585	1	Hose, Inlet	
102	1001141995	1	Fitting, Straight NPT/Barbed	
103	1001266525	1	Hose, Inlet	
104	1001143390	1	Indicator, Service	
105	1001143726	1	Harness, Deutz Engine (Not Shown - See Separate Breakdown in ELECTRICAL SECTION)	
106	1001143797	1	Fitting, Straight Metric/Barbed	
107	1001143907	1	Cable, Alternator Power	
109	1001152489	1	Fitting, 90 Metric/ Barbed	
110	1001153282	1	Pump Coupling Kit (See Separate Breakdown in this Section)	
112	1001167042	1	Radiator	
113	1001169054	4	Isolator	
114	1001169138	4	Washer	
116	1001177844	1	Hose, Radiator - Upper	
117	1001177845	1	Hose, Radiator - Lower	
119	1001180620	AR	Adhesive	
120	1001181899	1	P-Clamp	
127	1001221212	1	Clamp	
128	1001221219	1	Clamp	
129	1001223591	1	Engine, Deutz TD2.9L4 Components (See Separate Breakdown in this Section)	
130	1001257278	1	Muffler	

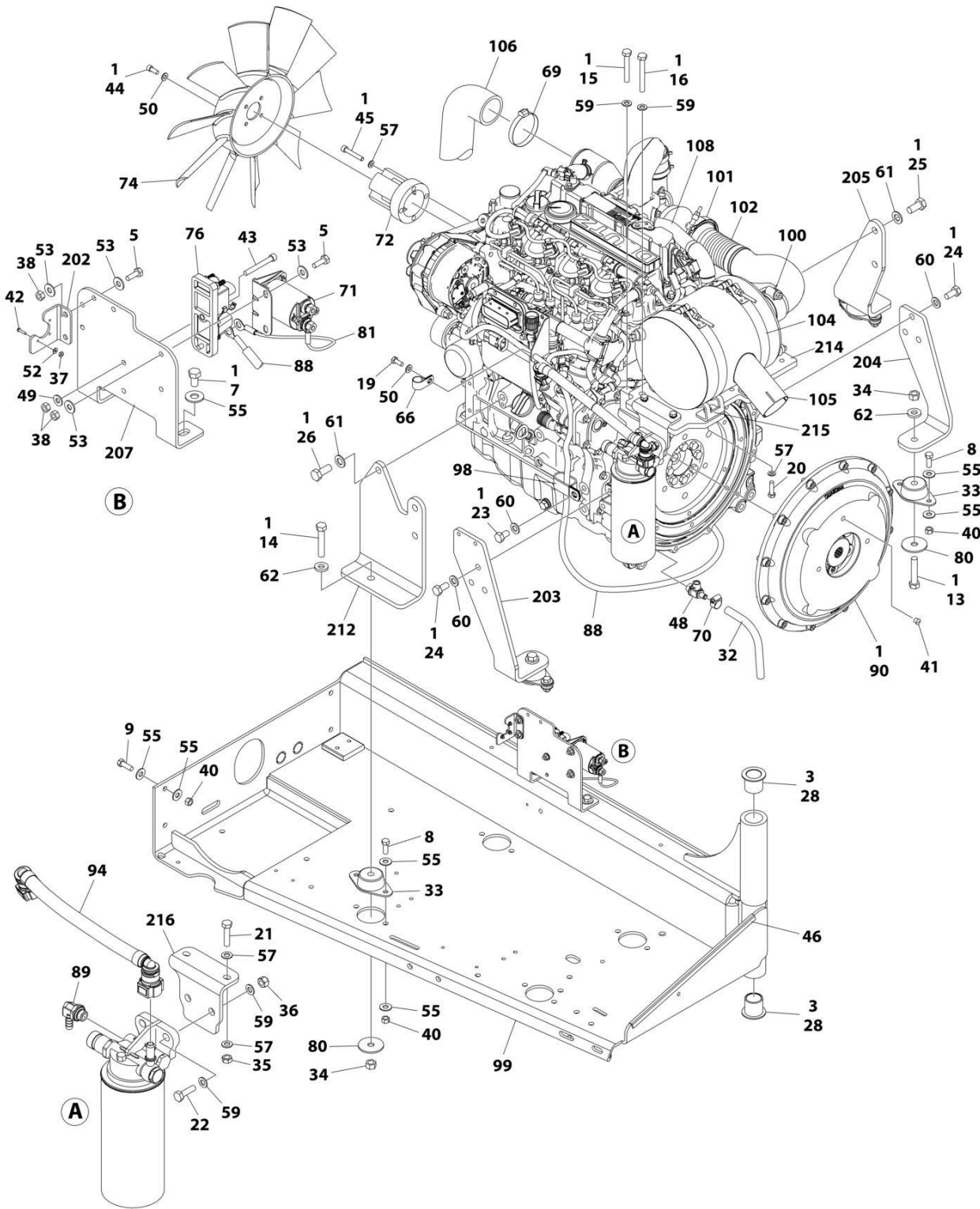
## SECTION 3 - ENGINE

ITEM	PART NUMBER	QTY	DESCRIPTION	REV
133	1001224940	1	Pipe, Exhaust	
134	1001138489	1	Air Cleaner Assembly	
134	91403102	1	Element, Filter	
135	1001177359	1	Hose	
136	1001230635	1	Tank	
137	0701022	2	Bolt M10 x 70	
138	3520054	1	Plug	
139	0681608	1	Bolt 3/8 x 1 Grade 8	
140	1001267256	1	Shim, Air Cleaner	
141	1001190610	1	Support, Engine Try	
200	1001257412	1	Bracket Engine Kit (Includes Items 201-217)	F
201	1001138175	1	Bracket	
203	1001140448	1	Mount, Rear Engine	
204	1001140450	1	Mount, Rear Engine	
205	1001140454	1	Mount, Front Engine	
207	1001145154	1	Plate, Relay Mounting	
208	1001260413	1	Bracket, Tank	
209	1001178223	2	Bracket, Radiator	
210	1001186985	1	Plate, Mounting	
212	1001266499	1	Mount, Generator/Engine	
213	1001204325	2	Bracket, Radiator	
214	1001221203	1	Bracket	
215	1001224936	1	Mount, Doc Weldment	
216	1001224937	2	Mount, Fuel Filter	
217	1001260412	1	Bracket	
218	4240032	AR	Tie-Strap (Not Shown)	
219	1001291401	1	Tag, Coolant	



# SECTION 3 - ENGINE

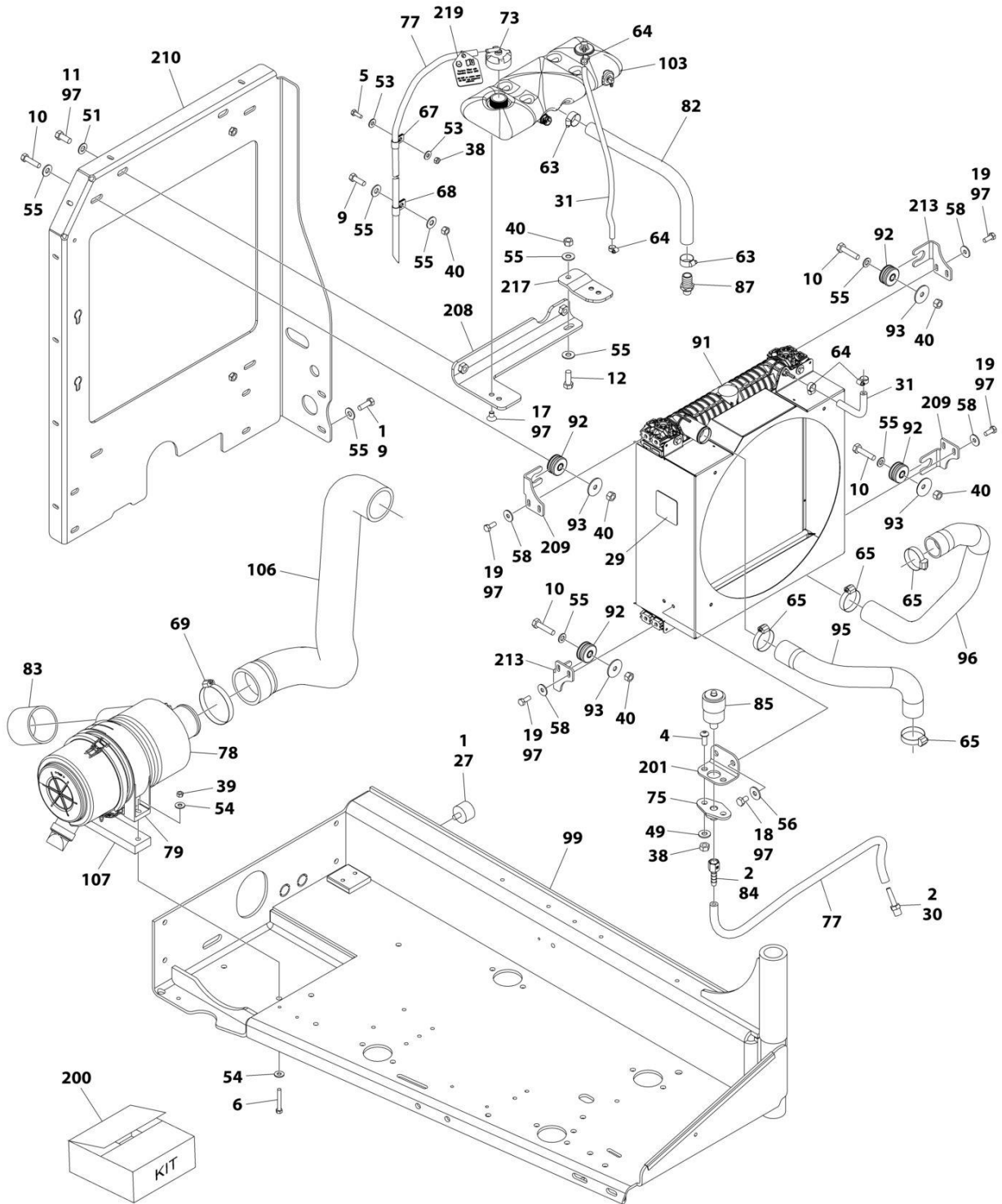
## FIGURE 3-28. DEUTZ TD2.9L4 ENGINE ASSEMBLY (CHINA IV ENGINE)



ART\_1001281609\_F\_10F2



# SECTION 3 - ENGINE



ART\_1001281609\_F\_2OF2

## SECTION 3 - ENGINE

FIGURE 3-28. DEUTZ TD2.9L4 ENGINE ASSEMBLY (CHINA IV ENGINE)

ITEM	PART NUMBER	QTY	DESCRIPTION	REV
	1001281609	Ref	DEUTZ TD2.9L4 ENGINE ASSEMBLY	F
1	0100011	AR	Compound, Locking	
2	0100020	AR	Sealant	
3	0100062	AR	Compound, Locking	
4	0630407	2	Screw 1/4 x 5/8	
5	0641406	5	Bolt 1/4 x 3/4	
6	0641518	2	Bolt 5/16 x 2-1/4	
7	0641605	2	Bolt 3/8 x 5/8	
8	0641608	8	Bolt 3/8 x 1	
9	0641609	6	Bolt 3/8 x 1-1/8	
10	0641612	4	Bolt 3/8 x 1-1/2	
11	0641708	2	Bolt 7/16 x 1	
12	0681608	1	Bolt 3/8 x 1 Grade 8	
13	0681820	3	Bolt 1/2 x 2-1/2 Grade 8	
14	0681822	1	Bolt 1/2 x 2-3/4 Grade 8	
15	0701022	2	Bolt M10 x 70	
16	0701025	2	Bolt M10 x 85	
17	0741605	2	Screw 3/8 x 5/8	
18	0760605	2	Bolt M6 x 10	
19	0760810	9	Bolt M8 x 20	
20	0760814	4	Bolt M8 x 30	
21	0760815	2	Bolt M8 x 35	
22	0761015	2	Bolt M10 x 35	
23	0761210	1	Bolt M12 x 20	
24	0771212	6	Bolt M12 x 25 Grade 10.9	
25	0771414	2	Bolt M14 x 30 Grade 10.9	
26	0771415	3	Bolt M14 x 35	
27	0940070	1	Bumper	
28	0961986	2	Bushing, Flanged	
29	1703162	1	Decal - Caution Fan Blade	
30	2220315	1	Fitting, Straight Barbed	
31	2720015	3 ft /1 m	Hose	
32	2720340	1 ft /0.3 m	Hose	
33	3200401	4	Mount, Motor	
34	3271801	4	Nut 1/2	
35	3290801	2	Nut M8	
36	3291005	2	Nut M10	
37	3310401	3	Nut #4	
38	3311405	8	Nut 1/4	
39	3311505	2	Locknut 5/16	
40	3311605	17	Nut 3/8	
41	3520054	1	Plug	
42	3910408	3	Screw #4 x 1/2	
43	3931432	1	Capscrew 1/4 x 2	
44	3931512	4	Capscrew 5/16 x 3/4	
45	4031912	4	Capscrew M8 x 50	
46	4060805	2 ft /0.4 m	Flex-Trim	
47	4240099	AR	Tie-Strap (Not Shown)	
48	4640751	1	Valve, Oil Drain	
49	4711400	3	Washer 1/4	

## SECTION 3 - ENGINE

ITEM	PART NUMBER	QTY	DESCRIPTION	REV
50	4711500	5	Washer 5/16	
51	4711700	2	Washer 7/16	
52	4750400	3	Washer #4	
53	4751400	10	Washer 1/4	
54	4751500	4	Washer 5/16	
55	4751600	34	Washer 3/8	
56	4811702	2	Washer M6	
57	4811900	12	Washer M8	
58	4811902	8	Washer M8	
59	4812000	8	Washer M10	
60	4812100	7	Washer M12	
61	4812200	5	Washer M14	
62	4891800	4	Washer 1/2	
63	8405007	2	Clamp	
64	8405009	4	Clamp	
65	8405104	4	Clamp	
66	8406102	1	Clip	
67	8406109	1	Clip	
68	8406110	1	Clip	
69	8410011	2	Clamp	
70	8410013	1	Clamp	
71	1001117308	1	Relay	
72	1001289964	1	Adapter	
73	1001136834	1	Cap, Tank	
74	1001137276	1	Fan	
75	1001138173	1	Support	
76	1001138228	1	Relay, Power Module	
77	1001138248	6 ft /2 m	Tube	
78	1001138489	1	Air Cleaner Assembly	
78	91403102	1	Element, Filter	
79	1001138557	1	Clamp	
80	1001139409	4	Washer, Special	
81	1001141304	1	Harness, Glow Plug	
82	1001141370	1	Hose	
83	1001141585	1	Hose, Inlet	
84	1001141995	1	Fitting, Straight NPT/Barbed	
85	1001143390	1	Indicator, Service	
86	1001276644	1	Harness, Deutz Engine (Not Shown - See Separate Breakdown in ELECTRICAL Section)	
87	1001143797	1	Fitting, Straight Metric/Barbed	
88	1001143907	1	Cable, Alternator Power	
89	1001152489	1	Fitting, 90 Metric/ Barbed	
90	1001153282	1	Pump Coupling Kit (See Separate Breakdown in this Section)	
91	1001167042	1	Radiator	
92	1001169054	4	Isolator	
93	1001169138	4	Washer	
94	1001177359	1	Hose	
95	1001177844	1	Hose, Radiator - Upper	
96	1001177845	1	Hose, Radiator - Lower	
97	1001180620	AR	Adhesive	
98	1001181899	1	P-Clamp	
99	1001190610	1	Support, Engine Try	

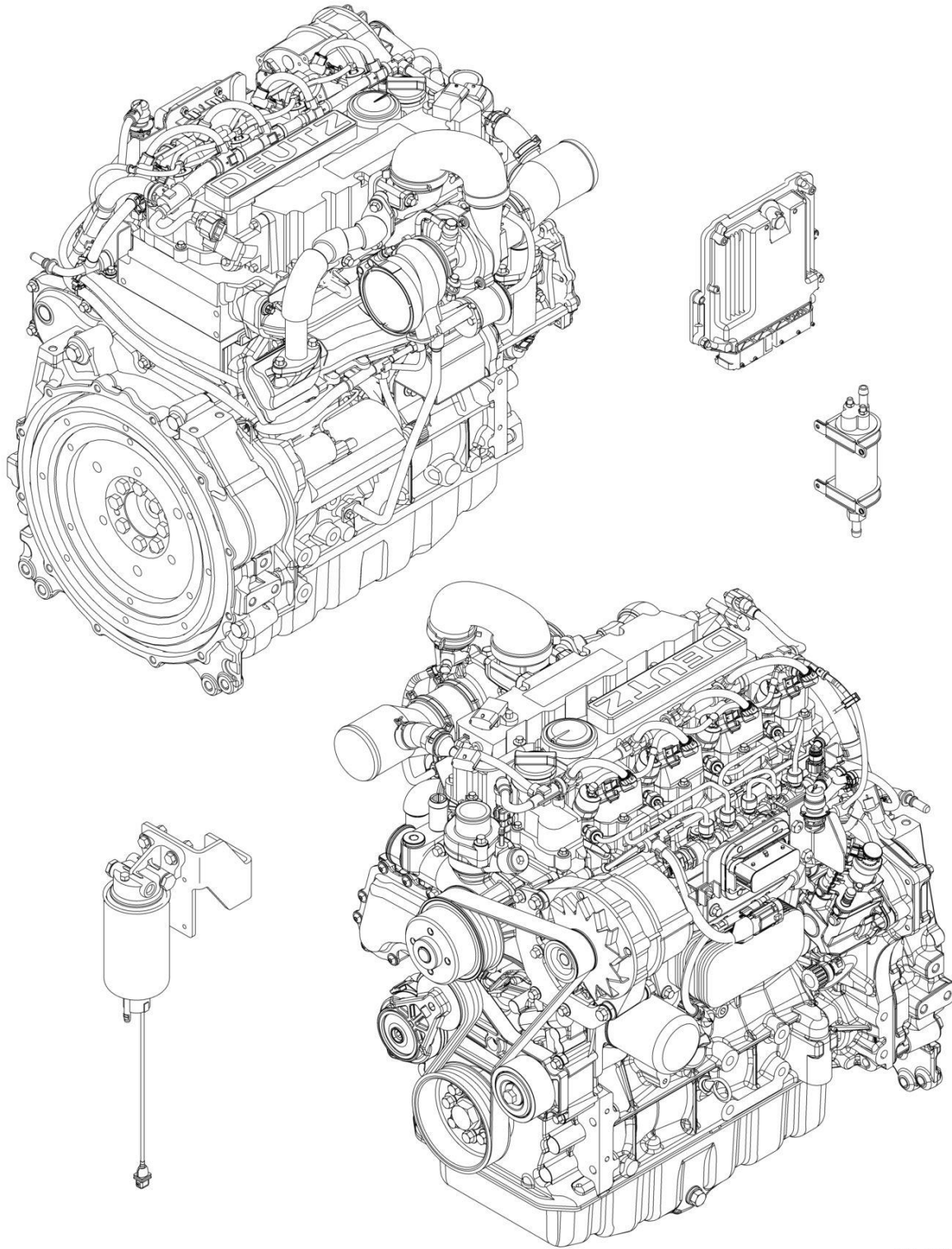
## SECTION 3 - ENGINE

ITEM	PART NUMBER	QTY	DESCRIPTION	REV
100	1001221212	1	Clamp	
101	1001221219	1	Clamp	
102	1001224940	1	Pipe, Exhaust	
103	1001230635	1	Tank	
104	1001233089	2	Strap	
105	1001257278	1	Muffler	
106	1001266525	1	Hose, Inlet	
107	1001267256	1	Shim, Air Cleaner	
108	1001291681	1	Deutz Engine China IV (See Separate Breakdown in this Section)	
109	1001281985	1	Connector (Not Shown - Use With Harness 1001238878)	
110	1001281986	1	Connector (Not Shown - Use With Harness 1001238878)	
200	1001257412	1	Bracket Engine Kit (Includes Items 201-217)	D
201	1001138175	1	Bracket	
202	1001139240	1	Bracket	
203	1001140448	1	Mount, Rear Engine	
204	1001140450	1	Mount, Rear Engine	
205	1001140454	1	Mount, Front Engine	
207	1001145154	1	Plate, Relay Mounting	
208	1001260413	1	Bracket, Tank	
209	1001178223	2	Bracket, Radiator	
210	1001186985	1	Plate, Mounting	
212	1001266499	1	Mount, Generator/Engine	
213	1001204325	2	Bracket, Radiator	
214	1001221203	1	Bracket	
215	1001224936	2	Mount, Doc Weldment	
216	1001224937	1	Mount, Fuel Filter	
217	1001260412	1	Bracket	
218	4240032	AR	Tie-Strap (Not Shown)	
219	1001291401	1	Tag, Coolant	



# SECTION 3 - ENGINE

## FIGURE 3-29. DEUTZ ENGINE CHINA IV



ART\_1001291681

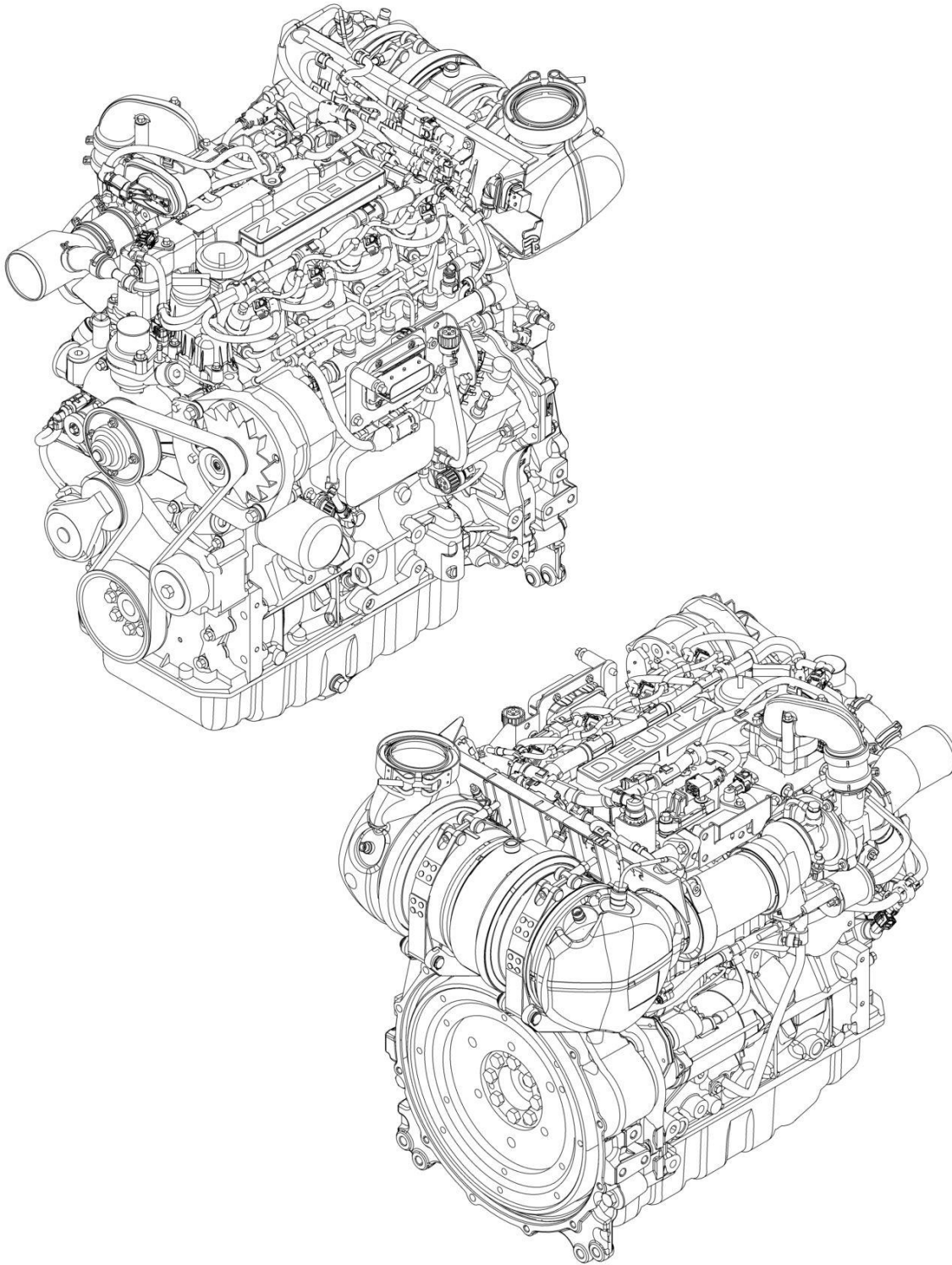
## SECTION 3 - ENGINE

**FIGURE 3-29. DEUTZ ENGINE CHINA IV**

ITEM	PART NUMBER	QTY	DESCRIPTION	REV
	1001291681 See Note	Ref Ref	DEUTZ ENGINE CHINA IV Note: No Service Parts Available at Time of Printing	A

## SECTION 3 - ENGINE

FIGURE 3-30. DEUTZ TD2.9L4 ENGINE COMPONENTS (STAGE V)



ART\_1001277592



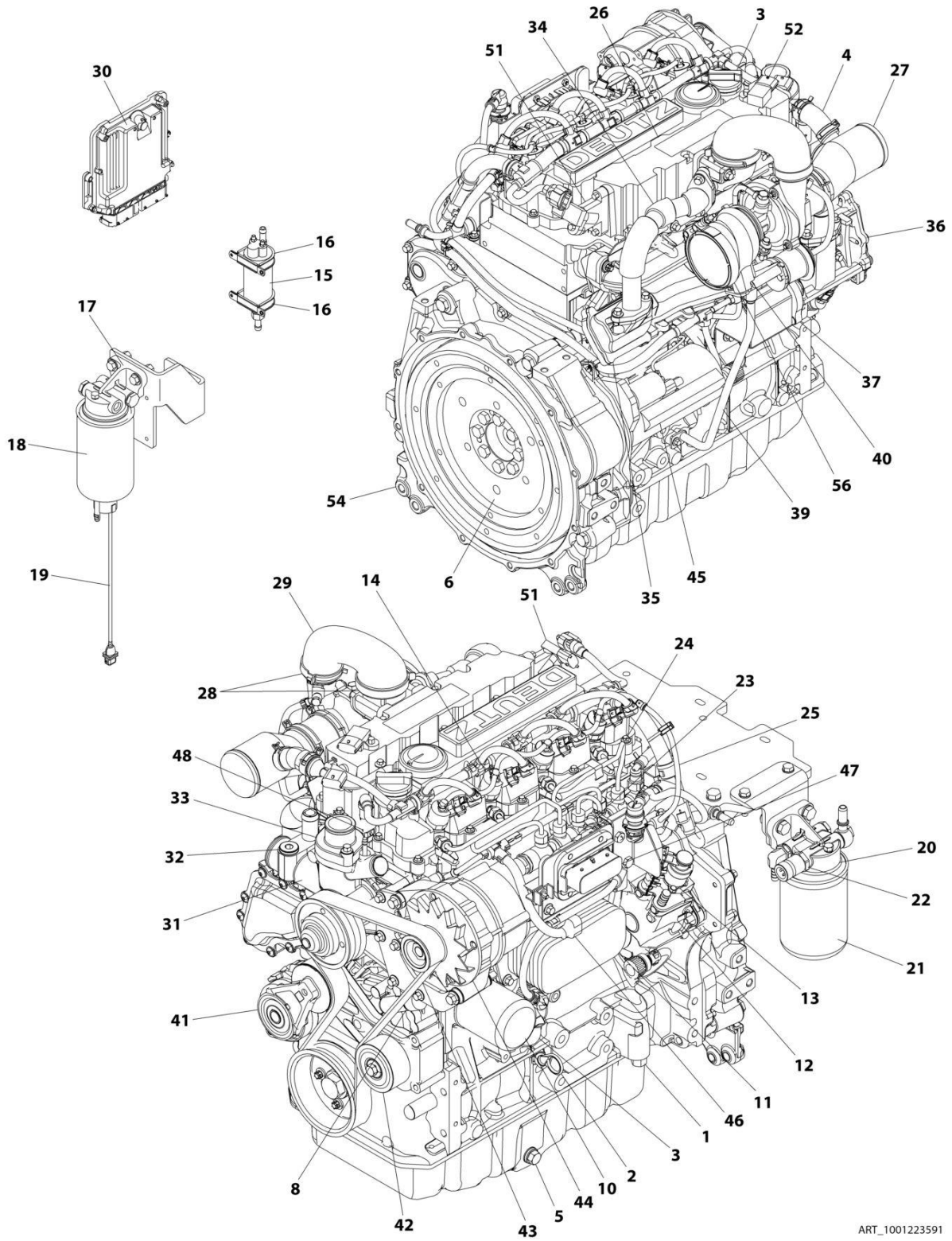
## SECTION 3 - ENGINE

**FIGURE 3-30. DEUTZ TD2.9L4 ENGINE COMPONENTS (STAGE V)**

ITEM	PART NUMBER	QTY	DESCRIPTION	REV
	1001277592	Ref	DEUTZ ENGINE COMPONENTS	A
	See Note	Ref	Note: No Service Parts Available at Time of Printing	

# SECTION 3 - ENGINE

## FIGURE 3-31. DEUTZ TD2.9L4 ENGINE COMPONENTS (CHINA III ENGINE)



ART\_1001223591

## SECTION 3 - ENGINE

**FIGURE 3-31. DEUTZ TD2.9L4 ENGINE COMPONENTS (CHINA III ENGINE)**

ITEM	PART NUMBER	QTY	DESCRIPTION	REV
	1001223591	Ref	DEUTZ TD2.9L4 ENGINE COMPONENTS	C
1	70025660	1	Plug	
1	70006264	1	Valve, Plunger	
1	70006265	1	Spring	
1	70006266	1	Seal	
2	70024904	1	Dipstick	
2	70024905	2	Seal	
3	7020465	2	Cap, Fill	
4	70005920	1	Line, Breather	
4	70025111	2	Clamp	
5	70006941	2	Plug	
5	70005942	2	Seal	
6	70001870	1	Flywheel	
6	7024579	1	Ring Gear	
6	70025139	8	Bolt	
7		Ref	Gasket & Seal Options (Not Shown):	
7	70005938	1	Gasket Kit	
7	70024906	1	Gasket, Head	
7	70005922	1	Gasket, Valve Cover	
7	70028185	1	Gasket, Front Cover	
7	70004280	1	Seal, Front Main	
7	70002718	1	Seal, Rear Main	
8	See Note	NSS	Valve, Slide (Note: Not Available for Purchase)	
8	70025082	1	Seal	
9	70005172	1	Pump, Lube (Not Shown - Located RH Rear)	
9	70025135	1	O-Seal	
9	70005173	1	Gasket	
10	7016331	1	Filter, Oil	
11	70024494	1	Cooler, Oil	
11	70024925	1	Gasket, Oil Filter	
12	70024924	1	Pump, High Pressure	
12	70025152	1	Gasket (Spacer to Pump)	
12	70024488	1	Spacer	
12	70024517	1	Gasket (Spacer to Block)	
12	70004505	1	Valve, Overflow	
12	70004506	1	Gasket, Overflow	
12	70004507	1	Gasket, Overflow	
13	70004508	1	Valve, Volume Control	
13	70004509	1	O-Ring	
13	70004510	1	Gasket	
14	70025181	4	Injector	
14	70025140	4	Washer, Sealing	
14	70025146	4	Clamp	
14	70025145	4	O-Seal	
14	70025154	4	Shoe/Pad, Clamping	
15	70006144	NLA	Pump, Fuel Supply (Use p/n 1001226098)	
16	70025144	2	Clip, Clamp	
17	70024961	1	Fuel Filter Assembly	
18	1001225430	1	Element, Filter	
19	70024513	1	Cable, Sensor	

## SECTION 3 - ENGINE

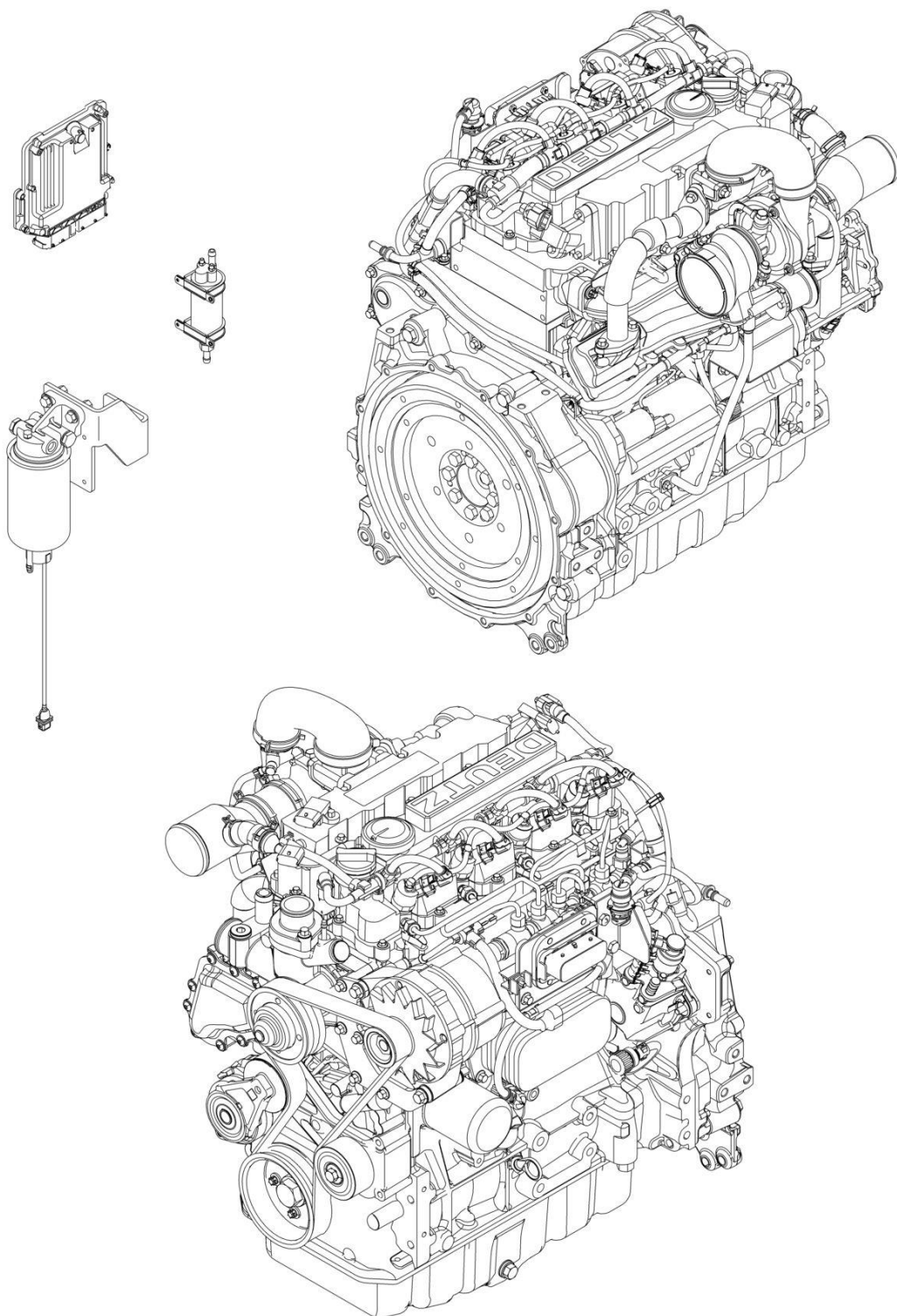
ITEM	PART NUMBER	QTY	DESCRIPTION	REV
19	70025239	1	Seal, Ring	
20	70004511	1	Fuel Filter Assembly	
20	70004513	2	Seal (at Hollow Bolt)	
21	1001225432	1	Element, Filter	
22	70028538	1	Sensor, Pressure	
22	70024920	1	O-Seal	
23	70025151	1	Rail, Fuel	
23	70025235	1	Repair Kit - Fuel Rail	
23	70025240	1	O-Ring	
24	70025182	1	Tube, Fuel - Cylinders 1 & 2	
24	70025183	1	Tube, Fuel - Cylinders 3 & 4	
24	70025184	1	Tube, Fuel	
25	70024502	1	Pipe, Fuel Leakage	
25	70025185	1	Hose, Fuel	
25	70025158	1	Manifold	
25	70025109	2	Clamp, Spring	
25	70025115	1	Clamp	
25	70025133	1	Hose	
25	70025101	2	Clamp	
25	70025148	1	Connector, Plug-in	
26	70005923	1	Manifold, Charger Air	
26	70005177	1	Gasket, Charger Air Manifold	
26	70005924	1	Seal (Manifold to Elbow)	
26	7000180	1	Line, Breather (Not Shown)	
26	70005181	1	O-Seal (Breather to Manifold)	
27	70005926	1	Elbow	
27	70025112	2	Clamp	
27	70004501	1	Sleeve, Rubber	
28	See Note	NSS	Sleeve (Note: Not Available for Purchase)	
28	70025107	2	Clamp	
29	70005928	1	Elbow, Air Charge	
30	70025210	1	Module, ECU	
31	70028802	1	Pump, Coolant	
31	70025200	1	Ring, Sealing (Pump to Block)	
32	70025084	2	Plug	
32	7020492	2	Ring, Sealing	
33	70005929	1	Thermostat	
33	70005184	1	O-Seal (Thermostat to Housing)	
33	70025142	1	Housing, Thermostat	
33	70005931	1	O-Seal (Thermostat to Pump)	
33	70025124	2	Bolt	
34	See Note	NSS	Tube (Note: Not Available for Purchase)	
34	70025179	2	Gasket (at Either End of Tube)	
35	See Note	NSS	Valve, Shuttle (Note: Not Available for Purchase)	
35	70025180	1	Gasket	
35	See Note	NSS	Housing, Shuttle Valve (Note: Not Available for Purchase)	
35	70025175	1	Cap, Shuttle Valve	
36	70025203	1	Module, EGR	
36	70025155	1	Plug (Not Shown)	
37	70005188	1	Valve, EGR Control	
37	70005189	1	Seal (Valve to Module)	

## SECTION 3 - ENGINE

ITEM	PART NUMBER	QTY	DESCRIPTION	REV
38	70004282	1	Manifold, Exhaust (Not Shown)	
38	70025164	1	Gasket, Manifold to Head (Not Shown)	
38	70025130	8	Bolt, Manifold (Not Shown)	
38	70026995	1	Elbow, Exhaust (Not Shown)	
38	70025179	2	Gasket, Manifold to Elbow (Not Shown)	
39	70005932	1	Tube, Oil Return	
39	70025132	1	O-Seal	
40	70004276	1	Turbocharger	
40	70024509	1	Gasket (Turbocharger to Oil Return Tube Housing)	
40	1001191599	1	Gasket (Turbocharger to Exhaust)	
41	70025477	1	Tensioner, Belt	
42	70024484	1	Roller, Idler	
43	70004277	1	Belt	
44	70025733	1	Pulley, Alternator	
44	70006652	1	Alternator	
44	70006653	1	Controller	
44	See Note	NSS	Fan (Note: Not Available for Purchase)	
45	70024915	1	Starter	
45	70005647	1	Switch, Solenoid	
45	70005648	1	Relay	
46	70000345	4	Glow Plug	
46	70025231	1	Harness, Glow Plug	
46	70025233	1	Connector, Plug-in	
47	70025077	1	Harness, Engine	
48	70024918	1	Sender, Temperature	
49	70028538	1	Sensor, Pressure (Not Shown - RH Front)	
49	70024920	1	O-Seal	
50	70026210	1	Sensor, Speed (Not Shown - Front)	
50	70005191	1	Ring, Seal	
51	70024507	1	Sensor, Pressure	
51	70025120	1	O-Seal	
51	70005933	1	Adapter	
51	70005934	1	O-Seal	
52	70024922	1	Sender, Temperature	
52	70025212	1	O-Seal	
53	70026210	1	Sensor, Speed (Not Shown - Front)	
53	70024917	1	O-Seal	
54	70025192	1	Housing	
56	70005527	1	Clip	

## SECTION 3 - ENGINE

FIGURE 3-32. DEUTZ TD2.9L4 ENGINE COMPONENTS (CHINA IV ENGINE)



ART\_1001281610

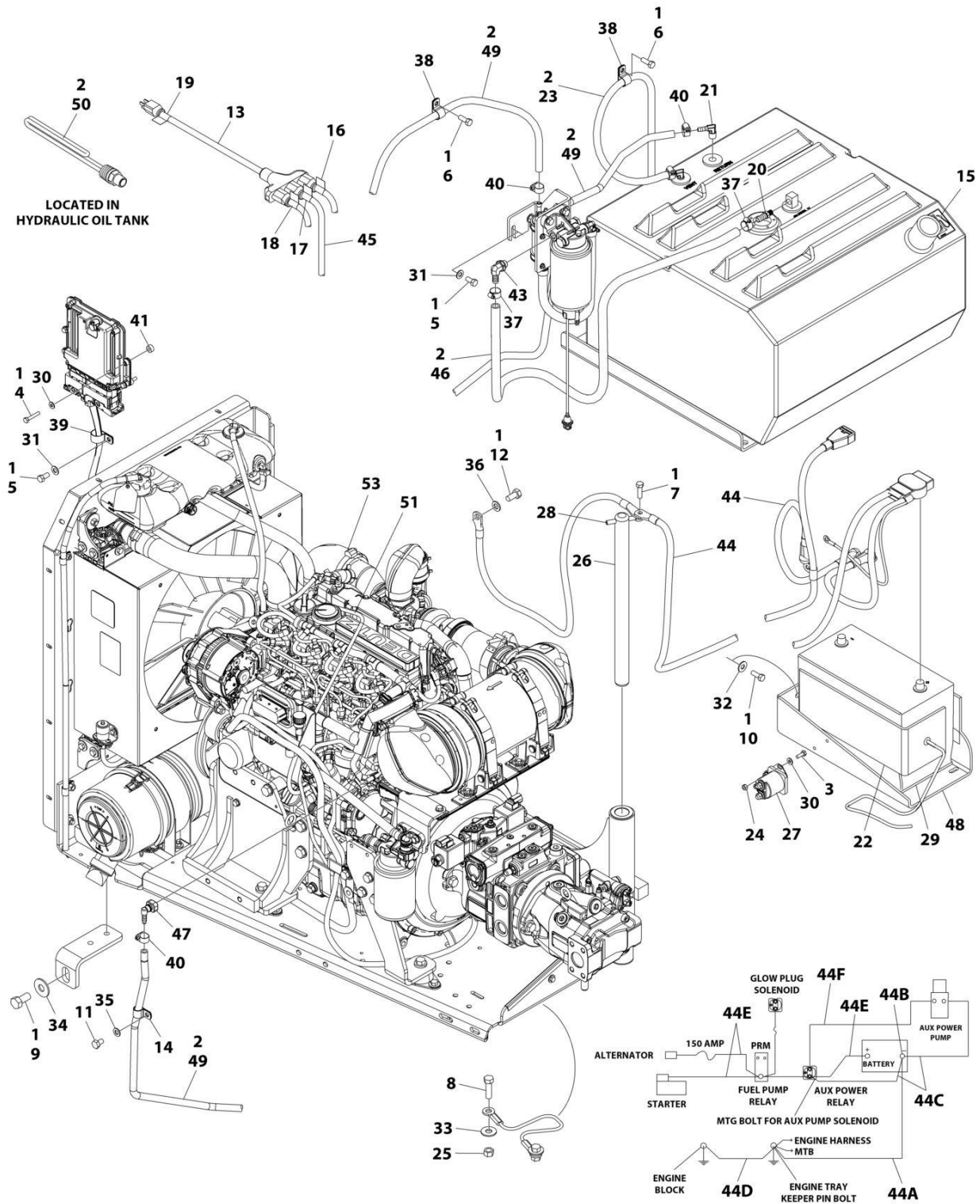
## SECTION 3 - ENGINE

**FIGURE 3-32. DEUTZ TD2.9L4 ENGINE COMPONENTS (CHINA IV ENGINE)**

ITEM	PART NUMBER	QTY	DESCRIPTION	REV
	1001281610	Ref	DEUTZ TD2.9L4 ENGINE COMPONENTS	A
	See Note	Ref	Note: No Service Parts Available at Time of Printing	

# SECTION 3 - ENGINE

## FIGURE 3-33. DEUTZ D2.9L4 - EMR5 ENGINE INSTALLATION WITH ARCTIC PACKAGE



ART\_1001302097



## SECTION 3 - ENGINE

**FIGURE 3-33. DEUTZ D2.9L4 - EMR5 ENGINE INSTALLATION WITH ARCTIC PACKAGE**

ITEM	PART NUMBER	QTY	DESCRIPTION	REV
	1001302097	Ref	ENGINE INSTALLATION EMR5 WITH ARCTIC PACKAGE	A
1	0100011	AR	Compound, Locking	
2	0100020	AR	Sealant, Pipe	
3	0641406	2	Bolt 1/4 x 3/4	
4	0641412	4	Bolt 1/4 x 1-1/2	
5	0641606	3	Bolt 3/8 x 3/4	
6	0641608	2	Bolt 3/8 x 1	
7	0641610	1	Bolt 3/8 x 1-1/4	
8	0641814	1	Bolt 1/2 x 1-3/4	
9	0642010	1	Bolt 5/8 x 1-1/4	
10	0681608	3	Bolt 3/8 x 1	
11	0761008	1	Bolt M10 x 16	
12	0771212	1	Bolt M12 x 25	
13	1060626	1	Cord, 3-Way Extension	
14	1320061	1	Clamp	
15	1701505	1	Decal - Diesel	
16	1702941	1	Decal - Battery Heater	
17	1702942	1	Decal - Engine Heater	
18	1702943	1	Decal - Hydraulic Tank Heater	
19	1702944	1	Decal - Heater Cord	
20	2180832	1	Fitting, Barbed	
21	2220313	2	Fitting, 90	
22	2580024	1	Heater, Battery	
23	2750532	4 ft /1.2 m	Hose	
24	3311405	2	Nut 1/4	
25	3311805	1	Nut 1/2	
26	3422446	1	Pin	
27	3740067	1	Relay	
28	3841143	1	Keeper, Pin	
29	3980007	1	Seat, Battery	
30	4711400	7	Washer 1/4	
31	4711600	3	Washer 3/8	
32	4751600	3	Washer 3/8	
33	4751800	1	Washer 1/2	
34	4752000	1	Washer 5/8	
35	4812000	1	Washer M10	
36	4812100	1	Washer M12	
37	8405006	2	Clamp	
38	8406102	2	Clip	
39	8406201	1	Clip	
40	8410013	5	Clamp	
41	1001110425	4	Spacer	
42	1001138491	1	Fuel Harness (See Separate Breakdown in ELECTRICAL Section)	
43	1001142501	1	Fitting, 90	
44	1001143736	1	Battery Cable Kit	
44A	7027084	1	Cable, Battery (Black) (Battery - to Tray Pivot Grds)	
44B	8270147	1	Terminal, Battery (With Boot)	
44C	7027085	1	Cable, Battery (Black) (Battery - to Aux Pump and Relay Grds)	
44D	7027086	1	Cable, Battery (Black) (Engine to Tray Pivot Grd)	
44E	7027087	1	Cable (Red) (Battery + to Aux Relay/Power Module/Starter)	

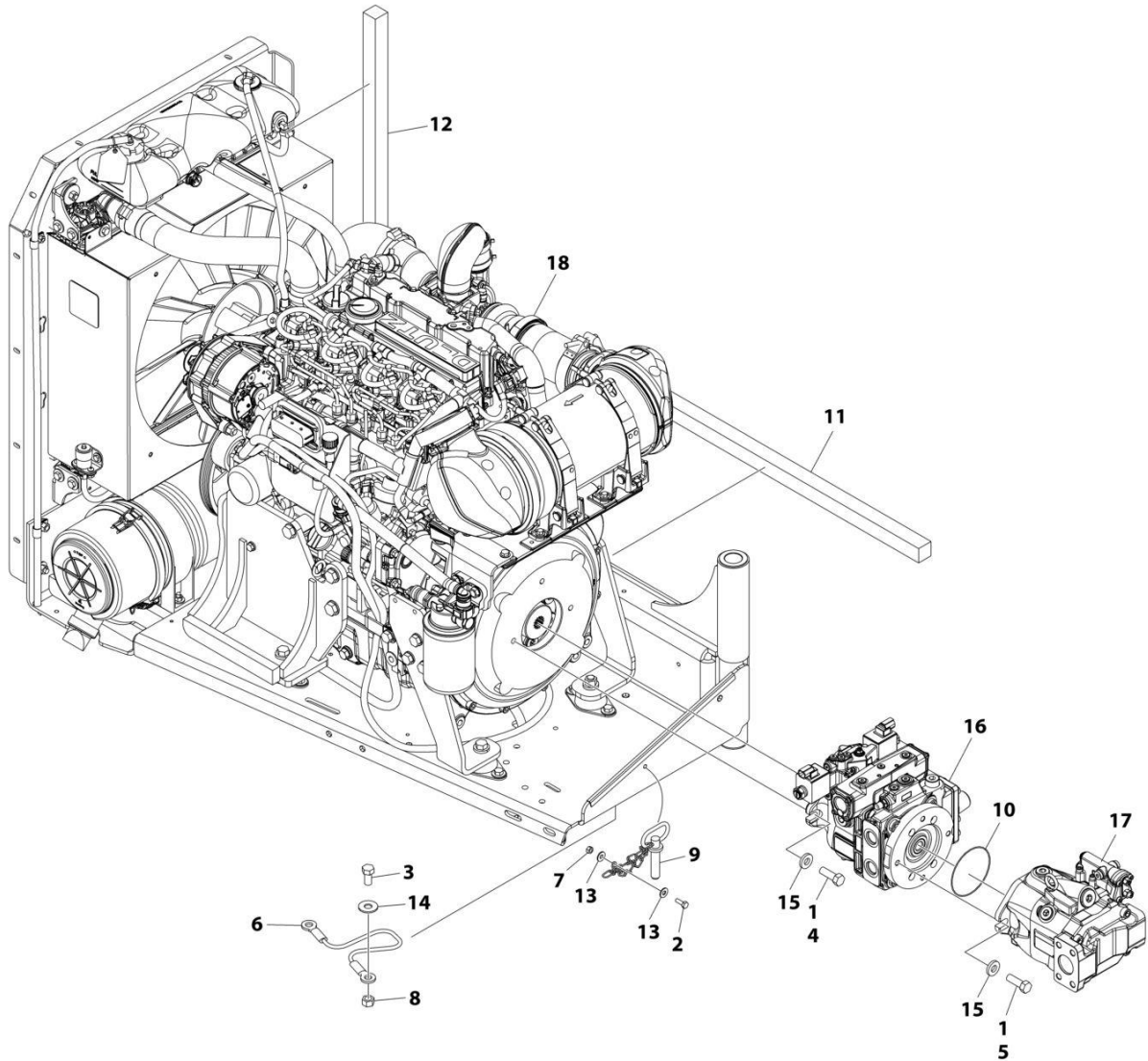
## SECTION 3 - ENGINE

ITEM	PART NUMBER	QTY	DESCRIPTION	REV
44F	7027088	1	Cable (Red) (Aux Relay to Aux Pump)	
44	See Note	1	Cable (Aux Relay to Starter) (Note: Use P/N 7027087)	
45	1001150918	1	Cable, Extension Cord	
46	1001154405	5 ft /1.6 m	Hose	
47	1001155823	1	Fitting, 90 Quick Disconnect	
48	1001162497	1	Bracket	
49	1001165035	28 ft /8.5 m	Hose	
50	1001188972	1	Heater, Immersion	
51	1001233763	1	Breather Heater Installation (See Separate Breakdown in this Section)	
52	1001289593	1	ECU Power Jumper Harness (Not Shown) (See Separate Breakdown in ELECTRICAL Section)	
53	1001302003	1	Engine and Pump Assembly with Arctic Package (See Separate Breakdown in this Section)	



# SECTION 3 - ENGINE

## FIGURE 3-34. DEUTZ D2.9L4 - EMR5 ENGINE AND PUMP SUB-ASSEMBLY WITH ARCTIC PACKAGE



ART\_1001302003

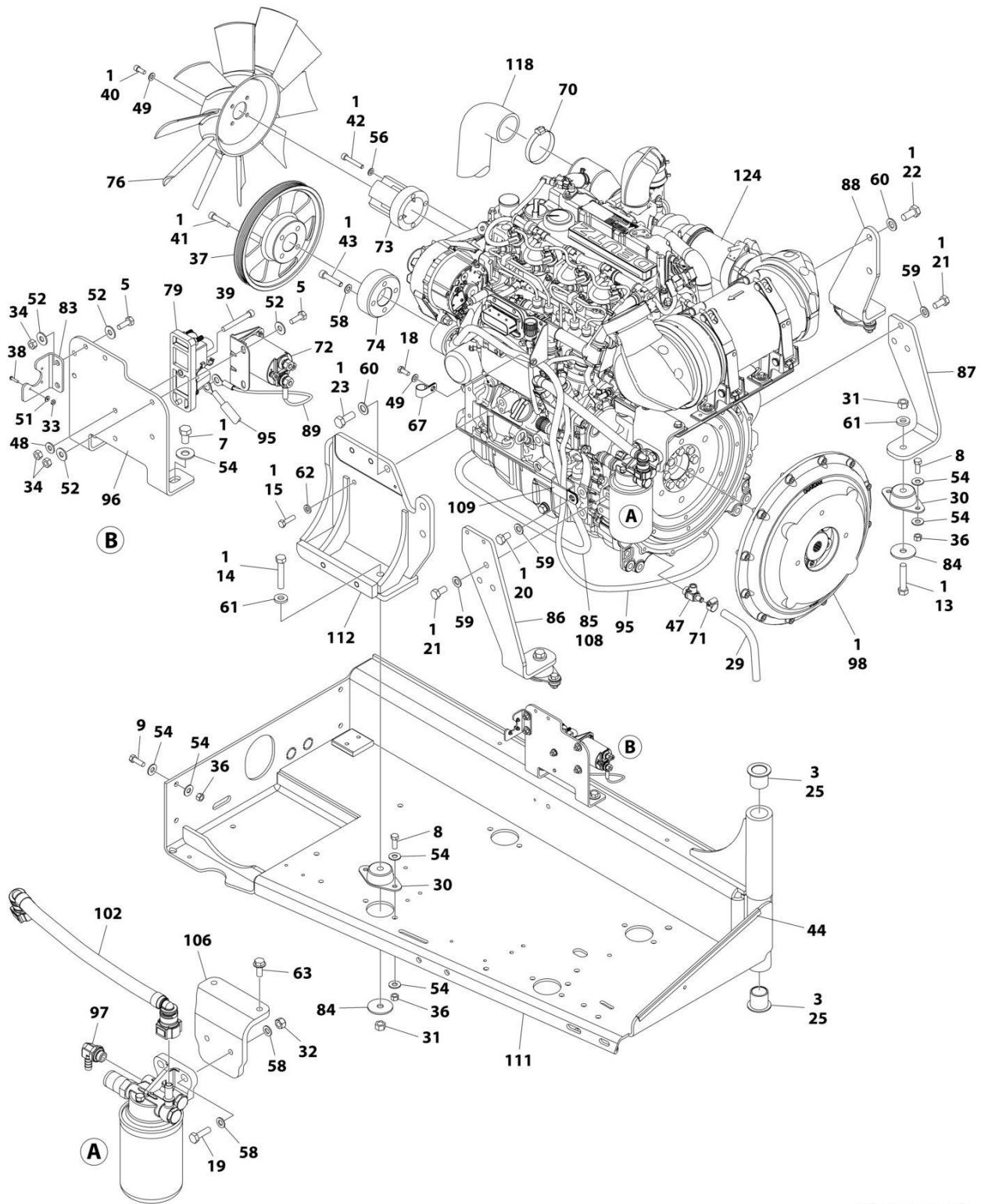
## SECTION 3 - ENGINE

**FIGURE 3-34. DEUTZ D2.9L4 - EMR5 ENGINE AND PUMP SUB-ASSEMBLY WITH ARCTIC PACKAGE**

ITEM	PART NUMBER	QTY	DESCRIPTION	REV
	1001302003	Ref	ENGINE AND PUMP SUB-ASSEMBLY EMR5 WITH ARCTIC PACKAGE	A
1	0100011	AR	Compound, Locking	
2	0641406	1	Bolt 1/4 x 3/4	
3	0641808	1	Bolt 1/2 x 1	
4	0641812	2	Bolt 1/2 x 1-1/2	
5	0711215	2	Bolt M12 x 35	
6	1060637	1	Lanyard	
7	3311405	1	Nut 1/4	
8	3311801	1	Nut 1/2	
9	3422532	1	Pin	
10	3790044	1	O-Ring	
11	3960468	1	Seal	
12	3960469	1	Seal	
13	4751400	2	Washer 1/4	
14	4751800	1	Washer 1/2	
15	4891800	4	Washer 1/2	
16	1001276376	1	Hydrostatic Pump Assembly (See Separate Breakdown in this Section)	
17	1001276377	1	Variable Pump Assembly with Fittings (See Separate Breakdown in this Section)	
18	1001301950	1	Engine Assembly with Arctic Package (See Separate Breakdown in this Section)	

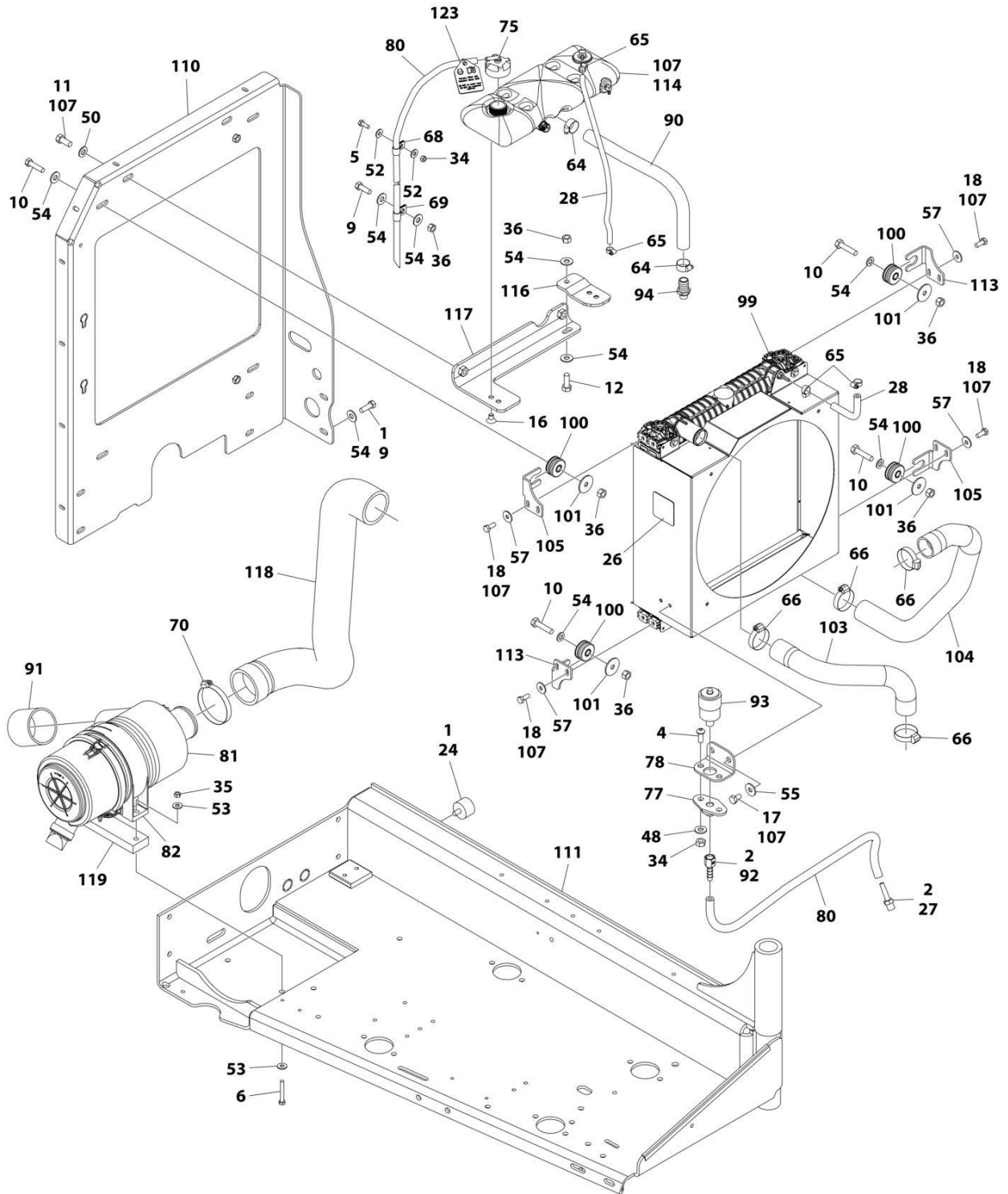
# SECTION 3 - ENGINE

## FIGURE 3-35. ENGINE ASSEMBLY - DEUTZ D2.9L4 EMR5 ENGINE (WITH ARCTIC PACKAGE)



ART\_1001301950\_10F2

# SECTION 3 - ENGINE



ART\_1001301950\_20F2

## SECTION 3 - ENGINE

**FIGURE 3-35. ENGINE ASSEMBLY - DEUTZ D2.9L4 EMR5 ENGINE (WITH ARCTIC PACKAGE)**

ITEM	PART NUMBER	QTY	DESCRIPTION	REV
	1001301950	Ref	ENGINE ASSEMBLY - DEUTZ D2.9L4 EMR5 ENGINE	A
1	0100011	AR	Locking, Compound	
2	0100020	AR	Sealant, Pipe	
3	0100062	AR	Adhesive	
4	0630407	2	Screw 1/4 x 5/8	
5	0641406	5	Bolt 1/4 x 3/4	
6	0641518	2	Bolt 5/16 x 2-1/4	
7	0641605	2	Bolt 3/8 x 5/8	
8	0641608	8	Bolt 3/8 x 1	
9	0641609	6	Bolt 3/8 x 1-1/8	
10	0641612	4	Bolt 3/8 x 1-1/2	
11	0641708	2	Bolt 7/16 x 1	
12	0681608	1	Bolt 3/8 x 1	
13	0681820	3	Bolt 1/2 x 2-1/2	
14	0681822	1	Bolt 1/2 x 2-3/4	
15	0700814	1	Bolt M8 x 30	
16	0741605	2	Screw 3/8 x 5/8	
17	0760605	2	Bolt M6 x 10	
18	0760810	9	Bolt M8 x 20	
19	0761015	2	Bolt M10 x 35	
20	0761210	1	Bolt M12 x 20	
21	0771212	6	Bolt M12 x 25	
22	0771414	2	Bolt M14 x 30	
23	0771415	3	Bolt M14 x 35	
24	0940070	1	Bumper	
25	0961986	2	Bushing	
26	1703162	1	Decal - Fan Blade	
27	2220315	1	Fitting, Straight Barbed	
28	2720015	3 ft /1 m	Hose	
29	2720340	1 ft /0.3 m	Hose	
30	3200401	4	Mount	
31	3271801	4	Nut 1/2	
32	3291005	2	Nut M10	
33	3310401	3	Nut #4	
34	3311405	8	Nut 1/4	
35	3311505	2	Nut 5/16	
36	3311605	17	Nut 3/8	
37	3580320	1	Pulley	
38	3910408	3	Screw #4 x 1/2	
39	3931432	1	Capscrew 1/4 x 2	
40	3931512	4	Capscrew 5/16 x 3/4	
41	3931628	4	Capscrew 3/8 x 1-3/4	
42	4031914	4	Capscrew M8 x 50	
43	4032014	4	Capscrew M10 x 50	
44	4060805	2 ft /0.4 m	Shield	
45	4240032	AR	Tie-Strap (Not Shown)	
46	4240099	AR	Tie-Strap (Not Shown)	
47	4640751	1	Valve, Oil Drain	
48	4711400	3	Washer 1/4	
49	4711500	5	Washer 5/16	



## SECTION 3 - ENGINE

ITEM	PART NUMBER	QTY	DESCRIPTION	REV
50	4711700	2	Washer 7/16	
51	4750400	3	Washer #4	
52	4751400	10	Washer 1/4	
53	4751500	4	Washer 5/16	
54	4751600	34	Washer 3/8	
55	4811702	2	Washer M6	
56	4811900	4	Washer M8	
57	4811902	8	Washer M8	
58	4812000	8	Washer M10	
59	4812100	7	Washer M12	
60	4812200	5	Washer M14	
61	4891800	4	Washer 1/2	
62	5240800	1	Washer M8	
63	5250810	2	Bolt M8 x 20	
64	8405007	2	Clamp	
65	8405009	4	Clamp	
66	8405104	4	Clamp	
67	8406102	1	Clip	
68	8406109	1	Clip	
69	8406110	1	Clip	
70	8410011	2	Clamp	
71	8410013	1	Clamp	
72	1001117308	1	Relay	
73	1001135138	1	Adapter	
74	1001135679	1	Adapter	
75	1001136834	1	Cap	
76	1001137276	1	Fan	
77	1001138173	1	Support	
78	1001138175	1	Bracket	
79	1001138228	1	Relay, Power Module	
79	70023592	1	Fuse 20Amp	
79	70023593	1	Fuse 30Amp	
80	1001138248	6 ft /2 m	Tube	
81	1001138489	1	Filter	
82	1001138557	1	Clamp	
83	1001139240	1	Bracket	
84	1001139409	4	Washer	
85	1001140312	1	Heater, Engine Block	
86	1001140448	1	Plate	
87	1001140450	1	Plate	
88	1001140454	1	Plate	
89	1001141304	1	Wire, Glow Fuse	
90	1001141370	1	Hose	
91	1001141585	1	Hose	
92	1001141995	1	Fitting, Straight NPT/Barbed	
93	1001143390	1	Indicator	
94	1001143797	1	Fitting, Straight Barbed	
95	1001143907	1	Cable, Alternator Power	
96	1001145154	1	Plate	
97	1001152489	1	Fitting, 90 Barbed	
98	1001153282	1	Pump Coupling Kit (See Separate Breakdown in this Section)	

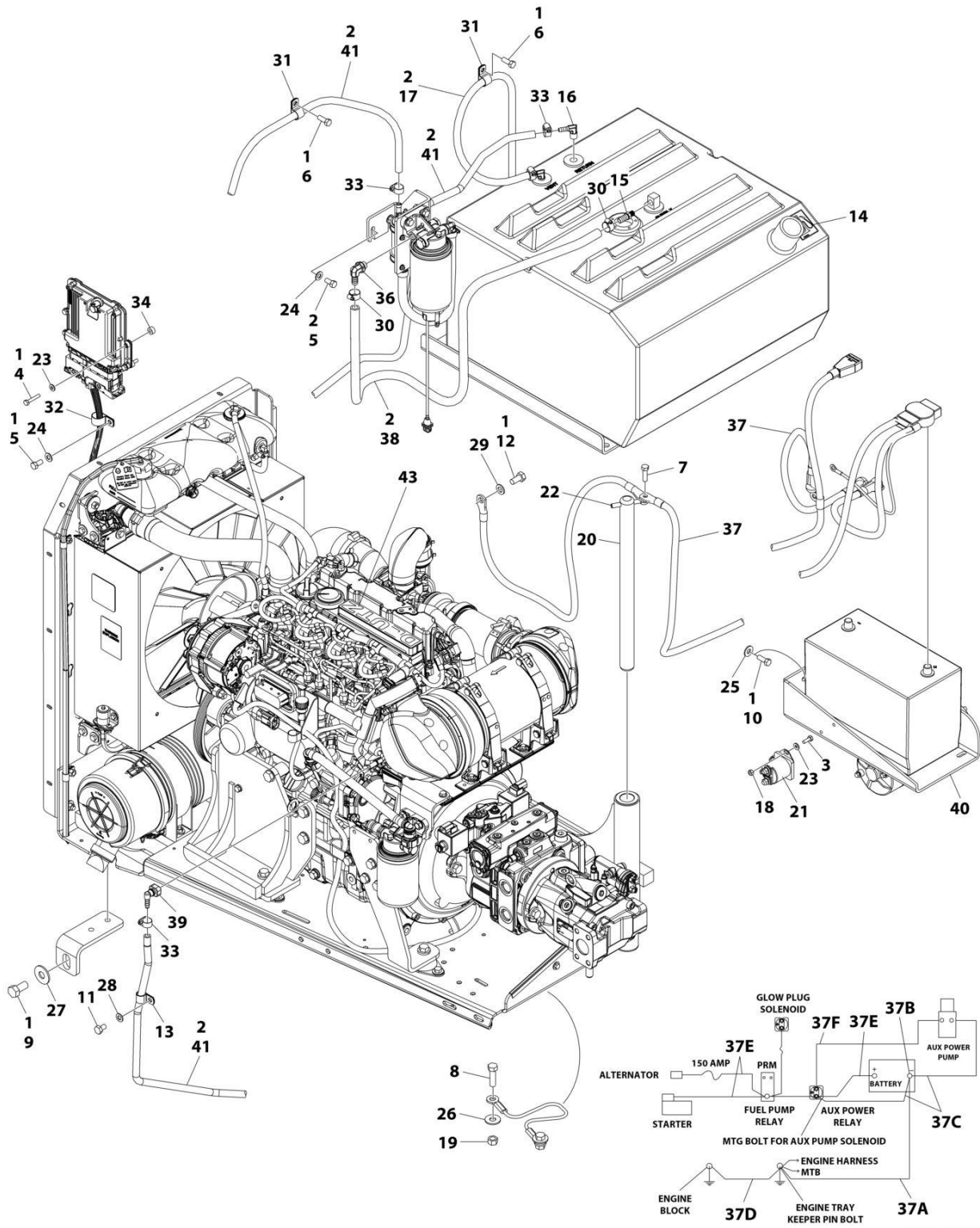
## SECTION 3 - ENGINE

ITEM	PART NUMBER	QTY	DESCRIPTION	REV
99	1001167042	1	Radiator	
100	1001169054	4	Isolator	
101	1001169138	4	Pad	
102	1001177359	1	Hose	
103	1001177844	1	Hose, Radiator (Upper)	
104	1001177845	1	Hose, Radiator (Lower)	
105	1001178223	2	Bracket	
106	1001178876	1	Mount	
107	1001180620	AR	Adhesive	
108	1001181895	AR	Adhesive	
109	1001181899	1	Clamp	
110	1001186985	1	Support	
111	1001190610	1	Support	
112	1001202368	1	Support	
113	1001204325	2	Bracket	
114	1001230635	1	Tank	
114	0100020	AR	Sealant	
114	1001134488	1	Fitting, 90 NPT/Barbed	
114	1001138827	1	Sensor	
114	1001140564	1	Fitting, 90 NPT/Barbed	
114	1001229542	1	Tank	
115	1001235949	1	Bracket, Fuel Pump/Filter Assembly (Not Shown) (See Separate Breakdown in this Section)	
116	1001260412	1	Bracket	
117	1001260413	1	Bracket	
118	1001266525	1	Hose	
119	1001267256	1	Shim	
120	1001276644	1	Deutz Engine Harness (Not Shown) (See Separate Breakdown in ELECTRICAL Section)	
121	1001281985	1	Connector (Not Shown)	
122	1001281986	1	Connector (Not Shown)	
123	1001291401	1	Tag, Coolant	
124	1001301717	1	Deutz TD2.9L4 EMR5 Engine (See Separate Breakdown in this Section)	



# SECTION 3 - ENGINE

FIGURE 3-36. DEUTZ D2.9L4 - EMR5 ENGINE INSTALLATION WITHOUT ARCTIC PACKAGE



ART\_1001302087

## SECTION 3 - ENGINE

**FIGURE 3-36. DEUTZ D2.9L4 - EMR5 ENGINE INSTALLATION WITHOUT ARCTIC PACKAGE**

ITEM	PART NUMBER	QTY	DESCRIPTION	REV
	1001302087	Ref	ENGINE INSTALLATION EMR5 WITHOUT ARCTIC PACKAGE	A
1	0100011	AR	Compound, Locking	
2	0100020	AR	Sealant, Pipe	
3	0641406	2	Bolt 1/4 x 3/4	
4	0641412	4	Bolt 1/4 x 1-1/2	
5	0641606	3	Bolt 3/8 x 3/4	
6	0641608	2	Bolt 3/8 x 1	
7	0641610	1	Bolt 3/8 x 1-1/4	
8	0641814	1	Bolt 1/2 x 1-3/4	
9	0642010	1	Bolt 5/8 x 1-1/4	
10	0681608	3	Bolt 3/8 x 1	
11	0761008	1	Bolt M10 x 16	
12	0771212	1	Bolt M12 x 25	
13	1320061	1	Clamp	
14	1701505	1	Decal - Diesel	
15	2180832	1	Fitting, Barbed	
16	2220313	2	Fitting, 90	
17	2750532	4 ft /1.2 m	Hose	
18	3311405	2	Nut 1/4	
19	3311805	1	Nut 1/2	
20	3422446	1	Pin	
21	3740067	1	Relay	
22	3841143	1	Keeper, Pin	
23	4711400	7	Washer 1/4	
24	4711600	3	Washer 3/8	
25	4751600	3	Washer 3/8	
26	4751800	1	Washer 1/2	
27	4752000	1	Washer 5/8	
28	4812000	1	Washer M10	
29	4812100	1	Washer M12	
30	8405006	2	Clamp	
31	8406102	2	Clip	
32	8406201	1	Clip	
33	8410013	5	Clamp	
34	1001110425	4	Spacer	
35	1001138491	1	Fuel Harness (See Separate Breakdown in ELECTRICAL Section)	
36	1001142501	1	Fitting, 90	
37	1001143736	1	Battery Cable Kit	
37A	7027084	1	Cable, Battery (Black) (Battery - to Tray Pivot Grds)	
37B	8270147	1	Terminal, Battery (With Boot)	
37C	7027085	1	Cable, Battery (Black) (Battery - to Aux Pump and Relay Grds)	
37D	7027086	1	Cable, Battery (Black) (Engine to Tray Pivot Grd)	
37E	7027087	1	Cable (Red) (Battery + to Aux Relay/Power Module/Starter)	
37F	7027088	1	Cable (Red) (Aux Relay to Aux Pump)	
37	See Note	1	Cable (Aux Relay to Starter) (Note: Use P/N 7027087)	
38	1001154405	5 ft /1.6 m	Hose	
39	1001155823	1	Fitting, 90 Quick Disconnect	
40	1001162497	1	Bracket	
41	1001165035	28 ft /8.5 m	Hose	

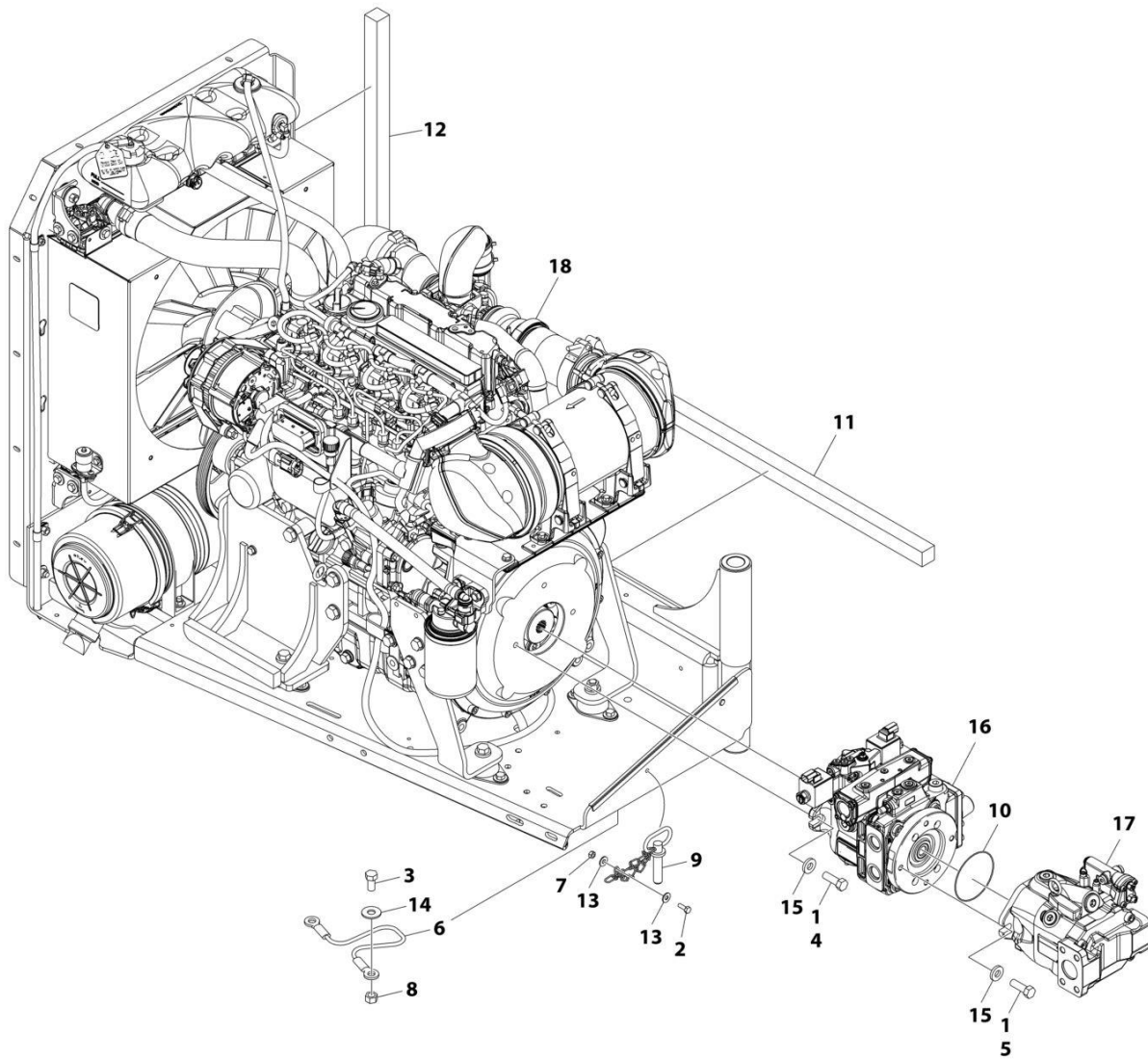
### SECTION 3 - ENGINE

ITEM	PART NUMBER	QTY	DESCRIPTION	REV
42	1001289593	1	ECU Power Jumper Harness (Not Shown) (See Separate Breakdown in ELECTRICAL Section)	
43	1001301946	1	Engine and Pump Assembly without Arctic Package (See Separate Breakdown in this Section)	



# SECTION 3 - ENGINE

## FIGURE 3-37. DEUTZ D2.9L4 - EMR5 ENGINE AND PUMP SUB-ASSEMBLY WITHOUT ARCTIC PACKAGE



ART\_1001301946



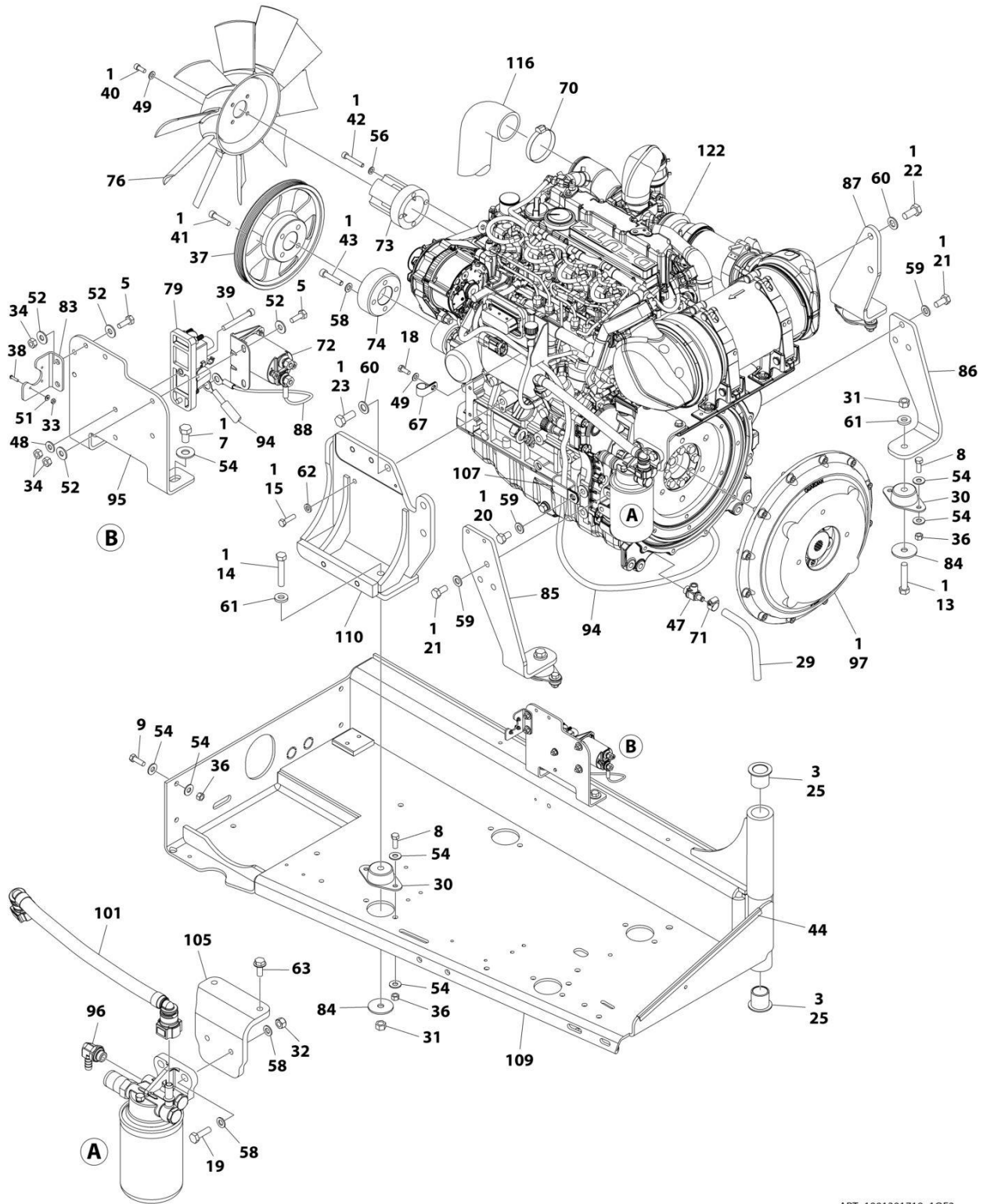
## SECTION 3 - ENGINE

**FIGURE 3-37. DEUTZ D2.9L4 - EMR5 ENGINE AND PUMP SUB-ASSEMBLY WITHOUT ARCTIC PACKAGE**

ITEM	PART NUMBER	QTY	DESCRIPTION	REV
	1001301946	Ref	ENGINE AND PUMP SUB-ASSEMBLY EMR5 WITHOUT ARCTIC PACKAGE	A
1	0100011	AR	Compound, Locking	
2	0641406	1	Bolt 1/4 x 3/4	
3	0641808	1	Bolt 1/2 x 1	
4	0641812	2	Bolt 1/2 x 1-1/2	
5	0711215	2	Bolt M12 x 35	
6	1060637	1	Lanyard	
7	3311405	1	Nut 1/4	
8	3311801	1	Nut 1/2	
9	3422532	1	Pin	
10	3790044	1	O-Ring	
11	3960468	1	Seal	
12	3960469	1	Seal	
13	4751400	2	Washer 1/4	
14	4751800	1	Washer 1/2	
15	4891800	4	Washer 1/2	
16	1001276376	1	Hydrostatic Pump Assembly (See Separate Breakdown in this Section)	
17	1001276377	1	Variable Pump Assembly with Fittings (See Separate Breakdown in this Section)	
18	1001301719	1	Engine Assembly without Arctic Package (See Separate Breakdown in this Section)	

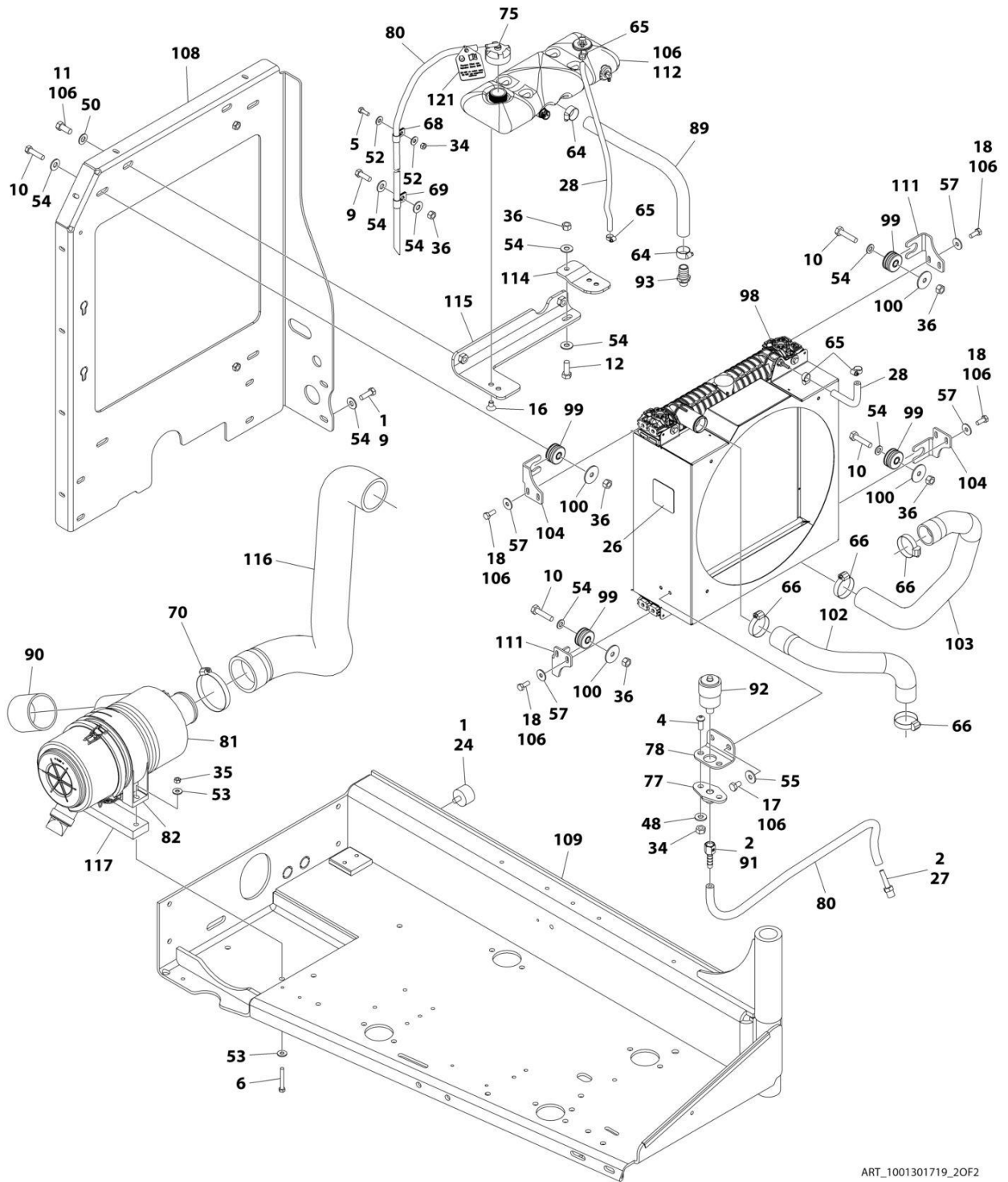
# SECTION 3 - ENGINE

## FIGURE 3-38. ENGINE ASSEMBLY - DEUTZ D2.9L4 EMR5 ENGINE (WITHOUT ARCTIC PACKAGE)



ART\_1001301719\_10F2

# SECTION 3 - ENGINE



ART\_1001301719\_2OF2

## SECTION 3 - ENGINE

FIGURE 3-38. ENGINE ASSEMBLY - DEUTZ D2.9L4 EMR5 ENGINE (WITHOUT ARCTIC PACKAGE)

ITEM	PART NUMBER	QTY	DESCRIPTION	REV
	1001301719	Ref	ENGINE ASSEMBLY - DEUTZ D2.9L4 EMR5 ENGINE	A
1	0100011	AR	Locking, Compound	
2	0100020	AR	Sealant, Pipe	
3	0100062	AR	Adhesive	
4	0630407	2	Screw 1/4 x 5/8	
5	0641406	5	Bolt 1/4 x 3/4	
6	0641518	2	Bolt 5/16 x 2-1/4	
7	0641605	2	Bolt 3/8 x 5/8	
8	0641608	8	Bolt 3/8 x 1	
9	0641609	6	Bolt 3/8 x 1-1/8	
10	0641612	4	Bolt 3/8 x 1-1/2	
11	0641708	2	Bolt 7/16 x 1	
12	0681608	1	Bolt 3/8 x 1	
13	0681820	3	Bolt 1/2 x 2-1/2	
14	0681822	1	Bolt 1/2 x 2-3/4	
15	0700814	1	Bolt M8 x 30	
16	0741605	2	Screw 3/8 x 5/8	
17	0760605	2	Bolt M6 x 10	
18	0760810	9	Bolt M8 x 20	
19	0761015	2	Bolt M10 x 35	
20	0761210	1	Bolt M12 x 20	
21	0771212	6	Bolt M12 x 25	
22	0771414	2	Bolt M14 x 30	
23	0771415	3	Bolt M14 x 35	
24	0940070	1	Bumper	
25	0961986	2	Bushing	
26	1703162	1	Decal - Fan Blade	
27	2220315	1	Fitting, Straight Barbed	
28	2720015	3 ft /1 m	Hose	
29	2720340	1 ft /0.3 m	Hose	
30	3200401	4	Mount	
31	3271801	4	Nut 1/2	
32	3291005	2	Nut M10	
33	3310401	3	Nut #4	
34	3311405	8	Nut 1/4	
35	3311505	2	Nut 5/16	
36	3311605	17	Nut 3/8	
37	3580320	1	Pulley	
38	3910408	3	Screw #4 x 1/2	
39	3931432	1	Capscrew 1/4 x 2	
40	3931512	4	Capscrew 5/16 x 3/4	
41	3931628	4	Capscrew 3/8 x 1-3/4	
42	4031914	4	Capscrew M8 x 50	
43	4032014	4	Capscrew M10 x 50	
44	4060805	2 ft /0.4 m	Shield	
45	4240032	AR	Tie-Strap (Not Shown)	
46	4240099	AR	Tie-Strap (Not Shown)	
47	4640751	1	Valve, Oil Drain	
48	4711400	3	Washer 1/4	
49	4711500	5	Washer 5/16	

## SECTION 3 - ENGINE

ITEM	PART NUMBER	QTY	DESCRIPTION	REV
50	4711700	2	Washer 7/16	
51	4750400	3	Washer #4	
52	4751400	10	Washer 1/4	
53	4751500	4	Washer 5/16	
54	4751600	34	Washer 3/8	
55	4811702	2	Washer M6	
56	4811900	4	Washer M8	
57	4811902	8	Washer M8	
58	4812000	8	Washer M10	
59	4812100	7	Washer M12	
60	4812200	5	Washer M14	
61	4891800	4	Washer 1/2	
62	5240800	1	Washer M8	
63	5250810	2	Bolt M8 x 20	
64	8405007	2	Clamp	
65	8405009	4	Clamp	
66	8405104	4	Clamp	
67	8406102	1	Clip	
68	8406109	1	Clip	
69	8406110	1	Clip	
70	8410011	2	Clamp	
71	8410013	1	Clamp	
72	1001117308	1	Relay	
73	1001135138	1	Adapter	
74	1001135679	1	Adapter	
75	1001136834	1	Cap	
76	1001137276	1	Fan	
77	1001138173	1	Support	
78	1001138175	1	Bracket	
79	1001138228	1	Relay, Power Module	
79	70023593	1	Fuse 30Amp	
79	70023592	1	Fuse 20Amp	
80	1001138248	6 ft /2 m	Tube	
81	1001138489	1	Filter	
82	1001138557	1	Clamp	
83	1001139240	1	Bracket	
84	1001139409	4	Washer	
85	1001140448	1	Plate	
86	1001140450	1	Plate	
87	1001140454	1	Plate	
88	1001141304	1	Wire, Glow Fuse	
89	1001141370	1	Hose	
90	1001141585	1	Hose	
91	1001141995	1	Fitting, Straight NPT/Barbed	
92	1001143390	1	Indicator	
93	1001143797	1	Fitting, Straight Barbed	
94	1001143907	1	Cable, Alternator Power	
95	1001145154	1	Plate	
96	1001152489	1	Fitting, 90 Barbed	
97	1001153282	1	Pump Coupling Kit (See Separate Breakdown in this Section)	
98	1001167042	1	Radiator	

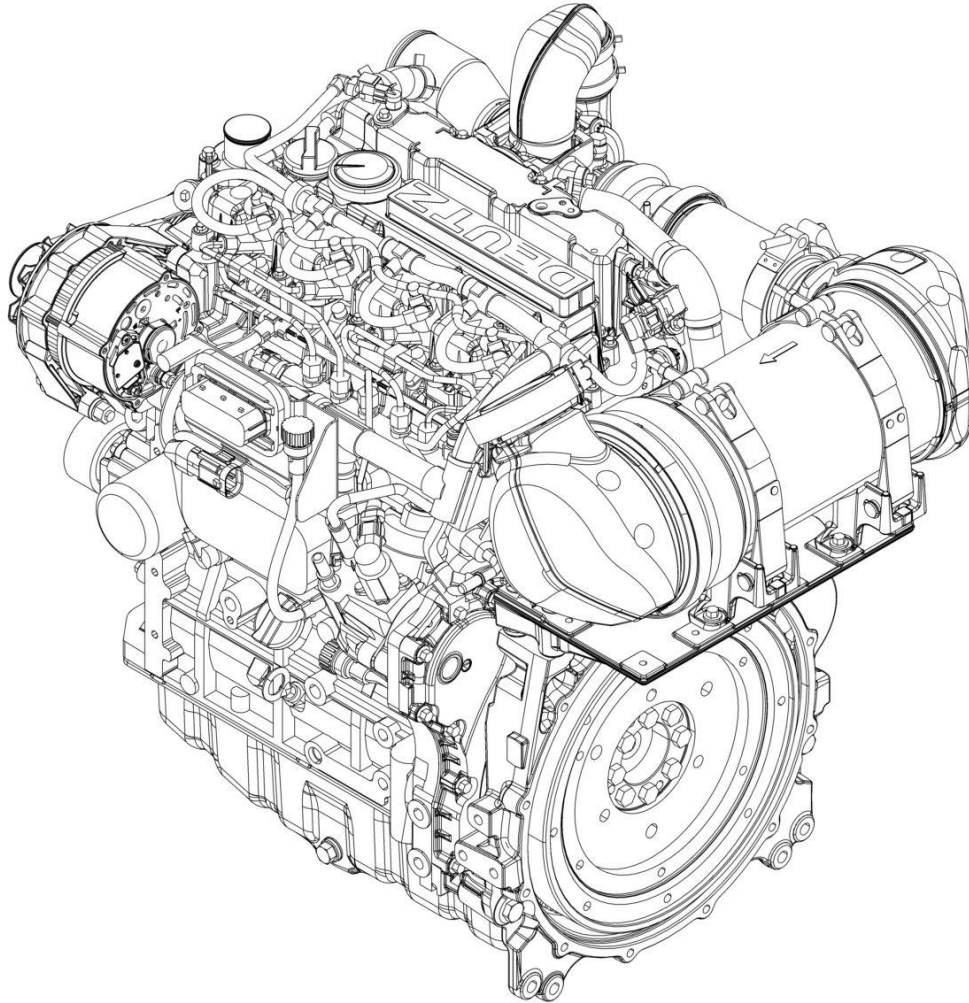
## SECTION 3 - ENGINE

ITEM	PART NUMBER	QTY	DESCRIPTION	REV
99	1001169054	4	Isolator	
100	1001169138	4	Pad	
101	1001177359	1	Hose	
102	1001177844	1	Hose, Radiator (Upper)	
103	1001177845	1	Hose, Radiator (Lower)	
104	1001178223	2	Bracket	
105	1001178876	1	Mount	
106	1001180620	AR	Adhesive	
107	1001181899	1	Clamp	
108	1001186985	1	Support	
109	1001190610	1	Support	
110	1001202368	1	Support	
111	1001204325	2	Bracket	
112	1001230635	1	Tank	
112	0100020	AR	Sealant	
112	1001134488	1	Fitting, 90 NPT/Barbed	
112	1001138827	1	Sensor, Coolant Level	
112	1001140564	1	Fitting, 90 NPT/Barbed	
112	1001229542	1	Tank	
113	1001235949	1	Bracket, Fuel Pump/Filter Assembly (Not Shown) (See Separate Breakdown in this Section)	
114	1001260412	1	Bracket	
115	1001260413	1	Bracket	
116	1001266525	1	Hose	
117	1001267256	1	Shim	
118	1001276644	1	Deutz Engine Harness (Not Shown) (See Separate Breakdown in ELECTRICAL Section)	
119	1001281985	1	Connector (Not Shown)	
120	1001281986	1	Connector (Not Shown)	
121	1001291401	1	Tag, Coolant	
122	1001301717	1	Deutz TD2.9L4 EMR5 Engine (See Separate Breakdown in this Section)	



## SECTION 3 - ENGINE

FIGURE 3-39. ENGINE COMPONENTS - DEUTZ D2.9L4 EMR5 ENGINE



ART\_1001301717



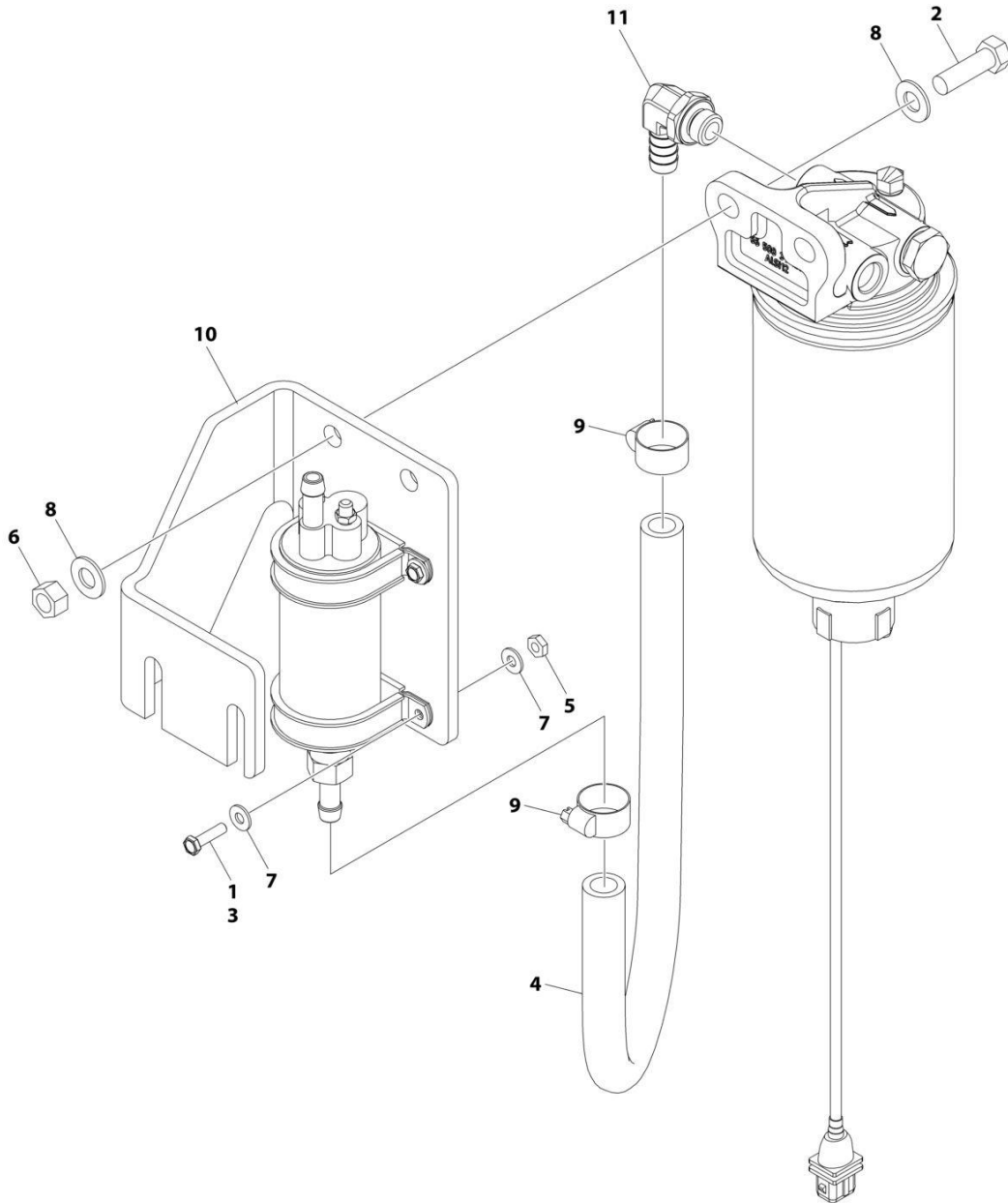
## SECTION 3 - ENGINE

**FIGURE 3-39. ENGINE COMPONENTS - DEUTZ D2.9L4 EMR5 ENGINE**

ITEM	PART NUMBER	QTY	DESCRIPTION	REV
	1001301717 See Note	Ref Ref	ENGINE COMPONENTS - DEUTZ D2.9L4 EMR5 ENGINE Note: No Service Parts Available at Time of Printing	A

# SECTION 3 - ENGINE

## FIGURE 3-40. FUEL PUMP/FILTER BRACKET ASSEMBLY (DEUTZ TD2.9L4 ENGINES)



ART\_1001162335

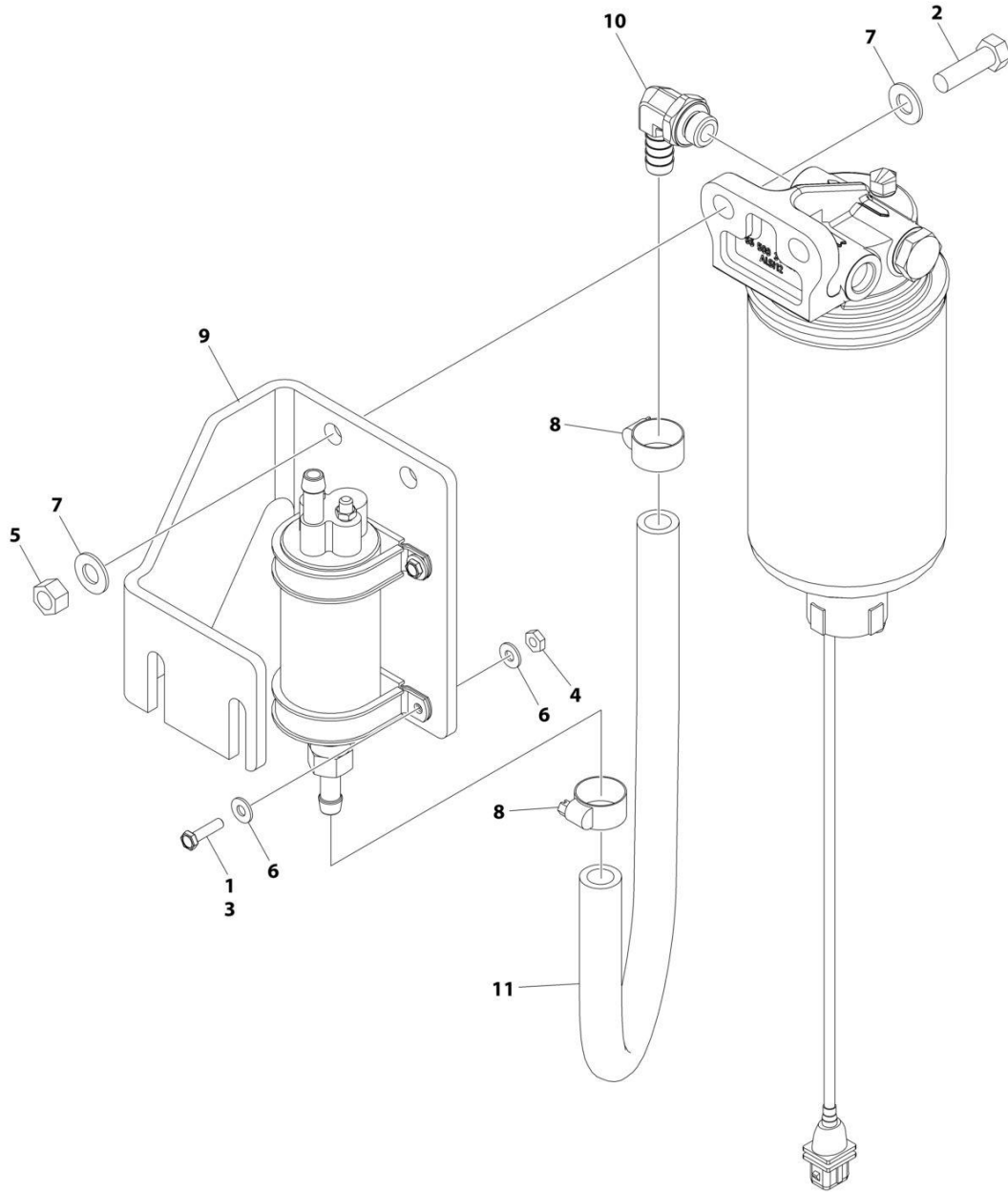
## SECTION 3 - ENGINE

**FIGURE 3-40. FUEL PUMP/FILTER BRACKET ASSEMBLY (DEUTZ TD2.9L4 ENGINES)**

ITEM	PART NUMBER	QTY	DESCRIPTION	REV
	1001162335	Ref	BRACKET ASSEMBLY - FUEL PUMP AND FILTER (DEUTZ D2.9L4 ENGINE)	E
1	0100011	AR	Compound, Locking	
2	0641610	2	Bolt 3/8 x 1-1/4	
3	0721006	4	Bolt #10 x 3/4	
4	1001154405	AR	Hose	
5	3311001	4	Nut #10	
6	3311605	2	Nut 3/8	
7	4711000	8	Washer #10	
8	4711600	4	Washer 3/8	
9	8405006	2	Clamp	
10	1001141870	1	Plate, Fuel Pump Mount	
11	1001142501	1	Fitting, Elbow Barbed	

# SECTION 3 - ENGINE

## FIGURE 3-41. FUEL PUMP/FILTER BRACKET ASSEMBLY (DEUTZ TD2.9L4 (STAGE V) ENGINES)



ART\_1001235949

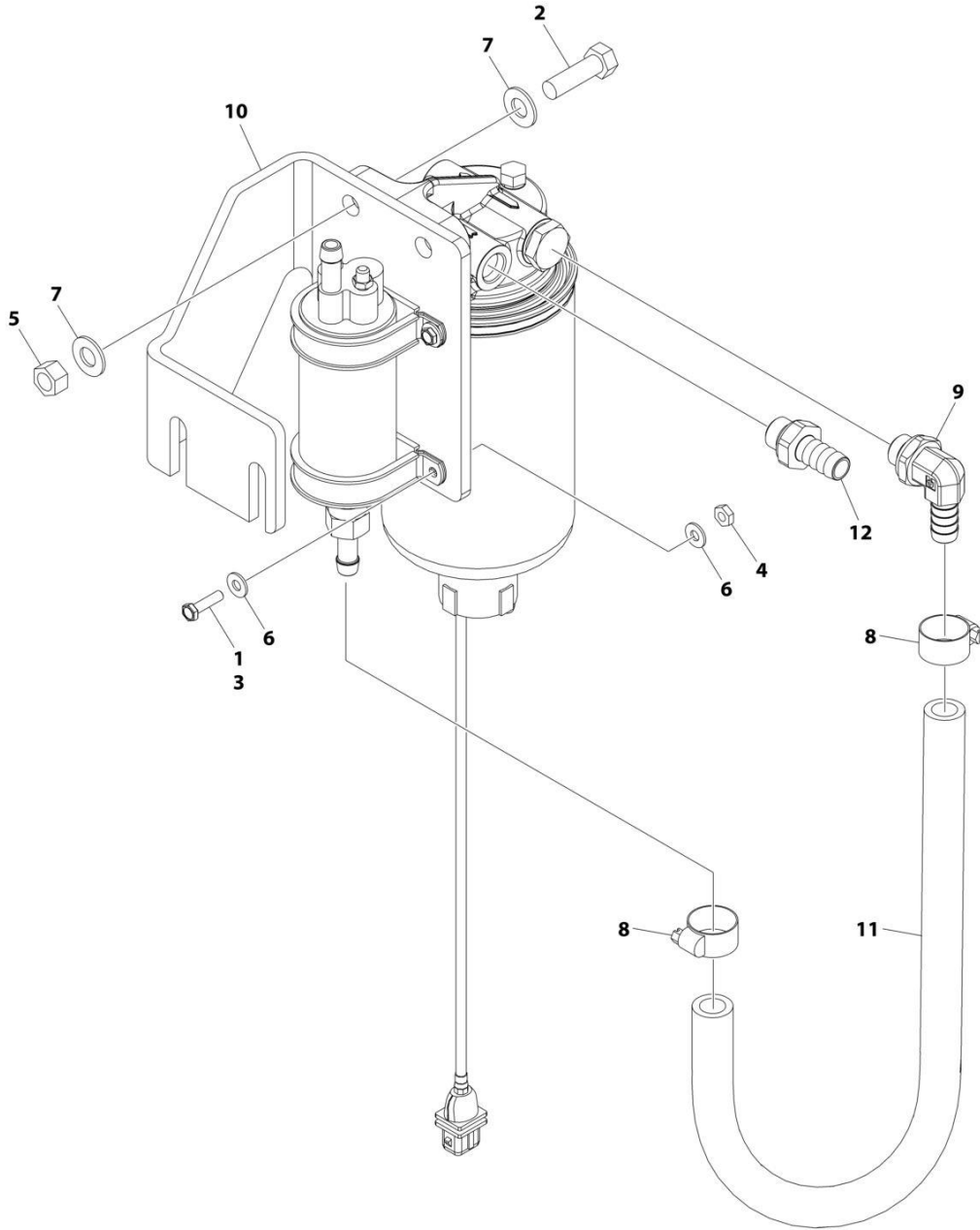
## SECTION 3 - ENGINE

**FIGURE 3-41. FUEL PUMP/FILTER BRACKET ASSEMBLY (DEUTZ TD2.9L4 (STAGE V) ENGINES)**

ITEM	PART NUMBER	QTY	DESCRIPTION	REV
	1001235949	Ref	BRACKET ASSEMBLY - FUEL PUMP AND FILTER (DEUTZ D2.9L4 (STAGE V) ENGINE)	A
1	0100035	AR	Compound, Locking	
2	0641610	2	Bolt 3/8 x 1-1/4	
3	0721006	4	Bolt #10 x 3/4	
4	3311001	4	Nut #10	
5	3311605	2	Nut 3/8	
6	4711000	8	Washer #10	
7	4711600	4	Washer 3/8	
8	8405006	2	Clamp	
9	1001141870	1	Plate, Fuel Pump Mount	
10	1001142501	1	Fitting, Elbow Barbed	
11	1001154405	1.5 ft /0.4m	Hose	

# SECTION 3 - ENGINE

FIGURE 3-42. FUEL PUMP/FILTER BRACKET ASSEMBLY (DEUTZ TD2.9L4 ENGINES) (CHINA III & CHINA IV ENGINE)



ART\_1001227224\_E

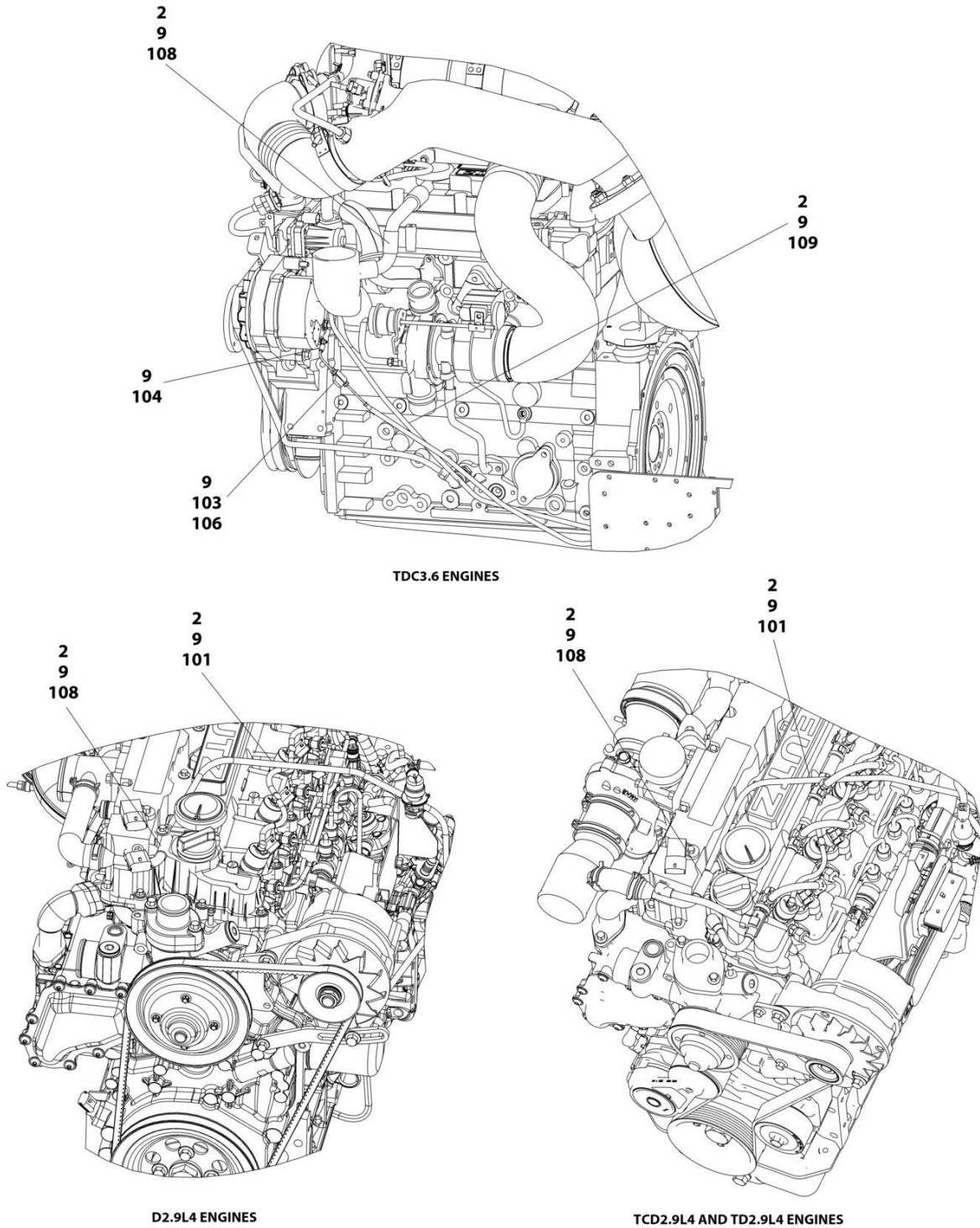
## SECTION 3 - ENGINE

**FIGURE 3-42. FUEL PUMP/FILTER BRACKET ASSEMBLY (DEUTZ TD2.9L4 ENGINES) (CHINA III & CHINA IV ENGINE)**

ITEM	PART NUMBER	QTY	DESCRIPTION	REV
	1001227224	Ref	BRACKET ASSEMBLY (LESS FUEL PUMP AND FILTER)	E
1	0100011	AR	Locking, Compound	
2	0641610	2	Bolt 3/8 x 1-1/4	
3	0721006	4	Bolt #10 x 3/4	
4	3311001	4	Nut #10	
5	3311605	2	Nut 3/8	
6	4711000	8	Washer #10	
7	4711600	4	Washer 3/8	
8	8405006	2	Clamp	
9	1001142501	1	Fitting, 90 Metric/Barbed	
10	1001141870	1	Plate, Fuel Pump Mount	
11	1001154405	AR	Hose	
12	1001141718	1	Fitting, Straight (Not Shown)	

# SECTION 3 - ENGINE

## FIGURE 3-43. BREATHER HEATER INST (DEUTZ TD2.9L4 ENGINES)



ART\_1001233763



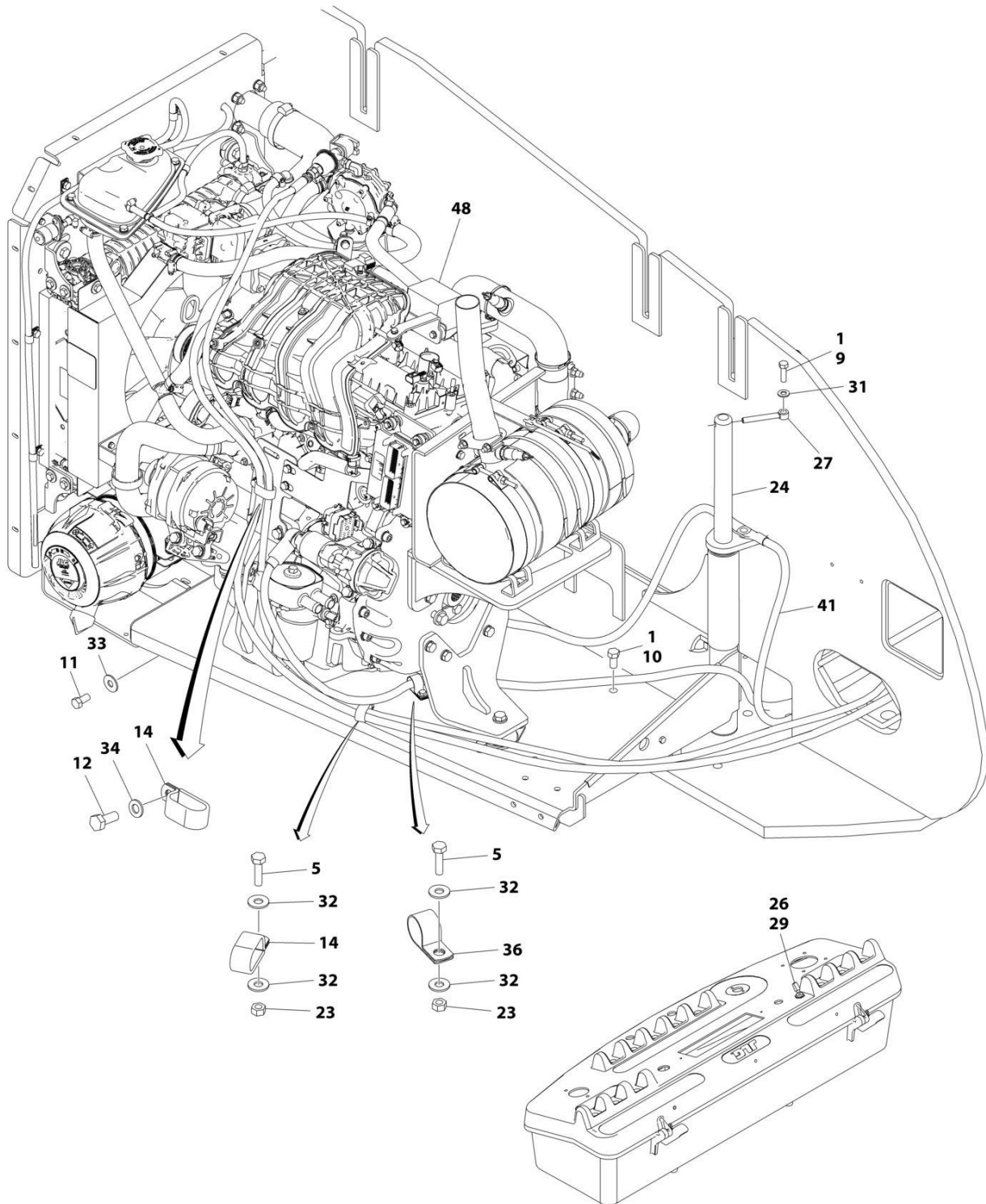
## SECTION 3 - ENGINE

### FIGURE 3-43. BREATHER HEATER INST (DEUTZ TD2.9L4 ENGINES)

ITEM	PART NUMBER	QTY	DESCRIPTION	REV
	1001233763	Ref	BREATHER HEATER INSTALLATION - DEUTZ ENGINES	D
2	4240099	AR	Tie-Strap	
9	1001243895	1	Breather Heater Harness	C
101	2820035	AR	Insulation	
103	2400060	1	Fuseholder with Cover	
104	4460043	1	Terminal, Ring	
105	4460722	1	Terminal, Ring (Not Shown)	
106	1001196634	1	Fuse - 2 Amp	
108	1001232842	1	Breather Heater Kit	

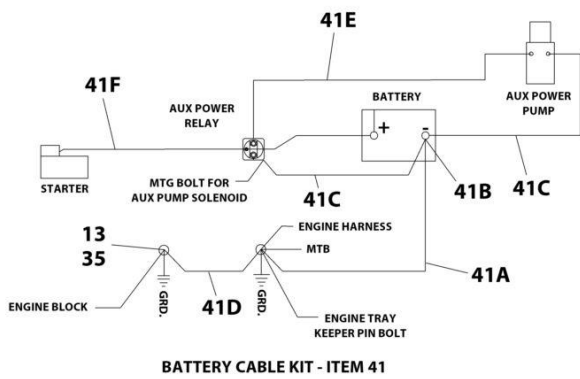
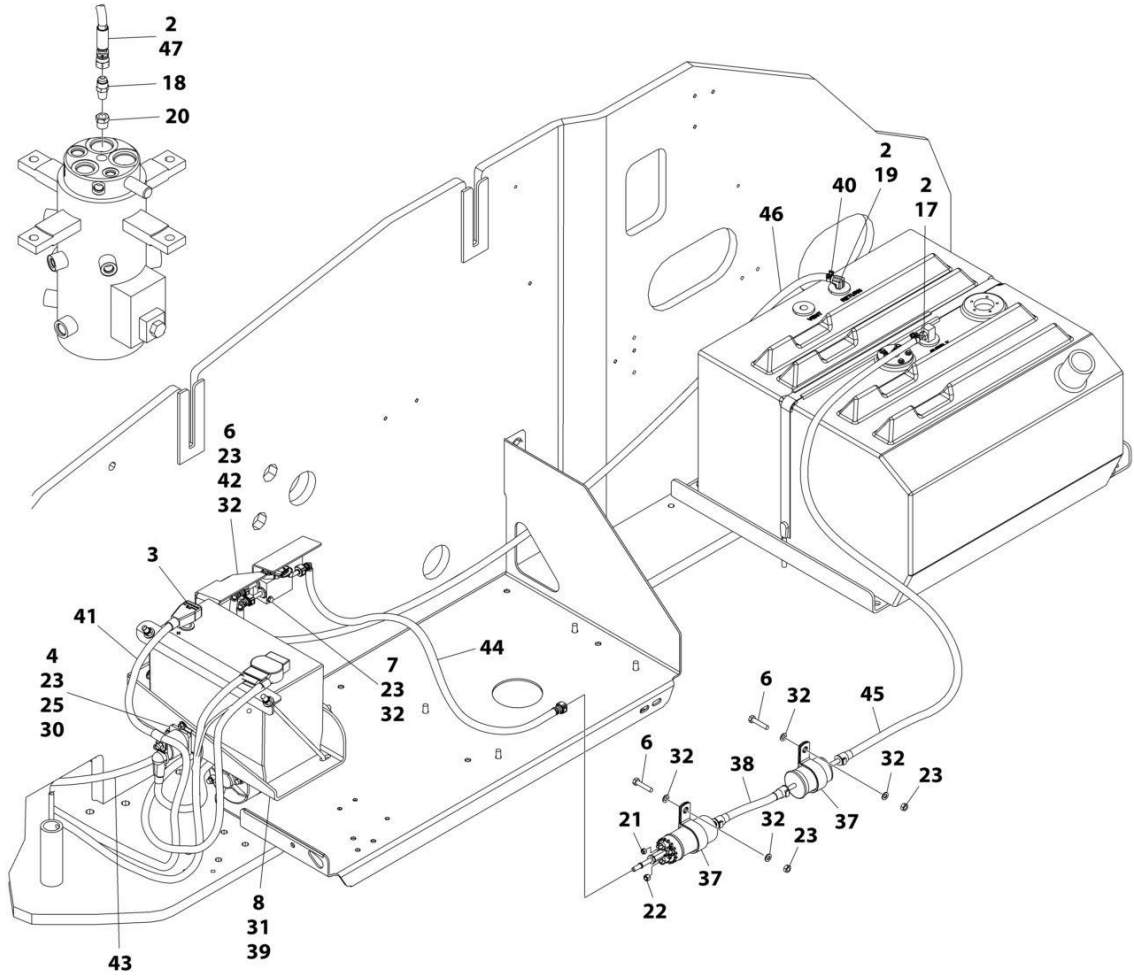
# SECTION 3 - ENGINE

## FIGURE 3-44. FORD ENGINE INSTALLATION - (WITHOUT ARCTIC PACKAGE)



ART\_1001285038\_10F2

# SECTION 3 - ENGINE



ART\_1001285038\_2OF2

## SECTION 3 - ENGINE

**FIGURE 3-44. FORD ENGINE INSTALLATION - (WITHOUT ARCTIC PACKAGE)**

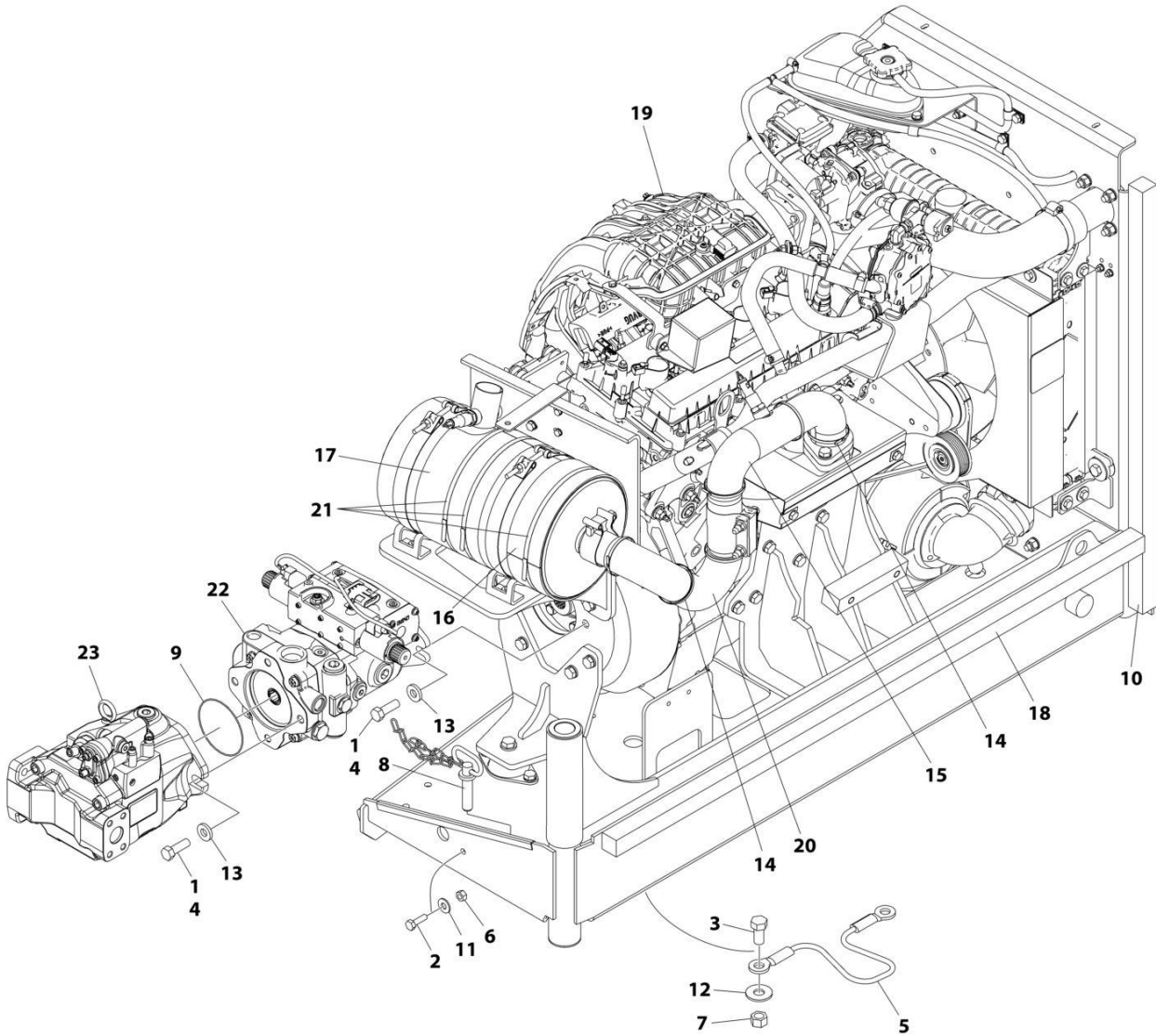
ITEM	PART NUMBER	QTY	DESCRIPTION	REV
	1001285038	Ref	FORD ENGINE INSTALLATION	A
1	0100011	AR	Compound, Locking	
2	0100020	AR	Sealant	
3	0100048	AR	Grease, Terminal	
4	0641406	2	Bolt 1/4 x 3/4	
5	0641408	2	Bolt 1/4 x 1	
6	0641412	4	Bolt 1/4 x 1-1/2	
7	0641420	2	Bolt 1/4 x 2-1/2	
8	0641607	3	Bolt 3/8 x 7/8	
9	0641610	1	Bolt 3/8 x 1-1/4	
10	0641808	1	Bolt 1/2 x 1	
11	0642010	1	Bolt 5/8 x 1-1/4	
12	0760810	1	Bolt M8 x 20	
13	0761008	1	Bolt M10 x 16	
14	1321283	2	Clamp	
15	1701542	1	Decal - Gas (Not Shown)	
16	1701543	AR	Decal - LPG (Not Shown)	
17	2180348	1	Fitting, Straight NPT/Barbed	
18	2180418	1	Fitting, Straight	
19	2221176	1	Fitting, 90	
20	2221197	1	Fitting, Straight NPT	
21	3290405	1	Nut M4	
22	3290505	1	Nut M5	
23	3311405	10	Nut 1/4	
24	3422446	1	Pin	
25	3740067	1	Relay	
26	3790012	1	O-Ring (Not Shown - Located on Platform Console Box)	
27	3841143	1	Keeper, Pin	
28	4240099	AR	Tie-Strap (Not Shown)	
29	4360336	1	Switch, Toggle (Not Shown - Located on Platform Console Box)	
30	4711400	4	Washer 1/4	
31	4711600	4	Washer 3/8	
32	4751400	16	Washer 1/4	
33	4752000	1	Washer 5/8	
34	4811900	1	Washer M8	
35	4812000	1	Washer M10	
36	8406201	1	Clip	
37	85941018	2	Clamp	
38	1001156823	1	Hose	
39	1001162497	1	Bracket, Battery	
40	1001174486	2	Clamp	
41	1001216568	1	Battery Cable Kit	
41A	7027084	1	Cable, Battery - Ground to Battery -	
41B	8270147	1	Terminal, Battery with Boot	
41C	7027085	1	Cable, Battery - Auxiliary Pump/Relay to Battery -	
49D	7027086	1	Cable, Battery - Engine to Ground	
41E	7027088	1	Cable, Battery - Auxiliary Relay to Auxiliary Pump	
41F	70009020	1	Cable, Battery - Starter/Auxiliary Relay to Battery +	
42	1001219370	1	Bracket	
43	1001219634	1	Hose	

## SECTION 3 - ENGINE

ITEM	PART NUMBER	QTY	DESCRIPTION	REV
44	1001219636	1	Hose	
45	1001219637	1	Hose	
46	1001219638	1	Hose	
47	1001219639	1	Hose	
48	1001285037	Ref	Ford Engine and Pump Sub-Assembly (See Separate Breakdown in this Section)	

# SECTION 3 - ENGINE

## FIGURE 3-45. FORD ENGINE AND PUMP SUB-ASSEMBLY - (WITHOUT ARCTIC PACKAGE)



ART\_1001285037

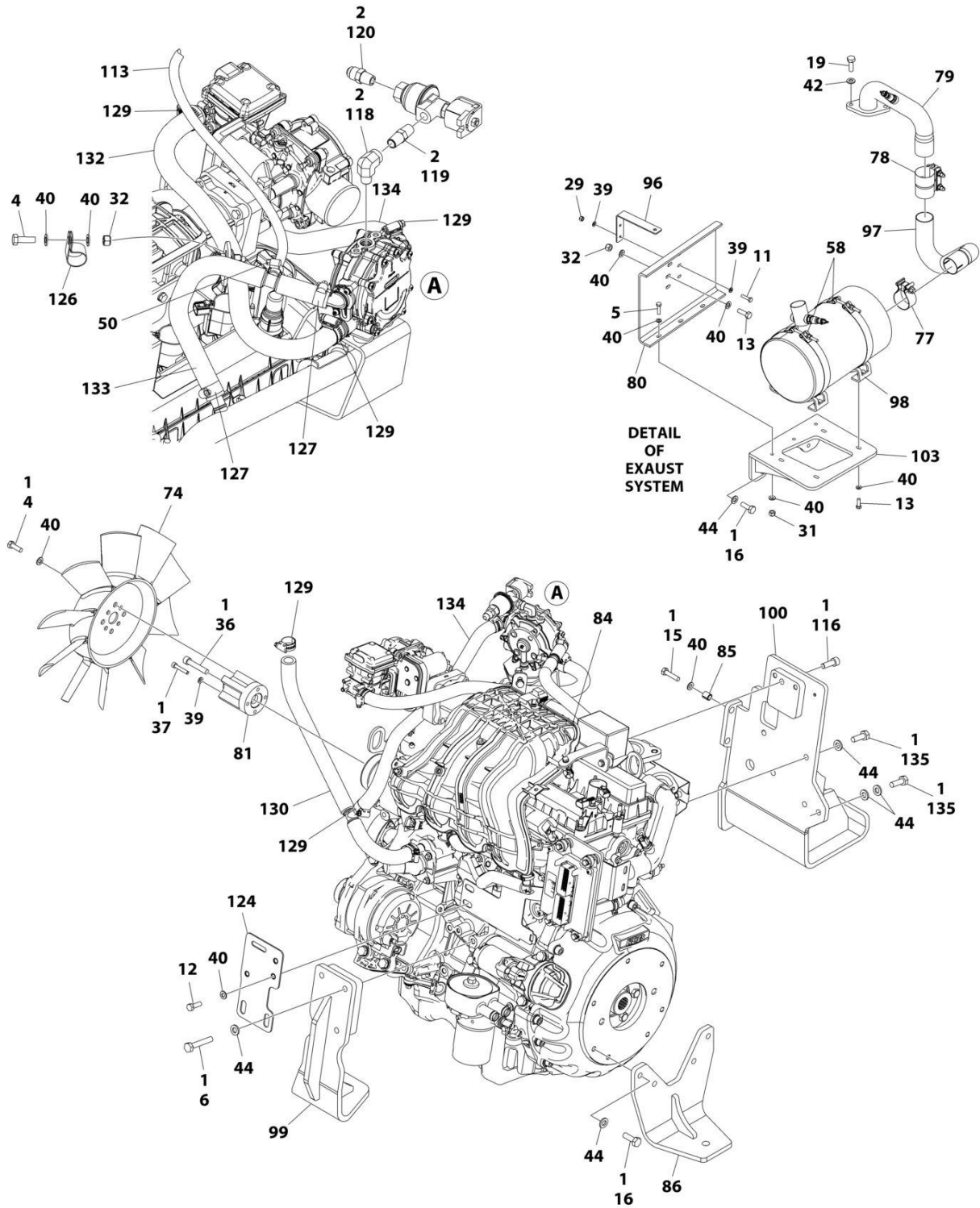
## SECTION 3 - ENGINE

**FIGURE 3-45. FORD ENGINE AND PUMP SUB-ASSEMBLY - (WITHOUT ARCTIC PACKAGE)**

ITEM	PART NUMBER	QTY	DESCRIPTION	REV
	1001285037	Ref	FORD ENGINE AND PUMP SUB-ASSEMBLY (WITHOUT ARCTIC PACKAGE)	A
1	0100011	AR	Compound, Locking	
2	0641407	1	Bolt 1/4 x 7/8	
3	0641808	1	Bolt 1/2 x 1	
4	0641812	4	Bolt 1/2 x 1-1/2	
5	1060637	1	Cable, Lanyard	
6	3311405	1	Nut 1/4	
7	3311805	1	Nut 1/2	
8	3422532	1	Pin	
9	3790044	1	O-Ring	
10	3960469	1	Seal	
11	4751400	1	Washer 1/4	
12	4751800	1	Washer 1/2	
13	4891800	4	Washer 1/2	
14	1001100825	6	Strap	
15	1001216532	1	Insulate, Exhaust Pipe	
16	1001216534	1	Insulate, Muffler	
17	1001216535	1	Insulate, Muffler	
18	1001217170	1	Seal	
19	1001217191	1	Ford Engine Assembly without Arctic Package (See Separate Breakdown in this Section)	
20	1001218085	1	Insulate, Exhaust Pipe	
21	1001221464	3	Strap	
22	1001225745	1	Hydrostatic Pump Assembly (See Separate Breakdown in this Section)	
23	1001276377	1	Variable Pump Assembly (See Separate Breakdown in this Section)	

# SECTION 3 - ENGINE

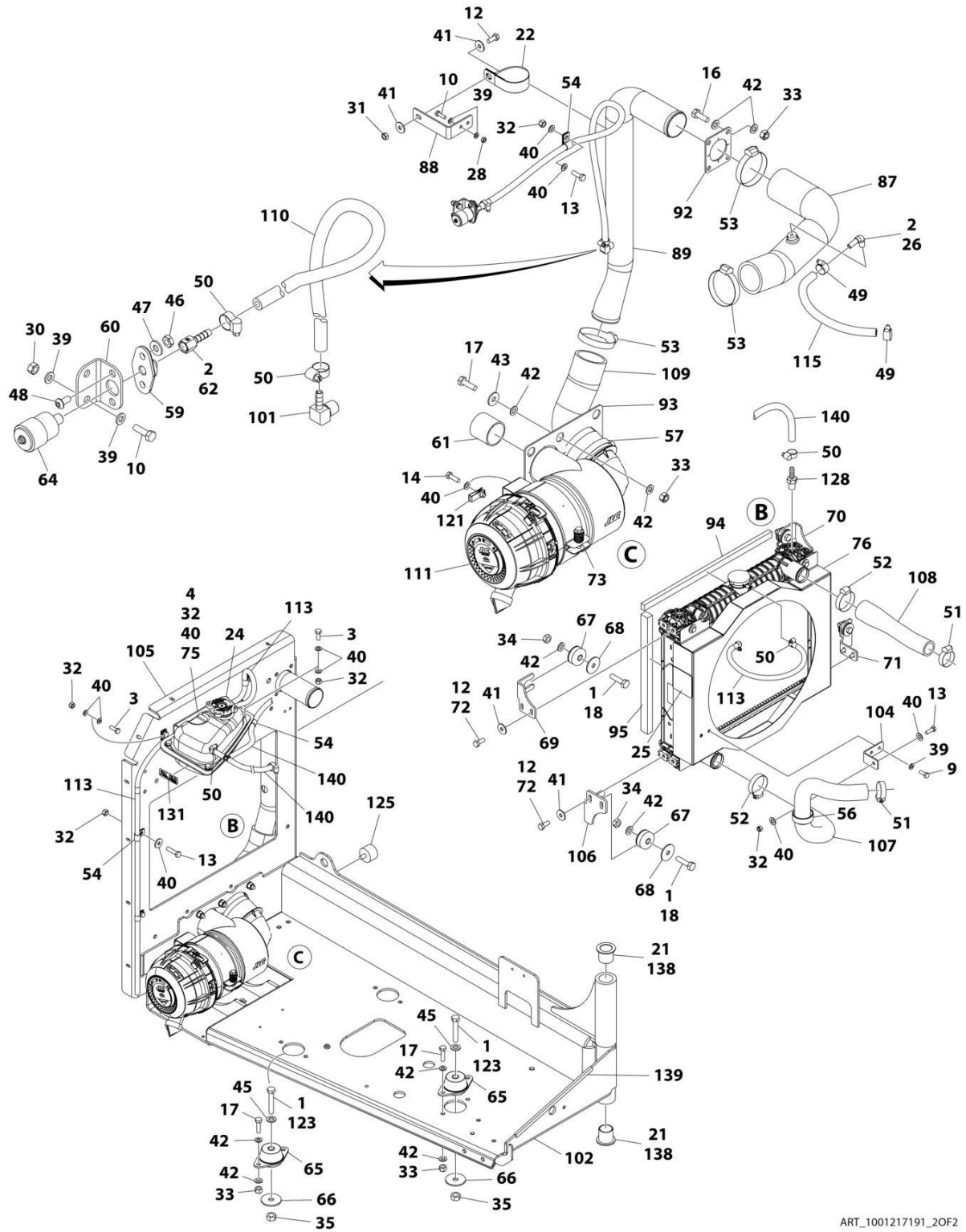
## FIGURE 3-46. FORD ENGINE ASSEMBLY (WITHOUT ARCTIC PACKAGE)



ART\_1001217191\_10F2



# SECTION 3 - ENGINE



ART\_1001217191\_2OF2

## SECTION 3 - ENGINE

**FIGURE 3-46. FORD ENGINE ASSEMBLY (WITHOUT ARCTIC PACKAGE)**

ITEM	PART NUMBER	QTY	DESCRIPTION	REV
	1001217191	Ref	FORD ENGINE ASSEMBLY	S
1	0100011	AR	Compound, Locking	
2	0100020	AR	Sealant	
3	0700810	3	Bolt 8 x 20	
4	0700812	7	Bolt 8 x 25	
5	0700814	3	Bolt 8 x 30	
6	0711020	3	Bolt M10 x 60	
9	0760608	2	Bolt 6 x 16	
10	0760610	4	Bolt M6 x 20	
11	0760612	2	Bolt 6 x 25	
12	0760810	11	Bolt M8 x 20	
13	0760812	12	Bolt M8 x 25	
14	0760814	2	Bolt M8 x 30	
15	0760815	2	Bolt M8 x 35	
16	0761014	11	Bolt M10 x 30	
17	0761015	12	Bolt M10 x 35	
18	0761016	4	Bolt M10 x 40	
19	0771014	2	Bolt 10 x 30	
21	0961986	2	Bearing, Flange	
22	1320110	1	Clamp	
23	1001187781	1	Tie-Strap (Not Shown)	
24	1001223584	1	Tank, Surge	
25	1703162	2	Decal - Fan Blade	
26	2180467	1	Fitting, Straight NPT/Barb	
28	3290601	2	Nut M6	
29	3290605	2	Nut M6	
30	3290607	2	Nut M6	
31	3290801	4	Nut M8	
32	3290805	14	Nut M8	
33	3291005	16	Nut M10	
34	3291001	4	Nut M10	
35	3291201	3	Nut M12	
36	3931644	1	Screw 3/8 x 2-3/4	
37	4031711	4	Capscrew M6 x 35	
38	4240099	AR	Tie-Strap (Not Shown)	
39	4811700	18	Washer M6	
40	4811900	48	Washer M8	
41	4811902	10	Washer M8	
42	4812000	38	Washer M10	
43	4812002	6	Washer M10	
44	5241000	15	Washer M10	
45	5241200	3	Washer M12	
46	8305401	2	Nut Jam	
47	8307109	2	Washer	
48	8310548	2	Screw 1/4 x 1/2	
49	8405006	2	Clamp	
50	8405009	5	Gear	
51	8405102	2	Clamp	
52	8405104	2	Clamp	
53	8405203	3	Clamp	

## SECTION 3 - ENGINE

ITEM	PART NUMBER	QTY	DESCRIPTION	REV
54	8406109	6	Clip	
56	8410001	1	Clamp	
57	8410011	1	Clamp	
58	1001128901	2	Strap	
59	1001138173	1	Support	
60	1001138175	1	Bracket	
61	1001141585	1	Hose	
62	1001141995	2	Fitting, Straight NPT/Barbed	
64	1001149639	1	Indicator, Restriction	
65	1001191610	3	Mount, Motor	
66	1001168018	3	Washer	
67	1001169054	4	Isolator	
68	1001169138	4	Pad, Snubbing	
69	1001169967	1	Bracket	
70	1001170035	1	Bracket	
71	1001176329	1	Bracket	
72	1001180620	AR	Adhesive	
73	1001186426	1	Clamp	
74	1001223042	1	Fan	
75	1001225442	1	Bracket	
76	1001223923	1	Radiator	
77	1001215681	1	Clamp	
78	1001215974	1	Clamp	
79	1001216075	1	Pipe, Exhaust	
80	1001216092	1	Shield, Heat	
81	1001216201	1	Adapter	
84	1001216910	1	Ford Engine Prep Assembly (See Separate Breakdown in this Section)	
85	1001216919	2	Sleeve	
86	1001290252	1	Mount, Engine Rear	
87	1001217032	1	Tube	
88	1001217046	1	Bracket	
89	1001217090	1	Tube	
92	1001217174	1	Seal	
93	1001217175	1	Seal	
94	1001217183	2	Seal	
95	1001217185	2	Seal	
96	1001217186	1	Support	
97	1001217317	1	Pipe	
98	1001217543	2	Mount	
99	1001218362	1	Mount	
100	1001218449	1	Bracket	
101	1001134488	1	Fitting	
102	1001219259	1	Support	
103	1001219345	1	Muffler	
104	1001219361	1	Support	
105	1001219363	1	Plate	
106	1001219480	1	Bracket	
107	1001219611	1	Hose	
108	1001219612	1	Hose	
109	1001219613	1	Tube	

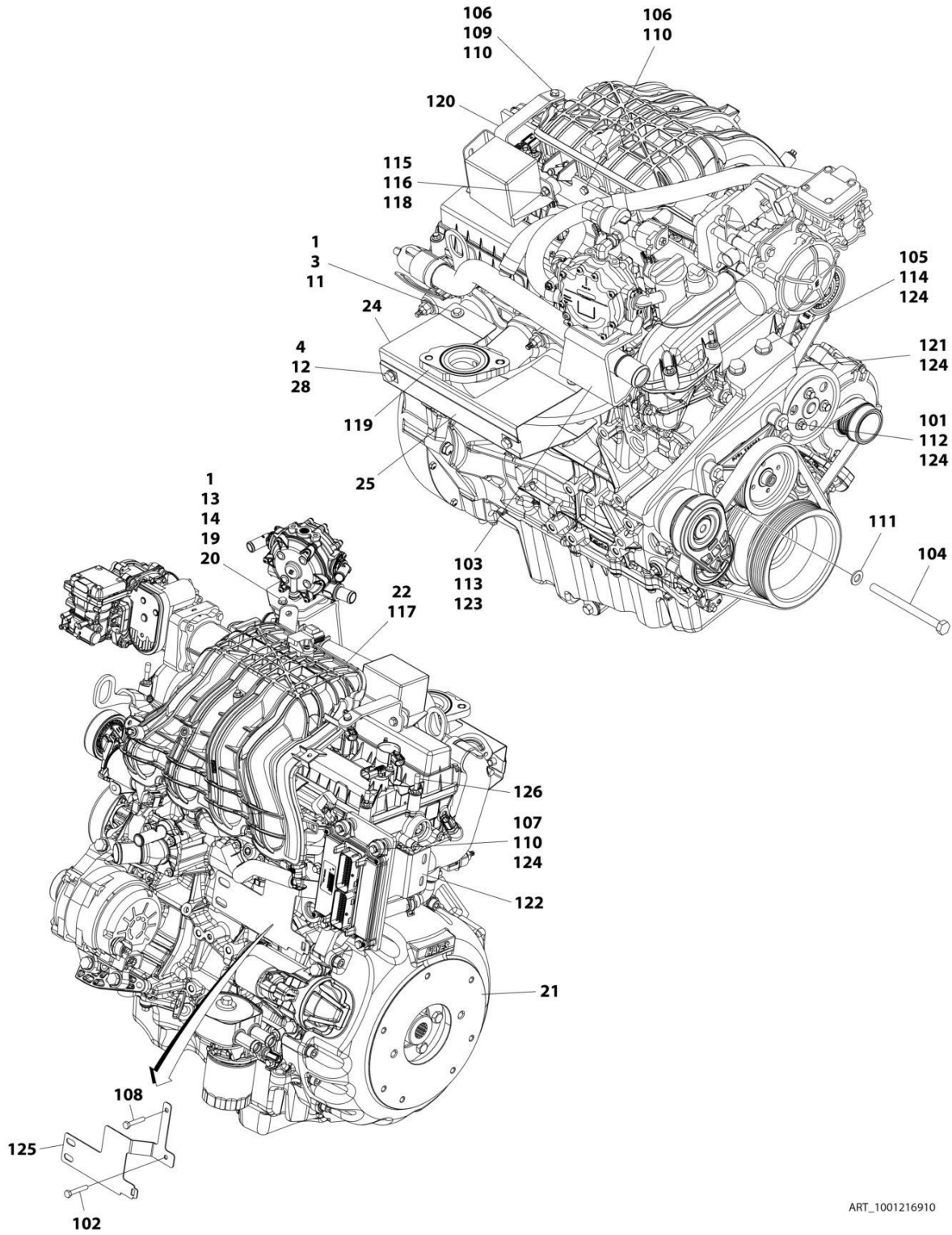
## SECTION 3 - ENGINE

ITEM	PART NUMBER	QTY	DESCRIPTION	REV
110	1001138248	31 in/ 77cm	Tube	
111	1001189979	1	Air Filter Assembly	
111	70005008	1	Element, Filter - Primary	
111	70006460	1	Element, Filter -Secondary	
111	8273291	1	Valve, Dust Evacuator	
111	70006461	1	Cover	
113	2720058	55 in/ 1.5m	Hose	
115	1001165035	10 26cm	Hose	
116	5272010	1	Bolt M10 x 30	
118	1001247359	1	Fitting, 90 FSNPSM/NPTF	
119	2220261	1	Fitting	
120	2180418	1	Fitting	
121	1001221615	2	Nut M8	
123	0711223	3	Bolt 12 x 75	
124	1001222033	1	Plate	
125	0940070	1	Bumper	
126	8406201	1	Clip	
127	8410009	2	Gear Clamp	
128	2180348	1	Fitting	
129	1001173535	6	Clamp	
130	1001224489	1	Hose	
131	1001225510	1	Decal	
132	1001216531	1	Hose	
133	1001227666	1	Hose	
134	1001224486	1	Hose	
135	0711014	5	Bolt 10 x 30	
138	0100062	AR	Compound Locking	
139	4060805	16 in/ 41cm	Shield	
140	1001227667	1	Hose	
141	1001303818	1	Washer M10	



# SECTION 3 - ENGINE

## FIGURE 3-47. FORD ENGINE PREP ASSEMBLY



ART\_1001216910

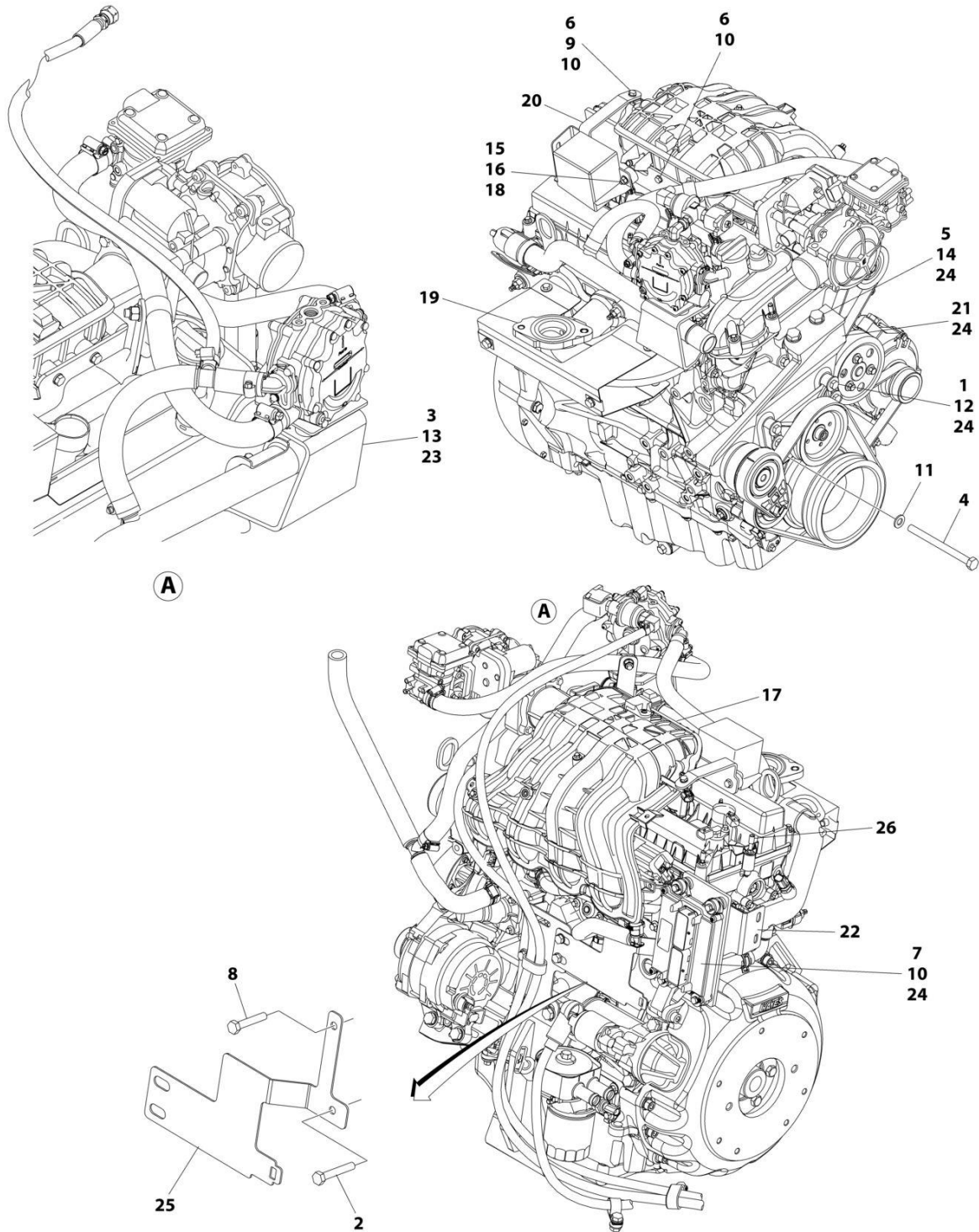
## SECTION 3 - ENGINE

**FIGURE 3-47. FORD ENGINE PREP ASSEMBLY**

ITEM	PART NUMBER	QTY	DESCRIPTION	REV
	1001216910	Ref	FORD ENGINE PREP ASSEMBLY	F
1	0100011	AR	Compound, Locking	
3	0760605	4	Bolt M6 x 10	
4	0760807	2	Bolt M8 x 14	
11	4811702	4	Washer M6	
12	4811900	2	Washer M8	
13	5250605	3	Bolt M6 x 10	
14	5260600	1	Nut M6 Class 10	
19	1001211794	3	Mount, Isolator	
20	1001227769	1	Plate	
21	1001213810	1	Pump Coupling Kit	
21	70006134	1	Coupling	
21	70006135	1	Housing	
21	70006136	1	Hardware Kit	
22	1001216065	1	Ford Engine Assembly (See Items 101-126 for Breakdown)	
24	1001216768	1	Bracket	
25	1001216769	1	Bracket	
28	1001149160	2	Nut, Tinnerman M8	
	1001216065	Ref	FORD ENGINE PREP ASSEMBLY - BRACKETS/EXHAUST MANIFOLD	M
101	0700816	4	Bolt M8 x 40	
102	0700818	1	Bolt M8 x 50	
103	0701014	2	Bolt M10 x 30	
104	0710827	1	Bolt M8 x 100 Grade 10.9	
105	0711216	2	Bolt M12 x 40	
106	0760610	3	Bolt M6 x 20	
107	0760615	4	Bolt M6 x 35	
108	0760817	1	Bolt M8 x 45	
109	3290601	1	Nut M6	
110	4811700	8	Washer M6	
111	4811900	1	Washer M8	
112	4811902	4	Washer M8	
113	4812000	1	Washer M10	
114	4812100	2	Washer M12	
115	5250605	2	Bolt M6 x 10	
116	5260600	2	Nut M6 Class 10	
117	1001210448	1	Engine, Ford 2.5L (See Separate Breakdown in this Section)	
118	1001211794	2	Mount	
119	1001214827	1	Manifold, Exhaust	
120	1001215384	1	Bracket	
121	1001216071	1	Bracket	
122	1001216144	1	Support, Muffler	
123	1001227772	1	Mount, Vaporizer	
124	0100011	AR	Compound, Locking	
125	1001221545	1	Plate	
126	1001222641	6	Cap	

# SECTION 3 - ENGINE

## FIGURE 3-48. FORD ENGINE BRACKETS AND EXHAUST MANIFOLD INSTALLATION



ART\_1001216065



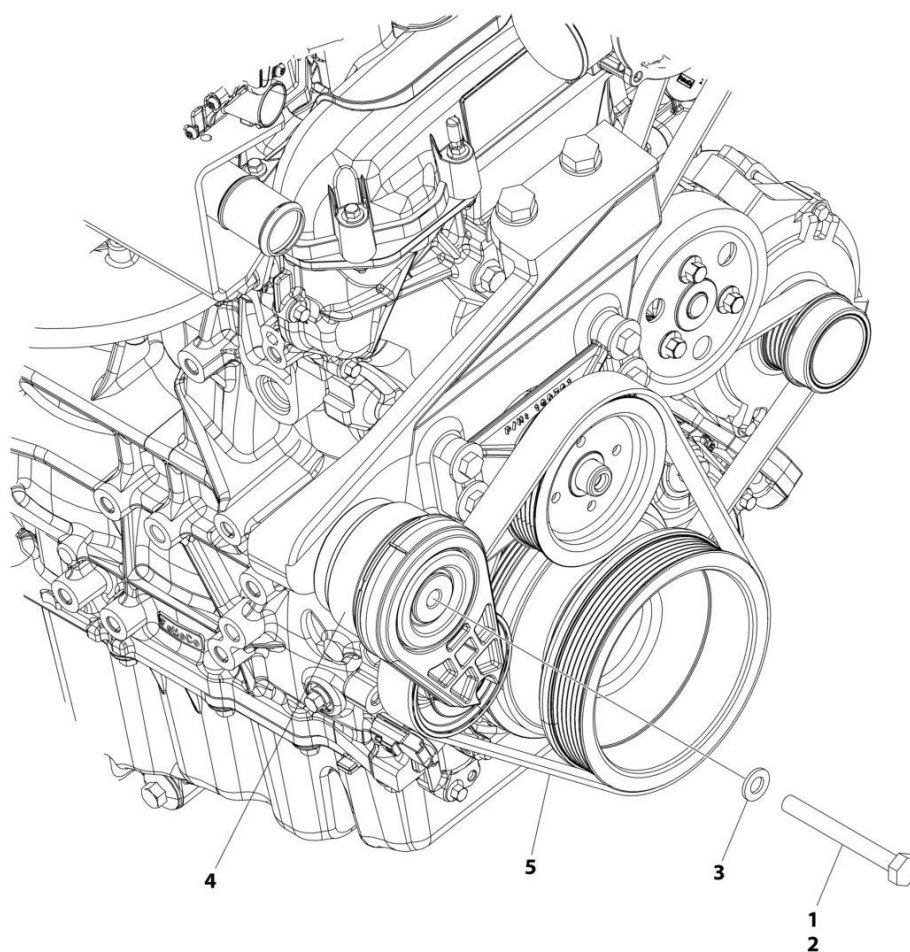
## SECTION 3 - ENGINE

**FIGURE 3-48. FORD ENGINE BRACKETS AND EXHAUST MANIFOLD INSTALLATION**

ITEM	PART NUMBER	QTY	DESCRIPTION	REV
	1001216065	Ref	FORD ENGINE ASSEMBLY - BRACKETS/EXHAUST MANIFOLD	N
1	0700816	4	Bolt M8 x 40	
2	0700818	1	Bolt M8 x 50	
3	0701014	2	Bolt M10 x 30	
4	0710827	1	Bolt M8 x 100 Grade 10.9	
5	0711216	2	Bolt M12 x 40	
6	0760610	3	Bolt M6 x 20	
7	0760615	4	Bolt M6 x 35	
8	0760817	1	Bolt M8 x 45	
9	3290601	1	Nut M6	
10	4811700	8	Washer M6	
11	4811900	1	Washer M8	
12	4811902	4	Washer M8	
13	4812000	1	Washer M10	
14	4812100	2	Washer M12	
15	5250605	2	Bolt M6 x 10	
16	5260600	2	Nut M6 Class 10	
17	1001210448	1	Engine, Ford 2.5L (See Separate Breakdown in this Section)	
18	1001211794	2	Mount	
19	1001214827	1	Manifold, Exhaust	
20	1001215384	1	Bracket	
21	1001216071	1	Bracket	
22	1001216144	1	Support, Muffler	
23	1001227772	1	Mount, Vaporizer	
24	0100011	AR	Compound, Locking	
25	1001221545	1	Plate	
26	1001222641	6	Cap	

## SECTION 3 - ENGINE

FIGURE 3-49. FORD ENGINE DRIVE BELT INSTALLATION (MACHINES WITHOUT GENERATOR)



ART\_1001220404

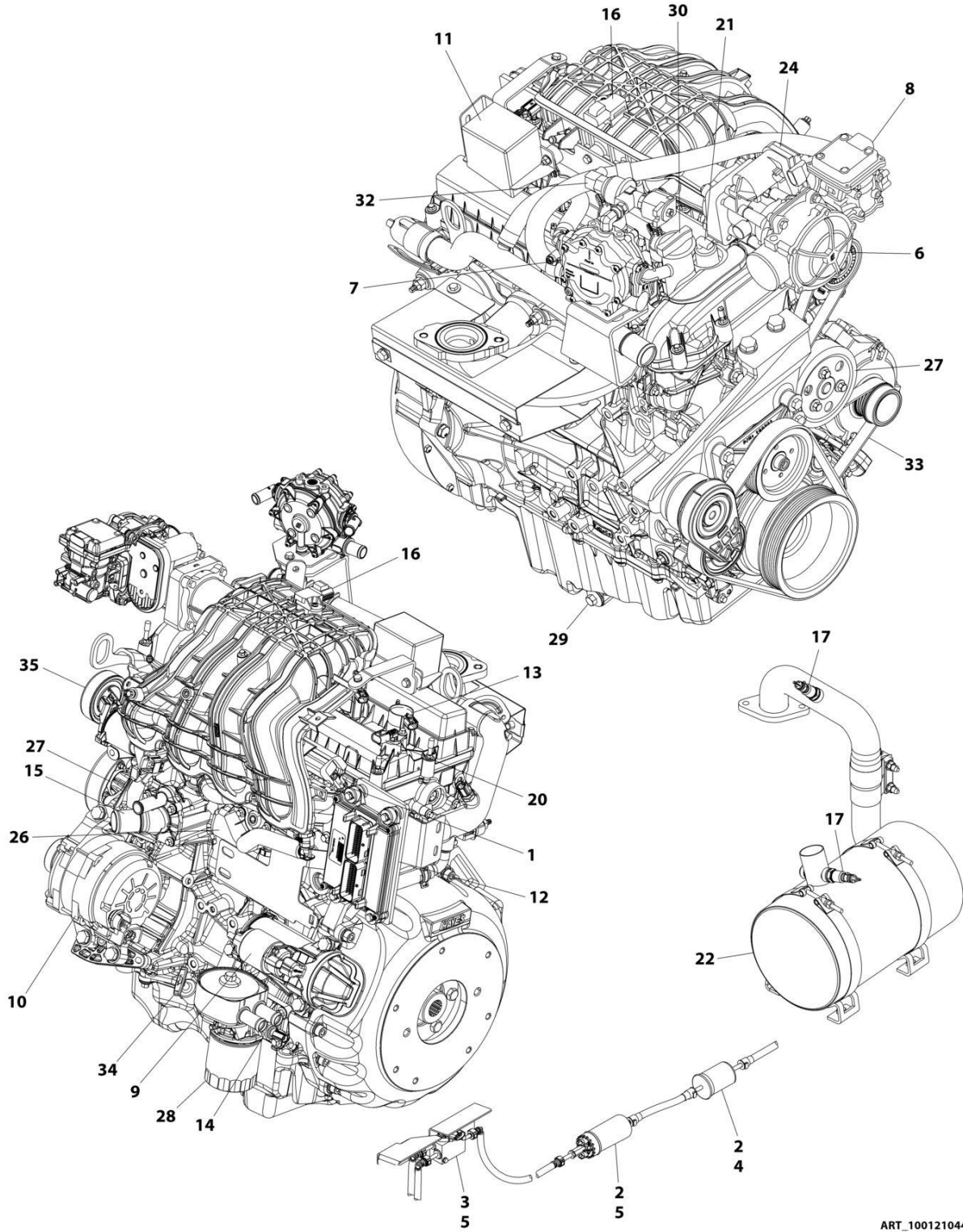
## SECTION 3 - ENGINE

**FIGURE 3-49. FORD ENGINE DRIVE BELT INSTALLATION (MACHINES WITHOUT GENERATOR)**

ITEM	PART NUMBER	QTY	DESCRIPTION	REV
	1001220404	Ref	DRIVE BELT INSTALLATION	C
1	0100011	AR	Compound, Locking	
2	0701026	1	Bolt M10 x 90	
3	4812002	1	Washer M10	
4	1001216300	1	Pulley	
5	1001216619	1	V-Belt	

# SECTION 3 - ENGINE

## FIGURE 3-50. FORD ENGINE COMPONENTS



ART\_1001210448

## SECTION 3 - ENGINE

### FIGURE 3-50. FORD ENGINE COMPONENTS

ITEM	PART NUMBER	QTY	DESCRIPTION	REV
	1001210448	Ref	FORD ENGINE COMPONENTS	H
1	70006145	4	Injector, Fuel	
1	70006147	1	Rail, Fuel	
2	70006150	1	Pump, Fuel	
2	70006154	1	Fitting M10	
3	70006151	1	Block, Fuel	
3	70006152	2	Fitting SAE6	
3	70006153	1	Fitting SAE3	
3	70006189	1	Harness, Fuel Block	
4	70006155	1	Filter, Fuel	
5	7022162	8	Clamp	
5	70006157	8	Clip, Fuel Quick Disconnect	
6	70006158	1	Mixer, LP	
6	70006168	1	Mixer Diaphragm Replacement Kit	
6	70006159	1	Adapter, Mixer to Governor	
6	70006160	1	O-Ring, Mixer to Adapter	
6	70006161	1	Seal, Mixer to Adapter	
7	70006162	1	Regulator, LP Vapor	
7	70006166	2	Fitting	
7	70006167	1	Fitting, Straight	
7	70006165	2	Isolator, Rubber	
8	70006163	1	Regulator, Direct Electronic Pressure	
8	70006164	1	Adapter, Fitting 90	
9	70006169	1	Starter	
9	70006233	1	Harness, Alternator/Starter	
10	70006170	1	Alternator	
11	70006173	1	Cover, Relay Box	
11	70006171	2	Relay (Fuel Pump & Power)	
11	70006172	1	Relay (Starter)	
11	70006175	1	Fuse - 20Amp (Starter)	
11	70006174	1	Decal - Relay Box Cover	
11	70006188	1	Harness, Engine	
11	70006165	2	Isolator, Rubber	
12	70006176	1	Module - Engine Control Unit (ECU/GCP)	
12	70006191	1	Software & Diagnostic Cable	
13	70006177	4	Coil and Boot Assembly	
13	70006178	4	Plug, Spark	
14	70006179	1	Switch, Oil Pressure	
15	70006180	1	Sensor, Knock	
16	70006181	1	Sensor, TMAP	
17	70006182	2	Sensor, O2	
18	70006183	1	Sensor, Coolant Temperature (Not Shown - Located Rear of Engine Block)	
19	70006184	1	Sensor, Crank Position (Not Shown - Located at Front RH Side of Block)	
20	70006185	1	Sensor, Cam Position	
21	70006186	1	Solenoid, Timing	
21	70006187	1	Grommet, Rubber	
22	70006194	1	Muffler	
22	70006195	1	Plug (Located at Muffler Outlet)	

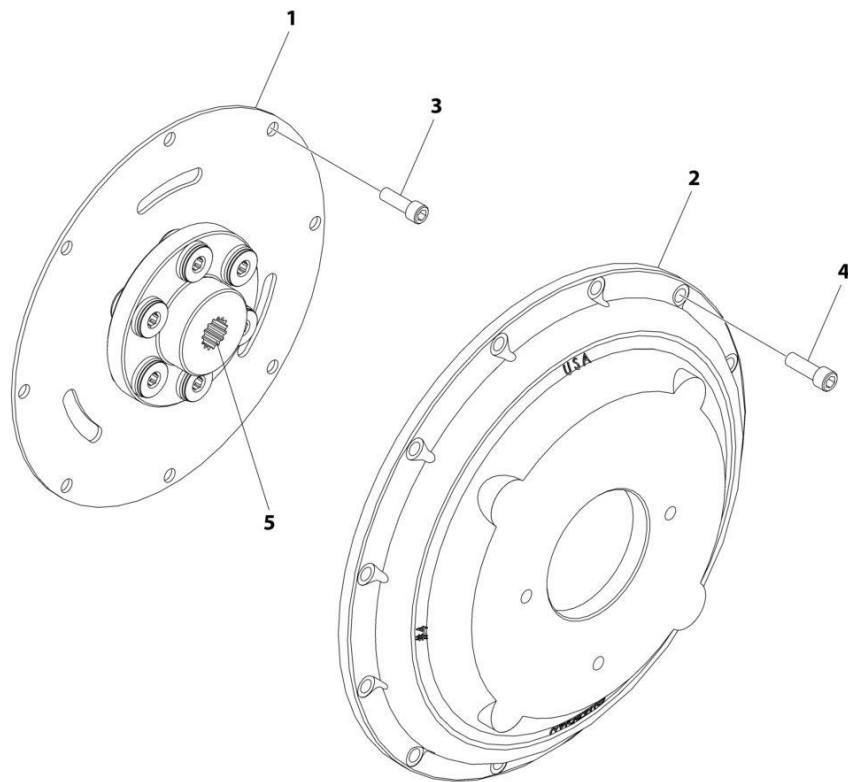
## SECTION 3 - ENGINE

ITEM	PART NUMBER	QTY	DESCRIPTION	REV
23		Ref	Gasket Options (Not Shown)	
23	70006196	1	Gasket, Exhaust Manifold to Head	
23	70006197	1	Gasket, Exhaust Manifold Outlet	
23	70006200	1	Gasket, Intake Manifold to Head	
23	70006219	1	Gasket Set - Camshaft Cover	
23	70006225	1	Gasket, Cylinder Head	
24	70006198	1	Governor	
24	7027404	1	Gasket, Governor Actuator	
24	70006199	1	Gasket, Governor to Intake Manifold Adapter	
25	70006203	1	Flywheel (Not Shown)	
26	70006205	1	Thermostat (Includes Housing)	
26	70006206	1	Gasket, Water Inlet	
27	70006207	1	Pump, Water	
27	70006208	1	O-Ring, Water Pump	
27	See Note	NSS	Pulley, Water Pump (Note: Not Available for Purchase at This Time)	
28	70006213	1	Filter, Oil	
29	70006215	1	Plug, Oil Drain	
29	70006217	1	Gasket, Oil Drain Plug	
30	70006221	1	Cap, Oil Fill	
31	70006232	1	Sensor, Crank (Not Shown)	
32	70006235	1	Valve, Lock-Off (Includes Filter)	
33	70006202	1	Belt	
34	70006236	1	Dipstick	
35	70007108	1	Belt Tensioner	



# SECTION 3 - ENGINE

## FIGURE 3-51. PUMP COUPLING KIT (DEUTZ ENGINES)



ART\_1001153282

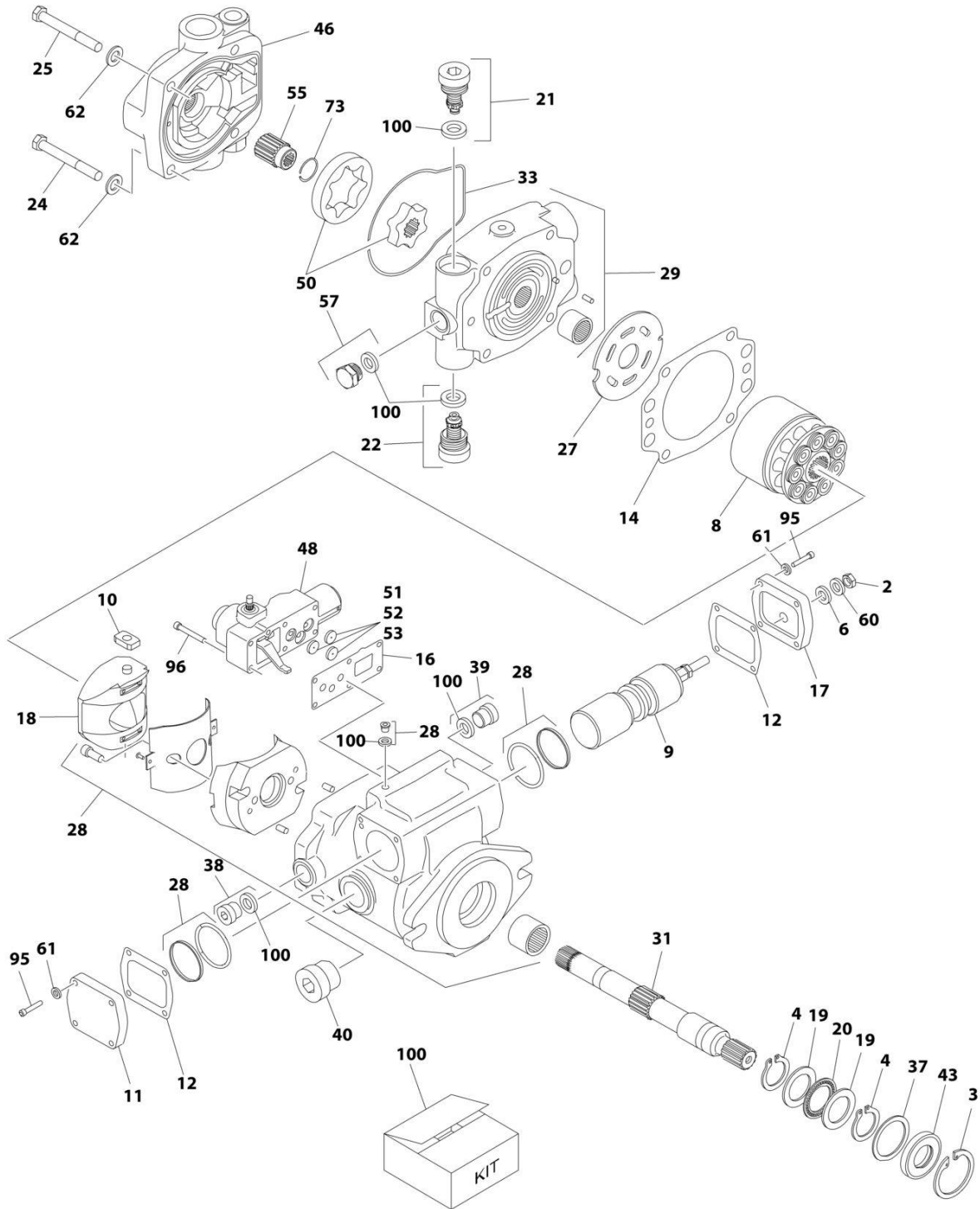


**SECTION 3 - ENGINE****FIGURE 3-51. PUMP COUPLING KIT (DEUTZ ENGINES)**

<b>ITEM</b>	<b>PART NUMBER</b>	<b>QTY</b>	<b>DESCRIPTION</b>	<b>REV</b>
	1001153282	Ref	PUMP COUPLING KIT	E
1	70004183	1	Coupling Guardian	
2	See Note	NSS	Plate, Pump Adapter (Note: Use p/n 1001153282)	
3	See Note	8	Capscrew M10 x 20 Grade 10.9 (Note: Not Available - Purchase Locally or Purchase Kit)	
4	See Note	12	Capscrew M10 x 25 Grade 10.9 (Note: Not Available - Purchase Locally or Purchase Kit)	
5	3020021	AR	Grease, Coupling	

# SECTION 3 - ENGINE

## FIGURE 3-52. HYDROSTATIC PUMP ASSEMBLY



ART\_1001225745

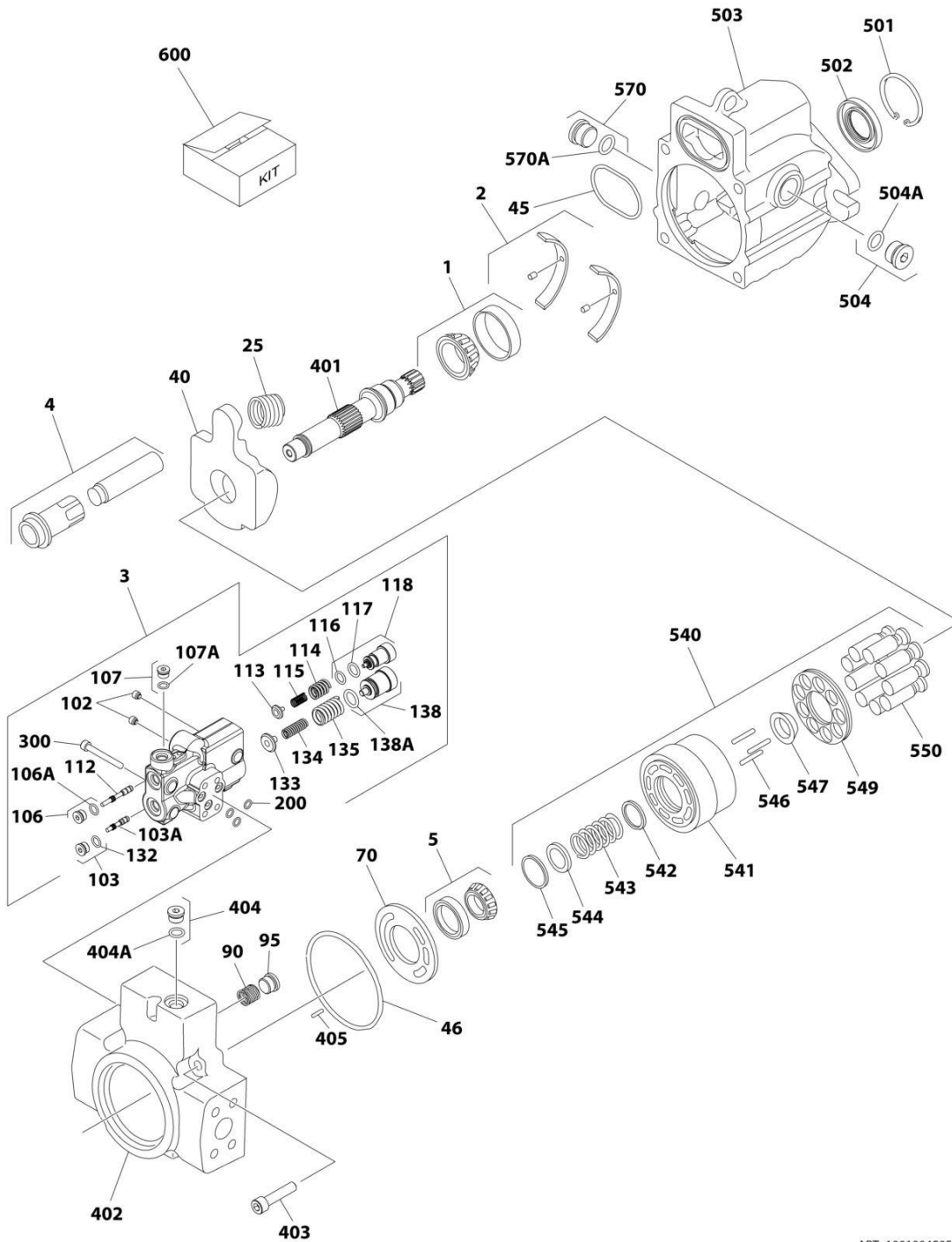
## SECTION 3 - ENGINE

### FIGURE 3-52. HYDROSTATIC PUMP ASSEMBLY

ITEM	PART NUMBER	QTY	DESCRIPTION	REV
	1001225745	Ref	HYDROSTATIC PUMP ASSEMBLY	A
2	70004329	1	Nut	
3	See Note	NSS	Ring, Retaining (Note: Use Item 100)	
4	See Note	NSS	Ring, Retaining (Note: Use Item 100)	
6	See Note	NSS	Washer, Seal (Note: Use Item 100)	
8	70004331	1	Cylinder Block Assembly	
9	70004332	1	Servo Piston Assembly	
10	70004333	1	Follower, Servo Piston	
11	70005458	1	Cover	
12	See Note	NSS	Gasket, Cover (Note: Use Item 100)	
14	See Note	NSS	Gasket, Housing (Note: Use Item 100)	
16	See Note	NSS	Gasket, Control Housing (Note: Use Item 100)	
17	70005459	1	Cover	
18	70004336	1	Camplate Assembly	
19	7004907	2	Race, Thrust	
20	7004908	1	Bearing, Thrust	
21	70004337	1	Relief Valve Assembly	
22	70004337	1	Relief Valve Assembly	
24	70004338	2	Capscrew	
25	70004338	2	Capscrew	
27	70004340	1	Plate, Valve	
28	See Note	NSS	Housing (Note: Not Available - Purchase Assembly)	
29	70005460	1	End Cover Assembly	
31	70004342	1	Shaft, Drive	
33	See Note	NSS	O-Ring (Note: Use Item 100)	
37	7004906	1	Washer	
38	70005461	1	Plug	
39	70005461	1	Plug	
40	70005462	1	Plug	
43	See Note	NSS	Seal, Shaft (Note: Use Item 100)	
46	70004343	1	Adapter, Charge Pump	
48	70004344	1	Servo Control Assembly	
50	70004345	1	Gerotor	
51	70004346	1	Orifice	
52	70004346	1	Orifice	
53	70004346	1	Orifice	
55	70004347	1	Coupler	
57	70005463	1	Plug	
60	70004348	1	Washer	
61	70004349	8	Washer	
62	70004350	4	Washer	
73	70004351	1	Ring, Retaining	
95	70005464	8	Capscrew	
96	70005465	6	Capscrew	
100	70004352	1	Seal Kit - Pump (Includes Items 3, 4, 6, 12, 14, 16, 33 & 43 and Valve and Plug O-Rings and Seals)	

# SECTION 3 - ENGINE

## FIGURE 3-53. VARIABLE PUMP ASSEMBLY - DEUTZ TD2.9L4 STAGE V ENGINES



ART\_1001094595

## SECTION 3 - ENGINE

**FIGURE 3-53. VARIABLE PUMP ASSEMBLY - DEUTZ TD2.9L4 STAGE V ENGINES**

ITEM	PART NUMBER	QTY	DESCRIPTION	REV
	1001094595	Ref	VARIABLE PUMP ASSEMBLY	A
1	7023947	1	Bearing, Front (Includes Cup and Cone)	
2	7023948	1	Bearings, Swash Plate (Includes Both Sides and Pins)	
3	7023956	1	Control Valve Assembly (Includes Items 102-300)	
4	7023949	1	Servo Piston Assembly	
5	7023950	1	Bearing, Rear (Includes Cup and Cone)	
25	7023951	1	Spring	
40	7023952	1	Swash Plate	
45	See Note	NSS	O-Ring (Note: Use Item 600)	
46	See Note	NSS	O-Ring (Note: Use Item 600)	
70	70001954	1	Plate, Valve	
90	70001955	1	Spring, Check Valve	
95	70001956	1	Poppet, Check Valve	
102	See Note	NSS	Setscrew (Note: Use Item 3)	
103	See Note	NSS	Plug (Note: Use Item 3)	
103A	See Note	NSS	O-Ring (Note: Use Item 600)	
106	See Note	NSS	Plug (Note: Use Item 3)	
106A	See Note	NSS	O-Ring (Note: Use Item 600)	
107	See Note	NSS	Plug (Note: Use Item 3)	
107A	See Note	NSS	O-Ring (Note: Use Item 600)	
112	See Note	NSS	Spool, Control (Note: Use Item 3)	
113	See Note	NSS	Guide, Spring (Note: Use Item 3)	
114	See Note	NSS	Spring (Note: Use Item 3)	
115	See Note	NSS	Spring (Note: Use Item 3)	
116	See Note	NSS	O-Ring (Note: Use Item 600)	
117	See Note	NSS	Ring, Back-up (Note: Use Item 600)	
118	See Note	NSS	Plug, Adjusting (Note: Use Item 3)	
132	See Note	NSS	Spool, Control (Note: Use Item 3)	
133	See Note	NSS	Guide, Spring (Note: Use Item 3)	
134	See Note	NSS	Spring (Note: Use Item 3)	
135	See Note	NSS	Spring (Note: Use Item 3)	
138	See Note	NSS	Plug, PC Adjusting (Note: Use Item 3)	
138A	See Note	NSS	O-Ring (Note: Use Item 600)	
200	See Note	NSS	Ring, Seal (Note: Use Item 600)	
300	7023957	4	Screw	
401	7023958	1	Shaft	
402	70001957	1	Cap, End	
403	7023960	4	Screw	
404	7022318	1	Plug	
404A	See Note	NSS	O-Ring (Note: Use Item 600)	
405	7023961	1	Pin	
501	7023962	1	Ring, Retaining	
502	See Note	NSS	Seal, Lip (Note: Use Item 600)	
503	See Note	NSS	Housing (Note: Not Available - Purchase Assembly)	
504	7023964	1	Plug	
504A	7007415	1	O-Ring	
540	7023965	1	Cylinder Block Assembly	
541	See Note	NSS	Block, Cylinder (Note: Use Item 540)	
542	7024868	1	Washer	
543	7024867	1	Spring	

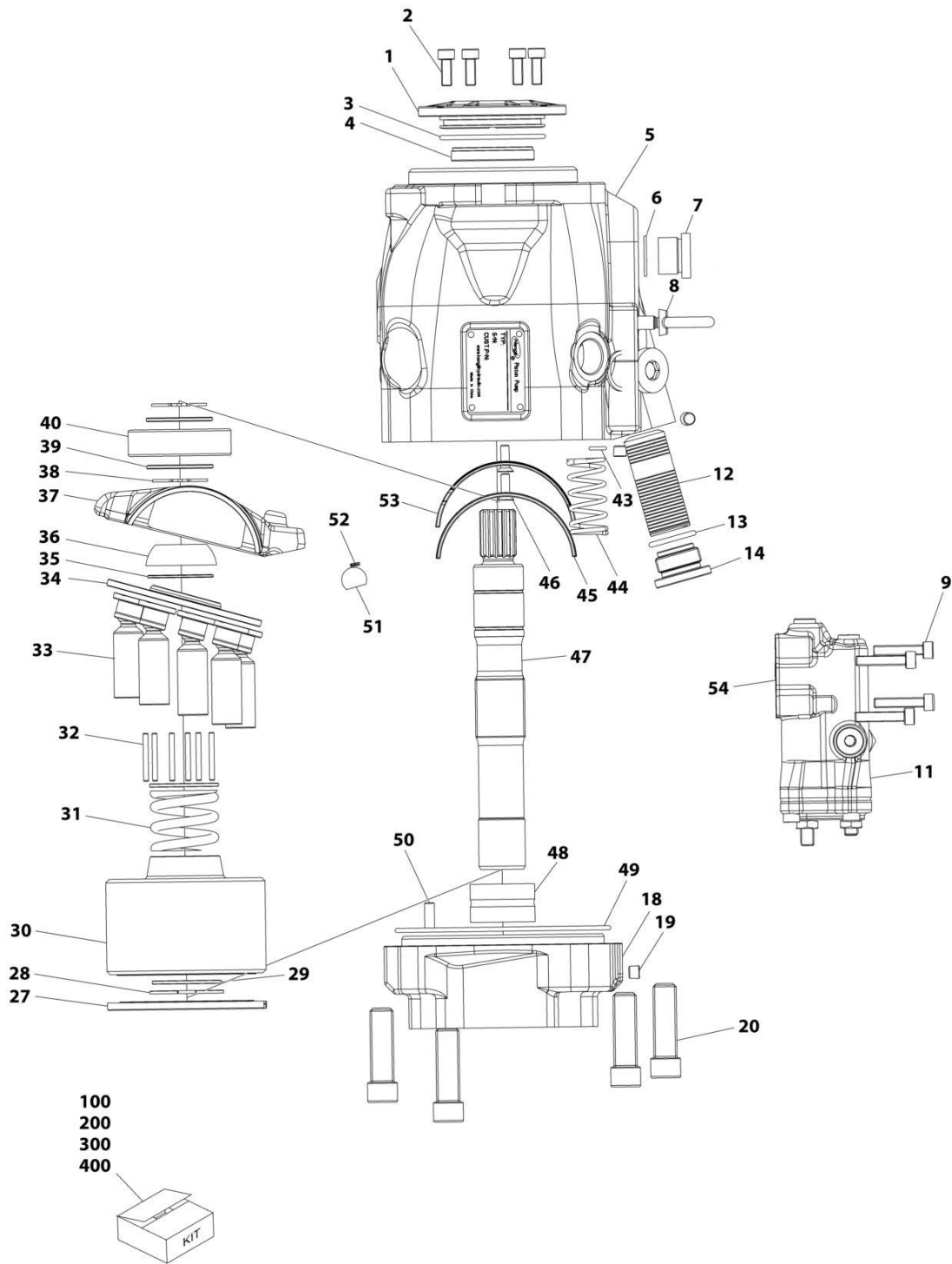
## SECTION 3 - ENGINE

ITEM	PART NUMBER	QTY	DESCRIPTION	REV
544	7022314	1	Retainer, Spring	
545	7022311	1	Ring, Retaining	
546	7021275	3	Pin, Slipper	
547	7024864	1	Guide, Slipper	
549	7024866	1	Retainer, Slipper	
550	7023966	9	Piston Assembly	
570	7023964	1	Plug	
570A	7007415	1	O-Ring	
600	7023967	1	Seal Kit - Complete (Includes Items 45, 46, 103A, 106A, 107A, 118, 138A, 200, 444A & 502)	



# SECTION 3 - ENGINE

## FIGURE 3-54. VARIABLE PUMP ASSEMBLY - ALL ENGINES EXCEPT FOR DEUTZ TD2.9L4 STAGE V ENGINES



ART\_1001276377



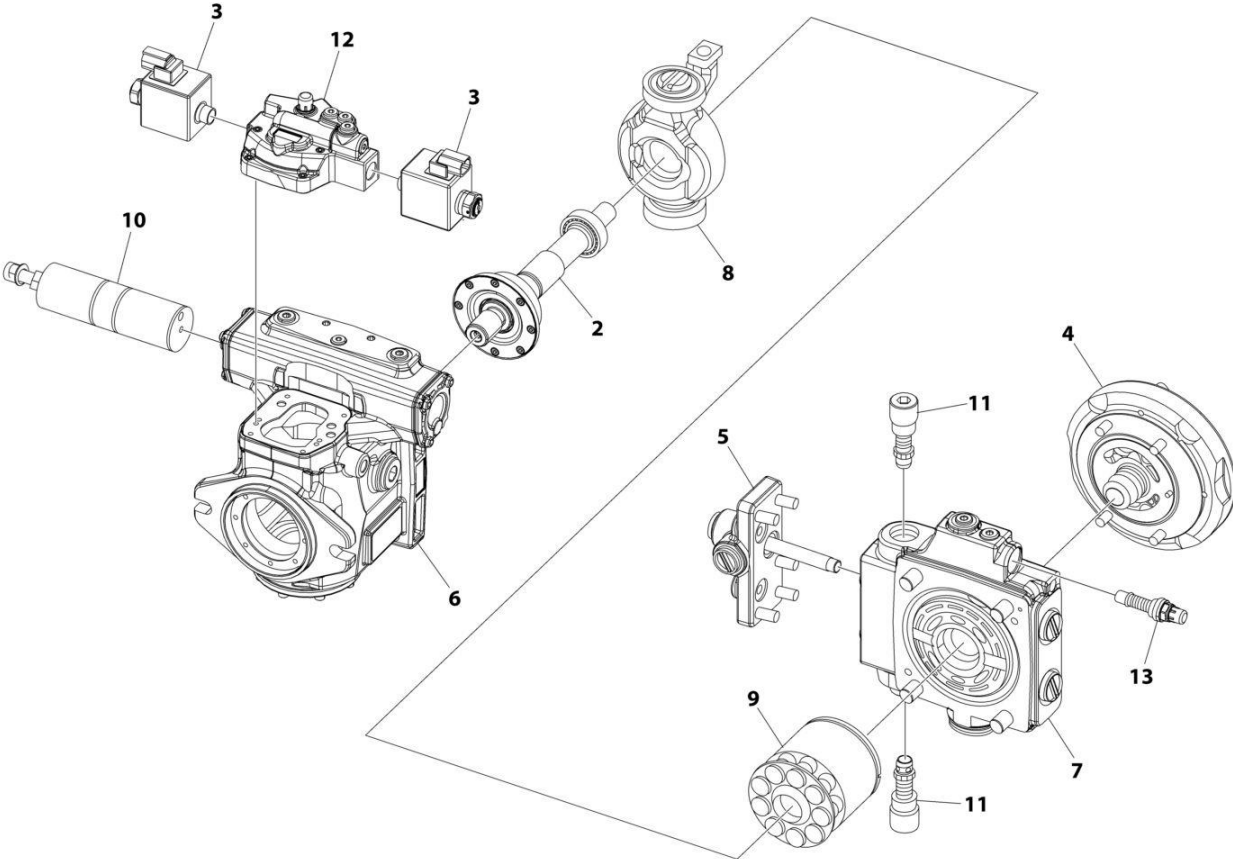
## SECTION 3 - ENGINE

**FIGURE 3-54. VARIABLE PUMP ASSEMBLY - ALL ENGINES EXCEPT FOR DEUTZ TD2.9L4 STAGE V ENGINES**

ITEM	PART NUMBER	QTY	DESCRIPTION	REV
	1001276377	Ref	VARIABLE PUMP ASSEMBLY	B
1	70007789	1	Case, Oil Seal	
2	See Note	NSS	Capscrew M6 x 16 (Note: Purchase Separately)	
3	See Note	NSS	O-Ring (Note: Use Item 100)	
4	70007798	1	Seal, Oil	
5	See Note	NSS	Housing (Note: Not Available - Purchase Assembly)	
6	See Note	NSS	O-Ring (Note: Use Item 100)	
7	70007790	3	Plug	
8	See Note	NSS	Bolt, Eye M8 (Note: Purchase Separately)	
9	See Note	NSS	Capscrew M9 x 30 (Note: Purchase Separately)	
11	70007787	1	Valve, Control	
12	70007800	1	Piston	
13	See Note	NSS	O-Ring (Note: Use Item 100)	
14	70007801	1	Plug	
18	See Note	NSS	Cover (Note: Not Available - Purchase Assembly)	
19	70007791	3	Plug	
20	See Note	NSS	Capscrew M12 x 45 (Note: Purchase Separately)	
27	See Note	NSS	Plate, Valve (Note: Use Item 200)	
28	See Note	NSS	Circlip (Note: Use Item 200)	
29	See Note	NSS	Shim (Note: Use Item 200)	
30	See Note	NSS	Cylinder (Note: Use Item 200)	
31	See Note	NSS	Spring (Note: Use Item 200)	
32	See Note	NSS	Pin (Note: Use Item 200)	
33	See Note	NSS	Piston Assembly (Note: Use Item 200)	
34	See Note	NSS	Retainer (Note: Use Item 200)	
35	See Note	NSS	Shim (Note: Use Item 200)	
36	See Note	NSS	Bushing (Note: Use Item 200)	
37	See Note	NSS	Plate, Swash (Note: Use Item 300)	
38	See Note	NSS	Circlip (Note: Use Item 400)	
39	See Note	NSS	Shim (Note: Use Item 400)	
40	See Note	NSS	Bearing, Cylinder (Note: Use Item 400)	
43	See Note	NSS	O-Ring (Note: Use Item 100)	
44	70007792	1	Spring	
45	70007793	1	Bushing	
46	70007796	2	Capscrew M5 x 16	
47	See Note	NSS	Shaft (Note: Use Item 400)	
48	70007797	1	Bearing	
49	See Note	NSS	O-Ring (Note: Use Item 100)	
50	70007794	1	Spring	
51	See Note	NSS	Ball, Steel (Note: Use Item 300)	
52	See Note	NSS	Spring (Note: Use Item 300)	
53	70007795	1	Bushing	
54	70007799	1	Gasket	
100	70007802	1	Seal Kit (Includes Items 3, 6, 13, 43 & 49)	
200	70007786	1	Cylinder Assembly (Includes Items 27 - 36)	
300	70007788	1	Swash Plate Assembly (Includes Items 37, 51 & 52)	
400	70007785	1	Shaft Assembly (Includes Items 38 - 40 & 47)	

**SECTION 3 - ENGINE**

**FIGURE 3-55. HYDROSTATIC PUMP ASSEMBLY**



ART\_1001276376

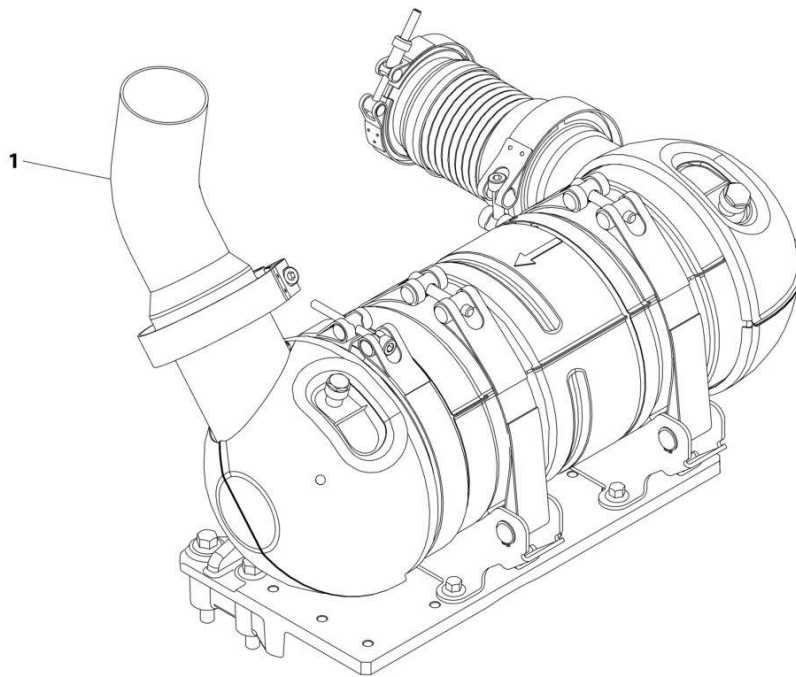
## SECTION 3 - ENGINE

**FIGURE 3-55. HYDROSTATIC PUMP ASSEMBLY**

ITEM	PART NUMBER	QTY	DESCRIPTION	REV
	1001276376	Ref	HYDROSTATIC PUMP ASSEMBLY	B
2	70008497	1	Shaft Assembly	
3	70008498	2	Coil Assembly	
4	70008602	1	Gerotor Body Assembly	
5	70008511	1	Body Assembly	
6	See Note	NSS	Body Assembly (Note: Use PN 1001276376)	
7	70008601	1	Distributor Assembly	
8	70008500	1	Swashplate Assembly	
9	70008501	1	Rotor Assembly	
10	70008502	1	Servo Assembly	
11	70008600	2	Relief Valve	
12	70008504	1	Control Valve Assembly	
13	70008505	1	Relief Valve Assembly	

## SECTION 3 - ENGINE

FIGURE 3-56. EXHAUST PIPE INSTALLATION - DEUTZ TD2.9L4 ENGINES



ART\_1001216221

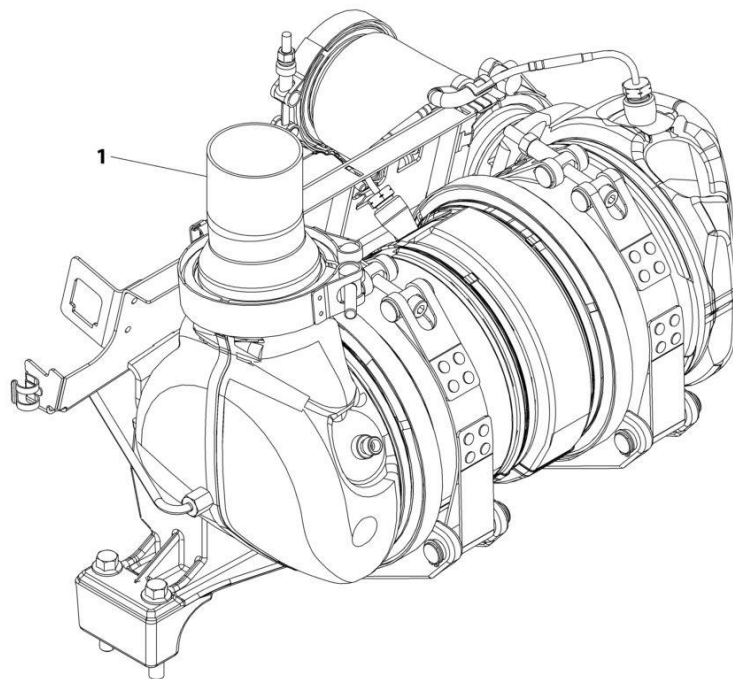
## SECTION 3 - ENGINE

**FIGURE 3-56. EXHAUST PIPE INSTALLATION - DEUTZ TD2.9L4 ENGINES**

ITEM	PART NUMBER	QTY	DESCRIPTION	REV
1	1001216221 1001158145	Ref 1	EXHAUST PIPE INSTALLATION Pipe, Exhaust	A

## SECTION 3 - ENGINE

FIGURE 3-57. EXHAUST PIPE INSTALLATION - DEUTZ TD2.9L4 (STAGE V) ENGINES



ART\_1001236334

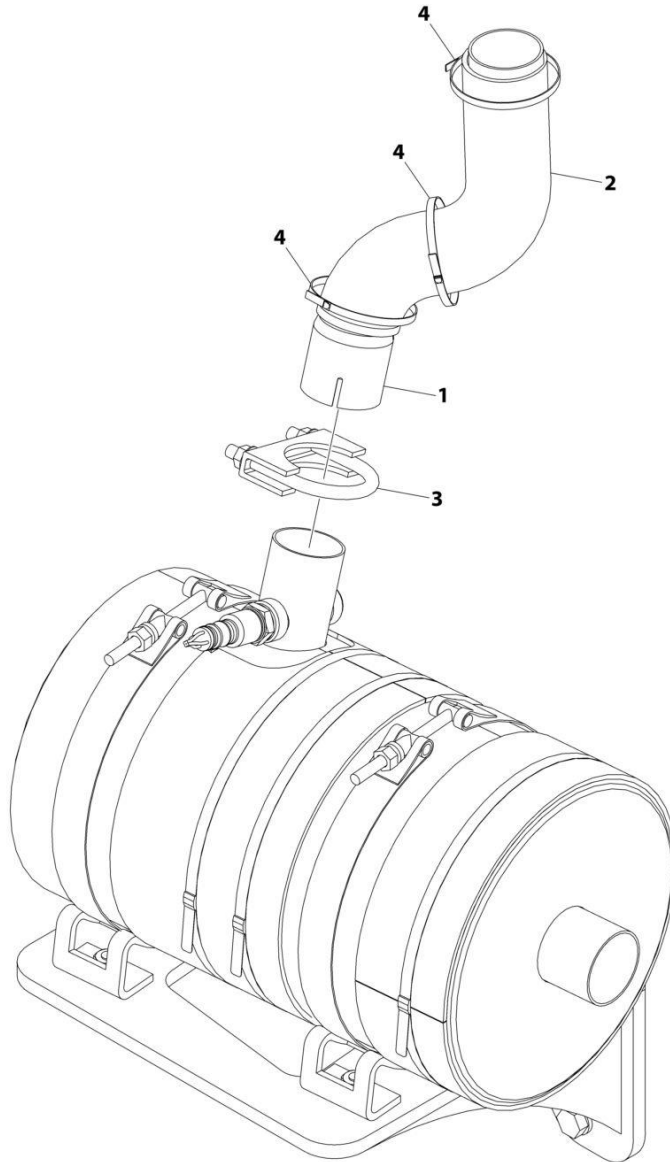
## SECTION 3 - ENGINE

**FIGURE 3-57. EXHAUST PIPE INSTALLATION - DEUTZ TD2.9L4 (STAGE V) ENGINES**

ITEM	PART NUMBER	QTY	DESCRIPTION	REV
1	1001236334 1001236335	Ref 1	EXHAUST PIPE INSTALLATION Pipe, Exhaust	B

## SECTION 3 - ENGINE

FIGURE 3-58. EXHAUST PIPE INSTALLATION - FORD DF 2.5L ENGINES



ART\_1001220142



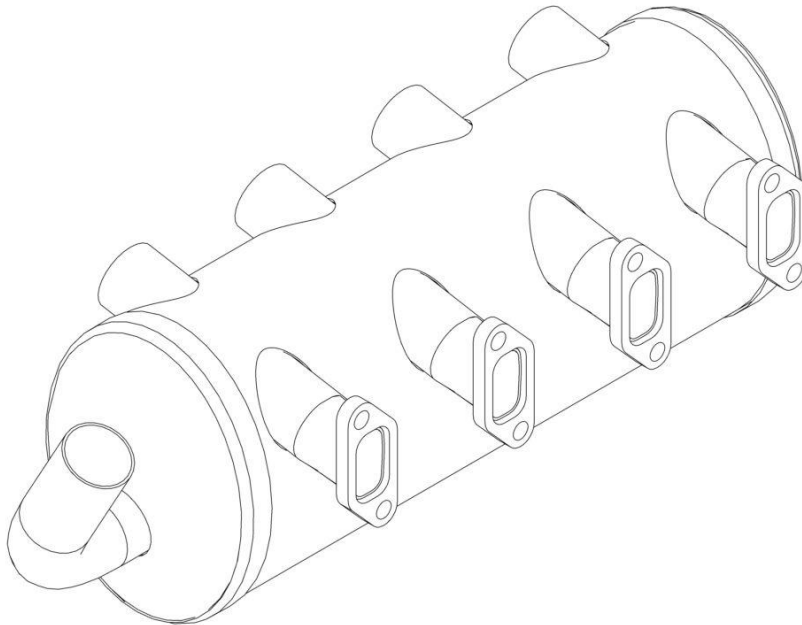
## SECTION 3 - ENGINE

**FIGURE 3-58. EXHAUST PIPE INSTALLATION - FORD DF 2.5L ENGINES**

ITEM	PART NUMBER	QTY	DESCRIPTION	REV
	1001220142	Ref	EXHAUST PIPE INSTALIATION	B
1	1001217350	1	Tail Pipe	
2	1001218087	1	Insulate	
3	1001221397	1	Clamp	
4	1001100825	3	Strap	

## SECTION 3 - ENGINE

FIGURE 3-59. SPARK ARRESTOR MUFFLER INSTALLATION - DEUTZ D2011 ENGINES



ART\_1001257283

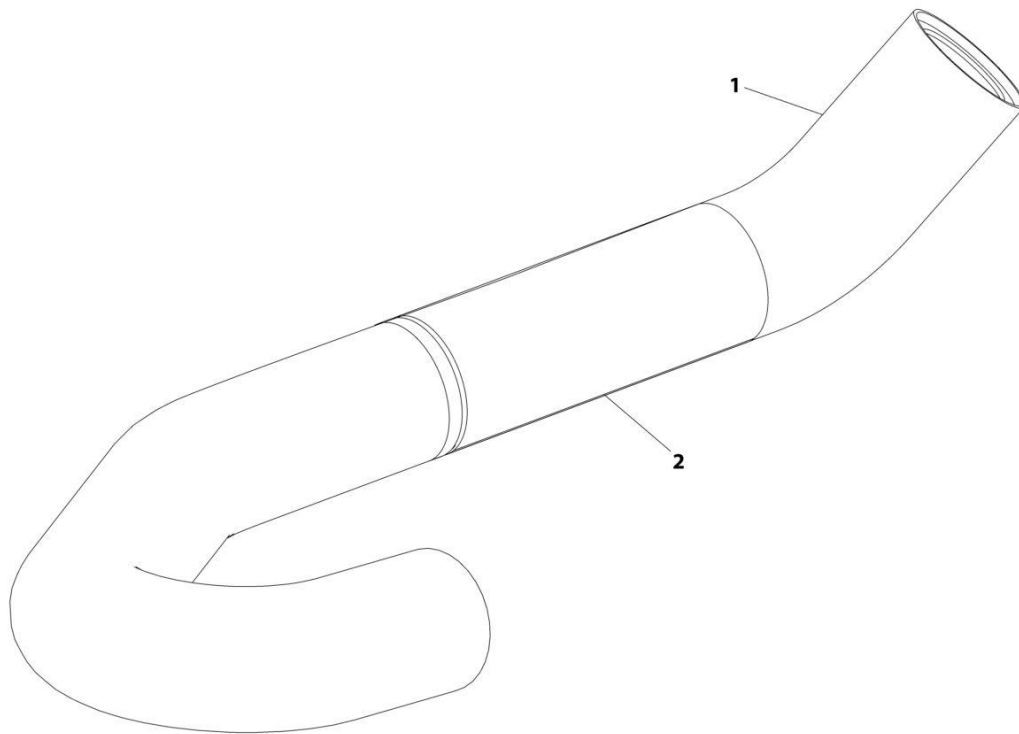
## SECTION 3 - ENGINE

**FIGURE 3-59. SPARK ARRESTOR MUFFLER INSTALLATION - DEUTZ D2011 ENGINES**

ITEM	PART NUMBER	QTY	DESCRIPTION	REV
	1001257283 See Note	Ref 1	MUFFLER INSTALLATION SPARK ARRESTOR Muffler, (Note: Use P/N 1001257283)	A

## SECTION 3 - ENGINE

FIGURE 3-60. SPARK ARRESTING PIPE (MACHINES WITH SN STARTING WITH B3)



ART\_1001296987

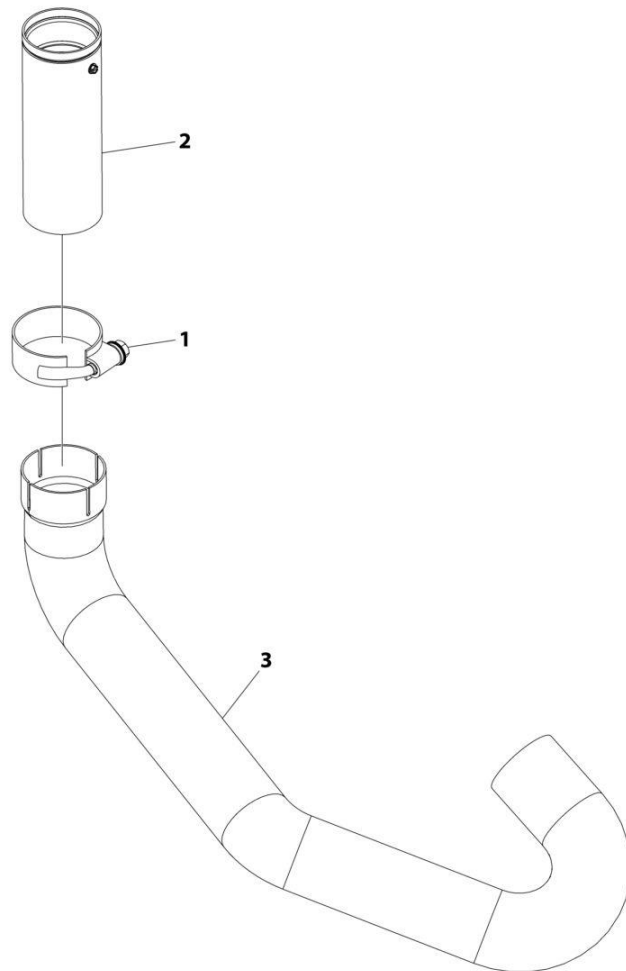
## SECTION 3 - ENGINE

**FIGURE 3-60. SPARK ARRESTING PIPE (MACHINES WITH SN STARTING WITH B3)**

ITEM	PART NUMBER	QTY	DESCRIPTION	REV
	1001296987	Ref	SPARK ARRESTING PIPE	A
1	1001247011	1	Pipe, Exhaust	
2	1001257276	1	Muffler, Spark Arresting	

## SECTION 3 - ENGINE

FIGURE 3-61. SPARK ARRESTOR INSTALLATION (WITH STEEL HOODS)



ART\_1001301337

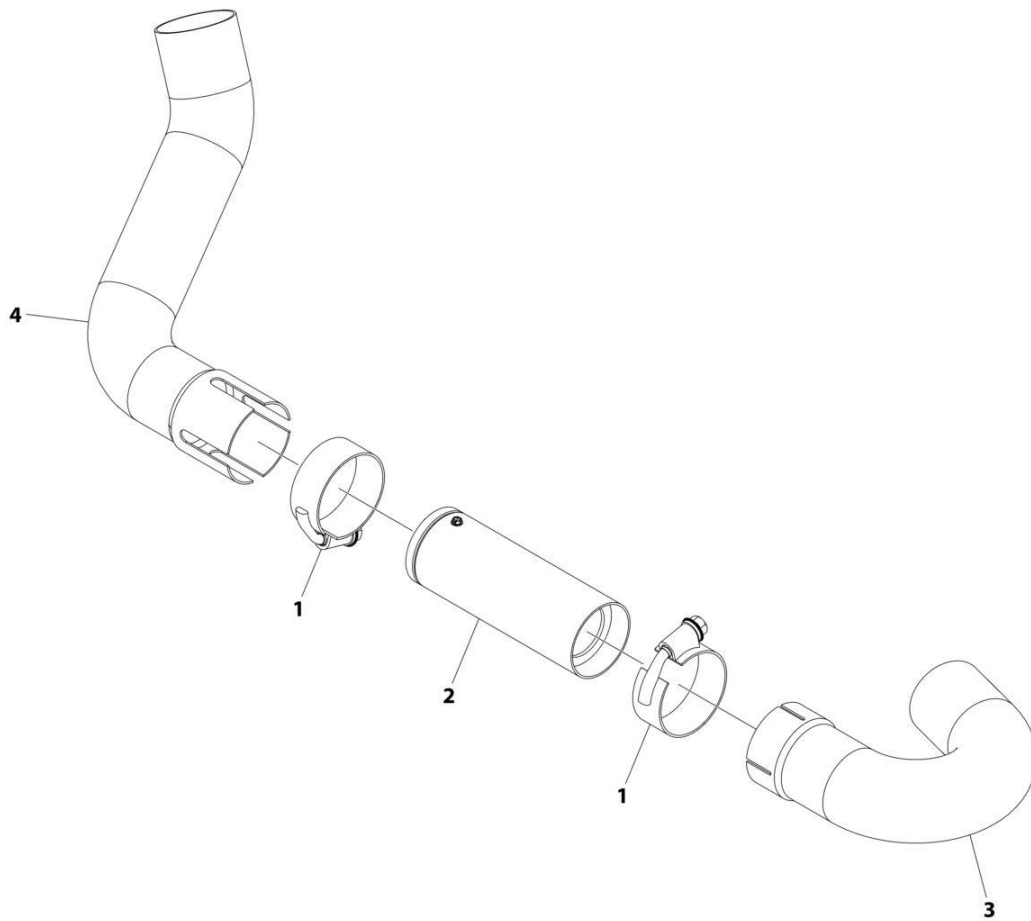
## SECTION 3 - ENGINE

**FIGURE 3-61. SPARK ARRESTOR INSTALLATION (WITH STEEL HOODS)**

ITEM	PART NUMBER	QTY	DESCRIPTION	REV
	1001301337	Ref	SPARK ARRESTOR INSTALLATION	A
1	1001221212	1	Clamp	
2	1001257276	1	Muffler, Spark Arresting	
3	1001301831	1	Pipe, Exhaust	

## SECTION 3 - ENGINE

FIGURE 3-62. SPARK ARRESTOR INSTALLATION (WITH PLASTIC HOODS)



ART\_1001301338



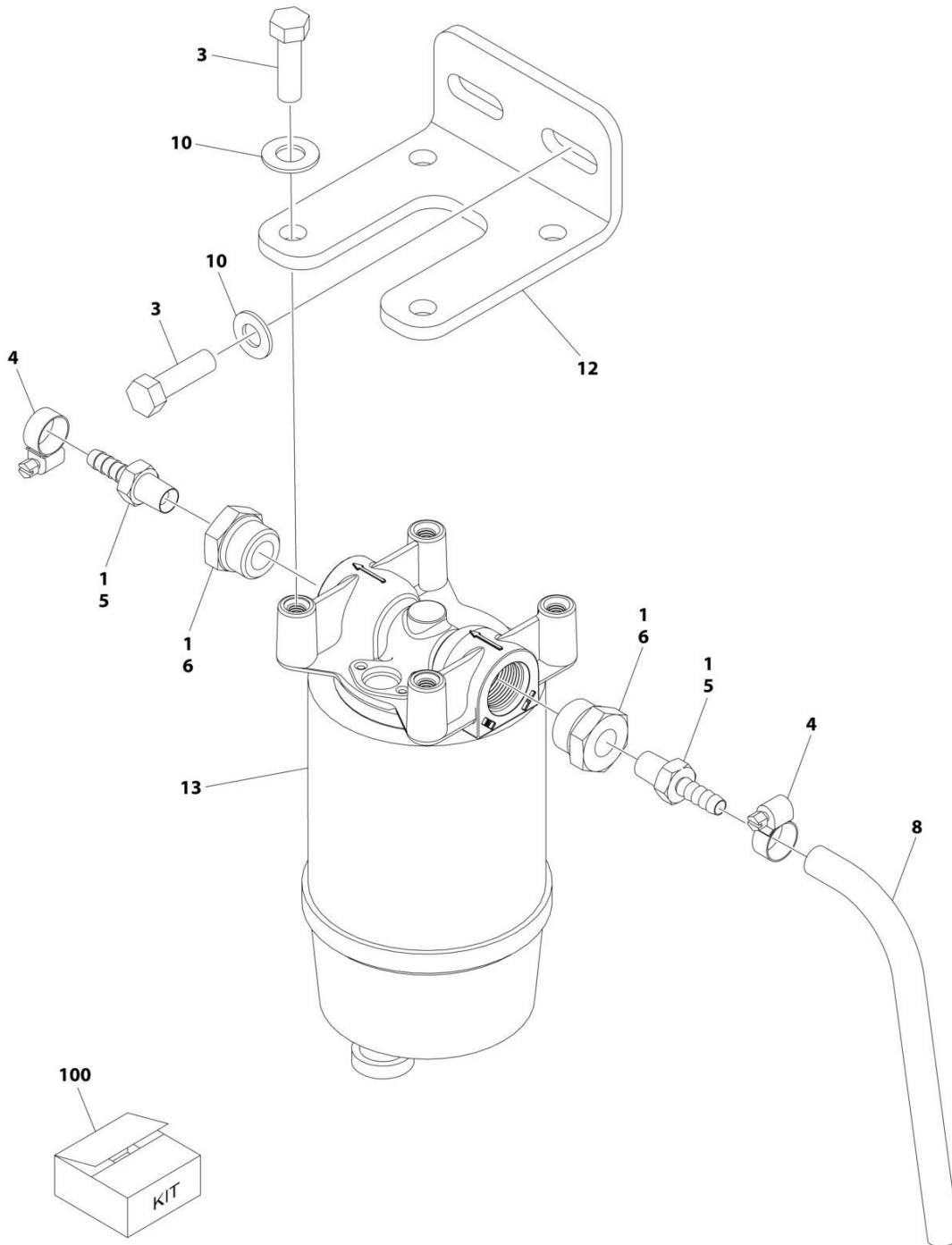
## SECTION 3 - ENGINE

**FIGURE 3-62. SPARK ARRESTOR INSTALLATION (WITH PLASTIC HOODS)**

ITEM	PART NUMBER	QTY	DESCRIPTION	REV
	1001301338	Ref	SPARK ARRESTOR INSTALLATION	A
1	1001221212	2	Clamp	
2	1001257276	1	Muffler, Spark Arresting	
3	1001302221	1	Pipe, Exhaust	
4	1001302223	1	Pipe, Exhaust	

# SECTION 3 - ENGINE

## FIGURE 3-63. FUEL-WATER SEPARATOR INSTALLATION - DEUTZ D2011



ART\_1001196428

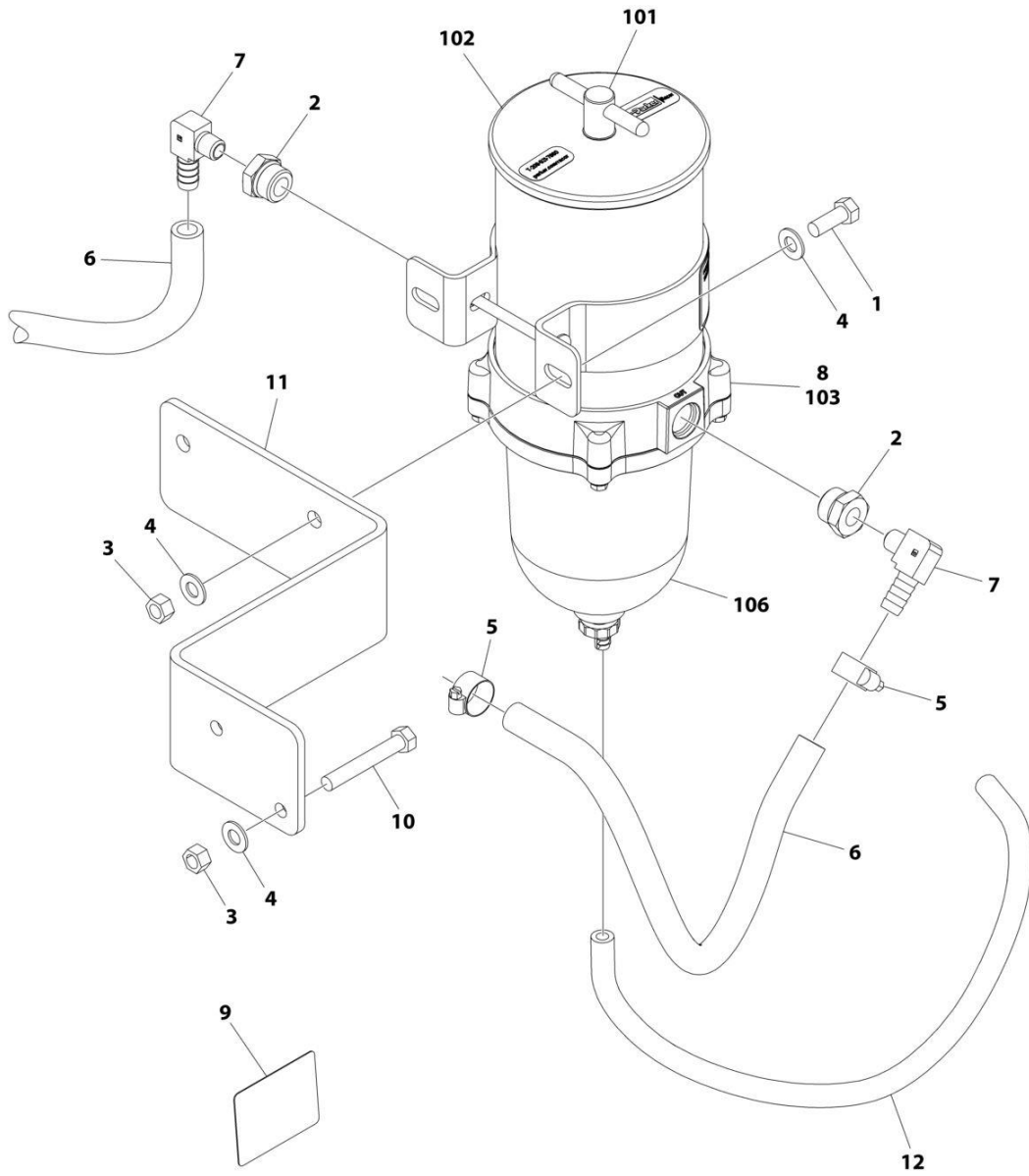
## SECTION 3 - ENGINE

**FIGURE 3-63. FUEL-WATER SEPARATOR INSTALLATION - DEUTZ D2011**

ITEM	PART NUMBER	QTY	DESCRIPTION	REV
	1001196428	Ref	FUEL-WATER SEPARATOR INSTALLATION - DEUTZ D2011 (OPTIONAL)	B
1	0100020	AR	Sealant	
3	0641610	6	Bolt 3/8 x 1-1/4	
4	1320022	2	Clamp	
5	2180348	2	Fitting, Straight	
6	2220816	2	Fitting, Straight	
8	2720058	12 in/ 31cm	Hose	
10	4751600	6	Washer 3/8	
12	1001188884	1	Bracket	
13	1001188887	1	Fuel/Water Separator Assembly	
13	1001202280	1	Head	
13	1001202281	1	Element	
100	1001204667	1	Fuel/Water Separator Add-on Kit	

# SECTION 3 - ENGINE

## FIGURE 3-64. FUEL-WATER SEPARATOR INSTALLATION - DEUTZ TD2.9L4



NOTE : LOCATED ON HOOD

ART\_1001226286\_E

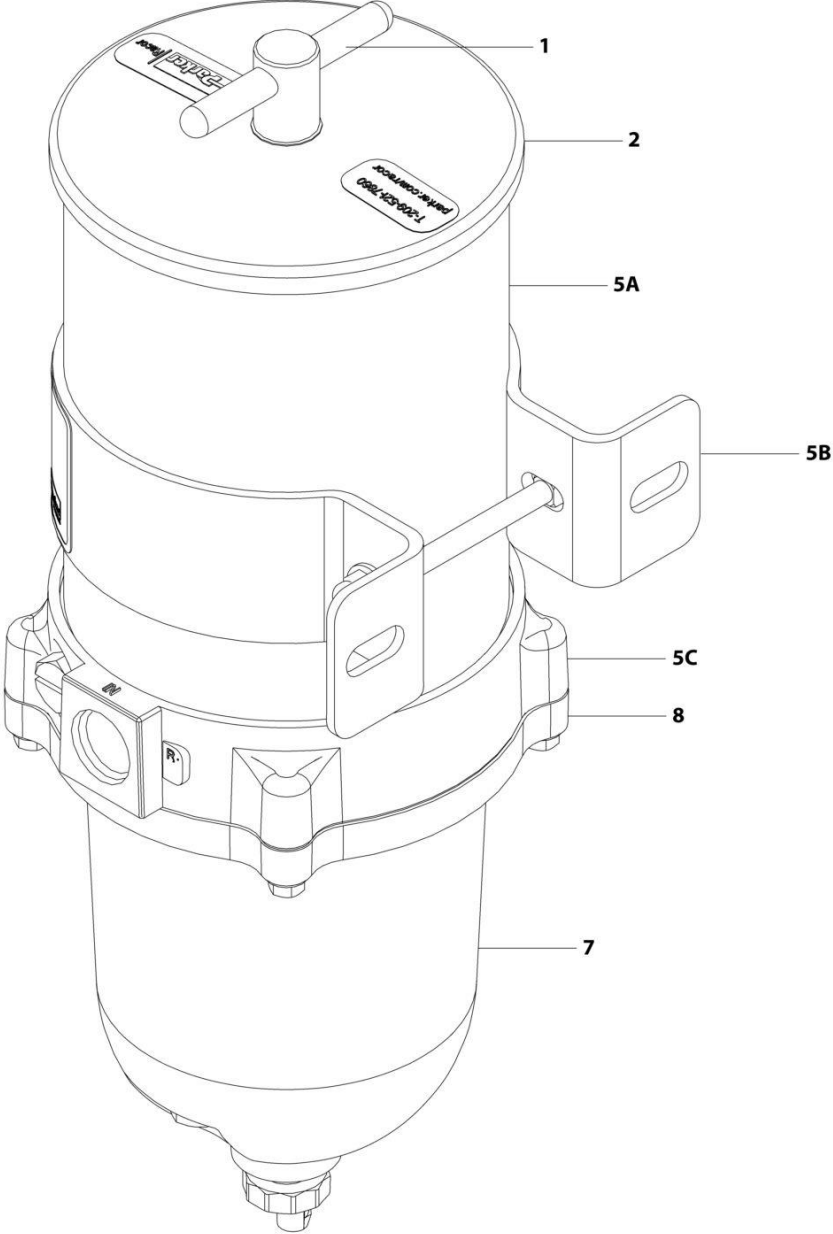
## SECTION 3 - ENGINE

**FIGURE 3-64. FUEL-WATER SEPARATOR INSTALLATION - DEUTZ TD2.9L4**

ITEM	PART NUMBER	QTY	DESCRIPTION	REV
	1001226286	Ref	FUEL FILTER INSTALLATION	E
1	0641608	2	Bolt 3/8 x 1	
2	2220816	2	Fitting, Straight NPT	
3	3311605	4	Nut 3/8	
4	4711600	6	Washer 3/8	
5	8405006	2	Clamp	
6	1001154405	13 ft /4 m	Hose	
7	1001178797	2	Fitting, 90	
8	1001222817	1	Fuel Filter Assembly (See Items 101-107 for Breakdown)	
9	1001226923	1	Decal - Fuel Water Separator	
10	0641620	2	Bolt 3/8 x 2-1/2	
11	1001254657	1	Bracket	
12	1001156819	28 in /70 cm	Hose	
	1001222817	Ref	FUEL FILTER ASSEMBLY	
101	70006403	1	T-Handle Kit (Includes O-Ring)	
102	70006404	1	Lid Kit (Includes Gasket)	
103	70006405	1	Element	
104	70006406	1	Checkball & Gasket Kit (Not Shown)	
105	70006407	1	Centrifuge and Baffle Kit (Not Shown)	
106	70006409	1	Bowl Kit (Includes Gasket, O-Ring and Drain)	
106	70006408	1	Gasket, Bowl	
107	70006410	1	Bowl Ring Kit (Includes Gasket & Hardware) (Not Shown)	

**SECTION 3 - ENGINE**

**FIGURE 3-65. FUEL FILTER ASSEMBLY (DEUTZ TD2.9L4 ENGINES)**



ART\_1001222817

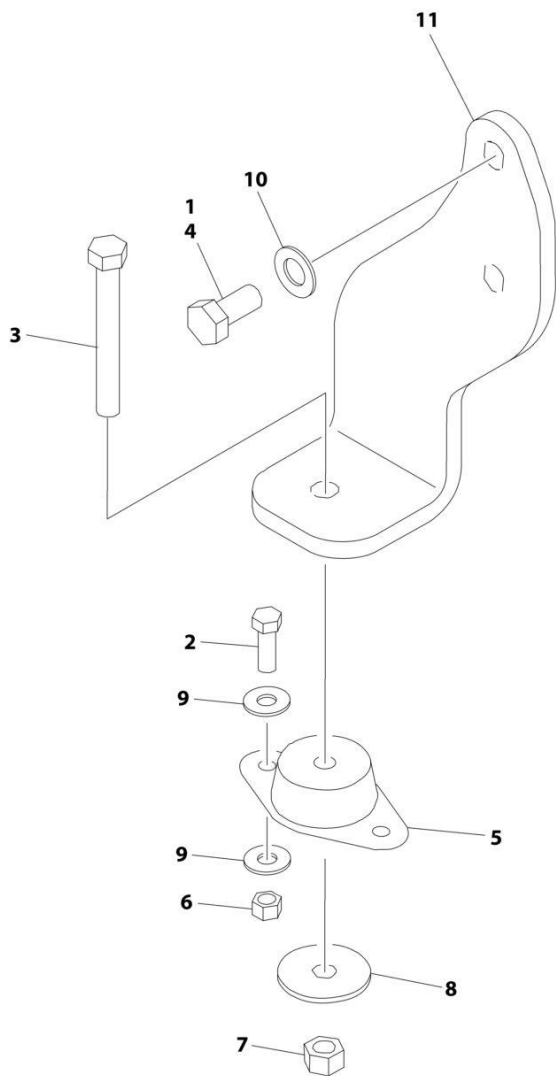
## SECTION 3 - ENGINE

**FIGURE 3-65. FUEL FILTER ASSEMBLY (DEUTZ TD2.9L4 ENGINES)**

ITEM	PART NUMBER	QTY	DESCRIPTION	REV
	1001222817	Ref	FUEL FILTER ASSEMBLY	A
1	70006403	1	Handle Kit (Includes Handle, Handle O-Ring & Lid Gasket)	
2	70006404	1	Lid Kit (Includes Lid, Handle O-Ring & Lid Gasket)	
3	70006405	1	Element, Filter (Not Shown)	
5A	See Note	NSS	Housing (Note: Use p/n 1001222817)	
5B	See Note	NSS	Bracket (Note: Use p/n 1001222817)	
5C	See Note	NSS	Tube, Return (Note: Use p/n 1001222817)	
6	70006407	1	Certrfuge & Baffle Kit (Not Shown - Located at Bottom of 5C) (Also Includes p/n 70006406 & Bowl Gasket)	
6	70006406	1	Checkball & Gasket Kit (Not Shown - Located at Bottom of 5C)	
7	70006409	1	Bowl Kit (Includes Bowl Gasket, Plug with O-Ring & Drain)	
7	70006408	1	Gasket, Bowl	
8	70006410	1	Bowl Ring Kit (Includes Bowl Gasket & Bolts)	

# SECTION 3 - ENGINE

FIGURE 3-66. RIGHT ENGINE SUPPORT INSTALLATION (DEUTZ D2011 ENGINES MACHINES WITHOUT GENERATORS)



ART\_1001151253



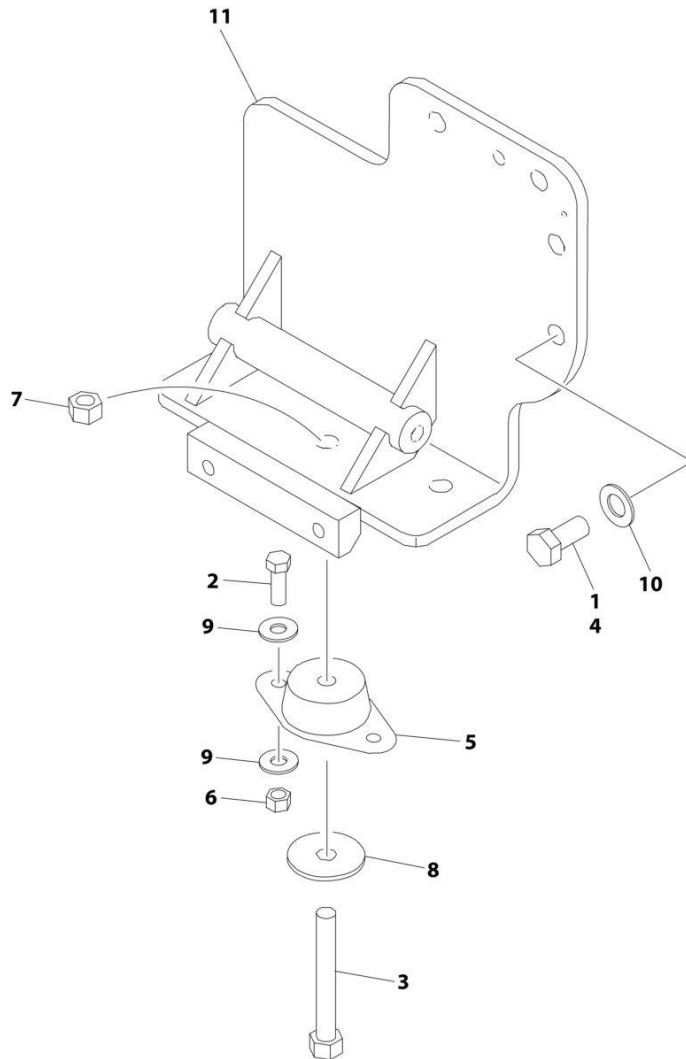
## SECTION 3 - ENGINE

**FIGURE 3-66. RIGHT ENGINE SUPPORT INSTALLATION (DEUTZ D2011 ENGINES MACHINES WITHOUT GENERATORS)**

ITEM	PART NUMBER	QTY	DESCRIPTION	REV
	1001151253	Ref	RIGHT ENGINE SUPPORT INSTALLATION	A
1	0100011	AR	Compound, Locking	
2	0641609	2	Bolt 3/8 x 1-1/8	
3	0641820	1	Bolt 1/2 x 2-1/2	
4	0711414	2	Bolt M14 x 30 Grade 10.9	
5	3200401	1	Mount, Motor	
6	3311605	2	Nut 3/8	
7	3311805	1	Nut 1/2	
8	4740274	1	Washer	
9	4751600	4	Washer 3/8	
10	4812200	2	Washer M14	
11	1001149703	1	Support, Engine (Right Front)	

# SECTION 3 - ENGINE

## FIGURE 3-67. RIGHT ENGINE SUPPORT INSTALLATION (DEUTZ D2011 ENGINES MACHINES WITH GENERATORS)



ART\_1001151252

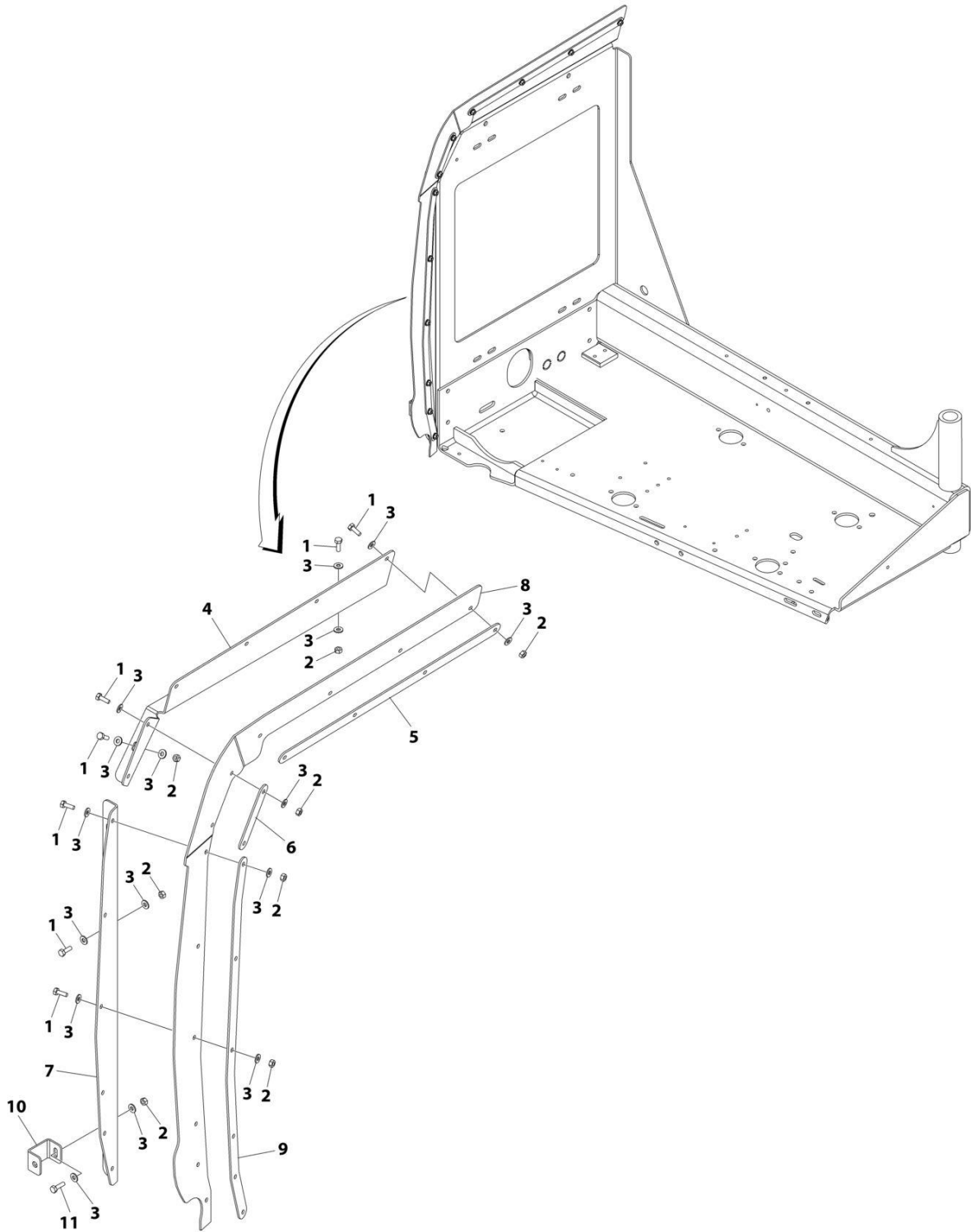
## SECTION 3 - ENGINE

**FIGURE 3-67. RIGHT ENGINE SUPPORT INSTALLATION (DEUTZ D2011 ENGINES MACHINES WITH GENERATORS)**

ITEM	PART NUMBER	QTY	DESCRIPTION	REV
	1001151252	Ref	RIGHT ENGINE SUPPORT INSTALLATION	B
1	0100011	AR	Compound, Locking	
2	0641609	2	Bolt 3/8 x 1-1/8	
3	0641818	1	Bolt 1/2 x 2-1/2	
4	0711414	3	Bolt M14 x 30 Grade 10.9	
5	3200401	1	Mount, Motor	
6	3311605	2	Nut 3/8	
7	3311805	1	Nut 1/2	
8	4740274	1	Washer	
9	4751600	4	Washer 3/8	
10	4812200	3	Washer M14	
11	1001150890	1	Support, Engine (Right Front)	

# SECTION 3 - ENGINE

FIGURE 3-68. ENGINE HOOD Baffle INSTALLATION - DEUTZ TD2.9L4 AND DEUTZ 2.9L4 (STAGE V) ENGINES WITH ABS HOODS



ART\_1001143484

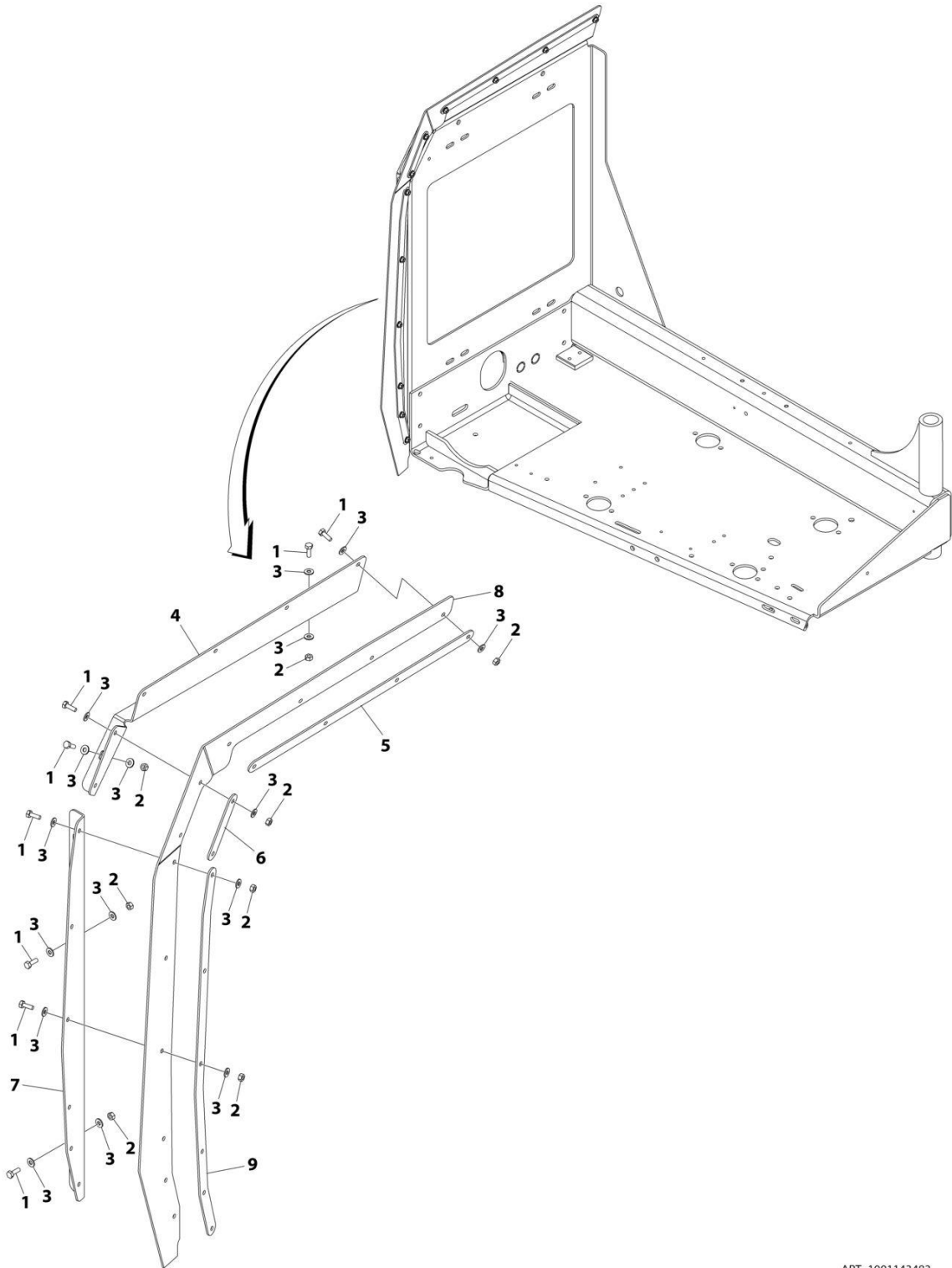
## SECTION 3 - ENGINE

**FIGURE 3-68. ENGINE HOOD BAFFLE INSTALLATION - DEUTZ TD2.9L4 AND DEUTZ 2.9L4 (STAGE V) ENGINES WITH ABS HOODS**

ITEM	PART NUMBER	QTY	DESCRIPTION	REV
	1001143484	Ref	BAFFLES INSTALLATION (ABS HOODS)	C
1	0641406	18	Bolt 1/4 x 3/4	
2	3311405	19	Nut 1/4	
3	4711400	38	Washer 1/4	
4	1001174745	1	Bracket	
5	1001142031	1	Bracket	
6	1001142032	1	Bracket	
7	1001143449	1	Bracket	
8	1001195967	1	Baffle	
9	1001143525	1	Bracket	
10	1001143860	1	Bracket, Bumper	
11	0641407	1	Bolt 1/4 x 78	

# SECTION 3 - ENGINE

FIGURE 3-69. ENGINE HOOD Baffle INSTALLATION - DEUTZ TD2.9L4 AND DEUTZ 2.9L4 (STAGE V) ENGINES WITH STEEL HOODS



ART\_1001143483

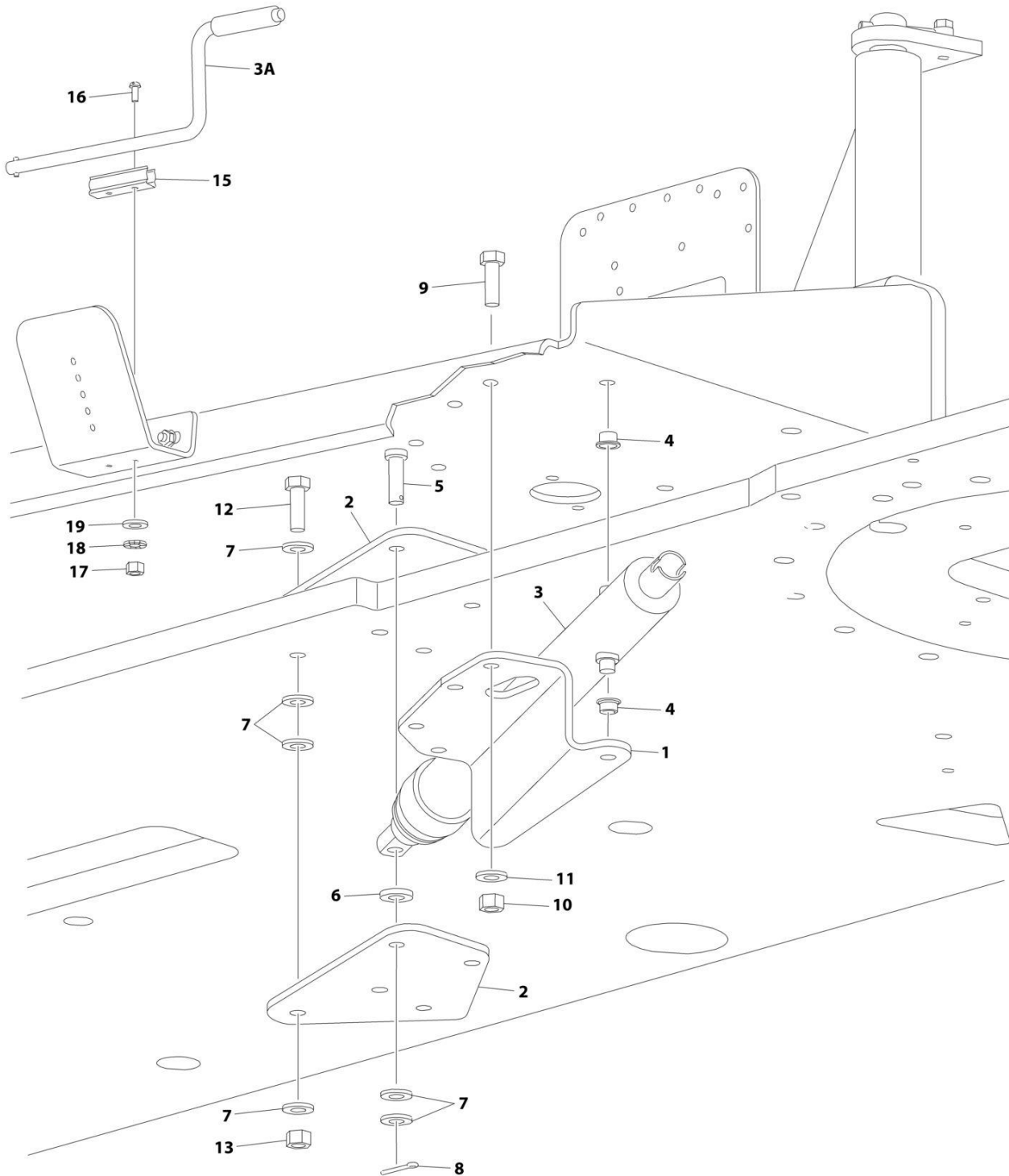
## SECTION 3 - ENGINE

**FIGURE 3-69. ENGINE HOOD BAFFLE INSTALLATION - DEUTZ TD2.9L4 AND DEUTZ 2.9L4 (STAGE V) ENGINES WITH STEEL HOODS**

ITEM	PART NUMBER	QTY	DESCRIPTION	REV
	1001143483	Ref	BAFFLES INSTALLATION (STEEL HOODS)	B
1	0641406	19	Bolt 1/4 x 3/4	
2	3311405	19	Nut 1/4	
3	4711400	38	Washer 1/4	
4	1001174745	1	Bracket	
5	1001142031	1	Bracket	
6	1001142032	1	Bracket	
7	1001143449	1	Bracket	
8	1001174746	1	Baffle	
9	1001143525	1	Bracket	

# SECTION 3 - ENGINE

## FIGURE 3-70. ENGINE TRAY JACK INSTALLATION - DEUTZ ENGINES



ART\_0258728



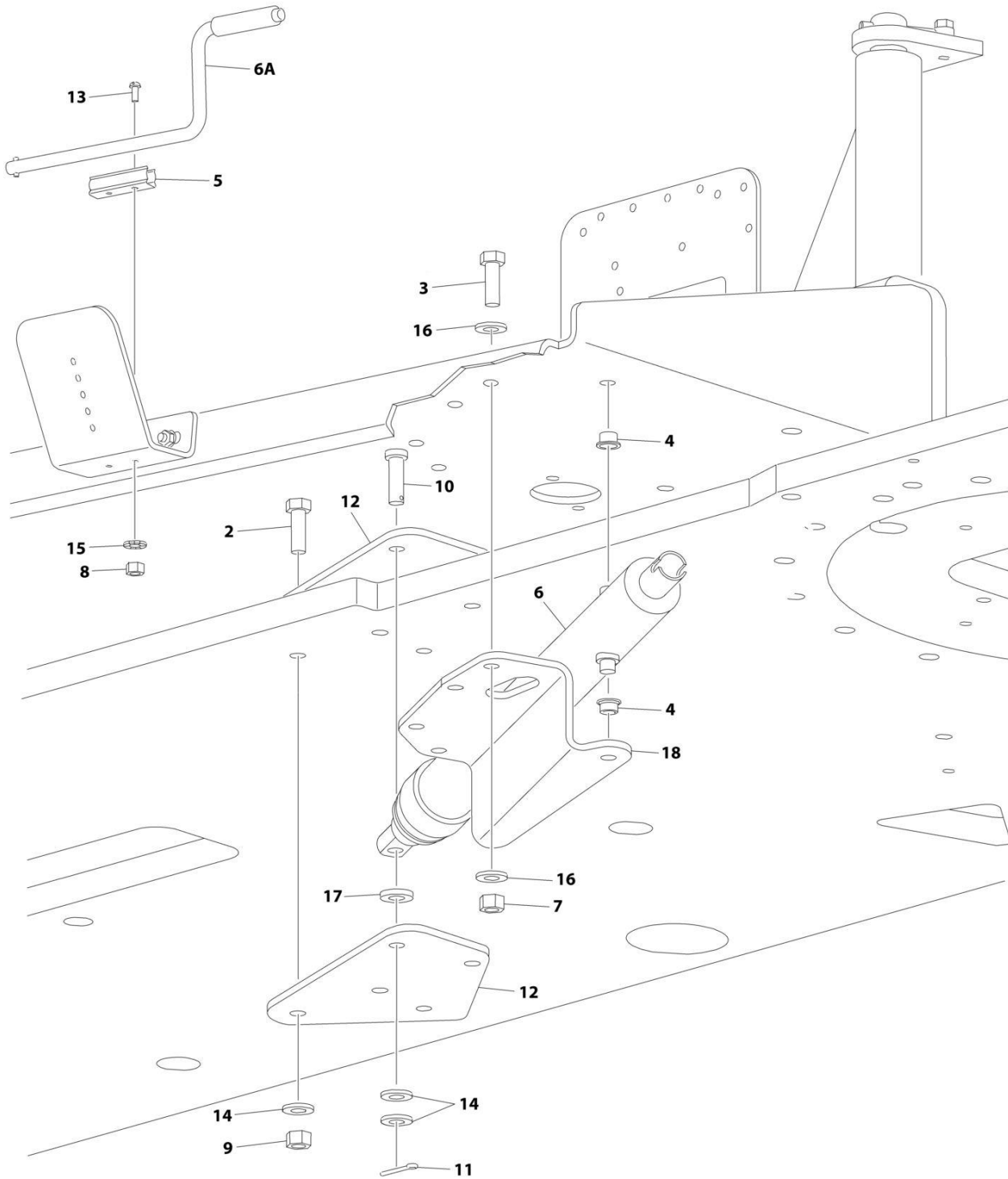
## SECTION 3 - ENGINE

**FIGURE 3-70. ENGINE TRAY JACK INSTALLATION - DEUTZ ENGINES**

ITEM	PART NUMBER	QTY	DESCRIPTION	REV
	0258728	Ref	ENGINE TRAY JACK INSTALLATION	2-C
1	3537445	1	Bracket	
2	3537446	2	Bracket	
3	2840016	1	Jack and Handle Assembly	F
3A	7024598	1	Handle	
4	0962051	2	Bearing, Flange	
5	3430816	1	Pin, Clevis	
6	4891800	1	Washer 1/2	
7	4711800	6	Washer 1/2	
8	3450404	1	Pin, Cotter 1/8 x 1	
9	0641609	4	Bolt 3/8 x 1-1/8	
10	3311605	4	Nut 3/8	
11	4891600	4	Washer 3/8	
12	0641818	4	Bolt 1/2 x 2-1/4	
13	3311805	4	Nut 1/2	
15	1380147	1	Clip, Spring	
16	3910608	2	Screw #6 x 1	
17	3310601	2	Nut #6	
18	4770600	2	Washer #6	
19	4740119	2	Washer	

# SECTION 3 - ENGINE

## FIGURE 3-71. ENGINE TRAY JACK INSTALLATION - FORD ENGINES



ART\_1001219881

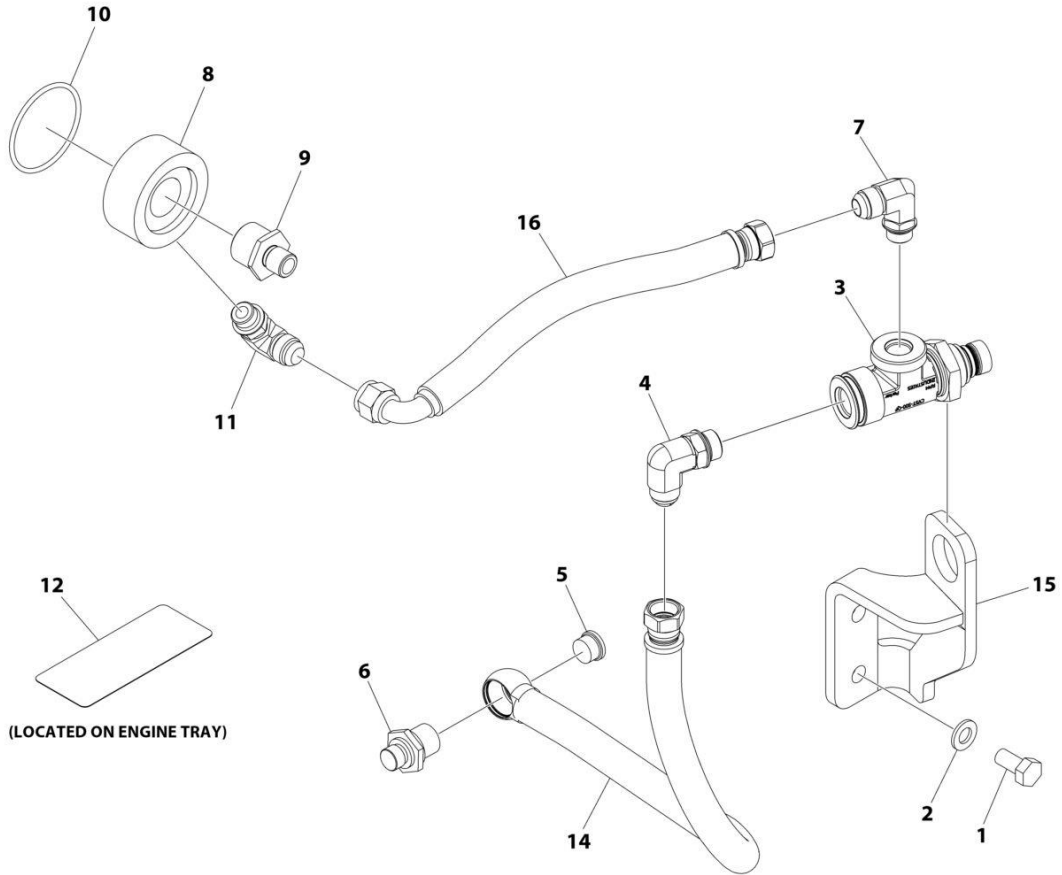
## SECTION 3 - ENGINE

**FIGURE 3-71. ENGINE TRAY JACK INSTALLATION - FORD ENGINES**

ITEM	PART NUMBER	QTY	DESCRIPTION	REV
	1001219881	Ref	ENGINE TRAY JACK INSTALLATION	B
2	0641818	4	Bolt 1/2 x 2-1/4	
3	0761014	3	Bolt M10 x 30	
4	0962051	2	Bearing, Flange	
5	1380147	1	Clip, Spring	
6	2840016	1	Jack and Handle Assembly	F
6A	7024598	1	Handle	
7	3291007	3	Nut M10	
8	3310601	2	Nut #6-32	
9	3311805	4	Nut 1/2-13	
10	3430816	1	Pin, Clevis	
11	3450404	1	Pin, Cotter 1/8 x 1	
12	3537446	2	Bracket	
13	3910608	2	Screw #6-32 x 1	
14	4711800	6	Washer 1/2	
15	4770600	2	Washer #6	
16	4812000	6	Washer M10	
17	4891800	1	Washer 1/2	
18	1001218547	1	Bracket	

# SECTION 3 - ENGINE

## FIGURE 3-72. QUICKFIT OIL DRAIN VALVE (DEUTZ ENGINES)



ART\_1001285349

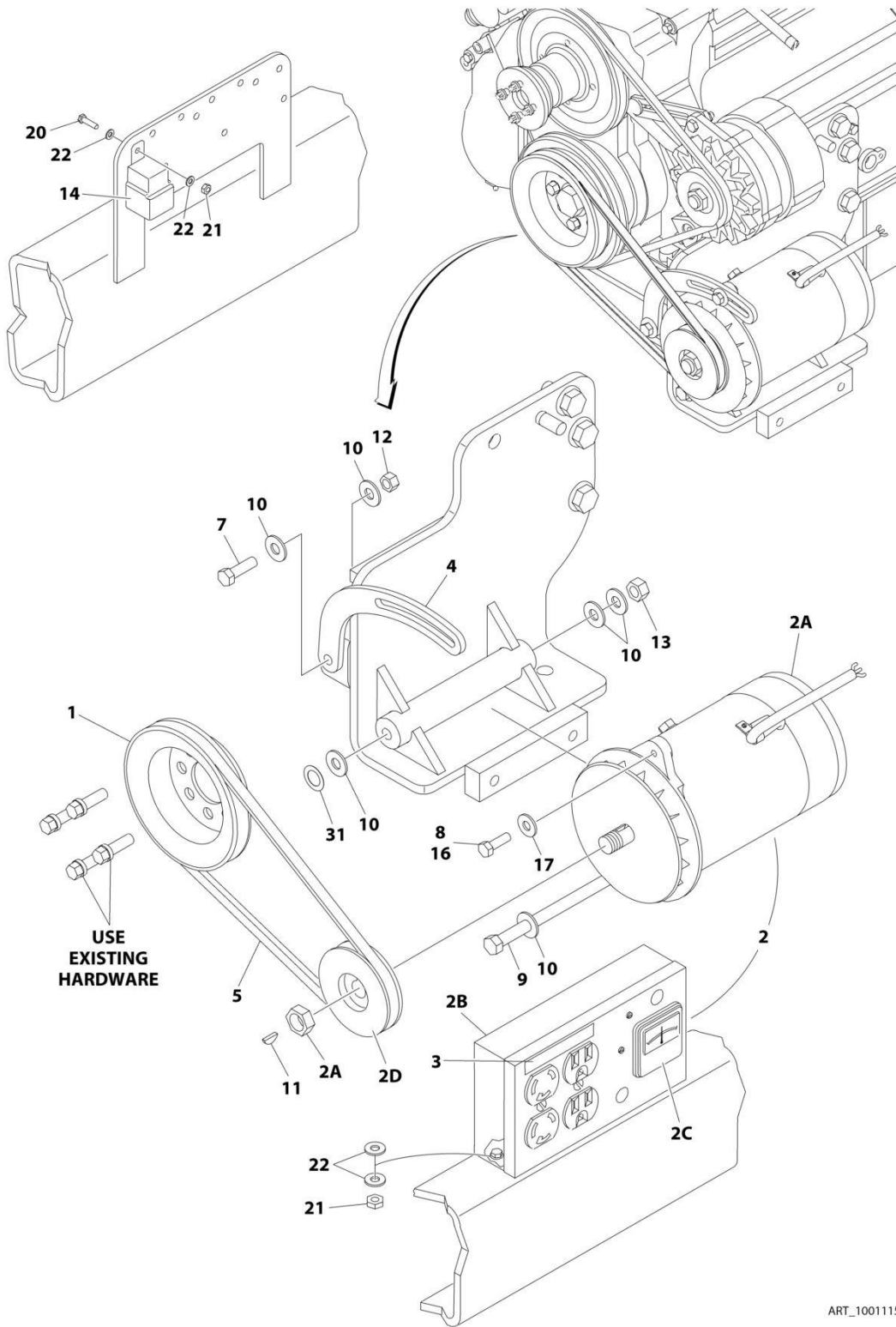
## SECTION 3 - ENGINE

**FIGURE 3-72. QUICKFIT OIL DRAIN VALVE (DEUTZ ENGINES)**

ITEM	PART NUMBER	QTY	DESCRIPTION	REV
	1001285349	Ref	QUICKFIT OIL VALVE	A
1	0761212	2	Bolt M12 x 25	
2	4812100	2	Washer M12	
3	1001281298	1	Valve, Quickfit	
4	1001281301	1	Fitting, 90	
5	1001281304	1	Plug	
6	1001281305	1	Fitting, Banjo	
7	1001281307	1	Fitting, 90	
8	1001281309	1	Filter, Ring	
9	1001281310	1	Fitting, Straight	
10	1001281311	1	O-Ring	
11	1001281359	1	Valve, Check	
12	1001281360	1	Decal - RPM Quickfit	
13	1001281656	1	Tie-Strap (Not Shown)	
14	1001284101	1	Hose	
15	1001287536	1	Bracket	
16	1001288113	1	Hose	

# SECTION 3 - ENGINE

## FIGURE 3-73. 2500W/110V/60HZ GENERATOR INSTALLATION - DEUTZ D2011 ENGINES



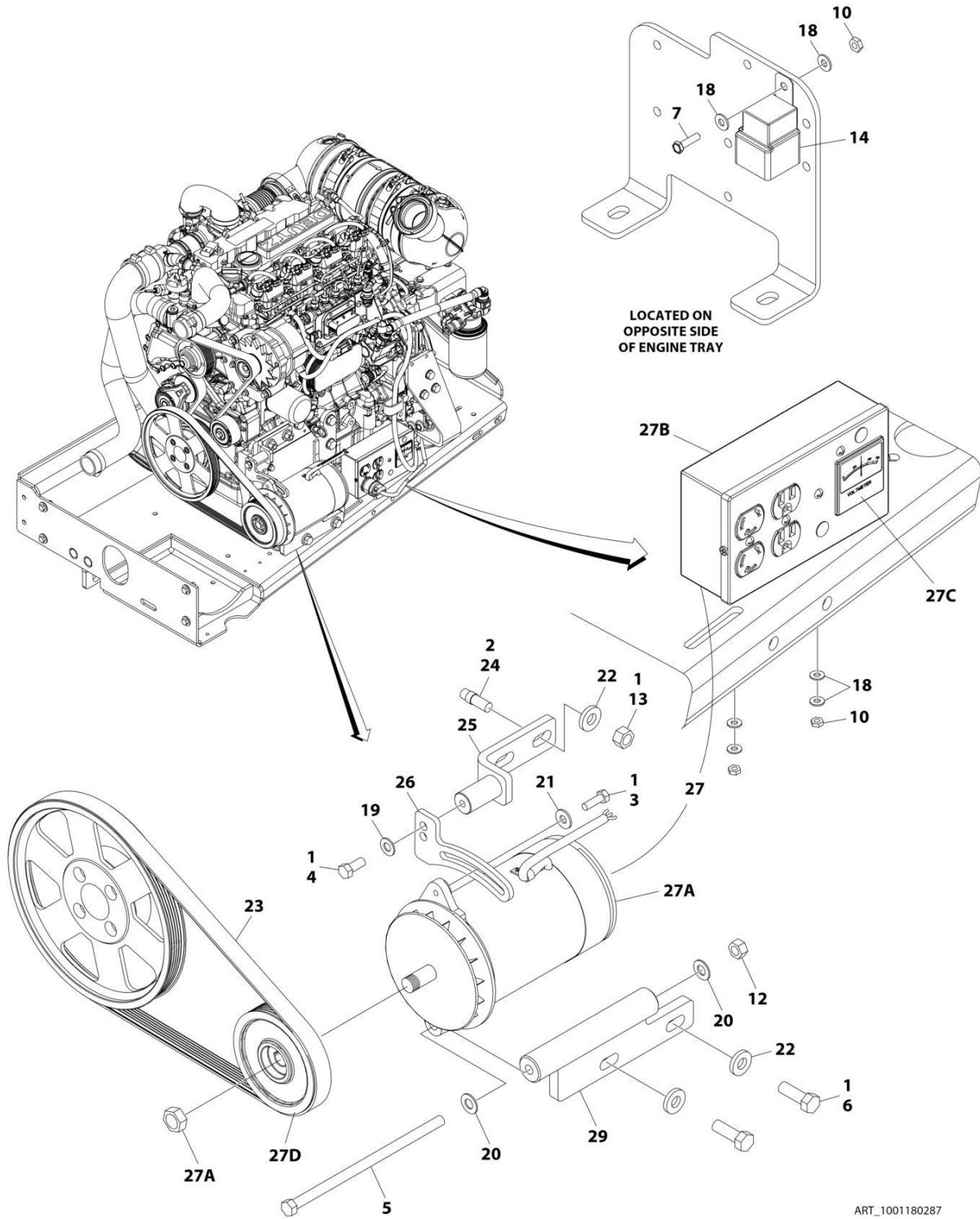
## SECTION 3 - ENGINE

**FIGURE 3-73. 2500W/110V/60HZ GENERATOR INSTALLATION - DEUTZ D2011 ENGINES**

ITEM	PART NUMBER	QTY	DESCRIPTION	REV
	1001115405	Ref	2500W GENERATOR INSTALLATION - 110V/60Hz	B
1	3580158	1	Pulley	
2	2460055	1	Generator and Control Box Assembly:	
2A	7012558	1	Generator Only - 110V/60Hz	
2A		Ref	Note: Replacement Generators come standard with p/n 3580134 pulley. This pulley may not be correct for all applications. Refer to pulley options below.	
2A	7026199	1	Armature with Slip Rings	
2A	7012513	4	Cap, Brush Holder	
2A	7020108	4	Brush	
2A	7020109	4	Holder, Brush	
2A	7012514	1	Fan	
2A	7020110	1	Bell, Front	
2A	7020111	1	Bell, Rear	
2A	7020190	1	Bearing	
2B	7019680	1	Box, Control	
2B		Ref	Receptacle Options:	
2B	4460190	1	Receptacle, Standard	
2B	4460027	1	Receptacle, Twistlock	
2B	4360542	1	Breaker, Circuit	
2B	3520028	1	Plug, Hole	
2C	2420203	1	Voltmeter	
2D	3580276	1	Pulley	
2D	7027887	1	Key, Woodruff	
3	3251243	1	Decal - 110V/60Hz	
4	0200742	1	Arm, Adjusting	
5	0480121	1	V-Belt	
7	0641610	1	Bolt 3/8 x 1-1/4	
8	0100011	AR	Compound, Locking	
9	0641772	1	Bolt 7/16 x 9	
10	4751600	6	Washer 3/8	
11	2860012	1	Key, Woodruff	
12	3311605	1	Nut 3/8	
13	3311705	1	Nut 7/16	
14	3740080	1	Relay	
16	0641508	1	Bolt 5/16 x 1	
17	4751500	AR	Washer 5/16	
18	1001112588	1	Wiring Diagram Components (Not Shown)	
18	1001112589	1	Generator Harness (Not Shown)	
18	4922641	1	Generator ON/OFF Switch Harness (Not Shown - Located at Platform)	
20	0721006	AR	Bolt #10 x 3/4	
21	3311005	3	Nut #10	
22	4751000	AR	Washer #10	
25	4360336	1	Switch, Toggle (Not Shown - Located at Platform)	
26	4740397	1	Bushing (Not Shown - Located at Platform)	
27	4060802	1	Guard, Switch (Not Shown - Located at Platform)	
29	2820031	4 in/ 10cm	Heat Shrink (Not Shown - Located at Platform)	
30	3251102	1	Decal (Not Shown - Located at Platform)	
31	4070585	AR	Shim	

# SECTION 3 - ENGINE

## FIGURE 3-74. 2500W/110V/60HZ GENERATOR INSTALLATION - DEUTZ TD2.9L4 ENGINES



ART\_1001180287



## SECTION 3 - ENGINE

**FIGURE 3-74. 2500W/110V/60HZ GENERATOR INSTALLATION - DEUTZ TD2.9L4 ENGINES**

ITEM	PART NUMBER	QTY	DESCRIPTION	REV
	1001180287	Ref	2500W GENERATOR INSTALLATION - DEUTZ TD2.9L4 (OPTIONAL)	C
1	0100011	AR	Compound, Locking	
2	0100019	AR	Compound, Locking	
3	0641508	1	Bolt 5/16 x 1	
4	0641607	1	Bolt 3/8 x 7/8	
5	0641772	1	Bolt 7/16 x 9	
6	0641812	2	Bolt 1/2 x 1-1/2	
7	0721006	1	Screw #10 x 3/4	
8	2820031	AR	Heat Shrink (Not Shown - Located at Platform)	
9	3251102	1	Name Plate - Generator On (Not Shown - Located at Platform)	
10	3311005	3	Nut #10	
12	3311705	1	Nut 7/16	
13	3311801	2	Nut 1/2	
14	3740080	1	Relay	
15	4060802	1	Guard, Switch (Not Shown - Located at Platform)	
16	4240018	AR	Strap, Cable Tie (Not Shown)	
17	4360336	1	Switch, Toggle (Not Shown - Located at Platform)	
18	4711000	6	Washer #10	
19	4711600	1	Washer 3/8	
20	4711700	2	Washer 7/16	
21	4751500	1	Washer 5/16	
22	4891800	4	Washer 1/2	
23	1001148138	1	V-Belt	
24	1001163599	2	Stud	
25	1001216015	1	Bracket	
26	1001179837	1	Arm, Adjustment	
27	1001180001	1	Generator and Control Box Assembly	
27A	7012558	1	Generator Only - 110V/60Hz	
27A		Ref	Note: Replacement Generators come standard with p/n 3580134 pulley. This pulley may not be correct for all applications. Refer to pulley options below.	
27A	7026199	1	Armature with Slip Rings	
27A	7012513	4	Cap, Brush Holder	
27A	7020108	4	Brush	
27A	7020109	4	Holder, Brush	
27A	7012514	1	Fan	
27A	7020110	1	Bell, Front	
27A	7020111	1	Bell, Rear	
27A	7020190	2	Bearing	
27B	7019680	1	Box, Control - 110V/60Hz	
27B		Ref	Receptacle Options:	
27B	4460190	1	Receptacle, Standard (110V Only)	
27B	4460027	1	Receptacle, Twistlock (110V Only)	
27B	4360542	1	Breaker, Circuit	
27B	3520028	1	Plug, Hole	
27C	2420203	1	Voltmeter	
27D	3580276	1	Pulley	
27D	7027887	1	Key, Woodruff	
28		Ref	Wiring Diagram Components (Not Shown)	

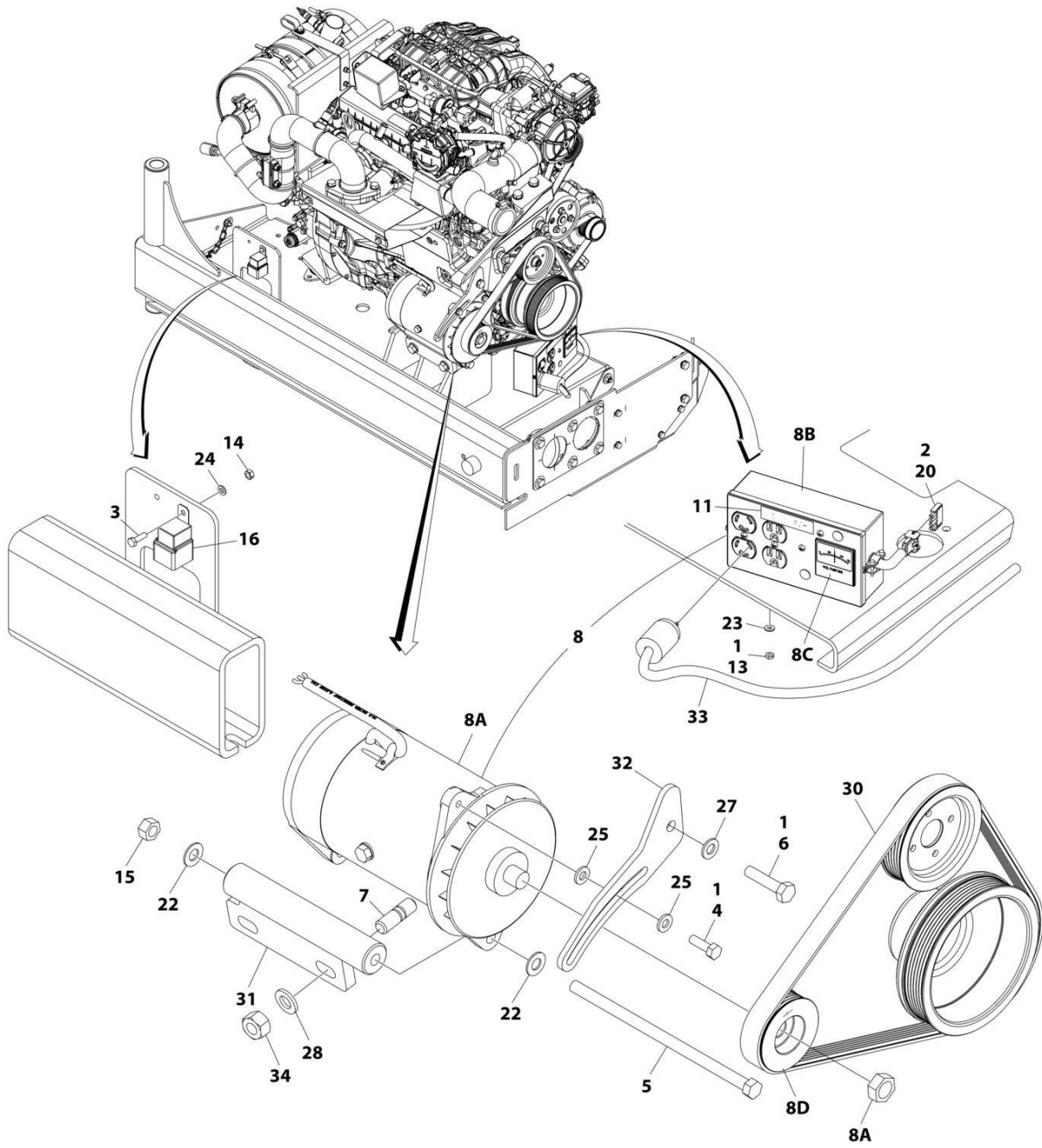
## SECTION 3 - ENGINE

ITEM	PART NUMBER	QTY	DESCRIPTION	REV
28	4922641	1	Generator On/Off Switch Harness (Not Shown - Located at Platform)	
28	1001180052	1	Generator Harness (Not Shown)	
29	1001181243	1	Mount, Generator	



# SECTION 3 - ENGINE

## FIGURE 3-75. 2500W/110V/60HZ GENERATOR INSTALLATION - FORD ENGINES



ART\_1001219619

## SECTION 3 - ENGINE

**FIGURE 3-75. 2500W/110V/60HZ GENERATOR INSTALLATION - FORD ENGINES**

ITEM	PART NUMBER	QTY	DESCRIPTION	REV
	1001219619	Ref	2500W GENERATOR INSTALLATION - FORD MACHINES (OPTIONAL)	E
1	0100011	AR	Compound, Locking	
2	0100048	AR	Grease, Dielectric	
3	0760610	1	Bolt M6 x 20	
4	0641508	1	Bolt 5/16 x 1	
5	0641772	1	Bolt 7/16 x 9	
6	0761016	1	Bolt M10 x 40	
7	1001155041	1	Stud	
8	2460051	1	Generator and Control Box Assembly	
8A	7012558	1	Generator Only - 110V/60Hz	
		Ref	Note: Replacement Generators come standard with pin 3580134 pulley. This pulley may not be correct for all applications. Refer to pulley options below.	
8A	7026199	1	Armature with Slip Rings	
8A	7012513	4	Cap, Brush Holder	
8A	7020108	4	Brush	
8A	7020109	4	Holder, Brush	
8A	7012514	1	Fan	
8A	7020110	1	Bell, Front	
8A	7020111	1	Bell, Rear	
8A	7020190	2	Bearing	
8B	7019680	1	Box, Control - 110V/60Hz	
8B		Ref	Receptacle Options:	
8B	4460190	1	Receptacle, Standard (110V Only)	
8B	4460027	1	Receptacle, Twistlock (110V Only)	
8B	4360542	1	Breaker, Circuit	
8B	3520028	1	Plug, Hole	
8C	2420203	1	Voltmeter	
8D	3580324	1	Pulley	
8D	7027887	1	Key, Woodruff	
9	2820031	1	Heat Shrink (Not Shown - Located at Platform)	
10	3251102	1	Nameplate Generator (Not Shown - Located at Platform)	
11	3251243	1	Decal - 120V-60Hz	
13	3311005	2	Nut #10	
14	3290601	1	Nut M6	
15	3311705	1	Nut 7/16	
16	3740080	1	Relay	
17	4060802	1	Guard Switch (Not Shown - Located at Platform)	
18	4240099	AR	Tie-Strap (Not Shown)	
19	4360336	1	Switch, Toggle (Not Shown - Located at Platform)	
20	4460321	1	Plug, Male - 4 Position	
22	4711700	2	Washer 7/16	
23	4751000	2	Washer #10	
24	4811700	1	Washer M6	
25	4891500	2	Washer 5/16	
27	4812000	1	Washer M10	
28	4812200	2	Washer M14	
29		Ref	Wiring Diagram Components (Not Shown)	

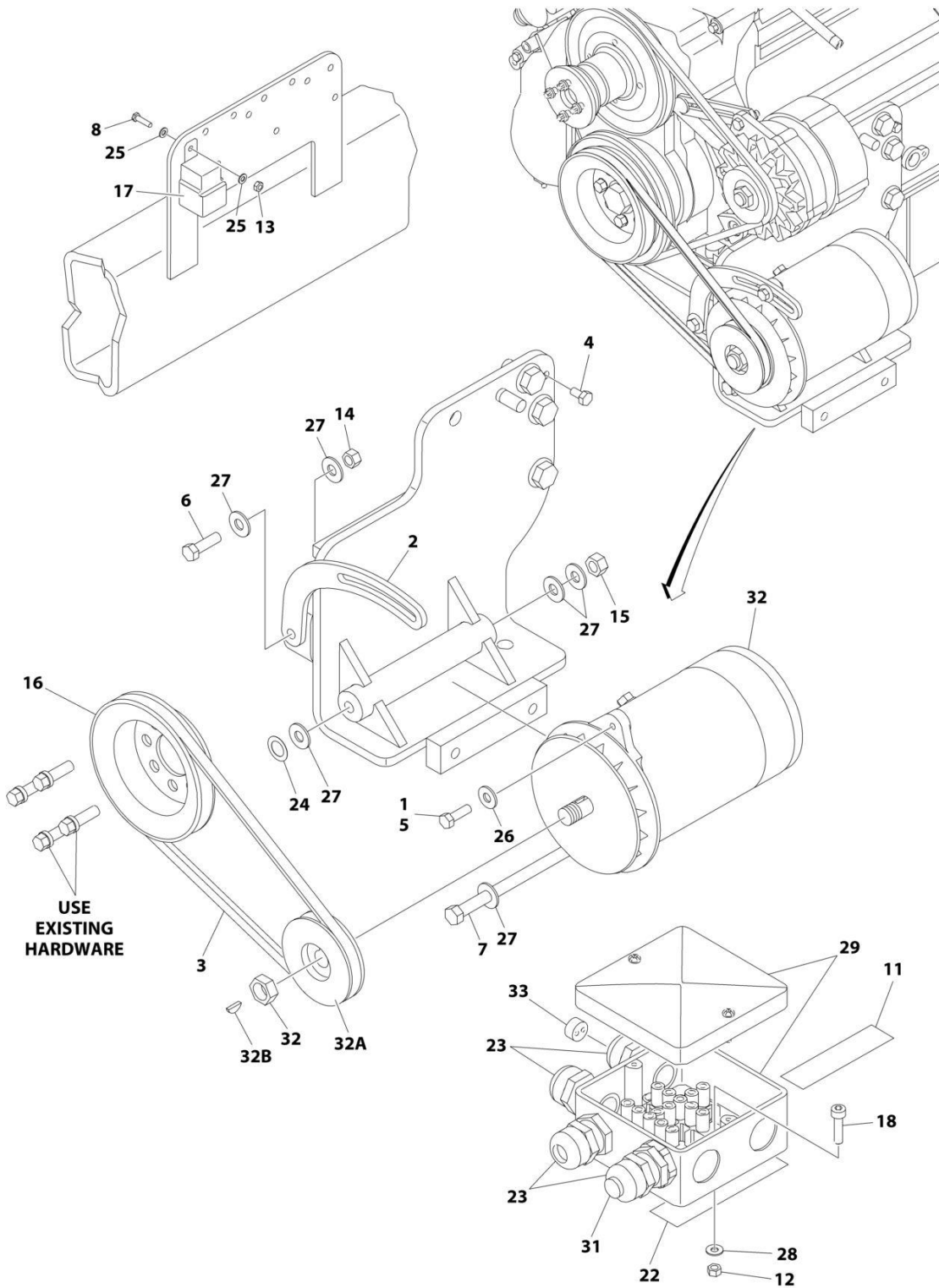
## SECTION 3 - ENGINE

ITEM	PART NUMBER	QTY	DESCRIPTION	REV
29	4922641	1	Generator On/Off Switch Harness (Not Shown - Located at Platform)	
29	4923445	1	Generator Harness (Not Shown - See Separate Breakdown in ELECTRICAL SECTION)	
30	1001216391	1	V-Belt	
31	1001219630	1	Mount, Generator	
32	1001219632	1	Arm, Adjustment	
33	4921829	1	Harness, Inverter	
34	3291201	2	Nut M12	



# SECTION 3 - ENGINE

## FIGURE 3-76. 2500W/220V/50HZ GENERATOR INSTALLATION - DEUTZ D2011 ENGINES



ART\_1001115409



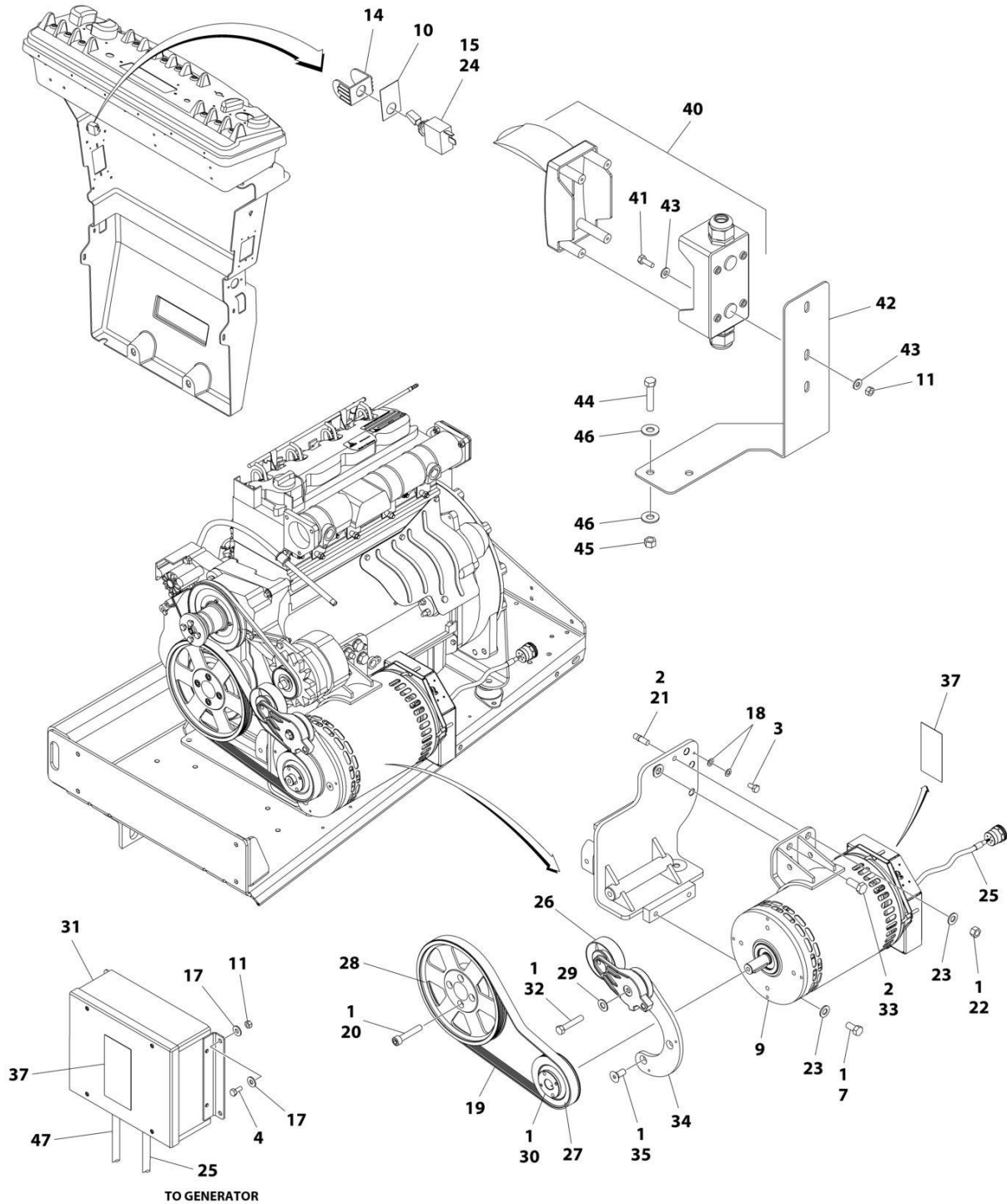
## SECTION 3 - ENGINE

**FIGURE 3-76. 2500W/220V/50HZ GENERATOR INSTALLATION - DEUTZ D2011 ENGINES**

ITEM	PART NUMBER	QTY	DESCRIPTION	REV
	1001115409	Ref	2500W GENERATOR INSTALLATION - 220V/50Hz	B
1	0100011	AR	Compound, Locking	
2	0200742	1	Arm, Adjusting	
3	0480121	1	V-Belt	
4	0641404	1	Bolt 1/4 x 1/2	
5	0641508	1	Bolt 5/16 x 1	
6	0641610	1	Bolt 3/8 x 1-1/4	
7	0641772	1	Bolt 7/16 x 9	
8	0721006	AR	Bolt #10 x 3/4	
9	2820031	4 in/10cm	Heat Shrink (Not Shown - Located at Platform)	
10	3251102	1	Decal (Not Shown - Located at Platform)	
11	3252507	2	Decal - 220V - 50Hz	
		Ref	Note: One Decal Not Shown - Located on the Inside of Platform Rail.	
12	3290505	1	Nut M5	
13	3311005	1	Nut #10	
14	3311605	1	Nut 3/8	
15	3311705	1	Nut 7/16	
16	3580158	1	Pulley	
17	3740080	1	Relay	
18	4031608	1	Bolt M5 x 20	
19	4060802	1	Guard, Switch (Not Shown - Located at Platform)	
20	4240018	1	Tie Strap (Not Shown)	
21	4360336	1	Switch, Toggle (Not Shown - Located at Platform)	
22	4420060	AR	Tape, Double Coated Acrylic Foam	
23	4460968	3	Connector, Strain Relief	
24	4740397	1	Shim	
25	4751000	2	Washer #10	
26	4751500	1	Washer 5/16	
27	4751600	6	Washer 3/8	
28	4811600	1	Washer M5	
29	1001099869	1	Box, Junction	
30		Ref	Wiring Diagram Components (Not Shown)	
30	4922641	1	Generator On/Off Switch Harness (Not Shown - Located at Platform)	
30	1001112589	1	Generator Harness (Not Shown)	
31	1001100234	1	Light, Red	
32	1001100321	1	Generator	
32	70000123	1	Armature with Slip Rings	
32	7012513	4	Cap, Brush Holder	
32	7020108	4	Brush	
32	7020109	4	Holder, Brush	
32	7012514	1	Fan	
32	7020110	1	Bell, Front	
32	7020111	1	Bell, Rear	
32	7020190	1	Bearing	
32A	3580134	1	Pulley - 50Hz	
32B	7027887	1	Key, Woodruff	
33	0962449	1	Bushing	

# SECTION 3 - ENGINE

## FIGURE 3-77. 4000W/50HZ GENERATOR INSTALLATION - DEUTZ D2011 ENGINES



ART\_1001153310

## SECTION 3 - ENGINE

**FIGURE 3-77. 4000W/50HZ GENERATOR INSTALLATION - DEUTZ D2011 ENGINES**

ITEM	PART NUMBER	QTY	DESCRIPTION	REV
	1001153310	Ref	4000W/50HZ GENERATOR INSTALLATION - DEUTZ D2011 ENGINES	F
1	0100011	AR	Compound, Locking	
2	0100019	AR	Compound, Locking	
3	0641404	1	Bolt 1/4 x 1/2	
4	0641405	4	Bolt 1/4 x 5/8	
7	0641808	2	Bolt 1/2 x 1	
9	1001138565	1	Generator Assembly	
9	70003709	1	Ring, Retaining (External)	
9	70003708	1	Ring, Retaining (Internal)	
9	70001966	1	Bearing	
9	70004092	1	Endbell (Shaft End)	
9	70004171	1	Key	
9	70004676	1	Rotor	
9	70004677	1	Stator	
9	70004678	1	Endbell (Rear)	
9	70004679	1	Cover, Endbell (Rear)	
9	70004680	1	Enclosure, Wiring	
9	70004681	1	Cover, Enclosure	
9	70004682	1	Switch, Reset (Located on Enclosure Cover)	
9	70004683	1	Connector, Strain Relief (Located on Enclosure Cover)	
10	3251102	1	Nameplate - Generator	
11	3311405	6	Nut 1/4	
14	4060802	1	Guard, Switch	
15	4360336	1	Switch, Toggle	
17	4751400	8	Washer 1/4	
18	4791400	2	Washer 1/4	
19	0480126	1	Belt, Generator	
20	4032015	4	Capscrew M10 x 55	
21	4300157	1	Stud	
22	3311801	1	Nut 1/2	
23	4711800	3	Washer 1/2	
24	2820031	AR	Heat Shrink	
25	1001152532	1	Harness, Generator (See Separate Breakdown in ELECTRICAL Section)	
26	3580317	1	Pulley, Tensioner	
27	3580319	1	Pulley, Generator	
28	3580320	1	Pulley, Engine	
29	4711600	1	Washer 3/8	
30	0962520	1	Bushing	
31	1001138566	1	Box, Control	
31	70006552	1	Capacitor	
31	70006553	1	Relay	
32	0641616	1	Bolt 3/8 x 2	
33	0771415	1	Bolt M14 x 35	
34	1001139357	1	Mount, Tensioner	
35	0741607	3	Screw 3/8 x 7/8	
37	1705489	2	Decal - Hazardous Voltage	
40	1001165368	1	Breaker Box Kit (See Separate Breakdown in ELECTRICAL SECTION)	

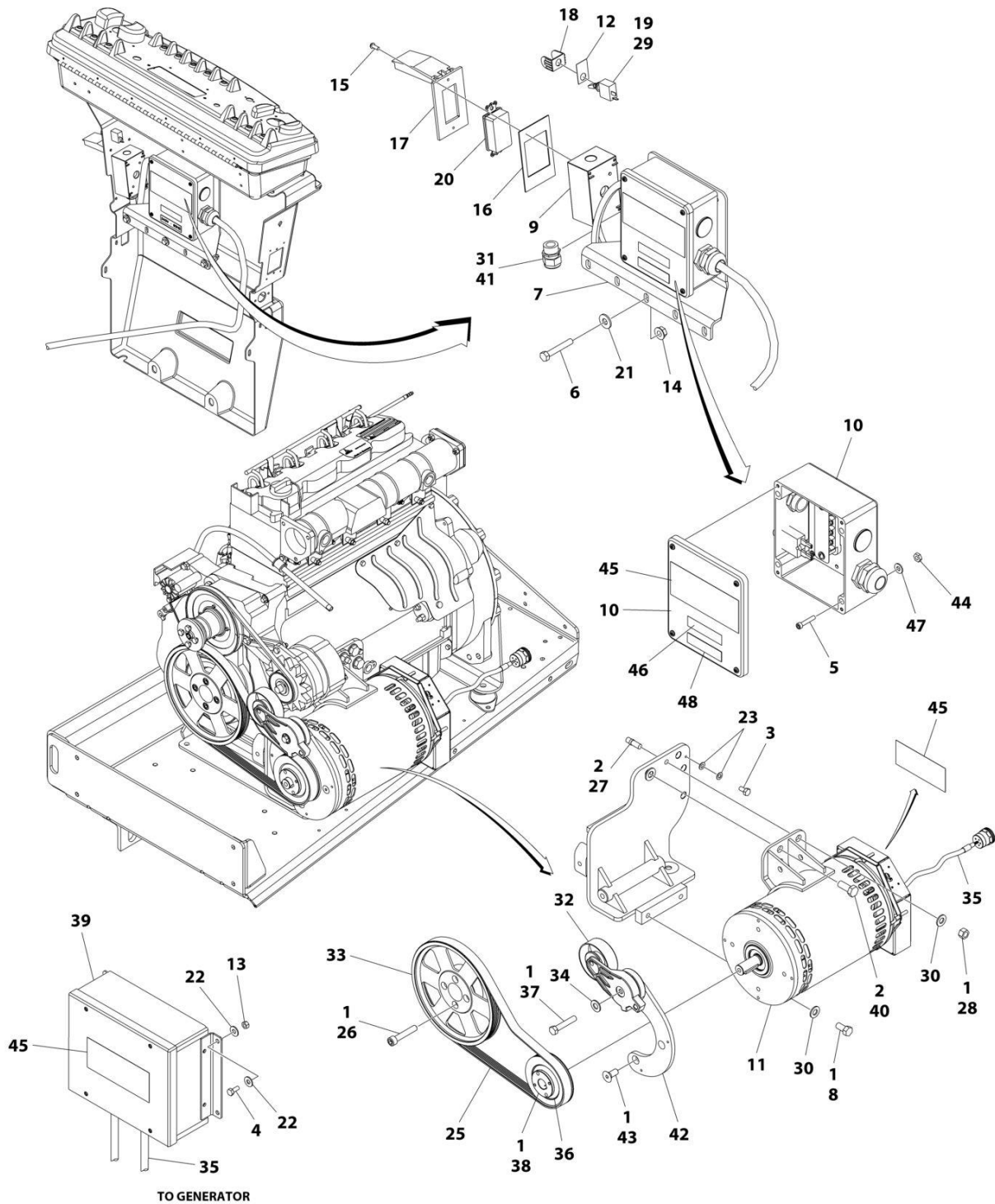
## SECTION 3 - ENGINE

ITEM	PART NUMBER	QTY	DESCRIPTION	REV
41	0641406	2	Bolt 1/4 x 3/4	
42	1001177910	1	Bracket	
43	4711400	4	Washer 1/4	
44	0641614	2	Bolt 3/8 x 1-3/4	
45	3311605	2	Nut 3/8	
46	4751600	4	Washer 3/8	
47	1001153197	1	Generator Harness (See Separate Breakdown in ELECTRICAL SECTION)	



# SECTION 3 - ENGINE

## FIGURE 3-78. 4000W/60HZ GENERATOR INSTALLATION - DEUTZ D2011 ENGINES



ART\_1001153309

## SECTION 3 - ENGINE

**FIGURE 3-78. 4000W/60HZ GENERATOR INSTALLATION - DEUTZ D2011 ENGINES**

ITEM	PART NUMBER	QTY	DESCRIPTION	REV
	1001153309	Ref	4000W/60HZ GENERATOR INSTALLATION - DEUTZ D2011 ENGINES	B
1	0100011	AR	Compound, Locking	
2	0100019	AR	Compound, Locking	
3	0641404	1	Bolt 1/4 x 1/2	
4	0641405	4	Bolt 1/4 x 5/8	
5	3931016	4	Capscrew #10 x 1	
6	0641516	3	Bolt 5/16 x 2	
7	0902888	1	Bracket	
8	0641808	2	Bolt 1/2 x 1	
9	0860038	1	Box, Receptacle	
10	1001152457	1	Junction Box Assembly	
10	3300396	1	Cover, Breaker	
10	4360070	1	Breaker, Circuit - 15Amp	
10	4460425	1	Connector, Strain Relief (LH Side)	
10	4460426	1	Connector, Strain Relief (RH Side)	
10	1001152530	1	Block, Terminal	
10	1001158363	1	Cover, Terminal Block	
10	1001153260	1	Decal - Wiring Diagram	
11	1001129858	1	Generator Assembly	
11	70003709	1	Ring, Retaining (External)	
11	70003708	1	Ring, Retaining (Internal)	
11	70001966	1	Bearing	
11	70004092	1	Endbell (Shaft End)	
11	70004171	1	Key	
11	70004676	1	Rotor	
11	70004684	1	Stator	
11	70004678	1	Endbell (Rear)	
11	70004679	1	Cover, Endbell (Rear)	
11	70004680	1	Enclosure, Wiring	
11	70004685	1	Cover, Enclosure	
11	70004682	1	Switch, Reset (Located on Enclosure Cover)	
11	70004098	1	Connector, Strain Relief (Located on Enclosure Cover)	
12	3251102	1	Nameplate - Generator	
13	3311405	4	Nut 1/4	
14	3311508	3	Nut 5/16	
15	3910606	4	Screw #6 x 3/8	
16	3960422	1	Gasket, Receptacle	
17	1001110873	1	Cover, Receptacle	
18	4060802	1	Guard, Switch	
19	4360336	1	Switch, Toggle	
20	4460346	1	Receptacle	
21	4751500	3	Washer 5/16	
22	4751400	8	Washer 1/4	
23	4791400	2	Washer 1/4	
25	0480129	1	Belt, Generator	
26	4032015	4	Capscrew M10 x 55	
27	4300157	1	Stud	
28	3311801	1	Nut 1/2	
29	2820031	AR	Heat Shrink	

## SECTION 3 - ENGINE

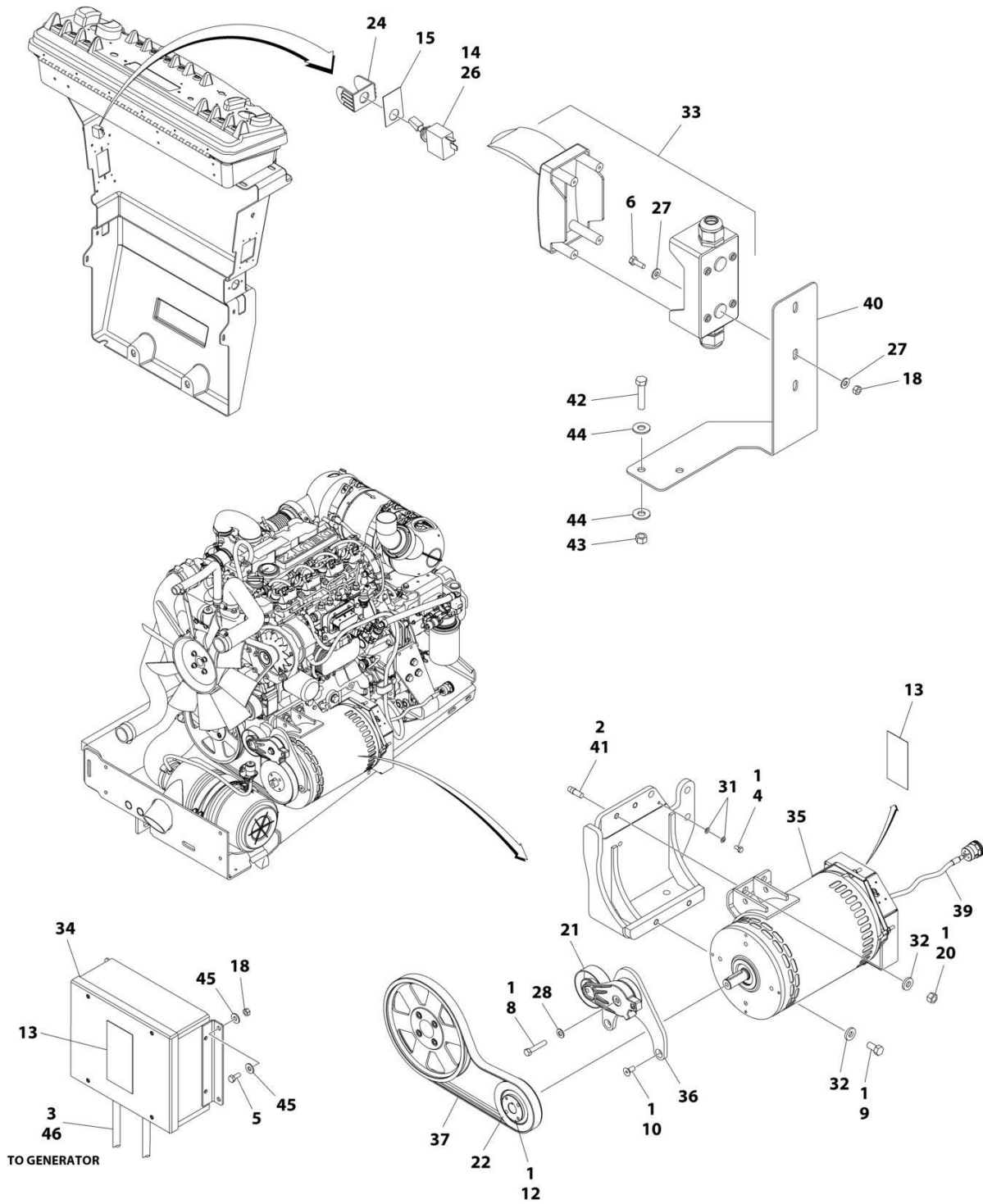
ITEM	PART NUMBER	QTY	DESCRIPTION	REV
30	4711800	3	Washer 1/2	
31	4460071	1	Connector, Strain Relief	
32	3580317	1	Pulley, Tensioner	
33	3580320	1	Pulley, Engine	
34	4711600	1	Washer 3/8	
35	1001152532	1	Harness, Generator (See Separate Breakdown in ELECTRICAL Section)	
36	3580318	1	Pulley, Generator	
37	0641616	1	Bolt 3/8 x 2	
38	0962520	1	Bushing	
39	1001138566	1	Box, Control	
39	70006552	1	Capacitor	
39	70006553	1	Relay	
40	0771415	1	Bolt M14 x 35	
41	0100020	AR	Sealant	
42	1001139357	1	Mount, Tensioner	
43	0741607	3	Screw 3/8 x 7/8	
44	3311005	4	Nut #10	
45	1705387	3	Decal - Hazardous Voltage	
46	3251243	1	Decal - 120V-60Hz	
47	4751000	4	Washer #10	
48	1705374	1	Decal - 240V-60Hz	





# SECTION 3 - ENGINE

## FIGURE 3-79. 4000W/50HZ GENERATOR INSTALLATION - DEUTZ TD2.9L4 AND DEUTZ TD2.9L4 (STAGE V) ENGINES



ART\_1001171269

## SECTION 3 - ENGINE

**FIGURE 3-79. 4000W/50HZ GENERATOR INSTALLATION - DEUTZ TD2.9L4 AND DEUTZ TD2.9L4  
(STAGE V) ENGINES**

ITEM	PART NUMBER	QTY	DESCRIPTION	REV
	1001171269	Ref	4000W/50HZ GENERATOR INSTALLATION	E
1	0100011	AR	Compound, Locking	
2	0100019	AR	Compound, Locking	
3	0100048	AR	Grease, Dielectric	
4	0641404	1	Bolt 1/4 x 1/2	
5	0641405	4	Bolt 1/4 x 5/8	
6	0641406	2	Bolt 1/4 x 3/4	
8	0641618	1	Bolt 3/8 x 2-1/4	
9	0641808	2	Bolt 1/2 x 1	
10	0741607	3	Screw 3/8 x 7/8	
12	0962520	1	Bushing, Split	
13	1705489	2	Decal - Hazardous Voltage	
14	2820031	AR	Heat Shrink	
15	3251102	1	Nameplate - Generator	
18	3311405	6	Nut 1/4	
20	3311801	2	Nut 1/2	
21	3580317	1	Tensioner, Belt with Pulley	
22	3580319	1	Pulley, Generator	
24	4060802	1	Guard, Switch	
25	4240018	AR	Tie-Strap (Not Shown)	
26	4360336	1	Switch, Toggle	
27	4711400	4	Washer 1/4	
28	4711600	1	Washer 3/8	
31	4791400	2	Washer 1/4	
32	4891800	4	Washer 1/2	
33	1001165368	1	Breaker Box Kit (See Separate Breakdown in ELECTRICAL SECTION)	
34	1001138566	1	Box, Control	
34	70006552	1	Capacitor	
34	70006553	1	Relay	
35	1001140347	1	Generator Assembly	
35	70003709	1	Ring, Retaining (External)	
35	70003708	1	Ring, Retaining (Internal)	
35	70001966	1	Bearing	
35	70004092	1	Endbell (Shaft End)	
35	70004099	1	Key	
35	70004676	1	Rotor	
35	70004686	1	Stator	
35	70004678	1	Endbell (Rear)	
35	70004679	1	Cover, Endbell (Rear)	
35	70004680	1	Enclosure, Wiring	
35	70004681	1	Cover, Enclosure (50Hz)	
35	70004682	1	Switch, Reset (Located on Enclosure Cover)	
35	70004683	1	Connector, Strain Relief (50Hz) (Located on Enclosure Cover)	
35	4460224	1	Connector - 6 Position (50Hz) (Located on Enclosure Cover)	
35	4460294	2	Pin, Male (50Hz) (Located on Enclosure Cover)	
36	1001142643	1	Support, Gen Tensioner	
37	1001142645	1	Belt, Generator (50Hz)	

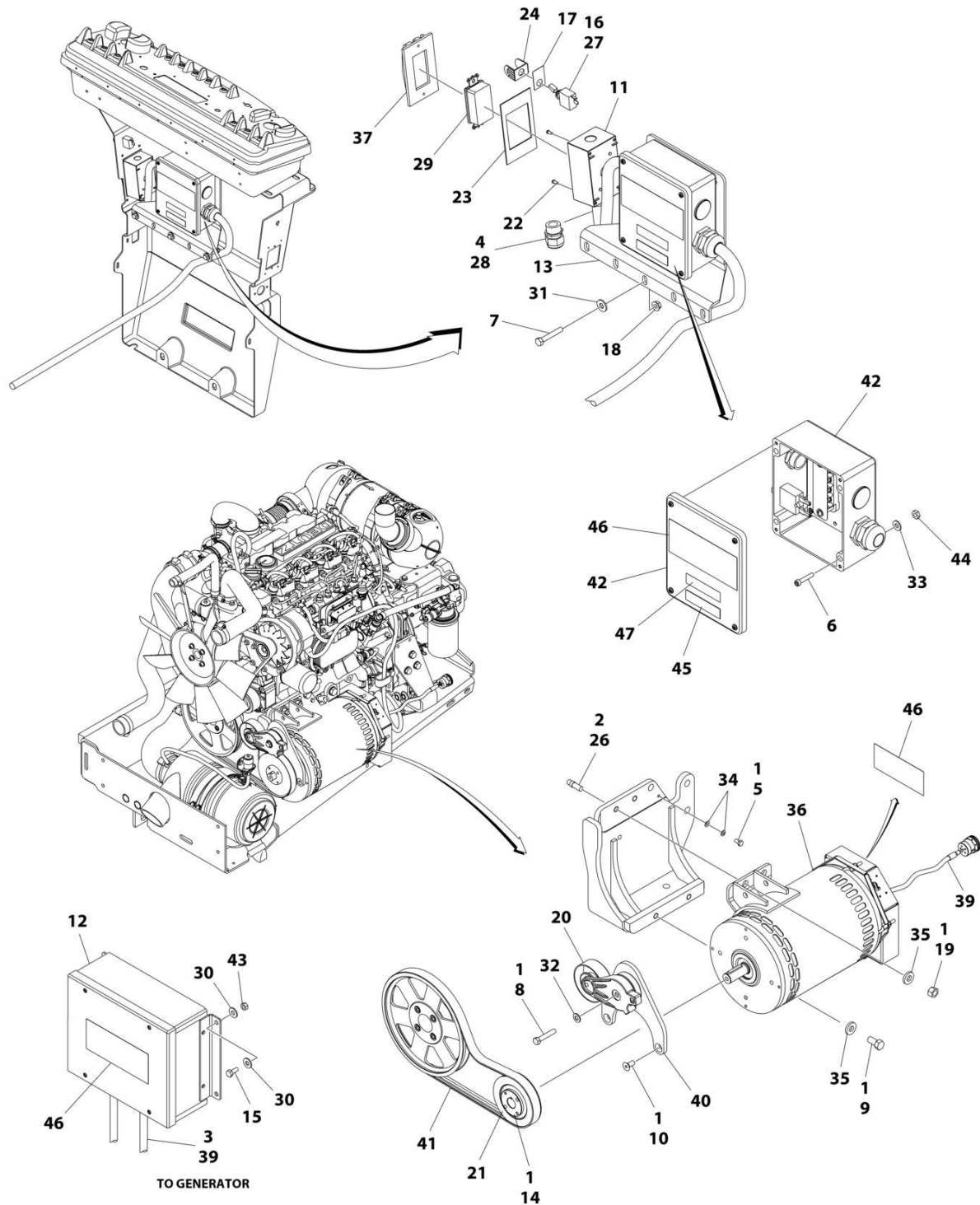
## SECTION 3 - ENGINE

ITEM	PART NUMBER	QTY	DESCRIPTION	REV
39	1001152532	1	Harness, Generator (See Separate Breakdown in ELECTRICAL Section)	
40	1001177910	1	Bracket	
41	1001163599	2	Stud	
42	0641614	2	Bolt 3/8 x 1-3/4	
43	3311605	2	Nut 3/8	
44	4751600	4	Washer 3/8	
45	4751400	8	Washer 1/4	
46	1001153259	1	Generator Harness (See Separate Breakdown in ELECTRICAL SECTION)	



# SECTION 3 - ENGINE

## FIGURE 3-80. 4000W/60HZ GENERATOR INSTALLATION - DEUTZ TD2.9L4 ENGINES



ART\_1001171127

## SECTION 3 - ENGINE

**FIGURE 3-80. 4000W/60HZ GENERATOR INSTALLATION - DEUTZ TD2.9L4 ENGINES**

ITEM	PART NUMBER	QTY	DESCRIPTION	REV
	1001171127	Ref	4000W/60HZ GENERATOR INSTALLATION - DEUTZ TD2.9L4 ENGINES	C
1	0100011	AR	Compound, Locking	
2	0100019	AR	Compound, Locking	
3	0100048	AR	Grease, Dielectric	
4	0100079	AR	Sealant	
5	0641404	1	Bolt 1/4 x 1/2	
6	3931016	4	Capscrew #10 x 1	
7	0641516	3	Bolt 5/16 x 2	
8	0641618	1	Bolt 3/8 x 2-1/4	
9	0641808	2	Bolt 1/2 x 1	
10	0741607	3	Screw 3/8 x 7/8	
11	0860038	1	Box, Switch	
12	1001138566	1	Box, Control	
12	70006552	1	Capacitor	
12	70006553	1	Relay	
13	0902888	1	Bracket, Junction Box	
14	0962520	1	Bushing, Split	
15	0641405	4	Bolt 1/4 x 5/8	
16	2820031	AR	Heat Shrink	
17	3251102	1	Nameplate - Generator	
18	3311508	3	Nut 5/16	
19	3311801	2	Nut 1/2	
20	3580317	1	Tensioner, Belt with Pulley	
21	3580318	1	Pulley, Generator	
22	3910606	4	Screw #6 x 3/8	
23	3960422	1	Gasket, AC Receptacle	
24	4060802	1	Guard, Switch	
25	4240018	AR	Tie-Strap (Not Shown)	
26	1001163599	2	Stud	
27	4360336	1	Switch, Toggle	
28	4460071	1	Connector, Strain Relief	
29	4460346	1	Receptacle	
30	4711400	AR	Washer 1/4	
31	4751500	3	Washer 5/16	
32	4711600	1	Washer 3/8	
33	4751000	4	Washer #10	
34	4791400	2	Washer 1/4	
35	4891800	4	Washer 1/2	
36	1001140346	1	Generator Assembly	
36	70003709	1	Ring, Retaining (External)	
36	70003708	1	Ring, Retaining (Internal)	
36	70001966	1	Bearing	
36	70004092	1	Endbell (Shaft End)	
36	70004099	1	Key	
36	70004676	1	Rotor	
36	70004687	1	Stator	
36	70004678	1	Endbell (Rear)	
36	70004679	1	Cover, Endbell (Rear)	
36	70004680	1	Enclosure, Wiring	

## SECTION 3 - ENGINE

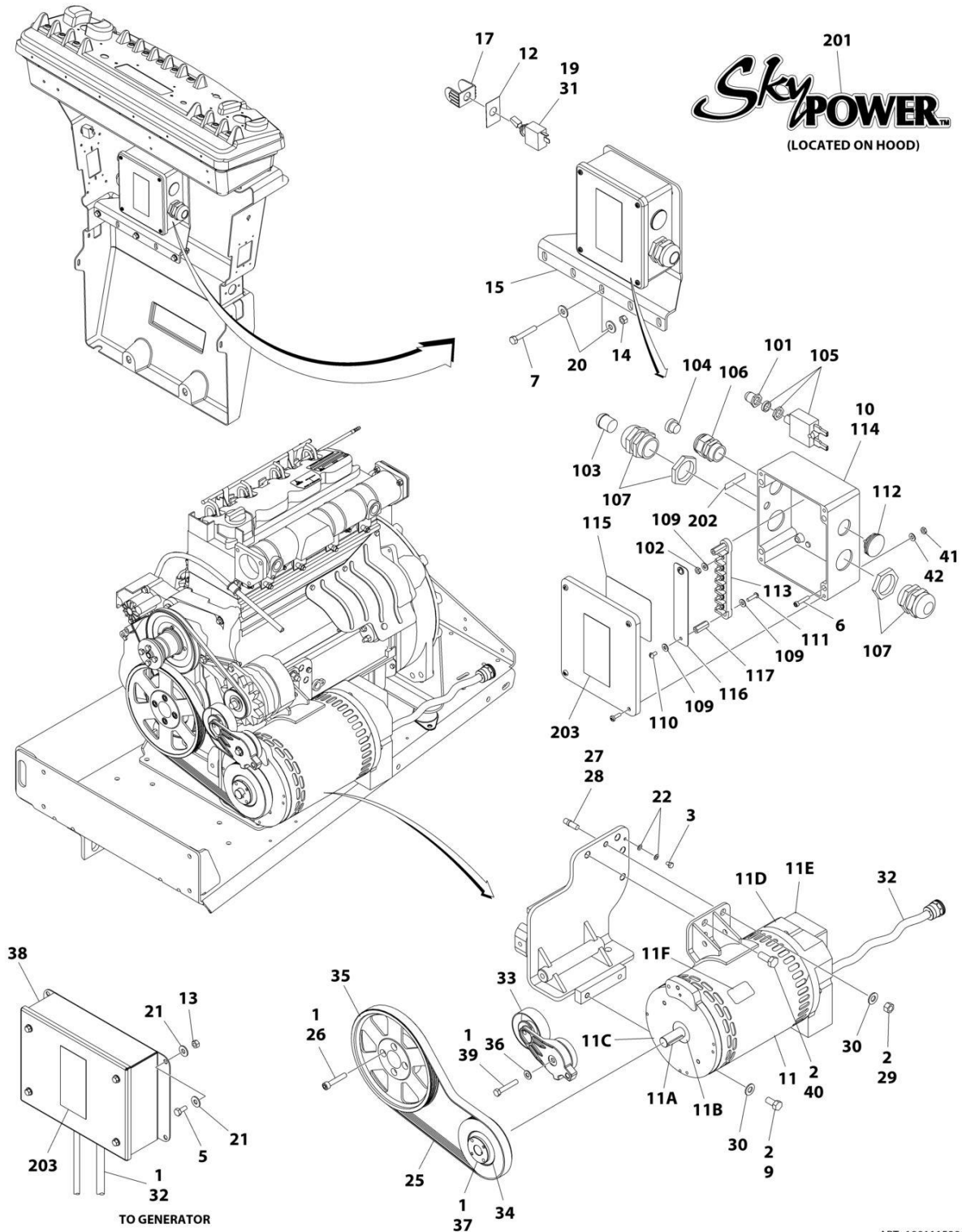
ITEM	PART NUMBER	QTY	DESCRIPTION	REV
36	70004685	1	Cover, Enclosure	
36	70004682	1	Switch, Reset (Located on Enclosure Cover)	
36	70004098	1	Connector, Strain Relief (Located on Enclosure Cover)	
37	1001110873	1	Cover, Receptacle	
39	1001152532	1	Harness, Generator	
40	1001142643	1	Support, Gen Tensioner	
41	1001142646	1	Belt, Generator	
42	1001152457	1	Junction Box Assembly	
42	3300396	1	Cover, Breaker	
42	4360070	1	Breaker, Circuit - 15Amp	
42	4460425	1	Connector, Strain Relief (LH Side)	
42	4460426	1	Connector, Strain Relief (RH Side)	
42	1001152530	1	Block, Terminal	
42	1001158363	1	Cover, Terminal Block	
42	1001153260	1	Decal - Wiring Diagram	
43	3311405	4	Nut 1/4	
44	3311005	4	Nut #10	
45	1705374	1	Decal - 240V (60Hz)	
46	1705387	3	Decal - Hazardous Voltage	
47	3251243	1	Decal - 120V-60Hz	





# SECTION 3 - ENGINE

## FIGURE 3-81. 7500W/50HZ SKYPOWER GENERATOR INSTALLATION - DEUTZ D2011 ENGINES



ART\_1001115394

## SECTION 3 - ENGINE

**FIGURE 3-81. 7500W/50HZ SKYPOWER GENERATOR INSTALLATION - DEUTZ D2011 ENGINES**

ITEM	PART NUMBER	QTY	DESCRIPTION	REV
	1001115394	Ref	7500W/50HZ SKYPOWER GENERATOR INSTALLATION	F
1	0100011	AR	Compound, Locking	
2	0100019	AR	Compound, Locking	
3	0641403	1	Bolt 1/4 x 3/8	
5	0641405	4	Bolt 1/4 x 5/8	
6	3931016	4	Capscrew 3/8 x 1	
7	0641516	3	Bolt 5/16 x 2	
9	0641808	2	Bolt 1/2 x 1	
10	1001157525	1	Junction Box Assembly (See Items 101-117 for Breakdown)	
11	2460048	1	Generator Assembly	
11	70001100	1	Rotor (Includes p/n 70001384 & 70000863) (Not Shown)	
11	70001384	1	Bearing, Ball Radial (Not Shown):	
11	70000863	1	Fan (Not Shown)	
11	70002088	1	Stator (Not Shown)	
11	70002297	1	Stud	
11	70003631	1	Brushholder Assembly (Not Shown)	
11A	70004171	1	Key	
11B	70001966	1	Bearing, Ball Radial (Located in Belt Tensioner Endbell)	
11B	70003708	1	Ring, Internal Retaining (Located in Belt Tensioner Endbell)	
11B	70003709	1	Ring, External Retaining (Located in Belt Tensioner Endbell)	
11C	70001953	1	Endbell, Belt Tensioner	
11D	70004169	1	Endbell, Brush Block	
11E	70004169	1	Shroud	
11E	See Note	NSS	Insulator, Endbell (Note: Not Available for Purchase)	
11E	7027799	1	Block, Connector 6 Position (Not Shown)	
11E	70002460	1	Nut, Brass (Attaches p/n 7027799 to Cover) (Not Shown)	
11E	7024485	1	Breaker, Circuit 30Amp (Not Shown)	
11E	70001696	1	Boot, Breaker (Not Shown)	
11E	7026626	1	Connector, 6 Position (Includes Seal) (Not Shown - Plugs into Item 36)	
11E	7026597	1	Connector, with Leads (Not Shown)	
11E	7026188	1	Clamp, Cable (Not Shown)	
11E	70004169	1	Plate, End Panel	
11E	70001974	1	Decal - Terminal Connections	
11F	70001973	1	Decal - Warning Moving Parts	
12	3252764	1	Nameplate	
13	3311405	4	Nut 1/4	
14	3311505	3	Nut 5/16	
15	0902888	1	Bracket, Box Mounting	
17	4060802	1	Guard, Switch	
19	4360336	1	Switch, Toggle	
20	4711500	6	Washer 5/16	
21	4751400	8	Washer 1/4	
22	4791400	2	Washer 1/4	
25	0480126	1	Belt, Drive	
26	4032015	4	Capscrew M10 X 55	
27	4300157	1	Stud	
28	0100062	AR	Adhesive	
29	3311801	1	Nut 1/2	
30	4711800	3	Washer 1/2	

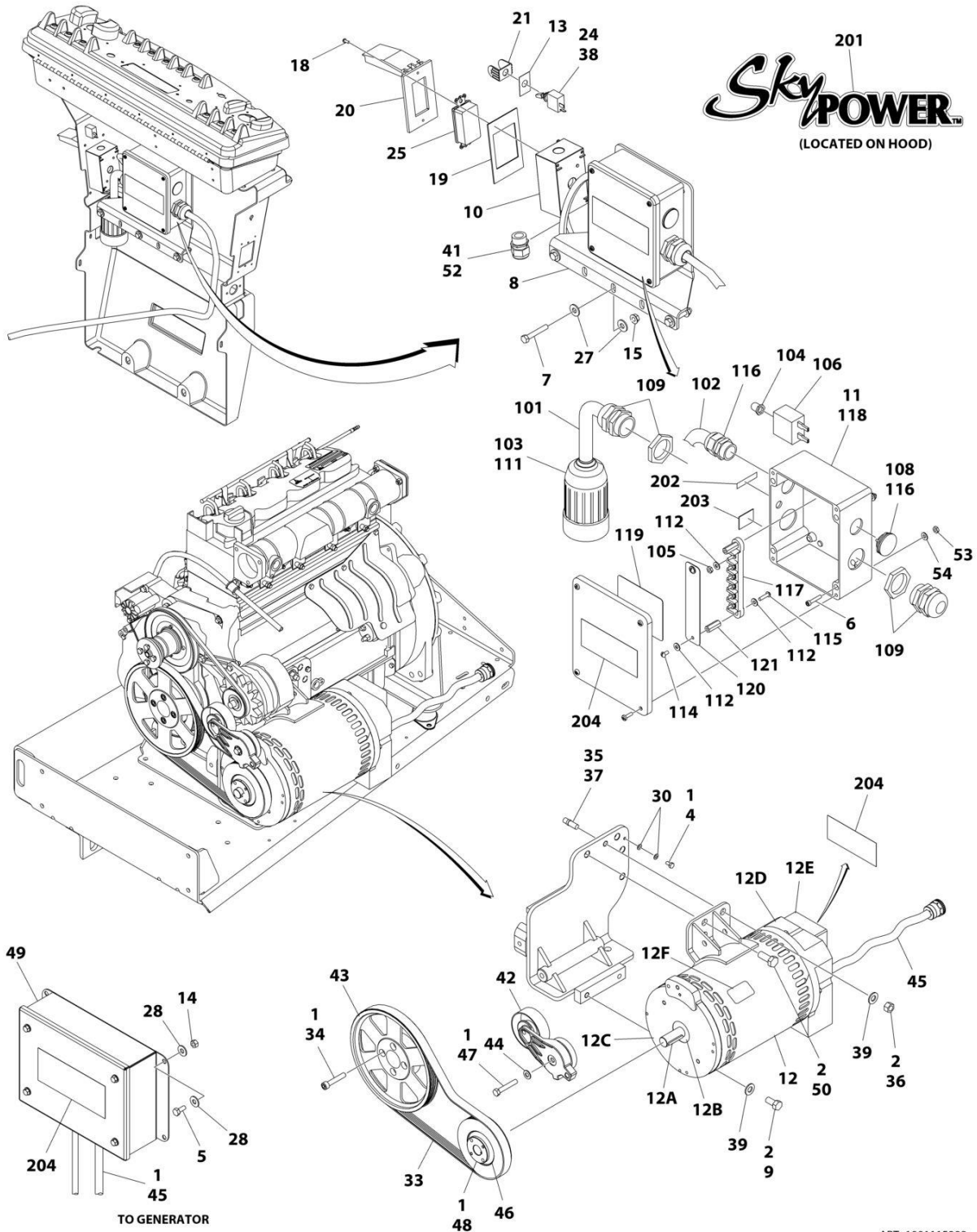
## SECTION 3 - ENGINE

ITEM	PART NUMBER	QTY	DESCRIPTION	REV
31	2820031	1	Heat Shrink	
32	4922925	1	Harness, Generator	
33	3580317	1	Tensioner, Belt with Pulley	
34	3580319	1	Pulley	
35	3580320	1	Pulley	
36	4711600	1	Washer 3/8	
37	0962520	1	Bushing, Split Taper	
38	0861572	1	Control Box Assembly	
38	7024488	1	Card, Circuit - Generator Power	
38	See Note	NSS	Fuse (Note: Not Available - Purchase Locally)	
38	7024489	1	Card, Circuit - Control	
38	70000619	1	Harness, Control Box (Internal)	
38		Ref	Note: Same Circuit Card (P/N 7024489) is used for both 60Hz & 50Hz Specs. When replacing card, rocker switch on card must be set for required application.	
39	0641618	1	Bolt 3/8 x 2-1/4	
40	0771415	1	Bolt M14 x 35 Grade 10.9	
41	3311005	4	Nut #10	
42	4751000	4	Washer #10	
	1001157525	Ref	JUNCTION BOX ASSEMBLY	B
101	3300396	1	Cover, Fuse	
102	3311001	6	Nut #10	
103	3520189	1	Plug	
104	3520192	1	Plug	
105	4360070	1	Circuit Breaker - 15Amp	
106	4460425	1	Connector, Strain Relief	
107	4460426	2	Connector, Strain Relief	
109	4711000	10	Washer, #10	
110	10702077	2	Screw #10 x 3/8	
111	10702082	2	Screw #10 x 3/4	
112	1001152525	1	Plug	
113	1001157520	1	Block, Terminal	
114	1001157521	1	Box, Junction	
115	1001157528	1	Decal - Wiring Schematic	
116	1001158007	1	Cover, PVC	
117	1001158008	2	Stand-Off	
	0272589	Ref	DECAL INSTALLATION	A
201	1705460	2	Decal - SkyPower	
202	1705461	1	Decal - 240V - 3 Phase	
203	1705489	2	Decal, Hazardous Voltage	
	1001157769	Ref	ELECTRICAL DIAGRAM COMPONENTS	B
301	1001152429	1	Generator Harness (Not Shown - See Separate Breakdown in ELECTRICAL SECTION)	
304	4922641	1	Switch Harness (Not Shown)	



# SECTION 3 - ENGINE

FIGURE 3-82. 7500W/60HZ SKYPOWER GENERATOR INSTALLATION - DEUTZ D2011 ENGINES



ART\_1001115388

## SECTION 3 - ENGINE

**FIGURE 3-82. 7500W/60HZ SKYPOWER GENERATOR INSTALLATION - DEUTZ D2011 ENGINES**

ITEM	PART NUMBER	QTY	DESCRIPTION	REV
	1001115388	Ref	7500W SKYPOWER GENERATOR INSTALLATION	F
1	0100011	AR	Compound, Locking	
2	0100019	AR	Compound, Locking	
4	0641404	1	Bolt 1/4 x 1/2	
5	0641405	4	Bolt 1/4 x 5/8	
6	3931016	4	Capscrew 3/8 x 1	
7	0641516	3	Bolt 5/16 x 2	
8	0902888	1	Bracket, Box Mounting	
9	0641808	2	Bolt 1/2 x 1	
10	0860038	1	Box, Switch	
11	1001157592	1	Junction Box Assembly (See Items 101-121 for Breakdown)	
12	2460048	1	Generator Assembly	
12	70001100	1	Rotor (Includes p/n 70001384 & 70000863) (Not Shown)	
12	70001384	1	Bearing, Ball Radial (Not Shown):	
12	70000863	1	Fan (Not Shown)	
12	70002088	1	Stator (Not Shown)	
12	70002297	1	Stud	
12	70003631	1	Brushholder Assembly (Not Shown)	
12A	70004171	1	Key	
12B	70001966	1	Bearing, Ball Radial (Located in Belt Tensioner Endbell)	
12B	70003708	1	Ring, Internal Retaining (Located in Belt Tensioner Endbell)	
12B	70003709	1	Ring, External Retaining (Located in Belt Tensioner Endbell)	
12C	70001953	1	Endbell, Belt Tensioner	
12D	70004169	1	Endbell, Brush Block	
12E	70004169	1	Shroud	
12E	See Note	NSS	Insulator, Endbell (Note: Not Available for Purchase)	
12E	7027799	1	Block, Connector 6 Position (Not Shown)	
12E	70002460	1	Nut, Brass (Attaches p/n 7027799 to Cover) (Not Shown)	
12E	7024485	1	Breaker, Circuit 30Amp (Not Shown)	
12E	70001696	1	Boot, Breaker (Not Shown)	
12E	7026626	1	Connector, 6 Position (Includes Seal) (Not Shown - Plugs into Item 36)	
12E	7026597	1	Connector, with Leads (Not Shown)	
12E	7026188	1	Clamp, Cable (Not Shown)	
12E	70004169	1	Plate, End Panel	
12E	70001974	1	Decal - Terminal Connections	
12F	70001973	1	Decal - Warning Moving Parts	
13	3252764	1	Nameplate	
14	3311405	4	Nut 1/4	
15	3311508	3	Nut, Flange 5/16	
18	3910606	4	Screw #6 x 3/8	
19	3960422	1	Gasket	
20	1001110873	1	Cover, Receptacle	
21	4060802	1	Guard, Switch	
24	4360336	1	Switch, Toggle	
25	4460346	1	Receptacle, Female (110-120V)	
27	4751500	3	Washer 5/16	
28	4751400	8	Washer 1/4	
30	4791400	2	Washer 1/4	
33	0480129	1	Belt, Drive	

## SECTION 3 - ENGINE

ITEM	PART NUMBER	QTY	DESCRIPTION	REV
34	4032015	4	Capscrew M10 x 55	
35	4300157	1	Stud	
36	3311801	1	Nut 1/2	
37	0100062	AR	Adhesive	
38	2820031	1	Heat Shrink	
39	4711800	3	Washer 1/2	
41	4460071	1	Connector, Strain Relief	
42	3580317	1	Tensioner, Belt with Pulley	
43	3580320	1	Pulley	
44	4711600	1	Washer 3/8	
45	4922925	1	Harness, Generator	
46	3580318	1	Pulley	
47	0641618	1	Bolt 3/8 x 2-1/4	
48	0962520	1	Bushing, Split Taper	
49	0861538	1	Control Box Assembly	
49	7024488	1	Card, Circuit - Generator Power	
49	See Note	1	Fuse (Note: Not Available - Purchase Locally)	
49	70000619	1	Harness, Control Box (Internal)	
49	7024489	1	Card, Circuit - Control	
49		Ref	Note: Same Circuit Card (P/N 7024489) is used for both 60Hz & 50Hz Specs. When replacing card, rocker switch on card must be set for required application.	
50	0771415	1	Bolt M14 x 35 Grade 10.9	
52	0100020	AR	Sealant	
53	3311005	4	Nut #10	
54	4751000	4	Washer #10	
	1001157592	Ref	JUNCTION BOX ASSEMBLY	
101	1060343	1.5 ft /.46m	Cable, Electrical 10/4	
102	1001179154	2.5 ft /76cm	Cable, Electrical 12/3	
103	1671092	1	Cover	
104	3300396	1	Cover, Fuse	
105	3311001	6	Nut #10	
106	4360070	1	Circuit Breaker - 15Amp	
108	4460425	1	Connector, Strain Relief	
109	4460426	2	Connector, Strain Relief	
111	4460963	1	Connector	
112	4711000	10	Washer, #10	
114	10702077	2	Screw #10 x 3/8	
115	10702082	2	Screw #10 x 3/4	
116	1001152525	1	Plug	
117	1001157520	1	Block, Terminal	
118	1001157521	1	Box, Junction	
119	1001157528	1	Decal - Wiring Schematic	
120	1001158007	1	Cover, PVC	
121	1001158008	2	Stand-Off	
	0272435	Ref	DECAL INSTALLATION	D
201	1705460	2	Decal - SkyPower	
202	3251243	1	Decal - 120V - 60Hz (60Hz Spec Only) (Not Shown - Located at Platform Receptacle)	
203	1705375	1	Decal - 240V - 3 Phase	

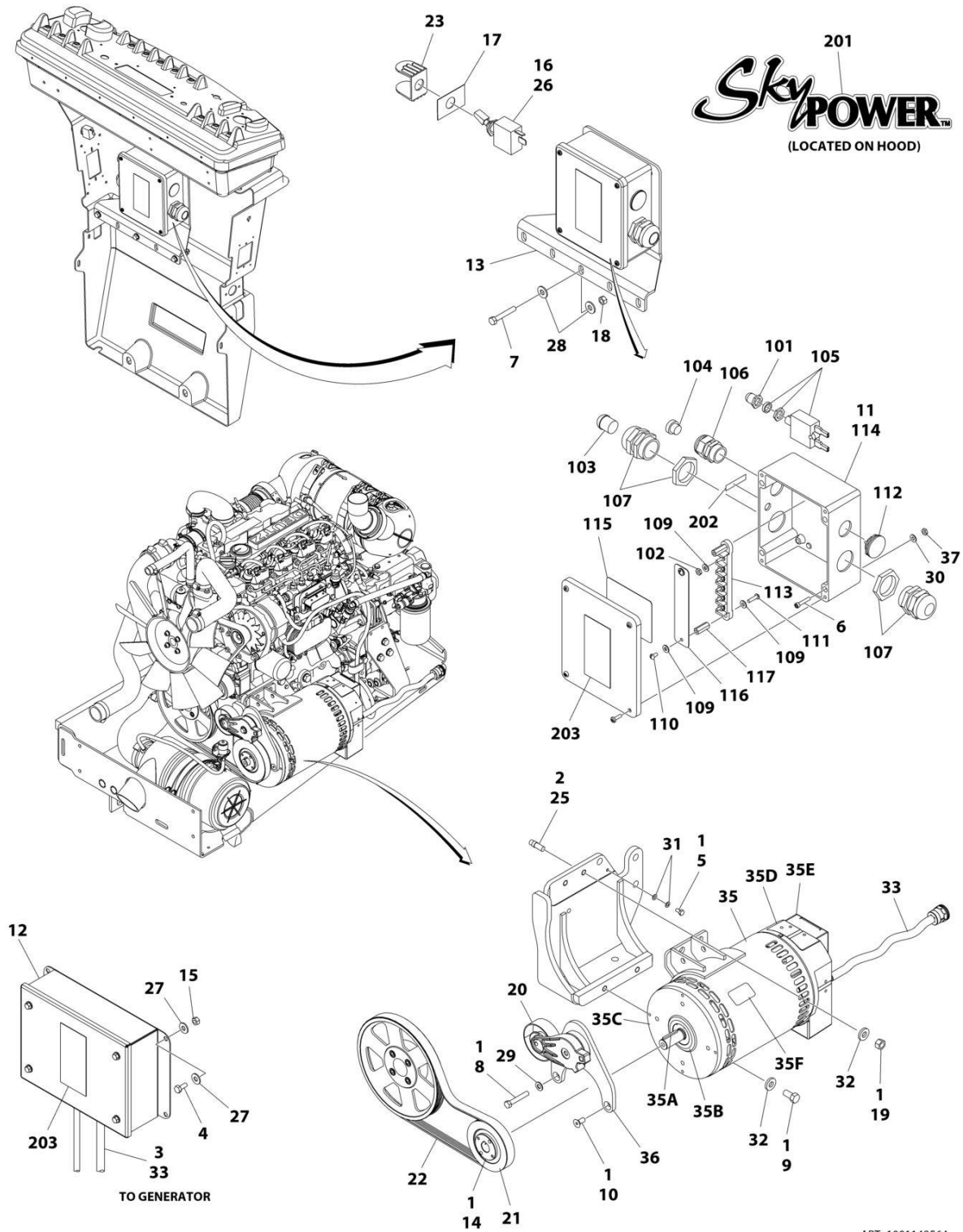


## SECTION 3 - ENGINE

ITEM	PART NUMBER	QTY	DESCRIPTION	REV
204	1705387	3	Decal, Hazardous Voltage	B
	1001157769	Ref	ELECTRICAL DIAGRAM COMPONENTS	
301	1001152429	1	Generator Harness (Not Shown - See Separate Breakdown in ELECTRICAL SECTION)	
304	4922641	1	Switch Harness (Not Shown)	

# SECTION 3 - ENGINE

FIGURE 3-83. 7500W/50HZ SKYPOWER GENERATOR INSTALLATION - DEUTZ TD2.9L4 AND DEUTZ TD2.9L4 (STAGE V) ENGINES



ART\_1001148564

## SECTION 3 - ENGINE

**FIGURE 3-83. 7500W/50HZ SKYPOWER GENERATOR INSTALLATION - DEUTZ TD2.9L4 AND DEUTZ TD2.9L4 (STAGE V) ENGINES**

ITEM	PART NUMBER	QTY	DESCRIPTION	REV
	1001148564	Ref	7500W SKYPOWER GENERATOR INSTALLATION	F
1	0100011	AR	Compound, Locking	
2	0100019	AR	Compound, Locking	
3	0100048	AR	Compound, Silicone	
4	0641405	4	Bolt 1/4 x 5/8	
5	0641404	1	Bolt 1/4 x 1/2	
6	3931016	4	Capscrew 3/8 x 1	
7	0641516	3	Bolt 5/16 x 2	
8	0641618	1	Bolt 3/8 x 2-1/4	
9	0641808	2	Bolt 1/2 x 1	
10	0741607	3	Screw 3/8 x 7/8	
11	1001157525	1	Junction Box Assembly (See Items 101-117 for Breakdown)	
12	0861572	1	Control Box Assembly	
12	7024488	1	Card, Circuit - Generator Power	
12	See Note	NSS	Fuse (Note: Not Available - Purchase Locally)	
12	7024489	1	Card, Circuit - Control	
12	70000619	1	Harness, Control Box (Internal)	
		Ref	Note: Same Circuit Card (P/N 7024489) is used for both 60Hz and 50Hz. When replacing card, rocker switch on card must be set for required application.	
13	0902888	1	Bracket, Box Mounting	
14	0962520	1	Bushing, Split Taper	
15	3311405	4	Nut 1/4	
16	2820031	1	Heat Shrink	
17	3252764	1	Nameplate	
18	3311505	3	Nut 5/16	
19	3311801	2	Nut 1/2	
20	3580317	1	Tensioner, Belt with Pulley	
21	3580319	1	Pulley	
22	1001142645	1	Belt, Drive	
23	4060802	1	Guard, Switch	
24	4240018	AR	Tie-Strap (Not Shown)	
25	1001163599	2	Stud	
26	4360336	1	Switch, Toggle	
27	4751400	8	Washer 1/4	
28	4711500	6	Washer 5/16	
29	4711600	1	Washer 3/8	
30	4751000	4	Washer #10	
31	4791400	2	Washer 1/4	
32	4891800	4	Washer 1/2 Hardened	
33	4922925	1	Harness, Generator	
35	1001212223	Ref	Generator Assembly	
35	70001100	1	Rotor (Includes p/n 70001384 & 70000863) (Not Shown)	
35	70001384	1	Bearing, Ball Radial (Not Shown):	
35	70000863	1	Fan (Not Shown)	
35	70006093	1	Stator (Not Shown)	
35	70002297	1	Stud	
35	70003631	1	Brushholder Assembly (Not Shown)	
35A	70004099	1	Key	

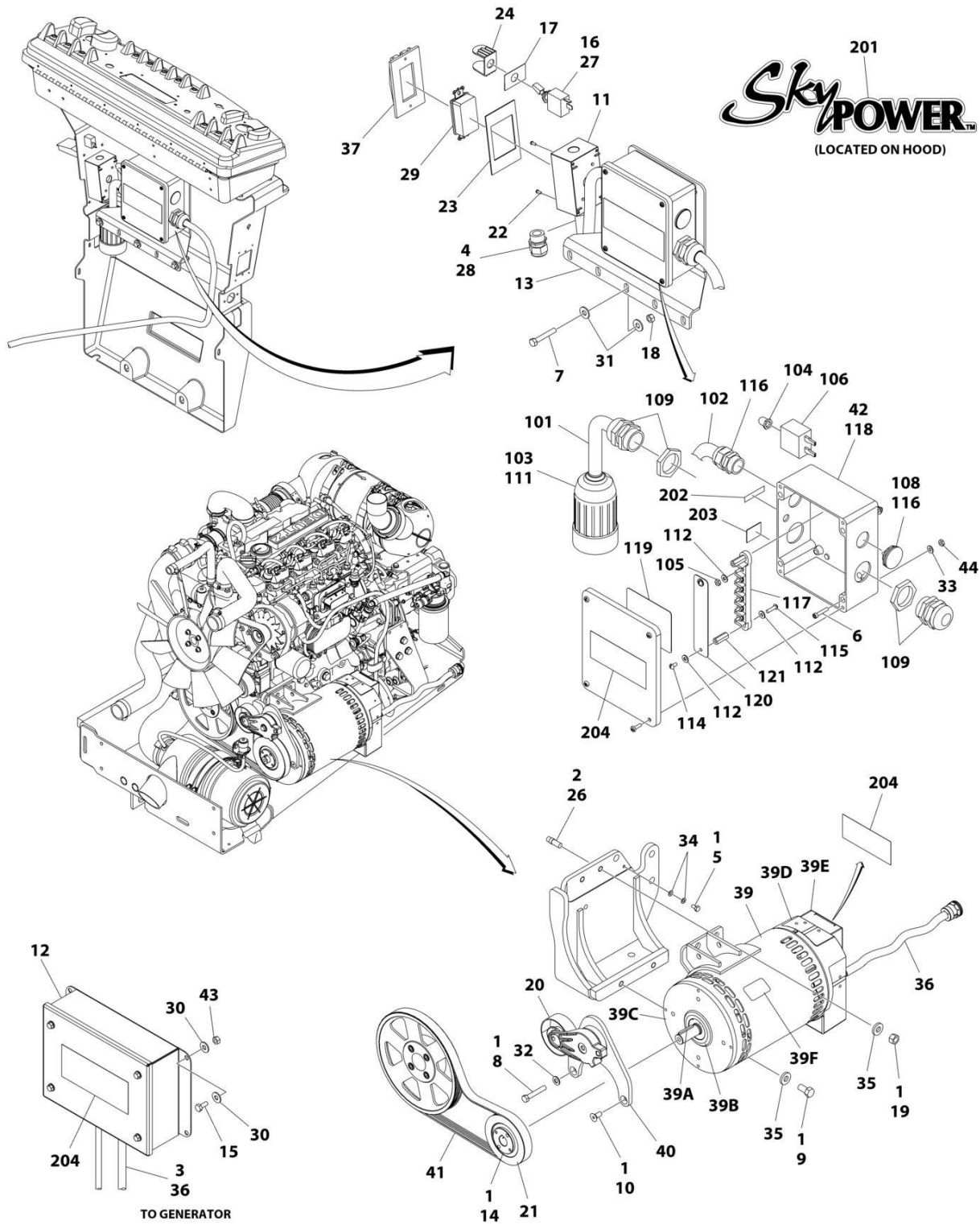
## SECTION 3 - ENGINE

ITEM	PART NUMBER	QTY	DESCRIPTION	REV
35B	70001966	1	Bearing, Ball Radial (Located in Belt Tensioner Endbell)	
35B	70003708	1	Ring, Internal Retaining (Located in Belt Tensioner Endbell)	
35B	70003709	1	Ring, External Retaining (Located in Belt Tensioner Endbell)	
35C	70004092	1	Endbell, Belt Tensioner	
35D	70004094	1	Endbell, Brush Block	
35E	70006094	1	Shroud	
35E	70002291	1	Insulator, Endbell	
35E	7027799	1	Block, Connector 6 Position (Not Shown)	
35E	70002460	1	Nut, Brass (Attaches p/n 7027799 to Cover) (Not Shown)	
35E	70006095	1	Breaker, Circuit 30Amp (Not Shown)	
35E	70006096	1	Boot, Breaker Options (Not Shown):	
35E	7026626	1	Connector, 6 Position (Includes Seal) (Not Shown - Plugs into Item 36)	
35E	7026597	1	Connector, with Leads (Not Shown)	
35E	70004098	1	Clamp, Cable (Not Shown)	
35E	70006097	1	Plate, End Panel	
35E	70001974	1	Decal - Terminal Connections	
35F	70001973	1	Decal - Warning Moving Parts	
36	1001142643	1	Support	
37	3311005	4	Nut #10	
	1001157525	Ref	JUNCTION BOX ASSEMBLY	B
101	3300396	1	Cover, Fuse	
102	3311001	6	Nut #10	
103	3520189	1	Plug	
104	3520192	1	Plug	
105	4360070	1	Circuit Breaker - 15Amp	
106	4460425	1	Connector, Strain Relief	
107	4460426	2	Connector, Strain Relief	
109	4711000	10	Washer, #10	
110	10702077	2	Screw #10 x 3/8	
111	10702082	2	Screw #10 x 3/4	
112	1001152525	1	Plug	
113	1001157520	1	Block, Terminal	
114	1001157521	1	Box, Junction	
115	1001157528	1	Decal - Wiring Schematic	
116	1001158007	1	Cover, PVC	
117	1001158008	2	Stand-Off	
	0272589	Ref	DECAL INSTALLATION	A
201	1705460	2	Decal - SkyPower	
203	1705461	1	Decal - 240V - 3 Phase	
204	1705489	2	Decal, Hazardous Voltage	
	1001157770	Ref	ELECTRICAL DIAGRAM COMPONENTS	A
301	1001119968	1	Generator Harness (Not Shown - See Separate Breakdown in ELECTRICAL SECTION)	
304	4922641	1	Switch Harness (Not Shown)	



# SECTION 3 - ENGINE

FIGURE 3-84. 7500W/60HZ SKYPOWER GENERATOR INSTALLATION - DEUTZ TD2.9L4 AND DEUTZ TD2.9L4 (STAGE V) ENGINES



ART\_1001148563

## SECTION 3 - ENGINE

**FIGURE 3-84. 7500W/60HZ SKYPOWER GENERATOR INSTALLATION - DEUTZ TD2.9L4 AND DEUTZ TD2.9L4 (STAGE V) ENGINES**

ITEM	PART NUMBER	QTY	DESCRIPTION	REV
	1001148563	Ref	7500W SKYPOWER GENERATOR INSTALLATION	F
1	0100011	AR	Compound, Locking	
2	0100019	AR	Compound, Locking	
3	0100048	AR	Compound, Silicone	
4	0100079	AR	Sealant	
5	0641404	1	Bolt 1/4 x 1/2	
6	3931016	4	Capscrew 3/8 x 1	
7	0641516	3	Bolt 5/16 x 2	
8	0641618	1	Bolt 3/8 x 2-1/4	
9	0641808	2	Bolt 1/2 x 1	
10	0741607	3	Screw 3/8 x 7/8	
11	0860038	1	Box, Switch	
12	0861538	1	Control Box Assembly	
12	7024488	1	Card, Circuit - Generator Power	
12	See Note	1	Fuse (Note: Not Available - Purchase Locally)	
12	70000619	1	Harness, Control Box (Internal)	
12	7024489	1	Card, Circuit - Control	
12		Ref	Note: Same Circuit Card (P/N 7024489) is used for both 60Hz & 50Hz Specs. When replacing card, rocker switch on card must be set for required application.	
13	0902888	1	Bracket, Box Mounting	
14	0962520	1	Bushing, Split Taper	
15	0641405	4	Bolt 1/4 x 5/8	
16	2820031	1	Heat Shrink	
17	3252764	1	Nameplate	
18	3311505	3	Nut 5/16	
19	3311801	2	Nut 1/2	
20	3580317	1	Tensioner, Belt with Pulley	
21	3580318	1	Pulley	
22	3910606	4	Screw #6 x 3/8	
23	3960422	1	Gasket	
24	4060802	1	Guard, Switch	
25	4240018	AR	Tie-Strap (Not Shown)	
26	1001163599	2	Stud	
27	4360336	1	Switch, Toggle	
28	4460071	1	Connector, Strain Relief	
29	4460346	1	Receptacle, Female (110-120V)	
30	4711400	8	Washer 1/4	
31	4711500	6	Washer 5/16	
32	4711600	1	Washer 3/8	
33	4751000	4	Washer #10	
34	4791400	2	Washer 1/4	
35	4891800	4	Washer 1/2 Hardened	
36	4922925	1	Harness, Generator	
37	1001110873	1	Cover, Receptacle	
39	1001212223	Ref	Generator Assembly	
39	70001100	1	Rotor (Includes p/n 70001384 & 70000863) (Not Shown)	
39	70001384	1	Bearing, Ball Radial (Not Shown):	
39	70000863	1	Fan (Not Shown)	

## SECTION 3 - ENGINE

ITEM	PART NUMBER	QTY	DESCRIPTION	REV
39	70006093	1	Stator (Not Shown)	
39	70002297	1	Stud	
39	70003631	1	Brush holder Assembly (Not Shown)	
39A	70004099	1	Key	
39B	70001966	1	Bearing, Ball Radial (Located in Belt Tensioner Endbell)	
39B	70003708	1	Ring, Internal Retaining (Located in Belt Tensioner Endbell)	
39B	70003709	1	Ring, External Retaining (Located in Belt Tensioner Endbell)	
39C	70004092	1	Endbell, Belt Tensioner	
39D	70004094	1	Endbell, Brush Block	
39E	70006094	1	Shroud	
39E	70002291	1	Insulator, Endbell	
39E	7027799	1	Block, Connector 6 Position (Not Shown)	
39E	70002460	1	Nut, Brass (Attaches p/n 7027799 to Cover) (Not Shown)	
39E	70006095	1	Breaker, Circuit 30Amp (Not Shown)	
39E	70006096	1	Boot, Breaker Options (Not Shown):	
39E	7026626	1	Connector, 6 Position (Includes Seal) (Not Shown - Plugs into Item 36)	
39E	7026597	1	Connector, with Leads (Not Shown)	
39E	70004098	1	Clamp, Cable (Not Shown)	
39E	70006097	1	Plate, End Panel	
39E	70001974	1	Decal - Terminal Connections	
39F	70001973	1	Decal - Warning Moving Parts	
40	1001142643	1	Support	
41	1001142646	1	Belt, Drive	
42	1001157592	1	Junction Box Assembly (See Items 101-121 for Breakdown)	
43	3311405	4	Nut 1/4	
44	3311005	4	Nut #10	
	1001157592	Ref	JUNCTION BOX ASSEMBLY	D
101	1060343	1.5 ft /.46m	Cable, Electrical 10/4	
102	1001179154	2.5 ft /76cm	Cable, Electrical 12/3	
103	1671092	1	Cover	
104	3300396	1	Cover, Fuse	
105	3311001	6	Nut #10	
106	4360070	1	Circuit Breaker - 15Amp	
108	4460425	1	Connector, Strain Relief	
109	4460426	2	Connector, Strain Relief	
111	4460963	1	Connector	
112	4711000	10	Washer, #10	
114	10702077	2	Screw #10 x 3/8	
115	10702082	2	Screw #10 x 3/4	
116	1001152525	1	Plug	
117	1001157520	1	Block, Terminal	
118	1001157521	1	Box, Junction	
119	1001157528	1	Decal - Wiring Schematic	
120	1001158007	1	Cover, PVC	
121	1001158008	2	Stand-Off	
	0272435	Ref	DECAL INSTALLATION	D
201	1705460	2	Decal - SkyPower	
202	3251243	1	Decal - 120V - 60Hz (60Hz Spec Only) (Not Shown - Located at Platform Receptacle)	

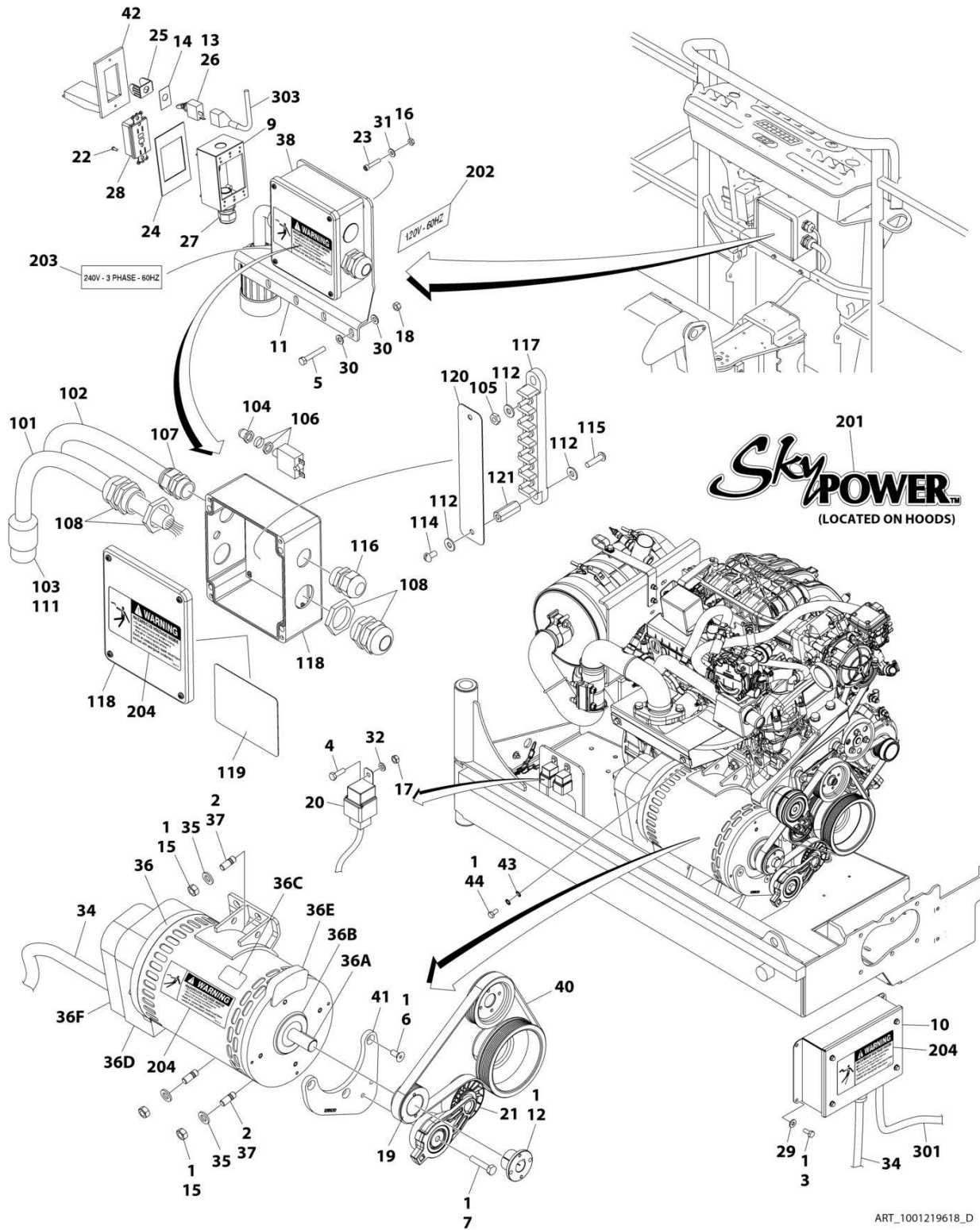


## SECTION 3 - ENGINE

ITEM	PART NUMBER	QTY	DESCRIPTION	REV
203	1705375	1	Decal - 240V - 3 Phase	A
204	1705387	3	Decal, Hazardous Voltage	
	1001157770	Ref	ELECTRICAL DIAGRAM COMPONENTS	
301	1001119968	1	Generator Harness (Not Shown - See Separate Breakdown in ELECTRICAL SECTION)	
303	4922641	1	Switch Harness (Not Shown)	

# SECTION 3 - ENGINE

FIGURE 3-85. 7500W/60HZ SKYPOWER GENERATOR INSTALLATION - FORD DF 2.5L ENGINES



## SECTION 3 - ENGINE

**FIGURE 3-85. 7500W/60HZ SKYPOWER GENERATOR INSTALLATION - FORD DF 2.5L ENGINES**

ITEM	PART NUMBER	QTY	DESCRIPTION	REV
	1001219618	Ref	7500W SKYPOWER GENERATOR INSTALLATION - FORD ENGINES	D
		Ref	Note: See ELECTRICAL SECTION for Boom Cable Components.	
1	0100011	AR	Compound, Locking	
2	0100019	AR	Compound, Locking	
3	0641405	4	Bolt 1/4 x 5/8	
4	0760610	2	Bolt M6 x 20	
5	0641516	3	Bolt 5/16 x 2	
6	0741607	3	Screw 3/8 x 7/8	
7	0761018	1	Bolt M10 x 50	
9	0860038	1	Box, Switch	
10	0861538	1	Control Box Assembly	
10	7024488	1	Card, Circuit - Generator Power	
10	See Note	1	Fuse (Note: Not Available - Purchase Locally)	
10	7024489	1	Card, Circuit - Control	
10	70000619	1	Harness, Circuit Card	
11	0902888	1	Bracket, Box Mounting	
12	0962520	1	Bushing, Split Taper	
13	2820031	1	Heat Shrink	
14	3252764	1	Nameplate - AC & Weld	
15	3291201	4	Nut M12	
16	3311005	4	Nut #10	
17	3290601	2	Nut M6	
18	3311505	3	Nut 5/16	
19	3580314	1	Pulley	
20	3740080	2	Relay	
21	3580317	1	Tensioner, Belt	
22	3910606	2	Screw #6 x 3/8	
23	3931016	4	Capscrew #10 x 1	
24	3960422	1	Gasket	
25	4060802	1	Guard, Switch	
26	4360336	1	Switch, Toggle	
27	4460071	1	Connector, Strain Relief	
28	4460346	1	Receptacle	
29	4711400	4	Washer 1/4	
30	4711500	6	Washer 5/16	
31	4751000	4	Washer #10	
32	4811700	2	Washer M6	
34	4922925	1	Harness, Generator	
35	5241200	4	Washer M12	
36	1001136104	1	Generator Assembly	
36	70003631	1	Brushholder Assembly (Not Shown) (was p/n 7024484)	
36	7024485	1	Breaker, Circuit 30Amp (Not Shown)	
36	70001696	1	Boot, Breaker (was p/n 7024486 - Not Shown)	
36	70001966	1	Bearing, Ball Radial (Located In Belt Tensioner Endbell - Not Shown)	
36	7027799	1	Block, Connector 6 Position (Not Shown)	
36	70002460	6	Nut, Brass (Attaches p/n 7027799 to Cover) (Not Shown)	
36	7026188	1	Clamp, Cable (Not Shown)	
36	7026597	1	Connector, W/Leads (Not Shown)	

## SECTION 3 - ENGINE

ITEM	PART NUMBER	QTY	DESCRIPTION	REV
36	7026626	1	Connector - 6 Position with Seal (Not Shown)	
36	70002088	1	Stator (Not Shown)	
36	70004169	1	Panel, End (Not Shown) (was p/n 70002255)	
36	70001974	1	Decal - Terminal Connections (Not Shown)	
36	70000863	1	Fan (Not Shown)	
36	70002297	4	Stud (Not Shown)	
36A	70004171	1	Key (was p/n 7024561)	
36A	70001100	1	Armature, Generator (Includes Radial Ball Bearing on End with Brushes and Fan)	
36A	70001384	1	Bearing, Ball Radial	
36B	70001966	1	Bearing, Radial Ball	
36B	70003708	1	Ring, Internal Retaining (Located in Belt Tensioner Endbell)	
36B	70003709	1	Ring, External Retaining (Located in Belt Tensioner Endbell)	
36C	70001973	1	Decal - Warning Moving Parts	
36D	70004169	1	Endbell, Brush Block (was p/n 70001385)	
36E	70001953	1	Endbell, Belt Tensioner	
36F	70004169	1	Endbell, Shroud Assembly (was p/n 70002290)	
37	1001196382	4	Stud	
38	1001157592	1	Junction Box Assembly (See Items 101-121 for Breakdown)	
40	1001216390	1	V-Belt	
41	1001218930	1	Mount, Tensioner	
42	1001110873	1	Cover, Receptacle	
43	4871700	2	Washer M6	
44	0760606	1	Bolt M6 x 12	
	1001157592	Ref	JUNCTION BOX ASSEMBLY	C
101	1060343	1.5 ft /0.46m	Cable, Electrical - 10/4 (60Hz Only)	
102	1001179154	2.5 ft /0.76m	Cable Electrical - 12/3	
103	1671092	1	Cover, Connector	
104	3300396	1	Cover, Fuse	
105	3311001	6	Nut #10	
106	4360070	1	Breaker, Circuit 15Amp	
107	4460425	1	Connector, Strain Relief	
108	4460426	2	Connector, Strain Relief	
111	4460963	1	Receptacle	
112	4711000	10	Washer #10	
114	10702077	2	Screw #10 x 3/8	
115	10702082	2	Screw #10 x 3/4	
116	1001152525	1	Plug, Hole	
117	1001157520	1	Block, Terminal Pole	
118	1001157521	1	Box, Junction	
119	1001157528	1	Decal - Box Junction	
120	1001158007	1	Cover	
121	1001158008	2	Standoff	
	0272435	Ref	DECAL INSTALLATION	D
201	1705460	2	Decal - SkyPower	
202	3251243	1	Decal - 120V - 60Hz (60Hz Spec Only) (Located on Opposite Side)	
203	1705375	1	Decal - 240V - 3 Phase	
204	1705387	3	Decal, Hazardous Voltage	
	1001221498	Ref	ELECTRICAL DIAGRAM COMPONENTS	B

## SECTION 3 - ENGINE

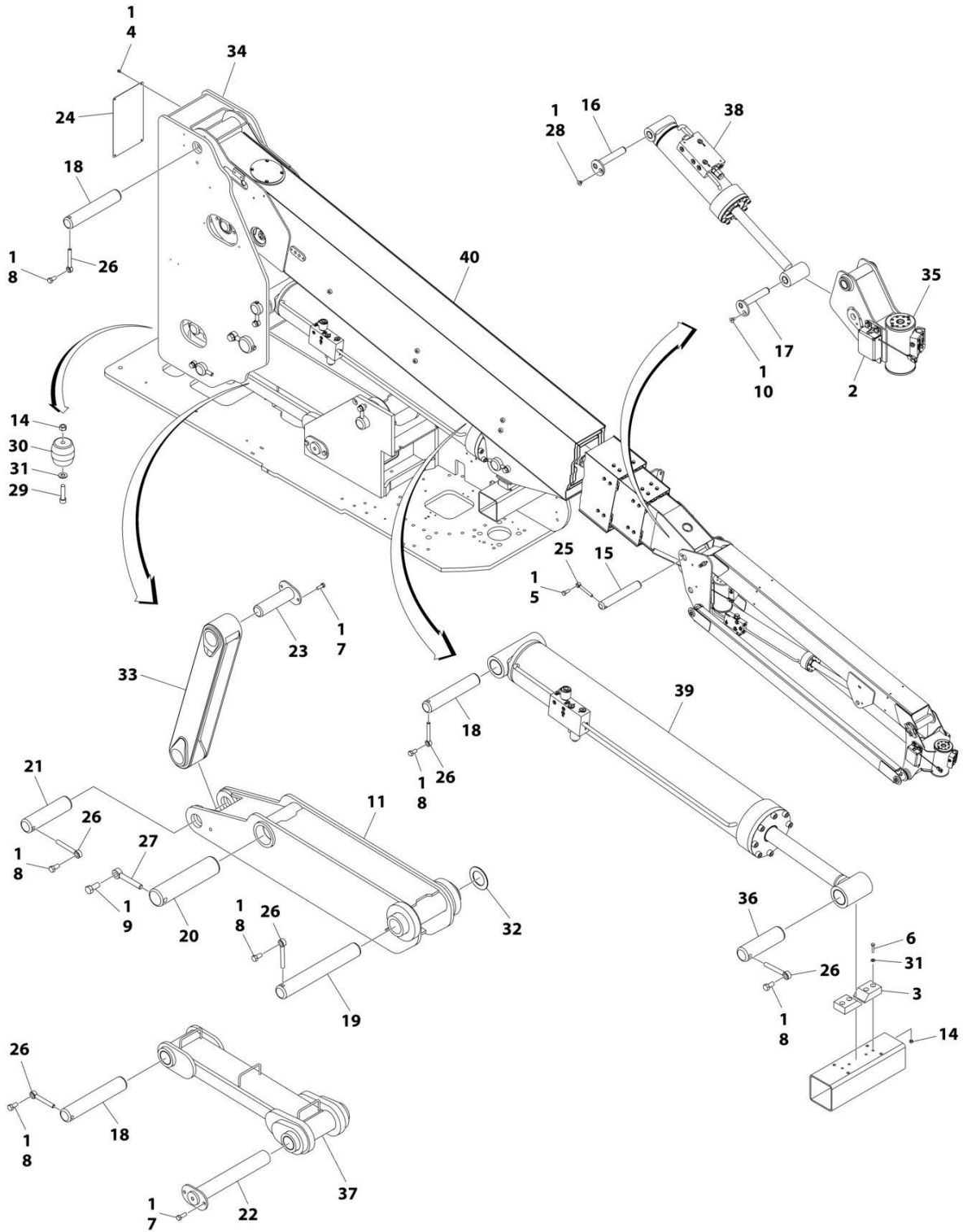
ITEM	PART NUMBER	QTY	DESCRIPTION	REV
301	1001257972	1	Generator to Engine Harness (See Separate Breakdown in ELECTRICAL SECTION)	
303	4922641	1	Generator On/Off Switch Harness	



**SECTION 4 - BOOM**

# SECTION 4 - BOOM

## FIGURE 4-1. BOOMS AND CYLINDERS INSTALLATION (800S)



ART\_1001254011\_C



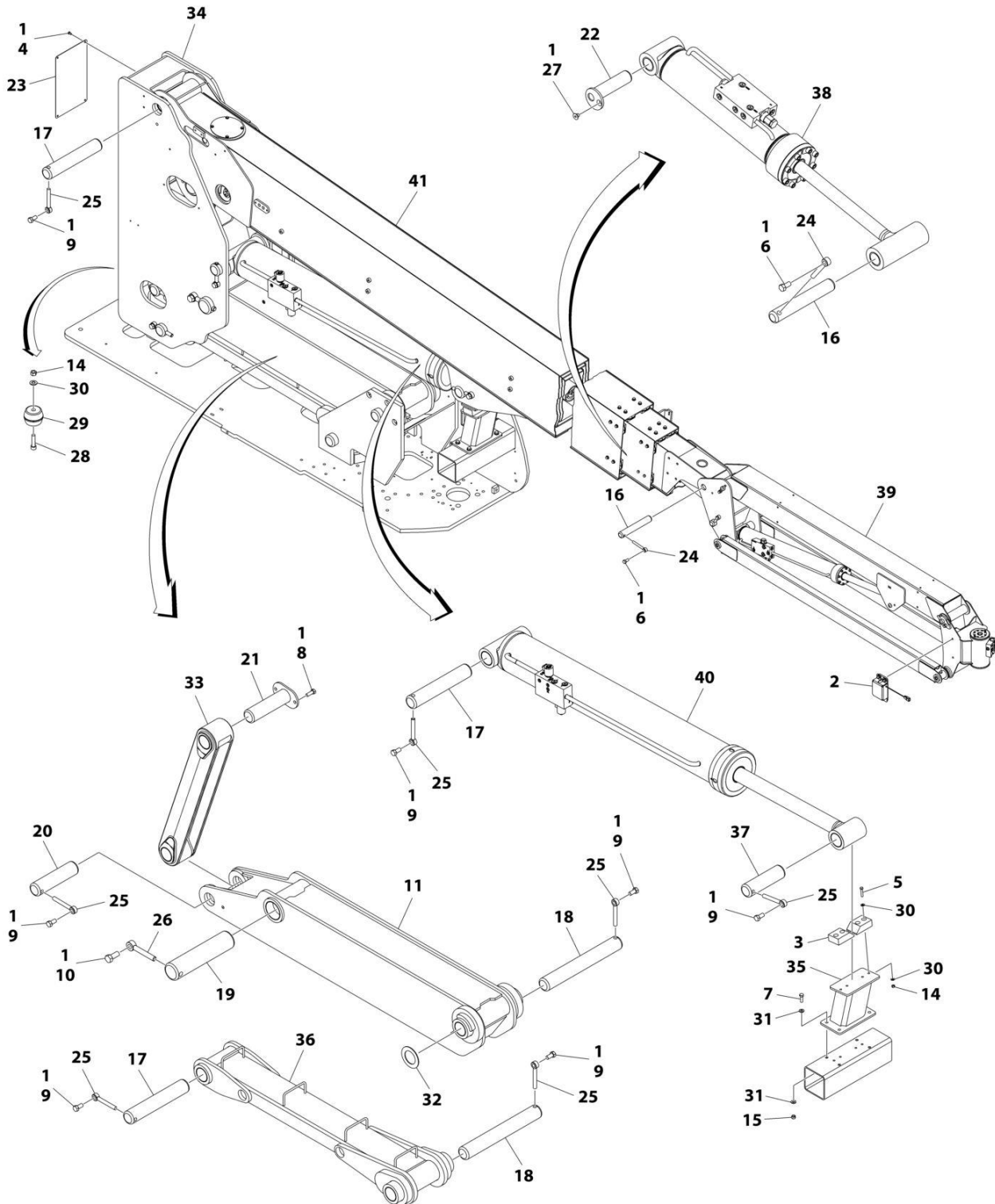
## SECTION 4 - BOOM

**FIGURE 4-1. BOOMS AND CYLINDERS INSTALLATION (800S)**

ITEM	PART NUMBER	QTY	DESCRIPTION	REV
	1001254011	Ref	BOOMS AND CYLINDERS INSTALLATION	C
1	0100011	AR	Compound, Locking	
2	0273695	1	Platform Level Sensor Switch Assembly (See Separate Breakdown in this Section)	
3	0561380	2	Block, Boom Rest	
4	0641504	4	Bolt 5/16 x 5/8	
5	0641608	1	Bolt 3/8 x 1	
6	0641613	4	Bolt 3/8 x 1-5/8	
7	0642014	4	Bolt 5/8 x 1-3/4	
8	0642212	6	Bolt 3/4 x 1-1/2	
9	0642618	1	Bolt 1 x 2-1/4	
10	0741605	1	Bolt 3/8 x 5/8	
11	0801279	1	Tower Weldment	
14	3311605	6	Nut 3/8	
15	3422562	1	Pin	
16	3422569	1	Pin	
17	3422580	1	Pin	
18	3422908	3	Pin	
19	3422909	1	Pin	
20	3422910	1	Pin	
21	3422920	1	Pin	
22	3422930	1	Pin	
23	3422931	1	Pin	
24	3573050	1	Cover, Upright Rear	
25	3841143	1	Keeper, Pin	
26	3841287	6	Keeper, Pin	
27	3841356	1	Keeper, Pin	
28	3900192	1	Screw 3/8 x 1/2	
29	3931624	2	Capscrew, Socket Head 3/8 x 1-1/2	
30	4160187	2	Spring, Rubber	
31	4711600	6	Washer 3/8	
32	4740492	1	Thrustwasher	
33	1001117804	1	Power Link Weldment	
34	1001258003	1	Upright	
35	1001181060	1	Rotator (See Separate Breakdown in this Section)	
36	1001196221	1	Pin	
37	1001201602	1	Link (Tower) Weldment	
38	1001251027	1	Level Cylinder Assembly - Platform Slave (See Separate Breakdown in CYLINDER Section)	
39	1001251028	1	Lift Cylinder Assembly - Main Boom (See Separate Breakdown in CYLINDER Section)	
40	1001254010	1	Boom Assembly - Main (See Separate Breakdown in this Section)	

# SECTION 4 - BOOM

FIGURE 4-2. BOOMS AND CYLINDERS INSTALLATION (MACHINES WITH SN STARTING WITH 03 OR 13) (860SJ)



ART\_1001255110\_D

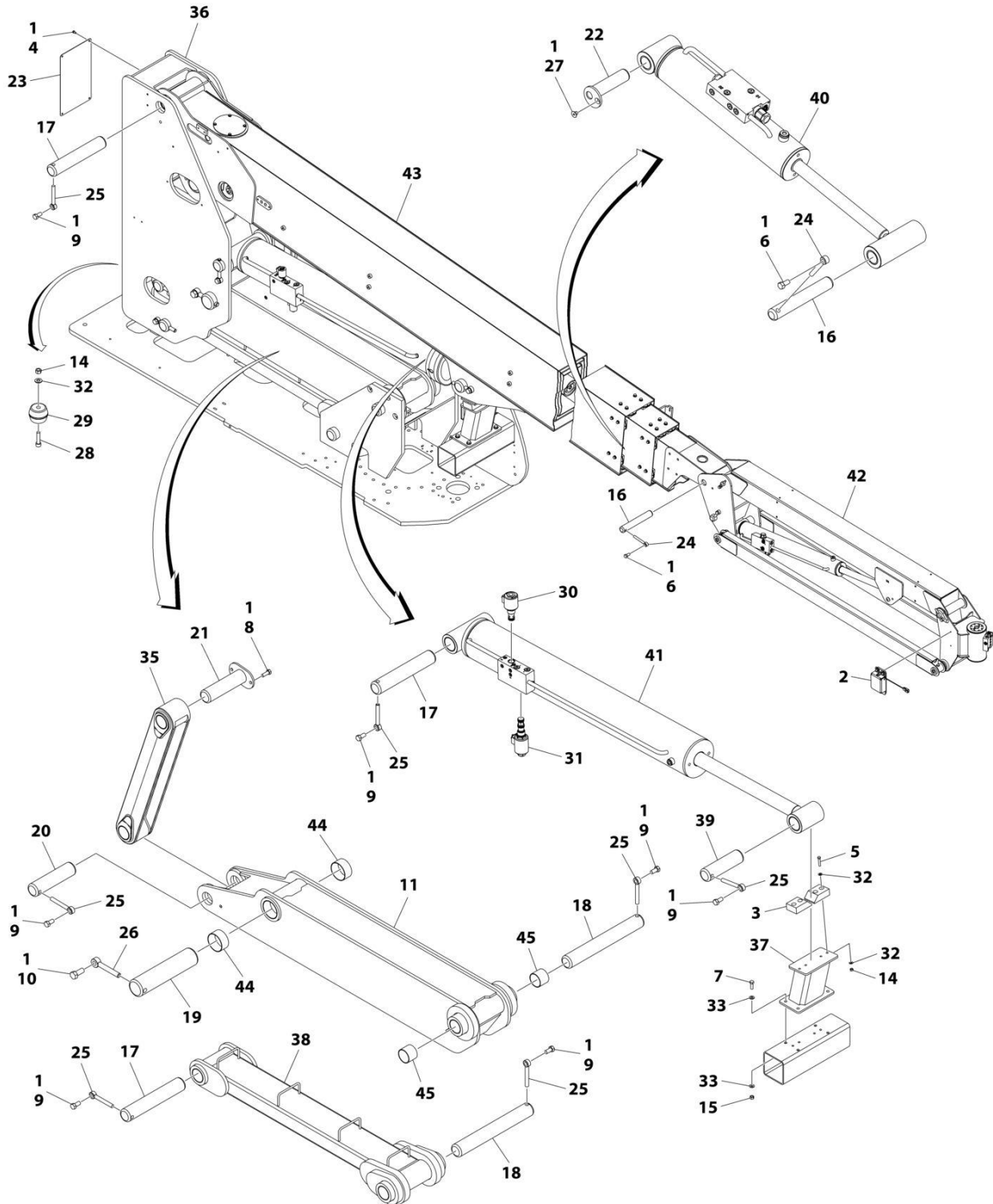
## SECTION 4 - BOOM

**FIGURE 4-2. BOOMS AND CYLINDERS INSTALLATION (MACHINES WITH SN STARTING WITH 03 OR 13) (860SJ)**

ITEM	PART NUMBER	QTY	DESCRIPTION	REV
	1001255110	Ref	BOOMS AND CYLINDERS INSTALLATION	D
1	0100011	AR	Compound, Locking	
2	0273695	1	Platform Level Sensor Switch Assembly (See Separate Breakdown in this Section)	
3	0561380	2	Block, Boom Rest	
4	0641504	4	Bolt 5/16 x 5/8	
5	0641615	4	Bolt 3/8 x 1-7/8	
6	0641808	2	Bolt 1/2 x 1	
7	0641812	4	Bolt 1/2 x 1-1/2	
8	0642014	2	Bolt 5/8 x 1-3/4	
9	0642212	7	Bolt 3/4 x 1-1/2	
10	0642618	1	Bolt 1 x 2-1/4	
11	1001258007	1	Tower Weldment	
14	3311605	6	Nut 3/8	
15	3311805	4	Nut 1/2	
16	3422793	2	Pin	
17	3422908	3	Pin	
18	3422909	2	Pin	
19	3422910	1	Pin	
20	3422920	1	Pin	
21	3422931	1	Pin	
22	3422932	1	Pin	
23	3573050	1	Cover, Upright Rear	
24	3841203	2	Keeper, Pin	
25	3841287	7	Keeper, Pin	
26	3841356	1	Keeper, Pin	
27	3900192	1	Screw 3/8 x 1/2	
28	3931624	2	Capscrew, Socket Head 3/8 x 1-1/2	
29	4160187	2	Spring, Rubber	
30	4711600	10	Washer 3/8	
31	4711800	8	Washer 1/2	
32	4740492	1	Thrustwasher	
33	1001117805	1	Power Link Weldment	
34	1001258003	1	Upright	
35	1001157837	1	Rest, Boom	
36	1001257776	1	Link (Tower) Weldment	
37	1001196221	1	Pin	
38	1001251022	1	Platform Level Cylinder Assembly (See Separate Breakdown in CYLINDER Section)	
39	1001247055	1	Jib Assembly (See Separate Breakdown in this Section)	
40	1001251029	1	Lift Cylinder Assembly - Main Boom (See Separate Breakdown in CYLINDER Section)	
41	1001255111	1	Boom Assembly - Main (See Separate Breakdown in this Section)	

# SECTION 4 - BOOM

FIGURE 4-3. BOOMS AND CYLINDERS INSTALLATION (MACHINES WITH SN STARTING WITH B3)  
(860SJ)



ART\_1001255116\_G

## SECTION 4 - BOOM

**FIGURE 4-3. BOOMS AND CYLINDERS INSTALLATION (MACHINES WITH SN STARTING WITH B3)  
(860SJ)**

ITEM	PART NUMBER	QTY	DESCRIPTION	REV
	1001255116	Ref	BOOMS AND CYLINDERS INSTALLATION	G
1	0100011	AR	Compound, Locking	
2	0273695	1	Platform Level Sensor Switch Assembly (See Separate Breakdown in this Section)	
3	0561380	2	Block, Boom Rest	
4	0641504	4	Bolt 5/16 x 5/8	
5	0641615	4	Bolt 3/8 x 1-7/8	
6	0641808	2	Bolt 1/2 x 1	
7	0641812	4	Bolt 1/2 x 1-1/2	
8	0642014	2	Bolt 5/8 x 1-3/4	
9	0642212	7	Bolt 3/4 x 1-1/2	
10	0642618	1	Bolt 1 x 2-1/4	
11	0801306	1	Tower Weldment	
14	3311605	6	Nut 3/8	
15	3311805	4	Nut 1/2	
16	3422793	2	Pin	
17	3422908	3	Pin	
18	3422909	2	Pin	
19	3422910	1	Pin	
20	3422920	1	Pin	
21	3422931	1	Pin	
22	3422932	1	Pin	
23	3573050	1	Cover, Upright Rear	
24	3841203	2	Keeper, Pin	
25	3841287	7	Keeper, Pin	
26	3841356	1	Keeper, Pin	
27	3900192	1	Screw 3/8 x 1/2	
28	3931624	2	Capscrew, Socket Head 3/8 x 1-1/2	
29	4160187	2	Spring, Rubber	
30	4641188	1	Cartridge, Lift Holding Solenoid	
30	7023923	1	Cartridge - 4641188 Valve	
30	7023919	1	Seal Kit - 4641188 Valve	
30	7012943	1	Coil - 4641188 Valve	
31	4641234	1	Cartridge, Lift Relief Proportional Solenoid	
31	7023982	1	Cartridge - 4641234 Valve	
31	7012925	1	Seal Kit - 4641234 Valve	
31	7017451	1	Coil - 4641234 Valve	
32	4711600	10	Washer 3/8	
33	4711800	8	Washer 1/2	
35	1001117805	1	Power Link Weldment	
36	1001157180	1	Upright	
37	1001157837	1	Rest, Boom	
38	1001194573	1	Link (Tower) Weldment	
39	1001196221	1	Pin	
40	1001230372	1	Platform Level Cylinder Assembly (See Separate Breakdown in CYLINDER Section)	
41	1001230373	1	Lift Cylinder Assembly - Main Boom (See Separate Breakdown in CYLINDER Section)	
42	1001289163	1	Jib Assembly (See Separate Breakdown in this Section)	

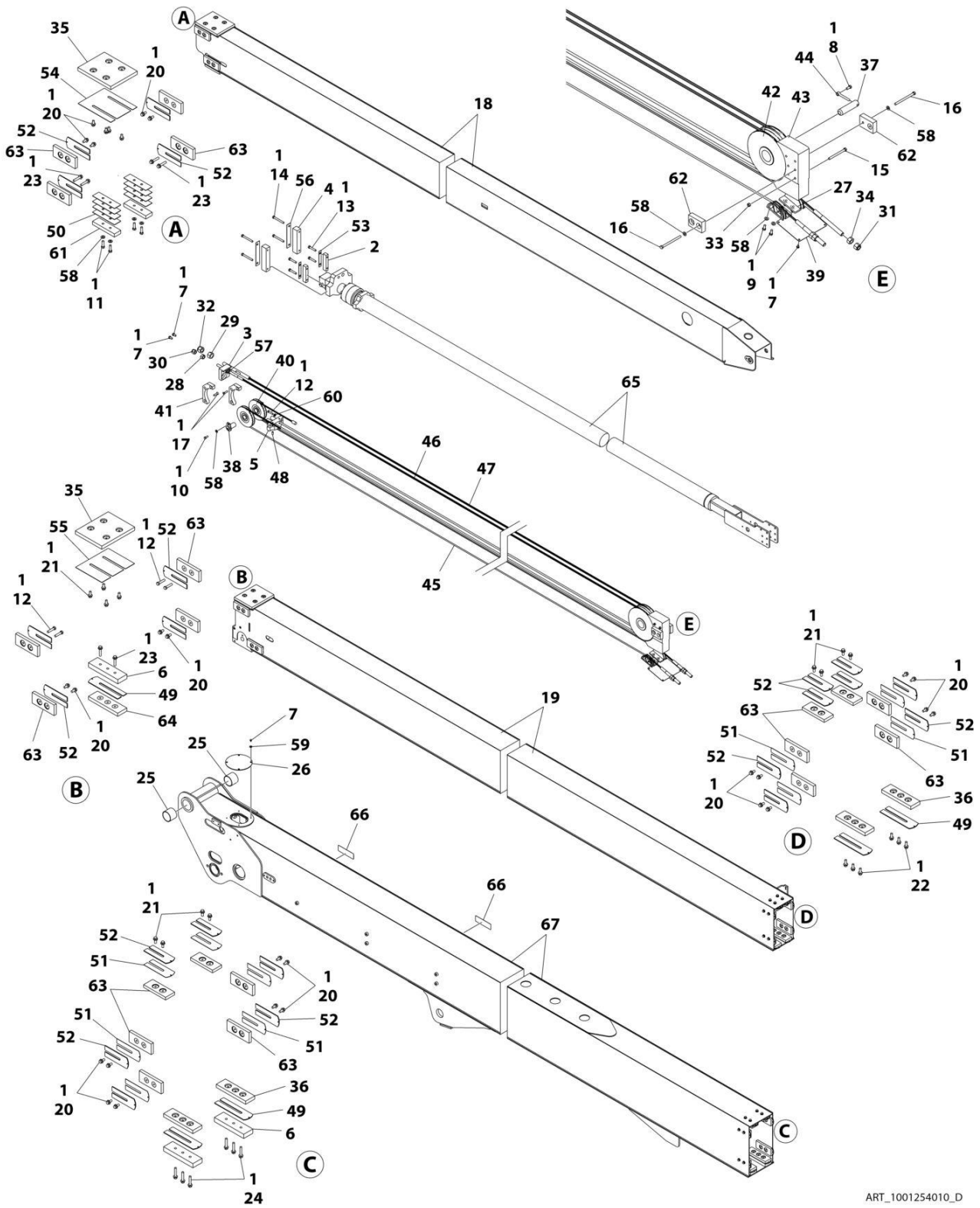
## SECTION 4 - BOOM

ITEM	PART NUMBER	QTY	DESCRIPTION	REV
43	1001268530	1	Boom Assembly - Main (See Separate Breakdown in this Section)	
44	0962122	2	Bearing	
45	0962297	2	Bearing	



# SECTION 4 - BOOM

## FIGURE 4-4. MAIN BOOM ASSEMBLY (800S)



ART\_1001254010\_D



## SECTION 4 - BOOM

### FIGURE 4-4. MAIN BOOM ASSEMBLY (800S)

ITEM	PART NUMBER	QTY	DESCRIPTION	REV
	1001254010	Ref	MAIN BOOM ASSEMBLY	D
1	0100011	AR	Compound, Locking	
2	0561185	2	Block, Telescope Attach	
3	0561445	1	Block, Spring Mounting	
4	0561446	2	Block, Tele Mount	
5	0561447	1	Block, Cable Mount	
6	0561449	3	Block, Spacer	
7	0641403	10	Bolt 1/4 x 3/8	
8	0641606	1	Bolt 3/8 x 3/4	
9	0641607	4	Bolt 3/8 x 7/8	
10	0641608	2	Bolt 3/8 x 1	
11	0641610	4	Bolt 3/8 x 1-1/4	
12	0641613	6	Bolt 3/8 x 1-5/8	
13	0641616	4	Bolt 3/8 x 2	
14	0641626	4	Bolt 3/8 x 3-1/4	
15	0641634	4	Bolt 3/8 x 4 1/4	
16	0641640	2	Bolt 3/8 x 5	
17	0741612	6	Screw, Flathead 3/8 x 1-1/2	
18	0801275	1	Fly Weldment	
19	0801649	1	Mid Weldment	
20	0811606	28	Screw 3/8 x 3/4	
21	0811607	12	Screw 3/8 x 7/8	
22	0811608	6	Screw 3/8 x 1	
23	0811614	6	Screw 3/8 x 1-3/4	
24	0811616	6	Screw 3/8 x 2	
25	0962297	2	Bearing	
26	1120510	1	Cover, Pin	
27	1220078	2	Sheave, Block	
28	3272001	1	Nut 5/8	
29	3272401	1	Nut 7/8	
30	3300240	1	Nut 5/8	
31	3300241	2	Nut 3/4	
32	3300242	1	Nut 7/8	
33	3311605	4	Nut 3/8	
34	3312201	2	Nut 3/4	
35	3340757	2	Pad, Wear	
36	3340871	4	Pad, Wear	
37	3422417	1	Pin, Extend Sheave	
38	3422424	2	Pin	
39	3539622	1	Plate, Cover	
40	3580243	2	Sheave, Retract	
40	0961951	1	Bushing	
41	3580249	2	Guard, Sheave	
42	3580288	1	Sheave, Extend	
42	0961951	2	Bushing	
43	3580289	1	Guard, Sheave	
44	3841143	1	Keeper, Pin	
45	1001308436	2	Cable, Wire Rope	
46	1001307773	1	Cable, Wire Rope	
47	1001307774	1	Cable, Wire Rope	

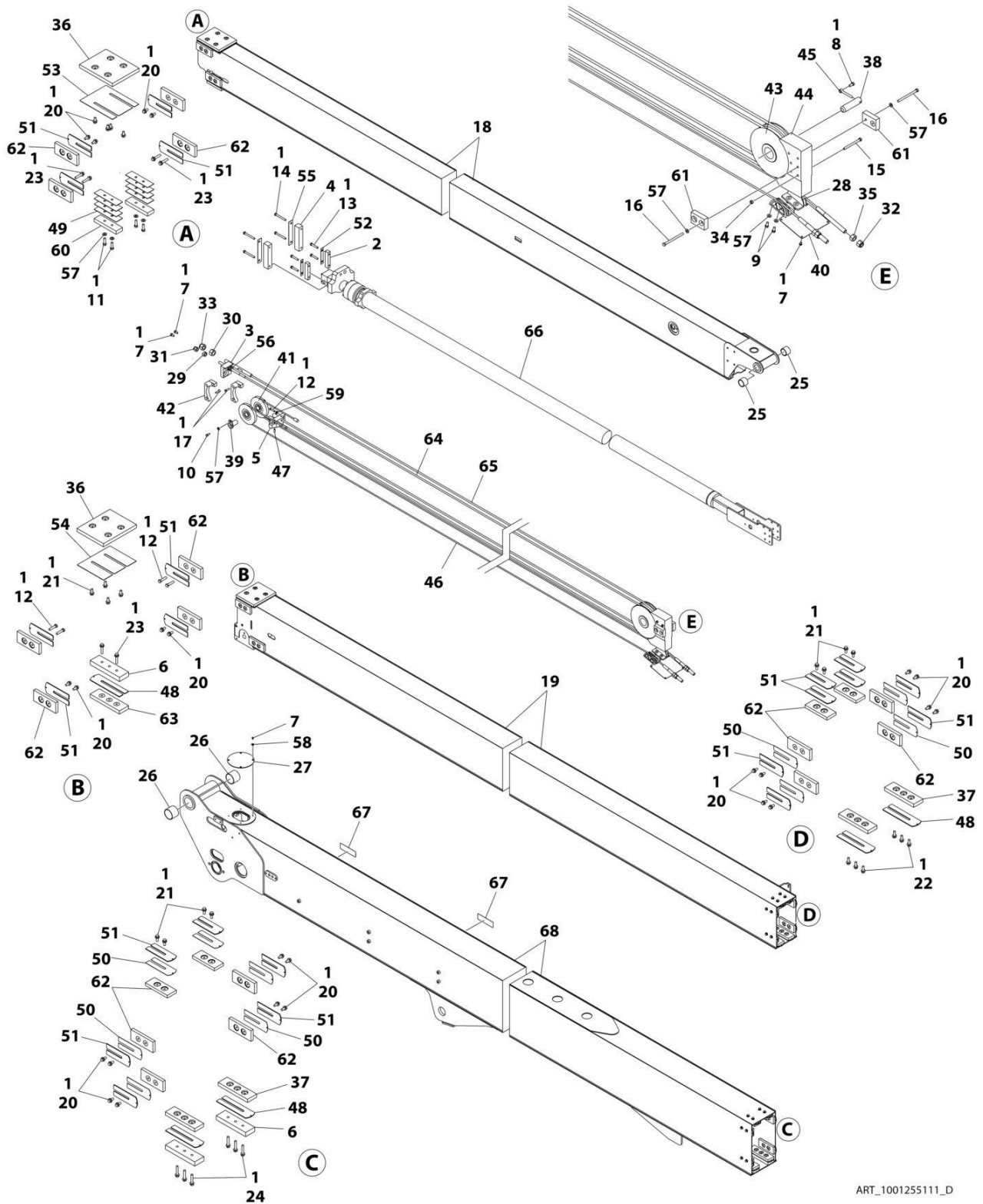
## SECTION 4 - BOOM

ITEM	PART NUMBER	QTY	DESCRIPTION	REV
48	3951608	2	Setscrew 3/8 x 1	
49	4070863	5	Shim (#11 Gauge)	
50	4070895	8	Shim (#16 Gauge)	
51	4070897	10	Shim (#18 Gauge)	
52	4070898	22	Shim (#11 Gauge)	
53	4070929	2	Shim (#16 Gauge)	
54	4070939	1	Shim (#16 Gauge)	
55	4070940	1	Shim (#16 Gauge)	
56	4071020	2	Shim (#16 Gauge)	
57	4160149	1	Spring, Torsion	
58	4711600	12	Washer 3/8	
59	4751400	4	Washer 1/4	
60	4891600	2	Washer 3/8 Hardened	
61	1001148650	2	Pad, Wear	
62	1001148651	2	Pad, Wear	
63	1001148652	20	Pad, Wear	
64	1001148653	1	Pad, Wear	
65	1001251081	1	Telescope Cylinder Assembly Options (See Separate Breakdown in CYLINDER Section)	
66	1001250737	2	Cover	
67	1001254009	1	Base Weldment	



# SECTION 4 - BOOM

FIGURE 4-5. MAIN BOOM ASSEMBLY (MACHINES WITH SN STARTING WITH 03 OR 13) (860SJ)



ART\_1001255111\_D

## SECTION 4 - BOOM

**FIGURE 4-5. MAIN BOOM ASSEMBLY (MACHINES WITH SN STARTING WITH 03 OR 13) (860SJ)**

ITEM	PART NUMBER	QTY	DESCRIPTION	REV
	1001255111	Ref	MAIN BOOM ASSEMBLY	D
1	0100011	AR	Compound, Locking	
2	0561185	2	Block, Telescope Attach	
3	0561445	1	Block, Spring Mounting	
4	0561446	2	Block, Tele Mount	
5	0561447	1	Block, Cable Mount	
6	0561449	3	Block, Spacer	
7	0641403	10	Bolt 1/4 x 3/8	
8	0641606	1	Bolt 3/8 x 3/4	
9	0641607	4	Bolt 3/8 x 7/8	
10	0641608	2	Bolt 3/8 x 1	
11	0641610	4	Bolt 3/8 x 1-1/4	
12	0641613	6	Bolt 3/8 x 1-5/8	
13	0641616	4	Bolt 3/8 x 2	
14	0641626	4	Bolt 3/8 x 3-1/4	
15	0641634	4	Bolt 3/8 x 4 1/4	
16	0641640	2	Bolt 3/8 x 5	
17	0741612	6	Screw, Flathead 3/8 x 1-1/2	
18	0801282	1	Fly Weldment	
19	0801647	1	Mid Weldment	
20	0811606	28	Screw 3/8 x 3/4	
21	0811607	12	Screw 3/8 x 7/8	
22	0811608	6	Screw 3/8 x 1	
23	0811614	6	Screw 3/8 x 1-3/4	
24	0811616	6	Screw 3/8 x 2	
25	0961948	2	Bearing	
26	0962297	2	Bearing	
27	1120510	1	Cover, Pin	
28	1220078	2	Sheave, Block	
29	3272001	1	Nut 5/8	
30	3272401	1	Nut 7/8	
31	3300240	1	Nut 5/8	
32	3300241	2	Nut 3/4	
33	3300242	1	Nut 7/8	
34	3311605	4	Nut 3/8	
35	3312201	2	Nut 3/4	
36	3340757	2	Pad, Wear	
37	3340871	4	Pad, Wear	
38	3422417	1	Pin, Extend Sheave	
39	3422424	2	Pin	
40	3539622	1	Plate, Cover	
41	3580243	2	Sheave, Retract	
41	0961951	1	Bushing	
42	3580249	2	Guard, Sheave	
43	3580288	1	Sheave, Extend	
43	0961951	2	Bushing	
44	3580289	1	Guard, Sheave	
45	3841143	1	Keeper, Pin	
46	1001308437	2	Cable, Wire Rope	
47	3951608	2	Setscrew 3/8 x 1	

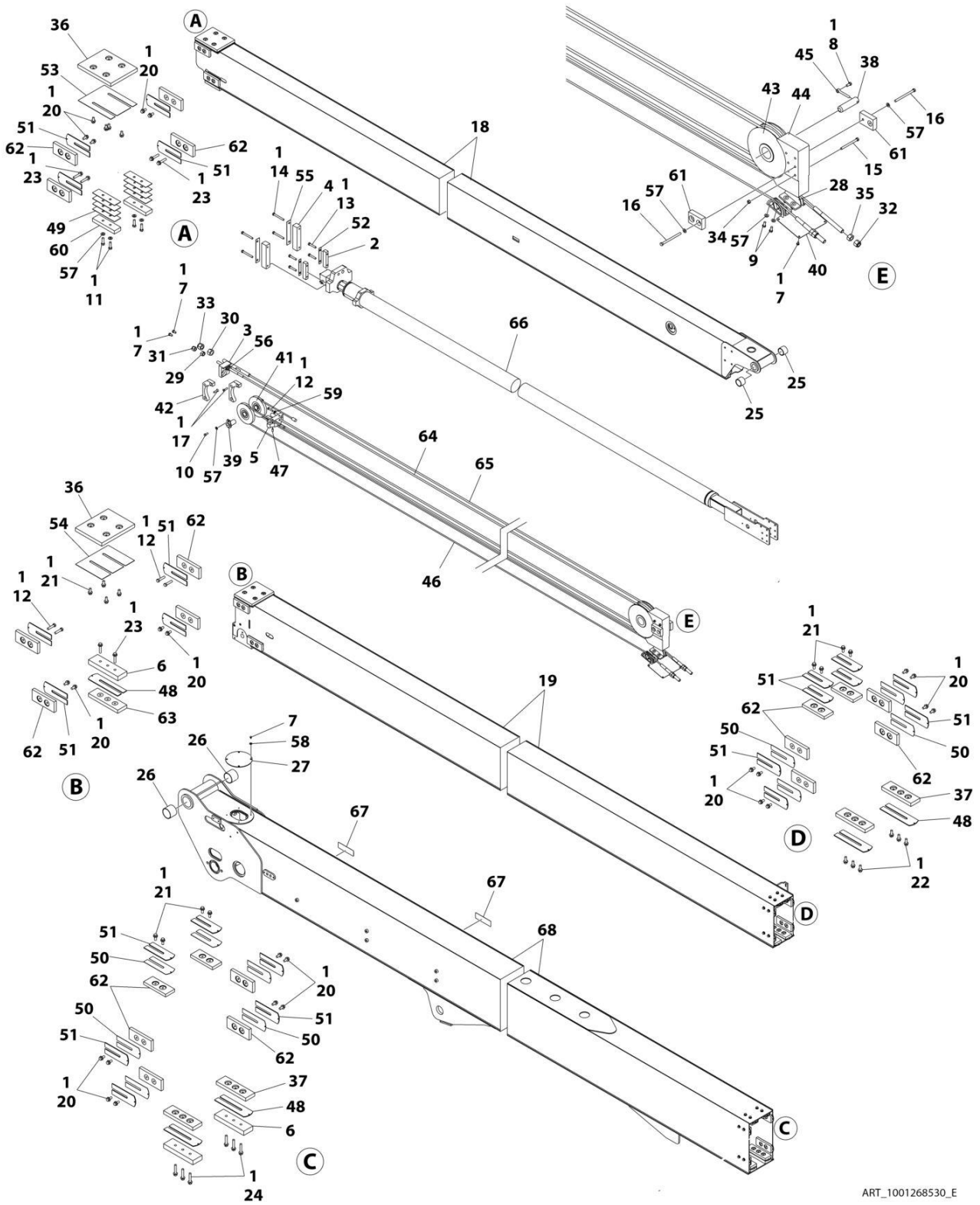
## SECTION 4 - BOOM

ITEM	PART NUMBER	QTY	DESCRIPTION	REV
48	4070863	5	Shim (#11 Gauge)	
49	4070895	8	Shim (#16 Gauge)	
50	4070897	10	Shim (#18 Gauge)	
51	4070898	22	Shim (#11 Gauge)	
52	4070929	2	Shim (#16 Gauge)	
53	4070939	1	Shim (#16 Gauge)	
54	4070940	1	Shim (#16 Gauge)	
55	4071020	2	Shim (#16 Gauge)	
56	4160149	1	Spring, Torsion	
57	4711600	12	Washer 3/8	
58	4751400	4	Washer 1/4	
59	4891600	2	Washer 3/8 Hardened	
60	1001148650	2	Pad, Wear	
61	1001148651	2	Pad, Wear	
62	1001148652	20	Pad, Wear	
63	1001148653	1	Pad, Wear	
64	1001307775	1	Cable, Wire Rope	
65	1001307776	1	Cable, Wire Rope	
66	1001251083	1	Telescope Cylinder Assembly Options (See Separate Breakdown in CYLINDER Section)	
67	1001250737	2	Cover	
68	1001255112	1	Base Weldment	



# SECTION 4 - BOOM

FIGURE 4-6. MAIN BOOM ASSEMBLY (MACHINES WITH SN STARTING WITH B3) (860SJ)



ART\_1001268530\_E



## SECTION 4 - BOOM

**FIGURE 4-6. MAIN BOOM ASSEMBLY (MACHINES WITH SN STARTING WITH B3) (860SJ)**

ITEM	PART NUMBER	QTY	DESCRIPTION	REV
	1001268530	Ref	MAIN BOOM ASSEMBLY	E
1	0100011	AR	Compound, Locking	
2	0561185	2	Block, Telescope Attach	
3	0561445	1	Block, Spring Mounting	
4	0561446	2	Block, Tele Mount	
5	0561447	1	Block, Cable Mount	
6	0561449	3	Block, Spacer	
7	0641403	10	Bolt 1/4 x 3/8	
8	0641606	1	Bolt 3/8 x 3/4	
9	0641607	4	Bolt 3/8 x 7/8	
10	0641608	2	Bolt 3/8 x 1	
11	0641610	4	Bolt 3/8 x 1-1/4	
12	0641613	6	Bolt 3/8 x 1-5/8	
13	0641616	4	Bolt 3/8 x 2	
14	0641626	4	Bolt 3/8 x 3-1/4	
15	0641634	4	Bolt 3/8 x 4 1/4	
16	0641640	2	Bolt 3/8 x 5	
17	0741612	6	Screw, Flathead 3/8 x 1-1/2	
18	1001267550	1	Fly Weldment	
19	1001267551	1	Mid Weldment	
20	0811606	28	Screw 3/8 x 3/4	
21	0811607	12	Screw 3/8 x 7/8	
22	0811608	6	Screw 3/8 x 1	
23	0811614	6	Screw 3/8 x 1-3/4	
24	0811616	6	Screw 3/8 x 2	
25	0961948	2	Bearing	
26	0962297	2	Bearing	
27	1120510	1	Cover, Pin	
28	1220078	2	Sheave, Block	
29	3272001	1	Nut 5/8	
30	3272401	1	Nut 7/8	
31	3300240	1	Nut 5/8	
32	3300241	2	Nut 3/4	
33	3300242	1	Nut 7/8	
34	3311605	4	Nut 3/8	
35	3312201	2	Nut 3/4	
36	3340757	2	Pad, Wear	
37	3340871	4	Pad, Wear	
38	3422417	1	Pin, Extend Sheave	
39	3422424	2	Pin	
40	3539622	1	Plate, Cover	
41	3580243	2	Sheave, Retract	
41	0961951	1	Bushing	
42	3580249	2	Guard, Sheave	
43	3580288	1	Sheave, Extend	
43	0961951	2	Bushing	
44	3580289	1	Guard, Sheave	
45	3841143	1	Keeper, Pin	
46	1001308437	2	Cable, Wire Rope	
47	3951608	2	Setscrew 3/8 x 1	

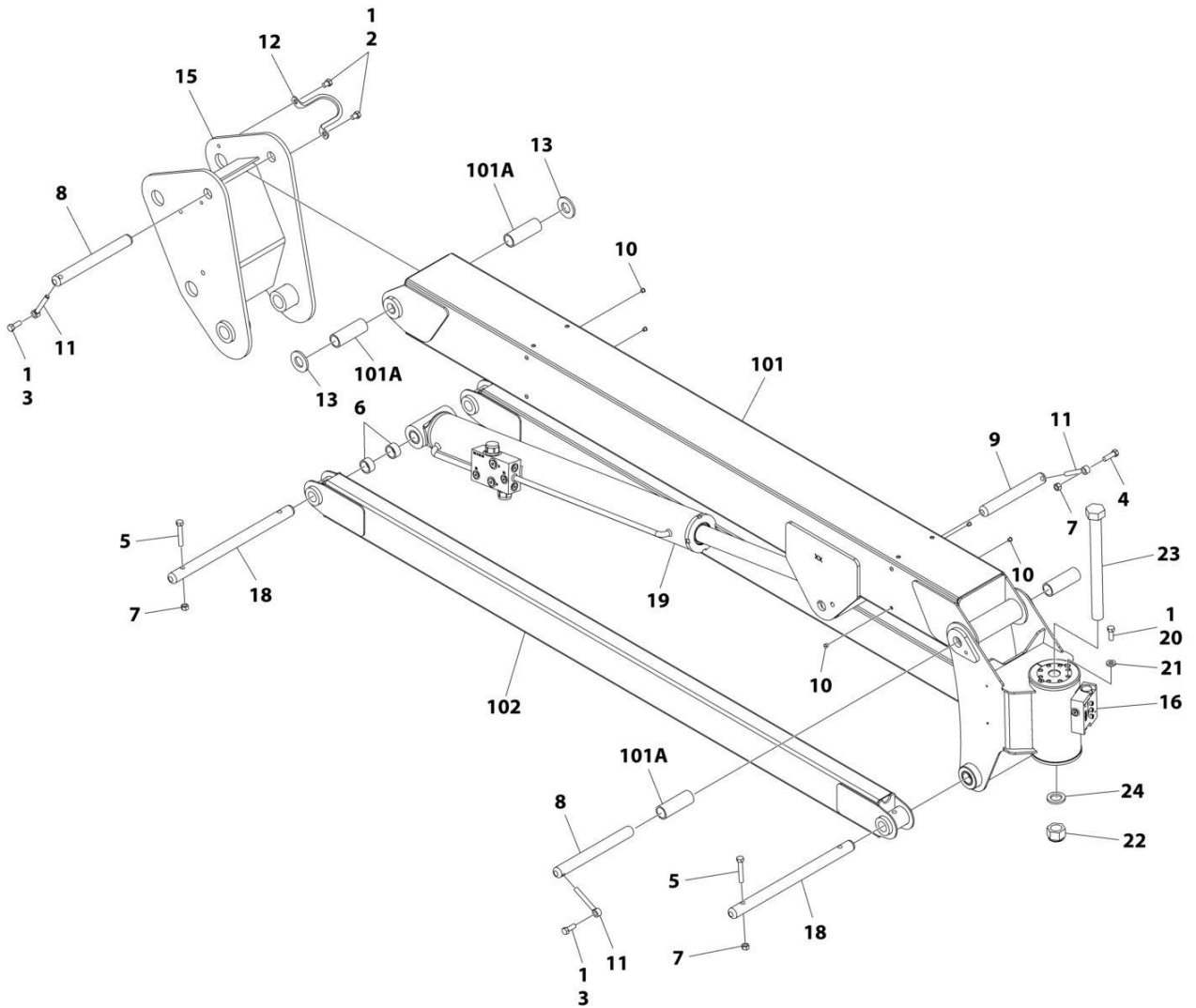
## SECTION 4 - BOOM

ITEM	PART NUMBER	QTY	DESCRIPTION	REV
48	4070863	5	Shim (#11 Gauge)	
49	4070895	8	Shim (#16 Gauge)	
50	4070897	10	Shim (#18 Gauge)	
51	4070898	22	Shim (#11 Gauge)	
52	4070929	2	Shim (#16 Gauge)	
53	4070939	1	Shim (#16 Gauge)	
54	4070940	1	Shim (#16 Gauge)	
55	4071020	2	Shim (#16 Gauge)	
56	4160149	1	Spring, Torsion	
57	4711600	12	Washer 3/8	
58	4751400	4	Washer 1/4	
59	4891600	2	Washer 3/8 Hardened	
60	1001148650	2	Pad, Wear	
61	1001148651	2	Pad, Wear	
62	1001148652	20	Pad, Wear	
63	1001148653	1	Pad, Wear	
64	1001307775	1	Cable, Wire Rope	
65	1001307776	1	Cable, Wire Rope	
66	1001298869	1	Telescope Cylinder Assembly Options (See Separate Breakdown in CYLINDER Section)	
67	1001250737	2	Cover	
68	1001267552	1	Base Weldment	



# SECTION 4 - BOOM

FIGURE 4-7. JIB ASSEMBLY (MACHINES WITH SN STARTING WITH 03 OR 13)



ART\_1001247055\_F

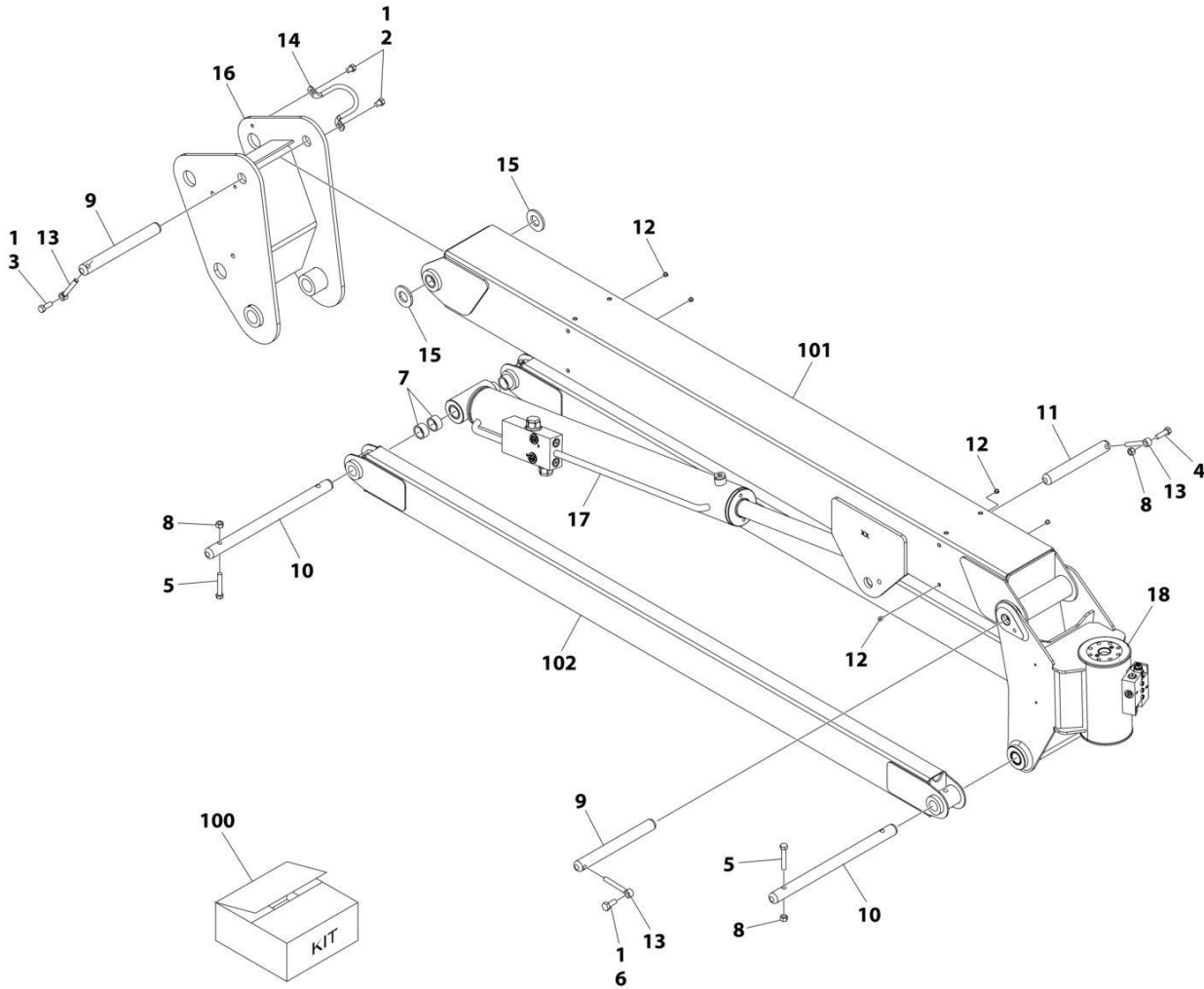
## SECTION 4 - BOOM

**FIGURE 4-7. JIB ASSEMBLY (MACHINES WITH SN STARTING WITH 03 OR 13)**

ITEM	PART NUMBER	QTY	DESCRIPTION	REV
	1001247055	Ref	JIB ASSEMBLY	F
1	0100011	AR	Compound, Locking	
2	0641604	2	Bolt 3/8 x 1/2	
3	0641608	2	Bolt 3/8 x 1	
4	0641610	1	Bolt 3/8 x 1-1/4	
5	0641618	4	Bolt 3/8 x 2-1/4	
6	0961947	4	Bushing	
7	3311605	5	Nut 3/8	
8	3422860	2	Pin	
9	3422867	1	Pin	
10	3520034	8	Plug, Hole	
11	3841143	3	Keeper, Pin	
12	3841340	1	Loop, Hose	
13	4740439	2	Thrustwasher	
15	4846435	1	Pivot, Jib	
16	1001307715	1	Rotator Options (See Separate Breakdown in this Section)	
18	3422861	2	Pin	
19	1001251012	1	Jib Lift Cylinder Assembly (See Separate Breakdown in CYLINDER Section)	
20	0681608	8	Bolt 3/8 x 1	
21	4891600	8	Washer 3/8	
22	1001174040	1	Nut	
23	1001255133	1	Bolt 1 x 11	
24	4892600001	1	Washer	
100	1001295242	1	Tube Kit (Not Shown)	
101	4844816	1	Link, Jib (Upper)	
101A	0962335	4	Bushing	
102	4844817	2	Link, Jib (Lower)	

# SECTION 4 - BOOM

## FIGURE 4-8. JIB ASSEMBLY (MACHINES WITH SN STARTING WITH B3) (860SJ)



ART\_1001289163

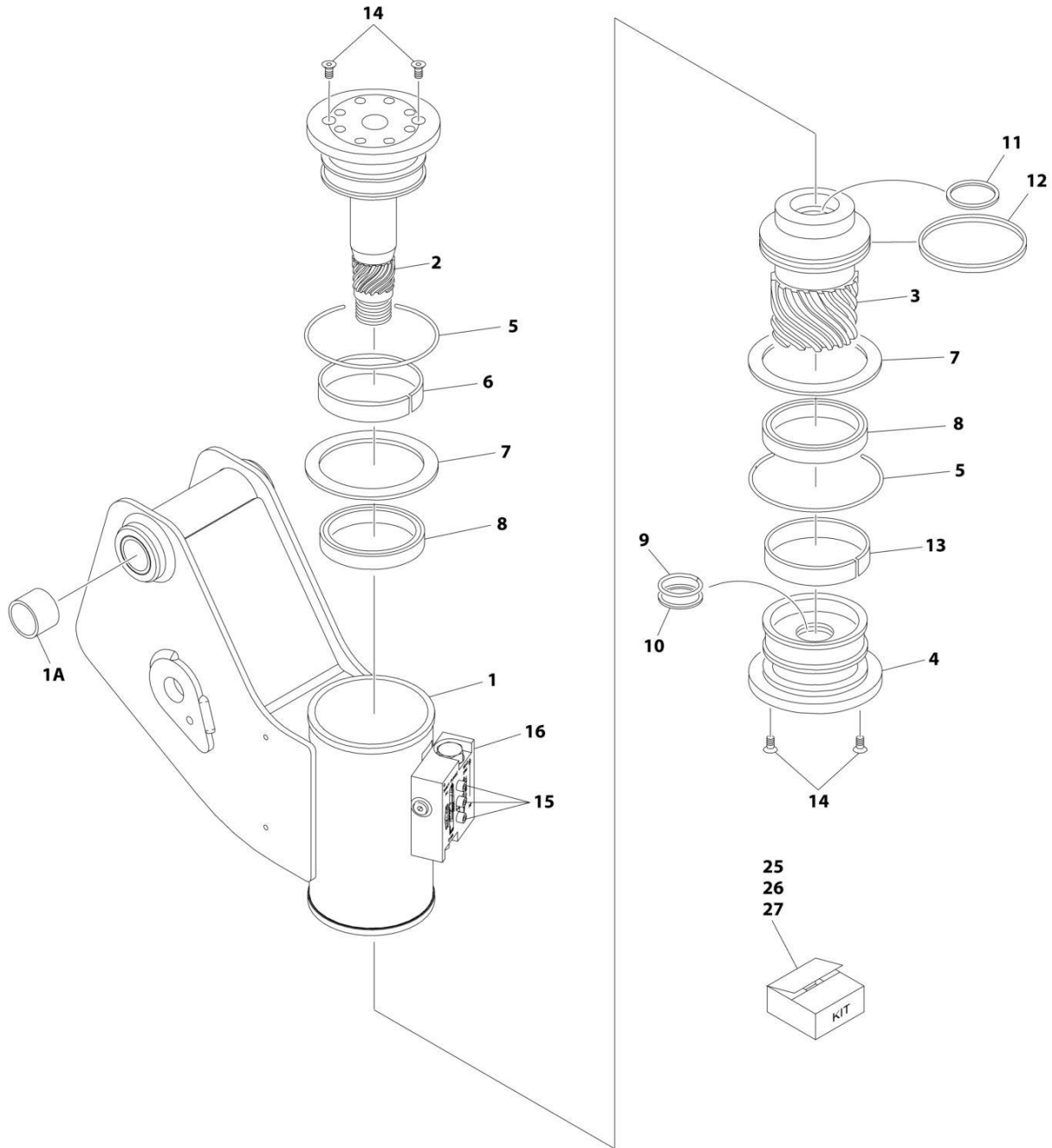
## SECTION 4 - BOOM

**FIGURE 4-8. JIB ASSEMBLY (MACHINES WITH SN STARTING WITH B3) (860SJ)**

ITEM	PART NUMBER	QTY	DESCRIPTION	REV
	1001289163	Ref	JIB ASSEMBLY	A
1	0100011	AR	Compound, Locking	
2	0641604	2	Bolt 3/8 x 1/2	
3	0641608	1	Bolt 3/8 x 1	
4	0641610	1	Bolt 3/8 x 1-1/4	
5	0641618	4	Bolt 3/8 x 2-1/4	
6	0761012	1	Bolt M10 x 25	
7	0961947	4	Bearing	
8	3311605	5	Nut 3/8	
9	3422860	2	Pin	
10	3422861	2	Pin	
11	3422867	1	Pin	
12	3520034	8	Plug	
13	3841143	3	Keeper, Pin	
14	3841340	1	Rod	
15	4740439	2	Thrustwasher	
16	4846435	1	Pivot, Jib	
17	1001230371	1	Jib Lift Cylinder Assembly (See Separate Breakdown in CYLINDER Section)	
18	1001276878	1	Rotator Options (See Separate Breakdown in this Section)	
100	1001295242	1	Jib Link Kit	
101	4844816	1	Link, Jib (Top)	
101	0962335	4	Bushing	
102	4844817	2	Link, Jib (Bottom)	

# SECTION 4 - BOOM

## FIGURE 4-9. ROTATOR ASSEMBLY (800S)



ART\_1001181060



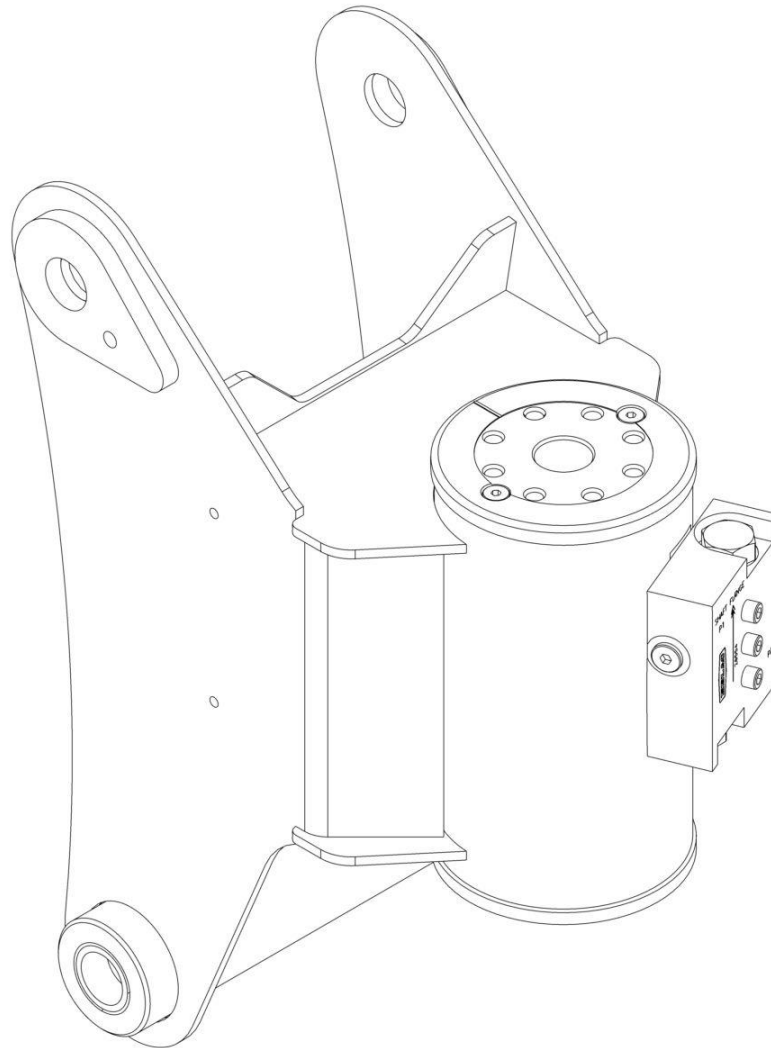
## SECTION 4 - BOOM

### FIGURE 4-9. ROTATOR ASSEMBLY (800S)

ITEM	PART NUMBER	QTY	DESCRIPTION	REV
	1001181060	Ref	ROTATOR ASSEMBLY	A
1	See Note	NSS	Housing/Ring Gear Assembly (Note: Not Available - Purchase Complete Assembly)	
1A	0961951	2	Bushing	
2	7017162	1	Shaft	
2	7017195	2	Bushing, Shaft	
3	7017163	1	Piston/Sleeve Assembly	
4	7017164	1	Cap, End	
5	See Note	NSS	O-Ring (Note: Use Item 25)	
6	See Note	NSS	Bearing, Shaft (Note: Use Item 26)	
7	See Note	NSS	Washer, Thrust (Note: Use Item 26)	
8	See Note	NSS	Packing, Bearing (Note: Use Item 25)	
9	See Note	NSS	Seal, Cap (Note: Use Item 25)	
10	See Note	NSS	Ring, Back-up Cap (Note: Use Item 25)	
11	See Note	NSS	Seal, Rod (Note: Use Item 25)	
12	See Note	NSS	Seal, Piston (Note: Use Item 25)	
13	See Note	NSS	Bearing, Cap (Note: Use Item 26)	
14	70001697	6	Capscrew 1/4 x 3/8 Grade 8	
15	See Note	NSS	Bolt 1/4 x 1-1/2 Grade 8 (Note: Not Available - Purchase Locally)	
16	7017172	1	Valve Assembly	
16	7017192	2	Cartridge, Valve	
16	See Note	NSS	Seal Kit - 7017192 Valve (Note: Not Available - Purchase Cartridge)	
16	See Note	NSS	Cartridge, Valve (Not Shown - Located on Side of Block) (Note: Not Available - Purchase Complete Valve)	
16	See Note	NSS	Seal Kit - Valve Located on Side of Block (Note: Not Available - Purchase Cartridge)	
25	70000342	1	Seal Kit (Includes Items 5, 8-12 & 27)	
26	7017159	1	Bearing Kit (Includes Items 6, 7 & 13)	
27	7017142	1	Hardware Kit (Includes Dowel Pins, Plugs and Item 14)	

## SECTION 4 - BOOM

FIGURE 4-10. PLATFORM ROTATOR ASSEMBLY (860SJ)



ART\_1001307715

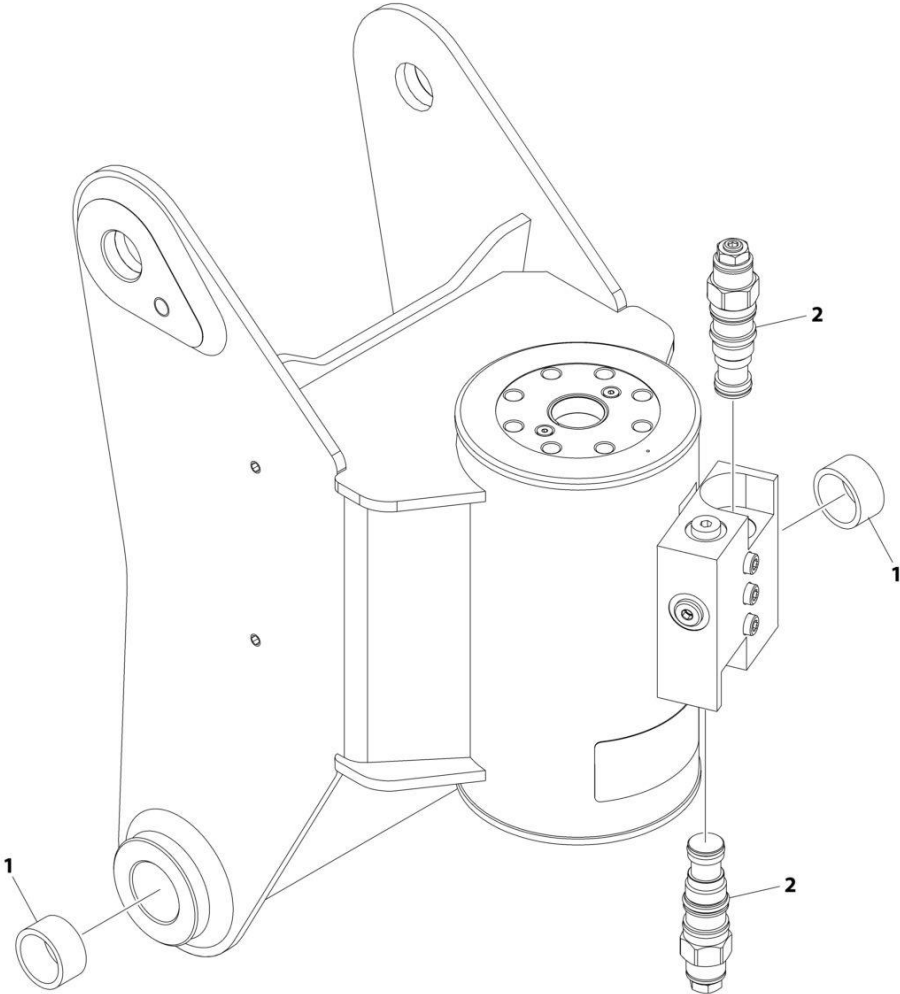
## SECTION 4 - BOOM

**FIGURE 4-10. PLATFORM ROTATOR ASSEMBLY (860SJ)**

ITEM	PART NUMBER	QTY	DESCRIPTION	REV
	1001307715 See Note	Ref NSS	PLATFORM ROTATOR ASSEMBLY Note: No Service Parts Available at Time of Printing	A

**SECTION 4 - BOOM**

**FIGURE 4-11. PLATFORM ROTATOR ASSEMBLY (MACHINES WITH SN STARTING WITH B3)**



ART\_1001276878

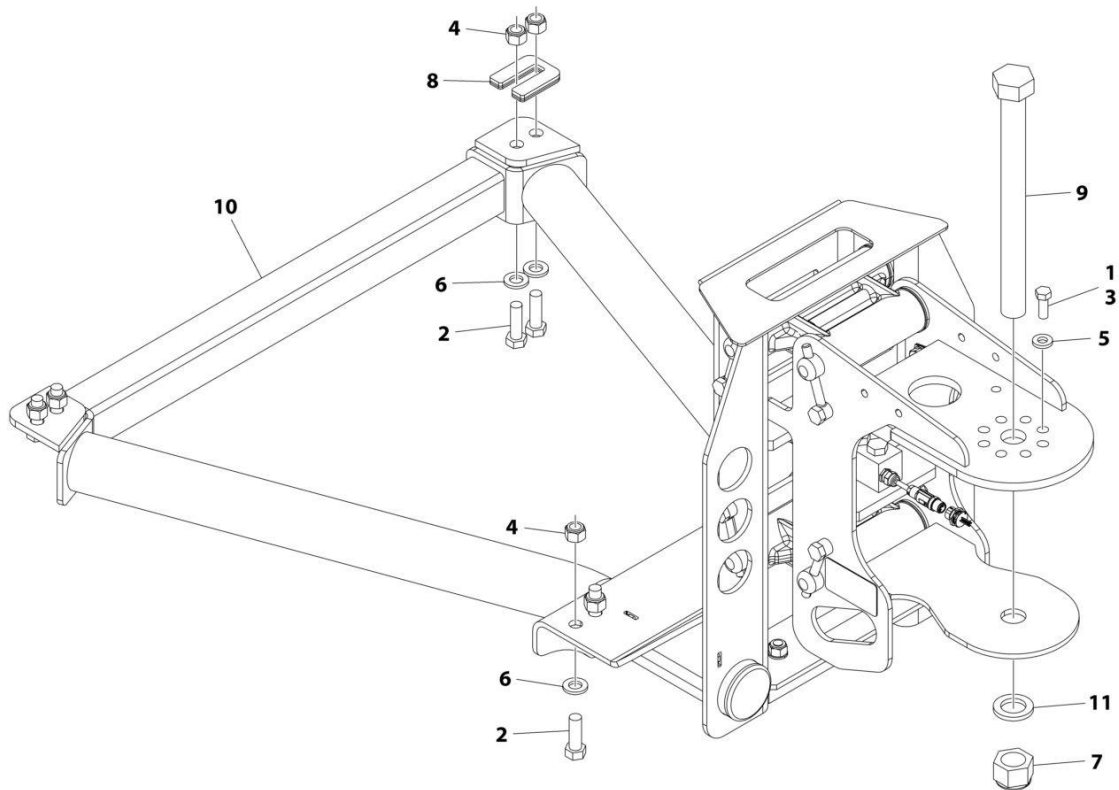
## SECTION 4 - BOOM

**FIGURE 4-11. PLATFORM ROTATOR ASSEMBLY (MACHINES WITH SN STARTING WITH B3)**

ITEM	PART NUMBER	QTY	DESCRIPTION	REV
	1001276878	Ref	PLATFORM ROTATOR ASSEMBLY	A
	See Note	Ref	Note: No Other Service Parts Available at Time of Printing	
1	0961947	2	Bushing	
2	1001297748	2	Valve, Counterbalance	

# SECTION 4 - BOOM

FIGURE 4-12. PLATFORM SUPPORT INSTALLATION - (MACHINES WITH SN STARTING WITH B3)



ART\_1001299793

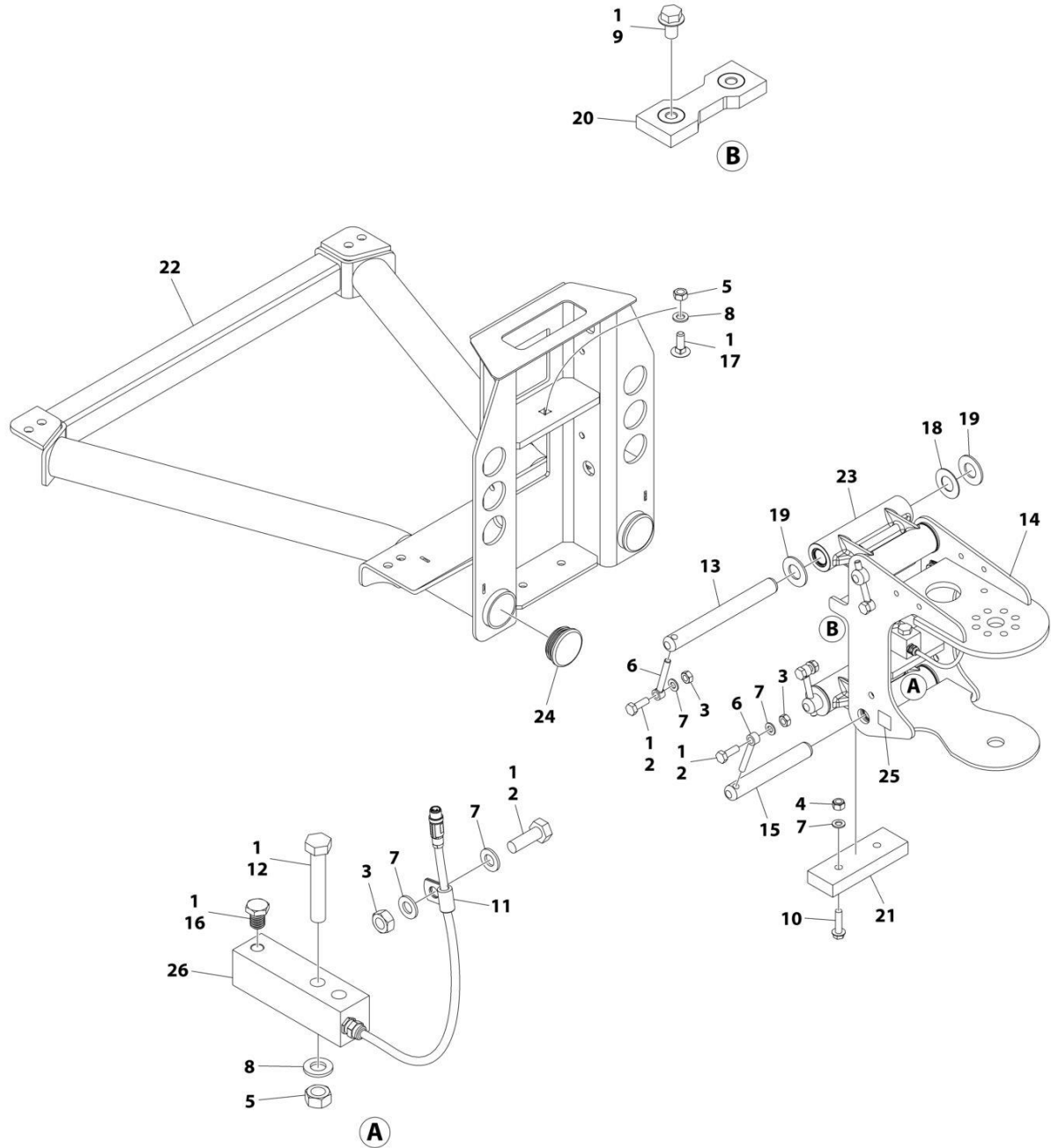
## SECTION 4 - BOOM

**FIGURE 4-12. PLATFORM SUPPORT INSTALLATION - (MACHINES WITH SN STARTING WITH B3)**

ITEM	PART NUMBER	QTY	DESCRIPTION	REV
	1001299793	Ref	PLATFORM SUPPORT INSTALLATION	A
1	0100011	AR	Compound, Locking	
2	0761216	8	Bolt M12 x 40	
3	0771012	8	Bolt M10 x 25	
4	3291205	8	Nut M12 x 1-3/4	
5	4891600	8	Washer 3/8	
6	5241200	8	Washer M12	
7	1001174040	1	Nut	
8	1001238421	AR	Platform Leveling Kit	
8	1001238399	2	Shim M2	
8	1001238400	1	Shim M4	
9	1001255133	1	Bolt 1 x 11	
10	1001289607	1	Platform Support with LSS (See Separate Breakdown in this Section)	
11	4892600001	1	Washer 1	

# SECTION 4 - BOOM

FIGURE 4-13. PLATFORM SUPPORT ASSEMBLY - (MACHINES WITH SN STARTING WITH B3)



ART\_1001289607



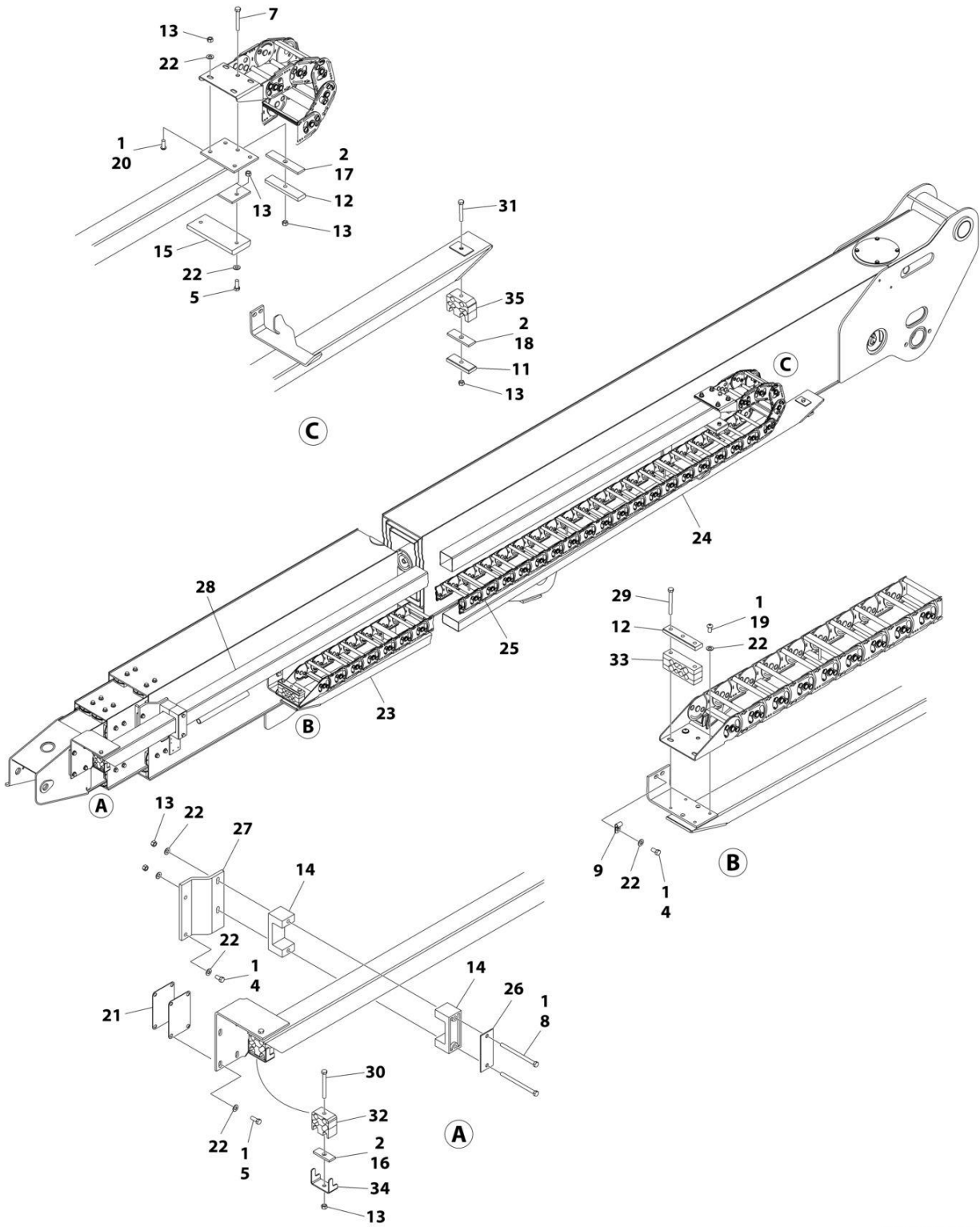
## SECTION 4 - BOOM

**FIGURE 4-13. PLATFORM SUPPORT ASSEMBLY - (MACHINES WITH SN STARTING WITH B3)**

ITEM	PART NUMBER	QTY	DESCRIPTION	REV
	1001289607	Ref	PLATFORM SUPPORT ROTATOR INSTALLATION	A
1	0100011	AR	Compound, Locking	
2	0761014	5	Bolt M10 x 30	
3	3291001	5	Nut M10	
4	3291005	2	Nut M10	
5	3291201	3	Nut M12	
6	3841143	4	Keeper, Pin	
7	4812000	8	Washer M10	
8	4812100	3	Washer M12	
9	5251008	2	Bolt M10 x 16	
10	5251016	2	Bolt M10 x 40	
11	91203039	1	Clamp	
12	1001098828	2	Bolt M12 x 70 Grade 10.9	
13	1001167565	2	Pin	
14	1001167567	1	Support, Rotator	
15	1001168402	2	Pin	
16	1001188622	1	Screw	
17	1001188844	1	Bolt M12 x 35	
18	1001189001	4	Bearing	
19	1001189002	8	Bearing	
20	1001190985	1	Pad, Wear	
21	1001200491	1	Pad, Wear	
22	1001200494	1	Support, Platform	
23	1001201351	2	Link	
23	1001187382	4	Bearing	
23	1001187383	4	Seal	
24	1001204725	2	Plug	
25	1001216630	2	Decal - Tie Down/No Lift	
26	1001247468	1	Loadcell	

# SECTION 4 - BOOM

## FIGURE 4-14. POWER TRACK INSTALLATION - MAIN BOOM (800S)



ART\_1001156965\_G

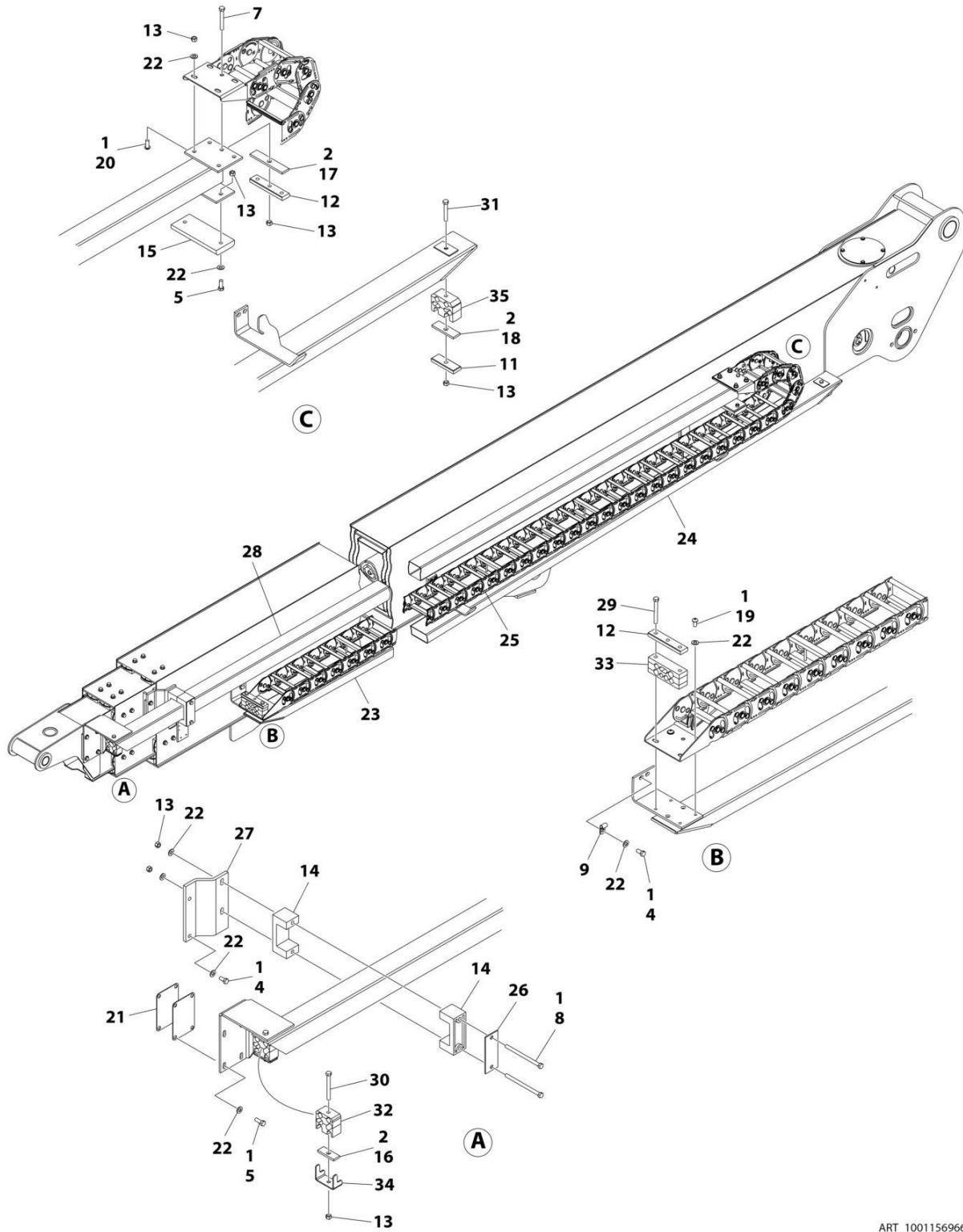
## SECTION 4 - BOOM

**FIGURE 4-14. POWER TRACK INSTALLATION - MAIN BOOM (800S)**

ITEM	PART NUMBER	QTY	DESCRIPTION	REV
	1001156965	Ref	POWER TRACK INSTALLATION	G
1	0100011	AR	Compound, Locking	
2	0100081	AR	Adhesive	
4	0641606	12	Bolt 3/8 x 3/4	
5	0641608	6	Bolt 3/8 x 1	
7	0641622	1	Bolt 3/8 x 2-3/4	
8	0641644	2	Bolt 3/8 x 5-1/2	
9	1320263	2	Clamp, Cable	
11	1320289	1	Clamp, Hose	
12	1320294	2	Bar, Clamping	
13	3311605	11	Nut 3/8	
14	3340764	2	Pad, Wear	
15	3340787	1	Pad, Wear	
16	3340941	1	Pad, Push Tube	
17	3340942	1	Pad, Rubber	
18	3340943	1	Pad, Rubber	
19	3900283	2	Screw, Button Head 3/8 x 3/4	
20	3900316	4	Screw, Button Head 3/8 x 1	
21	4070969	2	Shim	
22	4711600	26	Washer 3/8	
23	4846553	1	Support, Push Tube	
24	4846558	1	Tube, Push	
25	1001131731	1	Power Track	
25	70003921	AR	Repair Section (Includes 1 Pin Assembly for each end)	
25	70003922	1	Mounting Feet (Includes Both Pair of Feet)	
26	3538758	1	Plate	
27	1001156439	1	Plate	
28	1001291566	1	Tube, Push	
29	0641626	2	Bolt 3/8 x 3-1/4	
30	0641630	1	Bolt 3/8 x 3-3/4	
31	0641632	1	Bolt 3/8 x 4	
32	1001281077	1	Clamp, Block	
33	1001281168	1	Clamp, Block	
34	1001295197	1	Bar	
35	1001281171	1	Clamp, Block	

# SECTION 4 - BOOM

## FIGURE 4-15. POWER TRACK INSTALLATION - MAIN BOOM (860SJ)



ART\_1001156966\_G

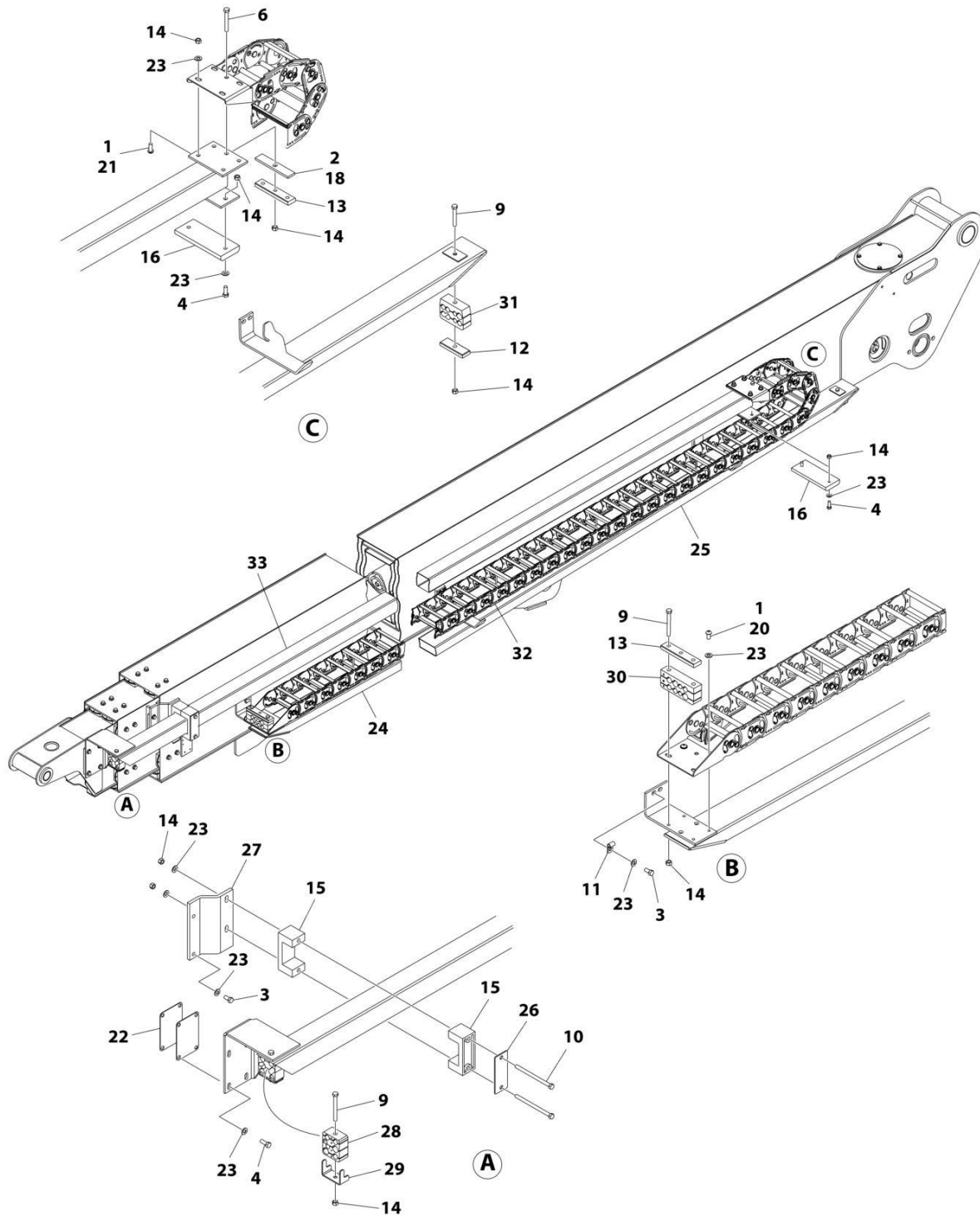
## SECTION 4 - BOOM

**FIGURE 4-15. POWER TRACK INSTALLATION - MAIN BOOM (860SJ)**

ITEM	PART NUMBER	QTY	DESCRIPTION	REV
	1001156966	Ref	POWER TRACK INSTALLATION	G
1	0100011	AR	Compound, Locking	
2	0100081	AR	Adhesive	
4	0641606	12	Bolt 3/8 x 3/4	
5	0641608	6	Bolt 3/8 x 1	
7	0641622	1	Bolt 3/8 x 2-3/4	
8	0641644	2	Bolt 3/8 x 5-1/2	
9	1320263	2	Clamp, Cable	
11	1320289	1	Clamp, Hose	
12	1320294	2	Bar, Clamping	
13	3311605	11	Nut 3/8	
14	3340764	2	Pad, Wear	
15	3340787	1	Pad, Wear	
16	3340941	1	Pad, Push Tube	
17	3340942	1	Pad, Rubber	
18	3340943	1	Pad, Rubber	
19	3900283	2	Screw, Button Head 3/8 x 3/4	
20	3900316	4	Screw, Button Head 3/8 x 1	
21	4070969	2	Shim	
22	4711600	26	Washer 3/8	
23	4846553	1	Support, Push Tube	
24	4846558	1	Tube, Push	
25	1001131731	1	Power Track	
25	70003921	AR	Repair Section (Includes 1 Pin Assembly for each end)	
25	70003922	1	Mounting Feet (Includes Both Pair of Feet)	
26	3538758	1	Plate	
27	1001156439	1	Plate	
28	1001291944	1	Tube, Push	
29	0641626	2	Bolt 3/8 x 3-1/4	
30	0641630	1	Bolt 3/8 x 3-3/4	
31	0641632	1	Bolt 3/8 x 4	
32	1001281077	1	Clamp, Block	
33	1001281168	1	Clamp, Block	
34	1001295197	1	Bar	
35	1001281171	1	Clamp, Block	

# SECTION 4 - BOOM

FIGURE 4-16. POWERTRACK WITH PLASTIC CLAMP INSTALLATION (MACHINES WITH SN STARTING WITH B3) (EXCEPT CHINESE SPECS)



ART\_1001288409\_D

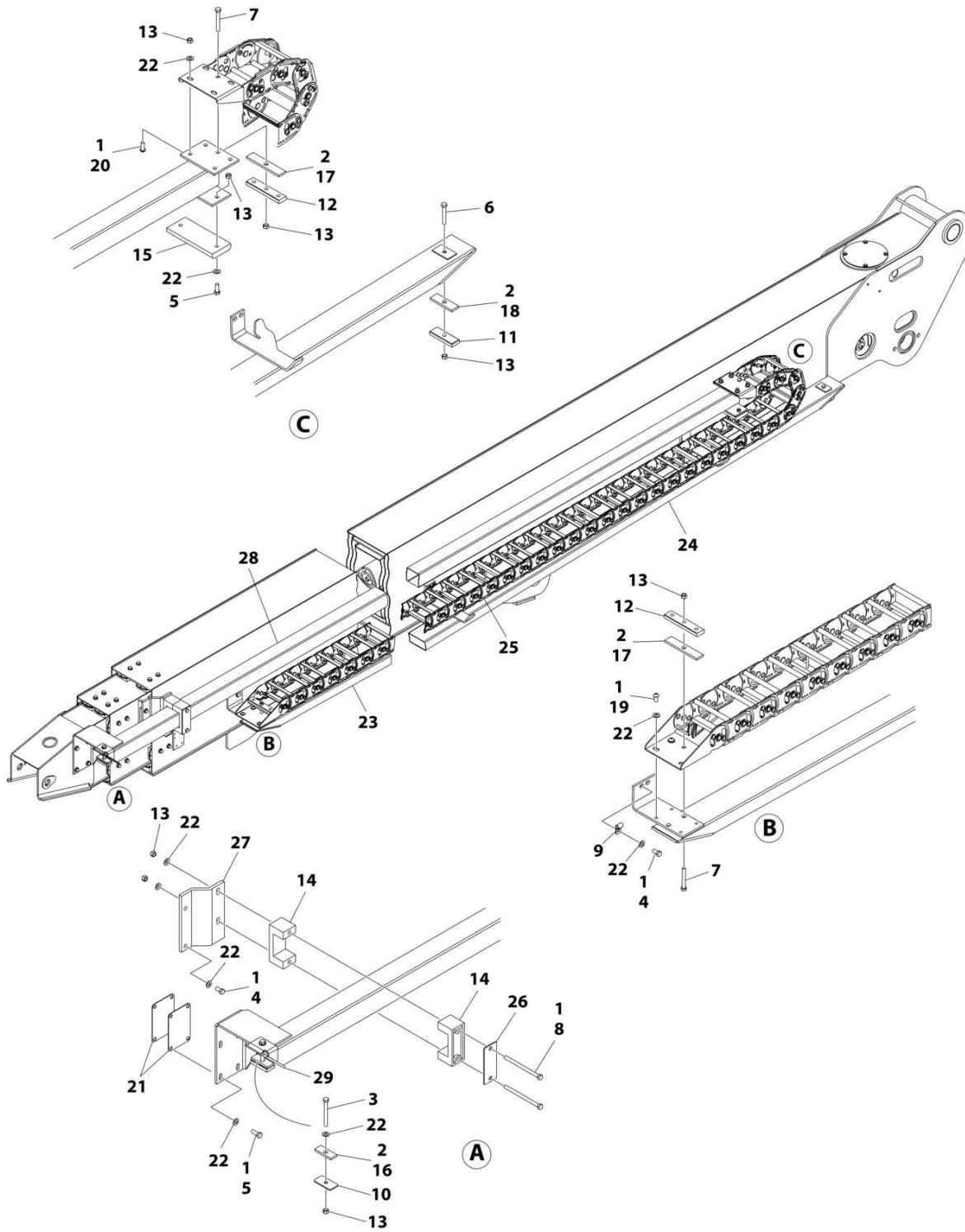
## SECTION 4 - BOOM

**FIGURE 4-16. POWERTRACK WITH PLASTIC CLAMP INSTALLATION (MACHINES WITH SN STARTING WITH B3) (EXCEPT CHINESE SPECS)**

ITEM	PART NUMBER	QTY	DESCRIPTION	REV
	1001288409	Ref	POWERTRACK WITH STEEL CLAMP	D
1	0100011	AR	Compound, Locking	
2	0100081	AR	Adhesive	
3	0641606	12	Bolt 3/8 x 3/4	
4	0641608	6	Bolt 3/8 x 1	
6	0641622	1	Bolt 3/8 x 2-3/4	
9	0641632	1	Bolt 3/8 x 4	
10	0641644	4	Bolt 3/8 x 5-1/2	
11	1320263	2	Clamp	
12	1320289	1	Clamp	
13	1320294	2	Clamp	
14	3311605	13	Nut 3/8	
15	3340764	2	Pad	
16	3340787	1	Pad, Wear	
18	3340942	1	Pad, Rubber	
20	3900283	2	Screw 3/8 x 3/4	
21	3900316	4	Screw 3/8 x 1	
22	4070969	2	Shim	
23	4711600	26	Washer 3/8	
24	4846553	1	Support, Power Track	
25	4846558	1	Support, Power Track	
26	1001136400	1	Plate	
27	1001156439	1	Plate	
28	1001299624	1	Clamp	
29	1001295197	1	Bar, Clamp	
30	1001299648	1	Clamp	
31	1001299649	1	Clamp	
32	1001288407	1	Power Track	
33	1001291944	1	PushTube	

# SECTION 4 - BOOM

FIGURE 4-17. POWERTRACK WITH STEEL CLAMP INSTALLATION (MACHINES WITH SN STARTING WITH 03) (ALL SPECS) (800S)



ART\_1001292031



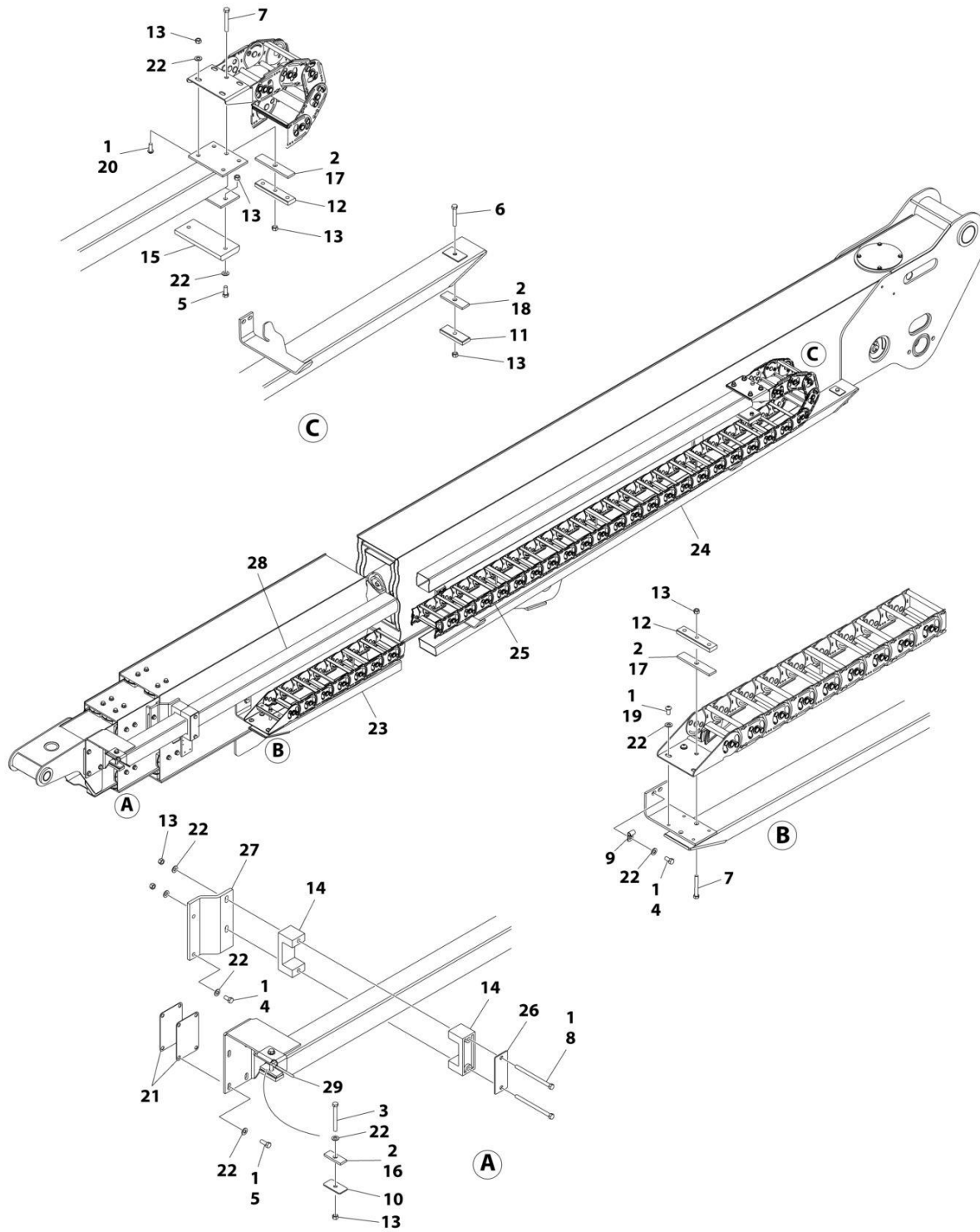
## SECTION 4 - BOOM

**FIGURE 4-17. POWERTRACK WITH STEEL CLAMP INSTALLATION (MACHINES WITH SN STARTING WITH 03) (ALL SPECS) (800S)**

ITEM	PART NUMBER	QTY	DESCRIPTION	REV
	1001292031	Ref	POWERTRACK WITH STEEL CLAMP INSTALLATION	C
1	0100011	AR	Compound, Locking	
2	0100081	AR	Adhesive	
3	0630539	1	Screw 3/8 x 3/4	
4	0641606	12	Bolt 3/8 x 3/4	
5	0641608	6	Bolt 3/8 x 1	
6	0641620	1	Bolt 3/8 x 2-1/2	
7	0641622	2	Bolt 3/8 x 2-3/4	
8	0641644	2	Bolt 3/8 x 5-1/2	
9	1320263	2	Clamp	
10	1320288	1	Clamp	
11	1320289	1	Clamp	
12	1320294	2	Clamp	
13	3311605	12	Nut 3/8	
14	3340764	2	Pad	
15	3340787	1	Pad, Wear	
16	3340941	2	Pad, Rubber	
17	3340942	2	Pad, Rubber	
18	3340943	2	Pad, Rubber	
19	3900283	4	Screw 3/8 x 3/4	
20	3900316	4	Screw 3/8 x 1	
21	4070969	2	Shim	
22	4711600	29	Washer 3/8	
23	4846553	1	Support, Power Track	
24	4846558	1	Support, Power Track	
25	1001131731	1	Power Track	
26	3538758	1	Plate	
27	1001156439	1	Plate	
28	1001291566	1	Push Tube	
29	1001293261	1	Bracket	

# SECTION 4 - BOOM

FIGURE 4-18. POWERTRACK WITH STEEL CLAMP INSTALLATION (MACHINES WITH SN STARTING WITH 03) (ALL SPECS) (860SJ)



ART\_1001292032

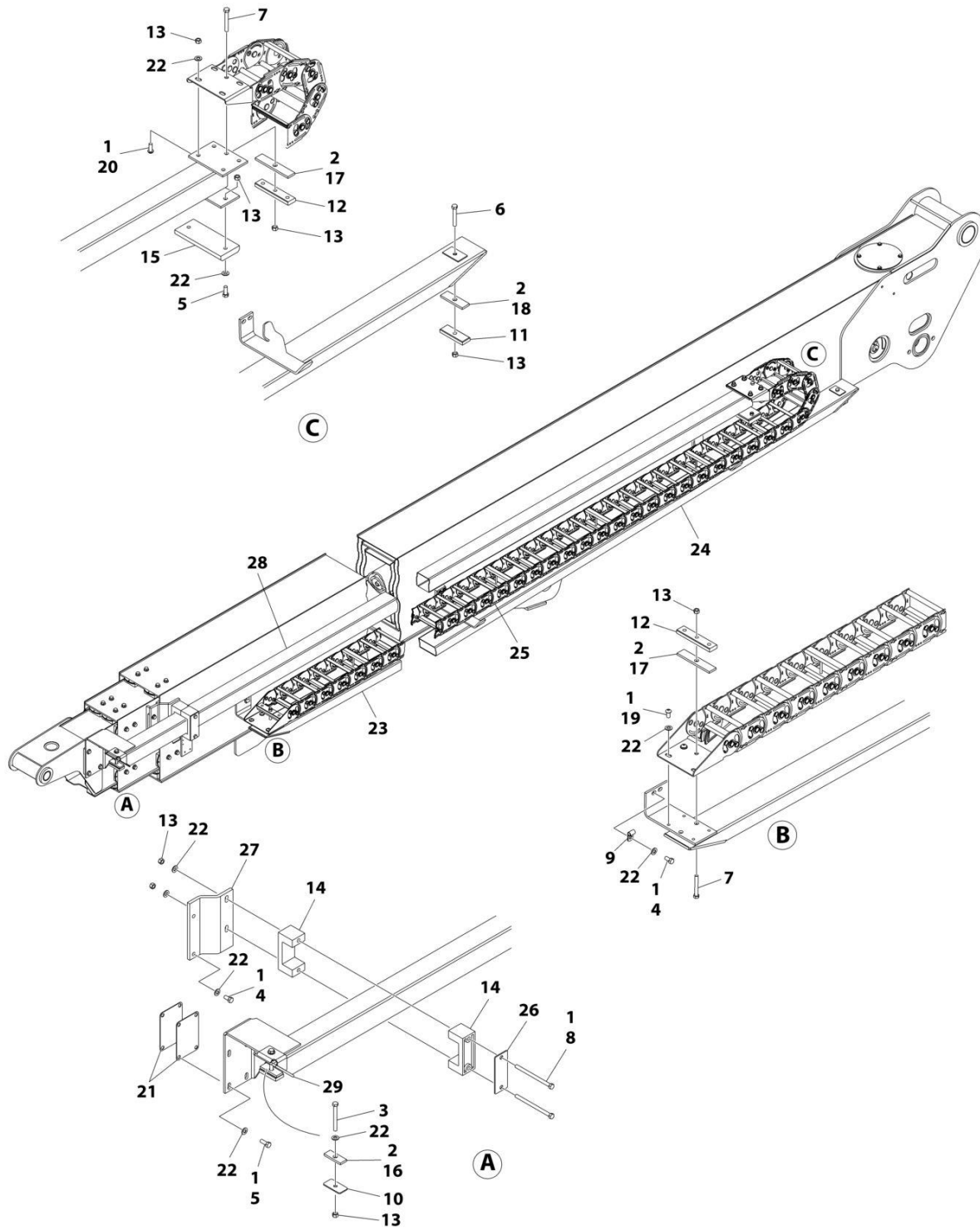
## SECTION 4 - BOOM

**FIGURE 4-18. POWERTRACK WITH STEEL CLAMP INSTALLATION (MACHINES WITH SN STARTING WITH 03) (ALL SPECS) (860SJ)**

ITEM	PART NUMBER	QTY	DESCRIPTION	REV
	1001292032	Ref	POWERTRACK WITH STEEL CLAMP INSTALLATION	C
1	0100011	AR	Compound, Locking	
2	0100081	AR	Adhesive	
3	0630539	1	Screw 3/8 x 3/4	
4	0641606	12	Bolt 3/8 x 3/4	
5	0641608	6	Bolt 3/8 x 1	
6	0641620	1	Bolt 3/8 x 2-1/2	
7	0641622	2	Bolt 3/8 x 2-3/4	
8	0641644	2	Bolt 3/8 x 5-1/2	
9	1320263	2	Clamp	
10	1320288	1	Clamp	
11	1320289	1	Clamp	
12	1320294	2	Clamp	
13	3311605	12	Nut 3/8	
14	3340764	2	Pad	
15	3340787	1	Pad, Wear	
16	3340941	2	Pad, Rubber	
17	3340942	2	Pad, Rubber	
18	3340943	2	Pad, Rubber	
19	3900283	4	Screw 3/8 x 3/4	
20	3900316	4	Screw 3/8 x 1	
21	4070969	2	Shim	
22	4711600	29	Washer 3/8	
23	4846553	1	Support, Power Track	
24	4846558	1	Support, Power Track	
25	1001131731	1	Power Track	
26	3538758	1	Plate	
27	1001156439	1	Plate	
28	1001291944	1	Push Tube	
29	1001293261	1	Bracket	

# SECTION 4 - BOOM

FIGURE 4-19. POWERTRACK WITH STEEL CLAMP INSTALLATION (MACHINES WITH SN STARTING WITH B3) (CHINESE SPECS)



ART\_1001294100

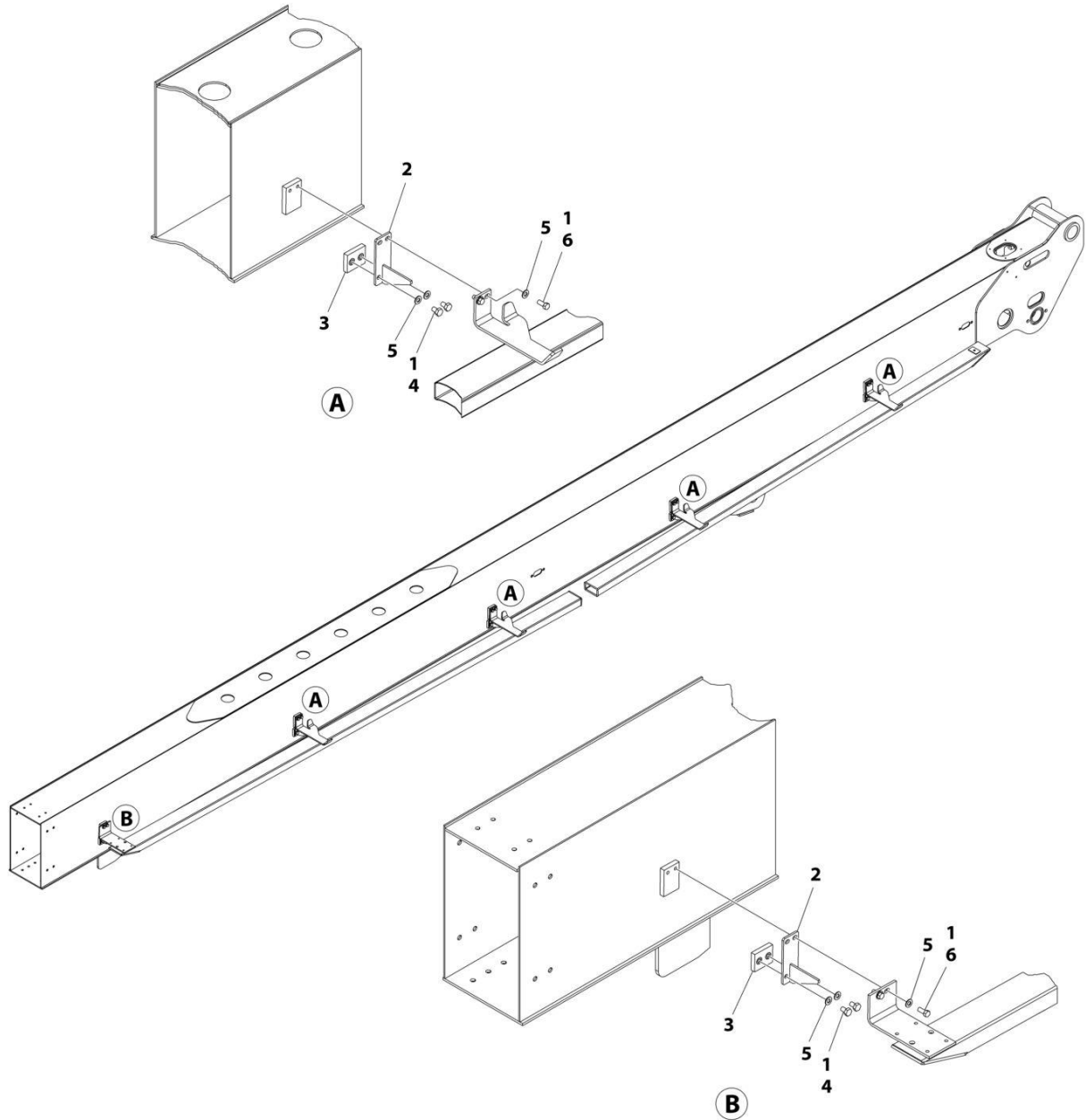
## SECTION 4 - BOOM

**FIGURE 4-19. POWERTRACK WITH STEEL CLAMP INSTALLATION (MACHINES WITH SN STARTING WITH B3) (CHINESE SPECS)**

ITEM	PART NUMBER	QTY	DESCRIPTION	REV
	1001294100	Ref	POWERTRACK WITH STEEL CLAMP	A
1	0100011	AR	Compound, Locking	
2	0100081	AR	Adhesive	
3	0630539	1	Screw 3/8 x 3/4	
4	0641606	12	Bolt 3/8 x 3/4	
5	0641608	6	Bolt 3/8 x 1	
6	0641620	1	Bolt 3/8 x 2-1/2	
7	0641622	2	Bolt 3/8 x 2-3/4	
8	0641644	2	Bolt 3/8 x 5-1/2	
9	1320263	2	Clamp	
10	1320288	1	Clamp	
11	1320289	1	Clamp	
12	1320294	2	Clamp	
13	3311605	12	Nut 3/8	
14	3340764	2	Pad	
15	3340787	1	Pad, Wear	
16	3340941	2	Pad, Rubber	
17	3340942	2	Pad, Rubber	
18	3340943	2	Pad, Rubber	
19	3900283	4	Screw 3/8 x 3/4	
20	3900316	4	Screw 3/8 x 1	
21	4070969	2	Shim	
22	4711600	29	Washer 3/8	
23	4846553	1	Support, Power Track	
24	4846558	1	Support, Power Track	
25	1001288407	1	Power Track	
26	1001136400	1	Plate	
27	1001156439	1	Plate	
28	1001291944	1	Push Tube	
29	1001293261	1	Bracket	

# SECTION 4 - BOOM

## FIGURE 4-20. POWER TRACK SUPPORT BRACKET INSTALLATION - MAIN BOOM (860SJ)



ART\_1001241698

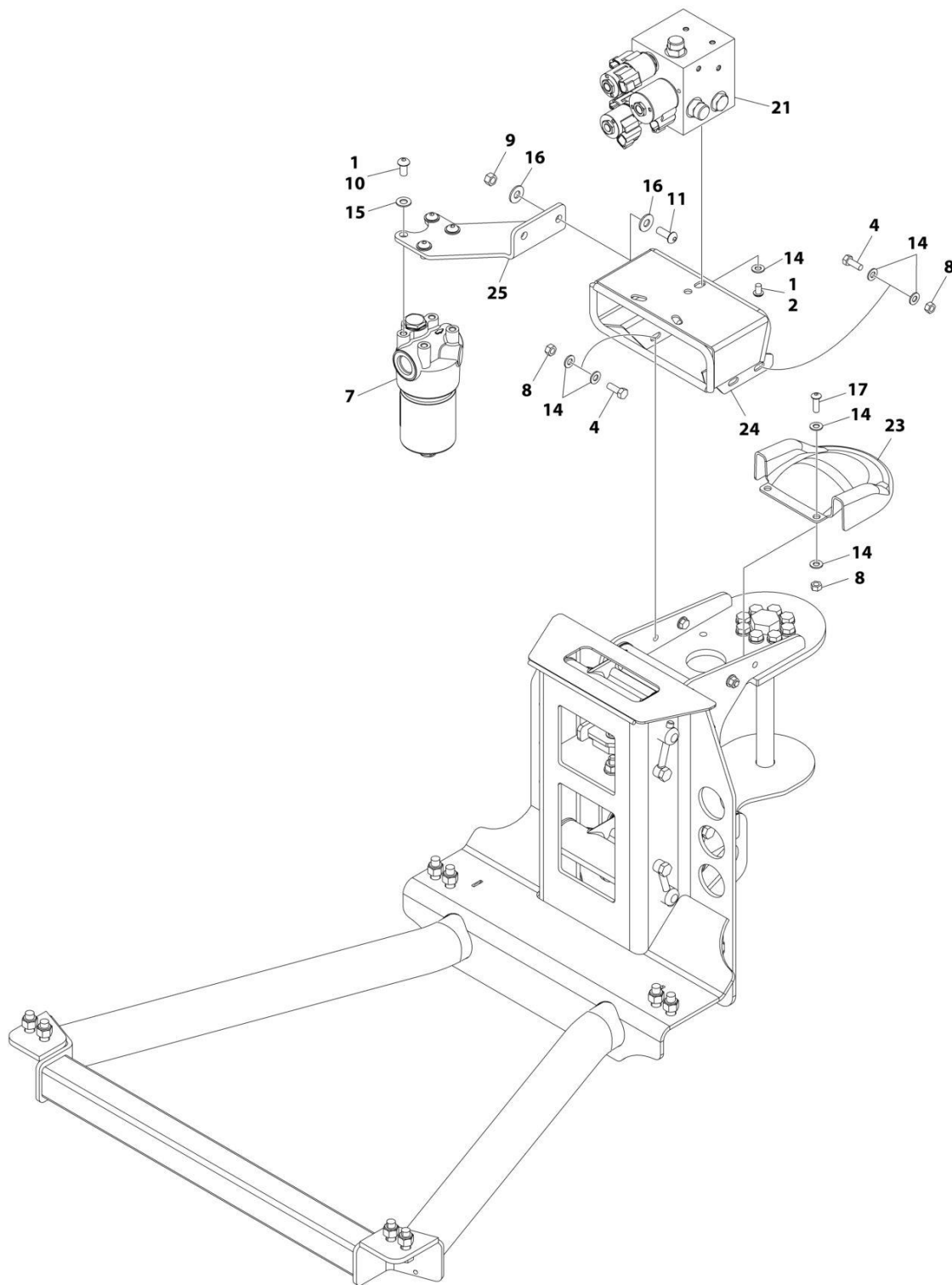
## SECTION 4 - BOOM

**FIGURE 4-20. POWER TRACK SUPPORT BRACKET INSTALLATION - MAIN BOOM (860SJ)**

ITEM	PART NUMBER	QTY	DESCRIPTION	REV
	1001241698	Ref	POWER TRACK SUPPORT BRACKET INSTALLATION	A
1	0100011	AR	Compound, Locking	
2	1001241694	5	Bracket	
3	1001241697	5	Pad, Wear	
4	0761008	10	Bolt M10 x 16	
5	4711600	20	Washer 3/8	
6	0641607	10	Bolt 3/8 x 7/8	

# SECTION 4 - BOOM

## FIGURE 4-21. CONTROL VALVE INSTALLATION (800S)



ART\_1001219979\_2OF2



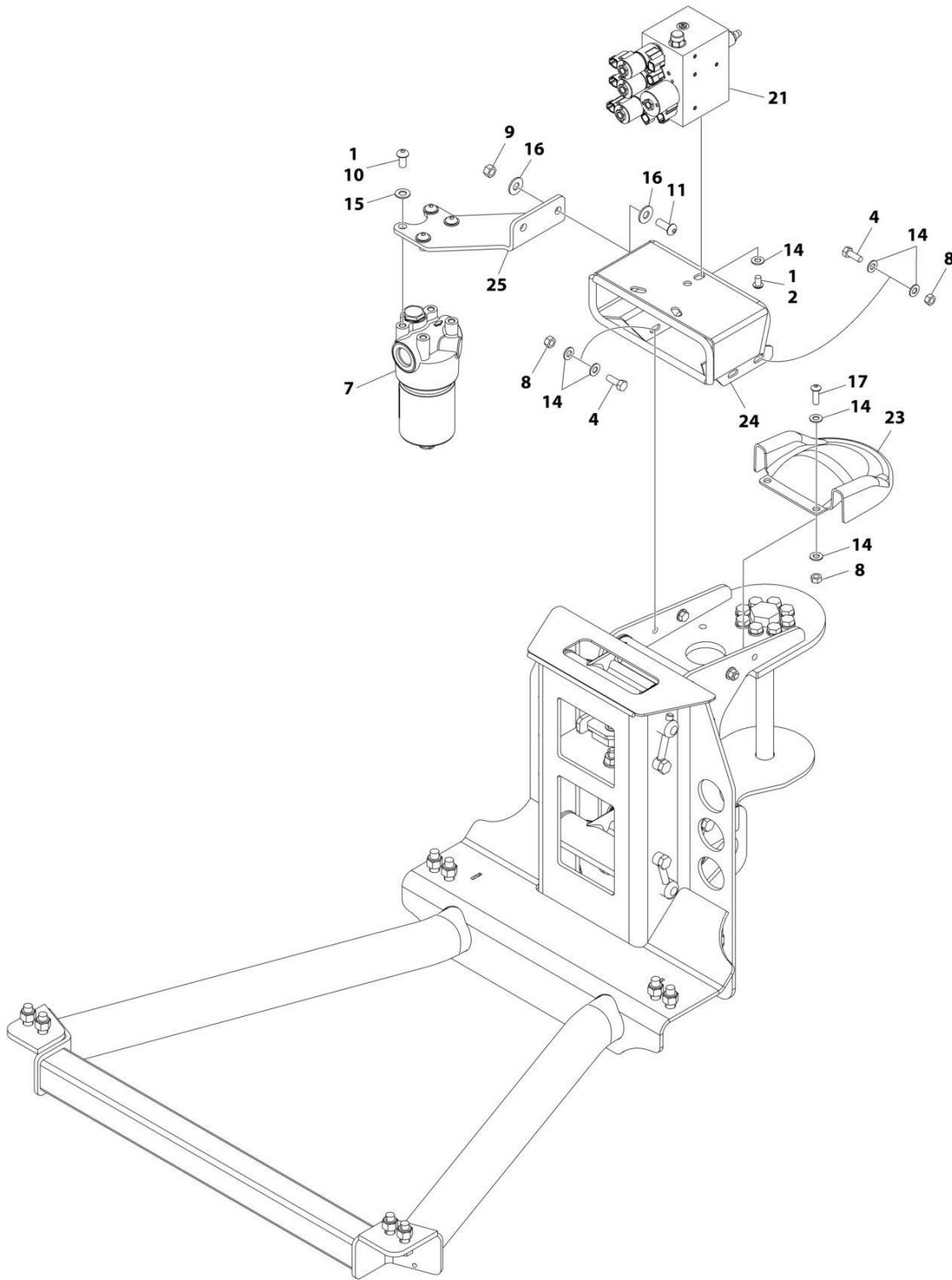
## SECTION 4 - BOOM

**FIGURE 4-21. CONTROL VALVE INSTALLATION (800S)**

ITEM	PART NUMBER	QTY	DESCRIPTION	REV
	1001219979	Ref	CONTROL VALVE INSTALLATION	B
1	0100011	AR	Compound, Locking	
2	0630467	3	Screw, Button Head	
4	0641507	4	Bolt 5/16 x 7/8	
7	2120217	1	Filter, High Pressure	
7	70002097	1	Element, Filter	
7	70001499	1	Kit, Seal	
7	70004328	1	Plug, Indicator	
8	3311505	6	Nut 5/16	
9	3311605	2	Nut 3/8	
10	3900283	4	Screw 3/8 x 3/4	
11	3900316	2	Screw 3/8 x 1	
14	4711500	15	Washer 5/16	
15	4711600	4	Washer 3/8	
16	4751600	4	Washer 3/8	
17	88261024	2	Screw 5/16 x 1	
21	1001244114	1	Valve, Platform (See Separate Breakdown in this Section)	
22	1001168025	1	Upper Valve Harness (not shown)	
22	4460926	1	Connector - 21 Position	
22	1001126008	8	Terminal	
22	1001126009	6	Terminal (Gold)	
22	4460911	2	Connector 3 Position	
22	1001126009	6	Terminal (Gold)	
22	4460891	7	Connector 2 Position	
22	4460465	14	Terminal	
23	1001207969	1	Cover	
24	1001208994	1	Plate, Valve Mounting	
25	1001222314	1	Bracket, Filter Mounting	

# SECTION 4 - BOOM

## FIGURE 4-22. CONTROL VALVE INSTALLATION (860SJ)



ART\_1001219980\_20F2

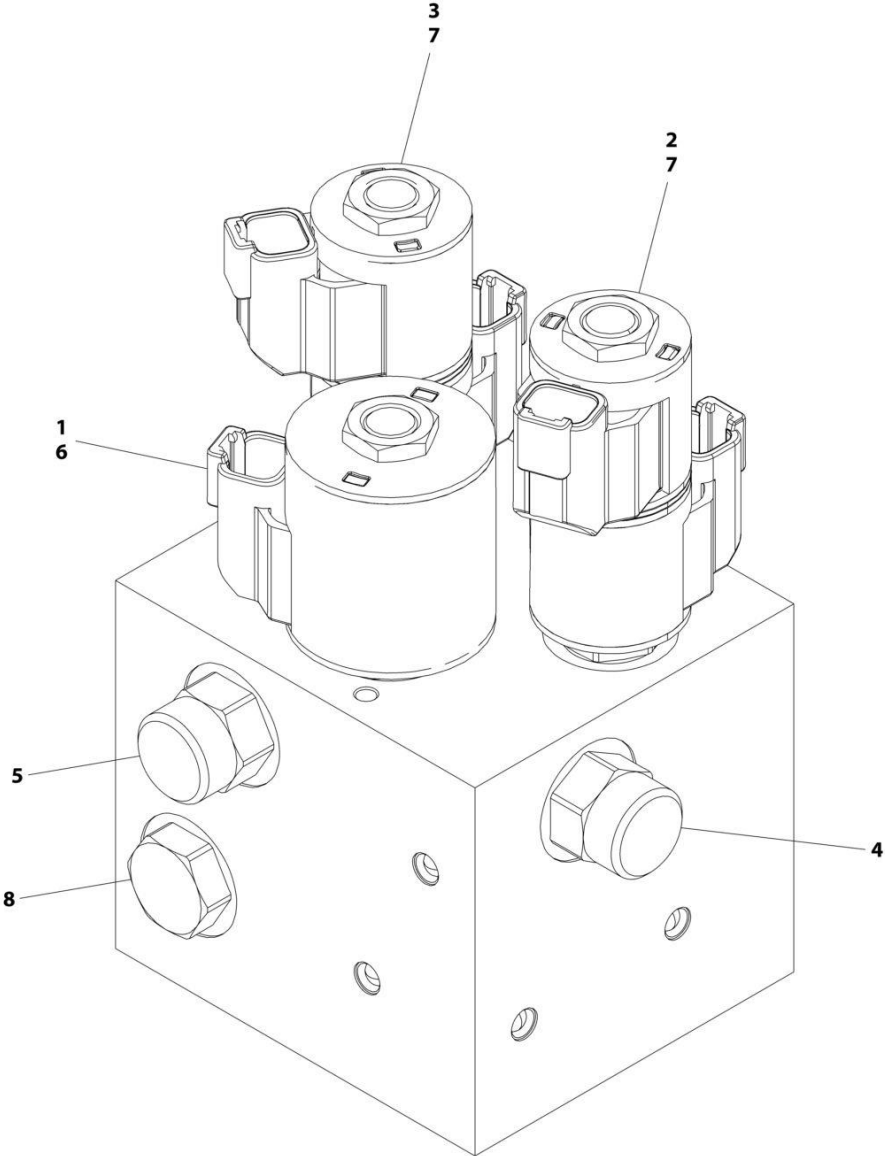
## SECTION 4 - BOOM

**FIGURE 4-22. CONTROL VALVE INSTALLATION (860SJ)**

ITEM	PART NUMBER	QTY	DESCRIPTION	REV
	1001219980	Ref	CONTROL VALVE INSTALLATION	B
1	0100011	AR	Compound, Locking	
2	0630467	3	Screw, Button Head	
4	0641507	4	Bolt 5/16 x 7/8	
7	2120217	1	Filter, High Pressure	
7	70002097	1	Element, Filter	
7	70001499	1	Kit, Seal	
7	70004328	1	Plug, Indicator	
8	3311505	6	Nut 5/16	
9	3311605	2	Nut 3/8	
10	3900283	4	Screw 3/8 x 3/4	
11	3900316	2	Screw 3/8 x 1	
14	4711500	15	Washer 5/16	
15	4711600	4	Washer 3/8	
16	4751600	4	Washer 3/8	
17	88261024	2	Screw 5/16 x 1	
21	1001235901	1	Valve, Platform (See Separate Breakdown in this Section)	
22	1001168025	1	Upper Valve Harness (not shown)	
22	4460926	1	Connector - 21 Position	
22	1001126008	8	Terminal	
22	1001126009	6	Terminal (Gold)	
22	4460911	2	Connector 3 Position	
22	1001126009	6	Terminal (Gold)	
22	4460891	7	Connector 2 Position	
22	4460465	14	Terminal	
23	1001207969	1	Cover	
24	1001208994	1	Plate, Valve Mounting	
25	1001222314	1	Bracket, Filter Mounting	

**SECTION 4 - BOOM**

**FIGURE 4-23. PLATFORM VALVE ASSEMBLY (800S)**



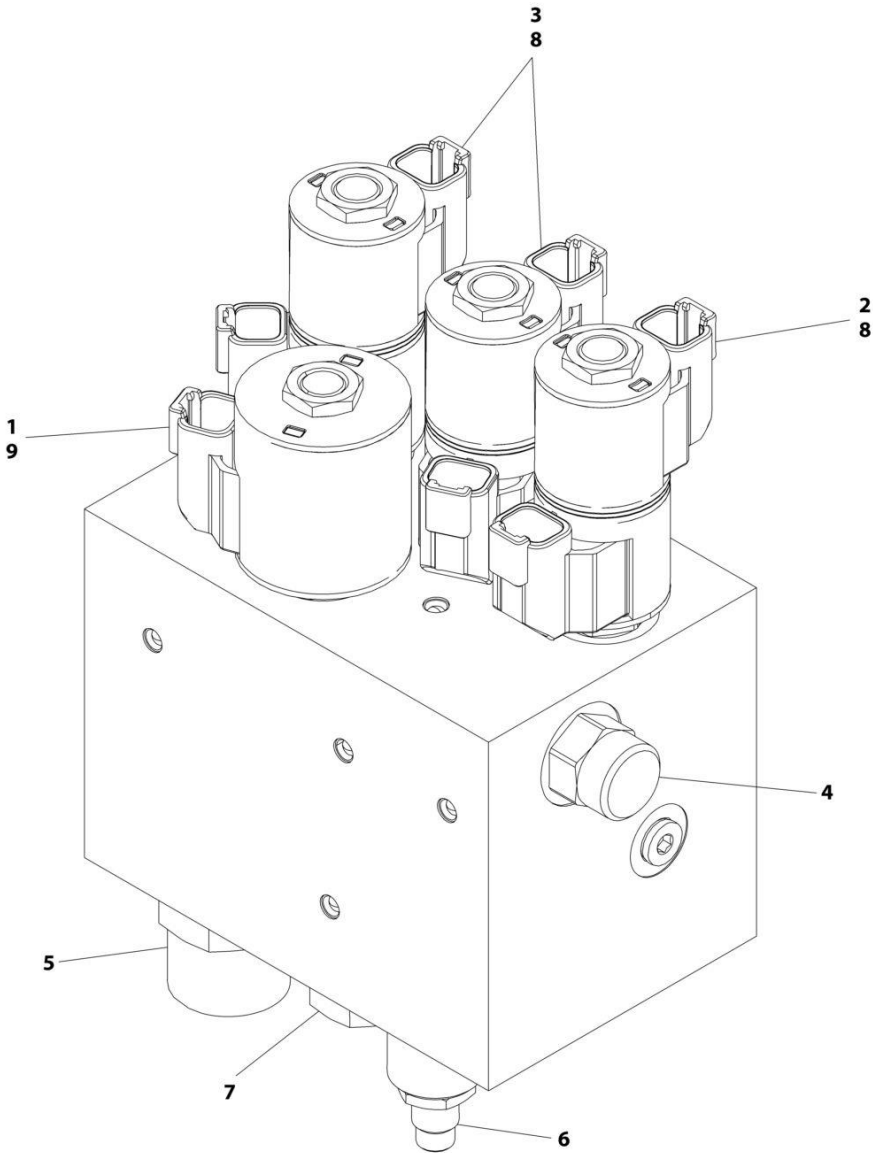
ART\_1001244114

FIGURE 4-23. PLATFORM VALVE ASSEMBLY (800S)

ITEM	PART NUMBER	QTY	DESCRIPTION	REV
	1001244114	Ref	PLATFORM VALVE ASSEMBLY	B
1	7012995	1	Cartridge, Solenoid Valve (Pressure)	
1	7012518	1	Seal Kit - 7012995 Valve	
2	7017452	1	Cartridge, Solenoid Valve (Platform Rotator)	
2	7017402	1	Seal Kit - 7017452 Valve	
3	7023922	1	Cartridge, Solenoid Valve (Platform Level)	
3	7017402	1	Seal Kit - 7023922 Valve	
4	7012989	1	Cartridge, Valve (Flow Regulator)	
4	7012953	1	Seal Kit - 7012989 Valve	
5	7017446	1	Cartridge, Valve (Flow Regulator)	
5	7012953	1	Seal Kit - 7023984 & 7017446 Valves	
6	70003788	1	Coil	
7	70002386	4	Coil	
8	7012955	1	Cartridge, Valve (Check Valve)	
8	7012967	1	Seal Kit - 7012955 Valve	
9	70004582	1	Orifice (Not Shown - Located on Back at Port T)	

**SECTION 4 - BOOM**

**FIGURE 4-24. PLATFORM VALVE ASSEMBLY (860SJ)**



ART\_1001235901

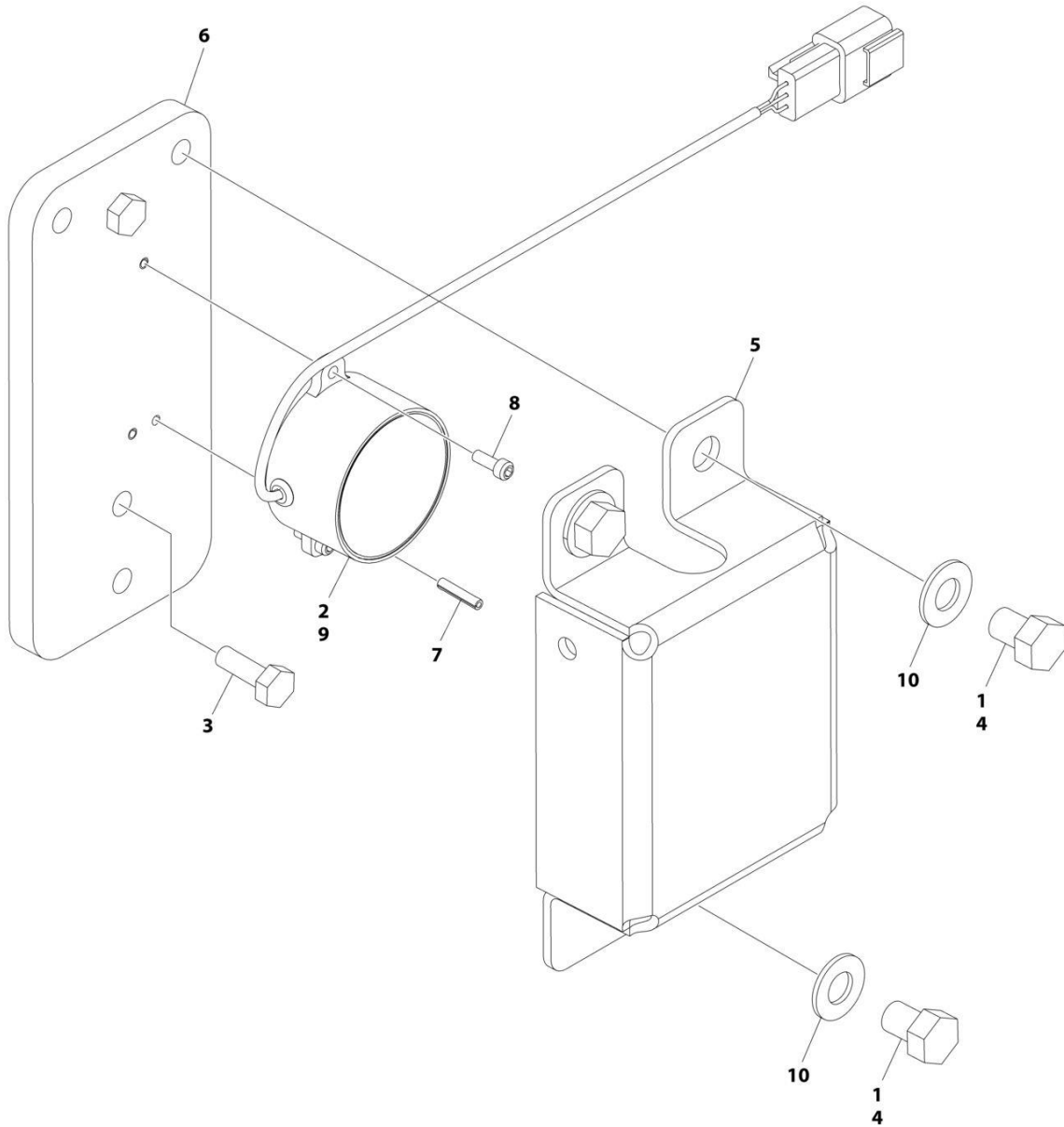
## SECTION 4 - BOOM

**FIGURE 4-24. PLATFORM VALVE ASSEMBLY (860SJ)**

ITEM	PART NUMBER	QTY	DESCRIPTION	REV
	1001235901	Ref	PLATFORM VALVE ASSEMBLY	A
1	7012995	1	Cartridge, Solenoid Valve (Pressure)	
1	7012518	1	Seal Kit - 7012955 Valve	
2	7017452	1	Cartridge, Solenoid Valve (Platform Rotator)	
2	7017402	1	Seal Kit - 7017452 Valve	
3	7023922	2	Cartridge, Solenoid Valve (Platform Jib & Platform Level)	
3	7017402	2	Seal Kit - 7023922 Valve	
4	7012989	1	Cartridge, Valve (Flow Regulator)	
4	7012953	1	Seal Kit - 7012989 Valve	
5	7023984	NLA	Cartridge, Valve (use p/n 7017446)	
5	7017446	1	Cartridge, Valve (Flow Regulator)	
5	7012953	1	Seal Kit - 7023984 Valve	
6	70004578	1	Cartridge, Valve	
6	7021653	1	Seal Kit - 70004578 Valve	
7	7012955	1	Cartridge, Valve (Check Valve)	
7	7012967	1	Seal Kit - 7012955 Valve	
8	70002386	6	Coil	
9	70003788	1	Coil	
10	70004582	1	Orifice (Not Shown - Located on Back at Port T)	

# SECTION 4 - BOOM

## FIGURE 4-25. LEVEL SENSOR SWITCH INSTALLATION



ART\_0273695



FIGURE 4-25. LEVEL SENSOR SWITCH INSTALLATION

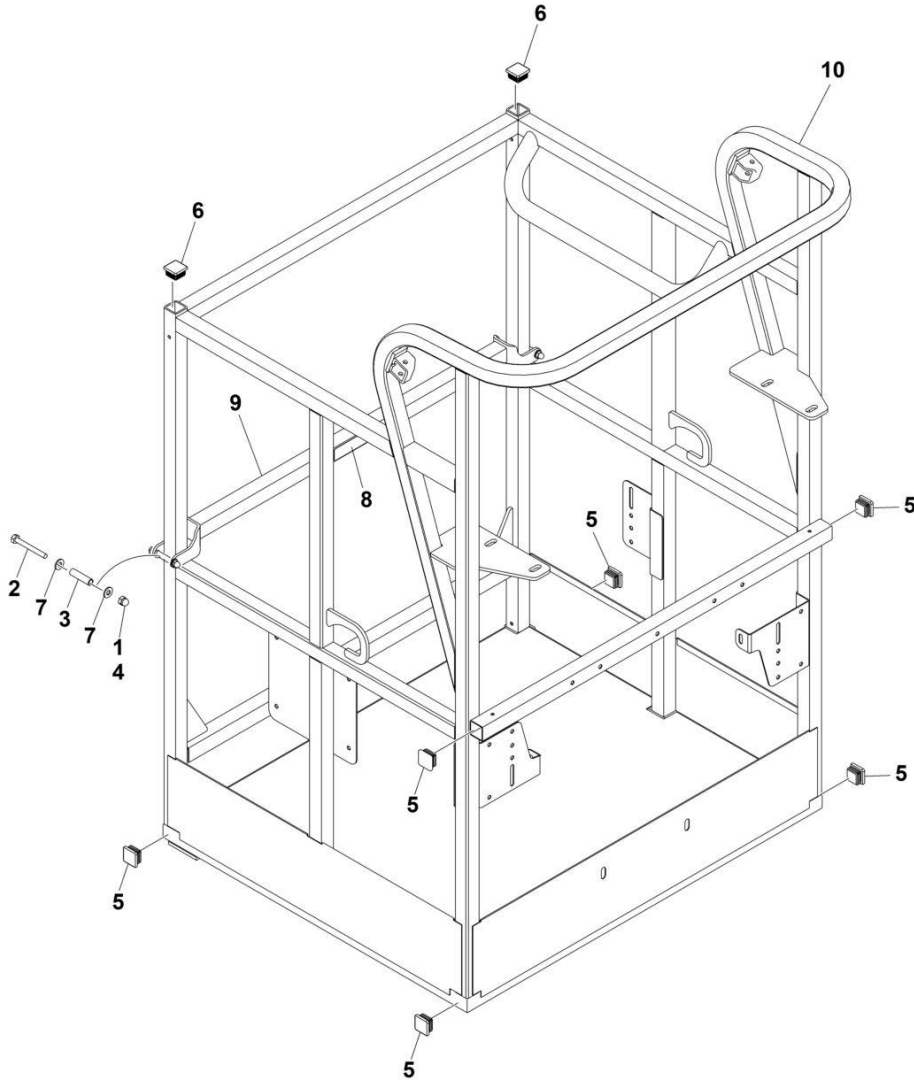
ITEM	PART NUMBER	QTY	DESCRIPTION	REV
	0273695	Ref	LEVEL SENSOR SWITCH INSTALLATION	D
1	0100011	AR	Compound, Locking	
2	0100035	AR	Compound, Locking	
3	0641406	4	Bolt 1/4 x 3/4	
4	0641604	6	Bolt 3/8 x 1/2	
5	1671044	2	Cover, Sensor	
6	3200449	2	Mount, Sensor	
7	3440410	2	Rollpin	
8	3930606	4	Capscrew #6 x 3/8	
9	1001147479	2	Sensor	
10	4711600	6	Washer 3/8	



**SECTION 5 - PLATFORM**

# SECTION 5 - PLATFORM

FIGURE 5-1. PLATFORM ASSEMBLY WITH DROP-BAR - 30IN X 3FT (76CM X 1M)



ART\_1001228215

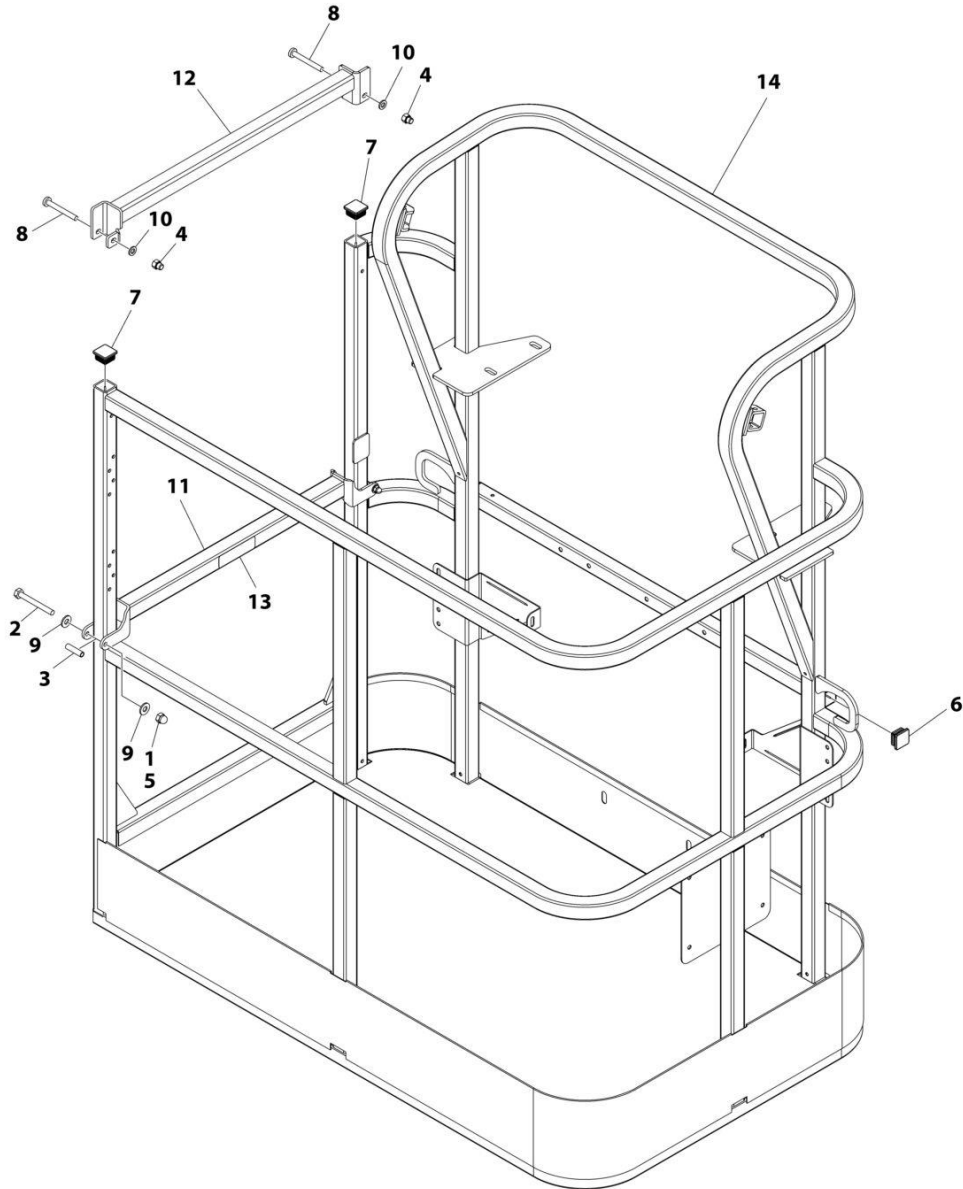
## SECTION 5 - PLATFORM

**FIGURE 5-1. PLATFORM ASSEMBLY WITH DROP-BAR - 30IN X 3FT (76CM X 1M)**

ITEM	PART NUMBER	QTY	DESCRIPTION	REV
	1001228215	Ref	PLATFORM ASSEMBLY	A
	See Note	Ref	Note: Platform and Mesh must be ordered separately for Platforms with Mesh. See SPECIAL OPTIONS SECTION for Mesh Installations.	
	See Note	Ref	Note: Replacement Decals Must be Ordered Separately - See DECAL SECTION.	
1	0100011	AR	Compound, Locking	
2	0641418	2	Bolt 1/4 x 2-1/4	
3	0961845	2	Bushing	
4	3300151	2	Nut 1/4	
5	3520072	6	Cap, Plug	
6	3520198	2	Cap, Plug	
7	4711400	4	Washer 1/4	
8	1001140429	1	Decal - Drop Bar	
9	1001226872	1	Bar, Drop	
10	See Note	NSS	Platform (Note: Not Available - Purchase Platform Assembly)	

# SECTION 5 - PLATFORM

FIGURE 5-2. PLATFORM ASSEMBLY WITH DROP-BAR - 30IN X 4FT (76CM X 1.22M)



ART\_1001186375

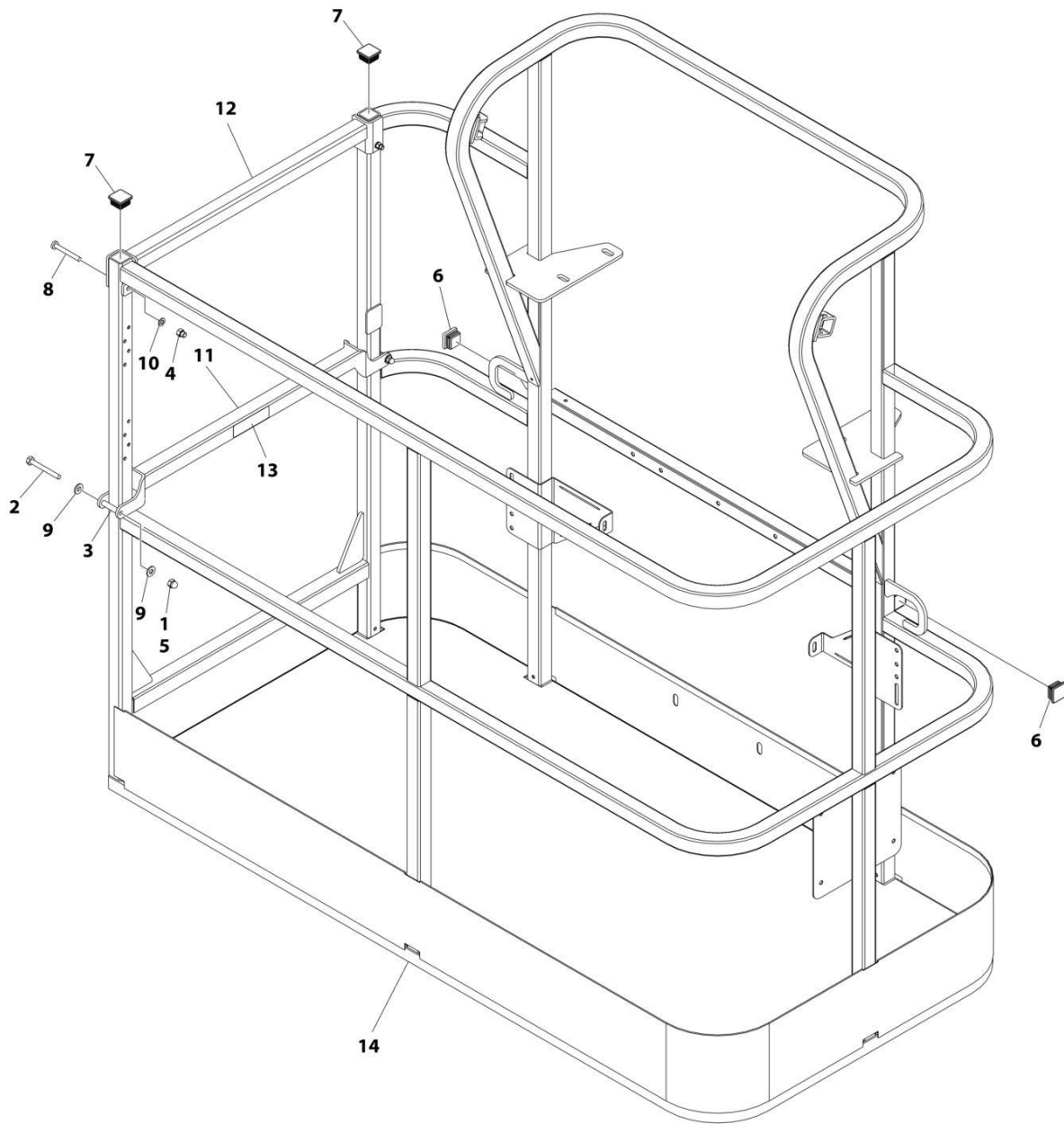
## SECTION 5 - PLATFORM

**FIGURE 5-2. PLATFORM ASSEMBLY WITH DROP-BAR - 30IN X 4FT (76CM X 1.22M)**

ITEM	PART NUMBER	QTY	DESCRIPTION	REV
	1001186375	Ref	PLATFORM ASSEMBLY	B
		Ref	Note: Platform and Mesh must be ordered separately for Platforms with Mesh. See SPECIAL OPTIONS SECTION for Mesh Installations.	
		Ref	Note: Replacement Decals Must be Ordered Separately - See DECALS SECTION.	
1	0100011	AR	Compound, Locking	
2	0641418	2	Bolt 1/4 x 2-1/4	
3	0961845	2	Bushing	
4	3290606	2	Nut M6	
5	3300151	2	Nut 1/4	
6	3520072	2	Plug	
7	3520198	2	Plug	
8	4010618	2	Screw M6 x 50	
9	4711400	4	Washer 1/4	
10	4811700	2	Washer M6	
11	1001138494	1	Bar, Drop	
12	1001138514	1	Rail - Top	
13	1001140429	1	Decal - Drop Bar	
14	See Note	1	Platform (Note: Not Available - Purchase Platform Assembly)	

# SECTION 5 - PLATFORM

FIGURE 5-3. PLATFORM ASSEMBLY WITH DROP-BAR - 30IN X 5FT (76CM X 1.52M)



ART\_1001186377



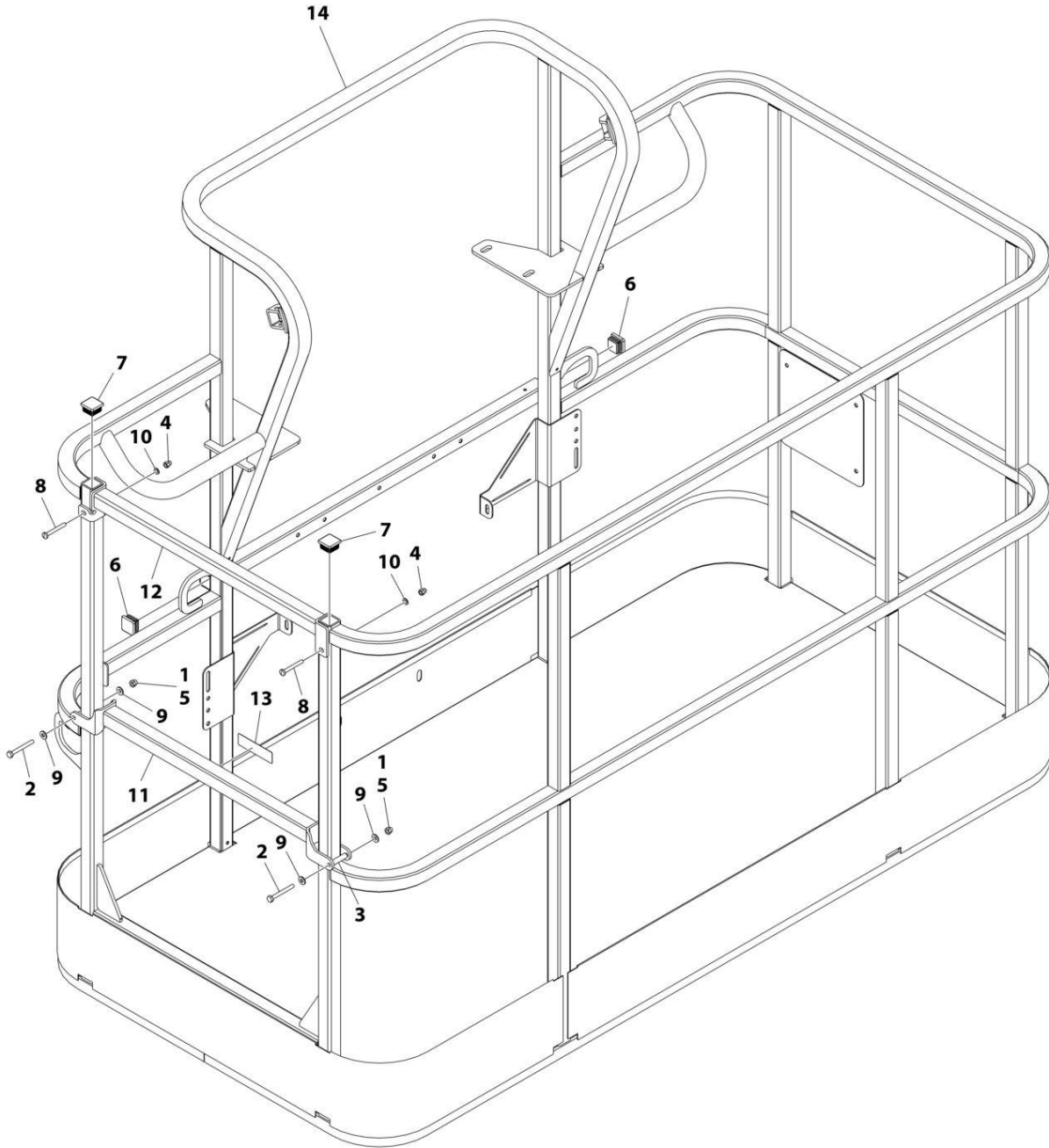
## SECTION 5 - PLATFORM

**FIGURE 5-3. PLATFORM ASSEMBLY WITH DROP-BAR - 30IN X 5FT (76CM X 1.52M)**

ITEM	PART NUMBER	QTY	DESCRIPTION	REV
	1001186377	Ref	PLATFORM ASSEMBLY	C
		Ref	Note: Platform and Mesh must be ordered separately for Platforms with Mesh. See SPECIAL OPTIONS SECTION for Mesh Installations.	
		Ref	Note: Replacement Decals Must be Ordered Separately - See DECALS SECTION.	
1	0100011	AR	Compound, Locking	
2	0641420	2	Bolt 1/4 x 2-1/2	
3	0961845	2	Bushing	
4	3290606	2	Nut M6	
5	3300151	2	Nut 1/4	
6	3520072	2	Plug	
7	3520198	2	Plug	
8	4010618	2	Screw M6 x 50	
9	4711400	4	Washer 1/4	
10	4811700	2	Washer M6	
11	1001138494	1	Bar, Drop	
12	1001138514	1	Rail (Top)	
13	1001140429	1	Decal - Drop Bar	
14	See Note	NSS	Platform (Note: Not Available - Purchase Platform Assembly)	

# SECTION 5 - PLATFORM

FIGURE 5-4. PLATFORM ASSEMBLY WITH DROP-BAR - 36IN X 6FT (91.5CM X 1.83M)



ART\_1001186379

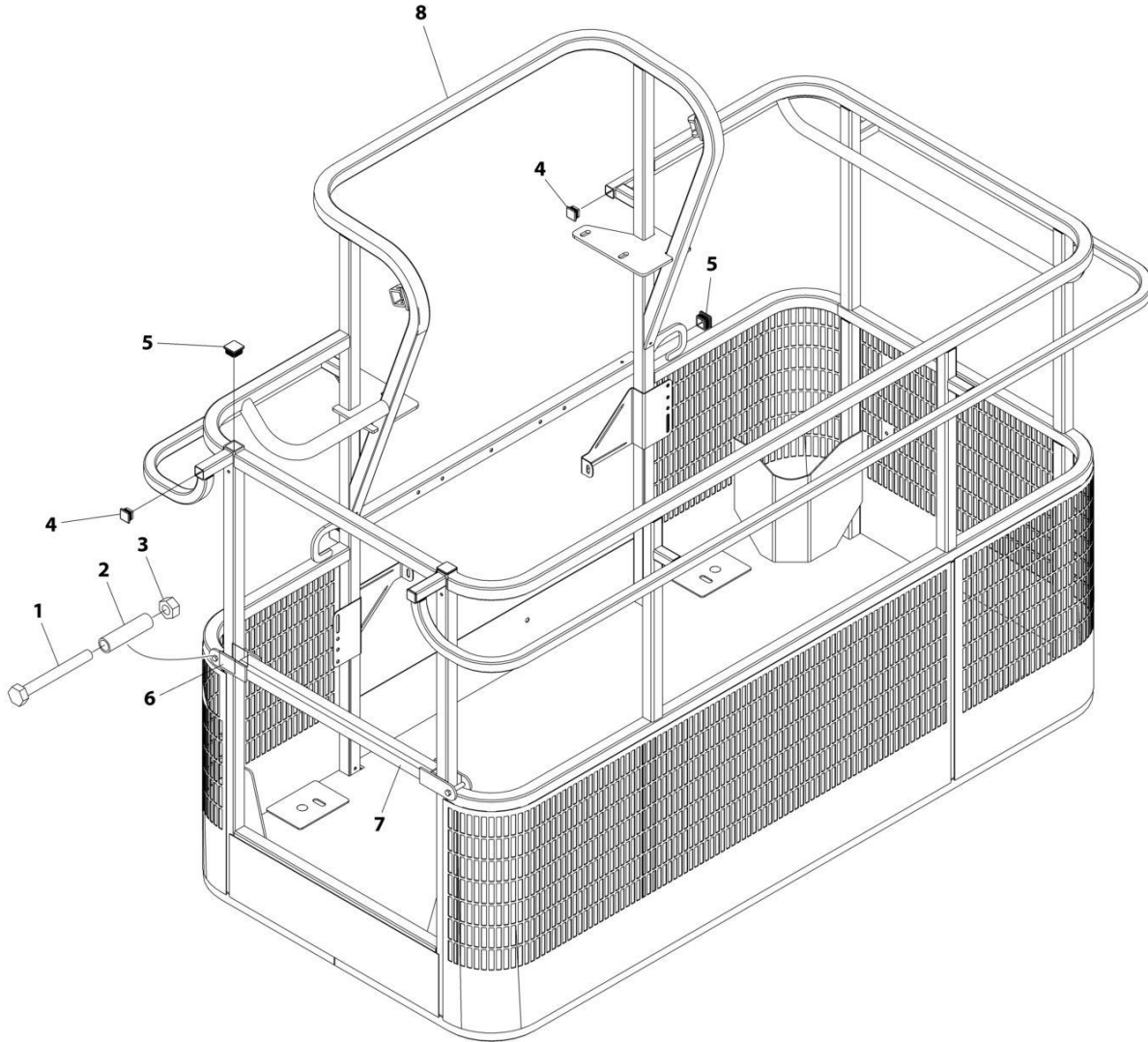
## SECTION 5 - PLATFORM

**FIGURE 5-4. PLATFORM ASSEMBLY WITH DROP-BAR - 36IN X 6FT (91.5CM X 1.83M)**

ITEM	PART NUMBER	QTY	DESCRIPTION	REV
	1001186379	Ref	PLATFORM ASSEMBLY - 36IN X 6FT (91.5CM X 1.83M) WITH DROP BAR	B
		Ref	Note: Platform and Mesh must be ordered separately for Platforms with Mesh. See SPECIAL OPTIONS SECTION for Mesh Installations.	
		Ref	Note: Replacement Decals Must be Ordered Separately - See DECALS SECTION.	
1	0100011	AR	Compound, Locking	
2	0641418	2	Bolt 1/4 x 2-1/4	
3	0961845	2	Bushing	
4	3290606	2	Nut M6	
5	3300151	2	Nut 1/4	
6	3520072	2	Plug	
7	3520198	2	Plug	
8	4010618	2	Screw M6 x 50	
9	4711400	4	Washer 1/4	
10	4811700	2	Washer M6	
11	1001138494	1	Bar, Drop	
12	1001138514	1	Rail (Top)	
13	1001140429	1	Decal - Drop Bar	
14	See Note	NSS	Platform (Note: Not Available - Purchase Platform Assembly)	

# SECTION 5 - PLATFORM

FIGURE 5-5. PLATFORM ASSEMBLY WITH DROP BAR - 36IN X 6FT (91.5CM X 1.83M) (SHIPYARD MACHINES)



ART\_1001186374

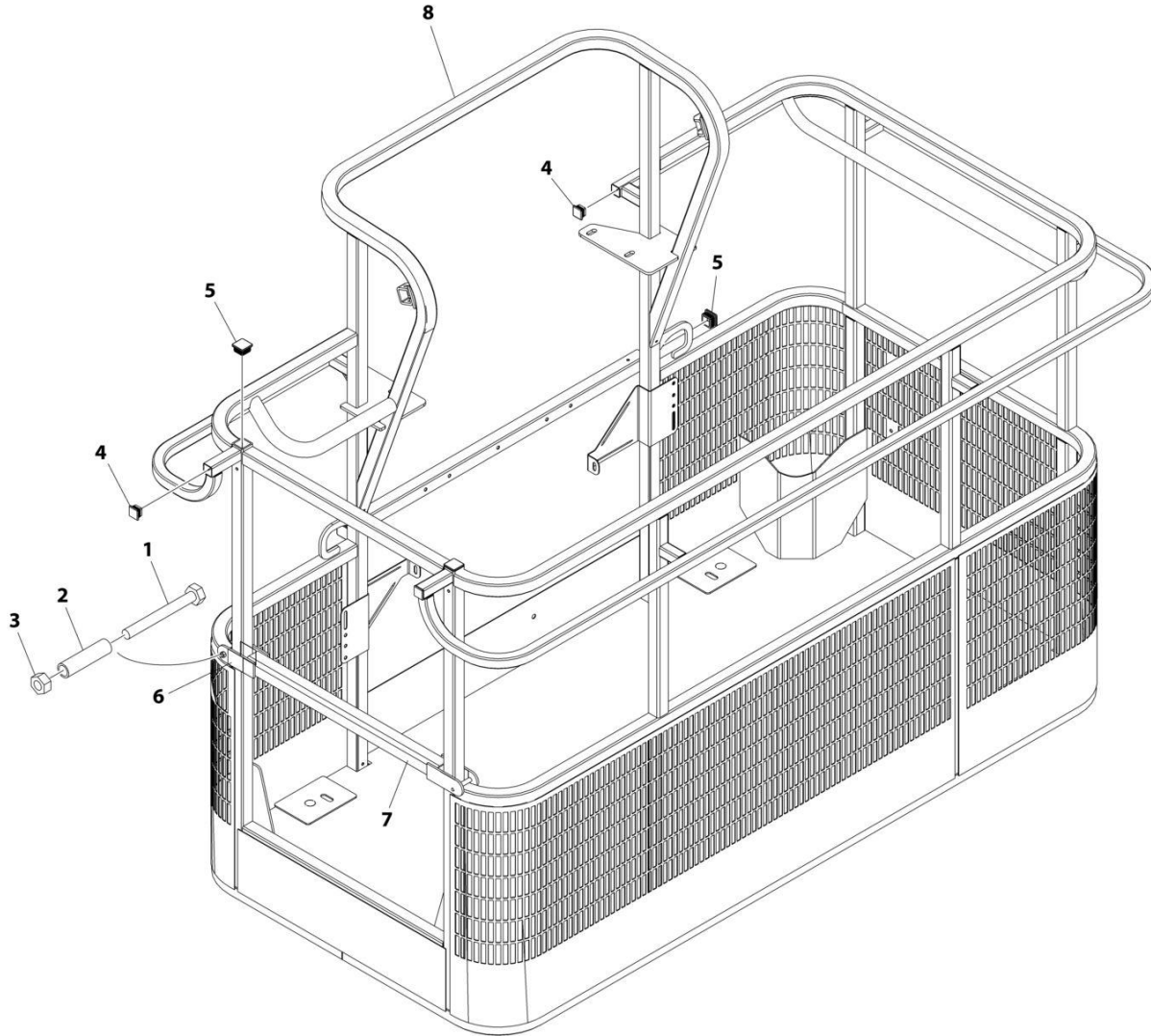
## SECTION 5 - PLATFORM

**FIGURE 5-5. PLATFORM ASSEMBLY WITH DROP BAR - 36IN X 6FT (91.5CM X 1.83M) (SHIPYARD MACHINES)**

ITEM	PART NUMBER	QTY	DESCRIPTION	REV
	1001186374	Ref	PLATFORM ASSEMBLY	B
1	0641418	2	Bolt 1/4 x 2 - 1/4	
2	0961845	2	Bushing	
3	3311405	2	Nut 1/4	
4	3520182	4	Plug	
5	3520198	4	Plug	
6	4420055	4	Tape	
7	1001111346	1	Drop - Bar	
8	See Note	1	Platform (Note: Purchase Complete Assembly)	

# SECTION 5 - PLATFORM

FIGURE 5-6. PLATFORM ASSEMBLY WITH DROP BAR - 36IN X 6FT (91.5CM X 1.83M) (SHIPYARD MACHINES WITH PLATFORM BUMPERS REQUIRED)



ART\_1001186371

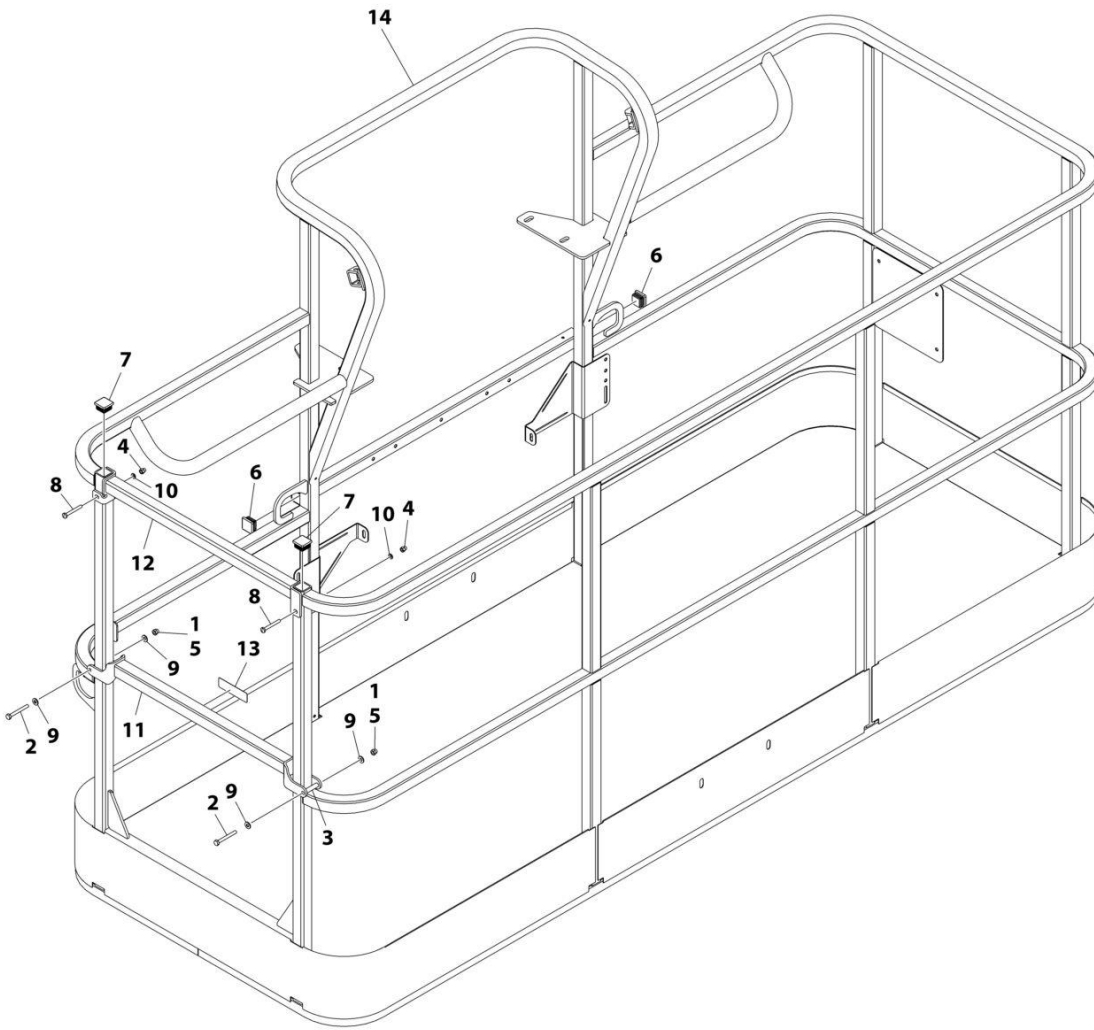
## SECTION 5 - PLATFORM

**FIGURE 5-6. PLATFORM ASSEMBLY WITH DROP BAR - 36IN X 6FT (91.5CM X 1.83M) (SHIPYARD MACHINES WITH PLATFORM BUMPERS REQUIRED)**

ITEM	PART NUMBER	QTY	DESCRIPTION	REV
	1001186371	Ref	PLATFORM ASSEMBLY	B
1	0641418	2	Bolt 1/4 x 2 - 1/4	
2	0961845	2	Bushing	
3	3311405	2	Nut 1/4	
4	3520182	4	Plug	
5	3520198	4	Plug	
6	4420055	4	Tape	
7	1001111346	1	Drop - Bar	
8	See Note	1	Platform (Note: Purchase Complete Assembly)	

# SECTION 5 - PLATFORM

FIGURE 5-7. PLATFORM ASSEMBLY WITH DROP-BAR - 36IN X 8FT (91.5CM X 2.44M)



ART\_1001186382



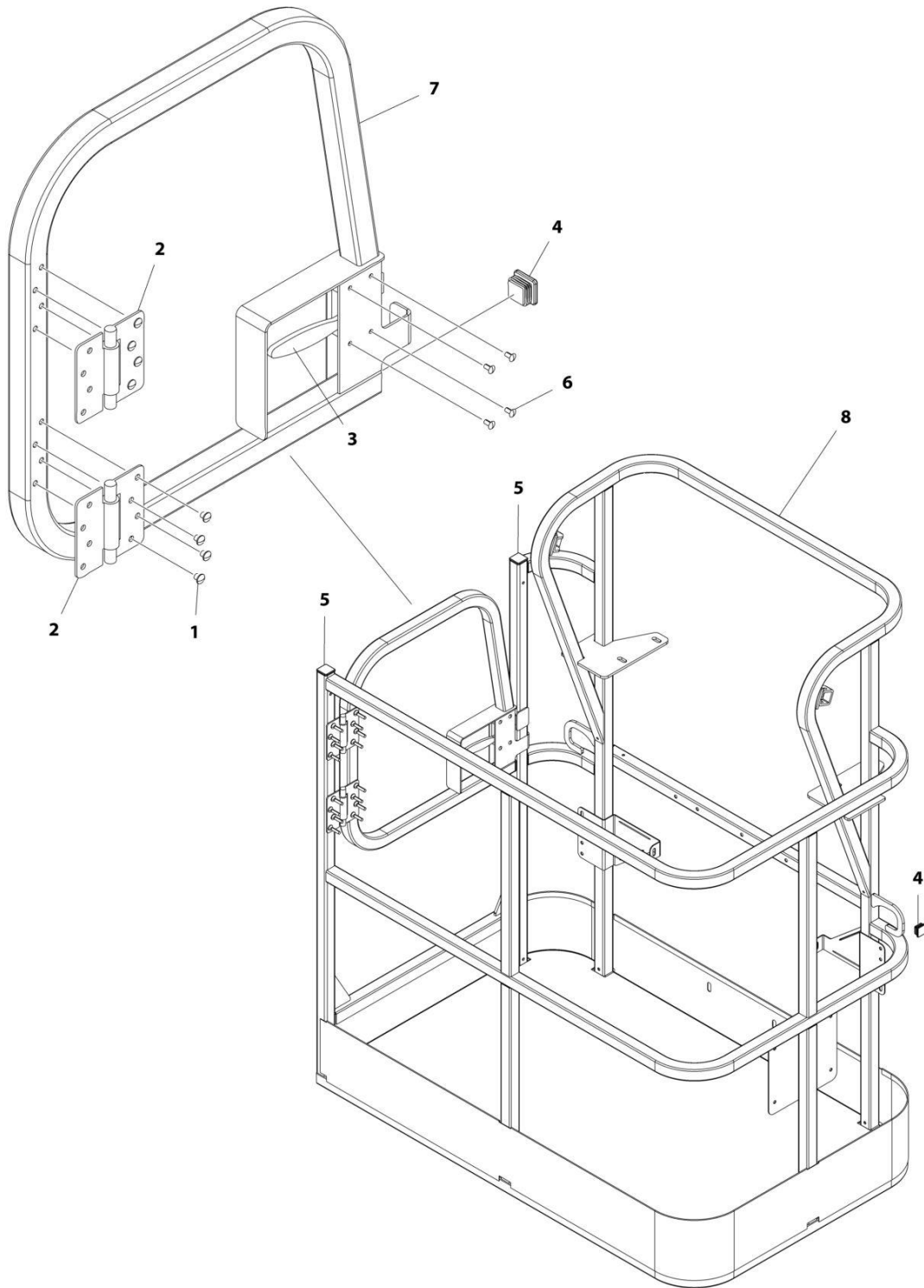
## SECTION 5 - PLATFORM

**FIGURE 5-7. PLATFORM ASSEMBLY WITH DROP-BAR - 36IN X 8FT (91.5CM X 2.44M)**

ITEM	PART NUMBER	QTY	DESCRIPTION	REV
	1001186382	Ref	PLATFORM ASSEMBLY - 36IN X 8FT (91.5CM X 2.44M) WITH DROP BAR	C
		Ref	Note: Platform and Mesh must be ordered separately for Platforms with Mesh. See SPECIAL OPTIONS SECTION for Mesh Installations.	
		Ref	Note: Replacement Decals Must be Ordered Separately - See DECALS SECTION.	
1	0100011	AR	Compound, Locking	
2	0641418	2	Bolt 1/4 x 2-1/4	
3	0961845	2	Bushing	
4	3290606	2	Nut M6	
5	3300151	2	Nut 1/4	
6	3520072	2	Plug	
7	3520198	2	Plug	
8	4010618	2	Screw M6 x 50	
9	4711400	4	Washer 1/4	
10	4811700	2	Washer M6	
11	1001138494	1	Bar, Drop	
12	1001138514	1	Rail (Top)	
13	1001140429	1	Decal - Drop Bar	
14	See Note	NSS	Platform (Note: Not Available - Purchase Platform Assembly)	

# SECTION 5 - PLATFORM

FIGURE 5-8. PLATFORM ASSEMBLY WITH GATE - 30IN X 4FT (76CM X 1.22M)



ART\_1001186387

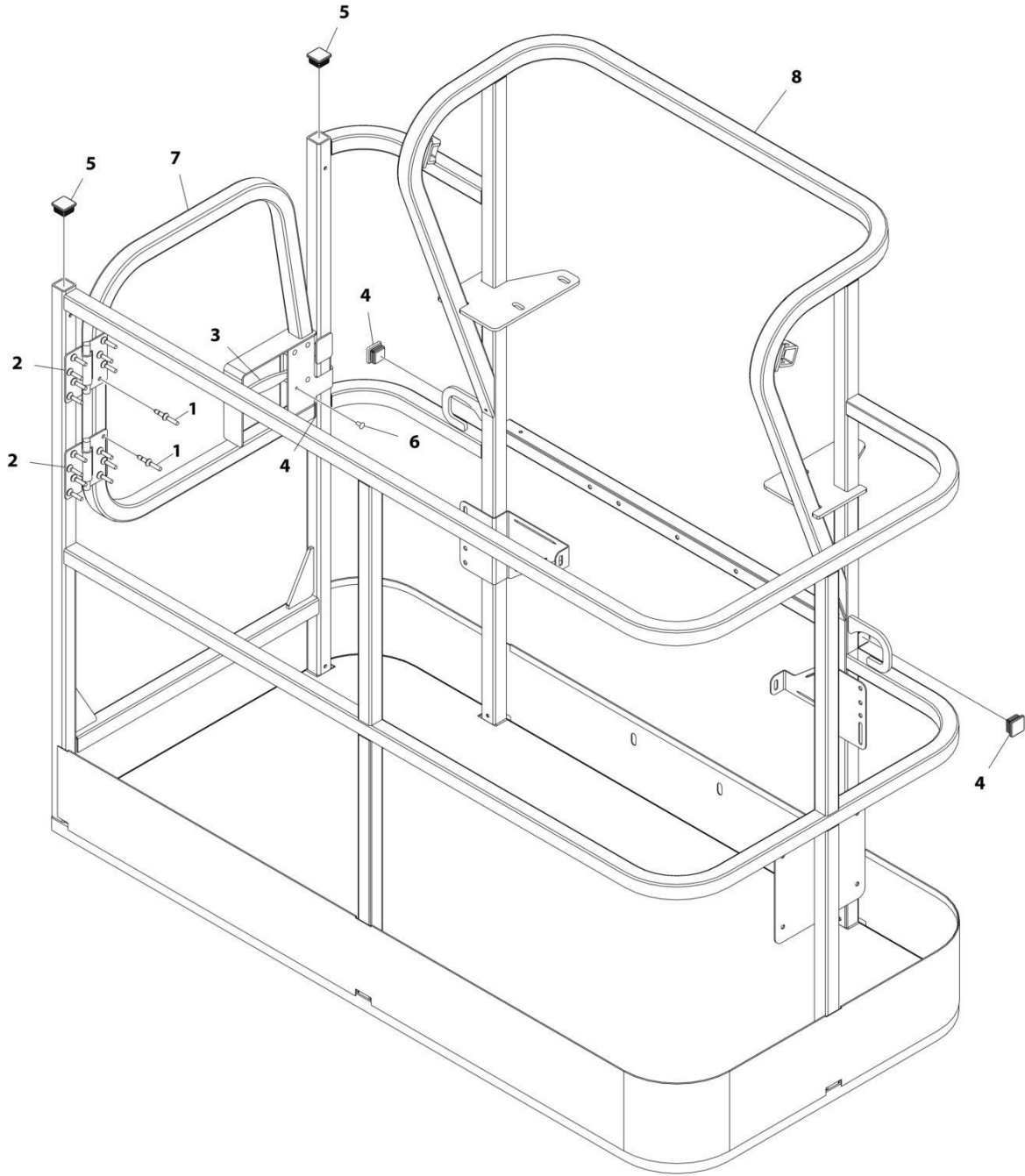
## SECTION 5 - PLATFORM

**FIGURE 5-8. PLATFORM ASSEMBLY WITH GATE - 30IN X 4FT (76CM X 1.22M)**

ITEM	PART NUMBER	QTY	DESCRIPTION	REV
	1001186387	Ref	PLATFORM ASSEMBLY	C
		Ref	Note: Platform and Mesh must be ordered separately for Platforms with Mesh. See SPECIAL OPTIONS SECTION for Mesh Installations.	
		Ref	Note: Replacement Decals Must be Ordered Separately - See DECALS SECTION.	
1	2080040	16	Fastener, Huck	
2	2600281	2	Hinge, Self-Closing	
3	2940074	1	Latch	
4	3520072	3	Plug	
5	3520198	2	Plug	
6	3820020	4	Rivet	
7	1001144629	1	Gate	
8	See Note	1	Platform (Note: Not Available - Purchase Platform Assembly)	

# SECTION 5 - PLATFORM

FIGURE 5-9. PLATFORM ASSEMBLY WITH GATE - 30IN X 5FT (76CM X 1.52M)



ART\_1001186386

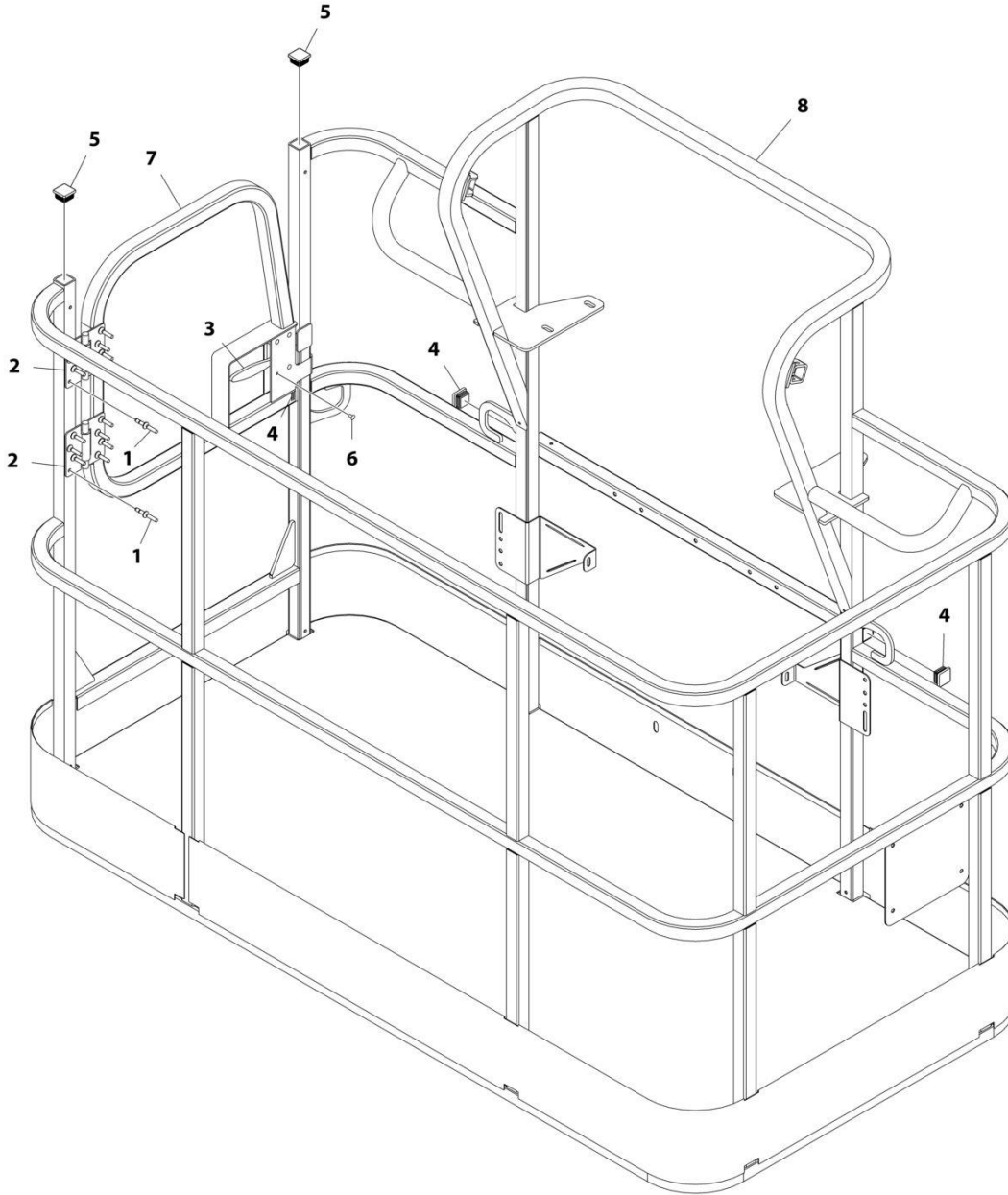
## SECTION 5 - PLATFORM

**FIGURE 5-9. PLATFORM ASSEMBLY WITH GATE - 30IN X 5FT (76CM X 1.52M)**

ITEM	PART NUMBER	QTY	DESCRIPTION	REV
	1001186386	Ref	PLATFORM ASSEMBLY	C
		Ref	Note: Platform and Mesh must be ordered separately for Platforms with Mesh. See SPECIAL OPTIONS SECTION for Mesh Installations.	
		Ref	Note: Replacement Decals Must be Ordered Separately - See DECALS SECTION.	
1	2080040	16	Fastener, Huck	
2	2600281	2	Hinge, Self-Closing	
3	2940074	1	Latch	
4	3520072	3	Plug	
5	3520198	2	Plug	
6	3820020	4	Rivet	
7	1001144629	1	Gate	
8	See Note	NSS	Platform (Note: Not Available - Purchase Platform Assembly)	

# SECTION 5 - PLATFORM

FIGURE 5-10. PLATFORM ASSEMBLY WITH GATE- 36IN X 6FT (91.5CM X 1.83M)



ART\_1001186384

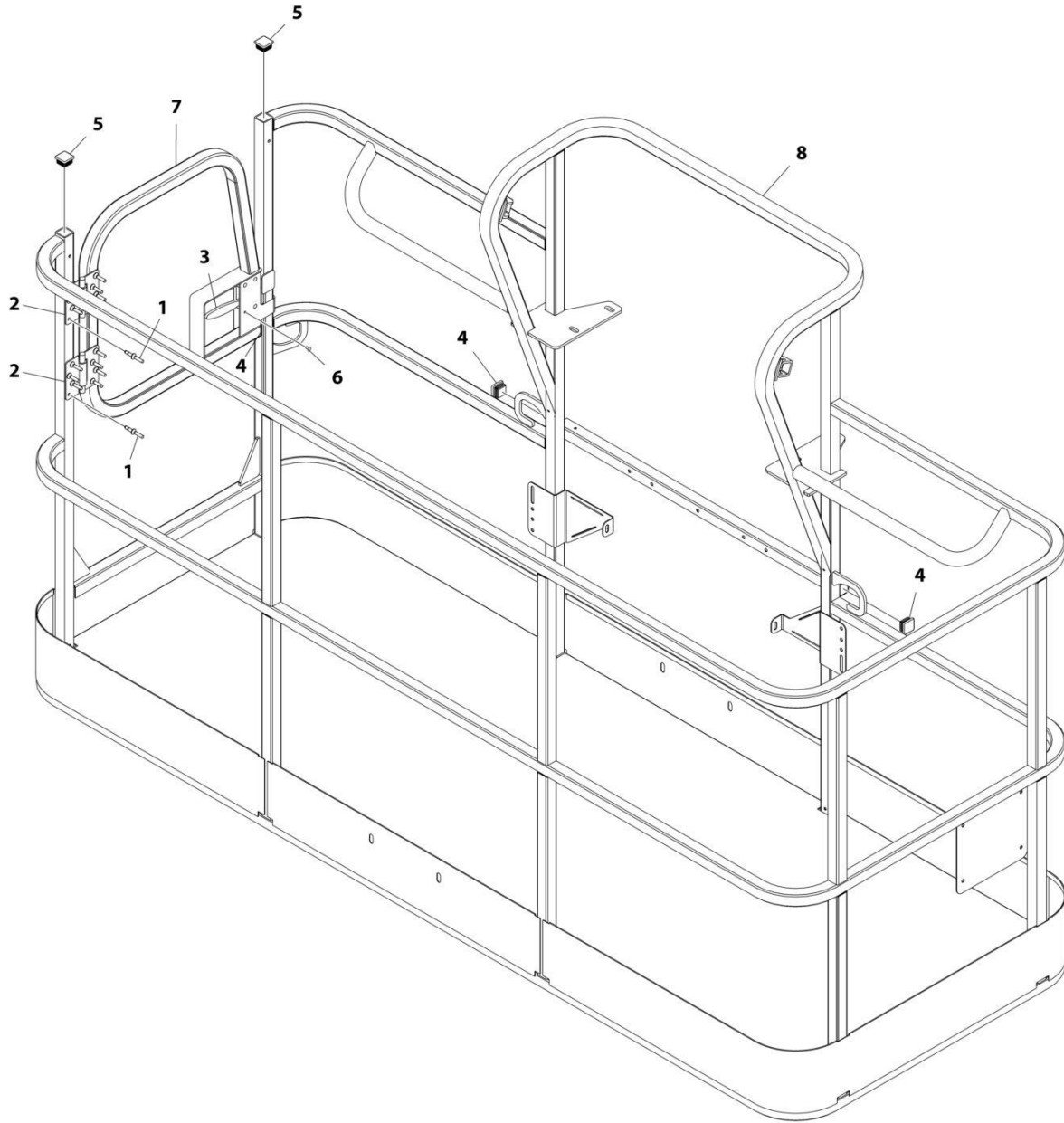
## SECTION 5 - PLATFORM

**FIGURE 5-10. PLATFORM ASSEMBLY WITH GATE- 36IN X 6FT (91.5CM X 1.83M)**

ITEM	PART NUMBER	QTY	DESCRIPTION	REV
	1001186384	Ref	PLATFORM ASSEMBLY - 36IN X 6FT (91.5CM X 1.83M) WITH SWING GATE	C
	See Note	Ref	Note: Platform and Mesh must be ordered separately for Platforms with Mesh. See SPECIAL OPTIONS SECTION for Mesh Installations.	
	See Note	Ref	Note: Replacement Decals Must be Ordered Separately - See DECALS SECTION.	
1	2080040	16	Fastener, Huck	
2	2600281	2	Hinge	
3	2940074	1	Latch	
4	3520072	3	Plug	
5	3520198	2	Plug	
6	3820020	4	Rivet	
7	1001144629	1	Gate	
8	See Note	NSS	Platform (Note: Not Available - Purchase Platform Assembly)	

# SECTION 5 - PLATFORM

FIGURE 5-11. PLATFORM ASSEMBLY WITH GATE - 36IN X 8FT (91.5CM X 2.44M)



ART\_1001186383



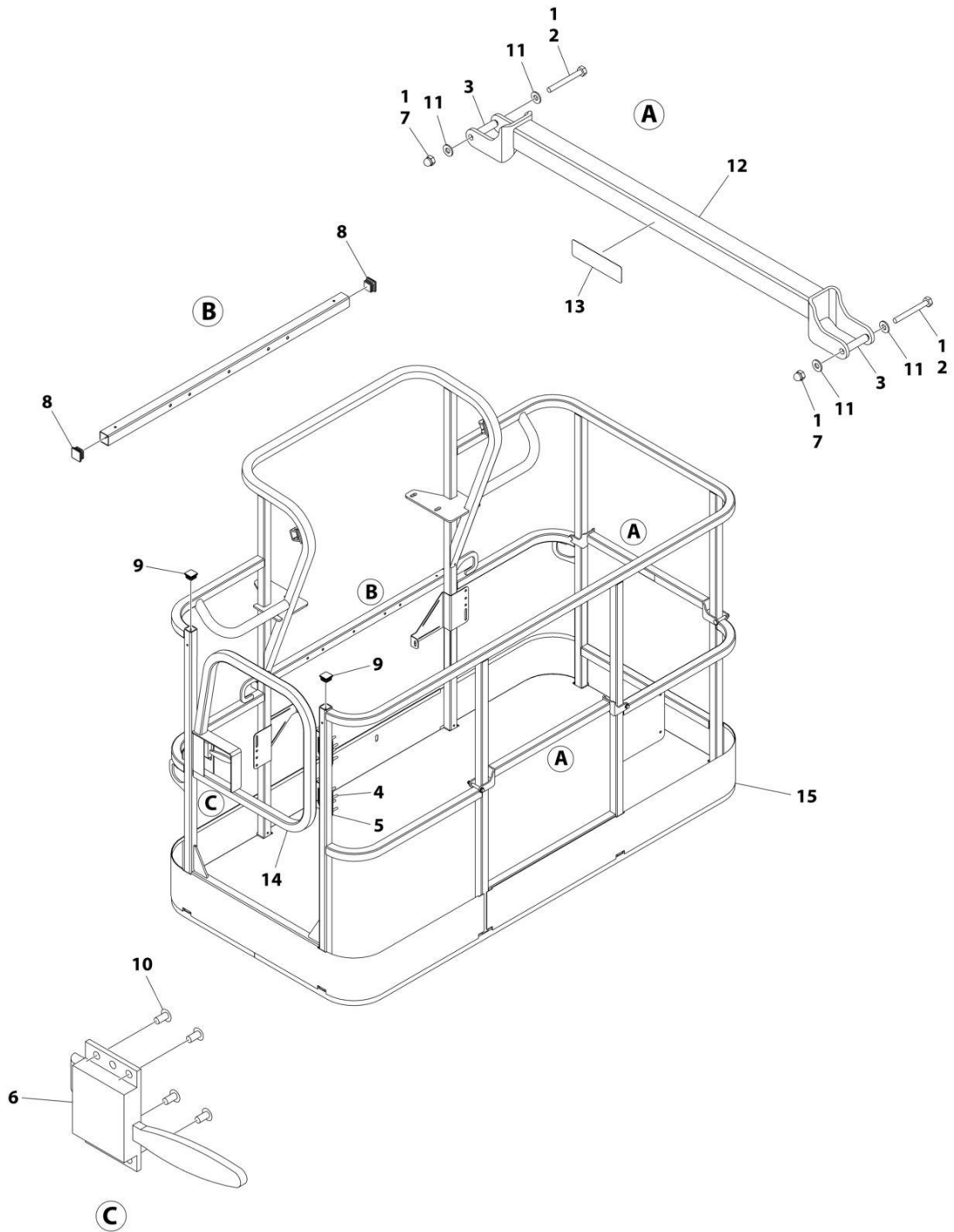
## SECTION 5 - PLATFORM

**FIGURE 5-11. PLATFORM ASSEMBLY WITH GATE - 36IN X 8FT (91.5CM X 2.44M)**

ITEM	PART NUMBER	QTY	DESCRIPTION	REV
	1001186383	Ref	PLATFORM ASSEMBLY - 36IN X 8FT (91.5CM X 2.44M) WITH SWING GATE	D
		Ref	Note: Platform and Mesh must be ordered separately for Platforms with Mesh. See SPECIAL OPTIONS SECTION for Mesh Installations.	
		Ref	Note: Replacement Decals Must be Ordered Separately - See DECALS SECTION.	
1	2080040	16	Fastener, Huck	
2	2600281	2	Hinge	
3	2940074	1	Latch	
4	3520072	3	Plug	
5	3520198	2	Plug	
6	3820020	4	Rivet	
7	1001144629	1	Gate	
8	See Note	NSS	Platform (Note: Not Available - Purchase Platform Assembly)	

# SECTION 5 - PLATFORM

FIGURE 5-12. PLATFORM ASSEMBLY WITH 1 GATE / 2 DROP BARS (TRI-ENTRY) - 36IN X 6FT (91.5CM X 1.83M)



ART\_1001228376

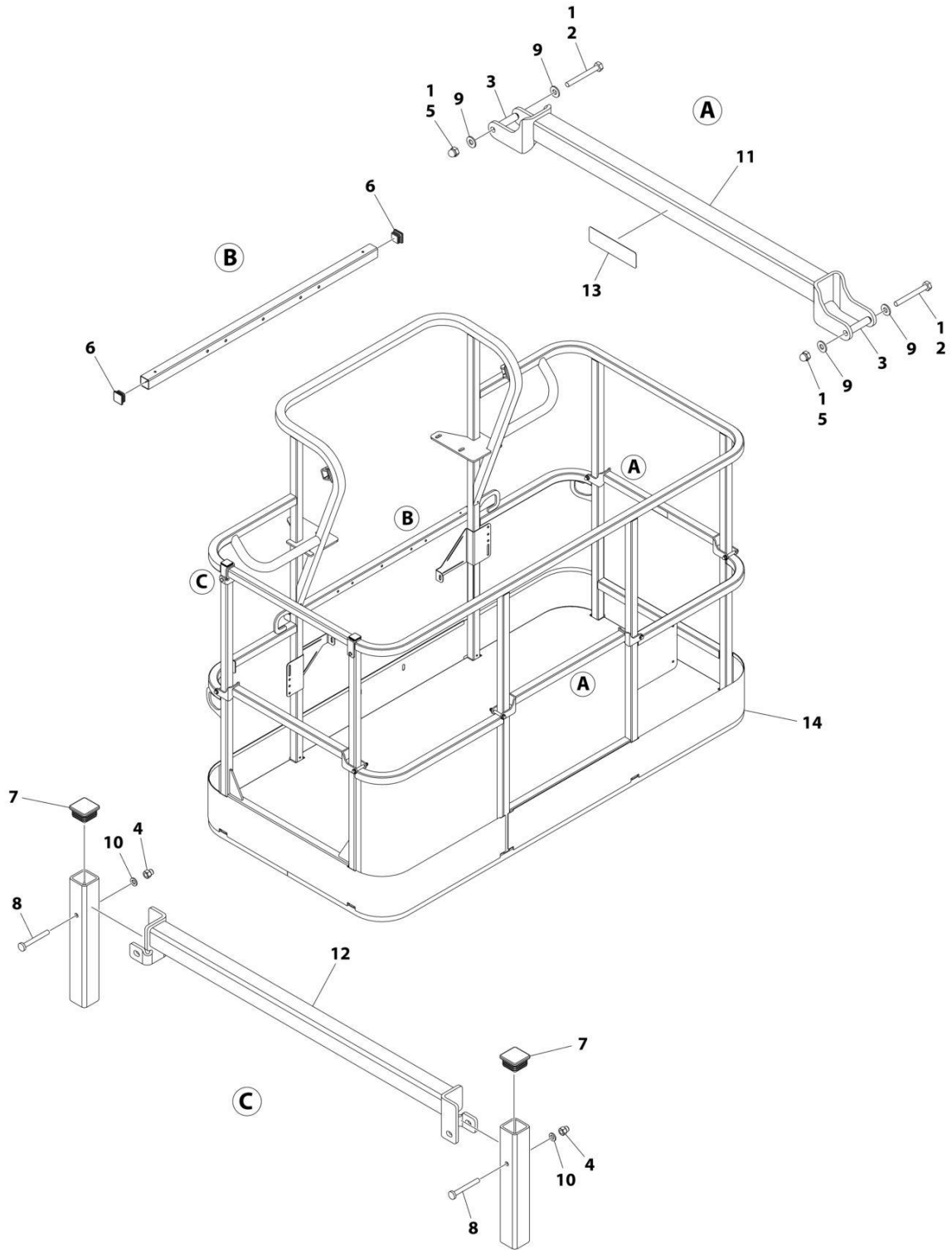
## SECTION 5 - PLATFORM

**FIGURE 5-12. PLATFORM ASSEMBLY WITH 1 GATE / 2 DROP BARS (TRI-ENTRY) - 36IN X 6FT  
(91.5CM X 1.83M)**

ITEM	PART NUMBER	QTY	DESCRIPTION	REV
	1001228376	Ref	PLATFORM ASSEMBLY - 36IN x 6FT (91.5CM x 1.83M)	B
		Ref	Note: Platform and Mesh must be ordered separately for Platforms with Mesh. See SPECIAL OPTIONS SECTION for Mesh Installations.	
		Ref	Note: Replacement Decals Must be Ordered Separately - See DECAL SECTION.	
1	0100011	AR	Compound, Locking	
2	0641418	4	Bolt 1/4 x 2-1/4	
3	0961845	4	Bushing	
4	2080040	16	Fastener	
5	2600281	2	Hinge	
6	2940074	1	Latch	
7	3300151	4	Nut 1/4	
8	3520072	3	Plug	
9	3520198	2	Plug	
10	3820020	4	Rivet	
11	4711400	8	Washer 1/4	
12	1001138494	2	Bar, Drop	
13	1001140429	2	Decal - Drop Bar	
14	1001144629	1	Gate	
15	See Note	NSS	Platform (Note: Not Available - Purchase Platform Assembly)	

# SECTION 5 - PLATFORM

FIGURE 5-13. PLATFORM ASSEMBLY WITH 3 DROP BARS (TRI-ENTRY) - 36IN X 6FT (91.5CM X 1.83M)



ART\_1001228377

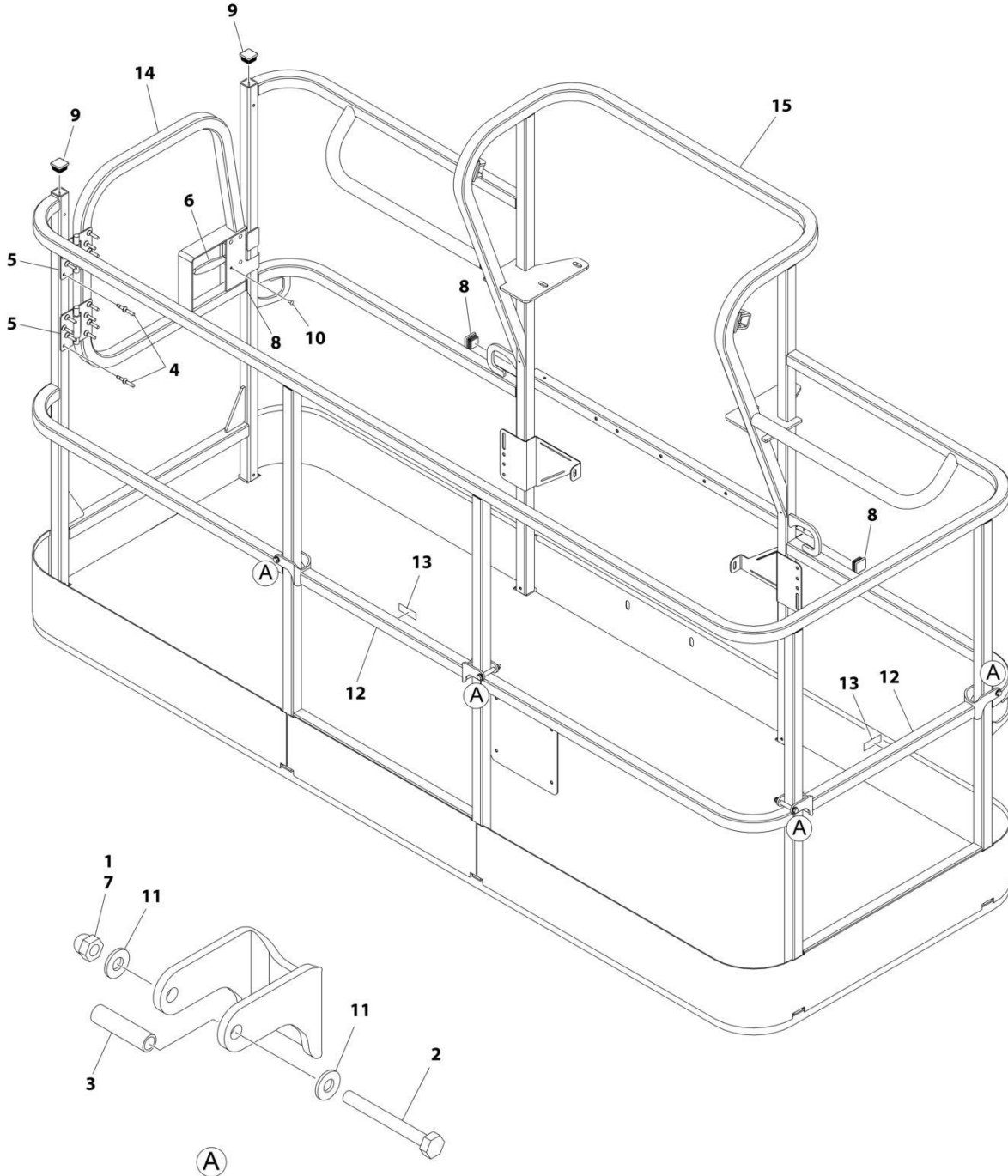
## SECTION 5 - PLATFORM

**FIGURE 5-13. PLATFORM ASSEMBLY WITH 3 DROP BARS (TRI-ENTRY) - 36IN X 6FT (91.5CM X 1.83M)**

ITEM	PART NUMBER	QTY	DESCRIPTION	REV
	1001228377	Ref	PLATFORM ASSEMBLY - 36IN x 6FT (91.5CM x 1.83M)	B
		Ref	Note: Platform and Mesh must be ordered separately for Platforms with Mesh. See SPECIAL OPTIONS SECTION for Mesh Installations.	
		Ref	Note: Replacement Decals Must be Ordered Separately - See DECAL SECTION.	
1	0100011	1	Compound, Locking	
2	0641418	6	Bolt 1/4 x 2-1/4	
3	0961845	6	Bushing	
4	3290606	2	Nut M6	
5	3300151	6	Nut 1/4	
6	3520072	2	Plug	
7	3520198	2	Plug	
8	4010618	2	Screw M6 x 50	
9	4711400	12	Washer 1/4	
10	4811700	2	Washer M6	
11	1001138494	3	Bar, Drop	
12	1001138514	1	Rail (Top)	
13	1001140429	3	Decal - Drop Bar	
14	See Note	NSS	Platform, Weldment (Note: Not Available - Purchase Platform Assembly)	

# SECTION 5 - PLATFORM

FIGURE 5-14. PLATFORM ASSEMBLY WITH 1 GATE / 2 DROP BARS (TRI-ENTRY) - 36IN X 8FT  
(91.5CM X 2.44M)



ART\_1001228243

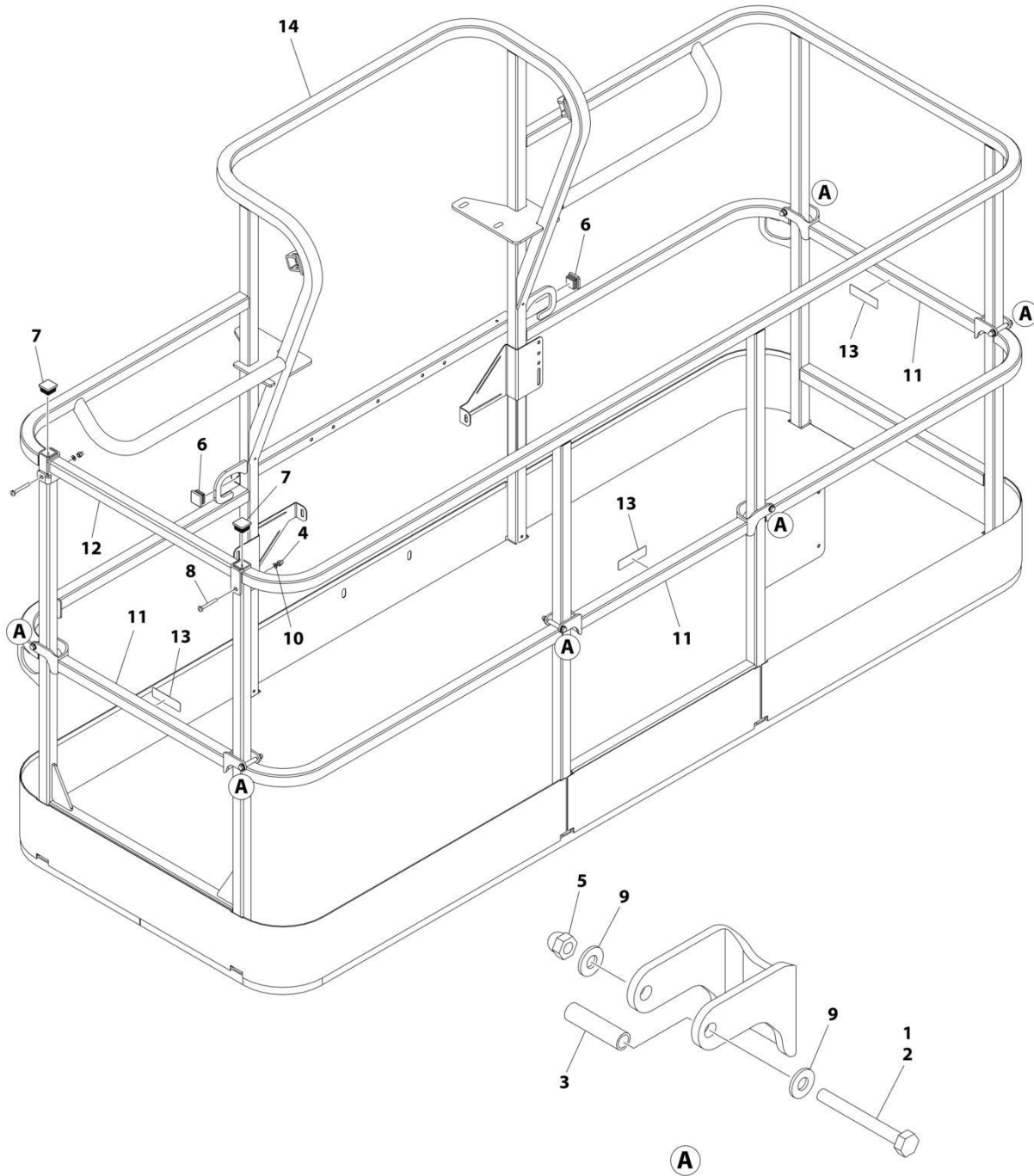
## SECTION 5 - PLATFORM

**FIGURE 5-14. PLATFORM ASSEMBLY WITH 1 GATE / 2 DROP BARS (TRI-ENTRY) - 36IN X 8FT  
(91.5CM X 2.44M)**

ITEM	PART NUMBER	QTY	DESCRIPTION	REV
	1001228243	Ref	PLATFORM ASSEMBLY - 36IN X 8FT (91.5CM X 2.44M) WITH TRI-ENTRY	A
		Ref	Note: Platform and Mesh must be ordered separately for Platforms with Mesh. See SPECIAL OPTIONS SECTION for Mesh Installations.	
1	0100011	AR	Compound, Locking	
2	0641418	4	Bolt 1/4 x 2-1/4	
3	0961845	4	Bushing	
4	2080040	16	Fastener, Huck	
5	2600281	2	Hinge, Self-Closing	
6	2940074	1	Latch	
7	3300151	4	Nut 1/4	
8	3520072	3	Cap, Plug	
9	3520198	2	Cap, Plug	
10	3820020	4	Rivet	
11	4711400	8	Washer 1/4	
12	1001138494	2	Bar, Drop	
13	1001140429	2	Decal - Drop Bar	
14	1001144629	1	Gate, Weldment	
15	See Note	1	Platform (Note: Not Available - Purchase Platform Assembly)	

# SECTION 5 - PLATFORM

FIGURE 5-15. PLATFORM ASSEMBLY WITH 3 DROP BARS (TRI-ENTRY) - 36IN X 8FT (91.5CM X 2.44M)



ART\_1001228375



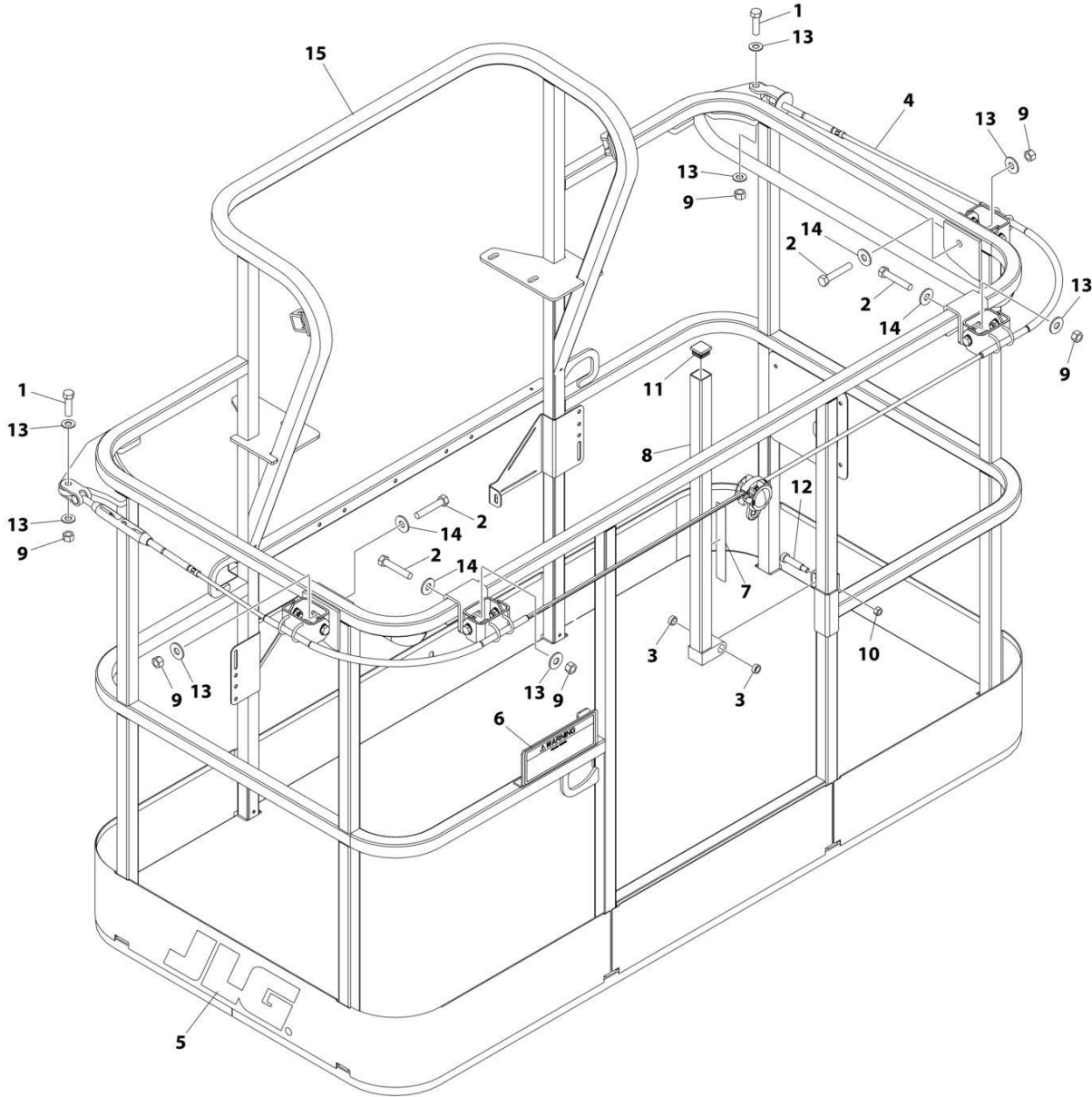
## SECTION 5 - PLATFORM

**FIGURE 5-15. PLATFORM ASSEMBLY WITH 3 DROP BARS (TRI-ENTRY) - 36IN X 8FT (91.5CM X 2.44M)**

ITEM	PART NUMBER	QTY	DESCRIPTION	REV
	1001228375	Ref	PLATFORM ASSEMBLY - 36IN X 8FT (91.5CM X 2.44M) WITH TRI-ENTRY	A
		Ref	Note: Platform and Mesh must be ordered separately for Platforms with Mesh. See SPECIAL OPTIONS SECTION for Mesh Installations.	
		Ref	Note: Replacement Decals Must be Ordered Separately - See DECAL SECTION.	
1	0100011	AR	Compound, Locking	
2	0641418	6	Bolt 1/4 x 2-1/4	
3	0961845	6	Bushing	
4	3290606	2	Nut M6 x 1	
5	3300151	6	Nut 1/4	
6	3520072	2	Cap, Plug	
7	3520198	2	Cap, Plug	
8	4010618	2	Screw M6 x 50	
9	4711400	12	Washer 1/4	
10	4811700	2	Washer M6	
11	1001138494	3	Bar, Drop	
12	1001138514	1	Rail (Top)	
13	1001140429	3	Decal - Drop Bar	
14	See Note	1	Platform (Note: Not Available - Purchase Platform Assembly)	

# SECTION 5 - PLATFORM

## FIGURE 5-16. PLATFORM ASSEMBLY WITH FALL ARREST (6FT)



ART\_1001186333

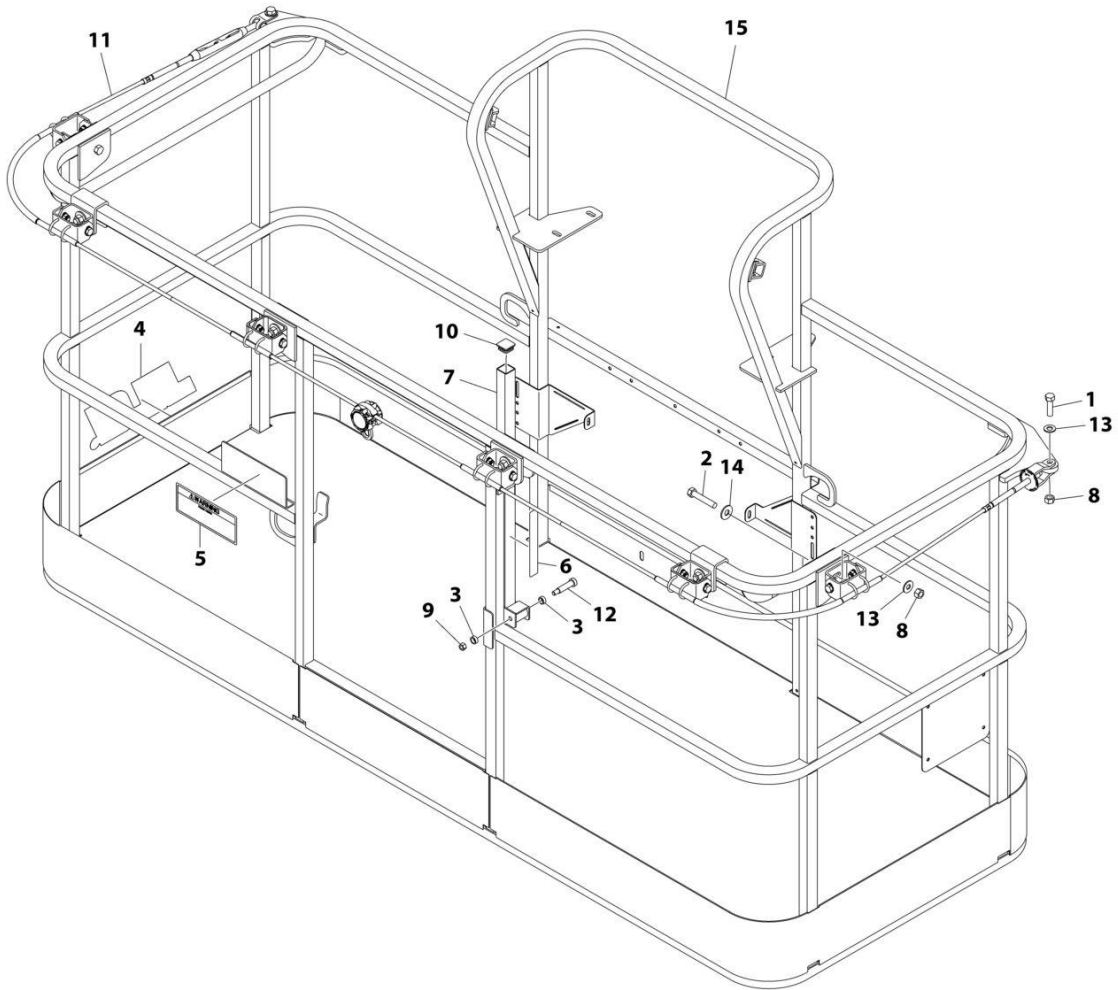
## SECTION 5 - PLATFORM

**FIGURE 5-16. PLATFORM ASSEMBLY WITH FALL ARREST (6FT)**

ITEM	PART NUMBER	QTY	DESCRIPTION	REV
	1001186333	Ref	PLATFORM ASSEMBLY	C
		Ref	Note: Replacement Decals Must be Ordered Separately - See DECALS SECTION.	
1	0681814	2	Bolt 1/2 x 1-3/4 Grade 8	
2	0681822	4	Bolt 1/2 x 2-3/4 Grade 8	
3	0962270	2	Bearing	
4	1001203655	1	Cable	
5	1702773	1	Decal - JLG	
6	1705014	1	Decal - Safety	
7	1706385	1	Decal - Drop Bar	
8	2410014	1	Bar, Drop	
9	3271805	6	Nut 1/2 Grade 8	
10	3311605	1	Nut 3/8	
11	3520072	1	Plug	
12	3900054	1	Bolt 1/2 x 1-3/4	
13	4711800	8	Washer 1/2	
14	4751800	4	Washer 1/2	
15	See Note	NSS	Platform (Note: Not Available - Purchase Platform Assembly)	

# SECTION 5 - PLATFORM

FIGURE 5-17. PLATFORM ASSEMBLY WITH FALL ARREST (8FT)



ART\_1001186334

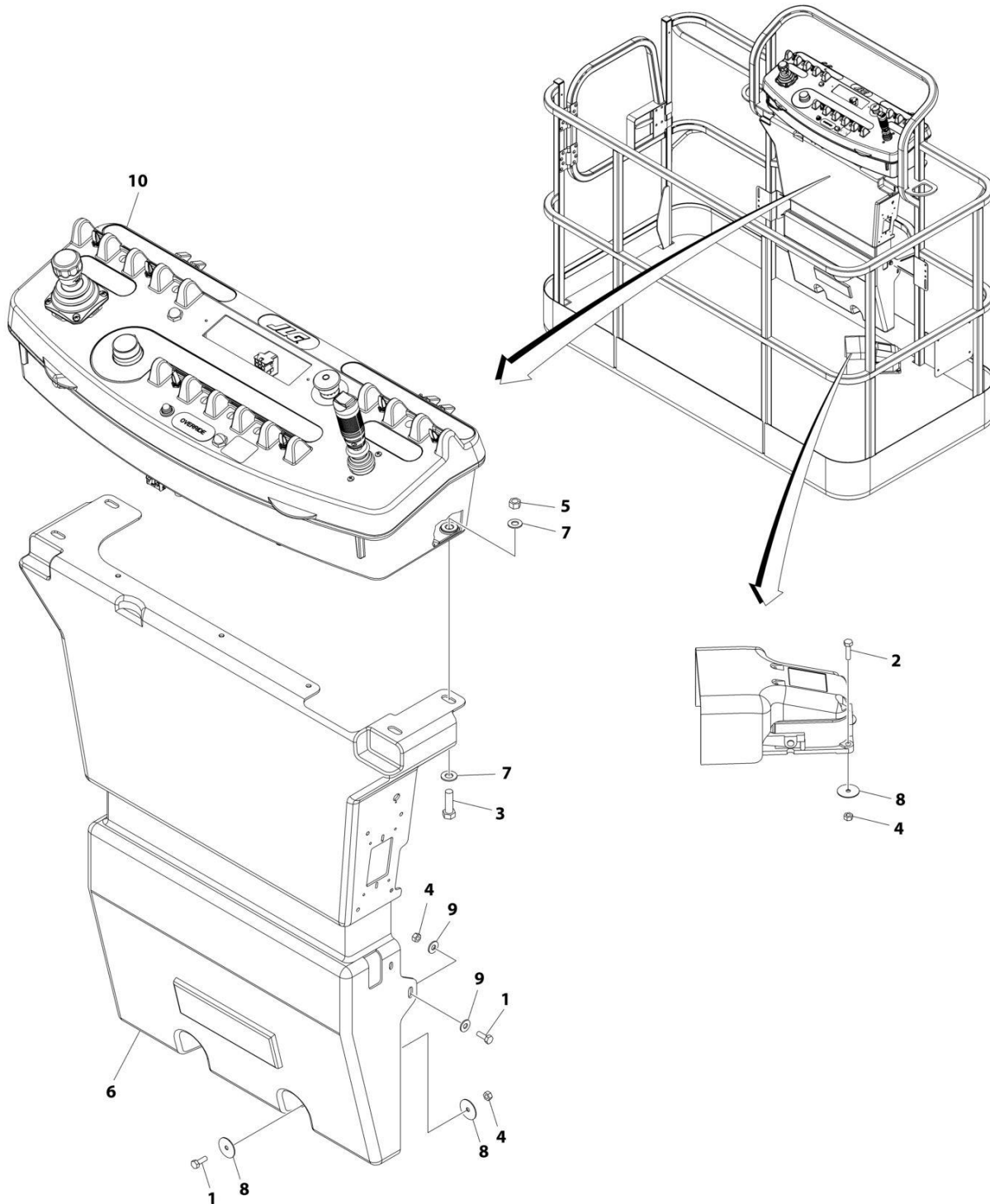
## SECTION 5 - PLATFORM

**FIGURE 5-17. PLATFORM ASSEMBLY WITH FALL ARREST (8FT)**

ITEM	PART NUMBER	QTY	DESCRIPTION	REV
	1001186334	Ref	PLATFORM ASSEMBLY	D
		Ref	Note: Replacement Decals Must be Ordered Separately - See DECALS SECTION.	
1	0681814	2	Bolt 1/2 x 1-3/4 Grade 8	
2	0681822	6	Bolt 1/2 x 2-3/4 Grade 8	
3	0962270	2	Bearing	
4	1702773	1	Decal - JLG	
5	1705014	1	Decal - Safety	
6	1706385	1	Decal - Drop Bar	
7	2410014	1	Bar, Drop	
8	3271805	8	Nut 1/2 Grade 8	
9	3311605	1	Nut 3/8	
10	3520072	1	Plug	
11	1001203656	1	Cable	
12	3900054	1	Bolt 1/2 x 1-3/4	
13	4711800	2	Washer 1/2	
14	4751800	6	Washer 1/2	
15	See Note	NSS	Platform (Note: Purchase Platform Assembly)	

# SECTION 5 - PLATFORM

## FIGURE 5-18. PLATFORM CONSOLE AND FOOTSWITCH INSTALLATION



ART\_1001241703

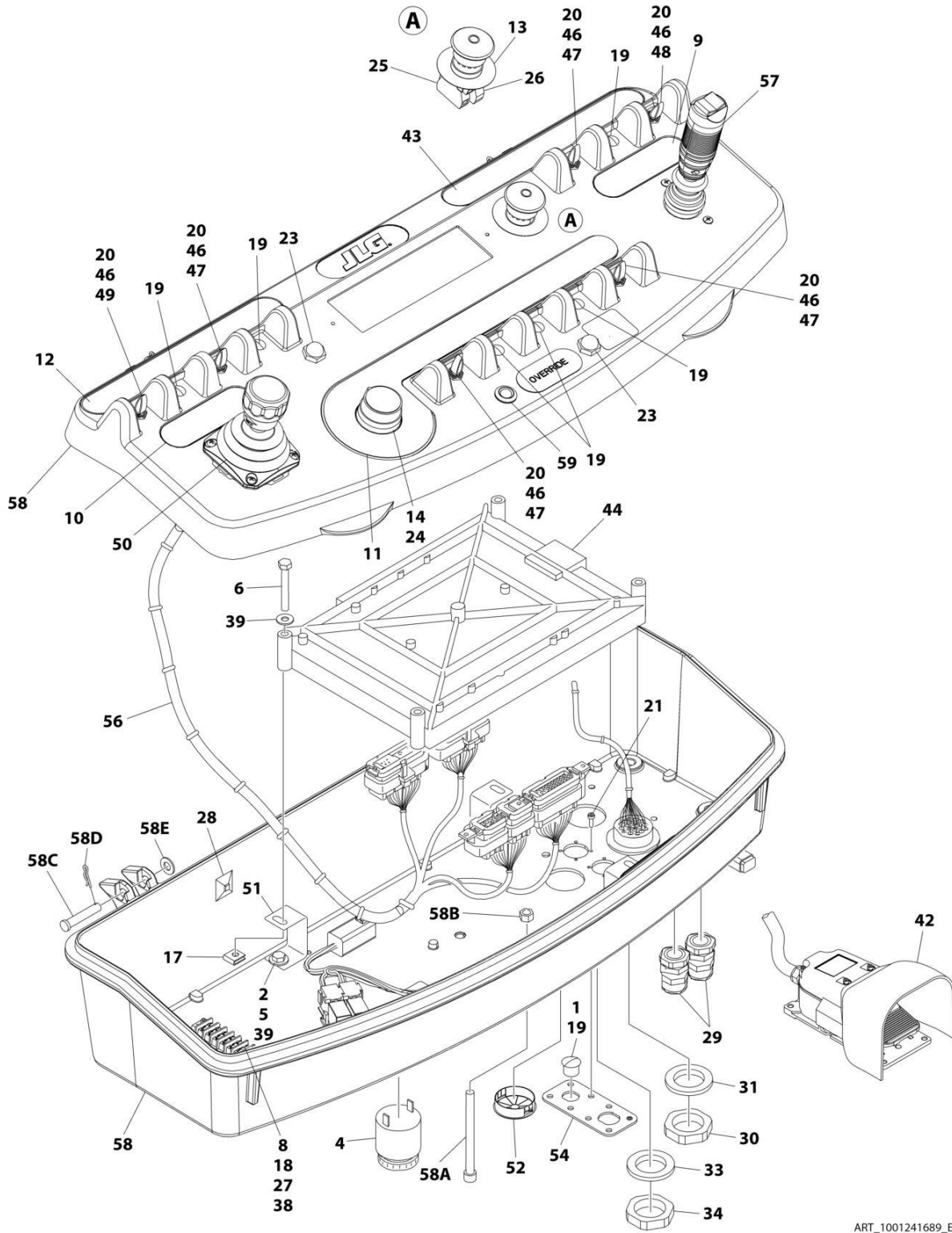
## SECTION 5 - PLATFORM

**FIGURE 5-18. PLATFORM CONSOLE AND FOOTSWITCH INSTALLATION**

ITEM	PART NUMBER	QTY	DESCRIPTION	REV
	1001241703	Ref	PLATFORM CONSOLE AND FOOTSWITCH INSTALLATION	B
1	0641406	4	Bolt 1/4 x 3/4	
2	0641408	3	Bolt 1/4 x 1	
3	0641610	4	Bolt 3/8 x 1-1/4	
4	3311405	7	Nut 1/4	
5	3311605	4	Nut 3/8	
6	3380434	1	Panel	
7	4751600	8	Washer 3/8	
8	4740362	7	Washer	
9	4751400	4	Washer 1/4	
10	1001241689	1	Platform Console Assembly (See Separate Breakdown in this Section)	

# SECTION 5 - PLATFORM

## FIGURE 5-19. PLATFORM CONSOLE ASSEMBLY



ART\_1001241689\_E



## SECTION 5 - PLATFORM

**FIGURE 5-19. PLATFORM CONSOLE ASSEMBLY**

ITEM	PART NUMBER	QTY	DESCRIPTION	REV
	1001241689	Ref	PLATFORM CONSOLE ASSEMBLY	E
1	0100009	AR	Sealant	
2	0100035	AR	Compound, Locking	
4	0140011	1	Alarm	
5	0641405	4	Bolt 1/4 x 5/8	
6	0641414	4	Bolt 1/4 x 1-3/4	
8	0721006	2	Screw #10 x 3/4	
9	1702565	1	Decal - Drive and Steer	
10	1702566	1	Decal - Lift and Swing	
11	1702567	1	Decal - Function Speed	
12	1001184626	1	Decal - Horn	
13	1704260	1	Decal - Emergency Stop	
14	2560136	1	Knob	
17	3300353	4	Nut, Tinnerman	
18	3311005	2	Nut #10	
19	3520054	7	Plug, Hole	
20	3790012	6	O-Ring	
21	3900349	8	Capscrew M2.5	
22	4240099	AR	Tie-Strap (Not Shown)	
23	4360387	2	Switch, Push Button	
24	4360407	1	Switch, Flow Control	
24	See Note	1	Gasket "Top Hat" (Included with Switch) (Note: Not Available for Purchase)	
24	70003784	1	Seal	
25	1001274559	1	Switch, Emergency Stop	
26	4360476	1	Switch, Contact	
27	4460007	1	Bussbar	
28	4460234	6	Mount, Tie-Strap	
29	4460428	2	Connector, Strain Relief	
30	4460470	1	Nut	
31	4460471	1	Washer	
33	4460496	1	Washer	
34	4460497	1	Nut	
38	4751000	2	Washer #10	
39	4751400	8	Washer 1/4	
41	4922666	1	Harness, Analyzer Cable (Not Shown - See Separate Breakdown in ELECTRICAL Section)	
42	1001117174	1	Footswitch Assembly (See Separate Breakdown in this Section)	
43	1001184618	1	Decal - Stop	
44	1001141138	1	Module, Platform (Note: Re-calibration Required when Replaced)	
46	1001155044	6	Nut 15/32	
47	1001155045	4	Switch, Toggle	
48	1001159256	1	Switch, Toggle	
49	1001161709	1	Switch, Toggle	
50	1001275629	1	Controller Lift/Swing	
51	1001172760	4	Bracket	
52	1001185281	1	Plug	
54	1001213882	1	Mount	
56	1001309251	1	Harness, Console Box (See Separate Breakdown in ELECTRICAL Section)	

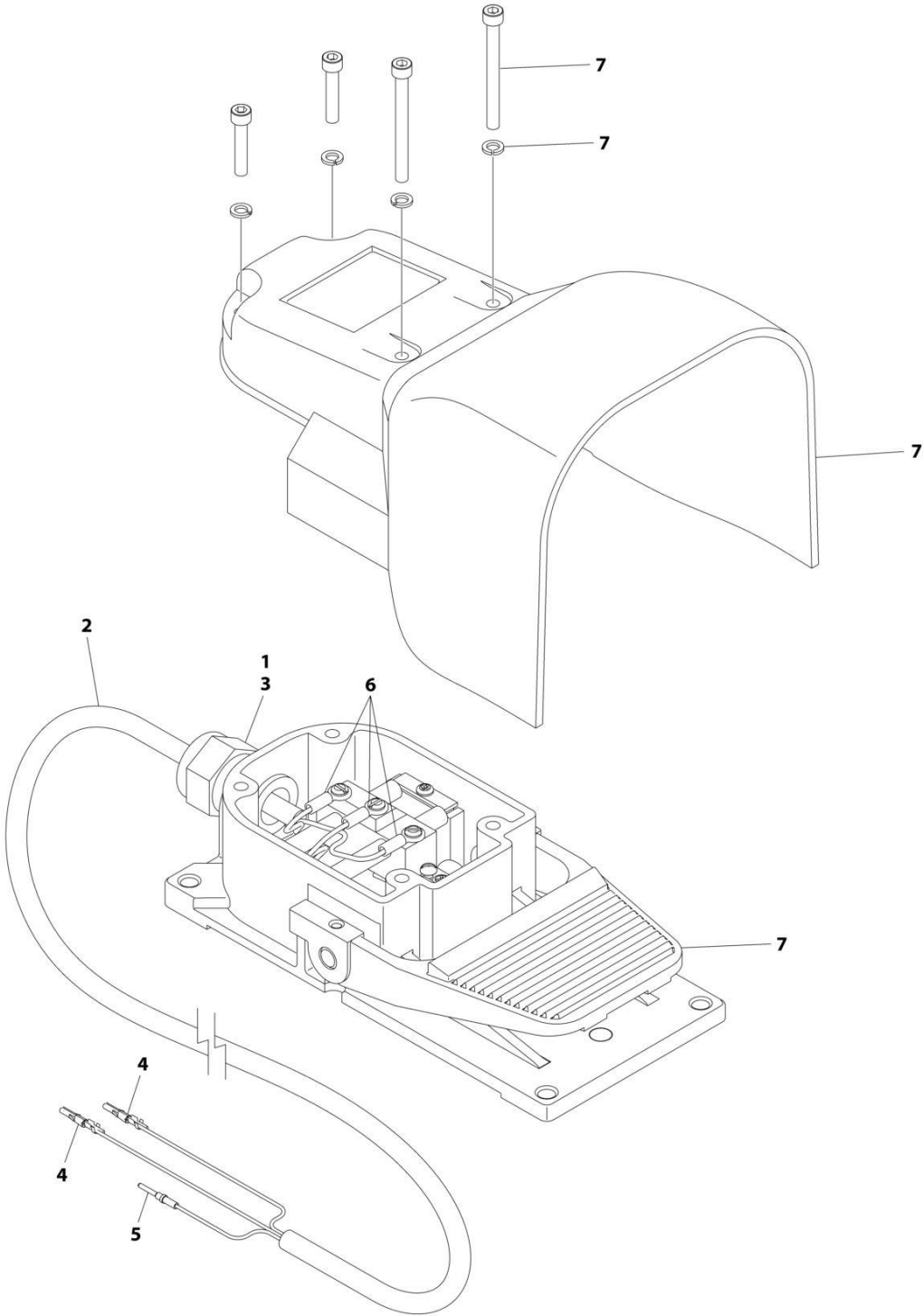
## SECTION 5 - PLATFORM

ITEM	PART NUMBER	QTY	DESCRIPTION	REV
57	1001275628	1	Controller Drive/Steer	
58	1001215228	1	Console Box Assembly	
58A	0630568	1	Capscrew 3/8 x 4-1/2	
58B	3311601	1	Nut 3/8	
58C	3430616	2	Pin	
58D	3470003	2	Hairpin	
58E	4711600	2	Washer 3/8	
59	1001206532	1	Lamp, LED Indicator Yellow	



**SECTION 5 - PLATFORM**

**FIGURE 5-20. FOOTSWITCH ASSEMBLY**



ART\_1001117174

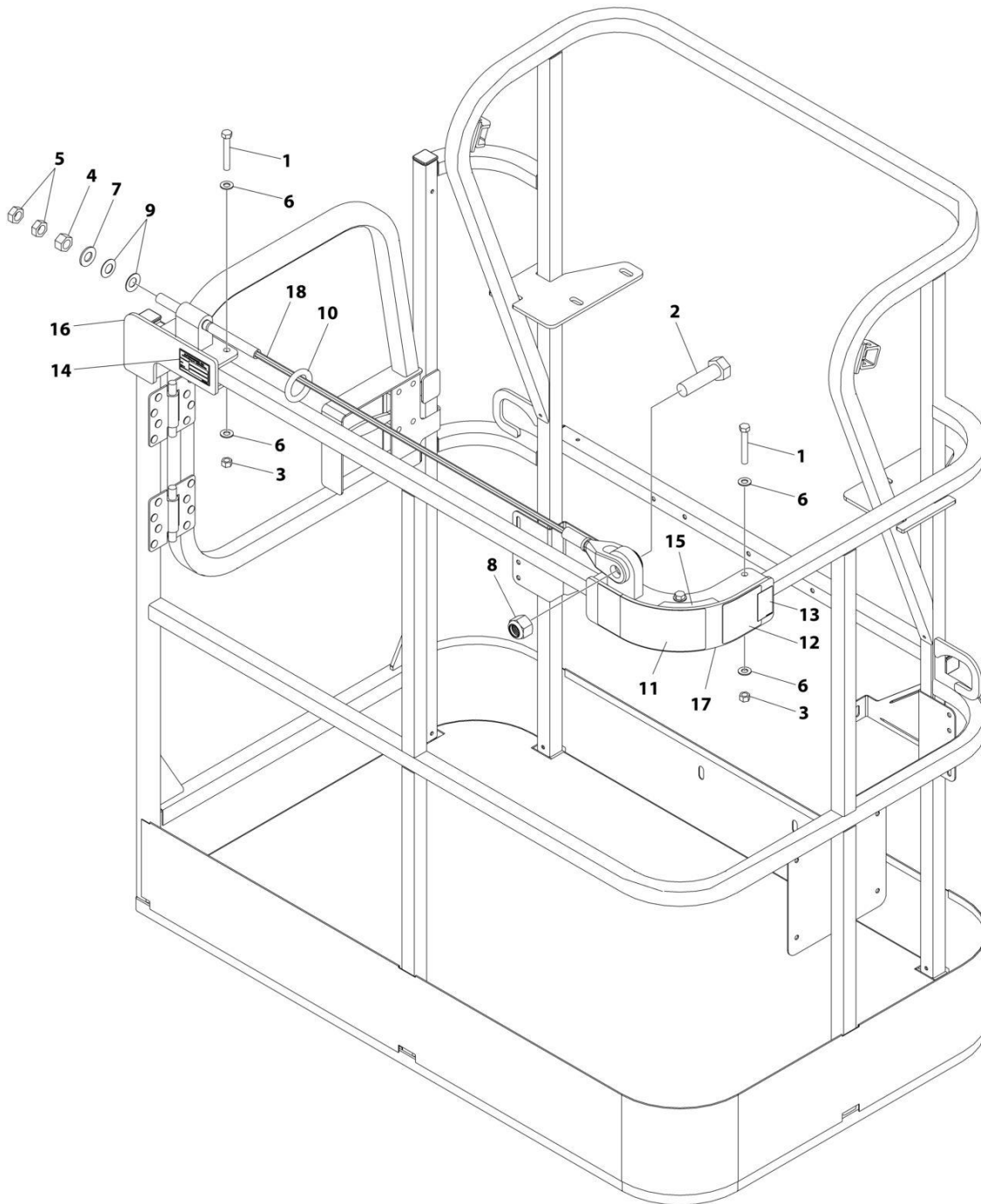
## SECTION 5 - PLATFORM

### FIGURE 5-20. FOOTSWITCH ASSEMBLY

ITEM	PART NUMBER	QTY	DESCRIPTION	REV
	1001117174	Ref	FOOTSWITCH ASSEMBLY	C
1	0100020	AR	Sealant	
2	1060918	7.5 ft/ 2.3m	Cable, Electrical - 18/3	
3	4460071	1	Connector, Strain Relief	
4	4460226	2	Socket, Female	
5	4460464	1	Pin, Male	
6	1001098122	3	Terminal	
7	1001117172	1	Footswitch	
7	70002902	1	Switch, 20Amp	
7	70002903	1	Gasket	
7	70002905	1	Cover	
7	70002904	1	Kit, Replacement Bolt	

# SECTION 5 - PLATFORM

## FIGURE 5-21. FALL ARREST INSTALLATION (BOLT-ON) (4FT/1.22M PLATFORM)



ART\_1001261338

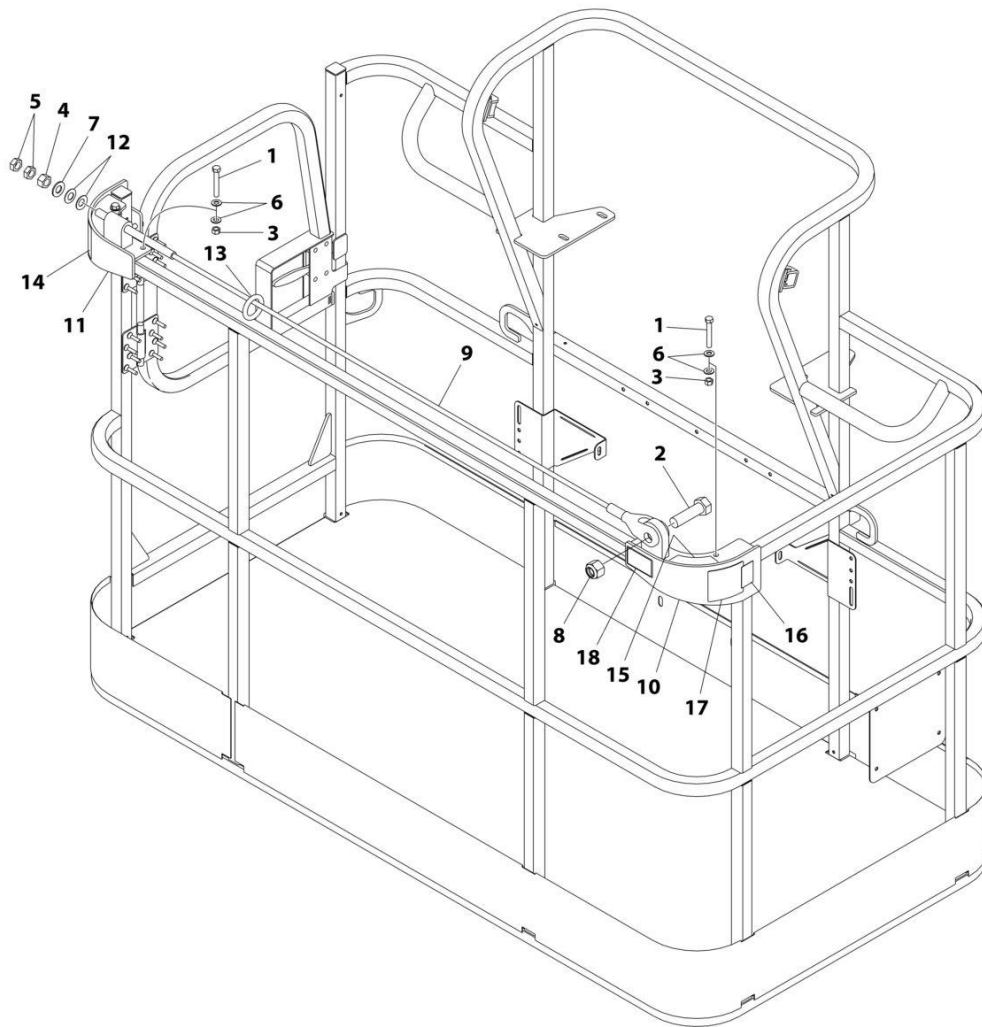
## SECTION 5 - PLATFORM

**FIGURE 5-21. FALL ARREST INSTALLATION (BOLT-ON) (4FT/1.22M PLATFORM)**

ITEM	PART NUMBER	QTY	DESCRIPTION	REV
	1001261338	Ref	FALL ARREST INSTALLATION	A
1	0681620	6	Bolt 3/8 x 2-1/2	
2	0682424	1	Bolt 7/8 x 3	
3	3271605	6	Nut 3/8	
4	3272001	1	Nut 5/8	
5	3312002	2	Nut 5/8	
6	4711600	12	Washer 3/8	
7	4712000	1	Washer 5/8	
8	88521214	1	Nut 7/8	
9	1001236891	2	Washer	
10	1001236895	1	Ring	
11	1001238263	1	Decal - Warning Falling Hazard	
12	1001248140	1	Decal - Bolt Fall Arrest Re-Cert	
13	1001248141	1	Decal - Incription	
14	See Note	NSS	Nameplate - Manufacturers Serial Number (Note: Not Available for Purchase)	
15	1001252629	1	Decal - Weight	
16	1001257271	1	Bracket (RH)	
17	1001257274	1	Bracket (LH)	
18	1001261335	1	Rope	

# SECTION 5 - PLATFORM

## FIGURE 5-22. FALL ARREST INSTALLATION (BOLT-ON) (6FT/1.82M PLATFORM)



ART\_1001236747



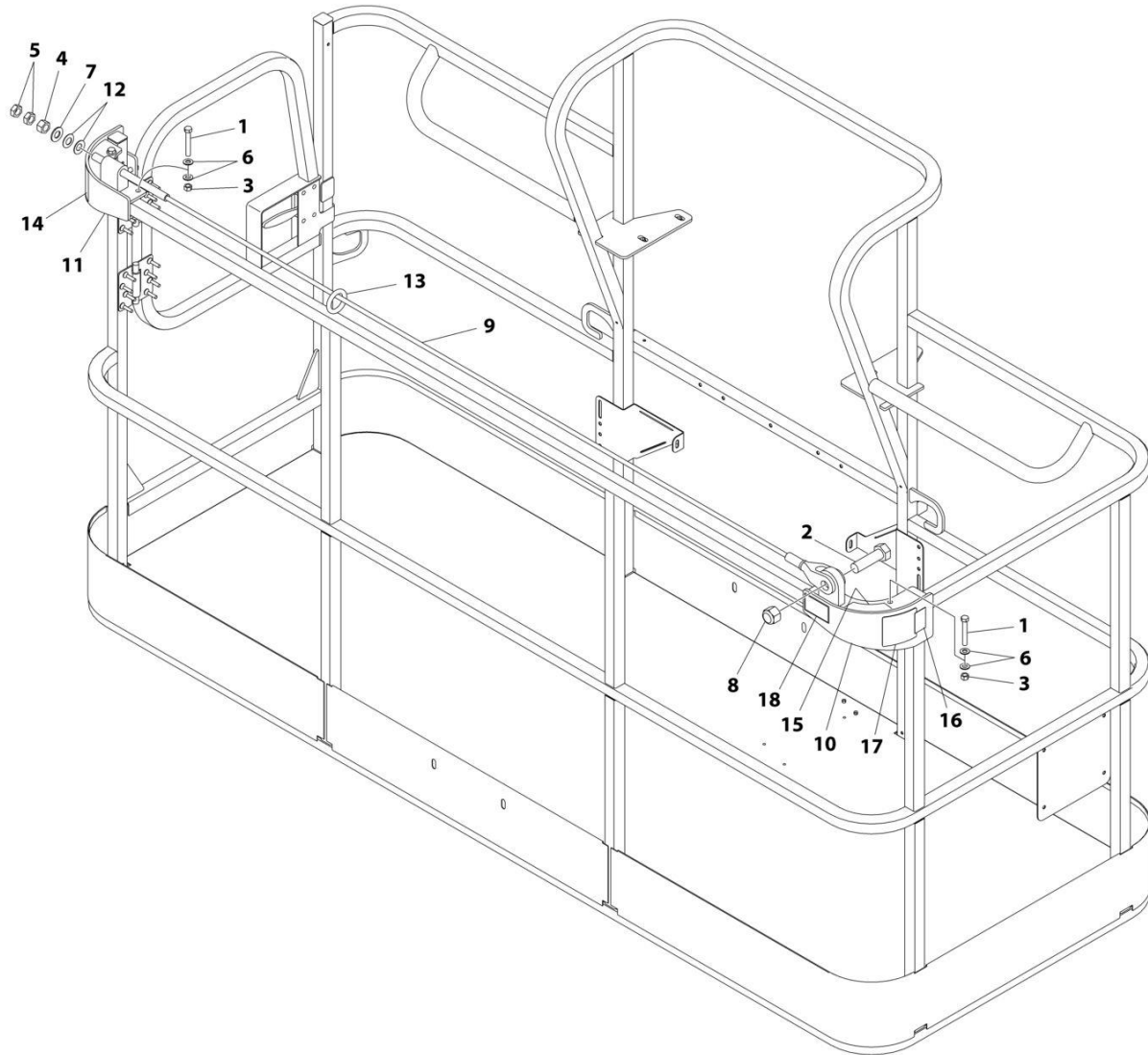
## SECTION 5 - PLATFORM

**FIGURE 5-22. FALL ARREST INSTALLATION (BOLT-ON) (6FT/1.82M PLATFORM)**

ITEM	PART NUMBER	QTY	DESCRIPTION	REV
	1001236747	Ref	FALL ARREST INSTALLATION (BOLT - ON) 6FT/1.82M PLATFORM	C
1	0681620	6	Bolt 3/8 x 2-1/2	
2	0682424	1	Bolt 7/8 x 3	
3	3271605	6	Nut 3/8	
4	3272001	1	Nut 5/8	
5	3312002	2	Nut 5/8	
6	4711600	12	Washer 3/8	
7	4712000	1	Washer 5/8	
8	88521214	1	Nut 7/8	
9	1001231950	1	Rope	
10	1001232010	1	Bracket (RH)	
11	1001232011	1	Bracket (LH)	
12	1001236891	2	Washer	
13	1001236895	1	Ring	
14	1001238263	1	Decal - Warning Falling Hazard	
15	1001252629	1	Decal - Weight	
16	1001248140	1	Decal - Bolt Fall Arrest Re-Cert	
17	1001248141	1	Decal - Inscription	

# SECTION 5 - PLATFORM

FIGURE 5-23. FALL ARREST INSTALLATION (BOLT-ON) (8FT/2.4M PLATFORM)



ART\_1001236746

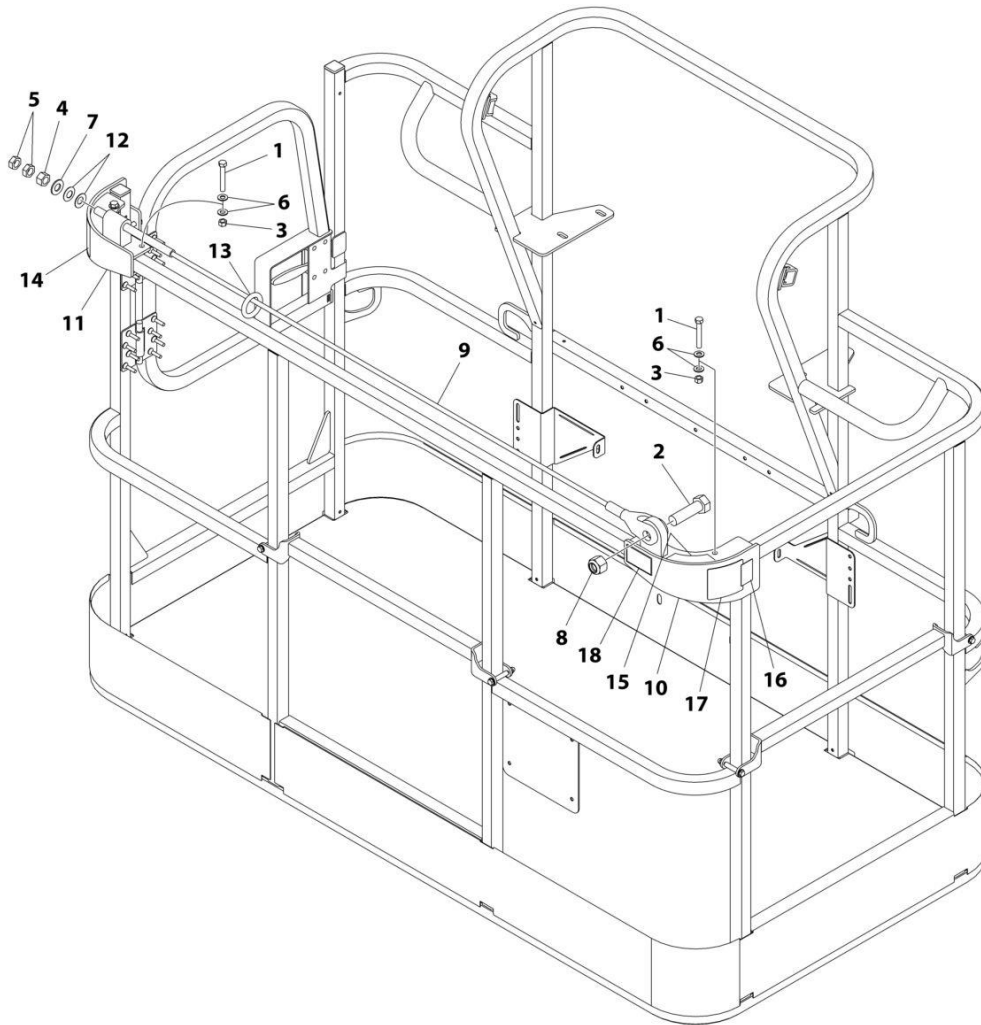
## SECTION 5 - PLATFORM

**FIGURE 5-23. FALL ARREST INSTALLATION (BOLT-ON) (8FT/2.4M PLATFORM)**

ITEM	PART NUMBER	QTY	DESCRIPTION	REV
	1001236746	Ref	FALL ARREST INSTALLATION (BOLT - ON) 8FT/2.4M PLATFORM	C
1	0681620	6	Bolt 3/8 x 2-1/2	
2	0682424	1	Bolt 7/8 x 3	
3	3271605	6	Nut 3/8	
4	3272001	1	Nut 5/8	
5	3312002	2	Nut 5/8	
6	4711600	12	Washer 3/8	
7	4712000	1	Washer 5/8	
8	88521214	1	Nut 7/8	
9	1001231949	1	Rope	
10	1001232010	1	Bracket (RH)	
11	1001232011	1	Bracket (LH)	
12	1001236891	2	Washer	
13	1001236895	1	Ring	
14	1001238263	1	Decal - Warning Falling Hazard	
15	1001252629	1	Decal - Weight 23LBS/10.4KG	
16	1001248140	1	Decal - Bolt Fall Arrest Re-Cert	
17	1001248141	1	Decal - Inscription	

# SECTION 5 - PLATFORM

FIGURE 5-24. FALL ARREST INSTALLATION (BOLT-ON) (6FT/1.82M TRI-ENTRY PLATFORM)



ART\_1001238463

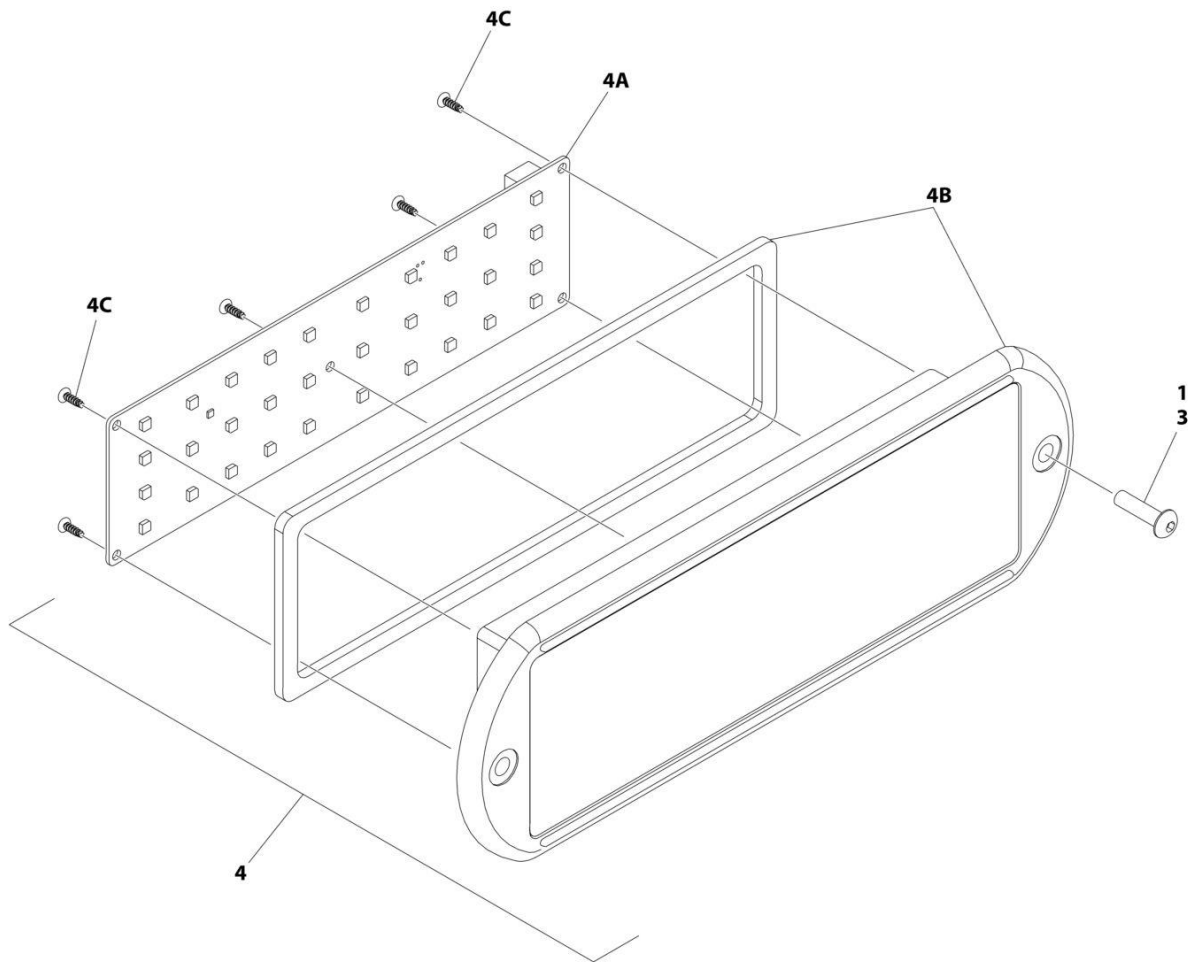
## SECTION 5 - PLATFORM

**FIGURE 5-24. FALL ARREST INSTALLATION (BOLT-ON) (6FT/1.82M TRI-ENTRY PLATFORM)**

ITEM	PART NUMBER	QTY	DESCRIPTION	REV
	1001238463	Ref	FALL ARREST INSTALLATION (BOLT - ON) 6FT/1.82M PLATFORM	C
1	0681620	6	Bolt 3/8 x 2-1/2	
2	0682424	1	Bolt 7/8 x 3	
3	3271605	6	Nut 3/8	
4	3272001	1	Nut 5/8	
5	3312002	2	Nut 5/8	
6	4711600	12	Washer 3/8	
7	4712000	1	Washer 5/8	
8	88521214	1	Nut 7/8	
9	1001231950	1	Rope	
10	1001232010	1	Bracket (RH)	
11	1001232011	1	Bracket (LH)	
12	1001236891	2	Washer	
13	1001236895	1	Ring	
14	1001238263	1	Decal - Warning Falling Hazard	
15	1001252629	1	Decal - Weight	
16	1001248140	1	Decal - Bolt Fall Arrest Re-Cert	
17	1001248141	1	Decal - Inscription	

# SECTION 5 - PLATFORM

FIGURE 5-25. LIGHT PANEL INSTALLATION (MACHINES WITH SN STARTING WITH 03 OR 13)



ART\_1001233959\_D\_20F2

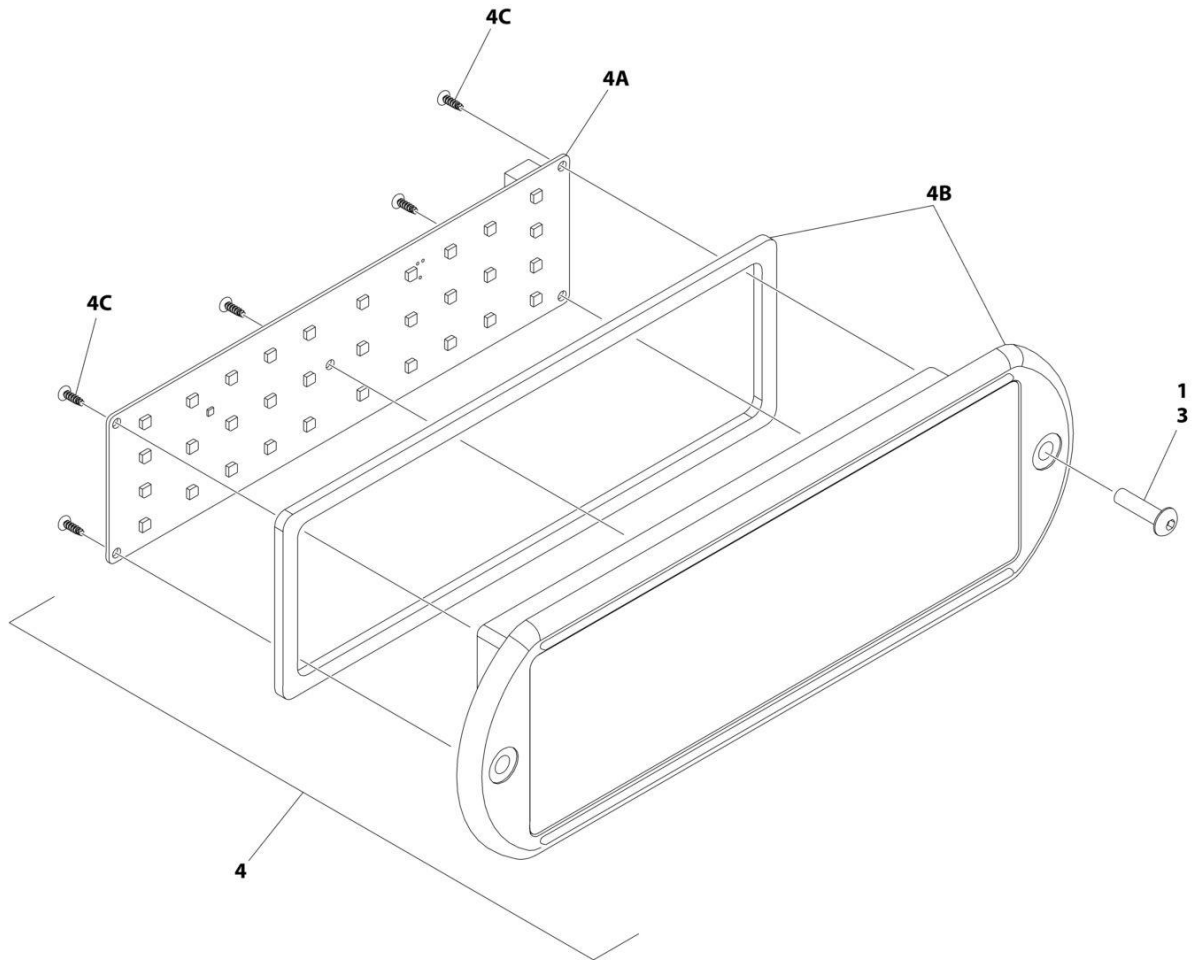
## SECTION 5 - PLATFORM

**FIGURE 5-25. LIGHT PANEL INSTALLATION (MACHINES WITH SN STARTING WITH 03 OR 13)**

ITEM	PART NUMBER	QTY	DESCRIPTION	REV
	1001233959	Ref	LIGHT PANEL INSTALLATION - PLATFORM CONSOLE	D
1	0100035	AR	Compound, Locking	
3	0630518	2	Screw #10 x 3/4	
4	1001284583	1	Light Panel Assembly	A
4A	1001282106	1	Panel, LED Light	
4B	1001284582	1	Lens, Icon (Includes Gasket)	
4C		Ref	Screw	

# SECTION 5 - PLATFORM

FIGURE 5-26. LIGHT PANEL INSTALLATION (MACHINES WITH SN STARTING WITH B3)



ART\_1001241398\_D\_2OF2



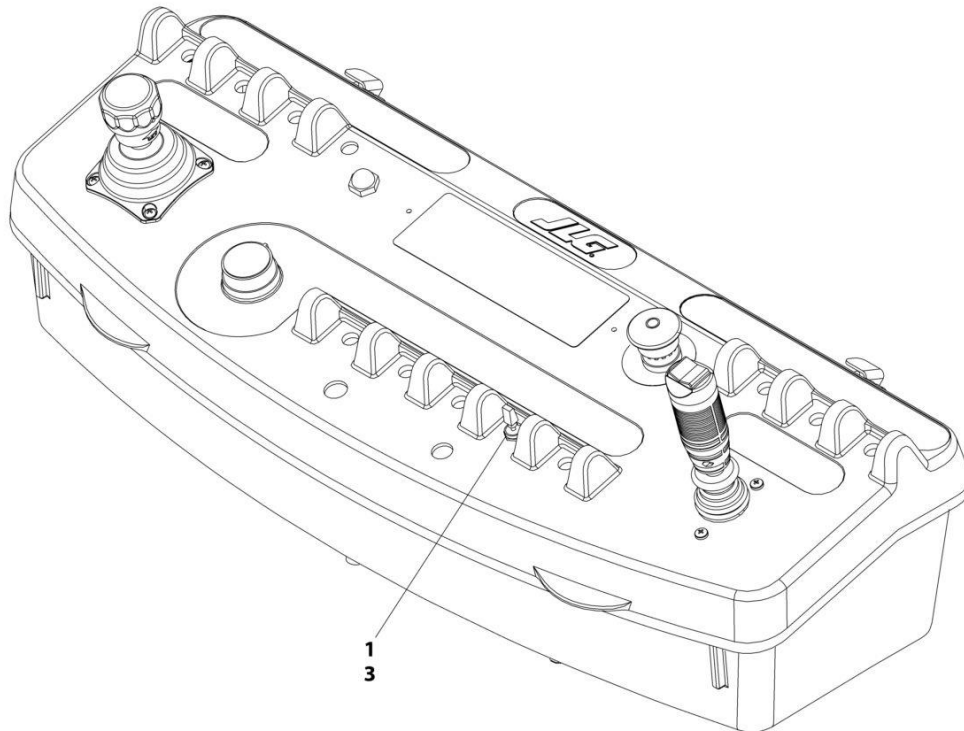
## SECTION 5 - PLATFORM

**FIGURE 5-26. LIGHT PANEL INSTALLATION (MACHINES WITH SN STARTING WITH B3)**

ITEM	PART NUMBER	QTY	DESCRIPTION	REV
	1001241398	Ref	LIGHT PANEL INSTALLATION - PLATFORM CONSOLE	D
1	0100035	AR	Compound, Locking	
3	0630518	2	Screw #10 x 3/4	
4	1001284583	1	Light Panel Assembly	A
4A	1001282106	1	Panel, LED Light	
4B	1001284582	1	Lens, Icon (Includes Gasket)	
4C		Ref	Screw	

# SECTION 5 - PLATFORM

## FIGURE 5-27. JIB SWITCH INSTALLATION (860SJ)



ART\_0258608

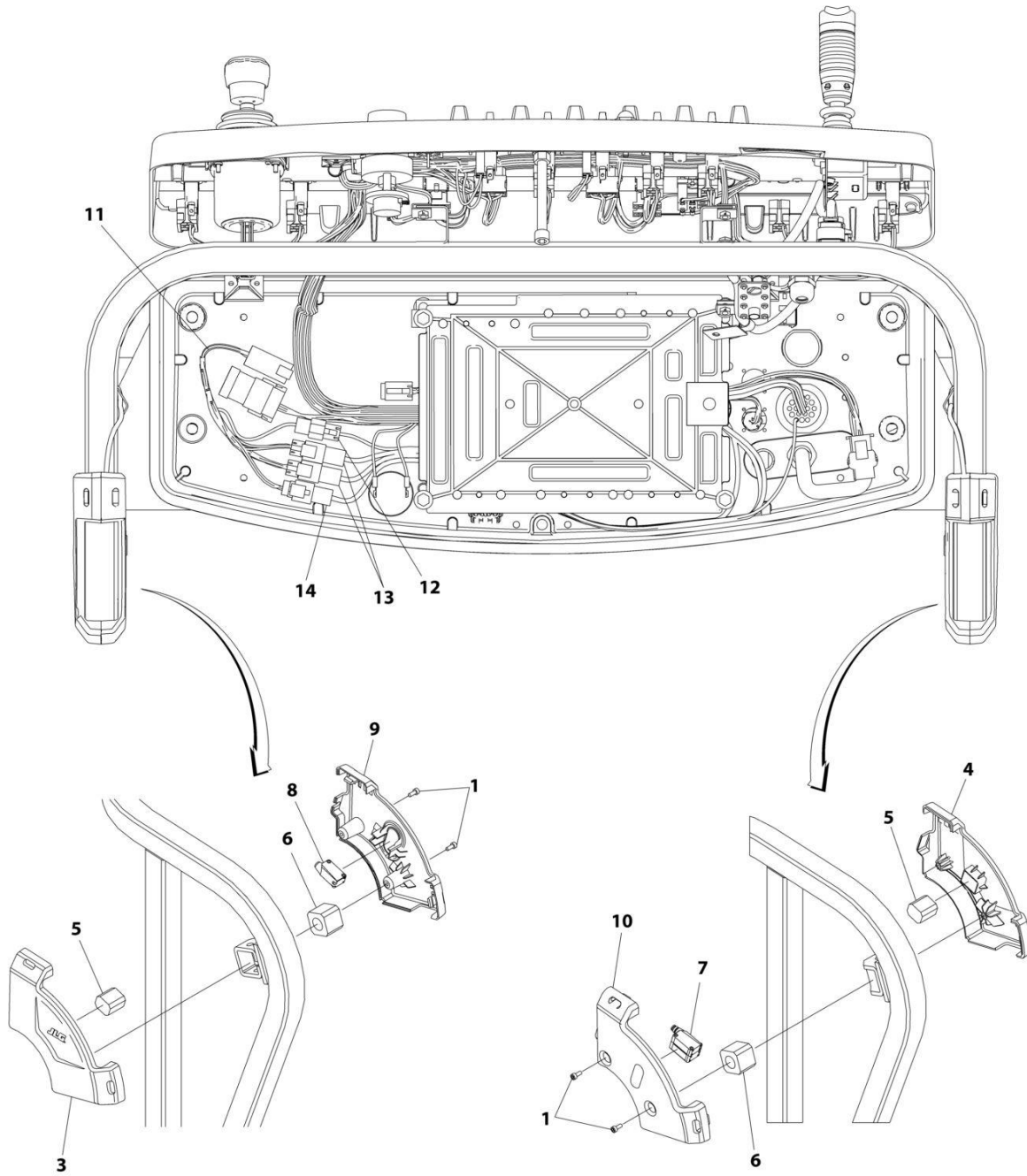
## SECTION 5 - PLATFORM

**FIGURE 5-27. JIB SWITCH INSTALLATION (860SJ)**

ITEM	PART NUMBER	QTY	DESCRIPTION	REV
	0258608	Ref	JIB SWITCH INSTALLATION	C
1	4360328	1	Switch, Toggle	
3	3790012	1	O-Ring	

# SECTION 5 - PLATFORM

## FIGURE 5-28. SKYEYE INSTALLATION



ART\_1001229341

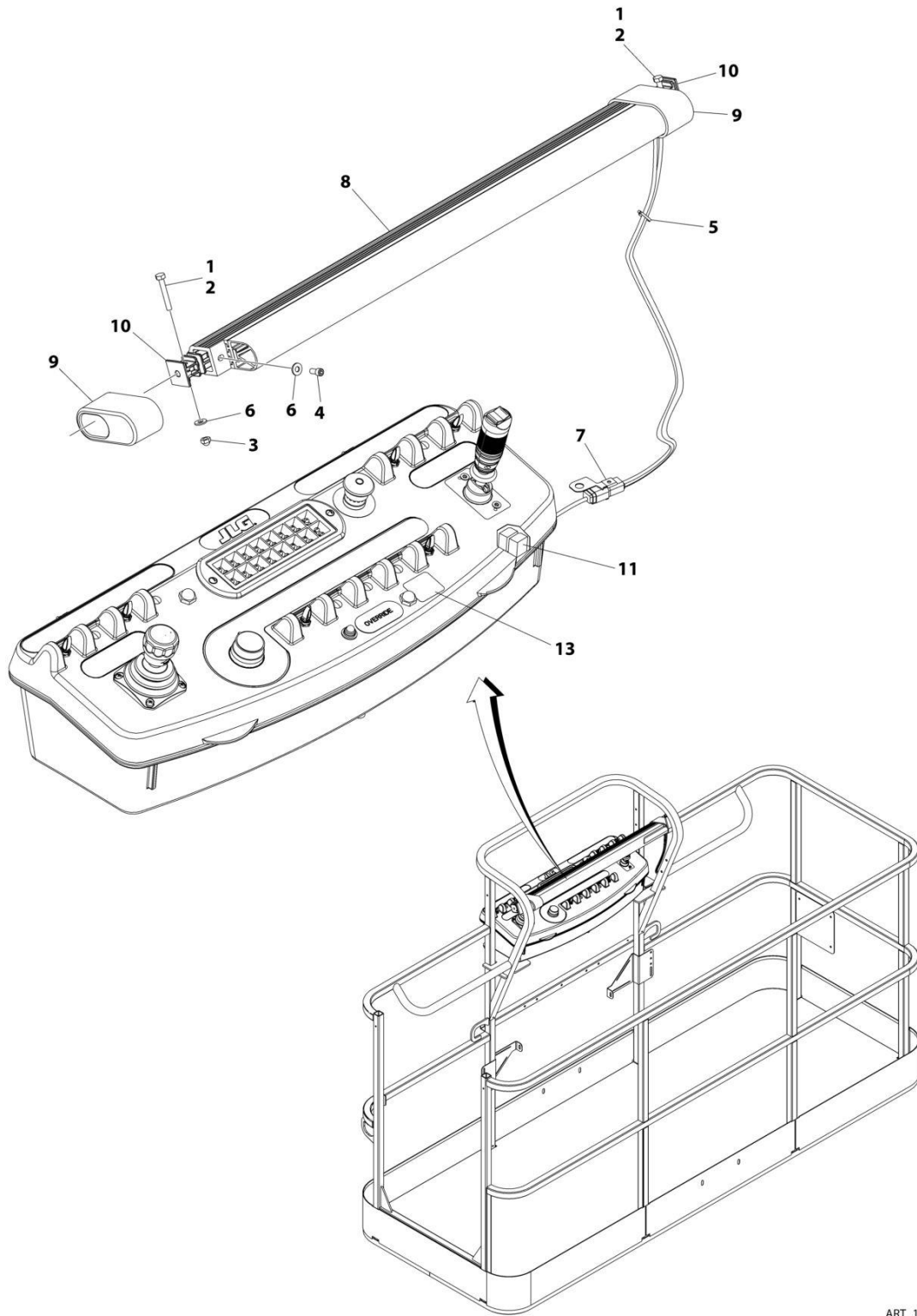
## SECTION 5 - PLATFORM

### FIGURE 5-28. SKYEYE INSTALLATION

ITEM	PART NUMBER	QTY	DESCRIPTION	REV
	1001229341	Ref	SKYEYE INSTALLATION	B
1	4031505	4	Bolt M4 x 10	
2	4240033	AR	Tie-Strap (Not Shown)	
3	1001227633	1	Housing, LH Outer	
4	1001227634	1	Housing, RH Outer	
5	1001227985	2	Shim	
6	1001227987	2	Shim	
7	1001228224	2	Sensor, Receiver	
8	1001228225	1	Sensor, Emitter	
9	1001232164	1	Housing, LH Inner	
10	1001232165	1	Housing, RH Inner	
11	1001237865	1	Harness, Skyeeye Intermediate (See Separate Breakdown in ELECTRICAL Section)	
12	1001238319	NLA	Harness, Skyeeye Drain Jumper	
12	1001187674	1	Plug, Male - 2 Position	
12	4460942	1	Terminal	
12	4460466	1	Plug, Terminal	
12	4460508	1	Pin, Male	
13	1001237863	2	Harness, Skyeeye Receiver (See Separate Breakdown in ELECTRICAL Section)	
14	1001237864	1	Harness, Skyeeye Emitter (See Separate Breakdown in ELECTRICAL Section)	

# SECTION 5 - PLATFORM

## FIGURE 5-29. SKYGUARD BAR INSTALLATION



ART\_1001238495

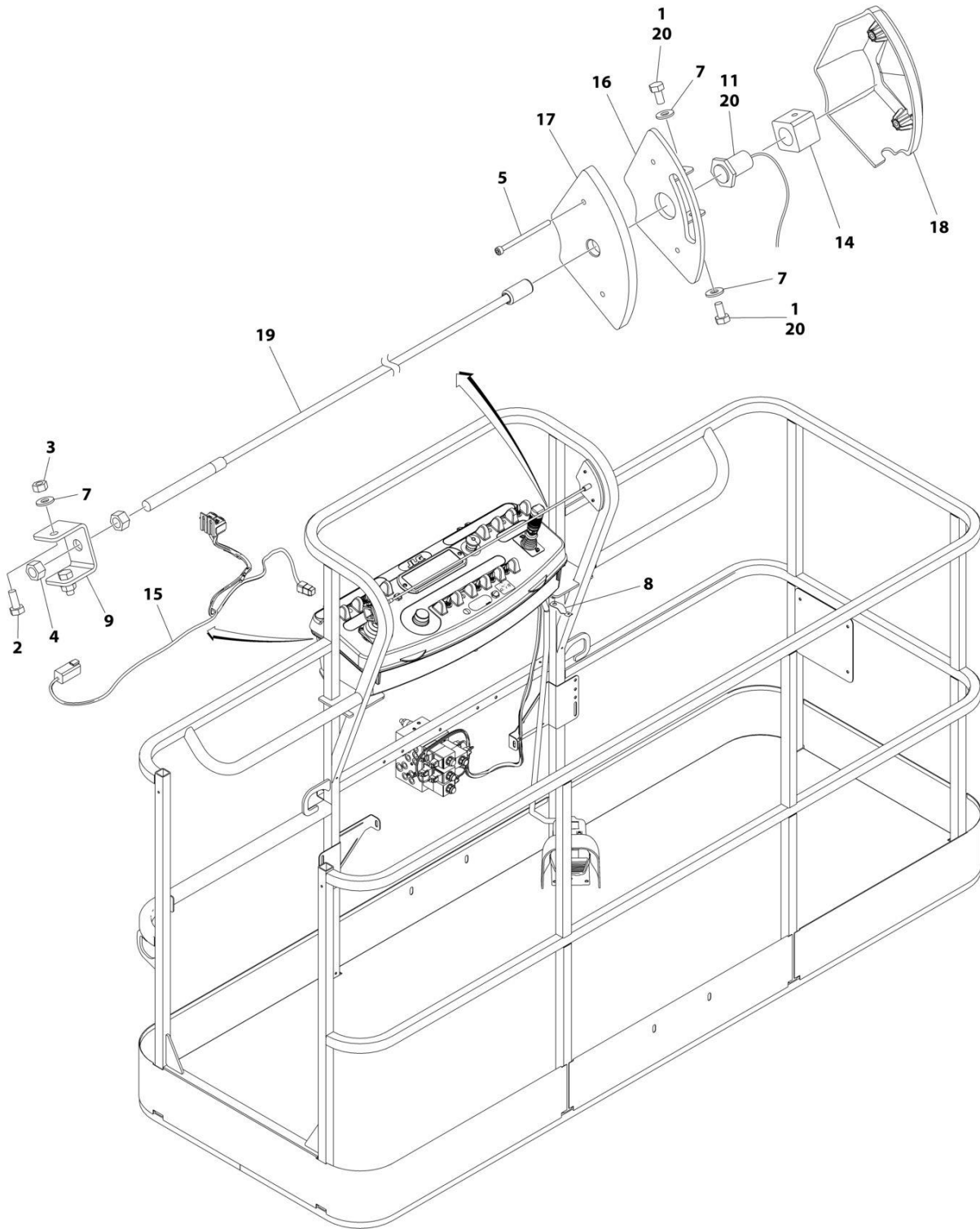
## SECTION 5 - PLATFORM

**FIGURE 5-29. SKYGUARD BAR INSTALLATION**

ITEM	PART NUMBER	QTY	DESCRIPTION	REV
	1001238495	Ref	SKYGUARD BAR INSTALLATION	A
1	0100011	AR	Compound, Locking	
2	0641414	2	Bolt 1/4 x 1-3/4	
3	3300430	2	Nut 1/4	
4	3931408	2	Capscrew 1/4 x 1/2	
5	4240033	8	Tie-Strap	
6	4711400	6	Washer 1/4	
7	1001120328	1	Mount	
8	1001137673	1	SkyGuard Switch Assembly	
9	1001186517	2	Cover, Platform Sensor	
10	1001209664	2	Support, Block	
11	1001186431	2	Relay	
12	1001225580	1	Interface Harness Assembly (Not Shown - Located Inside Console Box) (See Separate Breakdown in ELECTRICAL Section)	
13	1001144433	1	Decal - No Weight SkyGuard	

# SECTION 5 - PLATFORM

## FIGURE 5-30. SKYLINE INSTALLATION



ART\_1001238559\_D



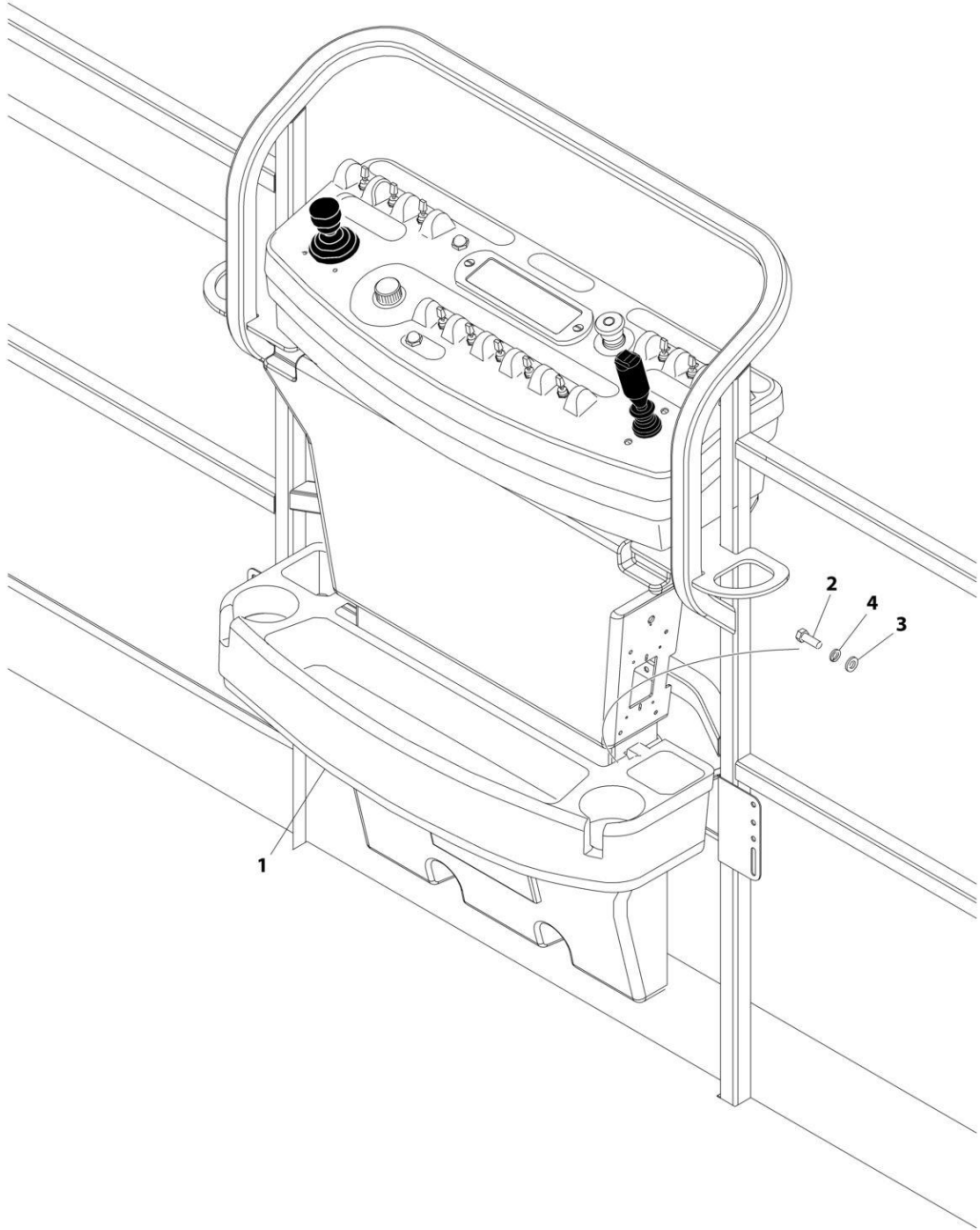
## SECTION 5 - PLATFORM

### FIGURE 5-30. SKYLINE INSTALLATION

ITEM	PART NUMBER	QTY	DESCRIPTION	REV
	1001238559	Ref	SKYLINE INSTALLATION	D
1	0641404	2	Bolt 1/4 x 1/2	
2	0641405	2	Bolt 1/4 x 5/8	
3	3311405	2	Nut 1/4	
4	3311601	2	Nut 3/8	
5	4031516	2	Capscrew M4 x 60	
6	4240033	AR	Tie-Strap (Not Shown)	
7	4711400	4	Washer 1/4	
8	1001120328	1	Mount	
9	1001232642	1	Bracket	
11	1001232667	1	Sensor, Proximity	
11	1001311034	1	Sensor, Proximity	
14	1001236552	1	Block	
15	1001238418	1	Harness, Skyline (See Separate Breakdown in ELECTRICAL Section)	
16	1001238472	1	Mount	
17	1001254473	1	Housing, LH	
18	1001241965	1	Housing, RH	
19	1001254472	1	Rod	
20	0100011	AR	Compound, Locking	

**SECTION 5 - PLATFORM**

**FIGURE 5-31. STORAGE TRAY INSTALLATION - CENTER**



ART\_1580012

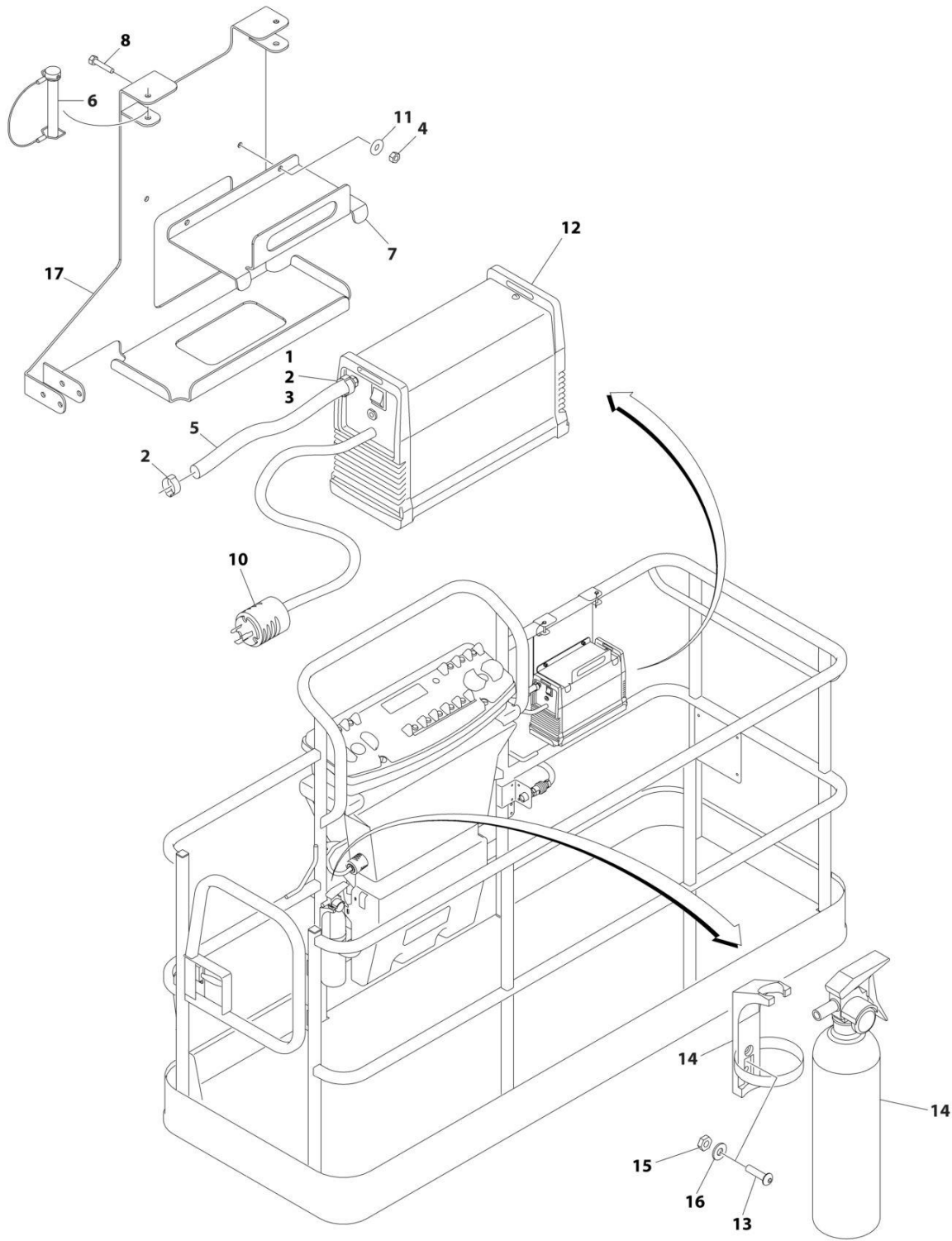
## SECTION 5 - PLATFORM

### FIGURE 5-31. STORAGE TRAY INSTALLATION - CENTER

ITEM	PART NUMBER	QTY	DESCRIPTION	REV
	1580012	Ref	TRAY ASSEMBLY	C
1	See Note	NSS	Tray, Storage (Center) (Note: Purchase p/n 1580012)	
2	0641406	2	Bolt 1/4 x 3/4	
3	4751400	2	Washer 1/4	
4	4761400	2	Washer 1/4	

# SECTION 5 - PLATFORM

## FIGURE 5-32. SKYCUTTER INSTALLATION



ART\_1001098149\_D

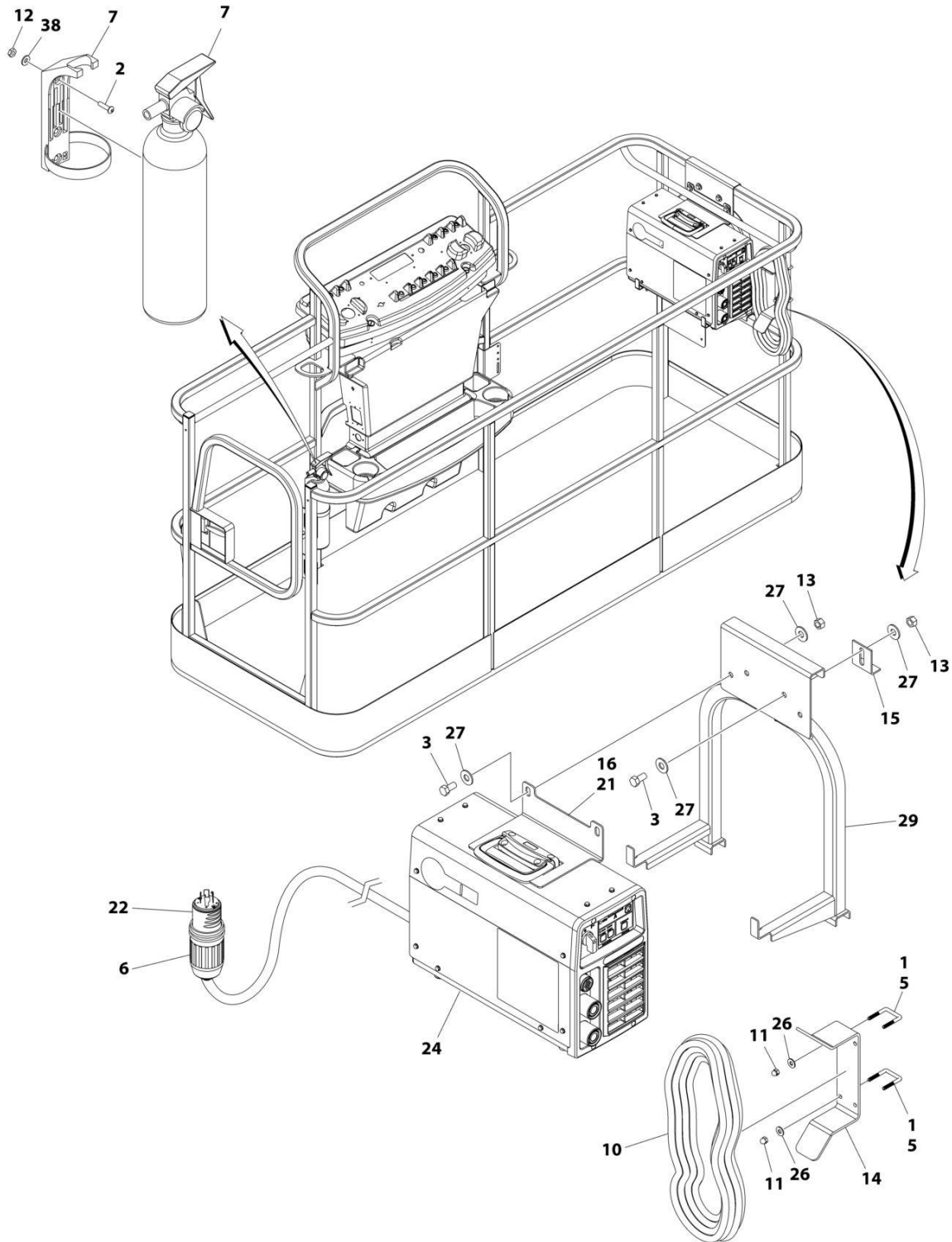
## SECTION 5 - PLATFORM

**FIGURE 5-32. SKYCUTTER INSTALLATION**

ITEM	PART NUMBER	QTY	DESCRIPTION	REV
	1001098149	Ref	SKYCUTTER INSTALLATION	D
		Ref	Note: When replacing platform on machines with SkyCutter option, new bracket p/n 1001145405 must be purchased to accommodate SkyCutter components.	
1	0100020	AR	Sealant	
2	1320177	2	Clamp, Hose	
3	2180832	1	Fitting, NPT/Barbed	
4	3290605	2	Nut M6	
5	2720160	3 ft /.9m	Hose	
6	3421453	3	Pin	
7	3576799	1	Plate, Hold-Down	
8	4010608	2	Screw M6 x 16	
10	4460971	1	Plug, Twistlock	
11	4811700	2	Washer M6	
12	1001098012	1	Plasma Cutter Assembly (See Separate Breakdown in this Section)	
13	0630518	2	Screw #10 x 3/4	
14	2030010	1	Extinguisher, Fire	
15	3311005	2	Nut #10	
16	4751000	2	Washer #10	
17	1001145405	1	Support	

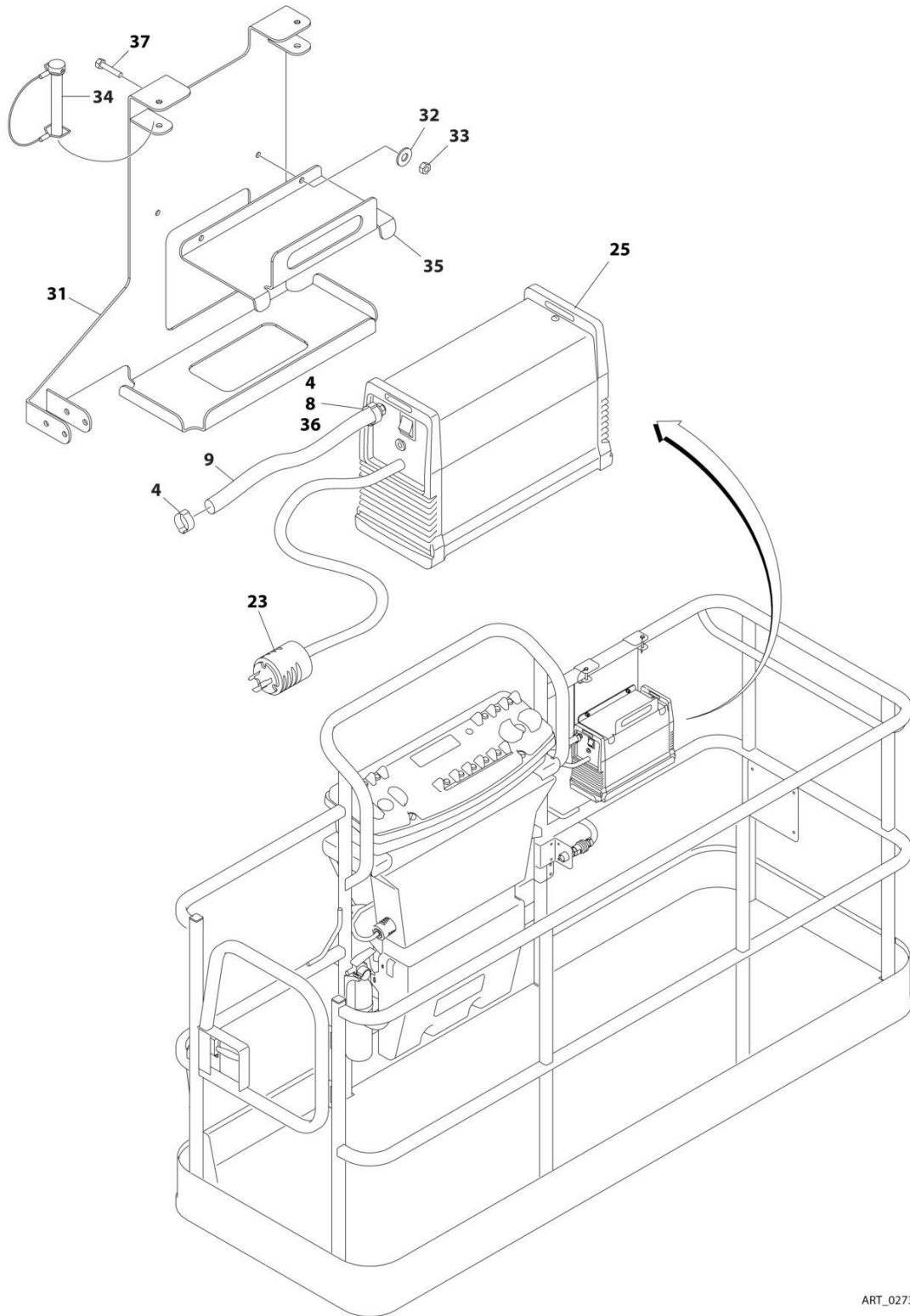
# SECTION 5 - PLATFORM

## FIGURE 5-33. SKYWELDER/SKYCUTTER COMBO INSTALLATION (60HZ)



ART\_0273353\_H\_10F2

# SECTION 5 - PLATFORM



ART\_0273353\_H\_20F2

## SECTION 5 - PLATFORM

**FIGURE 5-33. SKYWELDER/SKYCUTTER COMBO INSTALLATION (60HZ)**

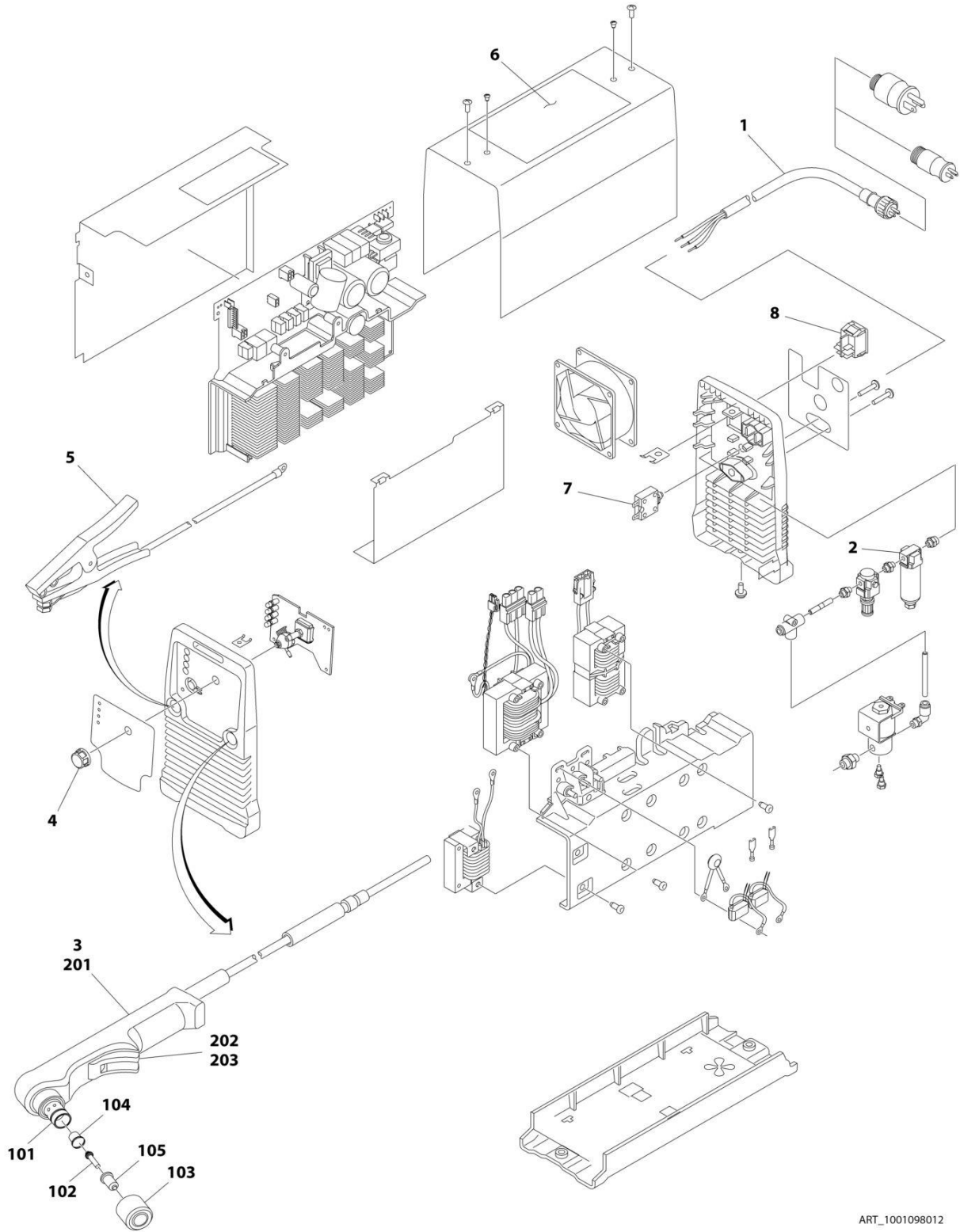
ITEM	PART NUMBER	QTY	DESCRIPTION	REV
	0273353	Ref	SKYWELDER/SKYCUTTER COMBO INSTALLATION (60HZ)	H
1	0100011	AR	Compound, Locking	
2	0630518	2	Screw #10 x 3/4	
3	0641606	4	Bolt 3/8 x 3/4	
4	1320177	2	Clamp	
5	1320302	2	Clamp	
6	1671093	1	Cover, Plug	
7	2030010	1	Extinguisher, Fire	
8	2180832	1	Fitting, Barbed/NPT	
9	2720160	4.5 ft /1.37m	Hose	
10	2902217	1	Weld Leads Kit	
11	3300151	4	Nut 1/4	
12	3311005	2	Nut #10	
13	3311605	4	Nut 3/8	
14	3573400	1	Bracket	
15	3577121	2	Angle	
16	1001269573	1	Plate	
20	4240099	AR	Tie-Strap (Not Shown)	
21	4420037	2.36 ft /.71m	Tape	
22	4460962	1	Plug, Twist Lock	
23	4460971	1	Plug, Twist Lock	
24	1001268820	1	Welder Assembly (See Separate Breakdown in this section)	
25	1001098012	1	Plasma Cutter Assembly (See Separate Breakdown in this Section)	
26	4751400	4	Washer 1/4	
27	4751600	8	Washer 3/8	
29	1001269322	1	Support	
31	1001145405	1	Bracket	
32	4811700	2	Washer M6	
33	3290605	2	Nut M6	
34	3421453	3	Pin	
35	3576799	1	Plate, Hold-Down	
36	0100020	1	Sealant	
37	4010608	2	Screw M6 x 16	
38	4751000	2	Washer #10	





# SECTION 5 - PLATFORM

## FIGURE 5-34. PLASMA CUTTER ASSEMBLY



ART\_1001098012

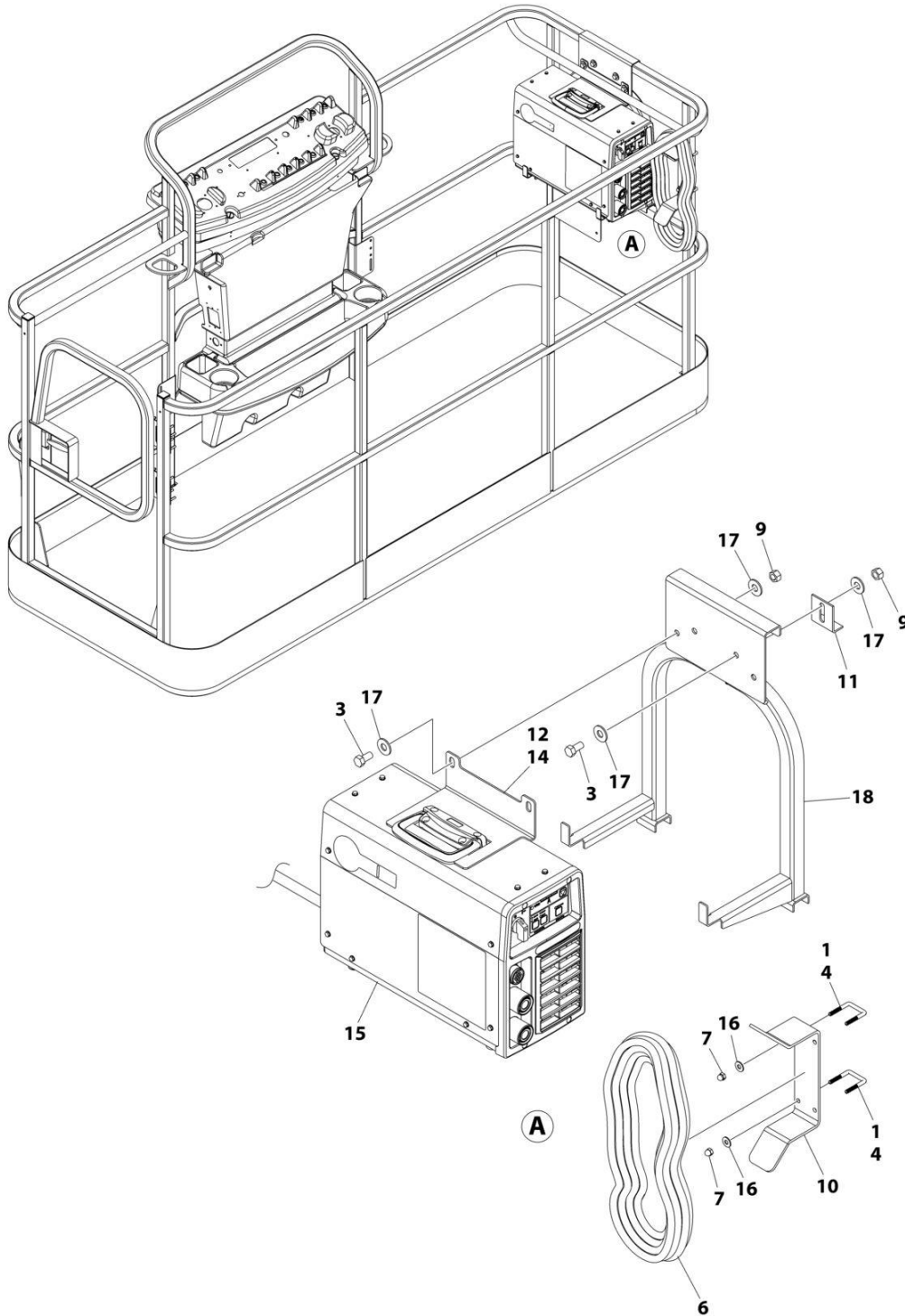
## SECTION 5 - PLATFORM

### FIGURE 5-34. PLASMA CUTTER ASSEMBLY

ITEM	PART NUMBER	QTY	DESCRIPTION	REV
	1001098012	Ref	PLASMA CUTTER ASSEMBLY	A
		Ref	Note: For Other Components, contact your Miller Welder Dealer.	
1	70001424	1	Cable, Power	
1	70001425	1	Decal - Voltage Warning	
2	70001427	1	Filter, Regulator	
3	70001428	1	Torch Assembly (See Items 101-203 for Breakdown)	
4	7024471	1	Knob	
5	70001429	1	Clamp with Cable	
6	70001430	1	Decal - Caution	
7	70001431	1	Breaker, Circuit	
8	70001432	1	Switch, Rocker	
	70001428	Ref	TORCH ASSEMBLY	
101	7024530	1	O-Ring	
102	7024531	1	Electrode	
103	7024532	1	Cup, Retaining	
104	7024533	1	Swirl Ring	
105	7024534	1	Tip	
201	7024535	1	Handle, Torch	
202	7024536	1	Switch	
203	7024537	1	Trigger	

# SECTION 5 - PLATFORM

## FIGURE 5-35. SKYWELDER INSTALLATION (50HZ)



ART\_0272521\_H

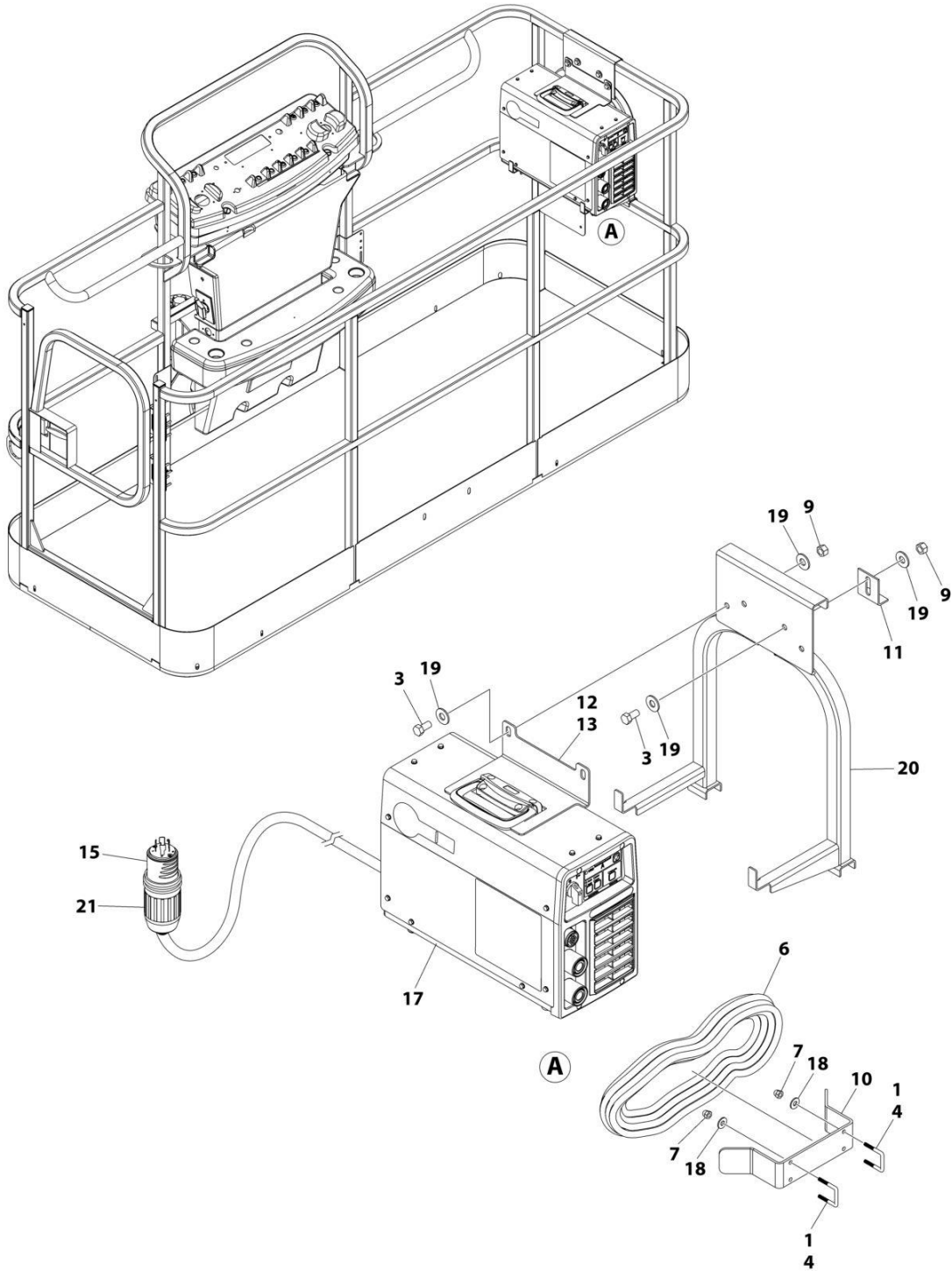
## SECTION 5 - PLATFORM

**FIGURE 5-35. SKYWELDER INSTALLATION (50HZ)**

ITEM	PART NUMBER	QTY	DESCRIPTION	REV
	0272521	Ref	SKYWELDER INSTALLATION	H
1	0100011	AR	Compound, Locking	
3	0641606	4	Bolt 3/8 x 3/4	
4	1320302	2	U-Clamp	
6	2902217	1	Weld Leads Kit	
7	3300151	4	Nut 1/4	
9	3311605	4	Nut 3/8	
10	3573400	1	Bracket	
11	3577121	2	Angle	
12	1001269573	1	Plate	
13	4240099	AR	Tie-Strap (Not Shown)	
14	4420037	AR	Tape	
15	1001268820	1	Welder Assembly (See Separate Breakdown in this Section)	
16	4751400	4	Washer 1/4	
17	4751600	8	Washer 3/8	
18	1001269322	1	Support	

# SECTION 5 - PLATFORM

## FIGURE 5-36. SKYWELDER INSTALLATION (60HZ)



ART\_0272254\_K

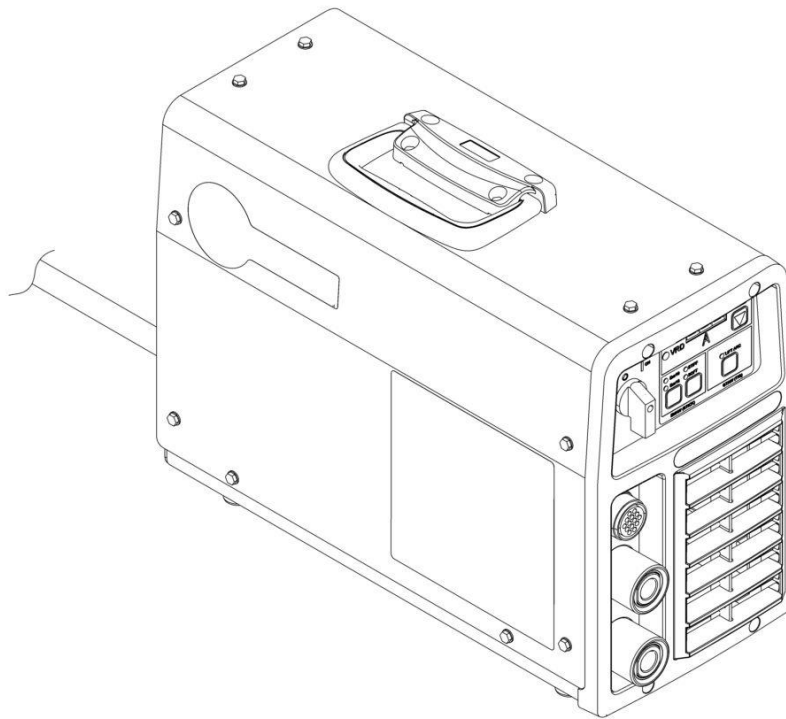
## SECTION 5 - PLATFORM

**FIGURE 5-36. SKYWELDER INSTALLATION (60HZ)**

ITEM	PART NUMBER	QTY	DESCRIPTION	REV
	0272254	Ref	SKYWELDER INSTALLATION	K
1	0100011	AR	Compound, Locking	
3	0641606	4	Bolt 3/8 x 3/4	
4	1320302	2	U-Clamp	
6	2902217	1	Weld Leads Kit	
7	3300151	4	Nut 1/4	
9	3311605	4	Nut 3/8	
10	3573400	1	Bracket	
11	3577121	2	Angle	
12	1001269573	1	Plate	
13	4420037	AR	Tape	
14	4240099	AR	Tie-Strap (Not Shown)	
15	4460962	1	Plug, Male Twistlock	
17	1001268820	1	Welder Assembly (See Separate Breakdown in this Section)	
18	4751400	4	Washer 1/4	
19	4751600	8	Washer 3/8	
20	1001269322	1	Support	
21	1671093	1	Cover, Plug	

# SECTION 5 - PLATFORM

## FIGURE 5-37. WELDER ASSEMBLY



ART\_1001268820



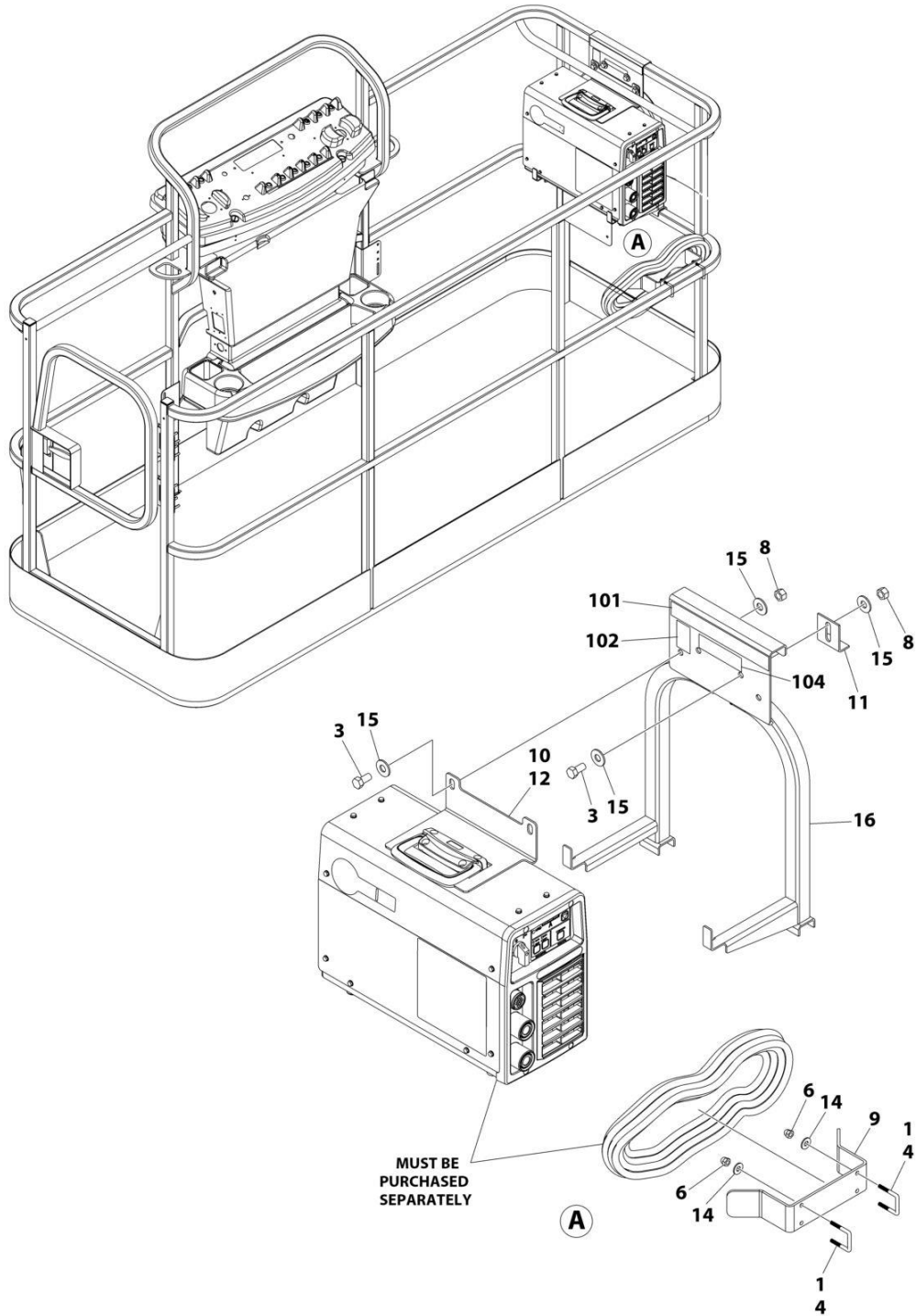
## SECTION 5 - PLATFORM

### FIGURE 5-37. WELDER ASSEMBLY

ITEM	PART NUMBER	QTY	DESCRIPTION	REV
	1001268820	1 Ref	WELDER ASSEMBLY Note: No Service Parts available at time of Printing.	B

# SECTION 5 - PLATFORM

## FIGURE 5-38. SKYWELDER PREP PACKAGE (60HZ)



ART\_1001128527\_D

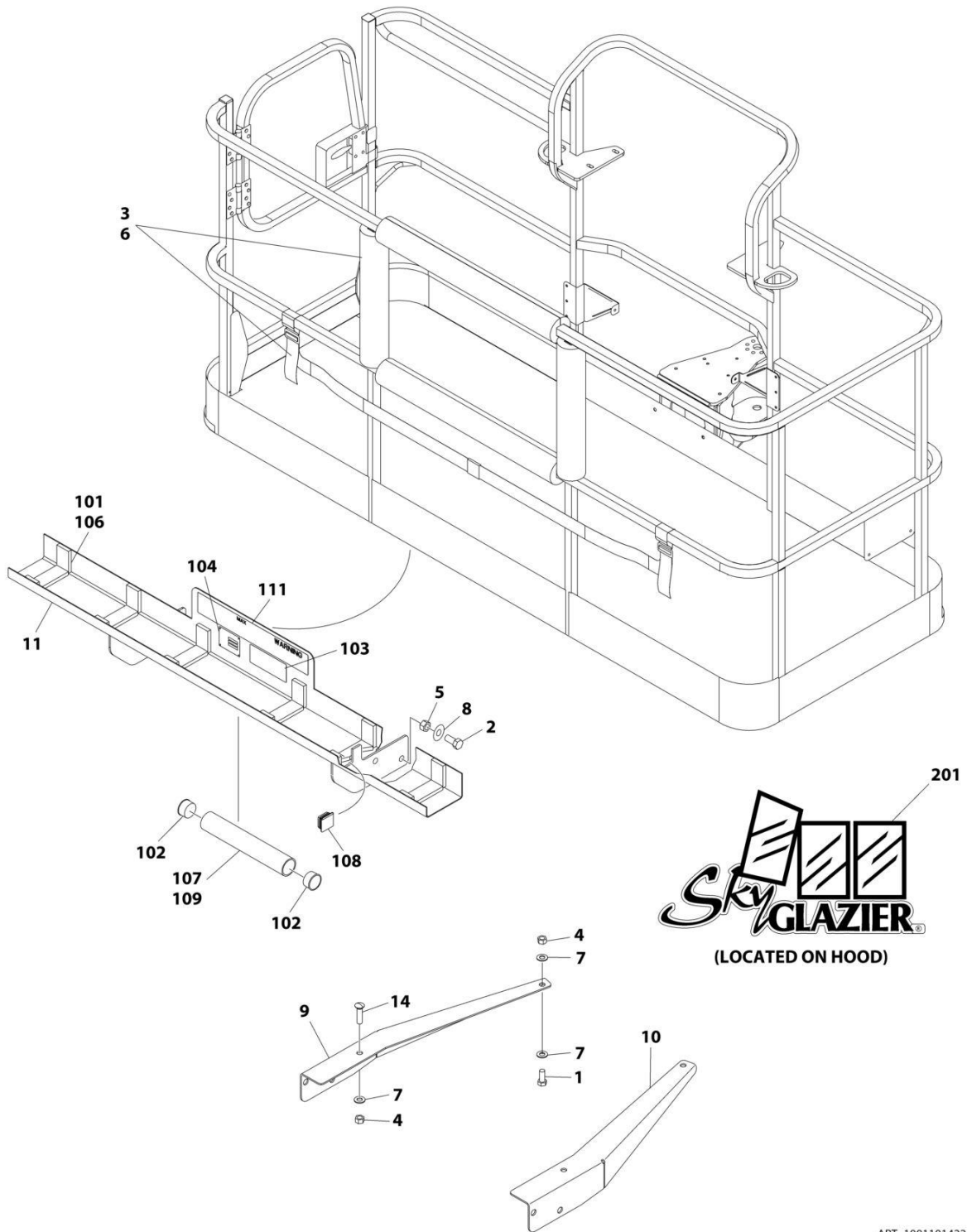
## SECTION 5 - PLATFORM

**FIGURE 5-38. SKYWELDER PREP PACKAGE (60HZ)**

ITEM	PART NUMBER	QTY	DESCRIPTION	REV
	1001128527	Ref	SKYWELDER PREP PACKAGE	D
1	0100011	AR	Compound, Locking	
3	0641606	4	Bolt 3/8 x 3/4	
4	1320302	2	U-Clamp	
6	3300151	4	Nut 1/4	
8	3311605	4	Nut 3/8	
9	3573400	1	Bracket	
10	1001269573	1	Plate	
11	3577121	2	Angle	
12	4420037	AR	Tape	
14	4751400	4	Washer 1/4	
15	4751600	8	Washer 3/8	
16	1001269322	1	Support	
	1001128556	Ref	SKYWELDER DECAL INSTALLATION	D
101	1702868	1	Decal - No Hands	
102	1705305	1	Decal - Weld Lead	
104	1001228988	1	Decal - Weight	

# SECTION 5 - PLATFORM

## FIGURE 5-39. SKYGLAZIER INSTALLATION (ENGLISH LANGUAGE DECALS)



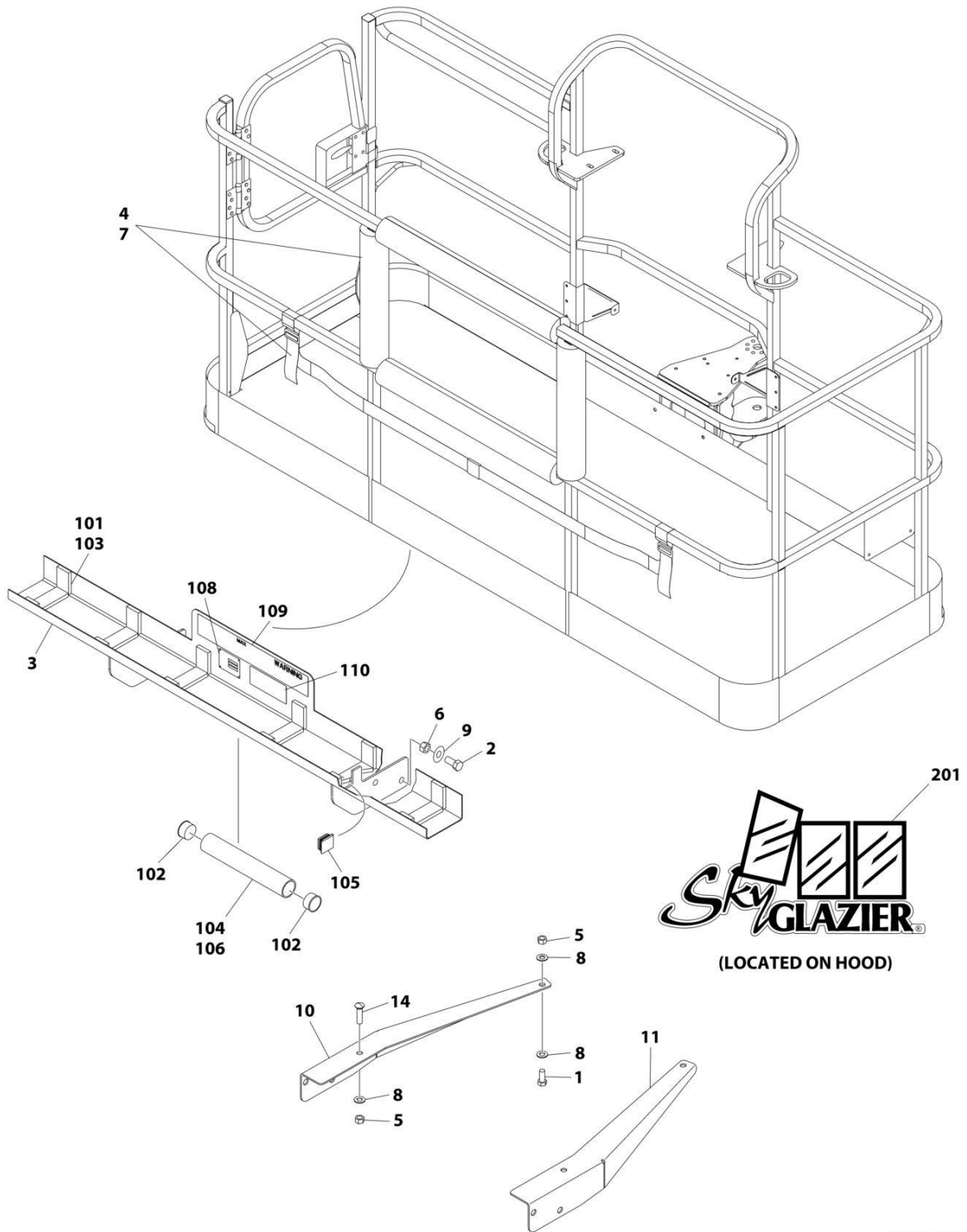
## SECTION 5 - PLATFORM

**FIGURE 5-39. SKYGLAZIER INSTALLATION (ENGLISH LANGUAGE DECALS)**

ITEM	PART NUMBER	QTY	DESCRIPTION	REV
	1001101422	Ref	SKYGLAZIER INSTALLATION	C
1	0642012	2	Bolt 5/8 x 1-1/2	
2	0642212	4	Bolt 3/4 x 1-1/2	
3	2902212	1	Bumpers and Strap Kit	
3	0940102	1	Bumper Only	
3	4240149	1	Strap Only	
4	3312005	4	Nut 5/8	
5	3312205	4	Nut 3/4	
6	4420014	AR	Tape	
7	4712000	6	Washer 5/8	
8	4712200	8	Washer 3/4	
9	1001099366	1	Support	
10	1001099367	1	Support	
11	1001101421	1	Tray Assembly (See Items 101-111 for Breakdown)	
14	8310129	2	Bolt 3/4 x 2-1/2	
	1001101421	Ref	TRAY ASSEMBLY	F
101	0100081	AR	Adhesive	
102	1120555	2	Cap, Tube	
103	1701509	1	Decal - Manual	
104	See Note	NSS	Nameplate - Serial Number (Note: Not Available for Purchase)	
106	3340956	1	Pad Kit	
107	3460334	1	Tube	
108	3520071	2	Plug	
109	4420066	AR	Tape, Double Sided	
111	1001163131	2	Decal - Glazier Capacity	
	0272418	Ref	SKYGLAZIER DECAL INSTALLATION	4
201	1705358	2	Decal - SkyGlazier	

# SECTION 5 - PLATFORM

## FIGURE 5-40. SKYGLAZIER INSTALLATION (SPANISH LANGUAGE DECALS)



ART\_1001099421

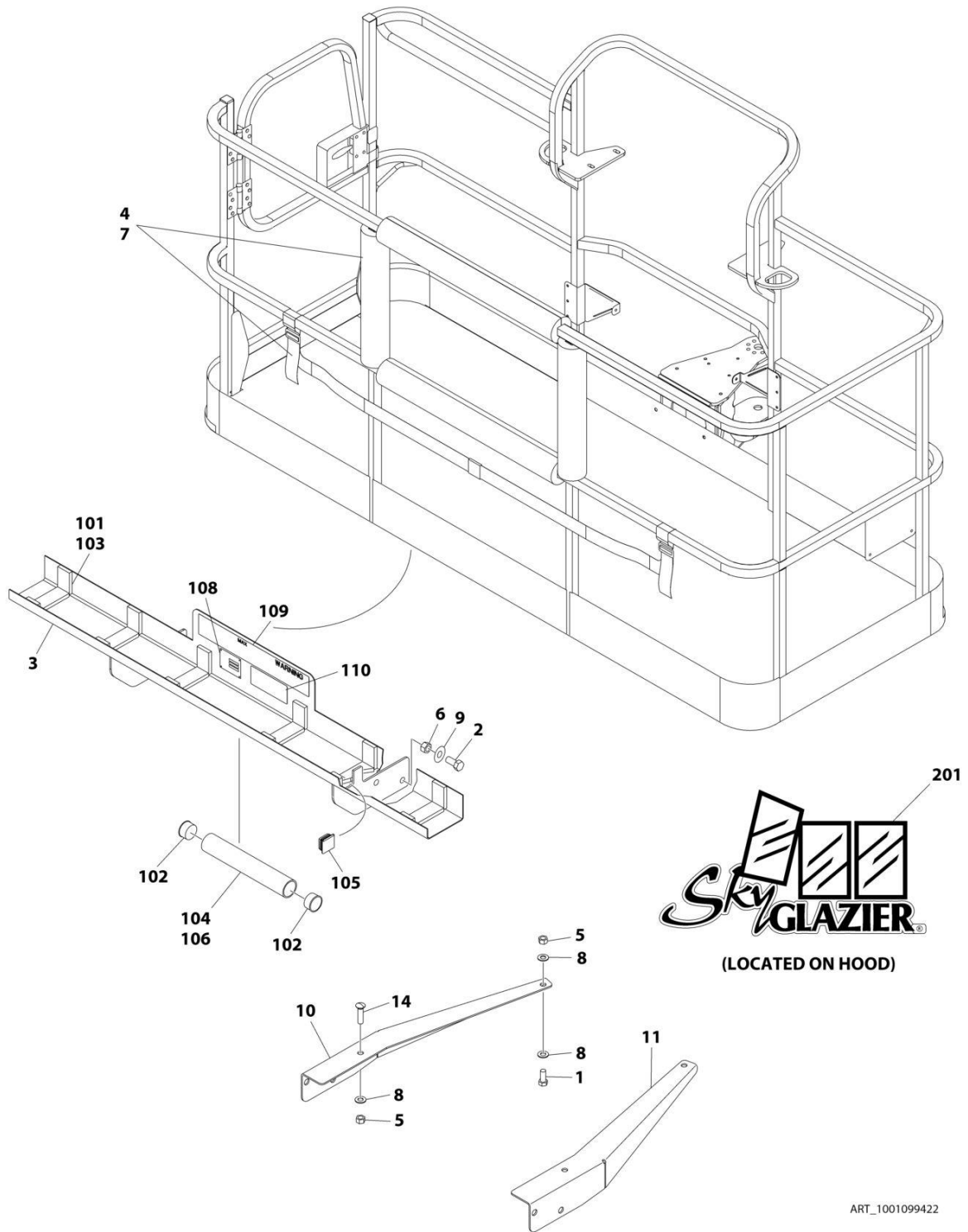
## SECTION 5 - PLATFORM

**FIGURE 5-40. SKYGLAZIER INSTALLATION (SPANISH LANGUAGE DECALS)**

ITEM	PART NUMBER	QTY	DESCRIPTION	REV
	1001099421	Ref	SKYGLAZIER INSTALLATION	C
1	0642012	2	Bolt 5/8 x 1-1/2	
2	0642212	4	Bolt 3/4 x 1-1/2	
3	0272948	1	Tray Assembly (See Items 101-110 for Breakdown)	
4	2902212	1	Bumpers and Strap Kit	
4	0940102	1	Bumper Only	
4	4240149	1	Strap Only	
5	3312005	4	Nut 5/8	
6	3312205	4	Nut 3/4	
7	4420014	AR	Tape	
8	4712000	6	Washer 5/8	
9	4712200	8	Washer 3/4	
10	1001099366	1	Support	
11	1001099367	1	Support	
14	8310129	2	Bolt 3/4 x 2-1/2	
	0272948	Ref	TRAY ASSEMBLY	F
101	0100081	AR	Adhesive	
102	1120555	2	Cap, Tube	
103	3340956	1	Pad Kit	
104	3460334	1	Tube	
105	3520071	2	Plug	
106	4420066	AR	Tape, Double Sided	
108	See Note	NSS	Nameplate - Serial Number (Note: Not Available for Purchase)	
109	1001163296	2	Decal - Glazier Capacity	
110	1701509	1	Decal - Manual	
	0272418	Ref	SKYGLAZIER DECAL INSTALLATION	4
201	1705358	2	Decal - SkyGlazier	

# SECTION 5 - PLATFORM

## FIGURE 5-41. SKYGLAZIER INSTALLATION (PORTUGUESE LANGUAGE DECALS)



ART\_1001099422



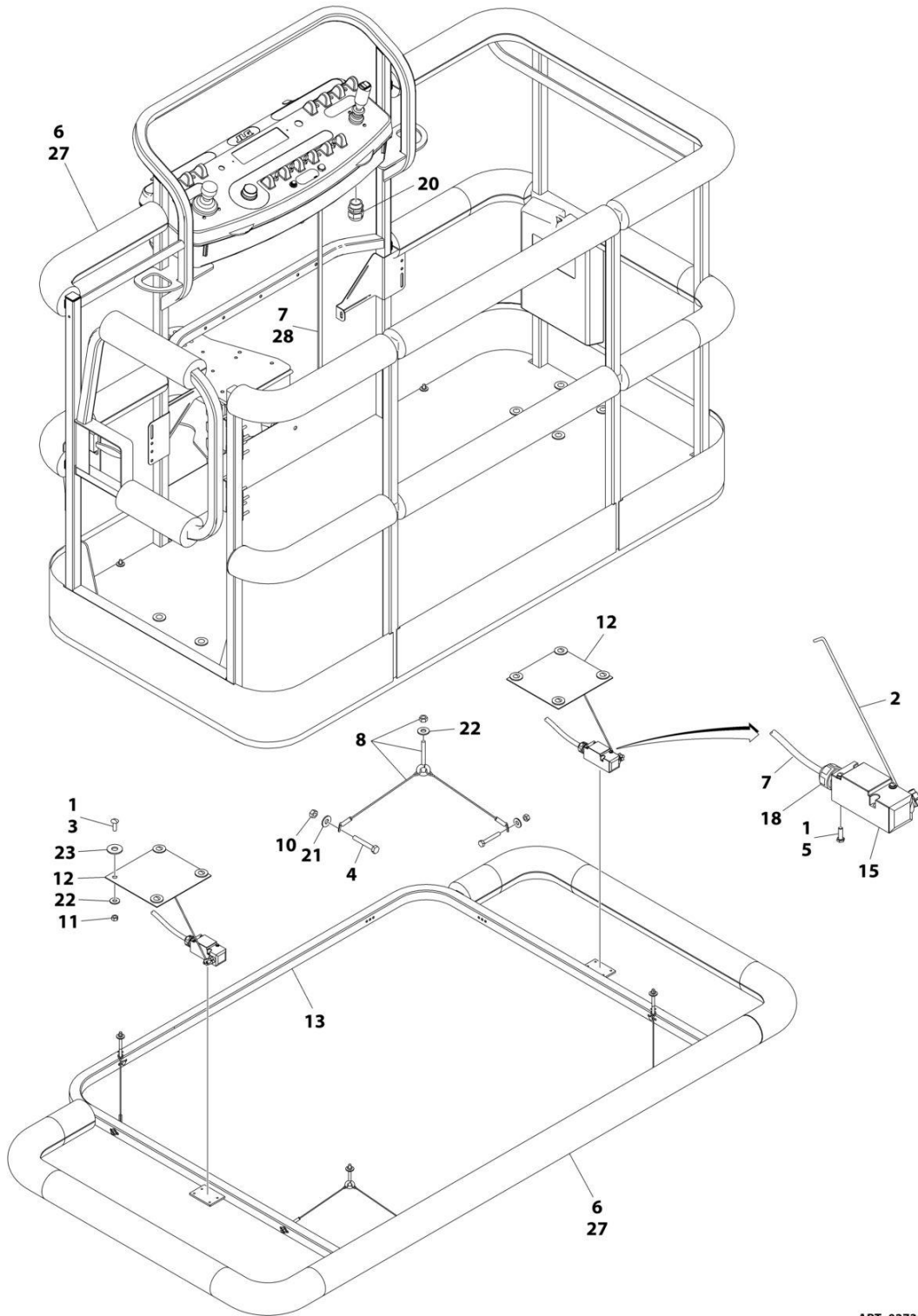
## SECTION 5 - PLATFORM

**FIGURE 5-41. SKYGLAZIER INSTALLATION (PORTUGUESE LANGUAGE DECALS)**

ITEM	PART NUMBER	QTY	DESCRIPTION	REV
	1001099422	Ref	SKYGLAZIER INSTALLATION	C
1	0642012	2	Bolt 5/8 x 1-1/2	
2	0642212	4	Bolt 3/4 x 1-1/2	
3	0272951	1	Tray Assembly (See Items 101-110 for Breakdown)	
4	2902212	1	Bumpers and Strap Kit	
4	0940102	1	Bumper Only	
4	4240149	1	Strap Only	
5	3312005	4	Nut 5/8	
6	3312205	4	Nut 3/4	
7	4420014	AR	Tape	
8	4712000	6	Washer 5/8	
9	4712200	8	Washer 3/4	
10	1001099366	1	Support	
11	1001099367	1	Support	
14	8310129	2	Bolt 3/4 x 2-1/2	
	0272951	Ref	TRAY ASSEMBLY	F
101	0100081	AR	Adhesive	
102	1120555	2	Cap, Tube	
103	3340956	1	Pad Kit	
104	3460334	1	Tube	
105	3520071	2	Plug	
106	4420066	AR	Tape, Double Sided	
108	See Note	NSS	Nameplate - Serial Number (Note: Not Available for Purchase)	
109	1001163297	2	Decal - Glazier Capacity	
110	1701509	1	Decal - Manual	
	0272418	Ref	SKYGLAZIER DECAL INSTALLATION	4
201	1705358	2	Decal - SkyGlazier	

# SECTION 5 - PLATFORM

## FIGURE 5-42. SOFT TOUCH SYSTEM INSTALLATION - 6FT/1.83M PLATFORM



ART\_0273824\_E

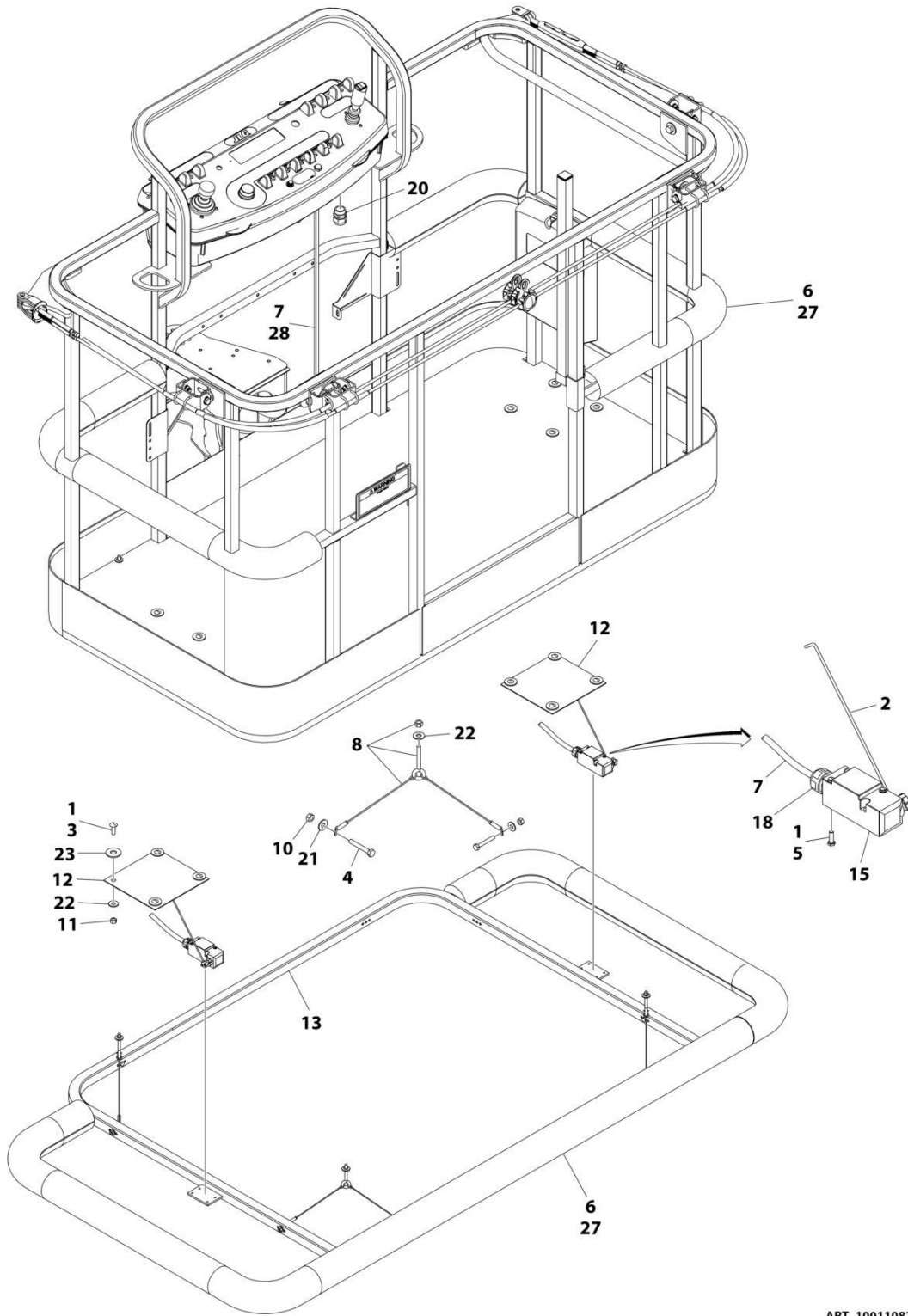
## SECTION 5 - PLATFORM

**FIGURE 5-42. SOFT TOUCH SYSTEM INSTALLATION - 6FT/1.83M PLATFORM**

ITEM	PART NUMBER	QTY	DESCRIPTION	REV
	0273824	Ref	SOFT TOUCH SYSTEM INSTALLATION	E
1	0100011	AR	Compound, Locking	
2	0200048	2	Arm, Switch	
3	0630462	8	Bolt	
4	0641414	8	Bolt 1/4 x 1-3/4	
5	0731005	4	Bolt #10 x 5/8	
6	0940134	1	Bumper Kit (Includes Corners and Enough Straight Material for One Platform)	
6	0940092	AR	Bumper (Corner)	
6	0940094	AR	Bumper (12ft Length)	
7	1060341	23 ft/7m	Cable, Soft Touch - 16/2	
8	1060903	4	Wire Rope and Eyebolt Assembly	
10	3311401	8	Nut 1/4	
11	3311501	8	Nut 5/16	
12	3575359	2	Plate, Switch Strike	
13	3641569	1	Rail, Soft Touch	
14	4240099	7	Tie-Strap (Not Shown)	
15	4360057	2	Switch, Limit	
18	4460049	2	Connector, Strain Relief	
19	4460234	7	Tie-Strap (Not Shown)	
20	4460425	1	Connector, Strain Relief	
21	4751400	8	Washer 1/4	
22	4751500	12	Washer 5/16	
23	4751800	8	Washer 1/2	
27	1001197017	AR	Tie-Strap	
28	4460226	4	Socket	

# SECTION 5 - PLATFORM

## FIGURE 5-43. SOFT TOUCH SYSTEM INSTALLATION - 6FT/1.83M FALL ARREST PLATFORM



ART\_1001108256\_D

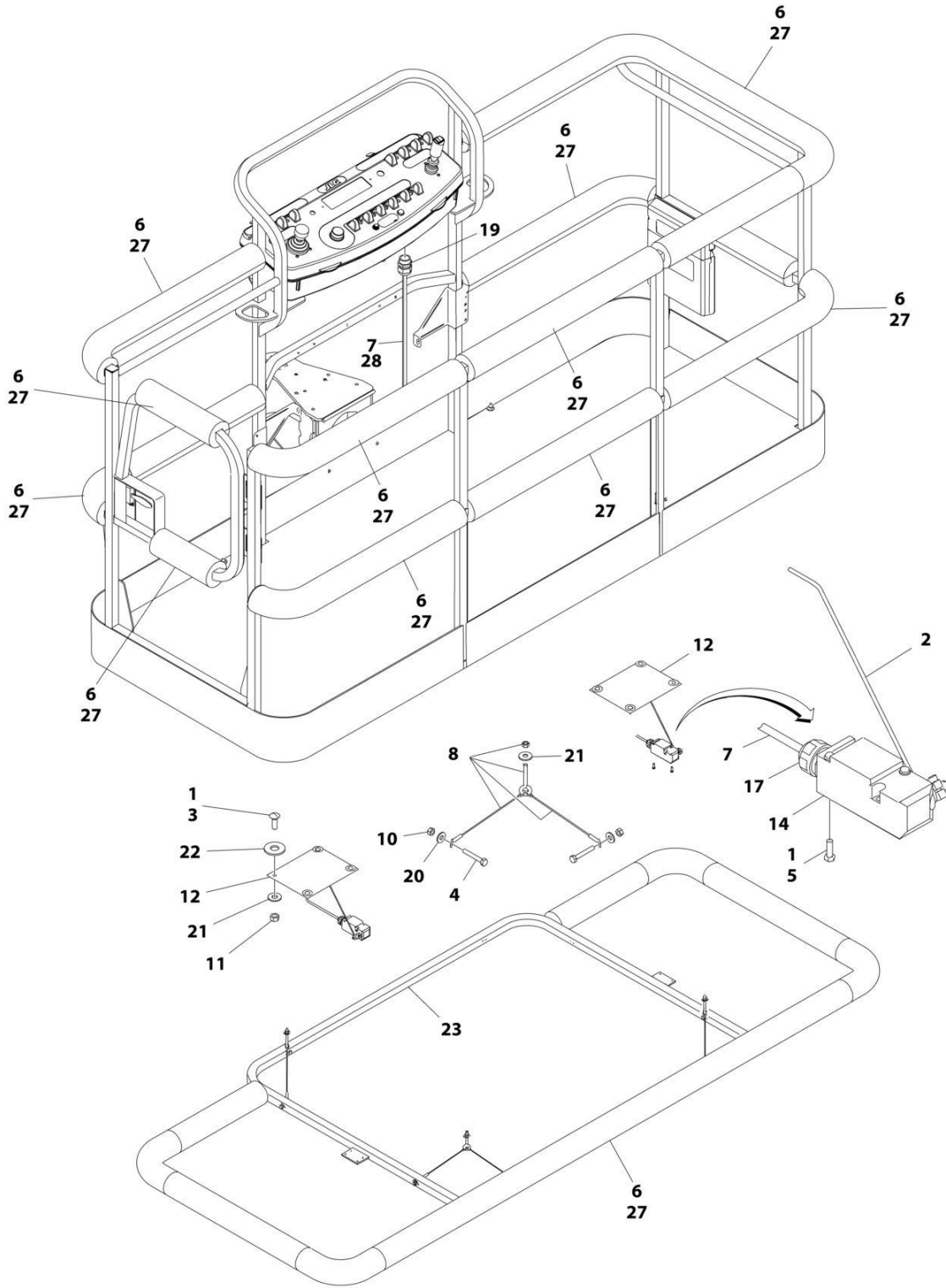
## SECTION 5 - PLATFORM

**FIGURE 5-43. SOFT TOUCH SYSTEM INSTALLATION - 6FT/1.83M FALL ARREST PLATFORM**

ITEM	PART NUMBER	QTY	DESCRIPTION	REV
	1001108256	Ref	SOFT TOUCH INSTALLATION	D
1	0100011	AR	Compound, Locking	
2	0200048	2	Arm, Switch	
3	0630462	8	Bolt	
4	0641414	8	Bolt 1/4 x 1-3/4	
5	0731005	4	Bolt #10 x 5/8	
6	0940177	1	Bumper Kit (Includes Corners and Enough Straight Material for One Platform)	
6	0940092	8	Bumper (Corner)	
6	0940094	AR	Bumper (12ft Length)	
7	1060341	23 ft/7m	Cable, Soft Touch - 16/2	
8	1060903	4	Wire Rope and Eyebolt Assembly	
10	3311401	8	Nut 1/4	
11	3311501	8	Nut 5/16	
12	3575359	2	Plate, Switch Strike	
13	3641569	1	Rail, Soft Touch	
14	4240099	7	Tie-Strap (Not Shown)	
15	4360057	2	Switch, Limit	
18	4460049	2	Connector, Strain Relief	
19	4460234	7	Tie-Strap (Not Shown)	
20	4460425	1	Connector, Strain Relief	
21	4751400	8	Washer 1/4	
22	4751500	9	Washer 5/16	
23	4751800	8	Washer 1/2	
27	1001197017	AR	Strap, Cable Tie (Yellow)	
28	4460226	4	Socket	

# SECTION 5 - PLATFORM

## FIGURE 5-44. SOFT TOUCH SYSTEM INSTALLATION - 8FT/2.44M PLATFORM



ART\_0272427\_H

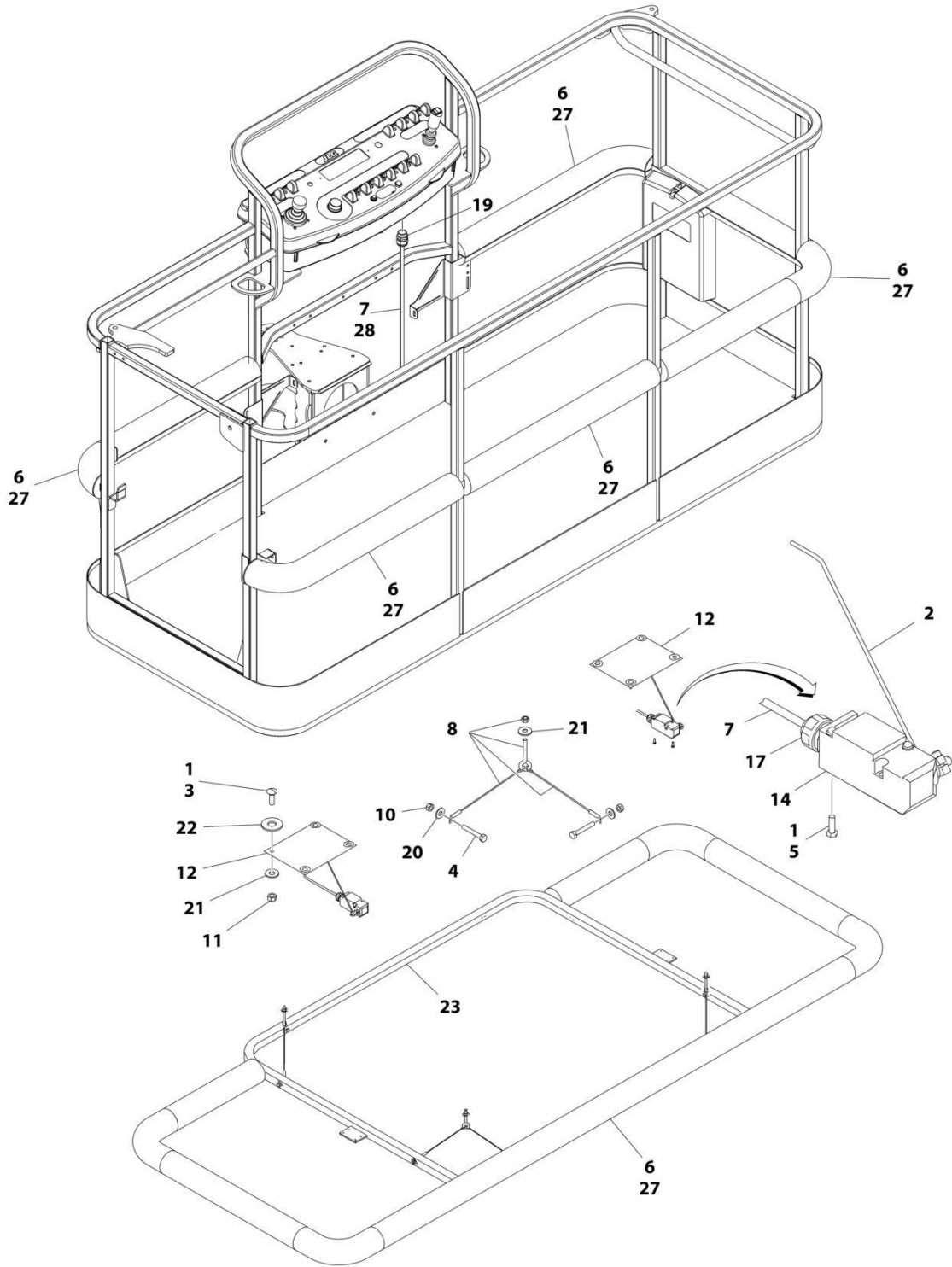
## SECTION 5 - PLATFORM

**FIGURE 5-44. SOFT TOUCH SYSTEM INSTALLATION - 8FT/2.44M PLATFORM**

ITEM	PART NUMBER	QTY	DESCRIPTION	REV
	0272427	Ref	SOFT TOUCH INSTALLATION - 36IN X 8FT (91.5CM X 2.44M) PLATFORM	H
1	0100011	AR	Compound, Locking	
2	0200048	2	Arm, Switch	
3	0630462	8	Bolt	
4	0641414	8	Bolt 1/4 x 1-3/4	
5	0721005	4	Bolt #10 x 5/8	
6	0940103	1	Bumper Kit (Includes Corners and Enough Straight Material for One Platform)	
6	0940092	12	Bumper (Corner)	
6	0940094	AR	Bumper (12ft Length)	
7	1060341	23 ft/7m	Cable, Soft Touch - 16/2	
8	1060903	4	Wire Rope and Eyebolt Assembly	
10	3311401	8	Nut 1/4	
11	3311501	8	Nut 5/16	
12	3574091	2	Plate, Switch Strike	
13	4240099	7	Tie-Strap (Not Shown)	
14	4360057	2	Switch, Limit	
17	4460049	2	Connector, Strain Relief	
18	4460234	7	Tie-Strap (Not Shown)	
19	4460425	1	Connector, Strain Relief	
20	4751400	8	Washer 1/4	
21	4751500	12	Washer 5/16	
22	4751800	8	Washer 1/2	
23	4846673	1	Rail, Soft Touch	
27	1001197017	AR	Tie-Strap	
28	4460226	1	Socket	

# SECTION 5 - PLATFORM

## FIGURE 5-45. SOFT TOUCH SYSTEM INSTALLATION - 8FT/2.44M FALL ARREST PLATFORM



ART\_0273706\_E



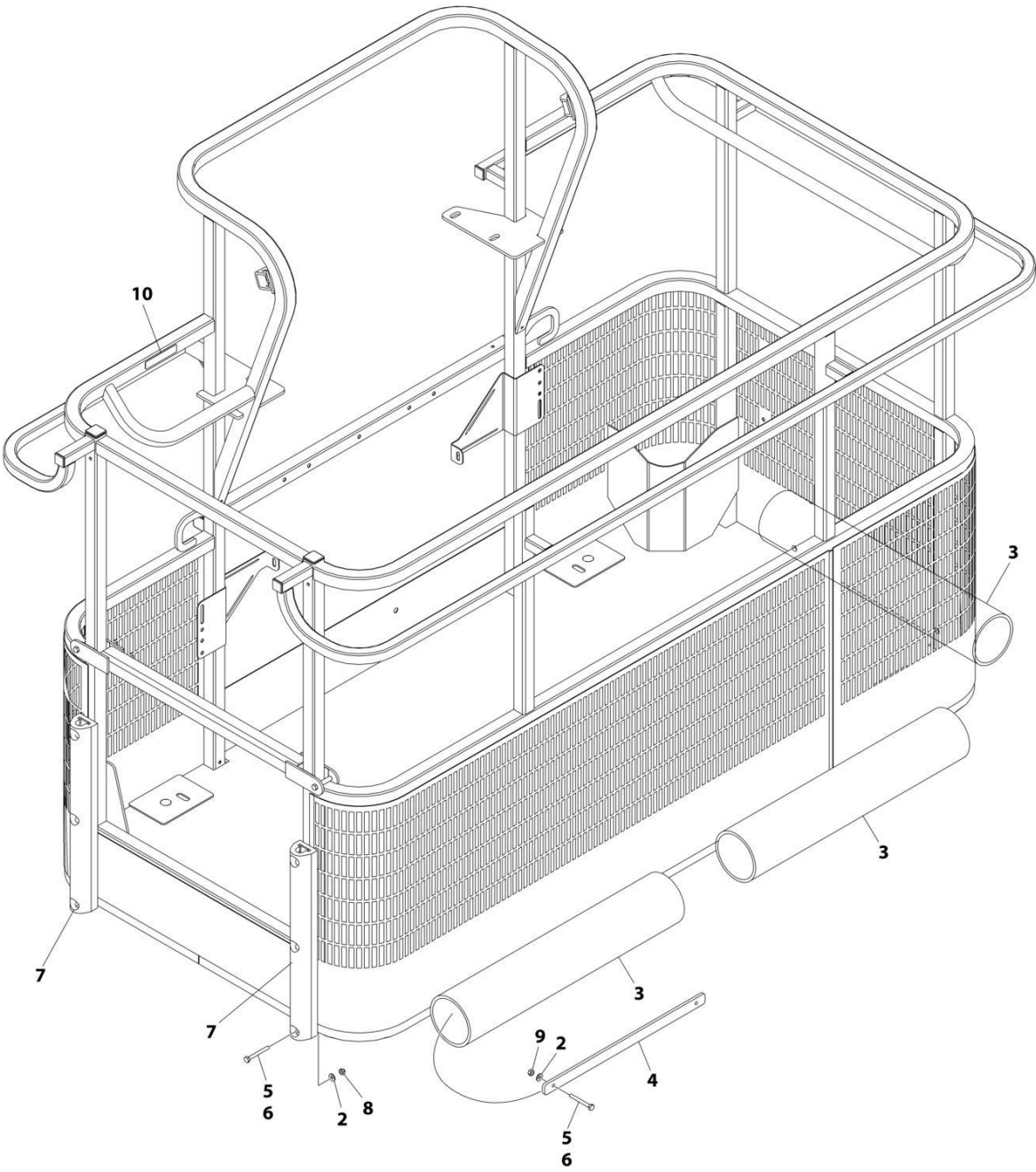
## SECTION 5 - PLATFORM

**FIGURE 5-45. SOFT TOUCH SYSTEM INSTALLATION - 8FT/2.44M FALL ARREST PLATFORM**

ITEM	PART NUMBER	QTY	DESCRIPTION	REV
	0273706	Ref	SOFT TOUCH INSTALLATION	E
1	0100011	AR	Compound, Locking	
2	0200048	2	Arm, Switch	
3	0630462	8	Bolt	
4	0641414	8	Bolt 1/4 x 1-3/4	
5	0721005	4	Bolt #10 x 5/8	
6	0940133	1	Bumper Kit (Includes Corners and Enough Straight Material for One Platform)	
6	0940092	8	Bumper (Corner)	
6	0940094	AR	Bumper (12ft Length)	
7	1060341	23 ft/7m	Cable, Soft Touch - 16/2	
8	1060903	4	Wire Rope and Eyebolt Assembly	
10	3311401	8	Nut 1/4	
11	3311501	8	Nut 5/16	
12	3574091	2	Plate, Switch Strike	
13	4240099	7	Tie-Strap (Not Shown)	
14	4360057	2	Switch, Limit	
17	4460049	2	Connector, Strain Relief	
18	4460234	7	Tie-Strap (Not Shown)	
19	4460425	1	Connector, Strain Relief	
20	4751400	8	Washer 1/4	
21	4751500	12	Washer 5/16	
22	4751800	8	Washer 1/2	
23	4846673	1	Rail, Soft Touch	
27	1001197017	AR	Tie-Strap	
28	4460226	4	Socket	

# SECTION 5 - PLATFORM

## FIGURE 5-46. PLATFORM BUMPER PADDING INSTALLATION (OPTIONAL)



ART\_1001110982

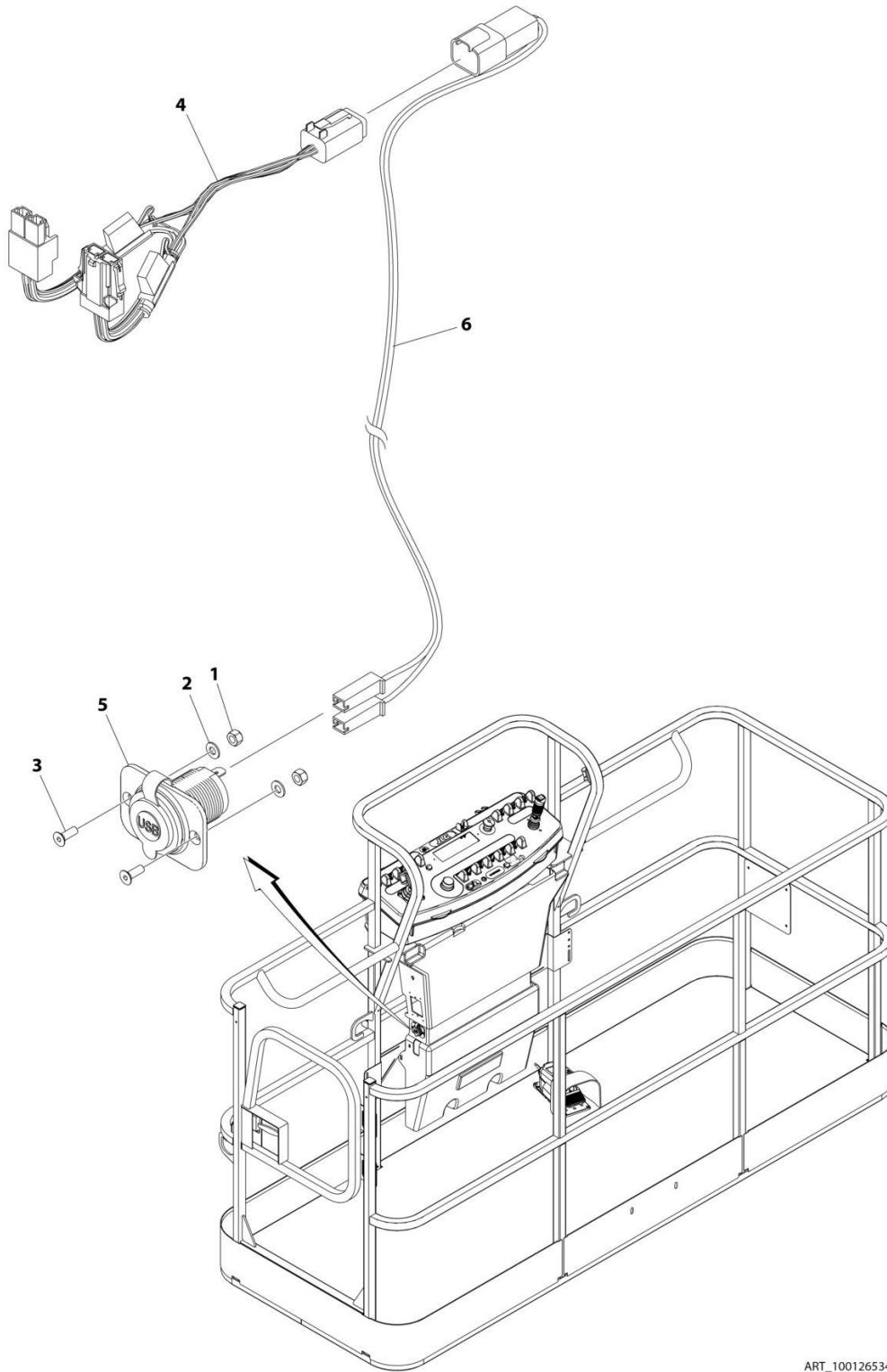
## SECTION 5 - PLATFORM

**FIGURE 5-46. PLATFORM BUMPER PADDING INSTALLATION (OPTIONAL)**

ITEM	PART NUMBER	QTY	DESCRIPTION	REV
	1001110982	Ref	BUMPER INSTALLATION	E
2	4711400	10	Washer 1/4	
3	1001110979	3	Bumper	
4	1001110980	3	Clamp, Bumper	
5	0100011	AR	Compound, Locking	
6	0641418	10	Bolt 1/4 x 2-1/4	
7	0940159	2	Bumper	
8	3300430	4	Nut, Acorn 1/4	
9	3311405	6	Nut 1/4	
10	1001251863	1	Decal - Bumpers Accessory Weight	

# SECTION 5 - PLATFORM

## FIGURE 5-47. USB CHARGER INSTALLATION



ART\_1001265342

## SECTION 5 - PLATFORM

**FIGURE 5-47. USB CHARGER INSTALLATION**

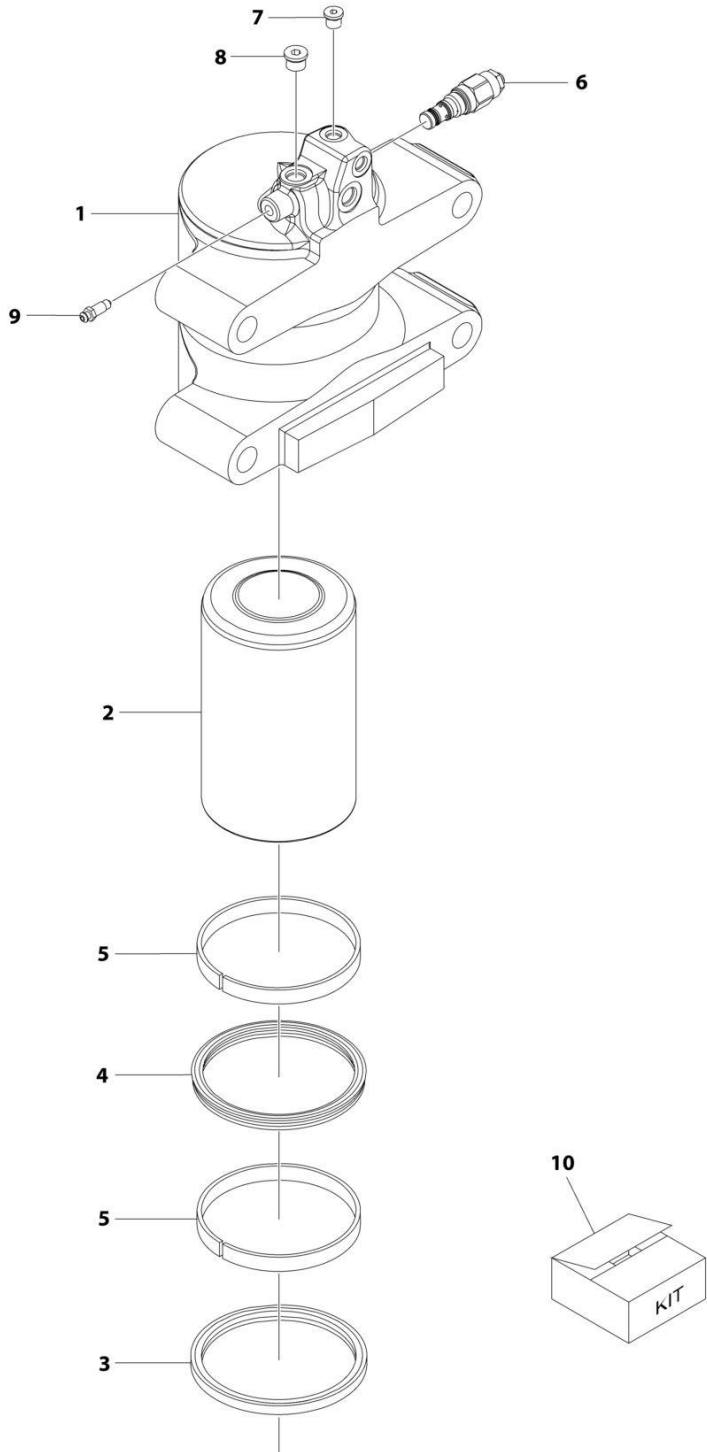
ITEM	PART NUMBER	QTY	DESCRIPTION	REV
	1001265342	Ref	USB CHARGER INSTALLATION	A
1	3290405	2	Nut M4	
2	4811400	2	Washer M4	
3	1001097244	2	Screw M4 x 12	
4	1001120484	1	Harness, Work Lights	
4	4460879	1	Plug, Male - 2 Position	
4	4460887	2	Terminal	
4	2400060	2	Fuseholder Includes Cover	
4	8229249	2	Fuse, 3 Amp	
4	4460884	1	Connector - 4 Position	
4	4460465	4	Socket, Female	
4	1001120471	1	Connector - 2 Position	
4	1001120477	2	Terminal	
5	1001210636	1	Receptacle, USB	
6	1001265163	1	Harness, USB	A
6	4460260	2	Cover, Terminal	
6	4460259	2	Terminal	
6	4460932	1	Receptacle, Bussbar - 4 Position	
6	4460464	2	Pin, Male	
6	4460466	2	Plug, Terminal	



**SECTION 6 - CYLINDER**

**SECTION 6 - CYLINDER**

**FIGURE 6-1. AXLE LOCKOUT CYLINDER ASSEMBLY**



ART\_1001204560



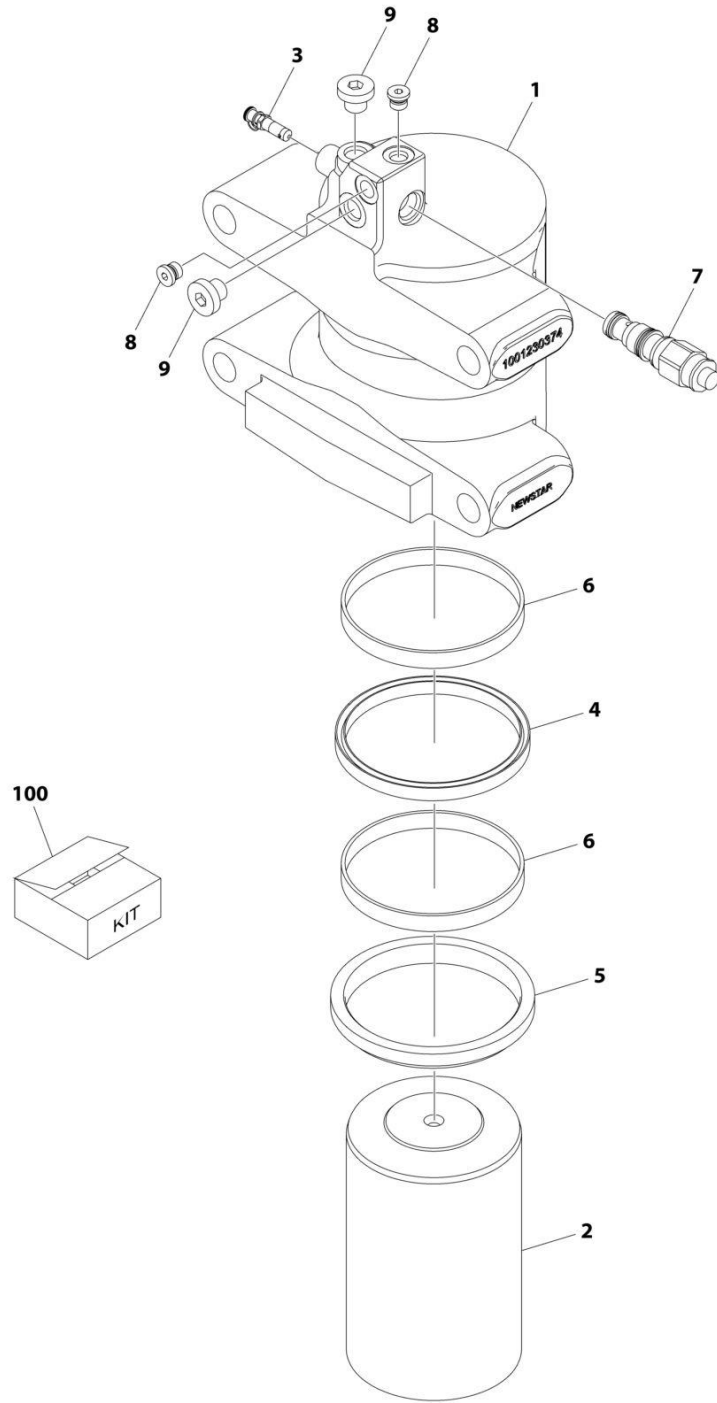
## SECTION 6 - CYLINDER

**FIGURE 6-1. AXLE LOCKOUT CYLINDER ASSEMBLY**

ITEM	PART NUMBER	QTY	DESCRIPTION	REV
	1001204560	Ref	AXLE LOCKOUT CYLINDER ASSEMBLY	D
1	1001154126	1	Barrel	
2	1001154687	1	Rod	
3	See Note	NSS	Wiper (Note: Use Item 10)	
4	See Note	NSS	Seal, Rod (Note: Use Item 10)	
5	See Note	NSS	Ring, Wear (Note: Use Item 10)	
6	1001117372	1	Cartridge, Valve (Counterbalance)	
6	70002842	1	Seal Kit - 1001117372 Valve (1 Per Assembly)	
7	2220883	1	Plug, O-Ring	
8	2220885	1	Plug, O-Ring	
9	4640858	1	Valve, Bleeder	
10	1001098167	1	Seal Kit (Includes Items 3-5)	

# SECTION 6 - CYLINDER

## FIGURE 6-2. AXLE LOCKOUT CYLINDER ASSEMBLY



ART\_1001230374

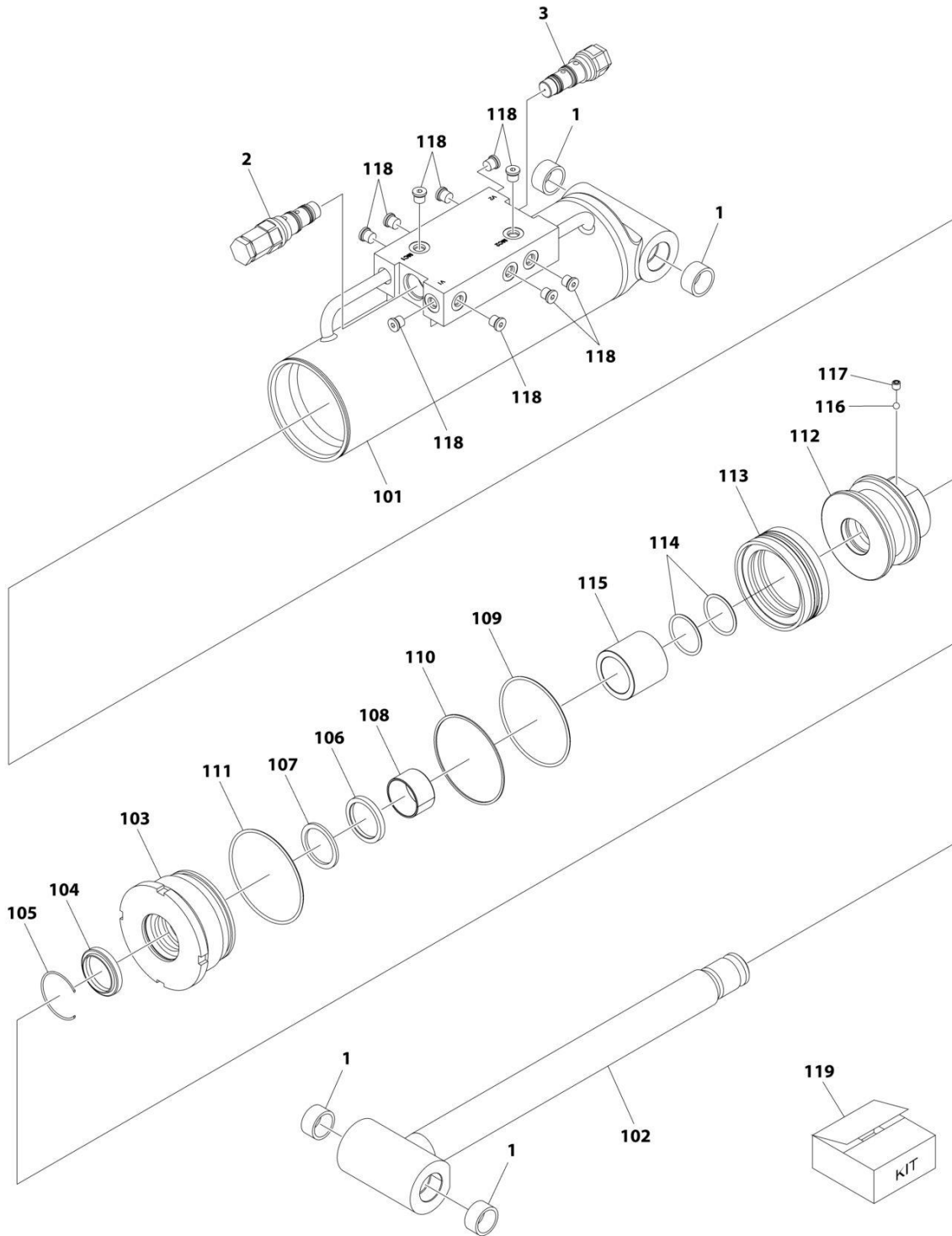
## SECTION 6 - CYLINDER

**FIGURE 6-2. AXLE LOCKOUT CYLINDER ASSEMBLY**

ITEM	PART NUMBER	QTY	DESCRIPTION	REV
	1001230374	Ref	AXLE LOCKOUT CYLINDER ASSEMBLY	A
		Ref	Note: Original Cylinder may have been replaced with Service Replacement. Identify PN Stamped on Cylinder Before Ordering Parts.	
1	See Note	NSS	Barrel (Note: Not Available for Purchase)	
2	70006948	1	Rod	
3	4640858	1	Bleeder Valve	
4	See Note	NSS	Seal, Rod (Note: Use Item 100)	
5	See Note	NSS	Wiper (Note: Use Item 100)	
6	See Note	NSS	Ring, Wear (Note: Use Item 100)	
7	1001117372	1	Counterbalance Valve	
7	70002842	1	Seal Kit - 1001117372 Valve	
8	2220883	2	Plug	
9	2220885	2	Plug	
100	70006949	1	Seal kit - 1001230374 Cylinder (Includes 4-6)	

# SECTION 6 - CYLINDER

## FIGURE 6-3. LEVEL CYLINDER ASSEMBLY - PLATFORM SLAVE (800S)



ART\_1001251027

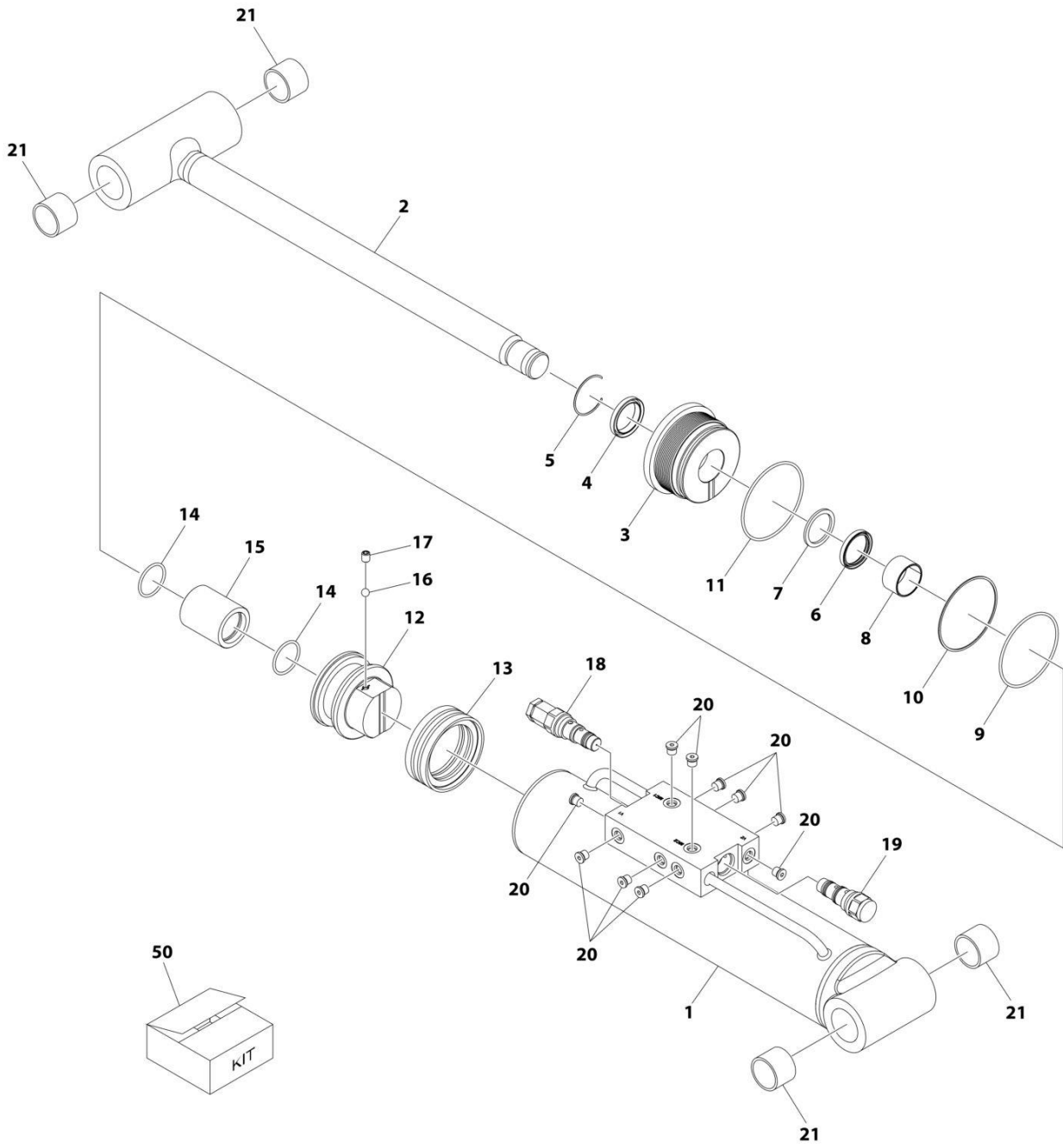
## SECTION 6 - CYLINDER

**FIGURE 6-3. LEVEL CYLINDER ASSEMBLY - PLATFORM SLAVE (800S)**

ITEM	PART NUMBER	QTY	DESCRIPTION	REV
	1001251027	Ref	LEVEL CYLINDER ASSEMBLY - PLATFORM SLAVE	A
		Ref	Note: Original Cylinder May Have Been Replaced with Service Replacement. Identify PN Stamped on Cylinder Before Ordering Parts.	
1	0961947	4	Bushing	
2	4640932	1	Valve, Cartridge	
2	7011112	1	Seal Kit - 4640932 Valve	
3	4641232	1	Valve, Cartridge	
3	7011112	1	Seal Kit - 4641232 Valve	
101	See Note	NSS	Tube (Note: Not Available for Purchase)	
102	70008186	1	Rod	
103	70007971	1	Head	
104	See Note	NSS	Wiper, Dust (Note: Use Item 119)	
105	70002373	1	Ring, Retaining	
106	See Note	NSS	Rod, Seal (Note: Use Item 119)	
107	See Note	NSS	Ring, Backup (Note: Use Item 119)	
108	70005871	1	Bushing	
109	See Note	NSS	O-Ring (Note: Use Item 119)	
110	See Note	NSS	Ring, Backup (Note: Use Item 119)	
111	See Note	NSS	O-Ring (Note: Use Item 119)	
112	70007972	1	Piston	
113	See Note	NSS	Seal, Piston (Note: Use Item 119)	
114	See Note	NSS	O-Ring (Note: Use Item 119)	
115	70008187	1	Spacer	
116	70022564	1	Ball, Steel	
117	70022563	1	Setscrew	
118	2220883	10	Plug	
119	7007974	1	Seal Kit (Includes Items 104, 106-107, 109-111 & 113-114)	

# SECTION 6 - CYLINDER

FIGURE 6-4. LEVEL CYLINDER ASSEMBLY - PLATFORM SLAVE (MACHINES WITH SN STARTING WITH 03 OR 13) (860SJ)



ART\_1001251022

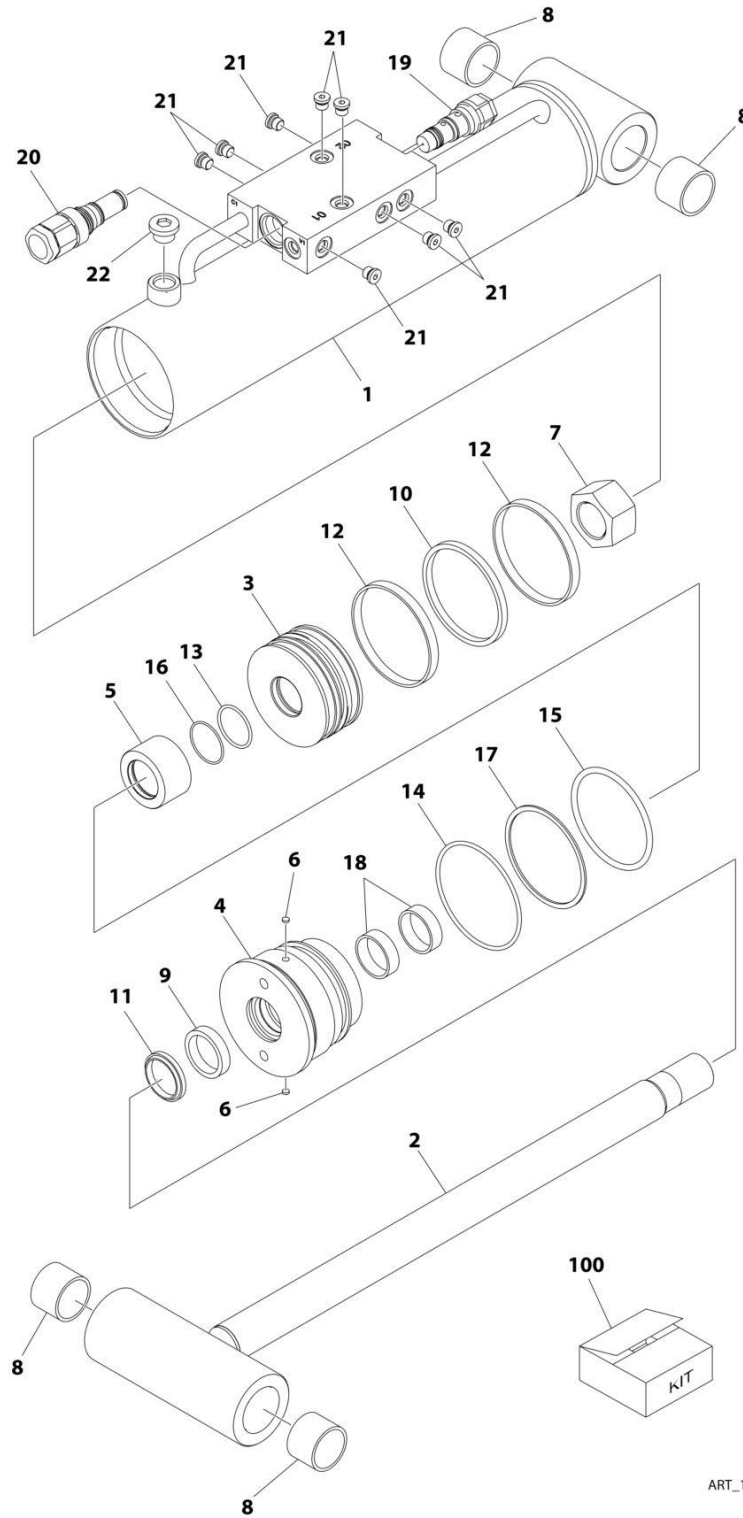
## SECTION 6 - CYLINDER

**FIGURE 6-4. LEVEL CYLINDER ASSEMBLY - PLATFORM SLAVE (MACHINES WITH SN STARTING WITH 03 OR 13) (860SJ)**

ITEM	PART NUMBER	QTY	DESCRIPTION	REV
	1001251022	Ref	TELESCOPE CYLINDER ASSEMBLY	A
		Ref	Note: Original Cylinder may have been replaced with Service Replacement. Identify PN Stamped on Cylinder Before Ordering Parts.	
1	See Note	NSS	Barrel (Note: Use PN 1001251022)	
2	70007970	1	Rod	
3	70007971	1	Head	
4	See Note	NSS	Wiper (Note: Use Item 50)	
5	70002373	1	Ring, Retaining	
6	See Note	NSS	Seal, Rod (Note: Use Item 50)	
7	See Note	NSS	Ring, Back-up (Note: Use Item 50)	
8	70005871	1	Bearing	
9	See Note	NSS	O-Ring (Note: Use Item 50)	
10	See Note	NSS	Ring, Back-up (Note: Use Item 50)	
11	See Note	NSS	O-Ring (Note: Use Item 50)	
12	70007972	1	Piston	
13	See Note	NSS	Seal, Piston (Note: Use Item 50)	
14	See Note	NSS	O-Ring (Note: Use Item 50)	
15	70007973	1	Spacer	
16	70022564	1	Ball	
17	70022563	1	Setscrew	
18	4640932	1	Cartridge, Valve - Counterbalance	
18	7011112	1	Seal Kit - 4640932 Valve	
19	4641232	1	Cartridge, Valve - Counterbalance	
19	7011112	1	Seal Kit - 4641232 Valve	
20	2220883	10	Plug 7/16	
21	0961948	4	Bearing	
50	70007974	1	Seal Kit - 1001251022 Cylinder (Includes Items 4, 6, 7, 9-11, 13 & 14)	

# SECTION 6 - CYLINDER

FIGURE 6-5. LEVEL CYLINDER ASSEMBLY - PLATFORM SLAVE (MACHINES WITH SN STARTING WITH B3) (860SJ)



ART\_1001230372



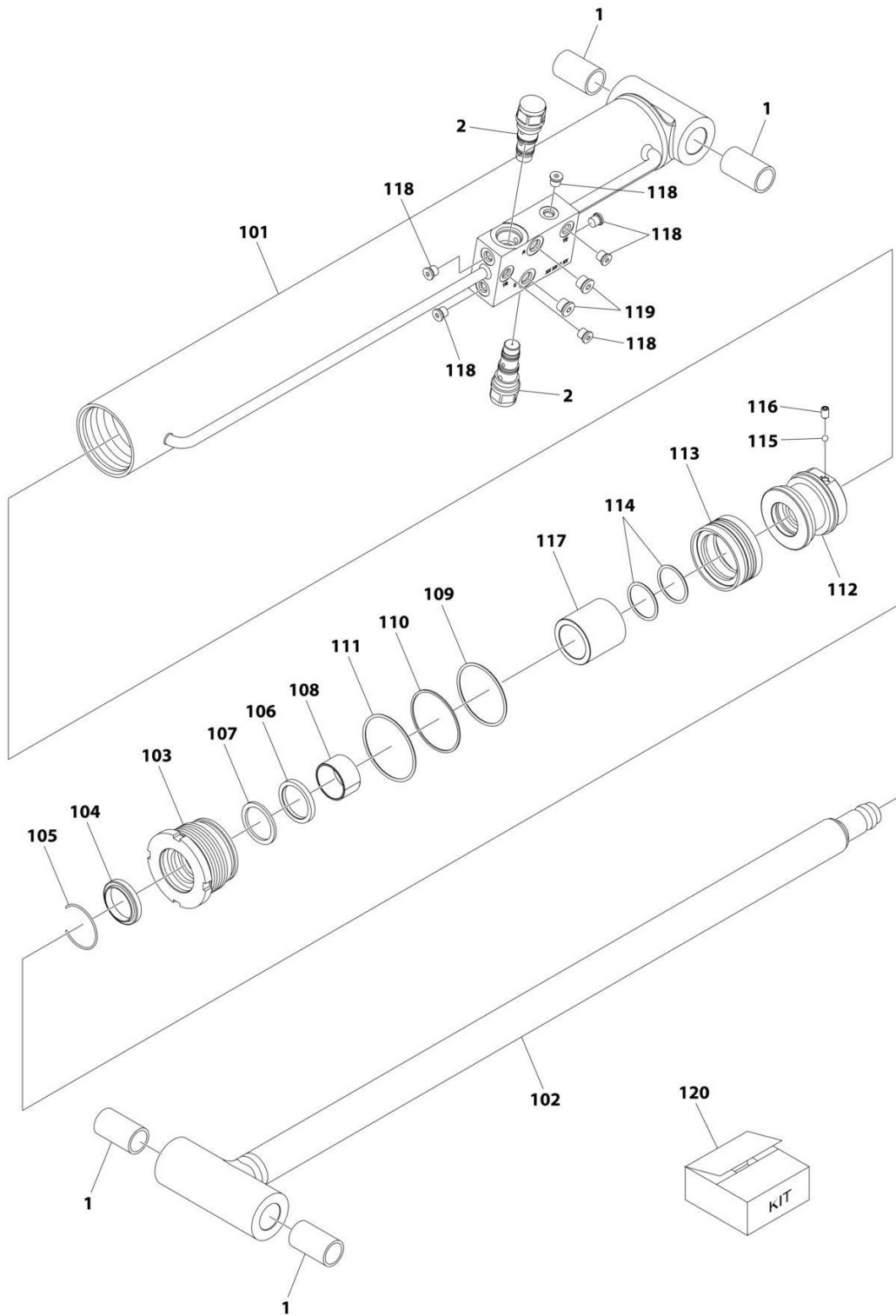
## SECTION 6 - CYLINDER

**FIGURE 6-5. LEVEL CYLINDER ASSEMBLY - PLATFORM SLAVE (MACHINES WITH SN STARTING WITH B3) (860SJ)**

ITEM	PART NUMBER	QTY	DESCRIPTION	REV
	1001230372	Ref	LEVEL CYLINDER ASSEMBLY - PLATFORM SLAVE	A
		Ref	Note: Original Cylinder may have been replaced with Service Replacement. Identify PN Stamped on Cylinder Before Ordering Parts.	
1	See Note	NSS	Barrel (Note: Not Available for Purchase)	
2	70006935	1	Rod	
3	70006936	1	Piston	
4	70006937	1	Head	
5	70006938	1	Spacer	
6	70003636	2	Insert	
7	70006893	1	Nut	
8	0961948	4	Bushing	
9	See Note	NSS	Seal, Rod (Note: Use Item 100)	
10	See Note	NSS	Seal, Piston (Note: Use Item 100)	
11	See Note	NSS	Wiper (Note: Use Item 100)	
12	See Note	NSS	Ring, Wear (Note: Use Item 100)	
13	See Note	NSS	O-Ring (Note: Use Item 100)	
14	See Note	NSS	O-Ring (Note: Use Item 100)	
15	See Note	NSS	O-Ring (Note: Use Item 100)	
16	See Note	NSS	O-Ring (Note: Use Item 100)	
17	See Note	NSS	Ring, Back-up (Note: Use Item 100)	
18	See Note	NSS	Ring, Wear (Note: Use Item 100)	
19	4641232	1	Valve, Cartridge	
19	7011112	1	Seal Kit - 4640932 Valve	
20	4640932	1	Valve, Cartridge	
20	7011112	1	Seal Kit - 4641232 Valve	
21	2220883	10	Plug	
22	2220886	1	Plug	
100	70006939	1	Seal Kit (Includes Items 9-18)	

# SECTION 6 - CYLINDER

## FIGURE 6-6. LIFT CYLINDER ASSEMBLY - JIB (860SJ)



ART\_1001251012

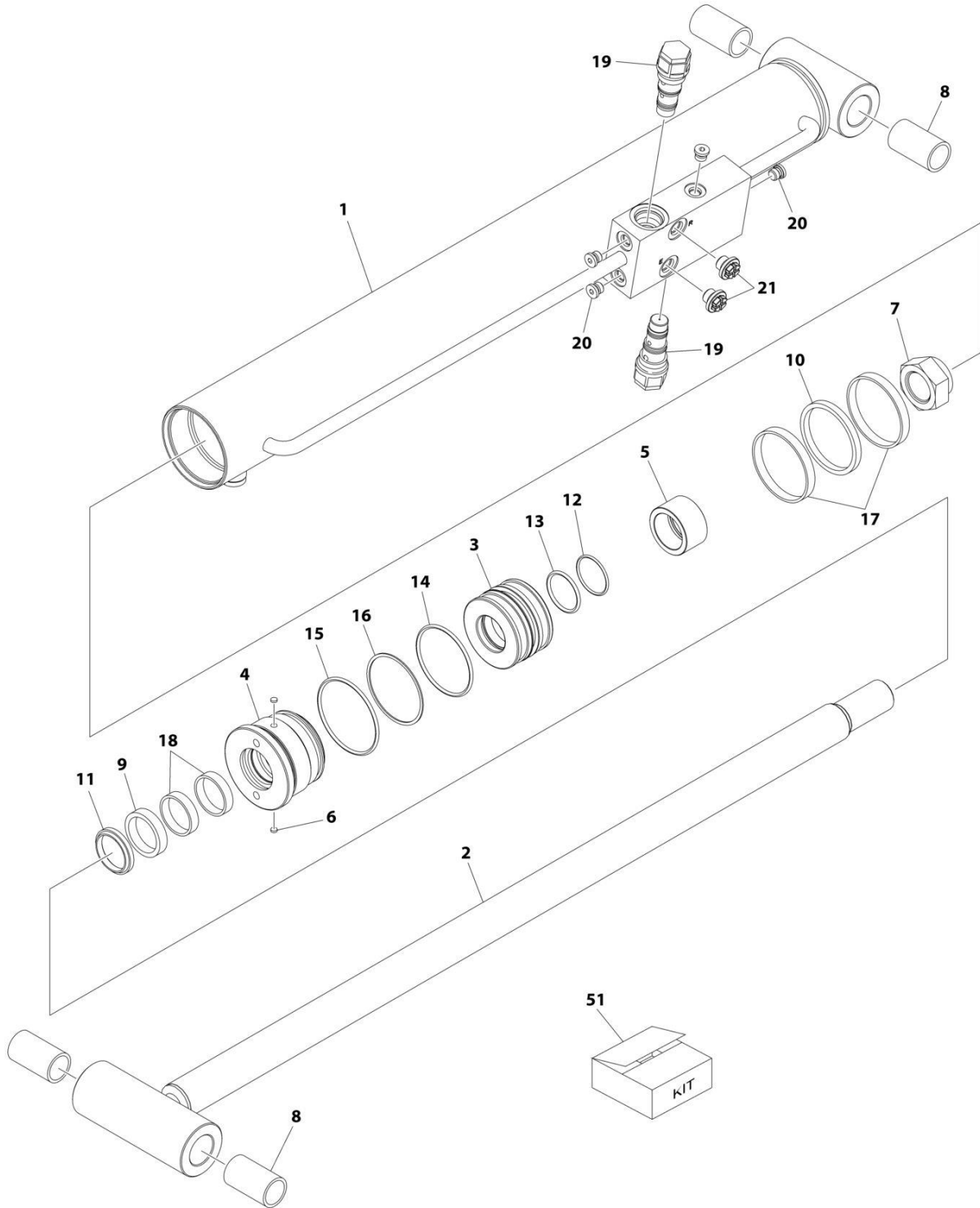
## SECTION 6 - CYLINDER

**FIGURE 6-6. LIFT CYLINDER ASSEMBLY - JIB (860SJ)**

ITEM	PART NUMBER	QTY	DESCRIPTION	REV
	1001251012	Ref	LIFT CYLINDER ASSEMBLY - JIB	A
		Ref	Note: Original Cylinder May Have Been Replaced with Service Replacement. Identify PN Stamped on Cylinder Before Ordering Parts.	
1	0962336	4	Bushing	
2	4640509	2	Cartridge, Valve	
2	2900792	2	Seal Kit - 4640509 Valve	
101	See Note	NSS	Tube (Note: Not Available for Purchase)	
102	70008175	1	Rod	
103	70008176	1	Head	
104	See Note	NSS	Wiper, Dust (Note: Use Item 120)	
105	70002373	1	Ring, Retaining	
106	See Note	NSS	Seal, Rod (Note: Use Item 120)	
107	See Note	NSS	Ring, Backup (Note: Use Item 120)	
108	70005871	1	Bushing	
109	See Note	NSS	O-Ring (Note: Use Item 120)	
110	See Note	NSS	Ring, Backup (Note: Use Item 120)	
111	See Note	NSS	O-Ring (Note: Use Item 120)	
112	70008177	1	Piston	
113	See Note	NSS	Seal, Piston (Note: Use Item 120)	
114	See Note	NSS	O-Ring (Note: Use Item 120)	
115	70022564	1	Ball, Steel	
116	70006596	1	Setscrew	
117	70008178	1	Spacer	
118	2220883	6	Plug 7/16	
119	2220885	2	Plug 9/16	
120	70008179	1	Seal Kit (Includes Items 104, 106-107, 109-111 & 113-114)	

# SECTION 6 - CYLINDER

## FIGURE 6-7. LIFT CYLINDER ASSEMBLY - JIB (860SJ)



ART\_1001230371

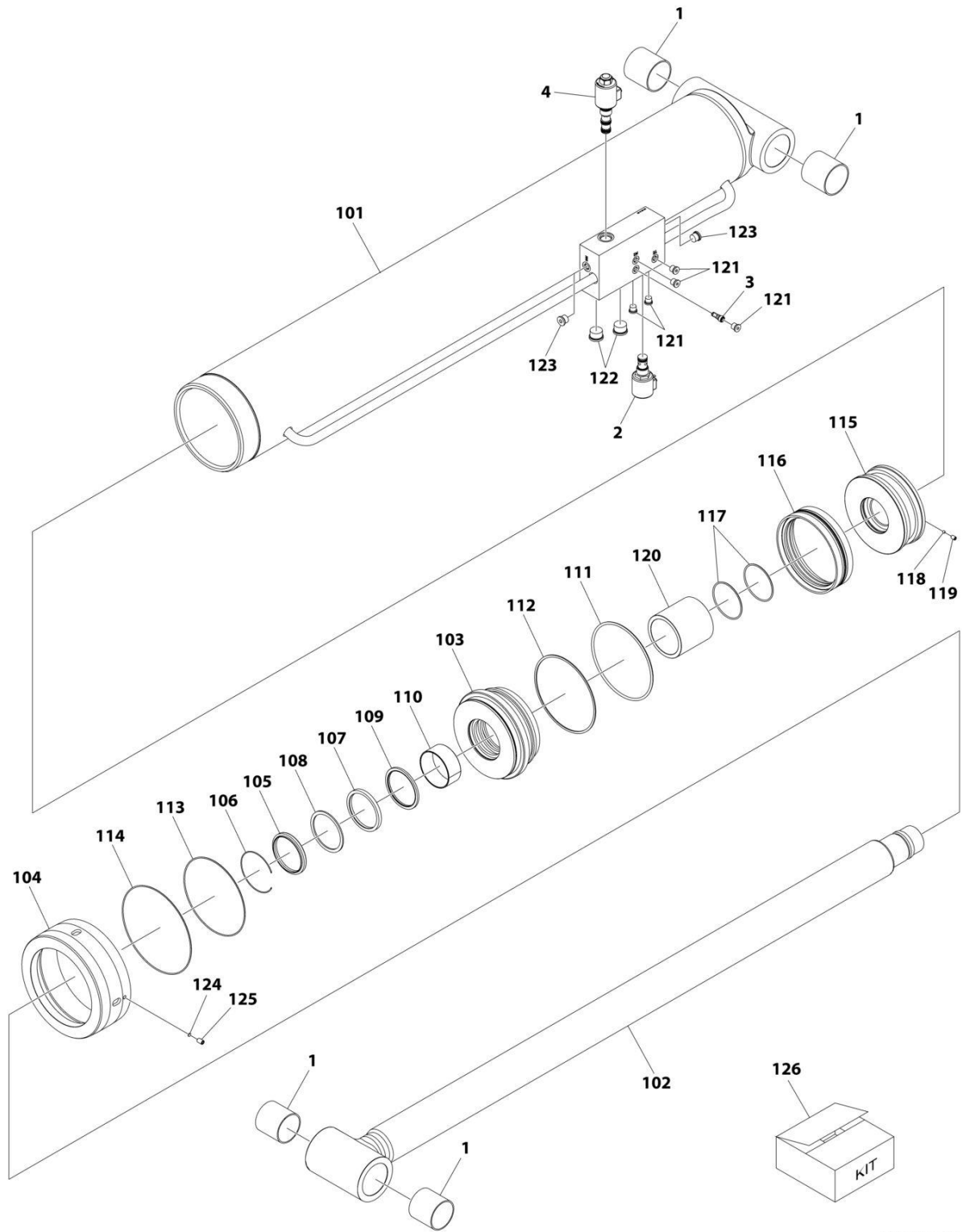
## SECTION 6 - CYLINDER

**FIGURE 6-7. LIFT CYLINDER ASSEMBLY - JIB (860SJ)**

ITEM	PART NUMBER	QTY	DESCRIPTION	REV
	1001230371	Ref	LIFT CYLINDER ASSEMBLY - JIB	A
		Ref	Note: Original Cylinder may have been replaced with Service Replacement. Identify PN Stamped on Cylinder Before Ordering Parts.	
1	See Note	NSS	Barrel (Note: Purchase Complete Assembly)	
2	70006930	1	Rod	
3	70006931	1	Piston	
4	70006932	1	Head	
5	70006933	1	Spacer, Tube	
6	70003636	1	Lock, Insert	
7	70006900	1	Nut	
8	0962336	4	Bushing	
9	See Note	NSS	Seal, Rod (Note: Use Item 51)	
10	See Note	NSS	Seal, Piston (Note: Use Item 51)	
11	See Note	NSS	Wiper (Note: Use Item 51)	
12	See Note	NSS	O-Ring (Note: Use Item 51)	
13	See Note	NSS	O-Ring (Note: Use Item 51)	
14	See Note	NSS	O-Ring (Note: Use Item 51)	
15	See Note	NSS	O-Ring (Note: Use Item 51)	
16	See Note	NSS	Ring, Back-up (Note: Use Item 51)	
17	See Note	NSS	Ring, Wear (Note: Use Item 51)	
18	See Note	NSS	Ring, Wear (Note: Use Item 51)	
19	4640509	2	Catridge, Valve	
19	2900792	2	Seal Kit - 4640509 Valve	
20	2220883	4	Plug	
21	2220885	2	Plug	
51	70006934	1	Seal Kit (Includes Item 9-18)	

# SECTION 6 - CYLINDER

## FIGURE 6-8. LIFT CYLINDER ASSEMBLY - MAIN BOOM (800S)



ART\_1001251028

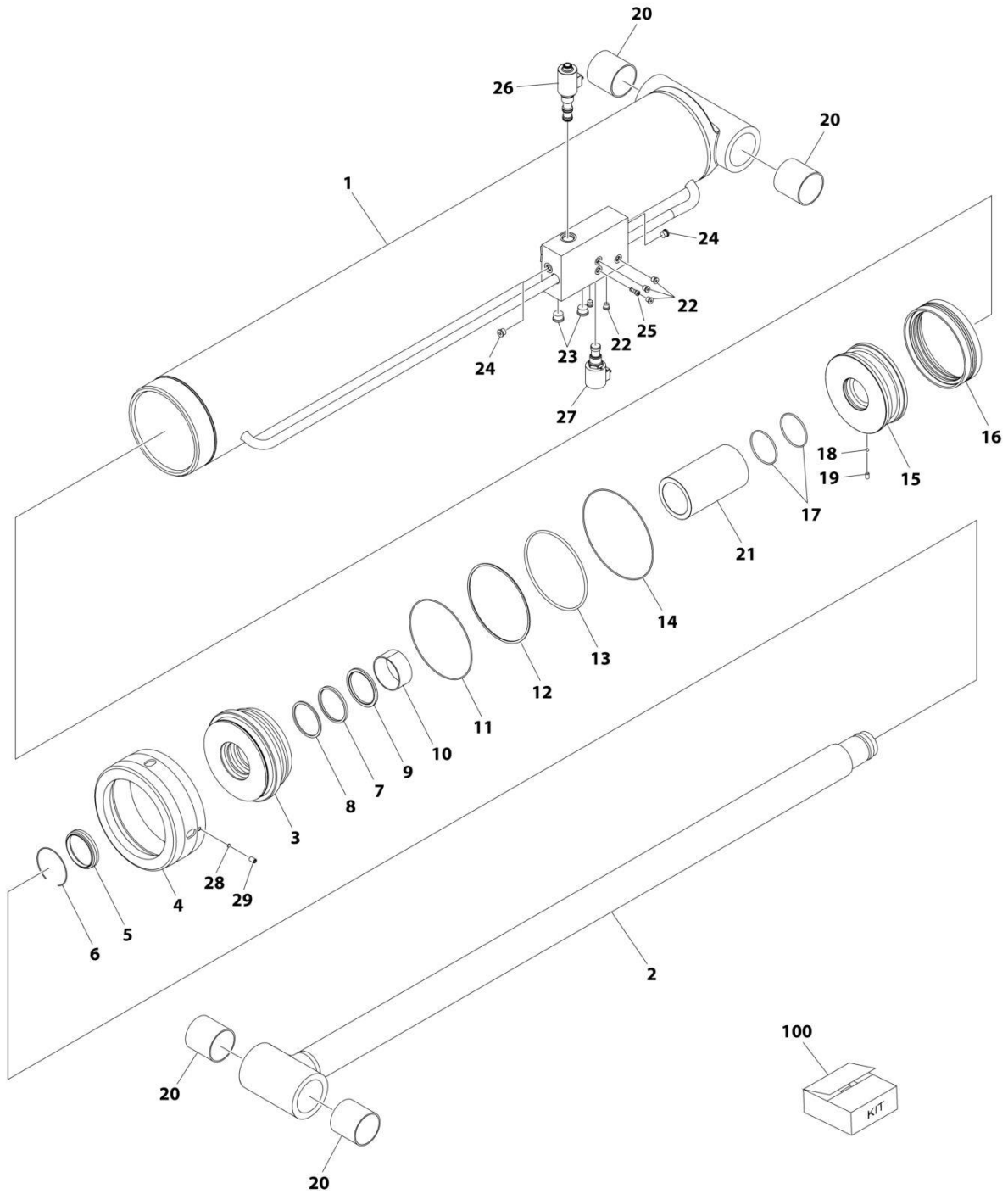
## SECTION 6 - CYLINDER

**FIGURE 6-8. LIFT CYLINDER ASSEMBLY - MAIN BOOM (800S)**

ITEM	PART NUMBER	QTY	DESCRIPTION	REV
	1001251028	Ref	LIFT CYLINDER ASSEMBLY - MAIN BOOM	A
		Ref	Note: Original Cylinder May Have Been Replaced with Service Replacement. Identify PN Stamped on Cylinder Before Ordering Parts.	
1	0962033	4	Bushing	
2	4641188	1	Cartridge, Lift Holding Solenoid (800S,860SJ)	
2	7023923	1	Cartridge - 4641188 Valve	
2	7023919	1	Seal Kit - 4641188 Valve	
2	7012943	1	Coil - 4641188 Valve	
3	4641194	1	Cartridge, Relief Valve	
3	7023927	1	Seal Kit - 4641194 Valve	
4	4641234	1	Cartridge, Lift Relief Proportional Solenoid (800S,860SJ)	
4	7023982	1	Cartridge - 4641234 Valve	
4	7012925	1	Seal Kit - 4641234 Valve	
4	7017451	1	Coil - 4641234 Valve	
101	See Note	NSS	Tube (Note: Not Available for Purchase)	
102	70008188	1	Rod	
103	70008189	1	Head	
104	70007278	1	Cap, Tube	
105	See Note	NSS	Wiper, Dust (Note: Use Item 126)	
106	70023380	1	Ring, Retaining	
107	See Note	NSS	Seal, Rod (Note: Use Item 126)	
108	See Note	NSS	Ring, Backup (Note: Use Item 126)	
109	See Note	NSS	Ring, Buffer (Note: Use Item 126)	
110	70007423	1	Bushing	
111	See Note	NSS	O-Ring (Note: Use Item 126)	
112	See Note	NSS	Ring, Backup (Note: Use Item 126)	
113	See Note	NSS	O-Ring (Note: Use Item 126)	
114	See Note	NSS	O-Ring (Note: Use Item 126)	
115	70008190	1	Piston	
116	See Note	NSS	Seal, Piston (Note: Use Item 126)	
117	See Note	NSS	O-Ring (Note: Use Item 126)	
118	70022564	1	Ball, Steel	
119	70006596	1	Setscrew	
120	70008191	1	Spacer	
121	2220883	5	Plug 7/16	
122	70005433	2	Plug 7/8	
123	2220885	2	Plug 9/16	
124	70007282	1	Insert, Locking	
125	70026287	1	Setscrew	
126	70008192	1	(Includes Items 105, 107-109, 111-114 & 116-117)	

# SECTION 6 - CYLINDER

## FIGURE 6-9. LIFT CYLINDER ASSEMBLY - MAIN BOOM (860SJ)



ART\_1001251029



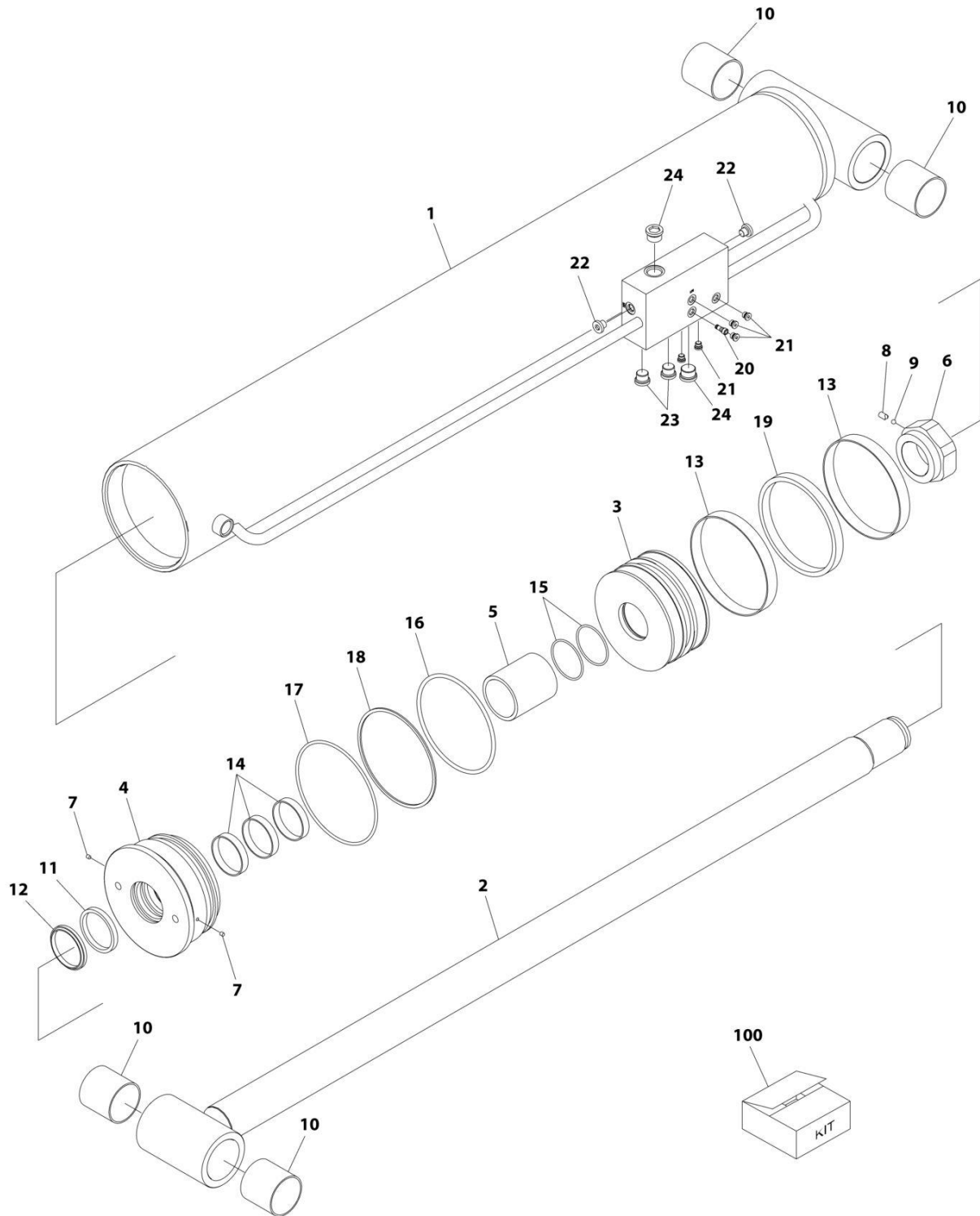
## SECTION 6 - CYLINDER

**FIGURE 6-9. LIFT CYLINDER ASSEMBLY - MAIN BOOM (860SJ)**

ITEM	PART NUMBER	QTY	DESCRIPTION	REV
	1001251029	Ref	LIFT CYLINDER ASSEMBLY - MAIN BOOM	B
		Ref	Note: Original Cylinder may have been replaced with Service Replacement. Identify PN Stamped on Cylinder Before Ordering Parts.	
1	See Note	NSS	Barrel (Note: Not Available for Purchase)	
2	70007276	1	Rod	
3	70007277	1	Head	
4	70007278	1	Cap, Tube	
5	See Note	NSS	Wiper (Note: Use Item 100)	
6	70027750	1	Ring, Retainer	
7	See Note	NSS	Seal, Rod (Note: Use Item 100)	
8	See Note	NSS	Ring, Back-up (Note: Use Item 100)	
9	See Note	NSS	Ring, Buffer (Note: Use Item 100)	
10	70007279	1	Bearing	
11	See Note	NSS	O-Ring (Note: Use Item 100)	
12	See Note	NSS	Ring, Back-up (Note: Use Item 100)	
13	See Note	NSS	O-Ring (Note: Use Item 100)	
14	See Note	NSS	O-Ring (Note: Use Item 100)	
15	70007280	1	Piston	
16	See Note	NSS	Seal, Piston (Note: Use Item 100)	
17	See Note	NSS	O-Ring (Note: Use Item 100)	
18	70022564	1	Steel Ball	
19	70029468	1	Setscrew	
20	0962033	4	Bushing	
21	70007281	1	Spacer	
22	2220883	5	Plug	
23	70005433	2	Plug	
24	2220885	2	Plug	
25	4641194	1	Cartridge, Relief Valve	
25	7023927	1	Seal Kit - 4641194 Valve	
26	4641234	1	Cartridge, Lift Relief Proportional Solenoid	
26	7023982	1	Cartridge - 4641234 Valve	
26	7012925	1	Seal Kit - 4641234 Valve	
26	7017451	1	Coil - 4641234 Valve	
27	4641188	1	Cartridge, Lift Holding Solenoid	
27	7023923	1	Cartridge - 4641188 Valve	
27	7023919	1	Seal Kit - 4641188 Valve	
27	7012943	1	Coil - 4641188 Valve	
28	70007282	1	Insert, Locking	
29	70026287	1	Setscrew	
100	70007283	1	Seal Kit (Includes Items 5, 7-9, 11-14, 16 & 17)	

# SECTION 6 - CYLINDER

## FIGURE 6-10. LIFT CYLINDER ASSEMBLY - MAIN BOOM (860SJ)



ART\_1001230373

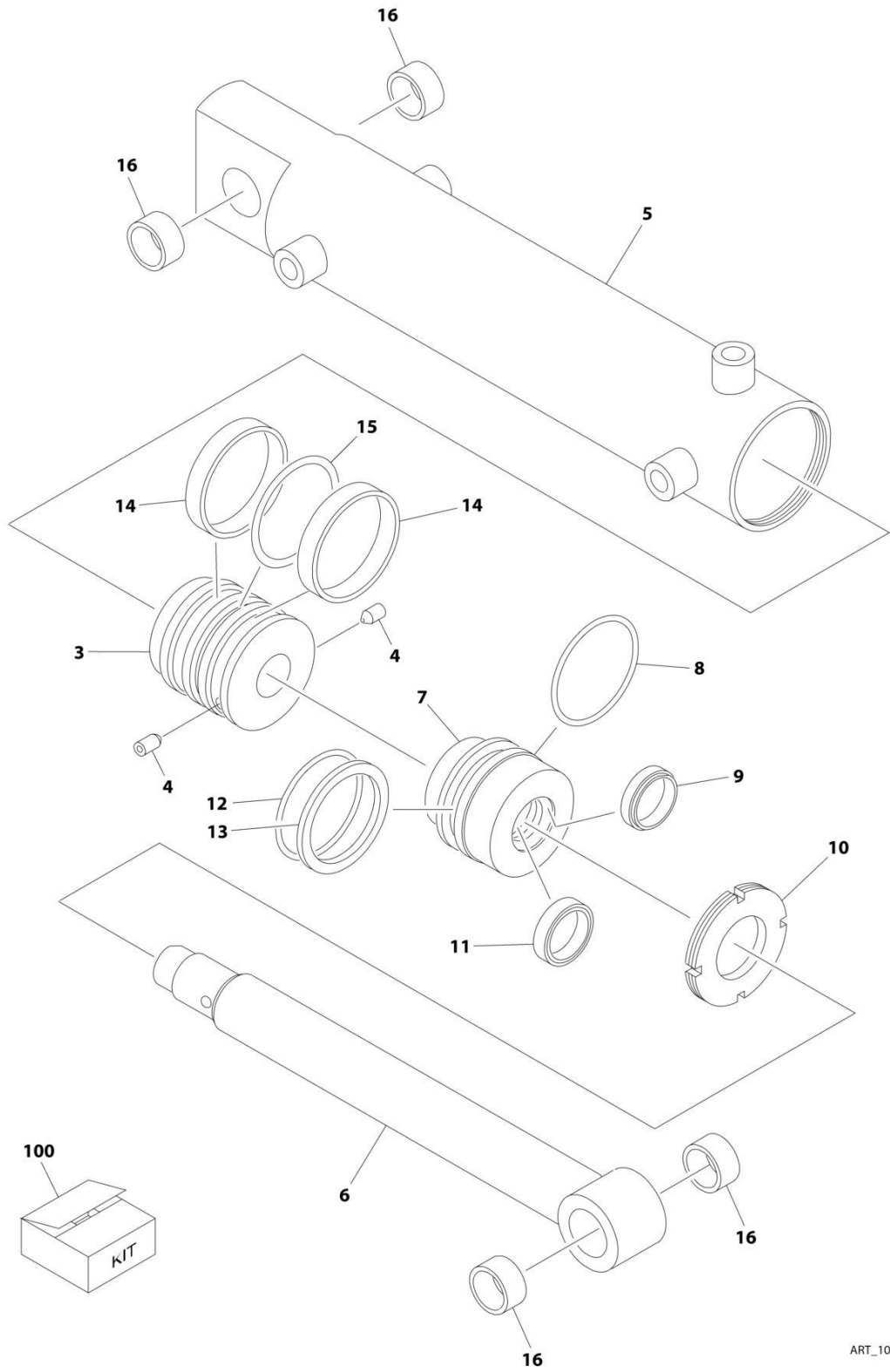
## SECTION 6 - CYLINDER

**FIGURE 6-10. LIFT CYLINDER ASSEMBLY - MAIN BOOM (860SJ)**

ITEM	PART NUMBER	QTY	DESCRIPTION	REV
	1001230373	Ref	LIFT CYLINDER ASSEMBLY	A
		Ref	Note: Original Cylinder may have been replaced with Service Replacement. Identify PN Stamped on Cylinder Before Ordering Parts.	
1	See Note	NSS	Barrel (Note: Not Available for Purchase)	
2	70006940	1	Rod	
3	70006941	1	Piston	
4	70006942	1	Head	
5	70006943	1	Spacer	
6	70006944	1	Nut	
7	70006899	2	Insert	
8	70006945	1	Setscrew	
9	70004120	1	Ball	
10	0962033	4	Bushing	
11	See Note	NSS	Seal, Rod (Note: Use Item 100)	
12	See Note	NSS	Wiper (Note: Use Item 100)	
13	See Note	NSS	Ring, Wear (Note: Use Item 100)	
14	See Note	NSS	Ring, Wear (Note: Use Item 100)	
15	See Note	NSS	O-Ring (Note: Use Item 100)	
16	See Note	NSS	O-Ring (Note: Use Item 100)	
17	See Note	NSS	O-Ring (Note: Use Item 100)	
18	See Note	NSS	Ring, Back-up (Note: Use Item 100)	
19	See Note	NSS	Seal, Piston (Note: Use Item 100)	
20	4641194	1	Valve, Cartridge	
20	7023927	1	Seal Kit - 4640509 Valve	
21	2220883	5	Plug	
22	2220885	2	Plug	
23	2220888	2	Plug	
24	2220887	3	Plug	
100	70006947	1	Seal Kit (Includes Items 9-18)	

# SECTION 6 - CYLINDER

## FIGURE 6-11. STEER CYLINDER ASSEMBLY



ART\_1001150539

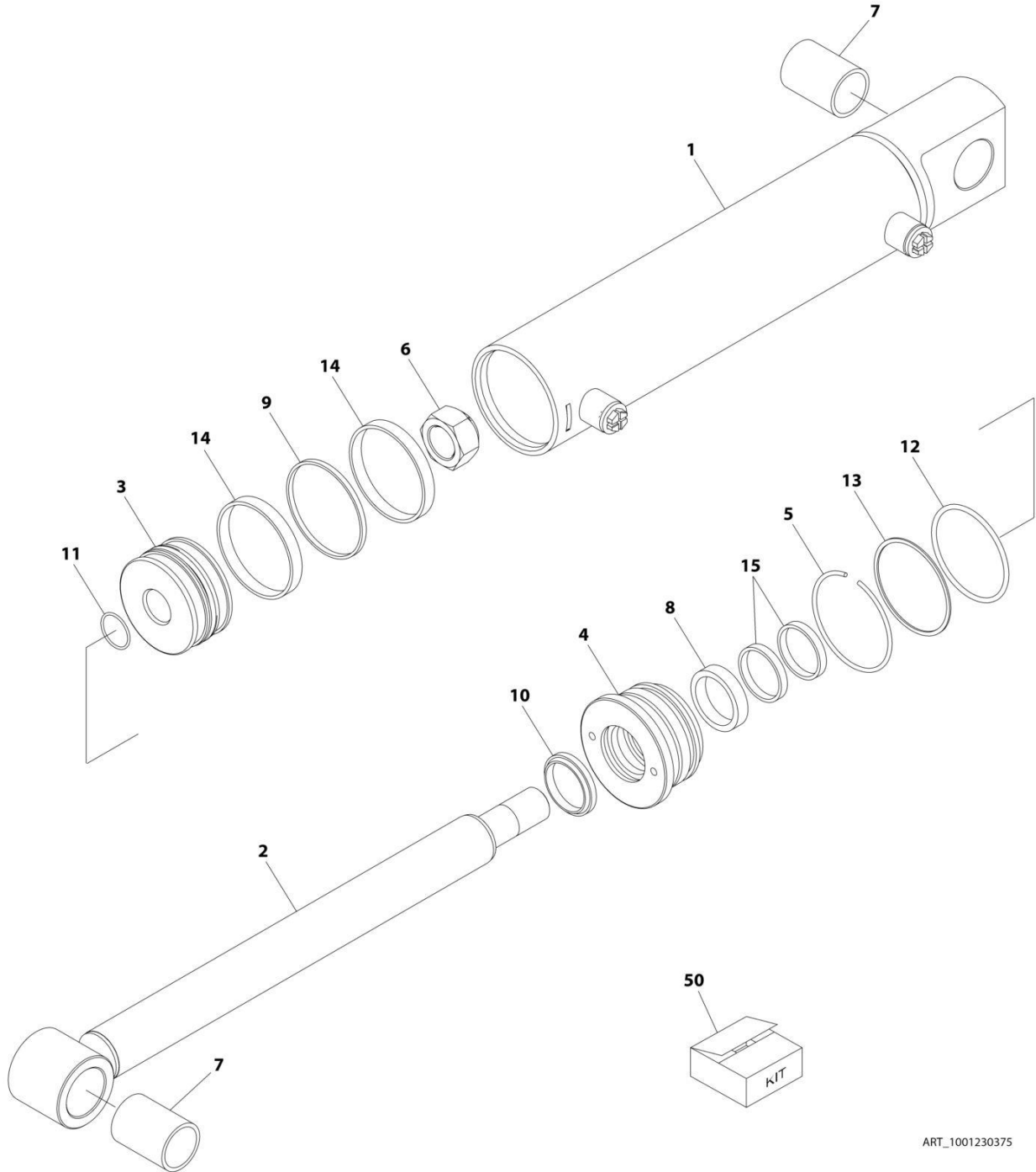
## SECTION 6 - CYLINDER

**FIGURE 6-11. STEER CYLINDER ASSEMBLY**

ITEM	PART NUMBER	QTY	DESCRIPTION	REV
	1001150539	Ref	STEER CYLINDER ASSEMBLY	F
		Ref	Note: Original Cylinder may have been replaced with Service Replacement. Identify PN Stamped on Cylinder Before Ordering Parts.	
3	70002744	1	Piston	
4	70002745	2	Setscrew M6 x 10	
5	70004381	1	Barrel	
6	70004382	1	Rod	
7	70002748	1	Head	
8	See Note	NSS	Ring (Note: Use Item 100)	
9	See Note	NSS	Wiper (Note: Use Item 100)	
10	70002749	1	Nut, Spanner	
11	See Note	NSS	Seal (Note: Use Item 100)	
12	See Note	NSS	O-Ring (Note: Use Item 100)	
13	See Note	NSS	Ring, Back-up (Note: Use Item 100)	
14	See Note	NSS	Ring, Wear (Note: Use Item 100)	
15	See Note	NSS	Seal (Note: Use Item 100)	
16	0962152	4	Bushings	
100	70002751	1	Seal Kit (Includes Items 8, 9 & 11-15)	

# SECTION 6 - CYLINDER

## FIGURE 6-12. STEER CYLINDER ASSEMBLY



ART\_1001230375

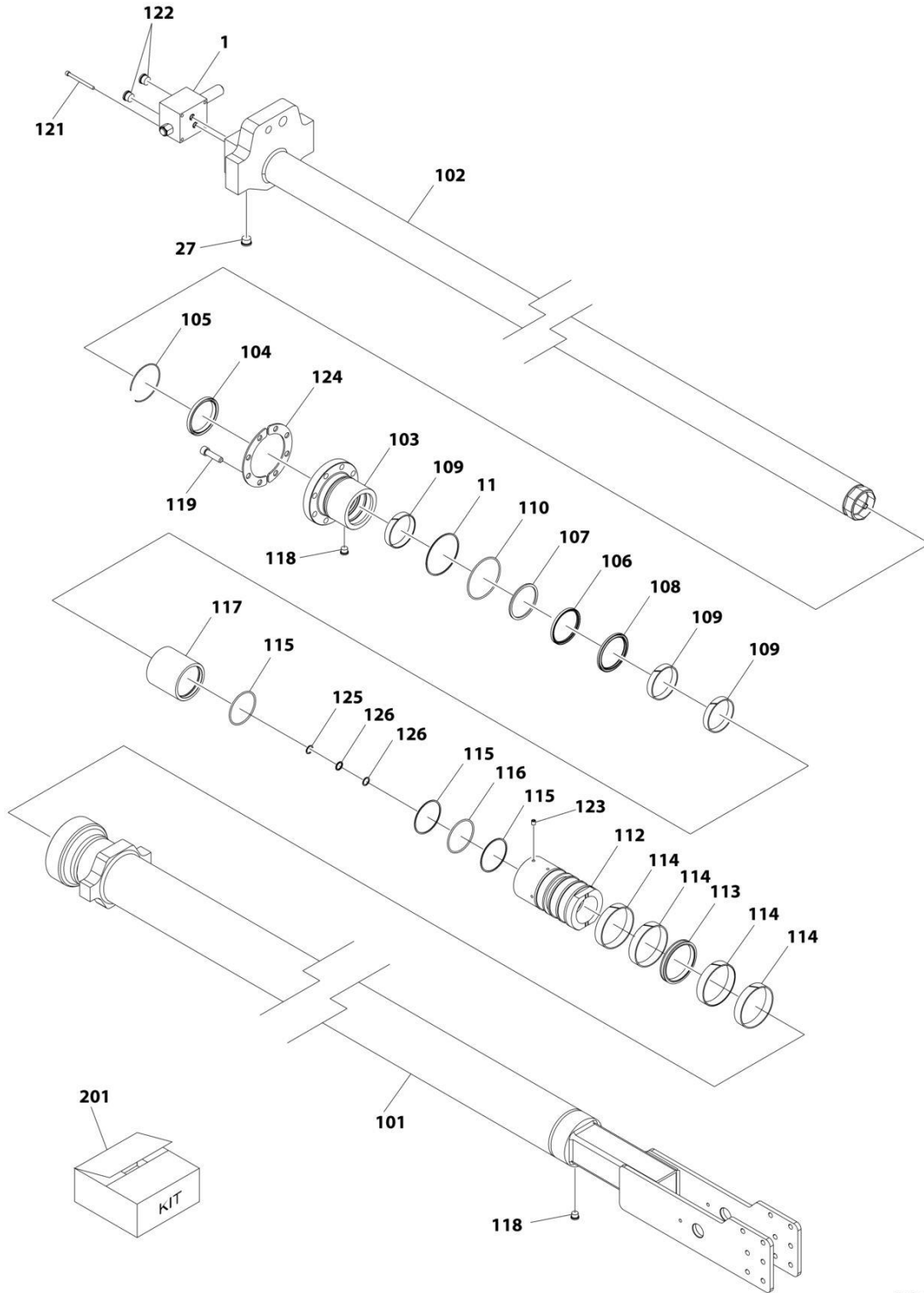
## SECTION 6 - CYLINDER

**FIGURE 6-12. STEER CYLINDER ASSEMBLY**

ITEM	PART NUMBER	QTY	DESCRIPTION	REV
	1001230375	Ref	STEER CYLINDER ASSEMBLY	A
		Ref	Note: Original Cylinder may have been replaced with Service Replacement. Identify PN Stamped on Cylinder Before Ordering Parts.	
1	See Note	NSS	Barrel (Note: Not Available for Purchase)	
2	70006964	1	Rod	
3	70006965	1	Piston	
4	70006966	1	Head	
5	70006967	1	Nut	
6	70006968	1	Ring, Baffle	
7	0962152	2	Bushing	
8	See Note	NSS	Seal, Rod (Note: Use Item 50)	
9	See Note	NSS	Seal (Note: Use Item 50)	
10	See Note	NSS	Wiper (Note: Use Item 50)	
11	See Note	NSS	O-Ring (Note: Use Item 50)	
12	See Note	NSS	O-Ring (Note: Use Item 50)	
13	See Note	NSS	Ring, Back-up (Note: Use Item 50)	
14	See Note	NSS	Ring, Wear (Note: Use Item 50)	
15	See Note	NSS	Ring, Wear (Note: Use Item 50)	
50	70006969	1	Seal Kit - 1001230375 Cyliner (Includes Items 8-15)	

# SECTION 6 - CYLINDER

## FIGURE 6-13. TELESCOPE CYLINDER ASSEMBLY (800S)



ART\_1001251081



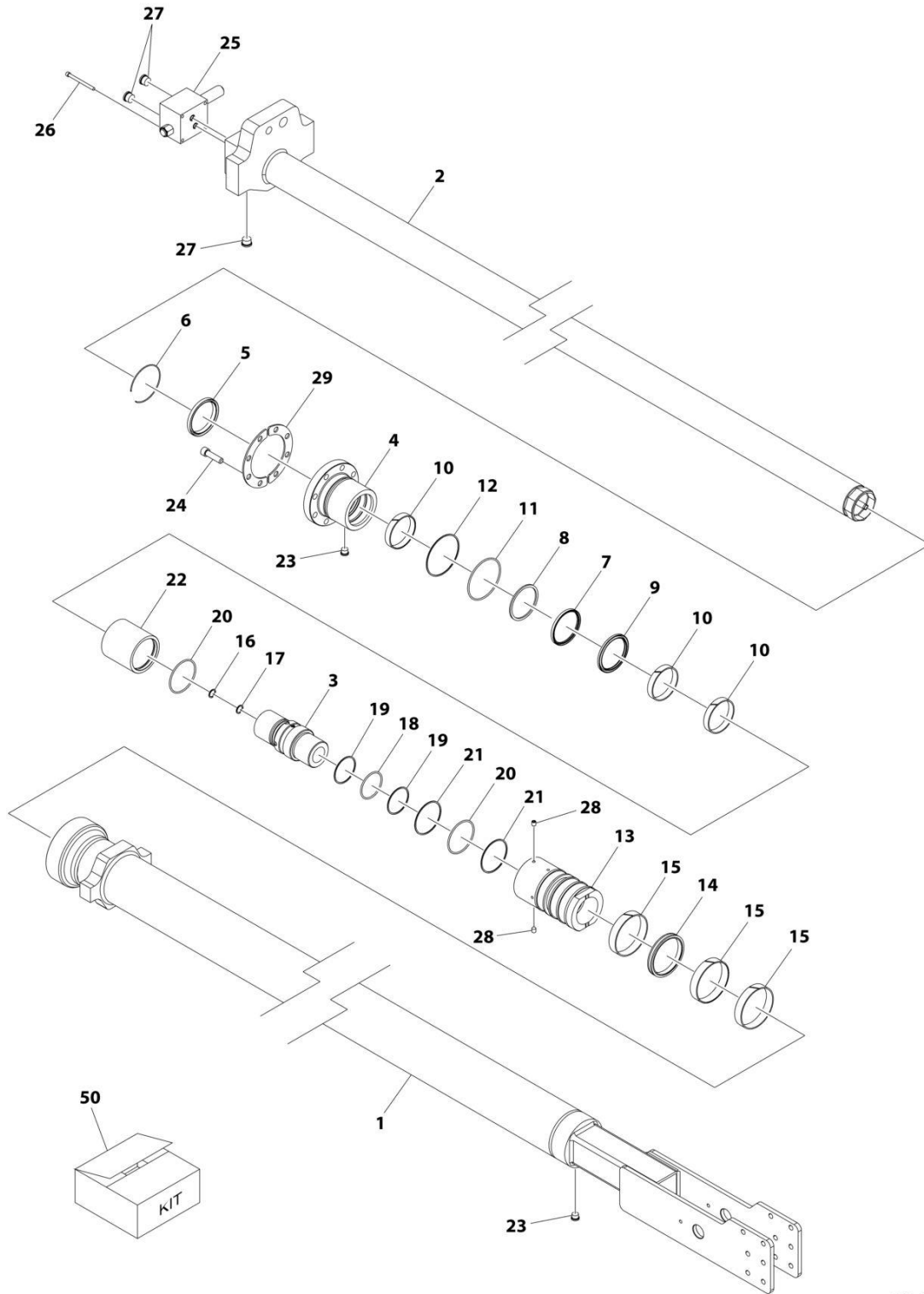
## SECTION 6 - CYLINDER

**FIGURE 6-13. TELESCOPE CYLINDER ASSEMBLY (800S)**

ITEM	PART NUMBER	QTY	DESCRIPTION	REV
	1001251081	Ref	TELESCOPE CYLINDER ASSEMBLY	A
		Ref	Note: Original Cylinder May Have Been Replaced with Service Replacement. Identify PN Stamped on Cylinder Before Ordering Parts.	
1	4641033	1	Valve Assembly (No Serviceable Parts - Sold as Assembly Only)	
101	SEE NOTE	NSS	Barrel (Note: Not Available for Purchase)	
102	70008080	1	Rod	
103	70007977	1	Head	
104	SEE NOTE	NSS	Wiper, Dust (Note: Use Item 201)	
105	70023379	1	Ring, Retaining	
106	SEE NOTE	NSS	Seal, Rod (Note: Use Item 201)	
107	SEE NOTE	NSS	Ring, Backup (Note: Use Item 201)	
108	SEE NOTE	NSS	Ring, Buffer (Note: Use Item 201)	
109	SEE NOTE	NSS	Ring, Wear (Note: Use Item 201)	
110	SEE NOTE	NSS	O-Ring (Note: Use Item 201)	
111	SEE NOTE	NSS	Ring, Backup (Note: Use Item 201)	
112	70008081	1	Piston	
113	SEE NOTE	NSS	Seal, Piston (Note: Use Item 201)	
114	SEE NOTE	NSS	Ring, Wear (Note: Use Item 201)	
115	SEE NOTE	NSS	O-Ring (Note: Use Item 201)	
116	SEE NOTE	NSS	Ring, Backup (Note: Use Item 201)	
117	70008082	1	Spacer	
118	2220885	2	Plug 9/16	
119	70007980	8	Bolt M12 X 45	
121	70007981	4	Bolt M6 X 75	
122	2220886	3	Plug 3/4	
123	70005839	1	Screw, Set	
124	70007982	2	Ring, Washer	
125	SEE NOTE	NSS	O-Ring (Note: Use Item 201)	
126	SEE NOTE	NSS	Ring, Backup (Note: Use Item 201)	
201	70007983	1	Seal, Kit (Includes 104, 106-111, 113-116, 125, 126)	

# SECTION 6 - CYLINDER

## FIGURE 6-14. TELESCOPE CYLINDER ASSEMBLY (860SJ)



ART\_1001251083

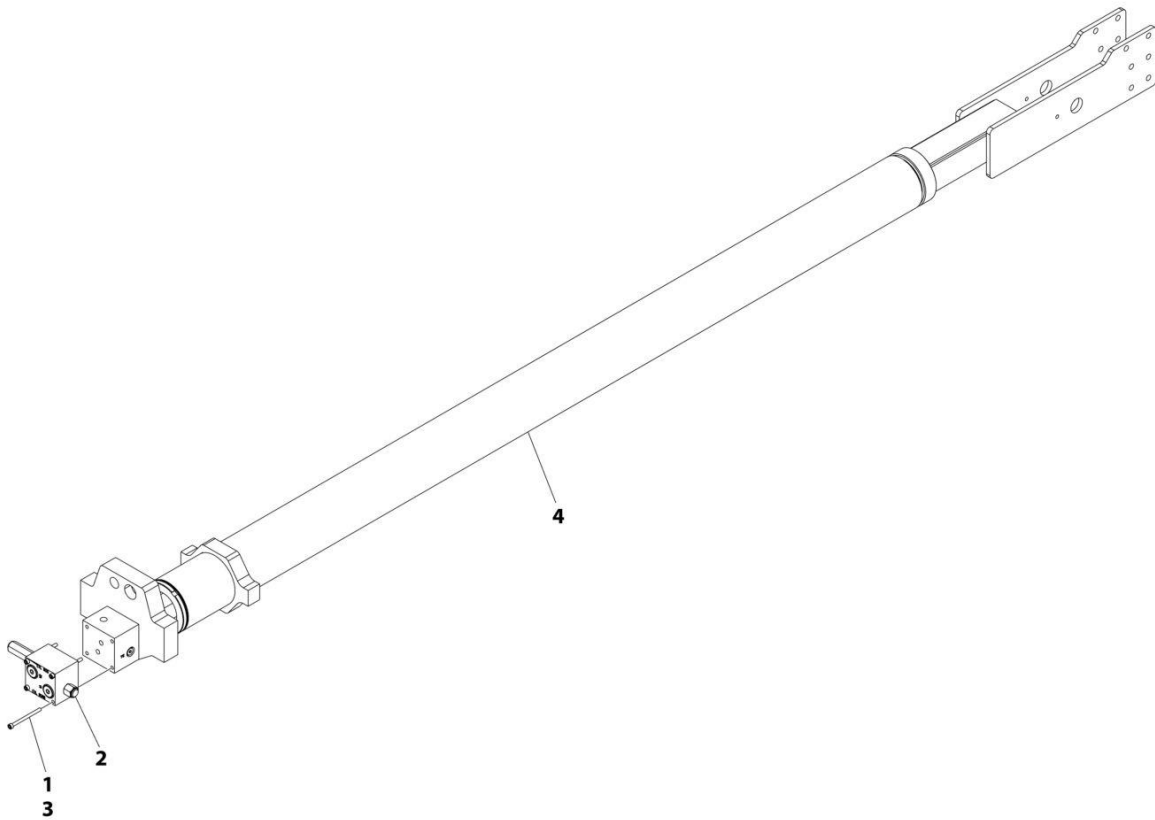
## SECTION 6 - CYLINDER

**FIGURE 6-14. TELESCOPE CYLINDER ASSEMBLY (860SJ)**

ITEM	PART NUMBER	QTY	DESCRIPTION	REV
	1001251083	Ref	TELESCOPE CYLINDER ASSEMBLY	A
		Ref	Note: Original Cylinder may have been replaced with Service Replacement. Identify PN Stamped on Cylinder Before Ordering Parts.	
1	See Note	NSS	Barrel (Note: Use PN 1001251083)	
2	70007975	1	Rod	
3	70007976	1	End, Rod	
4	70007977	1	Head	
5	See Note	NSS	Wiper (Note: Use Item 50)	
6	70023379	1	Ring, Retaining	
7	See Note	NSS	Seal, Rod (Note: Use Item 50)	
8	See Note	NSS	Ring, Back-up (Note: Use Item 50)	
9	See Note	NSS	Ring (Note: Use Item 50)	
10	See Note	NSS	Ring, Wear (Note: Use Item 50)	
11	See Note	NSS	O-Ring (Note: Use Item 50)	
12	See Note	NSS	Ring, Back-up (Note: Use Item 50)	
13	70007978	1	Piston	
14	See Note	NSS	Seal, Piston (Note: Use Item 50)	
15	See Note	NSS	Ring, Wear (Note: Use Item 50)	
16	See Note	NSS	O-Ring (Note: Use Item 50)	
17	See Note	NSS	Ring, Back-up (Note: Use Item 50)	
18	See Note	NSS	Ring (Note: Use Item 50)	
19	See Note	NSS	Ring, Back-up (Note: Use Item 50)	
20	See Note	NSS	O-Ring (Note: Use Item 50)	
21	See Note	NSS	Ring, Back-up (Note: Use Item 50)	
22	70007979	1	Spacer	
23	2220885	2	Plug 9/16	
24	70007980	8	Bolt M12 x 45	
25	4641033	1	Cartridge, Valve - Counterbalance	
25	7024508	1	Seal Kit - 4641033 Valve	
26	70007981	4	Bolt M6 x 75	
27	2220886	3	Plug 3/4	
28	70005839	2	Setscrew M8 x 1-1/4	
29	70007982	2	Ring, Washer	
50	70007983	1	Seal Kit - 1001251083 Cylinder (Includes Items 5, 7-12 & 14-21)	

# SECTION 6 - CYLINDER

## FIGURE 6-15. TELESCOPE CYLINDER SUB-ASSEMBLY



ART\_1001298869

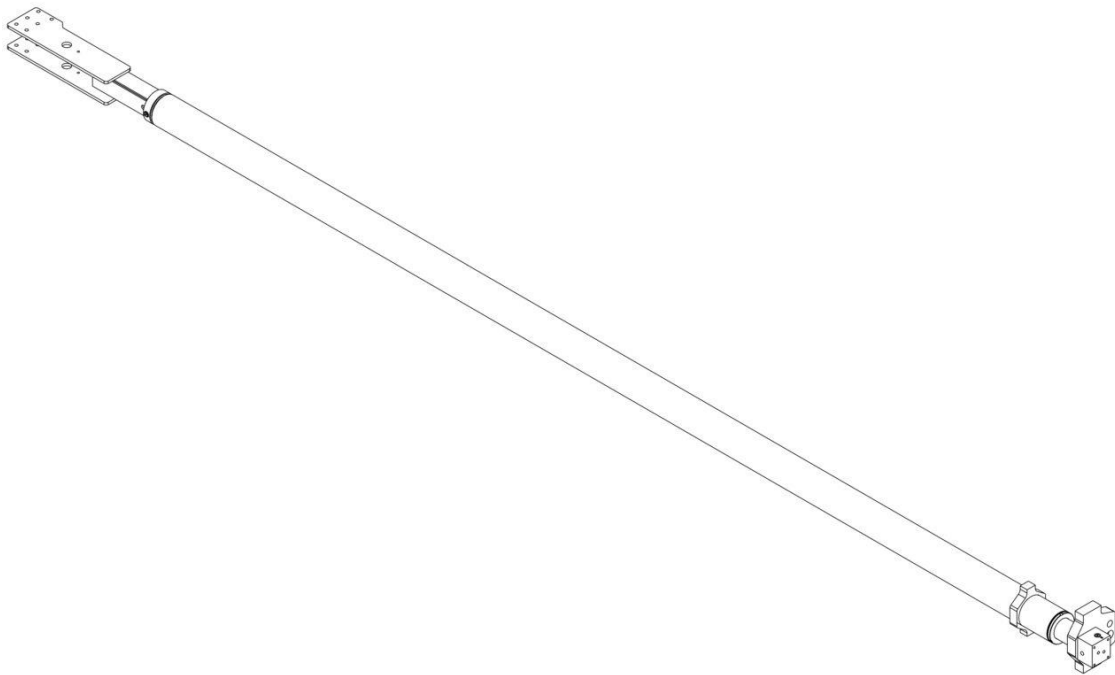
## SECTION 6 - CYLINDER

### FIGURE 6-15. TELESCOPE CYLINDER SUB-ASSEMBLY

ITEM	PART NUMBER	QTY	DESCRIPTION	REV
	1001298869	Ref	TELESCOPE CYLINDER SUB-ASSEMBLY	A
1	0100011	AR	Compound, Locking	
2	4641033	1	Valve, Dual Hold	
3	5271720	4	Bolt M6 x 80	
4	1001269510	1	Telescope Cylinder Assembly (See Separate Breakdown in this Section)	

# SECTION 6 - CYLINDER

## FIGURE 6-16. TELESCOPE CYLINDER ASSEMBLY



ART\_1001269510

## SECTION 6 - CYLINDER

**FIGURE 6-16. TELESCOPE CYLINDER ASSEMBLY**

ITEM	PART NUMBER	QTY	DESCRIPTION	REV
	1001269510 See Note	Ref NSS	TELESCOPE CYLINDER ASSEMBLY Note: No Service Parts Available at Time of Printing	A

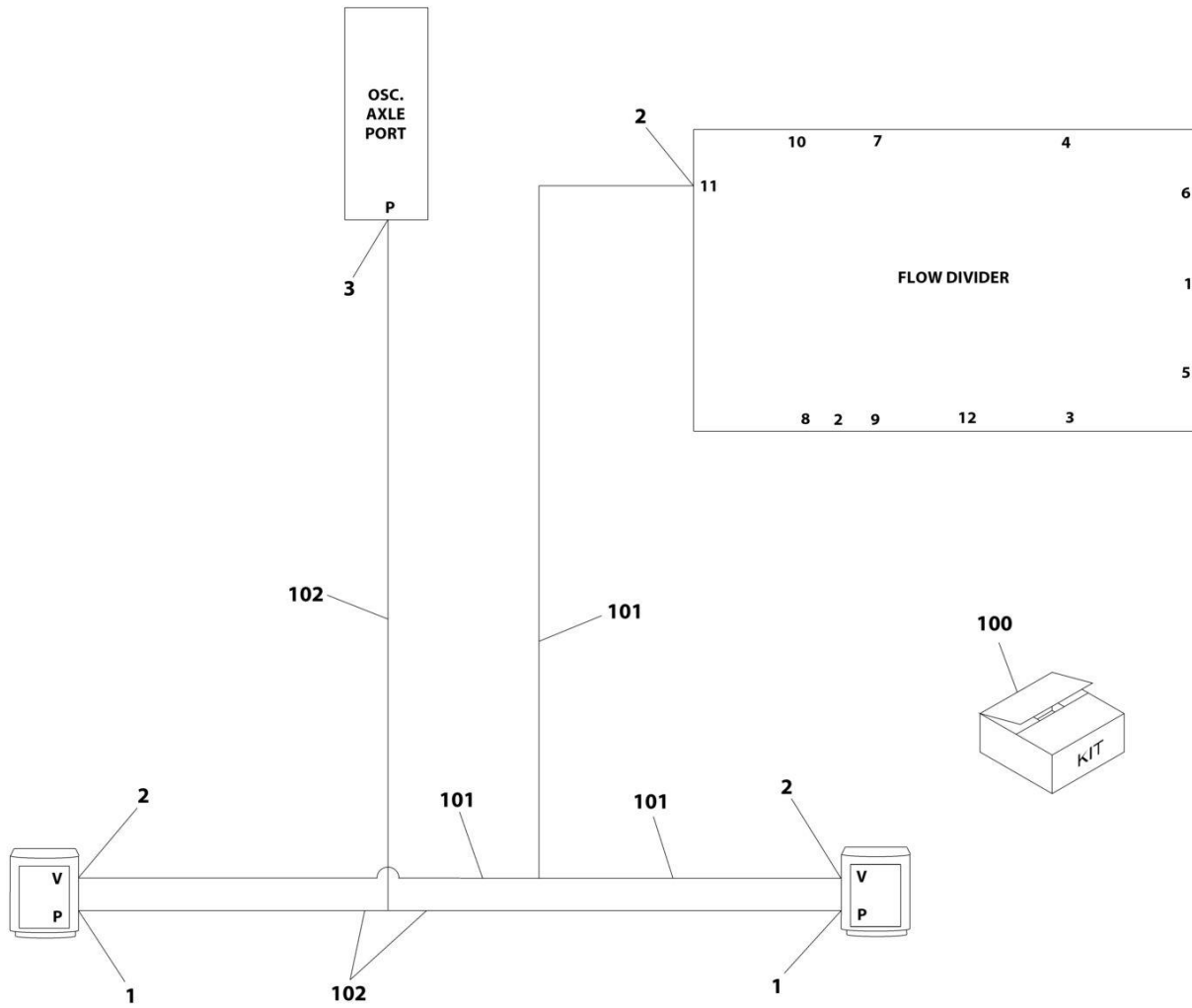




**SECTION 7 - HYDRAULIC**

# SECTION 7 - HYDRAULIC

## FIGURE 7-1. HYDRAULIC DIAGRAM - AXLE (OSCILLATING)



ART\_1001157400

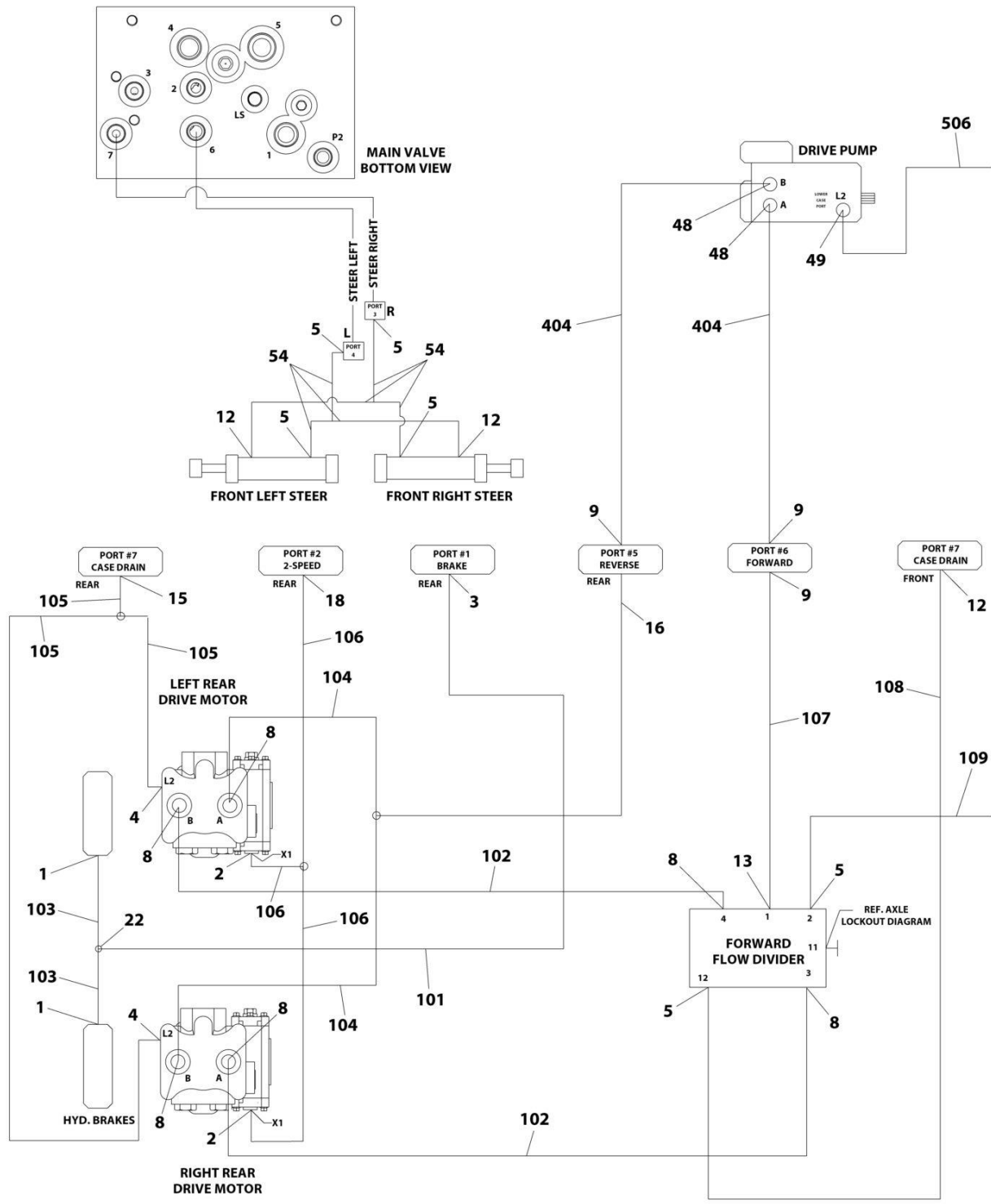
## SECTION 7 - HYDRAULIC

### FIGURE 7-1. HYDRAULIC DIAGRAM - AXLE (OSCILLATING)

ITEM	PART NUMBER	QTY	DESCRIPTION	REV
	1001157400	Ref	AXLE LOCKOUT HYDRAULIC DIAGRAM	G
1	2110404	2	Fitting, Straight ORFS/ORB	
2	2110606	3	Fitting, Straight ORFS/ORB	
3	2110408	1	Fitting, Straight ORFS/ORB	
100	1001270068	1	Hose Lockout Kit	
101	1001198336	1	Hose with Crimped Tee	
102	1001198339	1	Hose with Crimped Tee	

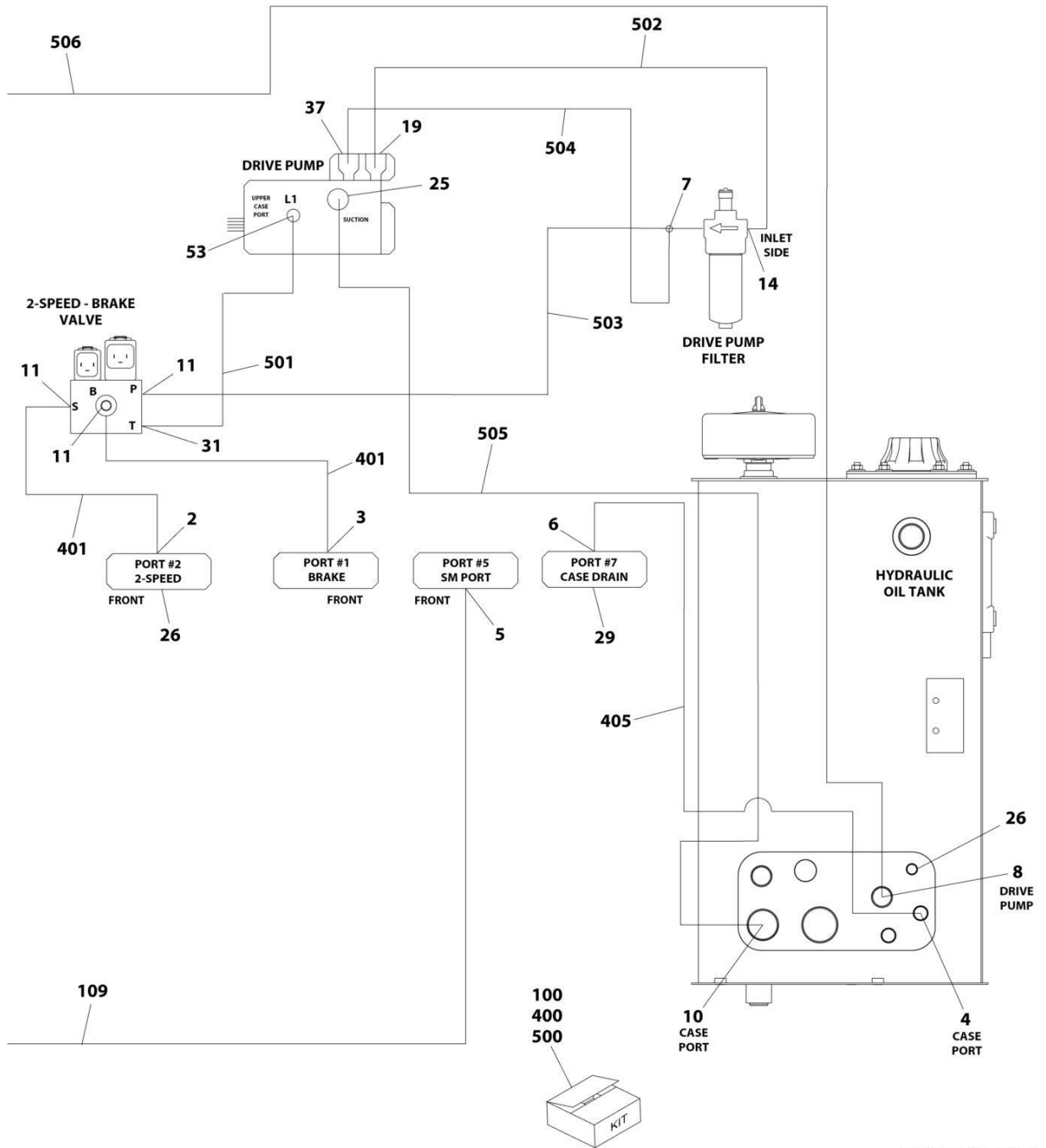
# SECTION 7 - HYDRAULIC

## FIGURE 7-2. HYDRAULIC DIAGRAM - DRIVE (2WD)



ART\_1001178218\_G\_10F2

# SECTION 7 - HYDRAULIC



ART\_1001178218\_G\_20F2

# SECTION 7 - HYDRAULIC

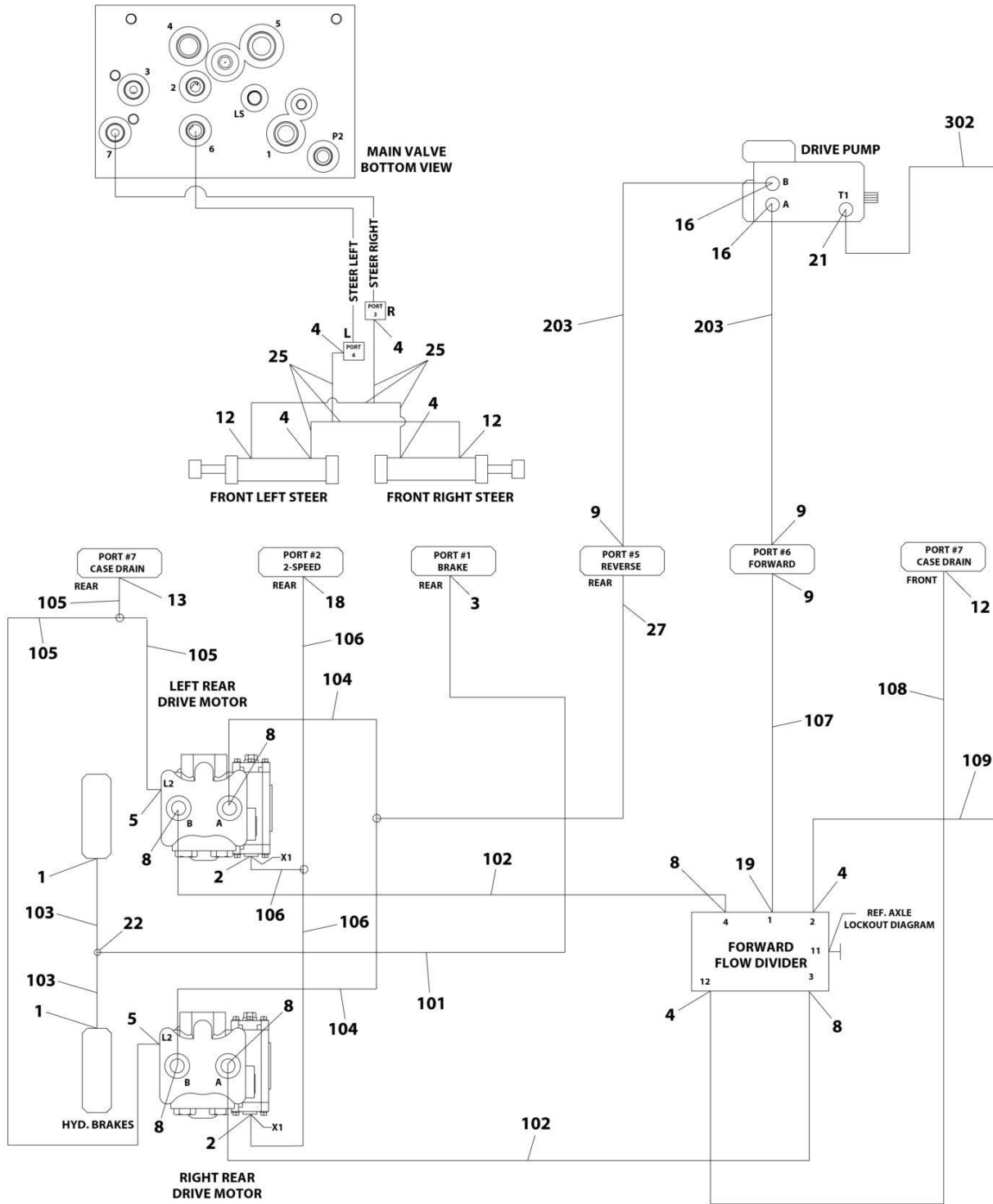
## FIGURE 7-2. HYDRAULIC DIAGRAM - DRIVE (2WD)

ITEM	PART NUMBER	QTY	DESCRIPTION	REV
	1001178218	Ref	DRIVE HYDRAULIC DIAGRAM - 2WD	G
1	2110404	2	Fitting, Straight ORFS/ORB	
2	2110406	3	Fitting, Straight ORFS/ORB	
3	2110408	2	Fitting, Straight ORFS/ORB	
4	2110808	3	Fitting, Straight ORFS/ORB	
5	2110606	7	Fitting, Straight ORFS/ORB	
6	2110812	1	Fitting, Straight ORFS/ORB	
7	1001198337	1	Fitting, Tee ORFS/ORB-RUN	
8	2111212	7	Fitting, Straight ORFS/ORB	
9	2111616	3	Fitting, Straight ORFS/ORB	
10	2112020	1	Fitting, Straight ORFS/ORB	
11	2130404	3	Fitting, 90 ORFS/ORB	
12	2130606	3	Fitting, 90 ORFS/ORB	
13	2151616	1	Fitting, 45 ORFS/ORB	
14	2131012	1	Fitting, 90 ORFS/ORB	
15	2130808	1	Fitting, 90 ORFS/ORB	
16	1001199395	1	Fitting, Tee ORFS/ORFS/ORB	
18	2150406	1	Fitting, 45 ORFS/ORB	
19	2111016	1	Fitting, Straight ORFS/ORB	
22	2170504	1	Fitting, Tee ORFS/ORFS/ORFS	
25	2132016	1	Fitting, 90 ORFS/ORB	
26	2220237	2	Fitting, Plug ORB	
29	2220238	1	Plug	
31	2170204	1	Fitting, 90 ORFS/ORB	
37	2110810	1	Fitting, Straight ORFS/ORB	
48	2131616	2	Fitting, 90 ORFS/ORB	
49	2131212	1	Fitting, 90 ORFS/ORB	
53	1001199396	1	Fitting, 90 ORFS/SORB	
54	1001198333	2	Hose with Crimped Tee	
100	1001270084	1	Towbar Rear Hose Kit	
101	2753622	1	Hose	
102	2753688	2	Hose	
103	2754337	2	Hose	
104	1001159854	2	Hose	
105	1001198334	1	Hose with Crimped Tee	
106	1001198340	1	Hose with Crimped Tee	
400	1001270071	1	Arctic Turntable Hose Kit	
401	2753540	2	Hose	
404	2753667	2	Hose	
405	2753685	1	Hose	
500	1001270072	1	Arctic Turntable Hose Kit	
501	2753555	1	Hose	
502	2753768	1	Hose	
503	1001095307	1	Hose	
504	1001095308	1	Hose	
505	1001157866	1	Hose	
506	2753699	1	Hose	



# SECTION 7 - HYDRAULIC

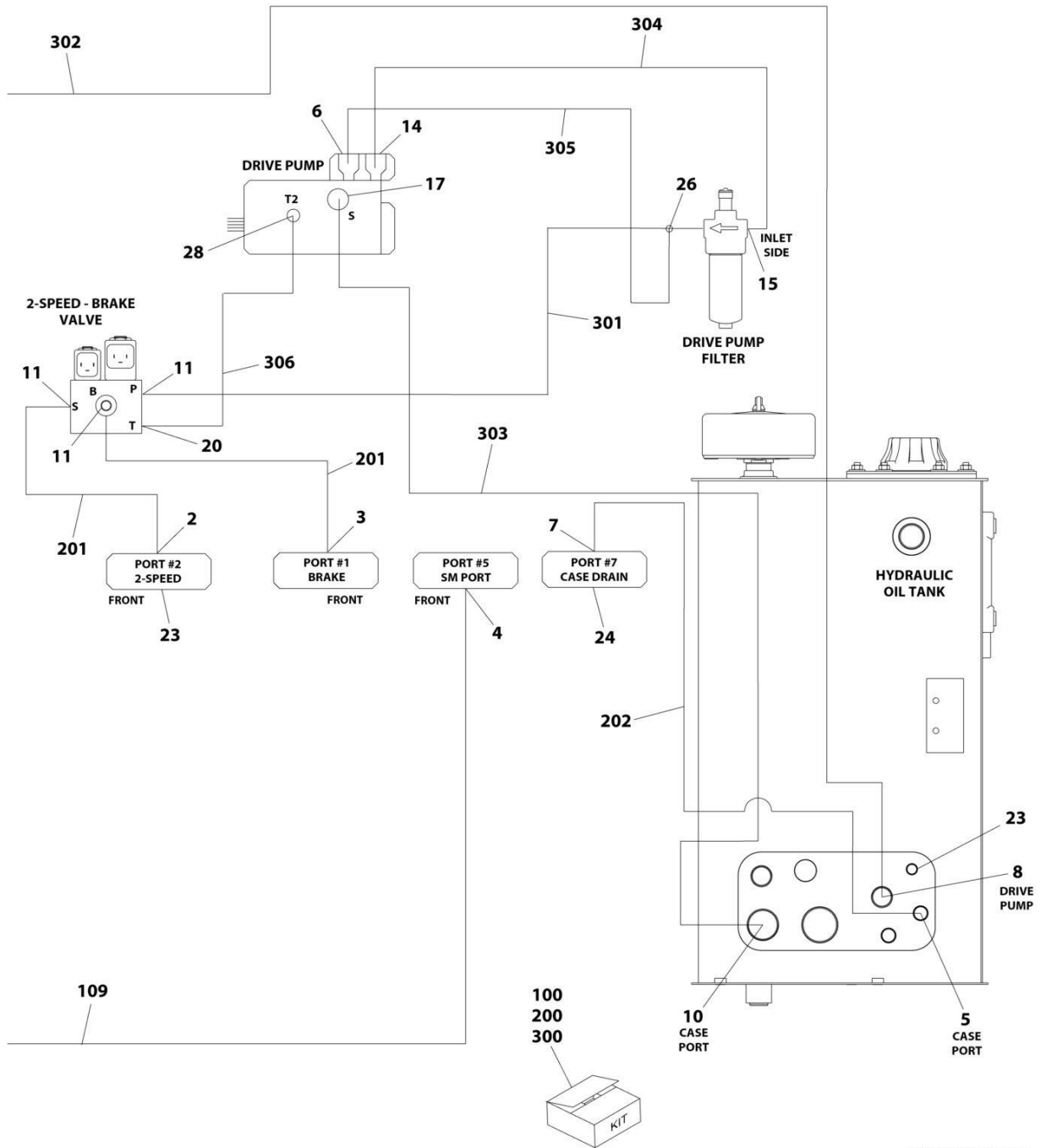
## FIGURE 7-3. HYDRAULIC DIAGRAM - DRIVE (2WD WITHOUT TOWBAR AND ARCTIC PACKAGE) (ALL SPECS)



ART\_1001296862\_10F2



# SECTION 7 - HYDRAULIC



ART\_1001296862\_20F2

## SECTION 7 - HYDRAULIC

**FIGURE 7-3. HYDRAULIC DIAGRAM - DRIVE (2WD WITHOUT TOWBAR AND ARCTIC PACKAGE)  
(ALL SPECS)**

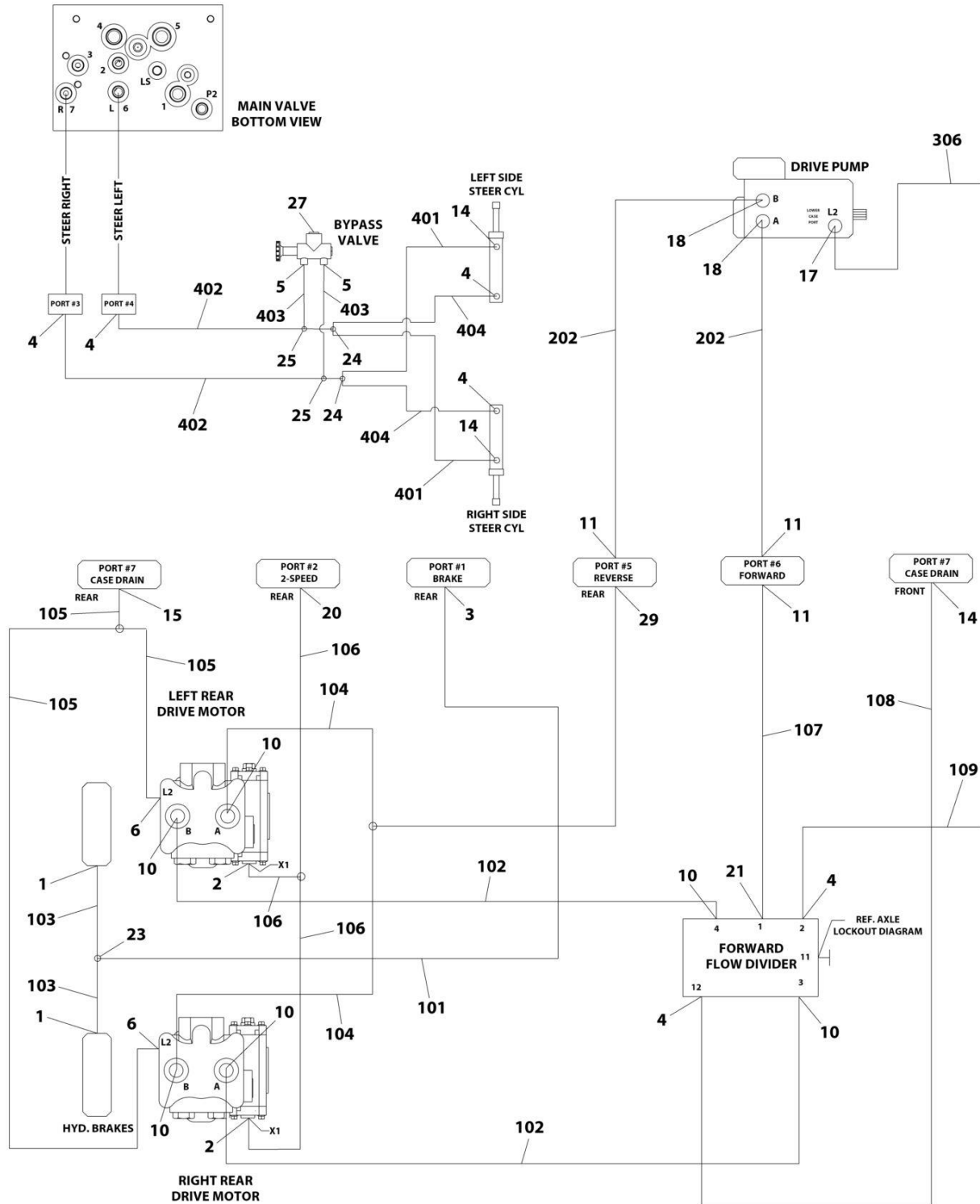
ITEM	PART NUMBER	QTY	DESCRIPTION	REV
	1001296862	Ref	HYDRAULIC DIAGRAM - DRIVE (2WD)	A
1	2110404	2	Fitting, Straight ORFS/ORB	
2	2110406	3	Fitting, Straight ORFS/ORB	
3	2110408	2	Fitting, Straight ORFS/ORB	
4	2110606	7	Fitting, Straight ORFS/ORB	
5	2110808	3	Fitting, Straight ORFS/ORB	
6	2110810	1	Fitting, Straight ORFS/ORB	
7	2110812	1	Fitting, Straight ORFS/ORB	
8	2111212	7	Fitting, Straight ORFS/ORB	
9	2111616	3	Fitting, Straight ORFS/ORB	
10	2112020	1	Fitting, Straight ORFS/ORB	
11	2130404	3	Fitting, 90 ORFS/ORB	
12	2130606	3	Fitting, 90 ORFS/ORB	
13	2130808	1	Fitting, 90 ORFS/ORB	
14	2131010	1	Fitting, 90 ORFS/ORB	
15	2131012	1	Fitting, 90 ORFS/ORB	
16	2131612	2	Fitting, 90 ORFS/ORB	
17	2132016	1	Fitting, 90 ORFS/ORB	
18	2150406	1	Fitting, 45 ORFS/ORB	
19	2151616	1	Fitting, 45 ORFS/ORB	
20	2170204	1	Fitting, 90 ORFS/ORB	
21	2170212	1	Fitting, 90 ORFS/ORB	
22	2170504	1	Fitting, Tee ORFS	
23	2220237	2	Plug 3/8	
24	2220238	1	Plug 1/2	
25	1001198333	2	Hose with Crimped Tee	
26	1001198337	1	Fitting, Tee ORFS/ORB-RUN	
27	1001199395	1	Fitting, Tee ORFS/ORFS/ORB	
28	1001199396	1	Fitting, 90 ORFS/SORB	
100	1001270084	1	Hose Kit - Towbar Rear	
101	2753622	1	Hose	
102	2753688	2	Hose	
103	2754337	2	Hose	
104	1001159854	2	Hose	
105	1001198334	1	Hose with Crimped Tee	
106	1001198340	1	Hose with Crimped Tee	
107	2753635	1	Hose	
108	2754242	1	Hose	
109	2754243	1	Hose	
200	1001296856	1	Hose Kit - Turntable	
201	2753540	2	Hose	
202	2753685	1	Hose	
203	1001296833	2	Hose	
300	1001296857	1	Hose Kit - Turntable	
301	1001095307	1	Hose	
302	1001296834	1	Hose	
303	1001296835	1	Hose	
304	1001296836	1	Hose	
305	1001296837	1	Hose	

## SECTION 7 - HYDRAULIC

ITEM	PART NUMBER	QTY	DESCRIPTION	REV
306	1001296838	1	Hose	

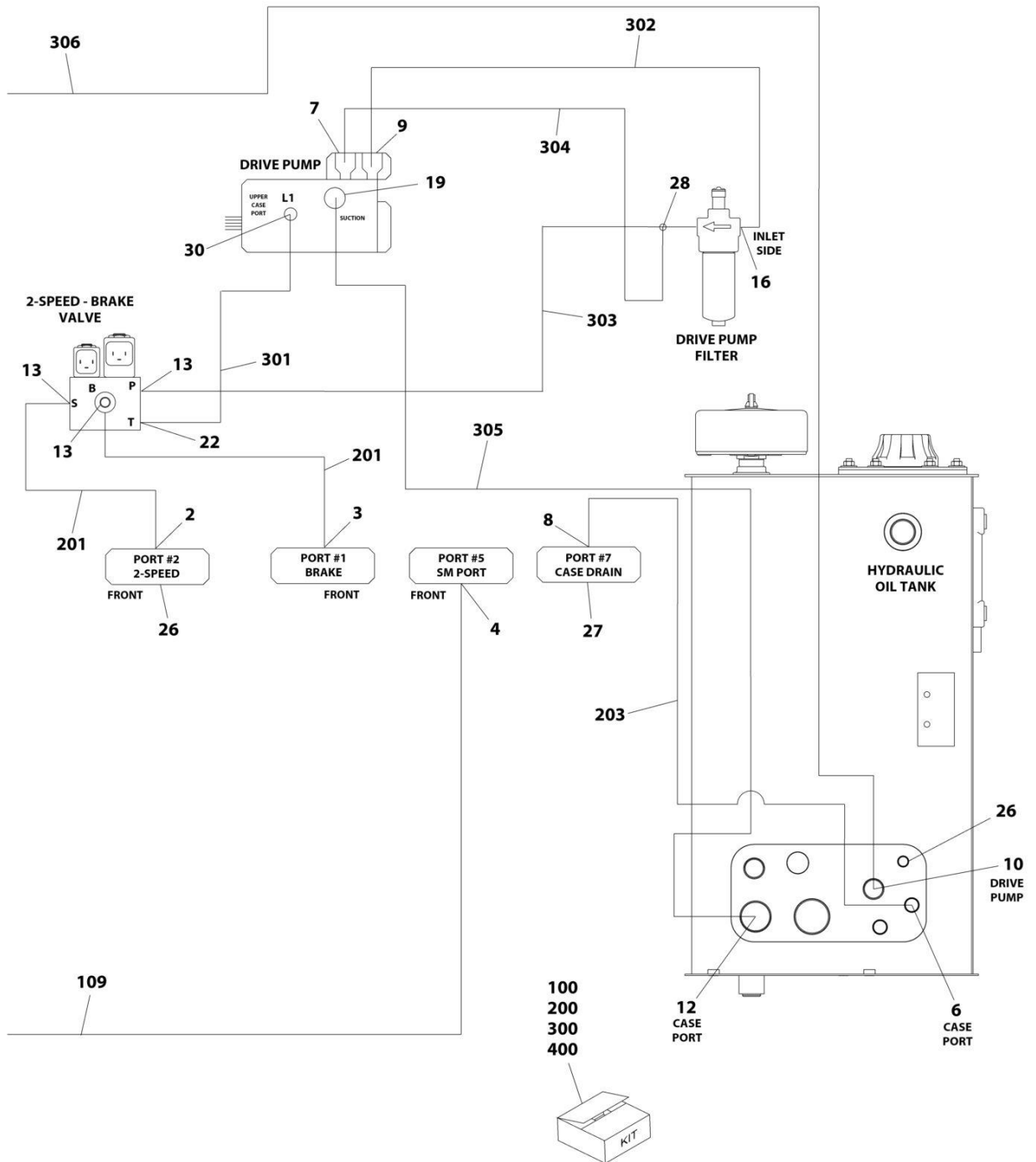
# SECTION 7 - HYDRAULIC

## FIGURE 7-4. HYDRAULIC DIAGRAM - DRIVE (2WD WITH TOW BAR PACKAGE)



ART\_1001287748\_10F2

# SECTION 7 - HYDRAULIC



ART\_1001287748\_20F2

# SECTION 7 - HYDRAULIC

## FIGURE 7-4. HYDRAULIC DIAGRAM - DRIVE (2WD WITH TOW BAR PACKAGE)

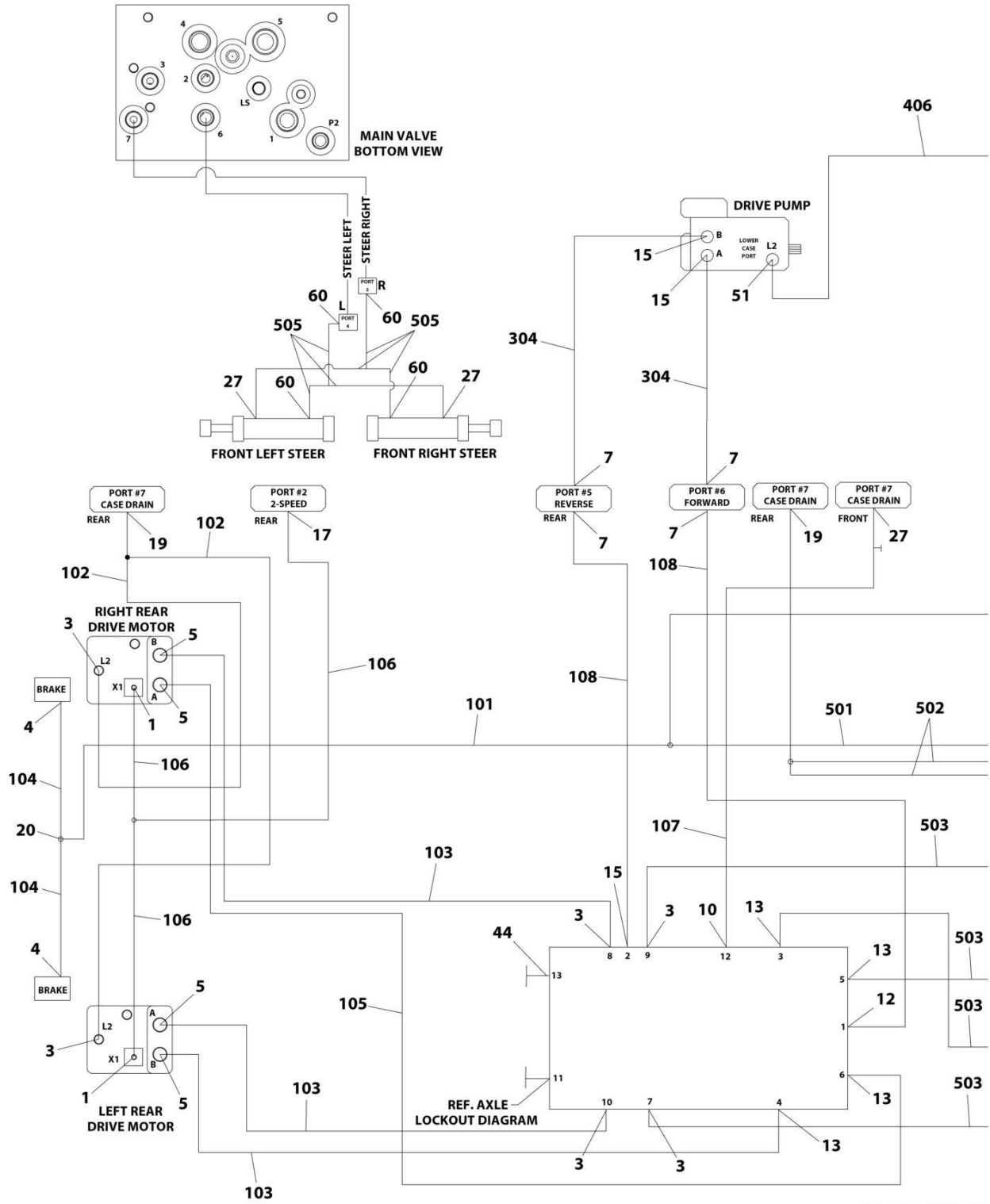
ITEM	PART NUMBER	QTY	DESCRIPTION	REV
	1001287748	Ref	DRIVE HYDRAULIC DIAGRAM - 2WD	A
1	2110404	2	Fitting, Straight ORFS/ORB	
2	2110406	3	Fitting, Straight ORFS/ORB	
3	2110408	2	Fitting, Straight ORFS/ORB	
4	2110606	7	Fitting, Straight ORFS/ORB	
5	2110608	2	Fitting, Straight ORFS/ORB	
6	2110808	3	Fitting, Straight ORFS/ORB	
7	2110810	1	Fitting, Straight ORFS/ORB	
8	2110812	1	Fitting, Straight ORFS/ORB	
9	2111016	1	Fitting, Straight ORFS/ORB	
10	2111212	7	Fitting, Straight ORFS/ORB	
11	2111616	3	Fitting, Straight ORFS/ORB	
12	2112020	1	Fitting, Straight ORFS/ORB	
13	2130404	3	Fitting, 90 ORFS/ORB	
14	2130606	3	Fitting, 90 ORFS/ORB	
15	2130808	1	Fitting, 90 ORFS/ORB	
16	2131012	1	Fitting, 90 ORFS/ORB	
17	2131212	1	Fitting, 90 ORFS/ORB	
18	2131616	2	Fitting, 90 ORFS/ORB	
19	2132016	1	Fitting, 90 ORFS/ORB	
20	2150406	1	Fitting, 45 ORFS/ORB	
21	2151616	1	Fitting, 45 ORFS/ORB	
22	2170204	1	Fitting, 90 ORFS/ORB	
23	2170504	1	Fitting, Tee ORFS/ORFS/ORFS	
24	2170506	2	Fitting, Tee ORFS/ORFS/ORFS	
25	2170706	2	Fitting, Tee ORFS/FSORFS/ORFS	
26	2220237	2	Fitting, Plug ORB	
27	2220238	2	Plug	
28	1001198337	1	Fitting, Tee ORFS/ORB-RUN	
29	1001199395	1	Fitting, Tee ORFS/ORFS/ORB	
30	1001199396	1	Fitting, 90 ORFS/SORB	
100	1001270084	1	Towbar Rear Hose Kit	
101	2753622	1	Hose	
102	2753688	2	Hose	
103	2754337	2	Hose	
104	1001159854	2	Hose	
105	1001198334	1	Hose with Crimped Tee	
106	1001198340	1	Hose with Crimped Tee	
107	2753635	1	Hose	
108	2754242	1	Hose	
109	2754243	1	Hose	
200	1001270071	1	Arctic Turntable Hose Kit	
201	2753540	2	Hose	
202	2753667	2	Hose	
203	2753685	1	Hose	
300	1001270072	1	Arctic Turntable Hose Kit	
301	2753555	1	Hose	
302	2753768	1	Hose	
303	1001095307	1	Hose	
304	1001095308	1	Hose	

## SECTION 7 - HYDRAULIC

ITEM	PART NUMBER	QTY	DESCRIPTION	REV
305	1001157866	1	Hose	
306	2753699	1	Hose	
400	1001270077	1	Towbar Front Hose Kit	
401	2753656	2	Hose	
402	2753732	2	Hose	
403	2753879	2	Hose	
404	1001159340	2	Hose	

# SECTION 7 - HYDRAULIC

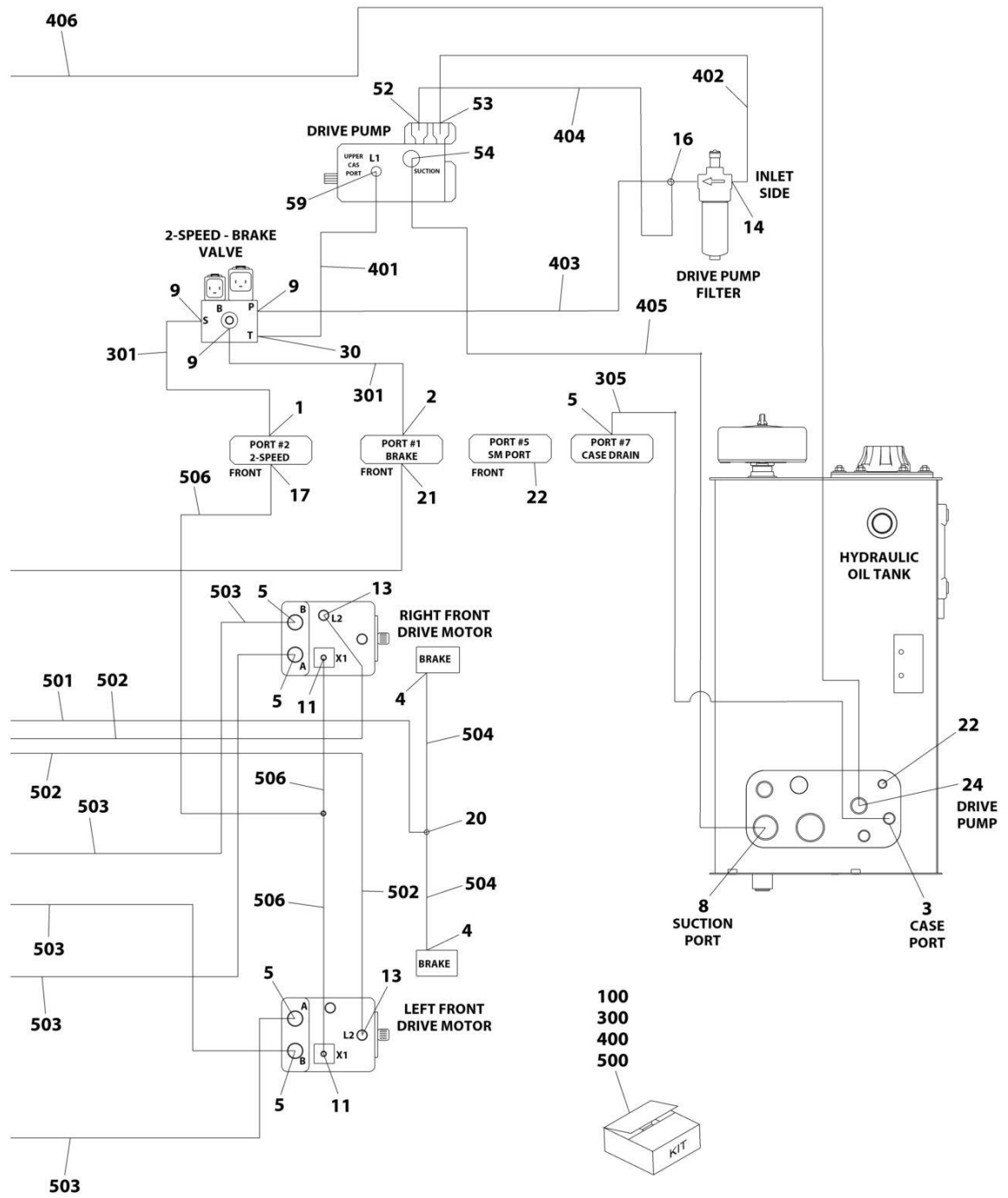
## FIGURE 7-5. HYDRAULIC DIAGRAM - DRIVE (4WD WITHOUT ARCTIC PACKAGE)



ART\_1001178219\_F\_10F2



# SECTION 7 - HYDRAULIC



ART\_1001178219\_F\_20F2

# SECTION 7 - HYDRAULIC

## FIGURE 7-5. HYDRAULIC DIAGRAM - DRIVE (4WD WITHOUT ARCTIC PACKAGE)

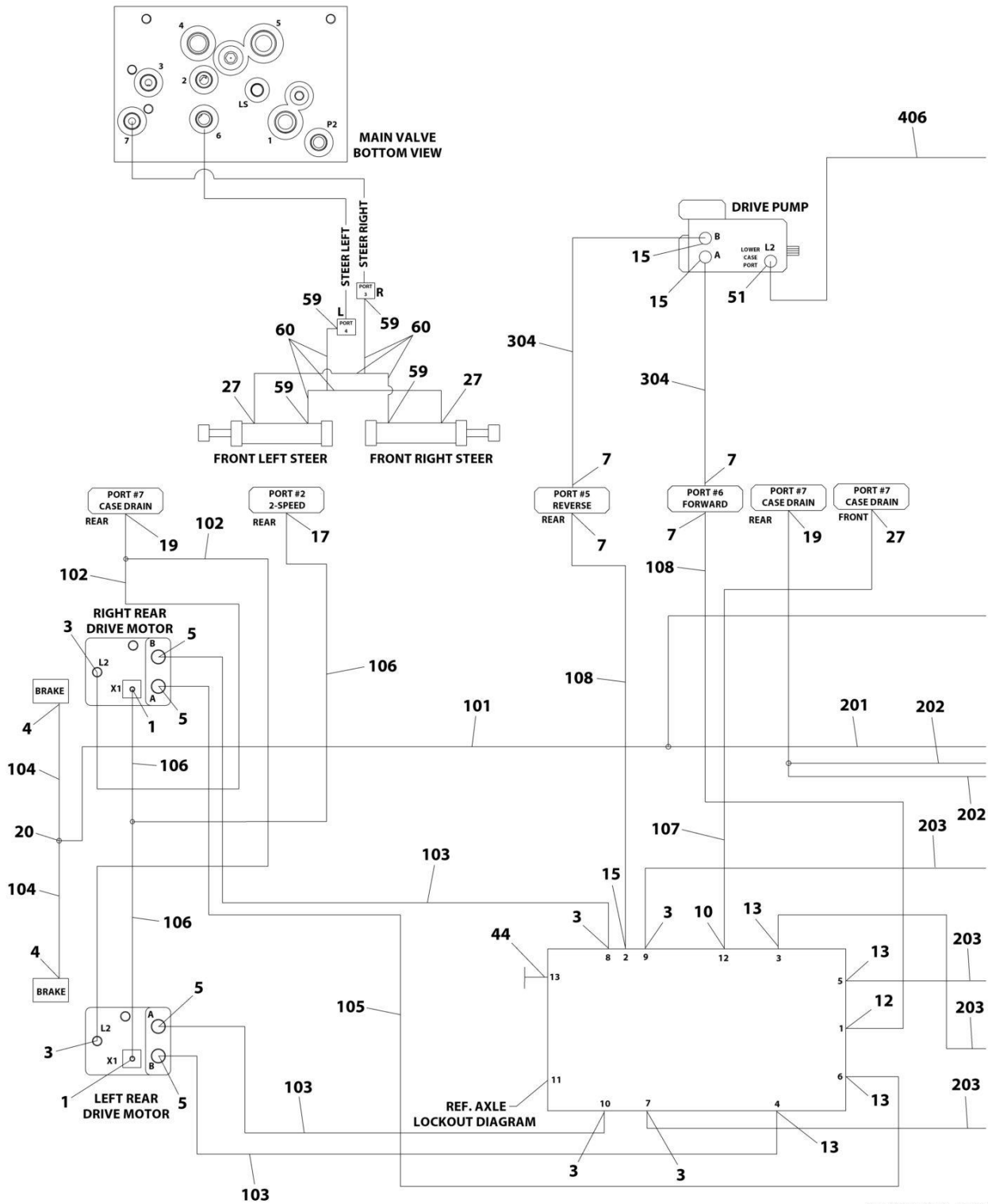
ITEM	PART NUMBER	QTY	DESCRIPTION	REV
	1001178219	Ref	HYDRAULIC DIAGRAM - DRIVE (4WD)	F
1	2110406	3	Fitting, Straight ORFS/ORB	
2	2110408	1	Fitting, Straight ORFS/ORB	
3	2110808	7	Fitting, Straight ORFS/ORB	
4	2110404	4	Fitting, Straight ORFS/ORB	
5	2110812	9	Fitting, Straight ORFS/ORB	
7	2111616	4	Fitting, Straight ORFS/ORB	
8	2112020	1	Fitting, Straight ORFS/ORB	
9	2130404	3	Fitting, 90 ORFS/ORB	
10	2130604	1	Fitting, 90 ORFS/ORB	
11	2130406	2	Fitting, 90 ORFS/ORB	
12	2151616	1	Fitting, 90 ORFS/ORB	
13	2130808	6	Fitting, 90 ORFS/ORB	
14	2131012	1	Fitting, 90 ORFS/ORB	
15	2131616	3	Fitting, 90 ORFS/ORB	
16	1001198337	1	Fitting, Tee ORFS/ORB-RUN	
17	2150406	2	Fitting, 45 ORFS/ORB	
19	2170408	2	Fitting, Tee ORFS/ORB/ORFS	
20	2170504	2	Fitting, Tee ORFS/ORFS/ORFS	
21	1001198338	1	Fitting, Tee ORFS/SORB/ORFS	
22	2220237	2	Fitting, Plug ORB	
24	2111212	1	Fitting, Straight ORFS/ORB	
27	2130606	3	Fitting, 90 ORFS/ORB	
30	2170204	1	Fitting, 90 ORFS/ORB	
44	2220238	1	Plug	
51	2131212	1	Fitting, 90 ORFS/ORB	
52	2110810	1	Fitting, Straight ORFS/ORB	
53	2111016	1	Fitting, Straight ORFS/ORB	
54	2132016	1	Fitting, 90 ORFS/ORB	
59	1001199396	1	Fitting, 90 ORFS/SORB	
60	2110606	4	Fitting, Straight ORFS/ORB	
100	1001270069	1	Arctic Towbar Hose Kit	
101	2753622	1	Hose	
102	2753686	2	Hose	
103	2753971	3	Hose	
104	2754337	2	Hose	
105	2754338	1	Hose	
106	1001198340	1	Hose with Crimped Tee	
107	2753626	1	Hose	
108	2753634	2	Hose	
300	1001270071	1	Arctic Turntable Hose Kit	
301	2753540	2	Hose	
304	2753667	2	Hose	
305	2753685	1	Hose	
400	1001270072	1	Arctic Turntable Hose Kit	
401	2753555	1	Hose	
402	2753768	1	Hose	
403	1001095307	1	Hose	
404	1001095308	1	Hose	
405	1001157866	1	Hose	

## SECTION 7 - HYDRAULIC

ITEM	PART NUMBER	QTY	DESCRIPTION	REV
406	2753699	1	Hose	
500	1001270630	1	Front Hose Kit	
501	2753542	1	Hose	
502	2753628	2	Hose	
503	2753970	4	Hose	
504	2754512	2	Hose	
505	1001198333	2	Hose	
506	1001198341	1	Hose	

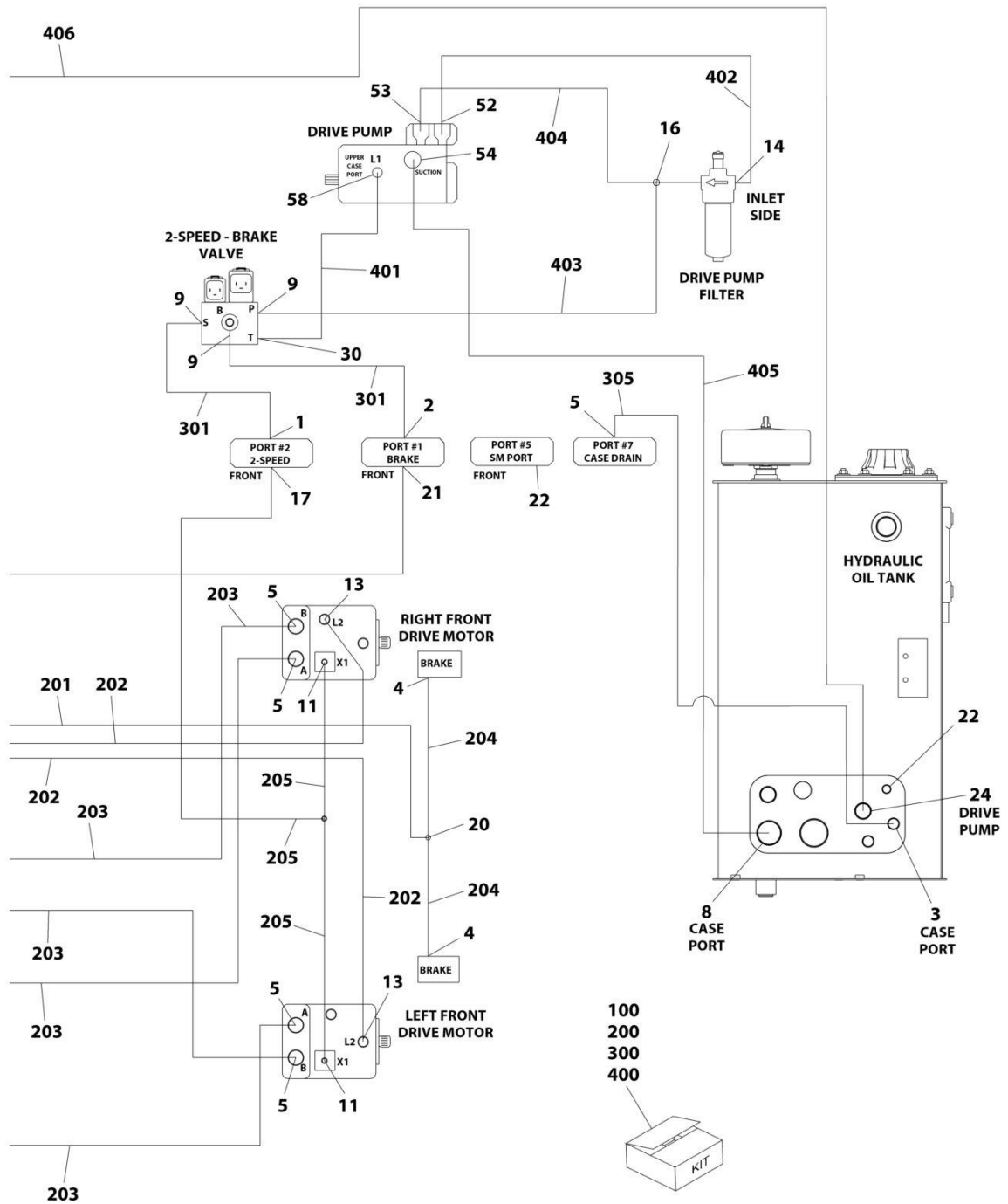
# SECTION 7 - HYDRAULIC

## FIGURE 7-6. HYDRAULIC DIAGRAM - DRIVE (4WD WITH ARCTIC PACKAGE)



ART\_1001178220\_G\_10F2

# SECTION 7 - HYDRAULIC



ART\_1001178220\_G\_20F2

# SECTION 7 - HYDRAULIC

## FIGURE 7-6. HYDRAULIC DIAGRAM - DRIVE (4WD WITH ARCTIC PACKAGE)

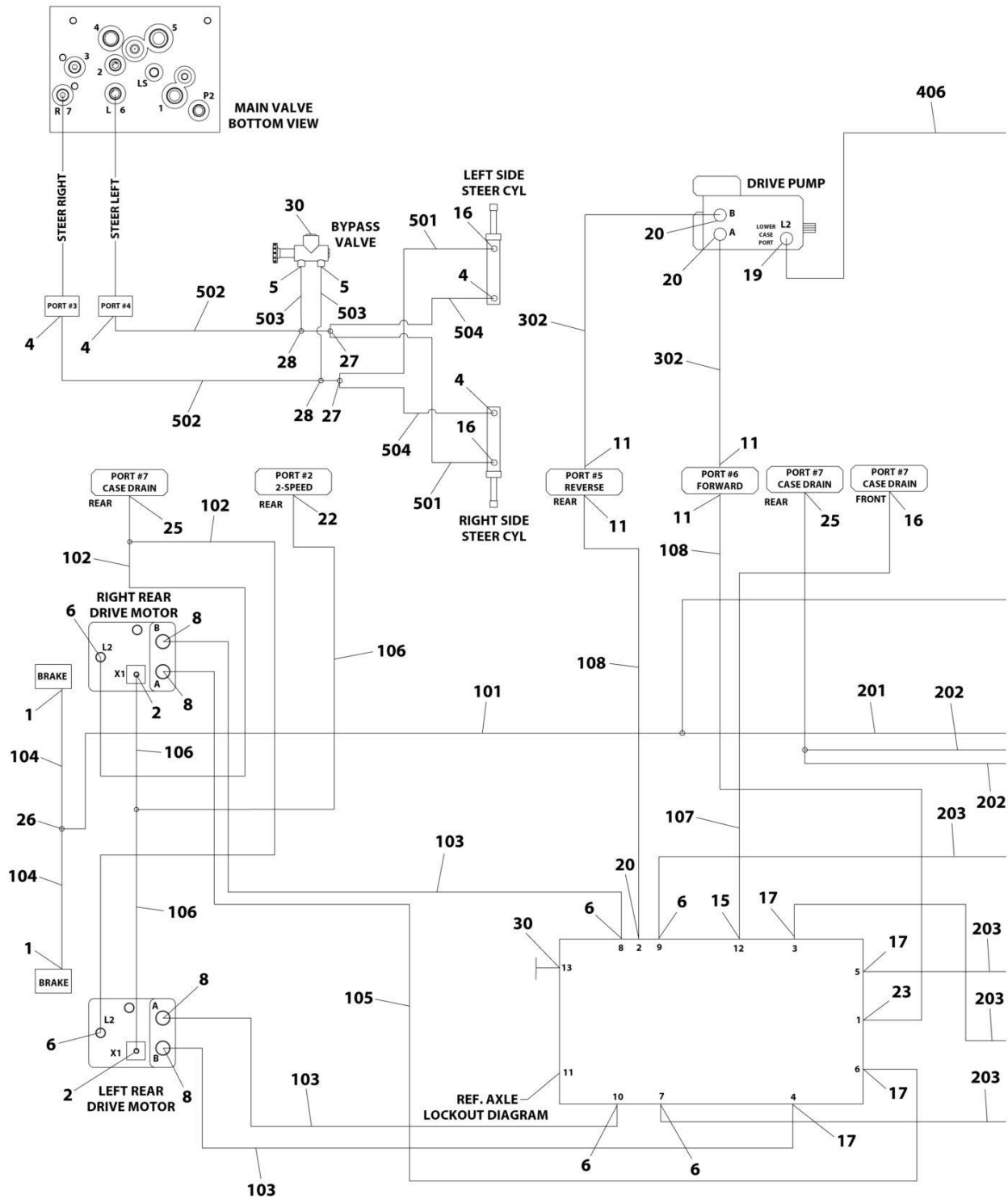
ITEM	PART NUMBER	QTY	DESCRIPTION	REV
	1001178220	Ref	HYDRAULIC DIAGRAM - DRIVE (4WD)	G
1	2110406	3	Fitting, Straight ORFS/ORB	
2	2110408	1	Fitting, Straight ORFS/ORB	
3	2110808	7	Fitting, Straight ORFS/ORB	
4	2110404	4	Fitting, Straight ORFS/ORB	
5	2110812	9	Fitting, Straight ORFS/ORB	
7	2111616	4	Fitting, Straight ORFS/ORB	
8	2112020	1	Fitting, Straight ORFS/ORB	
9	2130404	3	Fitting, 90 ORFS/ORB	
10	2130604	1	Fitting, 90 ORFS/ORB	
11	2130406	2	Fitting, 90 ORFS/ORB	
12	2151616	1	Fitting, 90 ORFS/ORB	
13	2130808	6	Fitting, 90 ORFS/ORB	
14	2131012	1	Fitting, 90 ORFS/ORB	
15	2131616	3	Fitting, 90 ORFS/ORB	
16	1001198337	1	Fitting, Tee ORFS/ORB-RUN	
17	2150406	2	Fitting, 45 ORFS/ORB	
19	2170408	2	Fitting, Tee ORFS/ORB/ORFS	
20	2170504	2	Fitting, Tee ORFS/ORFS/ORFS	
21	1001198338	1	Fitting, Tee ORFS/SORB/ORFS	
22	2220237	2	Fitting, Plug ORB	
24	2111212	1	Fitting, Straight ORFS/ORB	
27	2130606	3	Fitting, 90 ORFS/ORB	
30	2170204	1	Fitting, 90 ORFS/ORB	
44	2220238	1	Hose	
51	2131212	1	Fitting, 90 ORFS/ORB	
52	2111016	1	Fitting, Straight ORFS/ORB	
53	2110810	1	Fitting, Straight ORFS/ORB	
54	2132016	1	Fitting, 90 ORFS/ORB	
58	1001199396	1	Fitting, 90 ORFS/SORB	
59	2110606	4	Fitting, Straight ORFS/ORB	
60	1001198333	2	Hose	
100	1001270069	1	Arctic Towbar Hose Kit	
101	2753622	1	Hose	
102	2753686	2	Hose	
103	2753971	3	Hose	
104	2754337	2	Hose	
105	2754338	1	Hose	
106	1001198340	1	Hose with Crimped Tee	
107	2753626	1	Hose	
108	2753634	2	Hose	
200	1001270073	1	Arctic Towbar Hose Kit	
201	2753542	1	Hose	
202	2754720	2	Hose	
203	2754743	4	Hose	
204	1001106957	2	Hose	
205	1001204269	1	Hose with Crimped Tee	
300	1001270071	1	Arctic Turntable Hose Kit	
301	2753540	2	Hose	
304	2753667	2	Hose	

## SECTION 7 - HYDRAULIC

ITEM	PART NUMBER	QTY	DESCRIPTION	REV
305	2753685	1	Hose	
400	1001270072	1	Arctic Turntable Hose Kit	
401	2753555	1	Hose	
402	2753768	1	Hose	
403	1001095307	1	Hose	
404	1001095308	1	Hose	
405	1001157866	1	Hose	
406	2753699	1	Hose	

# SECTION 7 - HYDRAULIC

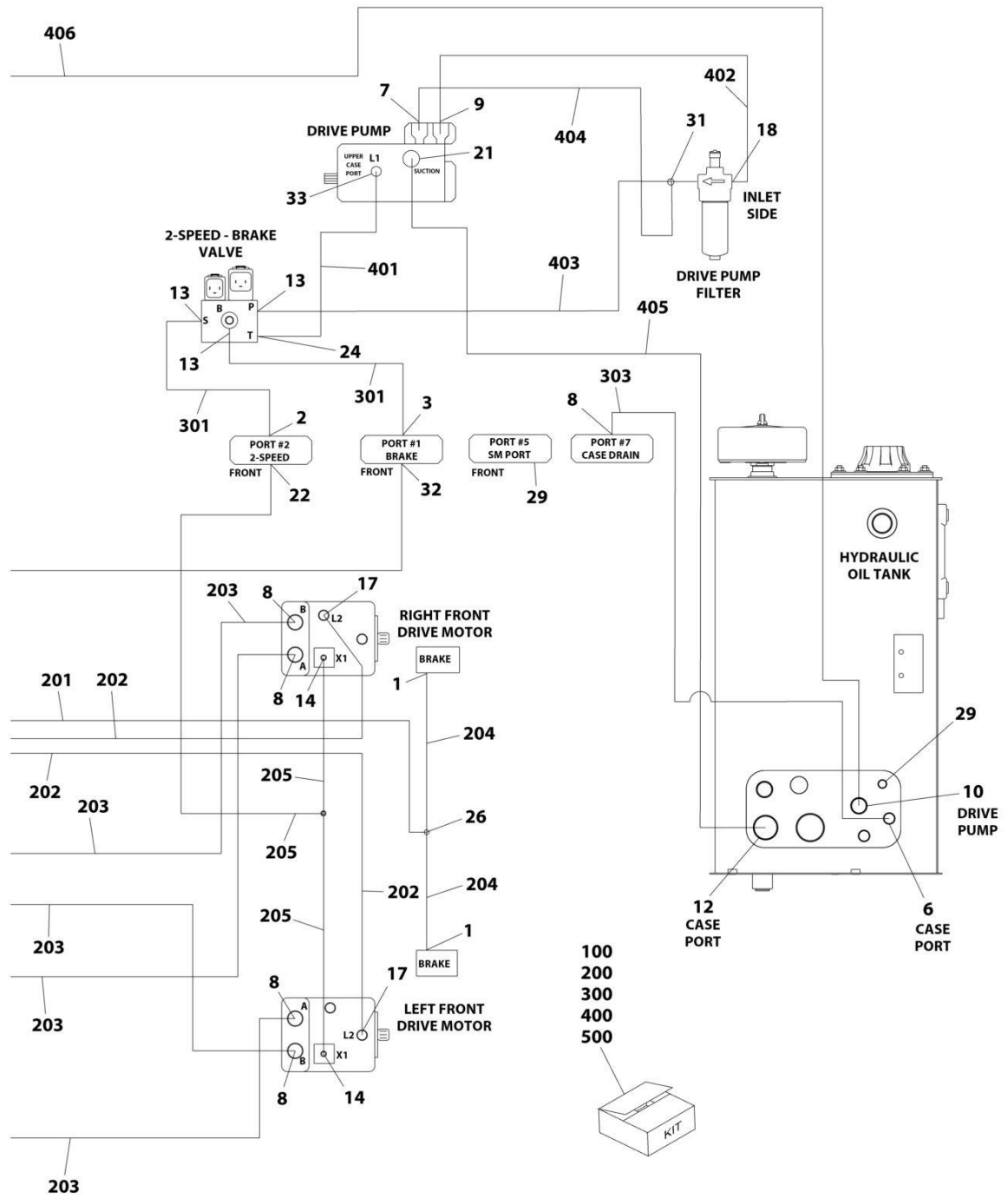
## FIGURE 7-7. HYDRAULIC DIAGRAM - DRIVE (4WD WITH TOW BAR PACKAGE)



ART\_1001287749\_1OF2



# SECTION 7 - HYDRAULIC



ART\_1001287749\_20F2

# SECTION 7 - HYDRAULIC

## FIGURE 7-7. HYDRAULIC DIAGRAM - DRIVE (4WD WITH TOW BAR PACKAGE)

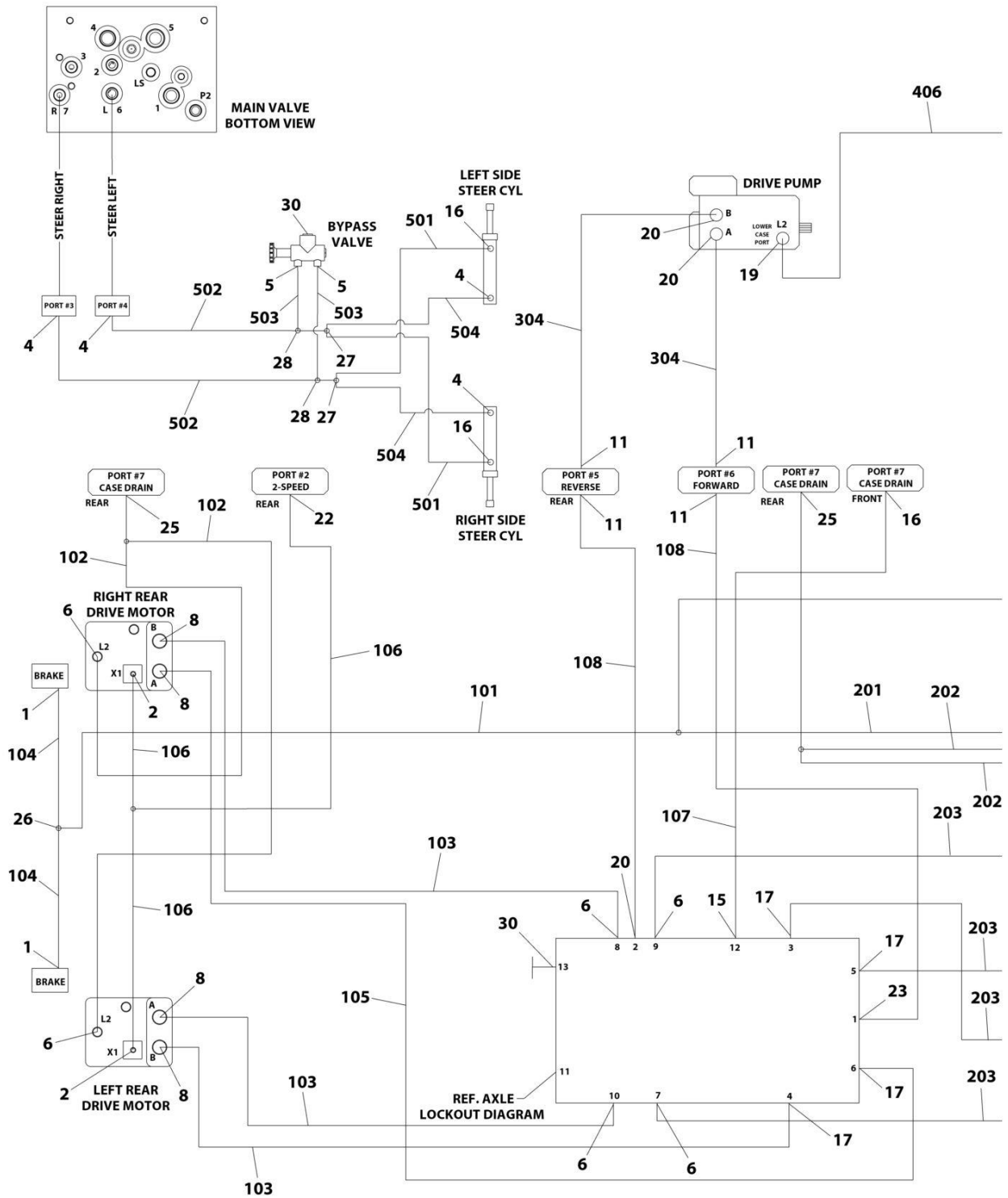
ITEM	PART NUMBER	QTY	DESCRIPTION	REV
	1001287749	Ref	HYDRAULIC DIAGRAM - DRIVE (4WD)	A
1	2110404	4	Fitting, Straight ORFS/ORB	
2	2110406	3	Fitting, Straight ORFS/ORB	
3	2110408	1	Fitting, Straight ORFS/ORB	
4	2110606	4	Fitting, Straight ORFS/ORB	
5	2110608	2	Fitting, Straight ORFS/ORB	
6	2110808	7	Fitting, Straight ORFS/ORB	
7	2110810	1	Fitting, Straight ORFS/ORB	
8	2110812	9	Fitting, Straight ORFS/ORB	
9	2111016	1	Fitting, Straight ORFS/ORB	
10	2111212	1	Fitting, Straight ORFS/ORB	
11	2111616	4	Fitting, Straight ORFS/ORB	
12	2112020	1	Fitting, Straight ORFS/ORB	
13	2130404	3	Fitting, 90 ORFS/ORB	
14	2130406	2	Fitting, 90 ORFS/ORB	
15	2130604	1	Fitting, 90 ORFS/ORB	
16	2130606	3	Fitting, 90 ORFS/ORB	
17	2130808	6	Fitting, 90 ORFS/ORB	
18	2131012	1	Fitting, 90 ORFS/ORB	
19	2131212	1	Fitting, 90 ORFS/ORB	
20	2131616	3	Fitting, 90 ORFS/ORB	
21	2132016	1	Fitting, 90 ORFS/ORB	
22	2150406	2	Fitting, 45 ORFS/ORB	
23	2151616	1	Fitting, 90 ORFS/ORB	
24	2170204	1	Fitting, 90 ORFS/ORB	
25	2170408	2	Fitting, Tee ORFS/ORB/ORFS	
26	2170504	2	Fitting, Tee ORFS/ORFS/ORFS	
27	2170506	2	Fitting, Tee ORFS/ORFS/ORFS	
28	2170706	2	Fitting, Tee ORFS/FSORFS/ORFS	
29	2220237	2	Fitting, Plug ORB	
30	2220238	2	Hose	
31	1001198337	1	Fitting, Tee ORFS/ORB-RUN	
32	1001198338	1	Fitting, Tee ORFS/SORB/ORFS	
33	1001199396	1	Fitting, 90 ORFS/SORB	
100	1001270069	1	Arctic Towbar Hose Kit	
101	2753622	1	Hose	
102	2753686	2	Hose	
103	2753971	3	Hose	
104	2754337	2	Hose	
105	2754338	1	Hose	
106	1001198340	1	Hose with Crimped Tee	
107	2753626	1	Hose	
108	2753634	2	Hose	
200	1001270070	1	Front Hose Kit	
201	2753542	1	Hose	
202	2753628	2	Hose	
203	2753970	4	Hose	
204	2754512	2	Hose	
205	1001198341	1	Hose	
300	1001270071	1	Arctic Turntable Hose Kit	

## SECTION 7 - HYDRAULIC

ITEM	PART NUMBER	QTY	DESCRIPTION	REV
301	2753540	2	Hose	
302	2753667	2	Hose	
303	2753685	1	Hose	
400	1001270072	1	Arctic Turntable Hose Kit	
401	2753555	1	Hose	
402	2753768	1	Hose	
403	1001095307	1	Hose	
404	1001095308	1	Hose	
405	1001157866	1	Hose	
406	2753699	1	Hose	
500	1001270077	1	Towbar Front Hose Kit	
501	2753656	2	Hose	
502	2753732	2	Hose	
503	2753879	2	Hose	
504	1001159340	2	Hose	

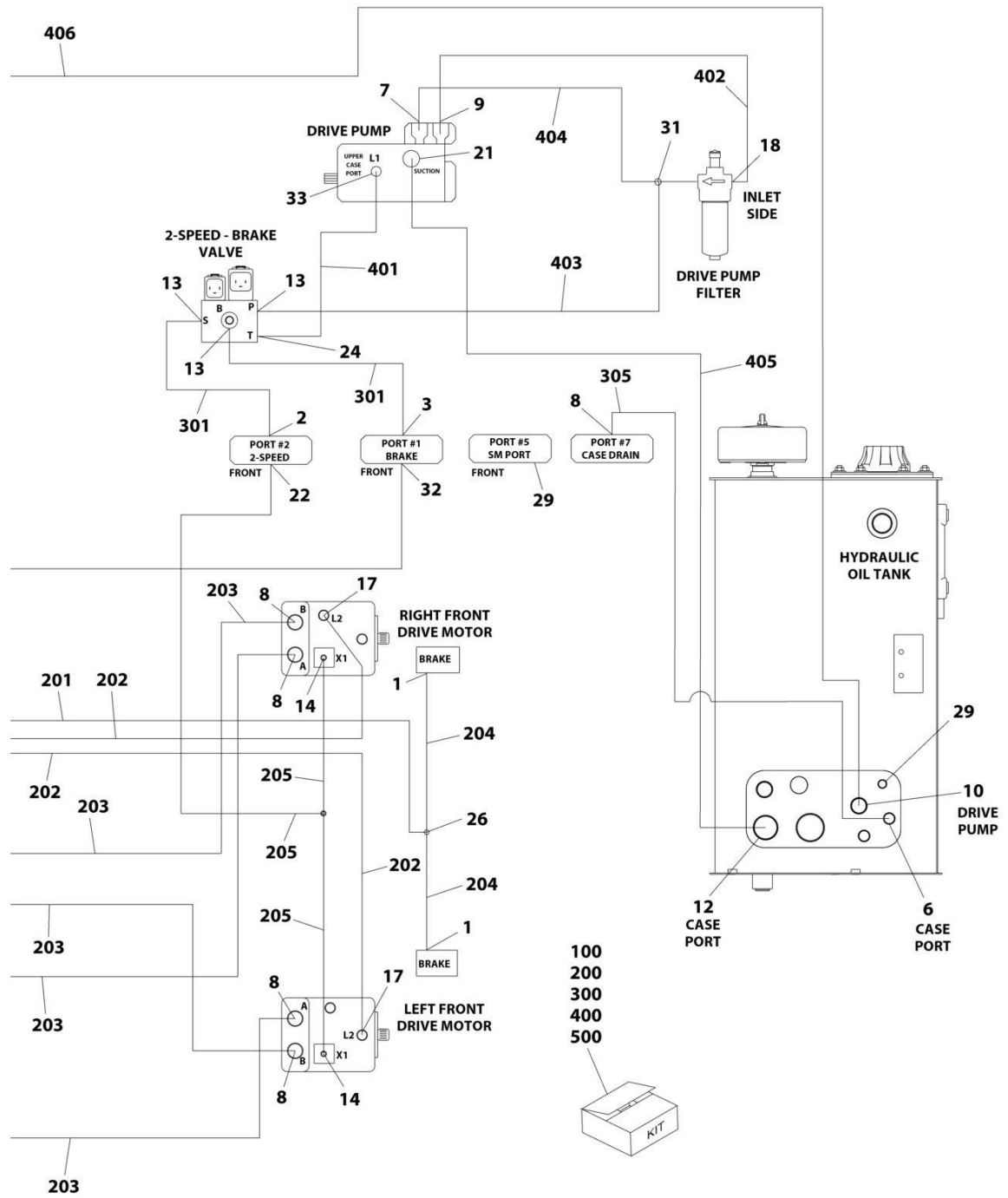
# SECTION 7 - HYDRAULIC

FIGURE 7-8. HYDRAULIC DIAGRAM - DRIVE (4WD WITH ARCTIC & TOW BAR PACKAGE)



ART\_1001287750\_10F2

# SECTION 7 - HYDRAULIC



ART\_100128750\_20F2

# SECTION 7 - HYDRAULIC

**FIGURE 7-8. HYDRAULIC DIAGRAM - DRIVE (4WD WITH ARCTIC & TOW BAR PACKAGE)**

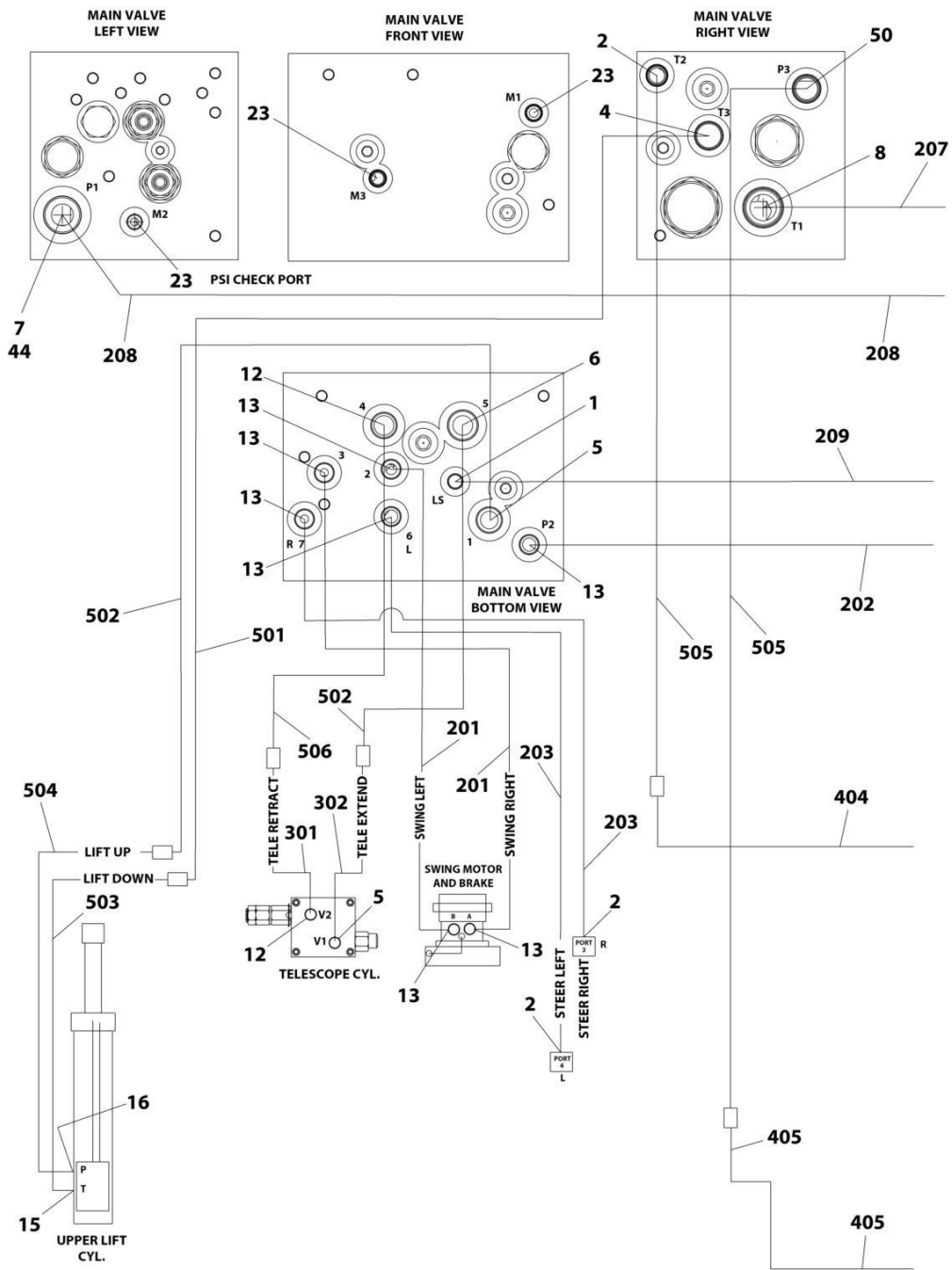
ITEM	PART NUMBER	QTY	DESCRIPTION	REV
	1001287750	Ref	HYDRAULIC DIAGRAM - DRIVE (4WD)	A
1	2110404	4	Fitting, Straight ORFS/ORB	
2	2110406	3	Fitting, Straight ORFS/ORB	
3	2110408	1	Fitting, Straight ORFS/ORB	
4	2110606	4	Fitting, Straight ORFS/ORB	
5	2110608	2	Fitting, Straight ORFS/ORB	
6	2110808	7	Fitting, Straight ORFS/ORB	
7	2110810	1	Fitting, Straight ORFS/ORB	
8	2110812	9	Fitting, Straight ORFS/ORB	
9	2111016	1	Fitting, Straight ORFS/ORB	
10	2111212	1	Fitting, Straight ORFS/ORB	
11	2111616	4	Fitting, Straight ORFS/ORB	
12	2112020	1	Fitting, Straight ORFS/ORB	
13	2130404	3	Fitting, 90 ORFS/ORB	
14	2130406	2	Fitting, 90 ORFS/ORB	
15	2130604	1	Fitting, 90 ORFS/ORB	
16	2130606	3	Fitting, 90 ORFS/ORB	
17	2130808	6	Fitting, 90 ORFS/ORB	
18	2131012	1	Fitting, 90 ORFS/ORB	
19	2131212	1	Fitting, 90 ORFS/ORB	
20	2131616	3	Fitting, 90 ORFS/ORB	
21	2132016	1	Fitting, 90 ORFS/ORB	
22	2150406	2	Fitting, 45 ORFS/ORB	
23	2151616	1	Fitting, 90 ORFS/ORB	
24	2170204	1	Fitting, 90 ORFS/ORB	
25	2170408	2	Fitting, Tee ORFS/ORB/ORFS	
26	2170504	2	Fitting, Tee ORFS/ORFS/ORFS	
27	2170506	2	Fitting, Tee ORFS/ORFS/ORFS	
28	2170706	2	Fitting, Tee ORFS/FSORFS/ORFS	
29	2220237	2	Fitting, Plug ORB	
30	2220238	1	Hose	
31	1001198337	1	Fitting, Tee ORFS/ORB-RUN	
32	1001198338	1	Fitting, Tee ORFS/SORB/ORFS	
33	1001199396	1	Fitting, 90 ORFS/SORB	
100	1001270069	1	Arctic Towbar Hose Kit	
101	2753622	1	Hose	
102	2753686	2	Hose	
103	2753971	3	Hose	
104	2754337	2	Hose	
105	2754338	1	Hose	
106	1001198340	1	Hose with Crimped Tee	
107	2753626	1	Hose	
108	2753634	2	Hose	
200	1001270073	1	Arctic Towbar Hose Kit	
201	2753542	1	Hose	
202	2754720	2	Hose	
203	2754743	4	Hose	
204	1001106957	2	Hose	
205	1001204269	1	Hose with Crimped Tee	
300	1001270071	1	Arctic Turntable Hose Kit	

## SECTION 7 - HYDRAULIC

ITEM	PART NUMBER	QTY	DESCRIPTION	REV
301	2753540	2	Hose	
304	2753667	2	Hose	
305	2753685	1	Hose	
400	1001270072	1	Arctic Turntable Hose Kit	
401	2753555	1	Hose	
402	2753768	1	Hose	
403	1001095307	1	Hose	
404	1001095308	1	Hose	
405	1001157866	1	Hose	
406	2753699	1	Hose	
500	1001270077	1	Towbar Front Hose Kit	
501	2753656	2	Hose	
502	2753732	2	Hose	
503	2753879	2	Hose	
504	1001159340	2	Hose	

# SECTION 7 - HYDRAULIC

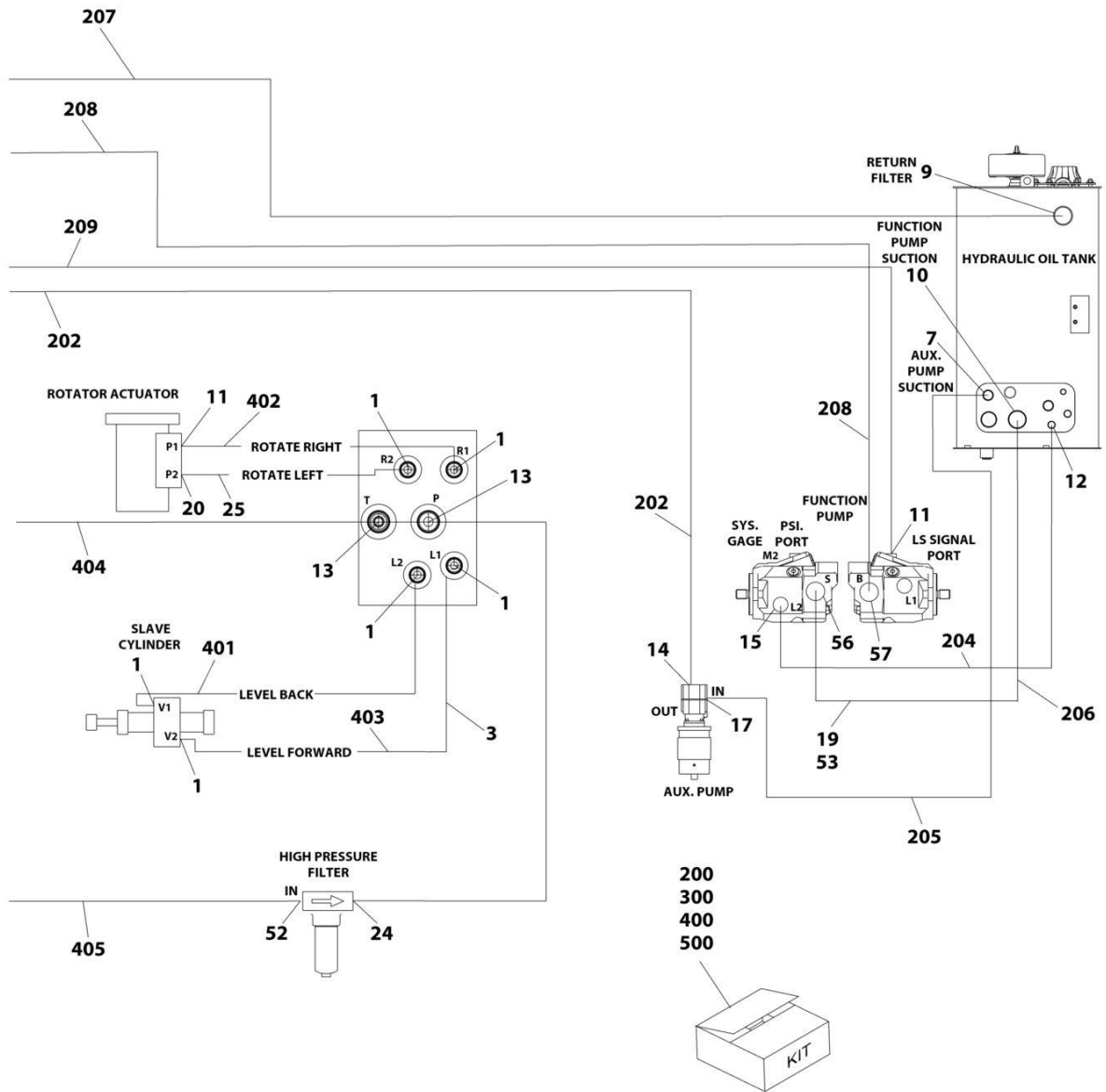
## FIGURE 7-9. HYDRAULIC DIAGRAM - DRIVE (4WD WITH ARCTIC PACKAGE)



ART\_1001178215\_M\_10F2



# SECTION 7 - HYDRAULIC



ART\_1001178215\_M\_20F2

# SECTION 7 - HYDRAULIC

## FIGURE 7-9. HYDRAULIC DIAGRAM - DRIVE (4WD WITH ARCTIC PACKAGE)

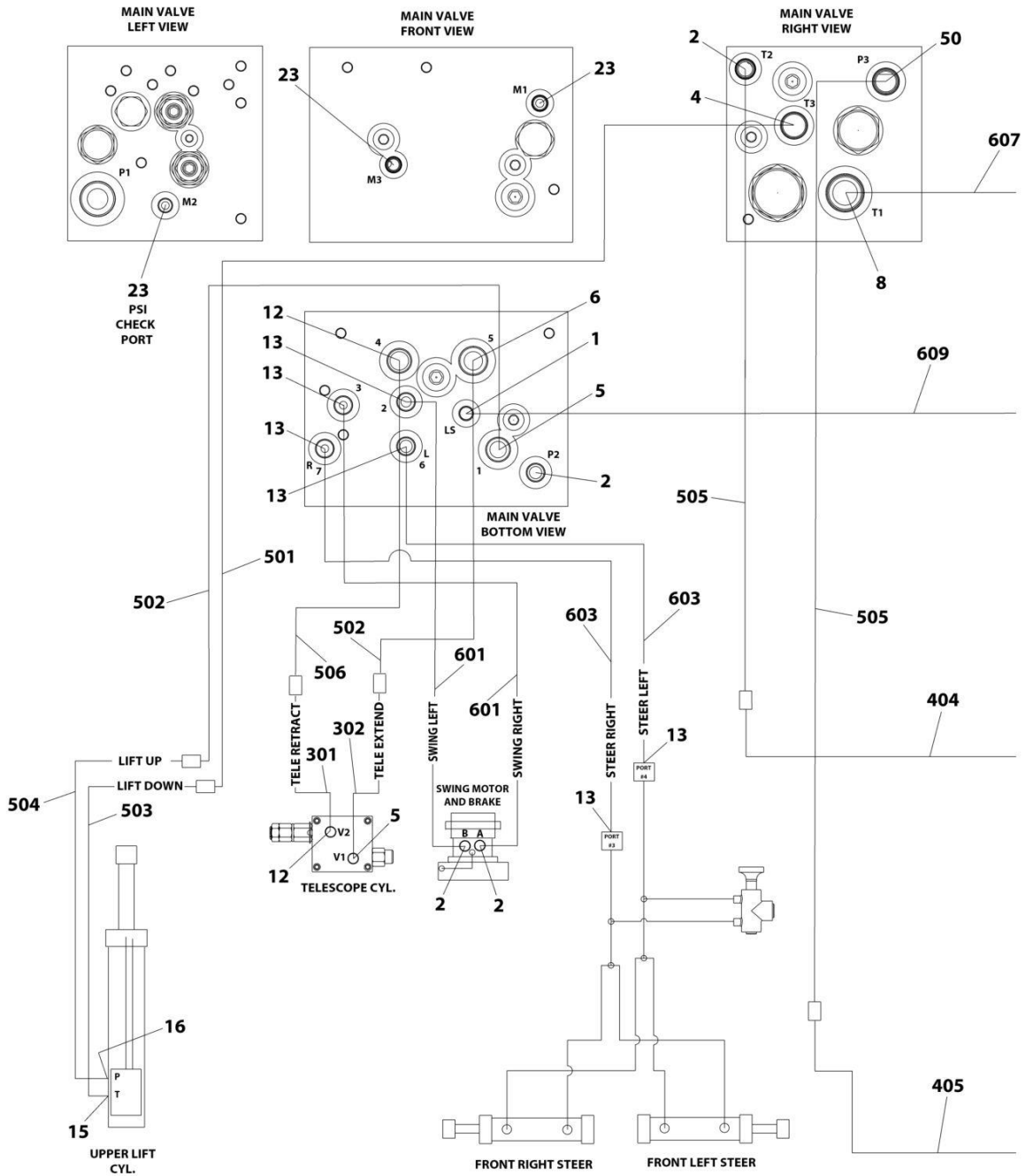
ITEM	PART NUMBER	QTY	DESCRIPTION	REV
	1001178215	Ref	STANDARD HYDRAULIC DIAGRAM	M
1	2110404	7	Fitting, Straight ORFS/ORB	
2	2110606	3	Fitting, Straight ORFS/ORB	
3	2717059	1	Hose	
4	2170208	1	Fitting, 90 ORFS/ORB	
5	2111008	2	Fitting, Straight ORFS/ORB	
6	2111010	1	Fitting, Straight ORFS/ORB	
7	2111212	2	Fitting, Straight ORFS/ORB	
8	88662327	1	Fitting, Straight ORFS/ORB	
9	2151616	1	Fitting, 45 ORFS/ORB	
10	2112424	1	Fitting, Straight ORFS/ORB	
11	2130404	2	Fitting, 90 ORFS/ORB	
12	2110808	3	Fitting, Straight ORFS/ORB	
13	2130606	9	Fitting, 90 ORFS/ORB	
14	2130608	1	Fitting, 90 ORFS/ORB	
15	2130810	2	Fitting, 90 ORFS/ORB	
16	2131010	1	Fitting, 90 ORFS/ORB	
17	2111208	1	Fitting, Straight ORFS/ORB	
19	4240018	3	Tie-Strap	
20	2150404	1	Fitting, 45 ORFS/ORB	
23	2221086	3	Fitting, Pressure Check	
24	2110612	1	Fitting, Straight ORFS/ORB	
25	2753545	1	Hose	
44	2172112	1	Fitting, 90 ORFS/FSORFS	
50	2110608	1	Fitting, Straight ORFS/ORB	
52	2130612	1	Fitting, 90 ORFS/ORB	
53	4061032	1	Hose, Guard	
56	2220737	1	Split Flange Kit	
57	2220478	1	Split Flange Kit	
200	1001270075	1	Turntable Hose Kit	
201	2753653	2	Hose	
202	2753654	1	Hose	
203	2753656	2	Hose	
204	2753686	1	Hose	
205	1001111968	1	Hose	
206	1001157851	1	Hose	
207	1001177226	1	Hose	
208	1001181894	1	Hose	
209	2753622	1	Hose	
300	1001270076	1	Boom Hose Kit	
301	2753681	1	Hose	
302	2753683	1	Hose	
400	1001271618	1	Hose Kit	
401	2753622	1	Hose	
402	2753674	1	Hose	
403	2753675	1	Hose	
404	2753679	1	Hose	
405	2753693	1	Hose	
500	1001271619	1	Hose Kit	
501	2753670	1	Hose	

## SECTION 7 - HYDRAULIC

ITEM	PART NUMBER	QTY	DESCRIPTION	REV
502	2753671	2	Hose	
503	2753682	1	Hose	
504	2753684	1	Hose	
505	1001167194	2	Hose	
506	1001167196	1	Hose	

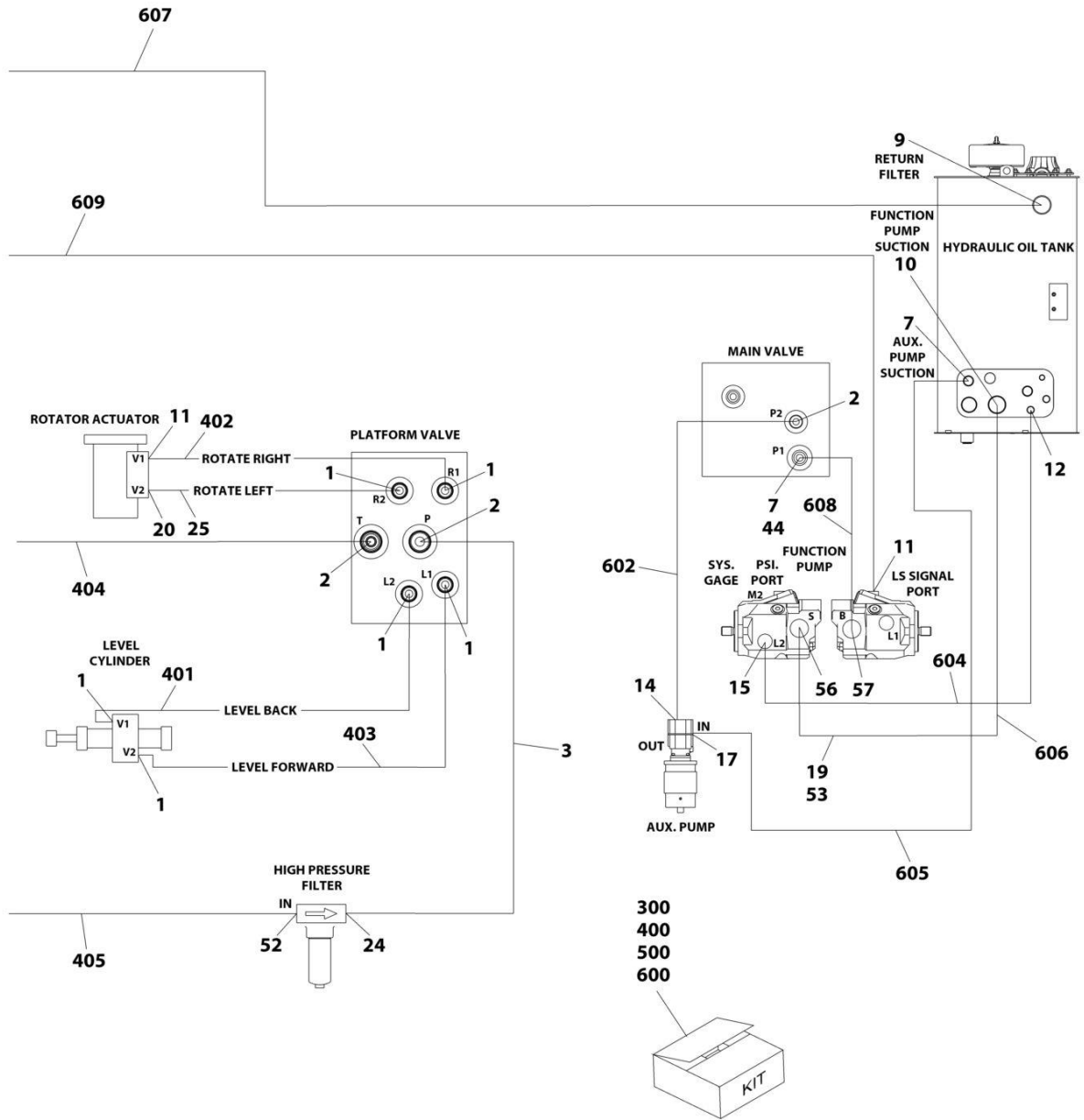
# SECTION 7 - HYDRAULIC

## FIGURE 7-10. HYDRAULIC DIAGRAM - STANDARD (WITH TOW BAR PACKAGE) (800S)



ART\_1001217940\_F\_10F2

# SECTION 7 - HYDRAULIC



ART\_1001217940\_F\_2OF2

# SECTION 7 - HYDRAULIC

**FIGURE 7-10. HYDRAULIC DIAGRAM - STANDARD (WITH TOW BAR PACKAGE) (800S)**

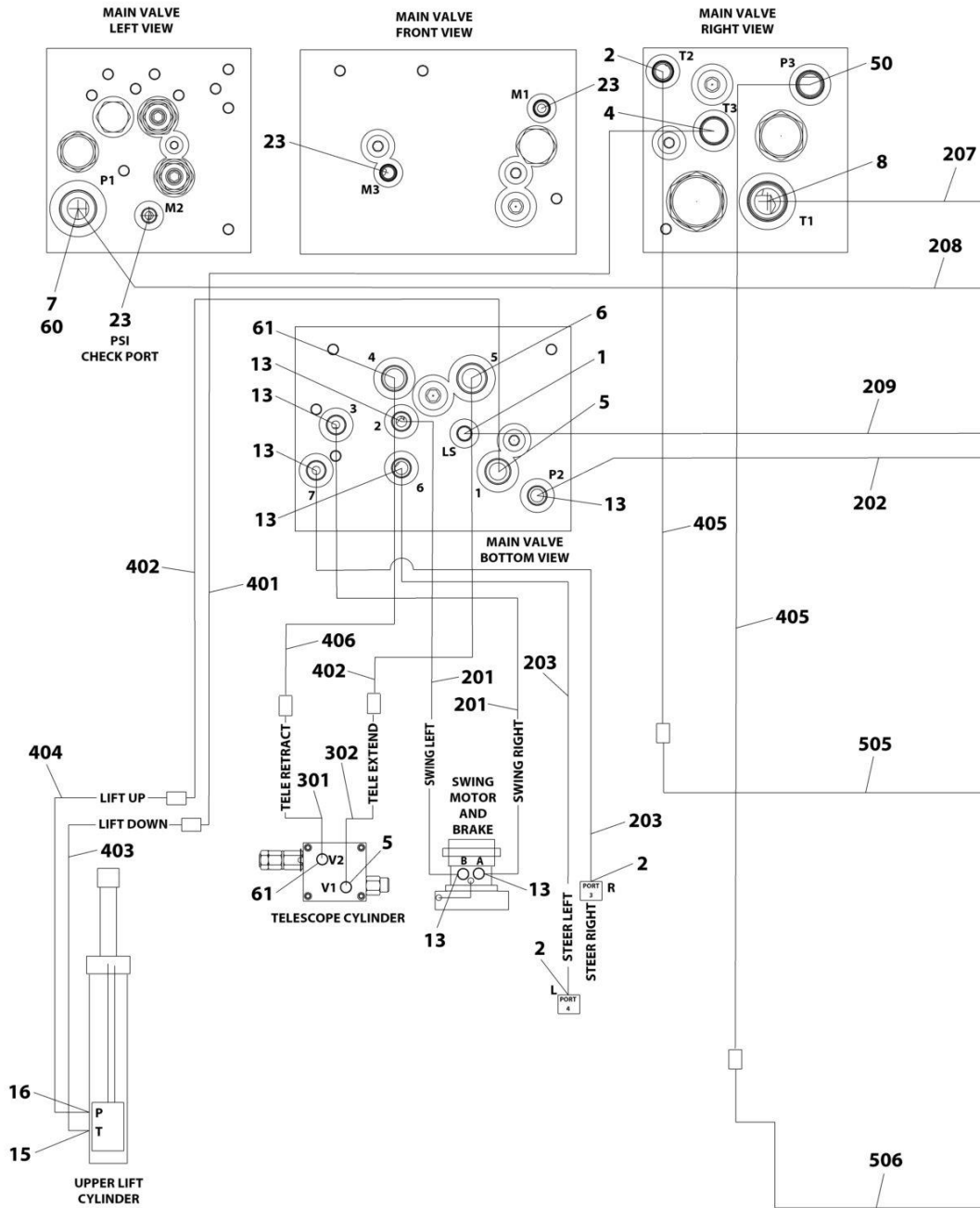
ITEM	PART NUMBER	QTY	DESCRIPTION	REV
	1001217940	Rev	STANDARD HYDRAULIC DIAGRAM	F
1	2110404	7	Fitting, Straight ORFS/ORB	
2	2130606	6	Fitting, 90 ORFS/ORB	
3	2717059	1	Hose	
4	2170208	1	Fitting, 90 ORFS/ORB	
5	2111008	2	Fitting, Straight ORFS/ORB	
6	2111010	1	Fitting, Straight ORFS/ORB	
7	2111212	2	Fitting, Straight ORFS/ORB	
8	88662327	1	Fitting, Straight ORFS/ORB	
9	2151616	1	Fitting, 45 ORFS/ORB	
10	2112424	1	Fitting, Straight ORFS/ORB	
11	2130404	2	Fitting, 90 ORFS/ORB	
12	2110808	3	Fitting, Straight ORFS/ORB	
13	2110606	6	Fitting, Straight ORFS/ORB	
14	2130608	1	Fitting, 90 ORFS/ORB	
15	2130810	2	Fitting, 90 ORFS/ORB	
16	2131010	1	Fitting, 90 ORFS/ORB	
17	2111208	1	Fitting, Straight ORFS/ORB	
19	4240018	3	Tie-Strap	
20	2150404	1	Fitting, 45 ORFS/ORB	
23	2221086	3	Fitting, Pressure Check	
24	2110612	1	Fitting, Straight ORFS/ORB	
25	2753545	1	Hose	
44	2172112	1	Fitting, 90 ORFS/FSORFS	
50	2110608	1	Fitting, Straight ORFS/ORB	
52	2130612	1	Fitting, 90 ORFS/ORB	
53	4061032	1	Hose, Guard	
56	2220737	1	Split Flange Kit	
57	2220478	1	Split Flange Kit	
300	1001270076	1	Boom Hose Kit	
301	2753681	1	Hose	
302	2753683	1	Hose	
400	1001271618	1	Hose Kit	
401	2753622	1	Hose	
402	2753674	1	Hose	
403	2753675	1	Hose	
404	2753679	1	Hose	
405	2753693	1	Hose	
500	1001271619	1	Hose Kit	
501	2753670	1	Hose	
502	2753671	2	Hose	
503	2753682	1	Hose	
504	2753684	1	Hose	
505	1001167194	2	Hose	
506	1001167196	1	Hose	
600	1001270075	1	Turntable Hose Kit	
601	2753653	2	Hose	
602	2753654	1	Hose	
603	2753656	2	Hose	
604	2753686	1	Hose	

## SECTION 7 - HYDRAULIC

ITEM	PART NUMBER	QTY	DESCRIPTION	REV
605	1001111968	1	Hose	
606	1001157851	1	Hose	
607	1001177226	1	Hose	
608	1001181894	1	Hose	
609	2753622	1	Hose	

# SECTION 7 - HYDRAULIC

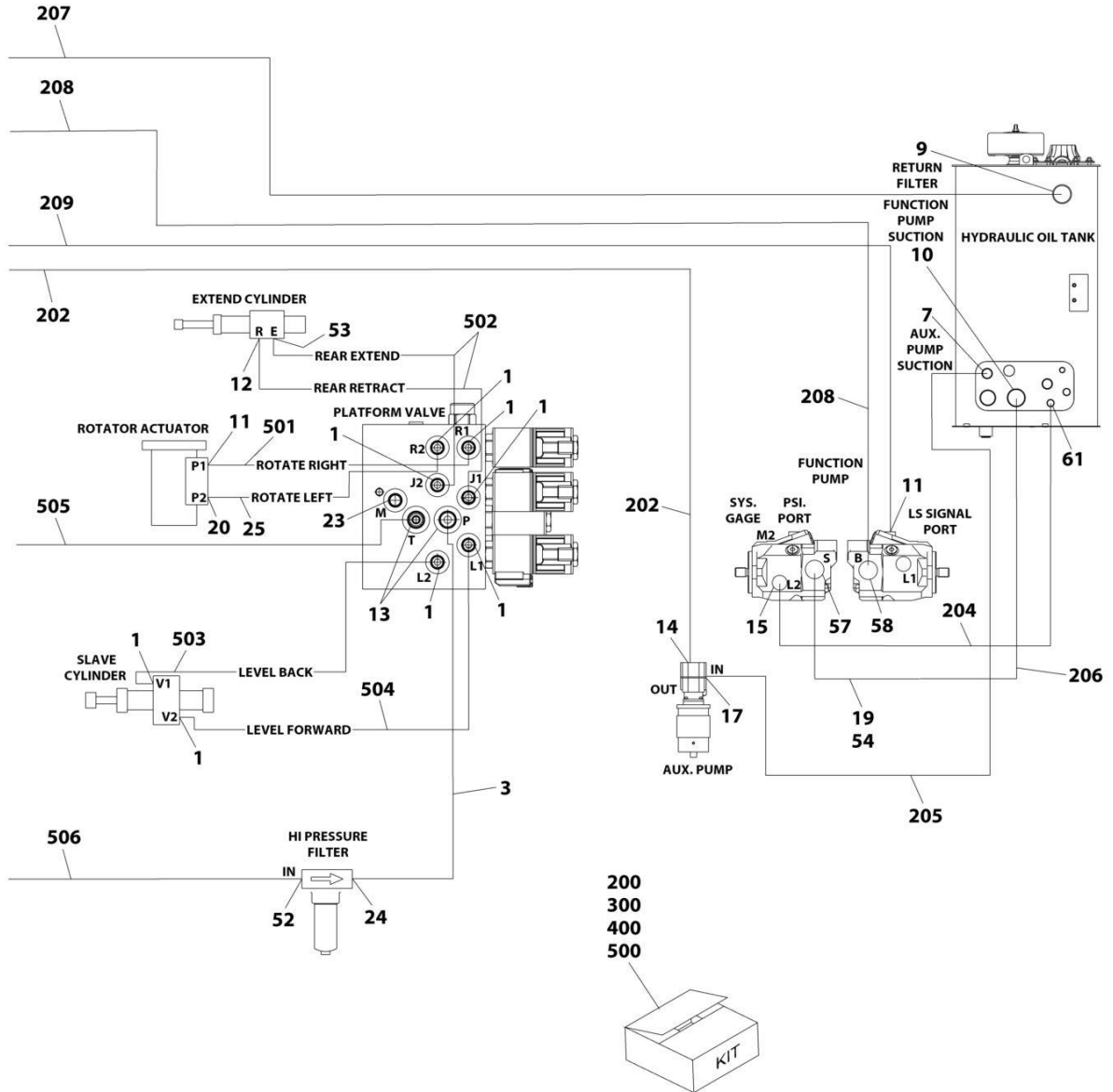
## FIGURE 7-11. HYDRAULIC DIAGRAM - STANDARD (WITHOUT TOW BAR PACKAGE) (860SJ)



ART\_1001178217\_M\_10F2



# SECTION 7 - HYDRAULIC



ART\_1001178217\_M\_20F2

## SECTION 7 - HYDRAULIC

FIGURE 7-11. HYDRAULIC DIAGRAM - STANDARD (WITHOUT TOW BAR PACKAGE) (860SJ)

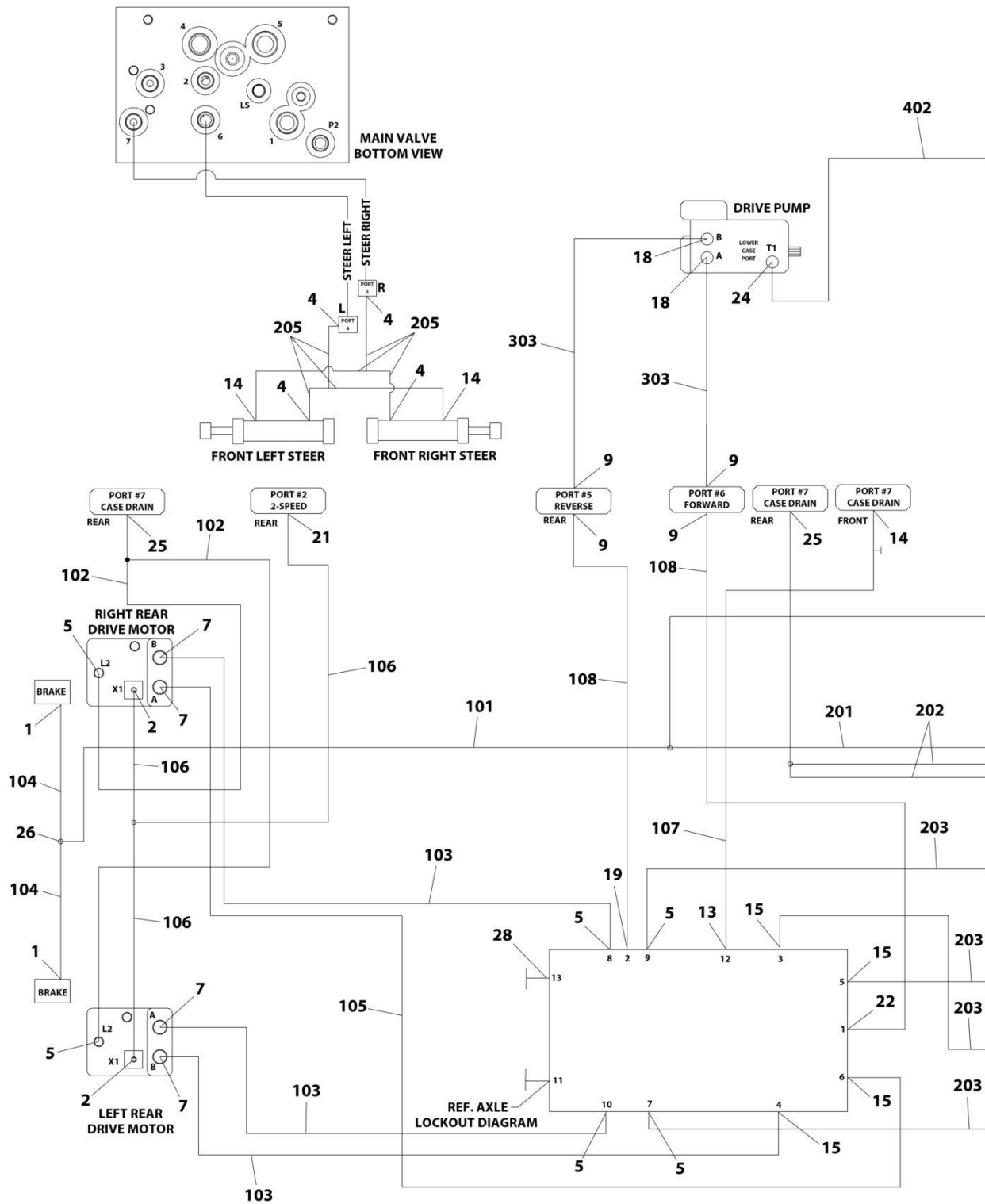
ITEM	PART NUMBER	QTY	DESCRIPTION	REV
	1001178217	Ref	STANDARD HYDRAULIC DIAGRAM	M
1	2110404	9	Fitting, Straight ORFS/ORB	
2	2110606	3	Fitting, Straight ORFS/ORB	
3	2717059	1	Hose	
4	2170208	1	Fitting, 90 ORFS/ORB	
5	2111008	2	Fitting, Straight ORFS/ORB	
6	2111010	1	Fitting, Straight ORFS/ORB	
7	2111212	2	Fitting, Straight ORFS/ORB	
8	88662327	1	Fitting, Straight ORFS/ORB	
9	2151616	1	Fitting, 45 ORFS/ORB	
10	2112424	1	Fitting, Straight ORFS/ORB	
11	2130404	2	Fitting, 90 ORFS/ORB	
12	2130406	1	Fitting, 90 ORFS/ORB	
13	2130606	9	Fitting, 90 ORFS/ORB	
14	2130608	1	Fitting, 90 ORFS/ORB	
15	2130810	2	Fitting, 90 ORFS/ORB	
16	2131010	1	Fitting, 90 ORFS/ORB	
17	2111208	1	Fitting, Straight ORFS/ORB	
19	4240018	3	Tie-Strap	
20	2150404	1	Fitting, 45 ORFS/ORB	
23	2221086	4	Fitting, Pressure Check	
24	2110612	1	Fitting, Straight ORFS/ORB	
25	2753545	1	Hose	
50	2110608	1	Fitting, Straight ORFS/ORB	
52	2130612	1	Fitting, 90 ORFS/ORB	
53	2180829	1	Fitting, 90 ORFS/ORB	
54	4061032	1	Hose, Guard	
57	2220737	1	Split Flange Kit	
58	2220478	1	Split Flange Kit	
60	2172112	1	Fitting, 90 ORFS/FSORFS	
61	2110808	3	Fitting, Straight ORFS/ORB	
200	1001270075	1	Turntable Hose Kit	
201	2753653	2	Hose	
202	2753654	1	Hose	
203	2753656	2	Hose	
204	2753686	1	Hose	
205	1001111968	1	Hose	
206	1001157851	1	Hose	
207	1001177226	1	Hose	
208	1001181894	1	Hose	
209	2753622	1	Hose	
300	1001270076	1	Boom Hose Kit	
301	2753681	1	Hose	
302	2753683	1	Hose	
400	1001271619	1	Hose Kit	
401	2753670	1	Hose	
402	2753671	2	Hose	
403	2753682	1	Hose	
404	2753684	1	Hose	
405	1001167194	2	Hose	

## SECTION 7 - HYDRAULIC

ITEM	PART NUMBER	QTY	DESCRIPTION	REV
406	1001167196	1	Hose	
500	1001271620	1	Hose Kit	
501	2753674	1	Hose	
502	2753676	2	Hose	
503	2753677	1	Hose	
504	2753678	1	Hose	
505	2753680	1	Hose	
506	2753692	1	Hose	

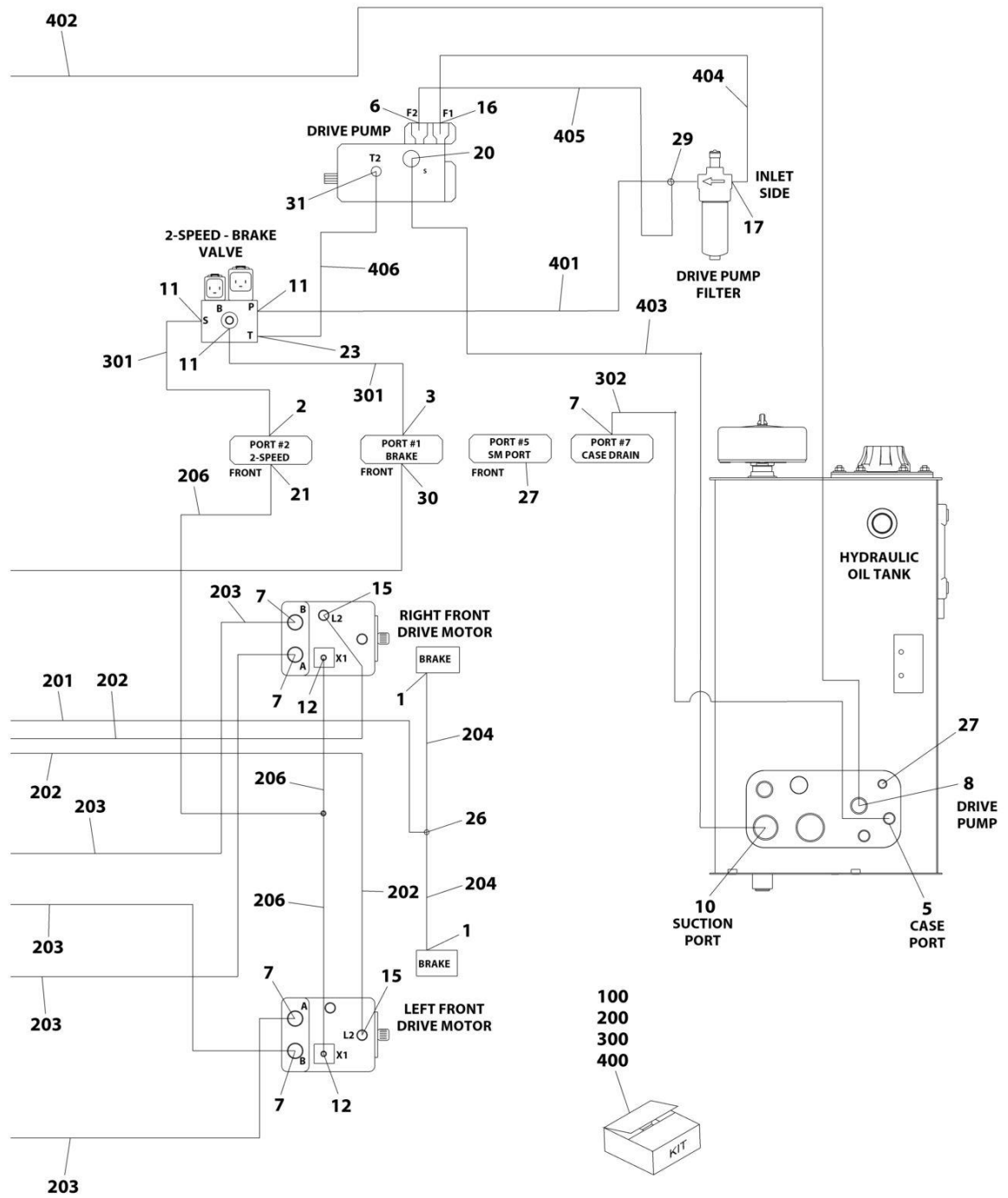
# SECTION 7 - HYDRAULIC

**FIGURE 7-12. HYDRAULIC DIAGRAM - DRIVE (4WD WITHOUT ARCTIC PACKAGE) (ANSI, CSA AND JAPANESE SPECS ONLY)**



ART\_1001296846\_10F2

# SECTION 7 - HYDRAULIC



ART\_1001296846\_20F2

## SECTION 7 - HYDRAULIC

**FIGURE 7-12. HYDRAULIC DIAGRAM - DRIVE (4WD WITHOUT ARCTIC PACKAGE) (ANSI, CSA AND JAPANESE SPECS ONLY)**

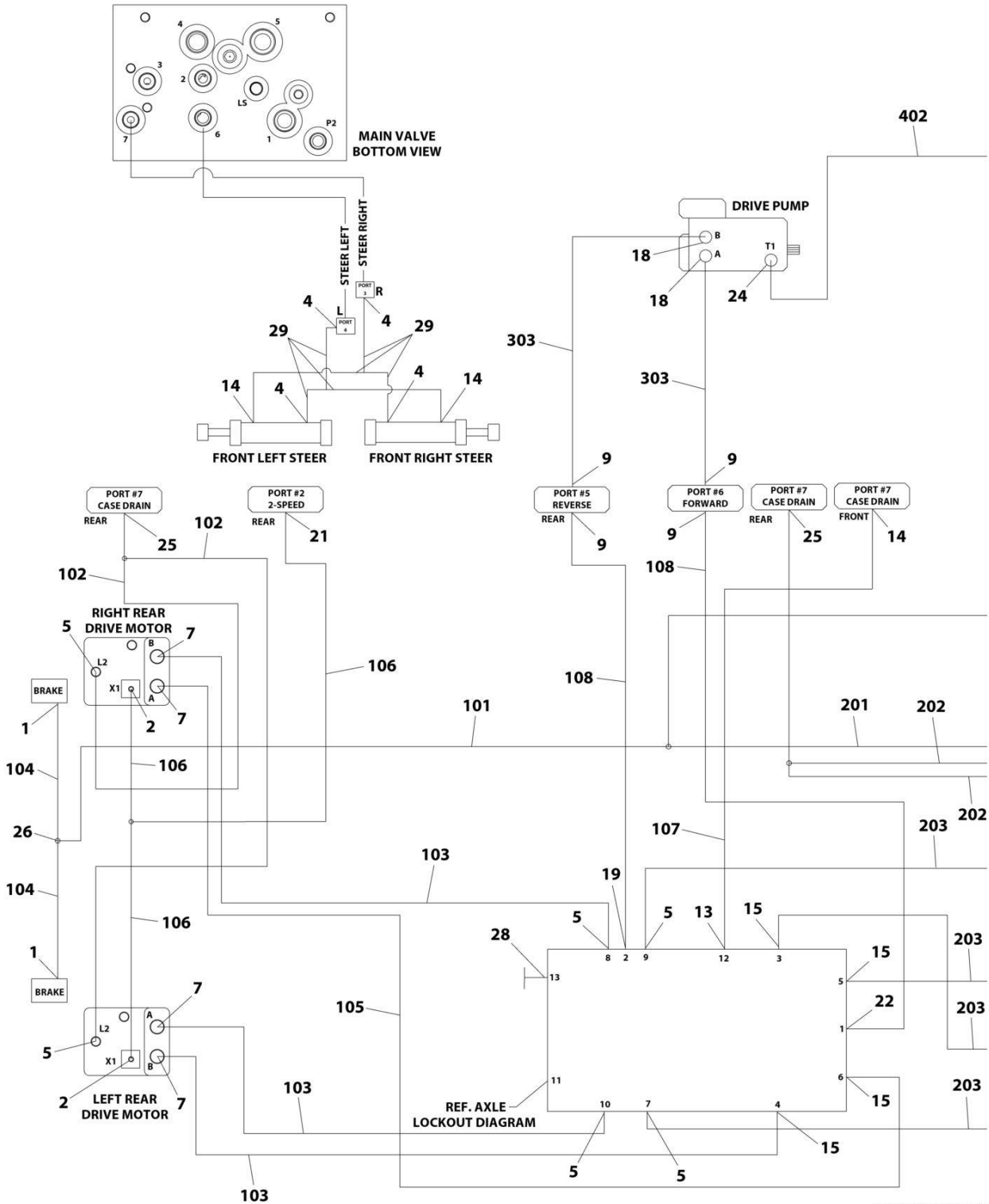
ITEM	PART NUMBER	QTY	DESCRIPTION	REV
	1001296846	Ref	HYDRAULIC DIAGRAM - DRIVE (4WD)	A
1	2110404	4	Fitting, Straight ORFS/ORB	
2	2110406	3	Fitting, Straight ORFS/ORB	
3	2110408	1	Fitting, Straight ORFS/ORB	
4	2110606	4	Fitting, Straight ORFS/ORB	
5	2110808	7	Fitting, Straight ORFS/ORB	
6	2110810	1	Fitting, Straight ORFS/ORB	
7	2110812	9	Fitting, Straight ORFS/ORB	
8	2111212	1	Fitting, Straight ORFS/ORB	
9	2111616	4	Fitting, Straight ORFS/ORB	
10	2112020	1	Fitting, Straight ORFS/ORB	
11	2130404	3	Fitting, 90 ORFS/ORB	
12	2130406	2	Fitting, 90 ORFS/ORB	
13	2130604	1	Fitting, 90 ORFS/ORB	
14	2130606	3	Fitting, 90 ORFS/ORB	
15	2130808	6	Fitting, 90 ORFS/ORB	
16	2131010	1	Fitting, 90 ORFS/ORB	
17	2131012	1	Fitting, 90 ORFS/ORB	
18	2131612	2	Fitting, 90 ORFS/ORB	
19	2131616	1	Fitting, 90 ORFS/ORB	
20	2132016	1	Fitting, 90 ORFS/ORB	
21	2150406	2	Fitting, 45 ORFS/ORB	
22	2151616	1	Fitting, 45 ORFS/ORB	
23	2170204	1	Fitting, 90 ORFS/ORB	
24	2170212	1	Fitting, 90 ORFS/ORB	
25	2170408	2	Fitting, Tee ORFS/ORB/ORFS	
26	2170504	2	Fitting, Tee ORFS/ORFS/ORFS	
27	2220237	2	Plug 3/8	
28	2220238	1	Plug 1/2	
29	1001198337	1	Fitting, Tee ORFS/ORB-RUN	
30	1001198338	1	Fitting, Tee ORFS/SORB/ORFS	
31	1001199396	1	Fitting, 90 ORFS/SORB	
100	1001270069	1	Hose Kit - Arctic Towbar	
101	2753622	1	Hose	
102	2753686	2	Hose	
103	2753971	3	Hose	
104	2754337	2	Hose	
105	2754338	1	Hose	
106	1001198340	1	Hose with Crimped Tee	
107	2753626	1	Hose	
108	2753634	2	Hose	
200	1001270630	1	Hose Kit - Front	
201	2753542	1	Hose	
202	2753628	2	Hose	
203	2753970	4	Hose	
204	2754512	2	Hose	
205	1001198333	2	Hose	
206	1001198341	1	Hose	
300	1001296856	1	Hose Kit - Turntable	

## SECTION 7 - HYDRAULIC

ITEM	PART NUMBER	QTY	DESCRIPTION	REV
301	2753540	2	Hose	
302	2753685	1	Hose	
303	1001296833	2	Hose	
400	1001296857	1	Hose Kit - Turntable	
401	1001095307	1	Hose	
402	1001296834	1	Hose	
403	1001296835	1	Hose	
404	1001296836	1	Hose	
405	1001296837	1	Hose	
406	1001296838	1	Hose	

# SECTION 7 - HYDRAULIC

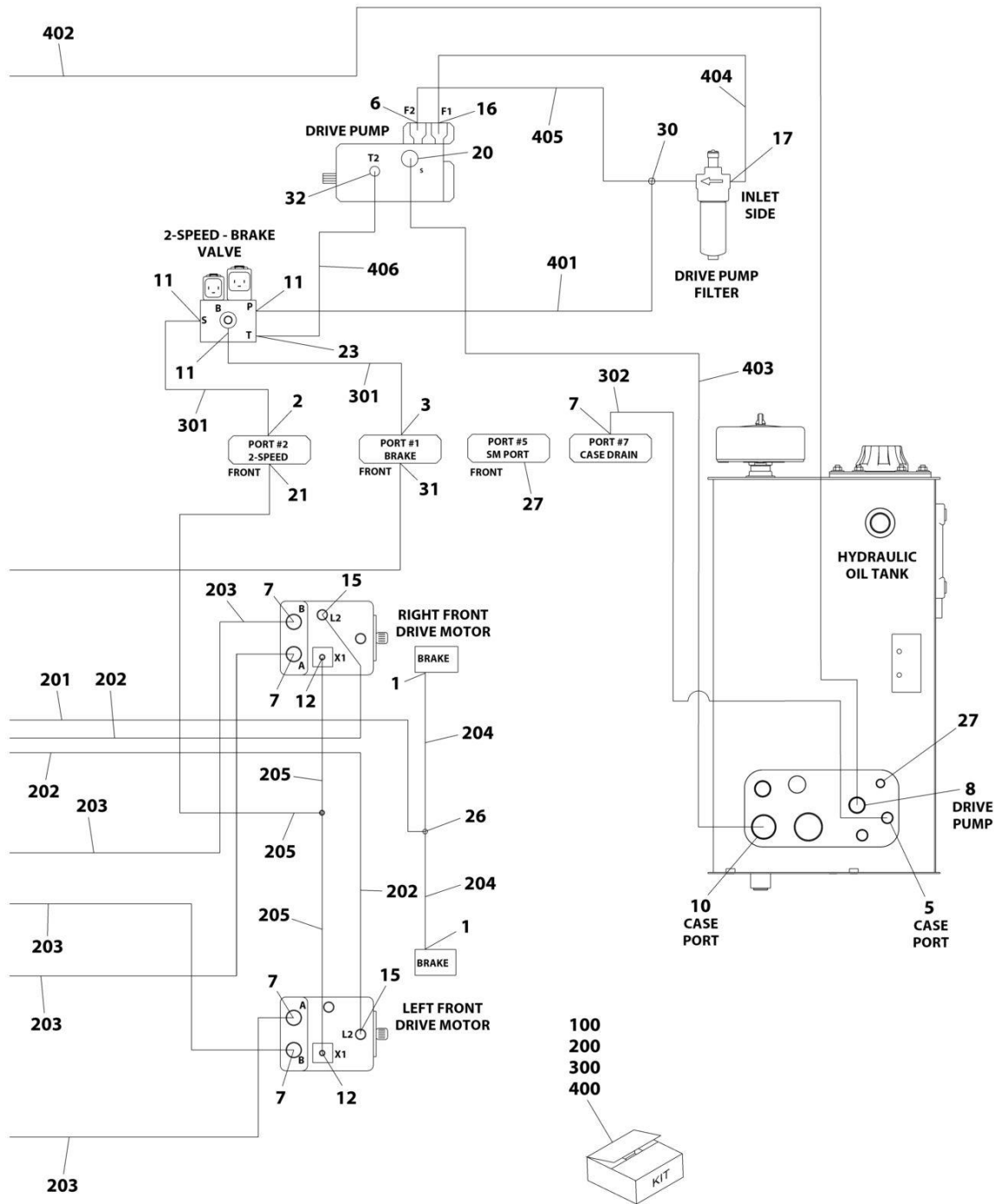
FIGURE 7-13. HYDRAULIC DIAGRAM - DRIVE (4WD WITH ARCTIC PACKAGE) (ANSI, CSA AND RUSSIAN SPECS ONLY)



ART\_1001296847\_10F2



# SECTION 7 - HYDRAULIC



ART\_1001296847\_2OF2

## SECTION 7 - HYDRAULIC

**FIGURE 7-13. HYDRAULIC DIAGRAM - DRIVE (4WD WITH ARCTIC PACKAGE) (ANSI, CSA AND RUSSIAN SPECS ONLY)**

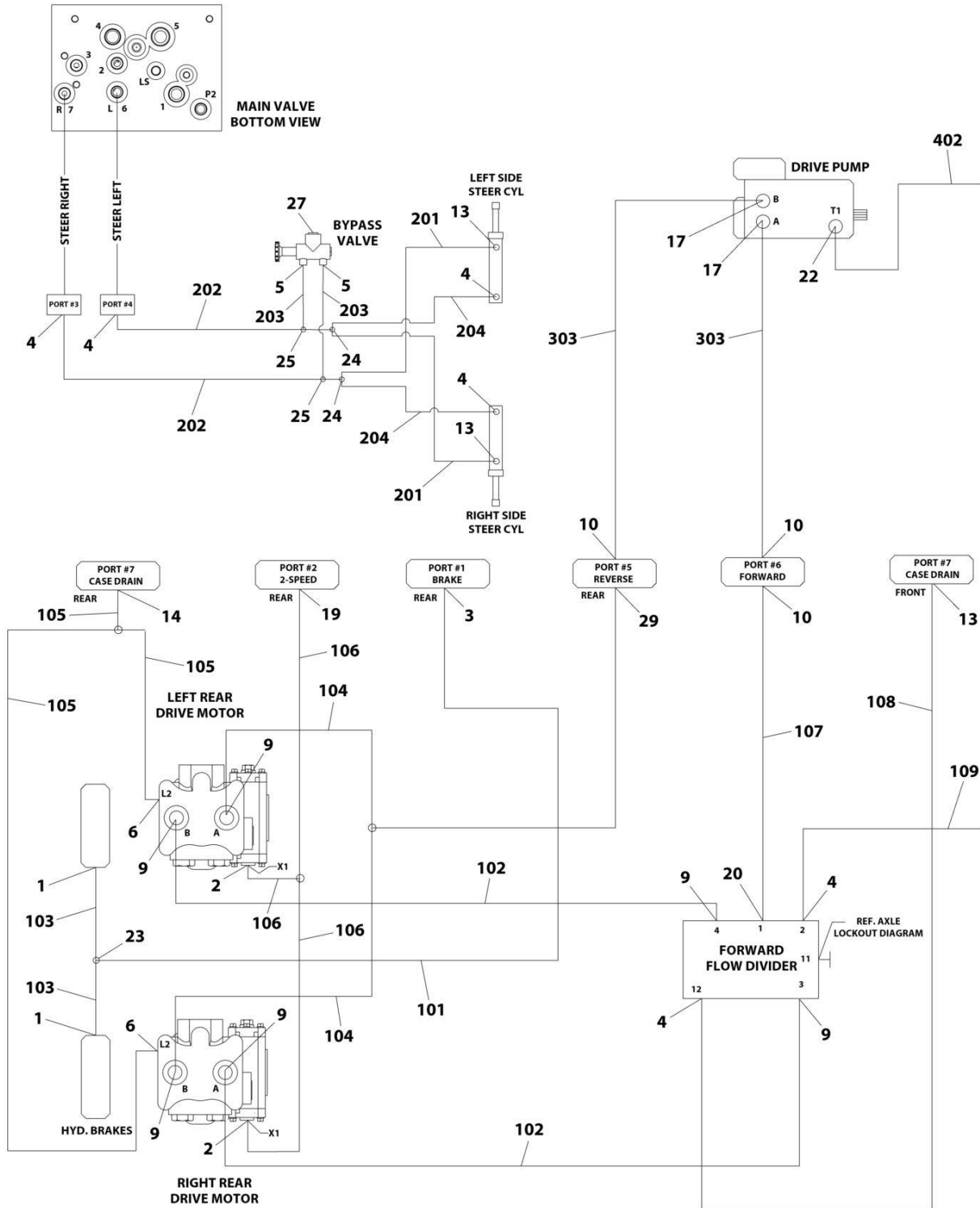
ITEM	PART NUMBER	QTY	DESCRIPTION	REV
	1001296847	Ref	HYDRAULIC DIAGRAM - DRIVE (4WD)	A
1	2110404	4	Fitting, Straight ORFS/ORB	
2	2110406	3	Fitting, Straight ORFS/ORB	
3	2110408	1	Fitting, Straight ORFS/ORB	
4	2110606	4	Fitting, Straight ORFS/ORB	
5	2110808	7	Fitting, Straight ORFS/ORB	
6	2110810	1	Fitting, Straight ORFS/ORB	
7	2110812	9	Fitting, Straight ORFS/ORB	
8	2111212	1	Fitting, Straight ORFS/ORB	
9	2111616	4	Fitting, Straight ORFS/ORB	
10	2112020	1	Fitting, Straight ORFS/ORB	
11	2130404	3	Fitting, 90 ORFS/ORB	
12	2130406	2	Fitting, 90 ORFS/ORB	
13	2130604	1	Fitting, 90 ORFS/ORB	
14	2130606	3	Fitting, 90 ORFS/ORB	
15	2130808	6	Fitting, 90 ORFS/ORB	
16	2131010	1	Fitting, 90 ORFS/ORB	
17	2131012	1	Fitting, 90 ORFS/ORB	
18	2131612	2	Fitting, 90 ORFS/ORB	
19	2131616	1	Fitting, 90 ORFS/ORB	
20	2132016	1	Fitting, 90 ORFS/ORB	
21	2150406	2	Fitting, 45 ORFS/ORB	
22	2151616	1	Fitting, 45 ORFS/ORB	
23	2170204	1	Fitting, 90 ORFS/ORB	
24	2170212	1	Fitting, 90 ORFS/ORB	
25	2170408	2	Fitting, Tee ORFS/ORB/ORFS	
26	2170504	2	Fitting, Tee ORFS/ORFS/ORFS	
27	2220237	2	Plug 3/8	
28	2220238	1	Plug 1/2	
29	1001198333	2	Hose	
30	1001198337	1	Fitting, Tee ORFS/ORB-RUN	
31	1001198338	1	Fitting, Tee ORFS/SORB/ORFS	
32	1001199396	1	Fitting, 90 ORFS/SORB	
100	1001270069	1	Hose Kit - Arctic Towbar	
101	2753622	1	Hose	
102	2753686	2	Hose	
103	2753971	3	Hose	
104	2754337	2	Hose	
105	2754338	1	Hose	
106	1001198340	1	Hose with Crimped Tee	
107	2753626	1	Hose	
108	2753634	2	Hose	
200	1001270073	1	Hose Kit - Arctic Towbar	
201	2753542	1	Hose	
202	2754720	2	Hose	
203	2754743	4	Hose	
204	1001106957	2	Hose	
205	1001204269	1	Hose with Crimped Tee	
300	1001296856	1	Hose Kit - Arctic Turntable	

## SECTION 7 - HYDRAULIC

ITEM	PART NUMBER	QTY	DESCRIPTION	REV
301	2753540	2	Hose	
302	2753685	1	Hose	
303	1001296833	2	Hose	
400	1001296857	1	Hose Kit - Arctic Turntable	
401	1001095307	1	Hose	
402	1001296834	1	Hose	
403	1001296835	1	Hose	
404	1001296836	1	Hose	
405	1001296837	1	Hose	
406	1001296838	1	Hose	

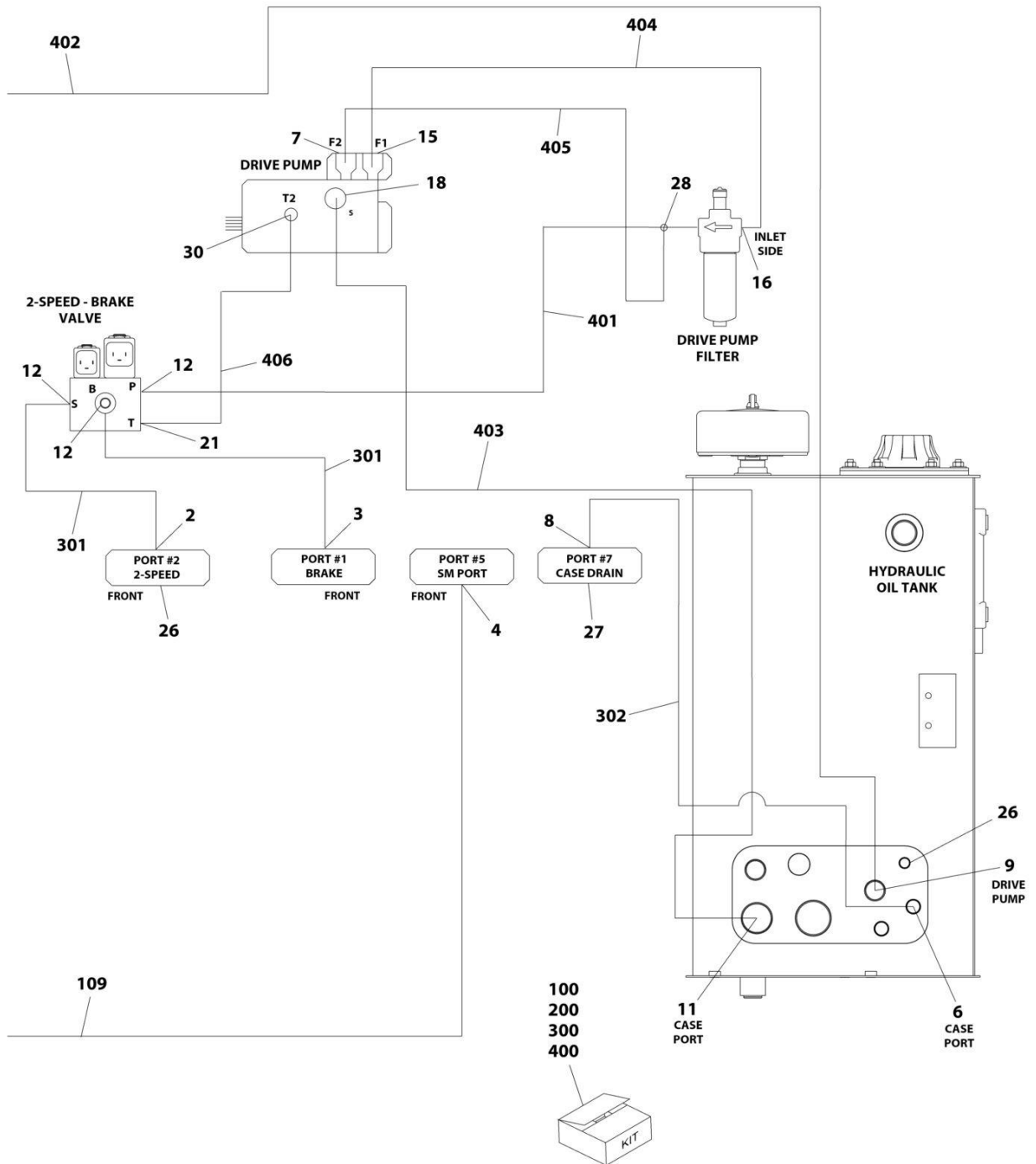
# SECTION 7 - HYDRAULIC

FIGURE 7-14. HYDRAULIC DIAGRAM - DRIVE (2WD WITH TOWBAR PACKAGE) (ANSI AND CSA SPECS ONLY)



ART\_1001296848\_10F2

# SECTION 7 - HYDRAULIC



ART\_1001296848\_20F2

## SECTION 7 - HYDRAULIC

**FIGURE 7-14. HYDRAULIC DIAGRAM - DRIVE (2WD WITH TOWBAR PACKAGE) (ANSI AND CSA SPECS ONLY)**

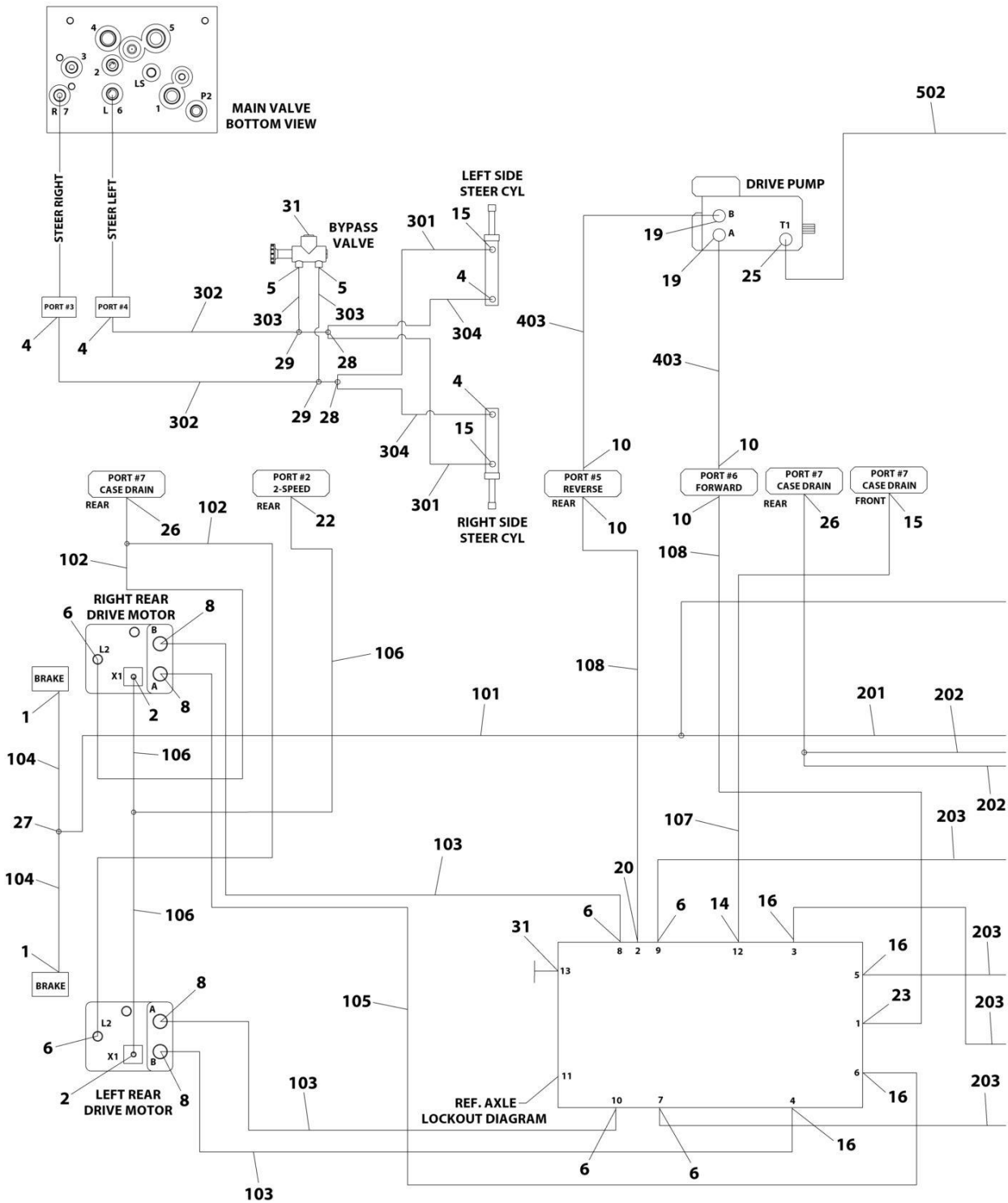
ITEM	PART NUMBER	QTY	DESCRIPTION	REV
	1001296848	Ref	HYDRAULIC DIAGRAM - DRIVE (2WD)	A
1	2110404	2	Fitting, Straight ORFS/ORB	
2	2110406	3	Fitting, Straight ORFS/ORB	
3	2110408	2	Fitting, Straight ORFS/ORB	
4	2110606	7	Fitting, Straight ORFS/ORB	
5	2110608	2	Fitting, Straight ORFS/ORB	
6	2110808	3	Fitting, Straight ORFS/ORB	
7	2110810	1	Fitting, Straight ORFS/ORB	
8	2110812	1	Fitting, Straight ORFS/ORB	
9	2111212	7	Fitting, Straight ORFS/ORB	
10	2111616	3	Fitting, Straight ORFS/ORB	
11	2112020	1	Fitting, Straight ORFS/ORB	
12	2130404	3	Fitting, 90 ORFS/ORB	
13	2130606	3	Fitting, 90 ORFS/ORB	
14	2130808	1	Fitting, 90 ORFS/ORB	
15	2131010	1	Fitting, 90 ORFS/ORB	
16	2131012	1	Fitting, 90 ORFS/ORB	
17	2131612	2	Fitting, 90 ORFS/ORB	
18	2132016	1	Fitting, 90 ORFS/ORB	
19	2150406	1	Fitting, 45 ORFS/ORB	
20	2151616	1	Fitting, 45 ORFS/ORB	
21	2170204	1	Fitting, 90 ORFS/ORB	
22	2170212	1	Fitting, 90 ORFS/ORB	
23	2170504	1	Fitting, Tee ORFS/ORFS/ORFS	
24	2170506	2	Fitting, Tee ORFS/ORFS/ORFS	
25	2170706	2	Fitting, Tee ORFS/FSORFS/ORFS	
26	2220237	2	Plug 3/8	
27	2220238	2	Plug 1/2	
28	1001198337	1	Fitting, Tee ORFS/ORB-RUN	
29	1001199395	1	Fitting, Tee ORFS/ORFS/ORB	
30	1001199396	1	Fitting, 90 ORFS/SORB	
100	1001270084	1	Hose Kit - Arctic Towbar	
101	2753622	1	Hose	
102	2753688	2	Hose	
103	2754337	2	Hose	
104	1001159854	2	Hose	
105	1001198334	1	Hose with Crimped Tee	
106	1001198340	1	Hose with Crimped Tee	
107	2753635	1	Hose	
108	2754242	1	Hose	
109	2754243	1	Hose	
200	1001270077	1	Hose Kit - Arctic Towbar	
201	2753656	2	Hose	
202	2753732	2	Hose	
203	2753879	2	Hose	
204	1001159340	2	Hose	
300	1001296856	1	Hose Kit - Arctic Turntable	
301	2753540	2	Hose	
302	2753685	1	Hose	

## SECTION 7 - HYDRAULIC

ITEM	PART NUMBER	QTY	DESCRIPTION	REV
303	1001296833	2	Hose	
400	1001296857	1	Hose Kit - Arctic Turntable	
401	1001095307	1	Hose	
402	1001296834	1	Hose	
403	1001296835	1	Hose	
404	1001296836	1	Hose	
405	1001296837	1	Hose	
406	1001296838	1	Hose	

# SECTION 7 - HYDRAULIC

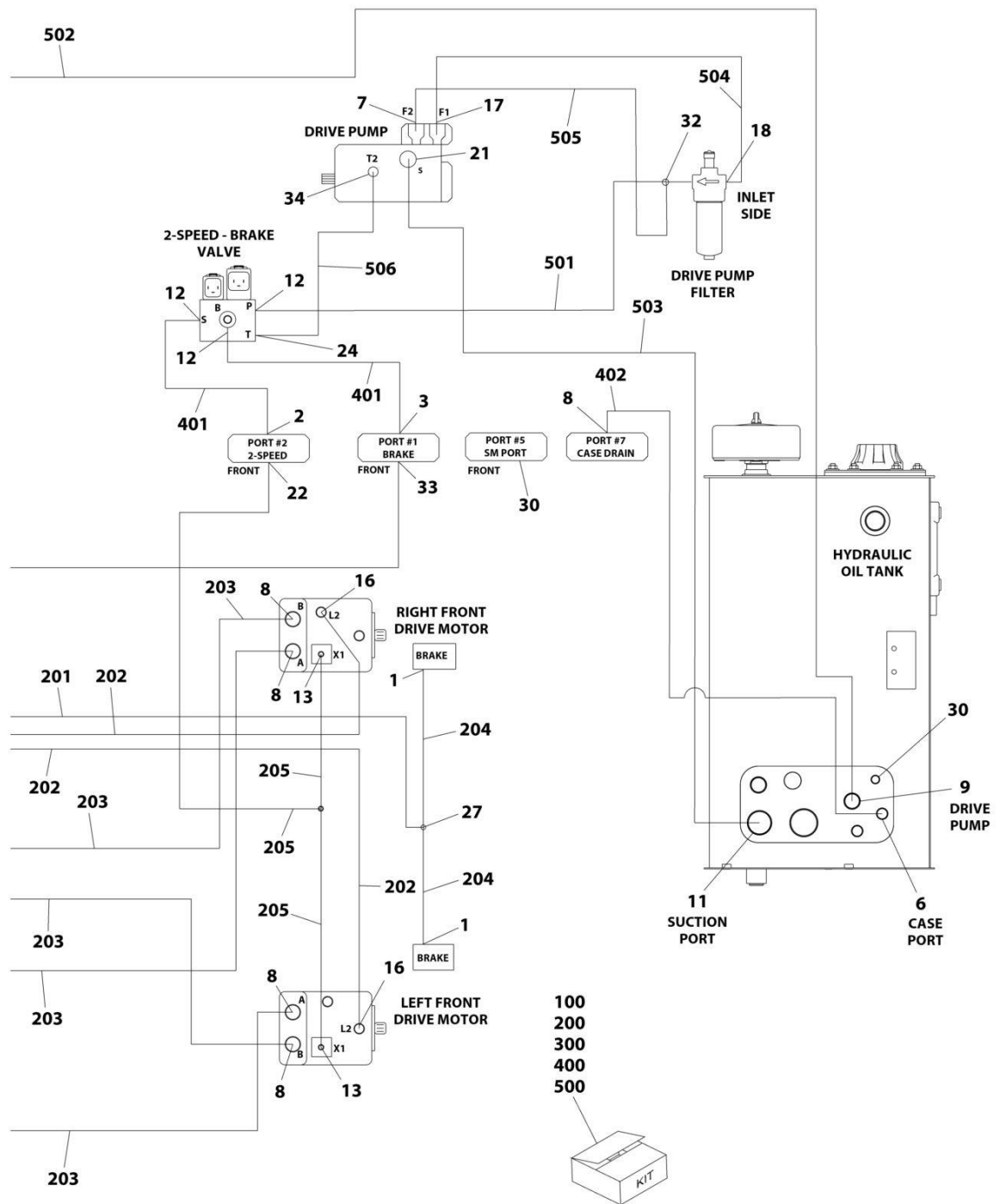
FIGURE 7-15. HYDRAULIC DIAGRAM - DRIVE (4WD WITH TOWBAR PACKAGE) (ANSI, CSA AND RUSSIAN SPECS ONLY)



ART\_1001296849\_10F2



# SECTION 7 - HYDRAULIC



ART\_1001296849\_20F2

## SECTION 7 - HYDRAULIC

**FIGURE 7-15. HYDRAULIC DIAGRAM - DRIVE (4WD WITH TOWBAR PACKAGE) (ANSI, CSA AND RUSSIAN SPECS ONLY)**

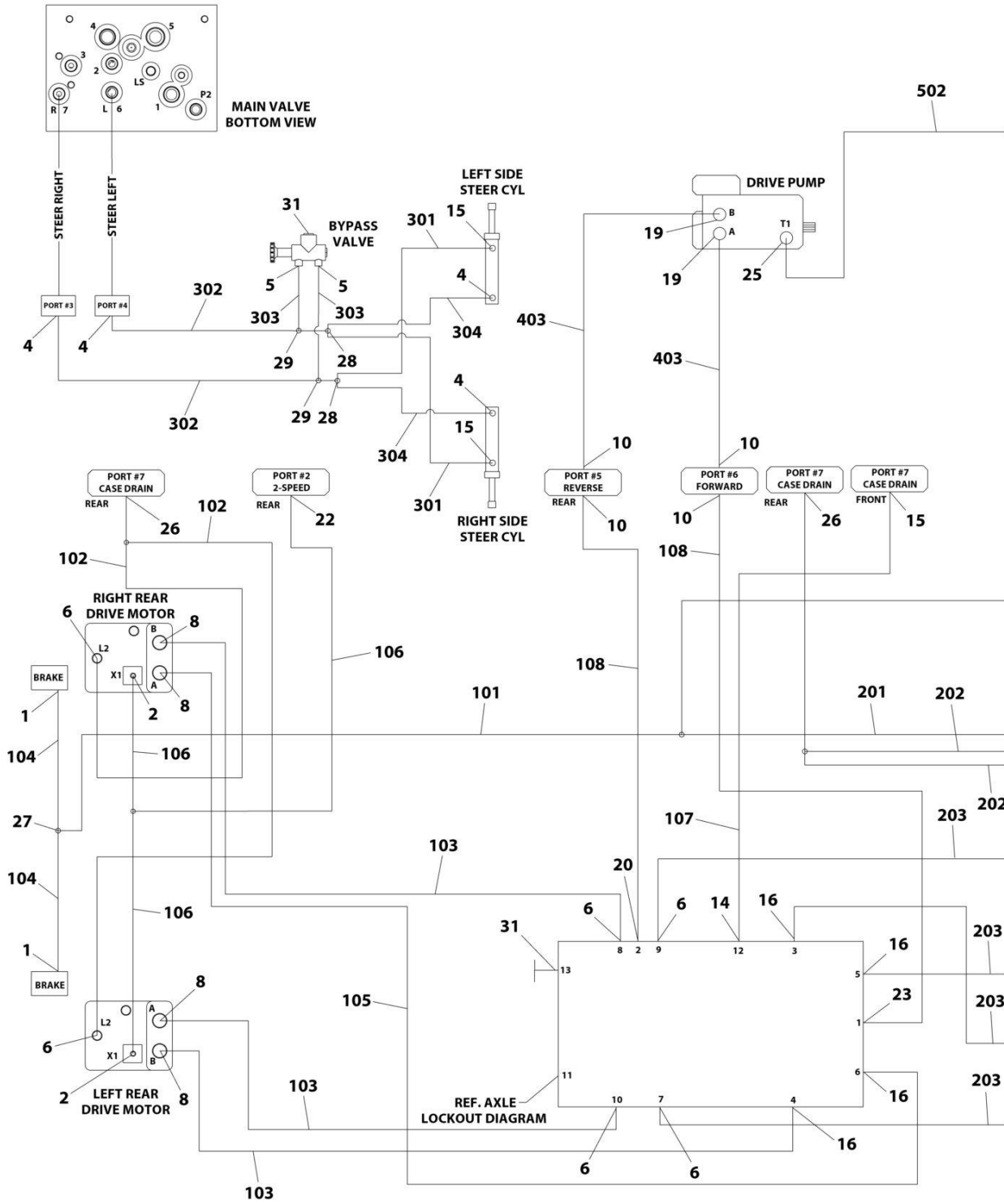
ITEM	PART NUMBER	QTY	DESCRIPTION	REV
	1001296849	Ref	HYDRAULIC DIAGRAM - DRIVE (4WD)	A
1	2110404	4	Fitting, Straight ORFS/ORB	
2	2110406	3	Fitting, Straight ORFS/ORB	
3	2110408	1	Fitting, Straight ORFS/ORB	
4	2110606	4	Fitting, Straight ORFS/ORB	
5	2110608	2	Fitting, Straight ORFS/ORB	
6	2110808	7	Fitting, Straight ORFS/ORB	
7	2110810	1	Fitting, Straight ORFS/ORB	
8	2110812	9	Fitting, Straight ORFS/ORB	
9	2111212	1	Fitting, Straight ORFS/ORB	
10	2111616	4	Fitting, Straight ORFS/ORB	
11	2112020	1	Fitting, Straight ORFS/ORB	
12	2130404	3	Fitting, 90 ORFS/ORB	
13	2130406	2	Fitting, 90 ORFS/ORB	
14	2130604	1	Fitting, 90 ORFS/ORB	
15	2130606	3	Fitting, 90 ORFS/ORB	
16	2130808	6	Fitting, 90 ORFS/ORB	
17	2131010	1	Fitting, 90 ORFS/ORB	
18	2131012	1	Fitting, 90 ORFS/ORB	
19	2131612	2	Fitting, 90 ORFS/ORB	
20	2131616	1	Fitting, 90 ORFS/ORB	
21	2132016	1	Fitting, 90 ORFS/ORB	
22	2150406	2	Fitting, 45 ORFS/ORB	
23	2151616	1	Fitting, 45 ORFS/ORB	
24	2170204	1	Fitting, 90 ORFS/ORB	
25	2170212	1	Fitting, 90 ORFS/ORB	
26	2170408	2	Fitting, Tee ORFS/ORB/ORFS	
27	2170504	2	Fitting, Tee ORFS/ORFS/ORFS	
28	2170506	2	Fitting, Tee ORFS/ORFS/ORFS	
29	2170706	2	Fitting, Tee ORFS/FSORFS/ORFS	
30	2220237	2	Plug 3/8	
31	2220238	2	Plug 1/2	
32	1001198337	1	Fitting, Tee ORFS/ORB-RUN	
33	1001198338	1	Fitting, Tee ORFS/SORB/ORFS	
34	1001199396	1	Fitting, 90 ORFS/SORB	
100	1001270069	1	Hose Kit - Arctic Towbar	
101	2753622	1	Hose	
102	2753686	2	Hose	
103	2753971	3	Hose	
104	2754337	2	Hose	
105	2754338	1	Hose	
106	1001198340	1	Hose with Crimped Tee	
107	2753626	1	Hose	
108	2753634	2	Hose	
200	1001270070	1	Hose Kit - Front	
201	2753542	1	Hose	
202	2753628	2	Hose	
203	2753970	4	Hose	
204	2754512	2	Hose	

## SECTION 7 - HYDRAULIC

ITEM	PART NUMBER	QTY	DESCRIPTION	REV
205	1001198341	1	Hose	
300	1001270077	1	Hose Kit - Towbar Front	
301	2753656	2	Hose	
302	2753732	2	Hose	
303	2753879	2	Hose	
304	1001159340	2	Hose	
400	1001296856	1	Hose Kit - Turntable	
401	2753540	2	Hose	
402	2753685	1	Hose	
403	1001296833	2	Hose	
500	1001296857	1	Hose Kit - Turntable	
501	1001095307	1	Hose	
502	1001296834	1	Hose	
503	1001296835	1	Hose	
504	1001296836	1	Hose	
505	1001296837	1	Hose	
506	1001296838	1	Hose	

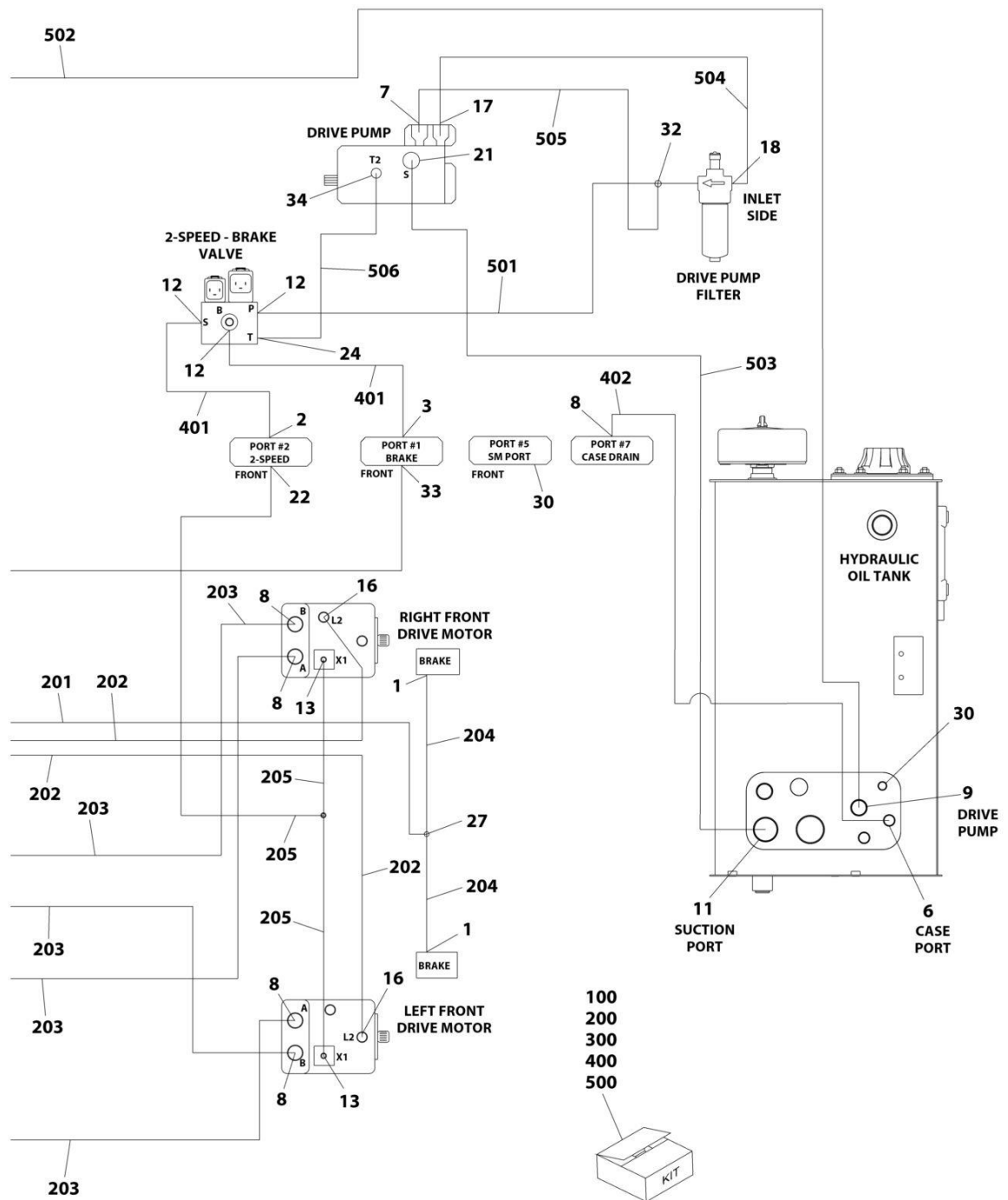
# SECTION 7 - HYDRAULIC

## FIGURE 7-16. HYDRAULIC DIAGRAM - DRIVE (4WD WITH TOWBAR AND ARCTIC PACKAGE) (ANSI AND CSA SPECS ONLY)



ART\_1001296850\_10F2

# SECTION 7 - HYDRAULIC



ART\_1001296850\_20F2

## SECTION 7 - HYDRAULIC

**FIGURE 7-16. HYDRAULIC DIAGRAM - DRIVE (4WD WITH TOWBAR AND ARCTIC PACKAGE) (ANSI AND CSA SPECS ONLY)**

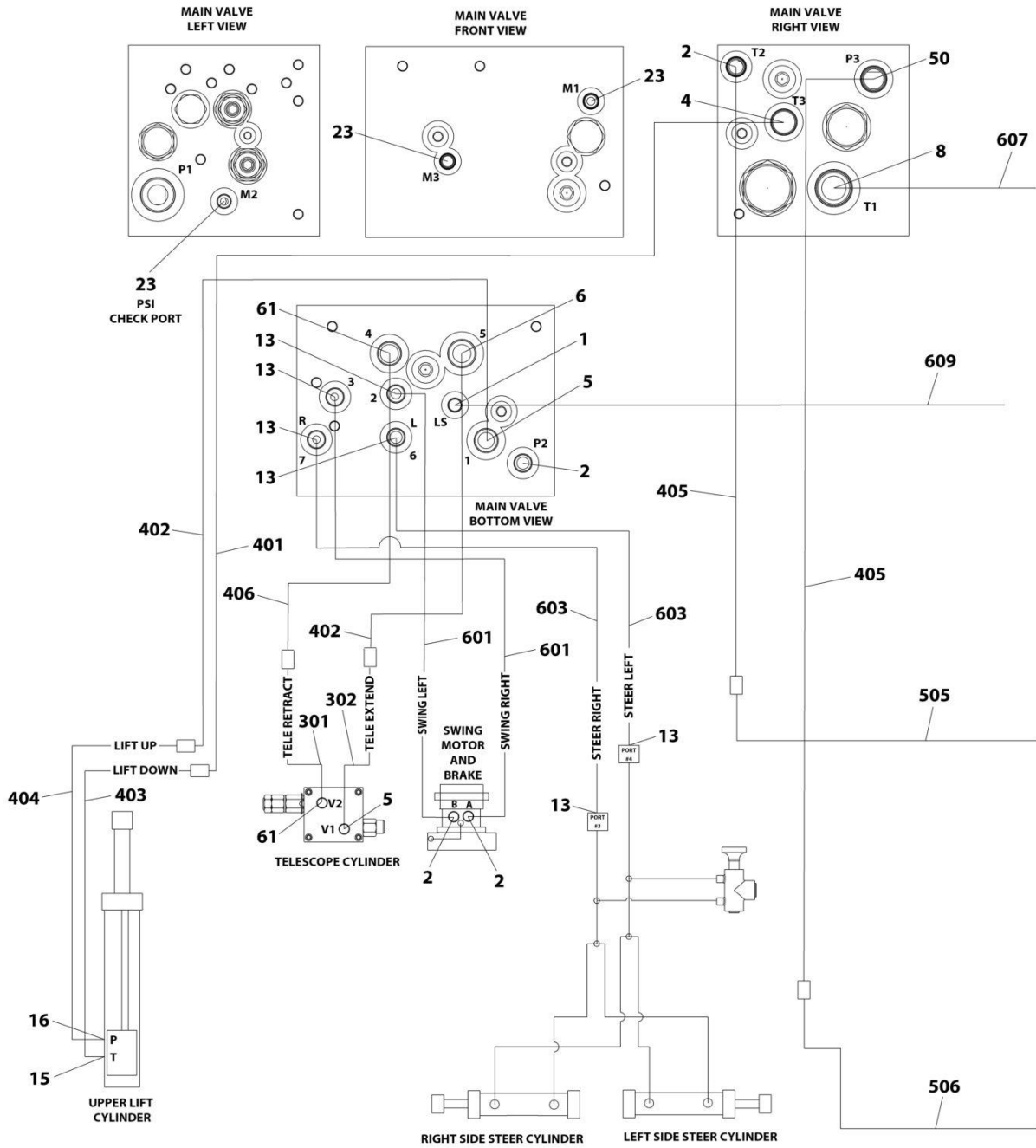
ITEM	PART NUMBER	QTY	DESCRIPTION	REV
	1001296850	Ref	HYDRAULIC DIAGRAM - DRIVE (4WD)	A
1	2110404	4	Fitting, Straight ORFS/ORB	
2	2110406	3	Fitting, Straight ORFS/ORB	
3	2110408	1	Fitting, Straight ORFS/ORB	
4	2110606	4	Fitting, Straight ORFS/ORB	
5	2110608	2	Fitting, Straight ORFS/ORB	
6	2110808	7	Fitting, Straight ORFS/ORB	
7	2110810	1	Fitting, Straight ORFS/ORB	
8	2110812	9	Fitting, Straight ORFS/ORB	
9	2111212	1	Fitting, Straight ORFS/ORB	
10	2111616	4	Fitting, Straight ORFS/ORB	
11	2112020	1	Fitting, Straight ORFS/ORB	
12	2130404	3	Fitting, 90 ORFS/ORB	
13	2130406	2	Fitting, 90 ORFS/ORB	
14	2130604	1	Fitting, 90 ORFS/ORB	
15	2130606	3	Fitting, 90 ORFS/ORB	
16	2130808	6	Fitting, 90 ORFS/ORB	
17	2131010	1	Fitting, 90 ORFS/ORB	
18	2131012	1	Fitting, 90 ORFS/ORB	
19	2131612	2	Fitting, 90 ORFS/ORB	
20	2131616	1	Fitting, 90 ORFS/ORB	
21	2132016	1	Fitting, 90 ORFS/ORB	
22	2150406	2	Fitting, 45 ORFS/ORB	
23	2151616	1	Fitting, 45 ORFS/ORB	
24	2170204	1	Fitting, 90 ORFS/ORB	
25	2170212	1	Fitting, 90 ORFS/ORB	
26	2170408	2	Fitting, Tee ORFS/ORB/ORFS	
27	2170504	2	Fitting, Tee ORFS/ORFS/ORFS	
28	2170506	2	Fitting, Tee ORFS/ORFS/ORFS	
29	2170706	2	Fitting, Tee ORFS/FSORFS/ORFS	
30	2220237	2	Plug 3/8	
31	2220238	2	Plug 1/2	
32	1001198337	1	Fitting, Tee ORFS/ORB-RUN	
33	1001198338	1	Fitting, Tee ORFS/SORB/ORFS	
34	1001199396	1	Fitting, 90 ORFS/SORB	
100	1001270069	1	Hose Kit - Arctic Towbar	
101	2753622	1	Hose	
102	2753686	2	Hose	
103	2753971	3	Hose	
104	2754337	2	Hose	
105	2754338	1	Hose	
106	1001198340	1	Hose with Crimped Tee	
107	2753626	1	Hose	
108	2753634	2	Hose	
200	1001270073	1	Hose Kit - Arctic Towbar	
201	2753542	1	Hose	
202	2754720	2	Hose	
203	2754743	4	Hose	
204	1001106957	2	Hose	

## SECTION 7 - HYDRAULIC

ITEM	PART NUMBER	QTY	DESCRIPTION	REV
205	1001204269	1	Hose with Crimped Tee	
300	1001270077	1	Hose Kit - Towbar Front	
301	2753656	2	Hose	
302	2753732	2	Hose	
303	2753879	2	Hose	
304	1001159340	2	Hose	
400	1001296856	1	Hose Kit - Turntable	
401	2753540	2	Hose	
402	2753685	1	Hose	
403	1001296833	2	Hose	
500	1001296857	1	Hose Kit - Turntable	
501	1001095307	1	Hose	
502	1001296834	1	Hose	
503	1001296835	1	Hose	
504	1001296836	1	Hose	
505	1001296837	1	Hose	
506	1001296838	1	Hose	

# SECTION 7 - HYDRAULIC

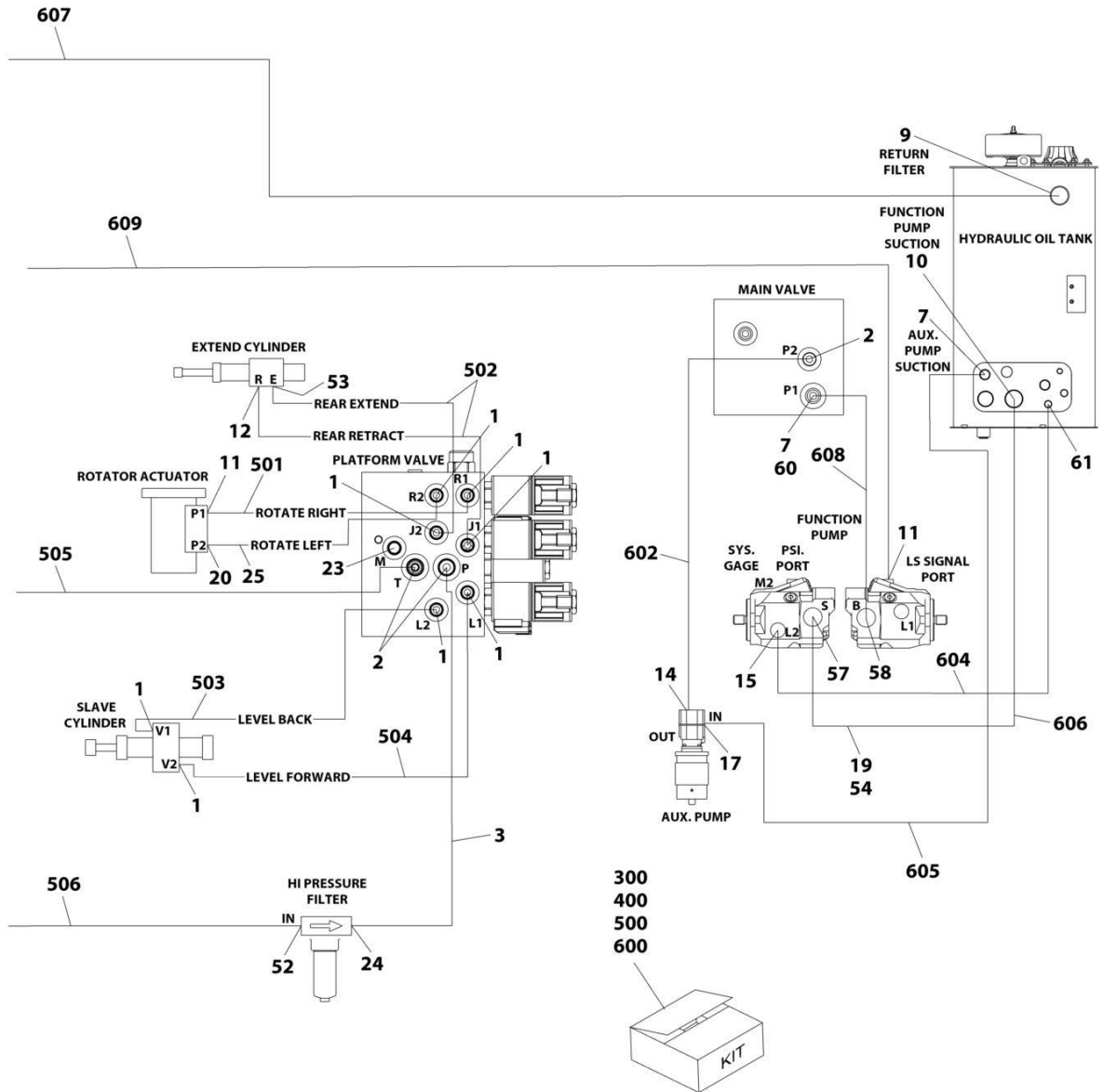
FIGURE 7-17. HYDRAULIC DIAGRAM - STANDARD (WITH TOW BAR PACKAGE) (860SJ)



ART\_1001217941\_F\_10F2



# SECTION 7 - HYDRAULIC



ART\_1001217941\_F\_20F2

# SECTION 7 - HYDRAULIC

**FIGURE 7-17. HYDRAULIC DIAGRAM - STANDARD (WITH TOW BAR PACKAGE) (860SJ)**

ITEM	PART NUMBER	QTY	DESCRIPTION	REV
	1001217941	Ref	STANDARD HYDRAULIC DIAGRAM	F
1	2110404	9	Fitting, Straight ORFS/ORB	
2	2130606	6	Fitting, 90 ORFS/ORB	
3	2717059	1	Hose	
4	2170208	1	Fitting, 90 ORFS/ORB	
5	2111008	2	Fitting, Straight ORFS/ORB	
6	2111010	1	Fitting, Straight ORFS/ORB	
7	2111212	2	Fitting, Straight ORFS/ORB	
8	88662327	1	Fitting, Straight ORFS/ORB	
9	2151616	1	Fitting, 45 ORFS/ORB	
10	2112424	1	Fitting, Straight ORFS/ORB	
11	2130404	2	Fitting, 90 ORFS/ORB	
12	2130406	1	Fitting, 90 ORFS/ORB	
13	2110606	6	Fitting, Straight ORFS/ORB	
14	2130608	1	Fitting, 90 ORFS/ORB	
15	2130810	2	Fitting, 90 ORFS/ORB	
16	2131010	1	Fitting, 90 ORFS/ORB	
17	2111208	1	Fitting, Straight ORFS/ORB	
19	4240018	3	Tie-Strap	
20	2150404	1	Fitting, 45 ORFS/ORB	
23	2221086	4	Fitting, Pressure Check	
24	2110612	1	Fitting, Straight ORFS/ORB	
25	2753545	1	Hose	
50	2110608	1	Fitting, Straight ORFS/ORB	
52	2130612	1	Fitting, 90 ORFS/ORB	
53	2180829	1	Fitting, 90 ORFS/ORB	
54	4061032	1	Hose, Guard	
57	2220737	1	Split Flange Kit	
58	2220478	1	Split Flange Kit	
60	2172112	1	Fitting, 90 ORFS/FSORFS	
61	2110808	3	Fitting, Straight ORFS/ORB	
300	1001270076	1	Boom Hose Kit	
301	2753681	1	Hose	
302	2753683	1	Hose	
400	1001271619	1	Hose Kit	
401	2753670	1	Hose	
402	2753671	2	Hose	
403	2753682	1	Hose	
404	2753684	1	Hose	
405	1001167194	2	Hose	
406	1001167196	1	Hose	
500	1001271620	1	Hose Kit	
501	2753674	1	Hose	
502	2753676	2	Hose	
503	2753677	1	Hose	
504	2753678	1	Hose	
505	2753680	1	Hose	
506	2753692	1	Hose	
600	1001270075	1	Turntable Hose Kit	
601	2753653	2	Hose	

## SECTION 7 - HYDRAULIC

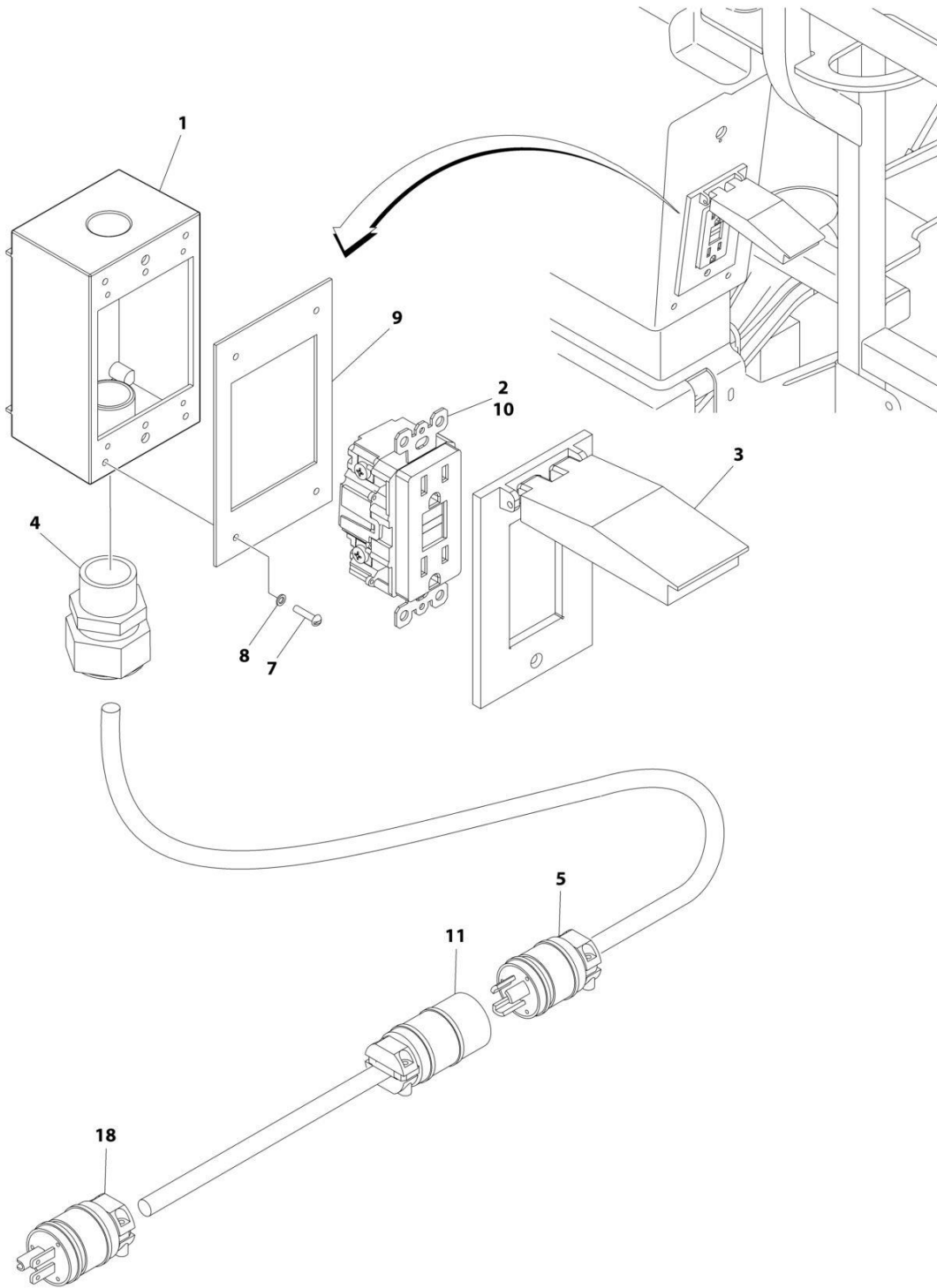
ITEM	PART NUMBER	QTY	DESCRIPTION	REV
602	2753654	1	Hose	
603	2753656	2	Hose	
604	2753686	1	Hose	
605	1001111968	1	Hose	
606	1001157851	1	Hose	
607	1001177226	1	Hose	
608	1001181894	1	Hose	
609	2753622	1	Hose	



**SECTION 8 - ELECTRICAL**

# SECTION 8 - ELECTRICAL

FIGURE 8-1. AC BOX AT PLATFORM INSTALLATION - 110V GFI RECEPTACLE (ALL SPECS EXCEPT AUSTRALIAN, CE & UK CA SPECS)



ART\_0272259

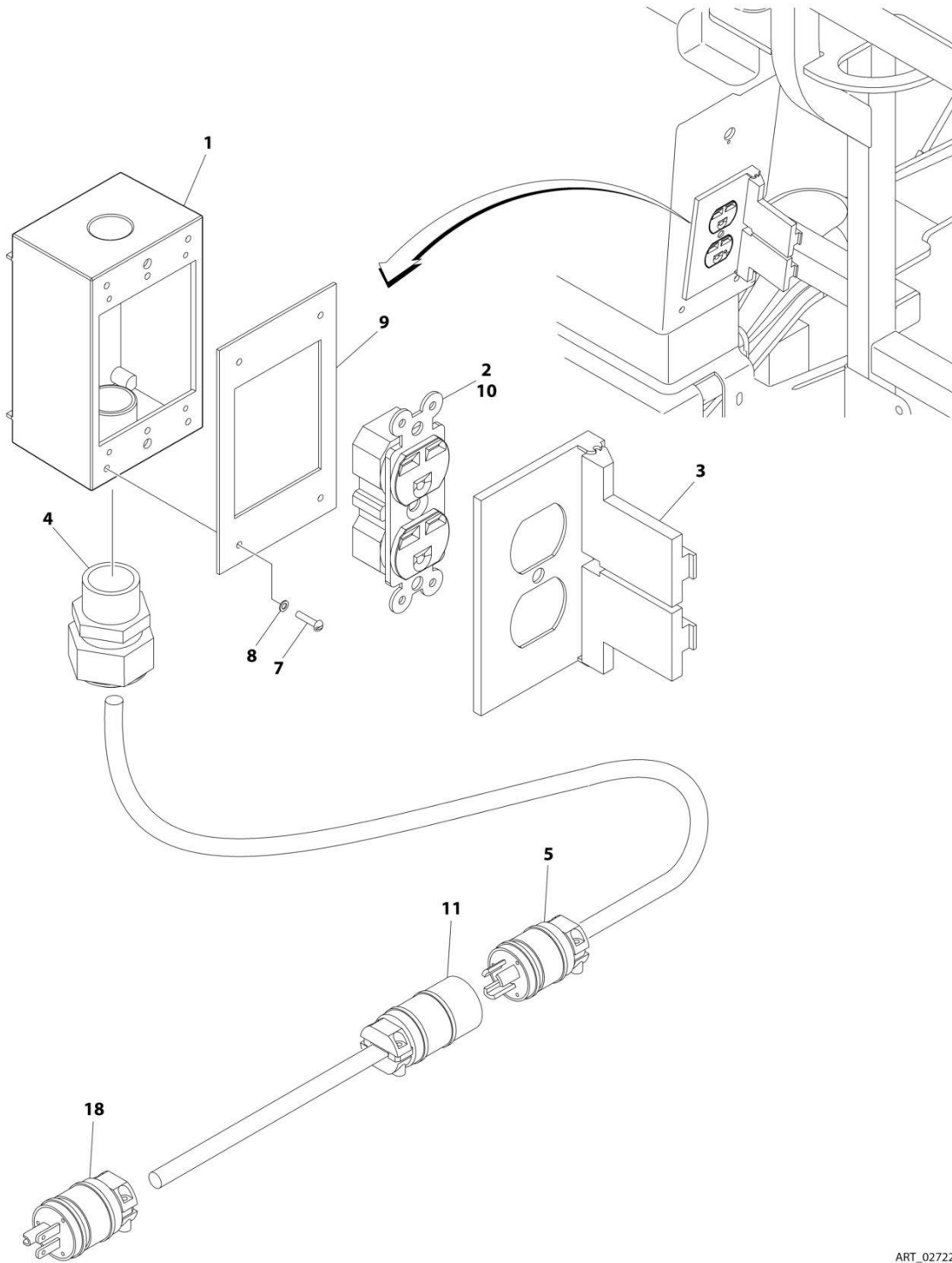
## SECTION 8 - ELECTRICAL

**FIGURE 8-1. AC BOX AT PLATFORM INSTALLATION - 110V GFI RECEPTACLE (ALL SPECS EXCEPT AUSTRALIAN, CE & UK CA SPECS)**

ITEM	PART NUMBER	QTY	DESCRIPTION	REV
	0272259	Ref	AC BOX AT PLATFORM INSTALLATION - 110V GFI RECEPTACLE	C
1	0860038	1	Box, Switch	
2	4460346	1	Receptacle	
3	1001110873	1	Shield, Cover	
4	4460051	1	Connector, Strain Relief	
5	1001213584	1	Plug, Male	
7	3910610	4	Screw #6 x 5/8	
8	4760600	4	Washer #6	
9	3960422	1	Gasket	
10	4460315	3	Terminal, Spade	
11	1001213585	1	Receptacle, Female	
18	4460205	1	Plug, Male	

# SECTION 8 - ELECTRICAL

FIGURE 8-2. AC BOX AT PLATFORM INSTALLATION - 220V (ANSI, CSA & JAPANESE SPECS)



ART\_0272260



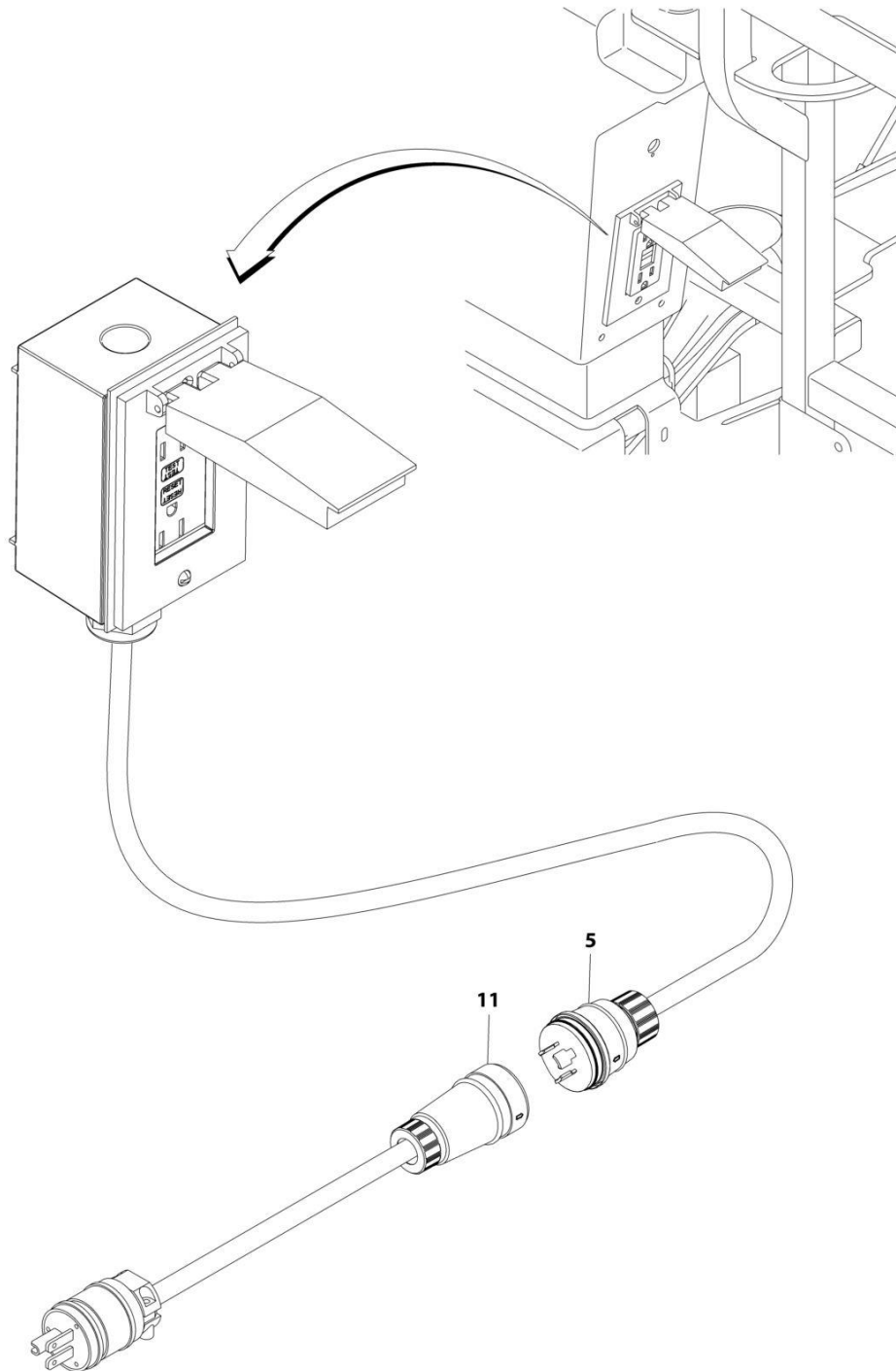
## SECTION 8 - ELECTRICAL

**FIGURE 8-2. AC BOX AT PLATFORM INSTALLATION - 220V (ANSI, CSA & JAPANESE SPECS)**

ITEM	PART NUMBER	QTY	DESCRIPTION	REV
	0272260	Ref	AC BOX AT PLATFORM INSTALLATION - 220V	C
1	0860038	1	Box, Switch	
2	4460125	1	Receptacle	
3	4060092	1	Shield	
4	4460051	1	Connector, Strain Relief	
5	1001213584	2	Plug, Male	
7	3910610	4	Screw #6 x 5/8	
8	4760600	4	Washer #6	
9	3960422	1	Gasket	
10	4460315	1	Terminal, Spade	
11	1001213585	1	Receptacle, Female	
18	4460233	1	Plug, Male	

## SECTION 8 - ELECTRICAL

**FIGURE 8-3. AC BOX AT PLATFORM MID-BOOM PLUG INSTALLATION (WITHOUT 7500W SKYPOWER GENERATOR) (ANSI EXPORT, AUSTRALIAN, CE & UK CA SPECS)**



ART\_0256202

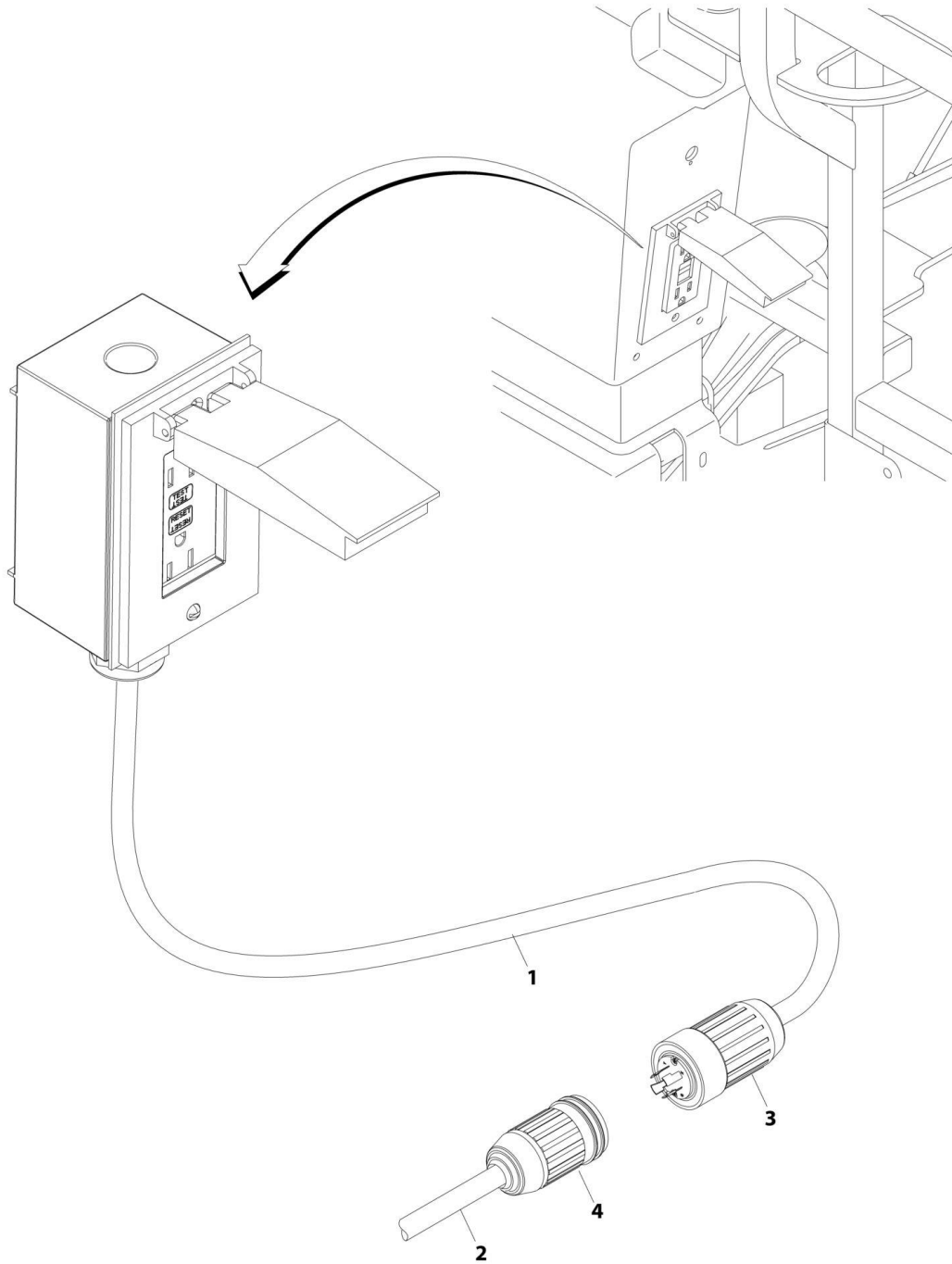
## SECTION 8 - ELECTRICAL

**FIGURE 8-3. AC BOX AT PLATFORM MID-BOOM PLUG INSTALLATION (WITHOUT 7500W SKYPOWER GENERATOR) (ANSI EXPORT, AUSTRALIAN, CE & UK CA SPECS)**

ITEM	PART NUMBER	QTY	DESCRIPTION	REV
	0256202	Ref	AC BOX AT PLATFORM MID-BOOM PLUG INSTALLATION	D
5	1001213584	1	Plug	
11	1001213585	1	Receptacle	

# SECTION 8 - ELECTRICAL

## FIGURE 8-4. AC BOX AT PLATFORM MID-BOOM PLUG INSTALLATION (WITHOUT GENERATOR) (CHINA SPECS)



ART\_1001243561

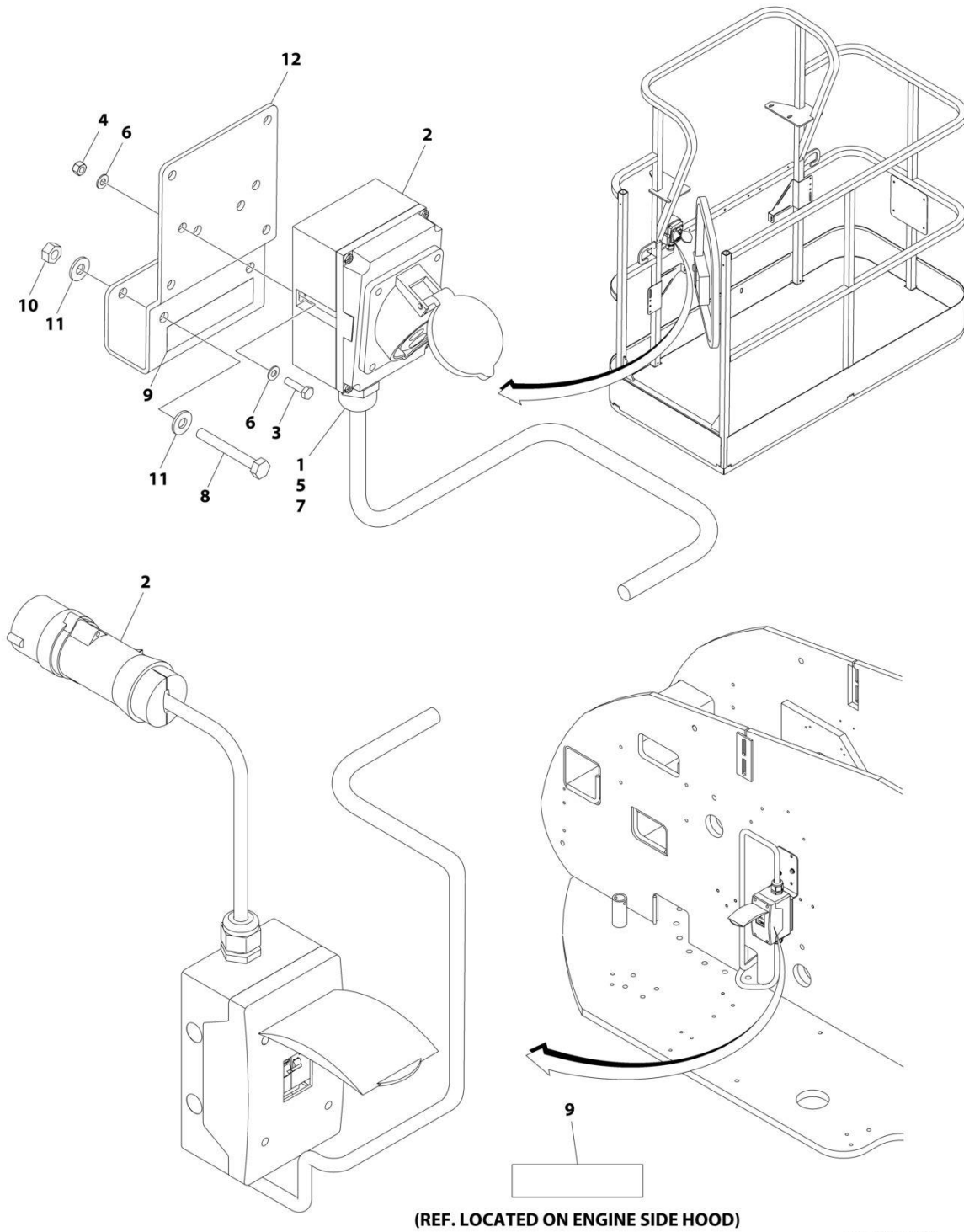
## SECTION 8 - ELECTRICAL

**FIGURE 8-4. AC BOX AT PLATFORM MID-BOOM PLUG INSTALLATION (WITHOUT GENERATOR)  
(CHINA SPECS)**

ITEM	PART NUMBER	QTY	DESCRIPTION	REV
	1001243561	Ref	AC BOX AT PLATFORM MID-BOOM PLUG INSTALLATION	A
1	4922874	1	Cable, Electrical 10/3	
2	4922877	1	Cable, Electrical 10/3	
3	1001213584	1	Plug	
4	1001213585	1	Receptacle	

# SECTION 8 - ELECTRICAL

FIGURE 8-5. AC BOX AT PLATFORM INSTALLATION - 110V IEC 60309 YELLOW WITHOUT 2500W GENERATOR (CE & UK CA SPECS)



ART\_1001091969

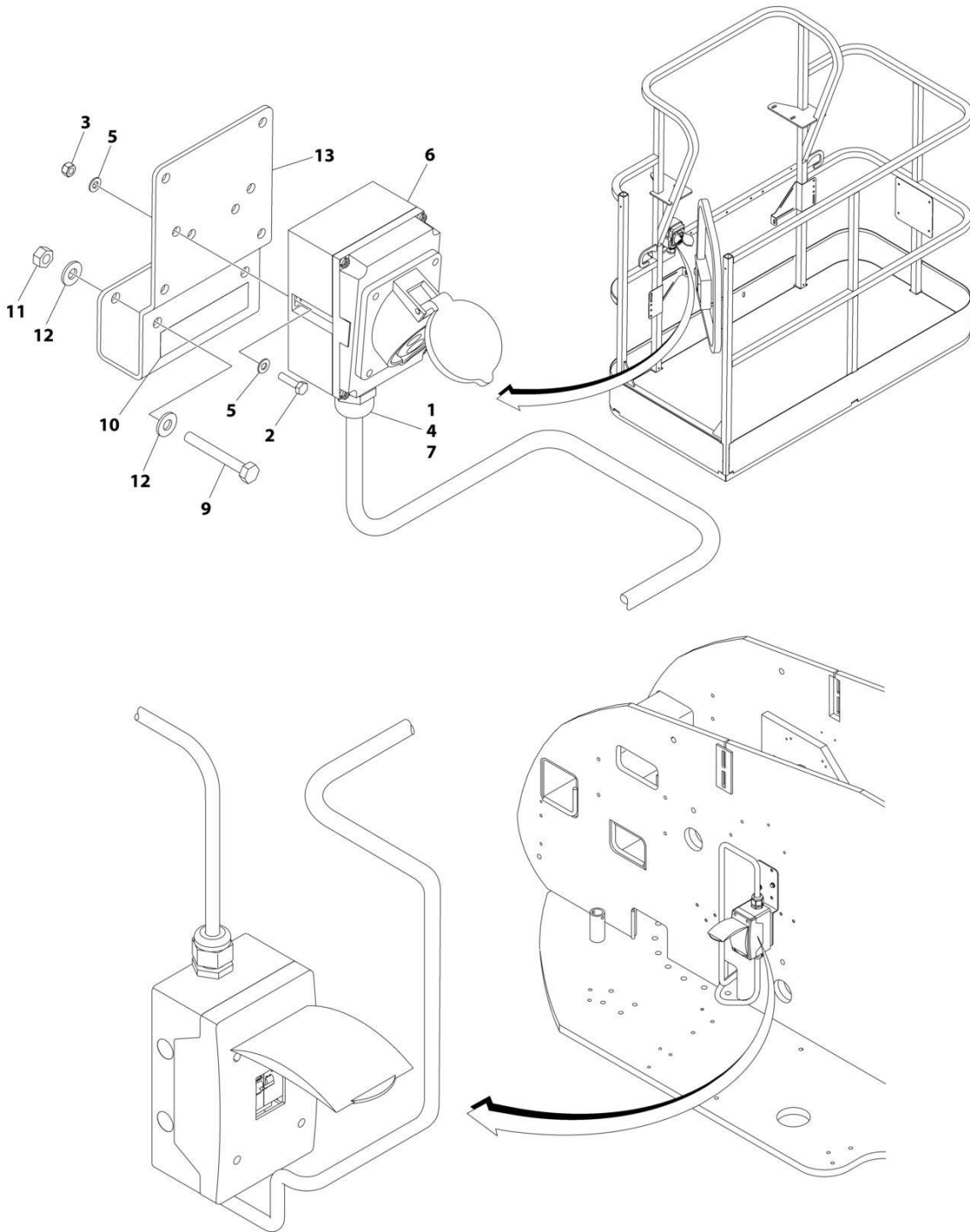
## SECTION 8 - ELECTRICAL

**FIGURE 8-5. AC BOX AT PLATFORM INSTALLATION - 110V IEC 60309 YELLOW WITHOUT 2500W GENERATOR (CE & UK CA SPECS)**

ITEM	PART NUMBER	QTY	DESCRIPTION	REV
	1001091969	Ref	AC BOX AT PLATFORM INSTALLATION - 110V IEC YELLOW	D
1	0100020	AR	Sealant, Pipe	
2	0275216	1	Receptacle Box Kit (See Separate Breakdown in this Section)	
3	0700408	2	Bolt M4 x 16	
4	3290405	2	Nut M4	
5	1001101196	1	Adapter	
6	4811400	4	Washer M4	
7	1001101191	1	Connector, Strain Relief	
8	0641416	2	Bolt 1/4 x 2	
9	1705325	2	Decal - 110V	
10	3311405	2	Nut 1/4	
11	4711400	4	Washer 1/4	
12	1001193018	1	Bracket	

# SECTION 8 - ELECTRICAL

FIGURE 8-6. AC BOX AT PLATFORM INSTALLATION - 110V IEC 60309 YELLOW WITH 2500W GENERATOR (CE & UK CA SPECS)



ART\_1001100326



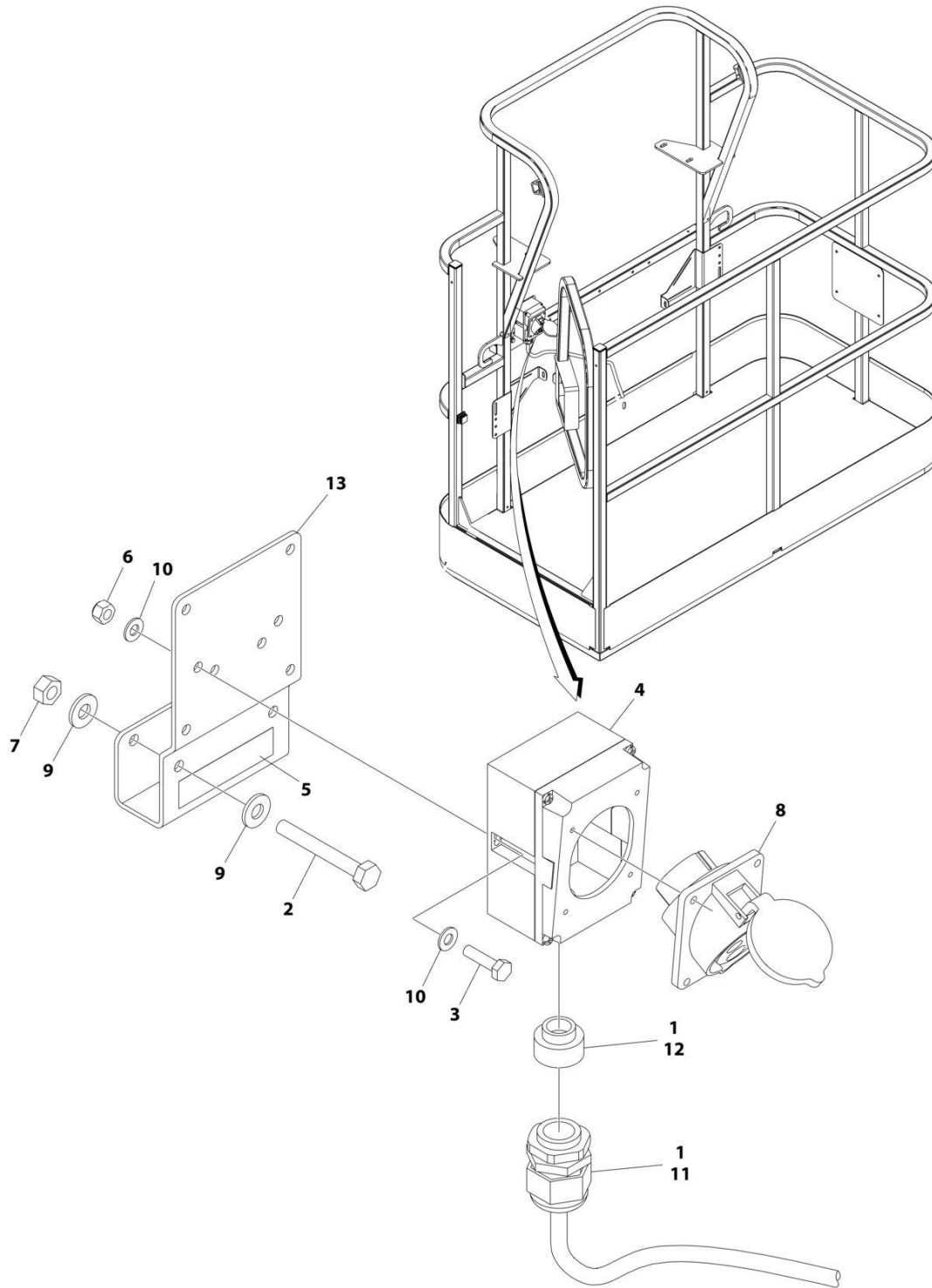
## SECTION 8 - ELECTRICAL

**FIGURE 8-6. AC BOX AT PLATFORM INSTALLATION - 110V IEC 60309 YELLOW WITH 2500W GENERATOR (CE & UK CA SPECS)**

ITEM	PART NUMBER	QTY	DESCRIPTION	REV
	1001100326	Ref	AC BOX AT PLATFORM INSTALLATION - 110V IEC 60309 YELLOW	D
1	0100020	AR	Sealant, Pipe	
2	0700408	2	Bolt M4 x 16	
3	3290405	2	Nut M4	
4	1001101196	1	Adapter	
5	4811400	4	Washer M4	
6	1001100341	1	Receptacle Box Kit (See Separate Breakdown in this Section)	
7	1001101191	1	Connector, Strain Relief	
8	1060908	10 ft /3.05m	Cable, Electrical 12/3 (Not Shown)	
9	0641416	2	Bolt 1/4 x 2	
10	1705325	1	Decal - 110V	
11	3311405	2	Nut 1/4	
12	4711400	4	Washer 1/4	
13	1001193018	1	Bracket	

# SECTION 8 - ELECTRICAL

**FIGURE 8-7. AC BOX AT PLATFORM INSTALLATION - 110V IEC YELLOW (CE & UK CA SPECS)  
(MACHINES WITH 4000W GENERATOR)**



ART\_1001206253

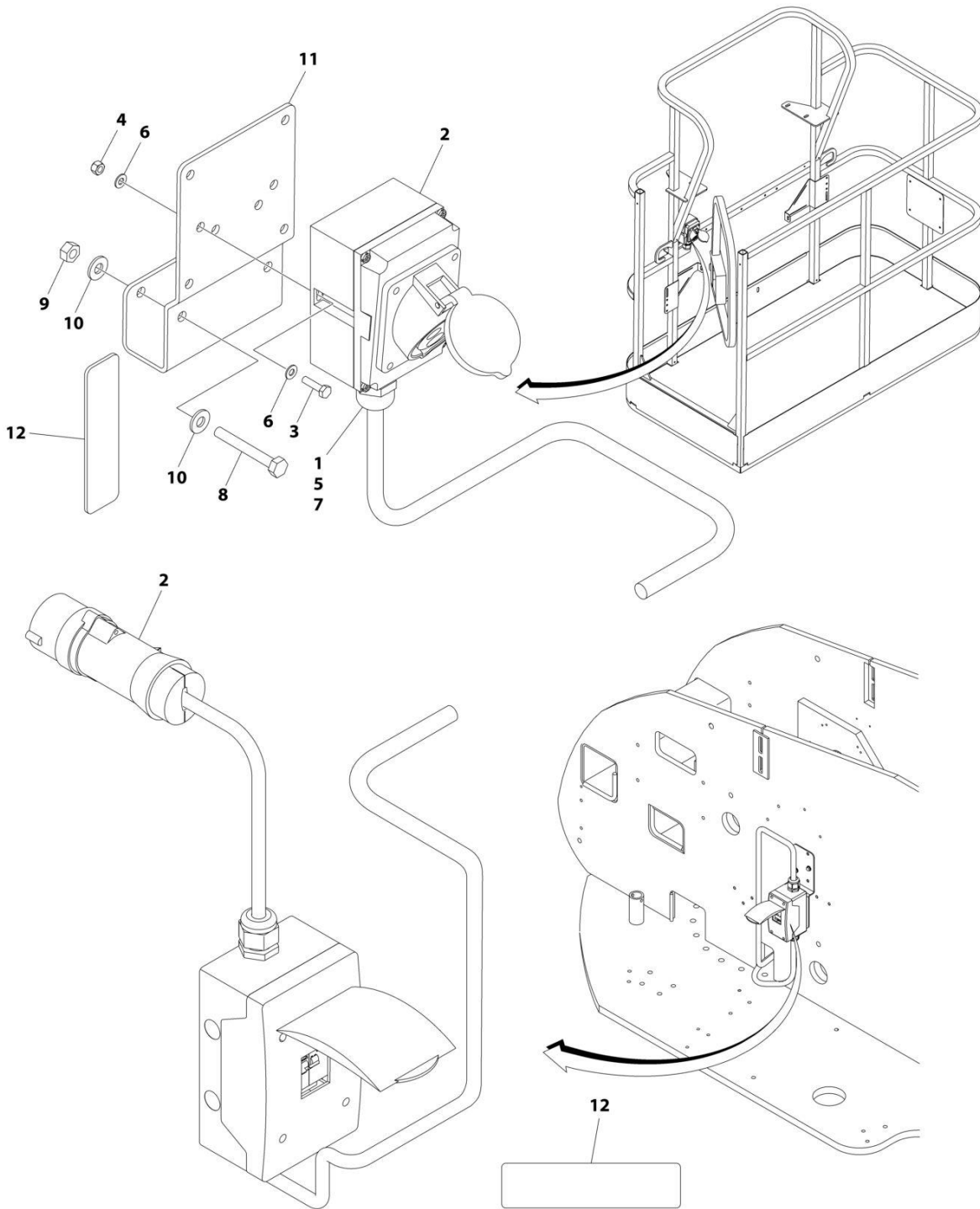
## SECTION 8 - ELECTRICAL

**FIGURE 8-7. AC BOX AT PLATFORM INSTALLATION - 110V IEC YELLOW (CE & UK CA SPECS)  
(MACHINES WITH 4000W GENERATOR)**

ITEM	PART NUMBER	QTY	DESCRIPTION	REV
	1001206253	Ref	AC BOX AT PLATFORM INSTALLATION - 110V IEC 60309 YELLOW WITHOUT 4000W GENERATOR	A
1	0100020	AR	Sealant, Pipe	
2	0641416	2	Bolt 1/4 x 2	
3	0700408	2	Bolt M4 x 16	
4	0861781	1	Box, Switch	
5	1705325	1	Decal - 110V	
6	3290405	2	Nut M4	
7	3311405	2	Nut 1/4	
8	4461198	1	Receptacle	
9	4711400	4	Washer 1/4	
10	4811400	4	Washer M4	
11	1001101191	1	Connector, Strain Relief	
12	1001101196	1	Adapter	
13	1001193018	1	Bracket, AC Receptacle	

# SECTION 8 - ELECTRICAL

**FIGURE 8-8. AC BOX AT PLATFORM INSTALLATION - 220V IEC BLUE (CE & UK CA SPECS)  
(MACHINES WITH 2500W GENERATOR OR NO GENERATOR OPTION)**



(REF. LOCATED ON ENGINE SIDE HOOD)

ART\_1001091970

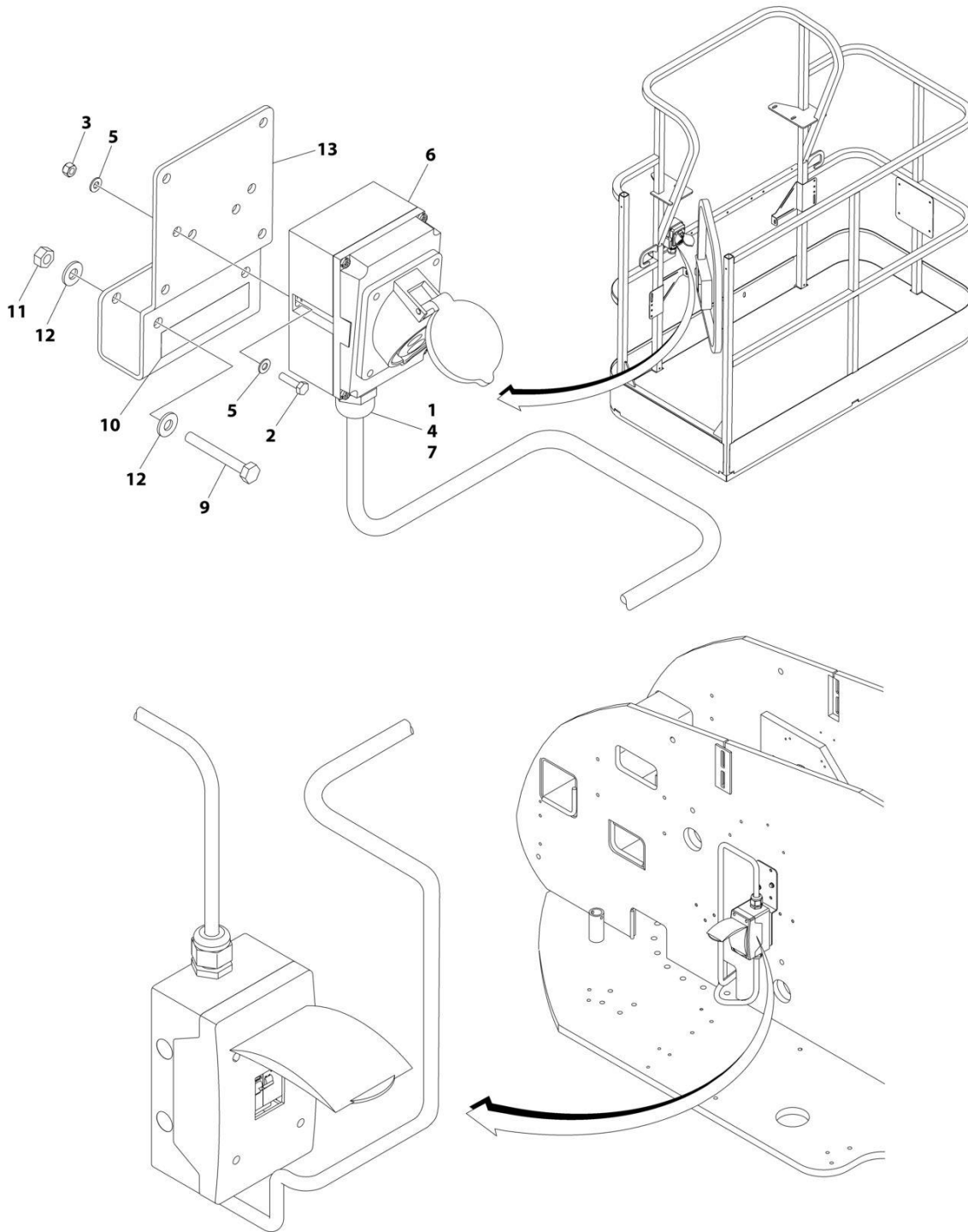
## SECTION 8 - ELECTRICAL

**FIGURE 8-8. AC BOX AT PLATFORM INSTALLATION - 220V IEC BLUE (CE & UK CA SPECS)  
(MACHINES WITH 2500W GENERATOR OR NO GENERATOR OPTION)**

ITEM	PART NUMBER	QTY	DESCRIPTION	REV
	1001091970	Ref	AC BOX AT PLATFORM INSTALLATION - 220V IEC BLUE	D
1	0100020	AR	Sealant, Pipe	
2	0275217	1	Receptacle Box Kit (See Separate Breakdown in this Section)	
3	0700408	2	Bolt M4 x 16	
4	3290405	2	Nut M4	
5	1001101196	1	Adapter	
6	4811400	4	Washer M4	
7	1001101191	1	Connector, Strain Relief	
8	0641416	2	Bolt 1/4 x 2	
9	3311405	2	Nut 1/4	
10	4711400	4	Washer 1/4	
11	1001193018	1	Bracket	
12	3251242	2	Decal - 240V/50Hz	

# SECTION 8 - ELECTRICAL

FIGURE 8-9. AC BOX AT PLATFORM INSTALLATION - 220V IEC 60309 BLUE WITH 2500W GENERATOR (CE & UK CA SPECS)



ART\_1001100327

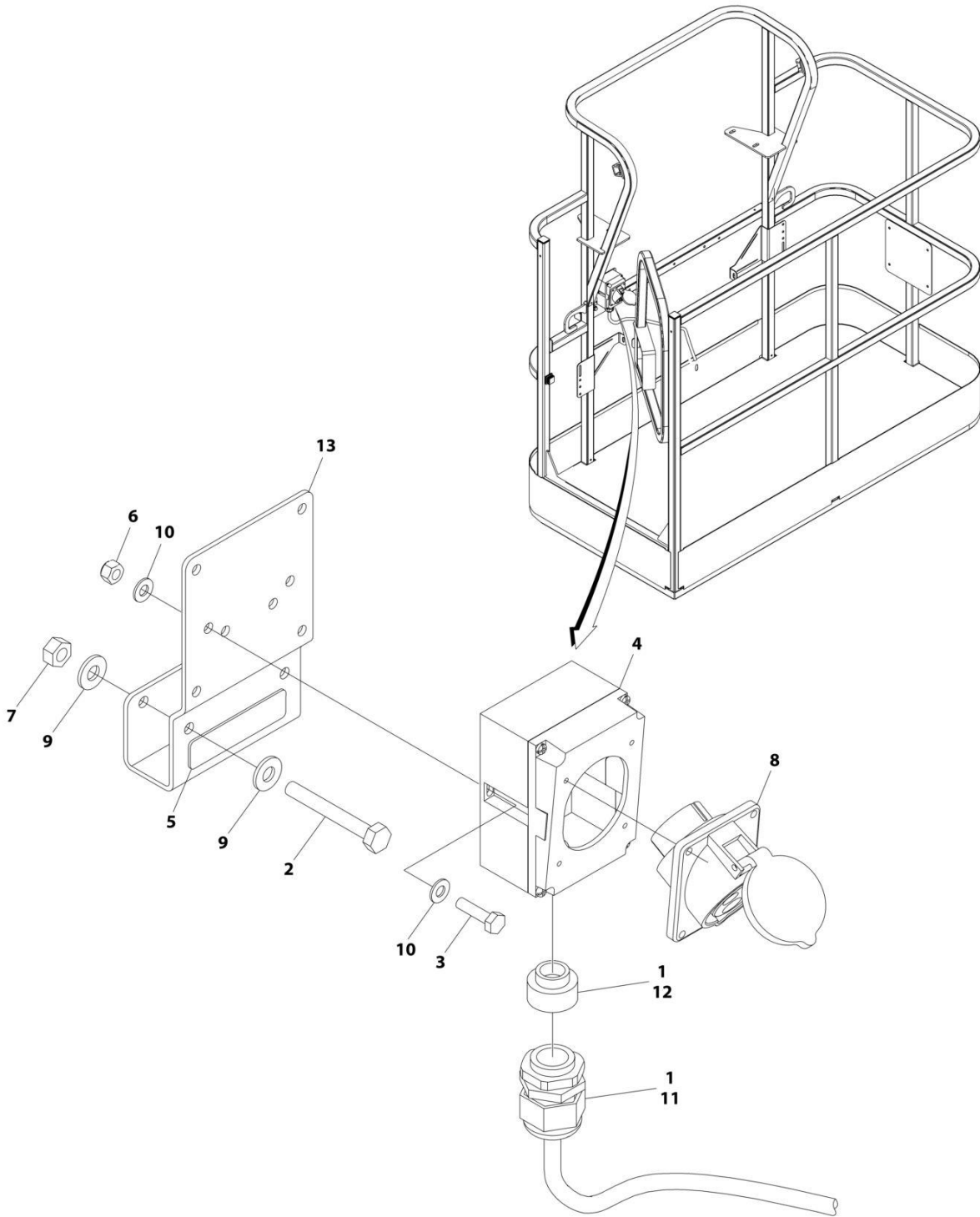
## SECTION 8 - ELECTRICAL

**FIGURE 8-9. AC BOX AT PLATFORM INSTALLATION - 220V IEC 60309 BLUE WITH 2500W GENERATOR (CE & UK CA SPECS)**

ITEM	PART NUMBER	QTY	DESCRIPTION	REV
	1001100327	Ref	AC BOX AT PLATFORM INSTALLATION - 220V IEC 60309 BLUE	D
1	0100020	AR	Sealant, Pipe	
2	0700408	2	Bolt M4 x 16	
3	3290405	2	Nut M4	
4	1001101196	1	Adapter	
5	4811400	4	Washer M4	
6	1001100342	1	Receptacle Box Kit (See Separate Breakdown in this Section)	
7	1001101191	1	Connector, Strain Relief	
8	1060908	10 ft /3.05m	Cable, Electrical 12/3 (Not Shown)	
9	0641416	2	Bolt 1/4 x 2	
10	3252507	1	Decal - 220V	
11	3311405	2	Nut 1/4	
12	4711400	4	Washer 1/4	
13	1001193018	1	Bracket	

# SECTION 8 - ELECTRICAL

FIGURE 8-10. AC BOX AT PLATFORM INSTALLATION - 220V IEC BLUE (CE & UK CA SPECS)  
(MACHINES WITH 4000W GENERATOR)



ART\_1001206254



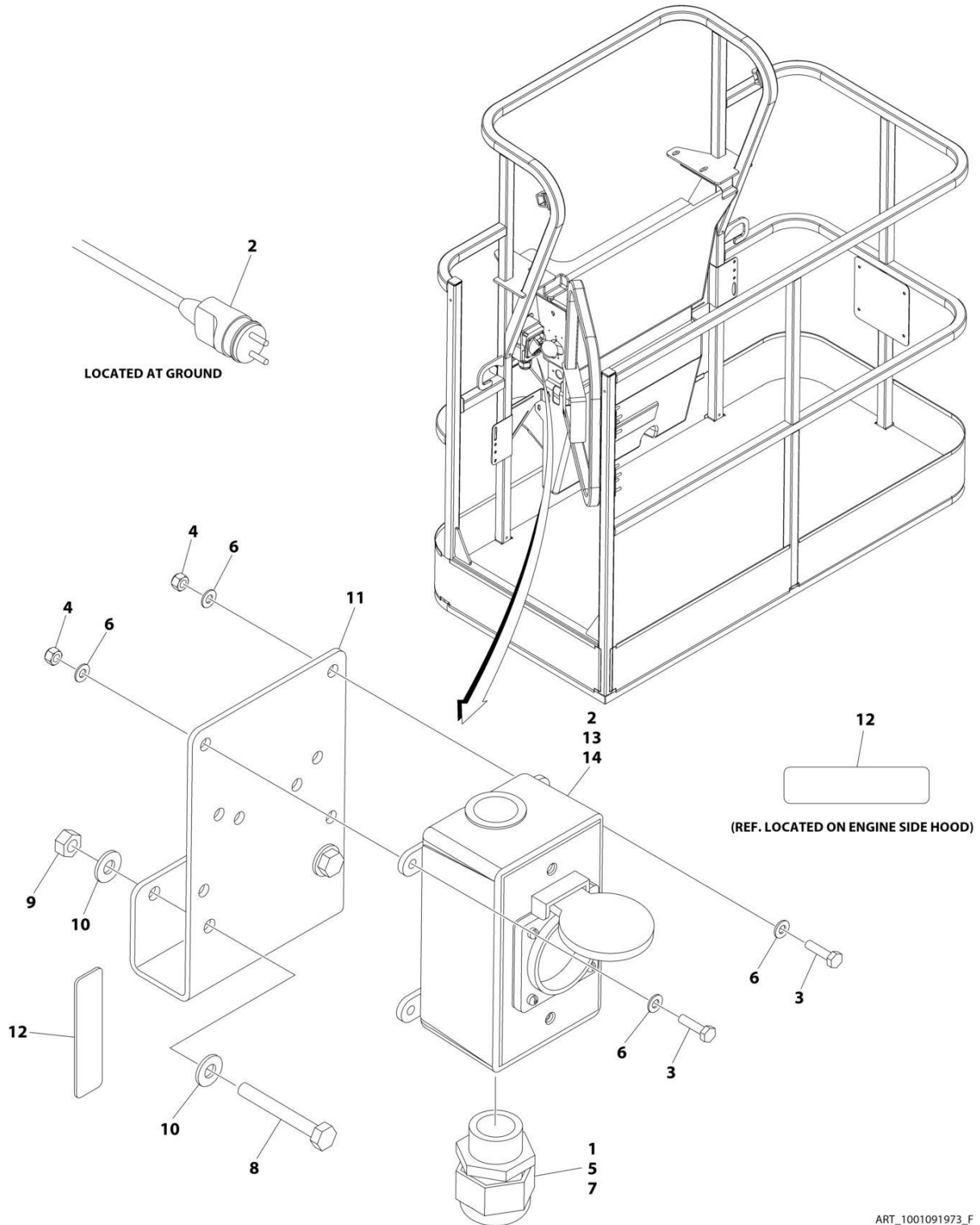
## SECTION 8 - ELECTRICAL

**FIGURE 8-10. AC BOX AT PLATFORM INSTALLATION - 220V IEC BLUE (CE & UK CA SPECS)  
(MACHINES WITH 4000W GENERATOR)**

ITEM	PART NUMBER	QTY	DESCRIPTION	REV
	1001206254	Ref	AC BOX AT PLATFORM INSTALLATION - 220V IEC BLUE	A
1	0100020	AR	Sealant, Pipe	
2	0641416	2	Bolt 1/4 x 2	
3	0700408	2	Bolt M4 x 16	
4	0861781	1	Box, Switch	
5	3251242	1	Decal - 240V/50Hz	
6	3290405	2	Nut M4	
7	3311405	2	Nut 1/4	
8	4461201	1	Receptacle	
9	4711400	4	Washer 1/4	
10	4811400	4	Washer M4	
11	1001101191	1	Connector, Strain Relief	
12	1001101196	1	Adapter	
13	1001193018	1	Bracket, AC Receptacle	

# SECTION 8 - ELECTRICAL

**FIGURE 8-11. AC BOX AT PLATFORM INSTALLATION - 220V CEE7 POST GROUND (CE & UK CA SPECS) (MACHINES WITH 2500W GENERATOR OR NO GENERATOR OPTION)**



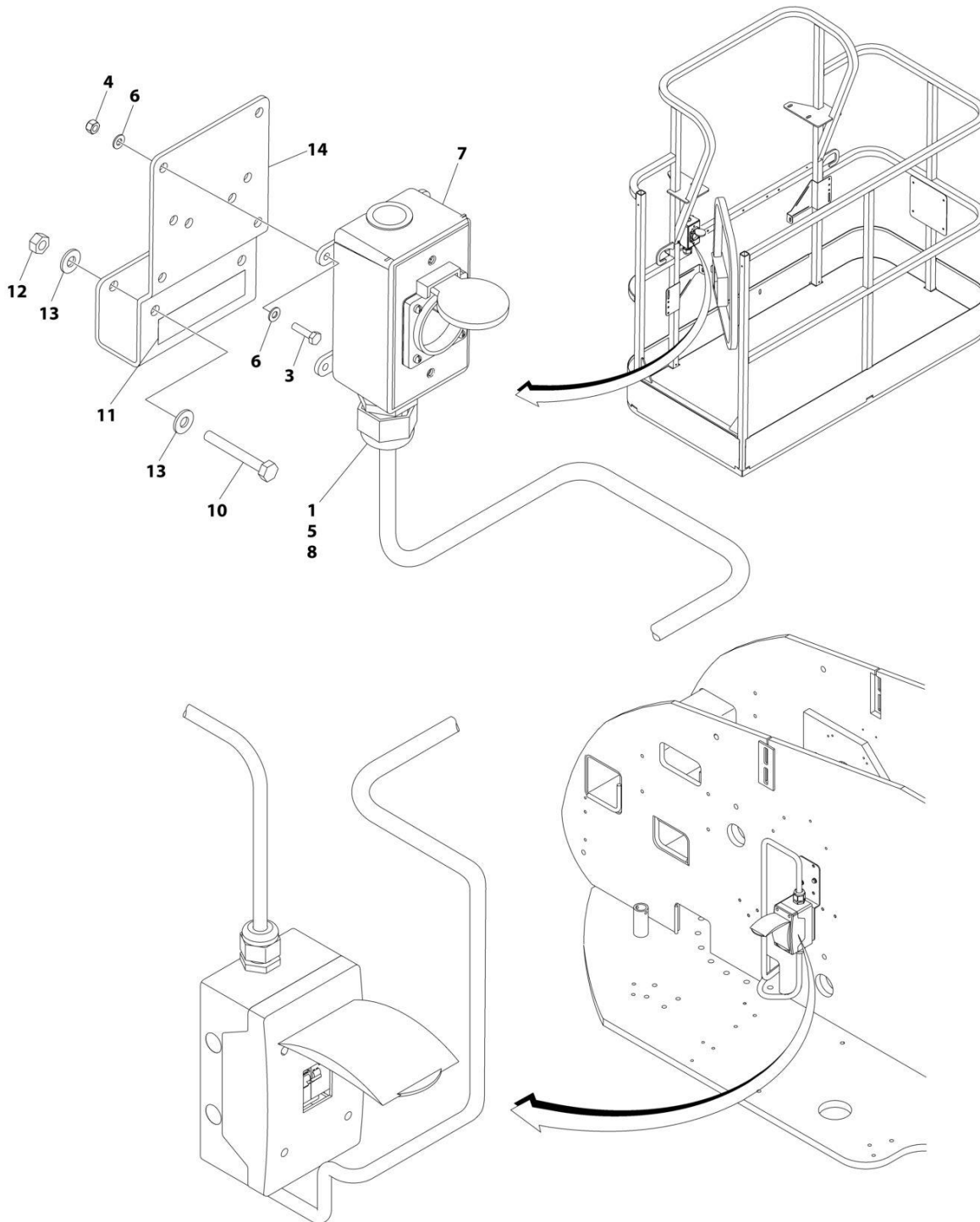
## SECTION 8 - ELECTRICAL

**FIGURE 8-11. AC BOX AT PLATFORM INSTALLATION - 220V CEE7 POST GROUND (CE & UK CA SPECS) (MACHINES WITH 2500W GENERATOR OR NO GENERATOR OPTION)**

ITEM	PART NUMBER	QTY	DESCRIPTION	REV
	1001091973	Ref	AC BOX AT PLATFORM INSTALLATION - 220V CEE7 2X4 BOX POST GROUND	F
1	0100020	AR	Sealant, Pipe	
2	0275452	1	Receptacle Box Kit (See Separate Breakdown in this Section)	
3	0700408	4	Bolt M4 x 16	
4	3290405	4	Nut M4	
5	1001101197	1	Adapter	
6	4811400	8	Washer M4	
7	1001101191	1	Connector, Strain Relief	
8	0641416	2	Bolt 1/4 x 2	
9	3311405	2	Nut 1/4	
10	4711400	4	Washer 1/4	
11	1001193018	1	Bracket	
12	3251242	2	Decal - 240V/50Hz	
13	4460806	2	Terminal, Fork (Not Shown)	
14	1001205958	1	Terminal (Not Shown)	

# SECTION 8 - ELECTRICAL

FIGURE 8-12. AC BOX AT PLATFORM INSTALLATION - 220V CEE7 POST GROUND (2X4 BOX) WITH 2500W GENERATOR (CE & UK CA SPECS)



ART\_1001100331

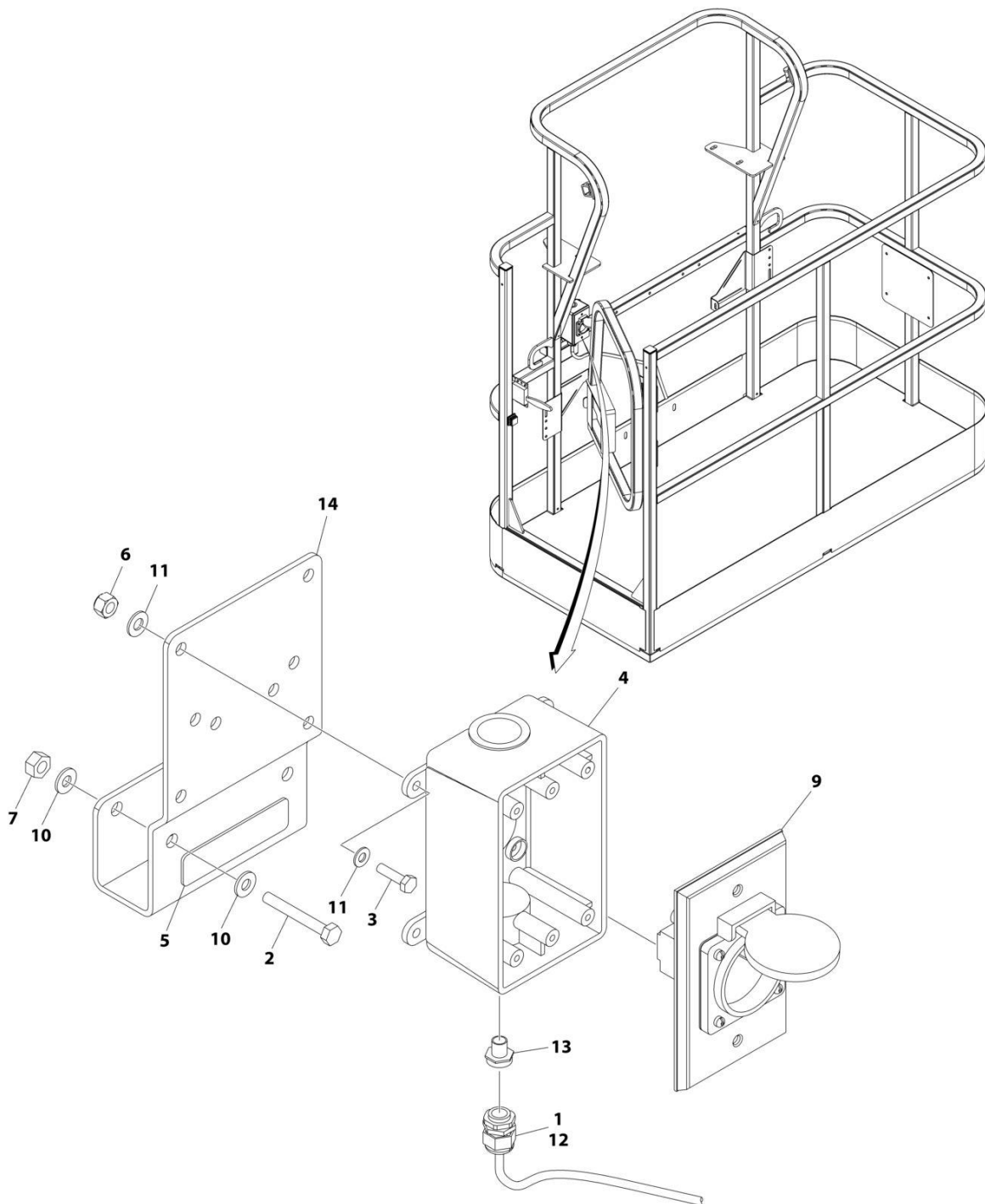
## SECTION 8 - ELECTRICAL

**FIGURE 8-12. AC BOX AT PLATFORM INSTALLATION - 220V CEE7 POST GROUND (2X4 BOX) WITH 2500W GENERATOR (CE & UK CA SPECS)**

ITEM	PART NUMBER	QTY	DESCRIPTION	REV
	1001100331	Ref	AC BOX AT PLATFORM INSTALLATION - 220V CEE7 POST GROUND (2X4 BOX)	E
1	0100020	AR	Sealant, Pipe	
3	0700408	4	Bolt M4 x 16	
4	3290405	4	Nut M4	
5	1001101197	1	Adapter	
6	4811400	8	Washer M4	
7	1001100345	1	Receptacle Box Kit (See Separate Breakdown in this Section)	
8	1001101191	1	Connector, Strain Relief	
9	1060908	10 ft /3.05m	Cable, Electrical 12/3 (Not Shown)	
10	0641416	2	Bolt 1/4 x 2	
11	3252507	1	Decal - 220V	
12	3311405	2	Nut 1/4	
13	4711400	4	Washer 1/4	
14	1001193018	1	Bracket	
15	4460806	2	Terminal, Fork (Not Shown)	
16	1001205958	1	Terminal (Not Shown)	

## SECTION 8 - ELECTRICAL

FIGURE 8-13. AC BOX AT PLATFORM INSTALLATION - 220V CEE7 POST GROUND (CE & UK CA SPECS) (MACHINES WITH 4000W GENERATOR)



ART\_1001206250

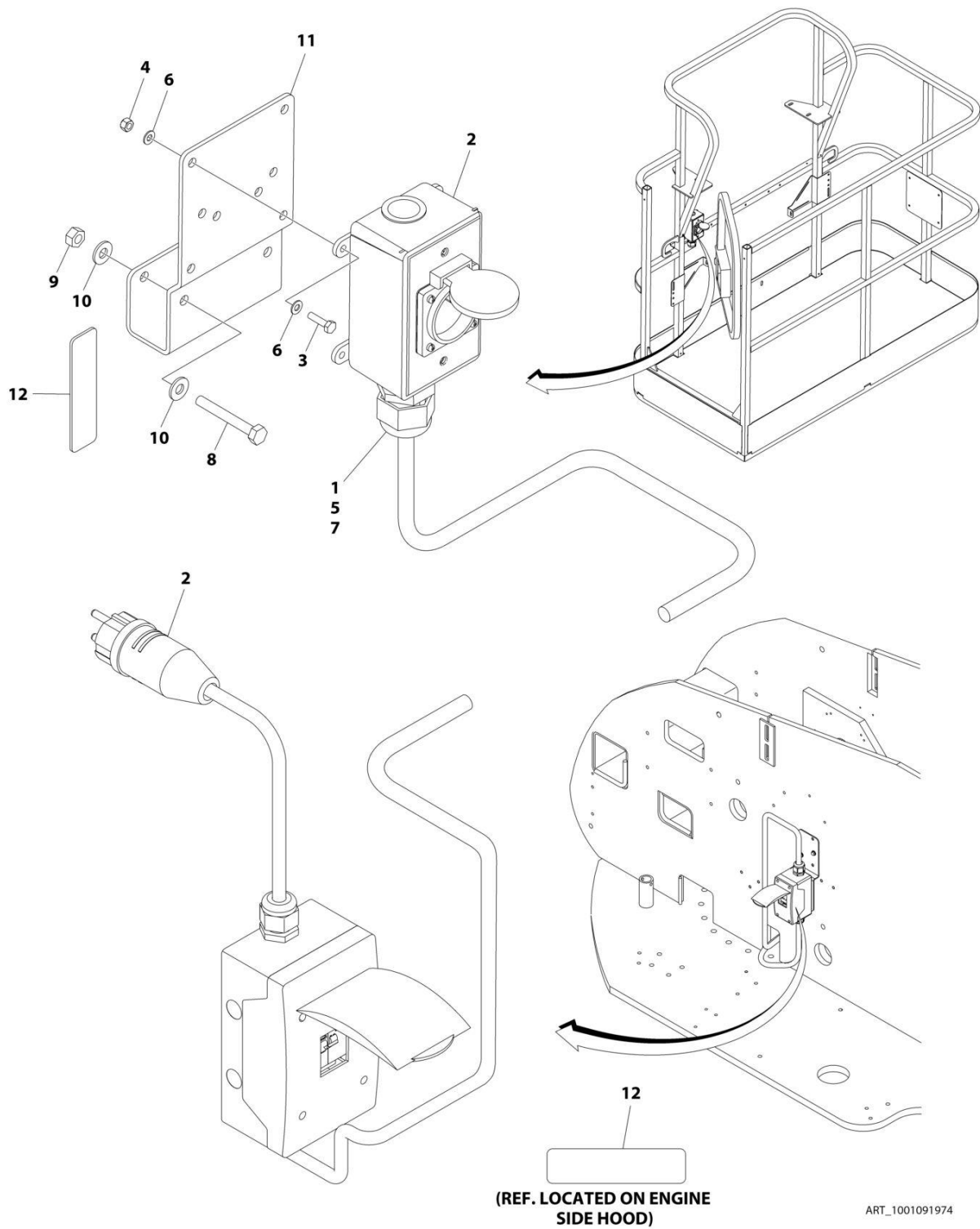
## SECTION 8 - ELECTRICAL

**FIGURE 8-13. AC BOX AT PLATFORM INSTALLATION - 220V CEE7 POST GROUND (CE & UK CA SPECS) (MACHINES WITH 4000W GENERATOR)**

ITEM	PART NUMBER	QTY	DESCRIPTION	REV
	1001206250	Ref	AC BOX AT PLATFORM INSTALLATION - 220V CEE7 2X4 BOX POST GROUND	A
1	0100020	AR	Sealant, Pipe	
2	0641416	2	Bolt 1/4 x 2	
3	0700408	4	Bolt M4 x 16	
4	0861731	1	Box, Switch	
5	3251242	1	Decal - 240V/50Hz	
6	3290405	4	Nut M4	
7	3311405	2	Nut 1/4	
8	4460806	2	Terminal, Fork (Not Shown)	
9	4461244	1	Receptacle	
10	4711400	4	Washer 1/4	
11	4811400	8	Washer M4	
12	1001101191	1	Connector, Strain Relief	
13	1001101197	1	Adapter	
14	1001193018	1	Bracket, AC Receptacle	
15	1001205958	1	Terminal (Not Shown)	

# SECTION 8 - ELECTRICAL

**FIGURE 8-14. AC BOX AT PLATFORM INSTALLATION - 220V CEE7 SIDE GROUND (CE & UK CA SPECS) (MACHINES WITH 2500W GENERATOR OR NO GENERATOR OPTION)**





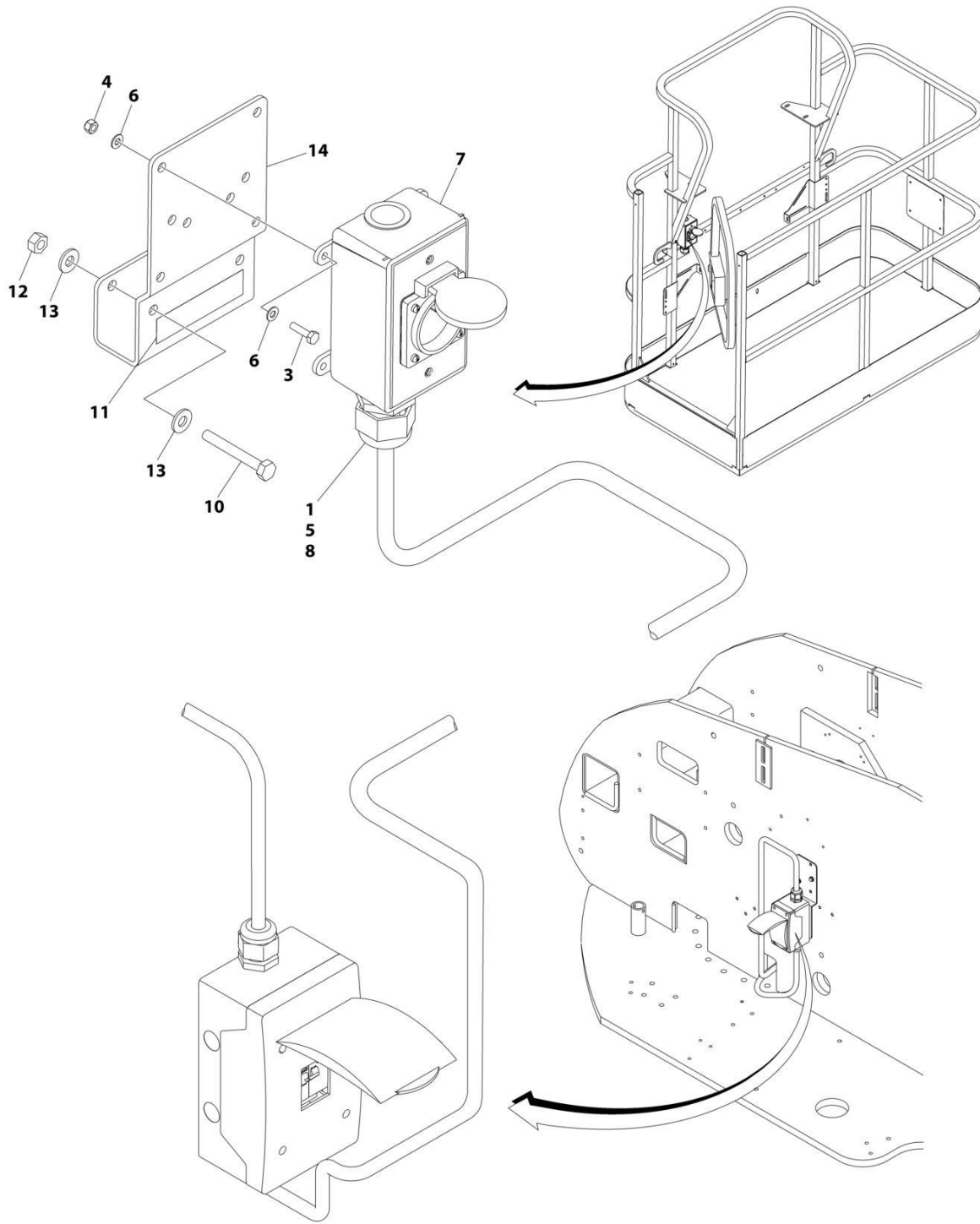
## SECTION 8 - ELECTRICAL

**FIGURE 8-14. AC BOX AT PLATFORM INSTALLATION - 220V CEE7 SIDE GROUND (CE & UK CA SPECS) (MACHINES WITH 2500W GENERATOR OR NO GENERATOR OPTION)**

ITEM	PART NUMBER	QTY	DESCRIPTION	REV
	1001091974	Ref	AC BOX AT PLATFORM INSTALLATION - 220V CEE7 2X4 BOX SIDE GROUND	F
1	0100020	AR	Sealant, Pipe	
2	0275453	1	Receptacle Box Kit (See Separate Breakdown in this Section)	
3	0700408	4	Bolt M4 x 16	
4	3290405	4	Nut M4	
5	1001101197	1	Adapter	
6	4811400	8	Washer M4	
7	1001101191	1	Connector, Strain Relief	
8	0641416	2	Bolt 1/4 x 2	
9	3311405	2	Nut 1/4	
10	4711400	4	Washer 1/4	
11	1001193018	1	Bracket	
12	3251242	2	Decal - 240V/50Hz	
13	4460806	2	Terminal, Fork (Not Shown)	
14	1001205958	1	Terminal (Not Shown)	

# SECTION 8 - ELECTRICAL

FIGURE 8-15. AC BOX AT PLATFORM INSTALLATION - 220V CEE7 SIDE GROUND (2X4 BOX) WITH 2500W GENERATOR (CE & UK CA SPECS)



ART\_1001100333

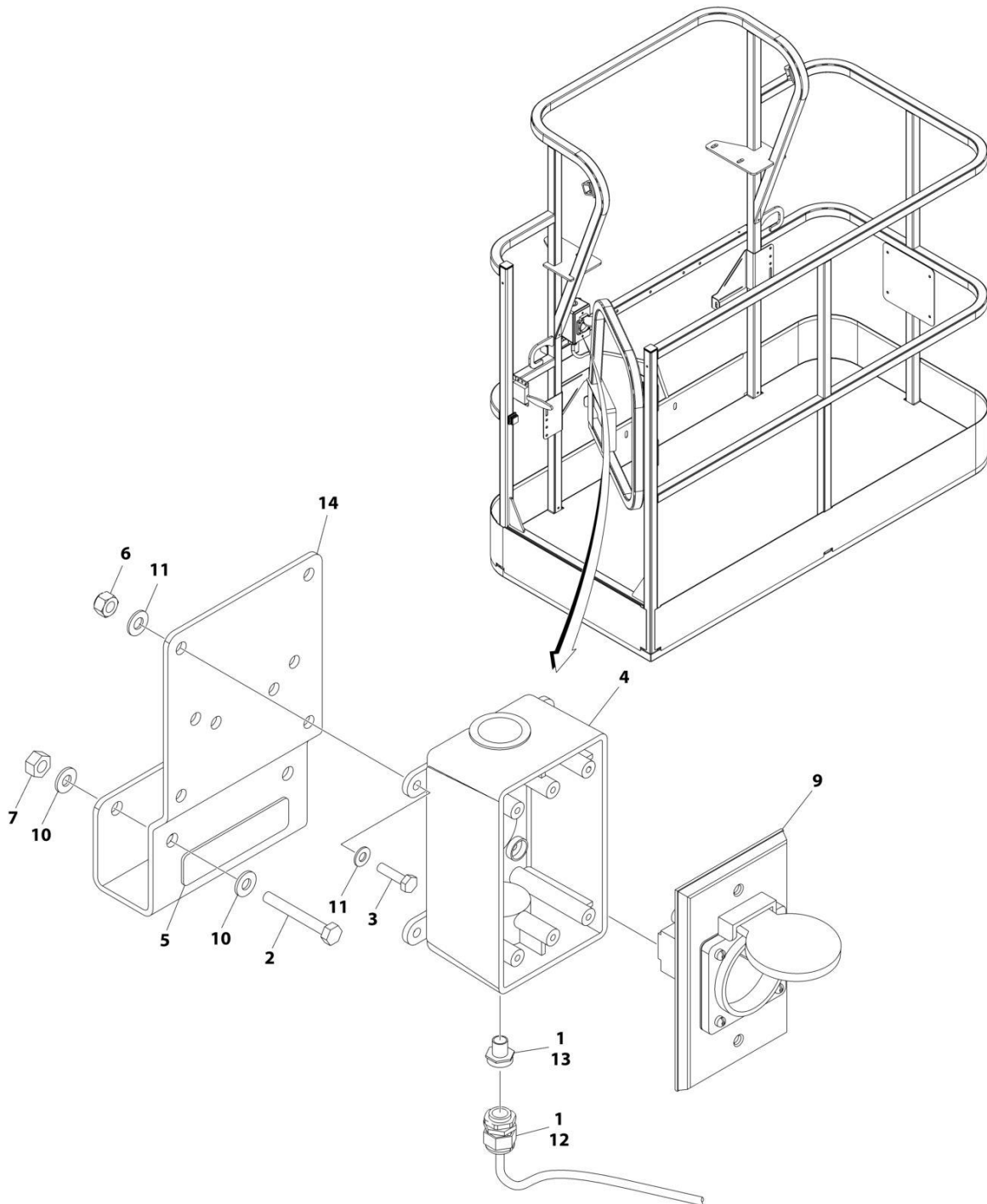
## SECTION 8 - ELECTRICAL

**FIGURE 8-15. AC BOX AT PLATFORM INSTALLATION - 220V CEE7 SIDE GROUND (2X4 BOX) WITH 2500W GENERATOR (CE & UK CA SPECS)**

ITEM	PART NUMBER	QTY	DESCRIPTION	REV
	1001100333	Ref	AC BOX AT PLATFORM INSTALLATION - 220V CEE7 SIDE GROUND (2X4 BOX)	E
1	0100020	AR	Sealant, Pipe	
3	0700408	4	Bolt M4 x 16	
4	3290405	4	Nut M4	
5	1001101197	1	Adapter	
6	4811400	8	Washer M4	
7	1001100347	1	Receptacle Box Kit (See Separate Breakdown in this Section)	
8	1001101191	1	Connector, Strain Relief	
9	1060908	10 ft /3.05m	Cable, Electrical 12/3 (Not Shown)	
10	0641416	2	Bolt 1/4 x 2	
11	3252507	1	Decal - 220V	
12	3311405	2	Nut 1/4	
13	4711400	4	Washer 1/4	
14	1001193018	1	Bracket	
15	4460806	2	Terminal, Fork (Not Shown)	
16	1001205958	1	Terminal (Not Shown)	

# SECTION 8 - ELECTRICAL

**FIGURE 8-16. AC BOX AT PLATFORM INSTALLATION - 220V CEE7 SIDE GROUND (CE & UK CA SPECS) (MACHINES WITH 4000W GENERATOR)**



ART\_1001206251

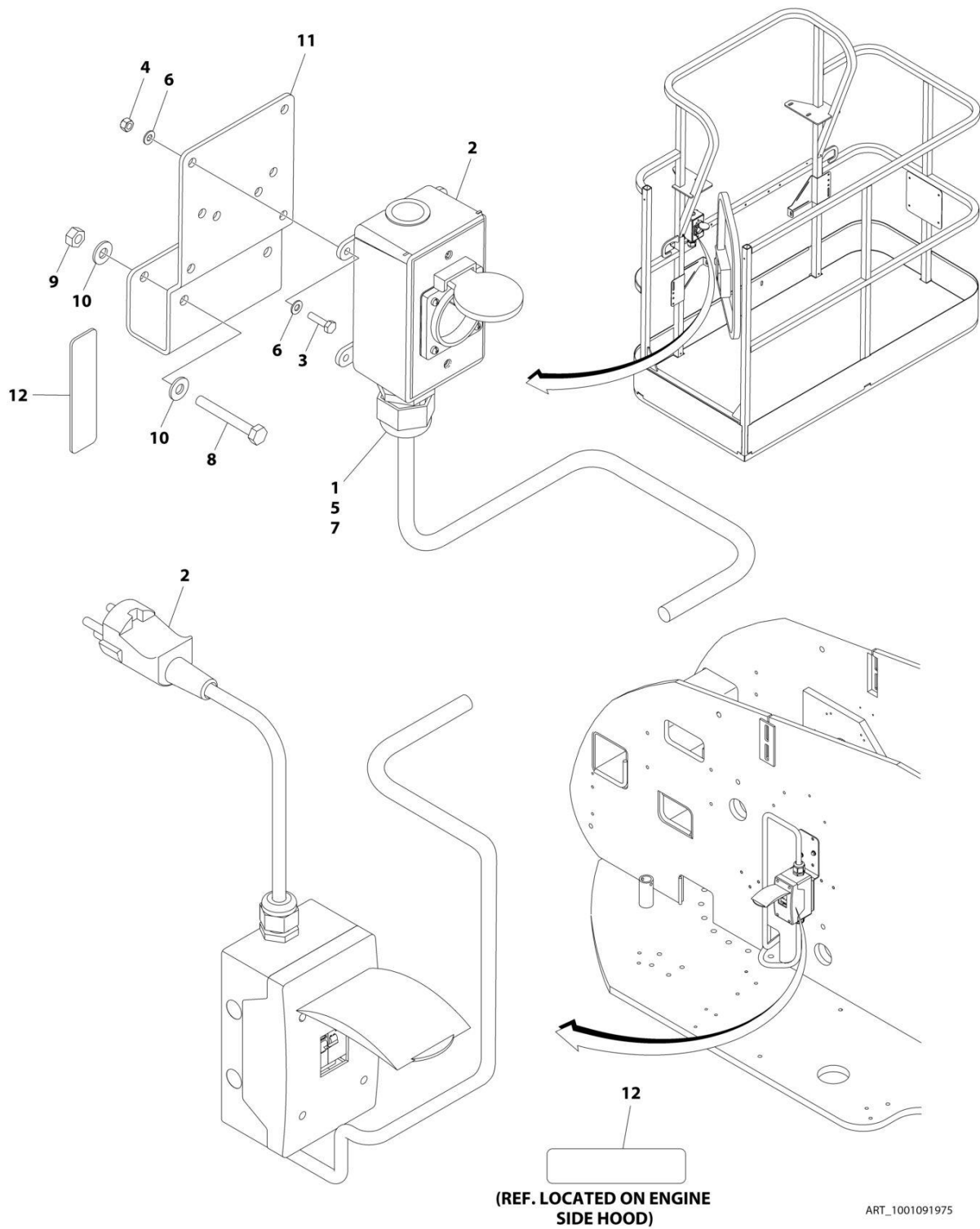
## SECTION 8 - ELECTRICAL

**FIGURE 8-16. AC BOX AT PLATFORM INSTALLATION - 220V CEE7 SIDE GROUND (CE & UK CA SPECS) (MACHINES WITH 4000W GENERATOR)**

ITEM	PART NUMBER	QTY	DESCRIPTION	REV
	1001206251	Ref	AC BOX AT PLATFORM INSTALLATION - 220V CEE7 2X4 BOX SIDE GROUND	A
1	0100020	AR	Sealant, Pipe	
2	0641416	2	Bolt 1/4 x 2	
3	0700408	4	Bolt M4 x 16	
4	0861731	1	Box, Switch	
5	3251242	1	Decal - 240V/50Hz	
6	3290405	4	Nut M4	
7	3311405	2	Nut 1/4	
8	4460806	2	Terminal, Fork (Not Shown)	
9	4461245	1	Receptacle	
10	4711400	4	Washer 1/4	
11	4811400	8	Washer M4	
12	1001101191	1	Connector, Strain Relief	
13	1001101197	1	Adapter	
14	1001193018	1	Bracket, AC Receptacle	
15	1001205958	1	Terminal (Not Shown)	

# SECTION 8 - ELECTRICAL

**FIGURE 8-17. AC BOX AT PLATFORM INSTALLATION - 220V AFSINT 107 KEYED GROUND (CE & UK CA SPECS) (MACHINES WITH 2500W GENERATOR OR NO GENERATOR OPTION)**



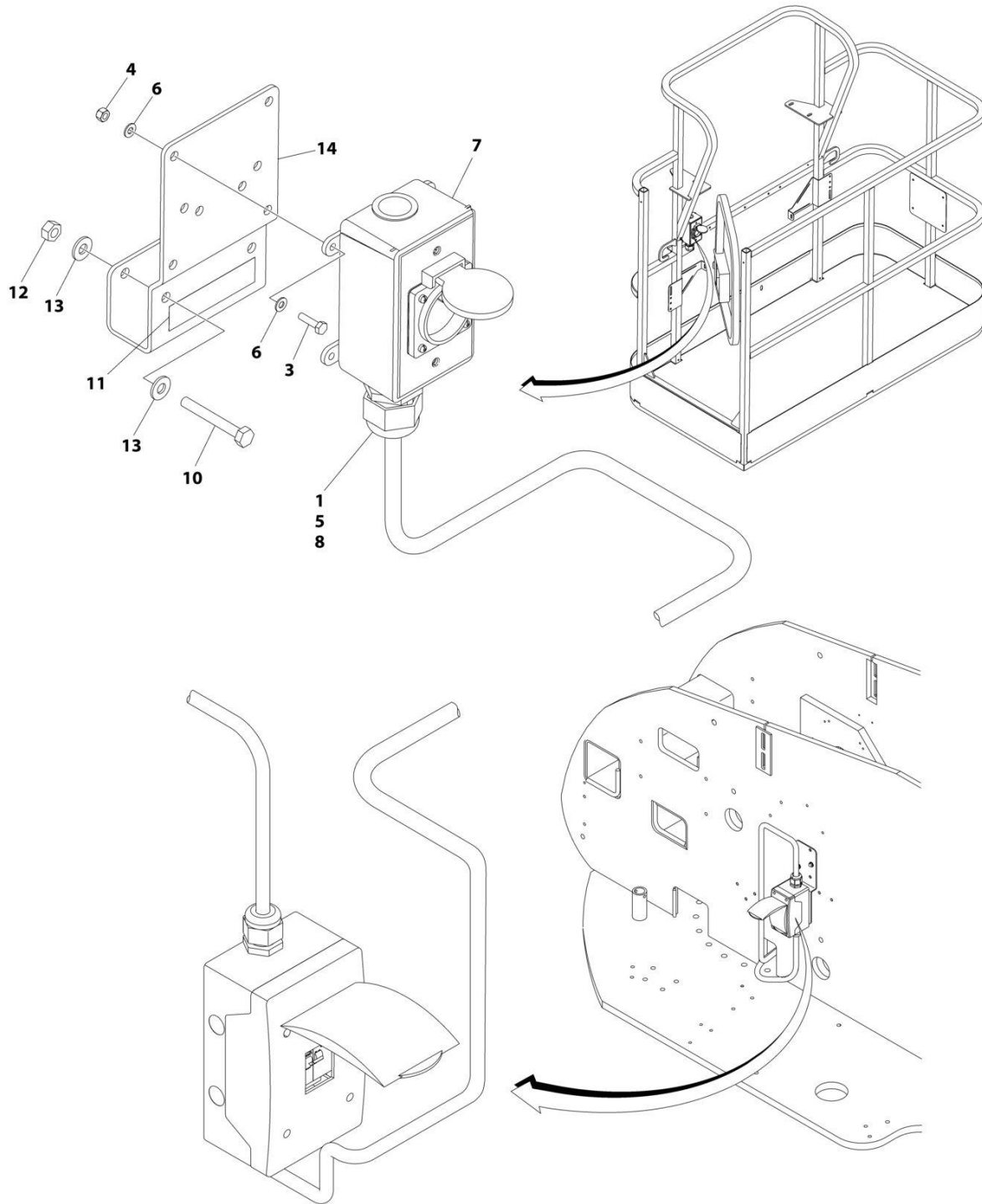
## SECTION 8 - ELECTRICAL

**FIGURE 8-17. AC BOX AT PLATFORM INSTALLATION - 220V AFSINT 107 KEYED GROUND (CE & UK CA SPECS) (MACHINES WITH 2500W GENERATOR OR NO GENERATOR OPTION)**

ITEM	PART NUMBER	QTY	DESCRIPTION	REV
	1001091975	Ref	AC BOX AT PLATFORM INSTALLATION - 220V AFSINT 107 2X4 BOX KEYED GROUND	F
1	0100020	AR	Sealant, Pipe	
2	0275454	1	Receptacle Box Kit (See Separate Breakdown in this Section)	
3	0700408	4	Bolt M4 x 16	
4	3290405	4	Nut M4	
5	1001101197	1	Adapter	
6	4811400	8	Washer M4	
7	1001101191	1	Connector, Strain Relief	
8	0641416	2	Bolt 1/4 x 2	
9	3311405	2	Nut 1/4	
10	4711400	4	Washer 1/4	
11	1001193018	1	Bracket	
12	3251242	2	Decal - 240V/50Hz	
13	1001205958	3	Terminal (Not Shown)	

# SECTION 8 - ELECTRICAL

**FIGURE 8-18. AC BOX AT PLATFORM INSTALLATION - 220V AFSINT 107 KEYED GROUND (2X4 BOX) WITH 2500W GENERATOR (CE & UK CA SPECS)**



ART\_1001100337



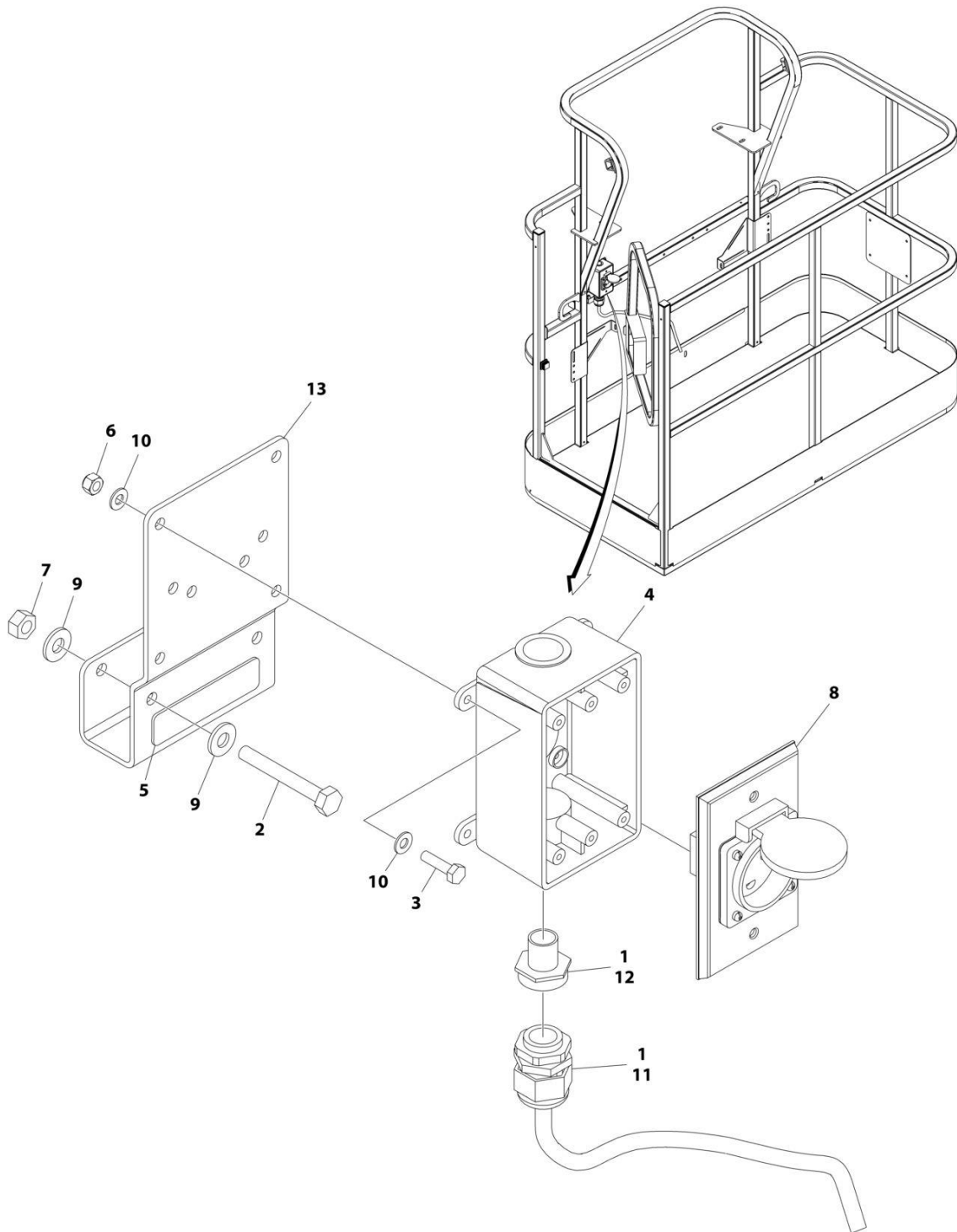
## SECTION 8 - ELECTRICAL

**FIGURE 8-18. AC BOX AT PLATFORM INSTALLATION - 220V AFSINT 107 KEYED GROUND (2X4 BOX) WITH 2500W GENERATOR (CE & UK CA SPECS)**

ITEM	PART NUMBER	QTY	DESCRIPTION	REV
	1001100337	Ref	AC BOX AT PLATFORM INSTALLATION - 220V AFSINT 107 2X4 BOX KEYED GROUND (2X4 BOX)	E
1	0100020	AR	Sealant, Pipe	
3	0700408	4	Bolt M4 x 16	
4	3290405	4	Nut M4	
5	1001101197	1	Adapter	
6	4811400	8	Washer M4	
7	1001100346	1	Receptacle Box Kit (See Separate Breakdown in this Section)	
8	1001101191	1	Connector, Strain Relief	
9	1060908	10 ft /3.05m	Cable, Electrical 12/3 (Not Shown)	
10	0641416	2	Bolt 1/4 x 2	
11	3252507	1	Decal - 220V	
12	3311405	2	Nut 1/4	
13	4711400	4	Washer 1/4	
14	1001193018	1	Bracket	
15	1001205958	3	Terminal (Not Shown)	

# SECTION 8 - ELECTRICAL

FIGURE 8-19. AC BOX AT PLATFORM INSTALLATION - 220V AFSINT 107 KEYED GROUND (CE & UK CA SPECS) (MACHINES WITH 4000W GENERATOR)



ART\_1001206252

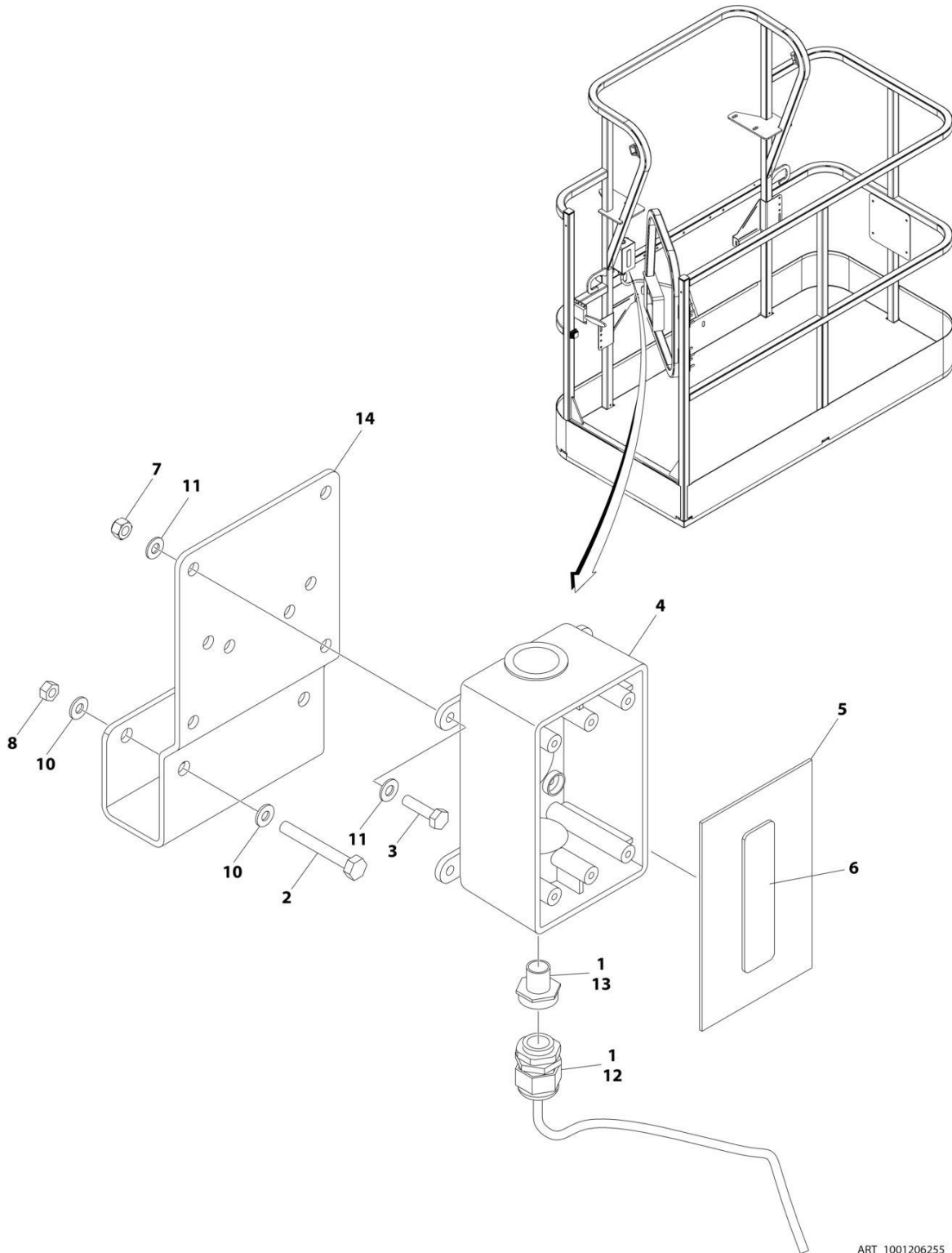
## SECTION 8 - ELECTRICAL

**FIGURE 8-19. AC BOX AT PLATFORM INSTALLATION - 220V AFSINT 107 KEYED GROUND (CE & UK CA SPECS) (MACHINES WITH 4000W GENERATOR)**

ITEM	PART NUMBER	QTY	DESCRIPTION	REV
	1001206252	Ref	AC BOX AT PLATFORM INSTALLATION - 220V AFSINT 107 2x4 BOX KEYED GROUND	A
1	0100020	AR	Sealant, Pipe	
2	0641416	2	Bolt 1/4 x 2	
3	0700408	4	Bolt M4 x 16	
4	0861731	1	Box, Switch	
5	3251242	1	Decal - 240V/50Hz	
6	3290405	4	Nut M4	
7	3311405	2	Nut 1/4	
8	4461246	1	Receptacle	
9	4711400	4	Washer 1/4	
10	4811400	8	Washer M4	
11	1001101191	1	Connector, Strain Relief	
12	1001101197	1	Adapter	
13	1001193018	1	Bracket, AC Receptacle	
14	1001205958	3	Terminal (Not Shown)	

# SECTION 8 - ELECTRICAL

FIGURE 8-20. AC BOX AT PLATFORM INSTALLATION - 220V (2X4 BOX & COVER ONLY - LOCALLY SUPPLIED RECEPTACLE) (4000W GENERATOR)



ART\_1001206255

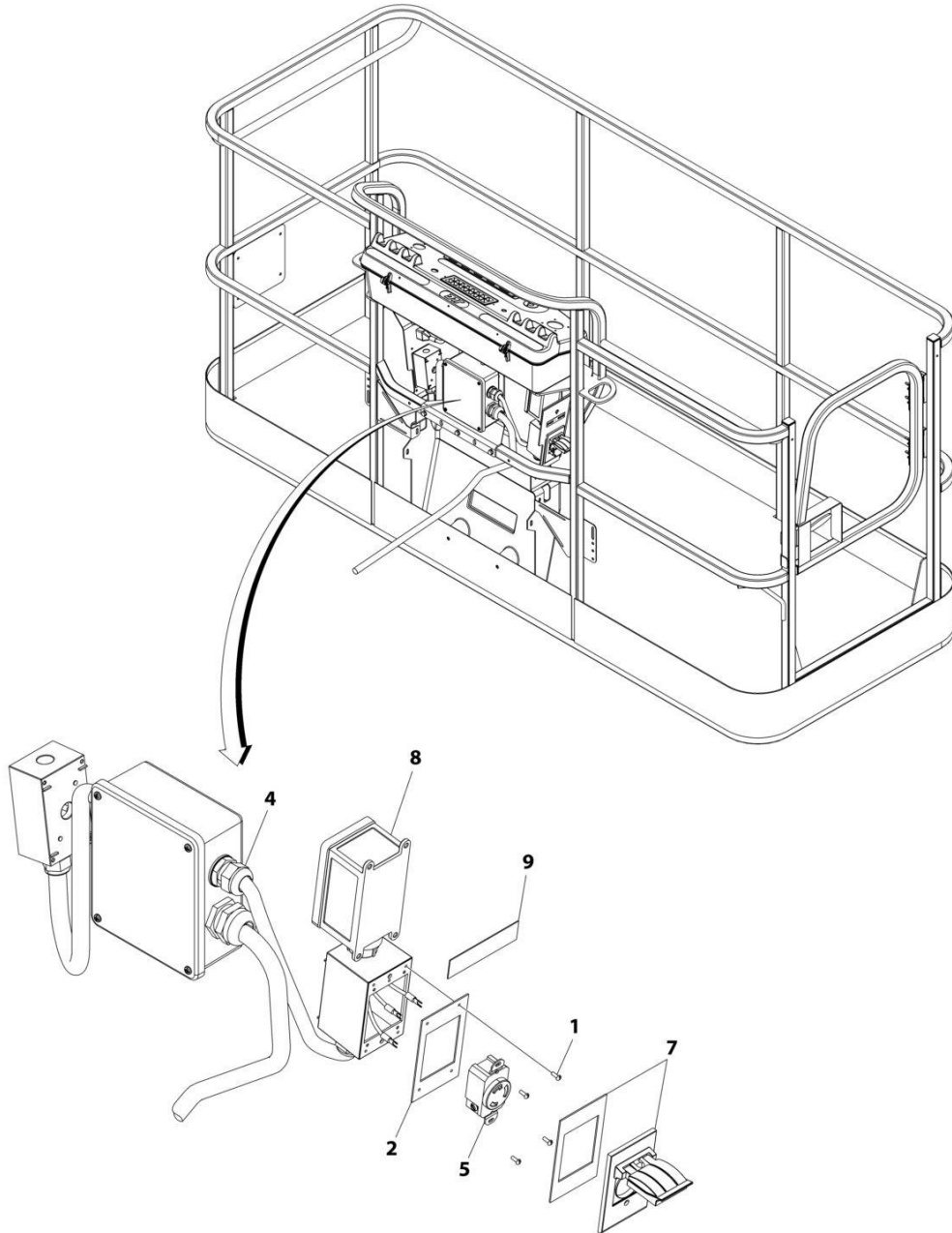
## SECTION 8 - ELECTRICAL

**FIGURE 8-20. AC BOX AT PLATFORM INSTALLATION - 220V (2X4 BOX & COVER ONLY - LOCALLY SUPPLIED RECEPTACLE) (4000W GENERATOR)**

ITEM	PART NUMBER	QTY	DESCRIPTION	REV
	1001206255	Ref	AC BOX AT PLATFORM INSTALLATION - BOX WITH COVER (2X4 BOX) WITH 4000W GENERATOR	A
1	0100020	AR	Sealant, Pipe	
2	0641416	2	Bolt 1/4 x 2	
3	0700408	4	Bolt M4 x 16	
4	0861731	1	Box, Switch	
5	1670603	1	Cover	
6	3251242	1	Decal - 240V-50Hz	
7	3290405	4	Nut M4	
8	3311405	2	Nut 1/4	
10	4711400	4	Washer 1/4	
11	4811400	8	Washer M4	
12	1001101191	1	Connector, Strain Relief	
13	1001101197	1	Adapter	
14	1001193018	1	Bracket, AC Receptacle	

## SECTION 8 - ELECTRICAL

**FIGURE 8-21. AC BOX AT PLATFORM INSTALLATION - 240V GFCI RECEPTACLE (ANSI, ANSI EXPORT AND CSA SPECS WITH 4000W SKYPOWER GENERATOR)**



ART\_1001171131

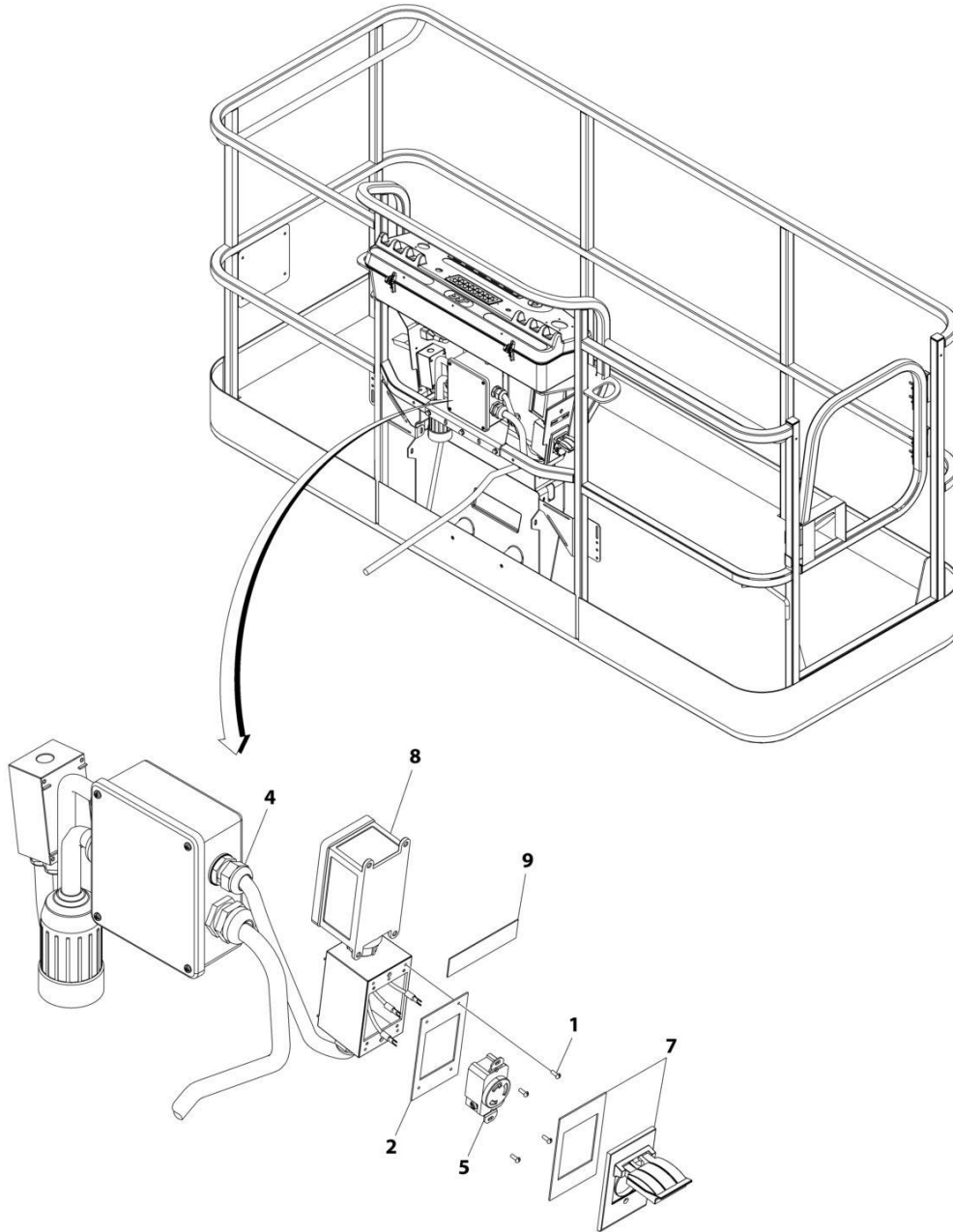
## SECTION 8 - ELECTRICAL

**FIGURE 8-21. AC BOX AT PLATFORM INSTALLATION - 240V GFCI RECEPTACLE (ANSI, ANSI EXPORT AND CSA SPECS WITH 4000W SKYPOWER GENERATOR)**

ITEM	PART NUMBER	QTY	DESCRIPTION	REV
	1001171131	Ref	AC BOX AT PLATFORM INSTALLATION - 240V RECEPTACLE	B
1	3910606	4	Screw 6 x 3/8	
2	3960422	1	Gasket	
3	4240018	AR	Tie-Strap (Not Shown)	
4	4460425	1	Connector, Strain Relief	
5	1001176862	1	Receptacle	
7	1001110872	1	Cover, Receptacle	
8	1001159120	1	Receptacle/Breaker Box Assembly	
8	1001148675	1	Box, Receptacle	
8	1001159118	1	Breaker GFCI 30Amp 240VAC	
8	4460612	1	Connector, Strain Relief	
8	1001159119	1	Connector (Between Boxes)	
9	1705374	1	Decal - 240V/60Hz	

## SECTION 8 - ELECTRICAL

FIGURE 8-22. AC BOX AT PLATFORM INSTALLATION - 240V GFCI RECEPTACLE (ANSI AND CSA SPECS WITH 7500W SKYPOWER GENERATOR)



ART\_1001159121



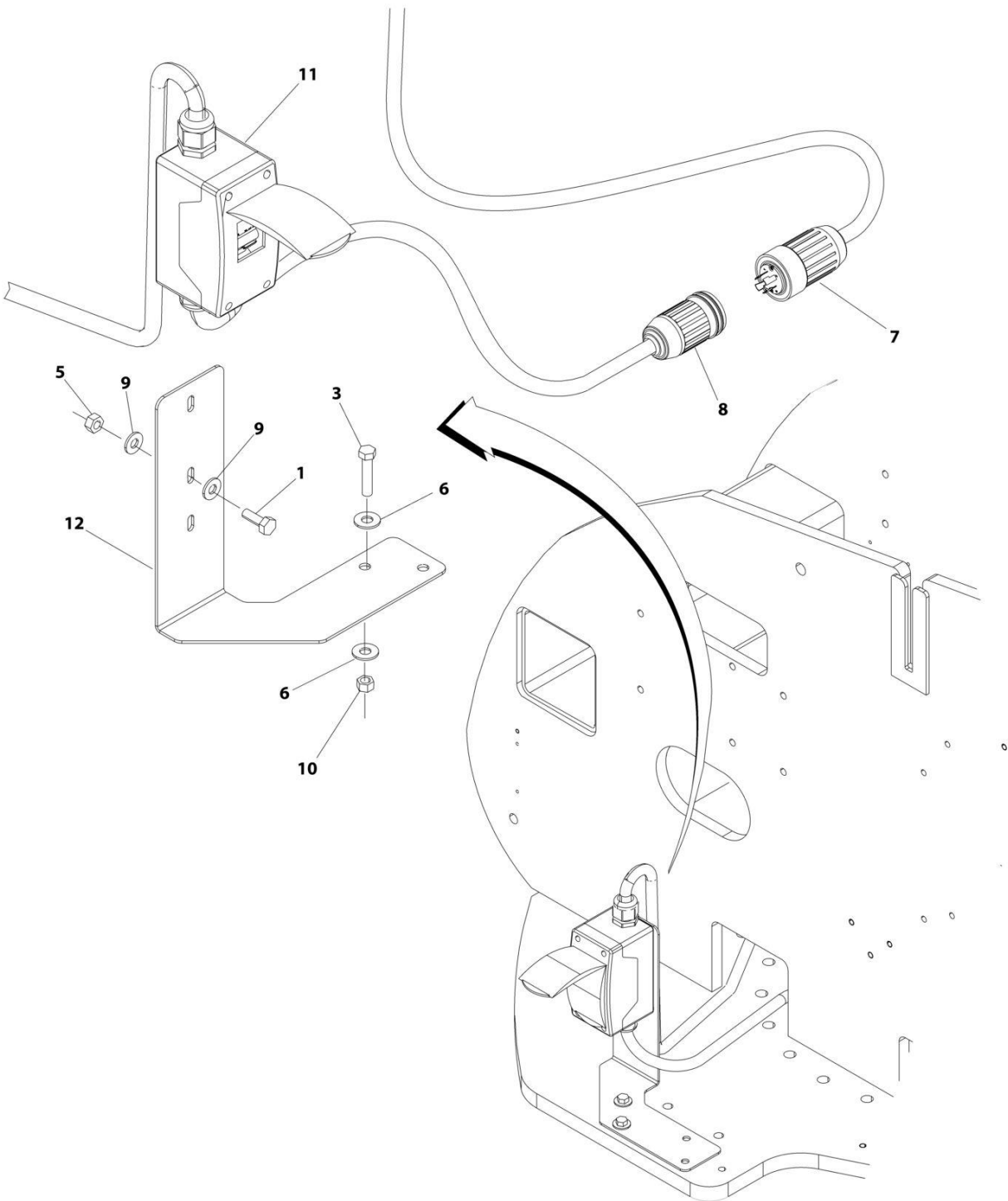
## SECTION 8 - ELECTRICAL

**FIGURE 8-22. AC BOX AT PLATFORM INSTALLATION - 240V GFCI RECEPTACLE (ANSI AND CSA SPECS WITH 7500W SKYPOWER GENERATOR)**

ITEM	PART NUMBER	QTY	DESCRIPTION	REV
	1001159121	Ref	AC BOX AT PLATFORM INSTALLATION - 240V RECEPTACLE	B
1	3910606	4	Screw 6 x 3/8	
2	3960422	1	Gasket	
3	4240018	AR	Tie-Strap (Not Shown)	
4	4460425	1	Connector, Strain Relief	
5	4460958	1	Receptacle	
7	1001110872	1	Cover, Receptacle	
8	1001159120	1	Receptacle/Breaker Box Assembly	
8	1001148675	1	Box, Receptacle	
8	1001159118	1	Breaker Box Assembly	
8	4460612	1	Connector, Strain Relief	
8	1001159119	1	Connector (Between Boxes)	
9	1705374	1	Decal - 240V/60Hz	

## SECTION 8 - ELECTRICAL

FIGURE 8-23. AC CABLE WITH 16 AMP BREAKER INSTALLATION (WITHOUT 7500W SKYPOWER GENERATOR) (CE & UK CA SPECS)



ART\_1001177711

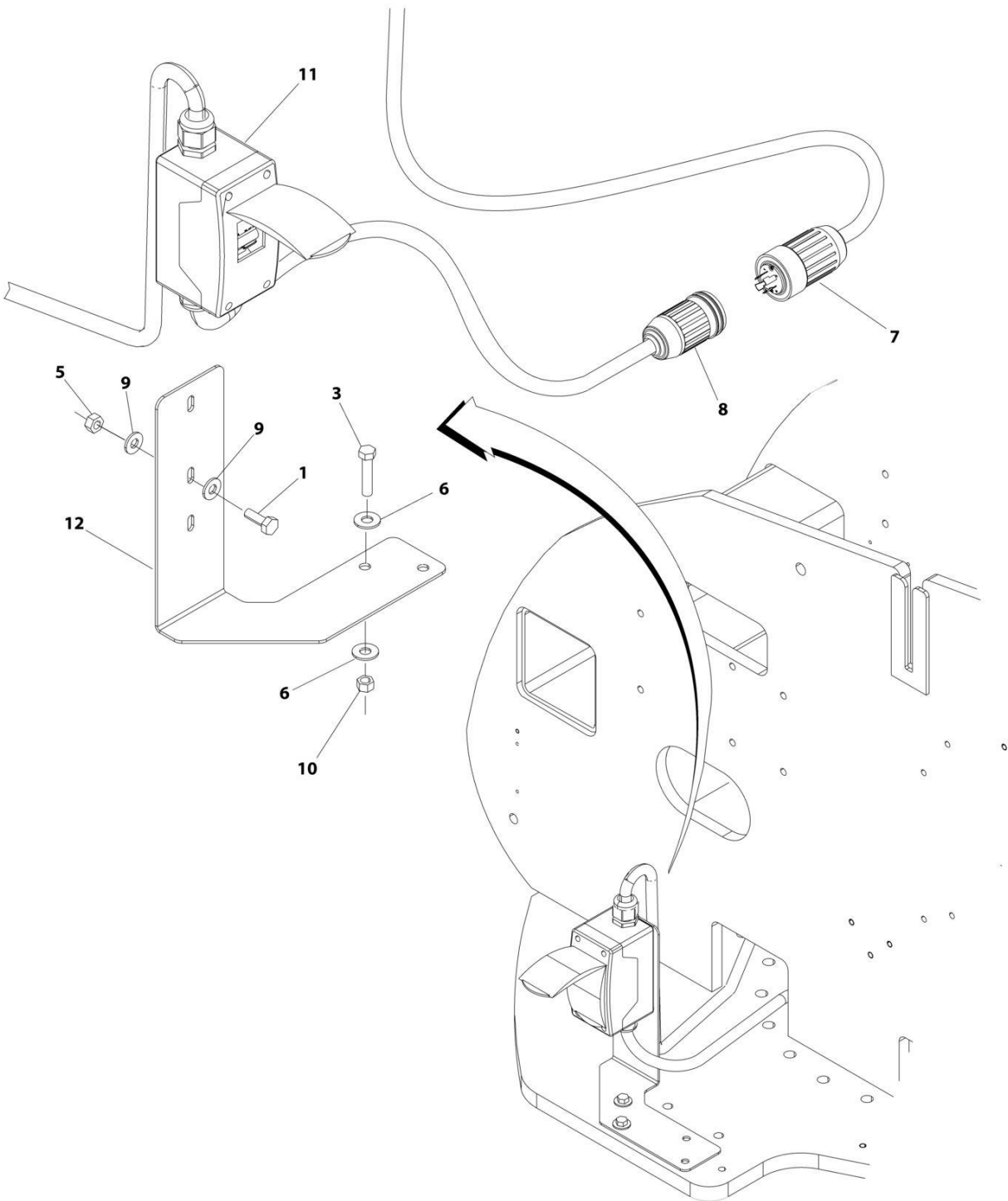
## SECTION 8 - ELECTRICAL

**FIGURE 8-23. AC CABLE WITH 16 AMP BREAKER INSTALLATION (WITHOUT 7500W SKYPOWER GENERATOR) (CE & UK CA SPECS)**

ITEM	PART NUMBER	QTY	DESCRIPTION	REV
	1001177711	Ref	AC CABLE WITH 16 AMP BREAKER INSTALLATION	D
1	0641406	2	Bolt 1/4 x 3/4	
3	0641614	2	Bolt 3/8 x 1-3/4	
5	3311405	2	Nut 1/4	
6	3311605	2	Nut 3/8	
7	1001213584	1	Plug, Male	
8	1001213585	1	Receptacle, Female	
9	4711400	2	Washer 1/4	
10	4751600	2	Washer 3/8	
11	1001109654	1	Breaker Box Kit - With 2 Breakers (See Separate Breakdown in this Section)	
12	1001177910	1	Bracket	

## SECTION 8 - ELECTRICAL

FIGURE 8-24. AC CABLE WITH 10 AMP BREAKER INSTALLATION (WITHOUT 7500W SKYPOWER GENERATOR) (CE & UK CA SPECS)



ART\_1001177712

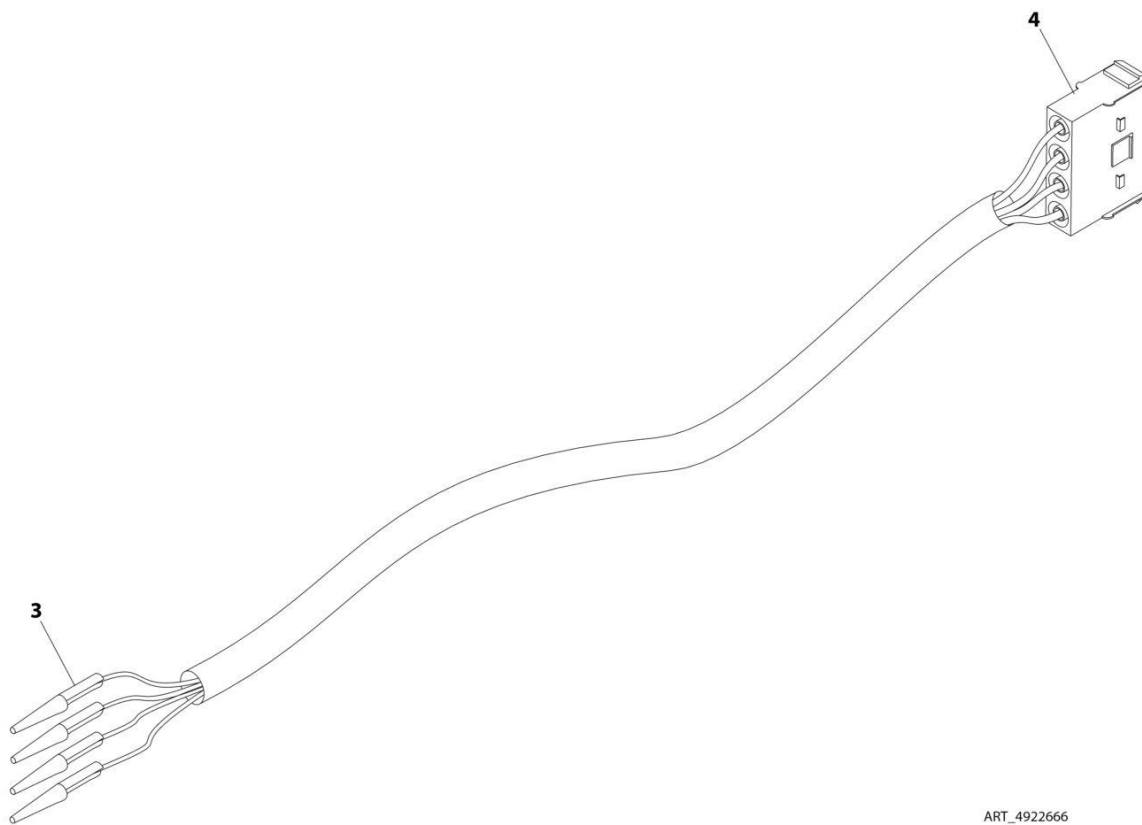
## SECTION 8 - ELECTRICAL

**FIGURE 8-24. AC CABLE WITH 10 AMP BREAKER INSTALLATION (WITHOUT 7500W SKYPOWER GENERATOR) (CE & UK CA SPECS)**

ITEM	PART NUMBER	QTY	DESCRIPTION	REV
	1001177712	Ref	AC CABLE WITH 10 AMP BREAKER INSTALLATION	C
1	0641406	2	Bolt 1/4 x 3/4	
3	0641614	2	Bolt 3/8 x 1-3/4	
5	3311405	2	Nut 1/4	
6	3311605	2	Nut 3/8	
7	1001213584	1	Plug, Male	
8	1001213585	1	Receptacle, Female	
9	4711400	4	Washer 1/4	
10	4751600	4	Washer 3/8	
11	1001109648	1	Breaker Box Kit - With 2 Breakers (See Separate Breakdown in this Section)	
12	1001177910	1	Bracket	

# SECTION 8 - ELECTRICAL

## FIGURE 8-25. ANALYZER CABLE HARNESS



ART\_4922666

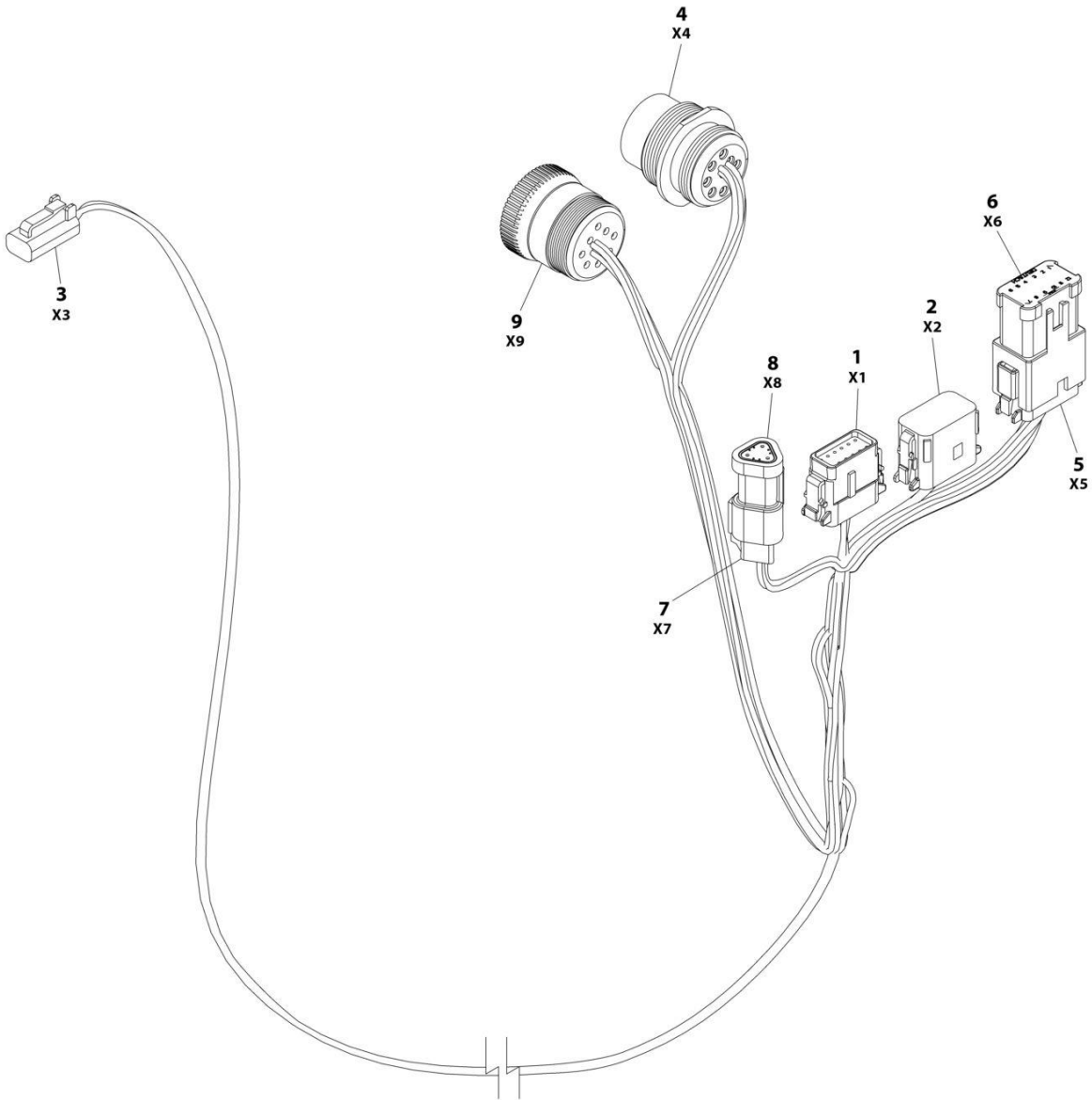
## SECTION 8 - ELECTRICAL

### FIGURE 8-25. ANALYZER CABLE HARNESS

ITEM	PART NUMBER	QTY	DESCRIPTION	REV
	4922666	Ref	ANALYZER CABLE HARNESS	C
3	4460226	4	Socket, Female	
4	4460761	1	Connector - 4 Position	
4	4460227	4	Pin, Male	

# SECTION 8 - ELECTRICAL

## FIGURE 8-26. BEACON CONTROL HARNESS (BLUE AND RED STROBE LIGHTS)



ART\_1001142736



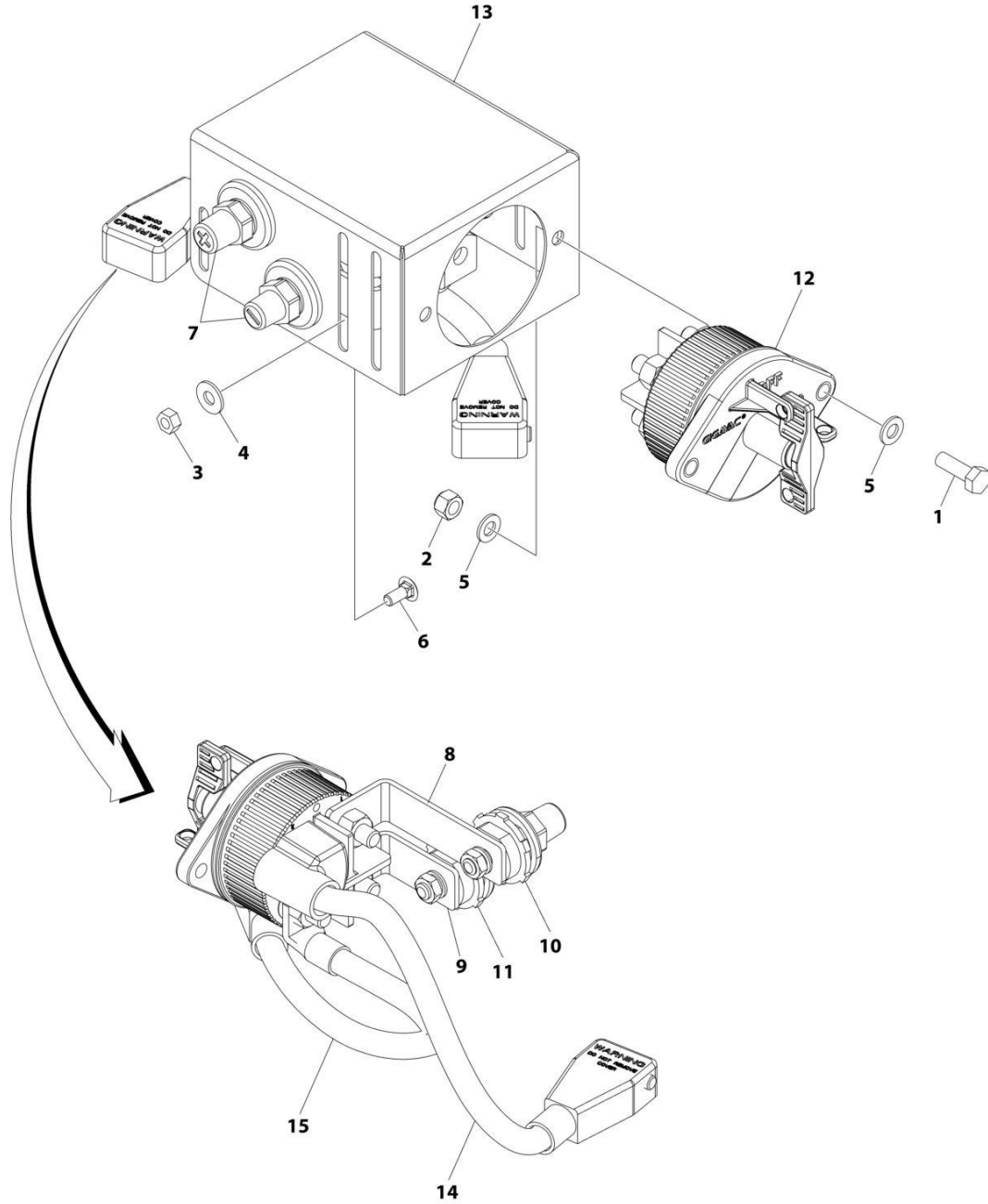
## SECTION 8 - ELECTRICAL

**FIGURE 8-26. BEACON CONTROL HARNESS (BLUE AND RED STROBE LIGHTS)**

ITEM	PART NUMBER	QTY	DESCRIPTION	REV
	1001142736	Ref	STROBE LIGHT HARNESS	F
1	1001116808	1	Plug, Male - 12 Position	
1	4460928	3	Socket, Female	
1	4460518	9	Plug, Terminal	
2	1001116774	1	Plug, Male - 12 Position	
2	4460928	3	Socket, Female	
2	4460518	9	Plug, Terminal	
3	4460891	1	Plug, Male - 2 Position	
3	4460465	2	Socket, Female	
4	1001112612	1	Connector - 9 Position	
4	4460464	6	Pin, Male	
4	4460466	3	Plug, Terminal	
5	4460933	1	Plug, Male - 12 Position	
5	4460465	12	Socket, Female	
6	1001119020	1	Bussbar - 12 Position	
7	4461095	1	Plug, Male - 3 Position	
7	4460465	3	Socket, Female	
8	4461070	1	Bussbar - 3 Position	
9	1001112796	1	Connector - 9 Position	
9	4460465	6	Socket, Female	
9	4460466	3	Plug, Terminal	

# SECTION 8 - ELECTRICAL

## FIGURE 8-27. BATTERY DISCONNECT SWITCH INSTALLATION



ART\_1001236304

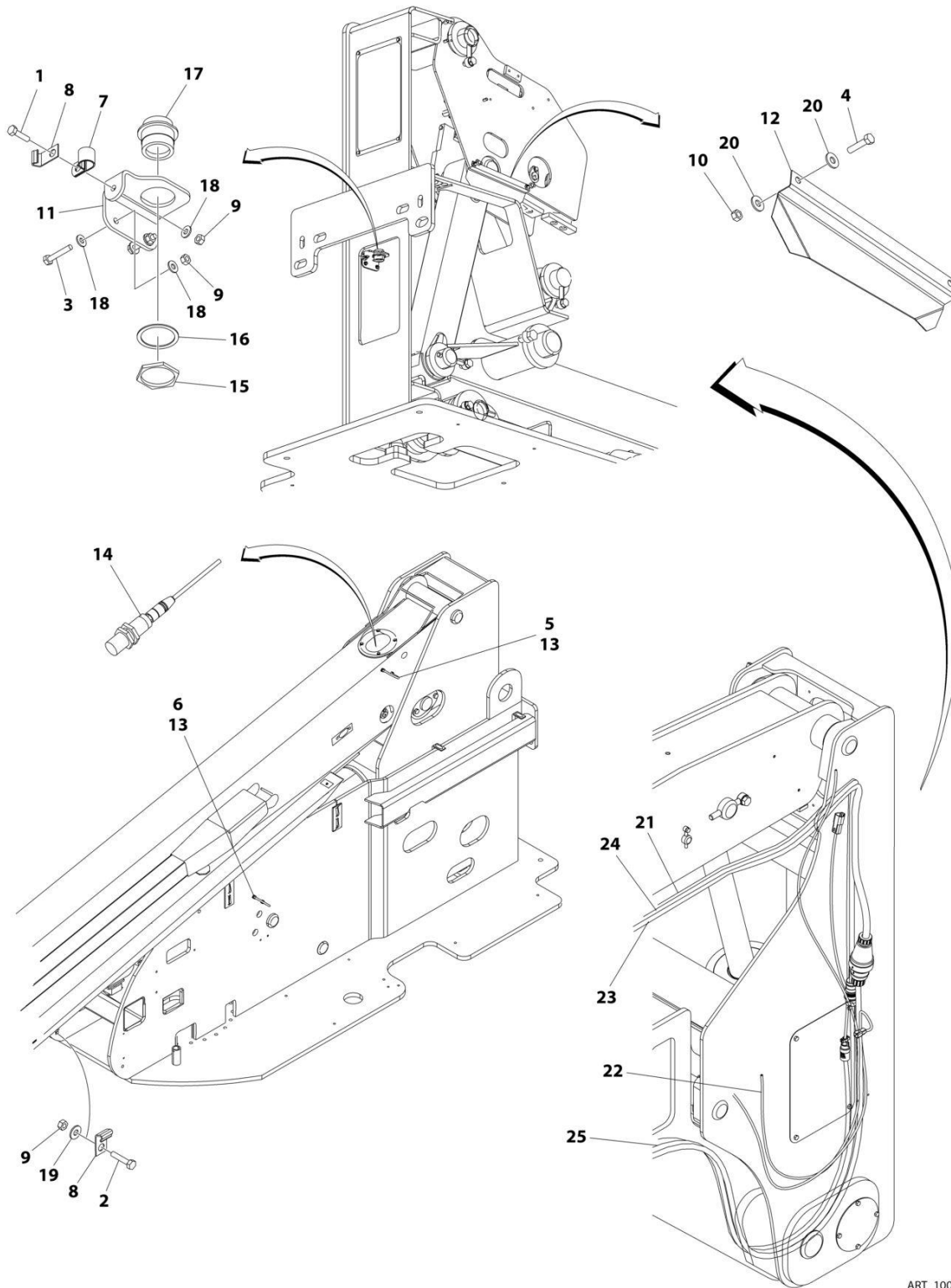
## SECTION 8 - ELECTRICAL

**FIGURE 8-27. BATTERY DISCONNECT SWITCH INSTALLATION**

ITEM	PART NUMBER	QTY	DESCRIPTION	REV
	1001236304	Ref	BATTERY DISCONNECT SWITCH INSTALLATION	A
1	0760812	2	Bolt M8 x 25	
2	3290805	2	Nut M8	
3	3311405	3	Nut 1/4	
4	4751400	3	Washer 1/4	
5	4811900	4	Washer M8	
6	88411013	3	Bolt 1/4 x 3/4	
7	1001206476	1	Connectors, Post	
8	1001209432	1	Bussbar	
9	1001209474	1	Bussbar	
10	1001214570	1	Connector (Red)	
11	1001214571	1	Connector (Black)	
12	1001225346	1	Switch, Battery	
13	1001226531	1	Mount	
14	1001236504	1	Cable, Battery (+)	
15	1001236505	1	Cable, Battery (-)	

# SECTION 8 - ELECTRICAL

FIGURE 8-28. BOOM CABLES INSTALLATION - WITHOUT ARCTIC PACKAGE (ALL SPECS) (800S)



ART\_1001256190

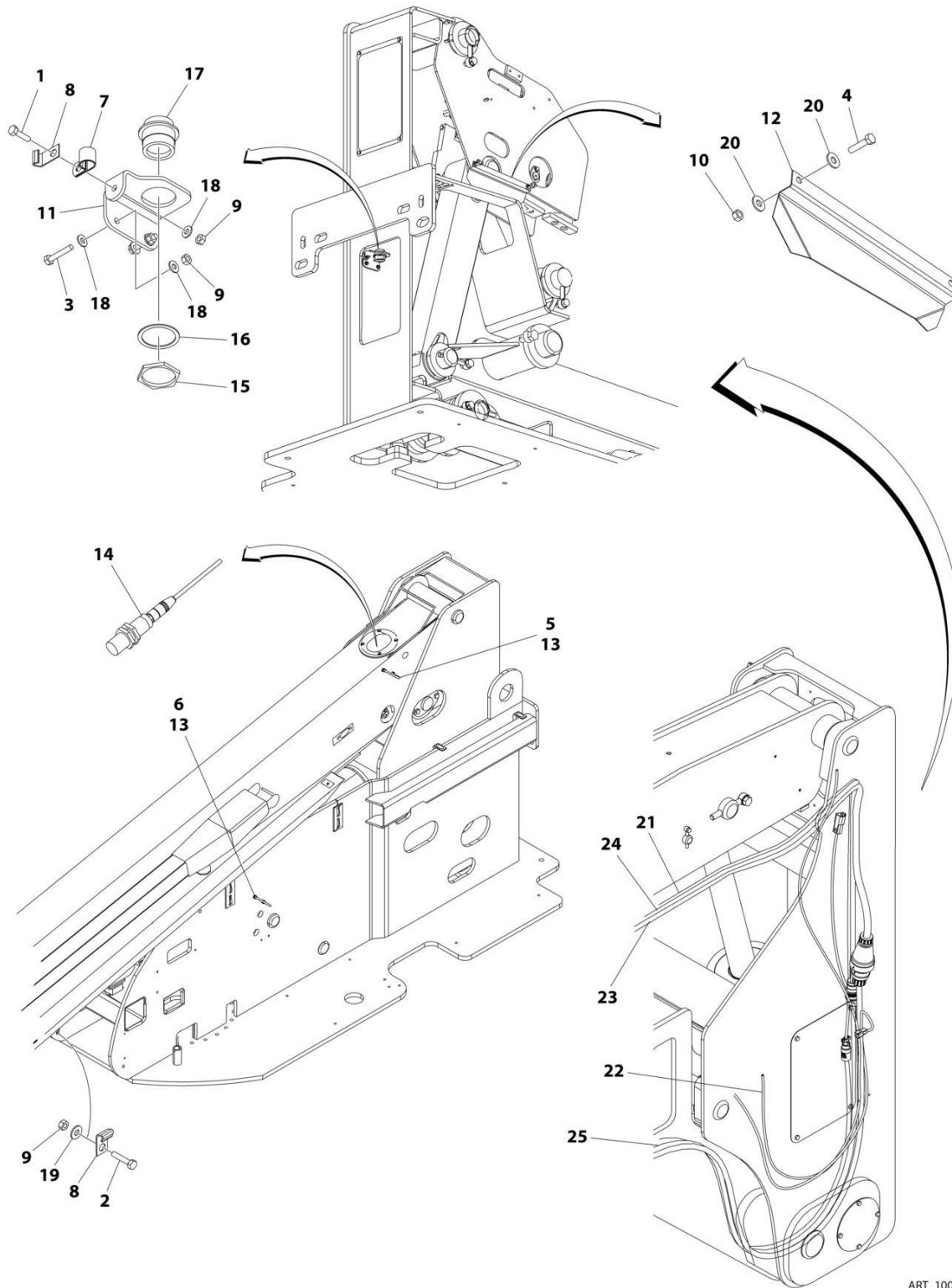
## SECTION 8 - ELECTRICAL

**FIGURE 8-28. BOOM CABLES INSTALLATION - WITHOUT ARCTIC PACKAGE (ALL SPECS) (800S)**

ITEM	PART NUMBER	QTY	DESCRIPTION	REV
	1001256190	Ref	BOOM CABLES INSTALLATION	B
1	0641408	1	Bolt 1/4 x 1	
2	0641410	1	Bolt 1/4 x 1-1/4	
3	0641412	2	Bolt 1/4 x 1-1/2	
4	0641511	2	Bolt 5/16 x 1-3/8	
5	0641604	2	Bolt 3/8 x 1/2	
6	0641607	2	Bolt 3/8 x 7/8	
7	1320061	1	Clamp	
8	1320223	2	Clamp	
9	3311405	4	Nut 1/4	
10	3311505	2	Nut 5/16	
11	3573047	1	Plate	
12	3573296	1	Plate	
13	3841340	2	Rod	
14	4360506	1	Switch, Proximity	
15	4460470	1	Nut, Terminal	
16	4460471	1	Washer, Terminal	
17	4460866	1	Connector - 19 Pin	
18	4711400	5	Washer 1/4	
19	4751400	1	Washer 1/4	
20	4751500	4	Washer 5/16	
21	4922566	1	Harness Assembly - Main Boom (See Separate Breakdown in this Section)	
22	4922569	1	Harness Assembly - Tower Boom (See Separate Breakdown in this Section)	
23	4922660	1	Holding Valve/Lift Dump Harness Assembly (See Separate Breakdown in this Section)	
24	4922875	1	AC Cable, 10/3 (Main Boom)	
25	4922876	1	AC Cable, 10/3 (Tower Boom)	

# SECTION 8 - ELECTRICAL

FIGURE 8-29. BOOM CABLES INSTALLATION - WITH ARCTIC PACKAGE (ANSI, ANSI EXPORT AND CSA SPECS) (800S)



ART\_1001256192

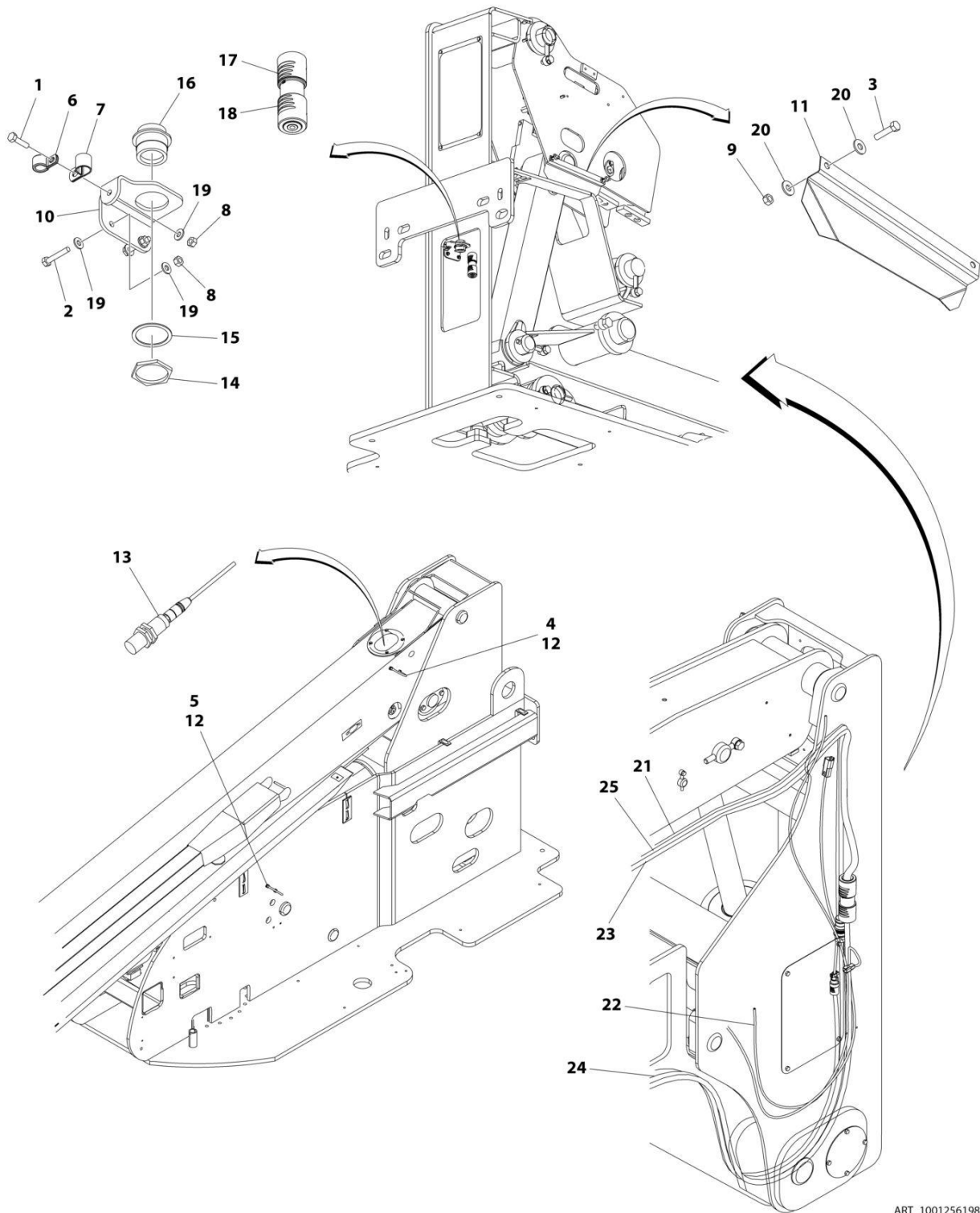
## SECTION 8 - ELECTRICAL

**FIGURE 8-29. BOOM CABLES INSTALLATION - WITH ARCTIC PACKAGE (ANSI, ANSI EXPORT AND CSA SPECS) (800S)**

ITEM	PART NUMBER	QTY	DESCRIPTION	REV
	1001256192	Ref	BOOM CABLES INSTALLATION	A
1	0641408	1	Bolt 1/4 x 1	
2	0641410	1	Bolt 1/4 x 1-1/4	
3	0641412	2	Bolt 1/4 x 1-1/2	
4	0641511	2	Bolt 5/16 x 1-3/8	
5	0641604	2	Bolt 3/8 x 1/2	
6	0641607	2	Bolt 3/8 x 7/8	
7	1320061	1	Clamp	
8	1320223	2	Clamp	
9	3311405	4	Nut 1/4	
10	3311505	2	Nut 5/16	
11	3573047	1	Plate	
12	3573296	1	Plate	
13	3841340	2	Rod	
14	4360506	1	Switch, Proximity	
15	4460470	1	Nut, Terminal	
16	4460471	1	Washer, Terminal	
17	4460866	1	Connector - 19 Pin	
18	4711400	5	Washer 1/4	
19	4751400	1	Washer 1/4	
20	4751500	4	Washer 5/16	
21	4923596	1	Harness Assembly - Tower Boom (See Separate Breakdown in this Section)	
22	4923597	1	Holding Valve/Lift Dump Harness Assembly (See Separate Breakdown in this Section)	
23	4923601	1	AC Cable, 8/5 (Main Boom)	
24	1001091618	1	Harness Assembly - Main Boom (See Separate Breakdown in this Section)	
25	1001091620	1	AC Cable, 10/3 (Tower Boom)	

# SECTION 8 - ELECTRICAL

FIGURE 8-30. BOOM CABLES INSTALLATION - WITH 4000W GENERATOR AND WITHOUT ARCTIC PACKAGE (ANSI, ANSI EXPORT, CSA AND JAPANESE SPECS) (800S)



ART\_1001256198



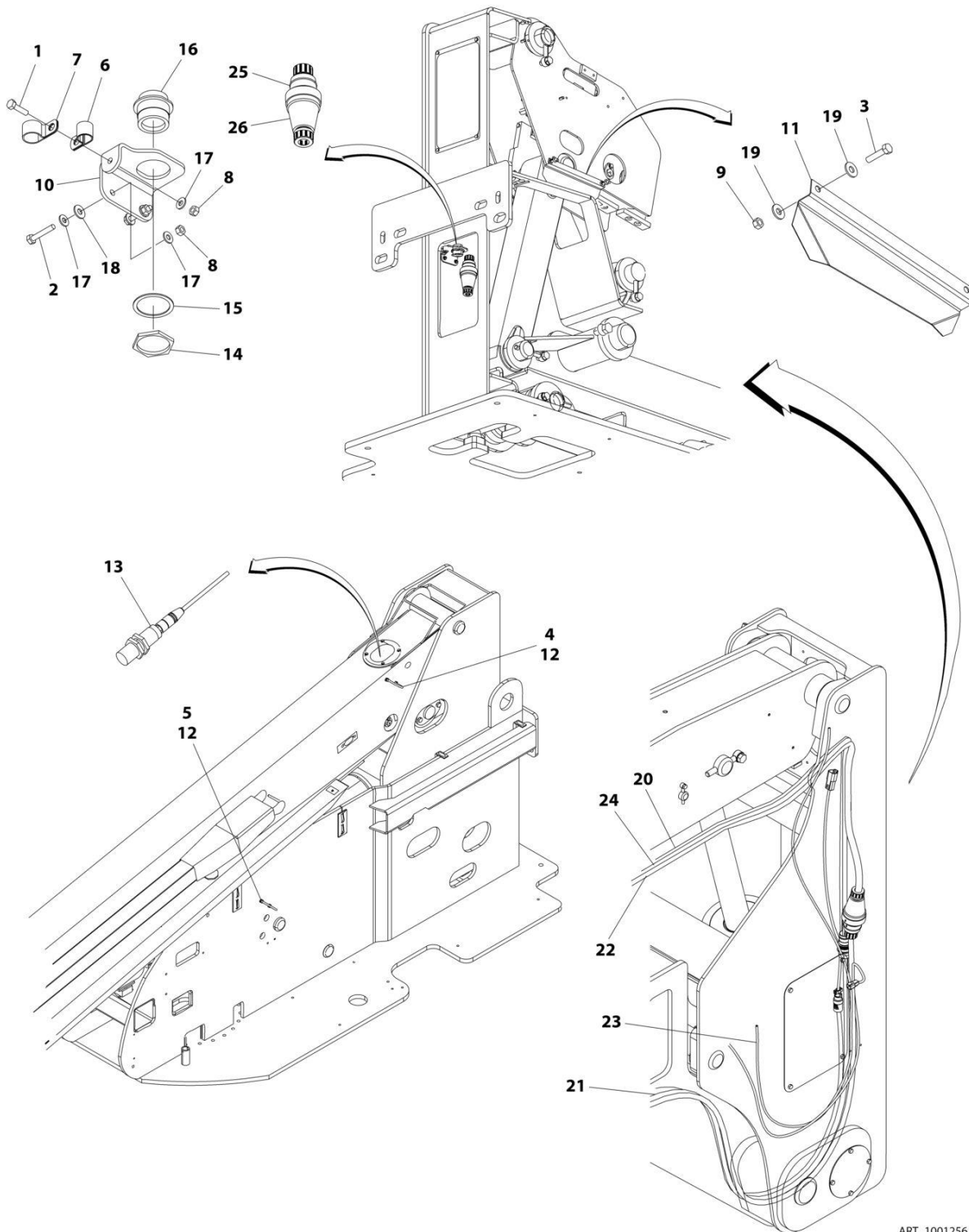
## SECTION 8 - ELECTRICAL

**FIGURE 8-30. BOOM CABLES INSTALLATION - WITH 4000W GENERATOR AND WITHOUT ARCTIC PACKAGE (ANSI, ANSI EXPORT, CSA AND JAPANESE SPECS) (800S)**

ITEM	PART NUMBER	QTY	DESCRIPTION	REV
	1001256198	Ref	BOOM CABLES INSTALLATION	A
1	0641408	1	Bolt 1/4 x 1	
2	0641412	2	Bolt 1/4 x 1-1/2	
3	0641511	2	Bolt 5/16 x 1-3/8	
4	0641604	2	Bolt 3/8 x 1/2	
5	0641607	2	Bolt 3/8 x 7/8	
6	1320041	1	Clamp	
7	1320061	1	Clamp	
8	3311405	3	Nut 1/4	
9	3311505	2	Nut 5/16	
10	3573047	1	Plate	
11	3573296	1	Plate	
12	3841340	2	Rod	
13	4360506	1	Switch, Proximity	
14	4460470	1	Nut, Terminal	
15	4460471	1	Washer, Terminal	
16	4460866	1	Connector - 19 Pin	
17	4460959	1	Terminal, Turnlock Plug	
18	4460960	1	Terminal, Turnlock Connector	
19	4711400	5	Washer 1/4	
20	4751500	4	Washer 5/16	
21	4922566	1	Harness Assembly - Main Boom (See Separate Breakdown in this Section)	
22	4922569	1	Harness Assembly - Tower Boom (See Separate Breakdown in this Section)	
23	4922660	1	Holding Valve/Lift Dump Harness Assembly (See Separate Breakdown in this Section)	
24	1001156425	1	AC Cable, 10/4 (Tower Boom)	
25	1001156426	1	AC Cable, 10/4 (Main Boom)	

# SECTION 8 - ELECTRICAL

FIGURE 8-31. BOOM CABLES INSTALLATION - WITH 7500W GENERATOR AND WITHOUT ARCTIC PACKAGE (ALL SPECS) (800S)



ART\_1001256196

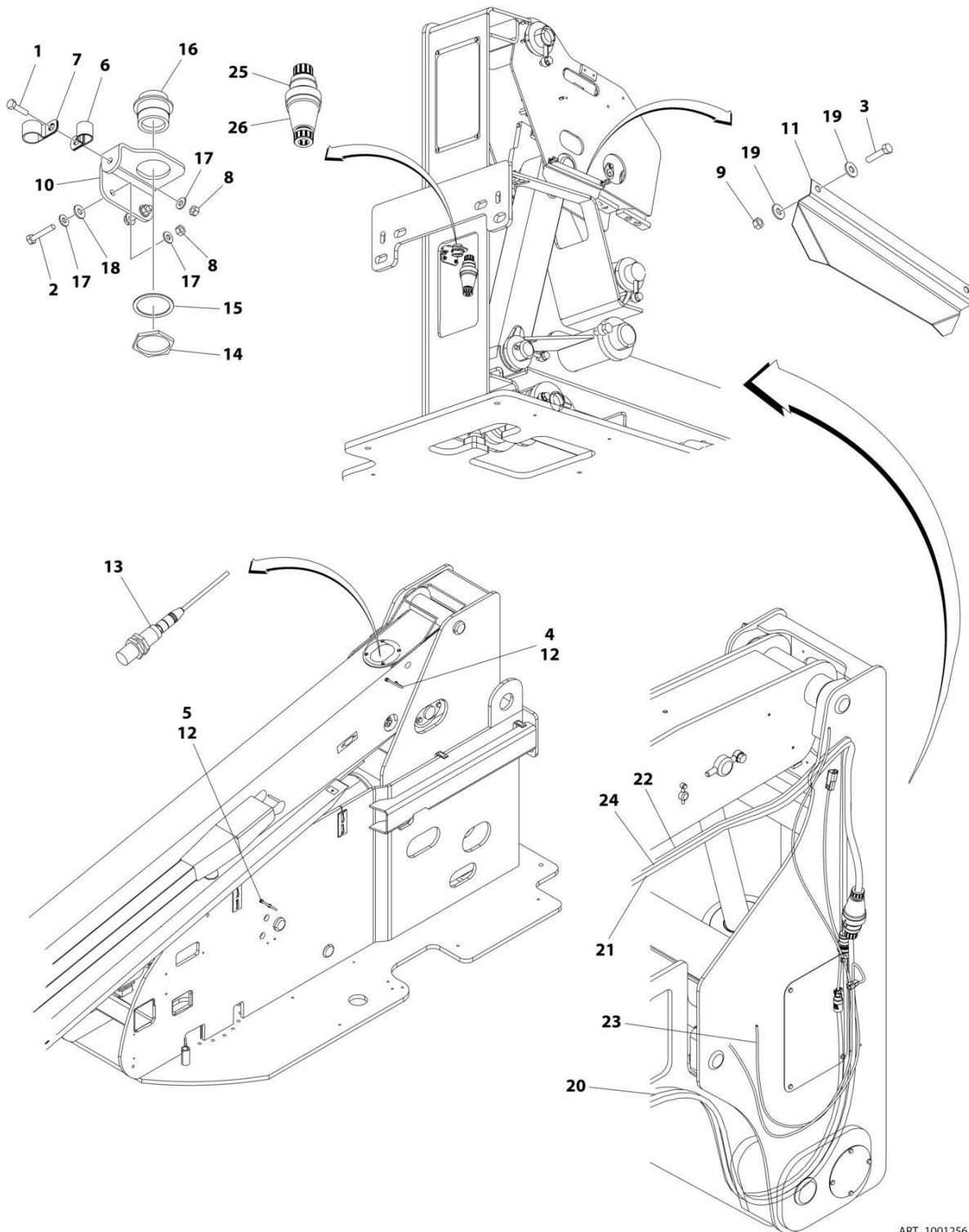
## SECTION 8 - ELECTRICAL

**FIGURE 8-31. BOOM CABLES INSTALLATION - WITH 7500W GENERATOR AND WITHOUT ARCTIC PACKAGE (ALL SPECS) (800S)**

ITEM	PART NUMBER	QTY	DESCRIPTION	REV
	1001256196	Ref	BOOM CABLES INSTALLATION	A
1	0641408	1	Bolt 1/4 x 1	
2	0641412	2	Bolt 1/4 x 1-1/2	
3	0641511	2	Bolt 5/16 x 1-3/8	
4	0641604	2	Bolt 3/8 x 1/2	
5	0641607	2	Bolt 3/8 x 7/8	
6	1320061	1	Clamp	
7	1320202	1	Clamp	
8	3311405	3	Nut 1/4	
9	3311505	2	Nut 5/16	
10	3573047	1	Plate	
11	3573296	1	Plate	
12	3841340	2	Rod	
13	4360506	1	Switch, Proximity	
14	4460470	1	Nut, Terminal	
15	4460471	1	Washer, Terminal	
16	4460866	1	Connector - 19 Pin	
17	4711400	5	Washer 1/4	
18	4751400	1	Washer 1/4	
19	4751500	4	Washer 5/16	
20	4922566	1	Harness Assembly - Main Boom (See Separate Breakdown in this Section)	
21	4922569	1	Harness Assembly - Tower Boom (See Separate Breakdown in this Section)	
22	4922660	1	Holding Valve/Lift Dump Harness Assembly (See Separate Breakdown in this Section)	
23	1001121669	1	AC Cable, 8/5 (Tower Boom)	
24	1001121670	1	AC Cable, 8/5 (Main Boom)	
25	1001218622	1	Terminal, Turnlock Plug	
26	1001218623	1	Terminal, Turnlock Connector	

# SECTION 8 - ELECTRICAL

FIGURE 8-32. BOOM CABLES INSTALLATION - WITH 7500W GENERATOR AND WITH ARCTIC PACKAGE (ANSI, ANSI EXPORT AND CSA SPECS) (800S)



ART\_1001256194

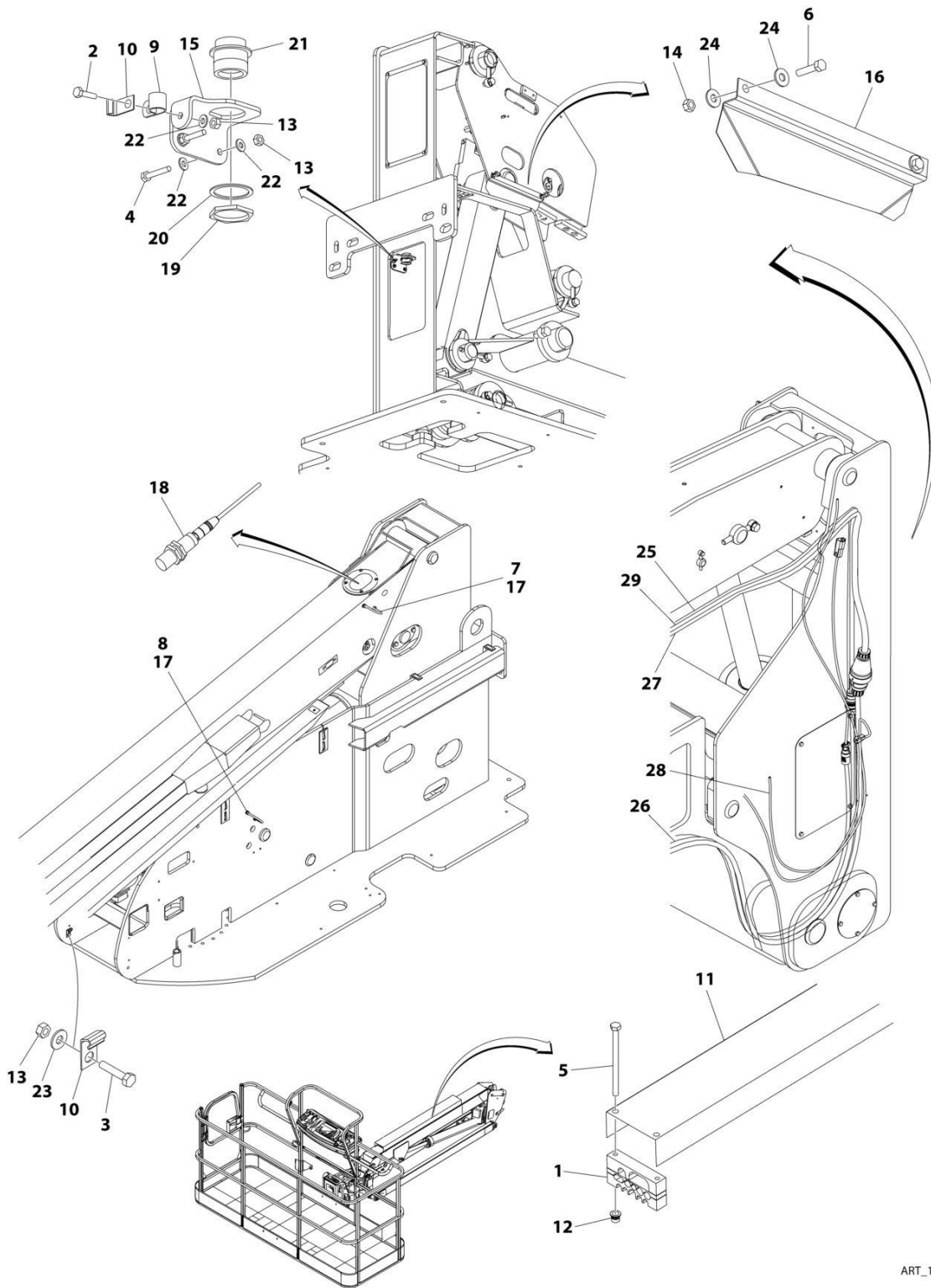
## SECTION 8 - ELECTRICAL

**FIGURE 8-32. BOOM CABLES INSTALLATION - WITH 7500W GENERATOR AND WITH ARCTIC PACKAGE (ANSI, ANSI EXPORT AND CSA SPECS) (800S)**

ITEM	PART NUMBER	QTY	DESCRIPTION	REV
	1001256194	Ref	BOOM CABLES INSTALLATION	A
1	0641408	1	Bolt 1/4 x 1	
2	0641412	2	Bolt 1/4 x 1-1/2	
3	0641511	2	Bolt 5/16 x 1-3/8	
4	0641604	2	Bolt 3/8 x 1/2	
5	0641607	2	Bolt 3/8 x 7/8	
6	1320061	1	Clamp	
7	1320202	1	Clamp	
8	3311405	3	Nut 1/4	
9	3311505	2	Nut 5/16	
10	3573047	1	Plate	
11	3573296	1	Plate	
12	3841340	2	Rod	
13	4360506	1	Switch, Proximity	
14	4460470	1	Nut, Terminal	
15	4460471	1	Washer, Terminal	
16	4460866	1	Connector - 19 Pin	
17	4711400	5	Washer 1/4	
18	4751400	1	Washer 1/4	
19	4751500	4	Washer 5/16	
20	4923596	1	Harness Assembly - Tower Boom (See Separate Breakdown in this Section)	
21	4923597	1	Holding Valve/Lift Dump Harness Assembly (See Separate Breakdown in this Section)	
22	1001091618	1	Harness Assembly - Main Boom (See Separate Breakdown in this Section)	
23	1001121669	1	AC Cable, 8/5 (Tower Boom)	
24	1001121670	1	AC Cable, 8/5 (Main Boom)	
25	1001218622	1	Terminal, Turnlock Plug	
26	1001218623	1	Terminal, Turnlock Connector	

# SECTION 8 - ELECTRICAL

## FIGURE 8-33. BOOM CABLES INSTALLATION - WITHOUT ARCTIC PACKAGE (ALL SPECS) (860SJ)



ART\_1001256191

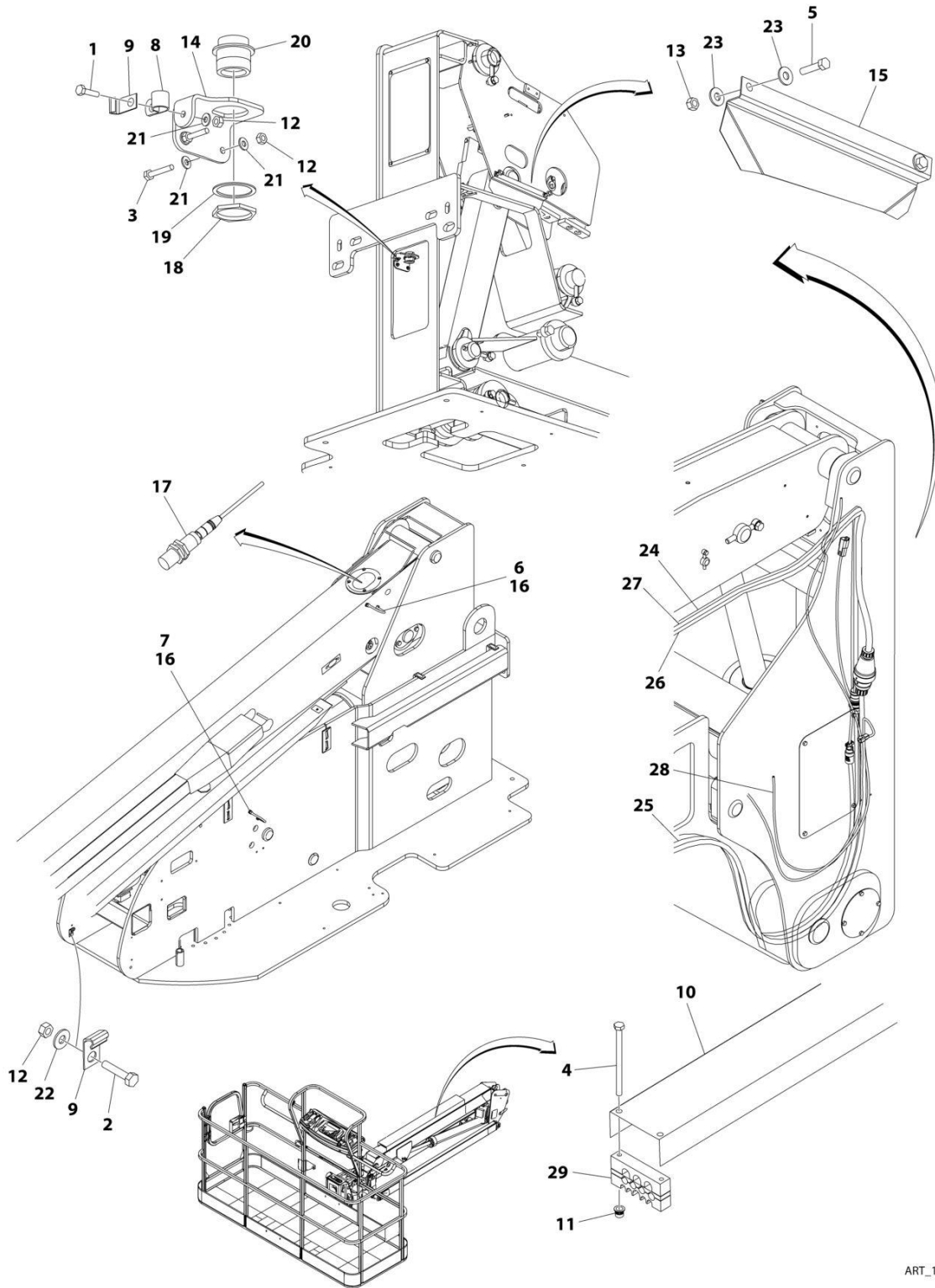
## SECTION 8 - ELECTRICAL

**FIGURE 8-33. BOOM CABLES INSTALLATION - WITHOUT ARCTIC PACKAGE (ALL SPECS) (860SJ)**

ITEM	PART NUMBER	QTY	DESCRIPTION	REV
	1001256191	Ref	BOOM CABLES INSTALLATION	D
1	0561484	2	Block, Clamp	
2	0641408	1	Bolt 1/4 x 1	
3	0641410	1	Bolt 1/4 x 1-1/4	
4	0641412	2	Bolt 1/4 x 1-1/2	
5	0700626	4	Bolt M6 x 90	
6	0641511	2	Bolt 5/16 x 1-3/8	
7	0641604	2	Bolt 3/8 x 1/2	
8	0641607	2	Bolt 3/8 x 7/8	
9	1320061	1	Clamp	
10	1320223	2	Clamp	
11	1671034	1	Cover	
12	1001260680	4	Rivnut M6	
13	3311405	4	Nut 1/4	
14	3311505	2	Nut 5/16	
15	3573047	1	Plate	
16	3573296	1	Plate	
17	3841340	2	Rod	
18	4360506	1	Switch, Proximity	
19	4460470	1	Nut, Terminal	
20	4460471	1	Washer, Terminal	
21	4460866	1	Connector - 19 Pin	
22	4711400	5	Washer 1/4	
23	4751400	1	Washer 1/4	
24	4751500	4	Washer 5/16	
25	4922567	1	Harness Assembly - Main Boom (See Separate Breakdown in this Section)	
26	4922569	1	Harness Assembly - Tower Boom (See Separate Breakdown in this Section)	
27	4922660	1	Holding Valve/Lift Dump Harness Assembly (See Separate Breakdown in this Section)	
28	4922876	1	AC Cable, 10/3 (Tower Boom)	
29	4922878	1	AC Cable, 10/3 (Main Boom)	

# SECTION 8 - ELECTRICAL

## FIGURE 8-34. BOOM CABLES INSTALLATION - WITH ARCTIC PACKAGE (ANSI, ANSI EXPORT AND CSA SPECS) (860SJ)



ART\_1001256193



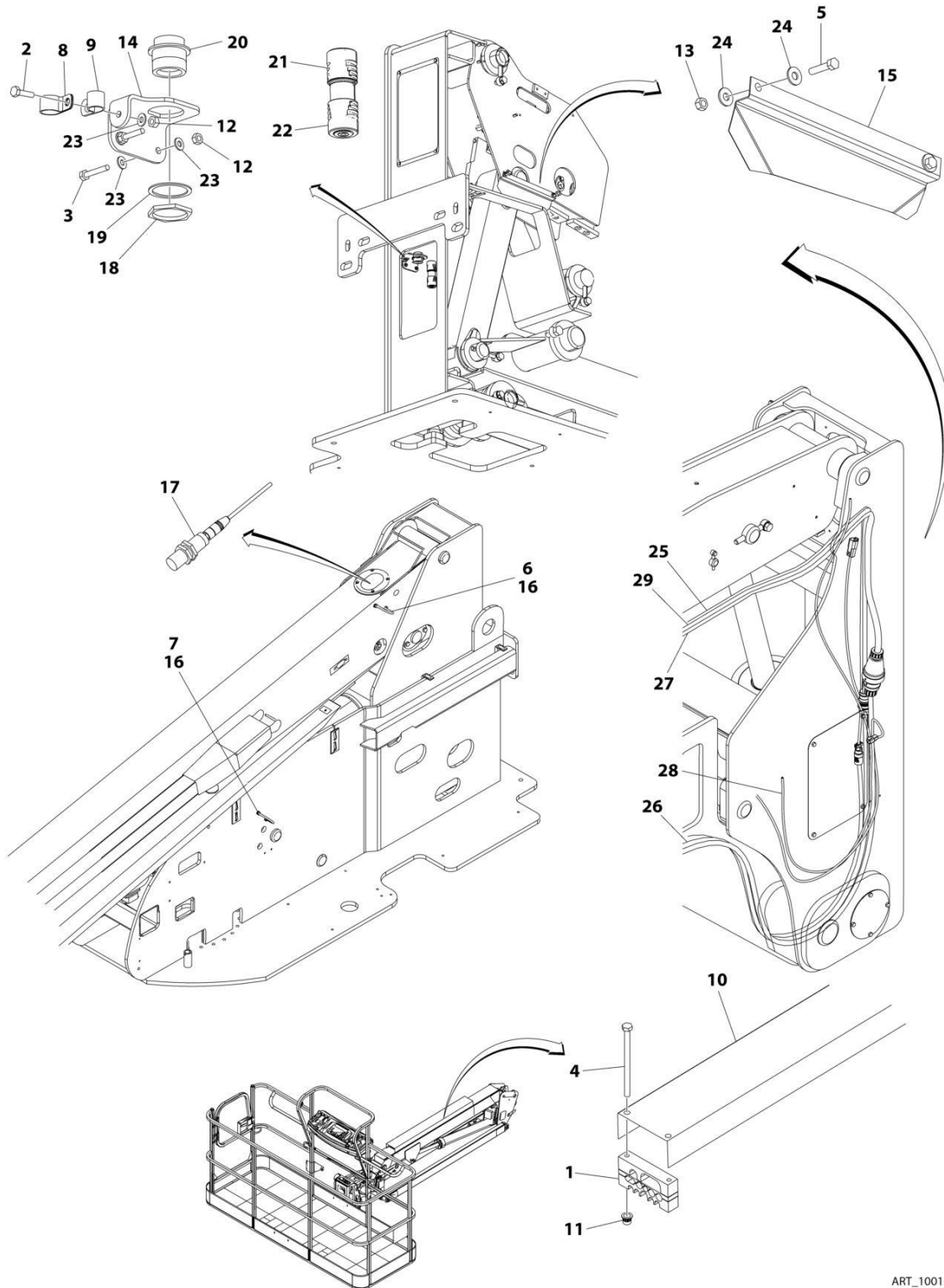
## SECTION 8 - ELECTRICAL

**FIGURE 8-34. BOOM CABLES INSTALLATION - WITH ARCTIC PACKAGE (ANSI, ANSI EXPORT AND CSA SPECS) (860SJ)**

ITEM	PART NUMBER	QTY	DESCRIPTION	REV
	1001256193	Ref	BOOM CABLES INSTALLATION	C
1	0641408	1	Bolt 1/4 x 1	
2	0641410	1	Bolt 1/4 x 1-1/4	
3	0641412	2	Bolt 1/4 x 1-1/2	
4	0700626	1	Bolt M6 x 90	
5	0641511	2	Bolt 5/16 x 1-3/8	
6	0641604	2	Bolt 3/8 x 1/2	
7	0641607	2	Bolt 3/8 x 7/8	
8	1320061	1	Clamp	
9	1320223	2	Clamp	
10	1671034	1	Cover	
11	1001260680	4	Rivnut M6	
12	3311405	4	Nut 1/4	
13	3311505	2	Nut 5/16	
14	3573047	1	Plate	
15	3573296	1	Plate	
16	3841340	2	Rod	
17	4360506	1	Switch, Proximity	
18	4460470	1	Nut, Terminal	
19	4460471	1	Washer, Terminal	
20	4460866	1	Connector - 19 Pin	
21	4711400	5	Washer 1/4	
22	4751400	1	Washer 1/4	
23	4751500	4	Washer 5/16	
24	4923595	1	Harness Assembly - Main Boom (See Separate Breakdown in this Section)	
25	4923596	1	Harness Assembly - Tower Boom (See Separate Breakdown in this Section)	
26	4923597	1	Holding Valve/Lift Dump Harness Assembly (See Separate Breakdown in this Section)	
27	4923600	1	AC Cable, 10/3 (Main Boom)	
28	4923601	1	AC Cable, 10/3 (Tower Boom)	
29	1001091472	2	Block, Clamp	

# SECTION 8 - ELECTRICAL

FIGURE 8-35. BOOM CABLES INSTALLATION - WITH 4000W GENERATOR AND WITHOUT ARCTIC PACKAGE (ANSI, ANSI EXPORT, CSA AND JAPANESE SPECS) (860SJ)



ART\_1001256199

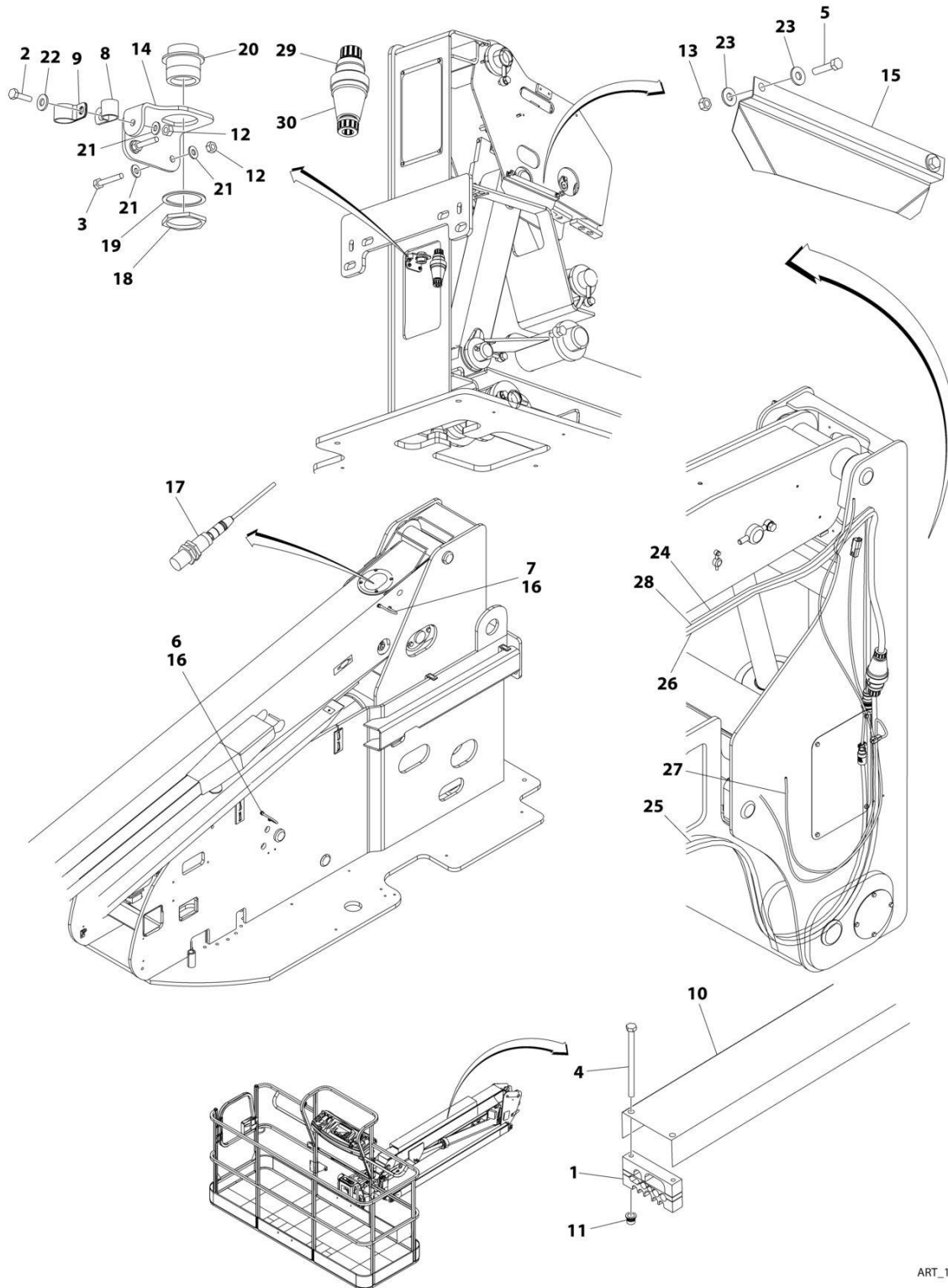
## SECTION 8 - ELECTRICAL

**FIGURE 8-35. BOOM CABLES INSTALLATION - WITH 4000W GENERATOR AND WITHOUT ARCTIC PACKAGE (ANSI, ANSI EXPORT, CSA AND JAPANESE SPECS) (860SJ)**

ITEM	PART NUMBER	QTY	DESCRIPTION	REV
	1001256199	Ref	BOOM CABLES INSTALLATION	C
1	0561484	2	Block, Clamp	
2	0641408	1	Bolt 1/4 x 1	
3	0641412	2	Bolt 1/4 x 1-1/2	
4	0700626	4	Bolt M6 x 90	
5	0641511	2	Bolt 5/16 x 1-3/8	
6	0641604	2	Bolt 3/8 x 1/2	
7	0641607	2	Bolt 3/8 x 7/8	
8	1320041	1	Clamp	
9	1320061	1	Clamp	
10	1671034	1	Cover	
11	1001260680	4	Rivnut M6	
12	3311405	3	Nut 1/4	
13	3311505	2	Nut 5/16	
14	3573047	1	Plate	
15	3573296	1	Plate	
16	3841340	2	Rod	
17	4360506	1	Switch, Proximity	
18	4460470	1	Nut, Terminal	
19	4460471	1	Washer, Terminal	
20	4460866	1	Connector - 19 Pin	
21	4460959	1	Terminal, Turnlock Plug	
22	4460960	1	Terminal, Turnlock Connector	
23	4711400	5	Washer 1/4	
24	4751500	4	Washer 5/16	
25	4922567	1	Harness Assembly - Main Boom (See Separate Breakdown in this Section)	
26	4922569	1	Harness Assembly - Tower Boom (See Separate Breakdown in this Section)	
27	4922660	1	Holding Valve/Lift Dump Harness Assembly (See Separate Breakdown in this Section)	
28	1001156425	1	AC Cable, 10/4 (Tower Boom)	
29	1001156427	1	AC Cable, 10/4 (Main Boom)	

# SECTION 8 - ELECTRICAL

FIGURE 8-36. BOOM CABLES INSTALLATION - WITH 7500W GENERATOR AND WITHOUT ARCTIC PACKAGE (ALL SPECS) (860SJ)



ART\_1001256197

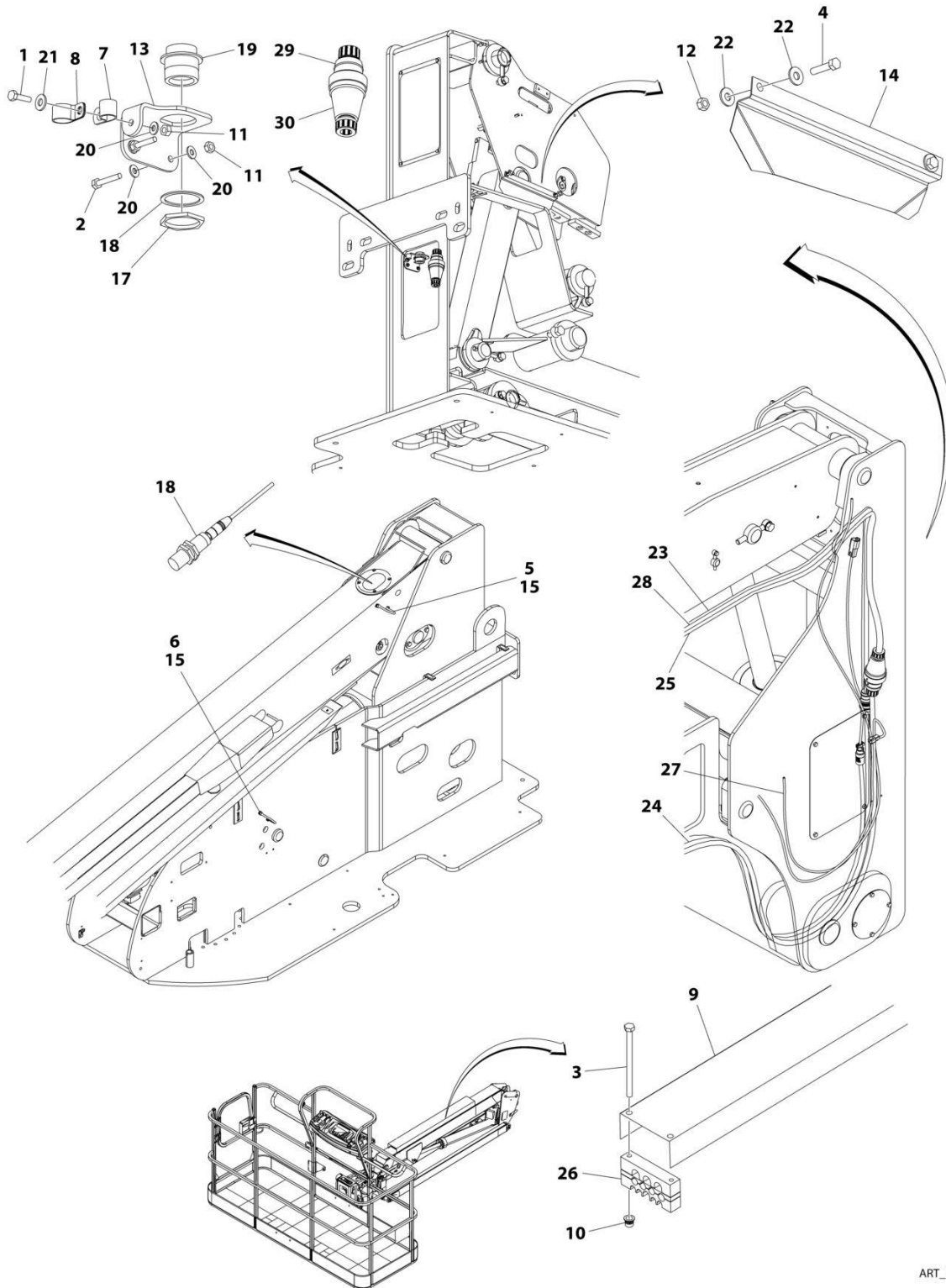
## SECTION 8 - ELECTRICAL

**FIGURE 8-36. BOOM CABLES INSTALLATION - WITH 7500W GENERATOR AND WITHOUT ARCTIC PACKAGE (ALL SPECS) (860SJ)**

ITEM	PART NUMBER	QTY	DESCRIPTION	REV
	1001256197	Ref	BOOM CABLES INSTALLATION	C
1	0561484	2	Block, Clamp	
2	0641408	1	Bolt 1/4 x 1	
3	0641412	2	Bolt 1/4 x 1-1/2	
4	0700626	4	Bolt M6 x 90	
5	0641511	2	Bolt 5/16 x 1-3/8	
6	0641604	2	Bolt 3/8 x 1/2	
7	0641607	2	Bolt 3/8 x 7/8	
8	1320061	1	Clamp	
9	1320202	1	Clamp	
10	1671034	1	Cover	
11	1001176636	4	Rivnut M6	
11	1001260680	4	Rivnut M6	
12	3311405	3	Nut 1/4	
13	3311505	2	Nut 5/16	
14	3573047	1	Plate	
15	3573296	1	Plate	
16	3841340	2	Rod	
17	4360506	1	Switch, Proximity	
18	4460470	1	Nut, Terminal	
19	4460471	1	Washer, Terminal	
20	4460866	1	Connector - 19 Pin	
21	4711400	5	Washer 1/4	
22	4751400	1	Washer 1/4	
23	4751500	4	Washer 5/16	
24	4922567	1	Harness Assembly - Main Boom (See Separate Breakdown in this Section)	
25	4922569	1	Harness Assembly - Tower Boom (See Separate Breakdown in this Section)	
26	4922660	1	Holding Valve/Lift Dump Harness Assembly (See Separate Breakdown in this Section)	
27	1001121669	1	AC Cable, 8/5 (Tower Boom)	
28	1001121671	1	AC Cable, 8/5 (Main Boom)	
29	1001218622	1	Terminal, Turnlock Plug	
30	1001218623	1	Terminal, Turnlock Connector	

# SECTION 8 - ELECTRICAL

## FIGURE 8-37. BOOM CABLES INSTALLATION - WITH 7500W GENERATOR AND WITH ARCTIC PACKAGE (ANSI, ANSI EXPOERT AND CSA SPECS) (860SJ)



ART\_1001256195

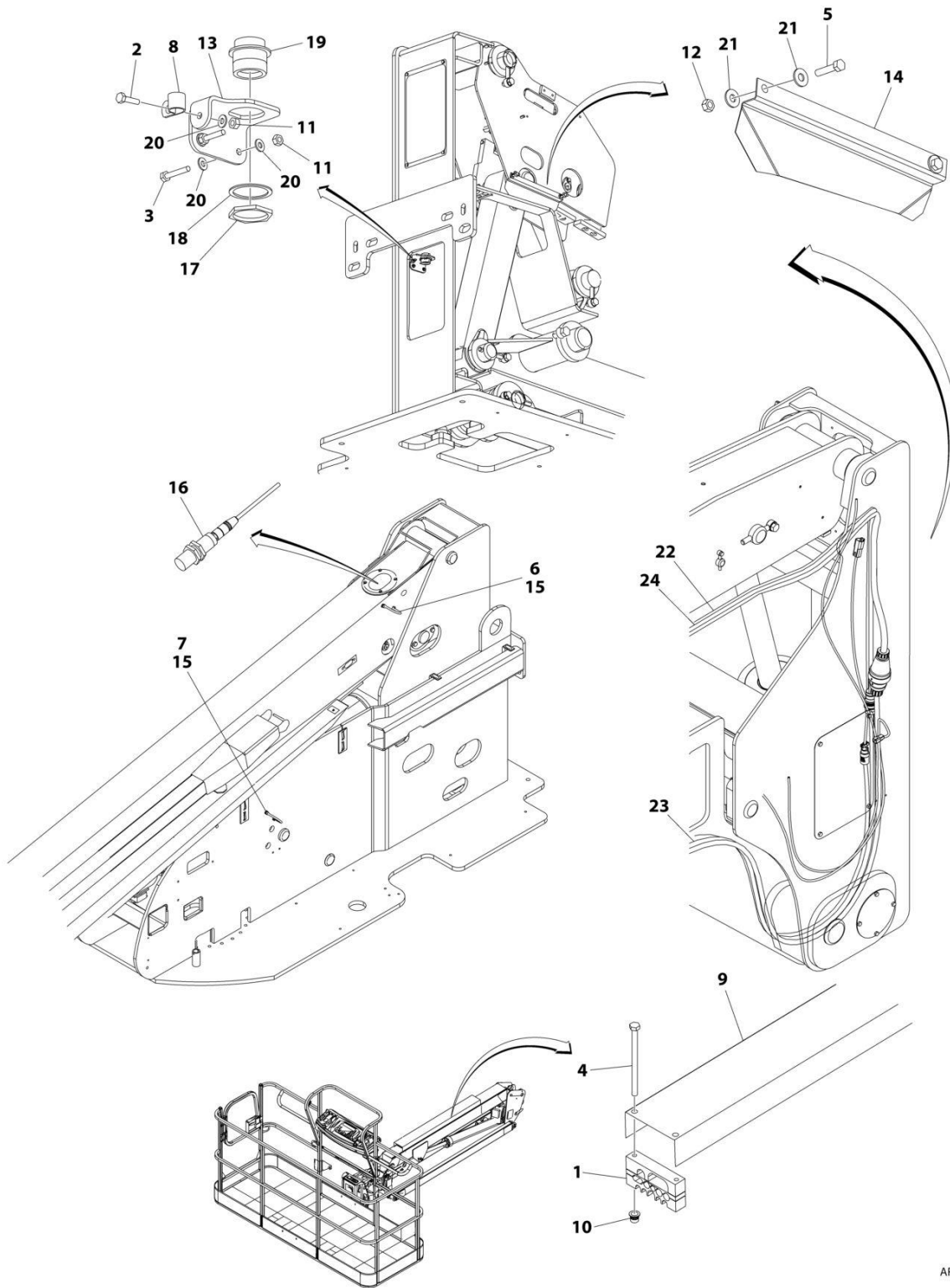
## SECTION 8 - ELECTRICAL

**FIGURE 8-37. BOOM CABLES INSTALLATION - WITH 7500W GENERATOR AND WITH ARCTIC PACKAGE (ANSI, ANSI EXPOERT AND CSA SPECS) (860SJ)**

ITEM	PART NUMBER	QTY	DESCRIPTION	REV
	1001256195	Ref	BOOM CABLES INSTALLATION	C
1	0641408	1	Bolt 1/4 x 1	
2	0641412	2	Bolt 1/4 x 1-1/2	
3	0700626	4	Bolt M6 x 90	
4	0641511	2	Bolt 5/16 x 1-3/8	
5	0641604	2	Bolt 3/8 x 1/2	
6	0641607	2	Bolt 3/8 x 7/8	
7	1320061	1	Clamp	
8	1320202	1	Clamp	
9	1671034	1	Cover	
10	1001260680	4	Rivnut M6	
11	3311405	3	Nut 1/4	
12	3311505	2	Nut 5/16	
13	3573047	1	Plate	
14	3573296	1	Plate	
15	3841340	2	Rod	
16	4360506	1	Switch, Proximity	
17	4460470	1	Nut, Terminal	
18	4460471	1	Washer, Terminal	
19	4460866	1	Connector - 19 Pin	
20	4711400	5	Washer 1/4	
21	4751400	1	Washer 1/4	
22	4751500	4	Washer 5/16	
23	4923595	1	Harness Assembly - Main Boom (See Separate Breakdown in this Section)	
24	4923596	1	Harness Assembly - Tower Boom (See Separate Breakdown in this Section)	
25	4923597	1	Holding Valve/Lift Dump Harness Assembly (See Separate Breakdown in this Section)	
26	1001091472	2	Block, Clamp	
27	1001121669	1	AC Cable, 8/5 (Tower Boom)	
28	1001121671	1	AC Cable, 8/5 (Main Boom)	
29	1001218622	1	Terminal, Turnlock Plug	
30	1001218623	1	Terminal, Turnlock Connector	

# SECTION 8 - ELECTRICAL

FIGURE 8-38. BOOM CABLES INSTALLATION - WITHOUT AC CABLES (CHINA SPECS) (860SJ)



ART\_1001256201



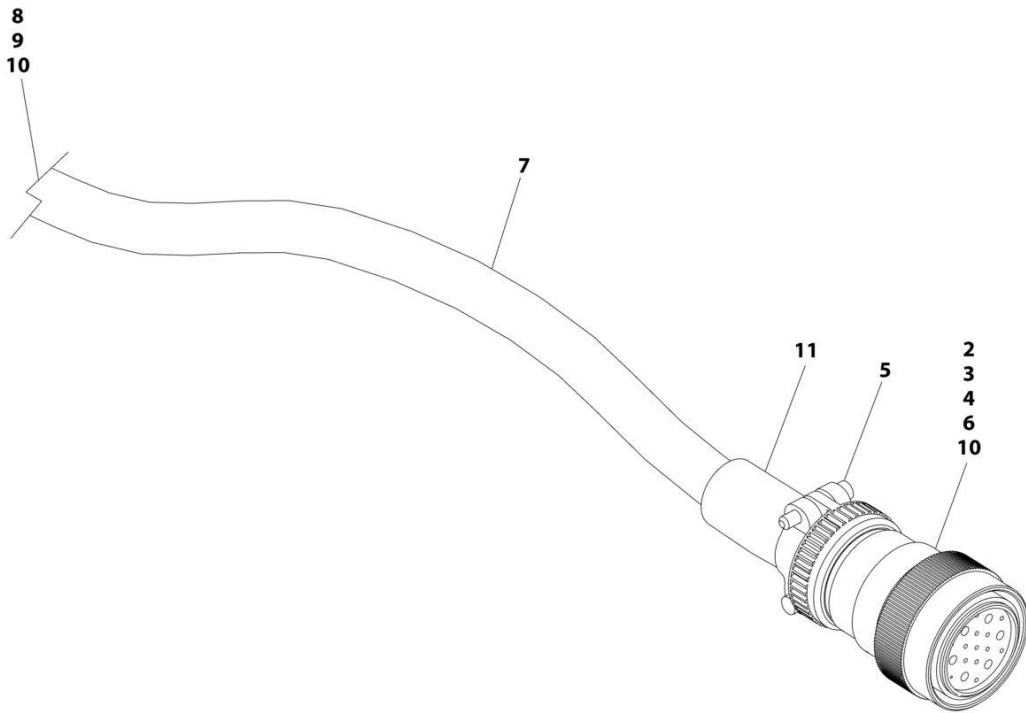
## SECTION 8 - ELECTRICAL

**FIGURE 8-38. BOOM CABLES INSTALLATION - WITHOUT AC CABLES (CHINA SPECS) (860SJ)**

ITEM	PART NUMBER	QTY	DESCRIPTION	REV
	1001256201	Ref	BOOM CABLES INSTALLATION	C
1	0561484	2	Block, Clamp	
2	0641408	1	Bolt 1/4 x 1	
3	0641412	2	Bolt 1/4 x 1-1/2	
4	0700626	4	Bolt M6 x 90	
5	0641511	2	Bolt 5/16 x 1-3/8	
6	0641604	2	Bolt 3/8 x 1/2	
7	0641607	2	Bolt 3/8 x 7/8	
8	1320061	1	Clamp	
9	1671034	1	Cover	
10	1001260680	4	Rivnut M6	
11	3311405	3	Nut 1/4	
12	3311505	2	Nut 5/16	
13	3573047	1	Plate	
14	3573296	1	Plate	
15	3841340	2	Rod	
16	4360506	1	Switch, Proximity	
17	4460470	1	Nut, Terminal	
18	4460471	1	Washer, Terminal	
19	4460866	1	Connector - 19 Pin	
20	4711400	5	Washer 1/4	
21	4751500	4	Washer 5/16	
22	4922567	1	Harness Assembly - Main Boom (See Separate Breakdown in this Section)	
23	4922569	1	Harness Assembly - Tower Boom (See Separate Breakdown in this Section)	
24	4922660	1	Holding Valve/Lift Dump Harness Assembly (See Separate Breakdown in this Section)	

# SECTION 8 - ELECTRICAL

FIGURE 8-39. BOOM HARNESS - (MAIN BOOM) (WITHOUT ARCTIC PACKAGE) (800S)



ART\_4922566

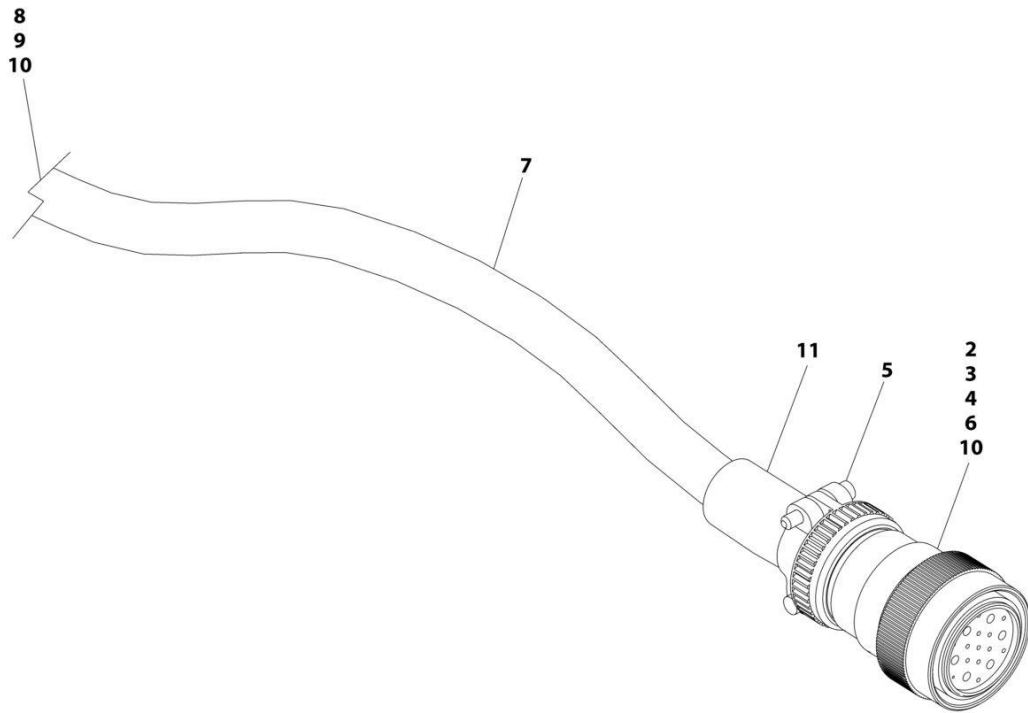
## SECTION 8 - ELECTRICAL

**FIGURE 8-39. BOOM HARNESS - (MAIN BOOM) (WITHOUT ARCTIC PACKAGE) (800S)**

ITEM	PART NUMBER	QTY	DESCRIPTION	REV
	4922566	Ref	BOOM HARNESS	C
2	4460465	11	Socket, Female	
3	4460865	1	Connector - 19 Position	
4	4460509	4	Socket, Female	
5	4460473	1	Clamp	
6	4460466	8	Plug, Terminal	
7	2820031	AR	Heatshrink	
8	4460464	11	Pin, Male	
9	4460508	4	Pin, Male	
10	2820118	AR	Heatshrink, Clear	
11	1001226400	1	Insulate, Heatshrink	

# SECTION 8 - ELECTRICAL

FIGURE 8-40. BOOM HARNESS - (MAIN BOOM) (WITH ARCTIC PACKAGE) (800S)



ART\_1001091618

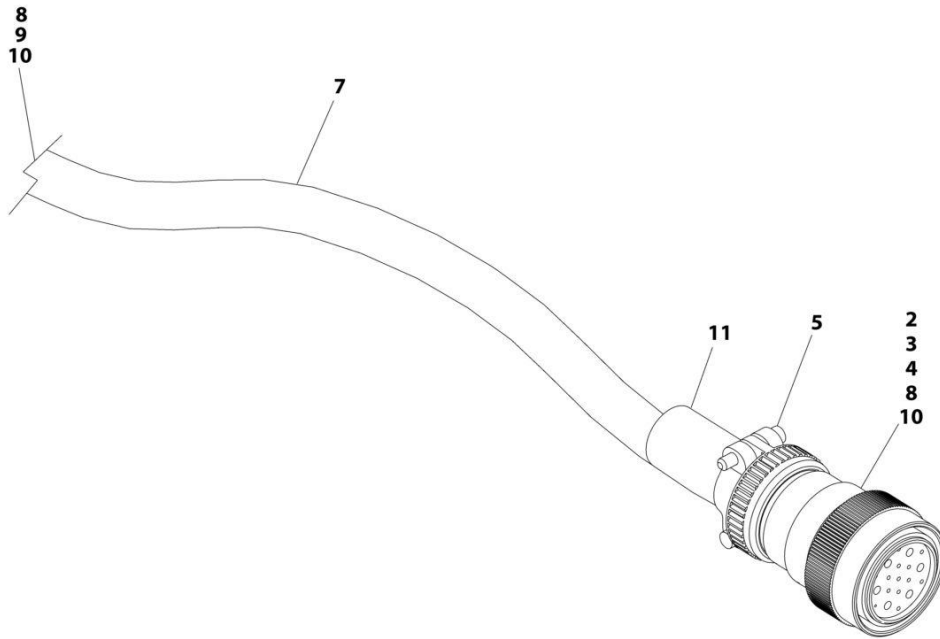
## SECTION 8 - ELECTRICAL

**FIGURE 8-40. BOOM HARNESS - (MAIN BOOM) (WITH ARCTIC PACKAGE) (800S)**

ITEM	PART NUMBER	QTY	DESCRIPTION	REV
	1001091618	Ref	BOOM HARNESS	C
2	4460465	11	Socket, Female	
3	4460865	1	Connector - 19 Position	
4	4460509	4	Socket, Female	
5	4460473	1	Clamp	
6	4460466	8	Plug, Terminal	
7	2820031	AR	Heatshrink	
8	4460464	11	Pin, Male	
9	4460508	4	Pin, Male	
10	2820118	AR	Heatshrink, Clear	
11	1001226400	1	Insulate, Heatshrink	

# SECTION 8 - ELECTRICAL

FIGURE 8-41. BOOM HARNESS - (MAIN BOOM) (WITHOUT ARCTIC PACKAGE) (860SJ)



ART\_4922567

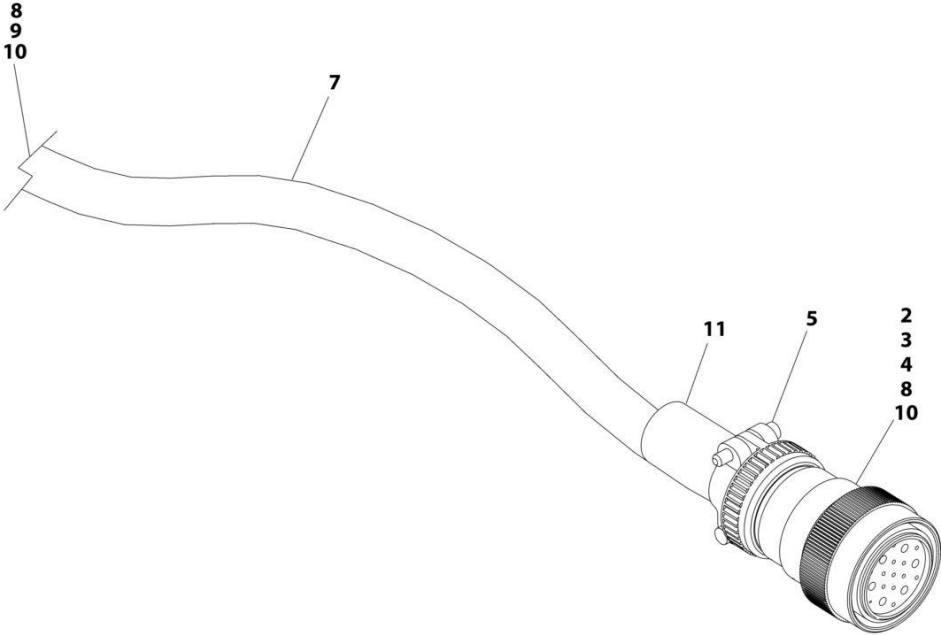
## SECTION 8 - ELECTRICAL

**FIGURE 8-41. BOOM HARNESS - (MAIN BOOM) (WITHOUT ARCTIC PACKAGE) (860SJ)**

ITEM	PART NUMBER	QTY	DESCRIPTION	REV
	4922567	Ref	BOOM HARNESS	D
2	4460465	11	Socket, Female	
3	4460865	1	Connector - 19 Position	
4	4460509	4	Socket, Female	
5	4460473	1	Clamp	
6	4460466	8	Plug, Terminal	
7	2820031	AR	Heatshrink	
8	4460464	11	Pin, Male	
9	4460508	4	Pin, Male	
10	2820118	AR	Heatshrink, Clear	
11	1001226400	1	Insulate, Heatshrink	

**SECTION 8 - ELECTRICAL**

**FIGURE 8-42. BOOM HARNESS - (MAIN BOOM) (WITH ARCTIC PACKAGE) (860SJ)**



ART\_4923595



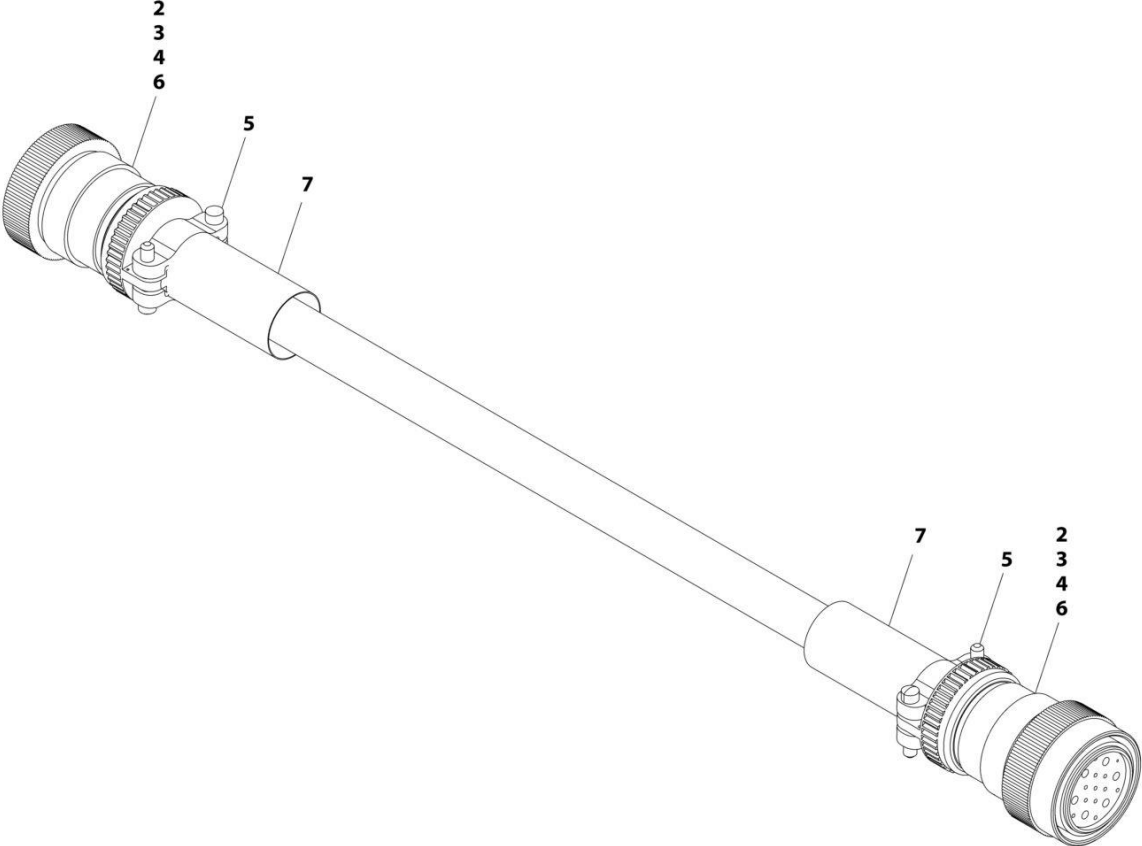
## SECTION 8 - ELECTRICAL

**FIGURE 8-42. BOOM HARNESS - (MAIN BOOM) (WITH ARCTIC PACKAGE) (860SJ)**

ITEM	PART NUMBER	QTY	DESCRIPTION	REV
	4923595	Ref	BOOM HARNESS	D
2	4460465	11	Socket, Female	
3	4460865	1	Connector - 19 Position	
4	4460509	4	Socket, Female	
5	4460473	1	Clamp	
6	4460466	8	Plug, Terminal	
7	2820031	AR	Heatshrink	
8	4460464	11	Pin, Male	
9	4460508	4	Pin, Male	
10	2820118	AR	Heatshrink, Clear	
11	1001226400	1	Insulate, Heatshrink	

**SECTION 8 - ELECTRICAL**

**FIGURE 8-43. BOOM CABLE (TOWER BOOM) (WITHOUT ARCTIC PACKAGE)**



ART\_4922569

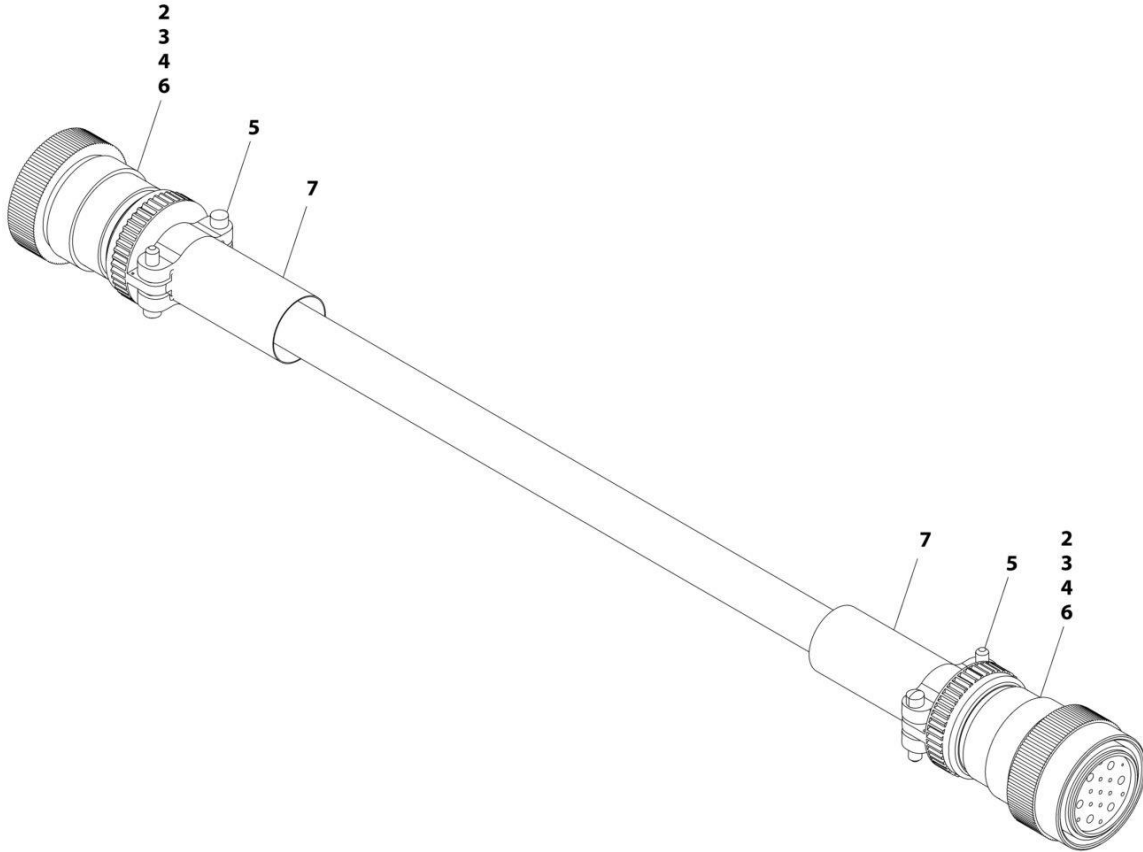
## SECTION 8 - ELECTRICAL

**FIGURE 8-43. BOOM CABLE (TOWER BOOM) (WITHOUT ARCTIC PACKAGE)**

ITEM	PART NUMBER	QTY	DESCRIPTION	REV
	4922569	Ref	BOOM CABLE - TOWER BOOM	B
2	4460465	22	Socket, Female	
3	4460865	2	Connector - 19 Position	
4	4460509	8	Socket, Female	
5	4460473	2	Clamp	
6	4460466	8	Plug, Terminal	
7	1001226400	2	Insulate, Heatshrink	

# SECTION 8 - ELECTRICAL

## FIGURE 8-44. BOOM CABLE (TOWER BOOM) (WITHOUT ARCTIC PACKAGE)



ART\_4923596

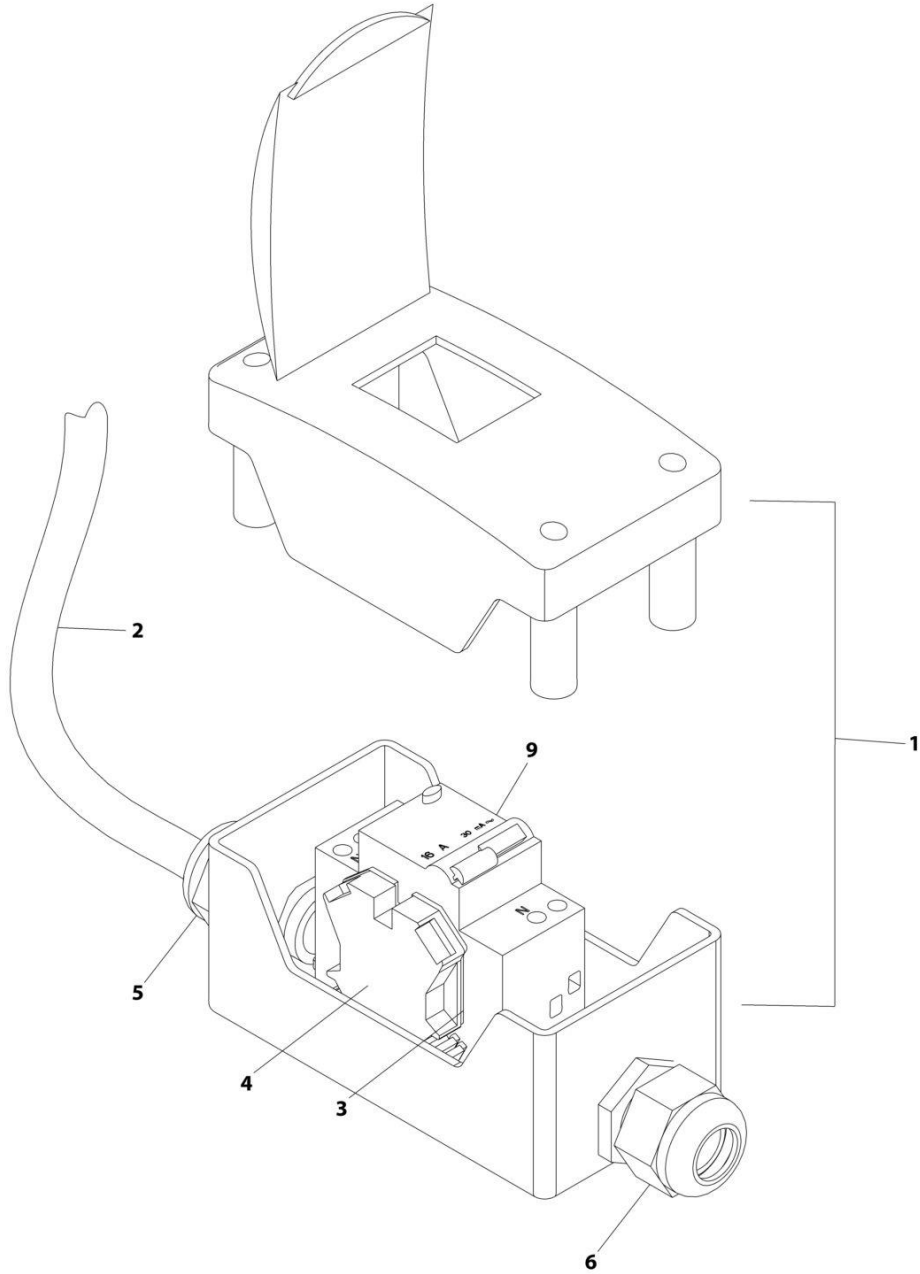
## SECTION 8 - ELECTRICAL

**FIGURE 8-44. BOOM CABLE (TOWER BOOM) (WITHOUT ARCTIC PACKAGE)**

ITEM	PART NUMBER	QTY	DESCRIPTION	REV
	4923596	Ref	BOOM CABLE - TOWER BOOM	C
2	4460465	22	Socket, Female	
3	4460865	2	Connector - 19 Position	
4	4460509	8	Socket, Female	
5	4460473	2	Clamp	
6	4460466	8	Plug, Terminal	
7	1001226400	2	Insulate, Heatshrink	

# SECTION 8 - ELECTRICAL

FIGURE 8-45. BREAKER BOX KIT - ONE DOUBLE 16AMP BREAKER (CE & UK CA SPECS WITHOUT 7500W GENERATOR)



ART\_1001109654

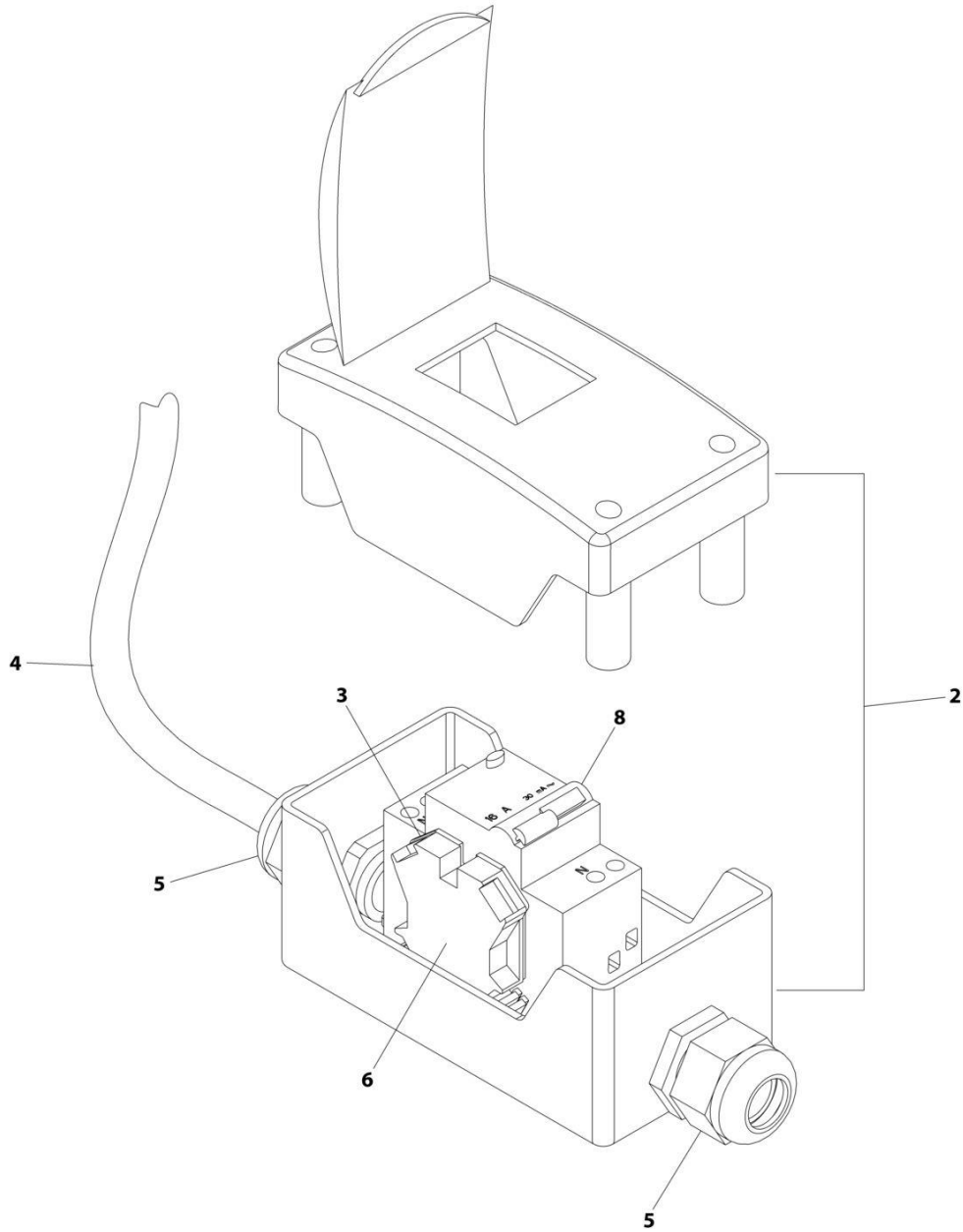
## SECTION 8 - ELECTRICAL

**FIGURE 8-45. BREAKER BOX KIT - ONE DOUBLE 16AMP BREAKER (CE & UK CA SPECS WITHOUT 7500W GENERATOR)**

ITEM	PART NUMBER	QTY	DESCRIPTION	REV
	1001109654	Ref	BREAKER BOX KIT	C
1	0861880	1	Box, Breaker	
2	1060908	12 ft/ 3.6m	Cable 12/3	
3	4460956	1	Barrier, Terminal Block End	
4	4460957	1	Block, Terminal	
5	1001097150	1	Connector, Strain Relief	
6	1001101191	1	Connector, Strain Relief	
9	1001181045	1	Breaker - 30mA/16Amp	
10	1001100231	3	Terminal (Not Shown)	

# SECTION 8 - ELECTRICAL

FIGURE 8-46. BREAKER BOX KIT - ONE DOUBLE 16AMP BREAKER (WITH 4000W/50HZ GENERATOR)



ART\_1001165368\_B



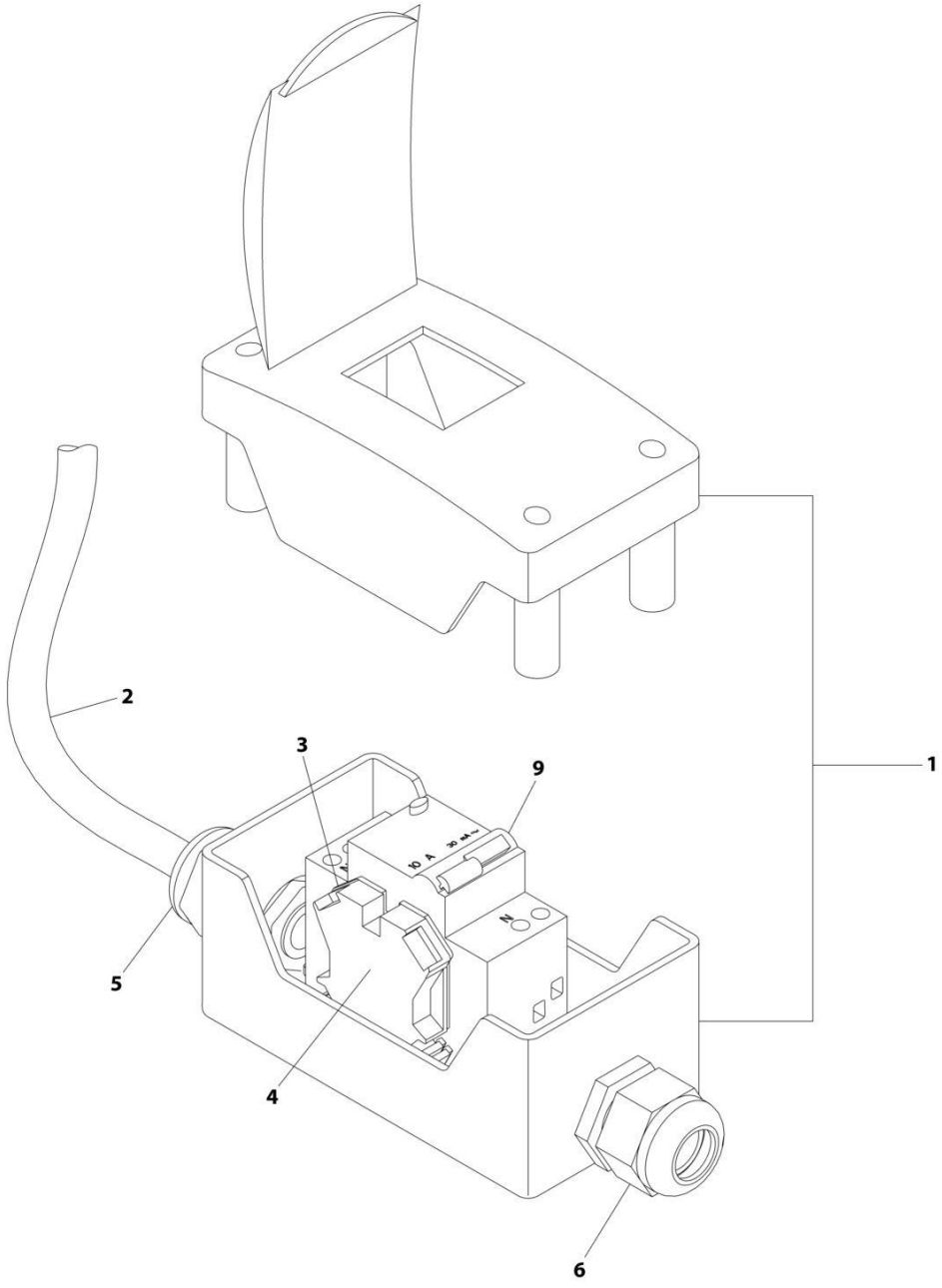
## SECTION 8 - ELECTRICAL

**FIGURE 8-46. BREAKER BOX KIT - ONE DOUBLE 16AMP BREAKER (WITH 4000W/50HZ GENERATOR)**

ITEM	PART NUMBER	QTY	DESCRIPTION	REV
	1001165368	Ref	BREAKER BOX KIT	B
2	0861880	1	Box, Circuit Breaker	
3	4460956	1	Barrier, Terminal Block End	
4	1060545	12 ft/ 3.6m	Cable, Electrical 10/3	
5	1001101191	2	Connector, Strain Relief	
6	4460957	1	Block, Terminal	
8	1001181045	1	Breaker 30mA/16Amp	

**SECTION 8 - ELECTRICAL**

**FIGURE 8-47. BREAKER BOX KIT - 10 AMP (CE & UK CA SPECS WITHOUT 7500W GENERATOR)**



ART\_1001109648

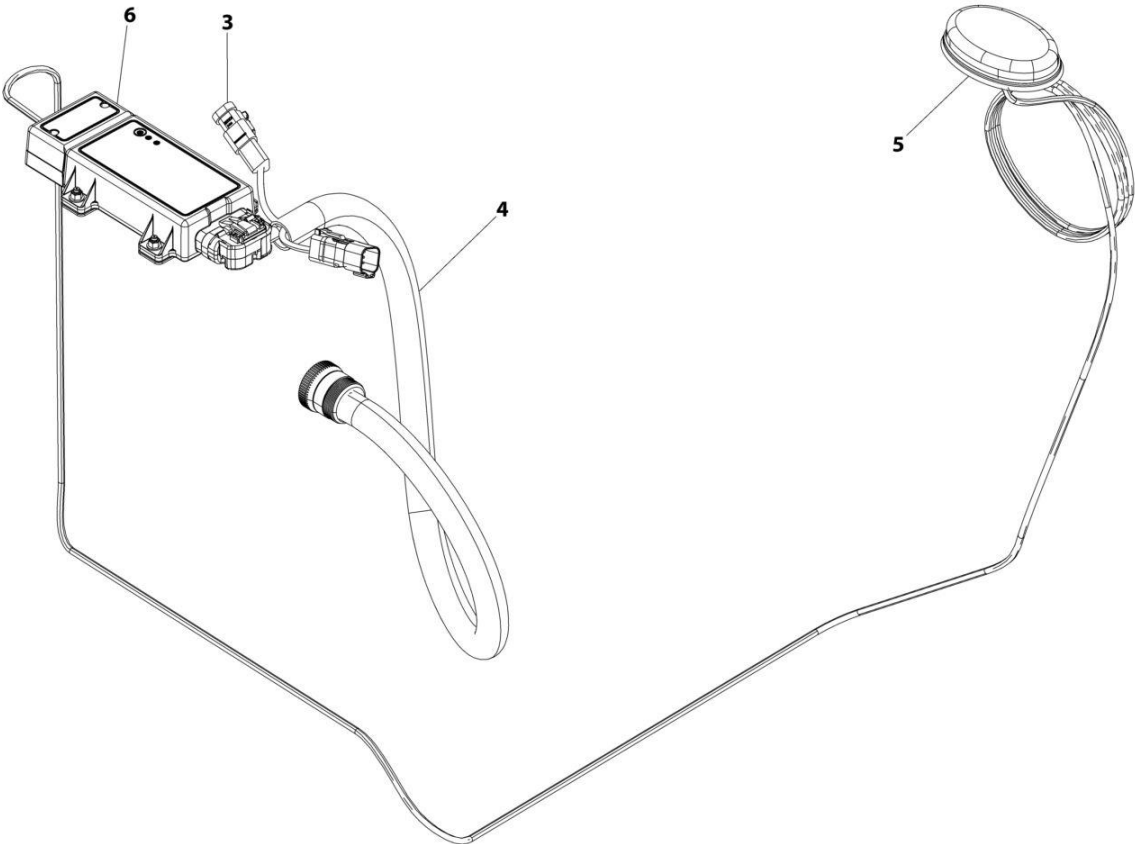
## SECTION 8 - ELECTRICAL

**FIGURE 8-47. BREAKER BOX KIT - 10 AMP (CE & UK CA SPECS WITHOUT 7500W GENERATOR)**

ITEM	PART NUMBER	QTY	DESCRIPTION	REV
	1001109648	Ref	BREAKER BOX KIT - 10 AMP (2500W GENERATOR)	B
1	0861880	1	Box, Breaker	
2	1060908	12 ft /3.6m	Cable, Electrical 12/3	
3	4460956	1	Barrier, Terminal Block End	
4	4460957	1	Block, Terminal	
5	1001097150	1	Connector, Strain Relief	
6	1001101191	1	Connector, Strain Relief	
9	1001181046	1	Breaker 30mA/16Amp	

**SECTION 8 - ELECTRICAL**

**FIGURE 8-48. CLEARSKY INSTALLATION - 3G CANBUS CONNECTION (ANSI EXPORT, CE & UK CA SPECS)**



ART\_1001228950

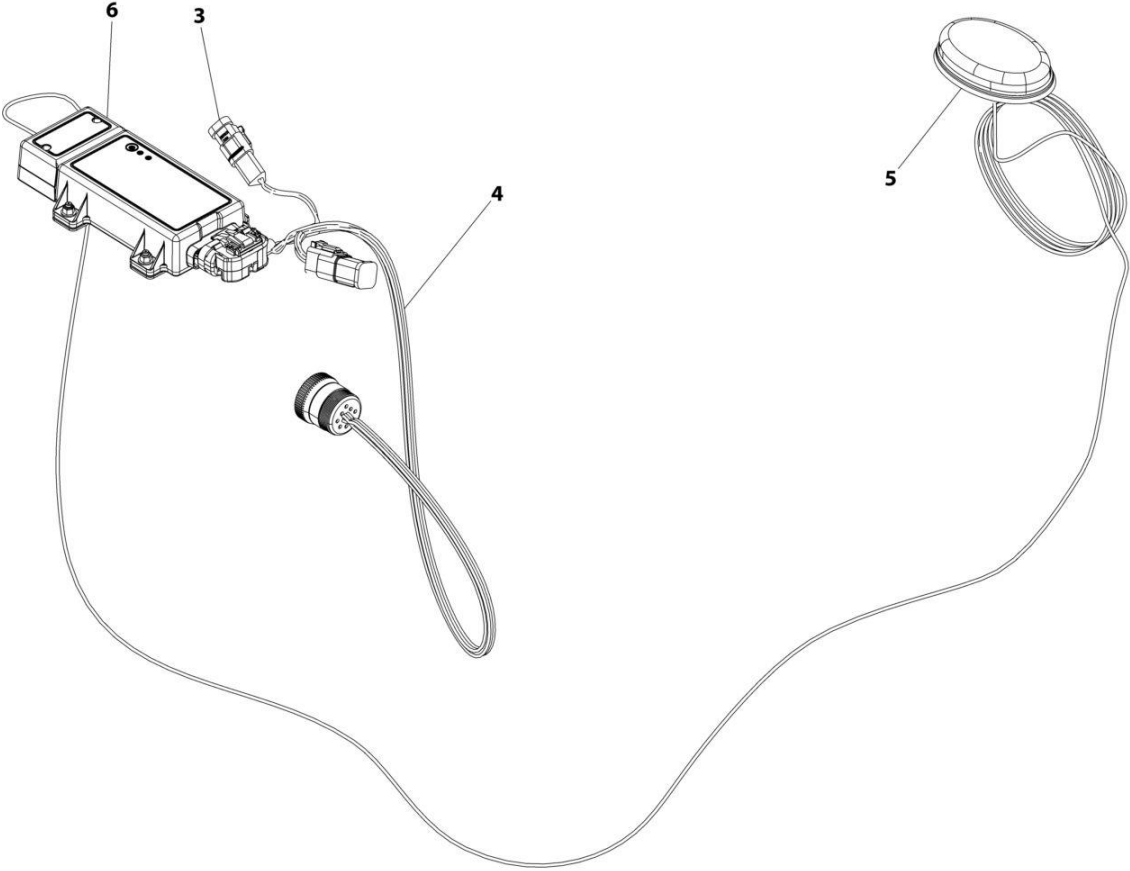
## SECTION 8 - ELECTRICAL

**FIGURE 8-48. CLEARSKY INSTALLATION - 3G CANBUS CONNECTION (ANSI EXPORT, CE & UK CA SPECS)**

ITEM	PART NUMBER	QTY	DESCRIPTION	REV
	1001228950	REF	CLEARSKY INSTALLATION CANBUS CONNECTION	A
1	4240032	AR	Tie-Strap (Not Shown)	
2	4460234	AR	Strap, Cable Tie (Not Shown)	
3	1001116815	1	Connector	
4	1001226739	1	ClearSky Harness (See Separate Breakdown in this Section)	
5	1001226799	1	Antenna	
6	1001228954	1	Telematics Control Module (Note: Re-calibration Required when Replaced)	

**SECTION 8 - ELECTRICAL**

**FIGURE 8-49. CLEARSKY INSTALLATION - 3G CANBUS CONNECTION (AUSTRALIAN SPECS)**



ART\_1001246475

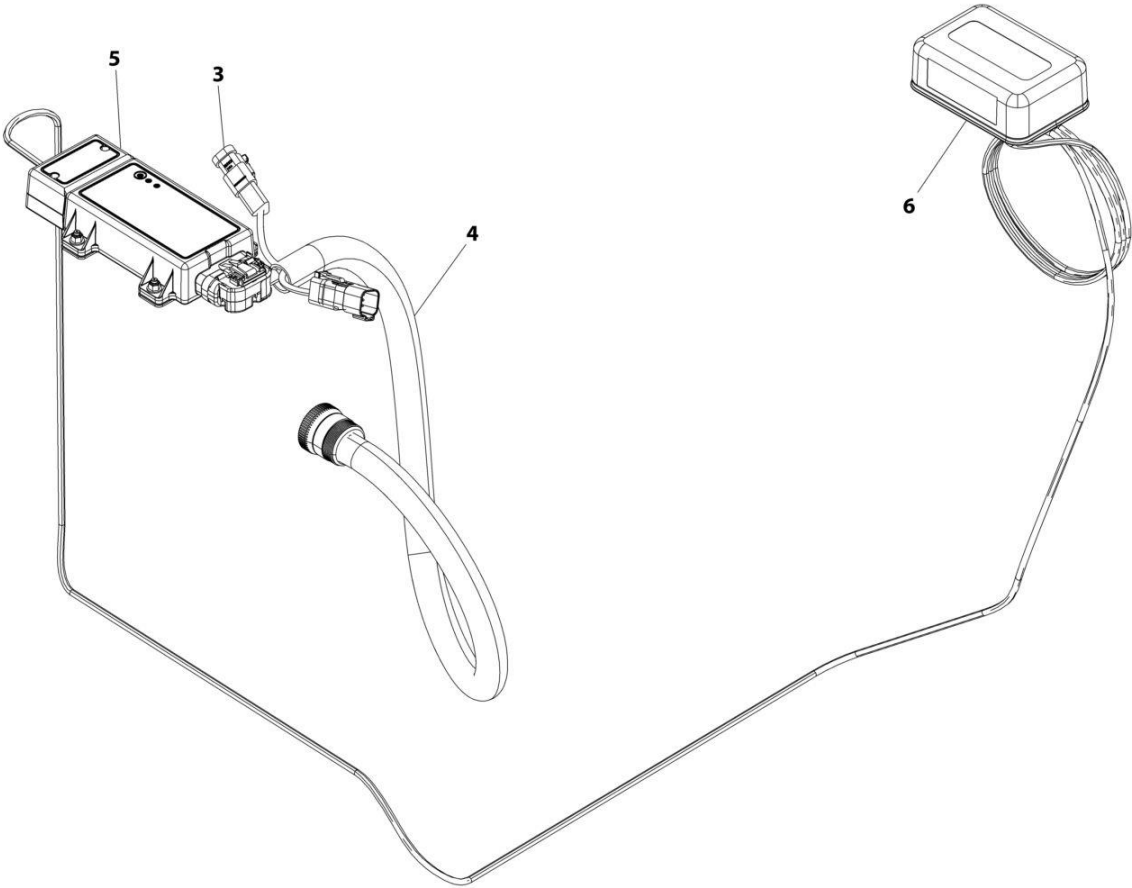
## SECTION 8 - ELECTRICAL

**FIGURE 8-49. CLEARSKY INSTALLATION - 3G CANBUS CONNECTION (AUSTRALIAN SPECS)**

ITEM	PART NUMBER	QTY	DESCRIPTION	REV
	1001246475	REF	CLEARSKY INSTALLATION CANBUS CONNECTION	A
1	4240032	AR	Tie-Strap (Not Shown)	
2	4460234	AR	Strap, Cable Tie (Not Shown)	
3	1001116815	1	Connector	
4	1001226739	1	ClearSky Harness (See Separate Breakdown in this Section)	
5	1001226799	1	Antenna	
6	1001246144	1	Telematics Control Module (Note: Re-calibration Required when Replaced)	

**SECTION 8 - ELECTRICAL**

**FIGURE 8-50. CLEARSKY INSTALLATION - 4G CANBUS CONNECTION (ANSI & CSA SPECS)**



ART\_1001227494



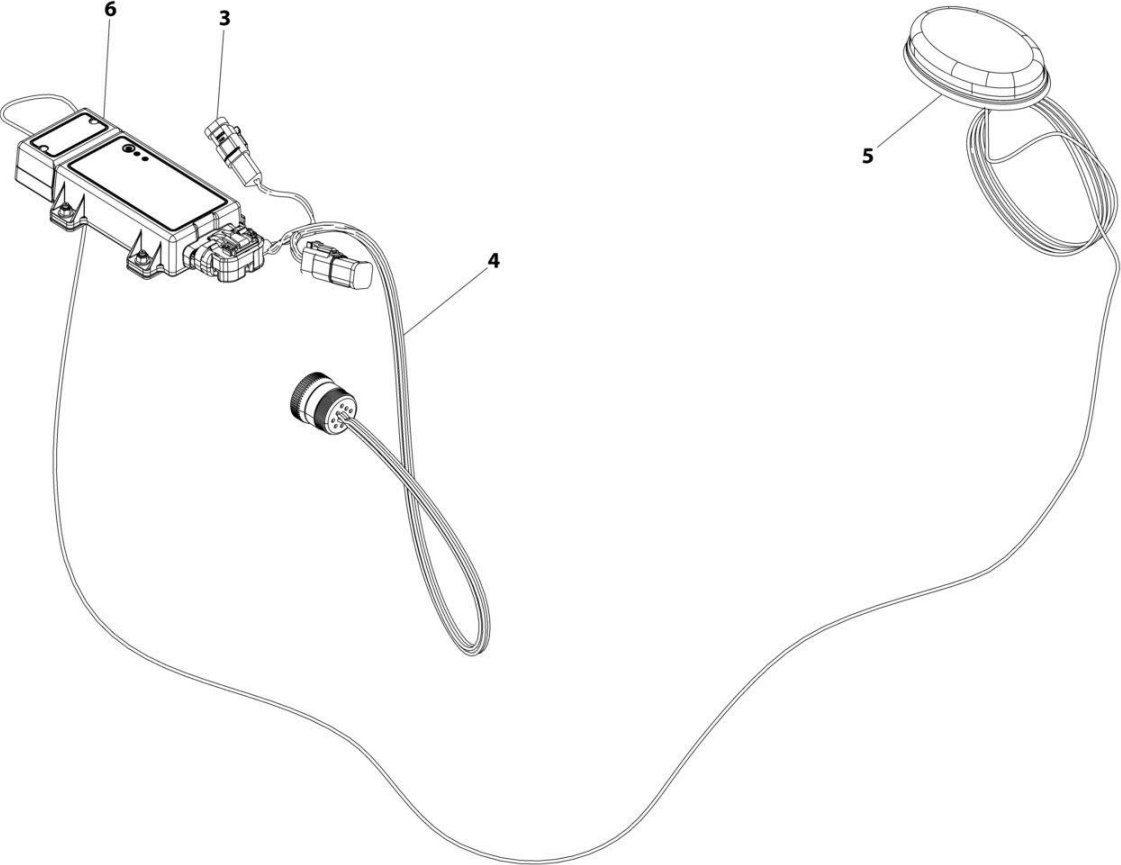
## SECTION 8 - ELECTRICAL

**FIGURE 8-50. CLEARSKY INSTALLATION - 4G CANBUS CONNECTION (ANSI & CSA SPECS)**

ITEM	PART NUMBER	QTY	DESCRIPTION	REV
	1001227494	Ref	CLEARSKY INSTALLATION CANBUS CONNECTION	B
1	4240032	AR	Tie-Strap (Not Shown)	
2	4460234	AR	Strap, Cable Tie (Not Shown)	
3	1001116815	1	Connector	
4	1001226739	1	ClearSky Harness (See Separate Breakdown in this Section)	
5	1001262322	1	Telematics Control Module (Note: Re-calibration Required when Replaced)	
6	1001262326	1	Antenna	

**SECTION 8 - ELECTRICAL**

**FIGURE 8-51. CLEARSKY INSTALLATION - 4G CANBUS CONNECTION (CHINA SPECS)**



ART\_1001246476

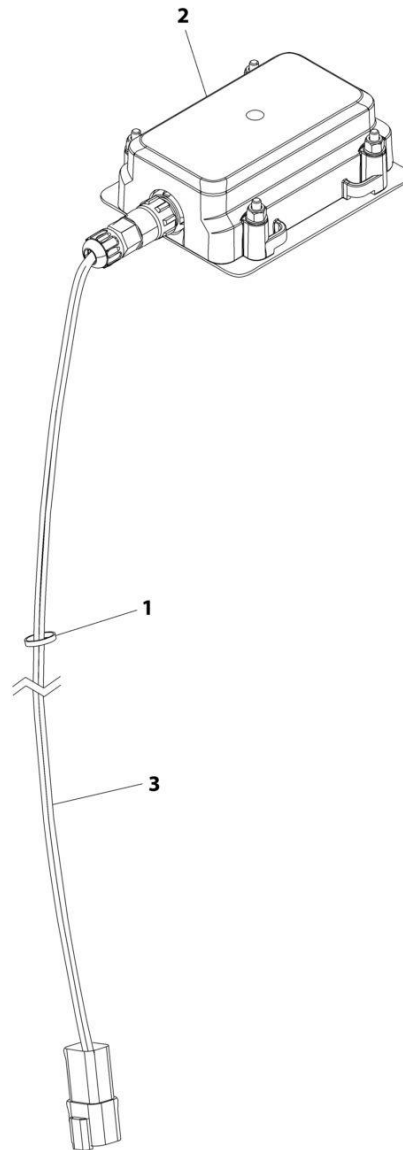
## SECTION 8 - ELECTRICAL

**FIGURE 8-51. CLEARSKY INSTALLATION - 4G CANBUS CONNECTION (CHINA SPECS)**

ITEM	PART NUMBER	QTY	DESCRIPTION	REV
	1001246476	Ref	CLEARSKY INSTALLATION CANBUS CONNECTION	A
1	4240032	AR	Tie-Strap (Not Shown)	
2	4460234	AR	Strap, Cable Tie (Not Shown)	
3	1001116815	1	Connector	
4	1001226739	1	ClearSky Harness (See Separate Breakdown in this Section)	
5	1001226799	1	Antenna	
6	1001246145	1	Telematics Control Module (Note: Re-calibration Required when Replaced)	

## SECTION 8 - ELECTRICAL

FIGURE 8-52. CLEARSKY INSTALLATION 3-WIRE CONNECTION (ALL SPECS EXCEPT UL & CHINA SPECS)



ART\_1001276610

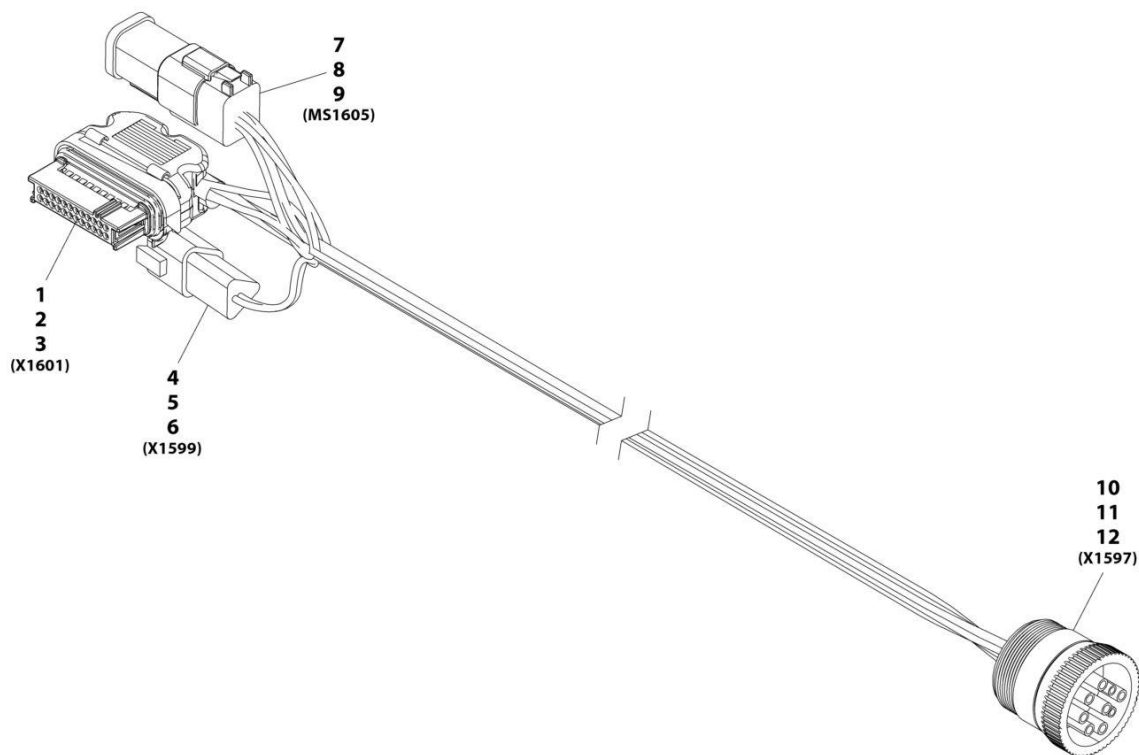
## SECTION 8 - ELECTRICAL

**FIGURE 8-52. CLEARSKY INSTALLATION 3-WIRE CONNECTION (ALL SPECS EXCEPT UL & CHINA SPECS)**

ITEM	PART NUMBER	QTY	DESCRIPTION	REV
	1001276610	Ref	CLEARSKY INSTALLATION 3-WIRE CONNECTION	A
1	4240032	AR	Tie-Strap	
2	1001272659	1	Telematics Control Module Assembly (Note: Re-calibration Required when Replaced)	
3	1001273012	1	ClearSky Harness (See Separate Breakdown in this Section)	

# SECTION 8 - ELECTRICAL

## FIGURE 8-53. CLEARSKY HARNESS - 3G & 4G CANBUS CONNECTIONS



ART\_1001226739-A

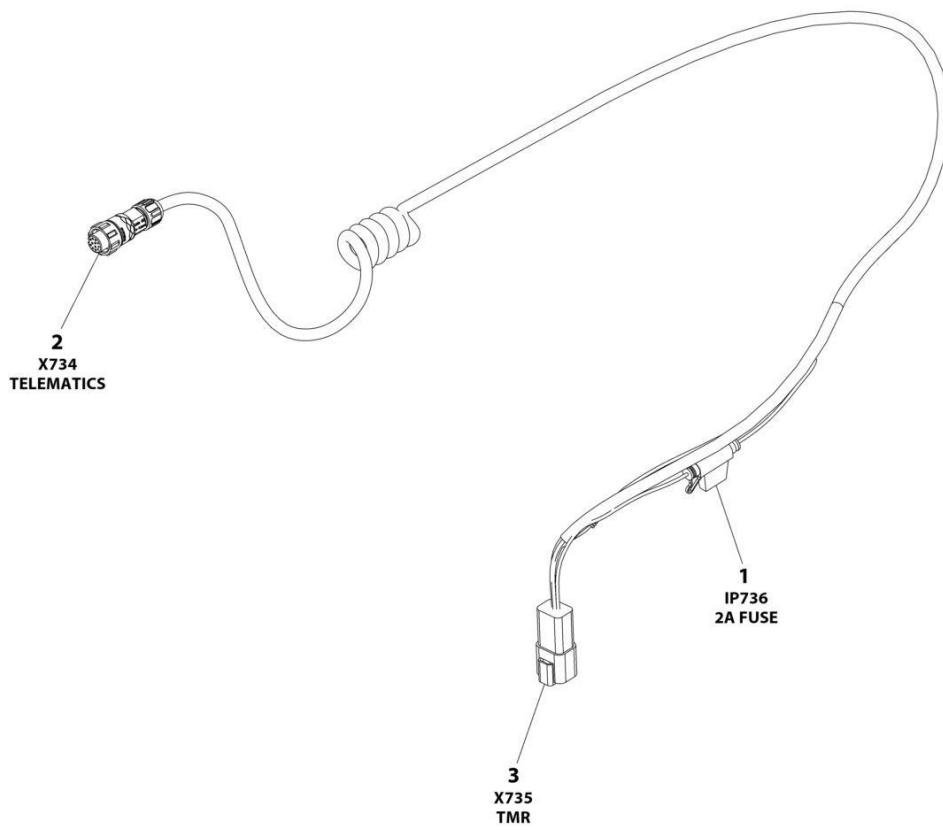
## SECTION 8 - ELECTRICAL

**FIGURE 8-53. CLEARSKY HARNESS - 3G & 4G CANBUS CONNECTIONS**

ITEM	PART NUMBER	QTY	DESCRIPTION	REV
	1001226739	Ref	Clearsky Harness	A
1	1001226636	1	Connector	
2	1001116731	16	Plug, Terminal	
3	1001226637	8	Terminal	
4	1001144147	1	Connector	
5	4460464	2	Terminal	
6	4460466	1	Plug, Terminal	
7	4460894	1	Connector	
8	4460465	6	Terminal	
9	1001226541	1	Connector- 6 Pin Bussbar	
10	1001112796	1	Connector	
11	4460465	8	Terminal	
12	4460466	1	Plug, Terminal	

# SECTION 8 - ELECTRICAL

## FIGURE 8-54. CLEARSKY HARNESS - 3 WIRE CONNECTION



ART\_1001273012



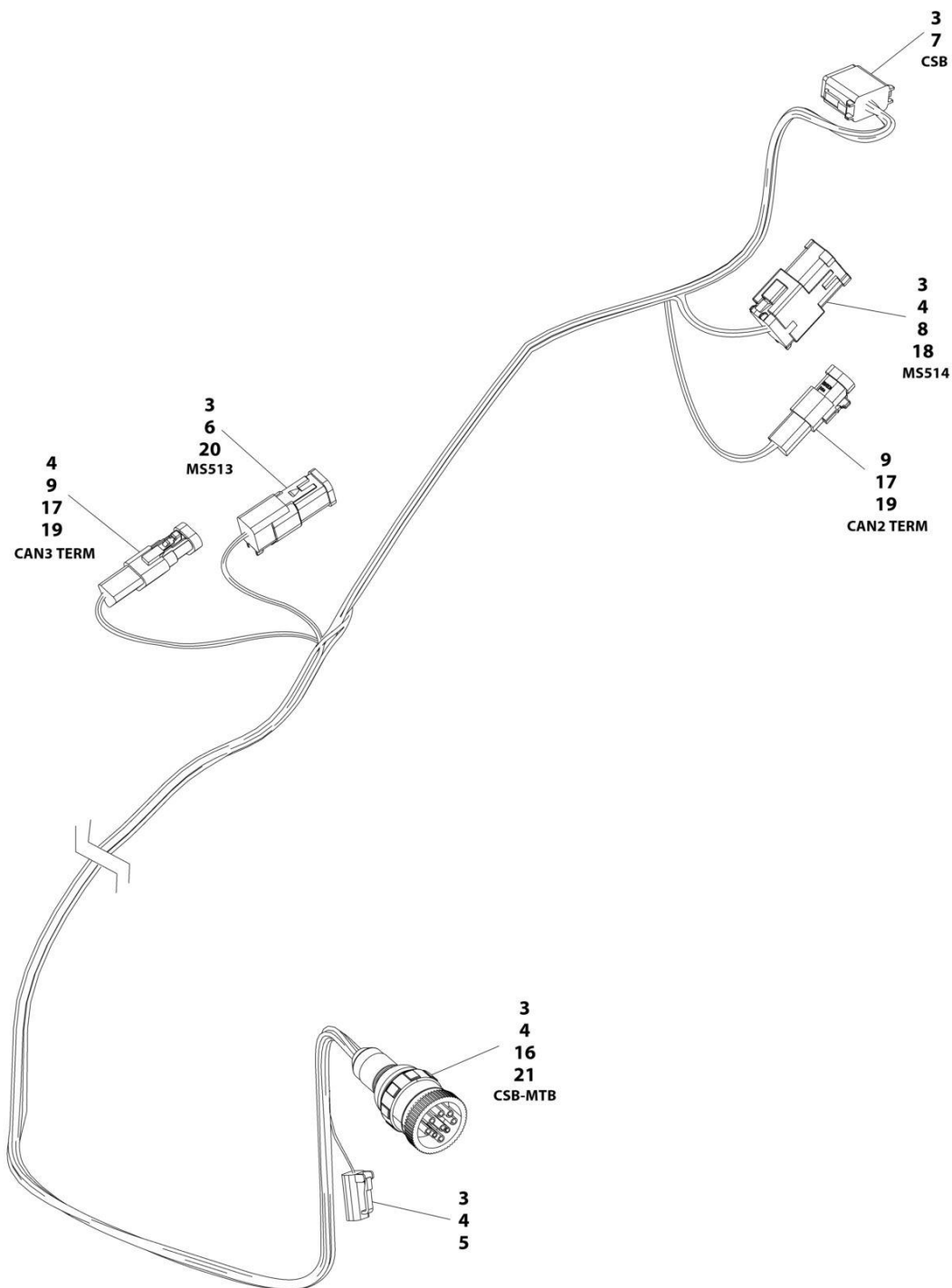
## SECTION 8 - ELECTRICAL

### FIGURE 8-54. CLEARSKY HARNESS - 3 WIRE CONNECTION

ITEM	PART NUMBER	QTY	DESCRIPTION	REV
	1001273012	Ref	CLEARSKY TELEMATICS HARNESS - GT1030	D
1	1001255901	1	Fuseholder	
1	1001196634	1	Fuse - 2Amp	
2	1001272997	1	Connector - 12 Position	
2		Ref	Terminal	
3	4460932	1	Receptacle, Female - 4 Position	
3	4460464	4	Pin, Male	

# SECTION 8 - ELECTRICAL

## FIGURE 8-55. CSB HARNESS



ART\_1001286622

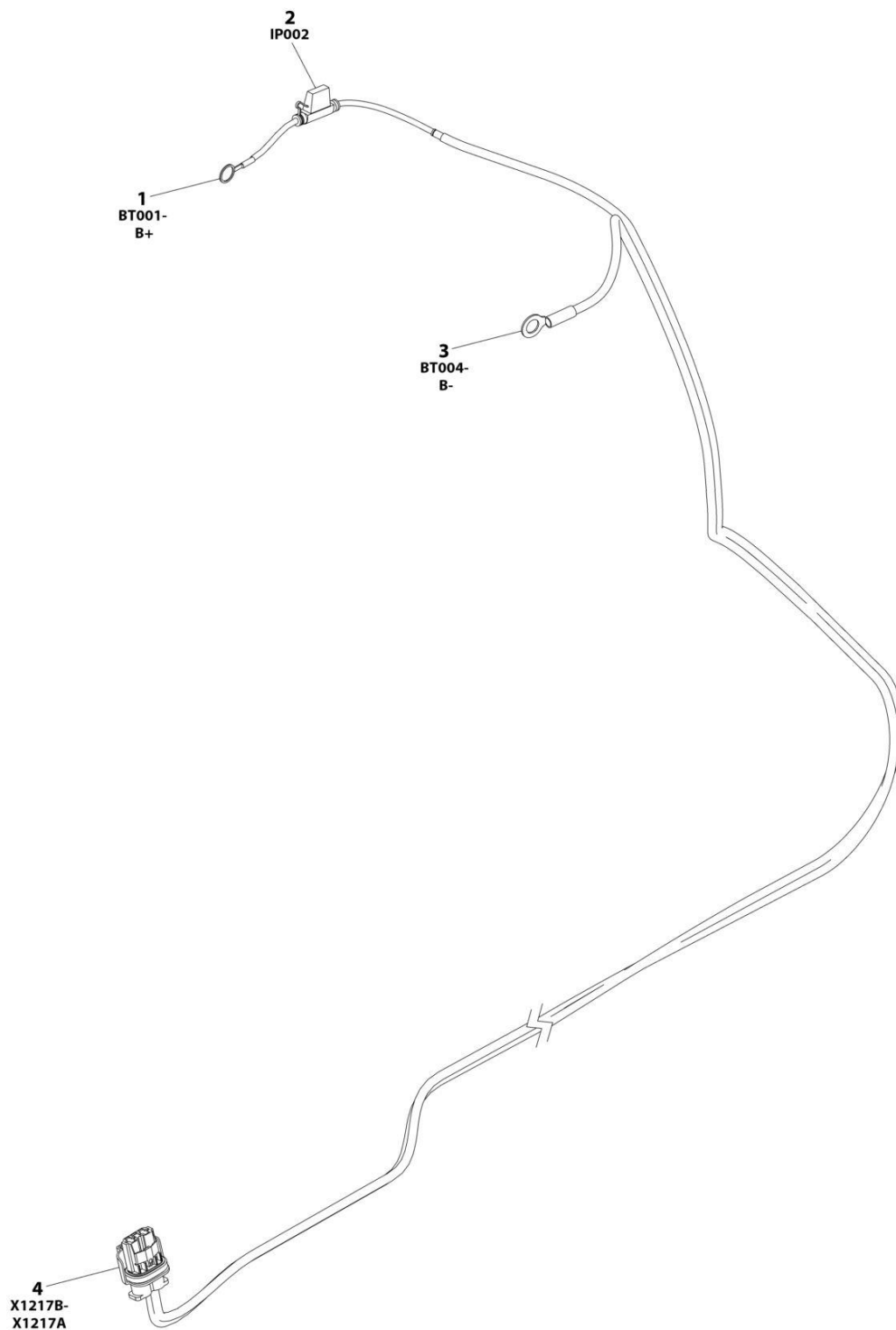
## SECTION 8 - ELECTRICAL

### FIGURE 8-55. CSB HARNESS

ITEM	PART NUMBER	QTY	DESCRIPTION	REV
	1001286622	Ref	CSB HARNESS	C
3	4460465	32	Socket	
4	4460466	6	Plug, Terminal	
5	4460891	1	Connector	
6	4460894	1	Connector	
7	4460930	1	Connector	
8	4460933	1	Connector	
9	4460943	6	Pin	
16	1001112796	1	Connector	
17	1001116815	2	Connector	
18	1001119020	1	Connector	
19	1001144147	2	Pin	
20	1001226541	1	Connector	
21	4461042	1	Connector	

# SECTION 8 - ELECTRICAL

## FIGURE 8-56. ECU POWER JUMPER HARNESS



ART\_1001289593

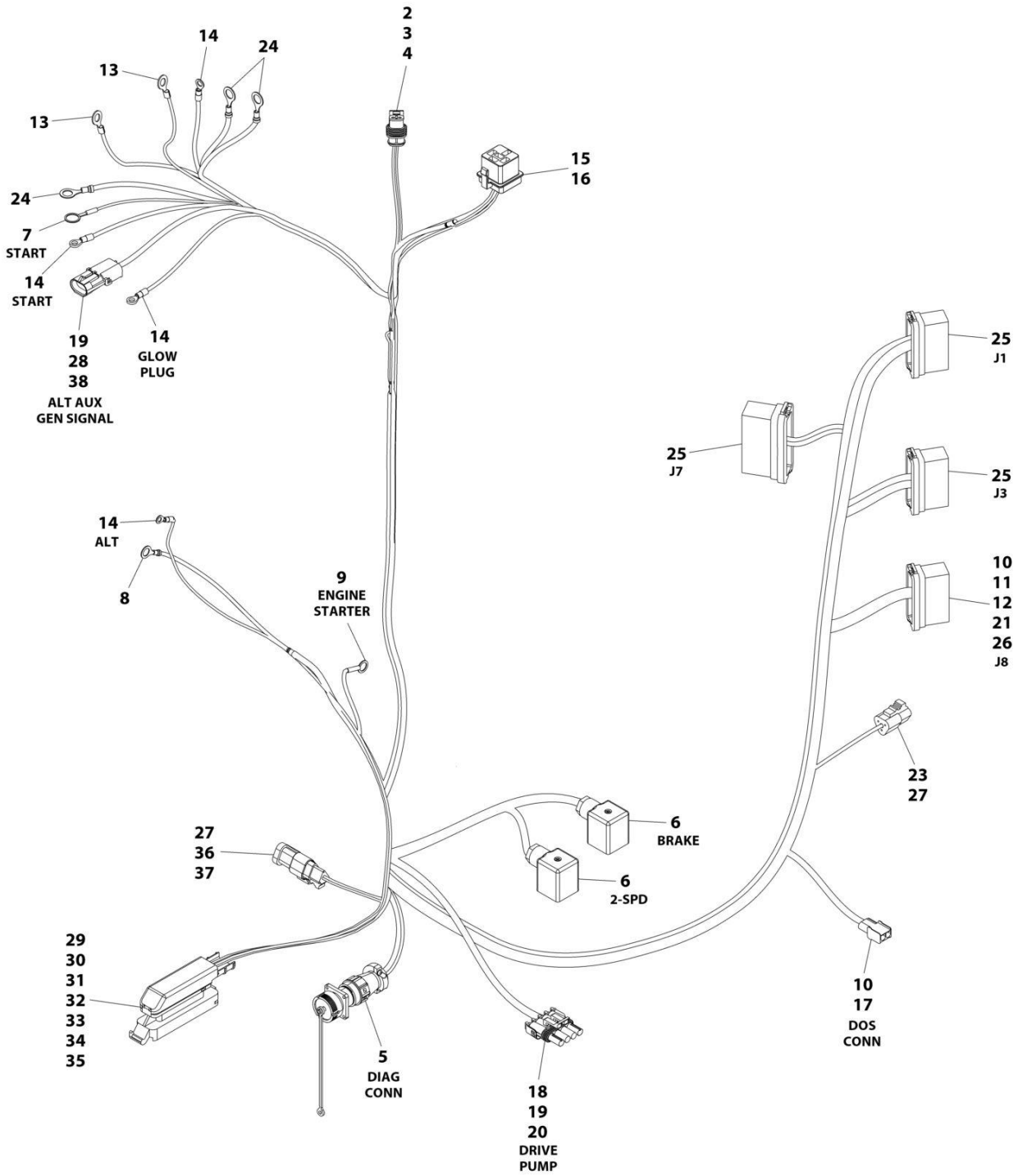
## SECTION 8 - ELECTRICAL

### FIGURE 8-56. ECU POWER JUMPER HARNESS

ITEM	PART NUMBER	QTY	DESCRIPTION	REV
	1001289593	Ref	ECU POWER JUMPER HARNESS	A
1	4460019	1	Terminal Ring	
2	1001172064	1	Fuse Holder	
2	1001172065	1	Fuse 30Amp	
3	8220164	1	Terminal Ring	
4	1001142938	1	Connector	
4	1001142940	2	Terminal	
4	1001142941	2	Seal	

# SECTION 8 - ELECTRICAL

FIGURE 8-57. ENGINE HARNESS - DEUTZ D2011 ENGINES (ANSI EXPORT (LRC) AND AUSTRALIAN SPECS)



ART\_1001285515

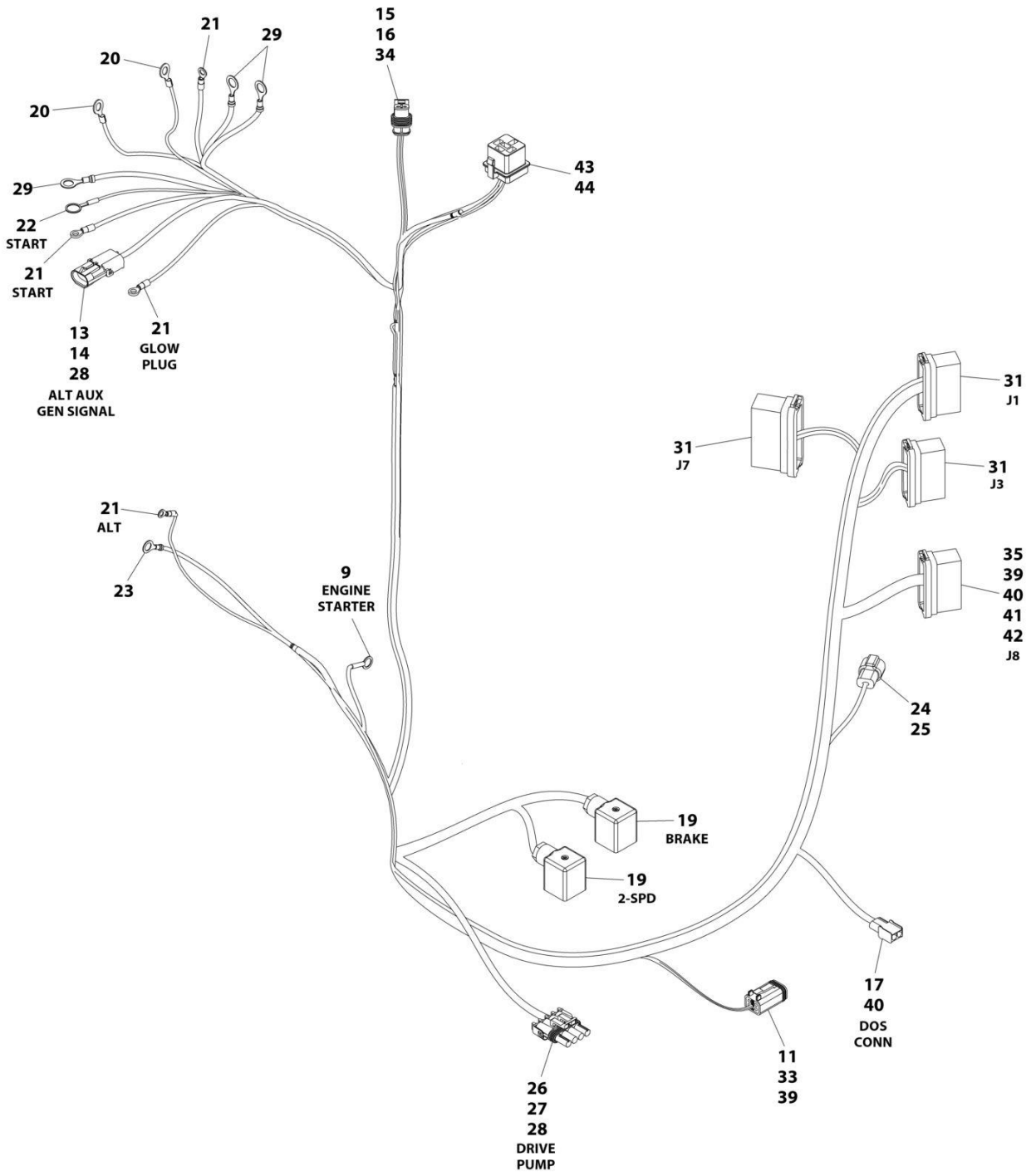
## SECTION 8 - ELECTRICAL

**FIGURE 8-57. ENGINE HARNESS - DEUTZ D2011 ENGINES (ANSI EXPORT (LRC) AND AUSTRALIAN SPECS)**

ITEM	PART NUMBER	QTY	DESCRIPTION	REV
	1001285515	Ref	ENGINE HARNESS - DEUTZ D2011 ENGINES	A
2	1001102290	1	Connector	
3	1001102291	2	Terminal	
4	1001102304	2	Seal	
5	2902443	1	Kit, Receptacle	
5	4461073	1	Cap, Dust	
6	1001263923	2	Connector	
7	4460019	1	Terminal, Ring	
8	4460043	1	Terminal, Ring	
9	4460142	1	Terminal - Ring	
10	4460226	4	Socket	
11	4460259	1	Terminal	
12	4460260	1	Cover, Terminal	
13	4460312	2	Terminal, Ring	
14	4460313	4	Terminal, Ring	
15	4460374	1	Plug	
16	4460375	4	Terminal	
17	4460424	1	Connector	
18	4460457	4	Socket	
19	4460458	6	Seal	
20	4460460	1	Connector	
21	4460465	2	Socket	
23	4460539	1	Connector	
24	4460670	3	Terminal, Ring	
25	4460871	10	Socket	
26	4460887	1	Terminal	
27	4460944	6	Socket	
28	4460979	2	Terminal	
29	4461005	5	Terminal	
30	4461006	5	Seal	
31	4461008	18	Plug, Terminal	
32	4461052	1	Connector	
33	4461053	1	Cover, Plug	
34	4461054	2	Seal	
35	4461060	2	Terminal	
36	4461070	1	Connector	
37	4461095	1	Plug	
38	4461157	1	Connector	

# SECTION 8 - ELECTRICAL

## FIGURE 8-58. ENGINE HARNESS - DEUTZ D2011 ENGINES (CE & UK CA SPECS)



ART\_1001286027



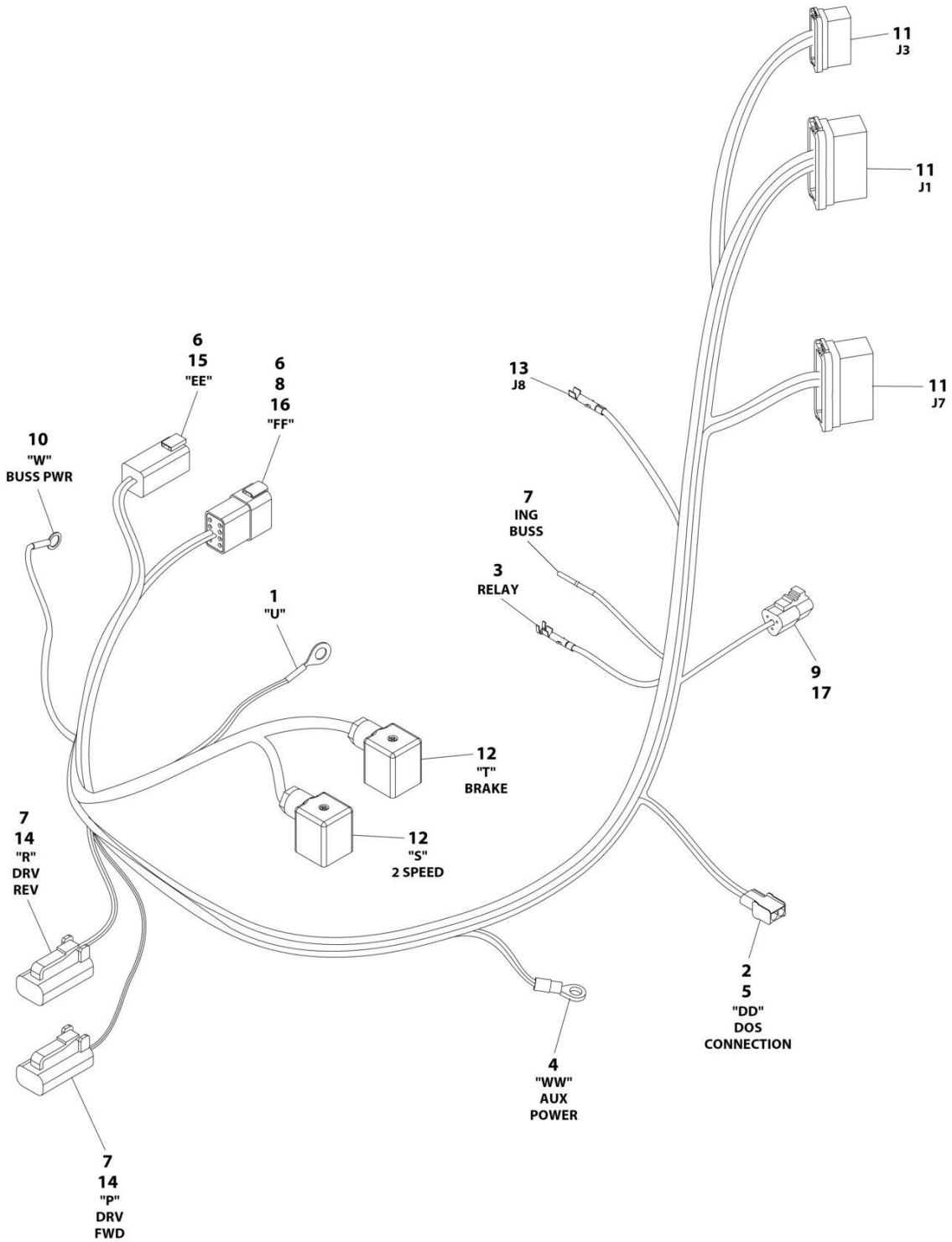
## SECTION 8 - ELECTRICAL

**FIGURE 8-58. ENGINE HARNESS - DEUTZ D2011 ENGINES (CE & UK CA SPECS)**

ITEM	PART NUMBER	QTY	DESCRIPTION	REV
	1001286027	Ref	ENGINE HARNESS - DEUTZ D2011 ENGINES	A
9	4460142	1	Terminal - Ring	
11	4460884	1	Connector	
13	4460979	2	Pin	
14	4461157	1	Connector	
15	1001102291	2	Terminal	
16	1001102304	2	Seal	
17	4460424	1	Connector	
19	4460880	2	Connector	
20	4460312	2	Terminal, Ring	
21	4460313	4	Terminal, Ring	
22	4460019	1	Terminal, Ring	
23	4460043	1	Terminal, Ring	
24	4460539	1	Plug	
25	4460944	3	Socket	
26	4460460	1	Connector	
27	4460457	4	Sleeve	
28	4460458	6	Seal	
29	4460670	3	Terminal, Ring	
31	4460871	9	Socket	
33	4460466	1	Plug, Terminal	
34	1001102290	1	Connector	
35	4460887	1	Terminal	
39	4460465	5	Socket	
40	4460226	4	Socket	
41	4460259	1	Terminal	
42	4460260	1	Cover, Terminal	
43	4460374	1	Plug	
44	4460375	4	Terminal	

# SECTION 8 - ELECTRICAL

## FIGURE 8-59. GROUND CONTROL ENGINE HARNESS - DEUTZ TD2.9L4 (STAGE V) ENGINE



ART\_1001295732

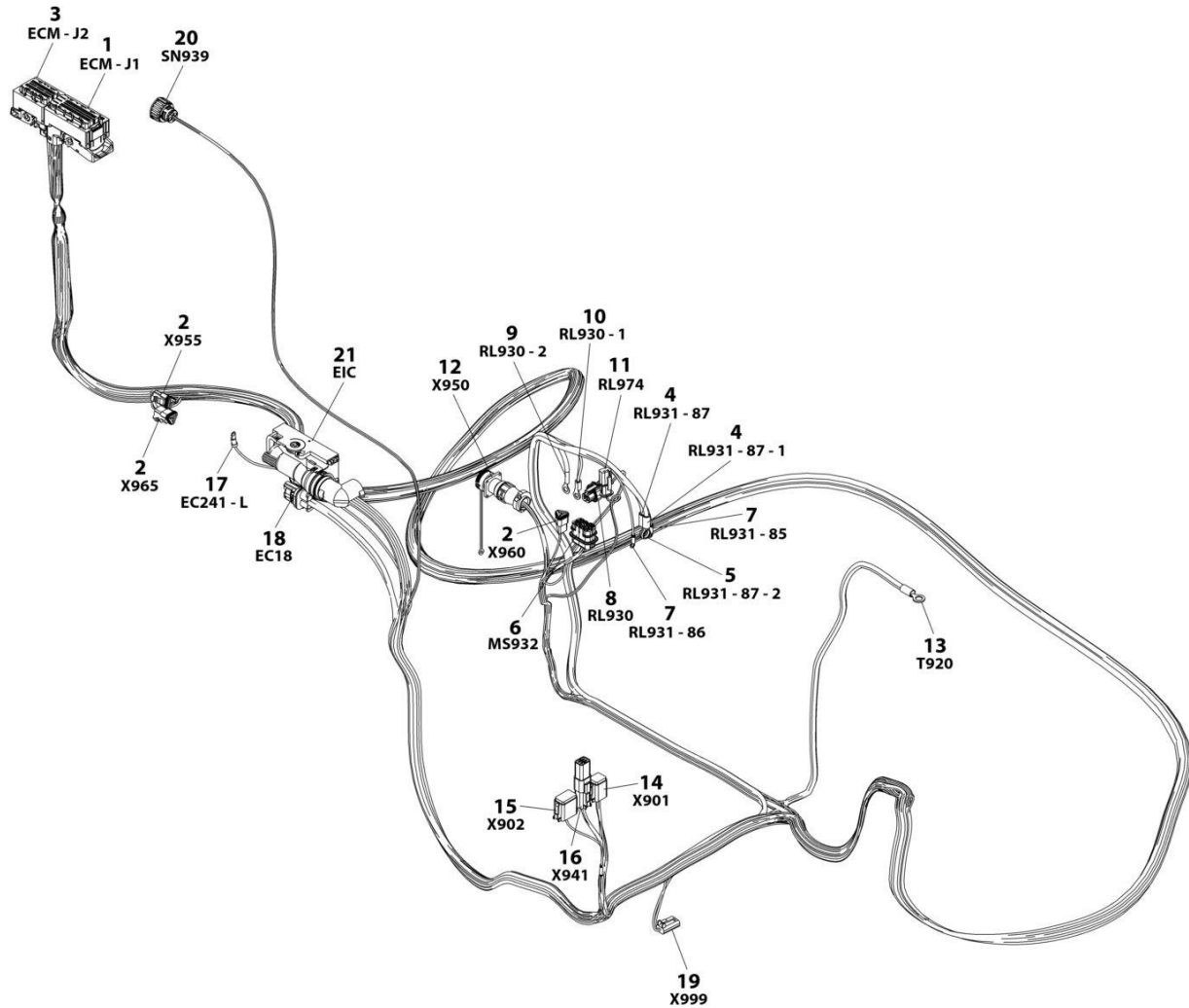
## SECTION 8 - ELECTRICAL

**FIGURE 8-59. GROUND CONTROL ENGINE HARNESS - DEUTZ TD2.9L4 (STAGE V) ENGINE**

ITEM	PART NUMBER	QTY	DESCRIPTION	REV
	1001295732	Ref	GROUND CONTROL ENGINE HARNESS	A
1	4460019	1	Ring, Terminal	
2	4460226	2	Socket	
3	4460268	1	Socket	
4	4460313	1	Ring, Terminal	
5	4460424	1	Connector	
6	4460464	10	Pin	
7	4460465	7	Pin	
8	4460466	4	Plug	
9	4460539	1	Connector	
10	4460738	1	Ring, Terminal	
11	4460871	11	Socket	
12	4460880	2	Connector	
13	4460887	1	Socket	
14	4460891	2	Connector	
15	4460899	1	Connector	
16	4460931	1	Connector	
17	4460944	3	Pin	

# SECTION 8 - ELECTRICAL

## FIGURE 8-60. ENGINE HARNESS - DEUTZ TD2.9L4 ENGINES & CHINA IV ENGINES WITHOUT DIESEL PARTICULATE FILTER



ART\_1001143726

## SECTION 8 - ELECTRICAL

**FIGURE 8-60. ENGINE HARNESS - DEUTZ TD2.9L4 ENGINES & CHINA IV ENGINES WITHOUT DIESEL PARTICULATE FILTER**

ITEM	PART NUMBER	QTY	DESCRIPTION	REV
	1001143726	Ref	ENGINE HARNESS	L
1	1001133956	1	Connector - 94 Position	
1	1001126351	2	Terminal	
1	1001126352	6	Terminal	
1	1001126384	21	Terminal	
1	1001126357	2	Plug, Terminal	
1	1001126356	63	Plug, Terminal	
2	4461095	3	Plug, Male - 3 Position	
2	4460944	6	Socket, Female	
2	4460466	3	Plug, Terminal	
3	1001133957	1	Connector - 60 Position	
3	1001126351	13	Terminal	
3	1001126384	17	Terminal	
3	1001126357	11	Plug, Terminal	
3	1001126356	19	Plug, Terminal	
4	1001117107	2	Terminal, Ring	
5	4460703	1	Terminal, Ring	
6	80484084	1	Plug, Male - 8 Position	
6	8229242	1	Fuse - 5Amp	
6	80983191	1	Fuse - 10Amp	
6	1001116728	4	Socket, Female	
6	1001116727	4	Plug, Terminal	
6	4460458	4	Seal, Terminal	
6	1001147264	1	Cap	
7	4460247	2	Terminal, Ring	
8	1001116952	1	Plug, Male - 2 Position	
8	4460465	2	Socket, Female	
9	1001117106	1	Terminal, Ring	
10	4460043	1	Terminal, Ring	
11	1001138110	1	Connector - 2 Position	
11	1001138111	2	Terminal	
11	1001138113	2	Seal	
12	2902443	1	Receptacle Kit	
12	4461073	1	Cap, Dust	
12	4461071	6	Terminal	
13	8220115	1	Terminal, Ring	
14	4460894	1	Plug, Male - 6 Position	
14	4460465	3	Socket, Female	
14	4460944	2	Socket, Female	
14	4460466	1	Plug, Terminal	
15	4460930	1	Plug, Male - 8 Position	
15	4460465	1	Socket, Female	
15	4460466	7	Plug, Terminal	
16	1001220379	1	Plug, Male - 4 Position	
16	4460465	2	Socket, Female	
16	4460942	2	Socket, Female	
16	4460932	1	Receptacle, Bussbar - 4 Position	
17	4460042	1	Terminal, Ring	
18	1001142938	1	Plug, Male - 2 Position	

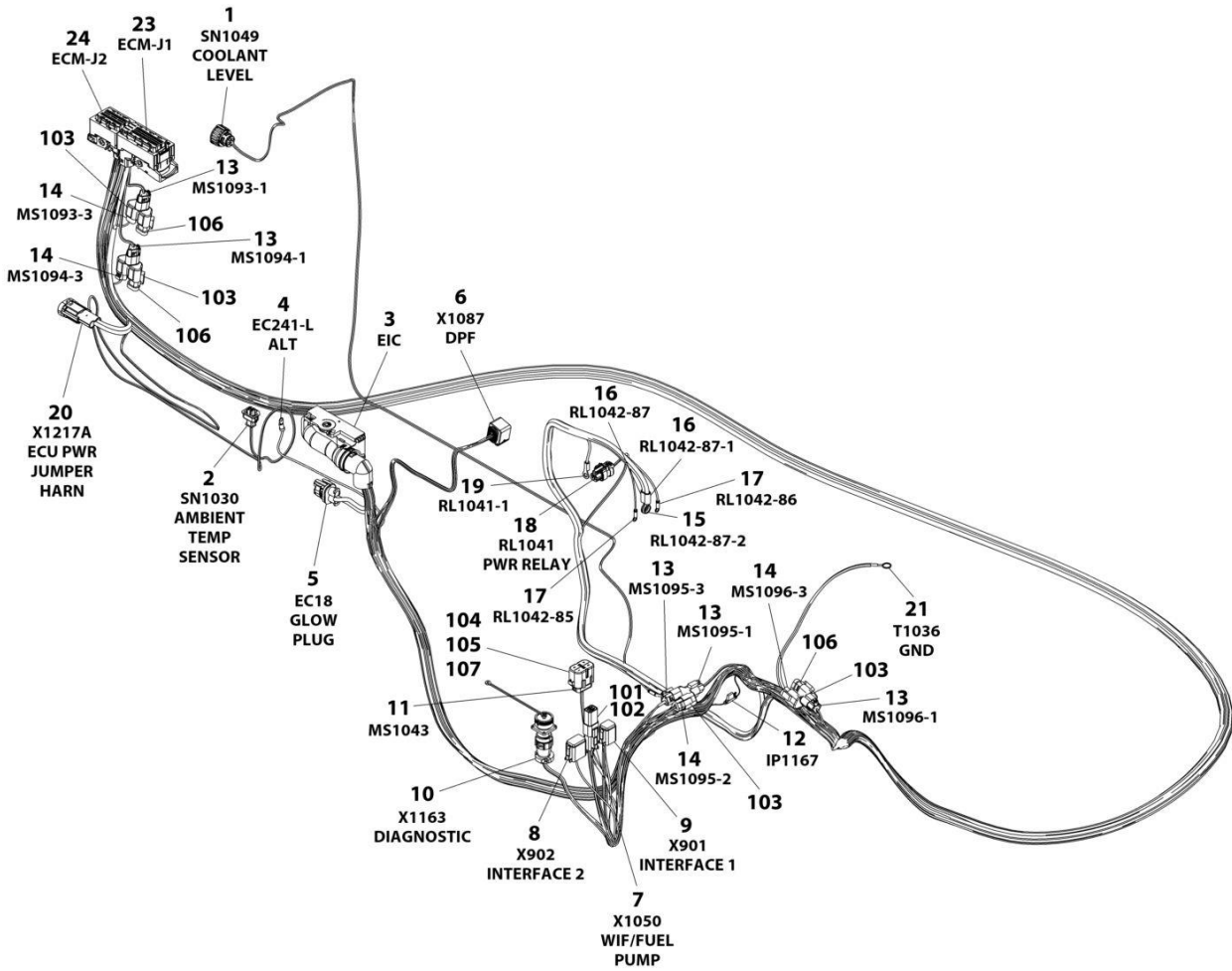
## SECTION 8 - ELECTRICAL

ITEM	PART NUMBER	QTY	DESCRIPTION	REV
18	1001142940	2	Terminal	
18	1001142941	2	Seal	
19	4460891	1	Plug, Male - 4 Position	
19	4460465	2	Socket, Female	
19	1001171403	1	Resistor Assembly	
19	4460897	1	Receptacle, Female - 4 Position	
20	1001133714	1	Connector - 4 Position	
20	1001133715	3	Terminal	
20	1001135650	3	Seal, Terminal	
20	1001135651	1	Plug, Terminal	
21	1001126362	1	Connector - 62 Position	
21	1001126363	23	Terminal	
21	1001126392	10	Terminal	
21	1001126365	2	Terminal	
21	1001126391	23	Plug, Terminal	
21	4461008	4	Plug, Terminal	
21	1001256506	2	Seal, Terminal	
21	1001126364	21	Seal, Terminal	
21	1001223459	10	Seal, Terminal	
21	4461008	4	Plug, Terminal	
21	1001151856	1	Elbow	



# SECTION 8 - ELECTRICAL

## FIGURE 8-61. ENGINE HARNESS - DEUTZ TD2.9L4 (STAGE V & CHINA IV) ENGINES WITH DIESEL PARTICULATE FILTER



ART\_1001276644



## SECTION 8 - ELECTRICAL

**FIGURE 8-61. ENGINE HARNESS - DEUTZ TD2.9L4 (STAGE V & CHINA IV) ENGINES WITH DIESEL PARTICULATE FILTER**

ITEM	PART NUMBER	QTY	DESCRIPTION	REV
	1001276644	Ref	Engine Harness - Deutz Engines	B
1	1001133714	1	Connector	
1	1001133715	3	Terminal	
1	1001135650	3	Seal, Terminal	
1	1001135651	1	Plug, Terminal	
2	1001126487	1	Connector	
2	1001167635	2	Terminal	
2	1001126485	2	Seal, Terminal	
3	1001126362	1	Connector	
3	1001126363	37	Terminal	
3	1001126392	12	Terminal	
3	1001126391	7	Plug, Terminal	
3	4461008	4	Plug, Terminal	
3	1001167632	2	Terminal	
3	1001126364	37	Seal, Terminal	
3	1001223459	12	Seal, Terminal	
3	4461054	2	Seal, Terminal	
4	4460042	1	Terminal, Ring	
5	1001142938	1	Plug	
5	1001142940	2	Terminal	
5	1001142941	2	Seal	
6	1001239202	1	Connector	
6	1001126363	7	Terminal	
6	1001126391	1	Plug, Terminal	
6	1001126364	7	Seal, Terminal	
7	4460884	1	Connector	
7	4460465	2	Socket	
7	4460942	2	Socket	
8	4460930	1	Plug	
8	4460465	1	Socket	
8	4460466	7	Plug, Terminal	
9	4460894	1	Plug	
9	4460465	2	Socket	
9	4460944	2	Socket	
9	4460466	2	Plug, Terminal	
10	2902443	1	Receptacle Kit	
10	4461073	1	Cap, Dust	
10	4461071	6	Terminal	
11	80484084	1	Plug	
11	4460748	4	Seal, Terminal	
11	4460746	3	Terminal	
11	1001234800	1	Terminal	
11	4460458	4	Seal, Terminal	
12	1001170764	1	Fuse Holder, Includes Resistor	
12	1001197719	1	Resistor 0.5W	
13	1001116812	5	Plug	
13	4460944	10	Socket	
13	4460466	5	Plug, Terminal	
14	4460539	4	Connector	

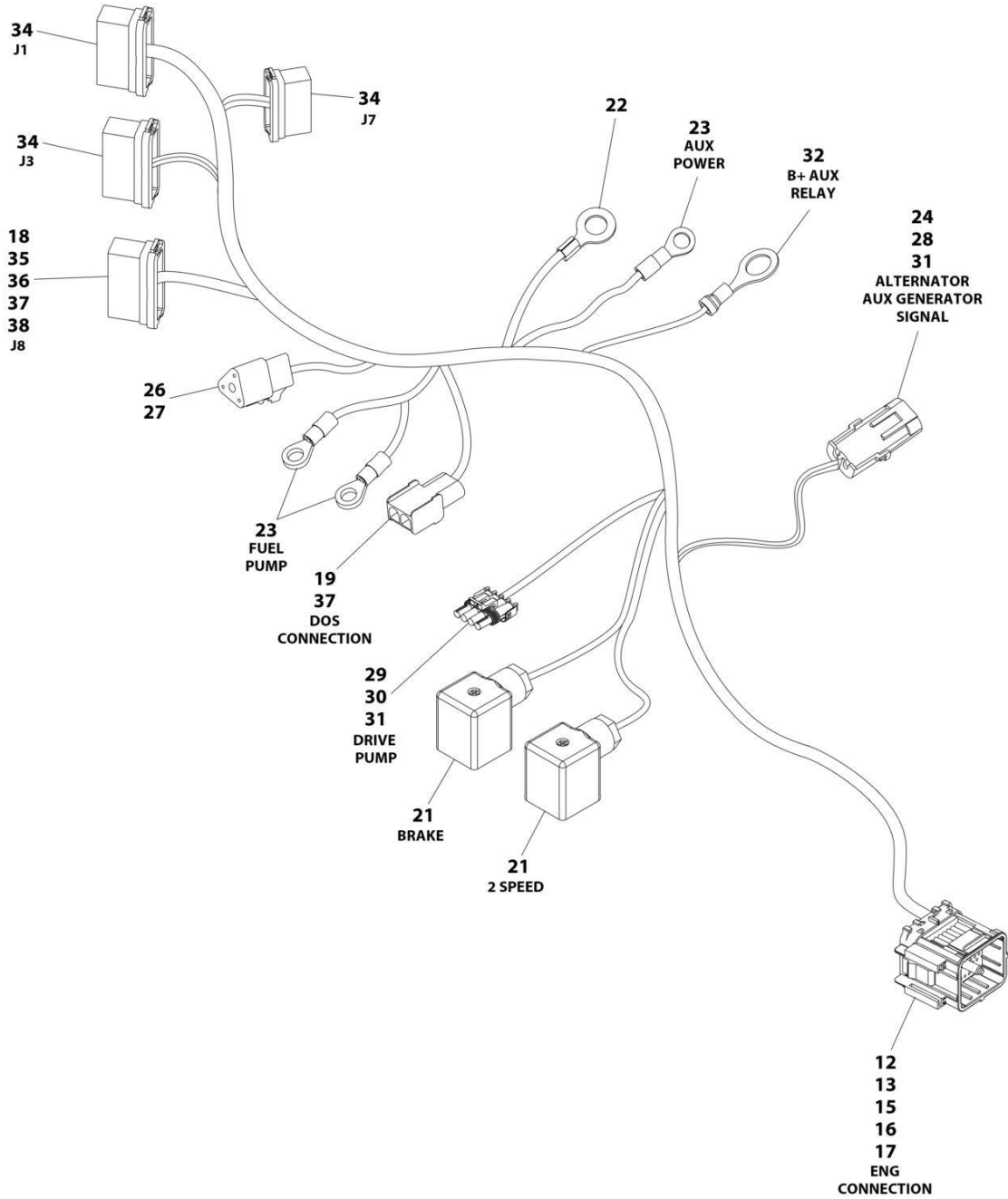
## SECTION 8 - ELECTRICAL

ITEM	PART NUMBER	QTY	DESCRIPTION	REV
14	4460944	8	Socket	
14	4460466	4	Plug, Terminal	
15	4460703	1	Terminal, Ring	
16	1001117107	2	Terminal, Ring	
17	4460247	2	Terminal, Ring	
18	1001116952	1	Plug	
18	4460465	2	Socket	
19	4460043	1	Terminal, Ring	
20	1001289552	1	Connector	
20	1001289553	2	Socket	
20	1001142941	2	Seal	
21	4460019	1	Terminal, Ring	
23	1001133956	1	Connector	
23	1001126351	3	Terminal	
23	1001182361	6	Terminal	
23	1001230934	25	Terminal	
23	1001230935	55	Plug, Terminal	
23	1001252527	4	Terminal	
23	1001230936	1	Plug, Terminal	
23	1001182365	6	Seal, Terminal	
24	1001133957	1	Connector	
24	1001126351	13	Terminal	
24	1001230935	10	Plug, Terminal	
24	1001230934	26	Terminal	
24	1001230936	11	Plug, Terminal	
101	4460466	4	Seal, Terminal	
102	4460932	1	Connector	
103	4460945	4	Receptacle	
104	8229242	1	Fuse - 5Amp	
105	80983191	1	Fuse - 10Amp	
106	1001116815	3	Connector	
107	1001147264	1	Cap	



# SECTION 8 - ELECTRICAL

## FIGURE 8-62. ENGINE HARNESS - FORD DF 2.5L ENGINES



ART\_1001286028

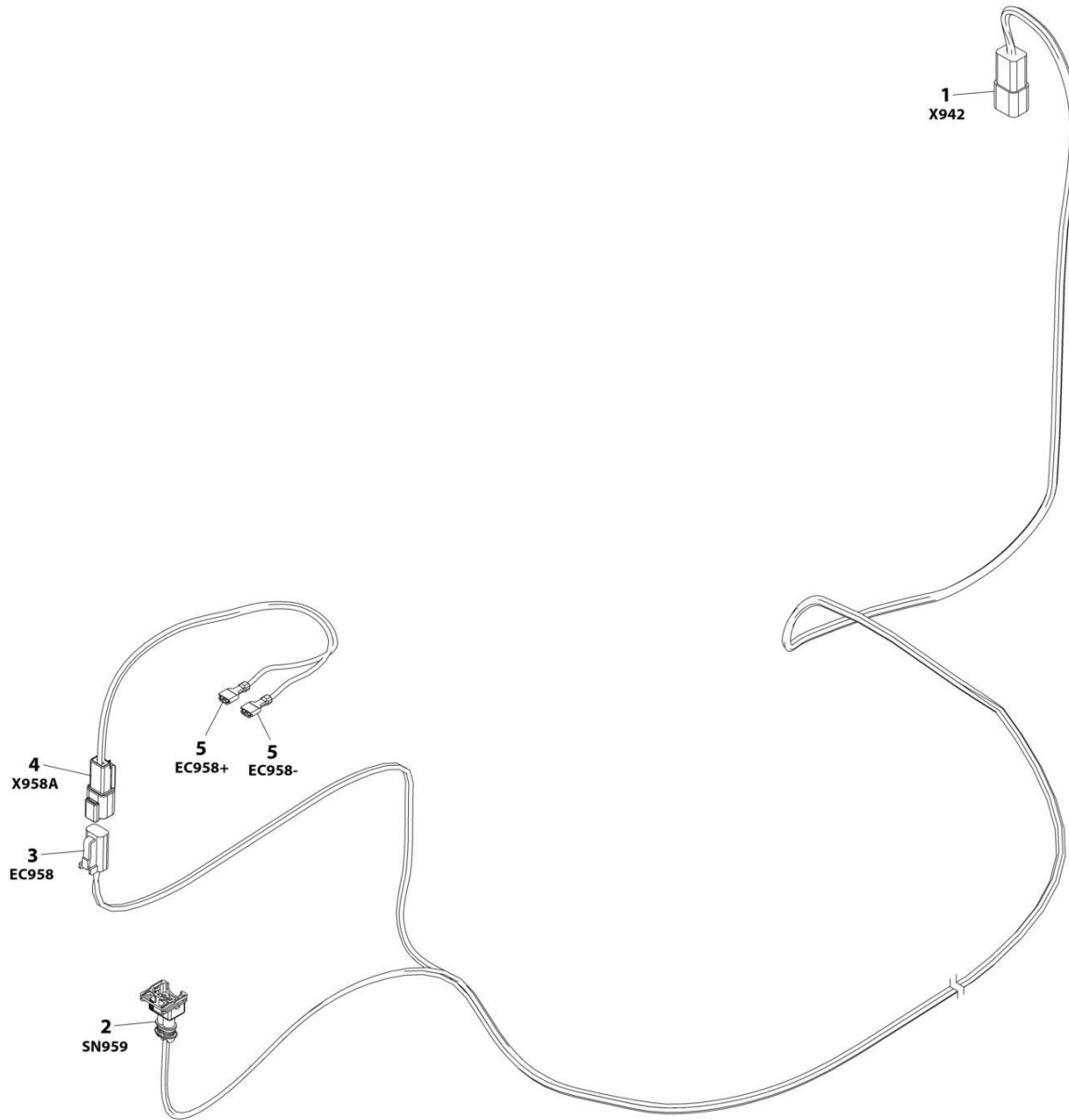
## SECTION 8 - ELECTRICAL

**FIGURE 8-62. ENGINE HARNESS - FORD DF 2.5L ENGINES**

ITEM	PART NUMBER	QTY	DESCRIPTION	REV
	1001286028	Ref	ENGINE HARNESS - FORD DF 2.5L ENGINES	B
12	1001216213	3	Plug, Terminal	
13	1001216212	1	Terminal	
15	1001215534	33	Plug, Terminal	
16	1001215091	5	Terminal	
17	1001215016	1	Connector	
18	4460260	1	Cover, Terminal	
19	4460424	1	Connector	
21	4460880	2	Connector	
22	4460312	1	Terminal, Ring	
23	4460313	3	Terminal, Ring	
24	4460979	2	Pin	
26	4460539	1	Connector	
27	4460944	3	Socket	
28	4461157	1	Connector	
29	4460460	1	Connector	
30	4460457	4	Terminal	
31	4460458	6	Seal	
32	4460738	1	Terminal, Ring	
34	4460871	9	Socket	
35	4460259	1	Terminal	
36	4460887	1	Terminal	
37	4460226	3	Socket	
38	4460465	2	Socket	

# SECTION 8 - ELECTRICAL

## FIGURE 8-63. FUEL PUMP HARNESS - DEUTZ TD2.9L4 ENGINES



ART\_1001138491

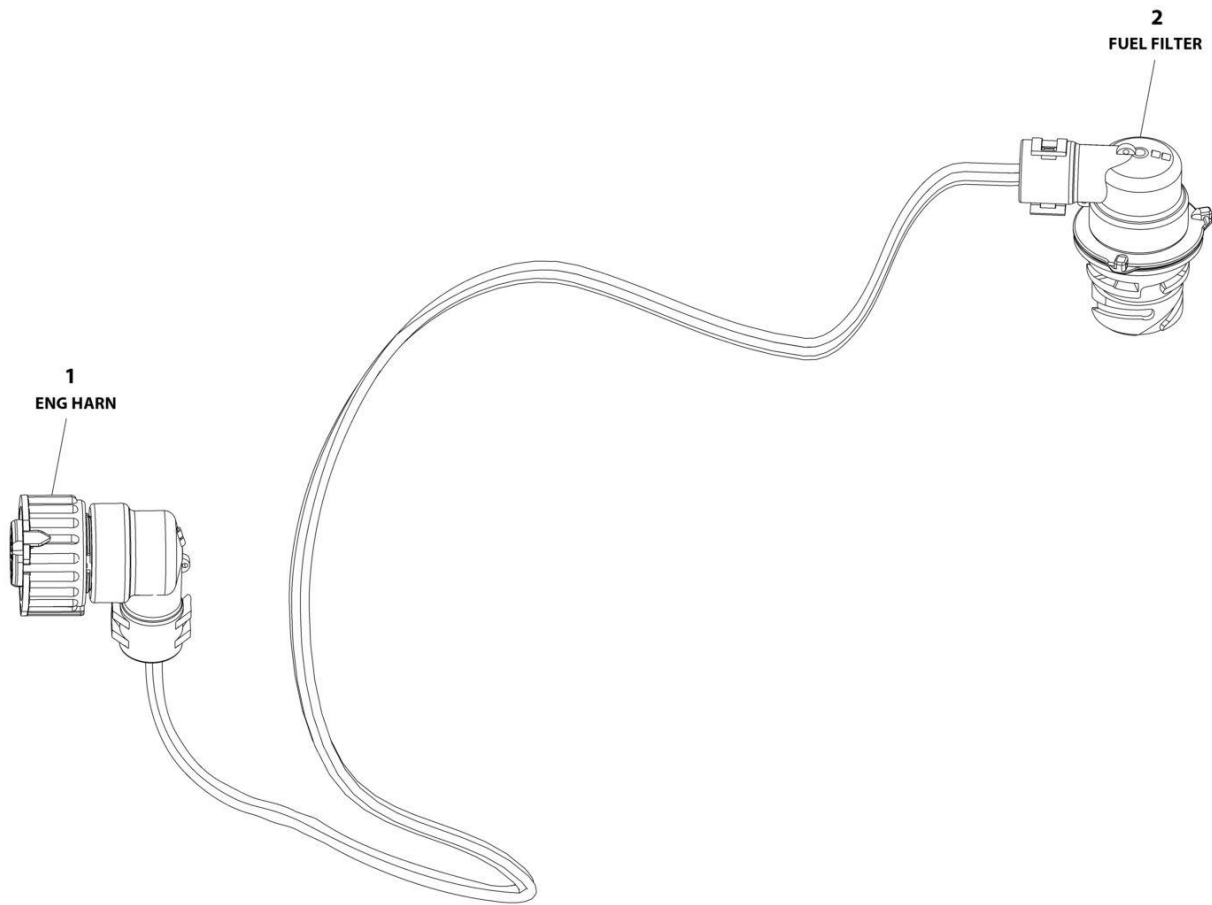
## SECTION 8 - ELECTRICAL

### FIGURE 8-63. FUEL PUMP HARNESS - DEUTZ TD2.9L4 ENGINES

ITEM	PART NUMBER	QTY	DESCRIPTION	REV
	1001138491	Ref	FUEL PUMP HARNESS	D
1	4460932	1	Receptacle, Female - 4 Position	
1	4460941	2	Pin, Male	
1	4460464	2	Pin, Male	
2	1001116983	1	Plug, Male - 2 Position	
2	1001116710	2	Socket, Female	
2	4461054	2	Seal	
3	4460891	1	Plug, Male - 2 Position	
3	4460942	2	Socket, Female	
4	4460897	1	Connector - 2 Position	
4	4460941	2	Pin, Male	
5	8220051	2	Terminal, Ring	

# SECTION 8 - ELECTRICAL

## FIGURE 8-64. FUEL HARNESS - DEUTZ TD2.9L4 (STAGE V) ENGINE



ART\_1001245913



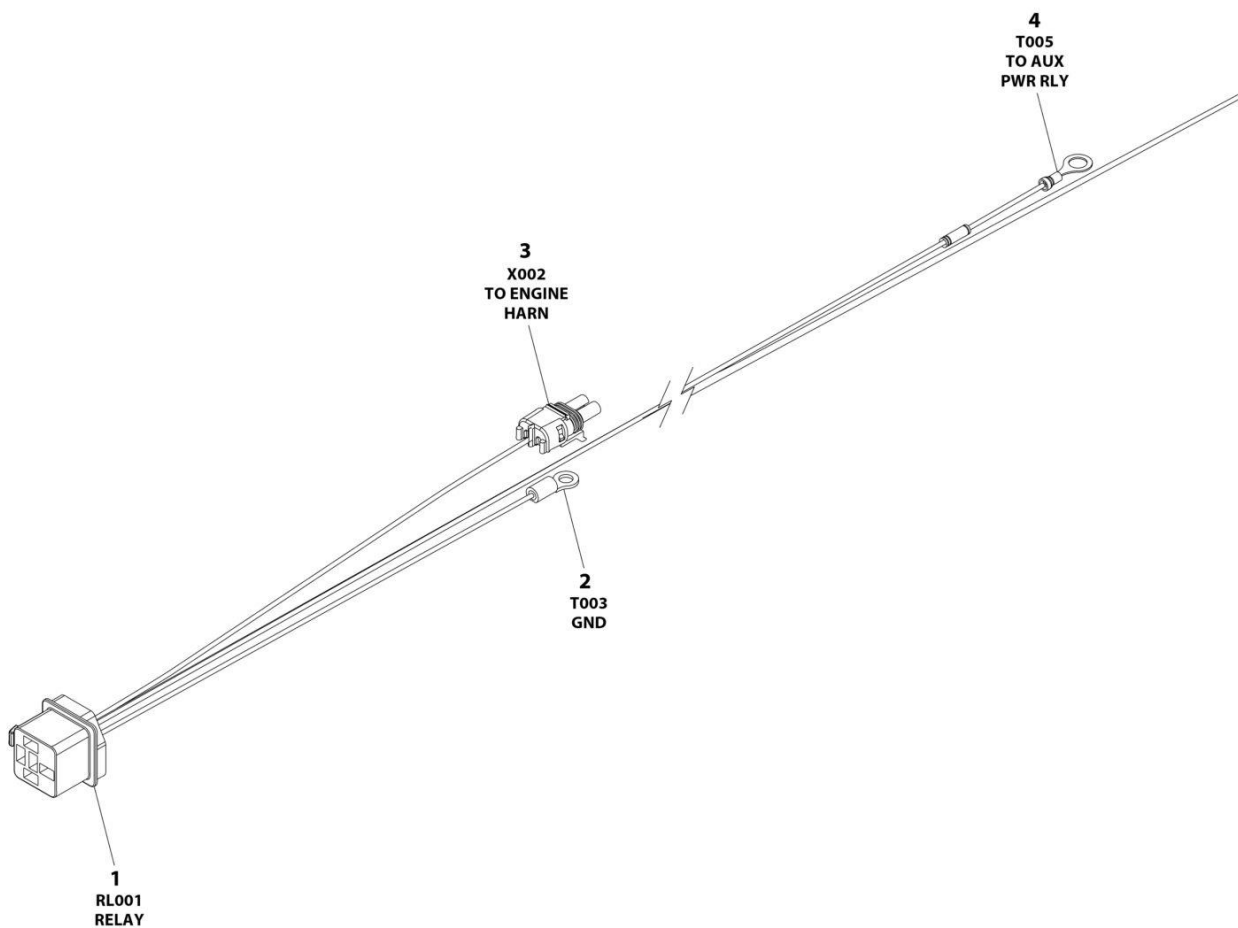
## SECTION 8 - ELECTRICAL

**FIGURE 8-64. FUEL HARNESS - DEUTZ TD2.9L4 (STAGE V) ENGINE**

ITEM	PART NUMBER	QTY	DESCRIPTION	REV
	1001245913	Ref	FUEL HARNESS - DEUTZ (STAGE V) ENGINE	D
1	1001148842	1	Connector - 4 Position	
1	1001148841	4	Pin, Male	
1	1001135650	4	Seal	
2	1001133714	1	Plug, Male - 4 Position	
2	1001133715	4	Socket, Female	
2	1001135650	4	Seal	

# SECTION 8 - ELECTRICAL

## FIGURE 8-65. GENERATOR TO ENGINE HARNESS - 2500W (FORD ENGINES)



ART\_4923445

## SECTION 8 - ELECTRICAL

**FIGURE 8-65. GENERATOR TO ENGINE HARNESS - 2500W (FORD ENGINES)**

ITEM	PART NUMBER	QTY	DESCRIPTION	REV
	4923445	Ref	GENERATOR TO ENGINE HARNESS	B
1	4460374	1	Plug, Sealed Relay	
1	1001116734	2	Socket, Female	
1	1001116733	2	Socket, Female	
2	4460043	1	Terminal, Ring	
3	4460742	1	Plug, Male - 2 Position	
3	4460457	1	Socket, Female	
3	4460458	1	Seal, Terminal	
3	1001116727	1	Plug, Terminal	
4	4460670	1	Terminal, Ring	

# SECTION 8 - ELECTRICAL

FIGURE 8-66. GENERATOR TO ENGINE HARNESS - 4000W/50HZ (DEUTZ D2011 ENGINES)



ART\_1001153197

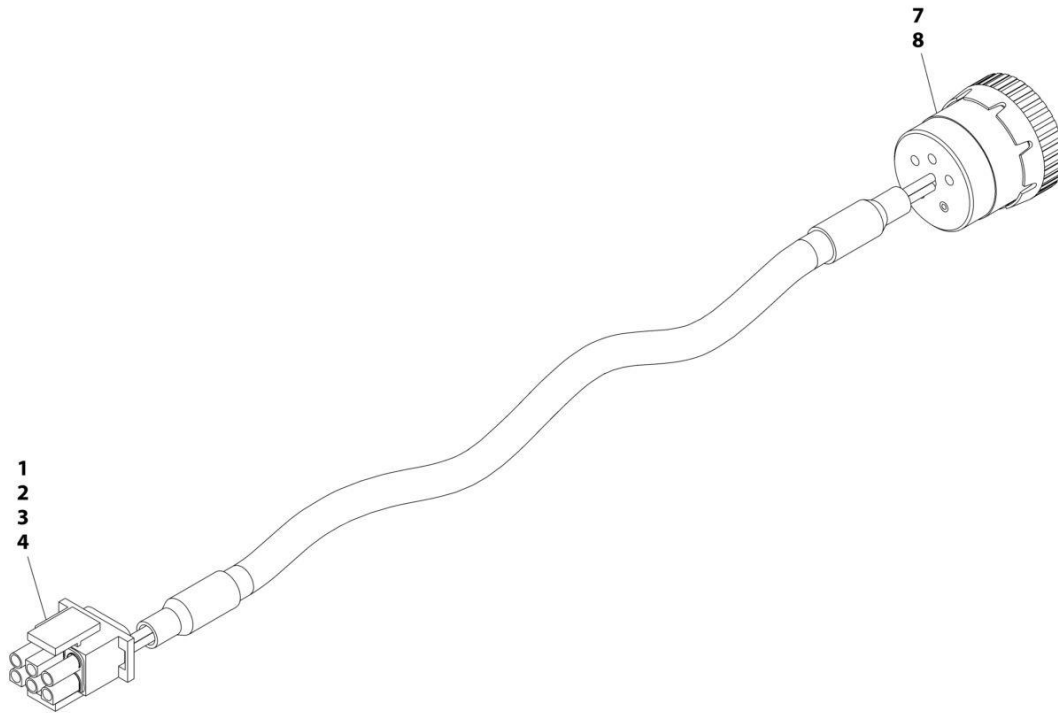
## SECTION 8 - ELECTRICAL

**FIGURE 8-66. GENERATOR TO ENGINE HARNESS - 4000W/50HZ (DEUTZ D2011 ENGINES)**

ITEM	PART NUMBER	QTY	DESCRIPTION	REV
	1001153197	Ref	GENERATOR TO ENGINE HARNESS	B
1	4460967	1	Plug, Male - 3 Position	
1	4460465	2	Socket, Female	
2	4460043	1	Terminal, Ring	
3	4460742	1	Plug, Male - 2 Position	
3	4460743	1	Socket, Female	
3	4460458	1	Seal, Terminal	
3	1001116727	1	Plug, Terminal	

## SECTION 8 - ELECTRICAL

FIGURE 8-67. GENERATOR TO ENGINE HARNESS - 4000W/60HZ (DEUTZ ENGINES)



ART\_1001152532

## SECTION 8 - ELECTRICAL

**FIGURE 8-67. GENERATOR TO ENGINE HARNESS - 4000W/60HZ (DEUTZ ENGINES)**

ITEM	PART NUMBER	QTY	DESCRIPTION	REV
	1001152532	Ref	GENERATOR HARNESS	A
1	4460225	1	Connector - 6 Position	
2	4460268	2	Socket, Female	
3	4460807	1	Seal	
4	4460808	1	Seal	
7	4460465	2	Socket, Female	
8	77363233	1	Connector - 6 Position	

# SECTION 8 - ELECTRICAL

FIGURE 8-68. GENERATOR TO ENGINE HARNESS - 4000W/50HZ (DEUTZ TD2.9L4 ENGINES)



ART\_1001153259



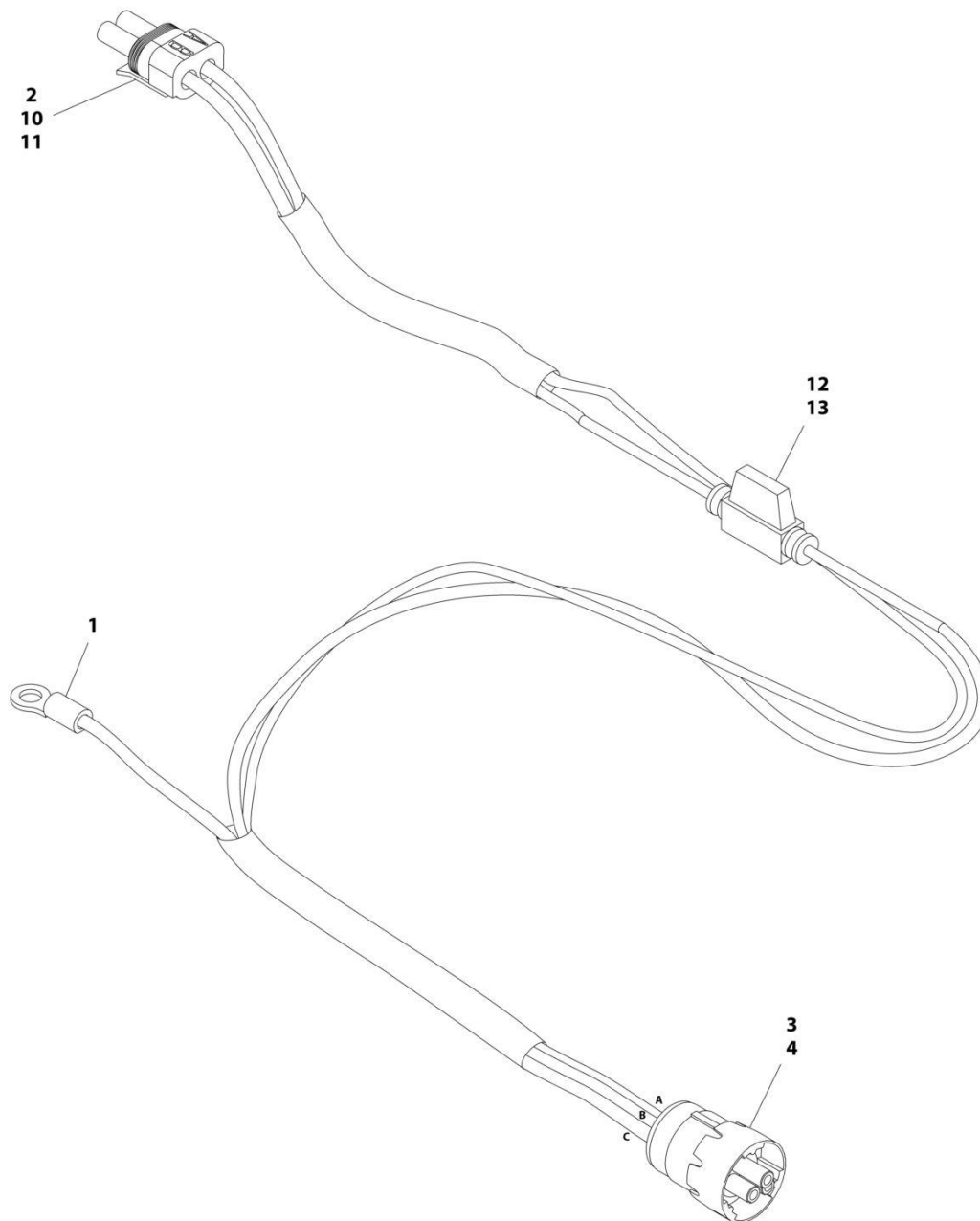
## SECTION 8 - ELECTRICAL

**FIGURE 8-68. GENERATOR TO ENGINE HARNESS - 4000W/50HZ (DEUTZ TD2.9L4 ENGINES)**

ITEM	PART NUMBER	QTY	DESCRIPTION	REV
	1001153259	Ref	GENERATOR TO PLATFORM HARNESS (4000W-60HZ GENERATOR)	B
1	4460967	1	Connector - 3 Position	
1	4460465	2	Socket, Female	
2	4460465	2	Socket, Female	

# SECTION 8 - ELECTRICAL

FIGURE 8-69. GENERATOR TO ENGINE HARNESS - 7500W SKYPOWER GENERATOR (DEUTZ D2011 ENGINES)



ART\_1001152429

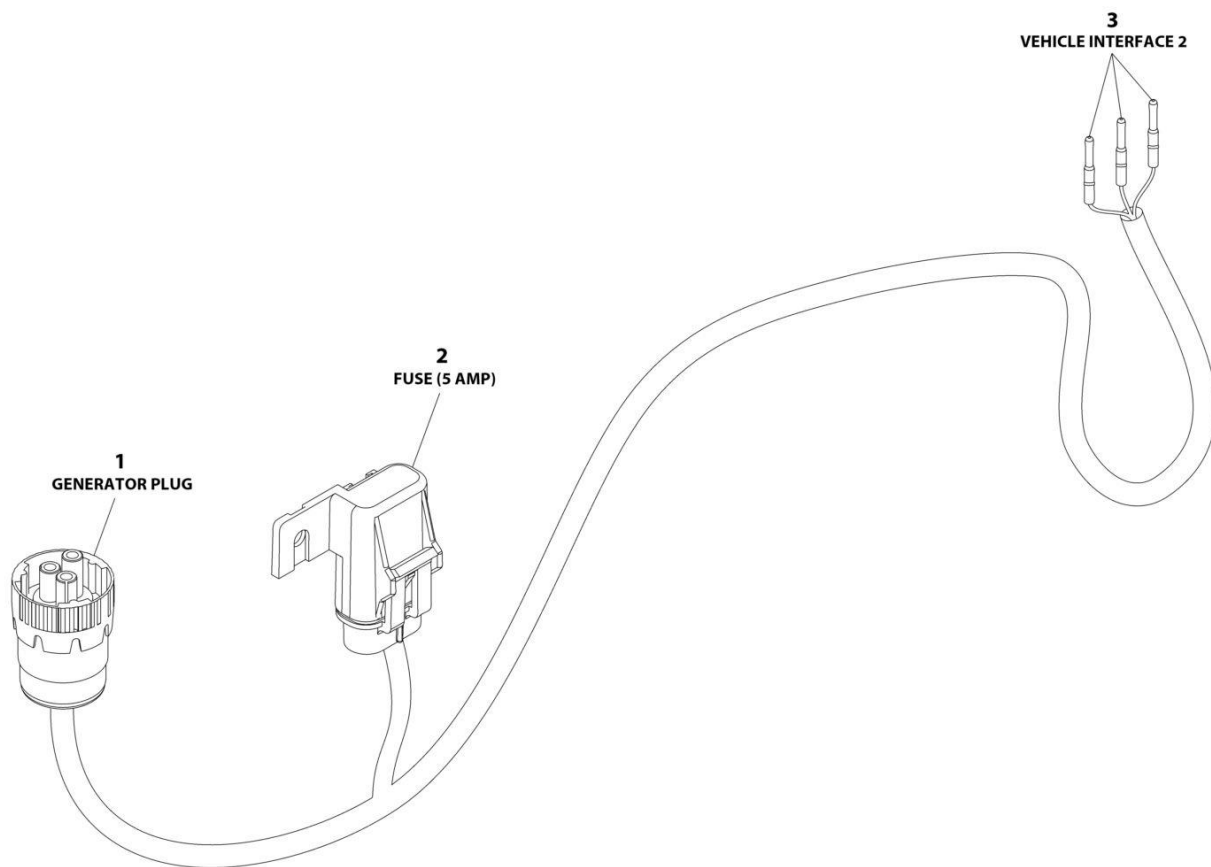
## SECTION 8 - ELECTRICAL

**FIGURE 8-69. GENERATOR TO ENGINE HARNESS - 7500W SKYPOWER GENERATOR (DEUTZ D2011 ENGINES)**

ITEM	PART NUMBER	QTY	DESCRIPTION	REV
	1001152429	Ref	GENERATOR TO ENGINE HARNESS	C
1	4460043	1	Terminal, Ring	
2	4460742	1	Plug, Male - 2 Position	
3	4460967	1	Connector - 3 Position	
4	4460465	3	Socket, Female	
10	4460743	2	Terminal, Female	
11	4460458	2	Seal	
12	2400060	1	Fuseholder (Includes Cover)	
13	2400064	1	Fuse - 5Amp	

## SECTION 8 - ELECTRICAL

FIGURE 8-70. GENERATOR HARNESS - 7500W SKYPOWER (DEUTZ TD2.9L4 T4F ENGINES)



ART\_1001119968

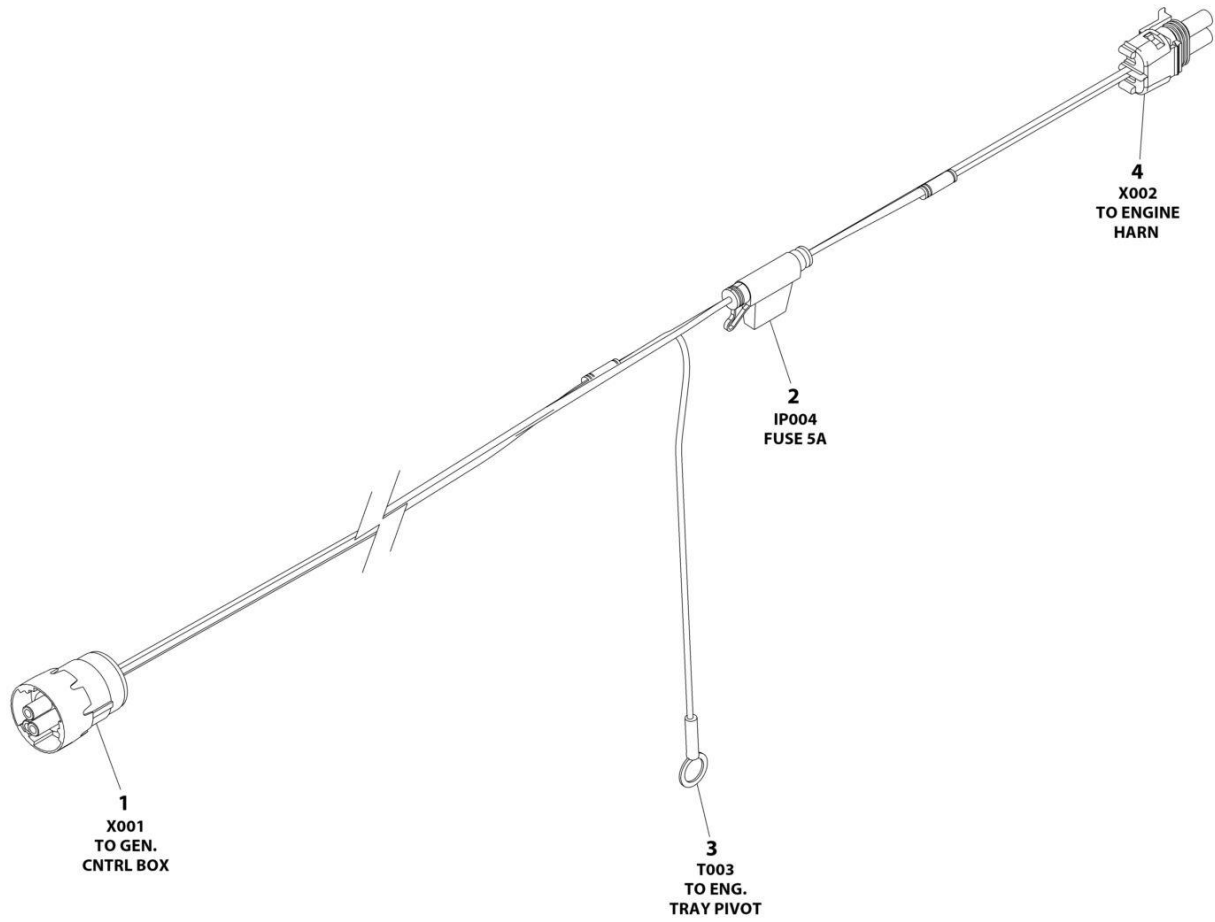
## SECTION 8 - ELECTRICAL

**FIGURE 8-70. GENERATOR HARNESS - 7500W SKYPOWER (DEUTZ TD2.9L4 T4F ENGINES)**

ITEM	PART NUMBER	QTY	DESCRIPTION	REV
	1001119968	Ref	GENERATOR HARNESS - 7500W GENERATOR	C
1	4460967	1	Connector - 3 Position	
1	4460465	3	Socket, Female	
2	1001117078	1	Connector, Metri-Pack with 5Amp Fuse	
3	4460465	3	Socket, Female	

# SECTION 8 - ELECTRICAL

FIGURE 8-71. GENERATOR TO ENGINE HARNESS - 7500W SKYPOWER (FORD DF 2.5L ENGINES)



ART\_1001257972

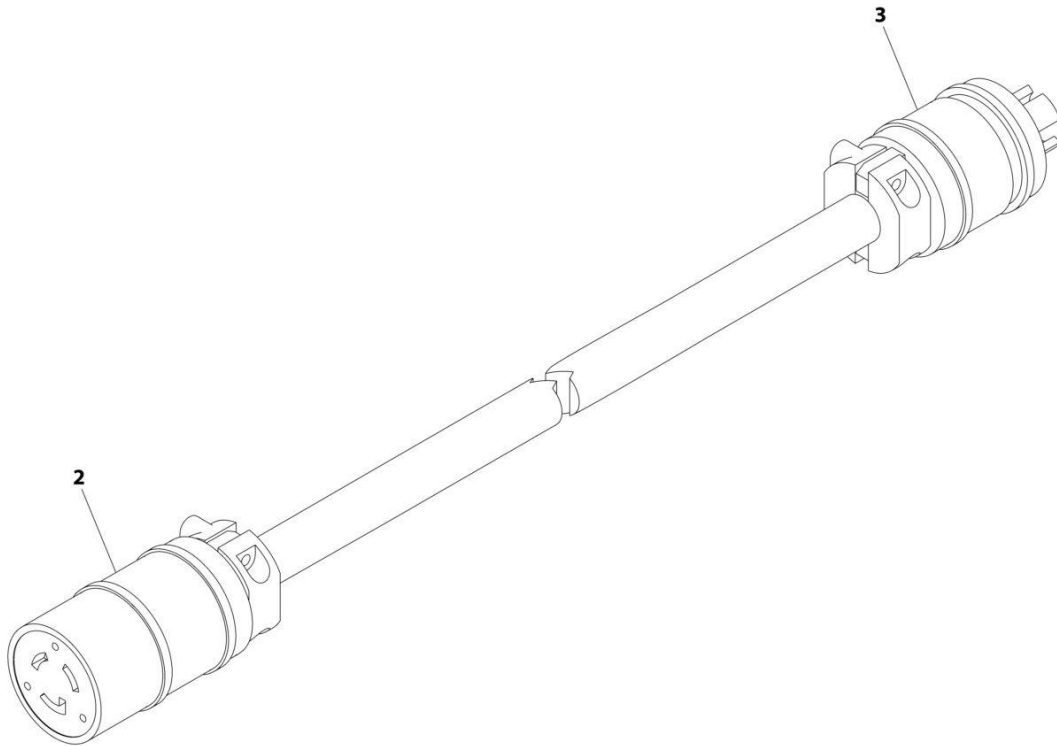
## SECTION 8 - ELECTRICAL

**FIGURE 8-71. GENERATOR TO ENGINE HARNESS - 7500W SKYPOWER (FORD DF 2.5L ENGINES)**

ITEM	PART NUMBER	QTY	DESCRIPTION	REV
	1001257972	Ref	GENERATOR TO ENGINE HARNESS	A
1	4460967	1	Plug, Male - 3 Position	
1	4460465	3	Socket, Female	
2	2400060	1	Fuse-holder (Includes Cover)	
2	2400064	1	Fuse - 5Amp	
3	4460256	1	Terminal, Ring	
4	4460742	1	Plug, Male - 2 Position	
4	4460457	2	Socket, Female	
4	4460458	2	Seal, Terminal	

## SECTION 8 - ELECTRICAL

FIGURE 8-72. GENERATOR TO REAR OF BOOM HARNESS - 110V



ART\_4922741



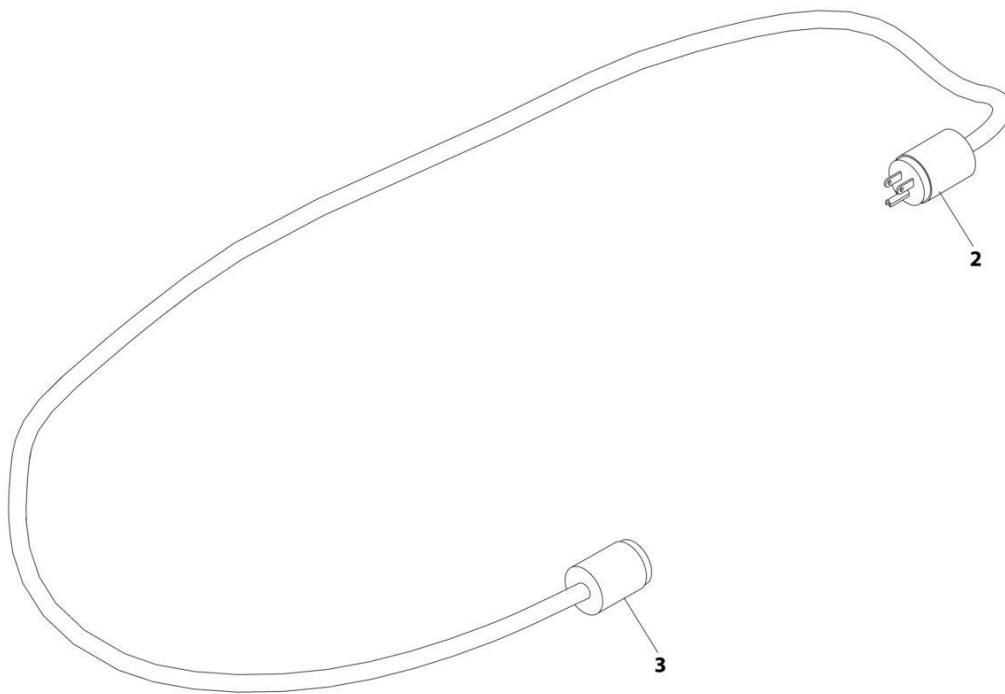
## SECTION 8 - ELECTRICAL

FIGURE 8-72. GENERATOR TO REAR OF BOOM HARNESS - 110V

ITEM	PART NUMBER	QTY	DESCRIPTION	REV
	4922741	Ref	GENERATOR TO REAR OF BOOM HARNESS - 110V	A
2	4460134	1	Connector, Female	
3	4460205	1	Plug, Male	

# SECTION 8 - ELECTRICAL

FIGURE 8-73. GENERATOR TO REAR OF BOOM HARNESS - 220V



ART\_4921955

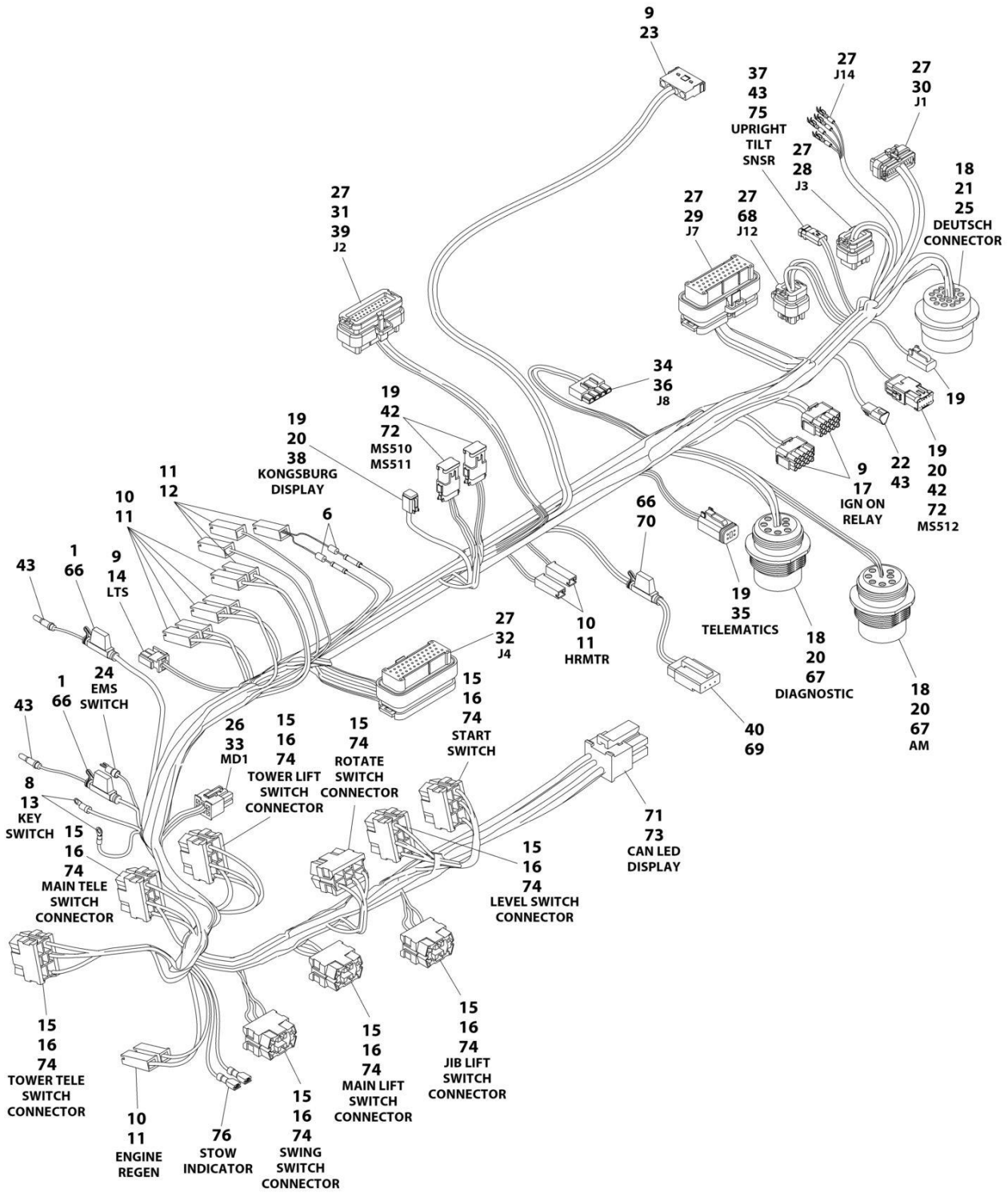
## SECTION 8 - ELECTRICAL

**FIGURE 8-73. GENERATOR TO REAR OF BOOM HARNESS - 220V**

ITEM	PART NUMBER	QTY	DESCRIPTION	REV
	4921955	Ref	GENERATOR TO REAR OF BOOM HARNESS - 220V	A
2	4460233	1	Terminal, Plug	
3	4460701	1	Terminal, Connector	

# SECTION 8 - ELECTRICAL

FIGURE 8-74. GROUND CONTROL BOX HARNESS (ANSI EXPORT (LRC) UK CA (LRC) & AUSTRALIAN SPECS)



ART\_1001285346

## SECTION 8 - ELECTRICAL

**FIGURE 8-74. GROUND CONTROL BOX HARNESS (ANSI EXPORT (LRC) UK CA (LRC) & AUSTRALIAN SPECS)**

ITEM	PART NUMBER	QTY	DESCRIPTION	REV
	1001285346	Ref	GROUND CONTROL BOX HARNESS	C
1	2400060	2	Fuse Holder	
6	3990010	2	Diode, 6 Amp	
8	4460142	4	Terminal, Ring	
9	4460227	36	Pin	
10	4460259	11	Socket	
11	4460260	15	Housing, Terminal	
12	4460297	4	Socket	
13	4460313	3	Terminal, Ring	
14	4460320	1	Connector	
15	4460418	9	Connector, Switch	
16	4460419	8	Socket	
17	4460434	2	Connector	
18	4460464	27	Terminal	
19	4460465	45	Terminal	
20	4460466	9	Plug, Terminal	
21	4460508	4	Pin	
22	4460536	1	Connector	
23	4460761	1	Connector	
24	4460806	5	Terminal, Fork	
25	4460866	1	Terminal	
26	4460868	1	Connector	
27	4460871	88	Socket	
28	4460872	1	Connector	
29	4460873	1	Connector	
30	4460874	1	Connector	
31	4460875	1	Connector	
32	4460876	1	Connector	
33	4460877	4	Socket	
34	4460878	1	Housing, Terminal	
35	4460884	1	Connector	
36	4460887	3	Socket	
37	1001229530	1	Connector	
38	4460894	1	Plug	
39	4460905	2	Seal	
40	4460911	1	Plug, Terminal	
42	4460933	3	Connector	
43	4460943	8	Terminal	
66	8229242	3	Fuse 5 Amp	
67	1001112612	2	Connector	
67	1001249095	2	Connector	
68	1001113961	1	Plug	
69	1001116694	3	Terminal	
70	1001255901	1	Fuse Holder	
71	1001237668	5	Socket	
72	1001119020	3	Connector	
73	1001237667	1	Connector	
74	1001159186	18	Socket	
75	1001200497	1	Connector	

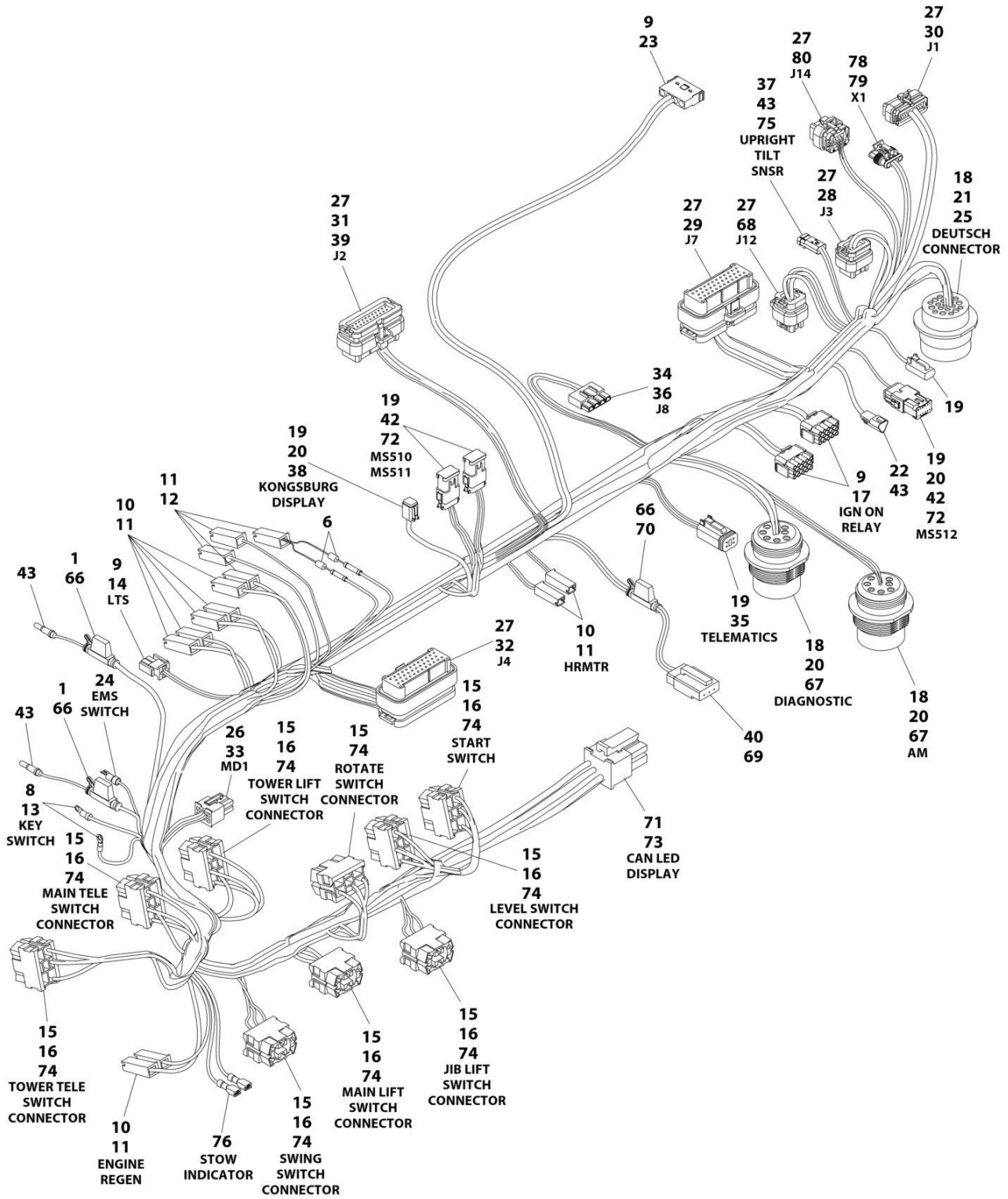
## SECTION 8 - ELECTRICAL

ITEM	PART NUMBER	QTY	DESCRIPTION	REV
76	1001201885	2	Terminal	



# SECTION 8 - ELECTRICAL

## FIGURE 8-75. GROUND CONTROL BOX HARNESS



ART\_1001306145



## SECTION 8 - ELECTRICAL

### FIGURE 8-75. GROUND CONTROL BOX HARNESS

ITEM	PART NUMBER	QTY	DESCRIPTION	REV
	1001306145	Ref	GROUND CONTROL BOX HARNESS	A
1	2400060	2	Fuseholder	
6	3990010	2	Diode, 6Amp	
8	4460142	4	Terminal, Ring	
9	4460227	36	Pin	
10	4460259	11	Socket	
11	4460260	15	Housing, Terminal	
12	4460297	4	Socket	
13	4460313	3	Terminal, Ring	
14	4460320	1	Connector	
15	4460418	9	Connector, Switch	
16	4460419	8	Socket	
17	4460434	2	Connector	
18	4460464	27	Pin	
19	4460465	45	Socket	
20	4460466	9	Plug, Terminal	
21	4460508	4	Pin	
22	4460536	1	Connector	
23	4460761	1	Connector	
24	4460806	5	Terminal, Fork	
25	4460866	1	Pin	
26	4460868	1	Connector	
27	4460871	92	Socket	
28	4460872	1	Connector	
29	4460873	1	Connector	
30	4460874	1	Connector	
31	4460875	1	Connector	
32	4460876	1	Connector	
33	4460877	4	Socket	
34	4460878	1	Housing, Terminal	
35	4460884	1	Connector	
36	4460887	3	Socket	
37	1001229530	1	Connector	
38	4460894	1	Plug	
39	4460905	2	Seal	
40	4460911	1	Plug, Terminal	
42	4460933	3	Connector	
43	4460943	8	Pin	
66	8229242	3	Fuse, 5Amp	
67	1001249095	2	Connector	
68	1001113961	1	Plug	
69	1001116694	3	Socket	
70	1001255901	1	Fuseholder	
71	1001237668	5	Socket	
72	1001119020	3	Connector	
73	1001237667	1	Connector	
74	1001159186	18	Socket	
75	1001200497	1	Connector	
76	1001201885	2	Terminal	
78	1001103012	1	Connector	

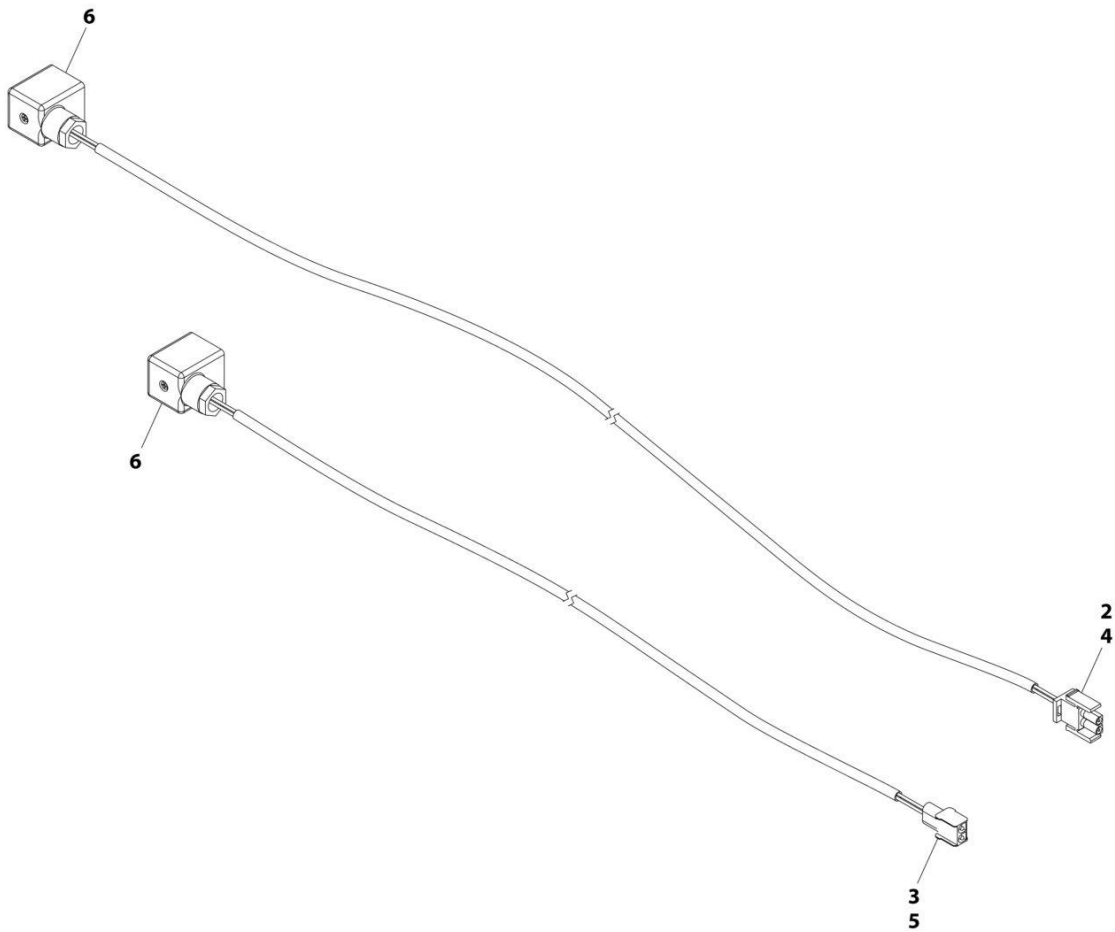
## SECTION 8 - ELECTRICAL

ITEM	PART NUMBER	QTY	DESCRIPTION	REV
79	1001107854	4	Terminal	
80	1001246859	1	Connector	



# SECTION 8 - ELECTRICAL

FIGURE 8-76. HOLDING VALVE/LIFT DUMP HARNESS ASSEMBLY (WITHOUT ARCTIC PACKAGE)



ART\_4922660

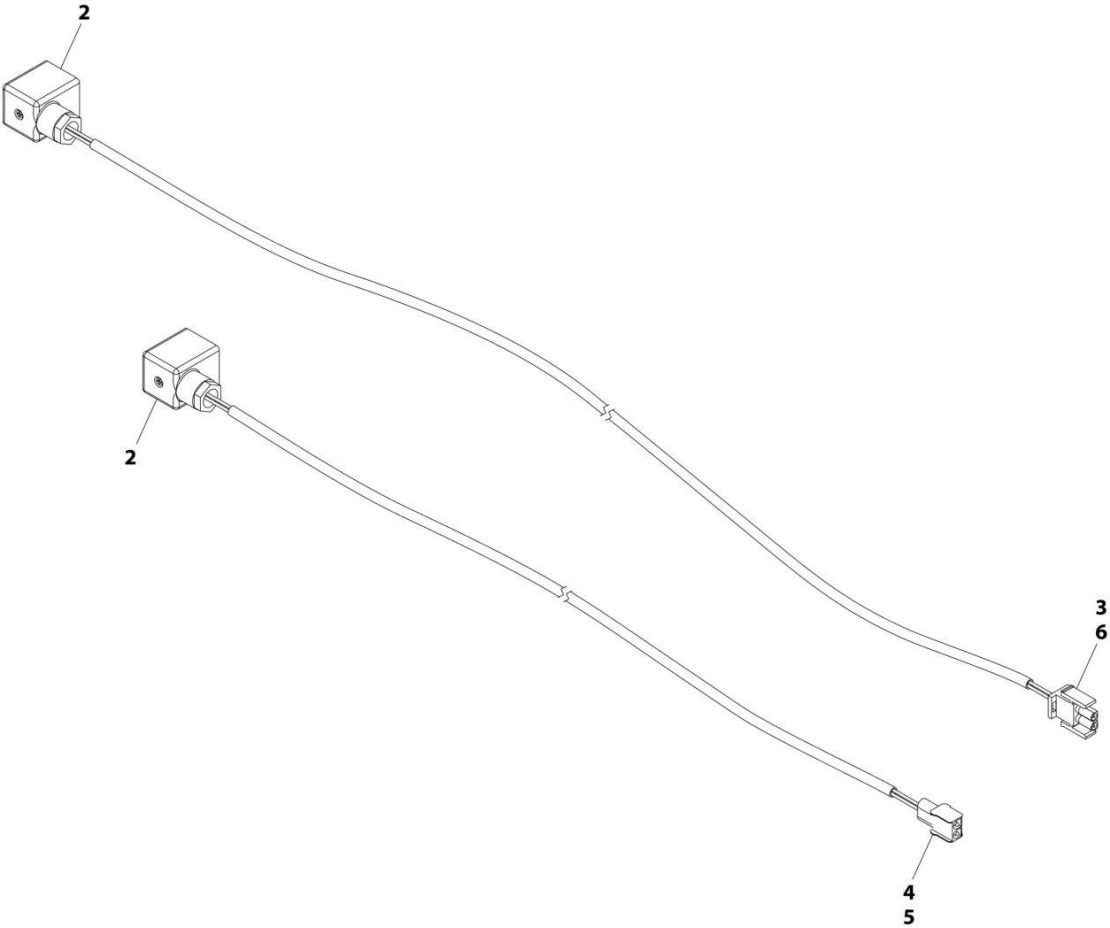
## SECTION 8 - ELECTRICAL

**FIGURE 8-76. HOLDING VALVE/LIFT DUMP HARNESS ASSEMBLY (WITHOUT ARCTIC PACKAGE)**

ITEM	PART NUMBER	QTY	DESCRIPTION	REV
	4922660	Ref	HOLDING VALVE/LIFT DUMP HARNESS ASSEMBLY	E
2	4460226	2	Socket, Female	
3	4460267	2	Pin, Male	
4	4460320	1	Connector - 2 Position	
5	4460424	1	Connector - 2 Position	
6	4460880	2	Connector, Din	

**SECTION 8 - ELECTRICAL**

**FIGURE 8-77. HOLDING VALVE/LIFT DUMP HARNESS ASSEMBLY (WITH ARCTIC PACKAGE)**



ART\_4923597

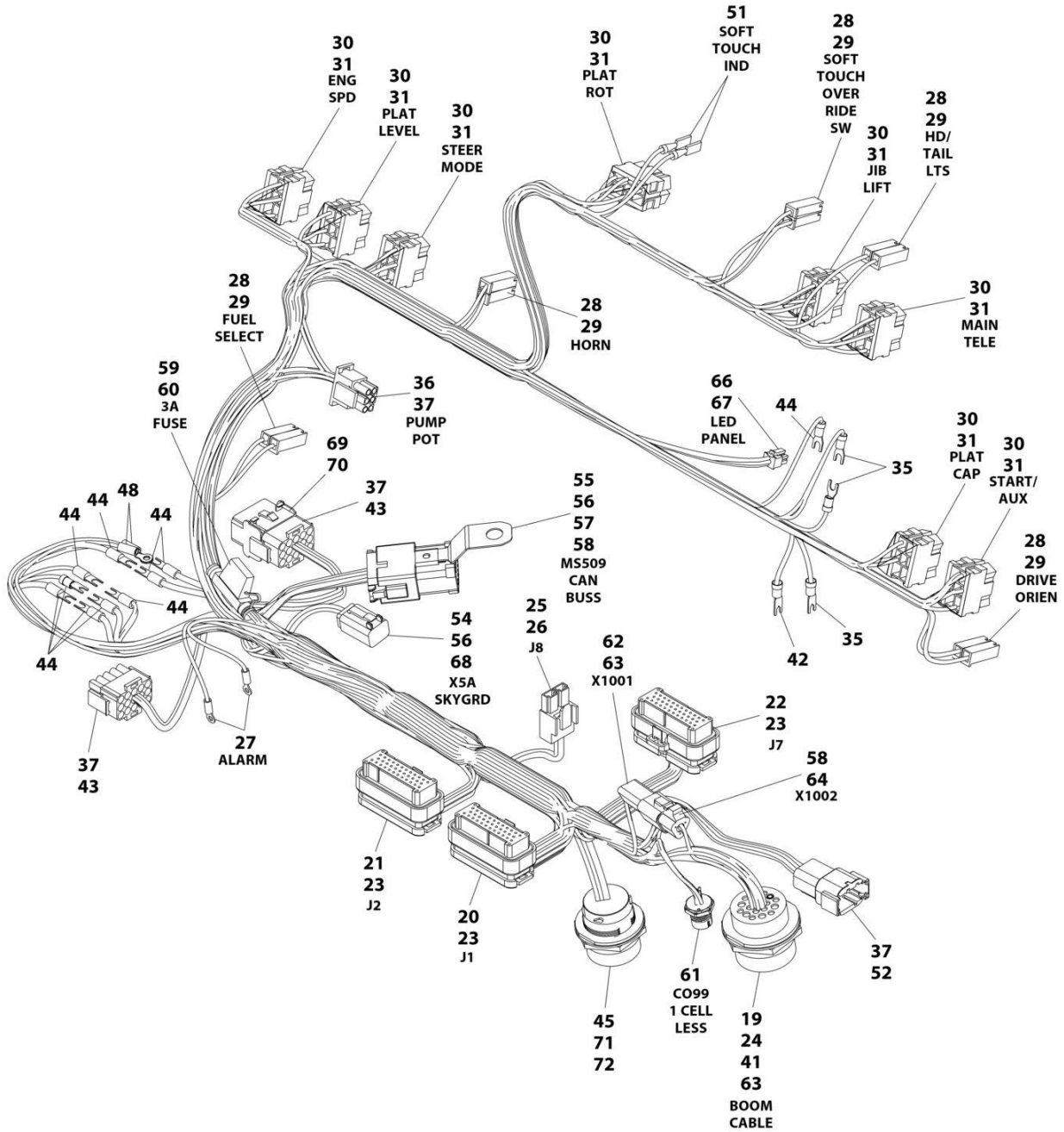
## SECTION 8 - ELECTRICAL

**FIGURE 8-77. HOLDING VALVE/LIFT DUMP HARNESS ASSEMBLY (WITH ARCTIC PACKAGE)**

ITEM	PART NUMBER	QTY	DESCRIPTION	REV
	4923597	Ref	HOLDING VALVE/LIFT DUMP HARNESS ASSEMBLY	1
2	4460880	2	Connector, Din	
3	4460320	1	Connector - 2 Position	
4	4460424	1	Connector - 2 Position	
5	4460267	2	Pin, Male	
6	4460226	2	Socket, Female	

# SECTION 8 - ELECTRICAL

## FIGURE 8-78. PLATFORM CONSOLE BOX HARNESS



ART\_1001309251



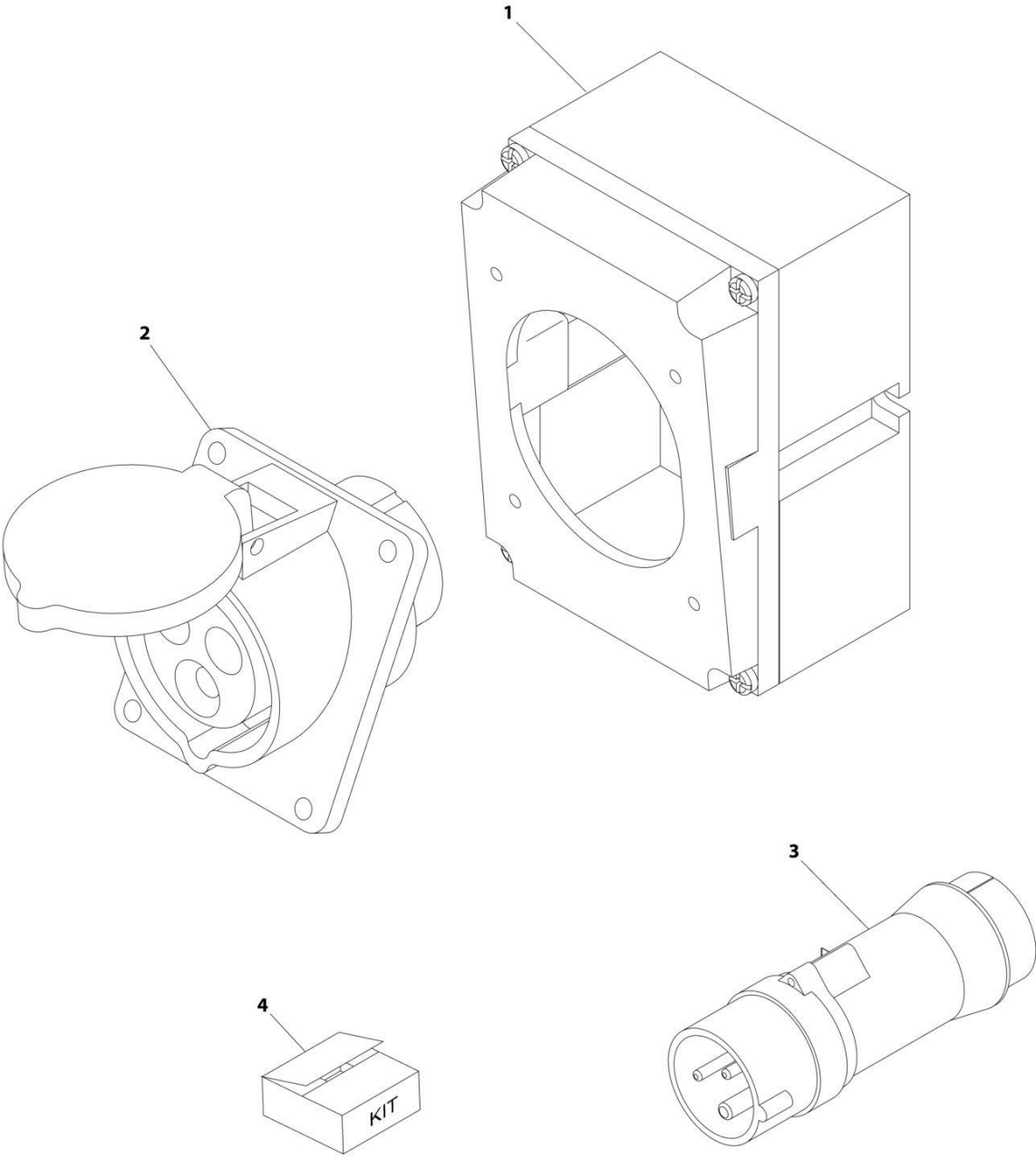
## SECTION 8 - ELECTRICAL

**FIGURE 8-78. PLATFORM CONSOLE BOX HARNESS**

ITEM	PART NUMBER	QTY	DESCRIPTION	REV
	1001309251	Ref	PLATFORM CONSOLE BOX HARNESS	A
19	4460866	1	Connector 19 Position	
20	4460874	1	Connector 35 Position	
21	4460876	1	Connector 35 Position	
22	4460873	1	Connector 35 Position	
23	4460871	70	Terminal	
24	4460464	7	Terminal	
25	4460879	1	Plug	
26	4460887	2	Terminal	
27	1001098122	2	Terminal, Ring	
28	4460260	10	Housing, Terminal	
29	4460259	10	Terminal	
30	4460418	8	Connector 6 Position	
31	4460419	24	Terminal	
32	4460905	AR	Plug (Not Shown)	
35	4460888	3	Terminal, Fork	
36	4460225	1	Plug, Terminal	
37	4460227	26	Terminal	
41	4460508	5	Terminal	
42	4460806	1	Terminal, Fork	
43	4460434	2	Connector 15 Position	
44	4460183	10	Terminal, Fork	
45	4460925	1	Connector 21 Position	
48	4460142	2	Terminal, Ring	
51	1001293138	2	Terminal	
52	4460266	1	Connector	
54	4460894	1	Bussbar	
55	4460933	1	Connector 12 Position	
56	4460466	3	Plug	
57	1001119020	1	Connector	
58	4460944	13	Terminal (Gold)	
59	2400060	1	Fuseholder with Cover	
60	8229249	1	Fuse, 3Amp	
61	1001213447	1	Connector	
62	4460536	1	Connector	
63	4460943	6	Terminal	
64	4460539	1	Plug	
66	1001237667	1	Connector	
67	1001237668	4	Terminal	
68	4460465	5	Terminal	
69	4460708	2	Connector 15 Position	
70	4460226	2	Terminal	
71	1001126011	14	Terminal	
72	4460518	1	Plug, Terminal	

**SECTION 8 - ELECTRICAL**

**FIGURE 8-79. RECEPTACLE BOX KIT - 110V IEC YELLOW WITHOUT 2500W GENERATOR (CE & UK CA SPECS)**



ART\_0275216

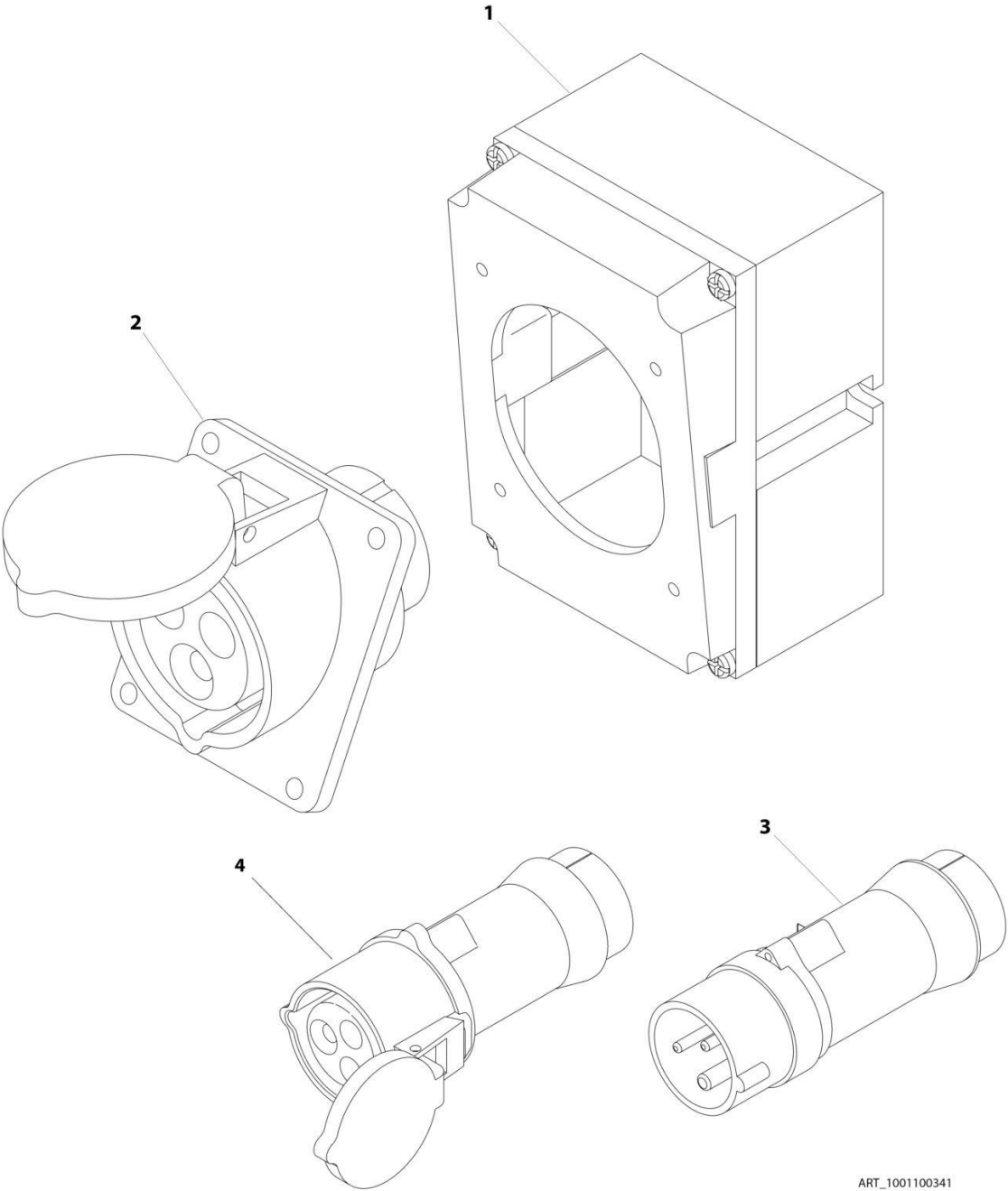
## SECTION 8 - ELECTRICAL

**FIGURE 8-79. RECEPTACLE BOX KIT - 110V IEC YELLOW WITHOUT 2500W GENERATOR (CE & UK CA SPECS)**

ITEM	PART NUMBER	QTY	DESCRIPTION	REV
	0275216	Ref	RECEPTACLE BOX KIT - 110V IEC YELLOW	B
1	0861781	1	Box, Switch	
2	4461198	1	Receptacle	
3	4461196	1	Plug, Male	
4	1001100341	1	Plug and Socket Kit (Includes Items 1-3 and Female Plug p/n 4461197)	

**SECTION 8 - ELECTRICAL**

**FIGURE 8-80. RECEPTACLE BOX KIT - 110V IEC YELLOW WITH 2500W GENERATOR (CE & UK CA SPECS)**



ART\_1001100341

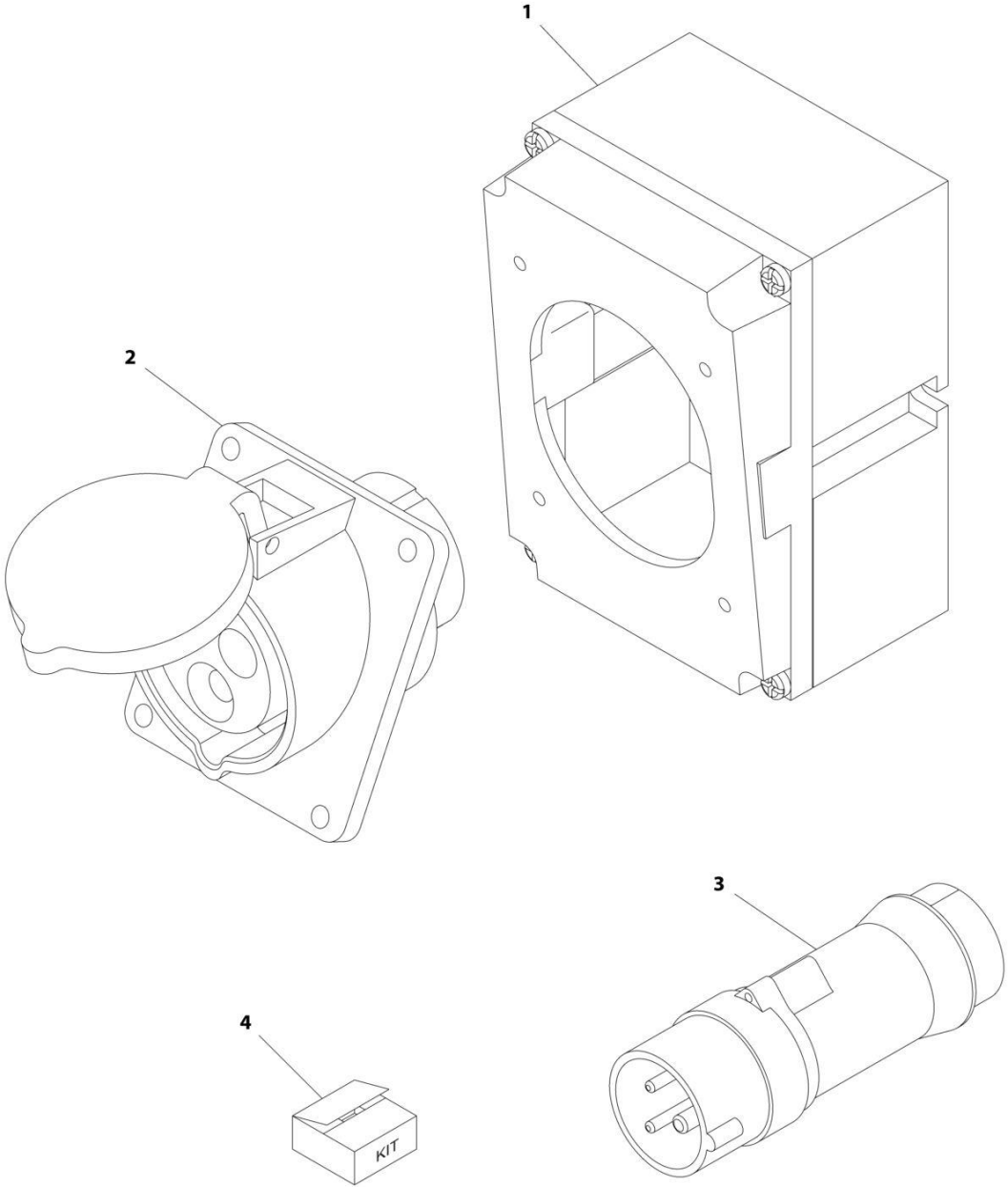
## SECTION 8 - ELECTRICAL

**FIGURE 8-80. RECEPTACLE BOX KIT - 110V IEC YELLOW WITH 2500W GENERATOR (CE & UK CA SPECS)**

ITEM	PART NUMBER	QTY	DESCRIPTION	REV
	1001100341	Ref	RECEPTACLE BOX KIT - 110V IEC YELLOW	2
1	0861781	1	Box, Switch	
2	4461198	1	Receptacle	
3	4461196	1	Plug, Male	
4	4461197	1	Plug, Female	

**SECTION 8 - ELECTRICAL**

**FIGURE 8-81. RECEPTACLE BOX KIT - 220V IEC BLUE WITHOUT 2500W GENERATOR (CE & UK CA SPECS)**



ART\_0275217

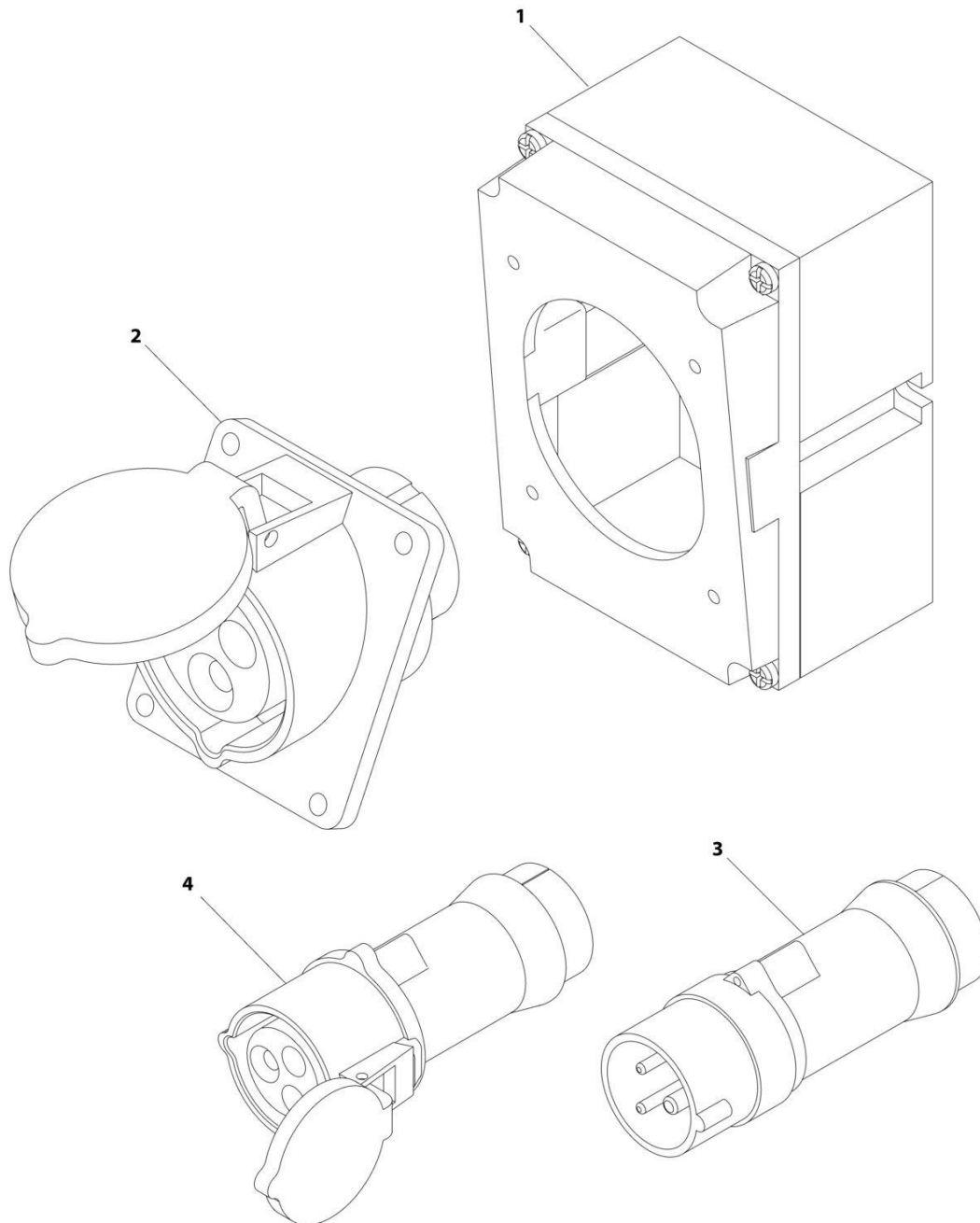
## SECTION 8 - ELECTRICAL

**FIGURE 8-81. RECEPTACLE BOX KIT - 220V IEC BLUE WITHOUT 2500W GENERATOR (CE & UK CA SPECS)**

ITEM	PART NUMBER	QTY	DESCRIPTION	REV
	0275217	Ref	RECEPTACLE BOX KIT - 220V IEC BLUE	B
1	0861781	1	Box, Switch	
2	4461201	1	Receptacle	
3	4461199	1	Plug, Male	
4	1001100342	1	Plug and Socket Kit (Includes Items 1-3 and Female Plug p/n 4461200)	

## SECTION 8 - ELECTRICAL

FIGURE 8-82. RECEPTACLE BOX KIT - 220V IEC BLUE WITH 2500W GENERATOR (CE & UK CA SPECS)



ART\_1001100342



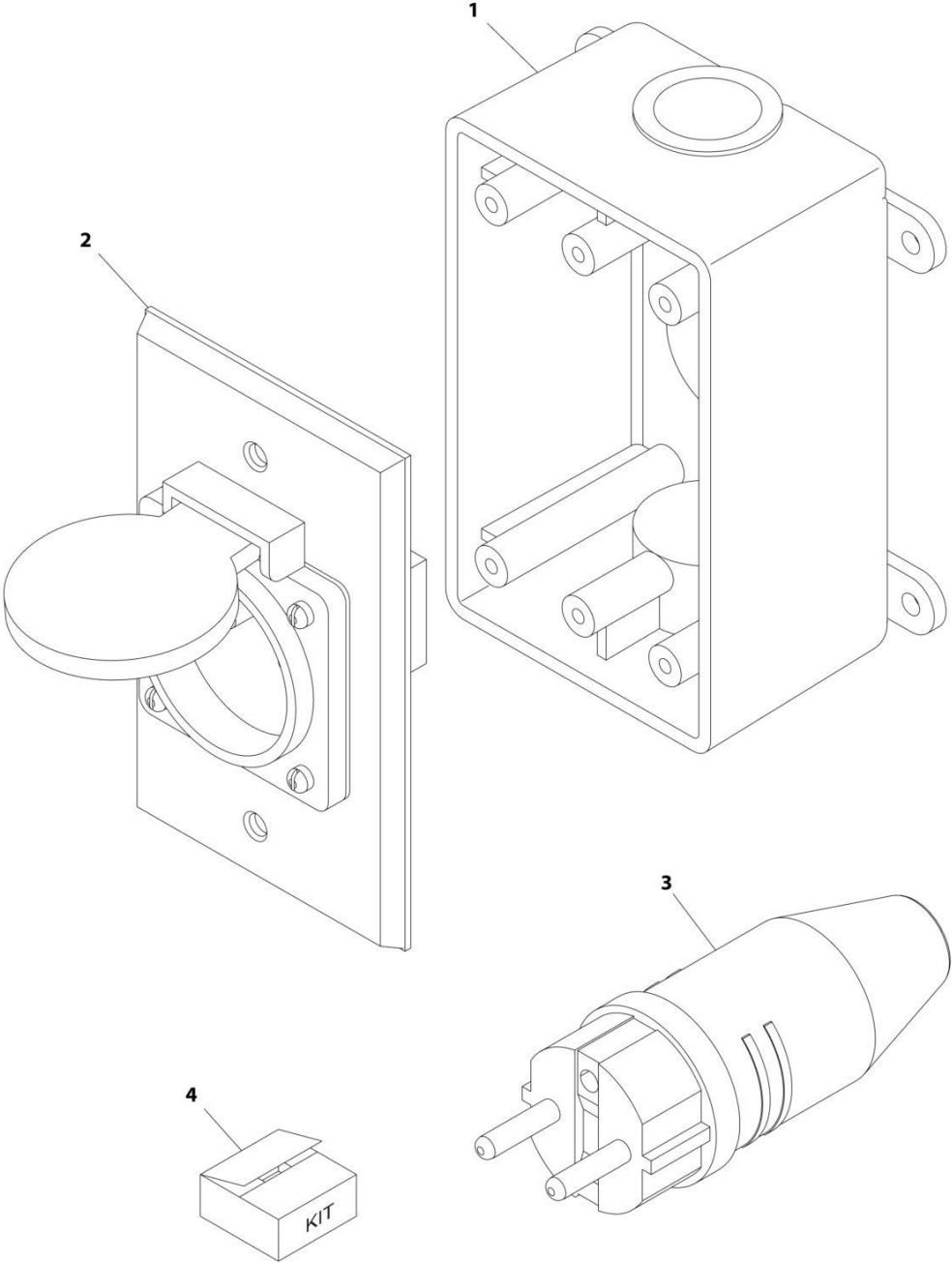
## SECTION 8 - ELECTRICAL

**FIGURE 8-82. RECEPTACLE BOX KIT - 220V IEC BLUE WITH 2500W GENERATOR (CE & UK CA SPECS)**

ITEM	PART NUMBER	QTY	DESCRIPTION	REV
	1001100342	Ref	RECEPTACLE BOX KIT - 220V IEC BLUE WITH 2500W GENERATOR (CE & UK CA SPECS)	2
1	0861781	1	Box, Switch	
2	4461201	1	Receptacle	
3	4461199	1	Plug, Male	
4	4461200	1	Plug, Female	

**SECTION 8 - ELECTRICAL**

**FIGURE 8-83. RECEPTACLE BOX KIT - 220V CEE7 POST GROUND 2X4 BOX (CE & UK CA SPEC)**



ART\_0275452-C

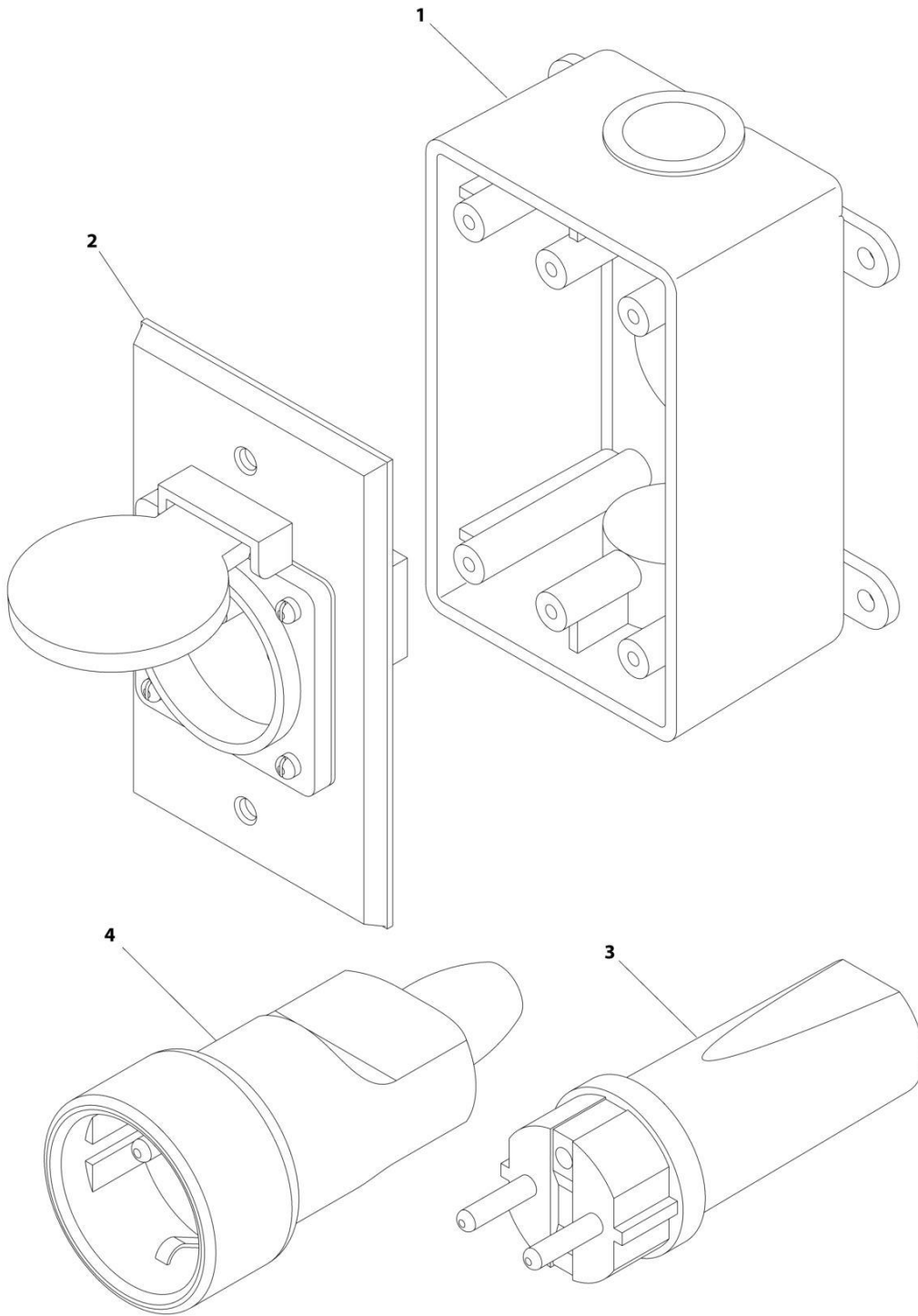
## SECTION 8 - ELECTRICAL

**FIGURE 8-83. RECEPTACLE BOX KIT - 220V CEE7 POST GROUND 2X4 BOX (CE & UK CA SPEC)**

ITEM	PART NUMBER	QTY	DESCRIPTION	REV
	0275452	Ref	RECEPTACLE BOX KIT - 220V CEE7 POST GROUND 2IN X 4IN BOX	C
1	0861731	1	Box, Switch	
2	4461244	1	Receptacle	
3	4461205	1	Plug, Male	
4	1001100345	1	Plug and Socket Kit (Includes Items 1-3 and Female Plug p/n 4461203)	

# SECTION 8 - ELECTRICAL

**FIGURE 8-84. RECEPTACLE BOX KIT - 220V CEE7 POST GROUND 2X4 BOX WITH 2500W GENERATOR (CE & UK CA SPEC)**



ART\_1001100345

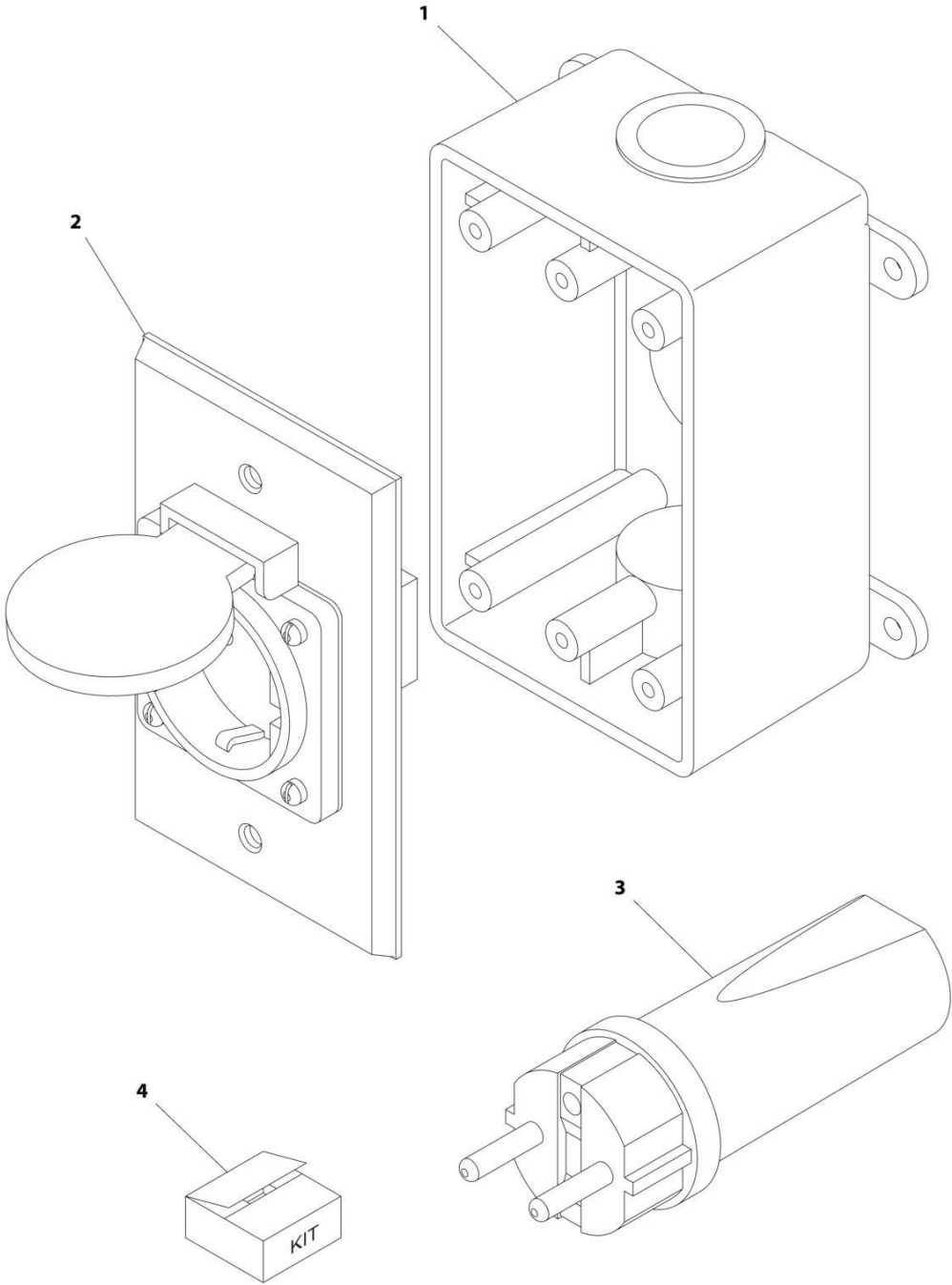
## SECTION 8 - ELECTRICAL

**FIGURE 8-84. RECEPTACLE BOX KIT - 220V CEE7 POST GROUND 2X4 BOX WITH 2500W GENERATOR (CE & UK CA SPEC)**

ITEM	PART NUMBER	QTY	DESCRIPTION	REV
	1001100345	Ref	RECEPTACLE BOX KIT - 220V CEE7 POST GROUND	C
1	0861731	1	Box, Switch	
2	4461244	1	Receptacle	
3	4461205	1	Plug, Male	
4	4461203	1	Plug, Female	

**SECTION 8 - ELECTRICAL**

**FIGURE 8-85. RECEPTACLE BOX KIT - 220V CEE7 SIDE GROUND 2X4 BOX (CE & UK CA SPEC)**



ART\_0275453

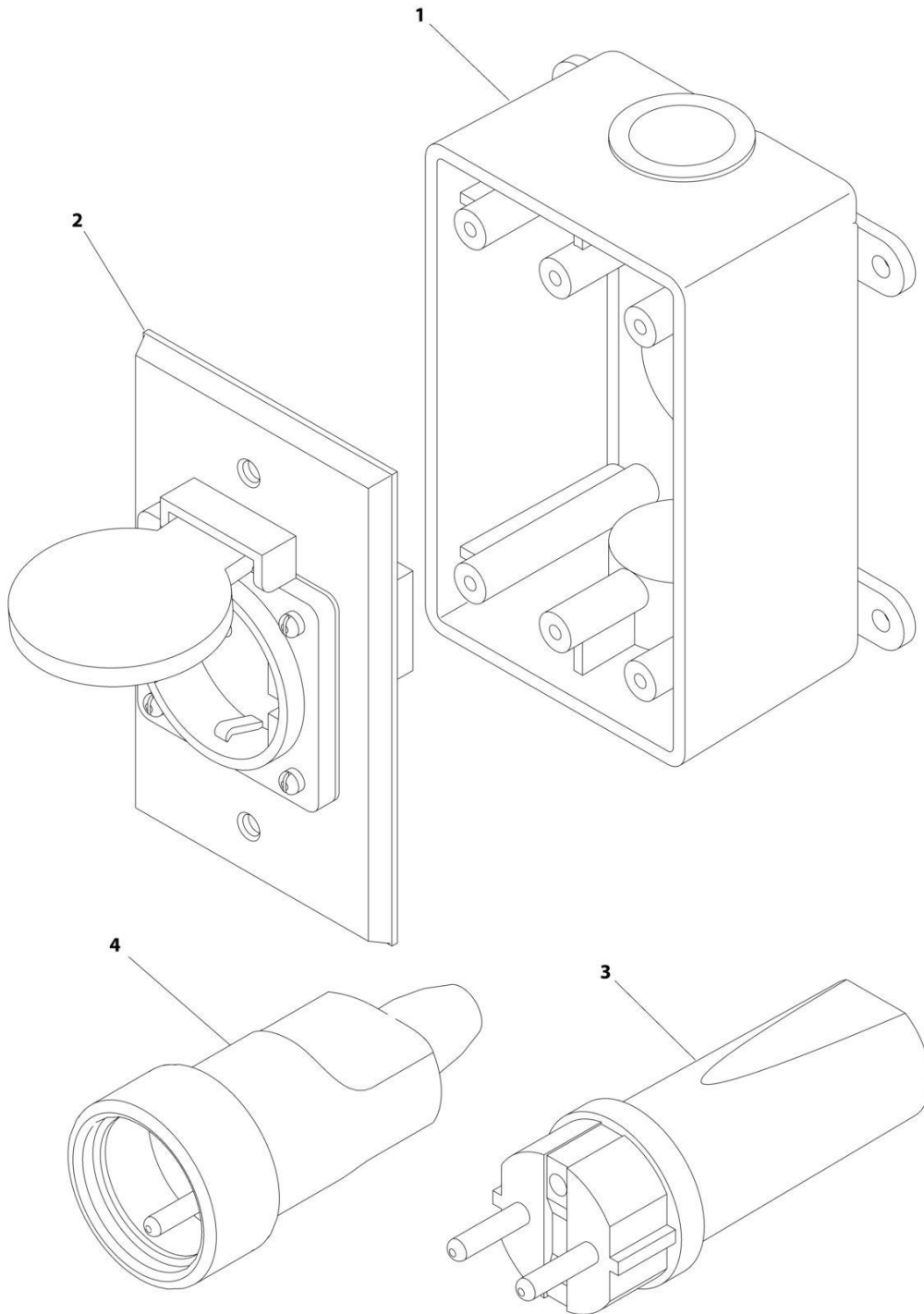
## SECTION 8 - ELECTRICAL

**FIGURE 8-85. RECEPTACLE BOX KIT - 220V CEE7 SIDE GROUND 2X4 BOX (CE & UK CA SPEC)**

ITEM	PART NUMBER	QTY	DESCRIPTION	REV
	0275453	Ref	RECEPTACLE BOX KIT - 220V CEE7 SIDE GROUND	B
1	0861731	1	Box, Switch	
2	4461245	1	Receptacle	
3	4461205	1	Plug, Male	
4	1001100347	1	Plug and Socket Kit (Includes Items 1-3 and Female Plug p/n 4461206)	

# SECTION 8 - ELECTRICAL

FIGURE 8-86. RECEPTACLE BOX KIT - 220V CEE7 SIDE GROUND 2X4 BOX WITH 2500W GENERATOR (CE & UK CA SPEC)



ART\_1001100347



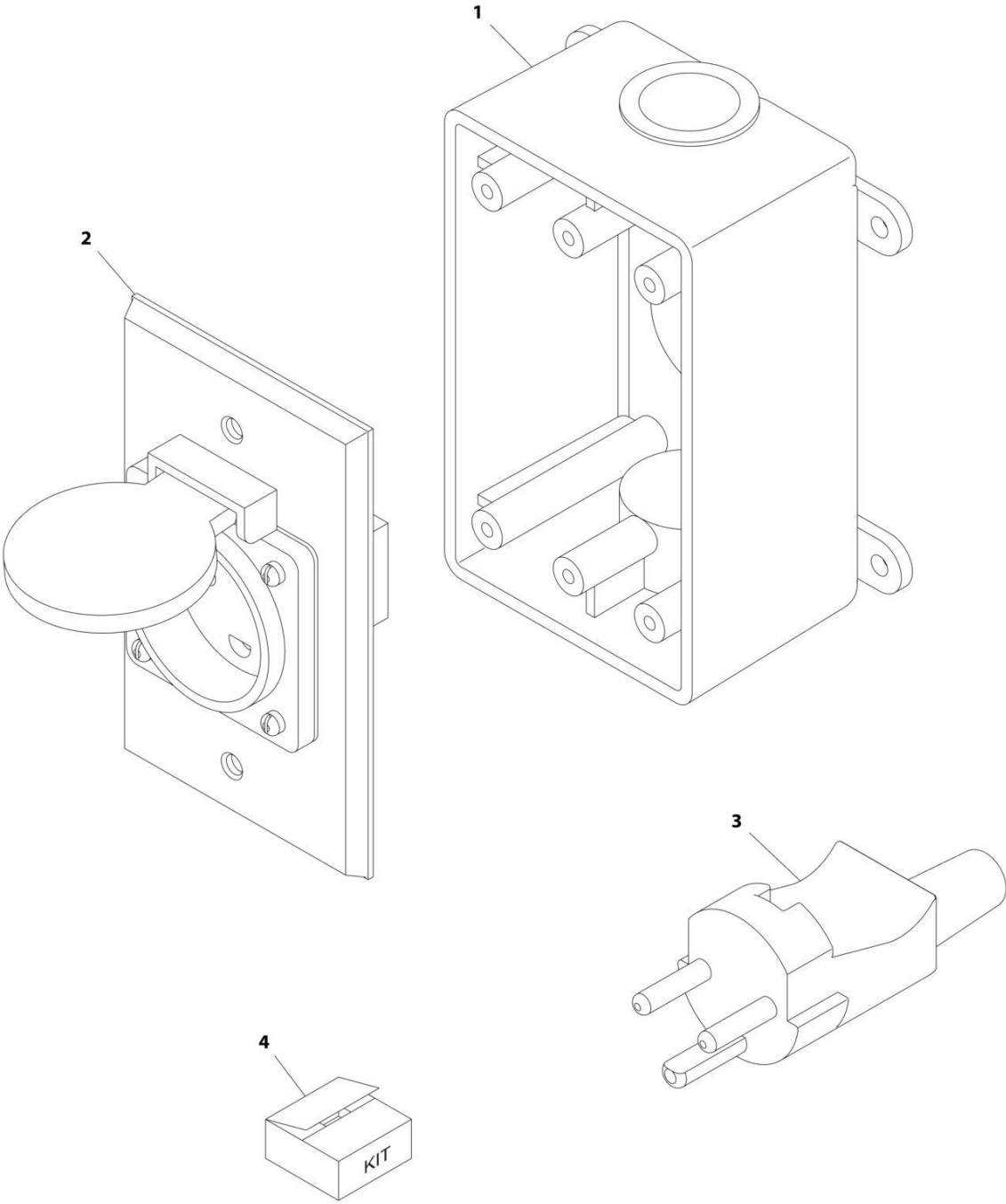
## SECTION 8 - ELECTRICAL

**FIGURE 8-86. RECEPTACLE BOX KIT - 220V CEE7 SIDE GROUND 2X4 BOX WITH 2500W GENERATOR (CE & UK CA SPEC)**

ITEM	PART NUMBER	QTY	DESCRIPTION	REV
	1001100347	Ref	RECEPTACLE BOX KIT - 220V CEE7 SIDE GROUND	3
1	0861731	1	Box, Switch	
2	4461245	1	Receptacle	
3	4461205	1	Plug, Male	
4	4461206	1	Plug, Female	

**SECTION 8 - ELECTRICAL**

**FIGURE 8-87. RECEPTACLE BOX KIT - 220V AFSINT107 KEYED GROUND (CE & UK CA SPECS)**



ART\_0275454

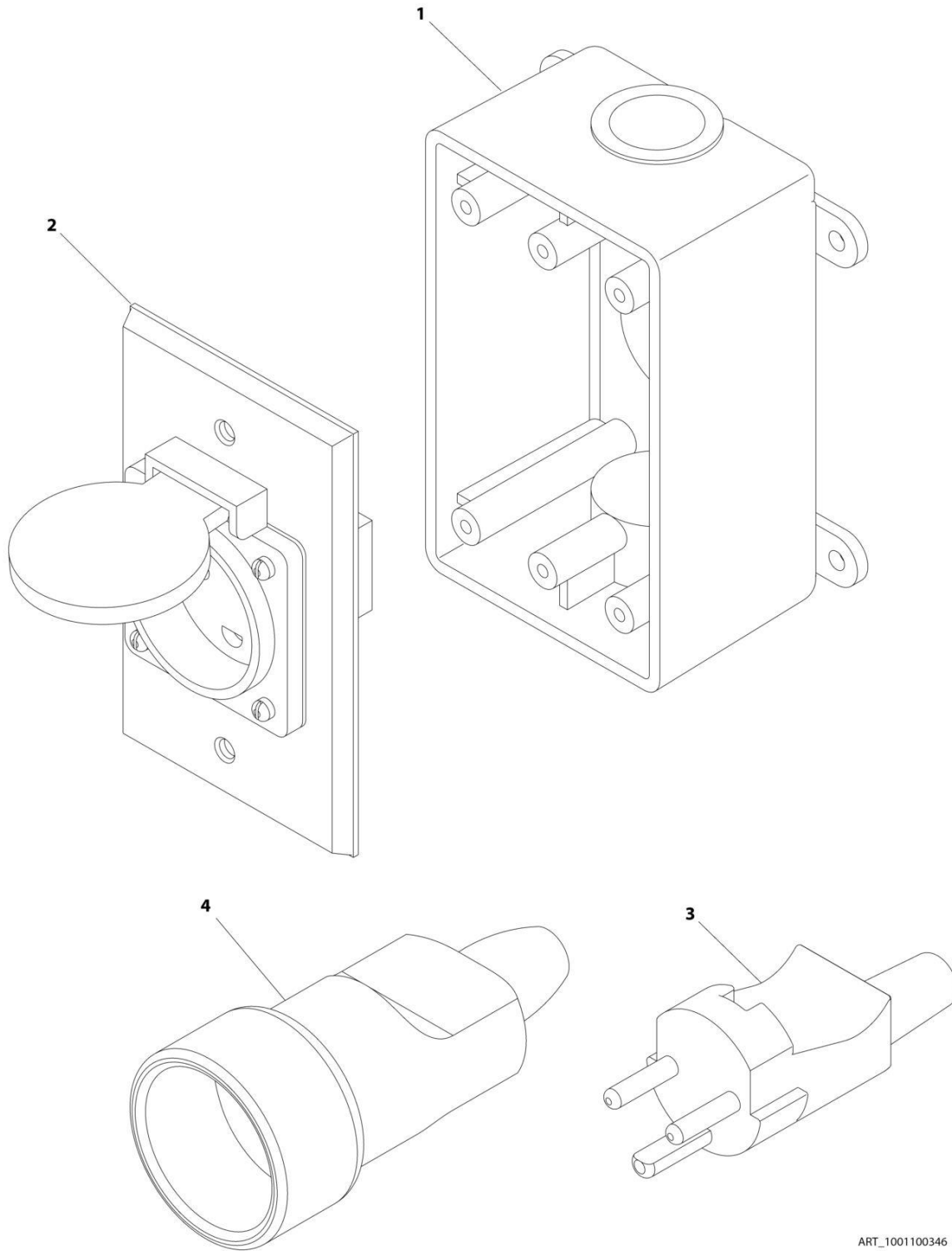
## SECTION 8 - ELECTRICAL

**FIGURE 8-87. RECEPTACLE BOX KIT - 220V AFSINT107 KEYED GROUND (CE & UK CA SPECS)**

ITEM	PART NUMBER	QTY	DESCRIPTION	REV
	0275454	Ref	RECEPTACLE BOX KIT - 220V AFSINT 107	B
1	0861731	1	Box, Switch	
2	4461246	1	Receptacle	
3	4461249	1	Plug, Male	
4	1001100346	1	Plug and Socket Kit (Includes Items 1-3 and Female Plug p/n 4461250)	

# SECTION 8 - ELECTRICAL

FIGURE 8-88. RECEPTACLE BOX KIT - 220V AFSINT107 KEYED GROUND 2X4 BOX WITH 2500W GENERATOR (CE & UK CA SPECS)



ART\_1001100346

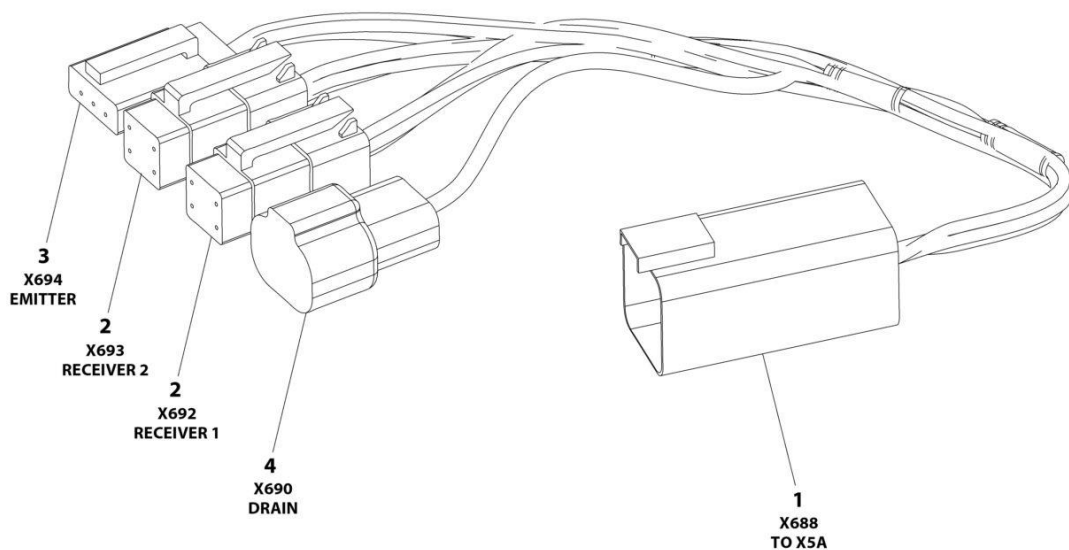
## SECTION 8 - ELECTRICAL

**FIGURE 8-88. RECEPTACLE BOX KIT - 220V AFSINT107 KEYED GROUND 2X4 BOX WITH 2500W GENERATOR (CE & UK CA SPECS)**

ITEM	PART NUMBER	QTY	DESCRIPTION	REV
	1001100346	Ref	RECEPTACLE BOX KIT - 220V AFSINT 107 KEYED GROUND WITH 2500W GENERATOR (2X4 BOX) (CE & UK CA SPECS)	2
1	0861731	1	Box, Switch	
2	4461246	1	Receptacle	
3	4461249	1	Plug, Male	
4	4461250	1	Plug, Female	

# SECTION 8 - ELECTRICAL

## FIGURE 8-89. SKYEYE INTERMEDIATE HARNESS



ART\_1001237865

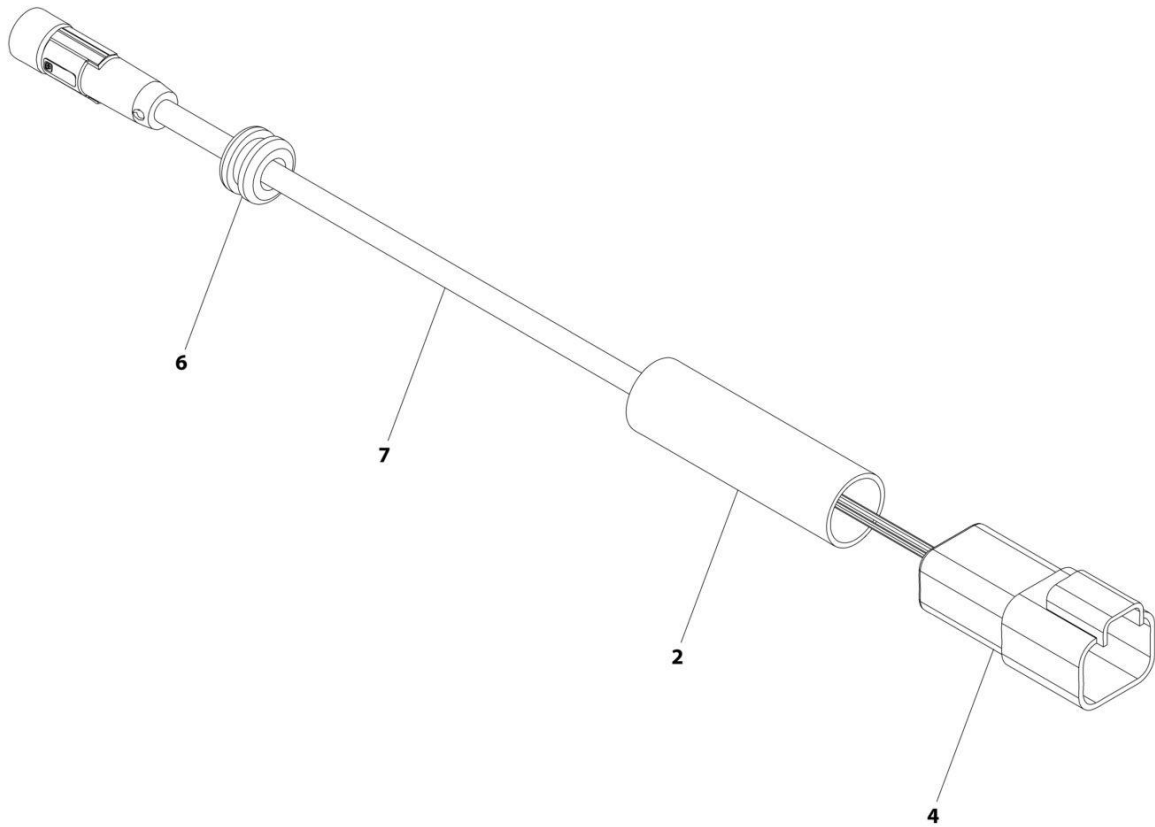
## SECTION 8 - ELECTRICAL

### FIGURE 8-89. SKYEYE INTERMEDIATE HARNESS

ITEM	PART NUMBER	QTY	DESCRIPTION	REV
	1001237865	Ref	SKYEYE INTERMEDIATE HARNESS	A
1	4460899	1	Connector - 6 Position	
1	4460943	4	Pin, Male	
1	4460466	2	Plug, Terminal	
2	4461077	2	Connector - 4 Position	
2	1001119619	8	Socket, Female	
3	4460911	1	Connector - 3 Position	
3	1001119619	3	Socket, Female	
4	1001187681	1	Connector - 2 Position	
4	4460941	1	Pin, Male	
4	4460466	1	Plug, Terminal	

# SECTION 8 - ELECTRICAL

## FIGURE 8-90. SKYEYE RECEIVER HARNESS



ART\_1001237863



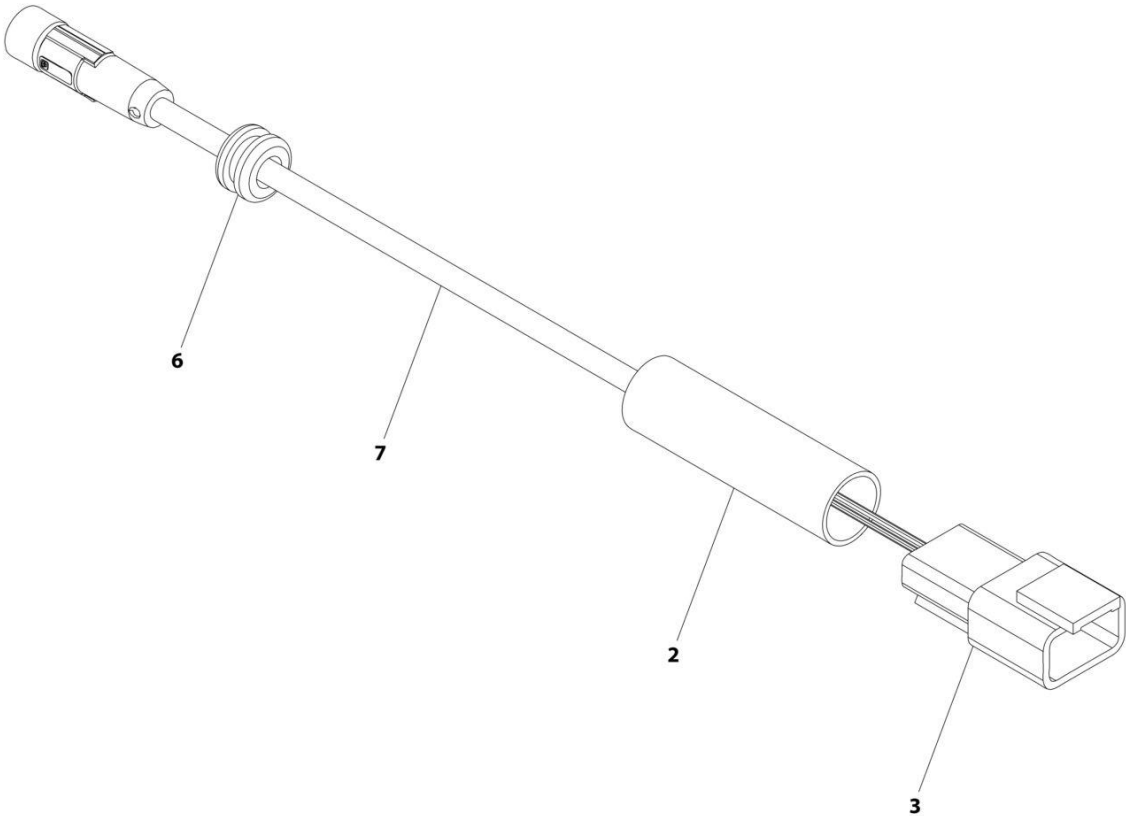
## SECTION 8 - ELECTRICAL

### FIGURE 8-90. SKYEYE RECEIVER HARNESS

ITEM	PART NUMBER	QTY	DESCRIPTION	REV
	1001237863	Ref	SKYEYE RECEIVER HARNESS	A
2	2820247	AR	Tubing, Heat Shrink	
4	1001097051	1	Connector - 4 Position	
4	1001119620	4	Pin, Male	
6	1001227996	1	Grommet	
7	1001237862	1	Cable, M8 Female Cordset	

**SECTION 8 - ELECTRICAL**

**FIGURE 8-91. SKYEYE EMITTER HARNESS**



ART\_1001237864

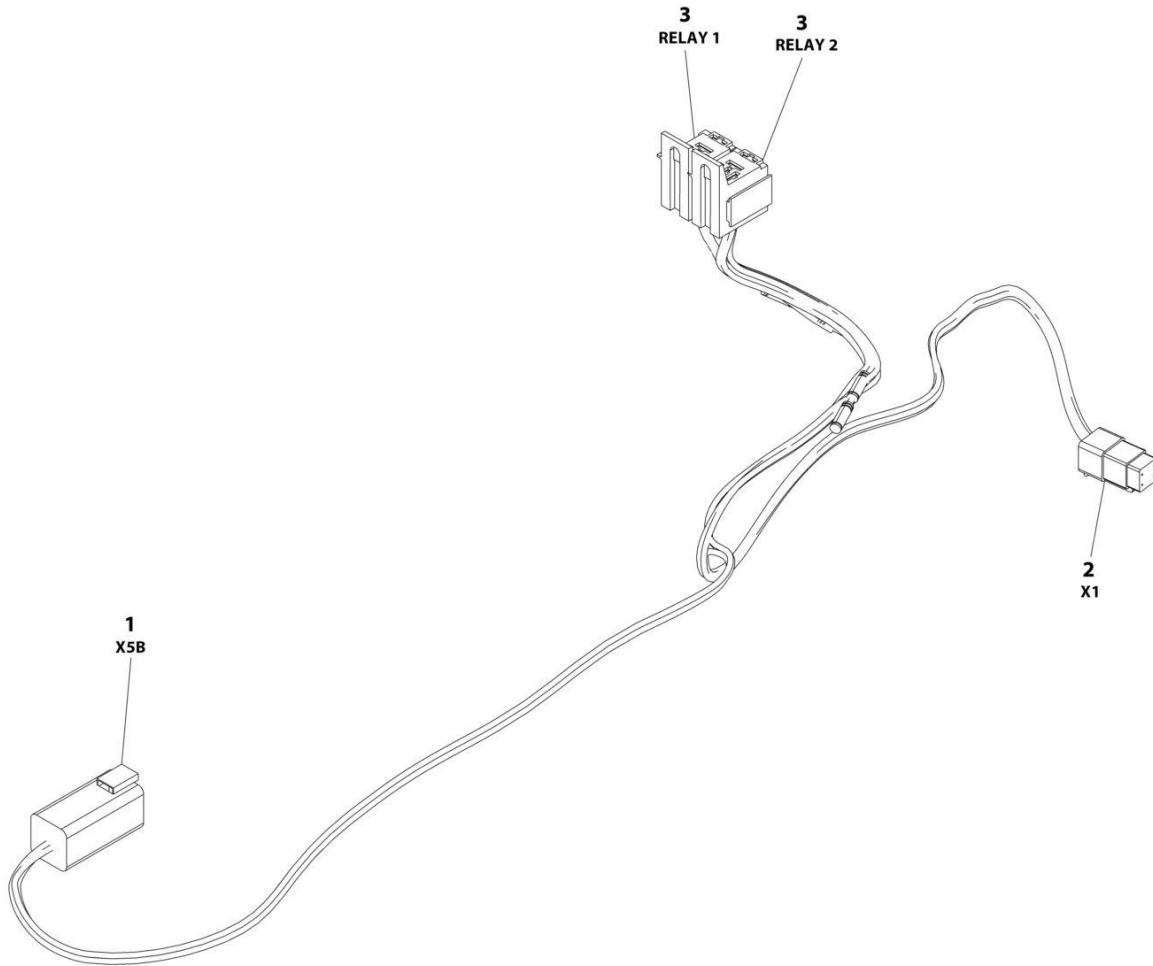
## SECTION 8 - ELECTRICAL

### FIGURE 8-91. SKYEYE EMITTER HARNESS

ITEM	PART NUMBER	QTY	DESCRIPTION	REV
	1001237864	Ref	SKYEYE EMITTER HARNESS	A
2	2820247	AR	Tubing, Heat Shrink	
3	4460910	1	Connector - 3 Position	
3	1001119620	3	Pin, Male	
6	1001227996	1	Grommet	
7	1001237862	1	Cable, M8 Female Cordset	

# SECTION 8 - ELECTRICAL

## FIGURE 8-92. SKYLINE HARNESS



ART\_1001238418

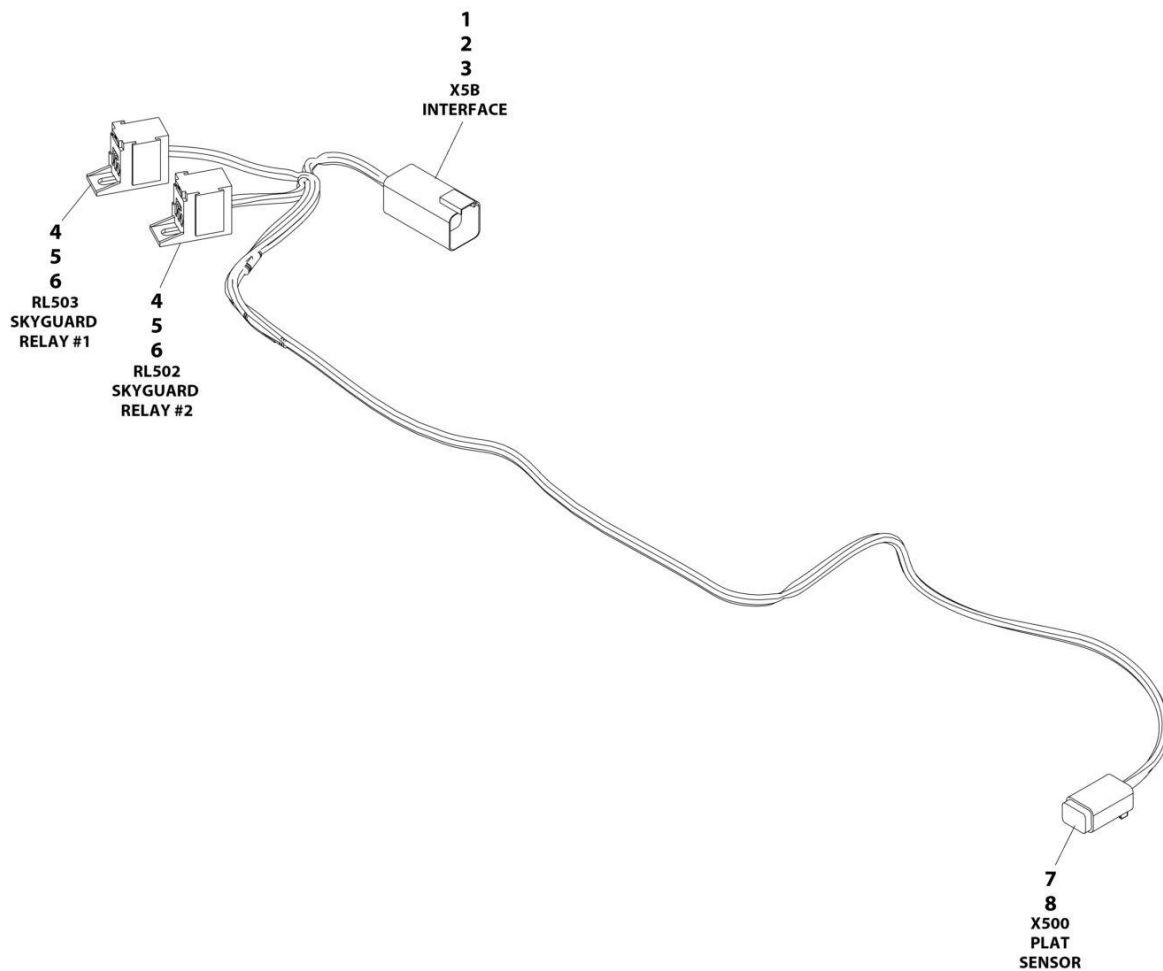
## SECTION 8 - ELECTRICAL

### FIGURE 8-92. SKYLINE HARNESS

ITEM	PART NUMBER	QTY	DESCRIPTION	REV
	1001238418	Ref	SKYLINE HARNESS	B
1	4460899	1	Connector - 6 Position	
1	4460464	4	Pin, Male	
1	4460466	2	Plug, Terminal	
2	4461077	1	Connector - 4 Position	
2	1001126009	4	Socket, Female	
3	1001186432	2	Plug, Relay	
3	1001118388	5	Terminal	
3	1001118384	3	Terminal	
3	3740086	2	Relay	

# SECTION 8 - ELECTRICAL

## FIGURE 8-93. SKYGUARD INTERFACE HARNESS



ART\_1001225580

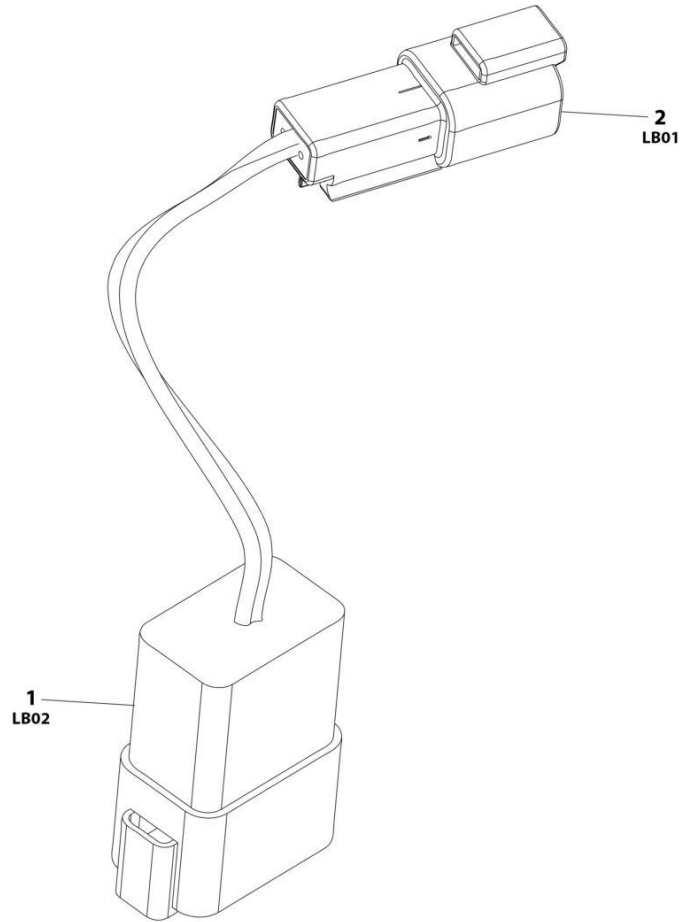
## SECTION 8 - ELECTRICAL

### FIGURE 8-93. SKYGUARD INTERFACE HARNESS

ITEM	PART NUMBER	QTY	DESCRIPTION	REV
	1001225580	Ref	INTERFACE HARNESS - WITH 1 CELL LSS	D
1	4460899	1	Connector	
2	4460464	4	Terminal	
3	4460466	2	Plug	
4	1001186432	2	Connector	
5	1001116720	4	Terminal	
6	1001118388	4	Terminal	
7	4460884	1	Connector	
8	4460465	4	Terminal	

# SECTION 8 - ELECTRICAL

## FIGURE 8-94. STROBE LIGHT JUMPER HARNESS



ART\_1001283776



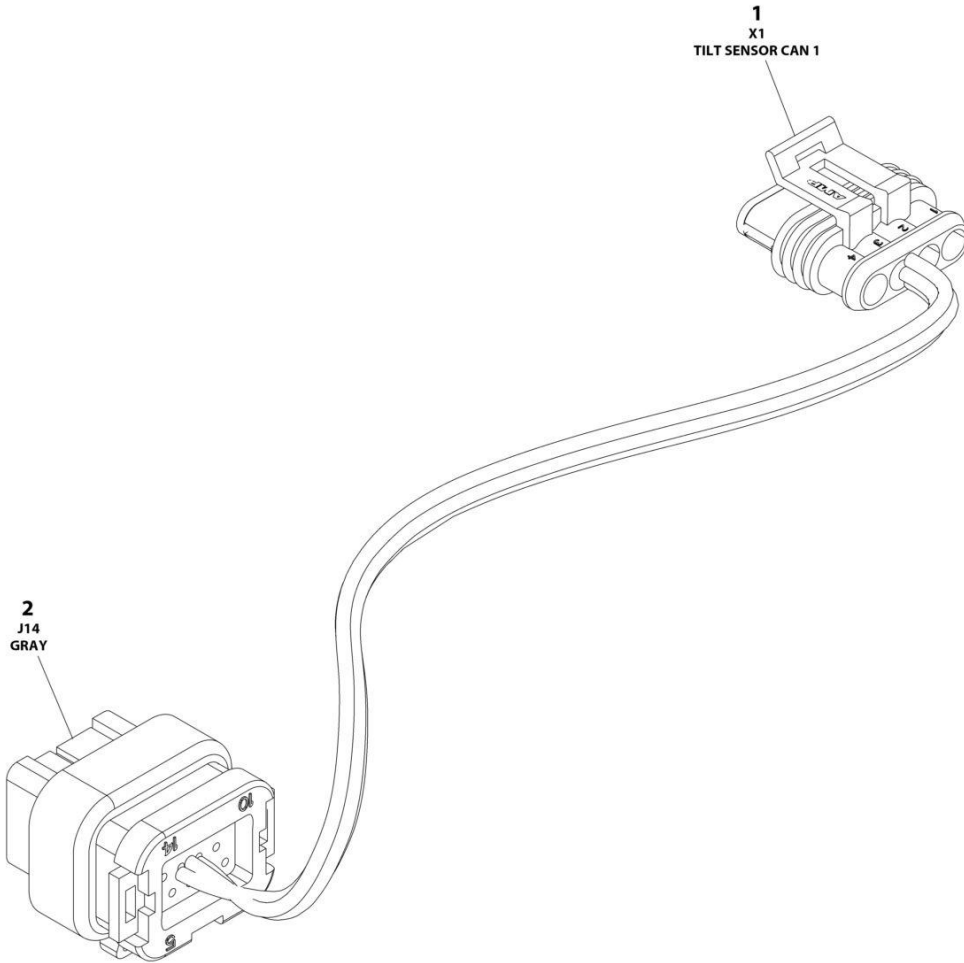
## SECTION 8 - ELECTRICAL

### FIGURE 8-94. STROBE LIGHT JUMPER HARNESS

ITEM	PART NUMBER	QTY	DESCRIPTION	REV
	1001283776	Ref	STROBE LIGHT HARNESS (AMBER)	A
1	4460931	1	Connector	
1	4460464	2	Pin	
1	4460466	6	Plug	
2	4460897	1	Connector	
2	4460464	2	Pin	

# SECTION 8 - ELECTRICAL

## FIGURE 8-95. TILT SENSOR HARNESS



ART\_1001276143

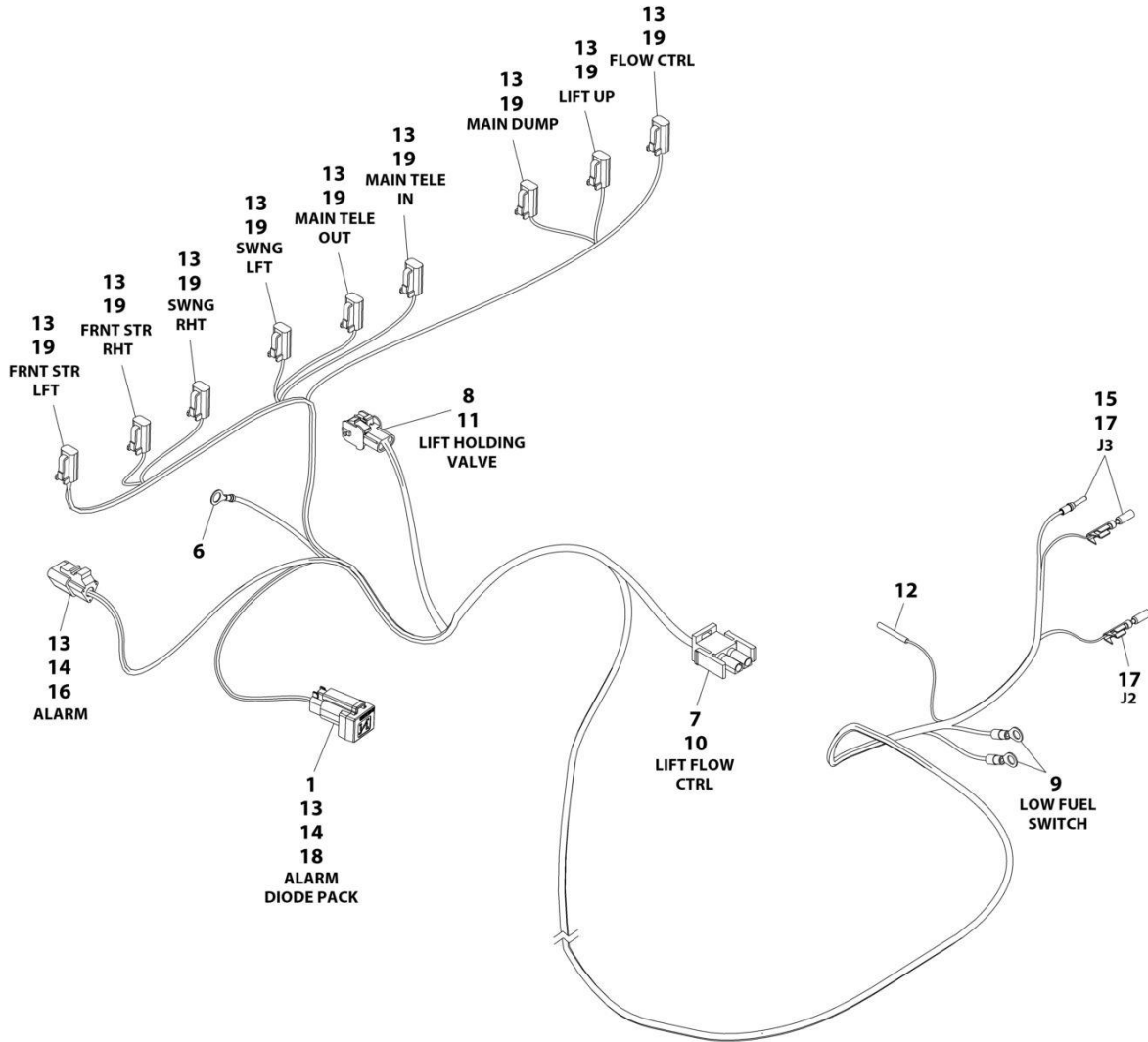
## SECTION 8 - ELECTRICAL

### FIGURE 8-95. TILT SENSOR HARNESS

ITEM	PART NUMBER	QTY	DESCRIPTION	REV
	1001276143	Ref	TILT SENSOR HARNESS	B
1	1001103012	1	Connector - 4 Position	
1	1001107854	4	Terminal, Male	
1	1001104498	4	Terminal, Seal	
2	1001246859	1	Connector - 14 Position	
2	4460871	4	Socekt, Female	
2	4460905	10	Plug, Terminal	

# SECTION 8 - ELECTRICAL

## FIGURE 8-96. VALVE HARNESS



ART\_1001284973

## SECTION 8 - ELECTRICAL

### FIGURE 8-96. VALVE HARNESS

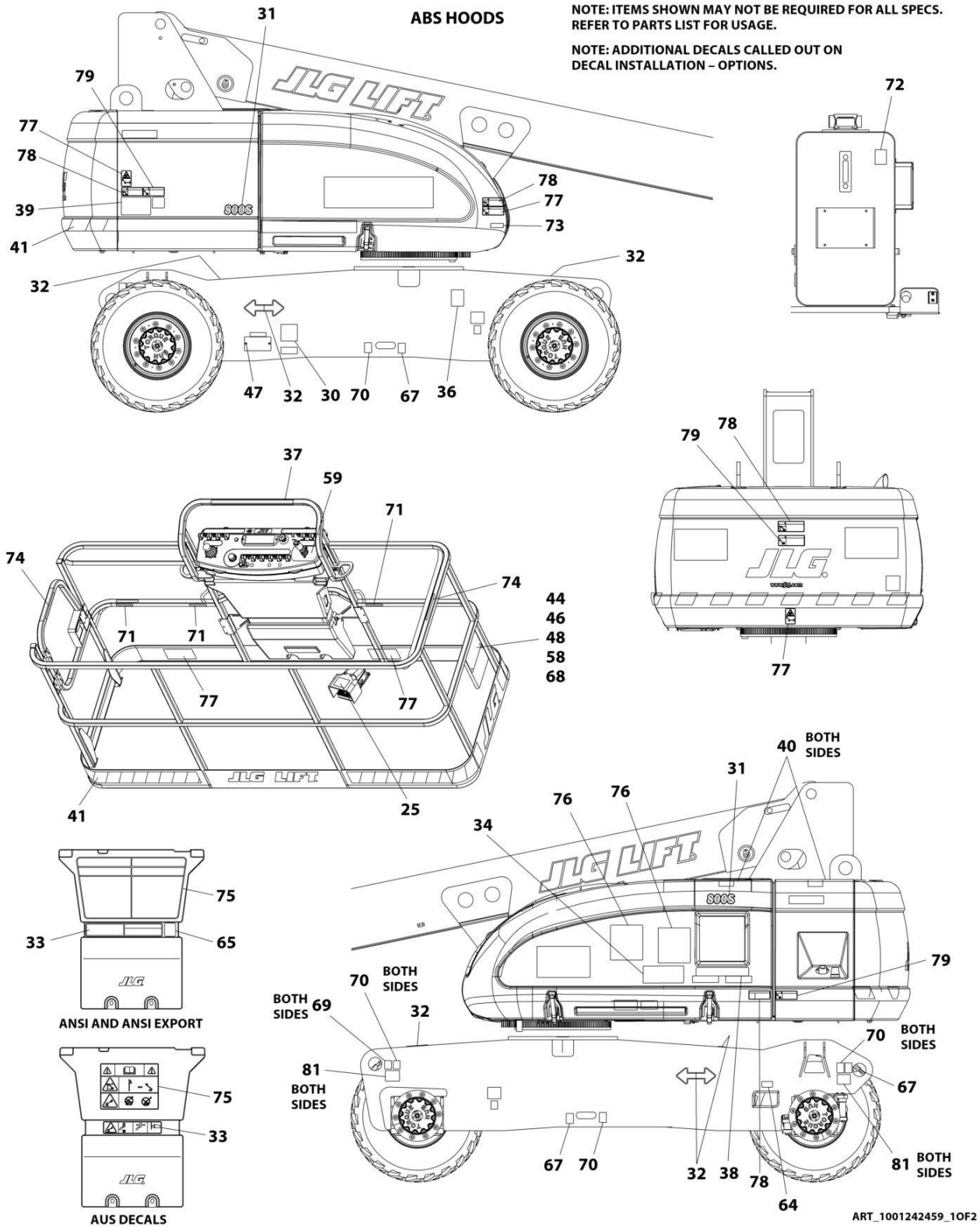
ITEM	PART NUMBER	QTY	DESCRIPTION	REV
	1001284973	Ref	VALVE HARNESS	C
1	1001152266	1	Connector	
6	4460019	1	Terminal, Ring	
7	4460226	2	Socket	
8	4460267	2	Pin	
9	4460313	2	Terminal, Ring	
10	4460320	1	Terminal, Plug	
11	4460424	1	Terminal, Plug	
12	4460464	1	Pin	
13	4460465	23	Socket	
14	4460466	3	Plug, Seal	
15	4460508	1	Terminal	
16	4460539	1	Terminal, Plug	
17	4460871	20	Socket	
18	4460884	1	Connector	
19	4460891	9	Connector	
26	4460897	1	Connector (Not Shown)	



**SECTION 9 - DECALS**

# SECTION 9 - DECALS

## FIGURE 9-1. DECAL INSTALLATION - 800S (ANSI SPECS) (800S)



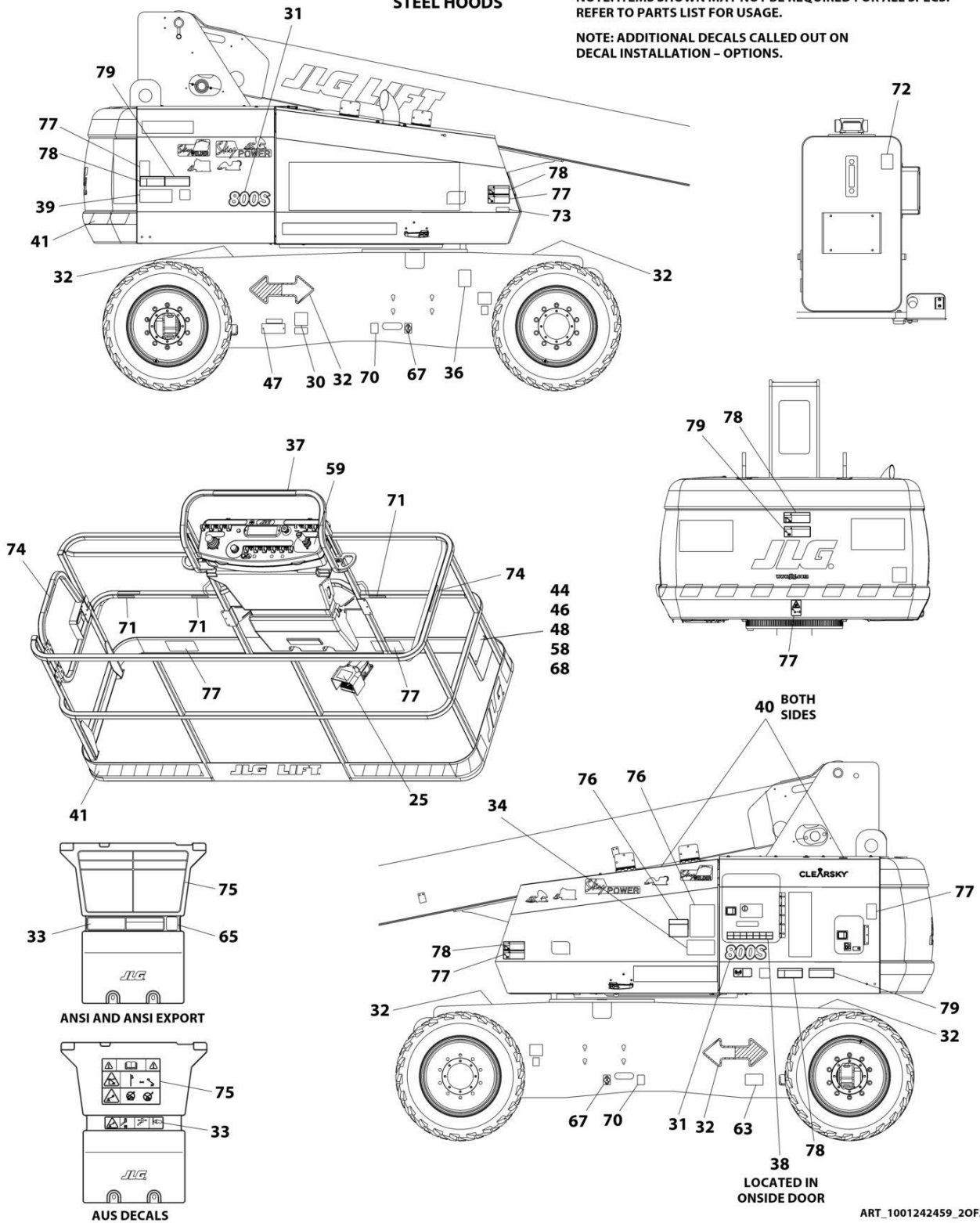


# SECTION 9 - DECALS

## STEEL HOODS

NOTE: ITEMS SHOWN MAY NOT BE REQUIRED FOR ALL SPECS. REFER TO PARTS LIST FOR USAGE.

NOTE: ADDITIONAL DECALS CALLED OUT ON DECAL INSTALLATION - OPTIONS.



## SECTION 9 - DECALS

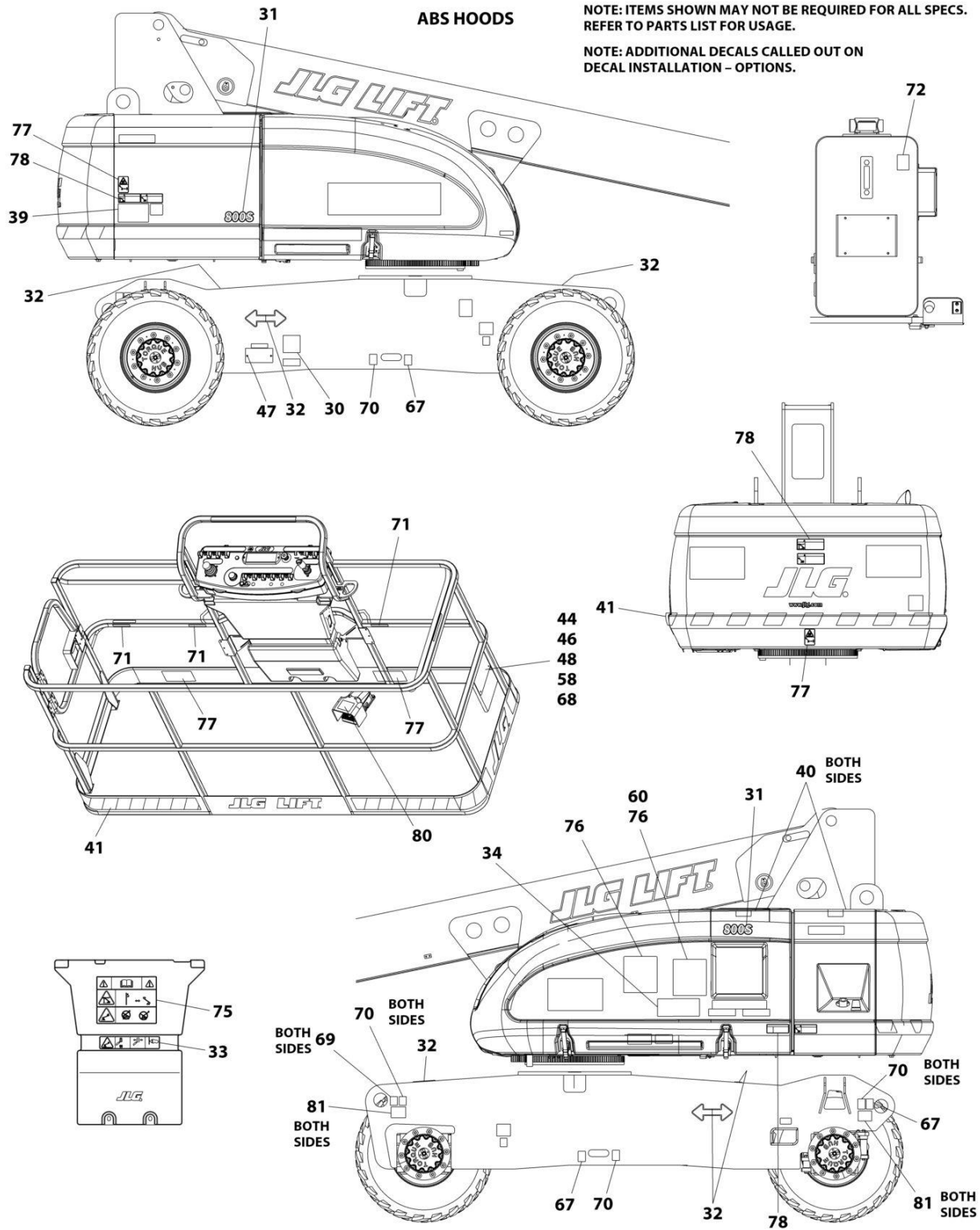
FIGURE 9-1. DECAL INSTALLATION - 800S (ANSI SPECS) (800S)

ITEM	PART NUMBER	QTY	DESCRIPTION	REV
	1001242459	Ref	STANDARD DECAL INSTALLATION	E
25	3252347	1	Decal - Footswitch	
30	See Note	NSS	Decal - Bar Code (Note: Not Available for Purchase)	
31	1001267308	2	Decal - Model	
32	1701501	4	Decal - Arrow	
33	1001257229	1	Decal Capacity - 500LBS Unrestricted Capacity	
34	1001257230	1	Decal Capacity - 500LBS Unrestricted Capacity	
36	1001131269	1	Decal - Patent	
39	1001284687	1	Decal - Lift Diagram	
40	1701691	4	Decal - No Step	
41	4420051	23.1 ft /7m	Stripes, Warning	
44	0860520	1	Box, Manual Storage	
46	3311405	4	Nut 1/4	
47	3820001	2	Rivet	
48	4751400	8	Washer 1/4	
58	0641406	4	Bolt 1/4 x 3/4	
59	1705351	1	Decal - Drive/Steer Instructions	
63	1001223055	1	Decal - Yearly Inspection	
64	1001223453	1	Decal - ICES	
67	1701499	4	Decal - No Lift	
68	1701509	1	Decal - Manual	
69	1703811	4	Decal - Tie Down/Lift	
70	1703814	6	Decal - Tie Down	
71	1704277	4	Decal - Attach Lanyard Here	
72	1704412	1	Decal - Hydraulic Oil Chart	
73	3251243	1	Nameplate - 120V-60HZ	
74	1702868	2	Decal - No Hands	
75	1703797	1	Decal - Warning/Danger	
76	1705336	1	Decal - Warning Inspection (MTB)	
77	1703804	5	Decal - Warning Crushing	
78	1703805	5	Decal - Danger Electrocution	
79	1703953	7	Decal - Warning Crushing	
81	1703475	4	Decal - Max Tire Load	



# SECTION 9 - DECALS

## FIGURE 9-2. DECAL INSTALLATION - 800S (AUSTRALIAN SPECS) (800S)



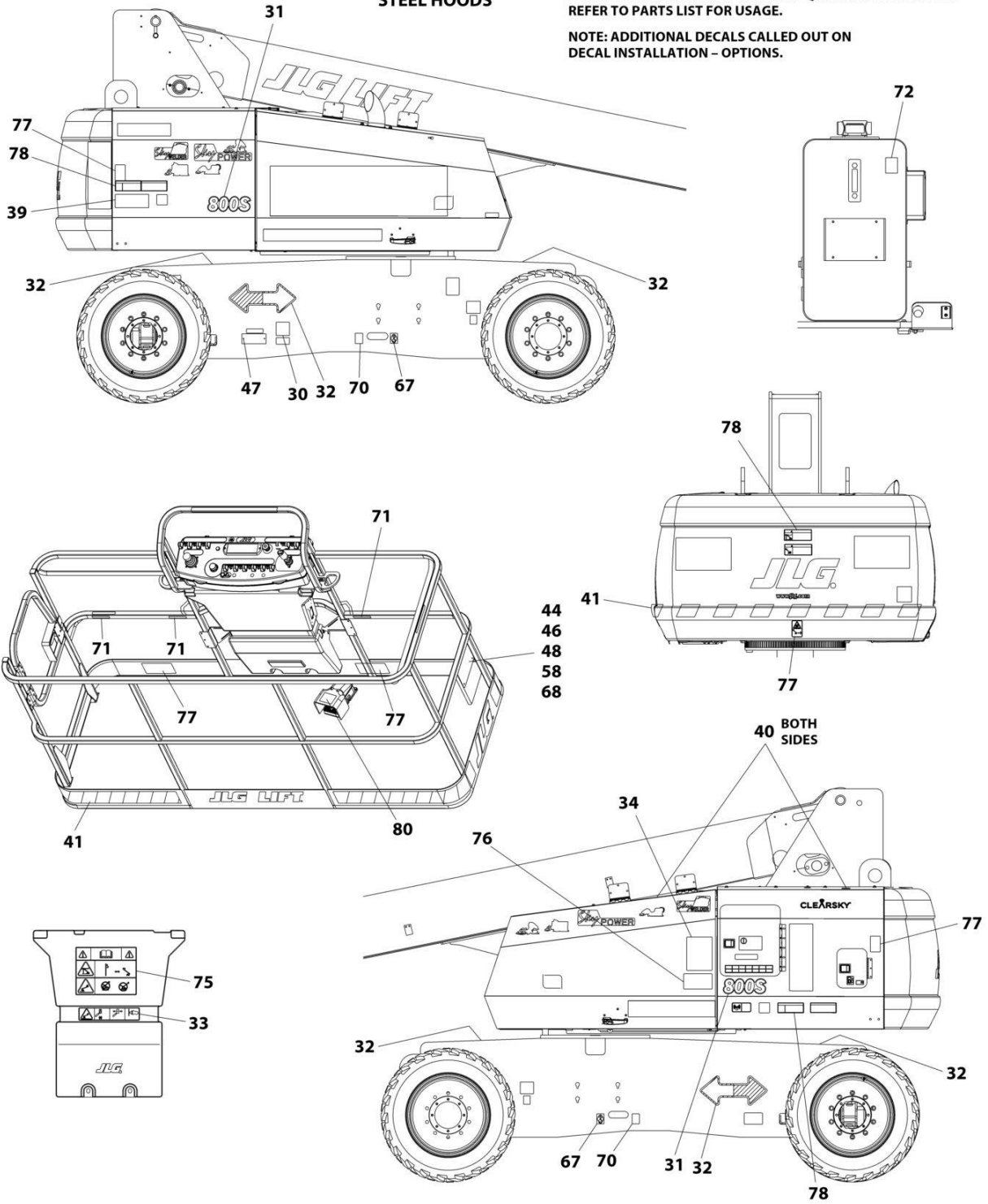
ART\_1001257322\_10F2

# SECTION 9 - DECALS

## STEEL HOODS

NOTE: ITEMS SHOWN MAY NOT BE REQUIRED FOR ALL SPECS. REFER TO PARTS LIST FOR USAGE.

NOTE: ADDITIONAL DECALS CALLED OUT ON DECAL INSTALLATION - OPTIONS.



ART\_1001257322\_20F2

## SECTION 9 - DECALS

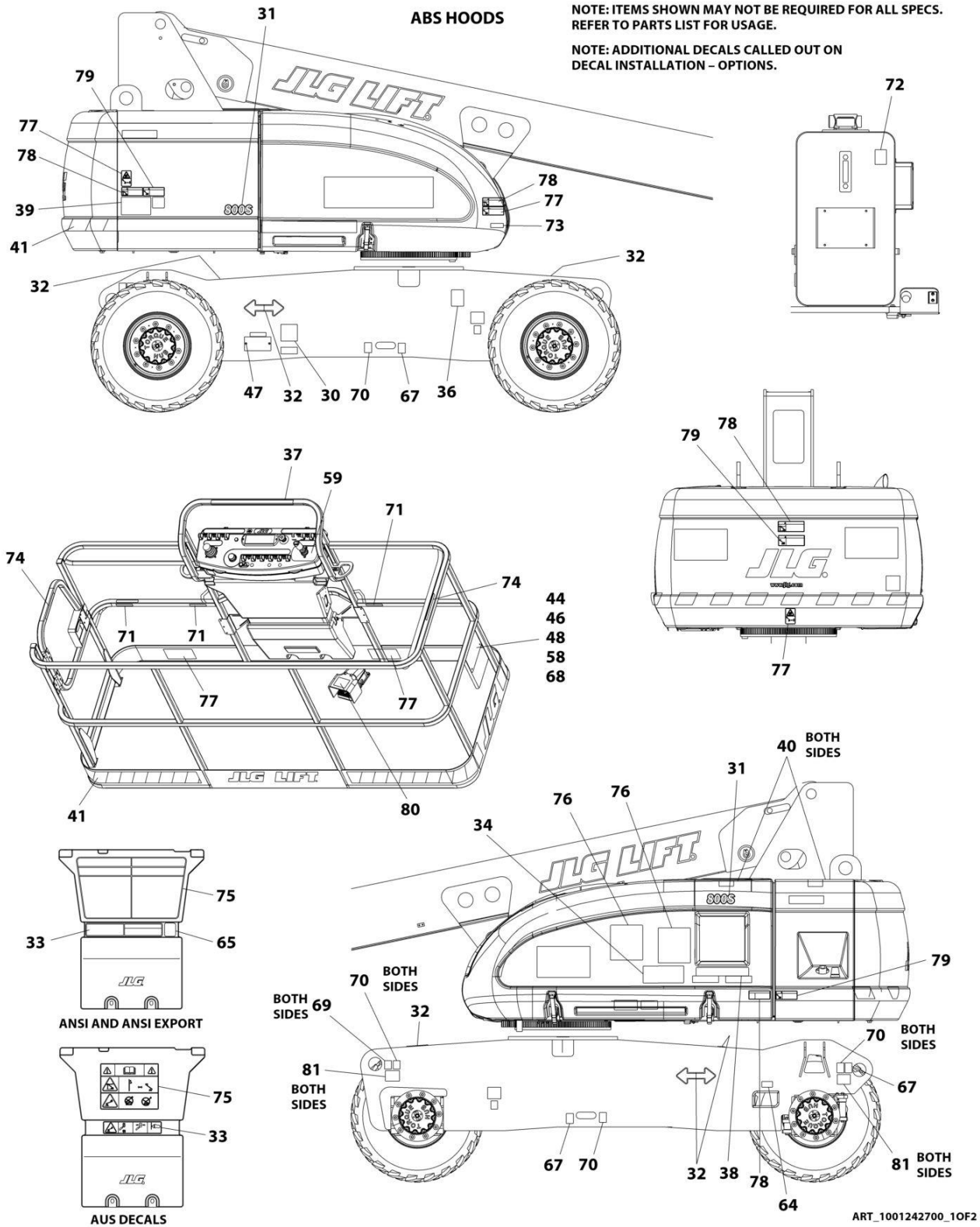
**FIGURE 9-2. DECAL INSTALLATION - 800S (AUSTRALIAN SPECS) (800S)**

ITEM	PART NUMBER	QTY	DESCRIPTION	REV
	1001257322	Ref	STANDARD DECAL INSTALLATION	C
30	See Note	NSS	Decal - Bar Code (Note: Not Available for Purchase)	
31	1001267308	2	Decal - Model	
32	1701501	4	Decal - Arrow	
33	1001257257	1	Decal Dual Capacity - 500LBS/230kg & 992LBS/450kg	
34	1001257258	1	Decal Dual Capacity - 507LBS/230kg & 992LBS/450kg	
39	1001284687	1	Decal - Lift Diagram	
40	1701691	4	Decal - No Step	
41	4420051	23.1 ft /7m	Stripes, Warning	
44	0860520	1	Box, Manual Storage	
46	3311405	4	Nut 1/4	
47	3820001	2	Rivet	
48	4751400	8	Washer 1/4	
58	0641406	4	Bolt 1/4 x 3/4	
60	1001112551	1	Decal - Emergency Control	
67	1701499	4	Decal - No Lift	
68	1701509	1	Decal - Manual	
69	1703811	4	Decal - Tie Down/Lift	
70	1703814	6	Decal - Tie Down	
71	1704277	4	Decal - Attach Lanyard Here	
72	1704412	1	Decal - Hydraulic Oil Chart	
75	1705921	1	Decal - Tipping/Electric (PLF)	
76	1705822	1	Decal - Electric/Safety Manual	
77	1701518	10	Decal - Warning Crushing	
78	1705961	5	Decal - Danger Electrocution	
80	1705828	1	Decal - Footswitch	
81	1703475	4	Decal - Max Tire Load	



# SECTION 9 - DECALS

## FIGURE 9-3. DECAL INSTALLATION - 800S (BRAZILIAN SPECS) (800S)



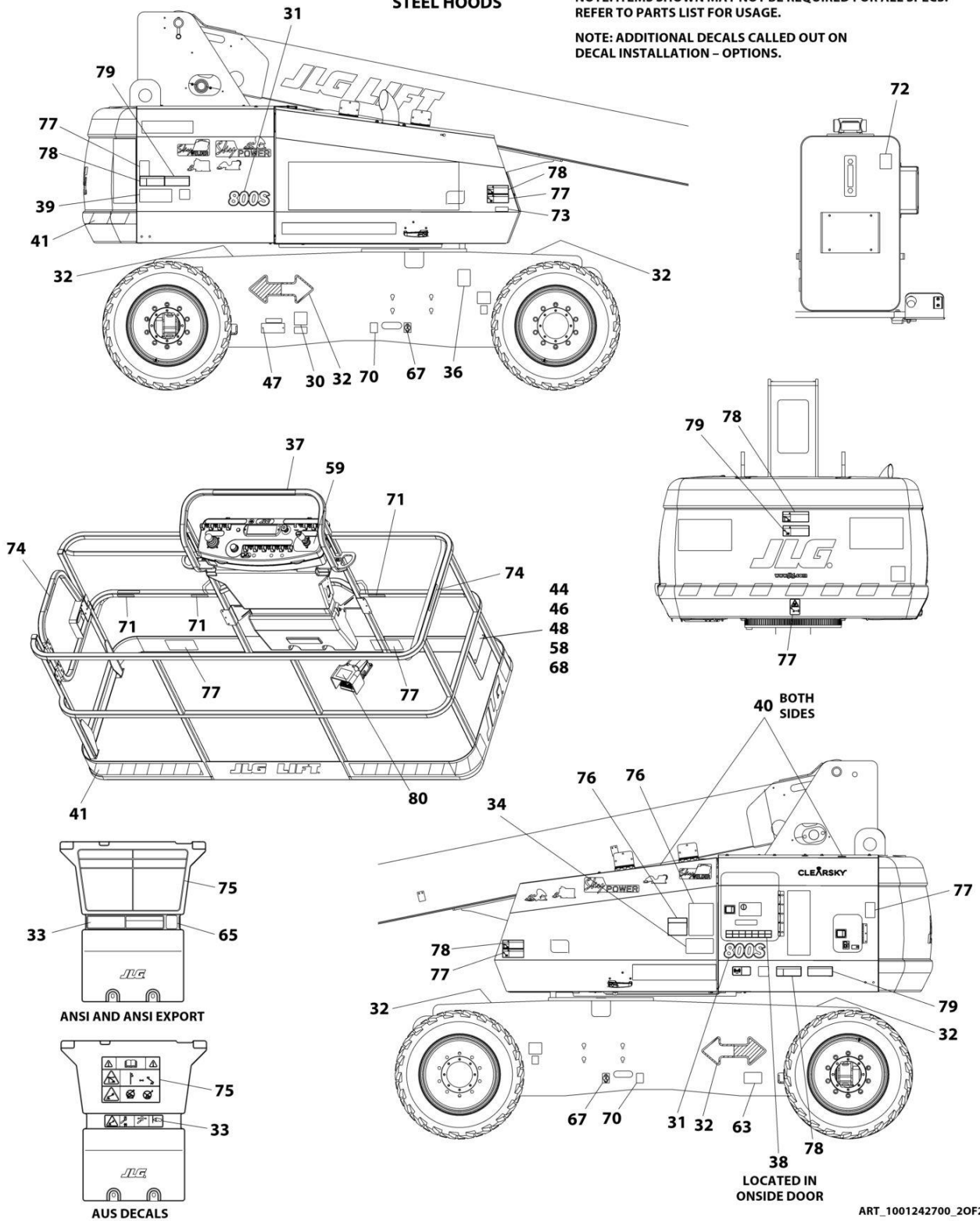


# SECTION 9 - DECALS

## STEEL HOODS

NOTE: ITEMS SHOWN MAY NOT BE REQUIRED FOR ALL SPECS. REFER TO PARTS LIST FOR USAGE.

NOTE: ADDITIONAL DECALS CALLED OUT ON DECAL INSTALLATION - OPTIONS.



ART\_1001242700\_20F2

## SECTION 9 - DECALS

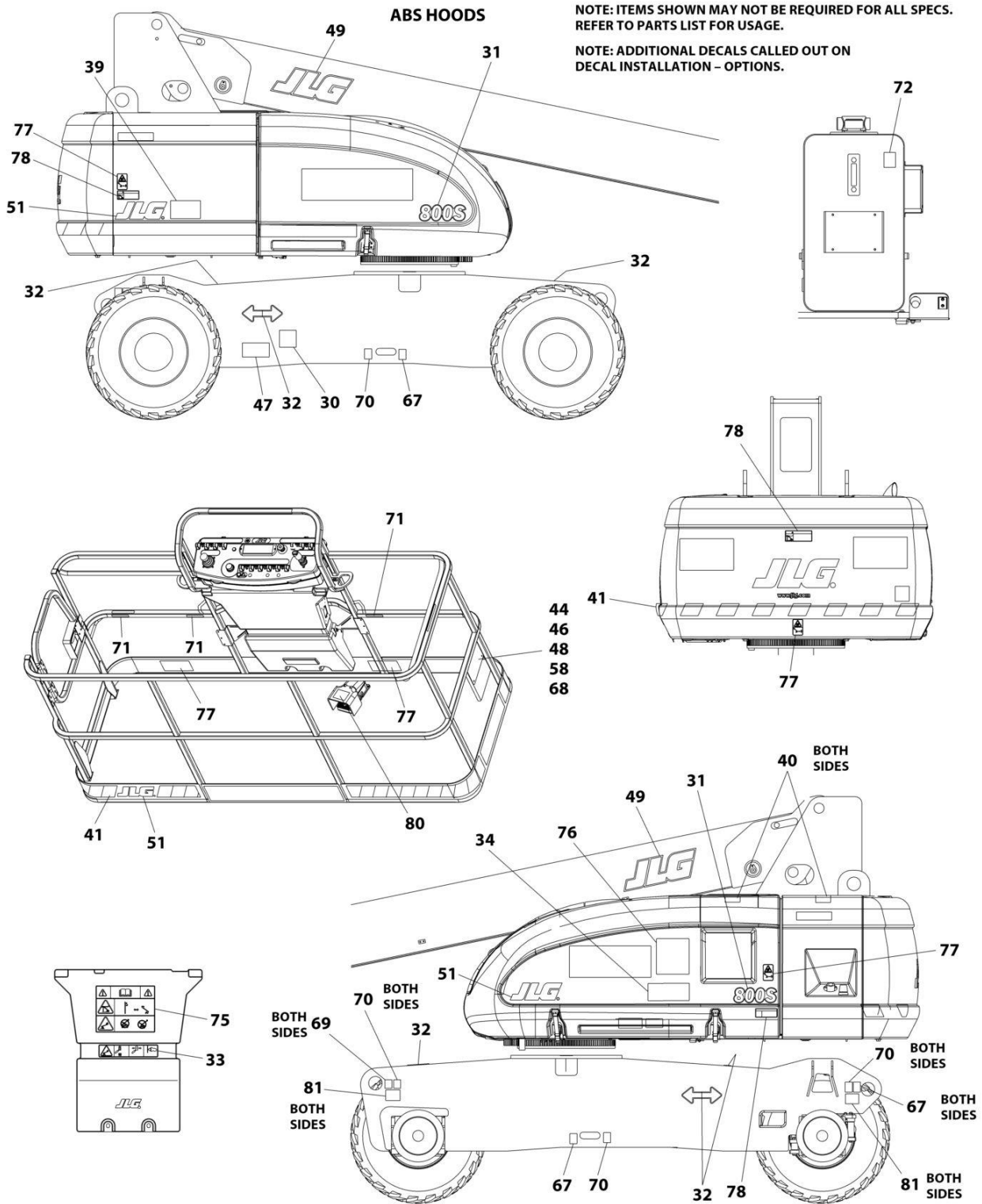
**FIGURE 9-3. DECAL INSTALLATION - 800S (BRAZILIAN SPECS) (800S)**

ITEM	PART NUMBER	QTY	DESCRIPTION	REV
	1001242700	Ref	STANDARD DECAL INSTALLATION	E
30	See Note	NSS	Decal - Bar Code (Note: Not Available for Purchase)	
31	1001267308	2	Decal - Model	
32	1701501	4	Decal - Arrow	
33	1001257241	1	Decal Capacity - 500LBS Unrestricted Capacity	
34	1001257242	1	Decal Capacity - 500LBS Unrestricted Capacity	
39	1001284687	1	Decal - Lift Diagram	
40	1701691	4	Decal - No Step	
41	4420051	23.1 ft /7m	Stripes, Warning	
44	0860520	1	Box, Manual Storage	
46	3311405	4	Nut 1/4	
47	3820001	2	Rivet	
48	4751400	8	Washer 1/4	
58	0641406	4	Bolt 1/4 x 3/4	
59	1705905	1	Decal - Drive/Steer Instructions	
63	1001224052	1	Decal - Yearly Inspection	
67	1701499	4	Decal - No Lift	
68	1701509	1	Decal - Manual	
69	1703811	4	Decal - Tie Down/Lift	
70	1703814	6	Decal - Tie Down	
71	1704277	4	Decal - Attach Lanyard Here	
72	1704412	1	Decal - Hydraulic Oil Chart	
74	1705967	2	Decal - No Hands	
75	1705895	1	Decal - Warning/Danger	
76	1705896	1	Decal - Warning Inspection (MTB)	
77	1705898	5	Decal - Warning Crushing	
78	1705897	5	Decal - Danger Electrocuton	
79	1705903	7	Decal - Warning Crushing	
80	1705902	1	Decal - Foot Switch	
81	1703475	4	Decal - Max Tire Load	



# SECTION 9 - DECALS

## FIGURE 9-4. DECAL INSTALLATION - 800S (CE & UK CA SPECS) (800S)



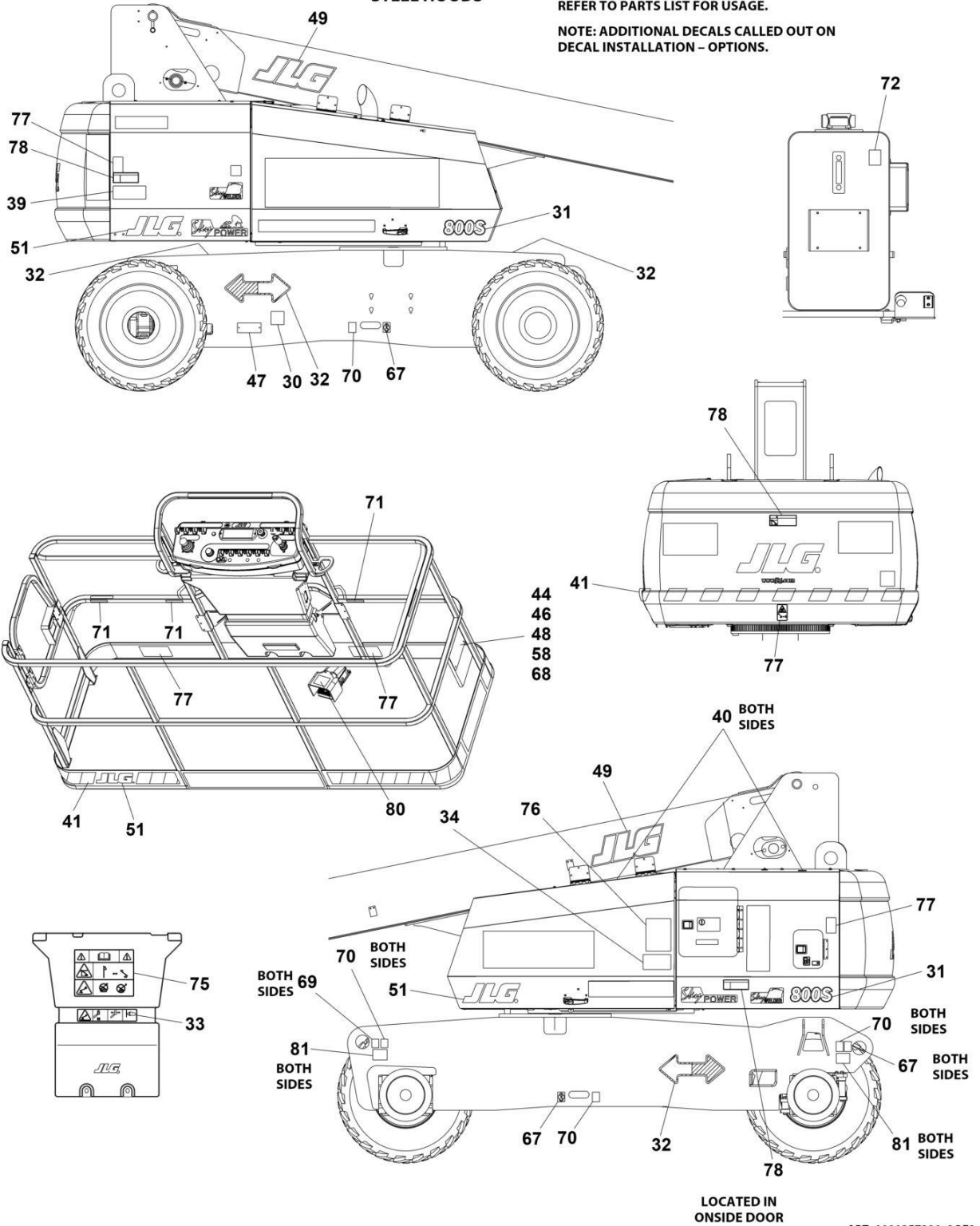
ART\_1001257320\_10F2

# SECTION 9 - DECALS

## STEEL HOODS

NOTE: ITEMS SHOWN MAY NOT BE REQUIRED FOR ALL SPECS. REFER TO PARTS LIST FOR USAGE.

NOTE: ADDITIONAL DECALS CALLED OUT ON DECAL INSTALLATION - OPTIONS.



ART\_1001257320\_20F2

## SECTION 9 - DECALS

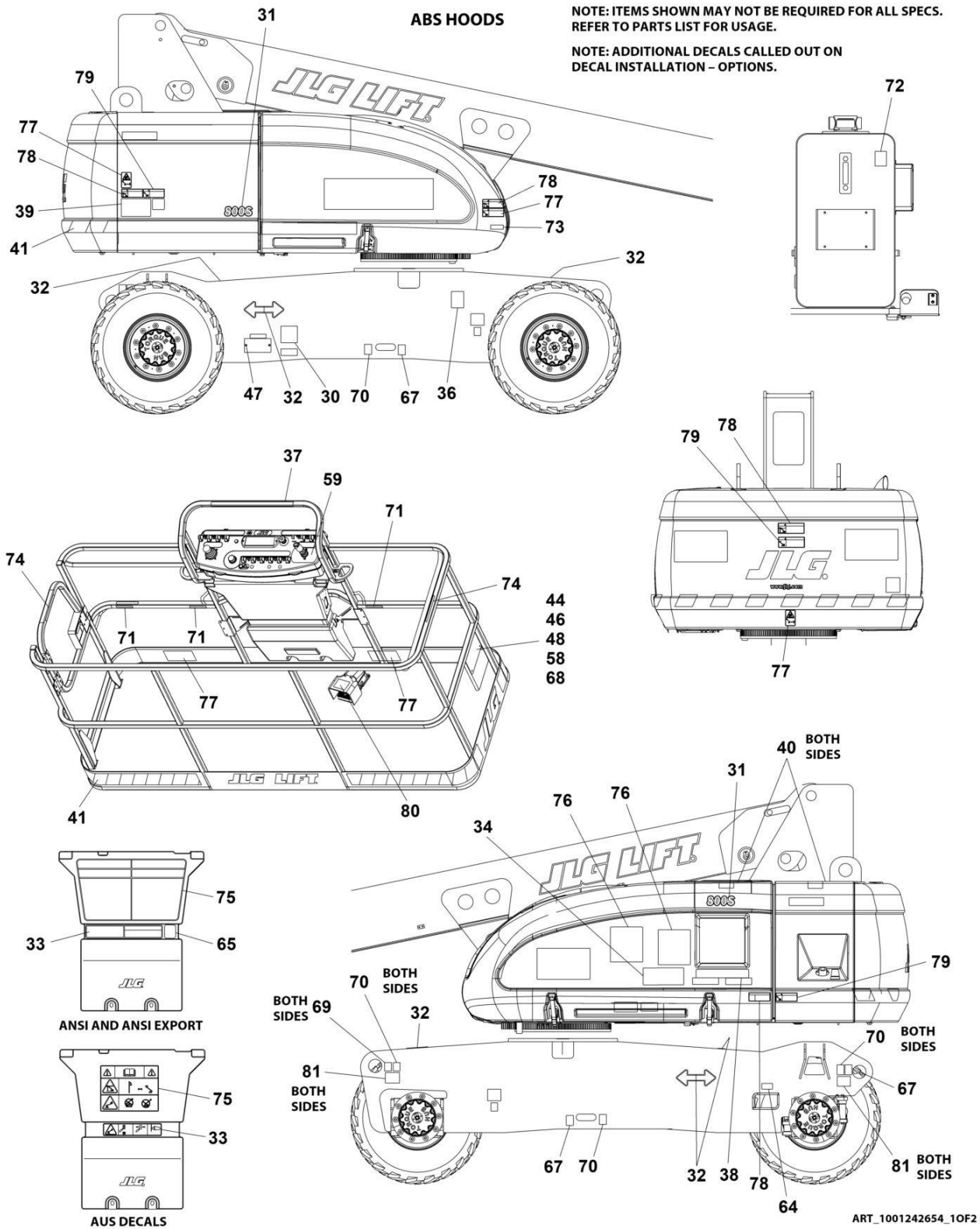
FIGURE 9-4. DECAL INSTALLATION - (CE & UK CA SPECS) (800S)

ITEM	PART NUMBER	QTY	DESCRIPTION	REV
	1001257320	Ref	STANDARD DECAL INSTALLATION	C
30	See Note	NSS	Decal - Bar Code (Note: Not Available for Purchase)	
31	1001267308	2	Decal - Model	
32	1701501	4	Decal - Arrow	
33	1001257257	1	Decal Dual Capacity - 507LBS/230kg & 992LBS/450kg	
34	1001257258	1	Decal Dual Capacity - 507LBS/230kg & 992LBS/450kg	
39	1001284687	1	Decal - Lift Diagram	
40	1701691	4	Decal - No Step	
41	4420051	23.1 ft /7m	Stripes, Warning	
44	0860520	1	Box, Manual Storage	
46	3311405	4	Nut 1/4	
47	3820001	2	Rivet	
48	4751400	8	Washer 1/4	
49	1001159323	2	Decal - JLG (8in Height)	
51	1702773	3	Decal - JLG (5in Height)	
58	0641406	4	Bolt 1/4 x 3/4	
67	1701499	4	Decal - No Lift	
68	1701509	1	Decal - Manual	
69	1703811	4	Decal - Tie Down/Lift	
70	1703814	6	Decal - Tie Down	
71	1704277	4	Decal - Attach Lanyard Here	
72	1704412	1	Decal - Hydraulic Oil Chart	
75	1705921	1	Decal - Tipping/Electric (PLF)	
76	1705822	1	Decal - Electric/Safety Manual	
77	1701518	10	Decal - Warning Crushing	
78	1705961	5	Decal - Danger Electrocuton	
80	1705828	1	Decal - Footswitch	
81	1703475	4	Decal - Max Tire Load	



# SECTION 9 - DECALS

## FIGURE 9-5. DECAL INSTALLATION - (CHINESE SPECS) (800S)



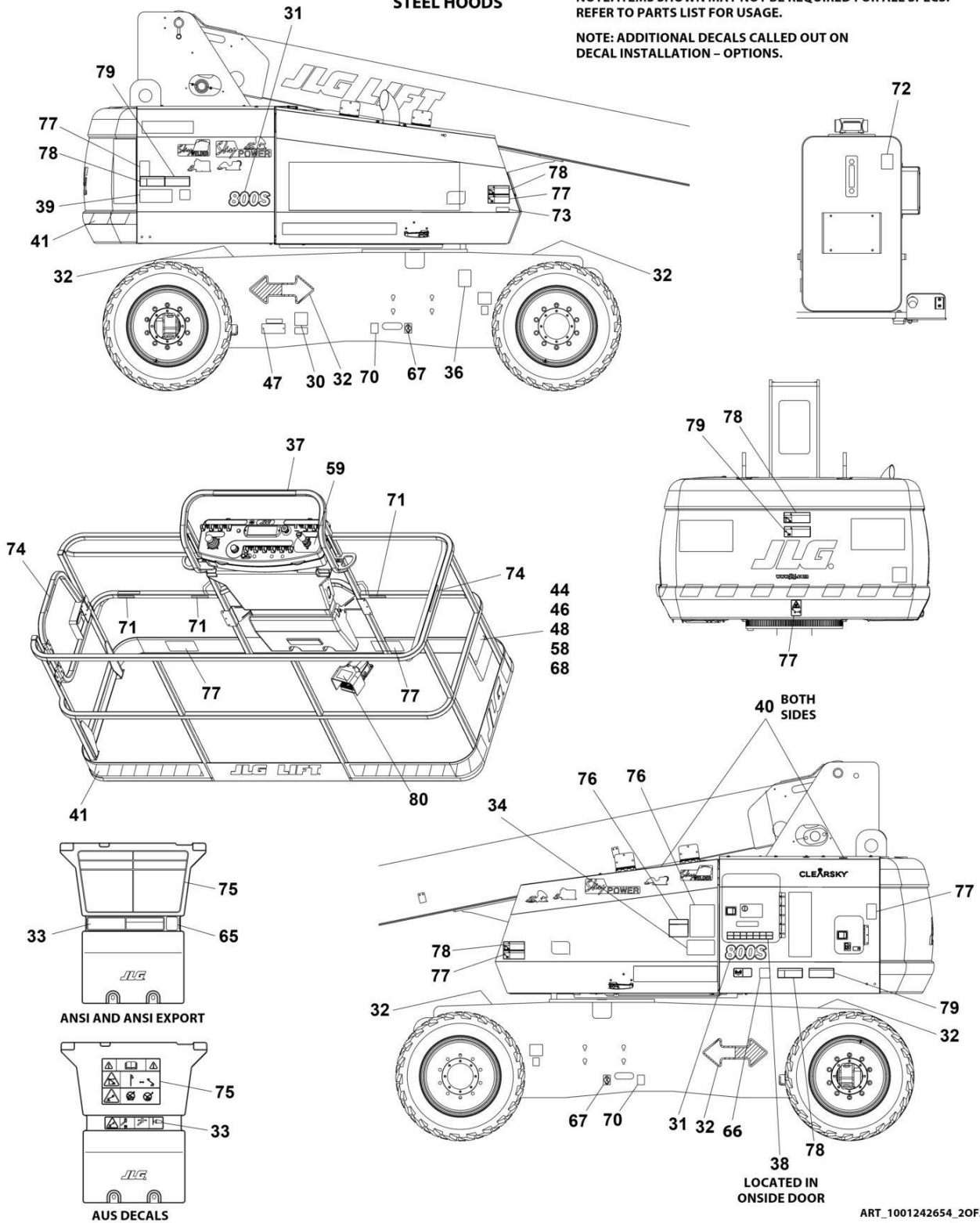


# SECTION 9 - DECALS

## STEEL HOODS

NOTE: ITEMS SHOWN MAY NOT BE REQUIRED FOR ALL SPECS. REFER TO PARTS LIST FOR USAGE.

NOTE: ADDITIONAL DECALS CALLED OUT ON DECAL INSTALLATION - OPTIONS.



ART\_1001242654\_20F2

## SECTION 9 - DECALS

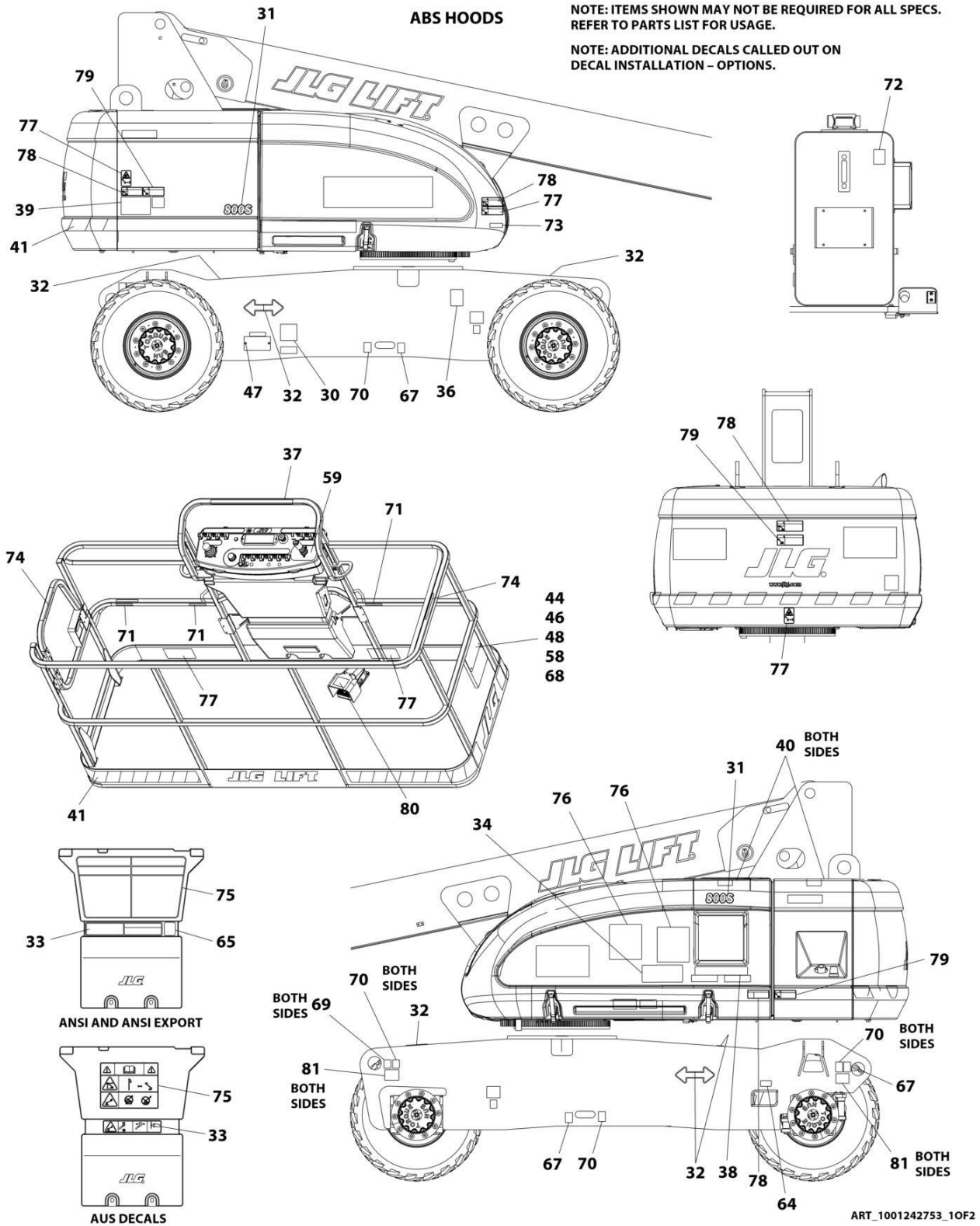
**FIGURE 9-5. DECAL INSTALLATION - (CHINESE SPECS) (800S)**

ITEM	PART NUMBER	QTY	DESCRIPTION	REV
	1001242654	Ref	STANDARD DECAL INSTALLATION	E
30	See Note	NSS	Decal - Bar Code (Note: Not Available for Purchase)	
31	1001267308	2	Decal - Model	
32	1701501	4	Decal - Arrow	
33	1001257235	1	Decal Capacity - 500LBS Unrestricted Capacity	
34	1001257236	1	Decal Capacity - 500LBS Unrestricted Capacity	
39	1001284687	1	Decal - Lift Diagram	
40	1701691	4	Decal - No Step	
41	4420051	23.1 ft /7m	Stripes, Warning	
44	0860520	1	Box, Manual Storage	
46	3311405	4	Nut 1/4	
47	3820001	2	Rivet	
48	4751400	8	Washer 1/4	
58	0641406	4	Bolt 1/4 x 3/4	
59	1705430	1	Decal - Drive/Steer Instructions	
63	1001224050	1	Decal - Yearly Inspection	
65	1001244301	1	Decal - No Platform to Ground Attachments	
66	1001244298	1	Decal - Wechat	
67	1701499	4	Decal - No Lift	
68	1701509	1	Decal - Manual	
69	1703811	4	Decal - Tie Down/Lift	
70	1703814	6	Decal - Tie Down	
71	1704277	4	Decal - Attach Lanyard Here	
72	1704412	1	Decal - Hydraulic Oil Chart	
73	3251243	1	Nameplate - 120V-60HZ	
74	1001116846	2	Decal - No Hands	
75	1703925	1	Decal - Warning/Danger	
76	1001116849	2	Decal - Warning Inspection (MTB)	
77	1703949	5	Decal - Warning Crushing	
78	1001116851	5	Decal - Danger Electrocution	
79	1703943	7	Decal - Warning Crushing	
80	1703982	1	Decal - Footswitch	
81	1703475	4	Decal - Max Tire Load	



# SECTION 9 - DECALS

## FIGURE 9-6. DECAL INSTALLATION - (CSA SPECS) (800S)

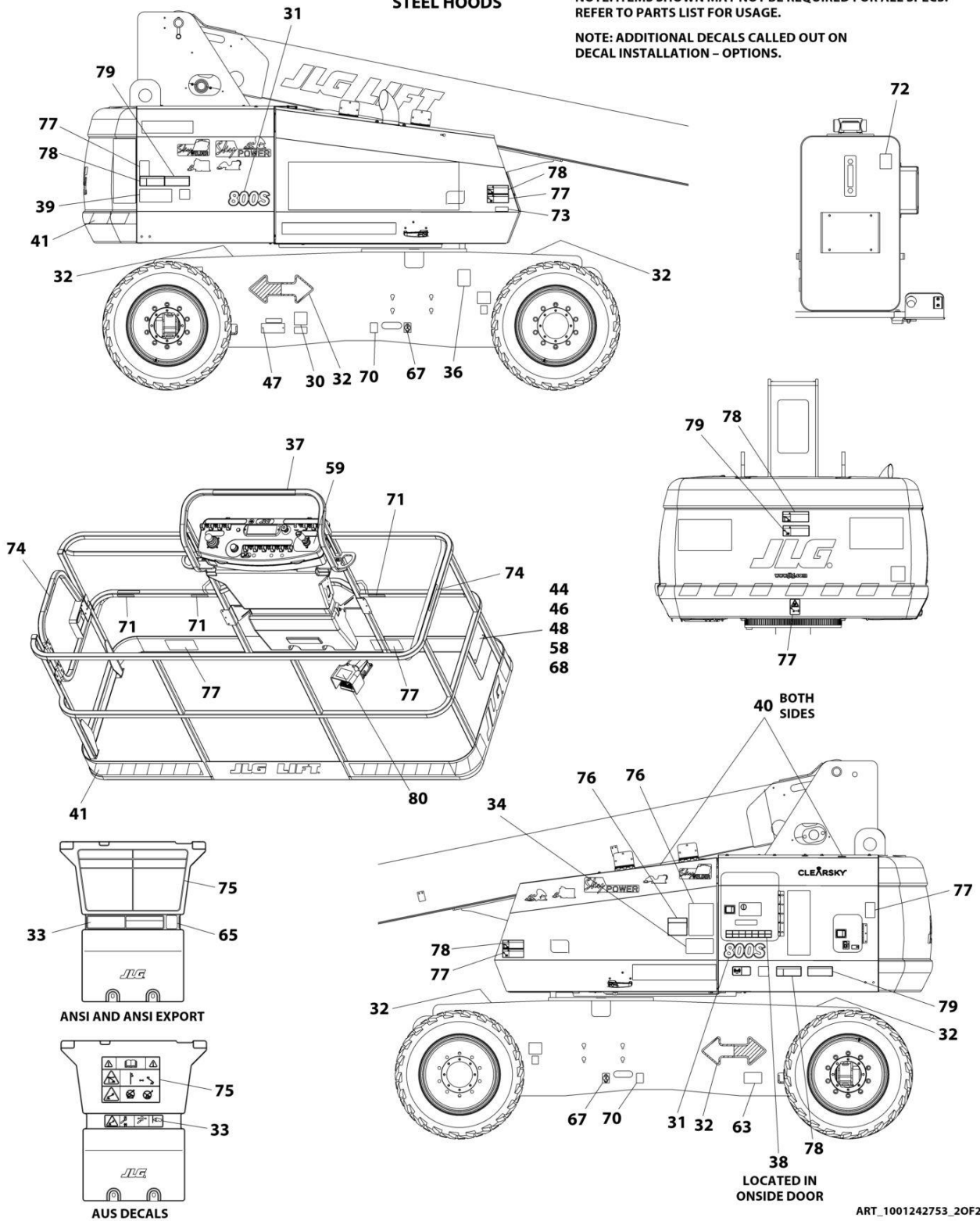


# SECTION 9 - DECALS

## STEEL HOODS

NOTE: ITEMS SHOWN MAY NOT BE REQUIRED FOR ALL SPECS. REFER TO PARTS LIST FOR USAGE.

NOTE: ADDITIONAL DECALS CALLED OUT ON DECAL INSTALLATION - OPTIONS.



ART\_1001242753\_20F2

## SECTION 9 - DECALS

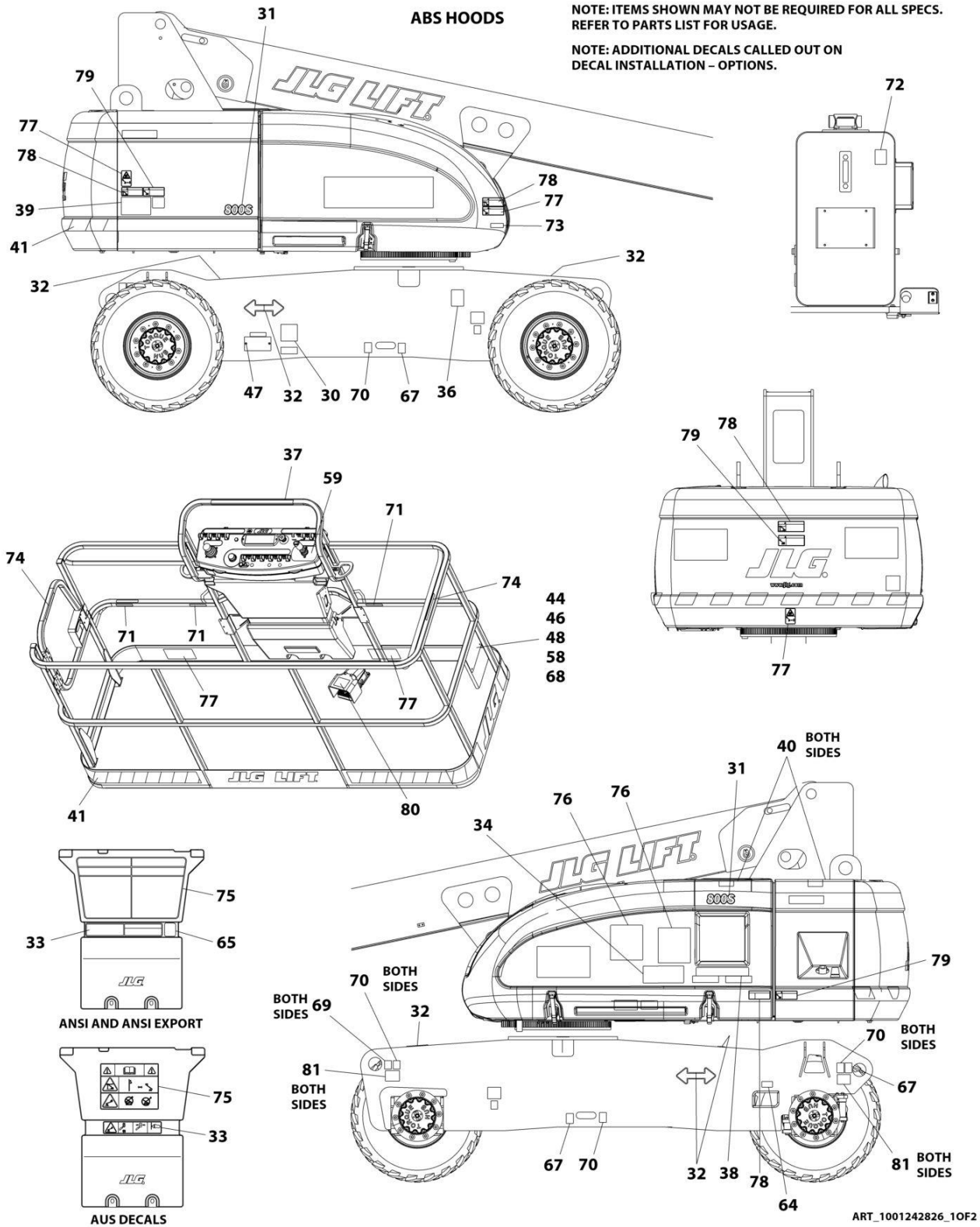
FIGURE 9-6. DECAL INSTALLATION - (CSA SPECS) (800S)

ITEM	PART NUMBER	QTY	DESCRIPTION	REV
	1001242753	Ref	STANDARD DECAL INSTALLATION	E
30	See Note	NSS	Decal - Bar Code (Note: Not Available for Purchase)	
31	1001267308	2	Decal - Model	
32	1701501	4	Decal - Arrow	
33	1001257231	1	Decal Capacity - 500LBS Unrestricted Capacity	
34	1001257232	1	Decal Capacity - 500LBS Unrestricted Capacity	
36	1001131269	1	Decal - Patent	
39	1001284687	1	Decal - Lift Diagram	
40	1701691	4	Decal - No Step	
41	4420051	23.1 ft /7m	Stripes, Warning	
44	0860520	1	Box, Manual Storage	
46	3311405	4	Nut 1/4	
47	3820001	2	Rivet	
48	4751400	8	Washer 1/4	
58	0641406	4	Bolt 1/4 x 3/4	
59	1705429	1	Decal - Drive/Steer Instructions	
63	1001223971	1	Decal - Yearly Inspection	
64	1001223453	1	Decal - ICES	
67	1701499	4	Decal - No Lift	
68	1701509	1	Decal - Manual	
69	1703811	4	Decal - Tie Down/Lift	
70	1703814	6	Decal - Tie Down	
71	1704277	4	Decal - Attach Lanyard Here	
72	1704412	1	Decal - Hydraulic Oil Chart	
74	1704000	2	Decal - No Hands	
75	1703924	1	Decal - Warning/Danger	
76	1705347	1	Decal - Warning Inspection (MTB)	
77	1703848	5	Decal - Warning Crushing	
78	1703936	5	Decal - Danger Electrocution	
79	1703942	7	Decal - Warning Crushing	
80	1703984	1	Decal - Footswitch	
81	1703475	4	Decal - Max Tire Load	



# SECTION 9 - DECALS

## FIGURE 9-7. DECAL INSTALLATION - (JAPANESE SPECS) (800S)



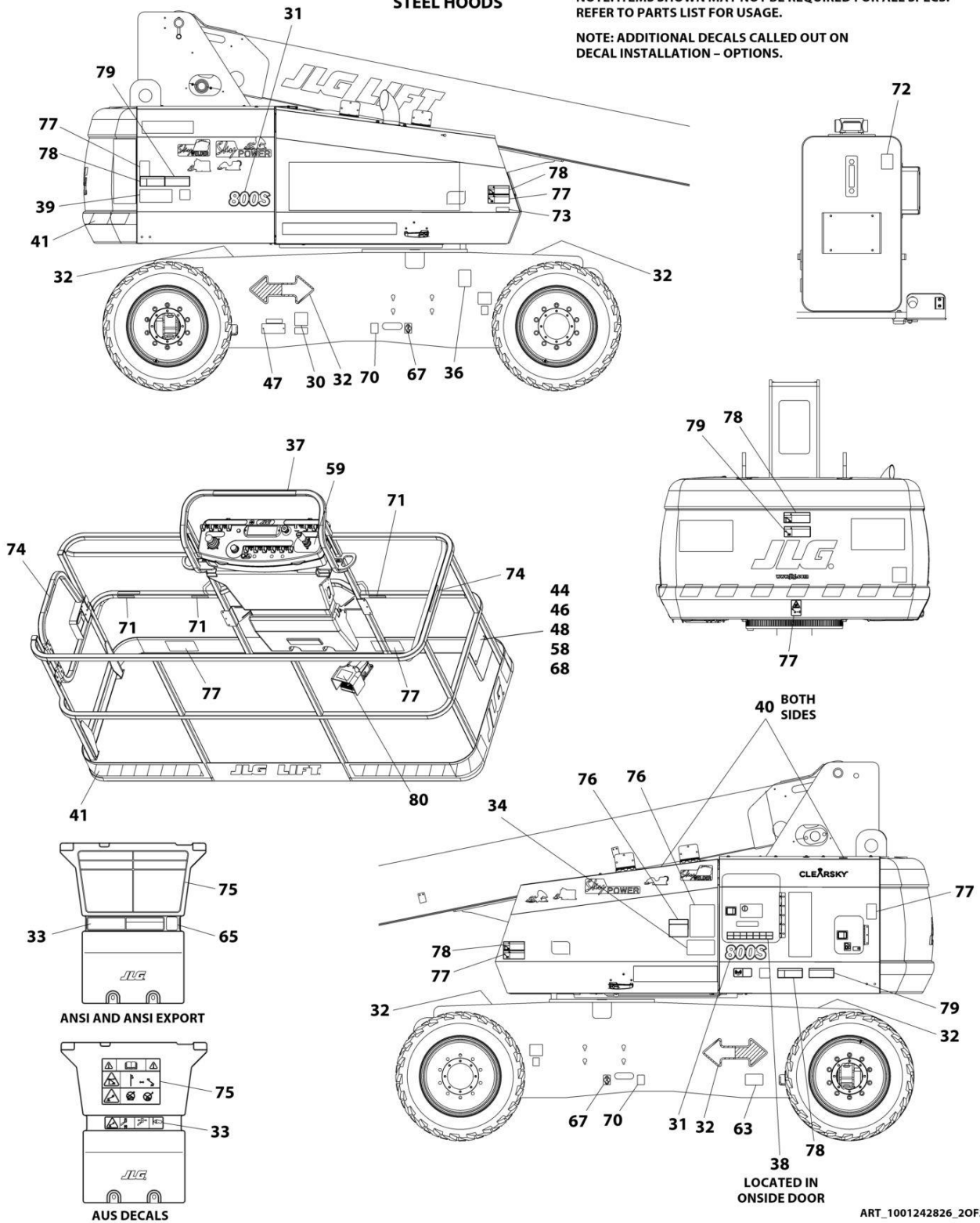


# SECTION 9 - DECALS

## STEEL HOODS

NOTE: ITEMS SHOWN MAY NOT BE REQUIRED FOR ALL SPECS. REFER TO PARTS LIST FOR USAGE.

NOTE: ADDITIONAL DECALS CALLED OUT ON DECAL INSTALLATION - OPTIONS.



ART\_1001242826\_20F2

## SECTION 9 - DECALS

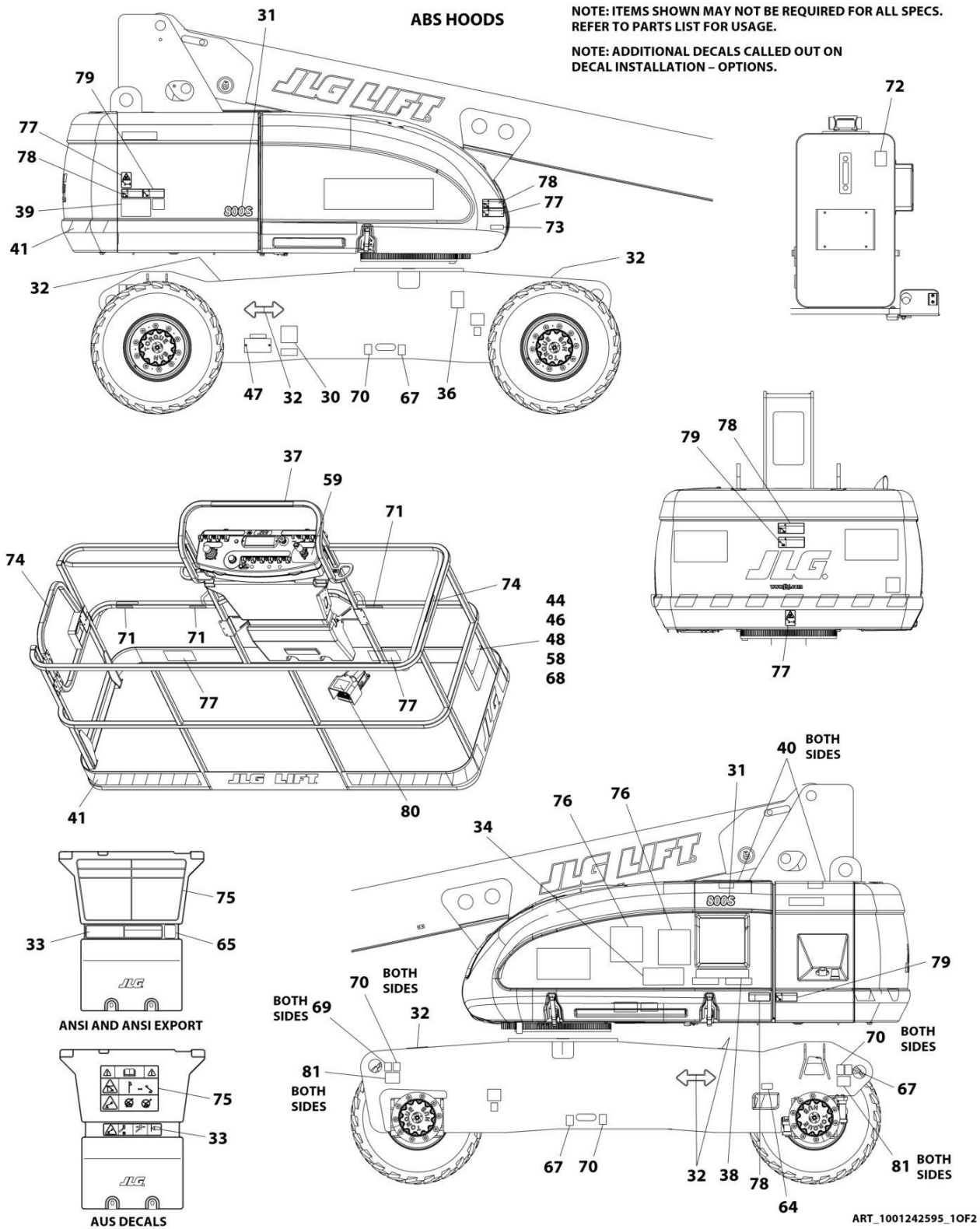
**FIGURE 9-7. DECAL INSTALLATION - (JAPANESE SPECS) (800S)**

ITEM	PART NUMBER	QTY	DESCRIPTION	REV
	1001242826	Ref	STANDARD DECAL INSTALLATION	E
30	See Note	NSS	Decal - Bar Code (Note: Not Available for Purchase)	
31	1001267308	2	Decal - Model	
32	1701501	4	Decal - Arrow	
33	1001257239	1	Decal Capacity - 500LBS Unrestricted Capacity	
34	1001257240	1	Decal Capacity - 500LBS Unrestricted Capacity	
39	1001284687	1	Decal - Lift Diagram	
40	1701691	4	Decal - No Step	
41	4420051	23.1 ft /7m	Stripes, Warning	
44	0860520	1	Box, Manual Storage	
46	3311405	4	Nut 1/4	
47	3820001	2	Rivet	
48	4751400	8	Washer 1/4	
58	0641406	4	Bolt 1/4 x 3/4	
59	1705426	1	Decal - Drive/Steer Instructions	
63	1001224053	1	Decal - Yearly Inspection	
67	1701499	4	Decal - No Lift	
68	1701509	1	Decal - Manual	
69	1703811	4	Decal - Tie Down/Lift	
70	1703814	6	Decal - Tie Down	
71	1704277	4	Decal - Attach Lanyard Here	
72	1704412	1	Decal - Hydraulic Oil Chart	
73	3251243	1	Nameplate - 120V-60HZ	
75	1703926	1	Decal - Warning/Danger	
76	1705344	1	Decal - Warning Inspection (MTB)	
77	1703950	5	Decal - Warning Crushing	
78	1703938	5	Decal - Danger Electrocuton	
79	1703944	7	Decal - Warning Crushing	
80	1703980	1	Decal - Footswitch	
81	1703475	4	Decal - Max Tire Load	



# SECTION 9 - DECALS

## FIGURE 9-8. DECAL INSTALLATION - (KOREAN SPECS) (800S)

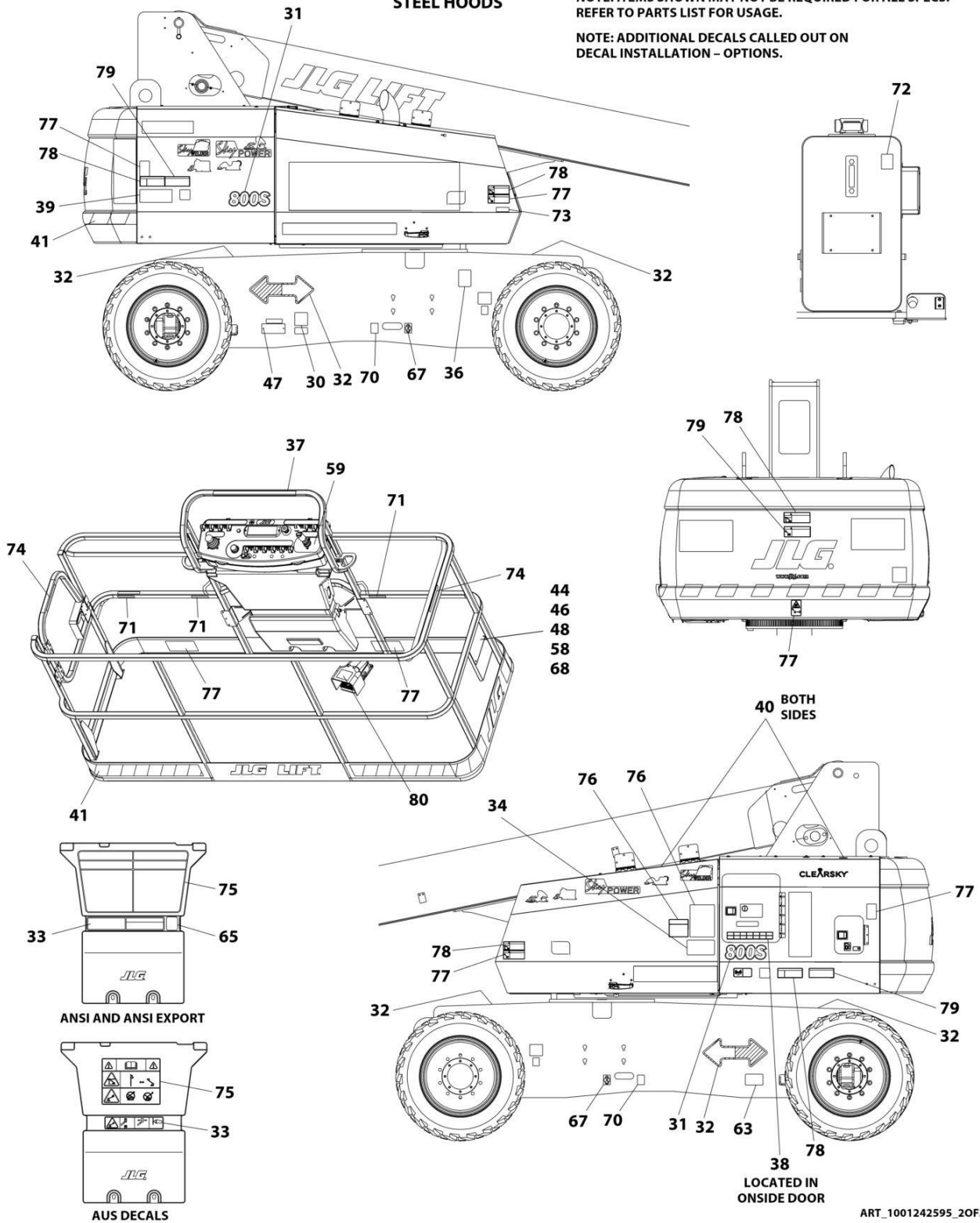


# SECTION 9 - DECALS

## STEEL HOODS

NOTE: ITEMS SHOWN MAY NOT BE REQUIRED FOR ALL SPECS. REFER TO PARTS LIST FOR USAGE.

NOTE: ADDITIONAL DECALS CALLED OUT ON DECAL INSTALLATION - OPTIONS.



ART\_1001242595\_20F2

## SECTION 9 - DECALS

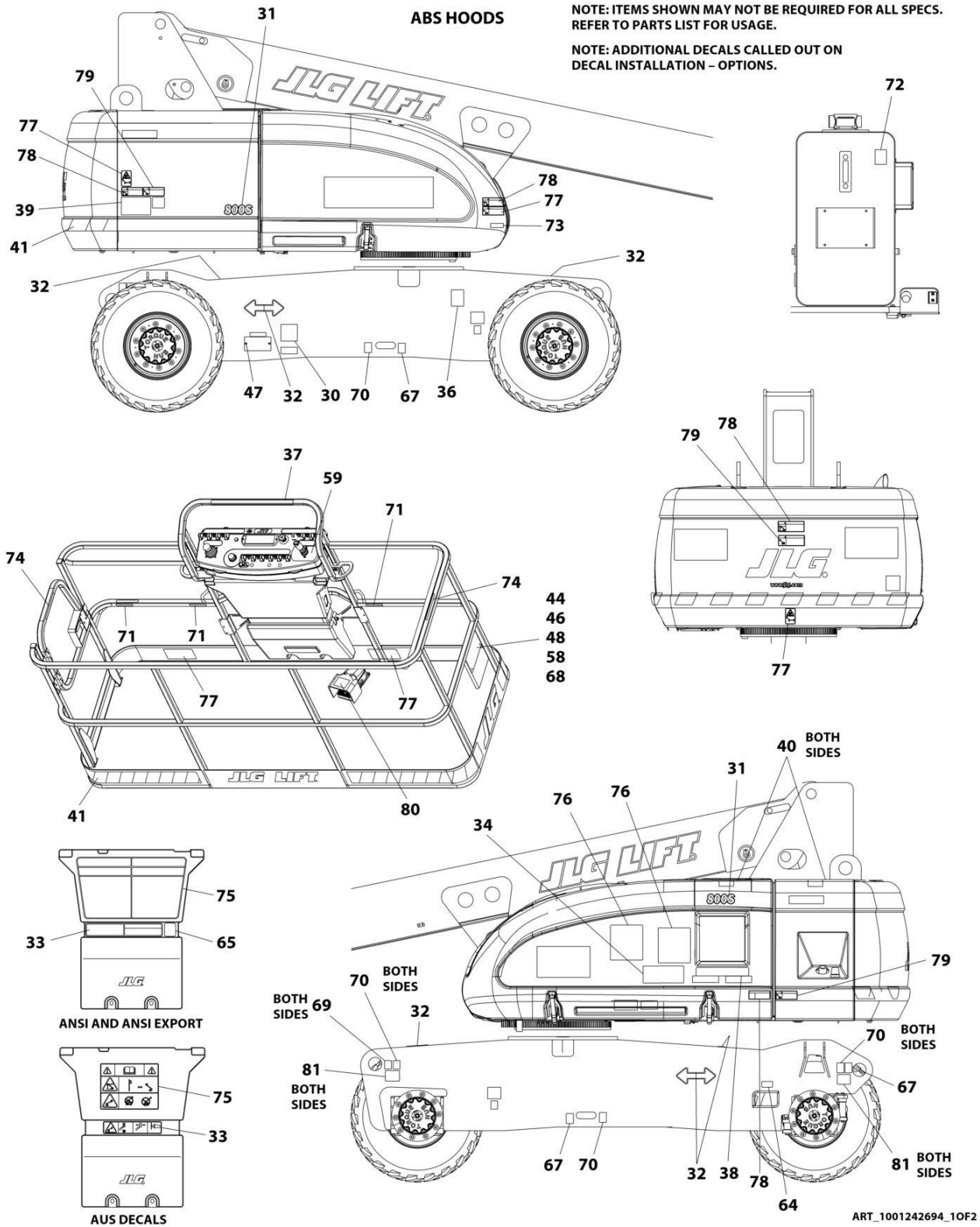
**FIGURE 9-8. DECAL INSTALLATION - (KOREAN SPECS) (800S)**

ITEM	PART NUMBER	QTY	DESCRIPTION	REV
	1001242595	Ref	STANDARD DECAL INSTALLATION	E
30	See Note	NSS	Decal - Bar Code (Note: Not Available for Purchase)	
31	1001267308	2	Decal - Model	
32	1701501	4	Decal - Arrow	
33	1001257233	1	Decal Capacity - 500LBS Unrestricted Capacity	
34	1001257234	1	Decal Capacity - 500LBS Unrestricted Capacity	
39	1001284687	1	Decal - Lift Diagram	
40	1701691	4	Decal - No Step	
41	4420051	23.1 ft /7m	Stripes, Warning	
44	0860520	1	Box, Manual Storage	
46	3311405	4	Nut 1/4	
47	3820001	2	Rivet	
48	4751400	8	Washer 1/4	
58	0641406	4	Bolt 1/4 x 3/4	
59	1705427	1	Decal - Drive/Steer Instructions	
63	1001224048	1	Decal - Yearly Inspection	
67	1701499	4	Decal - No Lift	
68	1701509	1	Decal - Manual	
69	1703811	4	Decal - Tie Down/Lift	
70	1703814	6	Decal - Tie Down	
71	1704277	4	Decal - Attach Lanyard Here	
72	1704412	1	Decal - Hydraulic Oil Chart	
73	3251243	1	Nameplate - 120V-60HZ	
74	1705969	2	Decal - No Hands	
75	1703927	1	Decal - Warning/Danger	
76	1705345	1	Decal - Warning Inspection (MTB)	
77	1703951	5	Decal - Warning Crushing	
78	1703939	5	Decal - Danger Electrocutation	
79	1703945	7	Decal - Warning Crushing	
80	1703981	1	Decal - Footswitch	
81	1703475	4	Decal - Max Tire Load	



# SECTION 9 - DECALS

## FIGURE 9-9. DECAL INSTALLATION - (LATIN AMERICAN SPECS) (800S)



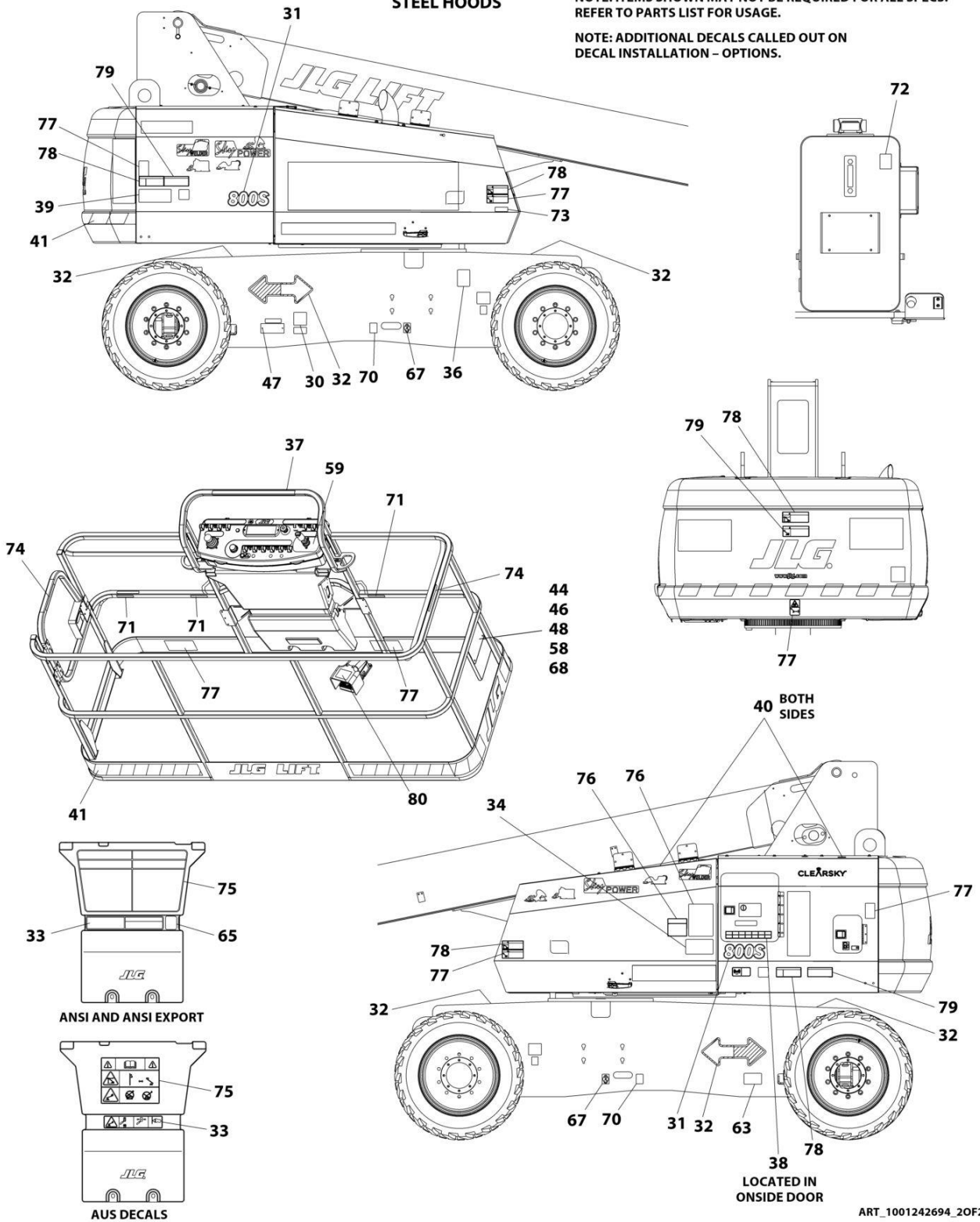


# SECTION 9 - DECALS

## STEEL HOODS

NOTE: ITEMS SHOWN MAY NOT BE REQUIRED FOR ALL SPECS. REFER TO PARTS LIST FOR USAGE.

NOTE: ADDITIONAL DECALS CALLED OUT ON DECAL INSTALLATION - OPTIONS.



ART\_1001242694\_20F2

## SECTION 9 - DECALS

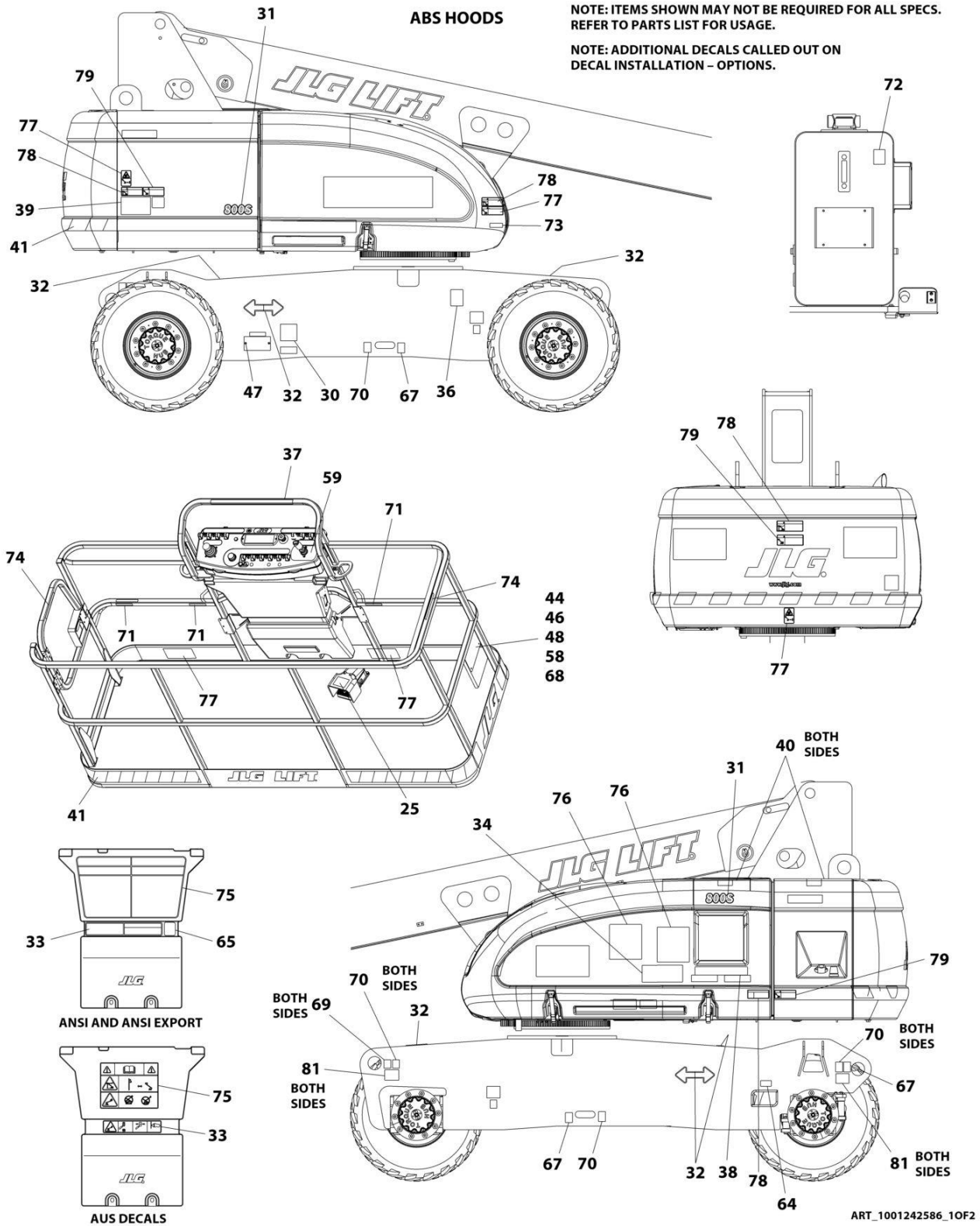
**FIGURE 9-9. DECAL INSTALLATION - (LATIN AMERICAN SPECS) (800S)**

ITEM	PART NUMBER	QTY	DESCRIPTION	REV
	1001242694	Ref	STANDARD DECAL INSTALLATION	E
30	See Note	NSS	Decal - Bar Code (Note: Not Available for Purchase)	
31	1001267308	2	Decal - Model	
32	1701501	4	Decal - Arrow	
33	1001257237	1	Decal Capacity - 500LBS Unrestricted Capacity	
34	1001257238	1	Decal Capacity - 500LBS Unrestricted Capacity	
39	1001284687	1	Decal - Lift Diagram	
40	1701691	4	Decal - No Step	
41	4420051	23.1 ft /7m	Stripes, Warning	
44	0860520	1	Box, Manual Storage	
46	3311405	4	Nut 1/4	
47	3820001	2	Rivet	
48	4751400	8	Washer 1/4	
58	0641406	4	Bolt 1/4 x 3/4	
59	1705910	1	Decal - Drive/Steer Instructions	
63	1001224049	1	Decal - Yearly Inspection	
67	1701499	4	Decal - No Lift	
68	1701509	1	Decal - Manual	
69	1703811	4	Decal - Tie Down/Lift	
70	1703814	6	Decal - Tie Down	
71	1704277	4	Decal - Attach Lanyard Here	
72	1704412	1	Decal - Hydraulic Oil Chart	
73	3251243	1	Nameplate - 120V-60HZ	
74	1704001	2	Decal - No Hands	
75	1703923	1	Decal - Warning/Danger	
76	1705917	1	Decal - Warning Inspection (MTB)	
77	1703947	5	Decal - Warning Crushing	
78	1703935	5	Decal - Danger Electrocutation	
79	1703941	7	Decal - Warning Crushing	
80	1703983	1	Decal - Footswitch	
81	1703475	4	Decal - Max Tire Load	



# SECTION 9 - DECALS

## FIGURE 9-10. DECAL INSTALLATION - (ANSI SPECS) (860SJ)

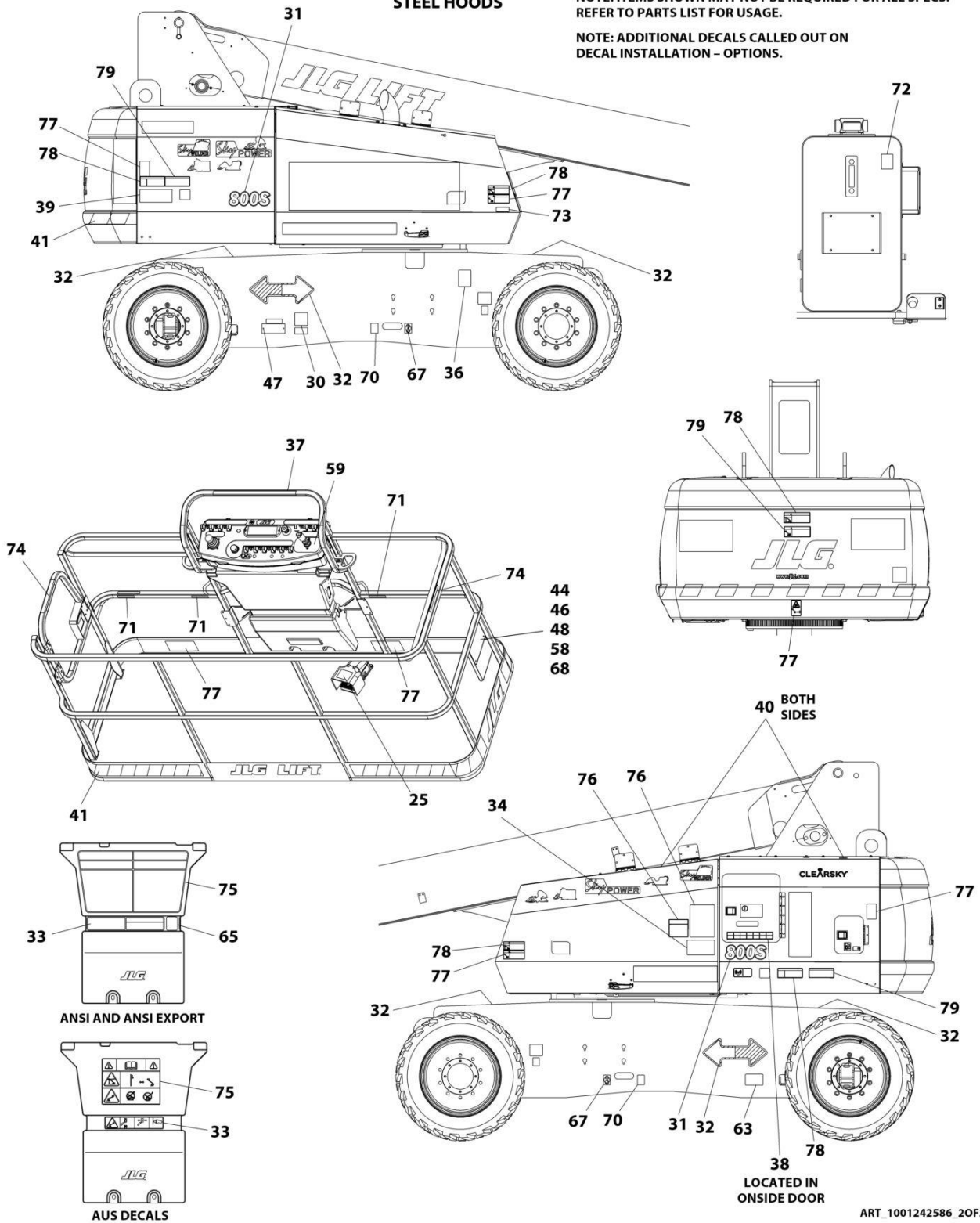


# SECTION 9 - DECALS

## STEEL HOODS

NOTE: ITEMS SHOWN MAY NOT BE REQUIRED FOR ALL SPECS. REFER TO PARTS LIST FOR USAGE.

NOTE: ADDITIONAL DECALS CALLED OUT ON DECAL INSTALLATION - OPTIONS.



ART\_1001242586\_20F2

## SECTION 9 - DECALS

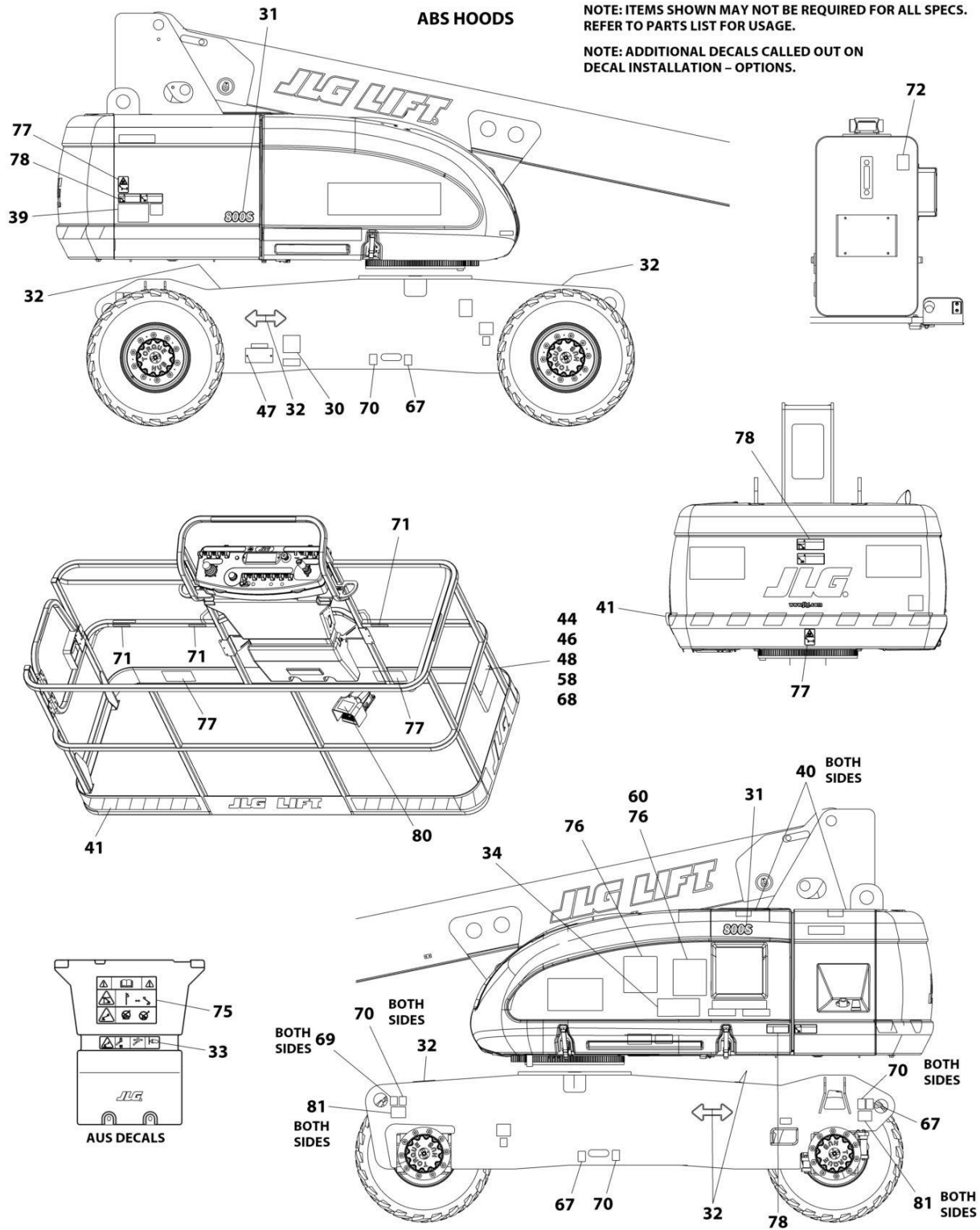
**FIGURE 9-10. DECAL INSTALLATION - (ANSI SPECS) (860SJ)**

ITEM	PART NUMBER	QTY	DESCRIPTION	REV
	1001242586	Ref	STANDARD DECAL INSTALLATION	E
25	3252347	1	Decal - Footswitch	
30	See Note	NSS	Decal - Bar Code (Note: Not Available for Purchase)	
31	1001267309	2	Decal - Model	
32	1701501	4	Decal - Arrow	
33	1001257243	1	Decal Capacity - 500LBS Unrestricted Capacity	
34	1001257244	1	Decal Capacity - 500LBS Unrestricted Capacity	
36	1001131269	1	Decal - Patent	
39	1001284687	1	Decal - Lift Diagram	
40	1701691	4	Decal - No Step	
41	4420051	23.1 ft /7m	Stripes, Warning	
44	0860520	1	Box, Manual Storage	
46	3311405	4	Nut 1/4	
47	3820001	2	Rivet	
48	4751400	8	Washer 1/4	
58	0641406	4	Bolt 1/4 x 3/4	
59	1705351	1	Decal - Drive/Steer Instructions	
63	1001223055	1	Decal - Yearly Inspection	
64	1001223453	1	Decal - ICES	
67	1701499	4	Decal - No Lift	
68	1701509	1	Decal - Manual	
69	1703811	4	Decal - Tie Down/Lift	
70	1703814	6	Decal - Tie Down	
71	1704277	4	Decal - Attach Lanyard Here	
72	1704412	1	Decal - Hydraulic Oil Chart	
73	3251243	1	Nameplate - 120V-60HZ	
74	1702868	2	Decal - No Hands	
75	1703797	1	Decal - Warning/Danger	
76	1705336	1	Decal - Warning Inspection (MTB)	
77	1703804	5	Decal - Warning Crushing	
78	1703805	5	Decal - Danger Electrocution	
79	1703953	7	Decal - Warning Crushing	
81	1703482	4	Decal - Max Tire Load	



# SECTION 9 - DECALS

## FIGURE 9-11. DECAL INSTALLATION - (AUSTRALIAN SPECS) (860SJ)



ART\_1001257323\_10F2

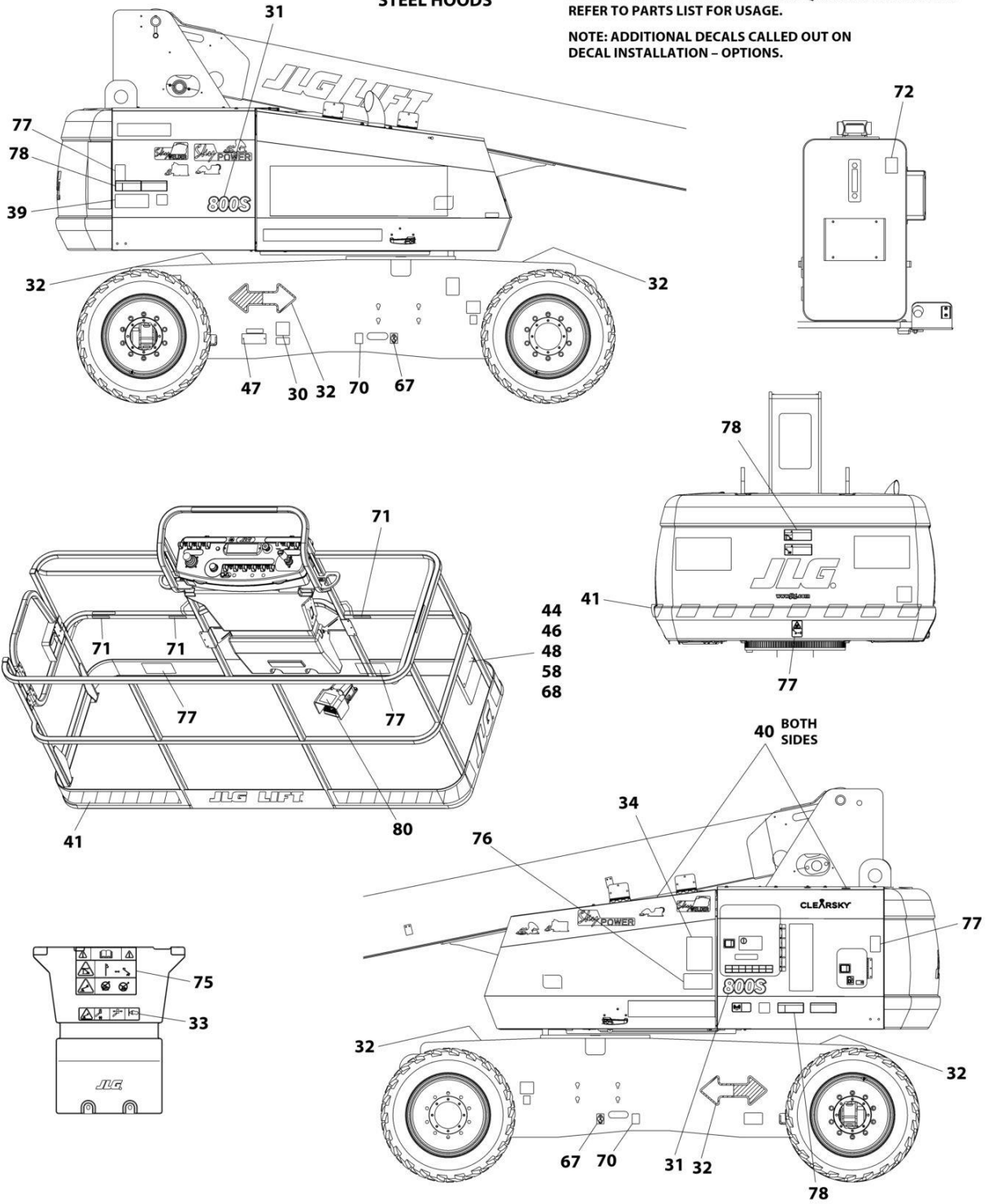


# SECTION 9 - DECALS

## STEEL HOODS

NOTE: ITEMS SHOWN MAY NOT BE REQUIRED FOR ALL SPECS. REFER TO PARTS LIST FOR USAGE.

NOTE: ADDITIONAL DECALS CALLED OUT ON DECAL INSTALLATION - OPTIONS.



ART\_1001257323\_20F2

## SECTION 9 - DECALS

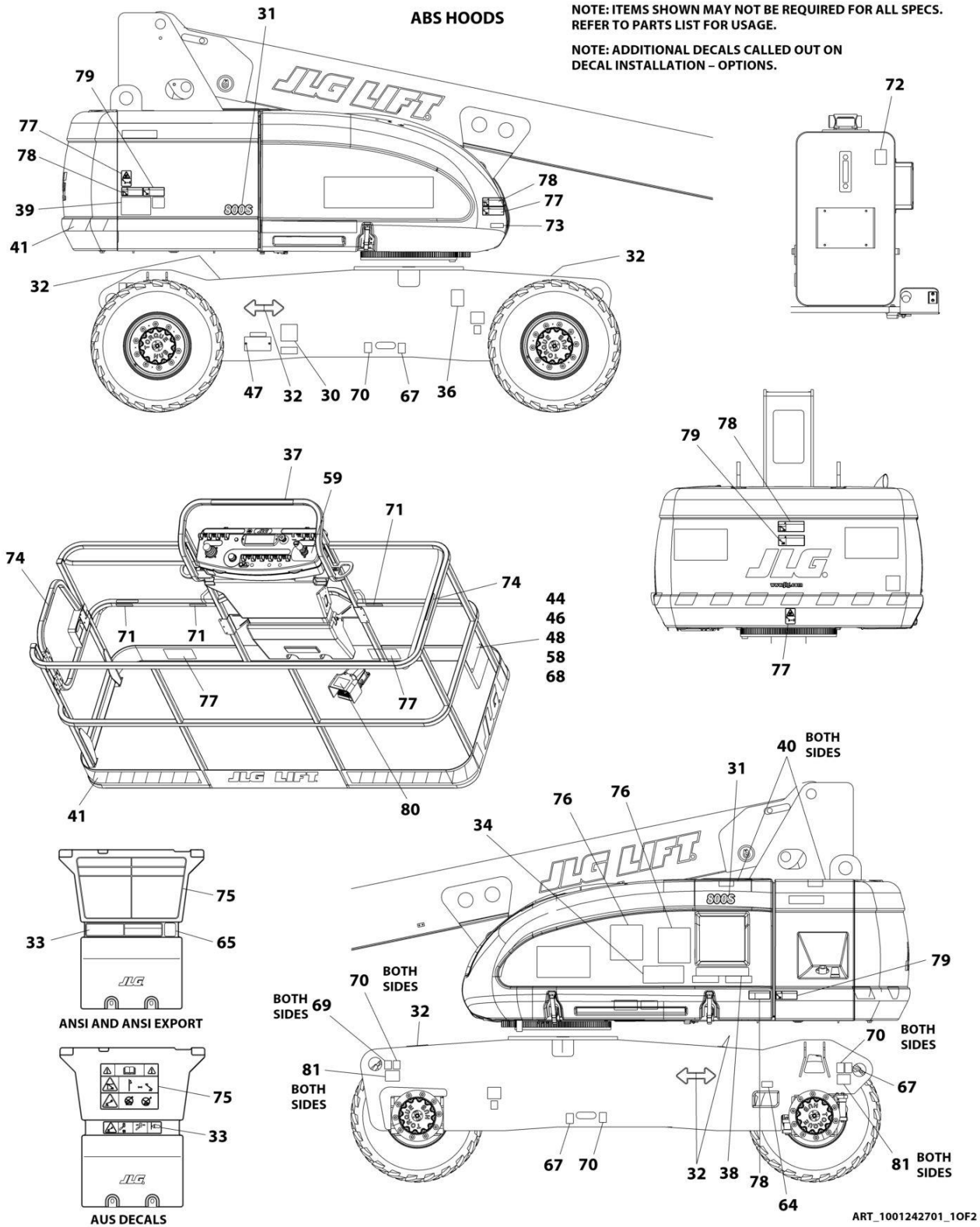
**FIGURE 9-11. DECAL INSTALLATION - (AUSTRALIAN SPECS) (860SJ)**

ITEM	PART NUMBER	QTY	DESCRIPTION	REV
	1001257323	Ref	STANDARD DECAL INSTALLATION	C
30	See Note	NSS	Decal - Bar Code (Note: Not Available for Purchase)	
31	1001267309	2	Decal - Model	
32	1701501	4	Decal - Arrow	
33	1001257259	1	Decal Dual Capacity - 507LBS/230kg & 750LBS/340kg	
34	1001257260	1	Decal Dual Capacity - 507LBS/230kg & 750LBS/340kg	
39	1001284687	1	Decal - Lift Diagram	
40	1701691	4	Decal - No Step	
41	4420051	23.1 ft /7m	Stripes, Warning	
44	0860520	1	Box, Manual Storage	
46	3311405	4	Nut 1/4	
47	3820001	2	Rivet	
48	4751400	8	Washer 1/4	
58	0641406	4	Bolt 1/4 x 3/4	
60	1001112551	1	Decal - Emergency Control	
67	1701499	4	Decal - No Lift	
68	1701509	1	Decal - Manual	
69	1703811	4	Decal - Tie Down/Lift	
70	1703814	6	Decal - Tie Down	
71	1704277	4	Decal - Attach Lanyard Here	
72	1704412	1	Decal - Hydraulic Oil Chart	
75	1705921	1	Decal - Tipping/Electric (PLF)	
76	1705822	1	Decal - Electric/Safety Manual	
77	1701518	10	Decal - Warning Crushing	
78	1705961	5	Decal - Danger Electrocution	
80	1705828	1	Decal - Footswitch	
81	1703482	4	Decal - Max Tire Load	



# SECTION 9 - DECALS

## FIGURE 9-12. DECAL INSTALLATION - (BRAZILIAN SPECS) (860SJ)

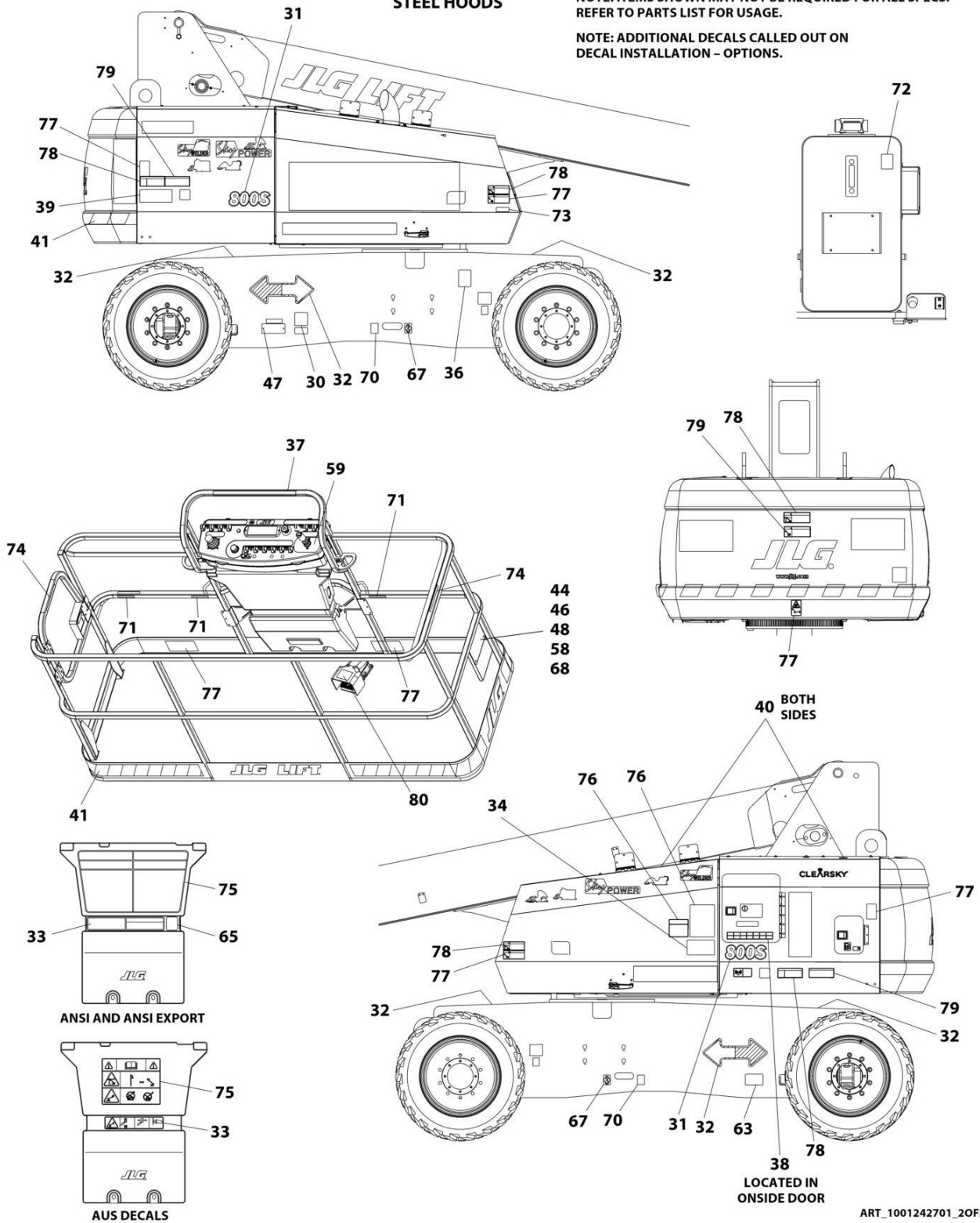


# SECTION 9 - DECALS

## STEEL HOODS

NOTE: ITEMS SHOWN MAY NOT BE REQUIRED FOR ALL SPECS. REFER TO PARTS LIST FOR USAGE.

NOTE: ADDITIONAL DECALS CALLED OUT ON DECAL INSTALLATION - OPTIONS.



ART\_1001242701\_20F2

## SECTION 9 - DECALS

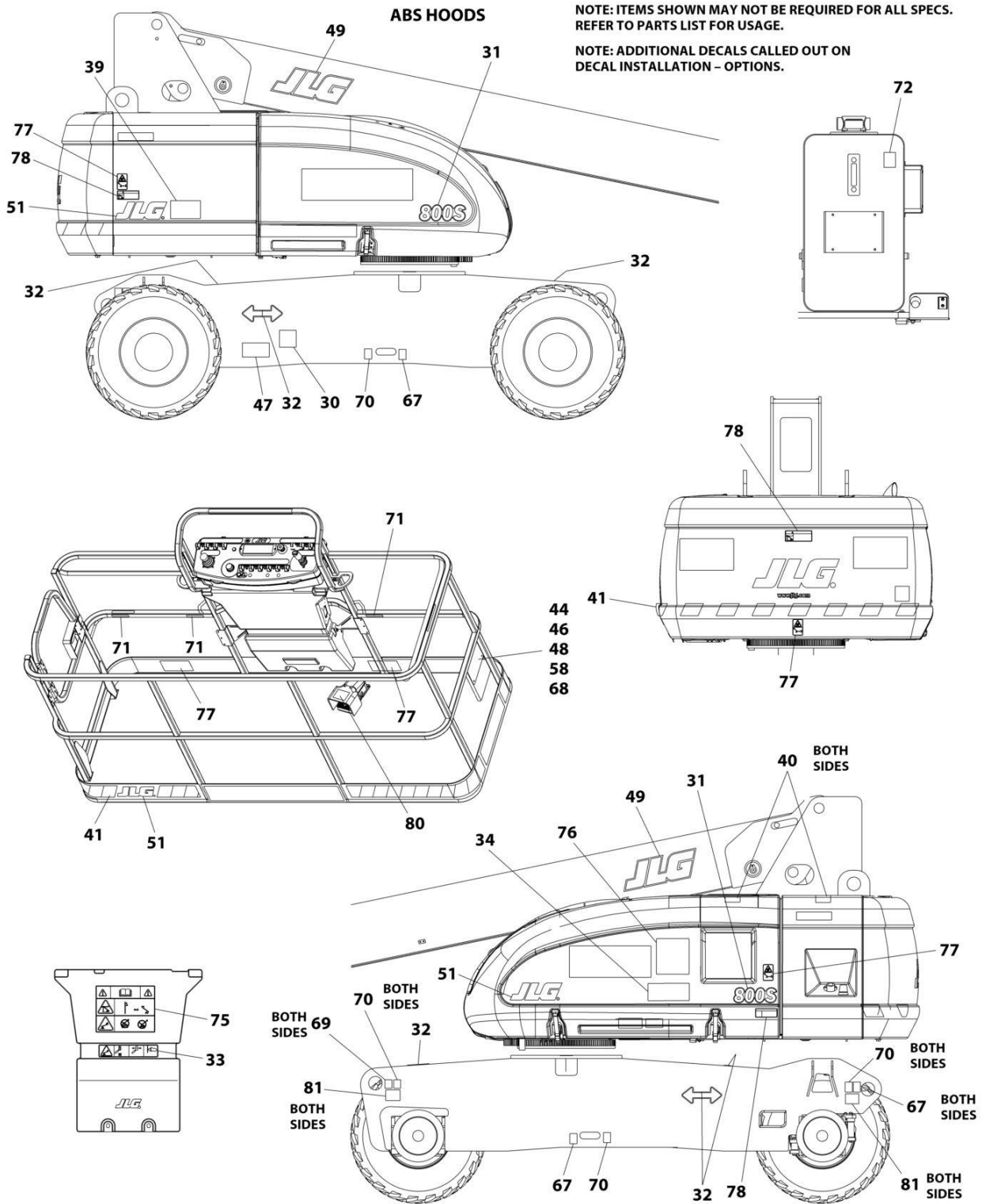
**FIGURE 9-12. DECAL INSTALLATION - (BRAZILIAN SPECS) (860SJ)**

ITEM	PART NUMBER	QTY	DESCRIPTION	REV
	1001242701	Ref	STANDARD DECAL INSTALLATION	E
30	See Note	NSS	Decal - Bar Code (Note: Not Available for Purchase)	
31	1001267309	2	Decal - Model	
32	1701501	4	Decal - Arrow	
33	1001257255	1	Decal Capacity - 500LBS Unrestricted Capacity	
34	1001257256	1	Decal Capacity - 500LBS Unrestricted Capacity	
39	1001284687	1	Decal - Lift Diagram	
40	1701691	4	Decal - No Step	
41	4420051	23.1 ft /7m	Stripes, Warning	
44	0860520	1	Box, Manual Storage	
46	3311405	4	Nut 1/4	
47	3820001	2	Rivet	
48	4751400	8	Washer 1/4	
58	0641406	4	Bolt 1/4 x 3/4	
59	1705905	1	Decal - Drive/Steer Instructions	
63	1001224052	1	Decal - Yearly Inspection	
67	1701499	4	Decal - No Lift	
68	1701509	1	Decal - Manual	
69	1703811	4	Decal - Tie Down/Lift	
70	1703814	6	Decal - Tie Down	
71	1704277	4	Decal - Attach Lanyard Here	
72	1704412	1	Decal - Hydraulic Oil Chart	
74	1705967	2	Decal - No Hands	
75	1705895	1	Decal - Warning/Danger	
76	1705896	1	Decal - Warning Inspection (MTB)	
77	1705898	5	Decal - Warning Crushing	
78	1705897	5	Decal - Danger Electrocuton	
79	1705903	7	Decal - Warning Crushing	
80	1705902	1	Decal - Foot Switch	
81	1703482	4	Decal - Max Tire Load	



# SECTION 9 - DECALS

## FIGURE 9-13. DECAL INSTALLATION - (CE & UK CA SPECS) (860SJ)



ART\_1001257321\_10F2

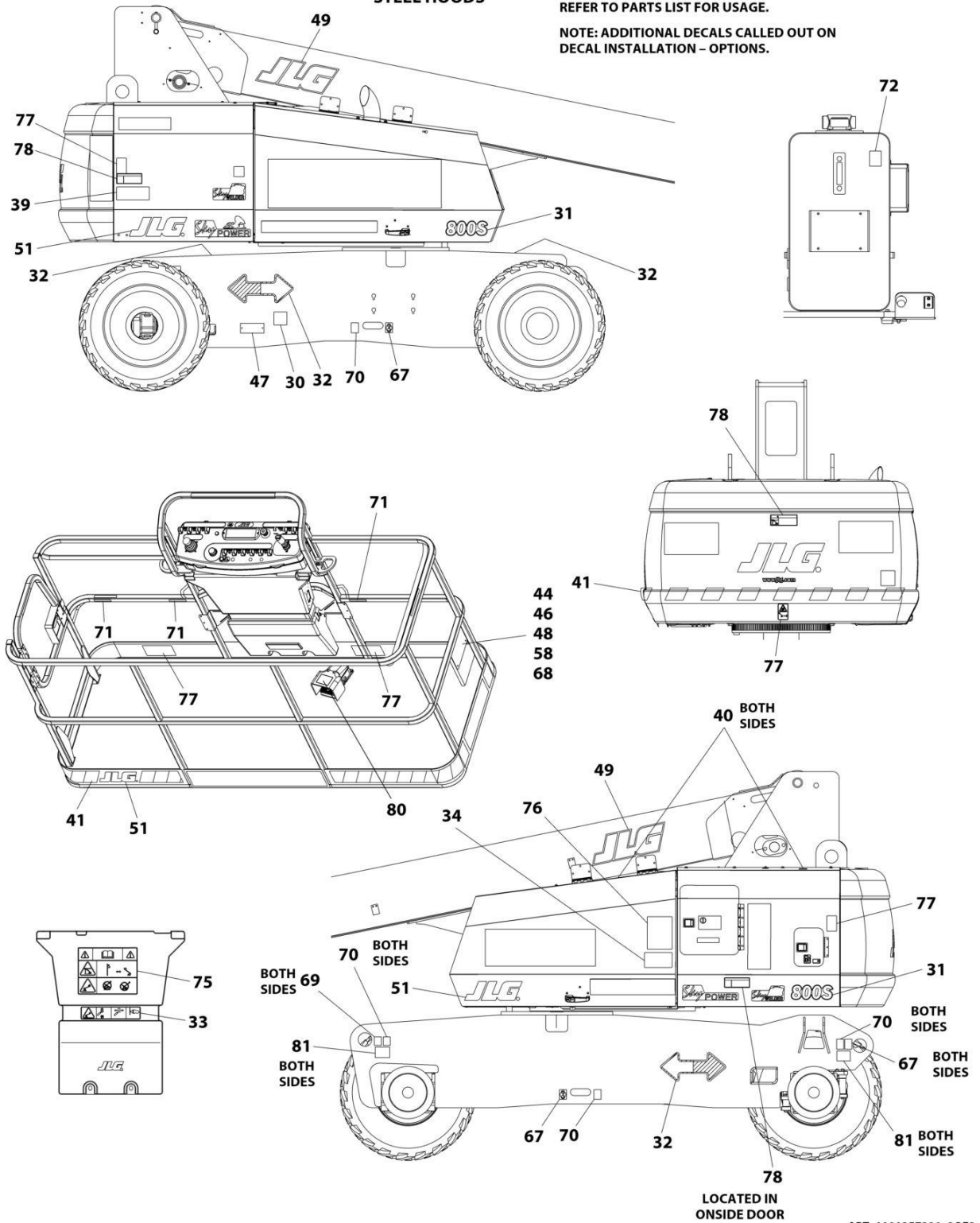


# SECTION 9 - DECALS

## STEEL HOODS

NOTE: ITEMS SHOWN MAY NOT BE REQUIRED FOR ALL SPECS. REFER TO PARTS LIST FOR USAGE.

NOTE: ADDITIONAL DECALS CALLED OUT ON DECAL INSTALLATION - OPTIONS.



ART\_1001257321\_20F2

## SECTION 9 - DECALS

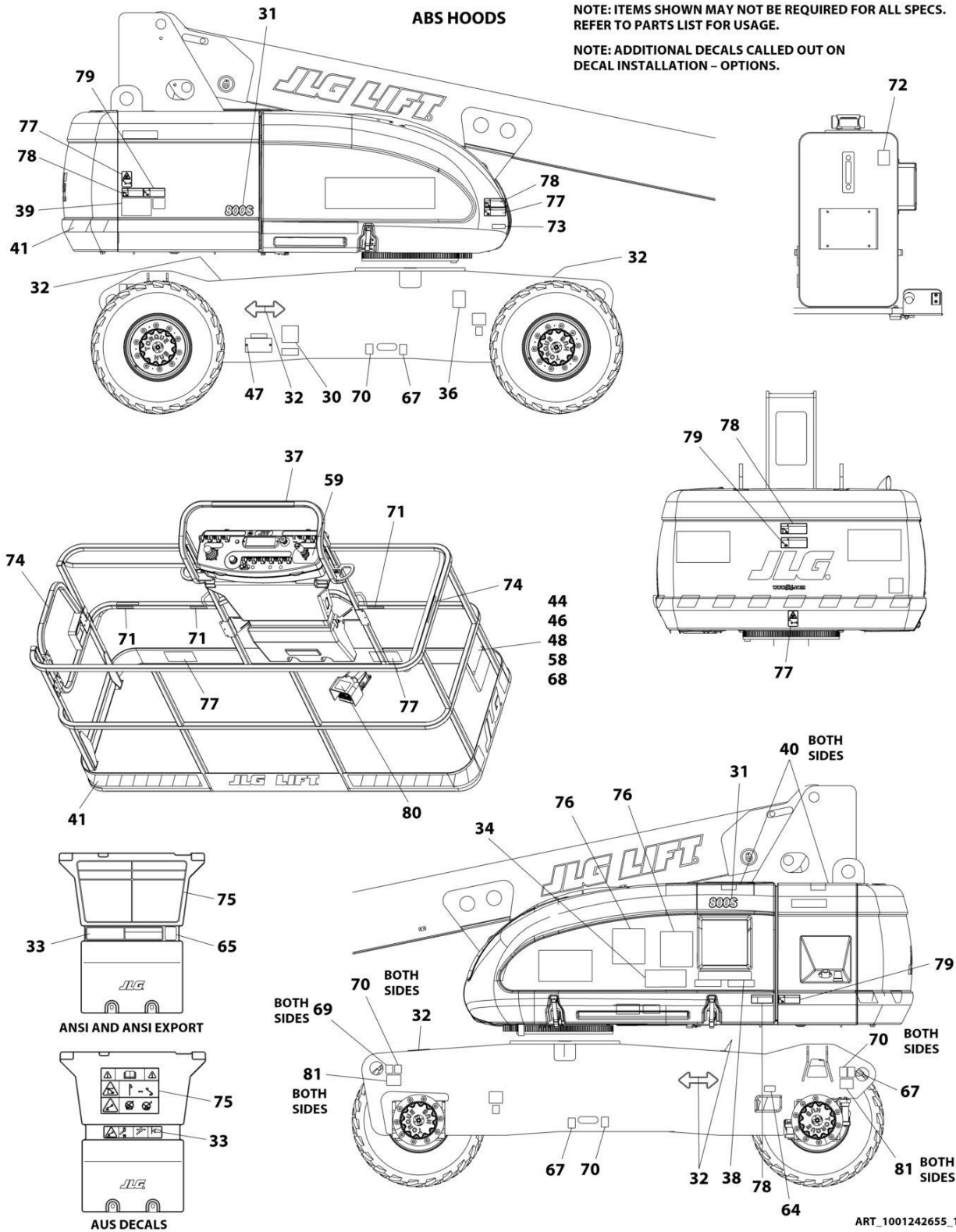
FIGURE 9-13. DECAL INSTALLATION - (CE & UK CA SPECS) (860SJ)

ITEM	PART NUMBER	QTY	DESCRIPTION	REV
	1001257321	Ref	STANDARD DECAL INSTALLATION	C
30	See Note	NSS	Decal - Bar Code (Note: Not Available for Purchase)	
31	1001267309	2	Decal - Model	
32	1701501	4	Decal - Arrow	
33	1001257259	1	Decal Dual Capacity - 507LBS/230kg & 750LBS/340kg	
34	1001257260	1	Decal Dual Capacity - 507LBS/230kg & 750LBS/340kg	
39	1001284687	1	Decal - Lift Diagram	
40	1701691	4	Decal - No Step	
41	4420051	23.1 ft /7m	Stripes, Warning	
44	0860520	1	Box, Manual Storage	
46	3311405	4	Nut 1/4	
47	3820001	2	Rivet	
48	4751400	8	Washer 1/4	
49	1001159323	2	Decal - JLG (8in Height)	
51	1702773	3	Decal - JLG (5in Height)	
58	0641406	4	Bolt 1/4 x 3/4	
67	1701499	4	Decal - No Lift	
68	1701509	1	Decal - Manual	
69	1703811	4	Decal - Tie Down/Lift	
70	1703814	6	Decal - Tie Down	
71	1704277	4	Decal - Attach Lanyard Here	
72	1704412	1	Decal - Hydraulic Oil Chart	
75	1705921	1	Decal - Tipping/Electric (PLF)	
76	1705822	1	Decal - Electric/Safety Manual	
77	1701518	10	Decal - Warning Crushing	
78	1705961	5	Decal - Danger Electrocutation	
80	1705828	1	Decal - Footswitch	
81	1703482	4	Decal - Max Tire Load	



# SECTION 9 - DECALS

## FIGURE 9-14. DECAL INSTALLATION - (CHINESE SPECS) (860SJ)

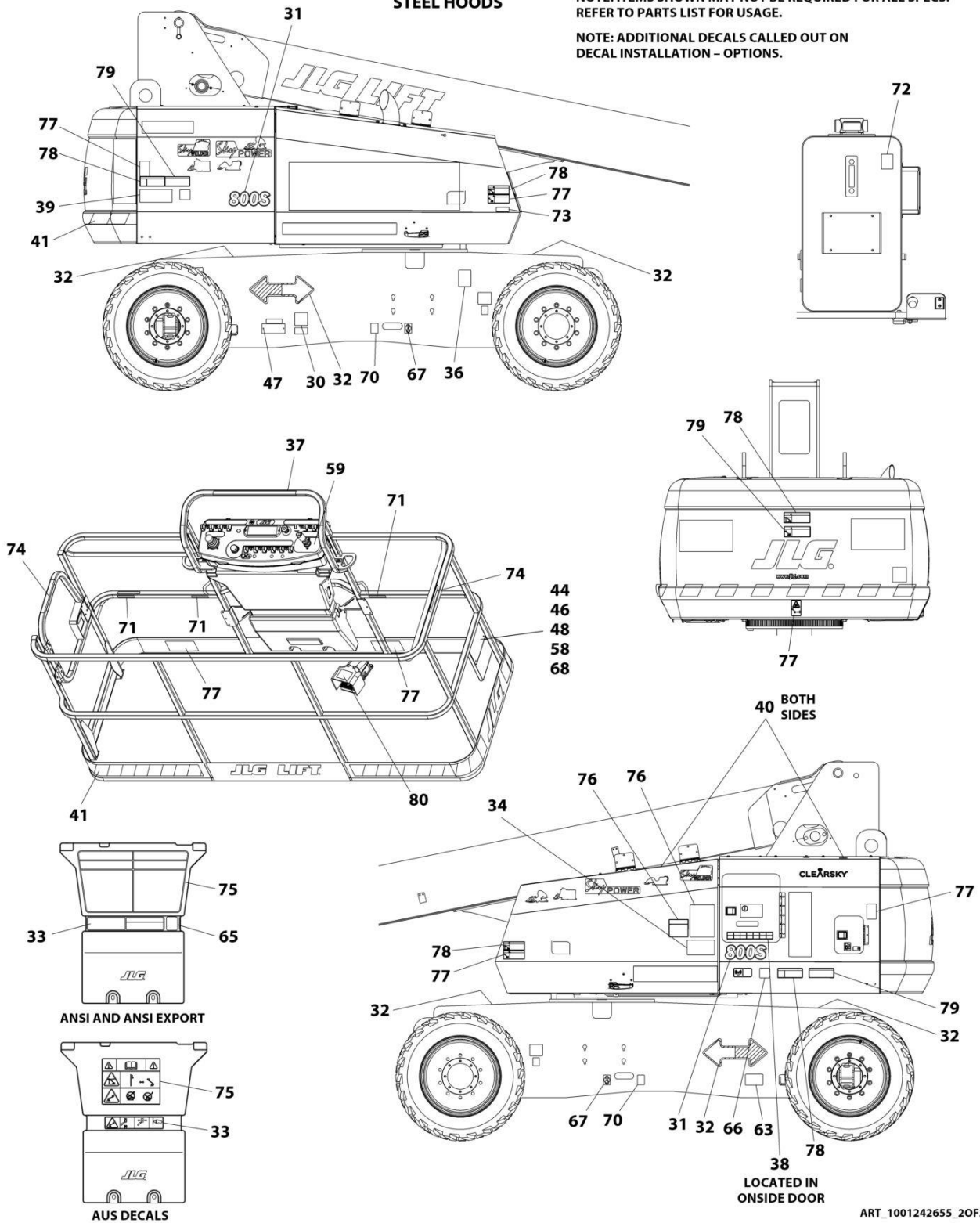


# SECTION 9 - DECALS

## STEEL HOODS

NOTE: ITEMS SHOWN MAY NOT BE REQUIRED FOR ALL SPECS. REFER TO PARTS LIST FOR USAGE.

NOTE: ADDITIONAL DECALS CALLED OUT ON DECAL INSTALLATION - OPTIONS.



ART\_1001242655\_20F2

## SECTION 9 - DECALS

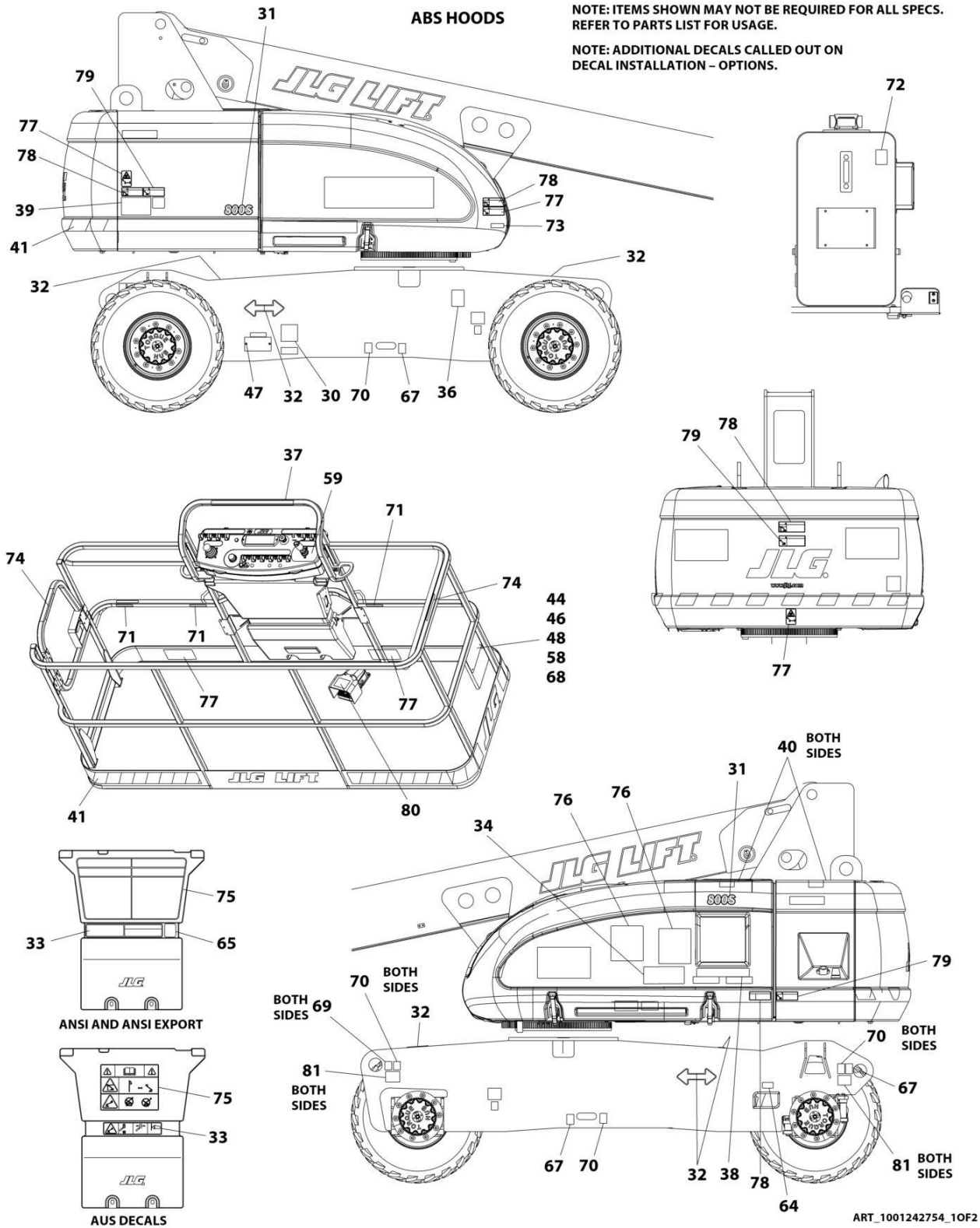
**FIGURE 9-14. DECAL INSTALLATION - (CHINESE SPECS) (860SJ)**

ITEM	PART NUMBER	QTY	DESCRIPTION	REV
	1001242655	Ref	STANDARD DECAL INSTALLATION	E
30	See Note	NSS	Decal - Bar Code (Note: Not Available for Purchase)	
31	1001267309	2	Decal - Model	
32	1701501	4	Decal - Arrow	
33	1001257249	1	Decal Capacity - 500LBS Unrestricted Capacity	
34	1001257250	1	Decal Capacity - 500LBS Unrestricted Capacity	
39	1001284687	1	Decal - Lift Diagram	
40	1701691	4	Decal - No Step	
41	4420051	23.1 ft /7m	Stripes, Warning	
44	0860520	1	Box, Manual Storage	
46	3311405	4	Nut 1/4	
47	3820001	2	Rivet	
48	4751400	8	Washer 1/4	
58	0641406	4	Bolt 1/4 x 3/4	
59	1705430	1	Decal - Drive/Steer Instructions	
63	1001224050	1	Decal - Yearly Inspection	
65	1001244301	1	Decal - No Platform to Ground Attachments	
66	1001244298	1	Decal - WeChat	
67	1701499	4	Decal - No Lift	
68	1701509	1	Decal - Manual	
69	1703811	4	Decal - Tie Down/Lift	
70	1703814	6	Decal - Tie Down	
71	1704277	4	Decal - Attach Lanyard Here	
72	1704412	1	Decal - Hydraulic Oil Chart	
73	3251243	1	Nameplate - 120V-60HZ	
74	1001116846	2	Decal - No Hands	
75	1703925	1	Decal - Warning/Danger	
76	1001116849	2	Decal - Warning Inspection (MTB)	
77	1703949	5	Decal - Warning Crushing	
78	1001116851	5	Decal - Danger Electrocution	
79	1703943	7	Decal - Warning Crushing	
80	1703982	1	Decal - Footswitch	
81	1703482	4	Decal - Max Tire Load	



# SECTION 9 - DECALS

## FIGURE 9-15. DECAL INSTALLATION - (CSA SPECS) (860SJ)



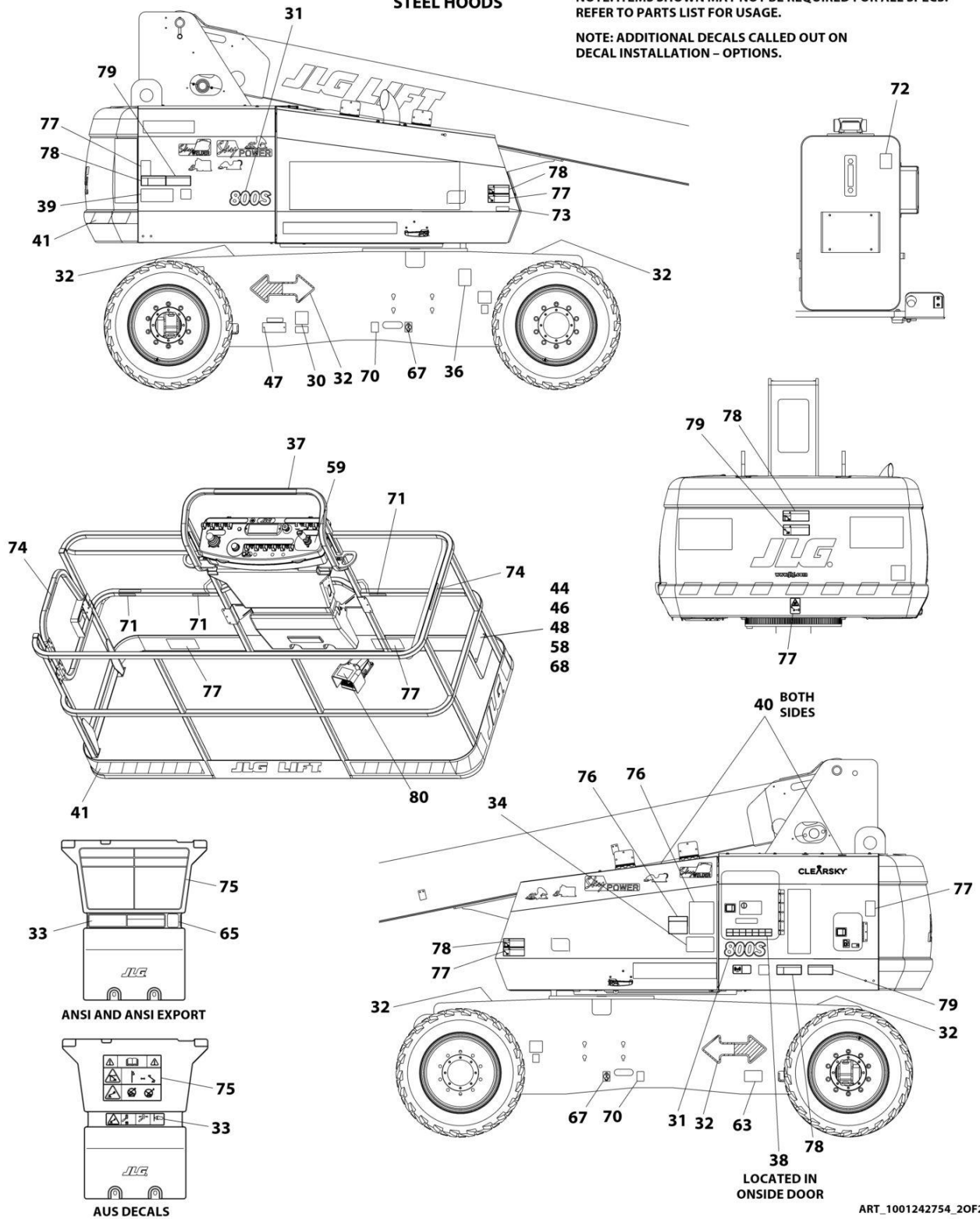


# SECTION 9 - DECALS

## STEEL HOODS

NOTE: ITEMS SHOWN MAY NOT BE REQUIRED FOR ALL SPECS. REFER TO PARTS LIST FOR USAGE.

NOTE: ADDITIONAL DECALS CALLED OUT ON DECAL INSTALLATION - OPTIONS.



## SECTION 9 - DECALS

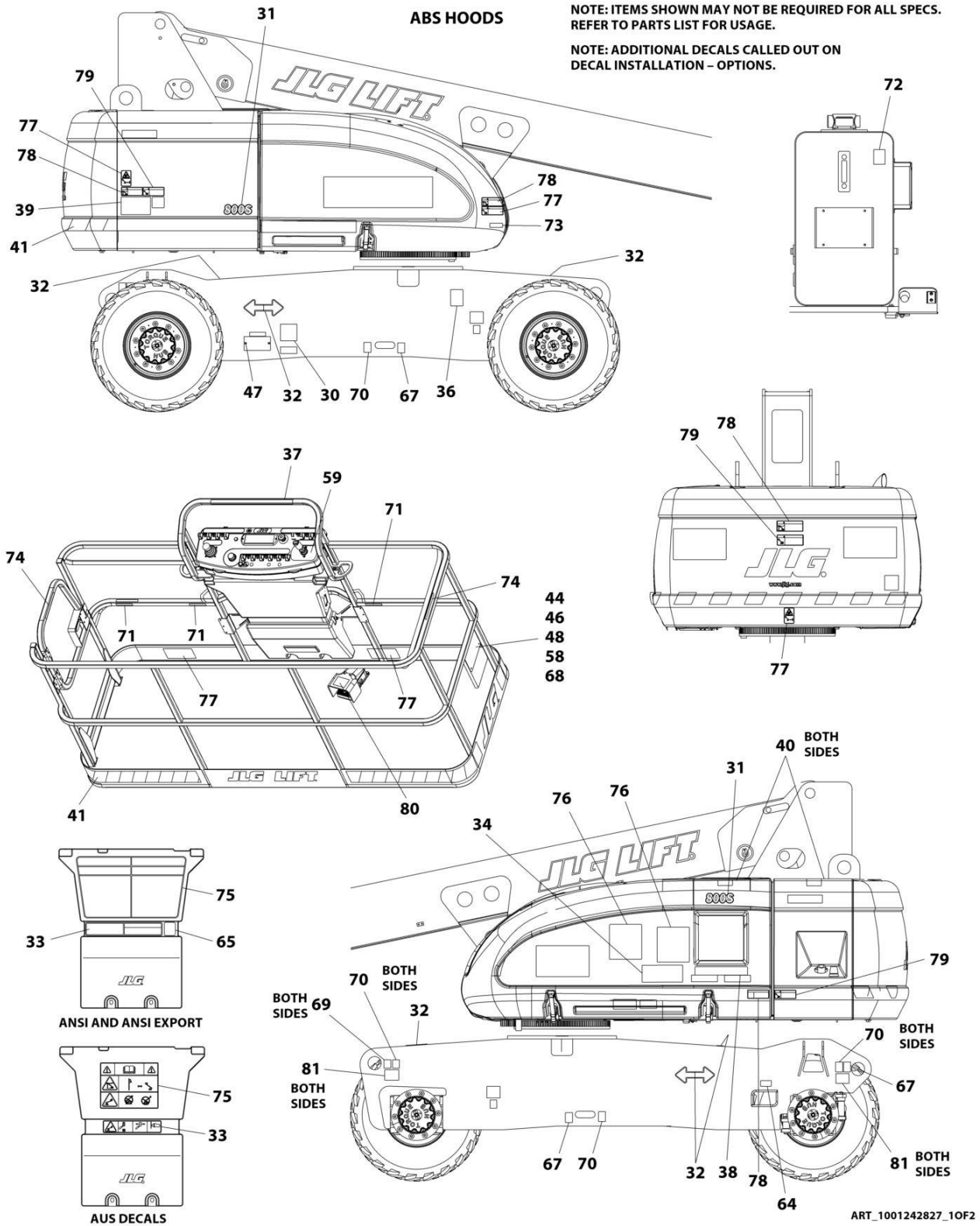
FIGURE 9-15. DECAL INSTALLATION - (CSA SPECS) (860SJ)

ITEM	PART NUMBER	QTY	DESCRIPTION	REV
	1001242754	Ref	STANDARD DECAL INSTALLATION	E
30	See Note	NSS	Decal - Bar Code (Note: Not Available for Purchase)	
31	1001267309	2	Decal - Model	
32	1701501	4	Decal - Arrow	
33	1001257245	1	Decal Capacity - 500LBS Unrestricted Capacity	
34	1001257246	1	Decal Capacity - 500LBS Unrestricted Capacity	
36	1001131269	1	Decal - Patent	
39	1001284687	1	Decal - Lift Diagram	
40	1701691	4	Decal - No Step	
41	4420051	23.1 ft /7m	Stripes, Warning	
44	0860520	1	Box, Manual Storage	
46	3311405	4	Nut 1/4	
47	3820001	2	Rivet	
48	4751400	8	Washer 1/4	
58	0641406	4	Bolt 1/4 x 3/4	
59	1705429	1	Decal - Drive/Steer Instructions	
63	1001223971	1	Decal - Yearly Inspection	
64	1001223453	1	Decal - ICES	
67	1701499	4	Decal - No Lift	
68	1701509	1	Decal - Manual	
69	1703811	4	Decal - Tie Down/Lift	
70	1703814	6	Decal - Tie Down	
71	1704277	4	Decal - Attach Lanyard Here	
72	1704412	1	Decal - Hydraulic Oil Chart	
74	1704000	2	Decal - No Hands	
75	1703924	1	Decal - Warning/Danger	
76	1705347	1	Decal - Warning Inspection (MTB)	
77	1703848	5	Decal - Warning Crushing	
78	1703936	5	Decal - Danger Electrocution	
79	1703942	7	Decal - Warning Crushing	
80	1703984	1	Decal - Footswitch	
81	1703482	4	Decal - Max Tire Load	



# SECTION 9 - DECALS

## FIGURE 9-16. DECAL INSTALLATION - (JAPANESE SPECS) (860SJ)

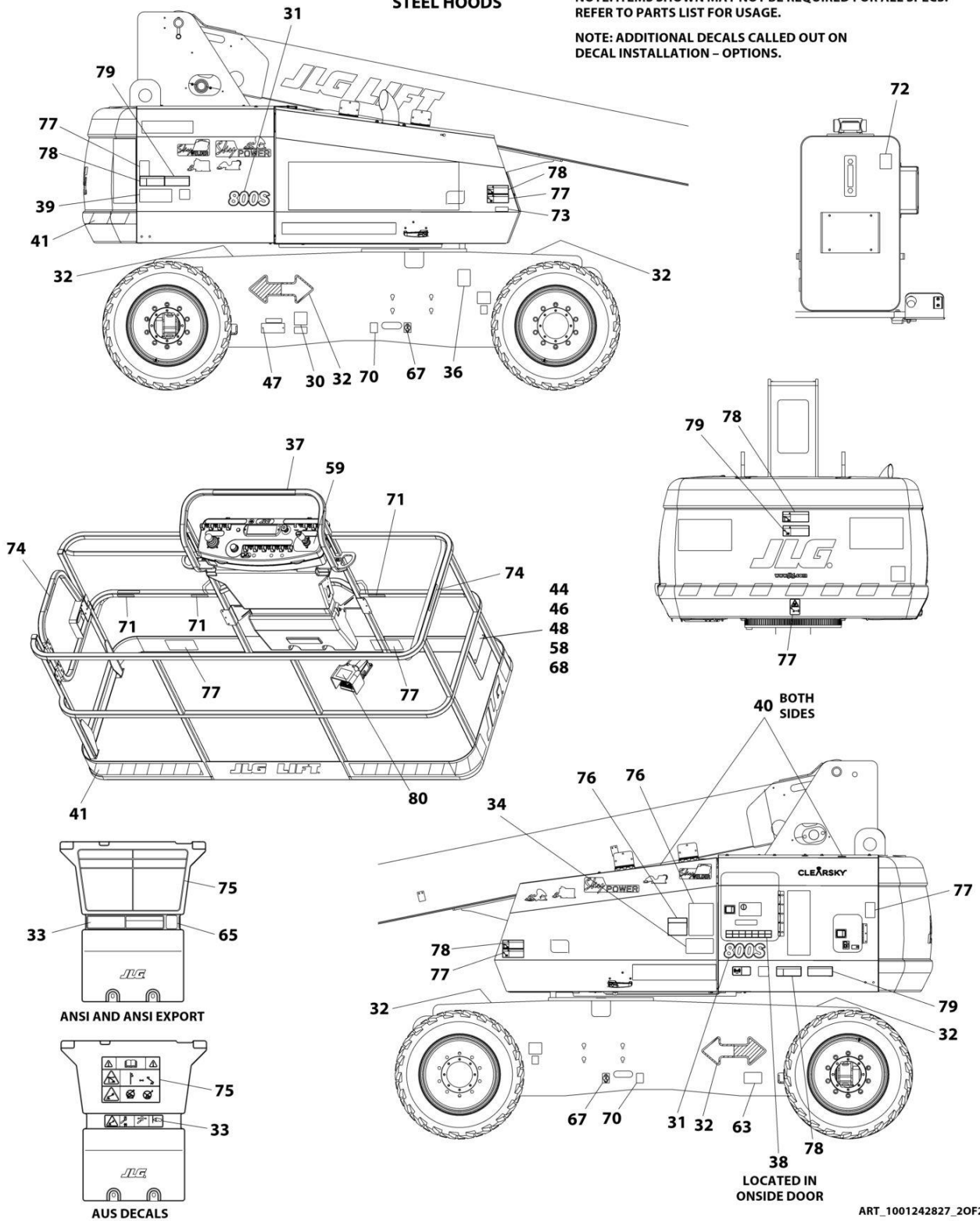


# SECTION 9 - DECALS

## STEEL HOODS

NOTE: ITEMS SHOWN MAY NOT BE REQUIRED FOR ALL SPECS. REFER TO PARTS LIST FOR USAGE.

NOTE: ADDITIONAL DECALS CALLED OUT ON DECAL INSTALLATION - OPTIONS.



ART\_1001242827\_20F2

## SECTION 9 - DECALS

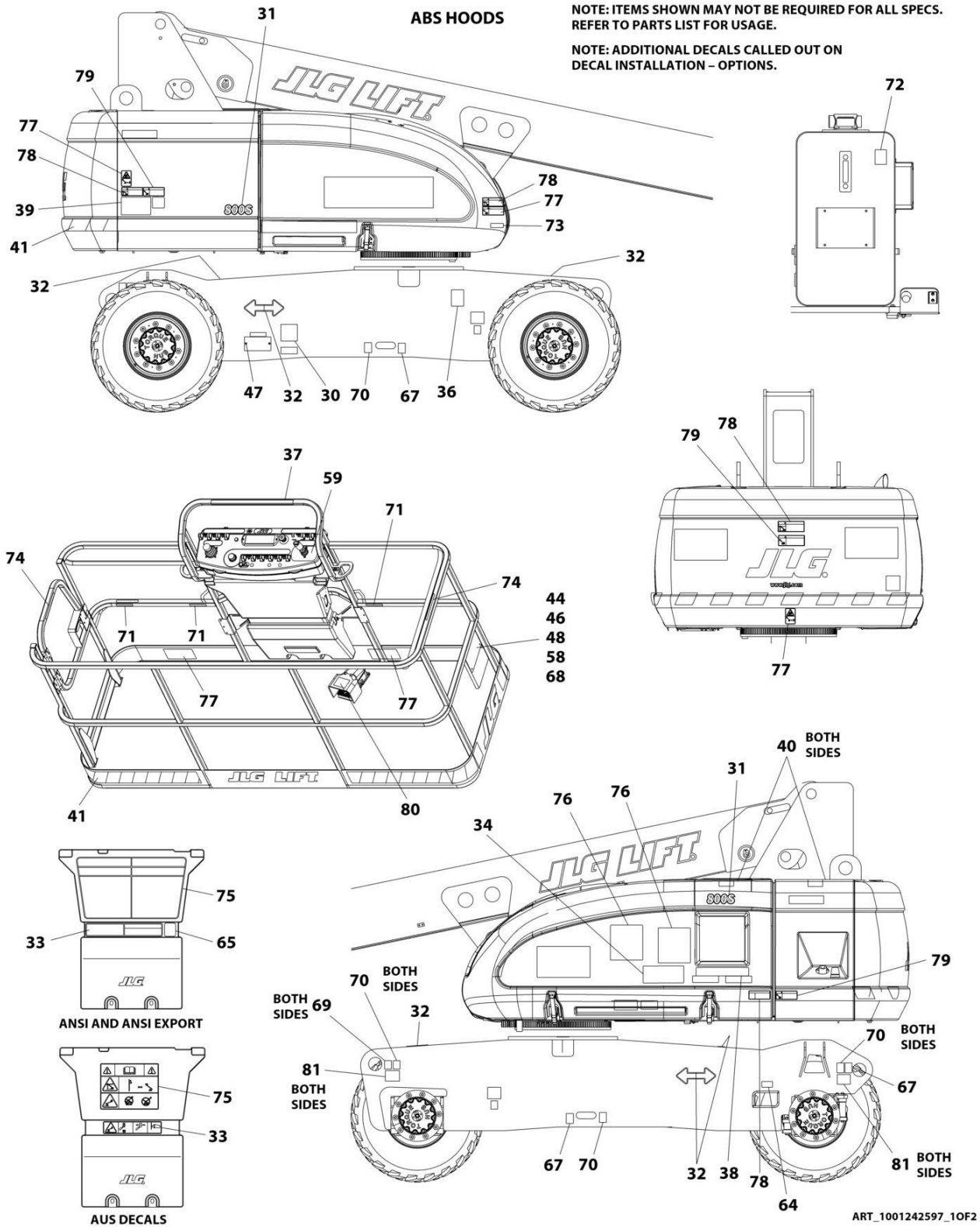
**FIGURE 9-16. DECAL INSTALLATION - (JAPANESE SPECS) (860SJ)**

ITEM	PART NUMBER	QTY	DESCRIPTION	REV
	1001242827	Ref	STANDARD DECAL INSTALLATION	E
30	See Note	NSS	Decal - Bar Code (Note: Not Available for Purchase)	
31	1001267309	2	Decal - Model	
32	1701501	4	Decal - Arrow	
33	1001257253	1	Decal Capacity - 500LBS Unrestricted Capacity	
34	1001257254	1	Decal Capacity - 500LBS Unrestricted Capacity	
39	1001284687	1	Decal - Lift Diagram	
40	1701691	4	Decal - No Step	
41	4420051	23.1 ft /7m	Stripes, Warning	
44	0860520	1	Box, Manual Storage	
46	3311405	4	Nut 1/4	
47	3820001	2	Rivet	
48	4751400	8	Washer 1/4	
58	0641406	4	Bolt 1/4 x 3/4	
59	1705426	1	Decal - Drive/Steer Instructions	
63	1001224053	1	Decal - Yearly Inspection	
67	1701499	4	Decal - No Lift	
68	1701509	1	Decal - Manual	
69	1703811	4	Decal - Tie Down/Lift	
70	1703814	6	Decal - Tie Down	
71	1704277	4	Decal - Attach Lanyard Here	
72	1704412	1	Decal - Hydraulic Oil Chart	
73	3251243	1	Nameplate - 120V-60HZ	
75	1703926	1	Decal - Warning/Danger	
76	1705344	1	Decal - Warning Inspection (MTB)	
77	1703950	5	Decal - Warning Crushing	
78	1703938	5	Decal - Danger Electrocution	
79	1703944	7	Decal - Warning Crushing	
80	1703980	1	Decal - Footswitch	
81	1703482	4	Decal - Max Tire Load	



# SECTION 9 - DECALS

## FIGURE 9-17. DECAL INSTALLATION - (KOREAN SPECS) (860SJ)



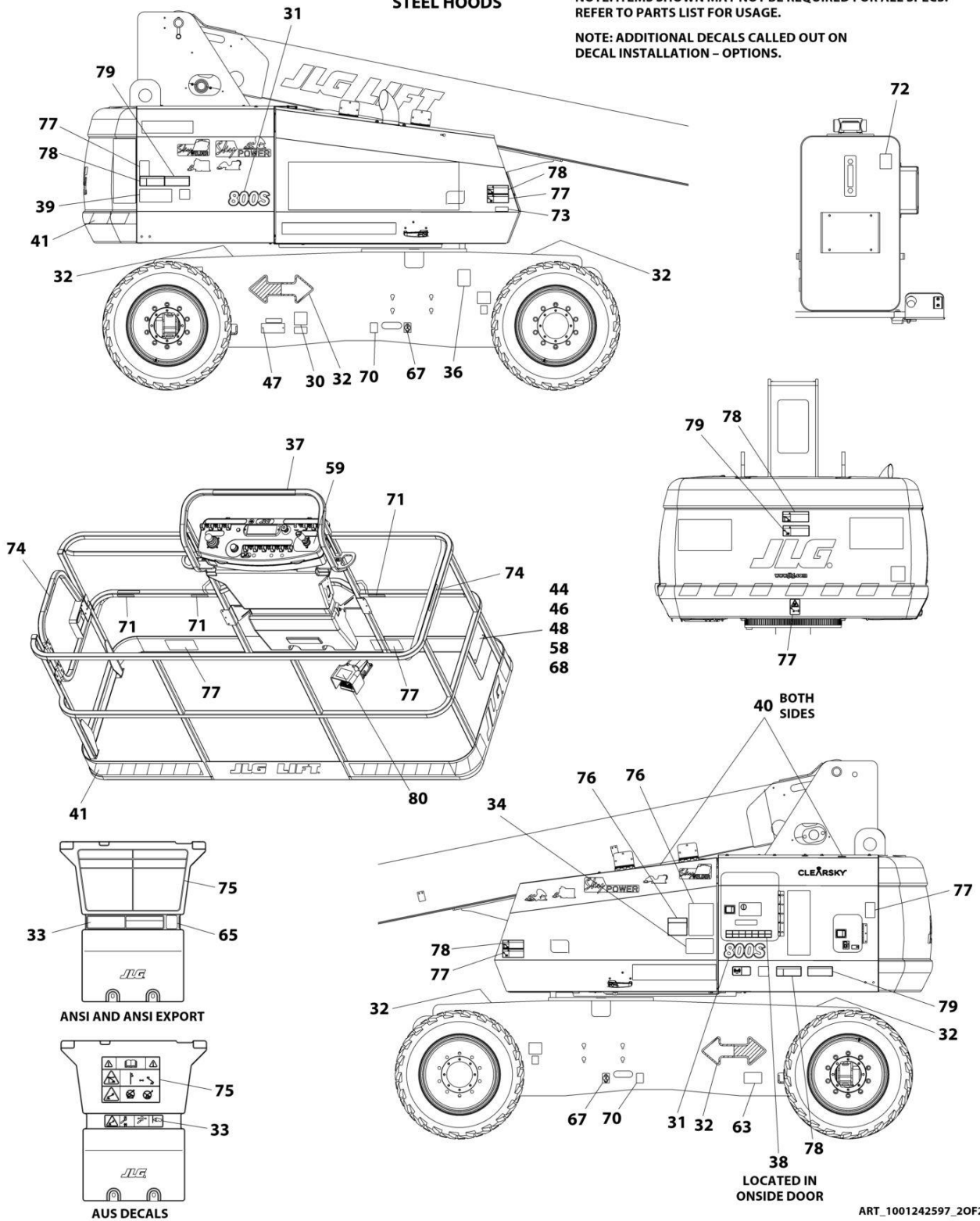


# SECTION 9 - DECALS

## STEEL HOODS

NOTE: ITEMS SHOWN MAY NOT BE REQUIRED FOR ALL SPECS. REFER TO PARTS LIST FOR USAGE.

NOTE: ADDITIONAL DECALS CALLED OUT ON DECAL INSTALLATION - OPTIONS.



## SECTION 9 - DECALS

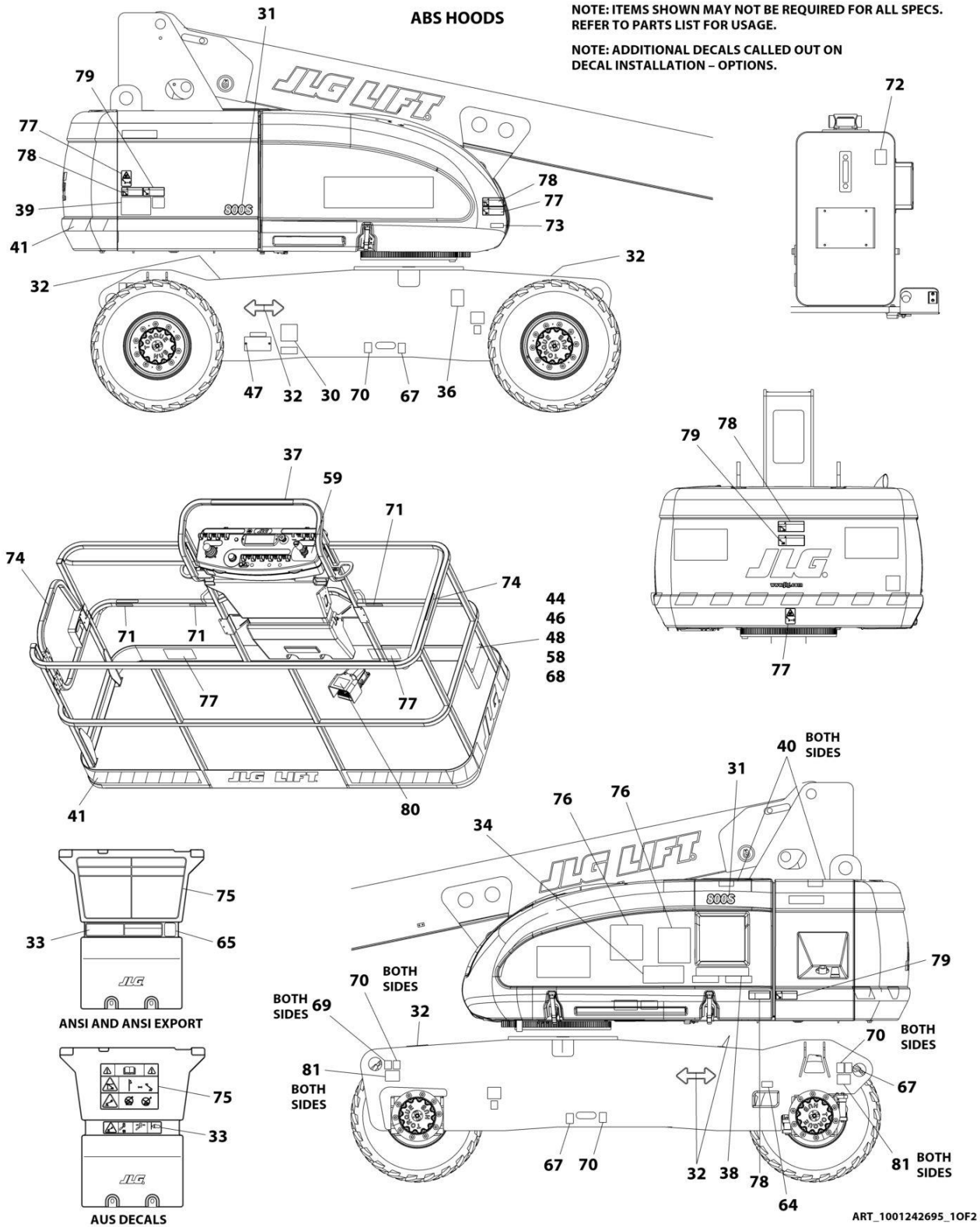
**FIGURE 9-17. DECAL INSTALLATION - (KOREAN SPECS) (860SJ)**

ITEM	PART NUMBER	QTY	DESCRIPTION	REV
	1001242597	Ref	STANDARD DECAL INSTALLATION	E
30	See Note	NSS	Decal - Bar Code (Note: Not Available for Purchase)	
31	1001267309	2	Decal - Model	
32	1701501	4	Decal - Arrow	
33	1001257247	1	Decal Capacity - 500LBS Unrestricted Capacity	
34	1001257248	1	Decal Capacity - 500LBS Unrestricted Capacity	
39	1001284687	1	Decal - Lift Diagram	
40	1701691	4	Decal - No Step	
41	4420051	23.1 ft /7m	Stripes, Warning	
44	0860520	1	Box, Manual Storage	
46	3311405	4	Nut 1/4	
47	3820001	2	Rivet	
48	4751400	8	Washer 1/4	
58	0641406	4	Bolt 1/4 x 3/4	
59	1705427	1	Decal - Drive/Steer Instructions	
63	1001224048	1	Decal - Yearly Inspection	
67	1701499	4	Decal - No Lift	
68	1701509	1	Decal - Manual	
69	1703811	4	Decal - Tie Down/Lift	
70	1703814	6	Decal - Tie Down	
71	1704277	4	Decal - Attach Lanyard Here	
72	1704412	1	Decal - Hydraulic Oil Chart	
73	3251243	1	Nameplate - 120V-60HZ	
74	1705969	2	Decal - No Hands	
75	1703927	1	Decal - Warning/Danger	
76	1705345	1	Decal - Warning Inspection (MTB)	
77	1703951	5	Decal - Warning Crushing	
78	1703939	5	Decal - Danger Electrocutation	
79	1703945	7	Decal - Warning Crushing	
80	1703981	1	Decal - Footswitch	
81	1703482	4	Decal - Max Tire Load	



# SECTION 9 - DECALS

## FIGURE 9-18. DECAL INSTALLATION - (LATIN AMERICAN SPECS) (860SJ)

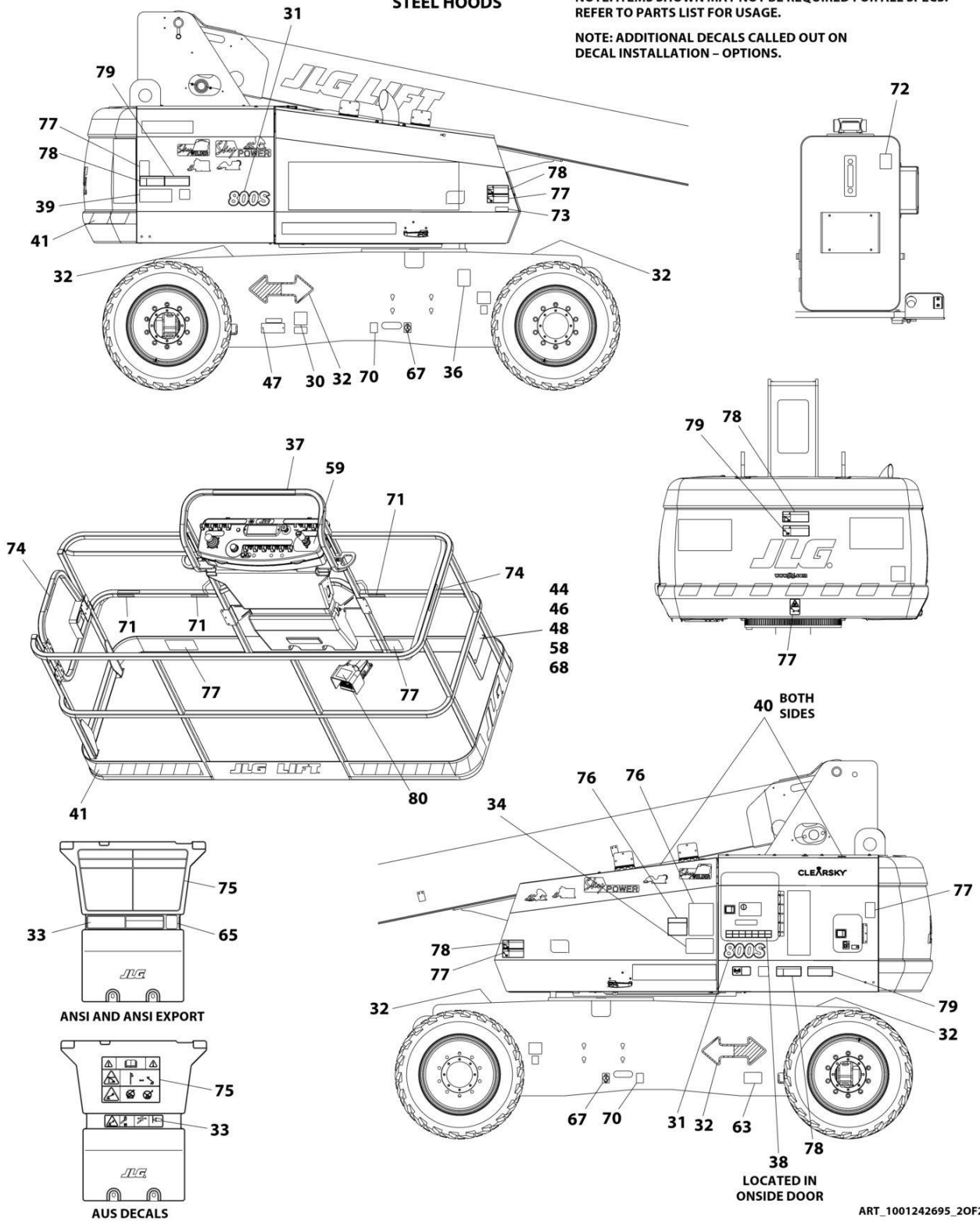


# SECTION 9 - DECALS

## STEEL HOODS

NOTE: ITEMS SHOWN MAY NOT BE REQUIRED FOR ALL SPECS. REFER TO PARTS LIST FOR USAGE.

NOTE: ADDITIONAL DECALS CALLED OUT ON DECAL INSTALLATION - OPTIONS.



ART\_1001242695\_20F2

## SECTION 9 - DECALS

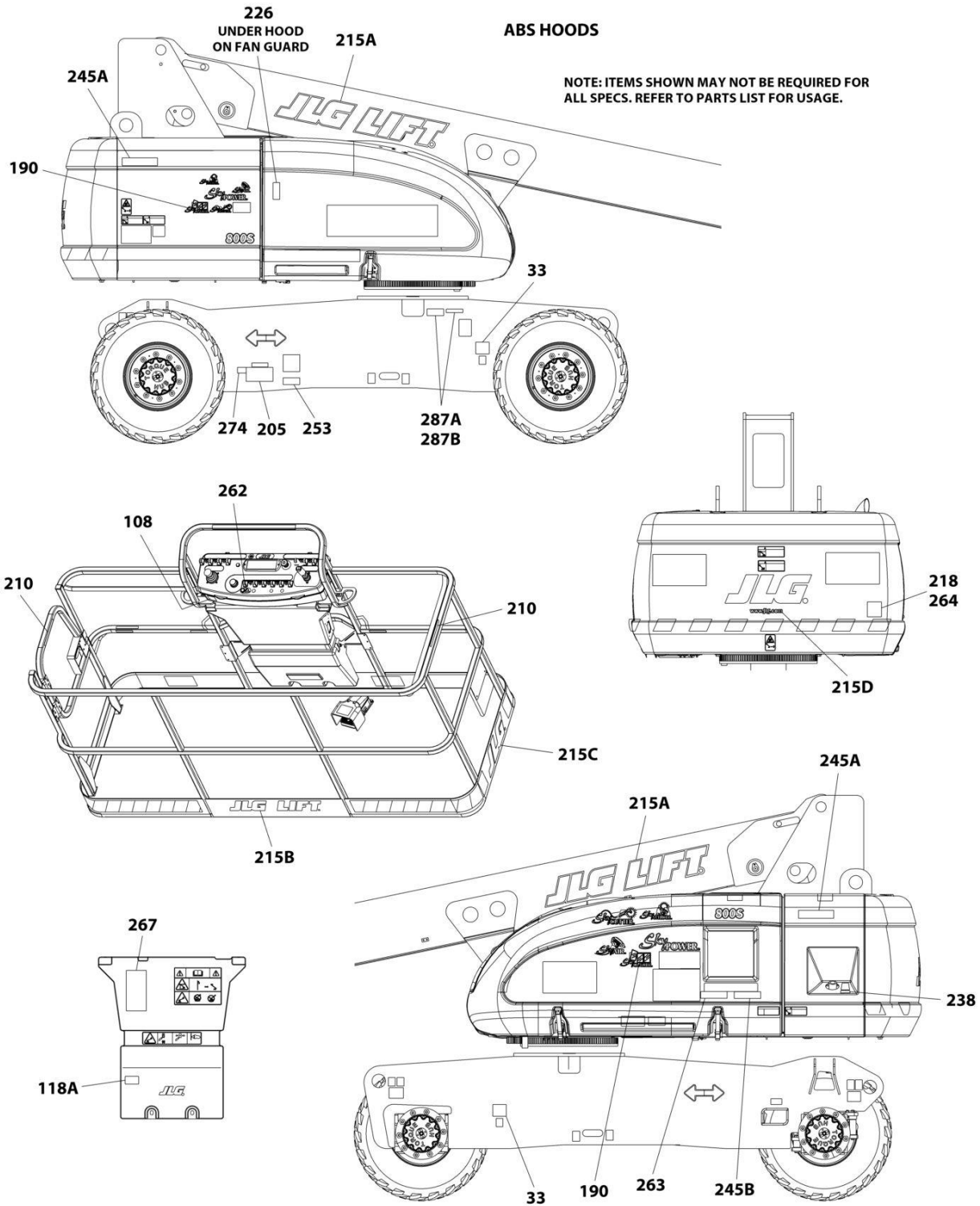
**FIGURE 9-18. DECAL INSTALLATION - (LATIN AMERICAN SPECS) (860SJ)**

ITEM	PART NUMBER	QTY	DESCRIPTION	REV
	1001242695	Ref	STANDARD DECAL INSTALLATION	E
30	See Note	NSS	Decal - Bar Code (Note: Not Available for Purchase)	
31	1001267309	2	Decal - Model	
32	1701501	4	Decal - Arrow	
33	1001257251	1	Decal Capacity - 500LBS Unrestricted Capacity	
34	1001257252	1	Decal Capacity - 500LBS Unrestricted Capacity	
39	1001284687	1	Decal - Lift Diagram	
40	1701691	4	Decal - No Step	
41	4420051	23.1 ft /7m	Stripes, Warning	
44	0860520	1	Box, Manual Storage	
46	3311405	4	Nut 1/4	
47	3820001	2	Rivet	
48	4751400	8	Washer 1/4	
58	0641406	4	Bolt 1/4 x 3/4	
59	1705910	1	Decal - Drive/Steer Instructions	
63	1001224049	1	Decal - Yearly Inspection	
67	1701499	4	Decal - No Lift	
68	1701509	1	Decal - Manual	
69	1703811	4	Decal - Tie Down/Lift	
70	1703814	6	Decal - Tie Down	
71	1704277	4	Decal - Attach Lanyard Here	
72	1704412	1	Decal - Hydraulic Oil Chart	
73	3251243	1	Nameplate - 120V-60HZ	
74	1704001	2	Decal - No Hands	
75	1703923	1	Decal - Warning/Danger	
76	1705917	1	Decal - Warning Inspection (MTB)	
77	1703947	5	Decal - Warning Crushing	
78	1703935	5	Decal - Danger Electrocutation	
79	1703941	7	Decal - Warning Crushing	
80	1703983	1	Decal - Footswitch	
81	1703482	4	Decal - Max Tire Load	



# SECTION 9 - DECALS

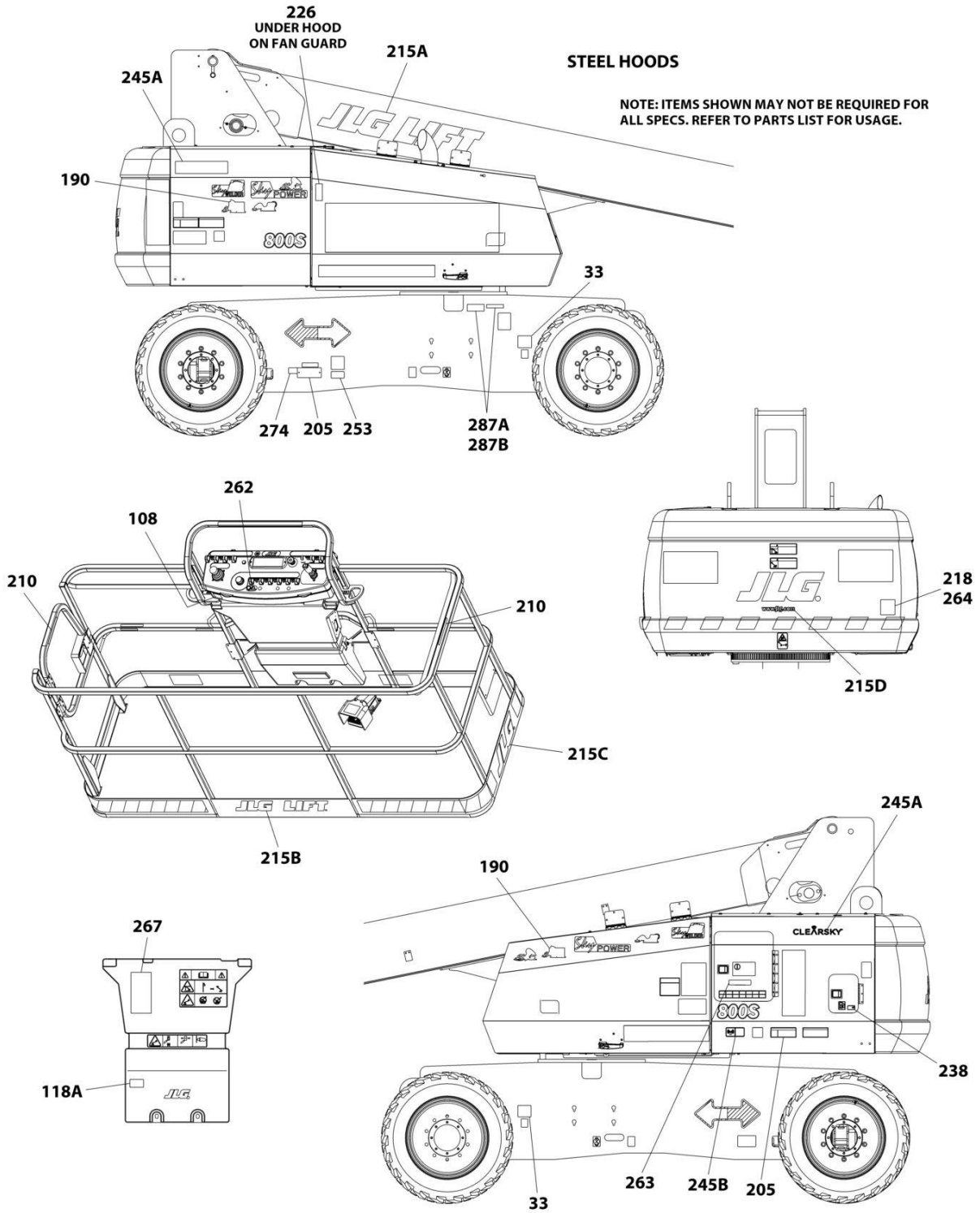
## FIGURE 9-19. DECAL INSTALLATION - OPTIONS



ART\_DECAL\_OPTIONS\_10F2



# SECTION 9 - DECALS



ART\_DECAL\_OPTIONS\_20F2

# SECTION 9 - DECALS

## FIGURE 9-19. DECAL INSTALLATION - OPTIONS

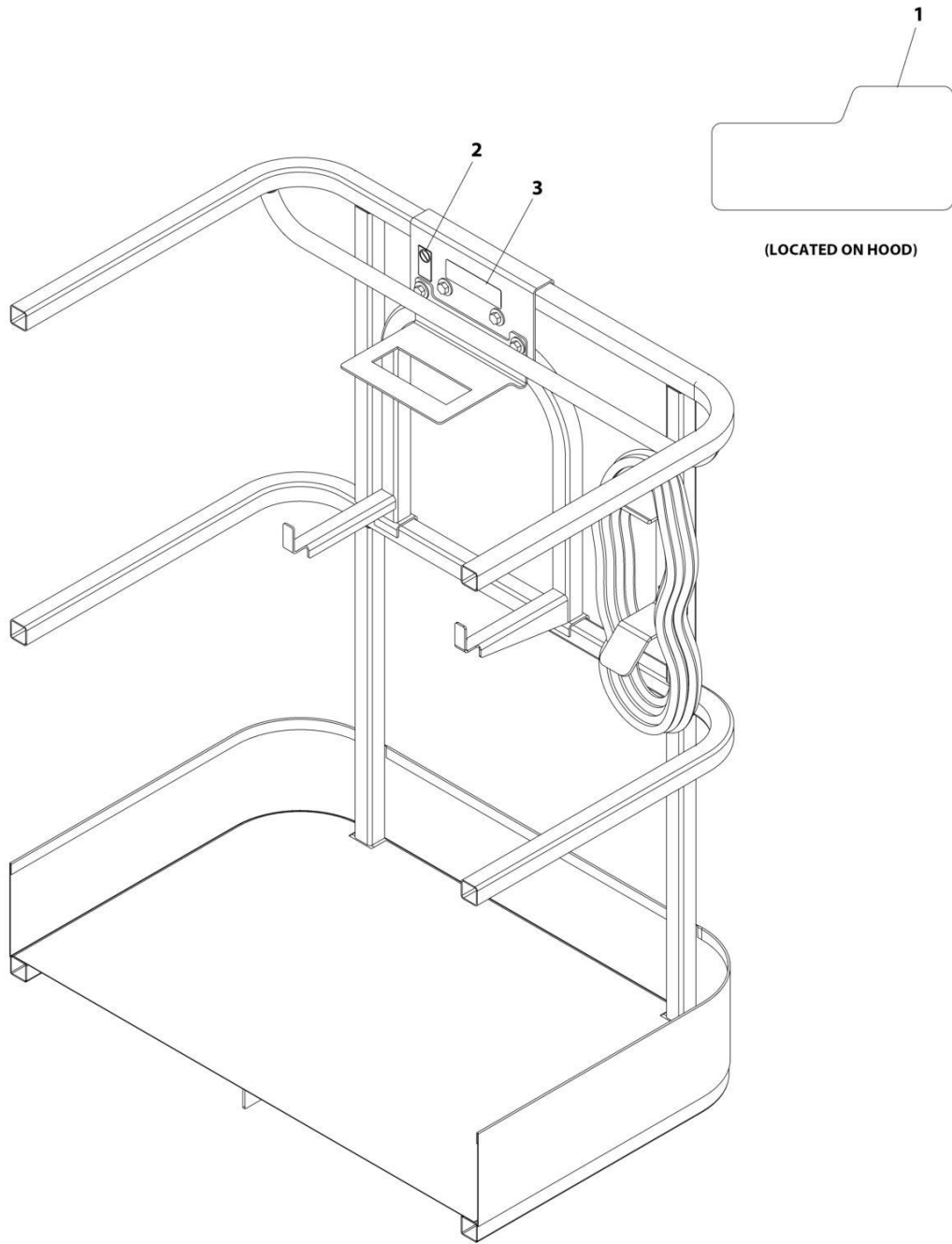
ITEM	PART NUMBER	QTY	DESCRIPTION	REV
		Ref	DECAL INSTALLATION - OPTIONS	
33	1700818	2	Decal - Fuel (LP Gas Machines) (English Language) (ANSI and Australian Specs)	
33	1704271	2	Decal - Fuel (LP Gas Machines) (English/French Languages) (CSA Specs)	
33	1702720	2	Decal - Fuel (LP Gas Machines) (English/Spanish Languages) (ANSI Export Specs)	
108	1001231801	1	Decal - Warning Proposition 65 (ANSI Specs)	
118	0257195	Ref	Decal - Government Warranty Installation (ANSI Spec)	
118A	1703179	1	Decal - Government Warranty	
190	0272418	Ref	Decal - SkyGlazier (Machines with SkyGlazier Option)	
190	1705358	2	Decal - SkyGlazier	
205	See Note	1	Nameplate - Manufacturers Serial Number (Note: Not Available for Purchase)	
210	1702868	2	Decal - No Hands (English Language)	
210	1001218850	2	Decal - No Hands (CE)	
210	1704000	2	Decal - No Hands (English/French Language)	
210	1705969	2	Decal - No Hands (English/Korean Language)	
210	1705967	2	Decal - No Hands (English/Portuguese Language)	
210	1704001	2	Decal - No Hands (English/Spanish Language)	
215	0274518	Ref	Decal - Logo Installation (All Specs Except CE & UK CA Specs)	
215A	1702861	2	Decal - JLG Lift	
215B	1702774	1	Decal - JLG Lift	
215C	1702773	1	Decal - JLG	
215D	1704885	1	Decal - Website	
215	1001291456	Ref	Decal - Logo Installation (CHINESE SPECS ONLY)(MAHINCES WITH SN STARTING WITH B3)	
215A	1001288704	1	Decal - JLG Lift (Chinese)	
215B	1001288705	1	Decal - JLG Lift (Chinese)	
215C	1001290348	1	Decal - JLG (Chinese)	
215D	1704885	1	Decal - Website (Chinese)	
218	3251813	1	Decal - USA	
226	1704972	1	Decal - Warning Explosion/ Fire (English Language) (Diesel Machines) (ANSI Specs)	
226	1706098	1	Decal - Warning Explosion/Fire (English Language) (Diesel Machines) (Australian, CE & UK CA Specs)	
226	1706059	1	Decal - Warning Explosion/Fire (English/Portuguese Language) (Diesel Machines) (Brazil Specs)	
226	1706060	1	Decal - Warning Explosion/Fire (English/Chinese Language) (Diesel Machines) (Chinese Specs)	
226	1706064	1	Decal - Warning Explosion/Fire (English Language) (Diesel Machines) (CSA Specs)	
226	1706062	1	Decal - Warning Explosion/Fire (English/Japanes Language) (Diesel Machines) (Japanese Specs)	
226	1706061	1	Decal - Warning Explosion/Fire (English/Korean Language) (Diesel Machines) (Korean Specs)	
226	1706063	1	Decal - Warning Explosion/Fire - (English/Spanish Language) (Diesel Machines) (Latin American Specs)	
238	1001125387	1	Decal - Ultra Low Sulfur Fuel (Diesel Machines) (ANSI & CSA Specs)	
238	1001139654	1	Decal - Ultra Low Sulfur Fuel (Diesel Machines) (ANSI EXPORT (HRC), Japanese, CE & UK CA Specs)	
245	1001120993	Ref	Decal Installation - ClearSky (Machines with ClearSky Option)	

## SECTION 9 - DECALS

ITEM	PART NUMBER	QTY	DESCRIPTION	REV
245A	1001116208	2	Decal - ClearSky	
245B	1001120989	1	Decal - Radio Frequency	
245	1001294861	Ref	Smart Fleet ClearSky Decal Installation	
245A	1001120989	1	Decal - Radio Frequency	
245B	1001294815	1	Decal - ClearSky	
253	1001143852	1	Decal - Emission Compliance (Diesel Machines) (ANSI Export (LRC), Australian, Chinese, CE & UK CA Specs)	
262	1001141300	1	Decal - SkyGuard Override (Machines without Soft Touch Option)	
262	1001141302	1	Decal - SkyGuard Override (Machines with Soft Touch Option)	
263	1001197408	1	Decal - MSSO (CE & UK CA Specs)	
264	1705980	1	Decal - Sound Power (Machines with Deutz D2011 Engines) (Australian, CE & UK CA Specs)	
264	1705368	1	Decal - Sound Power (Machines with Deutz TD2.9L4 and Deutz 2.9L4 (Stage V) Engines with ABS Hoods) (CE & UK CA Specs)	
264	1001200072	1	Decal - Sound Power (Machines with Deutz TD2.9L4 and Deutz 2.9L4 (Stage V) Engines with Steel Hoods) (CE & UK CA Specs)	
264	1001191525	1	Decal - Sound Power (108dB) (Stage V) (CE & UK CA)	
267	1001200131	1	Decal - Quick Start Guide (Danish Language)	
267	1001200129	1	Decal - Quick Start Guide (Dutch Language)	
267	1001181145	1	Decal - Quick Start Guide (English Language)	
267	1001200128	1	Decal - Quick Start Guide (French Language)	
267	1001200130	1	Decal - Quick Start Guide (German Language)	
267	1001200134	1	Decal - Quick Start Guide (Norwegian Language)	
267	1001200132	1	Decal - Quick Start Guide (Swedish Language)	
267	1001200133	1	Decal - Quick Start Guide (Spanish Language)	
274	1001214030	1	Decal Installation - EAC (Russian/CIS Specs)	
287A	1001236400	Ref	Decal - ECO Installation (CHINA IV ENGINES)	
287A	See Note	NSS	Decal - ECO Label	
287A	3820001	8	Rivet	
287A	See Note	NSS	Nameplate - Mein Code (Note: Not Available for Purchase)	
287B	1001292423	Ref	Decal - ECO Installation (CHINA III ENGINES)	
287B	See Note	NSS	Decal - ECO Label (Note: Not Available for Purchase)	
287B	3820001	8	Rivet	
287B	See Note	NSS	Nameplate - Mein Code (Note: Not Available for Purchase)	

# SECTION 9 - DECALS

## FIGURE 9-20. SKYWELDER DECAL INSTALLATION - 50HZ



ART\_0272588

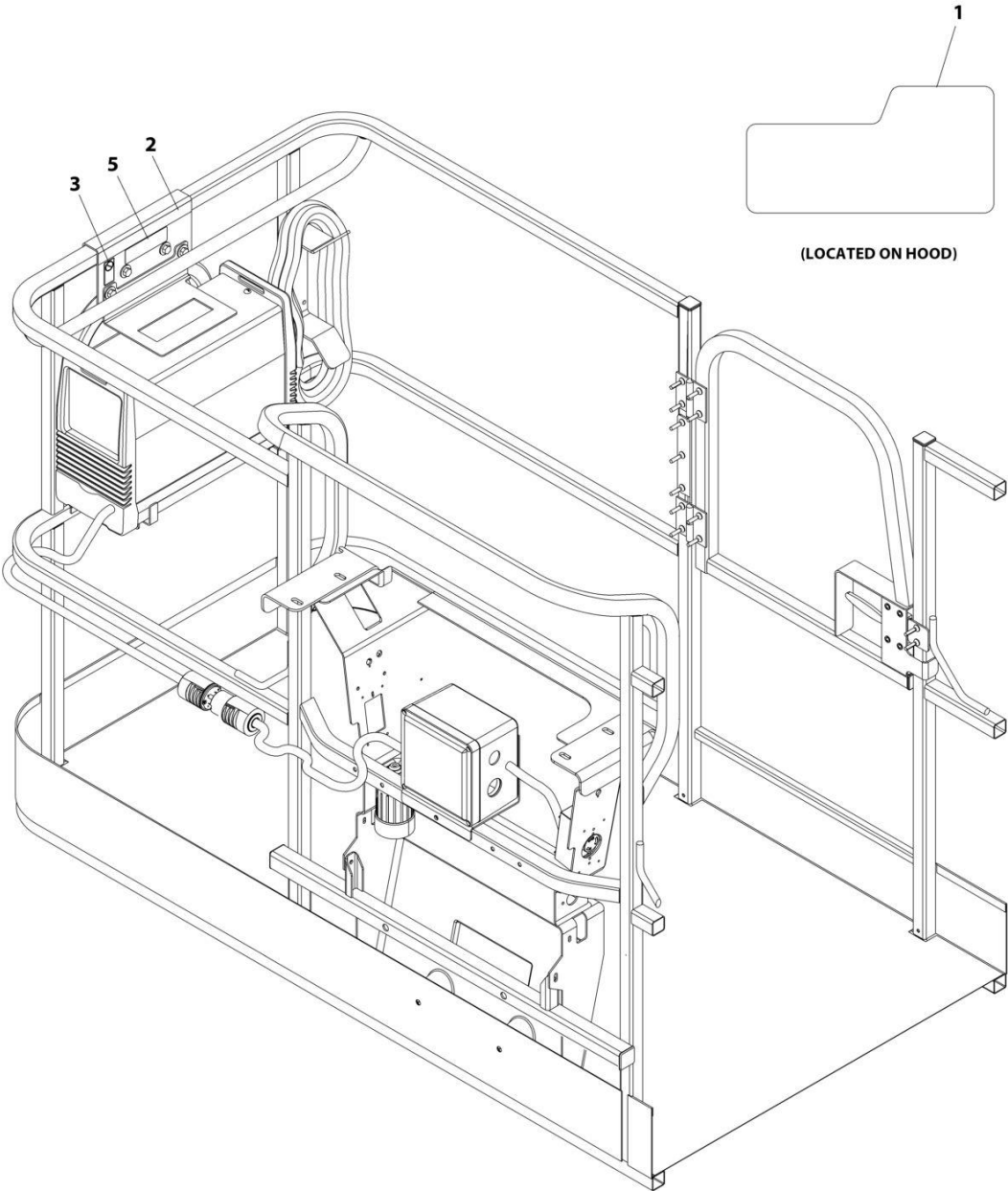
## SECTION 9 - DECALS

**FIGURE 9-20. SKYWELDER DECAL INSTALLATION - 50HZ**

ITEM	PART NUMBER	QTY	DESCRIPTION	REV
	0272588	Ref	SKYWELDER DECAL INSTALLATION - 50Hz	B
1	1705355	2	Decal - SkyWelder	
2	1705305	1	Decal - Weld Lead	
3	1001228988	1	Decal - Weight	

**SECTION 9 - DECALS**

**FIGURE 9-21. SKYWELDER DECAL INSTALLATION - 60HZ**



ART\_0272448\_D

## SECTION 9 - DECALS

**FIGURE 9-21. SKYWELDER DECAL INSTALLATION - 60HZ**

ITEM	PART NUMBER	QTY	DESCRIPTION	REV
	0272448	Ref	SKYWELDER DECAL INSTALLATION - 60Hz	D
1	1705355	2	Decal - SkyWelder	
2	1702868	1	Decal - No Hands	
3	1705305	1	Decal - Weld Lead	
5	1001228988	1	Decal - Weight	





## **SECTION 10 - RECOMMENDED SERVICE PARTS STOCK**

## **SECTION 10 - RECOMMENDED SERVICE PARTS STOCK**

# SECTION 10 - RECOMMENDED SERVICE PARTS STOCK

## FIGURE 10-1. RECOMMENDED SERVICE PARTS STOCK

ITEM	PART NUMBER	QTY	DESCRIPTION	REV
		Ref	Note: The following list will service one machine (built to current production per date on the front cover) with emergency repair parts which can be installed in the field. Parts from the list should be replaced when inventory is depleted to keep service parts stock supplied. For further information, contact your JLG dealer or the JLG Industries Parts Department.	
	1001181046	1	Breaker, 30mA/10Amp (10Amp Breaker Box)	
	1001181045	1	Breaker, 30mA/16Amp (16Amp Breaker Box)	
	4360542	1	Breaker, Circuit (2500W/110V Generators)	
	70001431	1	Breaker, Circuit (Plasma Cutter)	
	4360070	1	Breaker, Circuit 15Amp (4000W/60HZ & 7500W Generators)	
	7024485	1	Breaker, Circuit 30Amp (7500W Generators with Deutz D2011 and Ford Engines)	
	70006095	1	Breaker, Circuit 30Amp (7500W Generators with Deutz TD2.9L4)	
	1001159118	1	Breaker, GFCI 30Amp 240VAC (240V AC Box At Platform)	
	70005708	1	Breather Assembly (Machines With SN Starting With 03)	
	70007726	1	Breather Kit (Machines With SN Starting With B3)	
	7012944	1	Coil (Control Valves Installation)	
	7012943	1	Coil (Lift Cylinder Assembly)	
	7017451	1	Coil (Lift Cylinder Assembly)	
	70003789	1	Coil (Main Control Valve)	
	70002386	1	Coil (Main Control Valve and Platform Valve)	
	70003788	1	Coil (Main Control Valve and Platform Valve)	
	4360476	1	Contactactor (Ground Control Boxes and Platform Console Boxes)	
	7020176	1	Contactactor (Ground Control Boxes and Platform Console Boxes)	
	1001275628	1	Controller, Drive/Steer (Platform Console Box Assembly)	
	1001117174	1	Controller, Footswitch Assembly	
	1001275629	1	Controller, Lift/Swing (Platform Console Box Assembly)	
	4360407	1	Controller, Speed (Platform Console Box)	
	3990010	2	Diode, 6 Amp (Ground Control Box Harness)	
		Ref	Engine - Deutz D2011	
	70004020	12	Filter, Air	
	7016328	12	Filter, Fuel	
	7016331	12	Filter, Oil	
	7027795	1	Module, Control	
	3740067	1	Relay	
	3740080	1	Relay	
	70004058	1	Relay	
		Ref	Engine - Deutz TD2.9L4	
	91403102	12	Filter, Air	
	70025161	12	Filter, Fuel (Engine Mounted)	
	70025153	12	Filter, Fuel (Frame Mounted)	
	7016331	12	Filter, Oil	
	1001196634	2	Fuse, 2Amp (Breather Heater Harness)	
	8229242	2	Fuse, 5Amp	
	80983191	2	Fuse, 10Amp	
	70023592	2	Fuse, 20Amp	
	70023593	2	Fuse, 30Amp	
	70025210	1	Module, ECU	
	3740067	1	Relay	

## SECTION 10 - RECOMMENDED SERVICE PARTS STOCK

ITEM	PART NUMBER	QTY	DESCRIPTION	REV
	70005648	1	Relay	
	1001117308	1	Relay	
		Ref	Engine - Deutz TD2.9L4 (Stage V)	
	91403102	12	Filter, Air	
	70025161	12	Filter, Fuel (Engine Mounted)	
	70025153	12	Filter, Fuel (Frame Mounted)	
	7016331	12	Filter, Oil	
	1001196634	2	Fuse, 2Amp (Breather Heater Harness)	
	8229242	2	Fuse, 5Amp	
	80983191	2	Fuse, 10Amp	
	70023592	2	Fuse, 20Amp	
	70023593	2	Fuse, 30Amp	
	70025210	1	Module, ECU	
	3740067	1	Relay	
	70005648	1	Relay	
	1001117308	1	Relay	
		Ref	Engine - Deutz TD2.9L4 (China III)	
	91403102	12	Filter, Air	
	1001225432	12	Filter, Fuel (Engine Mounted)	
	1001225430	12	Filter, Fuel (Frame Mounted)	
	7016331	12	Filter, Oil	
	8229242	2	Fuse, 5Amp	
	80983191	2	Fuse, 10Amp	
	70025210	1	Module, ECU	
	3740067	1	Relay	
	70005648	1	Relay	
	1001117308	1	Relay	
		Ref	Engine - Ford	
	70005008	12	Filter, Air - Primary	
	70006460	12	Filter, Air -Secondary	
	70006155	12	Filter, Fuel	
	70006213	12	Filter, Oil	
	70006175	2	Fuse, 20Amp	
	70006176	1	Module, Engine Control Unit	
	3740067	1	Relay	
	70006171	1	Relay	
	70006172	1	Relay	
	70002097	12	Element, Filter (Control Valves Installation)	
	70002231	12	Element, Filter (Control Valves Installation)	
	8229249	2	Fuse, 3 Amp (USB Charger and Platform Console Box Harness)	
	2400064	2	Fuse, 5Amp (7500W Generator to Engine Harness with Deutz D2011 and Ford Engines)	
	8229242	2	Fuse, 5Amp (Ground Control Box Harness)	
	2860030	1	Key Replacement (Ground Control Box Assembly)	
	2940074	1	Latch (Platforms with Gate)	
	1001142683	1	Module, Control (Strobe Light Installations)	
	1001103667	1	Module, Ground Control (All Machines Except High Temp Markets)	
	1001280600	1	Module, Ground Control (High Temp Markets)	
	1001141138	1	Module, Platform	
	3740080	1	Relay (2500W Generators and 7500W Generator with Ford Engine)	
	70006553	1	Relay (4000W Generators)	

## SECTION 10 - RECOMMENDED SERVICE PARTS STOCK

ITEM	PART NUMBER	QTY	DESCRIPTION	REV
	3740049	1	Relay (Ground Control Box Assembly)	
	1001186431	1	Relay (SkyGuard)	
	3740086	1	Relay (SkyLine Harness)	
	1001147479	1	Sensor (Level Sensor Installation)	
	1001191022	1	Sensor (Lower Sensor Assembly)	
	1001137673	1	Sensor (SkyGuard)	
	1001228225	1	Sensor, Emitter (SkyEye)	
	1001148607	1	Sensor, Fuel (Gas/Diesel Engines on Machines With SN Starting With B3)	
	1001247468	1	Sensor, Loadcell (Platform Support Installation)	
	4360057	1	Sensor, Limit (Soft Touch Installation)	
	7026638	1	Sensor, Pressure (Air Compressor)	
	4360506	1	Sensor, Proximity (Boom Cables Installation)	
	1001170847	1	Sensor, Proximity (Dual Capacity Installation)	
	1001182570	1	Sensor, Proximity (Dual Capacity Installation)	
	4360517	1	Sensor, Proximity (Rotary Coupling)	
	1001232667	1	Sensor, Proximity (SkyLine)	
	1001311034	1	Sensor, Proximity (SkyLine)	
	1001228224	1	Sensor, Receiver (SkyEye)	
	1001219601	1	Sensor, Tilt (Ground Control Box)	
	1001225346	1	Switch, Battery (Battery Disconnect Installation)	
	4360475	1	Switch, Emergency Stop (Ground Control and Platform Conosole Boxes)	
	4360469	1	Switch, Key (Ground Control Box Assembly)	
	4360387	1	Switch, Push Button (CE & UK CA Ground Control Boxes, Platform Console Boxes, and Soft Touch)	
	4360274	1	Switch, Push Button (Ground Control Boxes with Deutz Stage V Engine)	
	70001432	1	Switch, Rocker (Plasma Cutter)	
	4360336	1	Switch, Toggle (Generator Installations)	
	1001155045	1	Switch, Toggle (Ground Control Box Assembly)	
	4360328	1	Switch, Toggle (Jib Switch Installation)	
	1001159256	1	Switch, Toggle (Platform Console Boxes)	
	1001161709	1	Switch, Toggle (Platform Console Boxes)	
	7024469	1	Switch with Lead (Welder Assembly)	

**SECTION 11 - SPECIAL OPTIONS**

# SECTION 11 - SPECIAL OPTIONS

**FIGURE 11-1. SPECIAL OPTIONS/ACCESSORIES/KITS**

ITEM	PART NUMBER	QTY	DESCRIPTION	REV
	1001301123	1	Fuel Tank Kit	
	1001303167	1	Skywelder Extension Cord Cable	
	1001301691	1	Fuel Tank Kit (CE)	
		Ref	Note: This list is to accommodate machines ordered with special equipment. Options may not be applicable to all models. For more specific parts information contact JLG Parts Department.	
		Ref	MISCELLANEOUS SPECIAL OPTIONS/ACCESSORIES/KITS	
	1001116163	Ref	7500W/60Hz Generator Add-on Kit (800S)	
	1001229762	Ref	Air Intake Shut-off Valve (Deutz TD2.9L4 Engines)	
	1340061	Ref	Air Cleaner Precleaner	
		Ref	Air Line at Platform Installations:	
	0271472	Ref	Air Line at Platform Installations 800S (800S)	
	1001091712	Ref	Air Line at Platform Installations 800S (With Arctic Package) (800S)	
	0271473	Ref	Air Line at Platform Installations 860SJ (860SJ)	
	1001091713	Ref	Air Line at Platform Installations 860SJ (With Arctic Package) (860SJ)	
	1001249695	Ref	Analyzer and Cable Kit	
	1001249941	Ref	Battery Powered Analyzer Installation Kit	
		Ref	Bellows Installations:	
	0271476	Ref	Bellows Installations 800S Boom Bellows (800S)	
	0271477	Ref	Bellows Installations 860SJ Boom Bellows (860SJ)	
	1001158259	Ref	Frame Bellows	
		Ref	Boom Rope Service Kits:	
	1001111231	Ref	Boom Rope Service Kit (800S) (800S)	
	1001197240	Ref	Boom Rope Service Kit (860SJ) (860SJ)	
	2910888	Ref	Boom Wear Pad Kit	
		Ref	Boom Wiper Installations:	
	0271448	Ref	Standard Machines	
	1001122305	Ref	Hostile Environment Machines	
	1001267262	Ref	Machines With SN Starting With B3	
	1001233047	Ref	Breather Heater Kit (Deutz TD2.9L4 Engines)	
	1001172045	Ref	Cable/Ladder Rack Installation	
	1001296681	Ref	CHASSIS LIGHTS KIT (ABS) (800S)	
	1001296683	Ref	CHASSIS LIGHTS KIT (800S)	
		Ref	ClearSky (Telematics) Installations (Dealer Installed):	
	1001242409	Ref	ClearSky (Telematics) Access Control Installation Kit (ANSI, ANSI Export and CSA Specs)	
	1001243183	Ref	ClearSky (Telematics) Add-on Kit (ANSI, ANSI Export and CSA Specs)	
	1001243184	Ref	ClearSky (Telematics) Add-on Kit (CE & UK CA Specs)	
	1001246142	Ref	ClearSky (Telematics) Add-on Kit (Australian Specs)	
	1001276923	Ref	ClearSky (Telematics) Add-on Kit (Contact JLG for Approved Countries)	
		Ref	ClearSky (Telematics) Kits (Dealer Installed):	
	1001119939	Ref	ClearSky (Telematics) Kit (Aftermarket - ANSI)	
	1001119947	Ref	ClearSky (Telematics) Kit (Aftermarket - CSA)	
	1001291870	Ref	Coolant Pump Assembly Service Kit	
		Ref	Cold Weather Start Kits:	
	1001178208	Ref	Deutz D2011 Engine (With 25 GAL Capacity Hydraulic Tank)	

## SECTION 11 - SPECIAL OPTIONS

ITEM	PART NUMBER	QTY	DESCRIPTION	REV
	1001178207	Ref	Deutz TD2.9L4 Engine (With 25 GAL Capacity Hydraulic Tank)	
	1001255807	Ref	Deutz TD2.9L4 (Stage V) (With 25 GAL Capacity Hydraulic Tank)	
	1001282099	Ref	Deutz D2.9L4 (China IV)	
	1001219840	Ref	Ford DF 2.5L Engine Machines (With 25 GAL Capacity Hydraulic Tank)	
	1001287837	Ref	Deutz D2011 Engine (With 47.8 GAL Capacity Hydraulic Tank)	
	1001287836	Ref	Deutz TD2.9L4 Engine (With 47.8 GAL Capacity Hydraulic Tank)	
	1001287814	Ref	Deutz TD2.9L4 (Stage V) (With 47.8 GAL Capacity Hydraulic Tank)	
	1001287839	Ref	Ford DF 2.5L Engine Machines (With 47.8 GAL Capacity Hydraulic Tank)	
	1001245137	Ref	Control Valve Lockdown Kit (Used on Valves p/n 1001235900, 1001235901 & 1001244114)	
	1001115918	Ref	Cribbing Switch Installation	
		Ref	Decal Kits Options:	
	1001270518	Ref	Machine (ANSI 9220 Spec)	
	1001108722	Ref	Platform (800S) (800S)	
	1001108723	Ref	Platform (860SJ) (860SJ)	
	1001272201	Ref	Platform (800S/860SJ) (ANSI 9220 Spec)	
	1001241345	Ref	Platform Console Box (ANSI Spec)	
	1001272089	Ref	Platform Console Box (ANSI 9220 Spec)	
	1001109257	Ref	Drive Orientation Kit (860SJ)	
	2902394	Ref	Drive/Steer Cutout Kit	
		Ref	Electrical Connector Kits:	
	1001148902	Ref	Amp/Tyco Electrical Connector Kit	
	1001148903	Ref	Deutsch DT Electrical Connector Kit	
	1001148904	Ref	Deutsch HD Electrical Connector Kit	
	1001148905	Ref	Packard Electrical Connector Kit	
	1001148906	Ref	Various Electrical Connectors Kit	
	1001218022	Ref	Engine Block Heater Installation (Ford DF 2.5L Engines)	
	1001237883	Ref	Fall Arrest (Bolt-on) Add-on Kit (6ft/1.82m Platform) (ANSI, ANSI Export, China, CSA & Japanese Specs Only) (Fits Platform p/ns 1001186384, 1001144024 & 1001228376)	
	1001237882	Ref	Fall Arrest (Bolt-on) Add-on Kit (8ft/2.4m Platform) (ANSI, ANSI Export, China, CSA & Japanese Specs Only) (Fits Platform p/ns 1001186383 & 1001144023)	
	1001269630	Ref	Fall Arrest (Bolt-on) Add-on Kit (4ft/1.22m Platform) (All Specs)	
	1001269629	Ref	Fall Arrest (Bolt-on) Add-on Kit (5ft/1.52m Platform) (All Specs)	
	1001269631	Ref	Fall Arrest (Bolt-on) Add-on Kit (6ft/1.82m Platform) (All Specs)	
		Ref	Fan Cover/Grille Options:	
	1001182599	Ref	Fan Cover Installation (Deutz D2011 Engines)	
	1001177694	Ref	Fan Grille Installation (Deutz TD2.9L4 Engines and Deutz TD2.9L4 (Stage V) Engines) (Modine Radiator Only)	
	1001093389	Ref	Fan Cover Installation (Ford DF 2.5L Engines)	
	1001139099	Ref	Fire Extinguisher Installation (20lb) (Platform Mounted)	
	1001305520	Ref	Fire Extinguisher Installation (2.5lb) (Platform Mounted)	
	1001227951	Ref	Fire Protection for Platform Valves and Filter (800S)	
	1001239235	Ref	Fire Protection for Platform Valves and Filter (860SJ)	
	1001272888	Ref	Fire Protection for Platform Valves and Filter (Machines With SN Starting With B3)	
		Ref	Filter Kits:	
		Ref	Combined Filter Kit (Hydraulic/Air and Fuel/Engine Oil)	
	1001225623	1	Deutz D2011 Engine Machines	
	1001195537	1	Deutz DT2.9L4 Engine (All Specs)	

## SECTION 11 - SPECIAL OPTIONS

ITEM	PART NUMBER	QTY	DESCRIPTION	REV
	1001286519	1	Deutz DT2.9L4 Engine - Without HYD Filters (China Spec)	
	1001286521	1	Deutz DT2.9L4 Engine - With HYD Filters (China Spec)	
	1001293078	1	Engine Muffler Kit (China III Engine)	
	1001114052	1	Ford DF 2.5L Engine Machines	
	1001265676	Ref	Ford 42 Way Connector Kit	
	1001117294	Ref	Footswitch Shield (With Arctic Package)	
	1001202749	Ref	Fuel Cap Cover Installation (Black) (Note: Lock p/n 1001102157 Must be Purchased Separately)	
	1001191395	Ref	Fuel Cap Cover Installation (Green) (Diesel Machines) (Note: Lock p/n 1001102157 Must be Purchased Separately)	
	1001191394	Ref	Fuel Cap Cover Installation (Red) (Gas Machines) (Note: Lock p/n 1001102157 Must be Purchased Separately)	
		Ref	Hose Kit Options:	
	1001187509	Ref	Hose Kit - Boom (800S) (800S,800S)	
	1001187500	Ref	Hose Kit - Boom (860SJ) (860SJ)	
	1001209634	Ref	Hose Kit - Platform Valve (800S) (800S)	
	1001209635	Ref	Hose Kit - Platform Valve (860SJ) (860SJ)	
	1001204929	Ref	Hostile Environment Add-on Kit (800S) (Dealer Installed)	
	1001241416	Ref	Hostile Environment Add-on Kit (860SJ) (Dealer Installed)	
	1001121412	Ref	Hostile (Extreme) Environment Installation (800S) (Factory Installed) (800S)	
	1001210977	Ref	Hostile (Extreme) Environment Installation (860SJ) (Factory Installed)	
	1001094475	Ref	Hourmeter for Generator	
	1001229935	Ref	Hydraulic Tank Lock Installation	
	1001268736	Ref	Jib Link Kit	
	1001281466	Ref	Latch Kit - Steel Hood (860SJ)	
		Ref	Light Options:	
	0272057	Ref	Chassis Illumination Lights (ABS Hoods)	
	1001184259	Ref	Chassis Illumination Lights (Steel Hoods)	
	0271552	Ref	Headlights & Taillights Installation (ABS Hoods)	
	1001164786	Ref	Headlights & Taillights Installation (Steel Hoods)	
	0272058	Ref	Platform Flood Lights Installation	
	0273472	Ref	Platform Worklights Installation (800S)	
	0273483	Ref	Platform Worklights Installation (860SJ)	
	1001128153	Ref	Platform Worklights Installation (Worklight 4 Corner)	
	1001152965	Ref	Strobe Light Installation - Platform Mounted (Amber)	
	1001236951	Ref	Low Temperature Cutout Installation (Russian Specs)	
	1001290375	Ref	Oil Drain Kit (Ford Engines)	
		Ref	Oil Cooler Options:	
	1001297083	Ref	Oil Cooler Installations (Deutz D2011 Engines)	
	1001186631	Ref	Oil Cooler Installations (Deutz TD2.9L4 Engines and Deutz TD2.9L4 (Stage V) Engines) (YMER Cooler)	
	1001219633	Ref	Oil Cooler Installations (Ford DF 2.5L Engines)	
	1001200725	Ref	Oil Cooler Replacement Kit (RCP to YMER)	
	1001272166	Ref	Pipe Rack Kit	
	1580013	Ref	Platform Corner Storage Tray	
	1001214984	Ref	Platform Box Decal Protection Installation (GB China Specs)	
		Ref	Platform Box Cover Installations:	
	1001195304	Ref	Plastic Cover	
	1001266290	Ref	Steel Cover	
	1001308593	Ref	Fabric Cover	
	1001125229	Ref	Steel Cover (Korean Spec)	



## SECTION 11 - SPECIAL OPTIONS

ITEM	PART NUMBER	QTY	DESCRIPTION	REV
	1001295280	Ref	Steel Cover (Machines with SN Starting with B3) (Chinese Spec Only)	
	1001125230	Ref	Steel Cover (Chinese Specs - Simplified Language)	
	1001270482	Ref	Steel Cover (Dealer Installed)	
	1001309057	Ref	Console Cover Kit	
	1001295844	Ref	PERMINTER LIGHTS KIT (800S)	
	1001296286	Ref	PERMINTER LIGHTS KIT (ABS) (800S)	
	1001110982	Ref	Platform Bumpers	
		Ref	Platform Entry Kits	
	1001142504	Ref	Drop Bar (Replacing Swing Gate with Drop Bar)	
	1001142505	Ref	Swing Gate (Replacing Drop Bar with Swing Gate)	
		Ref	Platform Mesh To Mid Rail Installations (Side Entry Platform):	
	1001272274	Ref	2.5ft x 4ft Platforms (Steel) (ANSI, ANSI Export and Australian Specs)	
	1001266969	Ref	2.5ft x 4ft Platforms (Plastic) (ANSI, ANSI Export and Australian Specs)	
	1001272178	Ref	2.5ft x 5ft Platforms (Steel) (ANSI, ANSI Export and Australian Specs)	
	1001266799	Ref	2.5ft x 5ft Platforms (Plastic) (ANSI, ANSI Export and Australian Specs)	
	1001271760	Ref	3ft x 6ft Platforms (Steel) (ANSI, ANSI Export and Australian Specs)	
	1001266284	Ref	3ft x 6ft Platforms (Plastic) (ANSI, ANSI Export and Australian Specs)	
	1001269389	Ref	3ft x 8ft Platforms (Steel) (ANSI, ANSI Export, Australian and Russia Specs)	
	1001266098	Ref	3ft x 8ft Platforms (Plastic) (ANSI, ANSI Export, Australian and Russia Specs)	
		Ref	Platform Mesh to Mid Rail Add-on Kits:	
	1001281461	Ref	30in x 4ft (76cm x 1.22m) with Gate	
	1001281460	Ref	30in x 5ft (76cm x 1.52m) with Gate	
	1001281458	Ref	36in x 6ft (91.5cm x 1.83m) with Gate	
	1001281457	Ref	36in x 8ft (91.5cm x 2.44m) with Gate	
		Ref	Platform Mesh To Top Rail Installations (Side Entry Platform):	
	1001272182	Ref	2.5ft x 4ft Platforms (Steel) (ANSI, ANSI Export and CSA Specs)	
	1001266807	Ref	2.5ft x 4ft Platforms (Plastic) (ANSI, ANSI Export and CSA Specs)	
	1001271888	Ref	2.5ft x 5ft Platforms (Steel) (ANSI, ANSI Export and CSA Specs)	
	1001266801	Ref	2.5ft x 5ft Platforms (Plastic) (ANSI, ANSI Export and CSA Specs)	
	1001271642	Ref	3ft x 6ft Platforms (Steel) (ANSI, ANSI Export and CSA Specs)	
	1001266489	Ref	3ft x 6ft Platforms (Plastic) (ANSI, ANSI Export and CSA Specs)	
	1001269187	Ref	3ft x 8ft Platforms (Steel) (ANSI, ANSI Export and CSA Specs)	
	1001266056	Ref	3ft x 8ft Platforms (Plastic) (ANSI, ANSI Export and CSA Specs)	
		Ref	Platform Mesh to Top Rail Add-on Kits:	
	1001281456	Ref	30in x 4ft (76cm x 1.22m) with Gate	
	1001281455	Ref	30in x 5ft (76cm x 1.52m) with Gate	
	1001281453	Ref	36in x 6ft (91.5cm x 1.83m) with Gate	
	1001281452	Ref	36in x 8ft (91.5cm x 2.44m) with Gate	
	1001149730	Ref	Platform Mid Rail Repair Kit	
		Ref	Platform Top Rail Extension Installations:	
	0272733	Ref	Platform 6ft (1.83m)	
	0272725	Ref	Platform 8ft (2.44m)	
	1001209059	Ref	Platform Work Surface Installation	

## SECTION 11 - SPECIAL OPTIONS

ITEM	PART NUMBER	QTY	DESCRIPTION	REV
	1001296622	Ref	PLATFORM LIGHTS KIT (800S)	AF
	1001296701	Ref	PLATFORM SUPPORT LAMP KIT (800S)	
	1001100121	Ref	Programmable Security Lock Installation (China, CE & UK CA Specs Only)	
	1001162546	Ref	Pump Coupling Service Kit (Sauer Danfoss)	
	1001199487	Ref	Radiator Replacement Kit (RCP to Modine)	
	1001190889	Ref	Service Tools & Kits	
	1001241547	Ref	SkyEye Housing Kit (Left Side)	
	1001241548	Ref	SkyEye Housing Kit (Right Side)	
	1001247073	Ref	SkyEye Retrofit Kit	
	1001282215	1	Platform Worklights	
		Ref	SkyGuard Component Options:	
	1001206477	Ref	SkyGuard Complete Add-On Kit (Blue Beacon)	
	1001210026	Ref	SkyGuard Complete Add-On Kit (Red Beacon)	
	1001137672	Ref	SkyGuard Platform Sensor Kit	
	1001137440	1	SkyGuard Sensor Harness	
	1001186431	2	Relay	
	1001206311	Ref	SkyGuard Strobe Light Kit (Blue Beacon)	
	1001210025	Ref	SkyGuard Strobe Light Kit (Red Beacon)	
	1001250595	Ref	SkyGuard 6-Pin Retrofit Installation Kit	
	1001249052	Ref	SkyGuard Retrofit Kit (Dealer Installed)	
	1001262016	Ref	SkyLine Kit (Dealer Installed)	
	1001289831	Ref	SkySense/Enhanced Detection System (EDS) Level 1 (2-Bar) Installation Kit (Factory Installed)	
	1001289832	Ref	SkySense/Enhanced Detection System (EDS) Level 2 (3-Bar) Installation Kit (Factory Installed)	
	1001289905	Ref	SkySense/Enhanced Detection System (EDS) Level 1 (2-Bar) Installation Kit (Dealer Installed)	
	1001289906	Ref	SkySense/Enhanced Detection System (EDS) Level 2 (3-Bar) Installation Kit (Dealer Installed)	
	1001282461	Ref	SkySense Padding Installation - For 30 x 48 Platforms equipped with SkySense	
	1001275644	Ref	SkySense Padding Installation - For 30 x 60 Platforms equipped with SkySense	
	1001275642	Ref	SkySense Padding Installation - For 36 x 72 Platforms equipped with SkySense	
	1001269655	Ref	SkySense Padding Installation - For 36 x 96 Platforms equipped with SkySense	
	1001263395	Ref	SkyWelder Kit (Dealer Installed)	
	1001231235	Ref	SkyWelder Locking Bracket Installation	
	1001110926	Ref	Soft Touch (Overhead) Installation (Chinese/Korean Specs Only)	
	1001281070	Ref	Strobe Beacon Replacement Kit	
	1001292584	Ref	Strobe Light (Amber) Kit	
	1001293298	Ref	Strobe Light (Amber) Kit (Chinese Spec)	
	1001293877	Ref	Strobe Light (Red) Kit	
	1001294068	Ref	Strobe Light (Blue) Kit	
	1001228583	Ref	Telematics Gateway (Dealer Installed)	
	1001284511	Ref	Telematics Gateway + (Dealer Installed)	
	1001228355	Ref	Turntable Bearing Cover Installation	
		Ref	Tools for Service:	
	2901443	1	Analyzer Kit	
	4460467	1	Extractor - 16-18 Gauge (For Removal of Pin/Sockets from Deutsch Connectors)	

## SECTION 11 - SPECIAL OPTIONS

ITEM	PART NUMBER	QTY	DESCRIPTION	REV
	4460510	1	Extractor - 12-14 Gauge (For Removal of Pin/Sockets from Deutsch Connectors)	
	7002823	1	Pin/Socket Extractor - Universal (To Remove Pins/Sockets from Connectors)	
	7002822	1	Screwdriver, Potentiometer (To Adjust Drive Controllers)	
	7016654	1	Screwdriver, Magnetic	
	7004275	1	Seal Installation Tool - 1in	
	7004276	1	Seal Installation Tool - 1-1/2in	
	7002826	1	Seal Installation Tool - 2in	
	1001137005	1	Software Cable Kit	
	70005663	1	Tool, Port Plate for Pump p/n 1001142522	
	7002821	1	Wire Crimper (To install wire ends to wires)	
	7016655	1	Wire Rope Sheave Gauge	
	8896941	1	Wire Stripper	
	2915094	Ref	Turntable Bearing Replacement Kit	
	1001277840	Ref	UGM1 to UGM2 Retrofit ADE1 Kit	
	1001277848	Ref	GM to UGM2 Retrofit ADE1 Kit	
	1001274249	Ref	USB Charger Add-on Kit (Dealer Installed)	
	1001262959	Ref	Voltage Regulator Relocation Kit	
		Ref	Weld Leads at Platform Installations	
	0271487	Ref	Weld Leads at Platform Installations 800S (800S)	
	0271488	Ref	Weld Leads at Platform Installations 860SJ (860SJ)	
	1001228544	Ref	Wheel Drive Kit (Replaces Hub 2780272)	



**PART NUMBER INDEX**

## SECTION 11 - SPECIAL OPTIONS

0100009.....651	189, 438, 511, 525,	0275216 ..... 825, 981	1064, 1068, 1072,
0100011....21, 23, 25, 27,	529, 541, 545	0275217 ..... 831, 985	1076, 1080, 1084, 1088
29, 31, 33, 35, 37, 39,	0100062... 312, 316, 334,	0275452 ..... 837, 989	0641407.... 129, 133, 137,
41, 43, 65, 67, 69, 71,	350, 376, 382, 388,	0275453 ..... 843, 993	141, 145, 149, 153,
75, 77, 89, 93, 95, 97,	410, 422, 446, 533, 538	0275454 ..... 849, 997	157, 161, 165, 169,
99, 101, 103, 105, 107,	0100079 ..... 529, 545	0362770 ..... 228, 232	173, 177, 305, 307,
109, 111, 119, 121,	0100081 ... 236, 240, 244,	0362910 ..... 71	309, 312, 316, 441, 495
123, 125, 127, 129,	248, 252, 256, 260,	0400075 ... 119, 121, 123,	0641408....237, 241, 244,
133, 137, 141, 145,	264, 268, 589, 591,	125, 127	248, 252, 256, 260,
149, 153, 157, 161,	593, 595, 597, 599,	0440244 ..... 85	265, 268, 438, 649,
165, 169, 173, 177,	695, 697, 699	0480121 ..... 505, 515	871, 873, 875, 877,
185, 187, 189, 191,	0140011 ..... 651	0480126 ..... 517, 533	879, 881, 883, 885,
203, 205, 228, 232,	0140044 ..... 185	0480129 ..... 521, 537	887, 889, 891
233, 236, 237, 240,	0181949 ..... 63	0561185 .... 563, 567, 571	0641409....293, 295, 299,
241, 244, 248, 249,	0200048 ... 701, 703, 705,	0561380 .... 555, 557, 559	303
252, 256, 260, 264,	707	0561445 .... 563, 567, 571	0641410.....65, 293, 295,
265, 268, 269, 271,	0200742 ..... 505, 515	0561446 .... 563, 567, 571	299, 303, 312, 316,
273, 275, 277, 293,	0256202 ..... 821	0561447 .... 563, 567, 571	871, 873, 881, 883
295, 299, 303, 305,	0257195 ..... 1092	0561449 .... 563, 567, 571	0641412....323, 327, 339,
307, 309, 312, 316,	0258608 ..... 669	0561484 ... 881, 885, 887,	343, 357, 361, 365,
323, 327, 331, 334,	0258728 ..... 499	891	403, 415, 438, 871,
339, 343, 347, 350,	0259147 ..... 91	0630407 ... 334, 350, 376,	873, 875, 877, 879,
357, 361, 365, 369,	0270528 ..... 67, 69, 71	382, 388, 410, 422	881, 883, 885, 887,
371, 373, 376, 382,	0270886 ..... 55	0630462 ... 701, 703, 705,	889, 891
388, 403, 407, 410,	0270888 ..... 57	707	0641414.... 651, 673, 701,
415, 419, 422, 429,	0271002 ..... 85	0630467 ..... 603, 605	703, 705, 707
433, 438, 441, 444,	0271085 ..... 55	0630485 ... 237, 241, 244,	0641416.... 825, 827, 829,
449, 451, 453, 491,	0271086 ..... 55	248, 252, 256, 260,	831, 833, 835, 837,
493, 505, 507, 511,	0271090 ..... 57	265, 268	839, 841, 843, 845,
515, 517, 521, 525,	0271091 ..... 57	0630518 ... 181, 183, 665,	847, 849, 851, 853, 855
529, 533, 537, 541,	0271448 ..... 1104	667, 679, 682	064141875, 77, 615, 617,
545, 549, 555, 557,	0271472 ..... 1104	0630539 .... 595, 597, 599	621, 623, 625, 627,
559, 563, 567, 571,	0271473 ..... 1104	0630548 ... 129, 133, 137,	637, 639, 641, 643, 709
575, 577, 585, 587,	0271476 ..... 1104	141, 145, 149, 153,	0641420.....438, 619
589, 591, 593, 595,	0271477 ..... 1104	157, 161, 165, 169,	0641504....555, 557, 559
597, 599, 601, 603,	0271487 ..... 1109	173, 177	0641506.... 129, 133, 137,
605, 611, 615, 617,	0271488 ..... 1109	0630568 ..... 652	141, 145, 149, 157,
619, 621, 627, 637,	0271552 ..... 1106	0641403 ... 533, 563, 567,	165, 169, 173, 177, 285
639, 641, 643, 673,	0272057 ..... 1106	571	0641507.... 153, 161, 603,
675, 682, 687, 689,	0272058 ..... 1106	0641404 ... 129, 133, 137,	605
693, 701, 703, 705,	0272081 ... 229, 237, 241,	141, 145, 149, 153,	064150867, 69, 203, 205,
707, 709, 743	253, 265	157, 161, 165, 169,	228, 232, 505, 507,
0100019..81, 85, 87, 279,	0272254 ..... 689	173, 177, 515, 517,	511, 515
281, 283, 507, 517,	0272259 ..... 817	521, 525, 529, 537,	0641510.....312, 316
521, 525, 529, 533,	0272260 ..... 819	541, 545, 675	0641511.... 871, 873, 875,
537, 541, 545, 549	0272418 ... 695, 697, 699,	0641405 ... 185, 517, 521,	877, 879, 881, 883,
0100020....63, 95, 97, 99,	1092	525, 529, 533, 537,	885, 887, 889, 891
101, 103, 105, 107,	0272427 ..... 705	541, 545, 549, 651, 675	0641512.....312, 316
109, 111, 281, 283,	0272435 .... 538, 546, 550	0641406 ... 187, 189, 209,	0641516.... 521, 529, 533,
286, 293, 295, 299,	0272448 ..... 1097	211, 213, 215, 217,	537, 541, 545, 549
303, 323, 327, 334,	0272521 ..... 687	219, 221, 223, 228,	0641518.... 334, 350, 376,
339, 343, 350, 357,	0272588 ..... 1095	232, 236, 240, 244,	382, 388, 410, 422
361, 365, 376, 382,	0272589 ..... 534, 542	248, 252, 256, 260,	0641542.....39
388, 403, 410, 412,	0272725 ..... 1107	264, 268, 281, 283,	0641560.....41, 43
415, 422, 424, 438,	0272733 ..... 1107	285, 323, 327, 331,	0641604.... 203, 205, 575,
444, 485, 522, 538,	0272948 ..... 697	334, 339, 343, 347,	577, 611, 871, 873,
655, 679, 682, 825,	0272951 ..... 699	350, 357, 361, 365,	875, 877, 879, 881,
827, 829, 831, 833,	0273353 ..... 682	369, 371, 373, 376,	883, 885, 887, 889, 891
835, 837, 839, 841, 843,	0273472 ..... 1106	382, 388, 403, 407,	0641605.... 334, 350, 376,
845, 847, 849, 851,	0273483 ..... 1106	410, 415, 419, 422,	382, 388, 410, 422
853, 855	0273596 ..... 281	438, 495, 497, 518,	0641606..65, 75, 77, 119,
0100035.... 197, 431, 611,	0273687 ..... 281, 283	525, 611, 649, 677,	123, 203, 205, 229,
651, 665, 667	0273695 ... 555, 557, 559,	861, 863, 1020, 1024,	233, 312, 316, 323,
0100048.... 129, 133, 137,	611	1028, 1032, 1036,	327, 339, 343, 357,
141, 145, 149, 153,	0273706 ..... 707	1040, 1044, 1048,	361, 365, 403, 415,
157, 161, 165, 169,	0273824 ..... 701	1052, 1056, 1060,	563, 567, 571, 589,
173, 177, 185, 187,	0274518 ..... 1092		

## SECTION 11 - SPECIAL OPTIONS

591, 593, 595, 597, 599, 682, 687, 689, 693	0641634 .... 563, 567, 571	0700615.... 197, 199, 237, 249	0760817 ..... 449, 451
0641607 ... 31, 33, 35, 37, 95, 97, 99, 101, 103, 105, 107, 109, 111, 438, 507, 563, 567, 571, 601, 871, 873, 875, 877, 879, 881, 883, 885, 887, 889, 891	0641640 .... 563, 567, 571	0700617.... 237, 241, 265, 269, 277	0761008 ... 323, 327, 339, 343, 361, 365, 403, 415, 438, 601
0641608 ... 209, 211, 213, 215, 217, 219, 221, 223, 225, 228, 229, 232, 233, 236, 240, 244, 248, 252, 256, 260, 264, 268, 271, 273, 275, 277, 283, 293, 295, 299, 303, 323, 327, 334, 339, 343, 350, 357, 361, 365, 376, 382, 388, 403, 410, 415, 422, 487, 555, 563, 567, 571, 575, 577, 589, 591, 593, 595, 597, 599	0641708 ... 334, 350, 376, 382, 388, 410, 422	0700618.... 237, 241, 249, 265, 269, 271, 273, 275	0761010 .... 121, 125, 127
0641609 ... 228, 232, 237, 241, 244, 248, 252, 256, 260, 265, 268, 312, 316, 334, 350, 376, 382, 388, 410, 422, 491, 493, 499	0641772 ... 505, 507, 511, 515	0700626.... 881, 883, 885, 887, 889, 891	0761012 ..... 577
0641610 ... 197, 199, 228, 232, 285, 293, 295, 299, 303, 312, 316, 323, 327, 339, 343, 357, 361, 365, 403, 415, 429, 431, 433, 438, 485, 505, 515, 563, 567, 571, 575, 577, 649	0641806 ..... 376	0700808..... 312, 316	0761014 .... 444, 501, 587
0641611 ..... 93, 236, 241, 244, 248, 252, 256, 260, 265, 268	0641808 . 95, 97, 99, 101, 103, 105, 107, 109, 111, 293, 295, 299, 303, 331, 347, 369, 371, 373, 407, 419, 438, 441, 517, 521, 525, 529, 533, 537, 541, 545, 557, 559	0700810..... 444	0761015 ... 334, 350, 376, 382, 388, 410, 422, 444
0641612 ... 334, 350, 376, 382, 388, 410, 422	0641812 ..... 93, 305, 307, 309, 331, 347, 369, 371, 373, 407, 419, 441, 507, 557, 559	0700812..... 444	0761018 ..... 549
0641613 75, 77, 253, 256, 555, 563, 567, 571	0641814 ... 323, 327, 339, 343, 357, 361, 365, 403, 415	0700814.... 334, 350, 376, 410, 422, 444	0761210 ... 334, 350, 376, 382, 388, 410, 422
0641614 . 95, 97, 99, 101, 103, 105, 107, 109, 111, 229, 232, 518, 526, 861, 863	0641816 . 95, 97, 99, 101, 103, 105, 107, 109, 111	0700816..... 449, 451	0761212 ..... 503
0641615 ..... 557, 559	0641818 ..... 21, 493, 499, 501	0700818..... 449, 451	0761216 ..... 585
0641616 ... 228, 232, 236, 240, 244, 248, 252, 256, 260, 264, 268, 285, 517, 522, 563, 567, 571	0641820 ..... 93, 312, 316, 491	0701014..... 449, 451	0771012 ..... 585
0641617 ..... 63	0642010 ..... 71, 293, 295, 299, 303, 323, 327, 339, 343, 357, 361, 365, 403, 415, 438	0701022.... 334, 350, 384, 388	0771014 ..... 444
0641618 ... 525, 529, 534, 538, 541, 545, 575, 577	0642012 .... 695, 697, 699	0701025.... 334, 350, 382, 388	0771212 ... 323, 327, 334, 339, 343, 350, 357, 361, 365, 382, 388, 403, 410, 415, 422
0641620 ... 487, 595, 597, 599	0642014 .... 555, 557, 559	0701026..... 453	0771414 ... 312, 316, 334, 350, 376, 382, 388, 410, 422
0641622 ... 589, 591, 593, 595, 597, 599	0642212 ... 21, 23, 25, 27, 29, 555, 557, 559, 695, 697, 699	0710827..... 449, 451	0771415 ... 334, 350, 376, 382, 388, 410, 422, 517, 522, 534, 538
0641626 ... 563, 567, 571, 589, 591	0642618 .... 555, 557, 559	0711014..... 446	0791404 ..... 207
0641630 ..... 589, 591	0681608 ... 21, 23, 25, 27, 29, 293, 295, 299, 303, 334, 350, 357, 384, 388, 403, 410, 415, 422, 575	0711020..... 444	0801275 ..... 563
0641632 .... 589, 591, 593	0681620 ... 657, 659, 661, 663	0711215.... 305, 307, 369, 371, 373, 376, 407, 419	0801279 ..... 555
	0681814 ..... 645, 647	0711216..... 449, 451	0801282 ..... 567
	0681820 ... 334, 350, 376, 382, 388, 410, 422	0711223..... 446	0801306 ..... 559
	0681822 . 39, 41, 43, 334, 350, 376, 382, 388, 410, 422, 645, 647	0711414..... 491, 493	0801647 ..... 567
	0682016 .. 39, 41, 43, 279	0720804..... 63	0801649 ..... 563
	0682023 ..... 85, 87	0721004..... 71	0811606 ... 357, 563, 567, 571
	0682032 ..... 85, 87	0721005..... 705, 707	0811607 .... 563, 567, 571
	0682216 ..... 81	0721006.... 228, 232, 429, 431, 433, 505, 507, 515, 651	0811608 .... 563, 567, 571
	0682236 .... 23, 25, 27, 29	0721008..... 229, 233	0811610 ... 237, 241, 244, 248, 252, 256, 260, 265, 268
	0682424 ... 657, 659, 661, 663	0731005... 95, 97, 99, 101, 103, 105, 107, 109, 111, 701, 703	0811614 .... 563, 567, 571
	0700408 ... 825, 827, 829, 831, 833, 835, 837, 839, 841, 843, 845, 847, 849, 851, 853, 855	0741605.... 334, 350, 376, 382, 388, 410, 422, 555	0811616 .... 563, 567, 571
		0741606..... 203, 205	0811812 ... 228, 232, 236, 240, 244, 248, 252, 256, 260, 264, 268
		0741607 ..... 71, 517, 522, 525, 529, 541, 545, 549	0860038 ... 521, 529, 537, 545, 549, 817, 819
		0741609..... 35, 37	0860520 ..... 1020, 1024, 1028, 1032, 1036, 1040, 1044, 1048, 1052, 1056, 1060, 1064, 1068, 1072, 1076, 1080, 1084, 1088
		0741612..... 563, 567, 571	0861538 .... 538, 545, 549
		0760514..... 303	0861572 ..... 534, 541
		0760605.... 334, 350, 376, 382, 388, 410, 422, 449	0861642 ..... 281, 283
		0760606..... 550	0861731 ... 841, 847, 853, 855, 989, 991, 993, 995, 997, 999
		0760608..... 444	0861781 ... 829, 835, 981, 983, 985, 987
		0760610.... 444, 449, 451, 511, 549	0861880 .... 905, 907, 909
		0760612.... 130, 134, 138, 142, 145, 150, 154, 158, 162, 166, 170, 173, 177, 444	0902219 ..... 228, 232
		0760615..... 449, 451	0902223 ..... 228, 232
		0760807..... 449	0902412 ..... 228, 232
		0760810.... 334, 350, 376, 382, 388, 410, 422, 438, 444	0902491 ..... 228, 232
		0760812..... 444, 869	
		0760814.... 334, 350, 382, 388, 444	
		0760815.... 334, 350, 382, 388, 444	

## SECTION 11 - SPECIAL OPTIONS

0902673.....228, 232, 236, 240, 244, 248, 260, 264, 268	1001091969 ..... 825	1001101422 ..... 695	1001113103..... 107, 109, 111
0902674.....228, 232	1001091970 ..... 831	1001101600 ..... 293, 295, 299, 303	1001113961..... 967, 971
0902769.....228, 232	1001091973 ..... 837	1001101623 ..... 229	1001114052..... 1106
0902888.....521, 529, 533, 537, 541, 545, 549	1001091974 ..... 843	1001101673 ..... 229	1001115388..... 537
0903242.....93	1001091975 ..... 849	1001102290 ..... 929, 931	1001115394..... 533
0940049.....236, 240, 244, 248, 252, 256, 260, 264, 268	1001093382 ..... 119, 121, 123, 125, 127	1001102291 ..... 929, 931	1001115405..... 505
0940070.....312, 316, 334, 350, 376, 382, 388, 410, 422, 446	1001093389 ..... 1105	1001102304 ..... 929, 931	1001115409..... 515
0940071.....228, 232	1001094475 ..... 1106	1001102858 ..... 203, 205	1001115918..... 1105
0940088.....228, 232, 237, 241, 244, 248, 252, 256, 260, 265, 268	1001094595 ..... 309, 463	1001103012 ..... 971, 1013	1001116163..... 1104
0940092.....701, 703, 705, 707	1001094899 ..... 81	1001103308 ..... 129, 137, 149, 153, 157, 165, 169, 173, 177	1001116208..... 1093
0940094.....701, 703, 705, 707	1001095307 ..... 752, 756, 760, 764, 769, 773, 777, 793, 797, 801, 805, 809	1001103667 ..... 1101	1001116280..... 236, 240, 244, 248, 252, 256, 260, 264, 268
0940102.....695, 697, 699	1001095308 ..... 752, 760, 764, 769, 773, 777	1001103810 ... 31, 33, 35, 37	1001116290..... 237, 241, 249, 265, 269, 271, 273, 275, 277
0940103.....705	1001097051 ..... 1003	1001104498 ..... 1013	1001116322..... 236, 240, 244, 248, 252, 256, 260, 264, 268
0940133.....707	1001097150 ..... 905, 909	1001106736 ..... 129, 133, 137, 141, 145, 149, 153, 157, 161, 165, 169, 173, 177	1001116344..... 236, 248, 252, 256, 260, 268
0940134.....701	1001097244 ..... 711	1001106957 ..... 768, 776, 796, 808	1001116358..... 236, 240, 244, 248, 252, 256, 260, 264, 268
0940159.....709	1001098012 ..... 679, 682, 685	1001106974 ..... 93	1001116456..... 209, 211, 221
0940177.....703	1001098122 ..... 655, 979	1001107531 ..... 93	1001116457..... 225
0961845.....615, 617, 619, 621, 623, 625, 627, 637, 639, 641, 643	1001098167 ..... 715	1001107854 ..... 972, 1013	1001116558..... 237, 249, 261, 269
0961947.....575, 577, 583, 719	1001098828 ..... 587	1001108256 ..... 703	1001116620..... 237, 241, 245, 249, 261, 265, 269
0961948.....567, 571, 721, 723	1001099121 ..... 229	1001108579 ..... 107, 109, 111	1001116694..... 967, 971
0961951.....563, 567, 571, 579	1001099138 ..... 229	1001108617 ..... 75, 77	1001116710..... 945
0961986.....312, 316, 334, 350, 376, 382, 388, 410, 422, 444	1001099366 ..... 695, 697, 699	1001108722 ..... 1105	1001116720..... 1009
0962033.....729, 731, 733	1001099421 ..... 697	1001108723 ..... 1105	1001116727..... 935, 949, 951
0962051.....499, 501	1001099422 ..... 699	1001109048 ..... 107, 109, 111	1001116728..... 935
0962102.....21, 23, 25, 27, 29	1001099869 ..... 515	1001109257 ..... 1105	1001116731..... 921
0962122.....560	1001099870 ..... 39	1001109648 ..... 863, 909	1001116733..... 949
0962152.35, 37, 735, 737	1001100121 ..... 1108	1001109654 ..... 861, 905	1001116734..... 949
0962181.....35, 37	1001100231 ..... 905	1001110059 ..... 107, 109, 111	1001116774..... 867
0962270.....645, 647	1001100234 ..... 515	1001110166 ..... 236, 240, 244, 248, 252, 256, 260, 264, 268	1001116808..... 867
0962297.....560, 563, 567, 571	1001100321 ..... 515	1001110425 .75, 77, 293, 295, 299, 303, 323, 327, 339, 343, 357, 361, 365, 403, 415	1001116812..... 939
0962335.....575, 577	1001100326 ..... 827	1001110544 ..... 207	1001116815..... 911, 913, 915, 917, 925, 940
0962336.....725, 727	1001100327 ..... 833	1001110872 ..... 857, 859	1001116846... 1036, 1072
0962348.....35, 37	1001100331 ..... 839	1001110873 ..... 521, 530, 537, 545, 550, 817	1001116849... 1036, 1072
0962449.....515	1001100333 ..... 845	1001110873 ..... 521, 530, 537, 545, 550, 817	1001116851... 1036, 1072
0962520.....517, 522, 525, 529, 534, 538, 541, 545, 549	1001100337 ..... 851	1001110926 ..... 1108	1001116952..... 935, 940
1001001939.....312, 316	1001100341 ..... 827, 981, 983	1001110979 ..... 709	1001116983..... 945
1001004720.....303	1001100342 ..... 833, 985, 987	1001110980 ..... 709	1001117027..... 236, 240, 244, 248, 260, 264, 268
1001091460.....47	1001100345 ..... 839, 989, 991	1001110982 ..... 709, 1107	1001117078..... 959
1001091461.....47	1001100346 ..... 851, 997, 999	1001111231 ..... 1104	1001117106..... 935
1001091472.....883, 889	1001100347 ..... 845, 993, 995	1001111346 ..... 623, 625	1001117107..... 935, 940
1001091618.....873, 879, 895	1001100825 ..... 441, 475	1001111968 ..... 780, 785, 788, 813	1001117140..... 233
1001091620.....873	1001101191 ..... 825, 827, 829, 831, 833, 835, 837, 839, 841, 843, 845, 847, 849, 851, 853, 855, 905, 907, 909	1001112551 .. 1024, 1060	1001117172..... 655
1001091712.....1104	1001101196 ..... 825, 827, 829, 831, 833, 835	1001112588 ..... 505	1001117174..... 651, 655, 1100
1001091713.....1104	1001101197 ..... 837, 839, 841, 843, 845, 847, 849, 851, 853, 855	1001112589 ..... 505, 515	1001117249..... 236, 240, 244, 248, 252, 256, 260, 264
	1001101421 ..... 695	1001112612 ..... 867, 967	1001117294..... 1106
		1001112796 ..... 867, 921, 925	1001117307..... 236, 240, 244, 248, 252, 256, 260, 264, 268



## SECTION 11 - SPECIAL OPTIONS

1001117308 ..... 335, 351, 377, 383, 389, 411, 423, 1101	1001133715..... 936, 939, 947	1001140448.....336, 352, 377, 384, 390, 411, 423	1001144527 ..... 213, 219, 223
1001117372 ..... 715, 717	1001133956..... 935, 940	1001140450.....336, 352, 377, 384, 390, 411, 423	1001144629 ..... 629, 631, 633, 635, 637, 641
1001117804 ..... 555	1001133957..... 935, 940	1001140454.....336, 352, 377, 384, 390, 411, 423	1001145154 ..... 336, 352, 377, 384, 390, 411, 423
1001117805 ..... 557, 559	1001134488..... 412, 424, 445	1001140564..... 412, 424	1001145405 ..... 679, 682
1001118384 ..... 1007	1001135138..... 377, 383, 411, 423	1001141138..... 651, 1101	1001146273 ..... 312, 316
1001118388 .. 1007, 1009	1001135650..... 936, 939, 947	1001141300..... 1093	1001146588 ..... 357, 377
1001119020 ..... 867, 925, 967, 971, 979	1001135651..... 936, 939	1001141302..... 1093	1001147264 ..... 935, 940
1001119619 ..... 1001	1001135679..... 335, 351, 411, 423	1001141304..... 335, 351, 377, 383, 389, 411, 423	1001147479 ... 611, 1102
1001119620 .. 1003, 1005	1001136104..... 549	1001141370..... 335, 351, 377, 383, 389, 411, 423	1001147812 ..... 312, 316
1001119939 ..... 1104	1001136400..... 593, 599	1001141419..... 377	1001147813 ..... 312, 316
1001119947 ..... 1104	1001136834..... 335, 351, 377, 383, 389, 411, 423	1001141585..... 335, 351, 377, 383, 389, 411, 423, 445	1001147820 ..... 312, 316
1001119968 ..... 542, 547, 959	1001137005..... 1109	1001141586..... 377	1001147823 ..... 312, 316, 319
1001120328 ..... 673, 675	1001137276..... 335, 351, 377, 383, 389, 411, 423	1001141718..... 433	1001148138 ..... 507
1001120471 ..... 711	1001137440..... 1108	1001141870..... 429, 431, 433	1001148563 ..... 545
1001120477 ..... 711	1001137459..... 119, 123	1001141995..... 335, 351, 377, 383, 389, 411, 423, 445	1001148564 ..... 541
1001120484 ..... 711	1001137672..... 1108	1001142031 ..... 495, 497	1001148565 ..... 283
1001120989 ..... 1093	1001137673..... 673, 1102	1001142032..... 495, 497	1001148607 ... 95, 97, 99, 101, 103, 105, 1102
1001120993 ..... 1092	1001138110..... 935	1001142501..... 357, 403, 415, 429, 431, 433	1001148650 ..... 564, 568, 572
1001121412 ..... 1106	1001138111..... 935	1001142504..... 1107	1001148651 ..... 564, 568, 572
1001121669 ..... 877, 879, 887, 889	1001138113..... 935	1001142505..... 1107	1001148652 ..... 564, 568, 572
1001121670 ..... 877, 879	1001138173..... 335, 351, 377, 383, 389, 411, 423, 445	1001142623..... 377	1001148653 ..... 564, 568, 572
1001121671 ..... 887, 889	1001138175..... 336, 352, 377, 384, 390, 411, 423, 445	1001142643..... 525, 530, 542, 546	1001148675 ..... 857, 859
1001122305 ..... 1104	1001138228..... 335, 351, 377, 383, 389, 411, 423	1001142645..... 525, 541	1001148841 ..... 947
1001125229 ..... 1106	1001138248..... 335, 351, 377, 383, 389, 411, 423, 446	1001142646..... 530, 546	1001148842 ..... 947
1001125230 ..... 1107	1001138489..... 335, 351, 377, 384, 389, 411, 423	1001142683..... 197, 199, 1101	1001148902 ..... 1105
1001125387 ..... 1092	1001138491..... 323, 327, 339, 343, 357, 361, 365, 403, 415, 945	1001142722..... 197, 199	1001148903 ..... 1105
1001125492 ..... 81	1001138494..... 617, 619, 621, 627, 637, 639, 641, 643	1001142736..... 197, 199, 867	1001148904 ..... 1105
1001125501 ..... 240, 245, 264	1001138514..... 617, 619, 621, 627, 639, 643	1001142938..... 927, 935, 939	1001148905 ..... 1105
1001125502 ..... 241, 245, 265	1001138557..... 335, 351, 377, 383, 389, 411, 423	1001142940..... 927, 936, 939	1001148906 ..... 1105
1001126008 ..... 603, 605	1001138565..... 517	1001142941..... 927, 936, 939, 940	1001149160 ..... 449
1001126009 ..... 603, 605, 1007	1001138566..... 517, 522, 525, 529	1001143390..... 313, 317, 335, 351, 377, 383, 389, 411, 423	1001149639 ..... 445
1001126011 ..... 979	1001138827..... 412, 424	1001143449..... 495, 497	1001149703 ..... 491
1001126351 ..... 935, 940	1001139099..... 1105	1001143483..... 497	1001149704 ..... 312, 316
1001126352 ..... 935	1001139240..... 390, 411, 423	1001143484..... 495	1001149705 ..... 312, 316
1001126356 ..... 935	1001139357..... 517, 522	1001143525..... 495, 497	1001149706 ..... 312, 316
1001126357 ..... 935, 939	1001139409..... 335, 351, 377, 383, 389, 411, 423	1001143726..... 383, 935	1001149730 ..... 1107
1001126362 ..... 936, 939	1001139654..... 1092	1001143736..... 323, 327, 339, 343, 357, 361, 365, 403, 415	1001149793 ..... 313, 317
1001126363 ..... 936, 939	1001140312..... 351, 411	1001143797..... 335, 351, 377, 383, 389, 411, 423	1001149994 ..... 195, 199
1001126364 ..... 936, 939	1001140346..... 529	1001143852..... 1093	1001150260 ..... 228, 233, 236, 240, 245, 249, 252, 257, 261, 264, 268
1001126365 ..... 936	1001140347..... 525	1001143860..... 495	1001150372 ... 31, 33, 35, 37
1001126384 ..... 935	1001140429..... 615, 617, 619, 621, 627, 637, 639, 641, 643	1001143907..... 335, 351, 377, 383, 389, 411, 423	1001150539 .. 31, 35, 735
1001126391 ..... 936, 939		1001143852..... 1093	1001150561 ..... 209, 211, 221
1001126392 ..... 936, 939		1001143860..... 495	1001150890 ..... 493
1001126485 ..... 939		1001143907..... 335, 351, 377, 383, 389, 411, 423	1001150915 ..... 313, 317
1001126487 ..... 939		1001144147..... 921, 925	1001150918 ..... 295, 299, 340, 344, 404
1001126828 ..... 229, 233, 236, 240, 245, 249, 252, 257, 261, 264, 268		1001144433..... 673	1001150937 ... 31, 33, 35, 37
1001128153 ..... 1106		1001144447 ..... 283	1001150998 ..... 313, 317
1001128527 ..... 693			1001151010 ..... 63
1001128556 ..... 693			1001151034 ..... 31
1001128901 ..... 445			1001151037 ..... 21
1001129858 ..... 521			1001151070 ..... 293, 295, 299, 303
1001131269 .. 1020, 1040, 1056, 1076			
1001131731 ..... 589, 591, 595, 597			
1001133714 ..... 936, 939, 947			

## SECTION 11 - SPECIAL OPTIONS

1001151252.....493	1001156439 ..... 589, 591, 593, 595, 597, 599	1001158008 ..... 534, 538, 542, 546, 550	1001167567.....587
1001151253.....491	1001156710 ... 21, 23, 25, 27, 29	1001158084 ..... 279	1001167632.....939
1001151856.....936	1001156805 ... 95, 97, 99, 101, 103, 105, 107, 109, 111	1001158145 ..... 471	1001167635.....939
1001151980.....31, 33	1001156819 ..... 487	1001158187 ..... 65	1001168018.....445
1001152266.....1015	1001156823 ..... 438	1001158188 ..... 65	1001168025.....603, 605
1001152429.....534, 539, 957	1001156965 ..... 589	1001158203 ..... 65	1001168166.....335, 351
1001152457.....521, 530	1001156966 ..... 591	1001158259 ..... 1104	1001168402.....587
1001152459.....313, 317	1001157015 ..... 39	1001158363 ..... 521, 530	1001169054.....335, 351, 377, 383, 389, 412, 424, 445
1001152489.....335, 351, 377, 383, 389, 411, 423	1001157016 ..... 41	1001158364 ..... 185	1001169138.....335, 351, 377, 383, 389, 412, 424, 445
1001152525.....534, 538, 542, 546, 550	1001157021 ..... 229, 233	1001158436 ..... 67	1001169754.....59
1001152530.....521, 530	1001157025 ..... 236, 240, 245, 249, 253, 257, 261, 264, 269	1001159118 ..... 857, 859, 1100	1001169755.....59
1001152532.....517, 522, 526, 530, 953	1001157056 ... 95, 97, 99, 101, 103, 105, 107, 109, 111	1001159119 ..... 857, 859	1001169756.....59
1001152719.....21, 23, 25	1001157180 ..... 559	1001159120 ..... 857, 859	1001169757.....59
1001152965.....1106	1001157208 ..... 237, 241, 269	1001159121 ..... 859	1001169967.....445
1001153197.....518, 951	1001157209 ..... 237, 241, 249, 265, 269	1001159186 ..... 967, 971	1001170035.....445
1001153259.....526, 955	1001157284 ..... 237, 241, 245, 249, 253, 257, 261, 265, 269	1001159256 ... 651, 1102	1001170764.....939
1001153260.....521, 530	1001157344 ..... 236, 240, 245, 249, 253, 257, 261, 264, 269	1001159323 .. 1032, 1068	1001170847.....203, 205, 1102
1001153282.....313, 317, 335, 351, 377, 383, 389, 411, 423, 459	1001157400 ..... 749	1001159340 ..... 761, 773, 777, 800, 805, 809	1001171127.....529
1001153309.....521	1001157415 ..... 228	1001159854 ..... 752, 756, 760, 800	1001171131.....857
1001153310.....517	1001157416 ..... 209, 236	1001160077 ..... 193	1001171269.....525
1001153396.....305, 312	1001157474 ..... 229, 233, 236, 240, 245, 249, 253, 257, 261, 264, 269	1001160559 ... 95, 97, 99	1001171403.....936
1001153414.....313, 317	1001157475 ..... 229, 233, 236, 240, 245, 249, 253, 257, 261, 264, 269	1001160567 ..... 101, 103, 105	1001172045.....1104
1001153779.....307, 309, 316	1001157520 ..... 534, 538, 542, 546, 550	1001160780 ..... 67, 69	1001172064.....927
1001154126.....715	1001157521 ..... 534, 538, 542, 546, 550	1001161076 ..... 89	1001172065.....927
1001154237 ..... 299, 309	1001157525 ..... 533, 534, 541, 542	1001161355 ... 31, 33, 35, 37	1001172760.....651
1001154405.....323, 327, 340, 344, 357, 365, 404, 415, 429, 431, 433, 487	1001157528 ..... 534, 538, 542, 546, 550	1001161399 ... 31, 33, 35, 37	1001173535.....446
1001154584.....23	1001157592 ..... 537, 538, 546, 550	1001161709 ... 651, 1102	1001173580.....236, 240, 245, 249, 253, 257, 261, 264, 269
1001154687.....715	1001157612 ..... 236, 240, 245, 249, 253, 257, 261, 264, 269	1001161711 ..... 228, 233, 236, 240, 245, 249, 253, 257, 261, 264, 269	1001173869.....223
1001154875.....27, 29	1001157736 ..... 229, 233	1001162297 ..... 293, 296, 300, 303, 323, 327, 340, 344, 358, 361, 365, 404, 415, 438	1001173870.....223, 264
1001154931.....35, 37	1001157752 ..... 209	1001162335 ..... 429	1001174040.....575, 585
1001155035.....35, 37	1001157753 ..... 211, 240	1001162497 ..... 293, 296, 300, 303, 323, 327, 340, 344, 358, 361, 365, 404, 415, 438	1001174101.....265
1001155041.....511	1001157755 ..... 211	1001162546 ..... 1108	1001174282.....241
1001155043.....129, 133, 137, 141, 145, 149, 153, 157, 161, 165, 169, 173, 177	1001157769 ..... 534, 539	1001162915 ..... 265	1001174283.....237, 269
1001155044.....129, 133, 137, 141, 145, 149, 153, 157, 161, 165, 169, 173, 177, 651	1001157770 ..... 542, 547	1001163101 ..... 213, 215, 217, 219, 223, 257	1001174486.....438
1001155045.....129, 133, 137, 141, 145, 149, 153, 157, 161, 165, 169, 173, 177, 651, 1102	1001157837 ..... 557, 559	1001163131 ..... 695	1001174745.....495, 497
1001155143.....293, 295, 299	1001157851 ..... 780, 785, 788, 813	1001163296 ..... 697	1001174746.....497
1001155192.....35	1001157866 ..... 752, 761, 764, 769, 773, 777	1001163297 ..... 699	1001176329.....445
1001155194.....27	1001157870 ..... 279	1001163599 ..... 507, 526, 529, 541, 545	1001176469.....133, 141, 154, 161, 173, 177
1001155823.....323, 327, 340, 344, 358, 361, 365, 404, 415	1001158007 ..... 534, 538, 542, 546, 550	1001164786 ..... 1106	1001176636.....887
1001156107.....377		1001165035 ..... 323, 327, 340, 344, 358, 361, 365, 404, 415, 446	1001176862.....857
1001156425.....875, 885		1001165368 ..... 517, 525, 907	1001177226.....780, 785, 788, 813
1001156426.....875		1001165657 ... 31, 33, 35, 37	1001177359.....335, 351, 378, 384, 389, 412, 424
1001156427.....885		1001165842 ..... 377	1001177694.....1105
		1001167042 ..... 377, 383, 389, 412, 423	1001177711.....861
		1001167194 ..... 781, 784, 788, 812	1001177712.....863
		1001167196 ..... 781, 784, 789, 812	1001177844.....335, 351, 378, 383, 389, 412, 424
		1001167565 ..... 587	1001177845.....335, 352, 378, 383, 389, 412, 424
			1001177910.....518, 526, 861, 863
			1001178057 95, 101, 107, 113
			1001178207.....1105
			1001178208.....1104
			1001178209.....101
			1001178210.....95

## SECTION 11 - SPECIAL OPTIONS

1001178211 ..... 107	1001186985..... 336, 352, 378, 384, 390, 412, 424	1001198338..... 764, 768, 772, 776, 792, 796, 804, 808	1001209059 ..... 1107
1001178215 ..... 780	1001187382..... 587	1001198339..... 749	1001209432 ..... 869
1001178217 ..... 788	1001187383..... 587	1001198340..... 752, 756, 760, 764, 768, 772, 776, 792, 796, 800, 804, 808	1001209474 ..... 869
1001178218 ..... 752	1001187500..... 1106	1001198341..... 765, 772, 792, 805	1001209634 ..... 1106
1001178219 ..... 764	1001187509..... 1106	1001199395..... 752, 756, 760, 800	1001209635 ..... 1106
1001178220 ..... 768	1001187674..... 671	1001199396..... 752, 756, 760, 764, 768, 772, 776, 792, 796, 800, 804, 808	1001209664 ..... 673
1001178223 ..... 336, 352, 378, 384, 390, 412, 424	1001187681..... 1001	1001199487..... 1108	1001209982 ..... 61
1001178797 ..... 487	1001188125..... 89	1001200072..... 1093	1001210025 ..... 1108
1001178876 ..... 412, 424	1001188622..... 587	1001200128..... 1093	1001210026 ..... 1108
1001179154 ..... 538, 546, 550	1001188844..... 587	1001200129..... 1093	1001210448 ..... 449, 451, 455
1001179837 ..... 507	1001188874..... 130, 138, 149, 154, 157, 165, 169, 173, 177	1001200130..... 1093	1001210636 ..... 711
1001180001 ..... 507	1001188884..... 485	1001200131..... 1093	1001210977 ..... 1106
1001180052 ..... 508	1001188887..... 485	1001200132..... 1093	1001211336 ... 95, 97, 99, 109, 111
1001180287 ..... 507	1001188972..... 296, 300, 340, 344, 404	1001200133..... 1093	1001211588 ..... 203, 205
1001180620 ..... 207, 336, 352, 378, 383, 389, 412, 424, 445	1001189001..... 587	1001200134..... 1093	1001211794 ..... 449, 451
1001181045 ..... 905, 907, 1100	1001189002..... 587	1001200491 ..... 587	1001212223 ..... 541, 545
1001181046 ..... 909, 1100	1001189979..... 446	1001200494 ..... 587	1001213447 ..... 979
1001181060 ..... 555, 579	1001190610..... 336, 352, 378, 384, 389, 412, 424	1001200497 ..... 967, 971	1001213584 ..... 817, 819, 821, 823, 861, 863
1001181145 ..... 1093	1001190889..... 1108	1001200725..... 1106	1001213585 ..... 817, 819, 821, 823, 861, 863
1001181243 ..... 508	1001190985..... 587	1001201035..... 555	1001213810 ..... 449
1001181894 ..... 780, 785, 788, 813	1001191022..... 207, 1102	1001201885..... 968, 971	1001213882 ..... 651
1001181895 ..... 352, 412	1001191394..... 1106	1001202280..... 485	1001214030 ..... 1093
1001181899 ..... 336, 352, 383, 389, 412, 424	1001191395..... 1106	1001202281 ..... 485	1001214570 ..... 869
1001182361 ..... 940	1001191525..... 1093	1001202368..... 336, 352, 378, 412, 424	1001214571 ..... 869
1001182365 ..... 940	1001191599..... 399	1001202749..... 1106	1001214827 ..... 449, 451
1001182570 ..... 203, 205, 1102	1001191610..... 445	1001203655..... 645	1001214984 ..... 1106
1001182599 ..... 1105	1001191620..... 358, 378	1001203656..... 647	1001215016 ..... 943
1001182806 ..... 187	1001193018..... 825, 827, 829, 831, 833, 835, 837, 839, 841, 843, 845, 847, 849, 851, 853, 855	1001204269..... 768, 776, 796, 809	1001215091 ..... 943
1001184259 ..... 1106	1001194573..... 559	1001204325..... 336, 352, 378, 384, 390, 412, 424	1001215228 ..... 652
1001184618 ..... 651	1001195304..... 1106	1001204560... 23, 27, 715	1001215384 ..... 449, 451
1001184626 ..... 651	1001195537..... 1105	1001204648..... 233	1001215534 ..... 943
1001184682 ..... 189	1001195967..... 495	1001204667..... 485	1001215681 ..... 445
1001185281 ..... 651	1001196221..... 555, 557, 559	1001204715..... 203, 205	1001215684 ..... 445
1001186251 ..... 237, 241, 245, 249, 253, 257, 261, 265, 269	1001196382..... 550	1001204725..... 587	1001215974 ..... 445
1001186254 ..... 237, 241, 245, 249, 253, 257, 261, 265, 269	1001196428..... 485	1001204929..... 1106	1001216015 ..... 507
1001186333 ..... 645	1001196634..... 435, 923, 1100, 1101	1001205958..... 837, 839, 841, 843, 845, 847, 849, 851, 853	1001216065 ..... 449, 451
1001186334 ..... 647	1001196768..... 237, 241, 245, 249, 253, 257, 261, 265, 269	1001206250..... 841	1001216071 ..... 449, 451
1001186371 ..... 625	1001197017..... 701, 703, 705, 707	1001206251..... 847	1001216075 ..... 445
1001186374 ..... 623	1001197240..... 1104	1001206252..... 853	1001216092 ..... 445
1001186375 ..... 617	1001197408..... 1093	1001206253..... 829	1001216144 ..... 449, 451
1001186377 ..... 619	1001197719..... 939	1001206254..... 835	1001216201 ..... 445
1001186379 ..... 621	1001198333..... 752, 756, 765, 768, 792, 796	1001206255..... 855	1001216212 ..... 943
1001186382 ..... 627	1001198334..... 752, 756, 760, 800	1001206311..... 1108	1001216213 ..... 943
1001186383 ..... 635	1001198336..... 749	1001206476..... 869	1001216221 ..... 471
1001186384 ..... 633	1001198337..... 752, 756, 760, 764, 768, 772, 776, 792, 796, 800, 804, 808	1001206477..... 1108	1001216300 ..... 453
1001186386 ..... 631		1001206532..... 652	1001216390 ..... 550
1001186387 ..... 629		1001207004..... 199	1001216391 ..... 512
1001186426 ..... 445		1001207558..... 228	1001216531 ..... 446
1001186431 ... 673, 1102, 1108		1001207969..... 603, 605	1001216532 ..... 441
1001186432 .. 1007, 1009		1001208024..... 228	1001216533 ..... 441
1001186501 ..... 253, 257		1001208994..... 603, 605	1001216534 ..... 441
1001186502 ..... 253, 257			1001216535 ..... 441
1001186517 ..... 673			1001216568 ..... 438
1001186631 ..... 1106			1001216619 ..... 453

## SECTION 11 - SPECIAL OPTIONS

1001217183.....445	1001221219 ..... 336, 352, 383, 390	1001227987 ..... 671	1001236387.....233
1001217185.....445	1001221397 ..... 475	1001227996 .. 1003, 1005	1001236389.....233
1001217186.....445	1001221464 ..... 441	1001228215 ..... 615	1001236392.....233
1001217191.....441, 444	1001221498 ..... 550	1001228224 .... 671, 1102	1001236400.....1093
1001217317 .....445	1001221545 ..... 449, 451	1001228225 .... 671, 1102	1001236504.....869
1001217350.....475	1001221615 ..... 446	1001228243 ..... 641	1001236505.....869
1001217543.....445	1001222033 ..... 446	1001228355 ..... 1108	1001236552.....675
1001217940 .....784	1001222314 ..... 603, 605	1001228375 ..... 643	1001236746.....661
1001217941 .....812	1001222641 ..... 449, 451	1001228376 ..... 637	1001236747.....659
1001218022 .....1105	1001222817 ..... 487, 489	1001228377 ..... 639	1001236871.....233
1001218085.....441	1001223042 ..... 445	1001228544 ..... 1109	1001236891.....657, 659, 661, 663
1001218087 .....475	1001223055 .. 1020, 1056	1001228583 ..... 1108	1001236895.....657, 659, 661, 663
1001218362.....445	1001223453 . 1020, 1040, 1056, 1076	1001228950 ..... 911	1001236951.....1106
1001218449.....445	1001223459 ..... 936, 939	1001228954 ..... 911	1001237055.....232
1001218547 .....501	1001223584 ..... 444	1001228988 ... 693, 1095, 1097	1001237193.....217
1001218572.....119, 121, 123, 125, 127	1001223591 ..... 383, 397	1001229341 ..... 671	1001237194.....215, 217, 248
1001218622.....877, 879, 887, 889	1001223923 ..... 445	1001229530 ..... 967, 971	1001237205.....249
1001218623.....877, 879, 887, 889	1001223971 .. 1040, 1076	1001229542 ..... 412, 424	1001237259.....215
1001218850.....1092	1001224048 .. 1048, 1084	1001229762 ..... 1104	1001237261.....217, 257
1001218930.....550	1001224049 .. 1052, 1088	1001229935 ..... 1106	1001237286.....249
1001219219.....39, 41, 43, 47	1001224050 .. 1036, 1072	1001230371 ..... 577, 727	1001237286.....249
1001219259.....445	1001224052 .. 1028, 1064	1001230372 ..... 559, 723	1001237546.....181, 183
1001219345.....445	1001224053 .. 1044, 1080	1001230373 ..... 559, 733	1001237667.....967, 971, 979
1001219361.....445	1001224486 ..... 446	1001230374 .. 25, 29, 717	1001237668.....967, 971, 979
1001219363.....445	1001224489 ..... 446	1001230375 .. 33, 37, 737	1001237862... 1003, 1005
1001219370.....438	1001224493 ..... 446	1001230635 .... 336, 352, 378, 384, 390, 412, 424	1001237863.....671, 1003
1001219480.....445	1001224936 .... 336, 352, 384, 390	1001230783 ..... 33	1001237864.....671, 1005
1001219601.....130, 134, 138, 142, 145, 150, 154, 158, 162, 166, 170, 173, 177, 1102	1001224937 .... 336, 352, 384, 390	1001230934 ..... 940	1001237865.....671, 1001
1001219611.....445	1001224940 .... 336, 352, 384, 390	1001230935 ..... 940	1001237882.....1105
1001219612.....445	1001225346 .... 869, 1102	1001230936 ..... 940	1001237883.....1105
1001219613.....445	1001225430 .... 397, 1101	1001231147 ..... 25	1001237883.....1105
1001219618.....549	1001225432 .... 398, 1101	1001231235 ..... 1108	1001238138.....203, 205
1001219619.....511	1001225442 ..... 445	1001231801 ..... 1092	1001238263.....657, 659, 661, 663
1001219630.....512	1001225510 ..... 446	1001231886 ..... 187	1001238268.....378
1001219632.....512	1001225580 .... 673, 1009	1001231949 ..... 661	1001238319.....671
1001219633.....1106	1001225623 ..... 1105	1001231950 ..... 659, 663	1001238327.....203, 205
1001219634.....438	1001225745 .... 309, 331, 347, 441, 461	1001232010 .... 659, 661, 663	1001238399.....585
1001219636.....439	1001226286 ..... 487	1001232011 .... 659, 661, 663	1001238400.....585
1001219637.....439	1001226400 .... 893, 895, 897, 899, 901, 903	1001232164 ..... 671	1001238418.....675, 1007
1001219638.....439	1001226531 ..... 869	1001232165 ..... 671	1001238421.....585
1001219639.....439	1001226541 ..... 921, 925	1001232539 ..... 37	1001238463.....663
1001219840.....1105	1001226636 ..... 921	1001232540 ..... 29	1001238472.....675
1001219881.....501	1001226637 ..... 921	1001232642 ..... 675	1001238495.....673
1001219979.....75, 603	1001226739 ..... 911, 913, 915, 917, 921	1001232667 .... 675, 1102	1001238559.....675
1001219980.....77, 605	1001226799 .... 911, 913, 917	1001232842 ..... 435	1001238931.....215
1001220002.....269	1001226872 ..... 615	1001233047 ..... 1104	1001239202.....939
1001220067 .....269	1001226923 ..... 487	1001233089 .... 336, 352, 383, 390	1001239235.....1105
1001220142.....475	1001227224 .... 324, 328, 340, 344, 361, 365, 433	1001233479 ..... 195	1001239471 .....123
1001220283.....69	1001227494 ..... 915	1001233763 .... 340, 344, 404, 435	1001239472.....119
1001220379.....935	1001227614 ..... 371, 382	1001233959 ..... 181, 665	1001239688.....271, 273, 275
1001220392.....225	1001227633 ..... 671	1001234800 ..... 939	1001239689.....271
1001220393.....225, 268	1001227634 ..... 671	1001235900 .... 75, 77, 79	1001239690.....271, 273, 275
1001220404.....453	1001227666 ..... 446	1001235901 ..... 605, 609	1001239691.....271, 273, 275
1001221203.....336, 352, 384, 390	1001227667 ..... 446	1001235949 .... 378, 412, 424, 431	1001239721.....277
1001221212.....324, 328, 336, 340, 344, 352, 361, 365, 383, 390, 481, 483	1001227769 ..... 449	1001236091 ..... 181, 183	1001239722.....277
	1001227772 ..... 449, 451	1001236303 .... 123, 125, 127	1001239723.....277
	1001227951 ..... 1105	1001236304 ..... 869	1001239724.....277
	1001227985 ..... 671	1001236334 ..... 473	1001241345.....1105
		1001236335 ..... 473	1001241398.....183, 667
			1001241416.....1106

## SECTION 11 - SPECIAL OPTIONS

1001241547 .....	1108	1001249052.....	1108	1001256260.....	213	1001263395 .....	1108
1001241548 .....	1108	1001249095.....	967, 971	1001256506.....	936	1001263923 .....	929
1001241689 .....	649, 651	1001249695.....	1104	1001256879.....	358	1001265163 .....	711
1001241694 .....	601	1001249941.....	1104	1001257229.....	1020	1001265342 .....	711
1001241697 .....	601	1001250294.....	237, 241, 245, 249, 261, 265, 269	1001257230.....	1020	1001265676 .....	1106
1001241698 .....	601	1001250295.....	236, 240, 245, 249, 261, 264, 269	1001257231.....	1040	1001266056 .....	1107
1001241703 .....	649	1001250595.....	1108	1001257232.....	1040	1001266098 .....	1107
1001241965 .....	675	1001250737.....	564, 568, 572	1001257233.....	1048	1001266284 .....	1107
1001242253 .....	197	1001251012.....	575, 725	1001257234.....	1048	1001266290 .....	1106
1001242254 .....	199	1001251022.....	557, 721	1001257235.....	1036	1001266469 .....	129
1001242409 .....	1104	1001251027.....	555, 719	1001257236.....	1036	1001266470 .....	137
1001242459 .....	1020	1001251028.....	555, 729	1001257237.....	1052	1001266471 .....	133
1001242586 .....	1056	1001251029.....	557, 731	1001257238.....	1052	1001266472 .....	141
1001242595 .....	1048	1001251081.....	564, 739	1001257239.....	1044	1001266473 .....	149
1001242597 .....	1084	1001251083.....	568, 741	1001257240.....	1044	1001266474 .....	157
1001242654 .....	1036	1001251863.....	709	1001257241.....	1028	1001266475 .....	165
1001242655 .....	1072	1001252527.....	940	1001257242.....	1028	1001266476 .....	169
1001242694 .....	1052	1001252629.....	657, 659, 661, 663	1001257243.....	1056	1001266477 .....	153
1001242695 .....	1088	1001254009.....	564	1001257244.....	1056	1001266478 .....	161
1001242700 .....	1028	1001254010.....	555, 563	1001257245.....	1076	1001266479 .....	130, 150, 166
1001242701 .....	1064	1001254011.....	555	1001257246.....	1076	1001266480 .....	138, 146, 158, 170
1001242753 .....	1040	1001254016.....	207	1001257247.....	1084	1001266481 .....	134, 177
1001242754 .....	1076	1001254017.....	207	1001257248.....	1084	1001266482 .....	142, 173
1001242826 .....	1044	1001254018.....	207	1001257249.....	1072	1001266483 .....	154
1001242827 .....	1080	1001254019.....	203, 205	1001257250.....	1072	1001266484 .....	162
1001243183 .....	1104	1001254020.....	203, 205, 207	1001257251.....	1088	1001266489 .....	1107
1001243184 .....	1104	1001254021.....	203	1001257252.....	1088	1001266499 .....	384, 390
1001243366 .....	303	1001254472.....	675	1001257253.....	1080	1001266525 .....	336, 352, 383, 390, 412, 424
1001243414 .....	237, 241, 245, 249, 261, 265, 269	1001254473.....	675	1001257254.....	1080	1001266799 .....	1107
1001243561 .....	823	1001254477.....	675	1001257255.....	1064	1001266801 .....	1107
1001243682 .....	187, 189, 289	1001254657.....	487	1001257256.....	1064	1001266807 .....	1107
1001243895 .....	435	1001255110.....	557	1001257257.....	1024, 1032	1001266807 .....	1107
1001243985 .....	271	1001255111.....	557, 567	1001257258.....	1024, 1032	1001266969 .....	1107
1001243986 .....	277	1001255112.....	568	1001257259.....	1060, 1068	1001267256 .....	336, 352, 384, 390, 412, 424
1001243992 .....	303	1001255116.....	559	1001257260.....	1060, 1068	1001267262 .....	1104
1001244114 .....	603, 607	1001255117.....	205	1001257271.....	657	1001267287 .....	103
1001244298 .....	1036, 1072	1001255133.....	575, 585	1001257272.....	657	1001267278 .....	103
1001244301 .....	1036, 1072	1001255356.....	203, 205	1001257274.....	479, 481, 483	1001267288 .....	97
1001244462 .....	201	1001255357.....	203, 205	1001257276.....	336, 352, 383, 390	1001267289 .....	109
1001244463 .....	245, 253, 271	1001255358.....	203, 205	1001257283.....	477	1001267308 .....	1020, 1024, 1028, 1032, 1036, 1040, 1044, 1048, 1052
1001244465 .....	245, 253, 257, 261, 277	1001255359.....	203, 205	1001257320.....	1032	1001267309 .....	1056, 1060, 1064, 1068, 1072, 1076, 1080, 1084, 1088
1001244466 .....	219, 252	1001255807.....	1105	1001257321.....	1068	1001267550 .....	571
1001244467 .....	219	1001255901.....	923, 967, 971	1001257322.....	1024	1001267551 .....	571
1001245137 .....	1105	1001256190.....	871	1001257323.....	1060	1001267552 .....	572
1001245913 .....	378, 947	1001256191.....	881	1001257412.....	384, 390	1001267678 .....	97, 103, 109, 115
1001246142 .....	1104	1001256192.....	873	1001257776.....	557	1001268530 .....	560, 571
1001246144 .....	913	1001256193.....	883	1001257972.....	551, 961	1001268736 .....	1106
1001246145 .....	917	1001256194.....	879	1001258003.....	555, 557	1001268820 .....	682, 687, 689, 691
1001246475 .....	913	1001256195.....	889	1001258007.....	557	1001268883 .....	61
1001246476 .....	917	1001256196.....	877	1001258800.....	378	1001268884 .....	61
1001246859 .....	972, 1013	1001256197.....	887	1001260412.....	336, 352, 378, 384, 390, 412, 424	1001269187 .....	1107
1001247011 .....	328, 344, 362, 365, 479	1001256198.....	875	1001260413.....	336, 352, 378, 384, 390, 412, 424	1001269322 .....	682, 687, 689, 693
1001247055 .....	557, 575	1001256199.....	885	1001260680.....	881, 883, 885, 887, 889, 891	1001269389 .....	1107
1001247073 .....	1108	1001256201.....	891	1001261045.....	378	1001269510 .....	743, 745
1001247281 .....	187	1001256203.....	275	1001261085.....	378	1001269573 .....	682, 687, 689, 693
1001247358 .....	63	1001256244.....	261, 275	1001261335.....	657	1001269629 .....	1105
1001247359 .....	446	1001256247.....	261	1001261338.....	657	1001269630 .....	1105
1001247468 .....	587, 1102	1001256248.....	221, 260	1001262016.....	1108		
1001248140 .....	657, 659, 661, 663	1001256250.....	275	1001262322.....	915		
1001248141 .....	657, 659, 661, 663	1001256251.....	221	1001262326.....	915		
		1001256258.....	245	1001262959.....	1109		
		1001256259.....	213, 244	1001263179.....	189		

## SECTION 11 - SPECIAL OPTIONS

1001269631.....1105	1001276376..... 305, 307, 369, 371, 373, 407, 419, 469	1001284511..... 1108	1001289905..... 1108
1001269655.....1108	1001276377..... 305, 307, 331, 347, 369, 371, 373, 407, 419, 441, 467	1001284582..... 665, 667	1001289906..... 1108
1001269959.....253, 257	1001276610..... 919	1001284583..... 665, 667	1001289964..... 336, 352, 389
1001269988.....253, 257	1001276644..... 336, 352, 378, 389, 412, 424, 939	1001284687..... 1020, 1024, 1028, 1032, 1036, 1040, 1044, 1048, 1052, 1056, 1060, 1064, 1068, 1072, 1076, 1080, 1084, 1088	1001290252..... 445
1001269989.....253, 257	1001276878..... 577, 583	1001284973..... 129, 133, 137, 141, 145, 149, 153, 157, 161, 165, 169, 174, 178, 1015	1001290348..... 1092
1001270068.....749	1001276923..... 1104	1001285009..... 43	1001290375..... 1106
1001270069.....764, 768, 772, 776, 792, 796, 804, 808	1001277592..... 378, 395	1001285037..... 439, 441	1001291056..... 191
1001270070.....772, 804	1001277598..... 369, 376	1001285038..... 438	1001291401..... 336, 352, 378, 384, 390, 412, 424
1001270071.....752, 760, 764, 768, 772, 776	1001277840..... 1109	1001285346..... 146, 174, 178, 967	1001291456..... 1092
1001270072.....752, 760, 764, 769, 773, 777	1001277848..... 1109	1001285349..... 503	1001291566..... 589, 595
1001270073.....768, 776, 796, 808	1001278022..... 43, 53	100128537999, 105, 111, 117	1001291681..... 390, 393
1001270075.....780, 784, 788, 812	1001278612..... 145	1001285515..... 129, 137, 929	1001291870..... 1104
1001270076.....780, 784, 788, 812	1001278845..... 197	1001285786..... 105	1001291944..... 591, 593, 597, 599
1001270077.....761, 773, 777, 800, 805, 809	1001278850..... 197	1001285800..... 146, 170	1001292031..... 595
1001270084.....752, 756, 760, 800	1001280403..... 130, 138, 145, 149, 158, 166, 170	1001285830..... 99	1001292032..... 597
1001270099.....233	1001280600..... 129, 133, 137, 141, 146, 149, 153, 157, 161, 165, 169, 174, 178, 1101	1001285831..... 111	1001292423..... 1093
1001270287..... 195	1001280661..... 191	1001286027..... 133, 141, 145, 931	1001292584..... 1108
1001270288..... 195	1001281070..... 1108	1001286028..... 166, 169, 943	1001293060..... 357
1001270482..... 1107	1001281077..... 589, 591	1001286519..... 1106	1001293078..... 1106
1001270518..... 1105	1001281168..... 589, 591	1001286521..... 1106	1001293138..... 979
1001270594..... 193	1001281171..... 589, 591	1001286622..... 191, 193, 925	1001293261..... 595, 597, 599
1001270630.....765, 792	1001281192..... 378	1001287464..... 129, 133, 137, 141, 145, 149, 153, 157, 161, 165, 169, 174, 178	1001293298..... 1108
1001271074.....253, 257	1001281298..... 503	1001287536..... 503	1001293369..... 201
1001271618.....780, 784	1001281301..... 503	1001287729..... 87	1001293877..... 1108
1001271619.....780, 784, 788, 812	1001281304..... 503	1001287730..... 87	1001294068..... 1108
1001271620.....789, 812	1001281305..... 503	1001287748..... 760	1001294100..... 599
1001271642..... 1107	1001281307..... 503	1001287749..... 772	1001294438..... 336, 352, 355
1001271760..... 1107	1001281309..... 503	1001287750..... 776	1001294445..... 331, 334
1001271794..... 130, 134, 138, 142, 146, 150, 154, 158, 162, 166, 170, 173, 177	1001281310..... 503	1001287814..... 1105	1001294448..... 324, 328, 331
1001271888..... 1107	1001281311..... 503	1001287834..... 299	1001294449..... 327
1001272089..... 1105	1001281359..... 503	1001287836..... 1105	1001294511..... 347, 350
1001272166..... 1106	1001281360..... 503	1001287837..... 1105	1001294516..... 340, 344, 347
1001272178..... 1107	1001281452..... 1107	1001287839..... 1105	1001294517..... 343
1001272182..... 1107	1001281453..... 1107	1001287884..... 125, 127	1001294815..... 1093
1001272201..... 1105	1001281455..... 1107	1001288113..... 503	1001294861..... 1093
1001272274..... 1107	1001281456..... 1107	1001288407..... 593, 599	1001295197..... 589, 591, 593
1001272305.....253, 257	1001281457..... 1107	1001288409..... 593	1001295242..... 575, 577
1001272659..... 919	1001281458..... 1107	1001288704..... 1092	1001295280..... 1107
1001272681..... 197	1001281460..... 1107	1001288705..... 1092	1001295732..... 149, 153, 157, 161, 174, 178, 933
1001272888..... 1105	1001281461..... 1107	1001289163..... 559, 577	1001295844..... 1107
1001272997..... 923	1001281466..... 1106	1001289552..... 940	1001296286..... 1107
1001273012..... 919, 923	1001281609..... 373, 388	1001289553..... 940	1001296316..... 293, 303, 305
1001274249..... 1109	1001281610..... 401	1001289593..... 324, 328, 340, 344, 358, 366, 404, 416, 927	1001296317..... 293
1001274559..... 149, 153, 157, 161, 173, 177, 651	1001281656..... 503	1001289607..... 585, 587	1001296318..... 296, 307
1001275149..... 191, 193	1001281985..... 336, 352, 390, 412, 424	1001289648..... 191	1001296319..... 366, 373
1001275628..... 652, 1100	1001281986..... 336, 352, 390, 412, 424	1001289831..... 1108	1001296320..... 295
1001275629..... 651, 1100	1001282099..... 1105	1001289832..... 1108	1001296323..... 303
1001275642..... 1108	1001282106..... 181, 183, 665, 667	1001289850..... 191	1001296325..... 365
1001275644..... 1108	1001282215..... 1108		1001296327..... 362, 371
1001276143..... 146, 174, 178, 1013	1001282461..... 1108		1001296328..... 361
	1001283776..... 193, 1011		1001296622..... 1108
	1001284101..... 503		1001296655..... 358, 369
	1001284156..... 121, 125, 127		1001296681..... 1104
	1001284157..... 121		1001296683..... 1104
			1001296701..... 1108
			1001296833..... 756, 793, 797, 801, 805, 809

## SECTION 11 - SPECIAL OPTIONS

1001296834 ..... 756, 793, 797, 801, 805, 809	1001307775.....568, 572	1320294....589, 591, 593, 595, 597, 599	1702941 ... 295, 299, 339, 343, 403
1001296835 ..... 756, 793, 797, 801, 805, 809	1001307776.....568, 572	1320302....682, 687, 689, 693	1702942 ... 295, 299, 339, 343, 403
1001296836 ..... 756, 793, 797, 801, 805, 809	1001308436.....563	1321283.....438	1702943 ... 295, 299, 339, 343, 403
1001296837 ..... 756, 793, 797, 801, 805, 809	1001308437.....567, 571	1321384.....229, 233	1702944 .... 295, 299, 403
1001296838 ..... 757, 793, 797, 801, 805, 809	1001308593.....1106	1340061.....1104	1703162 ... 312, 316, 334, 350, 376, 382, 388, 410, 422, 444
1001296846 ..... 792	1001309057.....1107	1380147.....499, 501	1703179 ..... 1092
1001296847 ..... 796	1001309251.....651, 979	1580012.....677	1703475 ..... 1020, 1024, 1028, 1032, 1036, 1040, 1044, 1048, 1052
1001296848 ..... 800	1001311034.....675, 1102	1580013.....1106	1703482 ..... 1056, 1060, 1064, 1068, 1072, 1076, 1080, 1084, 1088
1001296849 ..... 804	1060341 ... 701, 703, 705, 707	1670603.....855	1703797 ..... 1020, 1056
1001296850 ..... 808	1060343 .... 538, 546, 550	1671034....881, 883, 885, 887, 889, 891	1703804 ..... 1020, 1056
1001296856 ..... 756, 792, 796, 800, 805, 809	1060545 .....907	1671044.....611	1703805 ..... 1020, 1056
1001296857 ..... 756, 793, 797, 801, 805, 809	1060584 .....71	1671092....538, 546, 550	1703811 279, 1020, 1024, 1028, 1032, 1036, 1040, 1044, 1048, 1052, 1056, 1060, 1064, 1068, 1072, 1076, 1080, 1084, 1088
1001296862 ..... 756	1060626 ... 295, 299, 339, 343, 403	1671093.....682, 689	1703814 ..... 1020, 1024, 1028, 1032, 1036, 1040, 1044, 1048, 1052, 1056, 1060, 1064, 1068, 1072, 1076, 1080, 1084, 1088
1001296987 ..... 479	1060637 ... 293, 295, 299, 303, 331, 347, 369, 371, 373, 407, 419, 441	1671201.....228, 232	1703848 ..... 1040, 1076
1001297083 ..... 1106	1060903 ... 701, 703, 705, 707	1671228....228, 229, 232, 233	1703923 ..... 1052, 1088
1001297391 .... 133, 142, 154, 161, 174, 178	1060908 ... 827, 833, 839, 845, 851, 905, 909	1671230.....229	1703924 ..... 1040, 1076
1001297748 ..... 583	1060918 .....655	1671231.....229, 233	1703925 ..... 1036, 1072
1001297784 ..... 323	1062255 .....357	1671232.....229, 233	1703926 ..... 1044, 1080
1001297787 ..... 339	10702077 . 534, 538, 542, 546, 550	1700818.....1092	1703927 ..... 1048, 1084
1001298869 ..... 572, 743	10702082 . 534, 538, 542, 546, 550	1701499.....1020, 1024, 1028, 1032, 1036, 1040, 1044, 1048, 1052, 1056, 1060, 1064, 1068, 1072, 1076, 1080, 1084, 1088	1703935 ..... 1052, 1088
1001299207 ..... 324, 340	10836804 . 129, 133, 137, 141, 145, 149, 153, 157, 161, 165, 169, 173, 177	1701501.....1020, 1024, 1028, 1032, 1036, 1040, 1044, 1048, 1052, 1056, 1060, 1064, 1068, 1072, 1076, 1080, 1084, 1088	1703936 ..... 1040, 1076
1001299487 ..... 336, 352	1120510 .... 563, 567, 571	1701509....695, 697, 699, 1020, 1024, 1028, 1032, 1036, 1040, 1044, 1048, 1052, 1056, 1060, 1064, 1068, 1072, 1076, 1080, 1084, 1088	1703938 ..... 1044, 1080
1001299624 ..... 593	1120555 .... 695, 697, 699	1701518.....1024, 1032, 1060, 1068	1703939 ..... 1048, 1084
1001299648 ..... 593	1120601 ... 228, 232, 236, 240, 244, 248, 252, 256, 260, 264, 268	1701542.....438	1703941 ..... 1052, 1088
1001299649 ..... 593	1220078 .... 563, 567, 571	1701543.....438	1703942 ..... 1040, 1076
1001299793 ..... 585	1260017 ..... 91	1701691.....1020, 1024, 1028, 1032, 1036, 1040, 1044, 1048, 1052, 1056, 1060, 1064, 1068, 1072, 1076, 1080, 1084, 1088	1703943 ..... 1036, 1072
1001300363 ..... 173	1320016 ..... 312, 316	1702565.....651	1703944 ..... 1044, 1080
1001300364 ..... 177	1320022 ... 293, 295, 299, 303, 485	1702566.....651	1703945 ..... 1048, 1084
1001301123 ..... 1104	1320041 ..... 875, 885	1702570.....651	1703947 ..... 1052, 1088
1001301337 ..... 481	1320061 ... 323, 327, 339, 343, 357, 361, 365, 403, 415, 871, 873, 875, 877, 879, 881, 883, 885, 887, 889, 891	1702720.....1092	1703949 ..... 1036, 1072
1001301338 ..... 483	1320110 ..... 444	1702773 .645, 647, 1032, 1068, 1092	1703950 ..... 1044, 1080
1001301691 ..... 1104	1320127 ..... 63	1702774.....1092	1703951 ..... 1048, 1084
1001301717 .... 412, 424, 427	1320176 ... 293, 295, 299, 303	1702861.....1092	1703953 ..... 1020, 1056
1001301719 ..... 419, 422	1320177 ..... 679, 682	1702868 693, 1020, 1056, 1092, 1097	1703980 ..... 1044, 1080
1001301831 ..... 481	1320202 ... 877, 879, 887, 889		1703981 ..... 1048, 1084
1001301946 ..... 416, 419	1320218 ..... 63		1703982 ..... 1036, 1072
1001301950 ..... 407, 410	1320220 ..... 63		1703983 ..... 1052, 1088
1001302003 ..... 404, 407	1320223 ... 312, 316, 871, 873, 881, 883		1703984 ..... 1040, 1076
1001302087 ..... 415	1320224 ... 281, 283, 293, 295, 299, 303		1704000 ..... 1040, 1076, 1092
1001302097 ..... 403	1320263 ... 589, 591, 593, 595, 597, 599		1704001 ..... 1052, 1088, 1092
1001302221 ..... 483	1320288 .... 595, 597, 599		1704260 ..... 651
1001302223 ..... 483	1320289 ... 589, 591, 593, 595, 597, 599		1704271 ..... 1092
1001302664 ..... 256	1320294....589, 591, 593, 595, 597, 599		1704272 ..... 69
1001302665 ..... 257, 273	1320299 ..... 563, 567, 571		1704277 ..... 1020, 1024, 1028, 1032, 1036, 1040, 1044, 1048,
1001302666 ..... 273	1320302....682, 687, 689, 693		
1001302667 ..... 273	1321283.....438		
1001303167 ..... 1104	1321384.....229, 233		
1001303176 ..... 336, 352	1340061.....1104		
1001303818 ..... 446	1380147.....499, 501		
1001305520 ..... 1105	1580012.....677		
1001306145 .... 130, 134, 138, 142, 150, 154, 158, 162, 166, 170, 971	1580013.....1106		
1001306283 ..... 336, 352	1670603.....855		
1001306803 ..... 81, 83	1671034....881, 883, 885, 887, 889, 891		
1001307715 ..... 575, 581	1671044.....611		
1001307773 ..... 563	1671092....538, 546, 550		
1001307774 ..... 563	1671093.....682, 689		
	1671201.....228, 232		
	1671228....228, 229, 232, 233		
	1671230.....229		
	1671231.....229, 233		
	1671232.....229, 233		
	1700818.....1092		
	1701499.....1020, 1024, 1028, 1032, 1036, 1040, 1044, 1048, 1052, 1056, 1060, 1064, 1068, 1072, 1076, 1080, 1084, 1088		
	1701501.....1020, 1024, 1028, 1032, 1036, 1040, 1044, 1048, 1052, 1056, 1060, 1064, 1068, 1072, 1076, 1080, 1084, 1088		
	1701509....695, 697, 699, 1020, 1024, 1028, 1032, 1036, 1040, 1044, 1048, 1052, 1056, 1060, 1064, 1068, 1072, 1076, 1080, 1084, 1088		
	1701518.....1024, 1032, 1060, 1068		
	1701542.....438		
	1701543.....438		
	1701691.....1020, 1024, 1028, 1032, 1036, 1040, 1044, 1048, 1052, 1056, 1060, 1064, 1068, 1072, 1076, 1080, 1084, 1088		
	1702565.....651		
	1702566.....651		
	1702567.....651		
	1702720.....1092		
	1702773 .645, 647, 1032, 1068, 1092		
	1702774.....1092		
	1702861.....1092		
	1702868 693, 1020, 1056, 1092, 1097		

## SECTION 11 - SPECIAL OPTIONS

1052, 1056, 1060, 1064, 1068, 1072, 1076, 1080, 1084, 1088 1704412..... 1020, 1024, 1028, 1032, 1036, 1040, 1044, 1048, 1052, 1056, 1060, 1064, 1068, 1072, 1076, 1080, 1084, 1088 1704578.....67 1704885.....1092 1704972.....1092 1705014.....645, 647 1705090.....67 1705305.693, 1095, 1097 1705325.....825, 827, 829 1705336..... 1020, 1056 1705344..... 1044, 1080 1705345..... 1048, 1084 1705347..... 1040, 1076 1705351..... 1020, 1056 1705355..... 1095, 1097 1705358....695, 697, 699, 1092 1705368.....1093 1705374....522, 530, 857, 859 1705375....538, 547, 550 1705387....522, 530, 539, 547, 550 1705426..... 1044, 1080 1705427..... 1048, 1084 1705429..... 1040, 1076 1705430..... 1036, 1072 1705460....534, 538, 542, 546, 550 1705461.....534, 542 1705489....517, 525, 534, 542 1705820.....69 1705822..... 1024, 1032, 1060, 1068 1705828..... 1024, 1032, 1060, 1068 1705836.....281, 283 1705837.....281, 283 1705886.....281, 283 1705895..... 1028, 1064 1705896..... 1028, 1064 1705897..... 1028, 1064 1705898..... 1028, 1064 1705902..... 1028, 1064 1705903..... 1028, 1064 1705905..... 1028, 1064 1705910..... 1052, 1088 1705917..... 1052, 1088 1705921..... 1024, 1032, 1060, 1068 1705961..... 1024, 1032, 1060, 1068 1705967..... 1028, 1064, 1092 1705969..... 1048, 1084, 1092 1705980.....1093 1706059.....1092 1706060.....1092	1706061 ..... 1092 1706062 ..... 1092 1706063 ..... 1092 1706064 ..... 1092 1706098 ..... 1092 1706385 ..... 645, 647 1706593 ..... 69 2030010 ..... 679, 682 2060025 ..... 312, 316 2080040 ... 236, 240, 244, 248, 252, 256, 260, 264, 268, 629, 631, 633, 635, 637, 641 2080072 ... 236, 240, 244, 248, 252, 256, 260, 264, 268 2110404 ... 749, 752, 756, 760, 764, 768, 772, 776, 780, 784, 788, 792, 796, 800, 804, 808, 812 2110406 ... 752, 756, 760, 764, 768, 772, 776, 792, 796, 800, 804, 808 2110408 ... 749, 752, 756, 760, 764, 768, 772, 776, 792, 796, 800, 804, 808 2110606 ... 749, 752, 756, 760, 764, 768, 772, 776, 780, 784, 788, 792, 796, 800, 804, 808, 812 2110608 ... 760, 772, 776, 780, 784, 788, 800, 804, 808, 812 2110612 ... 780, 784, 788, 812 2110808 ... 752, 756, 760, 764, 768, 772, 776, 780, 784, 788, 792, 796, 800, 804, 808, 812 2110810 ... 752, 756, 760, 764, 768, 772, 776, 792, 796, 800, 804, 808 2110812 ... 752, 756, 760, 764, 768, 772, 776, 792, 796, 800, 804, 808 2111008 ... 780, 784, 788, 812 2111010 ... 780, 784, 788, 812 2111016 ... 752, 760, 764, 768, 772, 776 2111208 ... 780, 784, 788, 812 2111212 ... 752, 756, 760, 764, 768, 772, 776, 780, 784, 788, 792, 796, 800, 804, 808, 812 2111616 ... 752, 756, 760, 764, 768, 772, 776, 792, 796, 800, 804, 808 2112020 ... 752, 756, 760, 764, 768, 772, 776, 792, 796, 800, 804, 808	2112424 ... 780, 784, 788, 812 2120217 ..... 603, 605 2130404 ... 752, 756, 760, 764, 768, 772, 776, 780, 784, 788, 792, 796, 800, 804, 808, 812 2130406 ... 764, 768, 772, 776, 788, 792, 796, 804, 808, 812 2130604 ... 764, 768, 772, 776, 792, 796, 804, 808 2130606 ... 752, 756, 760, 764, 768, 772, 776, 780, 784, 788, 792, 796, 800, 804, 808, 812 2130608 ... 780, 784, 788, 812 2130612 ... 780, 784, 788, 812 2130808 ... 752, 756, 760, 764, 768, 772, 776, 792, 796, 800, 804, 808 2130810 ... 780, 784, 788, 812 2131010 ... 756, 780, 784, 788, 792, 796, 800, 804, 808, 812 2131012 ... 752, 756, 760, 764, 768, 772, 776, 792, 796, 800, 804, 808 2131212 ... 752, 760, 764, 768, 772, 776 2131612 ... 756, 792, 796, 800, 804, 808 2131616 ... 752, 760, 764, 768, 772, 776, 792, 796, 804, 808 2132016 ... 752, 756, 760, 764, 768, 772, 776, 792, 796, 800, 804, 808 2150404 ... 780, 784, 788, 812 2150406 ... 752, 756, 760, 764, 768, 772, 776, 792, 796, 800, 804, 808 2151616 ... 752, 756, 760, 764, 768, 772, 776, 780, 784, 788, 792, 796, 800, 804, 808, 812 2170204 ... 752, 756, 760, 764, 768, 772, 776, 792, 796, 800, 804, 808 2170208 ... 780, 784, 788, 812 2170212 ... 756, 792, 796, 800, 804, 808 2170408 ... 764, 768, 772, 776, 792, 796, 804, 808 2170504 ... 752, 756, 760, 764, 768, 772, 776, 792, 796, 800, 804, 808 2170506 ... 760, 772, 776, 800, 804, 808 2170706 ... 760, 772, 776, 800, 804, 808	2172112.... 780, 784, 788, 812 2180348....293, 295, 299, 303, 438, 446, 485 2180387.....63 2180388.....63 2180389.....63 2180418..... 63, 438, 446 2180467.... 107, 109, 111, 444 2180829..... 788, 812 2180832.... 323, 327, 339, 343, 357, 361, 365, 403, 415, 679, 682 2200222..95, 97, 99, 101, 103, 105, 107, 109, 111 2220237.... 752, 756, 760, 764, 768, 772, 776, 792, 796, 800, 804, 808 2220238.... 752, 756, 760, 764, 768, 772, 776, 792, 796, 800, 804, 808 2220252.....281, 283 2220261..... 63, 446 2220313....293, 295, 299, 303, 323, 327, 339, 343, 357, 361, 365, 403, 415 2220315.... 334, 350, 376, 382, 388, 410, 422 2220418.....63 2220451..... 312, 316 2220478.... 780, 784, 788, 812 2220737.... 780, 784, 788, 812 2220750.....281, 283 2220816.....485, 487 222088349, 51, 715, 717, 719, 721, 723, 725, 727, 729, 731, 733 2220885.... 715, 717, 725, 727, 729, 731, 733, 739, 741 222088649, 51, 723, 739, 741 2220887.....733 2220888..... 49, 51, 733 2221024.....63 2221086.... 780, 784, 788, 812 2221176....293, 295, 299, 303, 438 2221197..... 63, 438 2300016.....41 2400060.... 435, 711, 957, 961, 967, 971, 979 2400064...957, 961, 1101 2410014.....645, 647 2420203.... 505, 507, 511 2460048.....533, 537 2460051.....511 2460055.....505 2540035.....228, 232 2560136.....651
--	--	--	--



## SECTION 11 - SPECIAL OPTIONS

2560187 ... 237, 241, 249, 265, 269, 271, 273, 275, 277	2753680 ..... 789, 812	2901443..... 1108	275, 277, 444, 449, 451, 511, 549
2580024 ... 295, 299, 339, 343, 403	2753681 ... 780, 784, 788, 812	2902212..... 695, 697, 699	3290605 ... 130, 134, 138, 142, 145, 150, 154, 158, 162, 166, 170, 173, 177, 444, 679, 682
2580062 ..... 317	2753682 ... 781, 784, 788, 812	2902217..... 682, 687, 689	3290606... 617, 619, 621, 627, 639, 643
2600209 ..... 229, 233	2753683 ... 780, 784, 788, 812	2902394..... 1105	3290607 .... 197, 199, 444
2600233 ..... 229, 233	2753684 ... 781, 784, 788, 812	2902443..... 929, 935, 939	3290801 ... 334, 350, 382, 388, 444
2600244 ..... 228, 232	2753685 ... 752, 756, 760, 764, 769, 773, 777, 793, 797, 800, 805, 809	2910888..... 1104	3290805 ..... 444, 869
2600281 ... 629, 631, 633, 635, 637, 641	2753686 ... 764, 768, 772, 776, 780, 784, 788, 792, 796, 804, 808, 813	2915094..... 1109	3291001 ..... 444, 587
2680490 ..... 228, 232	2753688 ... 752, 756, 760, 800	2940045.... 236, 240, 244, 248, 252, 256, 260, 264, 268	3291005 ... 334, 350, 376, 382, 388, 410, 422, 444, 587
2717059 ... 780, 784, 788, 812	2753692 ..... 789, 812	2940074.... 629, 631, 633, 635, 637, 641, 1101	3291007 ..... 501
2720015 ... 334, 350, 382, 388, 410, 422	2753693 ..... 780, 784	2940088..... 229, 233	3291201 ... 444, 512, 549, 587
2720058 ... 293, 295, 299, 303, 446, 485	2753699 ... 752, 761, 765, 769, 773, 777	2940173.... 237, 241, 244, 248, 252, 256, 260, 265, 268	3291205 ..... 585
2720144 ..... 63	2753732 ... 761, 773, 777, 800, 805, 809	2940188..... 228, 232	3300007 ..... 39, 41, 43
2720160 ..... 679, 682	2753768 ... 752, 760, 764, 769, 773, 777	3020021 ..... 459	3300151... 615, 617, 619, 621, 627, 637, 639, 641, 643, 682, 687, 689, 693
2720340 ... 334, 350, 376, 382, 388, 410, 422	2753879 ... 761, 773, 777, 800, 805, 809	3020029 ..... 33, 37	3300205 ... 129, 133, 137, 141, 145, 149, 153, 157, 161, 165, 169, 173, 177
2720398 ..... 312, 316	2753970 ... 765, 772, 792, 804	3020037 ..... 369	3300240 .... 563, 567, 571
2750532 ... 293, 295, 299, 303, 323, 327, 339, 343, 357, 361, 403, 415	2753971 ... 764, 768, 772, 776, 792, 796, 804, 808	3020039 .... 21, 23, 25, 27, 29	3300241 .... 563, 567, 571
2753540 ... 752, 756, 760, 764, 768, 773, 777, 793, 797, 800, 805, 809	2754242 .... 756, 760, 800	3020043..... 191	3300242 .... 563, 567, 571
2753542 ... 765, 768, 772, 776, 792, 796, 804, 808	2754243 .... 756, 760, 800	3160347 ..... 39, 49	3300353 ... 129, 133, 137, 141, 145, 149, 153, 157, 161, 165, 169, 173, 177, 651
2753545 ... 780, 784, 788, 812	2754337 ... 752, 756, 760, 764, 768, 772, 776, 792, 796, 800, 804, 808	3160348..... 41, 51	3300364 ... 236, 240, 244, 248, 252, 256, 260, 264, 268
2753555 ... 752, 760, 764, 769, 773, 777	2754338 ... 764, 768, 772, 776, 792, 796, 804, 808	3200401.... 313, 317, 334, 350, 376, 382, 388, 410, 422, 491, 493	3300396 ... 521, 530, 534, 538, 542, 546, 550
2753622 ... 752, 756, 760, 764, 768, 772, 776, 780, 784, 785, 788, 792, 796, 800, 804, 808, 813	2754512 ... 765, 772, 792, 804	3200406..... 312, 316	3300408 ... 129, 133, 137, 141, 145, 149, 153, 157, 161, 165, 169, 173, 177, 181, 183
2753626 ... 764, 768, 772, 776, 792, 796, 804, 808	2754720 ... 768, 776, 796, 808	3200449..... 611	3300430 ..... 673, 709
2753628 ... 765, 772, 792, 804	2754743 ... 768, 776, 796, 808	3250872..... 67	3310401 ... 382, 388, 410, 422
2753634 ... 764, 768, 772, 776, 792, 796, 804, 808	2780229 ..... 39, 45	3251102.... 505, 507, 511, 515, 517, 521, 525, 529	3310601 ..... 499, 501
2753635 .... 756, 760, 800	2820031 ... 505, 507, 511, 515, 517, 521, 525, 529, 534, 538, 541, 545, 549, 893, 895, 897, 899	3251242.... 831, 835, 837, 841, 843, 847, 849, 853, 855	3310805 ..... 63
2753653 ... 780, 784, 788, 812	2820035 ..... 435	3251243.... 505, 511, 522, 530, 538, 546, 550, 1020, 1036, 1044, 1048, 1052, 1056, 1072, 1080, 1084, 1088	3311001 ... 229, 233, 429, 431, 433, 534, 538, 542, 546, 550
2753654 ... 780, 784, 788, 813	2820078 ... 229, 237, 241, 253, 265	3251813..... 1092	3311005 ... 228, 232, 505, 507, 511, 515, 522, 530, 534, 538, 542, 546, 549, 651, 679, 682
2753656 ... 761, 773, 777, 780, 784, 788, 800, 805, 809, 813	2820118 ... 893, 895, 897, 899	3252347 ..... 1020, 1056	3311401 ... 701, 703, 705, 707
2753667 ... 752, 760, 764, 768, 773, 777	2820229 ..... 229	3252507.... 515, 833, 839, 845, 851	3311405 ... 129, 133, 137, 141, 145, 149, 153, 157, 161, 165, 169, 173, 177, 187, 189, 209, 211, 213, 215, 217, 219, 221, 223, 228, 232, 236, 240, 244, 248, 252, 256,
2753670 ... 780, 784, 788, 812	2820233 ..... 229	3252764.... 533, 537, 541, 545, 549	
2753671 ... 781, 784, 788, 812	2820234 ..... 229	3271601..... 233	
2753674 ... 780, 784, 789, 812	2820235 ..... 229	3271605.... 657, 659, 661, 663	
2753675 ..... 780, 784	2820247 ..... 1003, 1005	3271801.... 334, 350, 376, 382, 388, 410, 422	
2753676 ..... 789, 812	2840016 ..... 499, 501	3271805..... 93, 645, 647	
2753677 ..... 789, 812	2860012 ..... 505	3272001.... 563, 567, 571, 657, 659, 661, 663	
2753678 ..... 789, 812	2860030 ... 129, 133, 137, 141, 149, 153, 157, 161, 165, 173, 177, 1101	3272401.... 563, 567, 571	
2753679 ..... 780, 784	2900756 ..... 41, 43	3290401..... 191	
	2900792 ..... 725, 727	3290405.... 193, 195, 197, 438, 711, 825, 827, 829, 831, 833, 835, 837, 839, 841, 843, 845, 847, 849, 851, 853, 855	
		3290501..... 303	
		3290505..... 438, 515	
		3290601.... 237, 241, 249, 265, 269, 271, 273,	

## SECTION 11 - SPECIAL OPTIONS

260, 264, 268, 281,	645, 647, 649, 682,	3422860 ..... 575, 577	3577121 .... 682, 687, 689,
283, 285, 293, 295,	687, 689, 693, 861, 863	3422861 ..... 575, 577	693
299, 303, 305, 307,	3311705 ... 505, 507, 511,	3422867 ..... 575, 577	3580134.....515
309, 312, 316, 323,	515	3422908 .... 555, 557, 559	3580158.....505, 515
327, 331, 334, 339,	3311801 ..... 41, 293, 295,	3422909 .... 555, 557, 559	3580243.....563, 567, 571
343, 347, 350, 357,	299, 303, 331, 347,	3422910 .... 555, 557, 559	3580249.....563, 567, 571
361, 365, 369, 371,	369, 371, 373, 407,	3422920 .... 555, 557, 559	3580276.....505, 507
373, 376, 382, 388,	419, 507, 517, 521,	3422930 ..... 555	3580288.....563, 567, 571
403, 407, 410, 415,	525, 529, 533, 538,	3422931 .... 555, 557, 559	3580289.....563, 567, 571
419, 422, 438, 441,	541, 545	3422932 ..... 557, 559	3580314.....549
495, 497, 517, 521,	3311805 . 95, 97, 99, 101,	3430616 ..... 652	3580317....517, 522, 525,
525, 530, 533, 537,	103, 105, 107, 109,	3430816 ..... 499, 501	529, 534, 538, 541,
541, 546, 623, 625,	111, 312, 316, 323,	3440410 ..... 611	545, 549
649, 675, 709, 825,	327, 339, 343, 357,	3450404 ..... 499, 501	3580318....522, 529, 538,
827, 829, 831, 833,	361, 365, 403, 415,	3460334 .... 695, 697, 699	545
835, 837, 839, 841,	441, 491, 493, 499,	3470003 ..... 652	3580319....517, 525, 534,
843, 845, 847, 849,	501, 557, 559	3520028 .... 505, 507, 511	541
851, 853, 855, 861,	3312002 ..... 81, 657, 659,	3520030 ... 236, 240, 244,	3580320....334, 350, 410,
863, 869, 871, 873,	661, 663	248, 252, 256, 260,	422, 517, 522, 534, 538
875, 877, 879, 881,	3312005 .... 695, 697, 699	264, 268	3580324.....511
883, 885, 887, 889,	3312201 .... 563, 567, 571	3520031 ... 129, 133, 137,	3600386.....281, 283, 285
891, 1020, 1024, 1028,	3312205 .... 695, 697, 699	141, 145, 149, 153,	3641569.....701, 703
1032, 1036, 1040,	3312602 ... 191, 193, 195,	157, 161, 165, 169,	3720021.....281, 283
1044, 1048, 1052,	197, 199	173, 177	3740049....129, 133, 137,
1056, 1060, 1064,	3321501 ... 228, 232, 237,	3520034 ..... 575, 577	141, 145, 149, 153,
1068, 1072, 1076,	241, 244, 248, 252,	3520054 ... 312, 316, 334,	157, 161, 165, 169,
1080, 1084, 1088	256, 260, 265, 268	350, 384, 388, 651	173, 177, 1102
3311501 .... 203, 205, 236,	3322201 ..... 93	3520071 .... 695, 697, 699	3740067....312, 316, 323,
240, 244, 248, 252,	3340757 .... 563, 567, 571	3520072 ... 615, 617, 619,	327, 339, 343, 357,
256, 260, 264, 268,	3340764 ... 589, 591, 593,	621, 627, 629, 631,	361, 365, 403, 415,
701, 703, 705, 707	595, 597, 599	633, 635, 637, 639,	438, 1100, 1101
3311505..39, 41, 43, 228,	3340787 ... 589, 591, 593,	641, 643, 645, 647	3740080....303, 312, 316,
232, 237, 241, 249,	595, 597, 599	3520182 ..... 623, 625	505, 507, 511, 515,
265, 269, 271, 273,	3340871 .... 563, 567, 571	3520189 ..... 534, 542	549, 1100, 1101
275, 277, 312, 316,	3340941 ... 589, 591, 595,	3520192 ..... 534, 542	3740086.....1007, 1102
334, 350, 376, 382,	597, 599	3520193 ..... 203, 205	3760170.....71, 91
388, 410, 422, 533,	3340942 ... 589, 591, 593,	3520198 ... 615, 617, 619,	3790012.....438, 651, 669
541, 545, 549, 603,	595, 597, 599	621, 623, 625, 627,	3790044....305, 307, 309,
605, 871, 873, 875,	3340943 ... 589, 591, 595,	629, 631, 633, 635,	331, 347, 369, 371,
877, 879, 881, 883,	597, 599	637, 639, 641, 643	373, 407, 419, 441
885, 887, 889, 891	3340956 .... 695, 697, 699	3537445 ..... 499	3820001..67, 1020, 1024,
3311508.....521, 529, 537	3340966 ..... 35, 37	3537446 ..... 499, 501	1028, 1032, 1036,
3311601..95, 97, 99, 101,	3380434 ..... 649	3538047 ... 21, 23, 25, 27,	1040, 1044, 1048,
103, 105, 107, 109,	3380444 ..... 228, 232	29	1052, 1056, 1060,
111, 228, 232, 236,	3380575 ..... 228, 232	3538758 ... 589, 591, 595,	1064, 1068, 1072,
240, 244, 248, 252,	3420372 ..... 71	597	1076, 1080, 1084,
256, 260, 264, 268,	3420447 ..... 71	3539219 ... 133, 141, 145,	1088, 1093
652, 675	3421453 ..... 679, 682	173, 177	3820020....629, 631, 633,
3311605....63, 95, 97, 99,	3421565 ..... 71, 91	3539622 .... 563, 567, 571	635, 637, 641
101, 103, 105, 107,	3422417 ... 31, 33, 35, 37,	3539877 ..... 21	3841143....293, 295, 299,
109, 111, 209, 211,	563, 567, 571	3572009 ..... 71	303, 323, 327, 339,
213, 215, 217, 219,	3422424 .... 563, 567, 571	3572010 ..... 71	343, 357, 361, 365,
221, 223, 225, 228,	3422446 ... 293, 295, 299,	3572011 ..... 71	403, 415, 438, 555,
229, 232, 236, 240,	303, 323, 327, 339,	3572012 ..... 71	563, 567, 571, 575,
244, 248, 252, 256,	343, 357, 361, 365,	3573047 ... 871, 873, 875,	577, 587
260, 264, 268, 271,	403, 415, 438	877, 879, 881, 883,	3841203.....557, 559
273, 275, 277, 283,	3422532 ... 305, 307, 309,	885, 887, 889, 891	3841287....21, 23, 25, 27,
285, 293, 295, 299,	331, 347, 369, 371,	3573050 .... 555, 557, 559	29, 555, 557, 559
303, 312, 316, 334,	373, 407, 419, 441	3573296 ... 871, 873, 875,	3841340....575, 577, 871,
350, 376, 382, 388,	3422562 ..... 555	877, 879, 881, 883,	873, 875, 877, 879,
410, 422, 429, 431, 433,	3422569 ..... 555	885, 887, 889, 891	881, 883, 885, 887,
487, 491, 493, 499,	3422580 ..... 555	3573400 ... 682, 687, 689,	889, 891
505, 515, 518, 526,	3422790 .... 31, 33, 35, 37	693	3841356....555, 557, 559
555, 557, 559, 563,	3422793 ..... 557, 559	3574091 ..... 705, 707	3841520....31, 33, 35, 37
567, 571, 575, 577,	3422841 ..... 71	3575359 ..... 701, 703	3900054.....645, 647
589, 591, 593, 595,	3422847 ..... 71	3576799 ..... 679, 682	3900085.....199
597, 599, 603, 605,	3422848 ..... 35, 37		3900192.....555, 557, 559

## SECTION 11 - SPECIAL OPTIONS

3900210 ... 236, 237, 240, 241, 244, 248, 249, 252, 256, 260, 264, 265, 268, 269, 271, 273, 275, 277	3960549 ... 293, 295, 299, 303	4240017 ..... 191, 193	1036, 1040, 1044, 1048, 1052, 1056, 1060, 1064, 1068, 1072, 1076, 1080, 1084, 1088
3900232 ..... 229, 233	3980007 ... 295, 299, 339, 343, 403	4240018 ..... 201, 507, 515, 525, 529, 541, 545, 780, 784, 788, 812, 857, 859	4420055 ..... 623, 625
3900268 ... 129, 133, 137, 141, 145, 149, 153, 157, 161, 165, 169, 173, 177	3990010 .. 967, 971, 1100	4240032 .... 197, 199, 335, 351, 378, 384, 390, 410, 422, 911, 913, 915, 917, 919	4420060 ..... 515
3900283 ... 589, 591, 593, 595, 597, 599, 603, 605	4010303 ..... 207	4240033 .... 203, 205, 281, 283, 671, 673, 675	4420066 .... 695, 697, 699
3900293 ..... 81	4010608 ..... 679, 682	4240099 .... 335, 351, 357, 376, 382, 388, 410, 422, 435, 438, 444, 511, 651, 682, 687, 689, 701, 703, 705, 707	4460007 ..... 651
3900316 ... 236, 240, 244, 248, 252, 256, 260, 264, 268, 589, 591, 593, 595, 597, 599, 603, 605	4010618 ... 617, 619, 621, 627, 639, 643	4240139 .. 95, 97, 99, 101, 103, 105	4460019 ... 927, 929, 931, 933, 940, 1015
3900349 ..... 651	4031505 ..... 671	4240149 .... 695, 697, 699	4460027 .... 505, 507, 511
3900363 ... 237, 241, 249, 265, 269, 271, 273, 275, 277	4031507 ..... 191, 195	4280296 ..... 65	4460042 ..... 935, 939
3910408 ... 382, 388, 410, 422	4031509 ..... 193, 197	4300157 .... 517, 521, 533, 538	4460043 ... 435, 929, 931, 935, 940, 949, 951, 957
3910606 ... 521, 529, 537, 545, 549, 857, 859	4031510 ..... 207	4340747 ..... 281	4460049 ... 701, 703, 705, 707
3910608 ..... 499, 501	4031516 ..... 675	4360057 ... 701, 703, 705, 707, 1102	4460051 ..... 817, 819
3910610 ..... 817, 819	4031608 ..... 515	4360070 .... 521, 530, 534, 538, 542, 546, 550, 1100	4460071 ... 522, 529, 538, 545, 549, 655
3910804 ... 129, 133, 137, 141, 145, 149, 153, 157, 161, 165, 169, 173, 177	4031711 ..... 444	4360274 ... 153, 161, 1102	4460125 ..... 819
3930606 ..... 611	4031908 ..... 334, 350	4360328 ..... 669, 1102	4460134 ..... 963
3931016 ... 521, 529, 533, 537, 541, 545, 549	4031912 .... 334, 350, 388	4360336 .... 438, 505, 507, 511, 515, 517, 521, 525, 529, 533, 537, 541, 545, 549, 1102	4460142 ... 929, 931, 967, 971, 979
3931408 ..... 673	4031914 ... 376, 382, 410, 422	4360387 .... 133, 141, 153, 161, 173, 177, 651, 1102	4460183 ..... 979
3931432 ... 334, 350, 376, 382, 388, 410, 422	4060092 ..... 819	4360407 ..... 651, 1100	4460190 .... 505, 507, 511
3931512 ... 376, 382, 388, 410, 422	4060802 ... 505, 507, 511, 515, 517, 521, 525, 529, 533, 537, 541, 545, 549	4360469 .... 129, 133, 137, 141, 145, 149, 153, 157, 161, 165, 169, 173, 177, 1102	4460205 ..... 817, 963
3931624 .... 555, 557, 559	4060804 . 95, 97, 99, 101, 103, 105, 107, 109, 111	4360475 .... 129, 133, 137, 141, 145, 165, 169, 1102	4460224 ..... 525
3931628 ... 334, 350, 410, 422	4060805 ... 312, 316, 335, 351, 376, 382, 388, 410, 422, 446	4360476 .... 129, 133, 137, 141, 145, 149, 153, 157, 161, 165, 169, 173, 177, 651, 1100	4460225 ..... 953, 979
3931644 ..... 444	4061032 ... 780, 784, 788, 812	4360506 .... 871, 873, 875, 877, 879, 881, 883, 885, 887, 889, 891, 1102	4460226 ... 655, 701, 703, 705, 707, 865, 929, 931, 933, 943, 975, 977, 979, 1015
3951608 .... 564, 567, 571	4070585 ..... 505	4360517 ..... 93, 1102	4460227 ... 865, 967, 971, 979
3952020 ..... 81	4070863 .... 564, 568, 572	4360542 .... 505, 507, 511, 1100	4460233 ..... 819, 965
3960389 ... 228, 232, 236, 240, 244, 248, 252, 256, 260, 264, 268	4070878 ... 21, 23, 25, 27, 29	4400275 ..... 63	4460234 ... 191, 193, 203, 205, 651, 701, 703, 705, 707, 911, 913, 915, 917
3960407 ..... 312, 316	4070879 ... 21, 23, 25, 27, 29	4420014 .... 695, 697, 699	4460247 ..... 935, 940
3960422 ... 521, 529, 537, 545, 549, 817, 819, 857, 859	4070895 .... 564, 568, 572	4420037 .... 682, 687, 689, 693	4460256 ..... 961
3960438 ..... 229, 233	4070897 .... 564, 568, 572	4420038 .. 95, 97, 99, 101, 103, 105, 107, 109, 111, 237, 241, 244, 248, 252, 256, 260, 265, 268	4460259 ... 711, 929, 931, 943, 967, 971, 979
3960462 ..... 229, 233	4070898 .... 564, 568, 572	4420051 ..... 67, 69, 1020, 1024, 1028, 1032,	4460260 ... 711, 929, 931, 943, 967, 971, 979
3960464 ..... 229, 233	4070929 .... 564, 568, 572		4460266 ..... 979
3960468 ... 312, 316, 331, 347, 369, 371, 373, 407, 419	4070939 .... 564, 568, 572		4460267 .. 975, 977, 1015
3960469 ... 312, 316, 331, 347, 369, 371, 373, 407, 419, 441	4070940 .... 564, 568, 572		4460268 ..... 933, 953
3960470 ..... 228, 232	4070944 ..... 21		4460294 ..... 525
3960526 ..... 39, 41, 43	4070945 ..... 21		4460297 ..... 967, 971
3960548 ... 293, 295, 299, 303	4070969 ... 589, 591, 593, 595, 597, 599		4460312 .... 929, 931, 943
	4070991 ... 129, 133, 137, 141, 145, 149, 153, 157, 161, 165, 169, 173, 177		4460313 ... 929, 931, 933, 943, 967, 971, 1015
	4071020 .... 564, 568, 572		4460315 ..... 817, 819
	4071048 ..... 253, 256		4460320 ... 967, 971, 975, 977, 1015
	4071059 ..... 35, 37		4460321 ..... 511
	4100063 ..... 357		4460346 ... 521, 529, 537, 545, 549, 817
	4160139 ..... 228, 232		4460374 .... 929, 931, 949
	4160143 ..... 228, 232		4460375 ..... 929, 931
	4160149 .... 564, 568, 572		4460418 .... 967, 971, 979
	4160187 .... 555, 557, 559		4460419 .... 967, 971, 979
	4160194 ... 236, 240, 244, 248, 252, 256, 260, 264, 268		4460424 ... 929, 931, 933, 943, 975, 977, 1015

## SECTION 11 - SPECIAL OPTIONS

4460425.....521, 530, 534, 538, 542, 546, 550, 701, 703, 705, 707, 857, 859	157, 161, 165, 169, 173, 177, 651	4460894 ... 921, 925, 935, 939, 967, 971, 979	4461249.....997, 999
4460426.... 129, 133, 137, 141, 145, 149, 153, 157, 161, 165, 169, 173, 177, 521, 530, 534, 538, 542, 546, 550	4460508 ... 671, 893, 895, 897, 899, 967, 971, 979, 1015	4460897 ... 197, 936, 945, 1011, 1015	4461250.....999
4460428.....281, 651	4460509 ... 893, 895, 897, 899, 901, 903	4460899 933, 1001, 1007, 1009	4520252.....55
4460434.....967, 971, 979	4460510 ..... 1109	4460905 ... 967, 971, 979, 1013	4520253.....57
4460457....929, 931, 943, 949, 961	4460518 ..... 867, 979	4460910 ..... 1005	4520256.....61
4460458....929, 931, 935, 939, 943, 949, 951, 957, 961	4460526 ... 129, 133, 137, 141, 145, 149, 153, 157, 161, 165, 169, 173, 177	4460911 ... 603, 605, 967, 971, 1001	4568133.....71
4460460.....929, 931, 943	4460536 ... 289, 967, 971, 979	4460925 ..... 979	4640261.....67, 69
4460464.... 197, 289, 655, 711, 867, 893, 895, 897, 899, 921, 923, 933, 945, 967, 971, 979, 1007, 1009, 1011, 1015	4460539 ... 289, 929, 931, 933, 939, 943, 979, 1015	4460926 ..... 603, 605	4640509.....725, 727
4460465.... 193, 289, 603, 605, 711, 867, 893, 895, 897, 899, 901, 903, 921, 925, 929, 931, 933, 935, 936, 939, 940, 943, 951, 953, 955, 957, 959, 961, 967, 971, 979, 1009, 1015	4460612 ..... 857, 859	4460928 ..... 867	4640751.... 335, 351, 376, 382, 388, 410, 422
4460466.... 671, 711, 867, 893, 895, 897, 899, 901, 903, 921, 925, 931, 933, 935, 939, 940, 967, 971, 979, 1001, 1007, 1009, 1011, 1015	4460633 ..... 281, 283	4460930 .... 925, 935, 939	4640858.....715, 717
4460467 ..... 1108	4460670 .... 929, 931, 949	4460931 ..... 933, 1011	4640932.... 719, 721, 723
4460470.... 129, 133, 137, 141, 145, 149, 153, 157, 161, 165, 169, 173, 177, 651, 871, 873, 875, 877, 879, 881, 883, 885, 887, 889, 891	4460701 ..... 965	4460932 ... 711, 923, 935, 940, 945	4641033.... 739, 741, 743
4460471.... 129, 133, 137, 141, 145, 149, 153, 157, 161, 165, 169, 173, 177, 651, 871, 873, 875, 877, 879, 881, 883, 885, 887, 889, 891	4460703 ..... 935, 940	4460941 ..... 945, 1001	4641122.... 55, 57, 59, 61
4460473.... 893, 895, 897, 899, 901, 903	4460708 ..... 979	4460942 ... 671, 935, 939, 945	4641188.... 559, 729, 731
4460488.... 129, 133, 137, 141, 145, 149, 153, 157, 161, 165, 169, 173, 177, 197, 199	4460722 ..... 435	4460943 ... 925, 967, 971, 979, 1001	4641194.... 719, 731, 733
4460496.... 129, 133, 137, 141, 145, 149, 153, 157, 161, 165, 169, 173, 177, 651	4460738 ..... 933, 943	4460944 ... 929, 931, 933, 935, 939, 940, 943, 979	4641232.... 729, 721, 723
4460497.... 129, 133, 137, 141, 145, 149, 153,	4460742 ... 949, 951, 957, 961	4460945 ..... 940	4641234.... 559, 729, 731
	4460743 ..... 951, 957	4460956 .... 905, 907, 909	4641303.....41, 43
	4460746 ..... 939	4460957 .... 905, 907, 909	4641317.....75, 77
	4460748 ..... 939	4460958 ..... 859	4711000.....93, 429, 431, 433, 507, 534, 538, 542, 546, 550
	4460761 .... 865, 967, 971	4460959 ..... 875, 885	4711400 75, 77, 129, 137, 149, 153, 157, 165, 169, 173, 177, 185, 187, 189, 281, 283, 293, 295, 299, 303, 312, 316, 323, 327, 335, 339, 343, 351, 357, 361, 365, 376, 382, 388, 403, 410, 415, 422, 438, 495, 497, 518, 525, 529, 545, 549, 615, 617, 619, 621, 627, 637, 639, 641, 643, 673, 675, 709, 825, 827, 829, 831, 833, 835, 837, 839, 841, 843, 845, 847, 849, 851, 853, 855, 861, 863, 871, 873, 875, 877, 879, 881, 883, 885, 887, 889, 891
	4460806 ... 837, 839, 841, 843, 845, 847, 967, 971, 979	4460960 ..... 875, 885	4711500... 39, 41, 43, 203, 205, 237, 241, 249, 265, 269, 271, 273, 275, 277, 335, 351, 376, 382, 389, 410, 422, 533, 541, 545, 549, 603, 605
	4460807 ..... 953	4460962 ..... 682, 689	4711600.... 21, 23, 25, 27, 29, 75, 77, 95, 97, 99, 101, 103, 105, 107, 109, 111, 203, 205, 228, 229, 232, 233, 283, 312, 316, 323, 327, 339, 343, 357, 361, 365, 403, 415, 429, 431, 433, 438, 487, 507, 517, 522, 525, 529, 534, 538, 541, 545, 555, 557, 559, 564, 568, 572, 589, 591, 593, 595, 597, 599, 601, 603,
	4460808 ..... 953	4460963 .... 538, 546, 550	
	4460834 .... 107, 109, 111	4460967 ... 951, 955, 957, 959, 961	
	4460842 .... 107, 109, 111	4460968 ..... 515	
	4460865 ... 893, 895, 897, 899, 901, 903	4460971 ..... 679, 682	
	4460866 ... 871, 873, 875, 877, 879, 881, 883, 885, 887, 889, 891, 967, 971, 979	4460979 .... 929, 931, 943	
	4460868 ..... 967, 971	4461005 ..... 929	
	4460871 ... 289, 929, 931, 933, 943, 967, 971, 979, 1013, 1015	4461006 ..... 929	
	4460872 ..... 967, 971	4461008 .... 929, 936, 939	
	4460873 .... 967, 971, 979	4461042 ..... 925	
	4460874 .... 967, 971, 979	4461052 ..... 929	
	4460875 ..... 967, 971	4461053 ..... 929	
	4460876 .... 967, 971, 979	4461054 .... 929, 939, 945	
	4460877 ..... 967, 971	4461060 ..... 929	
	4460878 ..... 967, 971	4461070 ..... 867, 929	
	4460879 ..... 711, 979	4461071 ..... 935, 939	
	4460880 ... 931, 933, 943, 975, 977	4461073 .... 929, 935, 939	
	4460884 ... 711, 931, 939, 967, 971, 1009, 1015	4461077 ..... 1001, 1007	
	4460887 ... 711, 929, 931, 933, 943, 967, 971, 979	4461095 .... 867, 929, 935	
	4460888 ..... 979	4461157 .... 929, 931, 943	
	4460891 ... 193, 289, 603, 605, 867, 925, 933, 936, 945, 1015	4461196 ..... 981, 983	
		4461197 ..... 983	
		4461198 .... 829, 981, 983	
		4461199 ..... 985, 987	
		4461200 ..... 987	
		4461201 .... 835, 985, 987	
		4461203 ..... 991	
		4461205 ... 989, 991, 993, 995	
		4461206 ..... 995	
		4461244 .... 841, 989, 991	
		4461245 .... 847, 993, 995	
		4461246 .... 853, 997, 999	

## SECTION 11 - SPECIAL OPTIONS

605, 611, 652, 657, 659, 661, 663	526, 533, 537, 541, 564, 568, 572, 649, 651, 677, 682, 687, 689, 693, 701, 703, 705, 707, 869, 871, 873, 877, 879, 881, 883, 887, 889, 1020, 1024, 1028, 1032, 1036, 1040, 1044, 1048, 1052, 1056, 1060, 1064, 1068, 1072, 1076, 1080, 1084, 1088	845, 847, 849, 851, 853, 855	4892600001 ..... 575, 585 4921829 ..... 512 4921955 ..... 965 4922566 ... 871, 875, 877, 893 4922567 ... 881, 885, 887, 891, 897 4922569 ... 871, 875, 877, 881, 885, 887, 891, 901 4922641 ... 505, 508, 512, 515, 534, 539, 542, 547, 551 4922660 ... 871, 875, 877, 881, 885, 887, 891, 975 4922666 ..... 651, 865 4922741 ..... 963 4922874 ..... 823 4922875 ..... 871 4922876 ..... 871, 881 4922877 ..... 823 4922878 ..... 881 4922925 ... 534, 538, 541, 545, 549 4923379 ..... 312, 316 4923445 ..... 512, 949 4923595 .... 883, 889, 899 4923596 ... 873, 879, 883, 889, 903 4923597 ... 873, 879, 883, 889, 977 4923600 ..... 883 4923601 ..... 873, 883 5240800 ... 335, 351, 377, 411, 423 5241000 ..... 444 5241200 .... 444, 549, 585 5250605 ..... 449, 451 5250810 ..... 411, 423 5251008 ..... 587 5251010 ..... 377 5251016 ..... 357, 587 5260600 ..... 449, 451 5261000 ..... 357 5271720 ..... 743 5272010 ..... 446 70000044 ..... 319 70000123 ..... 515 70000342 ..... 579 70000345 ..... 320, 399 70000619. 534, 538, 541, 545, 549 70000781 ..... 39 70000795 ..... 49 70000797 ..... 51 70000800 ..... 320 70000863. 533, 537, 541, 545, 550 70000912 ..... 319 70000913 ..... 319 70000914 ..... 319 70000915 ..... 319 70000916 ..... 319 70000917 ..... 319 70000918 ..... 319 70000919 ..... 319 70001002 ..... 319 70001020 ..... 119, 123
4711700 ... 335, 351, 376, 382, 389, 411, 423, 507, 511	475150067, 69, 119, 121, 123, 125, 127, 229, 232, 236, 240, 244, 248, 252, 256, 260, 264, 268, 335, 351, 376, 383, 389, 411, 423, 505, 507, 515, 521, 529, 537, 701, 703, 705, 707, 871, 873, 875, 877, 879, 881, 883, 885, 887, 889, 891	4811600 ..... 303, 515 4811700 .... 130, 134, 138, 142, 145, 150, 154, 158, 162, 166, 170, 173, 177, 197, 199, 444, 449, 451, 511, 549, 617, 619, 621, 627, 639, 643, 679, 682 4811702 .... 335, 351, 376, 383, 389, 411, 423, 449 4811900 .... 335, 351, 376, 383, 389, 411, 423, 438, 444, 449, 451, 869 481902 .... 335, 351, 377, 383, 389, 411, 423, 444, 449, 451 4812000 .... 323, 327, 335, 339, 343, 351, 361, 365, 377, 383, 389, 403, 411, 415, 423, 438, 444, 449, 451, 501, 511, 587 4812002 .... 121, 125, 127, 444, 453 4812100 .... 323, 327, 335, 339, 343, 351, 357, 361, 365, 377, 383, 389, 403, 411, 415, 423, 449, 451, 503, 587 4812200 .... 312, 316, 335, 351, 377, 383, 389, 411, 423, 491, 493, 511 4831400 ..... 191 4844816 ..... 575, 577 4844817 ..... 575, 577 4844958 ..... 91 4846295 ..... 71 4846296 ..... 71 4846435 ..... 575, 577 4846553 .... 589, 591, 593, 595, 597, 599 4846558 .... 589, 591, 593, 595, 597, 599 4846673 ..... 705, 707 4860224 ..... 55 4860225 ..... 57, 59 4871200 ..... 207 4871700 ..... 550 4891500 .... 129, 137, 149, 153, 157, 161, 165, 169, 377, 511 4891600 .... 93, 237, 241, 244, 249, 265, 269, 499, 564, 568, 572, 575, 585 4891800 ... 39, 41, 43, 305, 307, 309, 331, 335, 347, 351, 369, 371, 373, 377, 383, 389, 407, 411, 419, 423, 441, 499, 501, 507, 525, 529, 541, 545 4892000 .... 39, 41, 43, 85, 87, 279 4892200 .... 23, 25, 27, 29	475150067, 69, 119, 121, 123, 125, 127, 229, 232, 236, 240, 244, 248, 252, 256, 260, 264, 268, 335, 351, 376, 383, 389, 411, 423, 505, 507, 515, 521, 529, 537, 701, 703, 705, 707, 871, 873, 875, 877, 879, 881, 883, 885, 887, 889, 891 4751600 ... 63, 65, 75, 77, 107, 109, 111, 119, 123, 197, 199, 209, 211, 213, 215, 217, 219, 221, 223, 225, 229, 232, 233, 236, 240, 244, 248, 252, 256, 260, 264, 268, 271, 273, 275, 277, 285, 293, 295, 299, 303, 312, 316, 323, 327, 335, 339, 343, 351, 357, 361, 365, 376, 383, 389, 403, 411, 415, 423, 485, 491, 493, 505, 515, 518, 526, 603, 605, 649, 682, 687, 689, 693, 861, 863 4751800 .... 93, 281, 283, 293, 295, 299, 303, 323, 327, 331, 339, 343, 347, 357, 361, 365, 369, 371, 373, 403, 407, 415, 419, 441, 645, 647, 701, 703, 705, 707 4752000 ... 293, 295, 299, 303, 323, 327, 339, 343, 357, 361, 365, 403, 415, 438 4760600 ..... 817, 819 4761400 ..... 677 4761600 ..... 285 4770600 ..... 499, 501 4791400 ... 312, 316, 517, 521, 525, 529, 533, 537, 541, 545 4811400 ... 191, 193, 195, 197, 711, 825, 827, 829, 831, 833, 835, 837, 839, 841, 843,
4711800 . 95, 97, 99, 101, 103, 105, 107, 109, 111, 376, 499, 501, 517, 522, 533, 538, 557, 559, 645, 647	4712000 ... 657, 659, 661, 663, 695, 697, 699		
4712200 .... 695, 697, 699			
4740036 ..... 71			
4740057 ..... 81			
4740076 ..... 228, 232			
4740119 ..... 499			
4740155 ..... 35, 37			
4740256 .... 31, 33, 35, 37			
4740274 ... 312, 316, 491, 493			
4740362 ..... 649			
4740397 ... 129, 133, 137, 141, 145, 149, 153, 157, 161, 165, 169, 173, 177, 505, 515			
4740439 ..... 575, 577			
4740444 ... 129, 133, 137, 141, 145, 149, 153, 157, 161, 165, 169, 173, 177			
4740463 .... 31, 33, 35, 37			
4740472 ... 21, 23, 25, 27, 29			
4740473 .... 31, 33, 35, 37			
4740492 ..... 555, 557			
4740500 ..... 229, 233			
4740518 ... 129, 133, 137, 141, 145, 149, 153, 157, 161, 165, 169, 173, 177			
4750400 ... 382, 389, 411, 423			
4750800 ..... 63			
4751000 ... 71, 95, 97, 99, 101, 103, 105, 107, 109, 111, 199, 228, 229, 232, 233, 505, 511, 515, 522, 529, 534, 538, 541, 545, 549, 651, 679, 682			
4751400 ..... 65, 129, 133, 137, 141, 145, 149, 153, 157, 161, 165, 169, 173, 177, 209, 211, 213, 215, 217, 219, 221, 223, 228, 232, 236, 237, 240, 241, 244, 248, 249, 252, 256, 260, 264, 265, 268, 269, 271, 273, 275, 277, 305, 307, 309, 331, 335, 347, 351, 369, 371, 373, 376, 383, 389, 407, 411, 419, 423, 438, 441, 517, 521,			

## SECTION 11 - SPECIAL OPTIONS

70001100..533, 537, 541, 545, 550	70002745..... 735	70004282 ..... 399	70005008..... 446, 1101
70001181.....320	70002748 ..... 735	70004287 ..... 319	70005172.....397
70001248.....93	70002749 ..... 735	70004289 ..... 320	70005173.....397
70001384..533, 537, 541, 545, 550	70002751 ..... 735	70004328 ..... 603, 605	70005177.....398
70001424.....685	70002814 ..... 113	70004329 ..... 461	70005181.....398
70001425.....685	7000283 ..... 47	70004331 ..... 461	70005184.....398
70001427.....685	70002838 ..... 113, 115	70004332 ..... 461	70005188.....398
70001428.....685	70002839 ..... 113, 115	70004333 ..... 461	70005189.....398
70001429.....685	7000284 ..... 47	70004336 ..... 461	70005191.....399
70001430.....685	70002842 ..... 715, 717	70004337 ..... 461	70005433..... 729, 731
70001431.....685, 1100	7000289 ..... 47	70004338 ..... 461	70005458.....461
70001432.....685, 1102	70002902 ..... 655	70004340 ..... 461	70005459.....461
70001435.....319	70002903 ..... 655	70004342 ..... 461	70005460.....461
70001499.....603, 605	70002904 ..... 655	70004343 ..... 461	70005461.....461
70001663.....285	70002905 ..... 655	70004344 ..... 461	70005462.....461
70001696...533, 537, 549	70002948 ..... 281, 283	70004345 ..... 461	70005463.....461
70001697.....579	70003022 ..... 79	70004346 ..... 461	70005464.....461
7000180.....398	70003136 ..... 319	70004347 ..... 461	70005465.....461
70001835.....319	70003454 ..... 93	70004348 ..... 461	70005527.....399
70001836.....319	70003464 ..... 319	70004349 ..... 461	70005647.....399
70001837.....319	70003465 ..... 319	70004350 ..... 461	70005648..... 399, 1101
70001841.....319	70003466 ..... 319	70004351 ..... 461	70005663..... 1109
70001844.....320	70003472 ..... 319	70004352 ..... 461	70005708..... 113, 1100
70001850.....319	70003475 ..... 319	70004381 ..... 735	70005725..... 79
70001866.....319	70003478 ..... 319	70004382 ..... 735	70005839..... 739, 741
70001868.....319	70003612 ..... 119, 123	70004413 ..... 107	70005871... 719, 721, 725
70001870.....319, 397	70003631 . 533, 537, 541, 546, 549	70004414 .. 101, 103, 105	70005916..... 320
70001871.....319	70003636 ..... 723, 727	70004501 ..... 398	70005917.....320
70001872.....320	70003708 . 517, 521, 525, 529, 533, 537, 542, 546, 550	70004505 ..... 397	70005920.....397
70001953...533, 537, 550	70003709 . 517, 521, 525, 529, 533, 537, 542, 546, 550	70004506 ..... 397	70005922.....397
70001954.....463	70003784 ..... 651	70004507 ..... 397	70005923.....398
70001955.....463	70003788 ... 79, 607, 609, 1100	70004508 ..... 397	70005924.....398
70001956.....463	70003789 ..... 79, 1100	70004509 ..... 397	70005926.....398
70001957.....463	70003921 ..... 589, 591	70004510 ..... 397	70005928.....398
70001966..517, 521, 525, 529, 533, 537, 542, 546, 549, 550	70003922 ..... 589, 591	70004511 ..... 398	70005929.....398
70001973..533, 537, 542, 546, 550	70003935 ..... 41, 43	70004513 ..... 398	70005931.....398
70001974..533, 537, 542, 546, 550	70003936 ..... 41, 43	70004515 ..... 398	70005932.....399
70002088...533, 537, 550	70003998 ..... 119, 123	70004570 ..... 79	70005933.....399
70002097.603, 605, 1101	70004020 312, 316, 1100	70004571 ..... 79	70005934.....399
70002112..... 113, 115	70004056 ..... 319	70004572 ..... 79	70005938.....397
70002200.....319	70004058 ..... 319, 1100	70004573 ..... 79	70005942.....397
70002231.....75, 77, 1101	70004060 ..... 319	70004574 ..... 79	70005942.....397
70002234.....319	70004092 . 517, 521, 525, 529, 542, 546	70004575 ..... 79	70006093..... 541, 546
7000224.....47	70004094 ..... 542, 546	70004576 ..... 79	70006094..... 542, 546
70002291.....542, 546	70004098 . 521, 530, 542, 546	70004577 ..... 79	70006095.542, 546, 1100
70002297..533, 537, 541, 546, 550	70004099 . 525, 529, 541, 546	70004578 ..... 79, 609	70006096.....542, 546
70002373...719, 721, 725	70004120 ..... 733	70004579 ..... 79	70006097.....542, 546
70002386....79, 607, 609, 1100	70004169 .. 533, 537, 550	70004580 ..... 79	70006134.....449
7000239.....47	70004171 . 517, 521, 533, 537, 550	70004581 ..... 79	70006135.....449
70002390.....39	70004183 ..... 459	70004582 ..... 607, 609	70006136.....449
7000240.....47	70004199 ..... 113, 115	70004676 . 517, 521, 525, 529	70006144.....397
70002415.....320	70004266 ..... 119, 123	70004677 ..... 517	70006145.....455
70002416.....320	70004267 ..... 119, 123	70004678 . 517, 521, 525, 529	70006147.....455
70002417.....320	70004272 ..... 319	70004679 . 517, 521, 525, 529	70006150.....455
70002460..533, 537, 542, 546, 549	70004276 ..... 399	70004681 ..... 517, 525	70006151.....455
7000265.....45	70004277 ..... 399	70004682 . 517, 521, 525, 530	70006152.....455
70002718.....320, 397	70004280 ..... 320, 397	70004683 ..... 517, 525	70006153.....455
70002744.....735		70004684 ..... 521	70006154.....455
		70004685 ..... 521, 530	70006155..... 455, 1101
		70004686 ..... 525	70006157.....455
		70004687 ..... 529	70006158.....455
		70004795 ..... 113, 115	70006159.....455
			70006160.....455
			70006161.....455
			70006162.....455
			70006163.....455
			70006164.....455
			70006165.....455

## SECTION 11 - SPECIAL OPTIONS

70006166	455	70006653	399	70007795	467	70008191	729
70006167	455	70006673	47	70007796	467	70008192	729
70006168	455	70006674	47	70007797	467	70008497	469
70006169	455	70006675	47	70007798	467	70008498	469
70006170	455	70006676	47	70007799	467	70008500	469
70006171	455, 1101	70006677	47	70007800	467	70008501	469
70006172	455, 1101	70006678	47	70007801	467	70008502	469
70006173	455	70006680	47	70007802	467	70008504	469
70006174	455	70006684	47	70007847	53	70008505	469
70006175	455, 1101	70006685	47	70007848	53	70008511	469
70006176	455, 1101	70006690	47	70007849	53	70008600	469
70006177	455	70006691	47	70007850	53	70008601	469
70006178	455	70006692	47	70007851	53	70008602	469
70006179	455	70006832	47	70007852	53	70009020	438
70006180	455	70006833	47	70007853	53	7001928	47
70006181	455	70006893	723	70007854	53	70022563	719, 721
70006182	455	70006899	733	70007855	53	70022564	719, 721, 725, 729, 731
70006183	455	70006900	727	70007856	53	70023379	739, 741
70006184	455	70006930	727	70007857	53	70023380	729
70006185	455	70006931	727	70007858	53	70023592	411, 423, 1100, 1101
70006186	455	70006932	727	70007859	53	70023593	411, 423, 1100, 1101
70006187	455	70006933	727	70007860	53	70024441	115
70006188	455	70006934	727	70007861	53	70024484	399
70006189	455	70006935	723	70007862	53	70024488	397
70006191	455	70006936	723	70007863	53	70024494	397
70006194	455	70006937	723	70007864	53	70024502	398
70006195	455	70006938	723	70007865	53	70024507	399
70006196	456	70006939	723	70007866	53	70024509	399
70006197	456	70006940	733	70007867	53	70024513	397
70006198	456	70006941	397, 733	70007868	53	70024517	397
70006199	456	70006942	733	70007869	53	70024904	397
70006200	456	70006943	733	70007870	53	70024905	397
70006202	456	70006944	733	70007871	53	70024906	397
70006203	456	70006945	733	70007872	53	70024915	399
70006205	456	70006947	733	70007873	53	70024917	399
70006206	456	70006948	717	70007874	53	70024918	399
70006207	456	70006949	717	70007875	53	70024920	398, 399
70006208	456	7000695	320	70007876	53	70024922	399
70006213	456, 1101	70006964	737	70007877	53	70024924	397
70006215	456	70006965	737	70007878	53	70024925	397
70006217	456	70006966	737	70007970	721	70024961	397
70006219	456	70006967	737	70007971	719, 721	70025077	399
70006221	456	70006968	737	70007972	719, 721	70025082	319, 320, 397
70006225	456	70006969	737	70007973	721	70025084	398
70006232	456	70007108	456	70007974	721	70025101	398
70006233	455	70007276	731	70007975	741	70025107	398
70006235	456	70007277	731	70007976	741	70025109	398
70006236	456	70007278	729, 731	70007977	739, 741	70025111	397
70006264	397	70007279	731	70007978	741	70025112	398
70006265	397	70007280	731	70007979	741	70025115	398
70006266	397	70007281	731	70007980	739, 741	70025120	399
70006403	487, 489	70007282	729, 731	70007981	739, 741	70025124	398
70006404	487, 489	70007283	731	70007982	739, 741	70025130	399
70006405	487, 489	70007423	729	70007983	739, 741	70025132	399
70006406	487, 489	70007725	115	70008080	739	70025133	398
70006407	487, 489	70007726	115, 1100	70008081	739	70025135	397
70006408	487, 489	70007727	115	70008082	739	70025139	397
70006409	487, 489	70007785	467	70008175	725	70025140	397
70006410	487, 489	70007786	467	70008176	725	70025142	398
70006460	446, 1101	70007787	467	70008177	725	70025144	397
70006461	446	70007788	467	70008178	725	70025145	397
70006552	517, 522, 525, 529	70007789	467	70008179	725	70025146	397
70006553	517, 522, 525, 529, 1101	70007790	467	70008186	719	70025148	398
70006596	725, 729	70007791	467	70008187	719	70025151	398
70006652	399	70007792	467	70008188	729		
		70007793	467	70008189	729		
		70007794	467	70008190	729		

## SECTION 11 - SPECIAL OPTIONS

70025152.....397	7012903..... 79	7020465..... 319, 397	7024485.... 533, 537, 549,
70025153..... 1100, 1101	7012907..... 79	7020468..... 319	1100
70025154.....397	7012925.... 559, 729, 731	7020471..... 320	7024488.... 534, 538, 541,
70025155.....398	7012941..... 75, 77	7020479..... 319	545, 549
70025158.....398	7012943... 559, 729, 731,	7020492..... 398	7024489.... 534, 538, 541,
70025161..... 1100, 1101	1100	7021249..... 49, 51	545, 549
70025164.....399	7012944..... 75, 77, 1100	7021275..... 49, 51, 464	7024508..... 741
70025175.....398	7012953..... 607, 609	7021276..... 51	7024530..... 685
70025179..... 398, 399	7012955..... 607, 609	7021277..... 49, 51	7024531..... 685
70025180.....398	7012967..... 607, 609	7021612..... 79	7024532..... 685
70025181.....397	7012989..... 607, 609	7021625..... 39, 41, 43	7024533..... 685
70025182.....398	7012995..... 607, 609	7021639..... 41, 43	7024534..... 685
70025183.....398	7012998..... 79	7021653..... 79, 609	7024535..... 685
70025184.....398	7016314..... 107	7022162..... 455	7024536..... 685
70025185.....398	7016328..... 319, 1100	7022302..... 49, 51	7024537..... 685
70025192.....399	7016331. 319, 397, 1100,	7022305..... 49, 51	7024579..... 320, 397
70025200.....398	1101	7022310..... 51	7024598..... 499, 501
70025203.....398	7016654..... 1109	7022311..... 49, 51, 464	7024782..... 47
70025210..... 398, 1100,	7016655..... 1109	7022312..... 51	7024844..... 39
1101	7017028..... 47	7022313..... 49	7024854..... 51
70025212..... 399	7017047..... 47	7022314..... 49, 51, 464	7024862..... 49
70025231..... 399	7017051..... 45	7022318..... 463	7024864..... 464
70025233..... 399	7017052..... 45	7022326..... 49, 51	7024866..... 464
70025235.....398	7017053..... 45	7022328..... 49, 51	7024867..... 49, 463
70025239.....398	7017054..... 45	7022368..... 49, 51	7024868..... 51, 463
70025240.....398	7017055..... 45	7022371..... 49, 51	7024871..... 49
70025477..... 399	7017056..... 45	7022372..... 51	7024881..... 39, 41, 43
70025660.....397	7017057..... 45	7022397..... 39, 41, 43	7026188.... 533, 537, 549
70025733.....399	7017058..... 45	7022399..... 39, 41, 43	7026197..... 93
70025752..... 320	7017082..... 47	7023907..... 51	7026199.... 505, 507, 511
70025753..... 320	7017142..... 579	7023908..... 51	7026503..... 93
70026210.....399	7017159..... 579	7023910..... 49, 51	7026504..... 93
70026287..... 729, 731	7017162..... 579	7023917..... 41, 43	7026505..... 93
70026995.....399	7017163..... 579	7023919.... 559, 729, 731	7026506..... 93
70027750..... 731	7017164..... 579	7023922..... 607, 609	7026507..... 93
70028185.....397	7017172..... 579	7023923.... 559, 729, 731	7026509..... 93
7002821..... 1109	7017192..... 579	7023925..... 79	7026597.... 533, 537, 542,
7002822..... 1109	7017195..... 579	7023927.... 729, 731, 733	546, 549
7002823..... 1109	7017402..... 79, 607, 609	7023933..... 39, 41, 43	7026626.... 533, 537, 542,
7002826..... 1109	7017406..... 39	7023947..... 463	546, 550
70028538..... 398, 399	7017422..... 79	7023948..... 463	7026632..... 285
70028802..... 398	7017446..... 607, 609	7023949..... 463	7026633..... 285
70029468..... 731	7017451... 559, 729, 731,	7023950..... 463	7026634..... 285
7004275..... 1109	1100	7023951..... 463	7026635..... 285
7004276..... 1109	7017452..... 79, 607, 609	7023952..... 463	7026636..... 285
7004906..... 461	7017492..... 39	7023956..... 463	7026637..... 285
7004907..... 461	7017496..... 79	7023957..... 463	7026638..... 285, 1102
7004908..... 461	7019680.... 505, 507, 511	7023958..... 463	7026639..... 285
7007415..... 463, 464	7020043. 95, 97, 99, 101,	7023960..... 463	7026640..... 285
7007437..... 49, 51	103, 105, 109, 111	7023961..... 463	7026641..... 286
7007438..... 49, 51	7020108... 505, 507, 511,	7023962..... 463	7026642..... 286
7007439..... 49, 51	515	7023964..... 463, 464	7026643..... 286
7007446..... 49, 51	7020109... 505, 507, 511,	7023965..... 463	7026644..... 286
7007974..... 719	515	7023966..... 464	7026645..... 286
7010404..... 45	7020110... 505, 507, 511,	7023967..... 464	7026646..... 286
7010405..... 45	515	7023982.... 559, 729, 731	7026647..... 286
7010406..... 45	7020111... 505, 507, 511,	7023984..... 609	7026648..... 286
7010543..... 75, 77, 79	515	7023985..... 79	7026649..... 286
7011112.... 719, 721, 723	7020175... 129, 133, 137,	7024149..... 47	7026650..... 286
70124410..... 320	141, 145, 165, 169	7024151..... 47	7026651..... 285
70124440..... 320	7020176... 129, 133, 137,	7024154..... 47	7026652..... 285
7012513.... 505, 507, 511,	141, 145, 165, 169,	7024190..... 47	7026653..... 285
515	1100	7024191..... 47	7026654..... 285
7012514.... 505, 507, 511,	7020190... 505, 507, 511,	7024404..... 93	7026655..... 285
515	515	7024441..... 113	7026656..... 285
7012518..... 607, 609	7020403..... 319	7024469..... 1102	7026658..... 286
7012558.... 505, 507, 511	7020408..... 319	7024471..... 685	7026659..... 285



## SECTION 11 - SPECIAL OPTIONS

7026660 .....	285	7027790 .....	319	8307109.....	444	8406201 ...	323, 327, 339,
7026661 .....	285	7027791 .....	319	8310070.....	237, 241, 244,	343, 361, 365, 377,	
7027053 ....	293, 295, 300	7027792 .....	319	248, 252, 256, 260,		403, 415, 438, 446	
7027084 ...	323, 327, 339,	7027795 .....	320, 1100	265, 268		8410001 .....	445
343, 357, 361, 365,		7027796 .....	320	8310129.....	695, 697, 699	8410009 .....	446
403, 415, 438		7027799 ...	533, 537, 542,	8310548.....	444	8410011 ...	335, 351, 377,
7027085 ...	323, 327, 339,	546, 549		83304173.....	113, 115	383, 389, 411, 423, 445	
343, 357, 361, 365,		7027887 ...	505, 507, 511,	8405006.....	323, 327, 339,	8410013 ...	323, 327, 335,
403, 415, 438		515		343, 357, 361, 365,		339, 343, 351, 357,	
7027086 ...	323, 327, 339,	77143013 .	129, 133, 137,	403, 415, 429, 431,		361, 365, 377, 383,	
343, 357, 361, 365,		141, 145, 149, 153,		433, 444, 487		389, 403, 411, 415, 423	
403, 415, 438		157, 161, 165, 169,		8405007.....	335, 351, 377,	85031405 .....	377
7027087 ...	323, 327, 339,	173, 177		383, 389, 411, 423		8580420 .....	65
343, 357, 361, 365,		77363233 .....	953	8405009.....	107, 109, 111,	85941018 .....	438
403, 415		80344004 .....	47	335, 351, 377, 383,		88261024.....	603, 605
7027088 ...	323, 327, 339,	80484084 .....	935, 939	389, 411, 423, 444		88411013.....	869
343, 357, 361, 365,		80934561 .....	93	8405102.....	444	88521205 .	119, 121, 123,
404, 415, 438		80983191935, 940, 1100,		8405104.....	335, 351, 377,	125, 127	
7027092 ....	293, 295, 299	1101		383, 389, 411, 423, 444		88521214 .	657, 659, 661,
7027093 ....	293, 295, 300	8220051 .....	945	8405203.....	444	663	
7027094 ....	293, 295, 300	8220115 .....	935	8405204.....	377	88662327 .	780, 784, 788,
7027095 ....	293, 296, 300	8220164 .....	927	8406102.....	293, 295, 299,	812	
7027236 .....	319	8229242 ...	935, 940, 967,	303, 323, 327, 335,		8896941 .....	1109
7027276 .....	319	971, 1100, 1101		339, 343, 351, 357,		91164057 .....	79
7027404 .....	456	8229249 ..	711, 979, 1101	361, 365, 383, 389,		91164059 .....	79
7027740 .....	49	8270147 ...	293, 295, 300,	403, 411, 415, 423		91164079 .....	79
7027741 .....	49	323, 327, 339, 343,		8406109.....	335, 351, 377,	91203039.....	587
7027781 .....	281, 283	357, 361, 365, 403,		383, 389, 411, 423, 445		91401281.....	119, 121
7027782 .....	281, 283	415, 438		8406110.....	335, 351, 377,	91403102384, 389, 1100,	
7027783 .....	281, 283	8273291 .....	446	383, 389, 411, 423		1101	
7027784 .....	281, 283	8305401 .....	444			SEE NOTE .....	739



**Corporate Office  
JLG Industries, Inc.  
1 JLG Drive  
McConnellsburg, PA 17233-9533 USA**  
☎ **(717) 485-5161 (Corporate)**  
☎ **(877) 554-5438 (Customer Support)**  
📠 **(717) 485-6417**

**Visit our website for JLG Worldwide Locations.  
[www.jlg.com](http://www.jlg.com)**



**OSHKOSH™**