



Illustrated Parts Manual

800S HC3, 860SJ HC3

PVC 2407

3122324300

July 1, 2024 - Rev A

ANSI  **CE** 
AS/NZS

English (en-US)

REVISION LOG

July 1, 2024 - A - Original Issue of Manual (Edited to B/M 1001256860 Revision W)

GENERAL INFORMATION

SECTION 6 CYLINDER

FIGURE 6-3. LIFT CYLINDER ASSEMBLY

PG# Model Designation Manual #

SECTION 6 CYLINDER

FIGURE 6-3. LIFT CYLINDER ASSEMBLY

ITEM #	PART NUMBER	QTY	DESCRIPTION	REV
	1001140104	Ref	LIFT CYLINDER ASSEMBLY	B
1	0100011	AR	Compound, Locking	
2	0630305	3	Capscrew 1/4-20 x 1-1/8	
3	0791003	1	Screw #10-24 x 3/8	
4	0961897	1	Bushing, Tapered	
5	1320136	1	Clamp, Cable	
6	1683063	1	Head	
7	2220683	1	Plug, O-Ring	
8	2220685	2	Plug, O-Ring	
9	2220686	1	Plug, O-Ring	
10	3020039	AR	Lubricant	
11	3480282	1	Piston	
12	3760371	1	Ring, Washer	
13	3931420	8	Capscrew 1/4-20 x 1-1/4	
14	3931824	8	Capscrew 1/2-13 x 1-1/2	
15	3951003	1	Setscrew #10-24 x 3/8	
16	4100099	1	Spacer	
17	4640999	1	Cartridge, Holding Valve (Non Vented)	
17	2900792	1	Kit, Seal - 4640999 Cartridge Valve	
18	4641248	1	Cartridge, Countebalance Valve (Non Vented)	
18	70004186	1	Kit, Seal - 4641248 Cartridge Valve	
19	1001117991	1	Sensor, Cylinder Length	
20	1001118070	1	Cap, Retainer	
21	1001119084	1	Barrel	
21A	0961950	2	Bushing	
22	1001118086	1	Rod	
22A	0961950	2	Bushing	
100	1001139996	1	Kit, Seal (Includes Items 101-109)	
101	See Note	2	Ring, Wear (Note: Use p/n 1001139996)	
102	See Note	1	Ring, Back-Up (Note: Use p/n 1001139996)	
103	See Note	2	Ring, Lock (Note: Use p/n 1001139996)	
104	See Note	2	Ring, Back-Up (Note: Use p/n 1001139996)	
105	See Note	2	O-Ring (Note: Use p/n 1001139996)	
106	See Note	1	O-Ring (Note: Use p/n 1001139996)	
107	See Note	1	Seal (Note: Use p/n 1001139996)	
108	See Note	1	Wiper, Rod (Note: Use p/n 1001139996)	
109	See Note	2	Seal (Note: Use p/n 1001139996)	
200	1001119105	1	Kit, Sensor Magnet (Includes Items 201-203)	
201	See Note		Sleeve, Spacer (Note: Use p/n 1001119105)	
202	1001118066		Magnet, Sensor	
203	1001118069	1	Ring, Internal Retaining	

Manual # Model Designation PG#

1) MACHINE IDENTIFICATION

Machines are identified by model and in some cases a combination of models, serial number (SN) or regional standard (i.e ANSI, CE, CSA). Components may also be identified by SN or manufacturer. Common components that may be identified by these characteristics are engines and hydraulic components.

2) PARTS MANUAL ORGANIZATION

Product information in this manual is organized under section titles. Frame, Cylinder, Hydraulic and Electrical are a few examples. Each section is organized by figure and page number. The information within the Figure is then organized by item number, part number, description and corresponding illustration (s).

3) TABLE OF CONTENTS (NOT SHOWN)

A table of contents is found toward the beginning of the manual. Figure number, description and page number are provided for quick reference to the page containing the related information.

4) RECOMMENDED SPARE PARTS (NOT SHOWN)

The Recommended Spare Parts List, located near the end of the manual, reference most frequently used maintenance parts.

5) PART NUMBER INDEX (NOT SHOWN)

A numerical index listing all part numbers and the corresponding page number(s) appears at the back of the manual.

GENERAL INFORMATION

6) NON-SERVICED PARTS

In some instances, it is necessary to display non-serviced parts, assemblies or installations. In the case of assemblies and installations there will be a Ref in the Qty. column. In case of parts that are not available for service within assemblies or components, there will be a NSS (Not Sold Separately) or NLA (No Longer Available) listed in the Qty. column of the manual.

7) PARTS LIST ITEM NUMBERS

Numbers shown in the item# column correspond to numbers used in the associated illustration (s). Item numbers which are missing from the sequence in the parts list are not used on that page.

8) INDENTED PARTS DESCRIPTION

An indented part description is included in the item under which it is indented.

9) ABBREVIATION AND SYMBOLS

AC.....	Alternating Current	L.....	Liter
ADE.....	Advanced Design Electronics	LB(LBS).....	Pounds
AG.....	Agricultural	LCD.....	Liquid Crystal Display
ANSI.....	American National Standards Institute	LED.....	Light Emitting Diodes
AR.....	As Required	LH.....	Left Hand
ASSY.....	Assembly	LRC.....	Low Rated Countries
AUS.....	Australia	LSS.....	Load Sensing System
AUX.....	Auxiliary	M(m).....	Metric/Meter
AWG.....	American Wire Gauge	MM(mm).....	Milimeter
B/M.....	Bill of Material	mA.....	Miliamps
CAC.....	Charge Air Cooler	NLA.....	No Longer Available
CE.....	European Conformity	NPT.....	National Pipe Threads
CCW.....	Counter Clockwise	NSS.....	Not Sold Separately
CM.....	Centimeter	OD.....	Outside Diameter
CW.....	Clockwise	ORB.....	O-Ring Boss
CSA.....	Canadian Standards Association	ORFS.....	O-Ring Face Seal
CYL.....	Cylinder	OZ (oz).....	Ounces
DIA.....	Diameter	PG.....	Page
DC.....	Direct Current	PN.....	Part Number
DEF.....	Diesel Exhaust Fluid	QT(qt.).....	Quarts
EMS.....	Emergency Stop	QTY.....	Quantity
ENG.....	Engine	REF.....	Reference
FT(ft).....	Feet	REV.....	Revision Level
GA(Ga).....	Gauge	RH.....	Right Hand
HRC.....	High Rated Countries	SAE.....	Society of Automotive Engineers
HVAC.....	Heating, Ventilating, and Air Conditioning	SN.....	Serial Number
HYD.....	Hydraulic	SPEC(S).....	Specifications
Hz.....	Hertz	T/T.....	Turntable
ID.....	Inside Diameter	UGM.....	Universal Ground Module
IN.....	inches	V.....	Volts
ISO.....	International Organization for Standards	W.....	Watts
JIC.....	Joint Industry Council	#.....	Number
KG.....	Kilogram		

10) ILLUSTRATION REFERENCE LETTERS

When necessary, illustrations may contain reference letters that are intended to track information (i. e. hoses, harnesses) from one point to another or to track visual enlargement of components to show details that may be located in another area on the illustration.

Note: Due to continuous product improvements, JLG Industries, Inc. reserves the right to make specification changes without prior notification. Contact JLG Industries, Inc. for updated information.

TABLE OF CONTENTS

SECTION 1 - FRAME.....	19
FIGURE 1-1. AXLE INSTALLATION - FIXED (WITHOUT TOW PACKAGE)	20
FIGURE 1-2. AXLE INSTALLATION - OSCILLATING (WITHOUT TOW PACKAGE) (MACHINES WITH SN STARTING WITH 03)	22
FIGURE 1-3. AXLE INSTALLATION - OSCILLATING (WITHOUT TOW PACKAGE) (MACHINES WITH SN STARTING WITH B3)	24
FIGURE 1-4. AXLE INSTALLATION - OSCILLATING (WITH TOW PACKAGE) (MACHINES WITH SN STARTING WITH 03) ...	26
FIGURE 1-5. AXLE INSTALLATION - OSCILLATING (WITH TOW PACKAGE) (MACHINES WITH SN STARTING WITH B3)...	28
FIGURE 1-6. STEERING INSTALLATION - WITHOUT TOW PACKAGE (MACHINES WITH SN STARTING WITH 03)	30
FIGURE 1-7. STEERING INSTALLATION - WITHOUT TOW PACKAGE (MACHINES WITH SN STARTING WITH B3).....	32
FIGURE 1-8. STEERING INSTALLATION - WITH TOW PACKAGE (MACHINES WITH SN STARTING WITH 03).....	34
FIGURE 1-9. STEERING INSTALLATION - WITH TOW PACKAGE (MACHINES WITH SN STARTING WITH B3).....	36
FIGURE 1-10. WHEEL DRIVE AND FRAME VALVES INSTALLATION - 2WD	38
FIGURE 1-11. WHEEL DRIVE AND FRAME VALVES INSTALLATION - 4WD (SN STARTING WITH 03)	40
FIGURE 1-12. WHEEL DRIVE AND FRAME VALVES INSTALLATION - 4WD (SN STARTING WITH B3).....	42
FIGURE 1-13. HUB ASSEMBLY - NON-DRIVE	44
FIGURE 1-14. DRIVE HUB/BRAKE ASSEMBLY	46
FIGURE 1-15. DRIVE MOTOR ASSEMBLY - 2WD	48
FIGURE 1-16. DRIVE MOTOR ASSEMBLY - 4WD (SN STARTING WITH 03).....	50
FIGURE 1-17. DRIVE MOTOR ASSEMBLY - 4WD (SN STARTING WITH B3).....	52
FIGURE 1-18. TIRE & WHEEL INSTALLATION - 15-625 NHS FOAM-FILLED.....	54
FIGURE 1-19. TIRE AND WHEEL INSTALLATION 18-625 NHS FOAM-FILLED TIRE.....	56
FIGURE 1-20. TIRE AND WHEEL INSTALLATION 18-625 NHS FOAM-FILLED NON-MARKING TIRE	58
FIGURE 1-21. TIRE AND WHEEL INSTALLATION 18-22.5 NHS FOAM-FILLED NON-MARKING TIRE	60
FIGURE 1-22. LP TANK BRACKETS INSTALLATIONS.....	62
FIGURE 1-23. TOW PACKAGE INSTALLATION (ENGLISH DECALS).....	64
FIGURE 1-24. TOW PACKAGE INSTALLATION (FRENCH/ENGLISH DECALS).....	66
FIGURE 1-25. TOW BAR ASSEMBLY.....	68
FIGURE 1-26. FRAME SHIELDS INSTALLATION.....	70
SECTION 2 - TURNTABLE.....	73
FIGURE 2-1. CONTROL VALVES INSTALLATION (800S HC3)	74
FIGURE 2-2. CONTROL VALVES INSTALLATION (860SJ HC3)	76
FIGURE 2-3. MAIN CONTROL VALVE ASSEMBLY.....	78
FIGURE 2-4. SWING DRIVE INSTALLATION	80
FIGURE 2-5. SWING MOTOR/HUB ASSEMBLY.....	82
FIGURE 2-6. TURNTABLE BEARING INSTALLATION	84
FIGURE 2-7. REMOTE BEARING LUBE INSTALLATION.....	86
FIGURE 2-8. TURNTABLE LOCK INSTALLATION.....	88
FIGURE 2-9. ROTARY COUPLING INSTALLATION	90
FIGURE 2-10. ROTARY COUPLING INSTALLATION (MACHINES WITH SN STARTING WITH B3)	92
FIGURE 2-11. ROTARY COUPLING INSTALLATION (MACHINES WITH SN STARTING WITH B3)	94
FIGURE 2-12. TANK INSTALLATION - GAS ENGINES (HELGESEN 25 GAL HYDRAULIC TANK WITH 6IN DIA BREATHER) 96	
FIGURE 2-13. TANK INSTALLATION - GAS ENGINES (47.8 GAL CAPACITY HYDRAULIC TANK).....	98
FIGURE 2-14. TANK INSTALLATION - DIESEL ENGINES (HELGESEN 25 GAL HYDRAULIC TANK WITH 6IN BREATHER) 100	

TABLE OF CONTENTS

FIGURE 2-15. TANK INSTALLATION - DIESEL ENGINES (JIANGYING 25 GAL HYDRAULIC TANK WITH 4IN DIA BREATHER)	102
FIGURE 2-16. TANK INSTALLATION - DIESEL ENGINES (47.8 GAL CAPACITY HYDRAULIC TANK)	104
FIGURE 2-17. HYDRAULIC TANK ASSEMBLY (MACHINES WITH SN STARTING WITH 03)	106
FIGURE 2-18. HYDRAULIC TANK ASSEMBLY (MACHINES WITH SN STARTING WITH B3)	108
FIGURE 2-19. HYDRAULIC TANK ASSEMBLY (47.8 GAL CAPACITY HYDRAULIC TANK)	110
FIGURE 2-20. AUXILIARY PUMP WITH BATTERY WITHOUT BATTERY DISCONNECT SWITCH INSTALLATION (SN STARTING WITH 03)	112
FIGURE 2-21. AUXILIARY PUMP WITH BATTERY WITHOUT BATTERY DISCONNECT SWITCH INSTALLATION (SN STARTING WITH B3)	114
FIGURE 2-22. AUXILIARY PUMP WITH BATTERY WITH BATTERY DISCONNECT SWITCH INSTALLATION (SN STARTING WITH 03)	116
FIGURE 2-23. AUXILIARY PUMP WITH BATTERY WITH BATTERY DISCONNECT SWITCH INSTALLATION (SN STARTING WITH B3)	118
FIGURE 2-24. GROUND CONTROL BOX ASSEMBLY - WITH DEUTZ D2011 - WITH MECHANICAL HOUR METER (ANSI EXPORT (LRC) AND AUSTRALIAN SPECS)	120
FIGURE 2-25. GROUND CONTROL BOX ASSEMBLY - WITH DEUTZ TD2.9L4 - WITH MECHANICAL HOUR METER (ANSI, ANSI EXPORT (HRC), CSA AND JAPANESE SPECS)	124
FIGURE 2-26. GROUND CONTROL BOX ASSEMBLY - WITH DEUTZ TD2.9L4 (STAGE V) (CE & UK CA SPECS)	128
FIGURE 2-27. GROUND CONTROL BOX ASSEMBLY - WITH FORD DF 2.5L - WITH MECHANICAL HOUR METER (ANSI, ANSI EXPORT (LRC & HRC) AND CSA SPECS)	132
FIGURE 2-28. GROUND CONTROL BOX ASSEMBLY - WITH DEUTZ D2011 - WITH MECHANICAL HOUR METER (ANSI EXPORT (LRC) AND AUSTRALIAN SPECS) WITH TILT SENSOR	136
FIGURE 2-29. GROUND CONTROL BOX ASSEMBLY - WITH DEUTZ D2011 (CE & UK CA SPECS) WITH TILT SENSOR	140
FIGURE 2-30. GROUND CONTROL BOX ASSEMBLY - 860SJ HC3 WITH DEUTZ D2011 (HIGH TEMP MARKETS) (ANSI EXPORT (LRC), UK CA (LRC) & AUSTRALIAN SPECS)	144
FIGURE 2-31. GROUND CONTROL BOX ASSEMBLY - WITH DEUTZ TD2.9L4 - WITH MECHANICAL HOUR METER (ANSI, ANSI EXPORT (HRC), ANSI EXPORT (LRC WITH SN B3), CSA, JAPANESE, AUSTRALIAN (SN B3), RUSSIAN (SN B3) AND CHINA SPECS) WITH TILT SENSOR	148
FIGURE 2-32. GROUND CONTROL BOX ASSEMBLY - WITH DEUTZ TD2.9L4 (STAGE V) (CE & UK CA SPECS) WITH TILT SENSOR	152
FIGURE 2-33. GROUND CONTROL BOX ASSEMBLY - WITH FORD DF 2.5L - WITH MECHANICAL HOUR METER (ANSI, ANSI EXPORT (LRC & HRC), AUSTRALIAN AND CSA SPECS)	156
FIGURE 2-34. GROUND CONTROL BOX ASSEMBLY - WITH DEUTZ TD2.9L4 (UNR96) ENGINE (860SJ HC3)	160
FIGURE 2-35. GROUND CONTROL BOX ASSEMBLY - WITH DEUTZ TD2.9L4 (UNR96) ENGINE (800S HC3)	164
FIGURE 2-36. LIGHT PANEL INSTALLATION (MACHINES WITH SN STARTING WITH 03) (CE & UK CA SPEC MACHINES WITH SN STARTING WITH B3)	168
FIGURE 2-37. LIGHT PANEL INSTALLATION (ALL SPEC EXCEPT CE & UK CA SPEC MACHINES WITH SN STARTING WITH B3)	170
FIGURE 2-38. ALARM INSTALLATION	172
FIGURE 2-39. EXHAUST STACK INSTALLATION - STEEL HOOD (DEUTZ D2011 ENGINES)	174
FIGURE 2-40. EXHAUST STACK INSTALLATION - STEEL HOOD (DEUTZ TD2.9L4 ENGINES) (MACHINES WITH SN STARTING WITH 03)	176
FIGURE 2-41. EXHAUST STACK INSTALLATION - STEEL HOOD (DEUTZ TD2.9L4 ENGINES) (MACHINES WITH SN STARTING WITH B3)	178
FIGURE 2-42. EXHAUST STACK INSTALLATION - STEEL HOOD (DEUTZ TD2.9L4 (STAGE V) ENGINES) (MACHINES WITH SN STARTING WITH 03)	180
FIGURE 2-43. EXHAUST STACK INSTALLATION - STEEL HOOD (DEUTZ TD2.9L4 (STAGE V) ENGINES) (MACHINES WITH SN STARTING WITH B3)	182
FIGURE 2-44. EXHAUST STACK INSTALLATION - STEEL HOOD WITH HOSTILE ENVIRONMENT MACHINES (DEUTZ TD2.9L4 ENGINES) (MACHINES WITH SN STARTING WITH 03)	184

TABLE OF CONTENTS

FIGURE 2-45. EXHAUST STACK INSTALLATION - STEEL HOOD WITH HOSTILE ENVIRONMENT MACHINES (DEUTZ TD2.9L4 ENGINES) (MACHINES WITH SN STARTING WITH B3).....	186
FIGURE 2-46. EXHAUST STACK INSTALLATION - STEEL HOOD (FORD DF 2.5L ENGINES)	188
FIGURE 2-47. HOODS INSTALLATION - ABS (DEUTZ D2011 ENGINES)	190
FIGURE 2-48. HOODS INSTALLATION - STEEL (DEUTZ D2011 ENGINES)	194
FIGURE 2-49. HOODS INSTALLATION - ABS (DEUTZ TD2.9L4 (STAGE V) ENGINES) (CE & UK CA SPECS)	198
FIGURE 2-50. HOODS INSTALLATION - STEEL (DEUTZ TD2.9L4 AND DEUTZ TD2.9L4 (STAGE V) ENGINES) (MACHINES WITH SN STARTING WITH 03)	202
FIGURE 2-51. HOODS INSTALLATION - STEEL (DEUTZ TD2.9L4 (STAGE V) ENGINES) (MACHINES WITH SN STARTING WITH B3).....	206
FIGURE 2-52. HOODS INSTALLATION - STEEL (DEUTZ TD2.9L4 ENGINES) (MACHINES WITH SN STARTING WITH B3)	210
FIGURE 2-53. HOODS INSTALLATION - STEEL WITH HOSTILE ENVIRONMENT MACHINES (DEUTZ TD2.9L4 ENGINES) (MACHINES WITH SN STARTING WITH 03)	214
FIGURE 2-54. HOODS INSTALLATION - STEEL WITH HOSTILE ENVIRONMENT MACHINES (DEUTZ TD2.9L4 ENGINES) (MACHINES WITH SN STARTING WITH B3).....	218
FIGURE 2-55. HOODS INSTALLATION - STEEL (FORD DF 2.5L ENGINES).....	222
FIGURE 2-56. HOOD ASSEMBLY - ENGINE SIDE REAR (DEUTZ TD2.9L4 ENGINES).....	226
FIGURE 2-57. HOOD ASSEMBLY - ENGINE SIDE REAR (DEUTZ TD2.9L4 (STAGE V) ENGINES).....	228
FIGURE 2-58. HOOD ASSEMBLY - TANK SIDE REAR (DEUTZ TD2.9L4 AND DEUTZ TD2.9L4 (STAGE V) ENGINES)	230
FIGURE 2-59. LIFTING PLATE INSTALLATION.....	232
FIGURE 2-60. SKYAIR AIR COMPRESSOR INSTALLATION (DEUTZ D2011 AND FORD DF 2.5L ENGINES)	234
FIGURE 2-61. SKYAIR AIR COMPRESSOR INSTALLATION (DEUTZ TD2.9L4 ENGINES).....	236
FIGURE 2-62. AIR COMPRESSOR ASSEMBLY	238
FIGURE 2-63. STROBE LIGHT INSTALLATION (AMBER) (ALL SPECS EXCEPT CHINA SPEC)	242
FIGURE 2-64. STROBE LIGHT INSTALLATION (AMBER) (CHINA SPEC)	244
FIGURE 2-65. STROBE LIGHT INSTALLATION (BLUE).....	246
FIGURE 2-66. STROBE LIGHT INSTALLATION (RED)	248
FIGURE 2-67. WHITE NOISE ALARM INSTALLATION - AMBIENT.....	250
FIGURE 2-68. WHITE NOISE ALARM INSTALLATION - CONSTANT.....	252
FIGURE 2-69. WHITE NOISE ALARM HARNESS.....	254
SECTION 3 - ENGINE	257
FIGURE 3-1. DEUTZ D2011 ENGINE INSTALLATION (WITHOUT ARCTIC PACKAGE).....	258
FIGURE 3-2. DEUTZ D2011 ENGINE INSTALLATION (WITH ARCTIC PACKAGE)	260
FIGURE 3-3. DEUTZ D2011 ENGINE INSTALLATION - (WITH ARCTIC PACKAGE) (WITH 47.8 GAL CAPACITY HYDRAULIC TANK).....	264
FIGURE 3-4. DEUTZ D2011 ENGINE INSTALLATION (HIGH TEMP MARKETS).....	268
FIGURE 3-5. DEUTZ D2011 ENGINE/PUMP SUB ASSEMBLY (WITHOUT ARCTIC PACKAGE)	270
FIGURE 3-6. DEUTZ D2011 ENGINE/PUMP SUB ASSEMBLY (WITH ARCTIC PACKAGE).....	272
FIGURE 3-7. DEUTZ D2011 ENGINE AND PUMP SUB-ASSEMBLY - (WITH ARCTIC PACKAGE) (WITH 47.8 GAL CAPACITY HYDRAULIC TANK)	274
FIGURE 3-8. DEUTZ D2011 ENGINE ASSEMBLY (WITHOUT ARCTIC PACKAGE)	276
FIGURE 3-9. DEUTZ D2011 ENGINE ASSEMBLY (WITH ARCTIC PACKAGE)	280
FIGURE 3-10. DEUTZ D2011 ENGINE COMPONENTS	284
FIGURE 3-11. DEUTZ TD 2.9L4 (UN R96) ENGINE INSTALLATION - WITHOUT ARCTIC PACKAGE (WITH PLASTIC HOODS)	288
FIGURE 3-12. DEUTZ TD 2.9L4 (UN R96) ENGINE INSTALLATION - WITHOUT ARCTIC PACKAGE (WITH STEEL HOODS)	292

TABLE OF CONTENTS

FIGURE 3-13. DEUTZ TD 2.9L4 (UN R96) ENGINE AND PUMP SUB-ASSEMBLY - WITHOUT ARCTIC PACKAGE (WITH STEEL HOODS).....	296
FIGURE 3-14. DEUTZ TD 2.9L4 (UN R96) ENGINE ASSEMBLY - WITHOUT ARCTIC PACKAGE	298
FIGURE 3-15. DEUTZ TD 2.9L4 (UN R96) ENGINE INSTALLATION - WITH ARCTIC PACKAGE (WITH PLASTIC HOODS) ..	304
FIGURE 3-16. DEUTZ TD 2.9L4 (UN R96) ENGINE INSTALLATION - WITH ARCTIC PACKAGE (WITH STEEL HOODS)	308
FIGURE 3-17. DEUTZ TD 2.9L4 (UN R96) ENGINE AND PUMP SUB-ASSEMBLY - WITH ARCTIC PACKAGE (WITH STEEL HOODS).....	312
FIGURE 3-18. DEUTZ TD 2.9L4 (UN R96) ENGINE ASSEMBLY - WITH ARCTIC PACKAGE	314
FIGURE 3-19. DEUTZ TD2.9L4 (UN R96) ENGINE COMPONENTS.....	320
FIGURE 3-20. DEUTZ TD2.9L4 (STAGE V) ENGINE INSTALLATION	322
FIGURE 3-21. DEUTZ TD2.9L4 (STAGE V) ENGINE INSTALLATION	326
FIGURE 3-22. DEUTZ TD2.9L4 (STAGE V) ENGINE AND PUMP SUB-ASSEMBLY.....	330
FIGURE 3-23. DEUTZ TD2.9L4 ENGINE AND PUMP SUB-ASSEMBLY (CHINA IV ENGINES).....	332
FIGURE 3-24. DEUTZ TD2.9L4 ENGINE INSTALLATION (CHINA III)	334
FIGURE 3-25. DEUTZ TD2.9L4 ENGINE INSTALLATION (CHINA IV ENGINES).....	338
FIGURE 3-26. DEUTZ TD2.9L4 ENGINE/PUMP SUB ASSEMBLY (STAGE V)	342
FIGURE 3-27. DEUTZ TD2.9L4 ENGINE/PUMP SUB ASSEMBLY (CHINA III).....	344
FIGURE 3-28. DEUTZ TD2.9L4 ENGINE/PUMP SUB ASSEMBLY (CHINA IV)	346
FIGURE 3-29. DEUTZ TD2.9L4 ENGINE ASSEMBLY (STAGE V)	348
FIGURE 3-30. DEUTZ TD2.9L4 ENGINE ASSEMBLY (CHINA III ENGINES)	354
FIGURE 3-31. DEUTZ TD2.9L4 ENGINE ASSEMBLY (CHINA IV)	360
FIGURE 3-32. DEUTZ ENGINE CHINA IV	366
FIGURE 3-33. DEUTZ TD2.9L4 ENGINE COMPONENTS (STAGE V).....	368
FIGURE 3-34. DEUTZ TD2.9L4 ENGINE COMPONENTS (CHINA III ENGINES)	370
FIGURE 3-35. DEUTZ TD2.9L4 ENGINE COMPONENTS (CHINA IV ENGINES).....	374
FIGURE 3-36. DEUTZ D2.9L4 - EMR5 ENGINE INSTALLATION WITH ARCTIC PACKAGE	376
FIGURE 3-37. DEUTZ D2.9L4 - EMR5 ENGINE AND PUMP SUB-ASSEMBLY WITH ARCTIC PACKAGE	380
FIGURE 3-38. ENGINE ASSEMBLY - DEUTZ D2.9L4 EMR5 ENGINE (WITH ARCTIC PACKAGE)	382
FIGURE 3-39. DEUTZ D2.9L4 - EMR5 ENGINE INSTALLATION WITHOUT ARCTIC PACKAGE.....	388
FIGURE 3-40. DEUTZ D2.9L4 - EMR5 ENGINE AND PUMP SUB-ASSEMBLY WITHOUT ARCTIC PACKAGE	392
FIGURE 3-41. ENGINE ASSEMBLY - DEUTZ D2.9L4 EMR5 ENGINE (WITHOUT ARCTIC PACKAGE	394
FIGURE 3-42. ENGINE COMPONENTS - DEUTZ D2.9L4 EMR5 ENGINE	400
FIGURE 3-43. FUEL PUMP/FILTER BRACKET ASSEMBLY (DEUTZ TD2.9L4 ENGINES).....	402
FIGURE 3-44. FUEL PUMP/FILTER BRACKET ASSEMBLY (DEUTZ TD2.9L4 (STAGE V) ENGINES).....	404
FIGURE 3-45. FUEL PUMP/FILTER BRACKET ASSEMBLY (DEUTZ TD2.9L4 ENGINES) (CHINA III & CHINA IV ENGINES)	406
FIGURE 3-46. BREATHER HEATER INST (DEUTZ TD2.9L4 ENGINES)	408
FIGURE 3-47. FORD ENGINE INSTALLATION (WITHOUT ARCTIC PACKAGE).....	410
FIGURE 3-48. FORD ENGINE AND PUMP SUB-ASSEMBLY (WITHOUT ARCTIC PACKAGE)	414
FIGURE 3-49. FORD ENGINE ASSEMBLY (WITHOUT ARCTIC PACKAGE).....	416
FIGURE 3-50. FORD ENGINE PREP ASSEMBLY	422
FIGURE 3-51. FORD ENGINE BRACKETS AND EXHAUST MANIFOLD INSTALLATION	424
FIGURE 3-52. FORD ENGINE DRIVE BELT INSTALLATION (MACHINES WITHOUT GENERATOR).....	426
FIGURE 3-53. FORD ENGINE COMPONENTS	428
FIGURE 3-54. PUMP COUPLING KIT (DEUTZ ENGINES).....	432
FIGURE 3-55. HYDROSTATIC PUMP ASSEMBLY	434
FIGURE 3-56. VARIABLE PUMP ASSEMBLY (ALL ENGINES EXCEPT DEUTZ TD2.9L4 (STAGE V))	436

TABLE OF CONTENTS

FIGURE 3-57. HYDROSTATIC PUMP ASSEMBLY	438
FIGURE 3-58. VARIABLE PUMP ASSEMBLY (DEUTZ TD 2.9L4 (STAGE V) & CHINA IV ENGINES)	440
FIGURE 3-59. EXHAUST PIPE INSTALLATION - DEUTZ TD2.9L4 ENGINES.....	444
FIGURE 3-60. EXHAUST PIPE INSTALLATION - DEUTZ TD2.9L4 (STAGE V) ENGINES.....	446
FIGURE 3-61. EXHAUST PIPE INSTALLATION - FORD DF 2.5L ENGINES	448
FIGURE 3-62. SPARK ARRESTOR MUFFLER INSTALLATION - DEUTZ D2011 ENGINES	450
FIGURE 3-63. SPARK ARRESTOR INSTALLATION (WITH STEEL HOODS).....	452
FIGURE 3-64. SPARK ARRESTOR INSTALLATION (WITH PLASTIC HOODS)	454
FIGURE 3-65. FUEL-WATER SEPARATOR INSTALLATION - DEUTZ D2011.....	456
FIGURE 3-66. FUEL-WATER SEPARATOR INSTALLATION - DEUTZ TD2.9L4.....	458
FIGURE 3-67. FUEL FILTER ASSEMBLY (DEUTZ TD2.9L4 ENGINES)	460
FIGURE 3-68. RIGHT ENGINE SUPPORT INSTALLATION (DEUTZ D2011 ENGINES MACHINES WITHOUT GENERATORS)	462
FIGURE 3-69. RIGHT ENGINE SUPPORT INSTALLATION (DEUTZ D2011 ENGINES MACHINES WITH GENERATORS)....	464
FIGURE 3-70. ENGINE HOOD BAFFLE INSTALLATION - DEUTZ TD2.9L4 AND DEUTZ 2.9L4 (STAGE V) ENGINES WITH ABS HOODS	466
FIGURE 3-71. ENGINE HOOD BAFFLE INSTALLATION - DEUTZ TD2.9L4 AND DEUTZ 2.9L4 (STAGE V) ENGINES WITH STEEL HOODS	468
FIGURE 3-72. ENGINE TRAY JACK INSTALLATION - DEUTZ ENGINES	470
FIGURE 3-73. ENGINE TRAY JACK INSTALLATION - FORD ENGINES.....	472
FIGURE 3-74. QUICKFIT OIL DRAIN VALVE (DEUTZ ENGINES).....	474
FIGURE 3-75. 2500W/220V/50HZ GENERATOR INSTALLATION - DEUTZ D2011 ENGINES.....	476
FIGURE 3-76. 2500W/110V/60HZ GENERATOR INSTALLATION - DEUTZ D2011 ENGINES.....	478
FIGURE 3-77. 2500W/110V/60HZ GENERATOR INSTALLATION - DEUTZ TD2.9L4 ENGINES.....	480
FIGURE 3-78. 2500W/110V/60HZ GENERATOR INSTALLATION - FORD ENGINES	484
FIGURE 3-79. 4000W/50HZ GENERATOR INSTALLATION - DEUTZ D2011 ENGINES	488
FIGURE 3-80. 4000W/60HZ GENERATOR INSTALLATION - DEUTZ D2011 ENGINES	492
FIGURE 3-81. 4000W/50HZ GENERATOR INSTALLATION - DEUTZ TD2.9L4 AND DEUTZ TD2.9L4 (STAGE V) ENGINES .	496
FIGURE 3-82. 4000W/60HZ GENERATOR INSTALLATION - DEUTZ TD2.9L4 ENGINES.....	500
FIGURE 3-83. 7500W/50HZ SKYPOWER GENERATOR INSTALLATION - DEUTZ D2011 ENGINES.....	504
FIGURE 3-84. 7500W/60HZ SKYPOWER GENERATOR INSTALLATION - DEUTZ D2011 ENGINES.....	508
FIGURE 3-85. 7500W/50HZ SKYPOWER GENERATOR INSTALLATION - DEUTZ TD2.9L4 AND DEUTZ TD2.9L4 (STAGE V) ENGINES	512
FIGURE 3-86. 7500W/60HZ SKYPOWER GENERATOR INSTALLATION - DEUTZ TD2.9L4 AND DEUTZ TD2.9L4 (STAGE V) ENGINES	516
FIGURE 3-87. 7500W/60HZ SKYPOWER GENERATOR INSTALLATION - FORD DF 2.5L ENGINES.....	520
SECTION 4 - BOOM	525
FIGURE 4-1. BOOM AND CYLINDERS INSTALLATION (800S HC3).....	526
FIGURE 4-2. BOOM AND CYLINDERS INSTALLATION (MACHINES WITH SN STARTING WITH 03) (860SJ HC3).....	528
FIGURE 4-3. BOOM AND CYLINDERS INSTALLATION (MACHINES WITH SN STARTING WITH B3) (860SJ HC3)	530
FIGURE 4-4. MAIN BOOM ASSEMBLY (800S HC3).....	532
FIGURE 4-5. MAIN BOOM ASSEMBLY (MACHINES WITH SN STARTING WITH 03) (860SJ HC3).....	536
FIGURE 4-6. MAIN BOOM ASSEMBLY (MACHINES WITH SN STARTING WITH B3) (860SJ HC3)	540
FIGURE 4-7. JIB BOOM ASSEMBLY (860SJ HC3).....	544
FIGURE 4-8. JIB ASSEMBLY (MACHINES WITH SN STARTING WITH B3) (860SJ HC3)	546
FIGURE 4-9. PLATFORM ROTATOR ASSEMBLY (MACHINES WITH SN STARTING WITH B3) (860SJ HC3)	548

TABLE OF CONTENTS

FIGURE 4-10. ROTATOR ASSEMBLY (860SJ HC3)	550
FIGURE 4-11. PLATFORM ROTATOR ASSEMBLY (860SJ HC3)	552
FIGURE 4-12. PLATFORM SUPPORT INSTALLATION	554
FIGURE 4-13. CONTROL VALVE INSTALLATION (800S HC3)	556
FIGURE 4-14. CONTROL VALVE INSTALLATION (860SJ HC3)	558
FIGURE 4-15. PLATFORM VALVE ASSEMBLY (800S HC3)	560
FIGURE 4-16. PLATFORM VALVE ASSEMBLY (860SJ HC3).....	562
FIGURE 4-17. POWER TRACK INSTALLATION - MAIN BOOM (800S HC3).....	564
FIGURE 4-18. POWER TRACK INSTALLATION - MAIN BOOM (860SJ HC3).....	566
FIGURE 4-19. POWER TRACK INSTALLATION - MAIN BOOM (MACHINES WITH SN STARTING WITH B3) (860SJ HC3) ...	568
FIGURE 4-20. POWER TRACK SUPPORT BRACKET INSTALLATION	570
FIGURE 4-21. LIMIT SWITCHES AND COVERS INSTALLATION (800S HC3).....	572
FIGURE 4-22. LIMIT SWITCHES AND COVERS INSTALLATION (860SJ HC3).....	574
FIGURE 4-23. SENSOR ASSEMBLY - LOWER.....	576
SECTION 5 - PLATFORM	579
FIGURE 5-1. PLATFORM ASSEMBLY WITH DROP-BAR - 30IN X 3FT (76CM X 1M)	580
FIGURE 5-2. PLATFORM ASSEMBLY WITH DROP-BAR - 30IN X 4FT (76CM X 1.22M) (SAE MATERIAL).....	582
FIGURE 5-3. PLATFORM ASSEMBLY WITH DROP BAR - 30IN X 4FT (76CM X 1.22M) (METRIC MATERIAL)	584
FIGURE 5-4. PLATFORM ASSEMBLY WITH DROP-BAR - 30IN X 5FT (76CM X 1.52M) (SAE MATERIAL).....	586
FIGURE 5-5. PLATFORM ASSEMBLY WITH DROP BAR - 30IN X 5FT (76CM X 1.52M) (METRIC MATERIAL)	588
FIGURE 5-6. PLATFORM ASSEMBLY WITH DROP-BAR - 36IN X 6FT (91.5CM X 1.83M) (SAE MATERIAL).....	590
FIGURE 5-7. PLATFORM ASSEMBLY WITH DROP BAR - 36IN X 6FT (91.5CM X 1.83M) (METRIC MATERIAL)	592
FIGURE 5-8. PLATFORM ASSEMBLY WITH DROP-BAR - 36IN X 8FT (91.5CM X 2.44M) (SAE MATERIAL).....	594
FIGURE 5-9. PLATFORM ASSEMBLY WITH DROP BAR - 36IN X 8FT (91.5CM X 2.44M) (METRIC MATERIAL)	596
FIGURE 5-10. PLATFORM ASSEMBLY WITH SWING GATE - 30IN X 4FT (76CM X 1.22M) (SAE MATERIAL).....	598
FIGURE 5-11. PLATFORM ASSEMBLY WITH SWING GATE - 30IN X 4FT (76CM X 1.22M) (METRIC MATERIAL)	600
FIGURE 5-12. PLATFORM ASSEMBLY WITH SWING GATE - 30IN X 5FT (76CM X 1.52M) (SAE MATERIAL).....	602
FIGURE 5-13. PLATFORM ASSEMBLY WITH SWING GATE - 30IN X 5FT (76CM X 1.52M) (METRIC MATERIAL)	604
FIGURE 5-14. PLATFORM ASSEMBLY WITH SWING GATE - 36IN X 6FT (91.5CM X 1.83M) (SAE MATERIAL).....	606
FIGURE 5-15. PLATFORM ASSEMBLY WITH SWING GATE - 36IN X 6FT (91.5CM X 1.83M) (METRIC MATERIAL)	608
FIGURE 5-16. PLATFORM ASSEMBLY WITH SWING GATE - 36IN X 8FT (91.5CM X 2.44M) (SAE MATERIAL).....	610
FIGURE 5-17. PLATFORM ASSEMBLY WITH SWING GATE - 36IN X 8FT (91.5CM X 2.44M) (METRIC MATERIAL)	612
FIGURE 5-18. PLATFORM ASSEMBLY WITH 1 GATE / 2 DROP BARS (TRI-ENTRY) - 36IN X 6FT (91.5CM X 1.83M).....	614
FIGURE 5-19. PLATFORM ASSEMBLY WITH 1 GATE / 2 DROP BARS (TRI-ENTRY) - 36IN X 8FT (91.5CM X 2.44M).....	616
FIGURE 5-20. PLATFORM ASSEMBLY WITH 3 DROP BARS (TRI-ENTRY) - 36IN X 6FT (91.5CM X 1.83M).....	618
FIGURE 5-21. PLATFORM ASSEMBLY WITH 3 DROP BARS (TRI-ENTRY) - 36IN X 8FT (91.5CM X 2.44M).....	620
FIGURE 5-22. PLATFORM ASSEMBLY WITH FALL ARREST (6FT)	622
FIGURE 5-23. PLATFORM ASSEMBLY WITH FALL ARREST (8FT)	624
FIGURE 5-24. PLATFORM CONSOLE AND FOOTSWITCH INSTALLATION.....	626
FIGURE 5-25. PLATFORM CONSOLE ASSEMBLY	628
FIGURE 5-26. FOOTSWITCH ASSEMBLY	632
FIGURE 5-27. LIGHT PANEL INSTALLATION (MACHINES WITH SN STARTING WITH 03) (CE & UK CA SPEC MACHINES WITH SN STARTING WITH B3)	634
FIGURE 5-28. LIGHT PANEL INSTALLATION (ALL SPEC EXCEPT CE & UK CA SPEC MACHINES WITH SN STARTING WITH B3).....	636

TABLE OF CONTENTS

FIGURE 5-29. JIB SWITCH INSTALLATION (860SJ HC3).....	638
FIGURE 5-30. SKYEYE INSTALLATION	640
FIGURE 5-31. SKYGUARD BAR INSTALLATION	642
FIGURE 5-32. SKYLINE INSTALLATION	644
FIGURE 5-33. STORAGE TRAY INSTALLATION - CENTER.....	646
FIGURE 5-34. SKYCUTTER INSTALLATION.....	648
FIGURE 5-35. SKYGLAZIER INSTALLATION (UNIVERSAL LANGUAGE) (ANSI, ANSI EXPORT, CSA, AND AUSTRALIAN SPECS)	650
FIGURE 5-36. SKYWELDER/SKYCUTTER COMBO INSTALLATION (60HZ).....	652
FIGURE 5-37. SKYWELDER/SKYCUTTER COMBO INSTALLATION (60HZ).....	654
FIGURE 5-38. PLASMA CUTTER ASSEMBLY.....	656
FIGURE 5-39. SKYWELDER INSTALLATION (50HZ).....	658
FIGURE 5-40. SKYWELDER INSTALLATION (60HZ).....	660
FIGURE 5-41. WELDER ASSEMBLY	662
FIGURE 5-42. WELDER ASSEMBLY (CST282).....	664
FIGURE 5-43. SKYWELDER PREP PACKAGE (60HZ)	666
FIGURE 5-44. SOFT TOUCH SYSTEM INSTALLATION - 6FT/1.83M PLATFORM.....	668
FIGURE 5-45. SOFT TOUCH SYSTEM INSTALLATION - 6FT/1.83M FALL ARREST PLATFORM.....	670
FIGURE 5-46. SOFT TOUCH SYSTEM INSTALLATION - 8FT/2.44M PLATFORM.....	672
FIGURE 5-47. SOFT TOUCH SYSTEM INSTALLATION - 8FT/2.44M FALL ARREST PLATFORM.....	674
FIGURE 5-48. FALL ARREST INSTALLATION (BOLT-ON) (4FT/1.22M PLATFORM)	676
FIGURE 5-49. FALL ARREST INSTALLATION (BOLT-ON) (6FT/1.82M PLATFORM)	678
FIGURE 5-50. FALL ARREST INSTALLATION (BOLT-ON) (8FT/2.4M PLATFORM)	680
FIGURE 5-51. FALL ARREST INSTALLATION (BOLT-ON) (6FT/1.82M TRI-ENTRY PLATFORM)	682
FIGURE 5-52. USB CHARGER INSTALLATION	684
SECTION 6 - CYLINDER.....	687
FIGURE 6-1. AXLE LOCKOUT CYLINDER ASSEMBLY (MACHINES WITH SN STARTING WITH 03).....	688
FIGURE 6-2. AXLE LOCKOUT CYLINDER ASSEMBLY (MACHINES WITH SN STARTING WITH B3)	690
FIGURE 6-3. LEVEL CYLINDER ASSEMBLY (860SJ HC3).....	692
FIGURE 6-4. LEVEL CYLINDER ASSEMBLY - PLATFORM SLAVE (800S HC3)	694
FIGURE 6-5. LIFT CYLINDER ASSEMBLY - JIB (860SJ HC3)	696
FIGURE 6-6. LIFT CYLINDER ASSEMBLY - JIB (860SJ HC3)	698
FIGURE 6-7. LIFT CYLINDER ASSEMBLY - JIB (860SJ HC3)	700
FIGURE 6-8. LIFT CYLINDER ASSEMBLY - MAIN BOOM (800S HC3)	702
FIGURE 6-9. LIFT CYLINDER ASSEMBLY - MAIN BOOM (860SJ HC3).....	704
FIGURE 6-10. STEER CYLINDER ASSEMBLY (MACHINES WITH SN STARTING WITH 03)	706
FIGURE 6-11. STEER CYLINDER ASSEMBLY (MACHINES WITH SN STARTING WITH B3).....	708
FIGURE 6-12. TELESCOPE CYLINDER ASSEMBLY (800S HC3)	710
FIGURE 6-13. TELESCOPE CYLINDER ASSEMBLY (860SJ HC3).....	712
SECTION 7 - HYDRAULIC	715
FIGURE 7-1. HYDRAULIC DIAGRAM - AXLE (OSCILLATING)	716
FIGURE 7-2. HYDRAULIC DIAGRAM - DRIVE (4WD WITHOUT ARCTIC PACKAGE).....	718
FIGURE 7-3. HYDRAULIC DIAGRAM - DRIVE (4WD WITH ARCTIC PACKAGE)	722
FIGURE 7-4. HYDRAULIC DIAGRAM - DRIVE (4WD WITH TOW BAR PACKAGE).....	726

TABLE OF CONTENTS

FIGURE 7-5. HYDRAULIC DIAGRAM - DRIVE (4WD WITH ARCTIC & TOW BAR PACKAGE)	730
FIGURE 7-6. HYDRAULIC DIAGRAM - STANDARD (WITHOUT TOW BAR PACKAGE) (SN STARTING WITH 03) (800S HC3)	734
FIGURE 7-7. HYDRAULIC DIAGRAM - STANDARD (WITHOUT TOW BAR PACKAGE) (SN STARTING WITH 03) (860SJ HC3)	738
FIGURE 7-8. HYDRAULIC DIAGRAM - STANDARD (WITHOUT TOW BAR PACKAGE) (SN STARTING WITH B3) (860SJ HC3)	742
FIGURE 7-9. HYDRAULIC DIAGRAM - STANDARD (WITH TOW BAR PACKAGE) (SN STARTING WITH 03) (800S HC3).....	746
FIGURE 7-10. HYDRAULIC DIAGRAM - DRIVE (4WD WITHOUT ARCTIC PACKAGE)(ANSI, CSA, AND JAPANESE SPECS ONLY)	750
FIGURE 7-11. HYDRAULIC DIAGRAM - DRIVE (4WD WITHOUT ARCTIC PACKAGE)(ANSI, CSA, AND RUSSIAN SPECS ONLY)	754
FIGURE 7-12. HYDRAULIC DIAGRAM - DRIVE (4WD WITH TOWBAR PACKAGE)(ANSI, CSA, AND RUSSIAN SPECS ONLY)	758
FIGURE 7-13. HYDRAULIC DIAGRAM - DRIVE (4WD WITH TOWBAR AND ARCTIC PACKAGE)(ANSI AND CSA SPECS ONLY)	762
FIGURE 7-14. HYDRAULIC DIAGRAM - STANDARD (WITH TOW BAR PACKAGE) (SN STARTING WITH 03) (860SJ HC3)	766
FIGURE 7-15. HYDRAULIC DIAGRAM - STANDARD (WITH TOW BAR PACKAGE) (SN STARTING WITH B3) (860SJ HC3)	770
SECTION 8 - ELECTRICAL.....	775
FIGURE 8-1. AC BOX AT PLATFORM INSTALLATION - 110V GFI RECEPTACLE (ALL SPECS EXCEPT AUSTRALIAN, CE & UK CA SPECS).....	776
FIGURE 8-2. AC BOX AT PLATFORM INSTALLATION - 220V (ANSI, CSA & JAPANESE SPECS).....	778
FIGURE 8-3. AC BOX AT PLATFORM MID-BOOM PLUG INSTALLATION (WITHOUT 7500W SKYPOWER GENERATOR) (ANSI EXPORT, AUSTRALIAN, CE & UK CA SPECS)	780
FIGURE 8-4. AC BOX AT PLATFORM MID-BOOM PLUG INSTALLATION (WITHOUT GENERATOR) (CHINA SPECS)	782
FIGURE 8-5. AC BOX AT PLATFORM INSTALLATION - 110V IEC 60309 YELLOW WITHOUT 2500W GENERATOR (RUSSIAN, CE, & UK CA SPECS).....	784
FIGURE 8-6. AC BOX AT PLATFORM INSTALLATION - 110V IEC 60309 YELLOW WITH 2500W GENERATOR (RUSSIAN, CE & UK CA SPECS).....	786
FIGURE 8-7. AC BOX AT PLATFORM INSTALLATION - 110V IEC YELLOW (RUSSIAN, CE & UK CA SPECS) (MACHINES WITH 4000W GENERATOR).....	788
FIGURE 8-8. AC BOX AT PLATFORM INSTALLATION - 220V IEC BLUE (RUSSIAN, CE & UK CA SPECS) (MACHINES WITH 2500W GENERATOR OR NO GENERATOR OPTION)	790
FIGURE 8-9. AC BOX AT PLATFORM INSTALLATION - 220V IEC 60309 BLUE WITH 2500W GENERATOR (RUSSIAN, CE & UK CA SPECS).....	792
FIGURE 8-10. AC BOX AT PLATFORM INSTALLATION - 220V IEC BLUE (RUSSIAN, CE & UK CA SPECS) (MACHINES WITH 4000W GENERATOR)	794
FIGURE 8-11. AC BOX AT PLATFORM INSTALLATION - 220V CEE7 POST GROUND (RUSSIAN, CE & UK CA SPECS) (MACHINES WITH 2500W GENERATOR OR NO GENERATOR OPTION).....	796
FIGURE 8-12. AC BOX AT PLATFORM INSTALLATION - 220V CEE7 POST GROUND (2X4 BOX) WITH 2500W GENERATOR (RUSSIAN, CE & UK CA SPECS).....	798
FIGURE 8-13. AC BOX AT PLATFORM INSTALLATION - 220V CEE7 POST GROUND (RUSSIAN, CE & UK CA SPECS) (MACHINES WITH 4000W GENERATOR).....	800
FIGURE 8-14. AC BOX AT PLATFORM INSTALLATION - 220V CEE7 SIDE GROUND (RUSSIAN, CE & UK CA SPECS) (MACHINES WITH 2500W GENERATOR OR NO GENERATOR OPTION).....	802
FIGURE 8-15. AC BOX AT PLATFORM INSTALLATION - 220V CEE7 SIDE GROUND (2X4 BOX) WITH 2500W GENERATOR (RUSSIAN, CE & UK CA SPECS).....	804
FIGURE 8-16. AC BOX AT PLATFORM INSTALLATION - 220V CEE7 SIDE GROUND (RUSSIAN, CE & UK CA SPECS) (MACHINES WITH 4000W GENERATOR).....	806
FIGURE 8-17. AC BOX AT PLATFORM INSTALLATION - 220V AFSINT 107 KEYED GROUND (RUSSIAN, CE & UK CA SPECS) (MACHINES WITH 2500W GENERATOR OR NO GENERATOR OPTION).....	808

TABLE OF CONTENTS

FIGURE 8-18. AC BOX AT PLATFORM INSTALLATION - 220V AFSINT 107 KEYED GROUND (2X4 BOX) WITH 2500W GENERATOR (RUSSIAN, CE & UK CA SPECS)	810
FIGURE 8-19. AC BOX AT PLATFORM INSTALLATION - 220V AFSINT 107 KEYED GROUND (RUSSIAN, CE & UK CA SPECS) (MACHINES WITH 4000W GENERATOR)	812
FIGURE 8-20. AC BOX AT PLATFORM INSTALLATION - 220V (2X4 BOX & COVER ONLY - LOCALLY SUPPLIED RECEPTACLE) (4000W GENERATOR)	814
FIGURE 8-21. AC BOX AT PLATFORM INSTALLATION - 240V GFCI RECEPTACLE (ANSI, ANSI EXPORT AND CSA SPECS WITH 4000W SKYPOWER GENERATOR).....	816
FIGURE 8-22. AC BOX AT PLATFORM INSTALLATION - 240V GFCI RECEPTACLE (ANSI AND CSA SPECS WITH 7500W SKYPOWER GENERATOR)	818
FIGURE 8-23. AC CABLE WITH 16 AMP BREAKER INSTALLATION (WITHOUT 7500W SKYPOWER GENERATOR) (CE & UK CA SPECS)	820
FIGURE 8-24. AC CABLE WITH 10 AMP BREAKER INSTALLATION (WITHOUT 7500W SKYPOWER GENERATOR) (CE & UK CA SPECS)	822
FIGURE 8-25. ANALYZER CABLE HARNESS	824
FIGURE 8-26. BATTERY DISCONNECT SWITCH INSTALLATION	826
FIGURE 8-27. BEACON CONTROL HARNESS (BLUE AND RED STROBE LIGHTS).....	828
FIGURE 8-28. BOOM CABLES INSTALLATION - WITHOUT ARCTIC PACKAGE (ALL SPECS) (860SJ HC3).....	830
FIGURE 8-29. BOOM CABLES INSTALLATION - WITH ARCTIC PACKAGE (ANSI, ANSI EXPORT AND CSA SPECS) (860SJ HC3)	832
FIGURE 8-30. BOOM CABLES INSTALLATION - WITH 4000W GENERATOR AND WITHOUT ARCTIC PACKAGE (ANSI, ANSI EXPORT, CSA AND JAPANESE SPECS) (860SJ HC3)	834
FIGURE 8-31. BOOM CABLES INSTALLATION - WITH 7500W GENERATOR AND WITHOUT ARCTIC PACKAGE (ALL SPECS) (860SJ HC3).....	836
FIGURE 8-32. BOOM CABLES INSTALLATION - WITH 7500W GENERATOR AND WITH ARCTIC PACKAGE (ANSI, ANSI EXPOERT AND CSA SPECS) (860SJ HC3).....	838
FIGURE 8-33. BOOM CABLES INSTALLATION - WITHOUT AC CABLES (RUSSIAN AND CHINA SPECS) (860SJ HC3)	840
FIGURE 8-34. BOOM HARNESS - (MAIN BOOM) (WITHOUT ARCTIC PACKAGE) (860SJ HC3)	842
FIGURE 8-35. BOOM HARNESS - (MAIN BOOM) (WITH ARCTIC PACKAGE) (860SJ HC3).....	844
FIGURE 8-36. BOOM HARNESS - (MAIN BOOM) (WITH ARCTIC PACKAGE) (800S HC3)	846
FIGURE 8-37. BOOM CABLE (MAIN BOOM) (WITHOUT ARCTIC PACKAGE).....	848
FIGURE 8-38. BOOM CABLE (TOWER BOOM) (WITHOUT ARCTIC PACKAGE)	850
FIGURE 8-39. BOOM CABLE (TOWER BOOM) (WITHOUT ARCTIC PACKAGE)	852
FIGURE 8-40. BOOM CABLES INSTALLATION - WITHOUT ARCTIC PACKAGE (ALL SPECS EXCEPT AUSTRALIAN SPECS) (800S HC3).....	854
FIGURE 8-41. BOOM CABLES INSTALLATION - WITH ARCTIC PACKAGE (ANSI, ANSI EXPORT AND CSA SPECS) (800S HC3)	856
FIGURE 8-42. BOOM CABLES INSTALLATION - WITH 4000W GENERATOR AND WITHOUT ARCTIC PACKAGE (ANSI, ANSI EXPORT, CSA AND JAPANESE SPECS) (800S HC3)	858
FIGURE 8-43. BOOM CABLES INSTALLATION - WITH 7500W GENERATOR AND WITHOUT ARCTIC PACKAGE (ANSI, ANSI EXPORT, CSA, RUSSIA AND JAPANESE SPECS) (800S HC3)	860
FIGURE 8-44. BOOM CABLES INSTALLATION - WITH 7500W GENERATOR AND WITH ARCTIC PACKAGE (ANSI, ANSI EXPORT AND CSA SPECS) (800S HC3).....	862
FIGURE 8-45. BOOM CABLES INSTALLATION - WITHOUT ARCTIC PACKAGE (ALL SPECS EXCEPT CHINEASE SPECS) (860SJ HC3)	864
FIGURE 8-46. BOOM CABLES INSTALLATION - WITH ARCTIC PACKAGE (ANSI, ANSI EXPORT AND CSA SPECS) (860SJ HC3)	866
FIGURE 8-47. BOOM CABLES INSTALLATION - WITH 4000W GENERATOR AND WITHOUT ARCTIC PACKAGE (ANSI, ANSI EXPORT, CSA AND JAPANESE SPECS) (860SJ HC3)	868
FIGURE 8-48. BOOM CABLES INSTALLATION - WITH 7500W GENERATOR AND WITHOUT ARCTIC PACKAGE (ALL SPECS) (860SJ HC3).....	870

TABLE OF CONTENTS

FIGURE 8-49. BOOM CABLES INSTALLATION - WITH 7500W GENERATOR AND WITH ARCTIC PACKAGE (ANSI, ANSI EXPOERT AND CSA SPECS) (860SJ HC3)	872
FIGURE 8-50. BREAKER BOX KIT - ONE DOUBLE 16AMP BREAKER (CE & UK CA SPECS WITHOUT 7500W GENERATOR)	874
FIGURE 8-51. BREAKER BOX KIT - ONE DOUBLE 16AMP BREAKER (WITH 4000W/50HZ GENERATOR).....	876
FIGURE 8-52. BREAKER BOX KIT - 10 AMP (CE & UK CA SPECS WITHOUT 7500W GENERATOR)	878
FIGURE 8-53. CSB HARNESS.....	880
FIGURE 8-54. CLEARSKY INSTALLATION - 3G CANBUS CONNECTION (ANSI EXPORT, RUSSIAN, CE & UK CA SPECS).....	882
FIGURE 8-55. CLEARSKY INSTALLATION - 3G CANBUS CONNECTION (AUSTRALIAN SPECS)	884
FIGURE 8-56. CLEARSKY INSTALLATION - 4G CANBUS CONNECTION (ANSI & CSA SPECS).....	886
FIGURE 8-57. CLEARSKY INSTALLATION - 4G CANBUS CONNECTION (CHINA SPECS).....	888
FIGURE 8-58. CLEARSKY INSTALLATION 3-WIRE CONNECTION (ALL SPECS EXCEPT UL & CHINA SPECS)	890
FIGURE 8-59. CLEARSKY HARNESS - 3G & 4G CANBUS CONNECTIONS.....	892
FIGURE 8-60. CLEARSKY HARNESS - 3 WIRE CONNECTION.....	894
FIGURE 8-61. ECU POWER JUMPER HARNESS.....	896
FIGURE 8-62. ENGINE HARNESS - DEUTZ D2011 ENGINES (ANSI EXPORT (LRC) AND AUSTRALIAN SPECS)	898
FIGURE 8-63. ENGINE HARNESS - DEUTZ D2011 ENGINES (CE, CHINA & UK CA SPECS)	900
FIGURE 8-64. GROUND CONTROL ENGINE HARNESS - DEUTZ TD2.9L4 (STAGE V) ENGINE	902
FIGURE 8-65. ENGINE HARNESS - DEUTZ TD2.9L4 ENGINES.....	904
FIGURE 8-66. ENGINE HARNESS - DEUTZ TD2.9L4 (STAGE V & CHINA IV) ENGINES (SN STARTING WITH 03 & B300017278 TO PRESENT).....	908
FIGURE 8-67. ENGINE HARNESS - FORD DF 2.5L ENGINES	912
FIGURE 8-68. FUEL PUMP HARNESS - DEUTZ TD2.9L4 ENGINES	914
FIGURE 8-69. FUEL HARNESS - DEUTZ TD2.9L4 (STAGE V) ENGINE.....	916
FIGURE 8-70. GENERATOR TO ENGINE HARNESS - 2500W (FORD ENGINES).....	918
FIGURE 8-71. GENERATOR TO ENGINE HARNESS - 4000W/50HZ (DEUTZ D2011 ENGINES).....	920
FIGURE 8-72. GENERATOR TO ENGINE HARNESS - 4000W/60HZ (DEUTZ ENGINES)	922
FIGURE 8-73. GENERATOR TO ENGINE HARNESS - 4000W/50HZ (DEUTZ TD2.9L4 ENGINES).....	924
FIGURE 8-74. GENERATOR TO ENGINE HARNESS - 7500W SKYPOWER GENERATOR (DEUTZ D2011 ENGINES)	926
FIGURE 8-75. GENERATOR TO ENGINE HARNESS - 7500W SKYPOWER (DEUTZ TD2.9L4 T4F ENGINES)	928
FIGURE 8-76. GENERATOR TO ENGINE HARNESS - 7500W SKYPOWER (FORD DF 2.5L ENGINES).....	930
FIGURE 8-77. GENERATOR TO REAR OF BOOM HARNESS - 110V	932
FIGURE 8-78. GENERATOR TO REAR OF BOOM HARNESS - 220V	934
FIGURE 8-79. GROUND CONTROL BOX HARNESS	936
FIGURE 8-80. GROUND CONTROL BOX HARNESS (ANSI EXPORT (LRC) UK CA (LRC) & AUSTRALIAN SPECS)	940
FIGURE 8-81. HOLDING VALVE/LIFT DUMP HARNESS ASSEMBLY (WITHOUT ARCTIC PACKAGE).....	944
FIGURE 8-82. HOLDING VALVE/LIFT DUMP HARNESS ASSEMBLY (WITH ARCTIC PACKAGE)	946
FIGURE 8-83. PLATFORM CONSOLE BOX HARNESS.....	948
FIGURE 8-84. RECEPTACLE BOX KIT - 110V IEC YELLOW WITHOUT 2500W GENERATOR (CE & UK CA SPECS)	950
FIGURE 8-85. RECEPTACLE BOX KIT - 110V IEC YELLOW WITH 2500W GENERATOR (CE & UK CA SPECS)	952
FIGURE 8-86. RECEPTACLE BOX KIT - 220V IEC BLUE WITHOUT 2500W GENERATOR (CE & UK CA SPECS)	954
FIGURE 8-87. RECEPTACLE BOX KIT - 220V IEC BLUE WITH 2500W GENERATOR (CE & UK CA SPECS).....	956
FIGURE 8-88. RECEPTACLE BOX KIT - 220V CEE7 POST GROUND 2X4 BOX (CE & UK CA SPEC) (WITH 2500W GENERATOR OR NO GENERATOR OPTION)	958
FIGURE 8-89. RECEPTACLE BOX KIT - 220V CEE7 POST GROUND 2X4 BOX (CE & UK CA SPEC) (WITH 2500W GENERATOR)	960

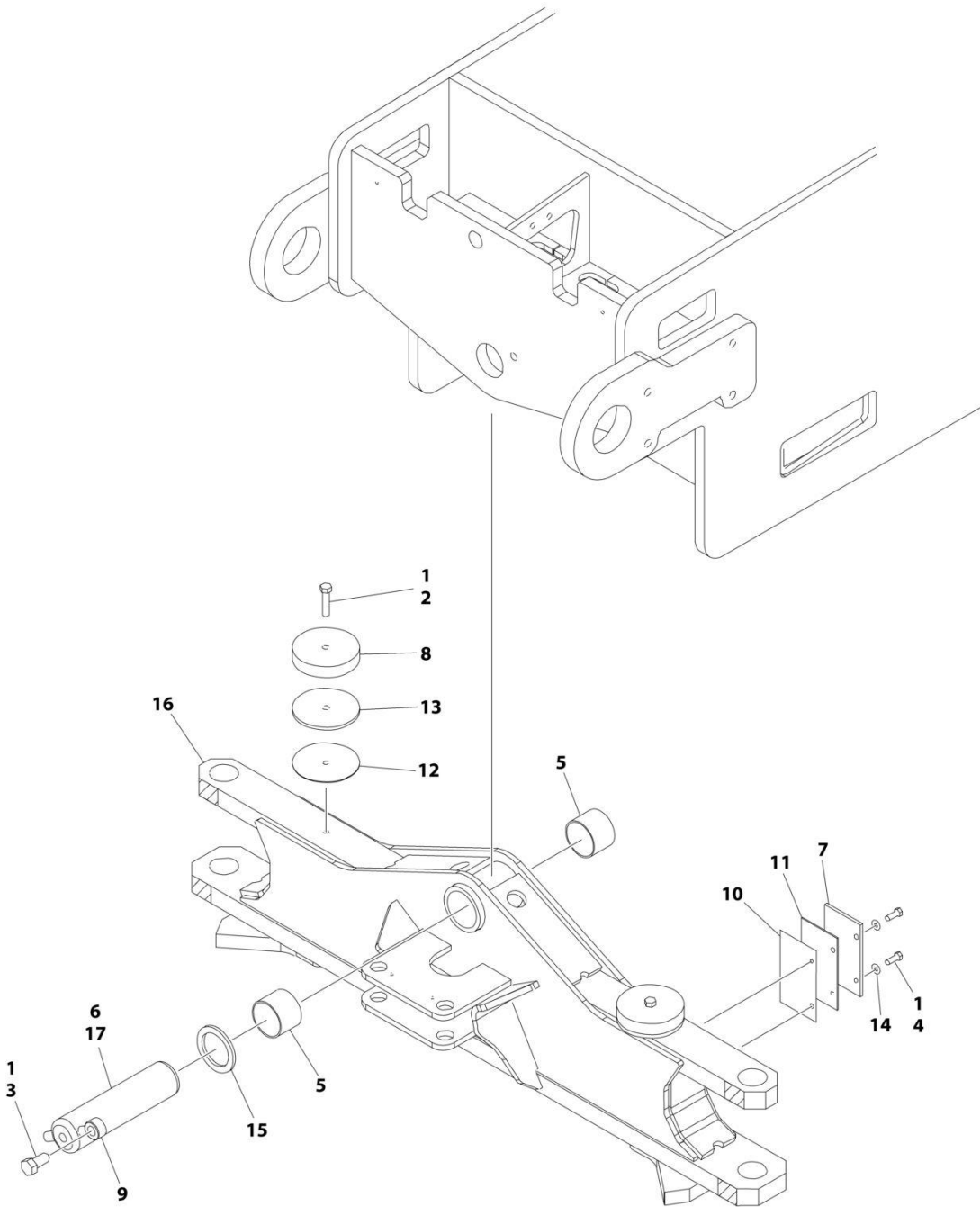
TABLE OF CONTENTS

FIGURE 8-90. RECEPTACLE BOX KIT - 220V CEE7 SIDE GROUND 2X4 BOX (CE & UK CA SPEC) (WITH 2500W GENERATOR OR NO GENERATOR OPTION).....	962
FIGURE 8-91. RECEPTACLE BOX KIT - 220V CEE7 SIDE GROUND 2X4 BOX (CE & UK CA SPEC) (WITH 2500W GENERATOR).....	964
FIGURE 8-92. RECEPTACLE BOX KIT - 220V AFSINT107 KEYED GROUND (CE & UK CA SPECS) (WITH 2500W GENERATOR OR NO GENERATOR OPTION).....	966
FIGURE 8-93. RECEPTACLE BOX KIT - 220V AFSINT107 KEYED GROUND (CE & UK CA SPECS) (WITH 2500W GENERATOR).....	968
FIGURE 8-94. SKYEYE INTERMEDIATE HARNESS.....	970
FIGURE 8-95. SKYEYE RECEIVER HARNESS	972
FIGURE 8-96. SKYEYE EMITTER HARNESS.....	974
FIGURE 8-97. SKYLINE HARNESS.....	976
FIGURE 8-98. SKYGUARD INERFACE HARNESS.....	978
FIGURE 8-99. STROBE LIGHT JUMPER HARNESS.....	980
FIGURE 8-100. TILT SENSOR HARNESS	982
FIGURE 8-101. VALVE HARNESS	984
SECTION 9 - DECALS.....	987
FIGURE 9-1. DECAL INSTALLATION - (ANSI SPECS) (800S HC3).....	988
FIGURE 9-2. DECAL INSTALLATION - (ANSI SPECS) (860SJ HC3).....	992
FIGURE 9-3. DECAL INSTALLATION - (AUSTRALIAN SPECS) (860SJ HC3).....	996
FIGURE 9-4. DECAL INSTALLATION - (BRAZILIAN SPECS) (800S HC3).....	1000
FIGURE 9-5. DECAL INSTALLATION - (BRAZILIAN SPECS) (860SJ HC3).....	1004
FIGURE 9-6. DECAL INSTALLATION - (CE & UK CA SPECS) (860SJ HC3).....	1008
FIGURE 9-7. DECAL INSTALLATION - (CHINESE SPECS) (800S HC3)	1012
FIGURE 9-8. DECAL INSTALLATION - (CHINESE SPECS) (860SJ HC3)	1016
FIGURE 9-9. DECAL INSTALLATION - (CSA SPECS) (800S HC3).....	1020
FIGURE 9-10. DECAL INSTALLATION - (CSA SPECS) (860SJ HC3).....	1024
FIGURE 9-11. DECAL INSTALLATION - (JAPANESE SPECS) (800S HC3)	1028
FIGURE 9-12. DECAL INSTALLATION - (JAPANESE SPECS) (860SJ HC3).....	1032
FIGURE 9-13. DECAL INSTALLATION - (KOREAN SPECS) (800S HC3).....	1036
FIGURE 9-14. DECAL INSTALLATION - (KOREAN SPECS) (860SJ HC3)	1040
FIGURE 9-15. DECAL INSTALLATION - (LATIN AMERICAN SPECS) (800S HC3)	1044
FIGURE 9-16. DECAL INSTALLATION - (LATIN AMERICAN SPECS) (860SJ HC3)	1048
FIGURE 9-17. DECAL INSTALLATION - OPTIONS	1052
FIGURE 9-18. SKYCUTTER DECAL INSTALLATION (ANSI, ANSI EXPORT & CSA SPECS)	1056
FIGURE 9-19. SKYCUTTER DECAL INSTALLATION (JAPANESE SPECS).....	1058
FIGURE 9-20. SKYWELDER DECAL INSTALLATION - 50HZ	1060
FIGURE 9-21. SKYWELDER DECAL INSTALLATION - 60HZ	1062
SECTION 10 - RECOMMENDED SERVICE PARTS STOCK	1065
FIGURE 10-1. RECOMMENDED SERVICE PARTS STOCK	1066
SECTION 11 - SPECIAL OPTIONS/ACCESSORIES/KITS	1069
FIGURE 11-1. SPECIAL OPTIONS/ACCESSORIES/KITS	1070
PART NUMBER INDEX	1077

SECTION 1 - FRAME

SECTION 1 - FRAME

FIGURE 1-1. AXLE INSTALLATION - FIXED (WITHOUT TOW PACKAGE)



ART_1001151037

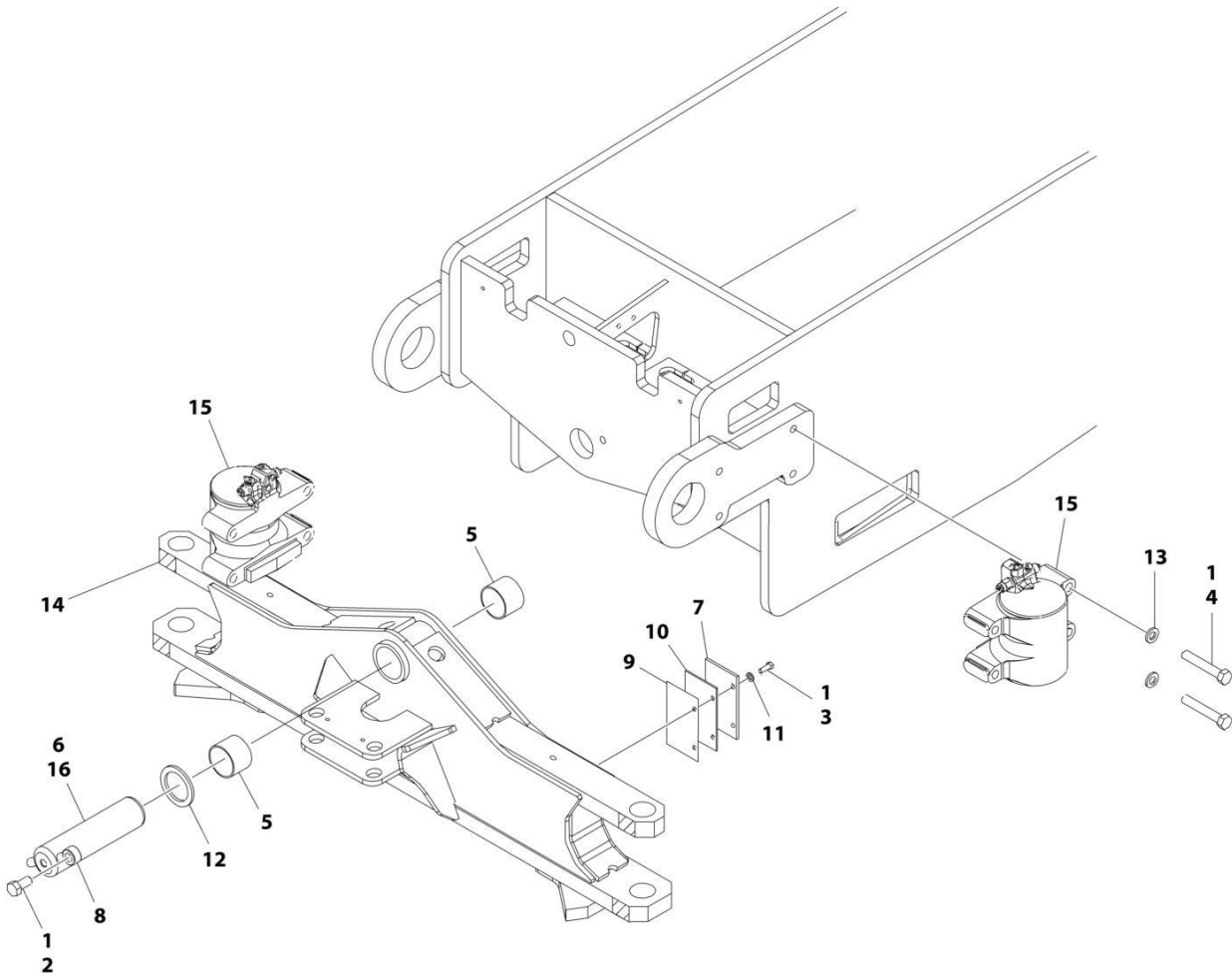
SECTION 1 - FRAME

FIGURE 1-1. AXLE INSTALLATION - FIXED (WITHOUT TOW PACKAGE)

ITEM	PART NUMBER	QTY	DESCRIPTION	REV
	1001151037	Ref	FIXED AXLE INSTALLATION	C
1	0100011	AR	Compound, Locking	
2	0641818	2	Bolt 1/2 x 2-1/4	
3	0642212	1	Bolt 3/4 x 1-1/2	
4	0681608	4	Bolt 3/8 x 1 Grade 8	
5	0962102	2	Bushing	
6	3020039	AR	Lubricant	
7	3538047	2	Shim, Wear	
8	3539877	2	Plate, Stop	
9	3841287	1	Keeper, Pin	
10	4070878	AR	Shim 1/16	
11	4070879	AR	Shim 1/8	
12	4070944	AR	Shim 1/16	
13	4070945	AR	Shim 1/4	
14	4711600	4	Washer 3/8	
15	4740472	1	Washer, Special	
16	1001152719	1	Axle	
17	1001156710	1	Pin	

SECTION 1 - FRAME

FIGURE 1-2. AXLE INSTALLATION - OSCILLATING (WITHOUT TOW PACKAGE) (MACHINES WITH SN STARTING WITH 03)



ART_1001154584

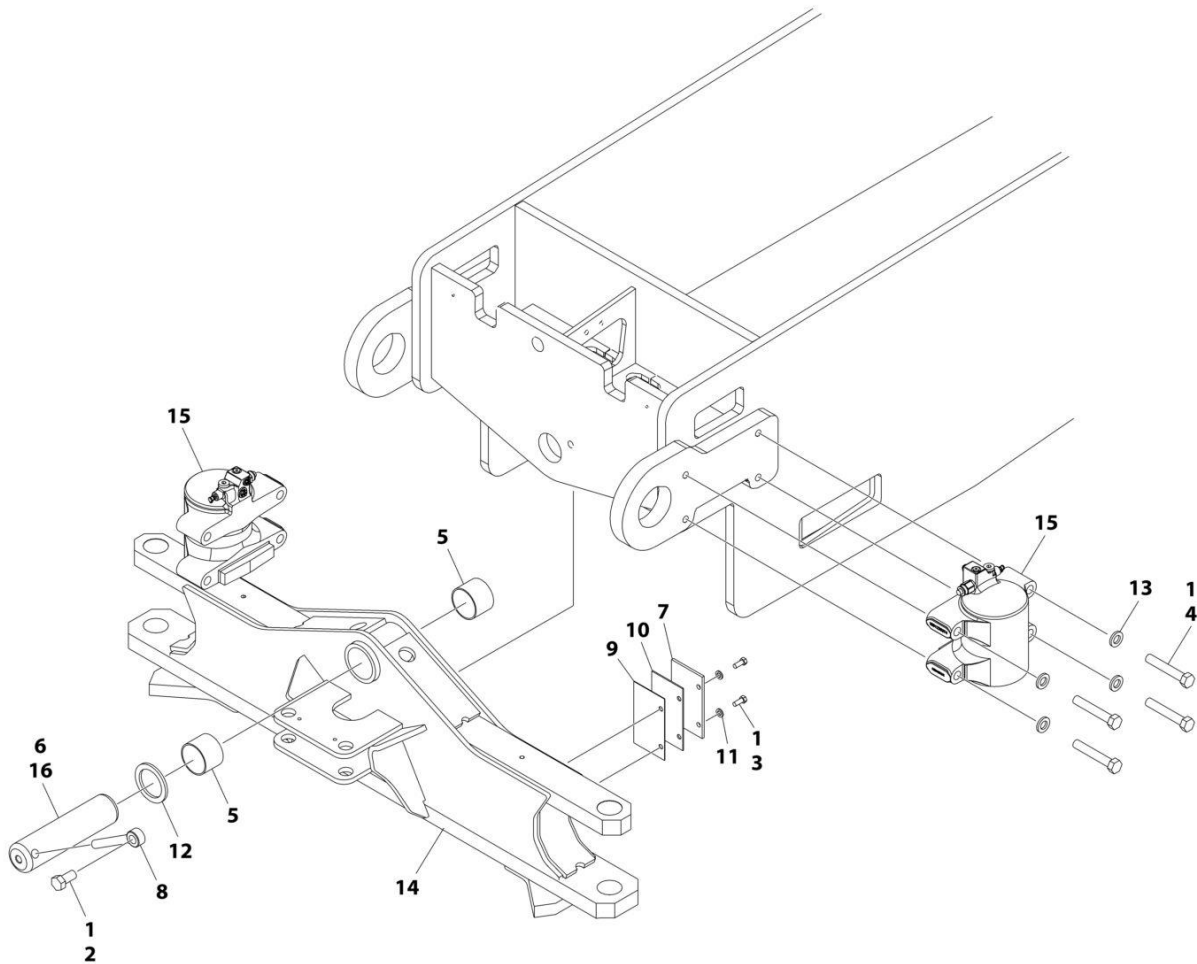
SECTION 1 - FRAME

FIGURE 1-2. AXLE INSTALLATION - OSCILLATING (WITHOUT TOW PACKAGE) (MACHINES WITH SN STARTING WITH 03)

ITEM	PART NUMBER	QTY	DESCRIPTION	REV
	1001154584	Ref	AXLE INSTALLATION	D
1	0100011	AR	Compound, Locking	
2	0642212	1	Bolt 3/4 x 1-1/2	
3	0681608	4	Bolt 3/8 x 1 Grade 8	
4	0682236	8	Bolt 3/4 x 4-1/2 Grade 8	
5	0962102	2	Bushing	
6	3020039	AR	Lubricant	
7	3538047	2	Shim .25	
8	3841287	1	Keeper, Pin	
9	4070878	AR	Shim 16 Gauge	
10	4070879	AR	Shim 11 Gauge	
11	4711600	4	Washer 3/8	
12	4740472	1	Washer	
13	4892200	8	Washer 3/4	
14	1001152719	1	Axle	
15	1001204560	2	Axle Lockout Cylinder Assembly (See Separate Breakdown in CYLINDER SECTION)	
16	1001156710	1	Pin	

SECTION 1 - FRAME

FIGURE 1-3. AXLE INSTALLATION - OSCILLATING (WITHOUT TOW PACKAGE) (MACHINES WITH SN STARTING WITH B3)



ART_1001231147

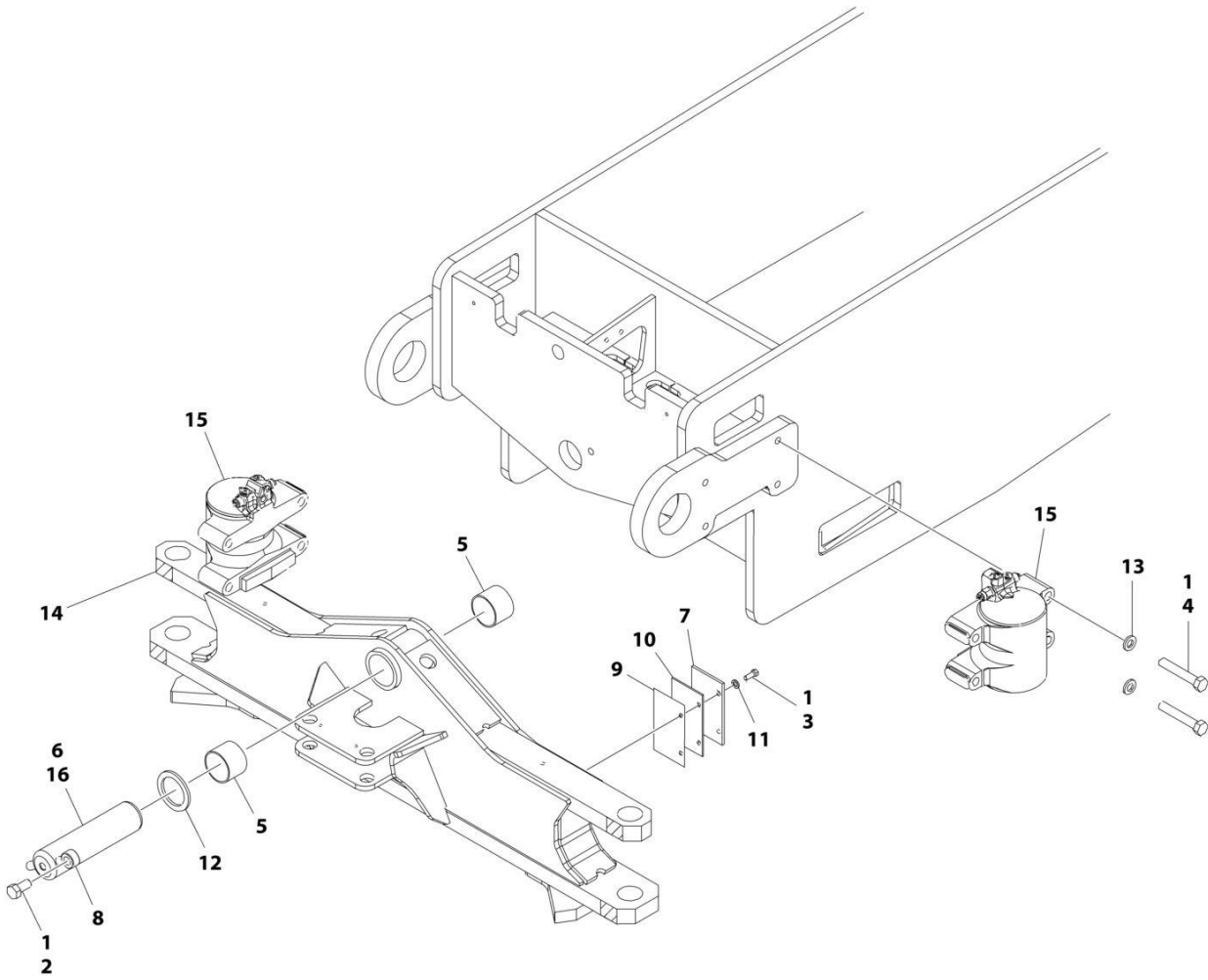
SECTION 1 - FRAME

FIGURE 1-3. AXLE INSTALLATION - OSCILLATING (WITHOUT TOW PACKAGE) (MACHINES WITH SN STARTING WITH B3)

ITEM	PART NUMBER	QTY	DESCRIPTION	REV
	1001231147	Ref	OSCILLATING AXLE INSTALLATION	A
1	0100011	AR	Compound, Locking	
2	0642212	1	Bolt 3/4 x 1-1/2	
3	0681608	4	Bolt 3/8 x1 Grade 8	
4	0682236	8	Bolt 3/4 x 4-1/2 Grade 8	
5	0962102	2	Bushing	
6	3020039	AR	Lubricant	
7	3538047	2	Shim, Axle Wear	
8	3841287	1	Shaft, Keeper 3/8 x 6	
9	4070878	2	Shim, Axle Wear	
10	4070879	2	Shim, Axle Wear	
11	4711600	4	Washer 3/8	
12	4740472	1	Washer, Special	
13	4892200	8	Flatwasher 3/4in Hardened	
14	1001152719	1	Axle	
15	1001230374	2	Axle Lockout Cylinder Assembly (See Separate Breakdown in CYLINDER SECTION)	
16	1001156710	1	Pin	

SECTION 1 - FRAME

FIGURE 1-4. AXLE INSTALLATION - OSCILLATING (WITH TOW PACKAGE) (MACHINES WITH SN STARTING WITH 03)



ART_1001155194

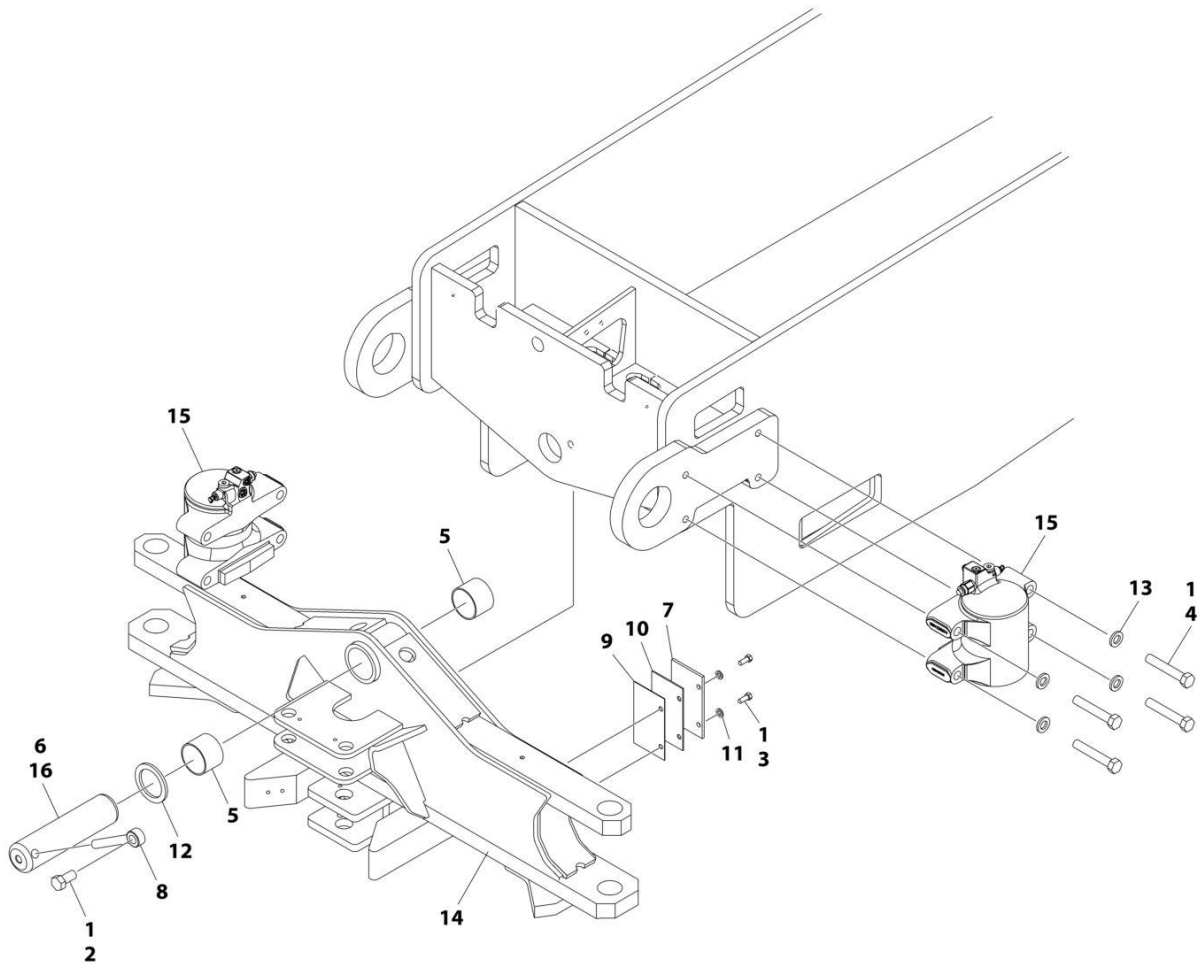
SECTION 1 - FRAME

FIGURE 1-4. AXLE INSTALLATION - OSCILLATING (WITH TOW PACKAGE) (MACHINES WITH SN STARTING WITH 03)

ITEM	PART NUMBER	QTY	DESCRIPTION	REV
	1001155194	Ref	AXLE INSTALLATION	D
1	0100011	AR	Compound, Locking	
2	0642212	1	Bolt 3/4 x 1-1/2	
3	0681608	4	Bolt 3/8 x 1 Grade 8	
4	0682236	8	Bolt 3/4 x 4-1/2 Grade 8	
5	0962102	2	Bushing	
6	3020039	AR	Lubricant	
7	3538047	2	Shim .25	
8	3841287	1	Keeper, Pin	
9	4070878	AR	Shim 16 Gauge	
10	4070879	AR	Shim 11 Gauge	
11	4711600	4	Washer 3/8	
12	4740472	1	Washer	
13	4892200	8	Washer 3/4	
14	1001154875	1	Axle	
15	1001204560	2	Axle Lockout Cylinder Assembly (See Separate Breakdown in CYLINDER SECTION)	
16	1001156710	1	Pin	

SECTION 1 - FRAME

FIGURE 1-5. AXLE INSTALLATION - OSCILLATING (WITH TOW PACKAGE) (MACHINES WITH SN STARTING WITH B3)



ART_1001232540

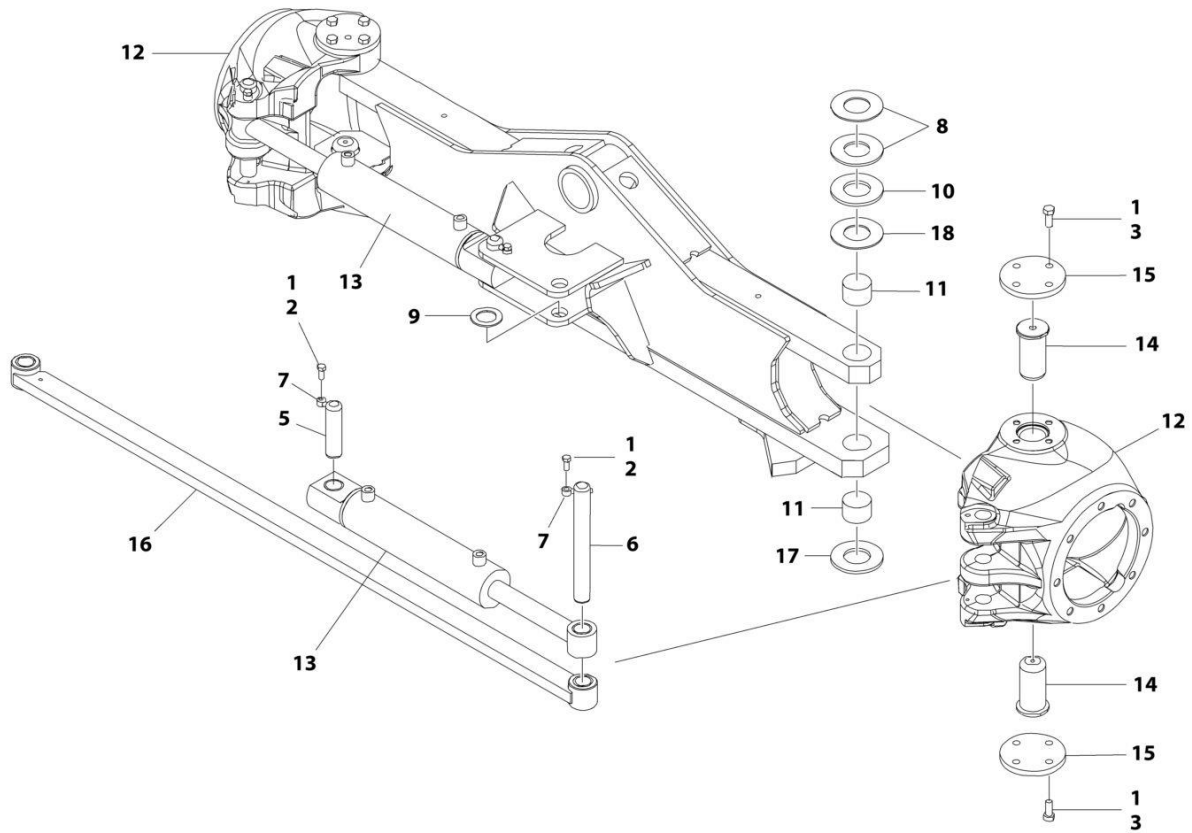
SECTION 1 - FRAME

FIGURE 1-5. AXLE INSTALLATION - OSCILLATING (WITH TOW PACKAGE) (MACHINES WITH SN STARTING WITH B3)

ITEM	PART NUMBER	QTY	DESCRIPTION	REV
	1001232540	Ref	OSCILLATING AXLE INSTALLATION	A
1	0100011	AR	Compound, Locking	
2	0642212	1	Bolt 3/4 x 1-1/2	
3	0681608	4	Bolt 3/8 x1 Grade 8	
4	0682236	8	Bolt 3/4 x 4-1/2 Grade 8	
5	0962102	2	Bushing	
6	3020039	AR	Lubricant	
7	3538047	2	Shim, Axle Wear	
8	3841287	1	Shaft, Keeper 3/8 x 6	
9	4070878	2	Shim, Axle Wear	
10	4070879	2	Shim, Axle Wear	
11	4711600	4	Washer 3/8	
12	4740472	1	Washer, Special	
13	4892200	8	Washer 3/4 Hardened	
14	1001154875	1	Axle	
15	1001230374	2	Axle Lockout Cylinder Assembly (See Separate Breakdown in CYLINDER SECTION)	
16	1001156710	1	Pin	

SECTION 1 - FRAME

FIGURE 1-6. STEERING INSTALLATION - WITHOUT TOW PACKAGE (MACHINES WITH SN STARTING WITH 03)



ART_1001151034

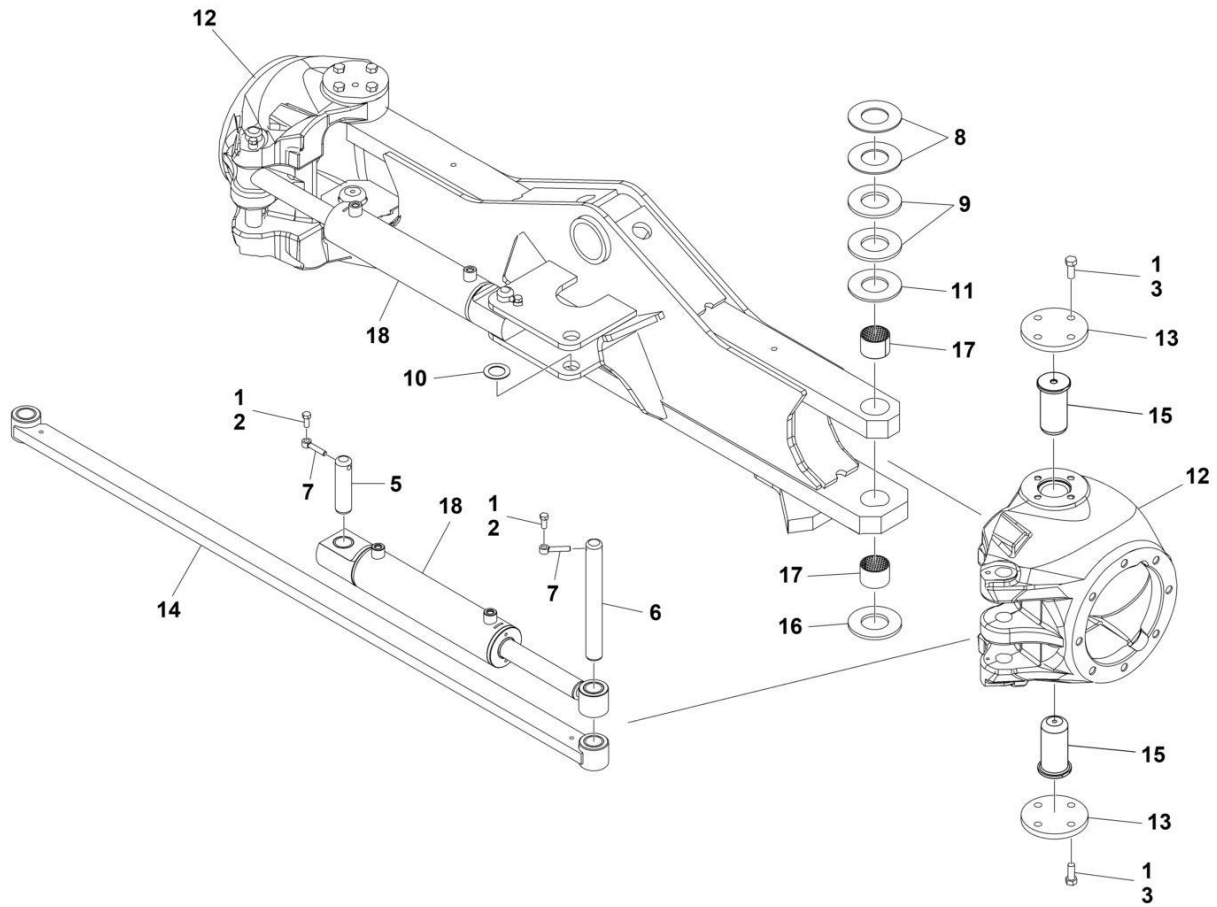
SECTION 1 - FRAME

FIGURE 1-6. STEERING INSTALLATION - WITHOUT TOW PACKAGE (MACHINES WITH SN STARTING WITH 03)

ITEM	PART NUMBER	QTY	DESCRIPTION	REV
	1001151034	Ref	STEER INSTALLATION	H
1	0100011	AR	Compound, Locking	
2	0641607	4	Bolt 3/8 x 7/8	
3	0641810	16	Bolt 1/2 x 1-1/4	
5	3422417	2	Pin	
6	3422790	2	Pin	
7	3841520	4	Keeper, Pin	
8	4740256	AR	Washer, Thrust	
9	4740473	2	Washer	
10	1001103810	AR	Washer, Thrust	
11	1001165657	4	Bearing	
12	1001150372	2	Spindle	
13	1001150539	2	Steer Cylinder Assembly (See Separate Breakdown in CYLINDER SECTION)	
14	1001161355	4	Kingpin	
15	1001150937	4	Plate	
16	1001151980	1	Tie-Rod	
17	1001161399	2	Washer, Thrust	
18	4740463	AR	Washer, Thrust	

SECTION 1 - FRAME

FIGURE 1-7. STEERING INSTALLATION - WITHOUT TOW PACKAGE (MACHINES WITH SN STARTING WITH B3)



ART_1001230783

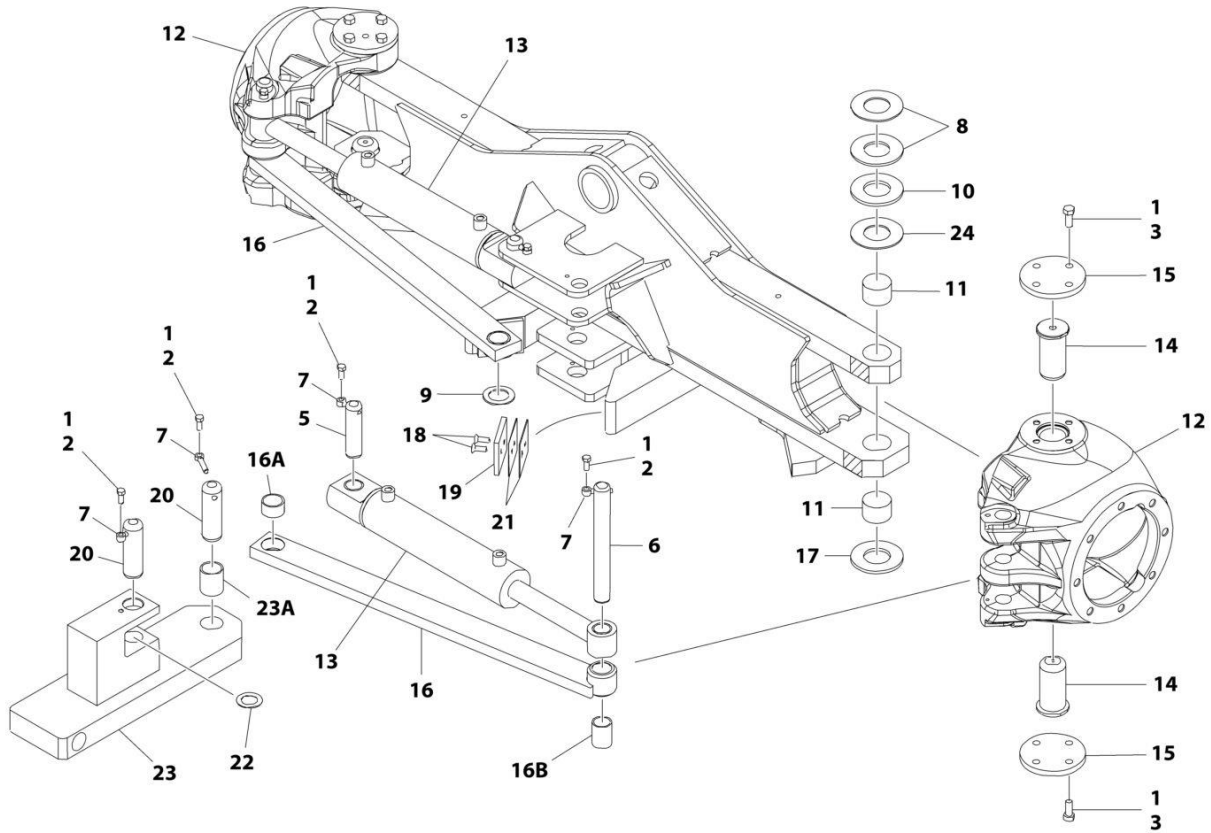
SECTION 1 - FRAME

FIGURE 1-7. STEERING INSTALLATION - WITHOUT TOW PACKAGE (MACHINES WITH SN STARTING WITH B3)

ITEM	PART NUMBER	QTY	DESCRIPTION	REV
	1001230783	Ref	STEER INSTALLATIONS	C
1	0100011	AR	Compound, Locking	
2	0641607	4	Bolt 3/8 x 7/8	
3	0641810	16	Bolt 1/2 x 1-1/4	
4	3020029	AR	Lubricant	
5	3422417	2	Pin	
6	3422790	2	Pin	
7	3841520	4	Keeper, Pin	
8	4740256	4	Thrustwasher	
9	4740463	4	Thrustwasher	
10	4740473	2	Washer, Special	
11	1001103810	2	Thrustwasher	
12	1001150372	2	Spindle	
13	1001150937	4	Plate	
14	1001151980	1	Tie-Rod	
15	1001161355	4	Kingpin	
16	1001161399	2	Thrustwasher	
17	1001165657	4	Bearing	
18	1001230375	2	Steer Cylinder Assembly (See Separate Breakdown in CYLINDER SECTION)	

SECTION 1 - FRAME

FIGURE 1-8. STEERING INSTALLATION - WITH TOW PACKAGE (MACHINES WITH SN STARTING WITH 03)



ART_1001155192

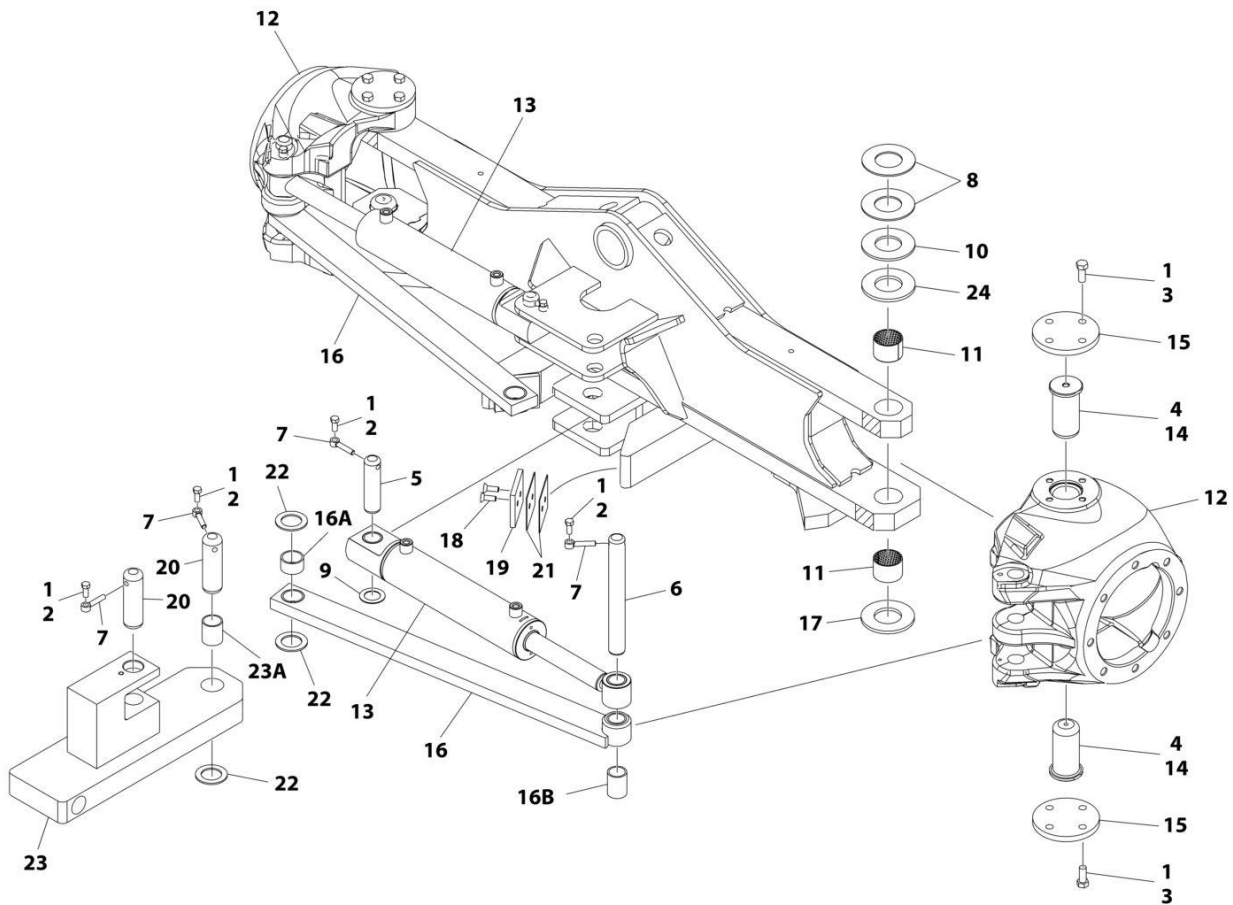
SECTION 1 - FRAME

FIGURE 1-8. STEERING INSTALLATION - WITH TOW PACKAGE (MACHINES WITH SN STARTING WITH 03)

ITEM	PART NUMBER	QTY	DESCRIPTION	REV
	1001155192	Ref	STEER INSTALLATION	G
1	0100011	AR	Compound, Locking	
2	0641607	6	Bolt 3/8 x 7/8	
3	0641810	16	Bolt 1/2 x 1-1/4	
5	3422417	2	Pin	
6	3422790	2	Pin	
7	3841520	6	Keeper, Pin	
8	4740256	AR	Washer, Thrust	
9	4740473	2	Washer	
10	1001103810	AR	Washer, Thrust	
11	1001165657	4	Bearing	
12	1001150372	2	Spindle	
13	1001150539	2	Steer Cylinder Assembly (See Separate Breakdown in CYLINDER SECTION)	
14	1001161355	4	Kingpin	
15	1001150937	4	Plate	
16	1001154931	2	Tie-Rod	
16A	0962181	1	Bushing	
16B	0962152	1	Bushing	
17	1001161399	2	Washer, Thrust	
18	0741609	4	Screw 3/8 x 1-1/8	
19	3340966	2	Pad, Stop	
20	3422848	2	Pin, Hitch	
21	4071059	AR	Shim 16 Gauge	
22	4740155	3	Washer, Thrust	
23	1001155035	1	Link	
23A	0962348	1	Bushing	
24	4740463	AR	Washer, Thrust	

SECTION 1 - FRAME

FIGURE 1-9. STEERING INSTALLATION - WITH TOW PACKAGE (MACHINES WITH SN STARTING WITH B3)



ART_1001232539

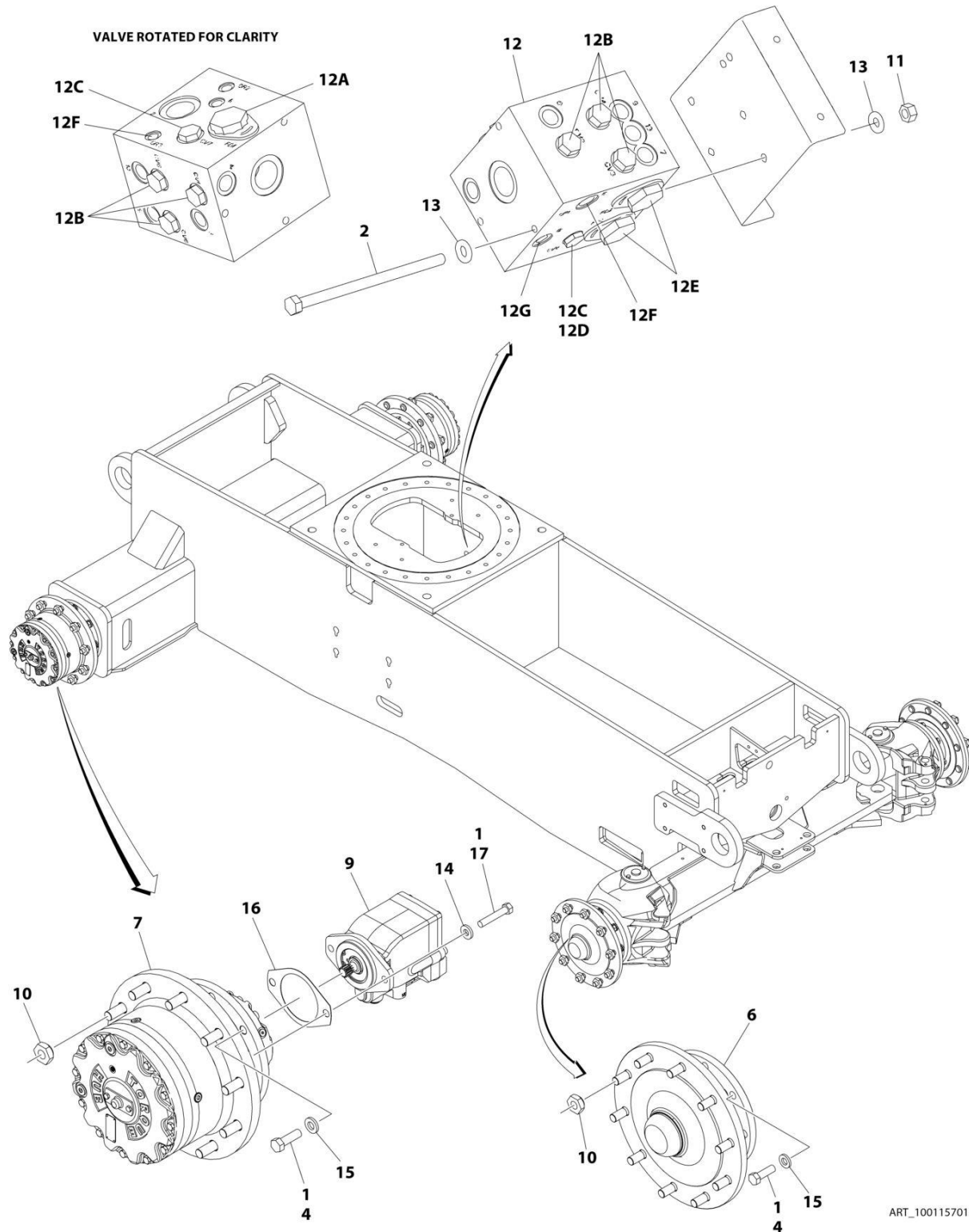
SECTION 1 - FRAME

FIGURE 1-9. STEERING INSTALLATION - WITH TOW PACKAGE (MACHINES WITH SN STARTING WITH B3)

ITEM	PART NUMBER	QTY	DESCRIPTION	REV
	1001232539	Ref	STEER INSTALLATION	F
1	0100011	AR	Compound, Locking	
2	0641607	6	Bolt 3/8 x 7/8	
3	0641810	16	Bolt 1/2 x 1-1/4	
4	3020029	AR	Lubricant	
5	3422417	2	Pin	
6	3422790	2	Pin	
7	3841520	6	Keeper, Pin	
8	4740256	4	Thrustwasher	
9	4740473	2	Washer, Special	
10	1001103810	2	Thrustwasher	
11	1001165657	4	Bearing	
12	1001150372	2	Spindle	
13	1001230375	2	Steer Cylinder Assembly (See Separate Breakdown in CYLINDER SECTION)	
14	1001161355	4	Kingpin	
15	1001150937	4	Plate	
16	1001154931	2	Tie-Rod	
16A	0962181	1	Bushing	
16B	0962152	1	Bushing	
17	1001161399	2	Thrustwasher	
18	0741609	4	Screw 3/8 x 1-1/8	
19	3340966	2	Pad, Stop	
20	3422848	2	Pin, Hitch	
21	4071059	4	Shim	
22	4740155	3	Thrustwasher	
23	1001155035	1	Link	
23A	0962348	1	Bushing	
24	4740463	4	Thrustwasher	

SECTION 1 - FRAME

FIGURE 1-10. WHEEL DRIVE AND FRAME VALVES INSTALLATION – 2WD



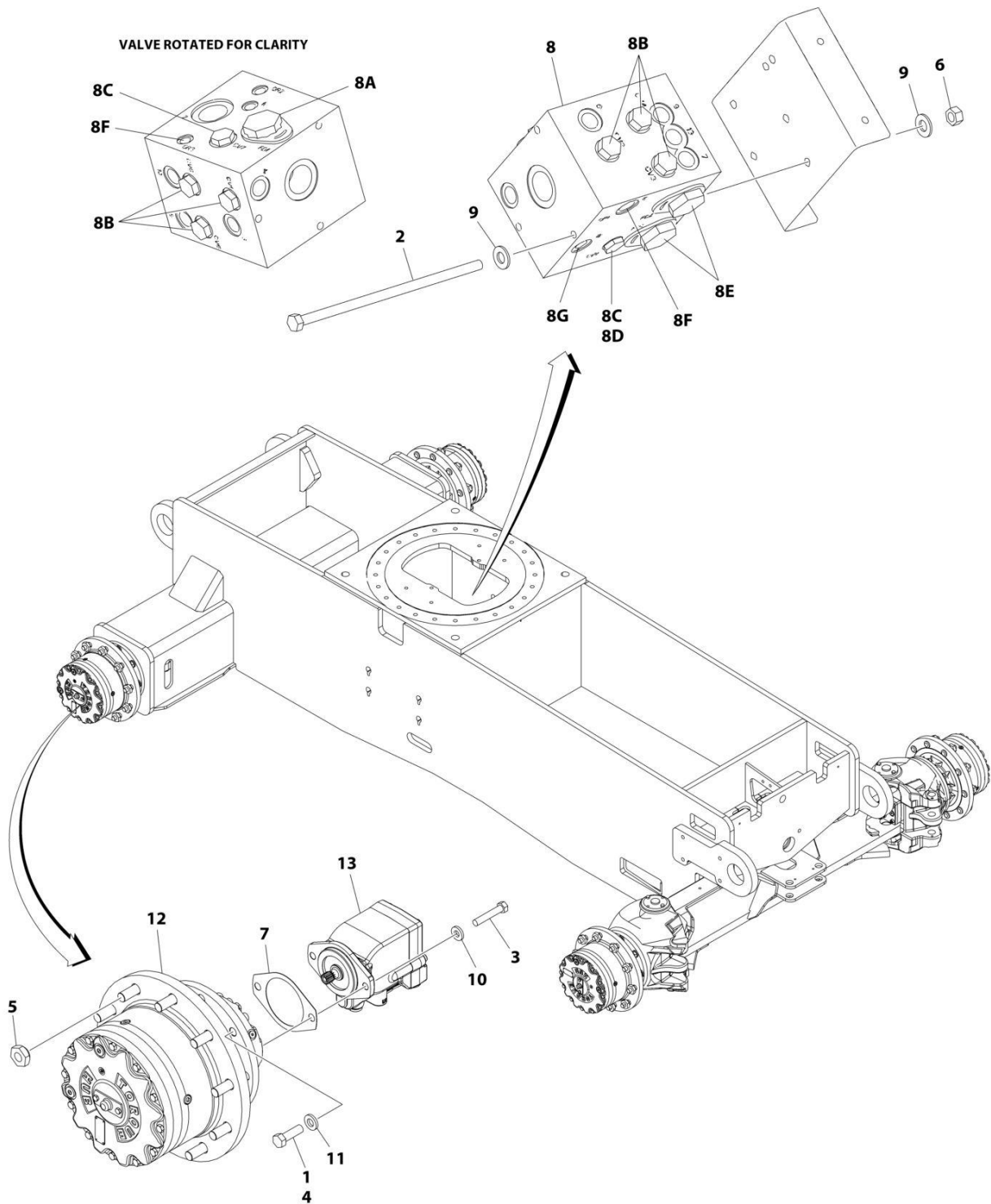
SECTION 1 - FRAME

FIGURE 1-10. WHEEL DRIVE AND FRAME VALVES INSTALLATION – 2WD

ITEM	PART NUMBER	QTY	DESCRIPTION	REV
	1001157015	Ref	WHEEL DRIVE INSTALLATION - 2WD	E
1	0100011	AR	Compound, Locking	
2	0641542	2	Bolt 5/16 x 5 1/4	
4	0682016	32	Bolt 5/8 x 2 Grade 8	
6	2780229	2	Hub Assembly (See Separate Breakdown in this Section)	
7	1001219219	2	Drive Hub Assembly (See Separate Breakdown in this Section)	
9	3160347	2	Drive Motor Assembly (See Separate Breakdown in this Section)	
10	3300007	40	Nut, Wheel	
11	3311505	2	Nut 5/16	
12	1001099870	1	Flow Divider Valve Assembly	C
12A	7023933	1	Cartridge, Flow Divider	
12A	7021625	1	Seal Kit - 7023933 Cartridge	
12A	70000781	1	Lockdown Kit	
12B	7022397	1	Cartridge, Check	
12B	7022399	1	Seal Kit - 7022397 Cartridge	
12C	70002390	1	Cartridge, Check	
12C	7022399	1	Seal Kit - 70002390 Cartridge	
12D	7024881	1	Piston, Pilot	
12E	7017406	1	Plug	
12F	7024844	1	Plug	
12F	7017492	1	Orifice	
13	4711500	4	Washer 5/16	
14	4891800	4	Washer, 1/2	
15	4892000	32	Washer 5/8	
16	3960526	2	Gasket	
17	0681822	4	Bolt 1/2 x 2-3/4 Grade 8	

SECTION 1 - FRAME

FIGURE 1-11. WHEEL DRIVE AND FRAME VALVES INSTALLATION - 4WD (SN STARTING WITH 03)



ART_1001285009

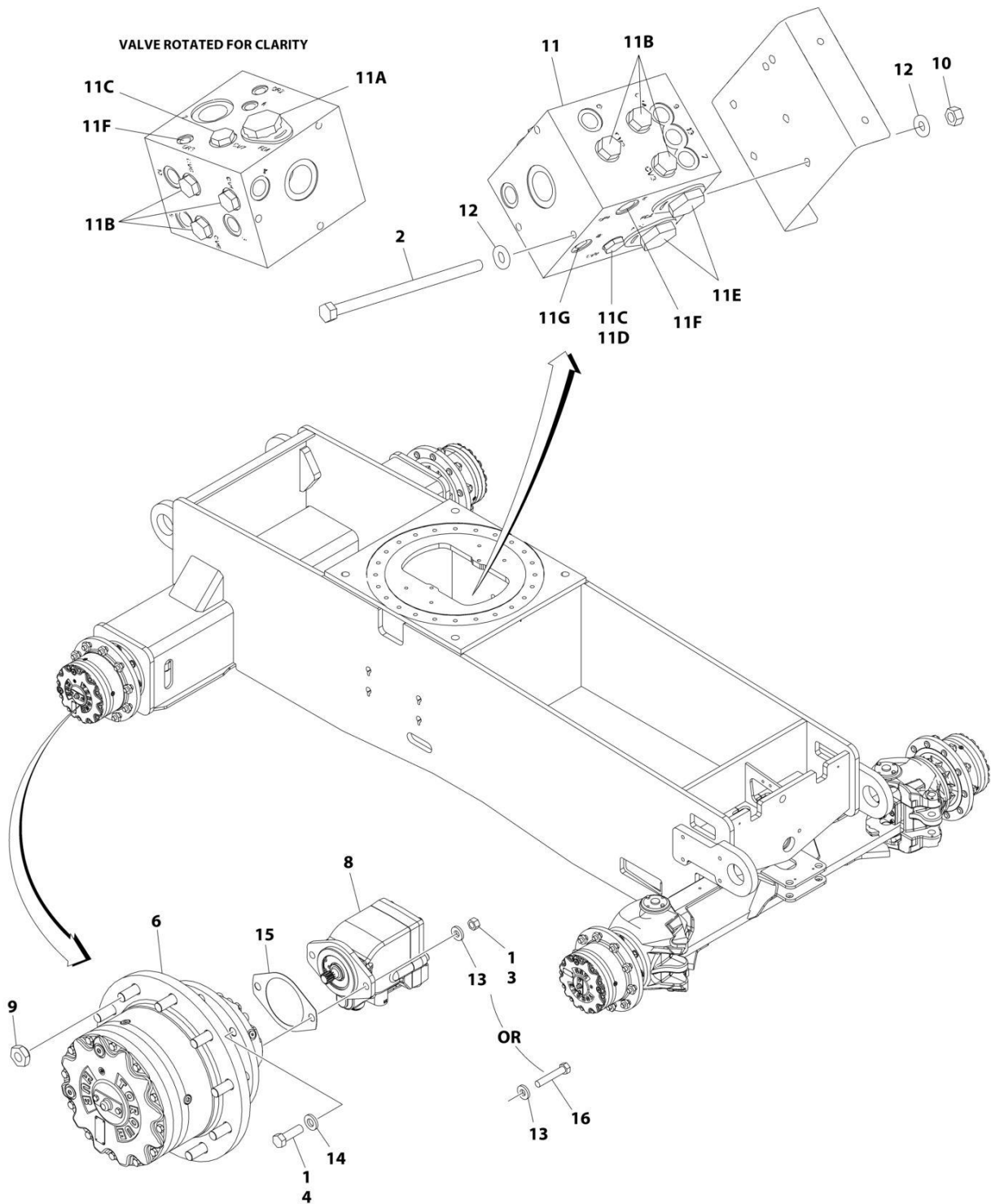
SECTION 1 - FRAME

FIGURE 1-11. WHEEL DRIVE AND FRAME VALVES INSTALLATION - 4WD (SN STARTING WITH 03)

ITEM	PART NUMBER	QTY	DESCRIPTION	REV
	1001285009	Ref	WHEEL DRIVE AND FRAME VALVES INSTALLATION	A
1	0100011	AR	Compound, Locking	
2	0641560	3	Bolt 5/16 x 7-1/2	
3	0681822	8	Bolt 1/2 x 2-3/4	
4	0682016	32	Bolt 5/8 x 2 Grade 8	
5	3300007	40	Nut, Wheel	
6	3311505	3	Nut 5/16	
7	3960526	4	Gasket	
8	4641303	1	Flow Divider Valve Assembly	
8A	7023933	1	Cartridge, Flow Divider	
8A	7021625	1	Seal Kit - 7023933 Cartridge	
8B	7022397	6	Cartridge, Check	
8B	7022399	6	Seal Kit - 7022397 Cartridge	
8C	7021639	2	Cartridge, Check Valves	
8C	2900756	2	Seal Kit - 7021639 Cartridge	
8D	7024881	1	Piston, Pilot	
8E	7023917	2	Cartridge, Flow Divider	
8E	7021625	2	Seal Kit - 7023917 Cartridge	
8F	70003935	2	Orifice	
8G	70003936	1	Orifice	
9	4711500	6	Washer 5/16	
10	4891800	8	Washer 1/2	
11	4892000	32	Washer 5/8	
12	1001219219	4	Drive Hub Assembly (See Separate Breakdown in this Section)	
13	1001278022	4	Drive Motor Assembly (See Separate Breakdown in this Section)	

SECTION 1 - FRAME

FIGURE 1-12. WHEEL DRIVE AND FRAME VALVES INSTALLATION - 4WD (SN STARTING WITH B3)



ART_1001157016

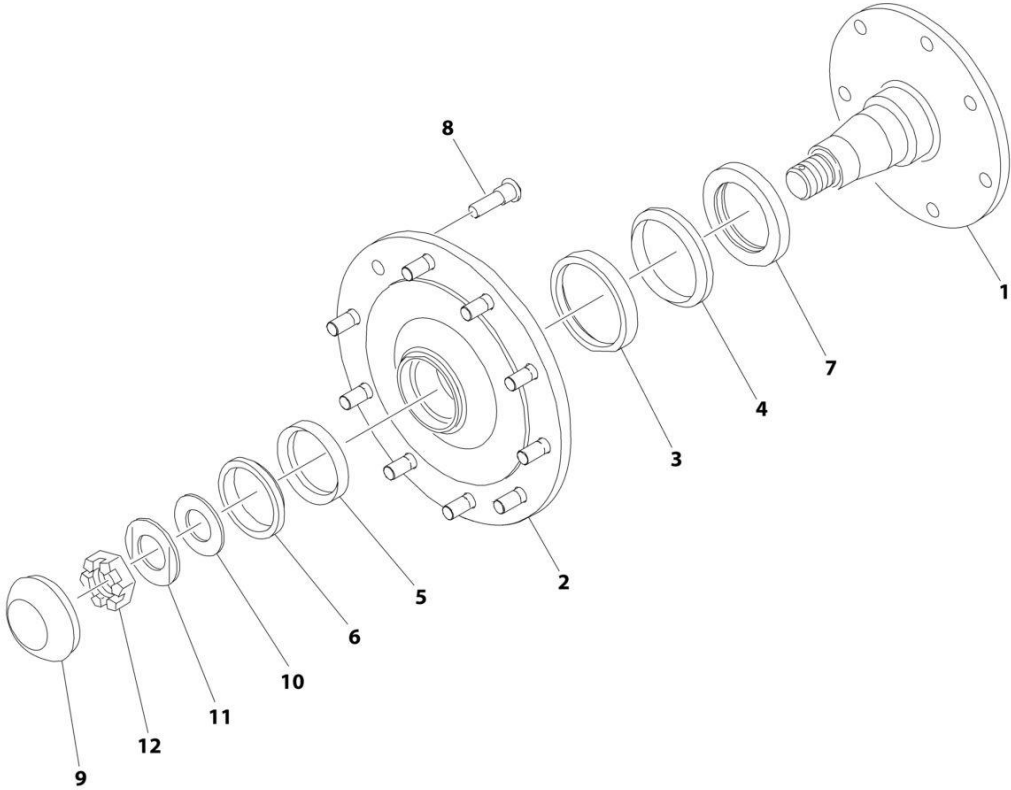
SECTION 1 - FRAME

FIGURE 1-12. WHEEL DRIVE AND FRAME VALVES INSTALLATION - 4WD (SN STARTING WITH B3)

ITEM	PART NUMBER	QTY	DESCRIPTION	REV
	1001157016	Ref	WHEEL DRIVE AND FRAME VALVES INSTALLATION	E
1	0100011	AR	Compound, Locking	
2	0641560	3	Bolt 5/16 x 7-1/2	
3	3311801	8	Nut 1/2	
4	0682016	32	Bolt 5/8 x 2 Grade 8	
5	2300016	AR	Fluid, Hydraulic (Not Shown)	
6	1001219219	4	Drive Hub Assembly (See Separate Breakdown in this Section)	
8	3160348	4	Drive Motor Assembly (See Separate Breakdown in this Section)	
9	3300007	40	Nut, Wheel	
10	3311505	3	Nut 5/16	
11	4641303	1	Flow Divider Valve Assembly	C
11A	7023933	1	Cartridge, Flow Divider	
11A	7021625	1	Seal Kit - 7023933 Cartridge	
11B	7022397	6	Cartridge, Check	
11B	7022399	6	Seal Kit - 7022397 Cartridge	
11C	7021639	2	Cartridge, Check Valves	
11C	2900756	2	Seal Kit - 7021639 Cartridge	
11D	7024881	1	Piston, Pilot	
11E	7023917	2	Cartridge, Flow Divider	
11E	7021625	2	Seal Kit - 7023917 Cartridge	
11F	70003935	2	Orifice	
11G	70003936	1	Orifice	
12	4711500	6	Washer 5/16	
13	4891800	8	Washer 1/2	
14	4892000	32	Washer 5/8	
15	3960526	2	Gasket	
16	0681822	4	Bolt 1/2 x 2-3/4	

SECTION 1 - FRAME

FIGURE 1-13. HUB ASSEMBLY - NON-DRIVE



ART_2780229

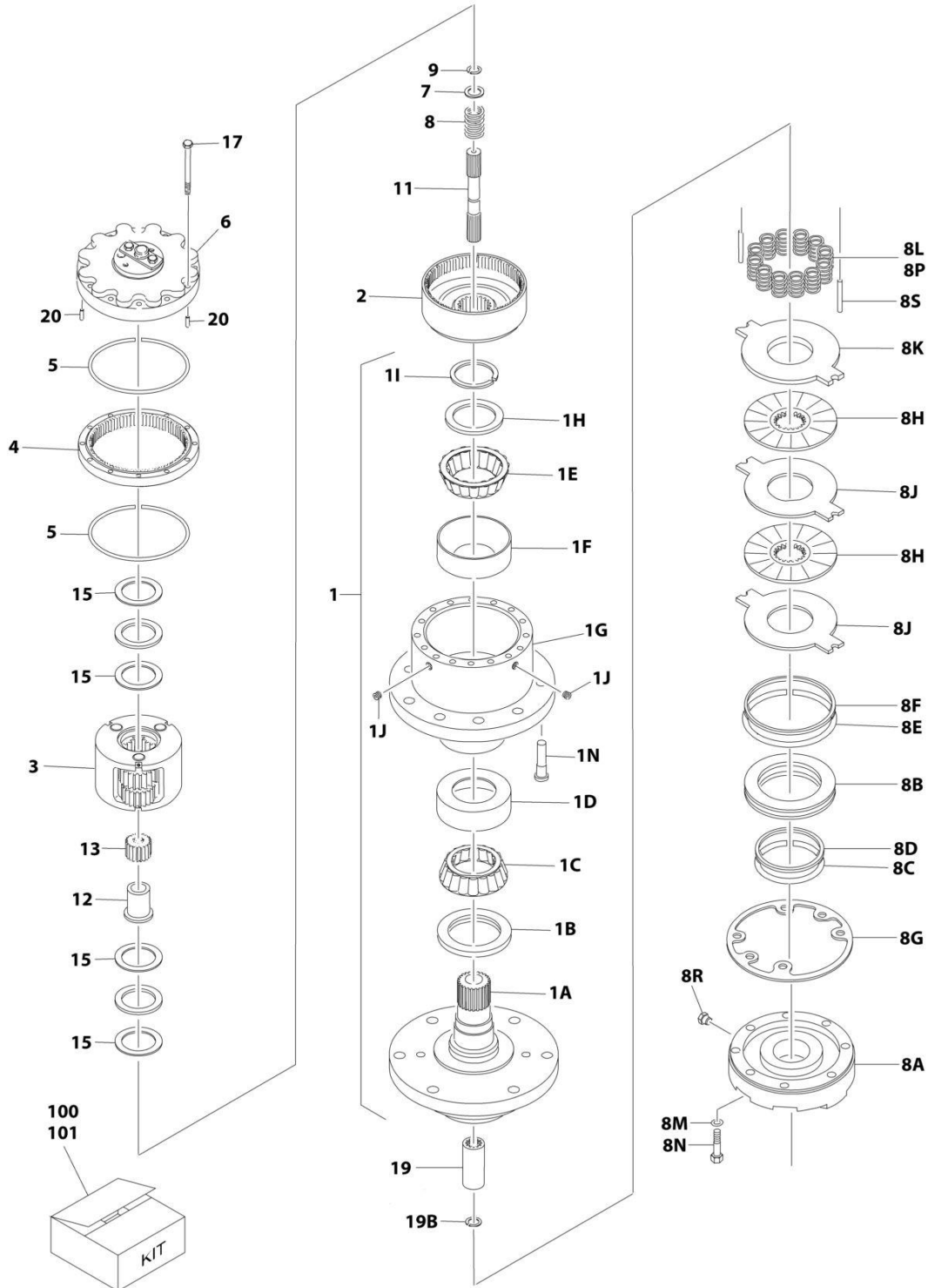
SECTION 1 - FRAME

FIGURE 1-13. HUB ASSEMBLY - NON-DRIVE

ITEM	PART NUMBER	QTY	DESCRIPTION	REV
	2780229	Ref	HUB ASSEMBLY	A
1	7017052	1	Spindle (1 per Assembly)	
2	7017053	1	Housing (1 per Assembly)	
3	7010404	1	Cup, Bearing - Inner (1 per Assembly)	
4	7010405	1	Cone, Bearing - Inner (1 per Assembly)	
5	7017056	1	Cup, Bearing - Outer (1 per Assembly)	
6	7017055	1	Cone, Bearing - Outer (1 per Assembly)	
7	7010406	1	Seal, Lip (1 per Assembly)	
8	7000265	10	Stud (10 per Assembly)	
9	7017054	1	Dust Cap (1 per Assembly)	
10	7017051	1	Washer, Special (1 per Assembly)	
11	7017057	1	Washer, Tanged (1 per Assembly)	
12	7017058	1	Nut, Bearing (1 per Assembly)	

SECTION 1 - FRAME

FIGURE 1-14. DRIVE HUB/BRAKE ASSEMBLY



ART_1001219219

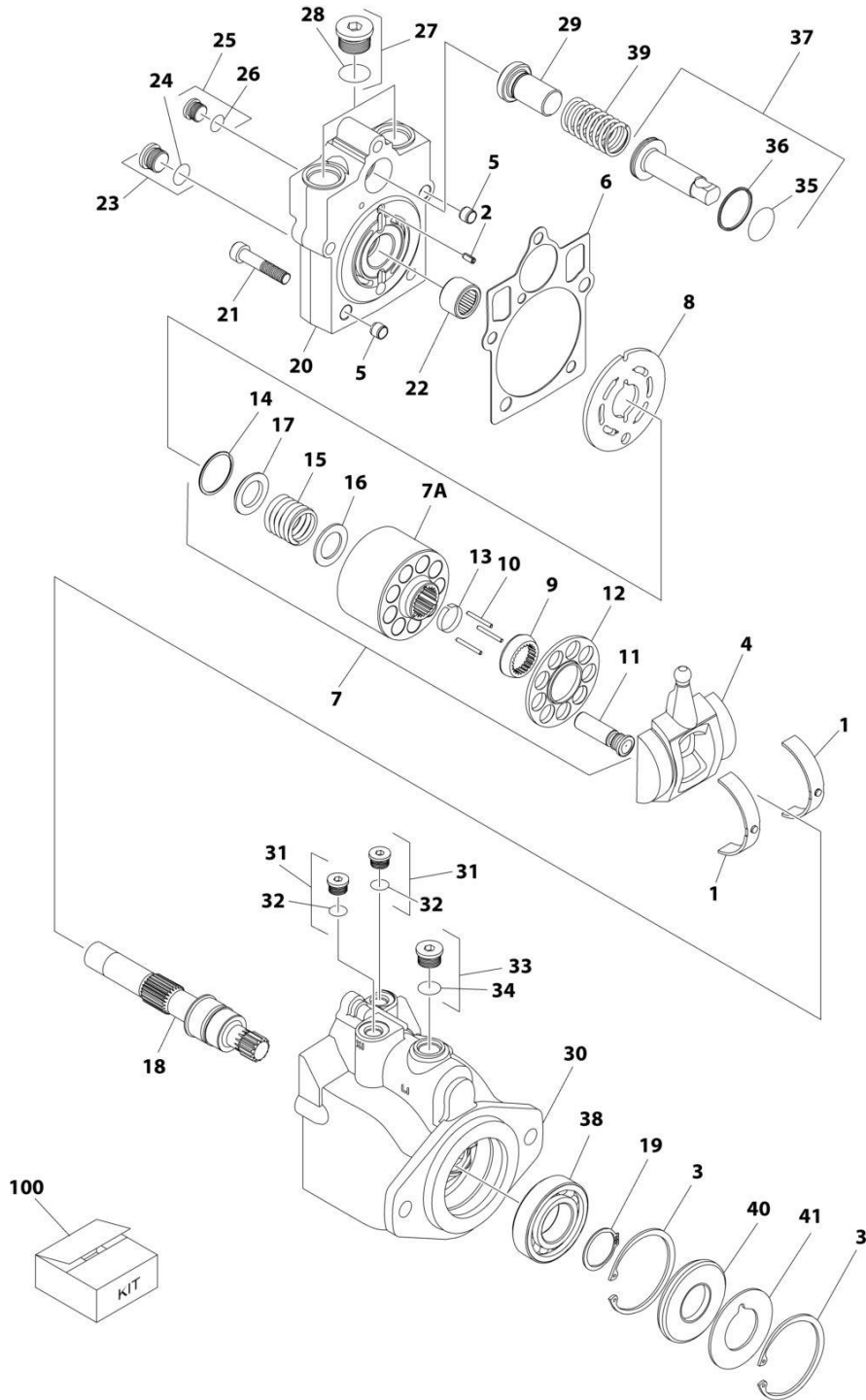
SECTION 1 - FRAME

FIGURE 1-14. DRIVE HUB/BRAKE ASSEMBLY

ITEM	PART NUMBER	QTY	DESCRIPTION	REV
	1001219219	Ref	DRIVE HUB/BRAKE ASSEMBLY	C
1	See Note	NSS	Spindle/Housing Assembly (Note: Not Available - Purchase Individual Components)	
1A	70006677	1	Spindle	
1B	70006678	1	Seal	
1C	1001091460	1	Cone, Bearing	
1D	1001091460	1	Cup, Bearing	
1E	1001091461	1	Cone, Bearing	
1F	1001091461	1	Cup, Bearing	
1G	See Note	NSS	Housing (Note: Not Available - Not Available for Purchase)	
1H	7000239	1	Thrustwasher	
1I	7000240	1	Ring, Retaining	
1J	7001928	1	Plug, Pipe	
1N	See Note	NSS	Stud, Wheel (Note: Not Available - Not Available for Purchase)	
2	7024782	1	Gear, Ring	
3	70006673	1	Carrier Assembly	
4	7024151	1	Gear, Internal	
5	7000224	2	O-Ring	
6	70006674	NSS	Cover Assembly (Note: Not Available - Not Available for Purchase)	
7	70006691	1	Thrustwasher	
8	7000283	1	Spring	
8A	7024191	1	Housing, Piston	
8B	70006684	1	Piston	
8C	See Note	NSS	O-Ring (Note: Use Item 101)	
8D	See Note	NSS	Ring, Back-up (Note: Use Item 101)	
8E	See Note	NSS	O-Ring (Note: Use Item 101)	
8F	See Note	NSS	Ring, Back-up (Note: Use Item 101)	
8G	See Note	NSS	Gasket (Note: Use Items 100 & 101)	
8H	See Note	NSS	Brake, Stator (Note: Use Item 100)	
8J	See Note	NSS	Brake, Rotor (Note: Use Item 100)	
8K	See Note	NSS	Plate, Pressure (Note: Use Item 100)	
8L	80344004	10	Spring	
8M	70006685	6	Capscrew	
8N	70006690	6	Lockwasher	
8P	70006680	2	Spring	
8R	7017082	2	Plug	
8S	7024190	2	Pin, Dowel	
9	7000284	1	Ring, Retaining	
11	70006675	1	Shaft, Input	
12	7024154	1	Spacer, Input	
13	7024149	1	Gear, Sun	
15	70006692	2	Thrustwasher	
17	7000289	12	Bolt 3/8 x 2-1/2in (Grade 8)	
19	70006676	1	Coupling	
19B	7017028	1	Ring, Retaining	
20	7017047	2	Pin, Dowel	
100	70006832	1	Friction Disc Kit (Includes Items 8G, 8H, 8J & 8K)	
101	70006833	1	Seal Kit (Includes Items - 8C-8G)	

SECTION 1 - FRAME

FIGURE 1-15. DRIVE MOTOR ASSEMBLY - 2WD



ART_3160347

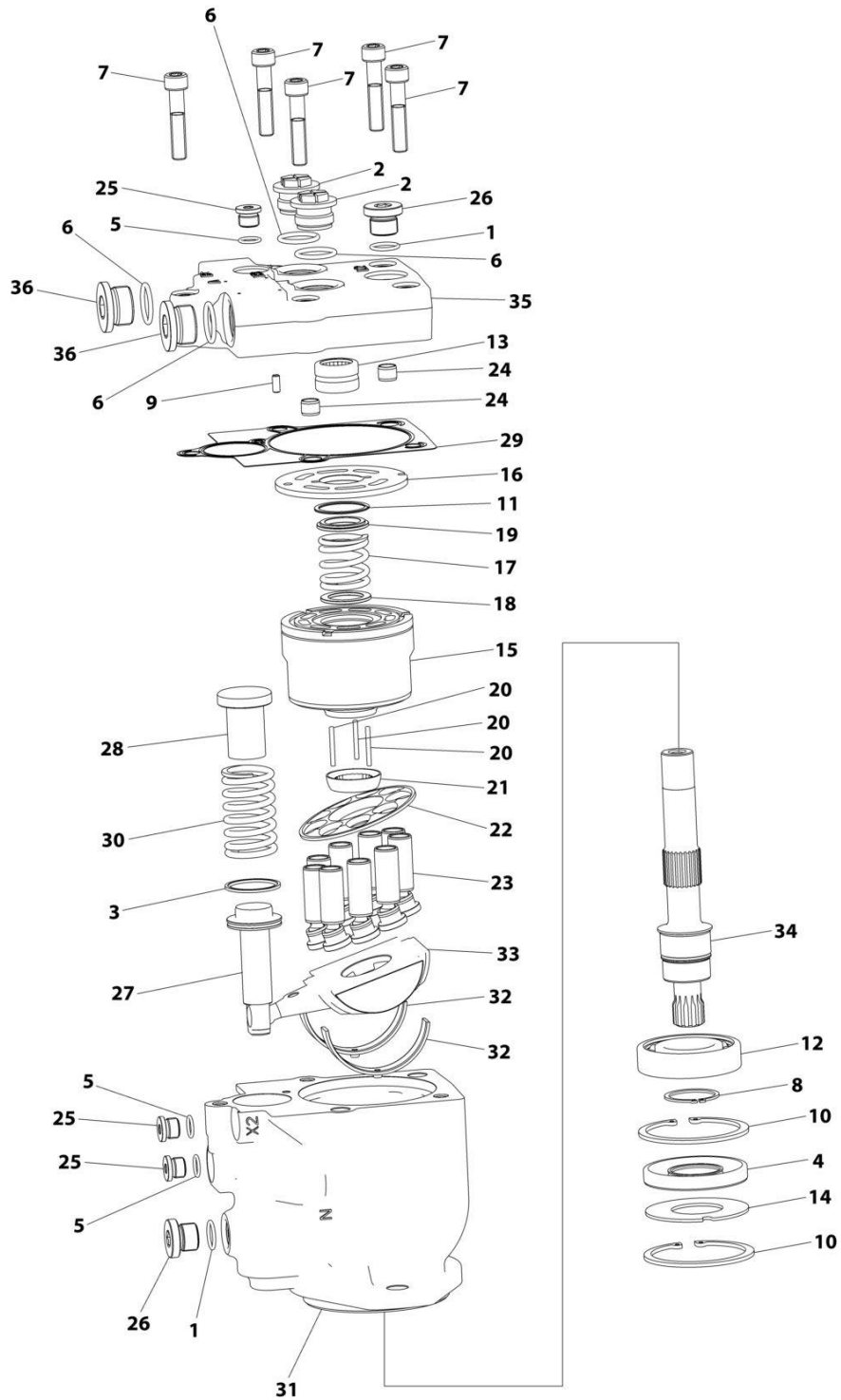
SECTION 1 - FRAME

FIGURE 1-15. DRIVE MOTOR ASSEMBLY - 2WD

ITEM	PART NUMBER	QTY	DESCRIPTION	REV
	3160347	Ref	DRIVE MOTOR ASSEMBLY	B
1	7022302	2	Bearing, Journal	
2	7007446	1	Pin	
3	7007438	2	Ring, Retaining	
4	7022305	1	Swash Plate	
5	See Note	2	Pin (Note: Not Available for Purchase)	
6	See Note	NSS	Gasket (Note: Use Item 100)	
7	7027740	1	Cylinder Block Kit (Includes Items 7A & 9-17)	
7A	See Note	NSS	Block, Cylinder (Note: Use Item 7)	
8	7024862	1	Plate, Valve	
9	7021277	1	Guide, Slipper Retainer	
10	7021275	3	Pin, Slipper Hold Down	
11	See Note	NSS	Piston Assembly (Note: Use Item 7)	
12	See Note	NSS	Retainer, Slipper (Note: Use Item 7)	
13	See Note	NSS	Retainer, Hold Down Pin (Note: Use Item 7)	
14	7022311	1	Ring, Retaining	
15	7024867	1	Spring	
16	7022313	1	Washer	
17	7022314	1	Retainer, Spring	
18	7023910	1	Shaft	
19	7007439	1	Ring, Retaining	
20	70000795	1	Cap, End - Axial	
21	7022368	5	Screw	
22	7021249	1	Bearing, Needle	
23	2220886	1	Plug (Includes Item 24)	
24	See Note	1	O-Ring (Note: Use Item 23 or 100)	
25	2220883	1	Plug (Includes Item 26)	
26	See Note	NSS	O-Ring (Note: Use Item 25 or 100)	
27	2220888	2	Plug (Includes Item 28)	
28	See Note	NSS	O-Ring (Note: Use Item 27 or 100)	
29	7027741	1	Seat, Spring	
30	See Note	NSS	Housing (Note: Not Available - Purchase Complete Assembly)	
31	2220883	2	Plug (Includes Item 32)	
32	See Note	NSS	O-Ring (Note: Use Item 31 or 100)	
33	2220886	1	Plug (Includes Item 34)	
34	See Note	NSS	O-Ring (Note: Use Item 33 or 100)	
35	See Note	NSS	O-Ring (Note: Use Item 100)	
36	See Note	NSS	Ring, Seal (Note: Use Item 100)	
37	7024871	1	Piston, Servo (Includes Items 35 & 36)	
38	7007437	1	Bearing	
39	7022326	1	Spring	
40	See Note	NSS	Seal, Lip (Note: Use Item 100)	
41	7022371	1	Washer, Support	
		Ref	KIT OPTIONS:	
100	7022328	1	Seal Kit (Includes Items 6, 24, 26, 28, 32, 34, 35, 36 & 40)	

SECTION 1 - FRAME

FIGURE 1-16. DRIVE MOTOR ASSEMBLY - 4WD (SN STARTING WITH 03)



ART_1001278022

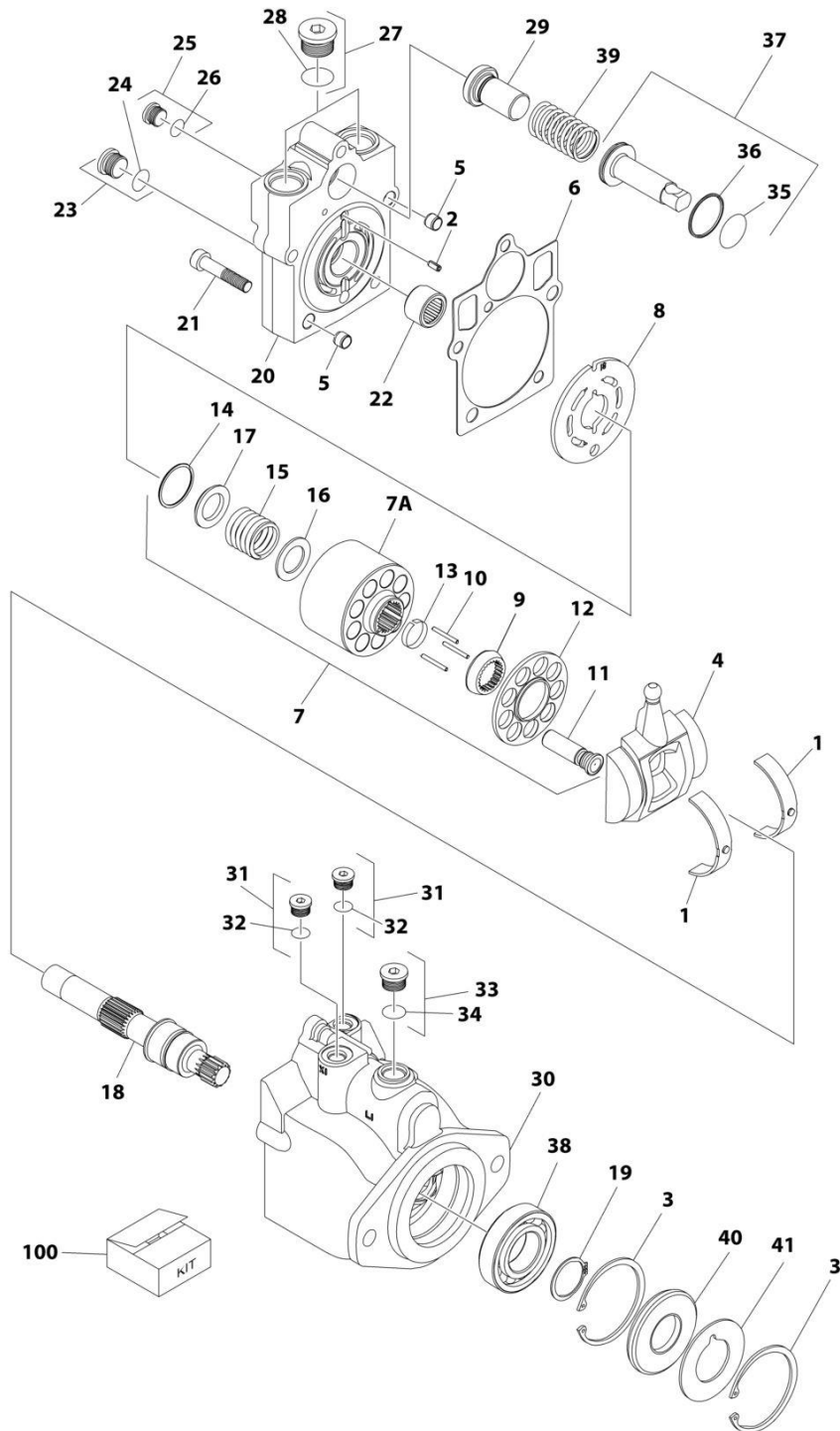
SECTION 1 - FRAME

FIGURE 1-16. DRIVE MOTOR ASSEMBLY - 4WD (SN STARTING WITH 03)

ITEM	PART NUMBER	QTY	DESCRIPTION	REV
	1001278022	Ref	DRIVE MOTOR ASSEMBLY	B
1	70007847	2	O-Ring	
2	70007848	2	Plug	
3	70007849	1	Ring, Sealing	
4	70007850	1	Bearing	
5	70007851	3	O-Ring	
6	70007852	4	O-Ring	
7	70007853	5	Capscrew M10 x 50	
8	70007854	1	Circlip	
9	70007855	1	Pin	
10		Ref	Circlip	
11	70007856	1	Ring, Retaining	
12	70007857	1	Bearing	
13	70007858	1	Bearing	
14	70007859	1	Gasket	
15	70007860	1	Cylinder	
16	70007861	1	Plate, Valve	
17	70007862	1	Spring	
18	70007863	1	Gasket	
19	70007864	1	Gasket	
20	70007865	3	Pin	
21	70007866	1	Bushing	
22	70007867	1	Retainer	
23	70007868	9	Piston	
24	70007869	2	Pin	
25	70007870	3	Plug	
26	70007871	2	Plug	
27	70007872	1	Piston	
28	70007873	1	Seat, Spring	
29	70007874	1	Gasket	
30	70007875	1	Spring	
31	See Note	NSS	Housing (Note: Purchase Complete Assembly)	
32	70007876	2	Bushing	
33	70007877	1	Plate, Swash	
34	70007878	1	Shaft	
35	See Note	NSS	Cover (Note: Purchase Complete Assembly)	
36	See Note	Ref	Plug (Note: Shipping Use Only)	

SECTION 1 - FRAME

FIGURE 1-17. DRIVE MOTOR ASSEMBLY - 4WD (SN STARTING WITH B3)



ART_3160348

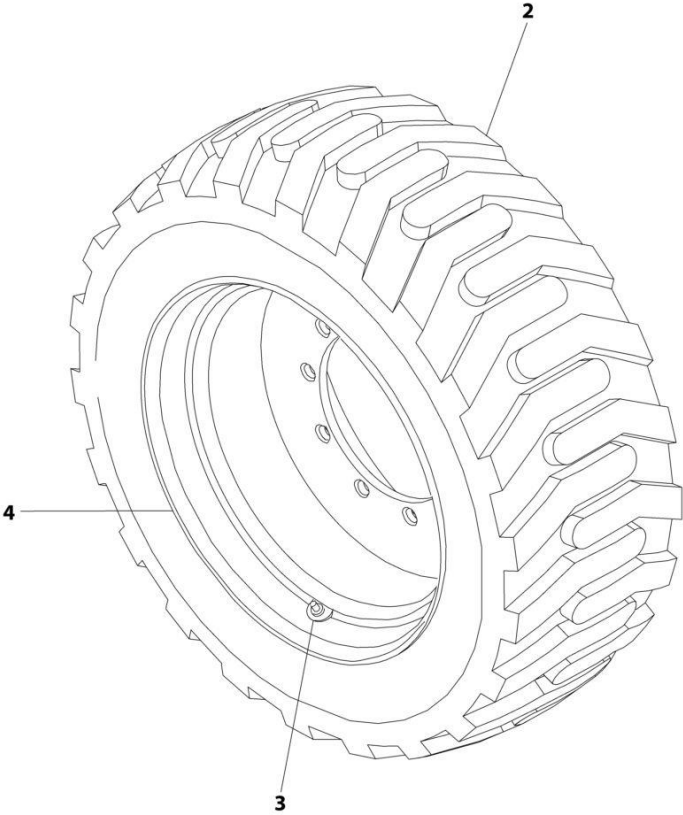
SECTION 1 - FRAME

FIGURE 1-17. DRIVE MOTOR ASSEMBLY - 4WD (SN STARTING WITH B3)

ITEM	PART NUMBER	QTY	DESCRIPTION	REV
	3160348	Ref	DRIVE MOTOR ASSEMBLY	D
1	7022302	2	Bearing, Journal	
2	7007446	1	Pin	
3	7007438	2	Ring, Retaining	
4	7022305	1	Swash Plate	
5	See Note	2	Pin (Note: Not Available for Purchase)	
6	See Note	NSS	Gasket (Note: Use Item 100)	
7	7023907	1	Cylinder Block Kit (Includes Items 7A & 9-17)	
7A	See Note	NSS	Block, Cylinder (Note: Use Item 7)	
8	7023908	1	Plate, Valve	
9	7021277	1	Guide, Slipper Retainer	
10	7021275	3	Pin, Slipper Hold Down	
11	See Note	NSS	Piston Assembly (Note: Use Item 7)	
12	7022310	1	Retainer, Slipper	
13	7021276	1	Retainer, Hold Down Pin	
14	7022311	1	Ring, Retaining	
15	7022312	1	Spring	
16	7024868	1	Washer	
17	7022314	1	Retainer, Spring	
18	7023910	1	Shaft	
19	7007439	1	Ring, Retaining	
20	70000797	1	Cap, End - Axial	
21	7022368	5	Screw	
22	7021249	1	Bearing, Needle	
23	2220886	1	Plug (Includes Item 24)	
24	See Note	1	O-Ring (Note: Use Item 23 or 100)	
25	2220883	1	Plug (Includes Item 26)	
26	See Note	NSS	O-Ring (Note: Use Item 25 or 100)	
27	2220888	2	Plug (Includes Item 28)	
28	See Note	NSS	O-Ring (Note: Use Item 27 or 100)	
29	7022372	1	Seat, Spring	
30	See Note	NSS	Housing (Note: Not Available - Purchase Complete Assembly)	
31	2220883	2	Plug (Includes Item 32)	
32	See Note	NSS	O-Ring (Note: Use Item 31 or 100)	
33	2220886	1	Plug (Includes Item 34)	
34	See Note	NSS	O-Ring (Note: Use Item 33 or 100)	
35	See Note	NSS	O-Ring (Note: Use Item 100)	
36	See Note	NSS	Ring, Seal (Note: Use Item 100)	
37	7024854	1	Piston, Servo (Includes Items 35 & 36)	
38	7007437	1	Bearing	
39	7022326	1	Spring	
40	See Note	1	Seal, Lip (Note: Use Item 100)	
41	7022371	1	Washer, Support	
		Ref	KIT OPTIONS:	
100	7022328	1	Seal Kit (Includes Items 6, 24, 26, 28, 32, 34, 35, 36 & 40)	

SECTION 1 - FRAME

FIGURE 1-18. TIRE & WHEEL INSTALLATION - 15-625 NHS FOAM-FILLED



ART_0270886

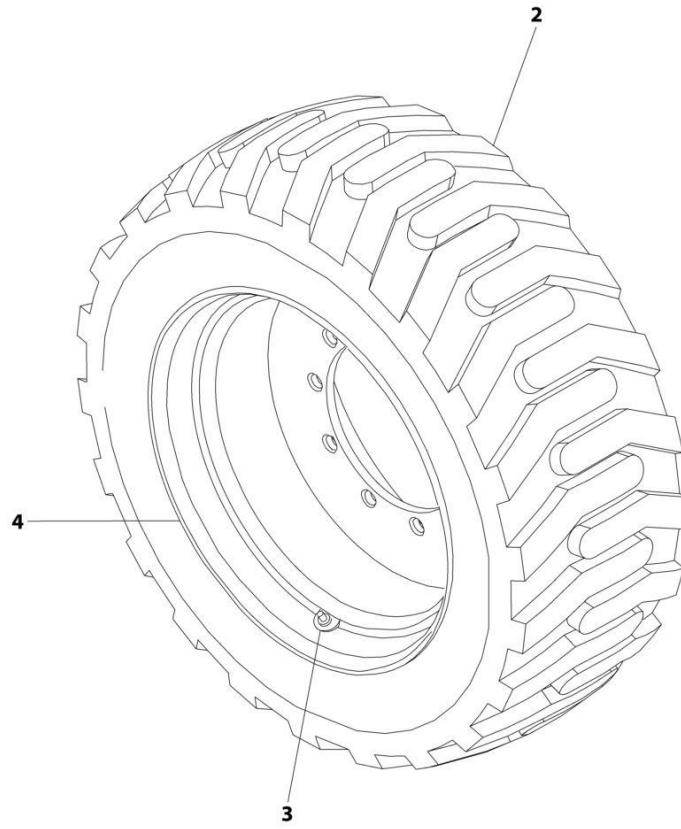
SECTION 1 - FRAME

FIGURE 1-18. TIRE & WHEEL INSTALLATION - 15-625 NHS FOAM-FILLED

ITEM	PART NUMBER	QTY	DESCRIPTION	REV
	0270886	Ref	TIRE AND WHEEL INSTALLATION	D
	0271085	2	Tire and Wheel Assembly - 15-625 NHS Foam-Filled LH Side	I
	0271086	2	Tire and Wheel Assembly - 15-625 NHS Foam-Filled RH Side	I
		Ref	Note: Assemblies may require ballast/foam filling to manufacturer's specifications prior to installing on a machine. Refer to Operation and Safety or Service and Maintenance Manuals.	
		Ref	Purchase individual tire and/or rim only if able to foam fill tire and wheel assembly, otherwise, purchase complete assembly.	
2	4520252	1	Tire 15-625	
3	4641122	1	Valve, Air	
4	4860224	1	Rim, Wheel - 13 x 24.5 Rim	

SECTION 1 - FRAME

FIGURE 1-19. TIRE AND WHEEL INSTALLATION 18-625 NHS FOAM-FILLED TIRE



ART_0270888

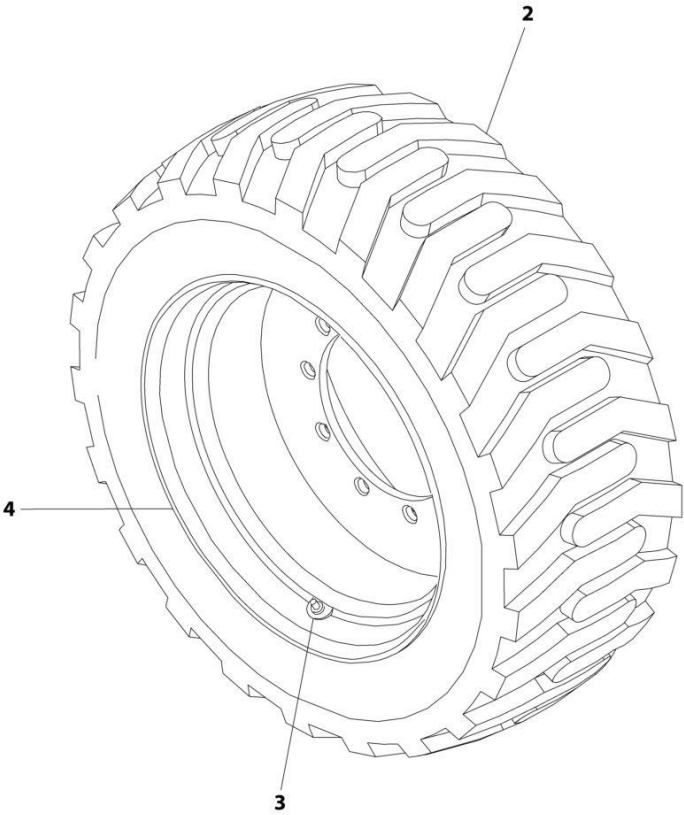
SECTION 1 - FRAME

FIGURE 1-19. TIRE AND WHEEL INSTALLATION 18-625 NHS FOAM-FILLED TIRE

ITEM	PART NUMBER	QTY	DESCRIPTION	REV
	0270888	Ref	TIRE AND WHEEL INSTALLATION	C
	0271090	2	Tire and Wheel Assembly - 18-625 NHS Foam-Filled LH Side	G
	0271091	2	Tire and Wheel Assembly - 18-625 NHS Foam-Filled RH Side	G
		Ref	Note: Assemblies may require ballast/foam filling to manufacturer's specifications prior to installing on a machine. Refer to Operation and Safety or Service and Maintenance Manuals.	
		Ref	Purchase individual tire and/or rim only if able to foam fill tire and wheel assembly, otherwise, purchase complete assembly.	
2	4520253	1	Tire 18-625	
3	4641122	1	Valve, Air	
4	4860225	1	Rim, Wheel - 15 x 24.5 Rim	

SECTION 1 - FRAME

FIGURE 1-20. TIRE AND WHEEL INSTALLATION 18-625 NHS FOAM-FILLED NON-MARKING TIRE



ART_1001169757

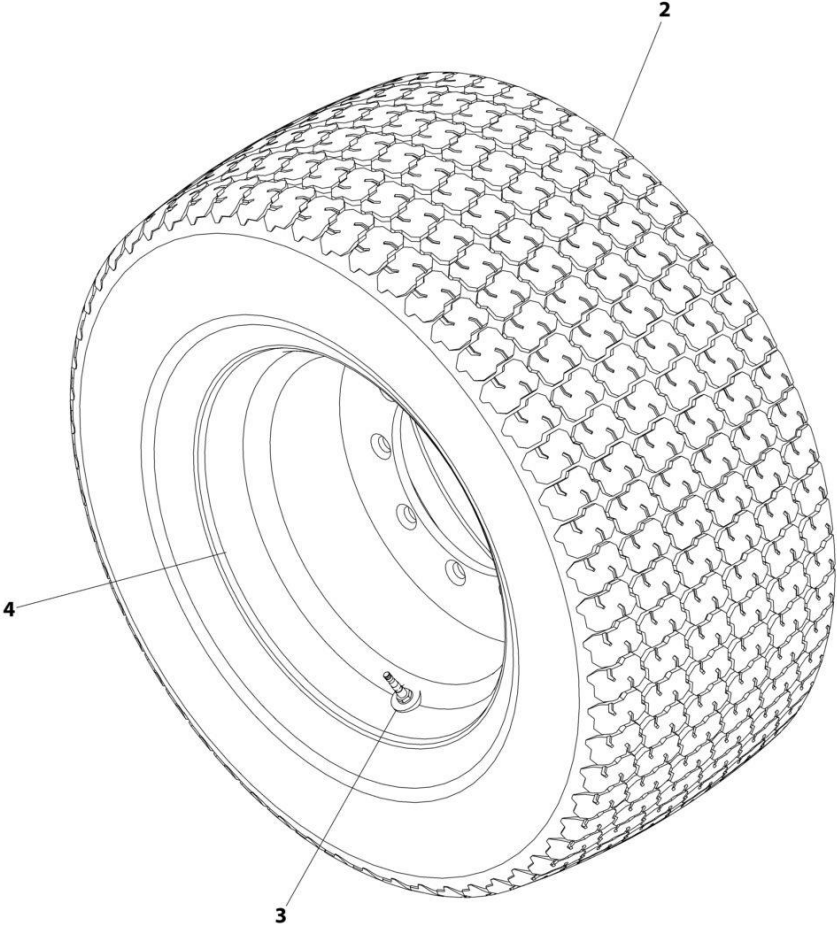
SECTION 1 - FRAME

FIGURE 1-20. TIRE AND WHEEL INSTALLATION 18-625 NHS FOAM-FILLED NON-MARKING TIRE

ITEM	PART NUMBER	QTY	DESCRIPTION	REV
	1001169757	Ref	TIRE AND WHEEL INSTALLATION	A
	1001169755	2	Tire and Wheel Assembly - 18-625 NHS Foam-Filled Non-Marking LH Side	D
	1001169756	2	Tire and Wheel Assembly - 18-625 NHS Foam-Filled Non-Marking RH Side	D
		Ref	Note: Assemblies may require ballast/foam filling to manufacturer's specifications prior to installing on a machine. Refer to Operation and Safety or Service and Maintenance Manuals.	
		Ref	Purchase individual tire and/or rim only if able to foam fill tire and wheel assembly, otherwise, purchase complete assembly.	
2	1001169754	1	Tire 18-625 Non-Marking	
3	4641122	1	Valve, Air	
4	4860225	1	Rim, Wheel - 15 x 24.5 Rim	

SECTION 1 - FRAME

FIGURE 1-21. TIRE AND WHEEL INSTALLATION 18-22.5 NHS FOAM-FILLED NON-MARKING TIRE



ART_1001268884

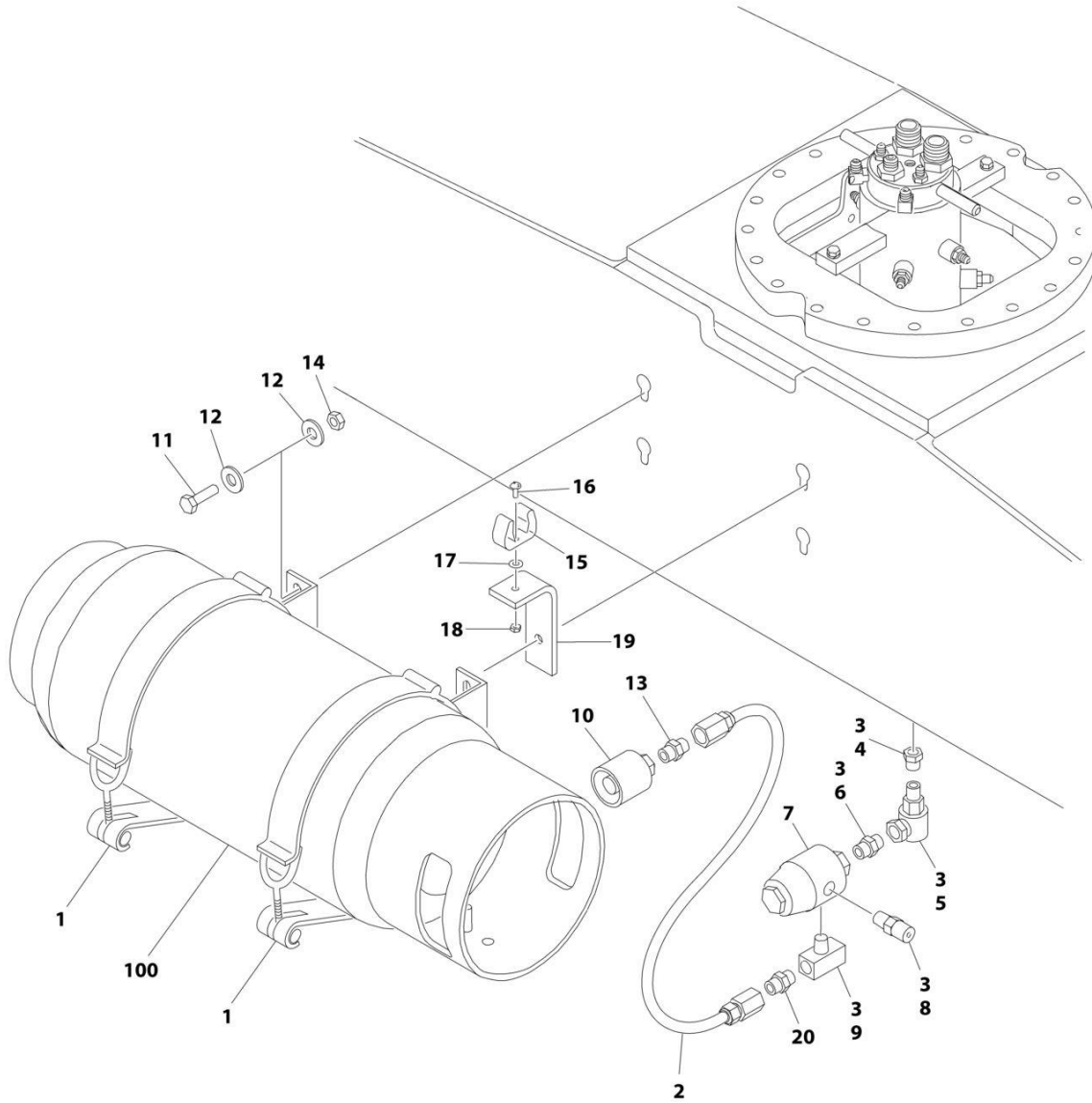
SECTION 1 - FRAME

FIGURE 1-21. TIRE AND WHEEL INSTALLATION 18-22.5 NHS FOAM-FILLED NON-MARKING TIRE

ITEM	PART NUMBER	QTY	DESCRIPTION	REV
	1001268884	Ref	TIRE AND WHEEL INSTALLATION	A
	1001268883	4	Tire and Wheel Assembly - 41 x 18LL x 22.5 NHS Foam-Filled Non-Marking	B
		Ref	Note: Assemblies may require ballast/foam filling to manufacturer's specifications prior to installing on a machine. Refer to Operation and Safety or Service and Maintenance Manuals.	
		Ref	Purchase individual tire and/or rim only if able to foam fill tire and wheel assembly, otherwise, purchase complete assembly.	
2	4520256	1	Tire 41 x 18LL x 22.5 Non-Marking	
3	4641122	1	Valve, Air	
4	1001209982	1	Rim, Wheel - 22.5 x 14 Rim	

SECTION 1 - FRAME

FIGURE 1-22. LP TANK BRACKETS INSTALLATIONS



ART_1001151010

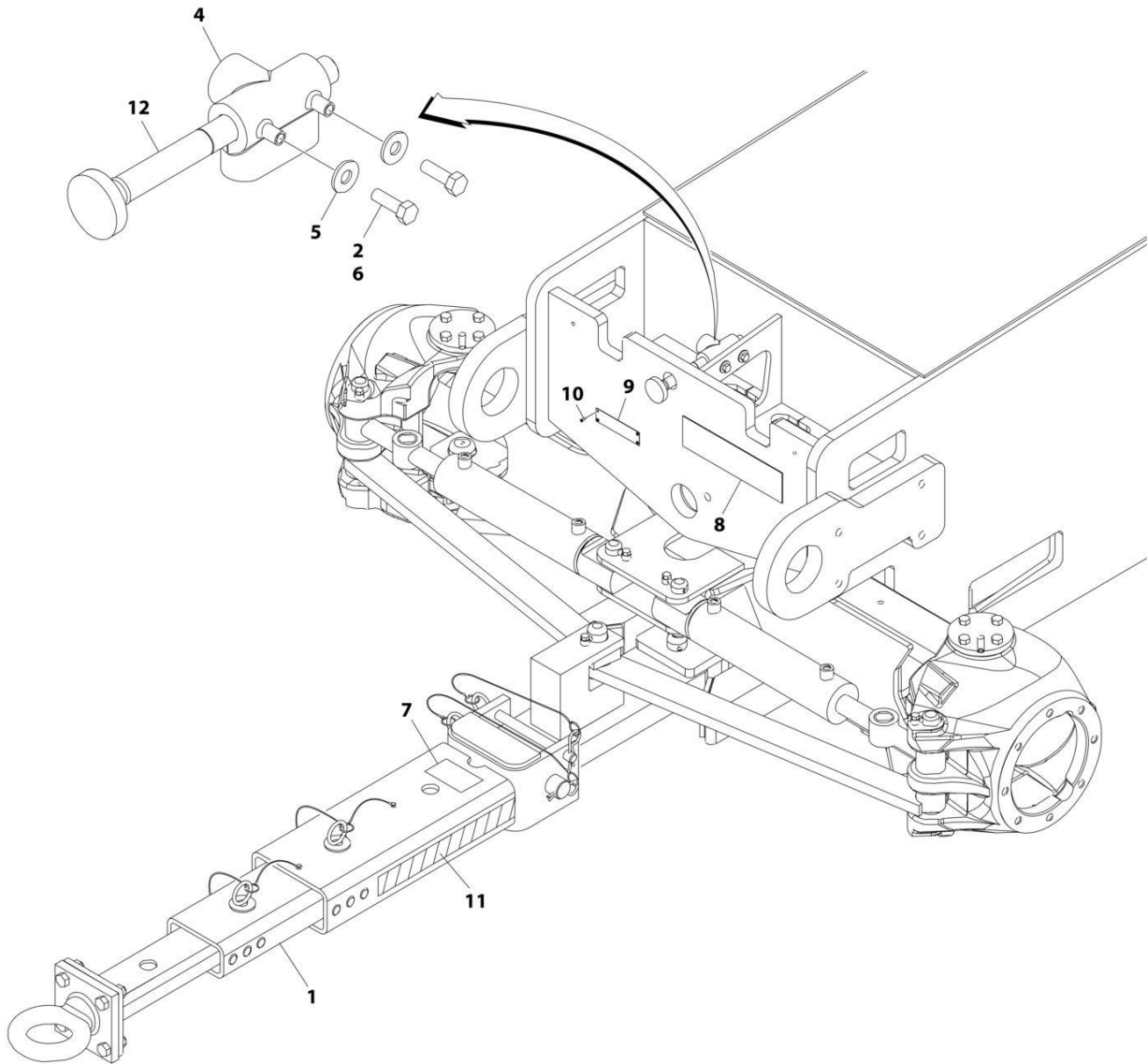
SECTION 1 - FRAME

FIGURE 1-22. LP TANK BRACKETS INSTALLATIONS

ITEM	PART NUMBER	QTY	DESCRIPTION	REV
	1001151010	Ref	LP TANK BRACKETS INSTALLATION	E
1	1320220	2	Clamp	
1	1320127	2	Clamp, Toggle (1 Per Clamp)	
2	2720144	2	Hose	
3	0100020	AR	Sealant, Pipe	
4	2221197	1	Fitting, Reducer	
5	1001247358	1	Fitting, 90 Swivel	
6	2220261	1	Fitting, Nipple	
7	2180388	1	Fitting, Bulkhead	
8	2180389	1	Valve, Relief	
9	2220418	1	Fitting, Tee	
10	2180387	2	Fitting, Straight	
11	0641617	8	Bolt 3/8 x 2-1/8	
12	4751600	16	Washer 3/8	
13	2180418	2	Fitting, Connector	
14	3311605	8	Nut 3/8	
15	1320218	2	Clamp, Spring	
16	0720804	2	Screw #8 x 1/2	
17	4750800	4	Washer #8	
18	3310805	2	Nut #8	
19	0181949	2	Angle, Support	
20	2221024	2	Fitting, Union Ball Check	
100	4400275	1	Tank, LP - 43.5 Lbs. (Aluminum)	

SECTION 1 - FRAME

FIGURE 1-23. TOW PACKAGE INSTALLATION (ENGLISH DECALS)



ART_1001158436

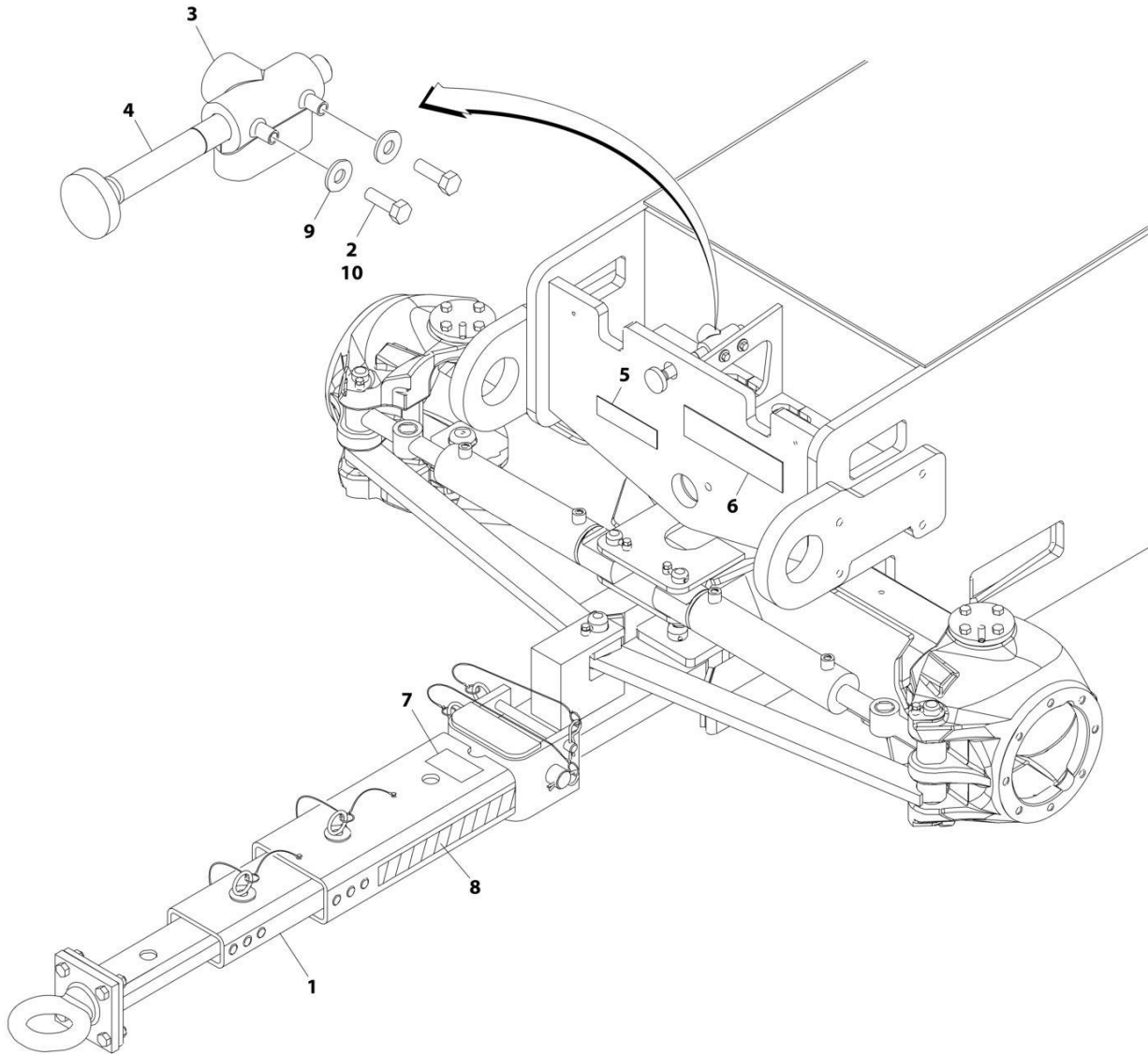
SECTION 1 - FRAME

FIGURE 1-23. TOW PACKAGE INSTALLATION (ENGLISH DECALS)

ITEM	PART NUMBER	QTY	DESCRIPTION	REV
	1001158436	Ref	TOW BAR INSTALLATION (ENGLISH DECALS)	B
	0270528	1	Tow Bar Assembly (See Separate Breakdown in this Section)	
2	0641508	2	Bolt 5/16 x 1	
4	4640261	1	Valve, Select	
5	4751500	4	Washer 5/16	
6	0100011	AR	Compound, Locking	
7	1704578	2	Decal - Crushing	
8	1705090	1	Decal - Towing Instructions	
9	3250872	1	Decal/Nameplate - Steer/Tow Select Valve	
10	3820001	4	Rivet	
11	4420051	AR	Tape, Safety	
12	1001160780	1	Extension, Rod	

SECTION 1 - FRAME

FIGURE 1-24. TOW PACKAGE INSTALLATION (FRENCH/ENGLISH DECALS)



ART_1001220283

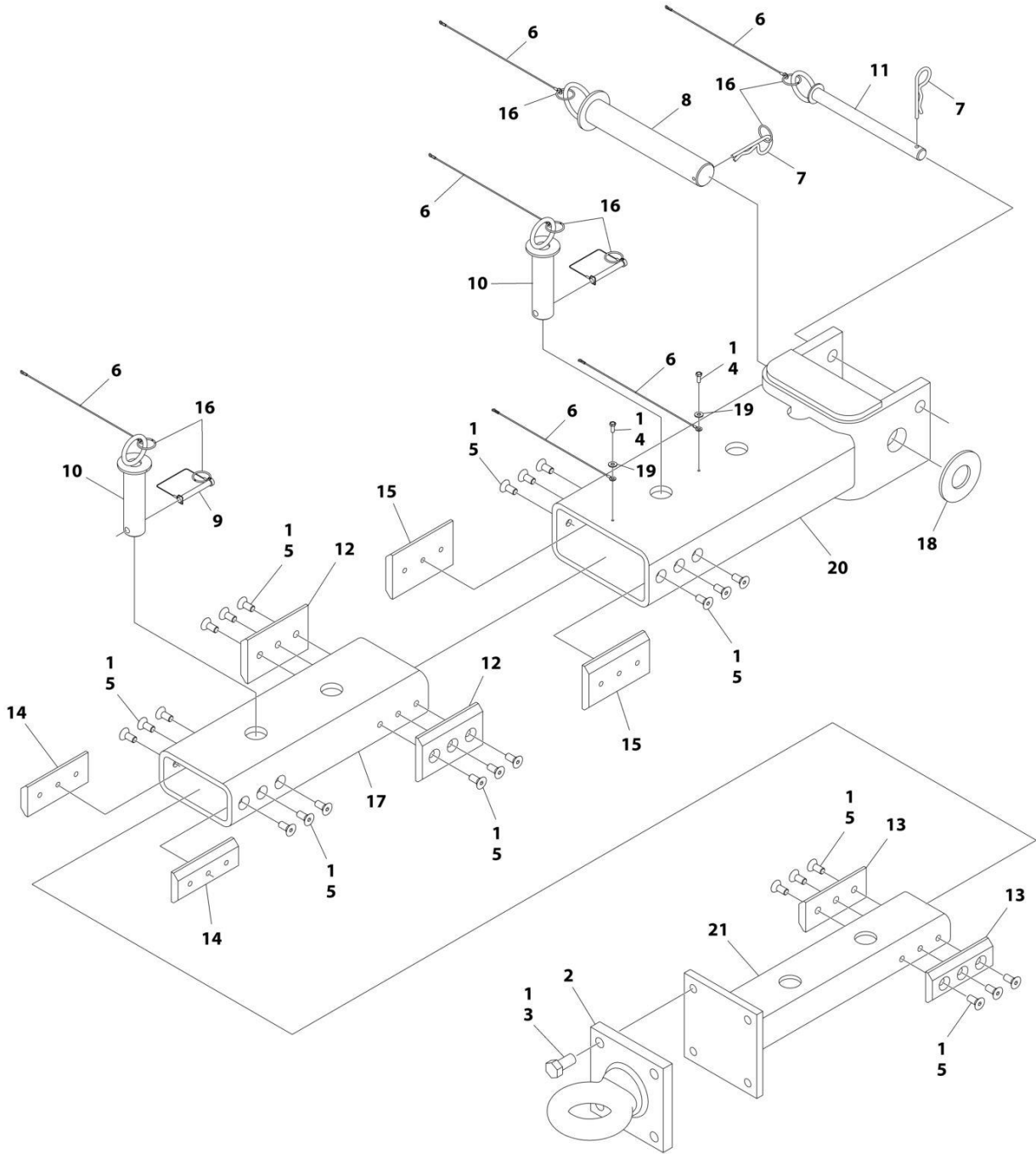
SECTION 1 - FRAME

FIGURE 1-24. TOW PACKAGE INSTALLATION (FRENCH/ENGLISH DECALS)

ITEM	PART NUMBER	QTY	DESCRIPTION	REV
	1001220283	Ref	TOW BAR INSTALLATION (FRENCH/ENGLISH DECALS)	A
	0270528	1	Tow Bar Assembly (See Separate Breakdown in this Section)	
2	0641508	2	Bolt 5/16 x 1	
3	4640261	1	Valve, Select	
4	1001160780	1	Extension, Rod	
5	1704272	1	Decal/Nameplate - Steer/Tow Select Valve	
6	1705820	1	Decal - Towing Instructions	
7	1706593	2	Decal - Crushing	
8	4420051	AR	Tape, Safety	
9	4751500	4	Washer 5/16	
10	0100011	AR	Compound, Locking	

SECTION 1 - FRAME

FIGURE 1-25. TOW BAR ASSEMBLY



ART_0270528

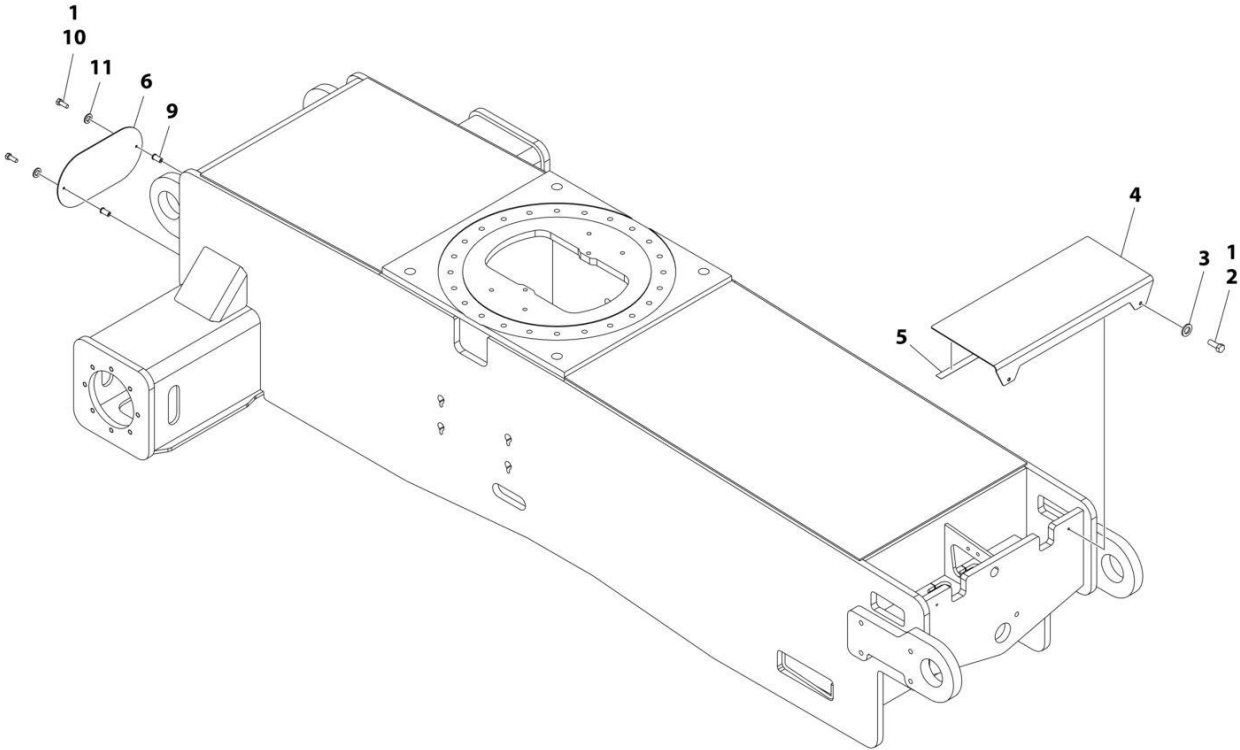
SECTION 1 - FRAME

FIGURE 1-25. TOW BAR ASSEMBLY

ITEM	PART NUMBER	QTY	DESCRIPTION	REV
	0270528	Ref	TOW BAR ASSEMBLY	B
1	0100011	AR	Compound, Locking	
2	0362910	1	Pintle, Draw Eye	
3	0642010	4	Bolt 5/8 x 1-1/4	
4	0721004	2	Screw, Hex Machine	
5	0741607	24	Screw, Countersunk 3/8 x 7/8	
6	1060584	6	Cable, Lanyard	
7	3420372	2	Pin, Cotter	
8	3420447	1	Pin, Towing	
9	3421565	2	Pin, Snap	
10	3422841	2	Pin	
11	3422847	1	Pin	
12	3572009	2	Plate, Slide Stop	
13	3572010	2	Plate, Slide Stop	
14	3572011	2	Plate, Slide Stop	
15	3572012	2	Plate, Slide Stop	
16	3760170	8	Ring, Split	
17	4568133	1	Tube, Tow Bar	
18	4740036	1	Washer	
19	4751000	2	Washer #10	
20	4846295	1	Tow Bar Attach Weldment	
21	4846296	1	Pintle Attach Weldment	

SECTION 1 - FRAME

FIGURE 1-26. FRAME SHIELDS INSTALLATION



ART_1001158203

SECTION 1 - FRAME

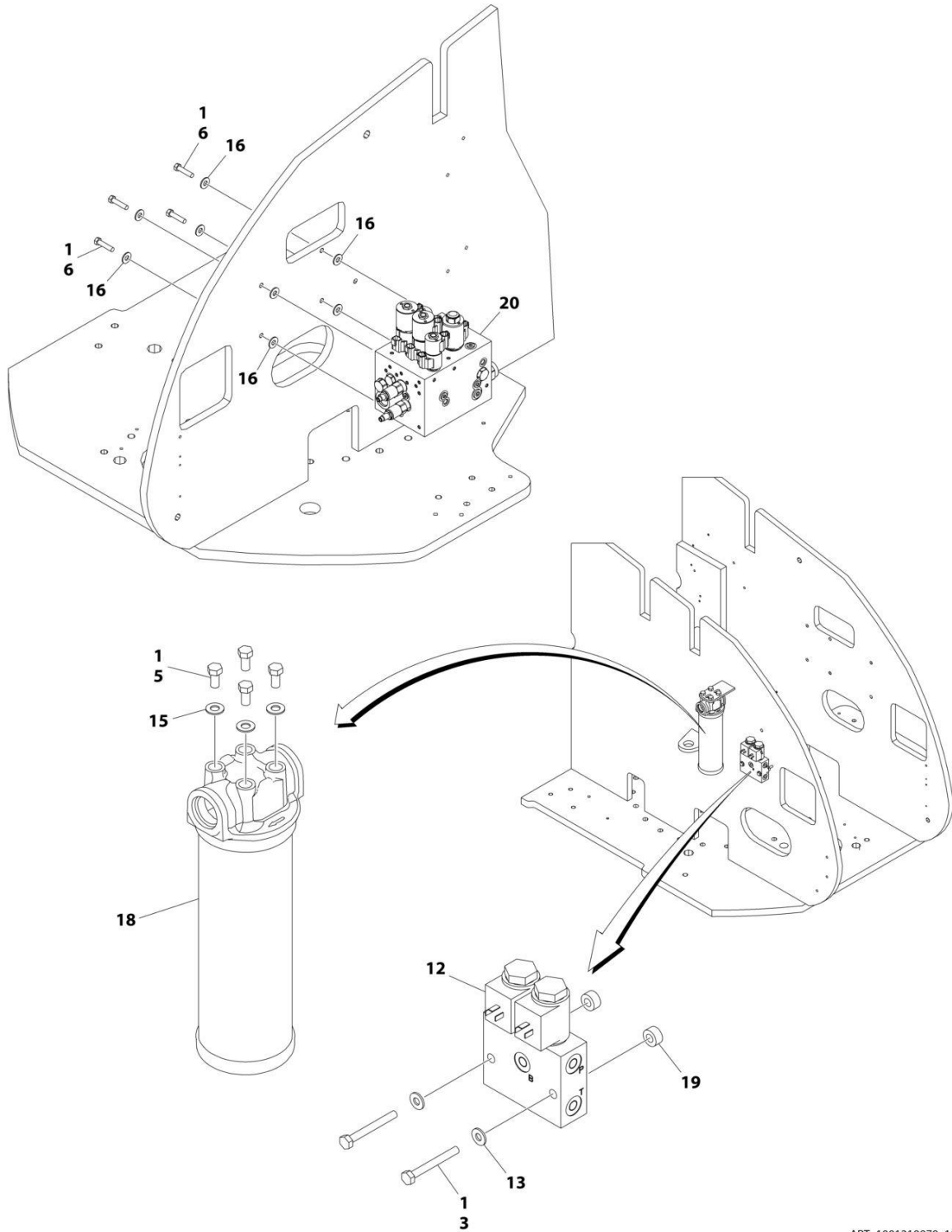
FIGURE 1-26. FRAME SHIELDS INSTALLATION

ITEM	PART NUMBER	QTY	DESCRIPTION	REV
	1001158203	Ref	FRAME SHIELDS INSTALLATION	D
1	0100011	AR	Compound, Locking	
2	0641606	2	Bolt 3/8 x 3/4	
3	4751600	2	Washer 3/8	
4	1001158187	1	Cover	
5	4280296	27 in/ 68cm	Trim	
6	1001158188	1	Cover	
9	8580420	2	Nut, Well	
10	0641410	2	Bolt 1/4 x 1-1/4	
11	4751400	2	Washer 1/4	

SECTION 2 - TURNTABLE

SECTION 2 - TURNTABLE

FIGURE 2-1. CONTROL VALVES INSTALLATION (800S HC3)



ART_1001219979_10F2

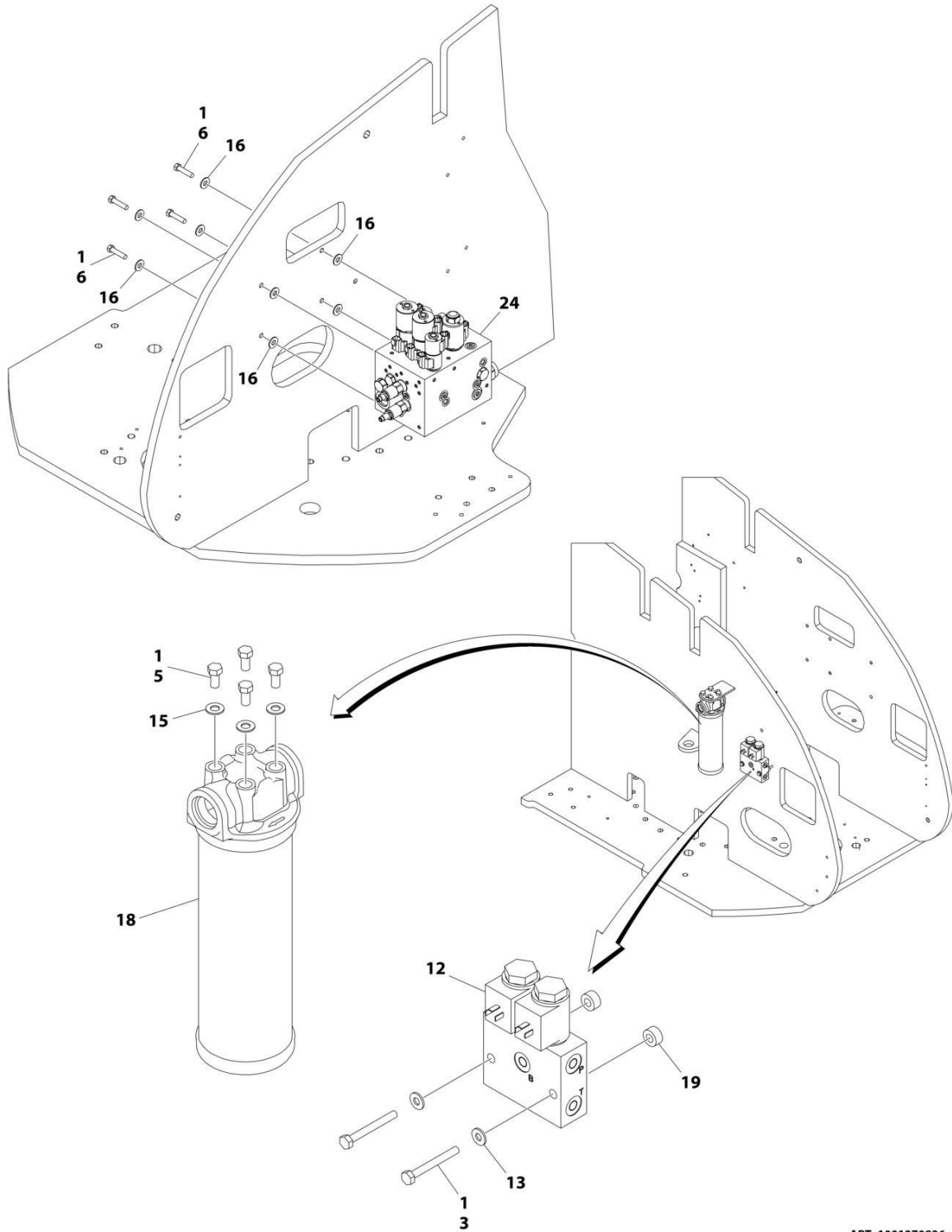
SECTION 2 - TURNTABLE

FIGURE 2-1. CONTROL VALVES INSTALLATION (800S HC3)

ITEM	PART NUMBER	QTY	DESCRIPTION	REV
	1001219979	Ref	VALVES INSTALLATION	B
1	0100011	AR	Compound, Locking	
3	0641418	2	Bolt 1/4 x 2-1/4	
5	0641606	4	Bolt 3/8 x 3/4	
6	0641613	4	Bolt 3/8 x 1-5/8	
12	4641317	1	Dual Select Valve Assembly	C
12	7012944	2	Coil	
12	7012941	2	Cartridge Less Coil	
12	7010543	2	Seal Kit - 7012941 Valve (1 Per Cartridge)	
13	4711400	2	Washer 1/4	
15	4711600	4	Washer 3/8	
16	4751600	8	Washer 3/8	
18	1001108617	AR	Hydraulic Filter Assembly	
18	70002231	1	Element, Filter	
19	1001110425	1	Spacer	
20	1001235900	1	Main Control Valve Assembly (See Separate Breakdown in this Section)	

SECTION 2 - TURNTABLE

FIGURE 2-2. CONTROL VALVES INSTALLATION (860SJ HC3)



ART_1001270836_10F2

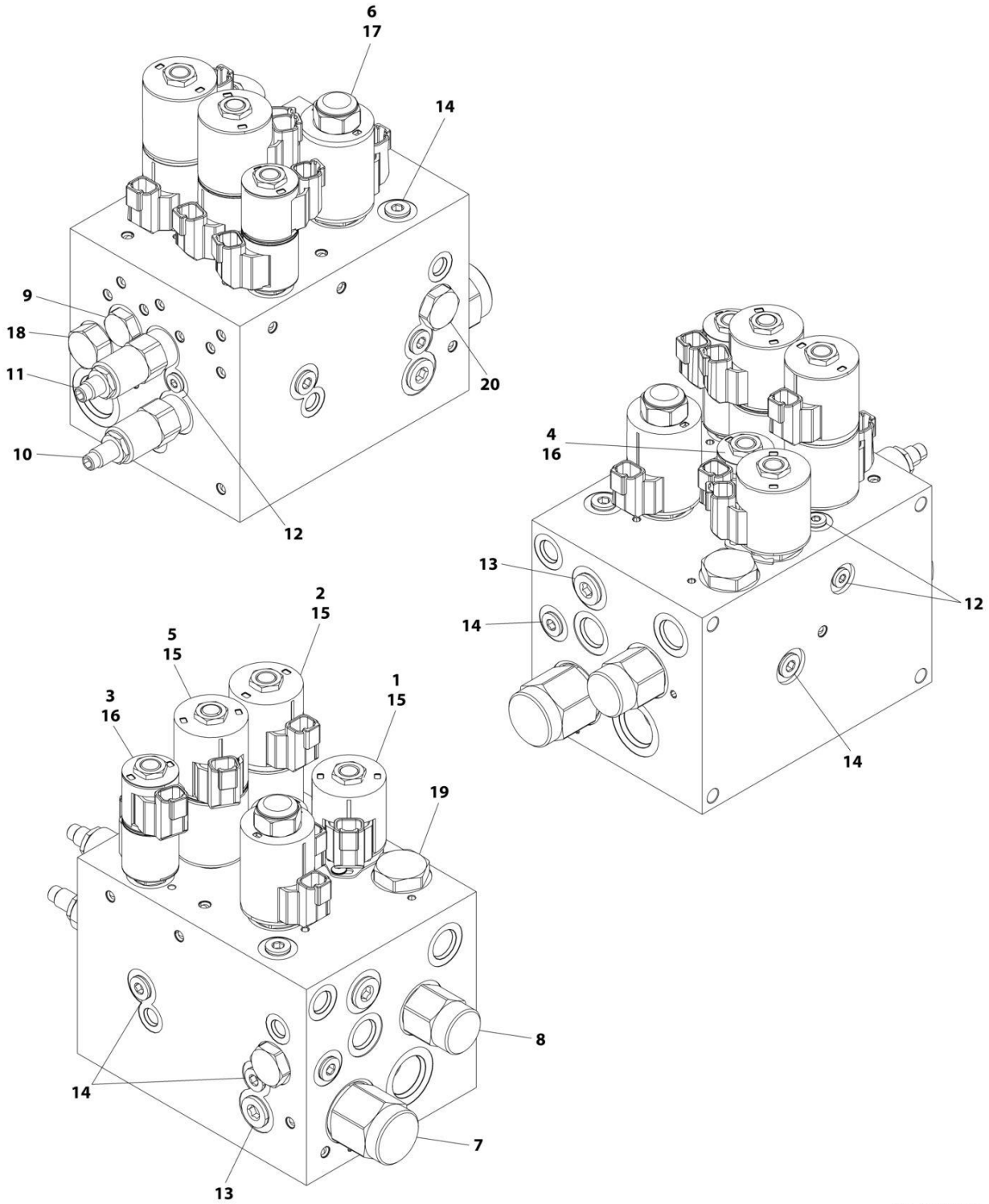
SECTION 2 - TURNTABLE

FIGURE 2-2. CONTROL VALVES INSTALLATION (860SJ HC3)

ITEM	PART NUMBER	QTY	DESCRIPTION	REV
	1001270836	Ref	CONTROL VALVE INSTALLATION	A
1	0100011	AR	Compound, Locking	
3	0641418	2	Bolt 1/4 x 2-1/4	
5	0641606	4	Bolt 3/8 x 3/4	
6	0641613	4	Bolt 3/8 x 1-5/8	
12	4641317	1	Dual Select Valve Assembly	C
12	7012944	2	Coil	
12	7012941	2	Cartridge Less Coil	
12	7010543	2	Seal Kit - 7012941 Valve (1 Per Cartridge)	
13	4711400	2	Washer 1/4	
15	4711600	4	Washer 3/8	
16	4751600	8	Washer 3/8	
18	1001108617	AR	Hydraulic Filter Assembly	
18	70002231	1	Element, Filter	
19	1001110425	1	Spacer	
20	1001168025	1	Upper Valve Harness (not shown)	
24	1001235900	1	Main Control Valve Assembly (See Separate Breakdown in this Section)	

SECTION 2 - TURNTABLE

FIGURE 2-3. MAIN CONTROL VALVE ASSEMBLY



ART_1001235900

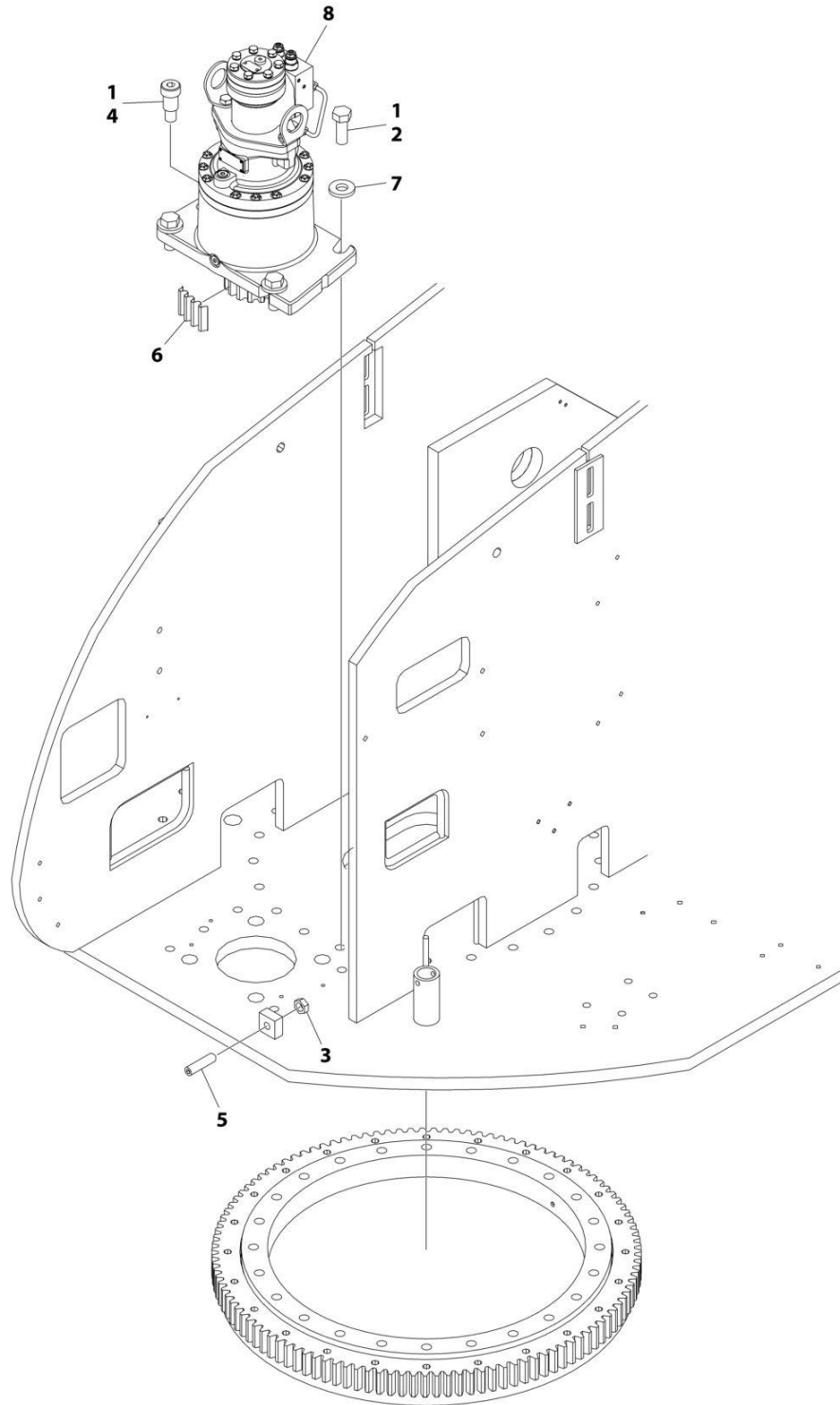
SECTION 2 - TURNTABLE

FIGURE 2-3. MAIN CONTROL VALVE ASSEMBLY

ITEM	PART NUMBER	QTY	DESCRIPTION	REV
	1001235900	Ref	MAIN CONTROL VALVE ASSEMBLY	B
1	70004570	1	Cartridge, Solenoid Valve (Main Dump)	
1	70004571	1	Seal Kit - 70004570 Valve	
1	70005725	1	Lock Down Kit	
2	7023925	1	Cartridge, Solenoid Valve (Steer)	
2	7012903	1	Seal Kit - 7023925 Valve	
3	7017452	1	Cartridge, Solenoid Valve (Tele)	
3	7017402	1	Seal Kit - 7017452 Valve	
4	7021612	1	Cartridge, Solenoid Valve (Lift)	
4	7012907	1	Seal Kit - 7021612 Valve	
5	70003022	1	Cartridge, Solenoid Valve (Swing)	
5	7012903	1	Seal Kit - 70003022 Valve	
6	70004572	1	Cartridge, Solenoid Valve (Tele)	
6	70004573	1	Seal Kit - 70004572 Valve	
7	70004574	1	Cartridge, Valve	
7	70004575	1	Seal Kit - 70004574 Valve	
8	70004576	1	Cartridge, Valve	
8	70004577	1	Seal Kit - 70004576 Valve	
9	10837580	1	Cartridge, Valve	
9	7010543	1	Seal Kit - 10837580 Valve	
10	7017422	1	Cartridge, Valve	
10	7012998	1	Seal Kit - 7017422 Valve	
11	70004578	1	Cartridge, Valve	
11	7021653	1	Seal Kit - 70004578 Valve	
12	91164059	3	Plug, #4	
13	91164057	3	Plug, #8	
14	91164079	6	Plug, #6	
15	70003788	5	Coil	
16	70002386	3	Coil	
17	70003789	1	Coil	
18	70004579	1	Cartridge, Valve	
18	70004580	1	Seal Kit - 70004579 Valve	
19	70004581	1	Cartridge, Valve	
19	70004571	1	Seal Kit - 70004581 Valve	
20	7023985	1	Cartridge, Valve	
20	7017496	1	Seal Kit - 7023985 Valve	

SECTION 2 - TURNTABLE

FIGURE 2-4. SWING DRIVE INSTALLATION



ART_1001094899_F

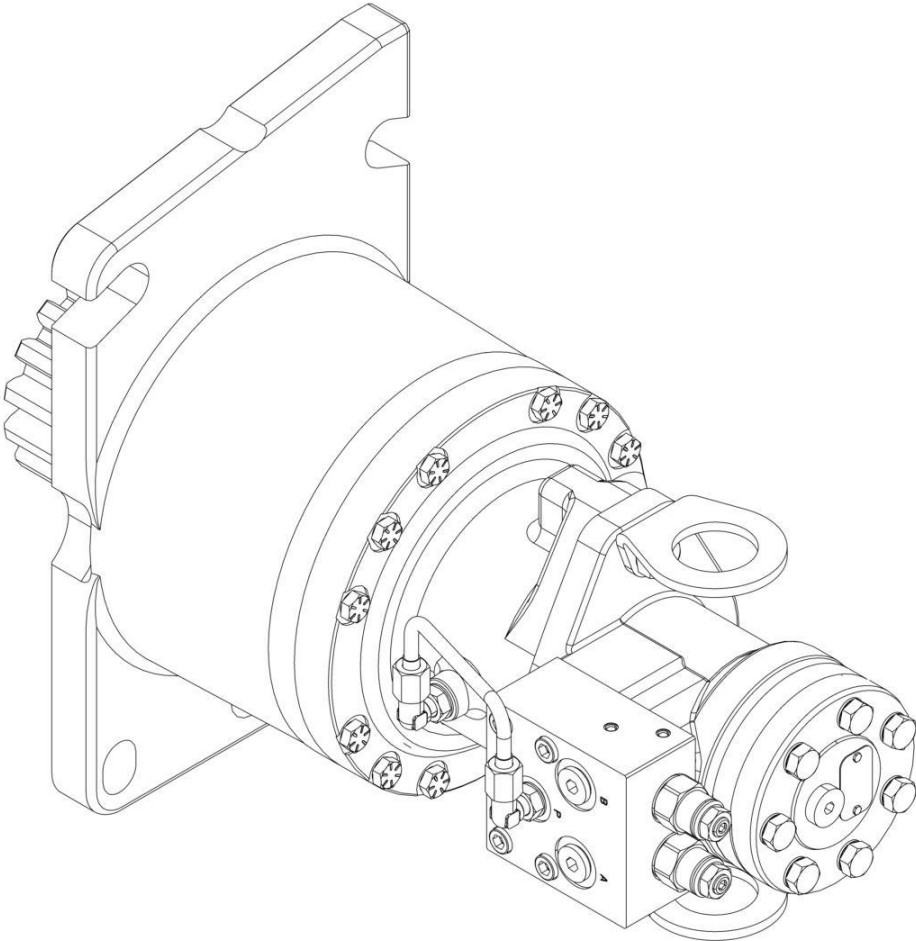
SECTION 2 - TURNTABLE

FIGURE 2-4. SWING DRIVE INSTALLATION

ITEM	PART NUMBER	QTY	DESCRIPTION	REV
	1001094899	Ref	SWING DRIVE INSTALLATION	F
1	0100019	AR	Compound, Locking	
2	0682216	4	Bolt 3/4 x 2 Grade 8	
3	3312002	1	Nut, Jam 3/4	
4	3900293	1	Bolt, Shoulder	
5	3952020	2	Setscrew 5/8 x 2-1/2	
6	1001125492	1	Shim	
7	4740057	4	Washer 3/4 Hardened	
8	1001306803	1	Swing Motor/Swing Hub Assembly (See Separate Breakdown in this Section)	

SECTION 2 - TURNTABLE

FIGURE 2-5. SWING MOTOR/HUB ASSEMBLY



ART_1001306803

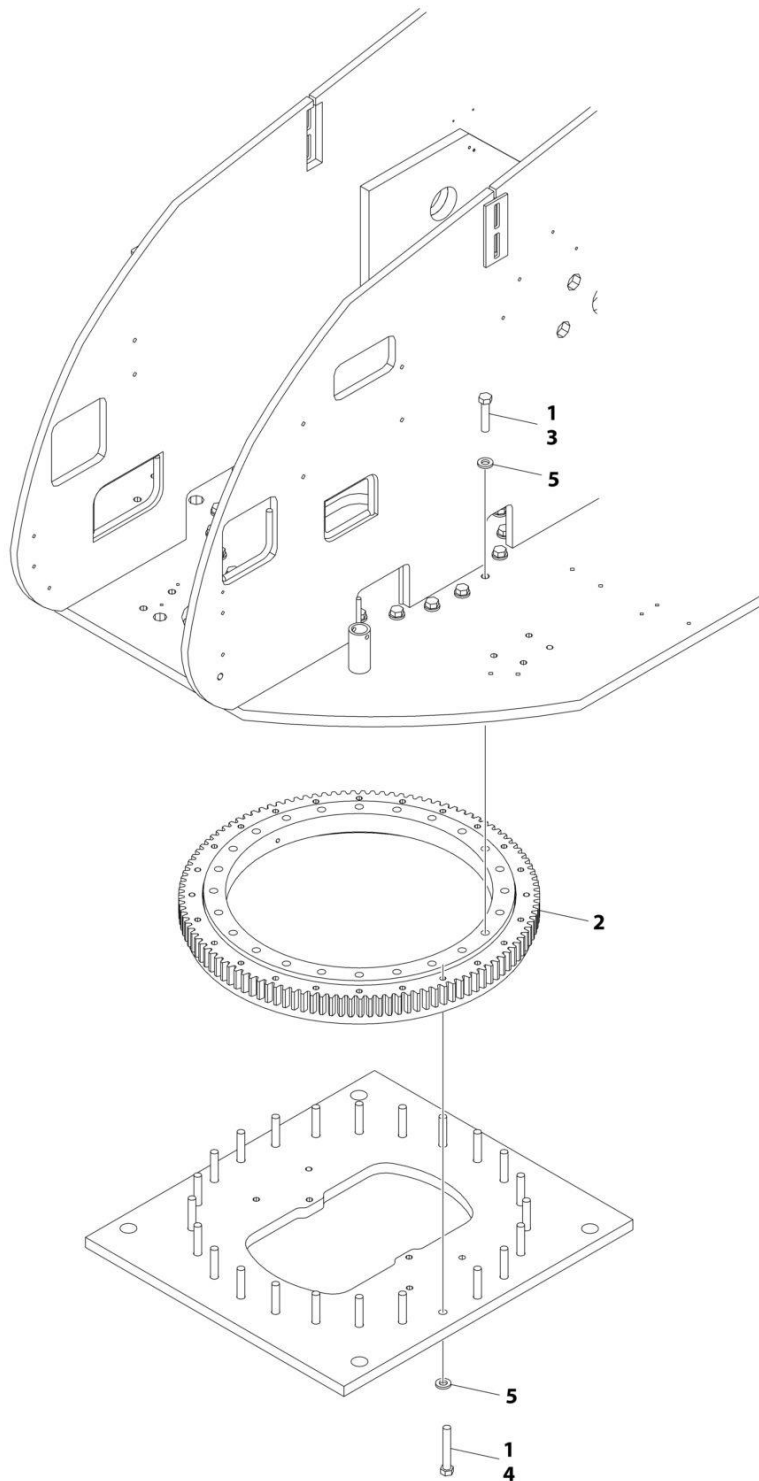
SECTION 2 - TURNTABLE

FIGURE 2-5. SWING MOTOR/HUB ASSEMBLY

ITEM	PART NUMBER	QTY	DESCRIPTION	REV
	1001306803 See Note	Ref NSS	SWING MOTOR/HUB ASSEMBLY Note: No Service Parts Available at Time of Printing	A

SECTION 2 - TURNTABLE

FIGURE 2-6. TURNTABLE BEARING INSTALLATION



ART_0271002

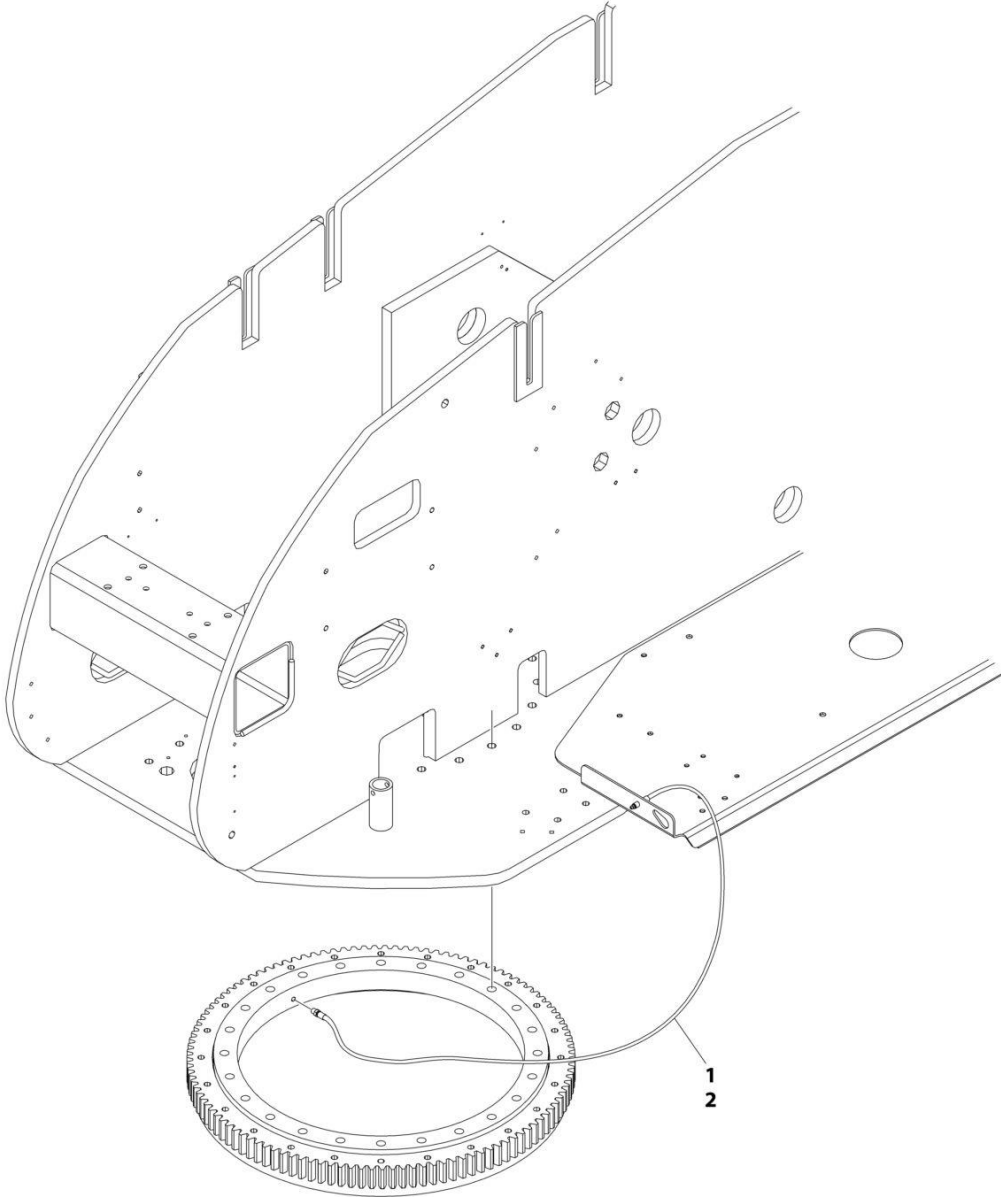
SECTION 2 - TURNTABLE

FIGURE 2-6. TURNTABLE BEARING INSTALLATION

ITEM	PART NUMBER	QTY	DESCRIPTION	REV
	0271002	Ref	TURNTABLE BEARING INSTALLATION	E
1	0100019	AR	Compound, Locking	
2	0440244	1	Bearing, Turntable	
3	0682023	24	Bolt 5/8 x 2-7/8 Grade 8	
4	0682032	24	Bolt 5/8 x 4 Grade 8	
5	4892000	48	Washer, 5/8 Hardened	

SECTION 2 - TURNTABLE

FIGURE 2-7. REMOTE BEARING LUBE INSTALLATION



ART_1001161076

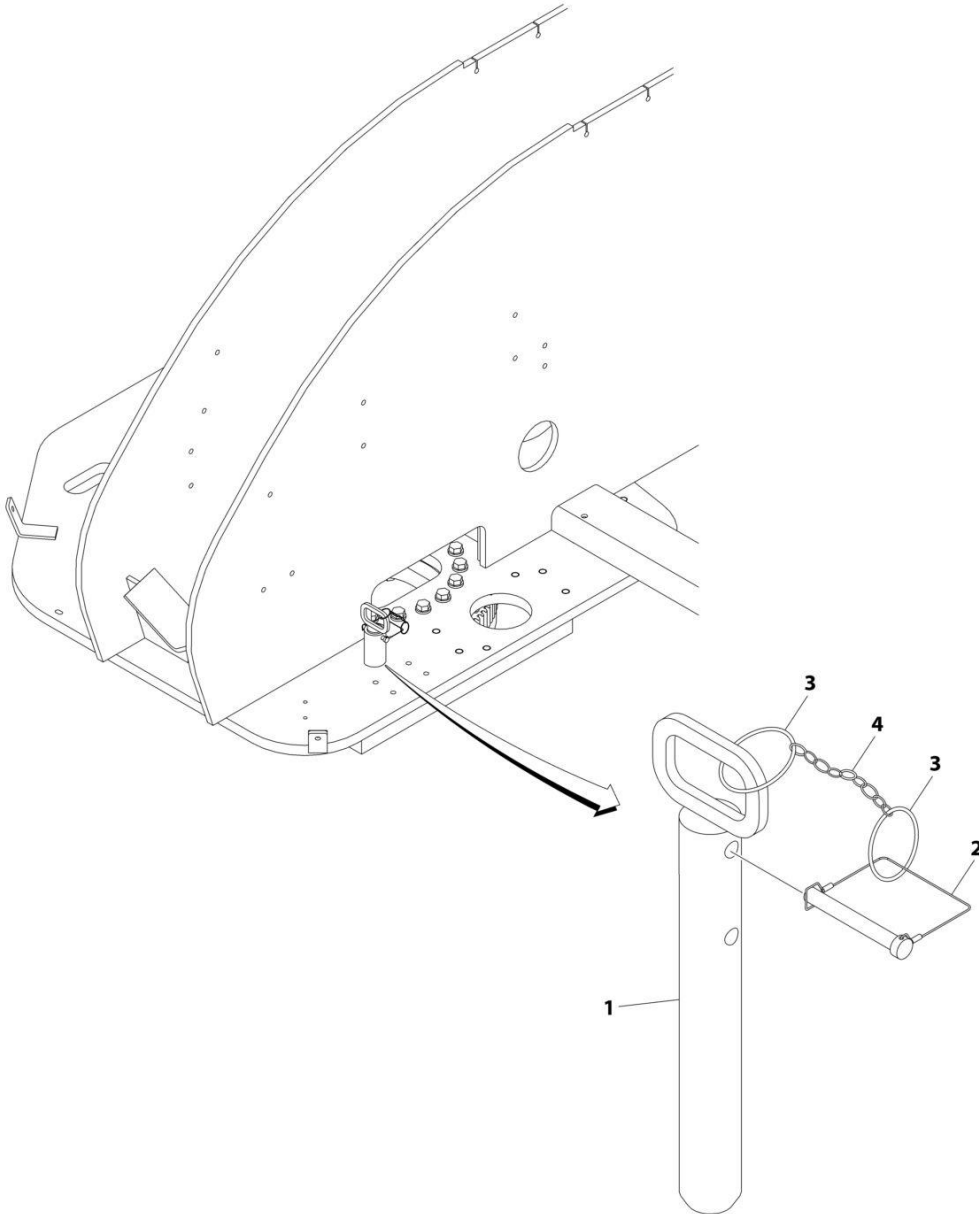
SECTION 2 - TURNTABLE

FIGURE 2-7. REMOTE BEARING LUBE INSTALLATION

ITEM	PART NUMBER	QTY	DESCRIPTION	REV
	1001161076	Ref	REMOTE BEARING LUBE INSTALLATION	B
1	0100011	AR	Compound, Locking	
2	1001188125	1	Hose and Fitting Assembly	

SECTION 2 - TURNTABLE

FIGURE 2-8. TURNTABLE LOCK INSTALLATION



ART_0259147

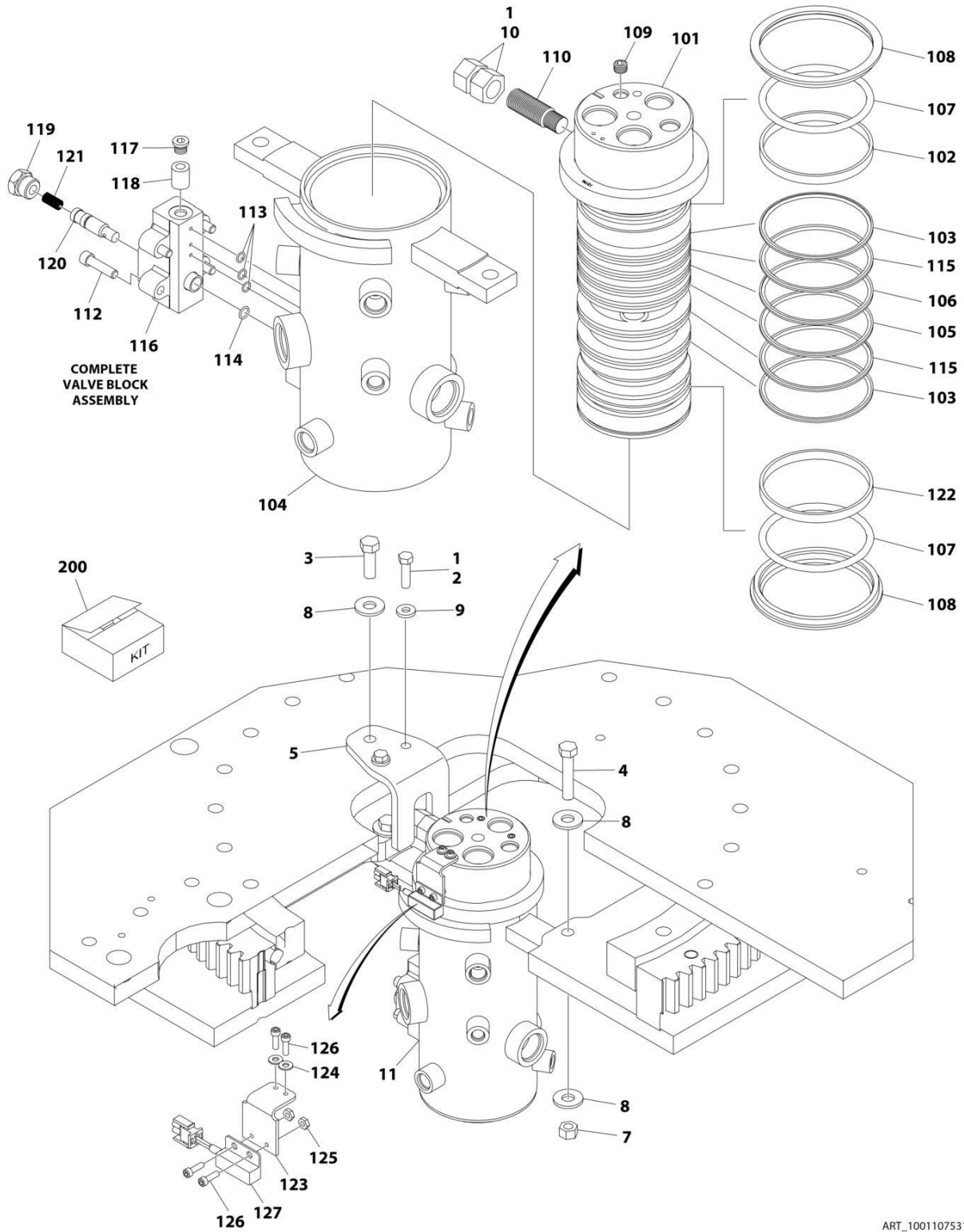
SECTION 2 - TURNTABLE

FIGURE 2-8. TURNTABLE LOCK INSTALLATION

ITEM	PART NUMBER	QTY	DESCRIPTION	REV
	0259147	Ref	TURNTABLE LOCK INSTALLATION	B
1	4844958	1	Pin	
2	3421565	1	Pin, Snap	
3	3760170	2	Ring, Quick Release	
4	1260017	9 in/ 23cm	Chain	

SECTION 2 - TURNTABLE

FIGURE 2-9. ROTARY COUPLING INSTALLATION



ART_1001107531

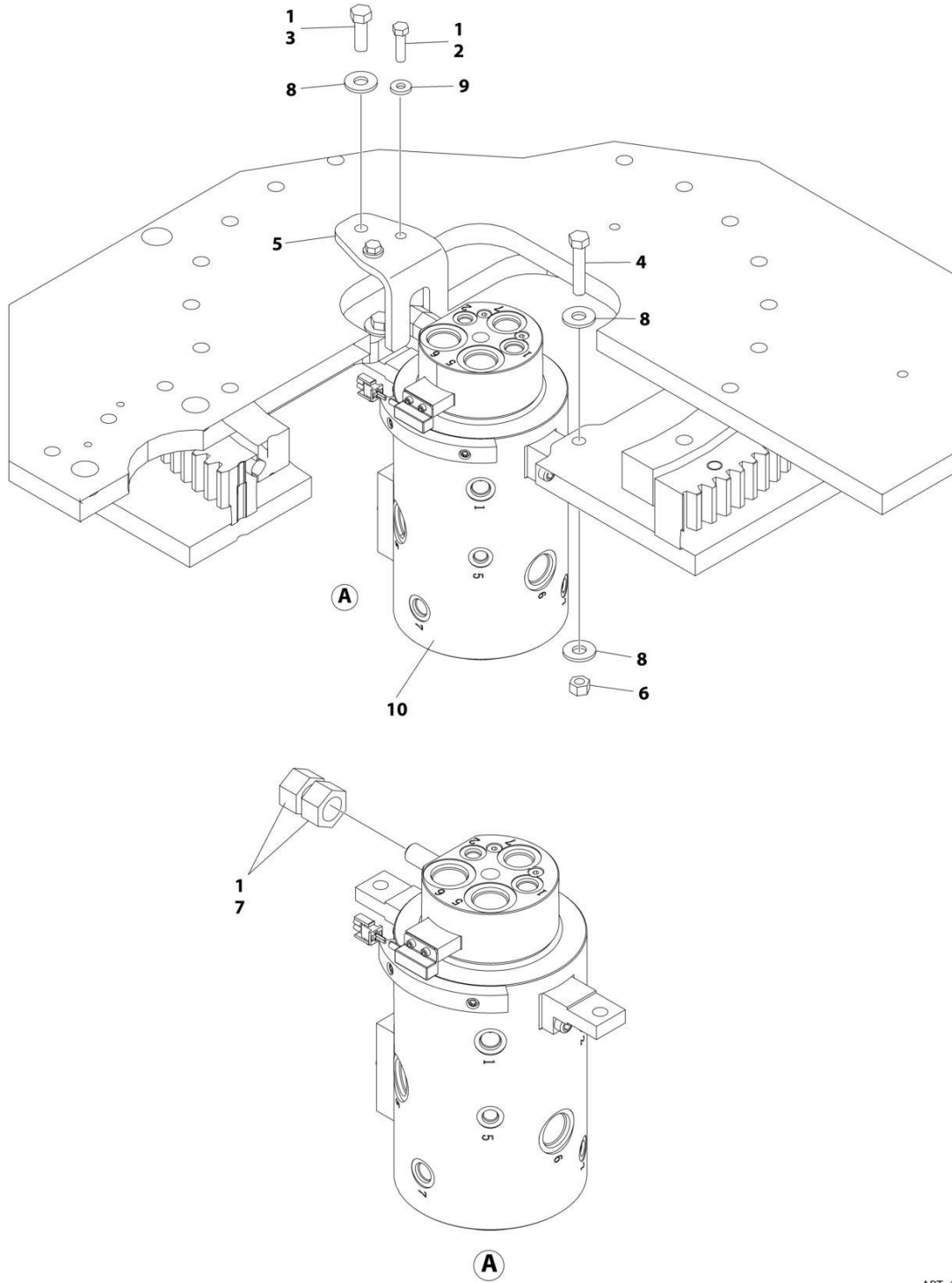
SECTION 2 - TURNTABLE

FIGURE 2-9. ROTARY COUPLING INSTALLATION

ITEM	PART NUMBER	QTY	DESCRIPTION	REV
	1001107531	Ref	ROTARY COUPLING INSTALLATION	A
1	0100011	AR	Compound, Locking	
2	0641611	2	Bolt 3/8 x 1-3/8	
3	0641812	1	Bolt 1/2 x 1-1/2	
4	0641820	2	Bolt 1/2 x 2-1/2	
5	0903242	1	Bracket	
7	3271805	2	Nut 1/2	
8	4751800	5	Washer 1/2 Regular	
9	4891600	2	Washer 3/8 Hardened	
10	3322201	2	Nut 3/4	
11	1001106974	1	Coupling, Rotary (See Items 101-128 for Breakdown)	
	1001106974	Ref	ROTARY COUPLING ASSEMBLY	B
101	1001106974	1	Body (Note: Not Available - Purchase Complete Assembly)	
102	70001248	1	Seal, Poly	
103	70001248	2	O-Ring/Seal	
104	See Note	NSS	Housing (Note: Not Available - Purchase Complete Assembly)	
105	70001248	6	Seal, Cap	
106	70001248	6	O-Ring	
107	7026503	2	Ring, Thrust	
108	7026504	2	Ring, Retaining	
109	80934561	2	Plug	
110	See Note	NSS	Lug, Torque (Note: Not Available for Purchase)	
112	7026197	4	Capscrew	
113	70001248	3	O-Ring	
114	70001248	1	O-Ring	
115	70001248	2	Bearing	
116	7024404	1	Block Valve Assembly	
117	7026505	1	Plug	
118	7026506	1	Valve, Check	
119	7026507	1	Plug	
120	7024404	1	Plunger, Valve (Note: Not Available for Purchase)	
121	7026509	1	Spring	
122	70001248	1	Seal, Oil	
123	70003454	1	Bracket, Switch Mounting	
124	4711000	4	Washer #10	
125	See Note	NSS	Nut 1/4 (Note: Not Available for Purchase)	
126	See Note	NSS	Capscrew 1/4 (Note: Not Available for Purchase)	
127	4360517	1	Switch, Proximity	
128	See Note	AR	Protective Netting (Not Shown) (Note: Not Available for Purchase)	
200	70001248	Ref	Seal Kit - (Includes Items 102, 103, 105, 106, 113, 114, 115 & 122)	

SECTION 2 - TURNTABLE

FIGURE 2-10. ROTARY COUPLING INSTALLATION (MACHINES WITH SN STARTING WITH B3)



ART_1001299126

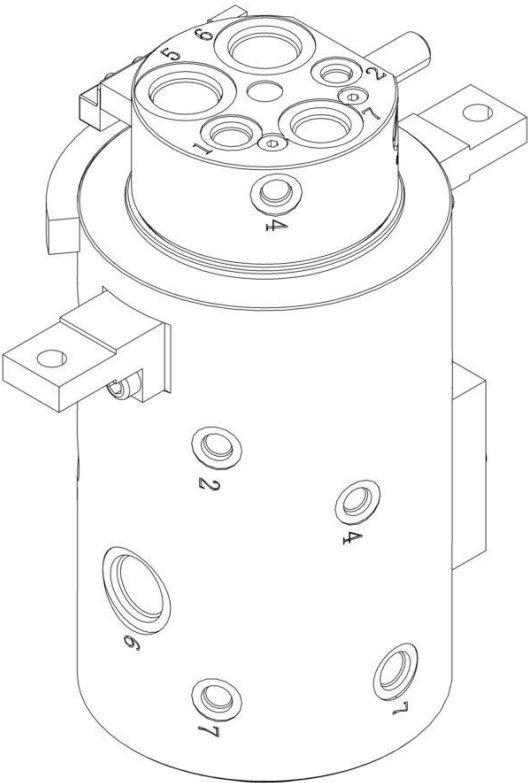
SECTION 2 - TURNTABLE

FIGURE 2-10. ROTARY COUPLING INSTALLATION (MACHINES WITH SN STARTING WITH B3)

ITEM	PART NUMBER	QTY	DESCRIPTION	REV
	1001299126	Ref	ROTARY COUPLING INSTALLATION	A
1	0100011	AR	Compound, Locking	
2	0641611	2	Bolt 3/8 x 1-3/8	
3	0641812	1	Bolt 1/2 x 1-1/2	
4	0641820	2	Bolt 1/2 x 2-1/2	
5	0903242	1	Bracket	
6	3271805	2	Nut 1/2	
7	3322201	2	Nut 3/4	
8	4751800	5	Washer 1/2 Regular	
9	4891600	2	Washer 3/8 Hardened	
10	1001285514	1	Coupling, Rotary (See Separate Breakdown in this Section)	

SECTION 2 - TURNTABLE

FIGURE 2-11. ROTARY COUPLING INSTALLATION (MACHINES WITH SN STARTING WITH B3)



ART_1001285514

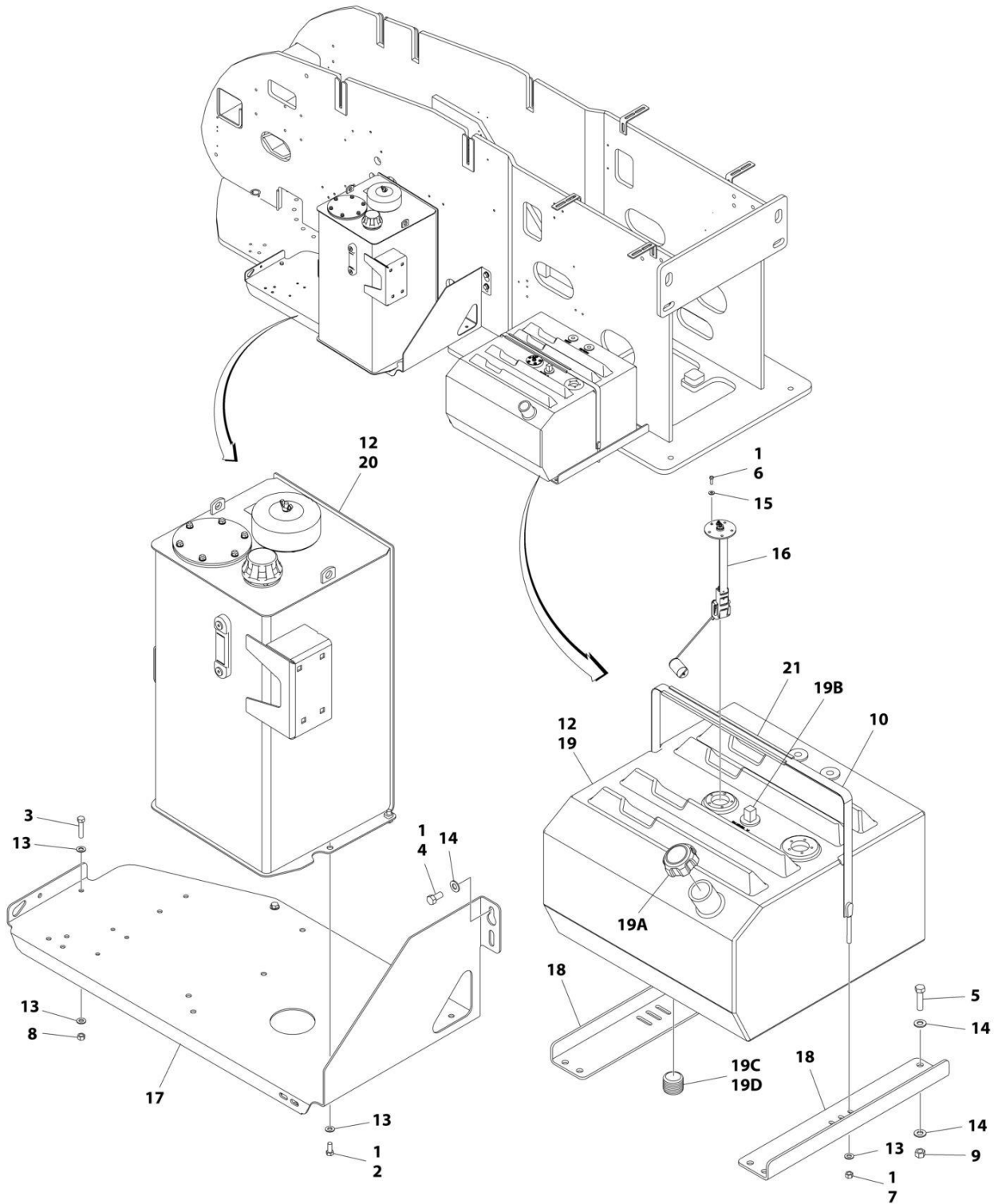
SECTION 2 - TURNTABLE

FIGURE 2-11. ROTARY COUPLING INSTALLATION (MACHINES WITH SN STARTING WITH B3)

ITEM	PART NUMBER	QTY	DESCRIPTION	REV
	1001285514 See Note	Ref NSS	ROTARY COUPLING INSTALLATION - 2WS Note: No Service Parts Available at time of Printing	B

SECTION 2 - TURNTABLE

FIGURE 2-12. TANK INSTALLATION - GAS ENGINES (HELGESEN 25 GAL HYDRAULIC TANK WITH 6IN DIA BREATHER)



ART_1001178210

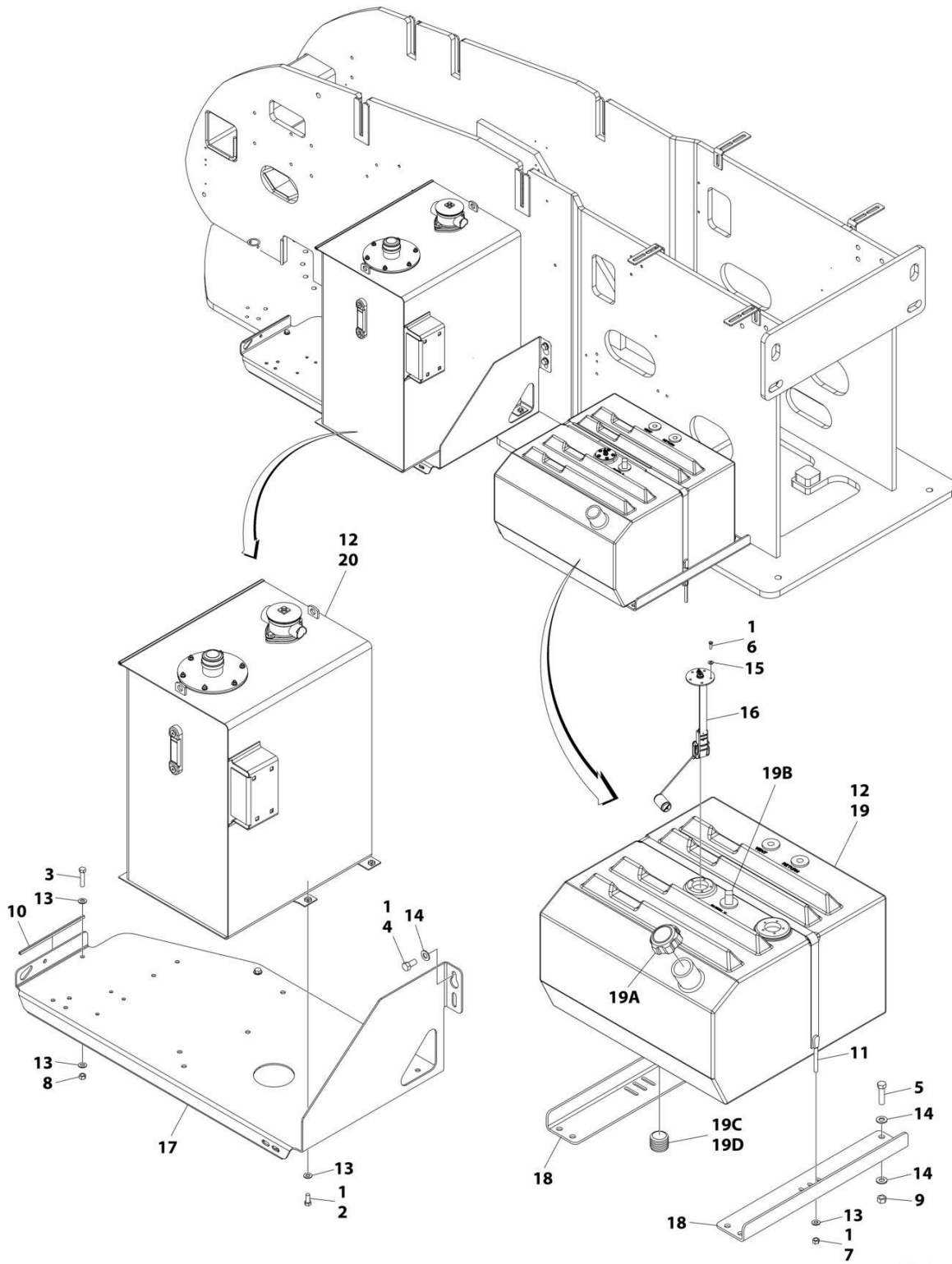
SECTION 2 - TURNTABLE

FIGURE 2-12. TANK INSTALLATION - GAS ENGINES (HELGESEN 25 GAL HYDRAULIC TANK WITH 6IN DIA BREATHER)

ITEM	PART NUMBER	QTY	DESCRIPTION	REV
	1001178210	Ref	TANKS INSTALLATION – GAS ENGINES	D
1	0100011	AR	Compound, Locking	
2	0641607	4	Bolt 3/8 x 7/8	
3	0641614	2	Bolt 3/8 x 1-3/4	
4	0641808	2	Bolt 1/2 x 1	
5	0641816	4	Bolt 1/2 x 2	
6	0731005	5	Capscrew #10 x 5/8	
7	3311601	2	Nut 3/8	
8	3311605	2	Nut 3/8	
9	3311805	4	Nut 1/2	
10	4240139	1	Strap, Tank Mounting	
12	4420038	6 ft/ 1.7m	Tape, Rubber	
13	4711600	10	Washer 3/8	
14	4711800	10	Washer 1/2	
15	4751000	5	Washer #10	
16	1001148607	1	Gauge, Fuel Level	
17	1001156805	1	Tray, Tank	
18	1001157056	2	Mount	
19	1001160559	1	Fuel Tank Assembly	
19A	1001211336	1	Cap	
19B	7020043	1	Tube, Pickup	
19C	2200222	1	Plug	
19D	0100020	AR	Sealant	
20	1001178057	1	Hydraulic Tank Assembly (See Separate Breakdown in this Section)	
21	4060804	9 in/ 23 cm	Flex-Trim	

SECTION 2 - TURNTABLE

FIGURE 2-13. TANK INSTALLATION - GAS ENGINES (47.8 GAL CAPACITY HYDRAULIC TANK)



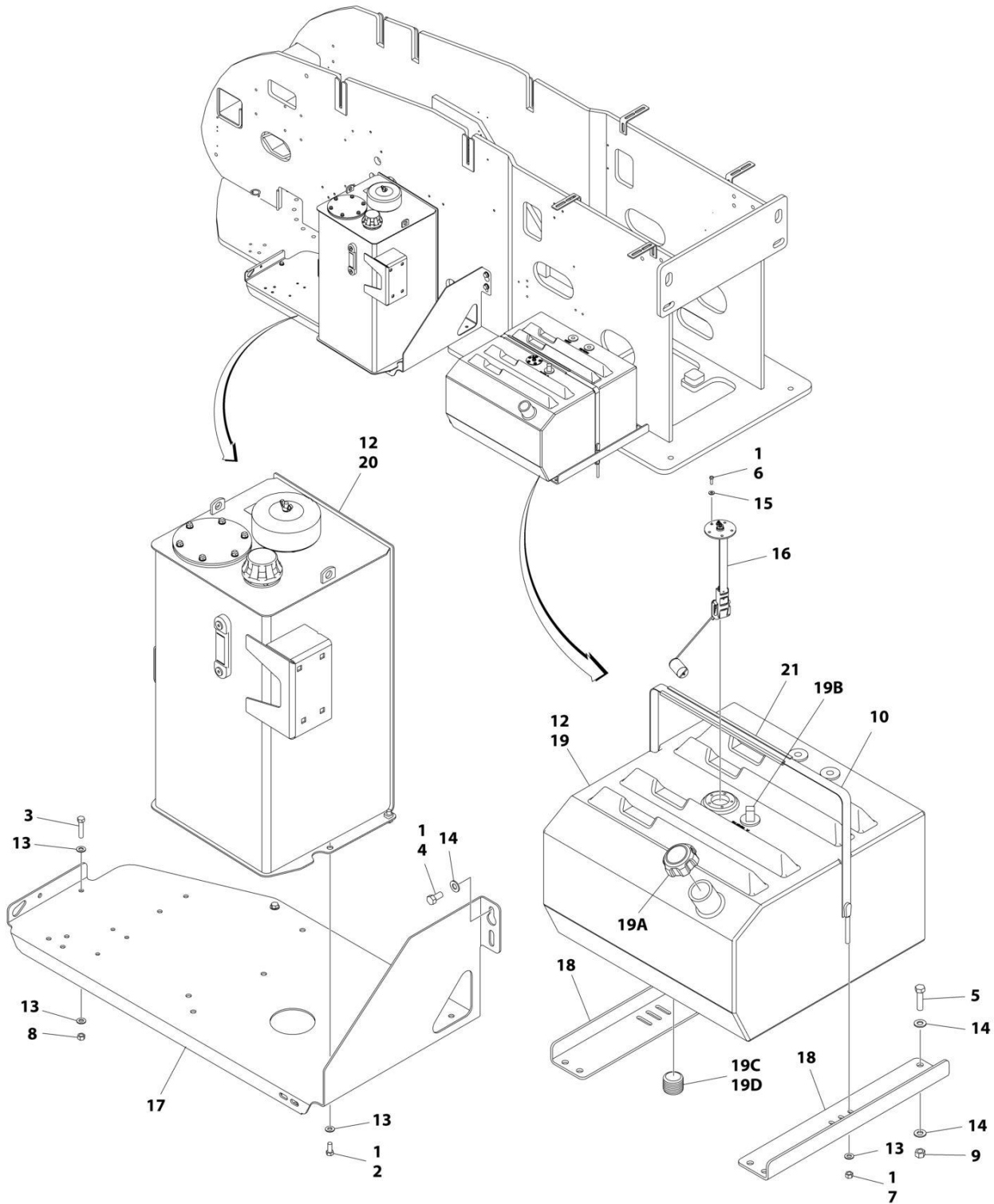
SECTION 2 - TURNTABLE

FIGURE 2-13. TANK INSTALLATION - GAS ENGINES (47.8 GAL CAPACITY HYDRAULIC TANK)

ITEM	PART NUMBER	QTY	DESCRIPTION	REV
	1001285830	Ref	TANK INSTALLATION	B
1	0100011	AR	Compound, Locking	
2	0641607	4	Bolt 3/8 x 7/8	
3	0641614	2	Bolt 3/8 x 1-3/4	
4	0641808	2	Bolt 1/2 x 1	
5	0641816	4	Bolt 1/2 x 2	
6	0731005	5	Capscrew #10 x 5/8	
7	3311601	2	Nut 3/8	
8	3311605	2	Nut 3/8	
9	3311805	4	Nut 1/2	
10	4060804	9 in/ 23cm	Flex-Trim	
11	4240139	1	Strap	
12	4420038	6 ft/ 1.7m	Tape, Rubber	
13	4711600	10	Washer 3/8	
14	4711800	10	Washer 1/2	
15	4751000	5	Washer #10	
16	1001148607	1	Sensor, Fuel	
17	1001156805	1	Tray, Tank	
18	1001157056	2	Mount	
19	1001160559	1	Fuel Tank	
19A	1001211336	1	Vented Fuel Cap	
19B	7020043	1	Tube, Pickup	
19C	2200222	1	Plug	
19D	0100020	1	Sealant	
20	1001285379	1	Hydraulic Tank Assembly (See Separate Breakdown in this Section)	

SECTION 2 - TURNTABLE

FIGURE 2-14. TANK INSTALLATION - DIESEL ENGINES (HELGESEN 25 GAL HYDRAULIC TANK WITH 6IN BREATHER)



ART_1001178209

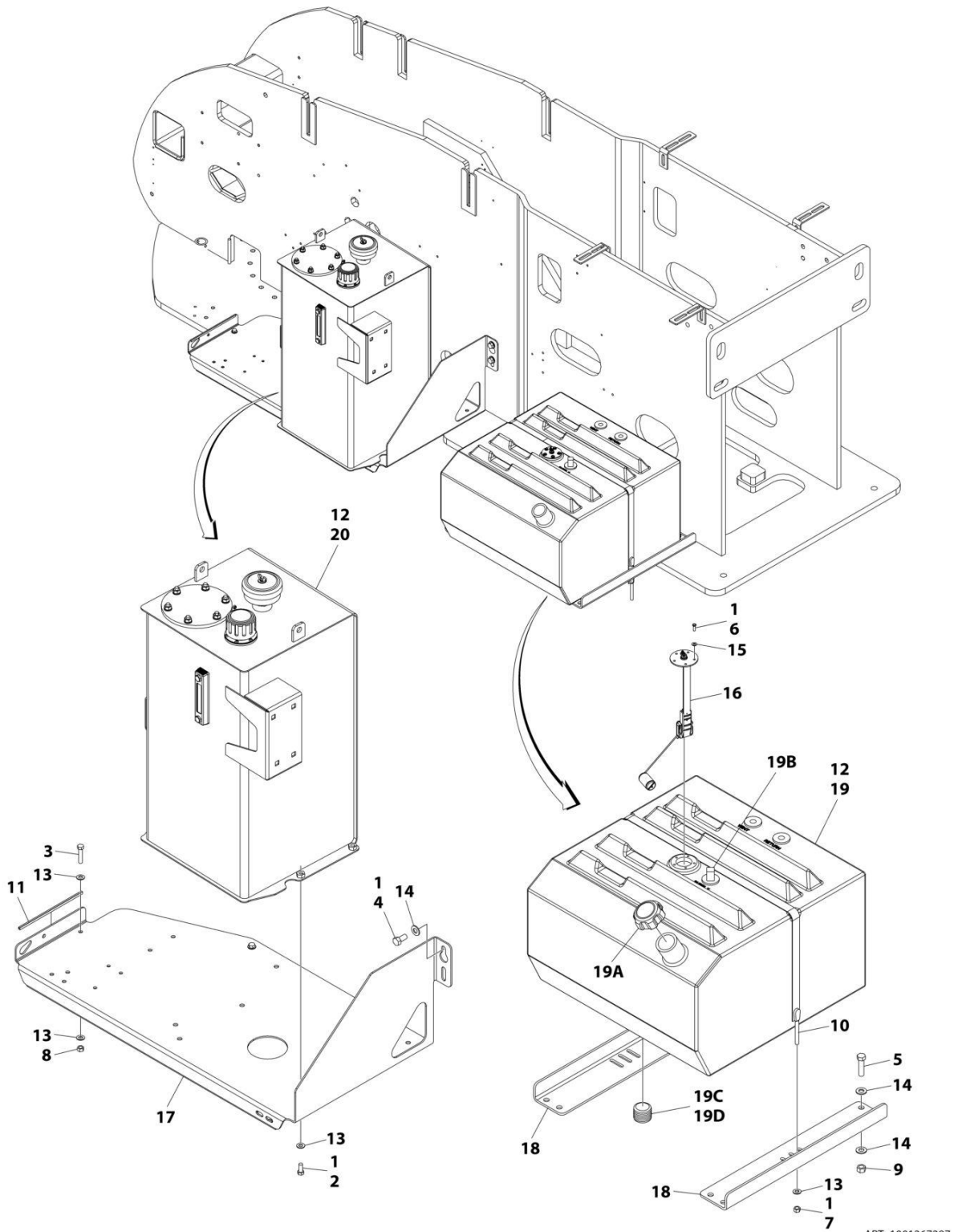
SECTION 2 - TURNTABLE

FIGURE 2-14. TANK INSTALLATION - DIESEL ENGINES (HELGESEN 25 GAL HYDRAULIC TANK WITH 6IN BREATHER)

ITEM	PART NUMBER	QTY	DESCRIPTION	REV
	1001178209	Ref	TANKS INSTALLATION – DIESEL ENGINES	D
1	0100011	AR	Compound, Locking	
2	0641607	4	Bolt 3/8 x 7/8	
3	0641614	2	Bolt 3/8 x 1-3/4	
4	0641808	2	Bolt 1/2 x 1	
5	0641816	4	Bolt 1/2 x 2	
6	0731005	5	Capscrew #10 x 5/8	
7	3311601	2	Nut 3/8	
8	3311605	2	Nut 3/8	
9	3311805	4	Nut 1/2	
10	4240139	1	Strap, Tank Mounting	
12	4420038	6 ft/1.7 m	Tape, Rubber	
13	4711600	10	Washer 3/8	
14	4711800	10	Washer 1/2	
15	4751000	5	Washer #10	
16	1001148607	1	Gauge, Fuel Level	
17	1001156805	1	Tray, Tank	
18	1001157056	2	Mount	
19	1001160567	1	Fuel Tank Assembly	
19A	70004414	1	Cap	
19B	7020043	1	Tube, Pickup	
19C	2200222	1	Plug	
19D	0100020	AR	Sealant	
20	1001178057	1	Hydraulic Tank Assembly (See Separate Breakdown in this Section)	
21	4060804	9 in/23 cm	Flex-Trim	

SECTION 2 - TURNTABLE

FIGURE 2-15. TANK INSTALLATION - DIESEL ENGINES (JIANGYING 25 GAL HYDRAULIC TANK WITH 4IN DIA BREATHER)



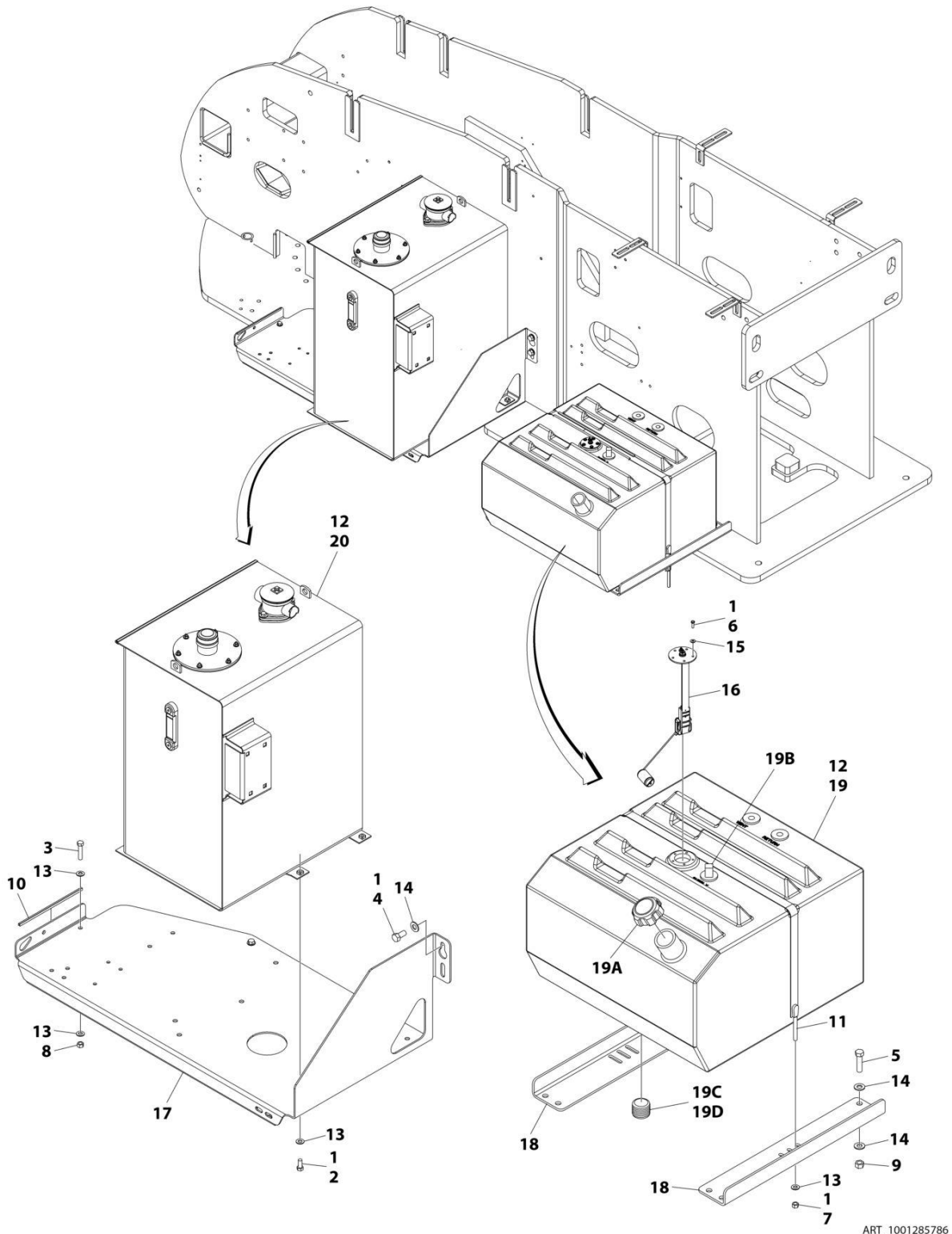
SECTION 2 - TURNTABLE

FIGURE 2-15. TANK INSTALLATION - DIESEL ENGINES (JIANGYING 25 GAL HYDRAULIC TANK WITH 4IN DIA BREATHER)

ITEM	PART NUMBER	QTY	DESCRIPTION	REV
	1001267287	Ref	TANK INSTALLATION (Machines With SN Starting With B3)	B
1	0100011	AR	Compound, Locking	
2	0641607	4	Bolt 3/8 x 7/8	
3	0641614	2	Bolt 3/8 x 1-3/4	
4	0641808	2	Bolt 1/2 x 1	
5	0641816	4	Bolt 1/2 x 2	
6	0731005	5	Capscrew #10 x 5/8	
7	3311601	2	Nut 3/8	
8	3311605	2	Nut 3/8	
9	3311805	4	Nut 1/2	
10	4240139	1	Strap	
11	4060804	9 in/ 23cm	Flex-Trim	
12	4420038	6 ft/ 1.7m	Tape, Rubber	
13	4711600	10	Washer 3/8	
14	4711800	10	Washer 1/2	
15	4751000	5	Washer #10	
16	1001148607	1	Sensor, Fuel	
17	1001156805	1	Tray, Tank	
18	1001157056	2	Mount	
19	1001160567	1	Fuel Tank	
19A	70004414	1	Cap	
19B	7020043	1	Tube, Pickup	
19C	2200222	1	Plug	
19D	0100020	1	Sealant	
20	1001267678	1	Hydraulic Tank Assembly (See Separate Breakdown in this Section)	

SECTION 2 - TURNTABLE

FIGURE 2-16. TANK INSTALLATION - DIESEL ENGINES (47.8 GAL CAPACITY HYDRAULIC TANK)



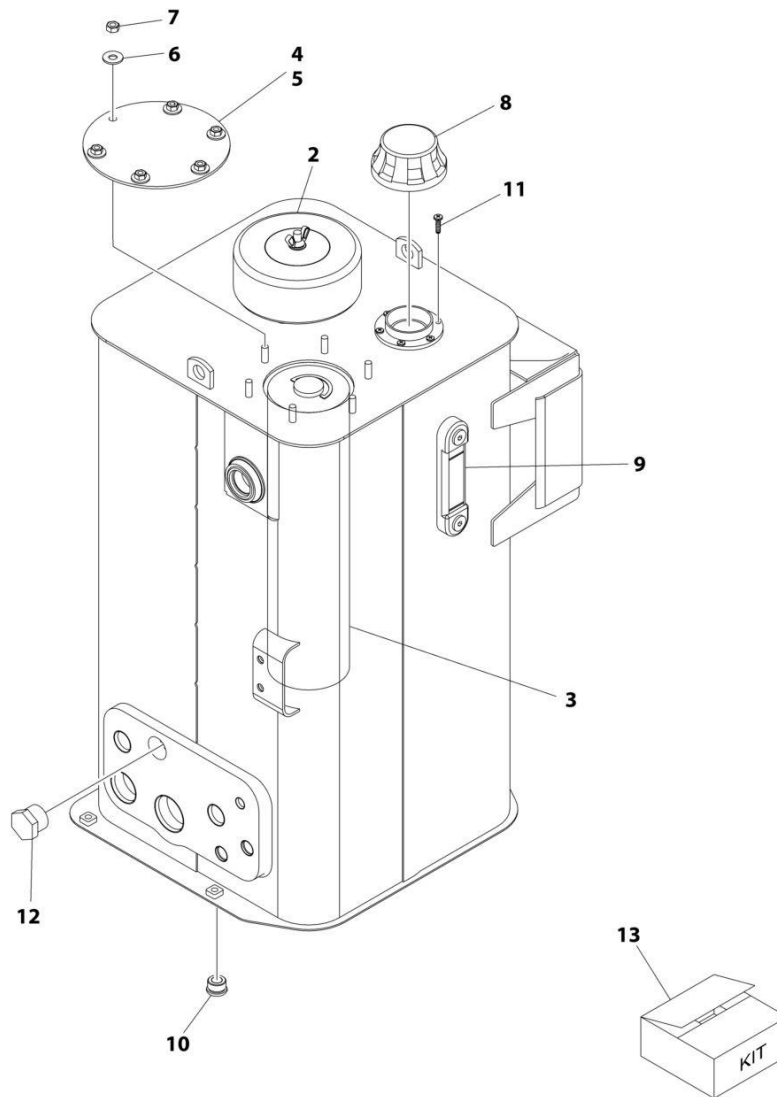
SECTION 2 - TURNTABLE

FIGURE 2-16. TANK INSTALLATION - DIESEL ENGINES (47.8 GAL CAPACITY HYDRAULIC TANK)

ITEM	PART NUMBER	QTY	DESCRIPTION	REV
	1001285786	Ref	TANK INSTALLATION	B
1	0100011	AR	Compound, Locking	
2	0641607	4	Bolt 3/8 x 7/8	
3	0641614	2	Bolt 3/8 x 1-3/4	
4	0641808	2	Bolt 1/2 x 1	
5	0641816	4	Bolt 1/2 x 2	
6	0731005	5	Capscrew #10 x 5/8	
7	3311601	2	Nut 3/8	
8	3311605	2	Nut 3/8	
9	3311805	4	Nut 1/2	
10	4060804	9 in/ 23cm	Flex-Trim	
11	4240139	1	Strap	
12	4420038	6 ft/ 1.7m	Tape, Rubber	
13	4711600	10	Washer 3/8	
14	4711800	10	Washer 1/2	
15	4751000	5	Washer #10	
16	1001148607	1	Sensor, Fuel	
17	1001156805	1	Tray, Tank	
18	1001157056	2	Mount	
19	1001160567	1	Fuel Tank	
19A	70004414	1	Cap	
19B	7020043	1	Tube, Pickup	
19C	2200222	1	Plug	
19D	0100020	1	Sealant	
20	1001285379	1	Hydraulic Tank Assembly (See Separate Breakdown in this Section)	

SECTION 2 - TURNTABLE

FIGURE 2-17. HYDRAULIC TANK ASSEMBLY (MACHINES WITH SN STARTING WITH 03)



ART_1001178057

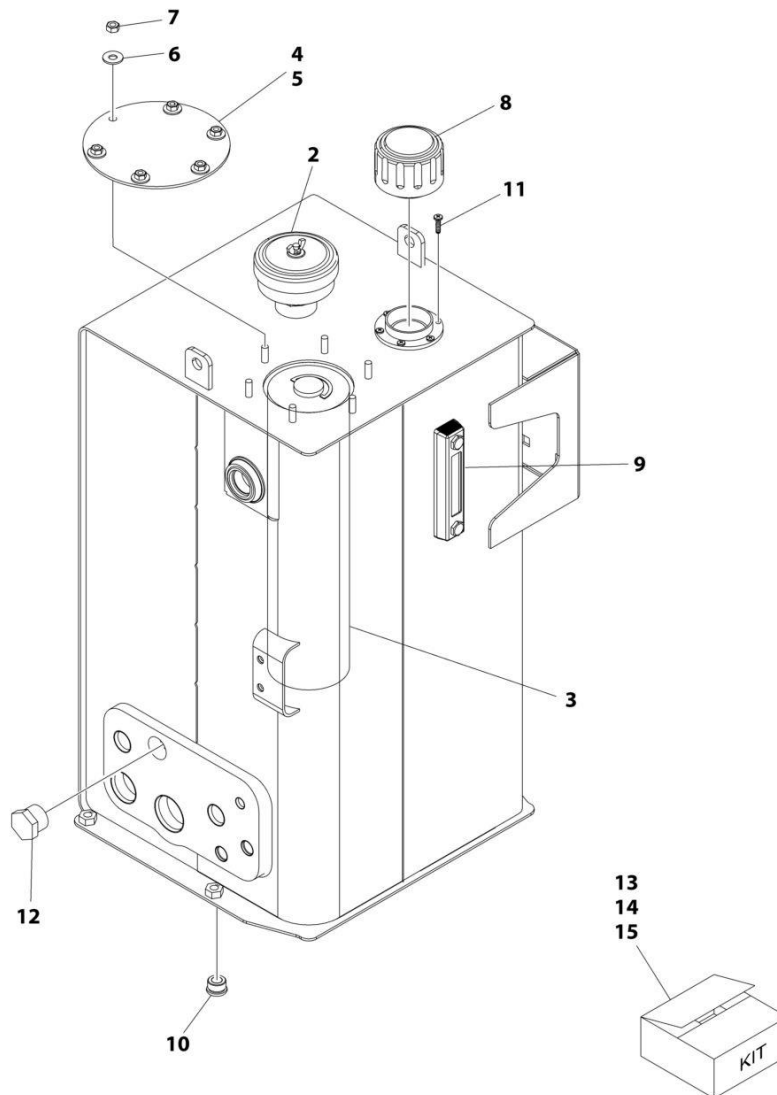
SECTION 2 - TURNTABLE

FIGURE 2-17. HYDRAULIC TANK ASSEMBLY (MACHINES WITH SN STARTING WITH 03)

ITEM	PART NUMBER	QTY	DESCRIPTION	REV
	1001178057	Ref	HYDRAULIC TANK ASSEMBLY	D
2	70005708	1	Breather Assembly (Includes Breather, Element and Wingnut)	
2	See Note	NSS	Element, Breather (Note: Use p/n 70005708 or Item 13)	
3	See Note	NSS	Element, Hydraulic (Note: Use Item 13)	
4	70002839	1	Gasket	
5	See Note	NSS	Cover (Note: Not Available for Purchase)	
6	83304173	6	Washer 5/16	
7	70004199	6	Nut 5/16	
8	70002838	1	Cap, Fill	
9	7024441	1	Gauge, Level	
10	70002112	1	Plug	
11	70004795	6	Screw #10 x 3/4	
12	See Note	NSS	Plug (Note: Not Available - Purchase Locally)	
13	70002814	1	Hydraulic Tank Service Kit (Includes Items 2-4)	

SECTION 2 - TURNTABLE

FIGURE 2-18. HYDRAULIC TANK ASSEMBLY (MACHINES WITH SN STARTING WITH B3)



ART_1001267678

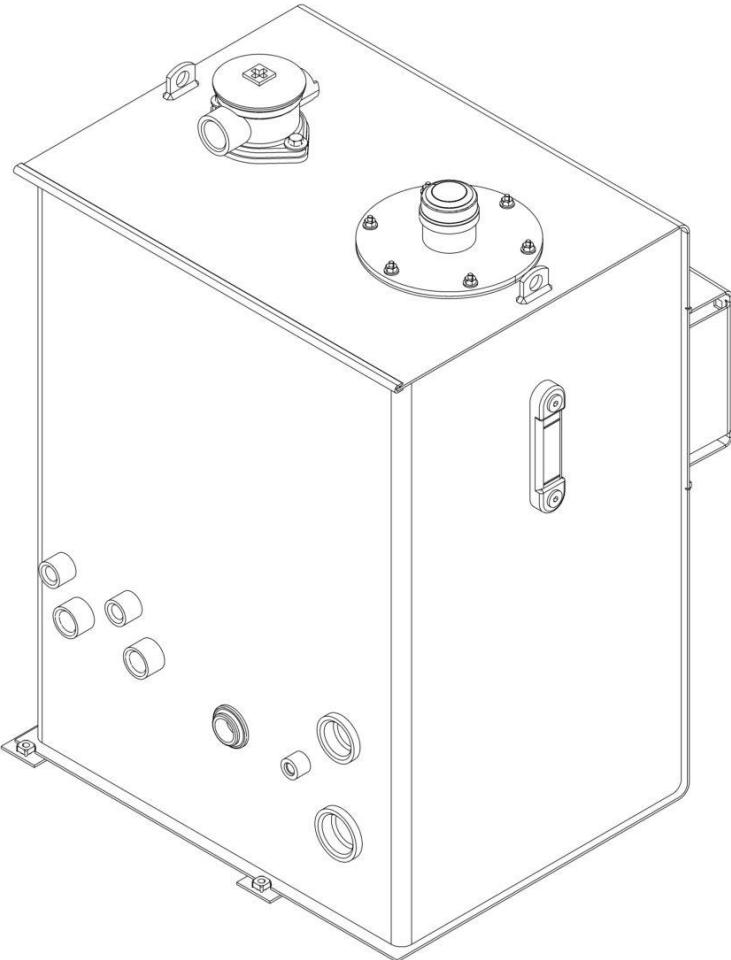
SECTION 2 - TURNTABLE

FIGURE 2-18. HYDRAULIC TANK ASSEMBLY (MACHINES WITH SN STARTING WITH B3)

ITEM	PART NUMBER	QTY	DESCRIPTION	REV
	1001267678	REF	HYDRAULIC TANK ASSEMBLY	A
1	See Note	NSS	Hydraulic Tank Weldment (Not Shown) (Note: Not Available for Purchase)	
2	See Note	NSS	Breather Assembly (Note: Use Item 13)	
3	See Note	NSS	Element, Filter (Note: Use Item Use Item 14)	
4	70002839	1	Gasket	
5	See Note	NSS	Cover (Note: Not Available for Purchase)	
6	83304173	6	Washer 1/4	
7	70004199	6	Nut 5/16	
8	70002838	1	Cap, Fill	
9	70024441	1	Gauge, Level	
10	70002112	1	Plug	
11	70004795	6	Screw 10 x 3/4	
12	See Note	NSS	Plug (Note: Not Available for Purchase)	
13	70007726	1	Breather Kit (Note: Includes Item 2)	
14	70007727	1	Return Filter Kit (Note: Includes Item 3)	
15	70007725	1	Level Gauge Kit	

SECTION 2 - TURNTABLE

FIGURE 2-19. HYDRAULIC TANK ASSEMBLY (47.8 GAL CAPACITY HYDRAULIC TANK)



ART_1001285379

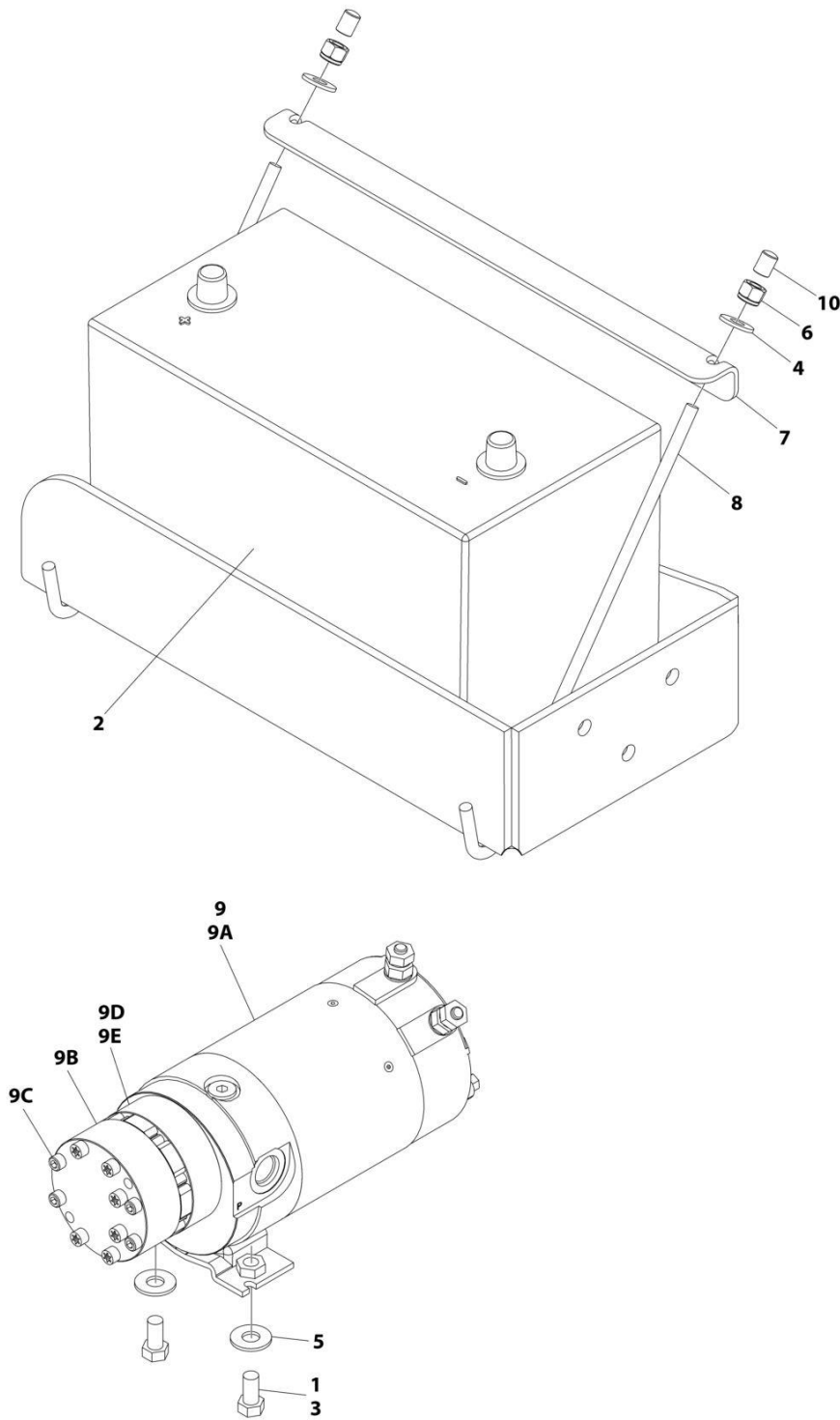
SECTION 2 - TURNTABLE

FIGURE 2-19. HYDRAULIC TANK ASSEMBLY (47.8 GAL CAPACITY HYDRAULIC TANK)

ITEM	PART NUMBER	QTY	DESCRIPTION	REV
	1001285379 See Note	Ref Ref	HYDRAULIC TANK ASSEMBLY Note: No Service Parts Available at Time of Printing	B

SECTION 2 - TURNTABLE

FIGURE 2-20. AUXILIARY PUMP WITH BATTERY WITHOUT BATTERY DISCONNECT SWITCH INSTALLATION (SN STARTING WITH 03)



ART_1001239472

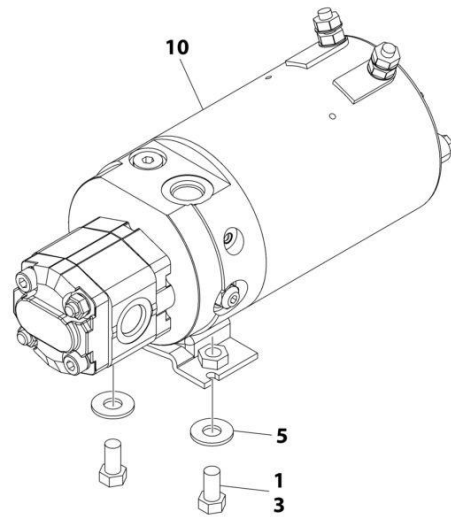
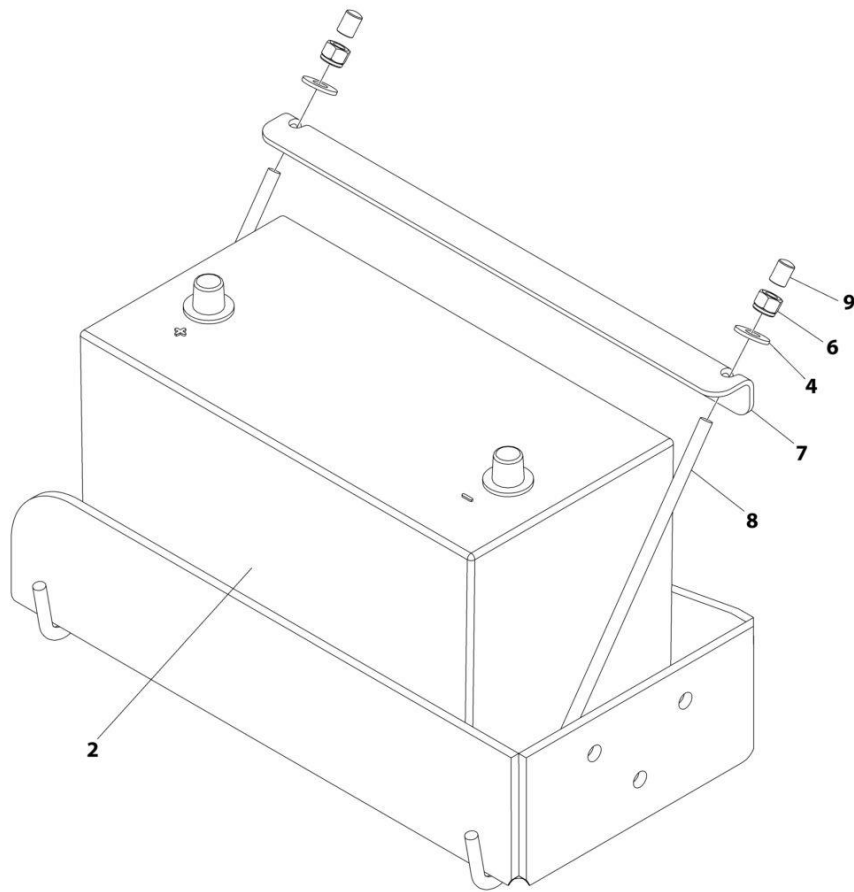
SECTION 2 - TURNTABLE

FIGURE 2-20. AUXILIARY PUMP WITH BATTERY WITHOUT BATTERY DISCONNECT SWITCH INSTALLATION (SN STARTING WITH 03)

ITEM	PART NUMBER	QTY	DESCRIPTION	REV
	1001239472	Ref	AUXILIARY PUMP WITH BATTERY WITHOUT BATTERY DISCONNECT SWITCH INSTALLATION	A
1	0100011	AR	Compound, Locking	
2	0400075	1	Battery	
3	0641606	2	Bolt 3/8 x 3/4	
4	4751500	2	Washer 5/16	
5	4751600	2	Washer 3/8	
6	88521205	2	Nut 5/16	
7	91401281	1	Hold-down, Battery	
8	1001093382	2	Bolt, Battery Hold-down	
9	1001137459	1	Auxiliary Pump Assembly	
9A	70003998	1	Motor	
9B	70004266	1	Pump	
9C	70001020	4	Screw	
9D	70003612	2	O-Ring	
9E	70004267	1	O-Ring	
10	1001218572	2	Cap, Vinyl	

SECTION 2 - TURNTABLE

FIGURE 2-21. AUXILIARY PUMP WITH BATTERY WITHOUT BATTERY DISCONNECT SWITCH
INSTALLATION (SN STARTING WITH B3)



ART_1001284157

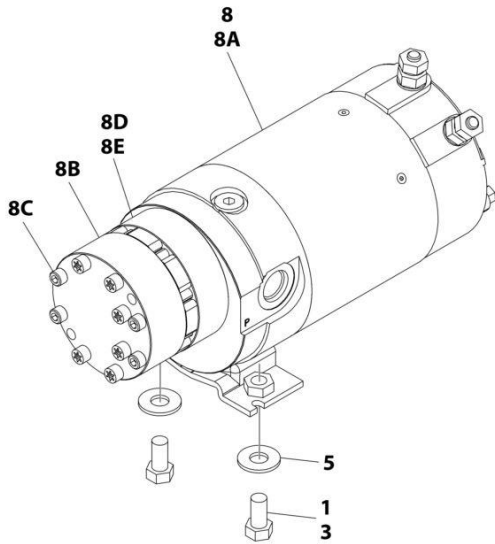
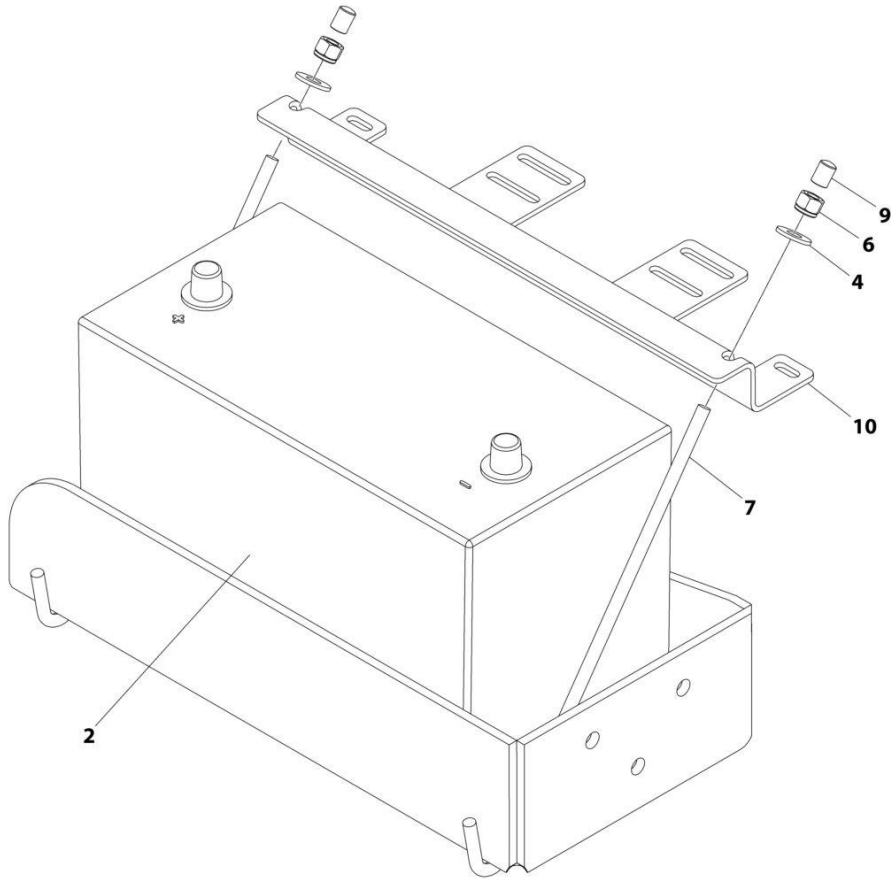
SECTION 2 - TURNTABLE

**FIGURE 2-21. AUXILIARY PUMP WITH BATTERY WITHOUT BATTERY DISCONNECT SWITCH
INSTALLATION (SN STARTING WITH B3)**

ITEM	PART NUMBER	QTY	DESCRIPTION	REV
	1001284157	Ref	AUXILIARY PUMP WITHOUT BATTERY DISCONNECT SWITCH INSTALLATION	A
1	0100011	AR	Compound, Locking	
2	0400075	1	Battery	
3	0761010	2	Bolt M10 x 20	
4	4751500	2	Washer 5/16	
5	4812002	2	Washer M10	
6	88521205	2	Nut 5/16	
7	91401281	1	Hold-down, Battery	
8	1001093382	2	Bolt, Battery Hold-down	
9	1001218572	2	Cap, Vinyl	
10	1001284156	1	Auxiliary Pump Assembly	

SECTION 2 - TURNTABLE

FIGURE 2-22. AUXILIARY PUMP WITH BATTERY WITH BATTERY DISCONNECT SWITCH
INSTALLATION (SN STARTING WITH 03)



ART_1001239471

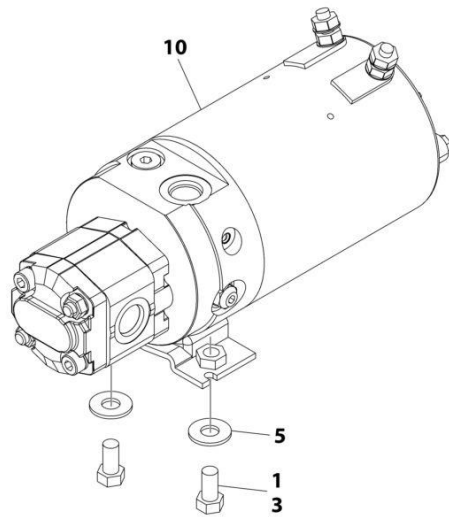
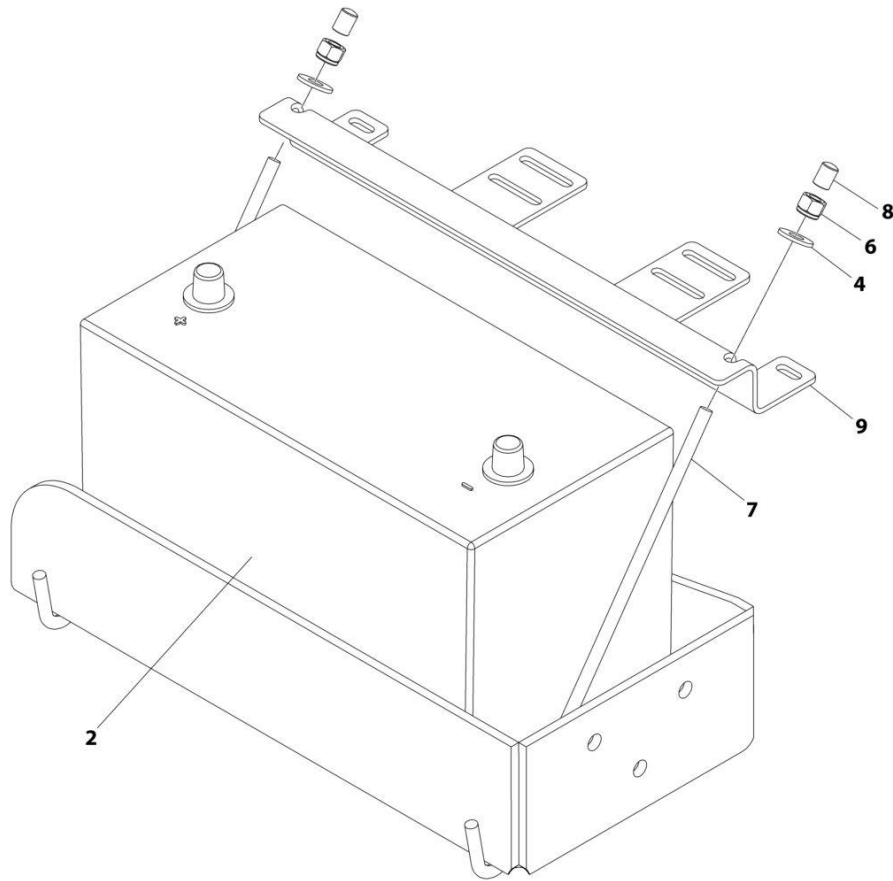
SECTION 2 - TURNTABLE

**FIGURE 2-22. AUXILIARY PUMP WITH BATTERY WITH BATTERY DISCONNECT SWITCH
INSTALLATION (SN STARTING WITH 03)**

ITEM	PART NUMBER	QTY	DESCRIPTION	REV
	1001239471	Ref	AUXILIARY PUMP WITH BATTERY WITH BATTERY DISCONNECT SWITCH INSTALLATION	A
1	0100011	AR	Compound, Locking	
2	0400075	1	Battery	
3	0641606	2	Bolt 3/8 x 3/4	
4	4751500	2	Washer 5/16	
5	4751600	2	Washer 3/8	
6	88521205	2	Nut 5/16	
7	1001093382	2	Bolt, Battery Hold-down	
8	1001137459	1	Auxiliary Pump Assembly	
8A	70003998	1	Motor	
8B	70004266	1	Pump	
8C	70001020	4	Screw	
8D	70003612	2	O-Ring	
8E	70004267	1	O-Ring	
9	1001218572	2	Cap, Vinyl	
10	1001236303	1	Hold-down, Battery	

SECTION 2 - TURNTABLE

FIGURE 2-23. AUXILIARY PUMP WITH BATTERY WITH BATTERY DISCONNECT SWITCH
INSTALLATION (SN STARTING WITH B3)



ART_1001287884

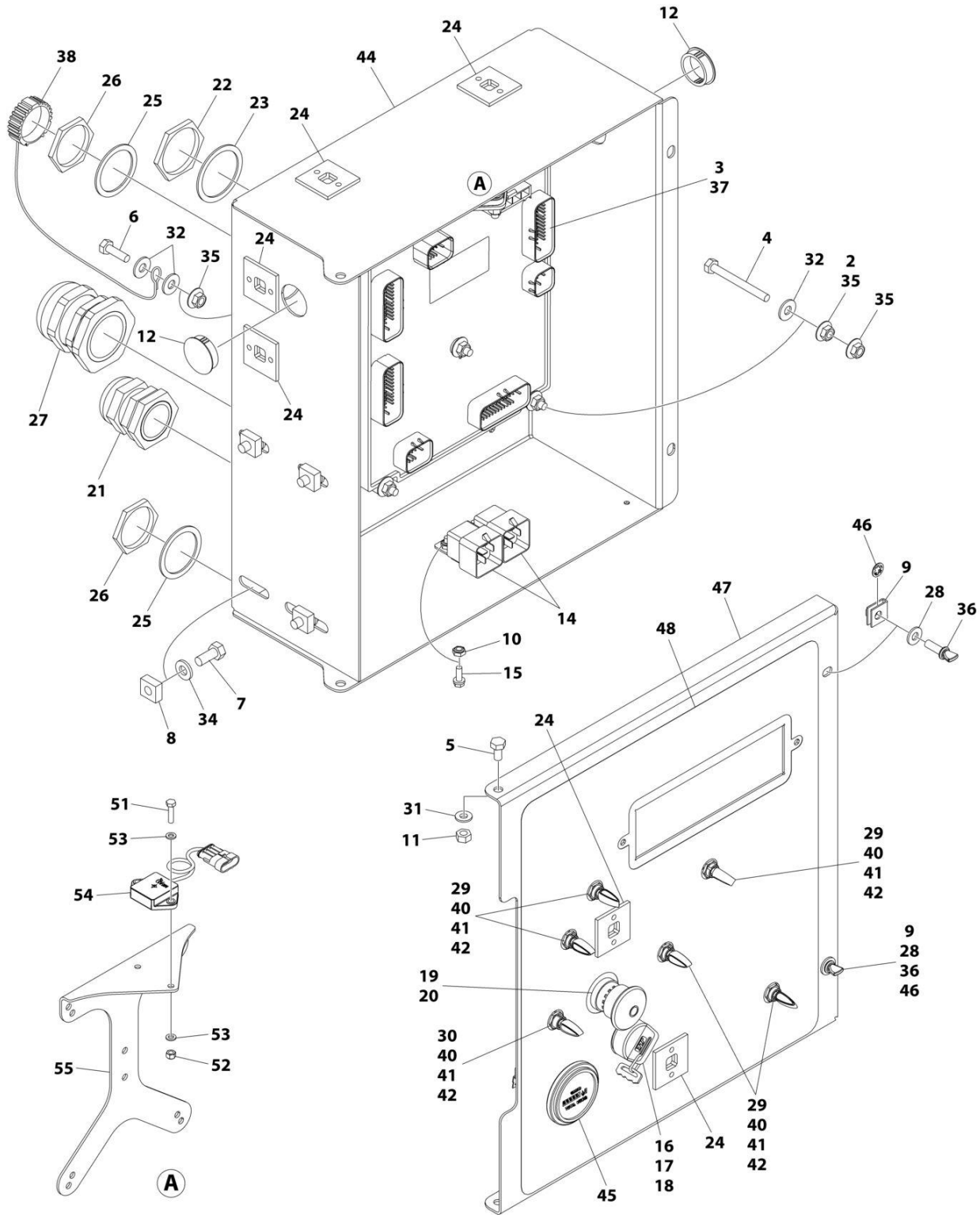
SECTION 2 - TURNTABLE

**FIGURE 2-23. AUXILIARY PUMP WITH BATTERY WITH BATTERY DISCONNECT SWITCH
INSTALLATION (SN STARTING WITH B3)**

ITEM	PART NUMBER	QTY	DESCRIPTION	REV
	1001287884	Ref	AUXILIARY PUMP WITH BATTERY DISCONNECT SWITCH INSTALLATION	A
1	0100011	AR	Compound, Locking	
2	0400075	1	Battery	
3	0761010	2	Bolt M10 x 20	
4	4751500	2	Washer 5/16	
5	4812002	2	Washer M10	
6	88521205	2	Nut 5/16	
7	1001093382	2	Bolt, Battery Hold-down	
8	1001218572	2	Cap, Vinyl	
9	1001236303	1	Hold-down, Battery	
10	1001284156	1	Auxiliary Pump Assembly	

SECTION 2 - TURNTABLE

FIGURE 2-24. GROUND CONTROL BOX ASSEMBLY - WITH DEUTZ D2011 - WITH MECHANICAL HOUR METER (ANSI EXPORT (LRC) AND AUSTRALIAN SPECS)



ART_1001266469_E

SECTION 2 - TURNTABLE

FIGURE 2-24. GROUND CONTROL BOX ASSEMBLY - WITH DEUTZ D2011 - WITH MECHANICAL HOUR METER (ANSI EXPORT (LRC) AND AUSTRALIAN SPECS)

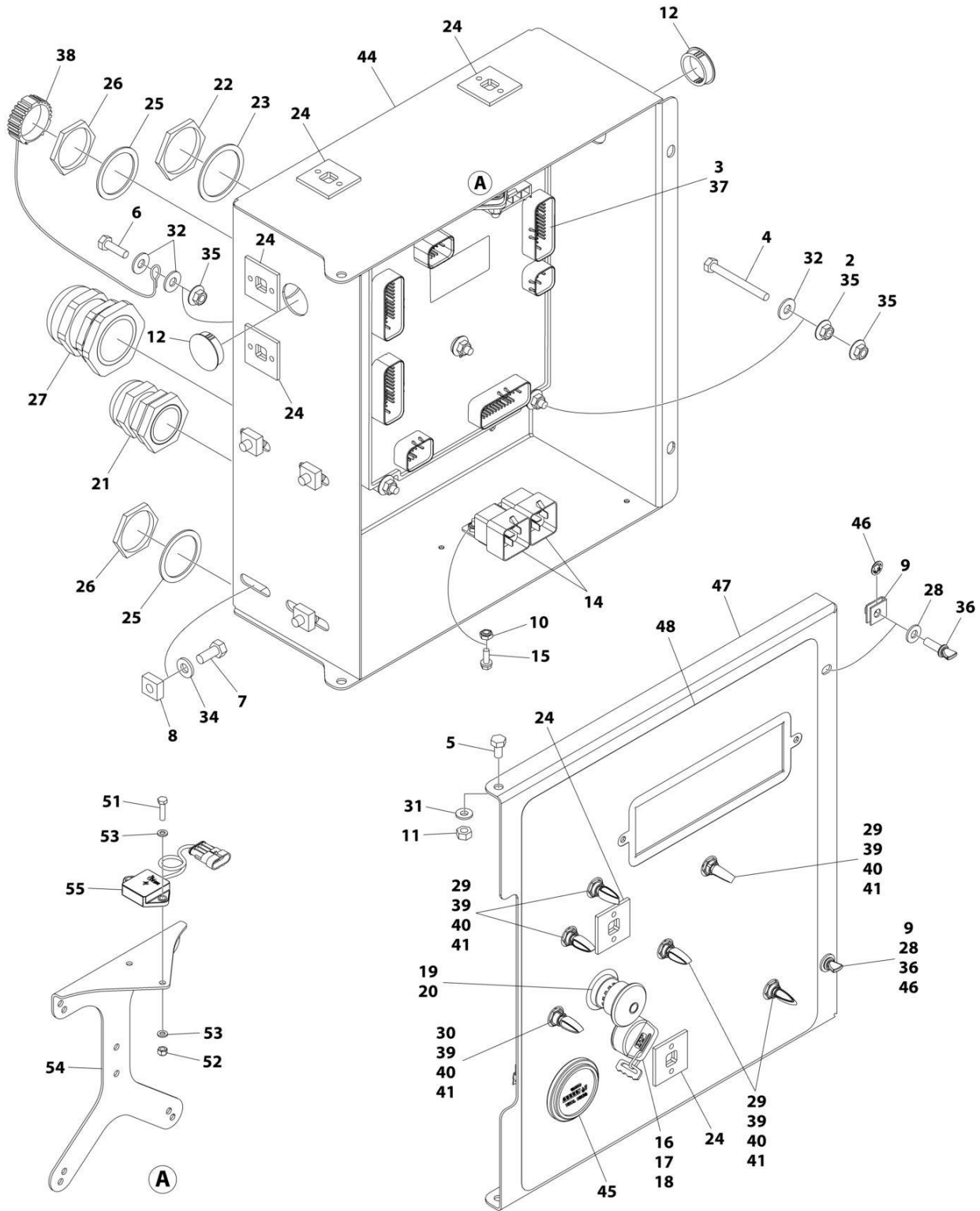
ITEM	PART NUMBER	QTY	DESCRIPTION	REV
	1001266469	Ref	GROUND CONTROL BOX ASSEMBLY	E
2	0100011	AR	Compound, Locking	
3	0100048	AR	Grease, Dielectric	
4	0630548	5	Bolt 2-1/2	
5	0641404	2	Bolt 1/4 x 1/2	
6	0641407	1	Bolt 1/4 x 7/8	
7	0641506	4	Bolt 5/16 x 3/4	
8	3300205	4	Nut, Retainer	
9	3300353	2	Nut, Tinnerman	
10	3300408	2	Nut	
11	3311405	2	Nut 1/4	
12	3520031	2	Plug	
14	3740049	2	Relay	
15	3900268	2	Bolt #10 x 1/2	
16	3910804	6	Screw #8 x 1/4	
17	4070991	1	Shim	
18	4360469	1	Switch, Key	
18	2860030	1 Set	Key Replacement	
19	4360475	1	Switch, Emergency Stop	
19	7020175	1	Cap, Mushroom	
19	7020176	1	Block, Contact	
20	4360476	1	Switch, Contact Block	
21	4460426	1	Connector, Strain Relief	
22	4460470	1	Nut, Terminal	
23	4460471	1	Lockwasher, Terminal	
24	4460488	6	Mounting Base, Terminal	
25	4460496	2	Washer, Terminal	
26	4460497	2	Nut, Terminal	
27	4460526	1	Connector, Strain Relief	
28	4711400	2	Washer 1/4	
29	4740397	5	Spacer	
30	4740444	1	Washer	
31	4740518	2	Washer	
32	4751400	7	Washer 1/4	
34	4891500	4	Washer 5/16	
35	77143013	11	Nut 1/4	
36	1001103308	2	Thumbscrew 1/4 x 3/4	
37	1001280600	1	Module, Ground Control (Note: Recalibration Required When Replaced)	
38	1001106736	1	Cap, Dust	
39	1001285515	1	Engine Harness (Not Shown - See Separate Breakdown in ELECTRICAL Section)	
40	1001155043	6	Washer	
41	1001155044	6	Nut 15/32	
42	1001155045	6	Switch, Toggle	
43	1001284973	1	Control Valve Harness (Not Shown - See Separate Breakdown in ELECTRICAL Section)	
44	1001287464	1	Plate	
45	10836804	1	Hour Meter	

SECTION 2 - TURNTABLE

ITEM	PART NUMBER	QTY	DESCRIPTION	REV
46	1001188874	2	Nut	
47	1001280403	1	Plate	
48	1001266479	1	Decal - Ground Control Box	
49	1001306145	1	Ground Control Box Harness (Not Shown - See Separate Breakdown in ELECTRICAL Section)	
51	0760612	2	Bolt M6 x 25	
52	3290605	2	Nut, Lock M6	
53	4811700	4	Washer M6	
54	1001219601	1	Sensor, Tilt	
55	1001271794	1	Bracket, Tilt Sensor	

SECTION 2 - TURNTABLE

FIGURE 2-25. GROUND CONTROL BOX ASSEMBLY - WITH DEUTZ TD2.9L4 - WITH MECHANICAL HOUR METER (ANSI, ANSI EXPORT (HRC), CSA AND JAPANESE SPECS)



ART_1001266473_F

SECTION 2 - TURNTABLE

FIGURE 2-25. GROUND CONTROL BOX ASSEMBLY - WITH DEUTZ TD2.9L4 - WITH MECHANICAL HOUR METER (ANSI, ANSI EXPORT (HRC), CSA AND JAPANESE SPECS)

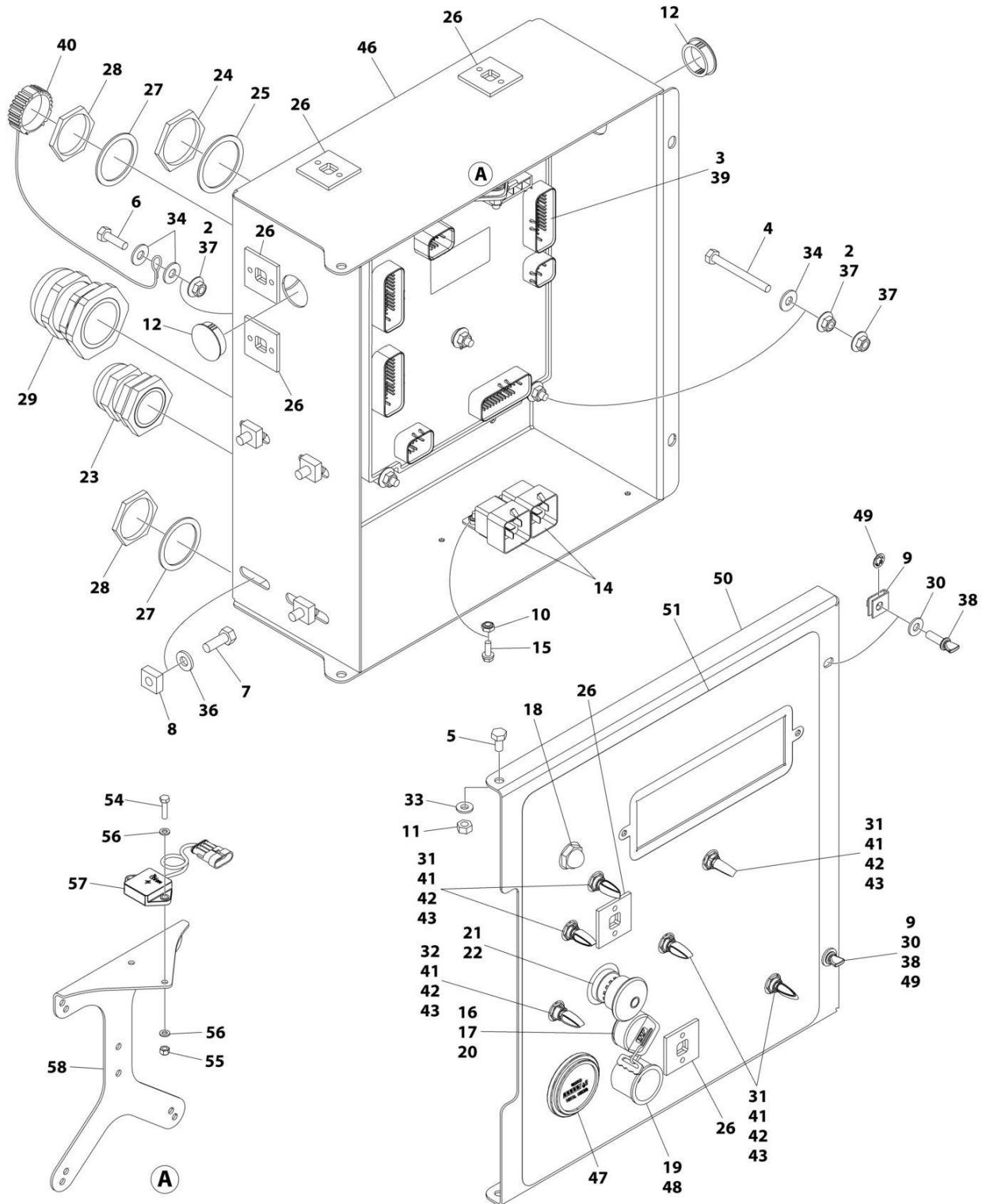
ITEM	PART NUMBER	QTY	DESCRIPTION	REV
	1001266473	Ref	GROUND CONTROL BOX ASSEMBLY	F
2	0100011	AR	Compound, Locking	
3	0100048	AR	Grease, Dielectric	
4	0630548	5	Bolt 2-1/2	
5	0641404	2	Bolt 1/4 x 1/2	
6	0641407	1	Bolt 1/4 x 7/8	
7	0641506	4	Bolt 5/16 x 3/4	
8	3300205	4	Nut, Retainer	
9	3300353	2	Nut, Tinnerman	
10	3300408	2	Nut	
11	3311405	2	Nut 1/4	
12	3520031	2	Plug	
14	3740049	2	Relay	
15	3900268	2	Bolt #10 x 1/2	
16	3910804	6	Screw #8 x 1/4	
17	4070991	1	Shim	
18	4360469	1	Switch, Key	
18	2860030	1 Set	Key Replacement	
19	1001274559	1	Switch, Emergency Stop	
20	4360476	1	Switch, Contact Block	
21	4460426	1	Connector, Strain Relief	
22	4460470	1	Nut, Terminal	
23	4460471	1	Lockwasher, Terminal	
24	4460488	6	Mounting Base, Terminal	
25	4460496	2	Washer, Terminal	
26	4460497	2	Nut, Terminal	
27	4460526	1	Connector, Strain Relief	
28	4711400	2	Washer 1/4	
29	4740397	5	Spacer	
30	4740444	1	Washer	
31	4740518	2	Washer	
32	4751400	7	Washer 1/4	
34	4891500	4	Washer 5/16	
35	77143013	11	Nut 1/4	
36	1001103308	2	Thumbscrew 1/4 x 3/4	
37	1001280600	1	Module, Ground Control (Note: Recalibration Required When Replaced)	
38	1001106736	1	Cap, Dust	
39	1001155043	6	Washer	
40	1001155044	6	Nut 15/32	
41	1001155045	6	Switch, Toggle	
42	1001295732	1	Engine Harness (Not Shown - See Separate Breakdown in ELECTRICAL Section)	
43	1001284973	1	Control Valve Harness (Not Shown - See Separate Breakdown in ELECTRICAL Section)	
44	1001287464	1	Plate	
45	10836804	1	Hour Meter	
46	1001188874	2	Nut	
47	1001280403	1	Plate	

SECTION 2 - TURNTABLE

ITEM	PART NUMBER	QTY	DESCRIPTION	REV
48	1001266479	1	Decal - Ground Control Box	
49	1001306145	1	Ground Control Box Harness (Not Shown - See Separate Breakdown in ELECTRICAL Section)	
51	0760612	2	Bolt M6 x 25	
52	3290605	2	Nut M6	
53	4811700	4	Washer M6	
54	1001271794	1	Bracket, Tilt Sensor	
55	1001219601	1	Sensor, Tilt	

SECTION 2 - TURNTABLE

FIGURE 2-26. GROUND CONTROL BOX ASSEMBLY - WITH DEUTZ TD2.9L4 (STAGE V) (CE & UK CA SPECS)



ART_1001266477_F

SECTION 2 - TURNTABLE

FIGURE 2-26. GROUND CONTROL BOX ASSEMBLY - WITH DEUTZ TD2.9L4 (STAGE V) (CE & UK CA SPECS)

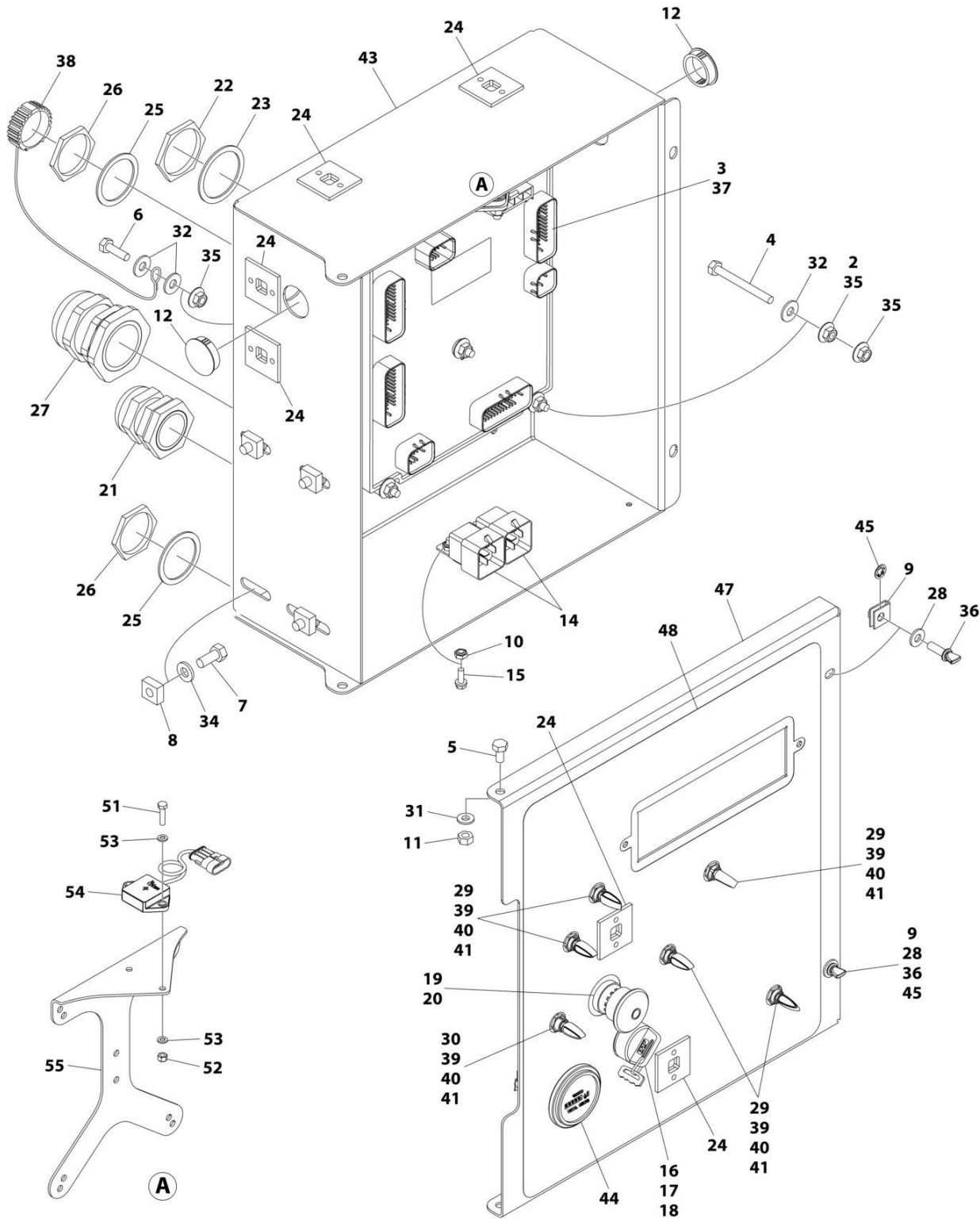
ITEM	PART NUMBER	QTY	DESCRIPTION	REV
	1001266477	Ref	GROUND CONTROL BOX ASSEMBLY	F
2	0100011	AR	Compound, Locking	
3	0100048	AR	Grease, Dielectric	
4	0630548	5	Bolt 2-1/2	
5	0641404	2	Bolt 1/4 x 1/2	
6	0641407	1	Bolt 1/4 x 7/8	
7	0641507	4	Bolt 5/16 x 7/8	
8	3300205	4	Nut, Retainer	
9	3300353	2	Nut, Tinnerman	
10	3300408	2	Nut	
11	3311405	2	Nut 1/4	
12	3520031	2	Plug	
14	3740049	2	Relay	
15	3900268	2	Bolt #10 x 1/2	
16	3910804	6	Screw #8 x 1/4	
17	4070991	1	Shim	
18	4360274	1	Switch, Push Button	
19	4360387	1	Switch, Push Button	
20	4360469	1	Switch, Key	
20	2860030	1 Set	Key Replacement	
21	1001274559	1	Switch, Emergency Stop	
22	4360476	1	Switch, Contact Block	
23	4460426	1	Connector, Strain Relief	
24	4460470	1	Nut, Terminal	
25	4460471	1	Lockwasher, Terminal	
26	4460488	6	Mounting Base, Terminal	
27	4460496	2	Washer, Terminal	
28	4460497	2	Nut, Terminal	
29	4460526	1	Connector, Strain Relief	
30	4711400	2	Washer 1/4	
31	4740397	5	Spacer	
32	4740444	1	Washer	
33	4740518	2	Washer	
34	4751400	7	Washer 1/4	
36	4891500	4	Washer 5/16	
37	77143013	11	Nut 1/4	
38	1001103308	2	Thumbscrew 1/4 x 3/4	
39	1001280600	1	Module, Ground Control (Note: Re-calibration Required When Replaced)	
40	1001106736	1	Cap, Dust	
41	1001155043	6	Washer	
42	1001155044	6	Nut 15/32	
43	1001155045	6	Switch, Toggle	
44	1001295732	1	Engine Harness (Not Shown - See Separate Breakdown in ELECTRICAL Section)	
45	1001284973	1	Control Valve Harness (Not Shown - See Separate Breakdown in ELECTRICAL Section)	
46	1001287464	1	Plate	
47	10836804	1	Gauge, Display	

SECTION 2 - TURNTABLE

ITEM	PART NUMBER	QTY	DESCRIPTION	REV
48	1001176469	1	Shroud	
49	1001188874	2	Nut	
50	1001297391	1	Plate	
51	1001266483	1	Decal - Ground Control Box	
52	1001306145	1	Ground Control Box Harness (Not Shown - See Separate Breakdown in ELECTRICAL Section)	
54	0760612	2	Bolt M6 x 25	
55	3290605	2	Nut, Lock M6	
56	4811700	4	Washer M6	
57	1001219601	1	Sensor, Tilt	
58	1001271794	1	Bracket, Tilt Sensor	

SECTION 2 - TURNTABLE

FIGURE 2-27. GROUND CONTROL BOX ASSEMBLY - WITH FORD DF 2.5L - WITH MECHANICAL HOUR METER (ANSI, ANSI EXPORT (LRC & HRC) AND CSA SPECS)



ART_1001266475_E

SECTION 2 - TURNTABLE

FIGURE 2-27. GROUND CONTROL BOX ASSEMBLY - WITH FORD DF 2.5L - WITH MECHANICAL HOUR METER (ANSI, ANSI EXPORT (LRC & HRC) AND CSA SPECS)

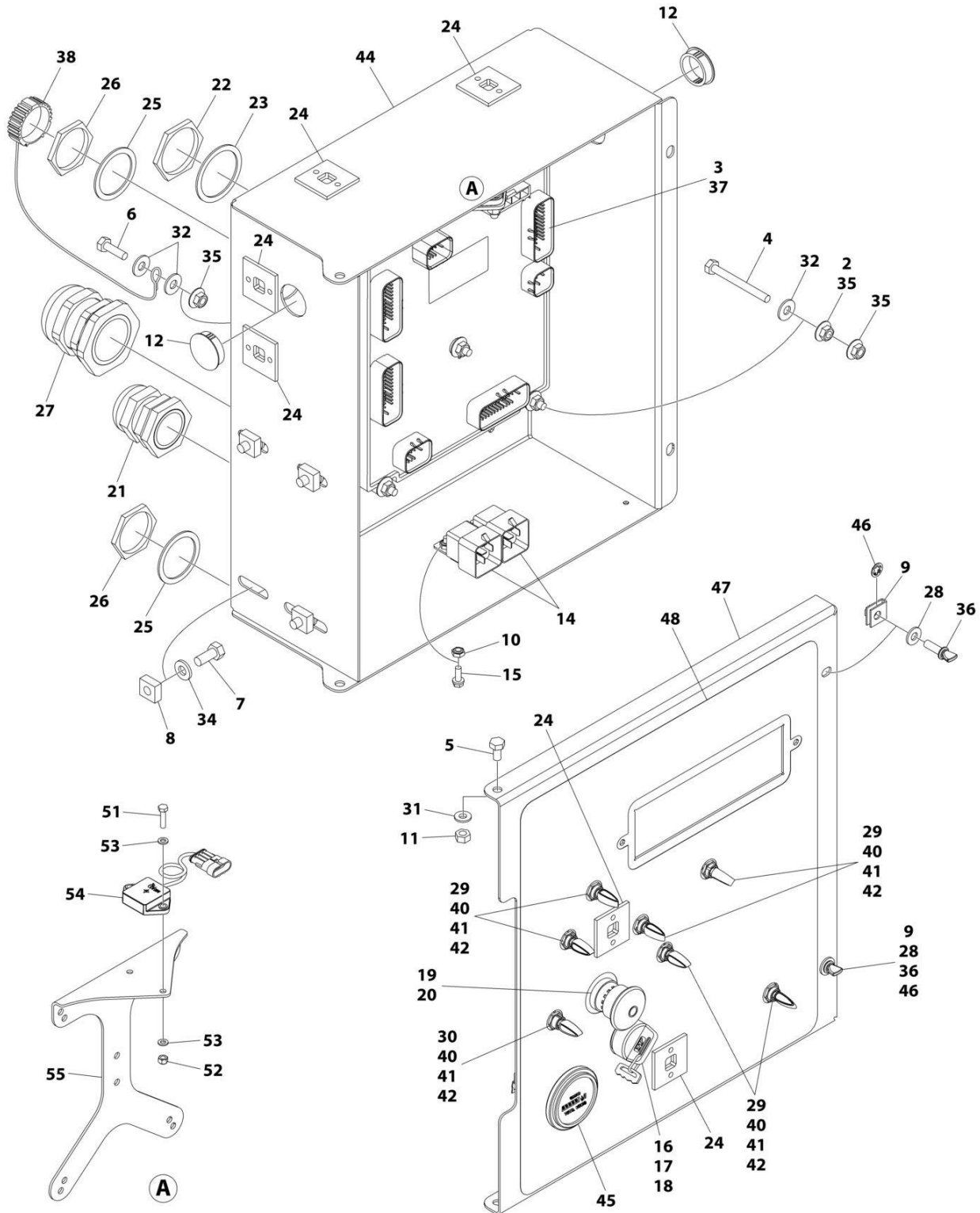
ITEM	PART NUMBER	QTY	DESCRIPTION	REV
	1001266475	Ref	GROUND CONTROL BOX ASSEMBLY	E
2	0100011	AR	Compound, Locking	
3	0100048	AR	Grease, Dielectric	
4	0630548	5	Bolt 2-1/2	
5	0641404	2	Bolt 1/4 x 1/2	
6	0641407	1	Bolt 1/4 x 7/8	
7	0641506	4	Bolt 5/16 x 3/4	
8	3300205	4	Nut, Retainer	
9	3300353	2	Nut, Tinnerman	
10	3300408	2	Nut	
11	3311405	2	Nut 1/4	
12	3520031	2	Plug	
14	3740049	2	Relay	
15	3900268	2	Bolt #10 x 1/2	
16	3910804	6	Screw #8 x 1/4	
17	4070991	1	Shim	
18	4360469	1	Switch, Key	
18	2860030	1 Set	Key Replacement	
19	4360475	1	Switch, Emergency Stop	
19	7020175	1	Cap, Mushroom	
19	7020176	1	Block, Contact	
20	4360476	1	Switch, Contact Block	
21	4460426	1	Connector, Strain Relief	
22	4460470	1	Nut, Terminal	
23	4460471	1	Lockwasher, Terminal	
24	4460488	6	Mounting Base, Terminal	
25	4460496	2	Washer, Terminal	
26	4460497	2	Nut, Terminal	
27	4460526	1	Connector, Strain Relief	
28	4711400	2	Washer 1/4	
29	4740397	5	Spacer	
30	4740444	1	Washer	
31	4740518	2	Washer	
32	4751400	7	Washer 1/4	
34	4891500	4	Washer 5/16	
35	77143013	11	Nut 1/4	
36	1001103308	2	Thumbscrew 1/4 x 3/4	
37	1001280600	1	Module, Ground Control (Note: Recalibration Required When Replaced)	
38	1001106736	1	Cap, Dust	
39	1001155043	6	Washer	
40	1001155044	6	Nut 15/32	
41	1001155045	6	Switch, Toggle	
42	1001284973	1	Control Valve Harness (Not Shown - See Separate Breakdown in ELECTRICAL Section)	
43	1001287464	1	Plate	
44	10836804	1	Hour Meter	
45	1001188874	2	Nut	

SECTION 2 - TURNTABLE

ITEM	PART NUMBER	QTY	DESCRIPTION	REV
46	1001286028	1	Engine Harness (Not Shown - See Separate Breakdown in ELECTRICAL Section)	
47	1001280403	1	Plate	
48	1001266479	1	Decal - Ground Control Box	
49	1001306145	1	Ground Control Box Harness (Not Shown - See Separate Breakdown in ELECTRICAL Section)	
51	0760612	2	Bolt M6 x 25	
52	3290605	2	Nut, Lock M6	
53	4811700	4	Washer M6	
54	1001219601	1	Sensor, Tilt	
55	1001271794	1	Bracket, Tilt Sensor	

SECTION 2 - TURNTABLE

FIGURE 2-28. GROUND CONTROL BOX ASSEMBLY - WITH DEUTZ D2011 - WITH MECHANICAL HOUR METER (ANSI EXPORT (LRC) AND AUSTRALIAN SPECS) WITH TILT SENSOR



ART_1001266470_E

SECTION 2 - TURNTABLE

FIGURE 2-28. GROUND CONTROL BOX ASSEMBLY - WITH DEUTZ D2011 - WITH MECHANICAL HOUR METER (ANSI EXPORT (LRC) AND AUSTRALIAN SPECS) WITH TILT SENSOR

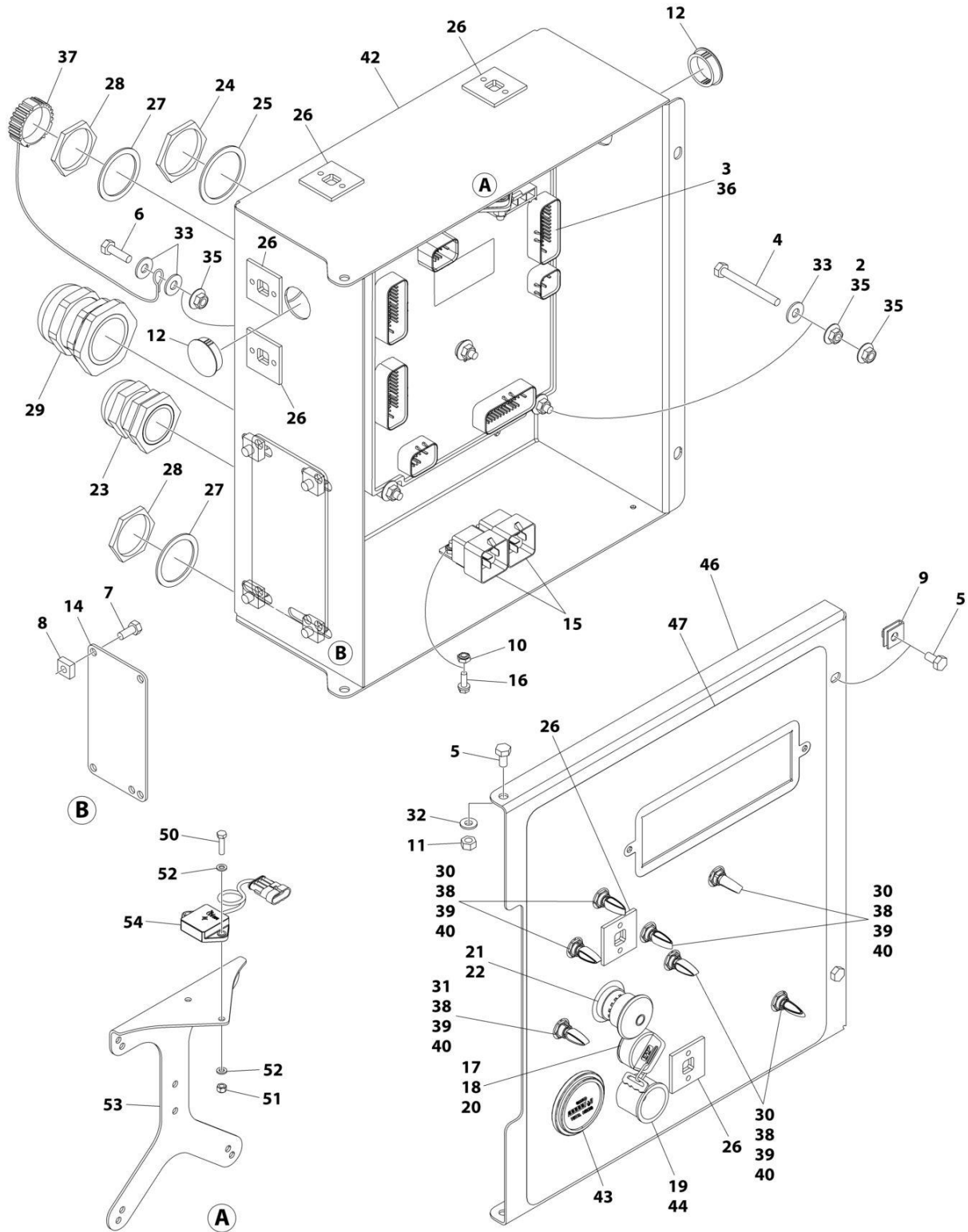
ITEM	PART NUMBER	QTY	DESCRIPTION	REV
	1001266470	Ref	GROUND CONTROL BOX ASSEMBLY	E
2	0100011	AR	Compound, Locking	
3	0100048	AR	Grease, Dielectric	
4	0630548	5	Bolt 2-1/2	
5	0641404	2	Bolt 1/4 x 1/2	
6	0641407	1	Bolt 1/4 x 7/8	
7	0641506	4	Bolt 5/16 x 3/4	
8	3300205	4	Nut, Retainer	
9	3300353	2	Nut, Tinnerman	
10	3300408	2	Nut	
11	3311405	2	Nut 1/4	
12	3520031	2	Plug	
14	3740049	2	Relay	
15	3900268	2	Bolt #10 x 1/2	
16	3910804	6	Screw #8 x 1/4	
17	4070991	1	Shim	
18	4360469	1	Switch, Key	
18	2860030	1 Set	Key Replacement	
19	4360475	1	Switch, Emergency Stop	
19	7020175	1	Cap, Mushroom	
19	7020176	1	Block, Contact	
20	4360476	1	Switch, Contact Block	
21	4460426	1	Connector, Strain Relief	
22	4460470	1	Nut, Terminal	
23	4460471	1	Lockwasher, Terminal	
24	4460488	6	Mounting Base, Terminal	
25	4460496	2	Washer, Terminal	
26	4460497	2	Nut, Terminal	
27	4460526	1	Connector, Strain Relief	
28	4711400	2	Washer 1/4	
29	4740397	6	Spacer	
30	4740444	1	Washer	
31	4740518	2	Washer	
32	4751400	7	Washer 1/4	
34	4891500	4	Washer 5/16	
35	77143013	11	Nut 1/4	
36	1001103308	2	Thumbscrew 1/4 x 3/4	
37	1001280600	1	Module, Ground Control (Note: Recalibration Required When Replaced)	
38	1001106736	1	Cap, Dust	
39	1001285515	1	Engine Harness (Not Shown - See Separate Breakdown in ELECTRICAL Section)	
40	1001155043	7	Washer	
41	1001155044	7	Nut 15/32	
42	1001155045	7	Switch, Toggle	
43	1001284973	1	Control Valve Harness (Not Shown - See Separate Breakdown in ELECTRICAL Section)	
44	1001287464	1	Plate	
45	10836804	1	Hour Meter	

SECTION 2 - TURNTABLE

ITEM	PART NUMBER	QTY	DESCRIPTION	REV
46	1001188874	2	Nut	
47	1001280403	1	Plate	
48	1001266480	1	Decal - Ground Control Box	
49	1001306145	1	Ground Control Box Harness (Not Shown - See Separate Breakdown in ELECTRICAL Section)	
51	0760612	2	Bolt M6 x 25	
52	3290605	2	Nut, Lock M6	
53	4811700	4	Washer M6	
54	1001219601	1	Sensor, Tilt	
55	1001271794	1	Bracket, Tilt Sensor	

SECTION 2 - TURNTABLE

FIGURE 2-29. GROUND CONTROL BOX ASSEMBLY - WITH DEUTZ D2011 (CE & UK CA SPECS) WITH TILT SENSOR



ART_1001266472_E

SECTION 2 - TURNTABLE

**FIGURE 2-29. GROUND CONTROL BOX ASSEMBLY - WITH DEUTZ D2011 (CE & UK CA SPECS)
WITH TILT SENSOR**

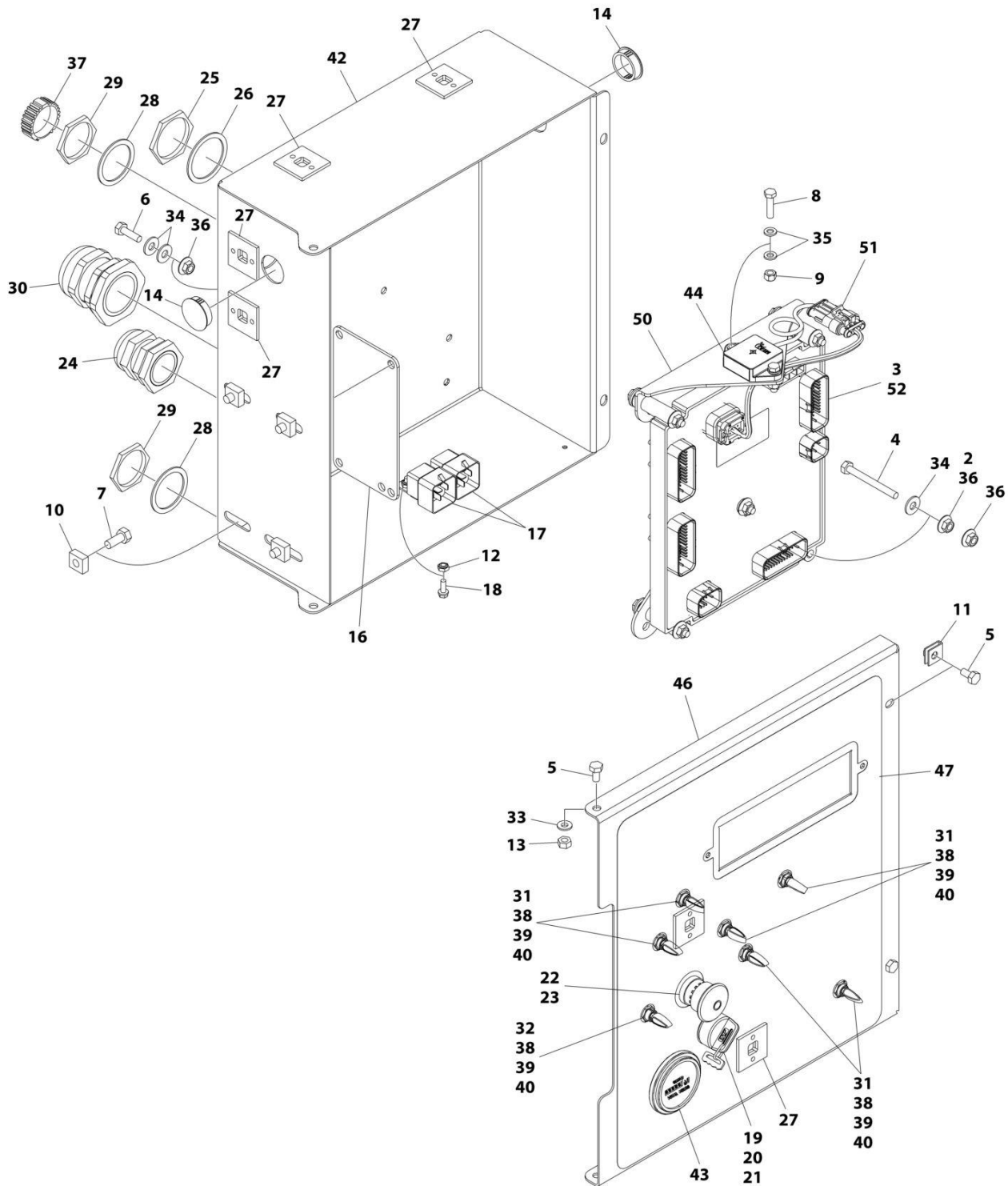
ITEM	PART NUMBER	QTY	DESCRIPTION	REV
	1001266472	Ref	GROUND CONTROL BOX ASSEMBLY	E
2	0100011	AR	Compound, Locking	
3	0100048	AR	Grease, Dielectric	
4	0630548	5	Bolt 2-1/2	
5	0641404	4	Bolt 1/4 x 1/2	
6	0641407	1	Bolt 1/4 x 7/8	
7	0641506	4	Bolt 5/16 x 3/4	
8	3300205	4	Nut, Retainer	
9	3300353	2	Nut, Tinnerman	
10	3300408	2	Nut	
11	3311405	2	Nut 1/4	
12	3520031	2	Plug	
14	3539219	1	Plate	
15	3740049	2	Relay	
16	3900268	2	Bolt #10 x 1/2	
17	3910804	6	Screw #8 x 1/4	
18	4070991	1	Shim	
19	4360387	1	Switch, Push Button	
20	4360469	1	Switch, Key	
20	2860030	1 Set	Key Replacement	
21	4360475	1	Switch, Emergency Stop	
21	7020175	1	Cap, Mushroom	
21	7020176	1	Block, Contact	
22	4360476	1	Switch, Contact Block	
23	4460426	1	Connector, Strain Relief	
24	4460470	1	Nut, Terminal	
25	4460471	1	Lockwasher, Terminal	
26	4460488	6	Mounting Base, Terminal	
27	4460496	2	Washer, Terminal	
28	4460497	2	Nut, Terminal	
29	4460526	1	Connector, Strain Relief	
30	4740397	6	Spacer	
31	4740444	1	Washer	
32	4740518	2	Washer	
33	4751400	7	Washer 1/4	
35	77143013	11	Nut 1/4	
36	1001280600	1	Module, Ground Control (Note: Recalibration Required When Replaced)	
37	1001106736	1	Cap, Dust	
38	1001155043	7	Washer	
39	1001155044	7	Nut 15/32	
40	1001155045	7	Switch, Toggle	
41	1001284973	1	Control Valve Harness (Not Shown - See Separate Breakdown in ELECTRICAL Section)	
42	1001287464	1	Plate	
43	10836804	1	Gauge, Display	
44	1001176469	1	Shroud	
45	1001286027	1	Engine Harness (Not Shown - See Separate Breakdown in ELECTRICAL Section)	

SECTION 2 - TURNTABLE

ITEM	PART NUMBER	QTY	DESCRIPTION	REV
46	1001297391	1	Plate	
47	1001266482	1	Decal - Ground Control Box	
48	1001306145	1	Ground Control Box Harness (Not Shown - See Separate Breakdown in ELECTRICAL Section)	
50	0760612	2	Bolt M6 x 25	
51	3290605	2	Nut, Lock M6	
52	4811700	4	Washer M6	
53	1001271794	1	Bracket, Tilt Sensor	
54	1001219601	1	Sensor, Tilt	

SECTION 2 - TURNTABLE

FIGURE 2-30. GROUND CONTROL BOX ASSEMBLY - 860SJ HC3 WITH DEUTZ D2011 (HIGH TEMP MARKETS) (ANSI EXPORT (LRC), UK CA (LRC) & AUSTRALIAN SPECS)



ART_1001278612_C

SECTION 2 - TURNTABLE

FIGURE 2-30. GROUND CONTROL BOX ASSEMBLY - 860SJ HC3 WITH DEUTZ D2011 (HIGH TEMP MARKETS) (ANSI EXPORT (LRC), UK CA (LRC) & AUSTRALIAN SPECS)

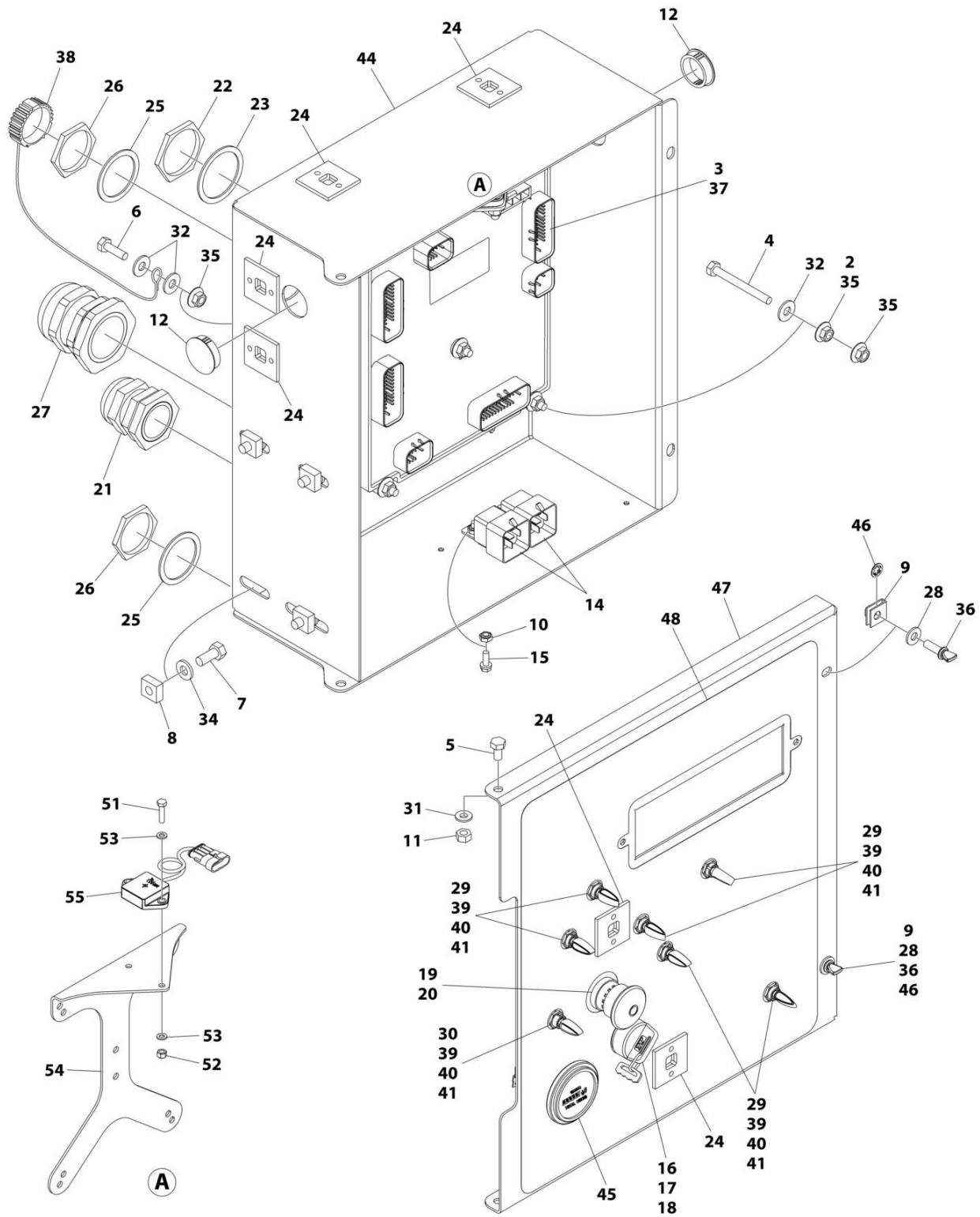
ITEM	PART NUMBER	QTY	DESCRIPTION	REV
	1001278612	Ref	GROUND CONTROL BOX ASSEMBLY	C
2	0100011	AR	Compound, Locking	
3	0100048	AR	Grease, Dielectric	
4	0630548	5	Bolt 2-1/2 Tap	
5	0641404	4	Bolt 1/4 x 1/2	
6	0641407	1	Bolt 1/4 x 7/8	
7	0641506	4	Bolt 5/16 x 3/4	
8	0760612	2	Bolt M6 x 25	
9	3290605	2	Nut, Lock M6	
10	3300205	4	Nut, Retainer	
11	3300353	2	Nut, Tinnerman	
12	3300408	2	Nut, Plastic Insert	
13	3311405	2	Nut 1/4	
14	3520031	2	Plug	
16	3539219	1	Plate, Reinforcement	
17	3740049	2	Relay	
18	3900268	2	Bolt #10 x 1/2	
19	3910804	6	Bolt #8 x 1/4	
20	4070991	1	Shim	
21	4360469	1	Switch, Key	
22	4360475	1	Switch, Emergency Stop	
22	7020175	1	Cap, Mushroom	
22	7020176	1	Block, Contact	
23	4360476	1	Switch, Contact Block	
24	4460426	1	Connector, Strain Relief	
25	4460470	1	Nut, Terminal	
26	4460471	1	Washer, Terminal	
27	4460488	6	Mounting Base, Terminal	
28	4460496	2	Washer, Terminal	
29	4460497	2	Nut, Terminal	
30	4460526	1	Connector, Strain Relief	
31	4740397	6	Spacer	
32	4740444	1	Washer	
33	4740518	2	Washer	
34	4751400	7	Washer 1/4	
35	4811700	4	Washer M6	
36	77143013	11	Nut 1/4	
37	1001106736	1	Cap, Dust	
38	1001155043	7	Washer	
39	1001155044	7	Nut 15/32	
40	1001155045	7	Switch, Toggle	
41	1001284973	1	Harness, Platform Valve (Not Shown - See Separate Breakdown in ELECTRICAL Section)	
42	1001287464	1	Box Less Lid	
43	10836804	1	Gauge, Display	
44	1001219601	1	Sensor, Tilt	
45	1001286027	1	Harness, Engine (Not Shown - See Separate Breakdown in ELECTRICAL Section)	
46	1001280403	1	Plate	

SECTION 2 - TURNTABLE

ITEM	PART NUMBER	QTY	DESCRIPTION	REV
47	1001266480	1	Decal, MTB	
48	1001285346	1	Harness, MTB (Not Shown - See Separate Breakdown in ELECTRICAL Section)	
49	1001285800	1	Wire, MTB (Not Shown)	
50	1001271794	1	Bracket, Tilt Sensor	
51	1001276143	1	Harness, Tilt Sensor (See Separate Breakdown in ELECTRICAL Section)	
52	1001280600	1	Module, Ground Control (Note: Re-calibration Required When Replaced)	

SECTION 2 - TURNTABLE

FIGURE 2-31. GROUND CONTROL BOX ASSEMBLY - WITH DEUTZ TD2.9L4 - WITH MECHANICAL HOUR METER (ANSI, ANSI EXPORT (HRC), ANSI EXPORT (LRC WITH SN B3), CSA, JAPANESE, AUSTRALIAN (SN B3), RUSSIAN (SN B3) AND CHINA SPECS) WITH TILT SENSOR



ART_1001266474_F

SECTION 2 - TURNTABLE

FIGURE 2-31. GROUND CONTROL BOX ASSEMBLY - WITH DEUTZ TD2.9L4 - WITH MECHANICAL HOUR METER (ANSI, ANSI EXPORT (HRC), ANSI EXPORT (LRC WITH SN B3), CSA, JAPANESE, AUSTRALIAN (SN B3), RUSSIAN (SN B3) AND CHINA SPECS) WITH TILT SENSOR

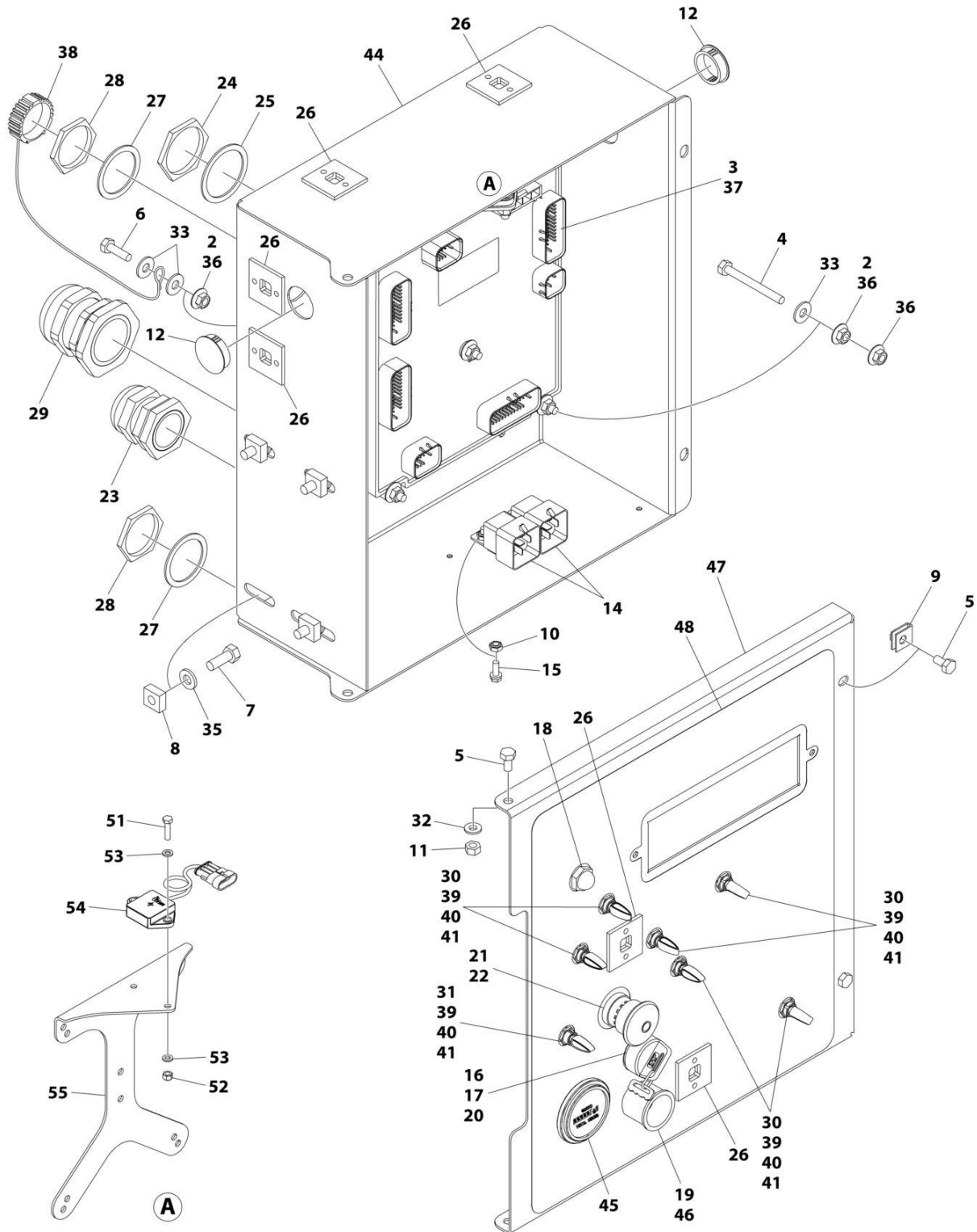
ITEM	PART NUMBER	QTY	DESCRIPTION	REV
	1001266474	Ref	GROUND CONTROL BOX ASSEMBLY	F
2	0100011	AR	Compound, Locking	
3	0100048	AR	Grease, Dielectric	
4	0630548	5	Bolt 2-1/2	
5	0641404	2	Bolt 1/4 x 1/2	
6	0641407	1	Bolt 1/4 x 7/8	
7	0641506	4	Bolt 5/16 x 3/4	
8	3300205	4	Nut, Retainer	
9	3300353	2	Nut, Tinnerman	
10	3300408	2	Nut	
11	3311405	2	Nut 1/4	
12	3520031	2	Plug	
14	3740049	2	Relay	
15	3900268	2	Bolt #10 x 1/2	
16	3910804	6	Screw #8 x 1/4	
17	4070991	1	Shim	
18	4360469	1	Switch, Key	
18	2860030	1 Set	Key Replacement	
19	1001274559	1	Switch, Emergency Stop	
20	4360476	1	Switch, Contact Block	
21	4460426	1	Connector, Strain Relief	
22	4460470	1	Nut, Terminal	
23	4460471	1	Lockwasher, Terminal	
24	4460488	6	Mounting Base, Terminal	
25	4460496	2	Washer, Terminal	
26	4460497	2	Nut, Terminal	
27	4460526	1	Connector, Strain Relief	
28	4711400	2	Washer 1/4	
29	4740397	6	Spacer	
30	4740444	1	Washer	
31	4740518	2	Washer	
32	4751400	7	Washer 1/4	
34	4891500	4	Washer 5/16	
35	77143013	11	Nut 1/4	
36	1001103308	2	Thumbscrew 1/4 x 3/4	
37	1001280600	1	Module, Ground Control (Note: Recalibration Required When Replaced)	
38	1001106736	1	Cap, Dust	
39	1001155043	7	Washer	
40	1001155044	7	Nut 15/32	
41	1001155045	7	Switch, Toggle	
42	1001295732	1	Engine Harness (Not Shown - See Separate Breakdown in ELECTRICAL Section)	
43	1001284973	1	Control Valve Harness (Not Shown - See Separate Breakdown in ELECTRICAL Section)	
44	1001287464	1	Plate	
45	10836804	1	Hour Meter	
46	1001188874	2	Nut	

SECTION 2 - TURNTABLE

ITEM	PART NUMBER	QTY	DESCRIPTION	REV
47	1001280403	1	Plate	
48	1001266480	1	Decal - Ground Control Box	
49	1001306145	1	Ground Control Box Harness (Not Shown - See Separate Breakdown in ELECTRICAL Section)	
51	0760612	2	Bolt M6 x 25	
52	3290605	2	Nut, Lock M6	
53	4811700	4	Washer M6	
54	1001271794	1	Bracket, Tilt Sensor	
55	1001219601	1	Sensor, Tilt	

SECTION 2 - TURNTABLE

FIGURE 2-32. GROUND CONTROL BOX ASSEMBLY - WITH DEUTZ TD2.9L4 (STAGE V) (CE & UK CA SPECS) WITH TILT SENSOR



ART_1001266478_F

SECTION 2 - TURNTABLE

FIGURE 2-32. GROUND CONTROL BOX ASSEMBLY - WITH DEUTZ TD2.9L4 (STAGE V) (CE & UK CA SPECS) WITH TILT SENSOR

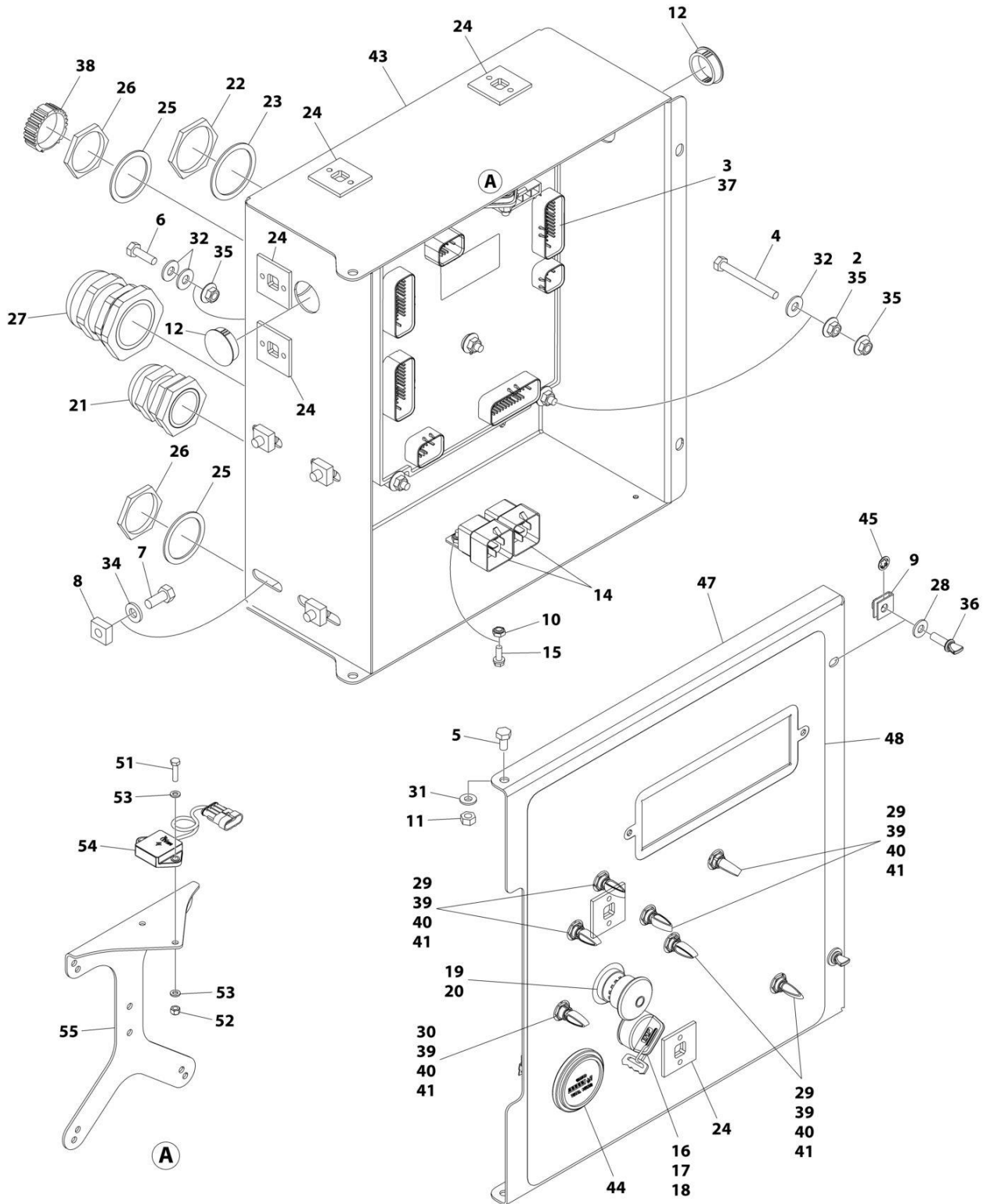
ITEM	PART NUMBER	QTY	DESCRIPTION	REV
	1001266478	Ref	GROUND CONTROL BOX ASSEMBLY	F
2	0100011	AR	Compound, Locking	
3	0100048	AR	Grease, Dielectric	
4	0630548	5	Bolt 2-1/2	
5	0641404	4	Bolt 1/4 x 1/2	
6	0641407	1	Bolt 1/4 x 7/8	
7	0641507	4	Bolt 5/16 x 7/8	
8	3300205	4	Nut, Retainer	
9	3300353	2	Nut, Tinnerman	
10	3300408	2	Nut	
11	3311405	2	Nut 1/4	
12	3520031	2	Plug	
14	3740049	2	Relay	
15	3900268	2	Bolt #10 x 1/2	
16	3910804	6	Screw #8 x 1/4	
17	4070991	1	Shim	
18	4360274	1	Switch, Push Button	
19	4360387	1	Switch, Push Button	
20	4360469	1	Switch, Key	
20	2860030	1 Set	Key Replacement	
21	1001274559	1	Switch, Emergency Stop	
22	4360476	1	Switch, Contact Block	
23	4460426	1	Connector, Strain Relief	
24	4460470	1	Nut, Terminal	
25	4460471	1	Lockwasher, Terminal	
26	4460488	6	Mounting Base, Terminal	
27	4460496	2	Washer, Terminal	
28	4460497	2	Nut, Terminal	
29	4460526	1	Connector, Strain Relief	
30	4740397	6	Spacer	
31	4740444	1	Washer	
32	4740518	2	Washer	
33	4751400	7	Washer 1/4	
35	4891500	4	Washer 5/16	
36	77143013	11	Nut 1/4	
37	1001280600	1	Module, Ground Control (Note: Re-calibration Required When Replaced)	
38	1001106736	1	Cap, Dust	
39	1001155043	7	Washer	
40	1001155044	7	Nut 15/32	
41	1001155045	7	Switch, Toggle	
42	1001295732	1	Engine Harness (Not Shown - See Separate Breakdown in ELECTRICAL Section)	
43	1001284973	1	Control Valve Harness (Not Shown - See Separate Breakdown in ELECTRICAL Section)	
44	1001287464	1	Plate	
45	10836804	1	Gauge, Display	
46	1001176469	1	Shroud	
47	1001297391	1	Plate	

SECTION 2 - TURNTABLE

ITEM	PART NUMBER	QTY	DESCRIPTION	REV
48	1001266484	1	Decal - Ground Control Box	
49	1001306145	1	Ground Control Box Harness (Not Shown - See Separate Breakdown in ELECTRICAL Section)	
51	0760612	2	Bolt M6 x 25	
52	3290605	2	Nut, Lock M6	
53	4811700	4	Washer M6	
54	1001219601	1	Sensor, Tilt	
55	1001271794	1	Bracket, Tilt Sensor	

SECTION 2 - TURNTABLE

FIGURE 2-33. GROUND CONTROL BOX ASSEMBLY - WITH FORD DF 2.5L - WITH MECHANICAL HOUR METER (ANSI, ANSI EXPORT (LRC & HRC), AUSTRALIAN AND CSA SPECS)



ART_1001266476_E

SECTION 2 - TURNTABLE

FIGURE 2-33. GROUND CONTROL BOX ASSEMBLY - WITH FORD DF 2.5L - WITH MECHANICAL HOUR METER (ANSI, ANSI EXPORT (LRC & HRC), AUSTRALIAN AND CSA SPECS)

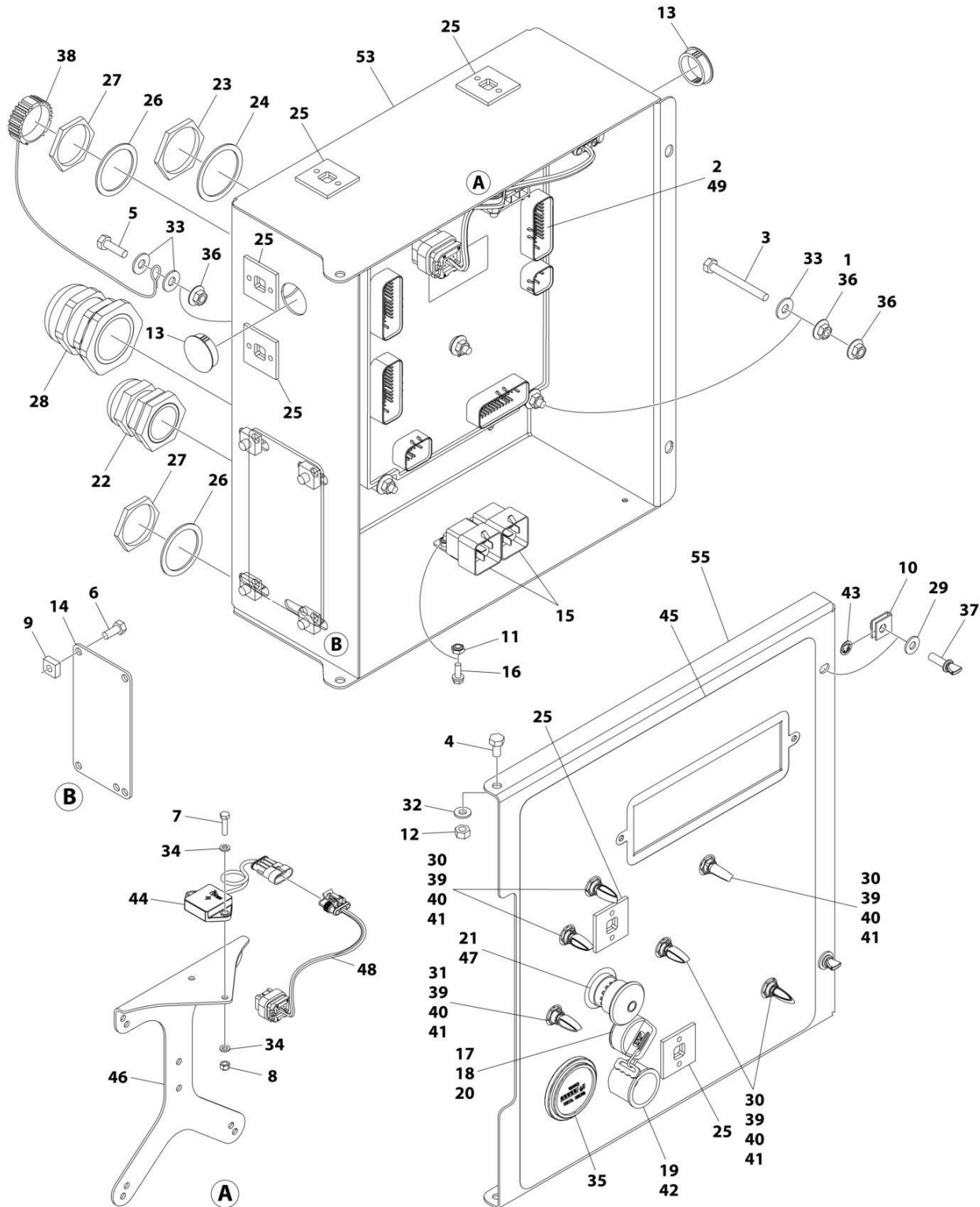
ITEM	PART NUMBER	QTY	DESCRIPTION	REV
	1001266476	Ref	GROUND CONTROL BOX ASSEMBLY	E
2	0100011	AR	Compound, Locking	
3	0100048	AR	Grease, Dielectric	
4	0630548	5	Screw 2-1/2 Tap	
5	0641404	2	Screw 1/4 x 1/2	
6	0641407	1	Screw 1/4 x 7/8	
7	0641506	4	Screw 5/16 x 3/4	
8	3300205	4	Nut, Retainer	
9	3300353	2	Nut, Tinnerman	
10	3300408	2	Nut, Plastic Insert	
11	3311405	2	Nut 1/4	
12	3520031	2	Plug	
14	3740049	2	Relay	
15	3900268	2	Screw #10 x 1/2	
16	3910804	6	Screw #8 x 1/4	
17	4070991	1	Shim	
18	4360469	1	Switch, Key	
19	4360475	1	Switch, Emergency Stop	
19	7020175	1	Cap, Mushroom	
19	7020176	1	Block, Contact	
20	4360476	1	Switch, Contact Block	
21	4460426	1	Connector, Strain Relief	
22	4460470	1	Nut, Terminal	
23	4460471	1	Washer, Terminal	
24	4460488	6	Mounting Base, Terminal	
25	4460496	2	Washer, Terminal	
26	4460497	2	Nut, Terminal	
27	4460526	1	Connector, Strain Relief	
28	4711400	2	Washer 1/4	
29	4740397	6	Spacer	
30	4740444	1	Washer	
31	4740518	2	Washer	
32	4751400	7	Washer 1/4	
34	4891500	4	Washer 5/16	
35	77143013	11	Nut 1/4	
36	1001103308	2	Screw 1/4	
37	1001280600	1	Module, Ground Control (Note: Re-calibration Required when Replaced)	
38	1001106736	1	Cap, Dust	
39	1001155043	7	Washer	
40	1001155044	7	Nut 15/32	
41	1001155045	7	Switch, Toggle	
42	1001284973	1	Harness, Platform Valve (Not Shown - See Separate Breakdown in ELECTRICAL Section)	
43	1001287464	1	Box Less Lid	
44	10836804	1	Hour Meter	
45	1001188874	2	Nut	
46	1001286028	1	Harness, Ford DF 2.5L Engine (Not Shown - See Separate Breakdown in ELECTRICAL Section)	

SECTION 2 - TURNTABLE

ITEM	PART NUMBER	QTY	DESCRIPTION	REV
47	1001280403	1	Plate	
48	1001266480	1	Decal, MTB	
49	1001306145	1	Harness, MTB (Not Shown - See Separate Breakdown in ELECTRICAL Section)	
50	1001285800	1	Wire, MTB (Not Shown)	
51	0760612	2	Bolt M6 x 25	
52	3290605	2	Nut, Lock M6	
53	4811700	4	Washer M6	
54	1001219601	1	Sensor, Tilt	
55	1001271794	1	Bracket, Tilt Sensor	

SECTION 2 - TURNTABLE

FIGURE 2-34. GROUND CONTROL BOX ASSEMBLY - WITH DEUTZ TD2.9L4 (UNR96) ENGINE (860SJ HC3)



ART_1001300363

SECTION 2 - TURNTABLE

**FIGURE 2-34. GROUND CONTROL BOX ASSEMBLY - WITH DEUTZ TD2.9L4 (UNR96) ENGINE
(860SJ HC3)**

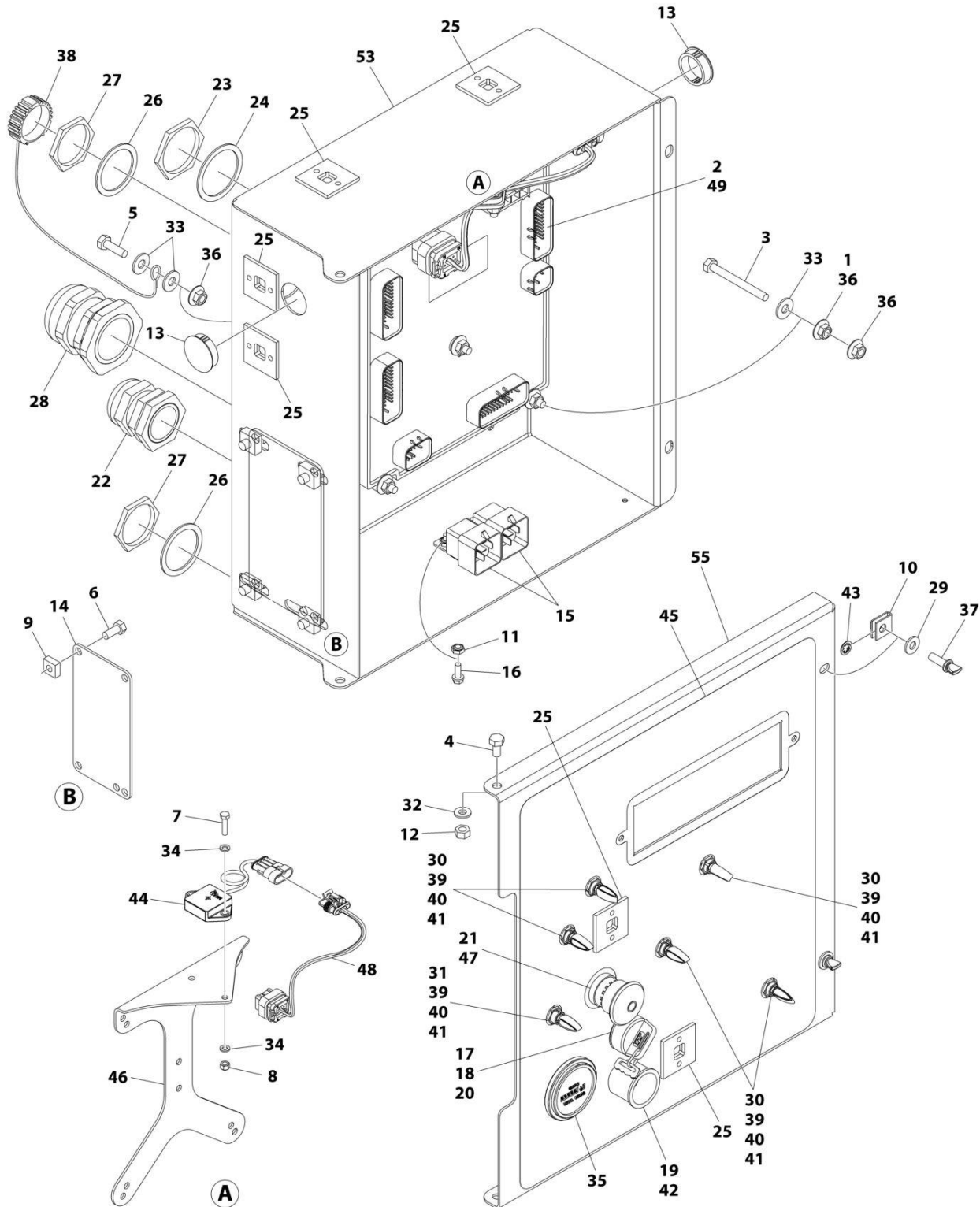
ITEM	PART NUMBER	QTY	DESCRIPTION	REV
	1001300363	Ref	GROUND CONTROL BOX ASSEMBLY	A
1	0100011	AR	Compound, Locking	
2	0100048	AR	Grease, Dielectric	
3	0630548	5	Bolt 2-1/2	
4	0641404	2	Bolt 1/4 x 1/2	
5	0641407	1	Bolt 1/4 x 7/8	
6	0641506	4	Bolt 5/16 x 3/4	
7	0760612	2	Bolt M6 x 25	
8	3290605	2	Nut M6	
9	3300205	4	Nut, Retainer	
10	3300353	2	Nut, Tinnerman	
11	3300408	2	Nut	
12	3311405	2	Nut 1/4	
13	3520031	2	Plug	
14	3539219	1	Plate	
15	3740049	2	Relay	
16	3900268	2	Bolt #10 x 1/2	
17	3910804	6	Screw #8 x 1/4	
18	4070991	1	Shim	
19	4360387	1	Switch, Push Button	
20	4360469	1	Switch, Key	
20	2860030	1 Set	Key Replacement	
21	4360476	1	Switch, Contact Block	
22	4460426	1	Connector, Strain Relief	
23	4460470	1	Nut, Terminal	
24	4460471	1	Lockwasher, Terminal	
25	4460488	6	Mounting Base, Terminal	
26	4460496	2	Lockwasher, Terminal	
27	4460497	2	Nut, Terminal	
28	4460526	1	Connector, Strain Relief	
29	4711400	2	Washer 1/4	
30	4740397	6	Spacer	
31	4740444	1	Washer	
32	4740518	2	Washer	
33	4751400	7	Washer 1/4	
34	4811700	4	Washer M6	
35	10836804	1	Gauge, Display	
36	77143013	11	Nut 1/4	
37	1001103308	2	Screw 1/4 x 3/4	
38	1001106736	1	Cap, Dust	
39	1001155043	7	Washer	
40	1001155044	7	Nut 15/32	
41	1001155045	7	Switch, Toggle	
42	1001176469	1	Shroud	
43	1001188874	2	Nut, Push	
44	1001219601	1	Sensor, Tilt	
45	1001266482	1	Decal - Ground Control Box	
46	1001271794	1	Bracket	
47	1001274559	1	Switch, Emergency Stop	

SECTION 2 - TURNTABLE

ITEM	PART NUMBER	QTY	DESCRIPTION	REV
48	1001276143	1	Harness, Tilt Sensor (See Separate Breakdown in ELECTRICAL Section)	
49	1001280600	1	Module, Ground Control (Note: Recalibration Required When Replaced)	
50	1001284973	1	Control Valve Harness (Not Shown) (See Separate Breakdown in ELECTRICAL Section)	
51	1001285346	1	Ground Control Box Harness (Not Shown) (See Separate Breakdown in ELECTRICAL Section)	
53	1001287464	1	Plate	
54	1001295732	1	Engine Harness (Not Shown) (See Separate Breakdown in ELECTRICAL Section)	
55	1001297391	1	Plate	

SECTION 2 - TURNTABLE

FIGURE 2-35. GROUND CONTROL BOX ASSEMBLY - WITH DEUTZ TD2.9L4 (UNR96) ENGINE (800S HC3)



ART_1001300364

SECTION 2 - TURNTABLE

FIGURE 2-35. GROUND CONTROL BOX ASSEMBLY - WITH DEUTZ TD2.9L4 (UNR96) ENGINE (800S HC3)

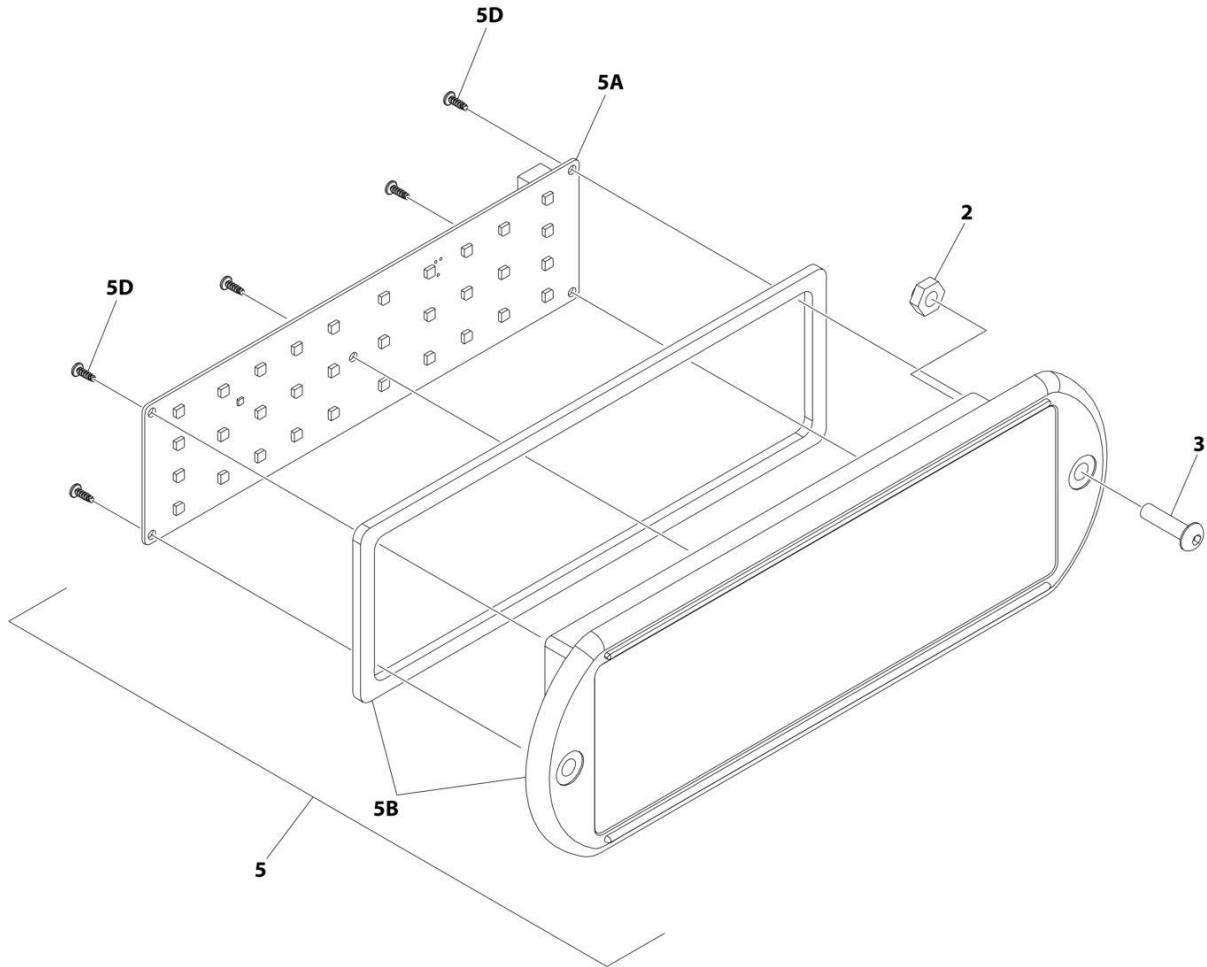
ITEM	PART NUMBER	QTY	DESCRIPTION	REV
	1001300364	Ref	GROUND CONTROL BOX ASSEMBLY	A
1	0100011	AR	Compound, Locking	
2	0100048	AR	Grease, Dielectric	
3	0630548	5	Bolt 2-1/2	
4	0641404	2	Bolt 1/4 x 1/2	
5	0641407	1	Bolt 1/4 x 7/8	
6	0641506	4	Bolt 5/16 x 3/4	
7	0760612	2	Bolt M6 x 25	
8	3290605	2	Nut M6	
9	3300205	4	Nut, Retainer	
10	3300353	2	Nut, Tinnerman	
11	3300408	2	Nut	
12	3311405	2	Nut 1/4	
13	3520031	2	Plug	
14	3539219	1	Plate	
15	3740049	2	Relay	
16	3900268	2	Bolt #10 x 1/2	
17	3910804	6	Screw #8 x 1/4	
18	4070991	1	Shim	
19	4360387	1	Switch, Push Button	
20	4360469	1	Switch, Key	
20	2860030	1 Set	Key Replacement	
21	4360476	1	Switch, Contact Block	
22	4460426	1	Connector, Strain Relief	
23	4460470	1	Nut, Terminal	
24	4460471	1	Lockwasher, Terminal	
25	4460488	6	Mounting Base, Terminal	
26	4460496	2	Lockwasher, Terminal	
27	4460497	2	Nut, Terminal	
28	4460526	1	Connector, Strain Relief	
29	4711400	2	Washer 1/4	
30	4740397	5	Spacer	
31	4740444	1	Washer	
32	4740518	2	Washer	
33	4751400	7	Washer 1/4	
34	4811700	4	Washer M6	
35	10836804	1	Gauge, Display	
36	77143013	11	Nut 1/4	
37	1001103308	2	Screw 1/4 x 3/4	
38	1001106736	1	Cap, Dust	
39	1001155043	6	Washer	
40	1001155044	6	Nut 15/32	
41	1001155045	6	Switch, Toggle	
42	1001176469	1	Shroud	
43	1001188874	2	Nut, Push	
44	1001219601	1	Sensor, Tilt	
45	1001266481	1	Decal - Ground Control Box	
46	1001271794	1	Bracket	
47	1001274559	1	Switch, Emergency Stop	

SECTION 2 - TURNTABLE

ITEM	PART NUMBER	QTY	DESCRIPTION	REV
48	1001276143	1	Harness, Tilt Sensor (See Separate Breakdown in ELECTRICAL Section)	
49	1001280600	1	Module, Ground Control (Note: Re-calibration Required When Replaced)	
50	1001284973	1	Control Valve Harness (Not Shown) (See Separate Breakdown in ELECTRICAL Section)	
51	1001285346	1	Ground Control Box Harness (Not Shown) (See Separate Breakdown in ELECTRICAL Section)	
53	1001287464	1	Plate	
54	1001295732	1	Engine Harness (Not Shown) (See Separate Breakdown in ELECTRICAL Section)	
55	1001297391	1	Plate	

SECTION 2 - TURNTABLE

FIGURE 2-36. LIGHT PANEL INSTALLATION (MACHINES WITH SN STARTING WITH 03) (CE & UK CA SPEC MACHINES WITH SN STARTING WITH B3)



ART_1001233959_D_10F2

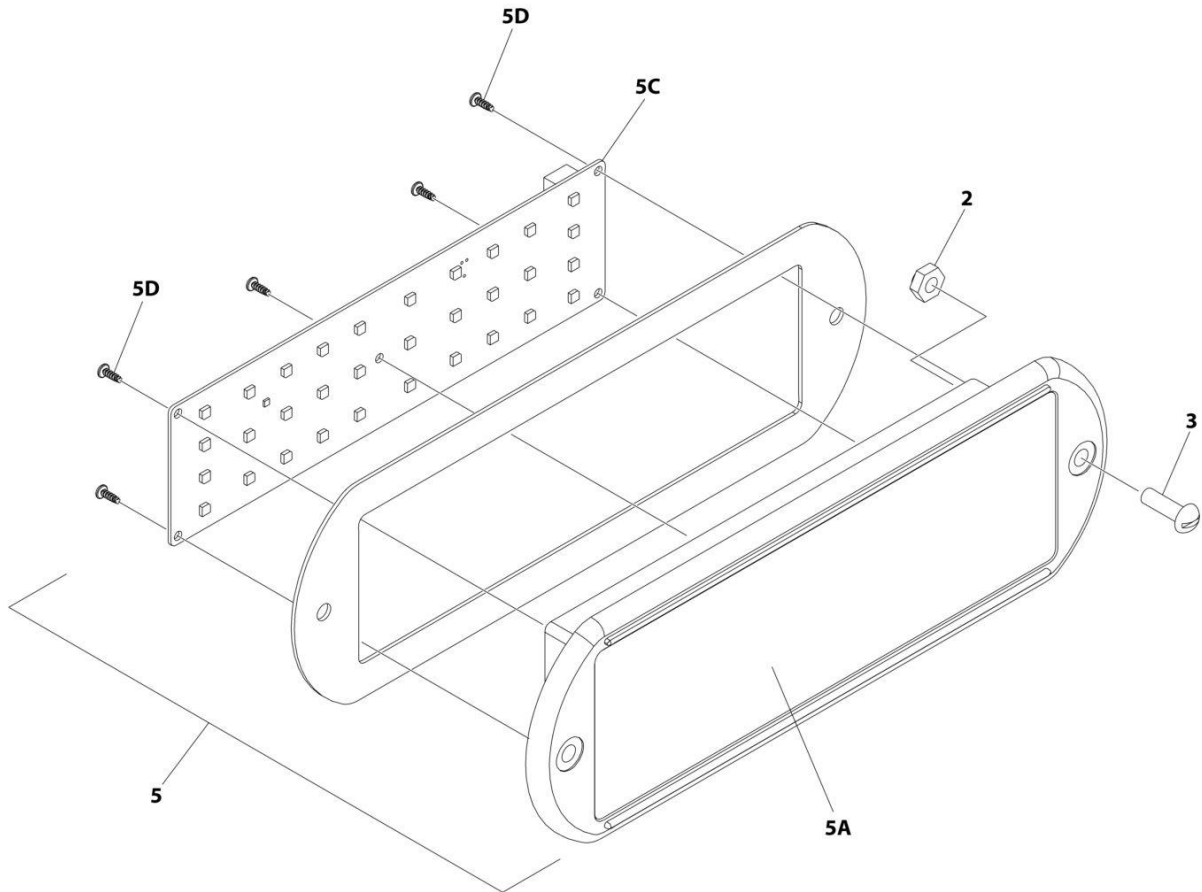
SECTION 2 - TURNTABLE

FIGURE 2-36. LIGHT PANEL INSTALLATION (MACHINES WITH SN STARTING WITH 03) (CE & UK CA SPEC MACHINES WITH SN STARTING WITH B3)

ITEM	PART NUMBER	QTY	DESCRIPTION	REV
	1001233959	Ref	LIGHT PANEL INSTALLATION	D
2	3300408	2	Nut, Nylon Insert	
3	0630518	2	Screw #10 x 3/4	
5	1001237546	1	Light Panel Assembly	J
5A	1001282106	1	Panel, LED Light	
5B	1001236091	1	Lens, Icon (Includes Gasket)	
5D		Ref	Screw	

SECTION 2 - TURNTABLE

FIGURE 2-37. LIGHT PANEL INSTALLATION (ALL SPEC EXCEPT CE & UK CA SPEC MACHINES WITH SN STARTING WITH B3)



ART_1001241398_B_10F2

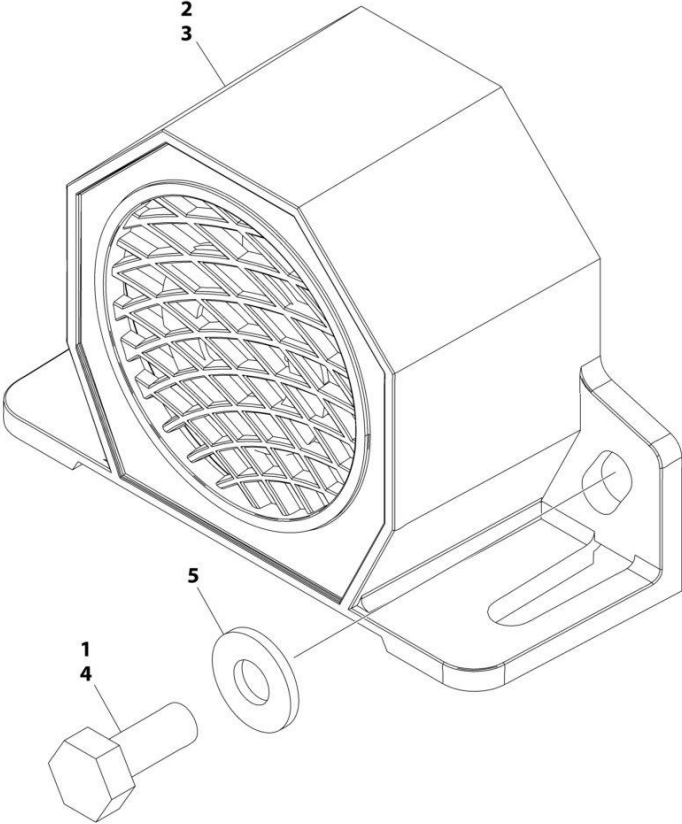
SECTION 2 - TURNTABLE

FIGURE 2-37. LIGHT PANEL INSTALLATION (ALL SPEC EXCEPT CE & UK CA SPEC MACHINES WITH SN STARTING WITH B3)

ITEM	PART NUMBER	QTY	DESCRIPTION	REV
	1001241398	Ref	LIGHT PANEL INSTALLATION	B
2	3300408	2	Nut, Nylon Insert	
3	3911010	2	Screw #10 x 5/8	
5	1001238673	1	Light Panel Assembly	
5A	1001236091	1	Lens, I-Con	
5C	1001238732	1	Panel, LED Light	
5D		Ref	Screw	

SECTION 2 - TURNTABLE

FIGURE 2-38. ALARM INSTALLATION



ART_1001158364

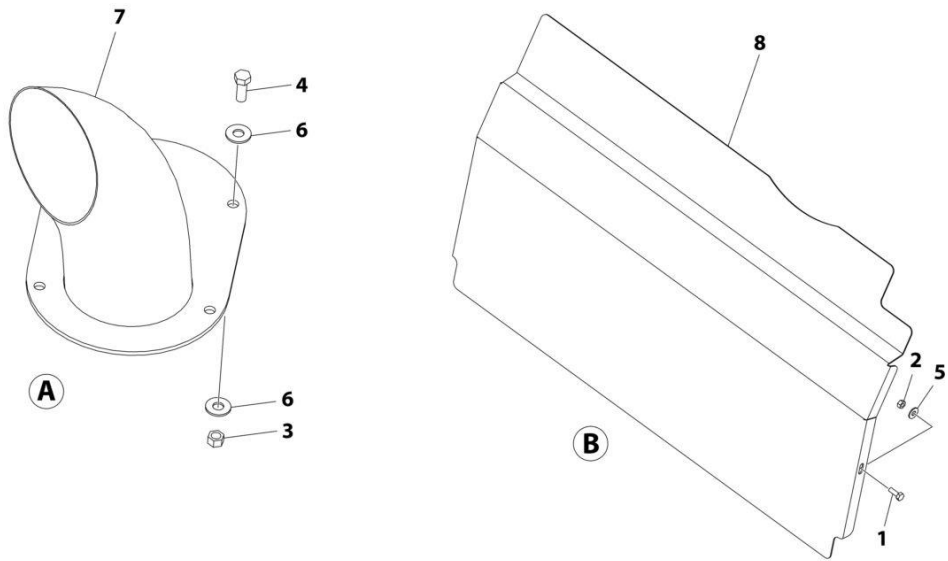
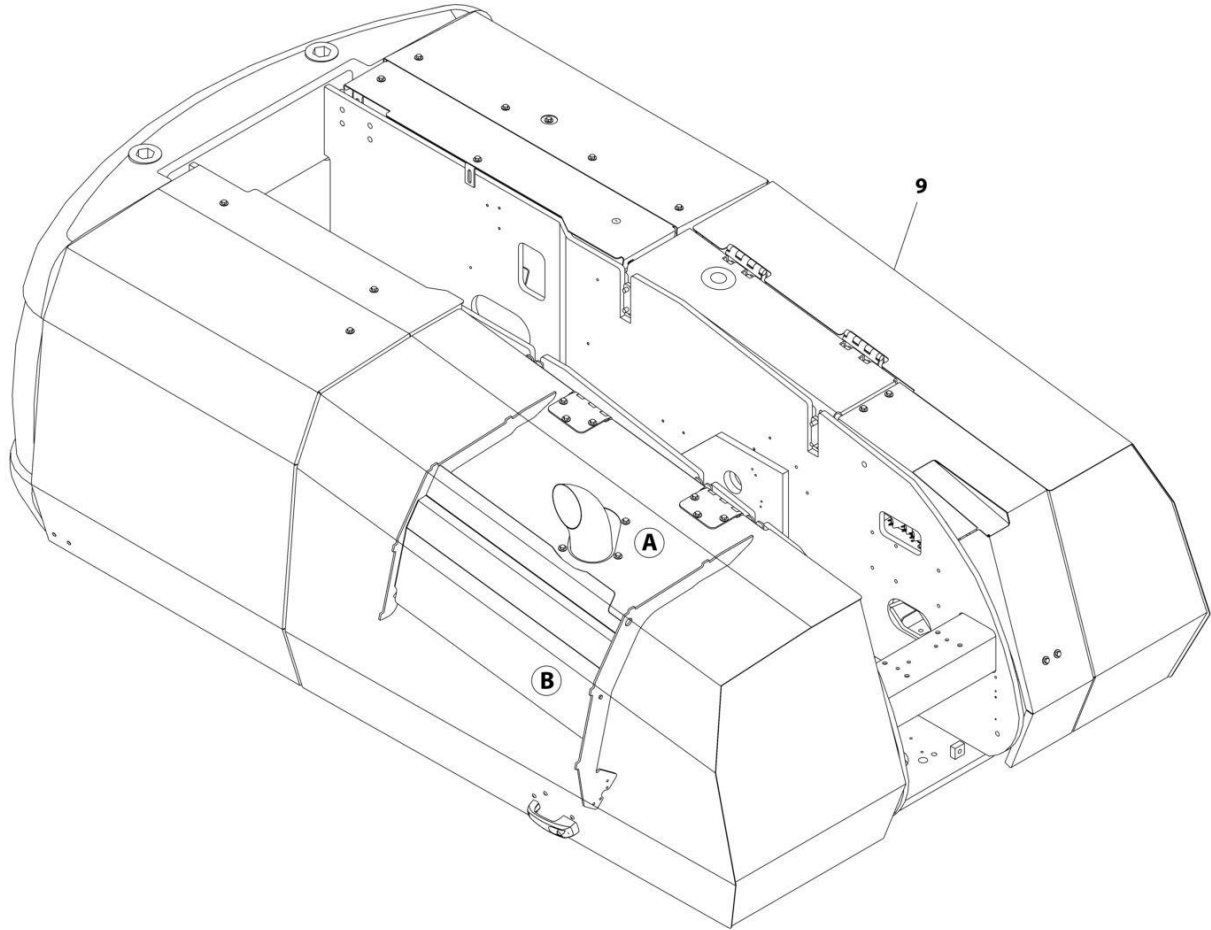
SECTION 2 - TURNTABLE

FIGURE 2-38. ALARM INSTALLATION

ITEM	PART NUMBER	QTY	DESCRIPTION	REV
	1001158364	Ref	ALARM INSTALLATION	A
1	0100011	AR	Compound, Locking	
2	0100048	AR	Grease, Dielectric	
3	0140044	1	Alarm	
4	0641405	2	Bolt 1/4 x 5/8	
5	4711400	2	Washer 1/4	

SECTION 2 - TURNTABLE

FIGURE 2-39. EXHAUST STACK INSTALLATION - STEEL HOOD (DEUTZ D2011 ENGINES)



ART_1001157752

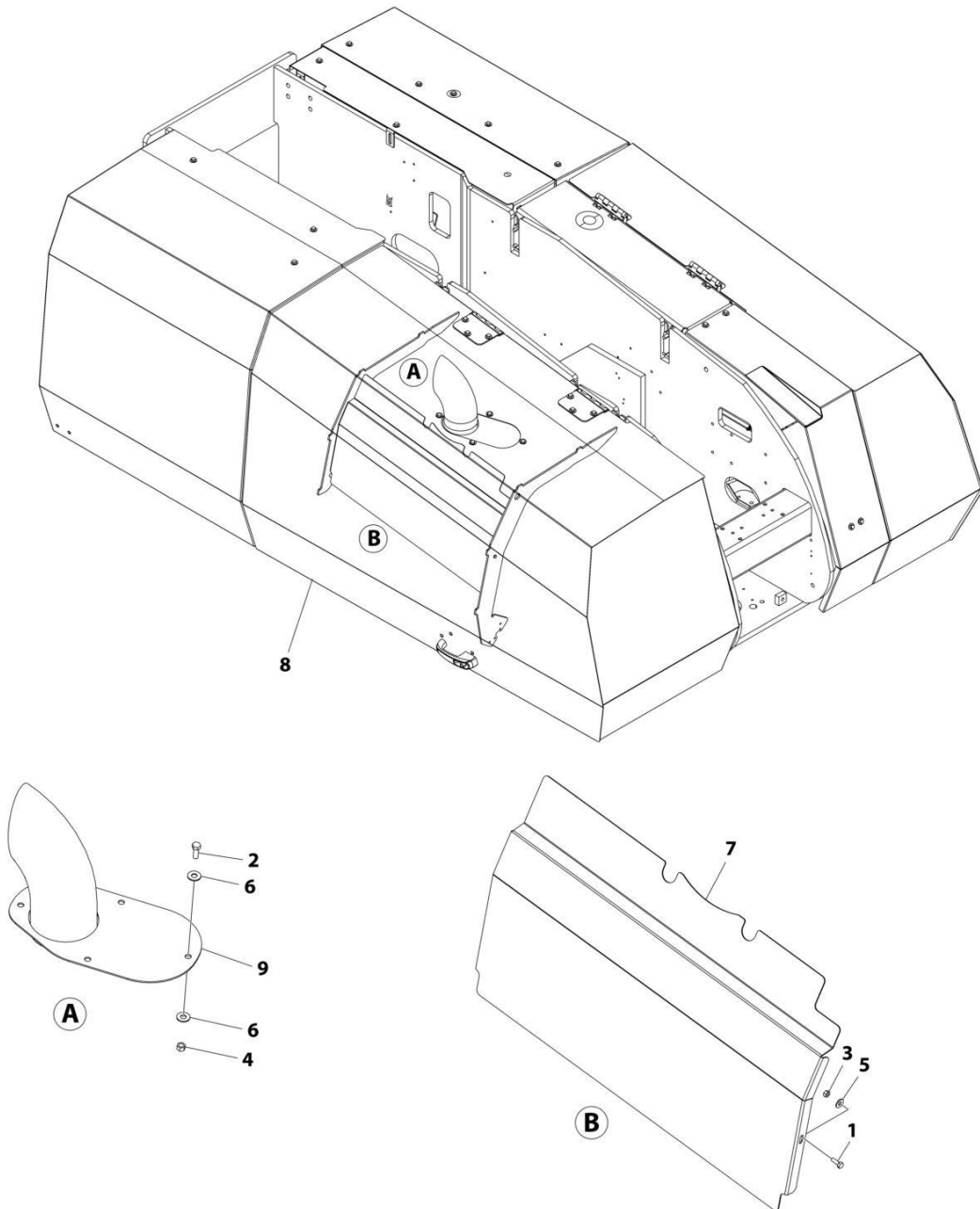
SECTION 2 - TURNTABLE

FIGURE 2-39. EXHAUST STACK INSTALLATION - STEEL HOOD (DEUTZ D2011 ENGINES)

ITEM	PART NUMBER	QTY	DESCRIPTION	REV
		Ref	NOTE: REPLACEMENT DECALS MUST BE PURCHASED SEPARATELY - SEE DECALS SECTION.	
	1001157752	Ref	EXHAUST STACK INSTALLATION - STEEL HOOD	D
1	0641406	3	Bolt 1/4 x 3/4	
2	3311405	3	Nut 1/4	
3	3311605	4	Nut 3/8	
4	0641608	4	Bolt 3/8 x 1	
5	4751400	3	Washer 1/4	
6	4751600	8	Washer 3/8	
7	1001116456	1	Stack, Exhaust	
8	1001150561	1	Shield, Heat	
9	1001157416	1	Steel Hood Installation (See Separate Breakdown in this Section)	

SECTION 2 - TURNTABLE

FIGURE 2-40. EXHAUST STACK INSTALLATION - STEEL HOOD (DEUTZ TD2.9L4 ENGINES)
(MACHINES WITH SN STARTING WITH 03)



ART_1001238931

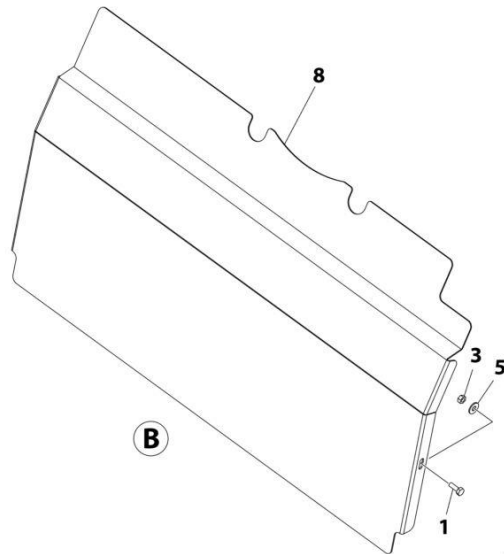
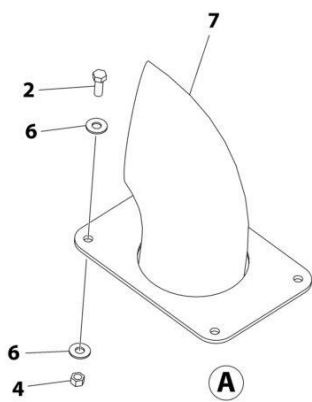
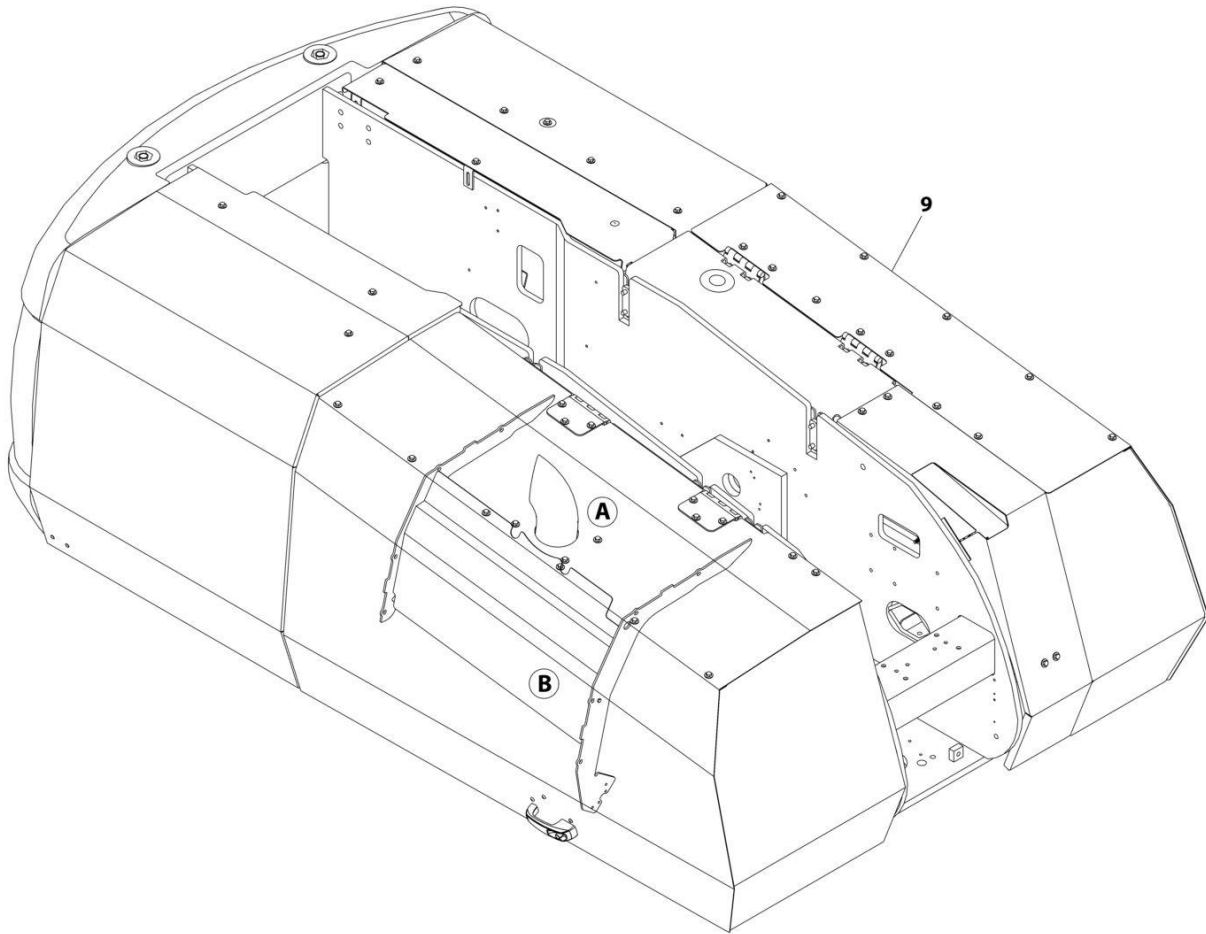
SECTION 2 - TURNTABLE

**FIGURE 2-40. EXHAUST STACK INSTALLATION - STEEL HOOD (DEUTZ TD2.9L4 ENGINES)
(MACHINES WITH SN STARTING WITH 03)**

ITEM	PART NUMBER	QTY	DESCRIPTION	REV
		Ref	NOTE: REPLACEMENT DECALS MUST BE PURCHASED SEPARATELY - SEE DECALS SECTION.	
	1001238931	Ref	EXHAUST STACK INSTALLATION - STEEL HOOD	B
1	0641406	3	Bolt 1/4 x 3/4	
2	0641608	4	Bolt 3/8 x 1	
3	3311405	3	Nut 1/4	
4	3311605	4	Nut 3/8	
5	4751400	3	Washer 1/4	
6	4751600	8	Washer 3/8	
7	1001163101	1	Shield, Heat	
8	1001237194	1	Steel Hood Installation (See Separate Breakdown in this Section)	
9	1001237259	1	Stack, Exhaust	

SECTION 2 - TURNTABLE

FIGURE 2-41. EXHAUST STACK INSTALLATION - STEEL HOOD (DEUTZ TD2.9L4 ENGINES)
(MACHINES WITH SN STARTING WITH B3)



ART_1001244467

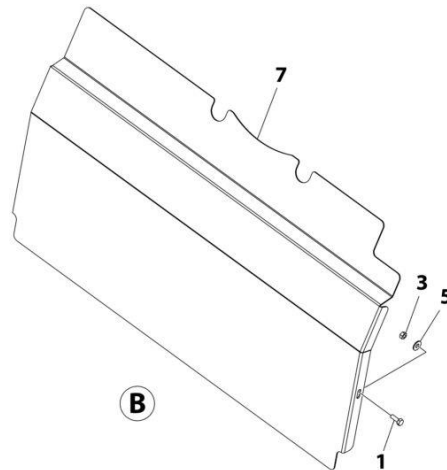
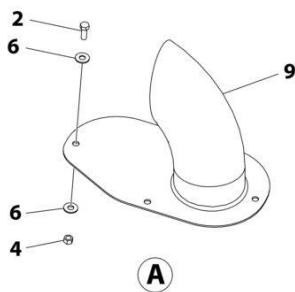
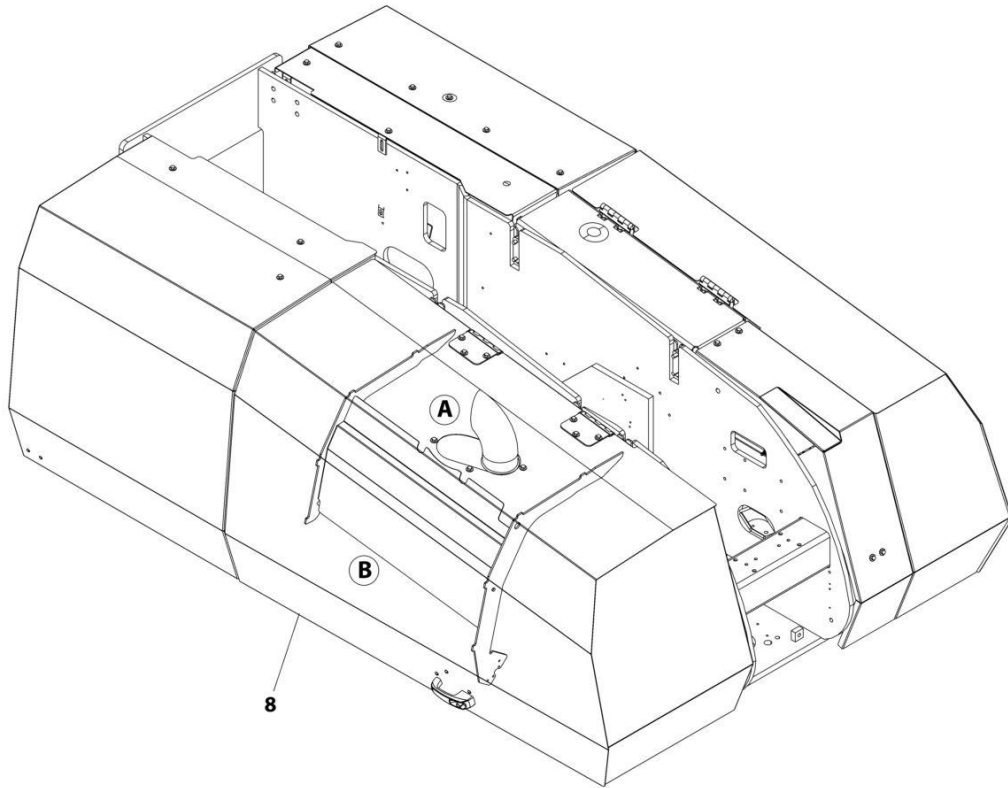
SECTION 2 - TURNTABLE

**FIGURE 2-41. EXHAUST STACK INSTALLATION - STEEL HOOD (DEUTZ TD2.9L4 ENGINES)
(MACHINES WITH SN STARTING WITH B3)**

ITEM	PART NUMBER	QTY	DESCRIPTION	REV
		Ref	NOTE: REPLACEMENT DECALS MUST BE PURCHASED SEPARATELY - SEE DECALS SECTION	
	1001244467	Ref	EXHAUST STACK INSTALLATION - STEEL HOOD	C
1	0641406	3	Bolt 1/4 x 3/4	
2	0641608	4	Bolt 3/8 x 1	
3	3311405	3	Nut 1/4	
4	3311605	4	Nut 3/8	
5	4751400	3	Washer 1/4	
6	4751600	8	Washer 3/8	
7	1001144527	1	Stack, Exhaust	
8	1001163101	1	Shield, Heat	
9	1001244466	1	Steel Hood Installation (See Separate Breakdown in this Section)	

SECTION 2 - TURNTABLE

FIGURE 2-42. EXHAUST STACK INSTALLATION - STEEL HOOD (DEUTZ TD2.9L4 (STAGE V) ENGINES) (MACHINES WITH SN STARTING WITH 03)



ART_1001237193

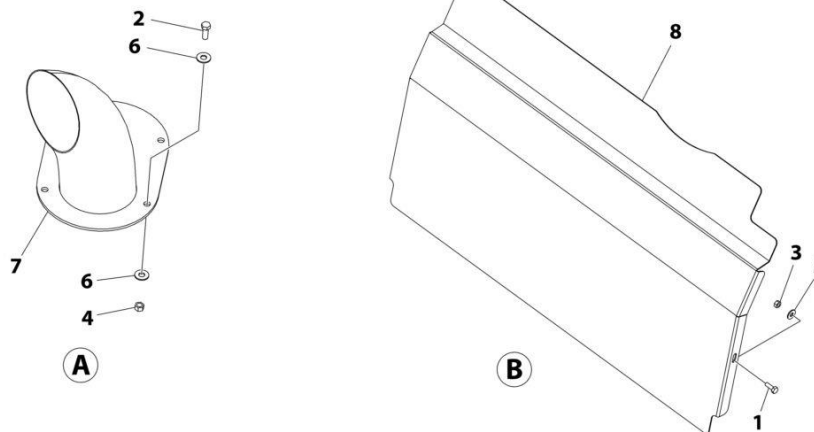
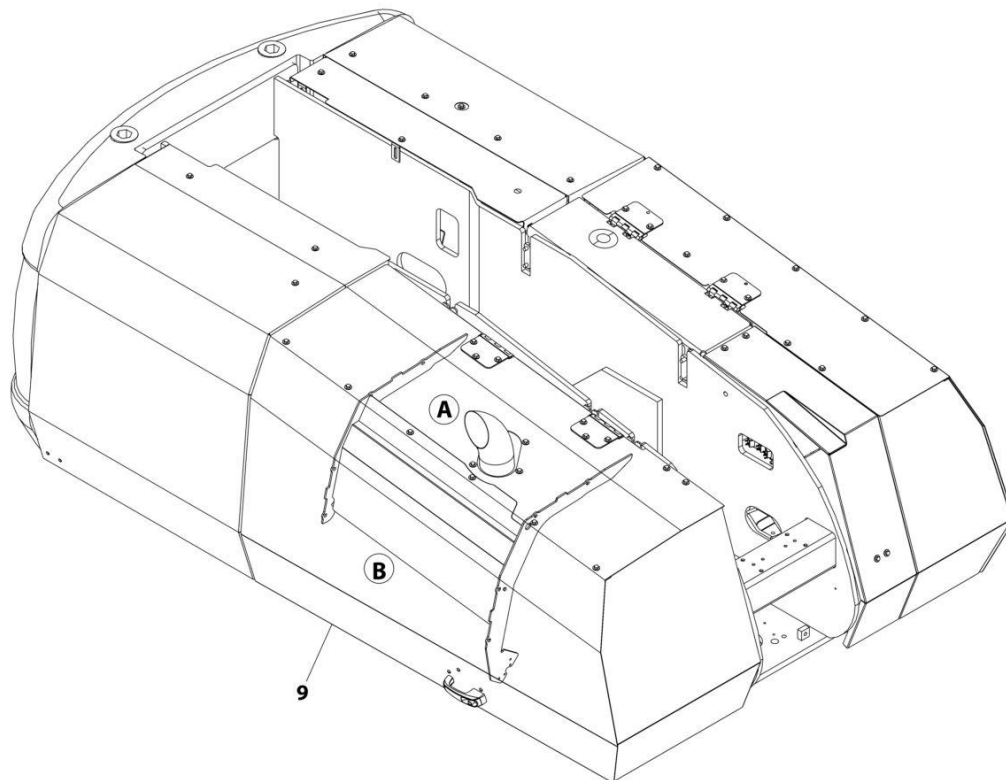
SECTION 2 - TURNTABLE

FIGURE 2-42. EXHAUST STACK INSTALLATION - STEEL HOOD (DEUTZ TD2.9L4 (STAGE V) ENGINES) (MACHINES WITH SN STARTING WITH 03)

ITEM	PART NUMBER	QTY	DESCRIPTION	REV
		Ref	NOTE: REPLACEMENT DECALS MUST BE PURCHASED SEPARATELY - SEE DECALS SECTION.	
	1001237193	Ref	EXHAUST STACK INSTALLATION - STEEL HOOD	B
1	0641406	3	Bolt 1/4 x 3/4	
2	0641608	4	Bolt 3/8 x 1	
3	3311405	3	Nut 1/4	
4	3311605	4	Nut 3/8	
5	4751400	3	Washer 1/4	
6	4751600	8	Washer 3/8	
7	1001163101	1	Shield, Heat	
8	1001237194	1	Steel Hood Installation (See Separate Breakdown in this Section)	
9	1001237261	1	Stack, Exhaust	

SECTION 2 - TURNTABLE

FIGURE 2-43. EXHAUST STACK INSTALLATION - STEEL HOOD (DEUTZ TD2.9L4 (STAGE V) ENGINES) (MACHINES WITH SN STARTING WITH B3)



ART_1001256251

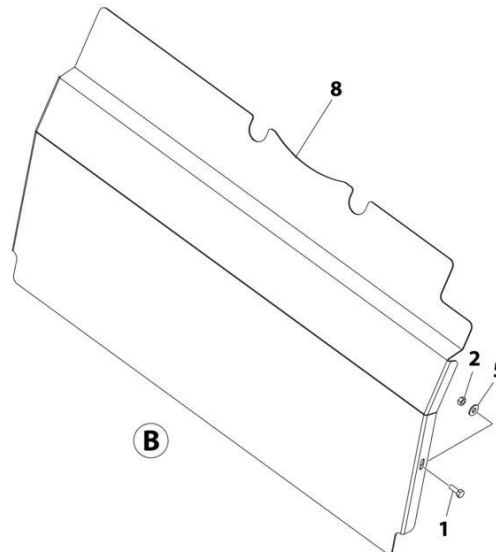
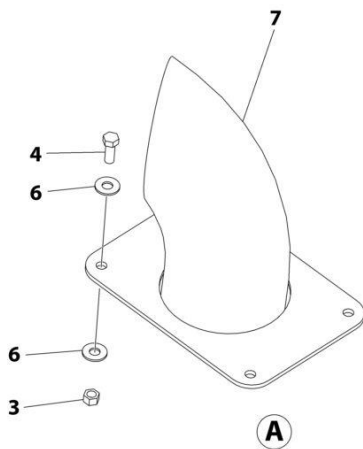
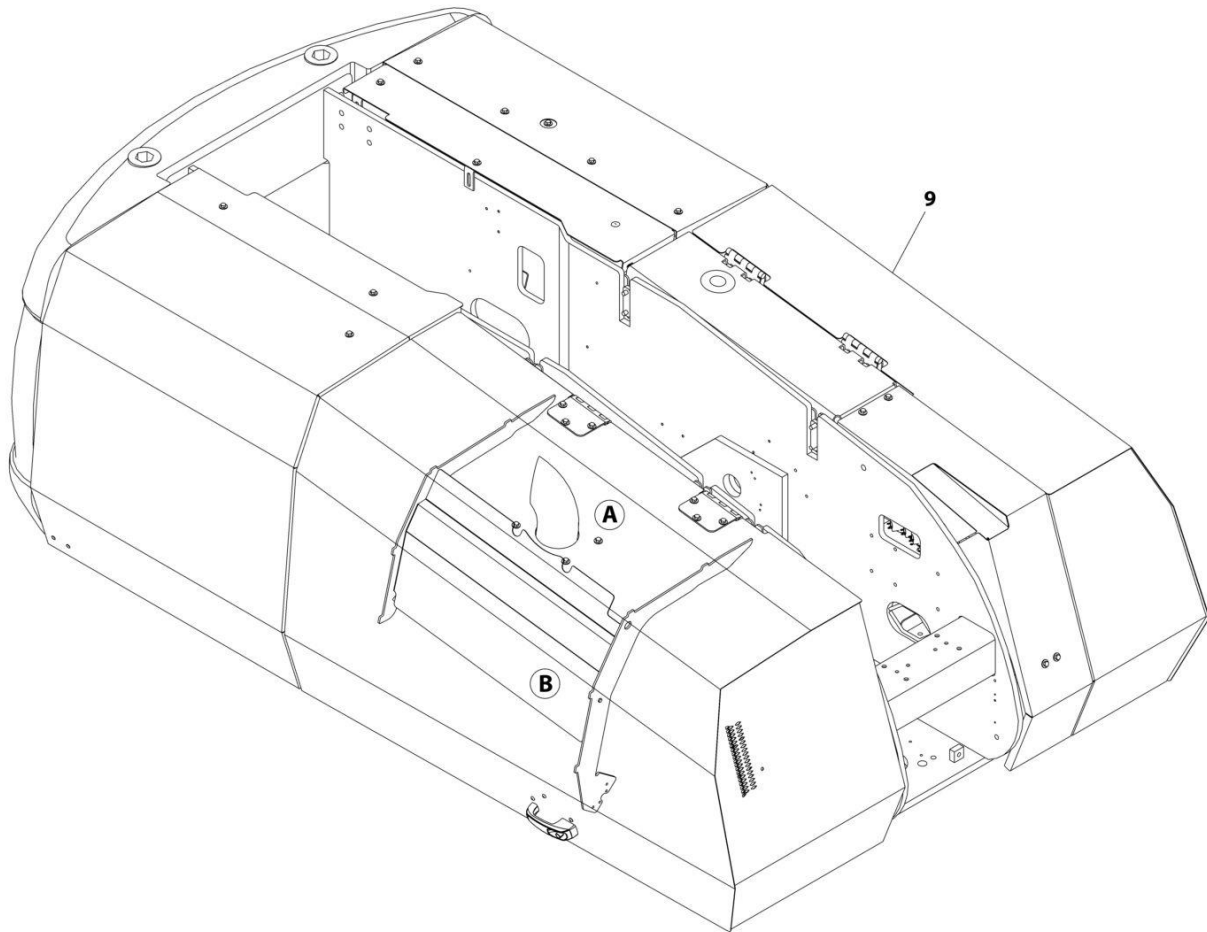
SECTION 2 - TURNTABLE

FIGURE 2-43. EXHAUST STACK INSTALLATION - STEEL HOOD (DEUTZ TD2.9L4 (STAGE V) ENGINES) (MACHINES WITH SN STARTING WITH B3)

ITEM	PART NUMBER	QTY	DESCRIPTION	REV
		Ref	NOTE: REPLACEMENT DECALS MUST BE PURCHASED SEPARATELY - SEE DECALS SECTION	
	1001256251	Ref	EXHAUST STACK INSTALLATION - STEEL HOOD	A
1	0641406	3	Bolt 1/4 x 3/4	
2	0641608	4	Bolt 3/8 x 1	
3	3311405	3	Nut 1/4	
4	3311605	4	Nut 3/8	
5	4751400	3	Washer 1/4	
6	4751600	8	Washer 3/8	
7	1001116456	1	Stack, Exhaust	
8	1001150561	1	Shield, Heat	
9	1001256248	1	Steel Hood Installation (See Separate Breakdown in this Section)	

SECTION 2 - TURNTABLE

FIGURE 2-44. EXHAUST STACK INSTALLATION - STEEL HOOD WITH HOSTILE ENVIRONMENT MACHINES (DEUTZ TD2.9L4 ENGINES) (MACHINES WITH SN STARTING WITH 03)



ART_1001173869

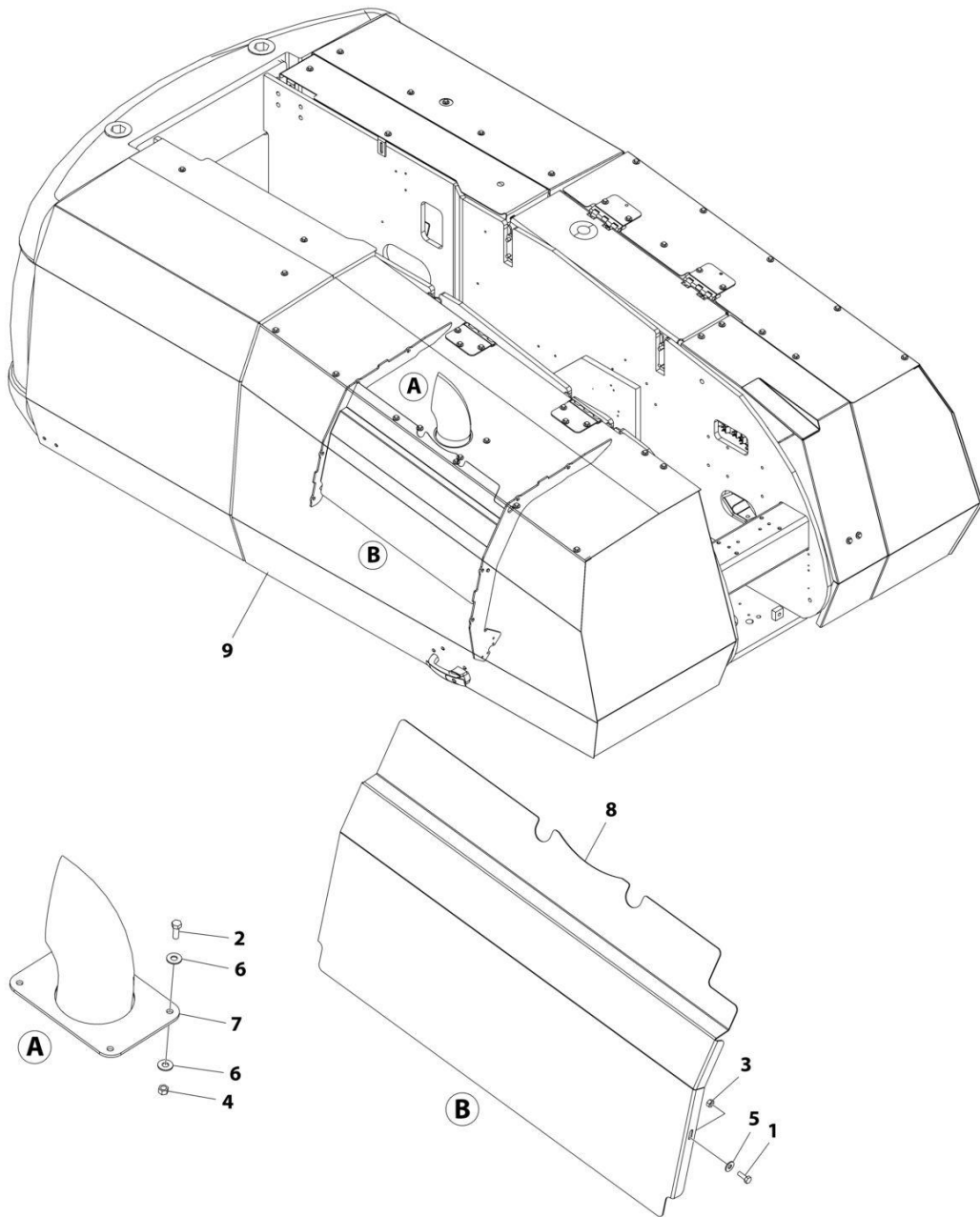
SECTION 2 - TURNTABLE

FIGURE 2-44. EXHAUST STACK INSTALLATION - STEEL HOOD WITH HOSTILE ENVIRONMENT MACHINES (DEUTZ TD2.9L4 ENGINES) (MACHINES WITH SN STARTING WITH 03)

ITEM	PART NUMBER	QTY	DESCRIPTION	REV
		Ref	NOTE: REPLACEMENT DECALS MUST BE PURCHASED SEPARATELY - SEE DECALS SECTION.	
	1001173869	Ref	EXHAUST STACK INSTALLATION - STEEL HOOD	C
1	0641406	3	Bolt 1/4 x 3/4	
2	3311405	3	Nut 1/4	
3	3311605	4	Nut 3/8	
4	0641608	4	Bolt 3/8 x 1	
5	4751400	3	Washer 1/4	
6	4751600	8	Washer 3/8	
7	1001144527	1	Stack, Exhaust	
8	1001163101	1	Shield, Heat	
9	1001173870	1	Steel Hood Installation (See Separate Breakdown in this Section)	

SECTION 2 - TURNTABLE

FIGURE 2-45. EXHAUST STACK INSTALLATION - STEEL HOOD WITH HOSTILE ENVIRONMENT MACHINES (DEUTZ TD2.9L4 ENGINES) (MACHINES WITH SN STARTING WITH B3)



ART_1001256260

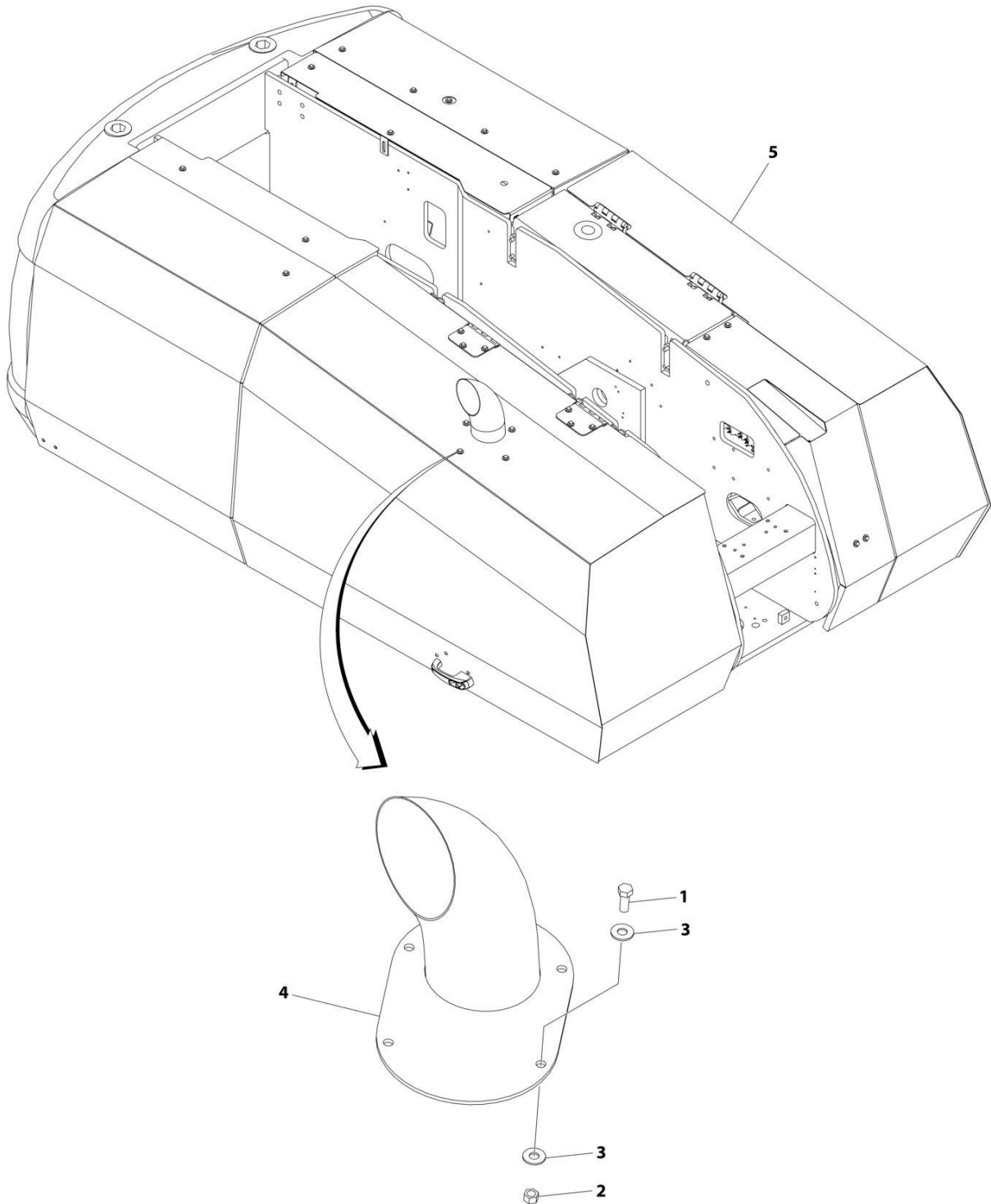
SECTION 2 - TURNTABLE

FIGURE 2-45. EXHAUST STACK INSTALLATION - STEEL HOOD WITH HOSTILE ENVIRONMENT MACHINES (DEUTZ TD2.9L4 ENGINES) (MACHINES WITH SN STARTING WITH B3)

ITEM	PART NUMBER	QTY	DESCRIPTION	REV
		Ref	NOTE: REPLACEMENT DECALS MUST BE PURCHASED SEPARATELY - SEE DECALS SECTION	
	1001256260	Ref	EXHAUST STACK INSTALLATION - STEEL HOOD	A
1	0641406	3	Bolt 1/4 x 3/4	
2	0641608	4	Bolt 3/8 x 1	
3	3311405	3	Nut 1/4	
4	3311605	4	Nut 3/8	
5	4751400	3	Washer 1/4	
6	4751600	8	Washer 3/8	
7	1001144527	1	Stack, Exhaust	
8	1001163101	1	Shield, Heat	
9	1001256259	1	Steel Hood Installation (See Separate Breakdown in this Section)	

SECTION 2 - TURNTABLE

FIGURE 2-46. EXHAUST STACK INSTALLATION - STEEL HOOD (FORD DF 2.5L ENGINES)



ART_1001220392

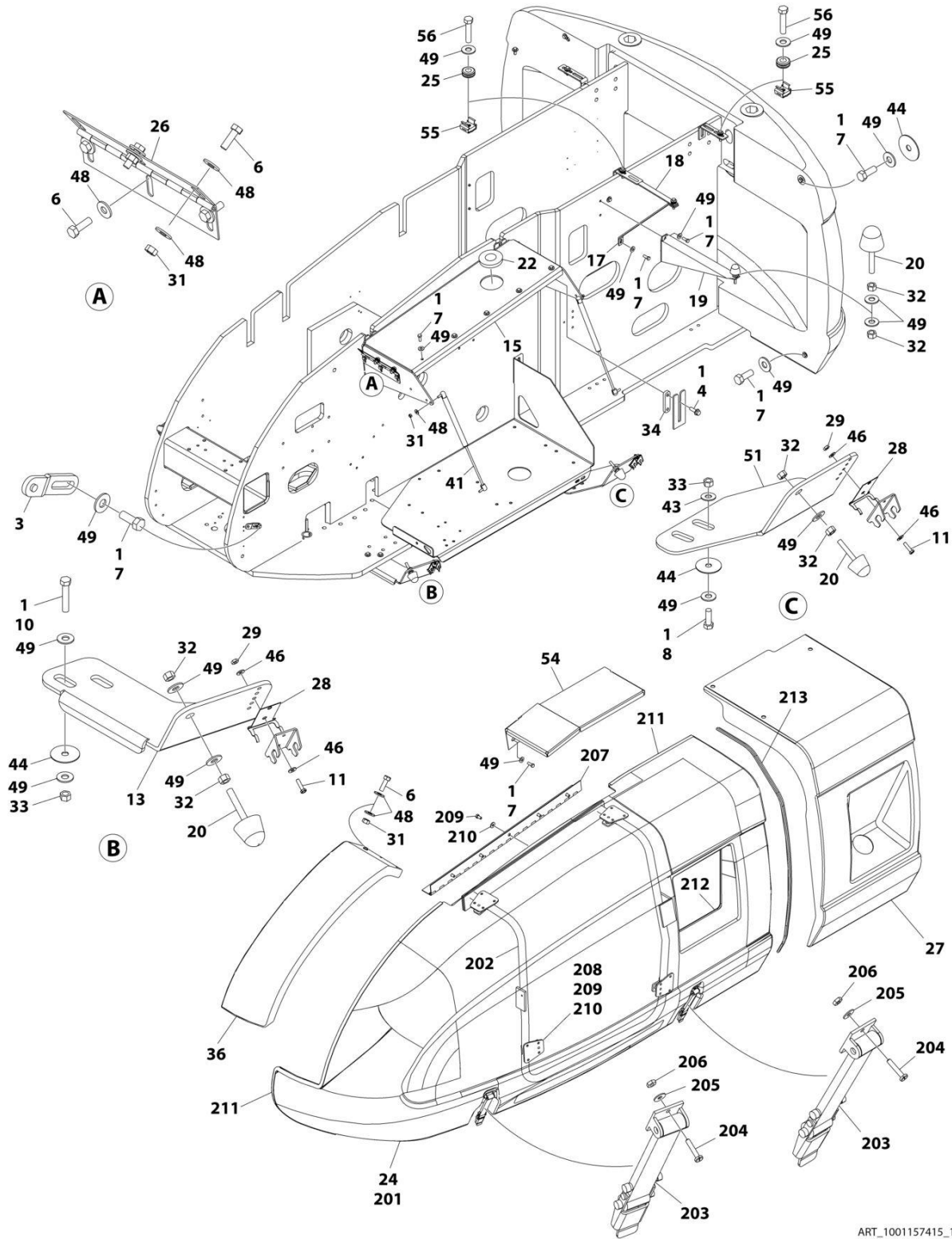
SECTION 2 - TURNTABLE

FIGURE 2-46. EXHAUST STACK INSTALLATION - STEEL HOOD (FORD DF 2.5L ENGINES)

ITEM	PART NUMBER	QTY	DESCRIPTION	REV
		Ref	NOTE: REPLACEMENT DECALS MUST BE PURCHASED SEPARATELY - SEE DECALS SECTION	
	1001220392	Ref	EXHAUST STACK INSTALLATION - STEEL HOOD	B
1	0641608	4	Bolt 3/8 x 1	
2	3311605	4	Nut 3/8	
3	4751600	8	Washer 3/8	
4	1001116457	1	Stack, Exhaust	
5	1001220393	1	Steel Hood Installation (See Separate Breakdown in this Section)	

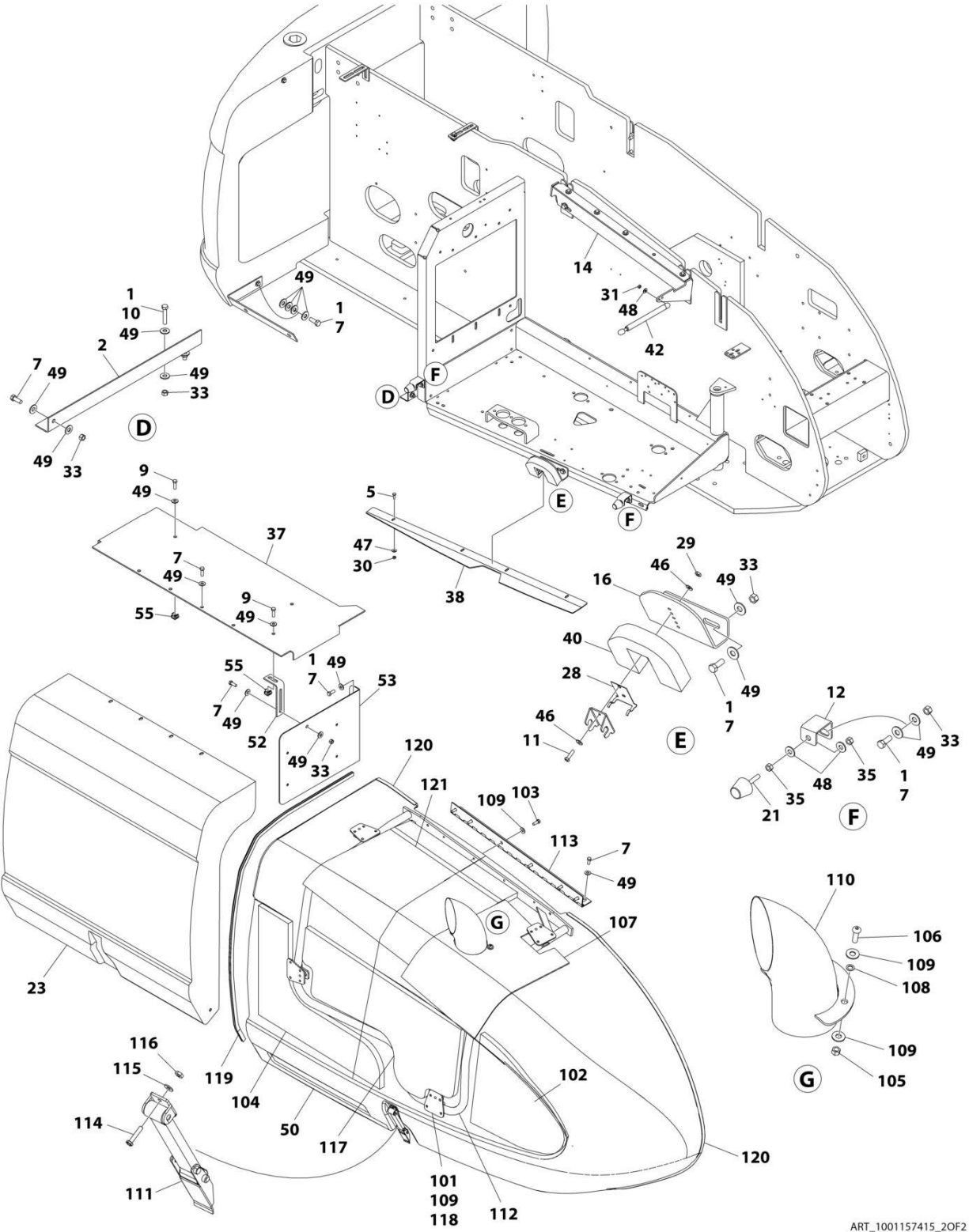
SECTION 2 - TURNTABLE

FIGURE 2-47. HOODS INSTALLATION - ABS (DEUTZ D2011 ENGINES)



ART_1001157415_10F2

SECTION 2 - TURNTABLE



ART_1001157415_20F2

SECTION 2 - TURNTABLE

FIGURE 2-47. HOODS INSTALLATION - ABS (DEUTZ D2011 ENGINES)

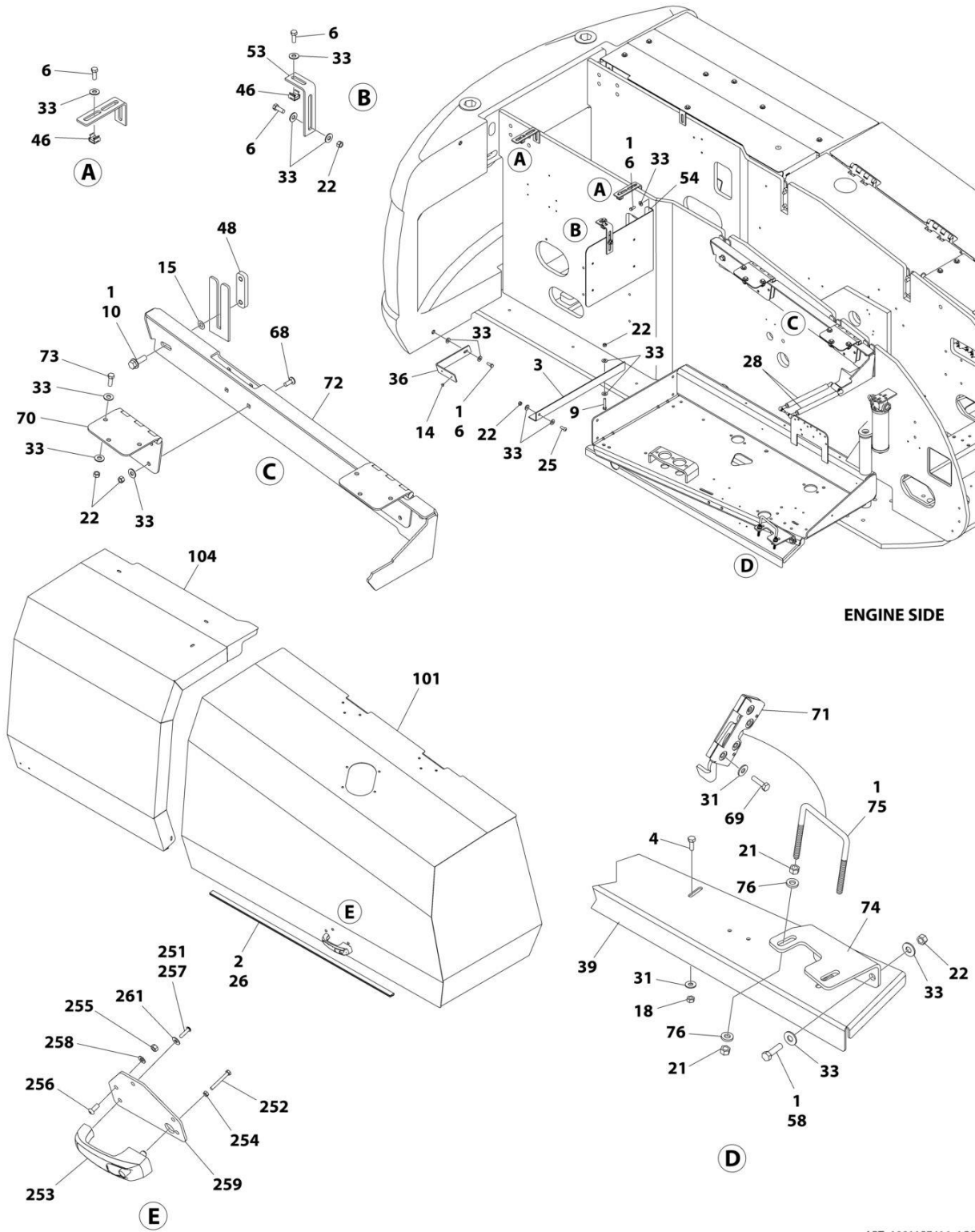
ITEM	PART NUMBER	QTY	DESCRIPTION	REV
		Ref	NOTE: REPLACEMENT DECALS MUST BE PURCHASED SEPARATELY - SEE DECALS SECTION.	
	1001157415	Ref	HOODS INSTALLATION - DEUTZ D2011 & GM ENGINES	G
1	0100011	AR	Compound, Locking	
2	1001161711	1	Angle, Hood Support	
3	0362770	1	Bar, Panel Mounting	
4	0811812	8	Bolt 1/2 x 1-1/2	
5	0641406	4	Bolt 1/4 x 3/4	
6	0641508	6	Bolt 5/16 x 1	
7	0641608	32	Bolt 3/8 x 1	
8	0641609	2	Bolt 3/8 x 1-1/8	
9	0641610	3	Bolt 3/8 x 1-1/4	
10	0641616	4	Bolt 3/8 x 2	
11	0721006	6	Screw #10 x 3/4	
12	0902219	2	Bracket, Bumper	
13	0902223	1	Bracket, Latch	
14	1001207558	1	Bracket, Hood Mounting	
15	0902412	1	Bracket, Hood Mounting	
16	0902491	1	Bracket, Latch	
17	0902673	1	Bracket, Support (Front Cover)	
18	0902674	1	Bracket, Support (Front Cover)	
19	0902769	1	Bracket, Bumper Support	
20	0940071	3	Bumper	
21	0940088	2	Bumper	
22	1120601	1	Plug, Cap	
23	1671201	1	Cover	
24	1671228	1	Hood Assembly - Tank Side (See Items 201-213 for Breakdown)	
25	2540035	3	Grommet	
26	2600244	1	Hinge, Adapter Panel	
27	2680490	1	Hood, Right Cover	
28	2940188	3	Latch, Spring Clip	
29	3311005	6	Nut #10	
30	3311405	4	Nut 1/4	
31	3311505	9	Nut 5/16	
32	3311601	6	Nut 3/8	
33	3311605	12	Nut 3/8	
34	1001150260	4	Plate	
35	3321501	4	Nut 5/16	
36	3380444	1	Panel, Adapter	
37	3380575	1	Panel, Cover	
38	1001208024	1	Plate, Seal	
39	3960389	3.5 ft/ 1.1m	Seal (Not Shown)	
40	3960470	1	Seal, Latch	
41	4160139	2	Spring, Gas (Tank Side)	
42	4160143	1	Spring, Gas (Engine Side)	
43	4711600	2	Washer 3/8	
44	4740076	5	Washer, Fender	
46	4751000	12	Washer #10	
47	4751400	4	Washer 1/4	

SECTION 2 - TURNTABLE

ITEM	PART NUMBER	QTY	DESCRIPTION	REV
48	4751500	19	Washer 5/16	
49	4751600	62	Washer 3/8	
50	1001099138	1	Hood Assembly - Engine Side (See Items 101-151 for Breakdown)	
51	1001157021	1	Bracket	
52	1001157474	1	Bracket	
53	1001157475	1	Panel	
54	1001157736	1	Panel	
55	1001126828	6	Nut, Tinnerman	
56	0641614	3	Bolt 3/8 x 1-3/4	
	1001099138	Ref	HOOD ASSEMBLY (ENGINE SIDE)	C
101	0641606	4	Bolt 3/8 x 3/4	
102	2820233	1	Insulation, Rear Sound	
103	0641608	6	Bolt 3/8 x 1	
104	2820235	1	Insulation, Rear Sound	
105	3311605	2	Nut 3/8	
106	3900232	2	Screw, Button Head 3/8 x 1-1/4	
107	1001101623	1	Shield, Heat Gasket	
108	4740500	2	Washer (Special)	
109	4751600	14	Washer 3/8	
110	1001099121	1	Tube, Exhaust	
111	2940088	1	Latch	
112	1671230	1	Frame, Tubular	
113	2600209	1	Hinge	
114	0721008	2	Screw, Machine #10 x 1	
115	4751000	2	Washer #10	
116	3311001	2	Nut #10	
117	2820234	1	Insulation, Center Sound	
118	1321384	4	Hold Down	
119	3960462	61 in/ 1.55m	Seal	
120	3960464	65 in/ 1.67m	Seal	
121	1001101673	1	Insulation	
	1671228	Ref	HOOD ASSEMBLY (TANK SIDE)	B
201	1671231	1	Hood	
202	1671232	1	Frame, Tubular	
203	2940088	2	Latch	
204	0721008	4	Screw, Machine #10 x 1	
205	4751000	4	Washer #10	
206	3311001	4	Nut #10	
207	2600233	1	Hinge	
208	1321384	4	Hold Down	
209	0641606	9	Bolt 3/8 x 3/4	
210	4711600	9	Washer 3/8	
211	3960464	65 in/ 2.11m	Seal	
212	3960438	55 in/1.4m	Seal	
213	3960462	53 in/ 1.35m	Seal	
	0272081	Ref	NOISE REDUCTION INSTALLATION (DEUTZ ENGINE MACHINES)	4-D
301	2820078	1	Foam, Acoustical (Not Shown)	

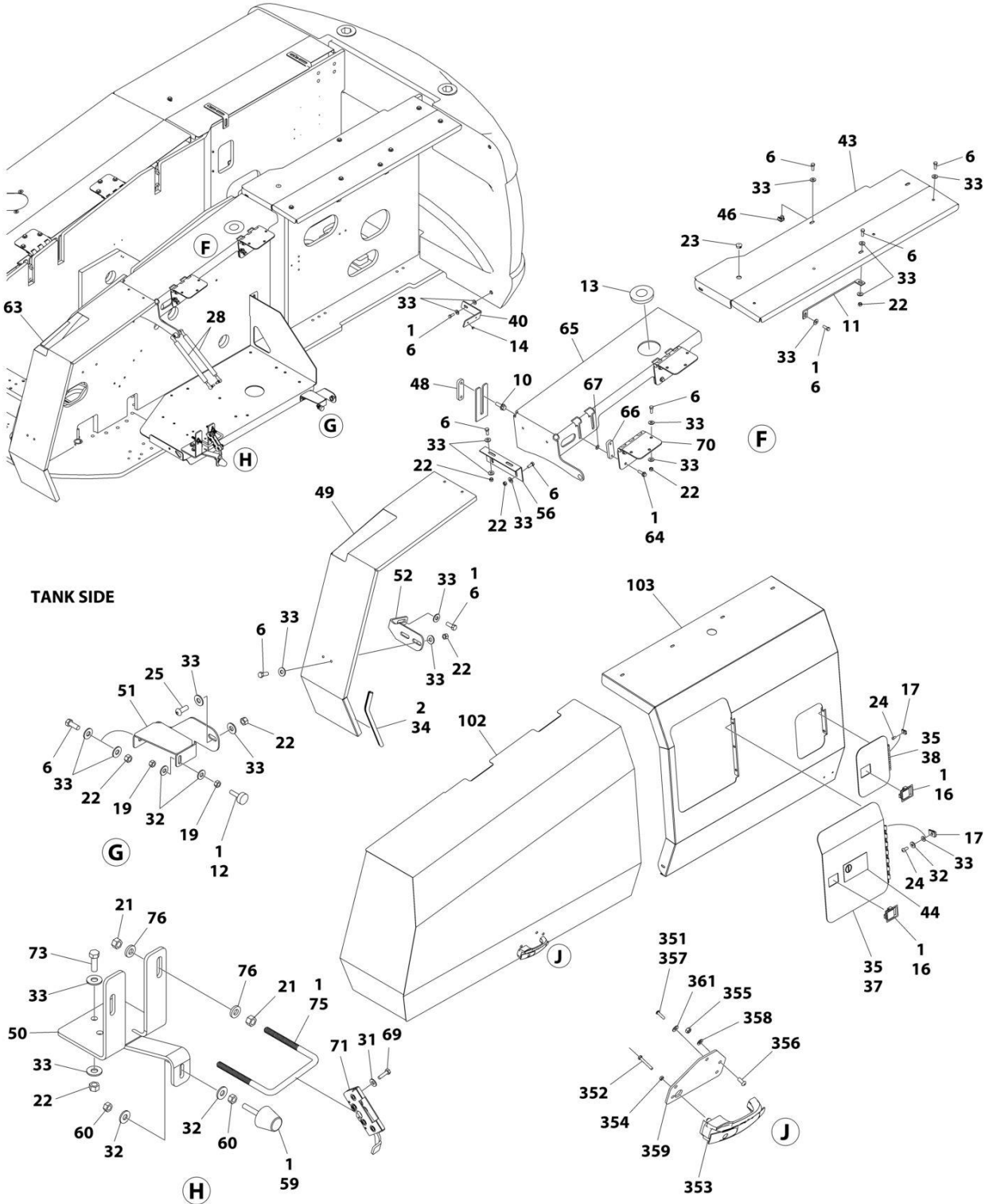
SECTION 2 - TURNTABLE

FIGURE 2-48. HOODS INSTALLATION - STEEL (DEUTZ D2011 ENGINES)



ART_1001157416_10F2

SECTION 2 - TURNTABLE



ART_1001157416_20F2

SECTION 2 - TURNTABLE

FIGURE 2-48. HOODS INSTALLATION - STEEL (DEUTZ D2011 ENGINES)

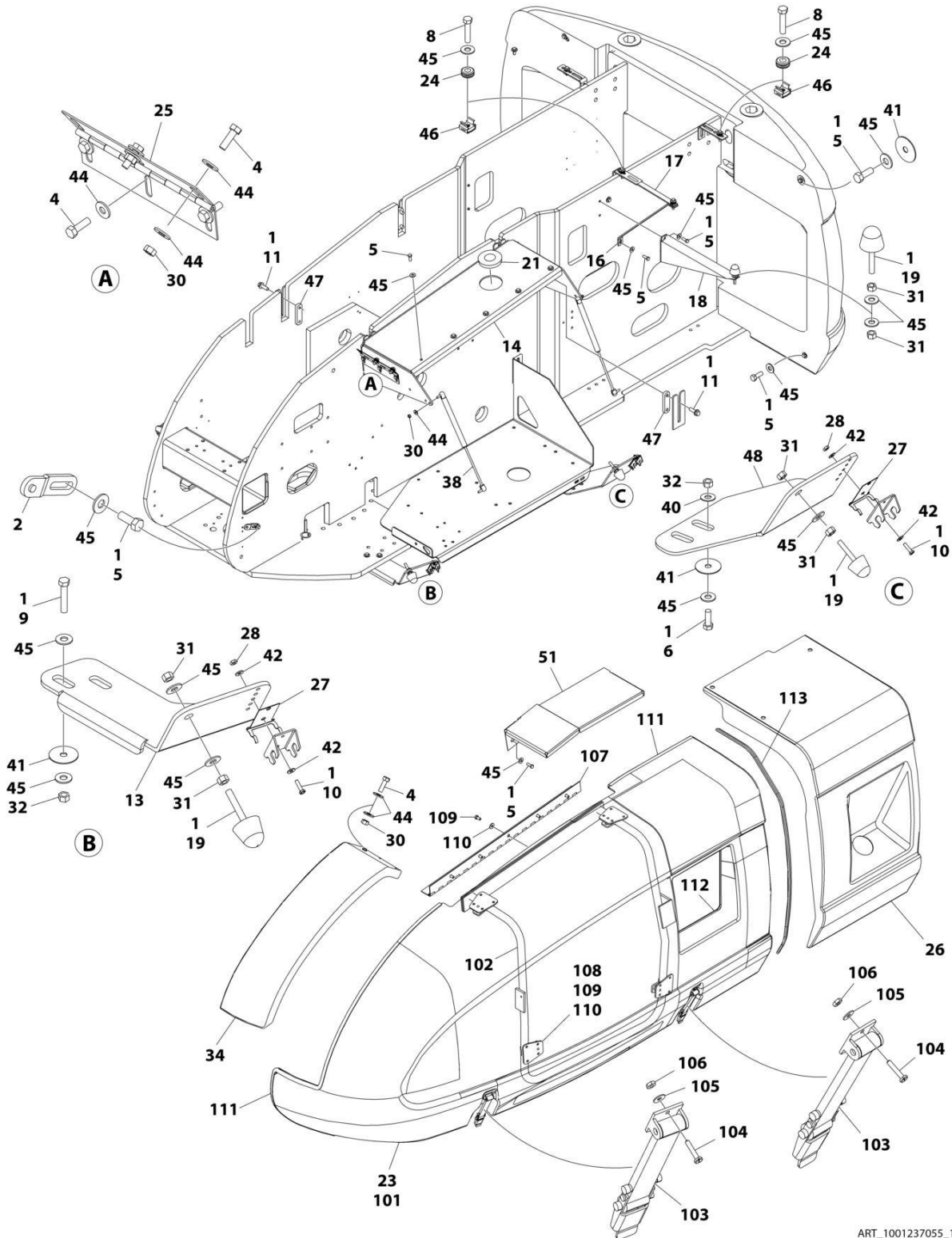
ITEM	PART NUMBER	QTY	DESCRIPTION	REV
		Ref	NOTE: REPLACEMENT DECALS MUST BE PURCHASED SEPARATELY - SEE DECALS SECTION.	
	1001157416	Ref	HOODS INSTALLATION	J
1	0100011	AR	Compound, Locking	
2	0100081	AR	Adhesive	
3	1001161711	1	Mount	
4	0641406	4	Bolt 1/4 x 3/4	
6	0641608	31	Bolt 3/8 x 7/8	
9	0641616	2	Bolt 3/8 x 2	
10	0811812	8	Bolt 1/2 x 1-1/2	
11	0902673	1	Bracket	
12	0940049	1	Stopper, Hood	
13	1120601	1	Plug	
14	2080040	4	Fastener, Huck	
15	2080072	4	Retainer	
16	2940045	2	Latch, Paddle	
17	3300364	5	Nut, Tinnerman	
18	3311405	4	Nut 1/4	
19	3311501	2	Nut 5/16	
21	3311601	8	Nut 3/8	
22	3311605	39	Nut 3/8	
23	3520030	1	Plug, Hole	
24	3900210	5	Screw, Button Head 5/16 x 3/4	
25	3900316	2	Screw, Button Head 3/8 x 1	
26	3960389	54 in/1.4m	Seal	
28	4160194	4	Spring, Gas	
31	4751400	12	Washer 1/4	
32	4751500	7	Washer 5/16	
33	4751600	80	Washer 3/8	
34	1001110166	59 in /1.5mm	Seal	
35	1001113047	84 in /2.14m	Seal	
36	1001116280	1	Bracket, Hood	
37	1001116322	1	Door	
38	1001116344	1	Door	
39	1001117249	1	Plate, Seal	
40	1001116358	1	Bracket	
43	1001117027	1	Bracket	
44	1001117307	1	Decal - Emergency Stop	
46	1001126828	5	Nut, Tinnerman	
48	1001150260	4	Plate	
49	1001173580	1	Plate	
50	1001250295	1	Bracket, Striker	
51	1001157025	1	Bracket	
52	1001157344	1	Bracket	
53	1001157474	1	Bracket	
54	1001157475	1	Panel	
56	1001157612	1	Bracket	
58	0641611	2	Bolt 3/8 x 1-3/8	

SECTION 2 - TURNTABLE

ITEM	PART NUMBER	QTY	DESCRIPTION	REV
59	0940088	1	Bumper	
60	3321501	2	Nut 5/16	
63	4420038	6 in/16cm	Tape	
64	0811610	8	Screw 3/8 x 1-1/4	
65	1001157284	1	Mount	
66	1001186251	4	Plate	
67	8310070	8	Push-nut 3/8	
68	0630485	8	Bolt, Carriage	
69	0641408	8	Bolt 1/4 x 1	
70	1001186254	4	Hinge	
71	2940173	2	Latch	
72	1001196768	1	Bracket	
73	0641609	9	Bolt 3/8 x 1-1/8	
74	1001250294	1	Bracket	
75	1001243414	2	Bolt 3/8	
76	4891600	8	Washer 3/8	
100	1001174283	1	Hood Kit - Standard Machines (Not Shown - Includes Items 101-104)	C
101	1001157208	1	Hood Assembly - Engine Side Rear (See Items 251-261 for Breakdown)	
102	1001157209	1	Hood Assembly - Tank Side Rear (See Items 351-361 for Breakdown)	
103	1001116558	1	Hood - Tank Side Front	
104	1001116620	1	Hood - Engine Side Front	
	1001157208	Ref	HOOD ASSEMBLY - ENGINE SIDE REAR	D
251	0100011	AR	Compound, Locking	
252	0700618	1	Bolt M6 x 50	
253	2560187	1	Handle, Push Button	
254	3290601	1	Nut M6	
255	3311505	3	Nut 5/16	
256	3900210	3	Screw, Button Head 5/16 x 3/4	
257	3900363	2	Screw, Button Head M6 x 25	
258	4711500	3	Washer 5/16	
259	1001116290	1	Plate, Latch Mounting	
261	4751400	2	Washer 1/4	
	1001157209	Ref	HOOD ASSEMBLY - TANK SIDE REAR	C
351	0100011	AR	Compound, Locking	
352	0700617	1	Bolt M6 x 45	
353	2560187	1	Handle, Push Button	
354	0700615	1	Nut M6	
355	3311505	3	Nut 5/16	
356	3900210	3	Screw, Button Head 5/16 x 3/4	
357	3900363	2	Screw, Button Head M6 x 25	
358	4711500	3	Washer 5/16	
359	1001116290	1	Plate, Latch Mounting	
361	4751400	2	Washer 1/4	
	0272081	Ref	NOISE REDUCTION INSTALLATION (DEUTZ ENGINE MACHINES)	4-D
401	2820078	1	Foam, Acoustical (Not Shown)	

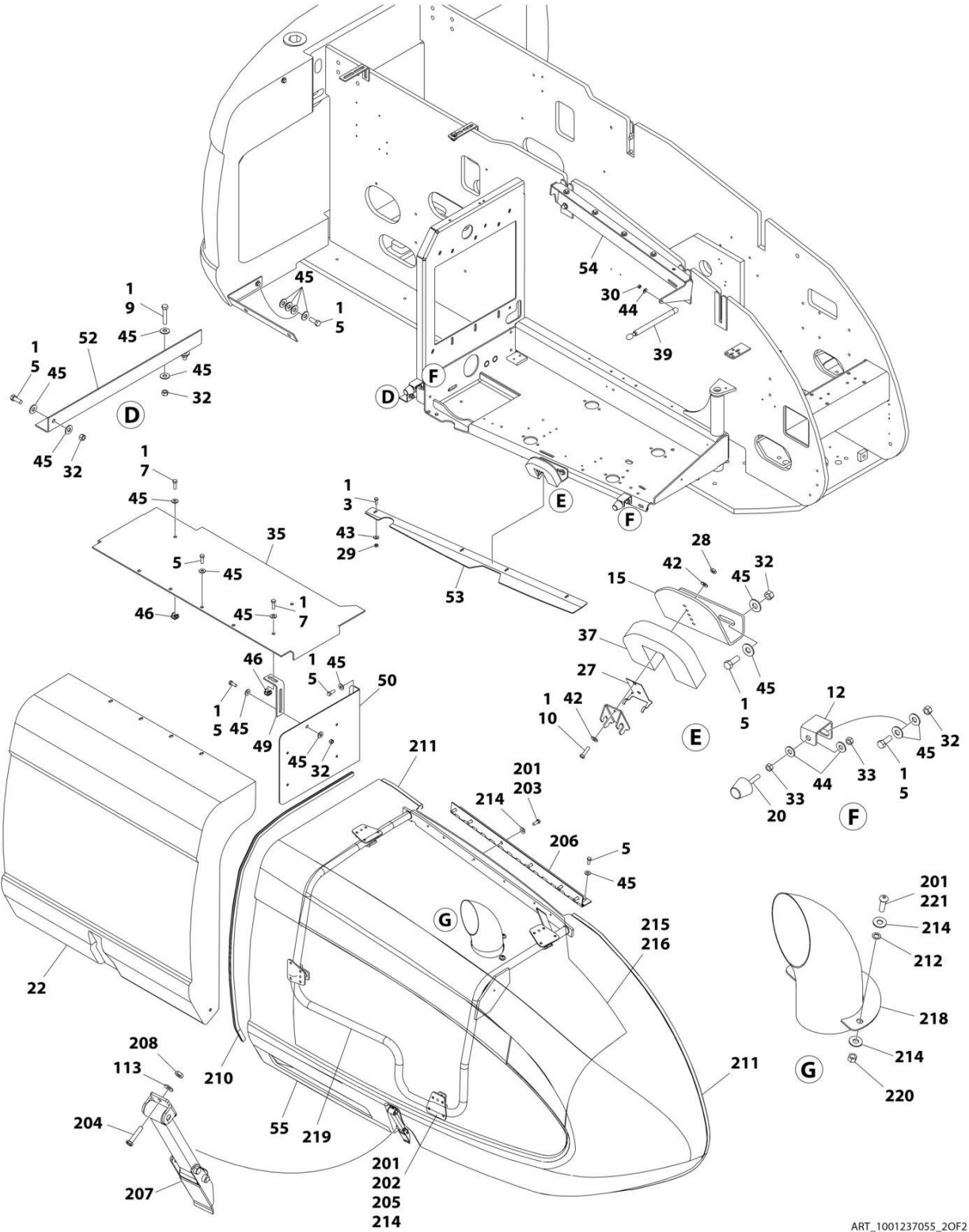
SECTION 2 - TURNTABLE

FIGURE 2-49. HOODS INSTALLATION - ABS (DEUTZ TD2.9L4 (STAGE V) ENGINES) (CE & UK CA SPECS)



ART_1001237055_10F2

SECTION 2 - TURNTABLE



ART_1001237055_20F2

SECTION 2 - TURNTABLE

FIGURE 2-49. HOODS INSTALLATION - ABS (DEUTZ TD2.9L4 (STAGE V) ENGINES) (CE & UK CA SPECS)

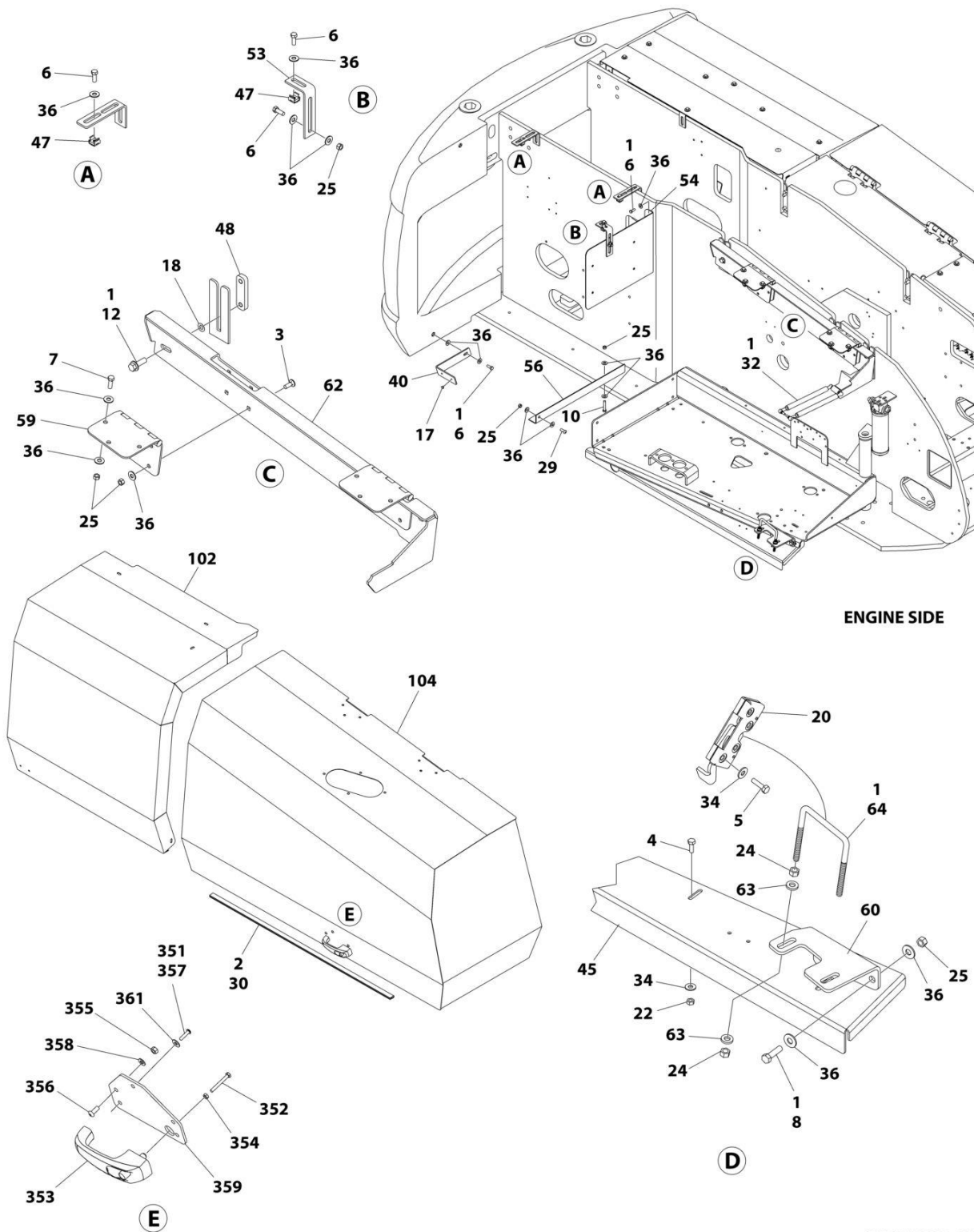
ITEM	PART NUMBER	QTY	DESCRIPTION	REV
		Ref	NOTE: REPLACEMENT DECALS MUST BE PURCHASED SEPARATELY - SEE DECALS SECTION.	
	1001237055	Ref	HOODS INSTALLATION	C
1	0100011	AR	Compound, Locking	
2	0362770	1	Bar, Panel Mounting	
3	0641406	4	Bolt 1/4 x 3/4	
4	0641508	6	Bolt 5/16i x 1	
5	0641608	32	Bolt 3/8 x 1	
6	0641609	2	Bolt 3/8 x 1-1/8	
7	0641610	3	Bolt 3/8 x 1-1/4	
8	0641614	3	Bolt 3/8 x 1-3/4	
9	0641616	4	Bolt 3/8 x 2	
10	0721006	6	Screw #10 x 3/4	
11	0811812	8	Bolt 1/2 x 1-1/2	
12	0902219	2	Bracket, Bumper	
13	0902223	1	Bracket, Latch	
14	0902412	1	Bracket, Hood Mounting	
15	0902491	1	Bracket, Latch	
16	0902673	1	Bracket, Support (Front Cover)	
17	0902674	1	Bracket, Support (Front Cover)	
18	0902769	1	Bracket, Bumper Support	
19	0940071	3	Bumper	
20	0940088	2	Bumper	
21	1120601	1	Plug, Cap	
22	1671201	1	Cover	
23	1671228	1	Hood Assembly - Tank Side (See Items 101-113 for Breakdown)	
24	2540035	3	Grommet	
25	2600244	1	Hinge, Adapter Panel	
26	2680490	1	Hood, Right Cover	
27	2940188	3	Latch, Spring Clip	
28	3311005	6	Nut #10	
29	3311405	4	Nut 1/4	
30	3311505	9	Nut 5/16	
31	3311601	6	Nut 3/8	
32	3311605	12	Nut 3/8	
33	3321501	4	Nut 5/16	
34	3380444	1	Panel, Adapter	
35	3380575	1	Panel, Cover	
36	3960389	3.5 ft/ 1.1m	Seal (Not Shown)	
37	3960470	1	Seal, Latch	
38	4160139	2	Spring, Gas (Tank Side)	
39	4160143	1	Spring, Gas (Engine Side)	
40	4711600	2	Washer 3/8	
41	4740076	5	Washer, Fender	
42	4751000	12	Washer #10	
43	4751400	4	Washer 1/4	
44	4751500	19	Washer 5/16	
45	4751600	63	Washer 5/16	

SECTION 2 - TURNTABLE

ITEM	PART NUMBER	QTY	DESCRIPTION	REV
46	1001126828	6	Nut, Tinnerman	
47	1001150260	4	Plate	
48	1001157021	1	Bracket	
49	1001157474	1	Bracket	
50	1001157475	1	Panel	
51	1001157736	1	Panel	
52	1001161711	1	Angle, Hood Support	
53	1001204648	1	Plate, Seal	
54	1001236392	1	Bracket, Hood Mounting	
55	1001236387	1	Hood Assembly - Engine Side (See Items 201-251 for Breakdown)	
	1671228	Ref	HOOD ASSEMBLY (TANK SIDE)	A
101	1671231	1	Hood	
102	1671232	1	Frame, Tubular	
103	2940088	2	Latch	
104	0721008	4	Screw, Machine #10 x 1	
105	4751000	4	Washer #10	
106	3311001	4	Nut #10	
107	2600233	1	Hinge	
108	1321384	4	Hold Down	
109	0641606	9	Bolt 3/8 x 3/4	
110	4711600	9	Washer 3/8	
111	3960464	83 in/ 2.11m	Seal	
112	3960438	55 in/1.4m	Seal	
113	3960462	53 in/ 1.35m	Seal	
	1001236387	Ref	HOOD ASSEMBLY (ENGINE SIDE)	C
201	0100011	1	Compound, Locking	
202	0641606	4	Bolt 3/8 x 3/4	
203	0641608	6	Bolt 3/8 x 1	
204	0721008	2	Screw, Machine #10 x 1	
205	1321384	4	Hold Down	
206	2600209	1	Hinge	
207	2940088	1	Latch	
208	3311001	2	Nut #10	
210	3960462	61 in/ 1.55m	Seal	
211	3960464	65 in/ 1.67m	Seal	
212	4740500	3	Washer (Special)	
213	4751000	2	Washer #10	
214	4751600	16	Washer 3/8	
215	1001117140	AR	Tape, Aluminum	
216	1001270099	AR	Insulation, Heat	
218	1001236389	1	Tube, Exhaust	
219	1001236871	1	Frame, Tubular	
220	3271601	3	Nut 3/8	
221	3900232	3	Screw, Button Head 3/8 x 1-1/4	

SECTION 2 - TURNTABLE

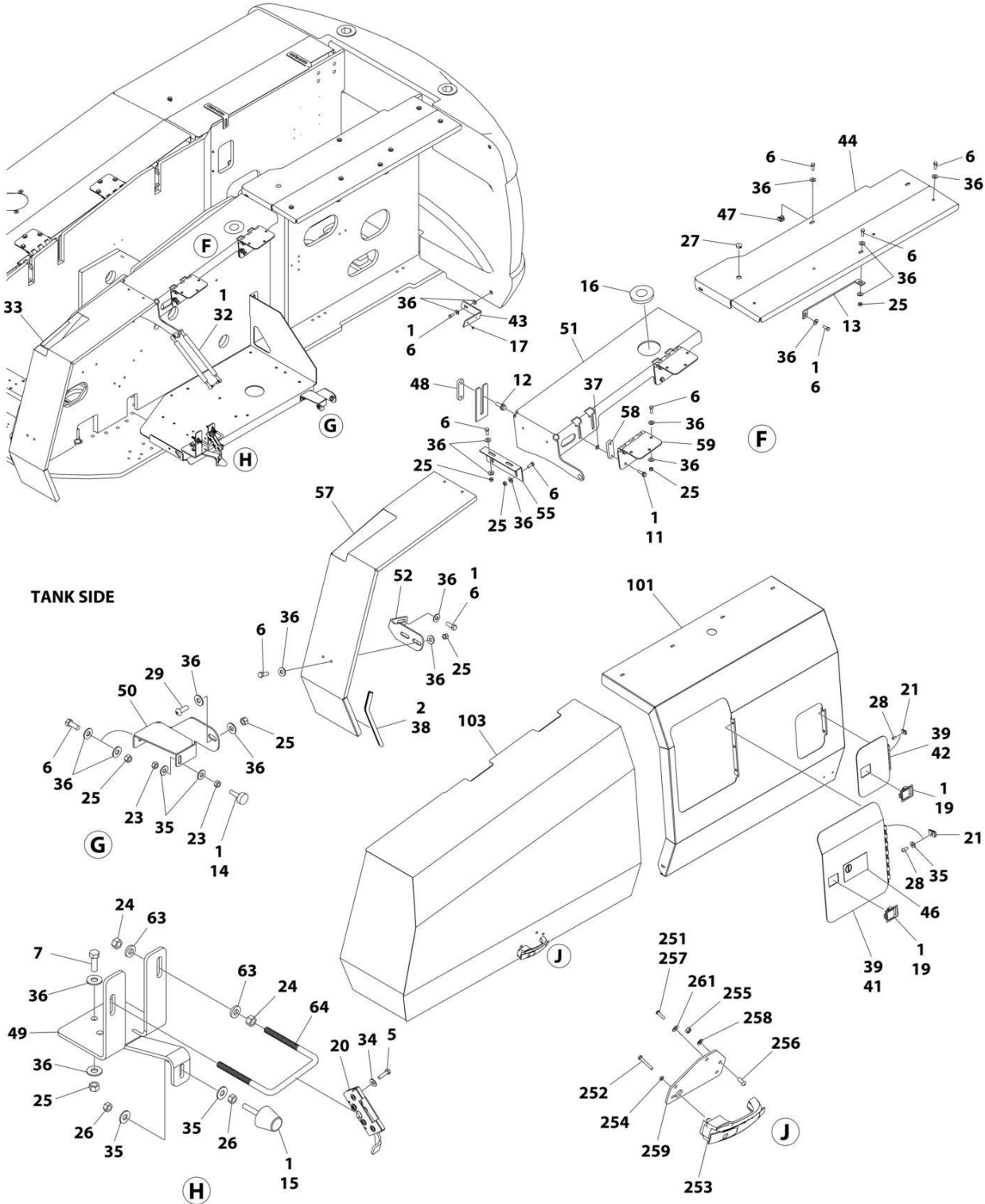
FIGURE 2-50. HOODS INSTALLATION – STEEL (DEUTZ TD2.9L4 AND DEUTZ TD2.9L4 (STAGE V) ENGINES) (MACHINES WITH SN STARTING WITH 03)



ENGINE SIDE

ART_1001237194_1OF2

SECTION 2 - TURNTABLE



ART_1001237194_20F2

SECTION 2 - TURNTABLE

FIGURE 2-50. HOODS INSTALLATION – STEEL (DEUTZ TD2.9L4 AND DEUTZ TD2.9L4 (STAGE V) ENGINES) (MACHINES WITH SN STARTING WITH 03)

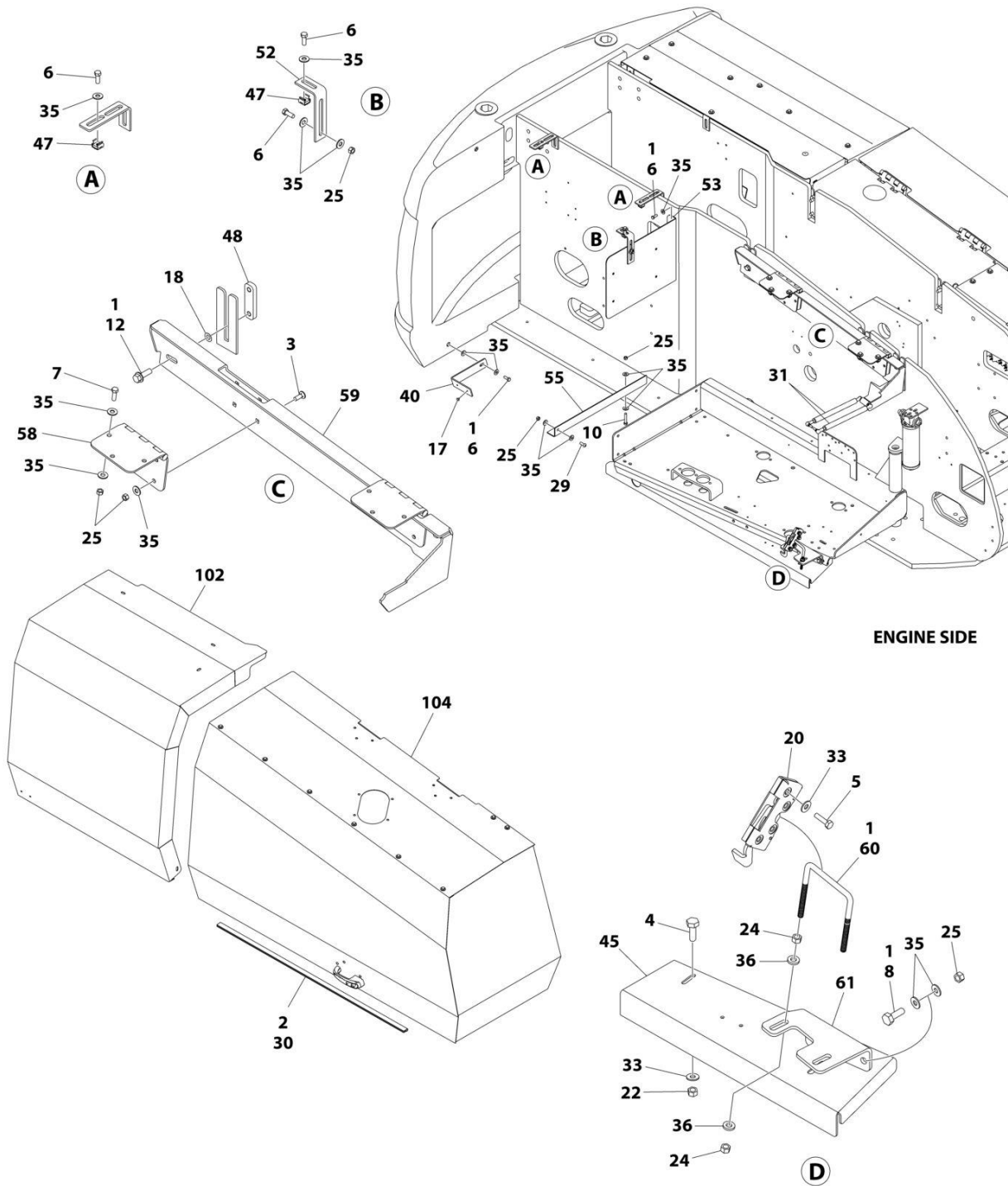
ITEM	PART NUMBER	QTY	DESCRIPTION	REV
		Ref	NOTE: REPLACEMENT DECALS MUST BE PURCHASED SEPARATELY - SEE DECALS SECTION.	
	1001237194	Ref	HOODS INSTALLATION	E
1	0100011	AR	Compound, Locking	
2	0100081	AR	Adhesive	
3	0630485	8	Bolt, Carriage	
4	0641406	4	Bolt 1/4 x 3/4	
5	0641408	8	Bolt 1/4 x 1	
6	0641608	30	Bolt 3/8 x 7/8	
7	0641609	9	Bolt 3/8 x 1-1/8	
8	0641611	2	Bolt 3/8 x 1-3/8	
10	0641616	2	Bolt 3/8 x 2	
11	0811610	8	Screw 3/8 x 1-1/4	
12	0811812	8	Bolt 1/2 x 1-1/2	
13	0902673	1	Bracket	
14	0940049	1	Stopper, Hood	
15	0940088	1	Bumper	
16	1120601	1	Plug	
17	2080040	4	Fastener, Huck	
18	2080072	4	Retainer	
19	2940045	2	Latch, Paddle	
20	2940173	2	Latch	
21	3300364	5	Nut, Tinnerman	
22	3311405	4	Nut 1/4	
23	3311501	2	Nut 5/16	
24	3311601	8	Nut 3/8	
25	3311605	39	Nut 3/8	
26	3321501	2	Nut 5/16	
27	3520030	1	Plug, Hole	
28	3900210	5	Screw, Button Head 5/16 x 3/4	
29	3900316	3	Screw, Button Head 3/8 x 1	
30	3960389	54 in/1.4m	Seal	
32	4160194	4	Spring, Gas	
33	4420038	6 in/16cm	Tape	
34	4751400	12	Washer 1/4	
35	4751500	7	Washer 5/16	
36	4751600	79	Washer 3/8	
37	8310070	8	Push-nut 3/8	
38	1001110166	59 in /1.5mm	Seal	
39	1001113047	84 in /2.14m	Seal	
40	1001116280	1	Bracket, Hood	
41	1001116322	1	Door	
42	1001116344	1	Door	
43	1001116358	1	Bracket	
44	1001117027	1	Bracket	
45	1001117249	1	Plate, Seal	
46	1001117307	1	Decal - Emergency Stop	

SECTION 2 - TURNTABLE

ITEM	PART NUMBER	QTY	DESCRIPTION	REV
47	1001126828	5	Nut, Tinnerman	
48	1001150260	4	Plate	
49	1001250295	1	Bracket	
50	1001157025	1	Bracket	
51	1001157284	1	Mount	
52	1001157344	1	Bracket	
53	1001157474	1	Bracket	
54	1001157475	1	Panel	
55	1001157612	1	Bracket	
56	1001161711	1	Mount	
57	1001173580	1	Plate	
58	1001186251	4	Plate	
59	1001186254	4	Hinge	
60	1001250294	1	Bracket	
62	1001196768	1	Bracket	
63	4891600	8	Washer 3/8	
64	1001243414	2	Bolt 3/8	
100	1001237286	1	Hood Kit - Standard Machines (Not Shown - Includes Items 101-104)	
101	1001116558	1	Hood - Tank Side Front	
102	1001116620	1	Hood - Engine Side Front	
103	1001157209	1	Hood Assembly - Tank Side Rear (See Items 351-361 for Breakdown)	
104	1001237205	1	Hood Assembly - Engine Side Rear (See Items 351-361 for Breakdown)	
	1001157209	Ref	HOOD ASSEMBLY - TANK SIDE REAR	C
251	0100011	AR	Compound, Locking	
252	0700615	1	Bolt M6 x 35	
253	2560187	1	Handle, Push Button	
254	3290601	1	Nut M6	
255	3311505	3	Nut 5/16	
256	3900210	3	Screw, Button Head 5/16 x 3/4	
257	3900363	2	Screw, Button Head M6 x 25	
258	4711500	3	Washer 5/16	
259	1001116290	1	Plate, Latch Mounting	
261	4751400	2	Washer 1/4	
	1001237205	Ref	HOOD ASSEMBLY - ENGINE SIDE REAR	B
351	0100011	AR	Compound, Locking	
252	0700618	1	Bolt M6 x 50	
353	2560187	1	Handle, Push Button	
354	3290601	1	Nut M6	
355	3311505	3	Nut 5/16	
356	3900210	3	Screw, Button Head 5/16 x 3/4	
357	3900363	2	Screw, Button Head M6 x 25	
358	4711500	3	Washer 5/16	
359	1001116290	1	Plate, Latch Mounting	
361	4751400	2	Washer 1/4	

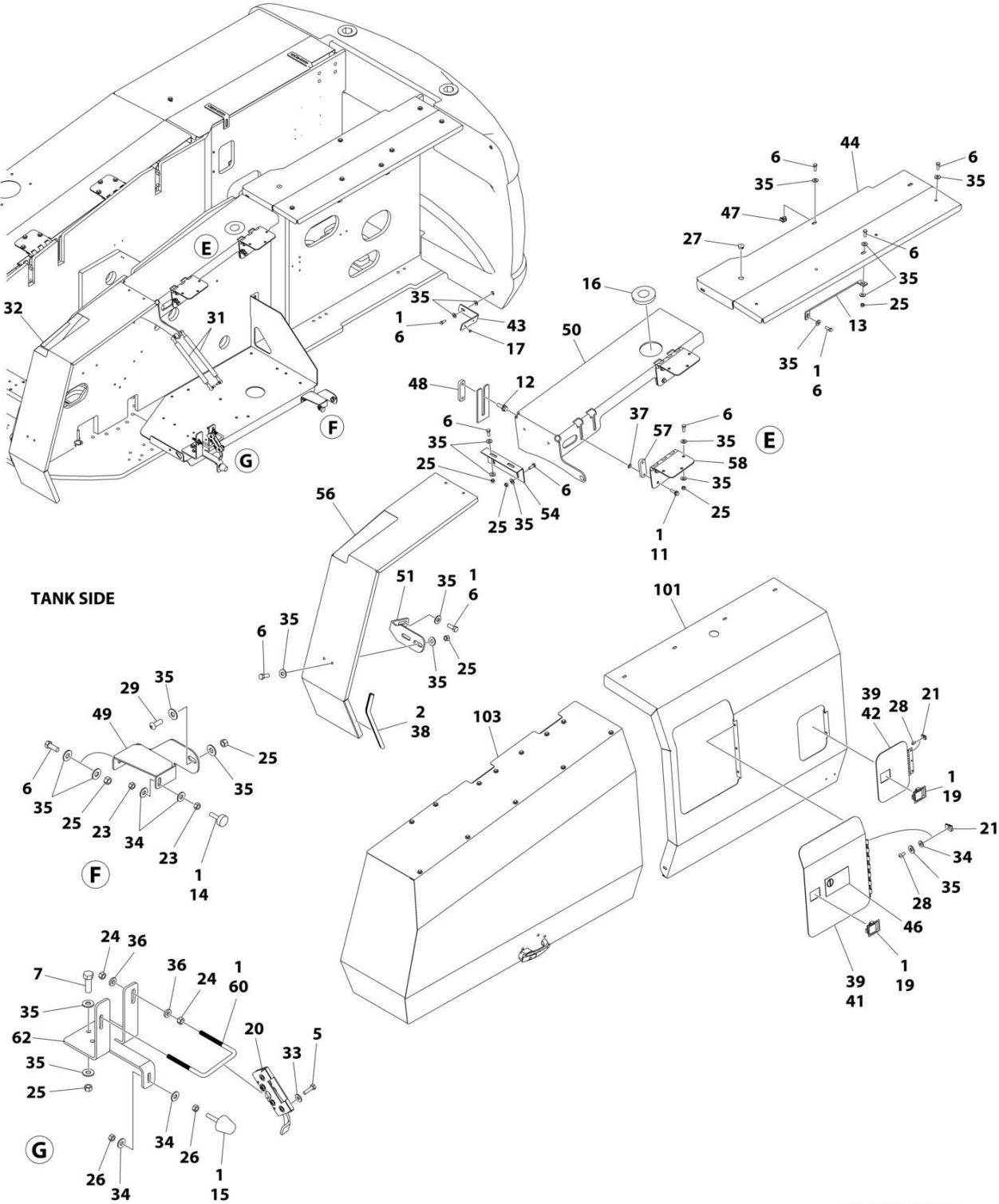
SECTION 2 - TURNTABLE

FIGURE 2-51. HOODS INSTALLATION - STEEL (DEUTZ TD2.9L4 (STAGE V) ENGINES) (MACHINES WITH SN STARTING WITH B3)



ART_1001256248_10F2

SECTION 2 - TURNTABLE



ART_1001256248_20F2

SECTION 2 - TURNTABLE

FIGURE 2-51. HOODS INSTALLATION - STEEL (DEUTZ TD2.9L4 (STAGE V) ENGINES) (MACHINES WITH SN STARTING WITH B3)

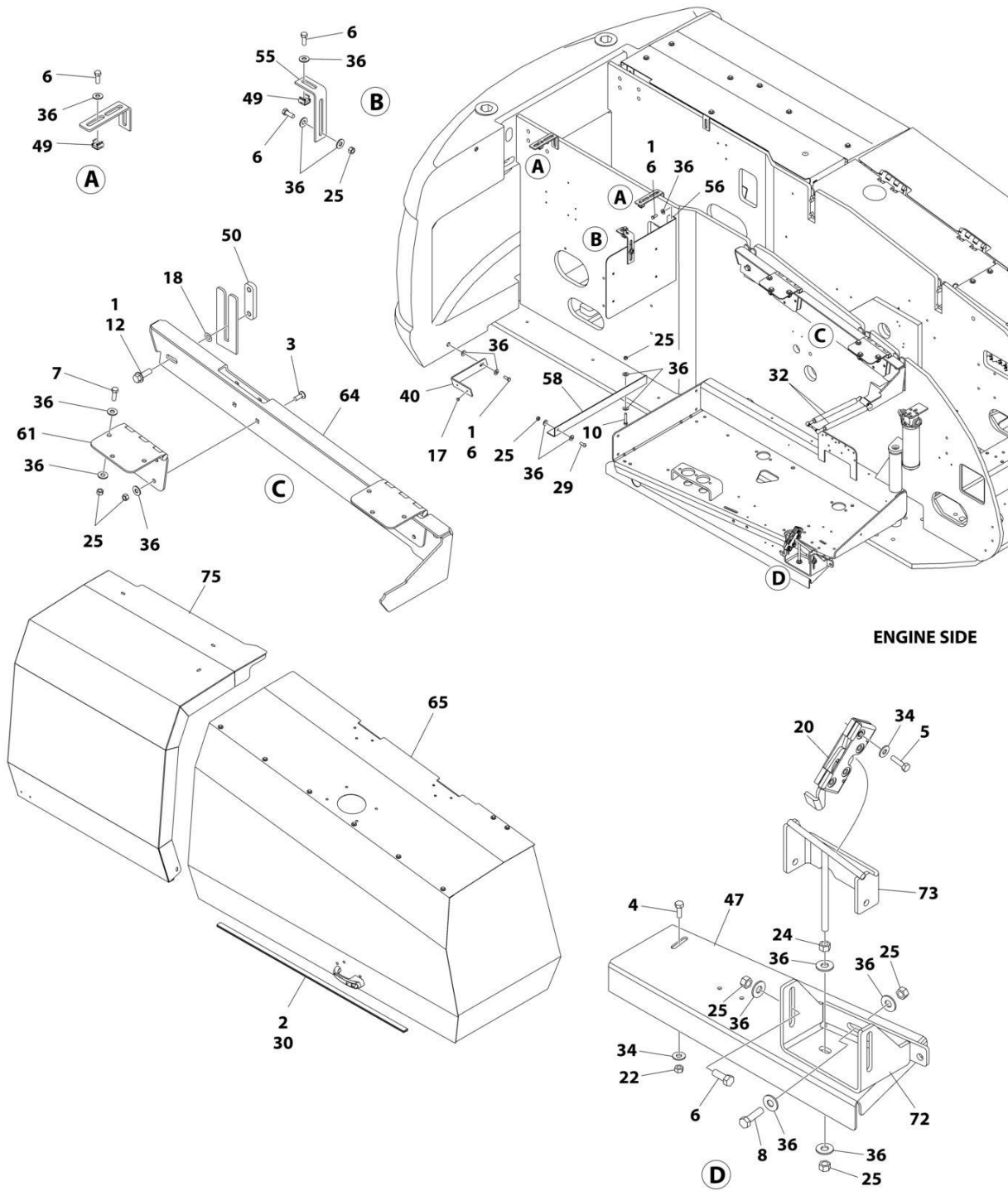
ITEM	PART NUMBER	QTY	DESCRIPTION	REV
		Ref	NOTE: REPLACEMENT DECALS MUST BE PURCHASED SEPARATELY - SEE DECALS SECTION.	
	1001256248	Ref	HOODS INSTALLATION	C
1	0100011	AR	Compound, Locking	
2	0100081	AR	Adhesive	
3	0630485	8	Bolt, Carriage	
4	0641406	4	Bolt 1/4 x 3/4	
5	0641408	8	Bolt 1/4 x 1	
6	0641608	31	Bolt 3/8 x 7/8	
7	0641609	9	Bolt 3/8 x 1-1/8	
8	0641611	2	Bolt 3/8 x 1-3/8	
10	0641616	2	Bolt 3/8 x 2	
11	0811610	8	Screw 3/8 x 1-1/4	
12	0811812	8	Bolt 1/2 x 1-1/2	
13	0902673	1	Bracket	
14	0940049	1	Stopper, Hood	
15	0940088	1	Bumper	
16	1120601	1	Plug	
17	2080040	4	Fastener, Huck	
18	2080072	4	Retainer	
19	2940045	2	Latch, Paddle	
20	2940173	2	Latch	
21	3300364	5	Nut, Tinnerman	
22	3311405	4	Nut 1/4	
23	3311501	2	Nut 5/16	
24	3311601	8	Nut 3/8	
25	3311605	39	Nut 3/8	
26	3321501	2	Nut 5/16	
27	3520030	1	Plug, Hole	
28	3900210	5	Screw, Button Head 5/16 x 3/4	
29	3900316	2	Screw, Button Head 3/8 x 1	
30	3960389	54 in/1.4m	Seal	
32	4160194	4	Spring, Gas	
33	4420038	6 in/16cm	Tape	
34	4751400	12	Washer 1/4	
35	4751500	7	Washer 5/16	
36	4751600	80	Washer 3/8	
37	8310070	8	Push-nut 3/8in	
38	1001110166	59 in /1.5mm	Seal	
39	1001113047	84 in /2.14m	Seal	
40	1001116280	1	Bracket, Hood	
41	1001116322	1	Door	
42	1001116344	1	Door	
43	1001116358	1	Bracket	
44	1001117027	1	Bracket	
45	1001117249	1	Plate, Seal	
46	1001117307	1	Decal - Emergency Stop	

SECTION 2 - TURNTABLE

ITEM	PART NUMBER	QTY	DESCRIPTION	REV
47	1001126828	5	Nut, Tinnerman	
48	1001150260	4	Plate	
49	1001157025	1	Bracket	
50	1001157284	1	Mount	
51	1001157344	1	Bracket	
52	1001157474	1	Bracket	
53	1001157475	1	Panel	
54	1001157612	1	Bracket	
55	1001161711	1	Mount	
56	1001173580	1	Plate	
57	1001186251	4	Plate	
58	1001186254	4	Hinge	
59	1001196768	1	Bracket	
60	1001243414	2	Bolt 3/8	
61	1001250294	1	Bracket	
62	1001250295	1	Bracket	
100	1001256247	1	Hood Kit - Standard Machines (Not Shown - Includes Items 101-104)	
101	1001116558	1	Hood - Tank Side Front	
102	1001116620	1	Hood - Engine Side	
103	1001244465	1	Hood Assembly - Tank Side Rear (See Separate Breakdown in This Section)	
104	1001256244	1	Hood Assembly - Engine Side Rear (See Separate Breakdown in This Section)	

SECTION 2 - TURNTABLE

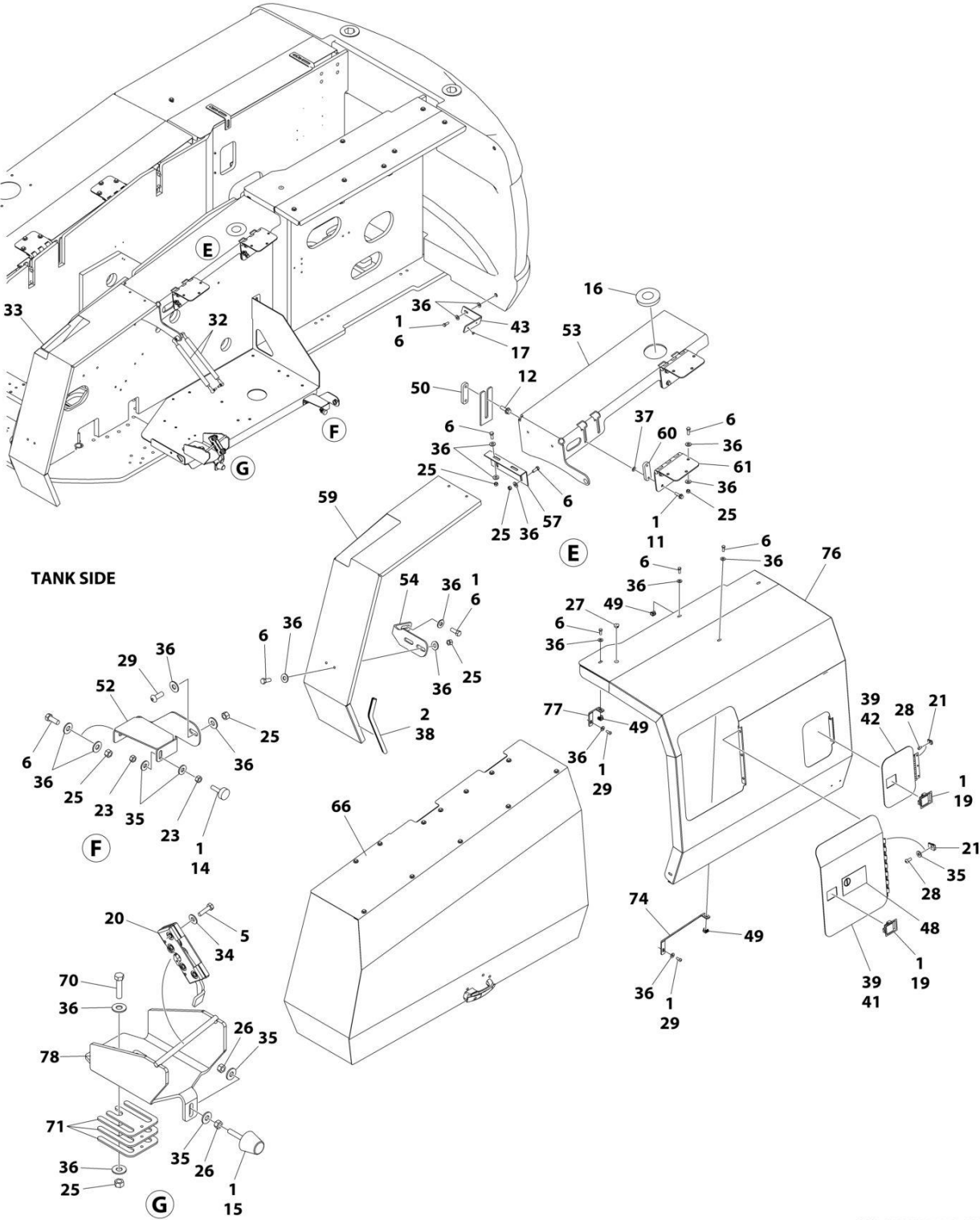
FIGURE 2-52. HOODS INSTALLATION - STEEL (DEUTZ TD2.9L4 ENGINES) (MACHINES WITH SN STARTING WITH B3)



ENGINE SIDE

ART_1001244466_G_10F2

SECTION 2 - TURNTABLE



ART_1001244466_G_2OF2

SECTION 2 - TURNTABLE

FIGURE 2-52. HOODS INSTALLATION - STEEL (DEUTZ TD2.9L4 ENGINES) (MACHINES WITH SN STARTING WITH B3)

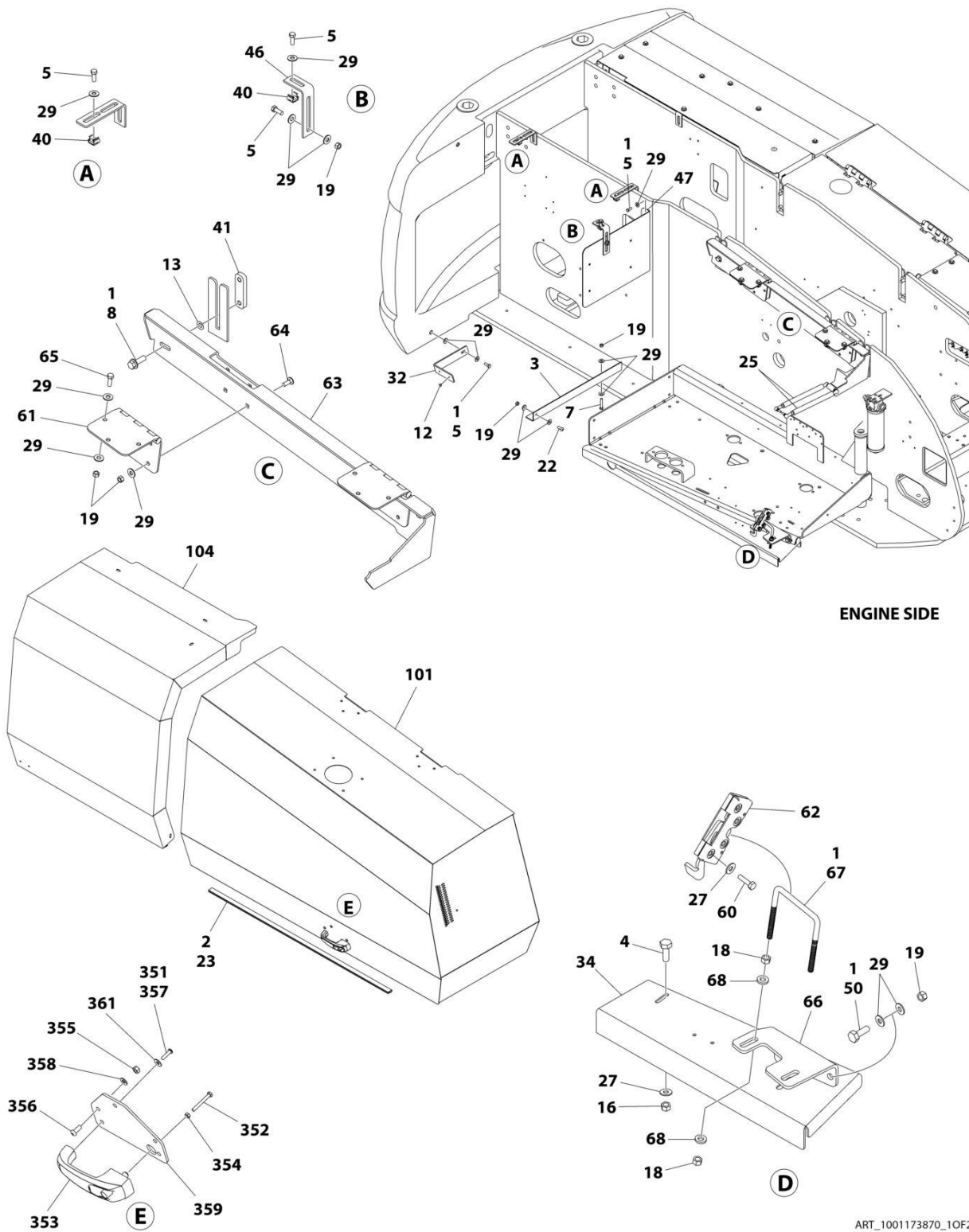
ITEM	PART NUMBER	QTY	DESCRIPTION	REV
		Ref	NOTE: REPLACEMENT DECALS MUST BE PURCHASED SEPARATELY - SEE DECALS SECTION.	
	1001244466	Ref	HOODS INSTALLATION	G
1	0100011	AR	Compound, Locking	
2	0100081	AR	Adhesive	
3	0630485	8	Bolt, Carriage	
4	0641406	4	Bolt 1/4 x 3/4	
5	0641408	8	Bolt 1/4 x 1	
6	0641608	AR	Bolt 3/8 x 7/8	
7	0641609	6	Bolt 3/8 x 1-1/8	
8	0641611	2	Bolt 3/8 x 1-3/8	
10	0641616	2	Bolt 3/8 x 2	
11	0811610	8	Screw 3/8 x 1-1/4	
12	0811812	8	Bolt 1/2 x 1-1/2	
14	0940049	1	Stopper, Hood	
15	0940088	1	Bumper	
16	1120601	1	Plug	
17	2080040	4	Fastener, Huck	
18	2080072	4	Retainer	
19	2940045	2	Latch, Paddle	
20	2940173	2	Latch	
21	3300364	5	Nut, Tinnerman	
22	3311405	4	Nut 1/4	
23	3311501	2	Nut 5/16	
24	3311601	1	Nut 3/8	
25	3311605	41	Nut 3/8	
26	3321501	2	Nut 5/16	
27	3520030	1	Plug, Hole	
28	3900210	5	Screw, Button Head 5/16 x 3/4	
29	3900316	4	Screw, Button Head 3/8 x 1	
30	3960389	54 in/1.4m	Seal	
32	4160194	4	Spring, Gas	
33	4420038	6 in/16cm	Tape	
34	4751400	12	Washer 1/4	
35	4751500	7	Washer 5/16	
36	4751600	AR	Washer 3/8	
37	8310070	8	Push-nut 3/8in	
38	1001110166	59 in /1.5mm	Seal	
39	1001113047	84 in /2.14m	Seal	
40	1001116280	1	Bracket, Hood	
41	1001116322	1	Door	
42	1001116344	1	Door	
43	1001116358	1	Bracket	
47	1001117249	1	Plate, Seal	
48	1001117307	1	Decal - Emergency Stop	
49	1001126828	7	Nut, Tinnerman	
50	1001150260	4	Plate	

SECTION 2 - TURNTABLE

ITEM	PART NUMBER	QTY	DESCRIPTION	REV
52	1001157025	1	Bracket	
53	1001157284	1	Mount	
54	1001157344	1	Bracket	
55	1001157474	1	Bracket	
56	1001157475	1	Panel	
57	1001157612	1	Bracket	
58	1001161711	1	Mount	
59	1001173580	1	Plate	
60	1001186251	4	Plate	
61	1001186254	4	Hinge	
64	1001196768	1	Bracket	
65	1001244463	1	Hood Assembly - Engine Side Rear (See Separate Breakdown in This Section)	
66	1001244465	1	Hood Assembly - Tank Side Rear (See Separate Breakdown in This Section)	
70	0641613	3	Screw 3/8 x 1-5/8	
71	4071048	3	Shim	
72	1001186501	1	Bracket	
73	1001186502	1	Bracket	
74	1001269959	1	Bracket	
75	1001269988	1	Hood, Engine Side	
76	1001269989	1	Hood, Tank Side	
77	1001271074	1	Bracket	
78	1001272305	1	Bracket	
	0272081	Ref	NOISE REDUCTION INSTALLATION (DEUTZ ENGINE MACHINES)	4-D
401	2820078	1	Foam, Acoustical (Not Shown)	

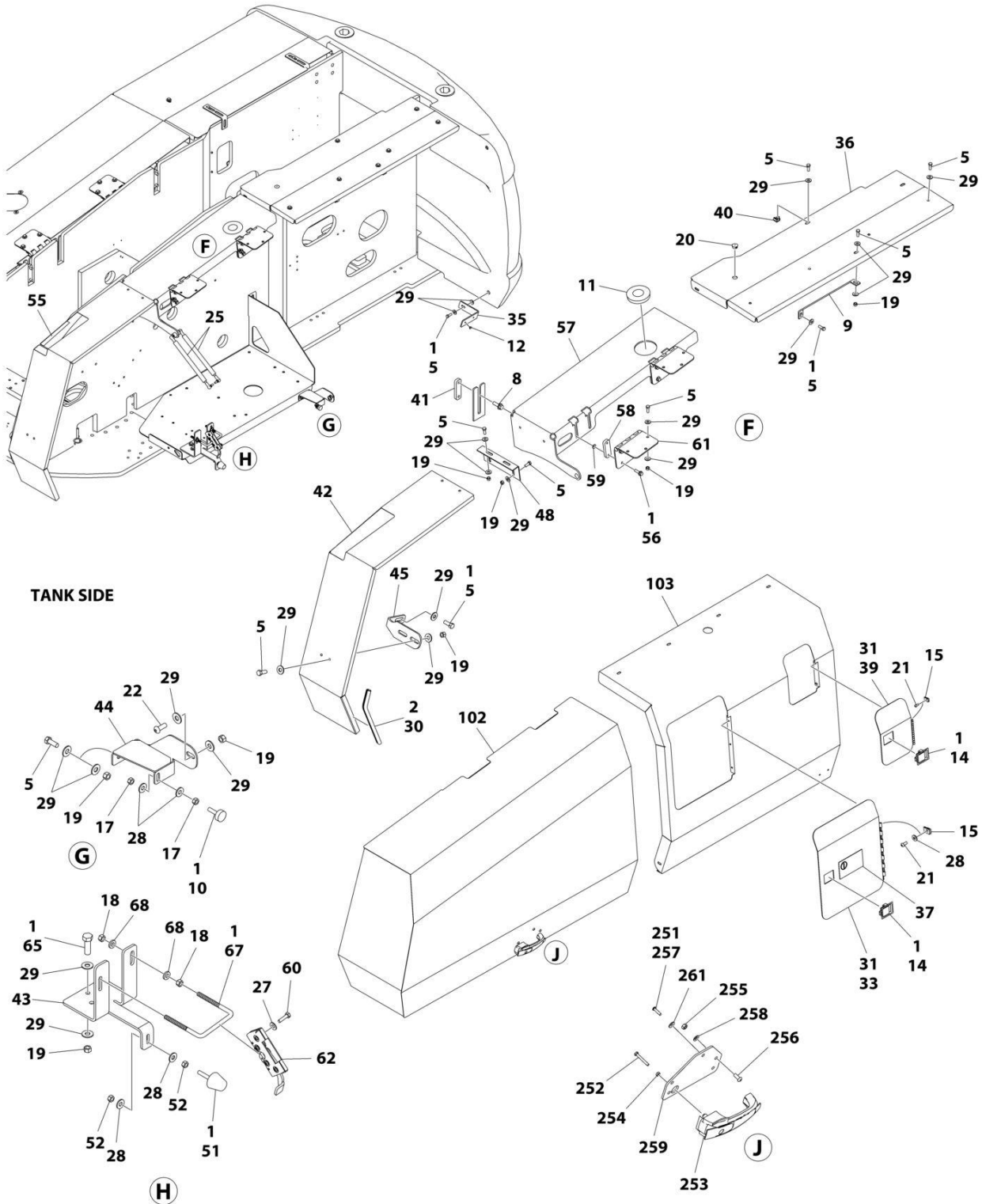
SECTION 2 - TURNTABLE

FIGURE 2-53. HOODS INSTALLATION – STEEL WITH HOSTILE ENVIRONMENT MACHINES (DEUTZ TD2.9L4 ENGINES) (MACHINES WITH SN STARTING WITH 03)



ART_1001173870_10F2

SECTION 2 - TURNTABLE



ART_1001173870_20F2

SECTION 2 - TURNTABLE

FIGURE 2-53. HOODS INSTALLATION – STEEL WITH HOSTILE ENVIRONMENT MACHINES (DEUTZ TD2.9L4 ENGINES) (MACHINES WITH SN STARTING WITH 03)

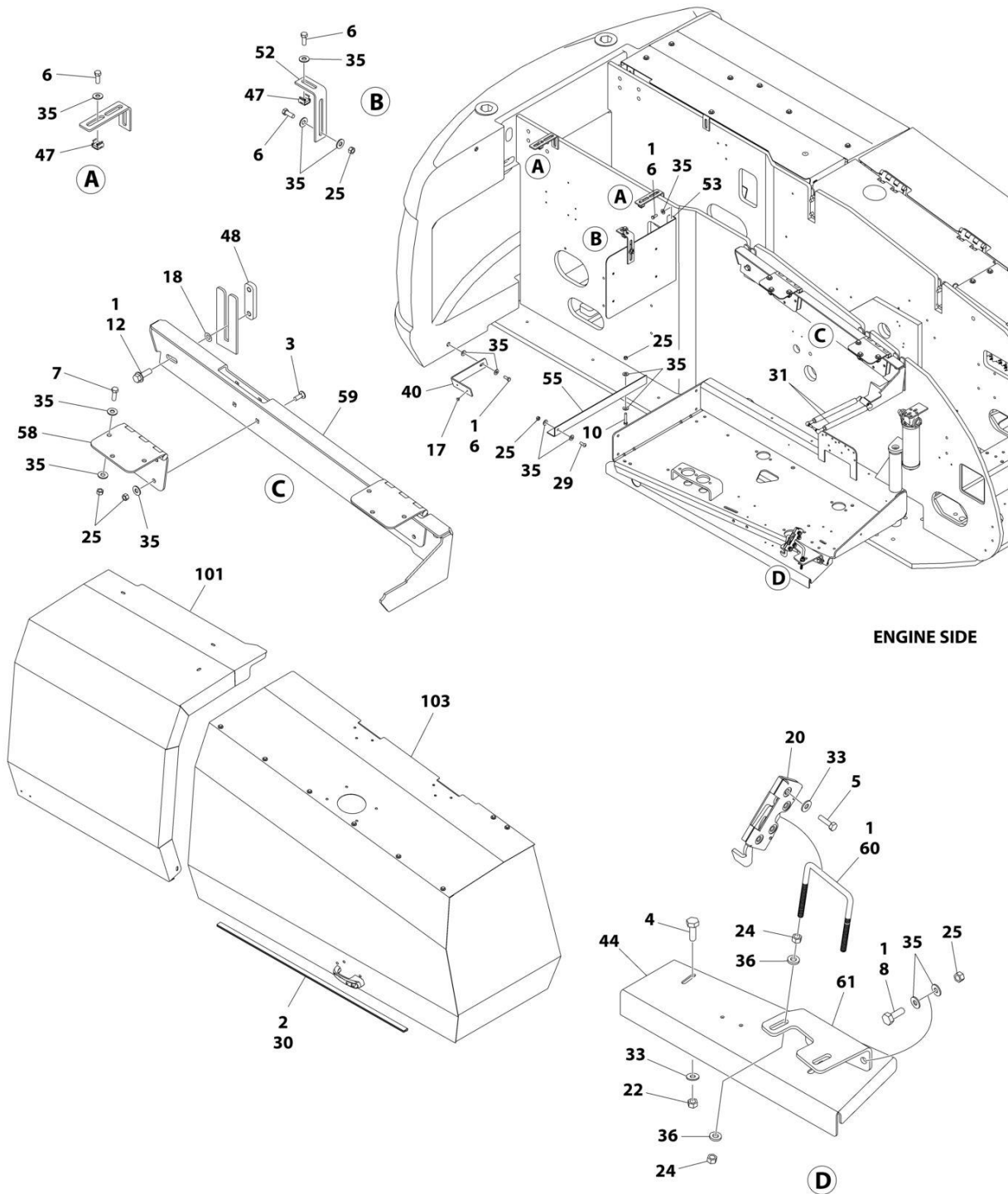
ITEM	PART NUMBER	QTY	DESCRIPTION	REV
		Ref	NOTE: REPLACEMENT DECALS MUST BE PURCHASED SEPARATELY - SEE DECALS SECTION.	
	1001173870	Ref	HOODS INSTALLATION	G
1	0100011	AR	Compound, Locking	
2	0100081	AR	Adhesive	
3	1001161711	1	Mount	
4	0641406	4	Bolt 1/4 x 3/4	
5	0641608	31	Bolt 3/8 x 7/8	
7	0641616	2	Bolt 3/8 x 2	
8	0811812	8	Bolt 1/2 x 1-1/2	
9	0902673	1	Bracket	
10	0940049	1	Stopper, Hood	
11	1120601	1	Plug	
12	2080040	4	Fastener, Huck	
13	2080072	4	Retainer	
14	2940045	2	Latch, Paddle	
15	3300364	5	Nut, Tinnerman	
16	3311405	4	Nut 1/4	
17	3311501	2	Nut 5/16	
18	3311601	8	Nut 3/8	
19	3311605	39	Nut 3/8	
20	3520030	1	Plug, Hole	
21	3900210	5	Screw, Button Head 5/16 x 3/4	
22	3900316	2	Screw, Button Head 3/8 x 1	
23	3960389	54 in/1.4m	Seal	
25	4160194	4	Spring, Gas	
27	4751400	12	Washer 1/4	
28	4751500	7	Washer 5/16	
29	4751600	80	Washer 3/8	
30	1001110166	59 in /1.5mm	Seal	
31	1001113047	84 in /2.14m	Seal	
32	1001116280	1	Bracket, Hood	
33	1001116322	1	Door	
34	1001117249	1	Plate, Seal	
35	1001116358	1	Bracket	
36	1001117027	1	Bracket	
37	1001117307	1	Decal - Emergency Stop	
39	1001125501	1	Door	
40	1001126828	5	Nut, Tinnerman	
41	1001150260	4	Plate	
42	1001173580	1	Plate	
43	1001250295	1	Bracket, Striker	
44	1001157025	1	Bracket	
45	1001157344	1	Bracket	
46	1001157474	1	Bracket	
47	1001157475	1	Panel	
48	1001157612	1	Bracket	

SECTION 2 - TURNTABLE

ITEM	PART NUMBER	QTY	DESCRIPTION	REV
50	0641611	2	Bolt 3/8 x 1-3/8	
51	0940088	1	Bumper	
52	3321501	2	Nut 5/16	
55	4420038	6 in/16cm	Tape	
56	0811610	8	Screw 3/8 x 1-1/4	
57	1001157284	1	Mount	
58	1001186251	4	Plate	
59	8310070	8	Pushnut 3/8in	
60	0641408	8	Bolt 1/4 x 1	
61	1001186254	4	Hinge	
62	2940173	2	Latch	
63	1001196768	1	Bracket	
64	0630485	8	Bolt, Carriage	
65	0641609	6	Bolt 3/8 x 1-1/8	
66	1001250294	1	Bracket	
67	1001243414	2	Bolt 3/8	
68	4891600	8	Screw 3/8	
100	1001174101	1	Hood Kit - Hostile Environment Machines(Not Shown - Includes Items 101-104)	C
101	1001162915	1	Hood Assembly - Engine Side Rear (See Items 251-261 for Breakdown)	
102	1001157209	1	Hood Assembly - Tank Side Rear (See Items 351-361 for Breakdown)	
103	1001125502	1	Hood - Tank Side Front	
104	1001116620	1	Hood - Engine Side Front	
	1001162915	Ref	HOOD ASSEMBLY - ENGINE SIDE REAR	C
251	0100011	AR	Compound, Locking	
252	0700618	1	Bolt M6 x 50	
253	2560187	1	Handle, Push Button	
254	3290601	1	Nut M6	
255	3311505	3	Nut 5/16	
256	3900210	3	Screw, Button Head 5/16 x 3/4	
257	3900363	2	Screw, Button Head M6 x 25	
258	4711500	3	Washer 5/16	
259	1001116290	1	Plate, Latch Mounting	
261	4751400	2	Washer 1/4	
	1001157209	Ref	HOOD ASSEMBLY - TANK SIDE REAR	B
351	0100011	1	Compound, Locking	
352	0700617	1	Bolt M6 x 45	
353	2560187	1	Handle, Push Button	
354	3290601	1	Nut M6	
355	3311505	3	Nut 5/16	
356	3900210	3	Screw, Button Head 5/16 x 3/4	
357	3900363	2	Screw, Button Head M6 x 25	
358	4711500	3	Washer 5/16	
359	1001116290	1	Plate, Latch Mounting	
361	4751400	2	Washer 1/4	
	0272081	Ref	NOISE REDUCTION INSTALLATION (DEUTZ ENGINE MACHINES)	4-D
401	2820078	1	Foam, Acoustical (Not Shown)	

SECTION 2 - TURNTABLE

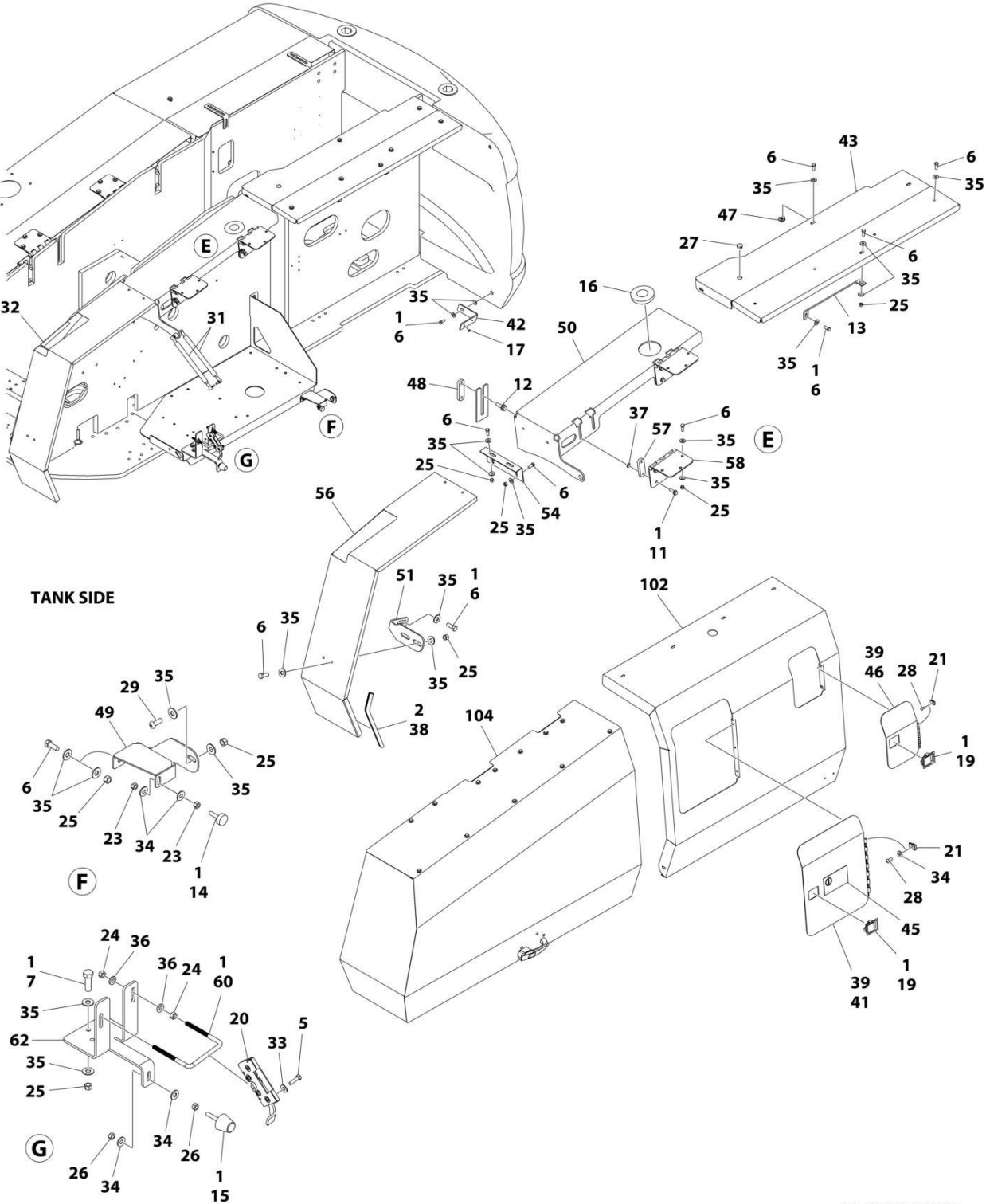
FIGURE 2-54. HOODS INSTALLATION – STEEL WITH HOSTILE ENVIRONMENT MACHINES (DEUTZ TD2.9L4 ENGINES) (MACHINES WITH SN STARTING WITH B3)



ENGINE SIDE

ART_1001256259_10F2

SECTION 2 - TURNTABLE



ART_1001256259_20F2

SECTION 2 - TURNTABLE

FIGURE 2-54. HOODS INSTALLATION – STEEL WITH HOSTILE ENVIRONMENT MACHINES (DEUTZ TD2.9L4 ENGINES) (MACHINES WITH SN STARTING WITH B3)

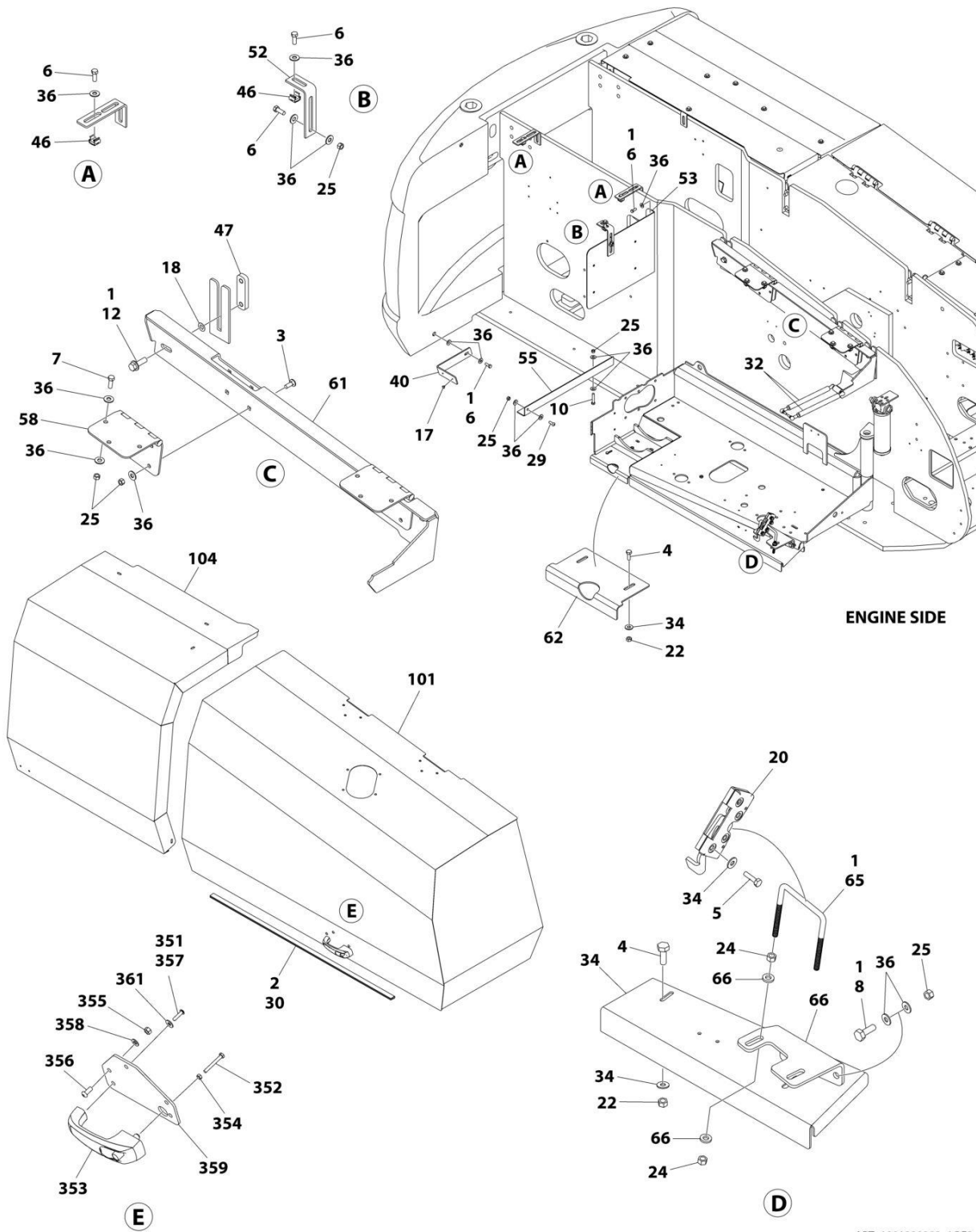
ITEM	PART NUMBER	QTY	DESCRIPTION	REV
		Ref	NOTE: REPLACEMENT DECALS MUST BE PURCHASED SEPARATELY - SEE DECALS SECTION.	
	1001256259	Ref	HOODS INSTALLATIONS	C
1	0100011	AR	Compound, Locking	
2	0100081	AR	Adhesive	
3	0630485	8	Bolt, Carriage	
4	0641406	4	Bolt 1/4 x 3/4	
5	0641408	8	Bolt 1/4 x 1	
6	0641608	31	Bolt 3/8 x 7/8	
7	0641609	9	Bolt 3/8 x 1-1/8	
8	0641611	2	Bolt 3/8 x 1-3/8	
10	0641616	2	Bolt 3/8 x 2	
11	0811610	8	Screw 3/8 x 1-1/4	
12	0811812	8	Bolt 1/2 x 1-1/2	
13	0902673	1	Bracket	
14	0940049	1	Stopper, Hood	
15	0940088	1	Bumper	
16	1120601	1	Plug	
17	2080040	4	Fastener, Huck	
18	2080072	4	Retainer	
19	2940045	2	Latch, Paddle	
20	2940173	2	Latch	
21	3300364	5	Nut, Tinnerman	
22	3311405	4	Nut 1/4	
23	3311501	2	Nut 5/16	
24	3311601	8	Nut 3/8	
25	3311605	39	Nut 3/8	
26	3321501	2	Nut 5/16	
27	3520030	1	Plug, Hole	
28	3900210	5	Screw, Button Head 5/16 x 3/4	
29	3900316	2	Screw, Button Head 3/8 x 1	
30	3960389	54 in/1.4m	Seal	
31	4160194	4	Spring, Gas	
32	4420038	6 in/16cm	Tape	
33	4751400	12	Washer 1/4	
34	4751500	7	Washer 5/16	
35	4751600	80	Washer 3/8	
36	4891600	8	Washer 3/8	
37	8310070	8	Push-nut 3/8	
38	1001110166	59 in /1.5mm	Seal	
39	1001113047	84 in /2.14m	Seal	
40	1001116280	1	Bracket, Hood	
41	1001116322	1	Door	
42	1001116358	1	Bracket	
43	1001117027	1	Bracket	
44	1001117249	1	Plate, Seal	
45	1001117307	1	Decal - Emergency Stop	

SECTION 2 - TURNTABLE

ITEM	PART NUMBER	QTY	DESCRIPTION	REV
46	1001125501	1	Door	
47	1001126828	5	Nut, Tinnerman	
48	1001150260	4	Plate	
49	1001157025	1	Bracket	
50	1001157284	1	Mount	
51	1001157344	1	Bracket	
52	1001157474	1	Bracket	
53	1001157475	1	Panel	
54	1001157612	1	Bracket	
55	1001161711	1	Mount	
56	1001173580	1	Plate	
57	1001186251	4	Plate	
58	1001186254	4	Hinge	
59	1001196768	1	Bracket	
60	1001243414	2	Bolt 3/8	
61	1001250294	1	Bracket	
62	1001250295	1	Bracket	
100	1001256258	1	Hood Kit - Hostile Environment Machines (Not Shown - Includes Items 101-104)	
101	1001116620	1	Hood - Engine Side Front	
102	1001125502	1	Hood - Tank Side Front	
103	1001244463	1	Hood Assembly - Engine Side Rear (See Separate Breakdown in this Section)	
104	1001244465	1	Hood Assembly - Tank Side Rear (See Separate Breakdown in this Section)	

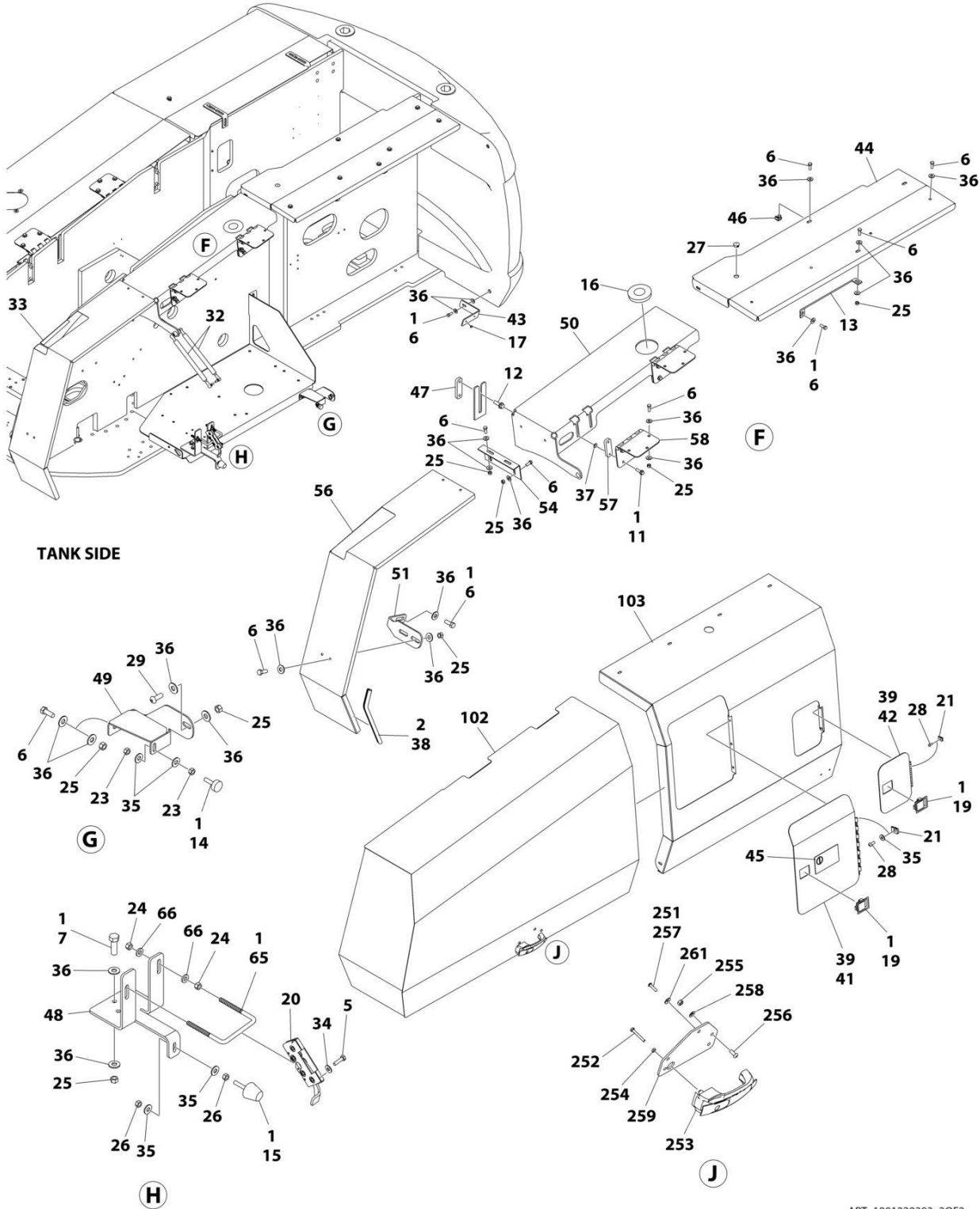
SECTION 2 - TURNTABLE

FIGURE 2-55. HOODS INSTALLATION – STEEL (FORD DF 2.5L ENGINES)



ART_1001220393_10F2

SECTION 2 - TURNTABLE



ART_1001220393_20F2

SECTION 2 - TURNTABLE

FIGURE 2-55. HOODS INSTALLATION – STEEL (FORD DF 2.5L ENGINES)

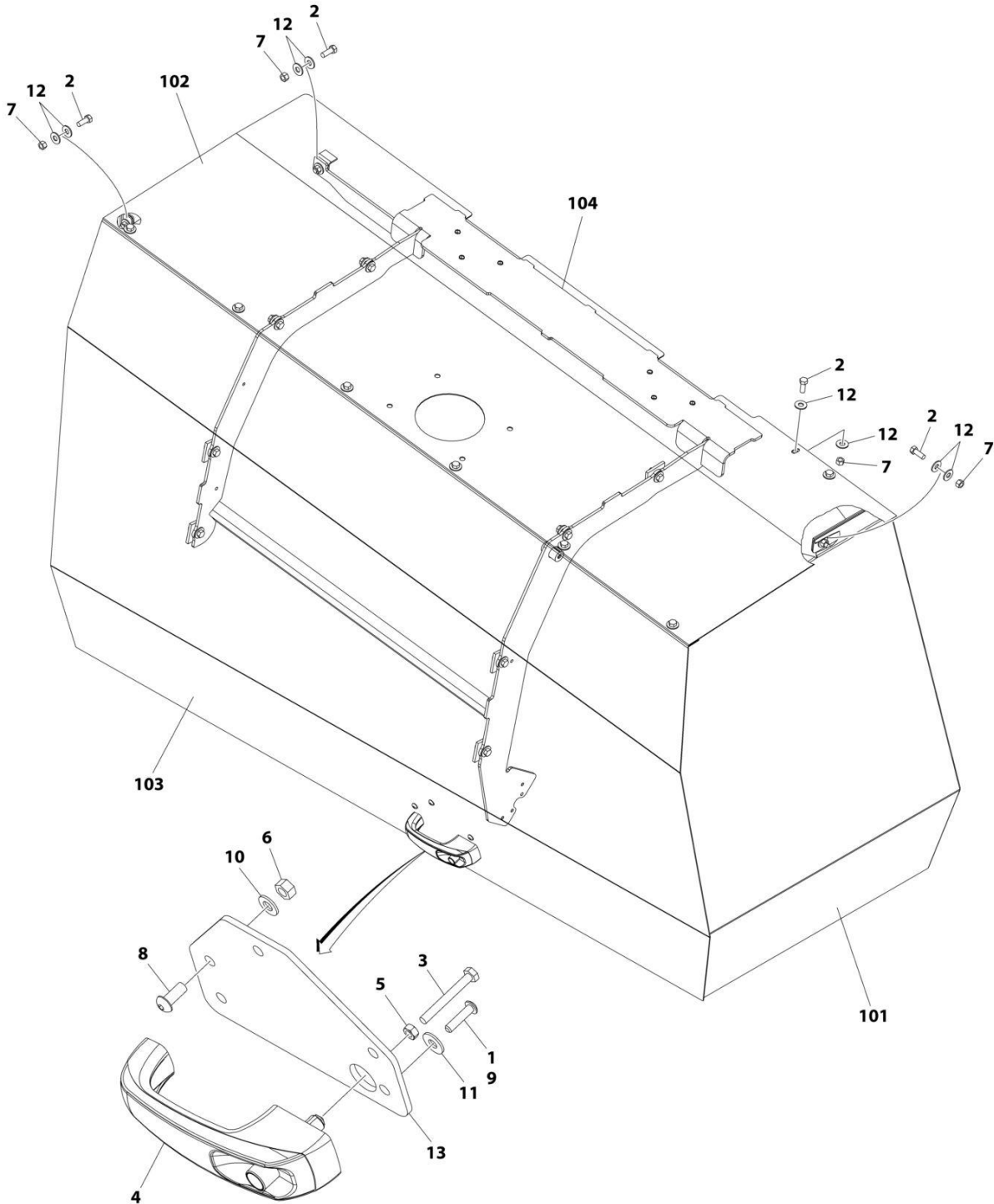
ITEM	PART NUMBER	QTY	DESCRIPTION	REV
		Ref	NOTE: REPLACEMENT DECALS MUST BE PURCHASED SEPARATELY - SEE DECALS SECTION.	
	1001220393	Ref	HOODS INSTALLATION	D
1	0100011	AR	Compound, Locking	
2	0100081	AR	Adhesive	
3	0630485	8	Bolt, Carriage	
4	0641406	5	Bolt 1/4 x 3/4	
5	0641408	8	Bolt 1/4 x 1	
6	0641608	31	Bolt 3/8 x 7/8	
7	0641609	9	Bolt 3/8 x 1-1/8	
8	0641611	2	Bolt 3/8 x 1-3/8	
10	0641616	2	Bolt 3/8 x 2	
11	0811610	8	Screw 3/8 x 1-1/4	
12	0811812	8	Bolt 1/2 x 1-1/2	
13	0902673	1	Bracket	
14	0940049	1	Stopper, Hood	
15	0940088	1	Bumper	
16	1120601	1	Plug	
17	2080040	4	Fastener, Huck	
18	2080072	4	Retainer	
19	2940045	2	Latch, Paddle	
20	2940173	2	Latch	
21	3300364	5	Nut, Tinnerman	
22	3311405	5	Nut 1/4	
23	3311501	2	Nut 5/16	
24	3311601	8	Nut 3/8	
25	3311605	39	Nut 3/8	
26	3321501	2	Nut 5/16	
27	3520030	1	Plug, Hole	
28	3900210	5	Screw, Button Head 5/16 x 3/4	
29	3900316	2	Screw, Button Head 3/8 x 1	
30	3960389	54 in/1.4m	Seal	
32	4160194	4	Spring, Gas	
33	4420038	6 in/16cm	Tape	
34	4751400	13	Washer 1/4	
35	4751500	7	Washer 5/16	
36	4751600	80	Washer 3/8	
37	8310070	8	Push-nut 3/8	
38	1001110166	59 in /1.5mm	Seal	
39	1001113047	84 in /2.14m	Seal	
40	1001116280	1	Bracket, Hood	
41	1001116322	1	Door	
42	1001116344	1	Door	
43	1001116358	1	Bracket	
44	1001117027	1	Bracket	
45	1001117307	1	Decal - Emergency Stop	
46	1001126828	5	Nut, Tinnerman	
47	1001150260	4	Plate	

SECTION 2 - TURNTABLE

ITEM	PART NUMBER	QTY	DESCRIPTION	REV
48	1001250295	1	Bracket, Striker	
49	1001157025	1	Bracket	
50	1001157284	1	Mount	
51	1001157344	1	Bracket	
52	1001157474	1	Bracket	
53	1001157475	1	Panel	
54	1001157612	1	Bracket	
55	1001161711	1	Mount	
56	1001173580	1	Plate	
57	1001186251	4	Plate	
58	1001186254	4	Hinge	
61	1001196768	1	Bracket	
62	1001220002	1	Baffle	
63	1001220067	1	Plate, Seal	
64	1001250294	1	Bracket	
65	1001243414	2	Bolt 3/8	
66	4891600	8	Washer 3/8	
100	1001174283	1	Hood Kit - Standard Machines (Not Shown - Includes Items 101-104)	C
101	1001157208	1	Hood Assembly - Engine Side Rear (See Items 251-261 for Breakdown)	
102	1001157209	1	Hood Assembly - Tank Side Rear (See Items 351-361 for Breakdown)	
103	1001116558	1	Hood - Tank Side Front	
104	1001116620	1	Hood - Engine Side Front	
	1001157208	Ref	HOOD ASSEMBLY - ENGINE SIDE REAR	D
251	0100011	AR	Compound, Locking	
252	0700618	1	Bolt M6 x 50	
253	2560187	1	Handle, Push Button	
254	3290601	1	Nut M6	
255	3311505	3	Nut 5/16	
256	3900210	3	Screw, Button Head 5/16 x 3/4	
257	3900363	2	Screw, Button Head M6 x 25	
258	4711500	3	Washer 5/16	
259	1001116290	1	Plate, Latch Mounting	
261	4751400	2	Washer 1/4	
	1001157209	Ref	HOOD ASSEMBLY - TANK SIDE REAR	B
351	0100011	AR	Compound, Locking	
352	0700617	1	Bolt M6 x 45mm	
353	2560187	1	Handle, Push Button	
354	3290601	1	Nut M6	
355	3311505	3	Locknut 5/16in-18NC	
356	3900210	3	Screw, Button Head 5/16in-18 x 3/4in	
357	3900363	2	Screw, Button Head M6 x 25mm	
358	4711500	3	Flatwasher 5/16in Thin	
359	1001116290	1	Plate, Latch Mounting	
361	4751400	2	Flatwasher 1/4in Regular	

SECTION 2 - TURNTABLE

FIGURE 2-56. HOOD ASSEMBLY - ENGINE SIDE REAR (DEUTZ TD2.9L4 ENGINES)



ART_1001244463

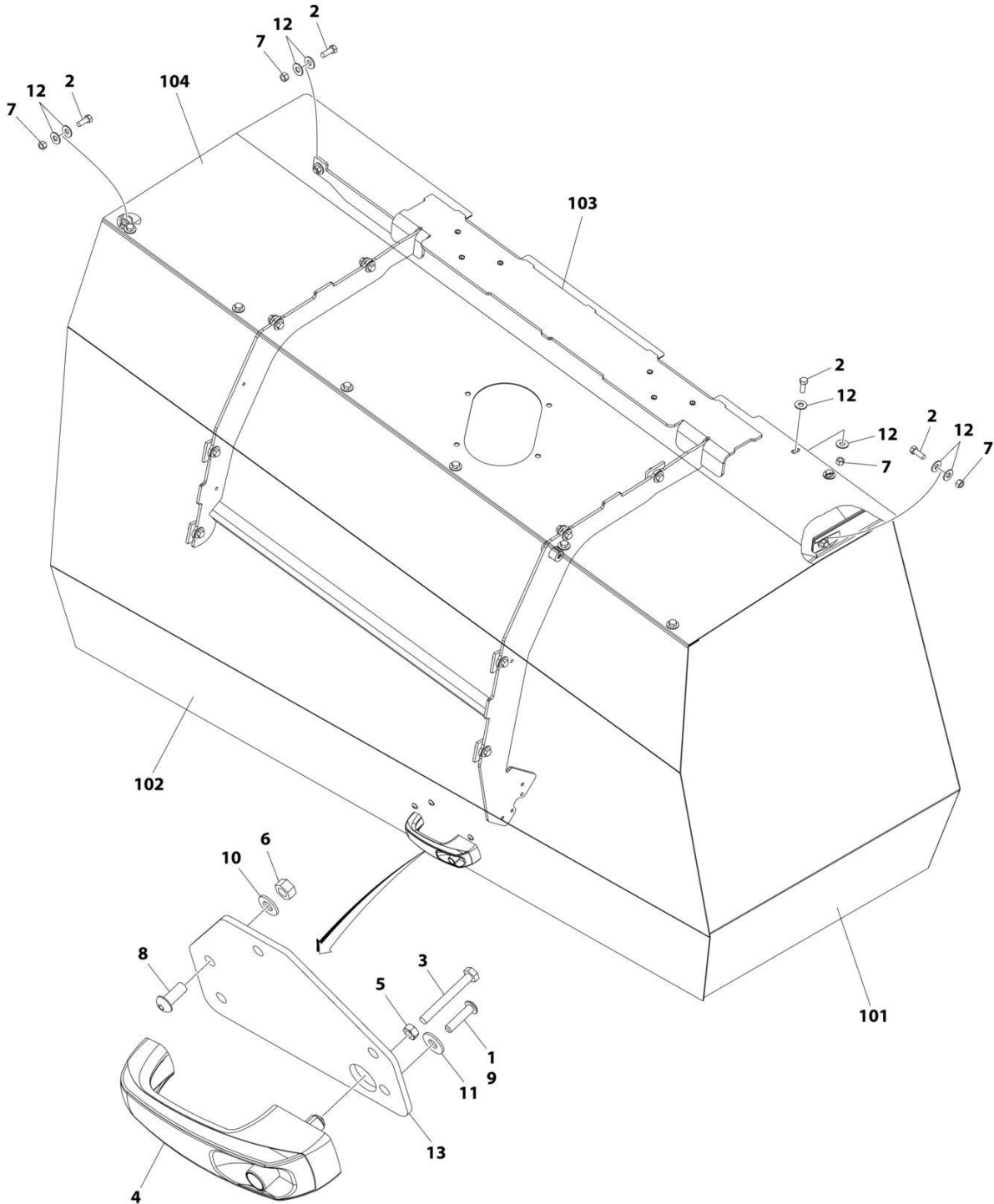
SECTION 2 - TURNTABLE

FIGURE 2-56. HOOD ASSEMBLY - ENGINE SIDE REAR (DEUTZ TD2.9L4 ENGINES)

ITEM	PART NUMBER	QTY	DESCRIPTION	REV
	1001244463	Ref	HOOD ASSEMBLY - ENGINE SIDE REAR	A
1	0100011	AR	Compound, Locking	
2	0641608	28	Bolt 3/8 x 7/8	
3	0700618	1	Bolt M6 x 50	
4	2560187	1	Handle, Push Button	
5	3290601	1	Nut M6	
6	3311505	3	Nut 5/16	
7	3311605	28	Nut 3/8	
8	3900210	3	Screw, Button Head 5/16 x 3/4	
9	3900363	2	Screw, Button Head M6 x 25	
10	4711500	3	Washer 5/16	
11	4751400	2	Washer 1/4	
12	4751600	56	Washer 3/8	
13	1001116290	1	Plate, Latch Mounting	
100	1001243985	1	Hood Engine Side Kit (Not Shown - Includes Items 101-104)	
101	1001239688	1	End Panel	
102	1001239689	1	Top Panel	
103	1001239690	1	Side Panel	
104	1001239691	1	Support	

SECTION 2 - TURNTABLE

FIGURE 2-57. HOOD ASSEMBLY - ENGINE SIDE REAR (DEUTZ TD2.9L4 (STAGE V) ENGINES)



ART_1001256244

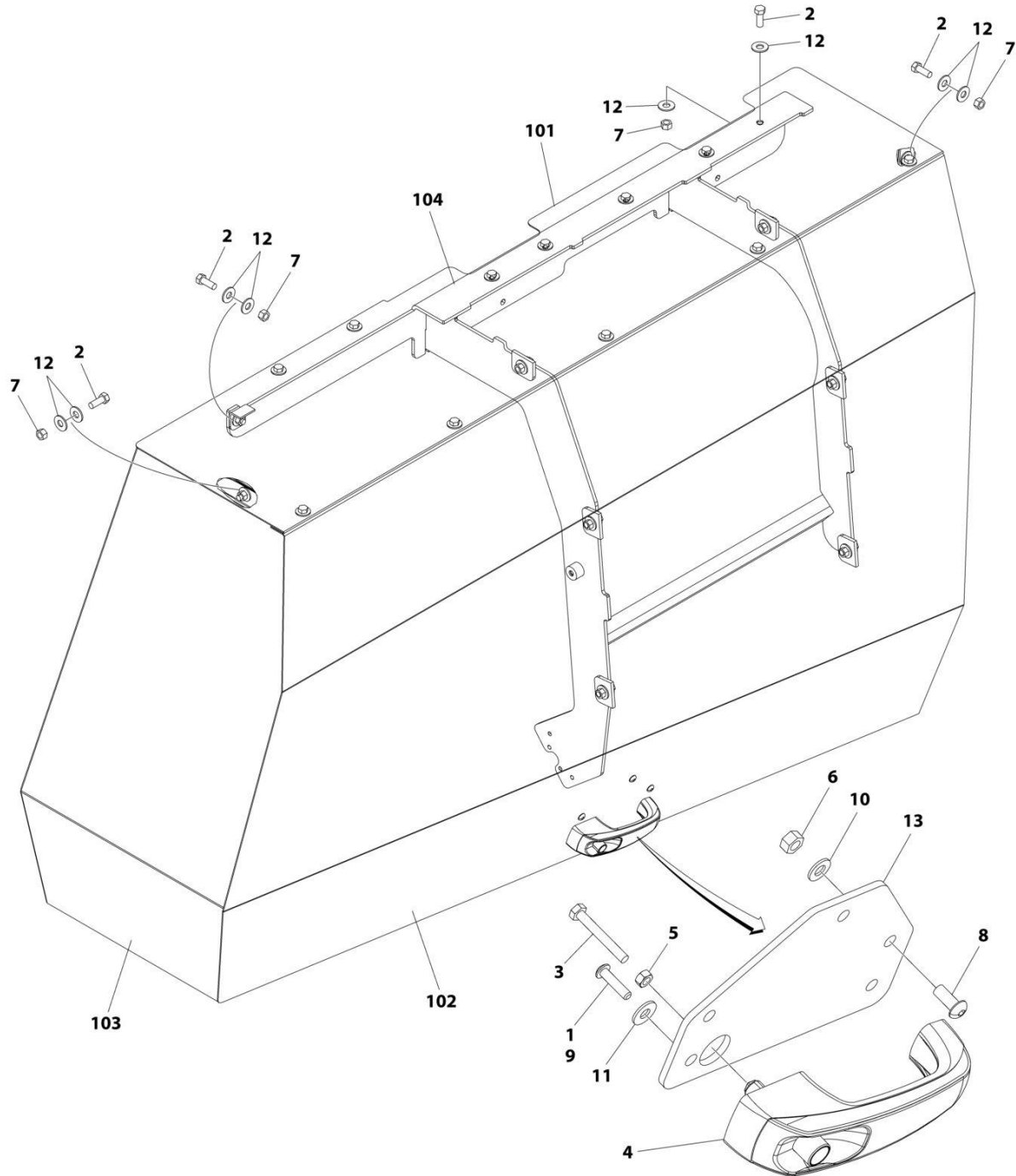
SECTION 2 - TURNTABLE

FIGURE 2-57. HOOD ASSEMBLY - ENGINE SIDE REAR (DEUTZ TD2.9L4 (STAGE V) ENGINES)

ITEM	PART NUMBER	QTY	DESCRIPTION	REV
	1001256244	Ref	HOOD ASSEMBLY - ENGINE SIDE REAR	A
1	0100011	AR	Compound, Locking	
2	0641608	28	Bolt 3/8 x 7/8	
3	0700618	1	Bolt M6 x 50	
4	2560187	1	Handle, Push Button	
5	3290601	1	Nut M6	
6	3311505	3	Nut 5/16	
7	3311605	28	Nut 3/8	
8	3900210	3	Screw, Button Head 5/16 x 3/4	
9	3900363	2	Screw, Button Head M6 x 25	
10	4711500	3	Washer 5/16	
11	4751400	2	Washer 1/4	
12	4751600	56	Washer 3/8	
13	1001116290	1	Plate, Latch Mounting	
100	1001256250	1	Hood Engine Side Kit (Not Shown - Includes Items 101-104)	
101	1001239688	1	End Panel	
102	1001239690	1	Side Panel	
103	1001239691	1	Support	
104	1001256203	1	Top Panel	

SECTION 2 - TURNTABLE

FIGURE 2-58. HOOD ASSEMBLY - TANK SIDE REAR (DEUTZ TD2.9L4 AND DEUTZ TD2.9L4 (STAGE V) ENGINES)



ART_1001244465

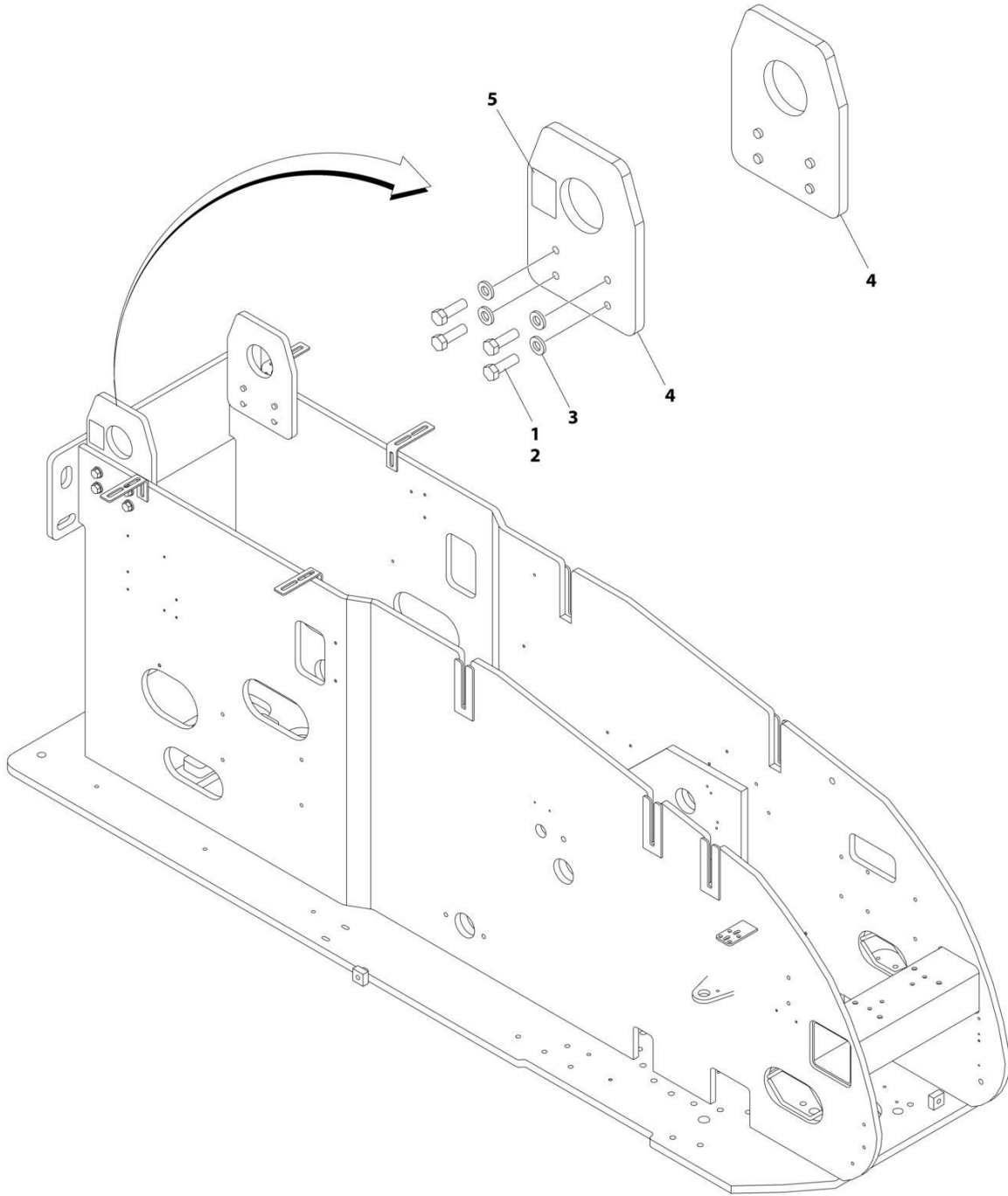
SECTION 2 - TURNTABLE

FIGURE 2-58. HOOD ASSEMBLY - TANK SIDE REAR (DEUTZ TD2.9L4 AND DEUTZ TD2.9L4 (STAGE V) ENGINES)

ITEM	PART NUMBER	QTY	DESCRIPTION	REV
	1001244465	Ref	HOOD ASSEMBLY - TANK SIDE REAR	A
1	0100011	AR	Compound, Locking	
2	0641608	28	Bolt 3/8 x 7/8	
3	0700617	1	Bolt M6 x 45	
4	2560187	1	Handle, Push Button	
5	3290601	1	Nut M6	
6	3311505	3	Nut 5/16	
7	3311605	28	Nut 3/8	
8	3900210	3	Screw, Button Head 5/16 x 3/4	
9	3900363	2	Screw, Button Head M6 x 25	
10	4711500	3	Washer 5/16	
11	4751400	2	Washer 1/4	
12	4751600	56	Washer 3/8	
13	1001116290	1	Plate, Latch Mounting	
100	1001243986	1	Hood Tank Side Kit (Not Shown - Includes Items 101-104)	
101	1001239721	1	Top Panel	
102	1001239722	1	Side Panel	
103	1001239723	1	End Panel	
104	1001239724	1	Support	

SECTION 2 - TURNTABLE

FIGURE 2-59. LIFTING PLATE INSTALLATION



ART_1001158084

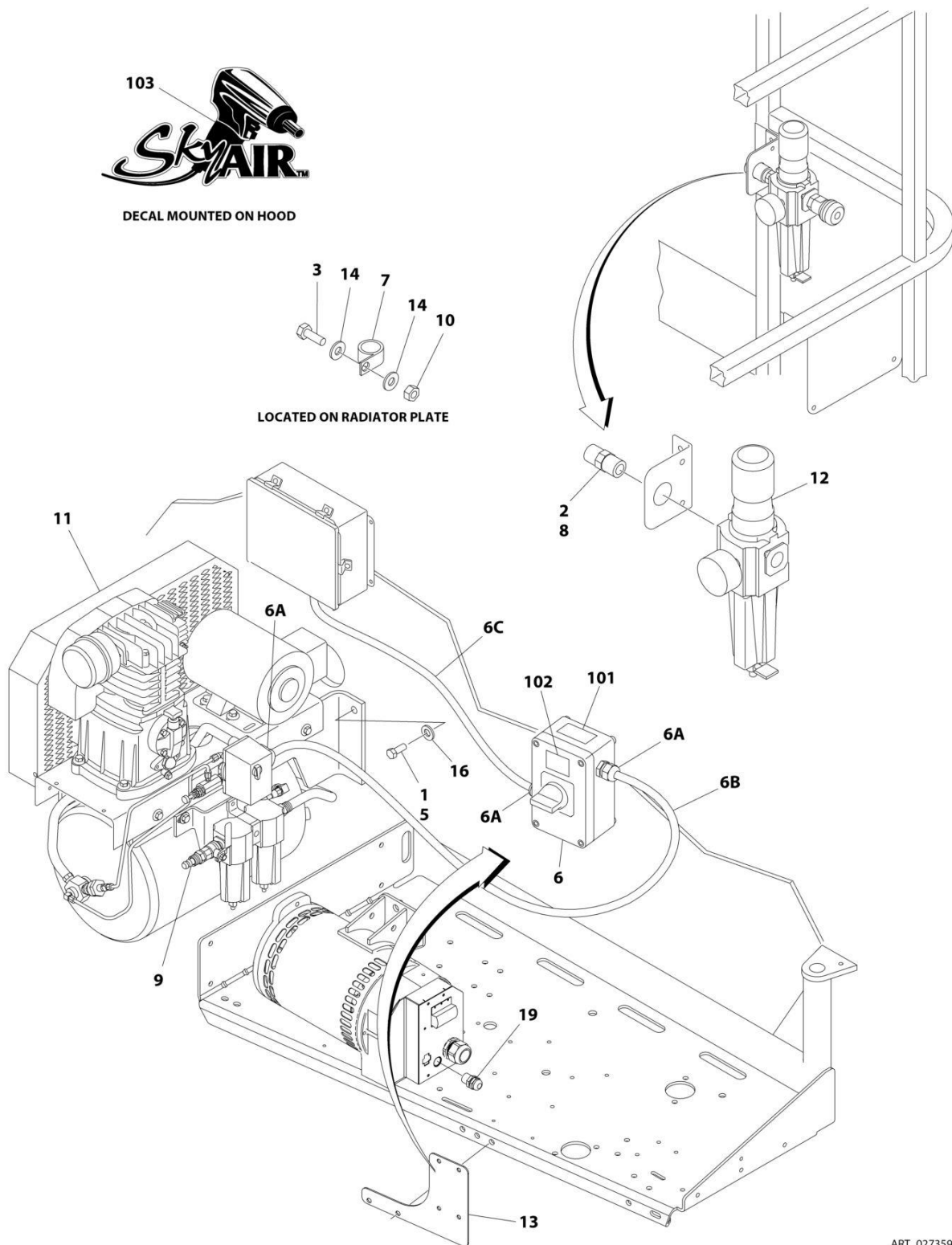
SECTION 2 - TURNTABLE

FIGURE 2-59. LIFTING PLATE INSTALLATION

ITEM	PART NUMBER	QTY	DESCRIPTION	REV
	1001158084	Ref	LIFTING PLATE INSTALLATION	B
1	0100019	AR	Compound, Locking	
2	0682016	8	Bolt 5/8in-11NC x 2in Grade 8	
3	4892000	8	Flatwasher 5/8in Hardened	
4	1001157870	2	Plate, Lifting	
5	1703811	2	Decal - Lift	

SECTION 2 - TURNTABLE

FIGURE 2-60. SKYAIR AIR COMPRESSOR INSTALLATION (DEUTZ D2011 AND FORD DF 2.5L ENGINES)



ART_0273596

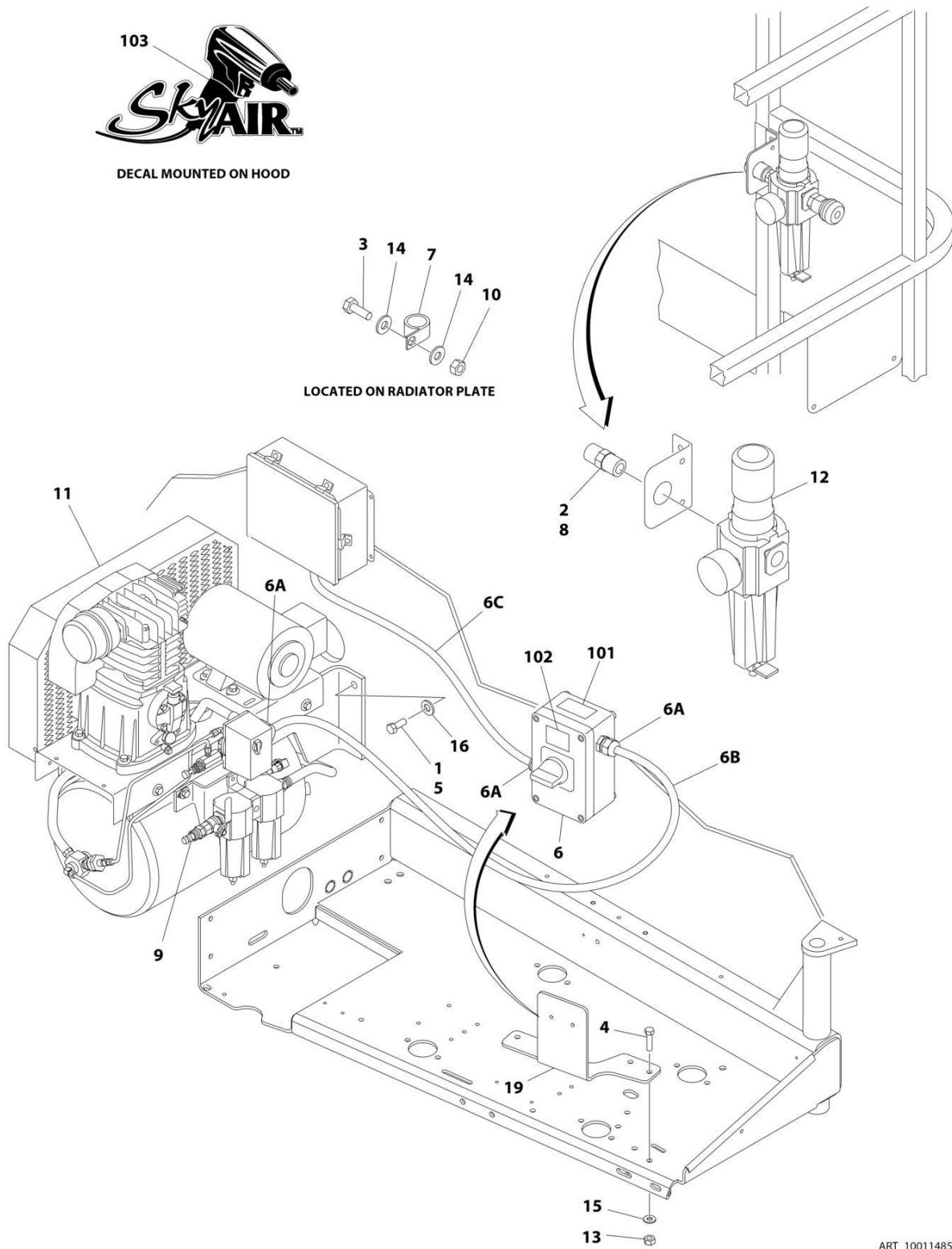
SECTION 2 - TURNTABLE

FIGURE 2-60. SKYAIR AIR COMPRESSOR INSTALLATION (DEUTZ D2011 AND FORD DF 2.5L ENGINES)

ITEM	PART NUMBER	QTY	DESCRIPTION	REV
	0273596	Ref	SKYAIR AIR COMPRESSOR INSTALLATION	B
1	0100019	AR	Compound, Locking	
2	0100020	AR	Sealant #567	
3	0641406	2	Bolt 1/4 x 3/4	
5	0641810	4	Bolt 1/2 x 1-1/4	
6	0861642	1	Control Box Assembly	
6A	4460633	3	Connector, Strain Relief	
6B	70002948	AR	Cable, Electrical - 12/4 (13ft/4m)	
6C	70002948	AR	Cable, Electrical - 12/4 (30in/76cm)	
7	1320224	2	Clamp	
8	2220252	1	Fitting	
9	2220750	1	Fitting	
10	3311405	2	Nut 1/4	
11	3600386	1	Compressor Assembly (See Separate Breakdown in this Section)	
12	3720021	1	Filter/Regulator Assembly	
12	7027781	1	Service Kit (Includes Gaskets and Seals)	
12	7027782	1	Filter	
12	7027784	1	Gauge	
12	7027783	1	Valve, Drain	
13	4340747	1	Bracket, Control Box	
14	4711400	4	Washer 1/4	
16	4751800	4	Washer 1/2	
18	4240033	AR	Tie-Strap (Not Shown)	
19	4460428	1	Connector, Strain Relief	
	0273687	Ref	DECAL INSTALLATION	
101	1705836	1	Decal - Hazard Voltage	
102	1705837	1	Decal - Air Compressor	
103	1705886	2	Decal - SkyAir	

SECTION 2 - TURNTABLE

FIGURE 2-61. SKYAIR AIR COMPRESSOR INSTALLATION (DEUTZ TD2.9L4 ENGINES)



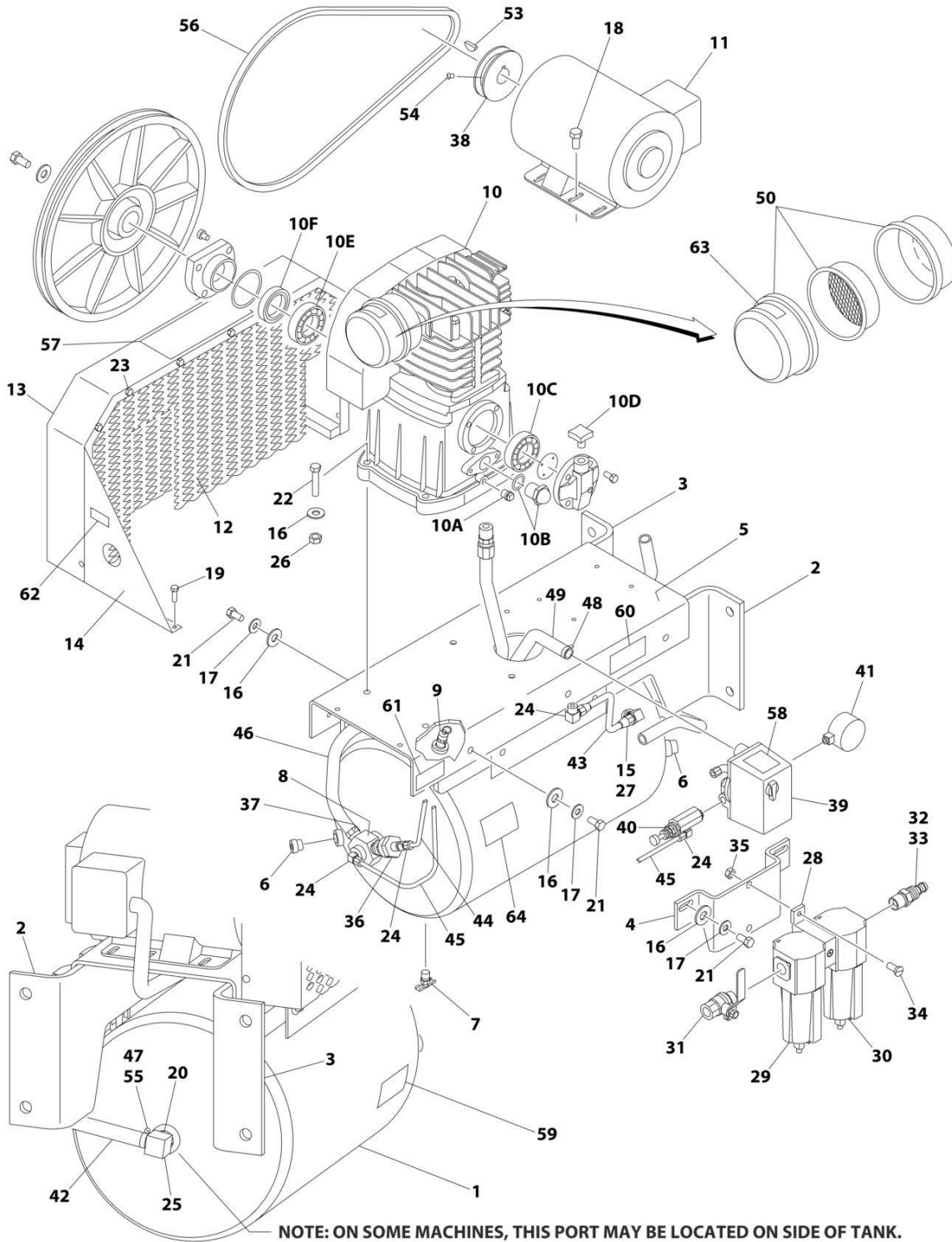
SECTION 2 - TURNTABLE

FIGURE 2-61. SKYAIR AIR COMPRESSOR INSTALLATION (DEUTZ TD2.9L4 ENGINES)

ITEM	PART NUMBER	QTY	DESCRIPTION	REV
	1001148565	Ref	SKYAIR AIR COMPRESSOR INSTALLATION	B
1	0100019	AR	Compound, Locking	
2	0100020	AR	Sealant #567	
3	0641406	2	Bolt 1/4 x 3/4	
4	0641608	3	Bolt 3/8 x 1	
5	0641810	4	Bolt 1/2 x 1-1/4	
6	0861642	1	Control Box Assembly	
6A	4460633	3	Connector, Strain Relief	
6B	70002948	AR	Cable, Electrical - 12/4 (13ft/4m)	
6C	70002948	AR	Cable, Electrical - 12/4 (30in/76cm)	
7	1320224	2	Clamp	
8	2220252	1	Fitting	
9	2220750	1	Fitting	
10	3311405	2	Nut 1/4	
11	3600386	1	Compressor Assembly (See Separate Breakdown in this Section)	
12	3720021	1	Filter/Regulator Assembly	
12	7027781	1	Service Kit (Includes Gaskets and Seals)	
12	7027782	1	Filter	
12	7027784	1	Gauge	
12	7027783	1	Valve, Drain	
13	3311605	3	Nut 3/8	
14	4711400	4	Washer 1/4	
15	4711600	3	Washer 3/8	
16	4751800	4	Washer 1/2	
18	4240033	AR	Tie-Strap (Not Shown)	
19	1001144447	1	Bracket, Control Box	
	0273687	Ref	DECAL INSTALLATION	A
101	1705836	1	Decal - Hazard Voltage	
102	1705837	1	Decal - Air Compressor	
103	1705886	2	Decal - SkyAir	

SECTION 2 - TURNTABLE

FIGURE 2-62. AIR COMPRESSOR ASSEMBLY



NOTE: ON SOME MACHINES, THIS PORT MAY BE LOCATED ON SIDE OF TANK.

ART_3600386

SECTION 2 - TURNTABLE

FIGURE 2-62. AIR COMPRESSOR ASSEMBLY

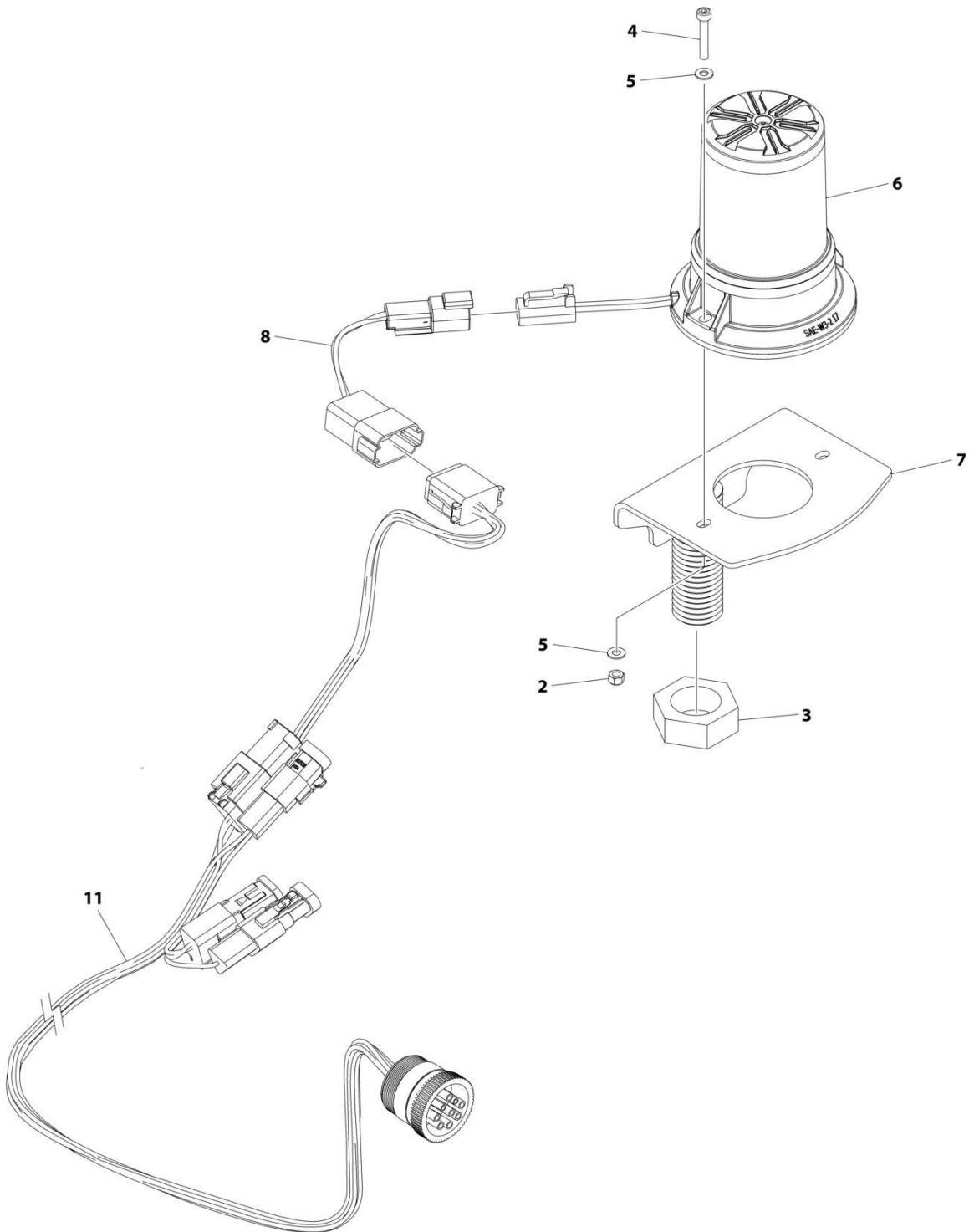
ITEM	PART NUMBER	QTY	DESCRIPTION	REV
	3600386	Ref	AIR COMPRESSOR ASSEMBLY	B
1	7026632	1	Tank	
2	See Note	1	Bracket, Mounting (Note: Not Available for Purchase)	
3	See Note	1	Bracket, Mounting (Note: Not Available for Purchase)	
4	See Note	1	Bracket, Regulator Mounting (Note: Not Available for Purchase)	
5	See Note	1	Deck (Note: Not Available for Purchase)	
6	See Note	2	Plug (Note: Not Available for Purchase)	
7	7026633	1	Valve, Drain	
8	7026634	1	Valve, Check	
9	7026635	1	Valve, Safety	
10	7026636	1	Pump Assembly	
10	7026659	1	Gasket and Seal Kit	
10A	7026651	1	Plug, Oil Drain	
10B	7026652	1	Gauge, Oil Sight	
10C	7026653	1	Bearing	
10D	7026654	1	Cap, Oil Fill	
10E	7026655	1	Bearing	
10F	7026656	1	Seal	
11	7026637	1	Motor Assembly	
11	See Note	1	Brush Kit (Note: Not Available for Purchase)	
12	See Note	1	Screen, Inner (Note: Not Available for Purchase)	
13	See Note	1	Guard, Belt (Note: Not Available for Purchase)	
14	See Note	2	Support (Note: Not Available for Purchase)	
15	See Note	1	Bushing (Note: Not Available for Purchase)	
16	4751600	18	Washer 3/8	
17	4761600	10	Washer 3/8	
18	0641506	4	Bolt 5/16 x 3/4	
19	0641406	8	Bolt 1/4 x 3/4	
20	See Note	1	Bushing (Note: Not Available for Purchase)	
21	0641610	10	Bolt 3/8 x 1-1/4	
22	0641616	4	Bolt 3/8 x 2	
23	See Note	10	Bolt 1/4 x 1/2 (Note: Not Available for Purchase)	
24	See Note	4	Fitting (Note: Not Available for Purchase)	
25	See Note	1	Fitting, Barbed (Note: Not Available for Purchase)	
26	3311605	4	Nut 3/8	
27	See Note	1	Fitting, Compression (Note: Not Available for Purchase)	
28	See Note	1	Bracket, Mounting (Note: Not Available for Purchase)	
29	7026660	1	Filter, Oil Removal	
30	7026661	1	Filter, Water Removal	
31	70001663	1	Valve, Ball Shut-Off	
32	See Note	1	Bushing (Note: Not Available for Purchase)	
33	See Note	1	Fitting, Barbed (Note: Not Available for Purchase)	
34	See Note	2	Screw 1/4 x 1 (Note: Not Available for Purchase)	
35	3311405	2	Nut 1/4	
36	See Note	1	Unloader (Note: Not Available for Purchase)	
37	See Note	1	Fitting (Note: Not Available for Purchase)	
38	See Note	1	Pulley (Note: Not Available for Purchase)	
39	7026638	1	Switch, Pressure	
40	7026639	1	Vale, Pilot	
41	7026640	1	Gauge	

SECTION 2 - TURNTABLE

ITEM	PART NUMBER	QTY	DESCRIPTION	REV
42	See Note	1	Hose (Note: Not Available for Purchase)	
43	See Note	1	Tube, Feed (Note: Not Available for Purchase)	
44	See Note	1	Tube (Note: Not Available for Purchase)	
45	See Note	1	Tube (Note: Not Available for Purchase)	
46	See Note	1	Aftercooler (Note: Not Available for Purchase)	
47	See Note	2	Clamp (Note: Not Available for Purchase)	
48	See Note	2	Clamp (Note: Not Available for Purchase)	
49	See Note	1	Harness, Wiring (Note: Not Available for Purchase)	
50	7026658	1	Filter Assembly	
50	7026641	1	Element, Filter	
51	See Note	23 oz	Oil, Compressor (Note: Not Available for Purchase)	
52	0100020	AR	Sealant	
53	See Note	1	Key (Note: Not Available for Purchase)	
54	See Note	2	Setscrew (Note: Not Available for Purchase)	
55	See Note	2	Cover, Clamp End (Note: Not Available for Purchase)	
56	7026642	1	Belt	
57	7026643	1	Decal - Unit Warning	
58	7026644	1	Decal - Pressure Switch Warning	
59	7026645	1	Decal - Drain Tank Warning	
60	7026646	1	Decal - Compressor Maintenance	
61	7026647	1	Decal - Initial Oil Fill	
62	7026648	1	Decal - Hot Surfaces Warning	
63	7026649	1	Decal - Paper Element Cleaning	
64	7026650	1	Decal - Dual Control	

SECTION 2 - TURNTABLE

FIGURE 2-63. STROBE LIGHT INSTALLATION (AMBER) (ALL SPECS EXCEPT CHINA SPEC)



ART_1001160077_E

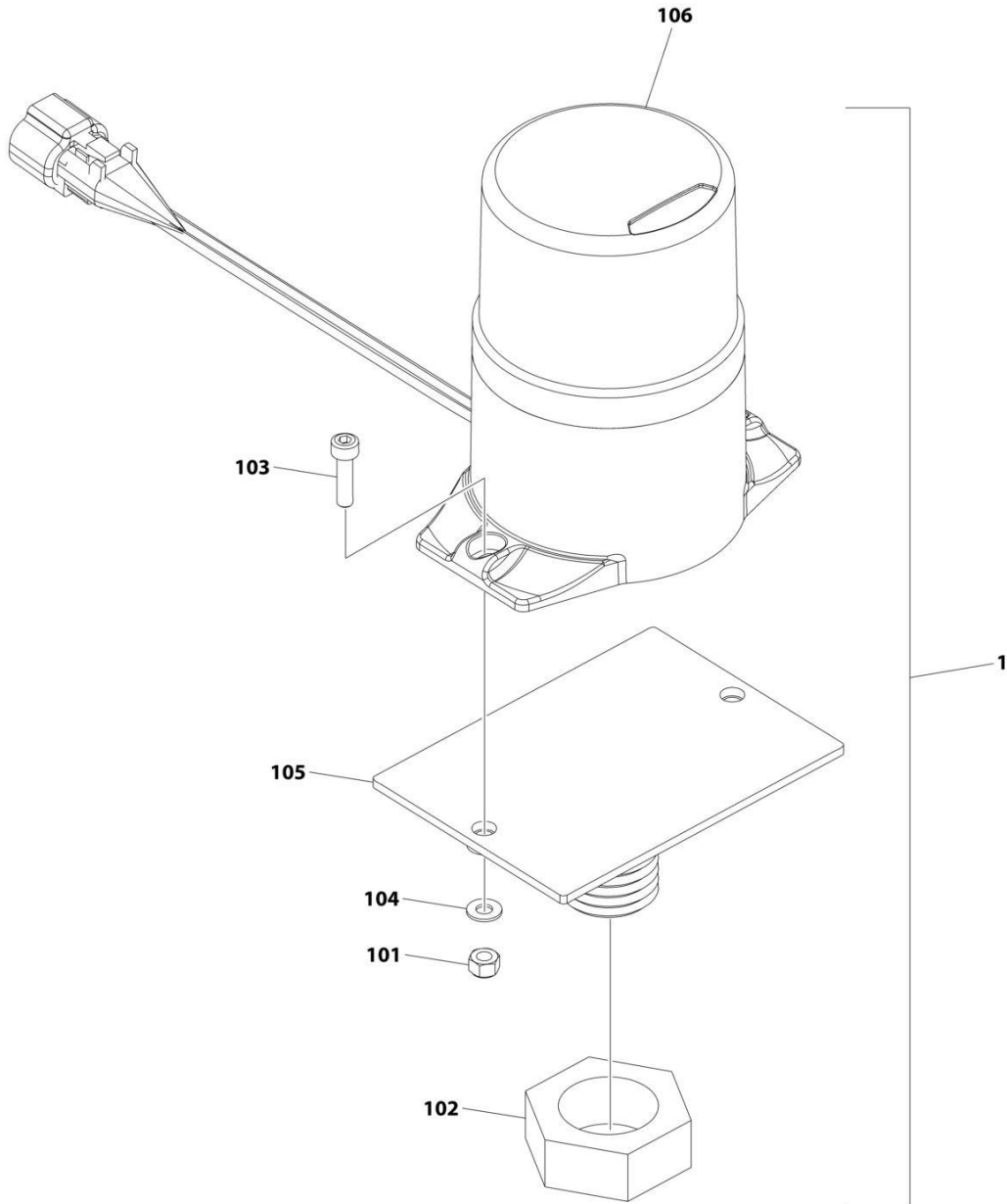
SECTION 2 - TURNTABLE

FIGURE 2-63. STROBE LIGHT INSTALLATION (AMBER) (ALL SPECS EXCEPT CHINA SPEC)

ITEM	PART NUMBER	QTY	DESCRIPTION	REV
	1001160077	Ref	STROBE LIGHT INSTALLATION (AMBER)	E
2	3290405	2	Nut, Lock M4	
3	3312602	1	Nut	
4	4031509	2	Capscrew M4 x 25	
5	4811400	4	Washer M4	
6	1001270594	1	Strobe Light/Harness Assembly	
6	4460891	1	Connector	
6	4460465	2	Socket	
7	1001275149	2	Mount	
8	1001283776	1	Harness, Strobe Jumper (See Separate Breakdown in ELECTRICAL Section)	
9	4240017	AR	Tie-Strap (Not Shown)	
10	4460234	AR	Mount, Tie-Strap (Not Shown)	
11	1001286622	1	CSB Harness (See Separate Breakdown in ELECTRICAL Section)	

SECTION 2 - TURNTABLE

FIGURE 2-64. STROBE LIGHT INSTALLATION (AMBER) (CHINA SPEC)



ART_1001270288

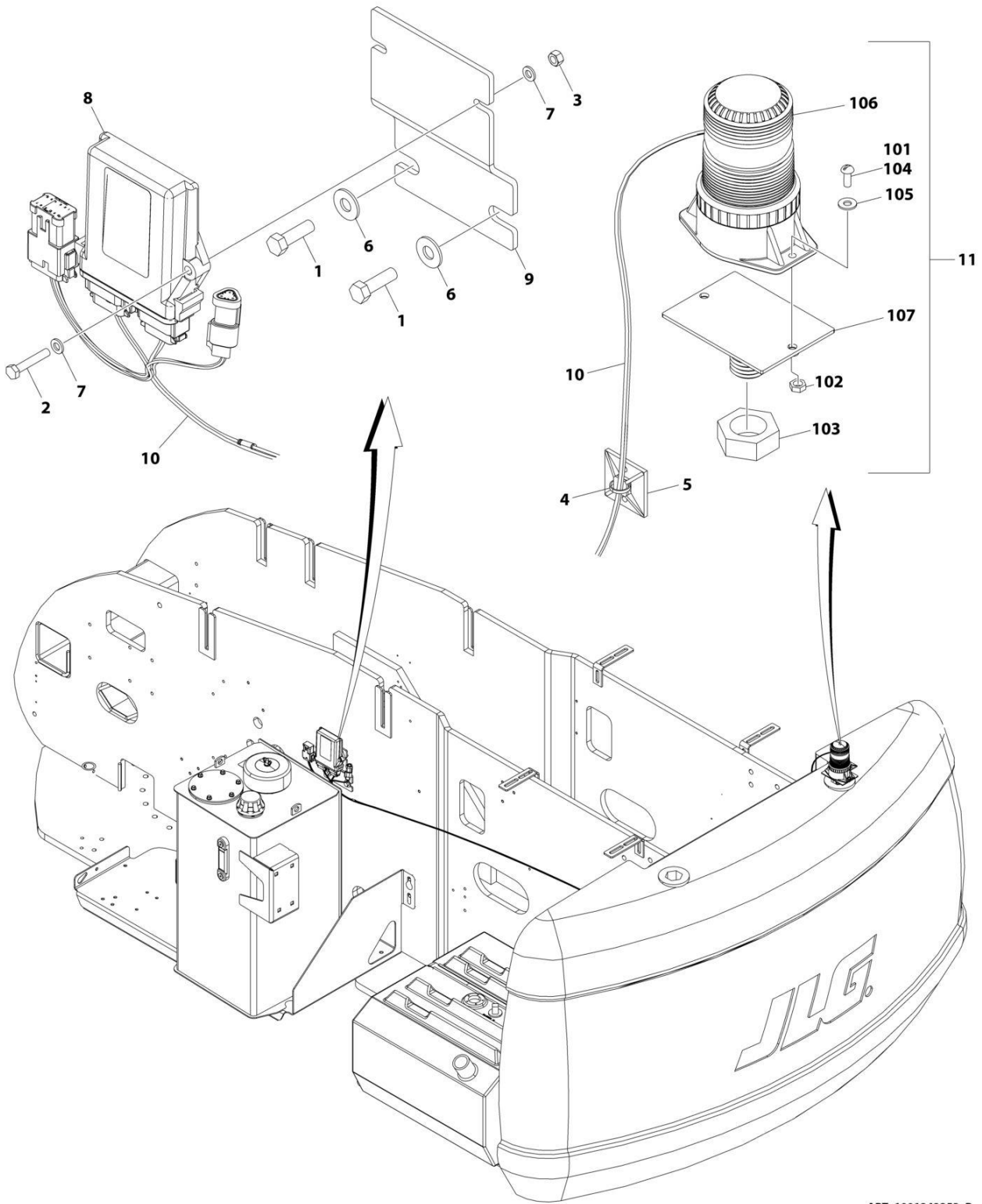
SECTION 2 - TURNTABLE

FIGURE 2-64. STROBE LIGHT INSTALLATION (AMBER) (CHINA SPEC)

ITEM	PART NUMBER	QTY	DESCRIPTION	REV
	1001270288	Ref	STROBE LIGHT INSTALLATION (AMBER)	A
1	1001270287	1	Strobe Light Assembly (Includes Items 101-106)	A
101	3290405	2	Nut M4	
102	3312602	1	Nut	
103	4031507	2	Screw M4	
104	4811400	2	Washer	
105	1001149994	1	Mount, Strobe	
106	1001233479	1	Lamp, Strobe Beacon	

SECTION 2 - TURNTABLE

FIGURE 2-65. STROBE LIGHT INSTALLATION (BLUE)



ART_1001242253_B

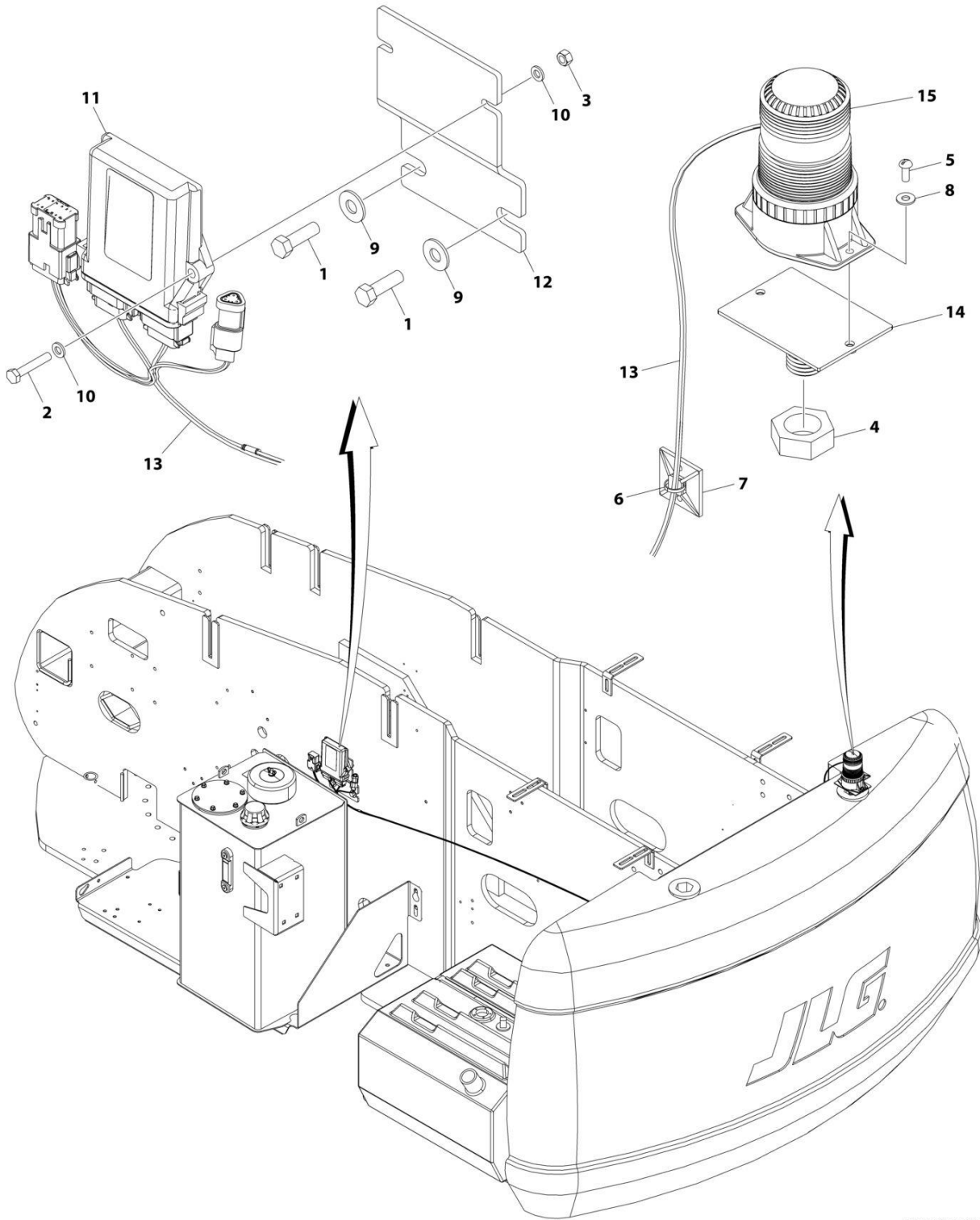
SECTION 2 - TURNTABLE

FIGURE 2-65. STROBE LIGHT INSTALLATION (BLUE)

ITEM	PART NUMBER	QTY	DESCRIPTION	REV
	1001242253	Ref	STROBE LIGHT INSTALLATION (BLUE)	B
1	0641610	2	Bolt 3/8 x 1-1/4	
2	0700615	2	Bolt 6 x 35	
3	3290607	2	Nut M6	
4	4240032	AR	Tie-Strap	
5	4460488	AR	Base, Terminal, Mounting	
6	4751600	2	Washer 3/8	
7	4811700	4	Washer M6	
8	1001142683	1	Module, Control - Beacon	
9	1001142722	1	Bracket	
10	1001142736	1	Beacon Control Harness (See Separate Breakdown in ELECTRICAL Section)	
11	1001278845	1	Beacon Kit - Blue (Includes Items 102 - 107)	
101	0100035	AR	Compound, Locking	
102	3290405	2	Nut, Lock M4	
103	3312602	1	Nut	
104	4031509	2	Capscrew M4 x 25	
105	4811400	2	Washer M4	
106	1001272681	1	Light, Beacon	
106	4460897	1	Connector	
106	4460464	2	Pin	
107	1001278850	1	Plate, Mounting	

SECTION 2 - TURNTABLE

FIGURE 2-66. STROBE LIGHT INSTALLATION (RED)



ART_1001242254

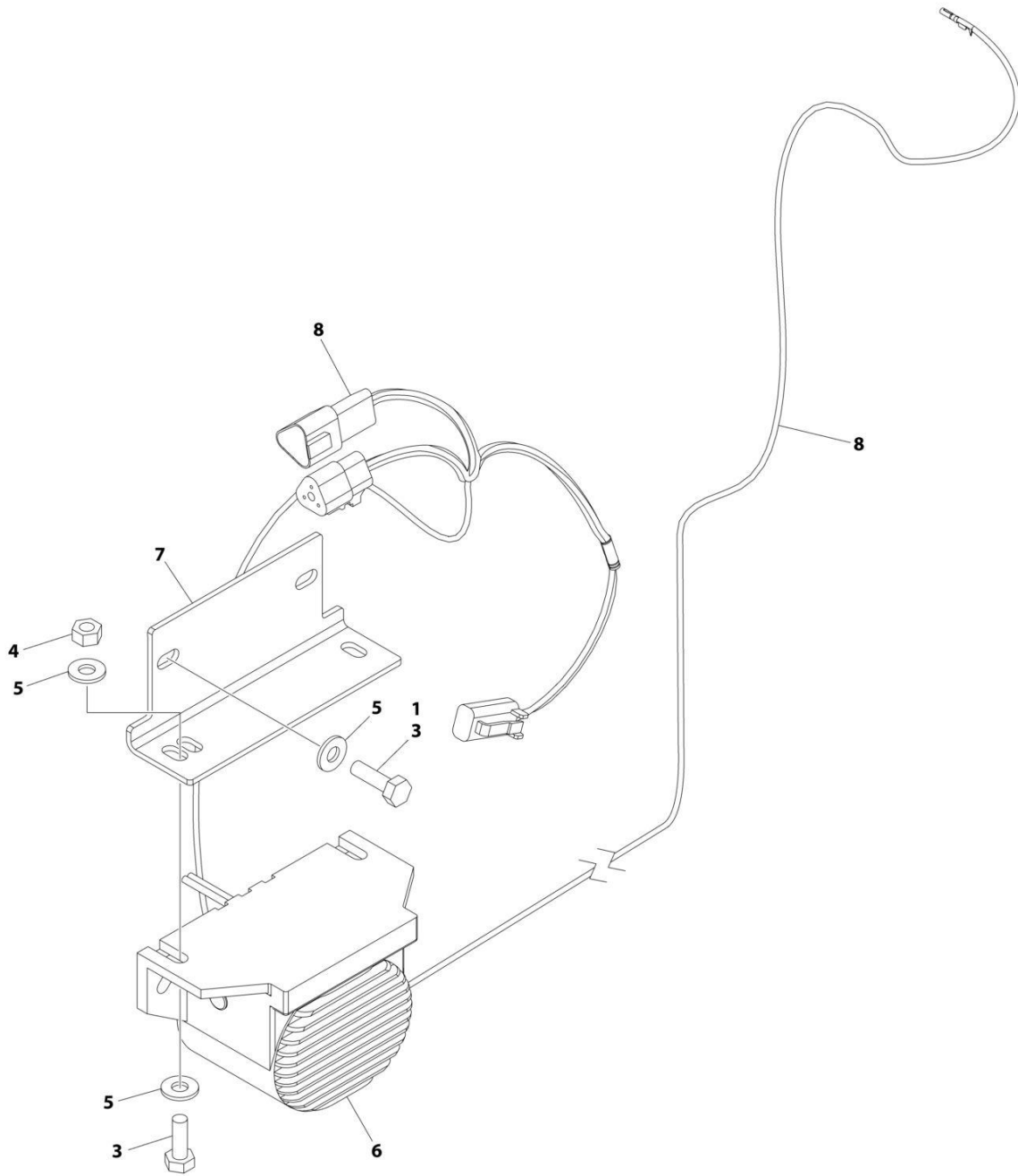
SECTION 2 - TURNTABLE

FIGURE 2-66. STROBE LIGHT INSTALLATION (RED)

ITEM	PART NUMBER	QTY	DESCRIPTION	REV
	1001242254	Ref	STROBE LIGHT INSTALLATION (RED)	A
1	0641610	2	Bolt 3/8 x 1-1/4	
2	0700615	2	Bolt 6 x 35	
3	3290607	2	Nut M6	
4	3312602	1	Nut	
5	3900085	2	Screw	
6	4240032	AR	Tie Strap	
7	4460488	AR	Base, Terminal, Mounting	
8	4751000	2	Washer	
9	4751600	2	Washer 3/8	
10	4811700	4	Washer M6	
11	1001142683	1	Module, Control - Beacon	
12	1001142722	1	Bracket	
13	1001142736	1	Beacon Control Harness (See Separate Breakdown in ELECTRICAL SECTION)	
14	1001149994	1	Mount, Strobe	
15	1001207004	1	Light, Beacon	

SECTION 2 - TURNTABLE

FIGURE 2-67. WHITE NOISE ALARM INSTALLATION - AMBIENT



ART_1001247281

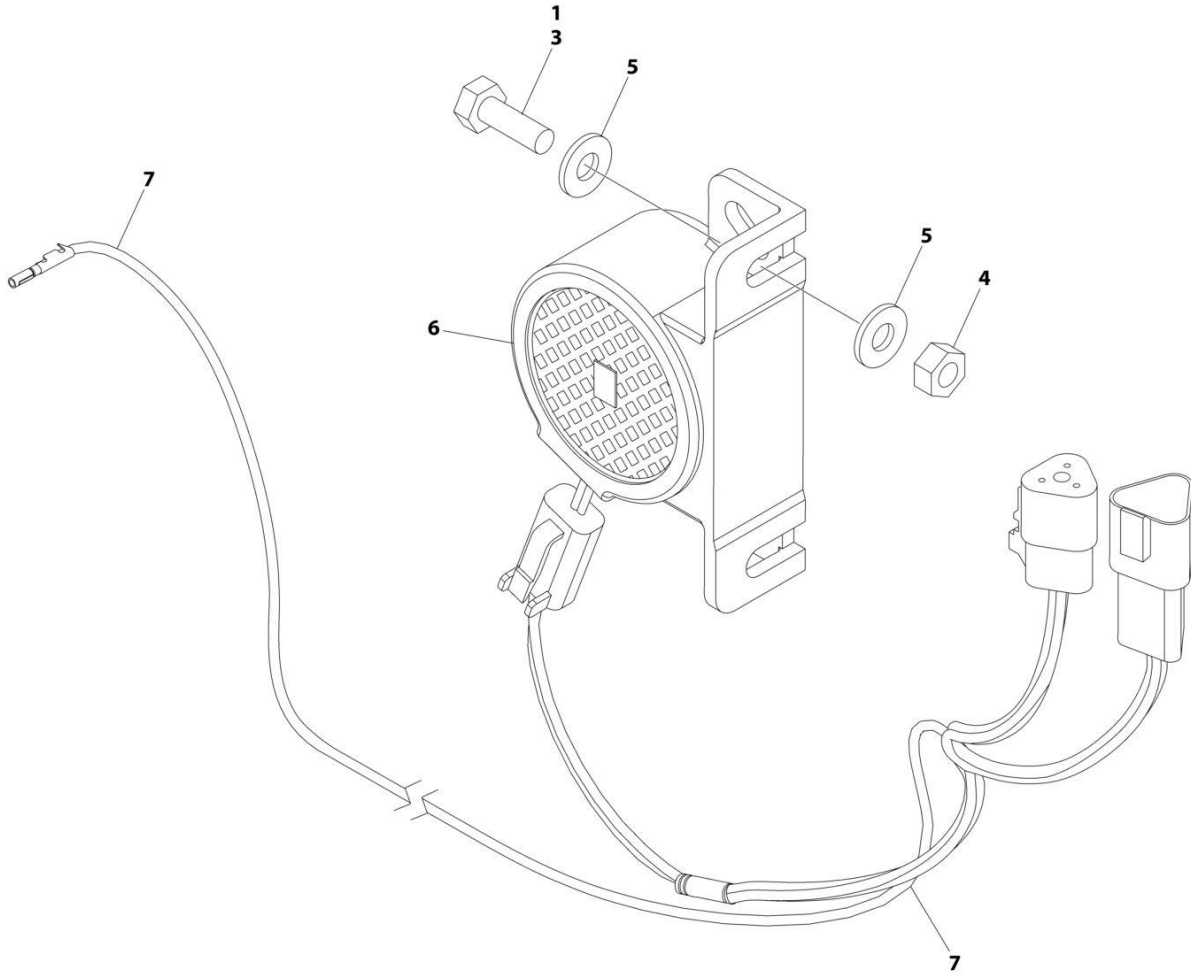
SECTION 2 - TURNTABLE

FIGURE 2-67. WHITE NOISE ALARM INSTALLATION - AMBIENT

ITEM	PART NUMBER	QTY	DESCRIPTION	REV
	1001247281	Ref	WHITE NOISE ALARM INSTALLATION	B
1	0100011	AR	Compound, Locking	
2	0100048	AR	Compound, Silicone (Not Shown)	
3	0641406	4	Bolt 1/4 x 3/4	
4	3311405	2	Nut 1/4	
5	4711400	6	Washer 1/4	
6	1001182806	1	Alarm	
7	1001231886	1	Plate	
8	1001243682	1	White Noise Motion Alarm Harness (See Separate Breakdown in this Section)	

SECTION 2 - TURNTABLE

FIGURE 2-68. WHITE NOISE ALARM INSTALLATION - CONSTANT



ART_1001263179

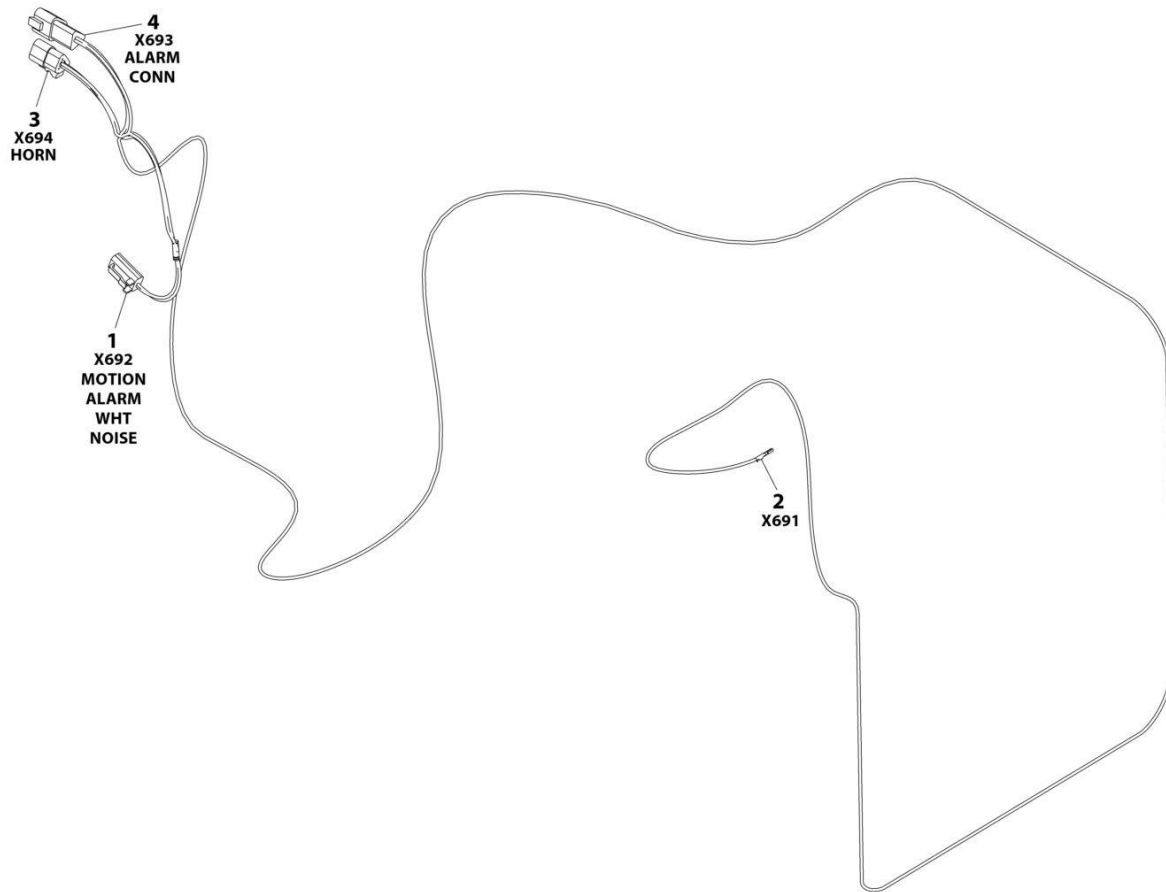
SECTION 2 - TURNTABLE

FIGURE 2-68. WHITE NOISE ALARM INSTALLATION - CONSTANT

ITEM	PART NUMBER	QTY	DESCRIPTION	REV
	1001263179	Ref	WHITE NOISE ALARM INSTALLATION	B
1	0100011	AR	Compound, Locking	
2	0100048	AR	Compound, Silicone (Not Shown)	
3	0641406	2	Bolt 1/4 x 3/4	
4	3311405	2	Nut 1/4	
5	4711400	4	Washer 1/4	
6	1001184682	1	Alarm	
7	1001243682	1	White Noise Motion Alarm Harness (See Separate Breakdown in this Section)	

SECTION 2 - TURNTABLE

FIGURE 2-69. WHITE NOISE ALARM HARNESS



ART_1001243682

SECTION 2 - TURNTABLE

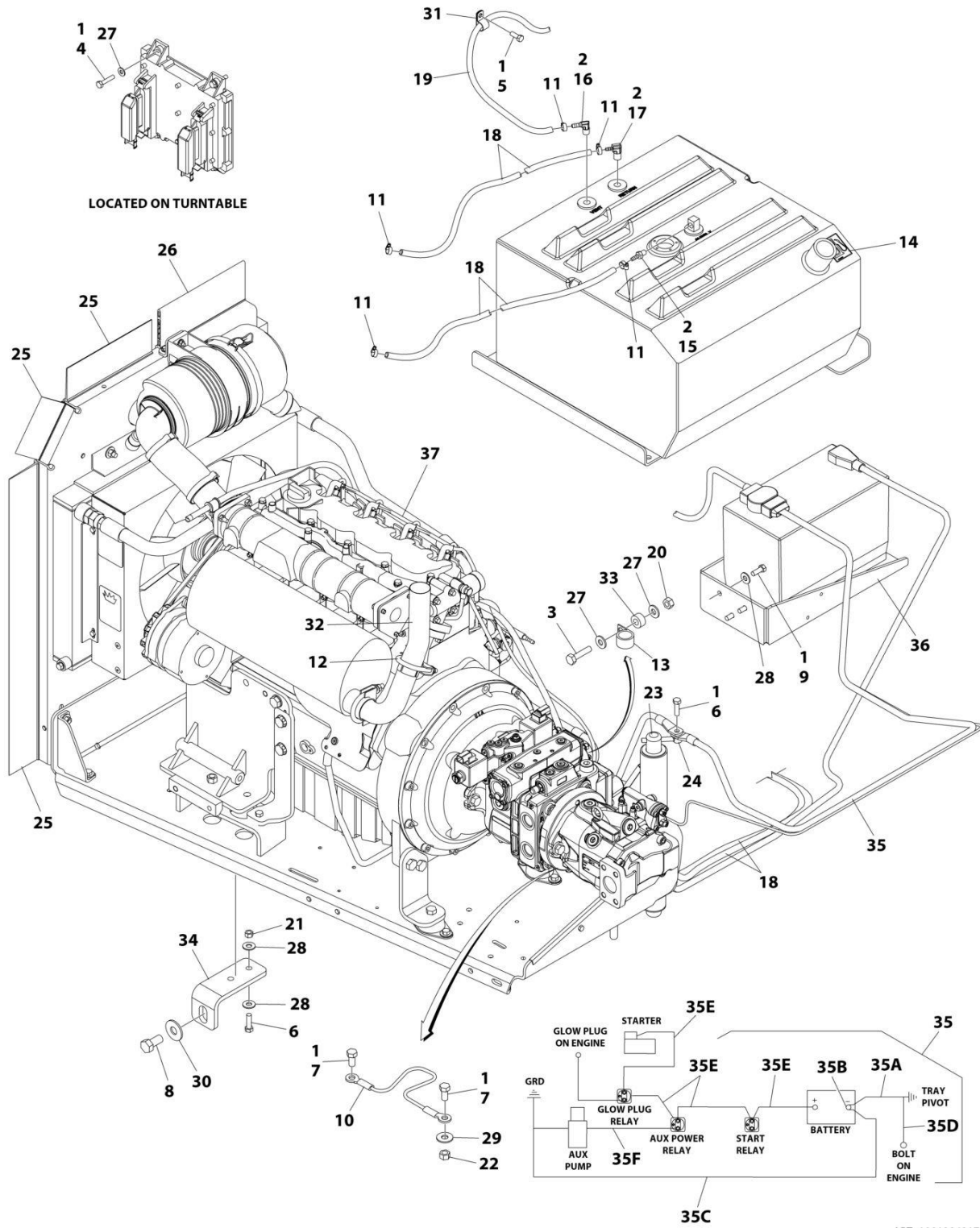
FIGURE 2-69. WHITE NOISE ALARM HARNESS

ITEM	PART NUMBER	QTY	DESCRIPTION	REV
	1001243682	Ref	WHITE NOISE ALARM HARNESS	A
1	4460891	1	Plug, Male - 2 Position	
1	4460465	2	Socket, Female	
2	4460871	1	Terminal	
3	4460539	1	Plug, Male- 3 Position	
3	4460465	3	Socket, Female	
4	4460536	1	Receptacle, Female- 3 Position	
4	4460464	3	Pin, Male	

SECTION 3 - ENGINE

SECTION 3 - ENGINE

FIGURE 3-1. DEUTZ D2011 ENGINE INSTALLATION (WITHOUT ARCTIC PACKAGE)



ART_1001296317

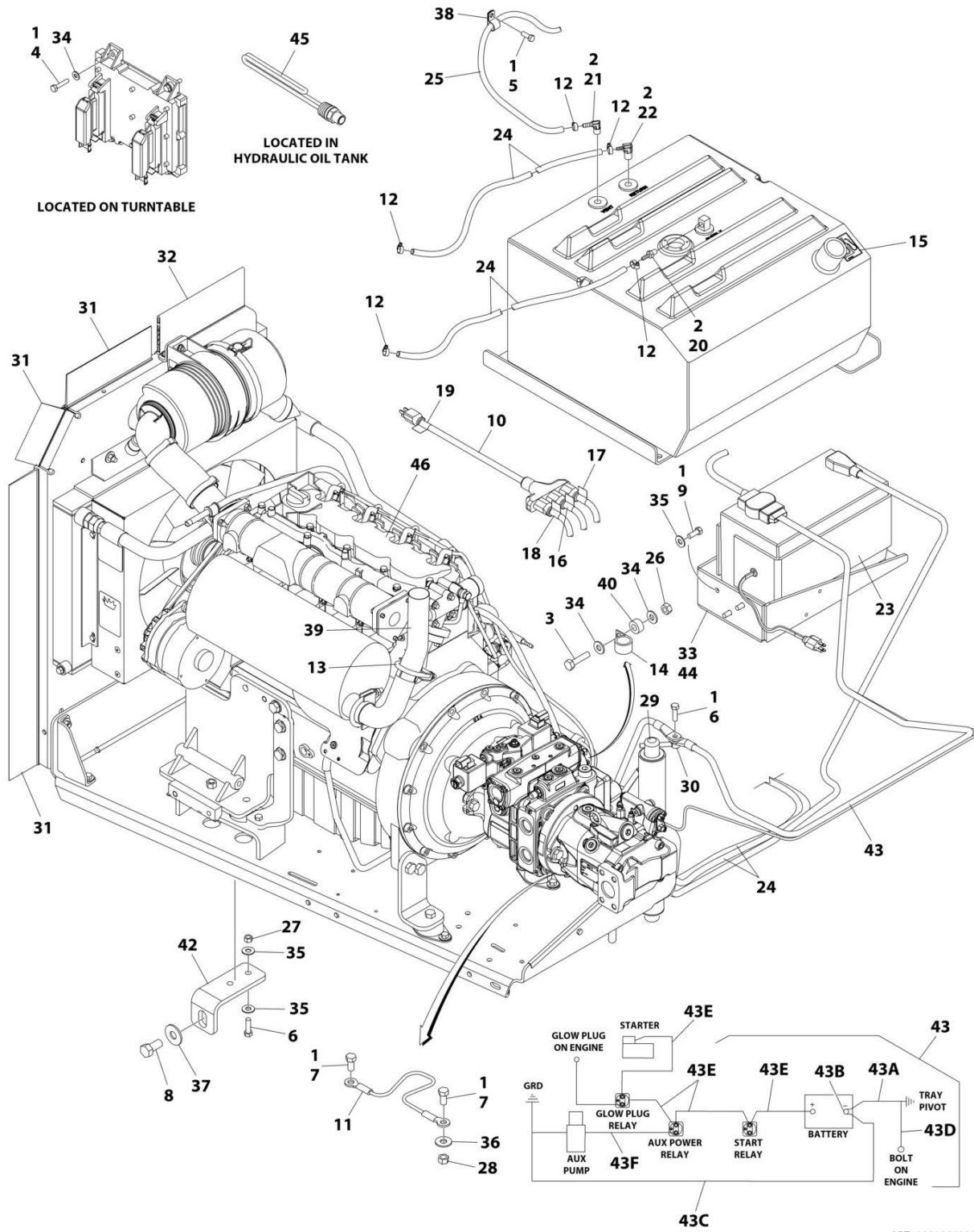
SECTION 3 - ENGINE

FIGURE 3-1. DEUTZ D2011 ENGINE INSTALLATION (WITHOUT ARCTIC PACKAGE)

ITEM	PART NUMBER	QTY	DESCRIPTION	REV
	1001296317	Ref	DEUTZ D2011 ENGINE INSTALLATION	A
1	0100011	AR	Compound, Locking	
2	0100020	AR	Sealant, Pipe	
3	0641409	1	Bolt 1/4 x 1-1/8	
4	0641410	4	Bolt 1/4 x 1-1/4	
5	0641608	1	Bolt 3/8 x 1	
6	0641610	3	Bolt 3/8 x 1-1/4	
7	0641808	2	Bolt 1/2 x 1	
8	0642010	1	Bolt 5/8 x 1-1/4	
9	0681608	3	Bolt 3/8 x 1	
10	1060637	1	Lanyard	
11	1320022	5	Clamp	
12	1320176	1	Clamp	
13	1320224	1	Clamp	
14	1701505	1	Decal - Diesel	
15	2180348	1	Fitting, Straight NPTF/Barbed	
16	2220313	1	Fitting, 90 NPTF/Barbed	
17	2221176	1	Fitting, 90	
18	2720058	30 ft/9 m	Hose	
19	2750532	3.5 ft/1 m	Hose	
20	3311405	1	Nut 1/4	
21	3311605	2	Nut 3/8	
22	3311801	1	Nut 1/2	
23	3422446	1	Pin	
24	3841143	1	Pin, Keeper	
25	3960548	4 ft/1.5 m	Seal	
26	3960549	11 in/28 cm	Seal	
27	4711400	6	Washer 1/4	
28	4751600	7	Washer 3/8	
29	4751800	1	Washer 1/2	
30	4752000	1	Washer 5/8	
31	8406102	1	Clip	
32	1001101600	1	Tube, Exhaust	
33	1001110425	1	Spacer	
34	1001151070	1	Plate	
35	1001155143	1	Battery Cable Kit	D
35A	7027092	1	Cable, Battery (Black) (Battery - to Tray Pivot and Relay Grds)	
35B	8270147	1	Terminal, Battery (With Boot)	
35C	7027093	1	Cable, Battery (Black) (Battery - to Aux Pump and Relay Grds)	
35D	7027053	1	Cable, Battery (Black) (Engine to Tray Pivot Grd)	
35E	7027094	1	Cable (Red) (Battery + to Aux Relay/Power Module/Starter)	
35F	7027095	1	Cable (Red) (Aux Relay to Aux Pump)	
36	1001162497	1	Bracket	
37	1001296316	1	Engine and Pump Assembly without Arctic Package (See Separate Breakdown in this Section)	

SECTION 3 - ENGINE

FIGURE 3-2. DEUTZ D2011 ENGINE INSTALLATION (WITH ARCTIC PACKAGE)



ART_1001296320

SECTION 3 - ENGINE

FIGURE 3-2. DEUTZ D2011 ENGINE INSTALLATION (WITH ARCTIC PACKAGE)

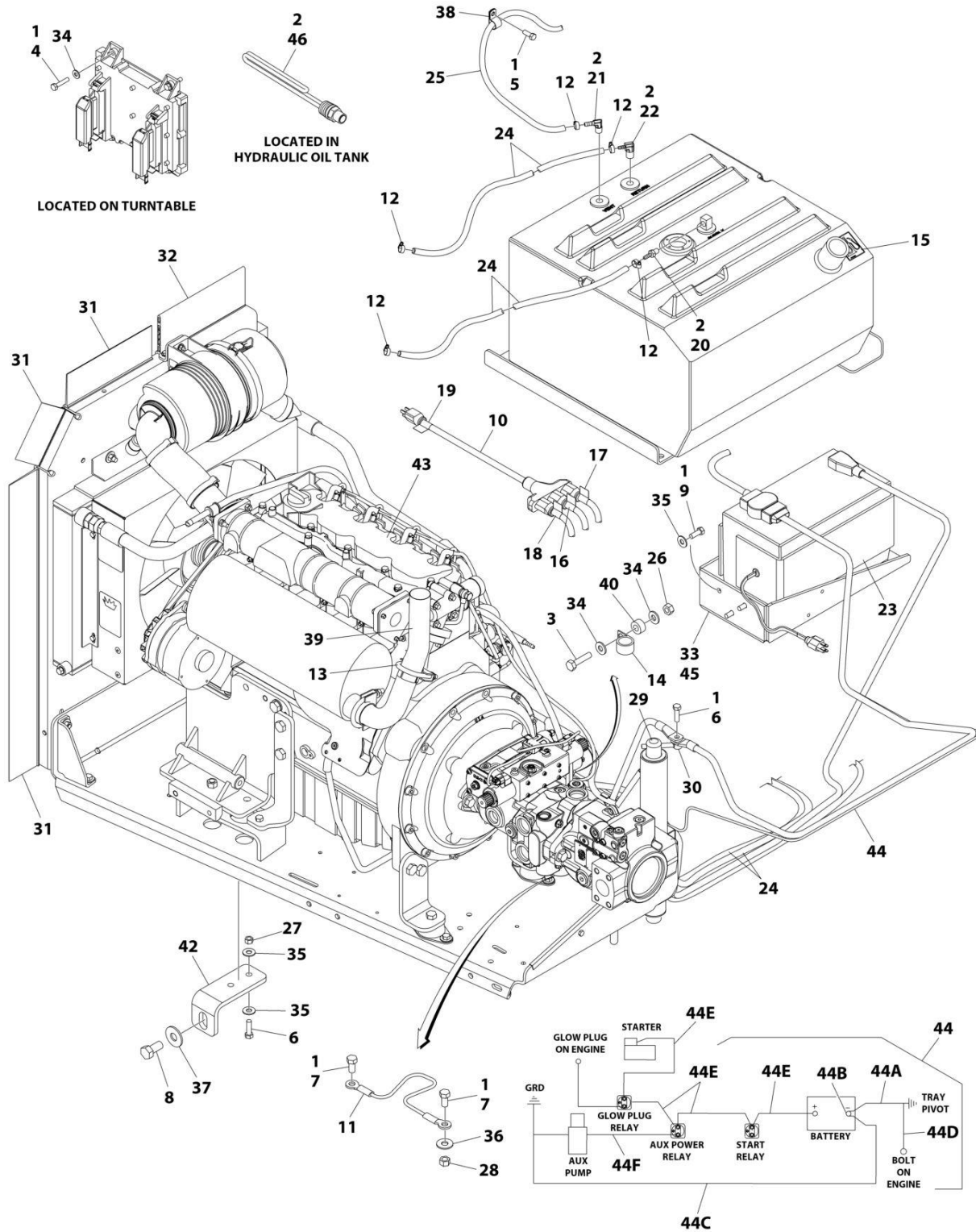
ITEM	PART NUMBER	QTY	DESCRIPTION	REV
	1001296320	Ref	DEUTZ D2011 ENGINE INSTALLATION	A
1	0100011	AR	Compound, Locking	
2	0100020	AR	Sealant, Pipe	
3	0641409	1	Bolt 1/4 x 1-1/8	
4	0641410	4	Bolt 1/4 x 1-1/4	
5	0641608	1	Bolt 3/8 x 1	
6	0641610	3	Bolt 3/8 x 1-1/4	
7	0641808	2	Bolt 1/2 x 1	
8	0642010	1	Bolt 5/8 x 1-1/4	
9	0681608	3	Bolt 3/8 x 1	
10	1060626	1	Cord, 3 Way Extension	
11	1060637	1	Lanyard	
12	1320022	5	Clamp	
13	1320176	1	Clamp	
14	1320224	1	Clamp	
15	1701505	1	Decal - Diesel	
16	1702941	1	Decal - Battery Heater	
17	1702942	1	Decal - Engine Block Heater	
18	1702943	1	Decal - Hydraulic Tank Heater	
19	1702944	1	Decal - Heater Cord	
20	2180348	1	Fitting, Straight NPTF/Barbed	
21	2220313	1	Fitting, 90 NPTF/Barbed	
22	2221176	1	Fitting, 90	
23	2580024	1	Heater, Battery	
24	2720058	30 ft/9 m	Hose	
25	2750532	3.5 ft/1 m	Hose	
26	3311405	1	Nut 1/4	
27	3311605	2	Nut 3/8	
28	3311801	1	Nut 1/2	
29	3422446	1	Pin, Pivot	
30	3841143	1	Pin, Keeper	
31	3960548	4 ft/1.5 m	Seal	
32	3960549	11 in/28 cm	Seal	
33	3980007	1	Seat, Battery	
34	4711400	6	Washer 1/4	
35	4751600	7	Washer 3/8	
36	4751800	1	Washer 1/2	
37	4752000	1	Washer 5/8	
38	8406102	1	Clip	
39	1001101600	1	Tube, Exhaust	
40	1001110425	1	Spacer	
41	1001150918	1	Cable, Immersion Heater (Not Shown)	
42	1001151070	1	Plate	
43	1001155143	1	Battery Cable Kit	
43A	7027092	1	Cable, Battery (Black) (Battery - to Tray Pivot and Relay Grds)	
43B	8270147	1	Terminal, Battery (With Boot)	
43C	7027093	1	Cable, Battery (Black) (Battery - to Aux Pump and Relay Grds)	
43D	7027053	1	Cable, Battery (Black) (Engine to Tray Pivot Grd)	
43E	7027094	1	Cable (Red) (Battery + to Aux Relay/Power Module/Starter)	

SECTION 3 - ENGINE

ITEM	PART NUMBER	QTY	DESCRIPTION	REV
43F	7027095	1	Cable (Red) (Aux Relay to Aux Pump)	
44	1001162497	1	Bracket	
45	1001188972	1	Heater, Hydraulic Tank	
46	1001296318	1	Engine and Pump Assembly with Arctic Package (See Separate Breakdown in this Section)	

SECTION 3 - ENGINE

FIGURE 3-3. DEUTZ D2011 ENGINE INSTALLATION - (WITH ARCTIC PACKAGE) (WITH 47.8 GAL CAPACITY HYDRAULIC TANK)



ART_1001287834

SECTION 3 - ENGINE

FIGURE 3-3. DEUTZ D2011 ENGINE INSTALLATION - (WITH ARCTIC PACKAGE) (WITH 47.8 GAL CAPACITY HYDRAULIC TANK)

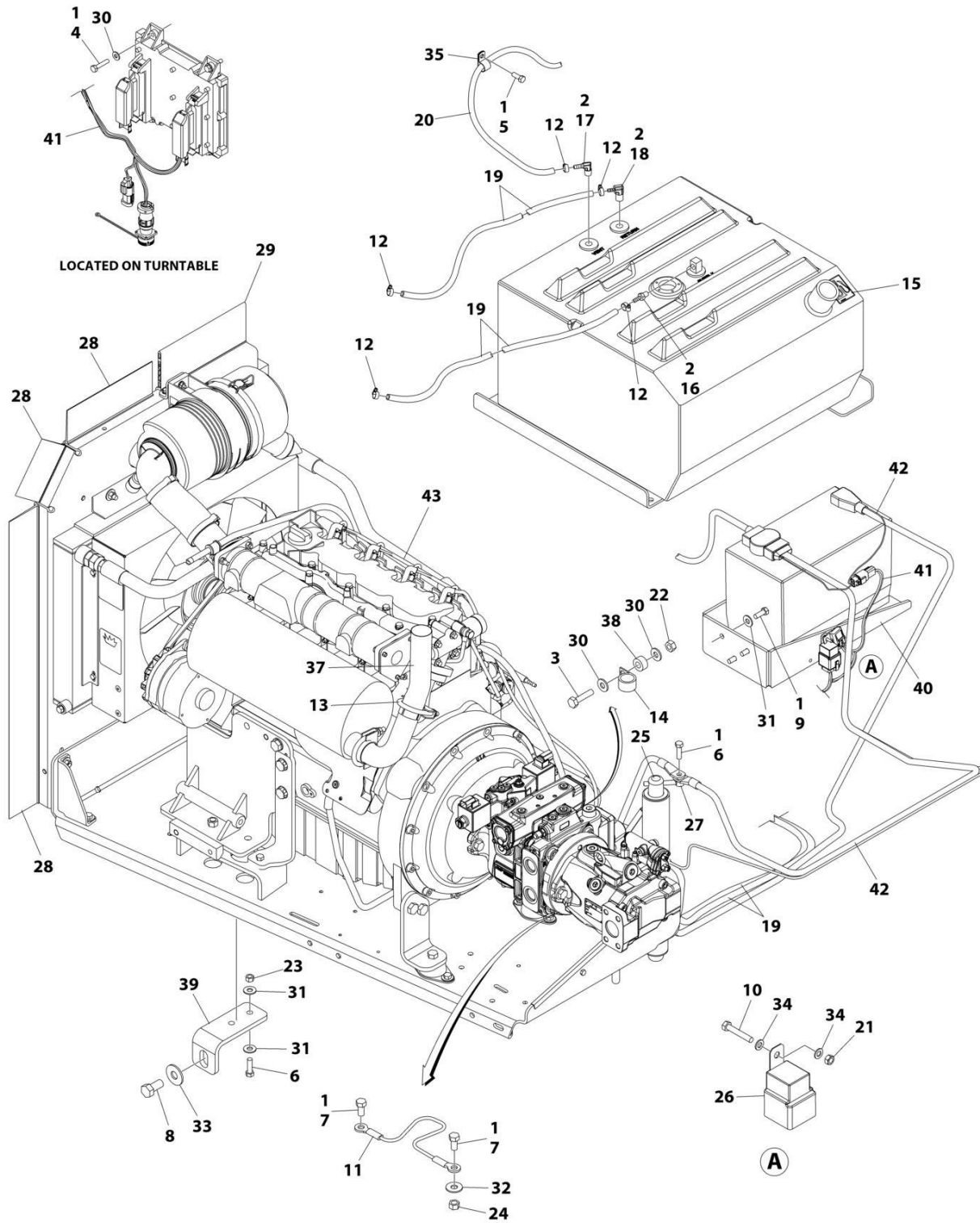
ITEM	PART NUMBER	QTY	DESCRIPTION	REV
	1001287834	Ref	DEUTZ D2011 ENGINE INSTALLATION	A
1	0100011	AR	Compound, Locking	
2	0100020	AR	Sealant, Pipe	
3	0641409	1	Bolt 1/4 x 1-1/8	
4	0641410	4	Bolt 1/4 x 1-1/4	
5	0641608	1	Bolt 3/8 x 1	
6	0641610	3	Bolt 3/8 x 1-1/4	
7	0641808	2	Bolt 1/2 x 1	
8	0642010	1	Bolt 5/8 x 1-1/4	
9	0681608	3	Bolt 3/8 x 1 Grade 8	
10	1060626	1	Cord, 3 Way Extension	
11	1060637	1	Cable, Lanyard	
12	1320022	5	Clamp, Hose	
13	1320176	1	Clamp	
14	1320224	1	Clamp	
15	1701505	1	Decal - Diesel	
16	1702941	1	Decal - Battery Heater	
17	1702942	1	Decal - Engine Block Heater	
18	1702943	1	Decal - Hydraulic Tank Heater	
19	1702944	1	Decal - Heater Cord	
20	2180348	1	Fitting, Straight Barbed	
21	2220313	1	Fitting, Elbow	
22	2221176	1	Fitting, Elbow Barbed	
23	2580024	1	Heater, Battery	
24	2720058	30 ft/ 9.2m	Hose	
25	2750532	3.6 ft/ 1m	Hose	
26	3311405	1	Nut 1/4	
27	3311605	2	Nut 3/8	
28	3311801	1	Nut 1/2	
29	3422446	1	Pin, Pivot	
30	3841143	1	Pin, Keeper	
31	3960548	44 in/ 1.1m	Seal	
32	3960549	11 in/ 28cm	Seal	
33	3980007	1	Seat, Battery	
34	4711400	6	Washer 1/4	
35	4751600	7	Washer 3/8	
36	4751800	1	Washer 1/2	
37	4752000	1	Washer 5/8	
38	8406102	1	Clip	
39	1001101600	1	Tube, Exhaust	
40	1001110425	1	Spacer	
41	1001150918	1	Cable, Immersion Heater (Not Shown)	
42	1001151070	1	Plate	
43	1001154237	1	Engine and Pump Assembly with Arctic Package (See Separate Breakdown in this Section)	
44	1001155143	1	Battery Cable Kit	
44A	7027092	1	Cable, Battery (Black) (Battery - to Tray Pivot and Relay Grds)	

SECTION 3 - ENGINE

ITEM	PART NUMBER	QTY	DESCRIPTION	REV
44B	8270147	1	Terminal, Battery (With Boot) Cable, Battery (Black)	
44C	7027093	1	Cable, Battery (Black) (Battery - to Aux Pump Ground)	
44D	7027053	1	Cable, Battery (Black) (Engine to Tray Pivot Grd)	
44E	7027094	1	Cable (Red) (Battery + to Relays/Starter)	
44F	7027095	1	Cable (Red) (Aux Relay to Aux Pump)	
45	1001162497	1	Bracket	
46	1001188972	1	Heater, Hydraulic Tank	

SECTION 3 - ENGINE

FIGURE 3-4. DEUTZ D2011 ENGINE INSTALLATION (HIGH TEMP MARKETS)



ART_1001296323

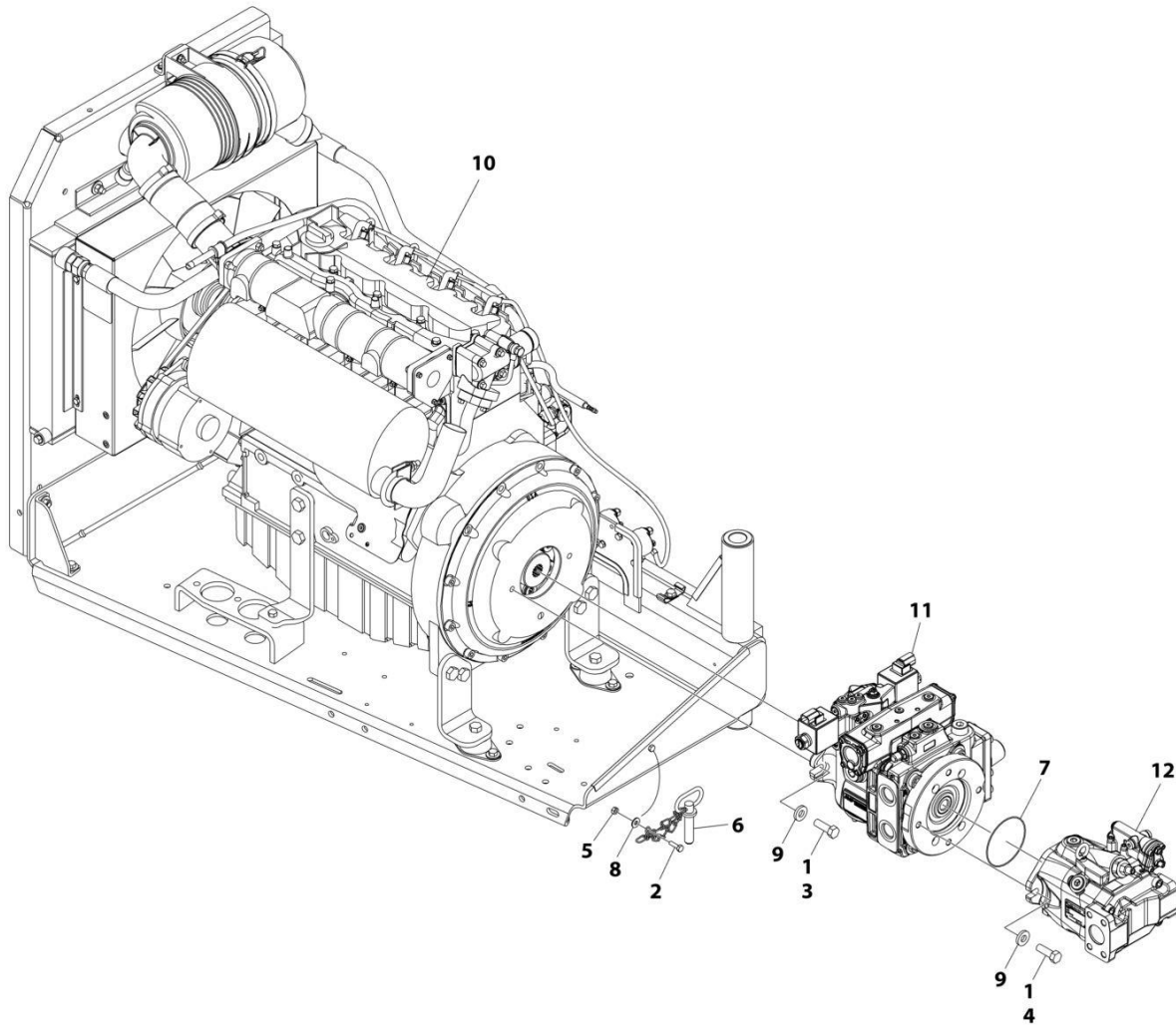
SECTION 3 - ENGINE

FIGURE 3-4. DEUTZ D2011 ENGINE INSTALLATION (HIGH TEMP MARKETS)

ITEM	PART NUMBER	QTY	DESCRIPTION	REV
	1001296323	Ref	DEUTZ D2011 ENGINE INSTALLATION	A
1	0100011	AR	Compound, Locking	
2	0100020	AR	Sealant, Pipe	
3	0641409	1	Bolt 1/4 x 1-1/8	
4	0641410	4	Bolt 1/4 x 1-1/4	
5	0641608	1	Bolt 3/8 x 1	
6	0641610	3	Bolt 3/8 x 1-1/4	
7	0641808	2	Bolt 1/2 x 1	
8	0642010	1	Bolt 5/8 x 1-1/4	
9	0681608	3	Bolt 3/8 x 1	
10	0760514	1	Bolt M5 x 30	
11	1060637	1	Lanyard	
12	1320022	5	Clamp	
13	1320176	1	Clamp	
14	1320224	1	Clamp	
15	1701505	1	Decal - Diesel	
16	2180348	1	Fitting, Straight NPTF/Barbed	
17	2220313	1	Fitting, 90 NPTF/Barbed	
18	2221176	1	Fitting, 90	
19	2720058	30 ft/9 m	Hose	
20	2750532	3.5 ft/1 m	Hose	
21	3290501	1	Nut M5	
22	3311405	1	Nut 1/4	
23	3311605	2	Nut 3/8	
24	3311801	1	Nut 1/2	
25	3422446	1	Pin	
26	3740080	1	Relay	
27	3841143	1	Pin, Keeper	
28	3960548	4 ft/1.5 m	Seal	
29	3960549	11 in/28 cm	Seal	
30	4711400	6	Washer 1/4	
31	4751600	7	Washer 3/8	
32	4751800	1	Washer 1/2	
33	4752000	1	Washer 5/8	
34	4811600	2	Washer M5	
35	8406102	1	Clip	
36	1001004720	AR	Tie-Strap (Not Shown)	
37	1001101600	1	Tube, Exhaust	
38	1001110425	1	Spacer	
39	1001151070	1	Plate	
40	1001162497	1	Bracket	
41	1001243366	1	ECU Jumper Harness	
42	1001243992	1	Battery Cable Kit	
43	1001296316	1	Engine and Pump Assembly without Arctic Package (See Separate Breakdown in this Section)	

SECTION 3 - ENGINE

FIGURE 3-5. DEUTZ D2011 ENGINE/PUMP SUB ASSEMBLY (WITHOUT ARCTIC PACKAGE)



ART_1001296316

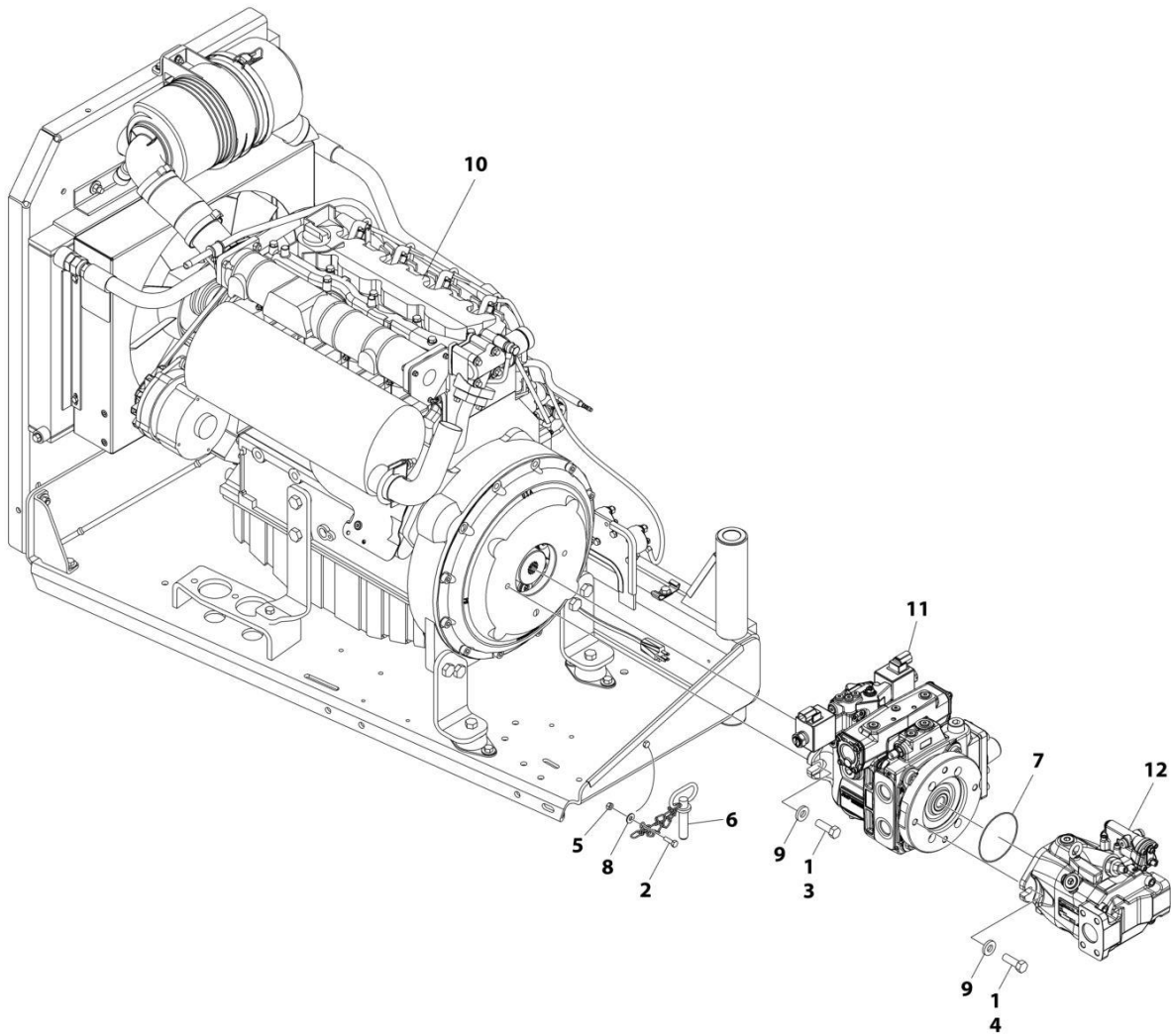
SECTION 3 - ENGINE

FIGURE 3-5. DEUTZ D2011 ENGINE/PUMP SUB ASSEMBLY (WITHOUT ARCTIC PACKAGE)

ITEM	PART NUMBER	QTY	DESCRIPTION	REV
	1001296316	Ref	DEUTZ D2011 ENGINE/PUMP SUB-ASSEMBLY	A
1	0100011	AR	Compound, Locking	
2	0641407	1	Bolt 1/4 x 7/8	
3	0641812	2	Bolt 1/2 x 1-1/2	
4	0711215	2	Bolt M12 x 35	
5	3311405	1	Nut 1/4	
6	3422532	1	Pin, Hitch	
7	3790044	1	O-Ring	
8	4751400	1	Washer 1/4	
9	4891800	4	Washer 1/2	
10	1001153396	1	Engine Assembly Without Arctic Package (See Separate Breakdown in this Section)	
11	1001276376	1	Hydrostatic Pump Assembly with Fittings (See Separate Breakdown in this Section)	
12	1001276377	1	Variable Pump Assembly with Fittings (See Separate Breakdown in this Section)	

SECTION 3 - ENGINE

FIGURE 3-6. DEUTZ D2011 ENGINE/PUMP SUB ASSEMBLY (WITH ARCTIC PACKAGE)



ART_1001296318

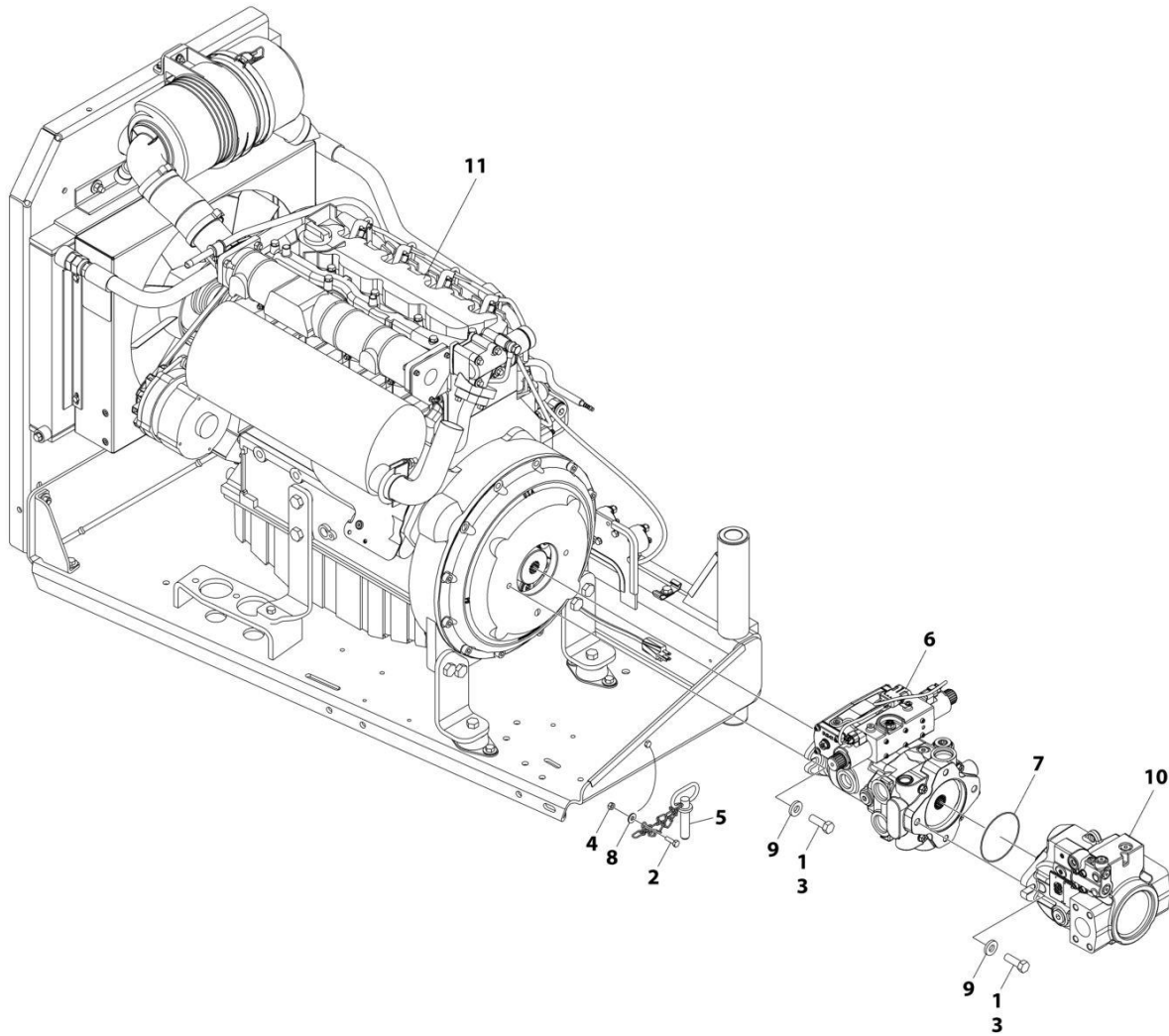
SECTION 3 - ENGINE

FIGURE 3-6. DEUTZ D2011 ENGINE/PUMP SUB ASSEMBLY (WITH ARCTIC PACKAGE)

ITEM	PART NUMBER	QTY	DESCRIPTION	REV
	1001296318	Ref	DEUTZ D2011 ENGINE/PUMP SUB-ASSEMBLY	A
1	0100011	AR	Compound, Locking	
2	0641407	1	Bolt 1/4 x 7/8	
3	0641812	2	Bolt 1/2 x 1-1/2	
4	0711215	2	Bolt M12 x 35	
5	3311405	1	Nut 1/4	
6	3422532	1	Pin	
7	3790044	1	O-Ring	
8	4751400	1	Washer 1/4	
9	4891800	4	Washer 1/2	
10	1001153779	1	Engine Assembly With Arctic Package (See Separate Breakdown in this Section)	
11	1001276376	1	Hydrostatic Pump Assembly with Fittings (See Separate Breakdown in this Section)	
12	1001276377	1	Variable Pump Assembly with Fittings (See Separate Breakdown in this Section)	

SECTION 3 - ENGINE

FIGURE 3-7. DEUTZ D2011 ENGINE AND PUMP SUB-ASSEMBLY - (WITH ARCTIC PACKAGE) (WITH 47.8 GAL CAPACITY HYDRAULIC TANK)



ART_1001154237

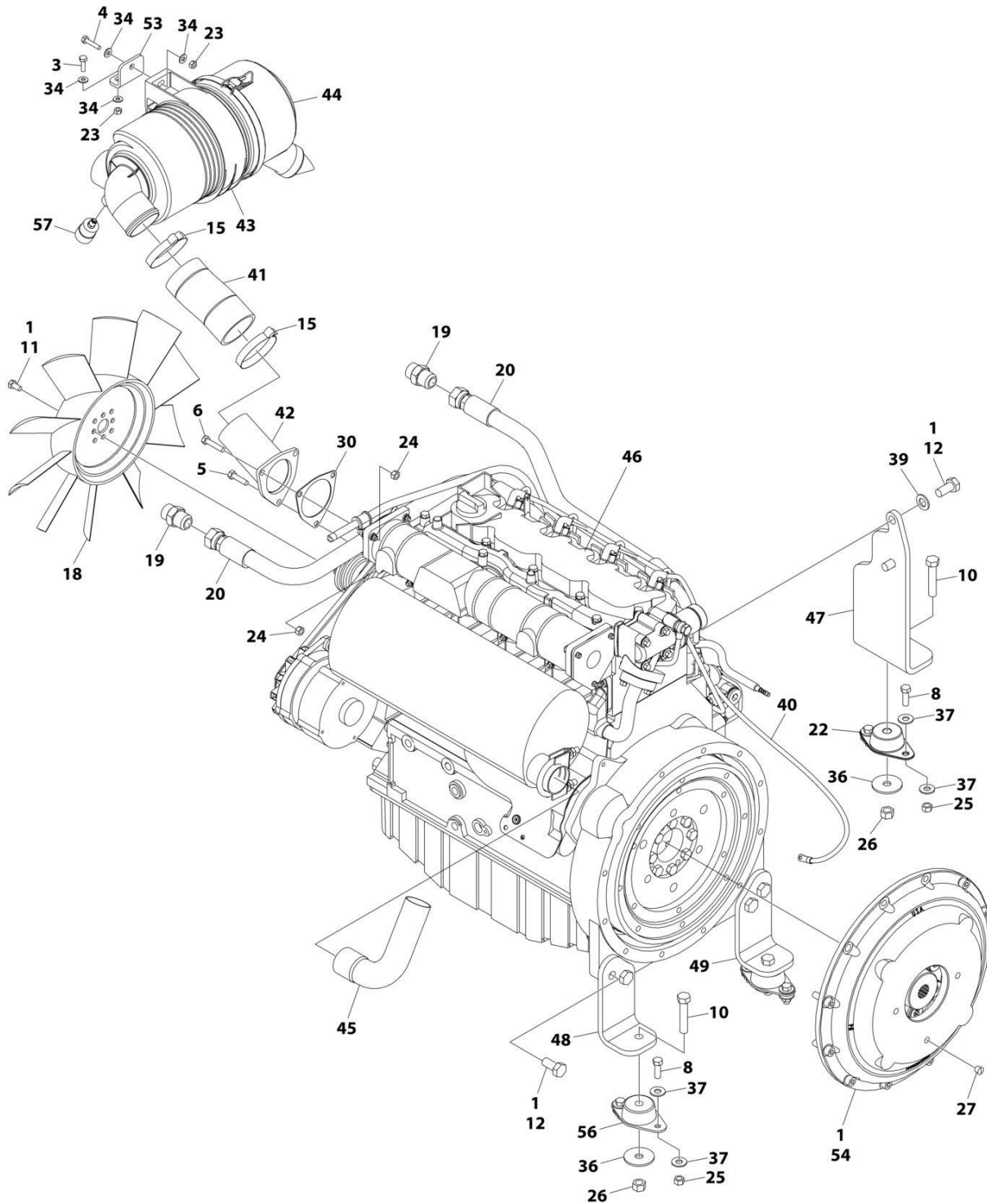
SECTION 3 - ENGINE

FIGURE 3-7. DEUTZ D2011 ENGINE AND PUMP SUB-ASSEMBLY - (WITH ARCTIC PACKAGE) (WITH 47.8 GAL CAPACITY HYDRAULIC TANK)

ITEM	PART NUMBER	QTY	DESCRIPTION	REV
	1001154237	Ref	DEUTZ D2011 ENGINE AND PUMP SUB-ASSEMBLY (WITH ARCTIC PACKAGE)	D
1	0100011	AR	Compound, Locking	
2	0641407	1	Bolt 1/4 x 7/8	
3	0641812	4	Bolt 1/2 x 1-1/2	
4	3311405	1	Nut 1/4	
5	3422532	1	Pin, Hitch	
6	1001225745	1	Hydrostatic Pump Assembly with Fittings (See Separate Breakdown in this Section)	
7	3790044	1	O-Ring	
8	4751400	1	Washer 1/4	
9	4891800	4	Washer 1/2	
10	1001094595	1	Variable Pump Assembly with Fittings (See Separate Breakdown in this Section)	
11	1001153779	1	Engine Assembly With Arctic Package (See Separate Breakdown in this Section)	

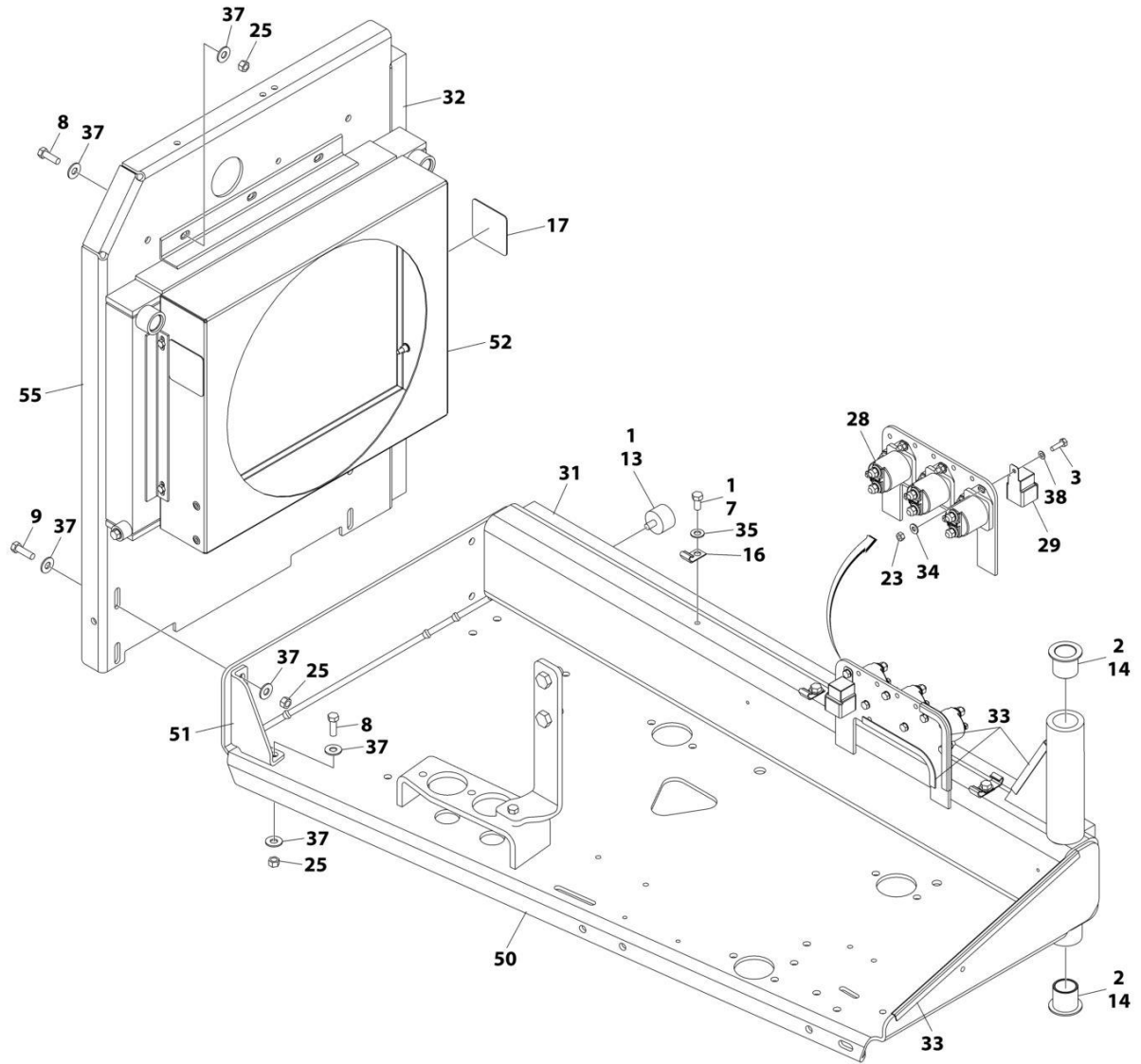
SECTION 3 - ENGINE

FIGURE 3-8. DEUTZ D2011 ENGINE ASSEMBLY (WITHOUT ARCTIC PACKAGE)



ART_1001153396_10F2

SECTION 3 - ENGINE



ART_1001153396_20F2

SECTION 3 - ENGINE

FIGURE 3-8. DEUTZ D2011 ENGINE ASSEMBLY (WITHOUT ARCTIC PACKAGE)

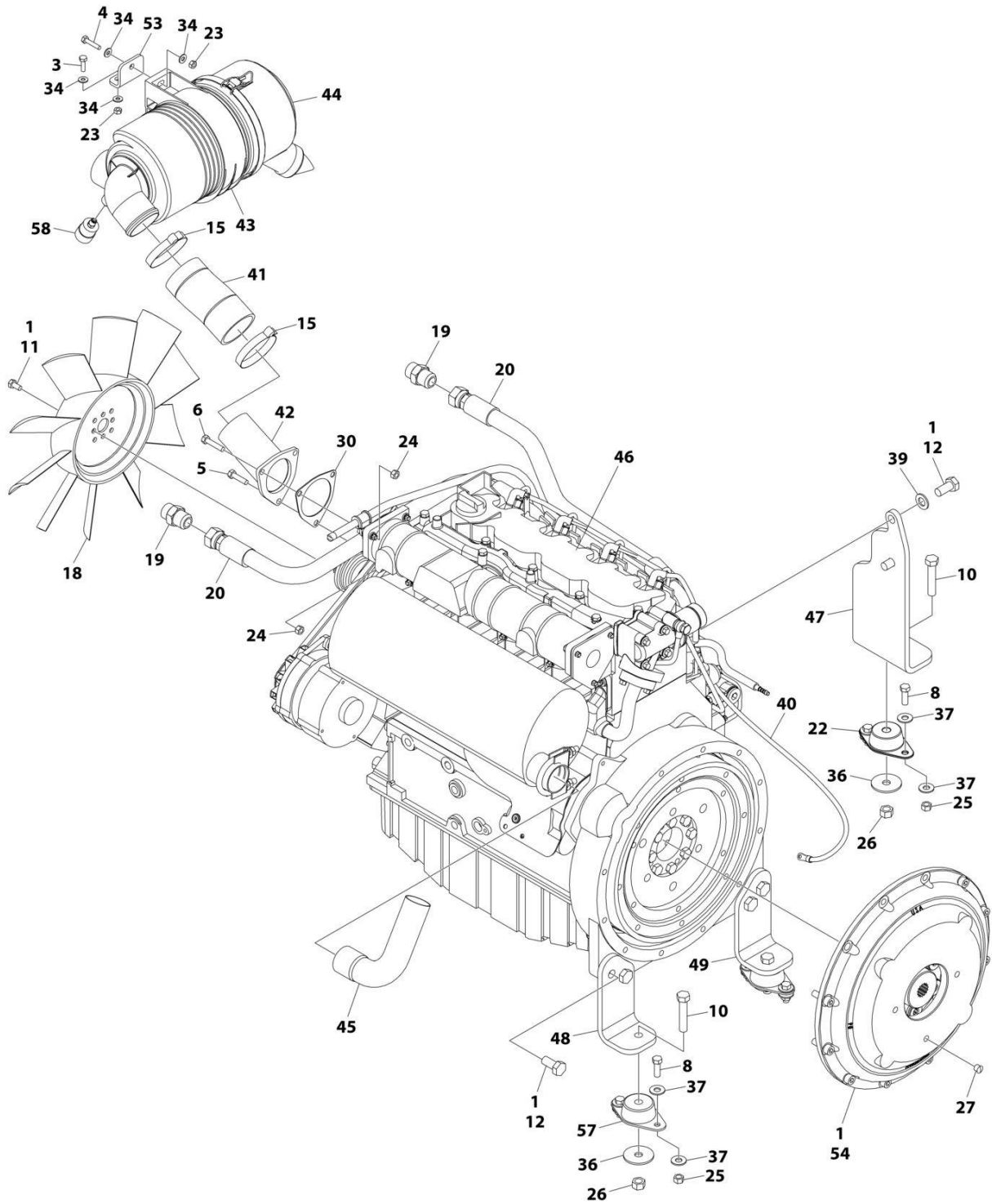
ITEM	PART NUMBER	QTY	DESCRIPTION	REV
	1001153396	Ref	ENGINE ASSEMBLY WITHOUT ARCTIC PACKAGE	H
1	0100011	AR	Compound, Locking	
2	0100062	AR	Compound, Locking	
3	0641407	8	Bolt 1/4 x 7/8	
4	0641410	2	Bolt 1/4 x 1-1/4	
5	0641510	2	Bolt 5/16 x 1-1/4	
6	0641512	1	Bolt 5/16 x 1-1/2	
7	0641606	3	Bolt 3/8 x 3/4	
8	0641609	14	Bolt 3/8 x 1-1/8	
9	0641610	4	Bolt 3/8 x 1-1/4	
10	0641820	3	Bolt 1/2 x 2-1/2	
11	0700808	4	Bolt M8 x 16	
12	0771414	6	Bolt M14 x 30	
13	0940070	1	Bumper	
14	0961986	2	Bushing, Flanged	
15	1320016	2	Clamp	
16	1320223	4	J-Clip	
17	1703162	2	Decal - Caution Fan Blade	
18	2060025	1	Fan	
19	2220451	2	Fitting, Straight	
20	2720398	2	Hose, Oil Cooler	
22	3200406	1	Mount, Motor	
23	3311405	10	Nut 1/4	
24	3311505	3	Nut 5/16	
25	3311605	18	Nut 3/8	
26	3311805	3	Nut 1/2	
27	3520054	2	Plug	
28	3740067	3	Relay	
29	3740080	1	Relay	
30	3960407	1	Gasket, Air Intake	
31	3960468	1	Seal	
32	3960469	1	Seal	
33	4060805	37 in/1m	Flex-Trim	
34	4711400	14	Washer 1/4	
35	4711600	3	Washer 3/8	
36	4740274	3	Washer, Snubbing	
37	4751600	36	Washer 3/8	
38	4791400	6	Washer, Star 1/4	
39	4812200	2	Washer M14	
40	4923379	1	Harness, Glow Plug	
41	1001001939	1	Hose, Flex	
42	1001146273	1	Adapter, Air Intake	
43	1001147812	1	Clamp	
44	1001147813	1	Air Cleaner Assembly Filter Element	
44	70004020	1	Element, Filter (Not Shown)	
45	1001147820	1	Pipe, Exhaust	
46	1001147823	1	Engine, Deutz D2011 (See Separate Breakdown in this section)	
47	1001149704	1	Support, Engine	
48	1001149705	1	Support, Engine	
49	1001149706	1	Support, Engine	

SECTION 3 - ENGINE

ITEM	PART NUMBER	QTY	DESCRIPTION	REV
50	1001149793	1	Tray, Engine	
51	1001150915	1	Gusset	
52	1001150998	1	Radiator	
53	1001152459	1	Plate, Air Cleaner Mounting	
54	1001153282	1	Pump Coupling Kit (See Separate Breakdown in this section)	
55	1001153414	1	Plate, Radiator Mounting	
56	3200401	2	Mount, Motor	
57	1001143390	1	Indicator	

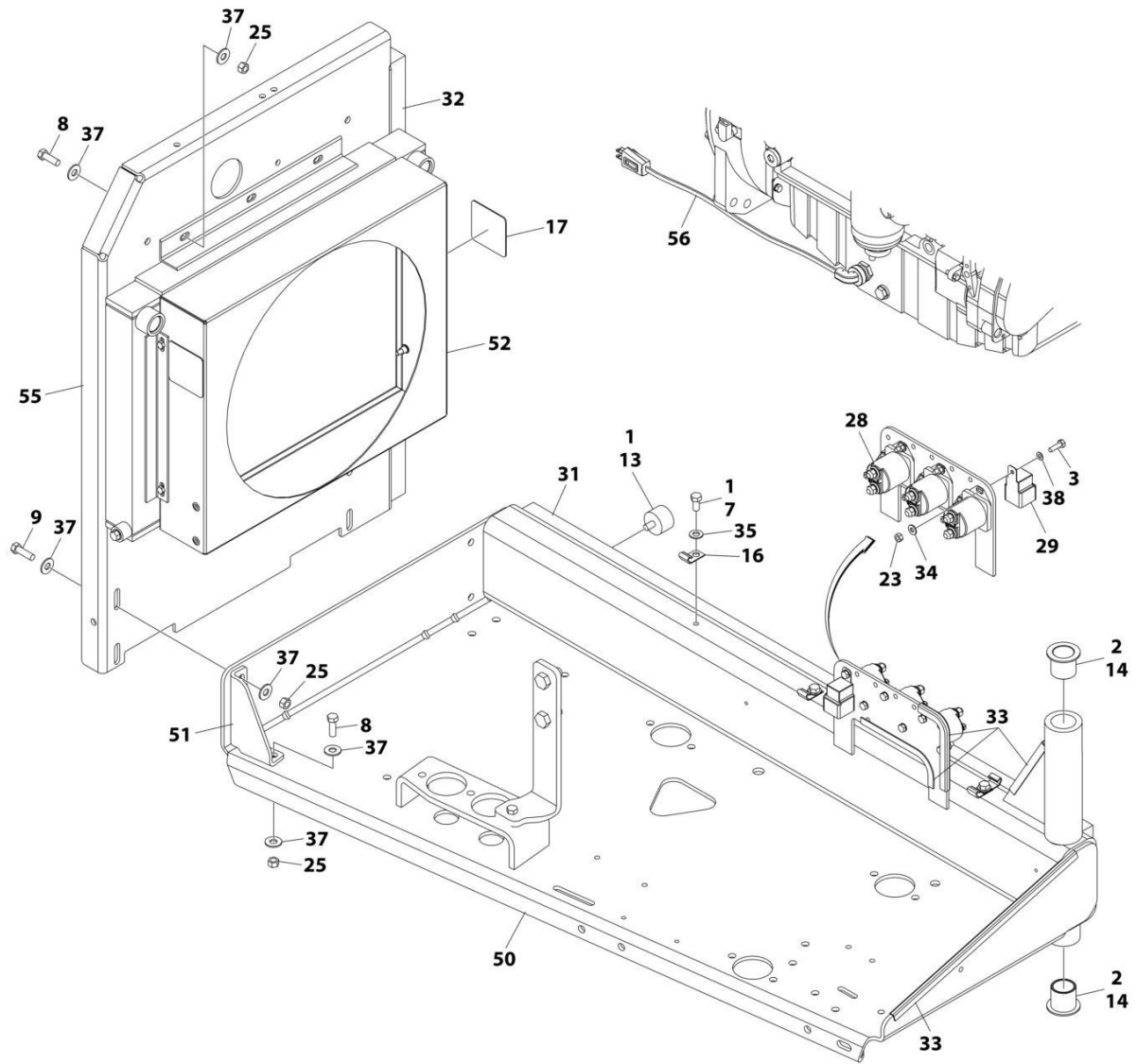
SECTION 3 - ENGINE

FIGURE 3-9. DEUTZ D2011 ENGINE ASSEMBLY (WITH ARCTIC PACKAGE)



ART_1001153779_10F2

SECTION 3 - ENGINE



ART_1001153779_2OF2

SECTION 3 - ENGINE

FIGURE 3-9. DEUTZ D2011 ENGINE ASSEMBLY (WITH ARCTIC PACKAGE)

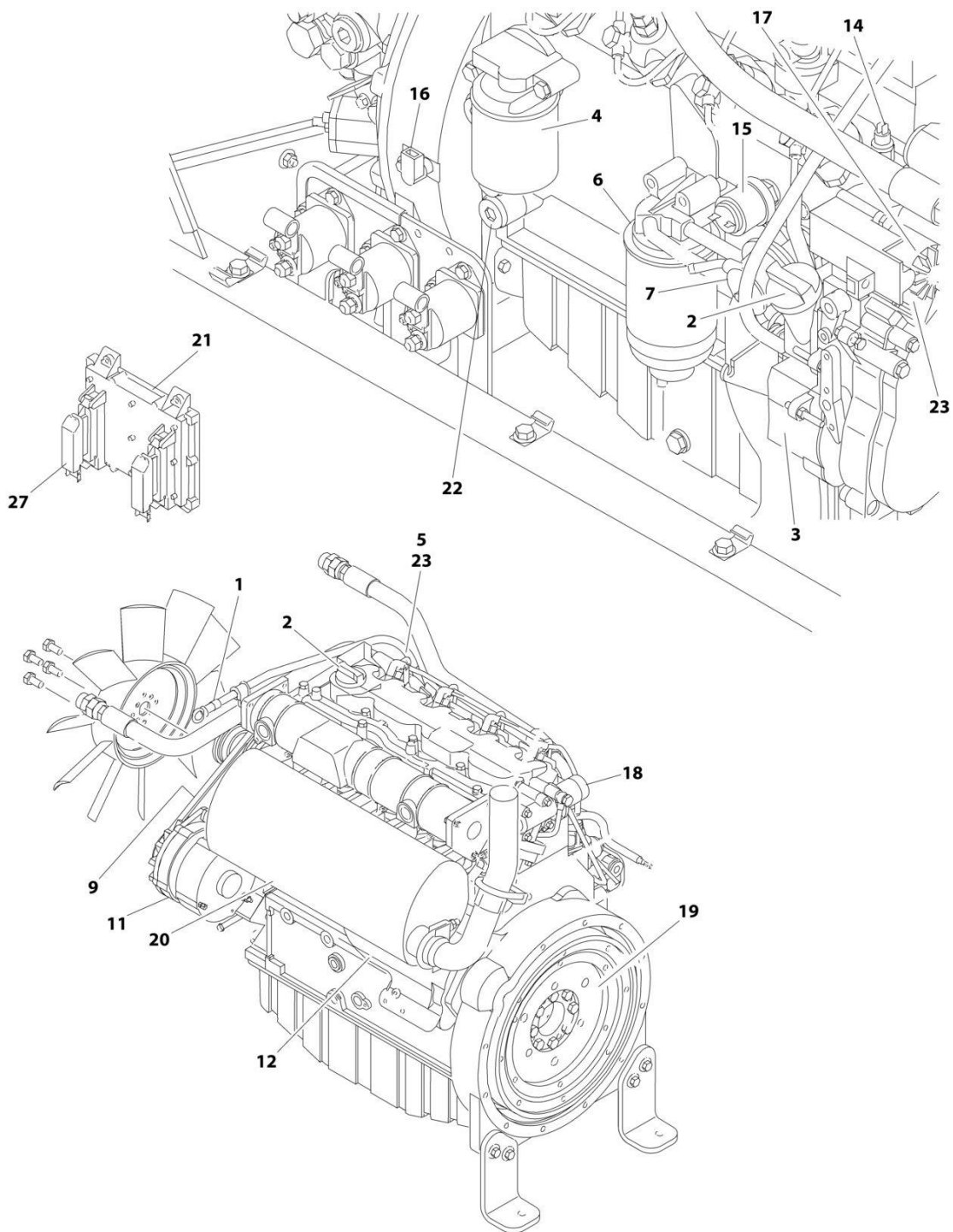
ITEM	PART NUMBER	QTY	DESCRIPTION	REV
	1001153779	Ref	ENGINE ASSEMBLY WITH ARCTIC PACKAGE	H
1	0100011	AR	Compound, Locking	
2	0100062	AR	Compound, Locking	
3	0641407	8	Bolt 1/4 x 7/8	
4	0641410	2	Bolt 1/4 x 1-1/4	
5	0641510	2	Bolt 5/16 x 1-1/4	
6	0641512	1	Bolt 5/16 x 1-1/2	
7	0641606	3	Bolt 3/8 x 3/4	
8	0641609	14	Bolt 3/8 x 1-1/8	
9	0641610	4	Bolt 3/8 x 1-1/4	
10	0641820	3	Bolt 1/2 x 2-1/2	
11	0700808	4	Bolt M8 x 16	
12	0771414	6	Bolt M14 x 30	
13	0940070	1	Bumper	
14	0961986	2	Bushing, Flanged	
15	1320016	2	Clamp	
16	1320223	4	J-Clip	
17	1703162	2	Decal - Caution Fan Blade	
18	2060025	1	Fan	
19	2220451	2	Fitting, Straight	
20	2720398	2	Hose, Oil Cooler	
22	3200406	1	Mount, Motor	
23	3311405	10	Nut 1/4	
24	3311505	3	Nut 5/16	
25	3311605	18	Nut 3/8	
26	3311805	3	Nut 1/2	
27	3520054	2	Plug	
28	3740067	3	Relay	
29	3740080	1	Relay	
30	3960407	1	Gasket, Air Intake	
31	3960468	1	Seal	
32	3960469	1	Seal	
33	4060805	37 in/1m	Flex-Trim	
34	4711400	14	Washer 1/4	
35	4711600	3	Washer 3/8	
36	4740274	3	Washer, Snubbing	
37	4751600	36	Washer 3/8	
38	4791400	6	Washer, Star 1/4	
39	4812200	2	Washer M14	
40	4923379	1	Harness, Glow Plug	
41	1001001939	1	Hose, Flex	
42	1001146273	1	Adapter, Air Intake	
43	1001147812	1	Clamp	
44	1001147813	1	Air Cleaner Assembly Filter Element	
44	70004020	1	Element, Filter (Not Shown)	
45	1001147820	1	Pipe, Exhaust	
46	1001147823	1	Engine, Deutz D2011 (See Separate Breakdown in this Section)	
47	1001149704	1	Support, Engine	
48	1001149705	1	Support, Engine	
49	1001149706	1	Support, Engine	

SECTION 3 - ENGINE

ITEM	PART NUMBER	QTY	DESCRIPTION	REV
50	1001149793	1	Tray, Engine	
51	1001150915	1	Gusset	
52	1001150998	1	Radiator	
53	1001152459	1	Plate, Air Cleaner Mounting	
54	1001153282	1	Pump Coupling Kit (See Separate Breakdown in this Section)	
55	1001153414	1	Plate, Radiator Mounting	
56	2580062	1	Heater, Block	
57	3200401	2	Mount, Motor	
58	1001143390	1	Indicator	

SECTION 3 - ENGINE

FIGURE 3-10. DEUTZ D2011 ENGINE COMPONENTS



ART_1001147823

SECTION 3 - ENGINE

FIGURE 3-10. DEUTZ D2011 ENGINE COMPONENTS

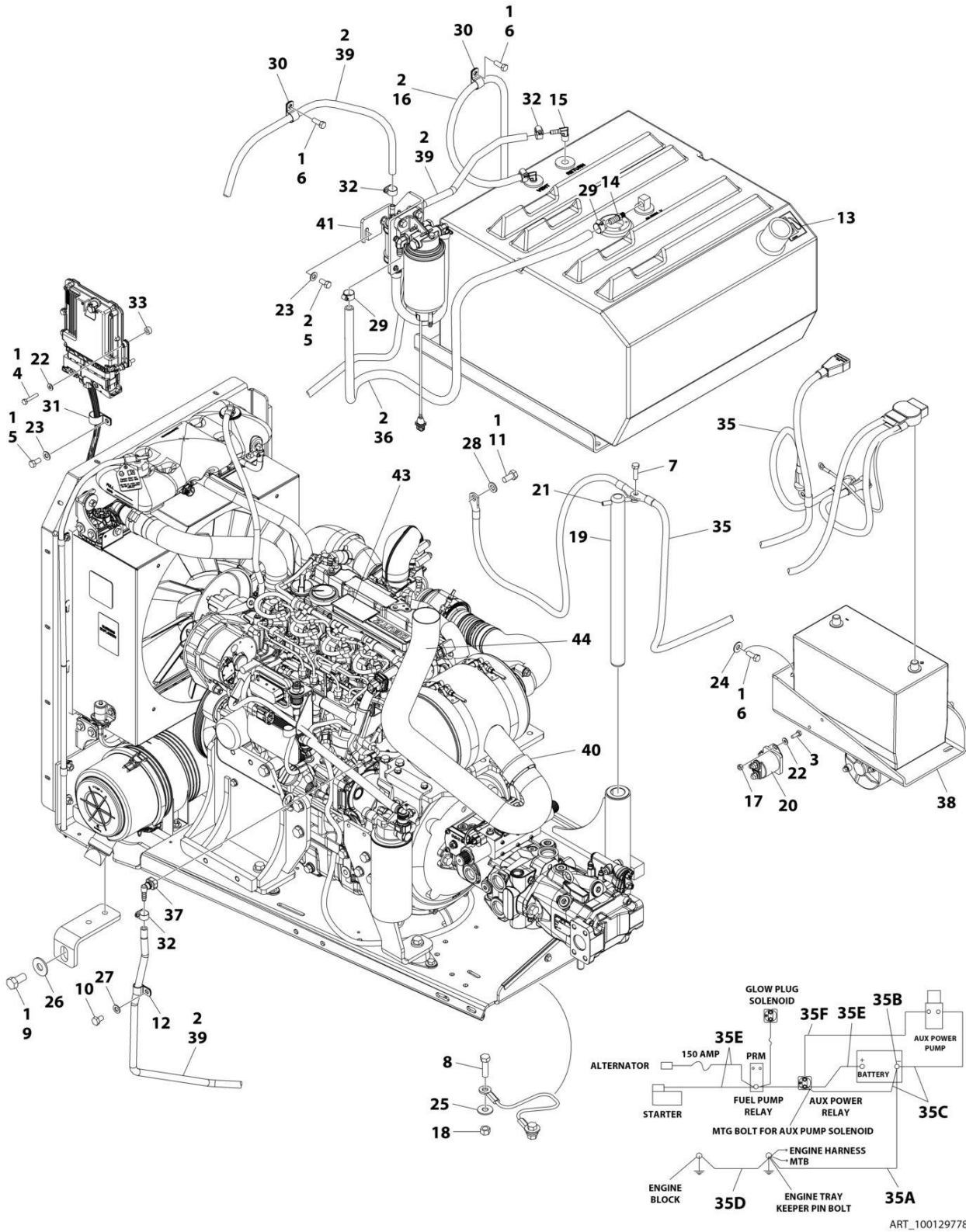
ITEM	PART NUMBER	QTY	DESCRIPTION	REV
	1001147823	Ref	ENGINE COMPONENTS	C
1	70004287	1	Dipstick	
1	70000044	1	Seal, Dipstick	
1	70001002	1	Tube, Dipstick	
1	7020403	1	Seal, Dipstick Tube	
2	7020465	2	Cap, Filler	
3	70001850	1	Pump, Oil Lube	
3	7020468	1	Seal Between Oil Pump and Engine Block (Not Shown)	
4	7016331	1	Filter, Oil	
4	70003472	1	Bracket, Oil Filter	
4	7027236	1	Sender, Temperature	
4	70025082	1	Ring, Sealing	
5	70000912	4	Series A Injector	
5	70000913	4	Series B Injector	
5	70000914	4	Series C Injector	
5	70000915	4	Series D Injector	
5	70003464	4	Seal/Gasket, Pump (1 Per Injector)	
5	70003478	4	Injector, Fuel	
5	70003136	4	Seal/Gasket, Pump (1 Per Injector)	
6	7016328	1	Filter, Fuel	
6	70003465	1	Sensor	
6	70003466	1	Seal, Sensor	
7	70000916	1	Pump, Fuel Supply	
7	70001435	1	Repair Kit for Fuel Supply Pump	
7	70000919	1	Hand Pump for Fuel Supply Pump	
7	70000917	1	O - Seal Between Fuel Pump and Engine Block	
7	70000918	1	O - Seal Between Fuel Pump and Hand Pump	
8	70001871	4	Gasket, Intake Manifold	
9	7020408	1	V-Belt	
10		Ref	Exhaust Manifold Components (Not Shown)	
10	70001835	1	Gasket, Exhaust Adapter to Exhaust Rail	
10	70001841	1	Valve, Exhaust (Fits into Exhaust Adapter)	
10	70001836	1	Gasket, Exhaust Rail to Cylinder Head	
10	70001837	1	Gasket, Exhaust Manifold to Muffler	
10	70002200	4	Stud, Mounting	
10	See Note	AR	Nut, Exhaust Manifold	
11	70004056	1	Alternator	
11	70001868	1	Regulator, Voltage (Not Shown)	
11	70001866	1	Seal, Gasket for Voltage Regulator (Not Shown)	
11	70002234	1	Bar, Alternator Adjustment	
12	7020479	1	Starter	
12	70004058	1	Relay	
13	70004060	2	Plug-In Connector	
14	7027791	1	Transmitter, Temperature	
15	7027790	1	Sensor, Oil Pressure	
16	70004272	1	Sensor, Speed	
17	7027792	1	Throttle Actuator	
17	7027276	2	Spring	
18	70003475	1	Thermostat (Located at rear of engine block - Not Shown)	
19	70001870	1	Flywheel with Ring Gear	

SECTION 3 - ENGINE

ITEM	PART NUMBER	QTY	DESCRIPTION	REV
19	7024579	1	Gear, Ring 110 Tooth	
20	7000695	1	Muffler	
20	70001844	1	U-Ciamp	
20	7020471	4	Gasket	
21	7027795	1	Module, Control	
22	70001181	1	Valve, Pressure Control	
22	70124410	1	Spring	
22	70025082	1	Seal	
22	70124440	1	Screw, Locking	
23	70000345	4	Plug, Glow	
24	70000800	1	Camshaft Pulley Repair Kit (Not Shown)	
26	70002415	1	Gasket, Head with 1 Notch (Not Shown)	
62	70002416	1	Gasket, Head with 2 Notch (Not Shown)	
26	70002417	1	Gasket, Head with 3 Notch (Not Shown)	
27	7027796	1	Harness, Engine (Connects to Item 421)	
27	70001872	1	Harness, Engine (Connects to p/n 7027796)	
28		Ref	Gaskets and Seals - Miscellaneous (Not Shown)	
28	70004289	1	Gasket Set	
28	70002718	1	Seal, Rear Main	
28	70004280	1	Seal, Front Main	
29	70025752	1	Valve, Pressure Relief (Not Shown - Located at Engine Front Left)	
29	70025753	1	Spring	
29	70005916	1	Seal	
29	70005917	1	Plug, Locking	

SECTION 3 - ENGINE

FIGURE 3-11. DEUTZ TD 2.9L4 (UN R96) ENGINE INSTALLATION - WITHOUT ARCTIC PACKAGE (WITH PLASTIC HOODS)



SECTION 3 - ENGINE

**FIGURE 3-11. DEUTZ TD 2.9L4 (UN R96) ENGINE INSTALLATION - WITHOUT ARCTIC PACKAGE
(WITH PLASTIC HOODS)**

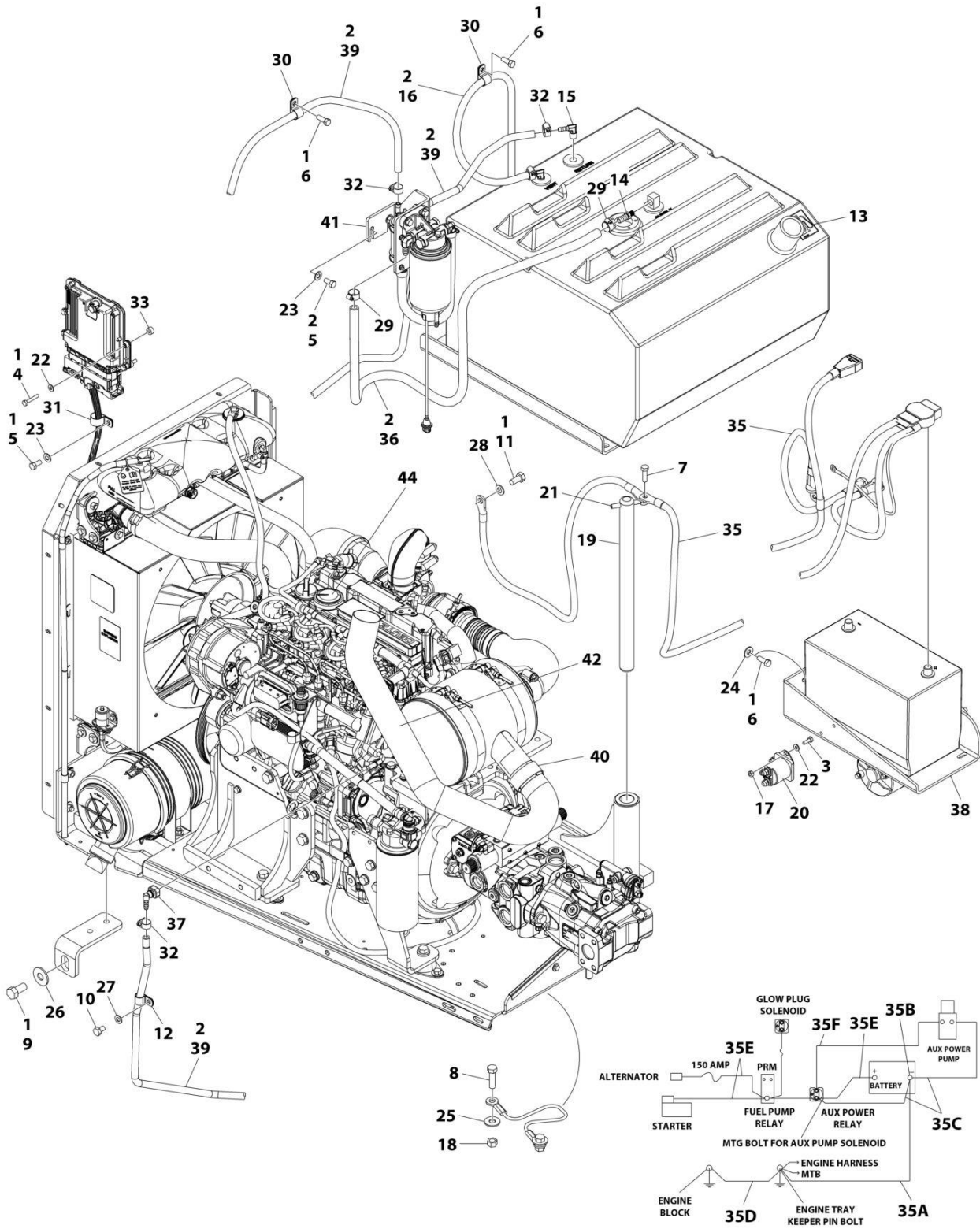
ITEM	PART NUMBER	QTY	DESCRIPTION	REV
	1001297784	Ref	ENGINE INSTALLATION	A
1	0100011	AR	Compound, Locking	
2	0100020	AR	Sealant	
3	0641406	2	Bolt 1/4 x 3/4	
4	0641412	4	Bolt 1/4 x 1-1/2	
5	0641606	3	Bolt 3/8 x 3/4	
6	0641608	5	Bolt 3/8 x 1	
7	0641610	1	Bolt 3/8 x 1-1/4	
8	0641814	1	Bolt 1/2 x 1-3/4	
9	0642010	1	Bolt 5/8 x 1-1/4	
10	0761008	1	Bolt M10 x 16	
11	0771212	1	Bolt M12 x 25	
12	1320061	1	Clamp	
13	1701505	1	Decal - Diesel	
14	2180832	1	Fitting, Straight Barbed	
15	2220313	2	Fitting, 90 NPTF/Barbed	
16	2750532	4 ft /1.2 m	Hose	
17	3311405	2	Nut 1/4	
18	3311805	1	Nut 1/2	
19	3422446	1	Pin	
20	3740067	1	Relay	
21	3841143	1	Keeper, Pin	
22	4711400	7	Washer 1/4	
23	4711600	3	Washer 3/8	
24	4751600	3	Washer 3/8	
25	4751800	1	Washer 1/2	
26	4752000	1	Washer 5/8	
27	4812000	1	Washer M10	
28	4812100	1	Washer M12	
29	8405006	2	Clamp	
30	8406102	2	Clip	
31	8406201	1	Clip	
32	8410013	5	Clamp	
33	1001110425	4	Spacer	
34	1001138491	1	Fuel Harness (Not Shown) (See Separate Breakdown in ELECTRICAL Section)	
35	1001143736	1	Battery Cable Kit	
35	7027084	1	Cable, Battery (Black) (Battery - to Tray Pivot and Grds)	
35	8270147	1	Terminal, Battery (With Boot)	
35	7027085	1	Cable, Battery (Black) (Battery - to Aux Pump and Relay Grds)	
35	7027086	1	Cable, Battery (Black) (Engine to Tray Pivot)	
35	7027087	1	Cable (Red) (Battery + to Aux Relay/Power Module/Starter)	
35	7027088	1	Cable (Red) (Aux Relay to Aux Pump)	
35	See Note	1	Cable (Aux Relay to Starter) (Note: Use P/N 7027087)	
36	1001154405	5 ft /1.5 m	Hose	
37	1001155823	1	Fitting, 90 Quick Disconnect	
38	1001162497	1	Bracket	
39	1001165035	24 ft /7.2 m	Hose	

SECTION 3 - ENGINE

ITEM	PART NUMBER	QTY	DESCRIPTION	REV
40	1001221212	1	Clamp	
41	1001227224	1	Bracket	
42	1001289593	1	ECU Power Jumper Harness (Not Shown) (See Separate Breakdown in ELECTRICAL Section)	
43	1001294448	1	Engine and Pump Sub-Assembly without Arctic Package (See Separate Breakdown in this Section)	
44	1001299207	1	Pipe	

SECTION 3 - ENGINE

FIGURE 3-12. DEUTZ TD 2.9L4 (UN R96) ENGINE INSTALLATION - WITHOUT ARCTIC PACKAGE (WITH STEEL HOODS)



ART_1001294449

SECTION 3 - ENGINE

**FIGURE 3-12. DEUTZ TD 2.9L4 (UN R96) ENGINE INSTALLATION - WITHOUT ARCTIC PACKAGE
(WITH STEEL HOODS)**

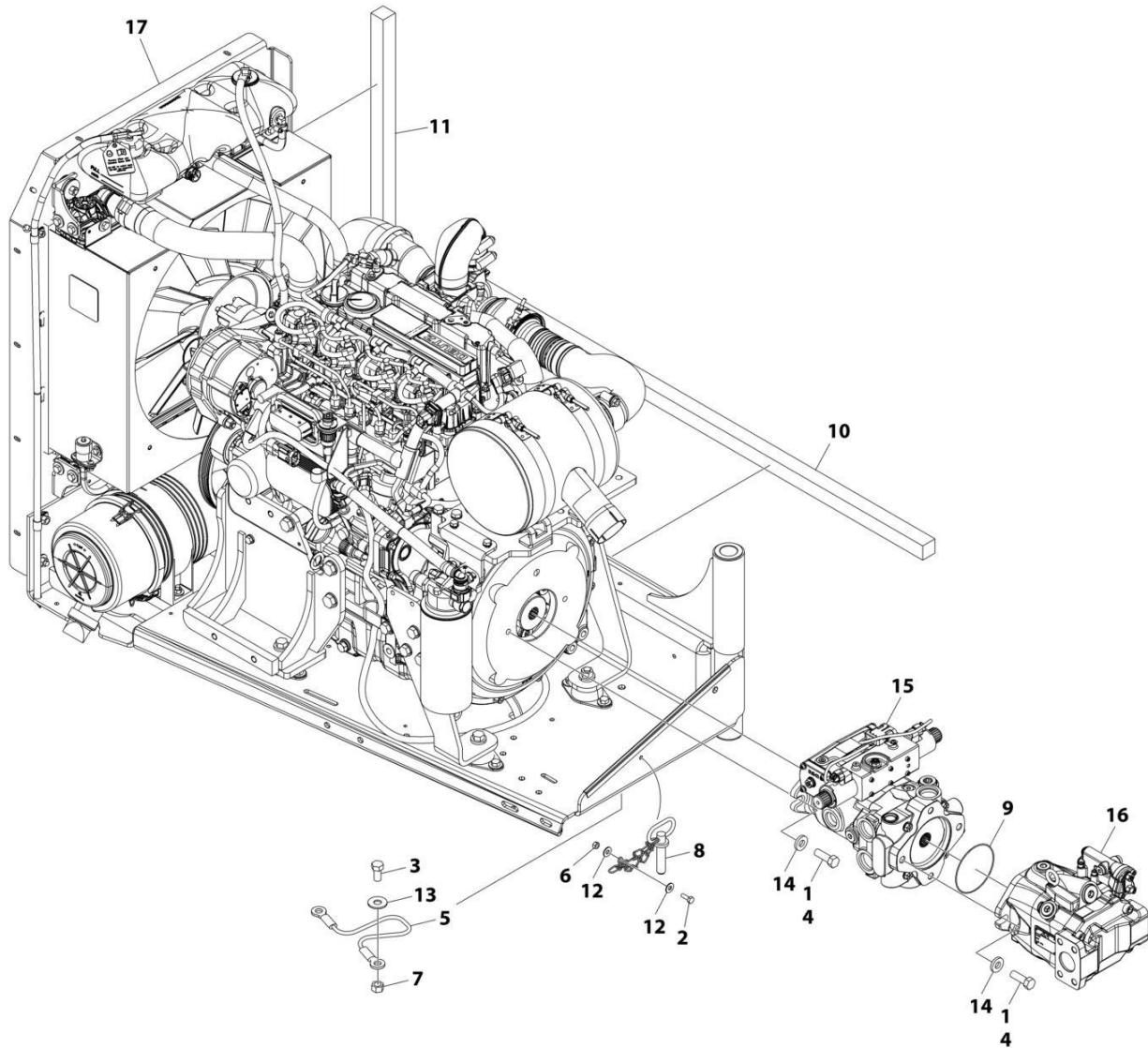
ITEM	PART NUMBER	QTY	DESCRIPTION	REV
	1001294449	Ref	ENGINE INSTALLATION	A
1	0100011	AR	Compound, Locking	
2	0100020	AR	Sealant	
3	0641406	2	Bolt 1/4 x 3/4	
4	0641412	4	Bolt 1/4 x 1-1/2	
5	0641606	3	Bolt 3/8 x 3/4	
6	0641608	5	Bolt 3/8 x 1	
7	0641610	1	Bolt 3/8 x 1-1/4	
8	0641814	1	Bolt 1/2 x 1-3/4	
9	0642010	1	Bolt 5/8 x 1-1/4	
10	0761008	1	Bolt M10 x 16	
11	0771212	1	Bolt M12 x 25	
12	1320061	1	Clamp	
13	1701505	1	Decal - Diesel	
14	2180832	1	Fitting, Straight Barbed	
15	2220313	2	Fitting, 90 NPTF/Barbed	
16	2750532	4 ft /1.2 m	Hose	
17	3311405	2	Nut 1/4	
18	3311805	1	Nut 1/2	
19	3422446	1	Pin	
20	3740067	1	Relay	
21	3841143	1	Keeper, Pin	
22	4711400	7	Washer 1/4	
23	4711600	3	Washer 3/8	
24	4751600	3	Washer 3/8	
25	4751800	1	Washer 1/2	
26	4752000	1	Washer 5/8	
27	4812000	1	Washer M10	
28	4812100	1	Washer M12	
29	8405006	2	Clamp	
30	8406102	2	Clip	
31	8406201	1	Clip	
32	8410013	5	Clamp	
33	1001110425	4	Spacer	
34	1001138491	1	Fuel Harness (Not Shown) (See Separate Breakdown in ELECTRICAL Section)	
35	1001143736	1	Battery Cable Kit	
35	7027084	1	Cable, Battery (Black) (Battery - to Tray Pivot and Grds)	
35	8270147	1	Terminal, Battery (With Boot)	
35	7027085	1	Cable, Battery (Black) (Battery - to Aux Pump and Relay Grds)	
35	7027086	1	Cable, Battery (Black) (Engine to Tray Pivot)	
35	7027087	1	Cable (Red) (Battery + to Aux Relay/Power Module/Starter)	
35	7027088	1	Cable (Red) (Aux Relay to Aux Pump)	
35	See Note	1	Cable (Aux Relay to Starter) (Note: Use P/N 7027087)	
36	1001154405	5 ft /1.5 m	Hose	
37	1001155823	1	Fitting, 90 Quick Disconnect	
38	1001162497	1	Bracket	
39	1001165035	24 ft /7.2 m	Hose	

SECTION 3 - ENGINE

ITEM	PART NUMBER	QTY	DESCRIPTION	REV
40	1001221212	1	Clamp	
41	1001227224	1	Bracket	
42	1001247011	1	Pipe	
43	1001289593	1	ECU Power Jumper Harness (Not Shown) (See Separate Breakdown in ELECTRICAL Section)	
44	1001294448	1	Engine and Pump Sub-Assembly without Arctic Package (See Separate Breakdown in this Section)	

SECTION 3 - ENGINE

FIGURE 3-13. DEUTZ TD 2.9L4 (UN R96) ENGINE AND PUMP SUB-ASSEMBLY - WITHOUT ARCTIC PACKAGE (WITH STEEL HOODS)



ART_1001294448

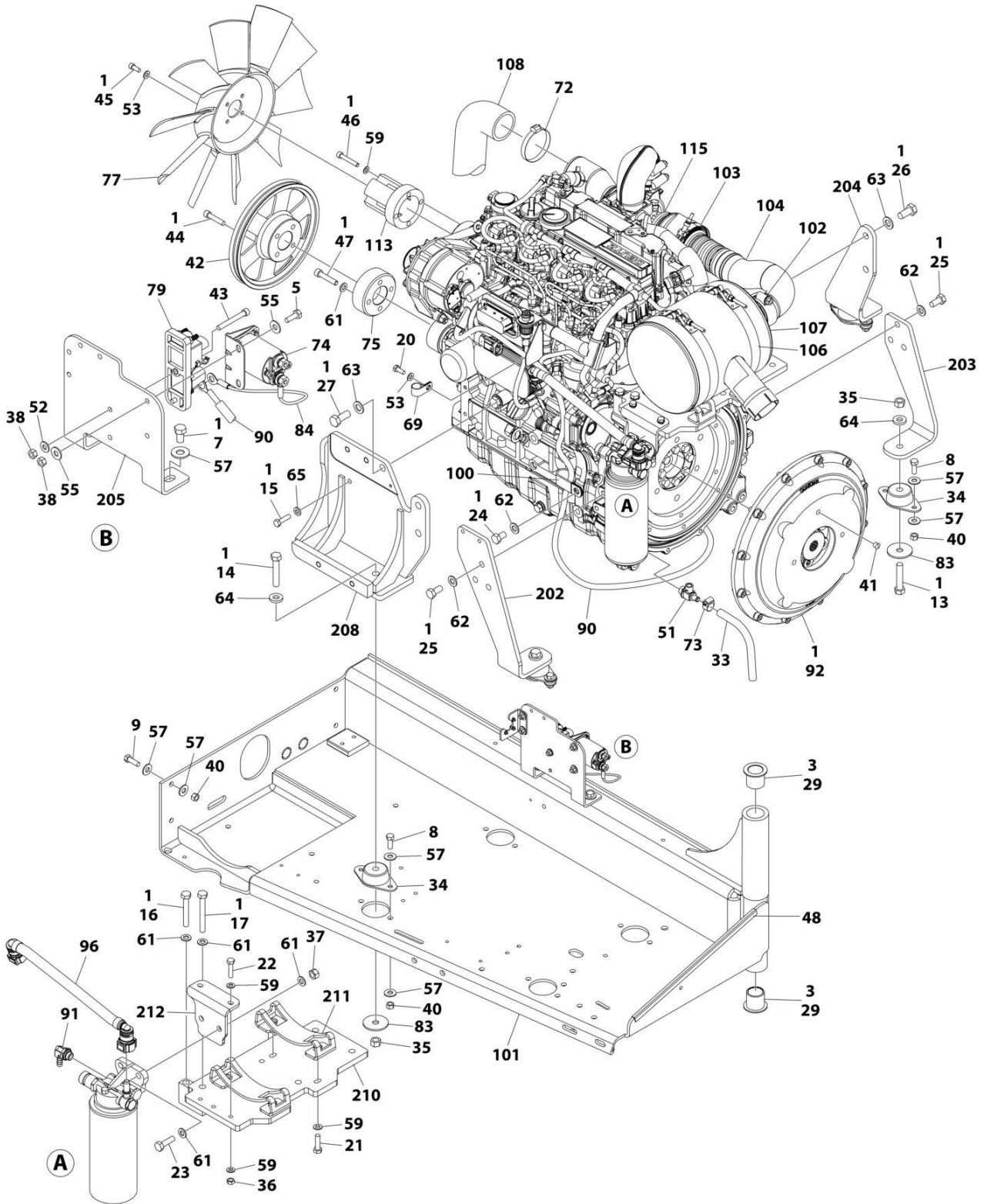
SECTION 3 - ENGINE

FIGURE 3-13. DEUTZ TD 2.9L4 (UN R96) ENGINE AND PUMP SUB-ASSEMBLY - WITHOUT ARCTIC PACKAGE (WITH STEEL HOODS)

ITEM	PART NUMBER	QTY	DESCRIPTION	REV
	1001294448	Ref	ENGINE AND PUMP SUB-ASSEMBLY	A
1	0100011	AR	Compound, Locking	
2	0641406	1	Bolt 1/4 x 3/4	
3	0641808	1	Bolt 1/2 x 1	
4	0641812	4	Bolt 1/2 x 1-1/2	
5	1060637	1	Lanyard	
6	3311405	1	Nut 1/4	
7	3311801	1	Nut 1/2	
8	3422532	1	Pin	
9	3790044	1	O-Ring	
10	3960468	1	Seal	
11	3960469	1	Seal	
12	4751400	2	Washer 1/4	
13	4751800	1	Washer 1/2	
14	4891800	4	Washer 1/2	
15	1001225745	1	Hydrostatic Pump Assembly (See Separate Breakdown in this Section)	
16	1001276377	1	Variable Pump Assembly with Fittings (See Separate Breakdown in this Section)	
17	1001294445	1	Engine Assembly without Arctic Package (See Separate Breakdown in this Section)	

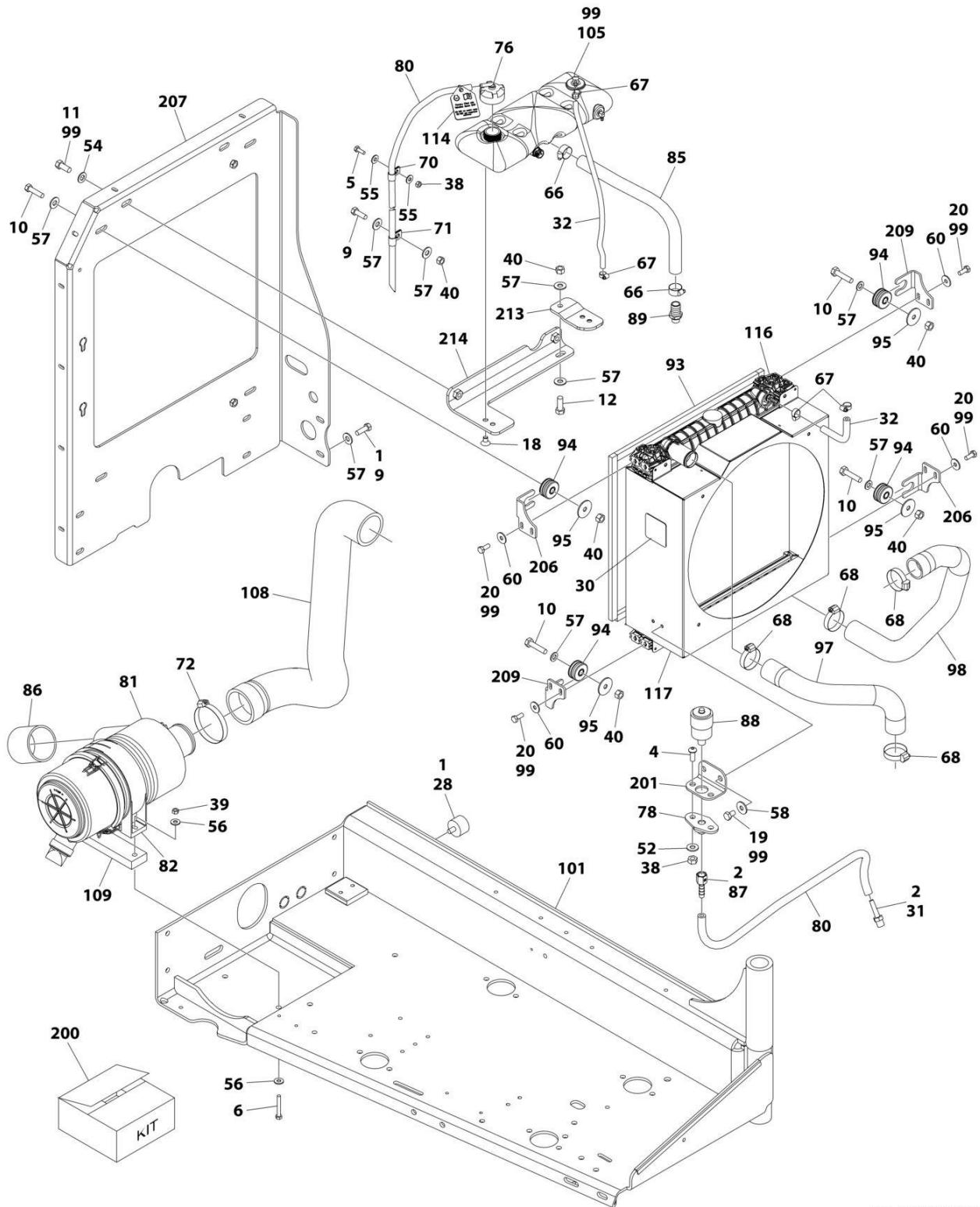
SECTION 3 - ENGINE

FIGURE 3-14. DEUTZ TD 2.9L4 (UN R96) ENGINE ASSEMBLY - WITHOUT ARCTIC PACKAGE



ART_1001294445_10F2

SECTION 3 - ENGINE



ART_1001294445_20F2

SECTION 3 - ENGINE

FIGURE 3-14. DEUTZ TD 2.9L4 (UN R96) ENGINE ASSEMBLY - WITHOUT ARCTIC PACKAGE

ITEM	PART NUMBER	QTY	DESCRIPTION	REV
	1001294445	Ref	ENGINE ASSEMBLY - WITHOUT ARCTIC PACKAGE	A
1	0100011	AR	Compound, Locking	
2	0100020	AR	Sealant	
3	0100062	AR	Adhesive	
4	0630407	2	Screw 1/4 x 5/8	
5	0641406	3	Bolt 1/4 x 3/4	
6	0641518	2	Bolt 5/16 x 2-1/4	
7	0641605	2	Bolt 3/8 x 5/8	
8	0641608	8	Bolt 3/8 x 1	
9	0641609	6	Bolt 3/8 x 1-1/8	
10	0641612	4	Bolt 3/8 x 1-1/2	
11	0641708	2	Bolt 7/16 x 1	
12	0681608	1	Bolt 3/8 x 1-1/2	
13	0681820	3	Bolt 1/2 x 2-1/2	
14	0681822	1	Bolt 1/2 x 2-3/4	
15	0700814	1	Bolt M8 x 30	
16	0701022	2	Bolt M10 x 70	
17	0701025	2	Bolt M10 x 85	
18	0741605	2	Screw 3/8 x 5/8	
19	0760605	2	Bolt M6 x 10	
20	0760810	13	Bolt M8 x 20	
21	0760814	4	Bolt M8 x 30	
22	0760815	2	Bolt M8 x 35	
23	0761015	2	Bolt M10 x 35	
24	0761210	1	Bolt M12 x 20	
25	0771212	6	Bolt M12 x 25	
26	0771414	2	Bolt M14 x 30	
27	0771415	3	Bolt M14 x 35	
28	0940070	1	Bumper	
29	0961986	2	Bearing	
30	1703162	1	Decal - Fan Blade	
31	2220315	1	Fitting, Straight Barbed	
32	2720015	28 in /71 cm	Hose	
33	2720340	12 in /31 cm	Hose	
34	3200401	4	Mount	
35	3271801	4	Nut 1/2	
36	3290801	2	Nut M8	
37	3291005	2	Nut M10	
38	3311405	6	Nut 1/4	
39	3311505	2	Nut 5/16	
40	3311605	17	Nut 3/8	
41	3520054	1	Plug	
42	3580320	1	Pulley	
43	3931432	1	Screw 1/4 x 2	
44	3931628	4	Screw 3/8 x 1-3/4	
45	4031908	4	Capscrew M8 x 20	
46	4031912	4	Capscrew M8 x 40	
47	4032014	4	Capscrew M10 x 50	

SECTION 3 - ENGINE

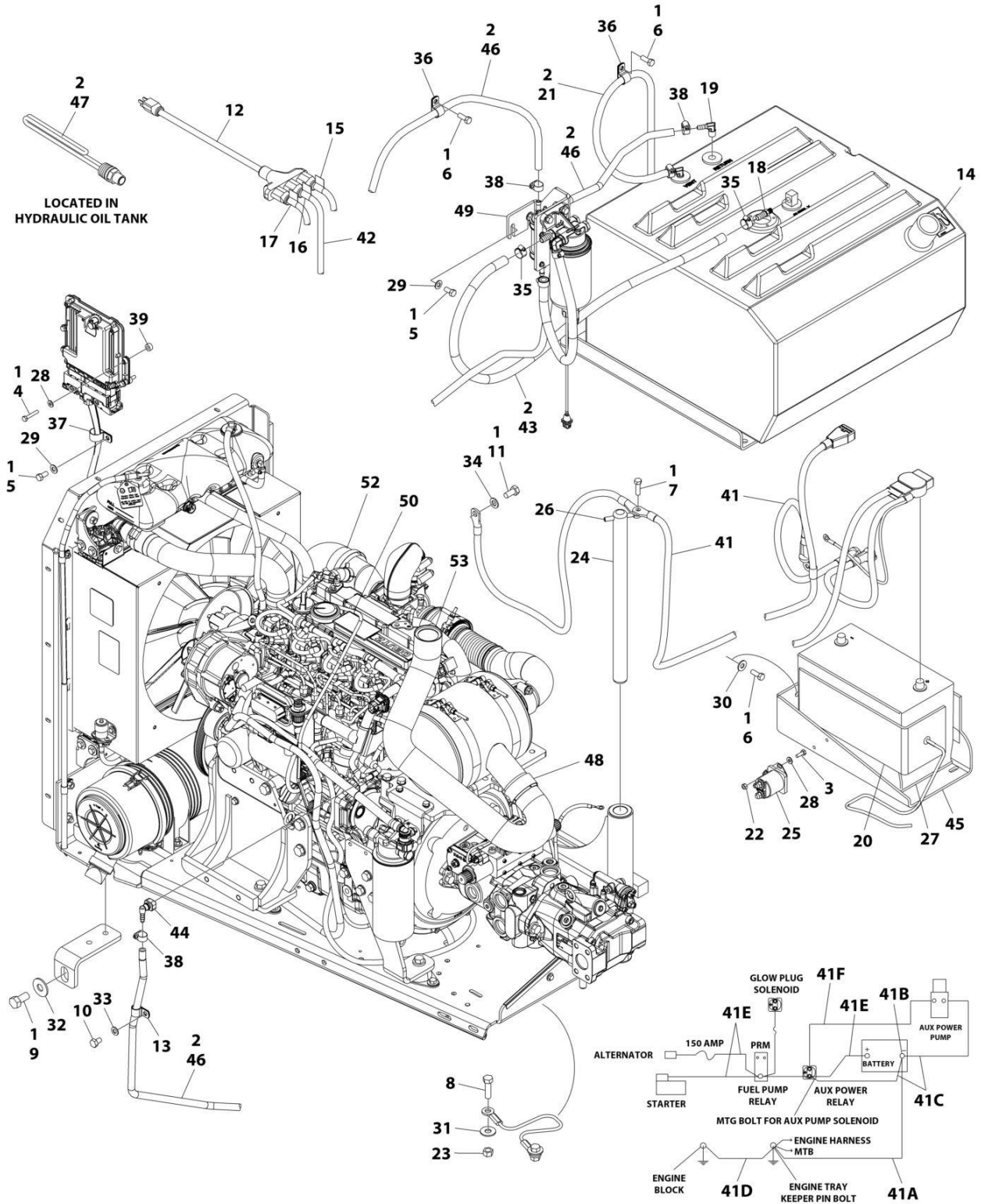
ITEM	PART NUMBER	QTY	DESCRIPTION	REV
48	4060805	15 in /39 cm	Shield	
49	4240032	AR	Tie-Strap (Not Shown)	
50	4240099	AR	Tie-Strap (Not Shown)	
51	4640751	1	Valve, Oil Drain	
52	4711400	3	Washer 1/4	
53	4711500	5	Washer 5/16	
54	4711700	2	Washer 7/16	
55	4751400	6	Washer 1/4	
56	4751500	4	Washer 5/16	
57	4751600	34	Washer 3/8	
58	4811702	2	Washer M6	
59	4811900	12	Washer M8	
60	4811902	12	Washer M8	
61	4812000	12	Washer M10	
62	4812100	7	Washer M12	
63	4812200	5	Washer M14	
64	4891800	4	Washer 1/2	
65	5240800	1	Washer M8	
66	8405007	2	Clamp	
67	8405009	4	Clamp	
68	8405104	4	Clamp	
69	8406102	1	Clip	
70	8406109	1	Clip	
71	8406110	1	Clip	
72	8410011	2	Clamp	
73	8410013	1	Clamp	
74	1001117308	1	Contacto	
75	1001135679	1	Adapter	
76	1001136834	1	Cap	
77	1001137276	1	Fan	
78	1001138173	1	Support	
79	1001138228	1	Relay	
80	1001138248	6 ft /2 m	Tube	
81	1001138489	1	Filter, Air	
82	1001138557	1	Clamp	
83	1001139409	4	Washer	
84	1001141304	1	Wire, Glow Fuse	
85	1001141370	1	Hose	
86	1001141585	1	Hose	
87	1001141995	1	Fitting, Straight NPT/Barbed	
88	1001143390	1	Indicator	
89	1001143797	1	Fitting, Straight Barbed	
90	1001143907	1	Cable, Alternator Power	
91	1001152489	1	Fitting, 90 Barbed	
92	1001153282	1	Pump Coupling Kit (See Separate Breakdown in this Section)	
93	1001168166	4	Seal	
94	1001169054	4	Isolator	
95	1001169138	4	Pad	
96	1001177359	1	Hose	
97	1001177844	1	Hose	
98	1001177845	1	Hose	

SECTION 3 - ENGINE

ITEM	PART NUMBER	QTY	DESCRIPTION	REV
99	1001180620	AR	Adhesive	
100	1001181899	1	Clamp	
101	1001190610	1	Support	
102	1001221212	1	Clamp	
103	1001221219	1	Clamp	
104	1001224940	1	Pipe	
105	1001230635	1	Tank	
106	1001233089	2	Clamp	
107	1001257278	1	Muffler	
108	1001266525	1	Hose	
109	1001267256	1	Shim	
110	1001276644	1	Engine Harness (Not Shown) (See Separate Breakdown in ELECTRICAL Section)	
111	1001281985	1	Connector (Not Shown)	
112	1001281986	1	Connector (Not Shown)	
113	1001289964	1	Adapter	
114	1001291401	1	Tag, Coolant	
115	1001294438	1	Deutz TD2.9L4 (UN R96) Engine (See Separate Breakdown in this Section)	
116	1001303176	1	Cooler, Engine Core	
117	1001306283	1	Shroud	
200	1001299487	1	Bracket, (UN R96) Engine Kit	
201	1001138175	1	Bracket	
202	1001140448	1	Mount, Rear Engine	
203	1001140450	1	Mount, Rear Engine	
204	1001140454	1	Mount, Front Engine	
205	1001145154	1	Plate	
206	1001178223	2	Bracket	
207	1001186985	1	Support	
208	1001202368	1	Support	
209	1001204325	2	Bracket	
210	1001221203	1	Bracket, Muffler	
211	1001224936	2	Mount	
212	1001224937	1	Mount	
213	1001260412	1	Bracket	
214	1001260413	1	Bracket	

SECTION 3 - ENGINE

FIGURE 3-15. DEUTZ TD 2.9L4 (UN R96) ENGINE INSTALLATION - WITH ARCTIC PACKAGE (WITH PLASTIC HOODS)



ART_1001297787

SECTION 3 - ENGINE

FIGURE 3-15. DEUTZ TD 2.9L4 (UN R96) ENGINE INSTALLATION - WITH ARCTIC PACKAGE (WITH PLASTIC HOODS)

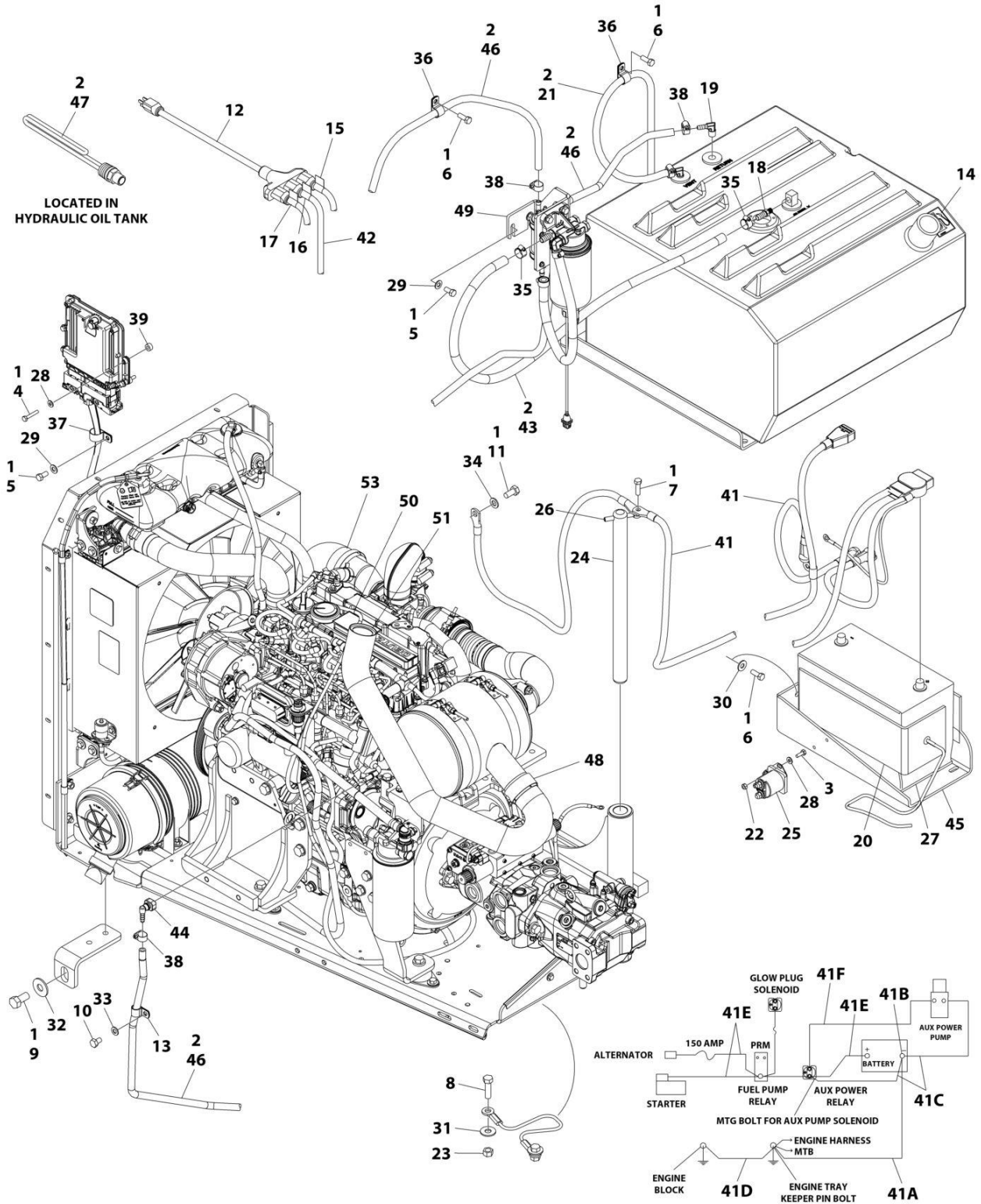
ITEM	PART NUMBER	QTY	DESCRIPTION	REV
	1001297787	Ref	ENGINE INSTALLATION	A
1	0100011	AR	Compound, Locking	
2	0100020	AR	Sealant	
3	0641406	2	Bolt 1/4 x 3/4	
4	0641412	4	Bolt 1/4 x 1-1/2	
5	0641606	3	Bolt 3/8 x 3/4	
6	0641608	5	Bolt 3/8 x 1	
7	0641610	1	Bolt 3/8 x 1-1/4	
8	0641814	1	Bolt 1/2 x 1-3/4	
9	0642010	1	Bolt 5/8 x 1-1/4	
10	0761008	1	Bolt M10 x 16	
11	0771212	1	Bolt M12 x 25	
12	1060626	1	Cord, 3-Way Extension	
13	1320061	1	Clamp	
14	1701505	1	Decal - Diesel	
15	1702941	1	Decal - Battery Heater	
16	1702942	1	Decal - Engine Heater	
17	1702943	1	Decal - Hydraulic Tank Heater	
18	2180832	1	Fitting, Straight Barbed	
19	2220313	2	Fitting, 90 NPTF/Barbed	
20	2580024	1	Heater, Battery	
21	2750532	4 ft /1.2 m	Hose	
22	3311405	2	Nut 1/4	
23	3311805	1	Nut 1/2	
24	3422446	1	Pin	
25	3740067	1	Relay	
26	3841143	1	Keeper, Pin	
27	3980007	1	Seat, Battery	
28	4711400	7	Washer 1/4	
29	4711600	3	Washer 3/8	
30	4751600	3	Washer 3/8	
31	4751800	1	Washer 1/2	
32	4752000	1	Washer 5/8	
33	4812000	1	Washer M10	
34	4812100	1	Washer M12	
35	8405006	2	Clamp	
36	8406102	2	Clip	
37	8406201	1	Clip	
38	8410013	5	Clamp	
39	1001110425	4	Spacer	
40	1001138491	1	Fuel Harness (Not Shown) (See Separate Breakdown in ELECTRICAL Section)	
41	1001143736	1	Battery Cable Kit	
41	7027084	1	Cable, Battery (Black) (Battery - to Tray Pivot and Grds)	
41	8270147	1	Terminal, Battery (With Boot)	
41	7027085	1	Cable, Battery (Black) (Battery - to Aux Pump and Relay Grds)	
41	7027086	1	Cable, Battery (Black) (Engine to Tray Pivot)	
41	7027087	1	Cable (Red) (Battery + to Aux Relay/Power Module/Starter)	
41	7027088	1	Cable (Red) (Aux Relay to Aux Pump)	

SECTION 3 - ENGINE

ITEM	PART NUMBER	QTY	DESCRIPTION	REV
41	See Note	1	Cable (Aux Relay to Starter) (Note: Use P/N 7027087)	
42	1001150918	1	Cable, Extension Cord	
43	1001154405	5 ft /1.5 m	Hose	
44	1001155823	1	Fitting, 90 Quick Disconnect	
45	1001162497	1	Bracket	
46	1001165035	24 ft /7.2 m	Hose	
47	1001188972	1	Heater, Immersion	
48	1001221212	1	Clamp	
49	1001227224	1	Bracket	
50	1001233763	1	Breather Heater Installation (See Separate Breakdown in this Section)	
51	1001289593	1	ECU Power Jumper Harness (Not Shown) (See Separate Breakdown in ELECTRICAL Section)	
52	1001294516	1	Engine and Pump Sub-Assembly with Arctic Package (See Separate Breakdown in this Section)	
53	1001299207	1	Pipe	

SECTION 3 - ENGINE

FIGURE 3-16. DEUTZ TD 2.9L4 (UN R96) ENGINE INSTALLATION - WITH ARCTIC PACKAGE (WITH STEEL HOODS)



ART_1001294517

SECTION 3 - ENGINE

FIGURE 3-16. DEUTZ TD 2.9L4 (UN R96) ENGINE INSTALLATION - WITH ARCTIC PACKAGE (WITH STEEL HOODS)

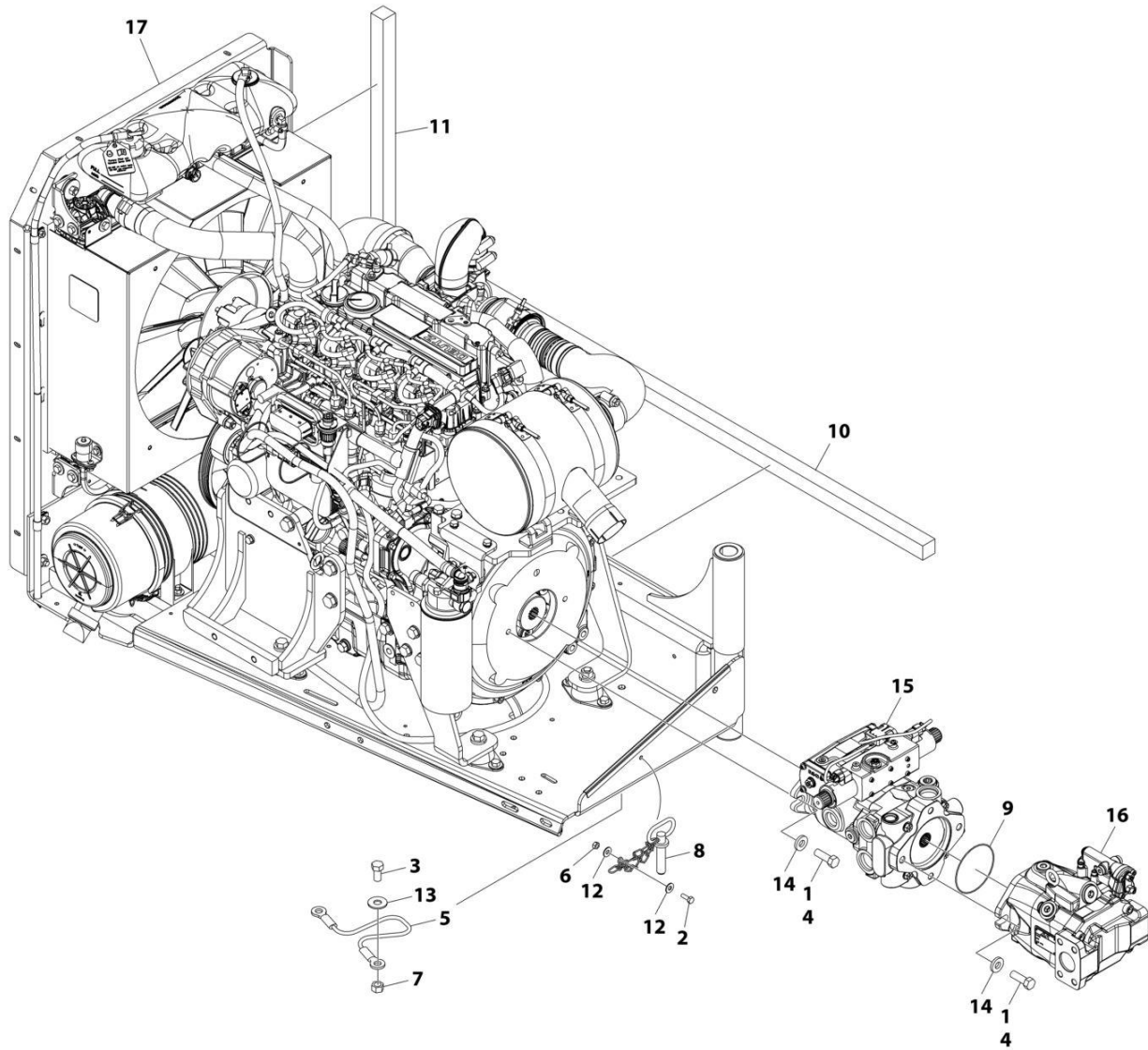
ITEM	PART NUMBER	QTY	DESCRIPTION	REV
	1001294517	Ref	ENGINE INSTALLATION	A
1	0100011	AR	Compound, Locking	
2	0100020	AR	Sealant	
3	0641406	2	Bolt 1/4 x 3/4	
4	0641412	4	Bolt 1/4 x 1-1/2	
5	0641606	3	Bolt 3/8 x 3/4	
6	0641608	5	Bolt 3/8 x 1	
7	0641610	1	Bolt 3/8 x 1-1/4	
8	0641814	1	Bolt 1/2 x 1-3/4	
9	0642010	1	Bolt 5/8 x 1-1/4	
10	0761008	1	Bolt M10 x 16	
11	0771212	1	Bolt M12 x 25	
12	1060626	1	Cord, 3-Way Extension	
13	1320061	1	Clamp	
14	1701505	1	Decal - Diesel	
15	1702941	1	Decal - Battery Heater	
16	1702942	1	Decal - Engine Heater	
17	1702943	1	Decal - Hydraulic Tank Heater	
18	2180832	1	Fitting, Barbed	
19	2220313	2	Fitting, 90 NPTF/Barbed	
20	2580024	1	Heater, Battery	
21	2750532	4 ft /1.2 m	Hose	
22	3311405	2	Nut 1/4	
23	3311805	1	Nut 1/2	
24	3422446	1	Pin	
25	3740067	1	Relay	
26	3841143	1	Keeper, Pin	
27	3980007	1	Seat, Battery	
28	4711400	7	Washer 1/4	
29	4711600	3	Washer 3/8	
30	4751600	3	Washer 3/8	
31	4751800	1	Washer 1/2	
32	4752000	1	Washer 5/8	
33	4812000	1	Washer M10	
34	4812100	1	Washer M12	
35	8405006	2	Clamp	
36	8406102	2	Clip	
37	8406201	1	Clip	
38	8410013	5	Clamp	
39	1001110425	4	Spacer	
40	1001138491	1	Fuel Harness (Not Shown) (See Separate Breakdown in ELECTRICAL Section)	
41	1001143736	1	Battery Cable Kit	
41	7027084	1	Cable, Battery (Black) (Battery - to Tray Pivot and Grds)	
41	8270147	1	Terminal, Battery (With Boot)	
41	7027085	1	Cable, Battery (Black) (Battery - to Aux Pump and Relay Grds)	
41	7027086	1	Cable, Battery (Black) (Engine to Tray Pivot)	
41	7027087	1	Cable (Red) (Battery + to Aux Relay/Power Module/Starter)	
41	7027088	1	Cable (Red) (Aux Relay to Aux Pump)	

SECTION 3 - ENGINE

ITEM	PART NUMBER	QTY	DESCRIPTION	REV
41	See Note	1	Cable (Aux Relay to Starter) (Note: Use P/N 7027087)	
42	1001150918	1	Cable, Extension Cord	
43	1001154405	5 ft /1.5 m	Hose	
44	1001155823	1	Fitting, 90 Quick Disconnect	
45	1001162497	1	Bracket	
46	1001165035	24 ft /7.2 m	Hose	
47	1001188972	1	Heater, Immersion	
48	1001221212	1	Clamp	
49	1001227224	1	Bracket	
50	1001233763	1	Breather Heater Installation (See Separate Breakdown in this Section)	
51	1001247011	1	Pipe	
52	1001289593	1	ECU Power Jumper Harness (Not Shown) (See Separate Breakdown in ELECTRICAL Section)	
53	1001294516	1	Engine and Pump Sub-Assembly with Arctic Package (See Separate Breakdown in this Section)	

SECTION 3 - ENGINE

FIGURE 3-17. DEUTZ TD 2.9L4 (UN R96) ENGINE AND PUMP SUB-ASSEMBLY - WITH ARCTIC PACKAGE (WITH STEEL HOODS)



ART_1001294516

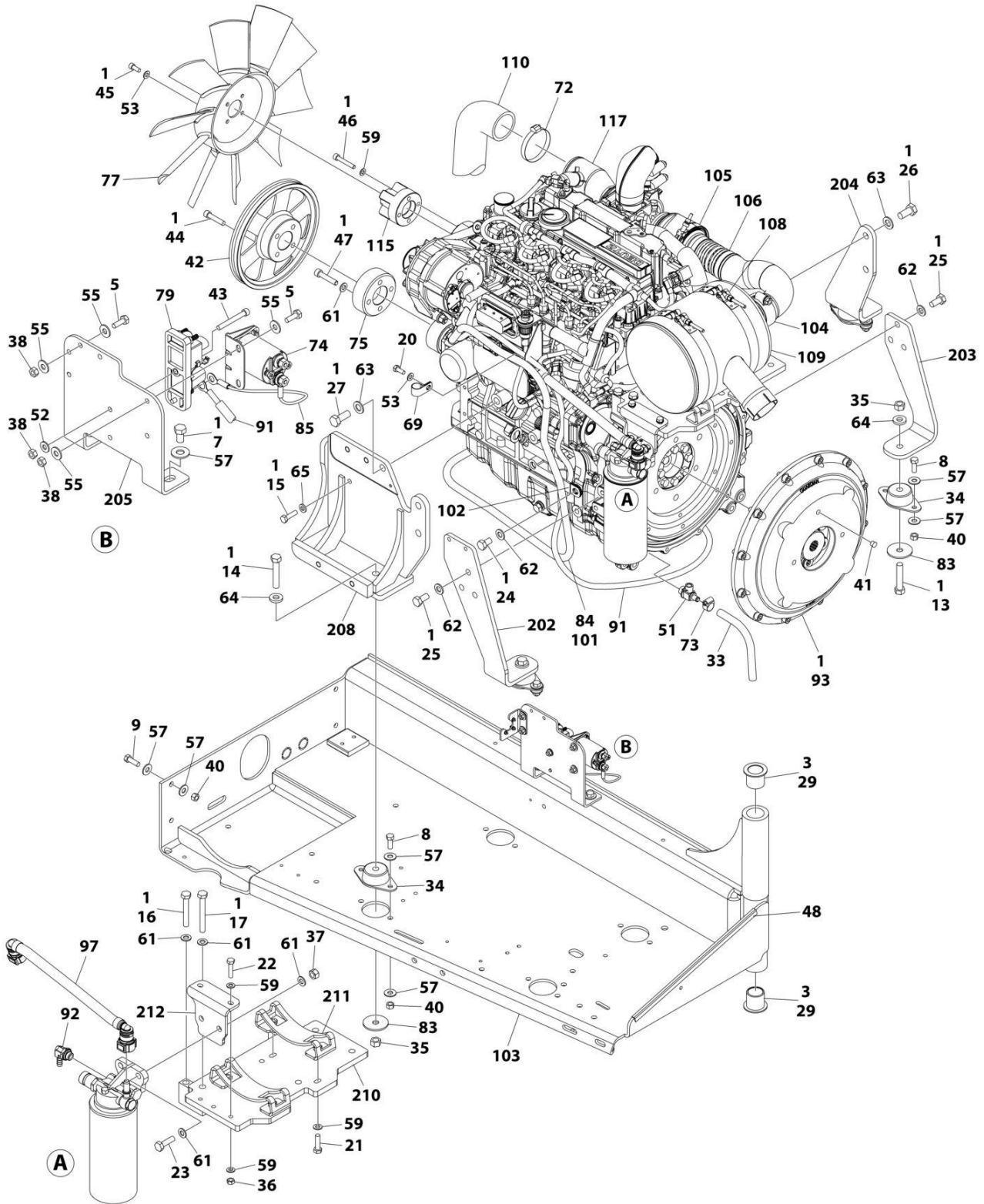
SECTION 3 - ENGINE

FIGURE 3-17. DEUTZ TD 2.9L4 (UN R96) ENGINE AND PUMP SUB-ASSEMBLY - WITH ARCTIC PACKAGE (WITH STEEL HOODS)

ITEM	PART NUMBER	QTY	DESCRIPTION	REV
	1001294516	Ref	ENGINE AND PUMP SUB-ASSEMBLY	A
1	0100011	AR	Compound, Locking	
2	0641406	1	Bolt 1/4 x 3/4	
3	0641808	1	Bolt 1/2 x 1	
4	0641812	4	Bolt 1/2 x 1-1/2	
5	1060637	1	Lanyard	
6	3311405	1	Nut 1/4	
7	3311801	1	Nut 1/2	
8	3422532	1	Pin	
9	3790044	1	O-Ring	
10	3960468	1	Seal	
11	3960469	1	Seal	
12	4751400	2	Washer 1/4	
13	4751800	1	Washer 1/2	
14	4891800	4	Washer 1/2	
15	1001225745	1	Hydrostatic Pump Assembly (See Separate Breakdown in this Section)	
16	1001276377	1	Variable Pump Assembly with Fittings (See Separate Breakdown in this Section)	
17	1001294511	1	Engine Assembly with Arctic Package (See Separate Breakdown in this Section)	

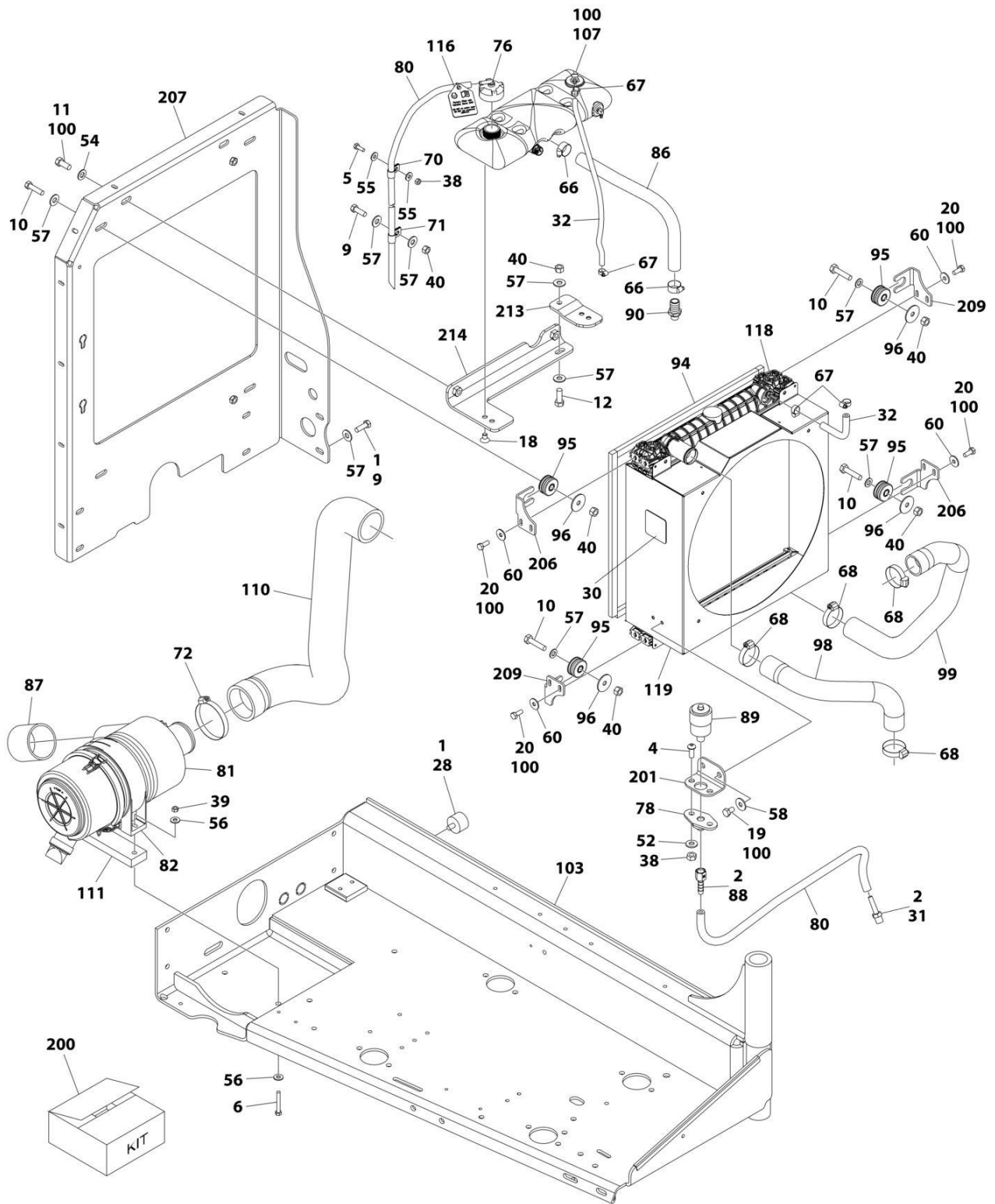
SECTION 3 - ENGINE

FIGURE 3-18. DEUTZ TD 2.9L4 (UN R96) ENGINE ASSEMBLY - WITH ARCTIC PACKAGE



ART_1001294511_10F2

SECTION 3 - ENGINE



ART_1001294511_20F2

SECTION 3 - ENGINE

FIGURE 3-18. DEUTZ TD 2.9L4 (UN R96) ENGINE ASSEMBLY - WITH ARCTIC PACKAGE

ITEM	PART NUMBER	QTY	DESCRIPTION	REV
	1001294511	Ref	ENGINE ASSEMBLY - WITH ARCTIC PACKAGE	A
1	0100011	AR	Compound, Locking	
2	0100020	AR	Sealant	
3	0100062	AR	Adhesive	
4	0630407	2	Screw 1/4 x 5/8	
5	0641406	3	Bolt 1/4 x 3/4	
6	0641518	2	Bolt 5/16 x 2-1/4	
7	0641605	2	Bolt 3/8 x 5/8	
8	0641608	8	Bolt 3/8 x 1	
9	0641609	6	Bolt 3/8 x 1-1/8	
10	0641612	4	Bolt 3/8 x 1-1/2	
11	0641708	2	Bolt 7/16 x 1	
12	0681608	1	Bolt 3/8 x 1-1/2	
13	0681820	3	Bolt 1/2 x 2-1/2	
14	0681822	1	Bolt 1/2 x 2-3/4	
15	0700814	1	Bolt M8 x 30	
16	0701022	2	Bolt M10 x 70	
17	0701025	2	Bolt M10 x 85	
18	0741605	2	Screw 3/8 x 5/8	
19	0760605	2	Bolt M6 x 10	
20	0760810	13	Bolt M8 x 20	
21	0760814	4	Bolt M8 x 30	
22	0760815	2	Bolt M8 x 35	
23	0761015	2	Bolt M10 x 35	
24	0761210	1	Bolt M12 x 20	
25	0771212	6	Bolt M12 x 25	
26	0771414	2	Bolt M14 x 30	
27	0771415	3	Bolt M14 x 35	
28	0940070	1	Bumper	
29	0961986	2	Bearing	
30	1703162	1	Decal - Fan Blade	
31	2220315	1	Fitting, Straight Barbed	
32	2720015	28 in /72 cm	Hose	
33	2720340	12 in /31 cm	Hose	
34	3200401	4	Mount	
35	3271801	4	Nut 1/2	
36	3290801	2	Nut M8	
37	3291005	2	Nut M10	
38	3311405	6	Nut 1/4	
39	3311505	2	Nut 5/16	
40	3311605	17	Nut 3/8	
41	3520054	1	Plug	
42	3580320	1	Pulley	
43	3931432	1	Screw 1/4 x 2	
44	3931628	4	Screw 3/8 x 1-3/4	
45	4031908	4	Capscrew M8 x 20	
46	4031912	4	Capscrew M8 x 40	
47	4032014	4	Capscrew M10 x 50	

SECTION 3 - ENGINE

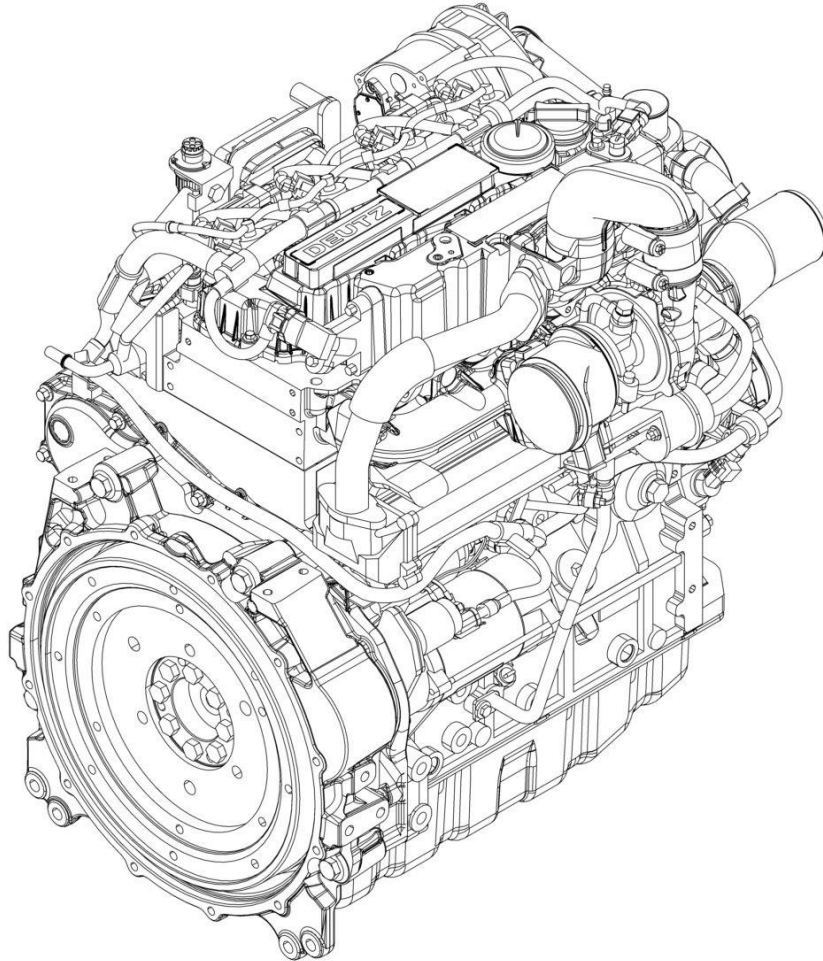
ITEM	PART NUMBER	QTY	DESCRIPTION	REV
48	4060805	15 in /39 cm	Shield	
49	4240032	AR	Tie-Strap (Not Shown)	
50	4240099	AR	Tie-Strap (Not Shown)	
51	4640751	1	Valve, Oil Drain	
52	4711400	3	Washer 1/4	
53	4711500	5	Washer 5/16	
54	4711700	2	Washer 7/16	
55	4751400	6	Washer 1/4	
56	4751500	4	Washer 5/16	
57	4751600	34	Washer 3/8	
58	4811702	2	Washer M6	
59	4811900	12	Washer M8	
60	4811902	12	Washer M8	
61	4812000	12	Washer M10	
62	4812100	7	Washer M12	
63	4812200	5	Washer M14	
64	4891800	4	Washer 1/2	
65	5240800	1	Washer M8	
66	8405007	2	Clamp	
67	8405009	4	Clamp	
68	8405104	4	Clamp	
69	8406102	1	Clip	
70	8406109	1	Clip	
71	8406110	1	Clip	
72	8410011	2	Clamp	
73	8410013	1	Clamp	
74	1001117308	1	Contactactor	
75	1001135679	1	Adapter	
76	1001136834	1	Cap	
77	1001137276	1	Fan	
78	1001138173	1	Support	
79	1001138228	1	Relay	
80	1001138248	6 ft /1.6 m	Tube	
81	1001138489	1	Filter, Air	
82	1001138557	1	Clamp	
83	1001139409	4	Washer	
84	1001140312	1	Heater, Engine	
85	1001141304	1	Wire, Glow Fuse	
86	1001141370	1	Hose	
87	1001141585	1	Hose	
88	1001141995	1	Fitting, Straight NPT/Barbed	
89	1001143390	1	Indicator	
90	1001143797	1	Fitting, Straight Barbed	
91	1001143907	1	Cable, Alternator Power	
92	1001152489	1	Fitting, 90 Barbed	
93	1001153282	1	Pump Coupling Kit (See Separate Breakdown in this Section)	
94	1001168166	4	Seal	
95	1001169054	4	Isolator	
96	1001169138	4	Pad	
97	1001177359	1	Hose	
98	1001177844	1	Hose	

SECTION 3 - ENGINE

ITEM	PART NUMBER	QTY	DESCRIPTION	REV
99	1001177845	1	Hose	
100	1001180620	AR	Adhesive	
101	1001181895	AR	Adhesive	
102	1001181899	1	Clamp	
103	1001190610	1	Support	
104	1001221212	1	Clamp	
105	1001221219	1	Clamp	
106	1001224940	1	Pipe	
107	1001230635	1	Tank	
108	1001233089	2	Clamp	
109	1001257278	1	Muffler	
110	1001266525	1	Hose	
111	1001267256	1	Shim	
112	1001276644	1	Engine Harness (Not Shown) (See Separate Breakdown in ELECTRICAL Section)	
113	1001281985	1	Connector (Not Shown)	
114	1001281986	1	Connector (Not Shown)	
115	1001289964	1	Adapter	
116	1001291401	1	Tag, Coolant	
117	1001294438	1	Deutz TD2.9L4 (UN R96) Engine (See Separate Breakdown in this Section)	
118	1001303176	1	Cooler, Engine Core	
119	1001306283	1	Shroud	
200	1001299487	1	Bracket, (UN R96) Engine Kit	
201	1001138175	1	Bracket	
202	1001140448	1	Mount, Rear Engine	
203	1001140450	1	Mount, Rear Engine	
204	1001140454	1	Mount, Front Engine	
205	1001145154	1	Plate	
206	1001178223	2	Bracket	
207	1001186985	1	Support	
208	1001202368	1	Support	
209	1001204325	2	Bracket	
210	1001221203	1	Bracket, Muffler	
211	1001224936	2	Mount	
212	1001224937	1	Mount	
213	1001260412	1	Bracket	
214	1001260413	1	Bracket	

SECTION 3 - ENGINE

FIGURE 3-19. DEUTZ TD2.9L4 (UN R96) ENGINE COMPONENTS



ART_1001294438

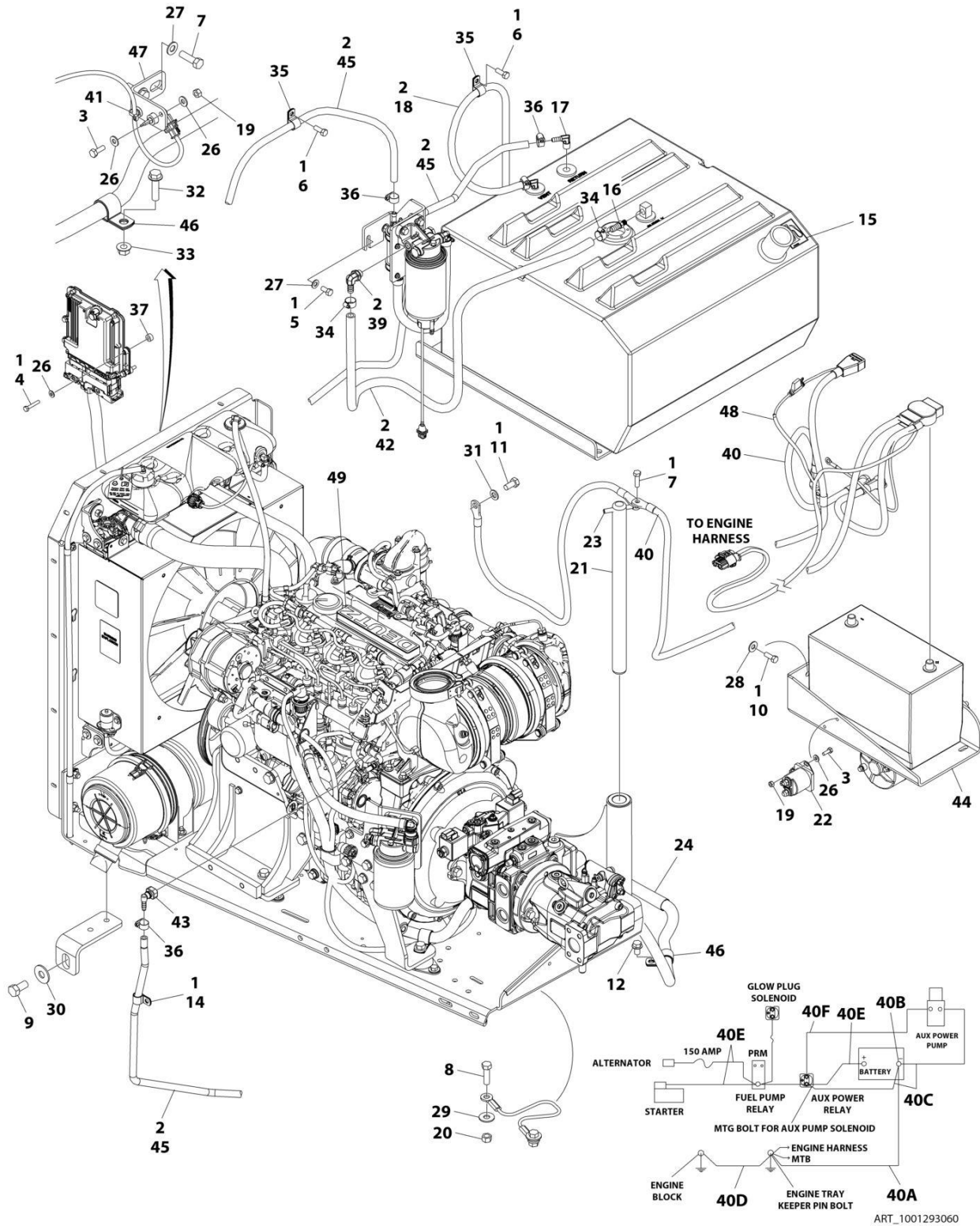
SECTION 3 - ENGINE

FIGURE 3-19. DEUTZ TD2.9L4 (UN R96) ENGINE COMPONENTS

ITEM	PART NUMBER	QTY	DESCRIPTION	REV
	1001294438 See Note	Ref NSS	DEUTZ TD2.9L4 ENGINE COMPONENTS Note: No Service Parts Available at Time of Printing	A

SECTION 3 - ENGINE

FIGURE 3-20. DEUTZ TD2.9L4 (STAGE V) ENGINE INSTALLATION



SECTION 3 - ENGINE

FIGURE 3-20. DEUTZ TD2.9L4 (STAGE V) ENGINE INSTALLATION

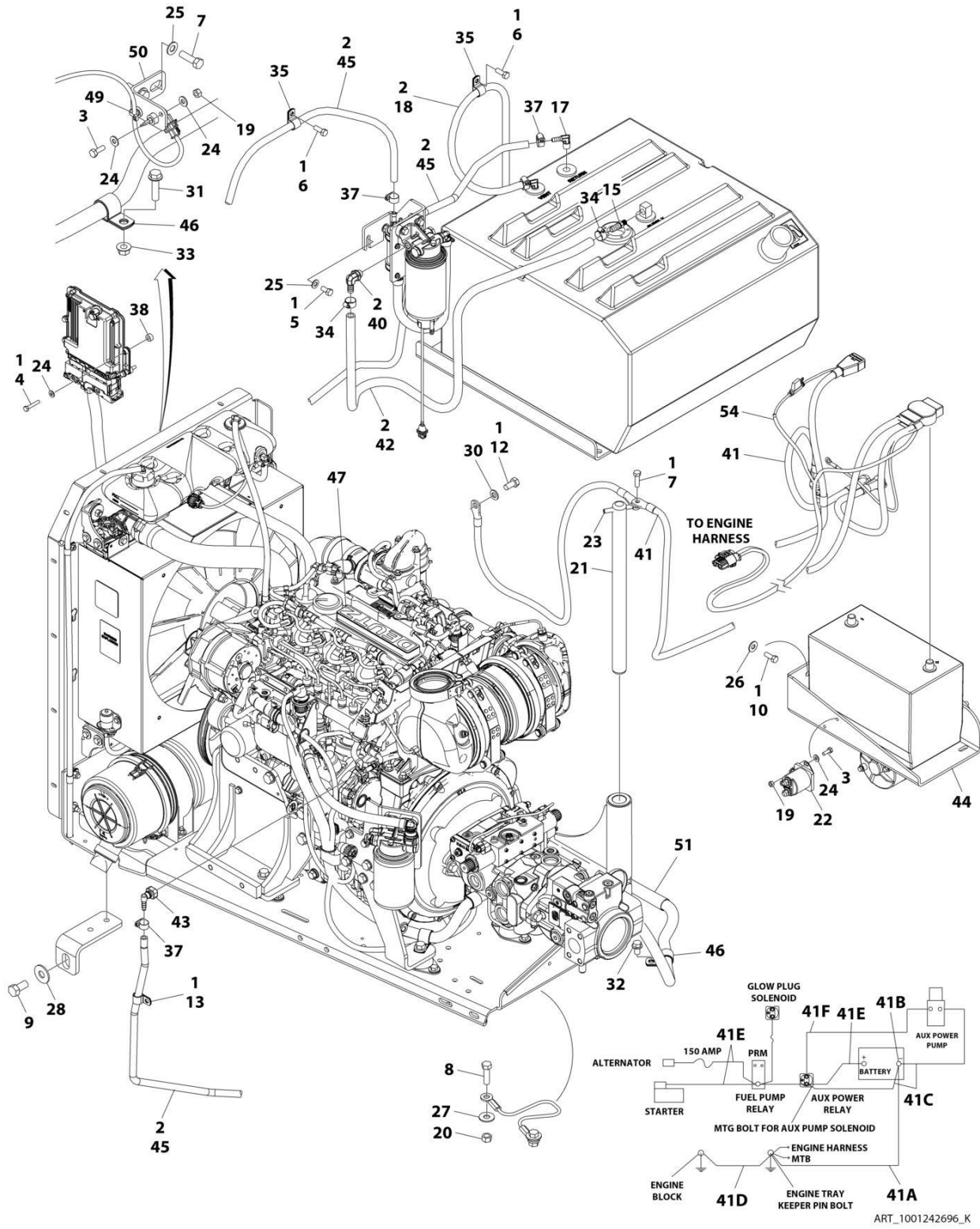
ITEM	PART NUMBER	QTY	DESCRIPTION	REV
	1001293060	Ref	DEUTZ TD2.9L4 (STAGE V) ENGINE INSTALLATION	A
1	0100011	AR	Compound, Locking	
2	0100020	AR	Sealant, Pipe	
3	0641406	3	Bolt 1/4 x 3/4	
4	0641412	4	Bolt 1/4 x 1-1/2	
5	0641606	2	Bolt 3/8 x 3/4	
6	0641608	2	Bolt 3/8 x 1	
7	0641610	3	Bolt 3/8 x 1-1/4	
8	0641814	1	Bolt 1/2 x 1-3/4	
9	0642010	1	Bolt 5/8 x 1-1/4	
10	0681608	3	Bolt 3/8 x 1	
11	0771212	1	Bolt M12 x 25	
12	0811606	1	Screw 3/8 x 3/4	
13	1062255	AR	Tie-Strap (Not Shown)	
14	1320061	1	Clamp	
15	1701505	1	Decal - Diesel Fuel (Located on Fuel Tank or Hood)	
16	2180832	1	Fitting, Straight Barbed	
17	2220313	2	Fitting, 90 NPTF/Barbed	
18	2750532	4 ft/1.5 m	Hose	
19	3311405	3	Nut 1/4	
20	3311805	1	Nut 1/2	
21	3422446	1	Pin	
22	3740067	1	Relay	
23	3841143	1	Pin, Keeper	
24	4100063	1	Sleeve, Hose Wrap	
25	4240099	AR	Tie-Strap (Not Shown)	
26	4711400	9	Washer 1/4	
27	4711600	4	Washer 3/8	
28	4751600	3	Washer 3/8	
29	4751800	1	Washer 1/2	
30	4752000	1	Washer 5/8	
31	4812100	1	Washer M12	
32	5251016	1	Bolt M10 x 40	
33	5261000	1	Nut M10	
34	8405006	2	Clamp	
35	8406102	2	Clip	
36	8410013	5	Clamp	
37	1001110425	4	Spacer	
38	1001138491	1	Fuel Pump Harness (Not Shown - See Separate Breakdown in ELECTRICAL Section)	
39	1001142501	1	Fitting, 90 Barbed	
40	1001143736	1	Battery Cable Kit	F
40A	7027084	1	Cable, Battery (Black) (Battery - to Tray Pivot Grd)	
40B	8270147	1	Terminal, Battery (With Boot)	
40C	7027085	1	Cable, Battery (Black) (Battery - to Aux Pump and Relay Grds)	
40D	7027086	1	Cable, Battery (Black) (Engine to Tray Pivot Grd)	
40E	7027087	1	Cable (Red) (Battery + to Aux Relay/Power Module/Starter)	
40F	7027088	1	Cable (Red) (Aux Relay to Aux Pump)	
41	1001146588	1	Strap	
42	1001154405	5 ft/1.5 m	Hose	

SECTION 3 - ENGINE

ITEM	PART NUMBER	QTY	DESCRIPTION	REV
43	1001155823	1	Fitting, 90 Quick Disconnect	
44	1001162497	1	Bracket, Battery	
45	1001165035	28 ft/9 m	Hose	
46	1001191620	2	Clamp	
47	1001256879	1	Bracket	
48	1001289593	1	ECU Power Jumper Harness (See Separate Breakdown in ELECTRICAL Section)	
49	1001296655	1	Engine and Pump Assembly without Arctic Package (See Separate Breakdown in this Section)	

SECTION 3 - ENGINE

FIGURE 3-21. DEUTZ TD2.9L4 (STAGE V) ENGINE INSTALLATION



ART_1001242696_K

SECTION 3 - ENGINE

FIGURE 3-21. DEUTZ TD2.9L4 (STAGE V) ENGINE INSTALLATION

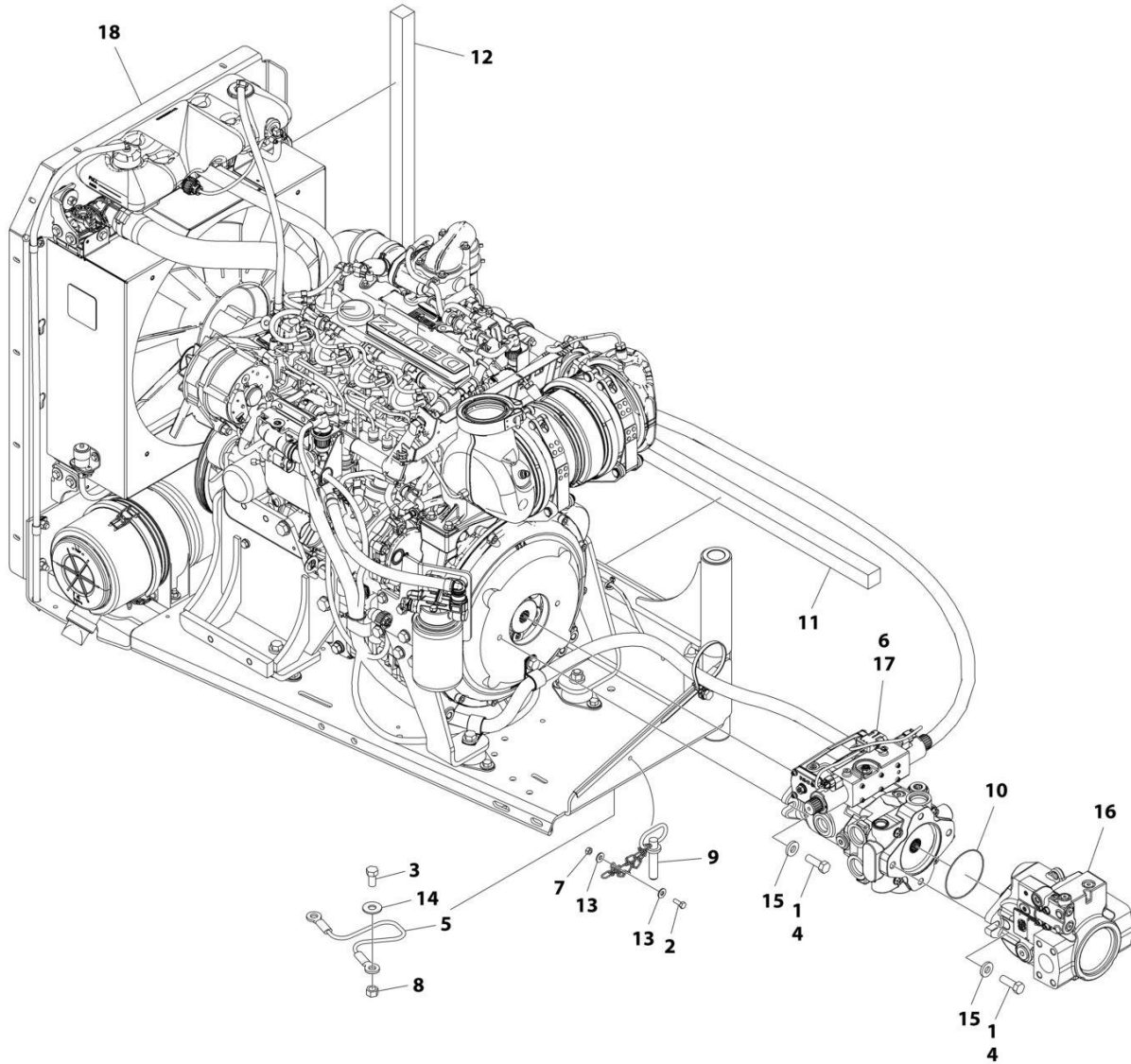
ITEM	PART NUMBER	QTY	DESCRIPTION	REV
	1001242696	Ref	DEUTZ TD2.9L4 (STAGE V) ENGINE INSTALLATION	K
1	0100011	AR	Compound, Locking	
2	0100020	AR	Sealant, Pipe	
3	0641406	3	Bolt 1/4 x 3/4	
4	0641412	4	Bolt 1/4 x 1-1/2	
5	0641606	2	Screw 3/8 x 3/4	
6	0641608	2	Screw 3/8 x 1	
7	0641610	1	Screw 3/8 x 1-1/4	
8	0641814	1	Bolt 1/2 x 1-3/4	
9	0642010	1	Bolt 5/8 x 1-1/4	
10	0681608	3	Screw 3/8 x 1 Grade 8	
12	0771212	1	Bolt M12 x 25 Grade 10.9	
13	1320061	1	Clamp	
14	1701505	1	Decal - Diesel Fuel (Not Shown Located on Fuel Tank or Hood)	
15	2180832	1	Fitting, Elbow Barbed	
17	2220313	2	Fitting, Elbow	
18	2750532	AR	Hose	
19	3311405	3	Nut 1/4	
20	3311805	1	Nut 1/2	
21	3422446	1	Pin, Pivot	
22	3740067	1	Relay	
23	3841143	1	Pin, Keeper	
24	4711400	9	Washer 1/4	
25	4711600	4	Washer 3/8	
26	4751600	3	Washer 3/8	
27	4751800	1	Washer 1/2	
28	4752000	1	Washer 5/8	
30	4812100	1	Washer M12	
31	5251016	1	Bolt M10 x 40	
32	0811606	1	Bolt 3/8 x 3/4	
33	5261000	1	Washer M10	
34	8405006	2	Clamp	
35	8406102	2	Clip	
37	8410013	5	Clamp	
38	1001110425	4	Spacer	
39	1001138491	1	Fuel Pump Harness (Not Shown - See Separate Breakdown in ELECTRICAL Section)	
40	1001142501	1	Fitting, Elbow Barbed	
41	1001143736	1	Battery Cable Kit	F
41A	7027084	1	Cable, Battery (Black) (Battery - to Tray Pivot Grd)	
41B	8270147	1	Terminal, Battery (With Boot)	
41C	7027085	1	Cable, Battery (Black) (Battery - to Aux Pump and Relay Grds)	
41D	7027086	1	Cable, Battery (Black) (Engine to Tray Pivot Grd)	
41E	7027087	1	Cable (Red) (Battery + to Aux Relay/Power Module/Starter)	
41F	7027088	1	Cable (Red) (Aux Relay to Aux Pump)	
42	1001154405	AR	Hose	
43	1001155823	1	Fitting, Quick Disconnect Elbow	
44	1001162497	1	Bracket, Battery	
45	1001165035	27.5 ft/ 8.38m	Hose	

SECTION 3 - ENGINE

ITEM	PART NUMBER	QTY	DESCRIPTION	REV
46	1001191620	2	Clamp	
47	1001277606	1	Engine and Pump Assembly without Arctic Package (See Separate Breakdown in this Section)	
49	1001146588	1	Strap	
50	1001256879	1	Bracket	
51	4100063	1	Sleeve, Hose Wrap	
52	1062255	AR	Tie-Strap (Not Shown)	
53	4240099	AR	Tie-Strap (Not Shown)	
54	1001289593	1	ECU Power Jumper Harness (See Separate Breakdown in ELECTRICAL Section)	

SECTION 3 - ENGINE

FIGURE 3-22. DEUTZ TD2.9L4 (STAGE V) ENGINE AND PUMP SUB-ASSEMBLY



ART_1001277606

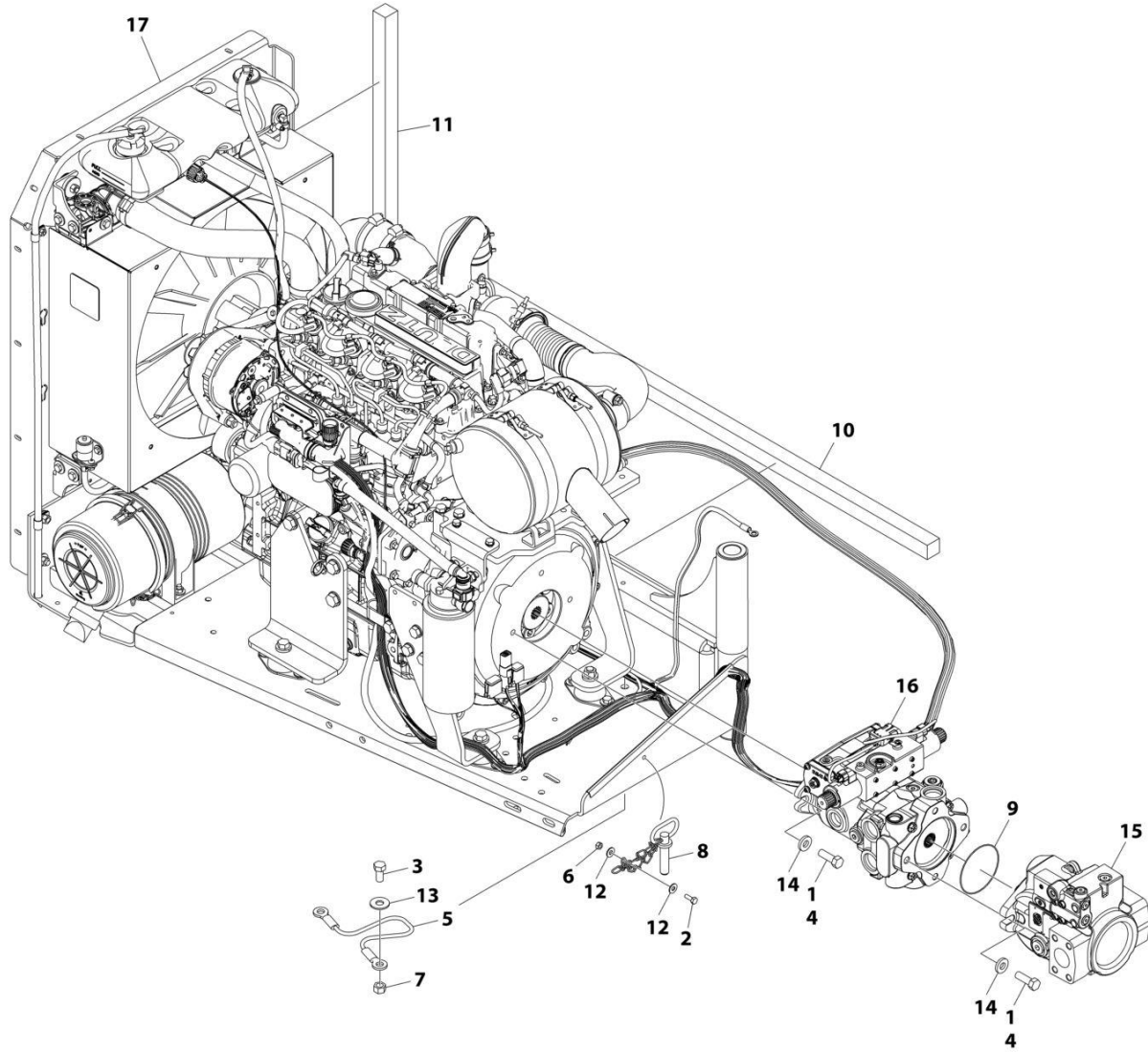
SECTION 3 - ENGINE

FIGURE 3-22. DEUTZ TD2.9L4 (STAGE V) ENGINE AND PUMP SUB-ASSEMBLY

ITEM	PART NUMBER	QTY	DESCRIPTION	REV
	1001277606	Ref	DEUTZ TD2.9L4 ENGINE AND PUMP SUB-ASSEMBLY (STAGE V)	A
1	0100011	AR	Compound, Locking	
2	0641406	1	Bolt 1/4 x 3/4	
3	0641808	1	Bolt 1/2 x 1	
4	0641812	4	Bolt 1/2 x 1-1/2	
5	1060637	1	Lanyard	
6	3020037	AR	Lubricant	
7	3311405	1	Nut 1/4	
8	3311801	1	Nut 1/2	
9	3422532	1	Pin, Hitch	
10	3790044	1	O-Ring	
11	3960468	1	Seal	
12	3960469	1	Seal	
13	4751400	2	Washer 1/4	
14	4751800	1	Washer 1/2	
15	4891800	4	Washer 1/2	
16	1001094595	1	Variable Pump Assembly with Fittings (See Separate Breakdown in this Section)	
17	1001225745	1	Hydrostatic Pump Assembly (See Separate Breakdown in this Section)	
18	1001277598	1	Engine Assembly - DEUTZ 2.9L4 (Stage V) Engines (See Separate Breakdown in this Section)	

SECTION 3 - ENGINE

FIGURE 3-23. DEUTZ TD2.9L4 ENGINE AND PUMP SUB-ASSEMBLY (CHINA IV ENGINES)



ART_1001281608

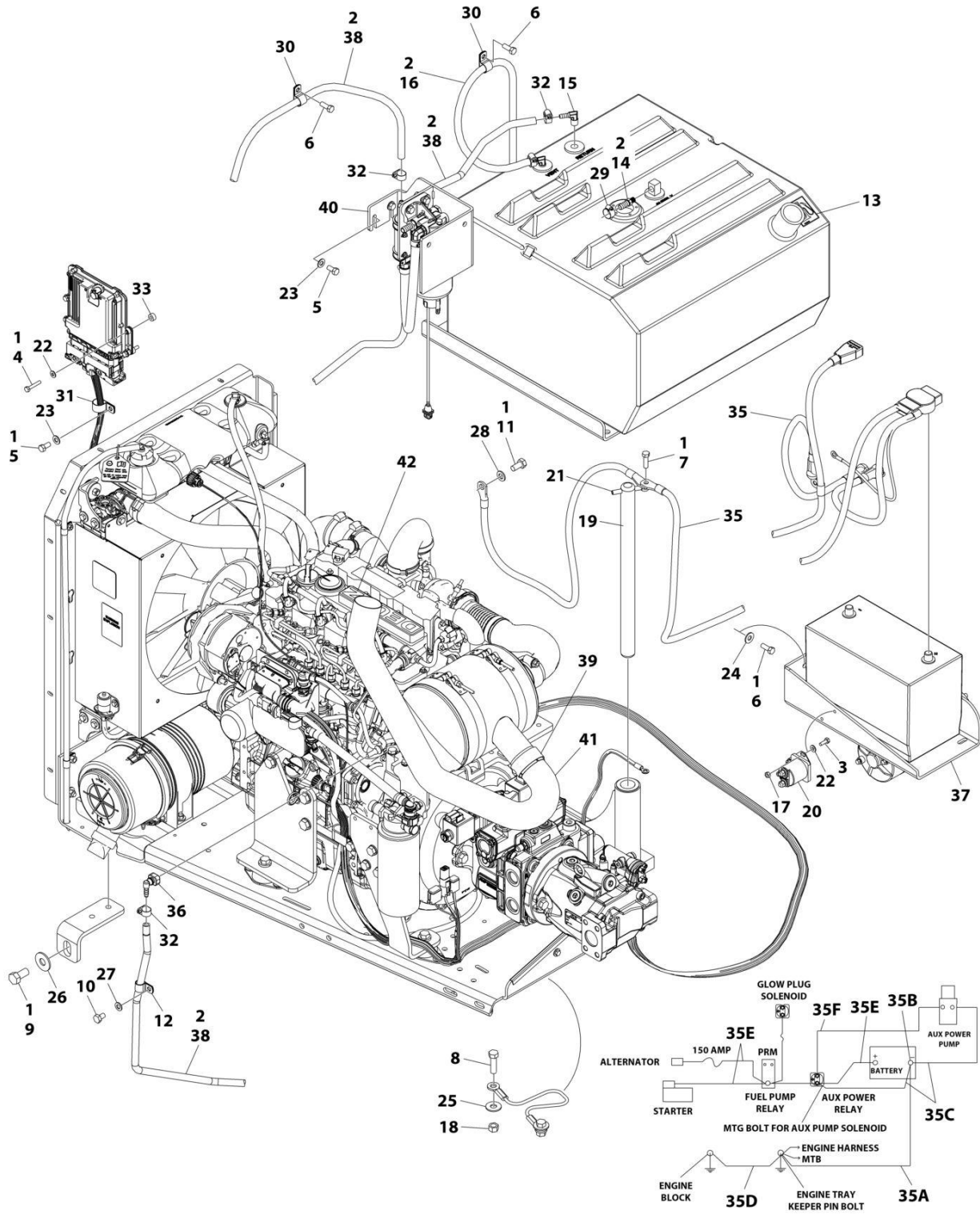
SECTION 3 - ENGINE

FIGURE 3-23. DEUTZ TD2.9L4 ENGINE AND PUMP SUB-ASSEMBLY (CHINA IV ENGINES)

ITEM	PART NUMBER	QTY	DESCRIPTION	REV
	1001281608	Ref	DEUTZ TD2.9L4 ENGINE AND PUMP SUB-ASSEMBLY	A
1	0100011	AR	Compound, Locking	
2	0641406	1	Bolt 1/4 x 3/4	
3	0641808	1	Bolt 1/2 x 1	
4	0641812	4	Bolt 1/2 x 1-1/2	
5	1060637	1	Lanyard	
6	3311405	1	Nut 1/4	
7	3311801	1	Nut 1/2	
8	3422532	1	Pin, Hitch	
9	3790044	1	O-Ring	
10	3960468	1	Seal	
11	3960469	1	Seal	
12	4751400	2	Washer 1/4	
13	4751800	1	Washer 1/2	
14	4891800	4	Washer 1/2	
15	1001094595	1	Variable Pump Assembly with Fittings (See Separate Breakdown in this Section)	
16	1001225745	1	Hydrostatic Pump Assembly (See Separate Breakdown in this Section)	
17	1001281609	1	Engine Assembly (See Separate Breakdown in this Section)	

SECTION 3 - ENGINE

FIGURE 3-24. DEUTZ TD2.9L4 ENGINE INSTALLATION (CHINA III)



ART_1001296328

SECTION 3 - ENGINE

FIGURE 3-24. DEUTZ TD2.9L4 ENGINE INSTALLATION (CHINA III)

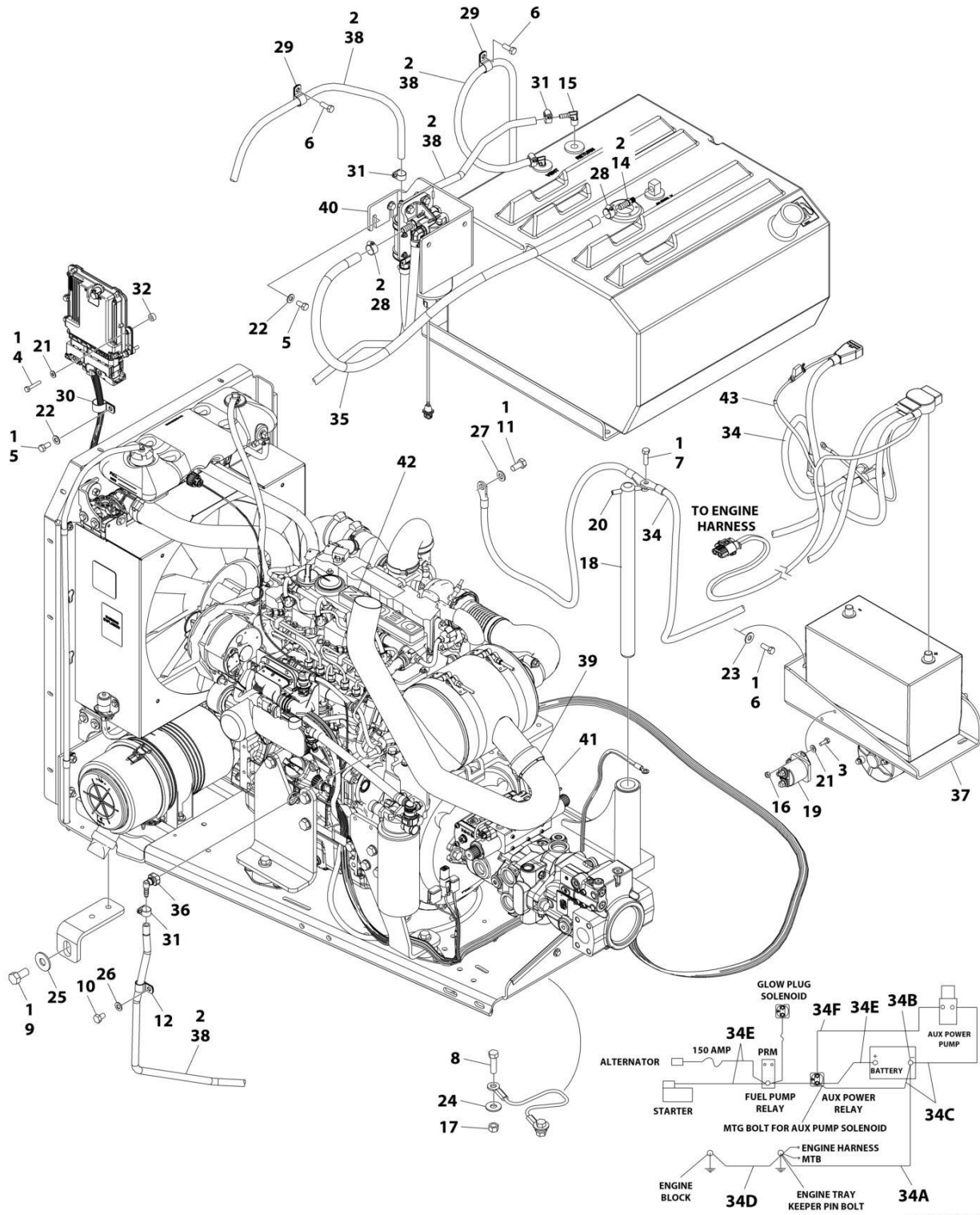
ITEM	PART NUMBER	QTY	DESCRIPTION	REV
	1001296328	Ref	DEUTZ TD2.9L4 ENGINE INSTALLATION (CHINA III)	A
1	0100011	AR	Compound, Locking	
2	0100020	AR	Sealant, Pipe	
3	0641406	2	Bolt 1/4 x 3/4	
4	0641412	4	Bolt 1/4 x 1-1/2	
5	0641606	3	Bolt 3/8 x 3/4	
6	0641608	5	Bolt 3/8 x 1	
7	0641610	1	Bolt 3/8 x 1-1/4	
8	0641814	1	Bolt 1/2 x 1-3/4	
9	0642010	1	Bolt 5/8 x 1-1/4	
10	0761008	1	Bolt M10 x 16	
11	0771212	1	Bolt M12 x 25	
12	1320061	1	Clamp	
13	1701505	1	Decal - Diesel Fuel (Located on Fuel Tank or Hood)	
14	2180832	1	Fitting, Straight Barbed	
15	2220313	2	Fitting, 90 NPTF/Barbed	
16	2750532	3.5 ft/1 m	Hose	
17	3311405	2	Nut 1/4	
18	3311805	1	Nut 1/2	
19	3422446	1	Pin, Pivot	
20	3740067	1	Relay	
21	3841143	1	Pin, Keeper	
22	4711400	7	Washer 1/4	
23	4711600	3	Washer 3/8	
24	4751600	3	Washer 3/8	
25	4751800	1	Washer 1/2	
26	4752000	1	Washer 5/8	
27	4812000	1	Washer M10	
28	4812100	1	Washer M12	
29	8405006	1	Clamp	
30	8406102	2	Clip	
31	8406201	1	Clip	
32	8410013	5	Clamp	
33	1001110425	4	Spacer	
34	1001138491	1	Fuel Pump Harness (Not Shown - See Separate Breakdown in ELECTRICAL Section)	
35	1001143736	1	Battery Cable Kit	
35A	7027084	1	Cable, Battery (Black) (Battery - to Tray Pivot Grd)	
35B	8270147	1	Terminal, Battery (With Boot)	
35C	7027085	1	Cable, Battery (Black) (Battery - to Aux Pump and Relay Grds)	
35D	7027086	1	Cable, Battery (Black) (Engine to Tray Pivot Grd)	
35E	7027087	1	Cable (Red) (Battery + to Aux Relay/Power Module/Starter)	
35F	7027088	1	Cable (Red) (Aux Relay to Aux Pump)	
36	1001155823	1	Fitting, 90 Quick Disconnect	
37	1001162497	1	Bracket, Battery	
38	1001165035	23.5 ft/7 m	Hose	
39	1001221212	1	Clamp	
40	1001227224	1	Bracket Assembly Less Filter/Pump (See Separate Breakdown in this Section)	

SECTION 3 - ENGINE

ITEM	PART NUMBER	QTY	DESCRIPTION	REV
41	1001247011	1	Pipe, Exhaust	
42	1001296327	1	Engine and Pump Assembly without Arctic Package (See Separate Breakdown in this Section)	

SECTION 3 - ENGINE

FIGURE 3-25. DEUTZ TD2.9L4 ENGINE INSTALLATION (CHINA IV ENGINES)



ART_1001281611

SECTION 3 - ENGINE

FIGURE 3-25. DEUTZ TD2.9L4 ENGINE INSTALLATION (CHINA IV ENGINES)

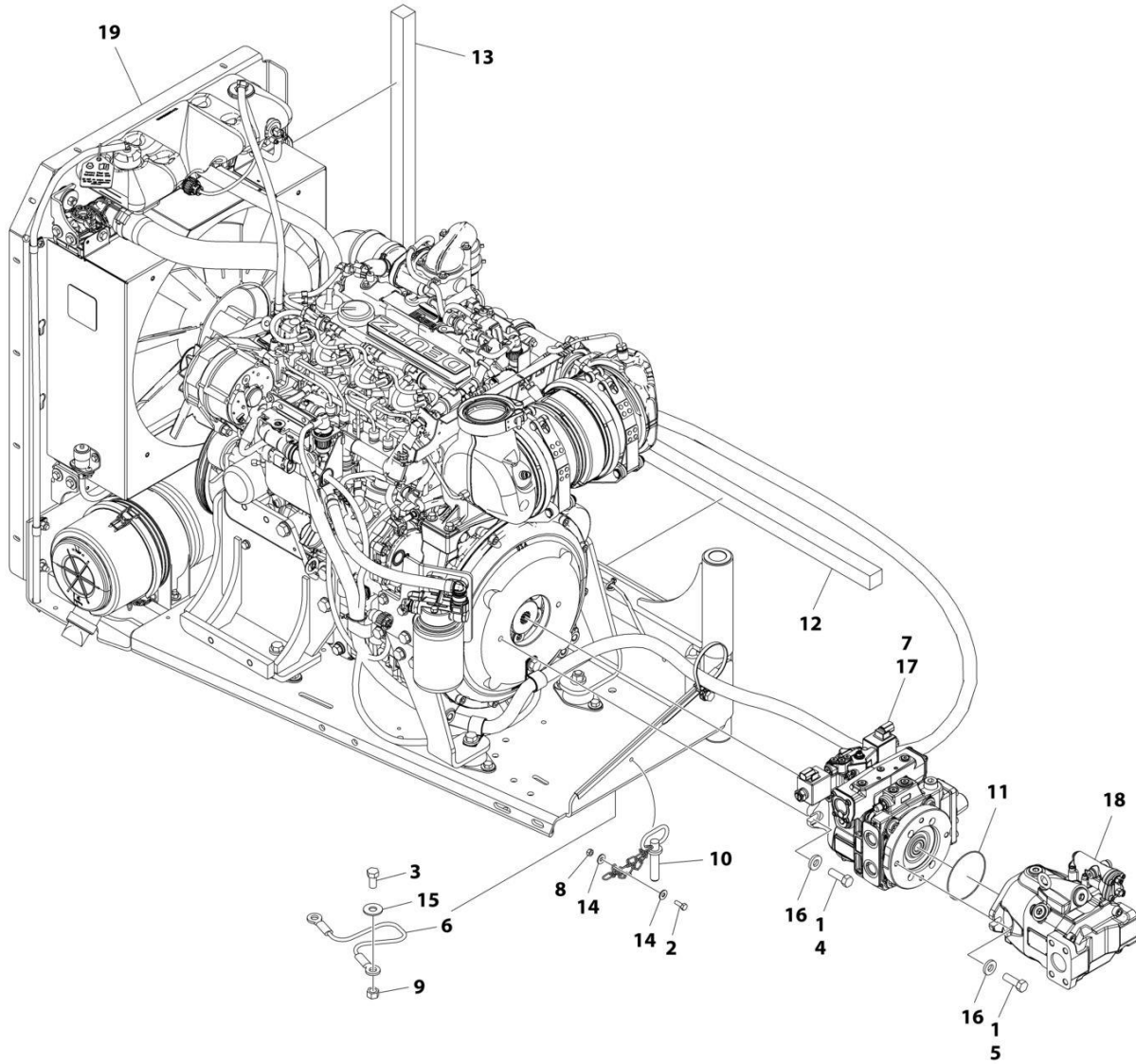
ITEM	PART NUMBER	QTY	DESCRIPTION	REV
	1001281611	Ref	DEUTZ TD2.9L4 ENGINE INSTALLATION	B
1	0100011	AR	Compound, Locking	
2	0100020	AR	Sealant, Pipe	
3	0641406	2	Bolt 1/4 x 3/4	
4	0641412	4	Bolt 1/4 x 1-1/2	
5	0641606	3	Screw 3/8 x 3/4	
6	0641608	5	Screw 3/8 x 1	
7	0641610	1	Screw 3/8 x 1-1/4	
8	0641814	1	Bolt 1/2 x 1-3/4	
9	0642010	1	Bolt 5/8 x 1-1/4	
10	0761008	1	Bolt M10 x 16	
11	0771212	1	Bolt M12 x 25 Grade 10.9	
12	1320061	1	Clamp	
13	1701505	1	Decal - Diesel Fuel (Not Shown Located on Fuel Tank or Hood)	
14	2180832	1	Fitting, Elbow Barbed	
15	2220313	2	Fitting, Elbow	
16	3311405	2	Nut 1/4	
17	3311805	1	Nut 1/2	
18	3422446	1	Pin, Pivot	
19	3740067	1	Relay	
20	3841143	1	Pin, Keeper	
21	4711400	7	Washer 1/4	
22	4711600	3	Washer 3/8	
23	4751600	3	Washer 3/8	
24	4751800	1	Washer 1/2	
25	4752000	1	Washer 5/8	
26	4812000	1	Washer M10	
27	4812100	1	Washer M12	
28	8405006	2	Clamp	
29	8406102	2	Clip	
30	8406201	1	Clip	
31	8410013	5	Clamp	
32	1001110425	4	Spacer	
33	1001138491	1	Fuel Pump Harness (Not Shown - See Separate Breakdown in ELECTRICAL Section)	
34	1001143736	1	Battery Cable Kit	
34A	7027084	1	Cable, Battery (Black) (Battery - to Tray Pivot Grd)	
34B	8270147	1	Terminal, Battery (With Boot)	
34C	7027085	1	Cable, Battery (Black) (Battery - to Aux Pump and Relay Grds)	
34D	7027086	1	Cable, Battery (Black) (Engine to Tray Pivot Grd)	
34E	7027087	1	Cable (Red) (Battery + to Aux Relay/Power Module/Starter)	
34F	7027088	1	Cable (Red) (Aux Relay to Aux Pump)	
35	1001154405	28.9 ft/ 8.82m	Hose	
36	1001155823	1	Fitting, Quick Disconnect Elbow	
37	1001162497	1	Bracket, Battery	
38	1001165035	23.6 ft/ 7.18m	Hose	
39	1001221212	1	Clamp	

SECTION 3 - ENGINE

ITEM	PART NUMBER	QTY	DESCRIPTION	REV
40	1001227224	1	Bracket Assembly Less Filter/Pump (See Separate Breakdown in this Section)	
41	1001247011	1	Pipe Exhaust	
42	1001281608	1	Engine and Pump Assembly without Arctic Package (See Separate Breakdown in this Section)	
43	1001289593	1	ECU Power Jumper Harness (See Separate Breakdown in ELECTRICAL Section)	

SECTION 3 - ENGINE

FIGURE 3-26. DEUTZ TD2.9L4 ENGINE/PUMP SUB ASSEMBLY (STAGE V)



ART_1001296655

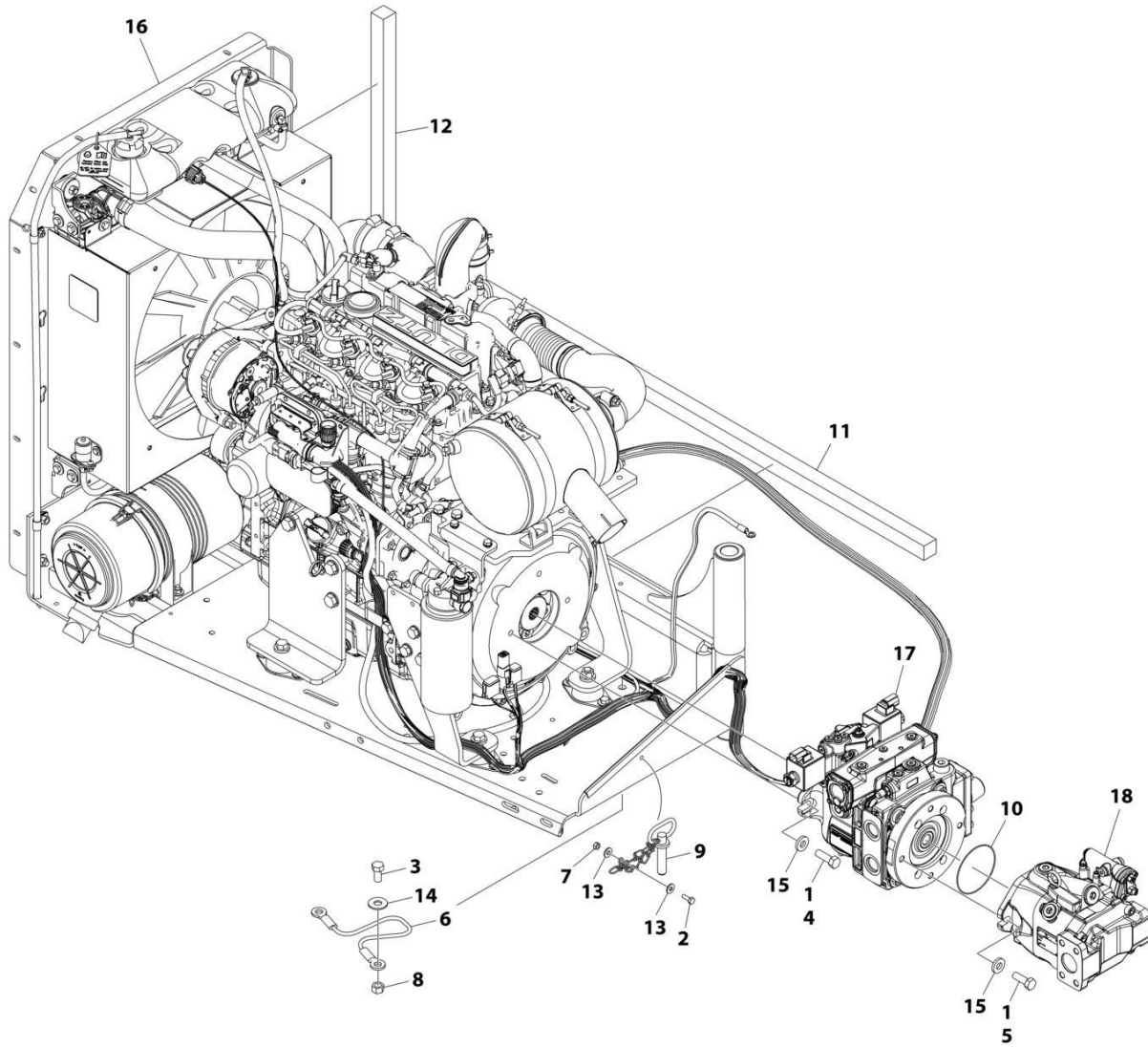
SECTION 3 - ENGINE

FIGURE 3-26. DEUTZ TD2.9L4 ENGINE/PUMP SUB ASSEMBLY (STAGE V)

ITEM	PART NUMBER	QTY	DESCRIPTION	REV
	1001296655	Ref	DEUTZ D2011 ENGINE/PUMP SUB-ASSEMBLY	A
1	0100011	AR	Compound, Locking	
2	0641406	1	Bolt 1/4 x 3/4	
3	0641808	1	Bolt 1/2 x 1	
4	0641812	2	Bolt 1/2 x 1-1/2	
5	0711215	2	Bolt M12 x 35	
6	1060637	1	Lanyard	
7	3020037	AR	Lubricant	
8	3311405	1	Nut 1/4	
9	3311801	1	Nut 1/2	
10	3422532	1	Pin, Hitch	
11	3790044	1	O-Ring	
12	3960468	1	Seal	
13	3960469	1	Seal	
14	4751400	2	Washer 1/4	
15	4751800	1	Washer 1/2	
16	4891800	4	Washer 1/2	
17	1001276376	1	Hydrostatic Pump Assembly (See Separate Breakdown in this Section)	
18	1001276377	1	Variable Pump Assembly with Fittings (See Separate Breakdown in this Section)	
19	1001277598	1	Engine Assembly - DEUTZ 2.9L4 (Stage V) Engines (See Separate Breakdown in this Section)	

SECTION 3 - ENGINE

FIGURE 3-27. DEUTZ TD2.9L4 ENGINE/PUMP SUB ASSEMBLY (CHINA III)



ART_1001296327

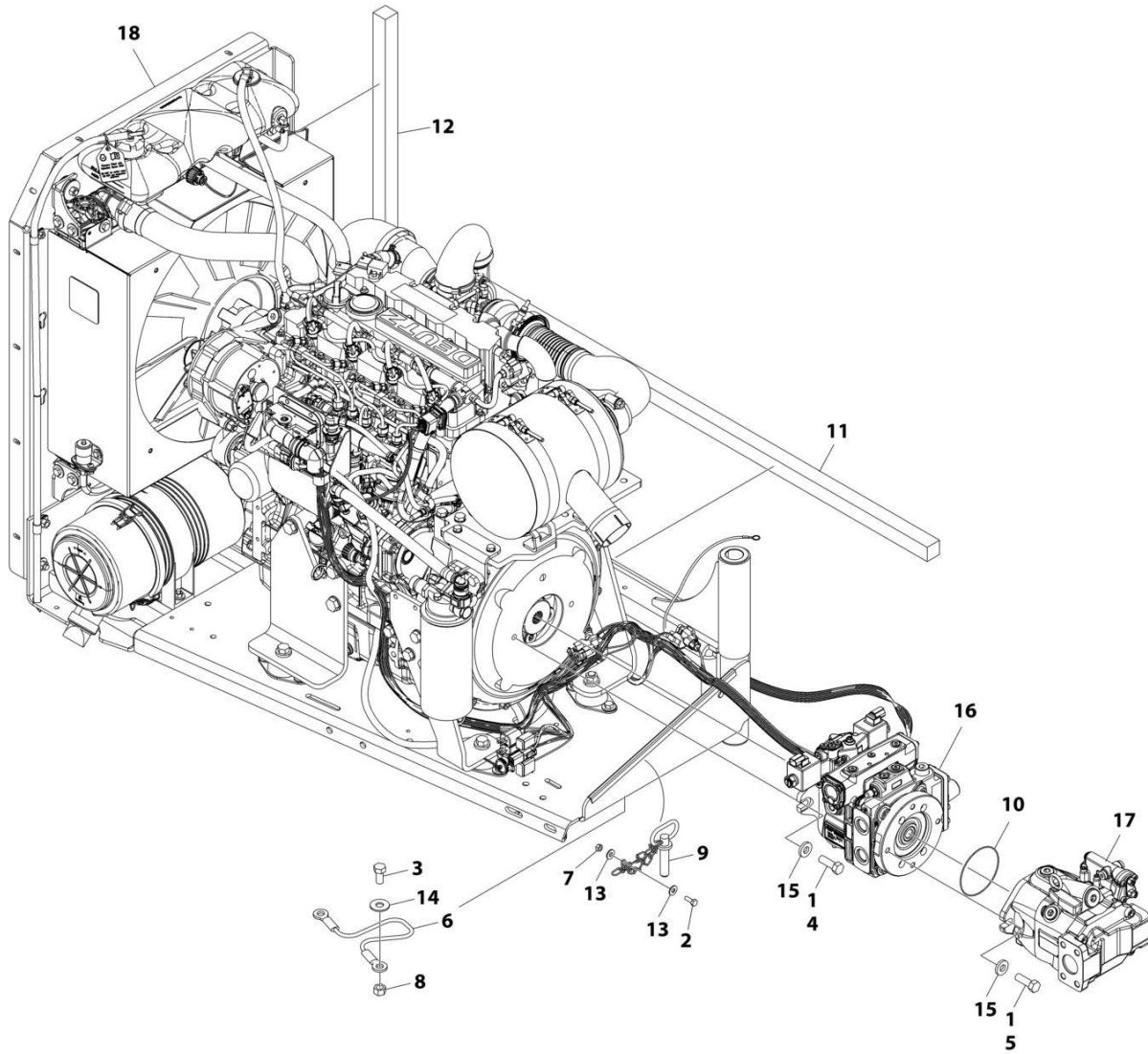
SECTION 3 - ENGINE

FIGURE 3-27. DEUTZ TD2.9L4 ENGINE/PUMP SUB ASSEMBLY (CHINA III)

ITEM	PART NUMBER	QTY	DESCRIPTION	REV
	1001296327	Ref	DEUTZ TD2.9L4 ENGINE/PUMP SUB-ASSEMBLY (CHINA III)	A
1	0100011	AR	Compound, Locking	
2	0641406	1	Bolt 1/4 x 3/4	
3	0641808	1	Bolt 1/2 x 1	
4	0641812	2	Bolt 1/2 x 1-1/2	
5	0711215	2	Bolt M12 x 35	
6	1060637	1	Lanyard	
7	3311405	1	Nut 1/4	
8	3311801	1	Nut 1/2	
9	3422532	1	Pin	
10	3790044	1	O-Ring	
11	3960468	1	Seal	
12	3960469	1	Seal	
13	4751400	2	Washer 1/4	
14	4751800	1	Washer 1/2	
15	4891800	4	Washer 1/2	
16	1001227614	1	Engine Assembly (See Separate Breakdown in this Section)	
17	1001276376	1	Hydrostatic Pump Assembly (See Separate Breakdown in this Section)	
18	1001276377	1	Variable Pump Assembly with Fittings (See Separate Breakdown Engine Assembly)	

SECTION 3 - ENGINE

FIGURE 3-28. DEUTZ TD2.9L4 ENGINE/PUMP SUB ASSEMBLY (CHINA IV)



ART_1001296319

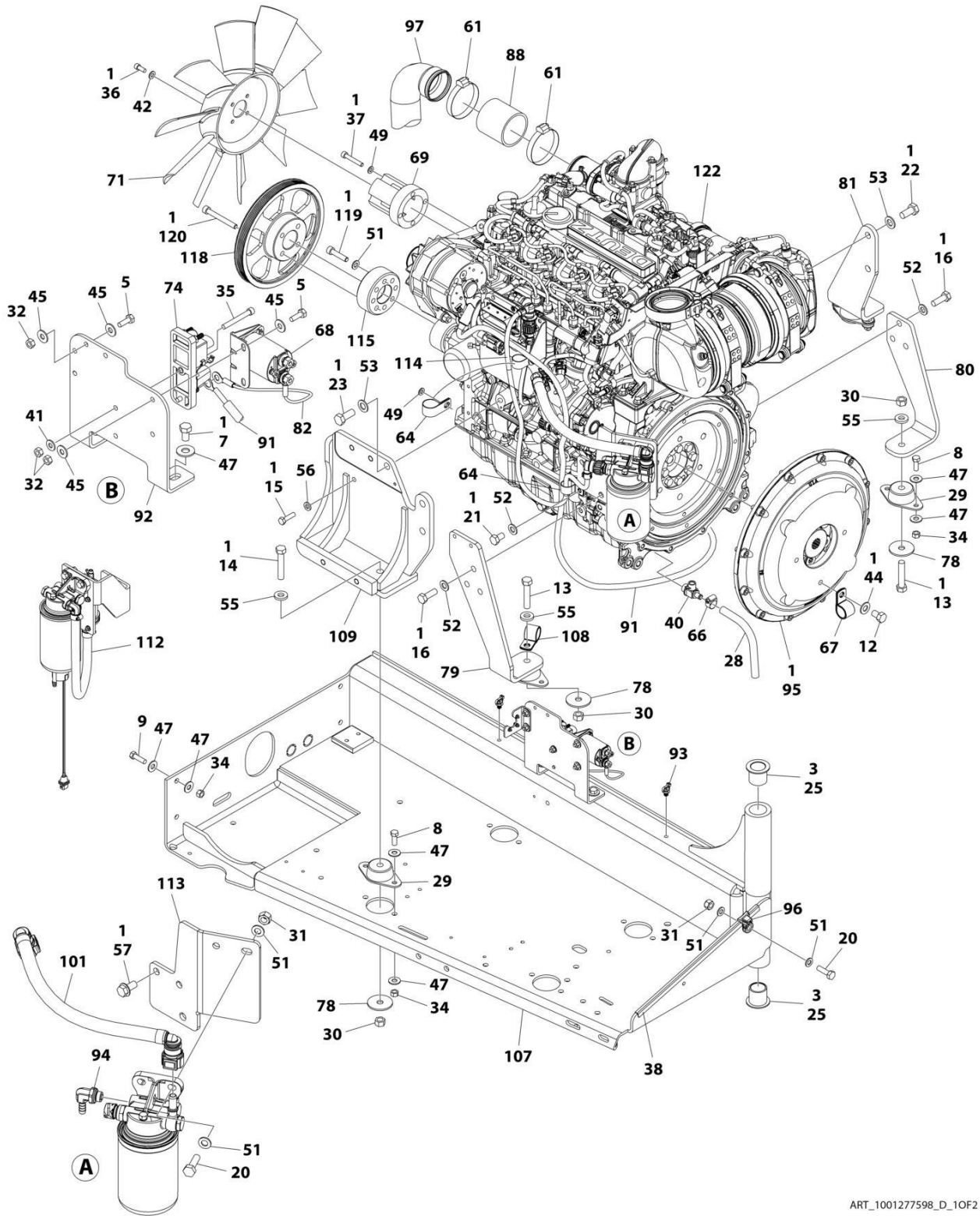
SECTION 3 - ENGINE

FIGURE 3-28. DEUTZ TD2.9L4 ENGINE/PUMP SUB ASSEMBLY (CHINA IV)

ITEM	PART NUMBER	QTY	DESCRIPTION	REV
	1001296319	Ref	DEUTZ TD2.9L4 ENGINE/PUMP SUB-ASSEMBLY	A
1	0100011	AR	Compound, Locking	
2	0641406	1	Bolt 1/4 x 3/4	
3	0641808	1	Bolt 1/2 x 1	
4	0641812	2	Bolt 1/2 x 1-1/2	
5	0711215	2	Bolt M12 x 35	
6	1060637	1	Lanyard	
6	3311405	1	Nut 1/4	
8	3311801	1	Nut 1/2	
9	3422532	1	Pin, Hitch	
10	3790044	1	O-Ring	
11	3960468	1	Seal	
12	3960469	1	Seal	
13	4751400	2	Washer 1/4	
14	4751800	1	Washer 1/2	
15	4891800	4	Washer 1/2	
16	1001276376	1	Hydrostatic Pump Assembly (See Separate Breakdown in this Section)	
17	1001276377	1	Variable Pump Assembly with Fittings (See Separate Breakdown in this Section)	
18	1001281609	1	Engine Assembly (See Separate Breakdown in this Section)	

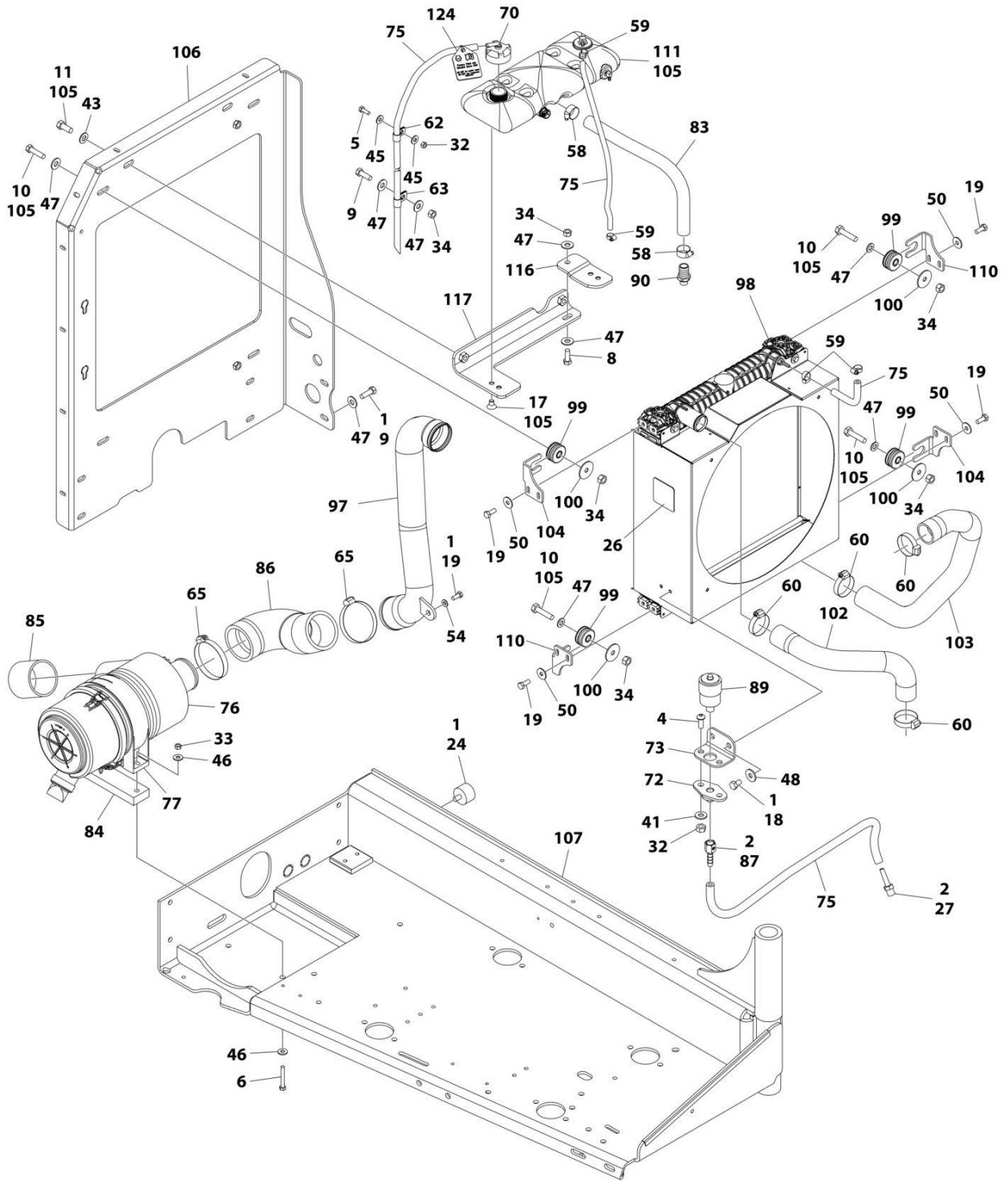
SECTION 3 - ENGINE

FIGURE 3-29. DEUTZ TD2.9L4 ENGINE ASSEMBLY (STAGE V)



ART_1001277598_D_10F2

SECTION 3 - ENGINE



ART_1001277598_D_20F2

SECTION 3 - ENGINE

FIGURE 3-29. DEUTZ TD2.9L4 ENGINE ASSEMBLY (STAGE V)

ITEM	PART NUMBER	QTY	DESCRIPTION	REV
	1001277598	Ref	DEUTZ TD2.9L4 ENGINE ASSEMBLY (STAGE V)	D
1	0100011	AR	Locking, Compound	
2	0100020	AR	Sealant	
3	0100062	AR	Compound, Locking	
4	0630407	2	Screw 1/4 x 5/8	
5	0641406	3	Bolt 1/4 x 3/4	
6	0641518	2	Bolt 5/16 x 2-1/4	
7	0641605	2	Bolt 3/8 x 5/8	
8	0641608	9	Bolt 3/8 x 1	
9	0641609	6	Bolt 3/8 x 1-1/8	
10	0641612	4	Bolt 3/8 x 1-1/2	
11	0641708	2	Bolt 7/16 x 1	
12	0641806	1	Bolt 1/2 x 3/4	
13	0681820	3	Bolt 1/2 x 2-1/2 Grade 8	
14	0681822	1	Bolt 1/2 x 2-3/4 Grade 8	
15	0700814	1	Bolt M8 x 30	
16	0711215	6	Bolt M12 x 35	
17	0741605	2	Screw 3/8 x 5/8	
18	0760605	2	Bolt M6 x 10	
19	0760810	9	Bolt M8 x 20	
20	0761015	3	Bolt M10 x 35	
21	0761210	1	Bolt M12 x 20	
22	0771414	2	Bolt M14 x 30 Grade 10.9	
23	0771415	3	Bolt M14 x 35 Grade 10.9	
24	0940070	1	Bumper	
25	0961986	2	Bushing, Flanged	
26	1703162	1	Decal - Caution Fan Blade	
27	2220315	1	Fitting, Straight Barbed	
28	2720340	1 ft /0.3 m	Hose	
29	3200401	4	Mount, Motor	
30	3271801	4	Nut 1/2 Grade 8	
31	3291005	3	Nut M10	
32	3311405	6	Nut 1/4	
33	3311505	2	Nut 5/16	
34	3311605	17	Nut 3/8	
35	3931432	1	Capscrew 1/4 x 2	
36	3931512	4	Capscrew 5/16 x 3/4	
37	4031914	4	Capscrew M8 x 50	
38	4060805	2 ft /0.4 m	Flex-Trim	
39	4240099	AR	Tie-Strap (Not Shown)	
40	4640751	1	Valve, Oil Drain	
41	4711400	3	Washer 1/4	
42	4711500	4	Washer 5/16	
43	4711700	2	Washer 7/16	
44	4711800	1	Washer 1/2	
45	4751400	6	Washer 1/4	
46	4751500	4	Washer 5/16	
47	4751600	34	Washer 3/8	
48	4811702	2	Washer M6	
49	4811900	5	Washer M8	

SECTION 3 - ENGINE

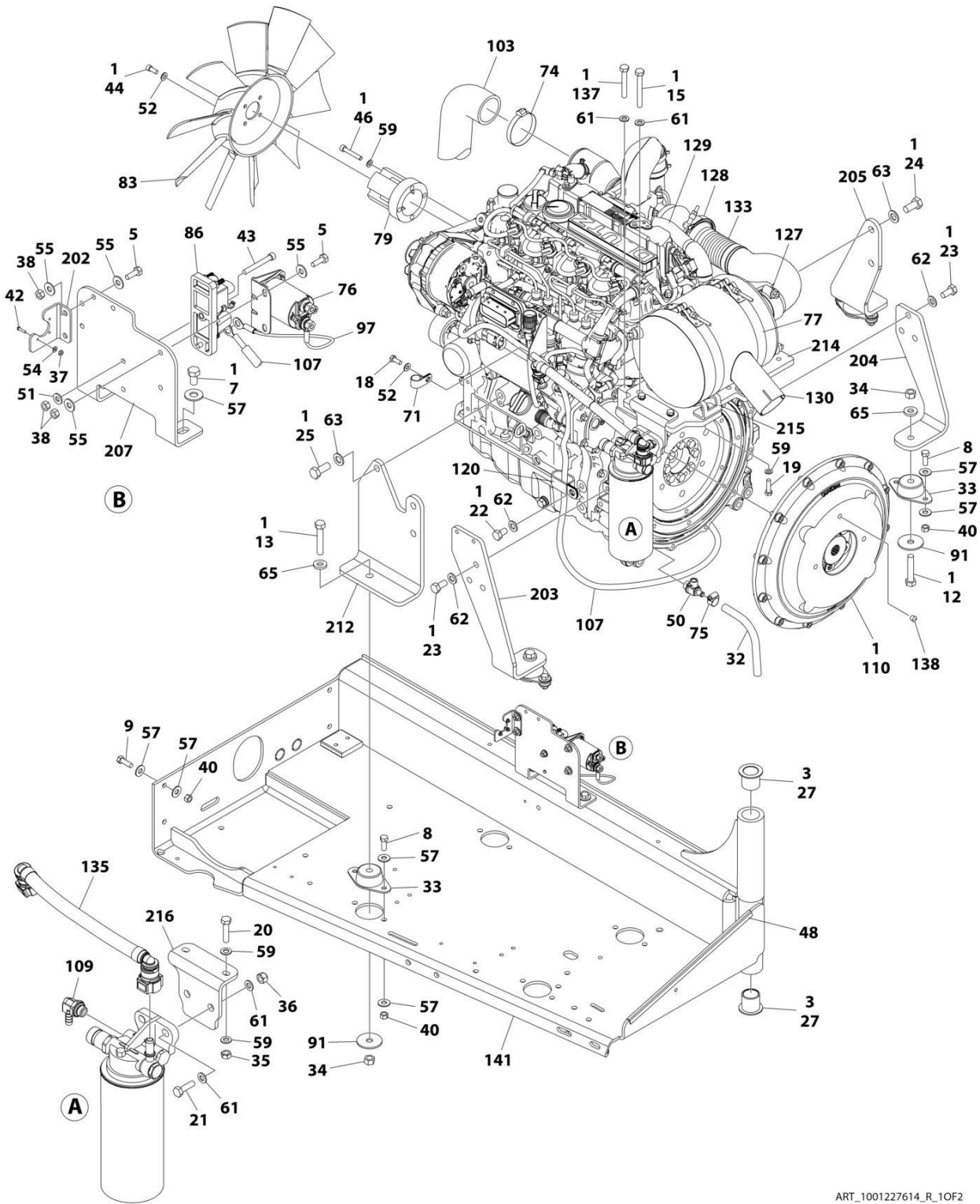
ITEM	PART NUMBER	QTY	DESCRIPTION	REV
50	4811902	8	Washer M8	
51	4812000	10	Washer M10	
52	4812100	7	Washer M12	
53	4812200	5	Washer M14	
54	4891500	1	Washer 5/16	
55	4891800	4	Washer 1/2	
56	5240800	1	Washer M8	
57	5251010	2	Bolt M10 x 20	
58	8405007	2	Clamp	
59	8405009	4	Clamp	
60	8405104	4	Clamp	
61	8405204	2	Clamp	
62	8406109	1	Clip	
63	8406110	1	Clip	
64	8406201	2	Clip	
65	8410011	2	Clamp	
66	8410013	1	Clamp	
67	85031405	1	Clamp	
68	1001117308	1	Relay	
69	1001135138	1	Adapter	
70	1001136834	1	Cap, Tank	
71	1001137276	1	Fan	
72	1001138173	1	Support	
73	1001138175	1	Bracket	
74	1001138228	1	Relay, Power Module	
75	1001138248	8 ft /3 m	Tube	
76	1001138489	1	Air Cleaner Assembly	
77	1001138557	1	Clamp	
78	1001139409	4	Washer, Special	
79	1001140448	1	Mount, Rear Engine	
80	1001140450	1	Mount, Rear Engine	
81	1001140454	1	Mount, Front Engine	
82	1001141304	1	Harness, Glow Plug	
83	1001141370	1	Hose	
84	1001141419	1	Shim	
85	1001141585	1	Hose, Inlet	
86	1001141586	1	Pipe, Intake	
87	1001141995	1	Fitting, Straight NPT/Barbed	
88	1001142623	1	Hose, Inlet	
89	1001143390	1	Indicator, Service	
90	1001143797	1	Fitting, Straight Metric/Barbed	
91	1001143907	1	Cable, Alternator Power	
92	1001145154	1	Plate, Relay Mounting	
93	1001146588	3	Strap	
94	1001152489	1	Fitting, 90 Metric/ Barbed	
95	1001153282	1	Pump Coupling Kit (See Separate Breakdown in this section)	
96	1001156107	1	Holder, Cable	
97	1001165842	1	Pipe	
98	1001167042	1	Radiator (Modine Radiator)	
99	1001169054	4	Pad, Isolator	
100	1001169138	4	Washer	

SECTION 3 - ENGINE

ITEM	PART NUMBER	QTY	DESCRIPTION	REV
101	1001177359	1	Hose	
102	1001177844	1	Hose, Radiator - Upper	
103	1001177845	1	Hose, Radiator - Lower	
104	1001178223	2	Bracket, Radiator	
105	1001180620	AR	Adhesive	
106	1001186985	1	Plate, Mounting	
107	1001190610	1	Tray	
108	1001191620	1	Clamp	
109	1001202368	1	Mount, Generator/Engine	
110	1001204325	2	Bracket, Radiator	
111	1001230635	1	Tank	
112	1001235949	1	Bracket, Fuel Pump/Filter Assy (See Separate Breakdown in this Section)	
113	1001238268	1	Mount, Fuel Filter	
114	1001245913	1	Harness, Deutz TD2.9L4 (Stage V) Engine Fuel Filter (See Separate Breakdown in ELECTRICAL Section)	
115	1001258800	1	Adapter	
116	1001260412	1	Bracket, Surge Tank	
117	1001260413	1	Bracket, Tank	
118	1001281192	1	Pulley	
119	1001261045	4	Capscrew M10 x 45	
120	1001261085	4	Capscrew M10 x 85	
121	1001276644	1	Harness Deutz (Not Shown - See Separate Breakdown in ELECTRICAL Section)	
122	1001277592	1	Engine Deutz (See Separate Breakdown in this section)	
123	4240032	AR	Tie-Strap (Not Shown)	
124	1001291401	1	Tag, Coolant	

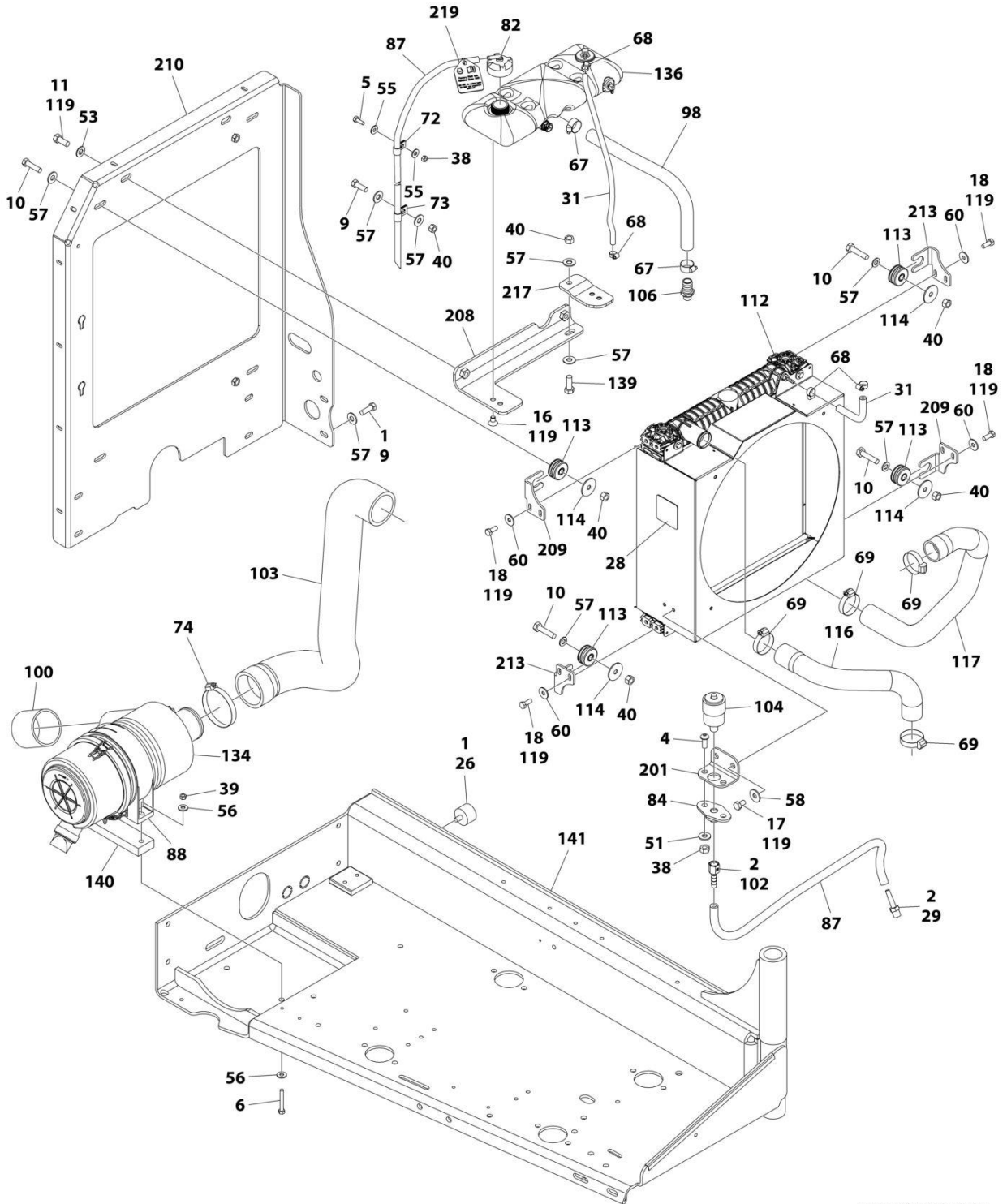
SECTION 3 - ENGINE

FIGURE 3-30. DEUTZ TD2.9L4 ENGINE ASSEMBLY (CHINA III ENGINES)



ART_1001227614_R_10F2

SECTION 3 - ENGINE



ART_1001227614_R_20F2

SECTION 3 - ENGINE

FIGURE 3-30. DEUTZ TD2.9L4 ENGINE ASSEMBLY (CHINA III ENGINES)

ITEM	PART NUMBER	QTY	DESCRIPTION	REV
	1001227614	Ref	DEUTZ TD2.9L4 ENGINE ASSEMBLY	R
1	0100011	AR	Compound, Locking	
2	0100020	AR	Sealant	
3	0100062	AR	Compound, Locking	
4	0630407	2	Screw 1/4 x 5/8	
5	0641406	5	Bolt 1/4 x 3/4	
6	0641518	2	Bolt 5/16 x 2-1/4	
7	0641605	2	Bolt 3/8 x 5/8	
8	0641608	8	Bolt 3/8 x 1	
9	0641609	6	Bolt 3/8 x 1-1/8	
10	0641612	4	Bolt 3/8 x 1-1/2	
11	0641708	2	Bolt 7/16 x 1	
12	0681820	3	Bolt 1/2 x 2-1/2 Grade 8	
13	0681822	1	Bolt 1/2 x 2-3/4 Grade 8	
15	0701025	2	Bolt M10 x 85	
16	0741605	2	Screw 3/8 x 5/8	
17	0760605	2	Bolt M6 x 10	
18	0760810	10	Bolt M8 x 20	
19	0760814	4	Bolt M8 x 30	
20	0760815	2	Bolt M8 x 35	
21	0761015	2	Bolt M10 x 35	
22	0761210	1	Bolt M12 x 20	
23	0771212	6	Bolt M12 x 25 Grade 10.9	
24	0771414	2	Bolt M14 x 30 Grade 10.9	
25	0771415	3	Bolt M14 x 35	
26	0940070	1	Bumper	
27	0961986	2	Bushing, Flanged	
28	1703162	1	Decal - Caution Fan Blade	
29	2220315	1	Fitting, Straight Barbed	
31	2720015	3 ft /1 m	Hose	
32	2720340	1 ft /0.4 m	Hose	
33	3200401	4	Mount, Motor	
34	3271801	4	Nut 1/2	
35	3290801	2	Nut M8	
36	3291005	2	Nut M10	
37	3310401	3	Nut #4	
38	3311405	8	Nut 1/4	
39	3311505	2	Locknut 5/16	
40	3311605	17	Nut 3/8	
42	3910408	3	Screw #4 x 1/2	
43	3931432	1	Capscrew 1/4 x 2	
44	3931512	4	Capscrew 5/16 x 3/4	
46	4031914	4	Capscrew M8 x 50	
48	4060805	2 ft /0.4 m	Flex-Trim	
49	4240099	AR	Tie-Strap (Not Shown)	
50	4640751	1	Valve, Oil Drain	
51	4711400	3	Washer 1/4	
52	4711500	5	Washer 5/16	
53	4711700	2	Washer 7/16	
54	4750400	3	Washer #4	

SECTION 3 - ENGINE

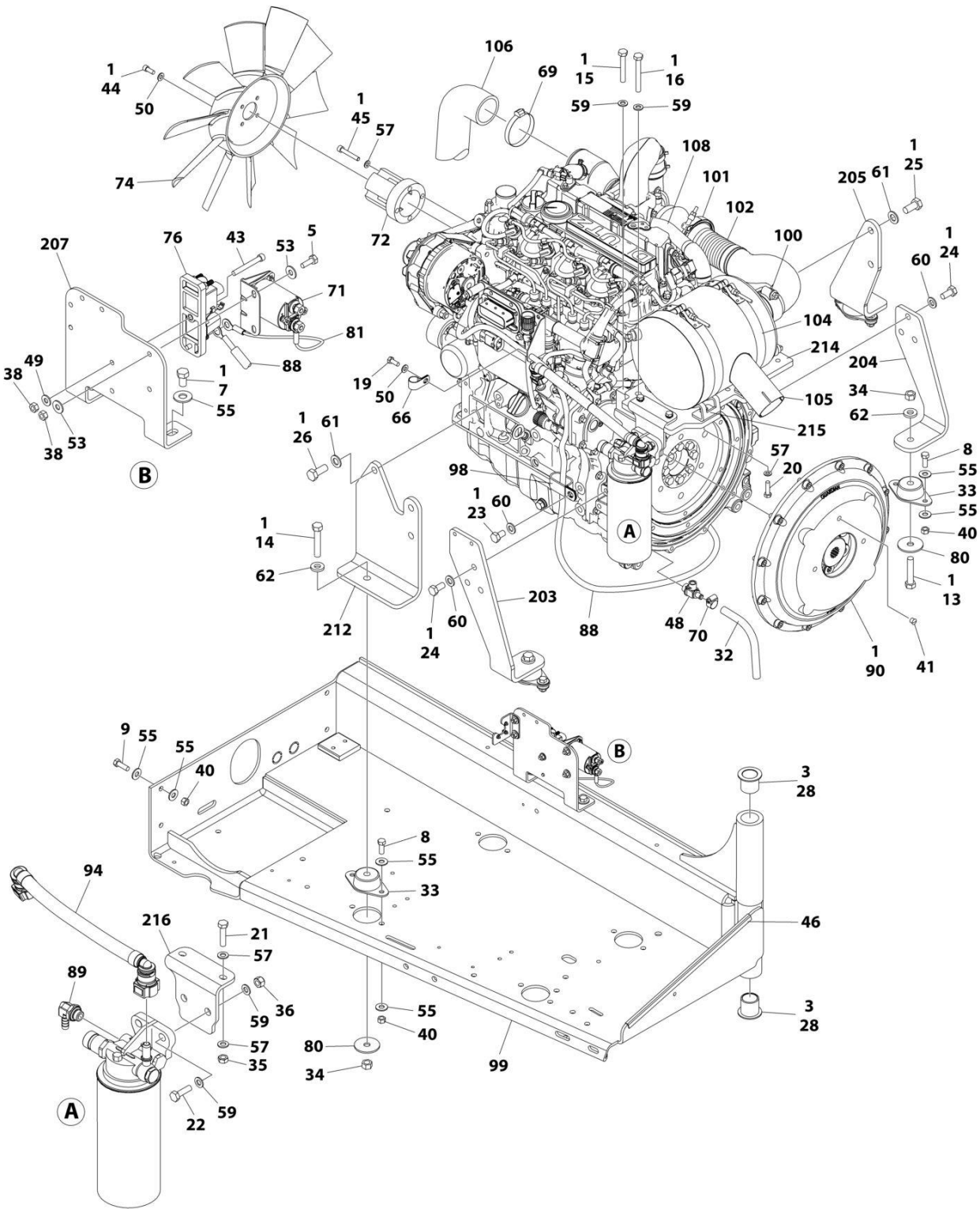
ITEM	PART NUMBER	QTY	DESCRIPTION	REV
55	4751400	10	Washer 1/4	
56	4751500	4	Washer 5/16	
57	4751600	34	Washer 3/8	
58	4811702	2	Washer M6	
59	4811900	12	Washer M8	
60	4811902	8	Washer M8	
61	4812000	8	Washer M10	
62	4812100	7	Washer M12	
63	4812200	5	Washer M14	
65	4891800	4	Washer 1/2	
67	8405007	2	Clamp	
68	8405009	4	Clamp	
69	8405104	4	Clamp	
71	8406102	1	Clip	
72	8406109	1	Clip	
73	8406110	1	Clip	
74	8410011	2	Clamp	
75	8410013	1	Clamp	
76	1001117308	1	Relay	
77	1001233089	2	Strap	
79	1001135138	1	Adapter	
82	1001136834	1	Cap, Tank	
83	1001137276	1	Fan	
84	1001138173	1	Support	
86	1001138228	1	Relay, Power Module	
87	1001138248	6 ft /2 m	Tube	
88	1001138557	1	Clamp	
91	1001139409	4	Washer, Special	
97	1001141304	1	Harness, Glow Plug	
98	1001141370	1	Hose	
100	1001141585	1	Hose, Inlet	
102	1001141995	1	Fitting, Straight NPT/Barbed	
103	1001266525	1	Hose, Inlet	
104	1001143390	1	Indicator, Service	
105	1001143726	1	Harness, Deutz Engine (Not Shown - See Separate Breakdown in ELECTRICAL SECTION)	
106	1001143797	1	Fitting, Straight Metric/Barbed	
107	1001143907	1	Cable, Alternator Power	
109	1001152489	1	Fitting, 90 Metric/ Barbed	
110	1001153282	1	Pump Coupling Kit (See Separate Breakdown in this Section)	
112	1001167042	1	Radiator	
113	1001169054	4	Isolator	
114	1001169138	4	Washer	
116	1001177844	1	Hose, Radiator - Upper	
117	1001177845	1	Hose, Radiator - Lower	
119	1001180620	AR	Adhesive	
120	1001181899	1	P-Clamp	
127	1001221212	1	Clamp	
128	1001221219	1	Clamp	
129	1001223591	1	Engine, Deutz TD2.9L4 Components (See Separate Breakdown in this Section)	
130	1001257278	1	Muffler	

SECTION 3 - ENGINE

ITEM	PART NUMBER	QTY	DESCRIPTION	REV
133	1001224940	1	Pipe, Exhaust	
134	1001138489	1	Air Cleaner Assembly	
134	91403102	1	Element, Filter	
135	1001177359	1	Hose	
136	1001230635	1	Tank	
137	0701022	2	Bolt M10 x 70	
138	3520054	1	Plug	
139	0681608	1	Bolt 3/8 x 1 Grade 8	
140	1001267256	1	Shim, Air Cleaner	
141	1001190610	1	Support, Engine Try	
200	1001257412	1	Bracket Engine Kit (Includes Items 201-217)	F
201	1001138175	1	Bracket	
203	1001140448	1	Mount, Rear Engine	
204	1001140450	1	Mount, Rear Engine	
205	1001140454	1	Mount, Front Engine	
207	1001145154	1	Plate, Relay Mounting	
208	1001260413	1	Bracket, Tank	
209	1001178223	2	Bracket, Radiator	
210	1001186985	1	Plate, Mounting	
212	1001266499	1	Mount, Generator/Engine	
213	1001204325	2	Bracket, Radiator	
214	1001221203	1	Bracket	
215	1001224936	1	Mount, Doc Weldment	
216	1001224937	2	Mount, Fuel Filter	
217	1001260412	1	Bracket	
218	4240032	AR	Tie-Strap (Not Shown)	
219	1001291401	1	Tag, Coolant	

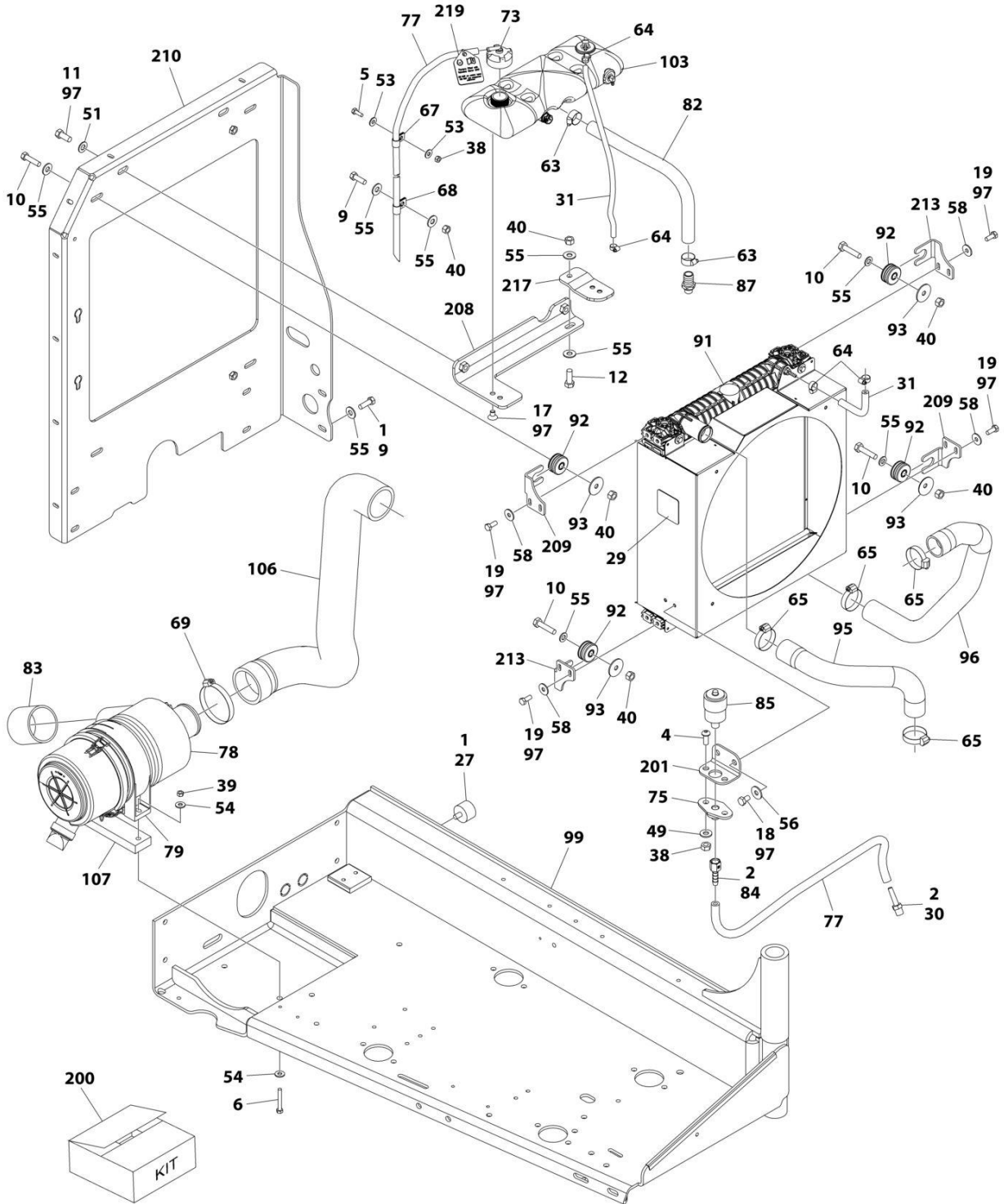
SECTION 3 - ENGINE

FIGURE 3-31. DEUTZ TD2.9L4 ENGINE ASSEMBLY (CHINA IV)



ART_1001281609_G_10F2

SECTION 3 - ENGINE



ART_1001281609_G_20F2

SECTION 3 - ENGINE

FIGURE 3-31. DEUTZ TD2.9L4 ENGINE ASSEMBLY (CHINA IV)

ITEM	PART NUMBER	QTY	DESCRIPTION	REV
	1001281609	Ref	ENGINE ASSEMBLY (CHINA IV)	G
1	0100011	AR	Compound, Locking	
2	0100020	AR	Sealant	
3	0100062	AR	Compound, Locking	
4	0630407	2	Screw 1/4 x 5/8	
5	0641406	3	Bolt 1/4 x 3/4	
6	0641518	2	Bolt 5/16 x 2-1/4	
7	0641605	2	Bolt 3/8 x 5/8	
8	0641608	8	Bolt 3/8 x 1	
9	0641609	6	Bolt 3/8 x 1-1/8	
10	0641612	4	Bolt 3/8 x 1-1/2	
11	0641708	2	Bolt 7/16 x 1	
12	0681608	1	Bolt 3/8 x 1 Grade 8	
13	0681820	3	Bolt 1/2 x 2-1/2 Grade 8	
14	0681822	1	Bolt 1/2 x 2-3/4 Grade 8	
15	0701022	2	Bolt M10 x 70	
16	0701025	2	Bolt M10 x 85	
17	0741605	2	Screw 3/8 x 5/8	
18	0760605	2	Bolt M6 x 10	
19	0760810	9	Bolt M8 x 20	
20	0760814	4	Bolt M8 x 30	
21	0760815	2	Bolt M8 x 35	
22	0761015	2	Bolt M10 x 35	
23	0761210	1	Bolt M12 x 20	
24	0771212	6	Bolt M12 x 25 Grade 10.9	
25	0771414	2	Bolt M14 x 30 Grade 10.9	
26	0771415	3	Bolt M14 x 35	
27	0940070	1	Bumper	
28	0961986	2	Bushing, Flanged	
29	1703162	1	Decal - Caution Fan Blade	
30	2220315	1	Fitting, Straight Barbed	
31	2720015	3 ft /1 m	Hose	
32	2720340	1 ft /0.3 m	Hose	
33	3200401	4	Mount, Motor	
34	3271801	4	Nut 1/2	
35	3290801	2	Nut M8	
36	3291005	2	Nut M10	
38	3311405	6	Nut 1/4	
39	3311505	2	Locknut 5/16	
40	3311605	17	Nut 3/8	
41	3520054	1	Plug	
43	3931432	1	Capscrew 1/4 x 2	
44	4031908	4	Capscrew 5/16 x 3/4	
45	4031912	4	Capscrew M8 x 50	
46	4060805	2 ft /0.4 m	Flex-Trim	
47	4240099	AR	Tie-Strap (Not Shown)	
48	4640751	1	Valve, Oil Drain	
49	4711400	3	Washer 1/4	
50	4711500	5	Washer 5/16	
51	4711700	2	Washer 7/16	

SECTION 3 - ENGINE

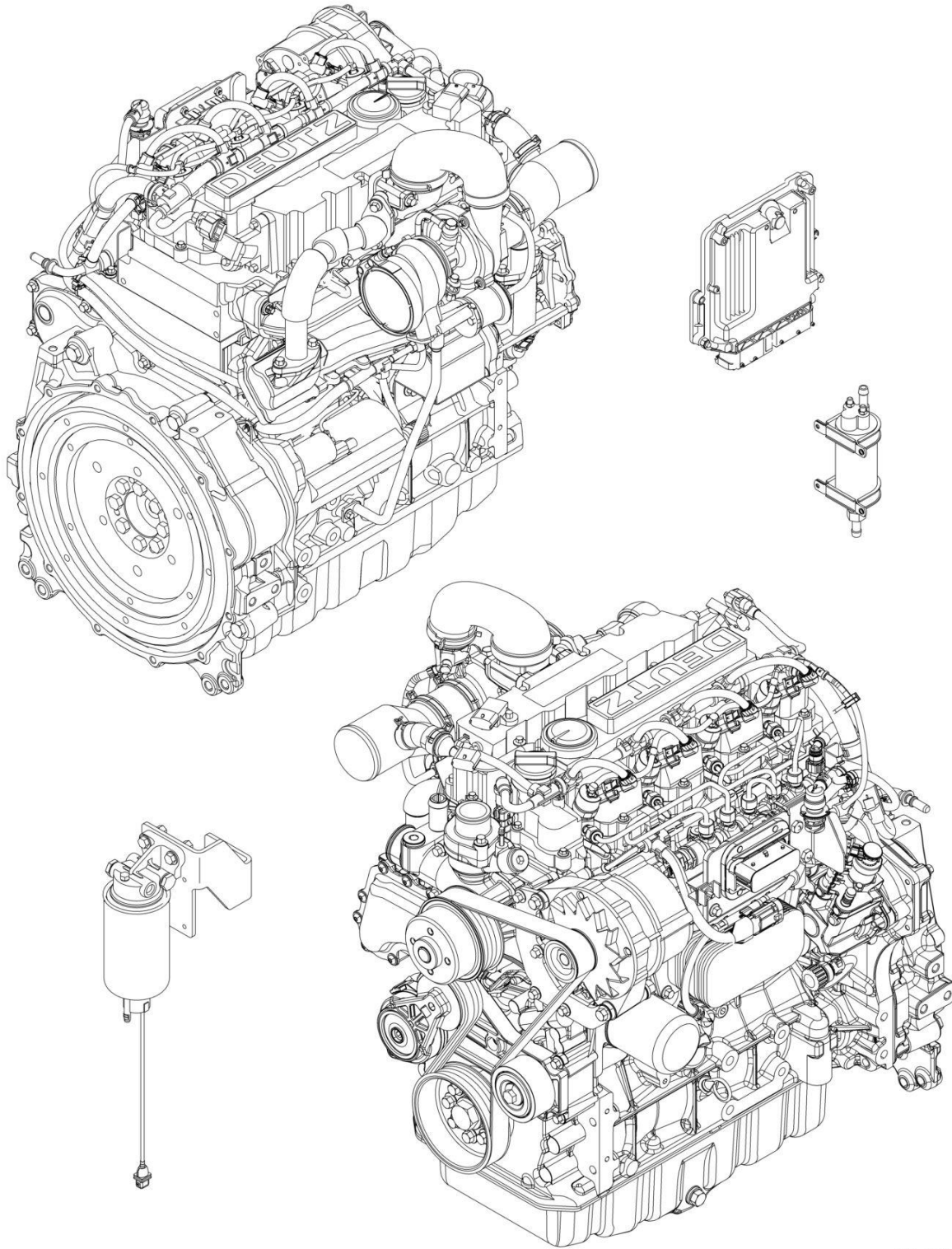
ITEM	PART NUMBER	QTY	DESCRIPTION	REV
53	4751400	6	Washer 1/4	
54	4751500	4	Washer 5/16	
55	4751600	34	Washer 3/8	
56	4811702	2	Washer M6	
57	4811900	12	Washer M8	
58	4811902	8	Washer M8	
59	4812000	8	Washer M10	
60	4812100	7	Washer M12	
61	4812200	5	Washer M14	
62	4891800	4	Washer 1/2	
63	8405007	2	Clamp	
64	8405009	4	Clamp	
65	8405201	4	Clamp	
66	8406102	1	Clip	
67	8406109	1	Clip	
68	8406110	1	Clip	
69	8410011	2	Clamp	
70	8410013	1	Clamp	
71	1001117308	1	Relay	
72	1001289964	1	Adapter	
73	1001136834	1	Cap, Tank	
74	1001137276	1	Fan	
75	1001138173	1	Support	
76	1001138228	1	Relay, Power Module	
77	1001138248	6 ft /2 m	Tube	
78	1001138489	1	Air Cleaner Assembly	
78	91403102	1	Element, Filter	
79	1001138557	1	Clamp	
80	1001139409	4	Washer, Special	
81	1001141304	1	Harness, Glow Plug	
82	1001141370	1	Hose	
83	1001141585	1	Hose, Inlet	
84	1001141995	1	Fitting, Straight NPT/Barbed	
85	1001143390	1	Indicator, Service	
86	1001276644	1	Harness, Deutz Engine (Not Shown - See Separate Breakdown in ELECTRICAL Section)	
87	1001143797	1	Fitting, Straight Metric/Barbed	
88	1001143907	1	Cable, Alternator Power	
89	1001152489	1	Fitting, 90 Metric/ Barbed	
90	1001153282	1	Pump Coupling Kit (See Separate Breakdown in this Section)	
91	1001167042	1	Radiator	
92	1001169054	4	Isolator	
93	1001169138	4	Washer	
94	1001177359	1	Hose	
95	1001177844	1	Hose, Radiator - Upper	
96	1001177845	1	Hose, Radiator - Lower	
97	1001180620	AR	Adhesive	
98	1001181899	1	P-Clamp	
99	1001190610	1	Support, Engine Try	
100	1001221212	1	Clamp	
101	1001221219	1	Clamp	
102	1001224940	1	Pipe, Exhaust	

SECTION 3 - ENGINE

ITEM	PART NUMBER	QTY	DESCRIPTION	REV
103	1001230635	1	Tank	
104	1001233089	2	Strap	
105	1001257278	1	Muffler	
106	1001266525	1	Hose, Inlet	
107	1001267256	1	Shim, Air Cleaner	
108	1001291681	1	Deutz Engine China IV (See Separate Breakdown in this Section)	
109	1001281985	1	Connector (Not Shown - Use With Harness 1001238878)	
110	1001281986	1	Connector (Not Shown - Use With Harness 1001238878)	
200	1001257412	1	Bracket Engine Kit (Includes Items 201-217)	F
201	1001138175	1	Bracket	
203	1001140448	1	Mount, Rear Engine	
204	1001140450	1	Mount, Rear Engine	
205	1001140454	1	Mount, Front Engine	
207	1001145154	1	Plate, Relay Mounting	
208	1001260413	1	Bracket, Tank	
209	1001178223	2	Bracket, Radiator	
210	1001186985	1	Plate, Mounting	
212	1001266499	1	Mount, Generator/Engine	
213	1001204325	2	Bracket, Radiator	
214	1001221203	1	Bracket	
215	1001224936	2	Mount, Doc Weldment	
216	1001224937	1	Mount, Fuel Filter	
217	1001260412	1	Bracket	
218	4240032	AR	Tie-Strap (Not Shown)	
219	1001291401	1	Tag, Coolant	
220	1001146588	AR	Tie-Strap, Fir Tree (Not Shown)	

SECTION 3 - ENGINE

FIGURE 3-32. DEUTZ ENGINE CHINA IV



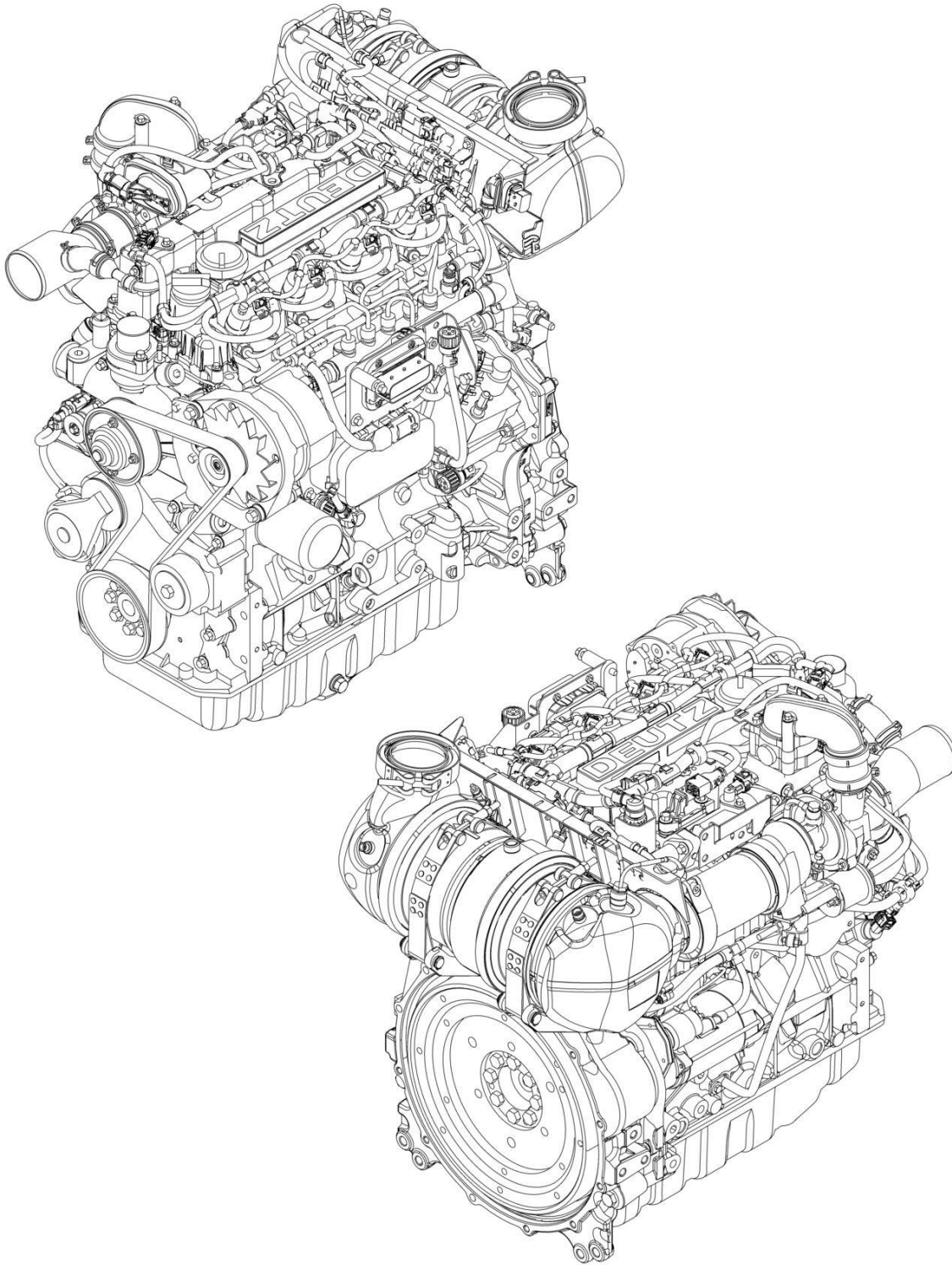
ART_1001291681

FIGURE 3-32. DEUTZ ENGINE CHINA IV

ITEM	PART NUMBER	QTY	DESCRIPTION	REV
	1001291681 See Note	Ref Ref	DEUTZ ENGINE CHINA IV Note: No Service Parts Available at Time of Printing	A

SECTION 3 - ENGINE

FIGURE 3-33. DEUTZ TD2.9L4 ENGINE COMPONENTS (STAGE V)



ART_1001277592

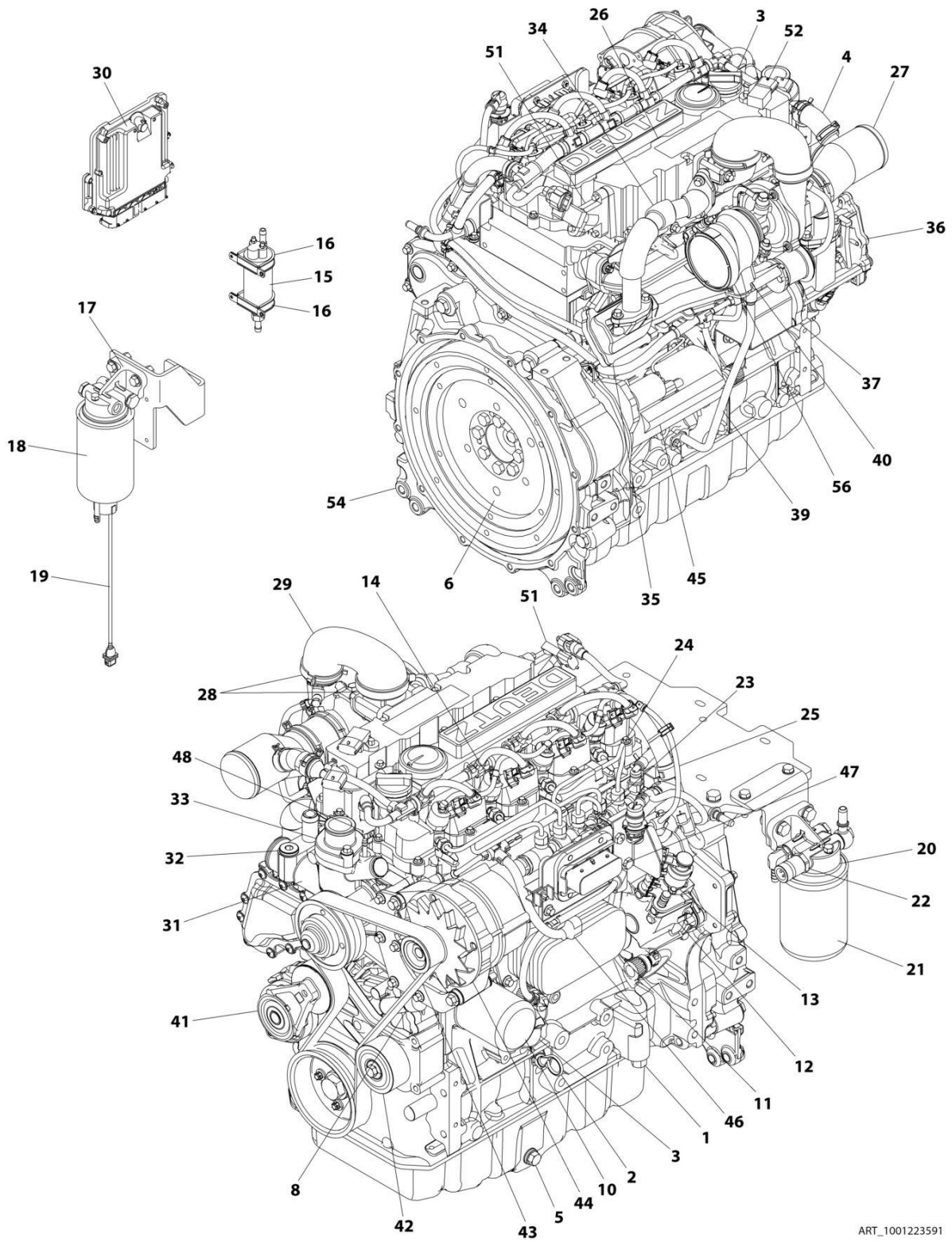
SECTION 3 - ENGINE

FIGURE 3-33. DEUTZ TD2.9L4 ENGINE COMPONENTS (STAGE V)

ITEM	PART NUMBER	QTY	DESCRIPTION	REV
	1001277592	Ref	DEUTZ ENGINE COMPONENTS	A
	See Note	Ref	Note: No Service Parts Available at Time of Printing	

SECTION 3 - ENGINE

FIGURE 3-34. DEUTZ TD2.9L4 ENGINE COMPONENTS (CHINA III ENGINES)



ART_1001223591

SECTION 3 - ENGINE

FIGURE 3-34. DEUTZ TD2.9L4 ENGINE COMPONENTS (CHINA III ENGINES)

ITEM	PART NUMBER	QTY	DESCRIPTION	REV
	1001223591	Ref	DEUTZ TD2.9L4 ENGINE COMPONENTS	C
1	70025660	1	Plug	
1	70006264	1	Valve, Plunger	
1	70006265	1	Spring	
1	70006266	1	Seal	
2	70024904	1	Dipstick	
2	70024905	2	Seal	
3	7020465	2	Cap, Fill	
4	70005920	1	Line, Breather	
4	70025111	2	Clamp	
5	70006941	2	Plug	
5	70005942	2	Seal	
6	70001870	1	Flywheel	
6	7024579	1	Ring Gear	
6	70025139	8	Bolt	
7		Ref	Gasket & Seal Options (Not Shown):	
7	70005938	1	Gasket Kit	
7	70024906	1	Gasket, Head	
7	70005922	1	Gasket, Valve Cover	
7	70028185	1	Gasket, Front Cover	
7	70004280	1	Seal, Front Main	
7	70002718	1	Seal, Rear Main	
8	See Note	NSS	Valve, Slide (Note: Not Available for Purchase)	
8	70025082	1	Seal	
9	70005172	1	Pump, Lube (Not Shown - Located RH Rear)	
9	70025135	1	O-Seal	
9	70005173	1	Gasket	
10	7016331	1	Filter, Oil	
11	70024494	1	Cooler, Oil	
11	70024925	1	Gasket, Oil Filter	
12	70024924	1	Pump, High Pressure	
12	70025152	1	Gasket (Spacer to Pump)	
12	70024488	1	Spacer	
12	70024517	1	Gasket (Spacer to Block)	
12	70004505	1	Valve, Overflow	
12	70004506	1	Gasket, Overflow	
12	70004507	1	Gasket, Overflow	
13	70004508	1	Valve, Volume Control	
13	70004509	1	O-Ring	
13	70004510	1	Gasket	
14	70025181	4	Injector	
14	70025140	4	Washer, Sealing	
14	70025146	4	Clamp	
14	70025145	4	O-Seal	
14	70025154	4	Shoe/Pad, Clamping	
15	70006144	NLA	Pump, Fuel Supply (Use p/n 1001226098)	
16	70025144	2	Clip, Clamp	
17	70024961	1	Fuel Filter Assembly	
18	1001225430	1	Element, Filter	
19	70024513	1	Cable, Sensor	

SECTION 3 - ENGINE

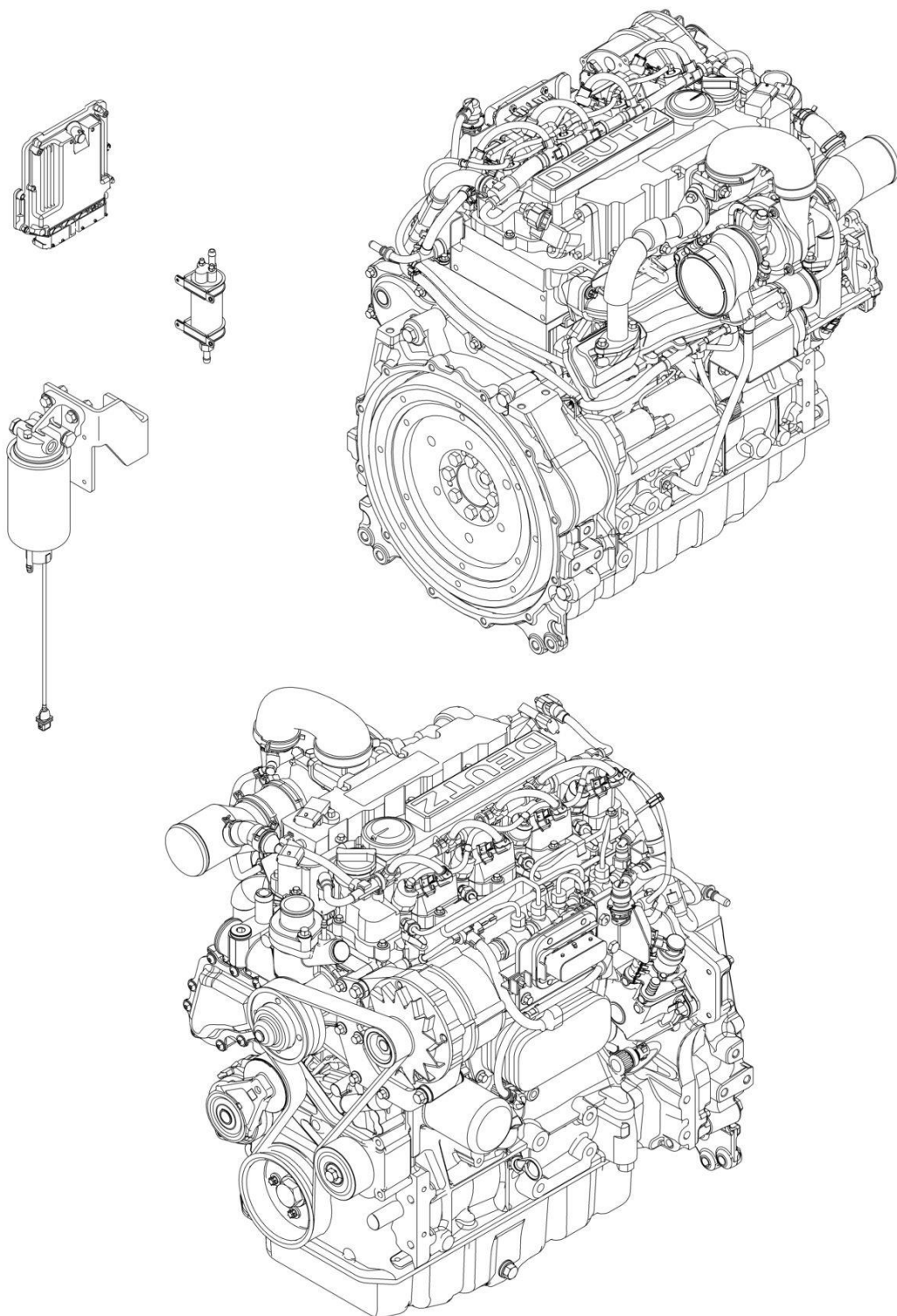
ITEM	PART NUMBER	QTY	DESCRIPTION	REV
19	70025239	1	Seal, Ring	
20	70004511	1	Fuel Filter Assembly	
20	70004513	2	Seal (at Hollow Bolt)	
21	1001225432	1	Element, Filter	
22	70028538	1	Sensor, Pressure	
22	70024920	1	O-Seal	
23	70025151	1	Rail, Fuel	
23	70025235	1	Repair Kit - Fuel Rail	
23	70025240	1	O-Ring	
24	70025182	1	Tube, Fuel - Cylinders 1 & 2	
24	70025183	1	Tube, Fuel - Cylinders 3 & 4	
24	70025184	1	Tube, Fuel	
25	70024502	1	Pipe, Fuel Leakage	
25	70025185	1	Hose, Fuel	
25	70025158	1	Manifold	
25	70025109	2	Clamp, Spring	
25	70025115	1	Clamp	
25	70025133	1	Hose	
25	70025101	2	Clamp	
25	70025148	1	Connector, Plug-in	
26	70005923	1	Manifold, Charger Air	
26	70005177	1	Gasket, Charger Air Manifold	
26	70005924	1	Seal (Manifold to Elbow)	
26	7000180	1	Line, Breather (Not Shown)	
26	70005181	1	O-Seal (Breather to Manifold)	
27	70005926	1	Elbow	
27	70025112	2	Clamp	
27	70004501	1	Sleeve, Rubber	
28	See Note	NSS	Sleeve (Note: Not Available for Purchase)	
28	70025107	2	Clamp	
29	70005928	1	Elbow, Air Charge	
30	70025210	1	Module, ECU	
31	70028802	1	Pump, Coolant	
31	70025200	1	Ring, Sealing (Pump to Block)	
32	70025084	2	Plug	
32	7020492	2	Ring, Sealing	
33	70005929	1	Thermostat	
33	70005184	1	O-Seal (Thermostat to Housing)	
33	70025142	1	Housing, Thermostat	
33	70005931	1	O-Seal (Thermostat to Pump)	
33	70025124	2	Bolt	
34	See Note	NSS	Tube (Note: Not Available for Purchase)	
34	70025179	2	Gasket (at Either End of Tube)	
35	See Note	NSS	Valve, Shuttle (Note: Not Available for Purchase)	
35	70025180	1	Gasket	
35	See Note	NSS	Housing, Shuttle Valve (Note: Not Available for Purchase)	
35	70025175	1	Cap, Shuttle Valve	
36	70025203	1	Module, EGR	
36	70025155	1	Plug (Not Shown)	
37	70005188	1	Valve, EGR Control	
37	70005189	1	Seal (Valve to Module)	

SECTION 3 - ENGINE

ITEM	PART NUMBER	QTY	DESCRIPTION	REV
38	70004282	1	Manifold, Exhaust (Not Shown)	
38	70025164	1	Gasket, Manifold to Head (Not Shown)	
38	70025130	8	Bolt, Manifold (Not Shown)	
38	70026995	1	Elbow, Exhaust (Not Shown)	
38	70025179	2	Gasket, Manifold to Elbow (Not Shown)	
39	70005932	1	Tube, Oil Return	
39	70025132	1	O-Seal	
40	70004276	1	Turbocharger	
40	70024509	1	Gasket (Turbocharger to Oil Return Tube Housing)	
40	1001191599	1	Gasket (Turbocharger to Exhaust)	
41	70025477	1	Tensioner, Belt	
42	70024484	1	Roller, Idler	
43	70004277	1	Belt	
44	70025733	1	Pulley, Alternator	
44	70006652	1	Alternator	
44	70006653	1	Controller	
44	See Note	NSS	Fan (Note: Not Available for Purchase)	
45	70024915	1	Starter	
45	70005647	1	Switch, Solenoid	
45	70005648	1	Relay	
46	70000345	4	Glow Plug	
46	70025231	1	Harness, Glow Plug	
46	70025233	1	Connector, Plug-in	
47	70025077	1	Harness, Engine	
48	70024918	1	Sender, Temperature	
49	70028538	1	Sensor, Pressure (Not Shown - RH Front)	
49	70024920	1	O-Seal	
50	70026210	1	Sensor, Speed (Not Shown - Front)	
50	70005191	1	Ring, Seal	
51	70024507	1	Sensor, Pressure	
51	70025120	1	O-Seal	
51	70005933	1	Adapter	
51	70005934	1	O-Seal	
52	70024922	1	Sender, Temperature	
52	70025212	1	O-Seal	
53	70026210	1	Sensor, Speed (Not Shown - Front)	
53	70024917	1	O-Seal	
54	70025192	1	Housing	
56	70005527	1	Clip	

SECTION 3 - ENGINE

FIGURE 3-35. DEUTZ TD2.9L4 ENGINE COMPONENTS (CHINA IV ENGINES)



ART_1001281610

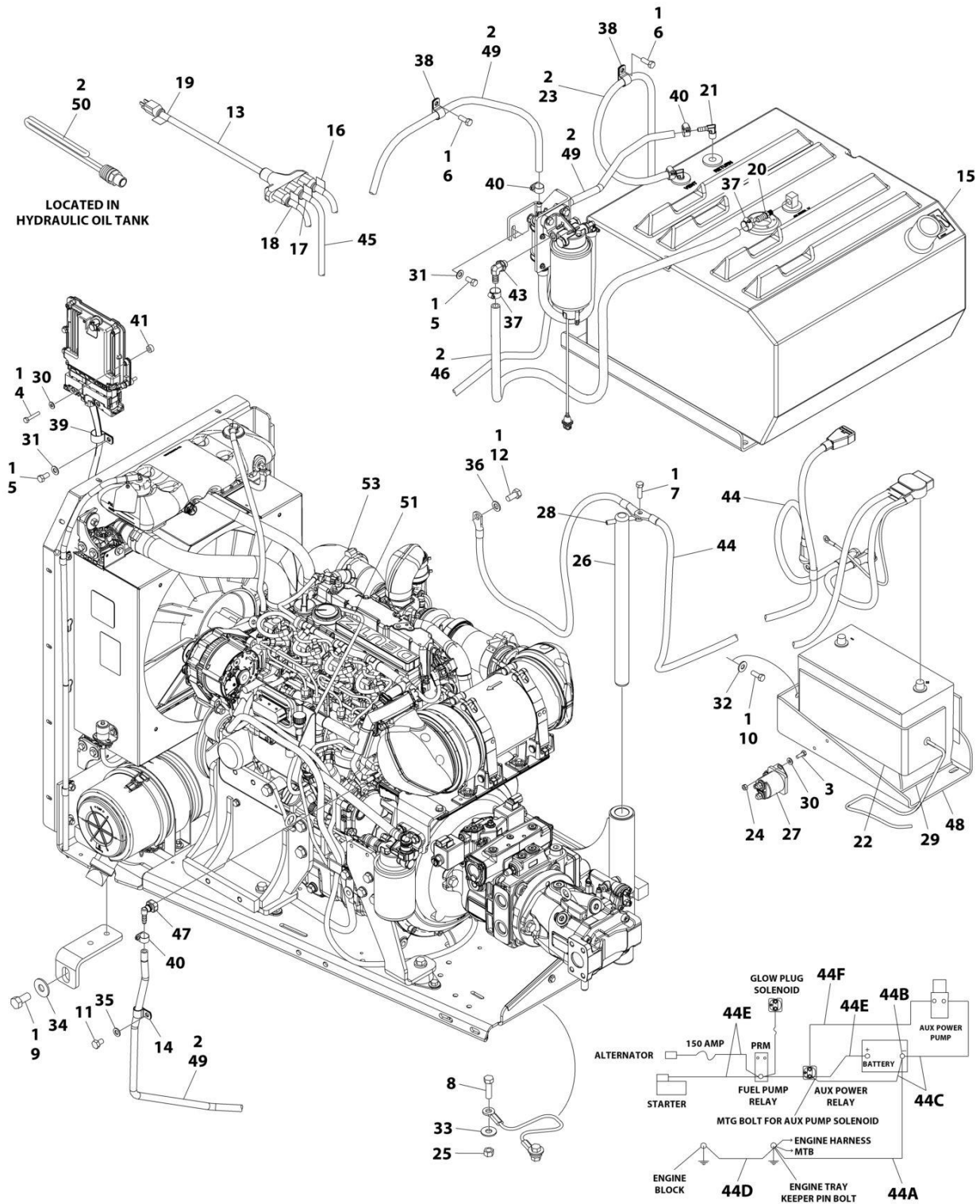
SECTION 3 - ENGINE

FIGURE 3-35. DEUTZ TD2.9L4 ENGINE COMPONENTS (CHINA IV ENGINES)

ITEM	PART NUMBER	QTY	DESCRIPTION	REV
	1001281610	Ref	DEUTZ TD2.9L4 ENGINE COMPONENTS	A
	See Note	Ref	Note: No Service Parts Available at Time of Printing	

SECTION 3 - ENGINE

FIGURE 3-36. DEUTZ D2.9L4 - EMR5 ENGINE INSTALLATION WITH ARCTIC PACKAGE



ART_1001302097

SECTION 3 - ENGINE

FIGURE 3-36. DEUTZ D2.9L4 - EMR5 ENGINE INSTALLATION WITH ARCTIC PACKAGE

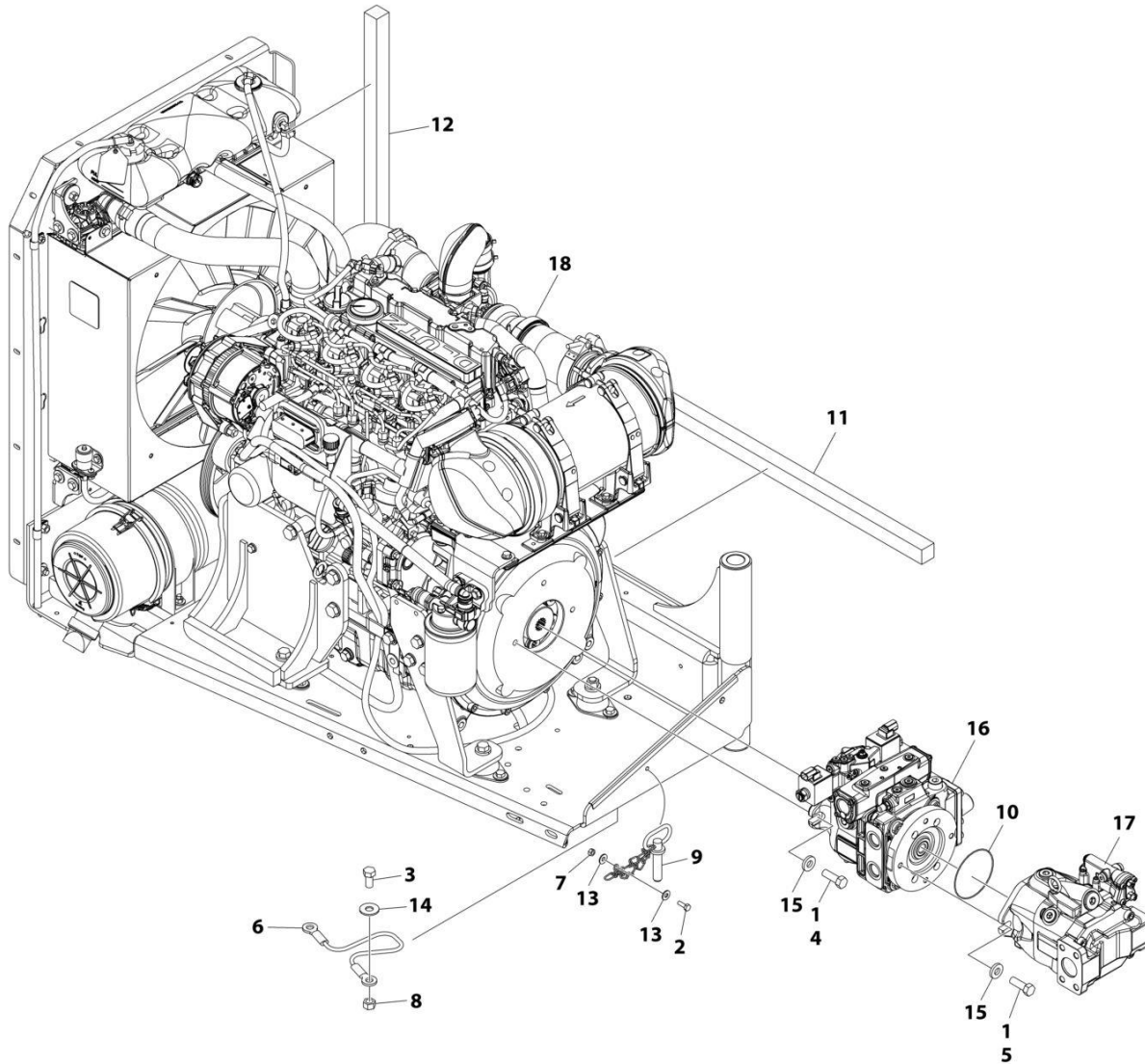
ITEM	PART NUMBER	QTY	DESCRIPTION	REV
	1001302097	Ref	ENGINE INSTALLATION EMR5 WITH ARCTIC PACKAGE	A
1	0100011	AR	Compound, Locking	
2	0100020	AR	Sealant, Pipe	
3	0641406	2	Bolt 1/4 x 3/4	
4	0641412	4	Bolt 1/4 x 1-1/2	
5	0641606	3	Bolt 3/8 x 3/4	
6	0641608	2	Bolt 3/8 x 1	
7	0641610	1	Bolt 3/8 x 1-1/4	
8	0641814	1	Bolt 1/2 x 1-3/4	
9	0642010	1	Bolt 5/8 x 1-1/4	
10	0681608	3	Bolt 3/8 x 1	
11	0761008	1	Bolt M10 x 16	
12	0771212	1	Bolt M12 x 25	
13	1060626	1	Cord, 3-Way Extension	
14	1320061	1	Clamp	
15	1701505	1	Decal - Diesel	
16	1702941	1	Decal - Battery Heater	
17	1702942	1	Decal - Engine Heater	
18	1702943	1	Decal - Hydraulic Tank Heater	
19	1702944	1	Decal - Heater Cord	
20	2180832	1	Fitting, Barbed	
21	2220313	2	Fitting, 90	
22	2580024	1	Heater, Battery	
23	2750532	4 ft /1.2 m	Hose	
24	3311405	2	Nut 1/4	
25	3311805	1	Nut 1/2	
26	3422446	1	Pin	
27	3740067	1	Relay	
28	3841143	1	Keeper, Pin	
29	3980007	1	Seat, Battery	
30	4711400	7	Washer 1/4	
31	4711600	3	Washer 3/8	
32	4751600	3	Washer 3/8	
33	4751800	1	Washer 1/2	
34	4752000	1	Washer 5/8	
35	4812000	1	Washer M10	
36	4812100	1	Washer M12	
37	8405006	2	Clamp	
38	8406102	2	Clip	
39	8406201	1	Clip	
40	8410013	5	Clamp	
41	1001110425	4	Spacer	
42	1001138491	1	Fuel Harness (See Separate Breakdown in ELECTRICAL Section)	
43	1001142501	1	Fitting, 90	
44	1001143736	1	Battery Cable Kit	
44A	7027084	1	Cable, Battery (Black) (Battery - to Tray Pivot Grds)	
44B	8270147	1	Terminal, Battery (With Boot)	
44C	7027085	1	Cable, Battery (Black) (Battery - to Aux Pump and Relay Grds)	
44D	7027086	1	Cable, Battery (Black) (Engine to Tray Pivot Grd)	
44E	7027087	1	Cable (Red) (Battery + to Aux Relay/Power Module/Starter)	

SECTION 3 - ENGINE

ITEM	PART NUMBER	QTY	DESCRIPTION	REV
44F	7027088	1	Cable (Red) (Aux Relay to Aux Pump)	
44	See Note	1	Cable (Aux Relay to Starter) (Note: Use P/N 7027087)	
45	1001150918	1	Cable, Extension Cord	
46	1001154405	5 ft /1.6 m	Hose	
47	1001155823	1	Fitting, 90 Quick Disconnect	
48	1001162497	1	Bracket	
49	1001165035	28 ft /8.5 m	Hose	
50	1001188972	1	Heater, Immersion	
51	1001233763	1	Breather Heater Installation (See Separate Breakdown in this Section)	
52	1001289593	1	ECU Power Jumper Harness (Not Shown) (See Separate Breakdown in ELECTRICAL Section)	
53	1001302003	1	Engine and Pump Assembly with Arctic Package (See Separate Breakdown in this Section)	

SECTION 3 - ENGINE

FIGURE 3-37. DEUTZ D2.9L4 - EMR5 ENGINE AND PUMP SUB-ASSEMBLY WITH ARCTIC PACKAGE



ART_1001302003

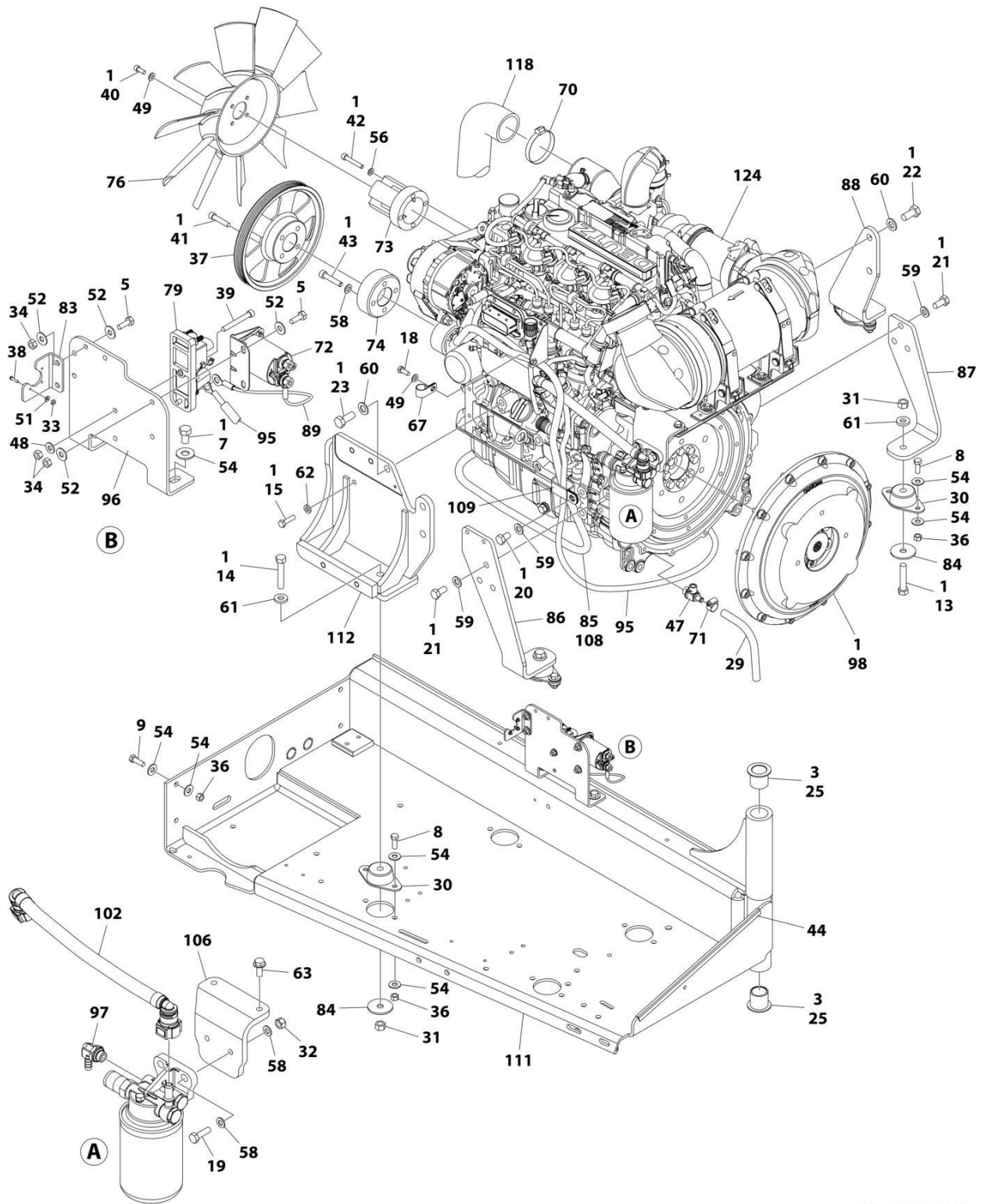
SECTION 3 - ENGINE

FIGURE 3-37. DEUTZ D2.9L4 - EMR5 ENGINE AND PUMP SUB-ASSEMBLY WITH ARCTIC PACKAGE

ITEM	PART NUMBER	QTY	DESCRIPTION	REV
	1001302003	Ref	ENGINE AND PUMP SUB-ASSEMBLY EMR5 WITH ARCTIC PACKAGE	A
1	0100011	AR	Compound, Locking	
2	0641406	1	Bolt 1/4 x 3/4	
3	0641808	1	Bolt 1/2 x 1	
4	0641812	2	Bolt 1/2 x 1-1/2	
5	0711215	2	Bolt M12 x 35	
6	1060637	1	Lanyard	
7	3311405	1	Nut 1/4	
8	3311801	1	Nut 1/2	
9	3422532	1	Pin	
10	3790044	1	O-Ring	
11	3960468	1	Seal	
12	3960469	1	Seal	
13	4751400	2	Washer 1/4	
14	4751800	1	Washer 1/2	
15	4891800	4	Washer 1/2	
16	1001276376	1	Hydrostatic Pump Assembly (See Separate Breakdown in this Section)	
17	1001276377	1	Variable Pump Assembly with Fittings (See Separate Breakdown in this Section)	
18	1001301950	1	Engine Assembly with Arctic Package (See Separate Breakdown in this Section)	

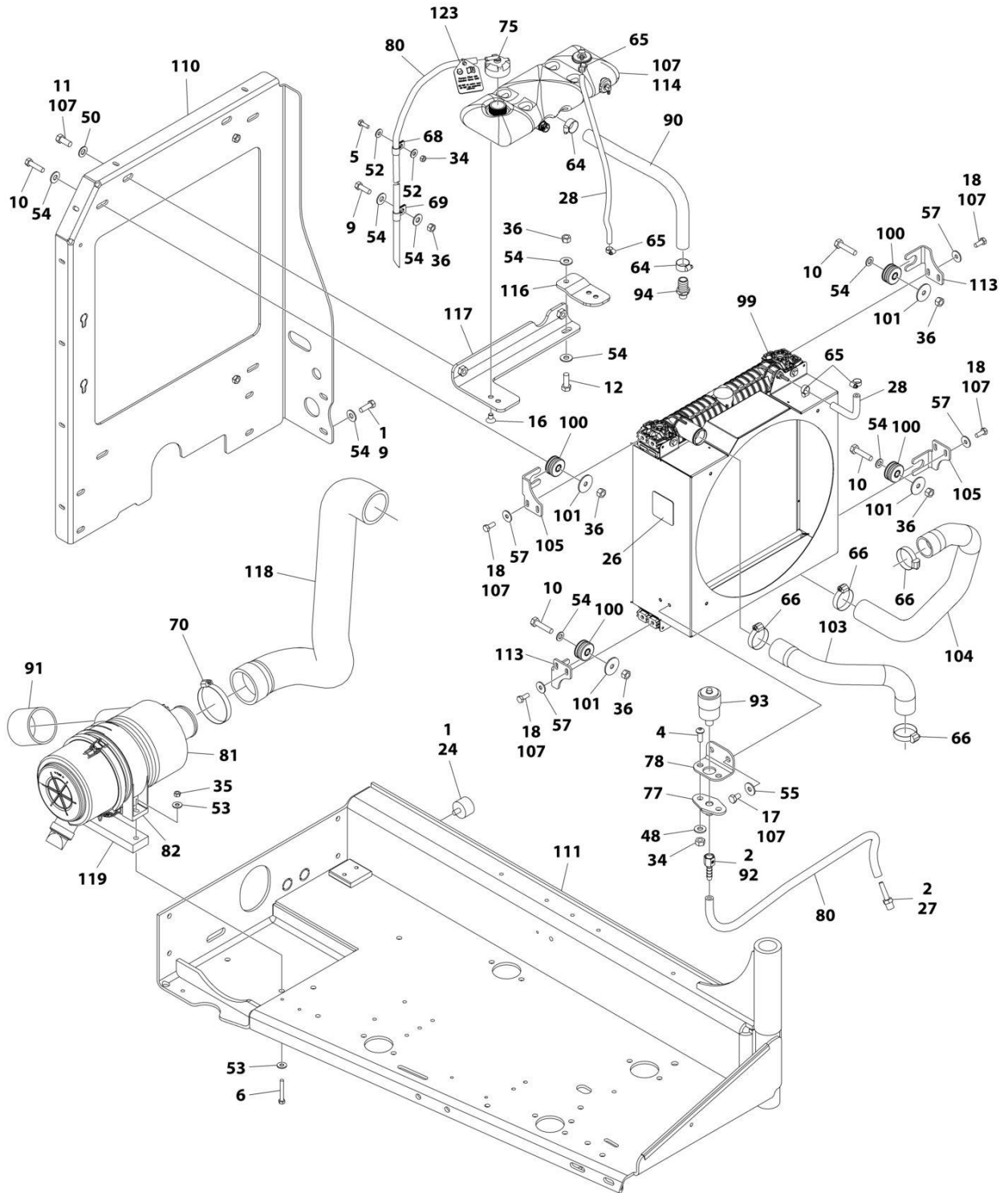
SECTION 3 - ENGINE

FIGURE 3-38. ENGINE ASSEMBLY - DEUTZ D2.9L4 EMR5 ENGINE (WITH ARCTIC PACKAGE)



ART_1001301950_10F2

SECTION 3 - ENGINE



ART_1001301950_20F2

SECTION 3 - ENGINE

FIGURE 3-38. ENGINE ASSEMBLY - DEUTZ D2.9L4 EMR5 ENGINE (WITH ARCTIC PACKAGE)

ITEM	PART NUMBER	QTY	DESCRIPTION	REV
	1001301950	Ref	ENGINE ASSEMBLY - DEUTZ D2.9L4 EMR5 ENGINE	A
1	0100011	AR	Locking, Compound	
2	0100020	AR	Sealant, Pipe	
3	0100062	AR	Adhesive	
4	0630407	2	Screw 1/4 x 5/8	
5	0641406	5	Bolt 1/4 x 3/4	
6	0641518	2	Bolt 5/16 x 2-1/4	
7	0641605	2	Bolt 3/8 x 5/8	
8	0641608	8	Bolt 3/8 x 1	
9	0641609	6	Bolt 3/8 x 1-1/8	
10	0641612	4	Bolt 3/8 x 1-1/2	
11	0641708	2	Bolt 7/16 x 1	
12	0681608	1	Bolt 3/8 x 1	
13	0681820	3	Bolt 1/2 x 2-1/2	
14	0681822	1	Bolt 1/2 x 2-3/4	
15	0700814	1	Bolt M8 x 30	
16	0741605	2	Screw 3/8 x 5/8	
17	0760605	2	Bolt M6 x 10	
18	0760810	9	Bolt M8 x 20	
19	0761015	2	Bolt M10 x 35	
20	0761210	1	Bolt M12 x 20	
21	0771212	6	Bolt M12 x 25	
22	0771414	2	Bolt M14 x 30	
23	0771415	3	Bolt M14 x 35	
24	0940070	1	Bumper	
25	0961986	2	Bushing	
26	1703162	1	Decal - Fan Blade	
27	2220315	1	Fitting, Straight Barbed	
28	2720015	3 ft /1 m	Hose	
29	2720340	1 ft /0.3 m	Hose	
30	3200401	4	Mount	
31	3271801	4	Nut 1/2	
32	3291005	2	Nut M10	
33	3310401	3	Nut #4	
34	3311405	8	Nut 1/4	
35	3311505	2	Nut 5/16	
36	3311605	17	Nut 3/8	
37	3580320	1	Pulley	
38	3910408	3	Screw #4 x 1/2	
39	3931432	1	Capscrew 1/4 x 2	
40	3931512	4	Capscrew 5/16 x 3/4	
41	3931628	4	Capscrew 3/8 x 1-3/4	
42	4031914	4	Capscrew M8 x 50	
43	4032014	4	Capscrew M10 x 50	
44	4060805	2 ft /0.4 m	Shield	
45	4240032	AR	Tie-Strap (Not Shown)	
46	4240099	AR	Tie-Strap (Not Shown)	
47	4640751	1	Valve, Oil Drain	
48	4711400	3	Washer 1/4	
49	4711500	5	Washer 5/16	

SECTION 3 - ENGINE

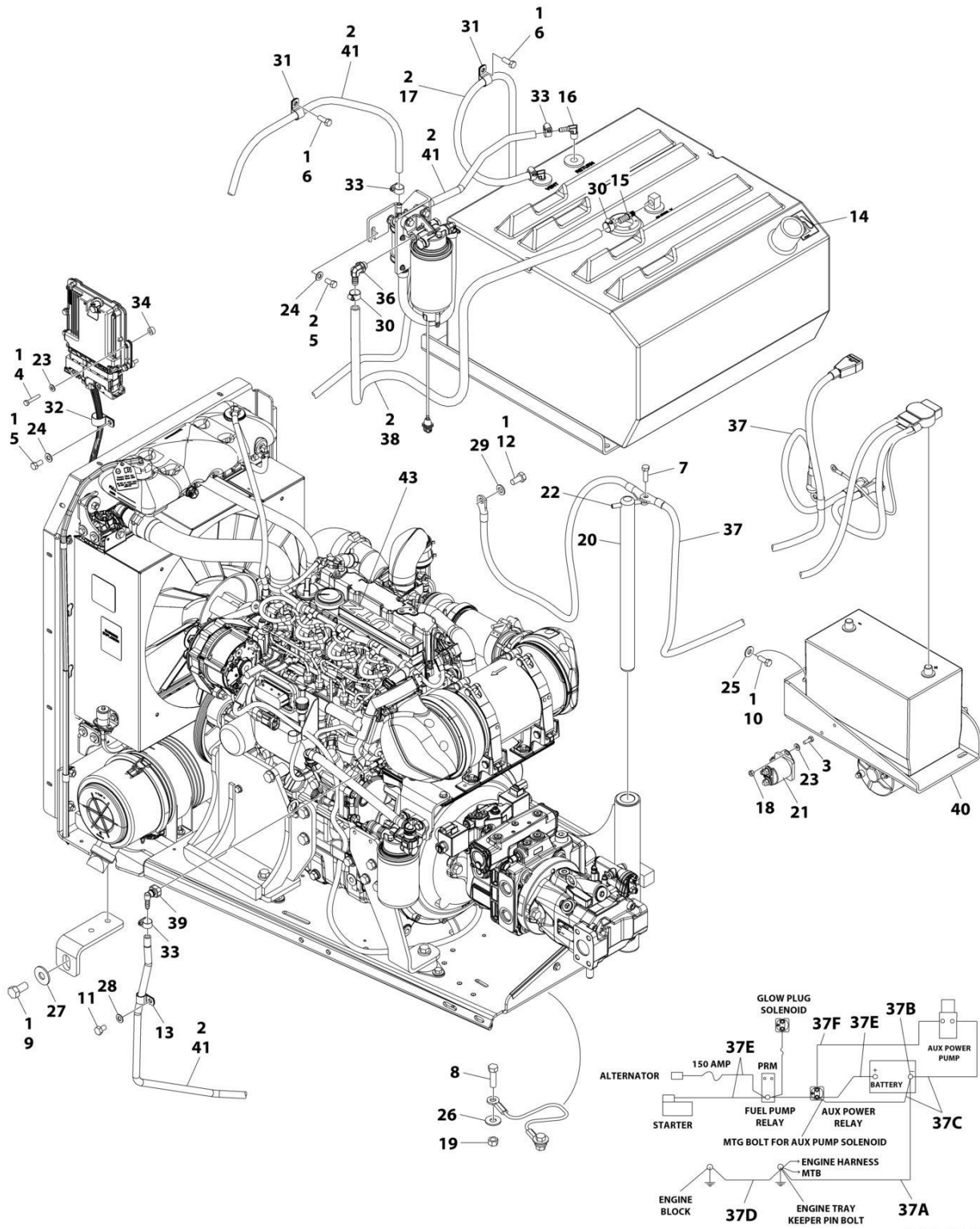
ITEM	PART NUMBER	QTY	DESCRIPTION	REV
50	4711700	2	Washer 7/16	
51	4750400	3	Washer #4	
52	4751400	10	Washer 1/4	
53	4751500	4	Washer 5/16	
54	4751600	34	Washer 3/8	
55	4811702	2	Washer M6	
56	4811900	4	Washer M8	
57	4811902	8	Washer M8	
58	4812000	8	Washer M10	
59	4812100	7	Washer M12	
60	4812200	5	Washer M14	
61	4891800	4	Washer 1/2	
62	5240800	1	Washer M8	
63	5250810	2	Bolt M8 x 20	
64	8405007	2	Clamp	
65	8405009	4	Clamp	
66	8405104	4	Clamp	
67	8406102	1	Clip	
68	8406109	1	Clip	
69	8406110	1	Clip	
70	8410011	2	Clamp	
71	8410013	1	Clamp	
72	1001117308	1	Relay	
73	1001135138	1	Adapter	
74	1001135679	1	Adapter	
75	1001136834	1	Cap	
76	1001137276	1	Fan	
77	1001138173	1	Support	
78	1001138175	1	Bracket	
79	1001138228	1	Relay, Power Module	
79	70023592	1	Fuse 20Amp	
79	70023593	1	Fuse 30Amp	
80	1001138248	6 ft /2 m	Tube	
81	1001138489	1	Filter	
82	1001138557	1	Clamp	
83	1001139240	1	Bracket	
84	1001139409	4	Washer	
85	1001140312	1	Heater, Engine Block	
86	1001140448	1	Plate	
87	1001140450	1	Plate	
88	1001140454	1	Plate	
89	1001141304	1	Wire, Glow Fuse	
90	1001141370	1	Hose	
91	1001141585	1	Hose	
92	1001141995	1	Fitting, Straight NPT/Barbed	
93	1001143390	1	Indicator	
94	1001143797	1	Fitting, Straight Barbed	
95	1001143907	1	Cable, Alternator Power	
96	1001145154	1	Plate	
97	1001152489	1	Fitting, 90 Barbed	
98	1001153282	1	Pump Coupling Kit (See Separate Breakdown in this Section)	

SECTION 3 - ENGINE

ITEM	PART NUMBER	QTY	DESCRIPTION	REV
99	1001167042	1	Radiator	
100	1001169054	4	Isolator	
101	1001169138	4	Pad	
102	1001177359	1	Hose	
103	1001177844	1	Hose, Radiator (Upper)	
104	1001177845	1	Hose, Radiator (Lower)	
105	1001178223	2	Bracket	
106	1001178876	1	Mount	
107	1001180620	AR	Adhesive	
108	1001181895	AR	Adhesive	
109	1001181899	1	Clamp	
110	1001186985	1	Support	
111	1001190610	1	Support	
112	1001202368	1	Support	
113	1001204325	2	Bracket	
114	1001230635	1	Tank	
114	0100020	AR	Sealant	
114	1001134488	1	Fitting, 90 NPT/Barbed	
114	1001138827	1	Sensor	
114	1001140564	1	Fitting, 90 NPT/Barbed	
114	1001229542	1	Tank	
115	1001235949	1	Bracket, Fuel Pump/Filter Assembly (Not Shown) (See Separate Breakdown in this Section)	
116	1001260412	1	Bracket	
117	1001260413	1	Bracket	
118	1001266525	1	Hose	
119	1001267256	1	Shim	
120	1001276644	1	Deutz Engine Harness (Not Shown) (See Separate Breakdown in ELECTRICAL Section)	
121	1001281985	1	Connector (Not Shown)	
122	1001281986	1	Connector (Not Shown)	
123	1001291401	1	Tag, Coolant	
124	1001301717	1	Deutz TD2.9L4 EMR5 Engine (See Separate Breakdown in this Section)	

SECTION 3 - ENGINE

FIGURE 3-39. DEUTZ D2.9L4 - EMR5 ENGINE INSTALLATION WITHOUT ARCTIC PACKAGE



ART_1001302087

SECTION 3 - ENGINE

FIGURE 3-39. DEUTZ D2.9L4 - EMR5 ENGINE INSTALLATION WITHOUT ARCTIC PACKAGE

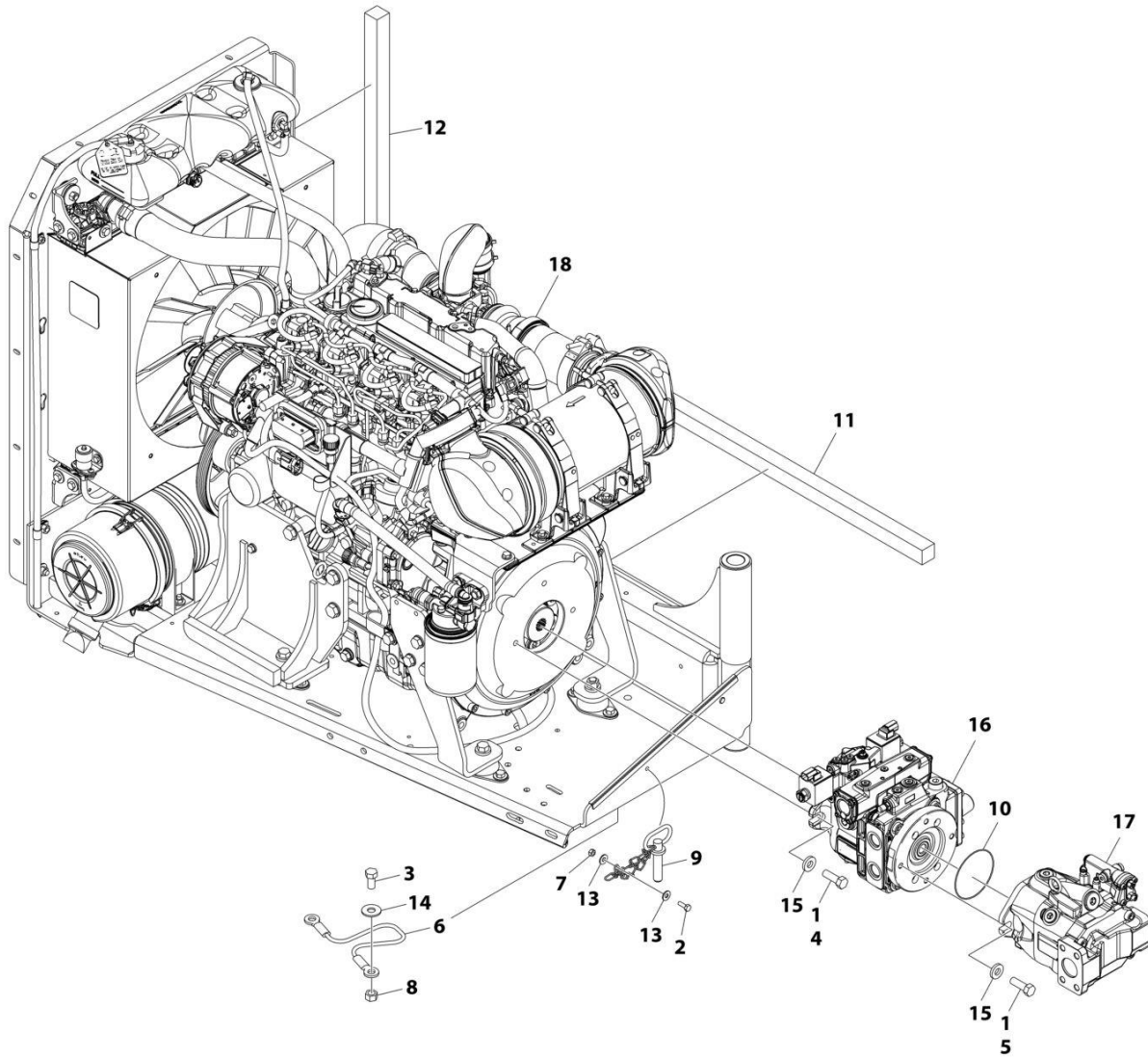
ITEM	PART NUMBER	QTY	DESCRIPTION	REV
	1001302087	Ref	ENGINE INSTALLATION EMR5 WITHOUT ARCTIC PACKAGE	A
1	0100011	AR	Compound, Locking	
2	0100020	AR	Sealant, Pipe	
3	0641406	2	Bolt 1/4 x 3/4	
4	0641412	4	Bolt 1/4 x 1-1/2	
5	0641606	3	Bolt 3/8 x 3/4	
6	0641608	2	Bolt 3/8 x 1	
7	0641610	1	Bolt 3/8 x 1-1/4	
8	0641814	1	Bolt 1/2 x 1-3/4	
9	0642010	1	Bolt 5/8 x 1-1/4	
10	0681608	3	Bolt 3/8 x 1	
11	0761008	1	Bolt M10 x 16	
12	0771212	1	Bolt M12 x 25	
13	1320061	1	Clamp	
14	1701505	1	Decal - Diesel	
15	2180832	1	Fitting, Barbed	
16	2220313	2	Fitting, 90	
17	2750532	4 ft /1.2 m	Hose	
18	3311405	2	Nut 1/4	
19	3311805	1	Nut 1/2	
20	3422446	1	Pin	
21	3740067	1	Relay	
22	3841143	1	Keeper, Pin	
23	4711400	7	Washer 1/4	
24	4711600	3	Washer 3/8	
25	4751600	3	Washer 3/8	
26	4751800	1	Washer 1/2	
27	4752000	1	Washer 5/8	
28	4812000	1	Washer M10	
29	4812100	1	Washer M12	
30	8405006	2	Clamp	
31	8406102	2	Clip	
32	8406201	1	Clip	
33	8410013	5	Clamp	
34	1001110425	4	Spacer	
35	1001138491	1	Fuel Harness (See Separate Breakdown in ELECTRICAL Section)	
36	1001142501	1	Fitting, 90	
37	1001143736	1	Battery Cable Kit	
37A	7027084	1	Cable, Battery (Black) (Battery - to Tray Pivot Grds)	
37B	8270147	1	Terminal, Battery (With Boot)	
37C	7027085	1	Cable, Battery (Black) (Battery - to Aux Pump and Relay Grds)	
37D	7027086	1	Cable, Battery (Black) (Engine to Tray Pivot Grd)	
37E	7027087	1	Cable (Red) (Battery + to Aux Relay/Power Module/Starter)	
37F	7027088	1	Cable (Red) (Aux Relay to Aux Pump)	
37	See Note	1	Cable (Aux Relay to Starter) (Note: Use P/N 7027087)	
38	1001154405	5 ft /1.6 m	Hose	
39	1001155823	1	Fitting, 90 Quick Disconnect	
40	1001162497	1	Bracket	
41	1001165035	28 ft /8.5 m	Hose	

SECTION 3 - ENGINE

ITEM	PART NUMBER	QTY	DESCRIPTION	REV
42	1001289593	1	ECU Power Jumper Harness (Not Shown) (See Separate Breakdown in ELECTRICAL Section)	
43	1001301946	1	Engine and Pump Assembly without Arctic Package (See Separate Breakdown in this Section)	

SECTION 3 - ENGINE

FIGURE 3-40. DEUTZ D2.9L4 - EMR5 ENGINE AND PUMP SUB-ASSEMBLY WITHOUT ARCTIC PACKAGE



ART_1001301946

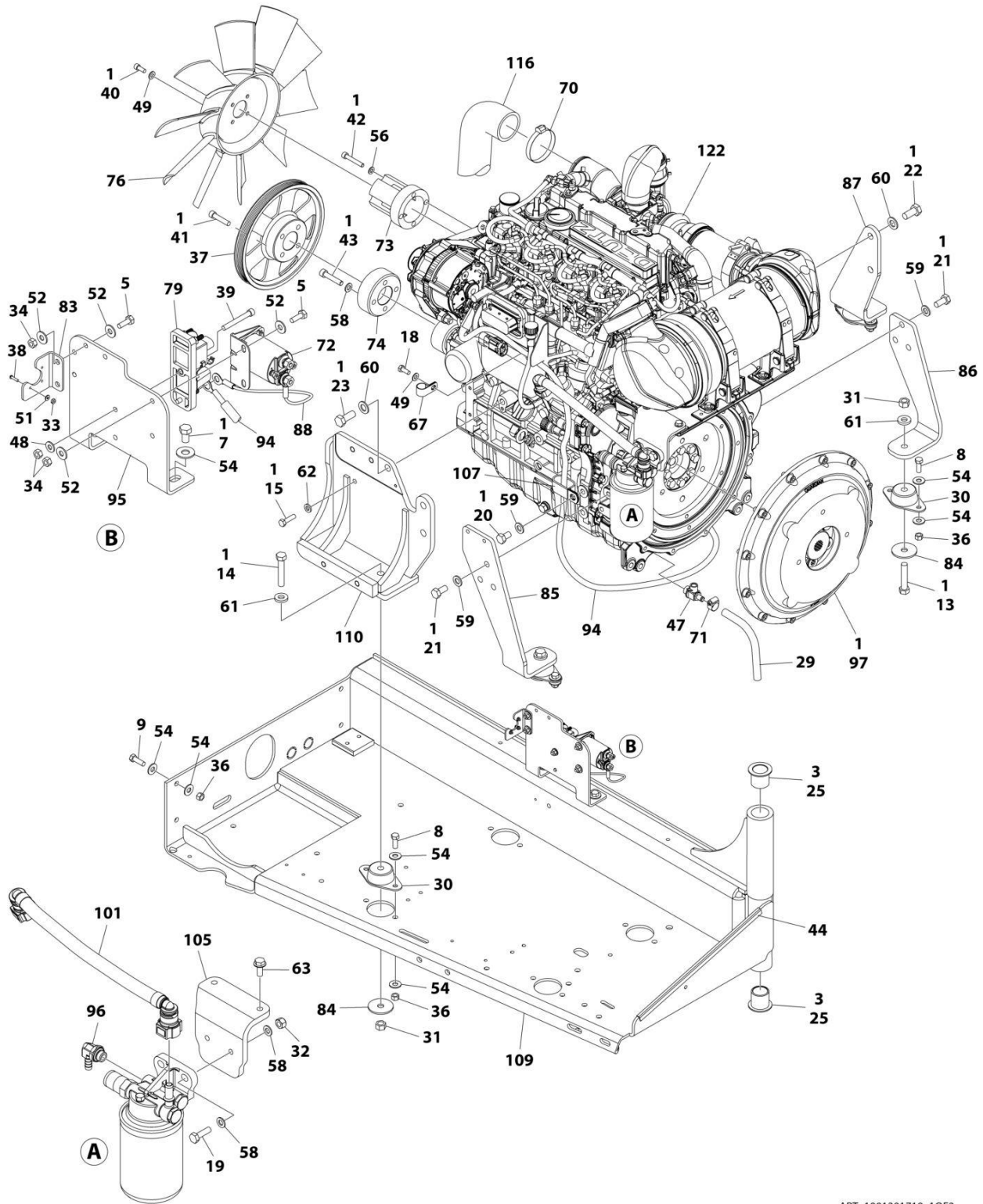
SECTION 3 - ENGINE

FIGURE 3-40. DEUTZ D2.9L4 - EMR5 ENGINE AND PUMP SUB-ASSEMBLY WITHOUT ARCTIC PACKAGE

ITEM	PART NUMBER	QTY	DESCRIPTION	REV
	1001301946	Ref	ENGINE AND PUMP SUB-ASSEMBLY EMR5 WITHOUT ARCTIC PACKAGE	A
1	0100011	AR	Compound, Locking	
2	0641406	1	Bolt 1/4 x 3/4	
3	0641808	1	Bolt 1/2 x 1	
4	0641812	2	Bolt 1/2 x 1-1/2	
5	0711215	2	Bolt M12 x 35	
6	1060637	1	Lanyard	
7	3311405	1	Nut 1/4	
8	3311801	1	Nut 1/2	
9	3422532	1	Pin	
10	3790044	1	O-Ring	
11	3960468	1	Seal	
12	3960469	1	Seal	
13	4751400	2	Washer 1/4	
14	4751800	1	Washer 1/2	
15	4891800	4	Washer 1/2	
16	1001276376	1	Hydrostatic Pump Assembly (See Separate Breakdown in this Section)	
17	1001276377	1	Variable Pump Assembly with Fittings (See Separate Breakdown in this Section)	
18	1001301719	1	Engine Assembly without Arctic Package (See Separate Breakdown in this Section)	

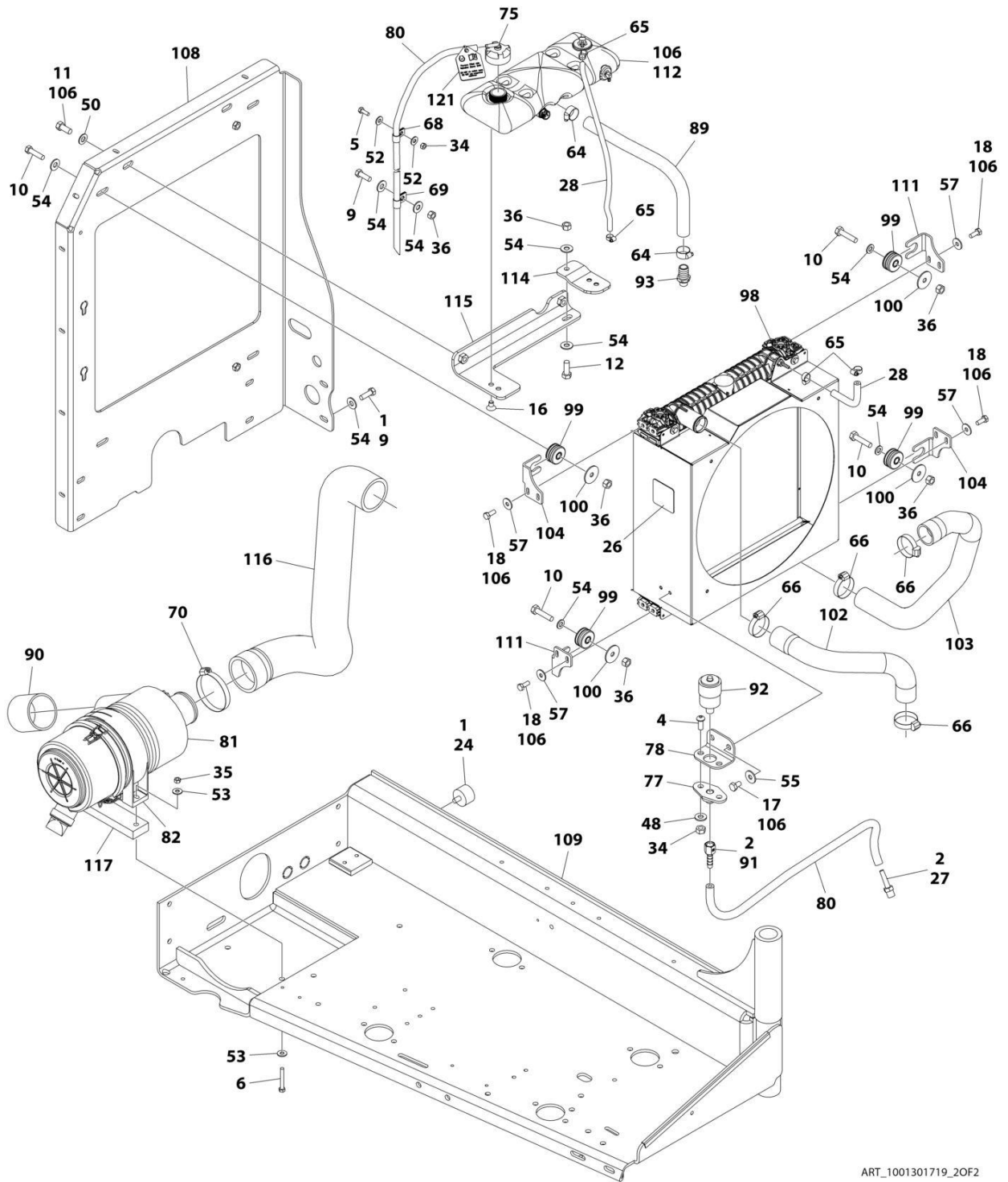
SECTION 3 - ENGINE

FIGURE 3-41. ENGINE ASSEMBLY - DEUTZ D2.9L4 EMR5 ENGINE (WITHOUT ARCTIC PACKAGE)



ART_1001301719_10F2

SECTION 3 - ENGINE



ART_1001301719_2OF2

SECTION 3 - ENGINE

FIGURE 3-41. ENGINE ASSEMBLY - DEUTZ D2.9L4 EMR5 ENGINE (WITHOUT ARCTIC PACKAGE)

ITEM	PART NUMBER	QTY	DESCRIPTION	REV
	1001301719	Ref	ENGINE ASSEMBLY - DEUTZ D2.9L4 EMR5 ENGINE	A
1	0100011	AR	Locking, Compound	
2	0100020	AR	Sealant, Pipe	
3	0100062	AR	Adhesive	
4	0630407	2	Screw 1/4 x 5/8	
5	0641406	5	Bolt 1/4 x 3/4	
6	0641518	2	Bolt 5/16 x 2-1/4	
7	0641605	2	Bolt 3/8 x 5/8	
8	0641608	8	Bolt 3/8 x 1	
9	0641609	6	Bolt 3/8 x 1-1/8	
10	0641612	4	Bolt 3/8 x 1-1/2	
11	0641708	2	Bolt 7/16 x 1	
12	0681608	1	Bolt 3/8 x 1	
13	0681820	3	Bolt 1/2 x 2-1/2	
14	0681822	1	Bolt 1/2 x 2-3/4	
15	0700814	1	Bolt M8 x 30	
16	0741605	2	Screw 3/8 x 5/8	
17	0760605	2	Bolt M6 x 10	
18	0760810	9	Bolt M8 x 20	
19	0761015	2	Bolt M10 x 35	
20	0761210	1	Bolt M12 x 20	
21	0771212	6	Bolt M12 x 25	
22	0771414	2	Bolt M14 x 30	
23	0771415	3	Bolt M14 x 35	
24	0940070	1	Bumper	
25	0961986	2	Bushing	
26	1703162	1	Decal - Fan Blade	
27	2220315	1	Fitting, Straight Barbed	
28	2720015	3 ft /1 m	Hose	
29	2720340	1 ft /0.3 m	Hose	
30	3200401	4	Mount	
31	3271801	4	Nut 1/2	
32	3291005	2	Nut M10	
33	3310401	3	Nut #4	
34	3311405	8	Nut 1/4	
35	3311505	2	Nut 5/16	
36	3311605	17	Nut 3/8	
37	3580320	1	Pulley	
38	3910408	3	Screw #4 x 1/2	
39	3931432	1	Capscrew 1/4 x 2	
40	3931512	4	Capscrew 5/16 x 3/4	
41	3931628	4	Capscrew 3/8 x 1-3/4	
42	4031914	4	Capscrew M8 x 50	
43	4032014	4	Capscrew M10 x 50	
44	4060805	2 ft /0.4 m	Shield	
45	4240032	AR	Tie-Strap (Not Shown)	
46	4240099	AR	Tie-Strap (Not Shown)	
47	4640751	1	Valve, Oil Drain	
48	4711400	3	Washer 1/4	
49	4711500	5	Washer 5/16	

SECTION 3 - ENGINE

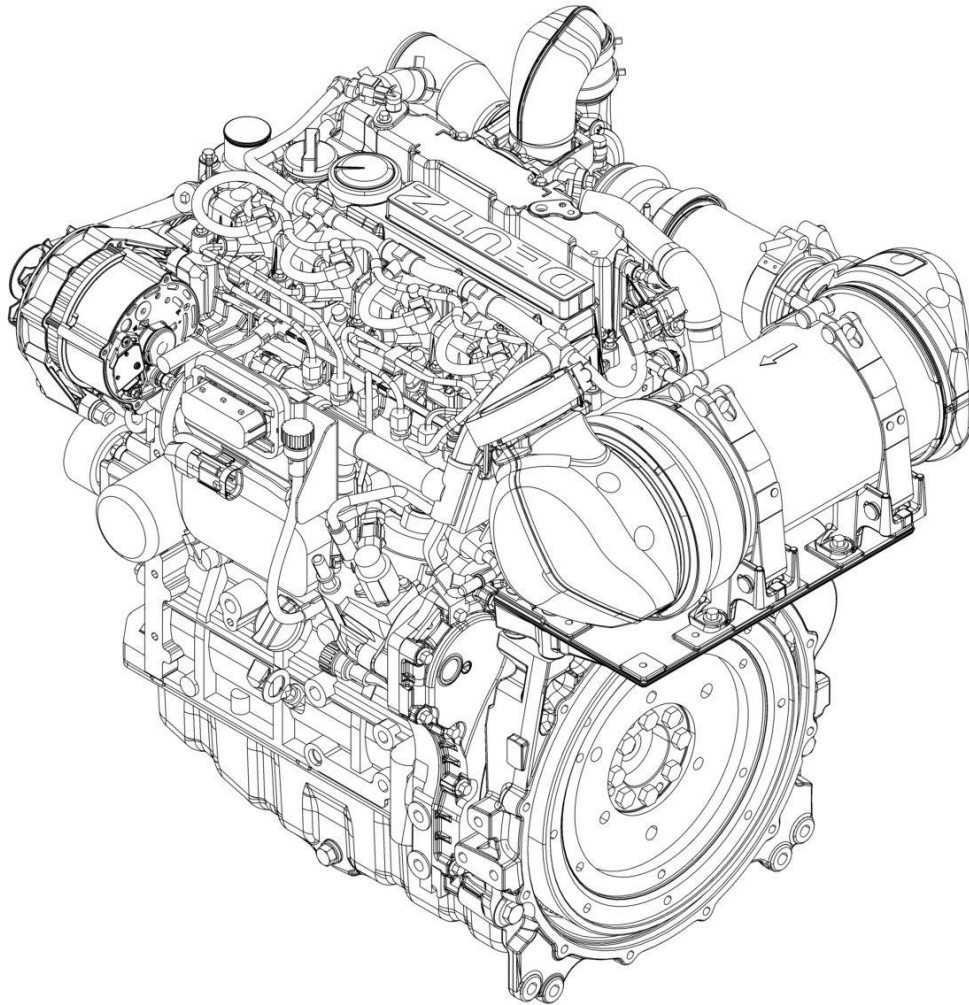
ITEM	PART NUMBER	QTY	DESCRIPTION	REV
50	4711700	2	Washer 7/16	
51	4750400	3	Washer #4	
52	4751400	10	Washer 1/4	
53	4751500	4	Washer 5/16	
54	4751600	34	Washer 3/8	
55	4811702	2	Washer M6	
56	4811900	4	Washer M8	
57	4811902	8	Washer M8	
58	4812000	8	Washer M10	
59	4812100	7	Washer M12	
60	4812200	5	Washer M14	
61	4891800	4	Washer 1/2	
62	5240800	1	Washer M8	
63	5250810	2	Bolt M8 x 20	
64	8405007	2	Clamp	
65	8405009	4	Clamp	
66	8405104	4	Clamp	
67	8406102	1	Clip	
68	8406109	1	Clip	
69	8406110	1	Clip	
70	8410011	2	Clamp	
71	8410013	1	Clamp	
72	1001117308	1	Relay	
73	1001135138	1	Adapter	
74	1001135679	1	Adapter	
75	1001136834	1	Cap	
76	1001137276	1	Fan	
77	1001138173	1	Support	
78	1001138175	1	Bracket	
79	1001138228	1	Relay, Power Module	
79	70023593	1	Fuse 30Amp	
79	70023592	1	Fuse 20Amp	
80	1001138248	6 ft /2 m	Tube	
81	1001138489	1	Filter	
82	1001138557	1	Clamp	
83	1001139240	1	Bracket	
84	1001139409	4	Washer	
85	1001140448	1	Plate	
86	1001140450	1	Plate	
87	1001140454	1	Plate	
88	1001141304	1	Wire, Glow Fuse	
89	1001141370	1	Hose	
90	1001141585	1	Hose	
91	1001141995	1	Fitting, Straight NPT/Barbed	
92	1001143390	1	Indicator	
93	1001143797	1	Fitting, Straight Barbed	
94	1001143907	1	Cable, Alternator Power	
95	1001145154	1	Plate	
96	1001152489	1	Fitting, 90 Barbed	
97	1001153282	1	Pump Coupling Kit (See Separate Breakdown in this Section)	
98	1001167042	1	Radiator	

SECTION 3 - ENGINE

ITEM	PART NUMBER	QTY	DESCRIPTION	REV
99	1001169054	4	Isolator	
100	1001169138	4	Pad	
101	1001177359	1	Hose	
102	1001177844	1	Hose, Radiator (Upper)	
103	1001177845	1	Hose, Radiator (Lower)	
104	1001178223	2	Bracket	
105	1001178876	1	Mount	
106	1001180620	AR	Adhesive	
107	1001181899	1	Clamp	
108	1001186985	1	Support	
109	1001190610	1	Support	
110	1001202368	1	Support	
111	1001204325	2	Bracket	
112	1001230635	1	Tank	
112	0100020	AR	Sealant	
112	1001134488	1	Fitting, 90 NPT/Barbed	
112	1001138827	1	Sensor, Coolant Level	
112	1001140564	1	Fitting, 90 NPT/Barbed	
112	1001229542	1	Tank	
113	1001235949	1	Bracket, Fuel Pump/Filter Assembly (Not Shown) (See Separate Breakdown in this Section)	
114	1001260412	1	Bracket	
115	1001260413	1	Bracket	
116	1001266525	1	Hose	
117	1001267256	1	Shim	
118	1001276644	1	Deutz Engine Harness (Not Shown) (See Separate Breakdown in ELECTRICAL Section)	
119	1001281985	1	Connector (Not Shown)	
120	1001281986	1	Connector (Not Shown)	
121	1001291401	1	Tag, Coolant	
122	1001301717	1	Deutz TD2.9L4 EMR5 Engine (See Separate Breakdown in this Section)	

SECTION 3 - ENGINE

FIGURE 3-42. ENGINE COMPONENTS - DEUTZ D2.9L4 EMR5 ENGINE



ART_1001301717

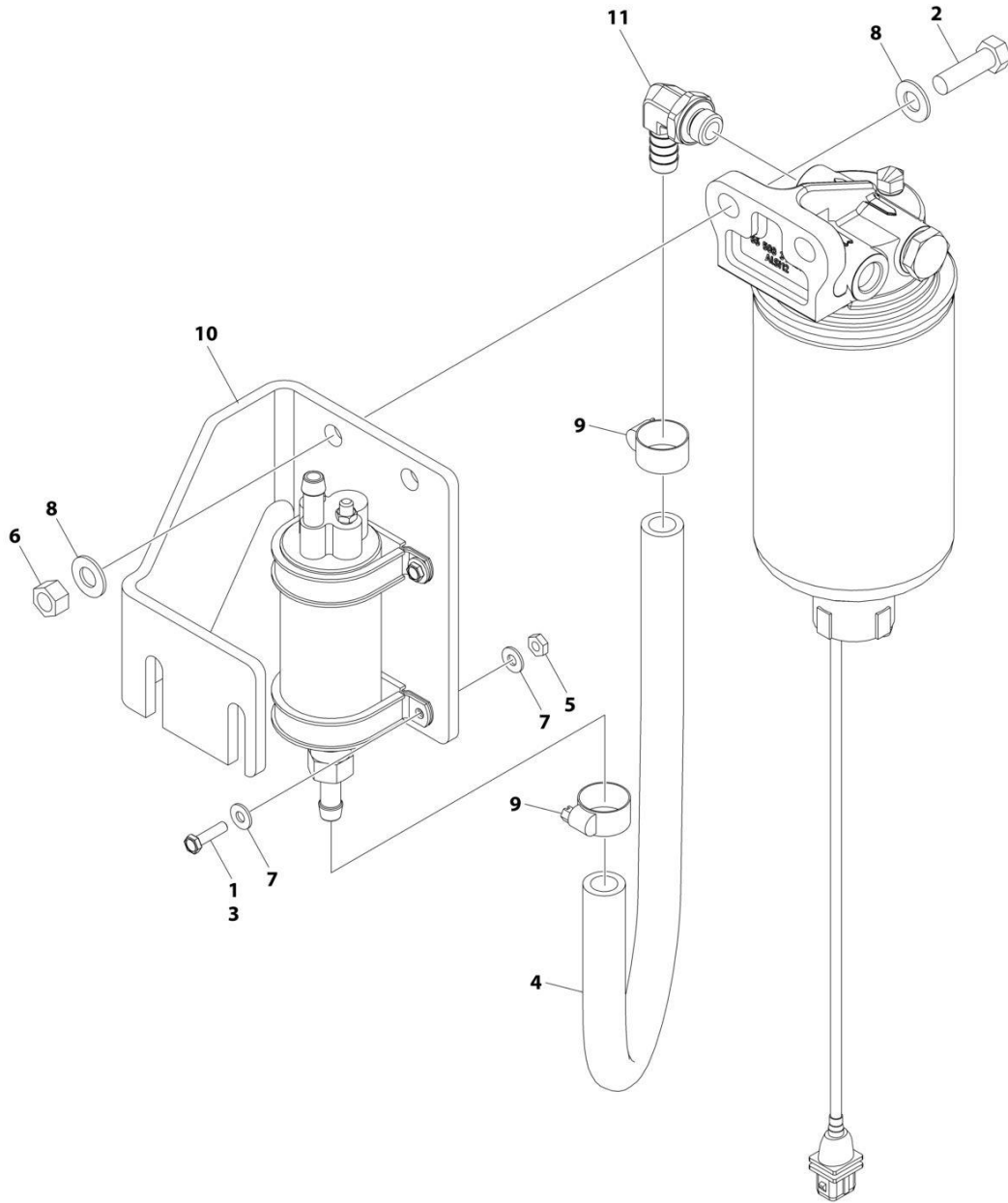
SECTION 3 - ENGINE

FIGURE 3-42. ENGINE COMPONENTS - DEUTZ D2.9L4 EMR5 ENGINE

ITEM	PART NUMBER	QTY	DESCRIPTION	REV
	1001301717	Ref	ENGINE COMPONENTS - DEUTZ D2.9L4 EMR5 ENGINE	A
	See Note	Ref	Note: No Service Parts Available at Time of Printing	

SECTION 3 - ENGINE

FIGURE 3-43. FUEL PUMP/FILTER BRACKET ASSEMBLY (DEUTZ TD2.9L4 ENGINES)



ART_1001162335

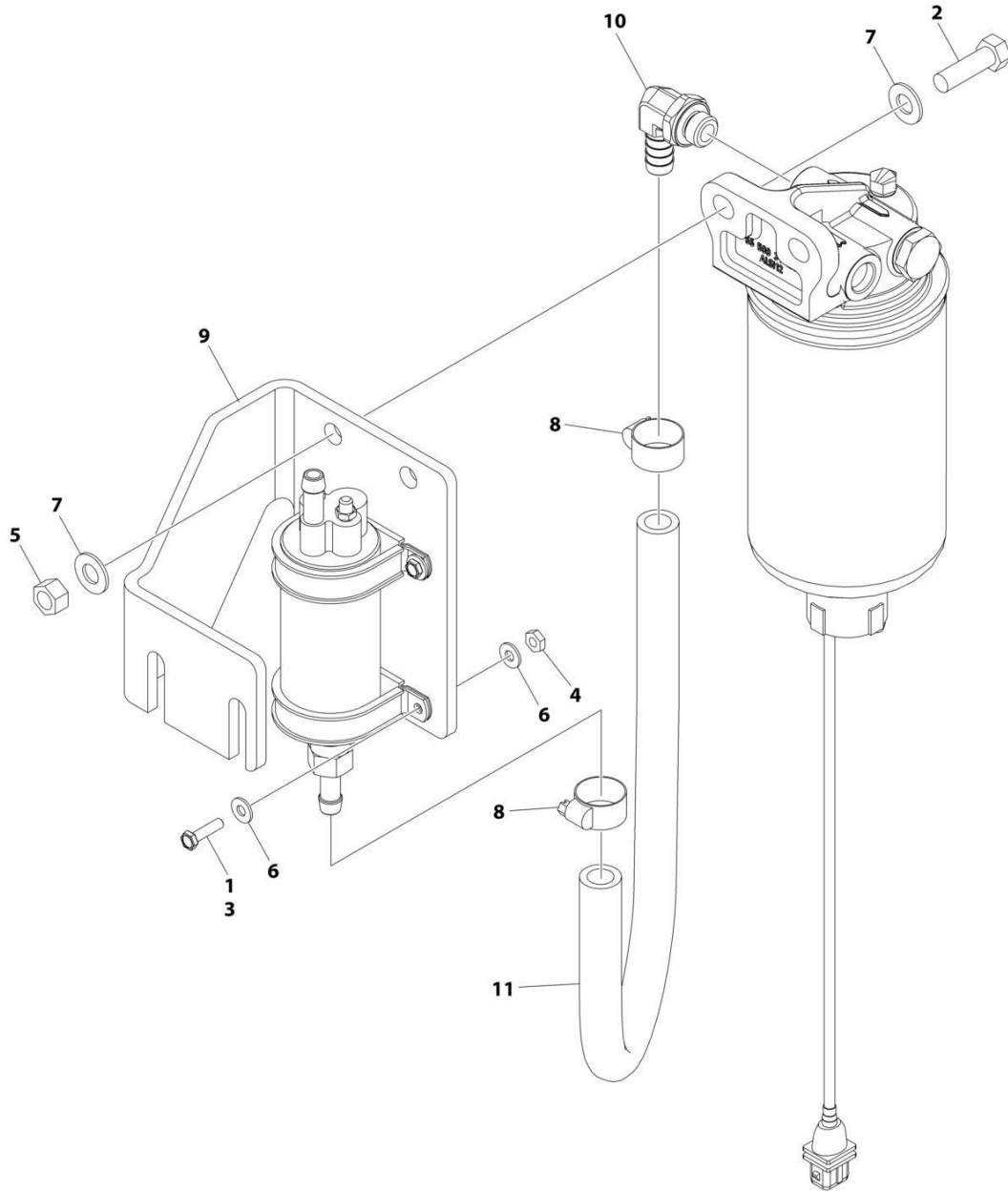
SECTION 3 - ENGINE

FIGURE 3-43. FUEL PUMP/FILTER BRACKET ASSEMBLY (DEUTZ TD2.9L4 ENGINES)

ITEM	PART NUMBER	QTY	DESCRIPTION	REV
	1001162335	Ref	BRACKET ASSEMBLY - FUEL PUMP AND FILTER (DEUTZ D2.9L4 ENGINE)	E
1	0100011	AR	Compound, Locking	
2	0641610	2	Bolt 3/8 x 1-1/4	
3	0721006	4	Bolt #10 x 3/4	
4	1001154405	AR	Hose	
5	3311001	4	Nut #10	
6	3311605	2	Nut 3/8	
7	4711000	8	Washer #10	
8	4711600	4	Washer 3/8	
9	8405006	2	Clamp	
10	1001141870	1	Plate, Fuel Pump Mount	
11	1001142501	1	Fitting, Elbow Barbed	

SECTION 3 - ENGINE

FIGURE 3-44. FUEL PUMP/FILTER BRACKET ASSEMBLY (DEUTZ TD2.9L4 (STAGE V) ENGINES)



ART_1001235949

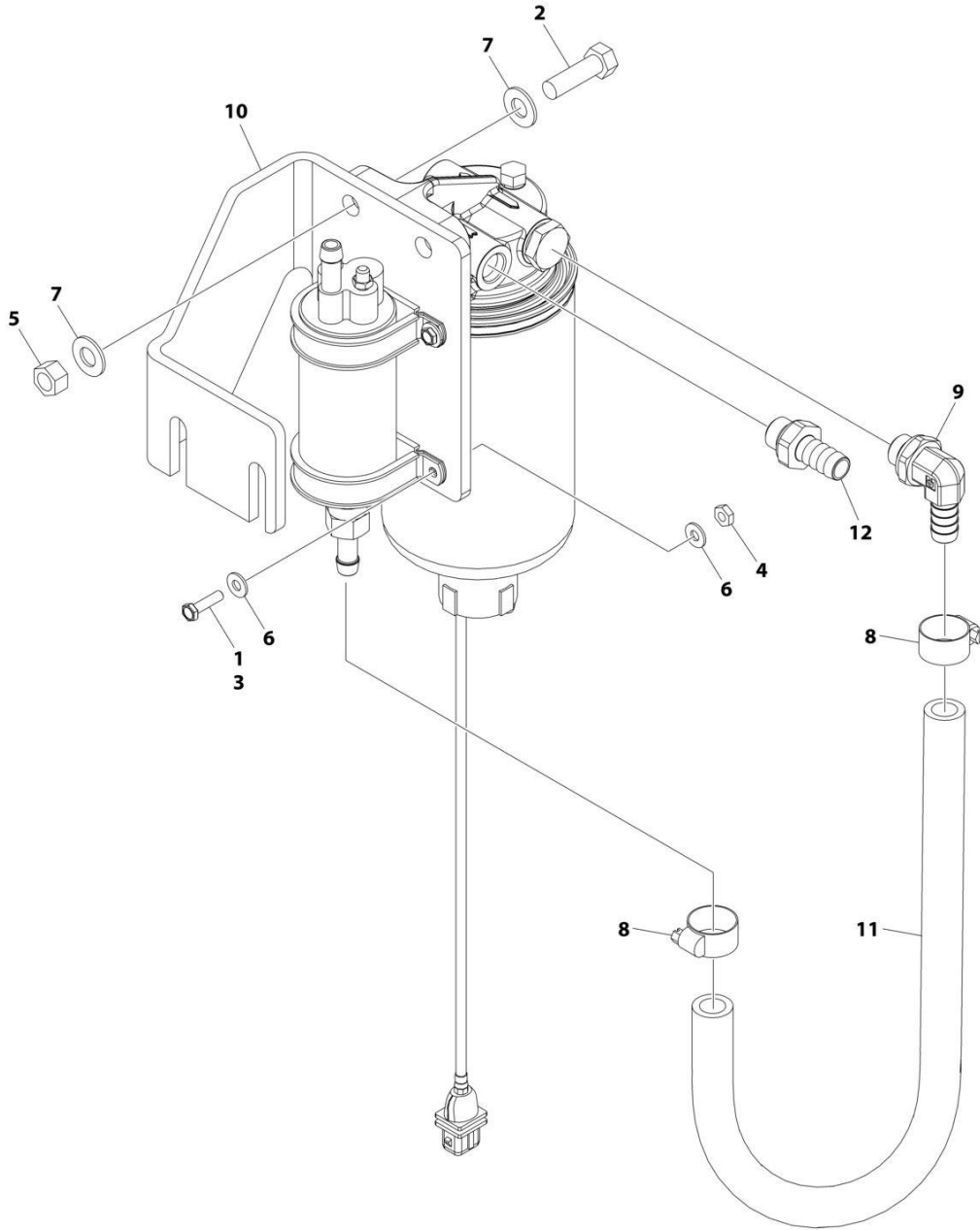
SECTION 3 - ENGINE

FIGURE 3-44. FUEL PUMP/FILTER BRACKET ASSEMBLY (DEUTZ TD2.9L4 (STAGE V) ENGINES)

ITEM	PART NUMBER	QTY	DESCRIPTION	REV
	1001235949	Ref	BRACKET ASSEMBLY - FUEL PUMP AND FILTER (DEUTZ D2.9L4 (STAGE V) ENGINE)	A
1	0100035	AR	Compound, Locking	
2	0641610	2	Bolt 3/8 x 1-1/4	
3	0721006	4	Bolt #10 x 3/4	
4	3311001	4	Nut #10	
5	3311605	2	Nut 3/8	
6	4711000	8	Washer #10	
7	4711600	4	Washer 3/8	
8	8405006	2	Clamp	
9	1001141870	1	Plate, Fuel Pump Mount	
10	1001142501	1	Fitting, Elbow Barbed	
11	1001154405	1.5 ft /0.4m	Hose	

SECTION 3 - ENGINE

FIGURE 3-45. FUEL PUMP/FILTER BRACKET ASSEMBLY (DEUTZ TD2.9L4 ENGINES) (CHINA III & CHINA IV ENGINES)



ART_1001227224_E

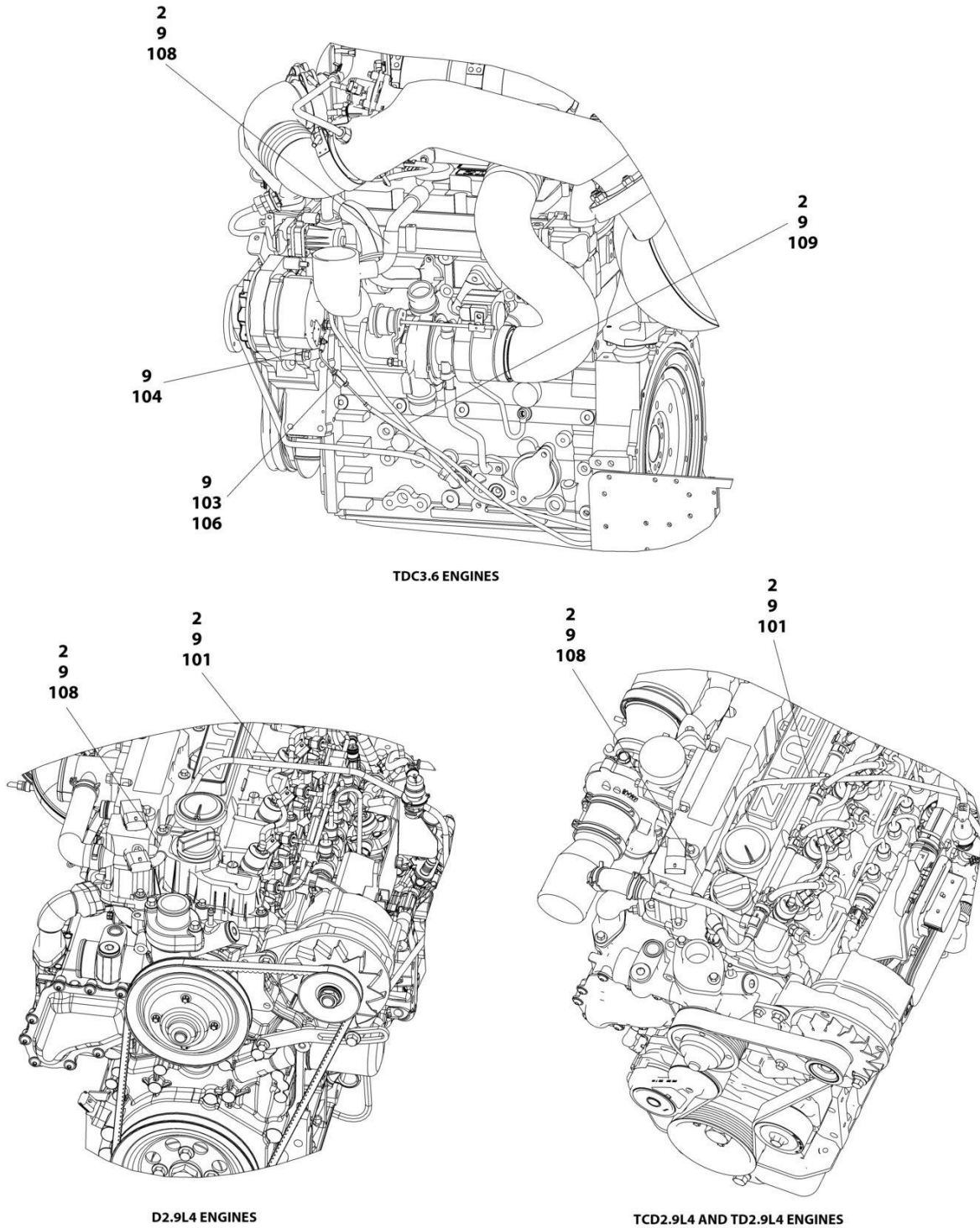
SECTION 3 - ENGINE

FIGURE 3-45. FUEL PUMP/FILTER BRACKET ASSEMBLY (DEUTZ TD2.9L4 ENGINES) (CHINA III & CHINA IV ENGINES)

ITEM	PART NUMBER	QTY	DESCRIPTION	REV
	1001227224	Ref	BRACKET ASSEMBLY (LESS FUEL PUMP AND FILTER)	E
1	0100011	AR	Locking, Compound	
2	0641610	2	Bolt 3/8 x 1-1/4	
3	0721006	4	Bolt #10 x 3/4	
4	3311001	4	Nut #10	
5	3311605	2	Nut 3/8	
6	4711000	8	Washer #10	
7	4711600	4	Washer 3/8	
8	8405006	2	Clamp	
9	1001142501	1	Fitting, 90 Metric/Barbed	
10	1001141870	1	Plate, Fuel Pump Mount	
11	1001154405	AR	Hose	
12	1001141718	1	Fitting, Straight (Not Shown)	

SECTION 3 - ENGINE

FIGURE 3-46. BREATHER HEATER INST (DEUTZ TD2.9L4 ENGINES)



ART_1001233763

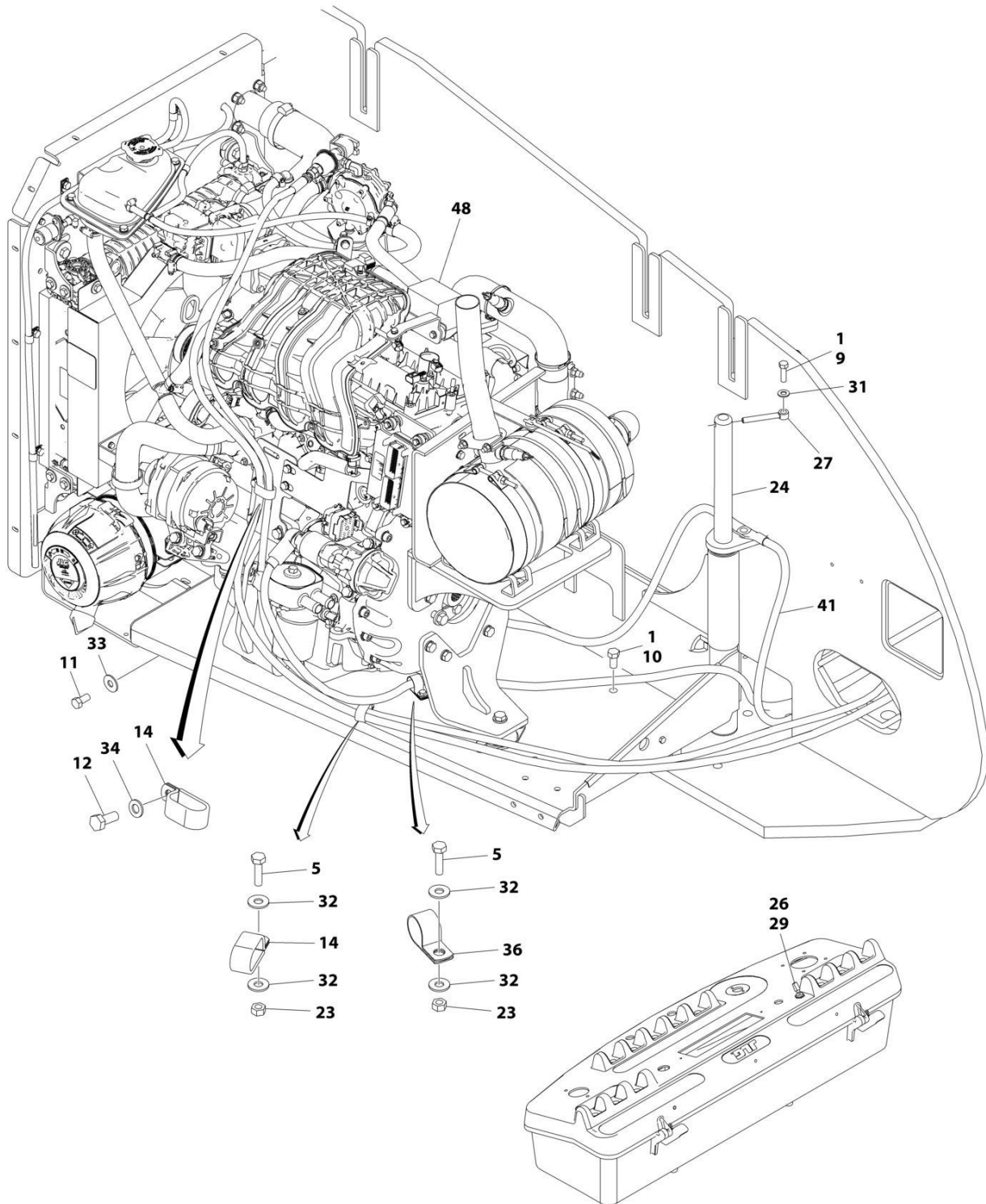
SECTION 3 - ENGINE

FIGURE 3-46. BREATHER HEATER INST (DEUTZ TD2.9L4 ENGINES)

ITEM	PART NUMBER	QTY	DESCRIPTION	REV
	1001233763	Ref	BREATHER HEATER INSTALLATION - DEUTZ ENGINES	D
2	4240099	AR	Tie-Strap	
9	1001243895	1	Breather Heater Harness	C
101	2820035	AR	Insulation	
103	2400060	1	Fuseholder with Cover	
104	4460043	1	Terminal, Ring	
105	4460722	1	Terminal, Ring (Not Shown)	
106	1001196634	1	Fuse - 2 Amp	
108	1001232842	1	Breather Heater Kit	

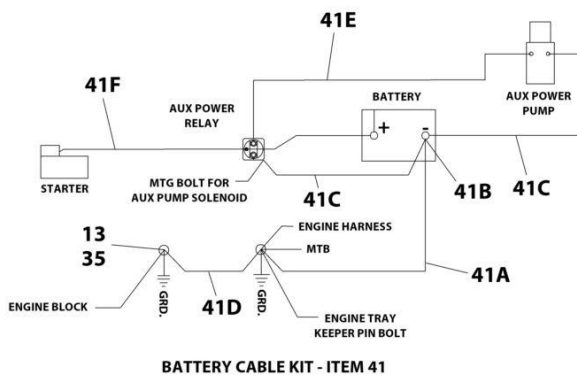
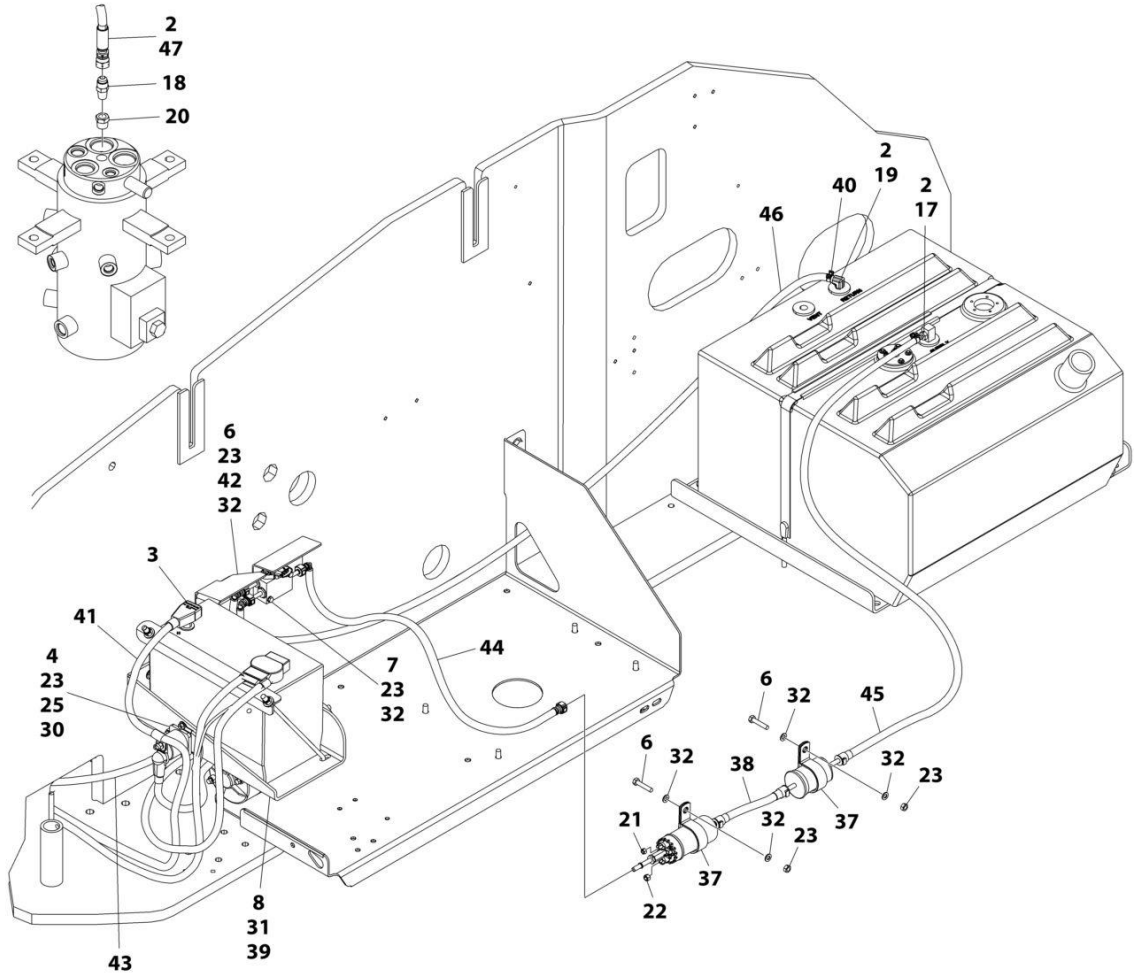
SECTION 3 - ENGINE

FIGURE 3-47. FORD ENGINE INSTALLATION (WITHOUT ARCTIC PACKAGE)



ART_1001285038_10F2

SECTION 3 - ENGINE



ART_1001285038_2OF2

SECTION 3 - ENGINE

FIGURE 3-47. FORD ENGINE INSTALLATION (WITHOUT ARCTIC PACKAGE)

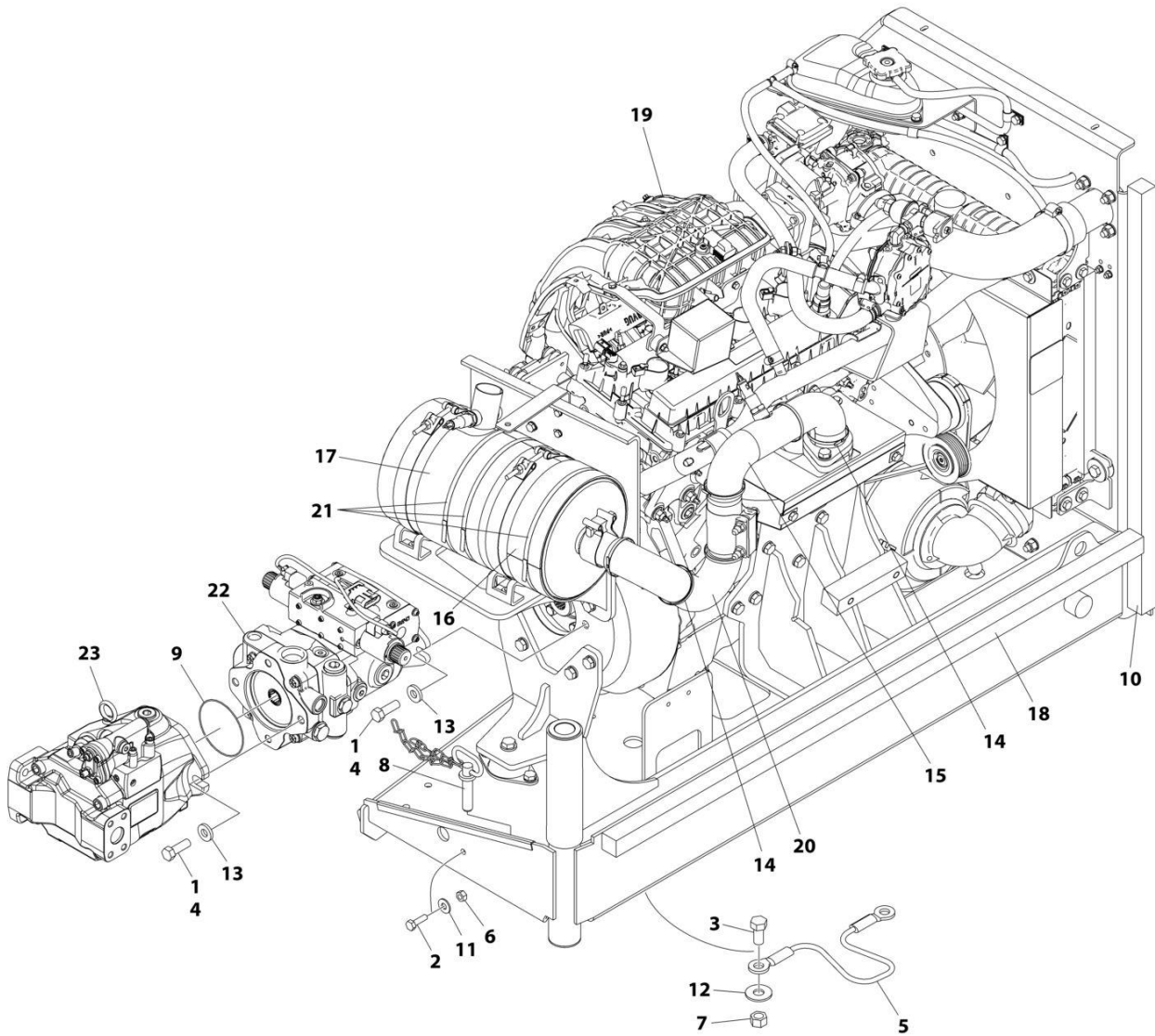
ITEM	PART NUMBER	QTY	DESCRIPTION	REV
	1001285038	Ref	FORD ENGINE INSTALLATION	A
1	0100011	AR	Compound, Locking	
2	0100020	AR	Sealant	
3	0100048	AR	Grease, Terminal	
4	0641406	2	Bolt 1/4 x 3/4	
5	0641408	2	Bolt 1/4 x 1	
6	0641412	4	Bolt 1/4 x 1-1/2	
7	0641420	2	Bolt 1/4 x 2-1/2	
8	0641607	3	Bolt 3/8 x 7/8	
9	0641610	1	Bolt 3/8 x 1-1/4	
10	0641808	1	Bolt 1/2 x 1	
11	0642010	1	Bolt 5/8 x 1-1/4	
12	0760810	1	Bolt M8 x 20	
13	0761008	1	Bolt M10 x 16	
14	1321283	2	Clamp	
15	1701542	1	Decal - Gas (Not Shown)	
16	1701543	AR	Decal - LPG (Not Shown)	
17	2180348	1	Fitting, Straight NPT/Barbed	
18	2180418	1	Fitting, Straight	
19	2221176	1	Fitting, 90	
20	2221197	1	Fitting, Straight NPT	
21	3290405	1	Nut M4	
22	3290505	1	Nut M5	
23	3311405	10	Nut 1/4	
24	3422446	1	Pin	
25	3740067	1	Relay	
26	3790012	1	O-Ring (Not Shown - Located on Platform Console Box)	
27	3841143	1	Keeper, Pin	
28	4240099	AR	Tie-Strap (Not Shown)	
29	4360336	1	Switch, Toggle (Not Shown - Located on Platform Console Box)	
30	4711400	4	Washer 1/4	
31	4711600	4	Washer 3/8	
32	4751400	16	Washer 1/4	
33	4752000	1	Washer 5/8	
34	4811900	1	Washer M8	
35	4812000	1	Washer M10	
36	8406201	1	Clip	
37	85941018	2	Clamp	
38	1001156823	1	Hose	
39	1001162497	1	Bracket, Battery	
40	1001174486	2	Clamp	
41	1001216568	1	Battery Cable Kit	
41A	7027084	1	Cable, Battery - Ground to Battery -	
41B	8270147	1	Terminal, Battery with Boot	
41C	7027085	1	Cable, Battery - Auxiliary Pump/Relay to Battery -	
49D	7027086	1	Cable, Battery - Engine to Ground	
41E	7027088	1	Cable, Battery - Auxiliary Relay to Auxiliary Pump	
41F	70009020	1	Cable, Battery - Starter/Auxiliary Relay to Battery +	
42	1001219370	1	Bracket	
43	1001219634	1	Hose	

SECTION 3 - ENGINE

ITEM	PART NUMBER	QTY	DESCRIPTION	REV
44	1001219636	1	Hose	
45	1001219637	1	Hose	
46	1001219638	1	Hose	
47	1001219639	1	Hose	
48	1001285037	Ref	Ford Engine and Pump Sub-Assembly (See Separate Breakdown in this Section)	

SECTION 3 - ENGINE

FIGURE 3-48. FORD ENGINE AND PUMP SUB-ASSEMBLY (WITHOUT ARCTIC PACKAGE)



ART_1001285037

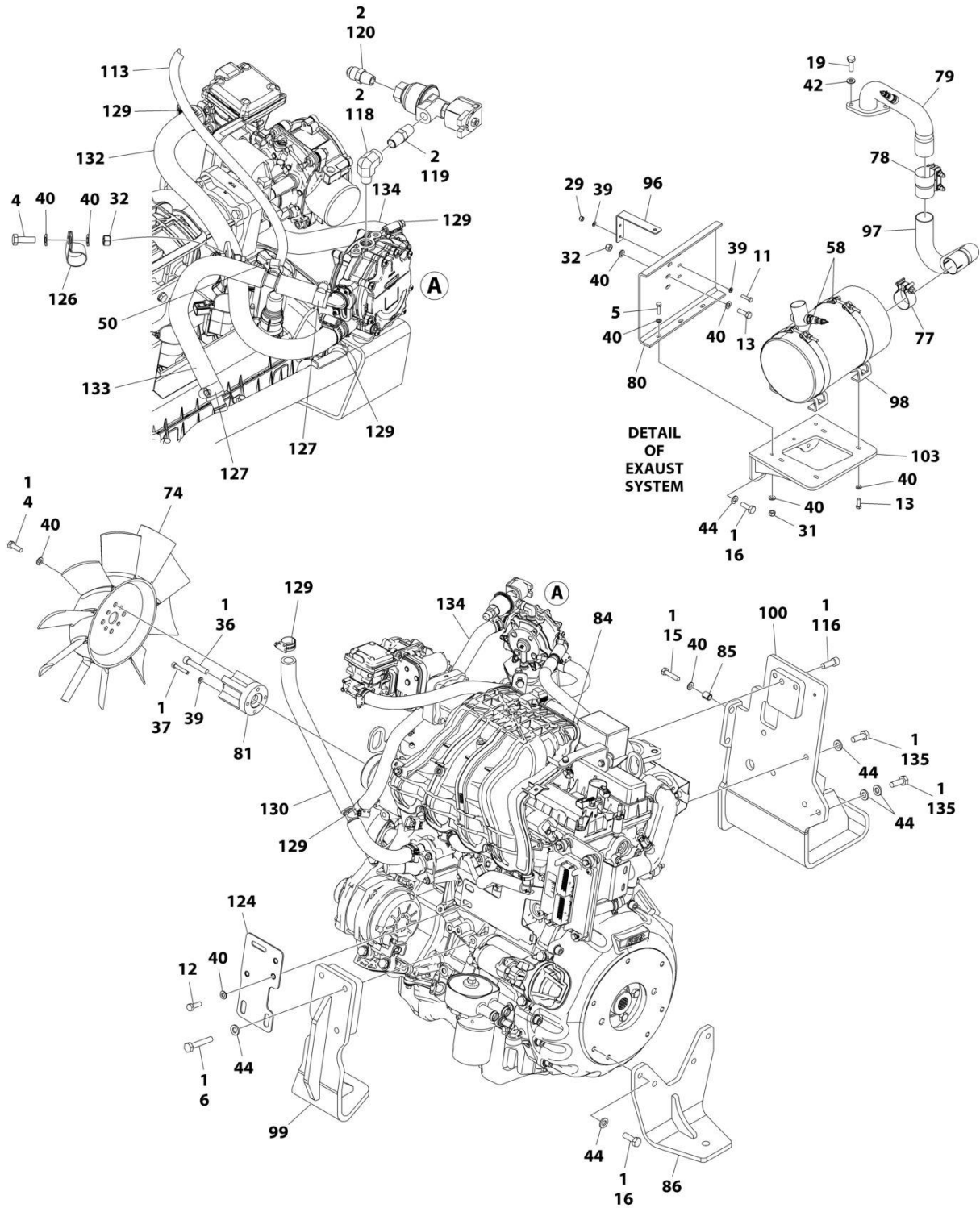
SECTION 3 - ENGINE

FIGURE 3-48. FORD ENGINE AND PUMP SUB-ASSEMBLY (WITHOUT ARCTIC PACKAGE)

ITEM	PART NUMBER	QTY	DESCRIPTION	REV
	1001285037	Ref	FORD ENGINE AND PUMP SUB-ASSEMBLY (WITHOUT ARCTIC PACKAGE)	A
1	0100011	AR	Compound, Locking	
2	0641407	1	Bolt 1/4 x 7/8	
3	0641808	1	Bolt 1/2 x 1	
4	0641812	4	Bolt 1/2 x 1-1/2	
5	1060637	1	Cable, Lanyard	
6	3311405	1	Nut 1/4	
7	3311805	1	Nut 1/2	
8	3422532	1	Pin	
9	3790044	1	O-Ring	
10	3960469	1	Seal	
11	4751400	1	Washer 1/4	
12	4751800	1	Washer 1/2	
13	4891800	4	Washer 1/2	
14	1001100825	6	Strap	
15	1001216532	1	Insulate, Exhaust Pipe	
16	1001216534	1	Insulate, Muffler	
17	1001216535	1	Insulate, Muffler	
18	1001217170	1	Seal	
19	1001217191	1	Ford Engine Assembly without Arctic Package (See Separate Breakdown in this Section)	
20	1001218085	1	Insulate, Exhaust Pipe	
21	1001221464	3	Strap	
22	1001225745	1	Hydrostatic Pump Assembly (See Separate Breakdown in this Section)	
23	1001276377	1	Variable Pump Assembly (See Separate Breakdown in this Section)	

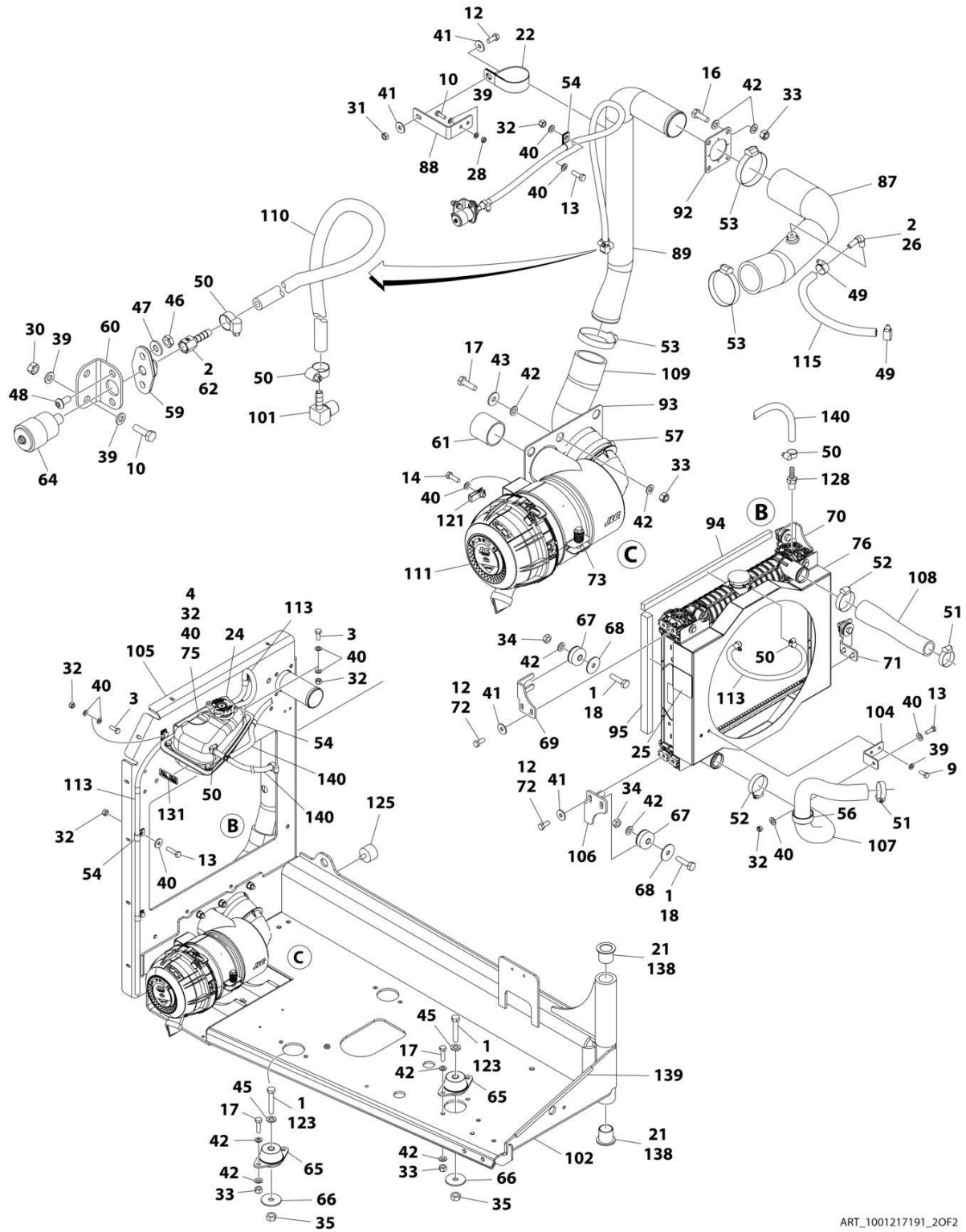
SECTION 3 - ENGINE

FIGURE 3-49. FORD ENGINE ASSEMBLY (WITHOUT ARCTIC PACKAGE)



ART_1001217191_10F2

SECTION 3 - ENGINE



ART_1001217191_2OF2

SECTION 3 - ENGINE

FIGURE 3-49. FORD ENGINE ASSEMBLY (WITHOUT ARCTIC PACKAGE)

ITEM	PART NUMBER	QTY	DESCRIPTION	REV
	1001217191	Ref	FORD ENGINE ASSEMBLY	S
1	0100011	AR	Compound, Locking	
2	0100020	AR	Sealant	
3	0700810	3	Bolt 8 x 20	
4	0700812	7	Bolt 8 x 25	
5	0700814	3	Bolt 8 x 30	
6	0711020	3	Bolt M10 x 60	
9	0760608	2	Bolt 6 x 16	
10	0760610	4	Bolt M6 x 20	
11	0760612	2	Bolt 6 x 25	
12	0760810	11	Bolt M8 x 20	
13	0760812	12	Bolt M8 x 25	
14	0760814	2	Bolt M8 x 30	
15	0760815	2	Bolt M8 x 35	
16	0761014	11	Bolt M10 x 30	
17	0761015	12	Bolt M10 x 35	
18	0761016	4	Bolt M10 x 40	
19	0771014	2	Bolt 10 x 30	
21	0961986	2	Bearing, Flange	
22	1320110	1	Clamp	
23	1001187781	1	Tie-Strap (Not Shown)	
24	1001223584	1	Tank, Surge	
25	1703162	2	Decal - Fan Blade	
26	2180467	1	Fitting, Straight NPT/Barb	
28	3290601	2	Nut M6	
29	3290605	2	Nut M6	
30	3290607	2	Nut M6	
31	3290801	4	Nut M8	
32	3290805	14	Nut M8	
33	3291005	16	Nut M10	
34	3291001	4	Nut M10	
35	3291201	3	Nut M12	
36	3931644	1	Screw 3/8 x 2-3/4	
37	4031711	4	Capscrew M6 x 35	
38	4240099	AR	Tie-Strap (Not Shown)	
39	4811700	18	Washer M6	
40	4811900	48	Washer M8	
41	4811902	10	Washer M8	
42	4812000	38	Washer M10	
43	4812002	6	Washer M10	
44	5241000	15	Washer M10	
45	5241200	3	Washer M12	
46	8305401	2	Nut Jam	
47	8307109	2	Washer	
48	8310548	2	Screw 1/4 x 1/2	
49	8405006	2	Clamp	
50	8405009	5	Gear	
51	8405102	2	Clamp	
52	8405104	2	Clamp	
53	8405203	3	Clamp	

SECTION 3 - ENGINE

ITEM	PART NUMBER	QTY	DESCRIPTION	REV
54	8406109	6	Clip	
56	8410001	1	Clamp	
57	8410011	1	Clamp	
58	1001128901	2	Strap	
59	1001138173	1	Support	
60	1001138175	1	Bracket	
61	1001141585	1	Hose	
62	1001141995	2	Fitting, Straight NPT/Barbed	
64	1001149639	1	Indicator, Restriction	
65	1001191610	3	Mount, Motor	
66	1001168018	3	Washer	
67	1001169054	4	Isolator	
68	1001169138	4	Pad, Snubbing	
69	1001169967	1	Bracket	
70	1001170035	1	Bracket	
71	1001176329	1	Bracket	
72	1001180620	AR	Adhesive	
73	1001186426	1	Clamp	
74	1001223042	1	Fan	
75	1001225442	1	Bracket	
76	1001223923	1	Radiator	
77	1001215681	1	Clamp	
78	1001215974	1	Clamp	
79	1001216075	1	Pipe, Exhaust	
80	1001216092	1	Shield, Heat	
81	1001216201	1	Adapter	
84	1001216910	1	Ford Engine Prep Assembly (See Separate Breakdown in this Section)	
85	1001216919	2	Sleeve	
86	1001290252	1	Mount, Engine Rear	
87	1001217032	1	Tube	
88	1001217046	1	Bracket	
89	1001217090	1	Tube	
92	1001217174	1	Seal	
93	1001217175	1	Seal	
94	1001217183	2	Seal	
95	1001217185	2	Seal	
96	1001217186	1	Support	
97	1001217317	1	Pipe	
98	1001217543	2	Mount	
99	1001218362	1	Mount	
100	1001218449	1	Bracket	
101	1001134488	1	Fitting	
102	1001219259	1	Support	
103	1001219345	1	Muffler	
104	1001219361	1	Support	
105	1001219363	1	Plate	
106	1001219480	1	Bracket	
107	1001219611	1	Hose	
108	1001219612	1	Hose	
109	1001219613	1	Tube	

SECTION 3 - ENGINE

ITEM	PART NUMBER	QTY	DESCRIPTION	REV
110	1001138248	31 in/ 77cm	Tube	
111	1001189979	1	Air Filter Assembly	
111	70005008	1	Element, Filter - Primary	
111	70006460	1	Element, Filter -Secondary	
111	8273291	1	Valve, Dust Evacuator	
111	70006461	1	Cover	
113	2720058	55 in/ 1.5m	Hose	
115	1001165035	10 26cm	Hose	
116	5272010	1	Bolt M10 x 30	
118	1001247359	1	Fitting, 90 FSNPSM/NPTF	
119	2220261	1	Fitting	
120	2180418	1	Fitting	
121	1001221615	2	Nut M8	
123	0711223	3	Bolt 12 x 75	
124	1001222033	1	Plate	
125	0940070	1	Bumper	
126	8406201	1	Clip	
127	8410009	2	Gear Clamp	
128	2180348	1	Fitting	
129	1001173535	6	Clamp	
130	1001224489	1	Hose	
131	1001225510	1	Decal	
132	1001216531	1	Hose	
133	1001227666	1	Hose	
134	1001224486	1	Hose	
135	0711014	5	Bolt 10 x 30	
138	0100062	AR	Compound Locking	
139	4060805	16 in/ 41cm	Shield	
140	1001227667	1	Hose	
141	1001303818	1	Washer M10	

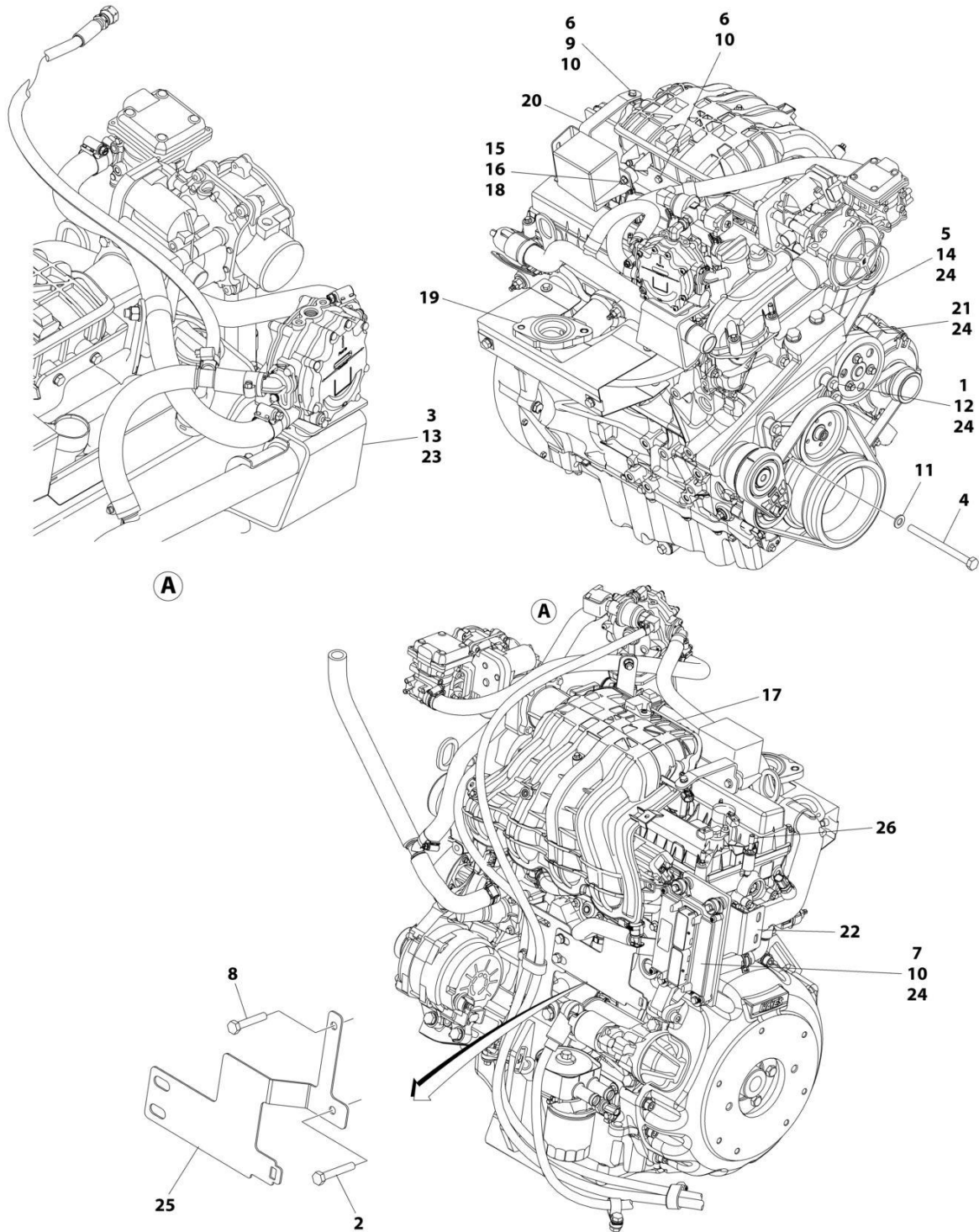
SECTION 3 - ENGINE

FIGURE 3-50. FORD ENGINE PREP ASSEMBLY

ITEM	PART NUMBER	QTY	DESCRIPTION	REV
	1001216910	Ref	FORD ENGINE PREP ASSEMBLY	F
1	0100011	AR	Compound, Locking	
3	0760605	4	Bolt M6 x 10	
4	0760807	2	Bolt M8 x 14	
11	4811702	4	Washer M6	
12	4811900	2	Washer M8	
13	5250605	3	Bolt M6 x 10	
14	5260600	1	Nut M6 Class 10	
19	1001211794	3	Mount, Isolator	
20	1001227769	1	Plate	
21	1001213810	1	Pump Coupling Kit	
21	70006134	1	Coupling	
21	70006135	1	Housing	
21	70006136	1	Hardware Kit	
22	1001216065	1	Ford Engine Assembly (See Items 101-126 for Breakdown)	
24	1001216768	1	Bracket	
25	1001216769	1	Bracket	
28	1001149160	2	Nut, Tinnerman M8	
	1001216065	Ref	FORD ENGINE PREP ASSEMBLY - BRACKETS/EXHAUST MANIFOLD	M
101	0700816	4	Bolt M8 x 40	
102	0700818	1	Bolt M8 x 50	
103	0701014	2	Bolt M10 x 30	
104	0710827	1	Bolt M8 x 100 Grade 10.9	
105	0711216	2	Bolt M12 x 40	
106	0760610	3	Bolt M6 x 20	
107	0760615	4	Bolt M6 x 35	
108	0760817	1	Bolt M8 x 45	
109	3290601	1	Nut M6	
110	4811700	8	Washer M6	
111	4811900	1	Washer M8	
112	4811902	4	Washer M8	
113	4812000	1	Washer M10	
114	4812100	2	Washer M12	
115	5250605	2	Bolt M6 x 10	
116	5260600	2	Nut M6 Class 10	
117	1001210448	1	Engine, Ford 2.5L (See Separate Breakdown in this Section)	
118	1001211794	2	Mount	
119	1001214827	1	Manifold, Exhaust	
120	1001215384	1	Bracket	
121	1001216071	1	Bracket	
122	1001216144	1	Support, Muffler	
123	1001227772	1	Mount, Vaporizer	
124	0100011	AR	Compound, Locking	
125	1001221545	1	Plate	
126	1001222641	6	Cap	

SECTION 3 - ENGINE

FIGURE 3-51. FORD ENGINE BRACKETS AND EXHAUST MANIFOLD INSTALLATION



ART_1001216065

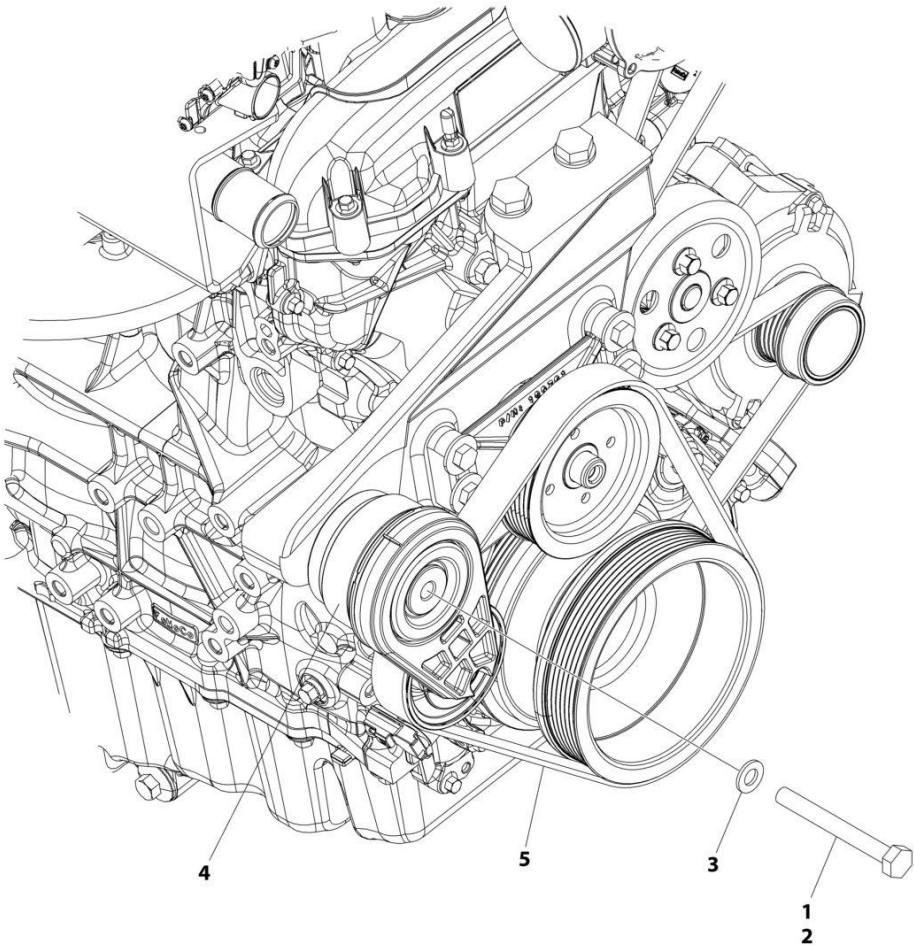
SECTION 3 - ENGINE

FIGURE 3-51. FORD ENGINE BRACKETS AND EXHAUST MANIFOLD INSTALLATION

ITEM	PART NUMBER	QTY	DESCRIPTION	REV
	1001216065	Ref	FORD ENGINE ASSEMBLY - BRACKETS/EXHAUST MANIFOLD	N
1	0700816	4	Bolt M8 x 40	
2	0700818	1	Bolt M8 x 50	
3	0701014	2	Bolt M10 x 30	
4	0710827	1	Bolt M8 x 100 Grade 10.9	
5	0711216	2	Bolt M12 x 40	
6	0760610	3	Bolt M6 x 20	
7	0760615	4	Bolt M6 x 35	
8	0760817	1	Bolt M8 x 45	
9	3290601	1	Nut M6	
10	4811700	8	Washer M6	
11	4811900	1	Washer M8	
12	4811902	4	Washer M8	
13	4812000	1	Washer M10	
14	4812100	2	Washer M12	
15	5250605	2	Bolt M6 x 10	
16	5260600	2	Nut M6 Class 10	
17	1001210448	1	Engine, Ford 2.5L (See Separate Breakdown in this Section)	
18	1001211794	2	Mount	
19	1001214827	1	Manifold, Exhaust	
20	1001215384	1	Bracket	
21	1001216071	1	Bracket	
22	1001216144	1	Support, Muffler	
23	1001227772	1	Mount, Vaporizer	
24	0100011	AR	Compound, Locking	
25	1001221545	1	Plate	
26	1001222641	6	Cap	

SECTION 3 - ENGINE

FIGURE 3-52. FORD ENGINE DRIVE BELT INSTALLATION (MACHINES WITHOUT GENERATOR)



ART_1001220404

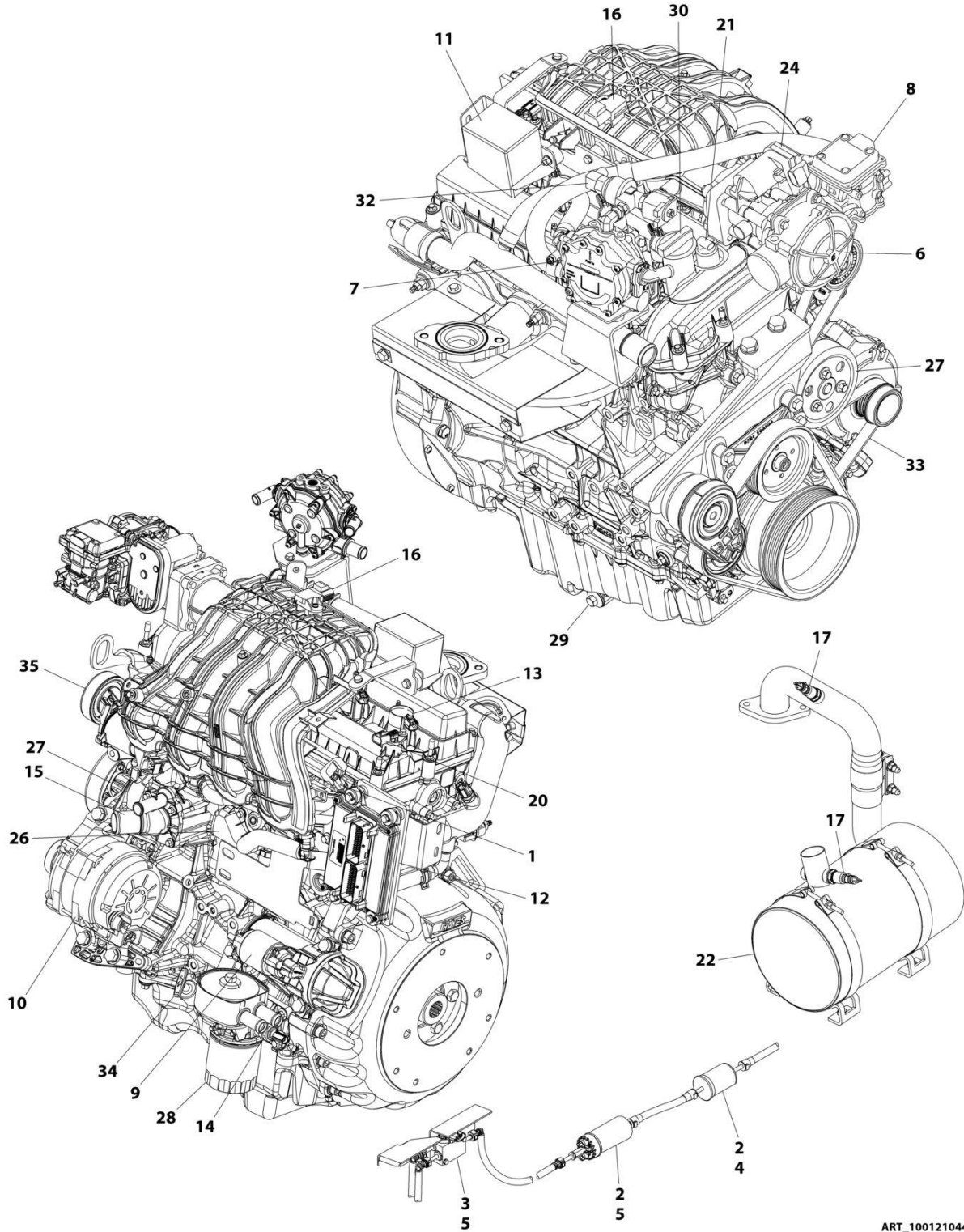
SECTION 3 - ENGINE

FIGURE 3-52. FORD ENGINE DRIVE BELT INSTALLATION (MACHINES WITHOUT GENERATOR)

ITEM	PART NUMBER	QTY	DESCRIPTION	REV
	1001220404	Ref	DRIVE BELT INSTALLATION	C
1	0100011	AR	Compound, Locking	
2	0701026	1	Bolt M10 x 90	
3	4812002	1	Washer M10	
4	1001216300	1	Pulley	
5	1001216619	1	V-Belt	

SECTION 3 - ENGINE

FIGURE 3-53. FORD ENGINE COMPONENTS



ART_1001210448

SECTION 3 - ENGINE

FIGURE 3-53. FORD ENGINE COMPONENTS

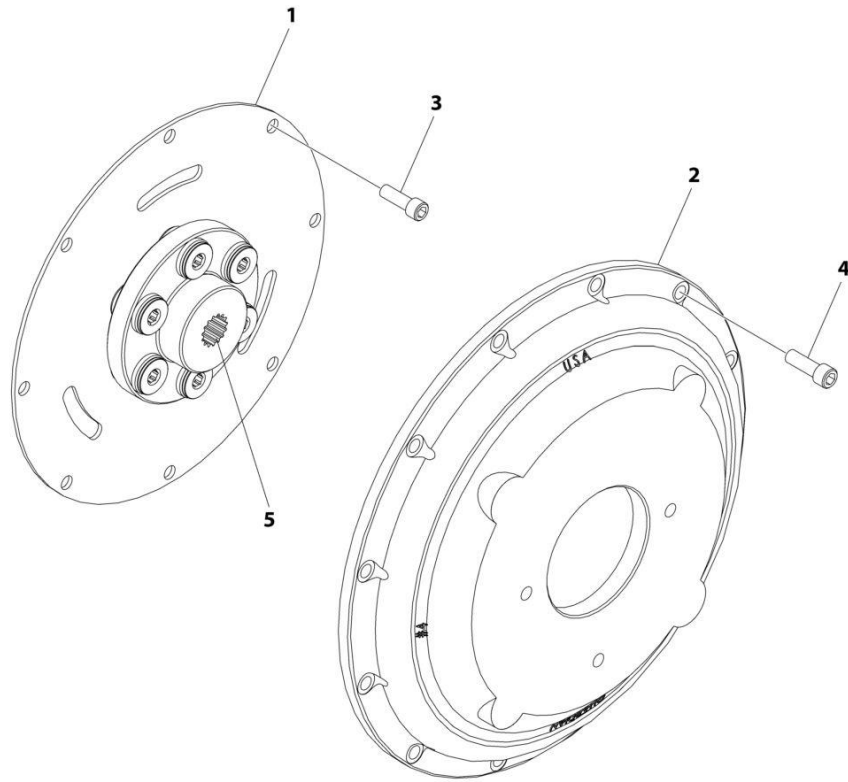
ITEM	PART NUMBER	QTY	DESCRIPTION	REV
	1001210448	Ref	FORD ENGINE COMPONENTS	H
1	70006145	4	Injector, Fuel	
1	70006147	1	Rail, Fuel	
2	70006150	1	Pump, Fuel	
2	70006154	1	Fitting M10	
3	70006151	1	Block, Fuel	
3	70006152	2	Fitting SAE6	
3	70006153	1	Fitting SAE3	
3	70006189	1	Harness, Fuel Block	
4	70006155	1	Filter, Fuel	
5	7022162	8	Clamp	
5	70006157	8	Clip, Fuel Quick Disconnect	
6	70006158	1	Mixer, LP	
6	70006168	1	Mixer Diaphragm Replacement Kit	
6	70006159	1	Adapter, Mixer to Governor	
6	70006160	1	O-Ring, Mixer to Adapter	
6	70006161	1	Seal, Mixer to Adapter	
7	70006162	1	Regulator, LP Vapor	
7	70006166	2	Fitting	
7	70006167	1	Fitting, Straight	
7	70006165	2	Isolator, Rubber	
8	70006163	1	Regulator, Direct Electronic Pressure	
8	70006164	1	Adapter, Fitting 90	
9	70006169	1	Starter	
9	70006233	1	Harness, Alternator/Starter	
10	70006170	1	Alternator	
11	70006173	1	Cover, Relay Box	
11	70006171	2	Relay (Fuel Pump & Power)	
11	70006172	1	Relay (Starter)	
11	70006175	1	Fuse - 20Amp (Starter)	
11	70006174	1	Decal - Relay Box Cover	
11	70006188	1	Harness, Engine	
11	70006165	2	Isolator, Rubber	
12	70006176	1	Module - Engine Control Unit (ECU/GCP)	
12	70006191	1	Software & Diagnostic Cable	
13	70006177	4	Coil and Boot Assembly	
13	70006178	4	Plug, Spark	
14	70006179	1	Switch, Oil Pressure	
15	70006180	1	Sensor, Knock	
16	70006181	1	Sensor, TMAP	
17	70006182	2	Sensor, O2	
18	70006183	1	Sensor, Coolant Temperature (Not Shown - Located Rear of Engine Block)	
19	70006184	1	Sensor, Crank Position (Not Shown - Located at Front RH Side of Block)	
20	70006185	1	Sensor, Cam Position	
21	70006186	1	Solenoid, Timing	
21	70006187	1	Grommet, Rubber	
22	70006194	1	Muffler	
22	70006195	1	Plug (Located at Muffler Outlet)	

SECTION 3 - ENGINE

ITEM	PART NUMBER	QTY	DESCRIPTION	REV
23		Ref	Gasket Options (Not Shown)	
23	70006196	1	Gasket, Exhaust Manifold to Head	
23	70006197	1	Gasket, Exhaust Manifold Outlet	
23	70006200	1	Gasket, Intake Manifold to Head	
23	70006219	1	Gasket Set - Camshaft Cover	
23	70006225	1	Gasket, Cylinder Head	
24	70006198	1	Governor	
24	7027404	1	Gasket, Governor Actuator	
24	70006199	1	Gasket, Governor to Intake Manifold Adapter	
25	70006203	1	Flywheel (Not Shown)	
26	70006205	1	Thermostat (Includes Housing)	
26	70006206	1	Gasket, Water Inlet	
27	70006207	1	Pump, Water	
27	70006208	1	O-Ring, Water Pump	
27	See Note	NSS	Pulley, Water Pump (Note: Not Available for Purchase at This Time)	
28	70006213	1	Filter, Oil	
29	70006215	1	Plug, Oil Drain	
29	70006217	1	Gasket, Oil Drain Plug	
30	70006221	1	Cap, Oil Fill	
31	70006232	1	Sensor, Crank (Not Shown)	
32	70006235	1	Valve, Lock-Off (Includes Filter)	
33	70006202	1	Belt	
34	70006236	1	Dipstick	
35	70007108	1	Belt Tensioner	

SECTION 3 - ENGINE

FIGURE 3-54. PUMP COUPLING KIT (DEUTZ ENGINES)



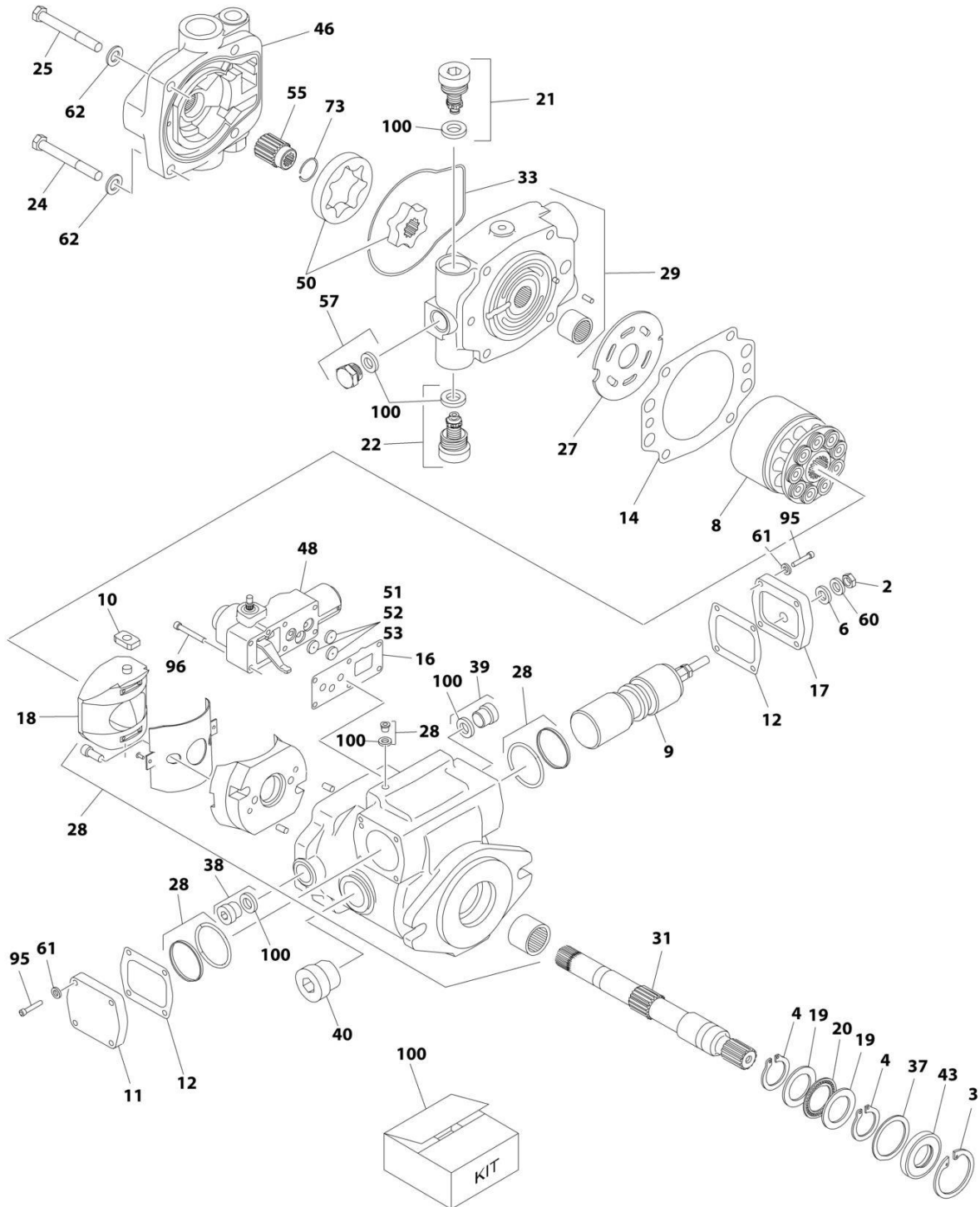
ART_1001153282

SECTION 3 - ENGINE**FIGURE 3-54. PUMP COUPLING KIT (DEUTZ ENGINES)**

ITEM	PART NUMBER	QTY	DESCRIPTION	REV
	1001153282	Ref	PUMP COUPLING KIT	E
1	70004183	1	Coupling Guardian	
2	See Note	NSS	Plate, Pump Adapter (Note: Use p/n 1001153282)	
3	See Note	8	Capscrew M10 x 20 Grade 10.9 (Note: Not Available - Purchase Locally or Purchase Kit)	
4	See Note	12	Capscrew M10 x 25 Grade 10.9 (Note: Not Available - Purchase Locally or Purchase Kit)	
5	3020021	AR	Grease, Coupling	

SECTION 3 - ENGINE

FIGURE 3-55. HYDROSTATIC PUMP ASSEMBLY



ART_1001225745

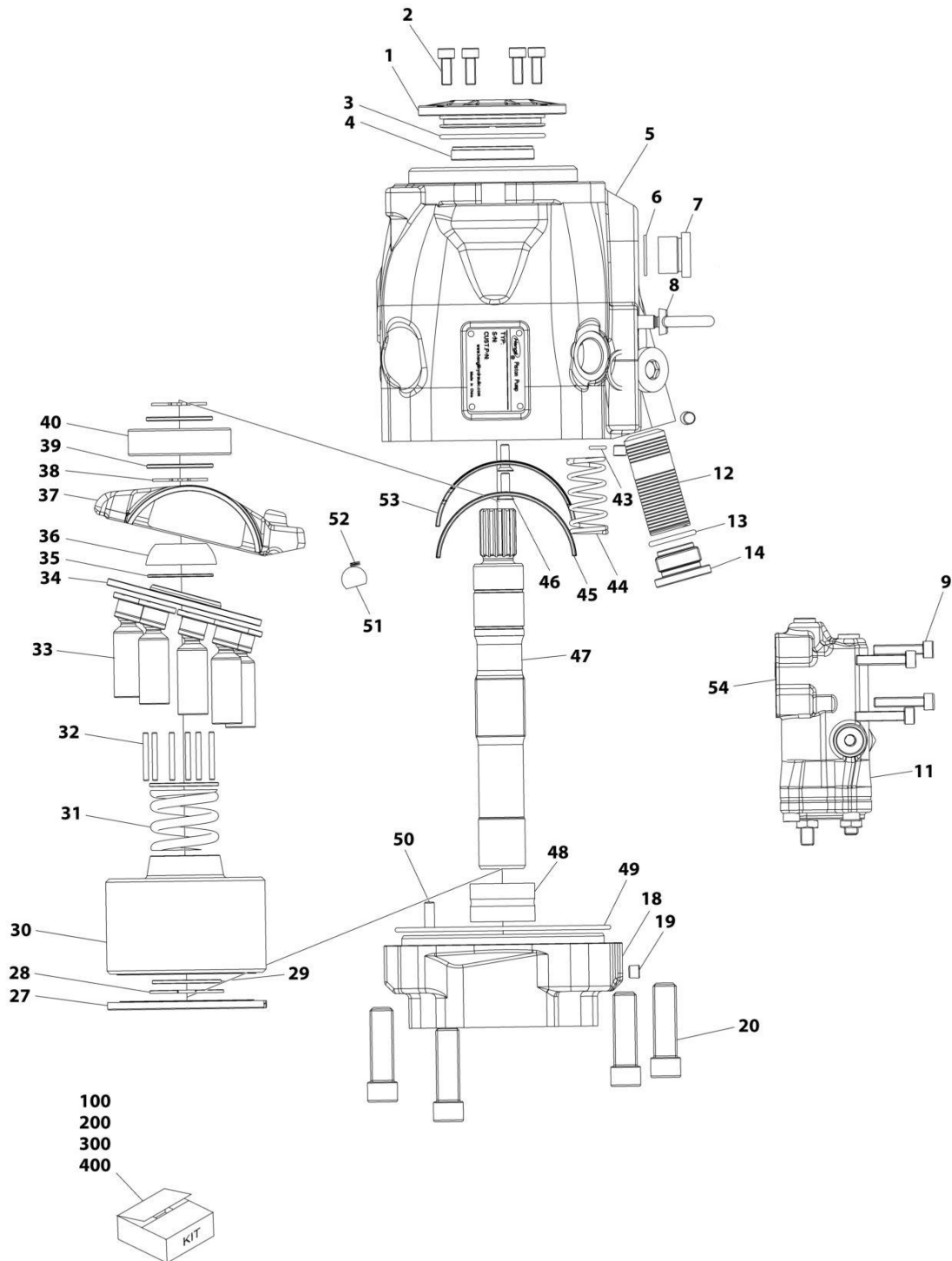
SECTION 3 - ENGINE

FIGURE 3-55. HYDROSTATIC PUMP ASSEMBLY

ITEM	PART NUMBER	QTY	DESCRIPTION	REV
	1001225745	Ref	HYDROSTATIC PUMP ASSEMBLY	A
2	70004329	1	Nut	
3	See Note	NSS	Ring, Retaining (Note: Use Item 100)	
4	See Note	NSS	Ring, Retaining (Note: Use Item 100)	
6	See Note	NSS	Washer, Seal (Note: Use Item 100)	
8	70004331	1	Cylinder Block Assembly	
9	70004332	1	Servo Piston Assembly	
10	70004333	1	Follower, Servo Piston	
11	70005458	1	Cover	
12	See Note	NSS	Gasket, Cover (Note: Use Item 100)	
14	See Note	NSS	Gasket, Housing (Note: Use Item 100)	
16	See Note	NSS	Gasket, Control Housing (Note: Use Item 100)	
17	70005459	1	Cover	
18	70004336	1	Camplate Assembly	
19	7004907	2	Race, Thrust	
20	7004908	1	Bearing, Thrust	
21	70004337	1	Relief Valve Assembly	
22	70004337	1	Relief Valve Assembly	
24	70004338	2	Capscrew	
25	70004338	2	Capscrew	
27	70004340	1	Plate, Valve	
28	See Note	NSS	Housing (Note: Not Available - Purchase Assembly)	
29	70005460	1	End Cover Assembly	
31	70004342	1	Shaft, Drive	
33	See Note	NSS	O-Ring (Note: Use Item 100)	
37	7004906	1	Washer	
38	70005461	1	Plug	
39	70005461	1	Plug	
40	70005462	1	Plug	
43	See Note	NSS	Seal, Shaft (Note: Use Item 100)	
46	70004343	1	Adapter, Charge Pump	
48	70004344	1	Servo Control Assembly	
50	70004345	1	Gerotor	
51	70004346	1	Orifice	
52	70004346	1	Orifice	
53	70004346	1	Orifice	
55	70004347	1	Coupler	
57	70005463	1	Plug	
60	70004348	1	Washer	
61	70004349	8	Washer	
62	70004350	4	Washer	
73	70004351	1	Ring, Retaining	
95	70005464	8	Capscrew	
96	70005465	6	Capscrew	
100	70004352	1	Seal Kit - Pump (Includes Items 3, 4, 6, 12, 14, 16, 33 & 43 and Valve and Plug O-Rings and Seals)	

SECTION 3 - ENGINE

FIGURE 3-56. VARIABLE PUMP ASSEMBLY (ALL ENGINES EXCEPT DEUTZ TD2.9L4 (STAGE V))



ART_1001276377

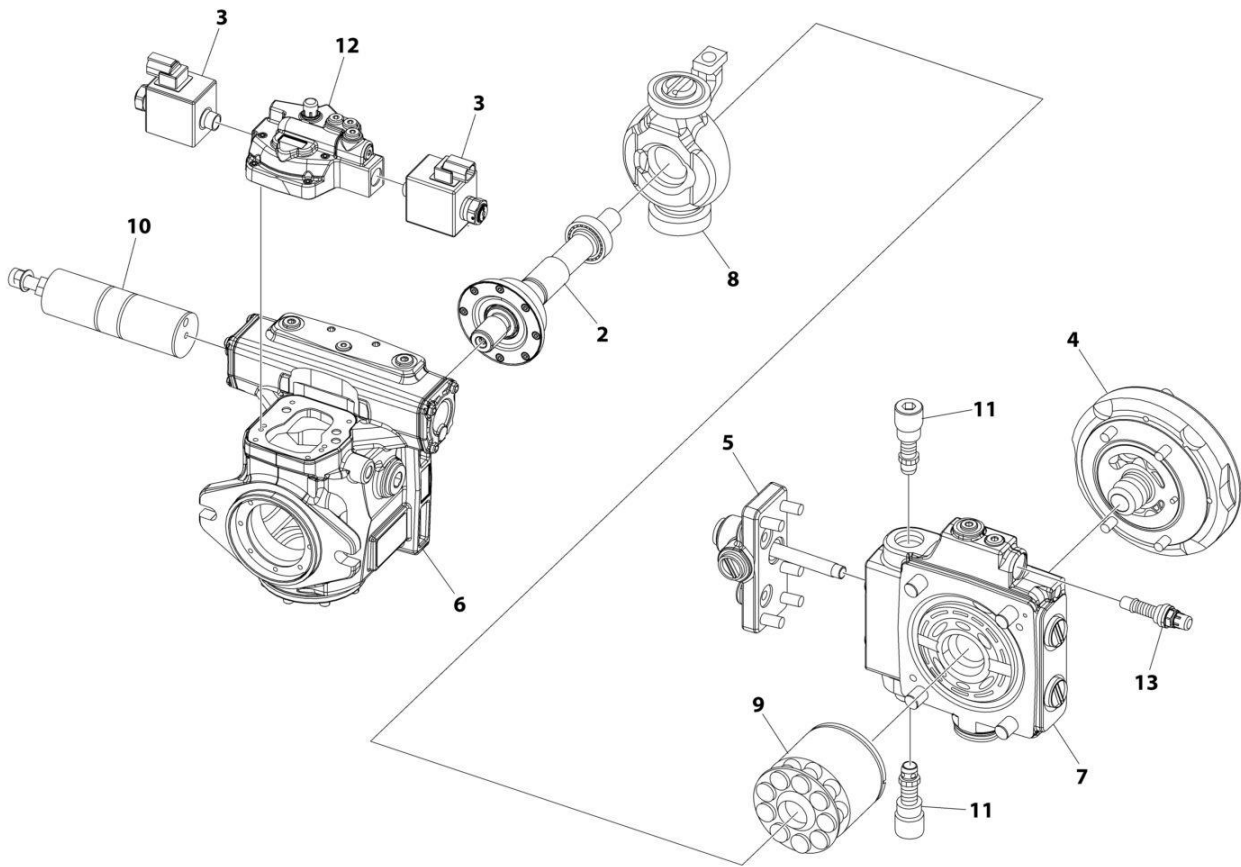
SECTION 3 - ENGINE

FIGURE 3-56. VARIABLE PUMP ASSEMBLY (ALL ENGINES EXCEPT DEUTZ TD2.9L4 (STAGE V))

ITEM	PART NUMBER	QTY	DESCRIPTION	REV
	1001276377	Ref	VARIABLE PUMP ASSEMBLY	B
1	70007789	1	Case, Oil Seal	
2	See Note	NSS	Capscrew M6 x 16 (Note: Purchase Separately)	
3	See Note	NSS	O-Ring (Note: Use Item 100)	
4	70007798	1	Seal, Oil	
5	See Note	NSS	Housing (Note: Not Available - Purchase Assembly)	
6	See Note	NSS	O-Ring (Note: Use Item 100)	
7	70007790	3	Plug	
8	See Note	NSS	Bolt, Eye M8 (Note: Purchase Separately)	
9	See Note	NSS	Capscrew M9 x 30 (Note: Purchase Separately)	
11	70007787	1	Valve, Control	
12	70007800	1	Piston	
13	See Note	NSS	O-Ring (Note: Use Item 100)	
14	70007801	1	Plug	
18	See Note	NSS	Cover (Note: Not Available - Purchase Assembly)	
19	70007791	3	Plug	
20	See Note	NSS	Capscrew M12 x 45 (Note: Purchase Separately)	
27	See Note	NSS	Plate, Valve (Note: Use Item 200)	
28	See Note	NSS	Circlip (Note: Use Item 200)	
29	See Note	NSS	Shim (Note: Use Item 200)	
30	See Note	NSS	Cylinder (Note: Use Item 200)	
31	See Note	NSS	Spring (Note: Use Item 200)	
32	See Note	NSS	Pin (Note: Use Item 200)	
33	See Note	NSS	Piston Assembly (Note: Use Item 200)	
34	See Note	NSS	Retainer (Note: Use Item 200)	
35	See Note	NSS	Shim (Note: Use Item 200)	
36	See Note	NSS	Bushing (Note: Use Item 200)	
37	See Note	NSS	Plate, Swash (Note: Use Item 300)	
38	See Note	NSS	Circlip (Note: Use Item 400)	
39	See Note	NSS	Shim (Note: Use Item 400)	
40	See Note	NSS	Bearing, Cylinder (Note: Use Item 400)	
43	See Note	NSS	O-Ring (Note: Use Item 100)	
44	70007792	1	Spring	
45	70007793	1	Bushing	
46	70007796	2	Capscrew M5 x 16	
47	See Note	NSS	Shaft (Note: Use Item 400)	
48	70007797	1	Bearing	
49	See Note	NSS	O-Ring (Note: Use Item 100)	
50	70007794	1	Spring	
51	See Note	NSS	Ball, Steel (Note: Use Item 300)	
52	See Note	NSS	Spring (Note: Use Item 300)	
53	70007795	1	Bushing	
54	70007799	1	Gasket	
100	70007802	1	Seal Kit (Includes Items 3, 6, 13, 43 & 49)	
200	70007786	1	Cylinder Assembly (Includes Items 27 - 36)	
300	70007788	1	Swash Plate Assembly (Includes Items 37, 51 & 52)	
400	70007785	1	Shaft Assembly (Includes Items 38 - 40 & 47)	

SECTION 3 - ENGINE

FIGURE 3-57. HYDROSTATIC PUMP ASSEMBLY



ART_1001276376

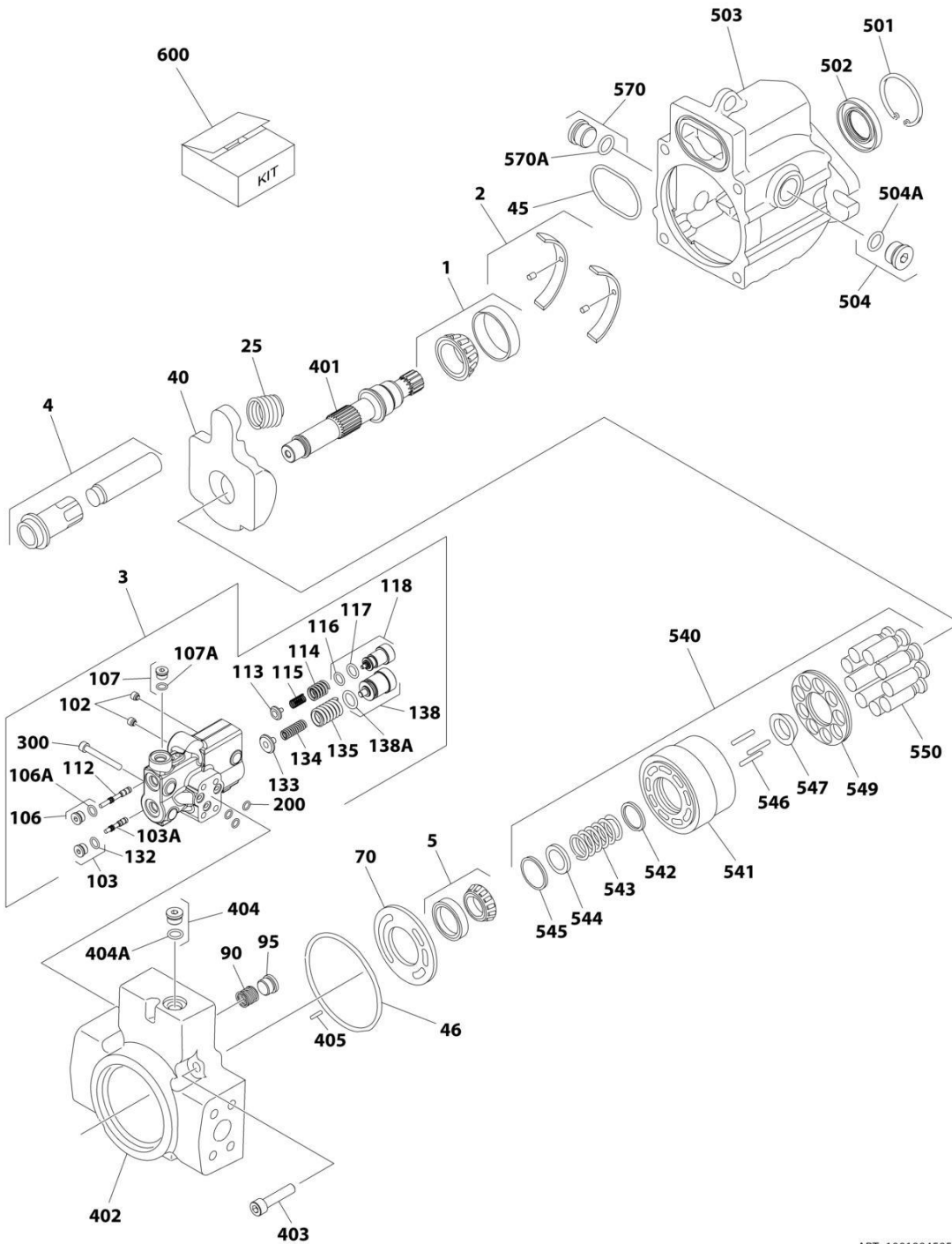
SECTION 3 - ENGINE

FIGURE 3-57. HYDROSTATIC PUMP ASSEMBLY

ITEM	PART NUMBER	QTY	DESCRIPTION	REV
	1001276376	Ref	HYDROSTATIC PUMP ASSEMBLY	B
2	70008497	1	Shaft Assembly	
3	70008498	2	Coil Assembly	
4	70008602	1	Gerotor Body Assembly	
5	70008511	1	Body Assembly	
6	See Note	NSS	Body Assembly (Note: Use PN 1001276376)	
7	70008601	1	Distributor Assembly	
8	70008500	1	Swashplate Assembly	
9	70008501	1	Rotor Assembly	
10	70008502	1	Servo Assembly	
11	70008600	2	Relief Valve	
12	70008504	1	Control Valve Assembly	
13	70008505	1	Relief Valve Assembly	

SECTION 3 - ENGINE

FIGURE 3-58. VARIABLE PUMP ASSEMBLY (DEUTZ TD 2.9L4 (STAGE V) & CHINA IV ENGINES)



ART_1001094595

SECTION 3 - ENGINE

FIGURE 3-58. VARIABLE PUMP ASSEMBLY (DEUTZ TD 2.9L4 (STAGE V) & CHINA IV ENGINES)

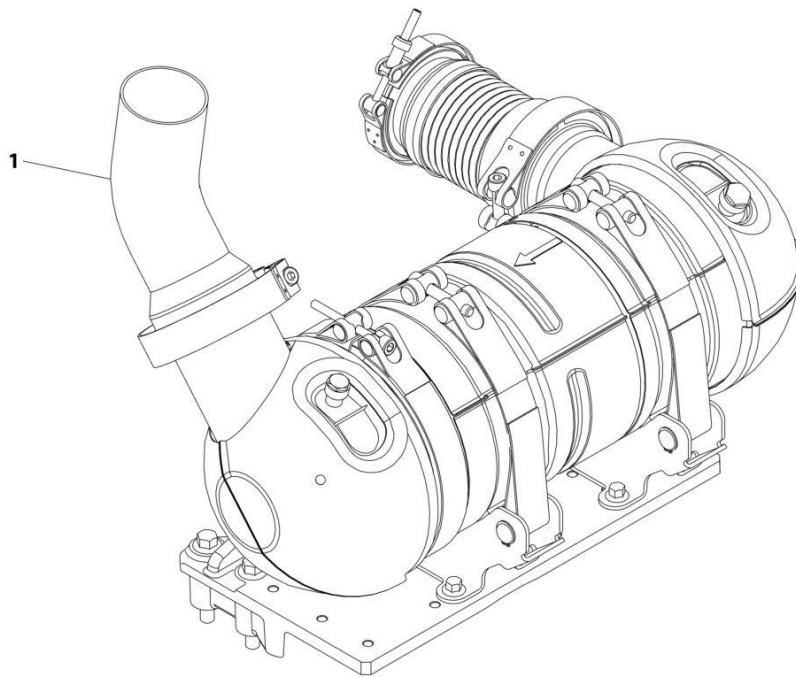
ITEM	PART NUMBER	QTY	DESCRIPTION	REV
	1001094595	Ref	VARIABLE PUMP ASSEMBLY	A
1	7023947	1	Bearing, Front (Includes Cup and Cone)	
2	7023948	1	Bearings, Swash Plate (Includes Both Sides and Pins)	
3	7023956	1	Control Valve Assembly (Includes Items 102-300)	
4	7023949	1	Servo Piston Assembly	
5	7023950	1	Bearing, Rear (Includes Cup and Cone)	
25	7023951	1	Spring	
40	7023952	1	Swash Plate	
45	See Note	NSS	O-Ring (Note: Use Item 600)	
46	See Note	NSS	O-Ring (Note: Use Item 600)	
70	70001954	1	Plate, Valve	
90	70001955	1	Spring, Check Valve	
95	70001956	1	Poppet, Check Valve	
102	See Note	NSS	Setscrew (Note: Use Item 3)	
103	See Note	NSS	Plug (Note: Use Item 3)	
103A	See Note	NSS	O-Ring (Note: Use Item 600)	
106	See Note	NSS	Plug (Note: Use Item 3)	
106A	See Note	NSS	O-Ring (Note: Use Item 600)	
107	See Note	NSS	Plug (Note: Use Item 3)	
107A	See Note	NSS	O-Ring (Note: Use Item 600)	
112	See Note	NSS	Spool, Control (Note: Use Item 3)	
113	See Note	NSS	Guide, Spring (Note: Use Item 3)	
114	See Note	NSS	Spring (Note: Use Item 3)	
115	See Note	NSS	Spring (Note: Use Item 3)	
116	See Note	NSS	O-Ring (Note: Use Item 600)	
117	See Note	NSS	Ring, Back-up (Note: Use Item 600)	
118	See Note	NSS	Plug, Adjusting (Note: Use Item 3)	
132	See Note	NSS	Spool, Control (Note: Use Item 3)	
133	See Note	NSS	Guide, Spring (Note: Use Item 3)	
134	See Note	NSS	Spring (Note: Use Item 3)	
135	See Note	NSS	Spring (Note: Use Item 3)	
138	See Note	NSS	Plug, PC Adjusting (Note: Use Item 3)	
138A	See Note	NSS	O-Ring (Note: Use Item 600)	
200	See Note	NSS	Ring, Seal (Note: Use Item 600)	
300	7023957	4	Screw	
401	7023958	1	Shaft	
402	70001957	1	Cap, End	
403	7023960	4	Screw	
404	7022318	1	Plug	
404A	See Note	NSS	O-Ring (Note: Use Item 600)	
405	7023961	1	Pin	
501	7023962	1	Ring, Retaining	
502	See Note	NSS	Seal, Lip (Note: Use Item 600)	
503	See Note	NSS	Housing (Note: Not Available - Purchase Assembly)	
504	7023964	1	Plug	
504A	7007415	1	O-Ring	
540	7023965	1	Cylinder Block Assembly	
541	See Note	NSS	Block, Cylinder (Note: Use Item 540)	
542	7024868	1	Washer	
543	7024867	1	Spring	

SECTION 3 - ENGINE

ITEM	PART NUMBER	QTY	DESCRIPTION	REV
544	7022314	1	Retainer, Spring	
545	7022311	1	Ring, Retaining	
546	7021275	3	Pin, Slipper	
547	7024864	1	Guide, Slipper	
549	7024866	1	Retainer, Slipper	
550	7023966	9	Piston Assembly	
570	7023964	1	Plug	
570A	7007415	1	O-Ring	
600	7023967	1	Seal Kit - Complete (Includes Items 45, 46, 103A, 106A, 107A, 118, 138A, 200, 444A & 502)	

SECTION 3 - ENGINE

FIGURE 3-59. EXHAUST PIPE INSTALLATION - DEUTZ TD2.9L4 ENGINES



ART_1001216221

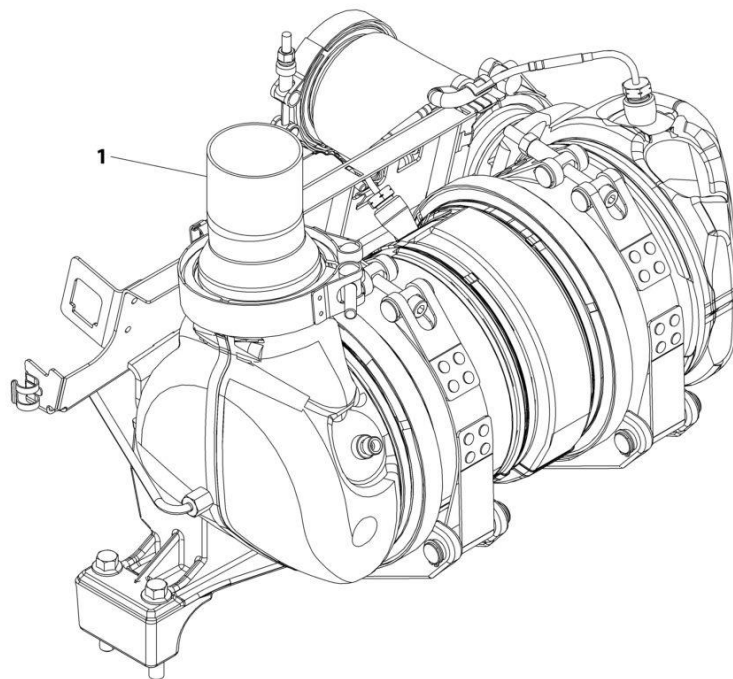
SECTION 3 - ENGINE

FIGURE 3-59. EXHAUST PIPE INSTALLATION - DEUTZ TD2.9L4 ENGINES

ITEM	PART NUMBER	QTY	DESCRIPTION	REV
1	1001216221 1001158145	Ref 1	EXHAUST PIPE INSTALLATION Pipe, Exhaust	A

SECTION 3 - ENGINE

FIGURE 3-60. EXHAUST PIPE INSTALLATION - DEUTZ TD2.9L4 (STAGE V) ENGINES



ART_1001236334

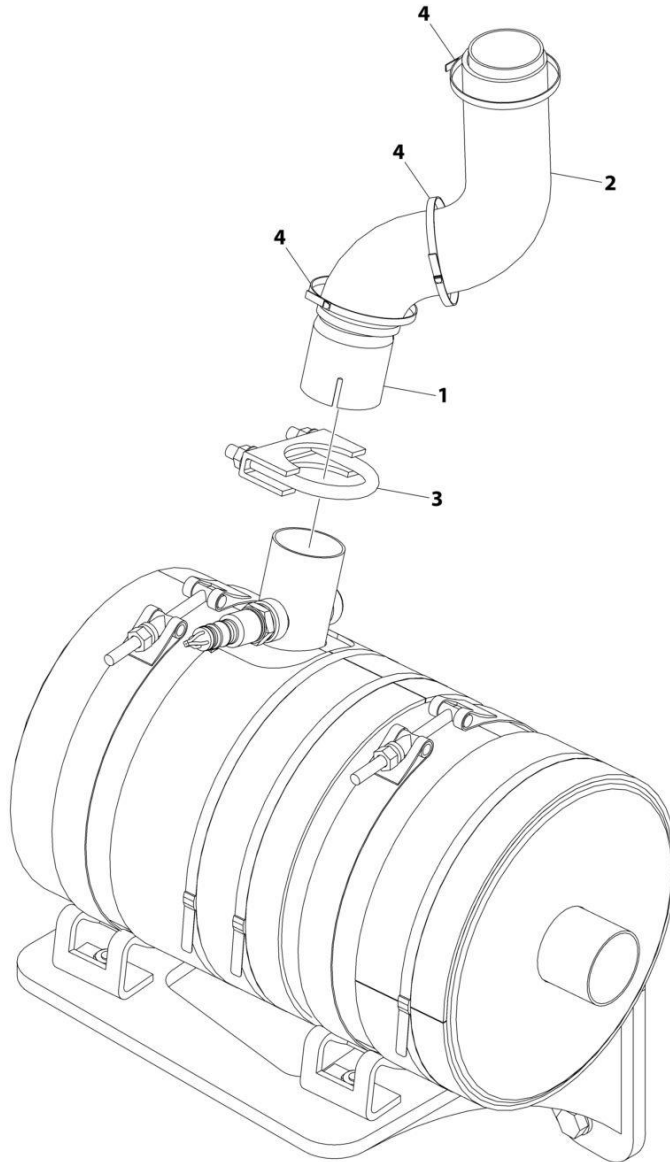
SECTION 3 - ENGINE

FIGURE 3-60. EXHAUST PIPE INSTALLATION - DEUTZ TD2.9L4 (STAGE V) ENGINES

ITEM	PART NUMBER	QTY	DESCRIPTION	REV
1	1001236334	Ref	EXHAUST PIPE INSTALLATION	B
	1001236335	1	Pipe, Exhaust	

SECTION 3 - ENGINE

FIGURE 3-61. EXHAUST PIPE INSTALLATION - FORD DF 2.5L ENGINES



ART_1001220142

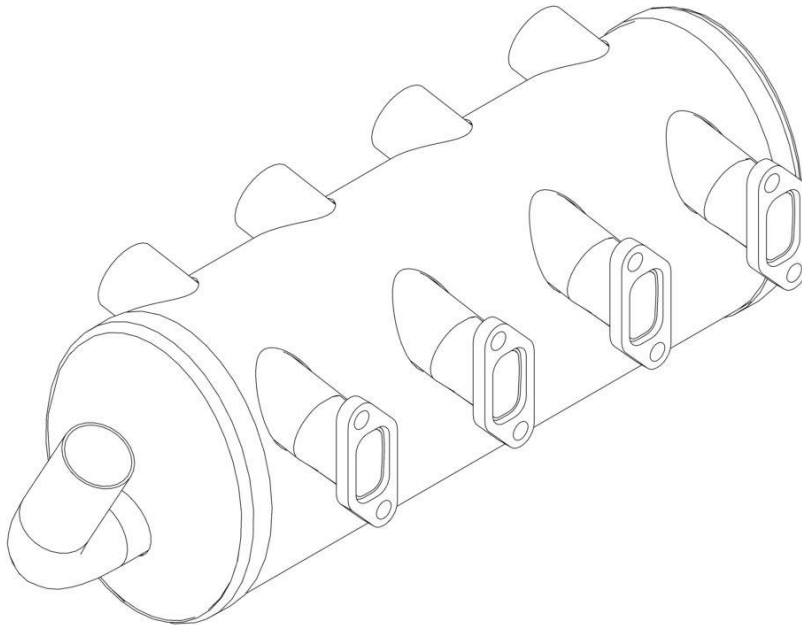
SECTION 3 - ENGINE

FIGURE 3-61. EXHAUST PIPE INSTALLATION - FORD DF 2.5L ENGINES

ITEM	PART NUMBER	QTY	DESCRIPTION	REV
	1001220142	Ref	EXHAUST PIPE INSTALIATION	B
1	1001217350	1	Tail Pipe	
2	1001218087	1	Insulate	
3	1001221397	1	Clamp	
4	1001100825	3	Strap	

SECTION 3 - ENGINE

FIGURE 3-62. SPARK ARRESTOR MUFFLER INSTALLATION - DEUTZ D2011 ENGINES



ART_1001257283

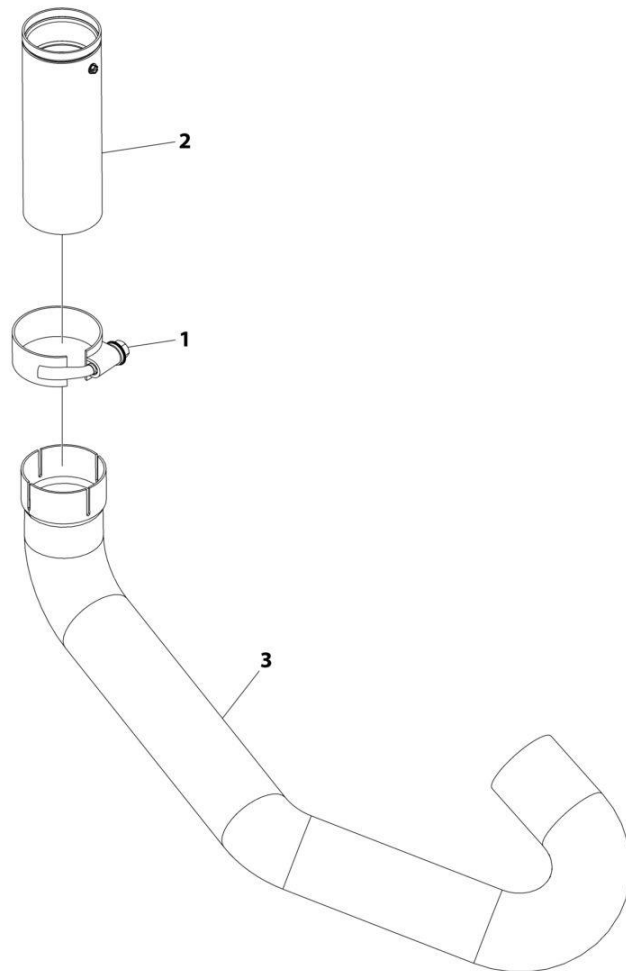
SECTION 3 - ENGINE

FIGURE 3-62. SPARK ARRESTOR MUFFLER INSTALLATION - DEUTZ D2011 ENGINES

ITEM	PART NUMBER	QTY	DESCRIPTION	REV
	1001257283 See Note	Ref 1	MUFFLER INSTALLATION SPARK ARRESTOR Muffler, (Note: Use P/N 1001257283)	A

SECTION 3 - ENGINE

FIGURE 3-63. SPARK ARRESTOR INSTALLATION (WITH STEEL HOODS)



ART_1001301337

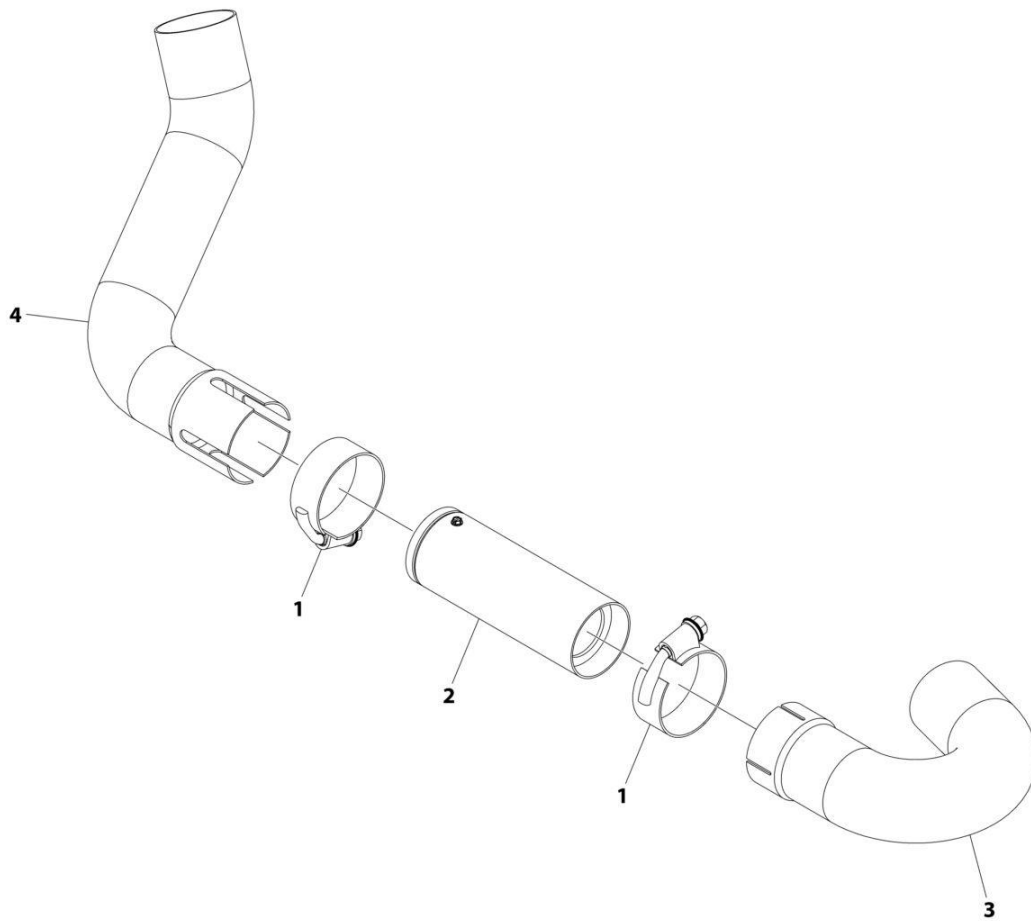
SECTION 3 - ENGINE

FIGURE 3-63. SPARK ARRESTOR INSTALLATION (WITH STEEL HOODS)

ITEM	PART NUMBER	QTY	DESCRIPTION	REV
	1001301337	Ref	SPARK ARRESTOR INSTALLATION	A
1	1001221212	1	Clamp	
2	1001257276	1	Muffler, Spark Arresting	
3	1001301831	1	Pipe, Exhaust	

SECTION 3 - ENGINE

FIGURE 3-64. SPARK ARRESTOR INSTALLATION (WITH PLASTIC HOODS)



ART_1001301338

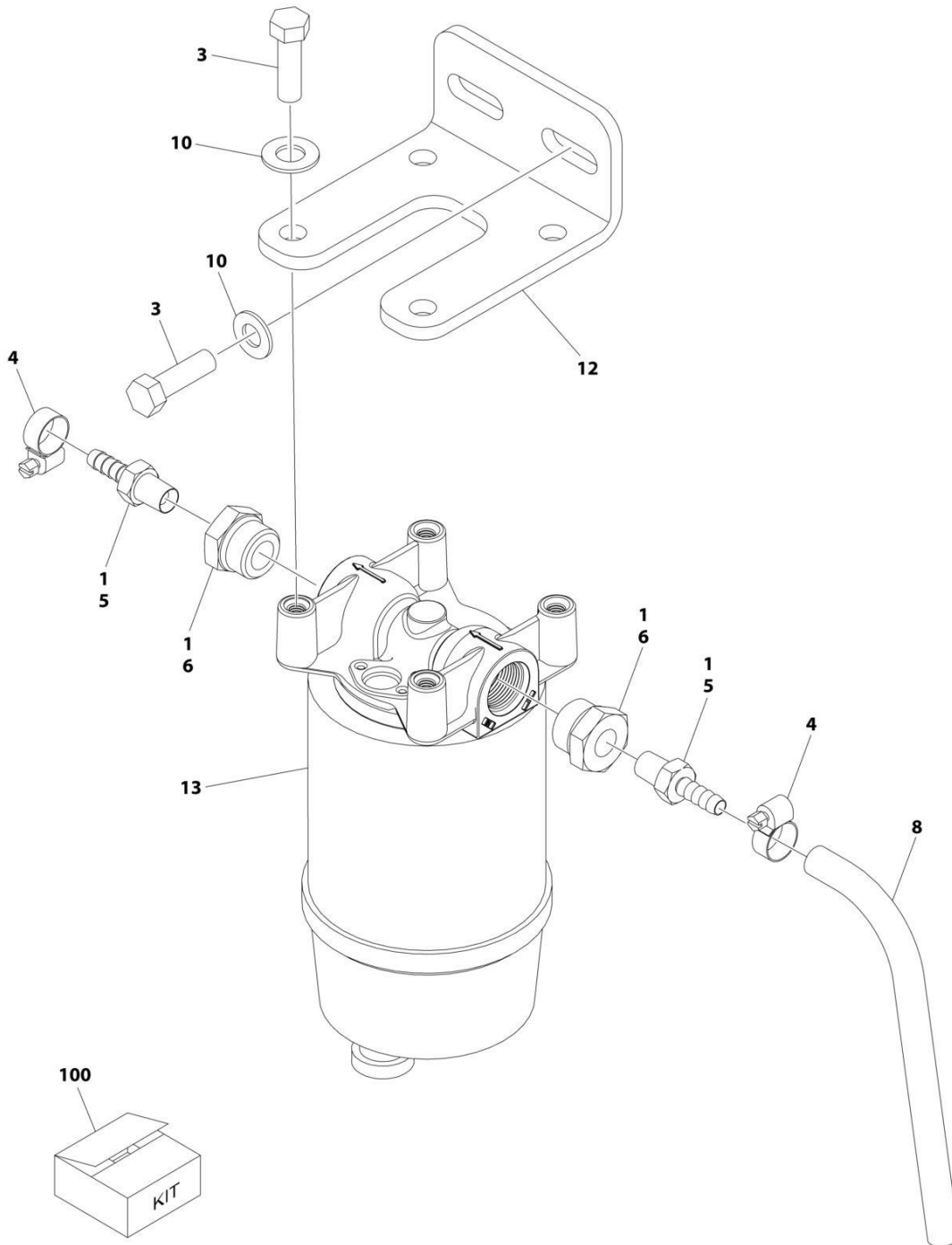
SECTION 3 - ENGINE

FIGURE 3-64. SPARK ARRESTOR INSTALLATION (WITH PLASTIC HOODS)

ITEM	PART NUMBER	QTY	DESCRIPTION	REV
	1001301338	Ref	SPARK ARRESTOR INSTALLATION	A
1	1001221212	2	Clamp	
2	1001257276	1	Muffler, Spark Arresting	
3	1001302221	1	Pipe, Exhaust	
4	1001302223	1	Pipe, Exhaust	

SECTION 3 - ENGINE

FIGURE 3-65. FUEL-WATER SEPARATOR INSTALLATION - DEUTZ D2011



ART_1001196428

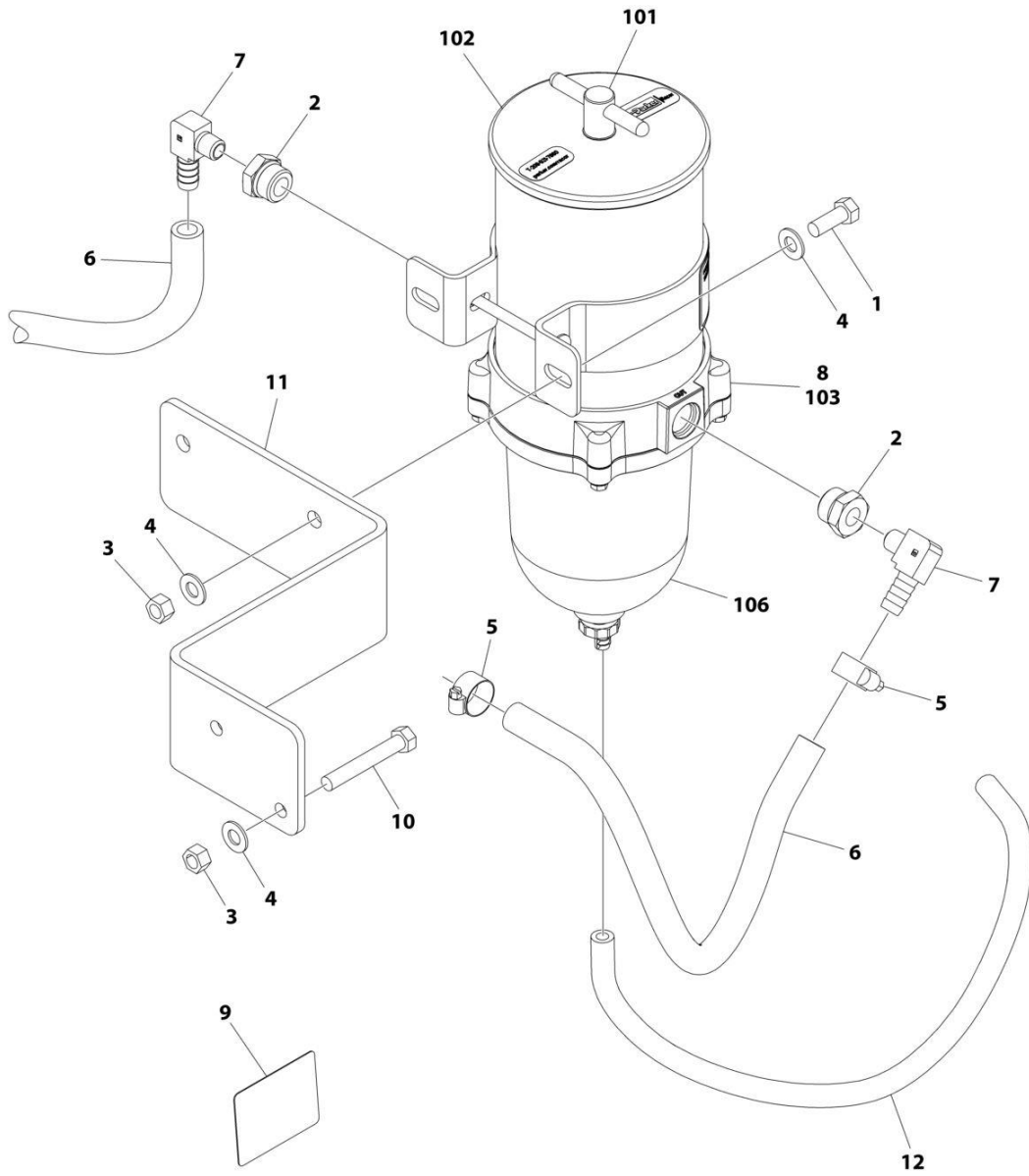
SECTION 3 - ENGINE

FIGURE 3-65. FUEL-WATER SEPARATOR INSTALLATION - DEUTZ D2011

ITEM	PART NUMBER	QTY	DESCRIPTION	REV
	1001196428	Ref	FUEL-WATER SEPARATOR INSTALLATION - DEUTZ D2011 (OPTIONAL)	B
1	0100020	AR	Sealant	
3	0641610	6	Bolt 3/8 x 1-1/4	
4	1320022	2	Clamp	
5	2180348	2	Fitting, Straight	
6	2220816	2	Fitting, Straight	
8	2720058	12 in/ 31cm	Hose	
10	4751600	6	Washer 3/8	
12	1001188884	1	Bracket	
13	1001188887	1	Fuel/Water Separator Assembly	
13	1001202280	1	Head	
13	1001202281	1	Element	
100	1001204667	1	Fuel/Water Separator Add-on Kit	

SECTION 3 - ENGINE

FIGURE 3-66. FUEL-WATER SEPARATOR INSTALLATION - DEUTZ TD2.9L4



NOTE : LOCATED ON HOOD

ART_1001226286_E

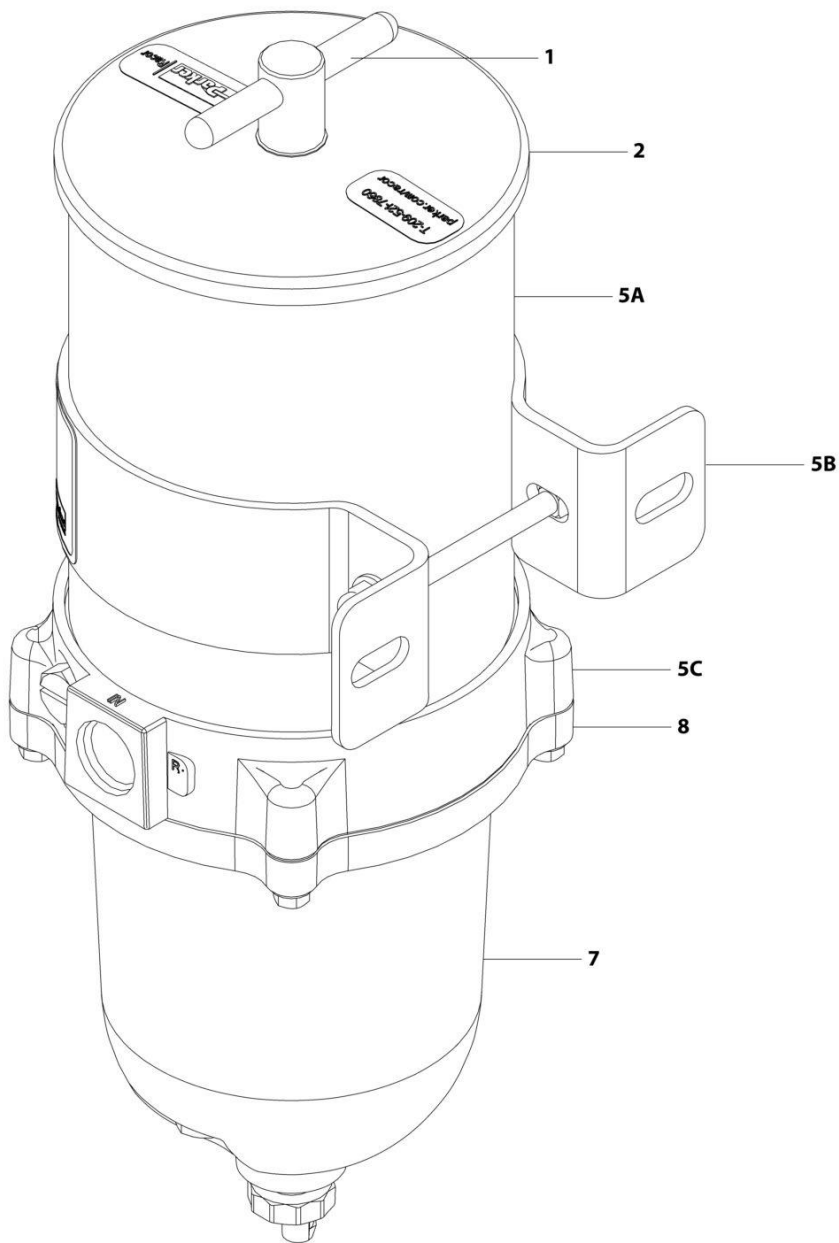
SECTION 3 - ENGINE

FIGURE 3-66. FUEL-WATER SEPARATOR INSTALLATION - DEUTZ TD2.9L4

ITEM	PART NUMBER	QTY	DESCRIPTION	REV
	1001226286	Ref	FUEL FILTER INSTALLATION	E
1	0641608	2	Bolt 3/8 x 1	
2	2220816	2	Fitting, Straight NPT	
3	3311605	4	Nut 3/8	
4	4711600	6	Washer 3/8	
5	8405006	2	Clamp	
6	1001154405	13 ft /4 m	Hose	
7	1001178797	2	Fitting, 90	
8	1001222817	1	Fuel Filter Assembly (See Items 101-107 for Breakdown)	
9	1001226923	1	Decal - Fuel Water Separator	
10	0641620	2	Bolt 3/8 x 2-1/2	
11	1001254657	1	Bracket	
12	1001156819	28 in /70 cm	Hose	
	1001222817	Ref	FUEL FILTER ASSEMBLY	
101	70006403	1	T-Handle Kit (Includes O-Ring)	
102	70006404	1	Lid Kit (Includes Gasket)	
103	70006405	1	Element	
104	70006406	1	Checkball & Gasket Kit (Not Shown)	
105	70006407	1	Centrifuge and Baffle Kit (Not Shown)	
106	70006409	1	Bowl Kit (Includes Gasket, O-Ring and Drain)	
106	70006408	1	Gasket, Bowl	
107	70006410	1	Bowl Ring Kit (Includes Gasket & Hardware) (Not Shown)	

SECTION 3 - ENGINE

FIGURE 3-67. FUEL FILTER ASSEMBLY (DEUTZ TD2.9L4 ENGINES)



ART_1001222817

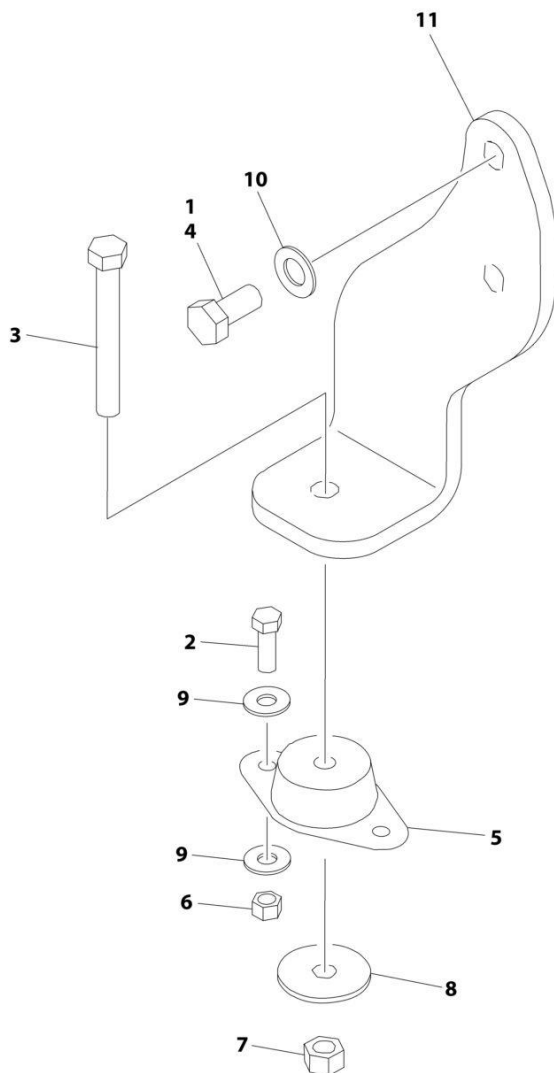
SECTION 3 - ENGINE

FIGURE 3-67. FUEL FILTER ASSEMBLY (DEUTZ TD2.9L4 ENGINES)

ITEM	PART NUMBER	QTY	DESCRIPTION	REV
	1001222817	Ref	FUEL FILTER ASSEMBLY	A
1	70006403	1	Handle Kit (Includes Handle, Handle O-Ring & Lid Gasket)	
2	70006404	1	Lid Kit (Includes Lid, Handle O-Ring & Lid Gasket)	
3	70006405	1	Element, Filter (Not Shown)	
5A	See Note	NSS	Housing (Note: Use p/n 1001222817)	
5B	See Note	NSS	Bracket (Note: Use p/n 1001222817)	
5C	See Note	NSS	Tube, Return (Note: Use p/n 1001222817)	
6	70006407	1	Certrfuge & Baffle Kit (Not Shown - Located at Bottom of 5C) (Also Includes p/n 70006406 & Bowl Gasket)	
6	70006406	1	Checkball & Gasket Kit (Not Shown - Located at Bottom of 5C)	
7	70006409	1	Bowl Kit (Includes Bowl Gasket, Plug with O-Ring & Drain)	
7	70006408	1	Gasket, Bowl	
8	70006410	1	Bowl Ring Kit (Includes Bowl Gasket & Bolts)	

SECTION 3 - ENGINE

FIGURE 3-68. RIGHT ENGINE SUPPORT INSTALLATION (DEUTZ D2011 ENGINES MACHINES WITHOUT GENERATORS)



ART_1001151253

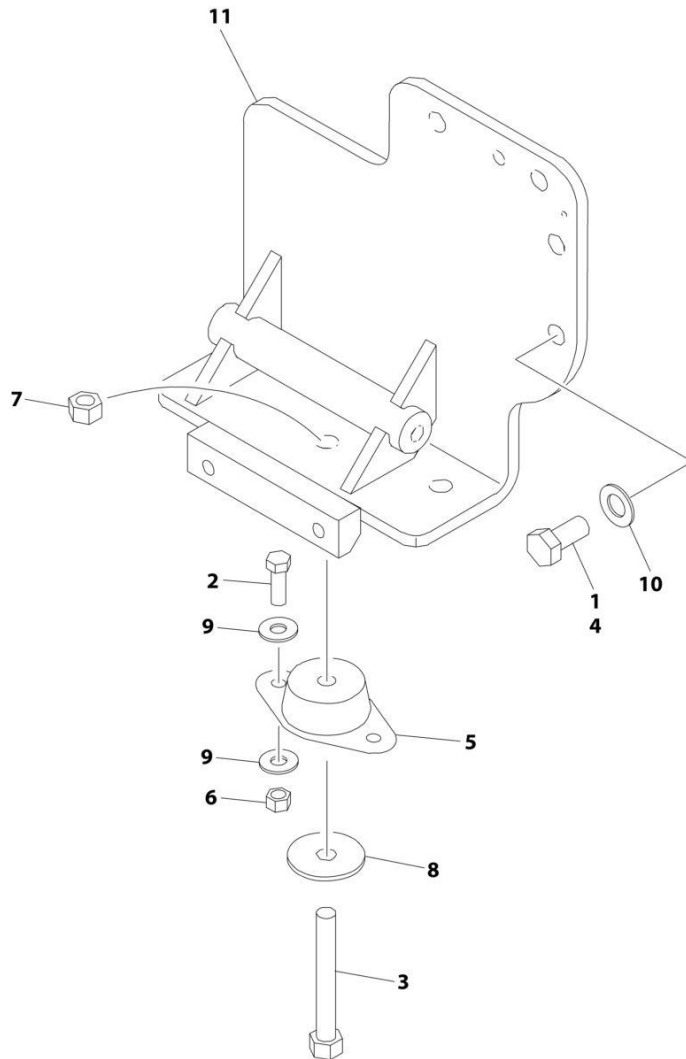
SECTION 3 - ENGINE

FIGURE 3-68. RIGHT ENGINE SUPPORT INSTALLATION (DEUTZ D2011 ENGINES MACHINES WITHOUT GENERATORS)

ITEM	PART NUMBER	QTY	DESCRIPTION	REV
	1001151253	Ref	RIGHT ENGINE SUPPORT INSTALLATION	A
1	0100011	AR	Compound, Locking	
2	0641609	2	Bolt 3/8 x 1-1/8	
3	0641820	1	Bolt 1/2 x 2-1/2	
4	0711414	2	Bolt M14 x 30 Grade 10.9	
5	3200401	1	Mount, Motor	
6	3311605	2	Nut 3/8	
7	3311805	1	Nut 1/2	
8	4740274	1	Washer	
9	4751600	4	Washer 3/8	
10	4812200	2	Washer M14	
11	1001149703	1	Support, Engine (Right Front)	

SECTION 3 - ENGINE

FIGURE 3-69. RIGHT ENGINE SUPPORT INSTALLATION (DEUTZ D2011 ENGINES MACHINES WITH GENERATORS)



ART_1001151252

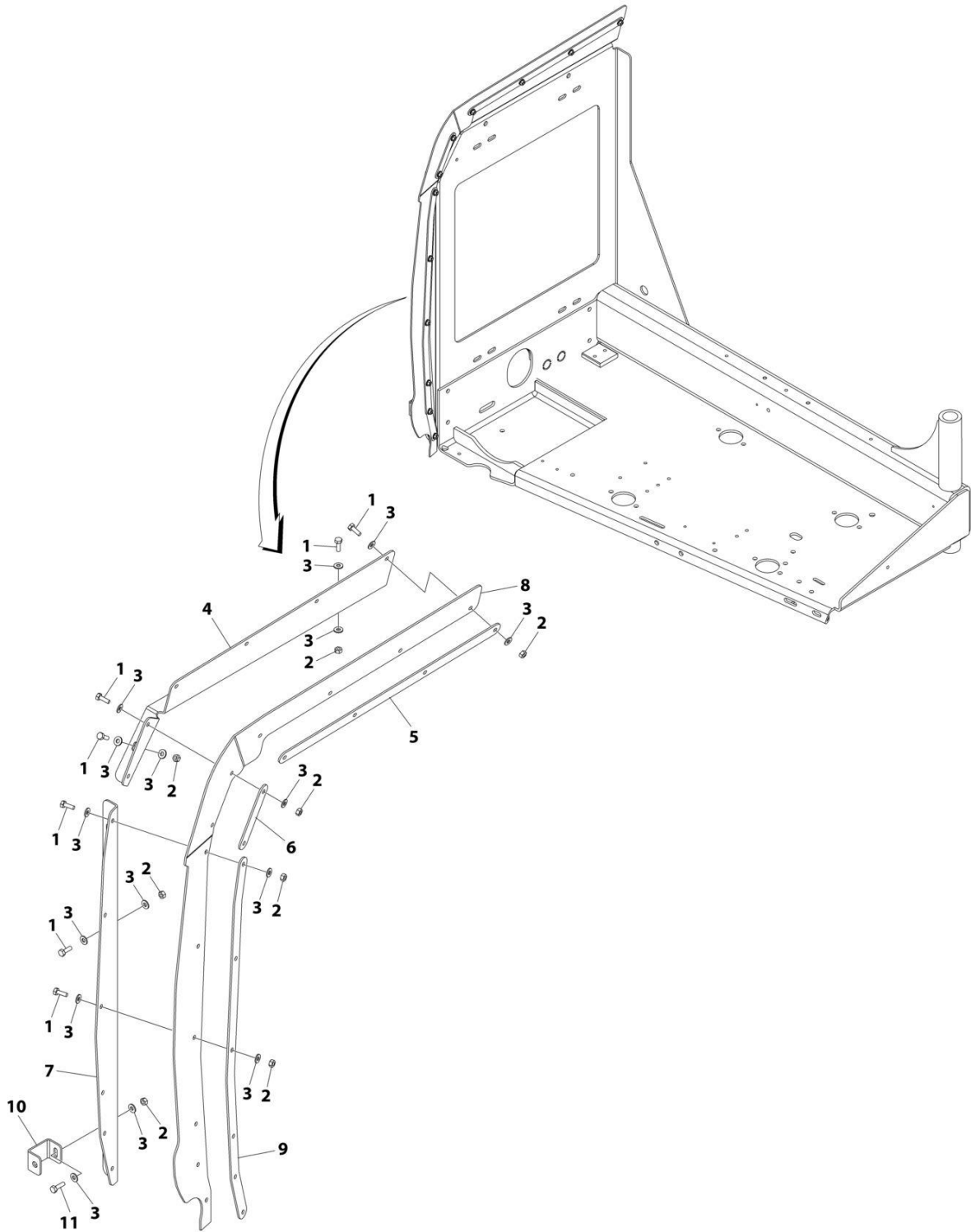
SECTION 3 - ENGINE

FIGURE 3-69. RIGHT ENGINE SUPPORT INSTALLATION (DEUTZ D2011 ENGINES MACHINES WITH GENERATORS)

ITEM	PART NUMBER	QTY	DESCRIPTION	REV
	1001151252	Ref	RIGHT ENGINE SUPPORT INSTALLATION	B
1	0100011	AR	Compound, Locking	
2	0641609	2	Bolt 3/8 x 1-1/8	
3	0641818	1	Bolt 1/2 x 2-1/2	
4	0711414	3	Bolt M14 x 30 Grade 10.9	
5	3200401	1	Mount, Motor	
6	3311605	2	Nut 3/8	
7	3311805	1	Nut 1/2	
8	4740274	1	Washer	
9	4751600	4	Washer 3/8	
10	4812200	3	Washer M14	
11	1001150890	1	Support, Engine (Right Front)	

SECTION 3 - ENGINE

FIGURE 3-70. ENGINE HOOD Baffle INSTALLATION - DEUTZ TD2.9L4 AND DEUTZ 2.9L4 (STAGE V) ENGINES WITH ABS HOODS



ART_1001143484

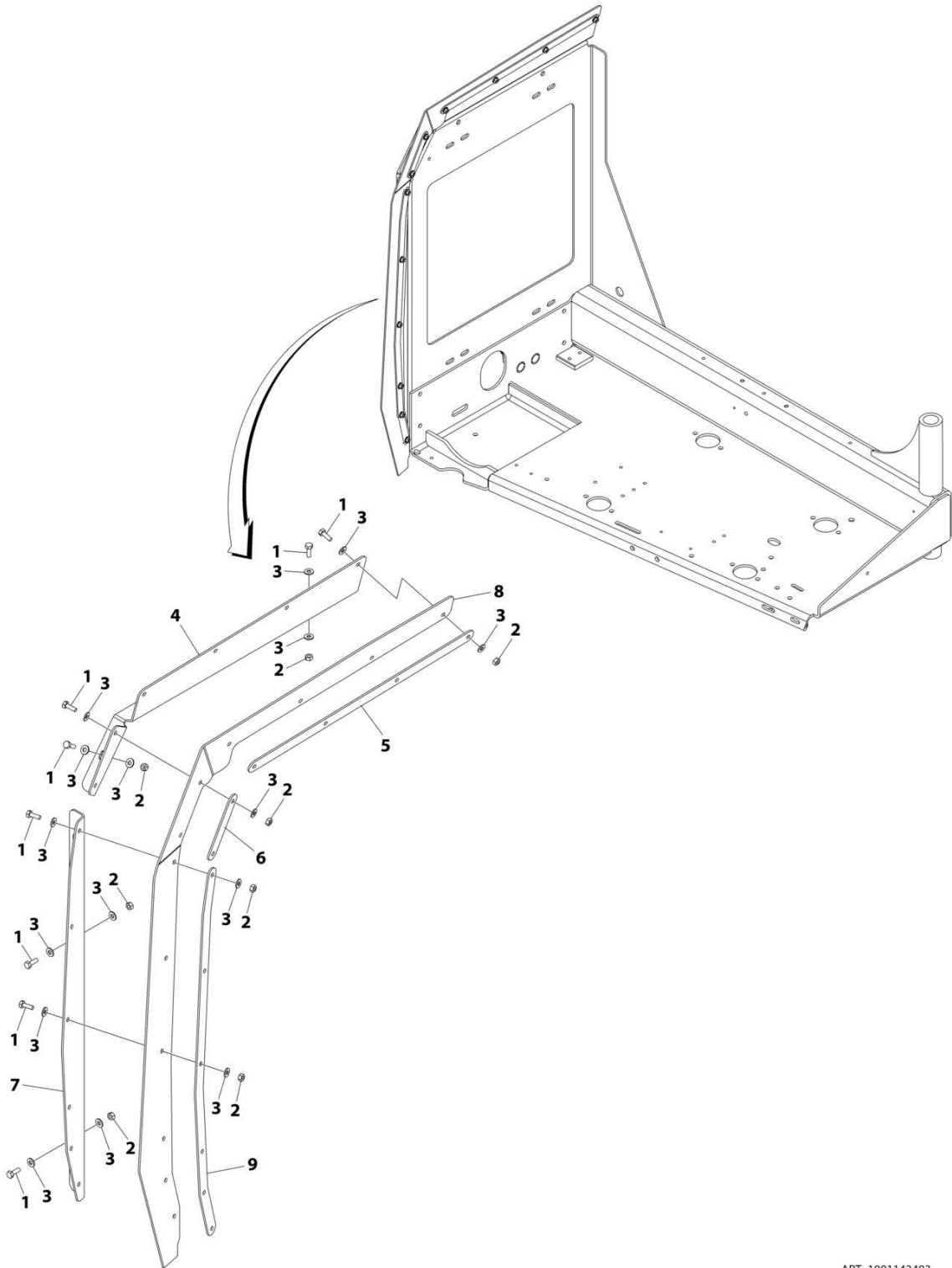
SECTION 3 - ENGINE

FIGURE 3-70. ENGINE HOOD BAFFLE INSTALLATION - DEUTZ TD2.9L4 AND DEUTZ 2.9L4 (STAGE V) ENGINES WITH ABS HOODS

ITEM	PART NUMBER	QTY	DESCRIPTION	REV
	1001143484	Ref	BAFFLES INSTALLATION (ABS HOODS)	C
1	0641406	18	Bolt 1/4 x 3/4	
2	3311405	19	Nut 1/4	
3	4711400	38	Washer 1/4	
4	1001174745	1	Bracket	
5	1001142031	1	Bracket	
6	1001142032	1	Bracket	
7	1001143449	1	Bracket	
8	1001195967	1	Baffle	
9	1001143525	1	Bracket	
10	1001143860	1	Bracket, Bumper	
11	0641407	1	Bolt 1/4 x 78	

SECTION 3 - ENGINE

FIGURE 3-71. ENGINE HOOD Baffle INSTALLATION - DEUTZ TD2.9L4 AND DEUTZ 2.9L4 (STAGE V) ENGINES WITH STEEL HOODS



ART_1001143483

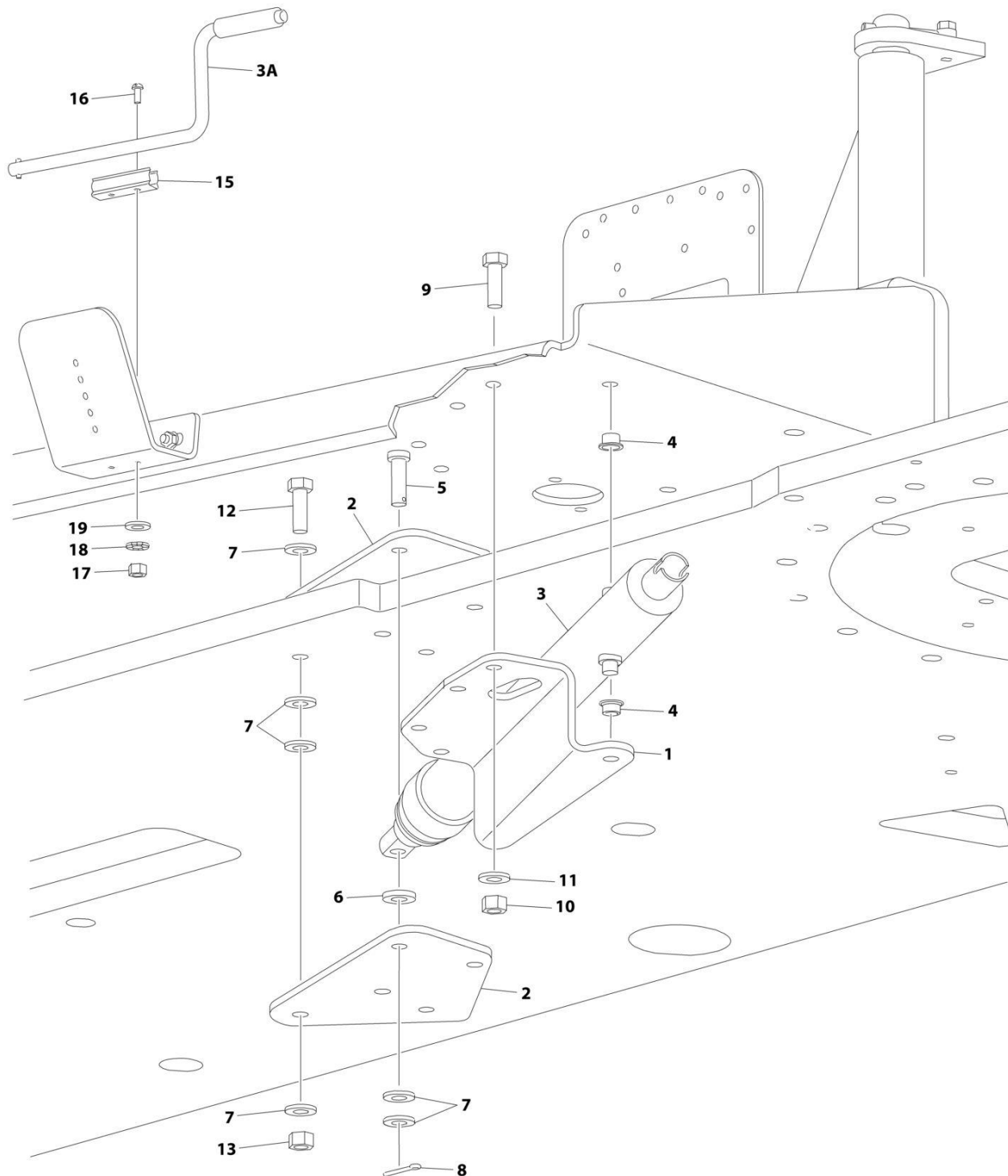
SECTION 3 - ENGINE

FIGURE 3-71. ENGINE HOOD BAFFLE INSTALLATION - DEUTZ TD2.9L4 AND DEUTZ 2.9L4 (STAGE V) ENGINES WITH STEEL HOODS

ITEM	PART NUMBER	QTY	DESCRIPTION	REV
	1001143483	Ref	BAFFLES INSTALLATION (STEEL HOODS)	B
1	0641406	19	Bolt 1/4 x 3/4	
2	3311405	19	Nut 1/4	
3	4711400	38	Washer 1/4	
4	1001174745	1	Bracket	
5	1001142031	1	Bracket	
6	1001142032	1	Bracket	
7	1001143449	1	Bracket	
8	1001174746	1	Baffle	
9	1001143525	1	Bracket	

SECTION 3 - ENGINE

FIGURE 3-72. ENGINE TRAY JACK INSTALLATION - DEUTZ ENGINES



ART_0258728

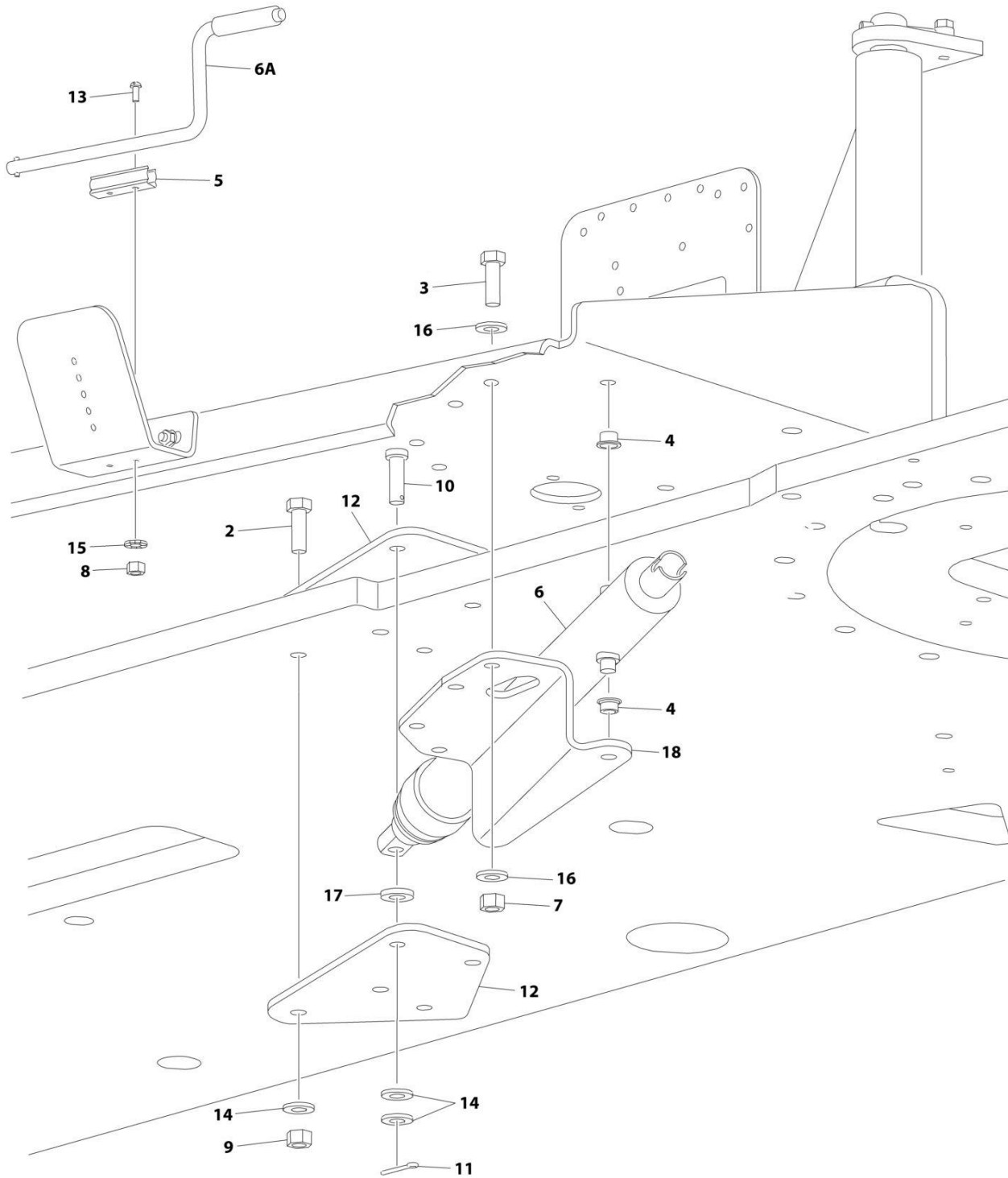
SECTION 3 - ENGINE

FIGURE 3-72. ENGINE TRAY JACK INSTALLATION - DEUTZ ENGINES

ITEM	PART NUMBER	QTY	DESCRIPTION	REV
	0258728	Ref	ENGINE TRAY JACK INSTALLATION	2-C
1	3537445	1	Bracket	
2	3537446	2	Bracket	
3	2840016	1	Jack and Handle Assembly	F
3A	7024598	1	Handle	
4	0962051	2	Bearing, Flange	
5	3430816	1	Pin, Clevis	
6	4891800	1	Washer 1/2	
7	4711800	6	Washer 1/2	
8	3450404	1	Pin, Cotter 1/8 x 1	
9	0641609	4	Bolt 3/8 x 1-1/8	
10	3311605	4	Nut 3/8	
11	4891600	4	Washer 3/8	
12	0641818	4	Bolt 1/2 x 2-1/4	
13	3311805	4	Nut 1/2	
15	1380147	1	Clip, Spring	
16	3910608	2	Screw #6 x 1	
17	3310601	2	Nut #6	
18	4770600	2	Washer #6	
19	4740119	2	Washer	

SECTION 3 - ENGINE

FIGURE 3-73. ENGINE TRAY JACK INSTALLATION - FORD ENGINES



ART_1001219881

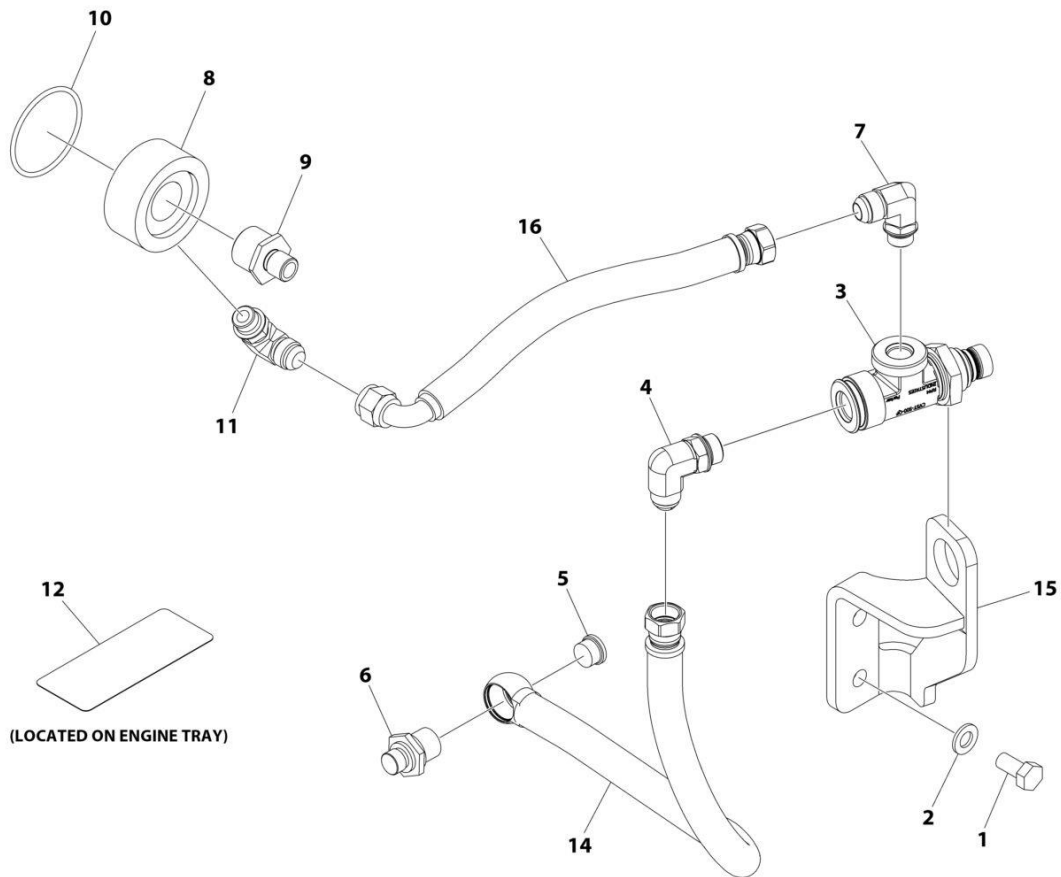
SECTION 3 - ENGINE

FIGURE 3-73. ENGINE TRAY JACK INSTALLATION - FORD ENGINES

ITEM	PART NUMBER	QTY	DESCRIPTION	REV
	1001219881	Ref	ENGINE TRAY JACK INSTALLATION	B
2	0641818	4	Bolt 1/2 x 2-1/4	
3	0761014	3	Bolt M10 x 30	
4	0962051	2	Bearing, Flange	
5	1380147	1	Clip, Spring	
6	2840016	1	Jack and Handle Assembly	F
6A	7024598	1	Handle	
7	3291007	3	Nut M10	
8	3310601	2	Nut #6-32	
9	3311805	4	Nut 1/2-13	
10	3430816	1	Pin, Clevis	
11	3450404	1	Pin, Cotter 1/8 x 1	
12	3537446	2	Bracket	
13	3910608	2	Screw #6-32 x 1	
14	4711800	6	Washer 1/2	
15	4770600	2	Washer #6	
16	4812000	6	Washer M10	
17	4891800	1	Washer 1/2	
18	1001218547	1	Bracket	

SECTION 3 - ENGINE

FIGURE 3-74. QUICKFIT OIL DRAIN VALVE (DEUTZ ENGINES)



ART_1001285349

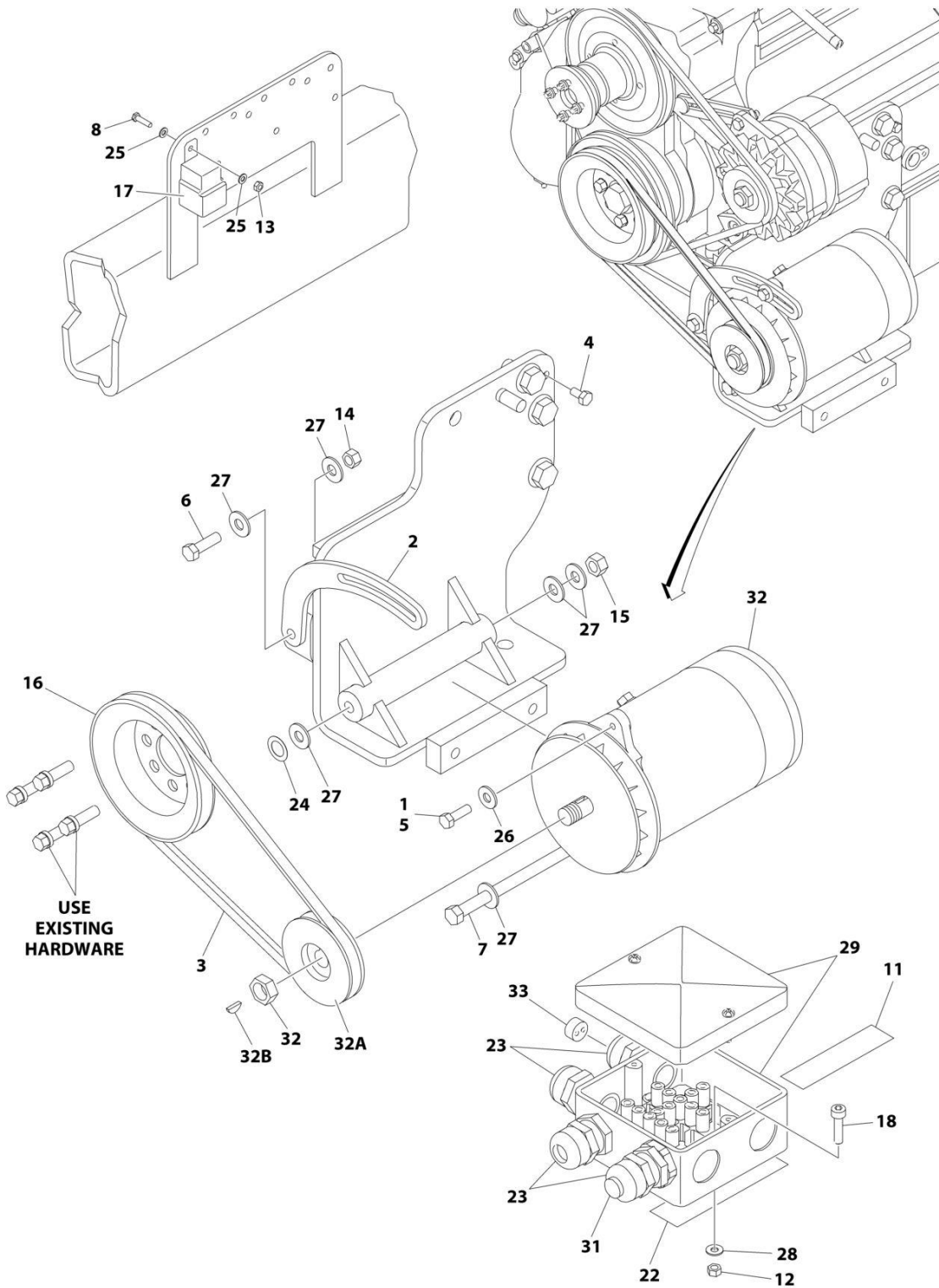
SECTION 3 - ENGINE

FIGURE 3-74. QUICKFIT OIL DRAIN VALVE (DEUTZ ENGINES)

ITEM	PART NUMBER	QTY	DESCRIPTION	REV
	1001285349	Ref	QUICKFIT OIL VALVE	A
1	0761212	2	Bolt M12 x 25	
2	4812100	2	Washer M12	
3	1001281298	1	Valve, Quickfit	
4	1001281301	1	Fitting, 90	
5	1001281304	1	Plug	
6	1001281305	1	Fitting, Banjo	
7	1001281307	1	Fitting, 90	
8	1001281309	1	Filter, Ring	
9	1001281310	1	Fitting, Straight	
10	1001281311	1	O-Ring	
11	1001281359	1	Valve, Check	
12	1001281360	1	Decal - RPM Quickfit	
13	1001281656	1	Tie-Strap (Not Shown)	
14	1001284101	1	Hose	
15	1001287536	1	Bracket	
16	1001288113	1	Hose	

SECTION 3 - ENGINE

FIGURE 3-75. 2500W/220V/50HZ GENERATOR INSTALLATION - DEUTZ D2011 ENGINES



ART_1001115409

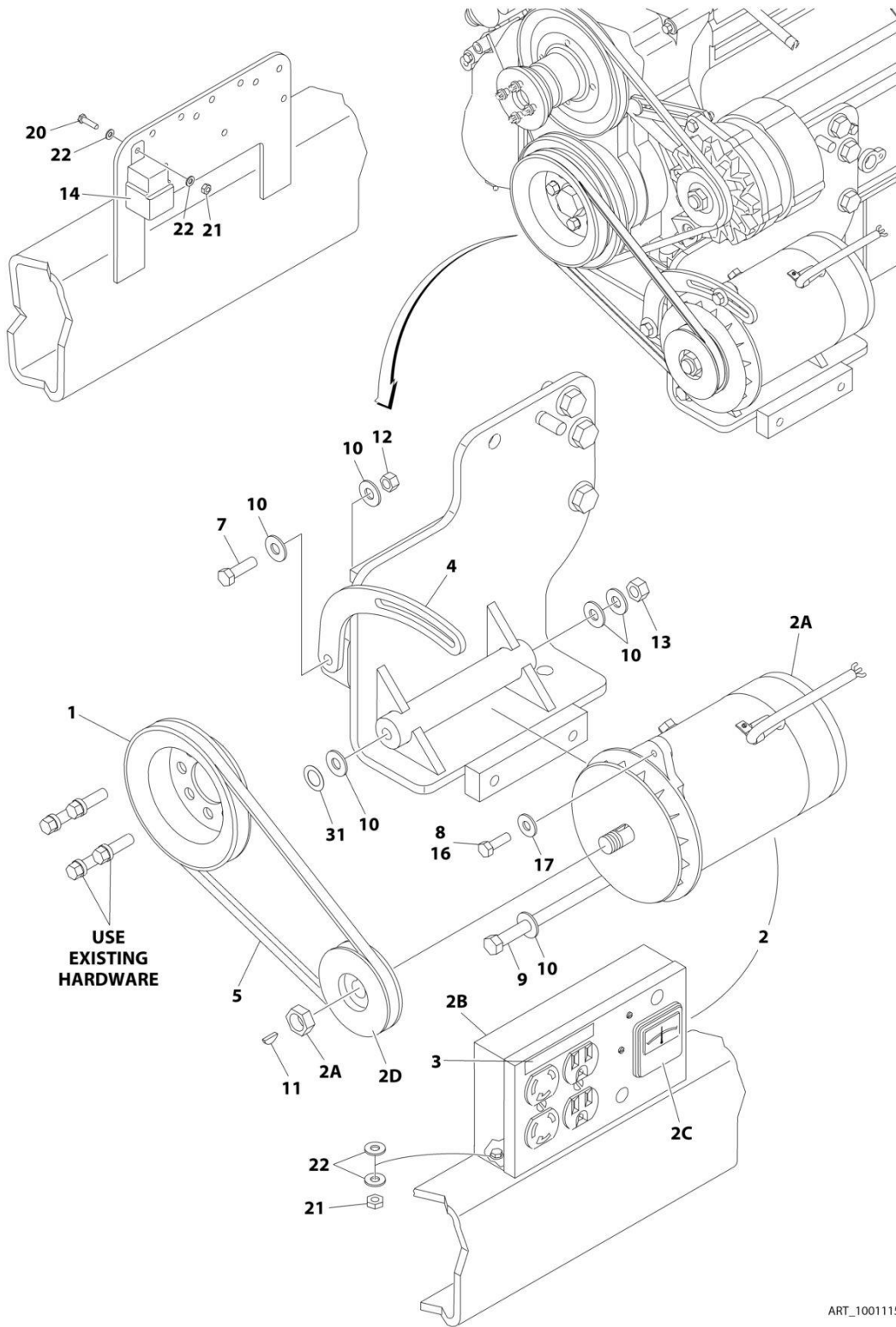
SECTION 3 - ENGINE

FIGURE 3-75. 2500W/220V/50HZ GENERATOR INSTALLATION - DEUTZ D2011 ENGINES

ITEM	PART NUMBER	QTY	DESCRIPTION	REV
	1001115409	Ref	2500W GENERATOR INSTALLATION - 220V/50Hz	B
1	0100011	AR	Compound, Locking	
2	0200742	1	Arm, Adjusting	
3	0480121	1	V-Belt	
4	0641404	1	Bolt 1/4 x 1/2	
5	0641508	1	Bolt 5/16 x 1	
6	0641610	1	Bolt 3/8 x 1-1/4	
7	0641772	1	Bolt 7/16 x 9	
8	0721006	AR	Bolt #10 x 3/4	
9	2820031	4 in/10cm	Heat Shrink (Not Shown - Located at Platform)	
10	3251102	1	Decal (Not Shown - Located at Platform)	
11	3252507	2	Decal - 220V - 50Hz	
		Ref	Note: One Decal Not Shown - Located on the Inside of Platform Rail.	
12	3290505	1	Nut M5	
13	3311005	1	Nut #10	
14	3311605	1	Nut 3/8	
15	3311705	1	Nut 7/16	
16	3580158	1	Pulley	
17	3740080	1	Relay	
18	4031608	1	Bolt M5 x 20	
19	4060802	1	Guard, Switch (Not Shown - Located at Platform)	
20	4240018	1	Tie Strap (Not Shown)	
21	4360336	1	Switch, Toggle (Not Shown - Located at Platform)	
22	4420060	AR	Tape, Double Coated Acrylic Foam	
23	4460968	3	Connector, Strain Relief	
24	4740397	1	Shim	
25	4751000	2	Washer #10	
26	4751500	1	Washer 5/16	
27	4751600	6	Washer 3/8	
28	4811600	1	Washer M5	
29	1001099869	1	Box, Junction	
30		Ref	Wiring Diagram Components (Not Shown)	
30	4922641	1	Generator On/Off Switch Harness (Not Shown - Located at Platform)	
30	1001112589	1	Generator Harness (Not Shown)	
31	1001100234	1	Light, Red	
32	1001100321	1	Generator	
32	70000123	1	Armature with Slip Rings	
32	7012513	4	Cap, Brush Holder	
32	7020108	4	Brush	
32	7020109	4	Holder, Brush	
32	7012514	1	Fan	
32	7020110	1	Bell, Front	
32	7020111	1	Bell, Rear	
32	7020190	1	Bearing	
32A	3580134	1	Pulley - 50Hz	
32B	7027887	1	Key, Woodruff	
33	0962449	1	Bushing	

SECTION 3 - ENGINE

FIGURE 3-76. 2500W/110V/60HZ GENERATOR INSTALLATION - DEUTZ D2011 ENGINES



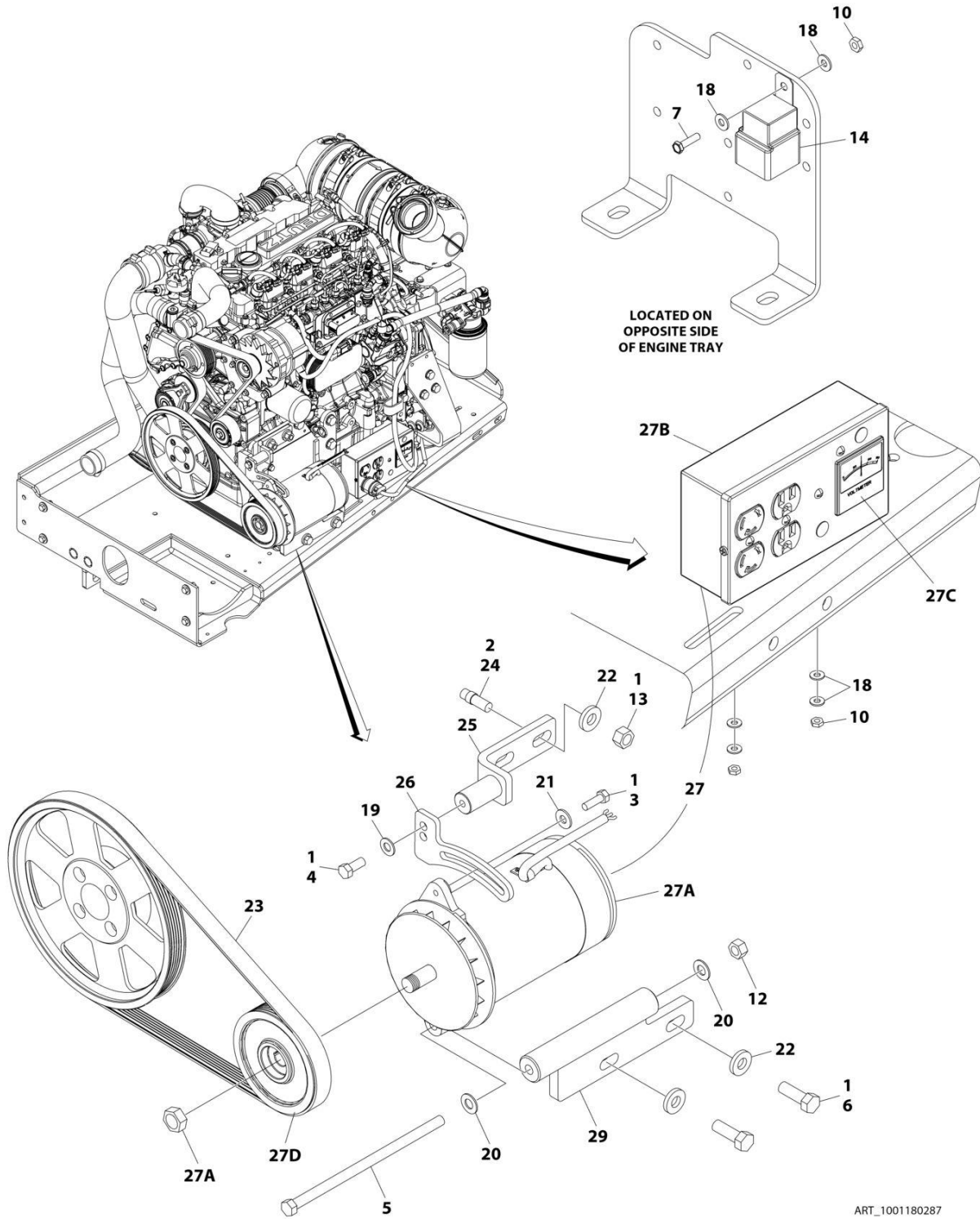
SECTION 3 - ENGINE

FIGURE 3-76. 2500W/110V/60HZ GENERATOR INSTALLATION - DEUTZ D2011 ENGINES

ITEM	PART NUMBER	QTY	DESCRIPTION	REV
	1001115405	Ref	2500W GENERATOR INSTALLATION - 110V/60Hz	B
1	3580158	1	Pulley	
2	2460055	1	Generator and Control Box Assembly:	
2A	7012558	1	Generator Only - 110V/60Hz	
2A		Ref	Note: Replacement Generators come standard with p/n 3580134 pulley. This pulley may not be correct for all applications. Refer to pulley options below.	
2A	7026199	1	Armature with Slip Rings	
2A	7012513	4	Cap, Brush Holder	
2A	7020108	4	Brush	
2A	7020109	4	Holder, Brush	
2A	7012514	1	Fan	
2A	7020110	1	Bell, Front	
2A	7020111	1	Bell, Rear	
2A	7020190	1	Bearing	
2B	7019680	1	Box, Control	
2B		Ref	Receptacle Options:	
2B	4460190	1	Receptacle, Standard	
2B	4460027	1	Receptacle, Twistlock	
2B	4360542	1	Breaker, Circuit	
2B	3520028	1	Plug, Hole	
2C	2420203	1	Voltmeter	
2D	3580276	1	Pulley	
2D	7027887	1	Key, Woodruff	
3	3251243	1	Decal - 110V/60Hz	
4	0200742	1	Arm, Adjusting	
5	0480121	1	V-Belt	
7	0641610	1	Bolt 3/8 x 1-1/4	
8	0100011	AR	Compound, Locking	
9	0641772	1	Bolt 7/16 x 9	
10	4751600	6	Washer 3/8	
11	2860012	1	Key, Woodruff	
12	3311605	1	Nut 3/8	
13	3311705	1	Nut 7/16	
14	3740080	1	Relay	
16	0641508	1	Bolt 5/16 x 1	
17	4751500	AR	Washer 5/16	
18	1001112588	1	Wiring Diagram Components (Not Shown)	
18	1001112589	1	Generator Harness (Not Shown)	
18	4922641	1	Generator ON/OFF Switch Harness (Not Shown - Located at Platform)	
20	0721006	AR	Bolt #10 x 3/4	
21	3311005	3	Nut #10	
22	4751000	AR	Washer #10	
25	4360336	1	Switch, Toggle (Not Shown - Located at Platform)	
26	4740397	1	Bushing (Not Shown - Located at Platform)	
27	4060802	1	Guard, Switch (Not Shown - Located at Platform)	
29	2820031	4 in/ 10cm	Heat Shrink (Not Shown - Located at Platform)	
30	3251102	1	Decal (Not Shown - Located at Platform)	
31	4070585	AR	Shim	

SECTION 3 - ENGINE

FIGURE 3-77. 2500W/110V/60HZ GENERATOR INSTALLATION - DEUTZ TD2.9L4 ENGINES



ART_1001180287

SECTION 3 - ENGINE

FIGURE 3-77. 2500W/110V/60HZ GENERATOR INSTALLATION - DEUTZ TD2.9L4 ENGINES

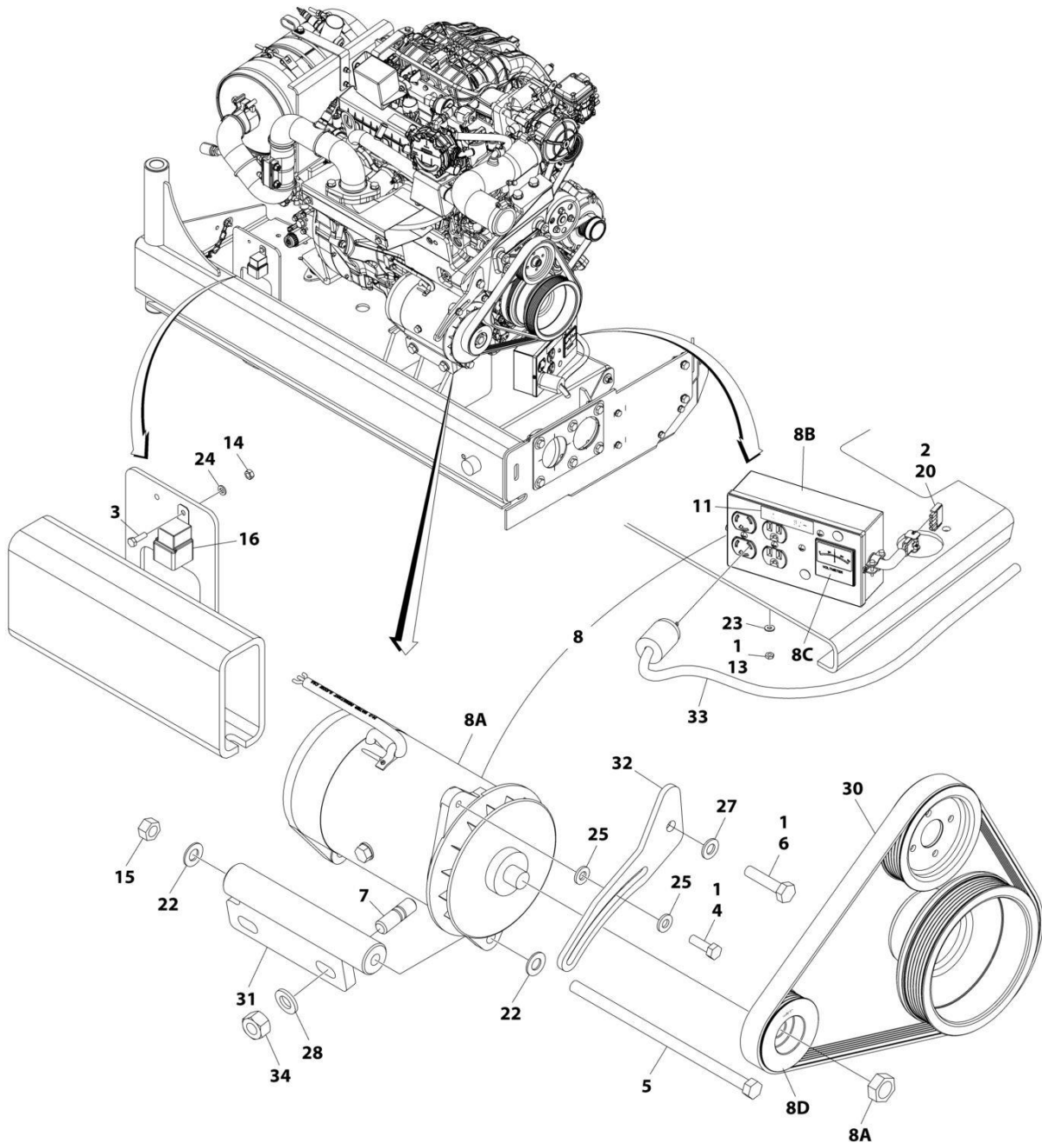
ITEM	PART NUMBER	QTY	DESCRIPTION	REV
	1001180287	Ref	2500W GENERATOR INSTALLATION - DEUTZ TD2.9L4 (OPTIONAL)	C
1	0100011	AR	Compound, Locking	
2	0100019	AR	Compound, Locking	
3	0641508	1	Bolt 5/16 x 1	
4	0641607	1	Bolt 3/8 x 7/8	
5	0641772	1	Bolt 7/16 x 9	
6	0641812	2	Bolt 1/2 x 1-1/2	
7	0721006	1	Screw #10 x 3/4	
8	2820031	AR	Heat Shrink (Not Shown - Located at Platform)	
9	3251102	1	Name Plate - Generator On (Not Shown - Located at Platform)	
10	3311005	3	Nut #10	
12	3311705	1	Nut 7/16	
13	3311801	2	Nut 1/2	
14	3740080	1	Relay	
15	4060802	1	Guard, Switch (Not Shown - Located at Platform)	
16	4240018	AR	Strap, Cable Tie (Not Shown)	
17	4360336	1	Switch, Toggle (Not Shown - Located at Platform)	
18	4711000	6	Washer #10	
19	4711600	1	Washer 3/8	
20	4711700	2	Washer 7/16	
21	4751500	1	Washer 5/16	
22	4891800	4	Washer 1/2	
23	1001148138	1	V-Belt	
24	1001163599	2	Stud	
25	1001216015	1	Bracket	
26	1001179837	1	Arm, Adjustment	
27	1001180001	1	Generator and Control Box Assembly	
27A	7012558	1	Generator Only - 110V/60Hz	
27A		Ref	Note: Replacement Generators come standard with p/n 3580134 pulley. This pulley may not be correct for all applications. Refer to pulley options below.	
27A	7026199	1	Armature with Slip Rings	
27A	7012513	4	Cap, Brush Holder	
27A	7020108	4	Brush	
27A	7020109	4	Holder, Brush	
27A	7012514	1	Fan	
27A	7020110	1	Bell, Front	
27A	7020111	1	Bell, Rear	
27A	7020190	2	Bearing	
27B	7019680	1	Box, Control - 110V/60Hz	
27B		Ref	Receptacle Options:	
27B	4460190	1	Receptacle, Standard (110V Only)	
27B	4460027	1	Receptacle, Twistlock (110V Only)	
27B	4360542	1	Breaker, Circuit	
27B	3520028	1	Plug, Hole	
27C	2420203	1	Voltmeter	
27D	3580276	1	Pulley	
27D	7027887	1	Key, Woodruff	
28		Ref	Wiring Diagram Components (Not Shown)	

SECTION 3 - ENGINE

ITEM	PART NUMBER	QTY	DESCRIPTION	REV
28	4922641	1	Generator On/Off Switch Harness (Not Shown - Located at Platform)	
28	1001180052	1	Generator Harness (Not Shown)	
29	1001181243	1	Mount, Generator	

SECTION 3 - ENGINE

FIGURE 3-78. 2500W/110V/60HZ GENERATOR INSTALLATION - FORD ENGINES



ART_1001219619

SECTION 3 - ENGINE

FIGURE 3-78. 2500W/110V/60HZ GENERATOR INSTALLATION - FORD ENGINES

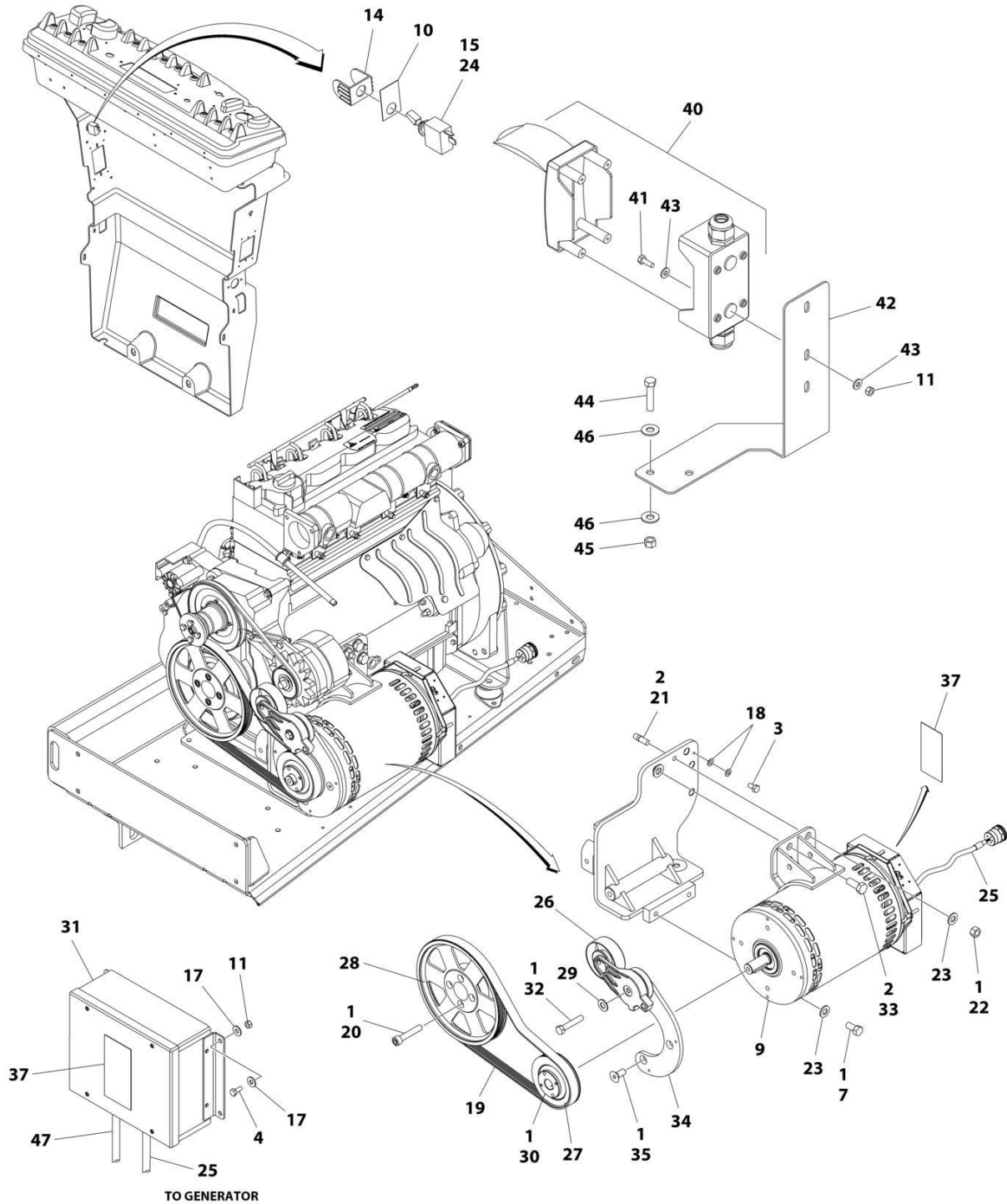
ITEM	PART NUMBER	QTY	DESCRIPTION	REV
	1001219619	Ref	2500W GENERATOR INSTALLATION - FORD MACHINES (OPTIONAL)	E
1	0100011	AR	Compound, Locking	
2	0100048	AR	Grease, Dielectric	
3	0760610	1	Bolt M6 x 20	
4	0641508	1	Bolt 5/16 x 1	
5	0641772	1	Bolt 7/16 x 9	
6	0761016	1	Bolt M10 x 40	
7	1001155041	1	Stud	
8	2460051	1	Generator and Control Box Assembly	
8A	7012558	1	Generator Only - 110V/60Hz	
		Ref	Note: Replacement Generators come standard with pin 3580134 pulley. This pulley may not be correct for all applications. Refer to pulley options below.	
8A	7026199	1	Armature with Slip Rings	
8A	7012513	4	Cap, Brush Holder	
8A	7020108	4	Brush	
8A	7020109	4	Holder, Brush	
8A	7012514	1	Fan	
8A	7020110	1	Bell, Front	
8A	7020111	1	Bell, Rear	
8A	7020190	2	Bearing	
8B	7019680	1	Box, Control - 110V/60Hz	
8B		Ref	Receptacle Options:	
8B	4460190	1	Receptacle, Standard (110V Only)	
8B	4460027	1	Receptacle, Twistlock (110V Only)	
8B	4360542	1	Breaker, Circuit	
8B	3520028	1	Plug, Hole	
8C	2420203	1	Voltmeter	
8D	3580324	1	Pulley	
8D	7027887	1	Key, Woodruff	
9	2820031	1	Heat Shrink (Not Shown - Located at Platform)	
10	3251102	1	Nameplate Generator (Not Shown - Located at Platform)	
11	3251243	1	Decal - 120V-60Hz	
13	3311005	2	Nut #10	
14	3290601	1	Nut M6	
15	3311705	1	Nut 7/16	
16	3740080	1	Relay	
17	4060802	1	Guard Switch (Not Shown - Located at Platform)	
18	4240099	AR	Tie-Strap (Not Shown)	
19	4360336	1	Switch, Toggle (Not Shown - Located at Platform)	
20	4460321	1	Plug, Male - 4 Position	
22	4711700	2	Washer 7/16	
23	4751000	2	Washer #10	
24	4811700	1	Washer M6	
25	4891500	2	Washer 5/16	
27	4812000	1	Washer M10	
28	4812200	2	Washer M14	
29		Ref	Wiring Diagram Components (Not Shown)	

SECTION 3 - ENGINE

ITEM	PART NUMBER	QTY	DESCRIPTION	REV
29	4922641	1	Generator On/Off Switch Harness (Not Shown - Located at Platform)	
29	4923445	1	Generator Harness (Not Shown - See Separate Breakdown in ELECTRICAL SECTION)	
30	1001216391	1	V-Belt	
31	1001219630	1	Mount, Generator	
32	1001219632	1	Arm, Adjustment	
33	4921829	1	Harness, Inverter	
34	3291201	2	Nut M12	

SECTION 3 - ENGINE

FIGURE 3-79. 4000W/50HZ GENERATOR INSTALLATION - DEUTZ D2011 ENGINES



ART_1001153310

SECTION 3 - ENGINE

FIGURE 3-79. 4000W/50HZ GENERATOR INSTALLATION - DEUTZ D2011 ENGINES

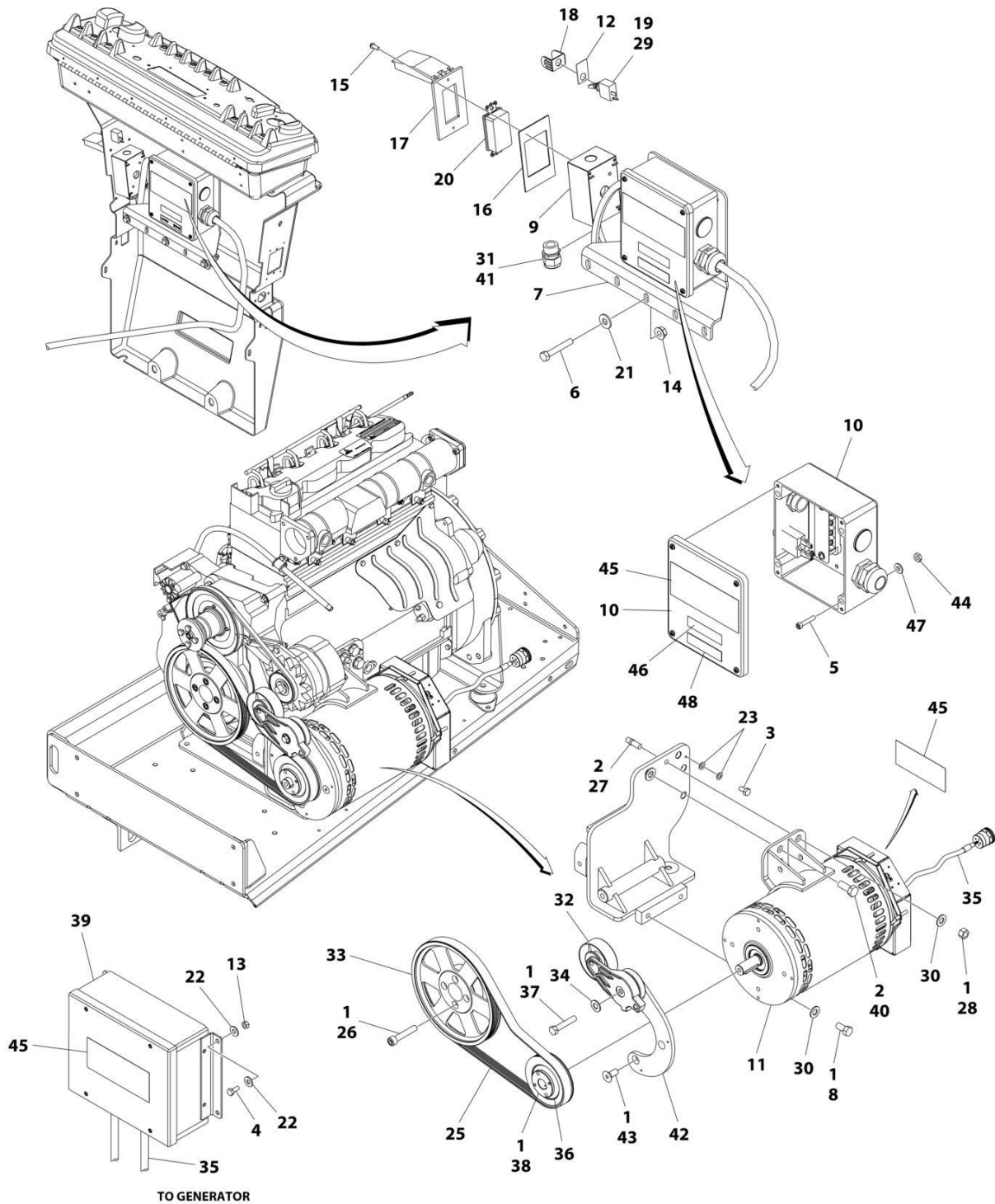
ITEM	PART NUMBER	QTY	DESCRIPTION	REV
	1001153310	Ref	4000W/50HZ GENERATOR INSTALLATION - DEUTZ D2011 ENGINES	F
1	0100011	AR	Compound, Locking	
2	0100019	AR	Compound, Locking	
3	0641404	1	Bolt 1/4 x 1/2	
4	0641405	4	Bolt 1/4 x 5/8	
7	0641808	2	Bolt 1/2 x 1	
9	1001138565	1	Generator Assembly	
9	70003709	1	Ring, Retaining (External)	
9	70003708	1	Ring, Retaining (Internal)	
9	70001966	1	Bearing	
9	70004092	1	Endbell (Shaft End)	
9	70004171	1	Key	
9	70004676	1	Rotor	
9	70004677	1	Stator	
9	70004678	1	Endbell (Rear)	
9	70004679	1	Cover, Endbell (Rear)	
9	70004680	1	Enclosure, Wiring	
9	70004681	1	Cover, Enclosure	
9	70004682	1	Switch, Reset (Located on Enclosure Cover)	
9	70004683	1	Connector, Strain Relief (Located on Enclosure Cover)	
10	3251102	1	Nameplate - Generator	
11	3311405	6	Nut 1/4	
14	4060802	1	Guard, Switch	
15	4360336	1	Switch, Toggle	
17	4751400	8	Washer 1/4	
18	4791400	2	Washer 1/4	
19	0480126	1	Belt, Generator	
20	4032015	4	Capscrew M10 x 55	
21	4300157	1	Stud	
22	3311801	1	Nut 1/2	
23	4711800	3	Washer 1/2	
24	2820031	AR	Heat Shrink	
25	1001152532	1	Harness, Generator (See Separate Breakdown in ELECTRICAL Section)	
26	3580317	1	Pulley, Tensioner	
27	3580319	1	Pulley, Generator	
28	3580320	1	Pulley, Engine	
29	4711600	1	Washer 3/8	
30	0962520	1	Bushing	
31	1001138566	1	Box, Control	
31	70006552	1	Capacitor	
31	70006553	1	Relay	
32	0641616	1	Bolt 3/8 x 2	
33	0771415	1	Bolt M14 x 35	
34	1001139357	1	Mount, Tensioner	
35	0741607	3	Screw 3/8 x 7/8	
37	1705489	2	Decal - Hazardous Voltage	
40	1001165368	1	Breaker Box Kit (See Separate Breakdown in ELECTRICAL SECTION)	

SECTION 3 - ENGINE

ITEM	PART NUMBER	QTY	DESCRIPTION	REV
41	0641406	2	Bolt 1/4 x 3/4	
42	1001177910	1	Bracket	
43	4711400	4	Washer 1/4	
44	0641614	2	Bolt 3/8 x 1-3/4	
45	3311605	2	Nut 3/8	
46	4751600	4	Washer 3/8	
47	1001153197	1	Generator Harness (See Separate Breakdown in ELECTRICAL SECTION)	

SECTION 3 - ENGINE

FIGURE 3-80. 4000W/60HZ GENERATOR INSTALLATION - DEUTZ D2011 ENGINES



ART_1001153309

SECTION 3 - ENGINE

FIGURE 3-80. 4000W/60HZ GENERATOR INSTALLATION - DEUTZ D2011 ENGINES

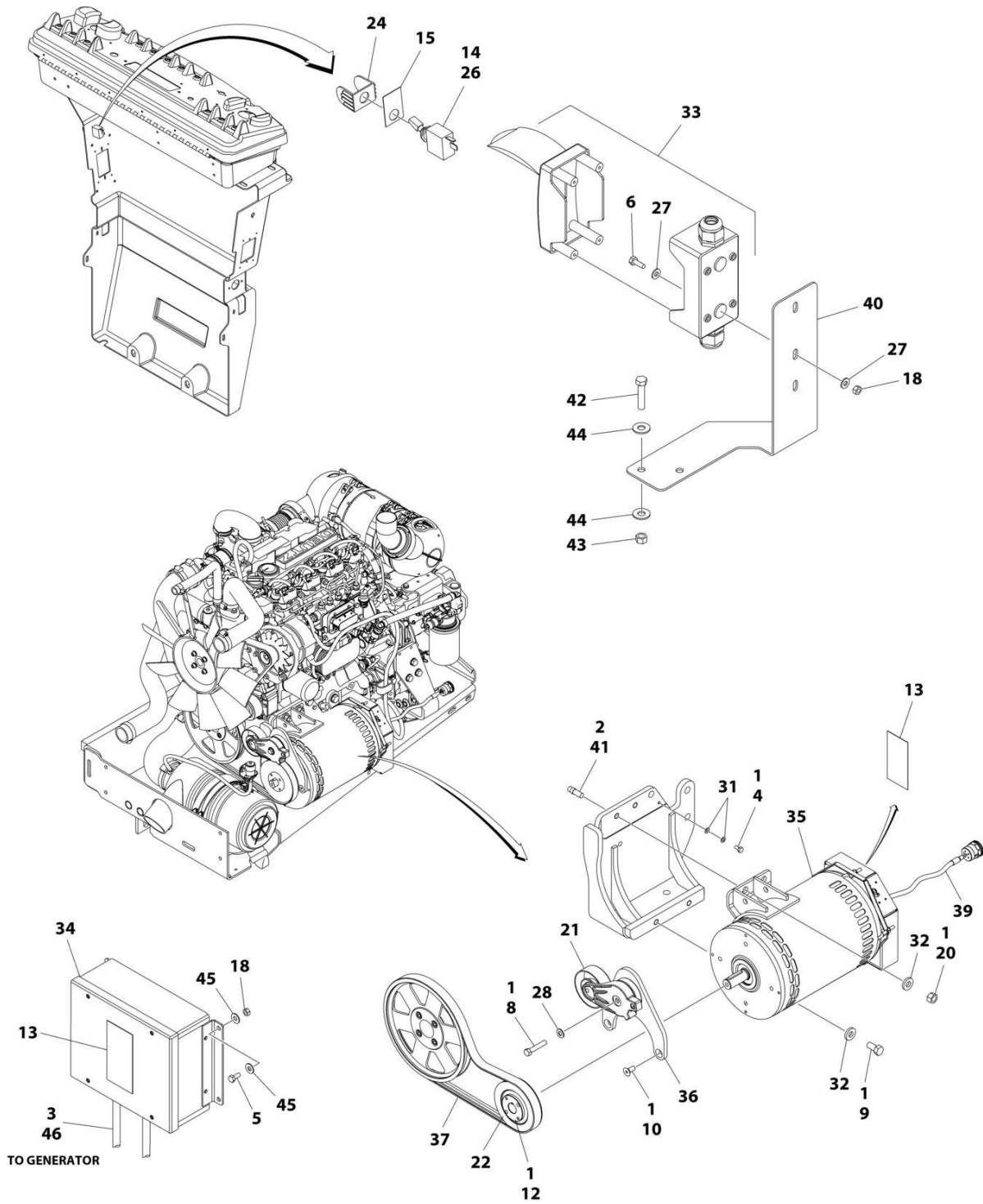
ITEM	PART NUMBER	QTY	DESCRIPTION	REV
	1001153309	Ref	4000W/60HZ GENERATOR INSTALLATION - DEUTZ D2011 ENGINES	B
1	0100011	AR	Compound, Locking	
2	0100019	AR	Compound, Locking	
3	0641404	1	Bolt 1/4 x 1/2	
4	0641405	4	Bolt 1/4 x 5/8	
5	3931016	4	Capscrew #10 x 1	
6	0641516	3	Bolt 5/16 x 2	
7	0902888	1	Bracket	
8	0641808	2	Bolt 1/2 x 1	
9	0860038	1	Box, Receptacle	
10	1001152457	1	Junction Box Assembly	
10	3300396	1	Cover, Breaker	
10	4360070	1	Breaker, Circuit - 15Amp	
10	4460425	1	Connector, Strain Relief (LH Side)	
10	4460426	1	Connector, Strain Relief (RH Side)	
10	1001152530	1	Block, Terminal	
10	1001158363	1	Cover, Terminal Block	
10	1001153260	1	Decal - Wiring Diagram	
11	1001129858	1	Generator Assembly	
11	70003709	1	Ring, Retaining (External)	
11	70003708	1	Ring, Retaining (Internal)	
11	70001966	1	Bearing	
11	70004092	1	Endbell (Shaft End)	
11	70004171	1	Key	
11	70004676	1	Rotor	
11	70004684	1	Stator	
11	70004678	1	Endbell (Rear)	
11	70004679	1	Cover, Endbell (Rear)	
11	70004680	1	Enclosure, Wiring	
11	70004685	1	Cover, Enclosure	
11	70004682	1	Switch, Reset (Located on Enclosure Cover)	
11	70004098	1	Connector, Strain Relief (Located on Enclosure Cover)	
12	3251102	1	Nameplate - Generator	
13	3311405	4	Nut 1/4	
14	3311508	3	Nut 5/16	
15	3910606	4	Screw #6 x 3/8	
16	3960422	1	Gasket, Receptacle	
17	1001110873	1	Cover, Receptacle	
18	4060802	1	Guard, Switch	
19	4360336	1	Switch, Toggle	
20	4460346	1	Receptacle	
21	4751500	3	Washer 5/16	
22	4751400	8	Washer 1/4	
23	4791400	2	Washer 1/4	
25	0480129	1	Belt, Generator	
26	4032015	4	Capscrew M10 x 55	
27	4300157	1	Stud	
28	3311801	1	Nut 1/2	
29	2820031	AR	Heat Shrink	

SECTION 3 - ENGINE

ITEM	PART NUMBER	QTY	DESCRIPTION	REV
30	4711800	3	Washer 1/2	
31	4460071	1	Connector, Strain Relief	
32	3580317	1	Pulley, Tensioner	
33	3580320	1	Pulley, Engine	
34	4711600	1	Washer 3/8	
35	1001152532	1	Harness, Generator (See Separate Breakdown in ELECTRICAL Section)	
36	3580318	1	Pulley, Generator	
37	0641616	1	Bolt 3/8 x 2	
38	0962520	1	Bushing	
39	1001138566	1	Box, Control	
39	70006552	1	Capacitor	
39	70006553	1	Relay	
40	0771415	1	Bolt M14 x 35	
41	0100020	AR	Sealant	
42	1001139357	1	Mount, Tensioner	
43	0741607	3	Screw 3/8 x 7/8	
44	3311005	4	Nut #10	
45	1705387	3	Decal - Hazardous Voltage	
46	3251243	1	Decal - 120V-60Hz	
47	4751000	4	Washer #10	
48	1705374	1	Decal - 240V-60Hz	

SECTION 3 - ENGINE

FIGURE 3-81. 4000W/50HZ GENERATOR INSTALLATION - DEUTZ TD2.9L4 AND DEUTZ TD2.9L4 (STAGE V) ENGINES



ART_1001171269

SECTION 3 - ENGINE

**FIGURE 3-81. 4000W/50HZ GENERATOR INSTALLATION - DEUTZ TD2.9L4 AND DEUTZ TD2.9L4
(STAGE V) ENGINES**

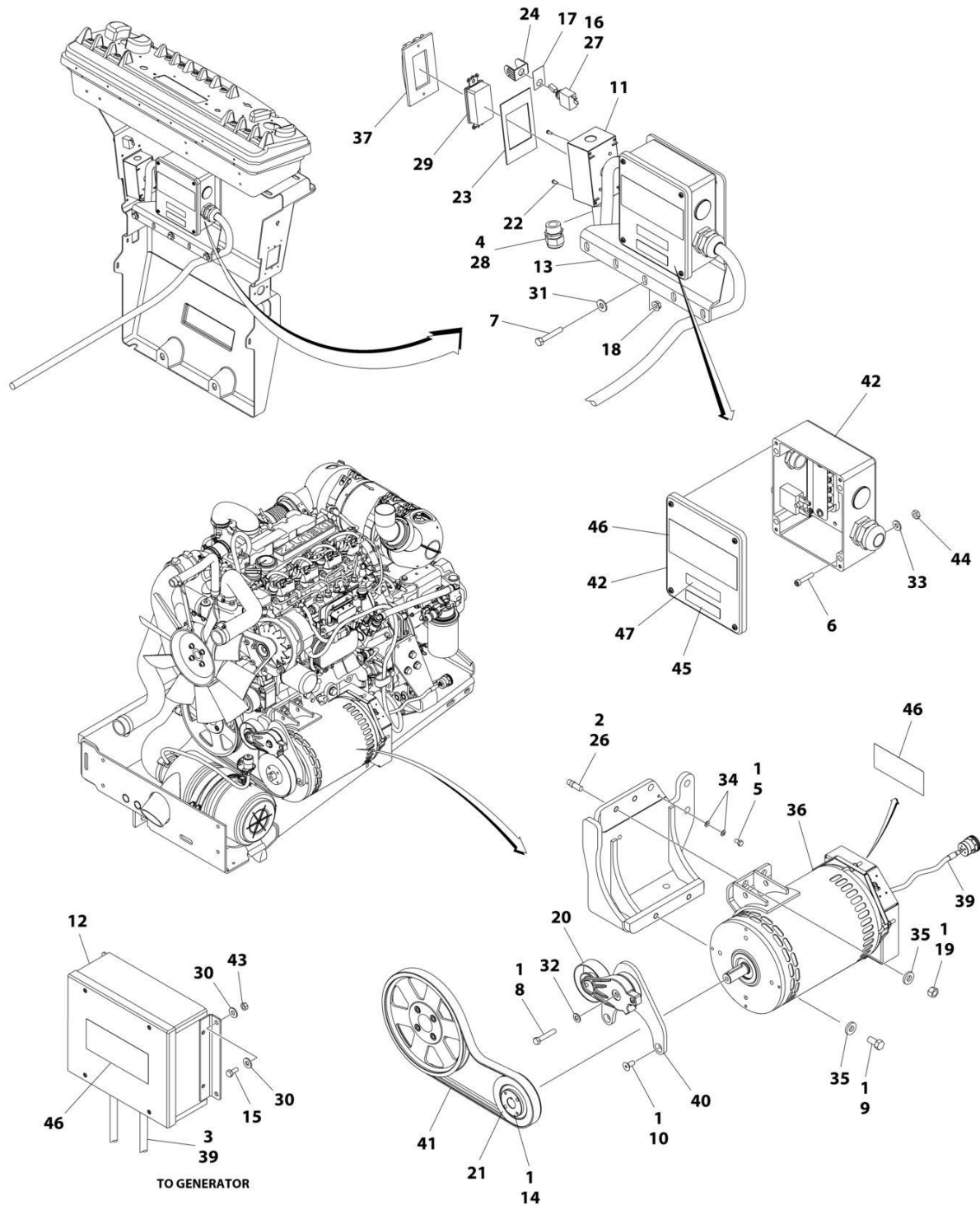
ITEM	PART NUMBER	QTY	DESCRIPTION	REV
	1001171269	Ref	4000W/50HZ GENERATOR INSTALLATION	E
1	0100011	AR	Compound, Locking	
2	0100019	AR	Compound, Locking	
3	0100048	AR	Grease, Dielectric	
4	0641404	1	Bolt 1/4 x 1/2	
5	0641405	4	Bolt 1/4 x 5/8	
6	0641406	2	Bolt 1/4 x 3/4	
8	0641618	1	Bolt 3/8 x 2-1/4	
9	0641808	2	Bolt 1/2 x 1	
10	0741607	3	Screw 3/8 x 7/8	
12	0962520	1	Bushing, Split	
13	1705489	2	Decal - Hazardous Voltage	
14	2820031	AR	Heat Shrink	
15	3251102	1	Nameplate - Generator	
18	3311405	6	Nut 1/4	
20	3311801	2	Nut 1/2	
21	3580317	1	Tensioner, Belt with Pulley	
22	3580319	1	Pulley, Generator	
24	4060802	1	Guard, Switch	
25	4240018	AR	Tie-Strap (Not Shown)	
26	4360336	1	Switch, Toggle	
27	4711400	4	Washer 1/4	
28	4711600	1	Washer 3/8	
31	4791400	2	Washer 1/4	
32	4891800	4	Washer 1/2	
33	1001165368	1	Breaker Box Kit (See Separate Breakdown in ELECTRICAL SECTION)	
34	1001138566	1	Box, Control	
34	70006552	1	Capacitor	
34	70006553	1	Relay	
35	1001140347	1	Generator Assembly	
35	70003709	1	Ring, Retaining (External)	
35	70003708	1	Ring, Retaining (Internal)	
35	70001966	1	Bearing	
35	70004092	1	Endbell (Shaft End)	
35	70004099	1	Key	
35	70004676	1	Rotor	
35	70004686	1	Stator	
35	70004678	1	Endbell (Rear)	
35	70004679	1	Cover, Endbell (Rear)	
35	70004680	1	Enclosure, Wiring	
35	70004681	1	Cover, Enclosure (50Hz)	
35	70004682	1	Switch, Reset (Located on Enclosure Cover)	
35	70004683	1	Connector, Strain Relief (50Hz) (Located on Enclosure Cover)	
35	4460224	1	Connector - 6 Position (50Hz) (Located on Enclosure Cover)	
35	4460294	2	Pin, Male (50Hz) (Located on Enclosure Cover)	
36	1001142643	1	Support, Gen Tensioner	
37	1001142645	1	Belt, Generator (50Hz)	

SECTION 3 - ENGINE

ITEM	PART NUMBER	QTY	DESCRIPTION	REV
39	1001152532	1	Harness, Generator (See Separate Breakdown in ELECTRICAL Section)	
40	1001177910	1	Bracket	
41	1001163599	2	Stud	
42	0641614	2	Bolt 3/8 x 1-3/4	
43	3311605	2	Nut 3/8	
44	4751600	4	Washer 3/8	
45	4751400	8	Washer 1/4	
46	1001153259	1	Generator Harness (See Separate Breakdown in ELECTRICAL SECTION)	

SECTION 3 - ENGINE

FIGURE 3-82. 4000W/60HZ GENERATOR INSTALLATION - DEUTZ TD2.9L4 ENGINES



ART_1001171127

SECTION 3 - ENGINE

FIGURE 3-82. 4000W/60HZ GENERATOR INSTALLATION - DEUTZ TD2.9L4 ENGINES

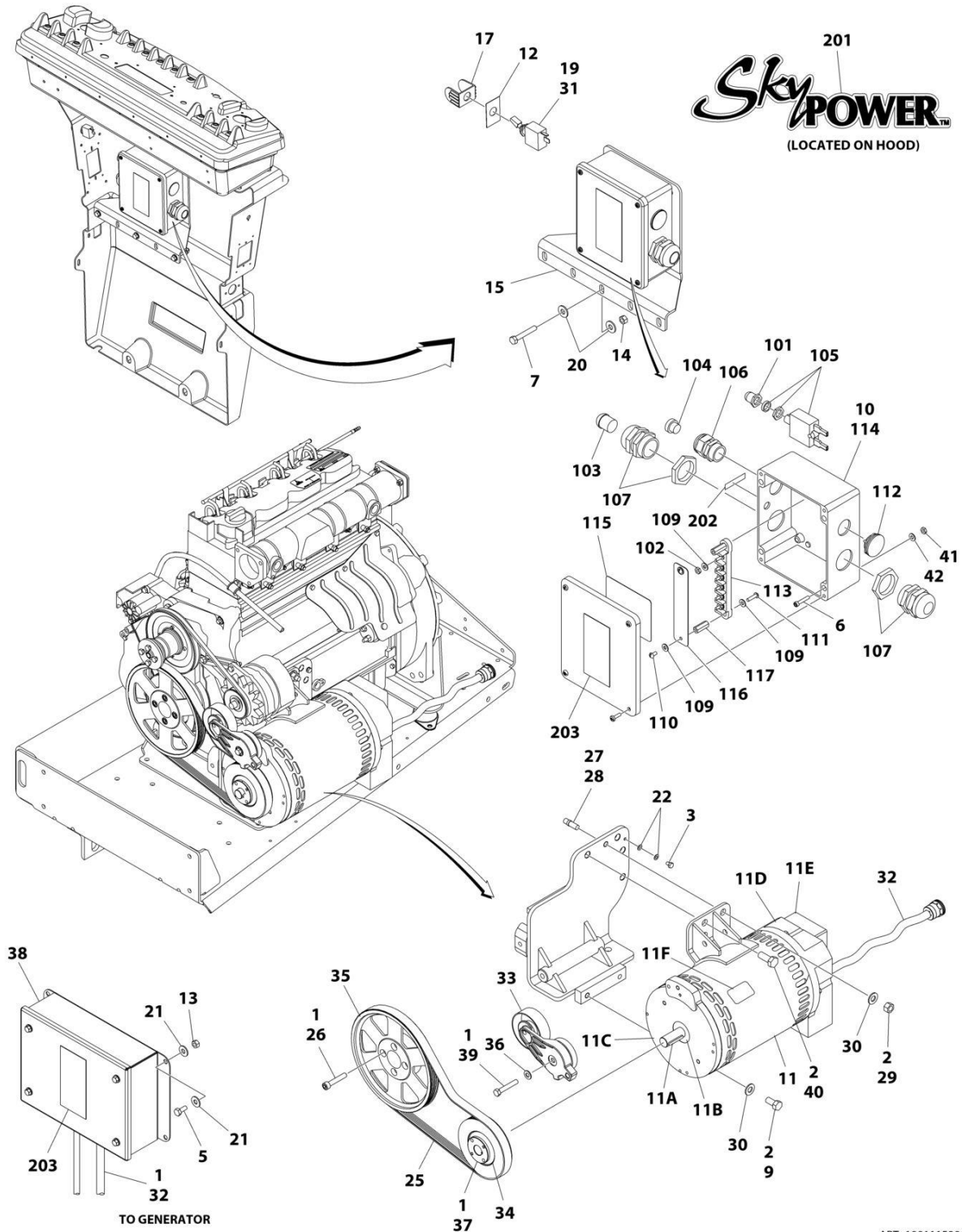
ITEM	PART NUMBER	QTY	DESCRIPTION	REV
	1001171127	Ref	4000W/60HZ GENERATOR INSTALLATION - DEUTZ TD2.9L4 ENGINES	C
1	0100011	AR	Compound, Locking	
2	0100019	AR	Compound, Locking	
3	0100048	AR	Grease, Dielectric	
4	0100079	AR	Sealant	
5	0641404	1	Bolt 1/4 x 1/2	
6	3931016	4	Capscrew #10 x 1	
7	0641516	3	Bolt 5/16 x 2	
8	0641618	1	Bolt 3/8 x 2-1/4	
9	0641808	2	Bolt 1/2 x 1	
10	0741607	3	Screw 3/8 x 7/8	
11	0860038	1	Box, Switch	
12	1001138566	1	Box, Control	
12	70006552	1	Capacitor	
12	70006553	1	Relay	
13	0902888	1	Bracket, Junction Box	
14	0962520	1	Bushing, Split	
15	0641405	4	Bolt 1/4 x 5/8	
16	2820031	AR	Heat Shrink	
17	3251102	1	Nameplate - Generator	
18	3311508	3	Nut 5/16	
19	3311801	2	Nut 1/2	
20	3580317	1	Tensioner, Belt with Pulley	
21	3580318	1	Pulley, Generator	
22	3910606	4	Screw #6 x 3/8	
23	3960422	1	Gasket, AC Receptacle	
24	4060802	1	Guard, Switch	
25	4240018	AR	Tie-Strap (Not Shown)	
26	1001163599	2	Stud	
27	4360336	1	Switch, Toggle	
28	4460071	1	Connector, Strain Relief	
29	4460346	1	Receptacle	
30	4711400	AR	Washer 1/4	
31	4751500	3	Washer 5/16	
32	4711600	1	Washer 3/8	
33	4751000	4	Washer #10	
34	4791400	2	Washer 1/4	
35	4891800	4	Washer 1/2	
36	1001140346	1	Generator Assembly	
36	70003709	1	Ring, Retaining (External)	
36	70003708	1	Ring, Retaining (Internal)	
36	70001966	1	Bearing	
36	70004092	1	Endbell (Shaft End)	
36	70004099	1	Key	
36	70004676	1	Rotor	
36	70004687	1	Stator	
36	70004678	1	Endbell (Rear)	
36	70004679	1	Cover, Endbell (Rear)	
36	70004680	1	Enclosure, Wiring	

SECTION 3 - ENGINE

ITEM	PART NUMBER	QTY	DESCRIPTION	REV
36	70004685	1	Cover, Enclosure	
36	70004682	1	Switch, Reset (Located on Enclosure Cover)	
36	70004098	1	Connector, Strain Relief (Located on Enclosure Cover)	
37	1001110873	1	Cover, Receptacle	
39	1001152532	1	Harness, Generator	
40	1001142643	1	Support, Gen Tensioner	
41	1001142646	1	Belt, Generator	
42	1001152457	1	Junction Box Assembly	
42	3300396	1	Cover, Breaker	
42	4360070	1	Breaker, Circuit - 15Amp	
42	4460425	1	Connector, Strain Relief (LH Side)	
42	4460426	1	Connector, Strain Relief (RH Side)	
42	1001152530	1	Block, Terminal	
42	1001158363	1	Cover, Terminal Block	
42	1001153260	1	Decal - Wiring Diagram	
43	3311405	4	Nut 1/4	
44	3311005	4	Nut #10	
45	1705374	1	Decal - 240V (60Hz)	
46	1705387	3	Decal - Hazardous Voltage	
47	3251243	1	Decal - 120V-60Hz	

SECTION 3 - ENGINE

FIGURE 3-83. 7500W/50HZ SKYPOWER GENERATOR INSTALLATION - DEUTZ D2011 ENGINES



ART_1001115394

SECTION 3 - ENGINE

FIGURE 3-83. 7500W/50HZ SKYPOWER GENERATOR INSTALLATION - DEUTZ D2011 ENGINES

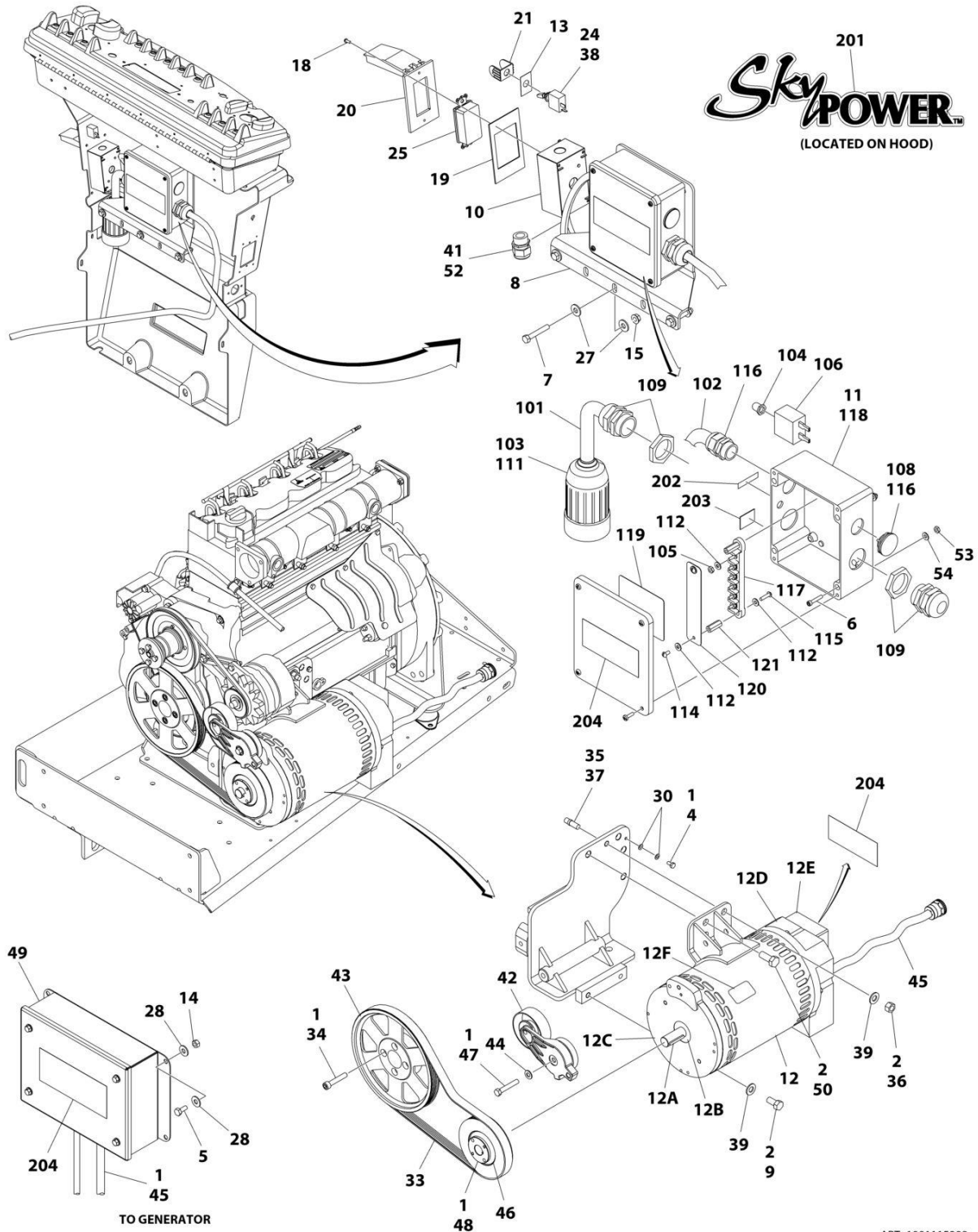
ITEM	PART NUMBER	QTY	DESCRIPTION	REV
	100115394	Ref	7500W/50HZ SKYPOWER GENERATOR INSTALLATION	F
1	0100011	AR	Compound, Locking	
2	0100019	AR	Compound, Locking	
3	0641403	1	Bolt 1/4 x 3/8	
5	0641405	4	Bolt 1/4 x 5/8	
6	3931016	4	Capscrew 3/8 x 1	
7	0641516	3	Bolt 5/16 x 2	
9	0641808	2	Bolt 1/2 x 1	
10	1001157525	1	Junction Box Assembly (See Items 101-117 for Breakdown)	
11	2460048	1	Generator Assembly	
11	70001100	1	Rotor (Includes p/n 70001384 & 70000863) (Not Shown)	
11	70001384	1	Bearing, Ball Radial (Not Shown):	
11	70000863	1	Fan (Not Shown)	
11	70002088	1	Stator (Not Shown)	
11	70002297	1	Stud	
11	70003631	1	Brushholder Assembly (Not Shown)	
11A	70004171	1	Key	
11B	70001966	1	Bearing, Ball Radial (Located in Belt Tensioner Endbell)	
11B	70003708	1	Ring, Internal Retaining (Located in Belt Tensioner Endbell)	
11B	70003709	1	Ring, External Retaining (Located in Belt Tensioner Endbell)	
11C	70001953	1	Endbell, Belt Tensioner	
11D	70004169	1	Endbell, Brush Block	
11E	70004169	1	Shroud	
11E	See Note	NSS	Insulator, Endbell (Note: Not Available for Purchase)	
11E	7027799	1	Block, Connector 6 Position (Not Shown)	
11E	70002460	1	Nut, Brass (Attaches p/n 7027799 to Cover) (Not Shown)	
11E	7024485	1	Breaker, Circuit 30Amp (Not Shown)	
11E	70001696	1	Boot, Breaker (Not Shown)	
11E	7026626	1	Connector, 6 Position (Includes Seal) (Not Shown - Plugs into Item 36)	
11E	7026597	1	Connector, with Leads (Not Shown)	
11E	7026188	1	Clamp, Cable (Not Shown)	
11E	70004169	1	Plate, End Panel	
11E	70001974	1	Decal - Terminal Connections	
11F	70001973	1	Decal - Warning Moving Parts	
12	3252764	1	Nameplate	
13	3311405	4	Nut 1/4	
14	3311505	3	Nut 5/16	
15	0902888	1	Bracket, Box Mounting	
17	4060802	1	Guard, Switch	
19	4360336	1	Switch, Toggle	
20	4711500	6	Washer 5/16	
21	4751400	8	Washer 1/4	
22	4791400	2	Washer 1/4	
25	0480126	1	Belt, Drive	
26	4032015	4	Capscrew M10 X 55	
27	4300157	1	Stud	
28	0100062	AR	Adhesive	
29	3311801	1	Nut 1/2	
30	4711800	3	Washer 1/2	

SECTION 3 - ENGINE

ITEM	PART NUMBER	QTY	DESCRIPTION	REV
31	2820031	1	Heat Shrink	
32	4922925	1	Harness, Generator	
33	3580317	1	Tensioner, Belt with Pulley	
34	3580319	1	Pulley	
35	3580320	1	Pulley	
36	4711600	1	Washer 3/8	
37	0962520	1	Bushing, Split Taper	
38	0861572	1	Control Box Assembly	
38	7024488	1	Card, Circuit - Generator Power	
38	See Note	NSS	Fuse (Note: Not Available - Purchase Locally)	
38	7024489	1	Card, Circuit - Control	
38	70000619	1	Harness, Control Box (Internal)	
38		Ref	Note: Same Circuit Card (P/N 7024489) is used for both 60Hz & 50Hz Specs. When replacing card, rocker switch on card must be set for required application.	
39	0641618	1	Bolt 3/8 x 2-1/4	
40	0771415	1	Bolt M14 x 35 Grade 10.9	
41	3311005	4	Nut #10	
42	4751000	4	Washer #10	
	1001157525	Ref	JUNCTION BOX ASSEMBLY	B
101	3300396	1	Cover, Fuse	
102	3311001	6	Nut #10	
103	3520189	1	Plug	
104	3520192	1	Plug	
105	4360070	1	Circuit Breaker - 15Amp	
106	4460425	1	Connector, Strain Relief	
107	4460426	2	Connector, Strain Relief	
109	4711000	10	Washer, #10	
110	10702077	2	Screw #10 x 3/8	
111	10702082	2	Screw #10 x 3/4	
112	1001152525	1	Plug	
113	1001157520	1	Block, Terminal	
114	1001157521	1	Box, Junction	
115	1001157528	1	Decal - Wiring Schematic	
116	1001158007	1	Cover, PVC	
117	1001158008	2	Stand-Off	
	0272589	Ref	DECAL INSTALLATION	A
201	1705460	2	Decal - SkyPower	
202	1705461	1	Decal - 240V - 3 Phase	
203	1705489	2	Decal, Hazardous Voltage	
	1001157769	Ref	ELECTRICAL DIAGRAM COMPONENTS	B
301	1001152429	1	Generator Harness (Not Shown - See Separate Breakdown in ELECTRICAL SECTION)	
304	4922641	1	Switch Harness (Not Shown)	

SECTION 3 - ENGINE

FIGURE 3-84. 7500W/60HZ SKYPOWER GENERATOR INSTALLATION - DEUTZ D2011 ENGINES



ART_1001115388

SECTION 3 - ENGINE

FIGURE 3-84. 7500W/60HZ SKYPOWER GENERATOR INSTALLATION - DEUTZ D2011 ENGINES

ITEM	PART NUMBER	QTY	DESCRIPTION	REV
	1001115388	Ref	7500W SKYPOWER GENERATOR INSTALLATION	F
1	0100011	AR	Compound, Locking	
2	0100019	AR	Compound, Locking	
4	0641404	1	Bolt 1/4 x 1/2	
5	0641405	4	Bolt 1/4 x 5/8	
6	3931016	4	Capscrew 3/8 x 1	
7	0641516	3	Bolt 5/16 x 2	
8	0902888	1	Bracket, Box Mounting	
9	0641808	2	Bolt 1/2 x 1	
10	0860038	1	Box, Switch	
11	1001157592	1	Junction Box Assembly (See Items 101-121 for Breakdown)	
12	2460048	1	Generator Assembly	
12	70001100	1	Rotor (Includes p/n 70001384 & 70000863) (Not Shown)	
12	70001384	1	Bearing, Ball Radial (Not Shown):	
12	70000863	1	Fan (Not Shown)	
12	70002088	1	Stator (Not Shown)	
12	70002297	1	Stud	
12	70003631	1	Brushholder Assembly (Not Shown)	
12A	70004171	1	Key	
12B	70001966	1	Bearing, Ball Radial (Located in Belt Tensioner Endbell)	
12B	70003708	1	Ring, Internal Retaining (Located in Belt Tensioner Endbell)	
12B	70003709	1	Ring, External Retaining (Located in Belt Tensioner Endbell)	
12C	70001953	1	Endbell, Belt Tensioner	
12D	70004169	1	Endbell, Brush Block	
12E	70004169	1	Shroud	
12E	See Note	NSS	Insulator, Endbell (Note: Not Available for Purchase)	
12E	7027799	1	Block, Connector 6 Position (Not Shown)	
12E	70002460	1	Nut, Brass (Attaches p/n 7027799 to Cover) (Not Shown)	
12E	7024485	1	Breaker, Circuit 30Amp (Not Shown)	
12E	70001696	1	Boot, Breaker (Not Shown)	
12E	7026626	1	Connector, 6 Position (Includes Seal) (Not Shown - Plugs into Item 36)	
12E	7026597	1	Connector, with Leads (Not Shown)	
12E	7026188	1	Clamp, Cable (Not Shown)	
12E	70004169	1	Plate, End Panel	
12E	70001974	1	Decal - Terminal Connections	
12F	70001973	1	Decal - Warning Moving Parts	
13	3252764	1	Nameplate	
14	3311405	4	Nut 1/4	
15	3311508	3	Nut, Flange 5/16	
18	3910606	4	Screw #6 x 3/8	
19	3960422	1	Gasket	
20	1001110873	1	Cover, Receptacle	
21	4060802	1	Guard, Switch	
24	4360336	1	Switch, Toggle	
25	4460346	1	Receptacle, Female (110-120V)	
27	4751500	3	Washer 5/16	
28	4751400	8	Washer 1/4	
30	4791400	2	Washer 1/4	
33	0480129	1	Belt, Drive	

SECTION 3 - ENGINE

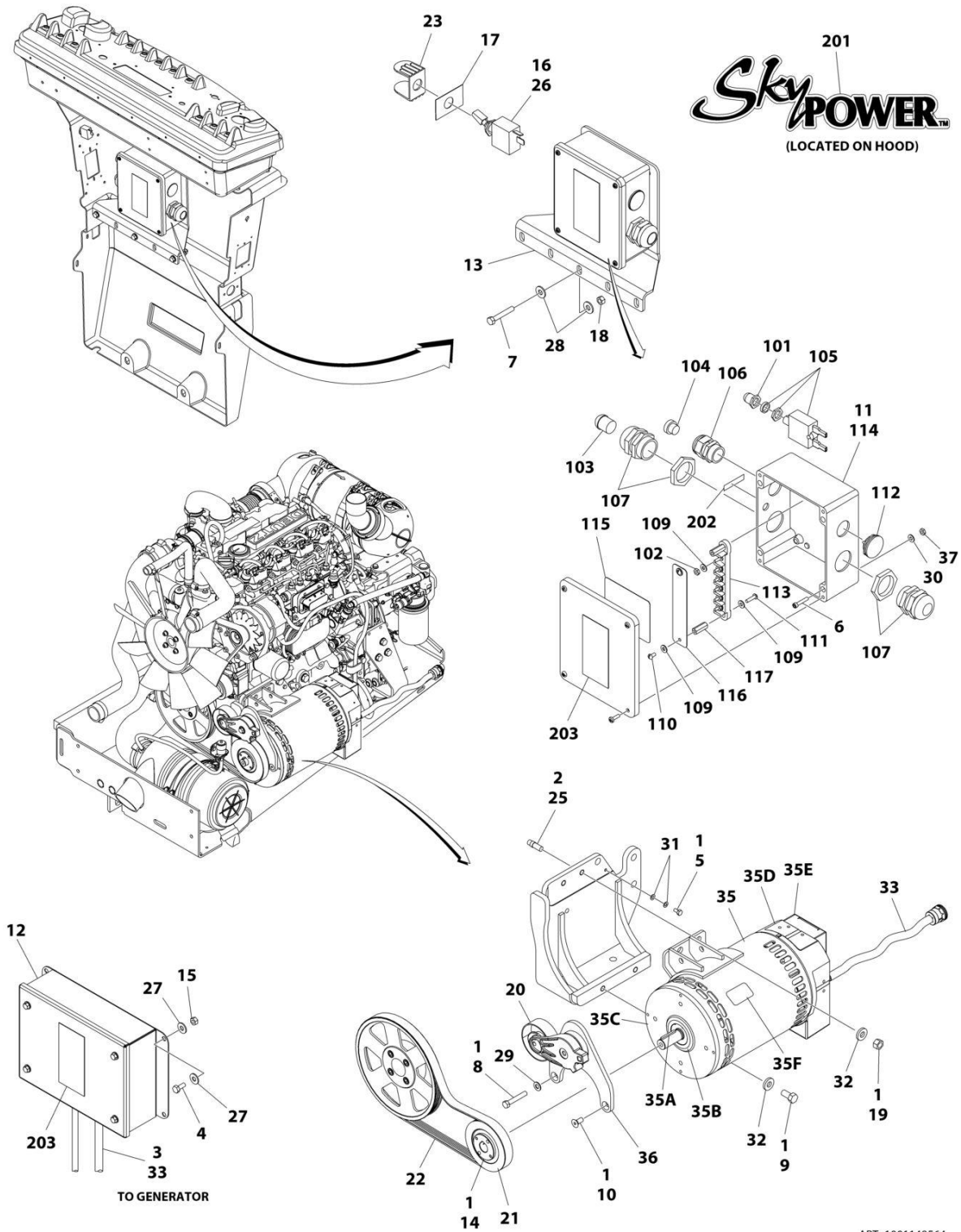
ITEM	PART NUMBER	QTY	DESCRIPTION	REV
34	4032015	4	Capscrew M10 x 55	
35	4300157	1	Stud	
36	3311801	1	Nut 1/2	
37	0100062	AR	Adhesive	
38	2820031	1	Heat Shrink	
39	4711800	3	Washer 1/2	
41	4460071	1	Connector, Strain Relief	
42	3580317	1	Tensioner, Belt with Pulley	
43	3580320	1	Pulley	
44	4711600	1	Washer 3/8	
45	4922925	1	Harness, Generator	
46	3580318	1	Pulley	
47	0641618	1	Bolt 3/8 x 2-1/4	
48	0962520	1	Bushing, Split Taper	
49	0861538	1	Control Box Assembly	
49	7024488	1	Card, Circuit - Generator Power	
49	See Note	1	Fuse (Note: Not Available - Purchase Locally)	
49	70000619	1	Harness, Control Box (Internal)	
49	7024489	1	Card, Circuit - Control	
49		Ref	Note: Same Circuit Card (P/N 7024489) is used for both 60Hz & 50Hz Specs. When replacing card, rocker switch on card must be set for required application.	
50	0771415	1	Bolt M14 x 35 Grade 10.9	
52	0100020	AR	Sealant	
53	3311005	4	Nut #10	
54	4751000	4	Washer #10	
	1001157592	Ref	JUNCTION BOX ASSEMBLY	
101	1060343	1.5 ft /.46m	Cable, Electrical 10/4	
102	1001179154	2.5 ft /76cm	Cable, Electrical 12/3	
103	1671092	1	Cover	
104	3300396	1	Cover, Fuse	
105	3311001	6	Nut #10	
106	4360070	1	Circuit Breaker - 15Amp	
108	4460425	1	Connector, Strain Relief	
109	4460426	2	Connector, Strain Relief	
111	4460963	1	Connector	
112	4711000	10	Washer, #10	
114	10702077	2	Screw #10 x 3/8	
115	10702082	2	Screw #10 x 3/4	
116	1001152525	1	Plug	
117	1001157520	1	Block, Terminal	
118	1001157521	1	Box, Junction	
119	1001157528	1	Decal - Wiring Schematic	
120	1001158007	1	Cover, PVC	
121	1001158008	2	Stand-Off	
	0272435	Ref	DECAL INSTALLATION	D
201	1705460	2	Decal - SkyPower	
202	3251243	1	Decal - 120V - 60Hz (60Hz Spec Only) (Not Shown - Located at Platform Receptacle)	
203	1705375	1	Decal - 240V - 3 Phase	

SECTION 3 - ENGINE

ITEM	PART NUMBER	QTY	DESCRIPTION	REV
204	1705387	3	Decal, Hazardous Voltage	B
	1001157769	Ref	ELECTRICAL DIAGRAM COMPONENTS	
301	1001152429	1	Generator Harness (Not Shown - See Separate Breakdown in ELECTRICAL SECTION)	
304	4922641	1	Switch Harness (Not Shown)	

SECTION 3 - ENGINE

FIGURE 3-85. 7500W/50HZ SKYPOWER GENERATOR INSTALLATION - DEUTZ TD2.9L4 AND DEUTZ TD2.9L4 (STAGE V) ENGINES



ART_1001148564

SECTION 3 - ENGINE

FIGURE 3-85. 7500W/50HZ SKYPOWER GENERATOR INSTALLATION - DEUTZ TD2.9L4 AND DEUTZ TD2.9L4 (STAGE V) ENGINES

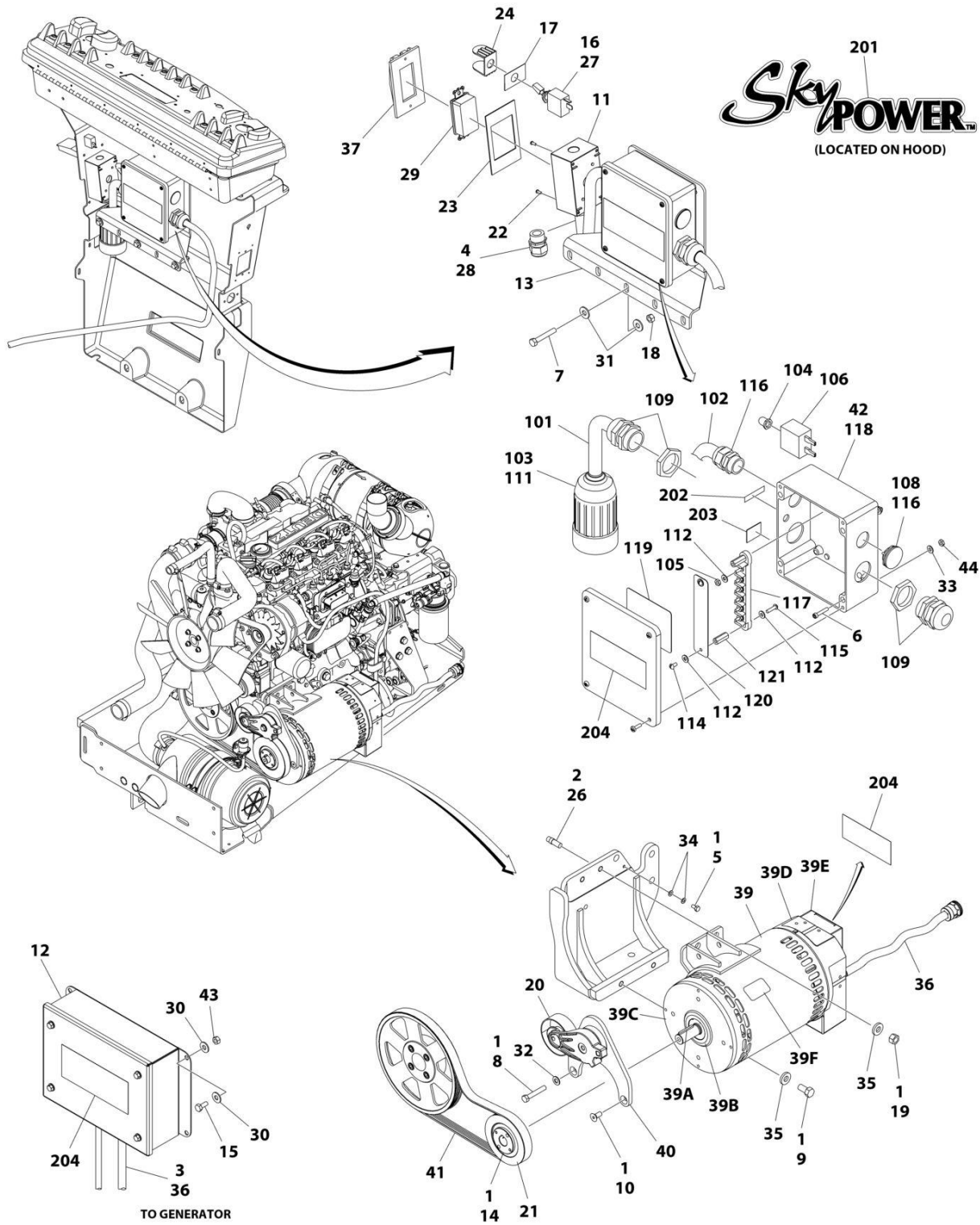
ITEM	PART NUMBER	QTY	DESCRIPTION	REV
	1001148564	Ref	7500W SKYPOWER GENERATOR INSTALLATION	F
1	0100011	AR	Compound, Locking	
2	0100019	AR	Compound, Locking	
3	0100048	AR	Compound, Silicone	
4	0641405	4	Bolt 1/4 x 5/8	
5	0641404	1	Bolt 1/4 x 1/2	
6	3931016	4	Capscrew 3/8 x 1	
7	0641516	3	Bolt 5/16 x 2	
8	0641618	1	Bolt 3/8 x 2-1/4	
9	0641808	2	Bolt 1/2 x 1	
10	0741607	3	Screw 3/8 x 7/8	
11	1001157525	1	Junction Box Assembly (See Items 101-117 for Breakdown)	
12	0861572	1	Control Box Assembly	
12	7024488	1	Card, Circuit - Generator Power	
12	See Note	NSS	Fuse (Note: Not Available - Purchase Locally)	
12	7024489	1	Card, Circuit - Control	
12	70000619	1	Harness, Control Box (Internal)	
		Ref	Note: Same Circuit Card (P/N 7024489) is used for both 60Hz and 50Hz. When replacing card, rocker switch on card must be set for required application.	
13	0902888	1	Bracket, Box Mounting	
14	0962520	1	Bushing, Split Taper	
15	3311405	4	Nut 1/4	
16	2820031	1	Heat Shrink	
17	3252764	1	Nameplate	
18	3311505	3	Nut 5/16	
19	3311801	2	Nut 1/2	
20	3580317	1	Tensioner, Belt with Pulley	
21	3580319	1	Pulley	
22	1001142645	1	Belt, Drive	
23	4060802	1	Guard, Switch	
24	4240018	AR	Tie-Strap (Not Shown)	
25	1001163599	2	Stud	
26	4360336	1	Switch, Toggle	
27	4751400	8	Washer 1/4	
28	4711500	6	Washer 5/16	
29	4711600	1	Washer 3/8	
30	4751000	4	Washer #10	
31	4791400	2	Washer 1/4	
32	4891800	4	Washer 1/2 Hardened	
33	4922925	1	Harness, Generator	
35	1001212223	Ref	Generator Assembly	
35	70001100	1	Rotor (Includes p/n 70001384 & 70000863) (Not Shown)	
35	70001384	1	Bearing, Ball Radial (Not Shown):	
35	70000863	1	Fan (Not Shown)	
35	70006093	1	Stator (Not Shown)	
35	70002297	1	Stud	
35	70003631	1	Brushholder Assembly (Not Shown)	
35A	70004099	1	Key	

SECTION 3 - ENGINE

ITEM	PART NUMBER	QTY	DESCRIPTION	REV
35B	70001966	1	Bearing, Ball Radial (Located in Belt Tensioner Endbell)	
35B	70003708	1	Ring, Internal Retaining (Located in Belt Tensioner Endbell)	
35B	70003709	1	Ring, External Retaining (Located in Belt Tensioner Endbell)	
35C	70004092	1	Endbell, Belt Tensioner	
35D	70004094	1	Endbell, Brush Block	
35E	70006094	1	Shroud	
35E	70002291	1	Insulator, Endbell	
35E	7027799	1	Block, Connector 6 Position (Not Shown)	
35E	70002460	1	Nut, Brass (Attaches p/n 7027799 to Cover) (Not Shown)	
35E	70006095	1	Breaker, Circuit 30Amp (Not Shown)	
35E	70006096	1	Boot, Breaker Options (Not Shown):	
35E	7026626	1	Connector, 6 Position (Includes Seal) (Not Shown - Plugs into Item 36)	
35E	7026597	1	Connector, with Leads (Not Shown)	
35E	70004098	1	Clamp, Cable (Not Shown)	
35E	70006097	1	Plate, End Panel	
35E	70001974	1	Decal - Terminal Connections	
35F	70001973	1	Decal - Warning Moving Parts	
36	1001142643	1	Support	
37	3311005	4	Nut #10	
	1001157525	Ref	JUNCTION BOX ASSEMBLY	B
101	3300396	1	Cover, Fuse	
102	3311001	6	Nut #10	
103	3520189	1	Plug	
104	3520192	1	Plug	
105	4360070	1	Circuit Breaker - 15Amp	
106	4460425	1	Connector, Strain Relief	
107	4460426	2	Connector, Strain Relief	
109	4711000	10	Washer, #10	
110	10702077	2	Screw #10 x 3/8	
111	10702082	2	Screw #10 x 3/4	
112	1001152525	1	Plug	
113	1001157520	1	Block, Terminal	
114	1001157521	1	Box, Junction	
115	1001157528	1	Decal - Wiring Schematic	
116	1001158007	1	Cover, PVC	
117	1001158008	2	Stand-Off	
	0272589	Ref	DECAL INSTALLATION	A
201	1705460	2	Decal - SkyPower	
203	1705461	1	Decal - 240V - 3 Phase	
204	1705489	2	Decal, Hazardous Voltage	
	1001157770	Ref	ELECTRICAL DIAGRAM COMPONENTS	A
301	1001119968	1	Generator Harness (Not Shown - See Separate Breakdown in ELECTRICAL SECTION)	
304	4922641	1	Switch Harness (Not Shown)	

SECTION 3 - ENGINE

FIGURE 3-86. 7500W/60HZ SKYPOWER GENERATOR INSTALLATION - DEUTZ TD2.9L4 AND DEUTZ TD2.9L4 (STAGE V) ENGINES



ART_1001148563

SECTION 3 - ENGINE

FIGURE 3-86. 7500W/60HZ SKYPOWER GENERATOR INSTALLATION - DEUTZ TD2.9L4 AND DEUTZ TD2.9L4 (STAGE V) ENGINES

ITEM	PART NUMBER	QTY	DESCRIPTION	REV
	1001148563	Ref	7500W SKYPOWER GENERATOR INSTALLATION	F
1	0100011	AR	Compound, Locking	
2	0100019	AR	Compound, Locking	
3	0100048	AR	Compound, Silicone	
4	0100079	AR	Sealant	
5	0641404	1	Bolt 1/4 x 1/2	
6	3931016	4	Capscrew 3/8 x 1	
7	0641516	3	Bolt 5/16 x 2	
8	0641618	1	Bolt 3/8 x 2-1/4	
9	0641808	2	Bolt 1/2 x 1	
10	0741607	3	Screw 3/8 x 7/8	
11	0860038	1	Box, Switch	
12	0861538	1	Control Box Assembly	
12	7024488	1	Card, Circuit - Generator Power	
12	See Note	1	Fuse (Note: Not Available - Purchase Locally)	
12	70000619	1	Harness, Control Box (Internal)	
12	7024489	1	Card, Circuit - Control	
12		Ref	Note: Same Circuit Card (P/N 7024489) is used for both 60Hz & 50Hz Specs. When replacing card, rocker switch on card must be set for required application.	
13	0902888	1	Bracket, Box Mounting	
14	0962520	1	Bushing, Split Taper	
15	0641405	4	Bolt 1/4 x 5/8	
16	2820031	1	Heat Shrink	
17	3252764	1	Nameplate	
18	3311505	3	Nut 5/16	
19	3311801	2	Nut 1/2	
20	3580317	1	Tensioner, Belt with Pulley	
21	3580318	1	Pulley	
22	3910606	4	Screw #6 x 3/8	
23	3960422	1	Gasket	
24	4060802	1	Guard, Switch	
25	4240018	AR	Tie-Strap (Not Shown)	
26	1001163599	2	Stud	
27	4360336	1	Switch, Toggle	
28	4460071	1	Connector, Strain Relief	
29	4460346	1	Receptacle, Female (110-120V)	
30	4711400	8	Washer 1/4	
31	4711500	6	Washer 5/16	
32	4711600	1	Washer 3/8	
33	4751000	4	Washer #10	
34	4791400	2	Washer 1/4	
35	4891800	4	Washer 1/2 Hardened	
36	4922925	1	Harness, Generator	
37	1001110873	1	Cover, Receptacle	
39	1001212223	Ref	Generator Assembly	
39	70001100	1	Rotor (Includes p/n 70001384 & 70000863) (Not Shown)	
39	70001384	1	Bearing, Ball Radial (Not Shown):	
39	70000863	1	Fan (Not Shown)	

SECTION 3 - ENGINE

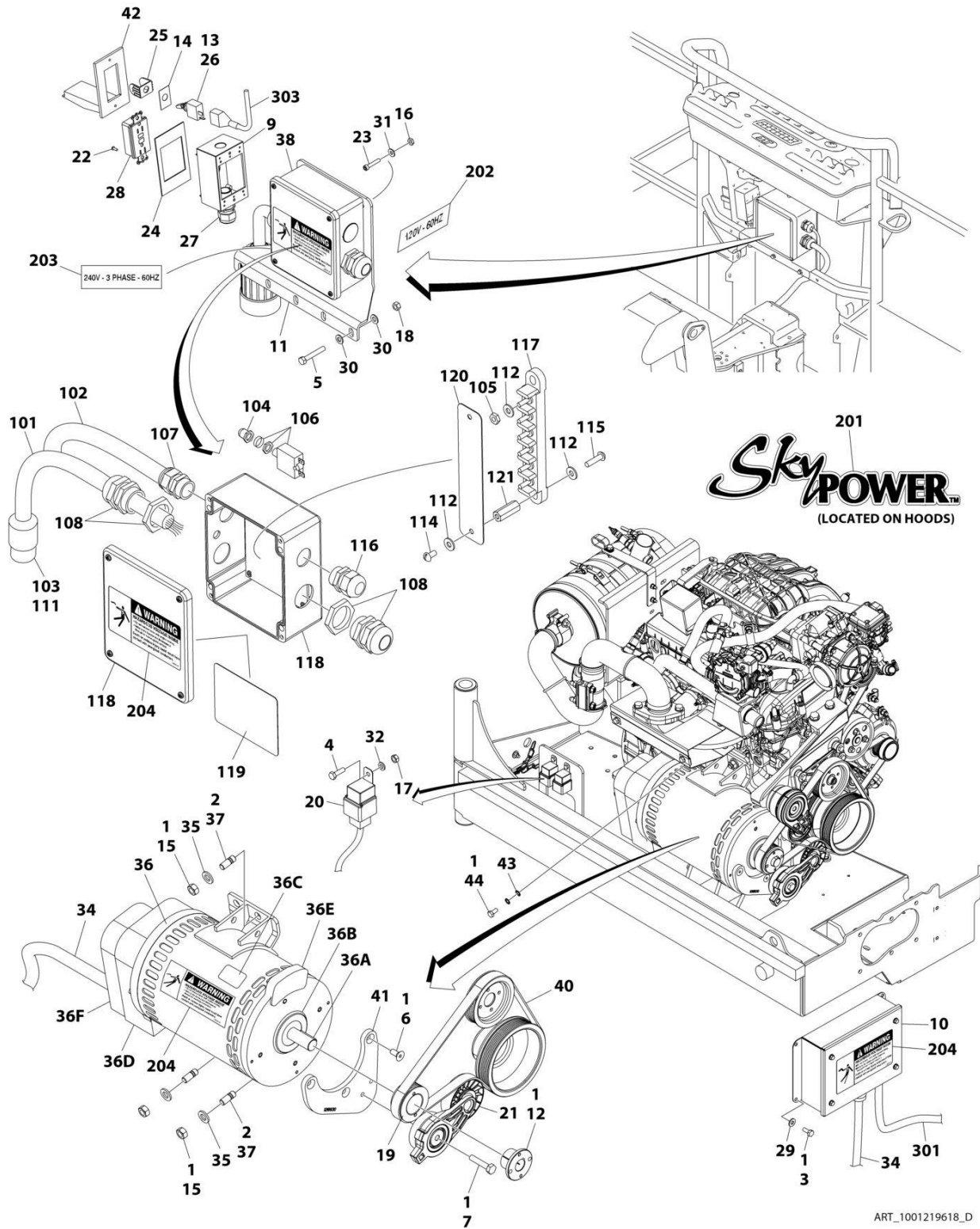
ITEM	PART NUMBER	QTY	DESCRIPTION	REV
39	70006093	1	Stator (Not Shown)	
39	70002297	1	Stud	
39	70003631	1	Brush holder Assembly (Not Shown)	
39A	70004099	1	Key	
39B	70001966	1	Bearing, Ball Radial (Located in Belt Tensioner Endbell)	
39B	70003708	1	Ring, Internal Retaining (Located in Belt Tensioner Endbell)	
39B	70003709	1	Ring, External Retaining (Located in Belt Tensioner Endbell)	
39C	70004092	1	Endbell, Belt Tensioner	
39D	70004094	1	Endbell, Brush Block	
39E	70006094	1	Shroud	
39E	70002291	1	Insulator, Endbell	
39E	7027799	1	Block, Connector 6 Position (Not Shown)	
39E	70002460	1	Nut, Brass (Attaches p/n 7027799 to Cover) (Not Shown)	
39E	70006095	1	Breaker, Circuit 30Amp (Not Shown)	
39E	70006096	1	Boot, Breaker Options (Not Shown):	
39E	7026626	1	Connector, 6 Position (Includes Seal) (Not Shown - Plugs into Item 36)	
39E	7026597	1	Connector, with Leads (Not Shown)	
39E	70004098	1	Clamp, Cable (Not Shown)	
39E	70006097	1	Plate, End Panel	
39E	70001974	1	Decal - Terminal Connections	
39F	70001973	1	Decal - Warning Moving Parts	
40	1001142643	1	Support	
41	1001142646	1	Belt, Drive	
42	1001157592	1	Junction Box Assembly (See Items 101-121 for Breakdown)	
43	3311405	4	Nut 1/4	
44	3311005	4	Nut #10	
	1001157592	Ref	JUNCTION BOX ASSEMBLY	D
101	1060343	1.5 ft /.46m	Cable, Electrical 10/4	
102	1001179154	2.5 ft /76cm	Cable, Electrical 12/3	
103	1671092	1	Cover	
104	3300396	1	Cover, Fuse	
105	3311001	6	Nut #10	
106	4360070	1	Circuit Breaker - 15Amp	
108	4460425	1	Connector, Strain Relief	
109	4460426	2	Connector, Strain Relief	
111	4460963	1	Connector	
112	4711000	10	Washer, #10	
114	10702077	2	Screw #10 x 3/8	
115	10702082	2	Screw #10 x 3/4	
116	1001152525	1	Plug	
117	1001157520	1	Block, Terminal	
118	1001157521	1	Box, Junction	
119	1001157528	1	Decal - Wiring Schematic	
120	1001158007	1	Cover, PVC	
121	1001158008	2	Stand-Off	
	0272435	Ref	DECAL INSTALLATION	D
201	1705460	2	Decal - SkyPower	
202	3251243	1	Decal - 120V - 60Hz (60Hz Spec Only) (Not Shown - Located at Platform Receptacle)	

SECTION 3 - ENGINE

ITEM	PART NUMBER	QTY	DESCRIPTION	REV
203	1705375	1	Decal - 240V - 3 Phase	A
204	1705387	3	Decal, Hazardous Voltage	
	1001157770	Ref	ELECTRICAL DIAGRAM COMPONENTS	
301	1001119968	1	Generator Harness (Not Shown - See Separate Breakdown in ELECTRICAL SECTION)	
303	4922641	1	Switch Harness (Not Shown)	

SECTION 3 - ENGINE

FIGURE 3-87. 7500W/60HZ SKYPOWER GENERATOR INSTALLATION – FORD DF 2.5L ENGINES



SECTION 3 - ENGINE

FIGURE 3-87. 7500W/60HZ SKYPOWER GENERATOR INSTALLATION – FORD DF 2.5L ENGINES

ITEM	PART NUMBER	QTY	DESCRIPTION	REV
	1001219618	Ref	7500W SKYPOWER GENERATOR INSTALLATION - FORD ENGINES	D
		Ref	Note: See ELECTRICAL SECTION for Boom Cable Components.	
1	0100011	AR	Compound, Locking	
2	0100019	AR	Compound, Locking	
3	0641405	4	Bolt 1/4 x 5/8	
4	0760610	2	Bolt M6 x 20	
5	0641516	3	Bolt 5/16 x 2	
6	0741607	3	Screw 3/8 x 7/8	
7	0761018	1	Bolt M10 x 50	
9	0860038	1	Box, Switch	
10	0861538	1	Control Box Assembly	
10	7024488	1	Card, Circuit - Generator Power	
10	See Note	1	Fuse (Note: Not Available - Purchase Locally)	
10	7024489	1	Card, Circuit - Control	
10	70000619	1	Harness, Circuit Card	
11	0902888	1	Bracket, Box Mounting	
12	0962520	1	Bushing, Split Taper	
13	2820031	1	Heat Shrink	
14	3252764	1	Nameplate - AC & Weld	
15	3291201	4	Nut M12	
16	3311005	4	Nut #10	
17	3290601	2	Nut M6	
18	3311505	3	Nut 5/16	
19	3580314	1	Pulley	
20	3740080	2	Relay	
21	3580317	1	Tensioner, Belt	
22	3910606	2	Screw #6 x 3/8	
23	3931016	4	Capscrew #10 x 1	
24	3960422	1	Gasket	
25	4060802	1	Guard, Switch	
26	4360336	1	Switch, Toggle	
27	4460071	1	Connector, Strain Relief	
28	4460346	1	Receptacle	
29	4711400	4	Washer 1/4	
30	4711500	6	Washer 5/16	
31	4751000	4	Washer #10	
32	4811700	2	Washer M6	
34	4922925	1	Harness, Generator	
35	5241200	4	Washer M12	
36	1001136104	1	Generator Assembly	
36	70003631	1	Brushholder Assembly (Not Shown) (was p/n 7024484)	
36	7024485	1	Breaker, Circuit 30Amp (Not Shown)	
36	70001696	1	Boot, Breaker (was p/n 7024486 - Not Shown)	
36	70001966	1	Bearing, Ball Radial (Located In Belt Tensioner Endbell - Not Shown)	
36	7027799	1	Block, Connector 6 Position (Not Shown)	
36	70002460	6	Nut, Brass (Attaches p/n 7027799 to Cover) (Not Shown)	
36	7026188	1	Clamp, Cable (Not Shown)	
36	7026597	1	Connector, W/Leads (Not Shown)	

SECTION 3 - ENGINE

ITEM	PART NUMBER	QTY	DESCRIPTION	REV
36	7026626	1	Connector - 6 Position with Seal (Not Shown)	
36	70002088	1	Stator (Not Shown)	
36	70004169	1	Panel, End (Not Shown) (was p/n 70002255)	
36	70001974	1	Decal - Terminal Connections (Not Shown)	
36	70000863	1	Fan (Not Shown)	
36	70002297	4	Stud (Not Shown)	
36A	70004171	1	Key (was p/n 7024561)	
36A	70001100	1	Armature, Generator (Includes Radial Ball Bearing on End with Brushes and Fan)	
36A	70001384	1	Bearing, Ball Radial	
36B	70001966	1	Bearing, Radial Ball	
36B	70003708	1	Ring, Internal Retaining (Located in Belt Tensioner Endbell)	
36B	70003709	1	Ring, External Retaining (Located in Belt Tensioner Endbell)	
36C	70001973	1	Decal - Warning Moving Parts	
36D	70004169	1	Endbell, Brush Block (was p/n 70001385)	
36E	70001953	1	Endbell, Belt Tensioner	
36F	70004169	1	Endbell, Shroud Assembly (was p/n 70002290)	
37	1001196382	4	Stud	
38	1001157592	1	Junction Box Assembly (See Items 101-121 for Breakdown)	
40	1001216390	1	V-Belt	
41	1001218930	1	Mount, Tensioner	
42	1001110873	1	Cover, Receptacle	
43	4871700	2	Washer M6	
44	0760606	1	Bolt M6 x 12	
	1001157592	Ref	JUNCTION BOX ASSEMBLY	C
101	1060343	1.5 ft /0.46m	Cable, Electrical - 10/4 (60Hz Only)	
102	1001179154	2.5 ft /0.76m	Cable Electrical - 12/3	
103	1671092	1	Cover, Connector	
104	3300396	1	Cover, Fuse	
105	3311001	6	Nut #10	
106	4360070	1	Breaker, Circuit 15Amp	
107	4460425	1	Connector, Strain Relief	
108	4460426	2	Connector, Strain Relief	
111	4460963	1	Receptacle	
112	4711000	10	Washer #10	
114	10702077	2	Screw #10 x 3/8	
115	10702082	2	Screw #10 x 3/4	
116	1001152525	1	Plug, Hole	
117	1001157520	1	Block, Terminal Pole	
118	1001157521	1	Box, Junction	
119	1001157528	1	Decal - Box Junction	
120	1001158007	1	Cover	
121	1001158008	2	Standoff	
	0272435	Ref	DECAL INSTALLATION	D
201	1705460	2	Decal - SkyPower	
202	3251243	1	Decal - 120V - 60Hz (60Hz Spec Only) (Located on Opposite Side)	
203	1705375	1	Decal - 240V - 3 Phase	
204	1705387	3	Decal, Hazardous Voltage	
	1001221498	Ref	ELECTRICAL DIAGRAM COMPONENTS	B

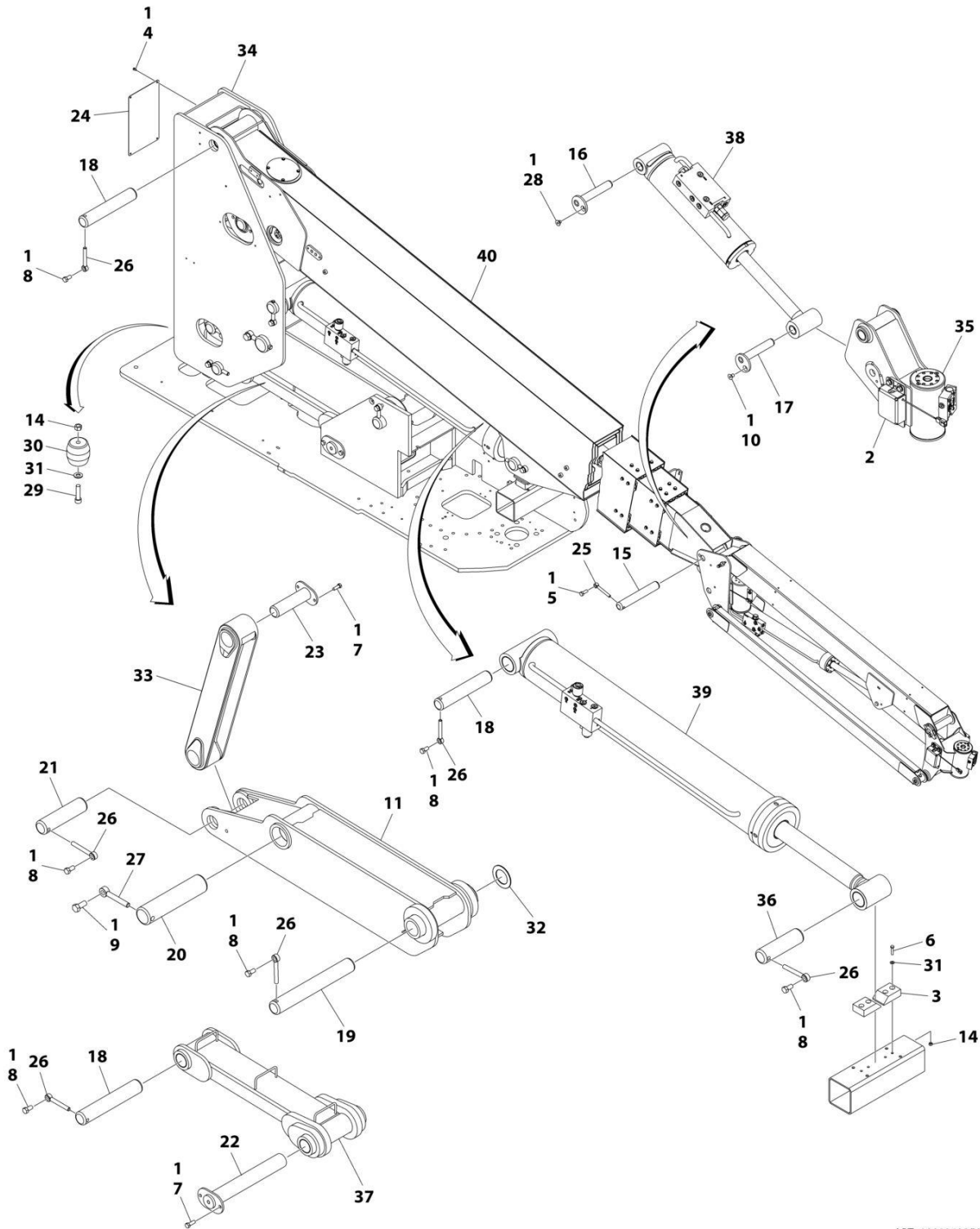
SECTION 3 - ENGINE

ITEM	PART NUMBER	QTY	DESCRIPTION	REV
301	1001257972	1	Generator to Engine Harness (See Separate Breakdown in ELECTRICAL SECTION)	
303	4922641	1	Generator On/Off Switch Harness	

SECTION 4 - BOOM

SECTION 4 - BOOM

FIGURE 4-1. BOOM AND CYLINDERS INSTALLATION (800S HC3)



ART_1001262350_B

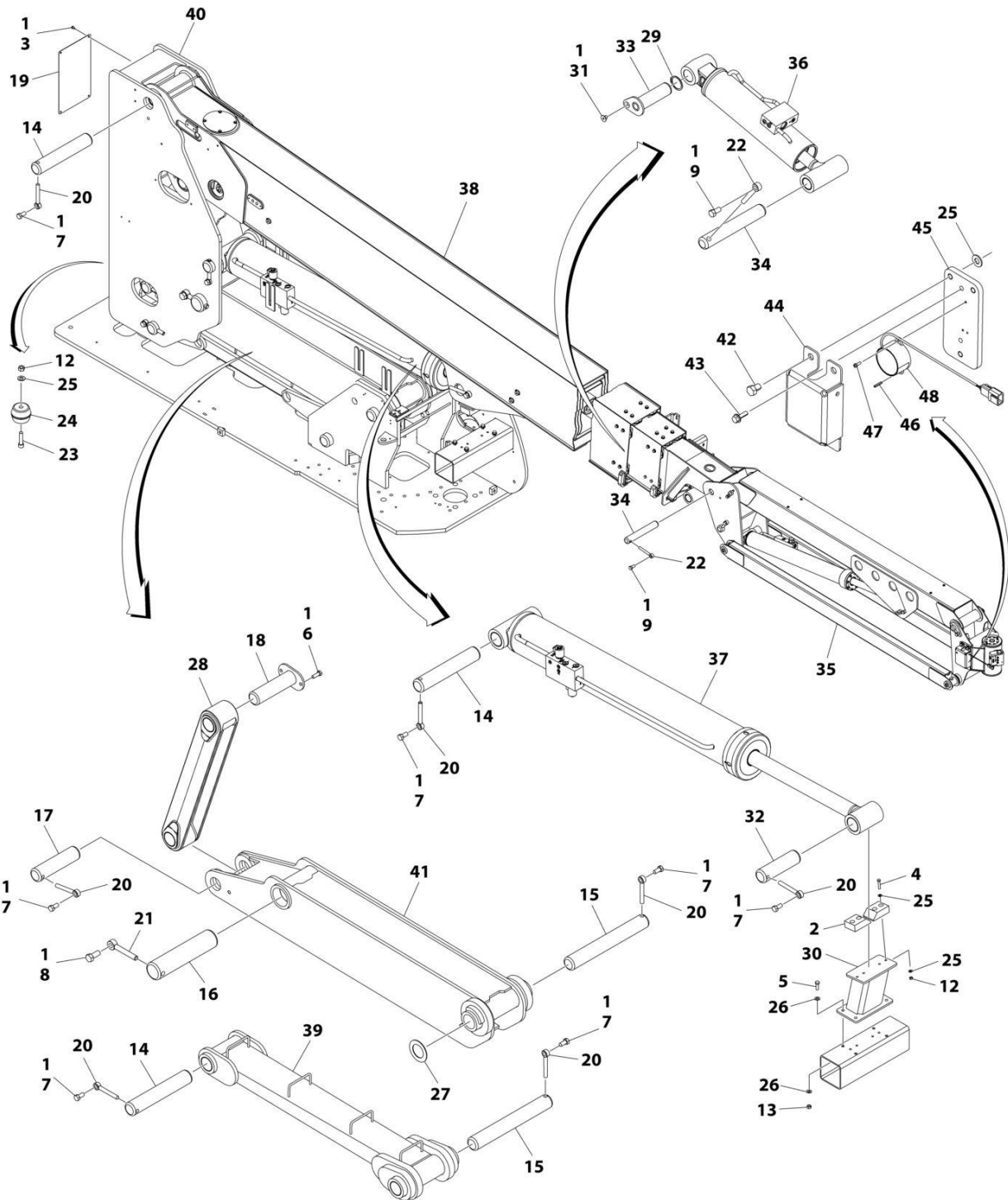
SECTION 4 - BOOM

FIGURE 4-1. BOOM AND CYLINDERS INSTALLATION (800S HC3)

ITEM	PART NUMBER	QTY	DESCRIPTION	REV
	1001262350	Ref	BOOM AND CYLINDERS INSTALLATION	B
1	0100011	AR	Compound, Locking	
2	0273695	1	Level Switch Installation	
3	0561380	2	Block, Boom Rest	
4	0641504	4	Bolt 5/16 x 1/2	
5	0641608	1	Bolt 3/8 x 1	
6	0641613	4	Bolt 3/8 x 1-5/8	
7	0642014	4	Bolt 5/8 x 1-3/4	
8	0642212	6	Bolt 3/4 x 1-1/2	
9	0642618	1	Bolt 1 x 2-1/4	
10	0741605	1	Bolt 3/8 x 5/8	
11	0801279	1	Tower	
14	3311605	6	Nut 3/8	
15	3422562	1	Pin	
16	3422569	1	Pin	
17	3422580	1	Pin	
18	3422908	3	Pin	
19	3422909	1	Pin	
20	3422910	1	Pin	
21	3422920	1	Pin	
22	3422930	1	Pin	
23	3422931	1	Pin	
24	3573050	1	Cover	
25	3841143	1	Keeper, Pin	
26	3841287	6	Keeper, Pin	
27	3841356	1	Keeper, Pin	
28	3900192	1	Bolt 3/8 x 1/2	
29	3931624	2	Bolt 3/8 x 1-1/2	
30	4160187	2	Spring	
31	4711600	6	Washer 3/8	
32	4740492	1	Washer	
33	1001117804	1	Link, Timing	
34	1001258003	1	Boom, Upright	
35	1001181060	1	Actuator, Platform Rotate	
36	1001196221	1	Pin	
37	1001201602	1	Link, Tension	
38	1001251027	1	Lift Cylinder Assembly - Tower Boom (See Separate Breakdown in CYLINDER Section)	
39	1001251028	1	Lift Cylinder Assembly - Tower Boom (See Separate Breakdown in CYLINDER Section)	
40	1001262351	1	Boom Assembly - Main (See Separate Breakdown in this Section)	

SECTION 4 - BOOM

FIGURE 4-2. BOOM AND CYLINDERS INSTALLATION (MACHINES WITH SN STARTING WITH 03) (860SJ HC3)



ART_1001256821

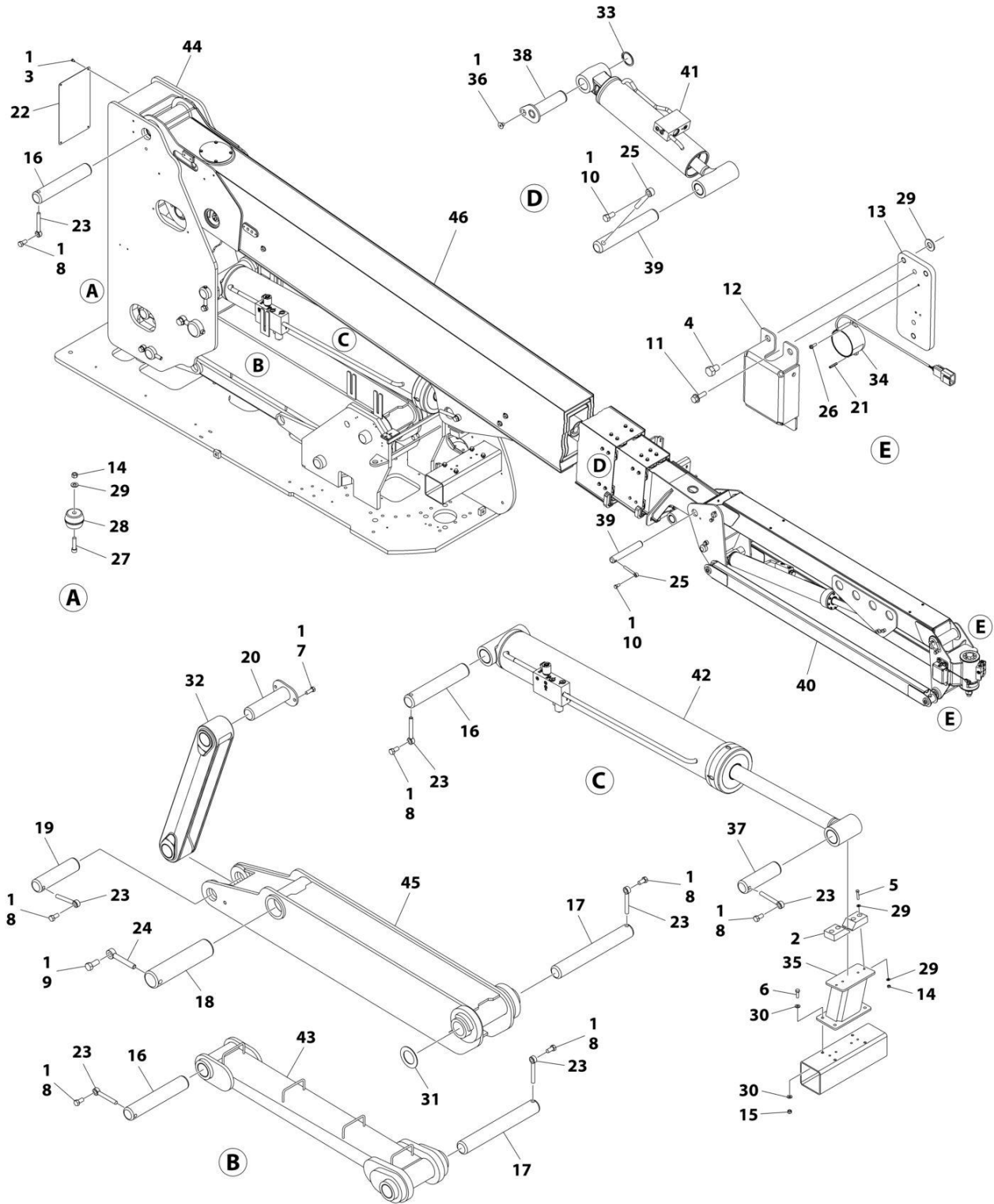
SECTION 4 - BOOM

**FIGURE 4-2. BOOM AND CYLINDERS INSTALLATION (MACHINES WITH SN STARTING WITH 03)
(860SJ HC3)**

ITEM	PART NUMBER	QTY	DESCRIPTION	REV
	1001256821	Ref	BOOMS AND CYLINDERS INSTALLATION	E
1	0100011	AR	Compound, Locking	
2	0561380	2	Block, Boom Rest	
3	0641504	4	Bolt 5/16 x 1/2	
4	0641615	4	Bolt 3/8 x 1-7/8	
5	0641812	4	Bolt 1/2 x 1-1/2	
6	0642014	2	Bolt 5/8 x 1-3/4	
7	0642212	7	Bolt 3/4 x 1-1/2	
8	0642618	1	Bolt 1 x 2-1/4	
9	0761212	2	Bolt M12 x 25	
12	3311605	6	Nut 3/8	
13	3311805	4	Nut 1/2	
14	3422908	3	Pin	
15	3422909	2	Pin	
16	3422910	1	Pin	
17	3422920	1	Pin	
18	3422931	1	Pin	
19	3573050	1	Cover	
20	3841287	7	Keeper, Pin	
21	3841356	1	Keeper, Pin	
22	3841709	2	Keeper, Pin	
23	3931624	2	Capscrew 3/8 x 1-1/2	
24	4160187	2	Spring, Rubber	
25	4711600	16	Washer 3/8	
26	4711800	8	Washer 1/2	
27	4740492	1	Thrustwasher	
28	1001117805	1	Power Link Weldment	
29	1001138671	1	Ring, Snap	
30	1001157837	1	Rest, Boom	
31	1001192027	1	Screw M10 x 12	
32	1001196221	1	Pin	
33	1001237142	1	Pin	
34	1001237949	2	Pin	
35	1001238328	1	Jib Boom Assembly (See Separate Breakdown in this Section)	
36	1001247466	1	Level Cylinder Assembly (See Separate Breakdown in CYLINDER Section)	
37	1001251029	1	Lift Cylinder Assembly (See Separate Breakdown in CYLINDER Section)	
38	1001256709	1	Boom Assembly (See Separate Breakdown in this Section)	
39	1001257776	1	Link	
40	1001258003	1	Upright	
41	1001258007	1	Boom, Tower	
42	0641604	6	Bolt 3/8 x 1/2	
43	0780610	4	Bolt M6 x 20	
44	1671044	2	Cover, Sensor	
45	3200449	2	Mount, Sensor	
46	3440410	2	Rollpin	
47	3930606	4	Capscrew #6 x 3/8	
48	1001147479	2	Sensor	

SECTION 4 - BOOM

FIGURE 4-3. BOOM AND CYLINDERS INSTALLATION (MACHINES WITH SN STARTING WITH B3)
(860SJ HC3)



ART_1001282593_C

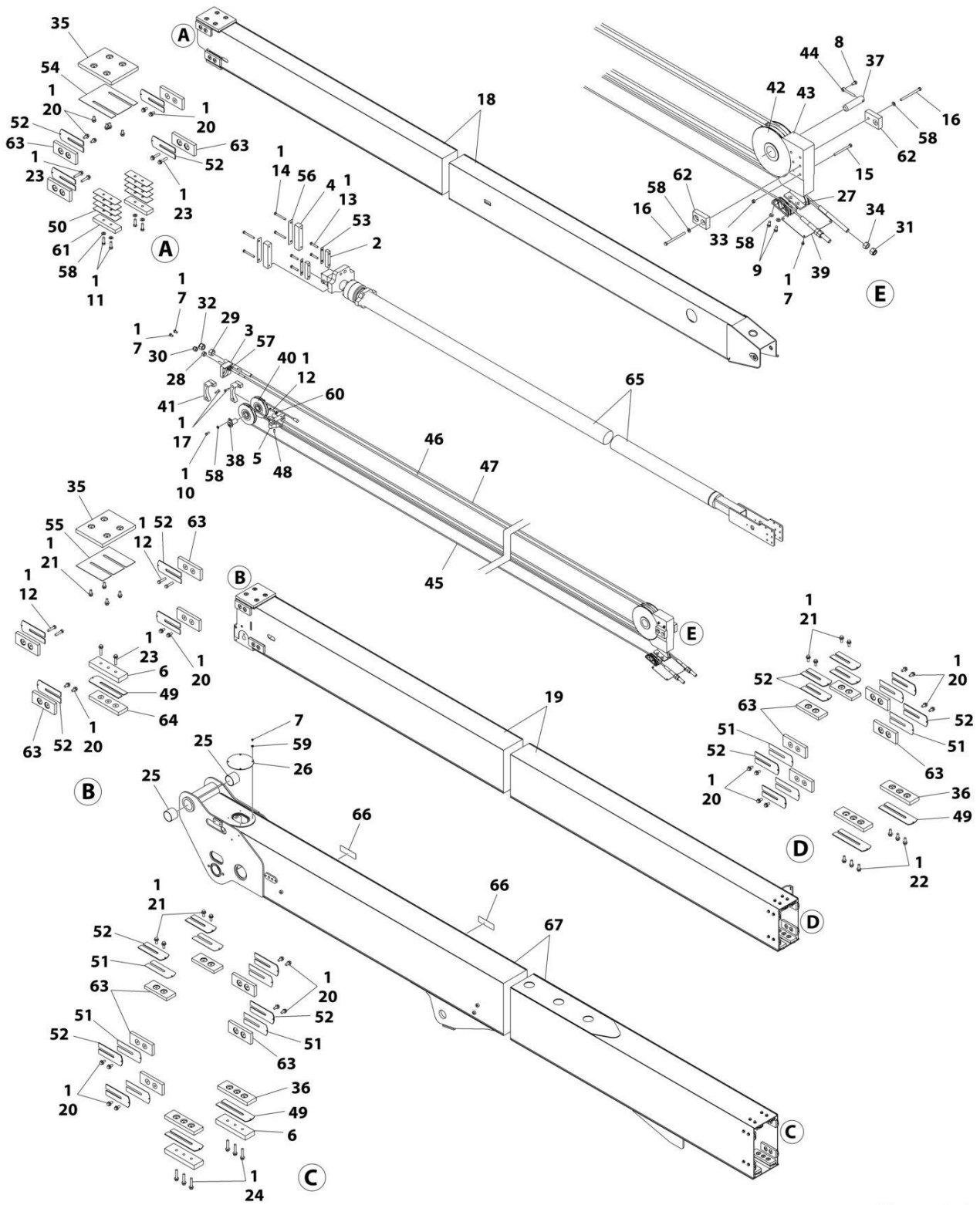
SECTION 4 - BOOM

**FIGURE 4-3. BOOM AND CYLINDERS INSTALLATION (MACHINES WITH SN STARTING WITH B3)
(860SJ HC3)**

ITEM	PART NUMBER	QTY	DESCRIPTION	REV
	1001282593	Ref	BOOMS AND CYLINDERS INSTALLATION	C
1	0100011	AR	Compound, Locking	
2	0561380	2	Block, Boom Rest	
3	0641504	4	Bolt 5/16 x 1/2	
4	0641604	6	Bolt 3/8 x 1/2	
5	0641615	4	Bolt 3/8 x 1-7/8	
6	0641812	4	Bolt 1/2 x 1-1/2	
7	0642014	2	Bolt 5/8 x 1-3/4	
8	0642212	7	Bolt 3/4 x 1-1/2	
9	0642618	1	Bolt 1 x 2-1/4	
10	0761212	2	Bolt M12 x 25	
11	0780610	4	Bolt M6 x 20	
12	1671044	2	Cover, Sensor	
13	3200449	2	Mount, Sensor	
14	3311605	6	Nut 3/8	
15	3311805	4	Nut 1/2	
16	3422908	3	Pin	
17	3422909	2	Pin	
18	3422910	1	Pin	
19	3422920	1	Pin	
20	3422931	1	Pin	
21	3440410	2	Rollpin	
22	3573050	1	Cover	
23	3841287	7	Keeper, Pin	
24	3841356	1	Keeper, Pin	
25	3841709	2	Keeper, Pin	
26	3930606	4	Capscrew #6 x 3/8	
27	3931624	2	Capscrew 3/8 x 1-1/2	
28	4160187	2	Spring, Rubber	
29	4711600	16	Washer 3/8	
30	4711800	8	Washer 1/2	
31	4740492	1	Thrustwasher	
32	1001117805	1	Power Link Weldment	
33	1001138671	1	Ring, Snap	
34	1001147479	2	Sensor	
35	1001157837	1	Rest, Boom	
36	1001192027	1	Screw M10 x 12	
37	1001196221	1	Pin	
38	1001237142	1	Pin	
39	1001237949	2	Pin	
40	1001314179	1	Jib Boom Assembly (See Separate Breakdown in this Section)	
41	1001247466	1	Level Cylinder Assembly (See Separate Breakdown in CYLINDER Section)	
42	1001251029	1	Lift Cylinder Assembly (See Separate Breakdown in CYLINDER Section)	
43	1001257776	1	Link	
44	1001258003	1	Upright	
45	1001258007	1	Boom, Tower	
46	1001282592	1	Boom Assembly (See Separate Breakdown in this Section)	

SECTION 4 - BOOM

FIGURE 4-4. MAIN BOOM ASSEMBLY (800S HC3)



ART_1001262351_D

SECTION 4 - BOOM

FIGURE 4-4. MAIN BOOM ASSEMBLY (800S HC3)

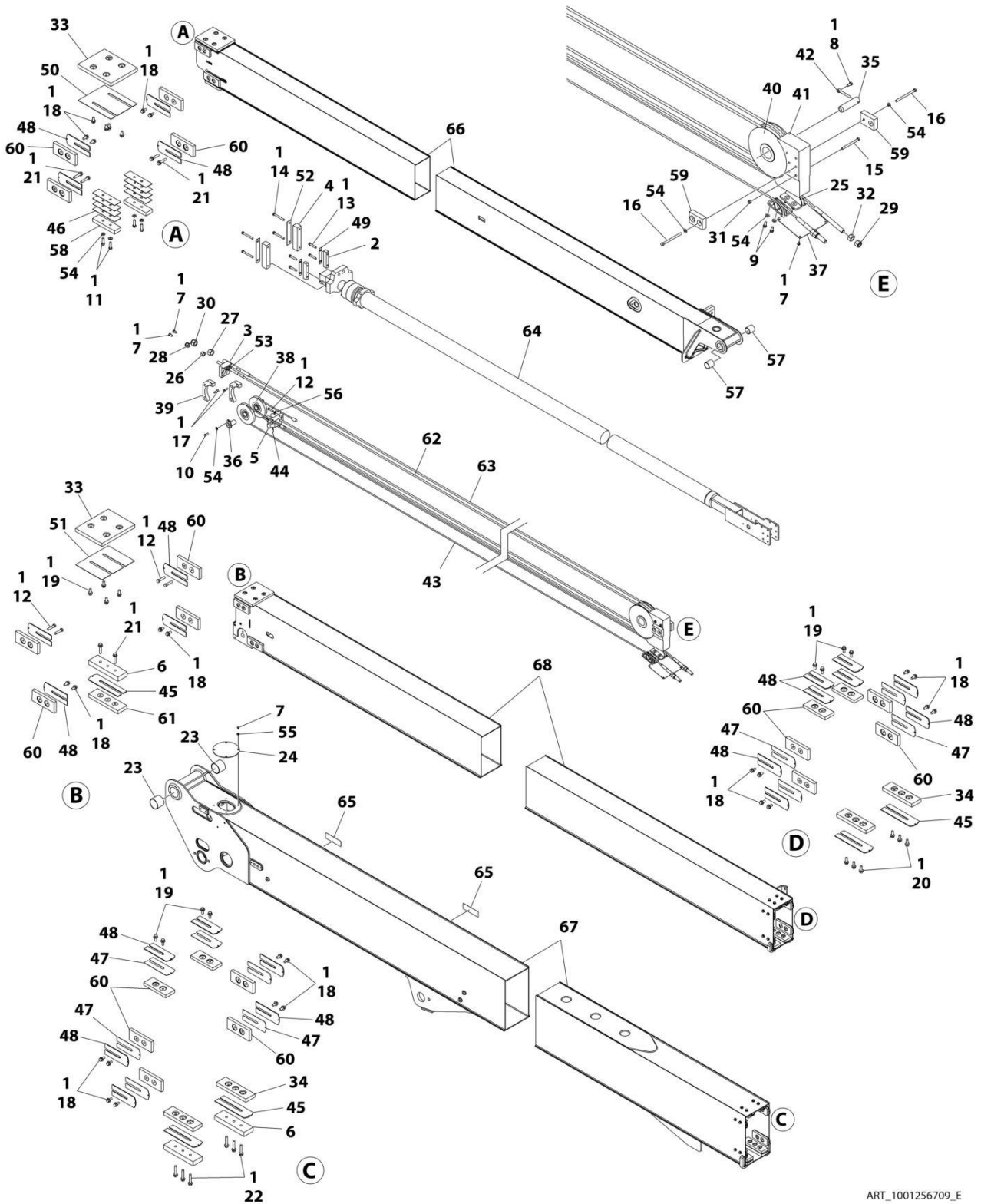
ITEM	PART NUMBER	QTY	DESCRIPTION	REV
	1001262351	Ref	MAIN BOOM ASSEMBLY	D
1	0100011	AR	Compound, Locking	
2	0561185	2	Block, Attach	
3	0561445	1	Block, Switch	
4	0561446	2	Block	
5	0561447	1	Block, Cable	
6	0561449	3	Block, Spacer	
7	0641403	10	Bolt 1/4 x 3/8	
8	0641606	1	Bolt 3/8 x 3/4	
9	0641607	4	Bolt 3/8 x 7/8	
10	0641608	2	Bolt 3/8 x 1	
11	0641610	4	Bolt 3/8 x 1-1/4	
12	0641613	6	Bolt 3/8 x 1-5/8	
13	0641616	4	Bolt 3/8 x 2	
14	0641626	4	Bolt 3/8 x 3-1/4	
15	0641634	4	Bolt 3/8 x 4-1/4	
16	0641640	2	Bolt 3/8 x 5	
17	0741612	6	Bolt 3/8 x 1-1/2	
18	0801275	1	Fly Boom	
19	0801649	1	Middle Boom	
20	0811606	28	Bolt 3/8 x 3/4	
21	0811607	12	Bolt 3/8 x 7/8	
22	0811608	6	Bolt 3/8 x 1	
23	0811614	6	Bolt 3/8 x 1-3/4	
24	0811616	6	Bolt 3/8 x 2	
25	0962297	2	Bushing	
26	1120510	1	Cover, Upright	
27	1220078	2	Sheave, Block	
28	3272001	1	Nut 5/8	
29	3272401	1	Nut 7/8	
30	3300240	1	Nut 5/8	
31	3300241	2	Nut 3/4	
32	3300242	1	Nut 7/8	
33	3311605	4	Nut 3/8	
34	3312201	2	Nut 3/4	
35	3340757	2	Pad, Wear	
36	3340871	4	Pad, Wear	
37	3422417	1	Pin	
38	3422424	2	Pin	
39	3539622	1	Plate, Cover	
40	3580243	2	Sheave Assembly, Retract	
41	3580249	2	Sheave Guard, Retract	
42	3580288	1	Sheave Assembly, Extend	
43	3580289	1	Sheave Guard, Extend	
44	3841143	1	Keeper, Pin	
45	1001308436	2	Rope, Wire	
46	1001307773	1	Rope, Wire	
47	1001307774	1	Rope, Wire	
48	3951608	2	Bolt 3/8 x 1	
49	4070863	5	Shim #11	

SECTION 4 - BOOM

ITEM	PART NUMBER	QTY	DESCRIPTION	REV
50	4070895	8	Shim #16	
51	4070897	10	Shim, Wear Pad	
52	4070898	22	Shim #11	
53	4070929	2	Shim #16	
54	4070939	1	Shim #16	
55	4070940	1	Shim #16	
56	4071020	2	Shim #16	
57	4160149	1	Spring	
58	4711600	12	Washer 3/8	
59	4751400	4	Washer 1/4	
60	4891600	2	Washer 3/8	
61	1001148650	2	Pad, Wear	
62	1001148651	2	Pad, Wear	
63	1001148652	20	Pad, Wear	
64	1001148653	1	Pad, Wear	
65	1001251081	1	Telescope Cylinder Assembly (See Separate Breakdown in CYLINDER Section)	
66	1001250737	2	Cover, Boom	
67	1001262352	1	Base Boom	

SECTION 4 - BOOM

FIGURE 4-5. MAIN BOOM ASSEMBLY (MACHINES WITH SN STARTING WITH 03) (860SJ HC3)



ART_1001256709_E

SECTION 4 - BOOM

FIGURE 4-5. MAIN BOOM ASSEMBLY (MACHINES WITH SN STARTING WITH 03) (860SJ HC3)

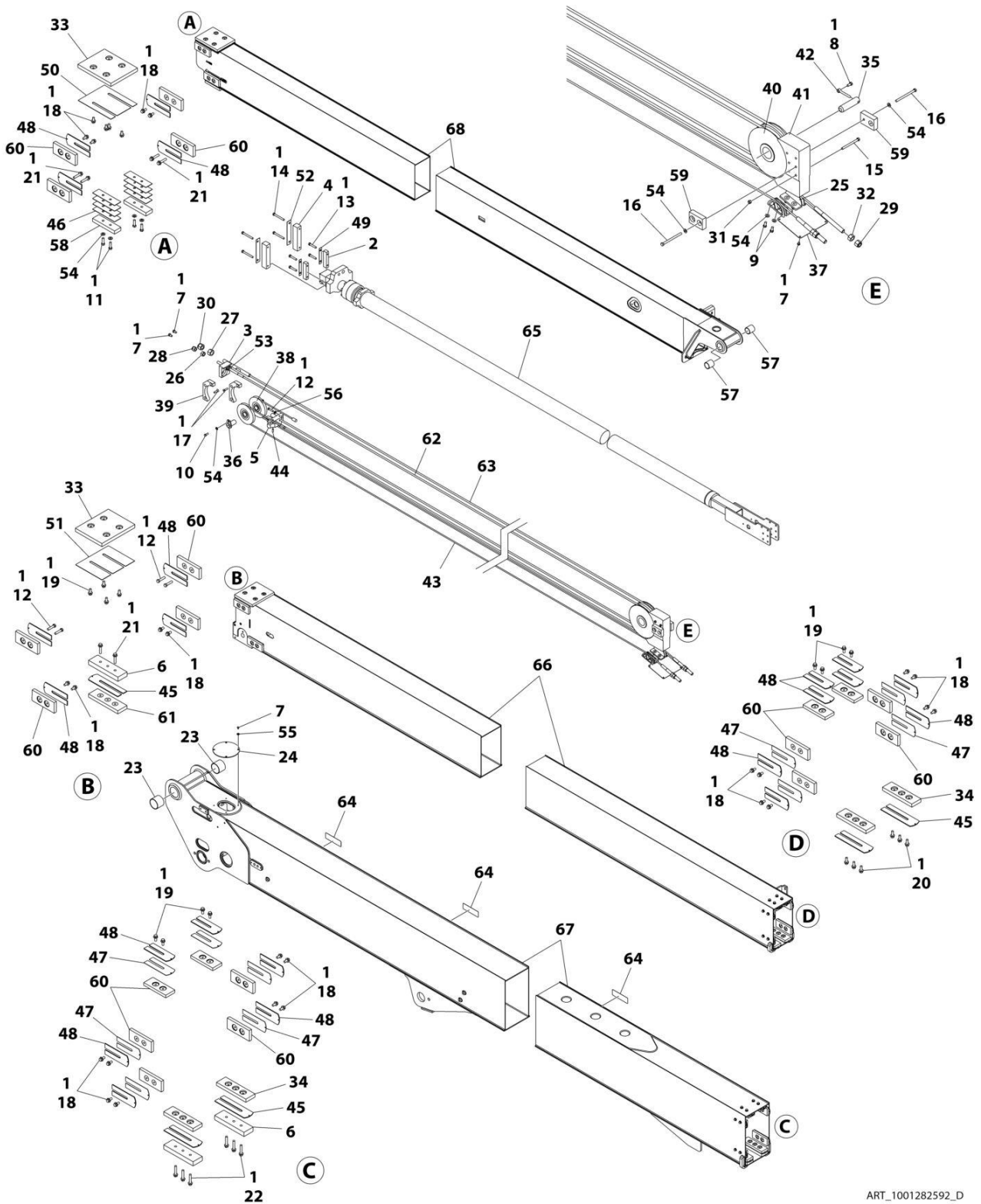
ITEM	PART NUMBER	QTY	DESCRIPTION	REV
	1001256709	Ref	MAIN BOOM ASSEMBLY	E
1	0100011	AR	Compound, Locking	
2	0561185	2	Block, Telescope Attach	
3	0561445	1	Block, Spring Mounting	
4	0561446	2	Block, Tele Mount	
5	0561447	1	Block, Cable Mount	
6	0561449	3	Block, Spacer	
7	0641403	10	Bolt 1/4 x 3/8	
8	0641606	1	Bolt 3/8 x 3/4	
9	0641607	4	Bolt 3/8 x 7/8	
10	0641608	2	Bolt 3/8 x 1	
11	0641610	4	Bolt 3/8 x 1-1/4	
12	0641613	6	Bolt 3/8 x 1-5/8	
13	0641616	4	Bolt 3/8 x 2	
14	0641626	4	Bolt 3/8 x 3-1/4	
15	0641634	4	Bolt 3/8 x 4 1/4	
16	0641640	2	Bolt 3/8 x 5	
17	0741612	6	Screw 3/8 x 1-1/2	
18	0811606	28	Screw 3/8 x 3/4	
19	0811607	12	Screw 3/8 x 7/8	
20	0811608	6	Screw 3/8 x 1	
21	0811614	6	Screw 3/8 x 1-3/4	
22	0811616	6	Screw 3/8 x 2	
23	0962297	2	Bearing	
24	1120510	1	Cover, Pin	
25	1220078	2	Sheave, Block	
26	3272001	1	Nut 5/8	
27	3272401	1	Nut 7/8	
28	3300240	1	Nut 5/8	
29	3300241	2	Nut 3/4	
30	3300242	1	Nut 7/8	
31	3311605	4	Nut 3/8	
32	3312201	2	Nut 3/4	
33	3340757	2	Pad, Wear	
34	3340871	4	Pad, Wear	
35	3422417	1	Pin, Extend Sheave	
36	3422424	2	Pin	
37	3539622	1	Plate, Cover	
38	3580243	2	Sheave, Retract	
38	0961951	1	Bushing	
39	3580249	2	Guard, Sheave	
40	3580288	1	Sheave, Extend	
40	0961951	2	Bushing	
41	3580289	1	Guard, Sheave	
42	3841143	1	Keeper, Pin	
43	1001308437	2	Cable, Wire Rope	
44	3951608	2	Setscrew 3/8 x 1	
45	4070863	5	Shim (#11 Gauge)	
46	4070895	8	Shim (#16 Gauge)	
47	4070897	10	Shim (#18 Gauge)	

SECTION 4 - BOOM

ITEM	PART NUMBER	QTY	DESCRIPTION	REV
48	4070898	22	Shim (#11 Gauge)	
49	4070929	2	Shim (#16 Gauge)	
50	4070939	1	Shim (#16 Gauge)	
51	4070940	1	Shim (#16 Gauge)	
52	4071020	2	Shim (#16 Gauge)	
53	4160149	1	Spring, Torsion	
54	4711600	12	Washer 3/8	
55	4751400	4	Washer 1/4	
56	4891600	2	Washer 3/8	
57	1001118666	2	Bearing	
58	1001148650	2	Pad, Wear	
59	1001148651	2	Pad, Wear	
60	1001148652	20	Pad, Wear	
61	1001148653	1	Pad, Wear	
62	1001307775	1	Cable, Wire Rope	
63	1001307776	1	Cable, Wire Rope	
64	1001251083	1	Telescope Cylinder Assembly (See Separate Breakdown in CYLINDER Section)	
65	1001250737	3	Cover	
66	1001256806	1	Fly Weldment	
67	1001256820	1	Base Weldment	
68	1001257286	1	Mid Weldment	

SECTION 4 - BOOM

FIGURE 4-6. MAIN BOOM ASSEMBLY (MACHINES WITH SN STARTING WITH B3) (860SJ HC3)



ART_1001282592_D

SECTION 4 - BOOM

FIGURE 4-6. MAIN BOOM ASSEMBLY (MACHINES WITH SN STARTING WITH B3) (860SJ HC3)

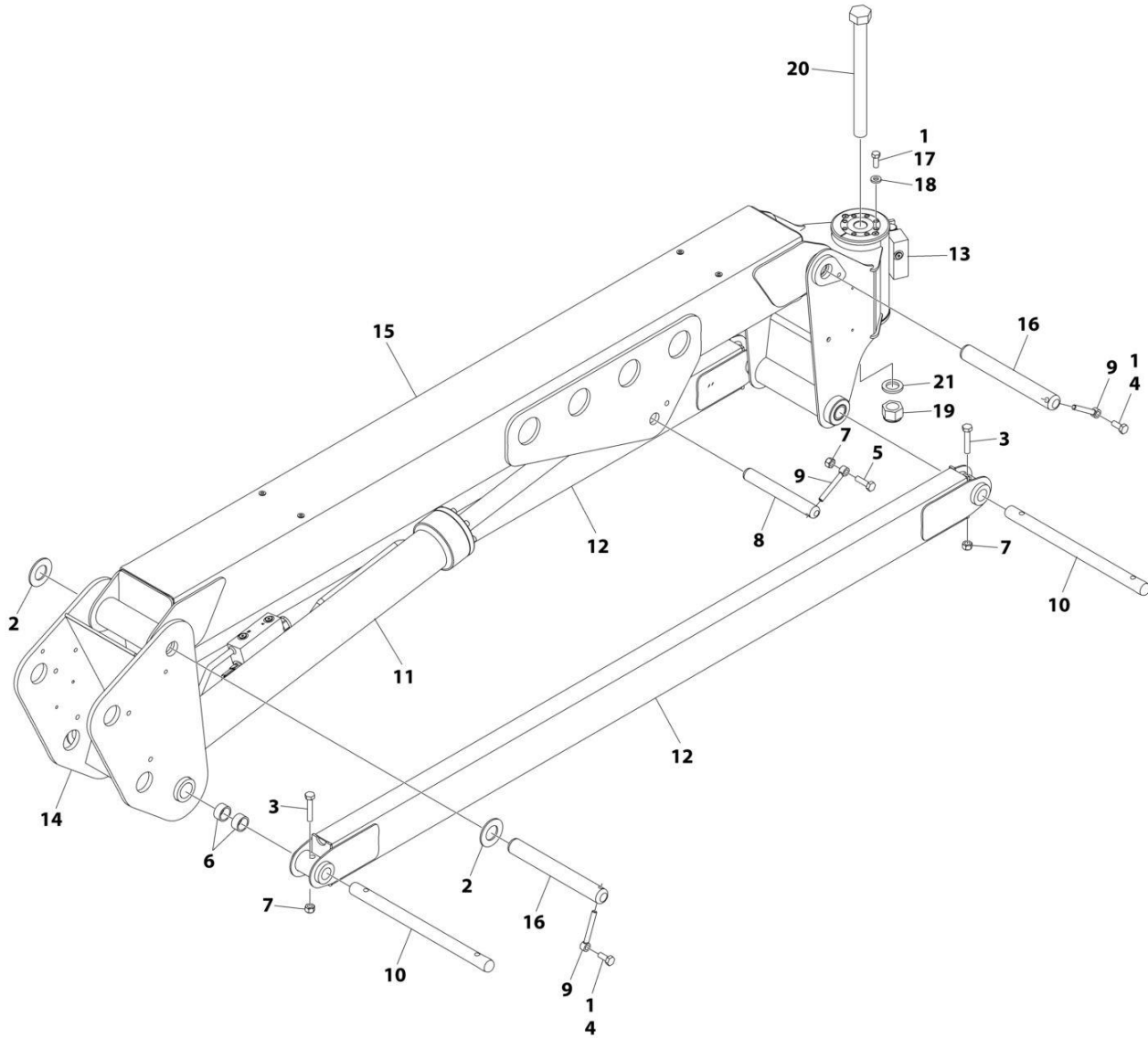
ITEM	PART NUMBER	QTY	DESCRIPTION	REV
	1001282592	Ref	MAIN BOOM ASSEMBLY	D
1	0100011	AR	Compound, Locking	
2	0561185	2	Block, Telescope Attach	
3	0561445	1	Block, Spring Mounting	
4	0561446	2	Block, Tele Mount	
5	0561447	1	Block, Cable Mount	
6	0561449	3	Block, Spacer	
7	0641403	10	Bolt 1/4 x 3/8	
8	0641606	1	Bolt 3/8 x 3/4	
9	0641607	4	Bolt 3/8 x 7/8	
10	0641608	2	Bolt 3/8 x 1	
11	0641610	4	Bolt 3/8 x 1-1/4	
12	0641613	6	Bolt 3/8 x 1-5/8	
13	0641616	4	Bolt 3/8 x 2	
14	0641626	4	Bolt 3/8 x 3-1/4	
15	0641634	4	Bolt 3/8 x 4 1/4	
16	0641640	2	Bolt 3/8 x 5	
17	0741612	6	Screw 3/8 x 1-1/2	
18	0811606	28	Screw 3/8 x 3/4	
19	0811607	12	Screw 3/8 x 7/8	
20	0811608	6	Screw 3/8 x 1	
21	0811614	6	Screw 3/8 x 1-3/4	
22	0811616	6	Screw 3/8 x 2	
23	0962297	2	Bearing	
24	1120510	1	Cover, Pin	
25	1220078	2	Sheave, Block	
26	3272001	1	Nut 5/8	
27	3272401	1	Nut 7/8	
28	3300240	1	Nut 5/8	
29	3300241	2	Nut 3/4	
30	3300242	1	Nut 7/8	
31	3311605	4	Nut 3/8	
32	3312201	2	Nut 3/4	
33	3340757	2	Pad, Wear	
34	3340871	4	Pad, Wear	
35	3422417	1	Pin, Extend Sheave	
36	3422424	2	Pin	
37	3539622	1	Plate, Cover	
38	3580243	2	Sheave, Retract	
38	0961951	1	Bushing	
39	3580249	2	Guard, Sheave	
40	3580288	1	Sheave, Extend	
40	0961951	2	Bushing	
41	3580289	1	Guard, Sheave	
42	3841143	1	Keeper, Pin	
43	1001308437	2	Cable, Wire Rope	
44	3951608	2	Setscrew 3/8 x 1	
45	4070863	5	Shim (#11 Gauge)	
46	4070895	8	Shim (#16 Gauge)	
47	4070897	10	Shim (#18 Gauge)	

SECTION 4 - BOOM

ITEM	PART NUMBER	QTY	DESCRIPTION	REV
48	4070898	22	Shim (#11 Gauge)	
49	4070929	2	Shim (#16 Gauge)	
50	4070939	1	Shim (#16 Gauge)	
51	4070940	1	Shim (#16 Gauge)	
52	4071020	2	Shim (#16 Gauge)	
53	4160149	1	Spring, Torsion	
54	4711600	12	Washer 3/8	
55	4751400	4	Washer 1/4	
56	4891600	2	Washer 3/8	
57	1001118666	2	Bearing	
58	1001148650	2	Pad, Wear	
59	1001148651	2	Pad, Wear	
60	1001148652	20	Pad, Wear	
61	1001148653	1	Pad, Wear	
62	1001307775	1	Cable, Wire Rope	
63	1001307776	1	Cable, Wire Rope	
64	1001250737	3	Cover	
65	1001251083	1	Telescope Cylinder Assembly Options (See Separate Breakdown in CYLINDER Section)	
66	1001282585	1	Mid Weldment	
67	1001282588	1	Base Weldment	
68	1001282591	1	Fly Weldment	

SECTION 4 - BOOM

FIGURE 4-7. JIB BOOM ASSEMBLY (860SJ HC3)



ART_1001238328_H

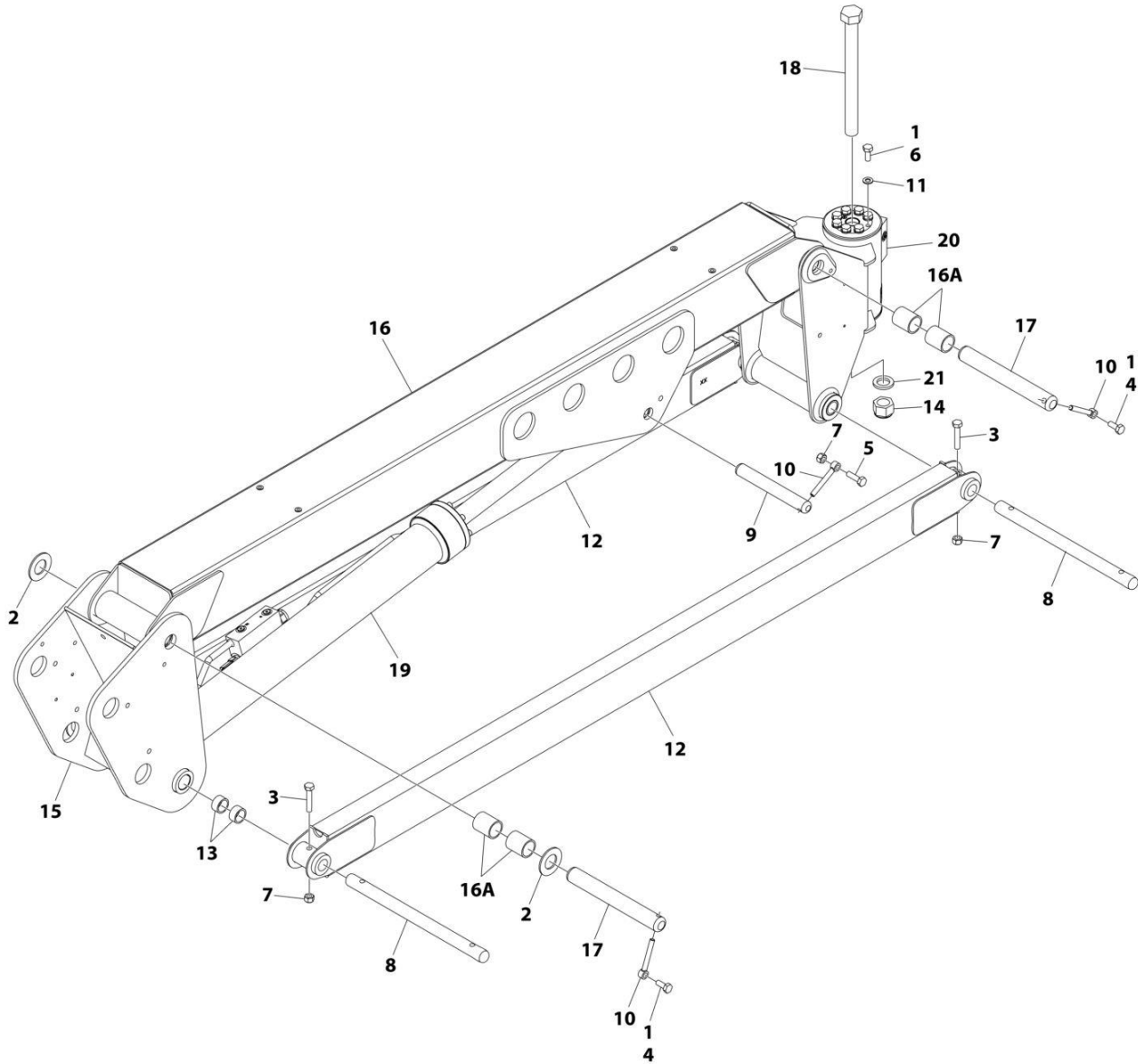
SECTION 4 - BOOM

FIGURE 4-7. JIB BOOM ASSEMBLY (860SJ HC3)

ITEM	PART NUMBER	QTY	DESCRIPTION	REV
	1001238328	Ref	JIB BOOM ASSEMBLY	H
1	0100011	AR	Compound, Locking	
2	0440237	2	Thrustwasher	
3	0701020	4	Bolt M10 x 60	
4	0761012	2	Bolt M10 x 25	
5	0761015	1	Bolt M10 x 35	
6	1001134289	4	Bearing	
7	3291005	5	Nut M10	
8	3422867	1	Pin	
9	3841143	3	Keeper, Pin	
10	3422861	2	Pin	
11	1001264991	1	Lift Cylinder Assembly - Jib (See Separate Breakdown in CYLINDER Section)	
12	4844817	2	Link	
13	1001307725	1	Rotator Assembly (See Separate Breakdown in this Section)	
14	1001238168	1	Pivot	
15	1001238333	1	Tube (Upper)	
16	1001238398	2	Pin	
17	0681608	8	Bolt 3/8 x 1	
18	4891600	8	Washer 3/8	
19	1001174040	1	Nut	
20	1001255133	1	Bolt 1 x 11	
21	4892600001	1	Washer 1	

SECTION 4 - BOOM

FIGURE 4-8. JIB ASSEMBLY (MACHINES WITH SN STARTING WITH B3) (860SJ HC3)



ART_1001314179

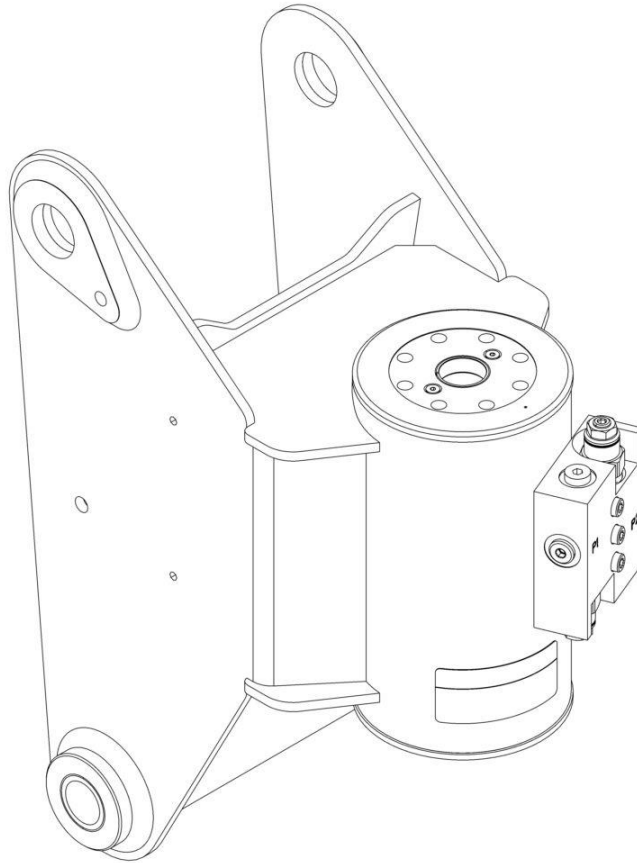
SECTION 4 - BOOM

FIGURE 4-8. JIB ASSEMBLY (MACHINES WITH SN STARTING WITH B3) (860SJ HC3)

ITEM	PART NUMBER	QTY	DESCRIPTION	REV
	1001314179	Ref	JIB ASSEMBLY	A
1	0100011	AR	Compound, Locking	
2	0440237	2	Thrustwasher	
3	0701020	4	Bolt M10 x 60	
4	0761012	2	Bolt M10 x 25	
5	0761015	1	Bolt M10 x 35	
6	0771012	8	Bolt M10 x 25	
7	3291005	5	Nut M10	
8	3422861	2	Pin	
9	3422867	1	Pin	
10	3841143	3	Keeper, Pin	
11	4812000	8	Washer M10	
12	4844817	2	Link	
13	1001134289	4	Bearing	
14	1001174040	1	Nut	
15	1001238168	1	Pivot	
16	1001238333	1	Tube (Upper)	
16A	0962155	4	Bushing	
17	1001238398	2	Pin	
18	1001255133	1	Bolt 1 x 11	
19	1001264991	1	Lift Cylinder Assembly - Jib (See Separate Breakdown in CYLINDER Section)	
20	1001299340	1	Rotator Assembly (See Separate Breakdown in This Section)	
21	4892600001	1	Washer	

SECTION 4 - BOOM

FIGURE 4-9. PLATFORM ROTATOR ASSEMBLY (MACHINES WITH SN STARTING WITH B3) (860SJ HC3)



ART_1001299340

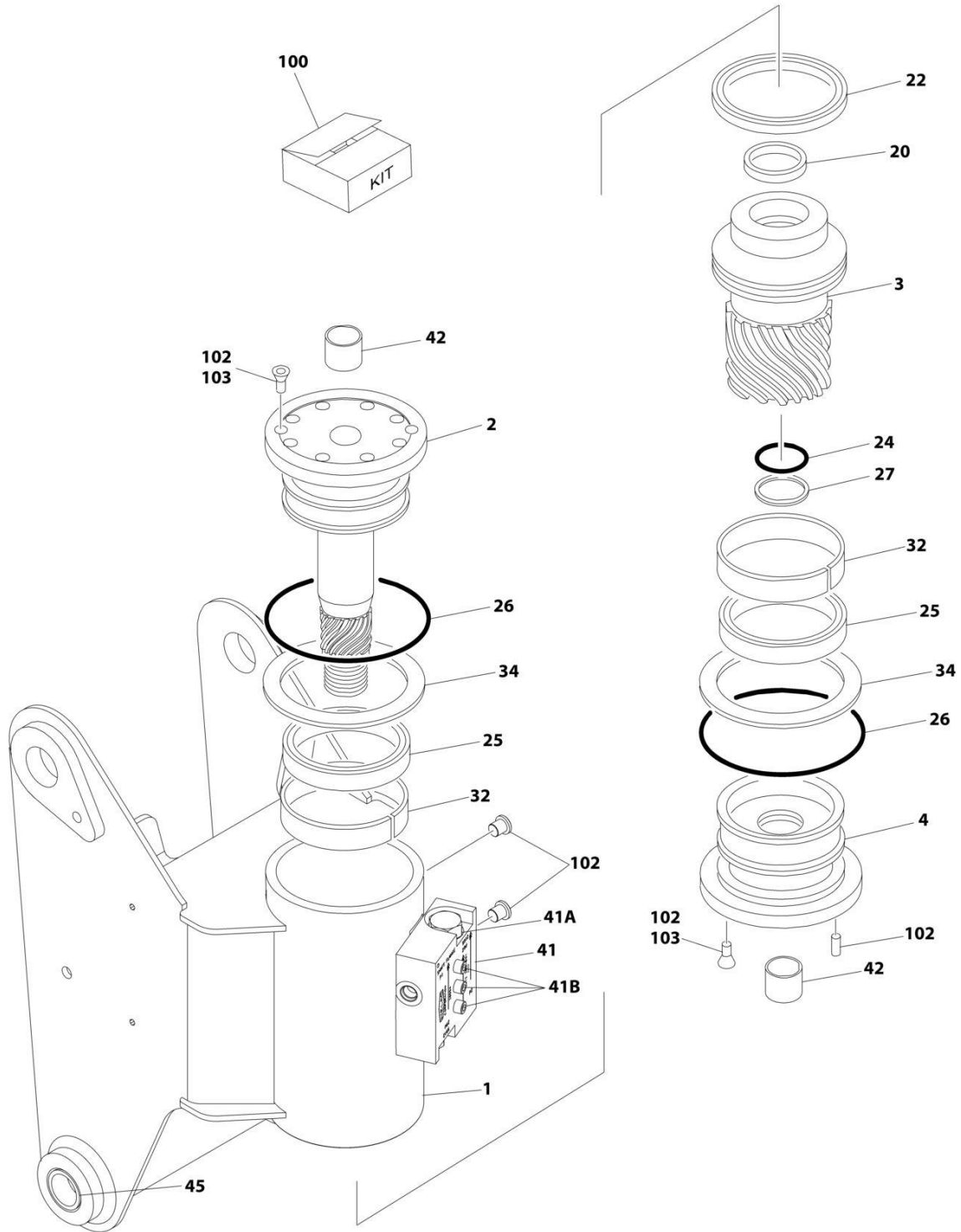
SECTION 4 - BOOM

FIGURE 4-9. PLATFORM ROTATOR ASSEMBLY (MACHINES WITH SN STARTING WITH B3) (860SJ HC3)

ITEM	PART NUMBER	QTY	DESCRIPTION	REV
	1001299340 See Note	Ref NSS	PLATFORM ROTATOR ASSEMBLY Note: No Service Parts Available at Time of Printing	A

SECTION 4 - BOOM

FIGURE 4-10. ROTATOR ASSEMBLY (860SJ HC3)



ART_1001234811

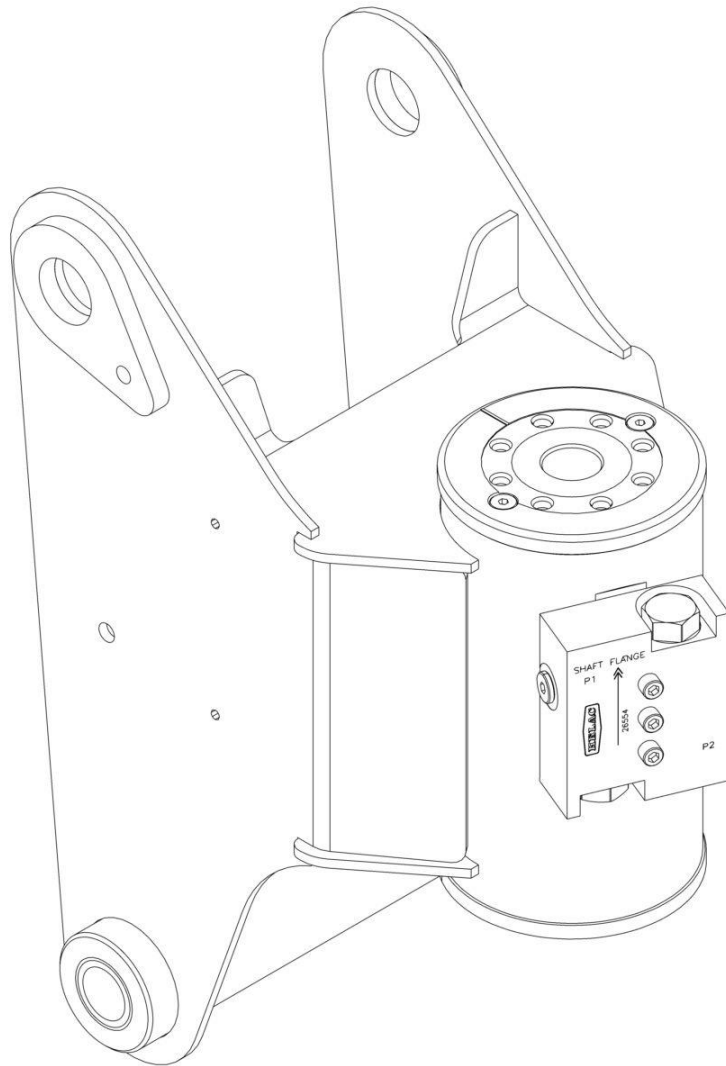
SECTION 4 - BOOM

FIGURE 4-10. ROTATOR ASSEMBLY (860SJ HC3)

ITEM	PART NUMBER	QTY	DESCRIPTION	REV
	1001234811	Ref	ROTATOR ASSEMBLY	B
1	See Note	NSS	Housing/Ring Gear Assembly (Note: Not Available - Purchase Complete Rotator Assembly)	
2	7017162	1	Shaft Weldment	
3	7017163	1	Piston/Sleeve Assembly	
4	7017164	1	Cap, End	
20	See Note	NSS	T-Seal (Note: Use Item 100)	
22	See Note	NSS	T-Seal (Note: Use Item 100)	
24	See Note	NSS	O-Ring (Note: Use Item 100)	
25	See Note	NSS	Seal (Note: Use Item 100)	
26	See Note	NSS	O-Ring (Note: Use Item 100)	
27	See Note	NSS	Ring, Back-up (Note: Use Item 100)	
32	See Note	NSS	Ring, Wear (Note: Use Item 101)	
34	See Note	NSS	Washer, Thrust (Note: Use Item 101)	
41	7017172	AR	Valve Assembly	
41A	7017192	2	Cartridge, Valve	
41A	See Note	NSS	Seal Kit - 7017192 Valve (Note: Not Available for Purchase)	
41B	See Note	3	Bolt 1/4-20NC x 1-1/2 Grade 8 (Note: Not Available - Purchase Locally)	
42	7017195	2	Bushing	
45	0961947	2	Bushing 1IN ID x 1.25IN OD x 5/8IN L	
45	1001134289	2	Bushing 1IN ID x 1.5IN OD x 1IN L	
100	70000342	1	Seal Kit (Includes Items 20, 22, 24, 25, 27 & 33)	
101	7017159	1	Bearing Kit (Includes Items 32 & 34)	
102	7017142	1	Hardware Kit	
103	70001697	4	Screw, Countersunk 1/4 x 3/8 Grade 8	

SECTION 4 - BOOM

FIGURE 4-11. PLATFORM ROTATOR ASSEMBLY (860SJ HC3)



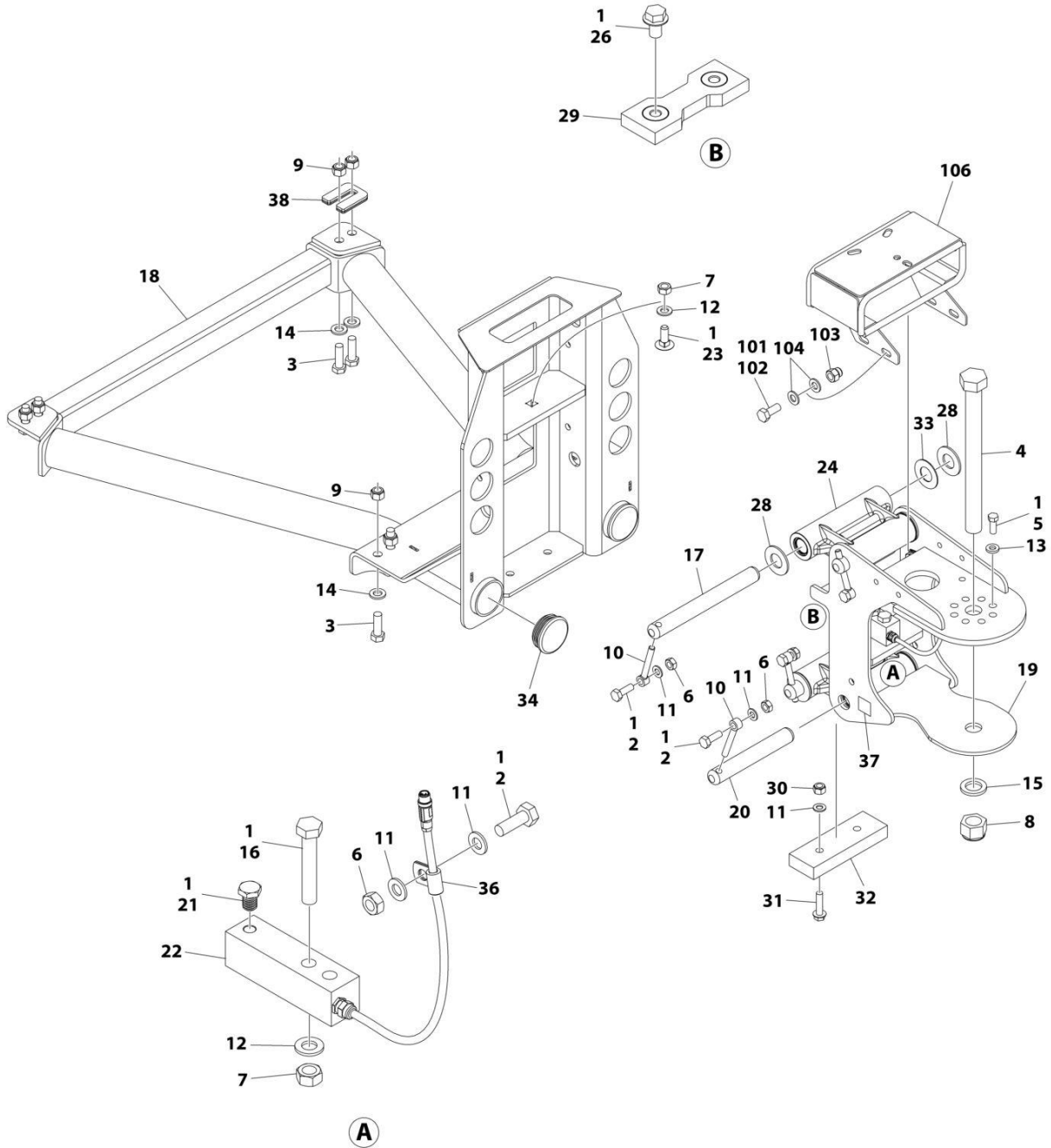
ART_1001307725

FIGURE 4-11. PLATFORM ROTATOR ASSEMBLY (860SJ HC3)

ITEM	PART NUMBER	QTY	DESCRIPTION	REV
	1001307725 See Note	Ref NSS	PLATFORM ROTATOR ASSEMBLY Note: No Service Parts Available at Time of Printing	A

SECTION 4 - BOOM

FIGURE 4-12. PLATFORM SUPPORT INSTALLATION



ART_1001167596_N

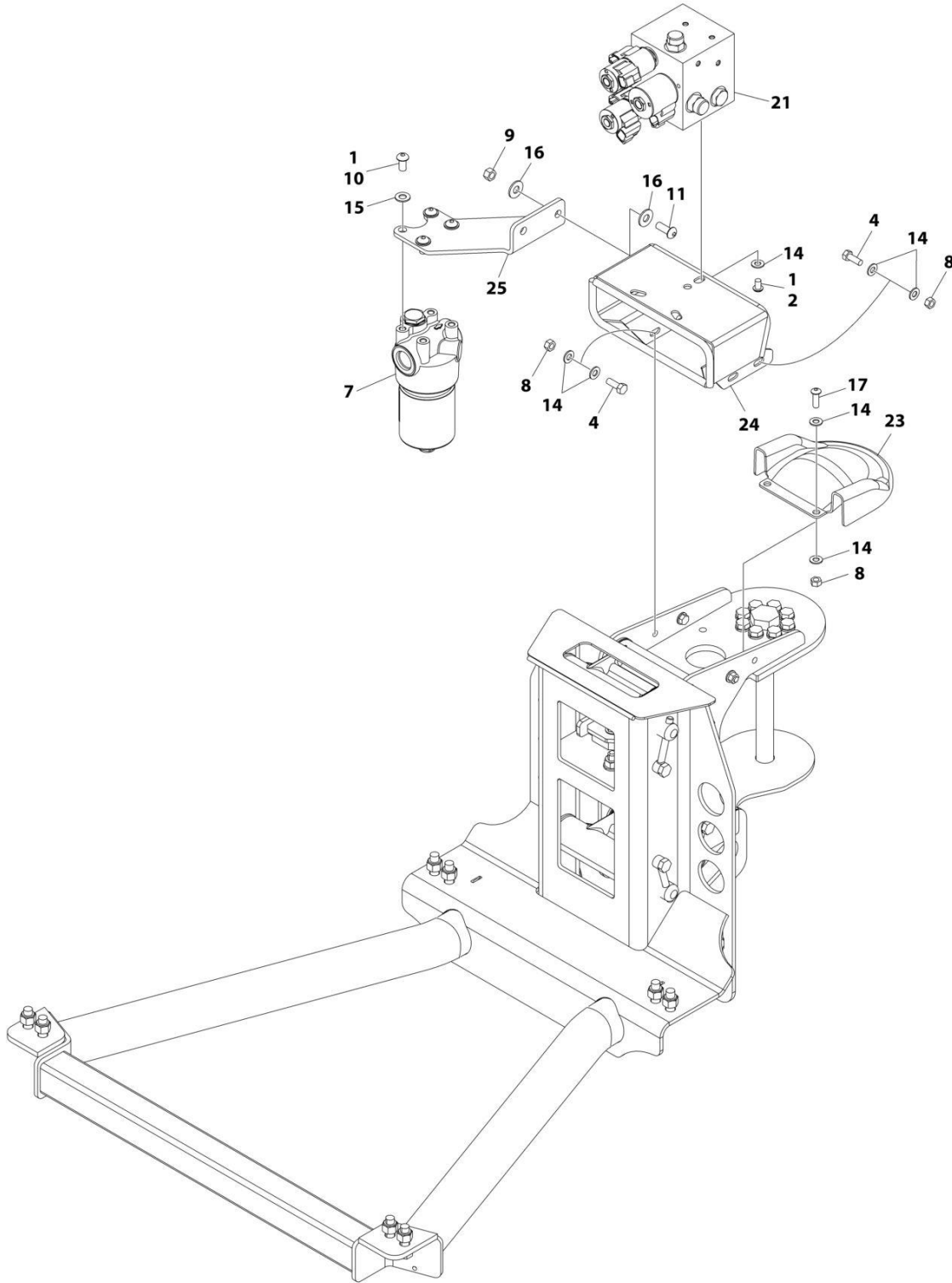
SECTION 4 - BOOM

FIGURE 4-12. PLATFORM SUPPORT INSTALLATION

ITEM	PART NUMBER	QTY	DESCRIPTION	REV
	1001167596	Ref	PLATFORM SUPPORT INSTALLATION	N
1	0100011	AR	Compound, Locking	
2	0761014	5	Bolt M10 x 30	
3	0761216	8	Bolt M12 x 40	
4	1001255133	1	Bolt 1 x 11 GRD8	
5	0681608	8	Bolt 3/8 x 1 GRD8	
6	3291001	5	Nut M10	
7	3291201	3	Nut M12	
8	1001174040	1	Nut 1	
9	3291205	8	Nut M12	
10	3841143	4	Keeper, Pin	
11	4812000	8	Washer M10	
12	4812100	3	Washer M12	
13	4891600	8	Washer 3/8	
14	5241200	8	Washer M12	
15	4892600001	1	Washer 1	
16	1001098828	2	Bolt M12 x 70 CL10.9	
17	1001167565	2	Pin	
18	1001200494	1	Support, Platform	
19	1001167567	1	Support, Rotator	
20	1001168402	2	Pin	
21	1001188622	1	Screw	
22	1001247468	1	Loadcell	
23	1001188844	1	Bolt M12 x 35	
24	1001201351	2	Link	
24	1001187382	4	Bearing	
24	1001187383	4	Seal	
26	5251008	2	Bolt M10 x 16 CL10.9	
28	1001189002	8	Bearing	
29	1001190985	1	Pad, Wear	
30	3291005	2	Nut M10	
31	5251016	2	Bolt M10 x 40 CL10.9	
32	1001200491	1	Pad, Wear	
33	1001189001	4	Bearing	
34	1001204725	2	Plug	
36	91203039	1	Clamp	
37	1001216630	2	Decal - Tie Down/No Lift	
38	1001238421	Ref	Kit, Platform Leveling (Not Shown)	
	1001202687	Ref	VALVE MOUNT INSTALLATION	B
101	0100011	AR	Compound, Locking	
102	0760810	4	Bolt M8 x 20	
103	3290806	4	Nut M8	
104	4811900	8	Washer M8	
106	1001208994	1	Mount, Valve	

SECTION 4 - BOOM

FIGURE 4-13. CONTROL VALVE INSTALLATION (800S HC3)



ART_1001219979_20F2

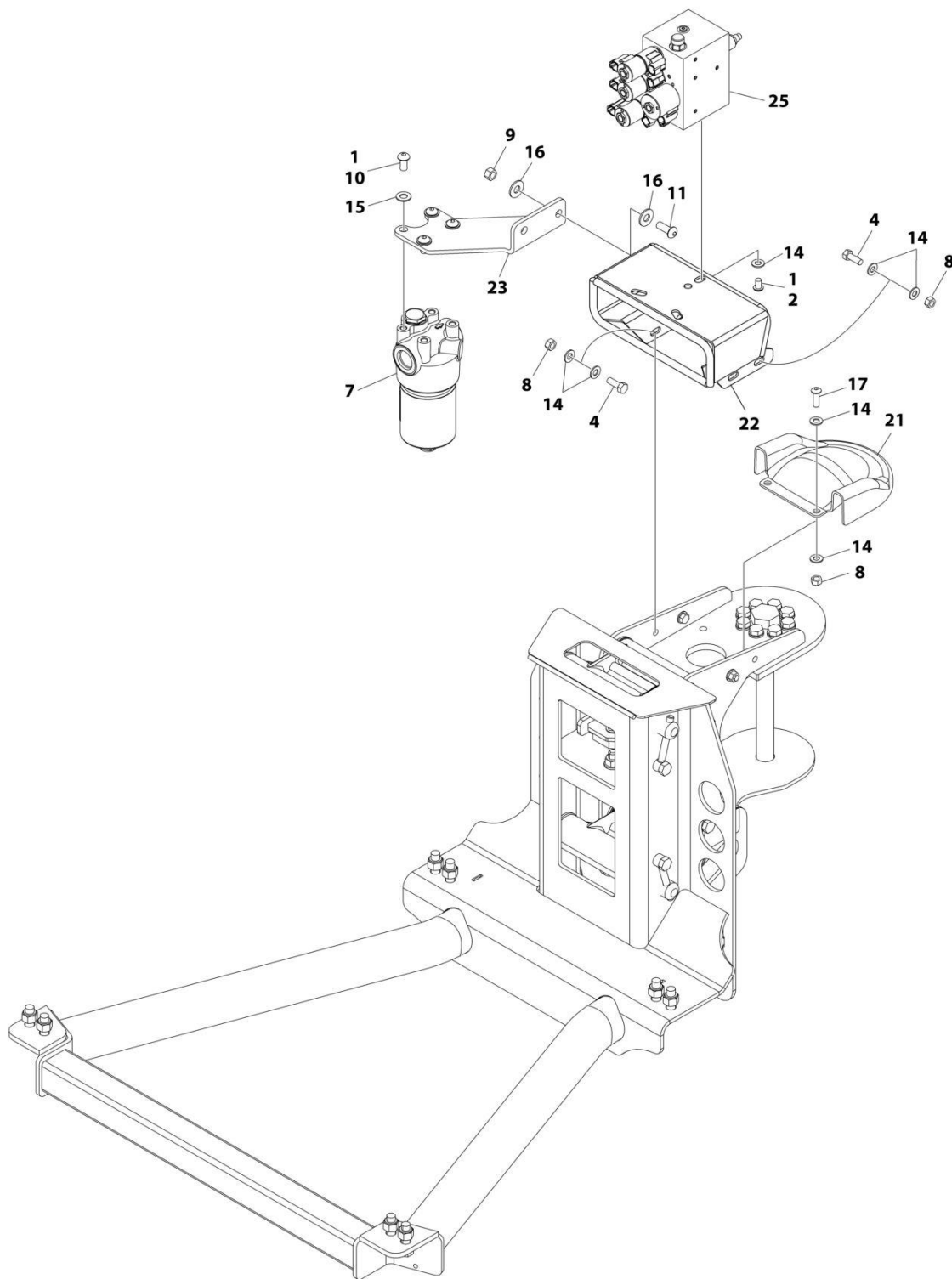
SECTION 4 - BOOM

FIGURE 4-13. CONTROL VALVE INSTALLATION (800S HC3)

ITEM	PART NUMBER	QTY	DESCRIPTION	REV
	1001219979	Ref	CONTROL VALVE INSTALLATION	B
1	0100011	AR	Compound, Locking	
2	0630467	3	Screw, Button Head	
4	0641507	4	Bolt 5/16 x 7/8	
7	2120217	1	Filter, High Pressure	
7	70002097	1	Element, Filter	
7	70001499	1	Kit, Seal	
7	70004328	1	Plug, Indicator	
8	3311505	6	Nut 5/16	
9	3311605	2	Nut 3/8	
10	3900283	4	Screw 3/8 x 3/4	
11	3900316	2	Screw 3/8 x 1	
14	4711500	15	Washer 5/16	
15	4711600	4	Washer 3/8	
16	4751600	4	Washer 3/8	
17	88261024	2	Screw 5/16 x 1	
21	1001244114	1	Valve, Platform (See Separate Breakdown in this Section)	
22	1001168025	1	Upper Valve Harness (not shown)	
22	4460926	1	Connector - 21 Position	
22	1001126008	8	Terminal	
22	1001126009	6	Terminal (Gold)	
22	4460911	2	Connector 3 Position	
22	1001126009	6	Terminal (Gold)	
22	4460891	7	Connector 2 Position	
22	4460465	14	Terminal	
23	1001207969	1	Cover	
24	1001208994	1	Plate, Valve Mounting	
25	1001222314	1	Bracket, Filter Mounting	

SECTION 4 - BOOM

FIGURE 4-14. CONTROL VALVE INSTALLATION (860SJ HC3)



ART_1001270836_20F2

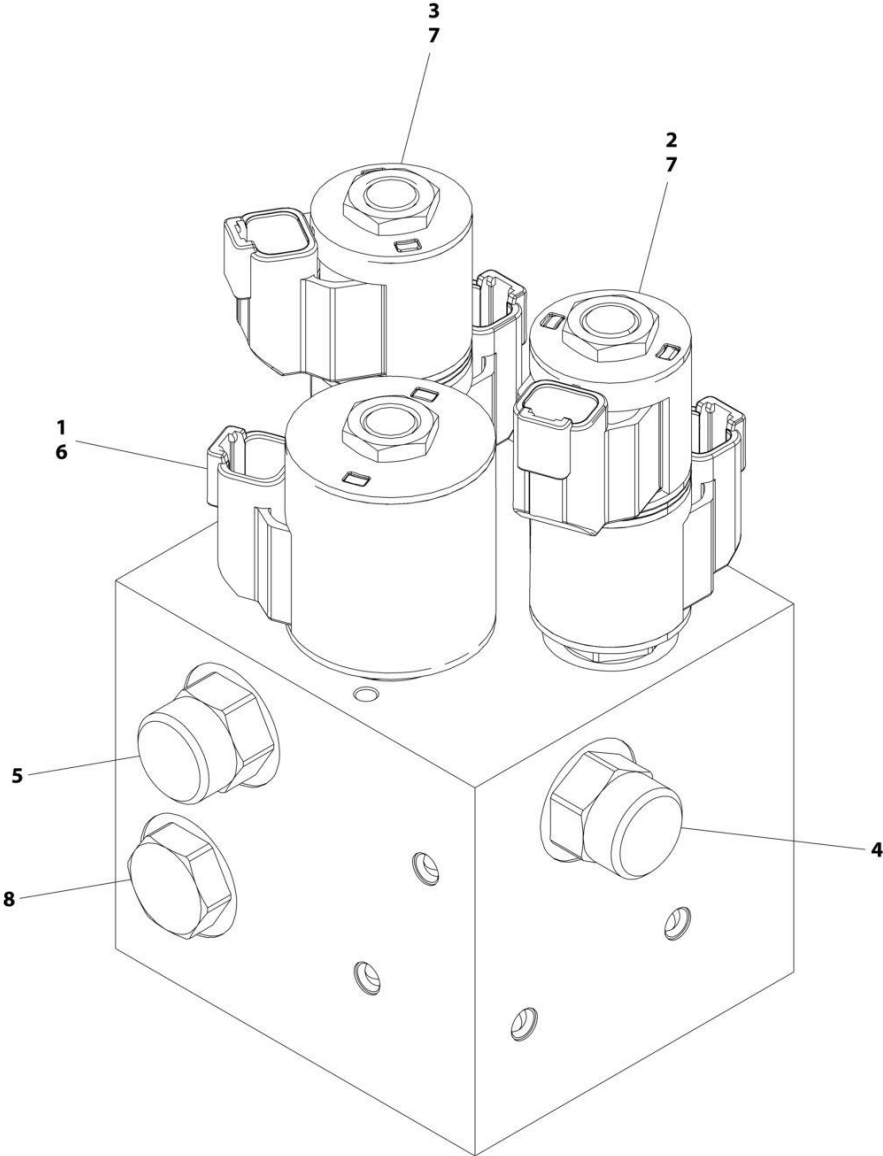
SECTION 4 - BOOM

FIGURE 4-14. CONTROL VALVE INSTALLATION (860SJ HC3)

ITEM	PART NUMBER	QTY	DESCRIPTION	REV
	1001270836	Ref	CONTROL VALVE INSTALLATION	A
1	0100011	AR	Compound, Locking	
2	0630467	3	Bolt 5/16 x 1/2	
4	0641507	4	Bolt 5/16 x 7/8	
7	2120217	1	Filter, High Pressure	
7	70002097	1	Element, Filter	
7	70001499	1	Kit, Seal	
7	70004328	1	Plug, Indicator	
8	3311505	6	Nut 5/16	
9	3311605	2	Nut 3/8	
10	3900283	4	Bolt 3/8 x 3/4	
11	3900316	2	Bolt 3/8 x 1	
14	4711500	15	Washer 5/16	
15	4711600	4	Washer 3/8	
16	4751600	4	Washer 3/8	
17	88261024	2	Bolt 5/16 x 1	
21	1001207969	1	Cover	
22	1001208994	1	Plate, Valve Mounting	
23	1001222314	1	Bracket, Filter Mounting	
25	1001270835	1	Valve, Platform (See Separate Breakdown in this Section)	

SECTION 4 - BOOM

FIGURE 4-15. PLATFORM VALVE ASSEMBLY (800S HC3)



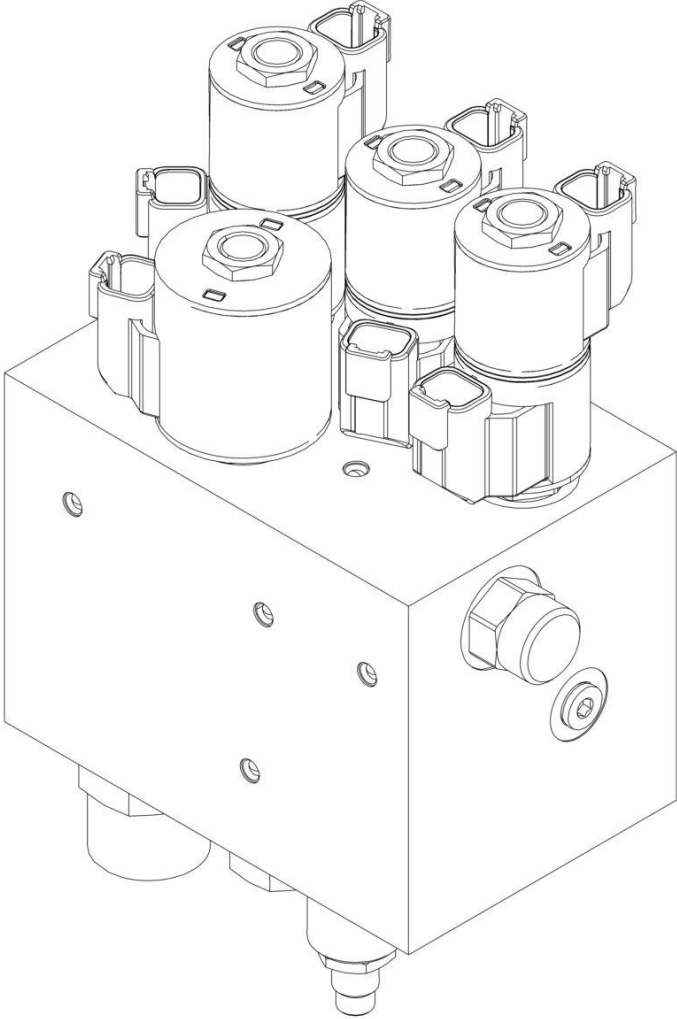
ART_1001244114

FIGURE 4-15. PLATFORM VALVE ASSEMBLY (800S HC3)

ITEM	PART NUMBER	QTY	DESCRIPTION	REV
	1001244114	Ref	PLATFORM VALVE ASSEMBLY	B
1	7012995	1	Cartridge, Solenoid Valve (Pressure)	
1	7012518	1	Seal Kit - 7012995 Valve	
2	7017452	1	Cartridge, Solenoid Valve (Platform Rotator)	
2	7017402	1	Seal Kit - 7017452 Valve	
3	7023922	1	Cartridge, Solenoid Valve (Platform Level)	
3	7017402	1	Seal Kit - 7023922 Valve	
4	7012989	1	Cartridge, Valve (Flow Regulator)	
4	7012953	1	Seal Kit - 7012989 Valve	
5	7017446	1	Cartridge, Valve (Flow Regulator)	
5	7012953	1	Seal Kit - 7023984 & 7017446 Valves	
6	70003788	1	Coil	
7	70002386	4	Coil	
8	7012955	1	Cartridge, Valve (Check Valve)	
8	7012967	1	Seal Kit - 7012955 Valve	
9	70004582	1	Orifice (Not Shown - Located on Back at Port T)	

SECTION 4 - BOOM

FIGURE 4-16. PLATFORM VALVE ASSEMBLY (860SJ HC3)



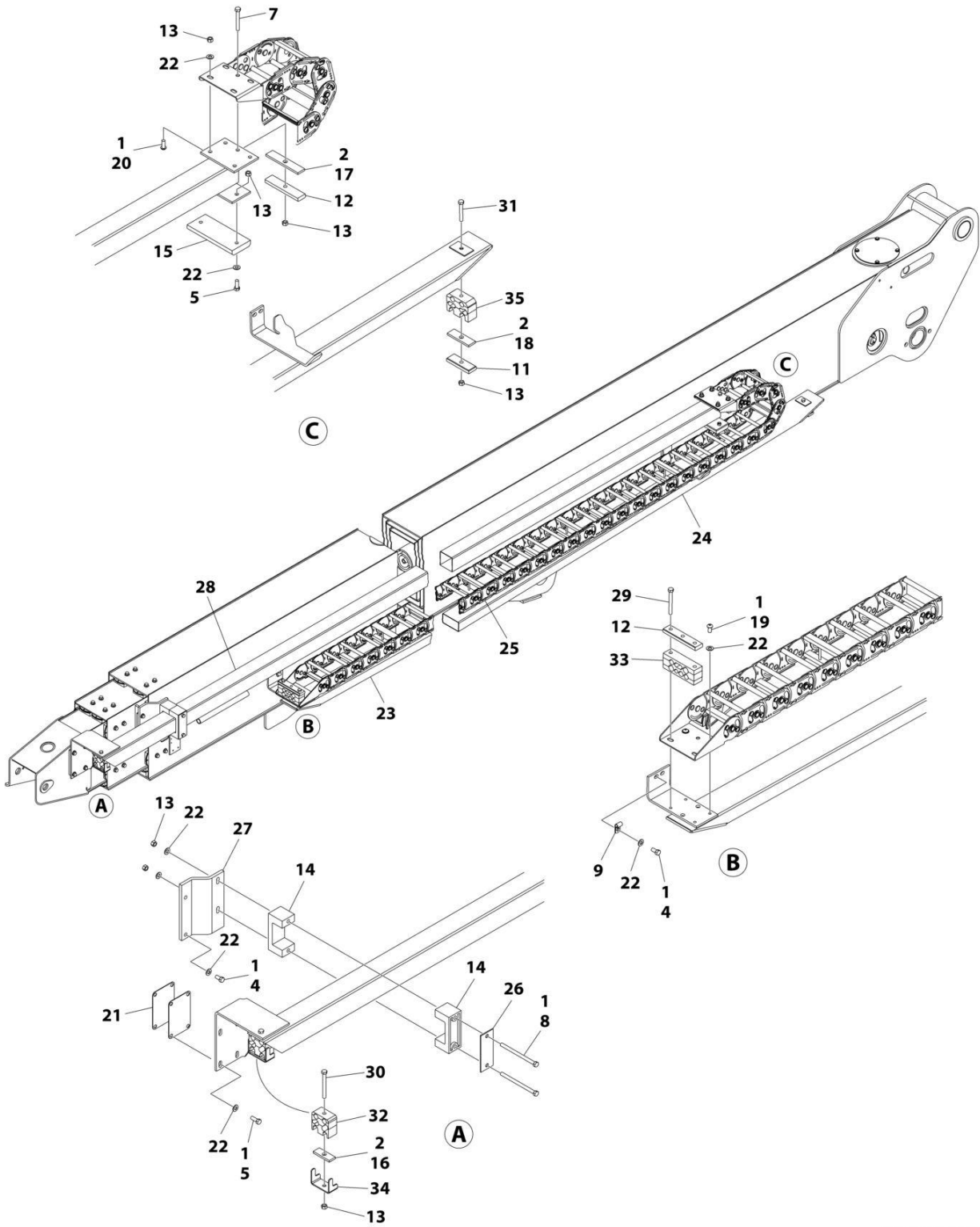
ART_1001270835

FIGURE 4-16. PLATFORM VALVE ASSEMBLY (860SJ HC3)

ITEM	PART NUMBER	QTY	DESCRIPTION	REV
	1001270835 Note	Ref 1	PLATFORM VALVE ASSEMBLY Note: No service parts available at time of printing.	B

SECTION 4 - BOOM

FIGURE 4-17. POWER TRACK INSTALLATION - MAIN BOOM (800S HC3)



ART_1001156965_G

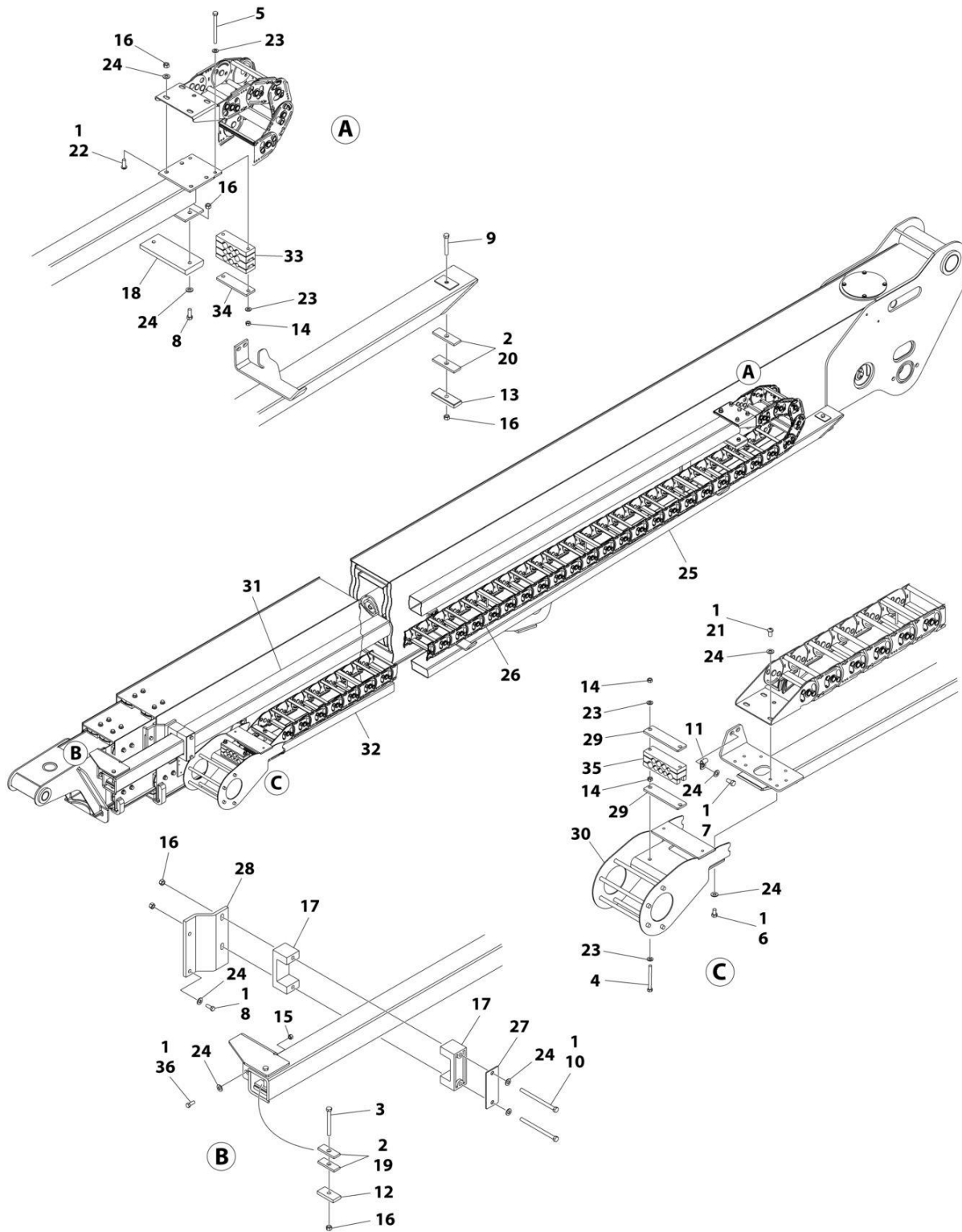
SECTION 4 - BOOM

FIGURE 4-17. POWER TRACK INSTALLATION - MAIN BOOM (800S HC3)

ITEM	PART NUMBER	QTY	DESCRIPTION	REV
	1001156965	Ref	POWER TRACK INSTALLATION	G
1	0100011	AR	Compound, Locking	
2	0100081	AR	Adhesive	
4	0641606	12	Bolt 3/8 x 3/4	
5	0641608	6	Bolt 3/8 x 1	
7	0641622	1	Bolt 3/8 x 2-3/4	
8	0641644	2	Bolt 3/8 x 5-1/2	
9	1320263	2	Clamp, Cable	
11	1320289	1	Clamp, Hose	
12	1320294	2	Bar, Clamping	
13	3311605	11	Nut 3/8	
14	3340764	2	Pad, Wear	
15	3340787	1	Pad, Wear	
16	3340941	1	Pad, Push Tube	
17	3340942	1	Pad, Rubber	
18	3340943	1	Pad, Rubber	
19	3900283	2	Screw, Button Head 3/8 x 3/4	
20	3900316	4	Screw, Button Head 3/8 x 1	
21	4070969	2	Shim	
22	4711600	26	Washer 3/8	
23	4846553	1	Support, Push Tube	
24	4846558	1	Tube, Push	
25	1001131731	1	Power Track	
25	70003921	AR	Repair Section (Includes 1 Pin Assembly for each end)	
25	70003922	1	Mounting Feet (Includes Both Pair of Feet)	
26	3538758	1	Plate	
27	1001156439	1	Plate	
28	1001291566	1	Tube, Push	
29	0641626	2	Bolt 3/8 x 3-1/4	
30	0641630	1	Bolt 3/8 x 3-3/4	
31	0641632	1	Bolt 3/8 x 4	
32	1001281077	1	Clamp, Block	
33	1001281168	1	Clamp, Block	
34	1001295197	1	Bar	
35	1001281171	1	Clamp, Block	

SECTION 4 - BOOM

FIGURE 4-18. POWER TRACK INSTALLATION - MAIN BOOM (860SJ HC3)



ART_1001257057_G

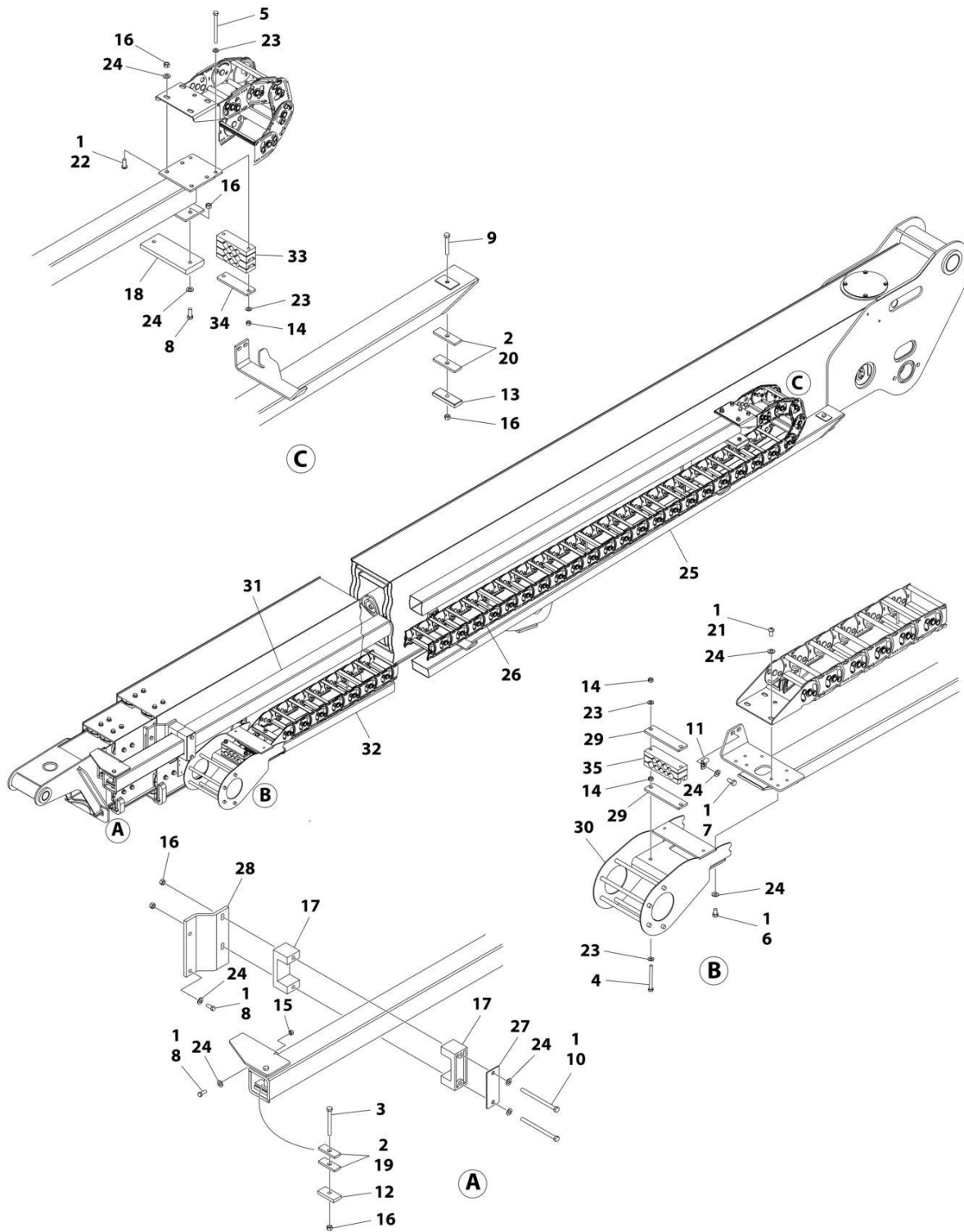
SECTION 4 - BOOM

FIGURE 4-18. POWER TRACK INSTALLATION - MAIN BOOM (860SJ HC3)

ITEM	PART NUMBER	QTY	DESCRIPTION	REV
	1001257057	Ref	POWER TRACK INSTALLATION	G
1	0100011	AR	Compound, Locking	
2	0100081	AR	Adhesive	
3	0630539	1	Bolt 3/8 x 3-1/2	
4	1001263327	2	Bolt 5/16 x 3.25	
5	1001262829	2	Bolt 5/16 x 4	
6	0641605	4	Bolt 3/8 x 5/8	
7	0641606	10	Bolt 3/8 x 3/4	
8	0641608	4	Bolt 3/8 x 1	
9	0641620	1	Bolt 3/8 x 2-1/2	
10	0641644	2	Bolt 3/8 x 5-1/2	
11	1320263	2	Clamp, Cable	
12	1320288	1	Clamp, Hose	
13	1320289	1	Clamp, Hose	
14	3311505	10	Nut 5/16	
15	3271601	4	Nut 3/8	
16	3311605	10	Nut 3/8	
17	3340764	2	Pad, Wear	
18	3340787	1	Pad, Wear	
19	3340941	2	Pad, Push Tube	
20	3340943	2	Pad, Rubber	
21	3900283	4	Screw 3/8 x 3/4	
22	3900316	4	Screw 3/8 x 1	
23	4711500	8	Washer 5/16	
24	4711600	36	Washer 3/8	
25	4846558	1	Tube, Push	
26	1001131731	1	Power Track	
26	70003921	AR	Repair Section (Includes 1 Pin Assembly for each end)	
26	70003922	1	Mounting Feet (Includes Both Pair of Feet)	
27	3538758	1	Plate	
28	1001156439	1	Plate	
29	1001249824	2	Plate	
30	1001250384	1	Mount	
31	1001257062	1	Push Tube	
32	1001257093	1	Support, Power Track	
33	1001257428	1	Clamp	
34	1001257429	1	Plate	
35	1001257657	1	Clamp	
36	0681608	4	Bolt 3/8 x 1	

SECTION 4 - BOOM

FIGURE 4-19. POWER TRACK INSTALLATION - MAIN BOOM (MACHINES WITH SN STARTING WITH B3) (860SJ HC3)



ART_1001302647

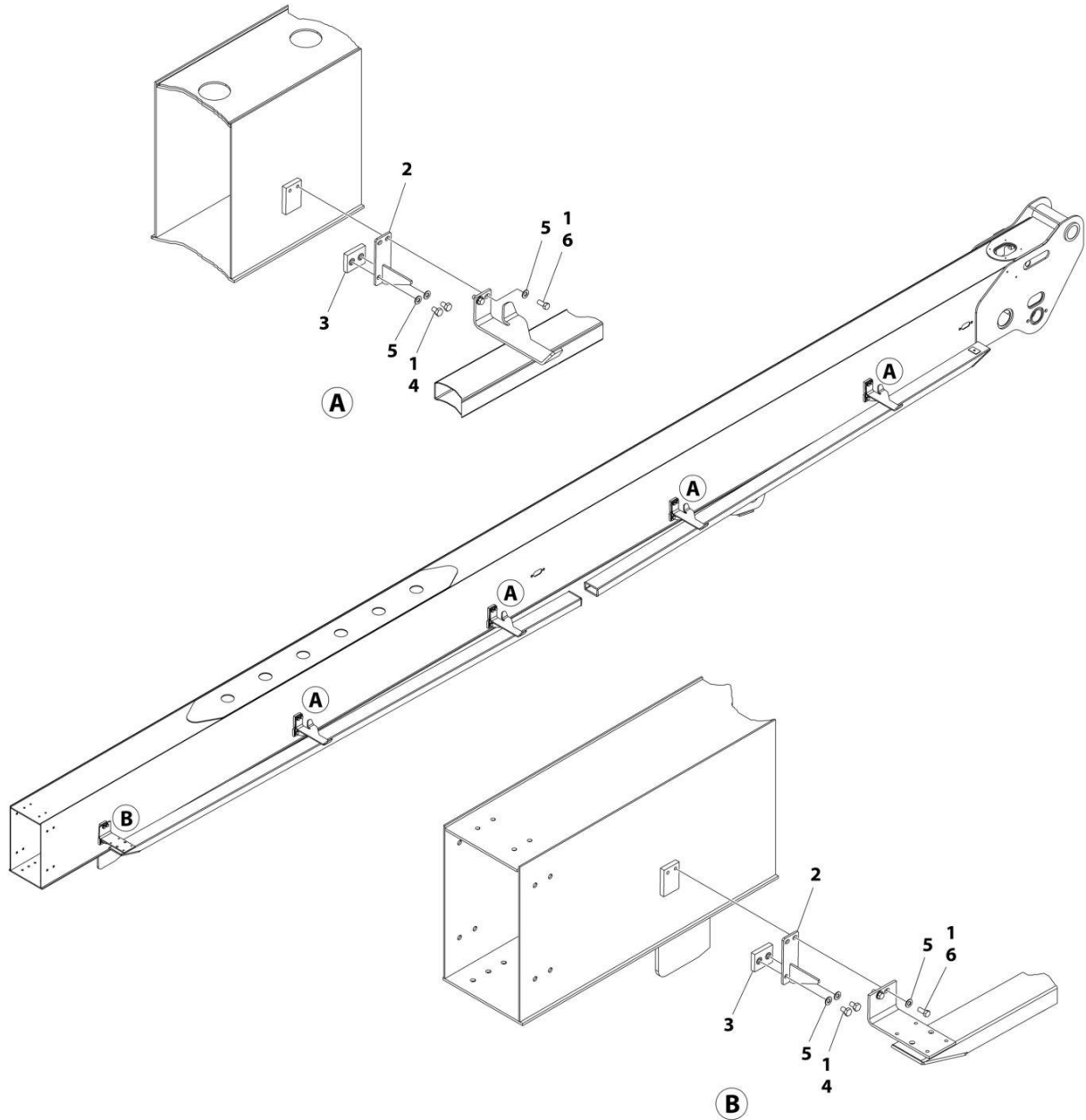
SECTION 4 - BOOM

FIGURE 4-19. POWER TRACK INSTALLATION - MAIN BOOM (MACHINES WITH SN STARTING WITH B3) (860SJ HC3)

ITEM	PART NUMBER	QTY	DESCRIPTION	REV
	1001302647	Ref	860SJ HC3 POWER TRACK INSTALLATION - MAIN BOOM	B
1	0100011	AR	Compound, Locking	
2	0100081	AR	Adhesive	
3	0630539	1	Bolt 3/8 x 3-1/2	
4	1001263327	2	Bolt 5/16 x 3.25	
5	1001262829	2	Bolt 5/16 x 4	
6	0641605	4	Bolt 3/8 x 5/8	
7	0641606	10	Bolt 3/8 x 3/4	
8	0641608	8	Bolt 3/8 x 1	
9	0641620	1	Bolt 3/8 x 2-1/2	
10	0641644	2	Bolt 3/8 x 5-1/2	
11	1320263	2	Clamp, Cable	
12	1320288	1	Clamp, Hose	
13	1320289	1	Clamp, Hose	
14	3271505	10	Nut 5/16	
15	3271601	4	Nut 3/8	
16	3311605	10	Nut 3/8	
17	3340764	2	Pad, Wear	
18	3340787	1	Pad, Wear	
19	3340941	2	Pad, Push Tube	
20	3340943	2	Pad, Rubber	
21	3900283	4	Screw 3/8 x 3/4	
22	3900316	4	Screw 3/8 x 1	
23	4711500	8	Washer 5/16	
24	4711600	36	Washer 3/8	
25	4846558	1	Tube, Push	
26	1001288407	1	Power Track	
27	3538758	1	Plate	
28	1001156439	1	Plate	
29	1001249824	2	Plate	
30	1001250384	1	Mount	
31	1001257062	1	Push Tube	
32	1001257093	1	Support, Power Track	
33	1001257428	1	Clamp	
34	1001257429	1	Plate	
35	1001257657	1	Clamp	

SECTION 4 - BOOM

FIGURE 4-20. POWER TRACK SUPPORT BRACKET INSTALLATION



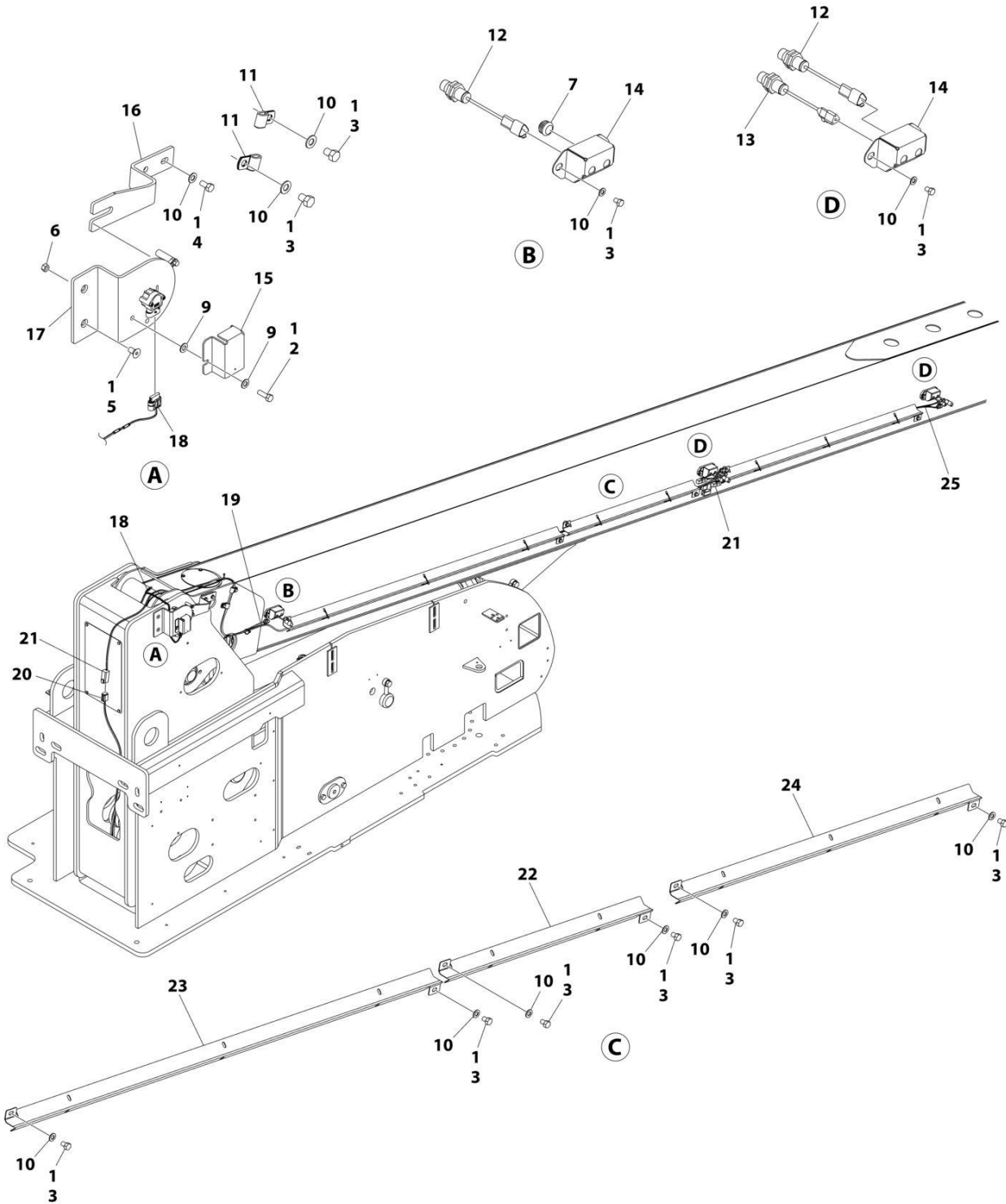
ART_1001241698

FIGURE 4-20. POWER TRACK SUPPORT BRACKET INSTALLATION

ITEM	PART NUMBER	QTY	DESCRIPTION	REV
	1001241698	Ref	POWER TRACK SUPPORT BRACKET INSTALLATION	A
1	0100011	AR	Compound, Locking	
2	1001241694	5	Bracket	
3	1001241697	5	Pad, Wear	
4	0761008	10	Bolt M10 x 16	
5	4711600	20	Washer 3/8	
6	0641607	10	Bolt 3/8 x 7/8	

SECTION 4 - BOOM

FIGURE 4-21. LIMIT SWITCHES AND COVERS INSTALLATION (800S HC3)



ART_1001262432

SECTION 4 - BOOM

FIGURE 4-21. LIMIT SWITCHES AND COVERS INSTALLATION (800S HC3)

ITEM	PART NUMBER	QTY	DESCRIPTION	REV
	1001262432	Ref	LIMIT SWITCHES AND COVERS INSTALLATION	C
1	0100011	AR	Compound, Locking	
2	0641508	1	Bolt 5/16 x 1	
3	0641604	14	Bolt 3/8 x 1/2	
4	0641606	2	Bolt 3/8 x 3/4	
5	0741606	2	Bolt 3/8 x 3/4	
6	3311501	1	Nut 5/16	
7	3520193	1	Plug	
8	4240033	11	Tie-Strap (Not Shown)	
9	4711500	2	Washer 5/16	
10	4711600	16	Washer 3/8	
11	1001102858	2	Clamp	
12	1001170847	3	Sensor, Proximity	
13	1001182570	2	Sensor, Proximity	
14	1001204715	3	Bracket	
15	1001211588	1	Shield	
16	1001254019	1	Plate	
17	1001254020	1	Lower Sensor Assembly (See Separate Breakdown in this Section)	
18	1001255356	1	Cable, Boom Angle	
19	1001255357	1	Cable, Transport	
20	1001255358	1	Cable, Lower Sensor	
21	1001255359	1	Cable, Upper Sensor	
22	1001258330	1	Cover, Harness	
23	1001258332	1	Cover, Harness	
24	1001262601	1	Cover, Harness	
25	1001263035	1	Cable, Full Extension	

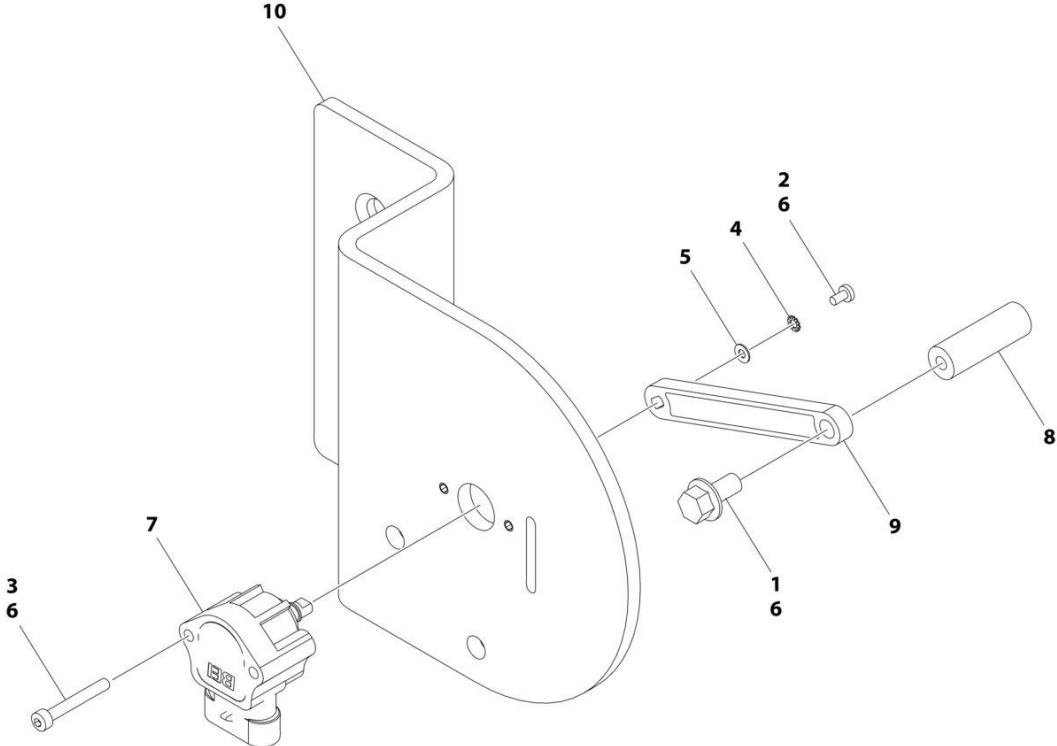
SECTION 4 - BOOM

FIGURE 4-22. LIMIT SWITCHES AND COVERS INSTALLATION (860SJ HC3)

ITEM	PART NUMBER	QTY	DESCRIPTION	REV
	1001257427	Ref	LIMIT SWITCHES AND COVERS INSTALLATION	C
1	0100011	AR	Compound, Locking	
2	0641508	1	Bolt 5/16 x 1	
3	0641604	14	Bolt 3/8 x 1/2	
4	0641606	2	Bolt 3/8 x 3/4	
5	0741606	2	Bolt 3/8 x 3/4	
7	3311501	1	Nut 5/16	
8	3520193	1	Plug	
9	4240033	10	Tie-Strap (Not Shown)	
10	4711500	2	Washer 5/16	
11	4711600	16	Washer 3/8	
12	1001102858	2	Clamp	
13	1001170847	3	Sensor, Proximity	
14	1001182570	2	Sensor, Proximity	
15	1001204715	3	Bracket	
16	1001211588	1	Shield	
17	1001254019	1	Plate	
18	1001254020	1	Lower Sensor Assembly (See Separate Breakdown in this Section)	
19	1001254468	1	Cable, Full Extension	
20	1001255358	1	Cable, Lower Sensor	
21	1001258330	2	Cover, Harness	
22	1001258332	1	Cover, Harness	
23	1001255356	1	Cable, Boom Angle	
24	1001255357	1	Cable, Transport	
25	1001255359	1	Cable, Upper Sensor	

SECTION 4 - BOOM

FIGURE 4-23. SENSOR ASSEMBLY - LOWER



ART_1001254020

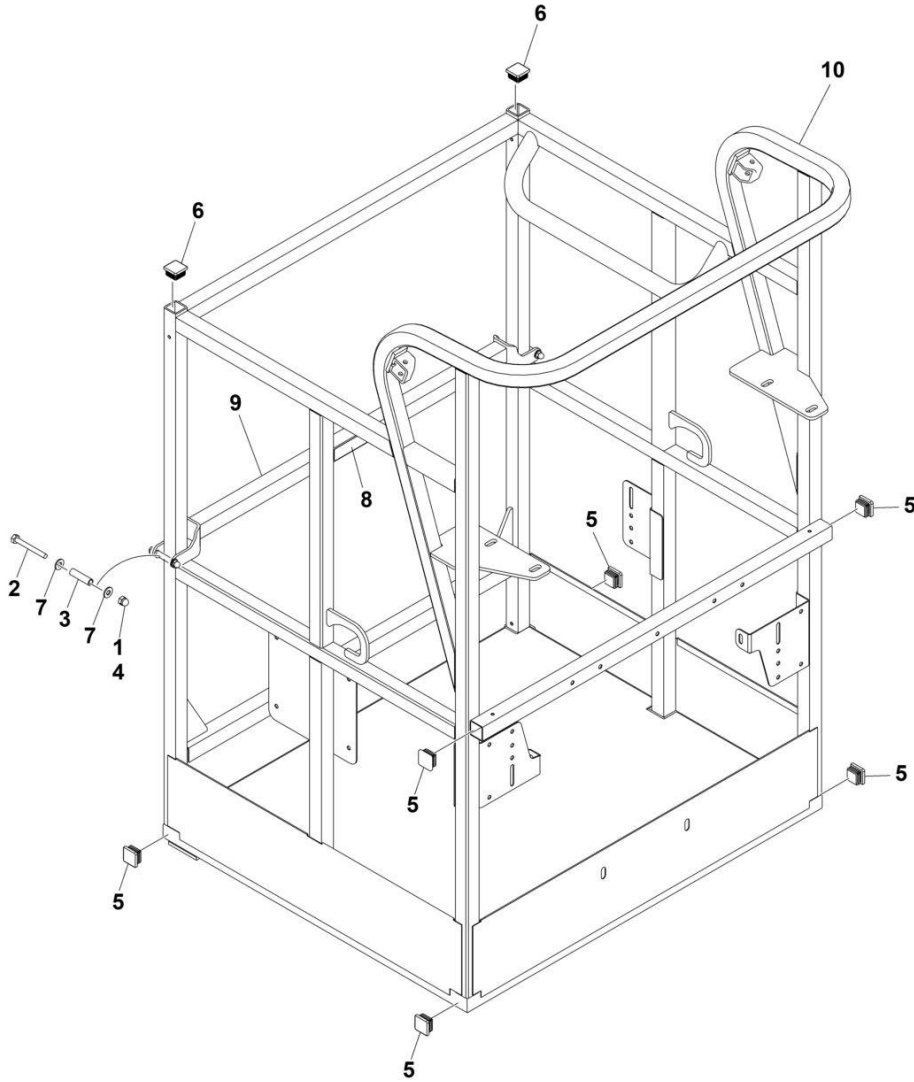
FIGURE 4-23. SENSOR ASSEMBLY - LOWER

ITEM	PART NUMBER	QTY	DESCRIPTION	REV
	1001254020	Ref	DUAL CAPACITY INSTALLATION	B
1	0791404	1	Screw 1/4 x 1/2	
2	4010303	1	Screw M3 x 6	
3	4031510	2	Bolt M4 x 30	
4	4871200	1	Washer M3	
5	1001110544	1	Washer M3	
6	1001180620	AR	Adhesive	
7	1001191022	1	Sensor	
8	1001254016	1	Stud	
9	1001254017	1	Link, Angle Sensor Arm	
10	1001254018	1	Bracket	

SECTION 5 - PLATFORM

SECTION 5 - PLATFORM

FIGURE 5-1. PLATFORM ASSEMBLY WITH DROP-BAR - 30IN X 3FT (76CM X 1M)



ART_1001228215

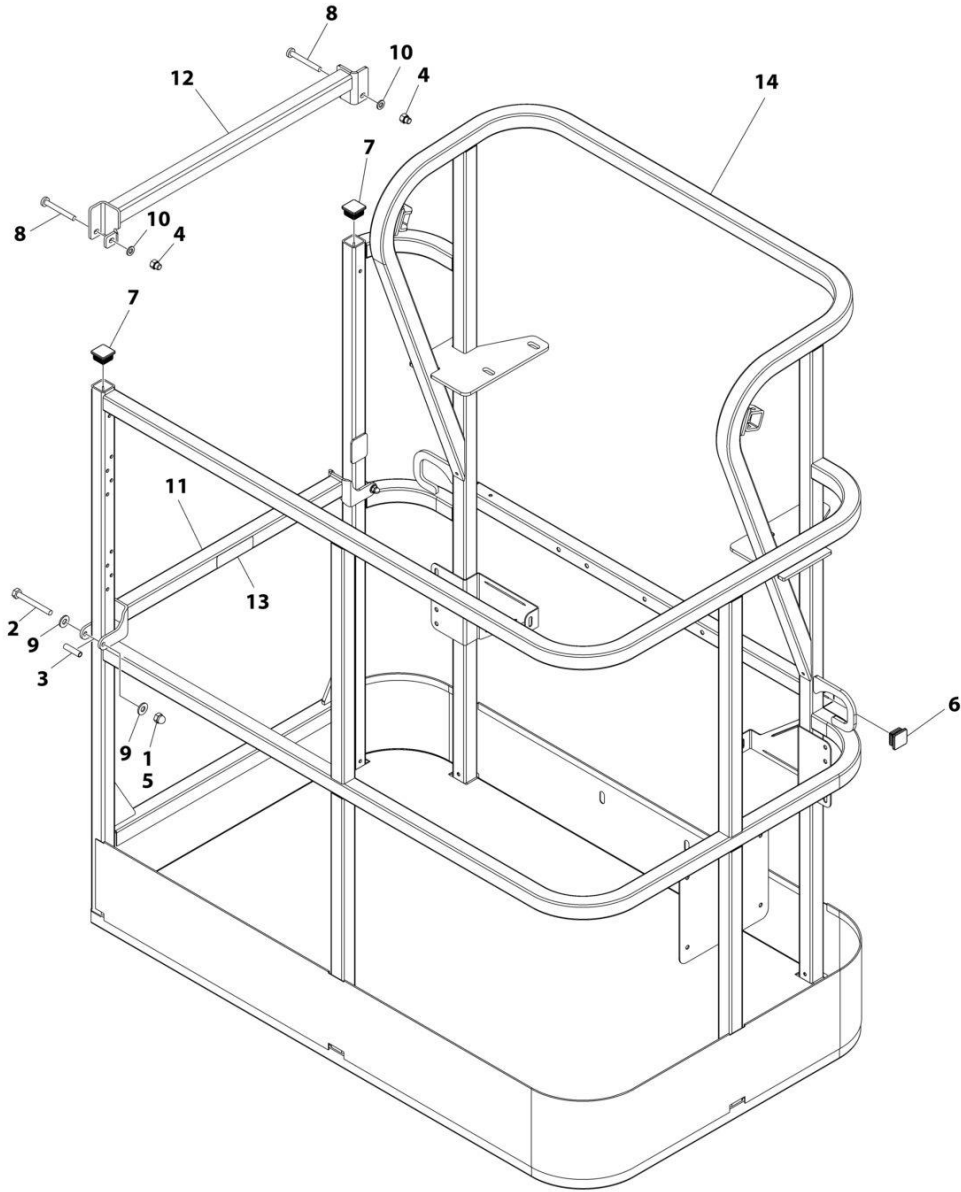
SECTION 5 - PLATFORM

FIGURE 5-1. PLATFORM ASSEMBLY WITH DROP-BAR - 30IN X 3FT (76CM X 1M)

ITEM	PART NUMBER	QTY	DESCRIPTION	REV
	1001228215	Ref	PLATFORM ASSEMBLY	A
	See Note	Ref	Note: Platform and Mesh must be ordered separately for Platforms with Mesh. See SPECIAL OPTIONS SECTION for Mesh Installations.	
	See Note	Ref	Note: Replacement Decals Must be Ordered Separately - See DECAL SECTION.	
1	0100011	AR	Compound, Locking	
2	0641418	2	Bolt 1/4 x 2-1/4	
3	0961845	2	Bushing	
4	3300151	2	Nut 1/4	
5	3520072	6	Cap, Plug	
6	3520198	2	Cap, Plug	
7	4711400	4	Washer 1/4	
8	1001140429	1	Decal - Drop Bar	
9	1001226872	1	Bar, Drop	
10	See Note	NSS	Platform (Note: Not Available - Purchase Platform Assembly)	

SECTION 5 - PLATFORM

FIGURE 5-2. PLATFORM ASSEMBLY WITH DROP-BAR - 30IN X 4FT (76CM X 1.22M) (SAE MATERIAL)



ART_1001186375

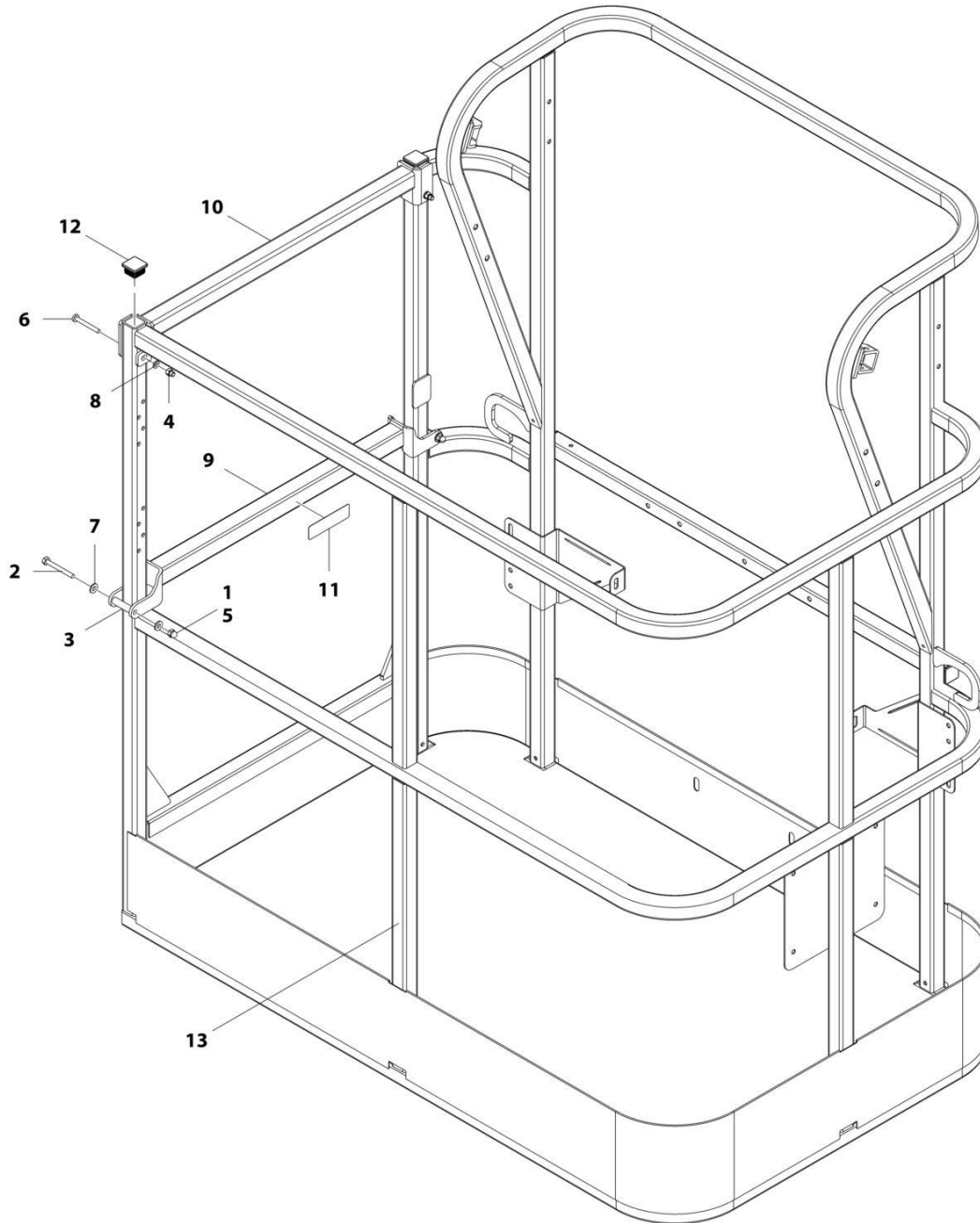
SECTION 5 - PLATFORM

FIGURE 5-2. PLATFORM ASSEMBLY WITH DROP-BAR - 30IN X 4FT (76CM X 1.22M) (SAE MATERIAL)

ITEM	PART NUMBER	QTY	DESCRIPTION	REV
	1001186375	Ref	PLATFORM ASSEMBLY	B
		Ref	Note: Platform and Mesh must be ordered separately for Platforms with Mesh. See SPECIAL OPTIONS SECTION for Mesh Installations.	
		Ref	Note: Replacement Decals Must be Ordered Separately - See DECALS SECTION.	
1	0100011	AR	Compound, Locking	
2	0641418	2	Bolt 1/4 x 2-1/4	
3	0961845	2	Bushing	
4	3290606	2	Nut M6	
5	3300151	2	Nut 1/4	
6	3520072	2	Plug	
7	3520198	2	Plug	
8	4010618	2	Screw M6 x 50	
9	4711400	4	Washer 1/4	
10	4811700	2	Washer M6	
11	1001138494	1	Bar, Drop	
12	1001138514	1	Rail - Top	
13	1001140429	1	Decal - Drop Bar	
14	See Note	1	Platform (Note: Not Available - Purchase Platform Assembly)	

SECTION 5 - PLATFORM

FIGURE 5-3. PLATFORM ASSEMBLY WITH DROP BAR - 30IN X 4FT (76CM X 1.22M) (METRIC MATERIAL)



ART_1001188318

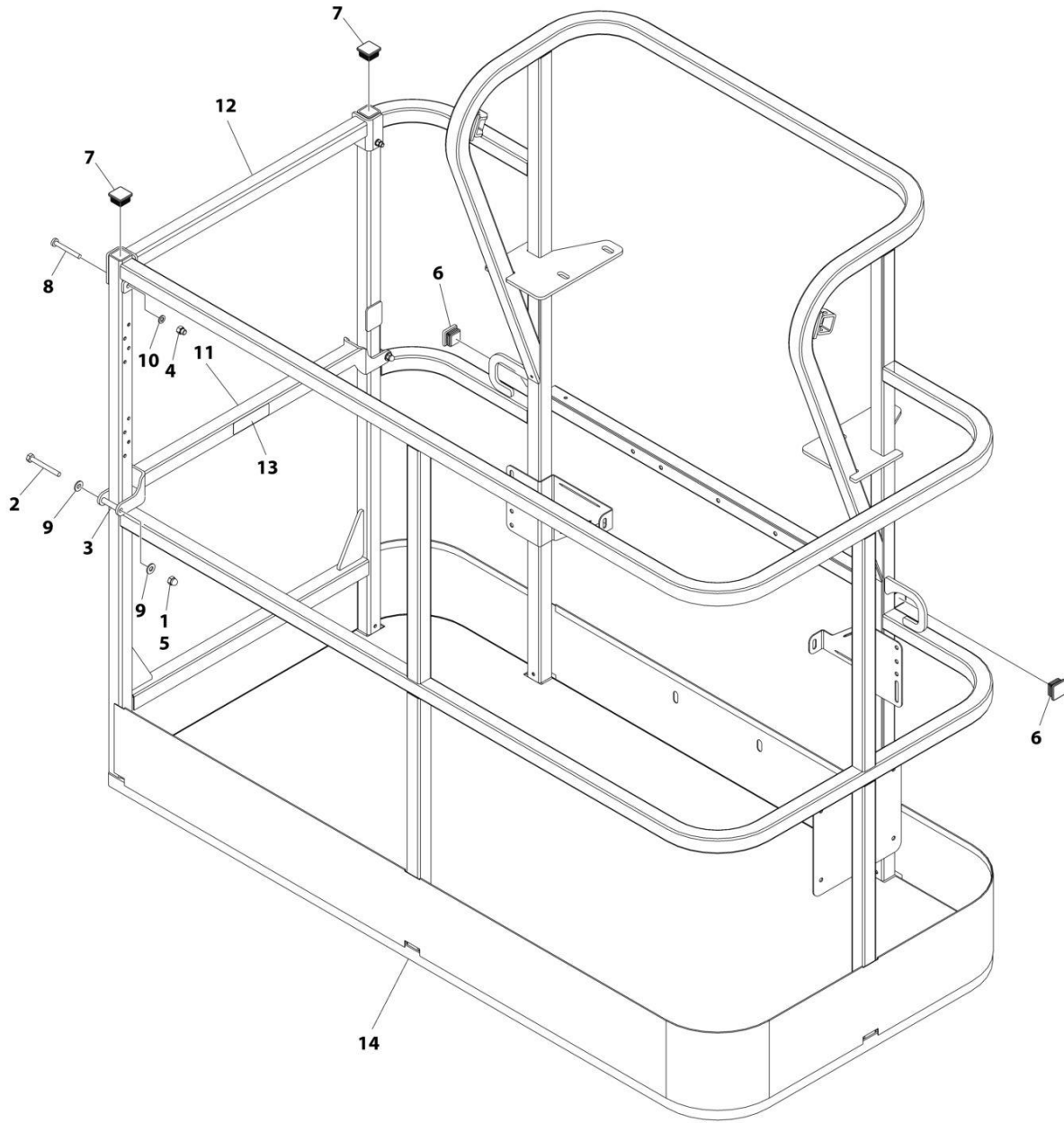
SECTION 5 - PLATFORM

FIGURE 5-3. PLATFORM ASSEMBLY WITH DROP BAR - 30IN X 4FT (76CM X 1.22M) (METRIC MATERIAL)

ITEM	PART NUMBER	QTY	DESCRIPTION	REV
	1001188318	Ref	PLATFORM ASSEMBLY	C
	See Note	Ref	Note: Platform and Mesh must be ordered separately for Platforms with Mesh. See SPECIAL OPTIONS SECTION for Mesh Installations.	
	See Note	Ref	Note: Replacement Decals Must be Ordered Separately - See DECALS SECTION.	
1	0100011	AR	Compound, Locking	
2	0641418	2	Bolt 1/4 x 2-1/4	
3	0961845	2	Bushing	
4	3290606	2	Nut M6	
5	3300151	2	Nut 1/4	
6	4010618	2	Screw M6 x 50	
7	4711400	4	Washer 1/4	
8	4811700	2	Washer M6	
9	1001138494	1	Bar, Drop	
10	1001138514	1	Rail (Top)	
11	1001140429	1	Decal - Drop Bar	
12	1001145781	4	Cap, Plug	
13	See Note	NSS	Platform (Note: Not Available - Purchase Platform Assembly)	

SECTION 5 - PLATFORM

FIGURE 5-4. PLATFORM ASSEMBLY WITH DROP-BAR - 30IN X 5FT (76CM X 1.52M) (SAE MATERIAL)



ART_1001186377

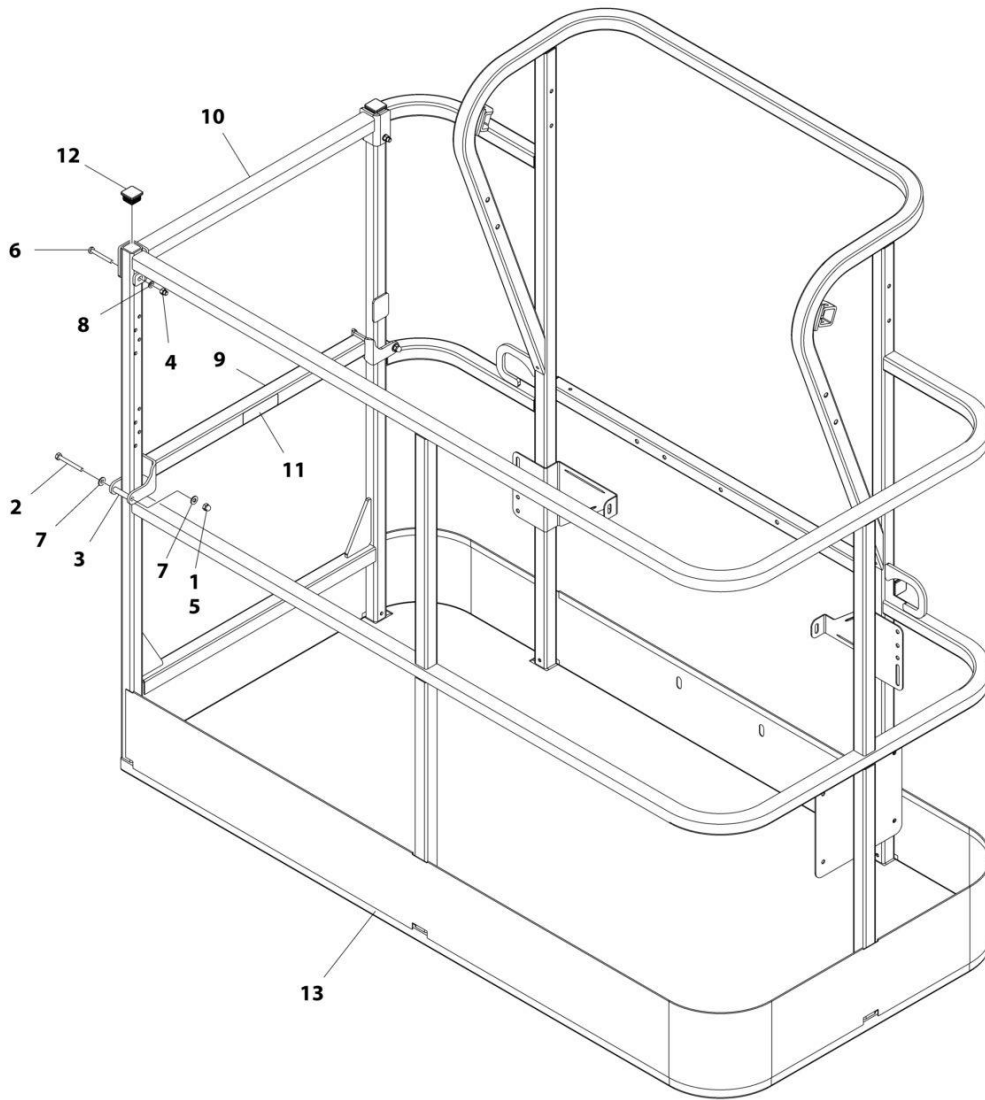
SECTION 5 - PLATFORM

FIGURE 5-4. PLATFORM ASSEMBLY WITH DROP-BAR - 30IN X 5FT (76CM X 1.52M) (SAE MATERIAL)

ITEM	PART NUMBER	QTY	DESCRIPTION	REV
	1001186377	Ref	PLATFORM ASSEMBLY	C
		Ref	Note: Platform and Mesh must be ordered separately for Platforms with Mesh. See SPECIAL OPTIONS SECTION for Mesh Installations.	
		Ref	Note: Replacement Decals Must be Ordered Separately - See DECALS SECTION.	
1	0100011	AR	Compound, Locking	
2	0641420	2	Bolt 1/4 x 2-1/2	
3	0961845	2	Bushing	
4	3290606	2	Nut M6	
5	3300151	2	Nut 1/4	
6	3520072	2	Plug	
7	3520198	2	Plug	
8	4010618	2	Screw M6 x 50	
9	4711400	4	Washer 1/4	
10	4811700	2	Washer M6	
11	1001138494	1	Bar, Drop	
12	1001138514	1	Rail (Top)	
13	1001140429	1	Decal - Drop Bar	
14	See Note	NSS	Platform (Note: Not Available - Purchase Platform Assembly)	

SECTION 5 - PLATFORM

FIGURE 5-5. PLATFORM ASSEMBLY WITH DROP BAR - 30IN X 5FT (76CM X 1.52M) (METRIC MATERIAL)



ART_1001188314

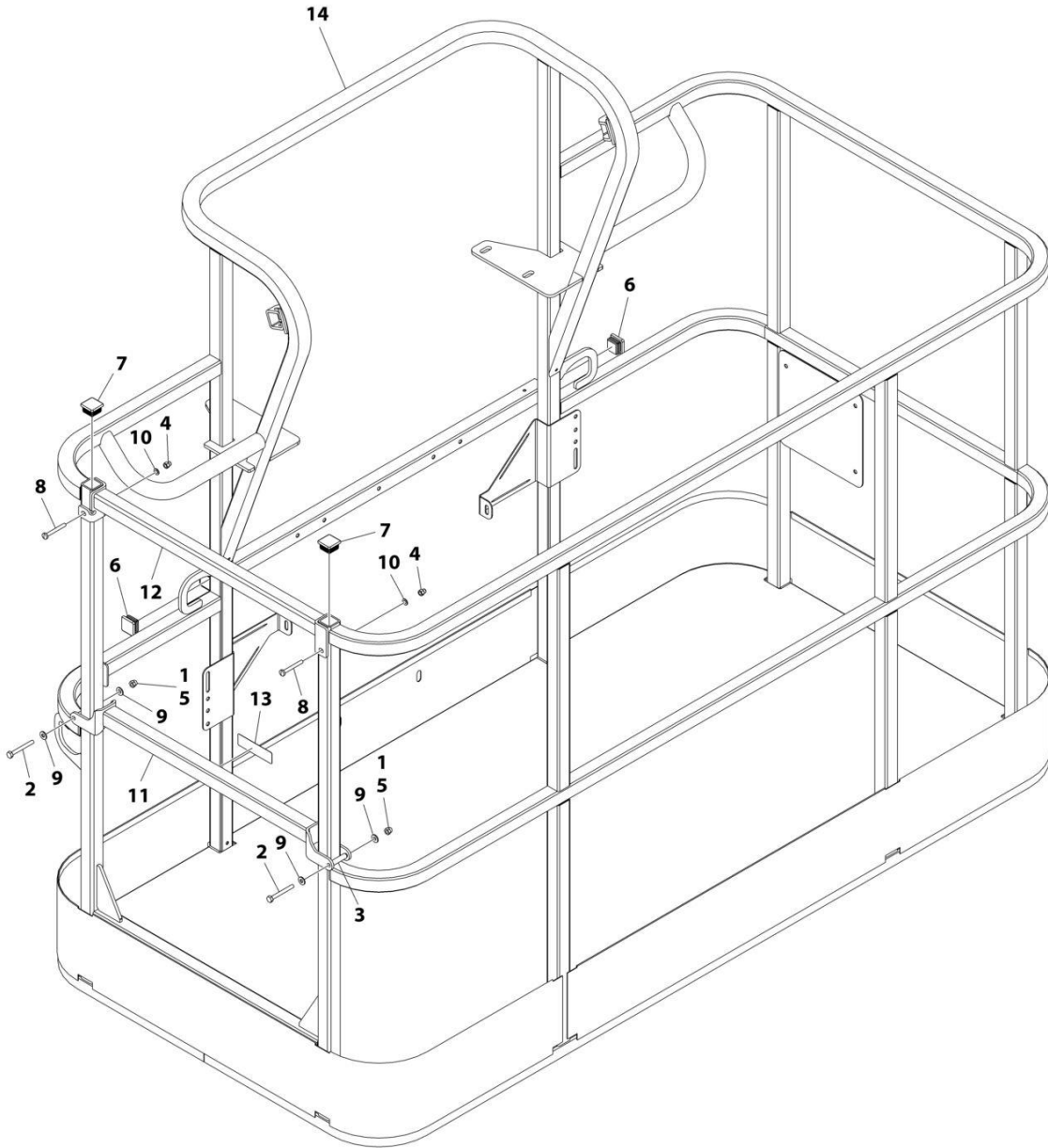
SECTION 5 - PLATFORM

FIGURE 5-5. PLATFORM ASSEMBLY WITH DROP BAR - 30IN X 5FT (76CM X 1.52M) (METRIC MATERIAL)

ITEM	PART NUMBER	QTY	DESCRIPTION	REV
	1001188314	Ref	PLATFORM ASSEMBLY	C
	See Note	Ref	Note: Platform and Mesh must be ordered separately for Platforms with Mesh. See SPECIAL OPTIONS SECTION for Mesh Installations.	
	See Note	Ref	Note: Replacement Decals Must be Ordered Separately - See DECALS SECTION.	
1	0100011	AR	Compound, Locking	
2	0641418	2	Bolt 1/4 x 2-1/4	
3	0961845	2	Bushing	
4	3290606	2	Nut M6	
5	3300151	2	Nut 1/4	
6	4010618	2	Screw M6 x 50	
7	4711400	4	Washer 1/4	
8	4811700	2	Washer M6	
9	1001138494	1	Bar, Drop	
10	1001138514	1	Rail (Top)	
11	1001140429	1	Decal - Drop Bar	
12	1001145781	4	Plug	
13	See Note	NSS	Platform (Note: Not Available - Purchase Platform Assembly)	

SECTION 5 - PLATFORM

FIGURE 5-6. PLATFORM ASSEMBLY WITH DROP-BAR - 36IN X 6FT (91.5CM X 1.83M) (SAE MATERIAL)



ART_1001186379

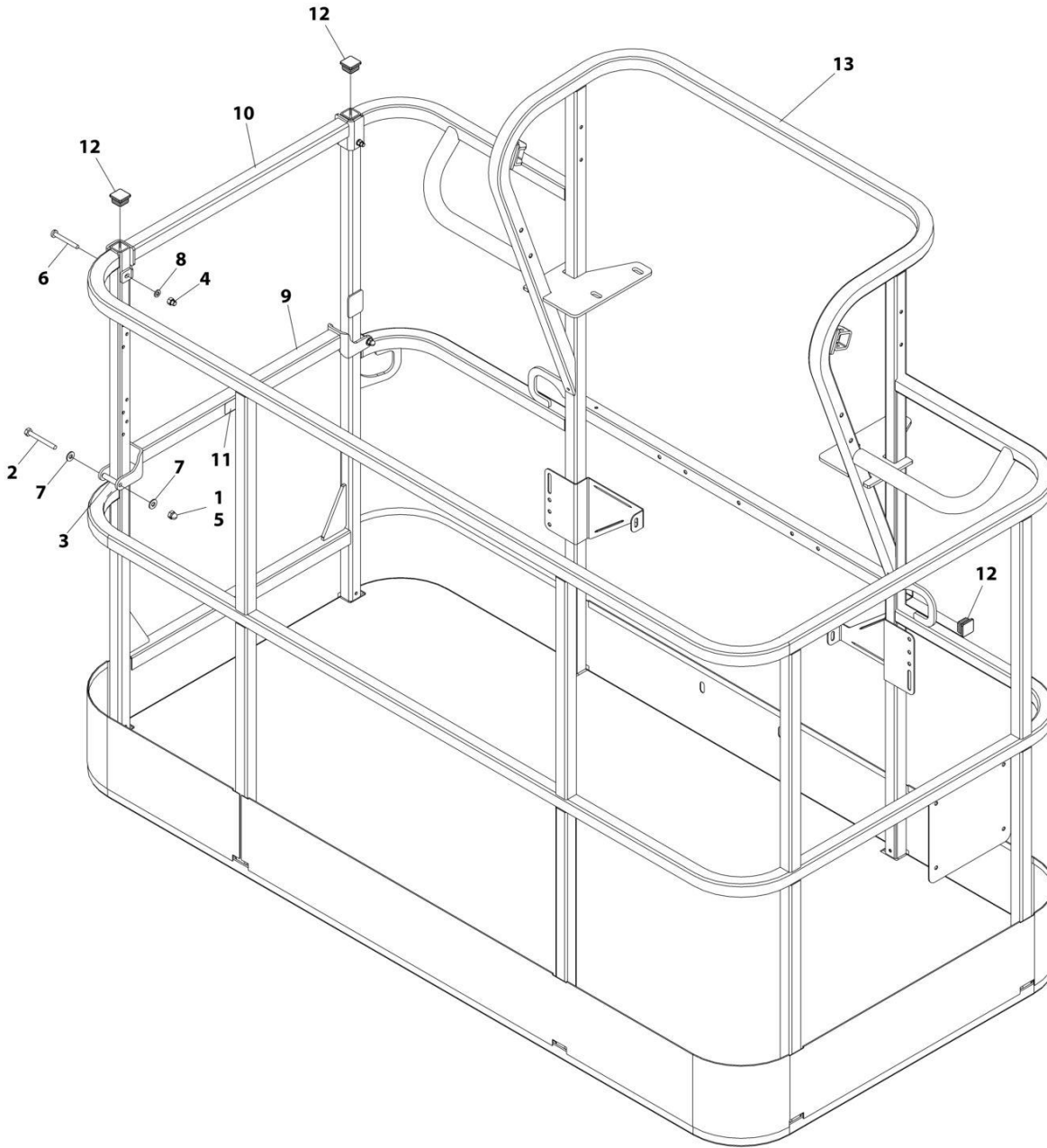
SECTION 5 - PLATFORM

FIGURE 5-6. PLATFORM ASSEMBLY WITH DROP-BAR - 36IN X 6FT (91.5CM X 1.83M) (SAE MATERIAL)

ITEM	PART NUMBER	QTY	DESCRIPTION	REV
	1001186379	Ref	PLATFORM ASSEMBLY - 36IN X 6FT (91.5CM X 1.83M) WITH DROP BAR	B
		Ref	Note: Platform and Mesh must be ordered separately for Platforms with Mesh. See SPECIAL OPTIONS SECTION for Mesh Installations.	
		Ref	Note: Replacement Decals Must be Ordered Separately - See DECALS SECTION.	
1	0100011	AR	Compound, Locking	
2	0641418	2	Bolt 1/4 x 2-1/4	
3	0961845	2	Bushing	
4	3290606	2	Nut M6	
5	3300151	2	Nut 1/4	
6	3520072	2	Plug	
7	3520198	2	Plug	
8	4010618	2	Screw M6 x 50	
9	4711400	4	Washer 1/4	
10	4811700	2	Washer M6	
11	1001138494	1	Bar, Drop	
12	1001138514	1	Rail (Top)	
13	1001140429	1	Decal - Drop Bar	
14	See Note	NSS	Platform (Note: Not Available - Purchase Platform Assembly)	

SECTION 5 - PLATFORM

FIGURE 5-7. PLATFORM ASSEMBLY WITH DROP BAR - 36IN X 6FT (91.5CM X 1.83M) (METRIC MATERIAL)



ART_1001188306

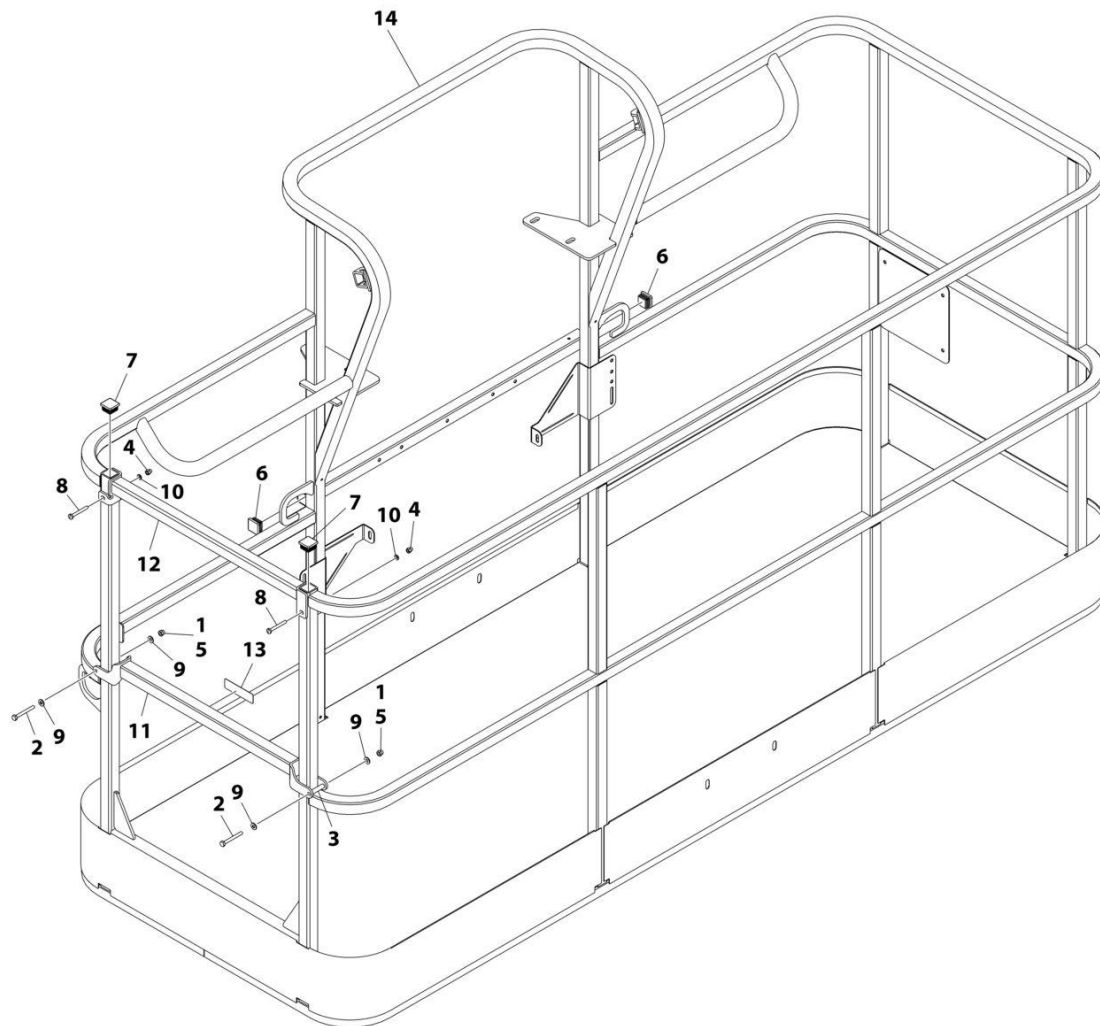
SECTION 5 - PLATFORM

FIGURE 5-7. PLATFORM ASSEMBLY WITH DROP BAR - 36IN X 6FT (91.5CM X 1.83M) (METRIC MATERIAL)

ITEM	PART NUMBER	QTY	DESCRIPTION	REV
	1001188306	Ref	PLATFORM ASSEMBLY - 36IN X 6FT (91.5CM X 1.83M) WITH DROP BAR	C
	See Note	Ref	Note: Platform and Mesh must be ordered separately for Platforms with Mesh. See SPECIAL OPTIONS SECTION for Mesh Installations.	
	See Note	Ref	Note: Replacement Decals Must be Ordered Separately - See DECALS SECTION.	
1	0100011	AR	Compound, Locking	
2	0641418	2	Bolt 1/4 x 2-1/4	
3	0961845	2	Bushing	
4	3290606	2	Nut M6	
5	3300151	2	Nut 1/4	
6	4010618	2	Screw M6 x 50	
7	4711400	4	Washer 1/4	
8	4811700	2	Washer M6	
9	1001138494	1	Bar, Drop	
10	1001138514	1	Rail (Top)	
11	1001140429	1	Decal - Drop Bar	
12	1001145781	4	Plug	
13	See Note	NSS	Platform (Note: Not Available - Purchase Platform Assembly)	

SECTION 5 - PLATFORM

FIGURE 5-8. PLATFORM ASSEMBLY WITH DROP-BAR - 36IN X 8FT (91.5CM X 2.44M) (SAE MATERIAL)



ART_1001186382

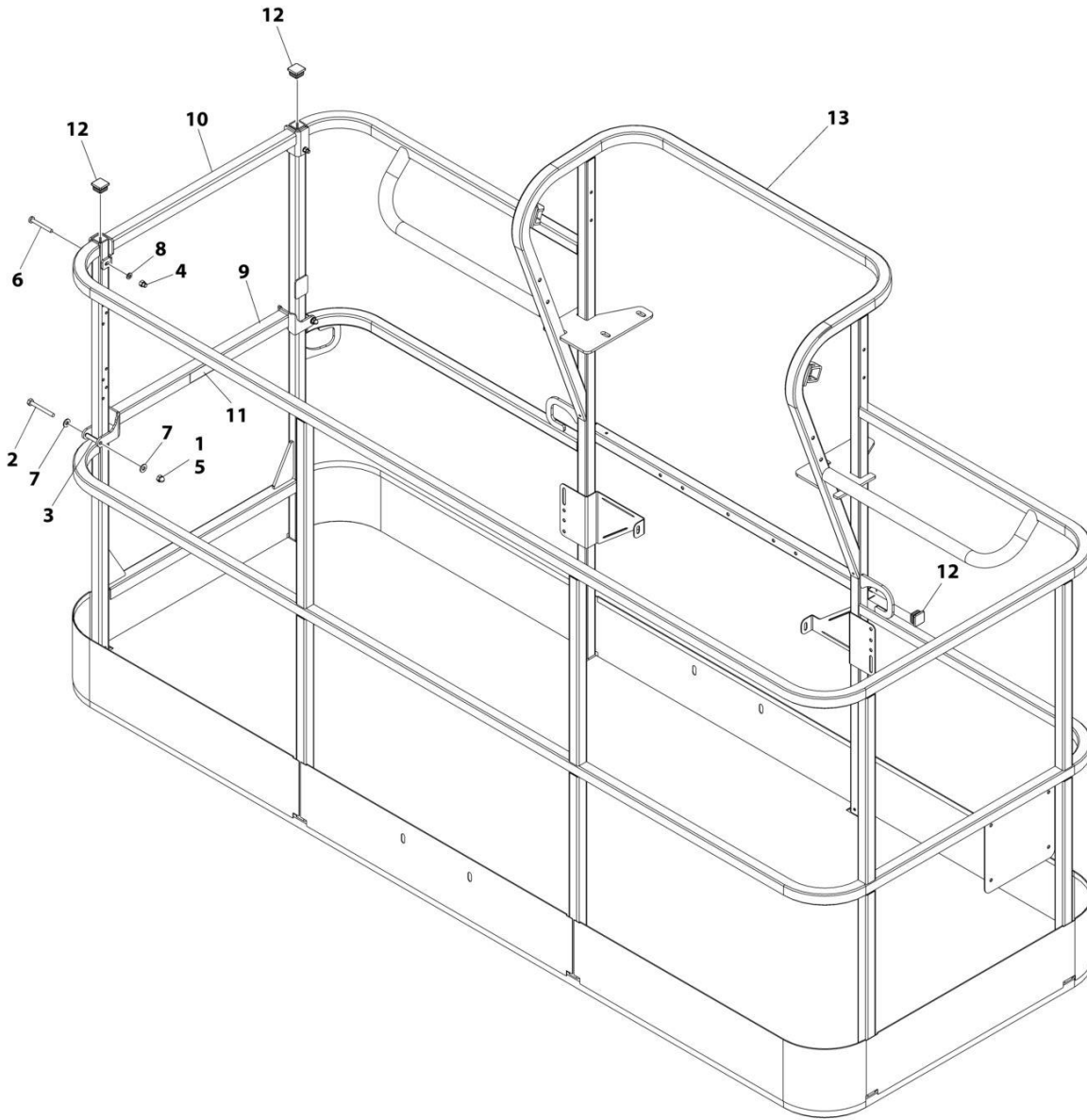
SECTION 5 - PLATFORM

FIGURE 5-8. PLATFORM ASSEMBLY WITH DROP-BAR - 36IN X 8FT (91.5CM X 2.44M) (SAE MATERIAL)

ITEM	PART NUMBER	QTY	DESCRIPTION	REV
	1001186382	Ref	PLATFORM ASSEMBLY - 36IN X 8FT (91.5CM X 2.44M) WITH DROP BAR	C
		Ref	Note: Platform and Mesh must be ordered separately for Platforms with Mesh. See SPECIAL OPTIONS SECTION for Mesh Installations.	
		Ref	Note: Replacement Decals Must be Ordered Separately - See DECALS SECTION.	
1	0100011	AR	Compound, Locking	
2	0641418	2	Bolt 1/4 x 2-1/4	
3	0961845	2	Bushing	
4	3290606	2	Nut M6	
5	3300151	2	Nut 1/4	
6	3520072	2	Plug	
7	3520198	2	Plug	
8	4010618	2	Screw M6 x 50	
9	4711400	4	Washer 1/4	
10	4811700	2	Washer M6	
11	1001138494	1	Bar, Drop	
12	1001138514	1	Rail (Top)	
13	1001140429	1	Decal - Drop Bar	
14	See Note	NSS	Platform (Note: Not Available - Purchase Platform Assembly)	

SECTION 5 - PLATFORM

FIGURE 5-9. PLATFORM ASSEMBLY WITH DROP BAR - 36IN X 8FT (91.5CM X 2.44M) (METRIC MATERIAL)



ART_1001188309

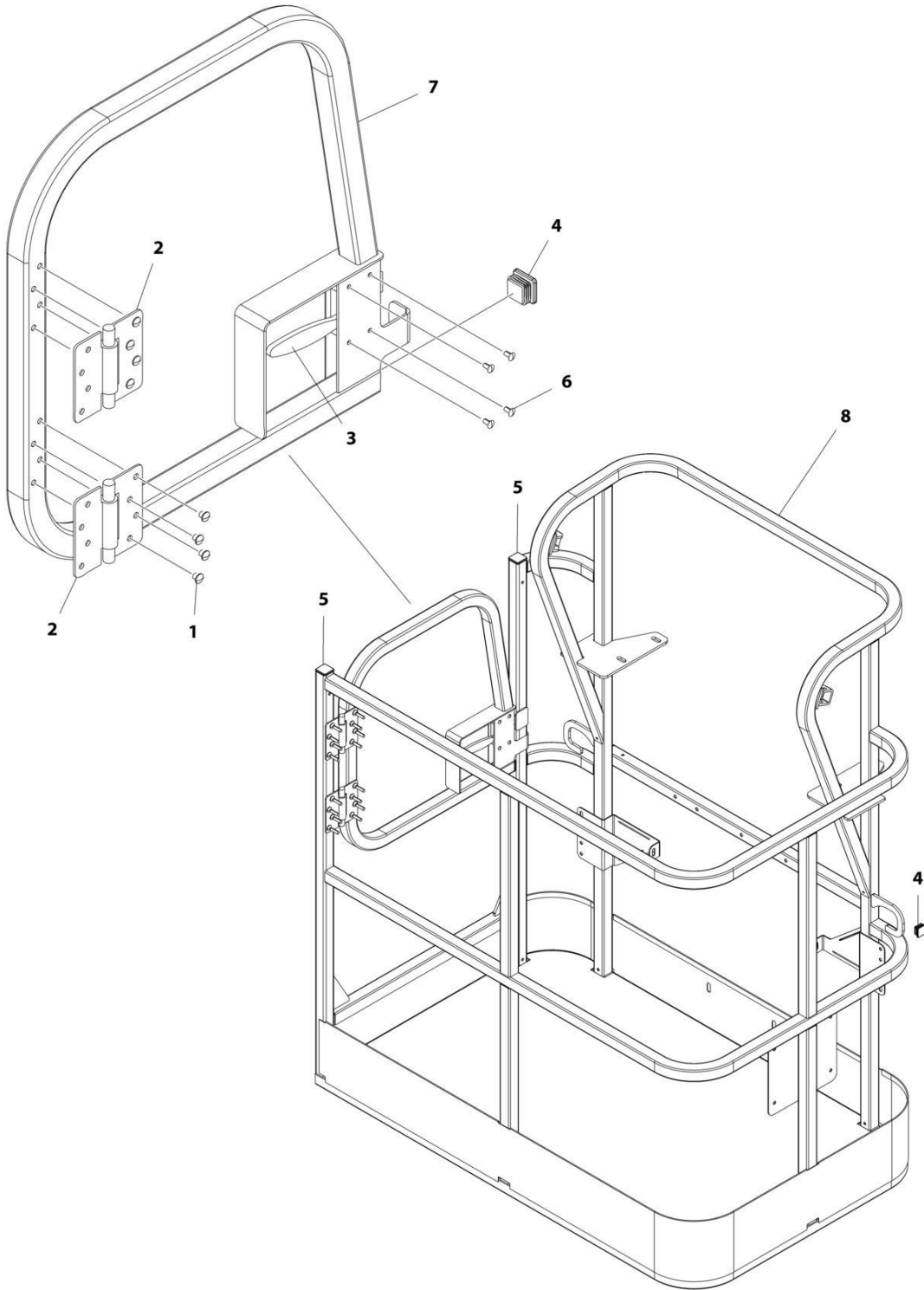
SECTION 5 - PLATFORM

FIGURE 5-9. PLATFORM ASSEMBLY WITH DROP BAR - 36IN X 8FT (91.5CM X 2.44M) (METRIC MATERIAL)

ITEM	PART NUMBER	QTY	DESCRIPTION	REV
	1001188309	Ref	PLATFORM ASSEMBLY - 36IN X 8FT (91.5CM X 2.44M) WITH DROP BAR	B
	See Note	Ref	Note: Platform and Mesh must be ordered separately for Platforms with Mesh. See SPECIAL OPTIONS SECTION for Mesh Installations.	
	See Note	Ref	Note: Replacement Decals Must be Ordered Separately - See DECALS SECTION.	
1	0100011	AR	Compound, Locking	
2	0641418	2	Bolt 1/4 x 2-1/4	
3	0961845	2	Bushing	
4	3290606	2	Nut M6	
5	3300151	2	Nut 1/4	
6	4010618	2	Screw M6 x 50	
7	4711400	4	Washer 1/4	
8	4811700	2	Washer M6	
9	1001138494	1	Bar, Drop	
10	1001138514	1	Rail (Top)	
11	1001140429	1	Decal - Drop Bar	
12	1001145781	4	Plug	
13	See Note	NSS	Platform (Note: Not Available - Purchase Platform Assembly)	

SECTION 5 - PLATFORM

FIGURE 5-10. PLATFORM ASSEMBLY WITH SWING GATE - 30IN X 4FT (76CM X 1.22M) (SAE MATERIAL)



ART_1001186387

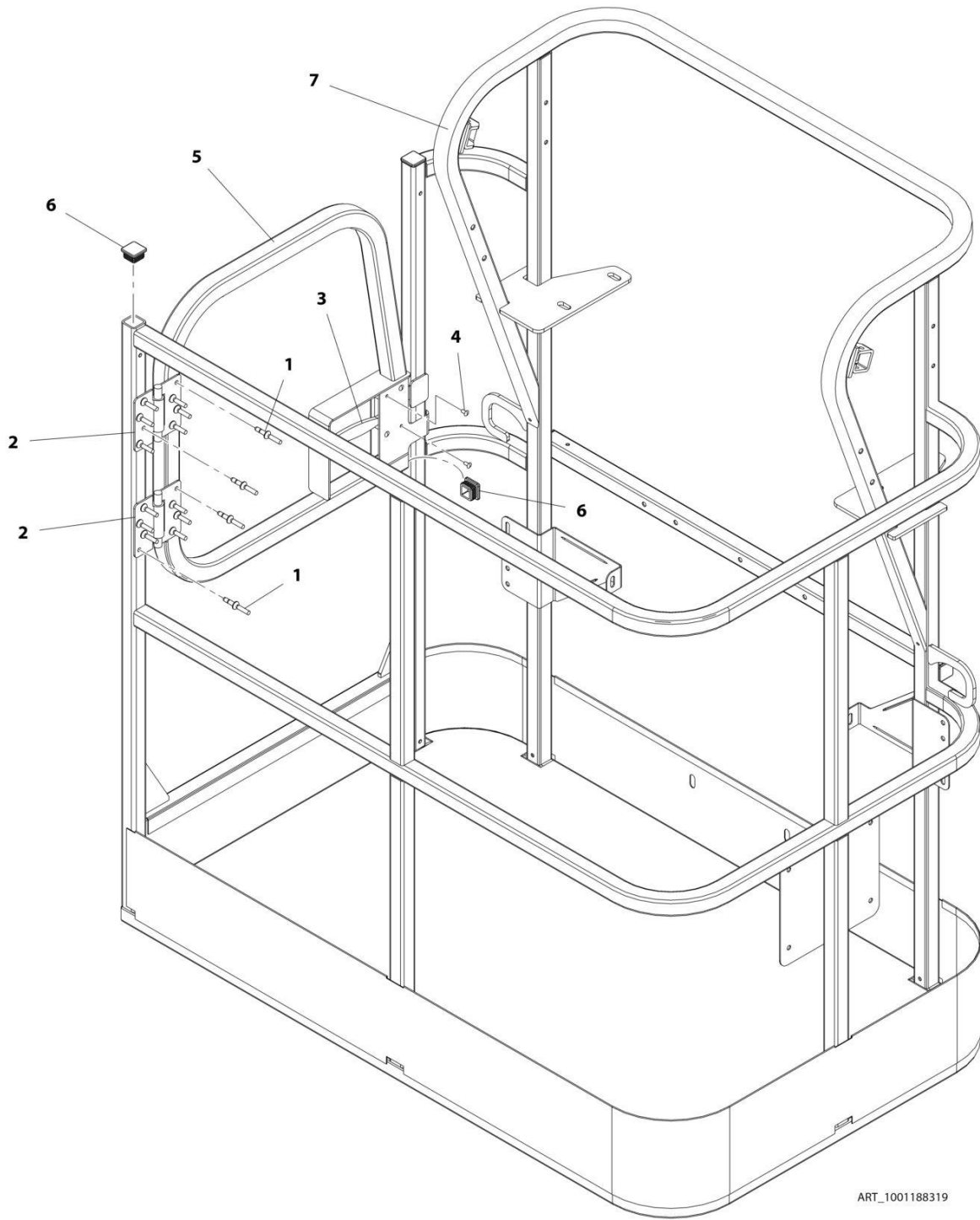
SECTION 5 - PLATFORM

FIGURE 5-10. PLATFORM ASSEMBLY WITH SWING GATE - 30IN X 4FT (76CM X 1.22M) (SAE MATERIAL)

ITEM	PART NUMBER	QTY	DESCRIPTION	REV
	1001186387	Ref	PLATFORM ASSEMBLY	C
		Ref	Note: Platform and Mesh must be ordered separately for Platforms with Mesh. See SPECIAL OPTIONS SECTION for Mesh Installations.	
		Ref	Note: Replacement Decals Must be Ordered Separately - See DECALS SECTION.	
1	2080040	16	Fastener, Huck	
2	2600281	2	Hinge, Self-Closing	
3	2940074	1	Latch	
4	3520072	3	Plug	
5	3520198	2	Plug	
6	3820020	4	Rivet	
7	1001144629	1	Gate	
8	See Note	1	Platform (Note: Not Available - Purchase Platform Assembly)	

SECTION 5 - PLATFORM

FIGURE 5-11. PLATFORM ASSEMBLY WITH SWING GATE - 30IN X 4FT (76CM X 1.22M) (METRIC MATERIAL)



ART_1001188319

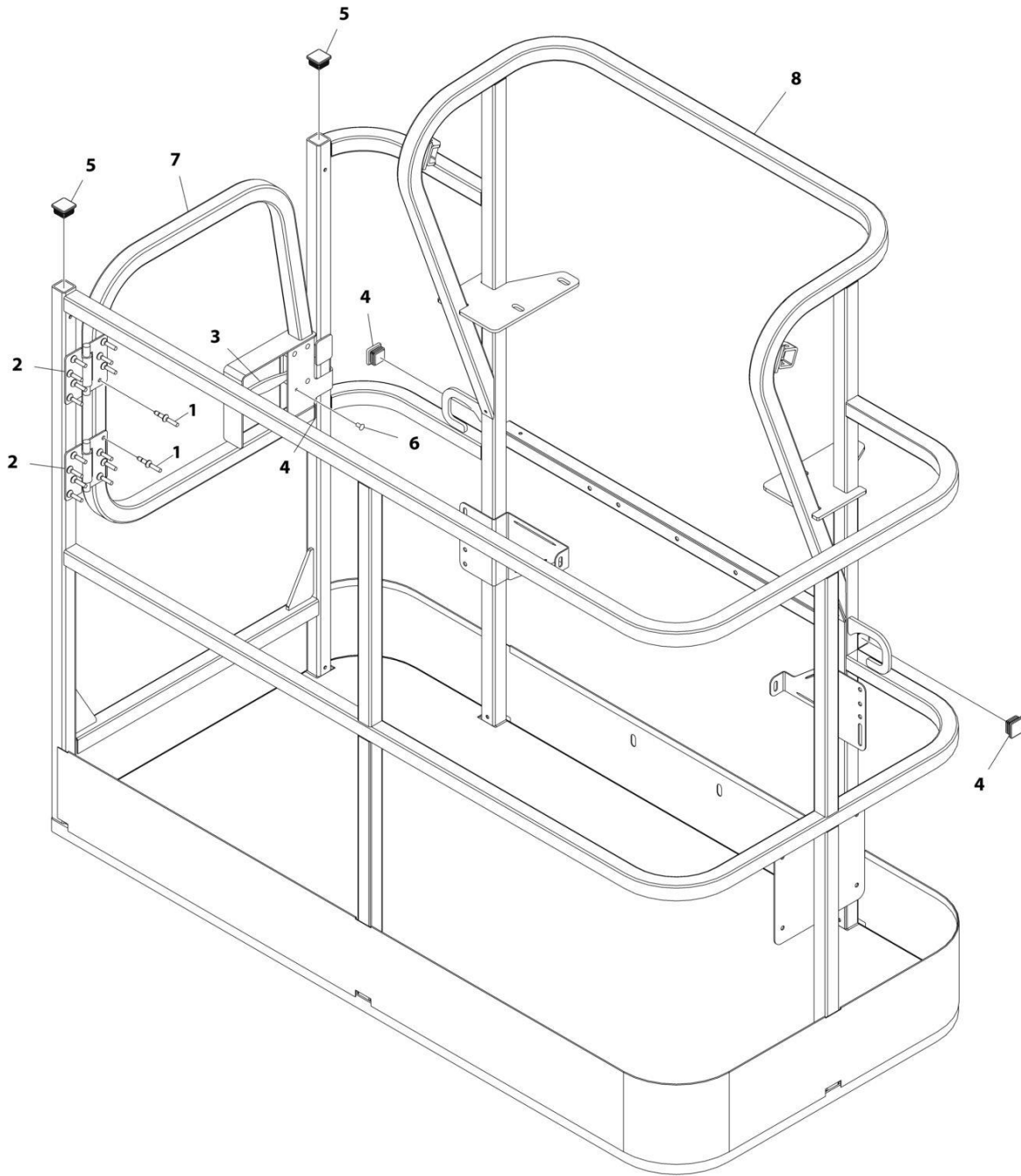
SECTION 5 - PLATFORM

FIGURE 5-11. PLATFORM ASSEMBLY WITH SWING GATE - 30IN X 4FT (76CM X 1.22M) (METRIC MATERIAL)

ITEM	PART NUMBER	QTY	DESCRIPTION	REV
	1001188319	Ref	PLATFORM ASSEMBLY	D
	See Note	Ref	Note: Platform and Mesh must be ordered separately for Platforms with Mesh. See SPECIAL OPTIONS SECTION for Mesh Installations.	
	See Note	Ref	Note: Replacement Decals Must be Ordered Separately - See DECALS SECTION.	
1	2080040	16	Fastener, Huck	
2	2600281	2	Hinge, Self-Closing	
3	2940074	1	Latch	
4	3820020	4	Rivet	
5	1001144629	1	Gate, Weldment	
6	1001145781	5	Cap, Plug	
7	See Note	NSS	Platform (Note: Not Available - Purchase Platform Assembly)	

SECTION 5 - PLATFORM

FIGURE 5-12. PLATFORM ASSEMBLY WITH SWING GATE - 30IN X 5FT (76CM X 1.52M) (SAE MATERIAL)



ART_1001186386

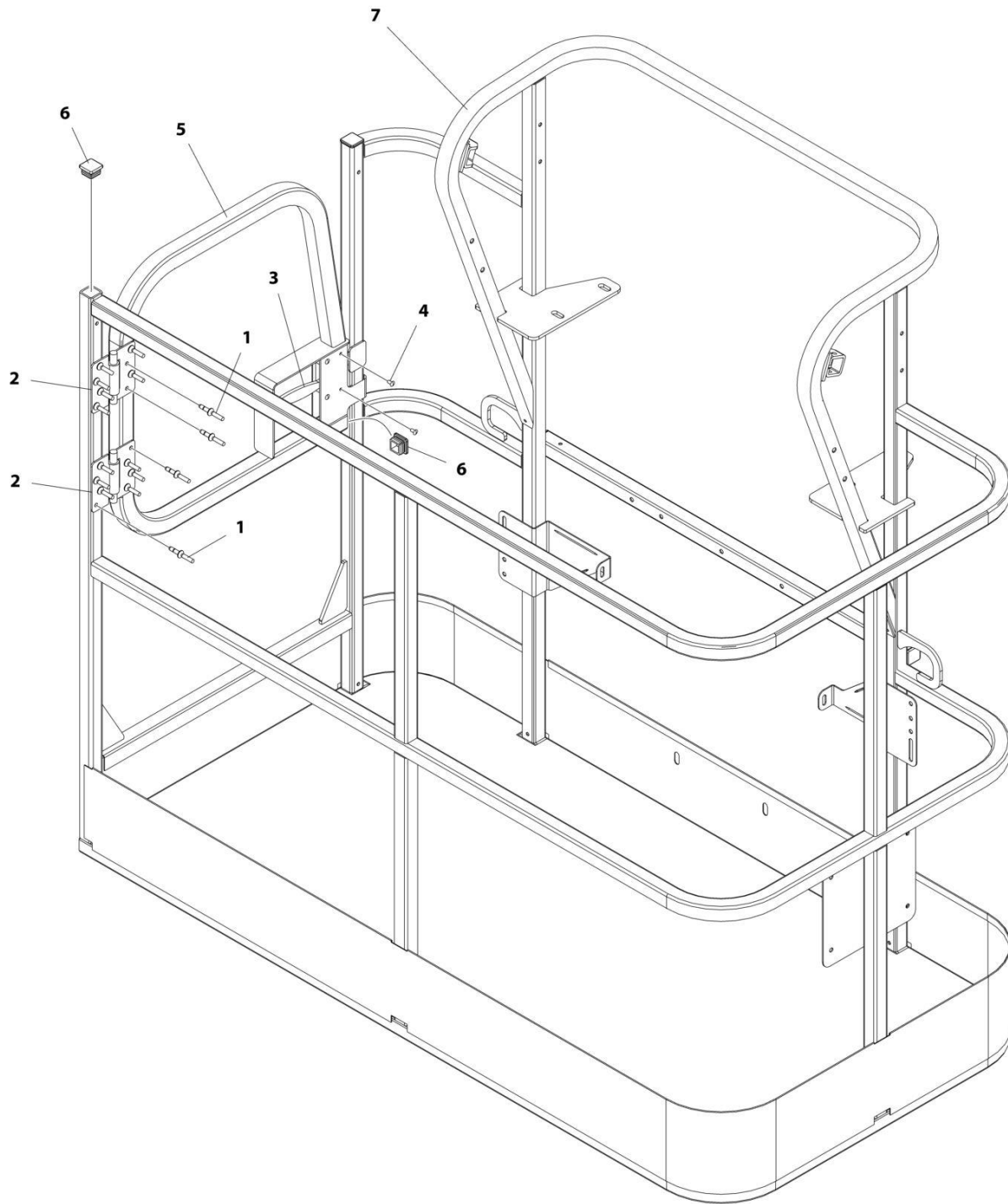
SECTION 5 - PLATFORM

FIGURE 5-12. PLATFORM ASSEMBLY WITH SWING GATE - 30IN X 5FT (76CM X 1.52M) (SAE MATERIAL)

ITEM	PART NUMBER	QTY	DESCRIPTION	REV
	1001186386	Ref	PLATFORM ASSEMBLY	C
		Ref	Note: Platform and Mesh must be ordered separately for Platforms with Mesh. See SPECIAL OPTIONS SECTION for Mesh Installations.	
		Ref	Note: Replacement Decals Must be Ordered Separately - See DECALS SECTION.	
1	2080040	16	Fastener, Huck	
2	2600281	2	Hinge, Self-Closing	
3	2940074	1	Latch	
4	3520072	3	Plug	
5	3520198	2	Plug	
6	3820020	4	Rivet	
7	1001144629	1	Gate	
8	See Note	NSS	Platform (Note: Not Available - Purchase Platform Assembly)	

SECTION 5 - PLATFORM

FIGURE 5-13. PLATFORM ASSEMBLY WITH SWING GATE - 30IN X 5FT (76CM X 1.52M) (METRIC MATERIAL)



ART_1001188315

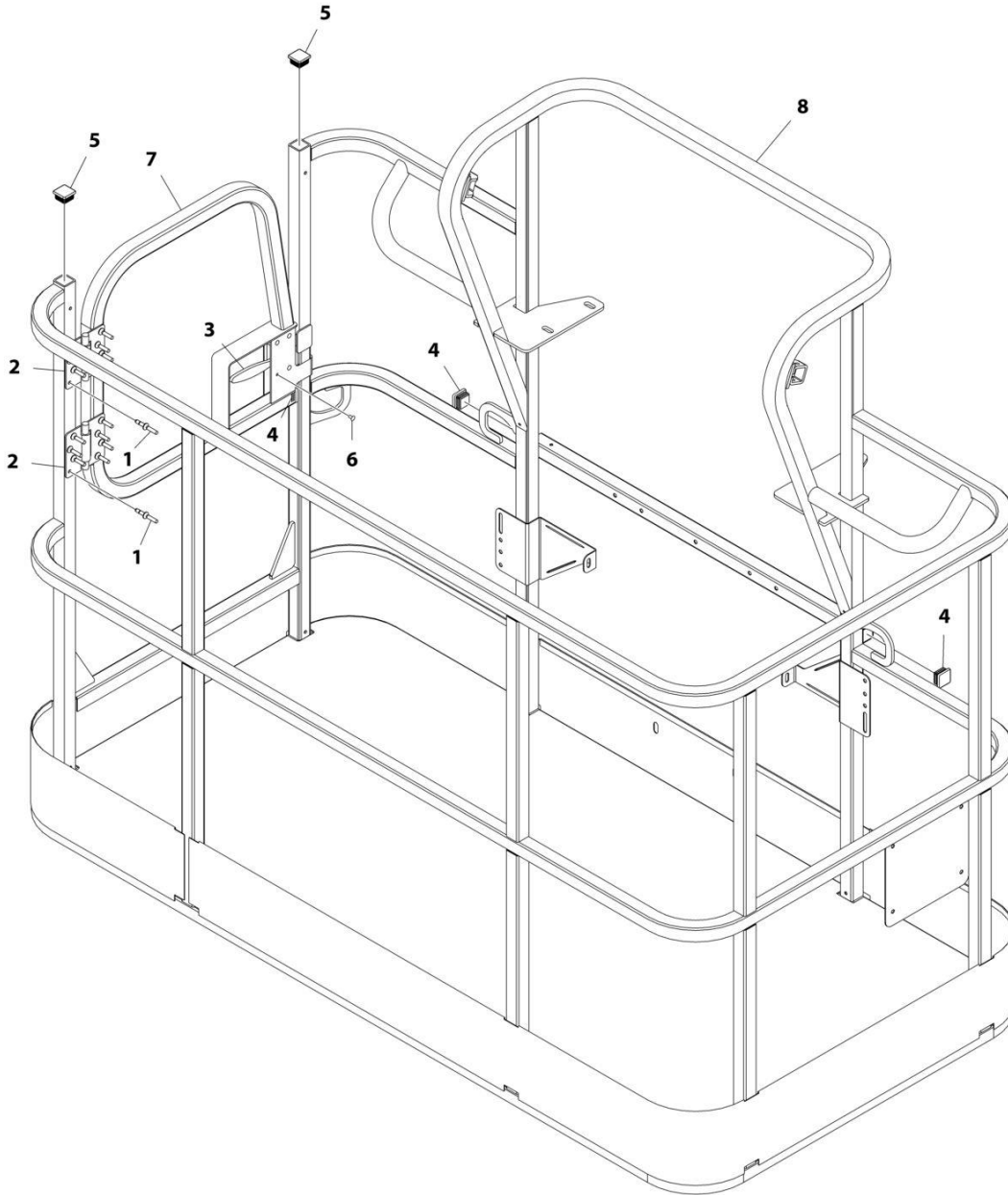
SECTION 5 - PLATFORM

FIGURE 5-13. PLATFORM ASSEMBLY WITH SWING GATE - 30IN X 5FT (76CM X 1.52M) (METRIC MATERIAL)

ITEM	PART NUMBER	QTY	DESCRIPTION	REV
	1001188315	Ref	PLATFORM ASSEMBLY	E
	See Note	Ref	Note: Platform and Mesh must be ordered separately for Platforms with Mesh. See SPECIAL OPTIONS SECTION for Mesh Installations.	
	See Note	Ref	Note: Replacement Decals Must be Ordered Separately - See DECALS SECTION.	
1	2080040	16	Fastener, Huck	
2	2600281	2	Hinge	
3	2940074	1	Latch	
4	3820020	4	Rivet	
5	1001144629	1	Gate	
6	1001145781	5	Plug	
7	See Note	NSS	Platform (Note: Not Available - Purchase Platform Assembly)	

SECTION 5 - PLATFORM

FIGURE 5-14. PLATFORM ASSEMBLY WITH SWING GATE - 36IN X 6FT (91.5CM X 1.83M) (SAE MATERIAL)



ART_1001186384

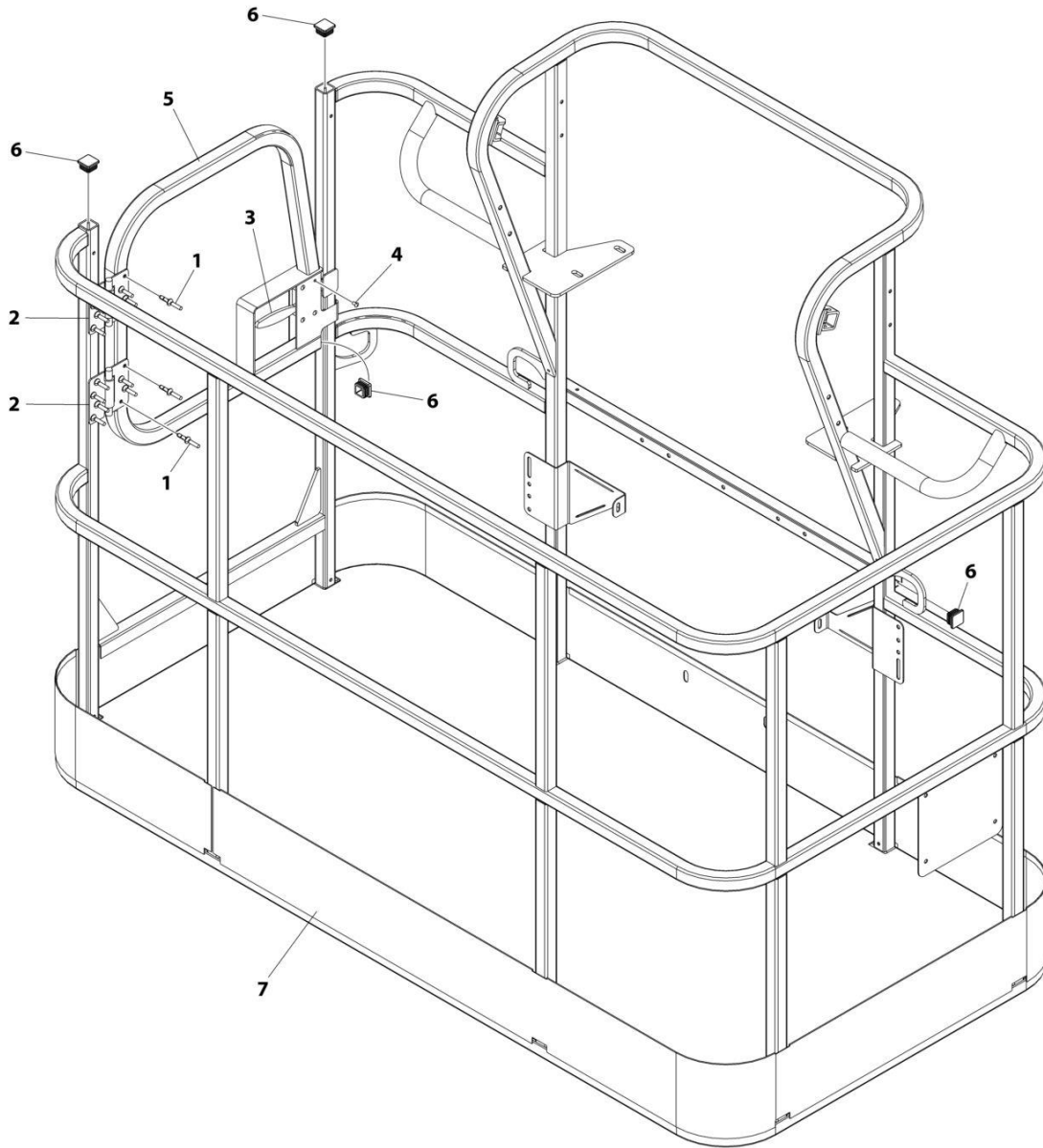
SECTION 5 - PLATFORM

FIGURE 5-14. PLATFORM ASSEMBLY WITH SWING GATE - 36IN X 6FT (91.5CM X 1.83M) (SAE MATERIAL)

ITEM	PART NUMBER	QTY	DESCRIPTION	REV
	1001186384	Ref	PLATFORM ASSEMBLY - 36IN X 6FT (91.5CM X 1.83M) WITH SWING GATE	C
	See Note	Ref	Note: Platform and Mesh must be ordered separately for Platforms with Mesh. See SPECIAL OPTIONS SECTION for Mesh Installations.	
	See Note	Ref	Note: Replacement Decals Must be Ordered Separately - See DECALS SECTION.	
1	2080040	16	Fastener, Huck	
2	2600281	2	Hinge	
3	2940074	1	Latch	
4	3520072	3	Plug	
5	3520198	2	Plug	
6	3820020	4	Rivet	
7	1001144629	1	Gate	
8	See Note	NSS	Platform (Note: Not Available - Purchase Platform Assembly)	

SECTION 5 - PLATFORM

FIGURE 5-15. PLATFORM ASSEMBLY WITH SWING GATE - 36IN X 6FT (91.5CM X 1.83M) (METRIC MATERIAL)



ART_1001188305

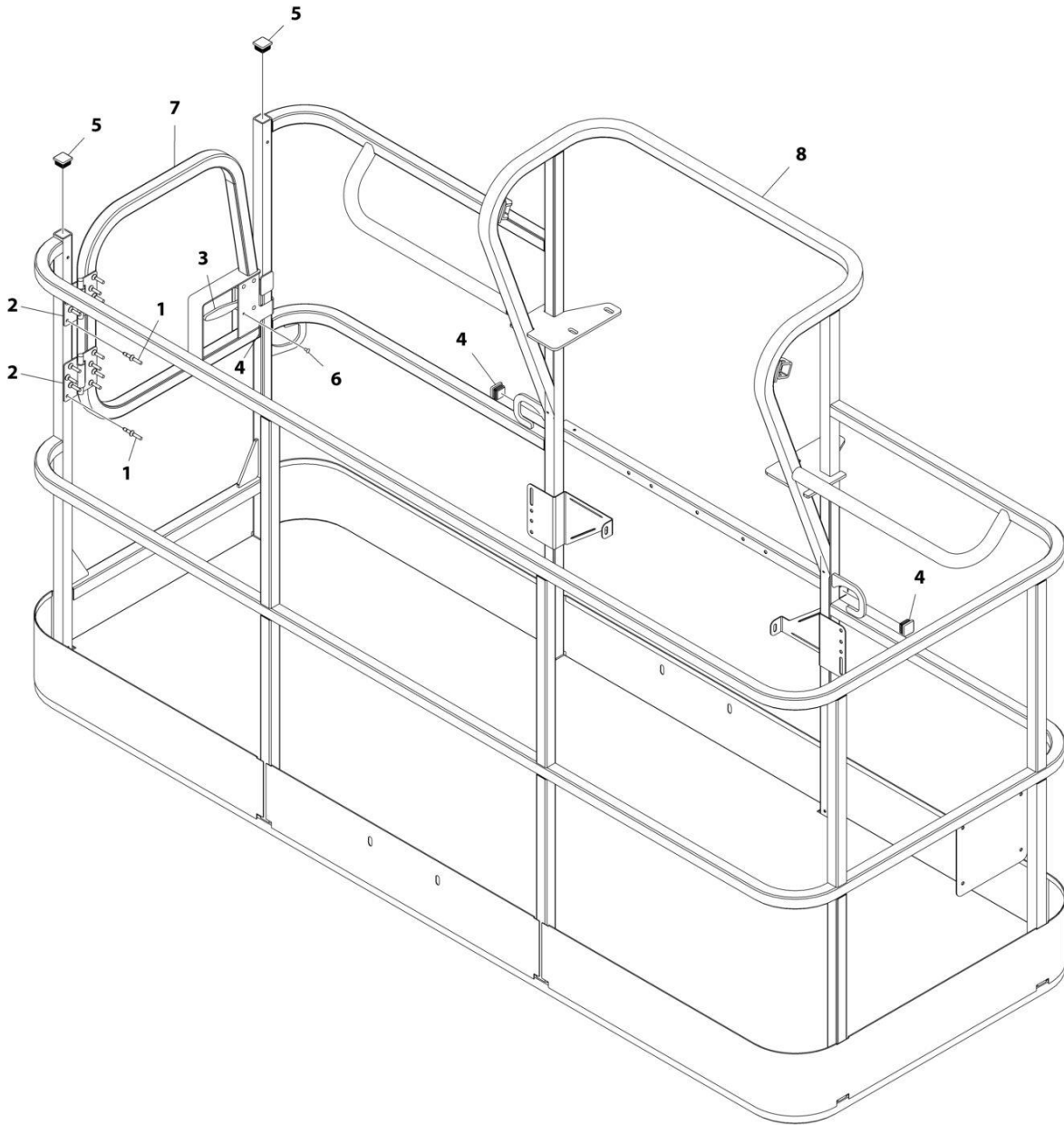
SECTION 5 - PLATFORM

FIGURE 5-15. PLATFORM ASSEMBLY WITH SWING GATE - 36IN X 6FT (91.5CM X 1.83M) (METRIC MATERIAL)

ITEM	PART NUMBER	QTY	DESCRIPTION	REV
	1001188305	Ref	PLATFORM ASSEMBLY - 36IN X 6FT (91.5CM X 1.83M) WITH SWING GATE	D
	See Note	Ref	Note: Platform and Mesh must be ordered separately for Platforms with Mesh. See SPECIAL OPTIONS SECTION for Mesh Installations.	
	See Note	Ref	Note: Replacement Decals Must be Ordered Separately - See DECALS SECTION.	
1	2080040	16	Fastener, Huck	
2	2600281	2	Hinge	
3	2940074	1	Latch	
4	3820020	4	Rivet	
5	1001144629	1	Gate	
6	1001145781	5	Plug	
7	See Note	NSS	Platform (Note: Not Available - Purchase Platform Assembly)	

SECTION 5 - PLATFORM

FIGURE 5-16. PLATFORM ASSEMBLY WITH SWING GATE - 36IN X 8FT (91.5CM X 2.44M) (SAE MATERIAL)



ART_1001186383

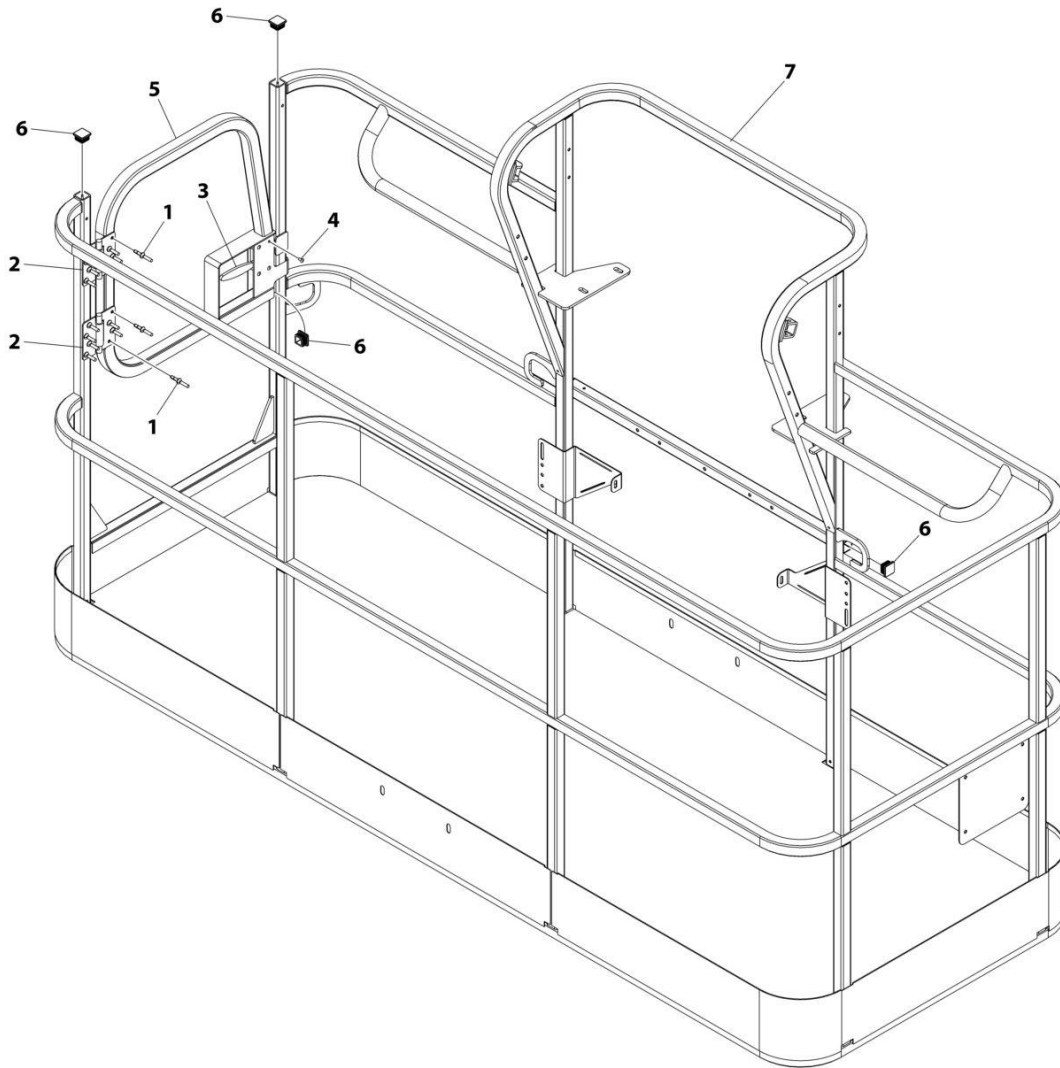
SECTION 5 - PLATFORM

FIGURE 5-16. PLATFORM ASSEMBLY WITH SWING GATE - 36IN X 8FT (91.5CM X 2.44M) (SAE MATERIAL)

ITEM	PART NUMBER	QTY	DESCRIPTION	REV
	1001186383	Ref	PLATFORM ASSEMBLY - 36IN X 8FT (91.5CM X 2.44M) WITH SWING GATE	D
		Ref	Note: Platform and Mesh must be ordered separately for Platforms with Mesh. See SPECIAL OPTIONS SECTION for Mesh Installations.	
		Ref	Note: Replacement Decals Must be Ordered Separately - See DECALS SECTION.	
1	2080040	16	Fastener, Huck	
2	2600281	2	Hinge	
3	2940074	1	Latch	
4	3520072	3	Plug	
5	3520198	2	Plug	
6	3820020	4	Rivet	
7	1001144629	1	Gate	
8	See Note	NSS	Platform (Note: Not Available - Purchase Platform Assembly)	

SECTION 5 - PLATFORM

FIGURE 5-17. PLATFORM ASSEMBLY WITH SWING GATE - 36IN X 8FT (91.5CM X 2.44M) (METRIC MATERIAL)



ART_1001188308

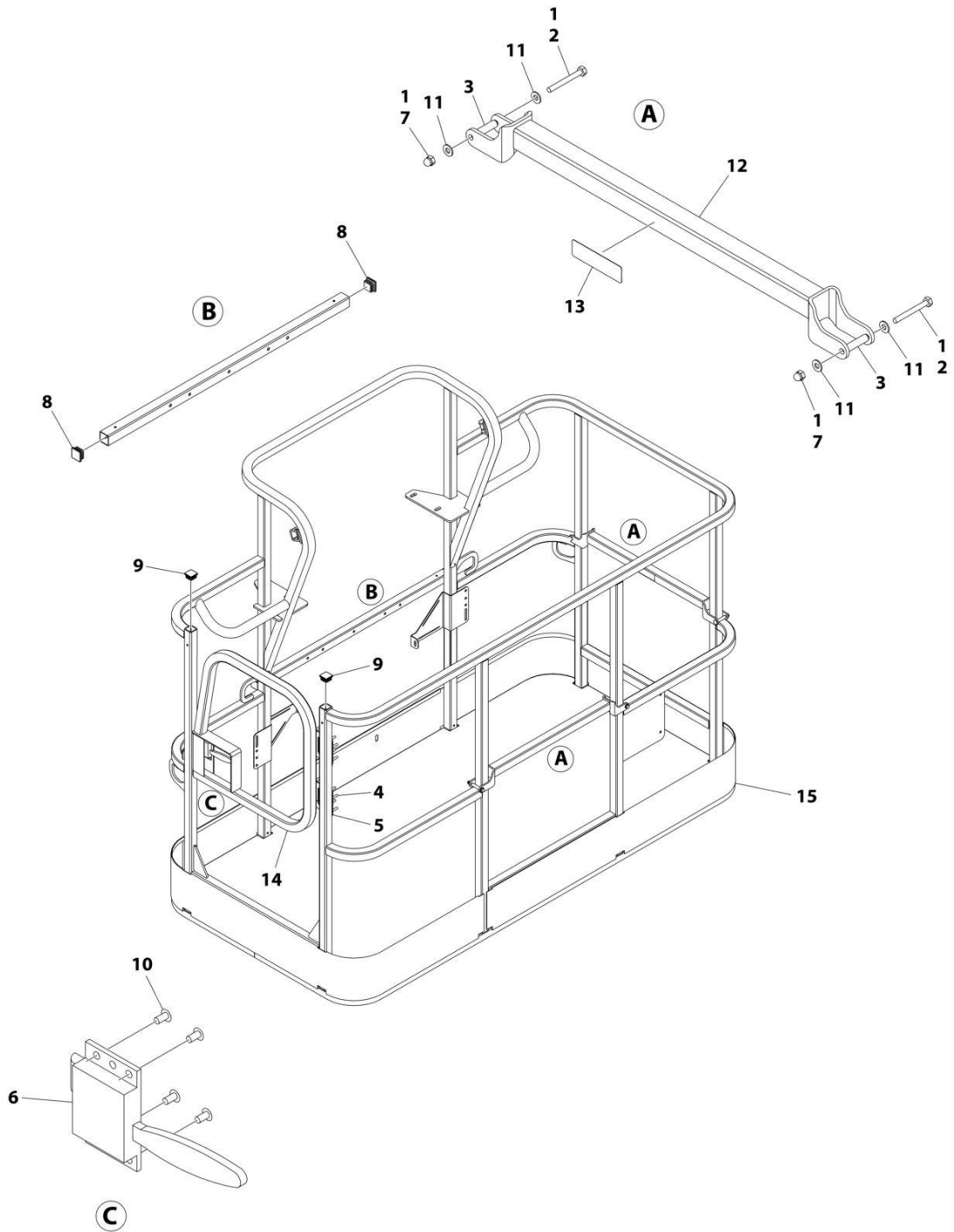
SECTION 5 - PLATFORM

FIGURE 5-17. PLATFORM ASSEMBLY WITH SWING GATE - 36IN X 8FT (91.5CM X 2.44M) (METRIC MATERIAL)

ITEM	PART NUMBER	QTY	DESCRIPTION	REV
	1001188308	Ref	PLATFORM ASSEMBLY - 36IN X 8FT (91.5CM X 2.44M) WITH SWING GATE	F
	See Note	Ref	Note: Platform and Mesh must be ordered separately for Platforms with Mesh. See SPECIAL OPTIONS SECTION for Mesh Installations.	
	See Note	Ref	Note: Replacement Decals Must be Ordered Separately - See DECALS SECTION.	
1	2080040	16	Fastener, Huck	
2	2600281	2	Hinge	
3	2940074	1	Latch	
4	3820020	4	Rivet	
5	1001144629	1	Gate	
6	1001145781	5	Plug	
7	See Note	NSS	Platform (Note: Not Available - Purchase Platform Assembly)	

SECTION 5 - PLATFORM

FIGURE 5-18. PLATFORM ASSEMBLY WITH 1 GATE / 2 DROP BARS (TRI-ENTRY) - 36IN X 6FT (91.5CM X 1.83M)



ART_1001228376

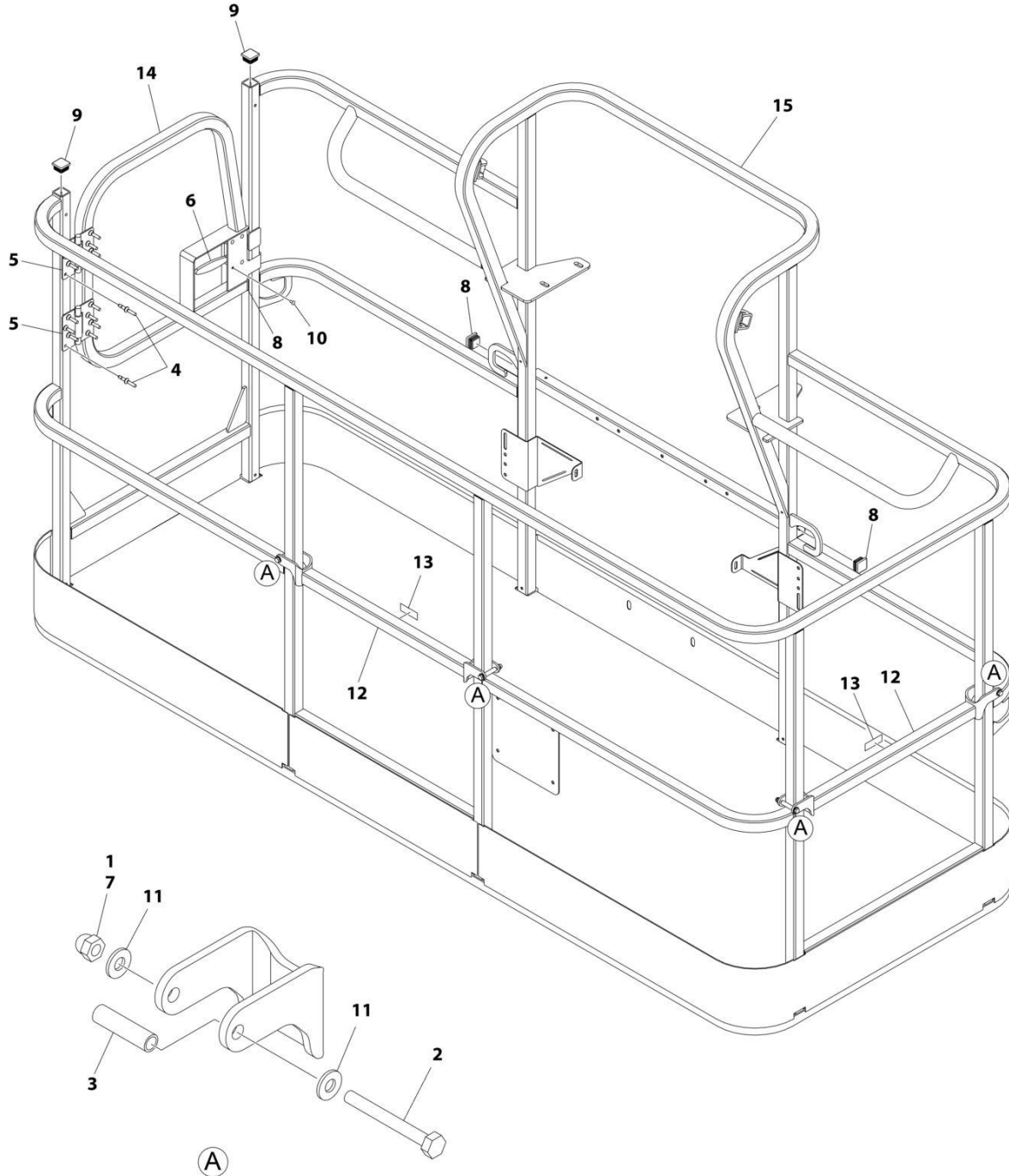
SECTION 5 - PLATFORM

**FIGURE 5-18. PLATFORM ASSEMBLY WITH 1 GATE / 2 DROP BARS (TRI-ENTRY) - 36IN X 6FT
(91.5CM X 1.83M)**

ITEM	PART NUMBER	QTY	DESCRIPTION	REV
	1001228376	Ref	PLATFORM ASSEMBLY - 36IN x 6FT (91.5CM x 1.83M)	B
		Ref	Note: Platform and Mesh must be ordered separately for Platforms with Mesh. See SPECIAL OPTIONS SECTION for Mesh Installations.	
		Ref	Note: Replacement Decals Must be Ordered Separately - See DECAL SECTION.	
1	0100011	AR	Compound, Locking	
2	0641418	4	Bolt 1/4 x 2-1/4	
3	0961845	4	Bushing	
4	2080040	16	Fastener	
5	2600281	2	Hinge	
6	2940074	1	Latch	
7	3300151	4	Nut 1/4	
8	3520072	3	Plug	
9	3520198	2	Plug	
10	3820020	4	Rivet	
11	4711400	8	Washer 1/4	
12	1001138494	2	Bar, Drop	
13	1001140429	2	Decal - Drop Bar	
14	1001144629	1	Gate	
15	See Note	NSS	Platform (Note: Not Available - Purchase Platform Assembly)	

SECTION 5 - PLATFORM

FIGURE 5-19. PLATFORM ASSEMBLY WITH 1 GATE / 2 DROP BARS (TRI-ENTRY) - 36IN X 8FT
(91.5CM X 2.44M)



ART_1001228243

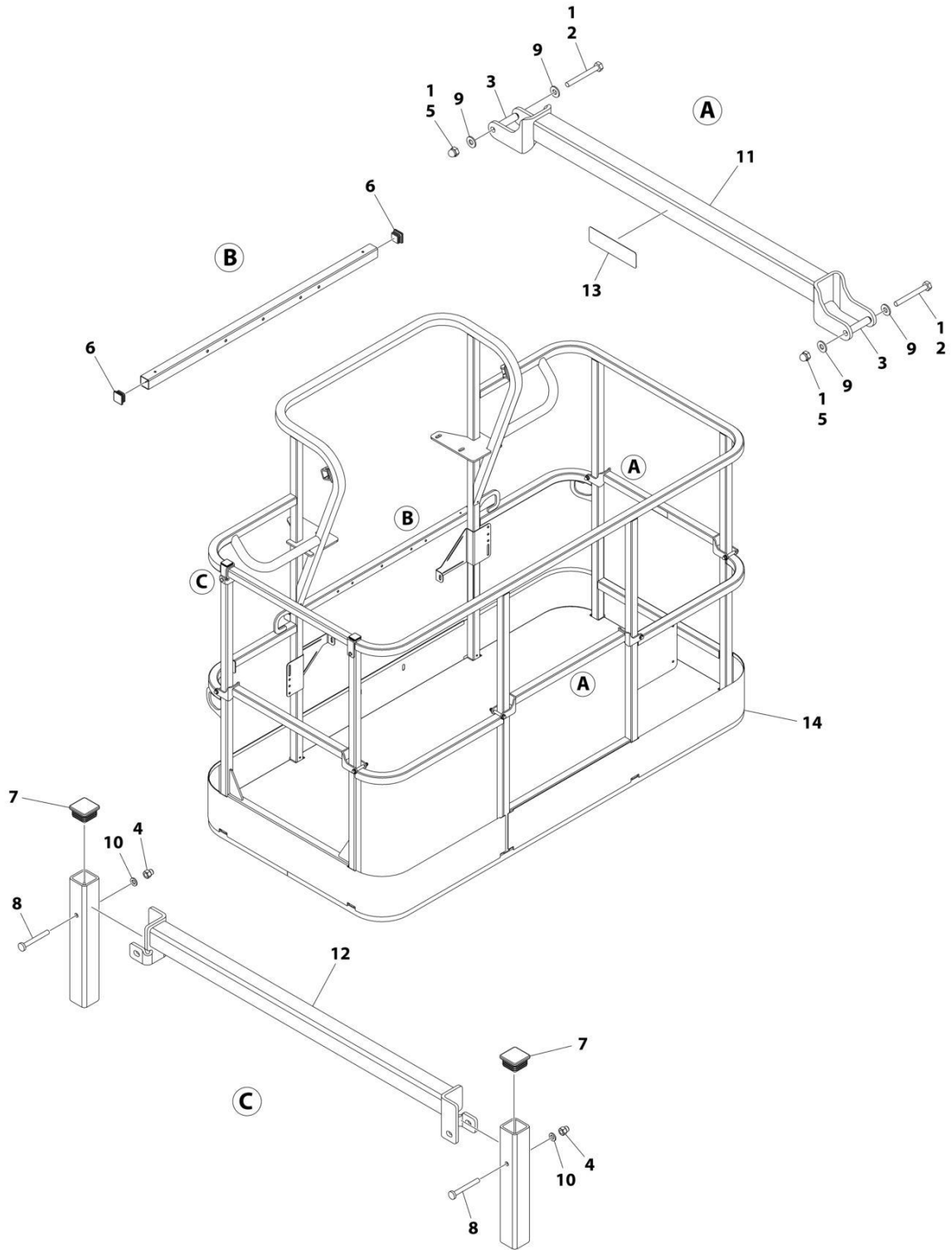
SECTION 5 - PLATFORM

**FIGURE 5-19. PLATFORM ASSEMBLY WITH 1 GATE / 2 DROP BARS (TRI-ENTRY) - 36IN X 8FT
(91.5CM X 2.44M)**

ITEM	PART NUMBER	QTY	DESCRIPTION	REV
	1001228243	Ref	PLATFORM ASSEMBLY - 36IN X 8FT (91.5CM X 2.44M) WITH TRI-ENTRY	A
		Ref	Note: Platform and Mesh must be ordered separately for Platforms with Mesh. See SPECIAL OPTIONS SECTION for Mesh Installations.	
1	0100011	AR	Compound, Locking	
2	0641418	4	Bolt 1/4 x 2-1/4	
3	0961845	4	Bushing	
4	2080040	16	Fastener, Huck	
5	2600281	2	Hinge, Self-Closing	
6	2940074	1	Latch	
7	3300151	4	Nut 1/4	
8	3520072	3	Cap, Plug	
9	3520198	2	Cap, Plug	
10	3820020	4	Rivet	
11	4711400	8	Washer 1/4	
12	1001138494	2	Bar, Drop	
13	1001140429	2	Decal - Drop Bar	
14	1001144629	1	Gate, Weldment	
15	See Note	1	Platform (Note: Not Available - Purchase Platform Assembly)	

SECTION 5 - PLATFORM

FIGURE 5-20. PLATFORM ASSEMBLY WITH 3 DROP BARS (TRI-ENTRY) - 36IN X 6FT (91.5CM X 1.83M)



ART_1001228377

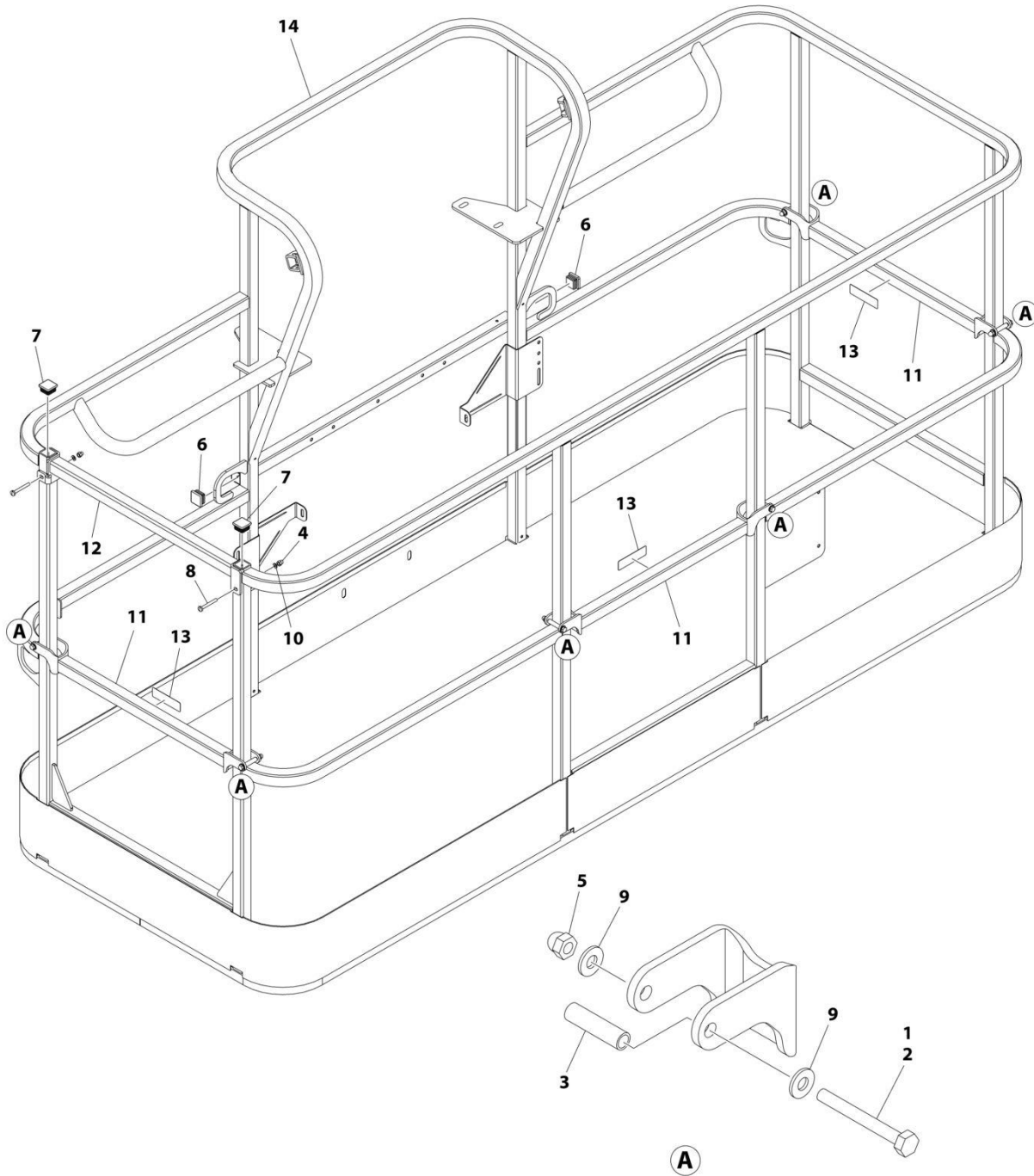
SECTION 5 - PLATFORM

FIGURE 5-20. PLATFORM ASSEMBLY WITH 3 DROP BARS (TRI-ENTRY) - 36IN X 6FT (91.5CM X 1.83M)

ITEM	PART NUMBER	QTY	DESCRIPTION	REV
	1001228377	Ref	PLATFORM ASSEMBLY - 36IN x 6FT (91.5CM x 1.83M)	B
		Ref	Note: Platform and Mesh must be ordered separately for Platforms with Mesh. See SPECIAL OPTIONS SECTION for Mesh Installations.	
		Ref	Note: Replacement Decals Must be Ordered Separately - See DECAL SECTION.	
1	0100011	1	Compound, Locking	
2	0641418	6	Bolt 1/4 x 2-1/4	
3	0961845	6	Bushing	
4	3290606	2	Nut M6	
5	3300151	6	Nut 1/4	
6	3520072	2	Plug	
7	3520198	2	Plug	
8	4010618	2	Screw M6 x 50	
9	4711400	12	Washer 1/4	
10	4811700	2	Washer M6	
11	1001138494	3	Bar, Drop	
12	1001138514	1	Rail (Top)	
13	1001140429	3	Decal - Drop Bar	
14	See Note	NSS	Platform, Weldment (Note: Not Available - Purchase Platform Assembly)	

SECTION 5 - PLATFORM

FIGURE 5-21. PLATFORM ASSEMBLY WITH 3 DROP BARS (TRI-ENTRY) - 36IN X 8FT (91.5CM X 2.44M)



ART_1001228375

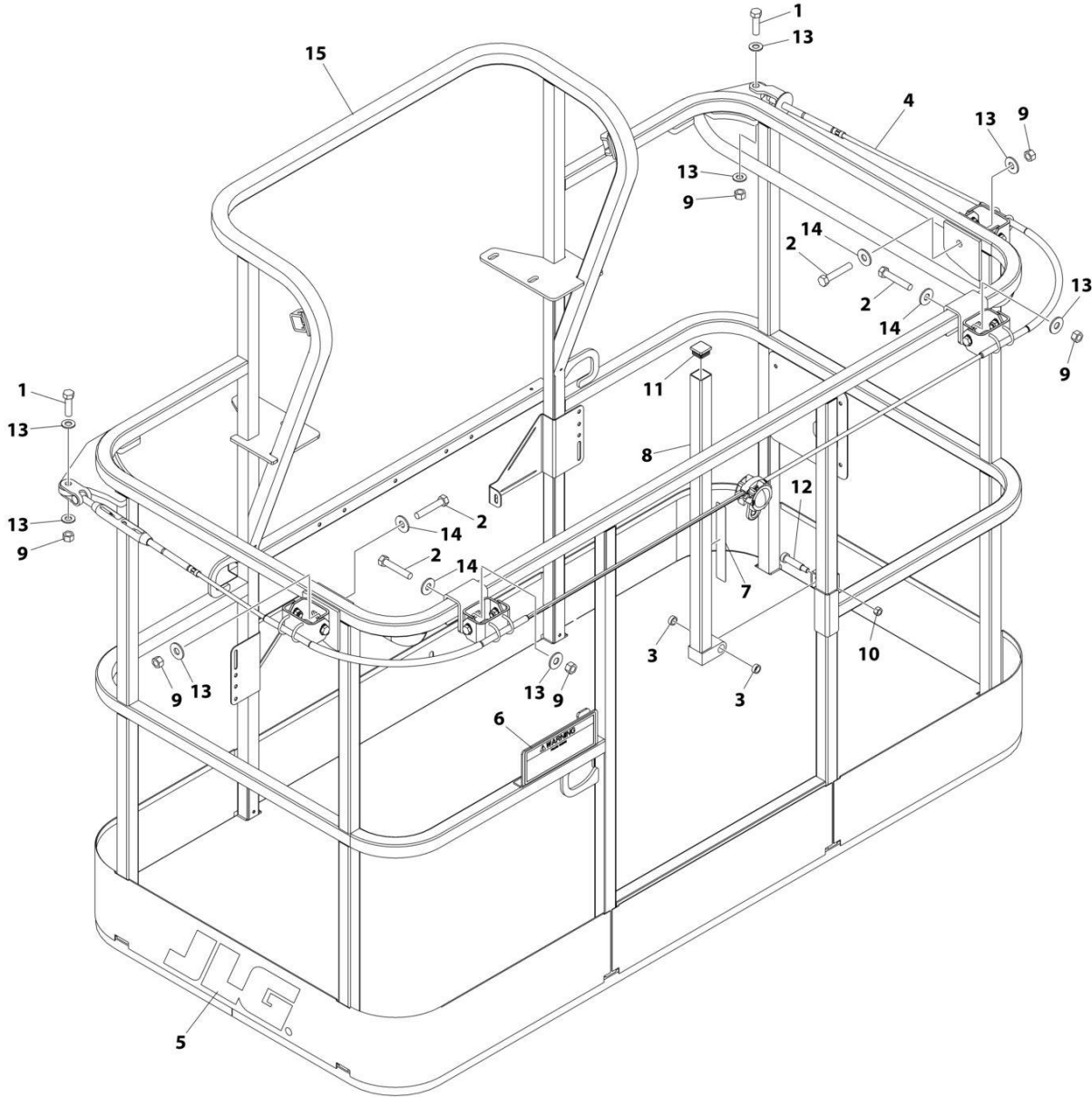
SECTION 5 - PLATFORM

FIGURE 5-21. PLATFORM ASSEMBLY WITH 3 DROP BARS (TRI-ENTRY) - 36IN X 8FT (91.5CM X 2.44M)

ITEM	PART NUMBER	QTY	DESCRIPTION	REV
	1001228375	Ref	PLATFORM ASSEMBLY - 36IN X 8FT (91.5CM X 2.44M) WITH TRI-ENTRY	A
		Ref	Note: Platform and Mesh must be ordered separately for Platforms with Mesh. See SPECIAL OPTIONS SECTION for Mesh Installations.	
		Ref	Note: Replacement Decals Must be Ordered Separately - See DECAL SECTION.	
1	0100011	AR	Compound, Locking	
2	0641418	6	Bolt 1/4 x 2-1/4	
3	0961845	6	Bushing	
4	3290606	2	Nut M6 x 1	
5	3300151	6	Nut 1/4	
6	3520072	2	Cap, Plug	
7	3520198	2	Cap, Plug	
8	4010618	2	Screw M6 x 50	
9	4711400	12	Washer 1/4	
10	4811700	2	Washer M6	
11	1001138494	3	Bar, Drop	
12	1001138514	1	Rail (Top)	
13	1001140429	3	Decal - Drop Bar	
14	See Note	1	Platform (Note: Not Available - Purchase Platform Assembly)	

SECTION 5 - PLATFORM

FIGURE 5-22. PLATFORM ASSEMBLY WITH FALL ARREST (6FT)



ART_1001186333

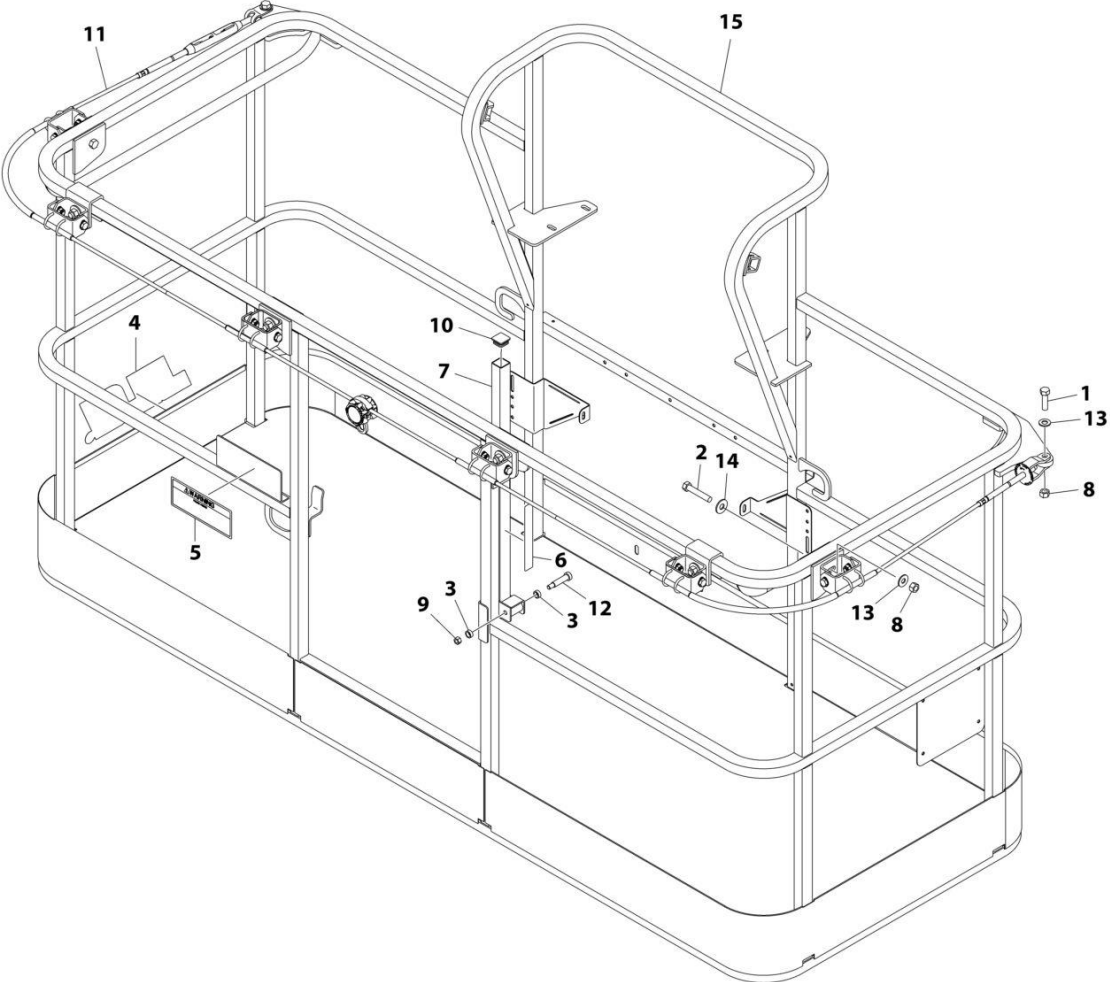
SECTION 5 - PLATFORM

FIGURE 5-22. PLATFORM ASSEMBLY WITH FALL ARREST (6FT)

ITEM	PART NUMBER	QTY	DESCRIPTION	REV
	1001186333	Ref	PLATFORM ASSEMBLY	C
		Ref	Note: Replacement Decals Must be Ordered Separately - See DECALS SECTION.	
1	0681814	2	Bolt 1/2 x 1-3/4 Grade 8	
2	0681822	4	Bolt 1/2 x 2-3/4 Grade 8	
3	0962270	2	Bearing	
4	1001203655	1	Cable	
5	1702773	1	Decal - JLG	
6	1705014	1	Decal - Safety	
7	1706385	1	Decal - Drop Bar	
8	2410014	1	Bar, Drop	
9	3271805	6	Nut 1/2 Grade 8	
10	3311605	1	Nut 3/8	
11	3520072	1	Plug	
12	3900054	1	Bolt 1/2 x 1-3/4	
13	4711800	8	Washer 1/2	
14	4751800	4	Washer 1/2	
15	See Note	NSS	Platform (Note: Not Available - Purchase Platform Assembly)	

SECTION 5 - PLATFORM

FIGURE 5-23. PLATFORM ASSEMBLY WITH FALL ARREST (8FT)



ART_1001186334

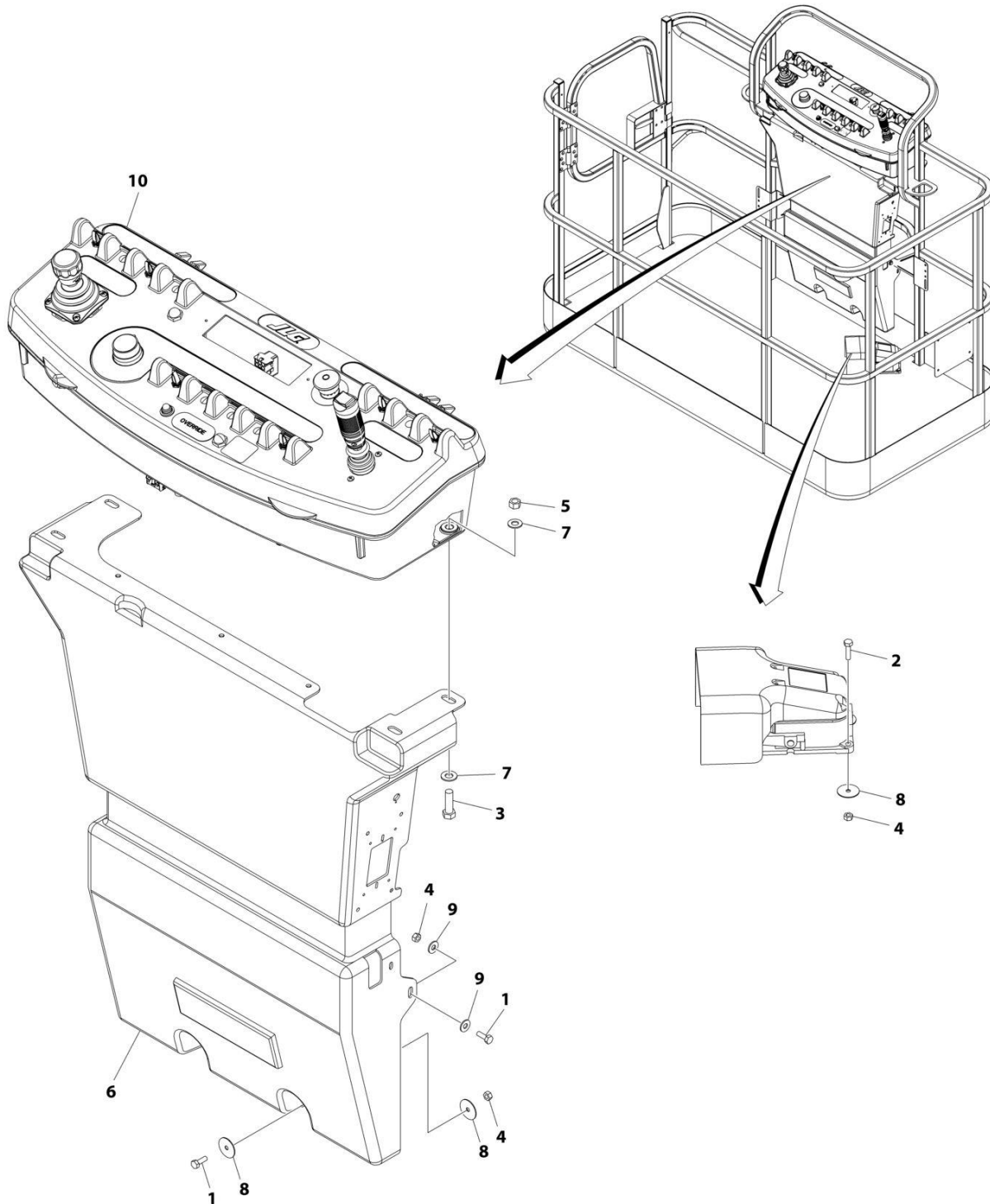
SECTION 5 - PLATFORM

FIGURE 5-23. PLATFORM ASSEMBLY WITH FALL ARREST (8FT)

ITEM	PART NUMBER	QTY	DESCRIPTION	REV
	1001186334	Ref	PLATFORM ASSEMBLY	D
		Ref	Note: Replacement Decals Must be Ordered Separately - See DECALS SECTION.	
1	0681814	2	Bolt 1/2 x 1-3/4 Grade 8	
2	0681822	6	Bolt 1/2 x 2-3/4 Grade 8	
3	0962270	2	Bearing	
4	1702773	1	Decal - JLG	
5	1705014	1	Decal - Safety	
6	1706385	1	Decal - Drop Bar	
7	2410014	1	Bar, Drop	
8	3271805	8	Nut 1/2 Grade 8	
9	3311605	1	Nut 3/8	
10	3520072	1	Plug	
11	1001203656	1	Cable	
12	3900054	1	Bolt 1/2 x 1-3/4	
13	4711800	2	Washer 1/2	
14	4751800	6	Washer 1/2	
15	See Note	NSS	Platform (Note: Purchase Platform Assembly)	

SECTION 5 - PLATFORM

FIGURE 5-24. PLATFORM CONSOLE AND FOOTSWITCH INSTALLATION



ART_1001241703

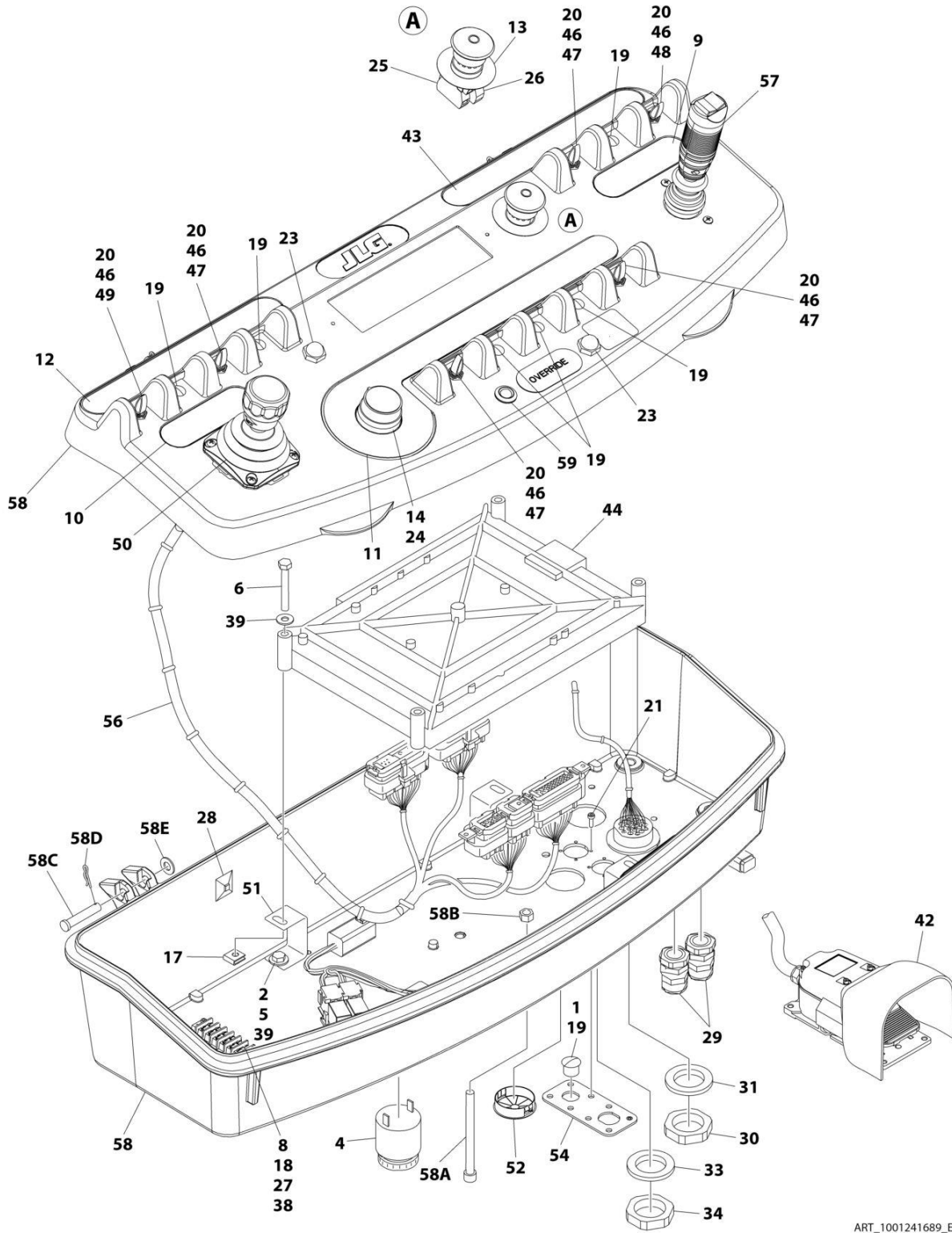
SECTION 5 - PLATFORM

FIGURE 5-24. PLATFORM CONSOLE AND FOOTSWITCH INSTALLATION

ITEM	PART NUMBER	QTY	DESCRIPTION	REV
	1001241703	Ref	PLATFORM CONSOLE AND FOOTSWITCH INSTALLATION	B
1	0641406	4	Bolt 1/4 x 3/4	
2	0641408	3	Bolt 1/4 x 1	
3	0641610	4	Bolt 3/8 x 1-1/4	
4	3311405	7	Nut 1/4	
5	3311605	4	Nut 3/8	
6	3380434	1	Panel	
7	4751600	8	Washer 3/8	
8	4740362	7	Washer	
9	4751400	4	Washer 1/4	
10	1001241689	1	Platform Console Assembly (See Separate Breakdown in this Section)	

SECTION 5 - PLATFORM

FIGURE 5-25. PLATFORM CONSOLE ASSEMBLY



ART_1001241689_E

SECTION 5 - PLATFORM

FIGURE 5-25. PLATFORM CONSOLE ASSEMBLY

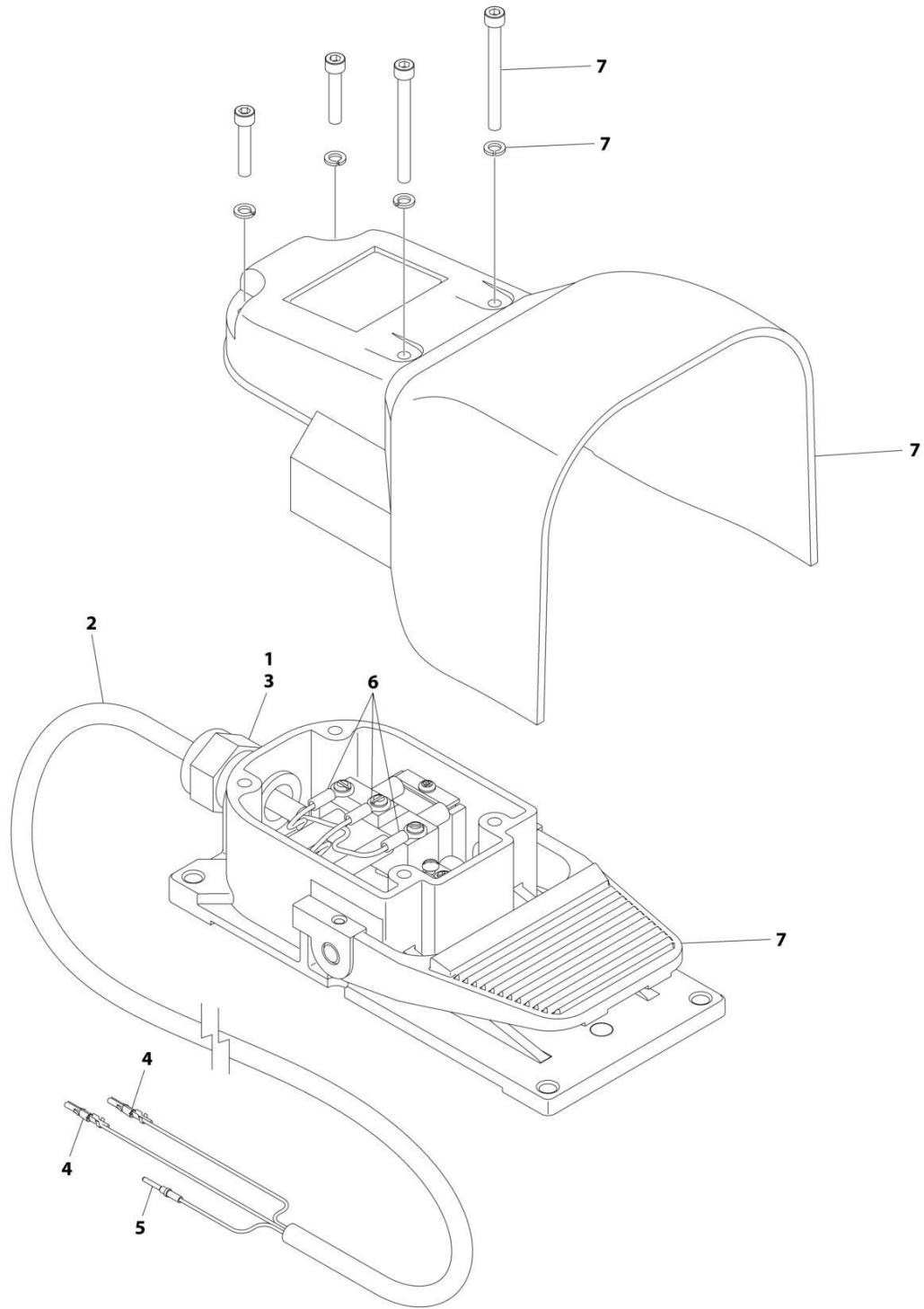
ITEM	PART NUMBER	QTY	DESCRIPTION	REV
	1001241689	Ref	PLATFORM CONSOLE ASSEMBLY	E
1	0100009	AR	Sealant	
2	0100035	AR	Compound, Locking	
4	0140011	1	Alarm	
5	0641405	4	Bolt 1/4 x 5/8	
6	0641414	4	Bolt 1/4 x 1-3/4	
8	0721006	2	Screw #10 x 3/4	
9	1702565	1	Decal - Drive and Steer	
10	1702566	1	Decal - Lift and Swing	
11	1702567	1	Decal - Function Speed	
12	1001184626	1	Decal - Horn	
13	1704260	1	Decal - Emergency Stop	
14	2560136	1	Knob	
17	3300353	4	Nut, Tinnerman	
18	3311005	2	Nut #10	
19	3520054	7	Plug, Hole	
20	3790012	6	O-Ring	
21	3900349	8	Capscrew M2.5	
22	4240099	AR	Tie-Strap (Not Shown)	
23	4360387	2	Switch, Push Button	
24	4360407	1	Switch, Flow Control	
24	See Note	1	Gasket "Top Hat" (Included with Switch) (Note: Not Available for Purchase)	
24	70003784	1	Seal	
25	1001274559	1	Switch, Emergency Stop	
26	4360476	1	Switch, Contact	
27	4460007	1	Bussbar	
28	4460234	6	Mount, Tie-Strap	
29	4460428	2	Connector, Strain Relief	
30	4460470	1	Nut	
31	4460471	1	Washer	
33	4460496	1	Washer	
34	4460497	1	Nut	
38	4751000	2	Washer #10	
39	4751400	8	Washer 1/4	
41	4922666	1	Harness, Analyzer Cable (Not Shown - See Separate Breakdown in ELECTRICAL Section)	
42	1001117174	1	Footswitch Assembly (See Separate Breakdown in this Section)	
43	1001184618	1	Decal - Stop	
44	1001141138	1	Module, Platform (Note: Re-calibration Required when Replaced)	
46	1001155044	6	Nut 15/32	
47	1001155045	4	Switch, Toggle	
48	1001159256	1	Switch, Toggle	
49	1001161709	1	Switch, Toggle	
50	1001275629	1	Controller Lift/Swing	
51	1001172760	4	Bracket	
52	1001185281	1	Plug	
54	1001213882	1	Mount	
56	1001309251	1	Harness, Console Box (See Separate Breakdown in ELECTRICAL Section)	

SECTION 5 - PLATFORM

ITEM	PART NUMBER	QTY	DESCRIPTION	REV
57	1001275628	1	Controller Drive/Steer	
58	1001215228	1	Console Box Assembly	
58A	0630568	1	Capscrew 3/8 x 4-1/2	
58B	3311601	1	Nut 3/8	
58C	3430616	2	Pin	
58D	3470003	2	Hairpin	
58E	4711600	2	Washer 3/8	
59	1001206532	1	Lamp, LED Indicator Yellow	

SECTION 5 - PLATFORM

FIGURE 5-26. FOOTSWITCH ASSEMBLY



ART_1001117174

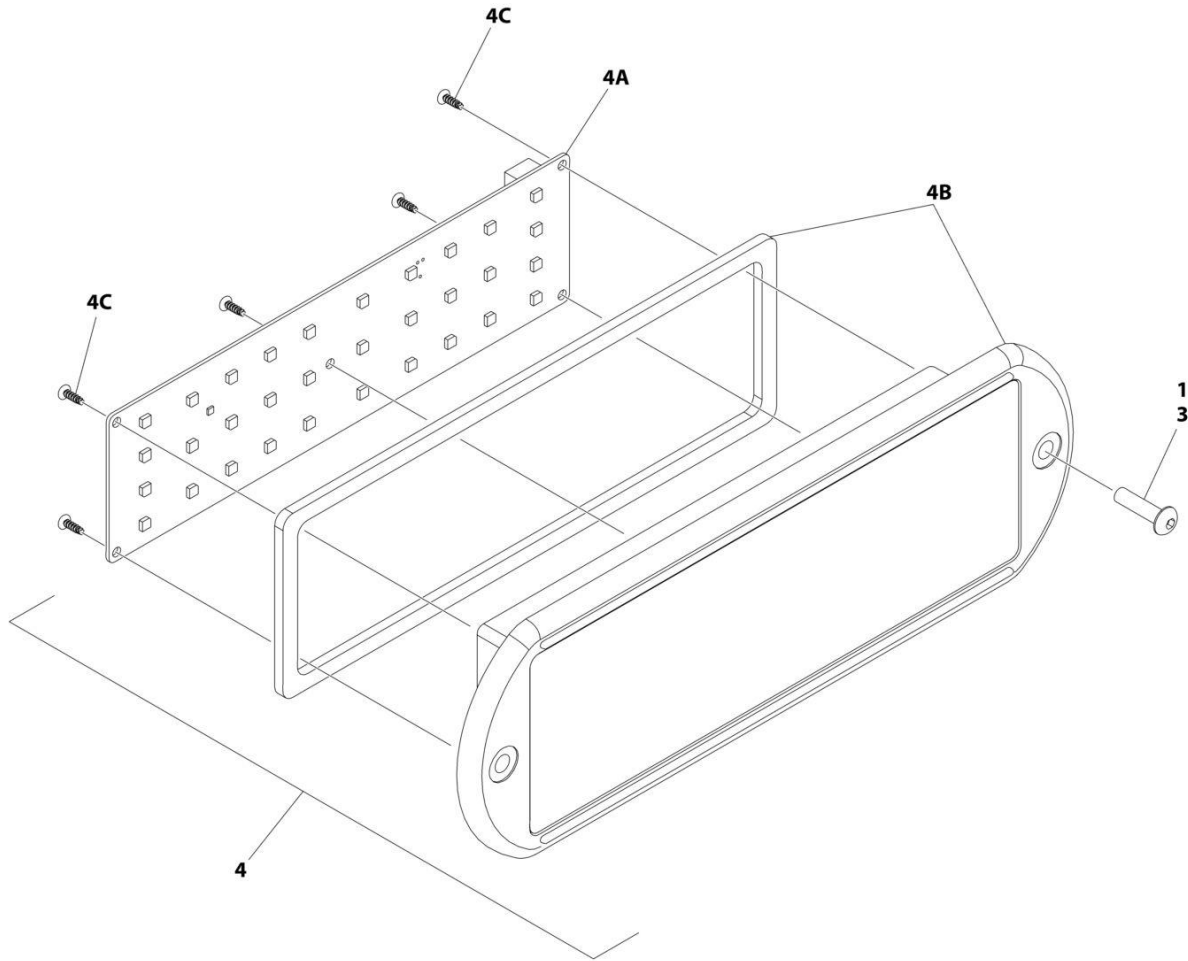
SECTION 5 - PLATFORM

FIGURE 5-26. FOOTSWITCH ASSEMBLY

ITEM	PART NUMBER	QTY	DESCRIPTION	REV
	1001117174	Ref	FOOTSWITCH ASSEMBLY	C
1	0100020	AR	Sealant	
2	1060918	7.5 ft/ 2.3m	Cable, Electrical - 18/3	
3	4460071	1	Connector, Strain Relief	
4	4460226	2	Socket, Female	
5	4460464	1	Pin, Male	
6	1001098122	3	Terminal	
7	1001117172	1	Footswitch	
7	70002902	1	Switch, 20Amp	
7	70002903	1	Gasket	
7	70002905	1	Cover	
7	70002904	1	Kit, Replacement Bolt	

SECTION 5 - PLATFORM

FIGURE 5-27. LIGHT PANEL INSTALLATION (MACHINES WITH SN STARTING WITH 03) (CE & UK CA SPEC MACHINES WITH SN STARTING WITH B3)



ART_1001233959_D_20F2

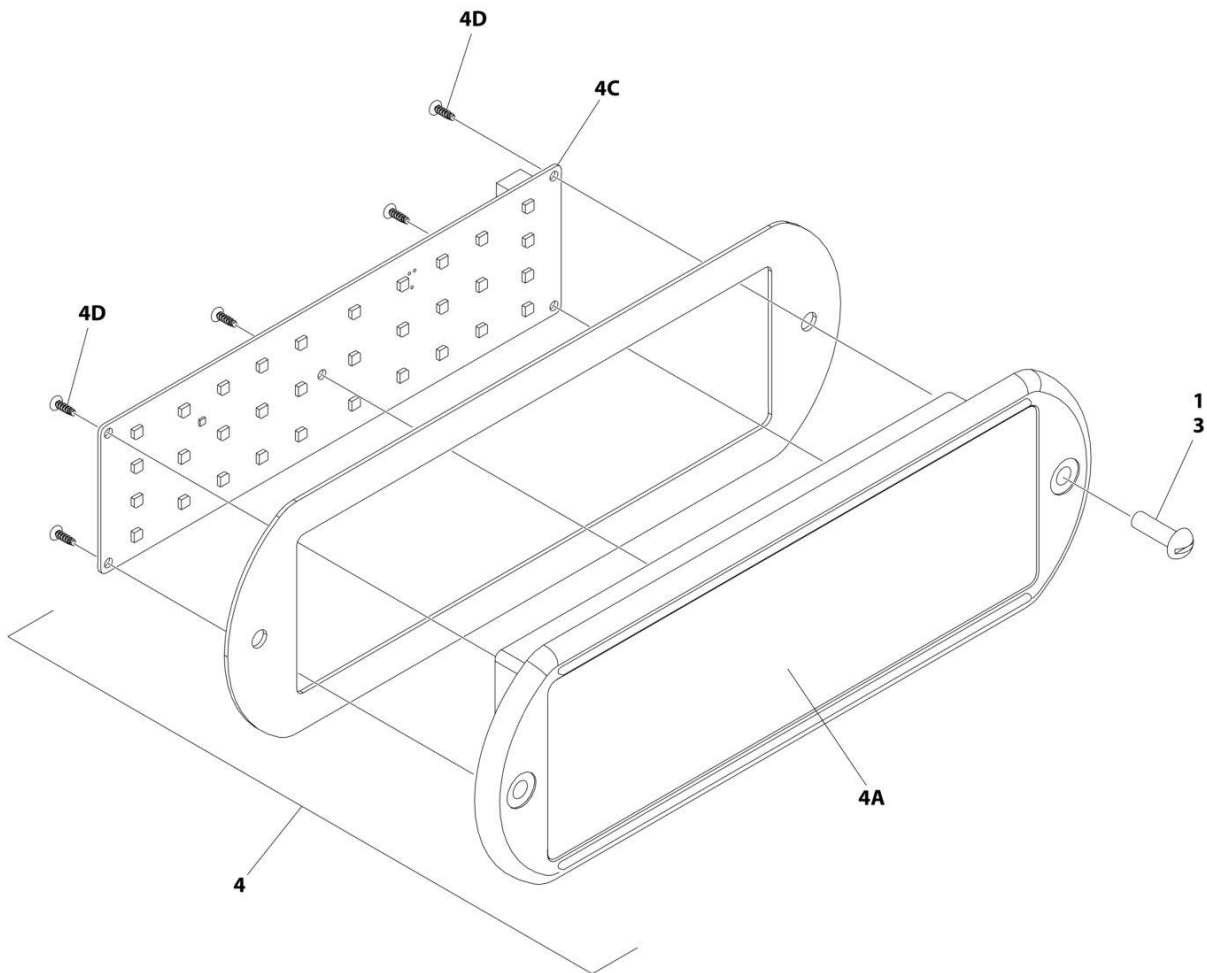
SECTION 5 - PLATFORM

FIGURE 5-27. LIGHT PANEL INSTALLATION (MACHINES WITH SN STARTING WITH 03) (CE & UK CA SPEC MACHINES WITH SN STARTING WITH B3)

ITEM	PART NUMBER	QTY	DESCRIPTION	REV
	1001233959	Ref	LIGHT PANEL INSTALLATION - PLATFORM CONSOLE	D
1	0100035	AR	Compound, Locking	
3	0630518	2	Screw #10 x 3/4	
4	1001284583	1	Light Panel Assembly	A
4A	1001282106	1	Panel, LED Light	
4B	1001284582	1	Lens, Icon (Includes Gasket)	
4C		Ref	Screw	

SECTION 5 - PLATFORM

FIGURE 5-28. LIGHT PANEL INSTALLATION (ALL SPEC EXCEPT CE & UK CA SPEC MACHINES WITH SN STARTING WITH B3)



ART_1001241398_B_20F2

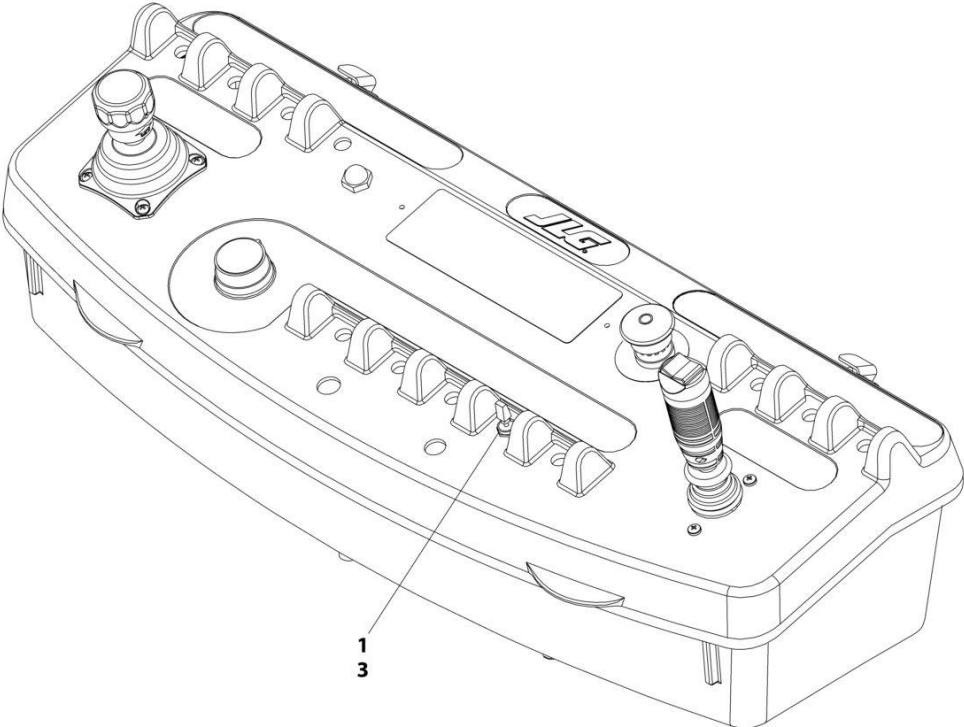
SECTION 5 - PLATFORM

FIGURE 5-28. LIGHT PANEL INSTALLATION (ALL SPEC EXCEPT CE & UK CA SPEC MACHINES WITH SN STARTING WITH B3)

ITEM	PART NUMBER	QTY	DESCRIPTION	REV
	1001241398	Ref	LIGHT PANEL INSTALLATION - PLATFORM CONSOLE	B
1	0100035	AR	Compound, Locking	
3	3911010	2	Screw #10 x 5/8	
4	1001238671	1	Light Panel Assembly	
4A	1001236087	1	Lens, I-Con	
4C	1001238732	1	Panel, LED Light	
4D		Ref	Screw	

SECTION 5 - PLATFORM

FIGURE 5-29. JIB SWITCH INSTALLATION (860SJ HC3)



ART_0258608

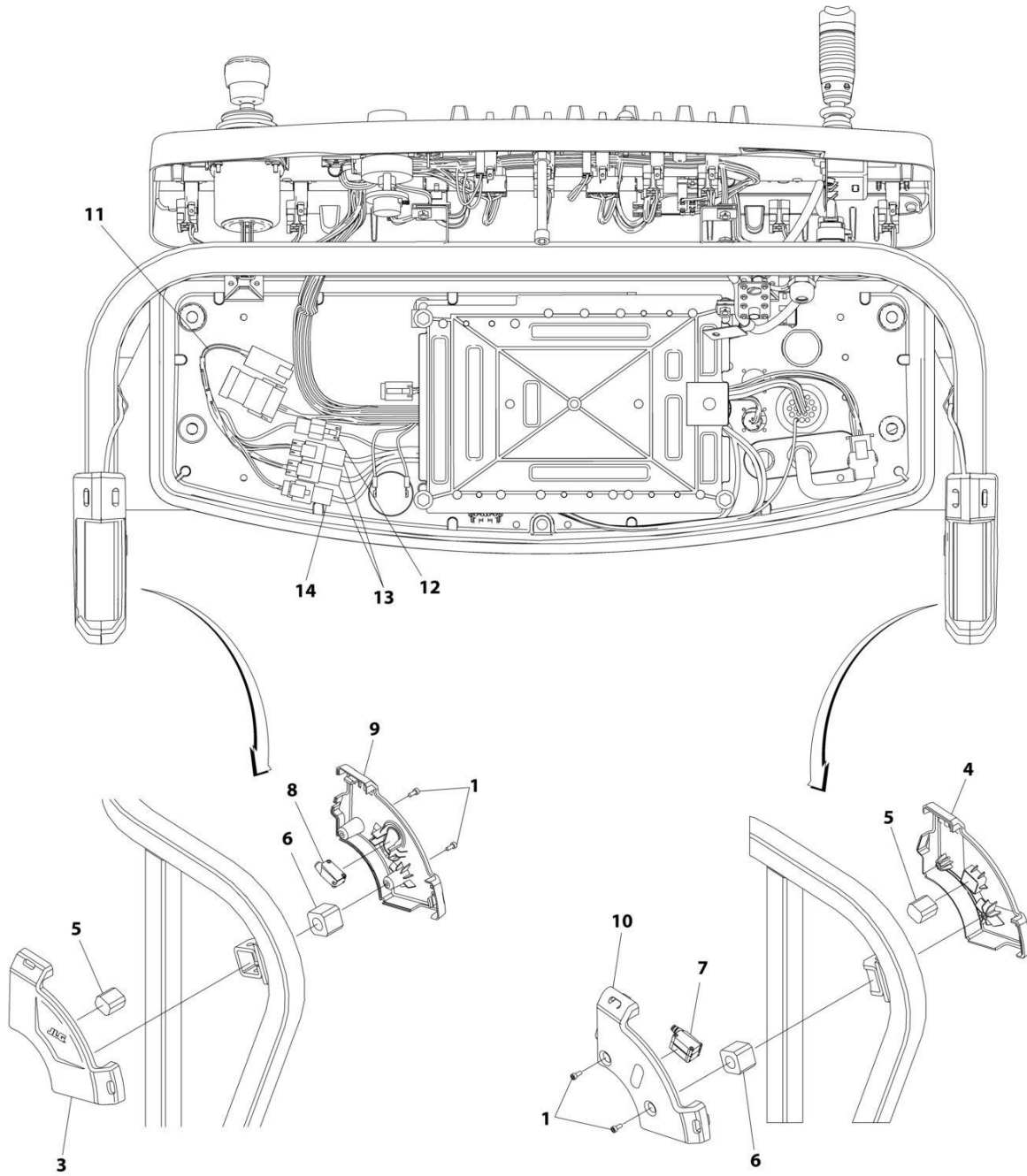
SECTION 5 - PLATFORM

FIGURE 5-29. JIB SWITCH INSTALLATION (860SJ HC3)

ITEM	PART NUMBER	QTY	DESCRIPTION	REV
	0258608	Ref	JIB SWITCH INSTALLATION	C
1	4360328	1	Switch, Toggle	
3	3790012	1	O-Ring	

SECTION 5 - PLATFORM

FIGURE 5-30. SKYEYE INSTALLATION



ART_1001229341

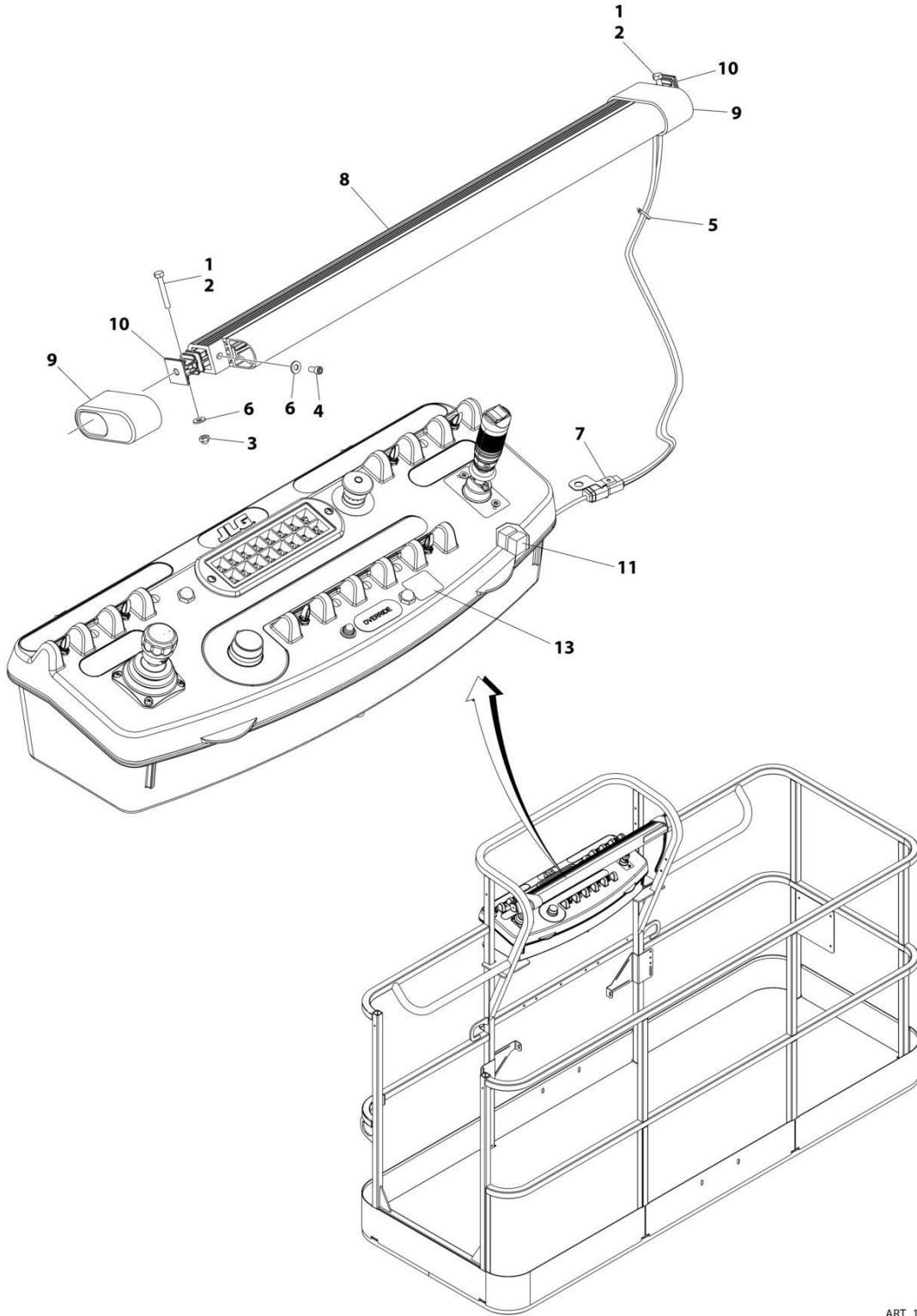
SECTION 5 - PLATFORM

FIGURE 5-30. SKYEYE INSTALLATION

ITEM	PART NUMBER	QTY	DESCRIPTION	REV
	1001229341	Ref	SKYEYE INSTALLATION	B
1	4031505	4	Bolt M4 x 10	
2	4240033	AR	Tie-Strap (Not Shown)	
3	1001227633	1	Housing, LH Outer	
4	1001227634	1	Housing, RH Outer	
5	1001227985	2	Shim	
6	1001227987	2	Shim	
7	1001228224	2	Sensor, Receiver	
8	1001228225	1	Sensor, Emitter	
9	1001232164	1	Housing, LH Inner	
10	1001232165	1	Housing, RH Inner	
11	1001237865	1	Harness, Skyeeye Intermediate (See Separate Breakdown in ELECTRICAL Section)	
12	1001238319	NLA	Harness, Skyeeye Drain Jumper	
12	1001187674	1	Plug, Male - 2 Position	
12	4460942	1	Terminal	
12	4460466	1	Plug, Terminal	
12	4460508	1	Pin, Male	
13	1001237863	2	Harness, Skyeeye Receiver (See Separate Breakdown in ELECTRICAL Section)	
14	1001237864	1	Harness, Skyeeye Emitter (See Separate Breakdown in ELECTRICAL Section)	

SECTION 5 - PLATFORM

FIGURE 5-31. SKYGUARD BAR INSTALLATION



ART_1001238495

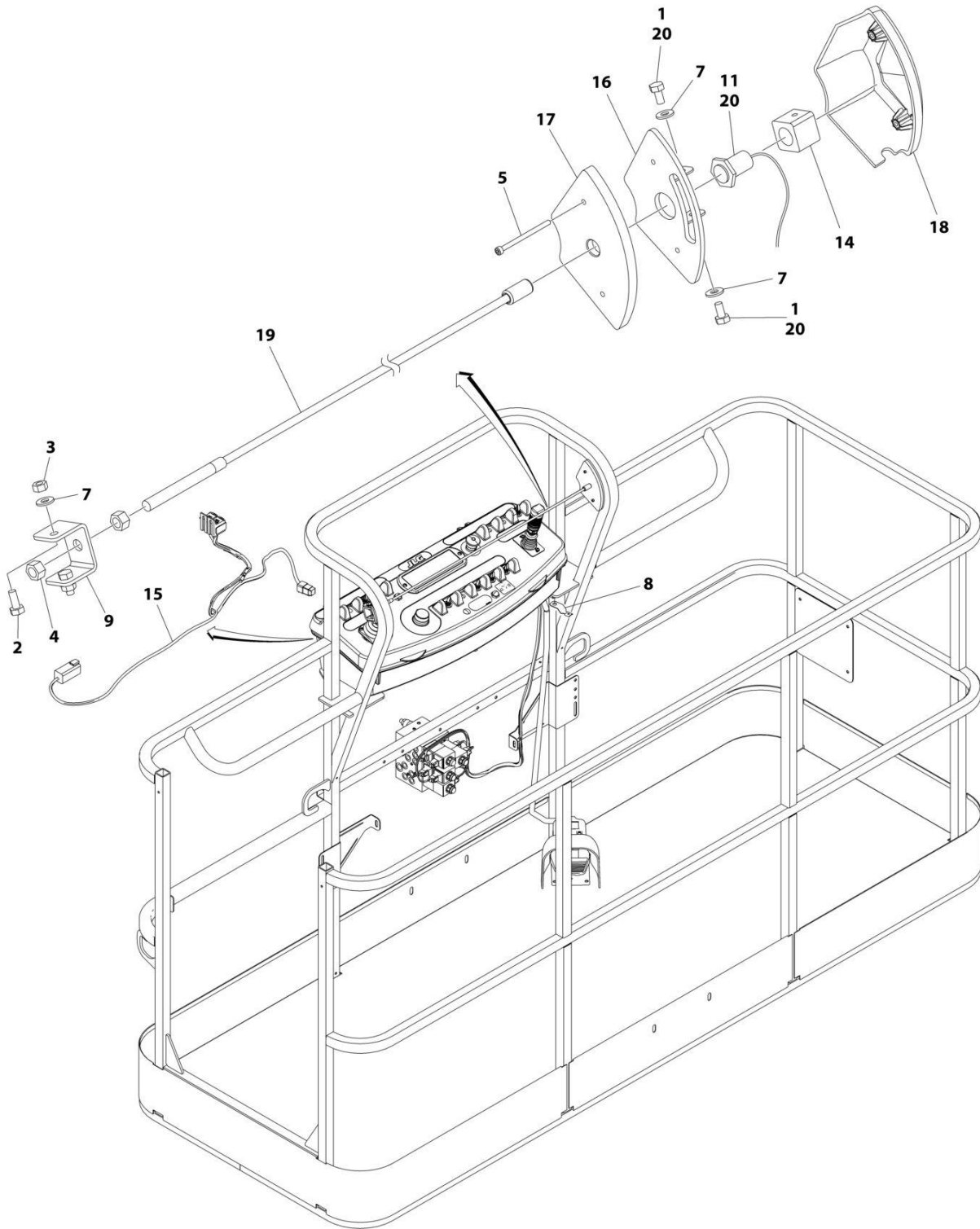
SECTION 5 - PLATFORM

FIGURE 5-31. SKYGUARD BAR INSTALLATION

ITEM	PART NUMBER	QTY	DESCRIPTION	REV
	1001238495	Ref	SKYGUARD BAR INSTALLATION	A
1	0100011	AR	Compound, Locking	
2	0641414	2	Bolt 1/4 x 1-3/4	
3	3300430	2	Nut 1/4	
4	3931408	2	Capscrew 1/4 x 1/2	
5	4240033	8	Tie-Strap	
6	4711400	6	Washer 1/4	
7	1001120328	1	Mount	
8	1001137673	1	SkyGuard Switch Assembly	
9	1001186517	2	Cover, Platform Sensor	
10	1001209664	2	Support, Block	
11	1001186431	2	Relay	
12	1001225580	1	Interface Harness Assembly (Not Shown - Located Inside Console Box) (See Separate Breakdown in ELECTRICAL Section)	
13	1001144433	1	Decal - No Weight SkyGuard	

SECTION 5 - PLATFORM

FIGURE 5-32. SKYLINE INSTALLATION



ART_1001238559_D

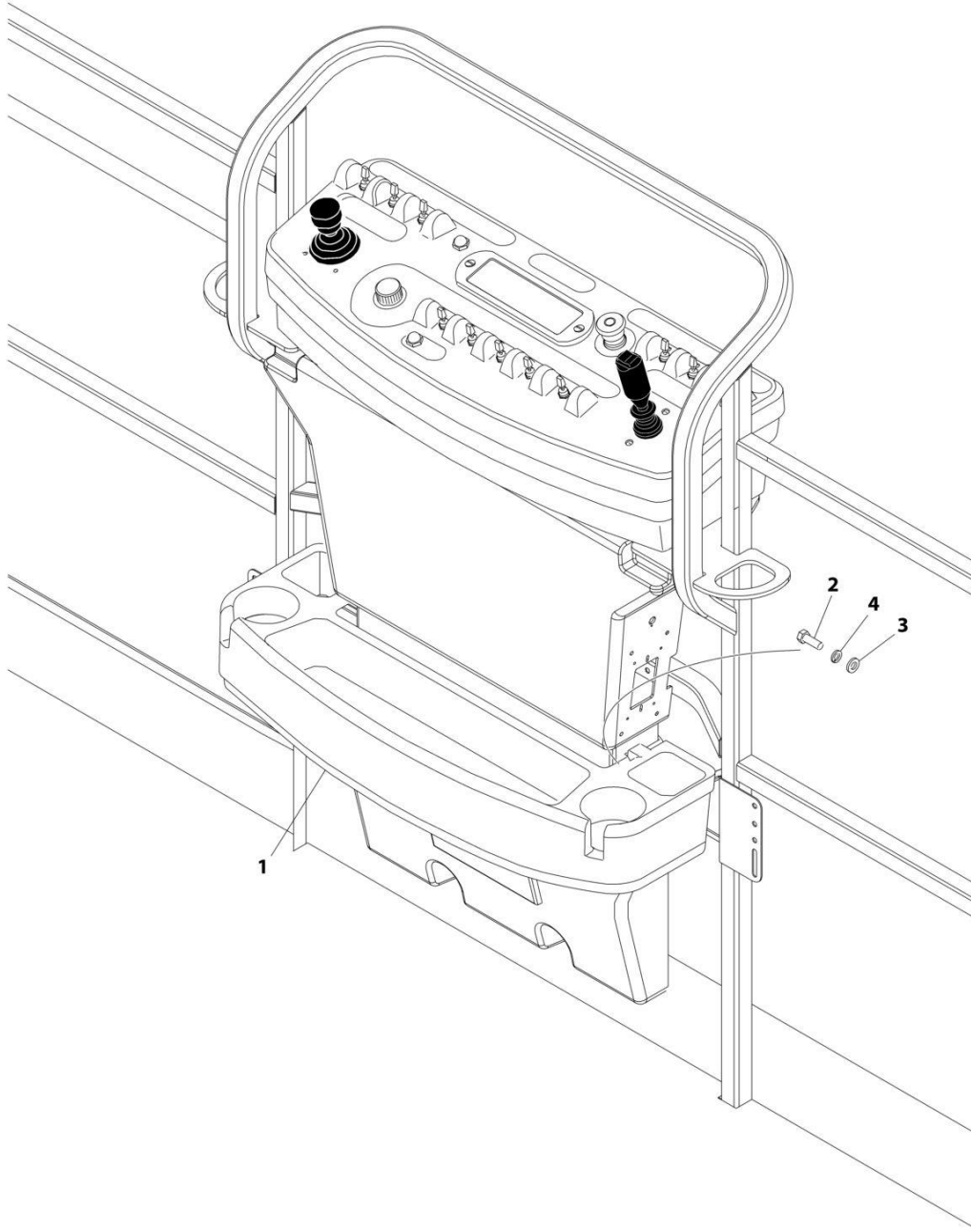
SECTION 5 - PLATFORM

FIGURE 5-32. SKYLINE INSTALLATION

ITEM	PART NUMBER	QTY	DESCRIPTION	REV
	1001238559	Ref	SKYLINE INSTALLATION	D
1	0641404	2	Bolt 1/4 x 1/2	
2	0641405	2	Bolt 1/4 x 5/8	
3	3311405	2	Nut 1/4	
4	3311601	2	Nut 3/8	
5	4031516	2	Capscrew M4 x 60	
6	4240033	AR	Tie-Strap (Not Shown)	
7	4711400	4	Washer 1/4	
8	1001120328	1	Mount	
9	1001232642	1	Bracket	
11	1001232667	1	Sensor, Proximity	
11	1001311034	1	Sensor, Proximity	
14	1001236552	1	Block	
15	1001238418	1	Harness, Skyline (See Separate Breakdown in ELECTRICAL Section)	
16	1001238472	1	Mount	
17	1001254473	1	Housing, LH	
18	1001241965	1	Housing, RH	
19	1001254472	1	Rod	
20	0100011	AR	Compound, Locking	

SECTION 5 - PLATFORM

FIGURE 5-33. STORAGE TRAY INSTALLATION - CENTER



ART_1580012

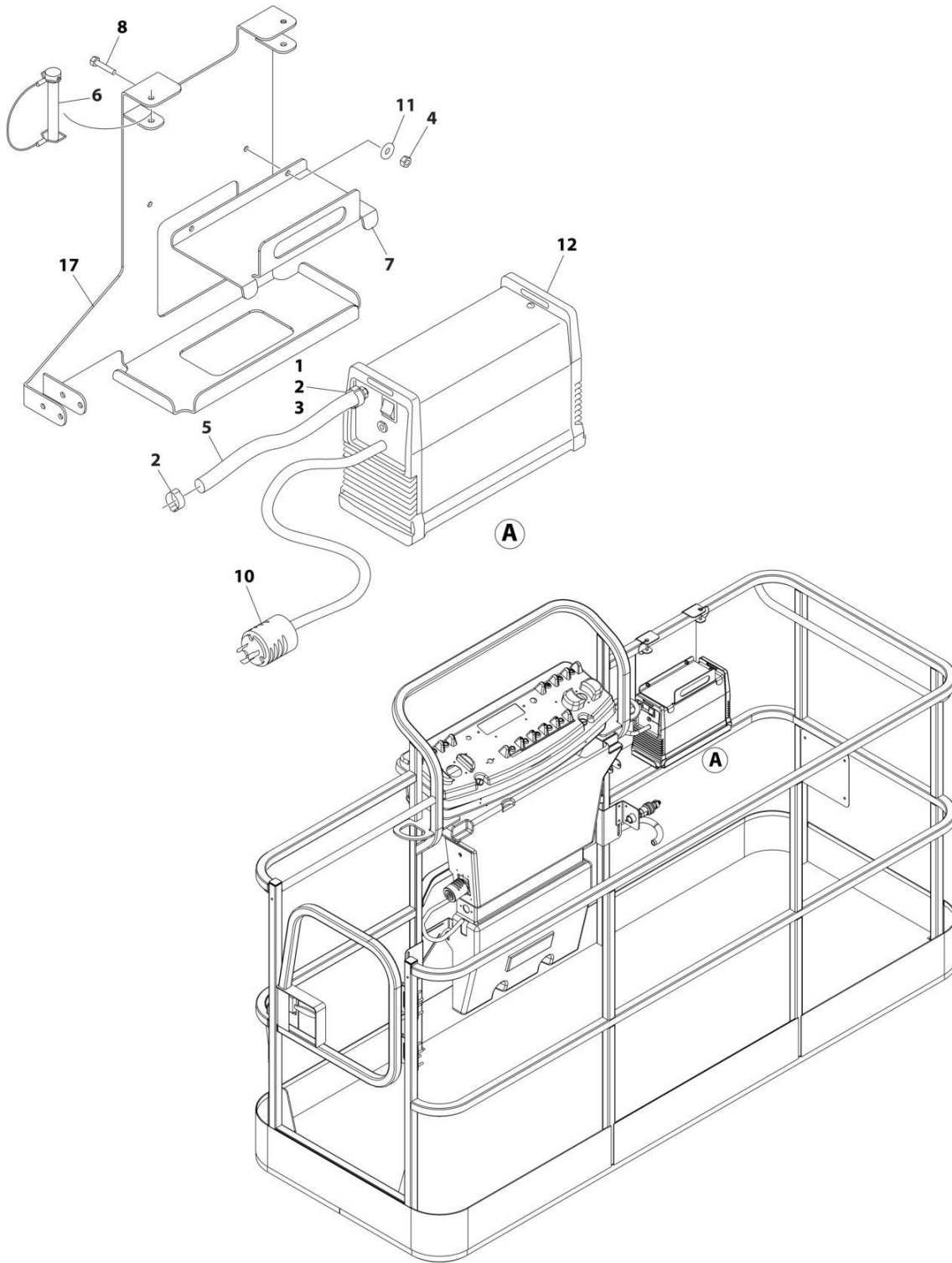
SECTION 5 - PLATFORM

FIGURE 5-33. STORAGE TRAY INSTALLATION - CENTER

ITEM	PART NUMBER	QTY	DESCRIPTION	REV
	1580012	Ref	TRAY ASSEMBLY	C
1	See Note	NSS	Tray, Storage (Center) (Note: Purchase p/n 1580012)	
2	0641406	2	Bolt 1/4 x 3/4	
3	4751400	2	Washer 1/4	
4	4761400	2	Washer 1/4	

SECTION 5 - PLATFORM

FIGURE 5-34. SKYCUTTER INSTALLATION



ART_1001098149_E

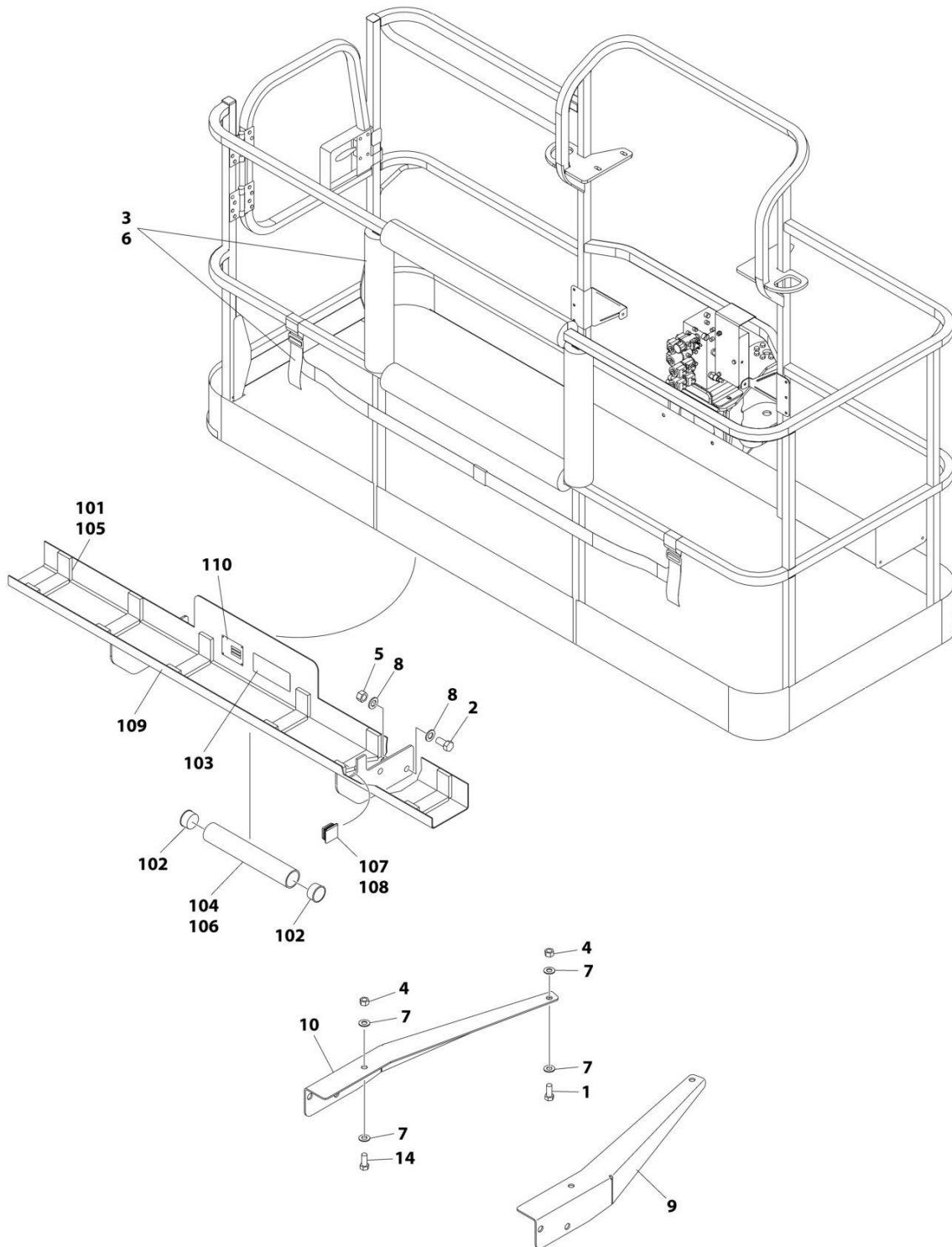
SECTION 5 - PLATFORM

FIGURE 5-34. SKYCUTTER INSTALLATION

ITEM	PART NUMBER	QTY	DESCRIPTION	REV
	1001098149	Ref	SKYCUTTER INSTALLATION	E
		Ref	Note: When replacing platform on machines with SkyCutter option, new bracket p/n 1001145405 must be purchased to accommodate SkyCutter components.	
1	0100020	AR	Sealant	
2	1320177	2	Clamp, Hose	
3	2180832	1	Fitting, NPT/Barbed	
4	3290605	2	Nut M6	
5	2720160	3 ft	Hose	
6	3421453	3	Pin	
7	3576799	1	Plate, Hold-Down	
8	4010608	2	Screw M6 x 16	
10	4460971	1	Plug, Twistlock	
11	4811700	2	Washer M6	
12	1001098012	1	Plasma Cutter Assembly (See Separate Breakdown in this Section)	
17	1001145405	1	Support	

SECTION 5 - PLATFORM

FIGURE 5-35. SKYGLAZIER INSTALLATION (UNIVERSAL LANGUAGE) (ANSI, ANSI EXPORT, CSA, AND AUSTRALIAN SPECS)



ART_1001172578_D

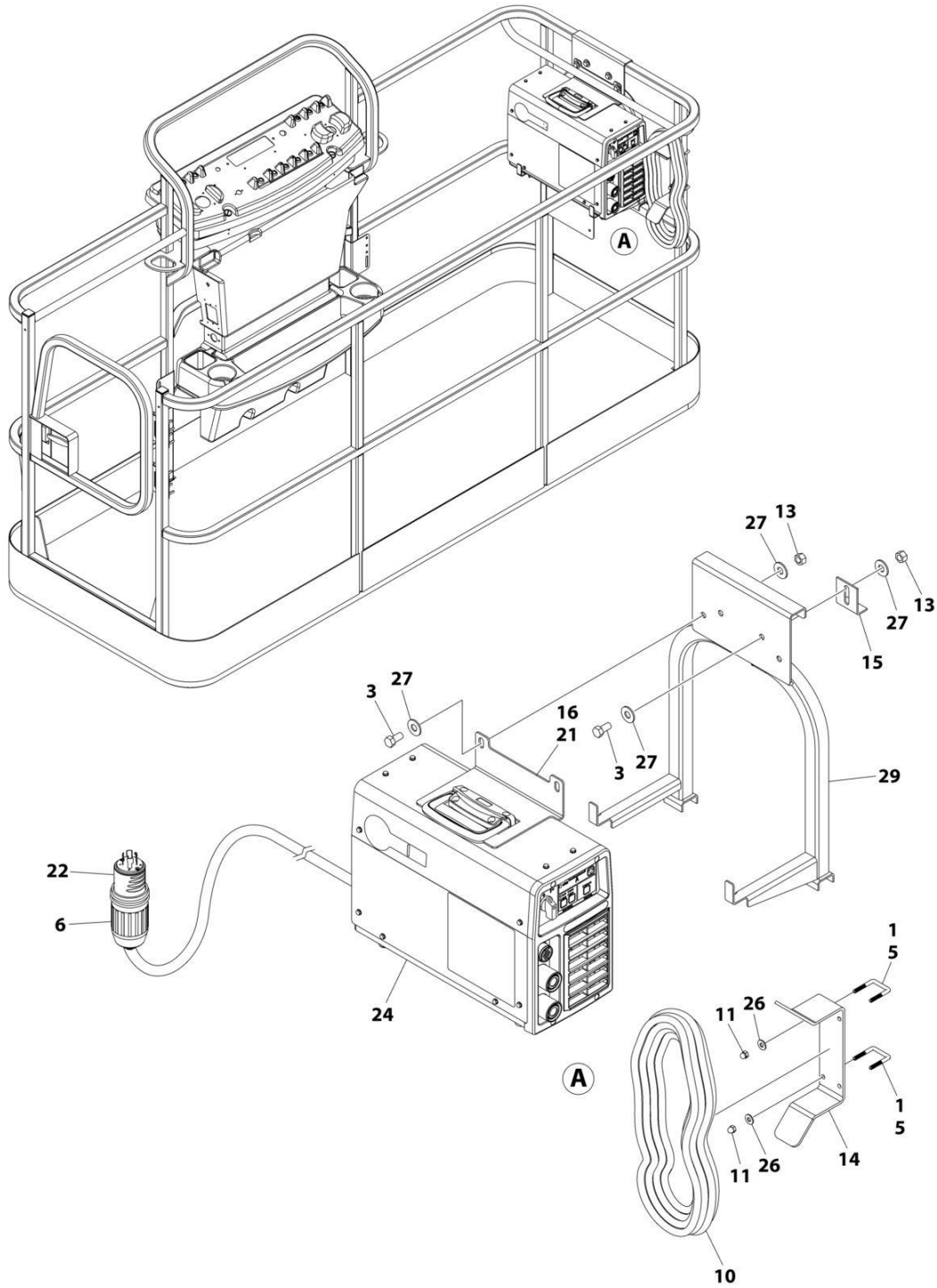
SECTION 5 - PLATFORM

FIGURE 5-35. SKYGLAZIER INSTALLATION (UNIVERSAL LANGUAGE) (ANSI, ANSI EXPORT, CSA, AND AUSTRALIAN SPECS)

ITEM	PART NUMBER	QTY	DESCRIPTION	REV
	1001172578	Ref	SKYGLAZIER INSTALLATION	D
1	0642012	2	Bolt 5/8 x 1-1/2	
2	0642212	4	Bolt 3/4 x 1-1/2	
3	2902212	1	Bumpers and Strap Kit	
3	0940102	1	Bumper Only	
3	4240149	1	Strap Only	
4	3312005	1	Nut 5/8	
5	3312205	4	Nut 3/4	
6	4420014	AR	Tape	
7	4712000	6	Washer 5/8	
8	4712200	8	Washer 3/4	
9	1001099366	1	Support	
10	1001099367	1	Support	
13	1001303430	1	Tray Assembly (Not Shown) (See Items 101-110 for Breakdown)	
14	8310129	2	Bolt 3/4 x 2-1/2	
	1001303430	Ref	TRAY ASSEMBLY	A
101	0100081	AR	Adhesive	
102	1120555	2	Cap, Tube	
103	1701509	1	Decal - Manual	
104	3124242	1	Manual - Accessories	
105	3340956	1	Pad Kit	
106	3460334	1	Pipe	
107	3520071	2	Plug	
108	4420066	AR	Tape, Double Sided	
109	4846562	1	Weld, Glazier Shelf	
110	1001253726	1	Decal - Accessory	

SECTION 5 - PLATFORM

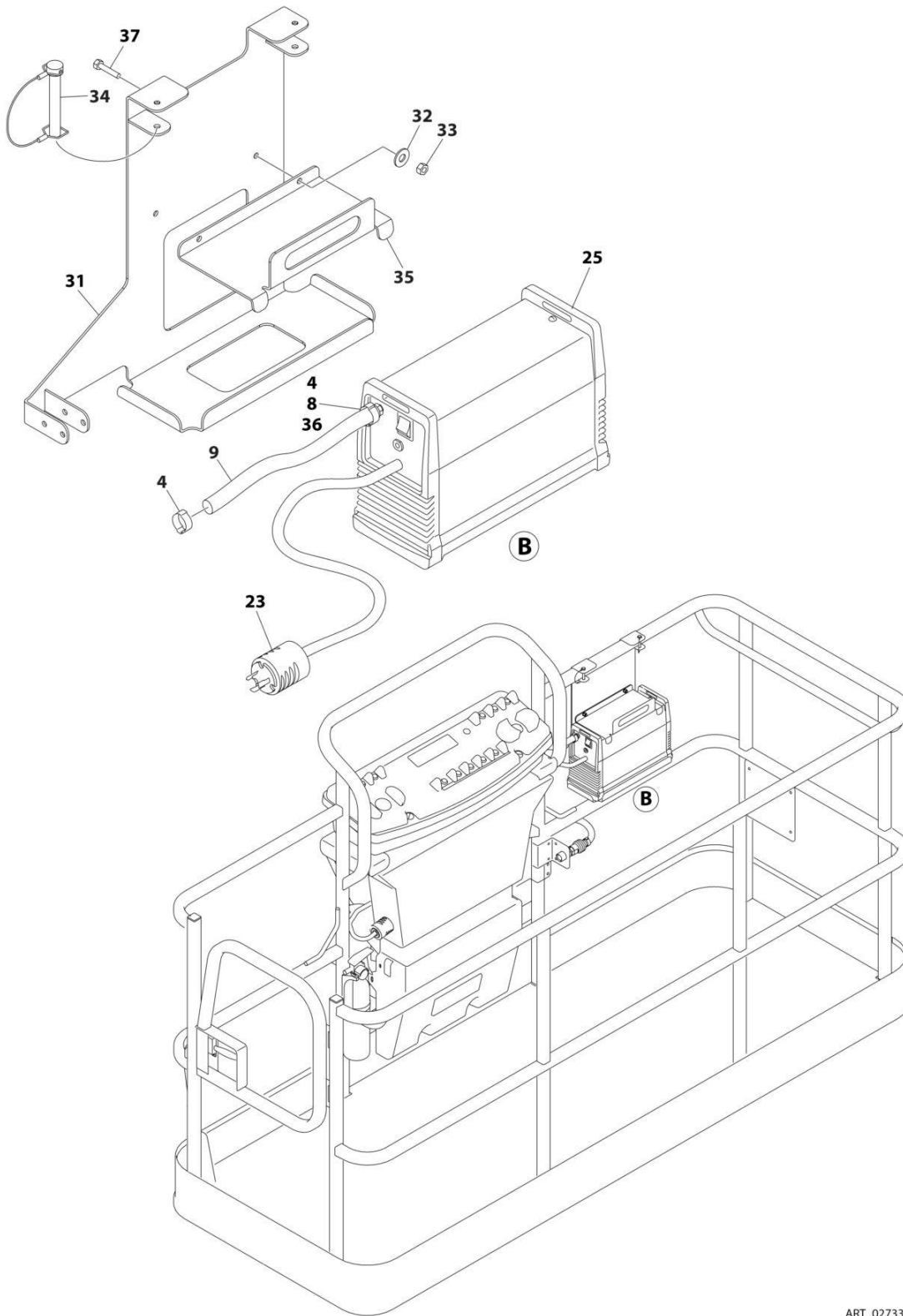
FIGURE 5-36. SKYWELDER/SKYCUTTER COMBO INSTALLATION (60HZ)



ART_0273353_I_10F2

SECTION 5 - PLATFORM

FIGURE 5-37. SKYWELDER/SKYCUTTER COMBO INSTALLATION (60HZ)



ART_0273353_I_2OF2

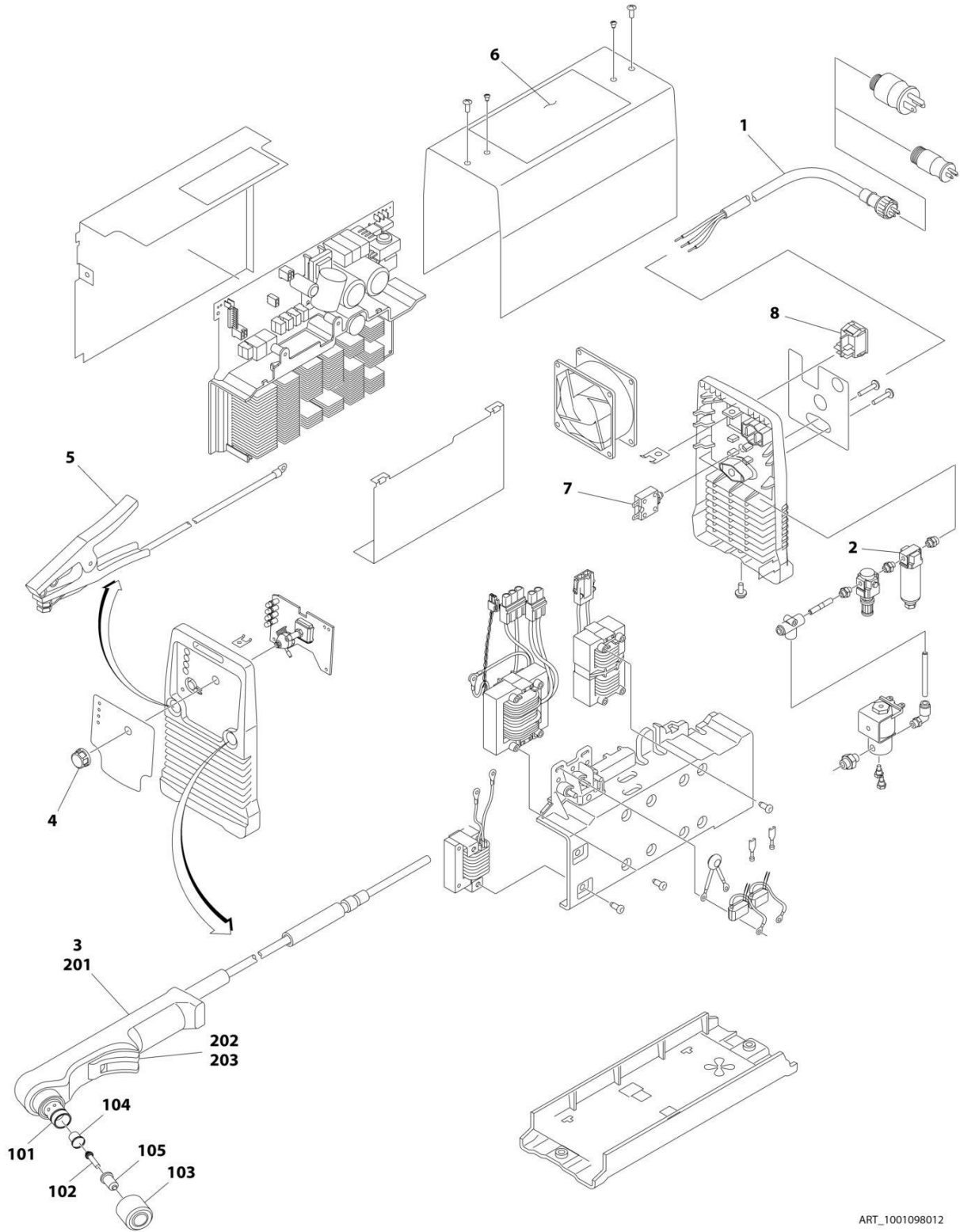
SECTION 5 - PLATFORM

FIGURE 5-37. SKYWELDER/SKYCUTTER COMBO INSTALLATION (60HZ)

ITEM	PART NUMBER	QTY	DESCRIPTION	REV
	0273353	Ref	SKYWELDER/SKYCUTTER COMBO INSTALLATION (60HZ)	I
1	0100011	AR	Compound, Locking	
3	0641606	4	Bolt 3/8 x 3/4	
4	1320177	2	Clamp	
5	1320302	2	Clamp	
6	1671093	1	Cover, Plug	
8	2180832	1	Fitting, Barbed/NPT	
9	2720160	4.5 ft /2 m	Hose	
10	2902217	1	Weld Leads Kit	
11	3300151	4	Nut 1/4	
13	3311605	4	Nut 3/8	
14	3573400	1	Bracket	
15	3577121	2	Angle	
16	1001269573	1	Plate	
20	4240099	AR	Tie-Strap (Not Shown)	
21	4420037	2.4 ft /1 m	Tape	
22	4460962	1	Plug, Twist Lock	
23	4460971	1	Plug, Twist Lock	
24	1001268820	1	Welder Assembly (See Separate Breakdown in this Section)	
25	1001098012	1	Plasma Cutter Assembly (See Separate Breakdown in this Section)	
26	4751400	4	Washer 1/4	
27	4751600	8	Washer 3/8	
29	1001269322	1	Support	
31	1001145405	1	Bracket	
32	4811700	2	Washer M6	
33	3290605	2	Nut M6	
34	3421453	3	Pin	
35	3576799	1	Plate, Hold-Down	
36	0100020	AR	Sealant	
37	4010608	2	Screw M6 x 16	

SECTION 5 - PLATFORM

FIGURE 5-38. PLASMA CUTTER ASSEMBLY



ART_1001098012

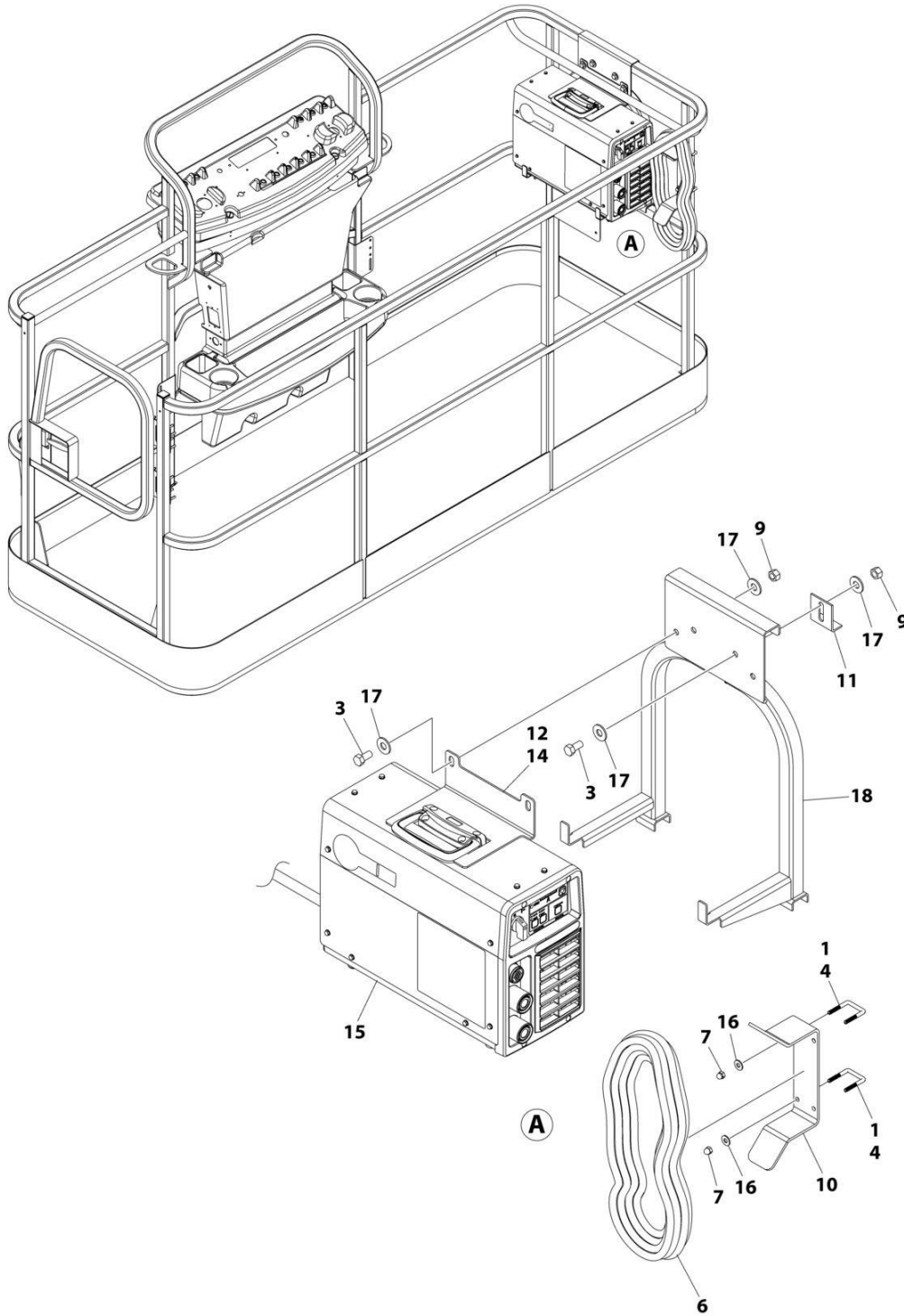
SECTION 5 - PLATFORM

FIGURE 5-38. PLASMA CUTTER ASSEMBLY

ITEM	PART NUMBER	QTY	DESCRIPTION	REV
	1001098012	Ref	PLASMA CUTTER ASSEMBLY	A
		Ref	Note: For Other Components, contact your Miller Welder Dealer.	
1	70001424	1	Cable, Power	
1	70001425	1	Decal - Voltage Warning	
2	70001427	1	Filter, Regulator	
3	70001428	1	Torch Assembly (See Items 101-203 for Breakdown)	
4	7024471	1	Knob	
5	70001429	1	Clamp with Cable	
6	70001430	1	Decal - Caution	
7	70001431	1	Breaker, Circuit	
8	70001432	1	Switch, Rocker	
	70001428	Ref	TORCH ASSEMBLY	
101	7024530	1	O-Ring	
102	7024531	1	Electrode	
103	7024532	1	Cup, Retaining	
104	7024533	1	Swirl Ring	
105	7024534	1	Tip	
201	7024535	1	Handle, Torch	
202	7024536	1	Switch	
203	7024537	1	Trigger	

SECTION 5 - PLATFORM

FIGURE 5-39. SKYWELDER INSTALLATION (50HZ)



ART_0272521_H

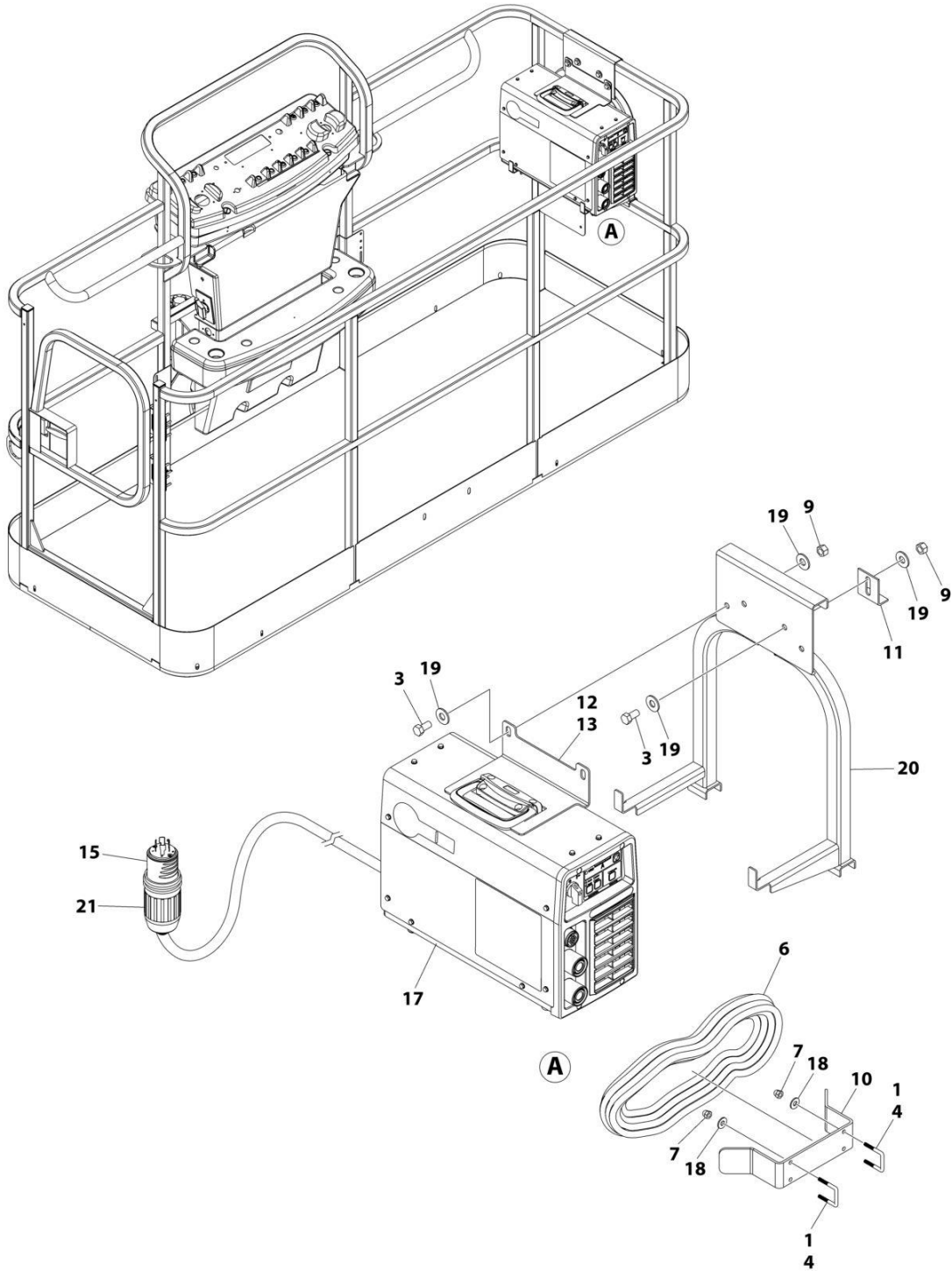
SECTION 5 - PLATFORM

FIGURE 5-39. SKYWELDER INSTALLATION (50HZ)

ITEM	PART NUMBER	QTY	DESCRIPTION	REV
	0272521	Ref	SKYWELDER INSTALLATION	H
1	0100011	AR	Compound, Locking	
3	0641606	4	Bolt 3/8 x 3/4	
4	1320302	2	U-Clamp	
6	2902217	1	Weld Leads Kit	
7	3300151	4	Nut 1/4	
9	3311605	4	Nut 3/8	
10	3573400	1	Bracket	
11	3577121	2	Angle	
12	1001269573	1	Plate	
13	4240099	AR	Tie-Strap (Not Shown)	
14	4420037	AR	Tape	
15	1001268820	1	Welder Assembly (See Separate Breakdown in this Section)	
16	4751400	4	Washer 1/4	
17	4751600	8	Washer 3/8	
18	1001269322	1	Support	

SECTION 5 - PLATFORM

FIGURE 5-40. SKYWELDER INSTALLATION (60HZ)



ART_0272254_K

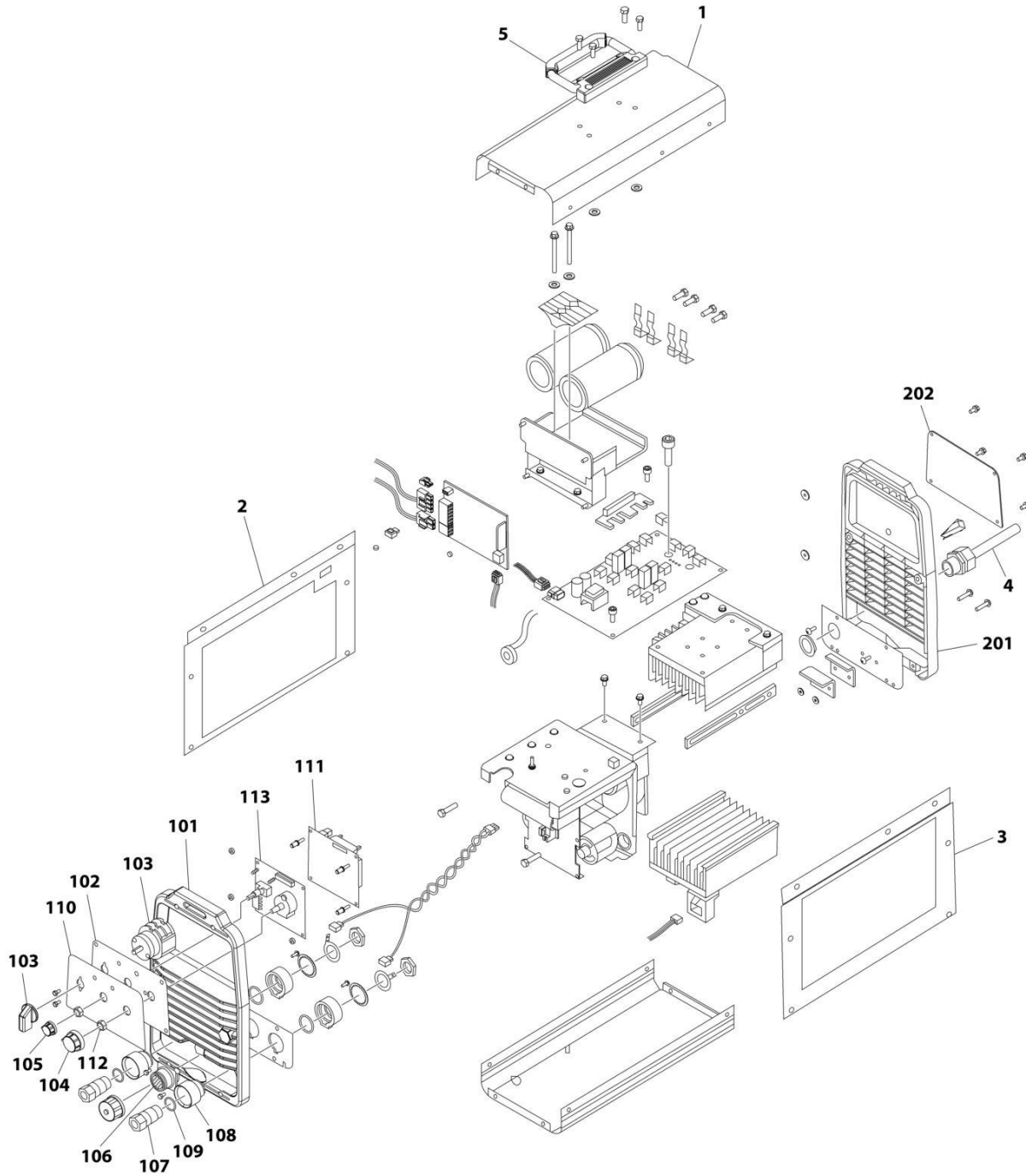
SECTION 5 - PLATFORM

FIGURE 5-40. SKYWELDER INSTALLATION (60HZ)

ITEM	PART NUMBER	QTY	DESCRIPTION	REV
	0272254	Ref	SKYWELDER INSTALLATION	K
1	0100011	AR	Compound, Locking	
3	0641606	4	Bolt 3/8 x 3/4	
4	1320302	2	U-Clamp	
6	2902217	1	Weld Leads Kit	
7	3300151	4	Nut 1/4	
9	3311605	4	Nut 3/8	
10	3573400	1	Bracket	
11	3577121	2	Angle	
12	1001269573	1	Plate	
13	4420037	AR	Tape	
14	4240099	AR	Tie-Strap (Not Shown)	
15	4460962	1	Plug, Male Twistlock	
17	1001268820	1	Welder Assembly (See Separate Breakdown in this Section)	
18	4751400	4	Washer 1/4	
19	4751600	8	Washer 3/8	
20	1001269322	1	Support	
21	1671093	1	Cover, Plug	

SECTION 5 - PLATFORM

FIGURE 5-41. WELDER ASSEMBLY



ART_4530028

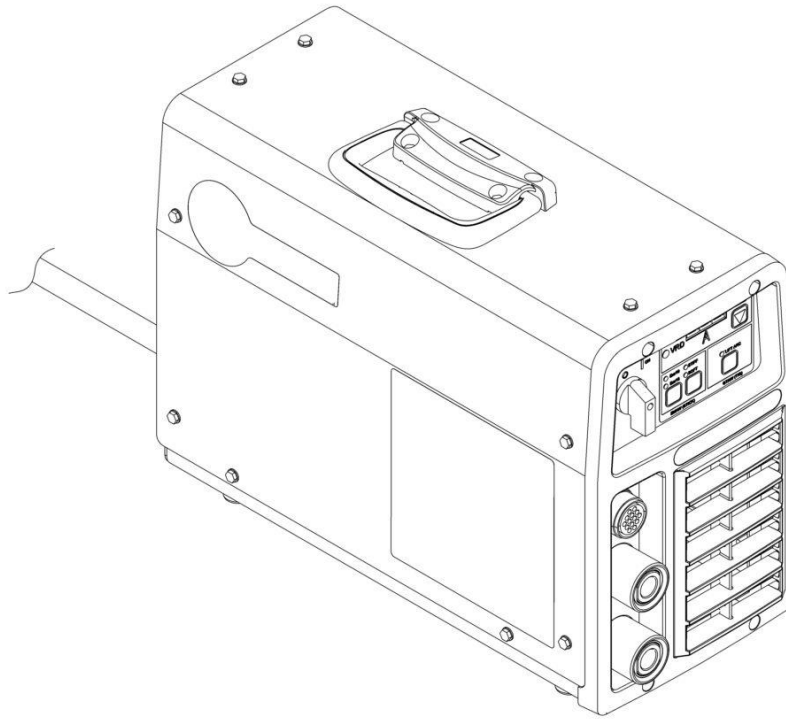
SECTION 5 - PLATFORM

FIGURE 5-41. WELDER ASSEMBLY

ITEM	PART NUMBER	QTY	DESCRIPTION	REV
	4530028	Ref	WELDER ASSEMBLY	B
		Ref	Note: For Other Components, contact your Miller Welder Dealer.	
1	7027773	1	Cover, Top	
1	7027774	1	Decal - Static Precautionary Warning	
2	See Note	NSS	Panel, LH Side (Note: Part of Item 1. Purchase Item 1)	
3	See Note	NSS	Panel, RH Side (Note: Part of Item 1. Purchase Item 1)	
4	7024467	1	Cable, Power	
4	7027775	1	Decal - Electrical Shock Warning (Not Shown)	
5	7027776	1	Handle, Carrying	
101	7024462	1	Panel, Front	
102	7024463	1	Panel, Console	
103	7024469	1	Switch with Lead	
104	7024470	1	Knob	
105	7024471	1	Knob	
106	7024472	1	Receptacle with Leads and Plugs	
107	7024473	2	Receptacle, Twistlock Female	
108	7024474	2	Insulator	
109	7024475	2	O-Ring	
110	7027777	1	Nameplate	
111	7027779	1	Circuit Card Assembly (Process Control)	
112	7024478	2	Nut	
113	7027778	1	Circuit Card Assembly (Operator Interface)	
201	7024462	1	Panel, Rear	
202	7027780	1	Panel, Cover	

SECTION 5 - PLATFORM

FIGURE 5-42. WELDER ASSEMBLY (CST282)



ART_1001268820

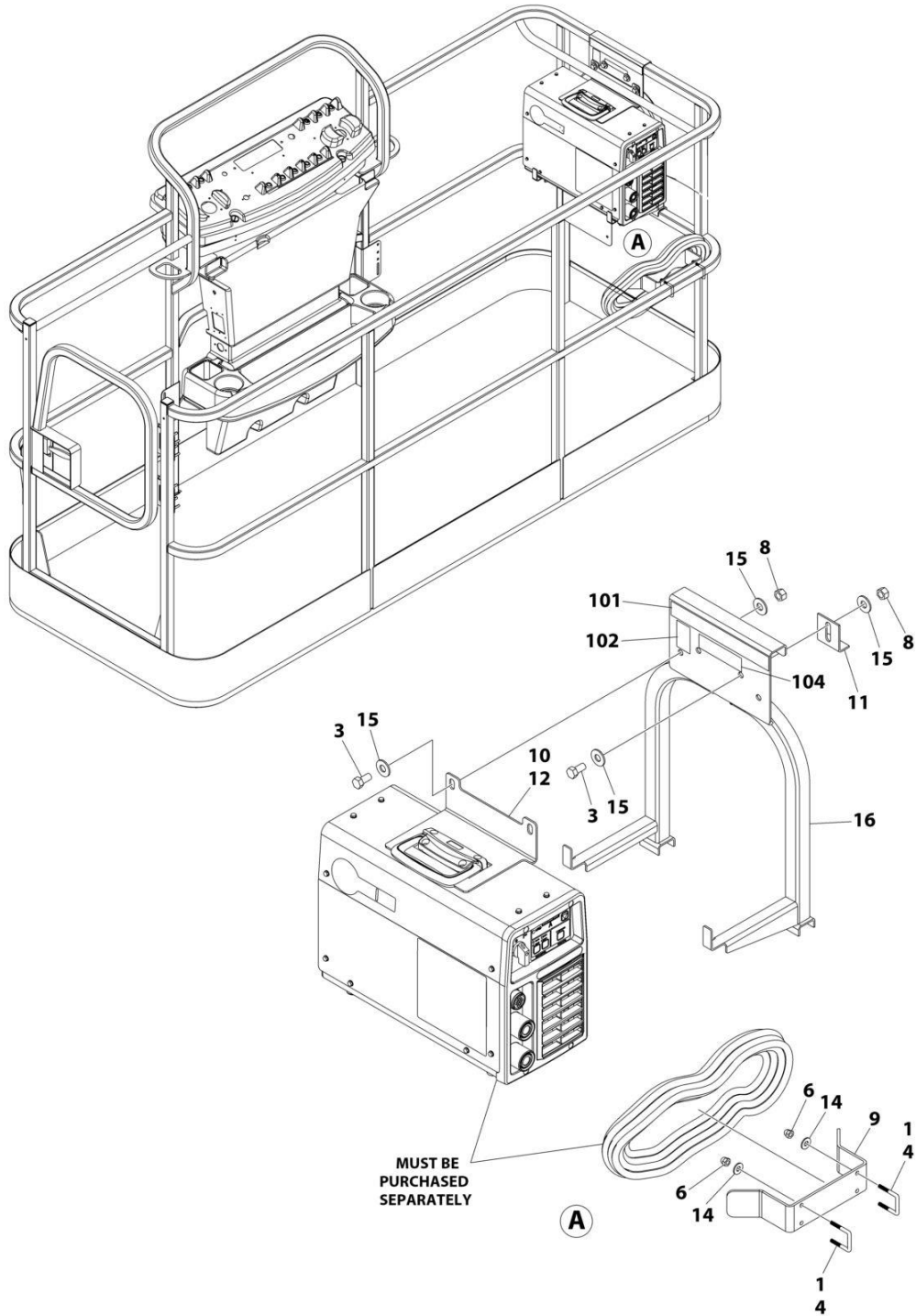
SECTION 5 - PLATFORM

FIGURE 5-42. WELDER ASSEMBLY (CST282)

ITEM	PART NUMBER	QTY	DESCRIPTION	REV
	1001268820	1 Ref	WELDER ASSEMBLY Note: No Service Parts available at time of Printing.	B

SECTION 5 - PLATFORM

FIGURE 5-43. SKYWELDER PREP PACKAGE (60HZ)



ART_1001128527_D

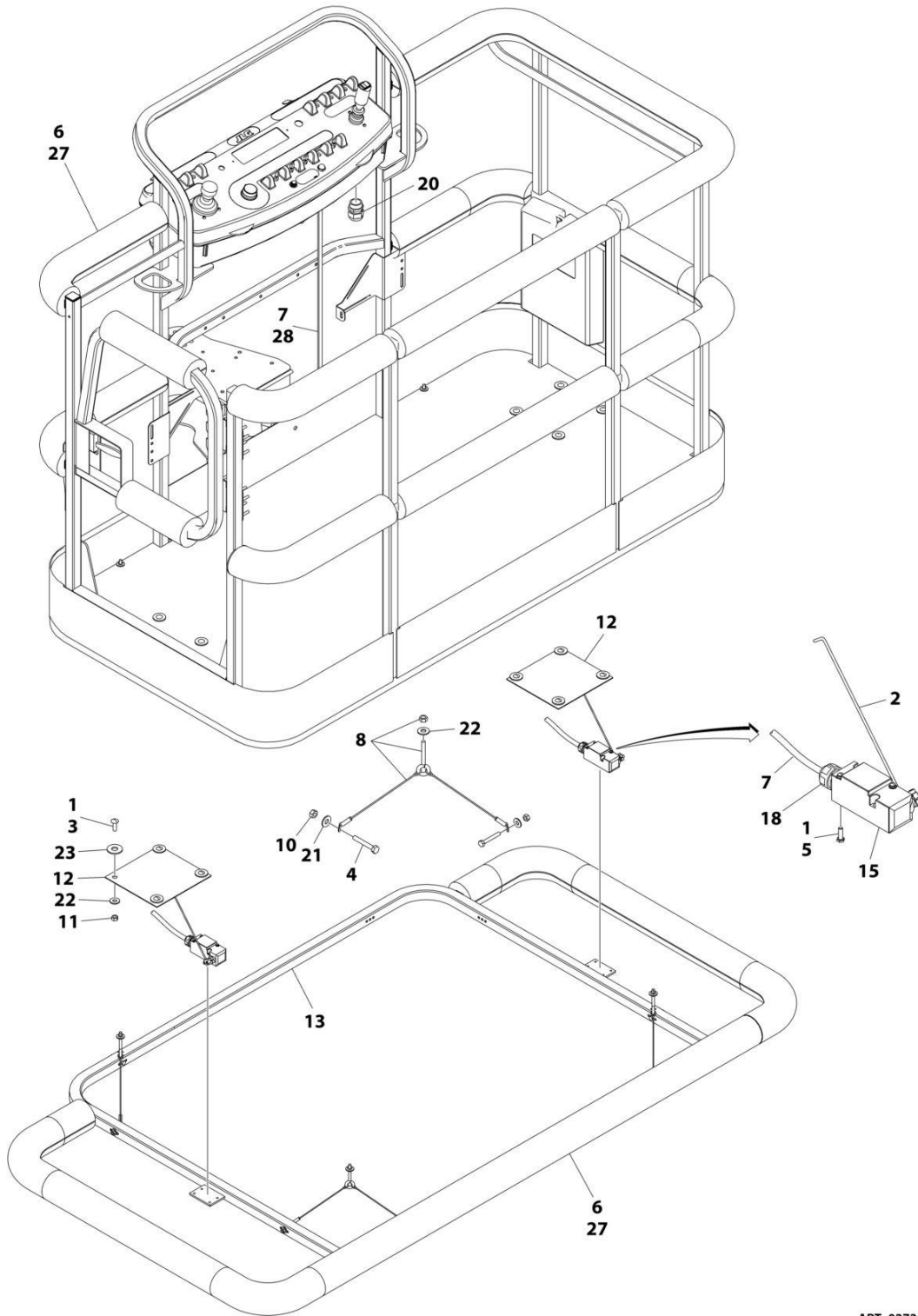
SECTION 5 - PLATFORM

FIGURE 5-43. SKYWELDER PREP PACKAGE (60HZ)

ITEM	PART NUMBER	QTY	DESCRIPTION	REV
	1001128527	Ref	SKYWELDER PREP PACKAGE	D
1	0100011	AR	Compound, Locking	
3	0641606	4	Bolt 3/8 x 3/4	
4	1320302	2	U-Clamp	
6	3300151	4	Nut 1/4	
8	3311605	4	Nut 3/8	
9	3573400	1	Bracket	
10	1001269573	1	Plate	
11	3577121	2	Angle	
12	4420037	AR	Tape	
14	4751400	4	Washer 1/4	
15	4751600	8	Washer 3/8	
16	1001269322	1	Support	
	1001128556	Ref	SKYWELDER DECAL INSTALLATION	D
101	1702868	1	Decal - No Hands	
102	1705305	1	Decal - Weld Lead	
104	1001228988	1	Decal - Weight	

SECTION 5 - PLATFORM

FIGURE 5-44. SOFT TOUCH SYSTEM INSTALLATION - 6FT/1.83M PLATFORM



ART_0273824_E

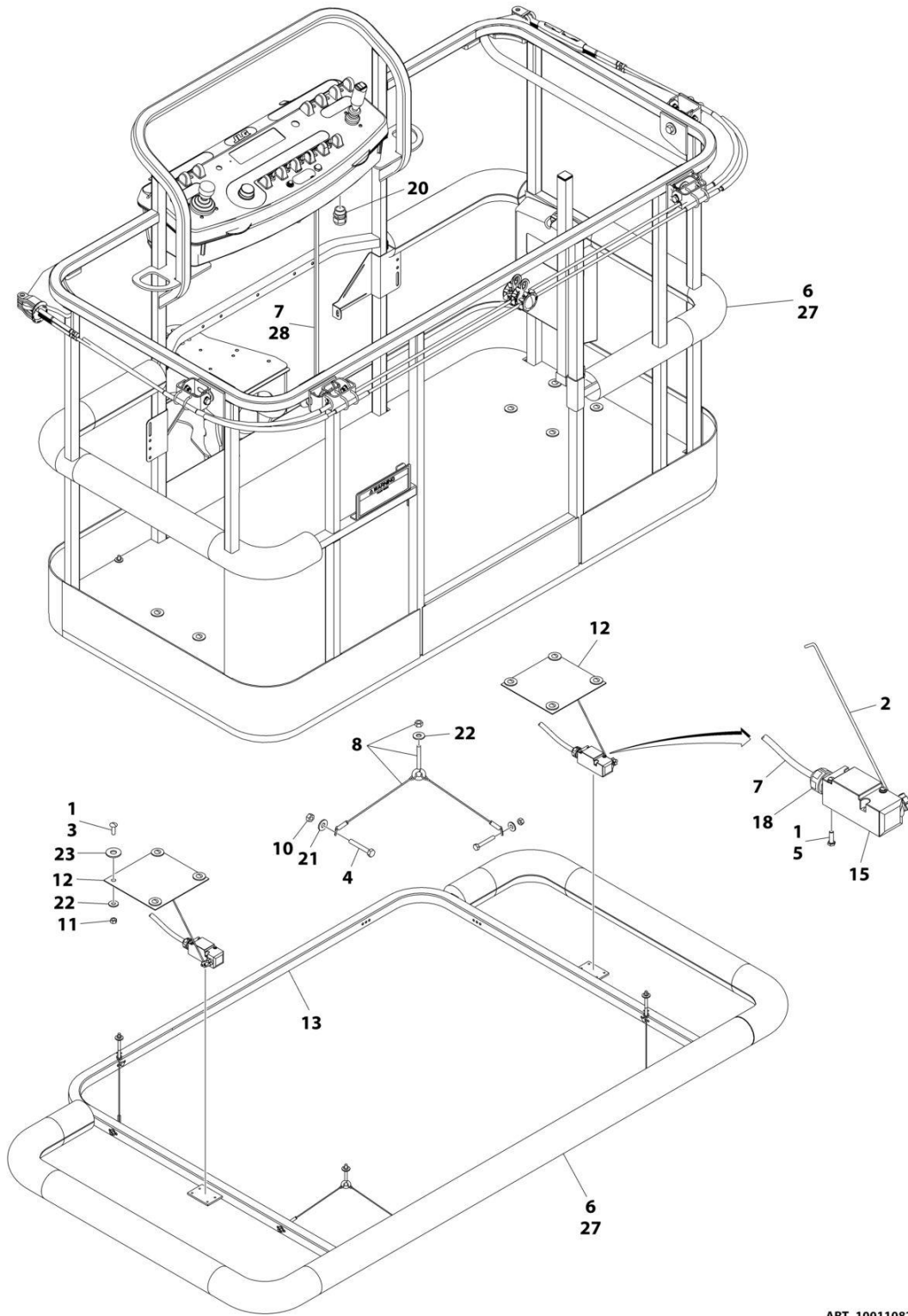
SECTION 5 - PLATFORM

FIGURE 5-44. SOFT TOUCH SYSTEM INSTALLATION - 6FT/1.83M PLATFORM

ITEM	PART NUMBER	QTY	DESCRIPTION	REV
	0273824	Ref	SOFT TOUCH SYSTEM INSTALLATION	E
1	0100011	AR	Compound, Locking	
2	0200048	2	Arm, Switch	
3	0630462	8	Bolt	
4	0641414	8	Bolt 1/4 x 1-3/4	
5	0731005	4	Bolt #10 x 5/8	
6	0940134	1	Bumper Kit (Includes Corners and Enough Straight Material for One Platform)	
6	0940092	AR	Bumper (Corner)	
6	0940094	AR	Bumper (12ft Length)	
7	1060341	23 ft/7m	Cable, Soft Touch - 16/2	
8	1060903	4	Wire Rope and Eyebolt Assembly	
10	3311401	8	Nut 1/4	
11	3311501	8	Nut 5/16	
12	3575359	2	Plate, Switch Strike	
13	3641569	1	Rail, Soft Touch	
14	4240099	7	Tie-Strap (Not Shown)	
15	4360057	2	Switch, Limit	
18	4460049	2	Connector, Strain Relief	
19	4460234	7	Tie-Strap (Not Shown)	
20	4460425	1	Connector, Strain Relief	
21	4751400	8	Washer 1/4	
22	4751500	12	Washer 5/16	
23	4751800	8	Washer 1/2	
27	1001197017	AR	Tie-Strap	
28	4460226	4	Socket	

SECTION 5 - PLATFORM

FIGURE 5-45. SOFT TOUCH SYSTEM INSTALLATION - 6FT/1.83M FALL ARREST PLATFORM



ART_1001108256_D

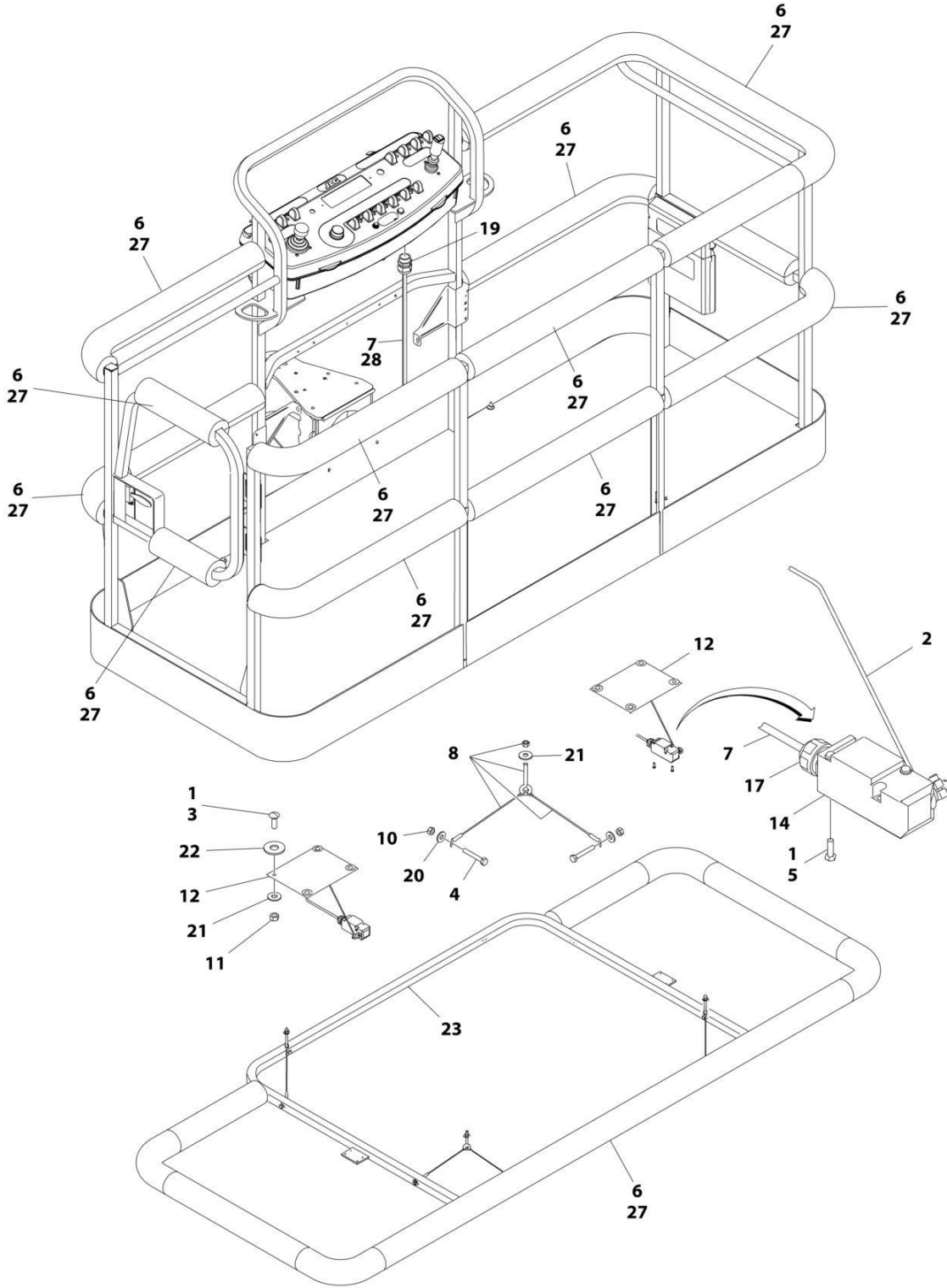
SECTION 5 - PLATFORM

FIGURE 5-45. SOFT TOUCH SYSTEM INSTALLATION - 6FT/1.83M FALL ARREST PLATFORM

ITEM	PART NUMBER	QTY	DESCRIPTION	REV
	1001108256	Ref	SOFT TOUCH INSTALLATION	D
1	0100011	AR	Compound, Locking	
2	0200048	2	Arm, Switch	
3	0630462	8	Bolt	
4	0641414	8	Bolt 1/4 x 1-3/4	
5	0731005	4	Bolt #10 x 5/8	
6	0940177	1	Bumper Kit (Includes Corners and Enough Straight Material for One Platform)	
6	0940092	8	Bumper (Corner)	
6	0940094	AR	Bumper (12ft Length)	
7	1060341	23 ft/7m	Cable, Soft Touch - 16/2	
8	1060903	4	Wire Rope and Eyebolt Assembly	
10	3311401	8	Nut 1/4	
11	3311501	8	Nut 5/16	
12	3575359	2	Plate, Switch Strike	
13	3641569	1	Rail, Soft Touch	
14	4240099	7	Tie-Strap (Not Shown)	
15	4360057	2	Switch, Limit	
18	4460049	2	Connector, Strain Relief	
19	4460234	7	Tie-Strap (Not Shown)	
20	4460425	1	Connector, Strain Relief	
21	4751400	8	Washer 1/4	
22	4751500	9	Washer 5/16	
23	4751800	8	Washer 1/2	
27	1001197017	AR	Strap, Cable Tie (Yellow)	
28	4460226	4	Socket	

SECTION 5 - PLATFORM

FIGURE 5-46. SOFT TOUCH SYSTEM INSTALLATION - 8FT/2.44M PLATFORM



ART_0272427_H

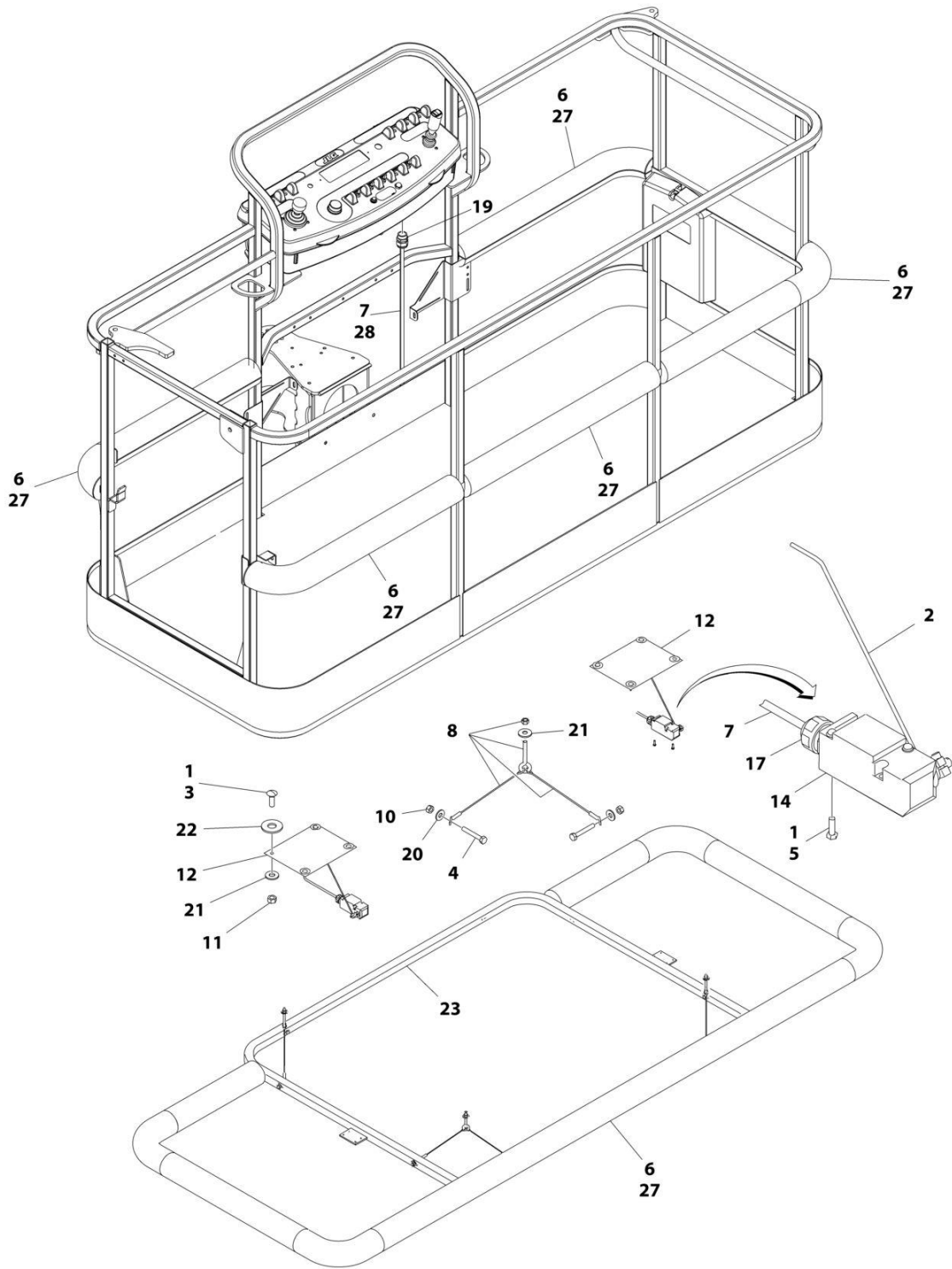
SECTION 5 - PLATFORM

FIGURE 5-46. SOFT TOUCH SYSTEM INSTALLATION - 8FT/2.44M PLATFORM

ITEM	PART NUMBER	QTY	DESCRIPTION	REV
	0272427	Ref	SOFT TOUCH INSTALLATION - 36IN X 8FT (91.5CM X 2.44M) PLATFORM	H
1	0100011	AR	Compound, Locking	
2	0200048	2	Arm, Switch	
3	0630462	8	Bolt	
4	0641414	8	Bolt 1/4 x 1-3/4	
5	0721005	4	Bolt #10 x 5/8	
6	0940103	1	Bumper Kit (Includes Corners and Enough Straight Material for One Platform)	
6	0940092	12	Bumper (Corner)	
6	0940094	AR	Bumper (12ft Length)	
7	1060341	23 ft/7m	Cable, Soft Touch - 16/2	
8	1060903	4	Wire Rope and Eyebolt Assembly	
10	3311401	8	Nut 1/4	
11	3311501	8	Nut 5/16	
12	3574091	2	Plate, Switch Strike	
13	4240099	7	Tie-Strap (Not Shown)	
14	4360057	2	Switch, Limit	
17	4460049	2	Connector, Strain Relief	
18	4460234	7	Tie-Strap (Not Shown)	
19	4460425	1	Connector, Strain Relief	
20	4751400	8	Washer 1/4	
21	4751500	12	Washer 5/16	
22	4751800	8	Washer 1/2	
23	4846673	1	Rail, Soft Touch	
27	1001197017	AR	Tie-Strap	
28	4460226	1	Socket	

SECTION 5 - PLATFORM

FIGURE 5-47. SOFT TOUCH SYSTEM INSTALLATION - 8FT/2.44M FALL ARREST PLATFORM



ART_0273706_E

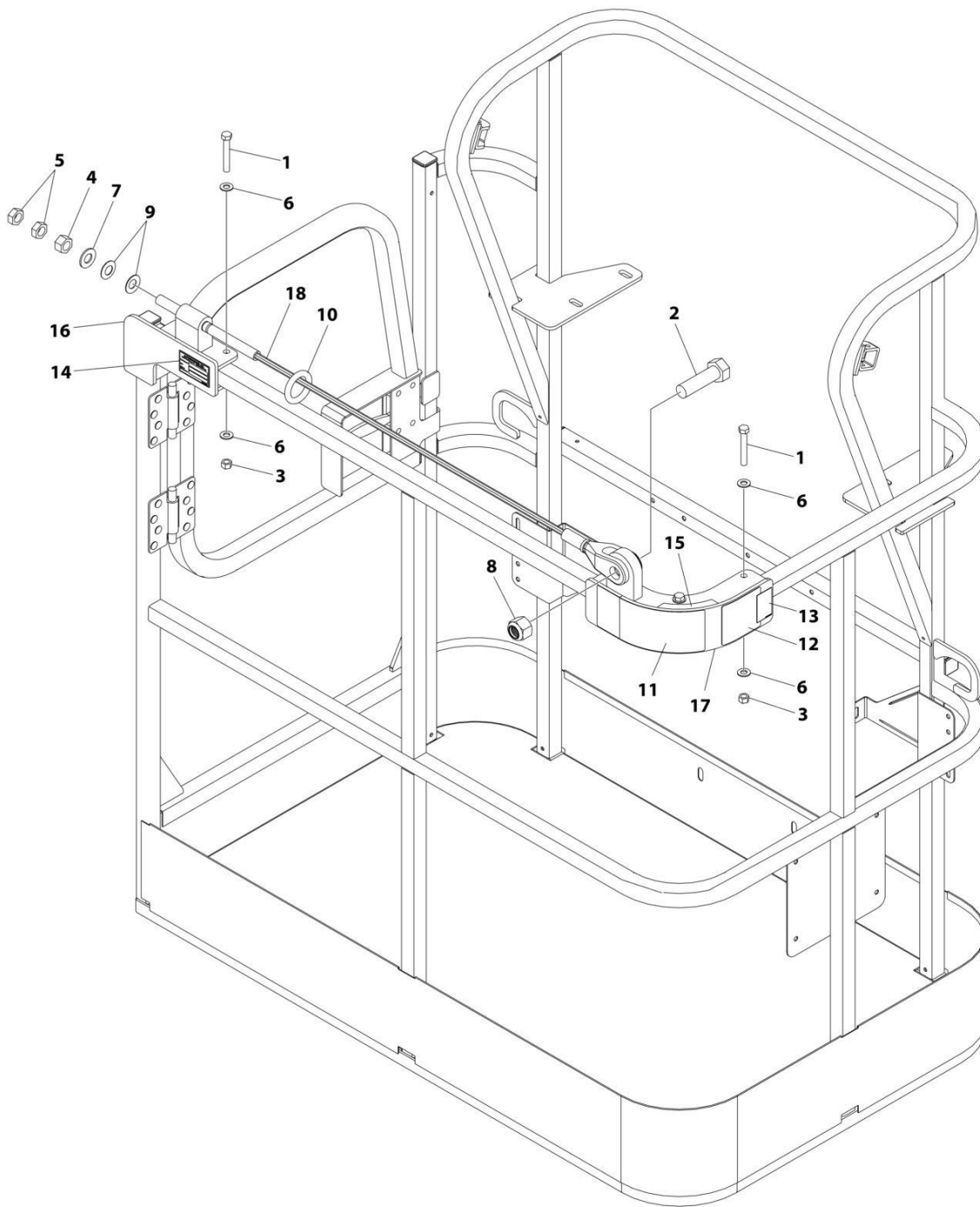
SECTION 5 - PLATFORM

FIGURE 5-47. SOFT TOUCH SYSTEM INSTALLATION - 8FT/2.44M FALL ARREST PLATFORM

ITEM	PART NUMBER	QTY	DESCRIPTION	REV
	0273706	Ref	SOFT TOUCH INSTALLATION	E
1	0100011	AR	Compound, Locking	
2	0200048	2	Arm, Switch	
3	0630462	8	Bolt	
4	0641414	8	Bolt 1/4 x 1-3/4	
5	0721005	4	Bolt #10 x 5/8	
6	0940133	1	Bumper Kit (Includes Corners and Enough Straight Material for One Platform)	
6	0940092	8	Bumper (Corner)	
6	0940094	AR	Bumper (12ft Length)	
7	1060341	23 ft/7m	Cable, Soft Touch - 16/2	
8	1060903	4	Wire Rope and Eyebolt Assembly	
10	3311401	8	Nut 1/4	
11	3311501	8	Nut 5/16	
12	3574091	2	Plate, Switch Strike	
13	4240099	7	Tie-Strap (Not Shown)	
14	4360057	2	Switch, Limit	
17	4460049	2	Connector, Strain Relief	
18	4460234	7	Tie-Strap (Not Shown)	
19	4460425	1	Connector, Strain Relief	
20	4751400	8	Washer 1/4	
21	4751500	12	Washer 5/16	
22	4751800	8	Washer 1/2	
23	4846673	1	Rail, Soft Touch	
27	1001197017	AR	Tie-Strap	
28	4460226	4	Socket	

SECTION 5 - PLATFORM

FIGURE 5-48. FALL ARREST INSTALLATION (BOLT-ON) (4FT/1.22M PLATFORM)



ART_1001261338

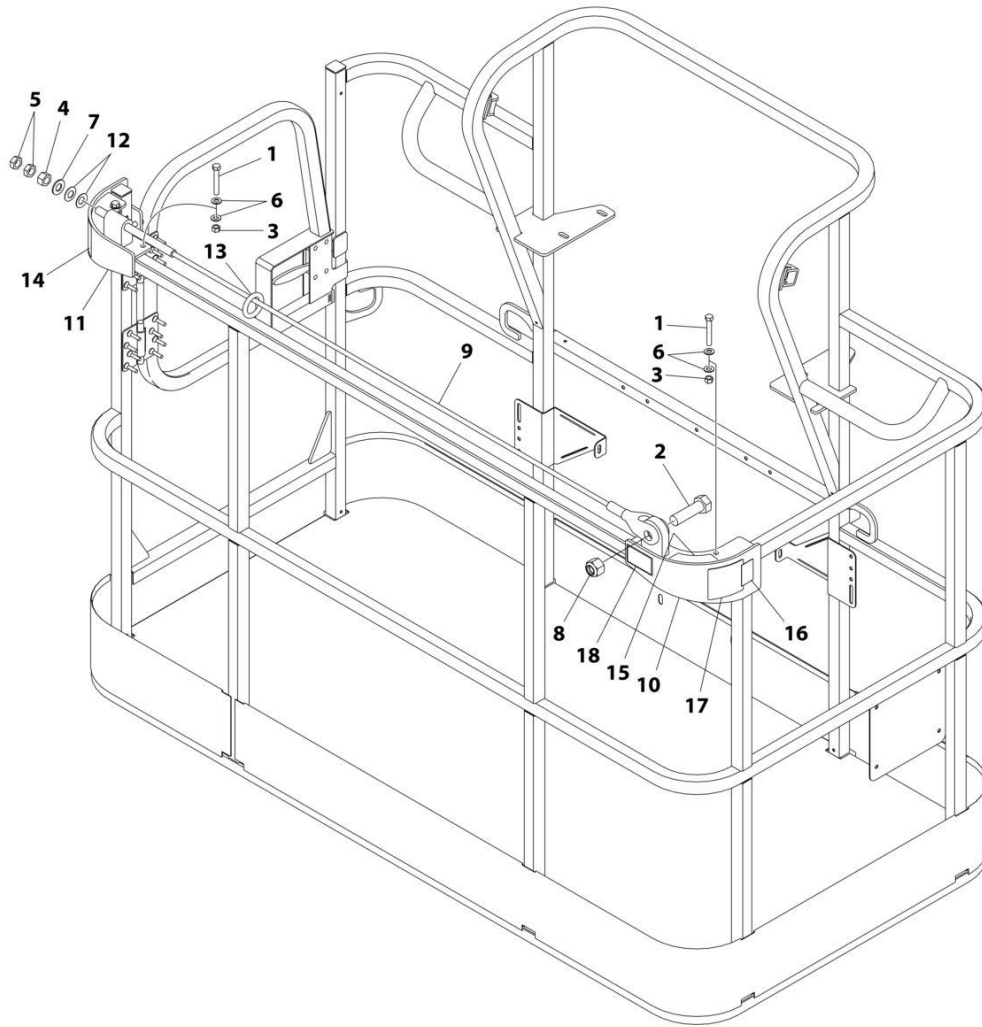
SECTION 5 - PLATFORM

FIGURE 5-48. FALL ARREST INSTALLATION (BOLT-ON) (4FT/1.22M PLATFORM)

ITEM	PART NUMBER	QTY	DESCRIPTION	REV
	1001261338	Ref	FALL ARREST INSTALLATION	A
1	0681620	6	Bolt 3/8 x 2-1/2	
2	0682424	1	Bolt 7/8 x 3	
3	3271605	6	Nut 3/8	
4	3272001	1	Nut 5/8	
5	3312002	2	Nut 5/8	
6	4711600	12	Washer 3/8	
7	4712000	1	Washer 5/8	
8	88521214	1	Nut 7/8	
9	1001236891	2	Washer	
10	1001236895	1	Ring	
11	1001238263	1	Decal - Warning Falling Hazard	
12	1001248140	1	Decal - Bolt Fall Arrest Re-Cert	
13	1001248141	1	Decal - Incription	
14	See Note	NSS	Nameplate - Manufacturers Serial Number (Note: Not Available for Purchase)	
15	1001252629	1	Decal - Weight	
16	1001257271	1	Bracket (RH)	
17	1001257274	1	Bracket (LH)	
18	1001261335	1	Rope	

SECTION 5 - PLATFORM

FIGURE 5-49. FALL ARREST INSTALLATION (BOLT-ON) (6FT/1.82M PLATFORM)



ART_1001236747

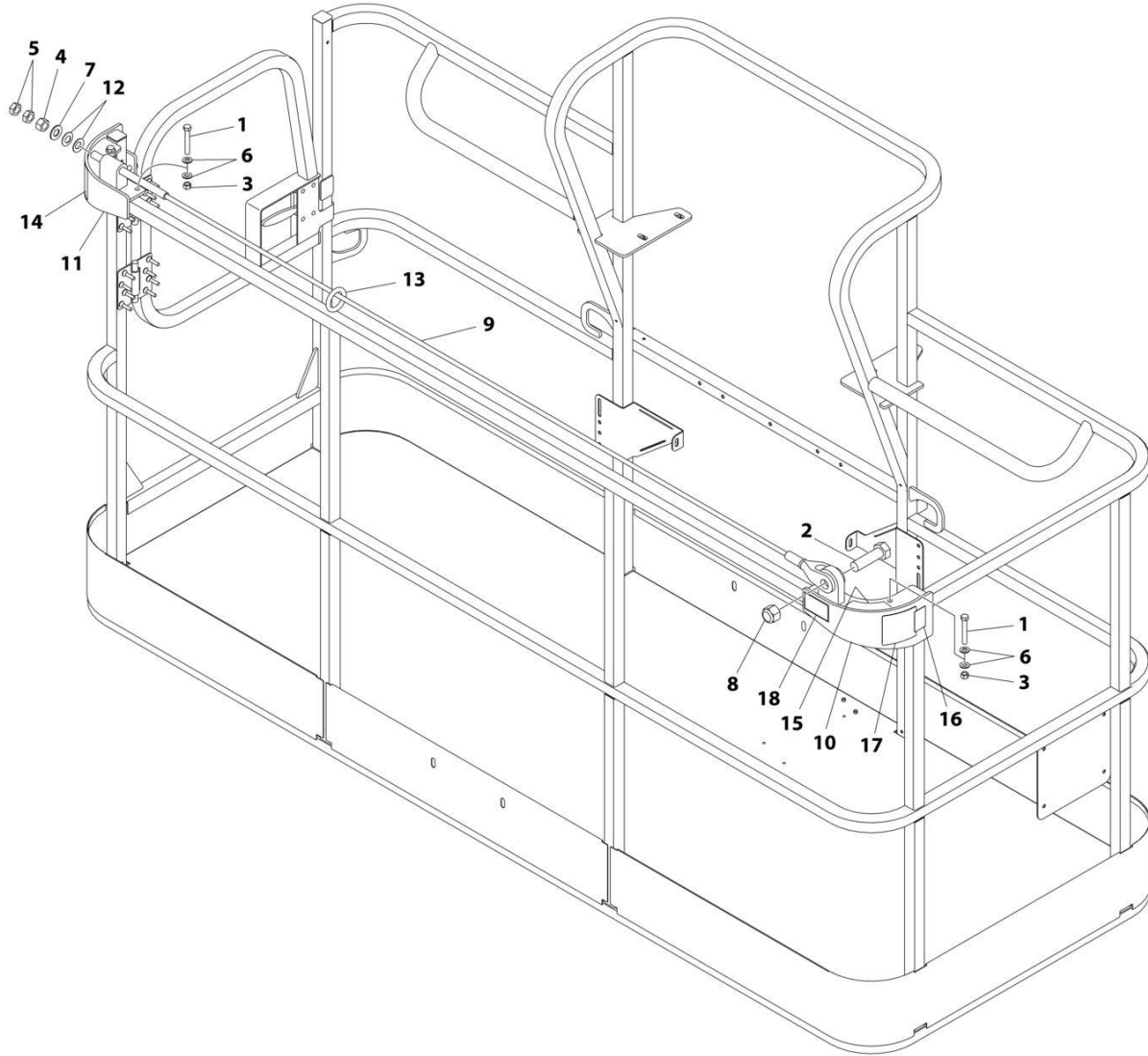
SECTION 5 - PLATFORM

FIGURE 5-49. FALL ARREST INSTALLATION (BOLT-ON) (6FT/1.82M PLATFORM)

ITEM	PART NUMBER	QTY	DESCRIPTION	REV
	1001236747	Ref	FALL ARREST INSTALLATION (BOLT - ON) 6FT/1.82M PLATFORM	C
1	0681620	6	Bolt 3/8 x 2-1/2	
2	0682424	1	Bolt 7/8 x 3	
3	3271605	6	Nut 3/8	
4	3272001	1	Nut 5/8	
5	3312002	2	Nut 5/8	
6	4711600	12	Washer 3/8	
7	4712000	1	Washer 5/8	
8	88521214	1	Nut 7/8	
9	1001231950	1	Rope	
10	1001232010	1	Bracket (RH)	
11	1001232011	1	Bracket (LH)	
12	1001236891	2	Washer	
13	1001236895	1	Ring	
14	1001238263	1	Decal - Warning Falling Hazard	
15	1001252629	1	Decal - Weight	
16	1001248140	1	Decal - Bolt Fall Arrest Re-Cert	
17	1001248141	1	Decal - Inscription	

SECTION 5 - PLATFORM

FIGURE 5-50. FALL ARREST INSTALLATION (BOLT-ON) (8FT/2.4M PLATFORM)



ART_1001236746

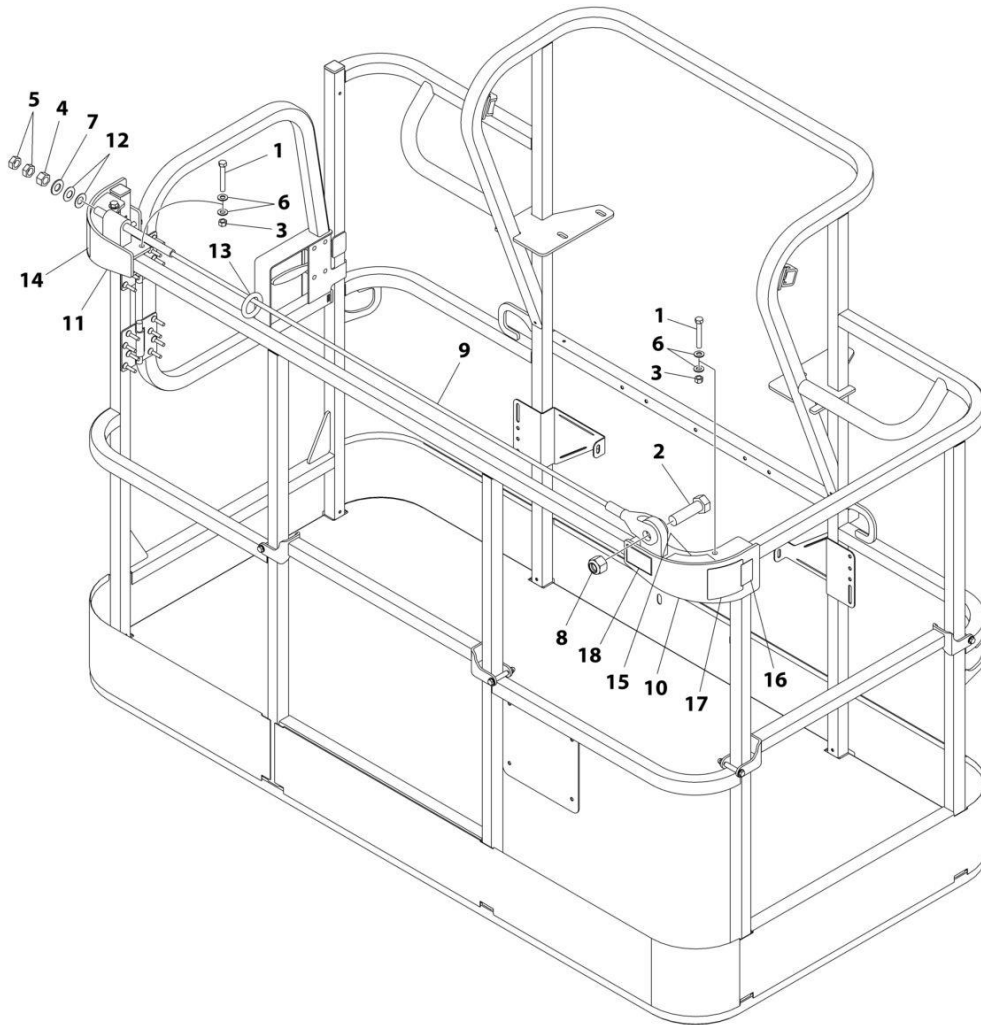
SECTION 5 - PLATFORM

FIGURE 5-50. FALL ARREST INSTALLATION (BOLT-ON) (8FT/2.4M PLATFORM)

ITEM	PART NUMBER	QTY	DESCRIPTION	REV
	1001236746	Ref	FALL ARREST INSTALLATION (BOLT - ON) 8FT/2.4M PLATFORM	C
1	0681620	6	Bolt 3/8 x 2-1/2	
2	0682424	1	Bolt 7/8 x 3	
3	3271605	6	Nut 3/8	
4	3272001	1	Nut 5/8	
5	3312002	2	Nut 5/8	
6	4711600	12	Washer 3/8	
7	4712000	1	Washer 5/8	
8	88521214	1	Nut 7/8	
9	1001231949	1	Rope	
10	1001232010	1	Bracket (RH)	
11	1001232011	1	Bracket (LH)	
12	1001236891	2	Washer	
13	1001236895	1	Ring	
14	1001238263	1	Decal - Warning Falling Hazard	
15	1001252629	1	Decal - Weight 23LBS/10.4KG	
16	1001248140	1	Decal - Bolt Fall Arrest Re-Cert	
17	1001248141	1	Decal - Inscription	

SECTION 5 - PLATFORM

FIGURE 5-51. FALL ARREST INSTALLATION (BOLT-ON) (6FT/1.82M TRI-ENTRY PLATFORM)



ART_1001238463

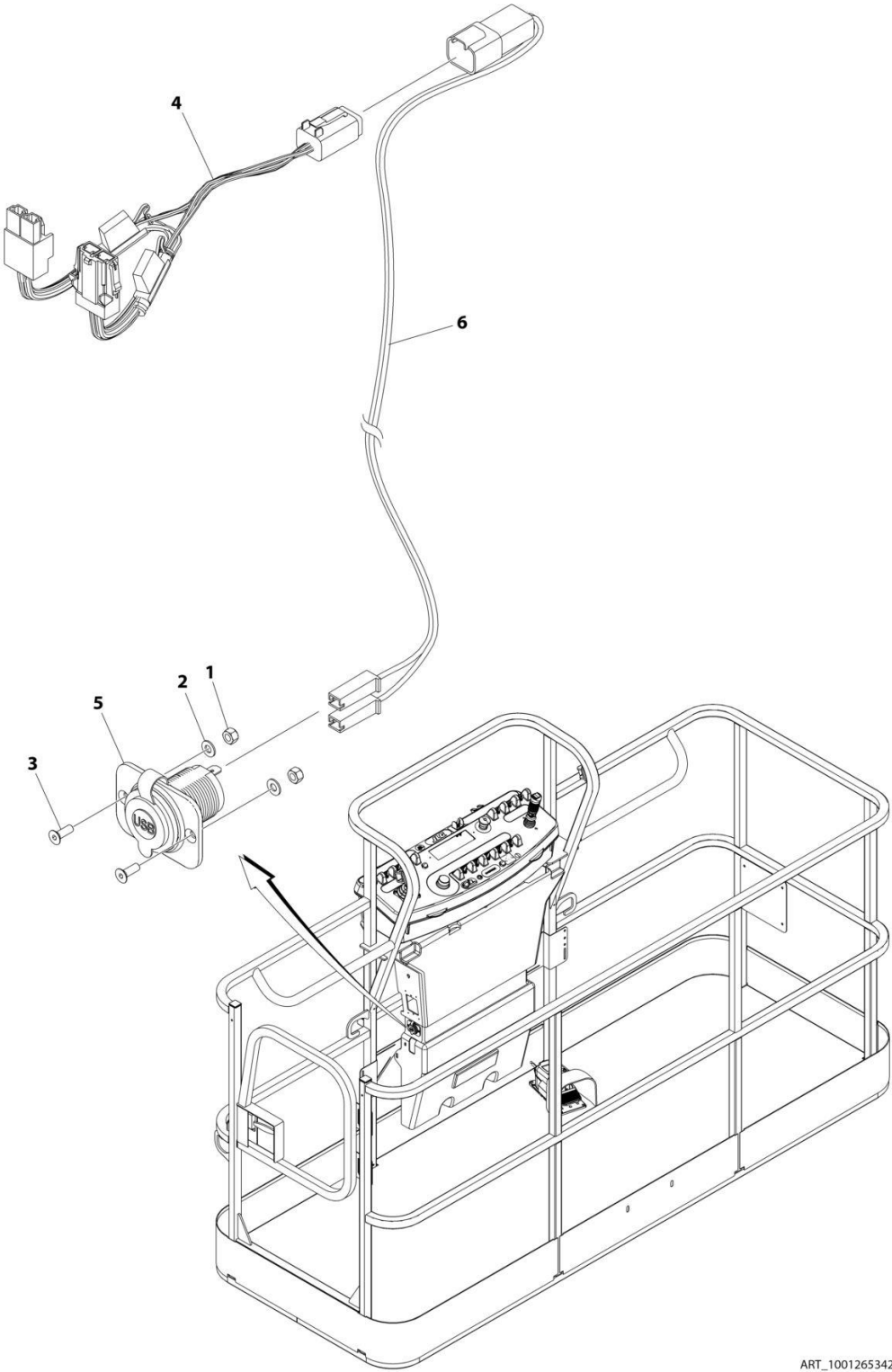
SECTION 5 - PLATFORM

FIGURE 5-51. FALL ARREST INSTALLATION (BOLT-ON) (6FT/1.82M TRI-ENTRY PLATFORM)

ITEM	PART NUMBER	QTY	DESCRIPTION	REV
	1001238463	Ref	FALL ARREST INSTALLATION (BOLT - ON) 6FT/1.82M PLATFORM	C
1	0681620	6	Bolt 3/8 x 2-1/2	
2	0682424	1	Bolt 7/8 x 3	
3	3271605	6	Nut 3/8	
4	3272001	1	Nut 5/8	
5	3312002	2	Nut 5/8	
6	4711600	12	Washer 3/8	
7	4712000	1	Washer 5/8	
8	88521214	1	Nut 7/8	
9	1001231950	1	Rope	
10	1001232010	1	Bracket (RH)	
11	1001232011	1	Bracket (LH)	
12	1001236891	2	Washer	
13	1001236895	1	Ring	
14	1001238263	1	Decal - Warning Falling Hazard	
15	1001252629	1	Decal - Weight	
16	1001248140	1	Decal - Bolt Fall Arrest Re-Cert	
17	1001248141	1	Decal - Inscription	

SECTION 5 - PLATFORM

FIGURE 5-52. USB CHARGER INSTALLATION



ART_1001265342

SECTION 5 - PLATFORM

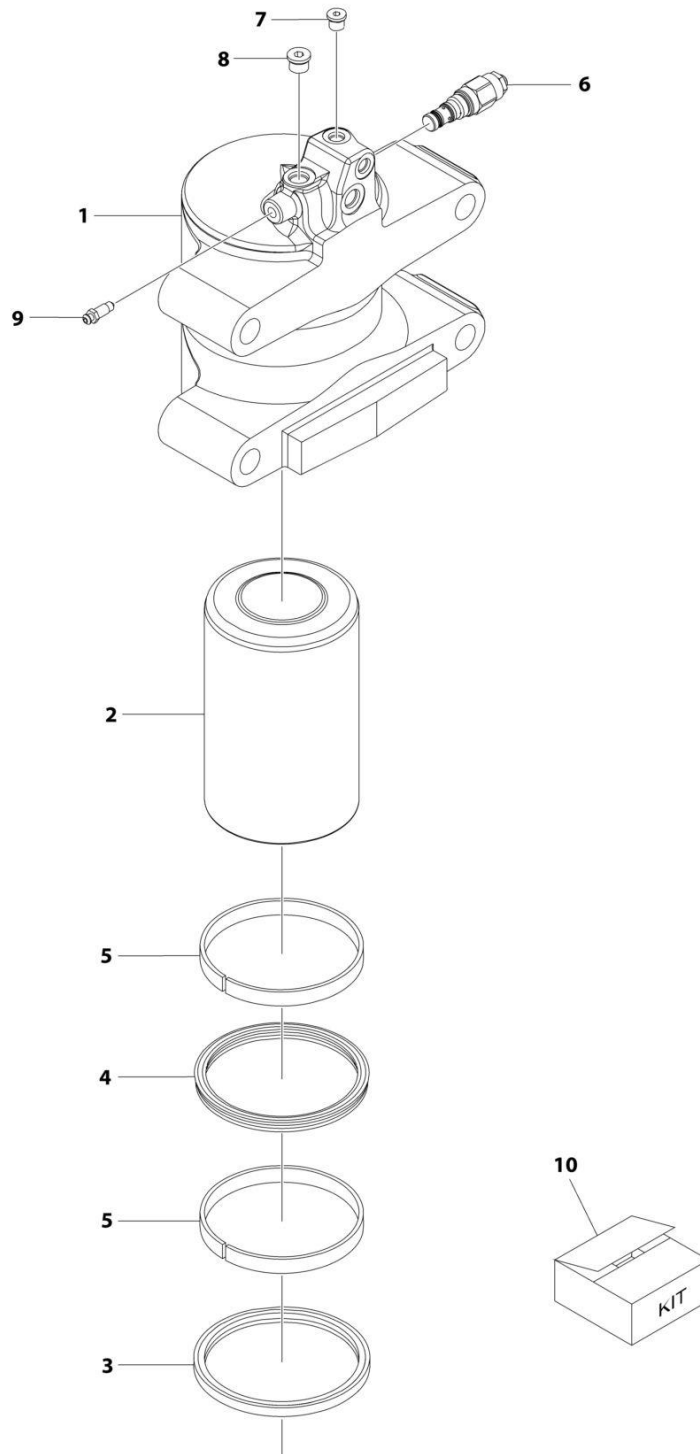
FIGURE 5-52. USB CHARGER INSTALLATION

ITEM	PART NUMBER	QTY	DESCRIPTION	REV
	1001265342	Ref	USB CHARGER INSTALLATION	A
1	3290405	2	Nut M4	
2	4811400	2	Washer M4	
3	1001097244	2	Screw M4 x 12	
4	1001120484	1	Harness, Work Lights	
4	4460879	1	Plug, Male - 2 Position	
4	4460887	2	Terminal	
4	2400060	2	Fuseholder Includes Cover	
4	8229249	2	Fuse, 3 Amp	
4	4460884	1	Connector - 4 Position	
4	4460465	4	Socket, Female	
4	1001120471	1	Connector - 2 Position	
4	1001120477	2	Terminal	
5	1001210636	1	Receptacle, USB	
6	1001265163	1	Harness, USB	A
6	4460260	2	Cover, Terminal	
6	4460259	2	Terminal	
6	4460932	1	Receptacle, Bussbar - 4 Position	
6	4460464	2	Pin, Male	
6	4460466	2	Plug, Terminal	

SECTION 6 - CYLINDER

SECTION 6 - CYLINDER

FIGURE 6-1. AXLE LOCKOUT CYLINDER ASSEMBLY (MACHINES WITH SN STARTING WITH 03)



ART_1001204560

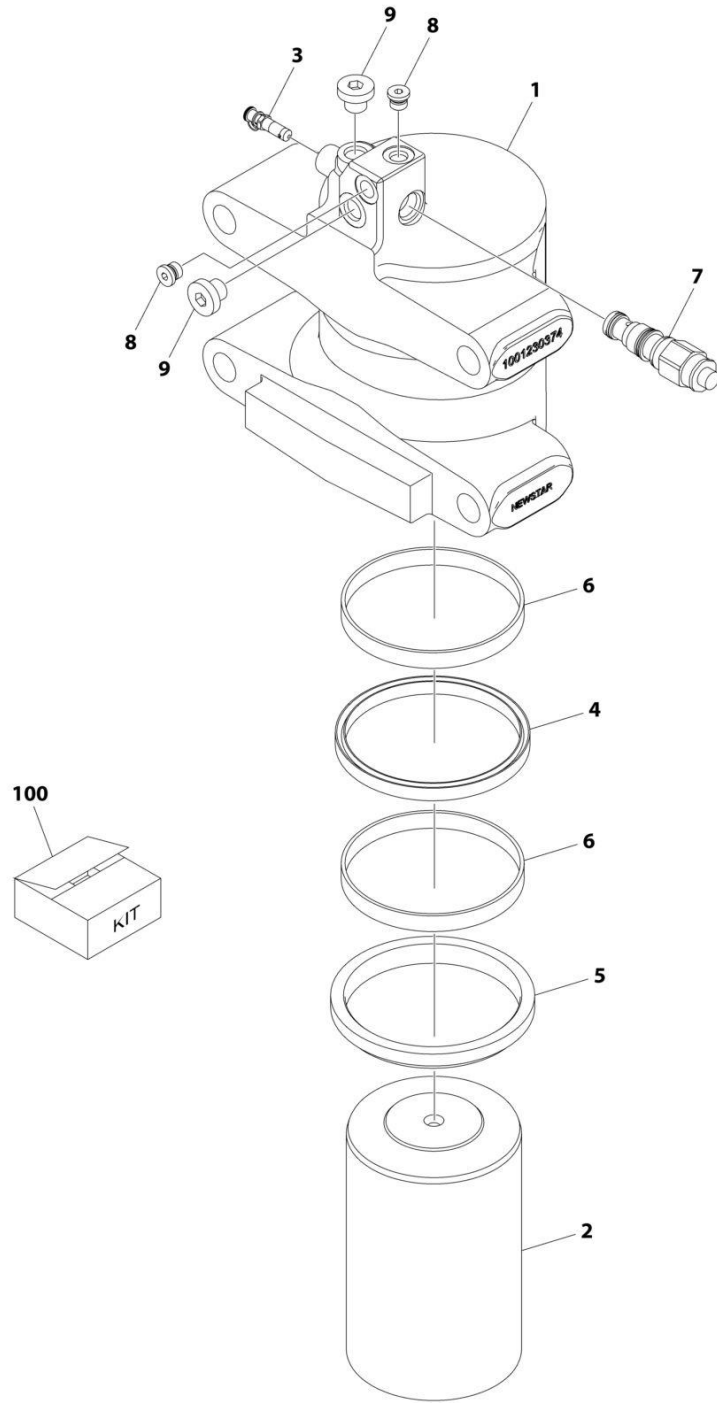
SECTION 6 - CYLINDER

FIGURE 6-1. AXLE LOCKOUT CYLINDER ASSEMBLY (MACHINES WITH SN STARTING WITH 03)

ITEM	PART NUMBER	QTY	DESCRIPTION	REV
	1001204560	Ref	AXLE LOCKOUT CYLINDER ASSEMBLY	D
1	1001154126	1	Barrel	
2	1001154687	1	Rod	
3	See Note	NSS	Wiper (Note: Use Item 10)	
4	See Note	NSS	Seal, Rod (Note: Use Item 10)	
5	See Note	NSS	Ring, Wear (Note: Use Item 10)	
6	1001117372	1	Cartridge, Valve (Counterbalance)	
6	70002842	1	Seal Kit - 1001117372 Valve (1 Per Assembly)	
7	2220883	1	Plug, O-Ring	
8	2220885	1	Plug, O-Ring	
9	4640858	1	Valve, Bleeder	
10	1001098167	1	Seal Kit (Includes Items 3-5)	

SECTION 6 - CYLINDER

FIGURE 6-2. AXLE LOCKOUT CYLINDER ASSEMBLY (MACHINES WITH SN STARTING WITH B3)



ART_1001230374

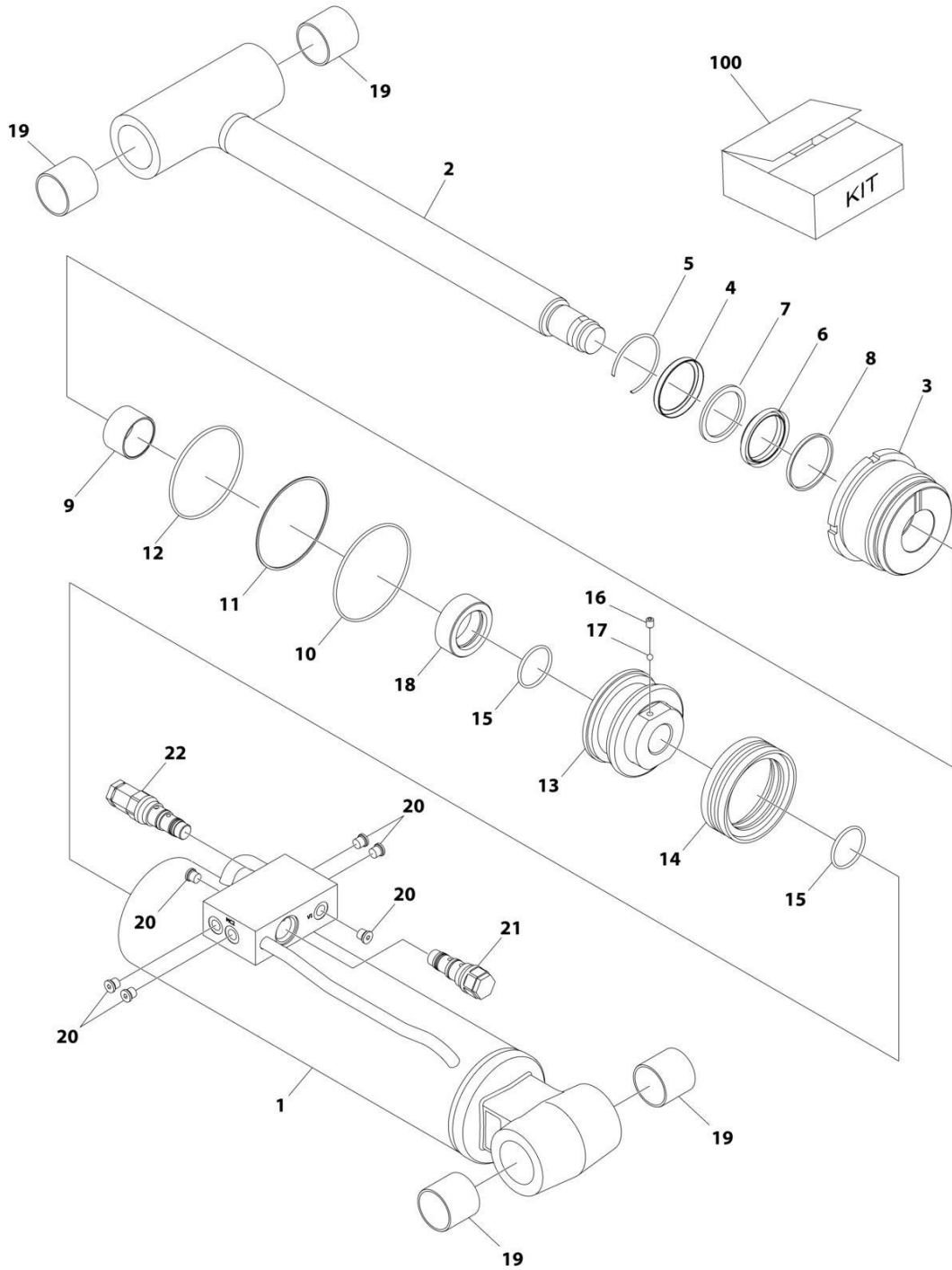
SECTION 6 - CYLINDER

FIGURE 6-2. AXLE LOCKOUT CYLINDER ASSEMBLY (MACHINES WITH SN STARTING WITH B3)

ITEM	PART NUMBER	QTY	DESCRIPTION	REV
	1001230374	Ref	AXLE LOCKOUT CYLINDER ASSEMBLY	A
		Ref	Note: Original Cylinder may have been replaced with Service Replacement. Identify PN Stamped on Cylinder Before Ordering Parts.	
1	See Note	NSS	Barrel (Note: Not Available for Purchase)	
2	70006948	1	Rod	
3	4640858	1	Bleeder Valve	
4	See Note	NSS	Seal, Rod (Note: Use Item 100)	
5	See Note	NSS	Wiper (Note: Use Item 100)	
6	See Note	NSS	Ring, Wear (Note: Use Item 100)	
7	1001117372	1	Counterbalance Valve	
7	70002842	1	Seal Kit - 1001117372 Valve	
8	2220883	2	Plug	
9	2220885	2	Plug	
100	70006949	1	Seal kit - 1001230374 Cylinder (Includes 4-6)	

SECTION 6 - CYLINDER

FIGURE 6-3. LEVEL CYLINDER ASSEMBLY (860SJ HC3)



ART_1001247466

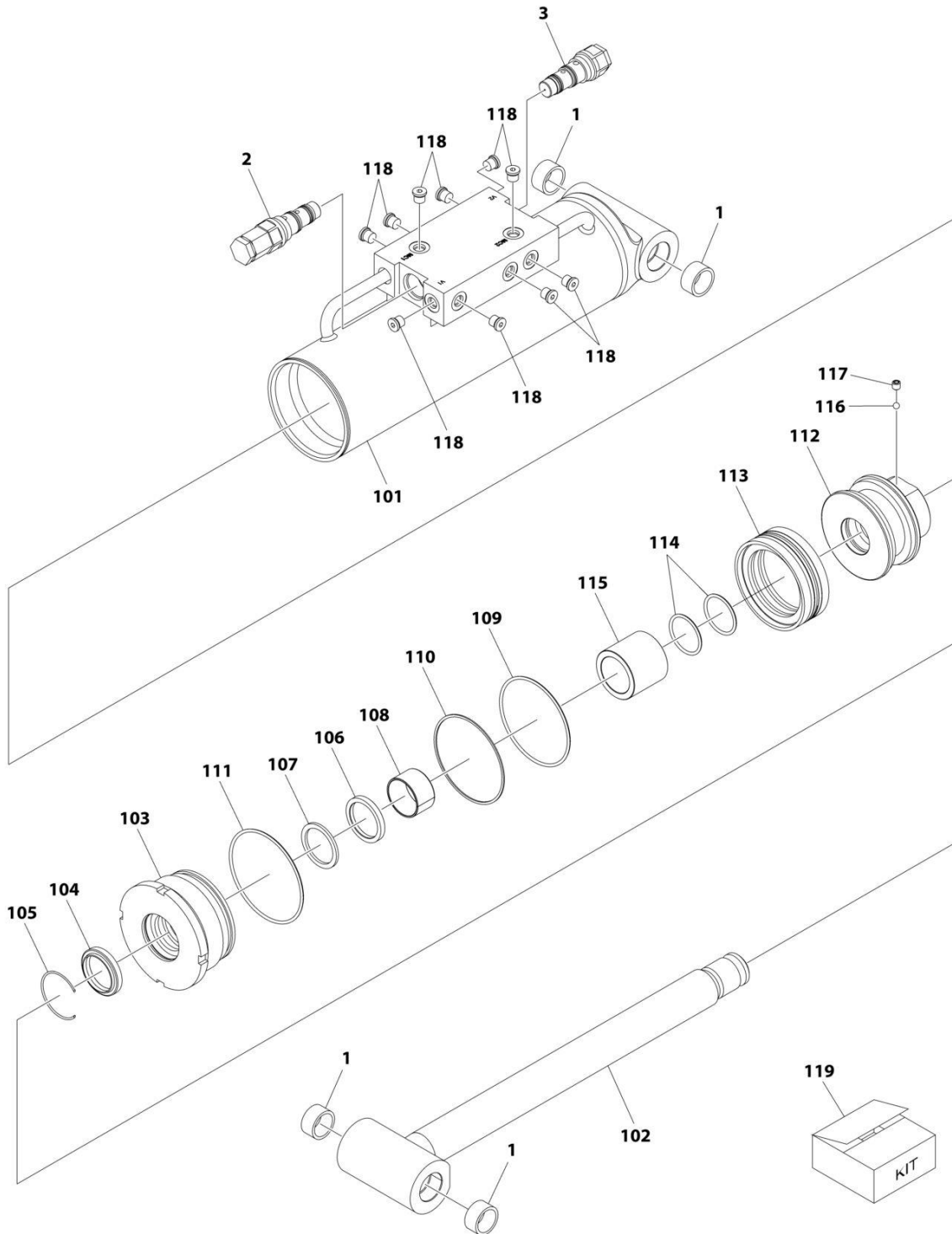
SECTION 6 - CYLINDER

FIGURE 6-3. LEVEL CYLINDER ASSEMBLY (860SJ HC3)

ITEM	PART NUMBER	QTY	DESCRIPTION	REV
	1001247466	Ref	LEVEL CYLINDER ASSEMBLY	C
		Ref	Note: Original Cylinder May Have Been Replaced with Service Replacement. Identify PN Stamped on Cylinder Before Ordering Parts.	
1	See Note	NSS	Barrel (Note: Use P/N 1001247466)	
2	70007168	1	Rod	
3	70007157	1	Head	
4	See Note	NSS	Wiper (Use Item:100)	
5	70002410	1	Ring, Retaining	
6	See Note	NSS	Seal, Rod (Use Item:100)	
7	See Note	NSS	Ring, Back Up (Use Item:100)	
8	See Note	NSS	Ring, Buffer (Use Item:100)	
9	70004237	1	Ring, Wear (Use Item:100)	
10	See Note	NSS	O-Ring (Use Item:100)	
11	See Note	NSS	Ring, Back up (Use Item:100)	
12	See Note	NSS	O-Ring (Use Item:100)	
13	70007161	1	Piston	
14	See Note	NSS	Seal, Piston (Use Item:100)	
15	See Note	NSS	O-Ring (Use Item:100)	
16	70006596	1	Setscrew	
17	70022564	1	Ball	
18	70007169	1	Spacer	
19	70007159	4	Bearing	
20	2220883	6	Plug	
21	4640999	1	Valve, Counterbalance	
21	2900792	1	Seal Kit - 4640999 Valve	
22	4640932	1	Valve, Counterbalance	
22	7011112	1	Seal Kit - 4640932 Valve	
100	70007251	1	Seal Kit, Cylinder (Include items : 4,6,7,8,10,11,12,14 & 15)	

SECTION 6 - CYLINDER

FIGURE 6-4. LEVEL CYLINDER ASSEMBLY - PLATFORM SLAVE (800S HC3)



ART_1001251027

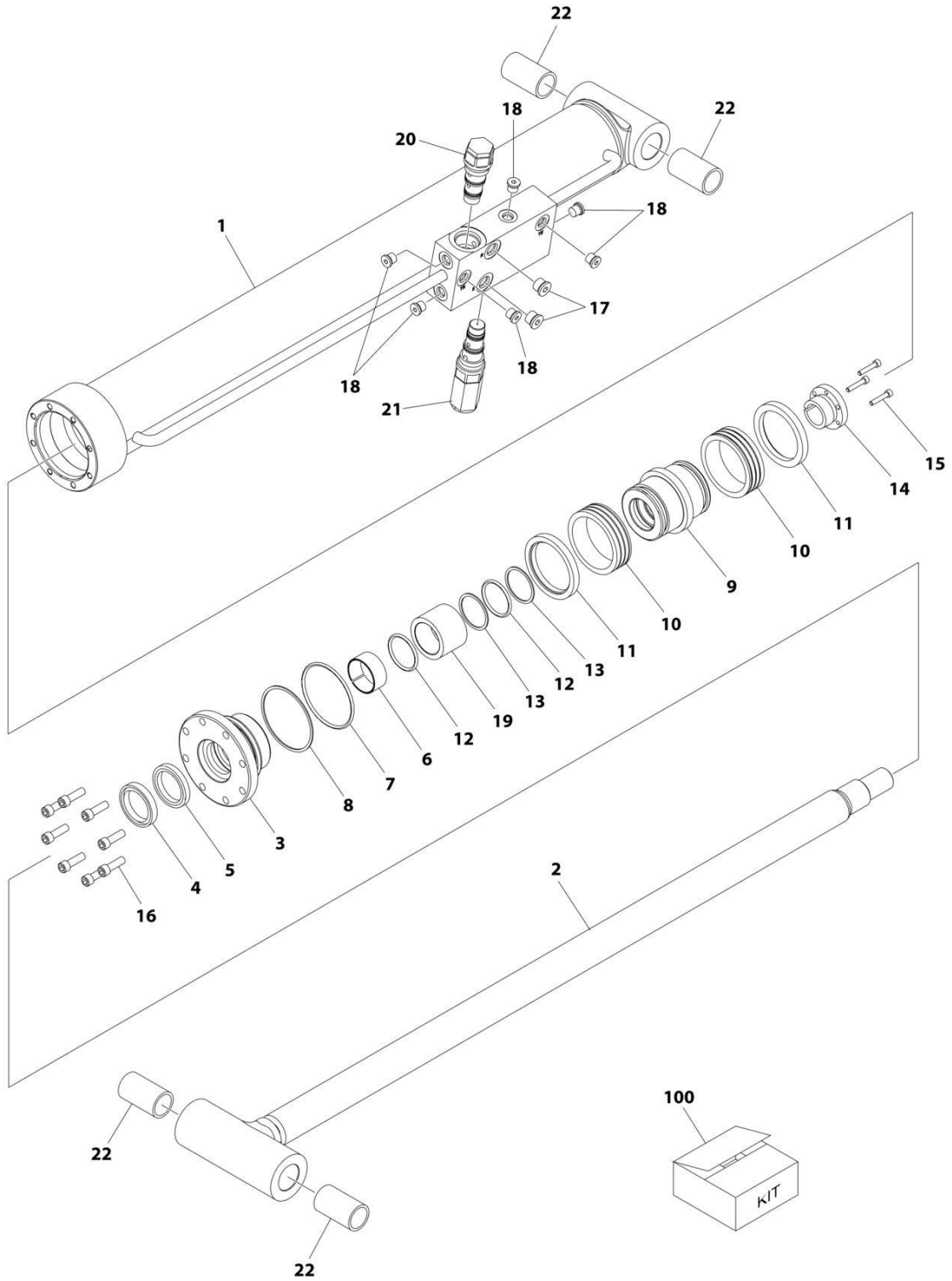
SECTION 6 - CYLINDER

FIGURE 6-4. LEVEL CYLINDER ASSEMBLY - PLATFORM SLAVE (800S HC3)

ITEM	PART NUMBER	QTY	DESCRIPTION	REV
	1001251027	Ref	LEVEL CYLINDER ASSEMBLY - PLATFORM SLAVE	A
		Ref	Note: Original Cylinder May Have Been Replaced with Service Replacement. Identify PN Stamped on Cylinder Before Ordering Parts.	
1	0961947	4	Bushing	
2	4640932	1	Valve, Cartridge	
2	7011112	1	Seal Kit - 4640932 Valve	
3	4641232	1	Valve, Cartridge	
3	7011112	1	Seal Kit - 4641232 Valve	
101	See Note	NSS	Tube (Note: Not Available for Purchase)	
102	70008186	1	Rod	
103	70007971	1	Head	
104	See Note	NSS	Wiper, Dust (Note: Use Item 119)	
105	70002373	1	Ring, Retaining	
106	See Note	NSS	Rod, Seal (Note: Use Item 119)	
107	See Note	NSS	Ring, Backup (Note: Use Item 119)	
108	70005871	1	Bushing	
109	See Note	NSS	O-Ring (Note: Use Item 119)	
110	See Note	NSS	Ring, Backup (Note: Use Item 119)	
111	See Note	NSS	O-Ring (Note: Use Item 119)	
112	70007972	1	Piston	
113	See Note	NSS	Seal, Piston (Note: Use Item 119)	
114	See Note	NSS	O-Ring (Note: Use Item 119)	
115	70008187	1	Spacer	
116	70022564	1	Ball, Steel	
117	70022563	1	Setscrew	
118	2220883	10	Plug	
119	7007974	1	Seal Kit (Includes Items 104, 106-107, 109-111 & 113-114)	

SECTION 6 - CYLINDER

FIGURE 6-5. LIFT CYLINDER ASSEMBLY - JIB (860SJ HC3)



ART_1001259137

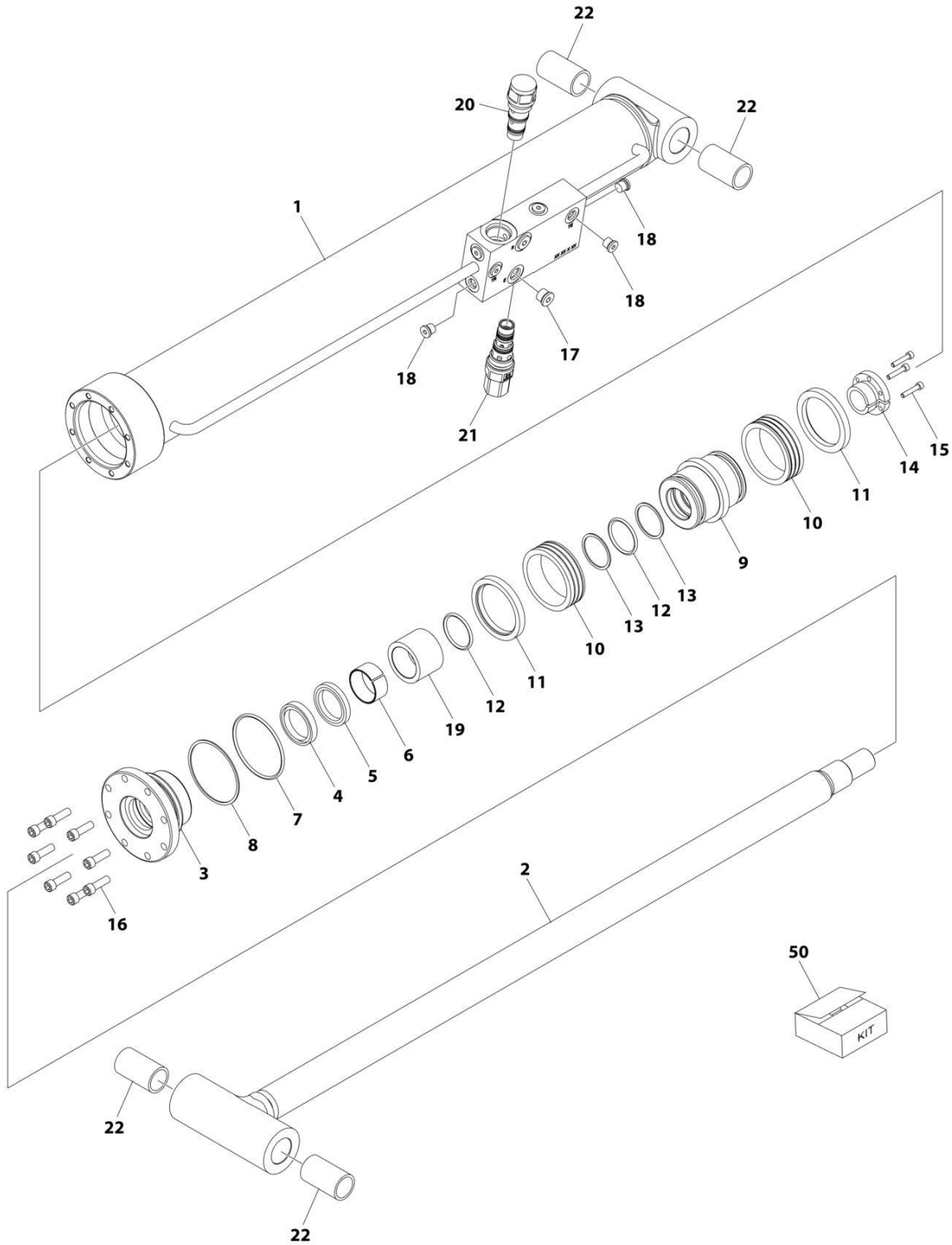
SECTION 6 - CYLINDER

FIGURE 6-5. LIFT CYLINDER ASSEMBLY - JIB (860SJ HC3)

ITEM	PART NUMBER	QTY	DESCRIPTION	REV
	1001259137	Ref	LIFT CYLINDER ASSEMBLY - JIB	B
		Ref	Note: Original Cylinder May Have Been Replaced with Service Replacement. Identify PN Stamped on Cylinder Before Ordering Parts.	
1	See Note	NSS	Barrel (Note: Not Available for Purchase)	
2	70006734	1	Rod	
3	70006649	1	Head	
4	See Note	NSS	Wiper (Note: Use Item 100)	
5	See Note	NSS	Seal, Rod (Note: Use Item 100)	
6	See Note	NSS	Ring, Wear (Note: Use Item 100)	
7	See Note	NSS	O-Ring (Note: Use Item 100)	
8	See Note	NSS	Ring, Back-up (Note: Use Item 100)	
9	70006650	1	Piston	
10	See Note	NSS	Seal (Note: Use Item 100)	
11	See Note	NSS	Ring, Lock (Note: Use Item 100)	
12	See Note	NSS	O-Ring (Note: Use Item 100)	
13	See Note	NSS	Ring, Back-up (Note: Use Item 100)	
14	0961893	1	Bushing, Tapered	
15	0630534	3	Capscrew, Socket Head #10 x 1	
16	70006735	8	Capscrew 5/16	
17	2220885	2	Plug, O-Ring	
18	2220883	6	Plug, O-Ring	
19	70006736	1	Spacer	
20	4640509	1	Cartridge, Valve	
20	2900792	1	Seal Kit - 4640509 Valve	
21	1001259138	1	Cartridge, Valve	
21	70004186	1	Seal Kit - 1001259138 Valve	
22	0962336	4	Bushing	
100	1001138795	1	Seal Kit (Includes Items 4-8 & 10-13)	

SECTION 6 - CYLINDER

FIGURE 6-6. LIFT CYLINDER ASSEMBLY - JIB (860SJ HC3)



ART_1001264302

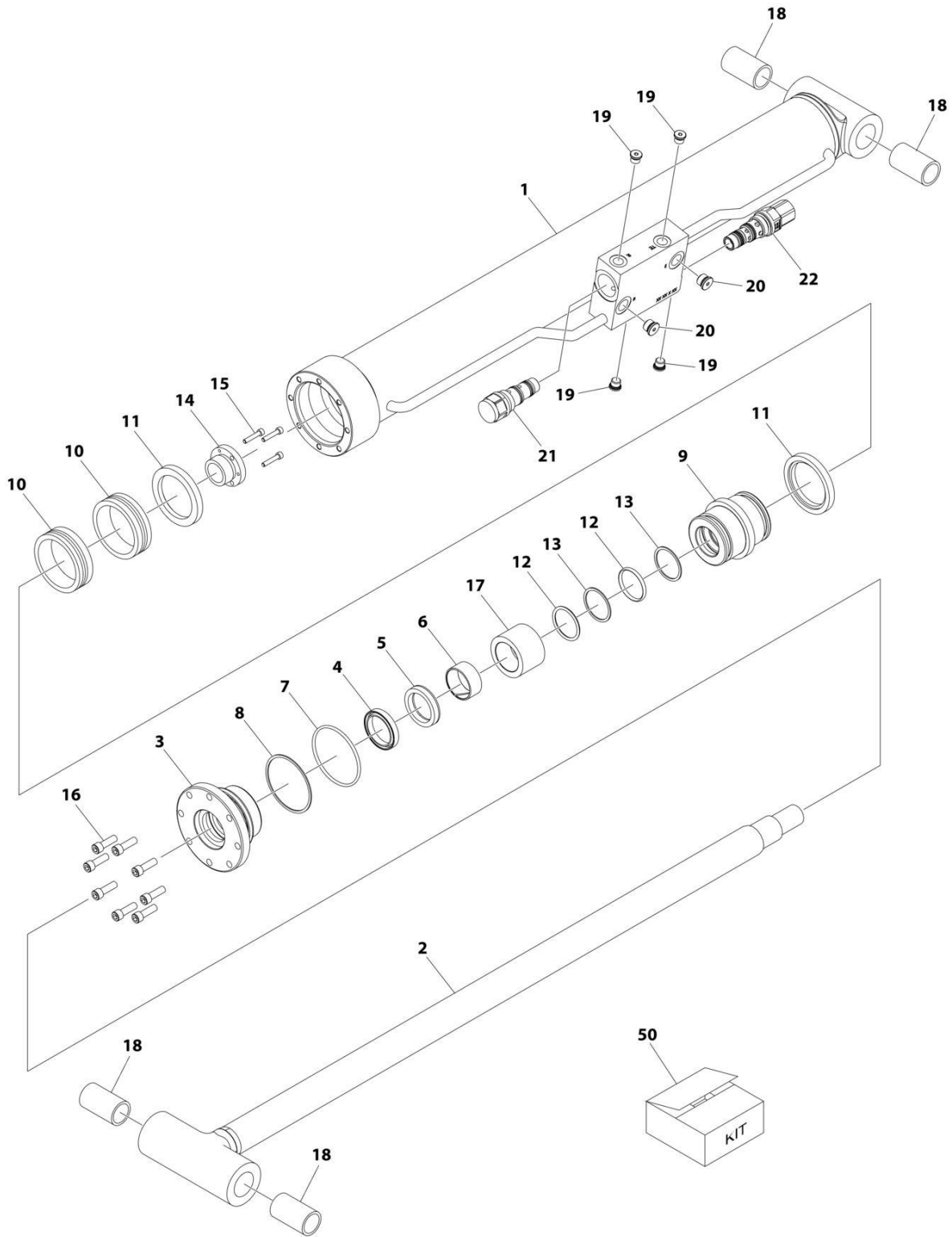
SECTION 6 - CYLINDER

FIGURE 6-6. LIFT CYLINDER ASSEMBLY - JIB (860SJ HC3)

ITEM	PART NUMBER	QTY	DESCRIPTION	REV
	1001264302	Ref	LIFT CYLINDER ASSEMBLY - JIB	B
		Ref	Note: Original Cylinder May Have Been Replaced with Service Replacement. Identify PN Stamped on Cylinder Before Ordering Parts.	
1	See Note	NSS	Barrel	
2	70006734	1	Rod	
3	70006649	1	Head	
4	See Note	NSS	Wiper (Note: Use Item 50)	
5	See Note	NSS	Seal, Rod (Note: Use Item 50)	
6	See Note	NSS	Ring, Wear (Note: Use Item 50)	
7	See Note	NSS	O-Ring (Note: Use Item 50)	
8	See Note	NSS	Ring, Back-up (Note: Use Item 50)	
9	70006650	1	Piston	
10	See Note	NSS	Seal (Note: Use Item 50)	
11	See Note	NSS	Ring, Lock (Note: Use Item 50)	
12	See Note	NSS	O-Ring (Note: Use Item 50)	
13	See Note	NSS	Ring, Back-up (Note: Use Item 50)	
14	0961893	1	Bushing, Tapered	
15	0630534	3	Capscrew	
16	70006735	8	Capscrew	
17	2220885	2	Plug	
18	2220883	6	Plug	
19	70006736	1	Spacer	
20	4640509	1	Cartridge, Counterbalance Valve	
20	2900792	1	Seal Kit - 4640509 Valve	
21	1001263800	1	Cartridge, Counterbalance Valve	
21	70004186	1	Seal Kit - 1001263800 Valve	
22	0962336	4	Bushing	
50	1001138795	1	Seal Kit (Includes Items 4-8 & 10-13)	

SECTION 6 - CYLINDER

FIGURE 6-7. LIFT CYLINDER ASSEMBLY - JIB (860SJ HC3)



ART_1001264991

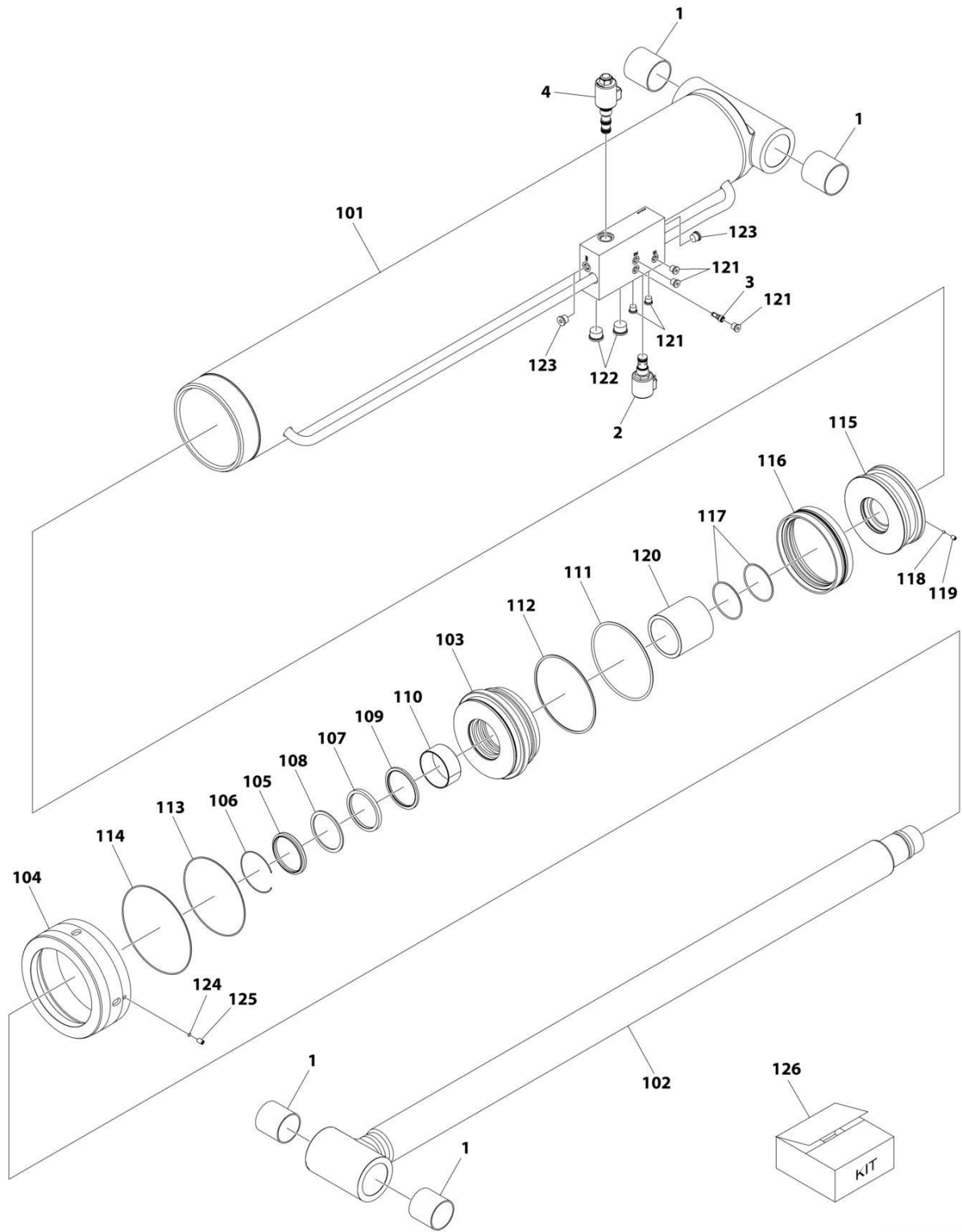
SECTION 6 - CYLINDER

FIGURE 6-7. LIFT CYLINDER ASSEMBLY - JIB (860SJ HC3)

ITEM	PART NUMBER	QTY	DESCRIPTION	REV
	1001264991	Ref	LIFT CYLINDER ASSEMBLY - JIB	B
		Ref	Note: Original Cylinder May Have Been Replaced with Service Replacement. Identify PN Stamped on Cylinder Before Ordering Parts.	
1	See Note	NSS	Barrel (Note: Use PN 1001264991)	
2	70006734	1	Rod	
3	70006649	1	Head	
4	See Note	NSS	Wiper (Note: Use Item 50)	
5	See Note	NSS	Seal, Rod (Note: Use Item 50)	
6	See Note	NSS	Ring, Wear (Note: Use Item 50)	
7	See Note	NSS	O-Ring (Note: Use Item 50)	
8	See Note	NSS	Ring, Back-up (Note: Use Item 50)	
9	70006650	1	Piston	
10	See Note	NSS	Ring, Hydro Lock (Note: Use Item 50)	
11	See Note	NSS	Ring, Guide Lock (Note: Use Item 50)	
12	See Note	NSS	O-Ring (Note: Use Item 50)	
13	See Note	NSS	Ring, Back-up (Note: Use Item 50)	
14	0961893	1	Bushing, Tapered	
15	0630534	3	Capscrew	
16	70006735	8	Capscrew	
17	70006736	1	Spacer	
18	0962336	4	Bearing	
19	70023370	4	Plug	
20	70023371	2	Plug	
21	4640509	1	Cartridge, Counterbalance Valve	
21	2900792	1	Seal Kit - 4640509 Valve	
22	1001263800	1	Cartridge, Counterbalance Valve	
22	70004186	1	Seal Kit - 1001263800 Valve	
50	1001138795	1	Seal Kit - 1001264991 Cylinder (Includes Items 4-8 & 10-13)	

SECTION 6 - CYLINDER

FIGURE 6-8. LIFT CYLINDER ASSEMBLY - MAIN BOOM (800S HC3)



ART_1001251028

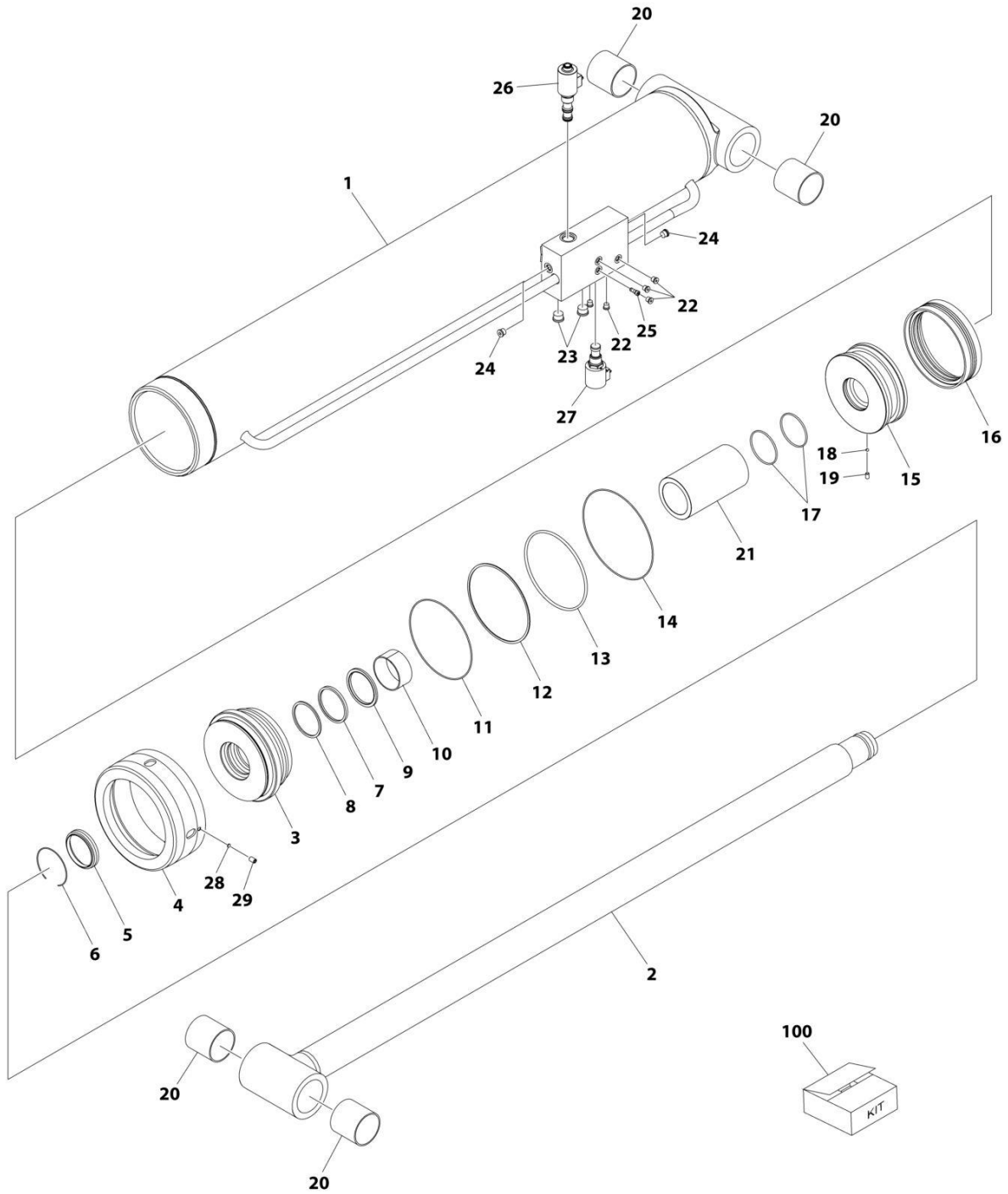
SECTION 6 - CYLINDER

FIGURE 6-8. LIFT CYLINDER ASSEMBLY - MAIN BOOM (800S HC3)

ITEM	PART NUMBER	QTY	DESCRIPTION	REV
	1001251028	Ref	LIFT CYLINDER ASSEMBLY - MAIN BOOM	A
		Ref	Note: Original Cylinder May Have Been Replaced with Service Replacement. Identify PN Stamped on Cylinder Before Ordering Parts.	
1	0962033	4	Bushing	
2	7023923	1	Cartridge - 4641188 Valve	
2	7023919	1	Seal Kit - 4641188 Valve	
2	7012943	1	Coil - 4641188 Valve	
3	4641194	1	Cartridge, Relief Valve	
3	7023927	1	Seal Kit - 4641194 Valve	
4	7023982	1	Cartridge - 4641234 Valve	
4	7012925	1	Seal Kit - 4641234 Valve	
4	7017451	1	Coil - 4641234 Valve	
101	See Note	NSS	Tube (Note: Not Available for Purchase)	
102	70008188	1	Rod	
103	70008189	1	Head	
104	70007278	1	Cap, Tube	
105	See Note	NSS	Wiper, Dust (Note: Use Item 126)	
106	70023380	1	Ring, Retaining	
107	See Note	NSS	Seal, Rod (Note: Use Item 126)	
108	See Note	NSS	Ring, Backup (Note: Use Item 126)	
109	See Note	NSS	Ring, Buffer (Note: Use Item 126)	
110	70007423	1	Bushing	
111	See Note	NSS	O-Ring (Note: Use Item 126)	
112	See Note	NSS	Ring, Backup (Note: Use Item 126)	
113	See Note	NSS	O-Ring (Note: Use Item 126)	
114	See Note	NSS	O-Ring (Note: Use Item 126)	
115	70008190	1	Piston	
116	See Note	NSS	Seal, Piston (Note: Use Item 126)	
117	See Note	NSS	O-Ring (Note: Use Item 126)	
118	70022564	1	Ball, Steel	
119	70006596	1	Setscrew	
120	70008191	1	Spacer	
121	2220883	5	Plug 7/16	
122	70005433	2	Plug 7/8	
123	2220885	2	Plug 9/16	
124	70007282	1	Insert, Locking	
125	70026287	1	Setscrew	
126	70008192	1	(Includes Items 105, 107-109, 111-114 & 116-117)	

SECTION 6 - CYLINDER

FIGURE 6-9. LIFT CYLINDER ASSEMBLY - MAIN BOOM (860SJ HC3)



ART_1001251029

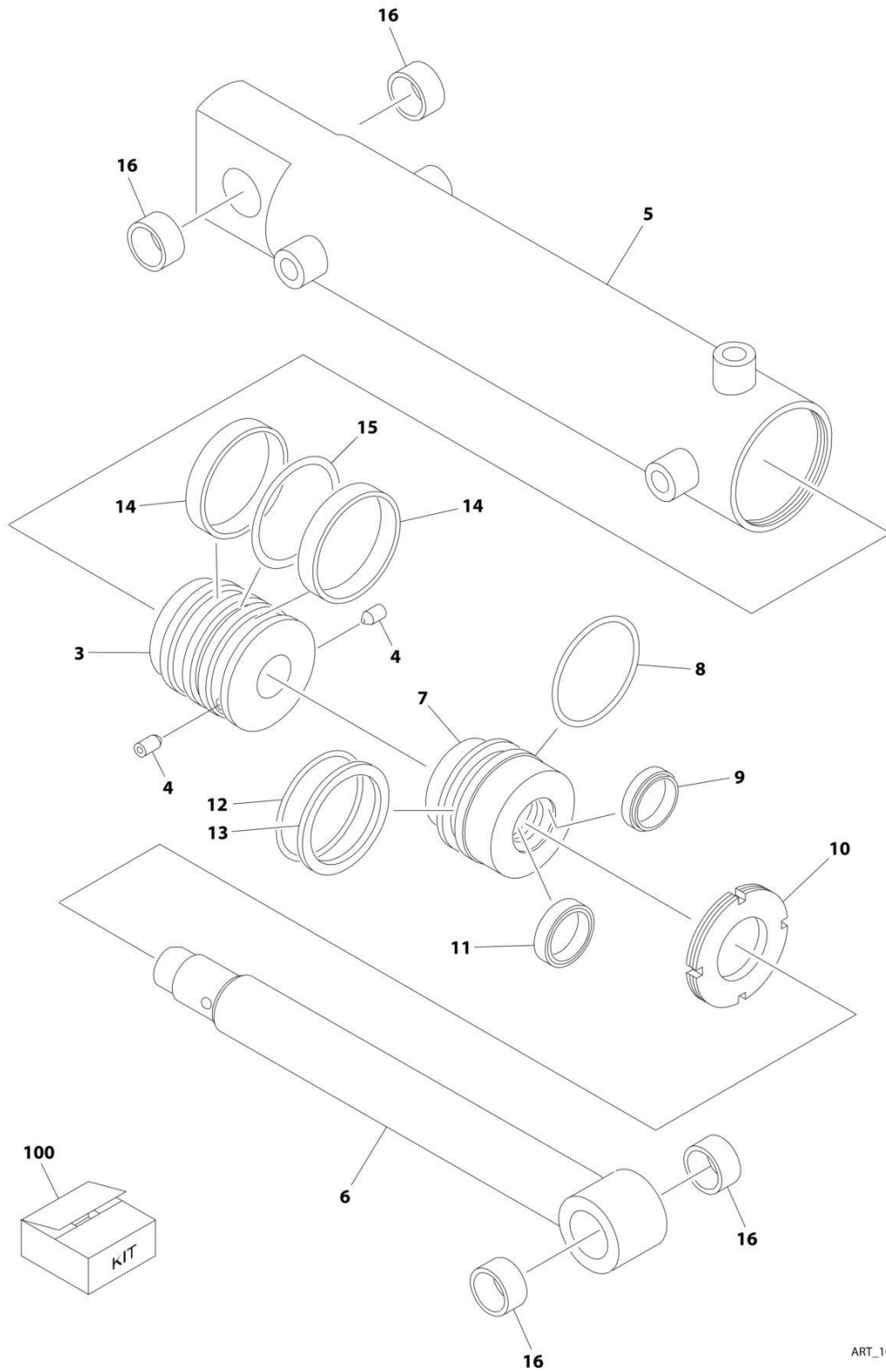
SECTION 6 - CYLINDER

FIGURE 6-9. LIFT CYLINDER ASSEMBLY - MAIN BOOM (860SJ HC3)

ITEM	PART NUMBER	QTY	DESCRIPTION	REV
	1001251029	Ref	LIFT CYLINDER ASSEMBLY - MAIN BOOM	B
		Ref	Note: Original Cylinder may have been replaced with Service Replacement. Identify PN Stamped on Cylinder Before Ordering Parts.	
1	See Note	NSS	Barrel (Note: Not Available for Purchase)	
2	70007276	1	Rod	
3	70007277	1	Head	
4	70007278	1	Cap, Tube	
5	See Note	NSS	Wiper (Note: Use Item 100)	
6	70027750	1	Ring, Retainer	
7	See Note	NSS	Seal, Rod (Note: Use Item 100)	
8	See Note	NSS	Ring, Back-up (Note: Use Item 100)	
9	See Note	NSS	Ring, Buffer (Note: Use Item 100)	
10	70007279	1	Bearing	
11	See Note	NSS	O-Ring (Note: Use Item 100)	
12	See Note	NSS	Ring, Back-up (Note: Use Item 100)	
13	See Note	NSS	O-Ring (Note: Use Item 100)	
14	See Note	NSS	O-Ring (Note: Use Item 100)	
15	70007280	1	Piston	
16	See Note	NSS	Seal, Piston (Note: Use Item 100)	
17	See Note	NSS	O-Ring (Note: Use Item 100)	
18	70022564	1	Steel Ball	
19	70029468	1	Setscrew	
20	0962033	4	Bushing	
21	70007281	1	Spacer	
22	2220883	5	Plug	
23	70005433	2	Plug	
24	2220885	2	Plug	
25	4641194	1	Cartridge, Relief Valve	
25	7023927	1	Seal Kit - 4641194 Valve	
26	4641234	1	Cartridge, Lift Relief Proportional Solenoid	
26	7023982	1	Cartridge - 4641234 Valve	
26	7012925	1	Seal Kit - 4641234 Valve	
26	7017451	1	Coil - 4641234 Valve	
27	4641188	1	Cartridge, Lift Holding Solenoid	
27	7023923	1	Cartridge - 4641188 Valve	
27	7023919	1	Seal Kit - 4641188 Valve	
27	7012943	1	Coil - 4641188 Valve	
28	70007282	1	Insert, Locking	
29	70026287	1	Setscrew	
100	70007283	1	Seal Kit (Includes Items 5, 7-9, 11-14, 16 & 17)	

SECTION 6 - CYLINDER

FIGURE 6-10. STEER CYLINDER ASSEMBLY (MACHINES WITH SN STARTING WITH 03)



ART_1001150539

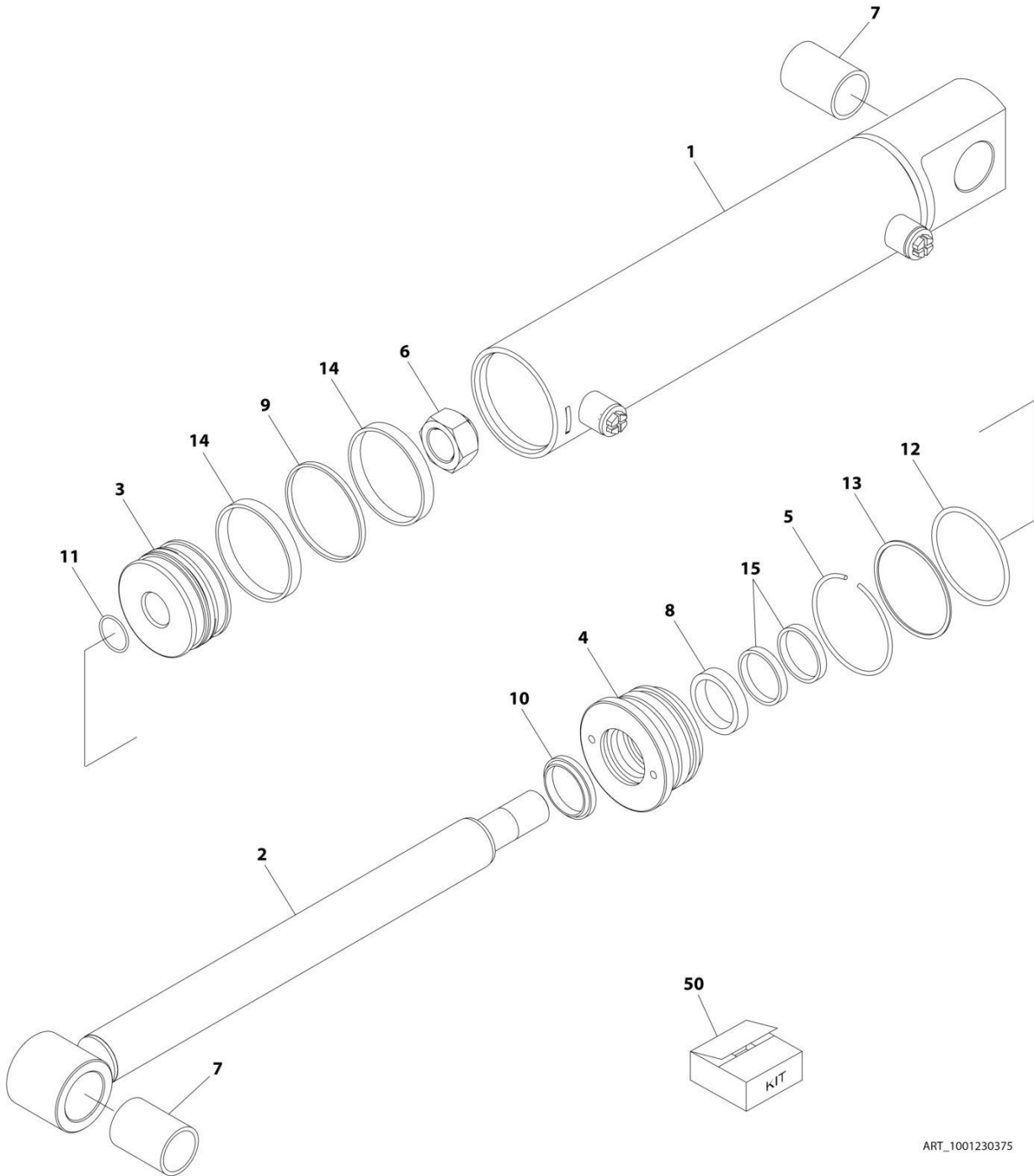
SECTION 6 - CYLINDER

FIGURE 6-10. STEER CYLINDER ASSEMBLY (MACHINES WITH SN STARTING WITH 03)

ITEM	PART NUMBER	QTY	DESCRIPTION	REV
	1001150539	Ref	STEER CYLINDER ASSEMBLY	F
		Ref	Note: Original Cylinder may have been replaced with Service Replacement. Identify PN Stamped on Cylinder Before Ordering Parts.	
3	70002744	1	Piston	
4	70002745	2	Setscrew M6 x 10	
5	70004381	1	Barrel	
6	70004382	1	Rod	
7	70002748	1	Head	
8	See Note	NSS	Ring (Note: Use Item 100)	
9	See Note	NSS	Wiper (Note: Use Item 100)	
10	70002749	1	Nut, Spanner	
11	See Note	NSS	Seal (Note: Use Item 100)	
12	See Note	NSS	O-Ring (Note: Use Item 100)	
13	See Note	NSS	Ring, Back-up (Note: Use Item 100)	
14	See Note	NSS	Ring, Wear (Note: Use Item 100)	
15	See Note	NSS	Seal (Note: Use Item 100)	
16	0962152	4	Bushings	
100	70002751	1	Seal Kit (Includes Items 8, 9 & 11-15)	

SECTION 6 - CYLINDER

FIGURE 6-11. STEER CYLINDER ASSEMBLY (MACHINES WITH SN STARTING WITH B3)



ART_1001230375

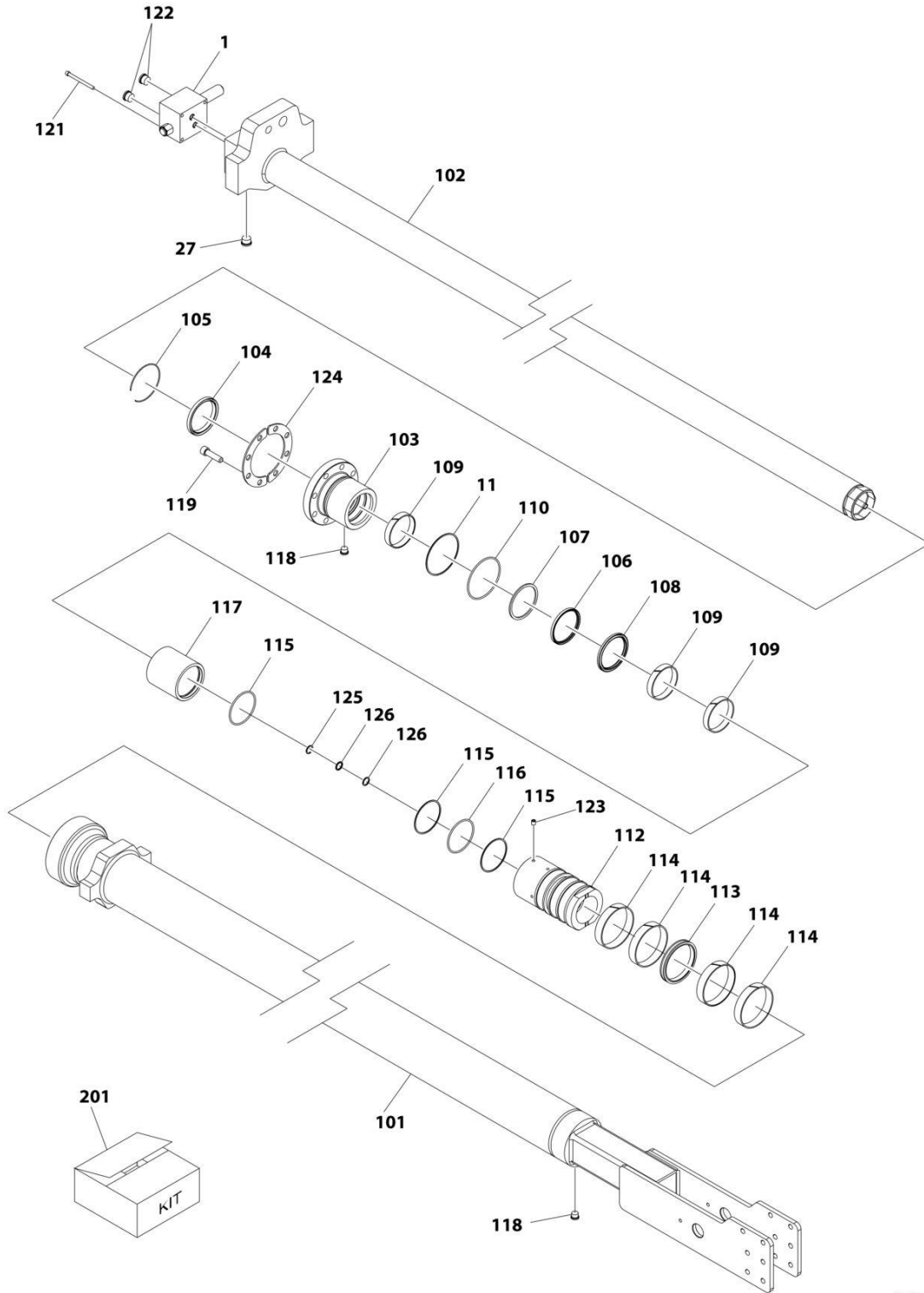
SECTION 6 - CYLINDER

FIGURE 6-11. STEER CYLINDER ASSEMBLY (MACHINES WITH SN STARTING WITH B3)

ITEM	PART NUMBER	QTY	DESCRIPTION	REV
	1001230375	Ref	STEER CYLINDER ASSEMBLY	A
		Ref	Note: Original Cylinder may have been replaced with Service Replacement. Identify PN Stamped on Cylinder Before Ordering Parts.	
1	See Note	NSS	Barrel (Note: Not Available for Purchase)	
2	70006964	1	Rod	
3	70006965	1	Piston	
4	70006966	1	Head	
5	70006967	1	Nut	
6	70006968	1	Ring, Baffle	
7	0962152	2	Bushing	
8	See Note	NSS	Seal, Rod (Note: Use Item 50)	
9	See Note	NSS	Seal (Note: Use Item 50)	
10	See Note	NSS	Wiper (Note: Use Item 50)	
11	See Note	NSS	O-Ring (Note: Use Item 50)	
12	See Note	NSS	O-Ring (Note: Use Item 50)	
13	See Note	NSS	Ring, Back-up (Note: Use Item 50)	
14	See Note	NSS	Ring, Wear (Note: Use Item 50)	
15	See Note	NSS	Ring, Wear (Note: Use Item 50)	
50	70006969	1	Seal Kit - 1001230375 Cyliner (Includes Items 8-15)	

SECTION 6 - CYLINDER

FIGURE 6-12. TELESCOPE CYLINDER ASSEMBLY (800S HC3)



ART_1001251081

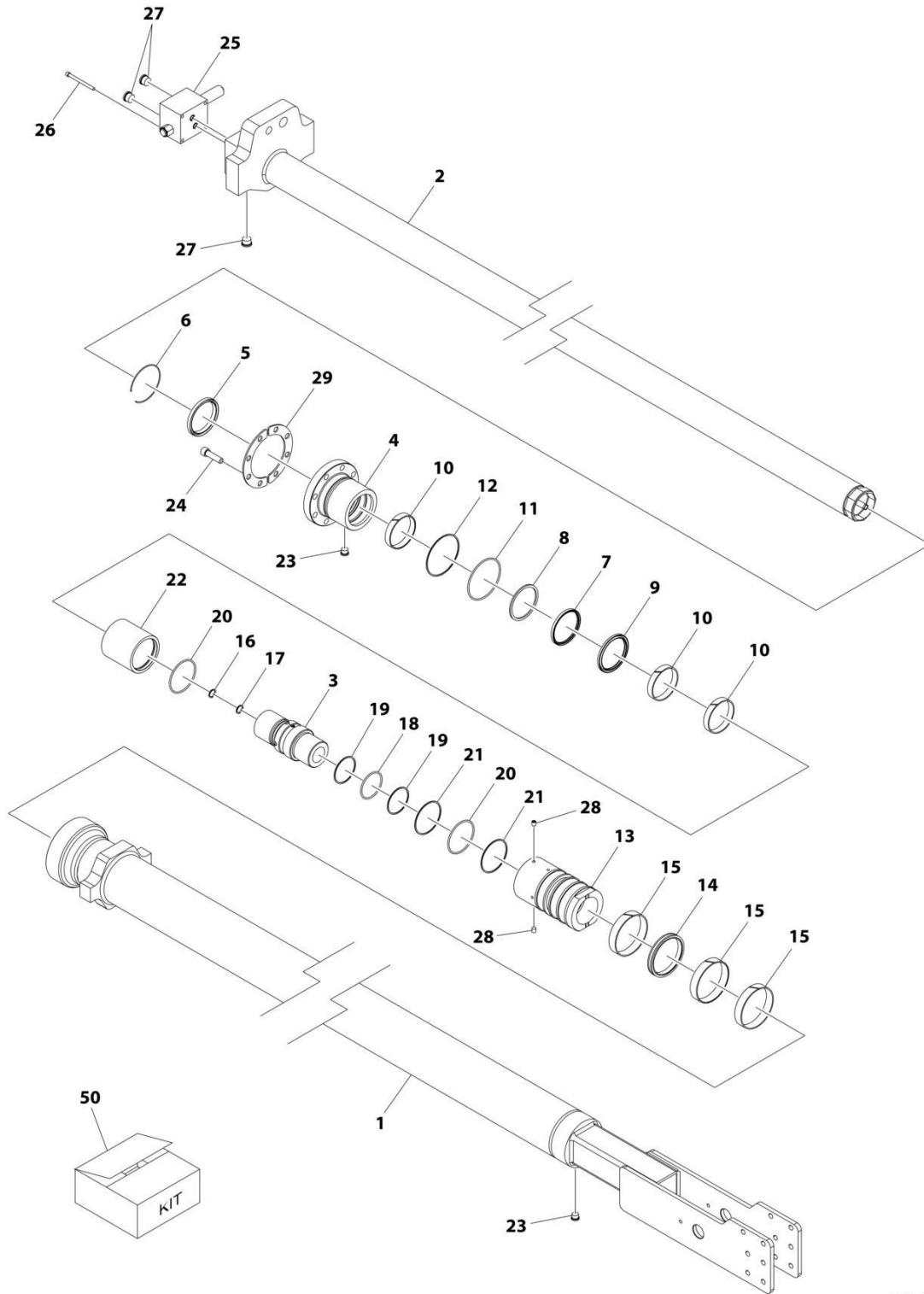
SECTION 6 - CYLINDER

FIGURE 6-12. TELESCOPE CYLINDER ASSEMBLY (800S HC3)

ITEM	PART NUMBER	QTY	DESCRIPTION	REV
	1001251081	Ref	TELESCOPE CYLINDER ASSEMBLY	A
		Ref	Note: Original Cylinder May Have Been Replaced with Service Replacement. Identify PN Stamped on Cylinder Before Ordering Parts.	
1	4641033	1	Valve Assembly (No Serviceable Parts - Sold as Assembly Only)	
101	SEE NOTE	NSS	Barrel (Note: Not Available for Purchase)	
102	70008080	1	Rod	
103	70007977	1	Head	
104	SEE NOTE	NSS	Wiper, Dust (Note: Use Item 201)	
105	70023379	1	Ring, Retaining	
106	SEE NOTE	NSS	Seal, Rod (Note: Use Item 201)	
107	SEE NOTE	NSS	Ring, Backup (Note: Use Item 201)	
108	SEE NOTE	NSS	Ring, Buffer (Note: Use Item 201)	
109	SEE NOTE	NSS	Ring, Wear (Note: Use Item 201)	
110	SEE NOTE	NSS	O-Ring (Note: Use Item 201)	
111	SEE NOTE	NSS	Ring, Backup (Note: Use Item 201)	
112	70008081	1	Piston	
113	SEE NOTE	NSS	Seal, Piston (Note: Use Item 201)	
114	SEE NOTE	NSS	Ring, Wear (Note: Use Item 201)	
115	SEE NOTE	NSS	O-Ring (Note: Use Item 201)	
116	SEE NOTE	NSS	Ring, Backup (Note: Use Item 201)	
117	70008082	1	Spacer	
118	2220885	2	Plug 9/16	
119	70007980	8	Bolt M12 X 45	
121	70007981	4	Bolt M6 X 75	
122	2220886	3	Plug 3/4	
123	70005839	1	Screw, Set	
124	70007982	2	Ring, Washer	
125	SEE NOTE	NSS	O-Ring (Note: Use Item 201)	
126	SEE NOTE	NSS	Ring, Backup (Note: Use Item 201)	
201	70007983	1	Seal, Kit (Includes 104, 106-111, 113-116, 125, 126)	

SECTION 6 - CYLINDER

FIGURE 6-13. TELESCOPE CYLINDER ASSEMBLY (860SJ HC3)



ART_1001251083

SECTION 6 - CYLINDER

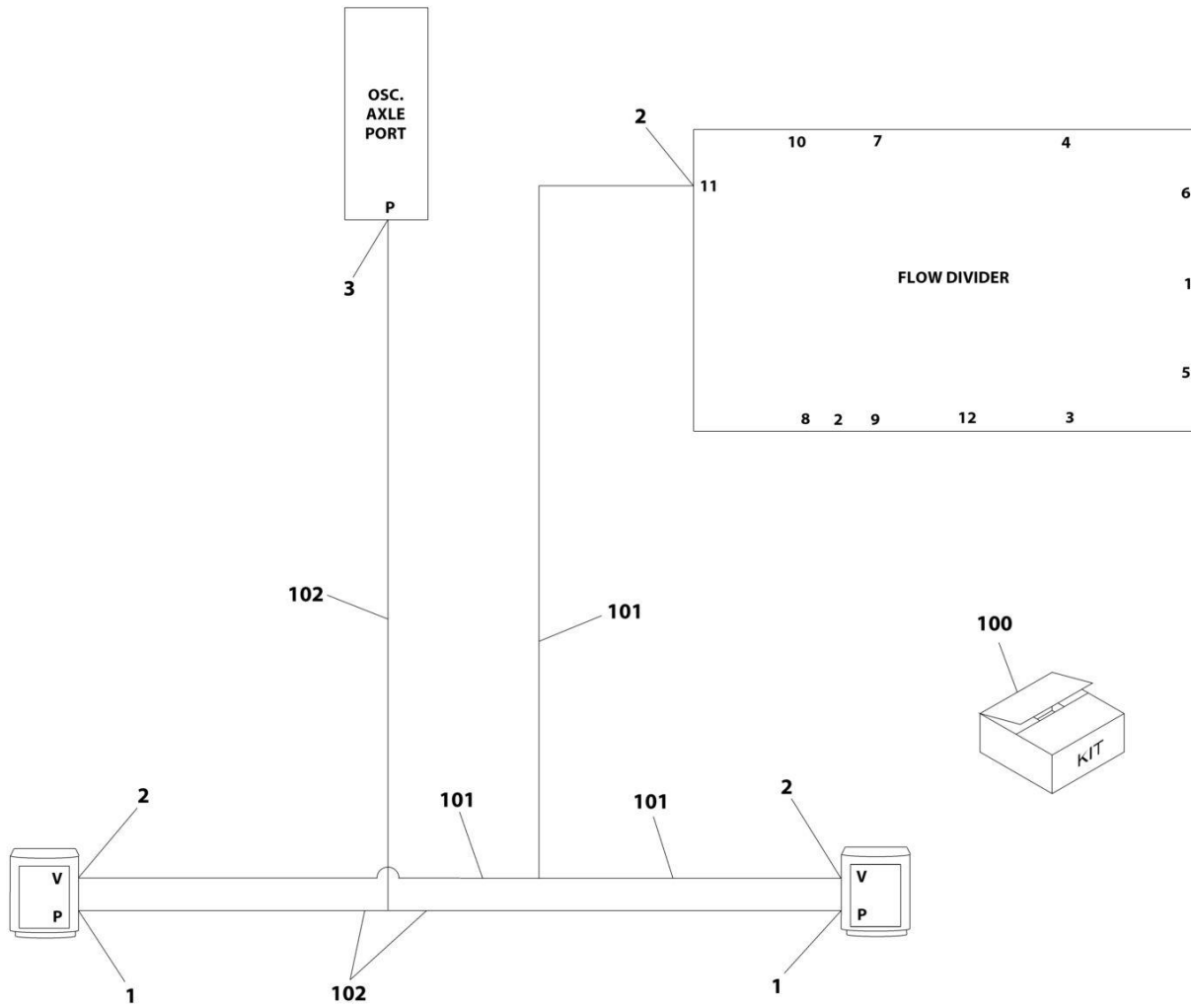
FIGURE 6-13. TELESCOPE CYLINDER ASSEMBLY (860SJ HC3)

ITEM	PART NUMBER	QTY	DESCRIPTION	REV
	1001251083	Ref	TELESCOPE CYLINDER ASSEMBLY	A
		Ref	Note: Original Cylinder may have been replaced with Service Replacement. Identify PN Stamped on Cylinder Before Ordering Parts.	
1	See Note	NSS	Barrel (Note: Use PN 1001251083)	
2	70007975	1	Rod	
3	70007976	1	End, Rod	
4	70007977	1	Head	
5	See Note	NSS	Wiper (Note: Use Item 50)	
6	70023379	1	Ring, Retaining	
7	See Note	NSS	Seal, Rod (Note: Use Item 50)	
8	See Note	NSS	Ring, Back-up (Note: Use Item 50)	
9	See Note	NSS	Ring (Note: Use Item 50)	
10	See Note	NSS	Ring, Wear (Note: Use Item 50)	
11	See Note	NSS	O-Ring (Note: Use Item 50)	
12	See Note	NSS	Ring, Back-up (Note: Use Item 50)	
13	70007978	1	Piston	
14	See Note	NSS	Seal, Piston (Note: Use Item 50)	
15	See Note	NSS	Ring, Wear (Note: Use Item 50)	
16	See Note	NSS	O-Ring (Note: Use Item 50)	
17	See Note	NSS	Ring, Back-up (Note: Use Item 50)	
18	See Note	NSS	Ring (Note: Use Item 50)	
19	See Note	NSS	Ring, Back-up (Note: Use Item 50)	
20	See Note	NSS	O-Ring (Note: Use Item 50)	
21	See Note	NSS	Ring, Back-up (Note: Use Item 50)	
22	70007979	1	Spacer	
23	2220885	2	Plug 9/16	
24	70007980	8	Bolt M12 x 45	
25	4641033	1	Cartridge, Valve - Counterbalance	
25	7024508	1	Seal Kit - 4641033 Valve	
26	70007981	4	Bolt M6 x 75	
27	2220886	3	Plug 3/4	
28	70005839	2	Setscrew M8 x 1-1/4	
29	70007982	2	Ring, Washer	
50	70007983	1	Seal Kit - 1001251083 Cylinder (Includes Items 5, 7-12 & 14-21)	

SECTION 7 - HYDRAULIC

SECTION 7 - HYDRAULIC

FIGURE 7-1. HYDRAULIC DIAGRAM - AXLE (OSCILLATING)



ART_1001157400

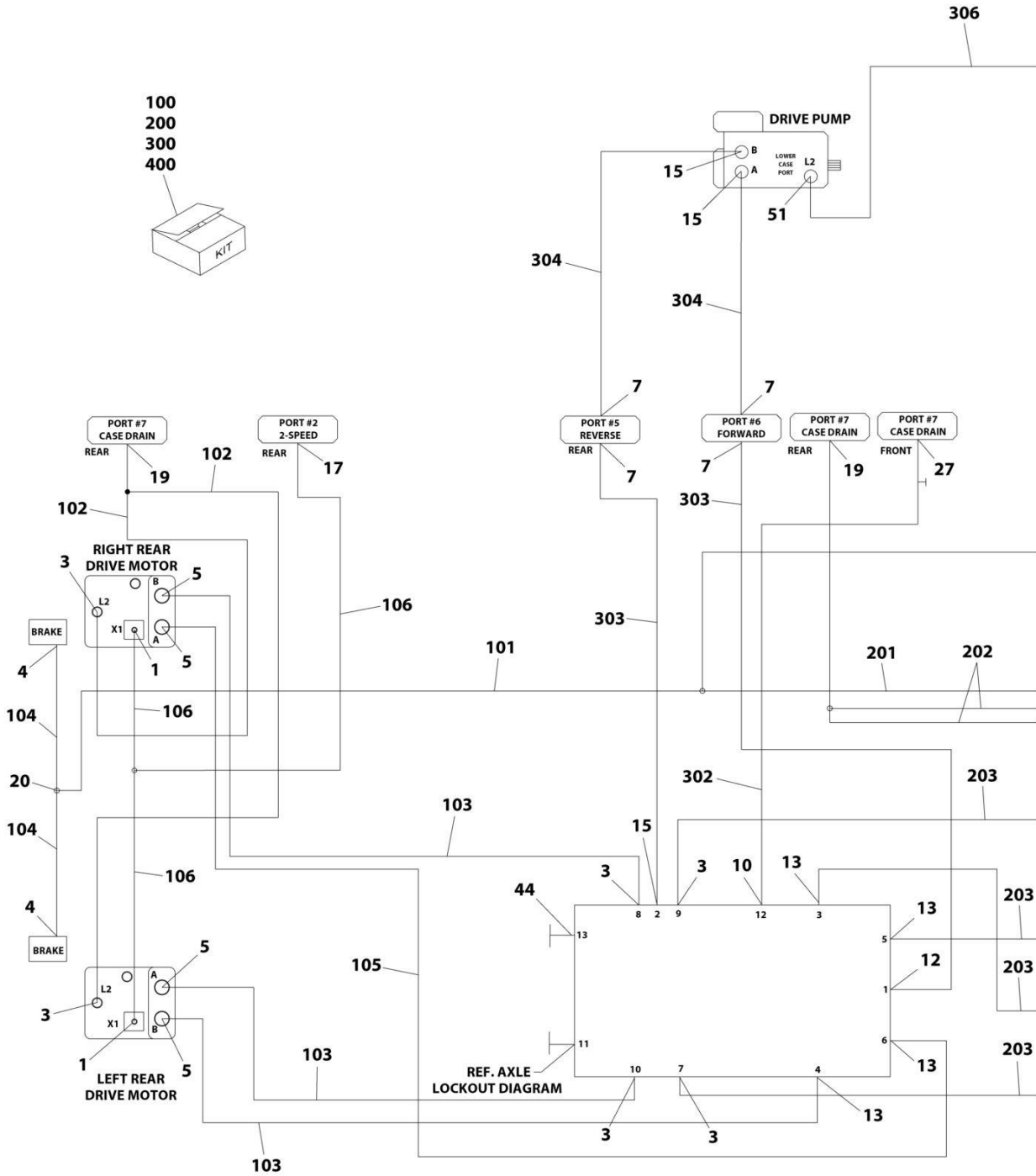
SECTION 7 - HYDRAULIC

FIGURE 7-1. HYDRAULIC DIAGRAM - AXLE (OSCILLATING)

ITEM	PART NUMBER	QTY	DESCRIPTION	REV
	1001157400	Ref	AXLE LOCKOUT HYDRAULIC DIAGRAM	G
1	2110404	2	Fitting, Straight ORFS/ORB	
2	2110606	3	Fitting, Straight ORFS/ORB	
3	2110408	1	Fitting, Straight ORFS/ORB	
100	1001270068	1	Hose Lockout Kit	
101	1001198336	1	Hose with Crimped Tee	
102	1001198339	1	Hose with Crimped Tee	

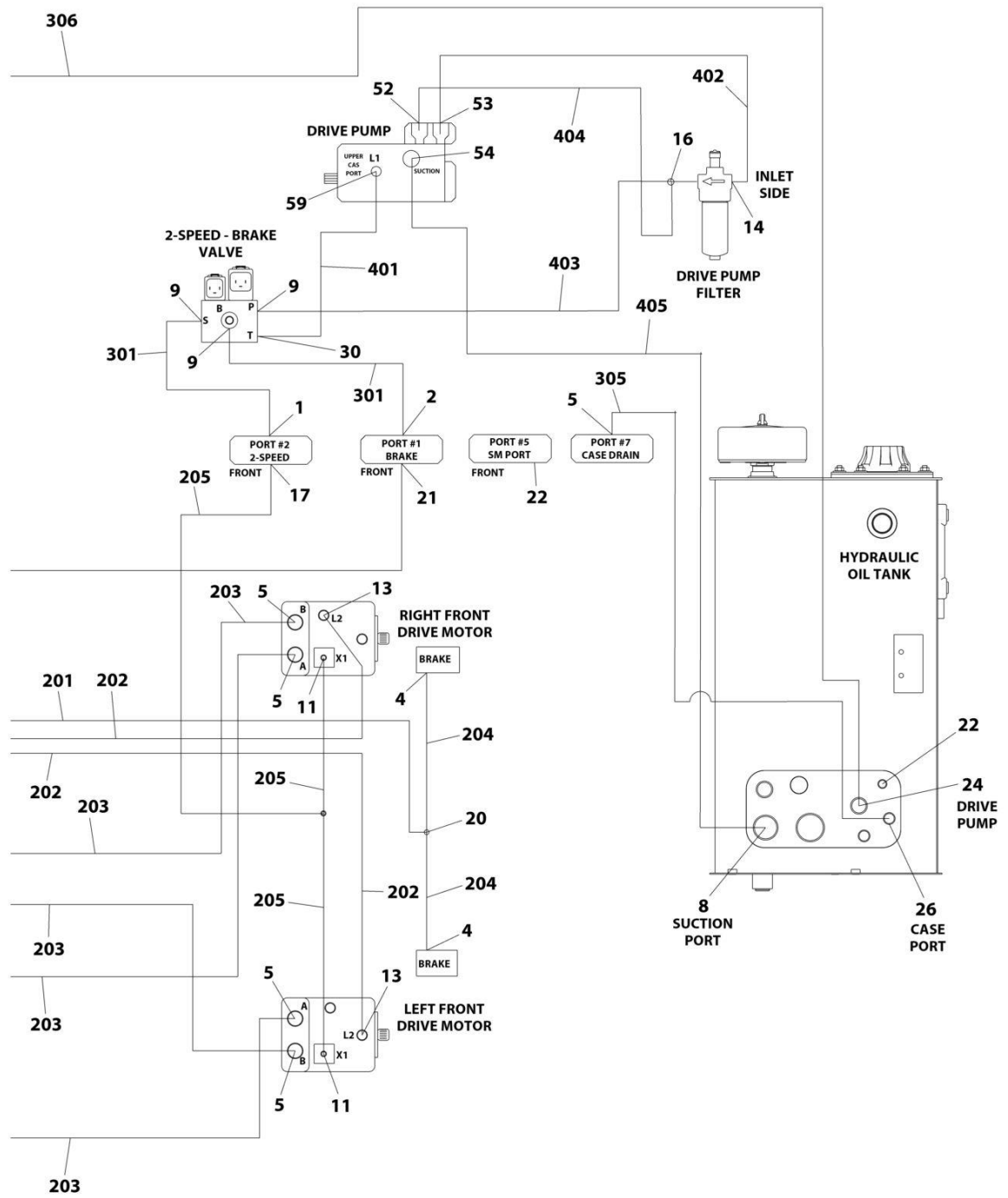
SECTION 7 - HYDRAULIC

FIGURE 7-2. HYDRAULIC DIAGRAM - DRIVE (4WD WITHOUT ARCTIC PACKAGE)



ART_1001178219_10F2

SECTION 7 - HYDRAULIC



ART_1001178219_20F2

SECTION 7 - HYDRAULIC

FIGURE 7-2. HYDRAULIC DIAGRAM - DRIVE (4WD WITHOUT ARCTIC PACKAGE)

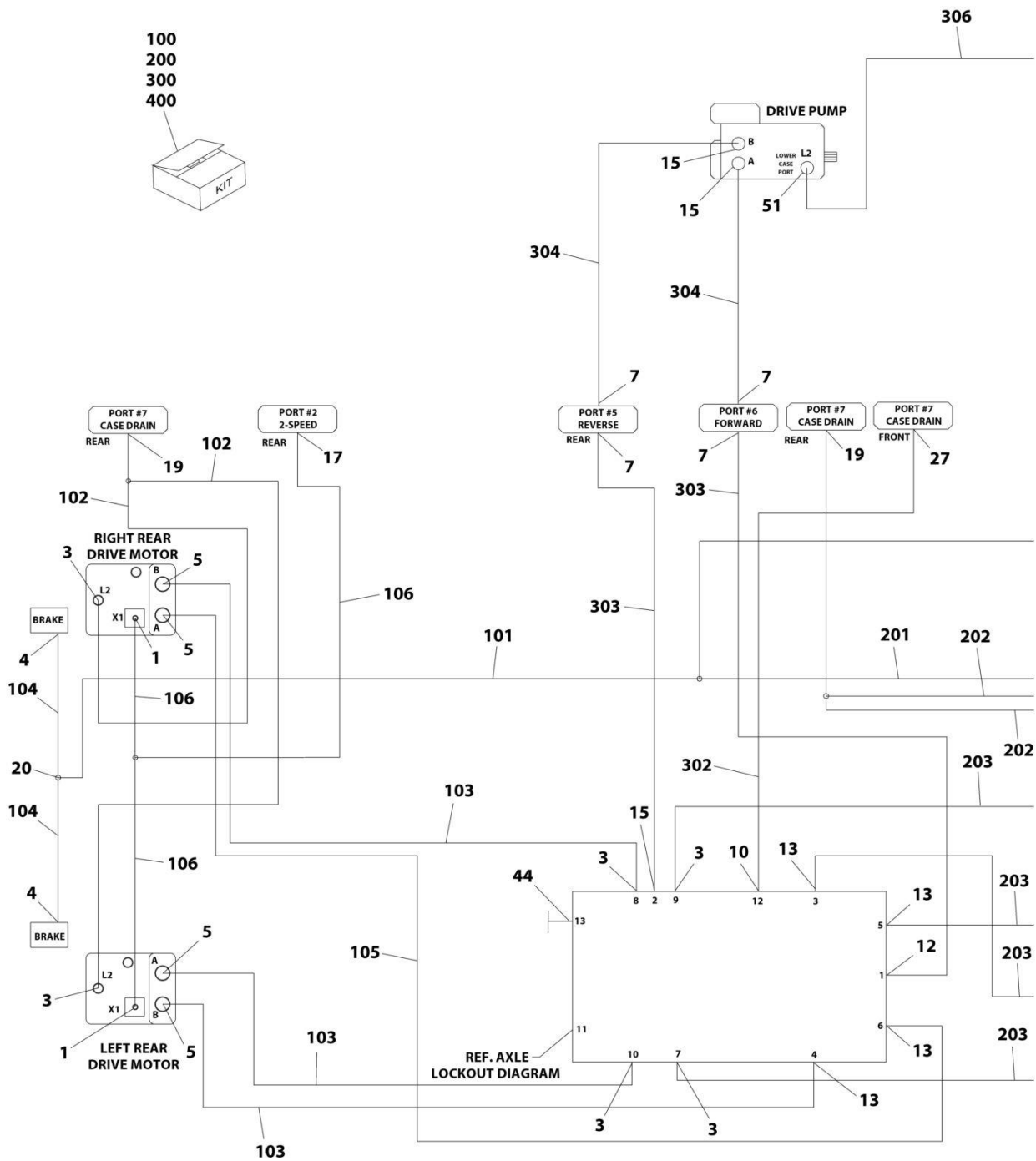
ITEM	PART NUMBER	QTY	DESCRIPTION	REV
	1001178219	Ref	HYDRAULIC DIAGRAM - DRIVE (4WD)	E
1	2110406	3	Fitting, Straight ORFS/ORB	
2	2110408	1	Fitting, Straight ORFS/ORB	
3	2110808	7	Fitting, Straight ORFS/ORB	
4	2110404	4	Fitting, Straight ORFS/ORB	
5	2110812	9	Fitting, Straight ORFS/ORB	
7	2111616	4	Fitting, Straight ORFS/ORB	
8	2112020	1	Fitting, Straight ORFS/ORB	
9	2130404	3	Fitting, 90 ORFS/ORB	
10	2130604	1	Fitting, 90 ORFS/ORB	
11	2130406	2	Fitting, 90 ORFS/ORB	
12	2151616	1	Fitting, 90 ORFS/ORB	
13	2130808	6	Fitting, 90 ORFS/ORB	
14	2131012	1	Fitting, 90 ORFS/ORB	
15	2131616	3	Fitting, 90 ORFS/ORB	
16	1001198337	1	Fitting, Tee ORFS/ORB-RUN	
17	2150406	2	Fitting, 45 ORFS/ORB	
19	2170408	2	Fitting, Tee ORFS/ORB/ORFS	
20	2170504	2	Fitting, Tee ORFS/ORFS/ORFS	
21	1001198338	1	Fitting, Tee ORFS/SORB/ORFS	
22	2220237	2	Fitting, Plug ORB	
24	2111212	1	Fitting, Straight ORFS/ORB	
27	2130606	1	Fitting, 90 ORFS/ORB	
30	2170204	1	Fitting, 90 ORFS/ORB	
44	2220238	1	Plug	
51	2131212	1	Fitting, 90 ORFS/ORB	
52	2110810	1	Fitting, Straight ORFS/ORB	
53	2111016	1	Fitting, Straight ORFS/ORB	
54	2132016	1	Fitting, 90 ORFS/ORB	
59	1001199396	1	Fitting, 90 ORFS/SORB	
100	1001270069	1	Arctic Towbar Hose Kit	
101	2753622	1	Hose	
102	2753686	2	Hose	
103	2753971	3	Hose	
104	2754337	2	Hose	
105	2754338	1	Hose	
106	1001198340	1	Hose with Crimped Tee	
200	1001270070	1	Front Hose Kit	
201	2753542	1	Hose	
202	2753628	2	Hose	
203	2753970	4	Hose	
204	2754512	2	Hose	
205	1001198341	1	Hose with Crimped Tee	
300	1001270071	1	Arctic Turntable Hose Kit	
301	2753540	2	Hose	
302	2753626	1	Hose	
303	2753634	2	Hose	
304	2753667	2	Hose	
305	2753685	1	Hose	
306	2753699	1	Hose	

SECTION 7 - HYDRAULIC

ITEM	PART NUMBER	QTY	DESCRIPTION	REV
400	1001270072	1	Arctic Turntable Hose Kit	
401	2753555	1	Hose	
402	2753768	1	Hose	
403	1001095307	1	Hose	
404	1001095308	1	Hose	
405	1001157866	1	Hose	

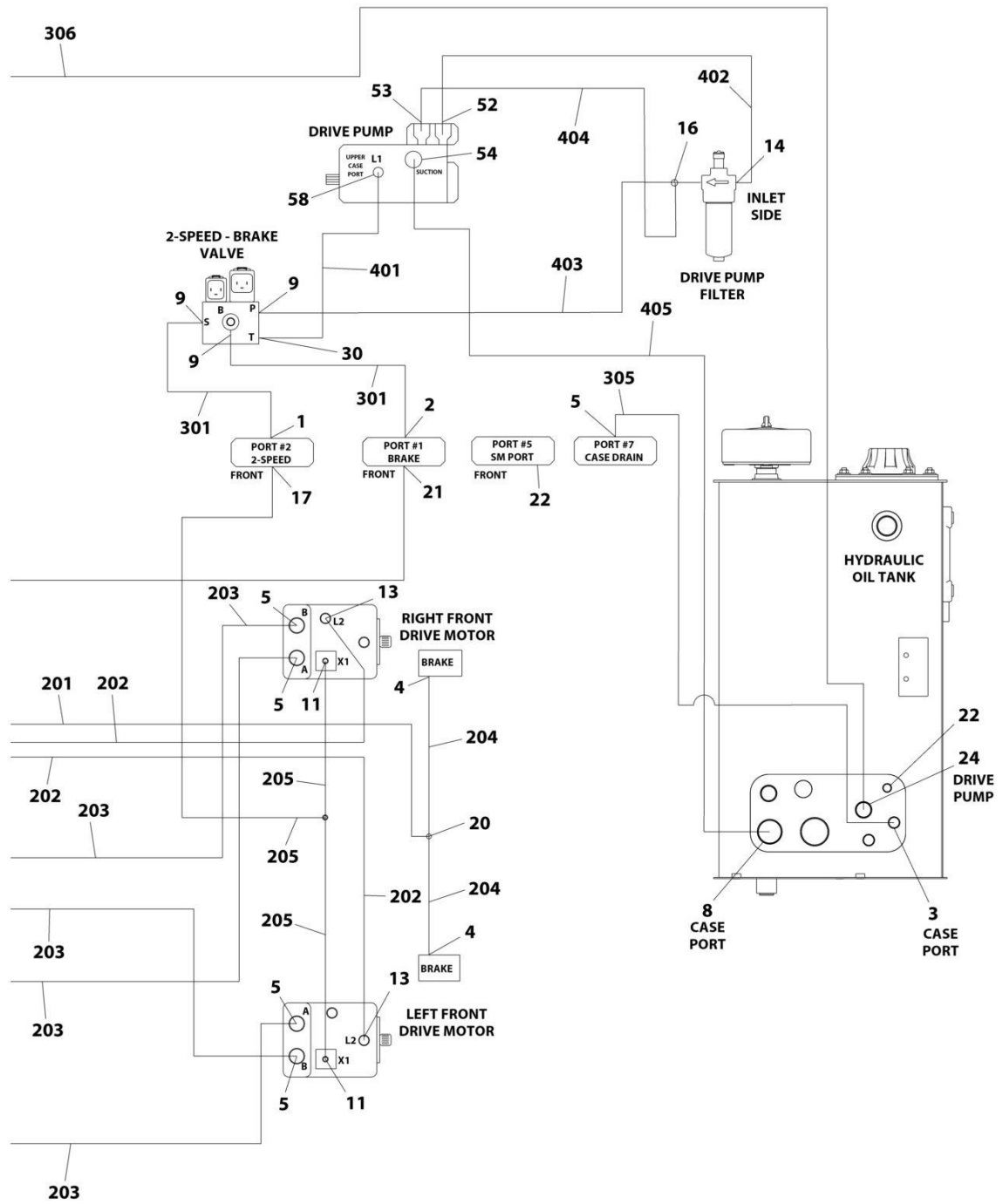
SECTION 7 - HYDRAULIC

FIGURE 7-3. HYDRAULIC DIAGRAM - DRIVE (4WD WITH ARCTIC PACKAGE)



ART_1001178220_10F2

SECTION 7 - HYDRAULIC



ART_1001178220_2OF2

SECTION 7 - HYDRAULIC

FIGURE 7-3. HYDRAULIC DIAGRAM - DRIVE (4WD WITH ARCTIC PACKAGE)

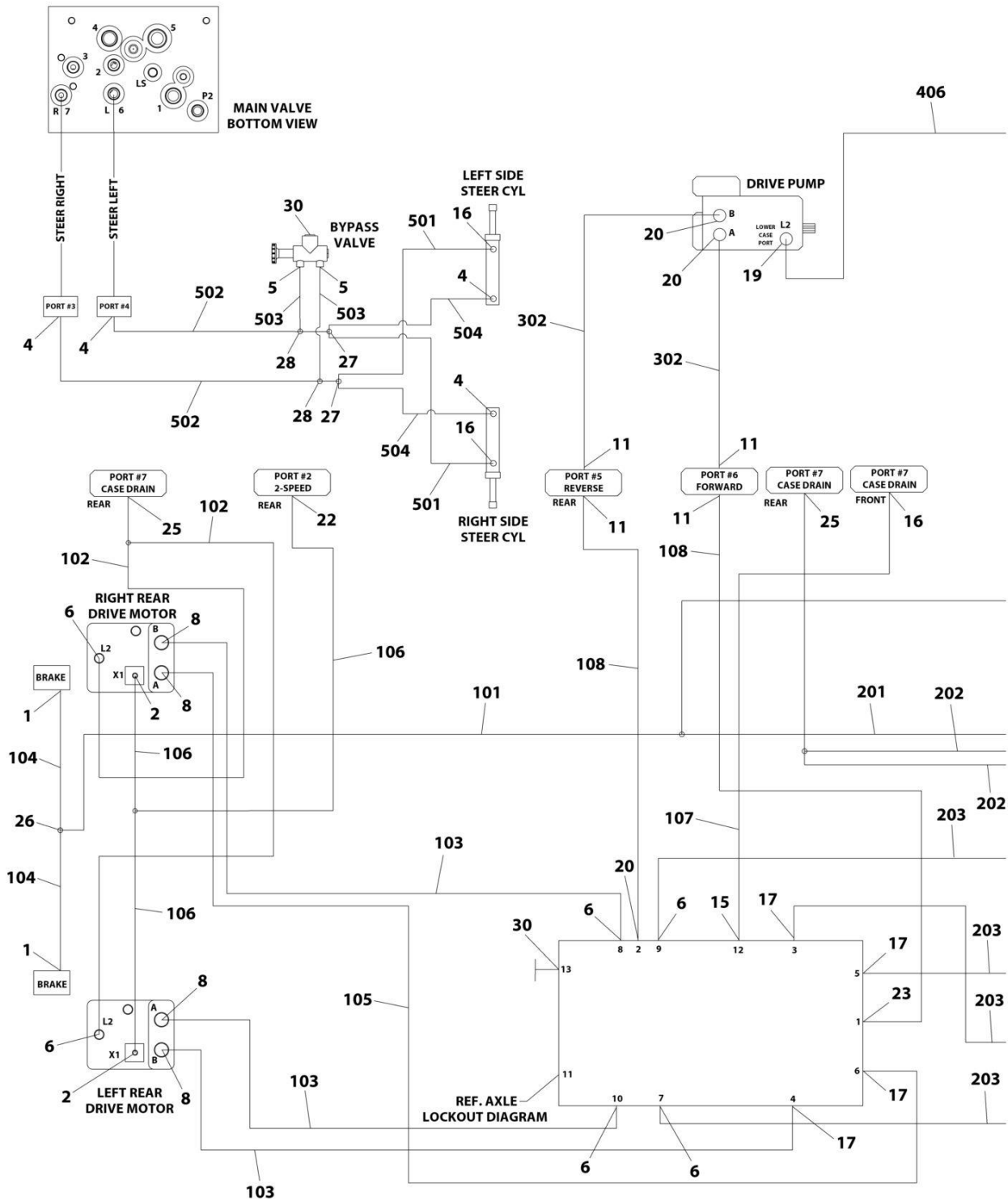
ITEM	PART NUMBER	QTY	DESCRIPTION	REV
	1001178220	Ref	HYDRAULIC DIAGRAM - DRIVE (4WD)	F
1	2110406	3	Fitting, Straight ORFS/ORB	
2	2110408	1	Fitting, Straight ORFS/ORB	
3	2110808	7	Fitting, Straight ORFS/ORB	
4	2110404	4	Fitting, Straight ORFS/ORB	
5	2110812	9	Fitting, Straight ORFS/ORB	
7	2111616	4	Fitting, Straight ORFS/ORB	
8	2112020	1	Fitting, Straight ORFS/ORB	
9	2130404	3	Fitting, 90 ORFS/ORB	
10	2130604	1	Fitting, 90 ORFS/ORB	
11	2130406	2	Fitting, 90 ORFS/ORB	
12	2151616	1	Fitting, 90 ORFS/ORB	
13	2130808	6	Fitting, 90 ORFS/ORB	
14	2131012	1	Fitting, 90 ORFS/ORB	
15	2131616	3	Fitting, 90 ORFS/ORB	
16	1001198337	1	Fitting, Tee ORFS/ORB-RUN	
17	2150406	2	Fitting, 45 ORFS/ORB	
19	2170408	2	Fitting, Tee ORFS/ORB/ORFS	
20	2170504	2	Fitting, Tee ORFS/ORFS/ORFS	
21	1001198338	1	Fitting, Tee ORFS/SORB/ORFS	
22	2220237	2	Fitting, Plug ORB	
24	2111212	1	Fitting, Straight ORFS/ORB	
27	2130606	1	Fitting, 90 ORFS/ORB	
30	2170204	1	Fitting, 90 ORFS/ORB	
44	2220238	1	Hose	
51	2131212	1	Fitting, 90 ORFS/ORB	
52	2111016	1	Fitting, Straight ORFS/ORB	
53	2110810	1	Fitting, Straight ORFS/ORB	
54	2132016	1	Fitting, 90 ORFS/ORB	
58	1001199396	1	Fitting, 90 ORFS/SORB	
100	1001270069	1	Arctic Towbar Hose Kit	
101	2753622	1	Hose	
102	2753686	2	Hose	
103	2753971	3	Hose	
104	2754337	2	Hose	
105	2754338	1	Hose	
106	1001198340	1	Hose with Crimped Tee	
200	1001270073	1	Arctic Towbar Hose Kit	
201	2753542	1	Hose	
202	2754720	2	Hose	
203	2754743	4	Hose	
204	1001106957	2	Hose	
205	1001204269	1	Hose with Crimped Tee	
300	1001270071	1	Arctic Turntable Hose Kit	
301	2753540	2	Hose	
302	2753626	1	Hose	
303	2753634	2	Hose	
304	2753667	2	Hose	
305	2753685	1	Hose	
306	2753699	1	Hose	

SECTION 7 - HYDRAULIC

ITEM	PART NUMBER	QTY	DESCRIPTION	REV
400	1001270072	1	Arctic Turntable Hose Kit	
401	2753555	1	Hose	
402	2753768	1	Hose	
403	1001095307	1	Hose	
404	1001095308	1	Hose	
405	1001157866	1	Hose	

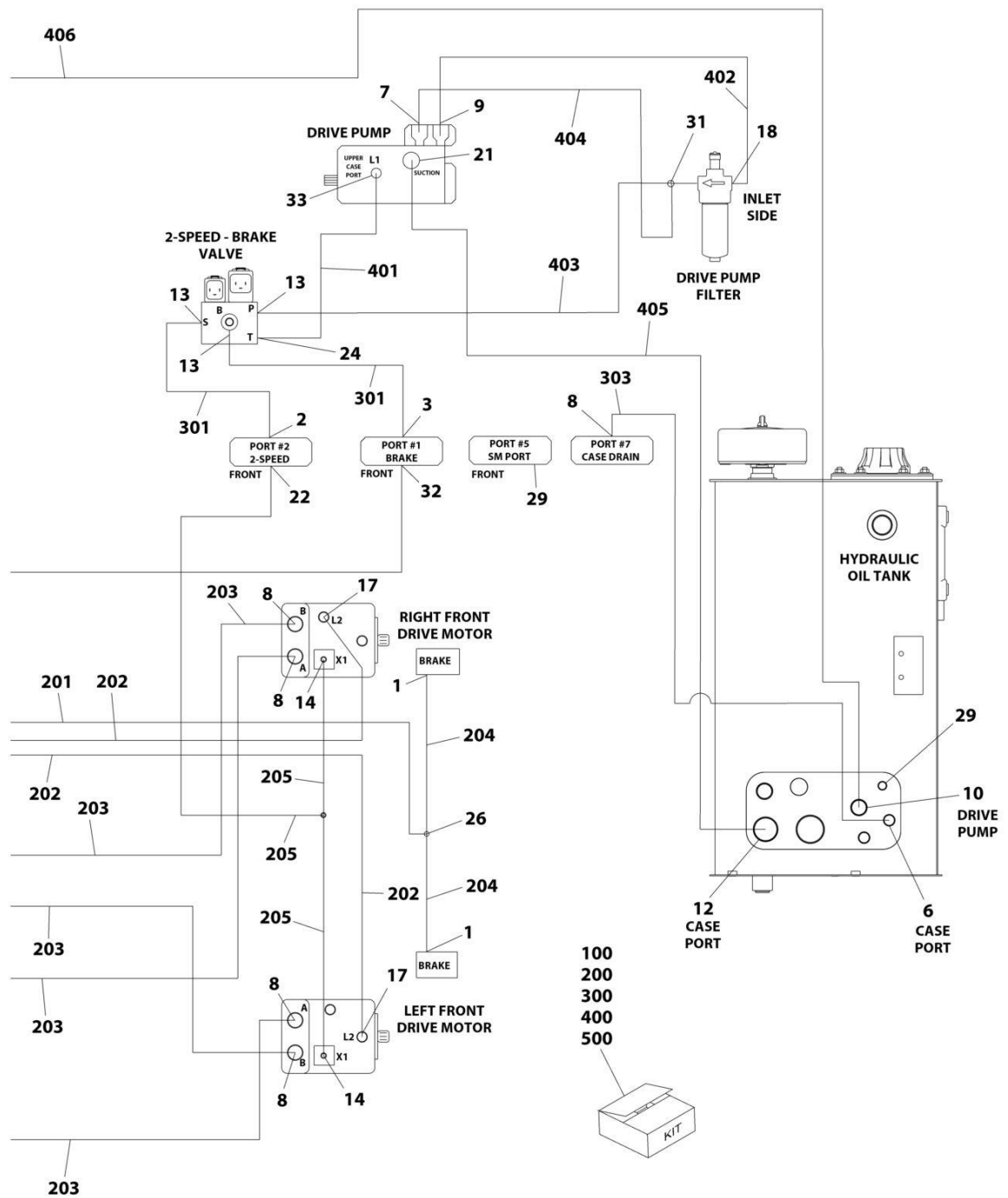
SECTION 7 - HYDRAULIC

FIGURE 7-4. HYDRAULIC DIAGRAM - DRIVE (4WD WITH TOW BAR PACKAGE)



ART_1001287749_10F2

SECTION 7 - HYDRAULIC



ART_1001287749_20F2

SECTION 7 - HYDRAULIC

FIGURE 7-4. HYDRAULIC DIAGRAM - DRIVE (4WD WITH TOW BAR PACKAGE)

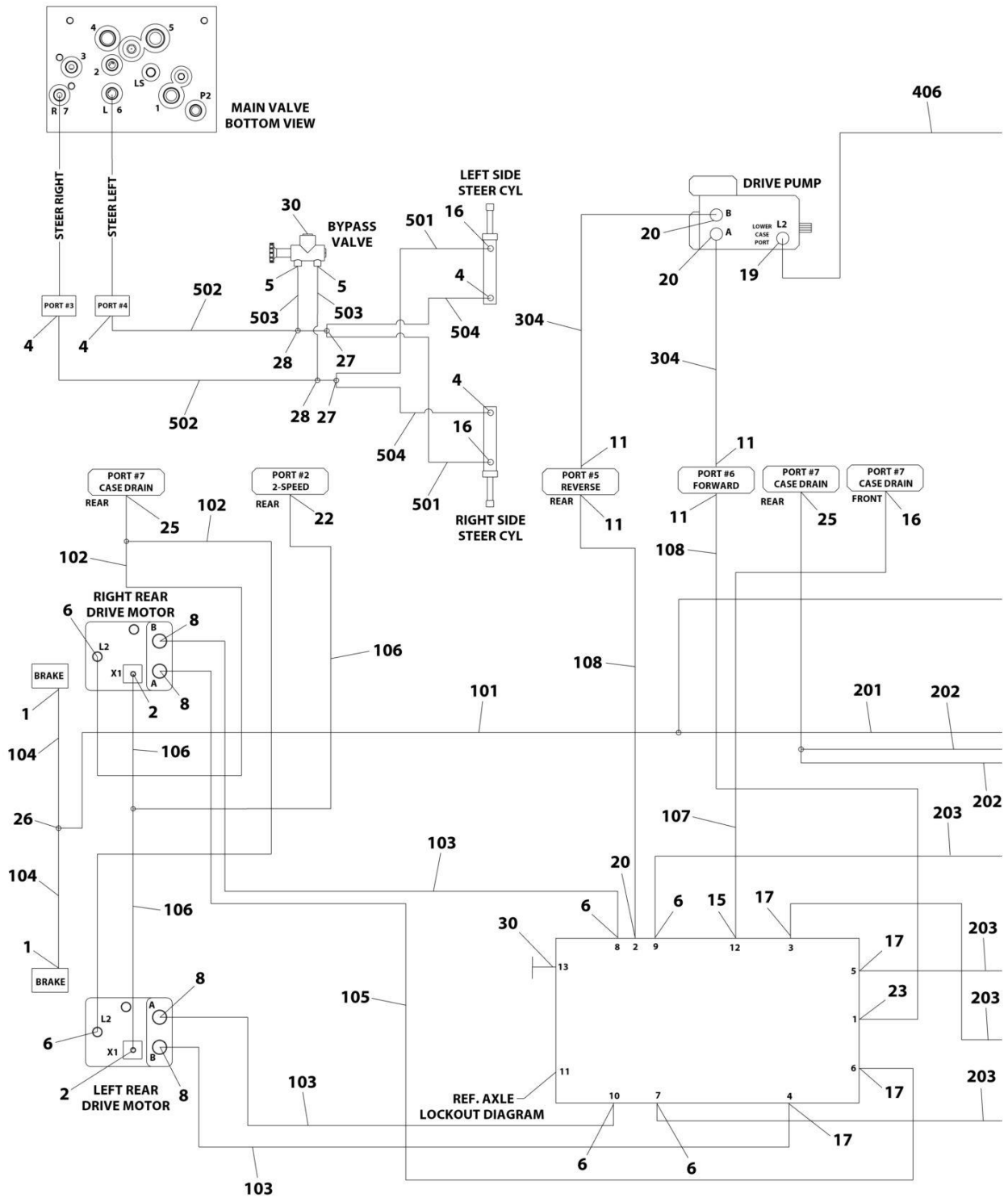
ITEM	PART NUMBER	QTY	DESCRIPTION	REV
	1001287749	Ref	HYDRAULIC DIAGRAM - DRIVE (4WD)	A
1	2110404	4	Fitting, Straight ORFS/ORB	
2	2110406	3	Fitting, Straight ORFS/ORB	
3	2110408	1	Fitting, Straight ORFS/ORB	
4	2110606	4	Fitting, Straight ORFS/ORB	
5	2110608	2	Fitting, Straight ORFS/ORB	
6	2110808	7	Fitting, Straight ORFS/ORB	
7	2110810	1	Fitting, Straight ORFS/ORB	
8	2110812	9	Fitting, Straight ORFS/ORB	
9	2111016	1	Fitting, Straight ORFS/ORB	
10	2111212	1	Fitting, Straight ORFS/ORB	
11	2111616	4	Fitting, Straight ORFS/ORB	
12	2112020	1	Fitting, Straight ORFS/ORB	
13	2130404	3	Fitting, 90 ORFS/ORB	
14	2130406	2	Fitting, 90 ORFS/ORB	
15	2130604	1	Fitting, 90 ORFS/ORB	
16	2130606	3	Fitting, 90 ORFS/ORB	
17	2130808	6	Fitting, 90 ORFS/ORB	
18	2131012	1	Fitting, 90 ORFS/ORB	
19	2131212	1	Fitting, 90 ORFS/ORB	
20	2131616	3	Fitting, 90 ORFS/ORB	
21	2132016	1	Fitting, 90 ORFS/ORB	
22	2150406	2	Fitting, 45 ORFS/ORB	
23	2151616	1	Fitting, 90 ORFS/ORB	
24	2170204	1	Fitting, 90 ORFS/ORB	
25	2170408	2	Fitting, Tee ORFS/ORB/ORFS	
26	2170504	2	Fitting, Tee ORFS/ORFS/ORFS	
27	2170506	2	Fitting, Tee ORFS/ORFS/ORFS	
28	2170706	2	Fitting, Tee ORFS/FSORFS/ORFS	
29	2220237	2	Fitting, Plug ORB	
30	2220238	2	Hose	
31	1001198337	1	Fitting, Tee ORFS/ORB-RUN	
32	1001198338	1	Fitting, Tee ORFS/SORB/ORFS	
33	1001199396	1	Fitting, 90 ORFS/SORB	
100	1001270069	1	Arctic Towbar Hose Kit	
101	2753622	1	Hose	
102	2753686	2	Hose	
103	2753971	3	Hose	
104	2754337	2	Hose	
105	2754338	1	Hose	
106	1001198340	1	Hose with Crimped Tee	
107	2753626	1	Hose	
108	2753634	2	Hose	
200	1001270070	1	Front Hose Kit	
201	2753542	1	Hose	
202	2753628	2	Hose	
203	2753970	4	Hose	
204	2754512	2	Hose	
205	1001198341	1	Hose	
300	1001270071	1	Arctic Turntable Hose Kit	

SECTION 7 - HYDRAULIC

ITEM	PART NUMBER	QTY	DESCRIPTION	REV
301	2753540	2	Hose	
302	2753667	2	Hose	
303	2753685	1	Hose	
400	1001270072	1	Arctic Turntable Hose Kit	
401	2753555	1	Hose	
402	2753768	1	Hose	
403	1001095307	1	Hose	
404	1001095308	1	Hose	
405	1001157866	1	Hose	
406	2753699	1	Hose	
500	1001270077	1	Towbar Front Hose Kit	
501	2753656	2	Hose	
502	2753732	2	Hose	
503	2753879	2	Hose	
504	1001159340	2	Hose	

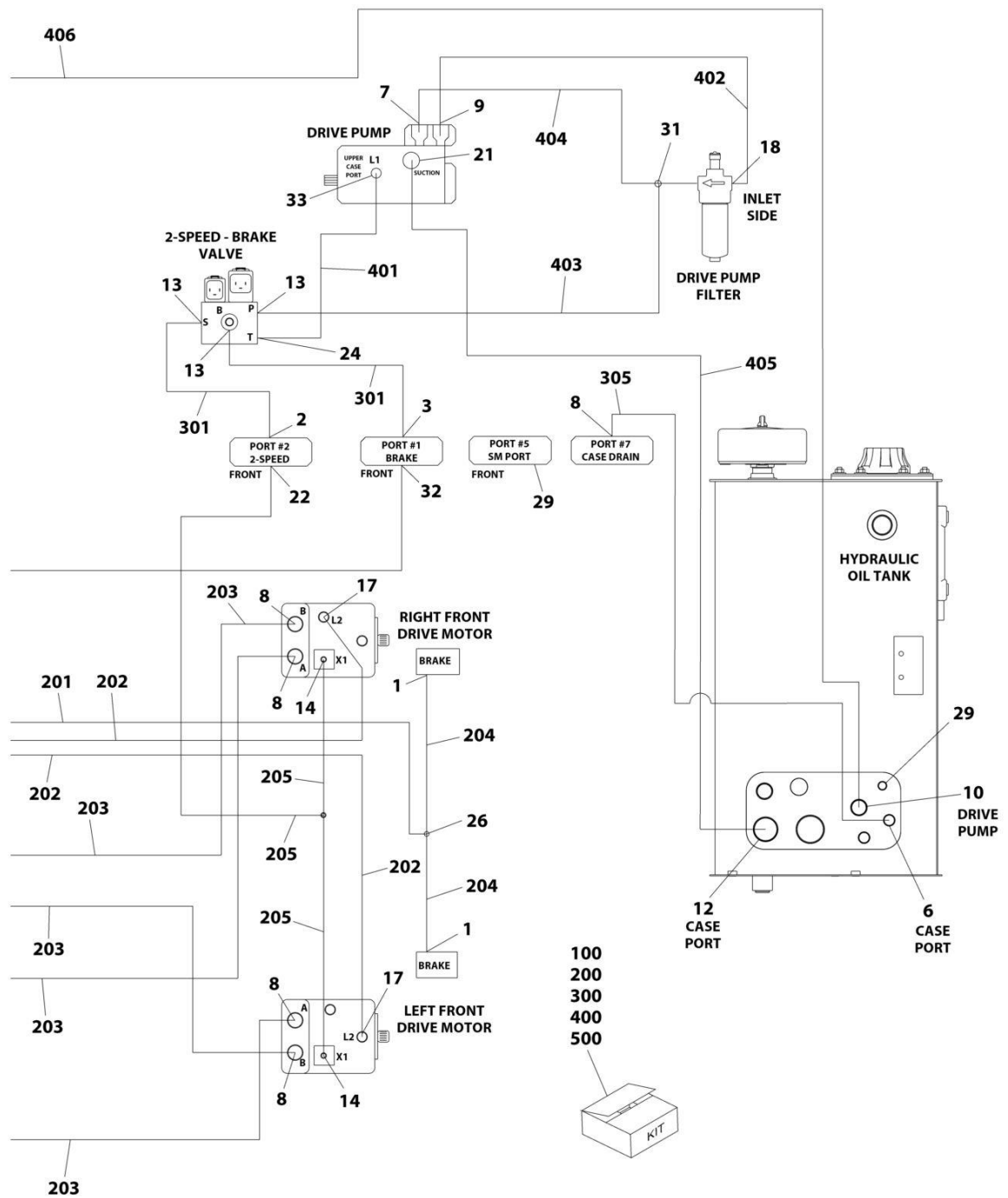
SECTION 7 - HYDRAULIC

FIGURE 7-5. HYDRAULIC DIAGRAM - DRIVE (4WD WITH ARCTIC & TOW BAR PACKAGE)



ART_1001287750_10F2

SECTION 7 - HYDRAULIC



ART_100128750_20F2

SECTION 7 - HYDRAULIC

FIGURE 7-5. HYDRAULIC DIAGRAM - DRIVE (4WD WITH ARCTIC & TOW BAR PACKAGE)

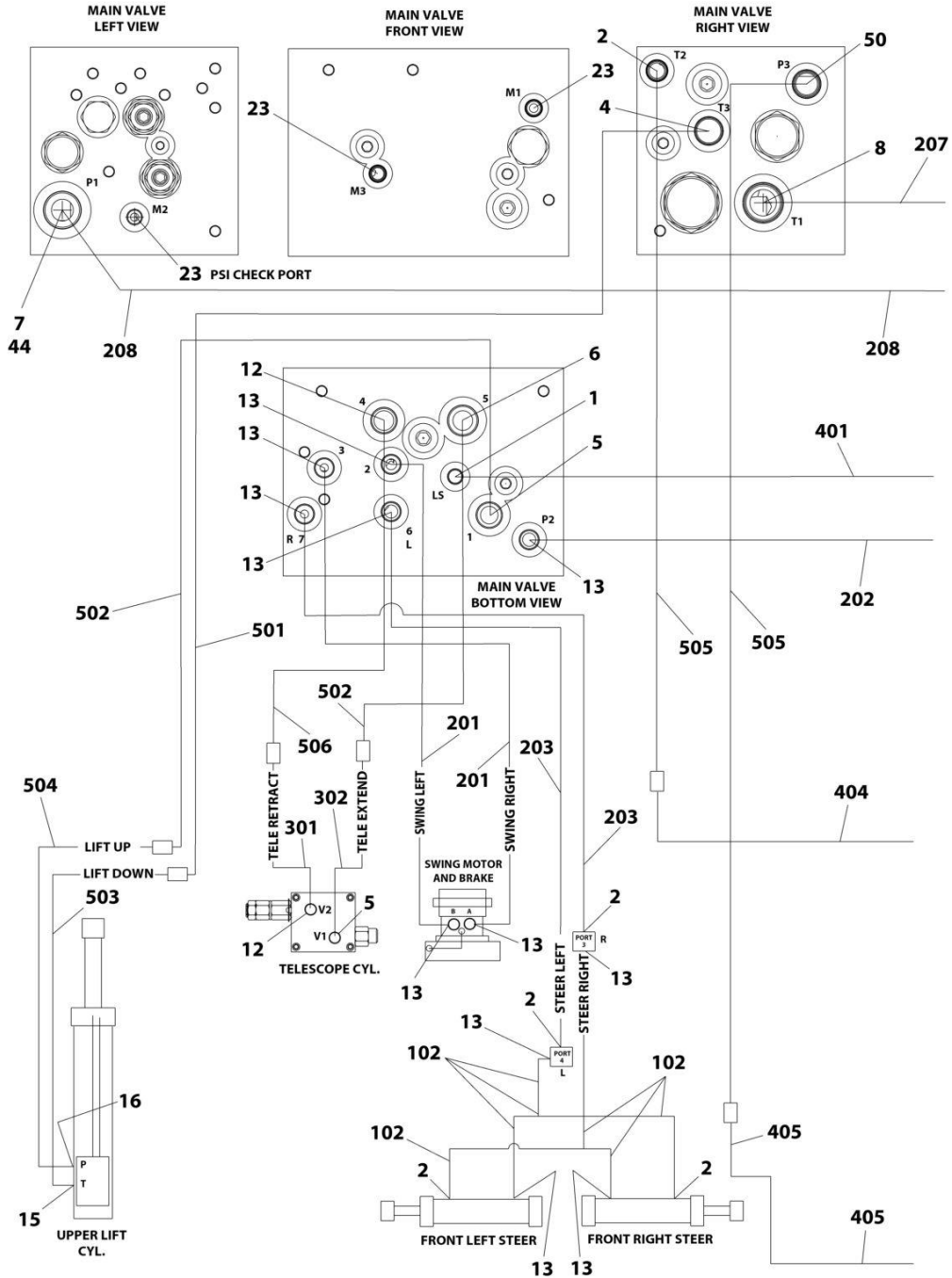
ITEM	PART NUMBER	QTY	DESCRIPTION	REV
	1001287750	Ref	HYDRAULIC DIAGRAM - DRIVE (4WD)	A
1	2110404	4	Fitting, Straight ORFS/ORB	
2	2110406	3	Fitting, Straight ORFS/ORB	
3	2110408	1	Fitting, Straight ORFS/ORB	
4	2110606	4	Fitting, Straight ORFS/ORB	
5	2110608	2	Fitting, Straight ORFS/ORB	
6	2110808	7	Fitting, Straight ORFS/ORB	
7	2110810	1	Fitting, Straight ORFS/ORB	
8	2110812	9	Fitting, Straight ORFS/ORB	
9	2111016	1	Fitting, Straight ORFS/ORB	
10	2111212	1	Fitting, Straight ORFS/ORB	
11	2111616	4	Fitting, Straight ORFS/ORB	
12	2112020	1	Fitting, Straight ORFS/ORB	
13	2130404	3	Fitting, 90 ORFS/ORB	
14	2130406	2	Fitting, 90 ORFS/ORB	
15	2130604	1	Fitting, 90 ORFS/ORB	
16	2130606	3	Fitting, 90 ORFS/ORB	
17	2130808	6	Fitting, 90 ORFS/ORB	
18	2131012	1	Fitting, 90 ORFS/ORB	
19	2131212	1	Fitting, 90 ORFS/ORB	
20	2131616	3	Fitting, 90 ORFS/ORB	
21	2132016	1	Fitting, 90 ORFS/ORB	
22	2150406	2	Fitting, 45 ORFS/ORB	
23	2151616	1	Fitting, 90 ORFS/ORB	
24	2170204	1	Fitting, 90 ORFS/ORB	
25	2170408	2	Fitting, Tee ORFS/ORB/ORFS	
26	2170504	2	Fitting, Tee ORFS/ORFS/ORFS	
27	2170506	2	Fitting, Tee ORFS/ORFS/ORFS	
28	2170706	2	Fitting, Tee ORFS/FSORFS/ORFS	
29	2220237	2	Fitting, Plug ORB	
30	2220238	1	Hose	
31	1001198337	1	Fitting, Tee ORFS/ORB-RUN	
32	1001198338	1	Fitting, Tee ORFS/SORB/ORFS	
33	1001199396	1	Fitting, 90 ORFS/SORB	
100	1001270069	1	Arctic Towbar Hose Kit	
101	2753622	1	Hose	
102	2753686	2	Hose	
103	2753971	3	Hose	
104	2754337	2	Hose	
105	2754338	1	Hose	
106	1001198340	1	Hose with Crimped Tee	
107	2753626	1	Hose	
108	2753634	2	Hose	
200	1001270073	1	Arctic Towbar Hose Kit	
201	2753542	1	Hose	
202	2754720	2	Hose	
203	2754743	4	Hose	
204	1001106957	2	Hose	
205	1001204269	1	Hose with Crimped Tee	
300	1001270071	1	Arctic Turntable Hose Kit	

SECTION 7 - HYDRAULIC

ITEM	PART NUMBER	QTY	DESCRIPTION	REV
301	2753540	2	Hose	
304	2753667	2	Hose	
305	2753685	1	Hose	
400	1001270072	1	Arctic Turntable Hose Kit	
401	2753555	1	Hose	
402	2753768	1	Hose	
403	1001095307	1	Hose	
404	1001095308	1	Hose	
405	1001157866	1	Hose	
406	2753699	1	Hose	
500	1001270077	1	Towbar Front Hose Kit	
501	2753656	2	Hose	
502	2753732	2	Hose	
503	2753879	2	Hose	
504	1001159340	2	Hose	

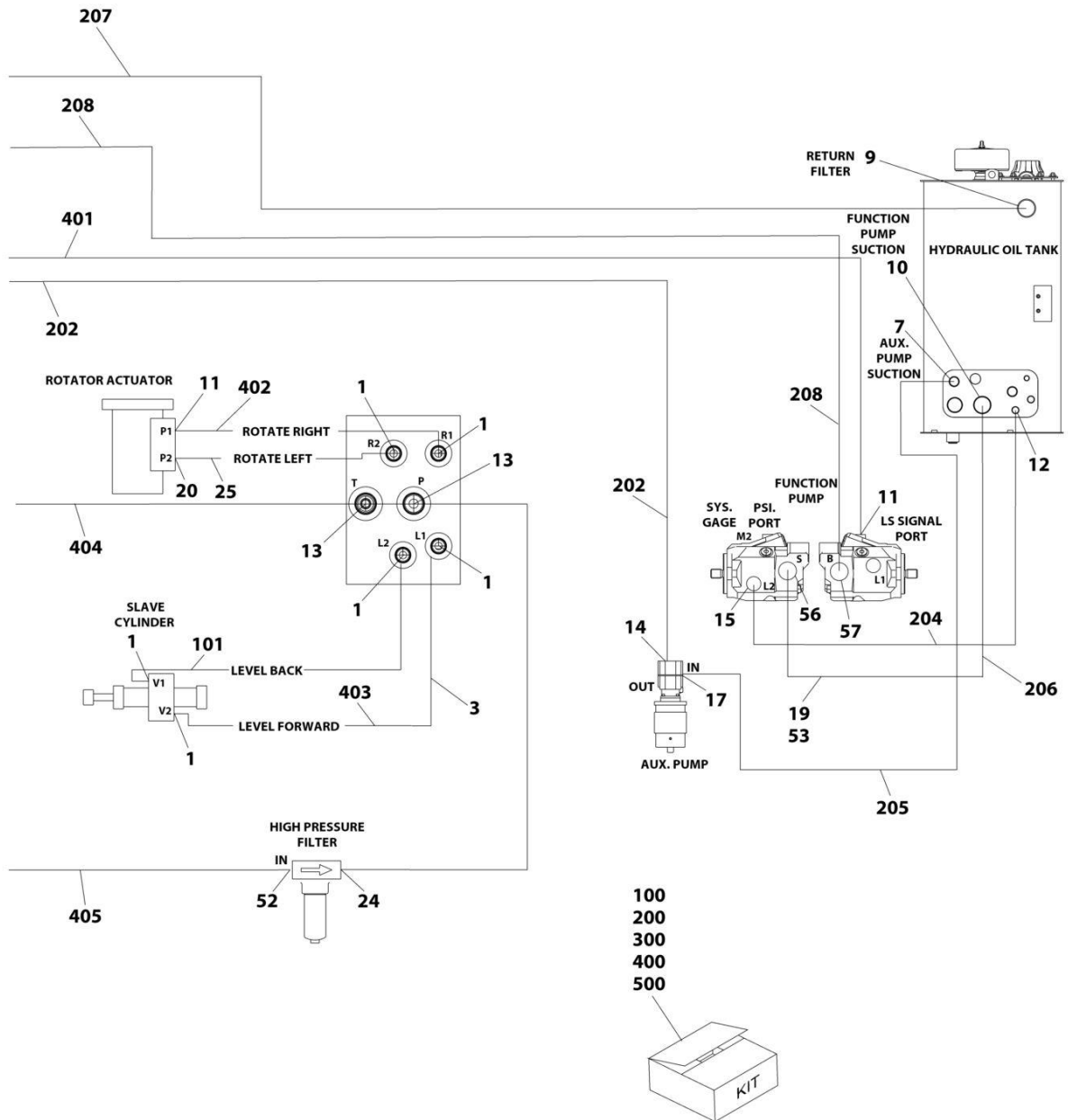
SECTION 7 - HYDRAULIC

FIGURE 7-6. HYDRAULIC DIAGRAM - STANDARD (WITHOUT TOW BAR PACKAGE) (SN STARTING WITH 03) (800S HC3)



ART_1001178215_10F2

SECTION 7 - HYDRAULIC



ART_1001178215_20F2

SECTION 7 - HYDRAULIC

FIGURE 7-6. HYDRAULIC DIAGRAM - STANDARD (WITHOUT TOW BAR PACKAGE) (SN STARTING WITH 03) (800S HC3)

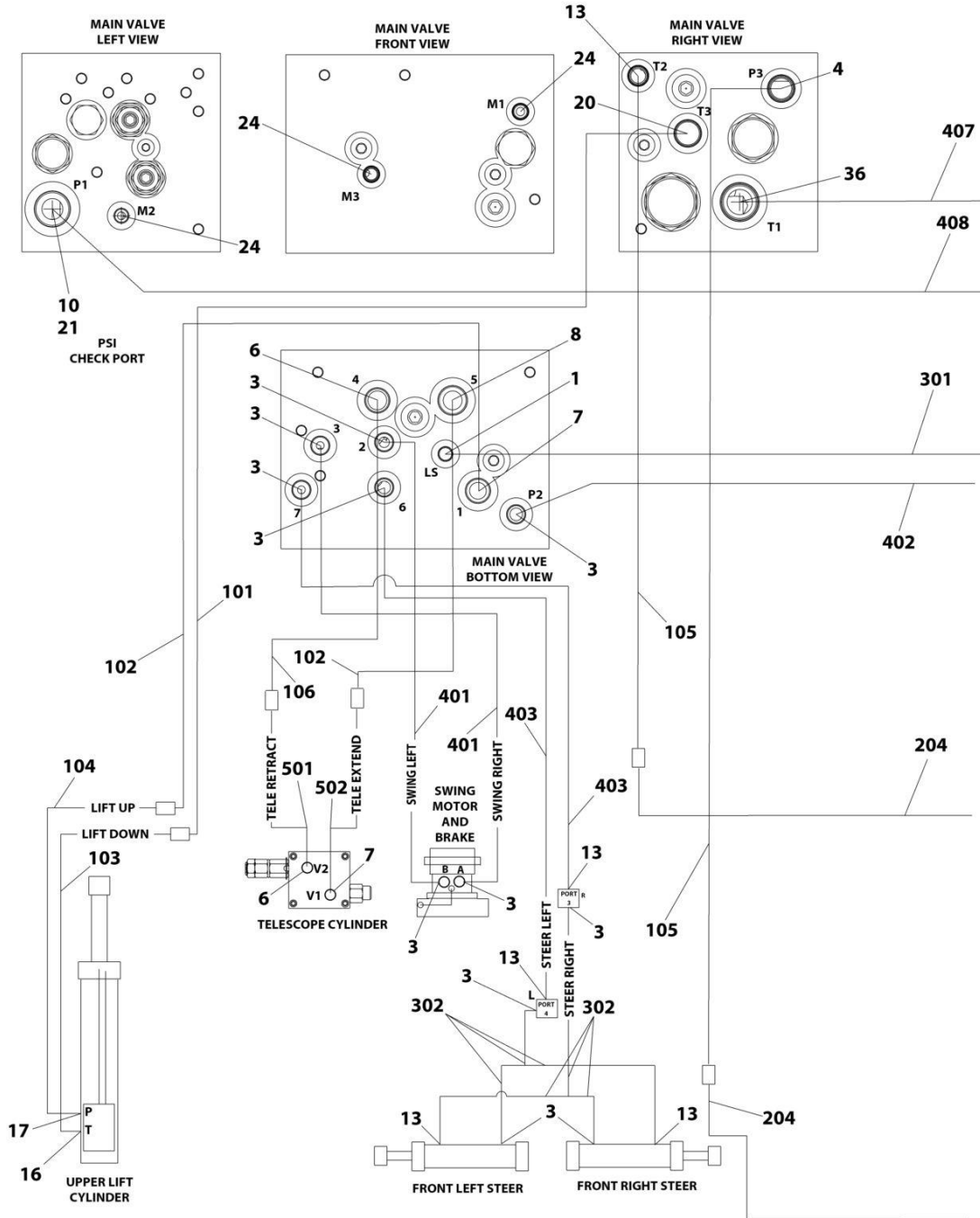
ITEM	PART NUMBER	QTY	DESCRIPTION	REV
	1001178215	Ref	STANDARD HYDRAULIC DIAGRAM	L
1	2110404	7	Fitting, Straight ORFS/ORB	
2	2110606	5	Fitting, Straight ORFS/ORB	
3	2717059	1	Hose	
4	2170208	1	Fitting, 90 ORFS/ORB	
5	2111008	2	Fitting, Straight ORFS/ORB	
6	2111010	1	Fitting, Straight ORFS/ORB	
7	2111212	2	Fitting, Straight ORFS/ORB	
8	88662327	1	Fitting, Straight ORFS/ORB	
9	2151616	1	Fitting, 45 ORFS/ORB	
10	2112424	1	Fitting, Straight ORFS/ORB	
11	2130404	2	Fitting, 90 ORFS/ORB	
12	2110808	3	Fitting, Straight ORFS/ORB	
13	2130606	13	Fitting, 90 ORFS/ORB	
14	2130608	1	Fitting, 90 ORFS/ORB	
15	2130810	2	Fitting, 90 ORFS/ORB	
16	2131010	1	Fitting, 90 ORFS/ORB	
17	2111208	1	Fitting, Straight ORFS/ORB	
19	4240018	3	Tie-Strap	
20	2150404	1	Fitting, 45 ORFS/ORB	
23	2221086	3	Fitting, Pressure Check	
24	2110612	1	Fitting, Straight ORFS/ORB	
25	2753545	1	Hose	
44	2172112	1	Fitting, 90 ORFS/FSORFS	
50	2110608	1	Fitting, Straight ORFS/ORB	
52	2130612	1	Fitting, 90 ORFS/ORB	
53	4061032	1	Hose, Guard	
56	2220737	1	Split Flange Kit	
57	2220478	1	Split Flange Kit	
100	1001270074	1	Towbar Steer Hose Kit	
101	2753622	1	Hose	
102	1001198333	2	Hose with Crimped Tee	
200	1001270075	1	Turntable Hose Kit	
201	2753653	2	Hose	
202	2753654	1	Hose	
203	2753656	2	Hose	
204	2753686	1	Hose	
205	1001111968	1	Hose	
206	1001157851	1	Hose	
207	1001177226	1	Hose	
208	1001181894	1	Hose	
300	1001270076	1	Boom Hose Kit	
301	2753681	1	Hose	
302	2753683	1	Hose	
400	1001271618	1	Hose Kit	
401	2753622	1	Hose	
402	2753674	1	Hose	
403	2753675	1	Hose	
404	2753679	1	Hose	

SECTION 7 - HYDRAULIC

ITEM	PART NUMBER	QTY	DESCRIPTION	REV
405	2753693	1	Hose	
500	1001271619	1	Hose Kit	
501	2753670	1	Hose	
502	2753671	2	Hose	
503	2753682	1	Hose	
504	2753684	1	Hose	
505	1001167194	2	Hose	
506	1001167196	1	Hose	

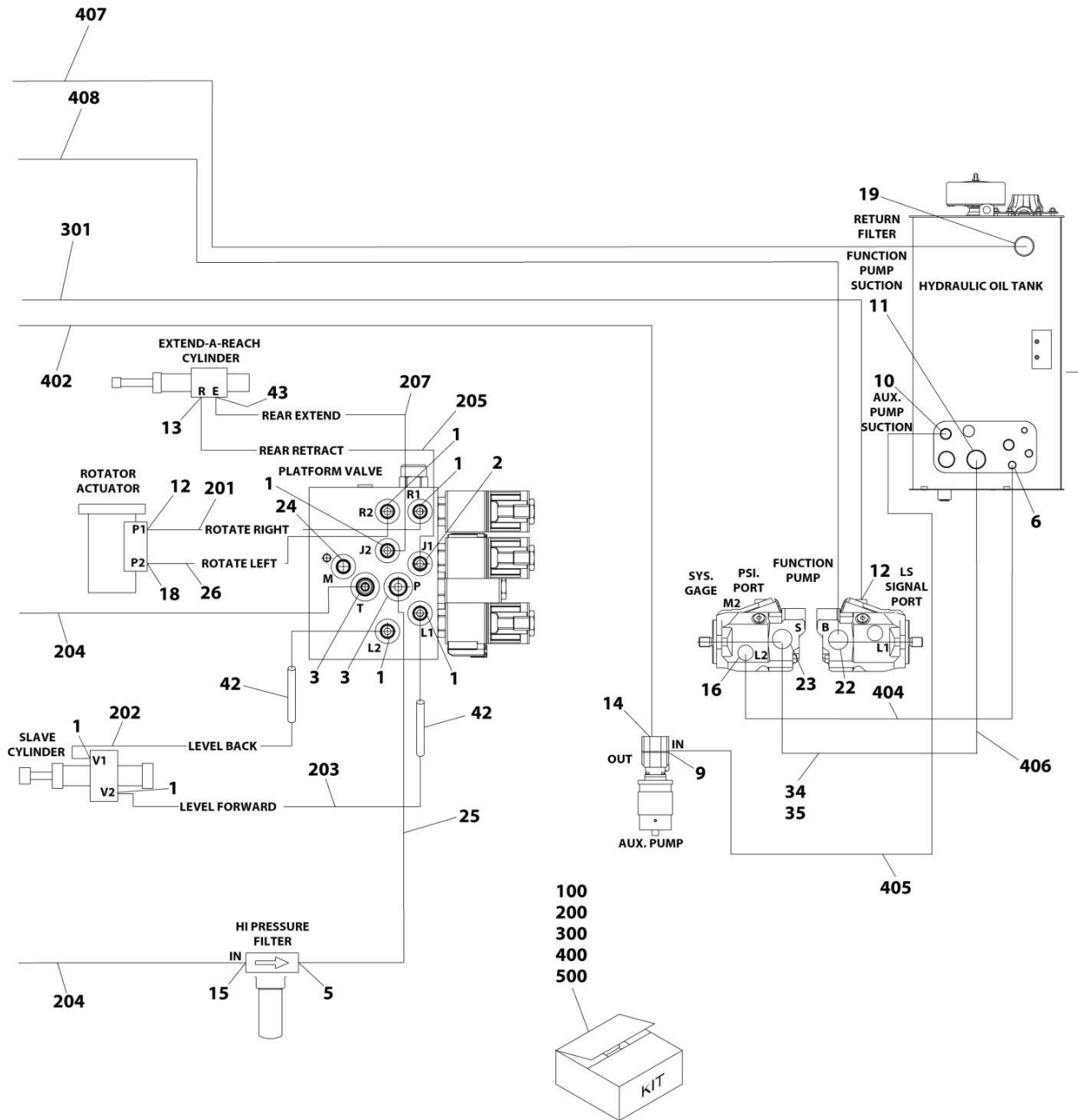
SECTION 7 - HYDRAULIC

FIGURE 7-7. HYDRAULIC DIAGRAM - STANDARD (WITHOUT TOW BAR PACKAGE) (SN STARTING WITH 03) (860SJ HC3)



ART_1001257558_10F2_H

SECTION 7 - HYDRAULIC



ART_1001257558_20F2_H

SECTION 7 - HYDRAULIC

FIGURE 7-7. HYDRAULIC DIAGRAM - STANDARD (WITHOUT TOW BAR PACKAGE) (SN STARTING WITH 03) (860SJ HC3)

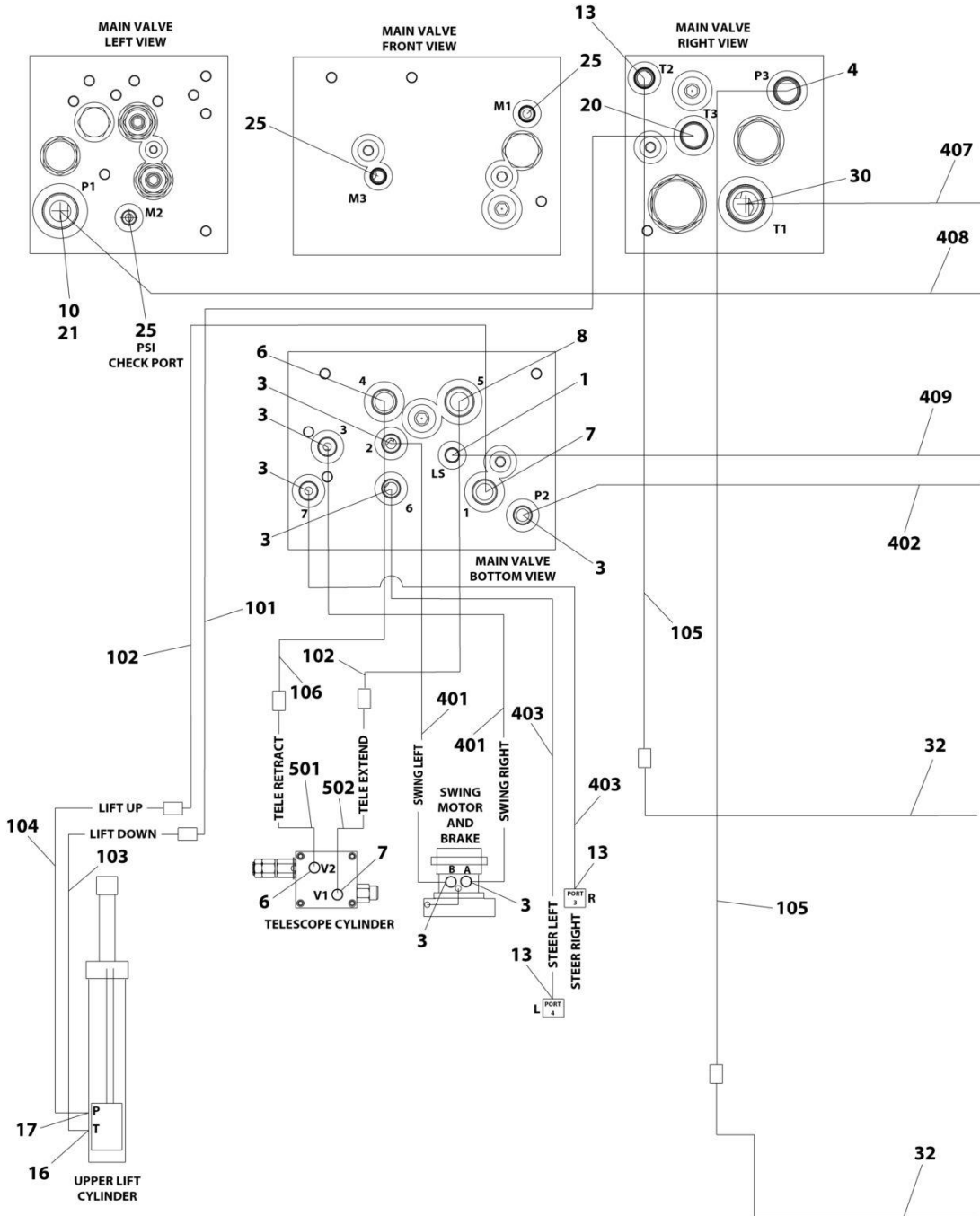
ITEM	PART NUMBER	QTY	DESCRIPTION	REV
	1001257558	Ref	STANDARD HYDRAULIC DIAGRAM	H
1	2110404	8	Fitting, Straight ORFS/ORB	
2	2110604	1	Fitting, Straight ORFS/ORB	
3	2110606	13	Fitting, Straight ORFS/ORB	
4	2110608	1	Fitting, Straight ORFS/ORB	
5	2110612	1	Fitting, Straight ORFS/ORB	
6	2110808	3	Fitting, Straight ORFS/ORB	
7	2111008	2	Fitting, Straight ORFS/ORB	
8	2111010	1	Fitting, Straight ORFS/ORB	
9	2111208	1	Fitting, Straight ORFS/ORB	
10	2111212	2	Fitting, Straight ORFS/ORB	
11	2112424	1	Fitting, Straight ORFS/ORB	
12	2130404	2	Fitting, 90 ORFS/ORB	
13	2130606	6	Fitting, 90 ORFS/ORB	
14	2130608	1	Fitting, 90 ORFS/ORB	
15	2130612	1	Fitting, 90 ORFS/ORB	
16	2130810	2	Fitting, 90 ORFS/ORB	
17	2131010	1	Fitting, 90 ORFS/ORB	
18	2150404	1	Fitting, 45 ORFS/ORB	
19	2151616	1	Fitting, 45 ORFS/ORB	
20	2170208	1	Fitting, 90 ORFS/ORB	
21	2172112	1	Fitting, 90 ORFS/FSORFS	
22	2220478	1	Split Flange Kit	
23	2220737	1	Split Flange Kit	
24	2221086	4	Fitting, Pressure Check	
25	2717059	1	Hose	
26	2753545	1	Hose	
34	4061032	1	Hose, Guard	
35	4240018	3	Tie-Strap	
36	88662327	1	Fitting, Straight ORFS/ORB	
42	1001257430	1	Cover, Hose	
43	2180829	1	Fitting, 90 ORFS/ORB	
100	2902461	1	Hose Kit	
101	2753670	1	Hose	
102	2753671	2	Hose	
103	2753682	1	Hose	
104	2753684	1	Hose	
105	1001167194	2	Hose	
106	1001167196	1	Hose	
200	1001259338	1	Hose Kit	
201	2753674	1	Hose	
202	2753677	1	Hose	
203	2753678	1	Hose	
204	1001257509	2	Hose	
205	1001269199	1	Hose	
207	1001285674	1	Hose	
300	1001270074	1	Hose Kit	
301	2753622	1	Hose	
302	1001198333	2	Hose	

SECTION 7 - HYDRAULIC

ITEM	PART NUMBER	QTY	DESCRIPTION	REV
400	1001270075	1	Hose Kit	
401	2753653	2	Hose	
402	2753654	1	Hose	
403	2753656	2	Hose	
404	2753686	1	Hose	
405	1001111968	1	Hose	
406	1001157851	1	Hose	
407	1001177226	1	Hose	
408	1001181894	1	Hose	
500	1001270076	1	Hose Kit	
501	2753681	1	Hose	
502	2753683	1	Hose	

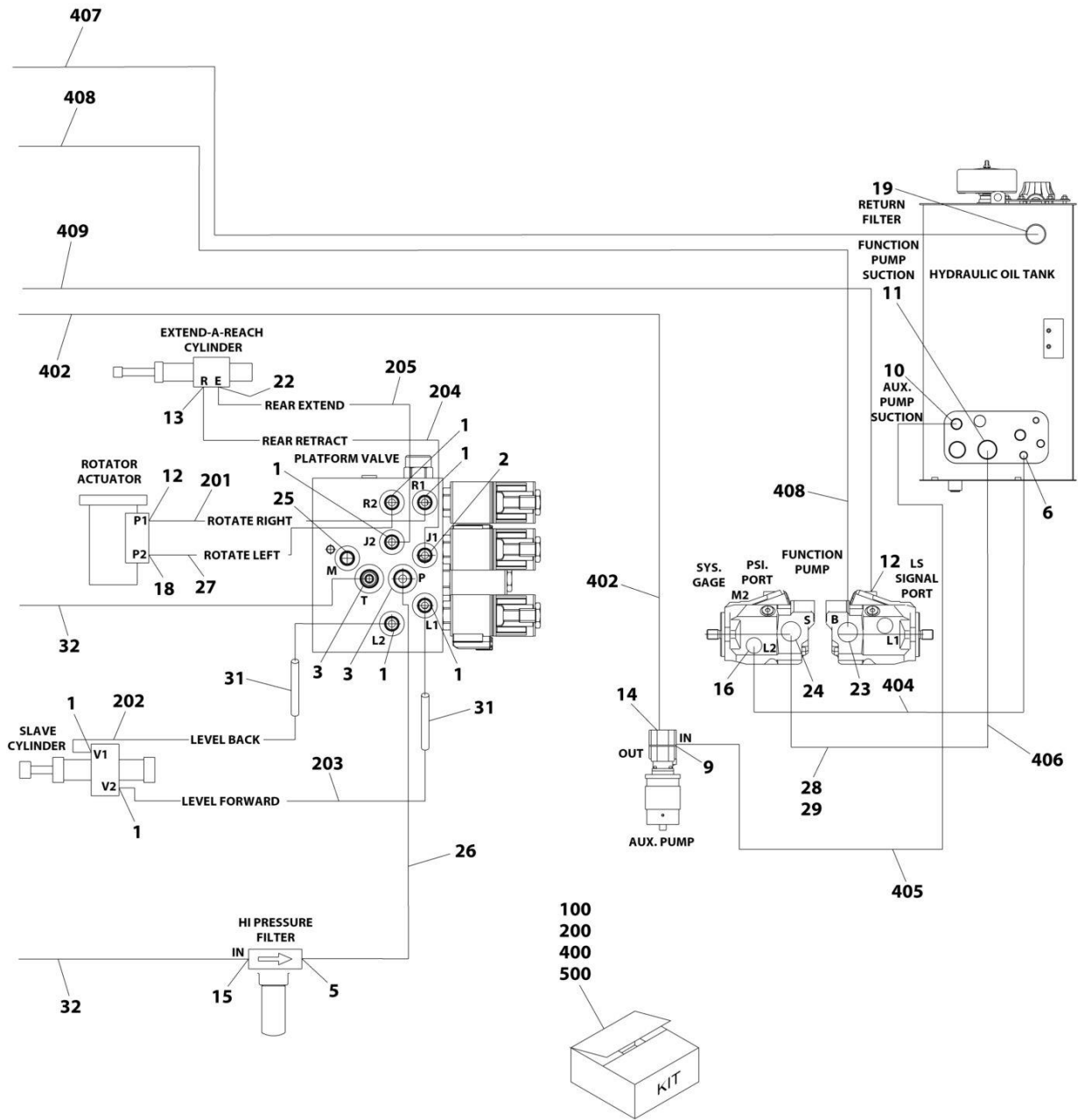
SECTION 7 - HYDRAULIC

FIGURE 7-8. HYDRAULIC DIAGRAM - STANDARD (WITHOUT TOW BAR PACKAGE) (SN STARTING WITH B3) (860SJ HC3)



ART_1001288115_10F2

SECTION 7 - HYDRAULIC



ART_1001288115_20F2

SECTION 7 - HYDRAULIC

FIGURE 7-8. HYDRAULIC DIAGRAM - STANDARD (WITHOUT TOW BAR PACKAGE) (SN STARTING WITH B3) (860SJ HC3)

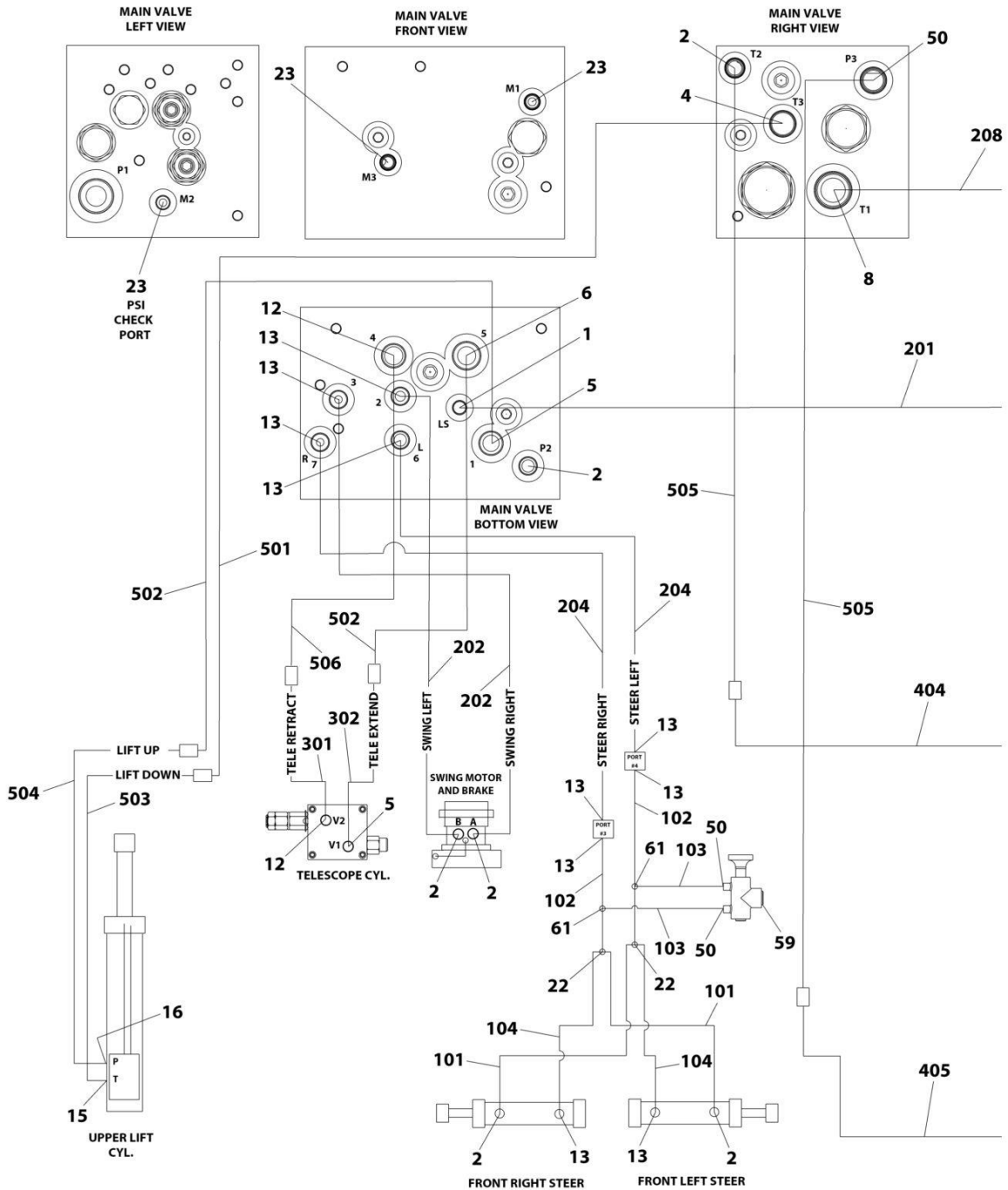
ITEM	PART NUMBER	QTY	DESCRIPTION	REV
	1001288115	Ref	STANDARD HYDRAULIC DIAGRAM	A
1	2110404	8	Fitting, Straight ORFS/ORB	
2	2110604	1	Fitting, Straight ORFS/ORB	
3	2110606	9	Fitting, Straight ORFS/ORB	
4	2110608	1	Fitting, Straight ORFS/ORB	
5	2110612	1	Fitting, Straight ORFS/ORB	
6	2110808	3	Fitting, Straight ORFS/ORB	
7	2111008	2	Fitting, Straight ORFS/ORB	
8	2111010	1	Fitting, Straight ORFS/ORB	
9	2111208	1	Fitting, Straight ORFS/ORB	
10	2111212	2	Fitting, Straight ORFS/ORB	
11	2112424	1	Fitting, Straight ORFS/ORB	
12	2130404	2	Fitting, 90 ORFS/ORB	
13	2130606	4	Fitting, 90 ORFS/ORB	
14	2130608	1	Fitting, 90 ORFS/ORB	
15	2130612	1	Fitting, 90 ORFS/ORB	
16	2130810	2	Fitting, 90 ORFS/ORB	
17	2131010	1	Fitting, 90 ORFS/ORB	
18	2150404	1	Fitting, 45 ORFS/ORB	
19	2151616	1	Fitting, 45 ORFS/ORB	
20	2170208	1	Fitting, 90 ORFS/ORB	
21	2172112	1	Fitting, 90 ORFS/FSORFS	
22	2180829	1	Fitting, 90 ORFS/ORB	
23	2220478	1	Split Flange Kit	
24	2220737	1	Split Flange Kit	
25	2221086	4	Fitting, Pressure Check	
26	2717059	1	Hose	
27	2753545	1	Hose	
28	4061032	1	Hose, Guard	
29	4240018	3	Tie-Strap	
30	88662327	1	Fitting, Straight ORFS/ORB	
31	1001257430	1	Cover, Hose	
32	1001257509	2	Hose	
100	1001271619	1	Hose Kit	
101	2753670	1	Hose	
102	2753671	2	Hose	
103	2753682	1	Hose	
104	2753684	1	Hose	
105	1001167194	2	Hose	
106	1001167196	1	Hose	
200	1001288114	1	Hose Kit	
201	2753674	1	Hose	
202	2753677	1	Hose	
203	2753678	1	Hose	
204	1001269199	1	Hose	
205	1001285674	1	Hose	
400	1001270075	1	Hose Kit	
401	2753653	2	Hose	
402	2753654	1	Hose	

SECTION 7 - HYDRAULIC

ITEM	PART NUMBER	QTY	DESCRIPTION	REV
403	2753656	2	Hose	
404	2753686	1	Hose	
405	1001111968	1	Hose	
406	1001157851	1	Hose	
407	1001177226	1	Hose	
408	1001181894	1	Hose	
409	2753622	1	Hose	
500	1001270076	1	Hose Kit	
501	2753681	1	Hose	
502	2753683	1	Hose	

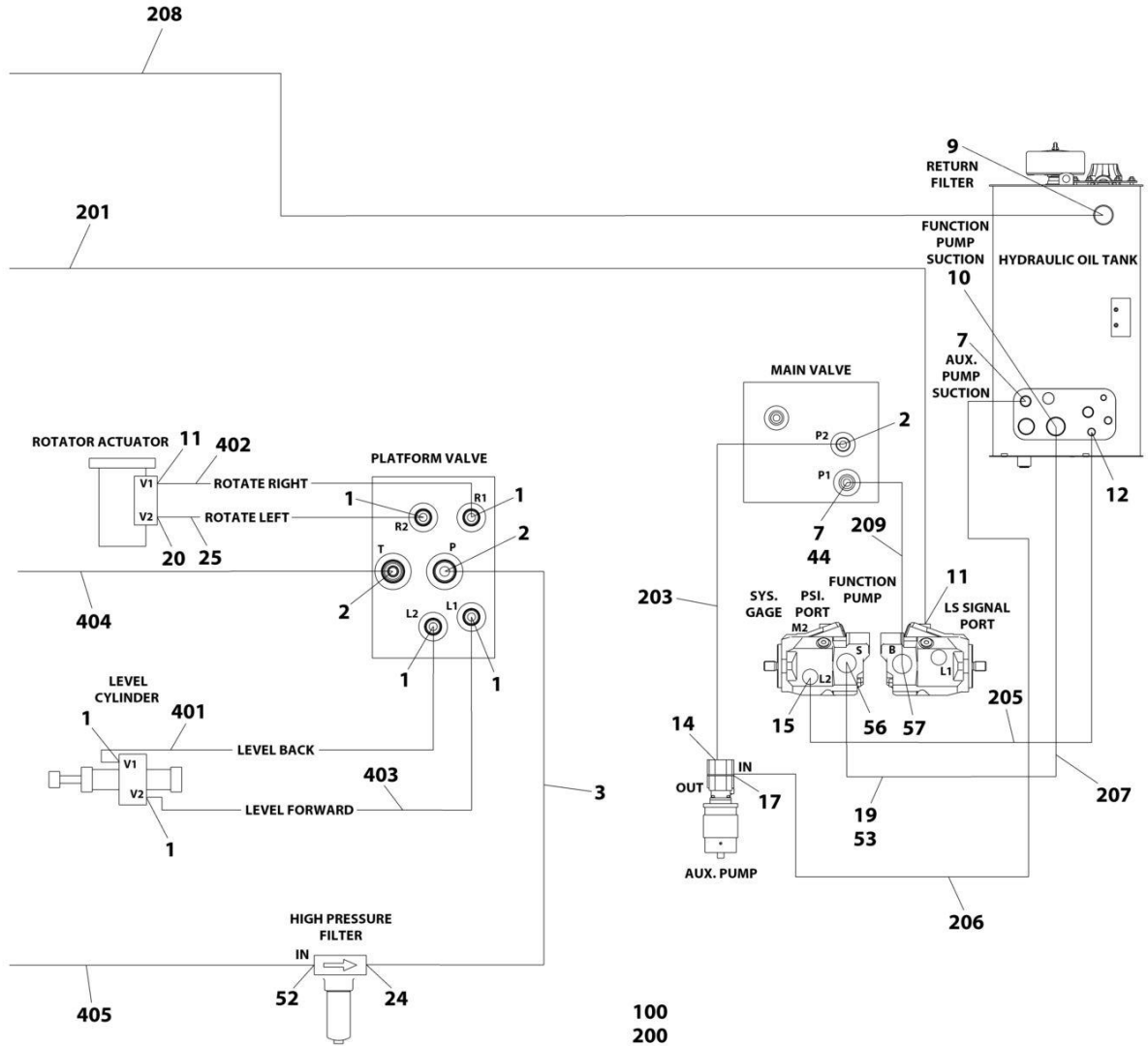
SECTION 7 - HYDRAULIC

FIGURE 7-9. HYDRAULIC DIAGRAM - STANDARD (WITH TOW BAR PACKAGE) (SN STARTING WITH 03) (800S HC3)

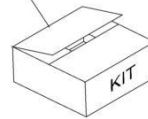


ART_1001217940_10F2

SECTION 7 - HYDRAULIC



- 100
- 200
- 300
- 400
- 500



ART_1001217940_20F2

SECTION 7 - HYDRAULIC

FIGURE 7-9. HYDRAULIC DIAGRAM - STANDARD (WITH TOW BAR PACKAGE) (SN STARTING WITH 03) (800S HC3)

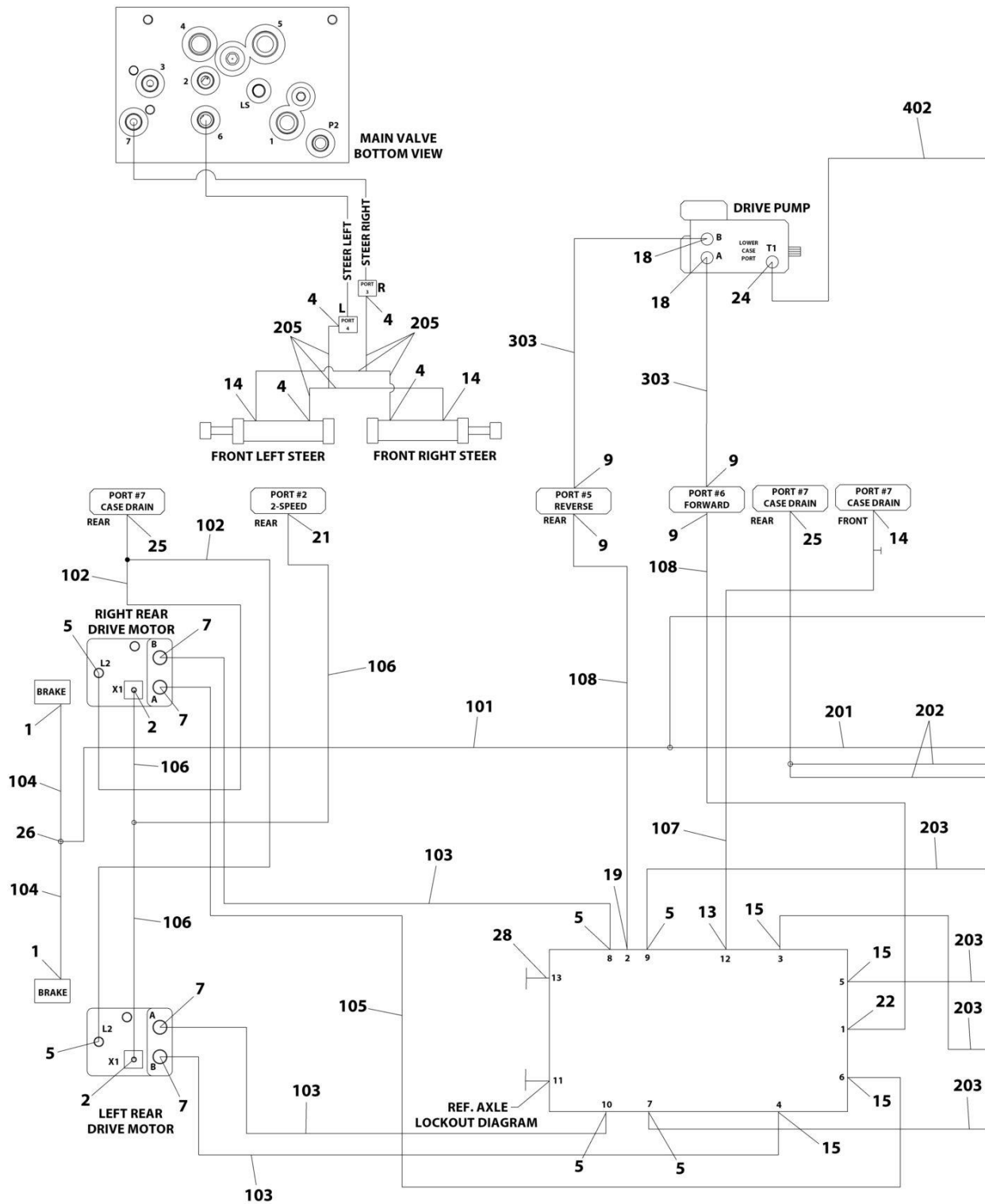
ITEM	PART NUMBER	QTY	DESCRIPTION	REV
	1001217940	Rev	STANDARD HYDRAULIC DIAGRAM	E
1	2110404	7	Fitting, Straight ORFS/ORB	
2	2130606	8	Fitting, 90 ORFS/ORB	
3	2717059	1	Hose	
4	2170208	1	Fitting, 90 ORFS/ORB	
5	2111008	2	Fitting, Straight ORFS/ORB	
6	2111010	1	Fitting, Straight ORFS/ORB	
7	2111212	2	Fitting, Straight ORFS/ORB	
8	88662327	1	Fitting, Straight ORFS/ORB	
9	2151616	1	Fitting, 45 ORFS/ORB	
10	2112424	1	Fitting, Straight ORFS/ORB	
11	2130404	2	Fitting, 90 ORFS/ORB	
12	2110808	3	Fitting, Straight ORFS/ORB	
13	2110606	10	Fitting, Straight ORFS/ORB	
14	2130608	1	Fitting, 90 ORFS/ORB	
15	2130810	2	Fitting, 90 ORFS/ORB	
16	2131010	1	Fitting, 90 ORFS/ORB	
17	2111208	1	Fitting, Straight ORFS/ORB	
19	4240018	3	Tie-Strap	
20	2150404	1	Fitting, 45 ORFS/ORB	
22	2170506	2	Fitting, Tee ORFS/ORFS/ORFS	
23	2221086	3	Fitting, Pressure Check	
24	2110612	1	Fitting, Straight ORFS/ORB	
25	2753545	1	Hose	
44	2172112	1	Fitting, 90 ORFS/FSORFS	
50	2110608	3	Fitting, Straight ORFS/ORB	
52	2130612	1	Fitting, 90 ORFS/ORB	
53	4061032	1	Hose, Guard	
56	2220737	1	Split Flange Kit	
57	2220478	1	Split Flange Kit	
59	2220238	1	Plug	
61	2170706	2	Fitting, Tee ORFS/FSORFS/ORFS	
100	1001270077	1	Towbar Front Hose Kit	
101	2753656	2	Hose	
102	2753732	2	Hose	
103	2753879	2	Hose	
104	1001159340	2	Hose	
200	1001270078	1	Towbar Turntable Hose Kit	
201	2753622	1	Hose	
202	2753653	2	Hose	
203	2753654	1	Hose	
204	2753656	2	Hose	
205	2753686	1	Hose	
206	1001111968	1	Hose	
207	1001157851	1	Hose	
208	1001177226	1	Hose	
209	1001181894	1	Hose	
300	1001270076	1	Boom Hose Kit	
301	2753681	1	Hose	

SECTION 7 - HYDRAULIC

ITEM	PART NUMBER	QTY	DESCRIPTION	REV
302	2753683	1	Hose	
400	1001271618	1	Hose Kit	
401	2753622	1	Hose	
402	2753674	1	Hose	
403	2753675	1	Hose	
404	2753679	1	Hose	
405	2753693	1	Hose	
500	1001271619	1	Hose Kit	
501	2753670	1	Hose	
502	2753671	2	Hose	
503	2753682	1	Hose	
504	2753684	1	Hose	
505	1001167194	2	Hose	
506	1001167196	1	Hose	

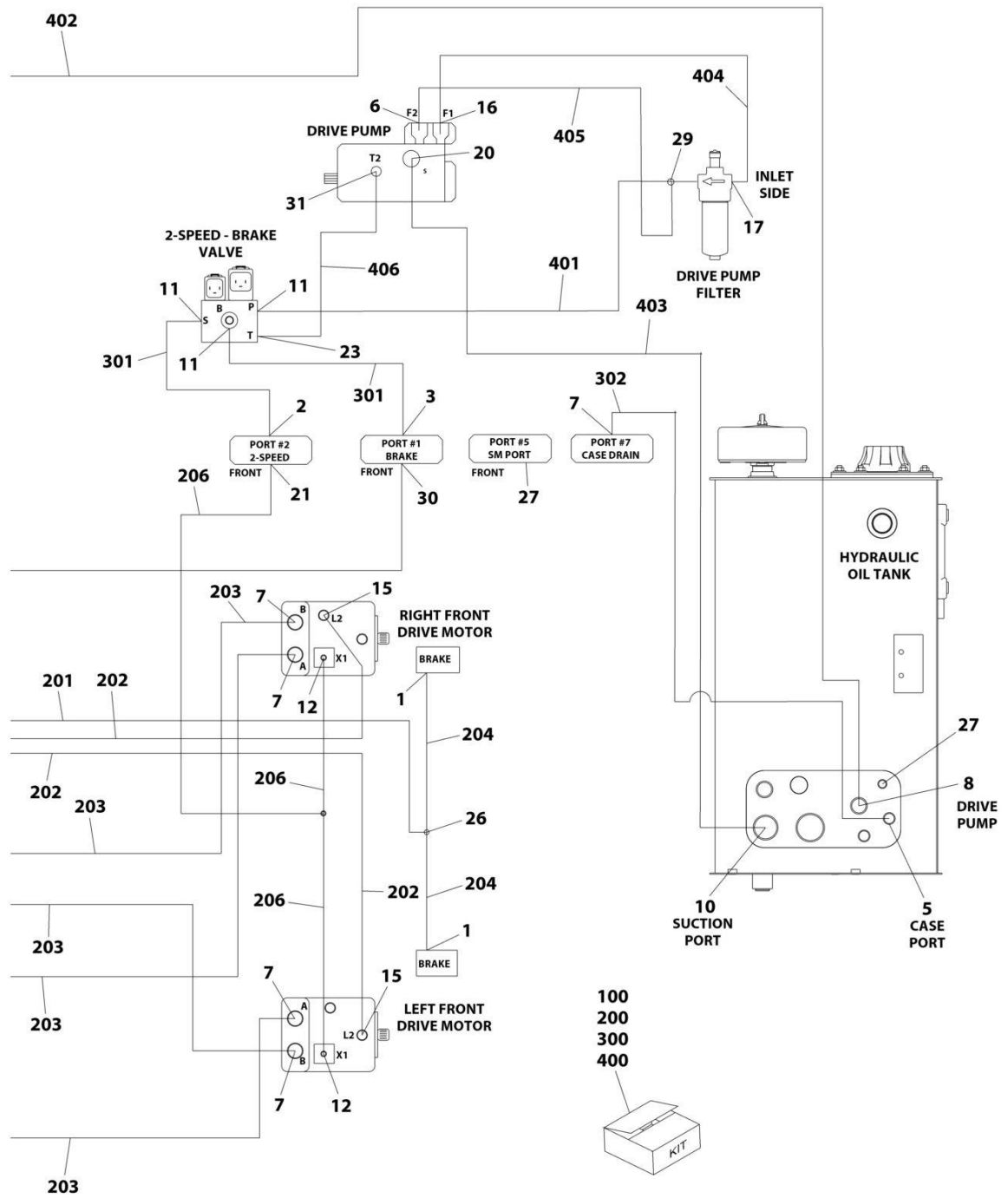
SECTION 7 - HYDRAULIC

FIGURE 7-10. HYDRAULIC DIAGRAM - DRIVE (4WD WITHOUT ARCTIC PACKAGE)(ANSI, CSA, AND JAPANESE SPECS ONLY)



ART_1001296846_10F2

SECTION 7 - HYDRAULIC



ART_1001296846_20F2

SECTION 7 - HYDRAULIC

FIGURE 7-10. HYDRAULIC DIAGRAM - DRIVE (4WD WITHOUT ARCTIC PACKAGE)(ANSI, CSA, AND JAPANESE SPECS ONLY)

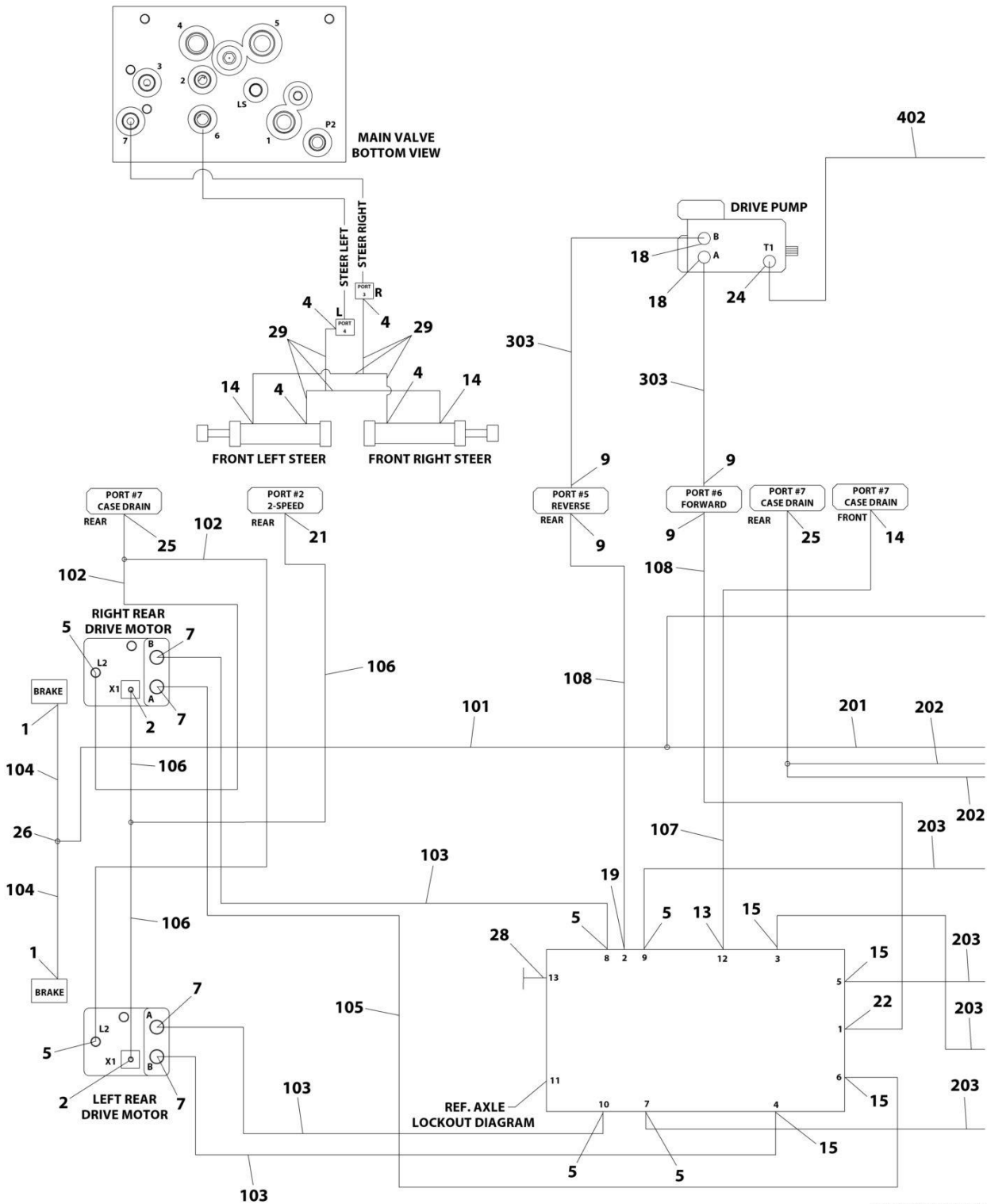
ITEM	PART NUMBER	QTY	DESCRIPTION	REV
	1001296846	Ref	HYDRAULIC DIAGRAM - DRIVE (4WD)	A
1	2110404	4	Fitting, Straight ORFS/ORB	
2	2110406	3	Fitting, Straight ORFS/ORB	
3	2110408	1	Fitting, Straight ORFS/ORB	
4	2110606	4	Fitting, Straight ORFS/ORB	
5	2110808	7	Fitting, Straight ORFS/ORB	
6	2110810	1	Fitting, Straight ORFS/ORB	
7	2110812	9	Fitting, Straight ORFS/ORB	
8	2111212	1	Fitting, Straight ORFS/ORB	
9	2111616	4	Fitting, Straight ORFS/ORB	
10	2112020	1	Fitting, Straight ORFS/ORB	
11	2130404	3	Fitting, 90 ORFS/ORB	
12	2130406	2	Fitting, 90 ORFS/ORB	
13	2130604	1	Fitting, 90 ORFS/ORB	
14	2130606	3	Fitting, 90 ORFS/ORB	
15	2130808	6	Fitting, 90 ORFS/ORB	
16	2131010	1	Fitting, 90 ORFS/ORB	
17	2131012	1	Fitting, 90 ORFS/ORB	
18	2131612	2	Fitting, 90 ORFS/ORB	
19	2131616	1	Fitting, 90 ORFS/ORB	
20	2132016	1	Fitting, 90 ORFS/ORB	
21	2150406	2	Fitting, 45 ORFS/ORB	
22	2151616	1	Fitting, 45 ORFS/ORB	
23	2170204	1	Fitting, 90 ORFS/ORB	
24	2170212	1	Fitting, 90 ORFS/ORB	
25	2170408	2	Fitting, Tee ORFS/ORB/ORFS	
26	2170504	2	Fitting, Tee ORFS/ORFS/ORFS	
27	2220237	2	Plug 3/8	
28	2220238	1	Plug 1/2	
29	1001198337	1	Fitting, Tee ORFS/ORB-RUN	
30	1001198338	1	Fitting, Tee ORFS/SORB/ORFS	
31	1001199396	1	Fitting, 90 ORFS/SORB	
100	1001270069	1	Hose Kit - Arctic Towbar	
101	2753622	1	Hose	
102	2753686	2	Hose	
103	2753971	3	Hose	
104	2754337	2	Hose	
105	2754338	1	Hose	
106	1001198340	1	Hose with Crimped Tee	
107	2753626	1	Hose	
108	2753634	2	Hose	
200	1001270630	1	Hose Kit - Front	
201	2753542	1	Hose	
202	2753628	2	Hose	
203	2753970	4	Hose	
204	2754512	2	Hose	
205	1001198333	2	Hose	
206	1001198341	1	Hose	
300	1001296856	1	Hose Kit - Turntable	

SECTION 7 - HYDRAULIC

ITEM	PART NUMBER	QTY	DESCRIPTION	REV
301	2753540	2	Hose	
302	2753685	1	Hose	
303	1001296833	2	Hose	
400	1001296857	1	Hose Kit - Turntable	
401	1001095307	1	Hose	
402	1001296834	1	Hose	
403	1001296835	1	Hose	
404	1001296836	1	Hose	
405	1001296837	1	Hose	
406	1001296838	1	Hose	

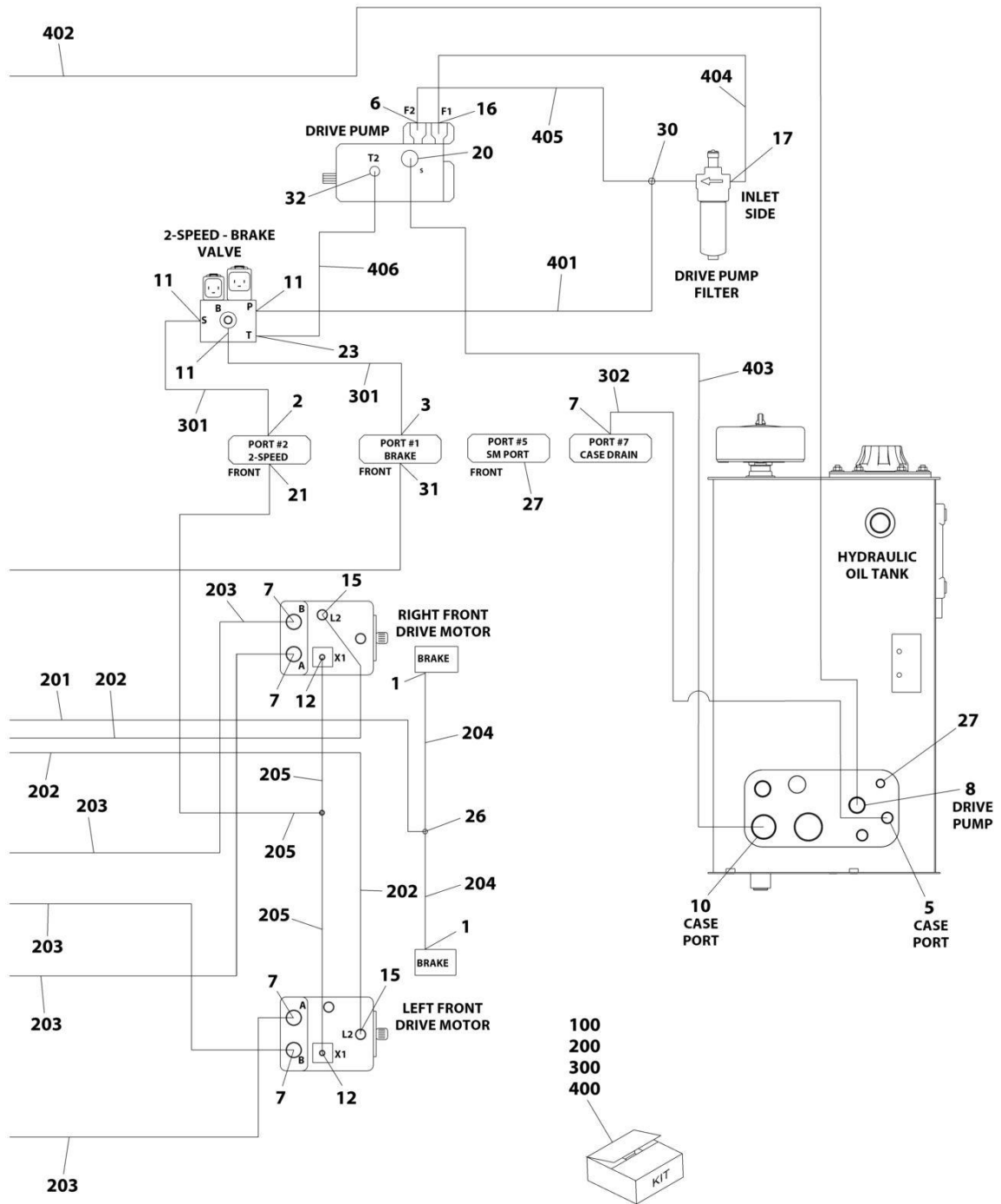
SECTION 7 - HYDRAULIC

FIGURE 7-11. HYDRAULIC DIAGRAM - DRIVE (4WD WITHOUT ARCTIC PACKAGE)(ANSI, CSA, AND RUSSIAN SPECS ONLY)



ART_1001296847_10F2

SECTION 7 - HYDRAULIC



ART_1001296847_2OF2

SECTION 7 - HYDRAULIC

FIGURE 7-11. HYDRAULIC DIAGRAM - DRIVE (4WD WITHOUT ARCTIC PACKAGE)(ANSI, CSA, AND RUSSIAN SPECS ONLY)

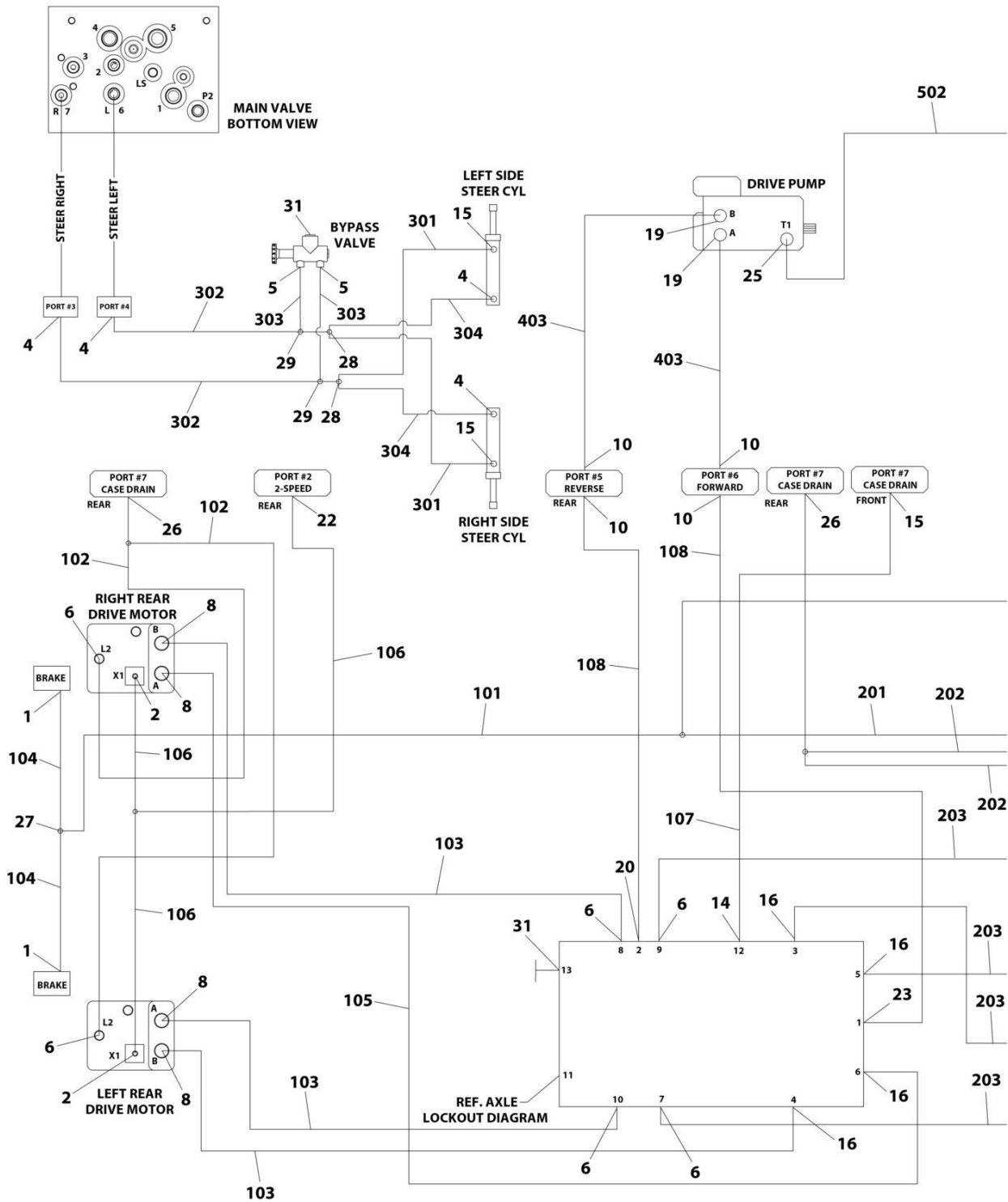
ITEM	PART NUMBER	QTY	DESCRIPTION	REV
	1001296847	Ref	HYDRAULIC DIAGRAM - DRIVE (4WD)	A
1	2110404	4	Fitting, Straight ORFS/ORB	
2	2110406	3	Fitting, Straight ORFS/ORB	
3	2110408	1	Fitting, Straight ORFS/ORB	
4	2110606	4	Fitting, Straight ORFS/ORB	
5	2110808	7	Fitting, Straight ORFS/ORB	
6	2110810	1	Fitting, Straight ORFS/ORB	
7	2110812	9	Fitting, Straight ORFS/ORB	
8	2111212	1	Fitting, Straight ORFS/ORB	
9	2111616	4	Fitting, Straight ORFS/ORB	
10	2112020	1	Fitting, Straight ORFS/ORB	
11	2130404	3	Fitting, 90 ORFS/ORB	
12	2130406	2	Fitting, 90 ORFS/ORB	
13	2130604	1	Fitting, 90 ORFS/ORB	
14	2130606	3	Fitting, 90 ORFS/ORB	
15	2130808	6	Fitting, 90 ORFS/ORB	
16	2131010	1	Fitting, 90 ORFS/ORB	
17	2131012	1	Fitting, 90 ORFS/ORB	
18	2131612	2	Fitting, 90 ORFS/ORB	
19	2131616	1	Fitting, 90 ORFS/ORB	
20	2132016	1	Fitting, 90 ORFS/ORB	
21	2150406	2	Fitting, 45 ORFS/ORB	
22	2151616	1	Fitting, 45 ORFS/ORB	
23	2170204	1	Fitting, 90 ORFS/ORB	
24	2170212	1	Fitting, 90 ORFS/ORB	
25	2170408	2	Fitting, Tee ORFS/ORB/ORFS	
26	2170504	2	Fitting, Tee ORFS/ORFS/ORFS	
27	2220237	2	Plug 3/8	
28	2220238	1	Plug 1/2	
29	1001198333	2	Hose	
30	1001198337	1	Fitting, Tee ORFS/ORB-RUN	
31	1001198338	1	Fitting, Tee ORFS/SORB/ORFS	
32	1001199396	1	Fitting, 90 ORFS/SORB	
100	1001270069	1	Hose Kit - Arctic Towbar	
101	2753622	1	Hose	
102	2753686	2	Hose	
103	2753971	3	Hose	
104	2754337	2	Hose	
105	2754338	1	Hose	
106	1001198340	1	Hose with Crimped Tee	
107	2753626	1	Hose	
108	2753634	2	Hose	
200	1001270073	1	Hose Kit - Arctic Towbar	
201	2753542	1	Hose	
202	2754720	2	Hose	
203	2754743	4	Hose	
204	1001106957	2	Hose	
205	1001204269	1	Hose with Crimped Tee	
300	1001296856	1	Hose Kit - Arctic Turntable	

SECTION 7 - HYDRAULIC

ITEM	PART NUMBER	QTY	DESCRIPTION	REV
301	2753540	2	Hose	
302	2753685	1	Hose	
303	1001296833	2	Hose	
400	1001296857	1	Hose Kit - Arctic Turntable	
401	1001095307	1	Hose	
402	1001296834	1	Hose	
403	1001296835	1	Hose	
404	1001296836	1	Hose	
405	1001296837	1	Hose	
406	1001296838	1	Hose	

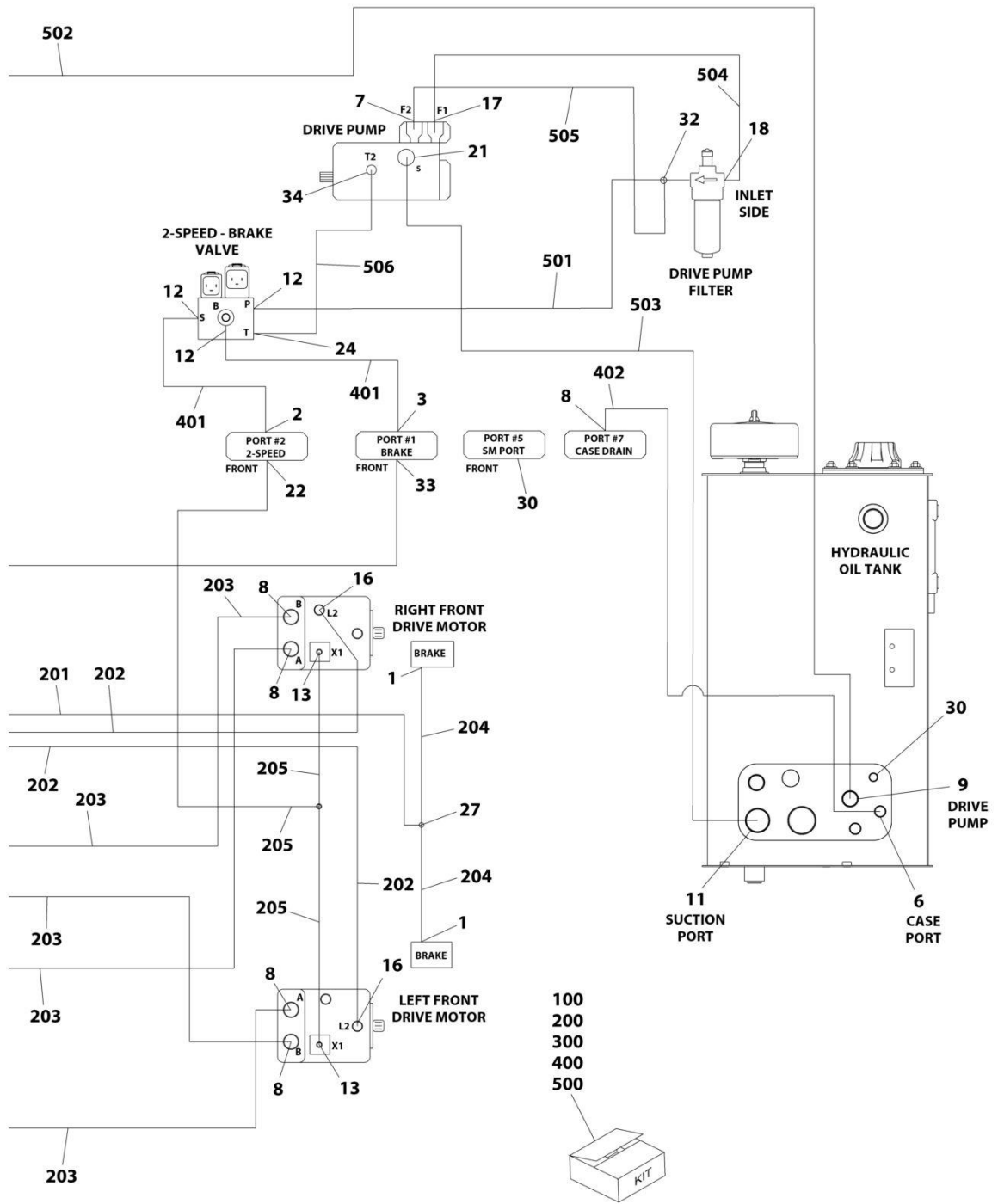
SECTION 7 - HYDRAULIC

FIGURE 7-12. HYDRAULIC DIAGRAM - DRIVE (4WD WITH TOWBAR PACKAGE)(ANSI, CSA, AND RUSSIAN SPECS ONLY)



ART_1001296849_10F2

SECTION 7 - HYDRAULIC



ART_1001296849_20F2

SECTION 7 - HYDRAULIC

FIGURE 7-12. HYDRAULIC DIAGRAM - DRIVE (4WD WITH TOWBAR PACKAGE)(ANSI, CSA, AND RUSSIAN SPECS ONLY)

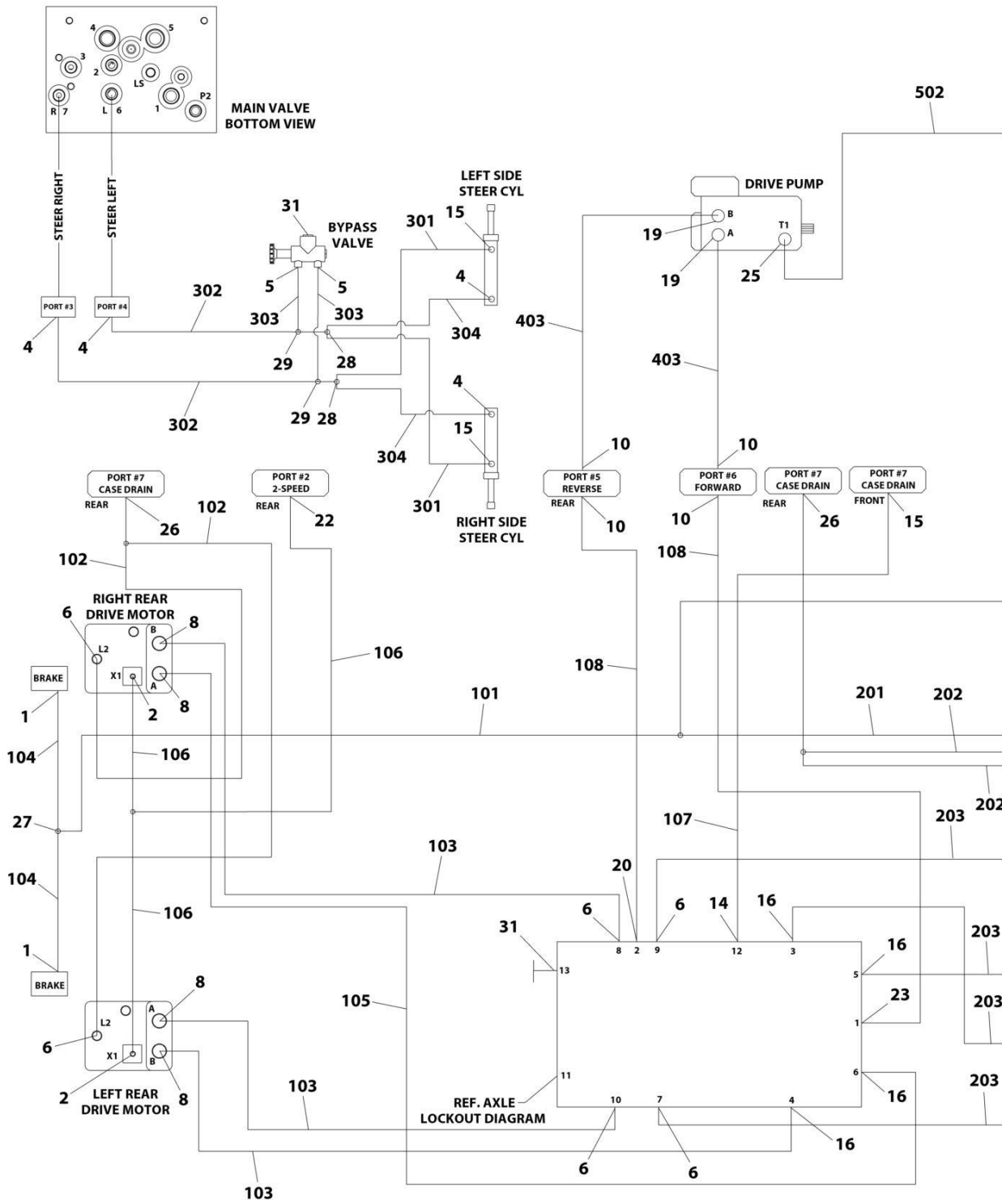
ITEM	PART NUMBER	QTY	DESCRIPTION	REV
	1001296849	Ref	HYDRAULIC DIAGRAM - DRIVE (4WD)	A
1	2110404	4	Fitting, Straight ORFS/ORB	
2	2110406	3	Fitting, Straight ORFS/ORB	
3	2110408	1	Fitting, Straight ORFS/ORB	
4	2110606	4	Fitting, Straight ORFS/ORB	
5	2110608	2	Fitting, Straight ORFS/ORB	
6	2110808	7	Fitting, Straight ORFS/ORB	
7	2110810	1	Fitting, Straight ORFS/ORB	
8	2110812	9	Fitting, Straight ORFS/ORB	
9	2111212	1	Fitting, Straight ORFS/ORB	
10	2111616	4	Fitting, Straight ORFS/ORB	
11	2112020	1	Fitting, Straight ORFS/ORB	
12	2130404	3	Fitting, 90 ORFS/ORB	
13	2130406	2	Fitting, 90 ORFS/ORB	
14	2130604	1	Fitting, 90 ORFS/ORB	
15	2130606	3	Fitting, 90 ORFS/ORB	
16	2130808	6	Fitting, 90 ORFS/ORB	
17	2131010	1	Fitting, 90 ORFS/ORB	
18	2131012	1	Fitting, 90 ORFS/ORB	
19	2131612	2	Fitting, 90 ORFS/ORB	
20	2131616	1	Fitting, 90 ORFS/ORB	
21	2132016	1	Fitting, 90 ORFS/ORB	
22	2150406	2	Fitting, 45 ORFS/ORB	
23	2151616	1	Fitting, 45 ORFS/ORB	
24	2170204	1	Fitting, 90 ORFS/ORB	
25	2170212	1	Fitting, 90 ORFS/ORB	
26	2170408	2	Fitting, Tee ORFS/ORB/ORFS	
27	2170504	2	Fitting, Tee ORFS/ORFS/ORFS	
28	2170506	2	Fitting, Tee ORFS/ORFS/ORFS	
29	2170706	2	Fitting, Tee ORFS/FSORFS/ORFS	
30	2220237	2	Plug 3/8	
31	2220238	2	Plug 1/2	
32	1001198337	1	Fitting, Tee ORFS/ORB-RUN	
33	1001198338	1	Fitting, Tee ORFS/SORB/ORFS	
34	1001199396	1	Fitting, 90 ORFS/SORB	
100	1001270069	1	Hose Kit - Arctic Towbar	
101	2753622	1	Hose	
102	2753686	2	Hose	
103	2753971	3	Hose	
104	2754337	2	Hose	
105	2754338	1	Hose	
106	1001198340	1	Hose with Crimped Tee	
107	2753626	1	Hose	
108	2753634	2	Hose	
200	1001270070	1	Hose Kit - Front	
201	2753542	1	Hose	
202	2753628	2	Hose	
203	2753970	4	Hose	
204	2754512	2	Hose	

SECTION 7 - HYDRAULIC

ITEM	PART NUMBER	QTY	DESCRIPTION	REV
205	1001198341	1	Hose	
300	1001270077	1	Hose Kit - Towbar Front	
301	2753656	2	Hose	
302	2753732	2	Hose	
303	2753879	2	Hose	
304	1001159340	2	Hose	
400	1001296856	1	Hose Kit - Turntable	
401	2753540	2	Hose	
402	2753685	1	Hose	
403	1001296833	2	Hose	
500	1001296857	1	Hose Kit - Turntable	
501	1001095307	1	Hose	
502	1001296834	1	Hose	
503	1001296835	1	Hose	
504	1001296836	1	Hose	
505	1001296837	1	Hose	
506	1001296838	1	Hose	

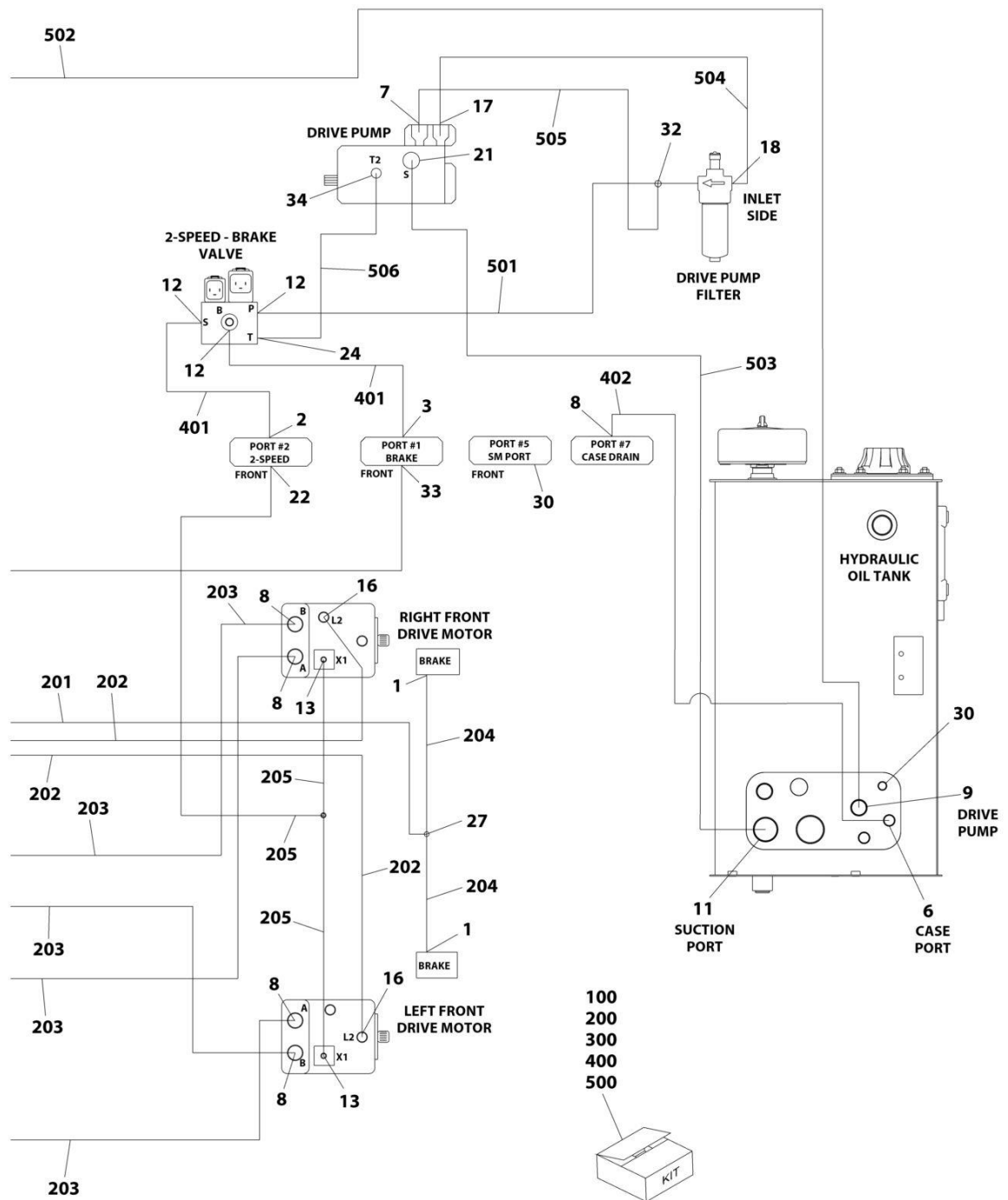
SECTION 7 - HYDRAULIC

FIGURE 7-13. HYDRAULIC DIAGRAM - DRIVE (4WD WITH TOWBAR AND ARCTIC PACKAGE)(ANSI AND CSA SPECS ONLY)



ART_1001296850_10F2

SECTION 7 - HYDRAULIC



ART_1001296850_2OF2

SECTION 7 - HYDRAULIC

FIGURE 7-13. HYDRAULIC DIAGRAM - DRIVE (4WD WITH TOWBAR AND ARCTIC PACKAGE)(ANSI AND CSA SPECS ONLY)

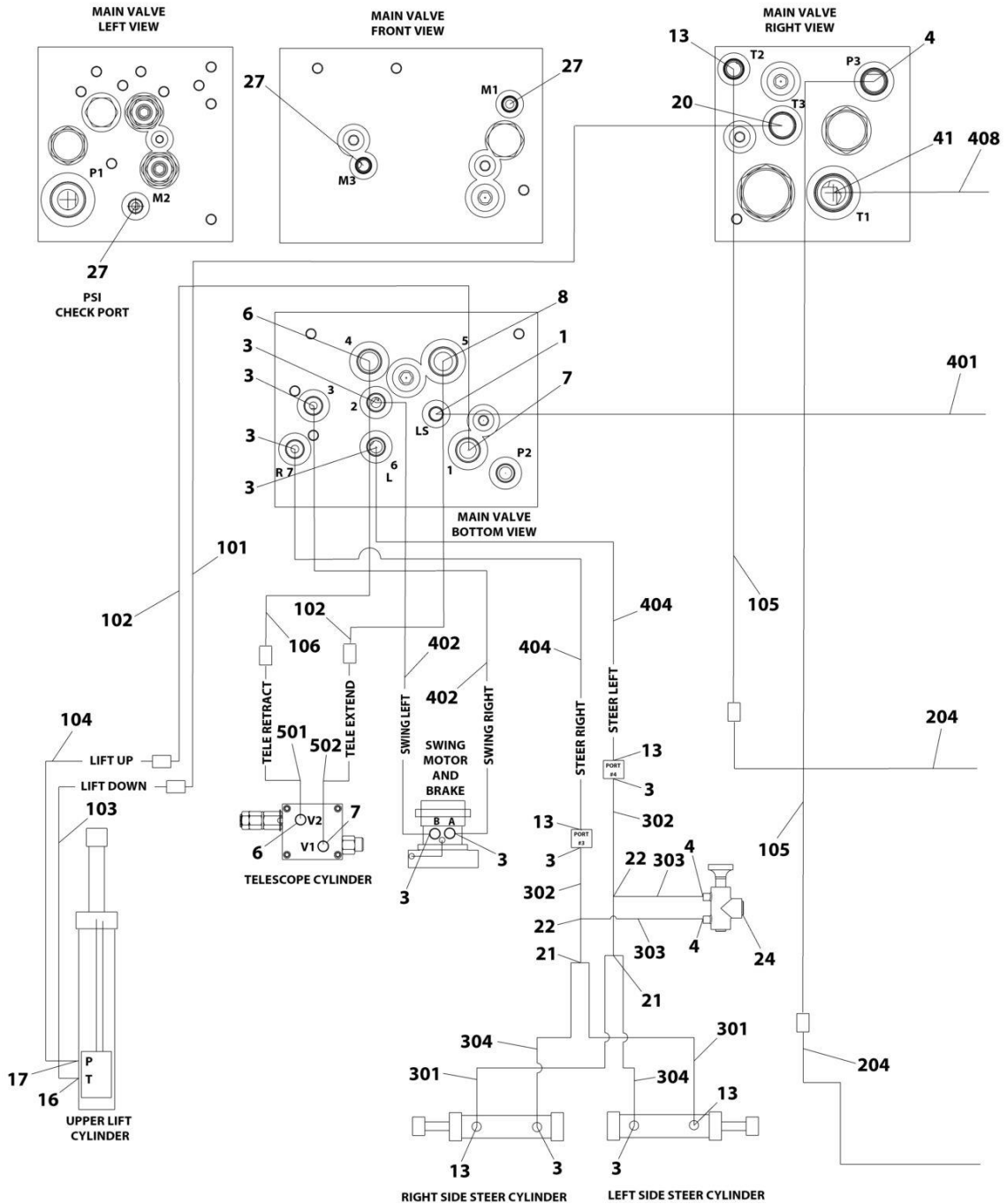
ITEM	PART NUMBER	QTY	DESCRIPTION	REV
	1001296850	Ref	HYDRAULIC DIAGRAM - DRIVE (4WD)	A
1	2110404	4	Fitting, Straight ORFS/ORB	
2	2110406	3	Fitting, Straight ORFS/ORB	
3	2110408	1	Fitting, Straight ORFS/ORB	
4	2110606	4	Fitting, Straight ORFS/ORB	
5	2110608	2	Fitting, Straight ORFS/ORB	
6	2110808	7	Fitting, Straight ORFS/ORB	
7	2110810	1	Fitting, Straight ORFS/ORB	
8	2110812	9	Fitting, Straight ORFS/ORB	
9	2111212	1	Fitting, Straight ORFS/ORB	
10	2111616	4	Fitting, Straight ORFS/ORB	
11	2112020	1	Fitting, Straight ORFS/ORB	
12	2130404	3	Fitting, 90 ORFS/ORB	
13	2130406	2	Fitting, 90 ORFS/ORB	
14	2130604	1	Fitting, 90 ORFS/ORB	
15	2130606	3	Fitting, 90 ORFS/ORB	
16	2130808	6	Fitting, 90 ORFS/ORB	
17	2131010	1	Fitting, 90 ORFS/ORB	
18	2131012	1	Fitting, 90 ORFS/ORB	
19	2131612	2	Fitting, 90 ORFS/ORB	
20	2131616	1	Fitting, 90 ORFS/ORB	
21	2132016	1	Fitting, 90 ORFS/ORB	
22	2150406	2	Fitting, 45 ORFS/ORB	
23	2151616	1	Fitting, 45 ORFS/ORB	
24	2170204	1	Fitting, 90 ORFS/ORB	
25	2170212	1	Fitting, 90 ORFS/ORB	
26	2170408	2	Fitting, Tee ORFS/ORB/ORFS	
27	2170504	2	Fitting, Tee ORFS/ORFS/ORFS	
28	2170506	2	Fitting, Tee ORFS/ORFS/ORFS	
29	2170706	2	Fitting, Tee ORFS/FSORFS/ORFS	
30	2220237	2	Plug 3/8	
31	2220238	2	Plug 1/2	
32	1001198337	1	Fitting, Tee ORFS/ORB-RUN	
33	1001198338	1	Fitting, Tee ORFS/SORB/ORFS	
34	1001199396	1	Fitting, 90 ORFS/SORB	
100	1001270069	1	Hose Kit - Arctic Towbar	
101	2753622	1	Hose	
102	2753686	2	Hose	
103	2753971	3	Hose	
104	2754337	2	Hose	
105	2754338	1	Hose	
106	1001198340	1	Hose with Crimped Tee	
107	2753626	1	Hose	
108	2753634	2	Hose	
200	1001270073	1	Hose Kit - Arctic Towbar	
201	2753542	1	Hose	
202	2754720	2	Hose	
203	2754743	4	Hose	
204	1001106957	2	Hose	

SECTION 7 - HYDRAULIC

ITEM	PART NUMBER	QTY	DESCRIPTION	REV
205	1001204269	1	Hose with Crimped Tee	
300	1001270077	1	Hose Kit - Towbar Front	
301	2753656	2	Hose	
302	2753732	2	Hose	
303	2753879	2	Hose	
304	1001159340	2	Hose	
400	1001296856	1	Hose Kit - Turntable	
401	2753540	2	Hose	
402	2753685	1	Hose	
403	1001296833	2	Hose	
500	1001296857	1	Hose Kit - Turntable	
501	1001095307	1	Hose	
502	1001296834	1	Hose	
503	1001296835	1	Hose	
504	1001296836	1	Hose	
505	1001296837	1	Hose	
506	1001296838	1	Hose	

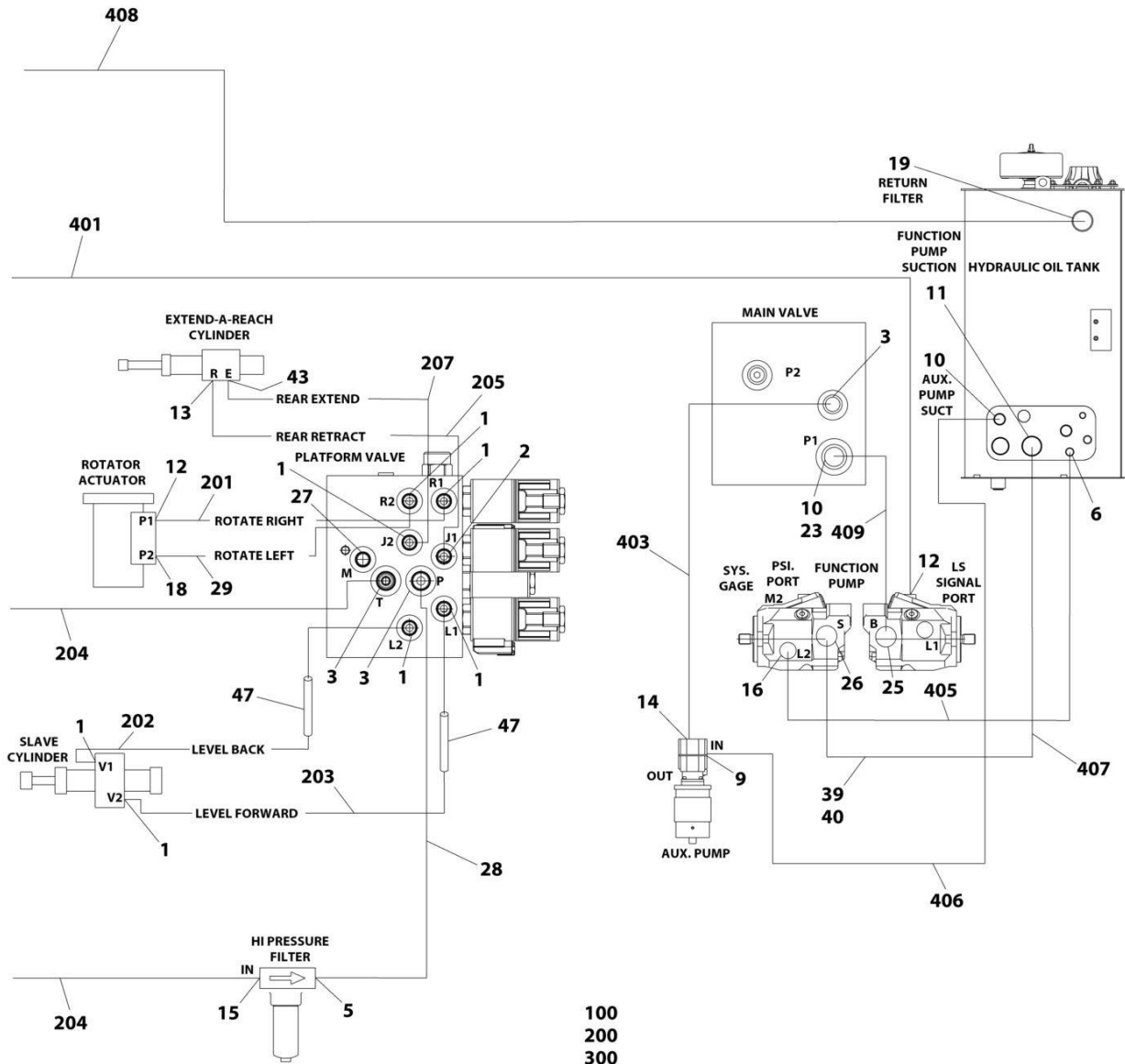
SECTION 7 - HYDRAULIC

FIGURE 7-14. HYDRAULIC DIAGRAM - STANDARD (WITH TOW BAR PACKAGE) (SN STARTING WITH 03) (860SJ HC3)

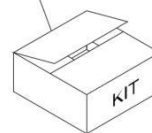


ART_1001257559_10F2_H

SECTION 7 - HYDRAULIC



- 100
- 200
- 300
- 400
- 500



ART_1001257559_20F2_H

SECTION 7 - HYDRAULIC

FIGURE 7-14. HYDRAULIC DIAGRAM - STANDARD (WITH TOW BAR PACKAGE) (SN STARTING WITH 03) (860SJ HC3)

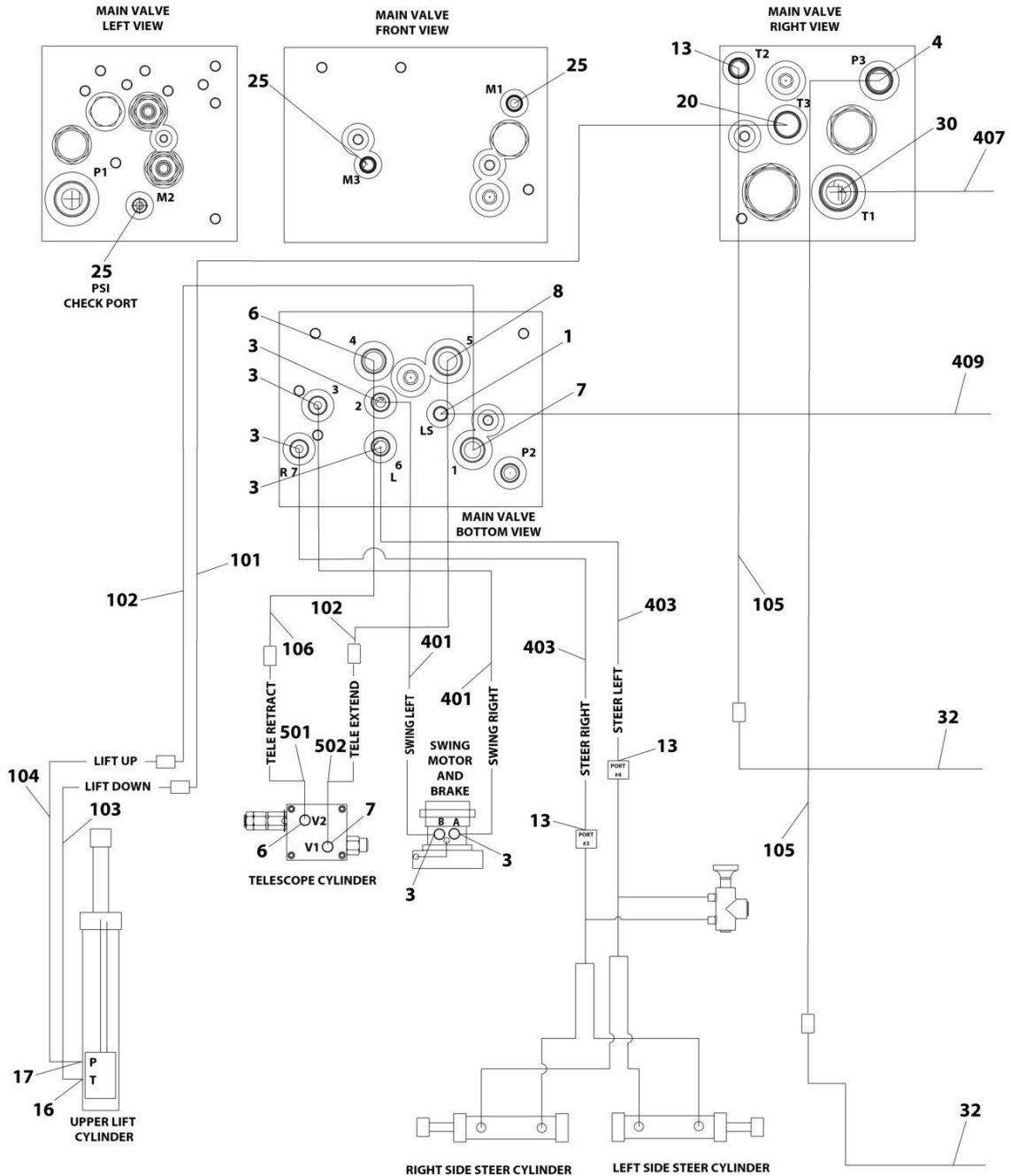
ITEM	PART NUMBER	QTY	DESCRIPTION	REV
	1001257559	Ref	STANDARD HYDRAULIC DIAGRAM	H
1	2110404	8	Fitting, Straight ORFS/ORB	
2	2110604	1	Fitting, Straight ORFS/ORB	
3	2110606	13	Fitting, Straight ORFS/ORB	
4	2110608	3	Fitting, Straight ORFS/ORB	
5	2110612	1	Fitting, Straight ORFS/ORB	
6	2110808	3	Fitting, Straight ORFS/ORB	
7	2111008	2	Fitting, Straight ORFS/ORB	
8	2111010	1	Fitting, Straight ORFS/ORB	
9	2111208	1	Fitting, Straight ORFS/ORB	
10	2111212	2	Fitting, Straight ORFS/ORB	
11	2112424	1	Fitting, Straight ORFS/ORB	
12	2130404	2	Fitting, 90 ORFS/ORB	
13	2130606	6	Fitting, 90 ORFS/ORB	
14	2130608	1	Fitting, 90 ORFS/ORB	
15	2130612	1	Fitting, 90 ORFS/ORB	
16	2130810	2	Fitting, 90 ORFS/ORB	
17	2131010	1	Fitting, 90 ORFS/ORB	
18	2150404	1	Fitting, 45 ORFS/ORB	
19	2151616	1	Fitting, 45 ORFS/ORB	
20	2170208	1	Fitting, 90 ORFS/ORB	
21	2170506	2	Fitting, Tee ORFS/ORFS/ORFS	
22	2170706	2	Fitting, Tee ORFS/FSORFS/ORFS	
23	2172112	1	Fitting, 90 ORFS/FSORFS	
24	2220238	1	Plug	
25	2220478	1	Split Flange Kit	
26	2220737	1	Split Flange Kit	
27	2221086	4	Fitting, Pressure Check	
28	2717059	1	Hose	
29	2753545	1	Hose	
39	4061032	1	Hose, Guard	
40	4240018	3	Tie-Strap	
41	88662327	1	Fitting, Straight ORFS/ORB	
43	2180829	1	Fitting, 90 ORFS/ORB	
47	1001257430	1	Cover, Hose	
100	2902461	1	Hose Kit	
101	2753670	1	Hose	
102	2753671	2	Hose	
103	2753682	1	Hose	
104	2753684	1	Hose	
105	1001167194	2	Hose	
106	1001167196	1	Hose	
200	1001259338	1	Hose Kit	
201	2753674	1	Hose	
202	2753677	1	Hose	
203	2753678	1	Hose	
204	1001257509	2	Hose	
205	1001269199	1	Hose	
207	1001285674	1	Hose	

SECTION 7 - HYDRAULIC

ITEM	PART NUMBER	QTY	DESCRIPTION	REV
300	1001270077	1	Hose Kit	
301	2753656	2	Hose	
302	2753732	2	Hose	
303	2753879	2	Hose	
304	1001159340	2	Hose	
400	1001270078	1	Hose Kit	
401	2753622	1	Hose	
402	2753653	2	Hose	
403	2753654	1	Hose	
404	2753656	2	Hose	
405	2753686	1	Hose	
406	1001111968	1	Hose	
407	1001157851	1	Hose	
408	1001177226	1	Hose	
409	1001181894	1	Hose	
500	1001270076	1	Hose Kit	
501	2753681	1	Hose	
502	2753683	1	Hose	

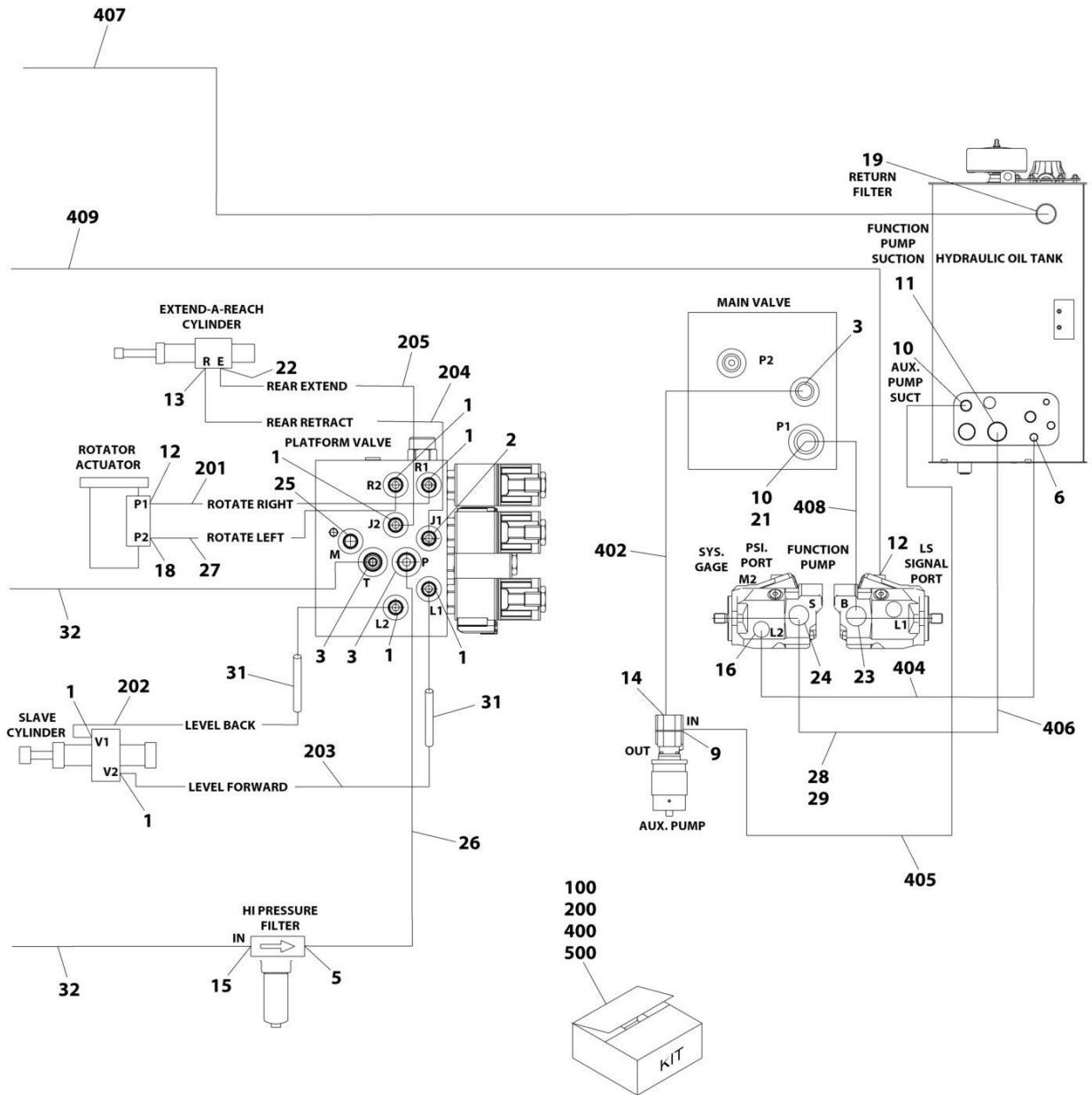
SECTION 7 - HYDRAULIC

FIGURE 7-15. HYDRAULIC DIAGRAM - STANDARD (WITH TOW BAR PACKAGE) (SN STARTING WITH B3) (860SJ HC3)



ART_1001288116_10F2

SECTION 7 - HYDRAULIC



ART_1001288116_2OF2

SECTION 7 - HYDRAULIC

FIGURE 7-15. HYDRAULIC DIAGRAM - STANDARD (WITH TOW BAR PACKAGE) (SN STARTING WITH B3) (860SJ HC3)

ITEM	PART NUMBER	QTY	DESCRIPTION	REV
	1001288116	Ref	STANDARD HYDRAULIC DIAGRAM	A
1	2110404	8	Fitting, Straight ORFS/ORB	
2	2110604	1	Fitting, Straight ORFS/ORB	
3	2110606	9	Fitting, Straight ORFS/ORB	
4	2110608	1	Fitting, Straight ORFS/ORB	
5	2110612	1	Fitting, Straight ORFS/ORB	
6	2110808	3	Fitting, Straight ORFS/ORB	
7	2111008	2	Fitting, Straight ORFS/ORB	
8	2111010	1	Fitting, Straight ORFS/ORB	
9	2111208	1	Fitting, Straight ORFS/ORB	
10	2111212	2	Fitting, Straight ORFS/ORB	
11	2112424	1	Fitting, Straight ORFS/ORB	
12	2130404	2	Fitting, 90 ORFS/ORB	
13	2130606	4	Fitting, 90 ORFS/ORB	
14	2130608	1	Fitting, 90 ORFS/ORB	
15	2130612	1	Fitting, 90 ORFS/ORB	
16	2130810	2	Fitting, 90 ORFS/ORB	
17	2131010	1	Fitting, 90 ORFS/ORB	
18	2150404	1	Fitting, 45 ORFS/ORB	
19	2151616	1	Fitting, 45 ORFS/ORB	
20	2170208	1	Fitting, 90 ORFS/ORB	
21	2172112	1	Fitting, 90 ORFS/FSORFS	
22	2180829	1	Fitting, 90 ORFS/ORB	
23	2220478	1	Split Flange Kit	
24	2220737	1	Split Flange Kit	
25	2221086	4	Fitting, Pressure Check	
26	2717059	1	Hose	
27	2753545	1	Hose	
28	4061032	1	Hose, Guard	
29	4240018	3	Tie-Strap	
30	88662327	1	Fitting, Straight ORFS/ORB	
31	1001257430	1	Cover, Hose	
32	1001257509	2	Hose	
100	1001271619	1	Hose Kit	
101	2753670	1	Hose	
102	2753671	2	Hose	
103	2753682	1	Hose	
104	2753684	1	Hose	
105	1001167194	2	Hose	
106	1001167196	1	Hose	
200	1001288114	1	Hose Kit	
201	2753674	1	Hose	
202	2753677	1	Hose	
203	2753678	1	Hose	
204	1001269199	1	Hose	
205	1001285674	1	Hose	
400	1001270075	1	Hose Kit	
401	2753653	2	Hose	
402	2753654	1	Hose	

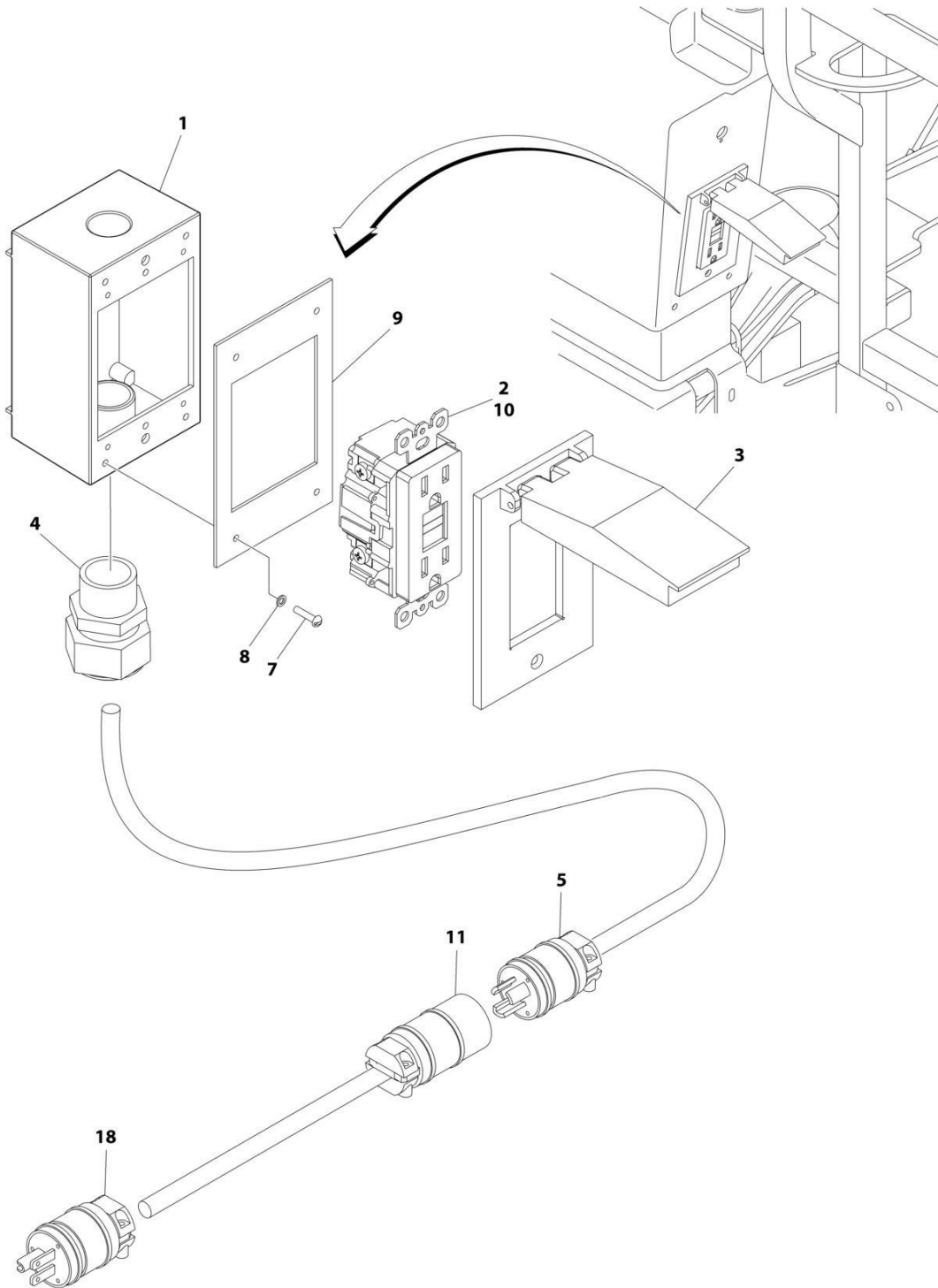
SECTION 7 - HYDRAULIC

ITEM	PART NUMBER	QTY	DESCRIPTION	REV
403	2753656	2	Hose	
404	2753686	1	Hose	
405	1001111968	1	Hose	
406	1001157851	1	Hose	
407	1001177226	1	Hose	
408	1001181894	1	Hose	
409	2753622	1	Hose	
500	1001270076	1	Hose Kit	
501	2753681	1	Hose	
502	2753683	1	Hose	

SECTION 8 - ELECTRICAL

SECTION 8 - ELECTRICAL

FIGURE 8-1. AC BOX AT PLATFORM INSTALLATION - 110V GFI RECEPTACLE (ALL SPECS EXCEPT AUSTRALIAN, CE & UK CA SPECS)



ART_0272259

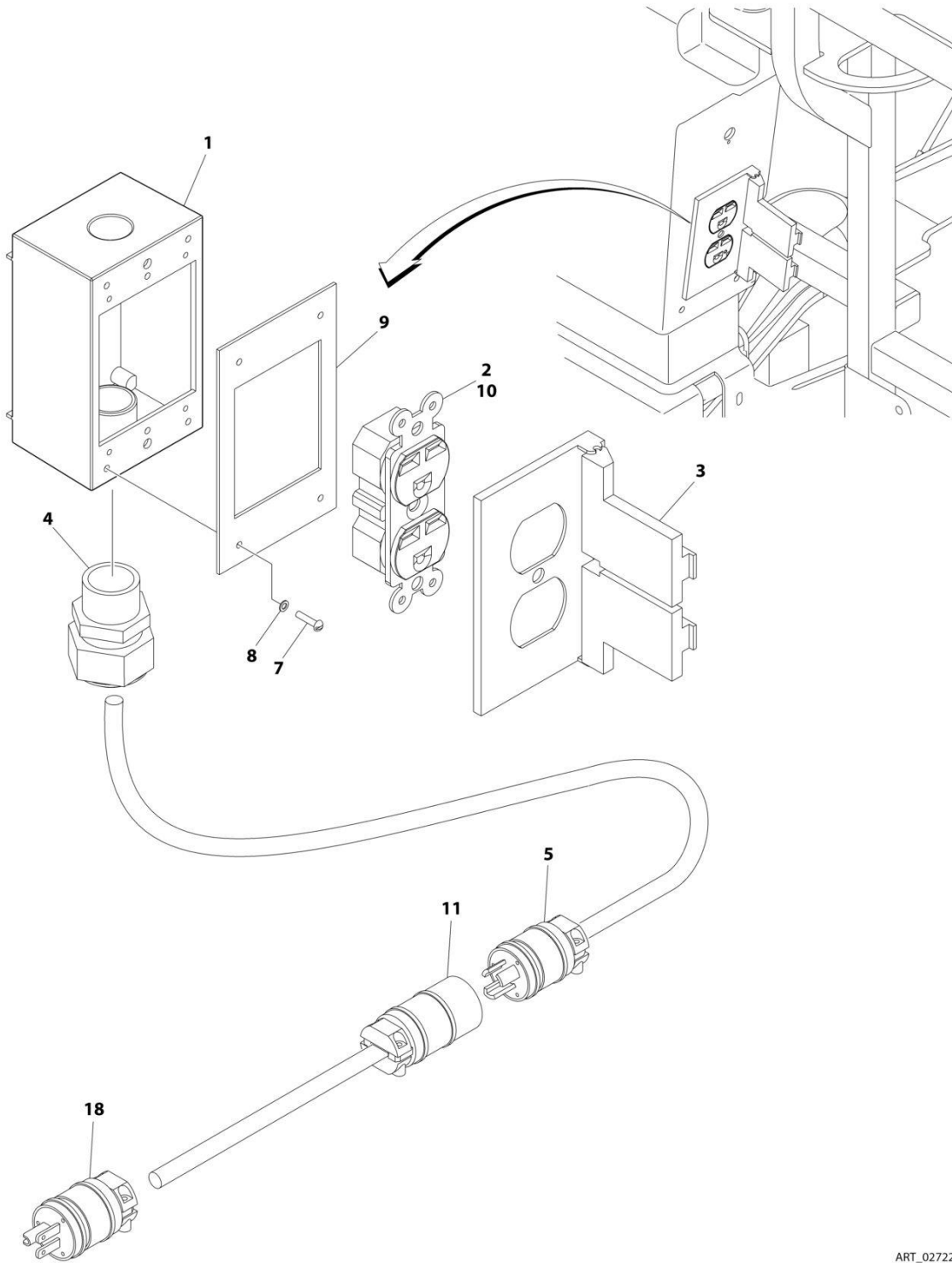
SECTION 8 - ELECTRICAL

FIGURE 8-1. AC BOX AT PLATFORM INSTALLATION - 110V GFI RECEPTACLE (ALL SPECS EXCEPT AUSTRALIAN, CE & UK CA SPECS)

ITEM	PART NUMBER	QTY	DESCRIPTION	REV
	0272259	Ref	AC BOX AT PLATFORM INSTALLATION - 110V GFI RECEPTACLE	C
1	0860038	1	Box, Switch	
2	4460346	1	Receptacle	
3	1001110873	1	Shield, Cover	
4	4460051	1	Connector, Strain Relief	
5	1001213584	1	Plug, Male	
7	3910610	4	Screw #6 x 5/8	
8	4760600	4	Washer #6	
9	3960422	1	Gasket	
10	4460315	3	Terminal, Spade	
11	1001213585	1	Receptacle, Female	
18	4460205	1	Plug, Male	

SECTION 8 - ELECTRICAL

FIGURE 8-2. AC BOX AT PLATFORM INSTALLATION - 220V (ANSI, CSA & JAPANESE SPECS)



ART_0272260

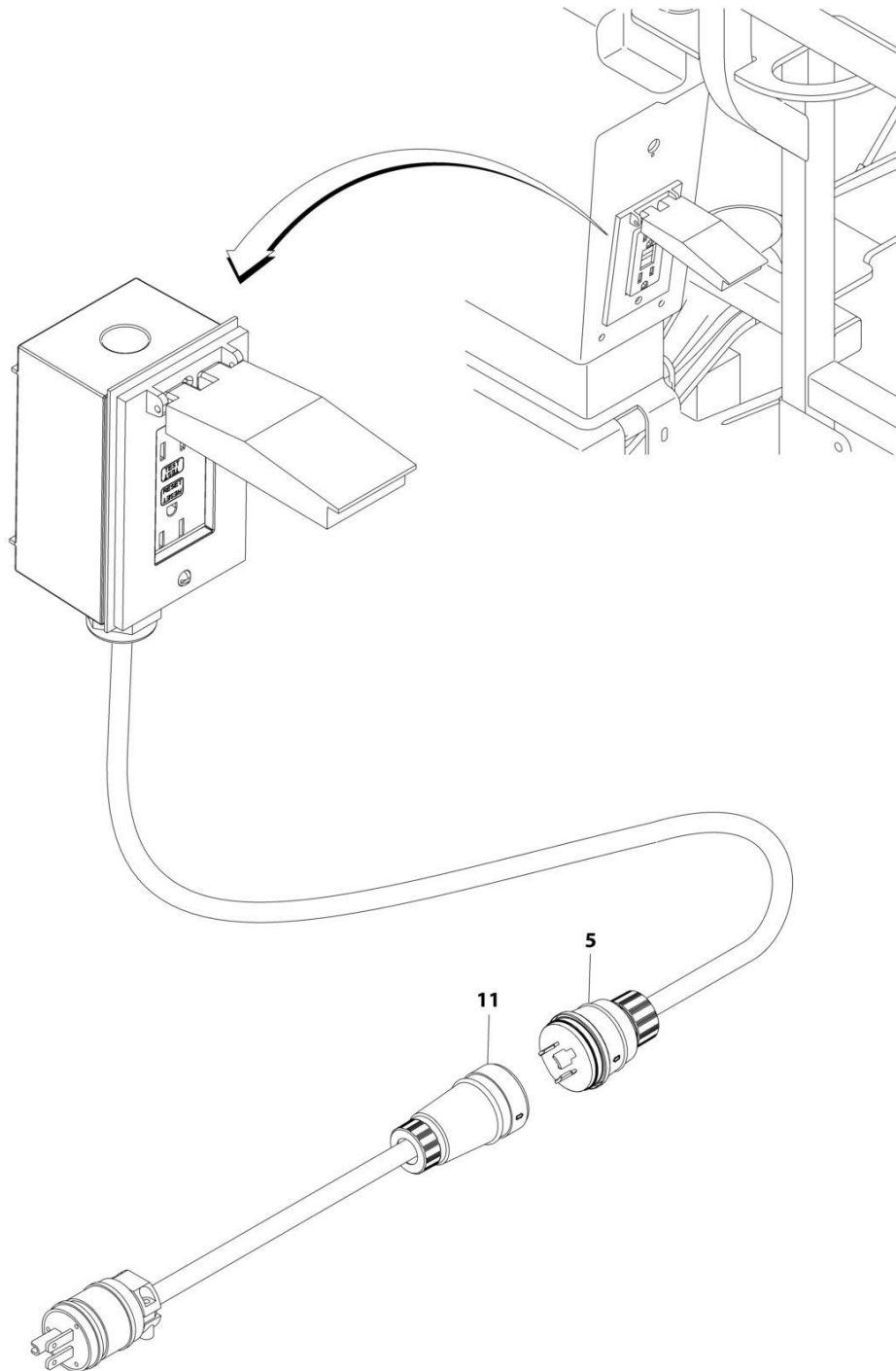
SECTION 8 - ELECTRICAL

FIGURE 8-2. AC BOX AT PLATFORM INSTALLATION - 220V (ANSI, CSA & JAPANESE SPECS)

ITEM	PART NUMBER	QTY	DESCRIPTION	REV
	0272260	Ref	AC BOX AT PLATFORM INSTALLATION - 220V	C
1	0860038	1	Box, Switch	
2	4460125	1	Receptacle	
3	4060092	1	Shield	
4	4460051	1	Connector, Strain Relief	
5	1001213584	2	Plug, Male	
7	3910610	4	Screw #6 x 5/8	
8	4760600	4	Washer #6	
9	3960422	1	Gasket	
10	4460315	1	Terminal, Spade	
11	1001213585	1	Receptacle, Female	
18	4460233	1	Plug, Male	

SECTION 8 - ELECTRICAL

FIGURE 8-3. AC BOX AT PLATFORM MID-BOOM PLUG INSTALLATION (WITHOUT 7500W SKYPOWER GENERATOR) (ANSI EXPORT, AUSTRALIAN, CE & UK CA SPECS)



ART_0256202

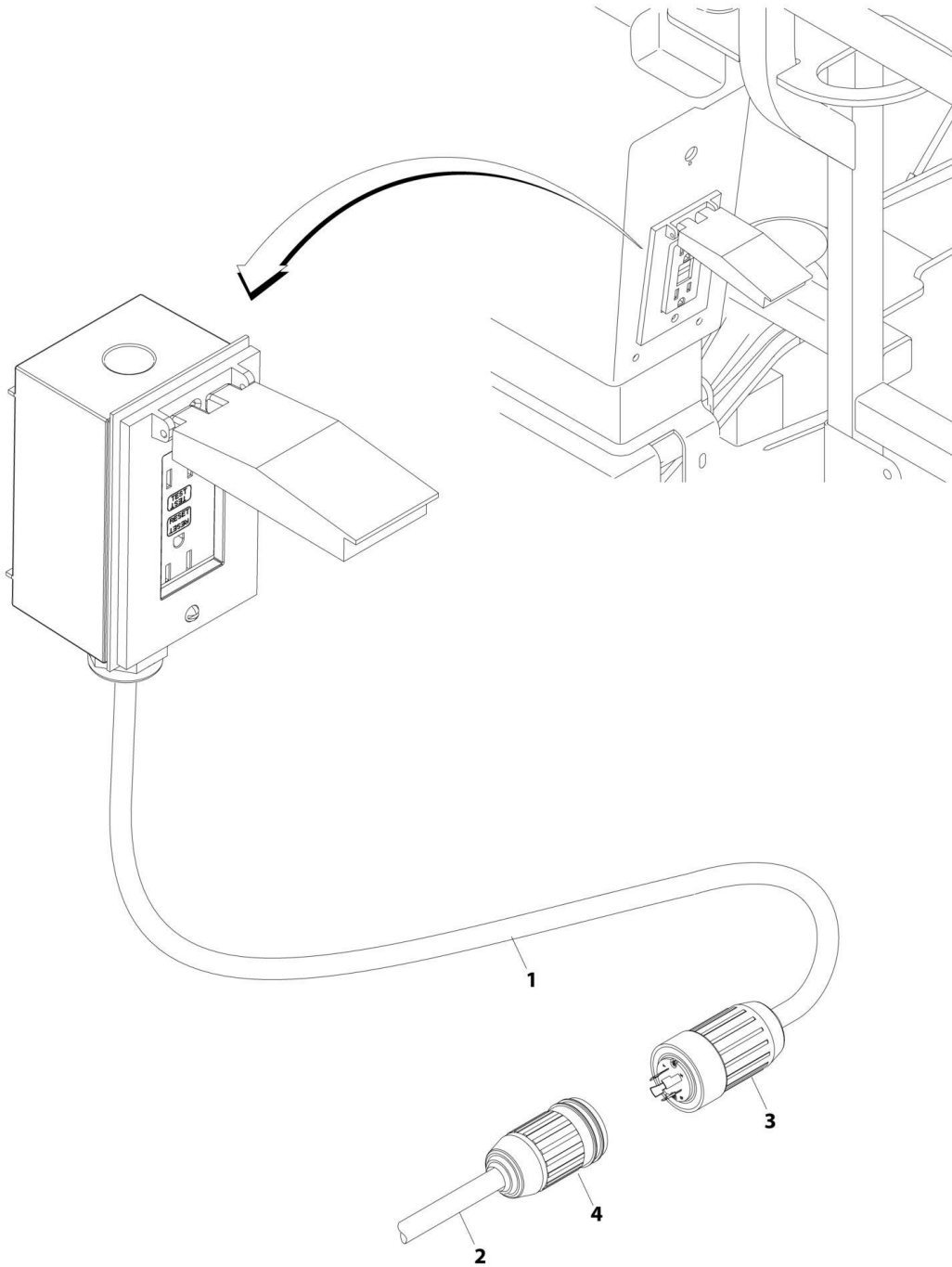
SECTION 8 - ELECTRICAL

FIGURE 8-3. AC BOX AT PLATFORM MID-BOOM PLUG INSTALLATION (WITHOUT 7500W SKYPOWER GENERATOR) (ANSI EXPORT, AUSTRALIAN, CE & UK CA SPECS)

ITEM	PART NUMBER	QTY	DESCRIPTION	REV
	0256202	Ref	AC BOX AT PLATFORM MID-BOOM PLUG INSTALLATION	D
5	1001213584	1	Plug	
11	1001213585	1	Receptacle	

SECTION 8 - ELECTRICAL

**FIGURE 8-4. AC BOX AT PLATFORM MID-BOOM PLUG INSTALLATION (WITHOUT GENERATOR)
(CHINA SPECS)**



ART_1001243561

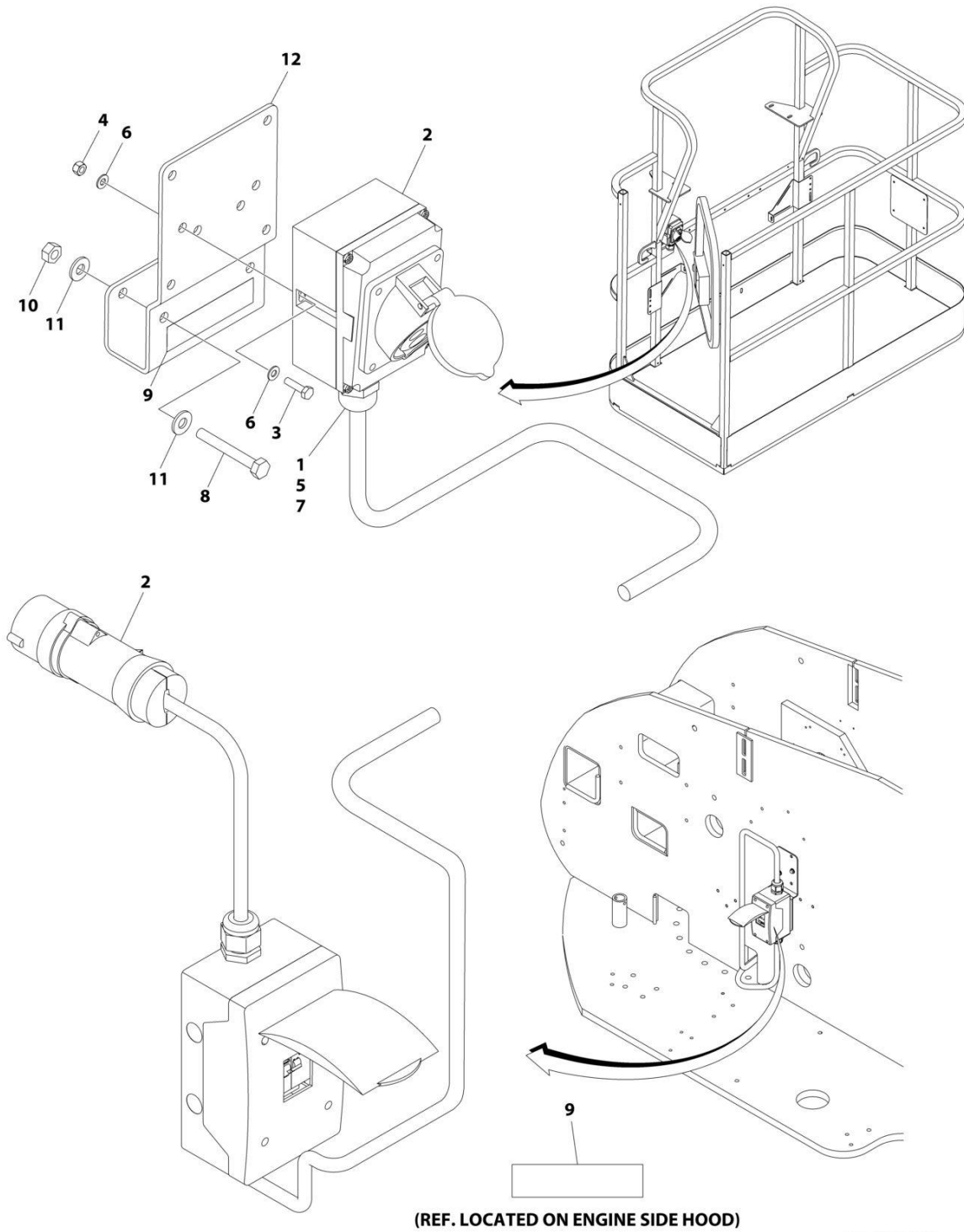
SECTION 8 - ELECTRICAL

**FIGURE 8-4. AC BOX AT PLATFORM MID-BOOM PLUG INSTALLATION (WITHOUT GENERATOR)
(CHINA SPECS)**

ITEM	PART NUMBER	QTY	DESCRIPTION	REV
	1001243561	Ref	AC BOX AT PLATFORM MID-BOOM PLUG INSTALLATION	A
1	4922874	1	Cable, Electrical 10/3	
2	4922877	1	Cable, Electrical 10/3	
3	1001213584	1	Plug	
4	1001213585	1	Receptacle	

SECTION 8 - ELECTRICAL

FIGURE 8-5. AC BOX AT PLATFORM INSTALLATION - 110V IEC 60309 YELLOW WITHOUT 2500W GENERATOR (RUSSIAN, CE, & UK CA SPECS)



ART_1001091969

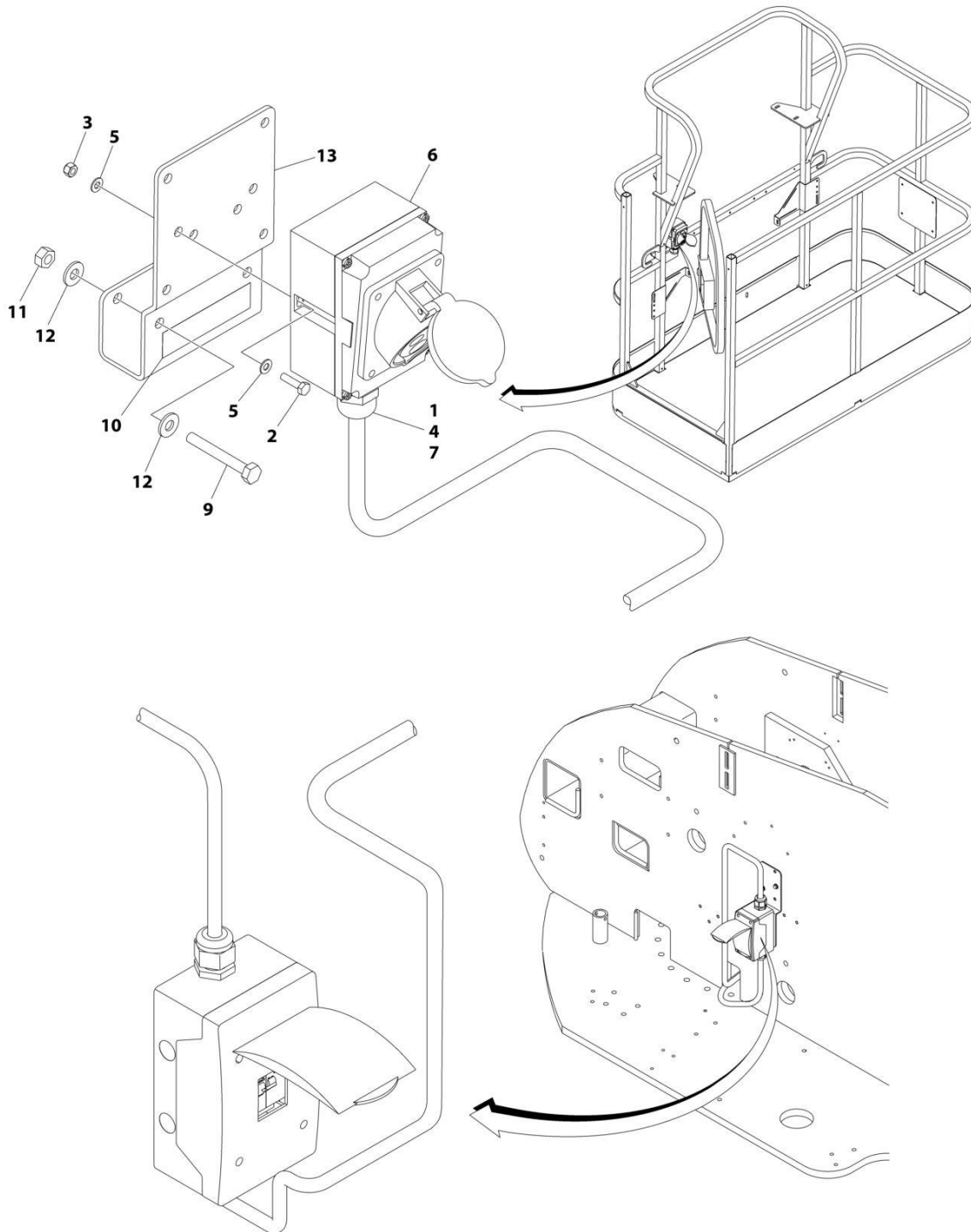
SECTION 8 - ELECTRICAL

FIGURE 8-5. AC BOX AT PLATFORM INSTALLATION - 110V IEC 60309 YELLOW WITHOUT 2500W GENERATOR (RUSSIAN, CE, & UK CA SPECS)

ITEM	PART NUMBER	QTY	DESCRIPTION	REV
	1001091969	Ref	AC BOX AT PLATFORM INSTALLATION - 110V IEC YELLOW	D
1	0100020	AR	Sealant, Pipe	
2	0275216	1	Receptacle Box Kit (See Separate Breakdown in this Section)	
3	0700408	2	Bolt M4 x 16	
4	3290405	2	Nut M4	
5	1001101196	1	Adapter	
6	4811400	4	Washer M4	
7	1001101191	1	Connector, Strain Relief	
8	0641416	2	Bolt 1/4 x 2	
9	1705325	2	Decal - 110V	
10	3311405	2	Nut 1/4	
11	4711400	4	Washer 1/4	
12	1001193018	1	Bracket	

SECTION 8 - ELECTRICAL

FIGURE 8-6. AC BOX AT PLATFORM INSTALLATION - 110V IEC 60309 YELLOW WITH 2500W GENERATOR (RUSSIAN, CE & UK CA SPECS)



ART_1001100326

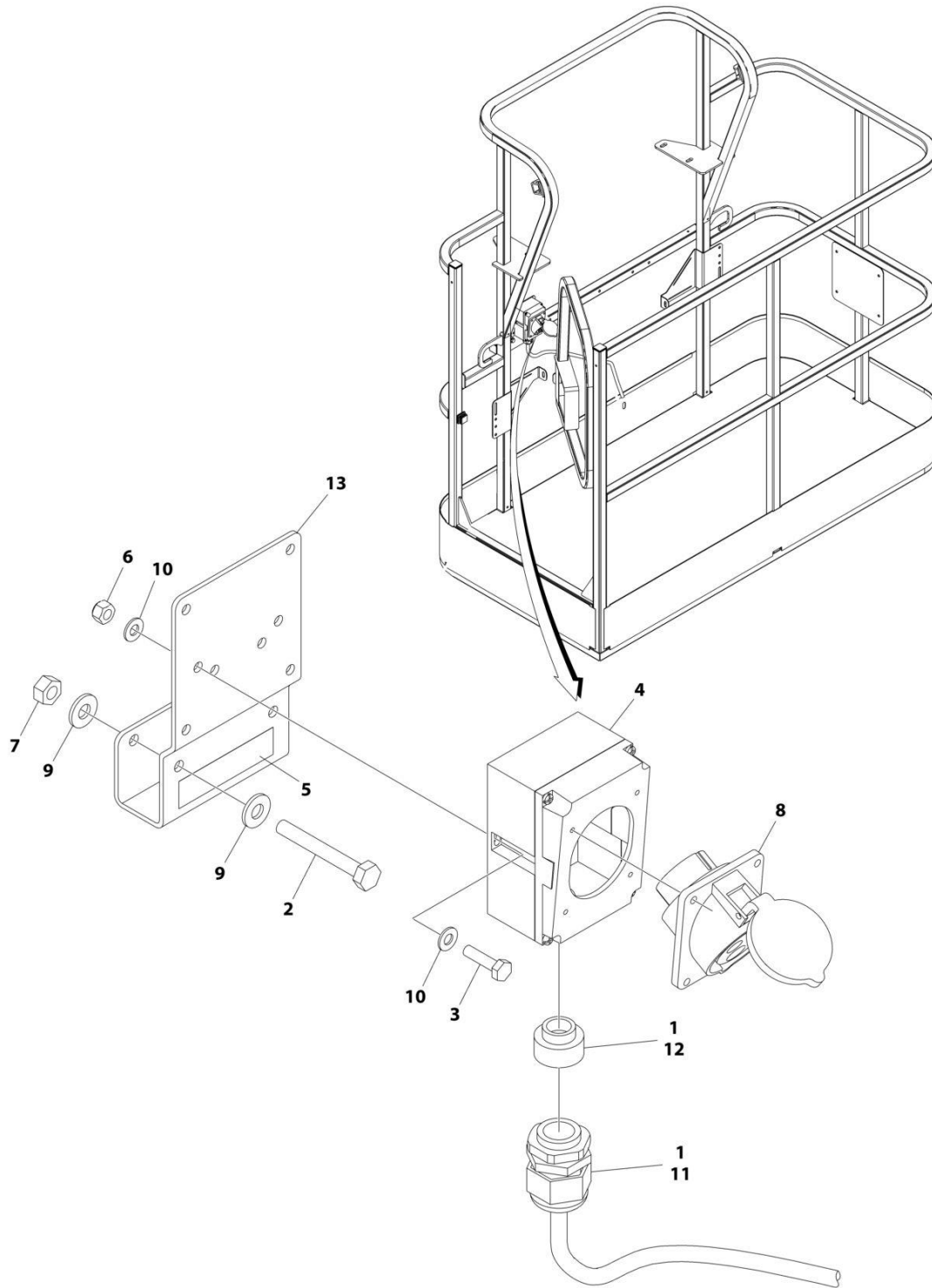
SECTION 8 - ELECTRICAL

FIGURE 8-6. AC BOX AT PLATFORM INSTALLATION - 110V IEC 60309 YELLOW WITH 2500W GENERATOR (RUSSIAN, CE & UK CA SPECS)

ITEM	PART NUMBER	QTY	DESCRIPTION	REV
	1001100326	Ref	AC BOX AT PLATFORM INSTALLATION - 110V IEC 60309 YELLOW	D
1	0100020	AR	Sealant, Pipe	
2	0700408	2	Bolt M4 x 16	
3	3290405	2	Nut M4	
4	1001101196	1	Adapter	
5	4811400	4	Washer M4	
6	1001100341	1	Receptacle Box Kit (See Separate Breakdown in this Section)	
7	1001101191	1	Connector, Strain Relief	
8	1060908	10 ft /3.05m	Cable, Electrical 12/3 (Not Shown)	
9	0641416	2	Bolt 1/4 x 2	
10	1705325	1	Decal - 110V	
11	3311405	2	Nut 1/4	
12	4711400	4	Washer 1/4	
13	1001193018	1	Bracket	

SECTION 8 - ELECTRICAL

FIGURE 8-7. AC BOX AT PLATFORM INSTALLATION - 110V IEC YELLOW (RUSSIAN, CE & UK CA SPECS) (MACHINES WITH 4000W GENERATOR)



ART_1001206253

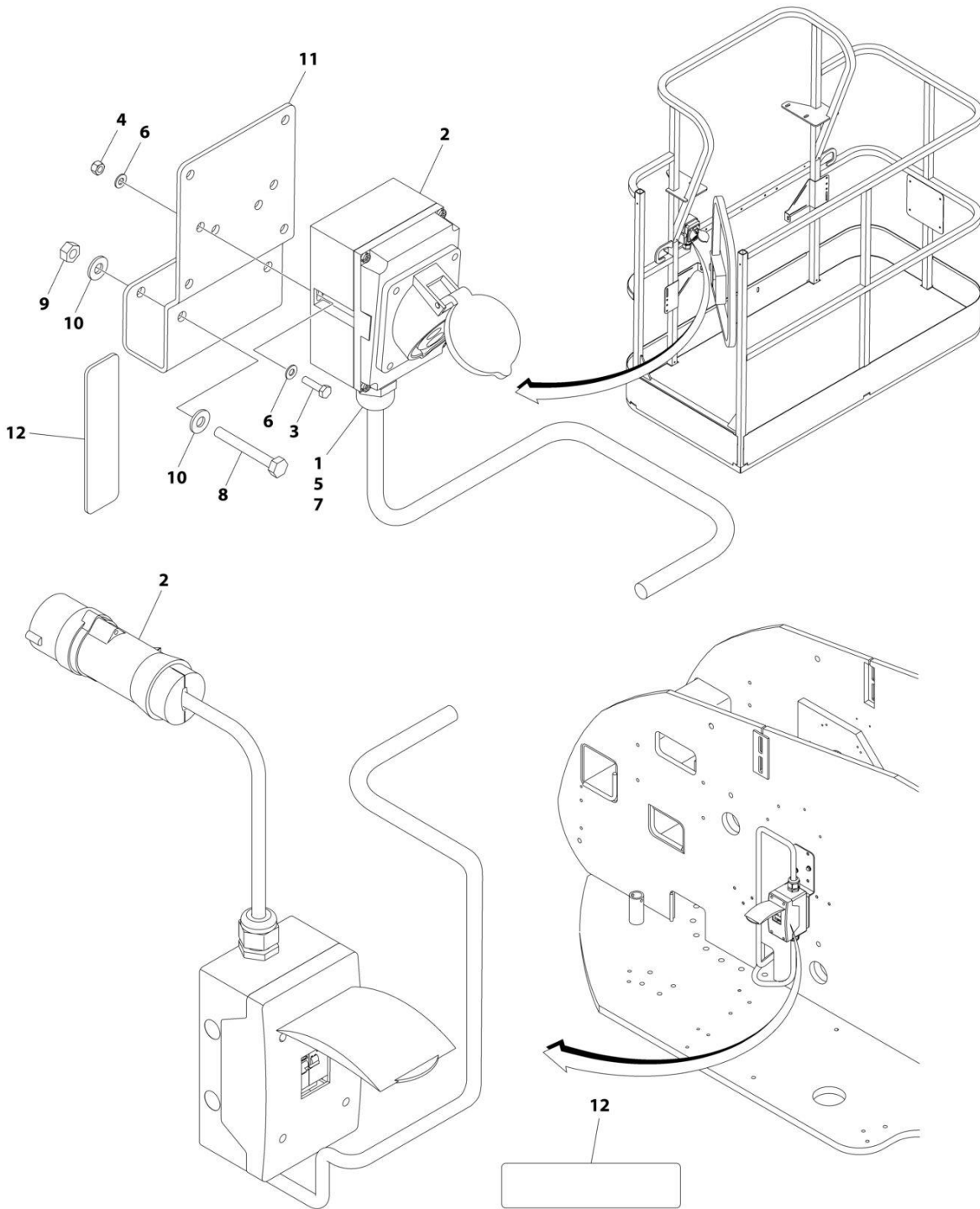
SECTION 8 - ELECTRICAL

FIGURE 8-7. AC BOX AT PLATFORM INSTALLATION - 110V IEC YELLOW (RUSSIAN, CE & UK CA SPECS) (MACHINES WITH 4000W GENERATOR)

ITEM	PART NUMBER	QTY	DESCRIPTION	REV
	1001206253	Ref	AC BOX AT PLATFORM INSTALLATION - 110V IEC 60309 YELLOW WITHOUT 4000W GENERATOR	A
1	0100020	AR	Sealant, Pipe	
2	0641416	2	Bolt 1/4 x 2	
3	0700408	2	Bolt M4 x 16	
4	0861781	1	Box, Switch	
5	1705325	1	Decal - 110V	
6	3290405	2	Nut M4	
7	3311405	2	Nut 1/4	
8	4461198	1	Receptacle	
9	4711400	4	Washer 1/4	
10	4811400	4	Washer M4	
11	1001101191	1	Connector, Strain Relief	
12	1001101196	1	Adapter	
13	1001193018	1	Bracket, AC Receptacle	

SECTION 8 - ELECTRICAL

FIGURE 8-8. AC BOX AT PLATFORM INSTALLATION - 220V IEC BLUE (RUSSIAN, CE & UK CA SPECS) (MACHINES WITH 2500W GENERATOR OR NO GENERATOR OPTION)



(REF. LOCATED ON ENGINE SIDE HOOD)

ART_1001091970

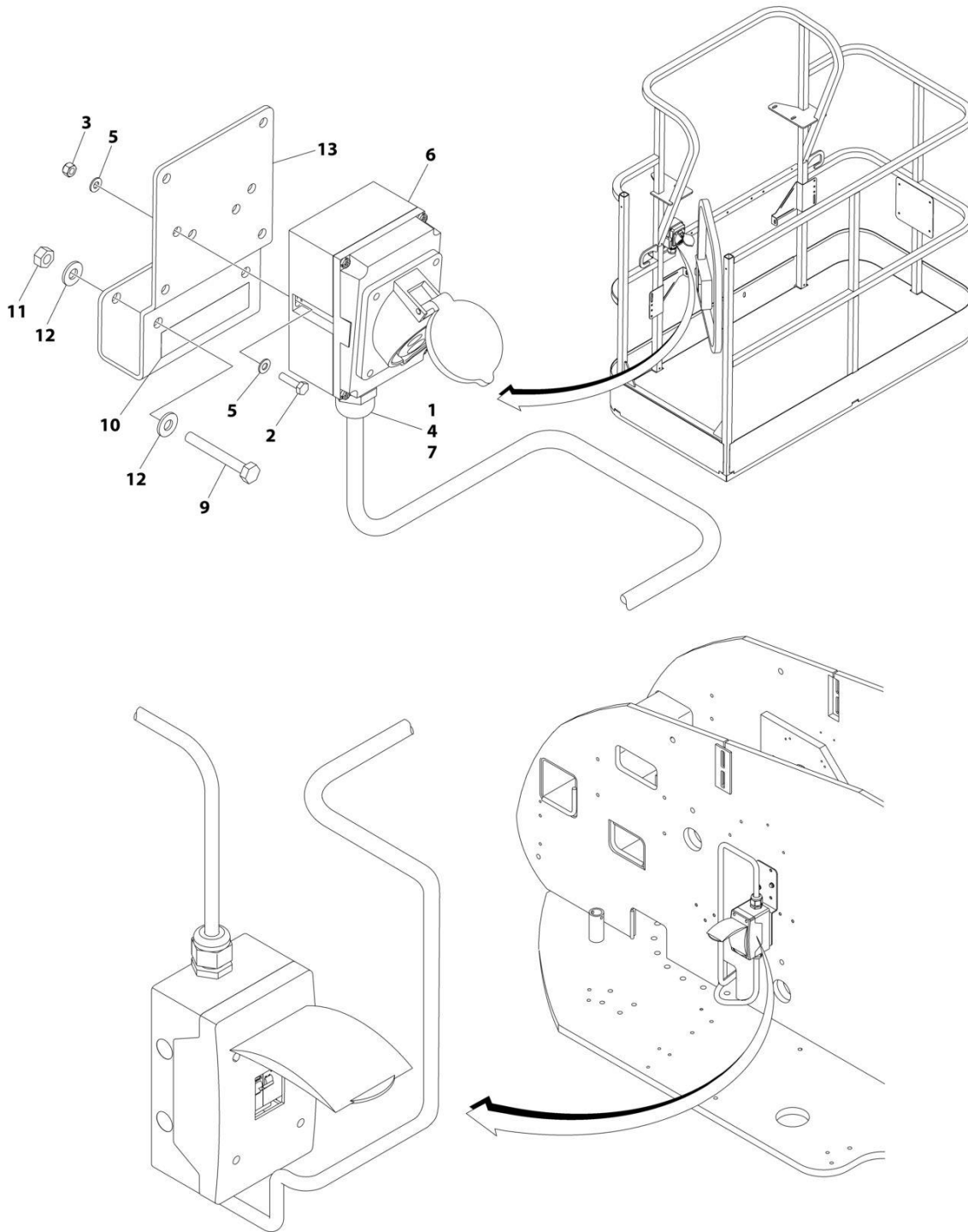
SECTION 8 - ELECTRICAL

FIGURE 8-8. AC BOX AT PLATFORM INSTALLATION - 220V IEC BLUE (RUSSIAN, CE & UK CA SPECS) (MACHINES WITH 2500W GENERATOR OR NO GENERATOR OPTION)

ITEM	PART NUMBER	QTY	DESCRIPTION	REV
	1001091970	Ref	AC BOX AT PLATFORM INSTALLATION - 220V IEC BLUE	D
1	0100020	AR	Sealant, Pipe	
2	0275217	1	Receptacle Box Kit (See Separate Breakdown in this Section)	
3	0700408	2	Bolt M4 x 16	
4	3290405	2	Nut M4	
5	1001101196	1	Adapter	
6	4811400	4	Washer M4	
7	1001101191	1	Connector, Strain Relief	
8	0641416	2	Bolt 1/4 x 2	
9	3311405	2	Nut 1/4	
10	4711400	4	Washer 1/4	
11	1001193018	1	Bracket	
12	3251242	2	Decal - 240V/50Hz	

SECTION 8 - ELECTRICAL

FIGURE 8-9. AC BOX AT PLATFORM INSTALLATION - 220V IEC 60309 BLUE WITH 2500W GENERATOR (RUSSIAN, CE & UK CA SPECS)



ART_1001100327

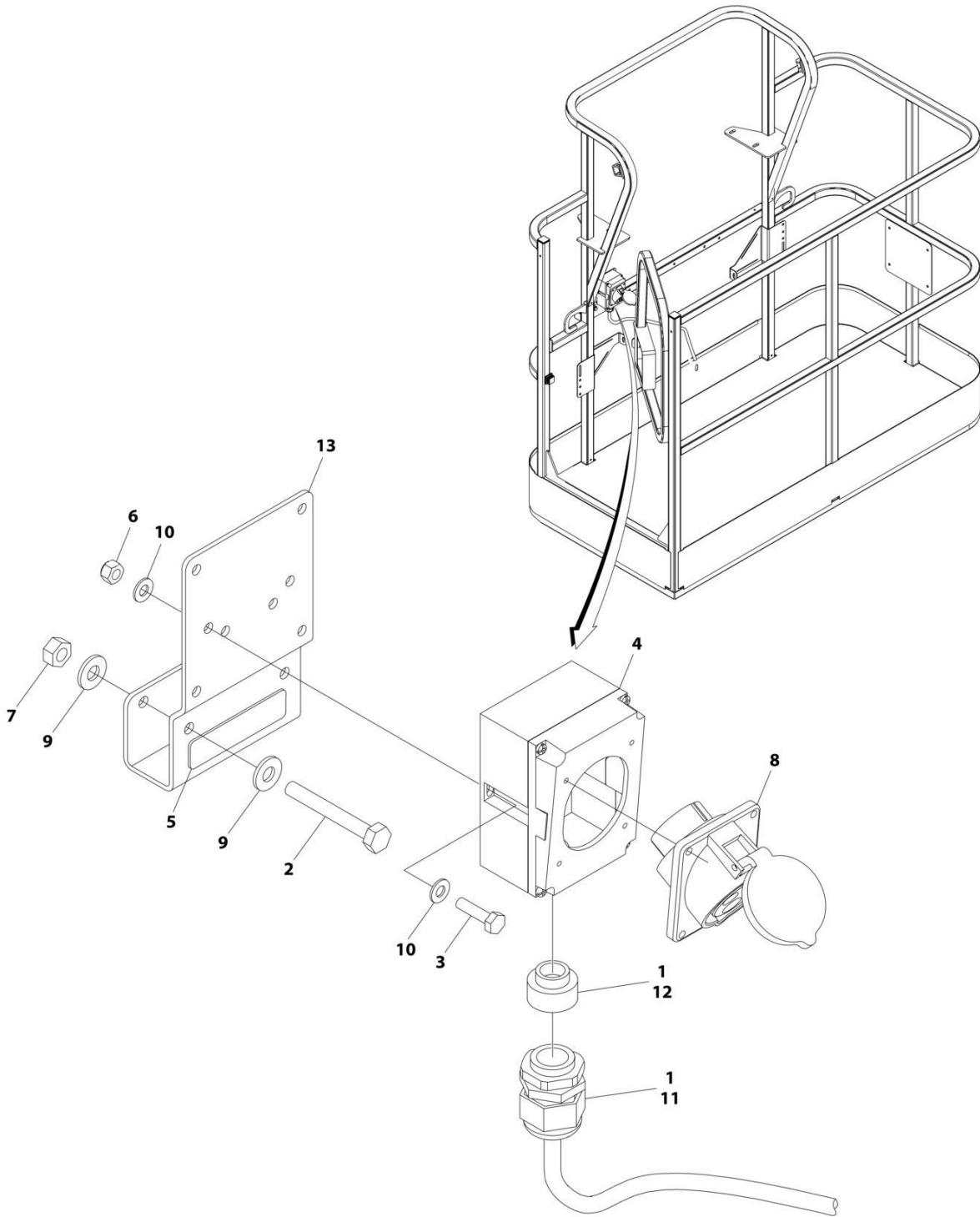
SECTION 8 - ELECTRICAL

FIGURE 8-9. AC BOX AT PLATFORM INSTALLATION - 220V IEC 60309 BLUE WITH 2500W GENERATOR (RUSSIAN, CE & UK CA SPECS)

ITEM	PART NUMBER	QTY	DESCRIPTION	REV
	1001100327	Ref	AC BOX AT PLATFORM INSTALLATION - 220V IEC 60309 BLUE	D
1	0100020	AR	Sealant, Pipe	
2	0700408	2	Bolt M4 x 16	
3	3290405	2	Nut M4	
4	1001101196	1	Adapter	
5	4811400	4	Washer M4	
6	1001100342	1	Receptacle Box Kit (See Separate Breakdown in this Section)	
7	1001101191	1	Connector, Strain Relief	
8	1060908	10 ft /3.05m	Cable, Electrical 12/3 (Not Shown)	
9	0641416	2	Bolt 1/4 x 2	
10	3252507	1	Decal - 220V	
11	3311405	2	Nut 1/4	
12	4711400	4	Washer 1/4	
13	1001193018	1	Bracket	

SECTION 8 - ELECTRICAL

FIGURE 8-10. AC BOX AT PLATFORM INSTALLATION - 220V IEC BLUE (RUSSIAN, CE & UK CA SPECS) (MACHINES WITH 4000W GENERATOR)



ART_1001206254

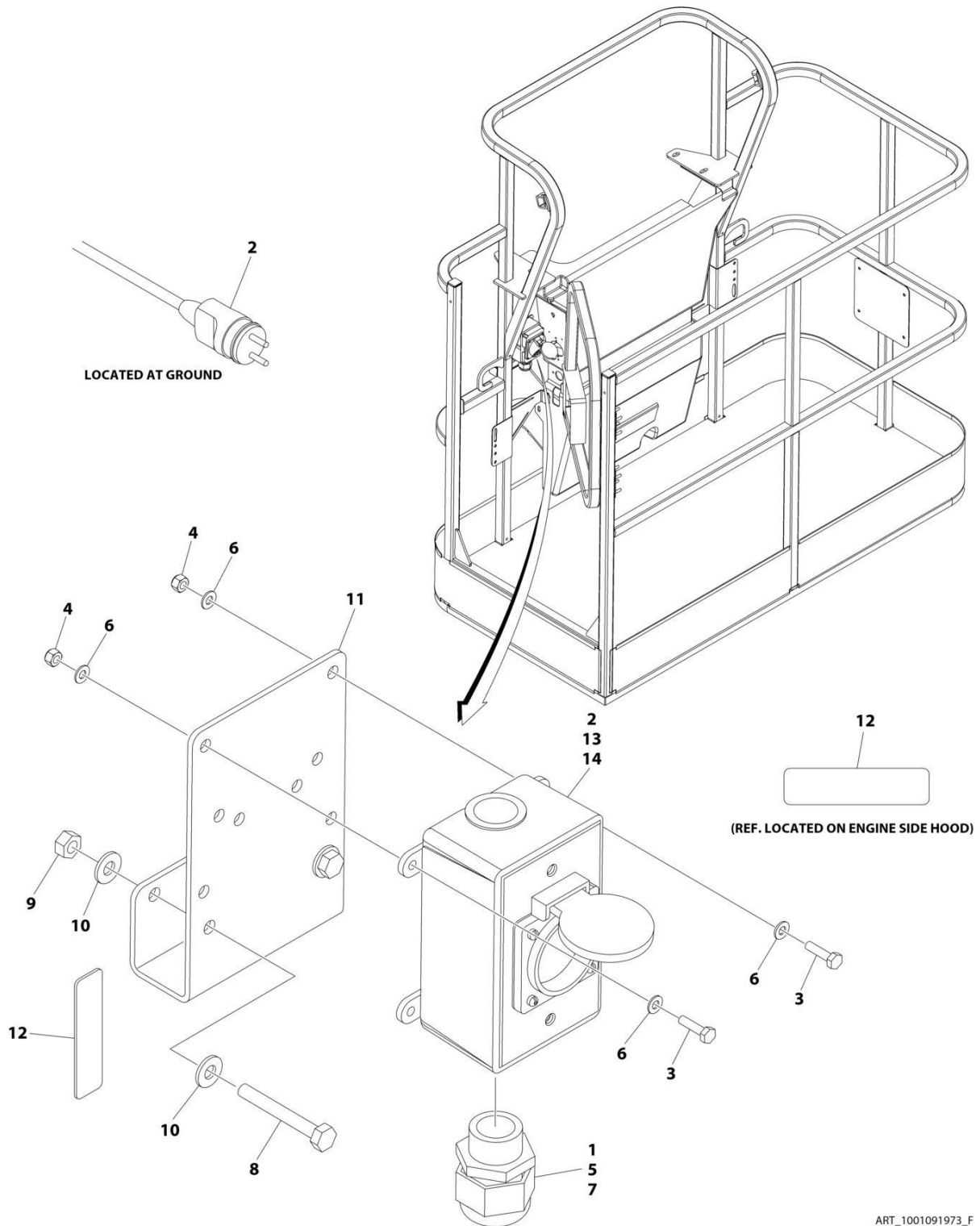
SECTION 8 - ELECTRICAL

FIGURE 8-10. AC BOX AT PLATFORM INSTALLATION - 220V IEC BLUE (RUSSIAN, CE & UK CA SPECS) (MACHINES WITH 4000W GENERATOR)

ITEM	PART NUMBER	QTY	DESCRIPTION	REV
	1001206254	Ref	AC BOX AT PLATFORM INSTALLATION - 220V IEC BLUE	A
1	0100020	AR	Sealant, Pipe	
2	0641416	2	Bolt 1/4 x 2	
3	0700408	2	Bolt M4 x 16	
4	0861781	1	Box, Switch	
5	3251242	1	Decal - 240V/50Hz	
6	3290405	2	Nut M4	
7	3311405	2	Nut 1/4	
8	4461201	1	Receptacle	
9	4711400	4	Washer 1/4	
10	4811400	4	Washer M4	
11	1001101191	1	Connector, Strain Relief	
12	1001101196	1	Adapter	
13	1001193018	1	Bracket, AC Receptacle	

SECTION 8 - ELECTRICAL

FIGURE 8-11. AC BOX AT PLATFORM INSTALLATION - 220V CEE7 POST GROUND (RUSSIAN, CE & UK CA SPECS) (MACHINES WITH 2500W GENERATOR OR NO GENERATOR OPTION)



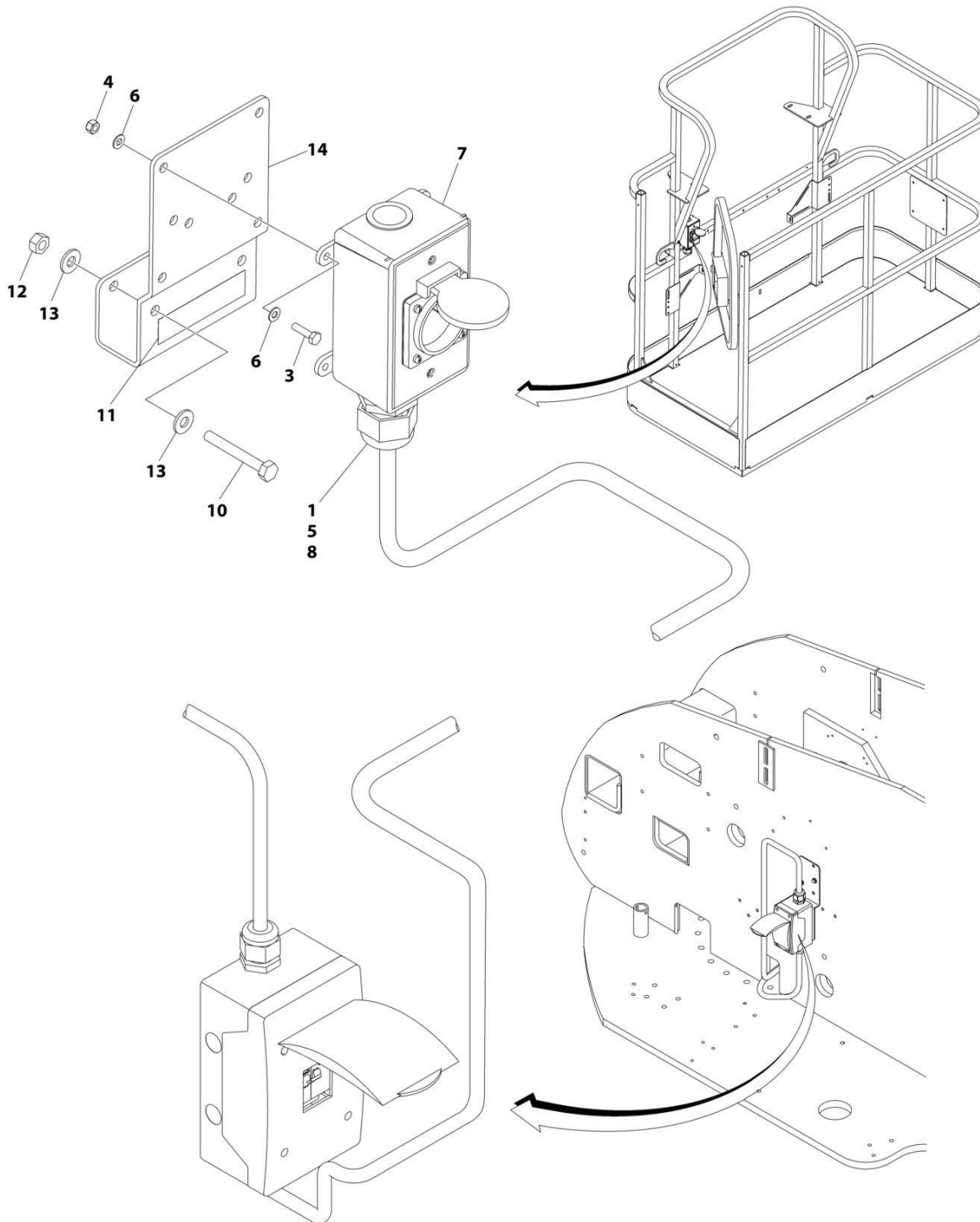
SECTION 8 - ELECTRICAL

FIGURE 8-11. AC BOX AT PLATFORM INSTALLATION - 220V CEE7 POST GROUND (RUSSIAN, CE & UK CA SPECS) (MACHINES WITH 2500W GENERATOR OR NO GENERATOR OPTION)

ITEM	PART NUMBER	QTY	DESCRIPTION	REV
	1001091973	Ref	AC BOX AT PLATFORM INSTALLATION - 220V CEE7 2X4 BOX POST GROUND	F
1	0100020	AR	Sealant, Pipe	
2	0275452	1	Receptacle Box Kit (See Separate Breakdown in this Section)	
3	0700408	4	Bolt M4 x 16	
4	3290405	4	Nut M4	
5	1001101197	1	Adapter	
6	4811400	8	Washer M4	
7	1001101191	1	Connector, Strain Relief	
8	0641416	2	Bolt 1/4 x 2	
9	3311405	2	Nut 1/4	
10	4711400	4	Washer 1/4	
11	1001193018	1	Bracket	
12	3251242	2	Decal - 240V/50Hz	
13	4460806	2	Terminal, Fork (Not Shown)	
14	1001205958	1	Terminal (Not Shown)	

SECTION 8 - ELECTRICAL

FIGURE 8-12. AC BOX AT PLATFORM INSTALLATION - 220V CEE7 POST GROUND (2X4 BOX) WITH 2500W GENERATOR (RUSSIAN, CE & UK CA SPECS)



ART_1001100331

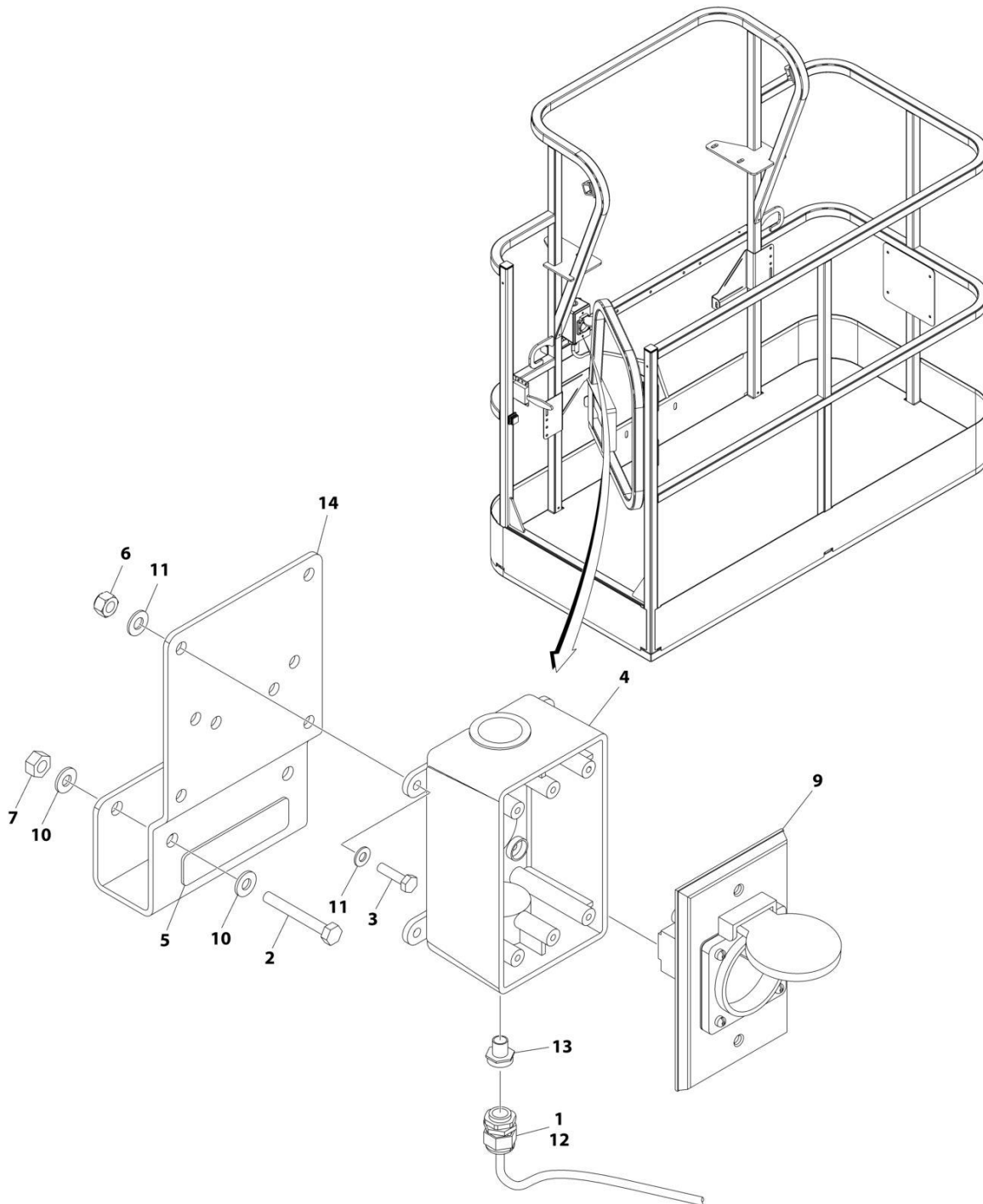
SECTION 8 - ELECTRICAL

FIGURE 8-12. AC BOX AT PLATFORM INSTALLATION - 220V CEE7 POST GROUND (2X4 BOX) WITH 2500W GENERATOR (RUSSIAN, CE & UK CA SPECS)

ITEM	PART NUMBER	QTY	DESCRIPTION	REV
	1001100331	Ref	AC BOX AT PLATFORM INSTALLATION - 220V CEE7 POST GROUND (2X4 BOX)	E
1	0100020	AR	Sealant, Pipe	
3	0700408	4	Bolt M4 x 16	
4	3290405	4	Nut M4	
5	1001101197	1	Adapter	
6	4811400	8	Washer M4	
7	1001100345	1	Receptacle Box Kit (See Separate Breakdown in this Section)	
8	1001101191	1	Connector, Strain Relief	
9	1060908	10 ft /3.05m	Cable, Electrical 12/3 (Not Shown)	
10	0641416	2	Bolt 1/4 x 2	
11	3252507	1	Decal - 220V	
12	3311405	2	Nut 1/4	
13	4711400	4	Washer 1/4	
14	1001193018	1	Bracket	
15	4460806	2	Terminal, Fork (Not Shown)	
16	1001205958	1	Terminal (Not Shown)	

SECTION 8 - ELECTRICAL

FIGURE 8-13. AC BOX AT PLATFORM INSTALLATION - 220V CEE7 POST GROUND (RUSSIAN, CE & UK CA SPECS) (MACHINES WITH 4000W GENERATOR)



ART_1001206250

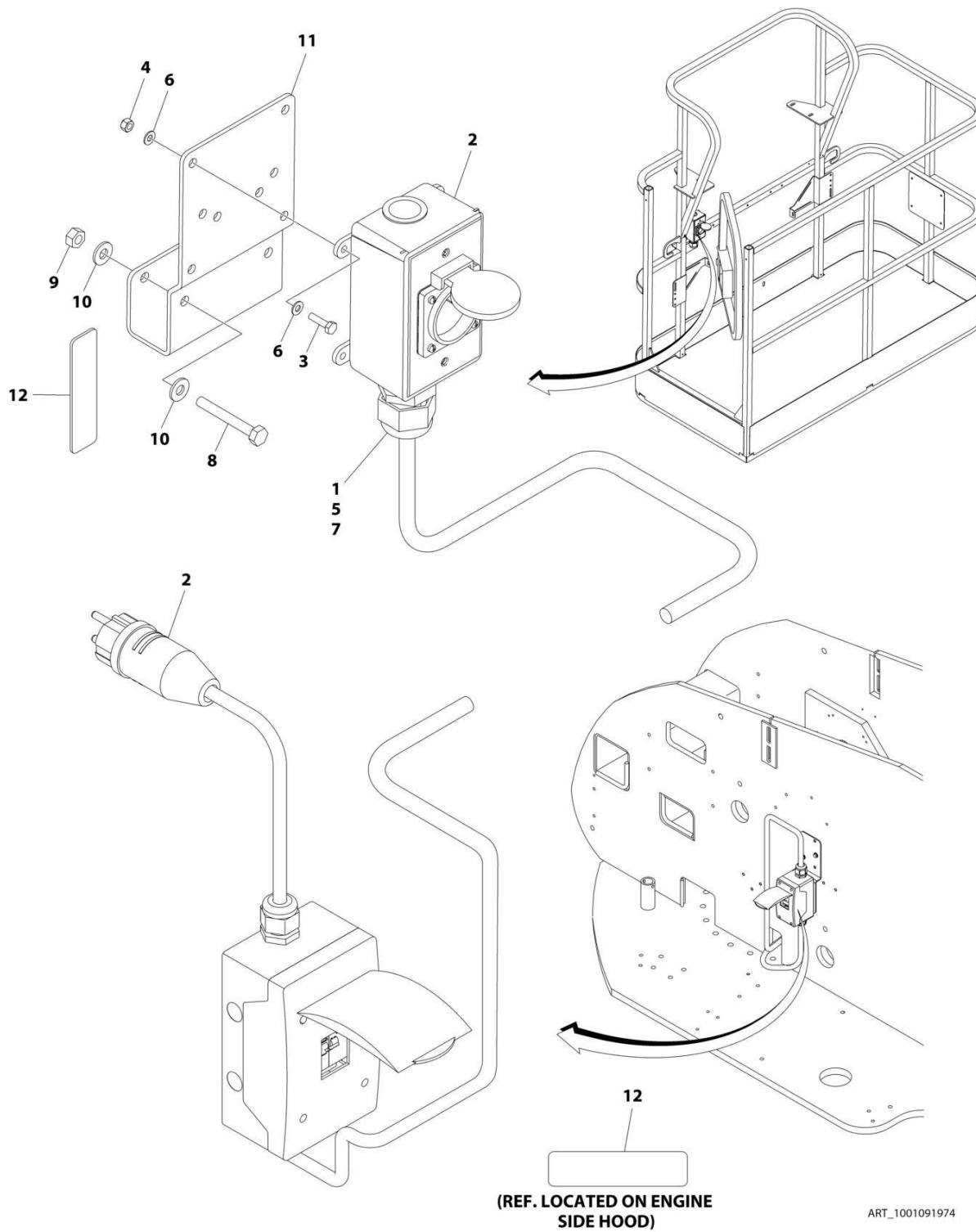
SECTION 8 - ELECTRICAL

FIGURE 8-13. AC BOX AT PLATFORM INSTALLATION - 220V CEE7 POST GROUND (RUSSIAN, CE & UK CA SPECS) (MACHINES WITH 4000W GENERATOR)

ITEM	PART NUMBER	QTY	DESCRIPTION	REV
	1001206250	Ref	AC BOX AT PLATFORM INSTALLATION - 220V CEE7 2X4 BOX POST GROUND	A
1	0100020	AR	Sealant, Pipe	
2	0641416	2	Bolt 1/4 x 2	
3	0700408	4	Bolt M4 x 16	
4	0861731	1	Box, Switch	
5	3251242	1	Decal - 240V/50Hz	
6	3290405	4	Nut M4	
7	3311405	2	Nut 1/4	
8	4460806	2	Terminal, Fork (Not Shown)	
9	4461244	1	Receptacle	
10	4711400	4	Washer 1/4	
11	4811400	8	Washer M4	
12	1001101191	1	Connector, Strain Relief	
13	1001101197	1	Adapter	
14	1001193018	1	Bracket, AC Receptacle	
15	1001205958	1	Terminal (Not Shown)	

SECTION 8 - ELECTRICAL

FIGURE 8-14. AC BOX AT PLATFORM INSTALLATION - 220V CEE7 SIDE GROUND (RUSSIAN, CE & UK CA SPECS) (MACHINES WITH 2500W GENERATOR OR NO GENERATOR OPTION)



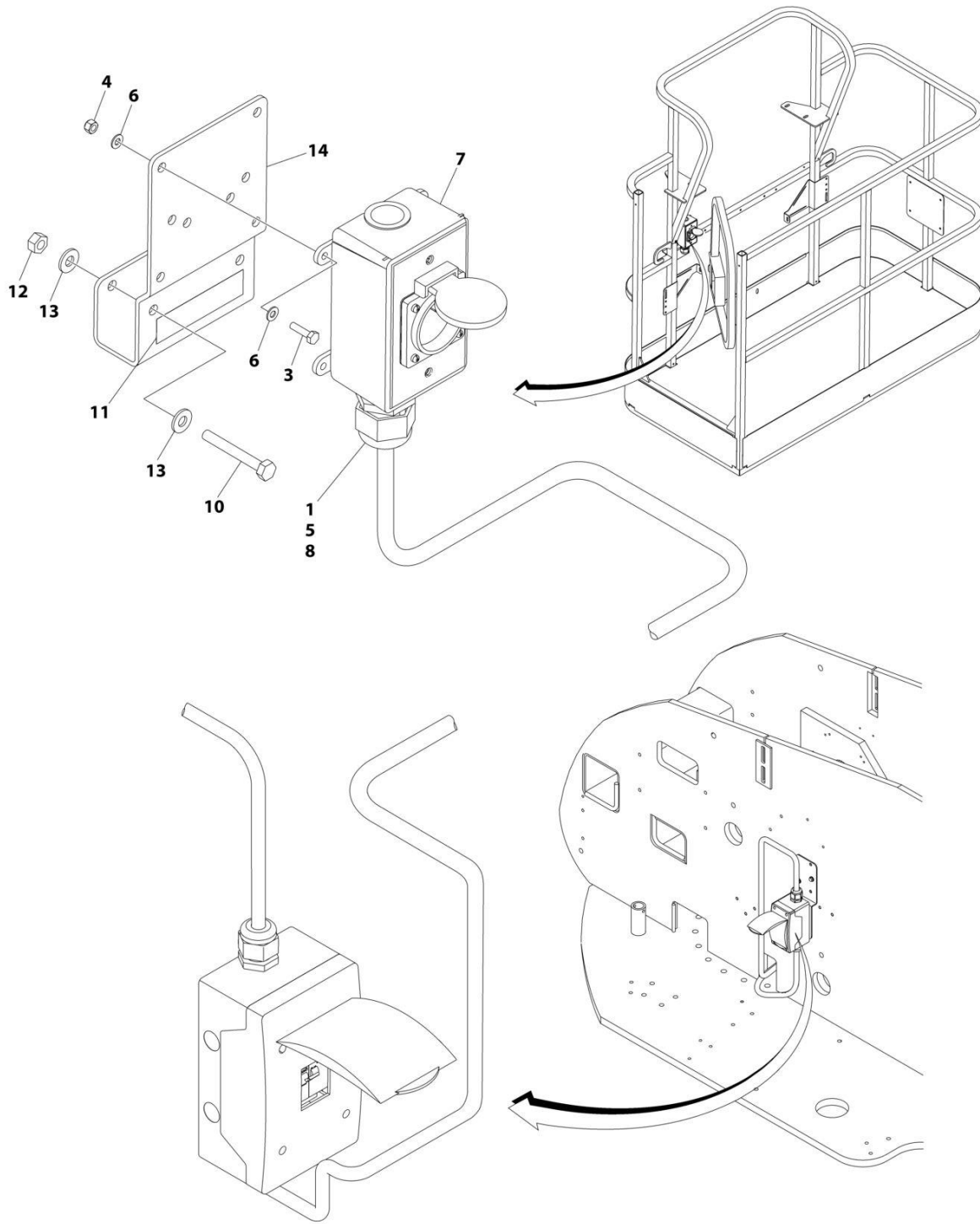
SECTION 8 - ELECTRICAL

FIGURE 8-14. AC BOX AT PLATFORM INSTALLATION - 220V CEE7 SIDE GROUND (RUSSIAN, CE & UK CA SPECS) (MACHINES WITH 2500W GENERATOR OR NO GENERATOR OPTION)

ITEM	PART NUMBER	QTY	DESCRIPTION	REV
	1001091974	Ref	AC BOX AT PLATFORM INSTALLATION - 220V CEE7 2X4 BOX SIDE GROUND	F
1	0100020	AR	Sealant, Pipe	
2	0275453	1	Receptacle Box Kit (See Separate Breakdown in this Section)	
3	0700408	4	Bolt M4 x 16	
4	3290405	4	Nut M4	
5	1001101197	1	Adapter	
6	4811400	8	Washer M4	
7	1001101191	1	Connector, Strain Relief	
8	0641416	2	Bolt 1/4 x 2	
9	3311405	2	Nut 1/4	
10	4711400	4	Washer 1/4	
11	1001193018	1	Bracket	
12	3251242	2	Decal - 240V/50Hz	
13	4460806	2	Terminal, Fork (Not Shown)	
14	1001205958	1	Terminal (Not Shown)	

SECTION 8 - ELECTRICAL

FIGURE 8-15. AC BOX AT PLATFORM INSTALLATION - 220V CEE7 SIDE GROUND (2X4 BOX) WITH 2500W GENERATOR (RUSSIAN, CE & UK CA SPECS)



ART_1001100333

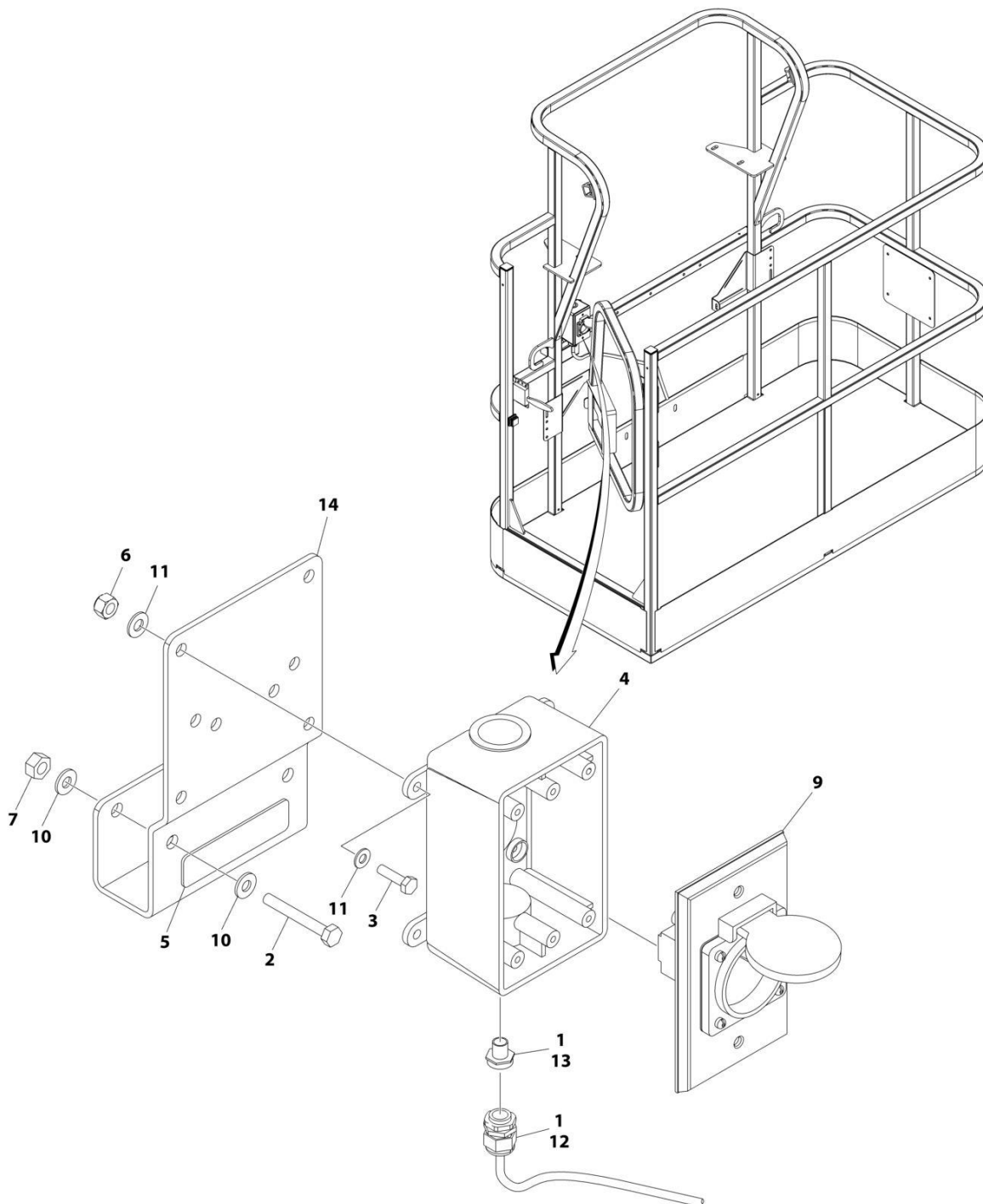
SECTION 8 - ELECTRICAL

FIGURE 8-15. AC BOX AT PLATFORM INSTALLATION - 220V CEE7 SIDE GROUND (2X4 BOX) WITH 2500W GENERATOR (RUSSIAN, CE & UK CA SPECS)

ITEM	PART NUMBER	QTY	DESCRIPTION	REV
	1001100333	Ref	AC BOX AT PLATFORM INSTALLATION - 220V CEE7 SIDE GROUND (2X4 BOX)	E
1	0100020	AR	Sealant, Pipe	
3	0700408	4	Bolt M4 x 16	
4	3290405	4	Nut M4	
5	1001101197	1	Adapter	
6	4811400	8	Washer M4	
7	1001100347	1	Receptacle Box Kit (See Separate Breakdown in this Section)	
8	1001101191	1	Connector, Strain Relief	
9	1060908	10 ft /3.05m	Cable, Electrical 12/3 (Not Shown)	
10	0641416	2	Bolt 1/4 x 2	
11	3252507	1	Decal - 220V	
12	3311405	2	Nut 1/4	
13	4711400	4	Washer 1/4	
14	1001193018	1	Bracket	
15	4460806	2	Terminal, Fork (Not Shown)	
16	1001205958	1	Terminal (Not Shown)	

SECTION 8 - ELECTRICAL

FIGURE 8-16. AC BOX AT PLATFORM INSTALLATION - 220V CEE7 SIDE GROUND (RUSSIAN, CE & UK CA SPECS) (MACHINES WITH 4000W GENERATOR)



ART_1001206251

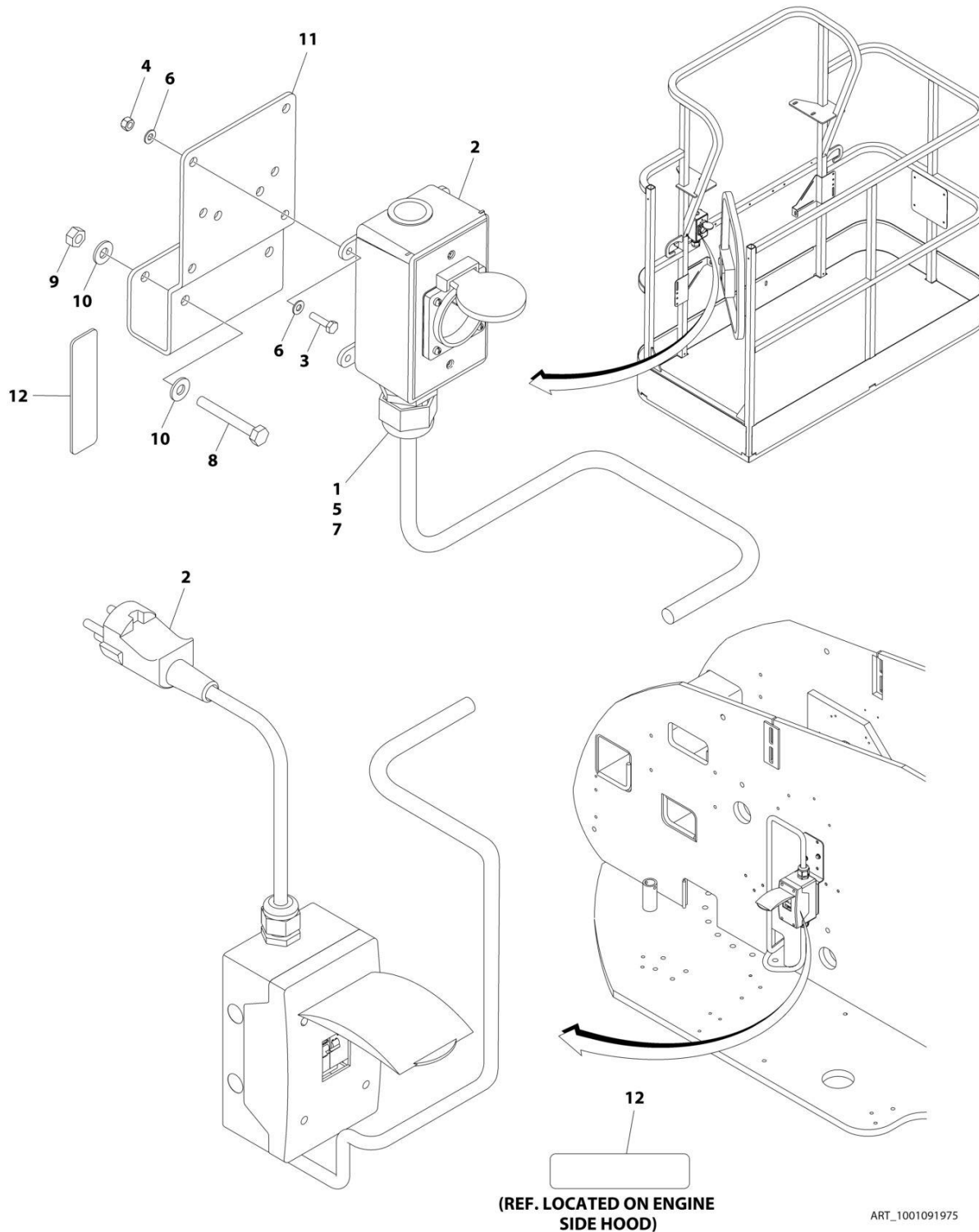
SECTION 8 - ELECTRICAL

FIGURE 8-16. AC BOX AT PLATFORM INSTALLATION - 220V CEE7 SIDE GROUND (RUSSIAN, CE & UK CA SPECS) (MACHINES WITH 4000W GENERATOR)

ITEM	PART NUMBER	QTY	DESCRIPTION	REV
	1001206251	Ref	AC BOX AT PLATFORM INSTALLATION - 220V CEE7 2X4 BOX SIDE GROUND	A
1	0100020	AR	Sealant, Pipe	
2	0641416	2	Bolt 1/4 x 2	
3	0700408	4	Bolt M4 x 16	
4	0861731	1	Box, Switch	
5	3251242	1	Decal - 240V/50Hz	
6	3290405	4	Nut M4	
7	3311405	2	Nut 1/4	
8	4460806	2	Terminal, Fork (Not Shown)	
9	4461245	1	Receptacle	
10	4711400	4	Washer 1/4	
11	4811400	8	Washer M4	
12	1001101191	1	Connector, Strain Relief	
13	1001101197	1	Adapter	
14	1001193018	1	Bracket, AC Receptacle	
15	1001205958	1	Terminal (Not Shown)	

SECTION 8 - ELECTRICAL

FIGURE 8-17. AC BOX AT PLATFORM INSTALLATION - 220V AFSINT 107 KEYED GROUND (RUSSIAN, CE & UK CA SPECS) (MACHINES WITH 2500W GENERATOR OR NO GENERATOR OPTION)



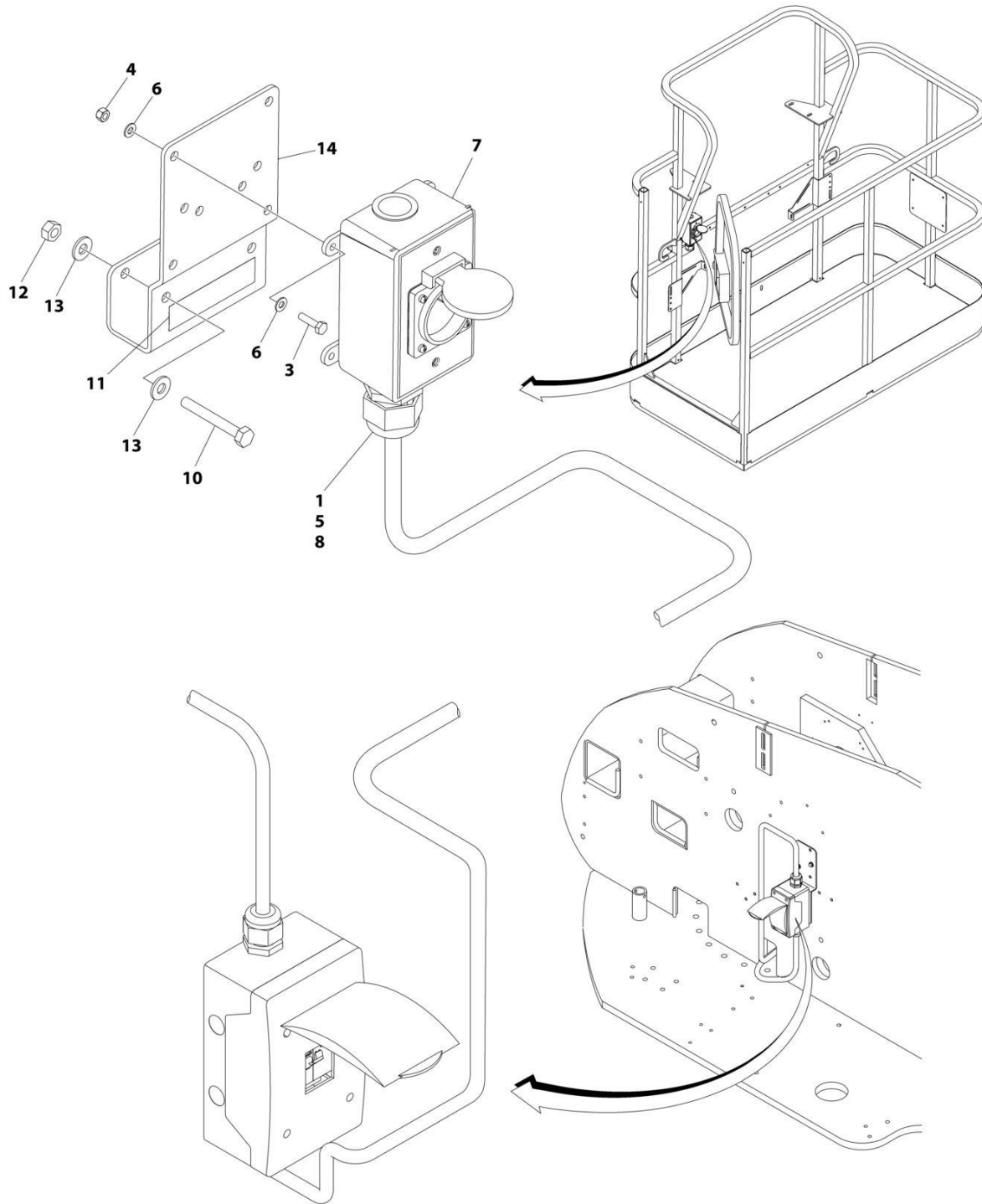
SECTION 8 - ELECTRICAL

**FIGURE 8-17. AC BOX AT PLATFORM INSTALLATION - 220V AFSINT 107 KEYED GROUND
(RUSSIAN, CE & UK CA SPECS) (MACHINES WITH 2500W GENERATOR OR NO GENERATOR
OPTION)**

ITEM	PART NUMBER	QTY	DESCRIPTION	REV
	1001091975	Ref	AC BOX AT PLATFORM INSTALLATION - 220V AFSINT 107 2X4 BOX KEYED GROUND	F
1	0100020	AR	Sealant, Pipe	
2	0275454	1	Receptacle Box Kit (See Separate Breakdown in this Section)	
3	0700408	4	Bolt M4 x 16	
4	3290405	4	Nut M4	
5	1001101197	1	Adapter	
6	4811400	8	Washer M4	
7	1001101191	1	Connector, Strain Relief	
8	0641416	2	Bolt 1/4 x 2	
9	3311405	2	Nut 1/4	
10	4711400	4	Washer 1/4	
11	1001193018	1	Bracket	
12	3251242	2	Decal - 240V/50Hz	
13	1001205958	3	Terminal (Not Shown)	

SECTION 8 - ELECTRICAL

FIGURE 8-18. AC BOX AT PLATFORM INSTALLATION - 220V AFSINT 107 KEYED GROUND (2X4 BOX) WITH 2500W GENERATOR (RUSSIAN, CE & UK CA SPECS)



ART_1001100337

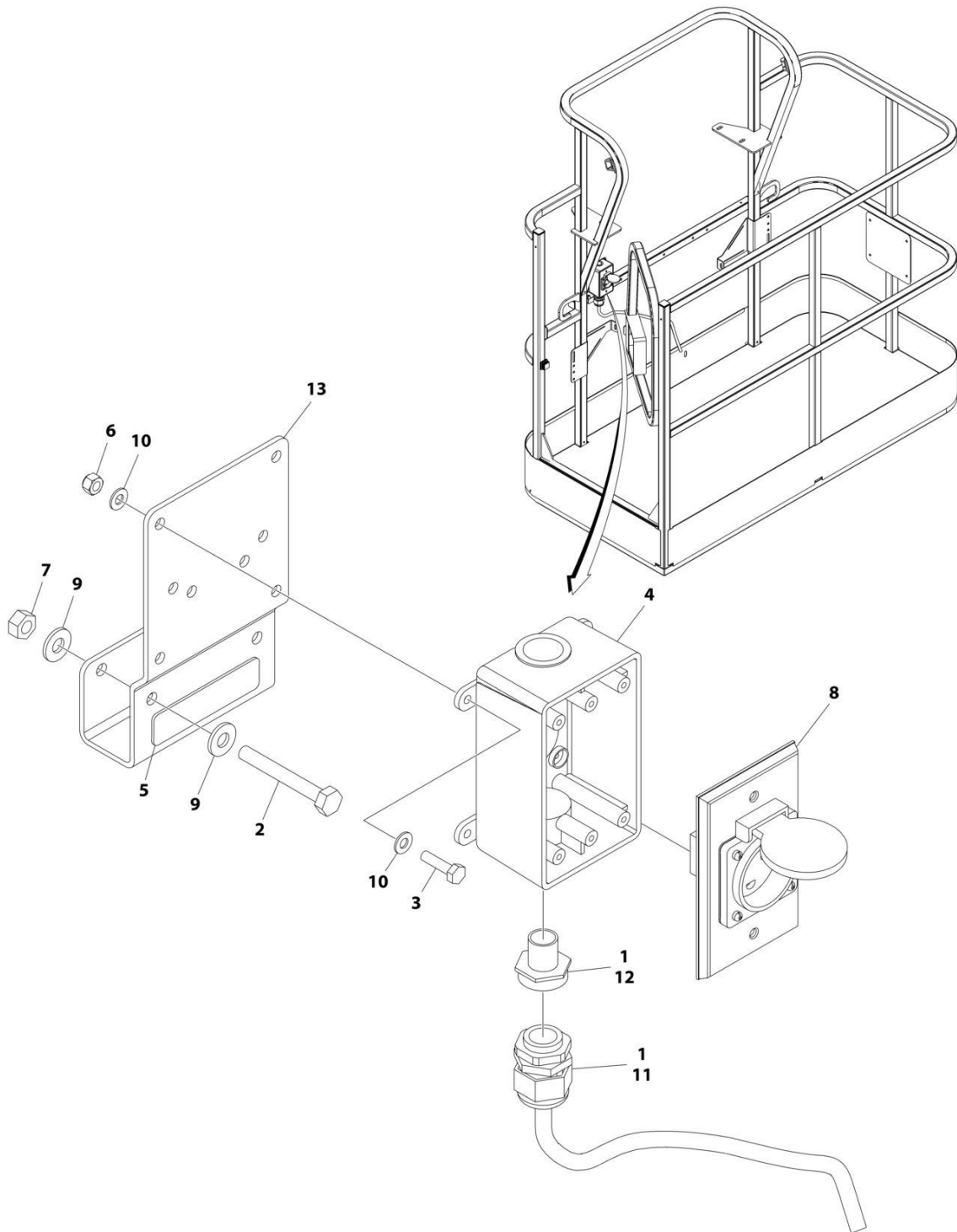
SECTION 8 - ELECTRICAL

FIGURE 8-18. AC BOX AT PLATFORM INSTALLATION - 220V AFSINT 107 KEYED GROUND (2X4 BOX) WITH 2500W GENERATOR (RUSSIAN, CE & UK CA SPECS)

ITEM	PART NUMBER	QTY	DESCRIPTION	REV
	1001100337	Ref	AC BOX AT PLATFORM INSTALLATION - 220V AFSINT 107 2X4 BOX KEYED GROUND (2X4 BOX)	E
1	0100020	AR	Sealant, Pipe	
3	0700408	4	Bolt M4 x 16	
4	3290405	4	Nut M4	
5	1001101197	1	Adapter	
6	4811400	8	Washer M4	
7	1001100346	1	Receptacle Box Kit (See Separate Breakdown in this Section)	
8	1001101191	1	Connector, Strain Relief	
9	1060908	10 ft /3.05m	Cable, Electrical 12/3 (Not Shown)	
10	0641416	2	Bolt 1/4 x 2	
11	3252507	1	Decal - 220V	
12	3311405	2	Nut 1/4	
13	4711400	4	Washer 1/4	
14	1001193018	1	Bracket	
15	1001205958	3	Terminal (Not Shown)	

SECTION 8 - ELECTRICAL

FIGURE 8-19. AC BOX AT PLATFORM INSTALLATION - 220V AFSINT 107 KEYED GROUND (RUSSIAN, CE & UK CA SPECS) (MACHINES WITH 4000W GENERATOR)



ART_1001206252

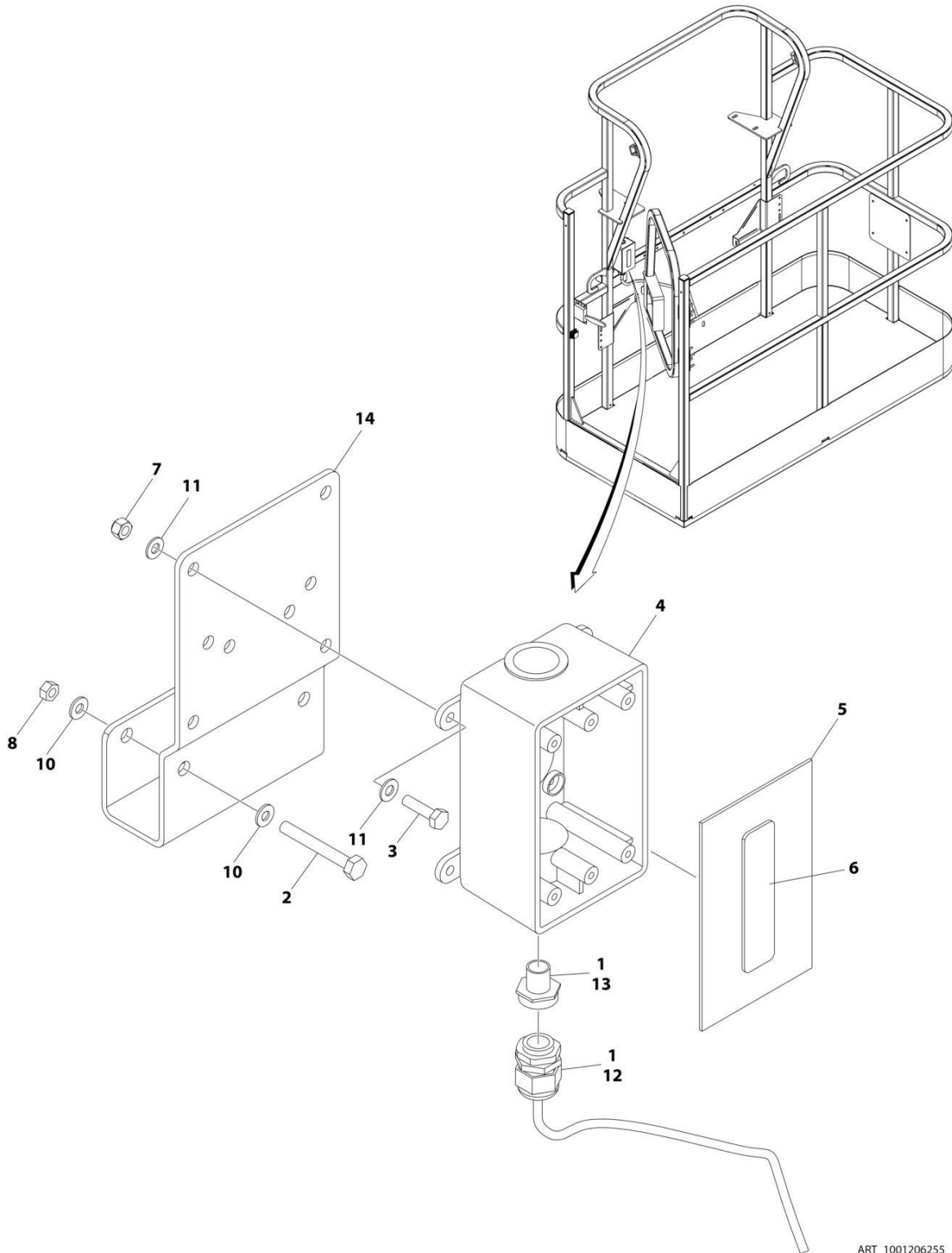
SECTION 8 - ELECTRICAL

**FIGURE 8-19. AC BOX AT PLATFORM INSTALLATION - 220V AFSINT 107 KEYED GROUND
(RUSSIAN, CE & UK CA SPECS) (MACHINES WITH 4000W GENERATOR)**

ITEM	PART NUMBER	QTY	DESCRIPTION	REV
	1001206252	Ref	AC BOX AT PLATFORM INSTALLATION - 220V AFSINT 107 2x4 BOX KEYED GROUND	A
1	0100020	AR	Sealant, Pipe	
2	0641416	2	Bolt 1/4 x 2	
3	0700408	4	Bolt M4 x 16	
4	0861731	1	Box, Switch	
5	3251242	1	Decal - 240V/50Hz	
6	3290405	4	Nut M4	
7	3311405	2	Nut 1/4	
8	4461246	1	Receptacle	
9	4711400	4	Washer 1/4	
10	4811400	8	Washer M4	
11	1001101191	1	Connector, Strain Relief	
12	1001101197	1	Adapter	
13	1001193018	1	Bracket, AC Receptacle	
14	1001205958	3	Terminal (Not Shown)	

SECTION 8 - ELECTRICAL

FIGURE 8-20. AC BOX AT PLATFORM INSTALLATION - 220V (2X4 BOX & COVER ONLY - LOCALLY SUPPLIED RECEPTACLE) (4000W GENERATOR)



ART_1001206255

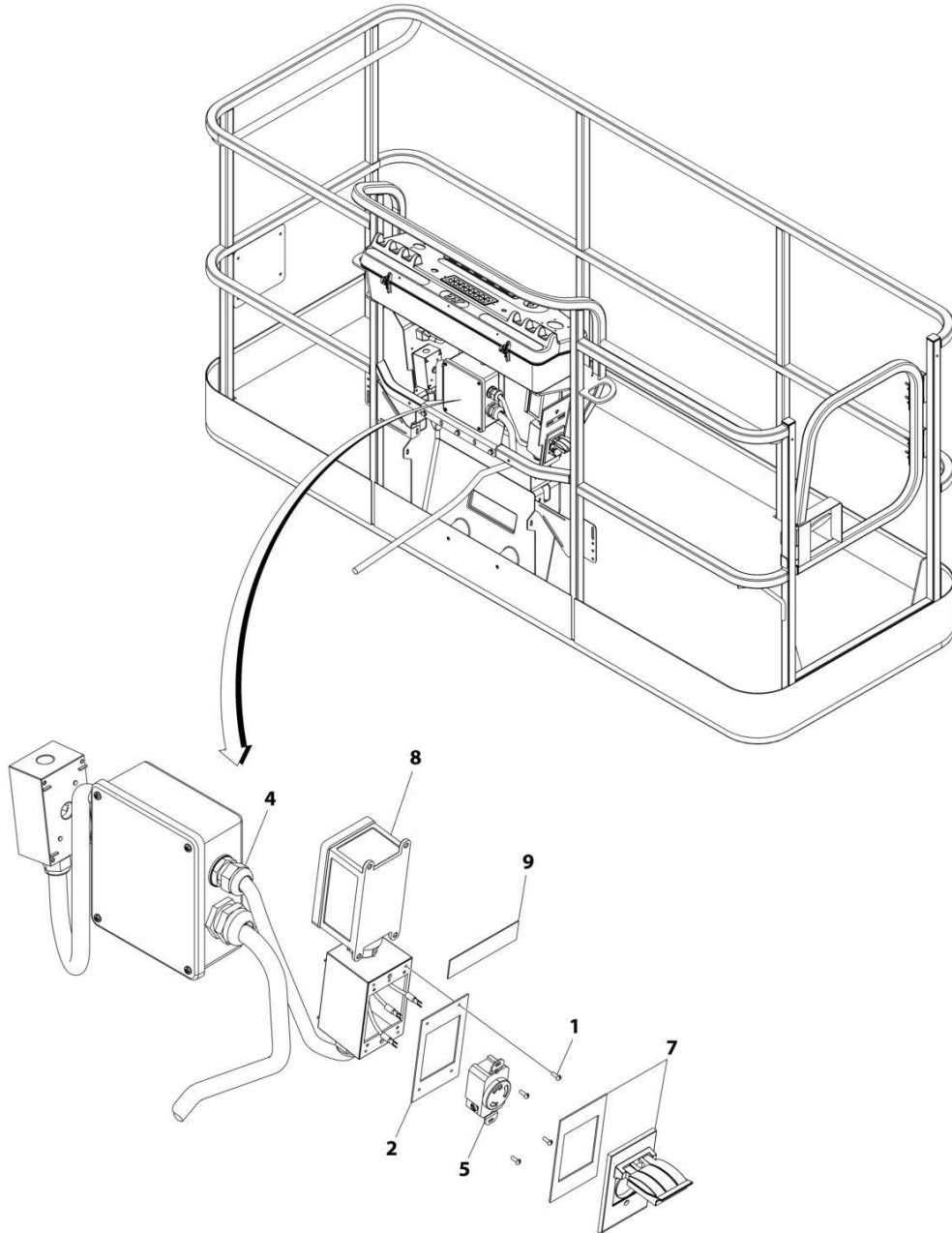
SECTION 8 - ELECTRICAL

FIGURE 8-20. AC BOX AT PLATFORM INSTALLATION - 220V (2X4 BOX & COVER ONLY - LOCALLY SUPPLIED RECEPTACLE) (4000W GENERATOR)

ITEM	PART NUMBER	QTY	DESCRIPTION	REV
	1001206255	Ref	AC BOX AT PLATFORM INSTALLATION - BOX WITH COVER (2X4 BOX) WITH 4000W GENERATOR	A
1	0100020	AR	Sealant, Pipe	
2	0641416	2	Bolt 1/4 x 2	
3	0700408	4	Bolt M4 x 16	
4	0861731	1	Box, Switch	
5	1670603	1	Cover	
6	3251242	1	Decal - 240V-50Hz	
7	3290405	4	Nut M4	
8	3311405	2	Nut 1/4	
10	4711400	4	Washer 1/4	
11	4811400	8	Washer M4	
12	1001101191	1	Connector, Strain Relief	
13	1001101197	1	Adapter	
14	1001193018	1	Bracket, AC Receptacle	

SECTION 8 - ELECTRICAL

FIGURE 8-21. AC BOX AT PLATFORM INSTALLATION - 240V GFCI RECEPTACLE (ANSI, ANSI EXPORT AND CSA SPECS WITH 4000W SKYPOWER GENERATOR)



ART_1001171131

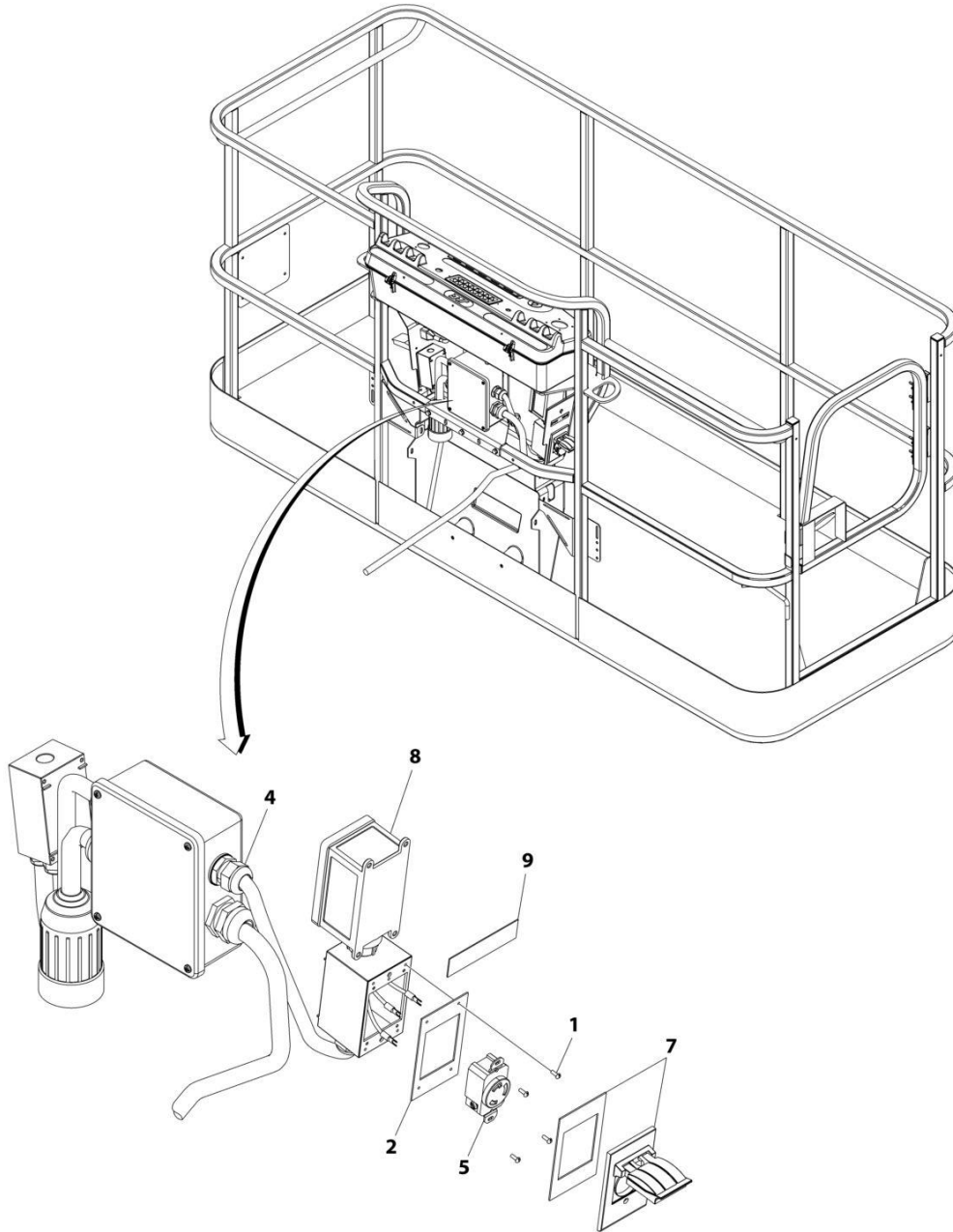
SECTION 8 - ELECTRICAL

FIGURE 8-21. AC BOX AT PLATFORM INSTALLATION - 240V GFCI RECEPTACLE (ANSI, ANSI EXPORT AND CSA SPECS WITH 4000W SKYPOWER GENERATOR)

ITEM	PART NUMBER	QTY	DESCRIPTION	REV
	1001171131	Ref	AC BOX AT PLATFORM INSTALLATION - 240V RECEPTACLE	B
1	3910606	4	Screw 6 x 3/8	
2	3960422	1	Gasket	
3	4240018	AR	Tie-Strap (Not Shown)	
4	4460425	1	Connector, Strain Relief	
5	1001176862	1	Receptacle	
7	1001110872	1	Cover, Receptacle	
8	1001159120	1	Receptacle/Breaker Box Assembly	
8	1001148675	1	Box, Receptacle	
8	1001159118	1	Breaker GFCI 30Amp 240VAC	
8	4460612	1	Connector, Strain Relief	
8	1001159119	1	Connector (Between Boxes)	
9	1705374	1	Decal - 240V/60Hz	

SECTION 8 - ELECTRICAL

FIGURE 8-22. AC BOX AT PLATFORM INSTALLATION - 240V GFCI RECEPTACLE (ANSI AND CSA SPECS WITH 7500W SKYPOWER GENERATOR)



ART_1001159121

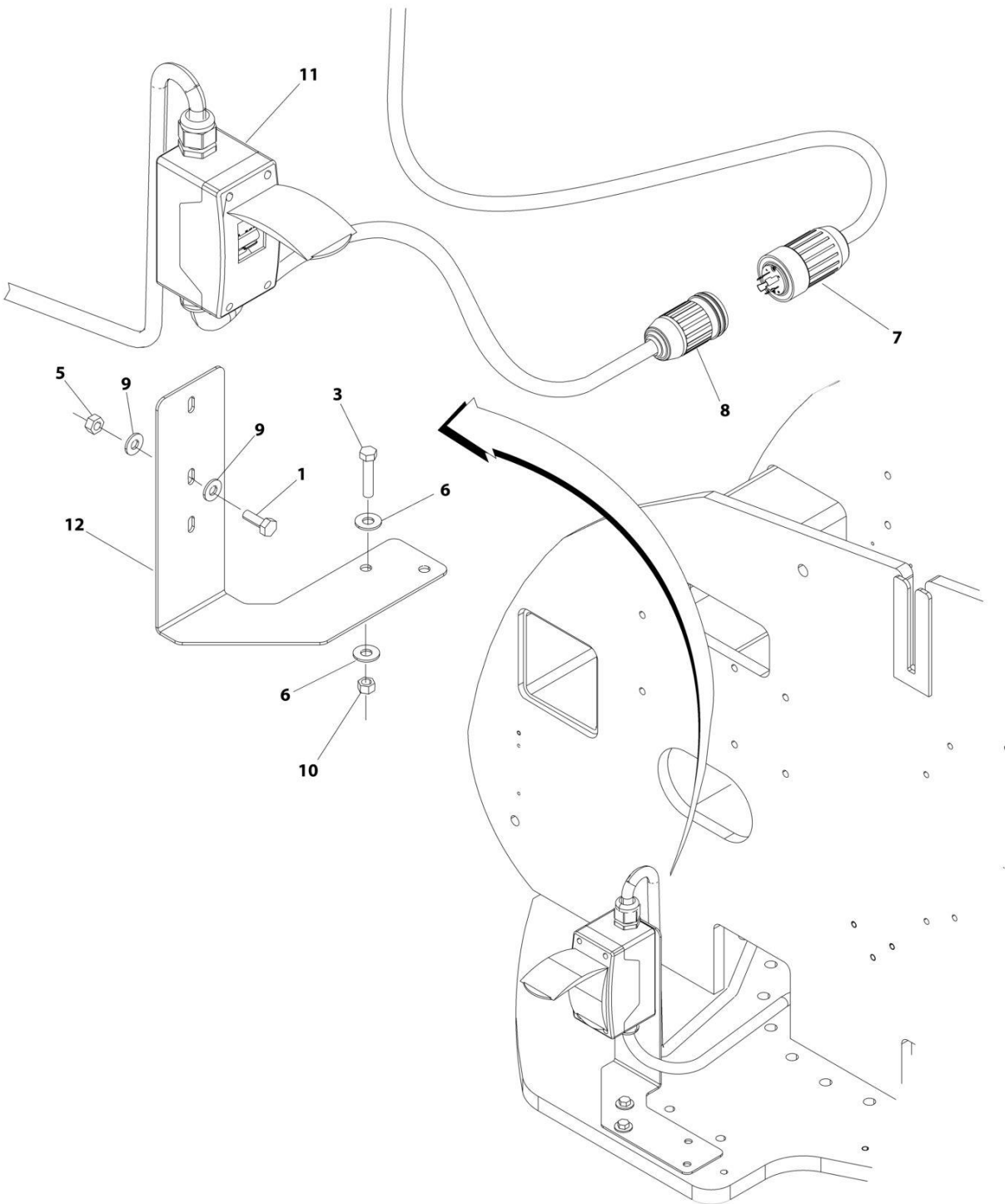
SECTION 8 - ELECTRICAL

FIGURE 8-22. AC BOX AT PLATFORM INSTALLATION - 240V GFCI RECEPTACLE (ANSI AND CSA SPECS WITH 7500W SKYPOWER GENERATOR)

ITEM	PART NUMBER	QTY	DESCRIPTION	REV
	1001159121	Ref	AC BOX AT PLATFORM INSTALLATION - 240V RECEPTACLE	B
1	3910606	4	Screw 6 x 3/8	
2	3960422	1	Gasket	
3	4240018	AR	Tie-Strap (Not Shown)	
4	4460425	1	Connector, Strain Relief	
5	4460958	1	Receptacle	
7	1001110872	1	Cover, Receptacle	
8	1001159120	1	Receptacle/Breaker Box Assembly	
8	1001148675	1	Box, Receptacle	
8	1001159118	1	Breaker Box Assembly	
8	4460612	1	Connector, Strain Relief	
8	1001159119	1	Connector (Between Boxes)	
9	1705374	1	Decal - 240V/60Hz	

SECTION 8 - ELECTRICAL

FIGURE 8-23. AC CABLE WITH 16 AMP BREAKER INSTALLATION (WITHOUT 7500W SKYPOWER GENERATOR) (CE & UK CA SPECS)



ART_1001177711

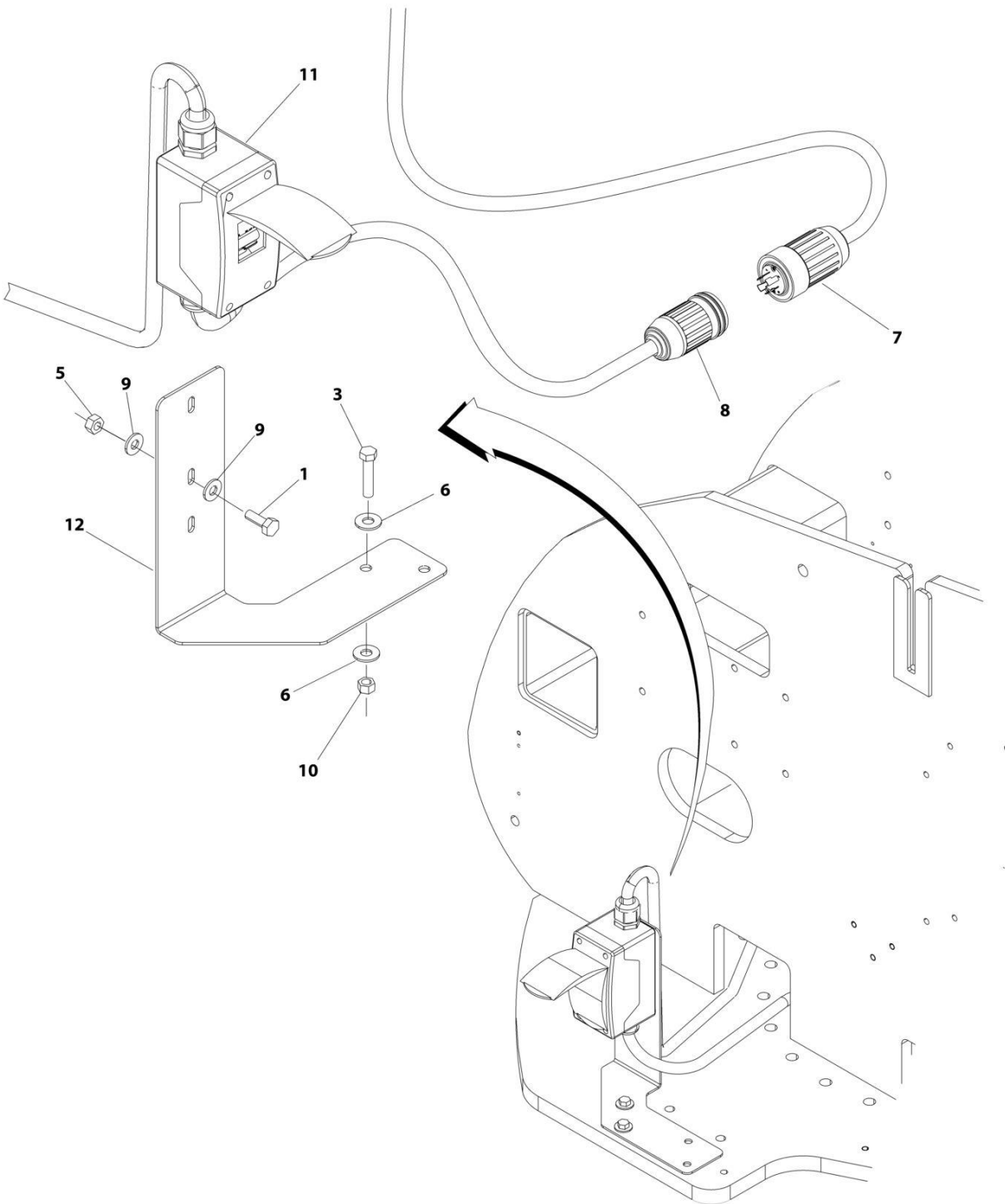
SECTION 8 - ELECTRICAL

FIGURE 8-23. AC CABLE WITH 16 AMP BREAKER INSTALLATION (WITHOUT 7500W SKYPOWER GENERATOR) (CE & UK CA SPECS)

ITEM	PART NUMBER	QTY	DESCRIPTION	REV
	1001177711	Ref	AC CABLE WITH 16 AMP BREAKER INSTALLATION	D
1	0641406	2	Bolt 1/4 x 3/4	
3	0641614	2	Bolt 3/8 x 1-3/4	
5	3311405	2	Nut 1/4	
6	3311605	2	Nut 3/8	
7	1001213584	1	Plug, Male	
8	1001213585	1	Receptacle, Female	
9	4711400	2	Washer 1/4	
10	4751600	2	Washer 3/8	
11	1001109654	1	Breaker Box Kit - With 2 Breakers (See Separate Breakdown in this Section)	
12	1001177910	1	Bracket	

SECTION 8 - ELECTRICAL

FIGURE 8-24. AC CABLE WITH 10 AMP BREAKER INSTALLATION (WITHOUT 7500W SKYPOWER GENERATOR) (CE & UK CA SPECS)



ART_1001177712

SECTION 8 - ELECTRICAL

FIGURE 8-24. AC CABLE WITH 10 AMP BREAKER INSTALLATION (WITHOUT 7500W SKYPOWER GENERATOR) (CE & UK CA SPECS)

ITEM	PART NUMBER	QTY	DESCRIPTION	REV
	1001177712	Ref	AC CABLE WITH 10 AMP BREAKER INSTALLATION	C
1	0641406	2	Bolt 1/4 x 3/4	
3	0641614	2	Bolt 3/8 x 1-3/4	
5	3311405	2	Nut 1/4	
6	3311605	2	Nut 3/8	
7	1001213584	1	Plug, Male	
8	1001213585	1	Receptacle, Female	
9	4711400	4	Washer 1/4	
10	4751600	4	Washer 3/8	
11	1001109648	1	Breaker Box Kit - With 2 Breakers (See Separate Breakdown in this Section)	
12	1001177910	1	Bracket	

SECTION 8 - ELECTRICAL

FIGURE 8-25. ANALYZER CABLE HARNESS



ART_4922666

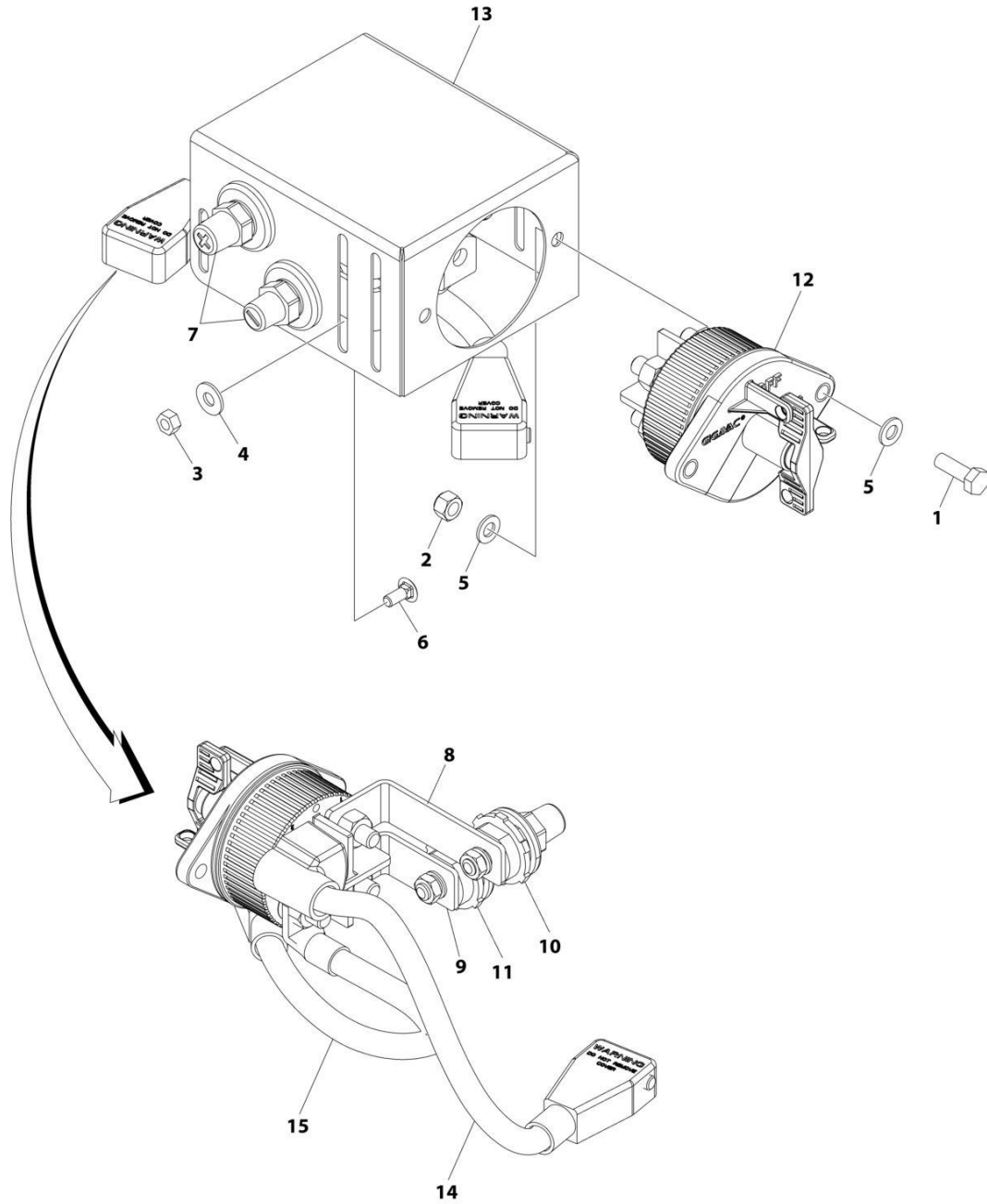
SECTION 8 - ELECTRICAL

FIGURE 8-25. ANALYZER CABLE HARNESS

ITEM	PART NUMBER	QTY	DESCRIPTION	REV
	4922666	Ref	ANALYZER CABLE HARNESS	C
3	4460226	4	Socket, Female	
4	4460761	1	Connector - 4 Position	
4	4460227	4	Pin, Male	

SECTION 8 - ELECTRICAL

FIGURE 8-26. BATTERY DISCONNECT SWITCH INSTALLATION



ART_1001236304

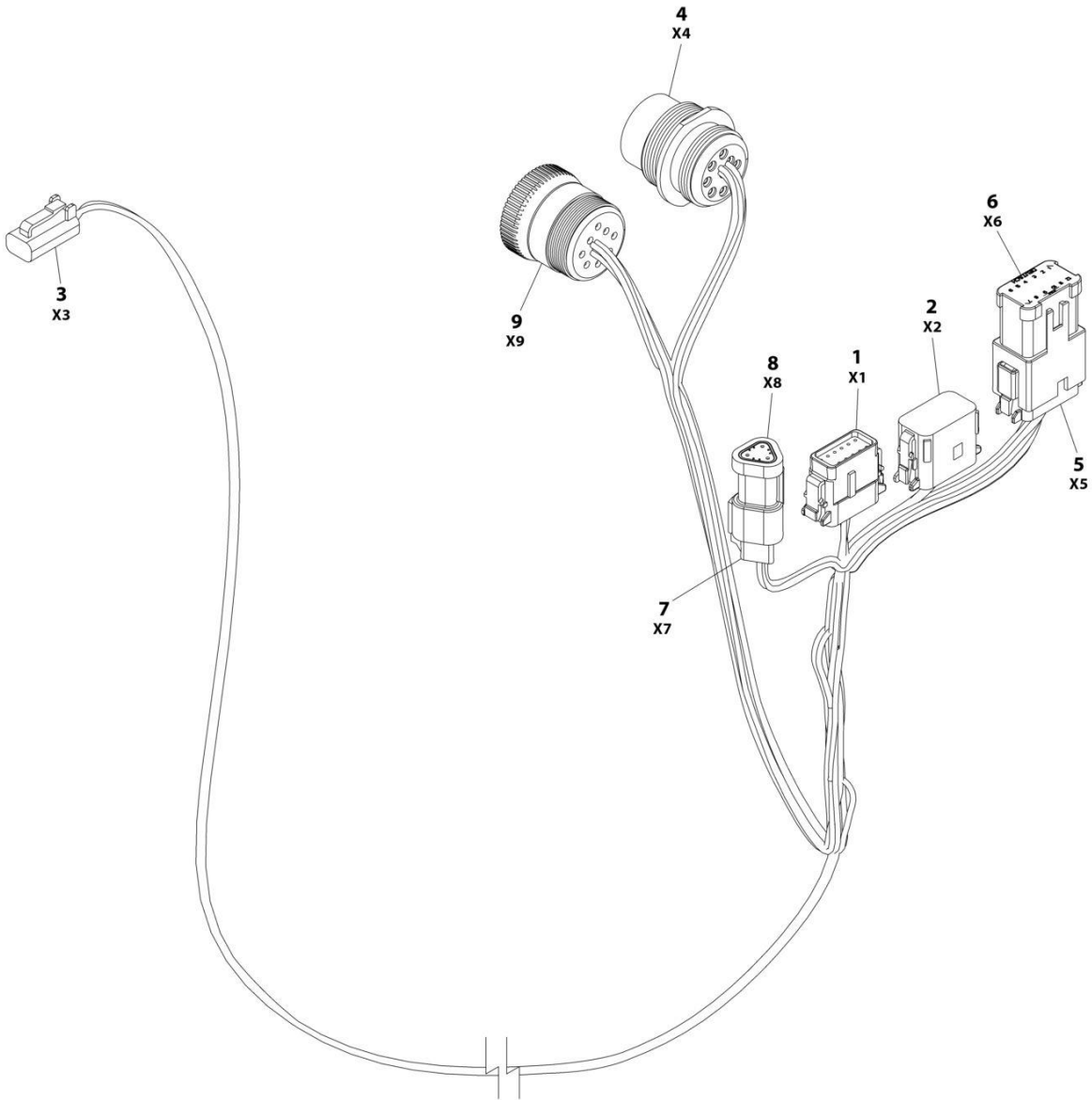
SECTION 8 - ELECTRICAL

FIGURE 8-26. BATTERY DISCONNECT SWITCH INSTALLATION

ITEM	PART NUMBER	QTY	DESCRIPTION	REV
	1001236304	Ref	BATTERY DISCONNECT SWITCH INSTALLATION	A
1	0760812	2	Bolt M8 x 25	
2	3290805	2	Nut M8	
3	3311405	3	Nut 1/4	
4	4751400	3	Washer 1/4	
5	4811900	4	Washer M8	
6	88411013	3	Bolt 1/4 x 3/4	
7	1001206476	1	Connectors, Post	
8	1001209432	1	Bussbar	
9	1001209474	1	Bussbar	
10	1001214570	1	Connector (Red)	
11	1001214571	1	Connector (Black)	
12	1001225346	1	Switch, Battery	
13	1001226531	1	Mount	
14	1001236504	1	Cable, Battery (+)	
15	1001236505	1	Cable, Battery (-)	

SECTION 8 - ELECTRICAL

FIGURE 8-27. BEACON CONTROL HARNESS (BLUE AND RED STROBE LIGHTS)



ART_1001142736

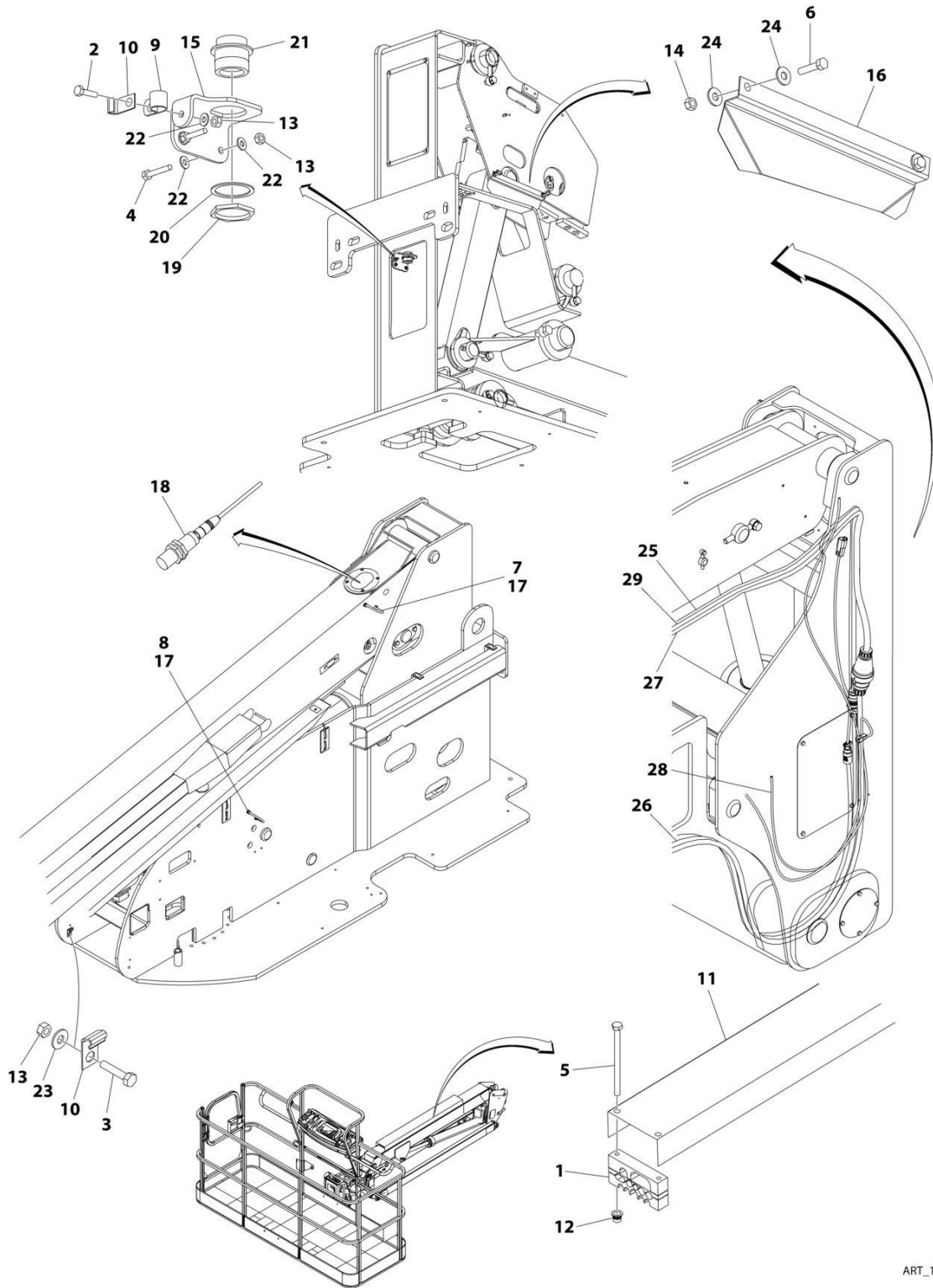
SECTION 8 - ELECTRICAL

FIGURE 8-27. BEACON CONTROL HARNESS (BLUE AND RED STROBE LIGHTS)

ITEM	PART NUMBER	QTY	DESCRIPTION	REV
	1001142736	Ref	STROBE LIGHT HARNESS	F
1	1001116808	1	Plug, Male - 12 Position	
1	4460928	3	Socket, Female	
1	4460518	9	Plug, Terminal	
2	1001116774	1	Plug, Male - 12 Position	
2	4460928	3	Socket, Female	
2	4460518	9	Plug, Terminal	
3	4460891	1	Plug, Male - 2 Position	
3	4460465	2	Socket, Female	
4	1001112612	1	Connector - 9 Position	
4	4460464	6	Pin, Male	
4	4460466	3	Plug, Terminal	
5	4460933	1	Plug, Male - 12 Position	
5	4460465	12	Socket, Female	
6	1001119020	1	Bussbar - 12 Position	
7	4461095	1	Plug, Male - 3 Position	
7	4460465	3	Socket, Female	
8	4461070	1	Bussbar - 3 Position	
9	1001112796	1	Connector - 9 Position	
9	4460465	6	Socket, Female	
9	4460466	3	Plug, Terminal	

SECTION 8 - ELECTRICAL

FIGURE 8-28. BOOM CABLES INSTALLATION - WITHOUT ARCTIC PACKAGE (ALL SPECS) (860SJ HC3)



ART_1001256191

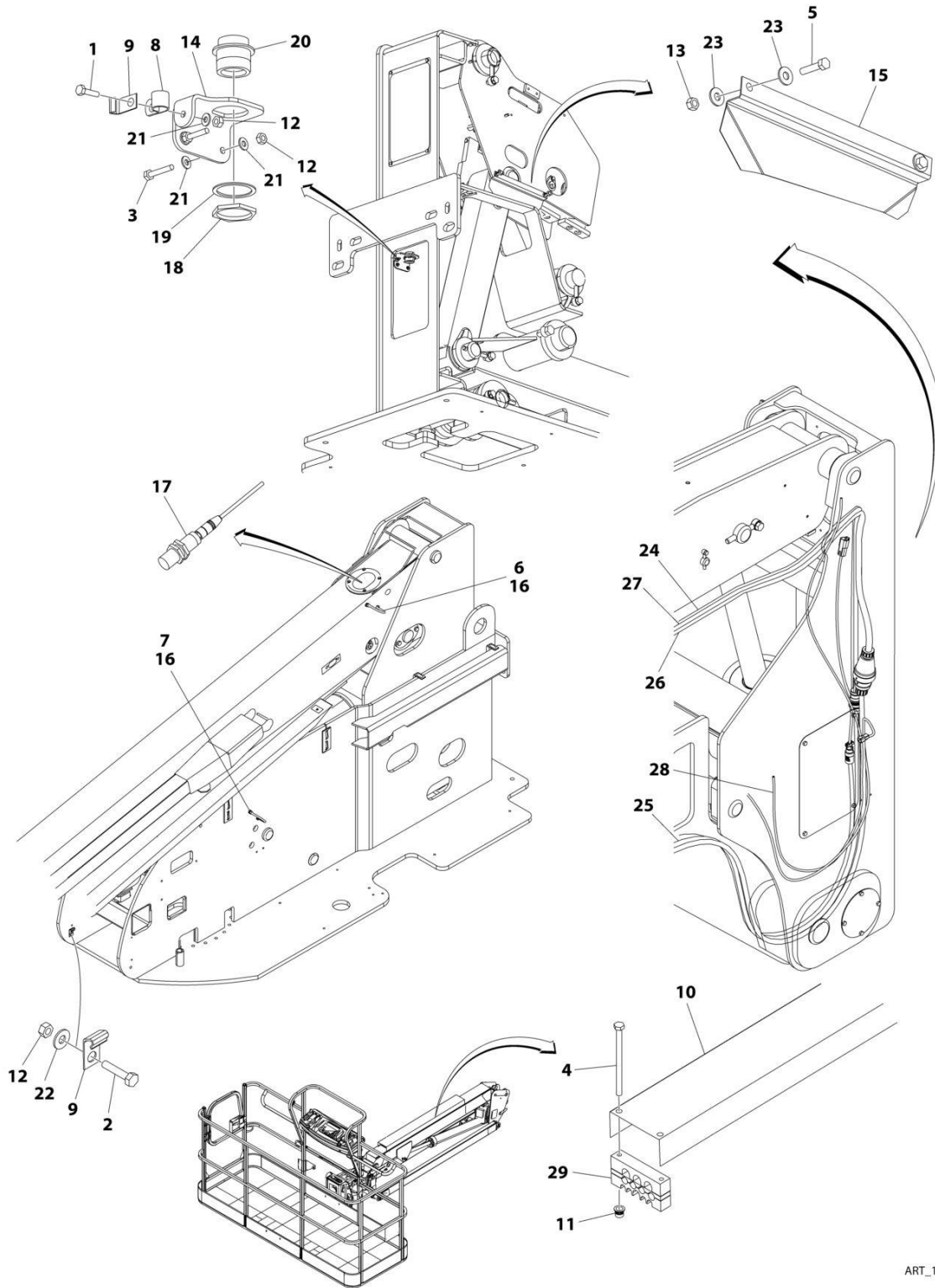
SECTION 8 - ELECTRICAL

FIGURE 8-28. BOOM CABLES INSTALLATION - WITHOUT ARCTIC PACKAGE (ALL SPECS) (860SJ HC3)

ITEM	PART NUMBER	QTY	DESCRIPTION	REV
	1001256191	Ref	BOOM CABLES INSTALLATION	D
1	0561484	2	Block, Clamp	
2	0641408	1	Bolt 1/4 x 1	
3	0641410	1	Bolt 1/4 x 1-1/4	
4	0641412	2	Bolt 1/4 x 1-1/2	
5	0700626	4	Bolt M6 x 90	
6	0641511	2	Bolt 5/16 x 1-3/8	
7	0641604	2	Bolt 3/8 x 1/2	
8	0641607	2	Bolt 3/8 x 7/8	
9	1320061	1	Clamp	
10	1320223	2	Clamp	
11	1671034	1	Cover	
12	1001260680	4	Rivnut M6	
13	3311405	4	Nut 1/4	
14	3311505	2	Nut 5/16	
15	3573047	1	Plate	
16	3573296	1	Plate	
17	3841340	2	Rod	
18	4360506	1	Switch, Proximity	
19	4460470	1	Nut, Terminal	
20	4460471	1	Washer, Terminal	
21	4460866	1	Connector - 19 Pin	
22	4711400	5	Washer 1/4	
23	4751400	1	Washer 1/4	
24	4751500	4	Washer 5/16	
25	4922567	1	Harness Assembly - Main Boom (See Separate Breakdown in this Section)	
26	4922569	1	Harness Assembly - Tower Boom (See Separate Breakdown in this Section)	
27	4922660	1	Holding Valve/Lift Dump Harness Assembly (See Separate Breakdown in this Section)	
28	4922876	1	AC Cable, 10/3 (Tower Boom)	
29	4922878	1	AC Cable, 10/3 (Main Boom)	

SECTION 8 - ELECTRICAL

FIGURE 8-29. BOOM CABLES INSTALLATION - WITH ARCTIC PACKAGE (ANSI, ANSI EXPORT AND CSA SPECS) (860SJ HC3)



ART_1001256193

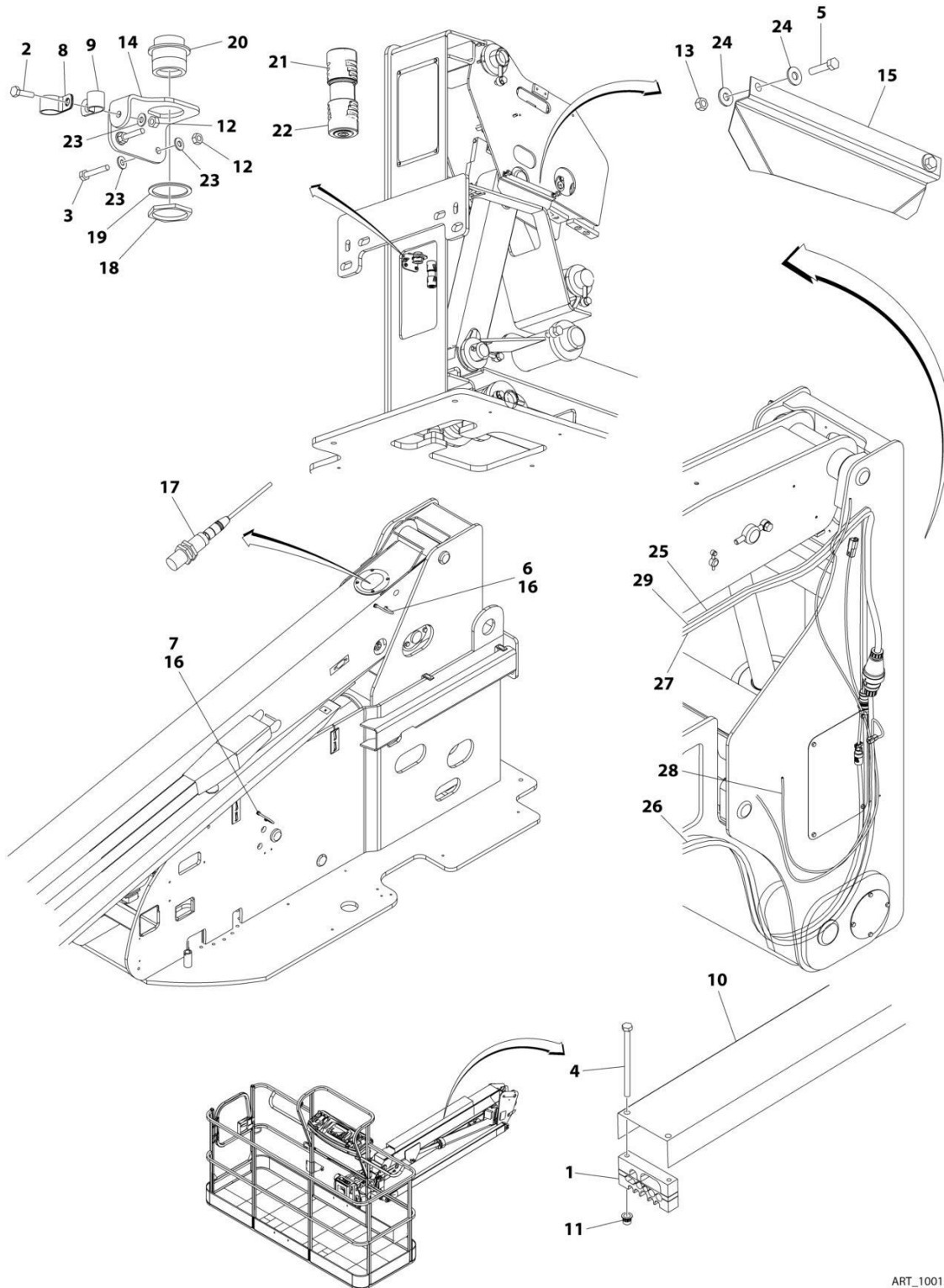
SECTION 8 - ELECTRICAL

FIGURE 8-29. BOOM CABLES INSTALLATION - WITH ARCTIC PACKAGE (ANSI, ANSI EXPORT AND CSA SPECS) (860SJ HC3)

ITEM	PART NUMBER	QTY	DESCRIPTION	REV
	1001256193	Ref	BOOM CABLES INSTALLATION	C
1	0641408	1	Bolt 1/4 x 1	
2	0641410	1	Bolt 1/4 x 1-1/4	
3	0641412	2	Bolt 1/4 x 1-1/2	
4	0700626	1	Bolt M6 x 90	
5	0641511	2	Bolt 5/16 x 1-3/8	
6	0641604	2	Bolt 3/8 x 1/2	
7	0641607	2	Bolt 3/8 x 7/8	
8	1320061	1	Clamp	
9	1320223	2	Clamp	
10	1671034	1	Cover	
11	1001260680	4	Rivnut M6	
12	3311405	4	Nut 1/4	
13	3311505	2	Nut 5/16	
14	3573047	1	Plate	
15	3573296	1	Plate	
16	3841340	2	Rod	
17	4360506	1	Switch, Proximity	
18	4460470	1	Nut, Terminal	
19	4460471	1	Washer, Terminal	
20	4460866	1	Connector - 19 Pin	
21	4711400	5	Washer 1/4	
22	4751400	1	Washer 1/4	
23	4751500	4	Washer 5/16	
24	4923595	1	Harness Assembly - Main Boom (See Separate Breakdown in this Section)	
25	4923596	1	Harness Assembly - Tower Boom (See Separate Breakdown in this Section)	
26	4923597	1	Holding Valve/Lift Dump Harness Assembly (See Separate Breakdown in this Section)	
27	4923600	1	AC Cable, 10/3 (Main Boom)	
28	4923601	1	AC Cable, 10/3 (Tower Boom)	
29	1001091472	2	Block, Clamp	

SECTION 8 - ELECTRICAL

FIGURE 8-30. BOOM CABLES INSTALLATION - WITH 4000W GENERATOR AND WITHOUT ARCTIC PACKAGE (ANSI, ANSI EXPORT, CSA AND JAPANESE SPECS) (860SJ HC3)



ART_1001256199

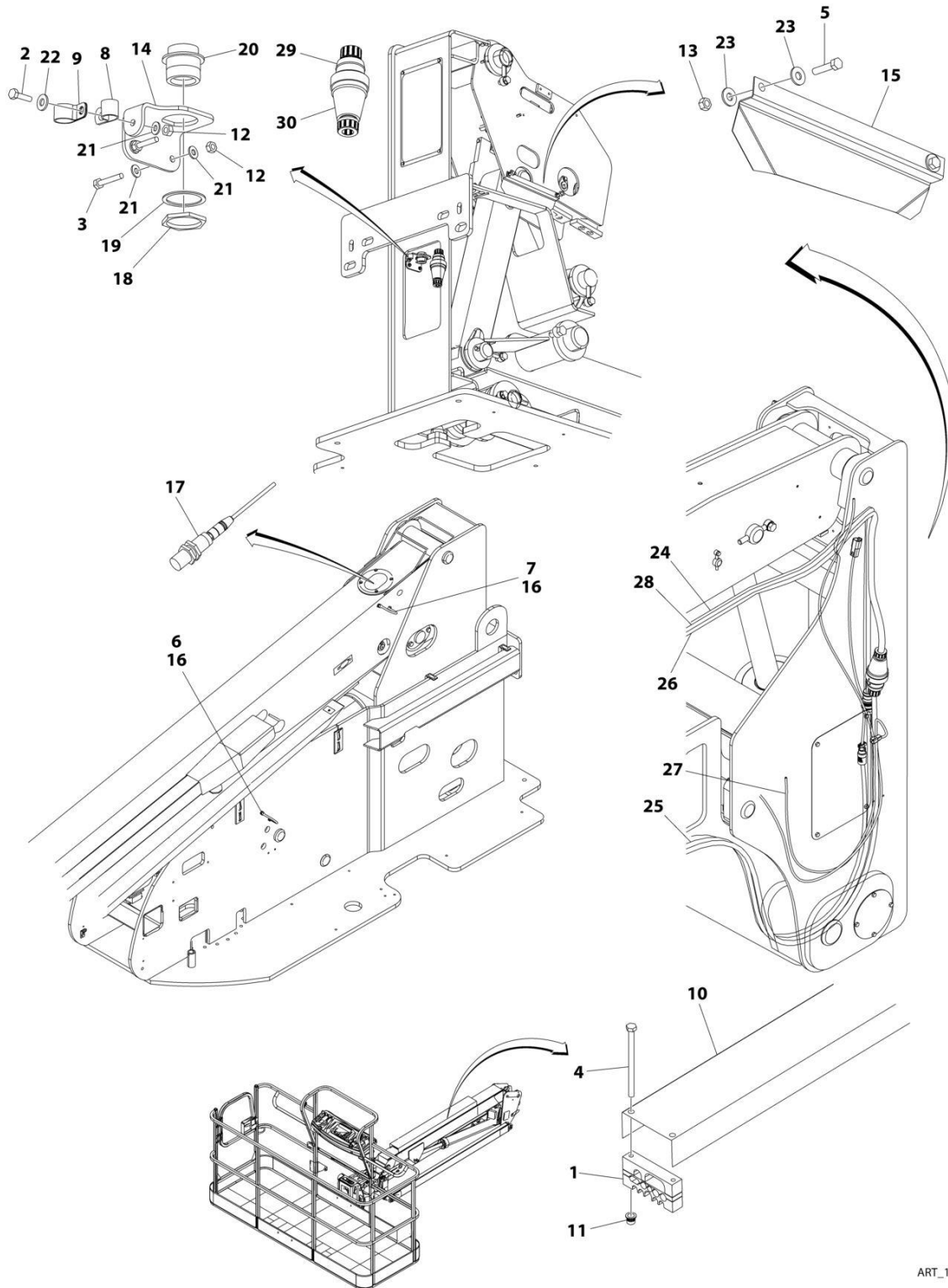
SECTION 8 - ELECTRICAL

FIGURE 8-30. BOOM CABLES INSTALLATION - WITH 4000W GENERATOR AND WITHOUT ARCTIC PACKAGE (ANSI, ANSI EXPORT, CSA AND JAPANESE SPECS) (860SJ HC3)

ITEM	PART NUMBER	QTY	DESCRIPTION	REV
	1001256199	Ref	BOOM CABLES INSTALLATION	C
1	0561484	2	Block, Clamp	
2	0641408	1	Bolt 1/4 x 1	
3	0641412	2	Bolt 1/4 x 1-1/2	
4	0700626	4	Bolt M6 x 90	
5	0641511	2	Bolt 5/16 x 1-3/8	
6	0641604	2	Bolt 3/8 x 1/2	
7	0641607	2	Bolt 3/8 x 7/8	
8	1320041	1	Clamp	
9	1320061	1	Clamp	
10	1671034	1	Cover	
11	1001260680	4	Rivnut M6	
12	3311405	3	Nut 1/4	
13	3311505	2	Nut 5/16	
14	3573047	1	Plate	
15	3573296	1	Plate	
16	3841340	2	Rod	
17	4360506	1	Switch, Proximity	
18	4460470	1	Nut, Terminal	
19	4460471	1	Washer, Terminal	
20	4460866	1	Connector - 19 Pin	
21	4460959	1	Terminal, Turnlock Plug	
22	4460960	1	Terminal, Turnlock Connector	
23	4711400	5	Washer 1/4	
24	4751500	4	Washer 5/16	
25	4922567	1	Harness Assembly - Main Boom (See Separate Breakdown in this Section)	
26	4922569	1	Harness Assembly - Tower Boom (See Separate Breakdown in this Section)	
27	4922660	1	Holding Valve/Lift Dump Harness Assembly (See Separate Breakdown in this Section)	
28	1001156425	1	AC Cable, 10/4 (Tower Boom)	
29	1001156427	1	AC Cable, 10/4 (Main Boom)	

SECTION 8 - ELECTRICAL

FIGURE 8-31. BOOM CABLES INSTALLATION - WITH 7500W GENERATOR AND WITHOUT ARCTIC PACKAGE (ALL SPECS) (860SJ HC3)



ART_1001256197

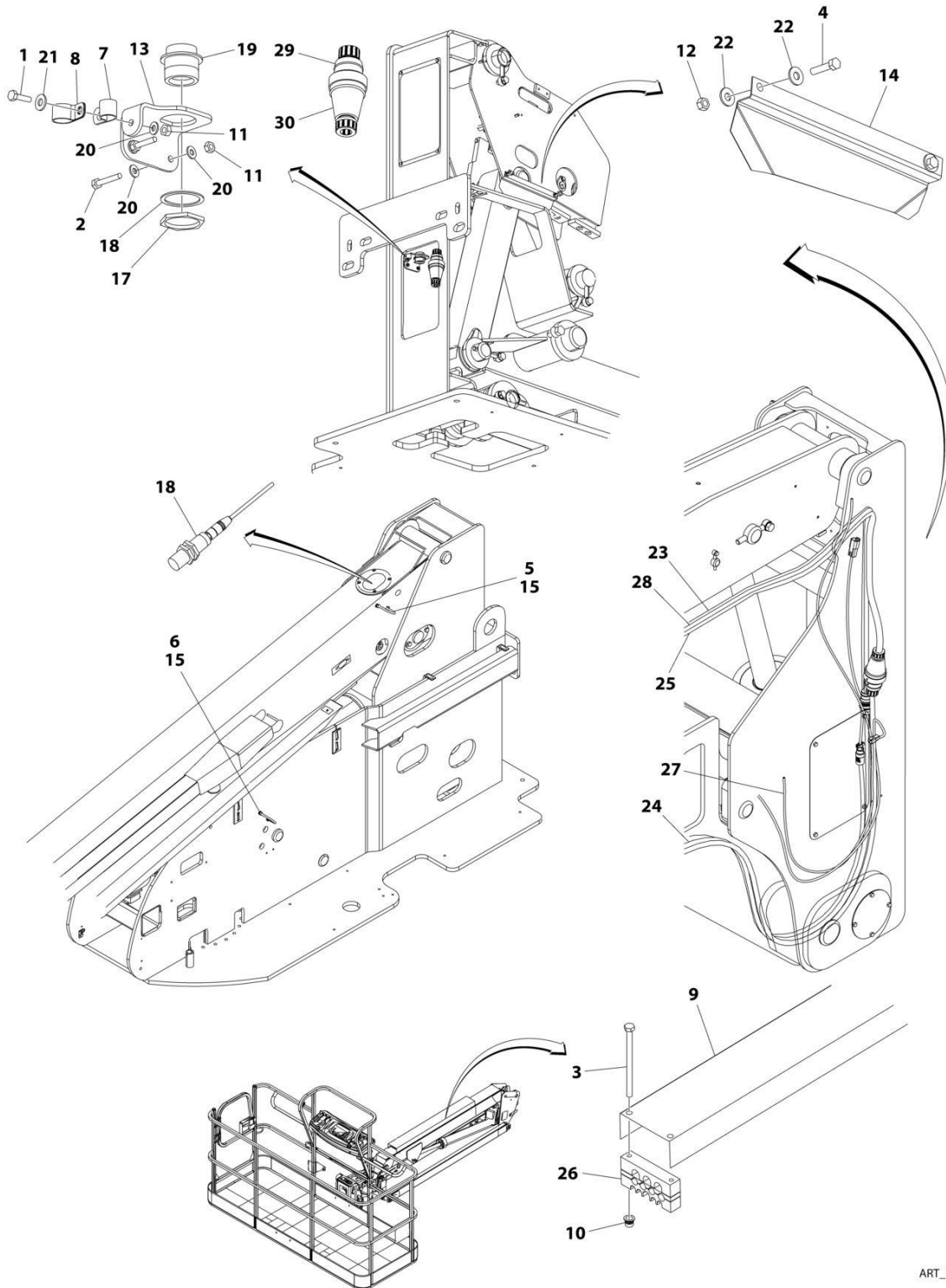
SECTION 8 - ELECTRICAL

FIGURE 8-31. BOOM CABLES INSTALLATION - WITH 7500W GENERATOR AND WITHOUT ARCTIC PACKAGE (ALL SPECS) (860SJ HC3)

ITEM	PART NUMBER	QTY	DESCRIPTION	REV
	1001256197	Ref	BOOM CABLES INSTALLATION	C
1	0561484	2	Block, Clamp	
2	0641408	1	Bolt 1/4 x 1	
3	0641412	2	Bolt 1/4 x 1-1/2	
4	0700626	4	Bolt M6 x 90	
5	0641511	2	Bolt 5/16 x 1-3/8	
6	0641604	2	Bolt 3/8 x 1/2	
7	0641607	2	Bolt 3/8 x 7/8	
8	1320061	1	Clamp	
9	1320202	1	Clamp	
10	1671034	1	Cover	
11	1001176636	4	Rivnut M6	
11	1001260680	4	Rivnut M6	
12	3311405	3	Nut 1/4	
13	3311505	2	Nut 5/16	
14	3573047	1	Plate	
15	3573296	1	Plate	
16	3841340	2	Rod	
17	4360506	1	Switch, Proximity	
18	4460470	1	Nut, Terminal	
19	4460471	1	Washer, Terminal	
20	4460866	1	Connector - 19 Pin	
21	4711400	5	Washer 1/4	
22	4751400	1	Washer 1/4	
23	4751500	4	Washer 5/16	
24	4922567	1	Harness Assembly - Main Boom (See Separate Breakdown in this Section)	
25	4922569	1	Harness Assembly - Tower Boom (See Separate Breakdown in this Section)	
26	4922660	1	Holding Valve/Lift Dump Harness Assembly (See Separate Breakdown in this Section)	
27	1001121669	1	AC Cable, 8/5 (Tower Boom)	
28	1001121671	1	AC Cable, 8/5 (Main Boom)	
29	1001218622	1	Terminal, Turnlock Plug	
30	1001218623	1	Terminal, Turnlock Connector	

SECTION 8 - ELECTRICAL

FIGURE 8-32. BOOM CABLES INSTALLATION - WITH 7500W GENERATOR AND WITH ARCTIC PACKAGE (ANSI, ANSI EXPOERT AND CSA SPECS) (860SJ HC3)



ART_1001256195

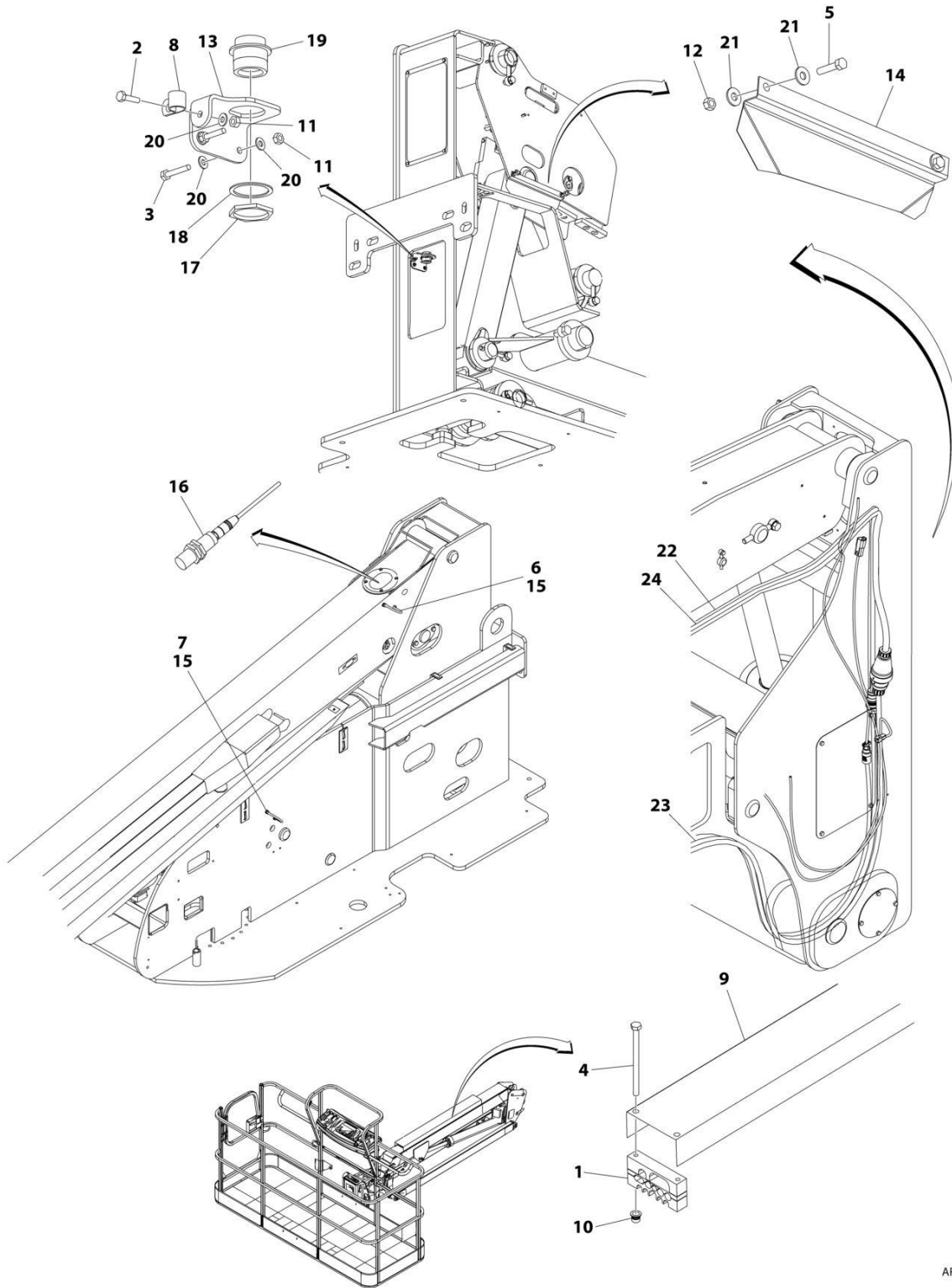
SECTION 8 - ELECTRICAL

FIGURE 8-32. BOOM CABLES INSTALLATION - WITH 7500W GENERATOR AND WITH ARCTIC PACKAGE (ANSI, ANSI EXPOERT AND CSA SPECS) (860SJ HC3)

ITEM	PART NUMBER	QTY	DESCRIPTION	REV
	1001256195	Ref	BOOM CABLES INSTALLATION	C
1	0641408	1	Bolt 1/4 x 1	
2	0641412	2	Bolt 1/4 x 1-1/2	
3	0700626	4	Bolt M6 x 90	
4	0641511	2	Bolt 5/16 x 1-3/8	
5	0641604	2	Bolt 3/8 x 1/2	
6	0641607	2	Bolt 3/8 x 7/8	
7	1320061	1	Clamp	
8	1320202	1	Clamp	
9	1671034	1	Cover	
10	1001260680	4	Rivnut M6	
11	3311405	3	Nut 1/4	
12	3311505	2	Nut 5/16	
13	3573047	1	Plate	
14	3573296	1	Plate	
15	3841340	2	Rod	
16	4360506	1	Switch, Proximity	
17	4460470	1	Nut, Terminal	
18	4460471	1	Washer, Terminal	
19	4460866	1	Connector - 19 Pin	
20	4711400	5	Washer 1/4	
21	4751400	1	Washer 1/4	
22	4751500	4	Washer 5/16	
23	4923595	1	Harness Assembly - Main Boom (See Separate Breakdown in this Section)	
24	4923596	1	Harness Assembly - Tower Boom (See Separate Breakdown in this Section)	
25	4923597	1	Holding Valve/Lift Dump Harness Assembly (See Separate Breakdown in this Section)	
26	1001091472	2	Block, Clamp	
27	1001121669	1	AC Cable, 8/5 (Tower Boom)	
28	1001121671	1	AC Cable, 8/5 (Main Boom)	
29	1001218622	1	Terminal, Turnlock Plug	
30	1001218623	1	Terminal, Turnlock Connector	

SECTION 8 - ELECTRICAL

FIGURE 8-33. BOOM CABLES INSTALLATION - WITHOUT AC CABLES (RUSSIAN AND CHINA SPECS) (860SJ HC3)



ART_1001256201

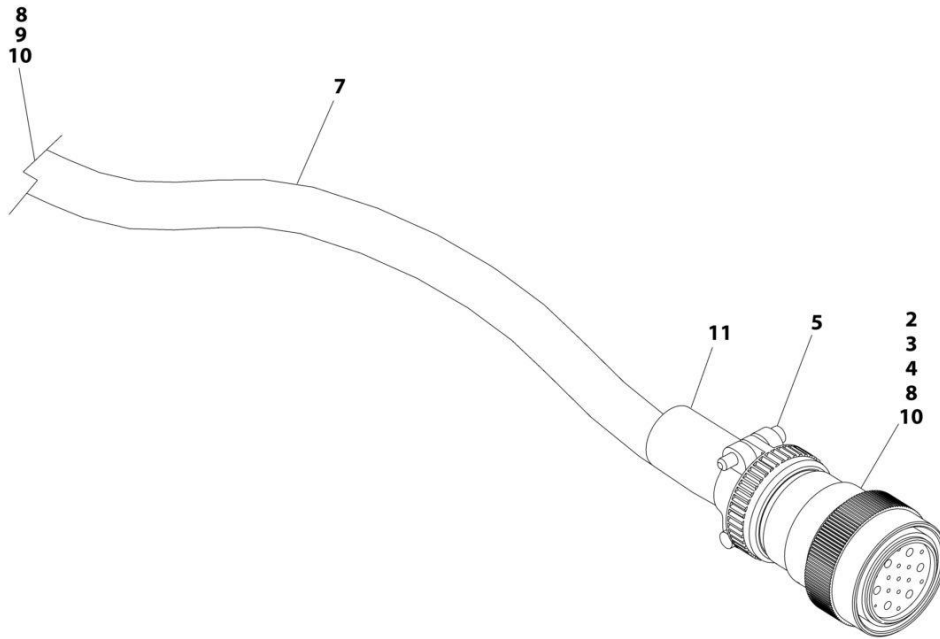
SECTION 8 - ELECTRICAL

FIGURE 8-33. BOOM CABLES INSTALLATION - WITHOUT AC CABLES (RUSSIAN AND CHINA SPECS) (860SJ HC3)

ITEM	PART NUMBER	QTY	DESCRIPTION	REV
	1001256201	Ref	BOOM CABLES INSTALLATION	C
1	0561484	2	Block, Clamp	
2	0641408	1	Bolt 1/4 x 1	
3	0641412	2	Bolt 1/4 x 1-1/2	
4	0700626	4	Bolt M6 x 90	
5	0641511	2	Bolt 5/16 x 1-3/8	
6	0641604	2	Bolt 3/8 x 1/2	
7	0641607	2	Bolt 3/8 x 7/8	
8	1320061	1	Clamp	
9	1671034	1	Cover	
10	1001260680	4	Rivnut M6	
11	3311405	3	Nut 1/4	
12	3311505	2	Nut 5/16	
13	3573047	1	Plate	
14	3573296	1	Plate	
15	3841340	2	Rod	
16	4360506	1	Switch, Proximity	
17	4460470	1	Nut, Terminal	
18	4460471	1	Washer, Terminal	
19	4460866	1	Connector - 19 Pin	
20	4711400	5	Washer 1/4	
21	4751500	4	Washer 5/16	
22	4922567	1	Harness Assembly - Main Boom (See Separate Breakdown in this Section)	
23	4922569	1	Harness Assembly - Tower Boom (See Separate Breakdown in this Section)	
24	4922660	1	Holding Valve/Lift Dump Harness Assembly (See Separate Breakdown in this Section)	

SECTION 8 - ELECTRICAL

FIGURE 8-34. BOOM HARNESS - (MAIN BOOM) (WITHOUT ARCTIC PACKAGE) (860SJ HC3)



ART_4922567

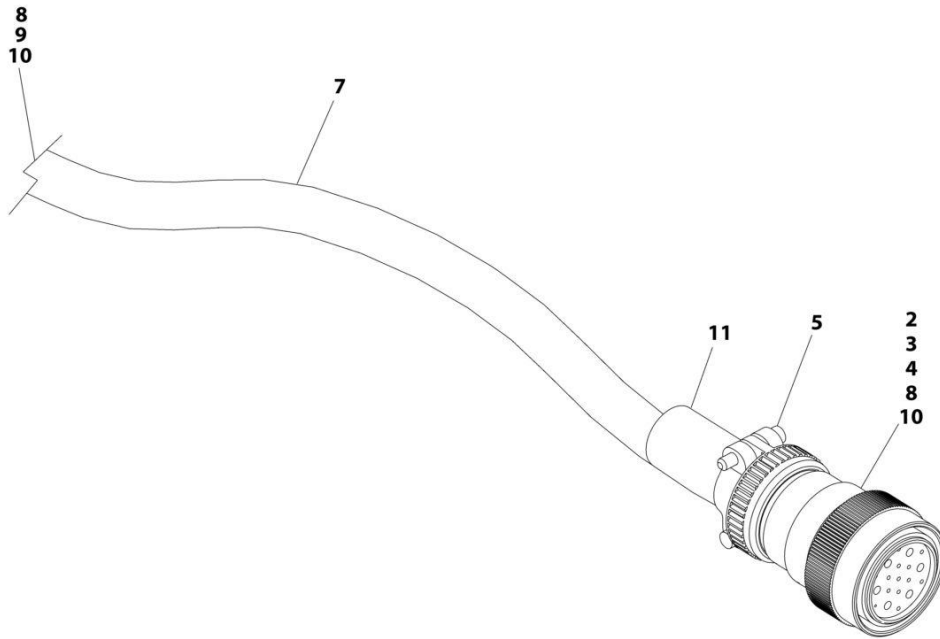
SECTION 8 - ELECTRICAL

FIGURE 8-34. BOOM HARNESS - (MAIN BOOM) (WITHOUT ARCTIC PACKAGE) (860SJ HC3)

ITEM	PART NUMBER	QTY	DESCRIPTION	REV
	4922567	Ref	BOOM HARNESS	D
2	4460465	11	Socket, Female	
3	4460865	1	Connector - 19 Position	
4	4460509	4	Socket, Female	
5	4460473	1	Clamp	
6	4460466	8	Plug, Terminal	
7	2820031	AR	Heatshrink	
8	4460464	11	Pin, Male	
9	4460508	4	Pin, Male	
10	2820118	AR	Heatshrink, Clear	
11	1001226400	1	Insulate, Heatshrink	

SECTION 8 - ELECTRICAL

FIGURE 8-35. BOOM HARNESS - (MAIN BOOM) (WITH ARCTIC PACKAGE) (860SJ HC3)



ART_4923595

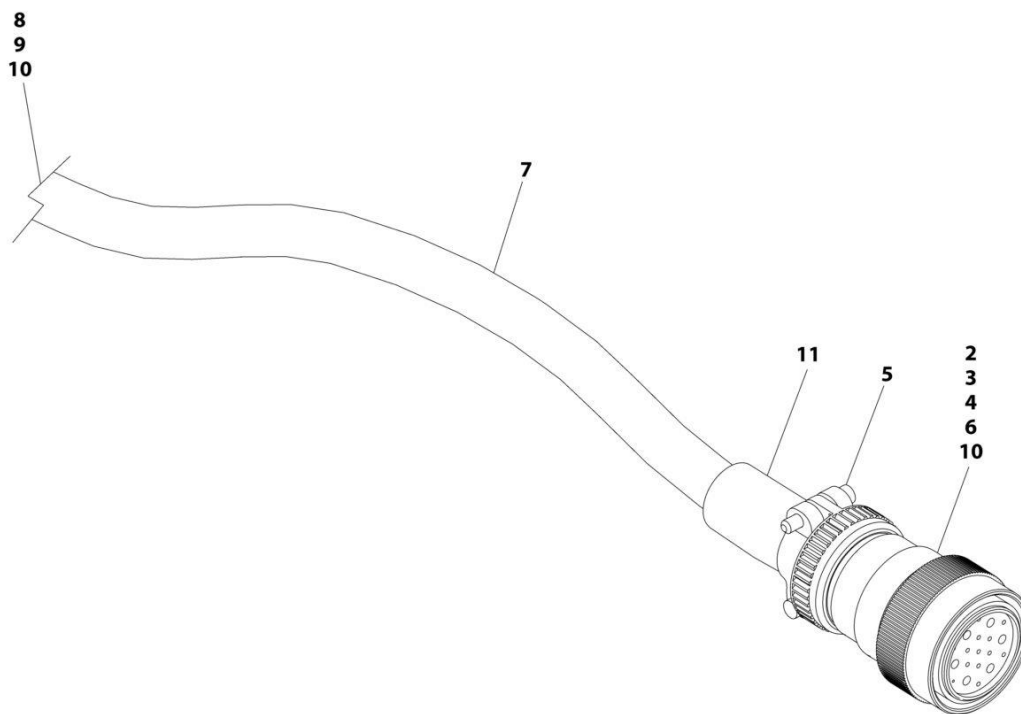
SECTION 8 - ELECTRICAL

FIGURE 8-35. BOOM HARNESS - (MAIN BOOM) (WITH ARCTIC PACKAGE) (860SJ HC3)

ITEM	PART NUMBER	QTY	DESCRIPTION	REV
	4923595	Ref	BOOM HARNESS	D
2	4460465	11	Socket, Female	
3	4460865	1	Connector - 19 Position	
4	4460509	4	Socket, Female	
5	4460473	1	Clamp	
6	4460466	8	Plug, Terminal	
7	2820031	AR	Heatshrink	
8	4460464	11	Pin, Male	
9	4460508	4	Pin, Male	
10	2820118	AR	Heatshrink, Clear	
11	1001226400	1	Insulate, Heatshrink	

SECTION 8 - ELECTRICAL

FIGURE 8-36. BOOM HARNESS - (MAIN BOOM) (WITH ARCTIC PACKAGE) (800S HC3)



ART_1001091618

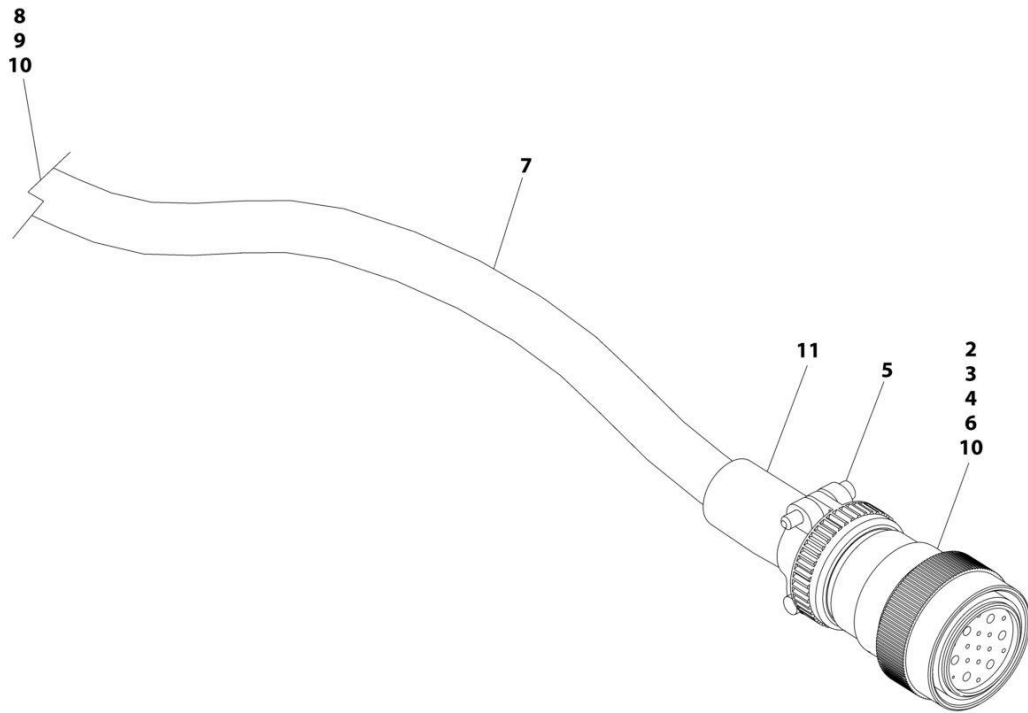
SECTION 8 - ELECTRICAL

FIGURE 8-36. BOOM HARNESS - (MAIN BOOM) (WITH ARCTIC PACKAGE) (800S HC3)

ITEM	PART NUMBER	QTY	DESCRIPTION	REV
	1001091618	Ref	BOOM HARNESS	C
2	4460465	11	Socket, Female	
3	4460865	1	Connector - 19 Position	
4	4460509	4	Socket, Female	
5	4460473	1	Clamp	
6	4460466	8	Plug, Terminal	
7	2820031	AR	Heatshrink	
8	4460464	11	Pin, Male	
9	4460508	4	Pin, Male	
10	2820118	AR	Heatshrink, Clear	
11	1001226400	1	Insulate, Heatshrink	

SECTION 8 - ELECTRICAL

FIGURE 8-37. BOOM CABLE (MAIN BOOM) (WITHOUT ARCTIC PACKAGE)



ART_4922566

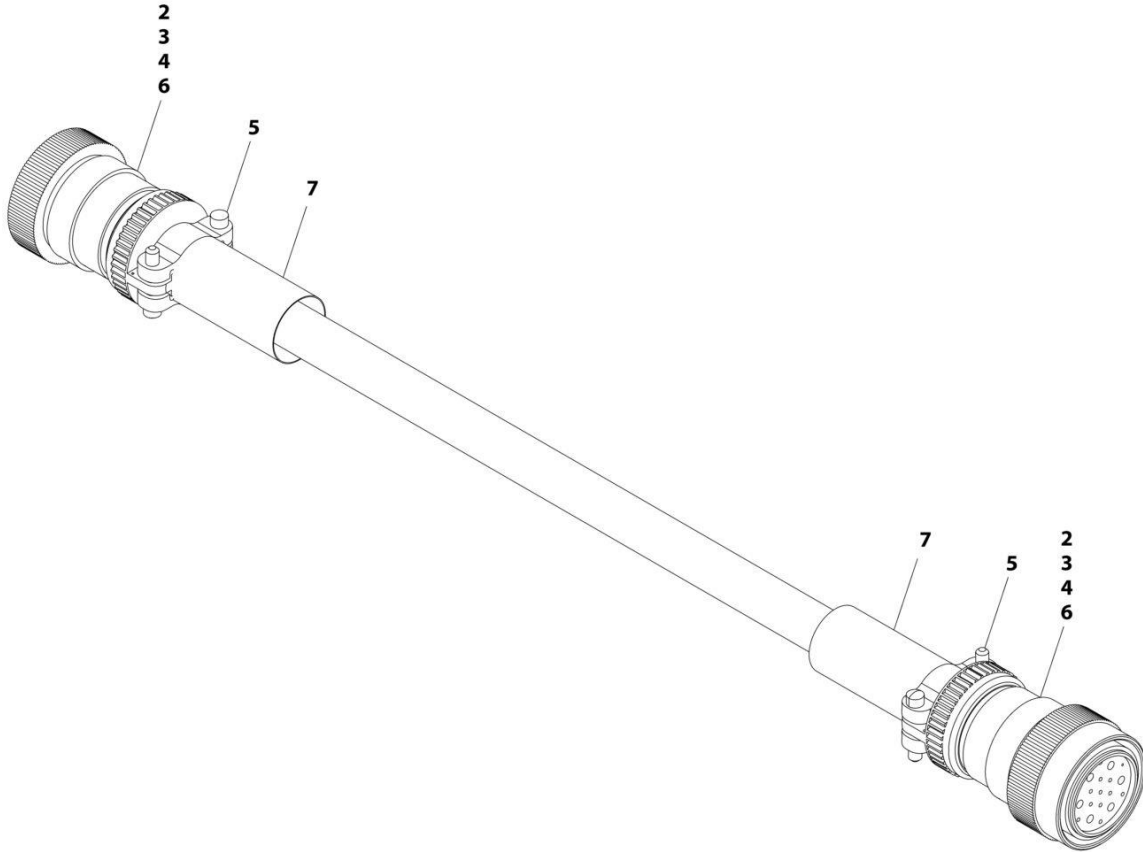
SECTION 8 - ELECTRICAL

FIGURE 8-37. BOOM CABLE (MAIN BOOM) (WITHOUT ARCTIC PACKAGE)

ITEM	PART NUMBER	QTY	DESCRIPTION	REV
	4922566	Ref	BOOM HARNESS	C
2	4460465	11	Socket, Female	
3	4460865	1	Connector - 19 Position	
4	4460509	4	Socket, Female	
5	4460473	1	Clamp	
6	4460466	8	Plug, Terminal	
7	2820031	AR	Heatshrink	
8	4460464	11	Pin, Male	
9	4460508	4	Pin, Male	
10	2820118	AR	Heatshrink, Clear	
11	1001226400	1	Insulate, Heatshrink	

SECTION 8 - ELECTRICAL

FIGURE 8-38. BOOM CABLE (TOWER BOOM) (WITHOUT ARCTIC PACKAGE)



ART_4922569

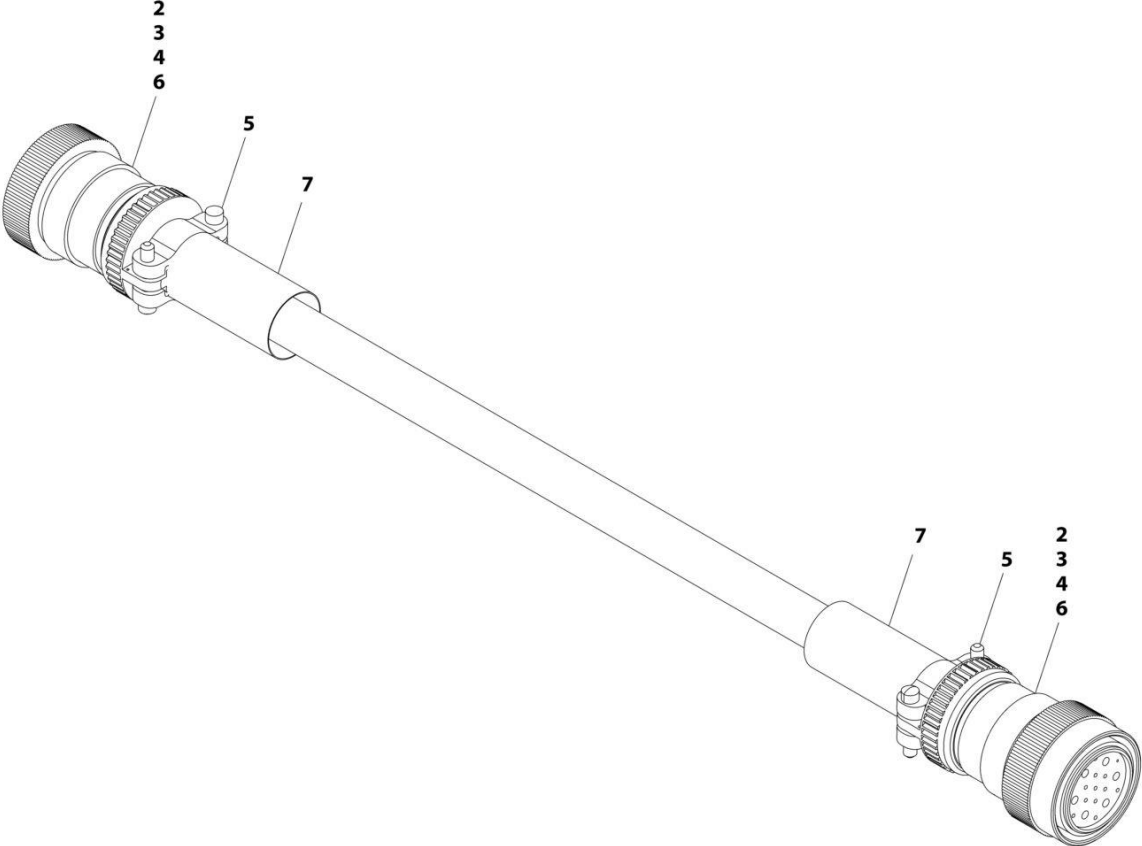
SECTION 8 - ELECTRICAL

FIGURE 8-38. BOOM CABLE (TOWER BOOM) (WITHOUT ARCTIC PACKAGE)

ITEM	PART NUMBER	QTY	DESCRIPTION	REV
	4922569	Ref	BOOM CABLE - TOWER BOOM	B
2	4460465	22	Socket, Female	
3	4460865	2	Connector - 19 Position	
4	4460509	8	Socket, Female	
5	4460473	2	Clamp	
6	4460466	8	Plug, Terminal	
7	1001226400	2	Insulate, Heatshrink	

SECTION 8 - ELECTRICAL

FIGURE 8-39. BOOM CABLE (TOWER BOOM) (WITHOUT ARCTIC PACKAGE)



ART_4923596

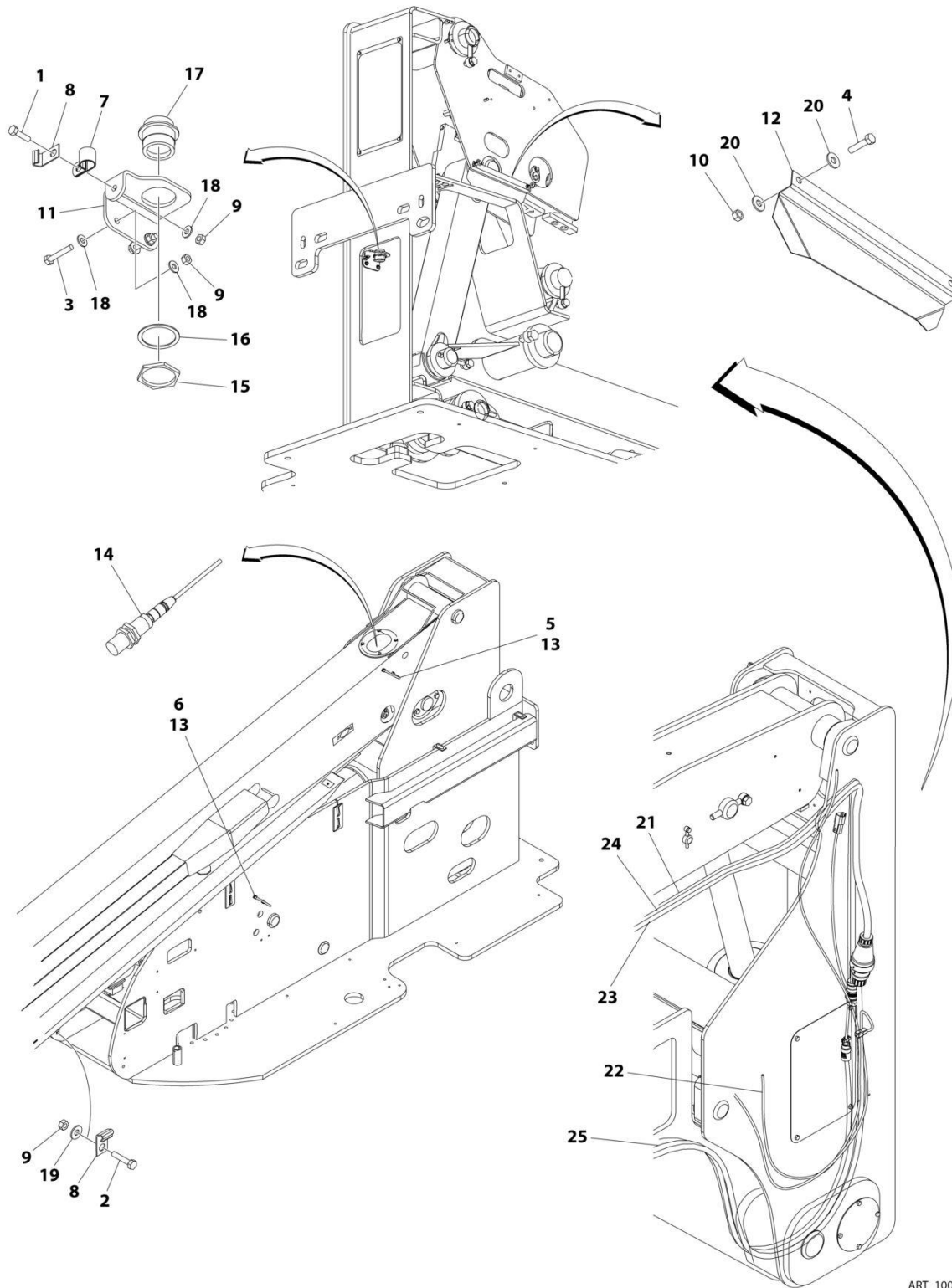
SECTION 8 - ELECTRICAL

FIGURE 8-39. BOOM CABLE (TOWER BOOM) (WITHOUT ARCTIC PACKAGE)

ITEM	PART NUMBER	QTY	DESCRIPTION	REV
	4923596	Ref	BOOM CABLE - TOWER BOOM	C
2	4460465	22	Socket, Female	
3	4460865	2	Connector - 19 Position	
4	4460509	8	Socket, Female	
5	4460473	2	Clamp	
6	4460466	8	Plug, Terminal	
7	1001226400	2	Insulate, Heatshrink	

SECTION 8 - ELECTRICAL

FIGURE 8-40. BOOM CABLES INSTALLATION - WITHOUT ARCTIC PACKAGE (ALL SPECS EXCEPT AUSTRALIAN SPECS) (800S HC3)



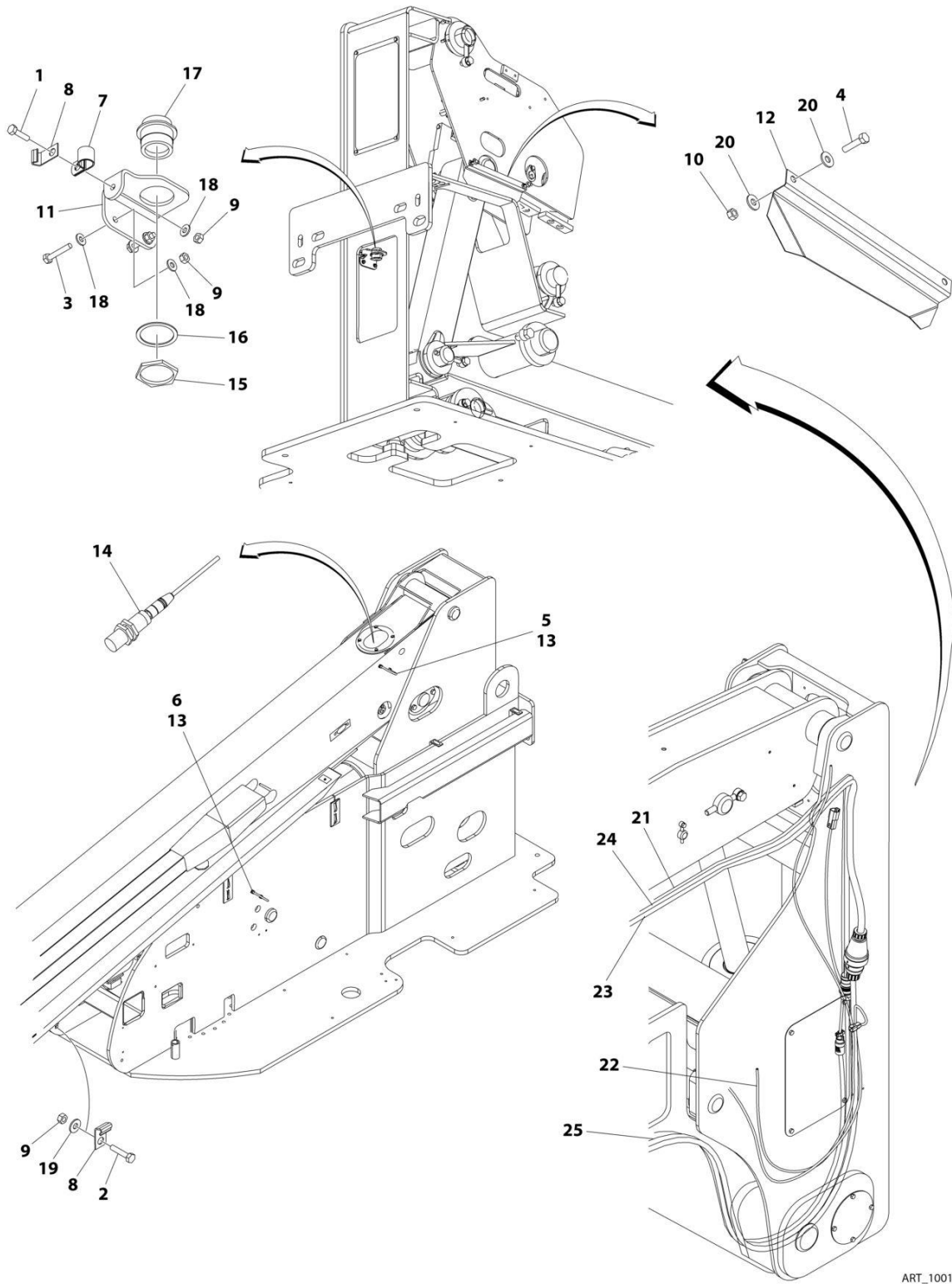
SECTION 8 - ELECTRICAL

FIGURE 8-40. BOOM CABLES INSTALLATION - WITHOUT ARCTIC PACKAGE (ALL SPECS EXCEPT AUSTRALIAN SPECS) (800S HC3)

ITEM	PART NUMBER	QTY	DESCRIPTION	REV
	1001256190	Ref	BOOM CABLES INSTALLATION	B
1	0641408	1	Bolt 1/4 x 1	
2	0641410	1	Bolt 1/4 x 1-1/4	
3	0641412	2	Bolt 1/4 x 1-1/2	
4	0641511	2	Bolt 5/16 x 1-3/8	
5	0641604	2	Bolt 3/8 x 1/2	
6	0641607	2	Bolt 3/8 x 7/8	
7	1320061	1	Clamp	
8	1320223	2	Clamp	
9	3311405	4	Nut 1/4	
10	3311505	2	Nut 5/16	
11	3573047	1	Plate	
12	3573296	1	Plate	
13	3841340	2	Rod	
14	4360506	1	Switch, Proximity	
15	4460470	1	Nut, Terminal	
16	4460471	1	Washer, Terminal	
17	4460866	1	Connector - 19 Pin	
18	4711400	5	Washer 1/4	
19	4751400	1	Washer 1/4	
20	4751500	4	Washer 5/16	
21	4922566	1	Harness Assembly - Main Boom (See Separate Breakdown in this Section)	
22	4922569	1	Harness Assembly - Tower Boom (See Separate Breakdown in this Section)	
23	4922660	1	Holding Valve/Lift Dump Harness Assembly (See Separate Breakdown in this Section)	
24	4922875	1	AC Cable, 10/3 (Main Boom)	
25	4922876	1	AC Cable, 10/3 (Tower Boom)	

SECTION 8 - ELECTRICAL

FIGURE 8-41. BOOM CABLES INSTALLATION - WITH ARCTIC PACKAGE (ANSI, ANSI EXPORT AND CSA SPECS) (800S HC3)



ART_1001256192

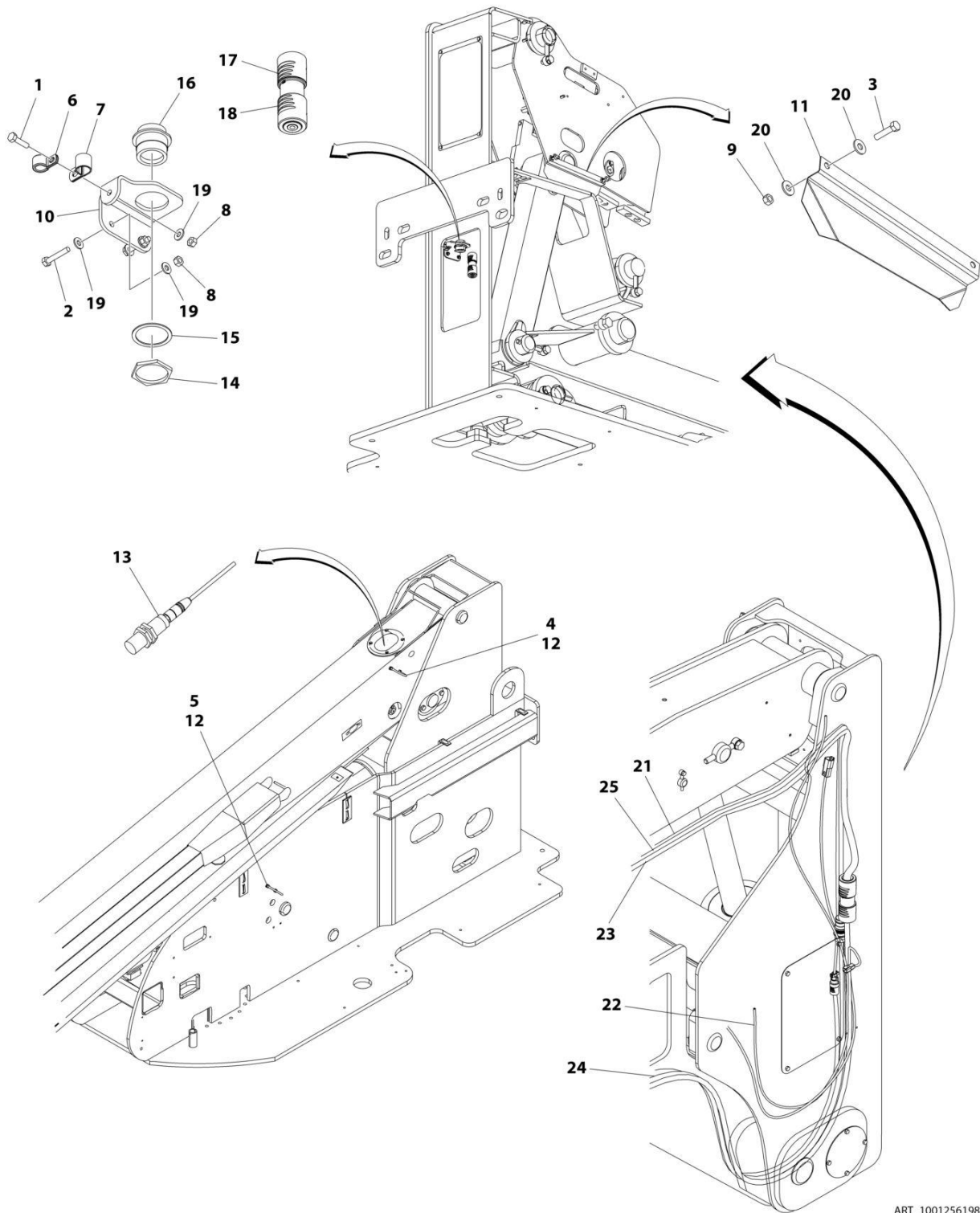
SECTION 8 - ELECTRICAL

FIGURE 8-41. BOOM CABLES INSTALLATION - WITH ARCTIC PACKAGE (ANSI, ANSI EXPORT AND CSA SPECS) (800S HC3)

ITEM	PART NUMBER	QTY	DESCRIPTION	REV
	1001256192	Ref	BOOM CABLES INSTALLATION	A
1	0641408	1	Bolt 1/4 x 1	
2	0641410	1	Bolt 1/4 x 1-1/4	
3	0641412	2	Bolt 1/4 x 1-1/2	
4	0641511	2	Bolt 5/16 x 1-3/8	
5	0641604	2	Bolt 3/8 x 1/2	
6	0641607	2	Bolt 3/8 x 7/8	
7	1320061	1	Clamp	
8	1320223	2	Clamp	
9	3311405	4	Nut 1/4	
10	3311505	2	Nut 5/16	
11	3573047	1	Plate	
12	3573296	1	Plate	
13	3841340	2	Rod	
14	4360506	1	Switch, Proximity	
15	4460470	1	Nut, Terminal	
16	4460471	1	Washer, Terminal	
17	4460866	1	Connector - 19 Pin	
18	4711400	5	Washer 1/4	
19	4751400	1	Washer 1/4	
20	4751500	4	Washer 5/16	
21	4923596	1	Harness Assembly - Tower Boom (See Separate Breakdown in this Section)	
22	4923597	1	Holding Valve/Lift Dump Harness Assembly (See Separate Breakdown in this Section)	
23	4923601	1	AC Cable, 8/5 (Main Boom)	
24	1001091618	1	Harness Assembly - Main Boom (See Separate Breakdown in this Section)	
25	1001091620	1	AC Cable, 10/3 (Tower Boom)	

SECTION 8 - ELECTRICAL

FIGURE 8-42. BOOM CABLES INSTALLATION - WITH 4000W GENERATOR AND WITHOUT ARCTIC PACKAGE (ANSI, ANSI EXPORT, CSA AND JAPANESE SPECS) (800S HC3)



ART_1001256198

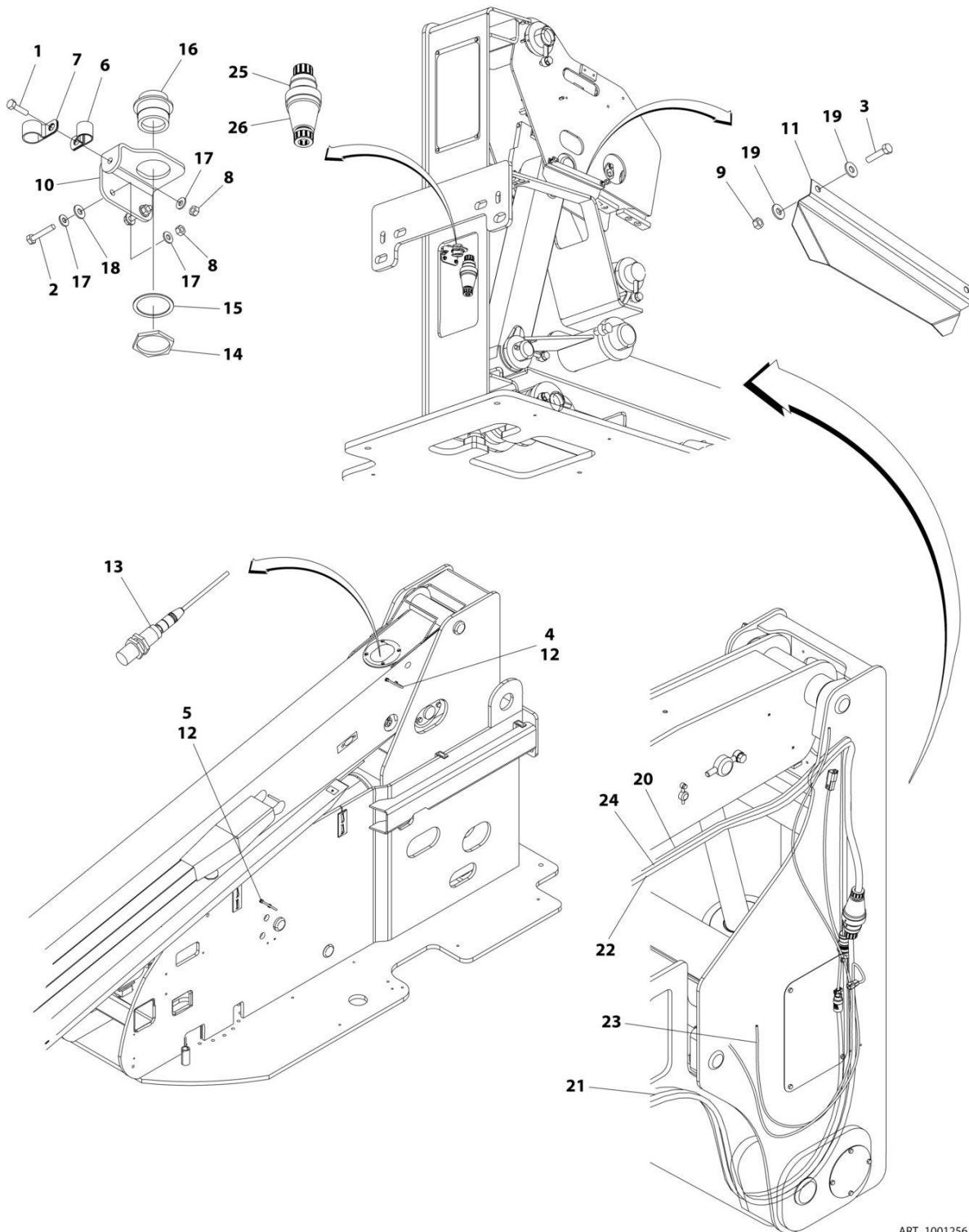
SECTION 8 - ELECTRICAL

FIGURE 8-42. BOOM CABLES INSTALLATION - WITH 4000W GENERATOR AND WITHOUT ARCTIC PACKAGE (ANSI, ANSI EXPORT, CSA AND JAPANESE SPECS) (800S HC3)

ITEM	PART NUMBER	QTY	DESCRIPTION	REV
	1001256198	Ref	BOOM CABLES INSTALLATION	A
1	0641408	1	Bolt 1/4 x 1	
2	0641412	2	Bolt 1/4 x 1-1/2	
3	0641511	2	Bolt 5/16 x 1-3/8	
4	0641604	2	Bolt 3/8 x 1/2	
5	0641607	2	Bolt 3/8 x 7/8	
6	1320041	1	Clamp	
7	1320061	1	Clamp	
8	3311405	3	Nut 1/4	
9	3311505	2	Nut 5/16	
10	3573047	1	Plate	
11	3573296	1	Plate	
12	3841340	2	Rod	
13	4360506	1	Switch, Proximity	
14	4460470	1	Nut, Terminal	
15	4460471	1	Washer, Terminal	
16	4460866	1	Connector - 19 Pin	
17	4460959	1	Terminal, Turnlock Plug	
18	4460960	1	Terminal, Turnlock Connector	
19	4711400	5	Washer 1/4	
20	4751500	4	Washer 5/16	
21	4922566	1	Harness Assembly - Main Boom (See Separate Breakdown in this Section)	
22	4922569	1	Harness Assembly - Tower Boom (See Separate Breakdown in this Section)	
23	4922660	1	Holding Valve/Lift Dump Harness Assembly (See Separate Breakdown in this Section)	
24	1001156425	1	AC Cable, 10/4 (Tower Boom)	
25	1001156426	1	AC Cable, 10/4 (Main Boom)	

SECTION 8 - ELECTRICAL

FIGURE 8-43. BOOM CABLES INSTALLATION - WITH 7500W GENERATOR AND WITHOUT ARCTIC PACKAGE (ANSI, ANSI EXPORT, CSA, RUSSIA AND JAPANESE SPECS) (800S HC3)



ART_1001256196

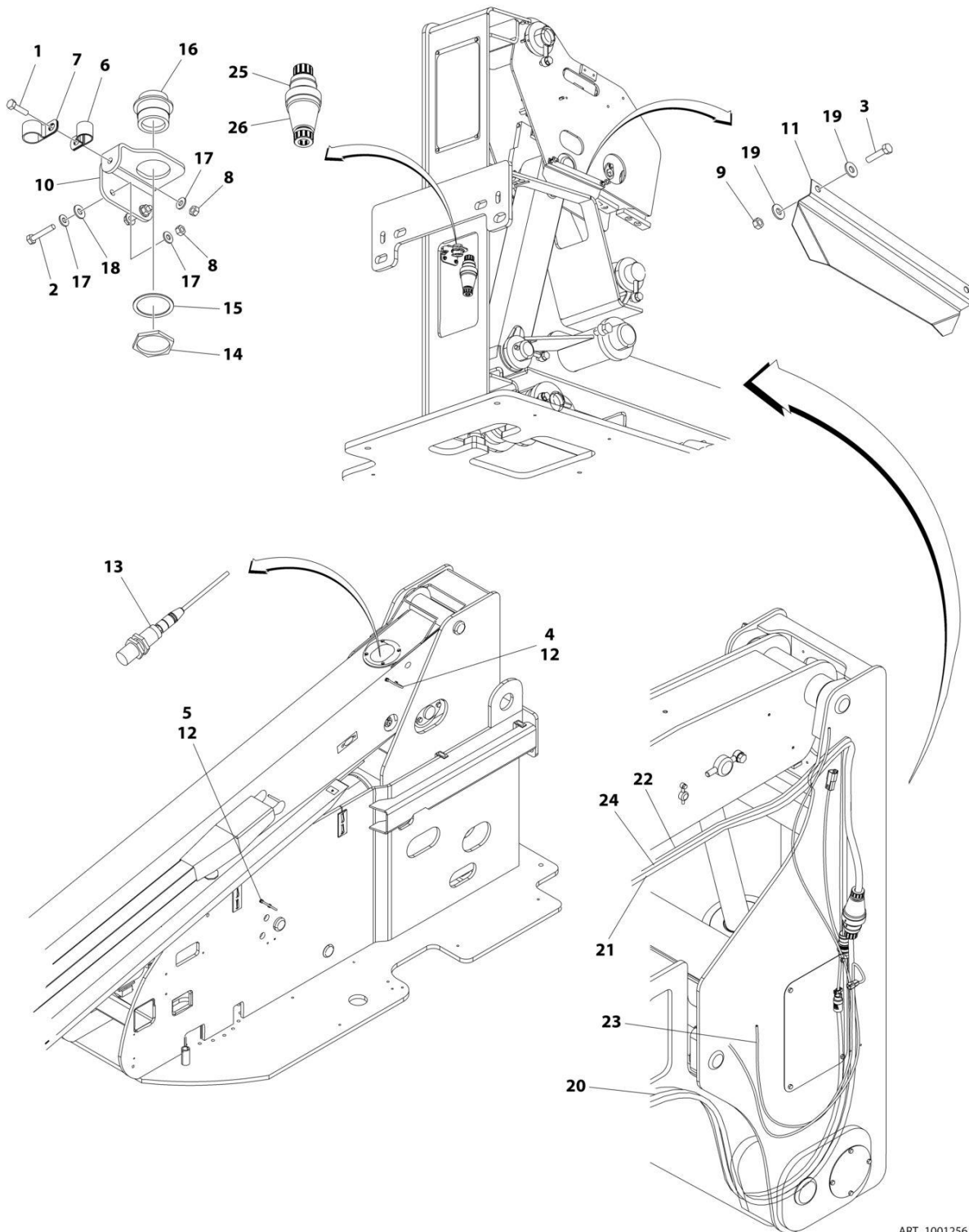
SECTION 8 - ELECTRICAL

FIGURE 8-43. BOOM CABLES INSTALLATION - WITH 7500W GENERATOR AND WITHOUT ARCTIC PACKAGE (ANSI, ANSI EXPORT, CSA, RUSSIA AND JAPANESE SPECS) (800S HC3)

ITEM	PART NUMBER	QTY	DESCRIPTION	REV
	1001256196	Ref	BOOM CABLES INSTALLATION	A
1	0641408	1	Bolt 1/4 x 1	
2	0641412	2	Bolt 1/4 x 1-1/2	
3	0641511	2	Bolt 5/16 x 1-3/8	
4	0641604	2	Bolt 3/8 x 1/2	
5	0641607	2	Bolt 3/8 x 7/8	
6	1320061	1	Clamp	
7	1320202	1	Clamp	
8	3311405	3	Nut 1/4	
9	3311505	2	Nut 5/16	
10	3573047	1	Plate	
11	3573296	1	Plate	
12	3841340	2	Rod	
13	4360506	1	Switch, Proximity	
14	4460470	1	Nut, Terminal	
15	4460471	1	Washer, Terminal	
16	4460866	1	Connector - 19 Pin	
17	4711400	5	Washer 1/4	
18	4751400	1	Washer 1/4	
19	4751500	4	Washer 5/16	
20	4922566	1	Harness Assembly - Main Boom (See Separate Breakdown in this Section)	
21	4922569	1	Harness Assembly - Tower Boom (See Separate Breakdown in this Section)	
22	4922660	1	Holding Valve/Lift Dump Harness Assembly (See Separate Breakdown in this Section)	
23	1001121669	1	AC Cable, 8/5 (Tower Boom)	
24	1001121670	1	AC Cable, 8/5 (Main Boom)	
25	1001218622	1	Terminal, Turnlock Plug	
26	1001218623	1	Terminal, Turnlock Connector	

SECTION 8 - ELECTRICAL

FIGURE 8-44. BOOM CABLES INSTALLATION - WITH 7500W GENERATOR AND WITH ARCTIC PACKAGE (ANSI, ANSI EXPORT AND CSA SPECS) (800S HC3)



ART_1001256194

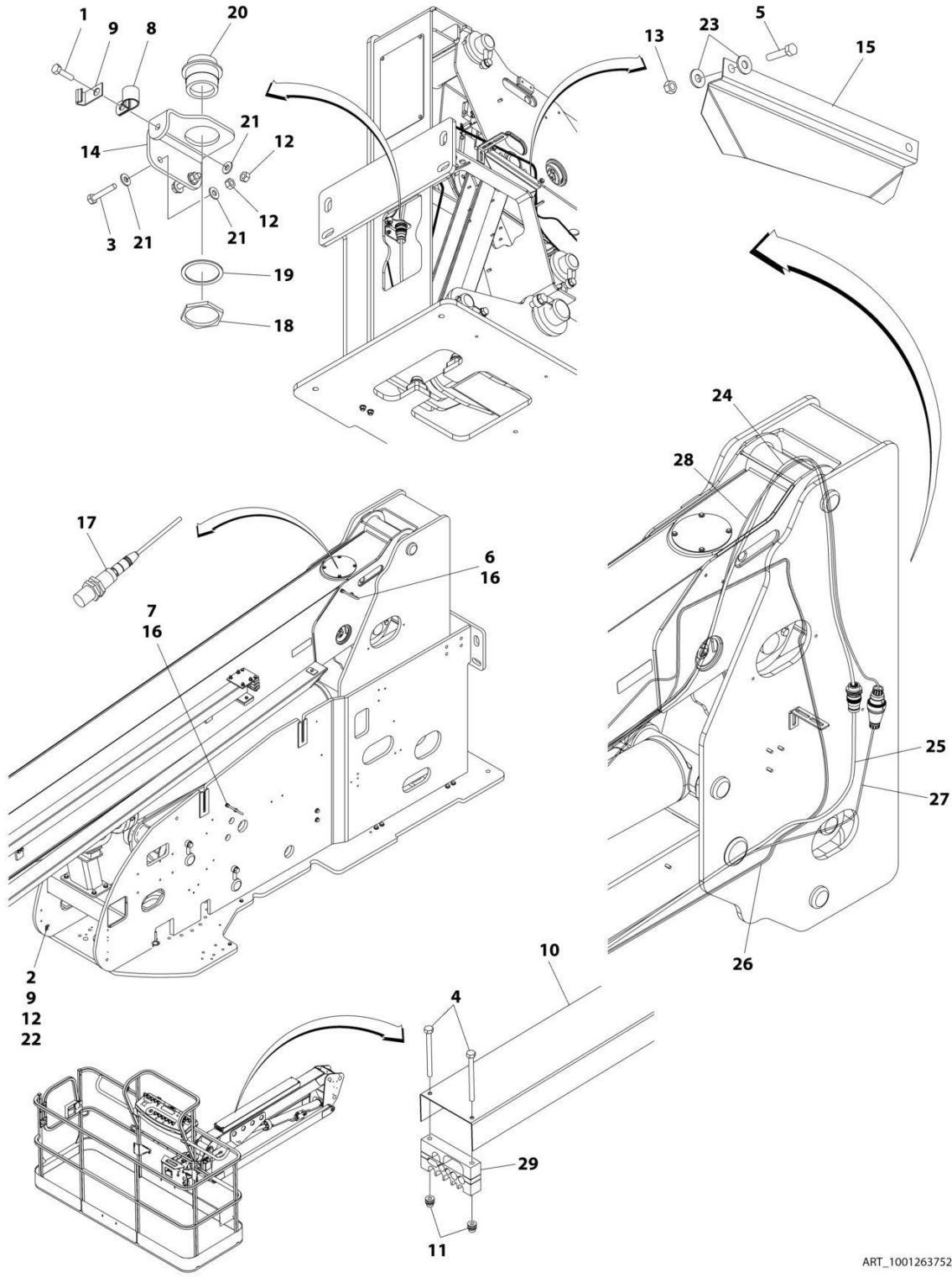
SECTION 8 - ELECTRICAL

FIGURE 8-44. BOOM CABLES INSTALLATION - WITH 7500W GENERATOR AND WITH ARCTIC PACKAGE (ANSI, ANSI EXPORT AND CSA SPECS) (800S HC3)

ITEM	PART NUMBER	QTY	DESCRIPTION	REV
	1001256194	Ref	BOOM CABLES INSTALLATION	A
1	0641408	1	Bolt 1/4 x 1	
2	0641412	2	Bolt 1/4 x 1-1/2	
3	0641511	2	Bolt 5/16 x 1-3/8	
4	0641604	2	Bolt 3/8 x 1/2	
5	0641607	2	Bolt 3/8 x 7/8	
6	1320061	1	Clamp	
7	1320202	1	Clamp	
8	3311405	3	Nut 1/4	
9	3311505	2	Nut 5/16	
10	3573047	1	Plate	
11	3573296	1	Plate	
12	3841340	2	Rod	
13	4360506	1	Switch, Proximity	
14	4460470	1	Nut, Terminal	
15	4460471	1	Washer, Terminal	
16	4460866	1	Connector - 19 Pin	
17	4711400	5	Washer 1/4	
18	4751400	1	Washer 1/4	
19	4751500	4	Washer 5/16	
20	4923596	1	Harness Assembly - Tower Boom (See Separate Breakdown in this Section)	
21	4923597	1	Holding Valve/Lift Dump Harness Assembly (See Separate Breakdown in this Section)	
22	1001091618	1	Harness Assembly - Main Boom (See Separate Breakdown in this Section)	
23	1001121669	1	AC Cable, 8/5 (Tower Boom)	
24	1001121670	1	AC Cable, 8/5 (Main Boom)	
25	1001218622	1	Terminal, Turnlock Plug	
26	1001218623	1	Terminal, Turnlock Connector	

SECTION 8 - ELECTRICAL

FIGURE 8-45. BOOM CABLES INSTALLATION - WITHOUT ARCTIC PACKAGE (ALL SPECS EXCEPT CHINESE SPECS) (860SJ HC3)



ART_1001263752

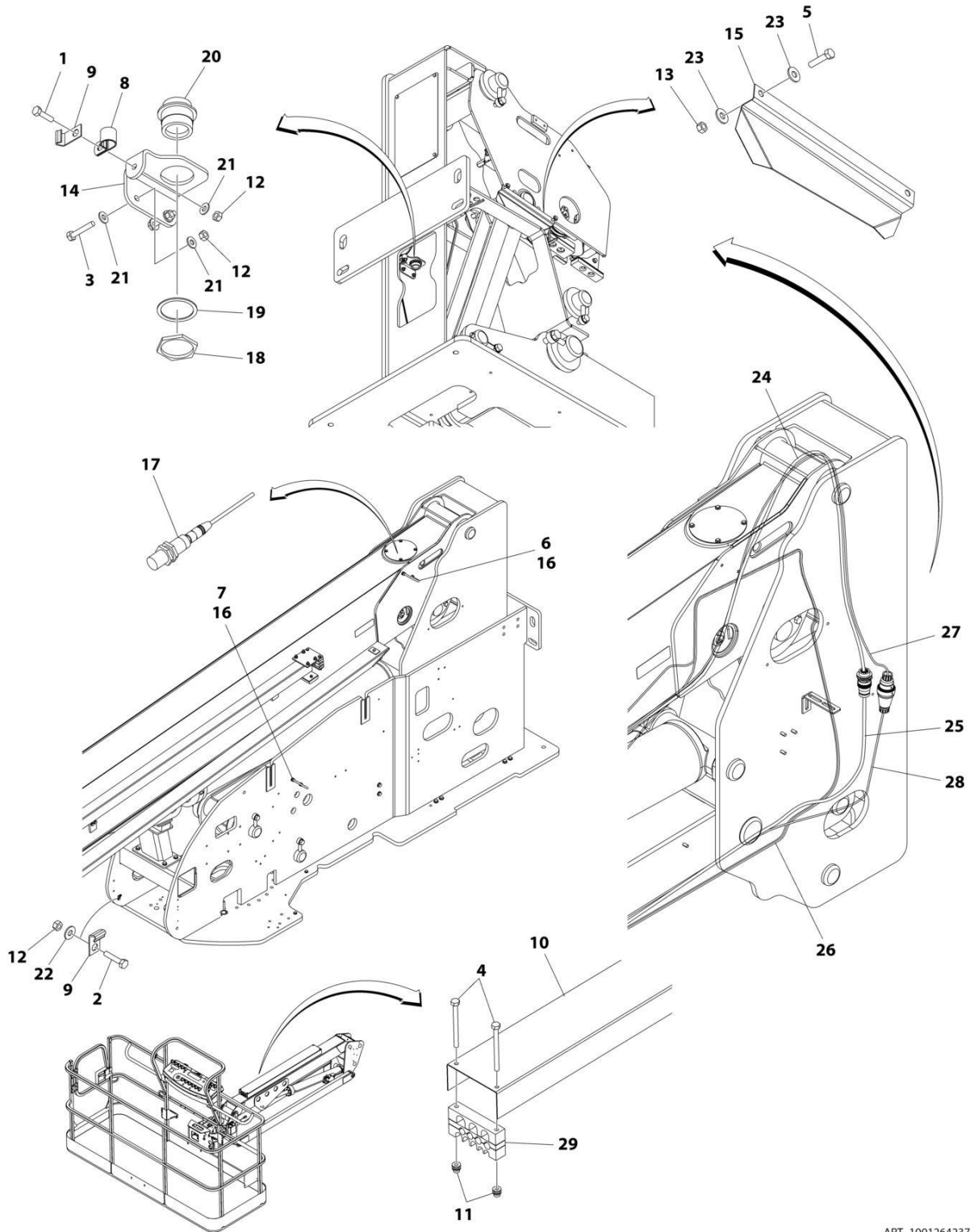
SECTION 8 - ELECTRICAL

FIGURE 8-45. BOOM CABLES INSTALLATION - WITHOUT ARCTIC PACKAGE (ALL SPECS EXCEPT CHINESE SPECS) (860SJ HC3)

ITEM	PART NUMBER	QTY	DESCRIPTION	REV
	1001263752	Ref	BOOM CABLES INSTALLATION	B
1	0641408	1	Bolt 1/4 x 1	
2	0641410	1	Bolt 1/4 x 1-1/4	
3	0641412	2	Bolt 1/4 x 1-1/2	
4	0641424	4	Bolt 1/4 x 3	
4	0700624	4	Bolt M6 x 80	
5	0641511	2	Bolt 5/16 x 1-3/8	
6	0641604	2	Bolt 3/8 x 1/2	
7	0641607	2	Bolt 3/8 x 7/8	
8	1320061	1	Clamp	
9	1320223	2	Clamp	
10	1671034	1	Cover	
11	2080044	4	Rivnut (For Use with Item 4, 1/4 x 3 Bolt)	
12	3311405	4	Nut 1/4	
13	3311505	2	Nut 5/16	
14	3573047	1	Plate	
15	3573296	1	Plate	
16	3841340	2	Rod	
17	4360506	1	Switch, Proximity	
18	4460470	1	Nut, Terminal	
19	4460471	1	Washer, Terminal	
20	4460866	1	Connector - 19 Pin	
21	4711400	5	Washer 1/4	
22	4751400	1	Washer 1/4	
23	4751500	4	Washer 5/16	
24	4922567	1	Harness Assembly - Main Boom (See Separate Breakdown in this Section)	
25	4922569	1	Harness Assembly - Tower Boom (See Separate Breakdown in this Section)	
26	4922660	1	Holding Valve/Lift Dump Harness Assembly (See Separate Breakdown in this Section)	
27	4922876	1	AC Cable, 10/3 (Tower Boom)	
28	4922878	2	AC Cable, 10/3 (Main Boom)	

SECTION 8 - ELECTRICAL

FIGURE 8-46. BOOM CABLES INSTALLATION - WITH ARCTIC PACKAGE (ANSI, ANSI EXPORT AND CSA SPECS) (860SJ HC3)



ART_1001264237

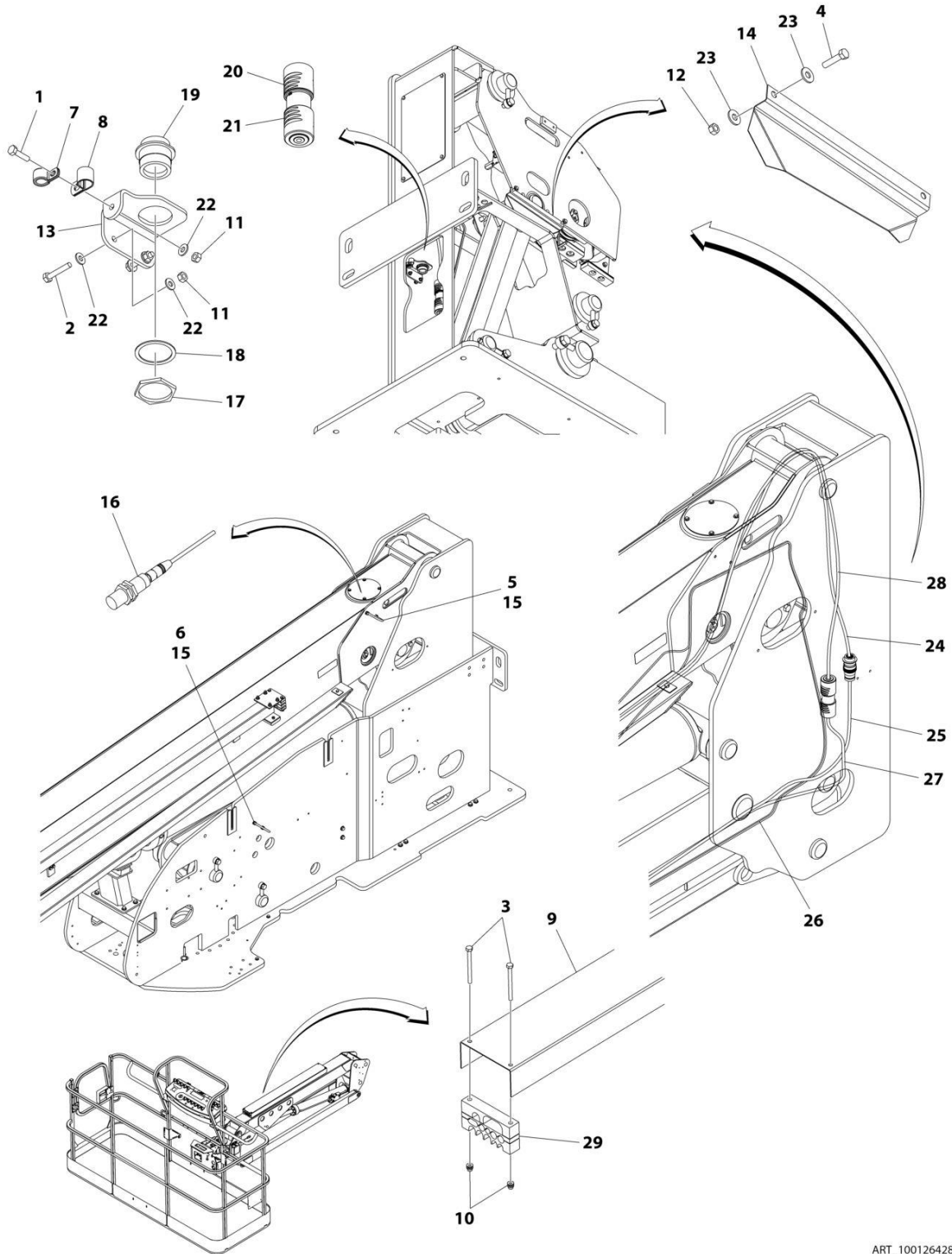
SECTION 8 - ELECTRICAL

FIGURE 8-46. BOOM CABLES INSTALLATION - WITH ARCTIC PACKAGE (ANSI, ANSI EXPORT AND CSA SPECS) (860SJ HC3)

ITEM	PART NUMBER	QTY	DESCRIPTION	REV
	1001264237	Ref	BOOM CABLES INSTALLATION	A
1	0641408	1	Bolt 1/4 x 1	
2	0641410	1	Bolt 1/4 x 1-1/4	
3	0641412	2	Bolt 1/4 x 1-1/2	
4	0641424	4	Bolt 1/4 x 3	
5	0641511	2	Bolt 5/16 x 1-3/8	
6	0641604	2	Bolt 3/8 x 1/2	
7	0641607	2	Bolt 3/8 x 7/8	
8	1320061	1	Clamp	
9	1320223	2	Clamp	
10	1671034	1	Cover	
11	2080044	4	Rivnut	
12	3311405	4	Nut 1/4	
13	3311505	2	Nut 5/16	
14	3573047	1	Plate	
15	3573296	1	Plate	
16	3841340	2	Rod	
17	4360506	1	Switch, Proximity	
18	4460470	1	Nut, Terminal	
19	4460471	1	Washer, Terminal	
20	4460866	1	Connector - 19 Pin	
21	4711400	5	Washer 1/4	
22	4751400	1	Washer 1/4	
23	4751500	4	Washer 5/16	
24	4923595	1	Harness Assembly - Main Boom (See Separate Breakdown in this Section)	
25	4923596	1	Harness Assembly - Tower Boom (See Separate Breakdown in this Section)	
26	4923597	1	Holding Valve/Lift Dump Harness Assembly (See Separate Breakdown in this Section)	
27	4923600	1	AC Cable, 10/3 (Main Boom)	
28	4923601	1	AC Cable, 10/3 (Tower Boom)	
29	1001265900	2	Block, Clamp	

SECTION 8 - ELECTRICAL

FIGURE 8-47. BOOM CABLES INSTALLATION - WITH 4000W GENERATOR AND WITHOUT ARCTIC PACKAGE (ANSI, ANSI EXPORT, CSA AND JAPANESE SPECS) (860SJ HC3)



ART_1001264280

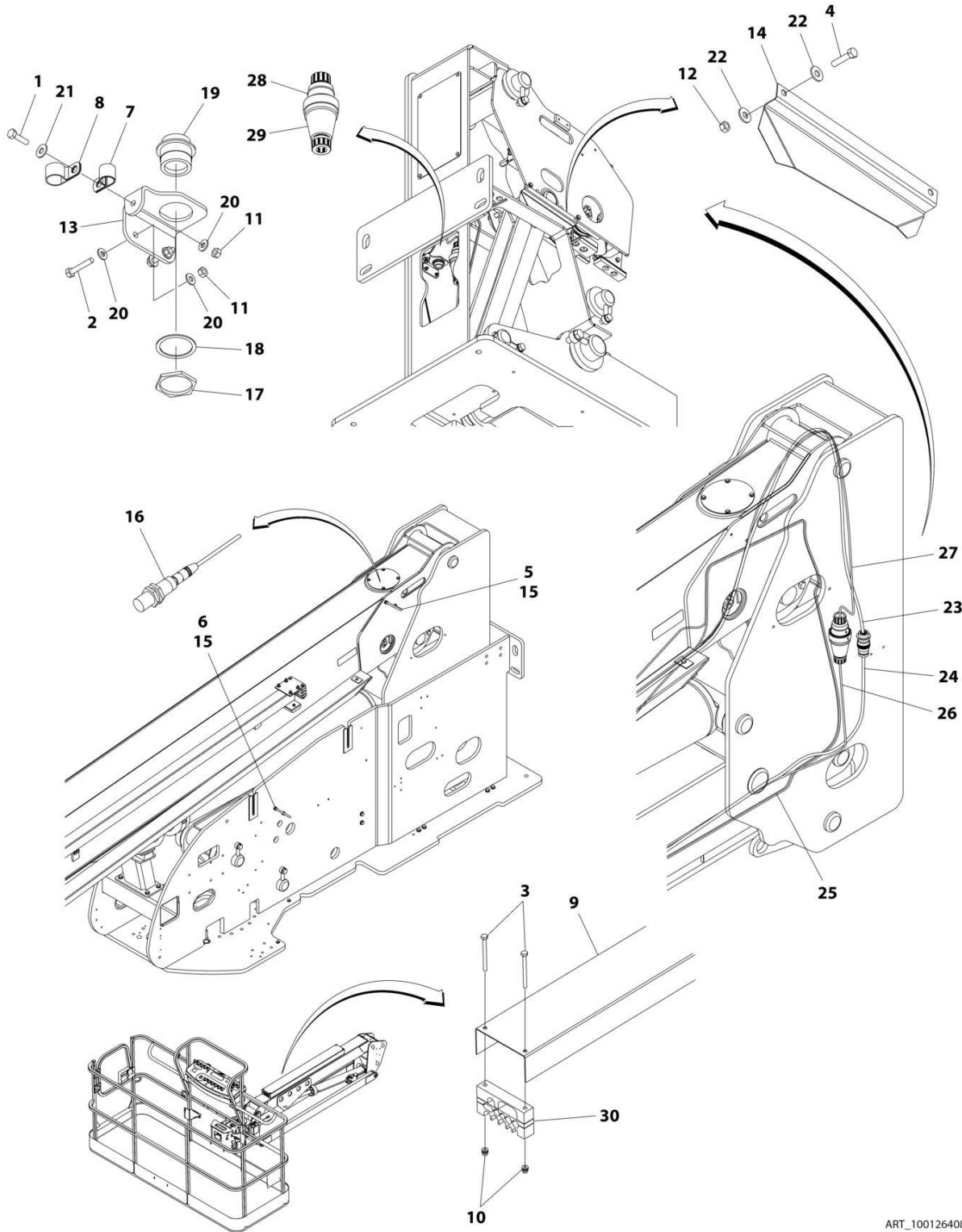
SECTION 8 - ELECTRICAL

FIGURE 8-47. BOOM CABLES INSTALLATION - WITH 4000W GENERATOR AND WITHOUT ARCTIC PACKAGE (ANSI, ANSI EXPORT, CSA AND JAPANESE SPECS) (860SJ HC3)

ITEM	PART NUMBER	QTY	DESCRIPTION	REV
	1001264280	Ref	BOOM CABLES INSTALLATION	A
1	0641408	1	Bolt 1/4 x 1	
2	0641412	2	Bolt 1/4 x 1-1/2	
3	0641424	4	Bolt 1/4 x 3	
4	0641511	2	Bolt 5/16 x 1-3/8	
5	0641604	2	Bolt 3/8 x 1/2	
6	0641607	2	Bolt 3/8 x 7/8	
7	1320041	1	Clamp	
8	1320061	1	Clamp	
9	1671034	1	Cover	
10	2080044	4	Rivnut	
11	3311405	3	Nut 1/4	
12	3311505	2	Nut 5/16	
13	3573047	1	Plate	
14	3573296	1	Plate	
15	3841340	2	Rod	
16	4360506	1	Switch, Proximity	
17	4460470	1	Nut, Terminal	
18	4460471	1	Washer, Terminal	
19	4460866	1	Connector - 19 Pin	
20	4460959	1	Terminal, Turnlock Plug	
21	4460960	1	Terminal, Turnlock Connector	
22	4711400	5	Washer 1/4	
23	4751500	4	Washer 5/16	
24	4922567	1	Harness Assembly - Main Boom (See Separate Breakdown in this Section)	
25	4922569	1	Harness Assembly - Tower Boom (See Separate Breakdown in this Section)	
26	4922660	1	Holding Valve/Lift Dump Harness Assembly (See Separate Breakdown in this Section)	
27	1001156425	1	AC Cable, 10/4 (Tower Boom)	
28	1001156427	1	AC Cable, 10/4 (Main Boom)	
29	1001263445	2	Block, Clamp	

SECTION 8 - ELECTRICAL

FIGURE 8-48. BOOM CABLES INSTALLATION - WITH 7500W GENERATOR AND WITHOUT ARCTIC PACKAGE (ALL SPECS) (860SJ HC3)



ART_1001264088

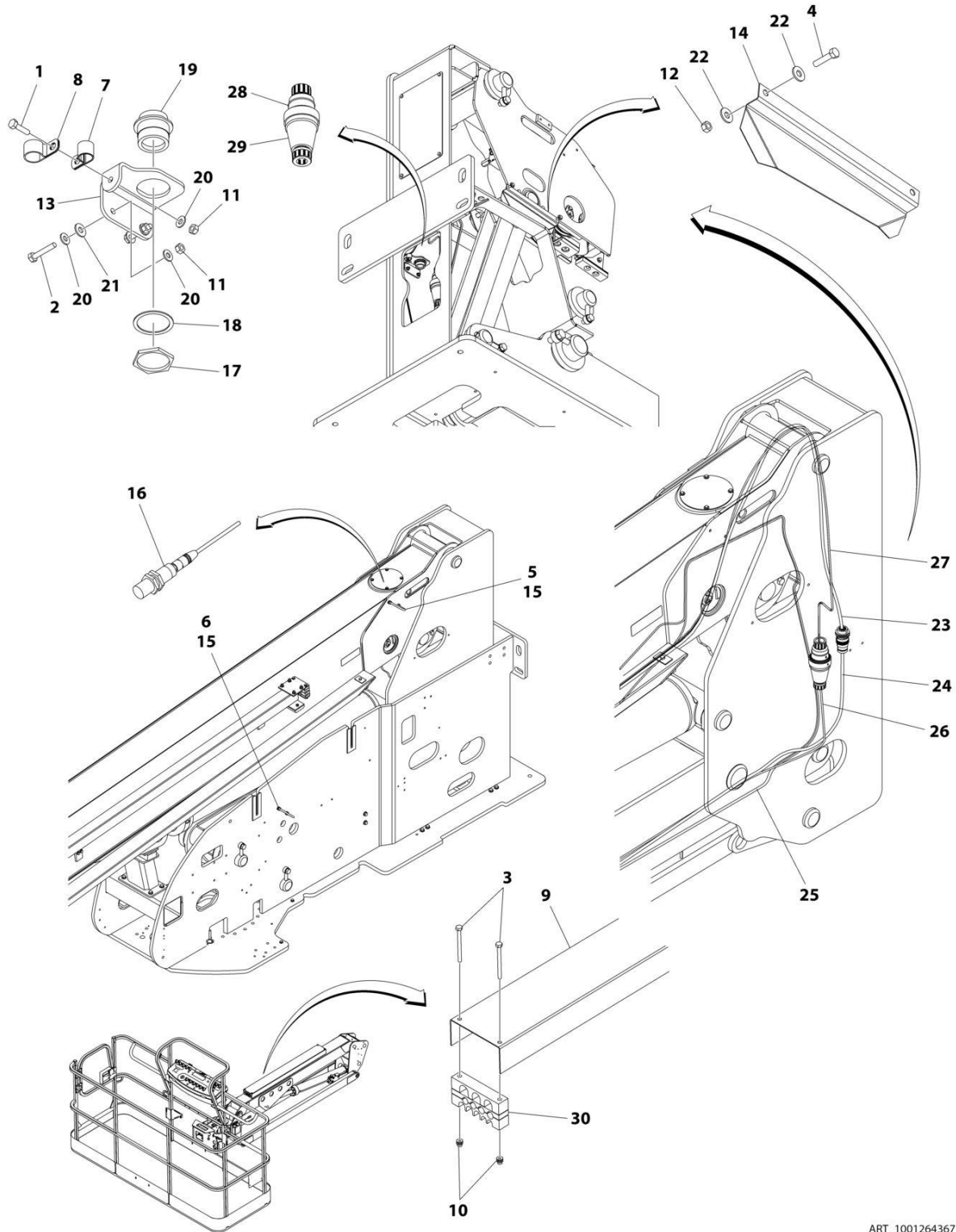
SECTION 8 - ELECTRICAL

FIGURE 8-48. BOOM CABLES INSTALLATION - WITH 7500W GENERATOR AND WITHOUT ARCTIC PACKAGE (ALL SPECS) (860SJ HC3)

ITEM	PART NUMBER	QTY	DESCRIPTION	REV
	1001264088	Ref	BOOM CABLES INSTALLATION	A
1	0641408	1	Bolt 1/4 x 1	
2	0641412	2	Bolt 1/4 x 1-1/2	
3	0641424	4	Bolt 1/4 x 3	
4	0641511	2	Bolt 5/16 x 1-3/8	
5	0641604	2	Bolt 3/8 x 1/2	
6	0641607	2	Bolt 3/8 x 7/8	
7	1320061	1	Clamp	
8	1320202	1	Clamp	
9	1671034	1	Cover	
10	2080044	4	Rivnut	
11	3311405	3	Nut 1/4	
12	3311505	2	Nut 5/16	
13	3573047	1	Plate	
14	3573296	1	Plate	
15	3841340	2	Rod	
16	4360506	1	Switch, Proximity	
17	4460470	1	Nut, Terminal	
18	4460471	1	Washer, Terminal	
19	4460866	1	Connector - 19 Pin	
20	4711400	5	Washer 1/4	
21	4751400	1	Washer 1/4	
22	4751500	4	Washer 5/16	
23	4922567	1	Harness Assembly - Main Boom (See Separate Breakdown in this Section)	
24	4922569	1	Harness Assembly - Tower Boom (See Separate Breakdown in this Section)	
25	4922660	1	Holding Valve/Lift Dump Harness Assembly (See Separate Breakdown in this Section)	
26	1001121669	1	AC Cable, 8/5 (Tower Boom)	
27	1001121671	1	AC Cable, 8/5 (Main Boom)	
28	1001218622	1	Terminal, Turnlock Plug	
29	1001218623	1	Terminal, Turnlock Connector	
30	1001263445	2	Block, Clamp	

SECTION 8 - ELECTRICAL

FIGURE 8-49. BOOM CABLES INSTALLATION - WITH 7500W GENERATOR AND WITH ARCTIC PACKAGE (ANSI, ANSI EXPOERT AND CSA SPECS) (860SJ HC3)



ART_1001264367

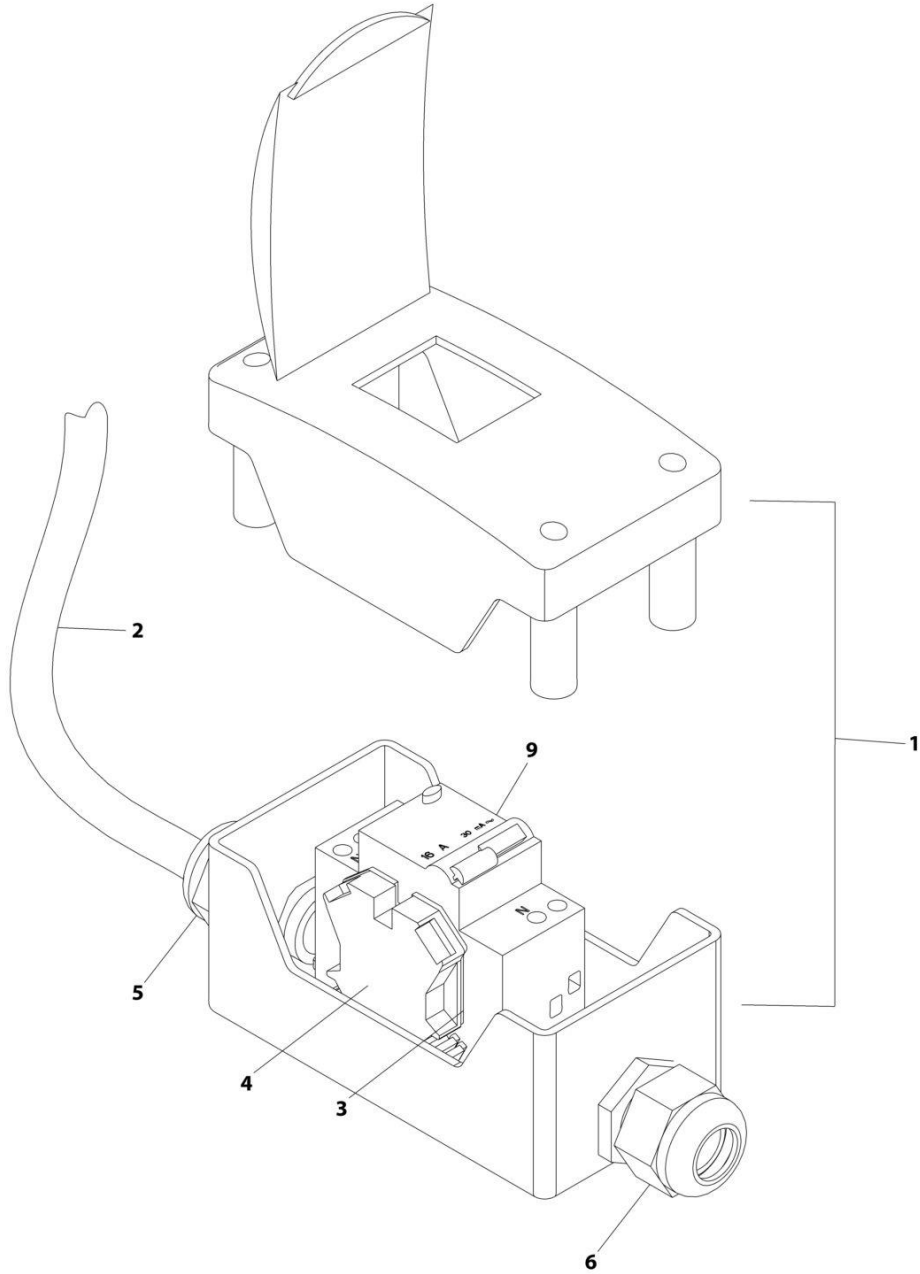
SECTION 8 - ELECTRICAL

FIGURE 8-49. BOOM CABLES INSTALLATION - WITH 7500W GENERATOR AND WITH ARCTIC PACKAGE (ANSI, ANSI EXPOERT AND CSA SPECS) (860SJ HC3)

ITEM	PART NUMBER	QTY	DESCRIPTION	REV
	1001264367	Ref	BOOM CABLES INSTALLATION	A
1	0641408	1	Bolt 1/4 x 1	
2	0641412	2	Bolt 1/4 x 1-1/2	
3	0641424	4	Bolt 1/4 x 3	
4	0641511	2	Bolt 5/16 x 1-3/8	
5	0641604	2	Bolt 3/8 x 1/2	
6	0641607	2	Bolt 3/8 x 7/8	
7	1320061	1	Clamp	
8	1320202	1	Clamp	
9	1671034	1	Cover	
10	2080044	4	Rivnut	
11	3311405	3	Nut 1/4	
12	3311505	2	Nut 5/16	
13	3573047	1	Plate	
14	3573296	1	Plate	
15	3841340	2	Rod	
16	4360506	1	Switch, Proximity	
17	4460470	1	Nut, Terminal	
18	4460471	1	Washer, Terminal	
19	4460866	1	Connector - 19 Pin	
20	4711400	5	Washer 1/4	
21	4751400	1	Washer 1/4	
22	4751500	4	Washer 5/16	
23	4923595	1	Harness Assembly - Main Boom (See Separate Breakdown in this Section)	
24	4923596	1	Harness Assembly - Tower Boom (See Separate Breakdown in this Section)	
25	4923597	1	Holding Valve/Lift Dump Harness Assembly (See Separate Breakdown in this Section)	
26	1001121669	1	AC Cable, 8/5 (Tower Boom)	
27	1001121671	1	AC Cable, 8/5 (Main Boom)	
28	1001218622	1	Terminal, Turnlock Plug	
29	1001218623	1	Terminal, Turnlock Connector	
30	1001265900	2	Block, Clamp	

SECTION 8 - ELECTRICAL

FIGURE 8-50. BREAKER BOX KIT - ONE DOUBLE 16AMP BREAKER (CE & UK CA SPECS WITHOUT 7500W GENERATOR)



ART_1001109654

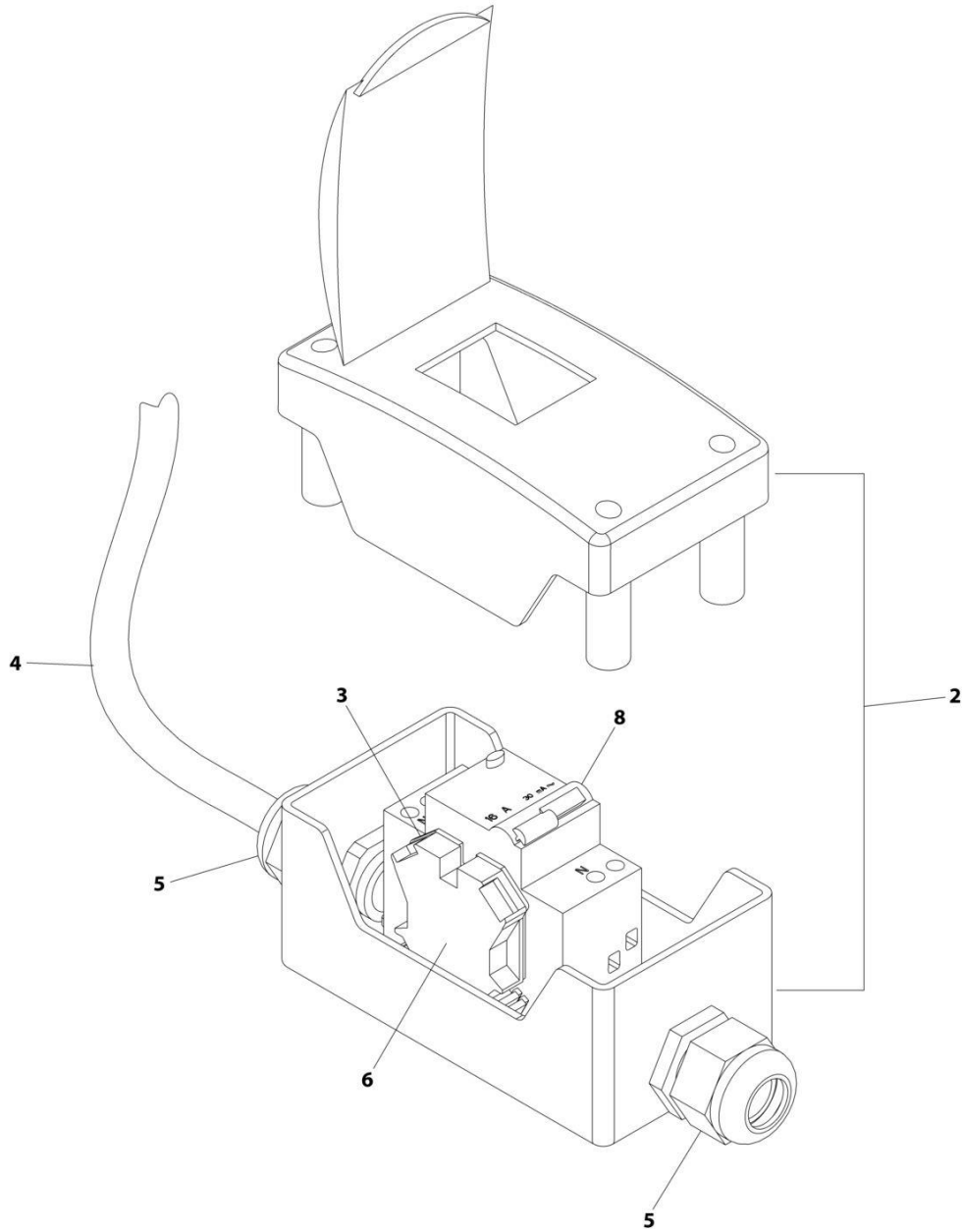
SECTION 8 - ELECTRICAL

FIGURE 8-50. BREAKER BOX KIT - ONE DOUBLE 16AMP BREAKER (CE & UK CA SPECS WITHOUT 7500W GENERATOR)

ITEM	PART NUMBER	QTY	DESCRIPTION	REV
	1001109654	Ref	BREAKER BOX KIT	C
1	0861880	1	Box, Breaker	
2	1060908	12 ft/ 3.6m	Cable 12/3	
3	4460956	1	Barrier, Terminal Block End	
4	4460957	1	Block, Terminal	
5	1001097150	1	Connector, Strain Relief	
6	1001101191	1	Connector, Strain Relief	
9	1001181045	1	Breaker - 30mA/16Amp	
10	1001100231	3	Terminal (Not Shown)	

SECTION 8 - ELECTRICAL

FIGURE 8-51. BREAKER BOX KIT - ONE DOUBLE 16AMP BREAKER (WITH 4000W/50HZ GENERATOR)



ART_1001165368_B

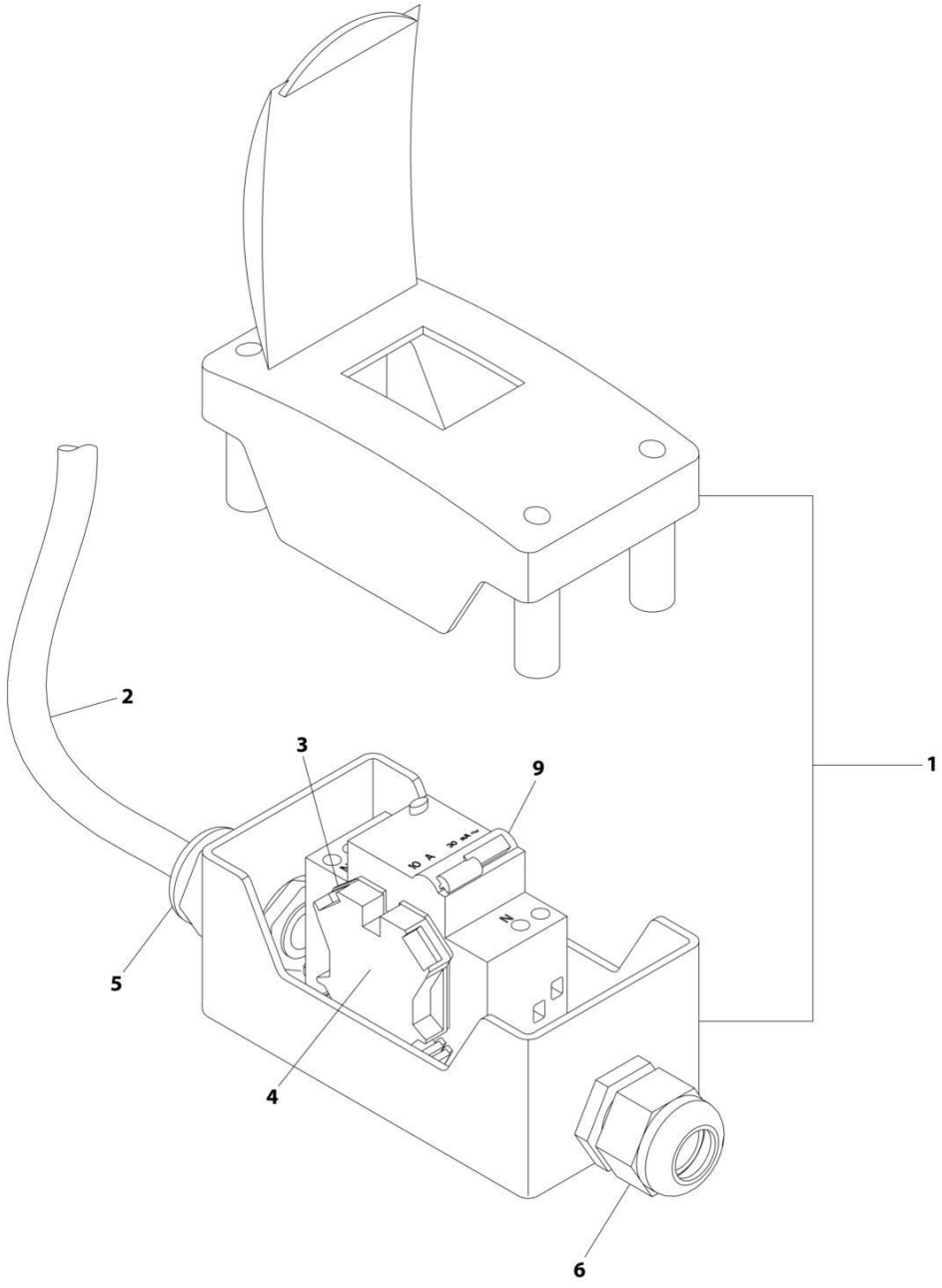
SECTION 8 - ELECTRICAL

FIGURE 8-51. BREAKER BOX KIT - ONE DOUBLE 16AMP BREAKER (WITH 4000W/50HZ GENERATOR)

ITEM	PART NUMBER	QTY	DESCRIPTION	REV
	1001165368	Ref	BREAKER BOX KIT	B
2	0861880	1	Box, Circuit Breaker	
3	4460956	1	Barrier, Terminal Block End	
4	1060545	12 ft/ 3.6m	Cable, Electrical 10/3	
5	1001101191	2	Connector, Strain Relief	
6	4460957	1	Block, Terminal	
8	1001181045	1	Breaker 30mA/16Amp	

SECTION 8 - ELECTRICAL

FIGURE 8-52. BREAKER BOX KIT - 10 AMP (CE & UK CA SPECS WITHOUT 7500W GENERATOR)



ART_1001109648

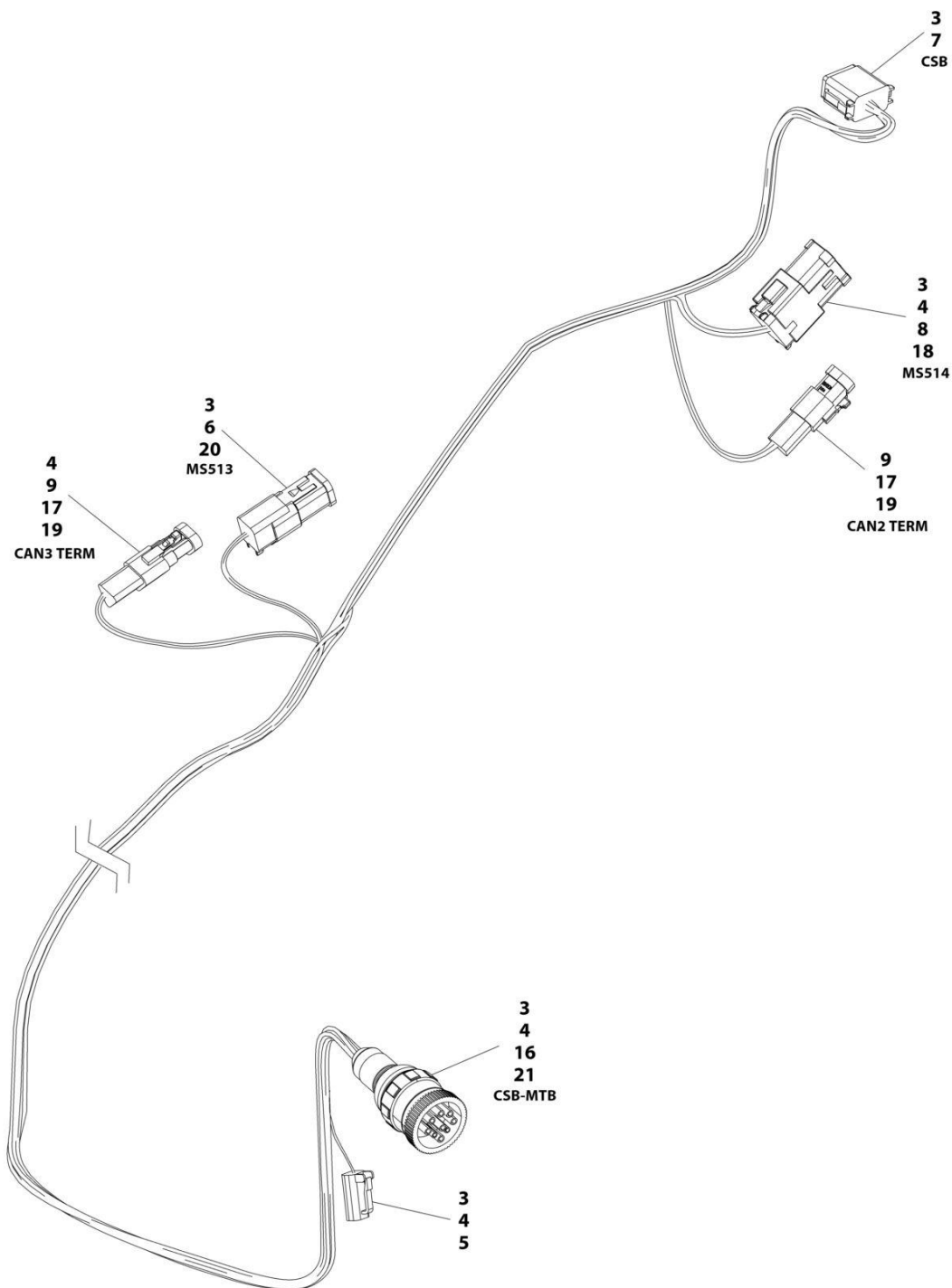
SECTION 8 - ELECTRICAL

FIGURE 8-52. BREAKER BOX KIT - 10 AMP (CE & UK CA SPECS WITHOUT 7500W GENERATOR)

ITEM	PART NUMBER	QTY	DESCRIPTION	REV
	1001109648	Ref	BREAKER BOX KIT - 10 AMP (2500W GENERATOR)	B
1	0861880	1	Box, Breaker	
2	1060908	12 ft /3.6m	Cable, Electrical 12/3	
3	4460956	1	Barrier, Terminal Block End	
4	4460957	1	Block, Terminal	
5	1001097150	1	Connector, Strain Relief	
6	1001101191	1	Connector, Strain Relief	
9	1001181046	1	Breaker 30mA/16Amp	

SECTION 8 - ELECTRICAL

FIGURE 8-53. CSB HARNESS



ART_1001286622

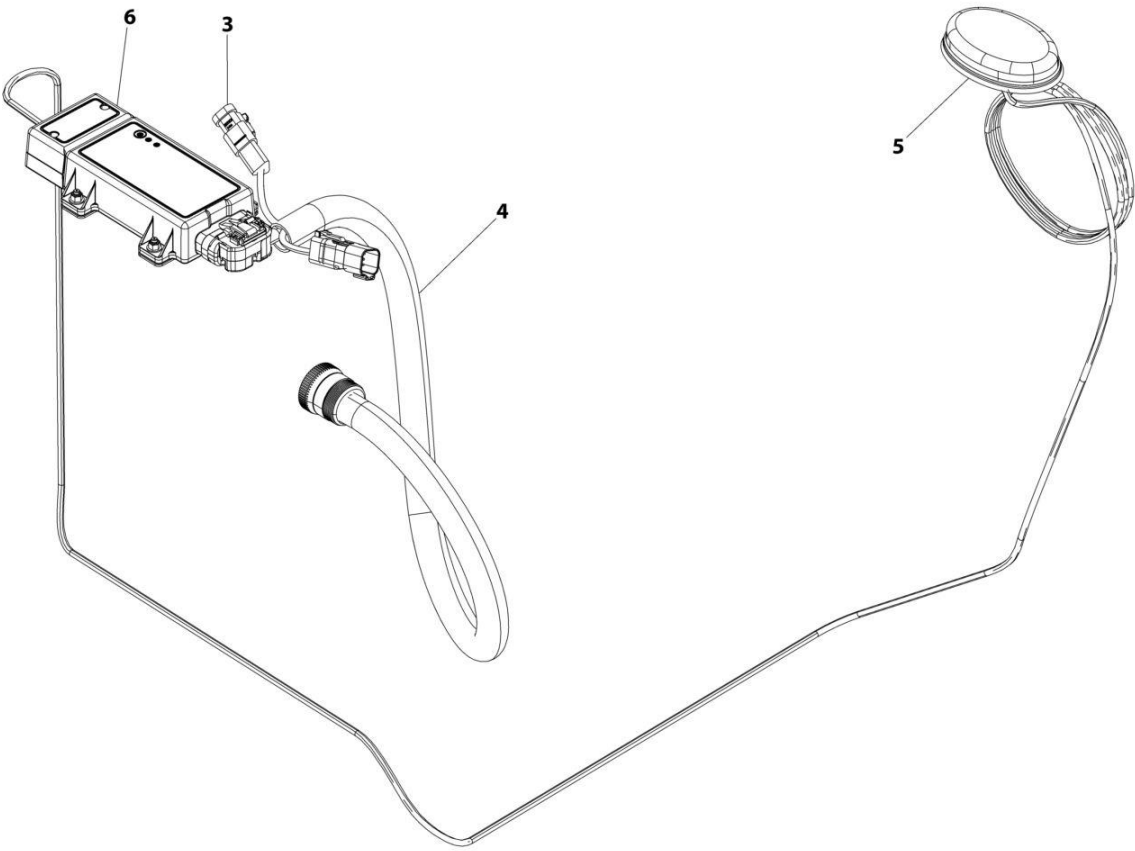
SECTION 8 - ELECTRICAL

FIGURE 8-53. CSB HARNESS

ITEM	PART NUMBER	QTY	DESCRIPTION	REV
	1001286622	Ref	CSB HARNESS	C
3	4460465	32	Socket	
4	4460466	6	Plug, Terminal	
5	4460891	1	Connector	
6	4460894	1	Connector	
7	4460930	1	Connector	
8	4460933	1	Connector	
9	4460943	6	Pin	
16	1001112796	1	Connector	
17	1001116815	2	Connector	
18	1001119020	1	Connector	
19	1001144147	2	Pin	
20	1001226541	1	Connector	
21	4461042	1	Connector	

SECTION 8 - ELECTRICAL

FIGURE 8-54. CLEARSKY INSTALLATION - 3G CANBUS CONNECTION (ANSI EXPORT, RUSSIAN, CE & UK CA SPECS)



ART_1001228950

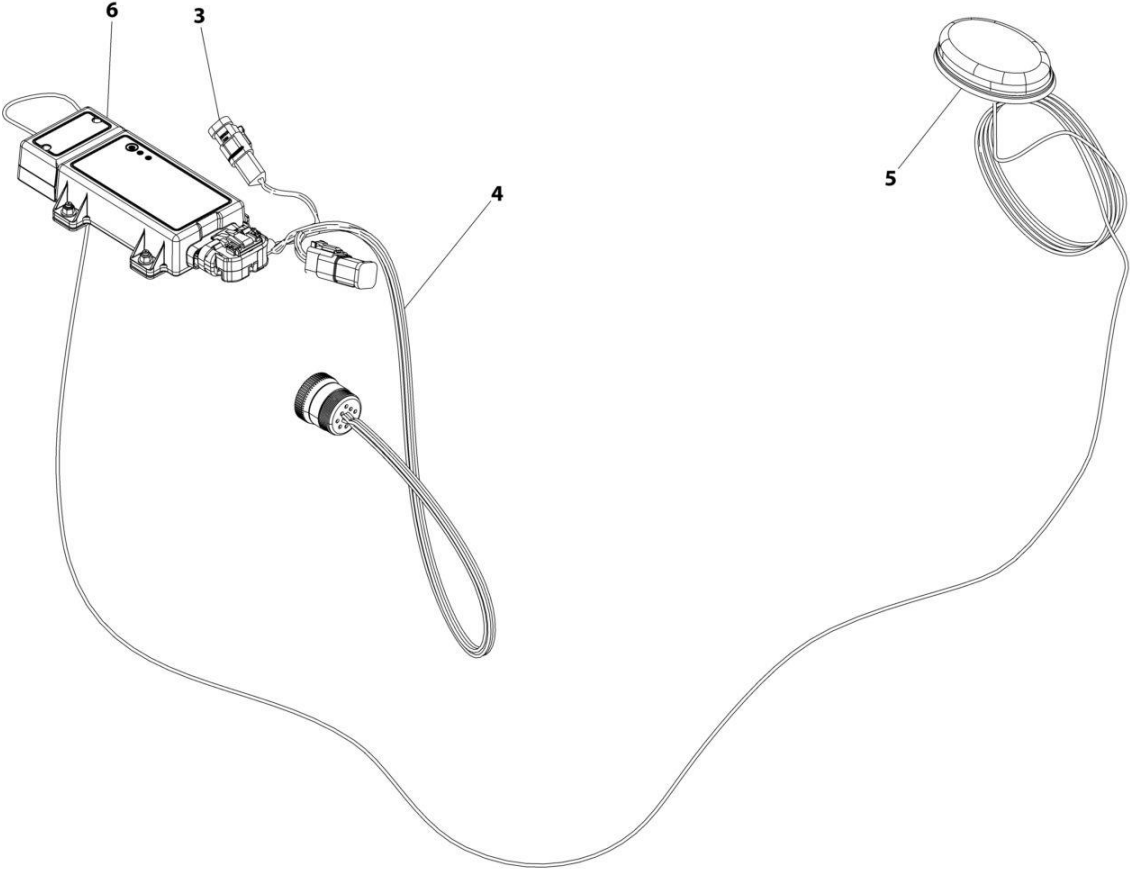
SECTION 8 - ELECTRICAL

FIGURE 8-54. CLEARSKY INSTALLATION - 3G CANBUS CONNECTION (ANSI EXPORT, RUSSIAN, CE & UK CA SPECS)

ITEM	PART NUMBER	QTY	DESCRIPTION	REV
	1001228950	REF	CLEARSKY INSTALLATION CANBUS CONNECTION	A
1	4240032	AR	Tie-Strap (Not Shown)	
2	4460234	AR	Strap, Cable Tie (Not Shown)	
3	1001116815	1	Connector	
4	1001226739	1	ClearSky Harness (See Separate Breakdown in this Section)	
5	1001226799	1	Antenna	
6	1001228954	1	Telematics Control Module (Note: Re-calibration Required when Replaced)	

SECTION 8 - ELECTRICAL

FIGURE 8-55. CLEARSKY INSTALLATION - 3G CANBUS CONNECTION (AUSTRALIAN SPECS)



ART_1001246475

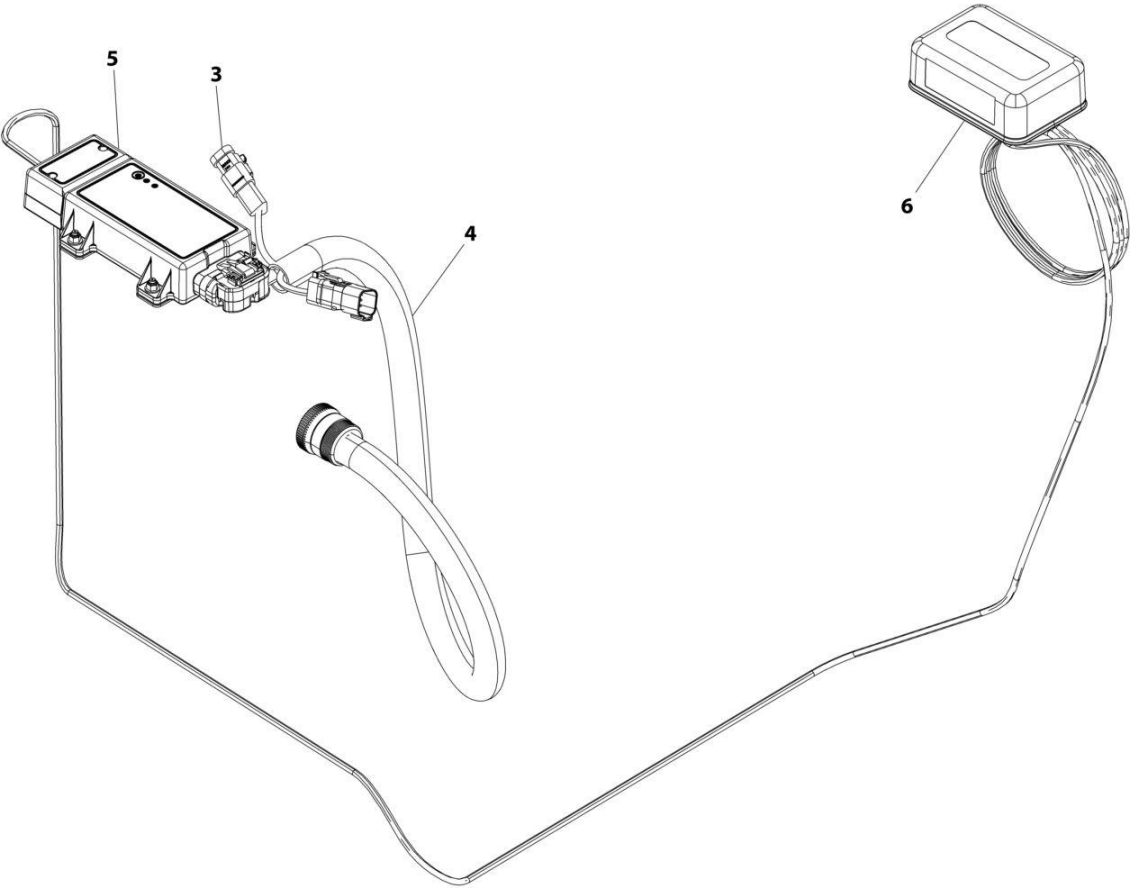
SECTION 8 - ELECTRICAL

FIGURE 8-55. CLEARSKY INSTALLATION - 3G CANBUS CONNECTION (AUSTRALIAN SPECS)

ITEM	PART NUMBER	QTY	DESCRIPTION	REV
	1001246475	REF	CLEARSKY INSTALLATION CANBUS CONNECTION	A
1	4240032	AR	Tie-Strap (Not Shown)	
2	4460234	AR	Strap, Cable Tie (Not Shown)	
3	1001116815	1	Connector	
4	1001226739	1	ClearSky Harness (See Separate Breakdown in this Section)	
5	1001226799	1	Antenna	
6	1001246144	1	Telematics Control Module (Note: Re-calibration Required when Replaced)	

SECTION 8 - ELECTRICAL

FIGURE 8-56. CLEARSKY INSTALLATION - 4G CANBUS CONNECTION (ANSI & CSA SPECS)



ART_1001227494

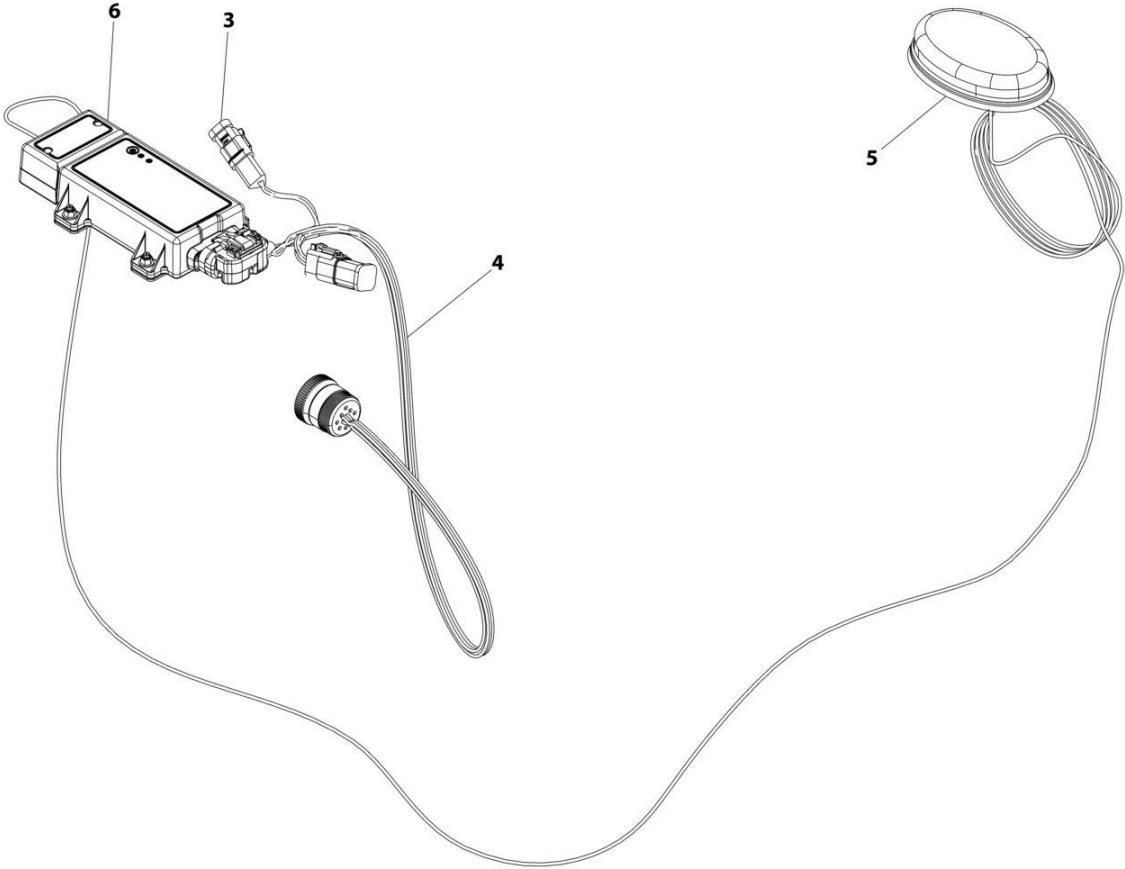
SECTION 8 - ELECTRICAL

FIGURE 8-56. CLEARSKY INSTALLATION - 4G CANBUS CONNECTION (ANSI & CSA SPECS)

ITEM	PART NUMBER	QTY	DESCRIPTION	REV
	1001227494	Ref	CLEARSKY INSTALLATION CANBUS CONNECTION	B
1	4240032	AR	Tie-Strap (Not Shown)	
2	4460234	AR	Strap, Cable Tie (Not Shown)	
3	1001116815	1	Connector	
4	1001226739	1	ClearSky Harness (See Separate Breakdown in this Section)	
5	1001262322	1	Telematics Control Module (Note: Re-calibration Required when Replaced)	
6	1001262326	1	Antenna	

SECTION 8 - ELECTRICAL

FIGURE 8-57. CLEARSKY INSTALLATION - 4G CANBUS CONNECTION (CHINA SPECS)



ART_1001246476

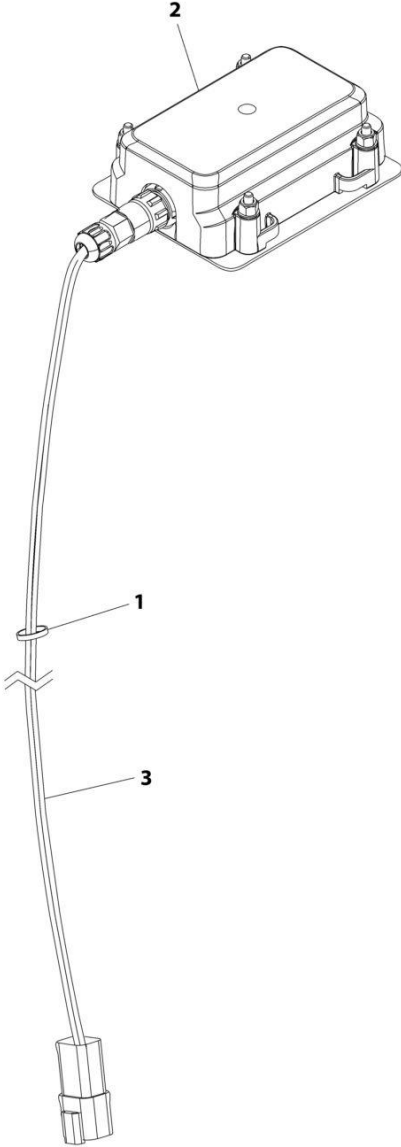
SECTION 8 - ELECTRICAL

FIGURE 8-57. CLEARSKY INSTALLATION - 4G CANBUS CONNECTION (CHINA SPECS)

ITEM	PART NUMBER	QTY	DESCRIPTION	REV
	1001246476	Ref	CLEARSKY INSTALLATION CANBUS CONNECTION	A
1	4240032	AR	Tie-Strap (Not Shown)	
2	4460234	AR	Strap, Cable Tie (Not Shown)	
3	1001116815	1	Connector	
4	1001226739	1	ClearSky Harness (See Separate Breakdown in this Section)	
5	1001226799	1	Antenna	
6	1001246145	1	Telematics Control Module (Note: Re-calibration Required when Replaced)	

SECTION 8 - ELECTRICAL

FIGURE 8-58. CLEARSKY INSTALLATION 3-WIRE CONNECTION (ALL SPECS EXCEPT UL & CHINA SPECS)



ART_1001276610

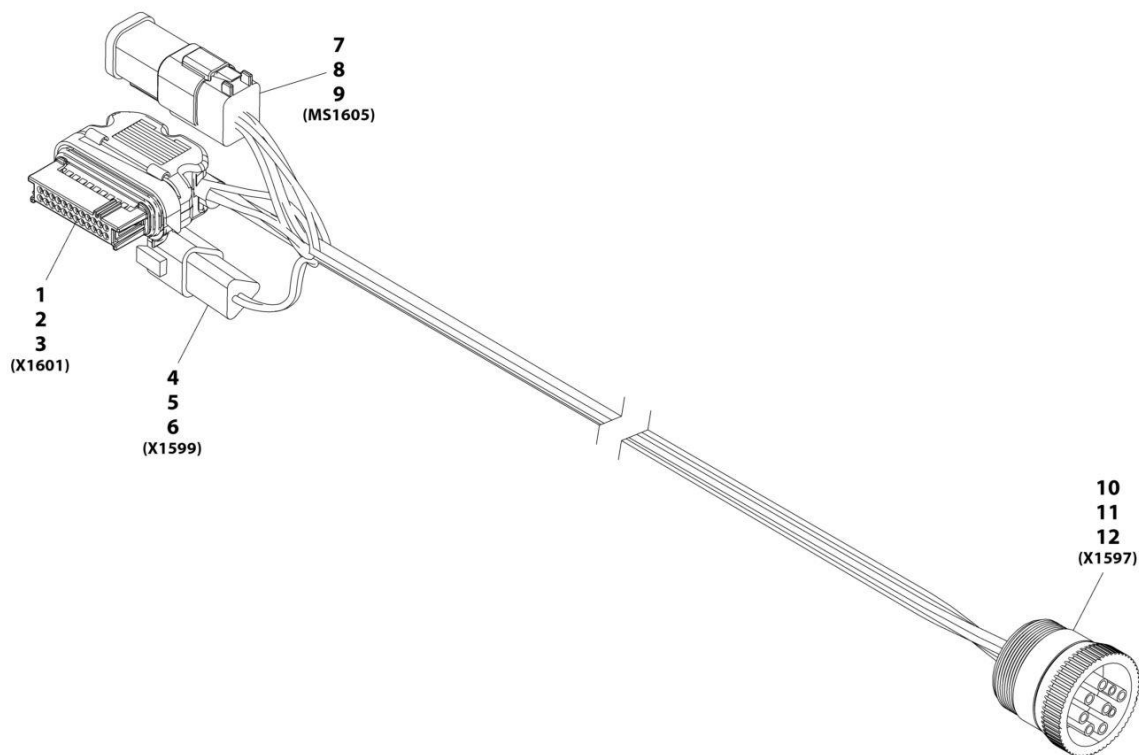
SECTION 8 - ELECTRICAL

FIGURE 8-58. CLEARSKY INSTALLATION 3-WIRE CONNECTION (ALL SPECS EXCEPT UL & CHINA SPECS)

ITEM	PART NUMBER	QTY	DESCRIPTION	REV
	1001276610	Ref	CLEARSKY INSTALLATION 3-WIRE CONNECTION	A
1	4240032	AR	Tie-Strap	
2	1001272659	1	Telematics Control Module Assembly (Note: Re-calibration Required when Replaced)	
3	1001273012	1	ClearSky Harness (See Separate Breakdown in this Section)	

SECTION 8 - ELECTRICAL

FIGURE 8-59. CLEARSKY HARNESS - 3G & 4G CANBUS CONNECTIONS



ART_1001226739-A

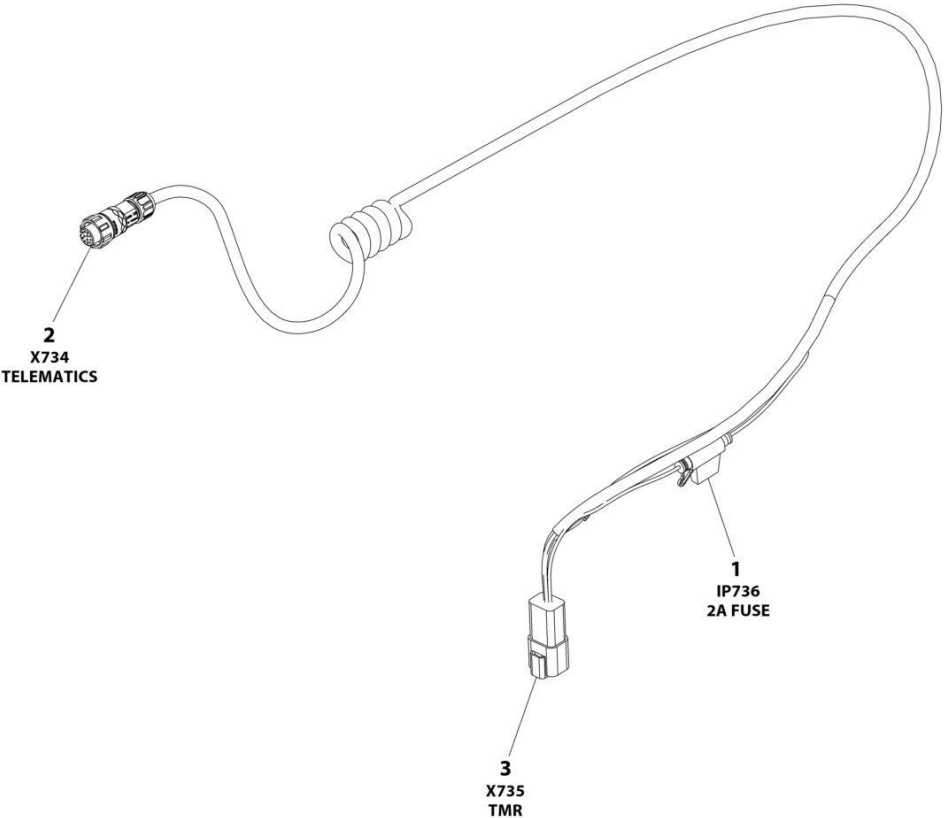
SECTION 8 - ELECTRICAL

FIGURE 8-59. CLEARSKY HARNESS - 3G & 4G CANBUS CONNECTIONS

ITEM	PART NUMBER	QTY	DESCRIPTION	REV
	1001226739	Ref	Clearsky Harness	A
1	1001226636	1	Connector	
2	1001116731	16	Plug, Terminal	
3	1001226637	8	Terminal	
4	1001144147	1	Connector	
5	4460464	2	Terminal	
6	4460466	1	Plug, Terminal	
7	4460894	1	Connector	
8	4460465	6	Terminal	
9	1001226541	1	Connector- 6 Pin Bussbar	
10	1001112796	1	Connector	
11	4460465	8	Terminal	
12	4460466	1	Plug, Terminal	

SECTION 8 - ELECTRICAL

FIGURE 8-60. CLEARSKY HARNESS - 3 WIRE CONNECTION



ART_1001273012

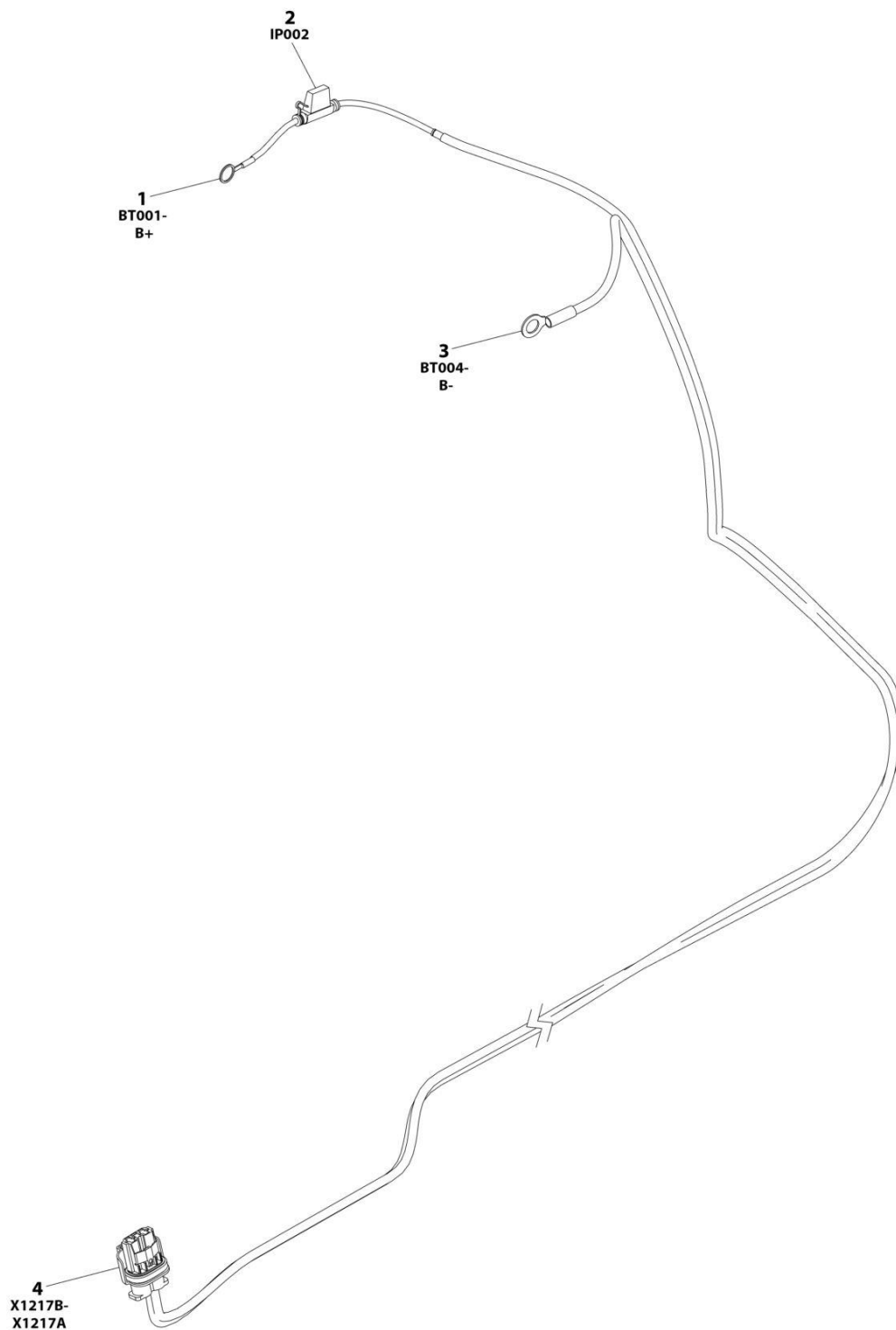
SECTION 8 - ELECTRICAL

FIGURE 8-60. CLEARSKY HARNESS - 3 WIRE CONNECTION

ITEM	PART NUMBER	QTY	DESCRIPTION	REV
	1001273012	Ref	CLEARSKY TELEMATICS HARNESS - GT1030	D
1	1001255901	1	Fuseholder	
1	1001196634	1	Fuse - 2Amp	
2	1001272997	1	Connector - 12 Position	
2		Ref	Terminal	
3	4460932	1	Receptacle, Female - 4 Position	
3	4460464	4	Pin, Male	

SECTION 8 - ELECTRICAL

FIGURE 8-61. ECU POWER JUMPER HARNESS



ART_1001289593

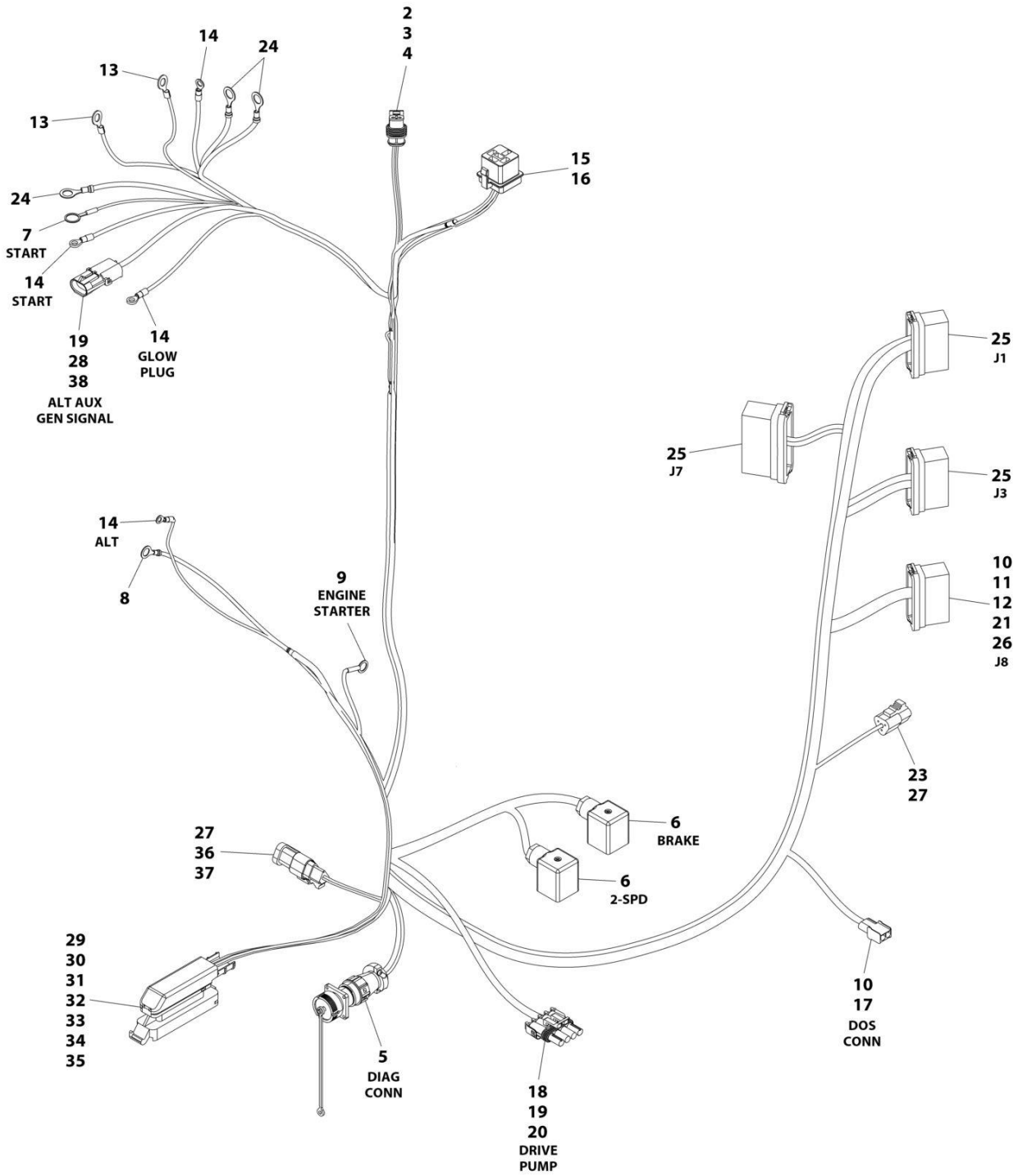
SECTION 8 - ELECTRICAL

FIGURE 8-61. ECU POWER JUMPER HARNESS

ITEM	PART NUMBER	QTY	DESCRIPTION	REV
	1001289593	Ref	ECU POWER JUMPER HARNESS	A
1	4460019	1	Terminal Ring	
2	1001172064	1	Fuse Holder	
2	1001172065	1	Fuse 30Amp	
3	8220164	1	Terminal Ring	
4	1001142938	1	Connector	
4	1001142940	2	Terminal	
4	1001142941	2	Seal	

SECTION 8 - ELECTRICAL

FIGURE 8-62. ENGINE HARNESS - DEUTZ D2011 ENGINES (ANSI EXPORT (LRC) AND AUSTRALIAN SPECS)



ART_1001285515

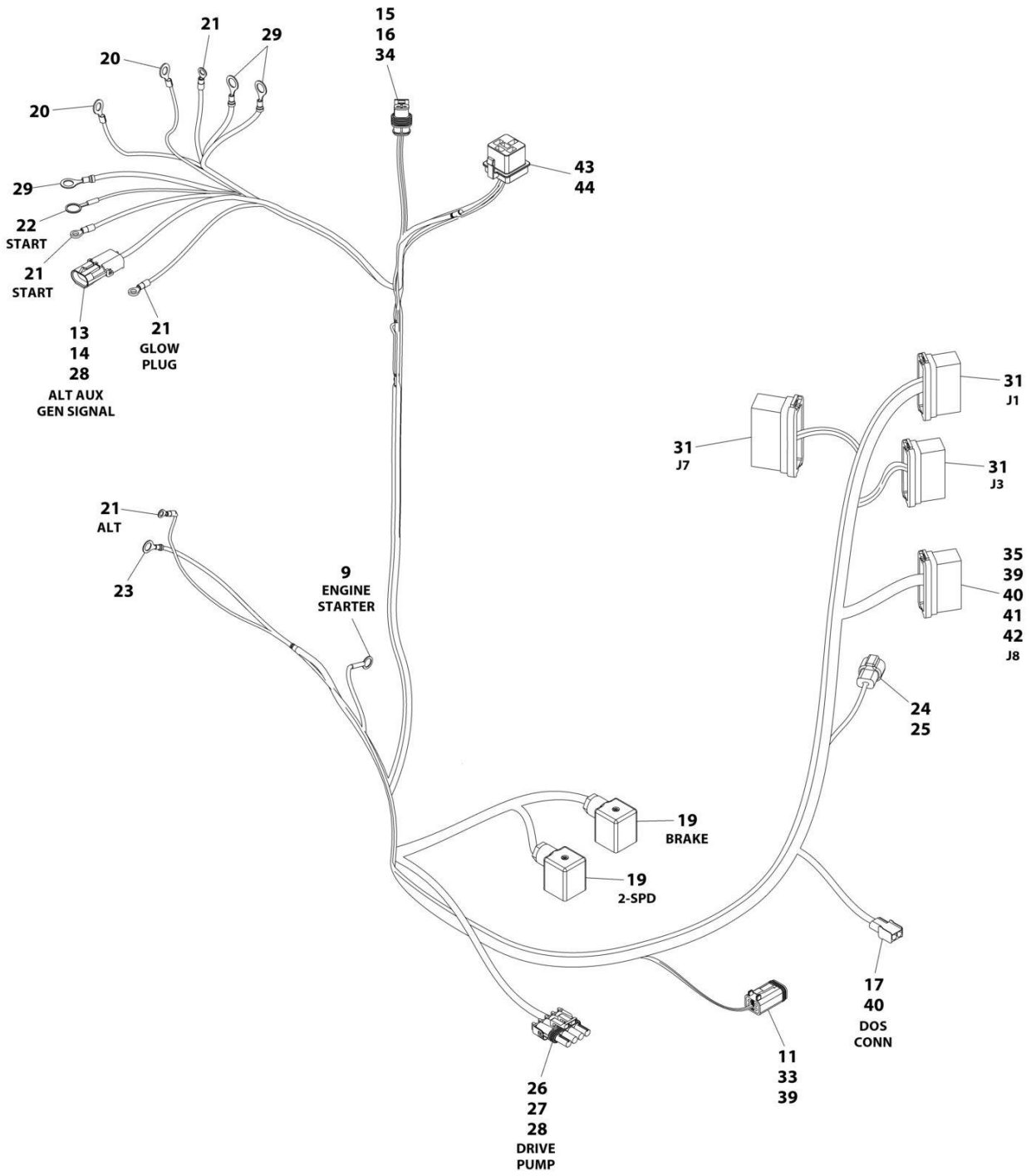
SECTION 8 - ELECTRICAL

FIGURE 8-62. ENGINE HARNESS - DEUTZ D2011 ENGINES (ANSI EXPORT (LRC) AND AUSTRALIAN SPECS)

ITEM	PART NUMBER	QTY	DESCRIPTION	REV
	1001285515	Ref	ENGINE HARNESS - DEUTZ D2011 ENGINES	A
2	1001102290	1	Connector	
3	1001102291	2	Terminal	
4	1001102304	2	Seal	
5	2902443	1	Kit, Receptacle	
5	4461073	1	Cap, Dust	
6	1001263923	2	Connector	
7	4460019	1	Terminal, Ring	
8	4460043	1	Terminal, Ring	
9	4460142	1	Terminal - Ring	
10	4460226	4	Socket	
11	4460259	1	Terminal	
12	4460260	1	Cover, Terminal	
13	4460312	2	Terminal, Ring	
14	4460313	4	Terminal, Ring	
15	4460374	1	Plug	
16	4460375	4	Terminal	
17	4460424	1	Connector	
18	4460457	4	Socket	
19	4460458	6	Seal	
20	4460460	1	Connector	
21	4460465	2	Socket	
23	4460539	1	Connector	
24	4460670	3	Terminal, Ring	
25	4460871	10	Socket	
26	4460887	1	Terminal	
27	4460944	6	Socket	
28	4460979	2	Terminal	
29	4461005	5	Terminal	
30	4461006	5	Seal	
31	4461008	18	Plug, Terminal	
32	4461052	1	Connector	
33	4461053	1	Cover, Plug	
34	4461054	2	Seal	
35	4461060	2	Terminal	
36	4461070	1	Connector	
37	4461095	1	Plug	
38	4461157	1	Connector	

SECTION 8 - ELECTRICAL

FIGURE 8-63. ENGINE HARNESS - DEUTZ D2011 ENGINES (CE, CHINA & UK CA SPECS)



ART_1001286027

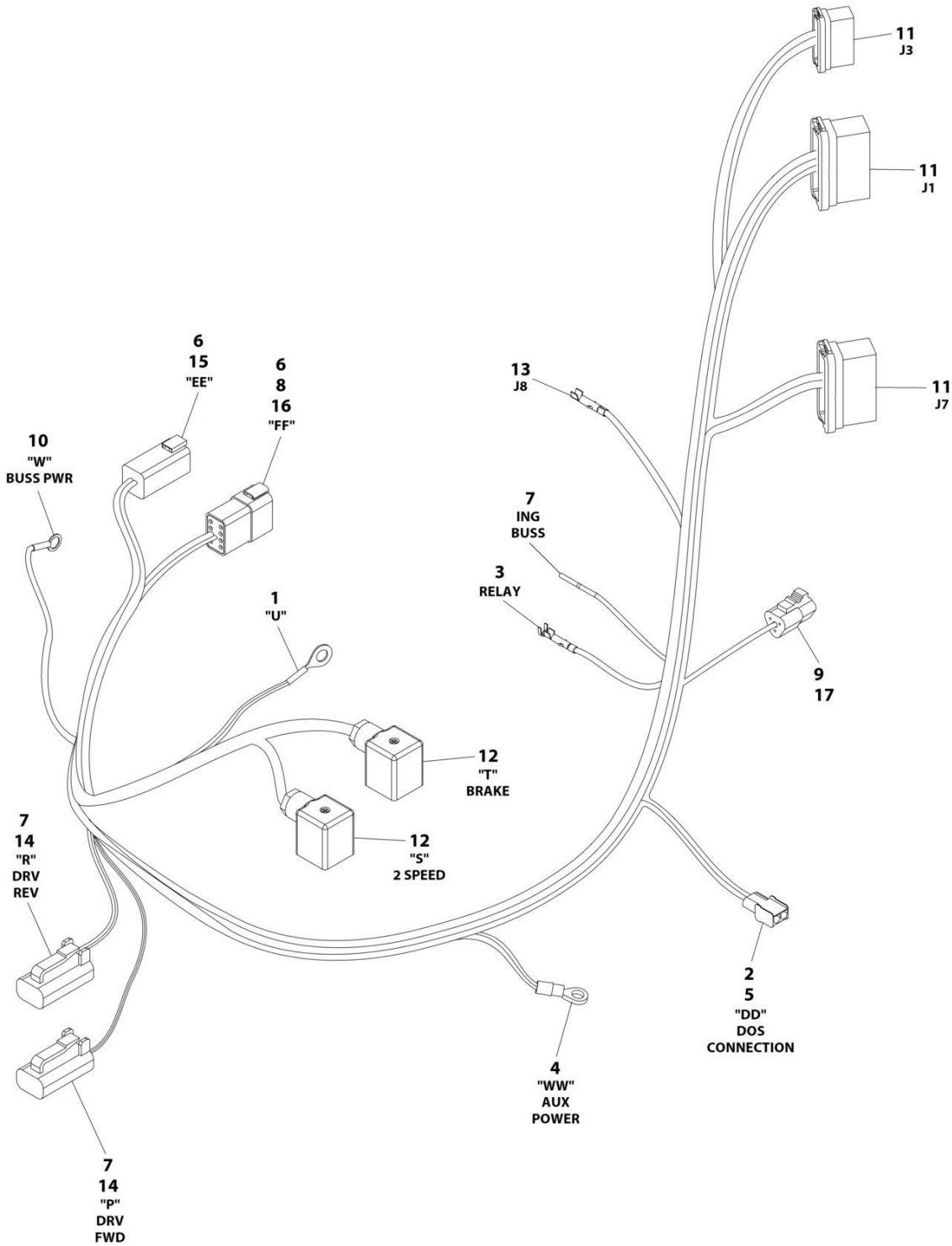
SECTION 8 - ELECTRICAL

FIGURE 8-63. ENGINE HARNESS - DEUTZ D2011 ENGINES (CE, CHINA & UK CA SPECS)

ITEM	PART NUMBER	QTY	DESCRIPTION	REV
	1001286027	Ref	ENGINE HARNESS - DEUTZ D2011 ENGINES	A
9	4460142	1	Terminal - Ring	
11	4460884	1	Connector	
13	4460979	2	Pin	
14	4461157	1	Connector	
15	1001102291	2	Terminal	
16	1001102304	2	Seal	
17	4460424	1	Connector	
19	4460880	2	Connector	
20	4460312	2	Terminal, Ring	
21	4460313	4	Terminal, Ring	
22	4460019	1	Terminal, Ring	
23	4460043	1	Terminal, Ring	
24	4460539	1	Plug	
25	4460944	3	Socket	
26	4460460	1	Connector	
27	4460457	4	Sleeve	
28	4460458	6	Seal	
29	4460670	3	Terminal, Ring	
31	4460871	9	Socket	
33	4460466	1	Plug, Terminal	
34	1001102290	1	Connector	
35	4460887	1	Terminal	
39	4460465	5	Socket	
40	4460226	4	Socket	
41	4460259	1	Terminal	
42	4460260	1	Cover, Terminal	
43	4460374	1	Plug	
44	4460375	4	Terminal	

SECTION 8 - ELECTRICAL

FIGURE 8-64. GROUND CONTROL ENGINE HARNESS - DEUTZ TD2.9L4 (STAGE V) ENGINE



ART_1001295732

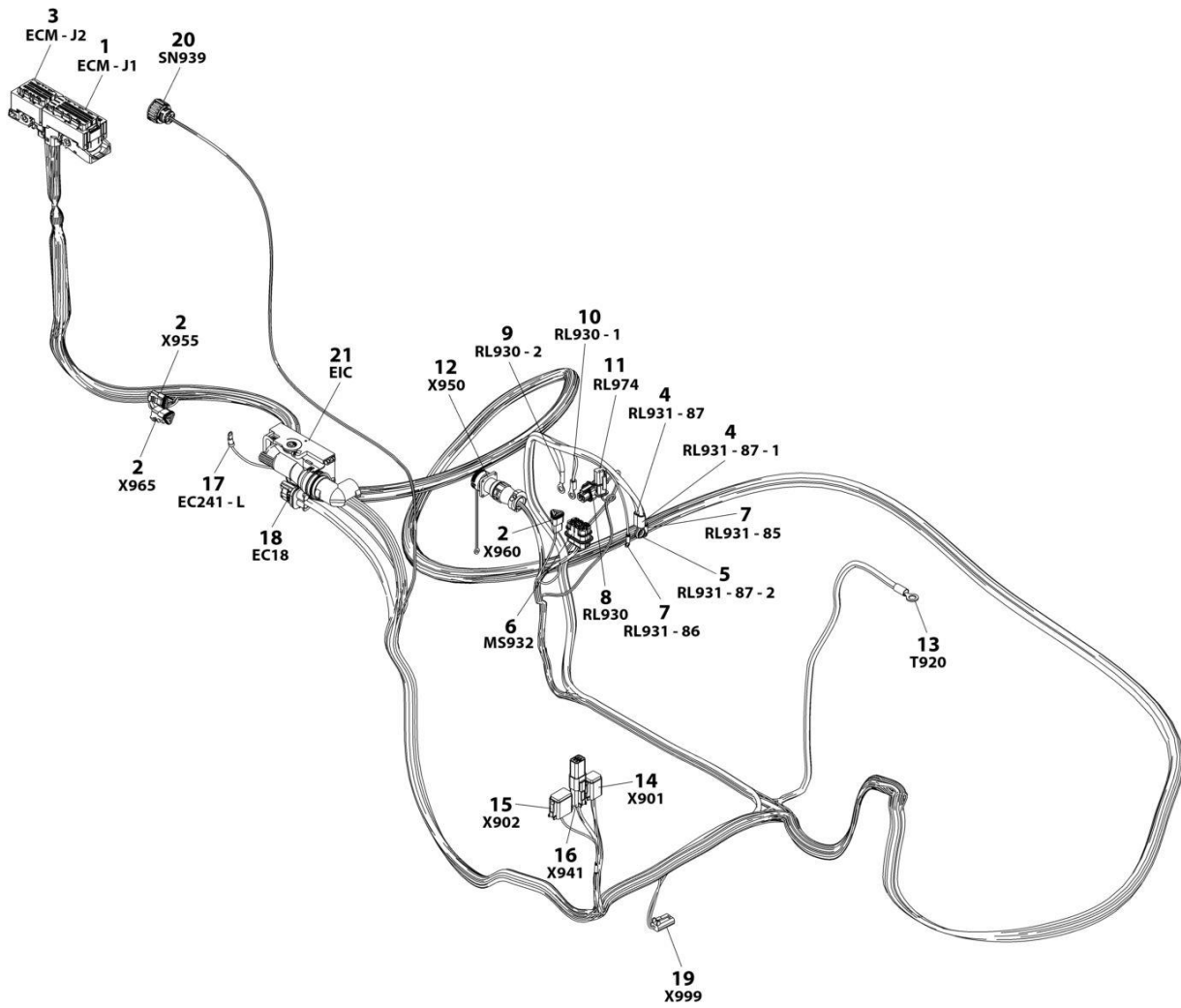
SECTION 8 - ELECTRICAL

FIGURE 8-64. GROUND CONTROL ENGINE HARNESS - DEUTZ TD2.9L4 (STAGE V) ENGINE

ITEM	PART NUMBER	QTY	DESCRIPTION	REV
	1001295732	Ref	GROUND CONTROL ENGINE HARNESS	A
1	4460019	1	Ring, Terminal	
2	4460226	2	Socket	
3	4460268	1	Socket	
4	4460313	1	Ring, Terminal	
5	4460424	1	Connector	
6	4460464	10	Pin	
7	4460465	7	Pin	
8	4460466	4	Plug	
9	4460539	1	Connector	
10	4460738	1	Ring, Terminal	
11	4460871	11	Socket	
12	4460880	2	Connector	
13	4460887	1	Socket	
14	4460891	2	Connector	
15	4460899	1	Connector	
16	4460931	1	Connector	
17	4460944	3	Pin	

SECTION 8 - ELECTRICAL

FIGURE 8-65. ENGINE HARNESS - DEUTZ TD2.9L4 ENGINES



ART_1001143726

SECTION 8 - ELECTRICAL

FIGURE 8-65. ENGINE HARNESS - DEUTZ TD2.9L4 ENGINES

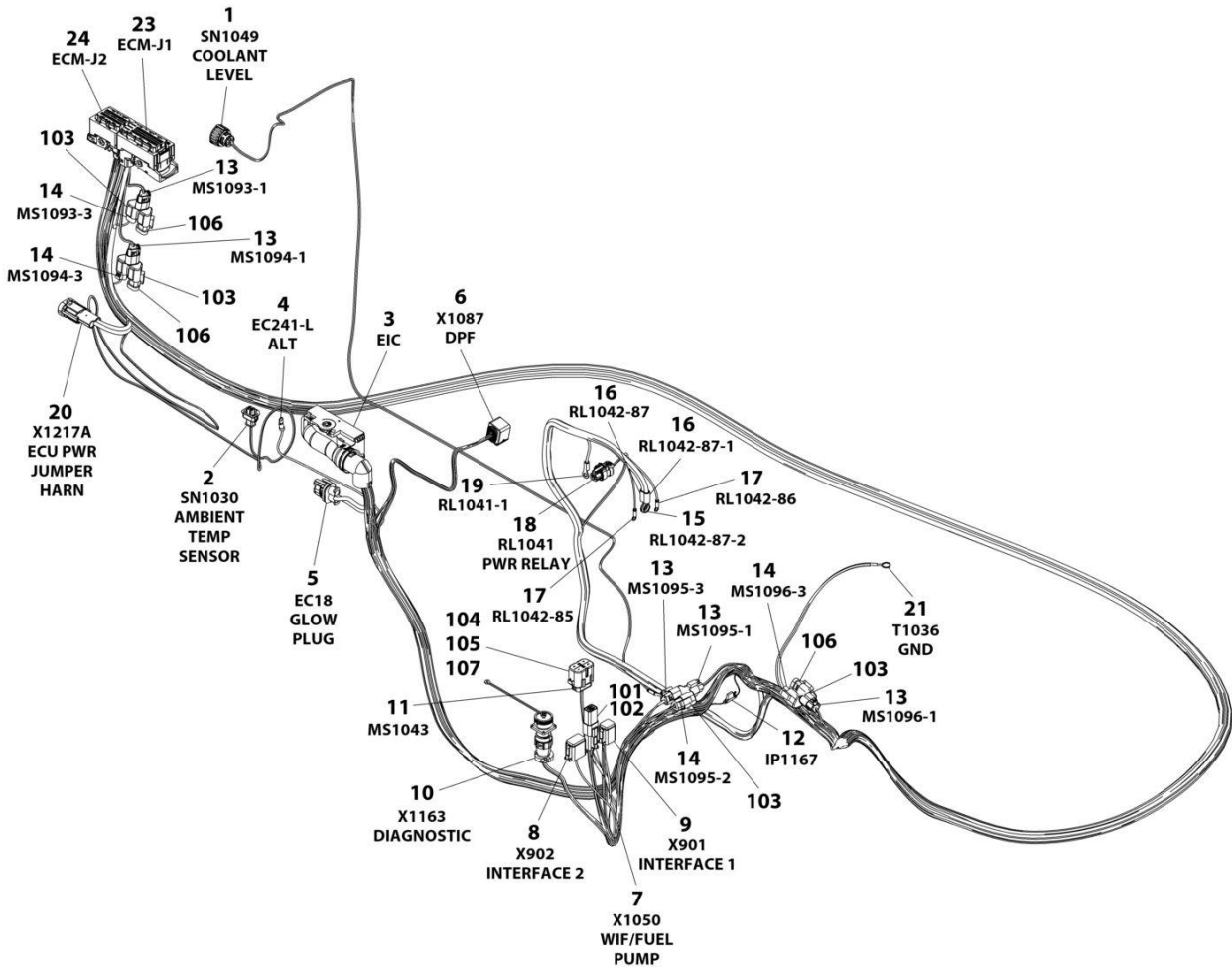
ITEM	PART NUMBER	QTY	DESCRIPTION	REV
	1001143726	Ref	ENGINE HARNESS	L
1	1001133956	1	Connector - 94 Position	
1	1001126351	2	Terminal	
1	1001126352	6	Terminal	
1	1001126384	21	Terminal	
1	1001126357	2	Plug, Terminal	
1	1001126356	63	Plug, Terminal	
2	4461095	3	Plug, Male - 3 Position	
2	4460944	6	Socket, Female	
2	4460466	3	Plug, Terminal	
3	1001133957	1	Connector - 60 Position	
3	1001126351	13	Terminal	
3	1001126384	17	Terminal	
3	1001126357	11	Plug, Terminal	
3	1001126356	19	Plug, Terminal	
4	1001117107	2	Terminal, Ring	
5	4460703	1	Terminal, Ring	
6	80484084	1	Plug, Male - 8 Position	
6	8229242	1	Fuse - 5Amp	
6	80983191	1	Fuse - 10Amp	
6	1001116728	4	Socket, Female	
6	1001116727	4	Plug, Terminal	
6	4460458	4	Seal, Terminal	
6	1001147264	1	Cap	
7	4460247	2	Terminal, Ring	
8	1001116952	1	Plug, Male - 2 Position	
8	4460465	2	Socket, Female	
9	1001117106	1	Terminal, Ring	
10	4460043	1	Terminal, Ring	
11	1001138110	1	Connector - 2 Position	
11	1001138111	2	Terminal	
11	1001138113	2	Seal	
12	2902443	1	Receptacle Kit	
12	4461073	1	Cap, Dust	
12	4461071	6	Terminal	
13	8220115	1	Terminal, Ring	
14	4460894	1	Plug, Male - 6 Position	
14	4460465	3	Socket, Female	
14	4460944	2	Socket, Female	
14	4460466	1	Plug, Terminal	
15	4460930	1	Plug, Male - 8 Position	
15	4460465	1	Socket, Female	
15	4460466	7	Plug, Terminal	
16	1001220379	1	Plug, Male - 4 Position	
16	4460465	2	Socket, Female	
16	4460942	2	Socket, Female	
16	4460932	1	Receptacle, Bussbar - 4 Position	
17	4460042	1	Terminal, Ring	
18	1001142938	1	Plug, Male - 2 Position	
18	1001142940	2	Terminal	

SECTION 8 - ELECTRICAL

ITEM	PART NUMBER	QTY	DESCRIPTION	REV
18	1001142941	2	Seal	
19	4460891	1	Plug, Male - 4 Position	
19	4460465	2	Socket, Female	
19	1001171403	1	Resistor Assembly	
19	4460897	1	Receptacle, Female - 4 Position	
20	1001133714	1	Connector - 4 Position	
20	1001133715	3	Terminal	
20	1001135650	3	Seal, Terminal	
20	1001135651	1	Plug, Terminal	
21	1001126362	1	Connector - 62 Position	
21	1001126363	23	Terminal	
21	1001126392	10	Terminal	
21	1001126365	2	Terminal	
21	1001126391	23	Plug, Terminal	
21	4461008	4	Plug, Terminal	
21	1001256506	2	Seal, Terminal	
21	1001126364	21	Seal, Terminal	
21	1001223459	10	Seal, Terminal	
21	4461008	4	Plug, Terminal	
21	1001151856	1	Elbow	

SECTION 8 - ELECTRICAL

FIGURE 8-66. ENGINE HARNESS - DEUTZ TD2.9L4 (STAGE V & CHINA IV) ENGINES (SN STARTING WITH 03 & B300017278 TO PRESENT)



ART_1001276644

SECTION 8 - ELECTRICAL

FIGURE 8-66. ENGINE HARNESS - DEUTZ TD2.9L4 (STAGE V & CHINA IV) ENGINES (SN STARTING WITH 03 & B300017278 TO PRESENT)

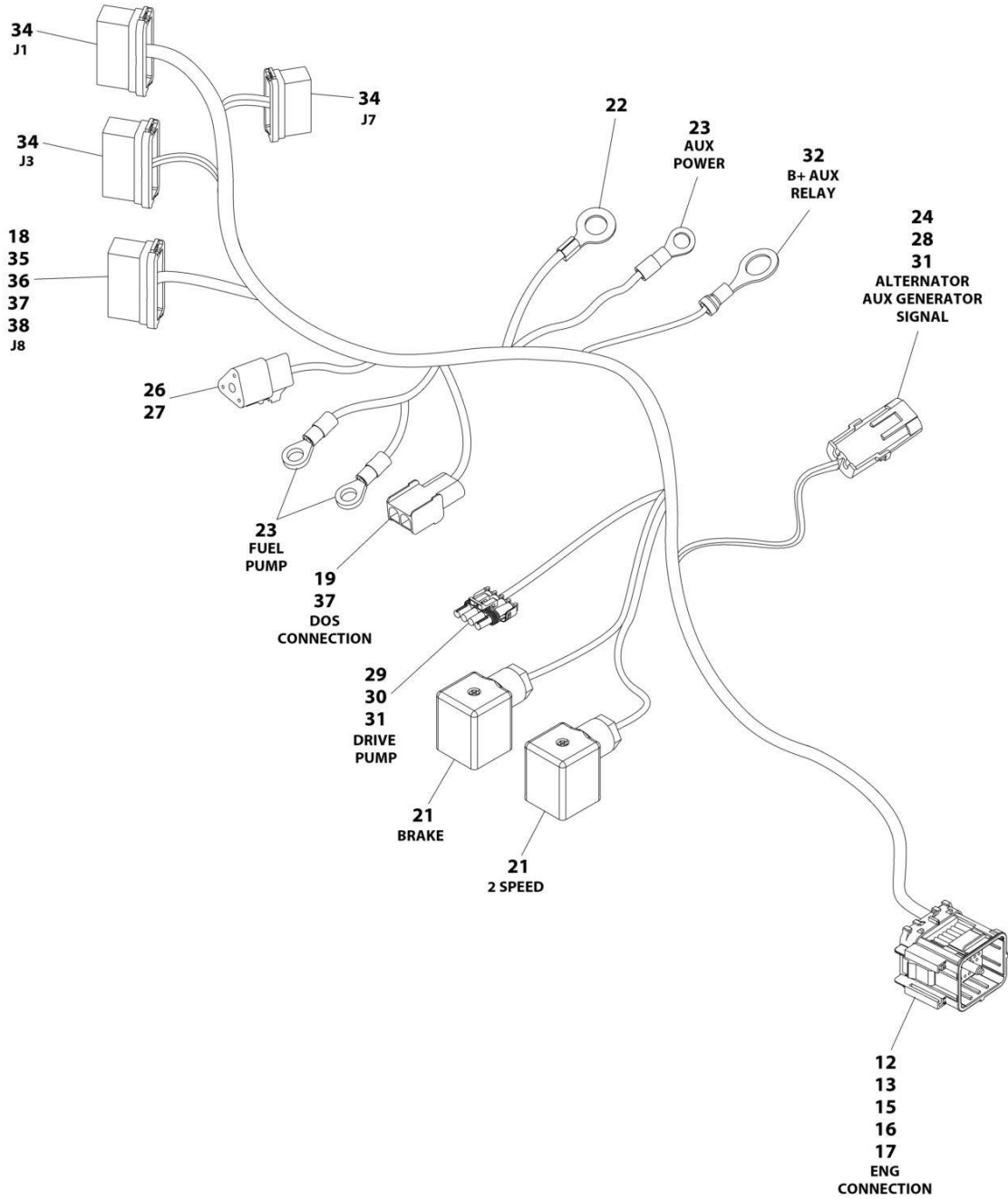
ITEM	PART NUMBER	QTY	DESCRIPTION	REV
	1001276644	Ref	Engine Harness - Deutz Engines	B
1	1001133714	1	Connector	
1	1001133715	3	Terminal	
1	1001135650	3	Seal, Terminal	
1	1001135651	1	Plug, Terminal	
2	1001126487	1	Connector	
2	1001167635	2	Terminal	
2	1001126485	2	Seal, Terminal	
3	1001126362	1	Connector	
3	1001126363	37	Terminal	
3	1001126392	12	Terminal	
3	1001126391	7	Plug, Terminal	
3	4461008	4	Plug, Terminal	
3	1001167632	2	Terminal	
3	1001126364	37	Seal, Terminal	
3	1001223459	12	Seal, Terminal	
3	4461054	2	Seal, Terminal	
4	4460042	1	Terminal, Ring	
5	1001142938	1	Plug	
5	1001142940	2	Terminal	
5	1001142941	2	Seal	
6	1001239202	1	Connector	
6	1001126363	7	Terminal	
6	1001126391	1	Plug, Terminal	
6	1001126364	7	Seal, Terminal	
7	4460884	1	Connector	
7	4460465	2	Socket	
7	4460942	2	Socket	
8	4460930	1	Plug	
8	4460465	1	Socket	
8	4460466	7	Plug, Terminal	
9	4460894	1	Plug	
9	4460465	2	Socket	
9	4460944	2	Socket	
9	4460466	2	Plug, Terminal	
10	2902443	1	Receptacle Kit	
10	4461073	1	Cap, Dust	
10	4461071	6	Terminal	
11	80484084	1	Plug	
11	4460748	4	Seal, Terminal	
11	4460746	3	Terminal	
11	1001234800	1	Terminal	
11	4460458	4	Seal, Terminal	
12	1001170764	1	Fuse Holder, Includes Resistor	
12	1001197719	1	Resistor 0.5W	
13	1001116812	5	Plug	
13	4460944	10	Socket	
13	4460466	5	Plug, Terminal	
14	4460539	4	Connector	

SECTION 8 - ELECTRICAL

ITEM	PART NUMBER	QTY	DESCRIPTION	REV
14	4460944	8	Socket	
14	4460466	4	Plug, Terminal	
15	4460703	1	Terminal, Ring	
16	1001117107	2	Terminal, Ring	
17	4460247	2	Terminal, Ring	
18	1001116952	1	Plug	
18	4460465	2	Socket	
19	4460043	1	Terminal, Ring	
20	1001289552	1	Connector	
20	1001289553	2	Socket	
20	1001142941	2	Seal	
21	4460019	1	Terminal, Ring	
23	1001133956	1	Connector	
23	1001126351	3	Terminal	
23	1001182361	6	Terminal	
23	1001230934	25	Terminal	
23	1001230935	55	Plug, Terminal	
23	1001252527	4	Terminal	
23	1001230936	1	Plug, Terminal	
23	1001182365	6	Seal, Terminal	
24	1001133957	1	Connector	
24	1001126351	13	Terminal	
24	1001230935	10	Plug, Terminal	
24	1001230934	26	Terminal	
24	1001230936	11	Plug, Terminal	
101	4460466	4	Seal, Terminal	
102	4460932	1	Connector	
103	4460945	4	Receptacle	
104	8229242	1	Fuse - 5Amp	
105	80983191	1	Fuse - 10Amp	
106	1001116815	3	Connector	
107	1001147264	1	Cap	

SECTION 8 - ELECTRICAL

FIGURE 8-67. ENGINE HARNESS - FORD DF 2.5L ENGINES



ART_1001286028

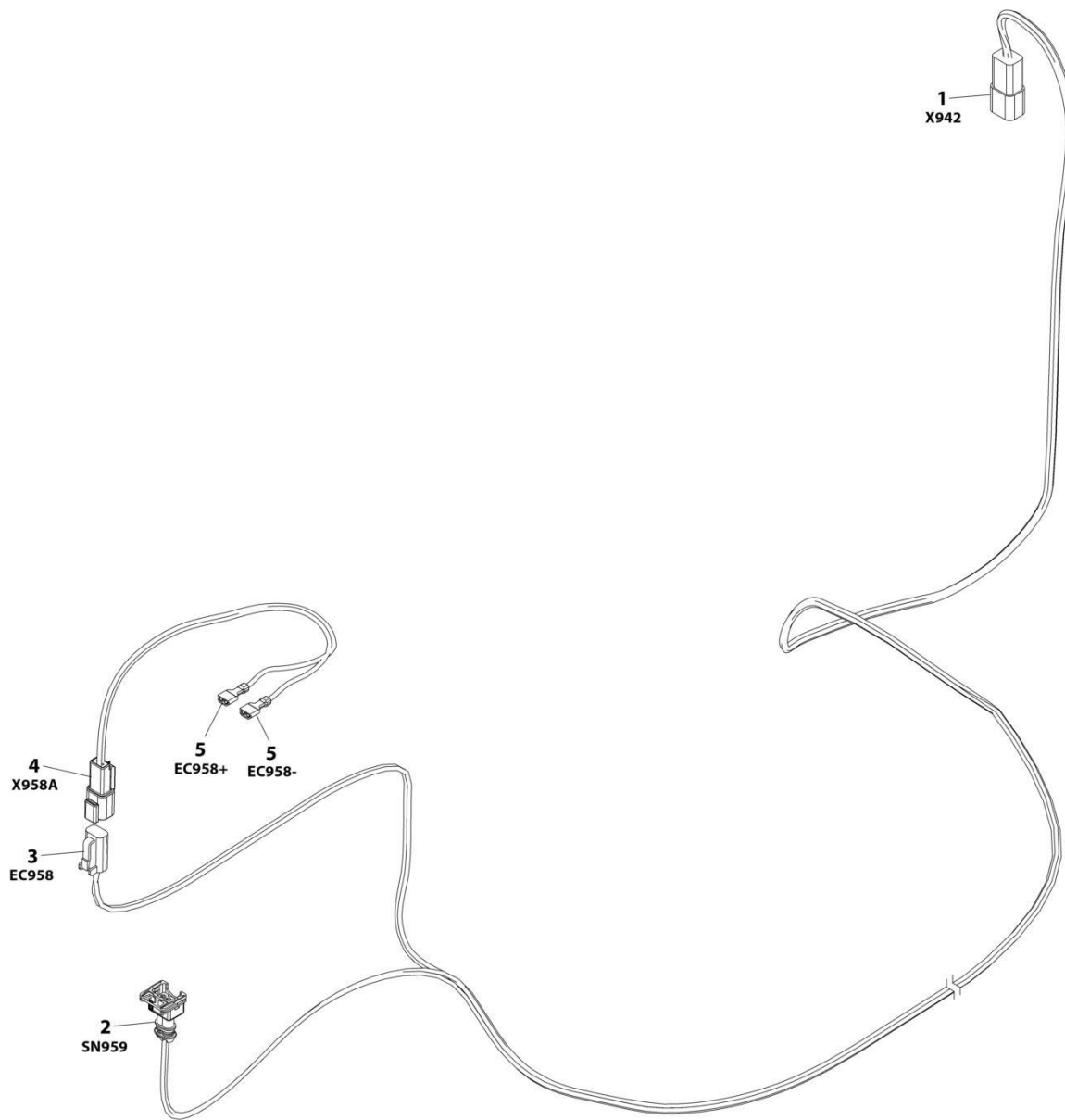
SECTION 8 - ELECTRICAL

FIGURE 8-67. ENGINE HARNESS - FORD DF 2.5L ENGINES

ITEM	PART NUMBER	QTY	DESCRIPTION	REV
	1001286028	Ref	ENGINE HARNESS - FORD DF 2.5L ENGINES	B
12	1001216213	3	Plug, Terminal	
13	1001216212	1	Terminal	
15	1001215534	33	Plug, Terminal	
16	1001215091	5	Terminal	
17	1001215016	1	Connector	
18	4460260	1	Cover, Terminal	
19	4460424	1	Connector	
21	4460880	2	Connector	
22	4460312	1	Terminal, Ring	
23	4460313	3	Terminal, Ring	
24	4460979	2	Pin	
26	4460539	1	Connector	
27	4460944	3	Socket	
28	4461157	1	Connector	
29	4460460	1	Connector	
30	4460457	4	Terminal	
31	4460458	6	Seal	
32	4460738	1	Terminal, Ring	
34	4460871	9	Socket	
35	4460259	1	Terminal	
36	4460887	1	Terminal	
37	4460226	3	Socket	
38	4460465	2	Socket	

SECTION 8 - ELECTRICAL

FIGURE 8-68. FUEL PUMP HARNESS - DEUTZ TD2.9L4 ENGINES



ART_1001138491

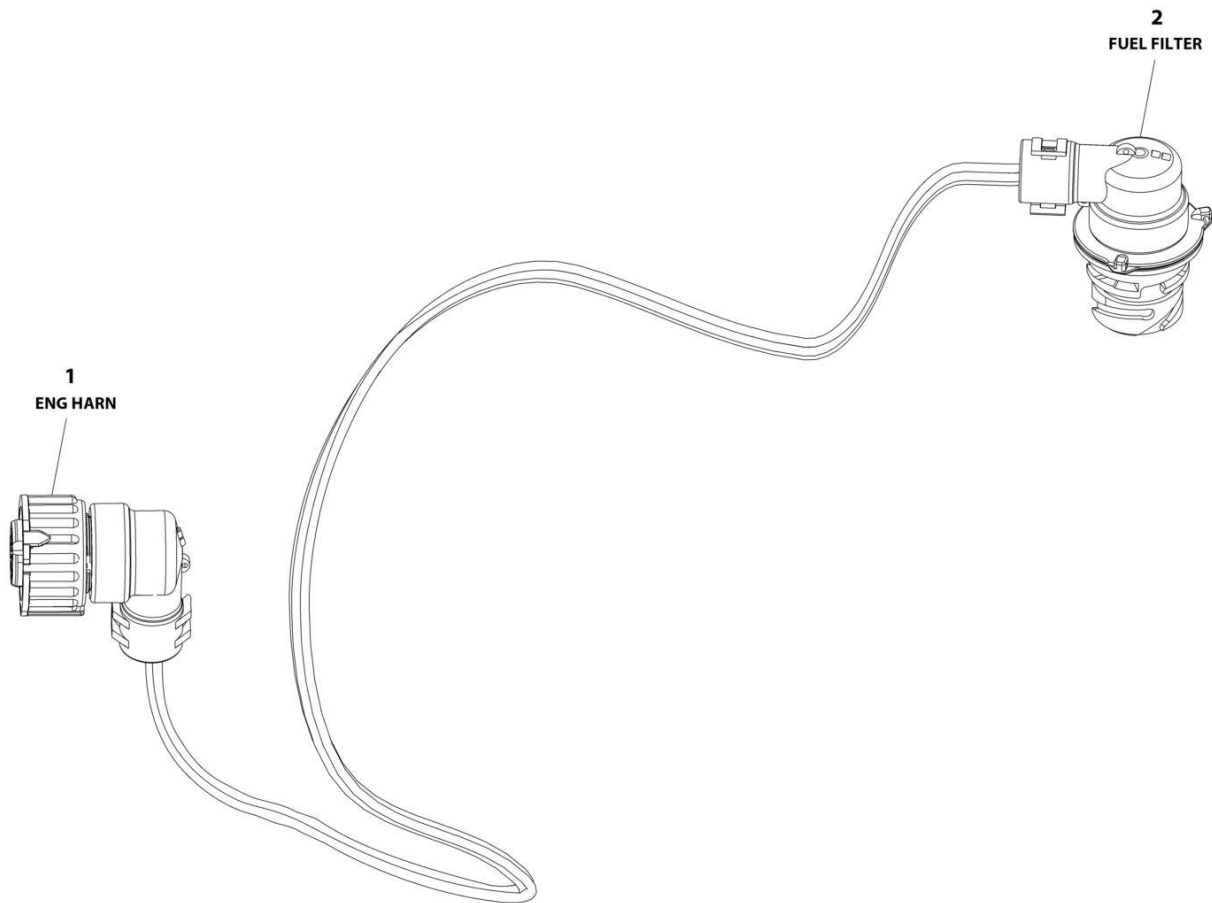
SECTION 8 - ELECTRICAL

FIGURE 8-68. FUEL PUMP HARNESS - DEUTZ TD2.9L4 ENGINES

ITEM	PART NUMBER	QTY	DESCRIPTION	REV
	1001138491	Ref	FUEL PUMP HARNESS	D
1	4460932	1	Receptacle, Female - 4 Position	
1	4460941	2	Pin, Male	
1	4460464	2	Pin, Male	
2	1001116983	1	Plug, Male - 2 Position	
2	1001116710	2	Socket, Female	
2	4461054	2	Seal	
3	4460891	1	Plug, Male - 2 Position	
3	4460942	2	Socket, Female	
4	4460897	1	Connector - 2 Position	
4	4460941	2	Pin, Male	
5	8220051	2	Terminal, Ring	

SECTION 8 - ELECTRICAL

FIGURE 8-69. FUEL HARNESS - DEUTZ TD2.9L4 (STAGE V) ENGINE



ART_1001245913

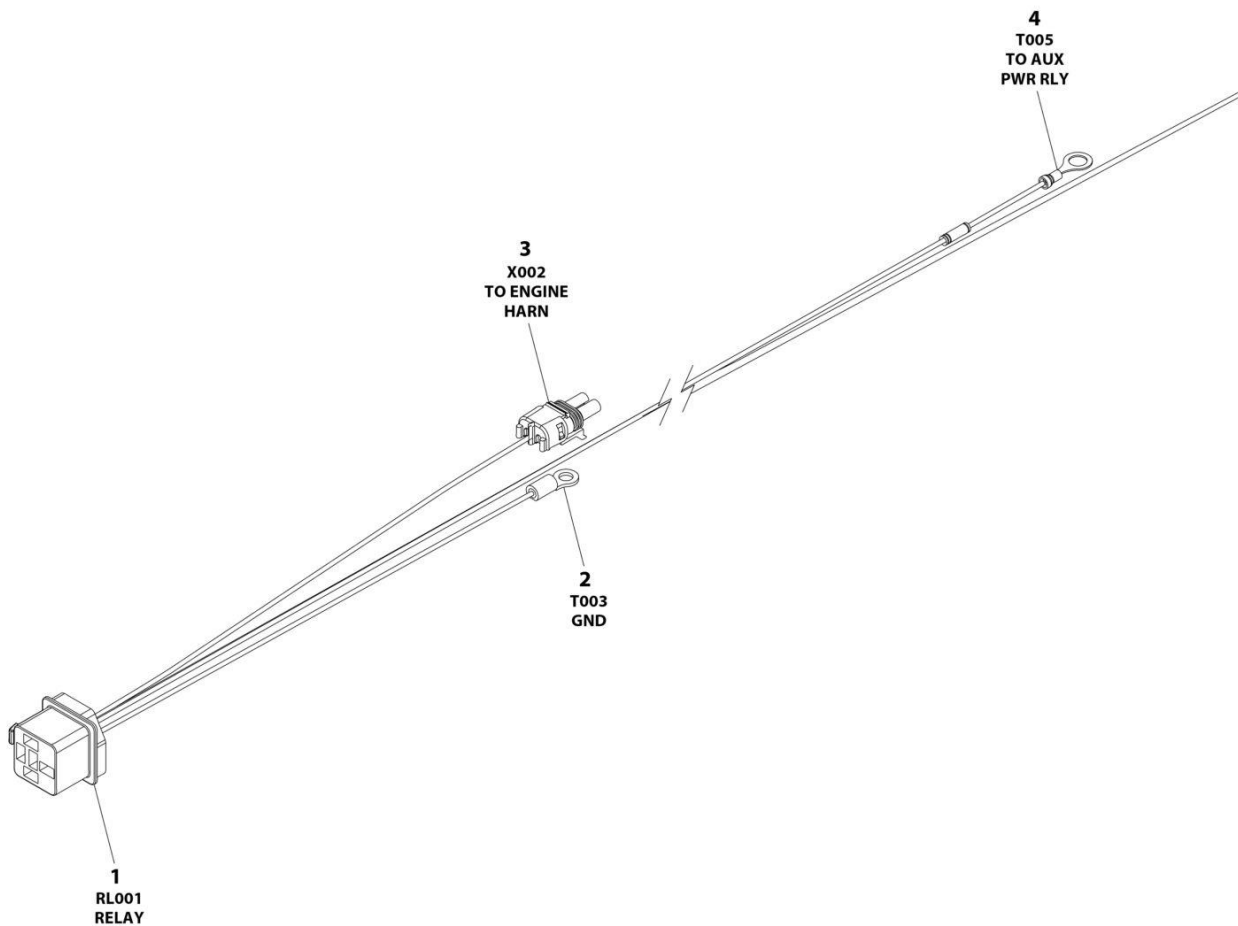
SECTION 8 - ELECTRICAL

FIGURE 8-69. FUEL HARNESS - DEUTZ TD2.9L4 (STAGE V) ENGINE

ITEM	PART NUMBER	QTY	DESCRIPTION	REV
	1001245913	Ref	FUEL HARNESS - DEUTZ (STAGE V) ENGINE	D
1	1001148842	1	Connector - 4 Position	
1	1001148841	4	Pin, Male	
1	1001135650	4	Seal	
2	1001133714	1	Plug, Male - 4 Position	
2	1001133715	4	Socket, Female	
2	1001135650	4	Seal	

SECTION 8 - ELECTRICAL

FIGURE 8-70. GENERATOR TO ENGINE HARNESS - 2500W (FORD ENGINES)



ART_4923445

SECTION 8 - ELECTRICAL

FIGURE 8-70. GENERATOR TO ENGINE HARNESS - 2500W (FORD ENGINES)

ITEM	PART NUMBER	QTY	DESCRIPTION	REV
	4923445	Ref	GENERATOR TO ENGINE HARNESS	B
1	4460374	1	Plug, Sealed Relay	
1	1001116734	2	Socket, Female	
1	1001116733	2	Socket, Female	
2	4460043	1	Terminal, Ring	
3	4460742	1	Plug, Male - 2 Position	
3	4460457	1	Socket, Female	
3	4460458	1	Seal, Terminal	
3	1001116727	1	Plug, Terminal	
4	4460670	1	Terminal, Ring	

SECTION 8 - ELECTRICAL

FIGURE 8-71. GENERATOR TO ENGINE HARNESS - 4000W/50HZ (DEUTZ D2011 ENGINES)



ART_1001153197

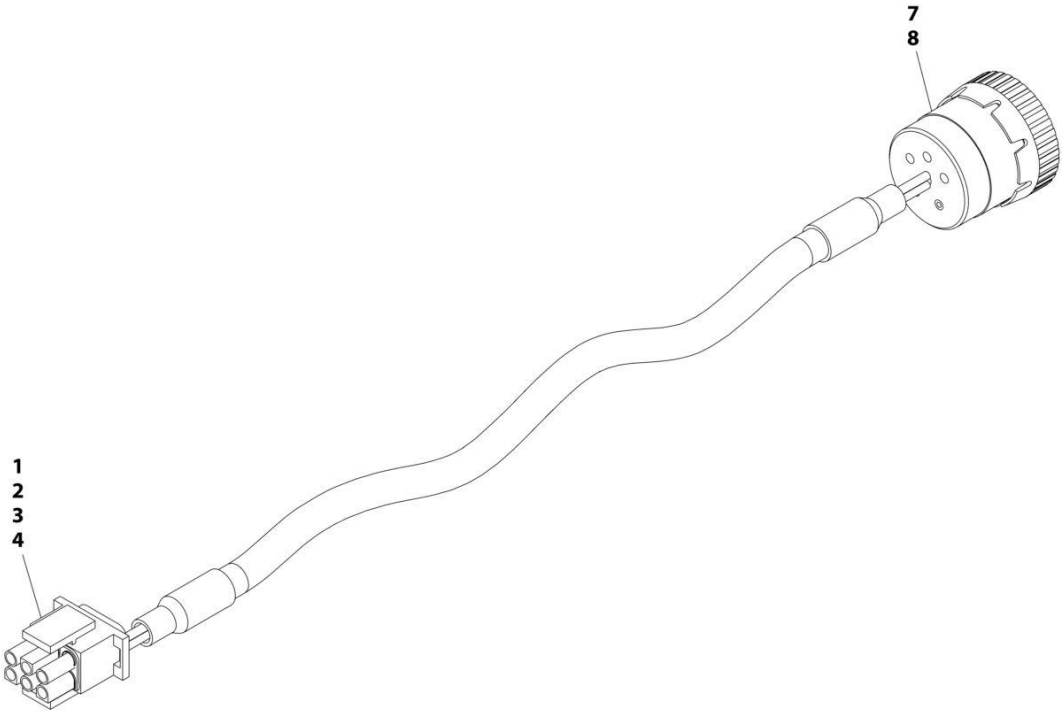
SECTION 8 - ELECTRICAL

FIGURE 8-71. GENERATOR TO ENGINE HARNESS - 4000W/50HZ (DEUTZ D2011 ENGINES)

ITEM	PART NUMBER	QTY	DESCRIPTION	REV
	1001153197	Ref	GENERATOR TO ENGINE HARNESS	B
1	4460967	1	Plug, Male - 3 Position	
1	4460465	2	Socket, Female	
2	4460043	1	Terminal, Ring	
3	4460742	1	Plug, Male - 2 Position	
3	4460743	1	Socket, Female	
3	4460458	1	Seal, Terminal	
3	1001116727	1	Plug, Terminal	

SECTION 8 - ELECTRICAL

FIGURE 8-72. GENERATOR TO ENGINE HARNESS - 4000W/60HZ (DEUTZ ENGINES)



ART_1001152532

SECTION 8 - ELECTRICAL

FIGURE 8-72. GENERATOR TO ENGINE HARNESS - 4000W/60HZ (DEUTZ ENGINES)

ITEM	PART NUMBER	QTY	DESCRIPTION	REV
	1001152532	Ref	GENERATOR HARNESS	A
1	4460225	1	Connector - 6 Position	
2	4460268	2	Socket, Female	
3	4460807	1	Seal	
4	4460808	1	Seal	
7	4460465	2	Socket, Female	
8	77363233	1	Connector - 6 Position	

SECTION 8 - ELECTRICAL

FIGURE 8-73. GENERATOR TO ENGINE HARNESS - 4000W/50HZ (DEUTZ TD2.9L4 ENGINES)



ART_1001153259

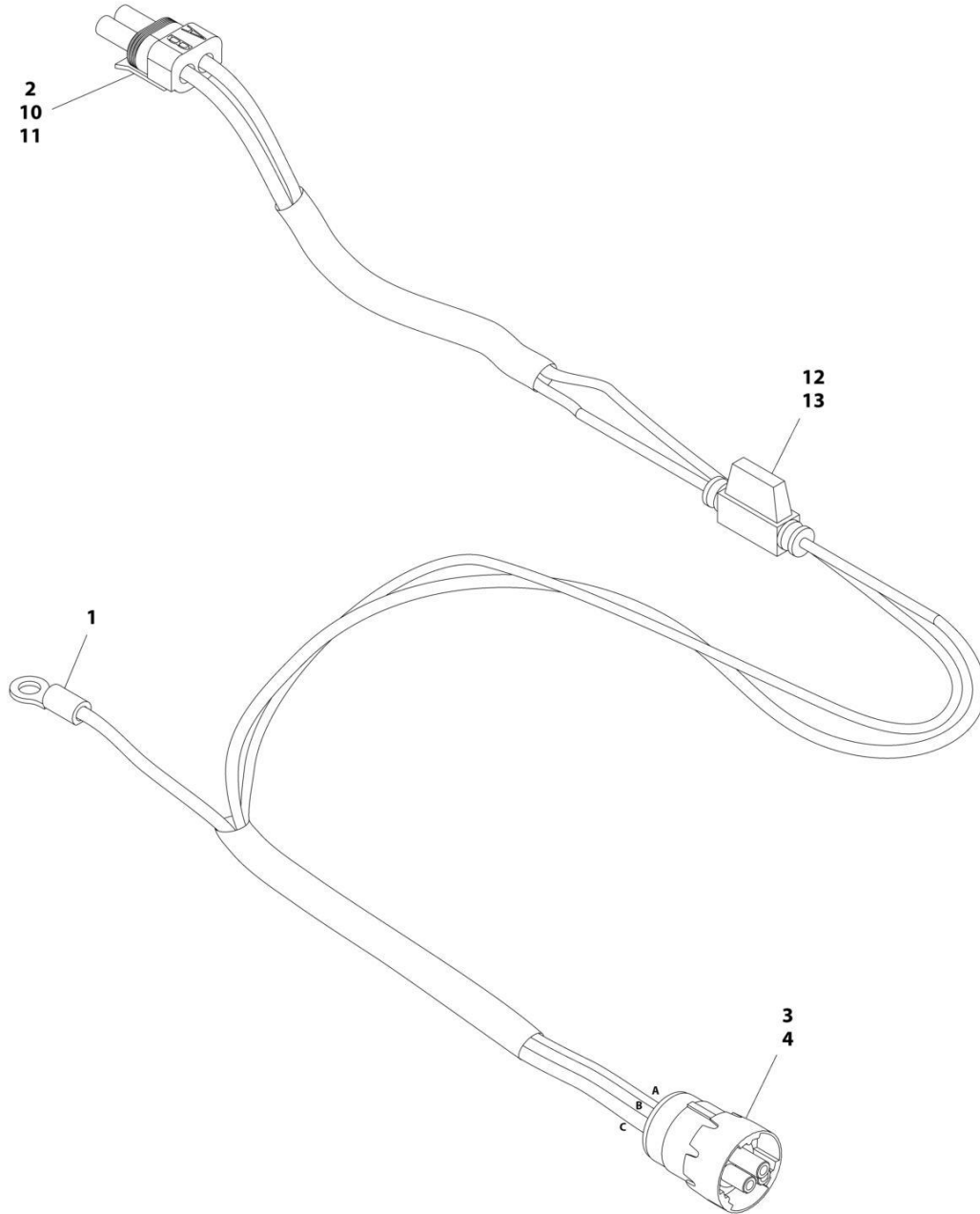
SECTION 8 - ELECTRICAL

FIGURE 8-73. GENERATOR TO ENGINE HARNESS - 4000W/50HZ (DEUTZ TD2.9L4 ENGINES)

ITEM	PART NUMBER	QTY	DESCRIPTION	REV
	1001153259	Ref	GENERATOR TO PLATFORM HARNESS (4000W-60HZ GENERATOR)	B
1	4460967	1	Connector - 3 Position	
1	4460465	2	Socket, Female	
2	4460465	2	Socket, Female	

SECTION 8 - ELECTRICAL

FIGURE 8-74. GENERATOR TO ENGINE HARNESS - 7500W SKYPOWER GENERATOR (DEUTZ D2011 ENGINES)



ART_1001152429

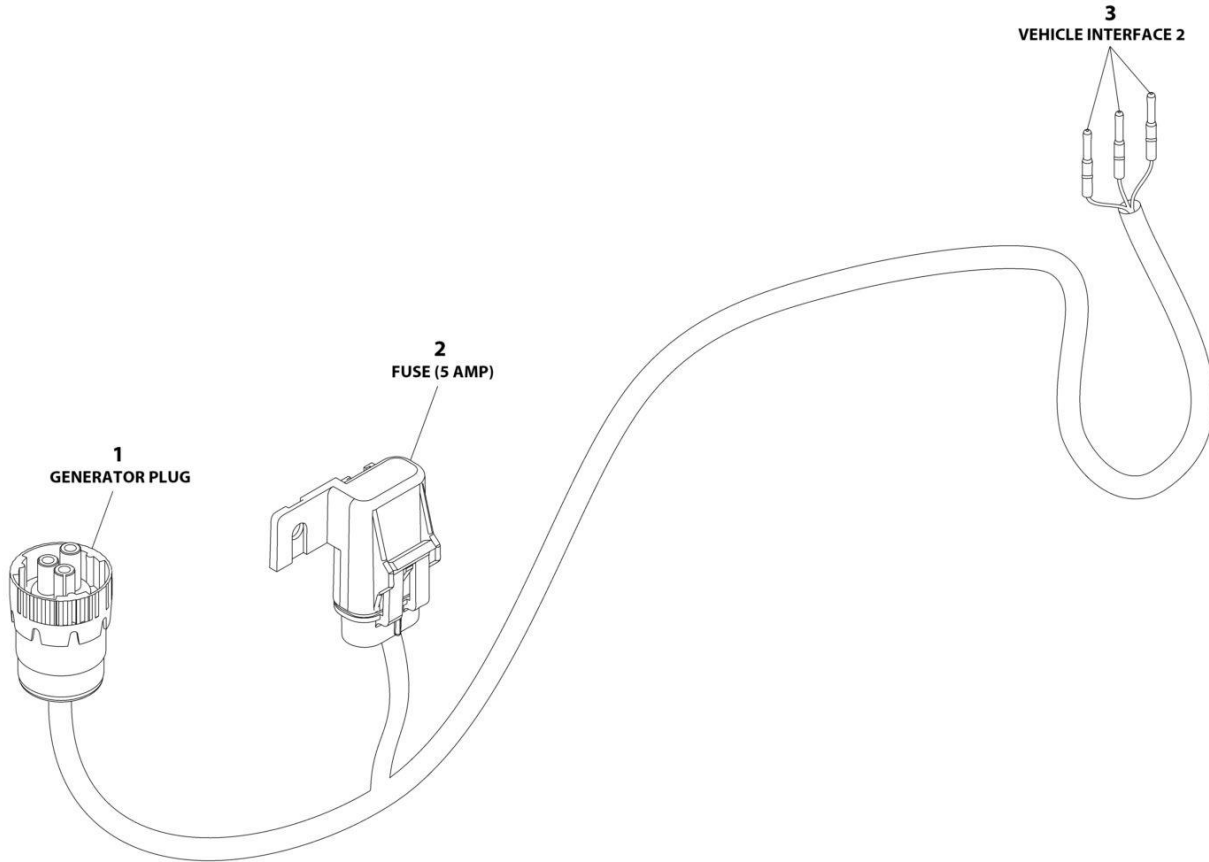
SECTION 8 - ELECTRICAL

FIGURE 8-74. GENERATOR TO ENGINE HARNESS - 7500W SKYPOWER GENERATOR (DEUTZ D2011 ENGINES)

ITEM	PART NUMBER	QTY	DESCRIPTION	REV
	1001152429	Ref	GENERATOR TO ENGINE HARNESS	C
1	4460043	1	Terminal, Ring	
2	4460742	1	Plug, Male - 2 Position	
3	4460967	1	Connector - 3 Position	
4	4460465	3	Socket, Female	
10	4460743	2	Terminal, Female	
11	4460458	2	Seal	
12	2400060	1	Fuseholder (Includes Cover)	
13	2400064	1	Fuse - 5Amp	

SECTION 8 - ELECTRICAL

FIGURE 8-75. GENERATOR TO ENGINE HARNESS - 7500W SKYPOWER (DEUTZ TD2.9L4 T4F ENGINES)



ART_100119968

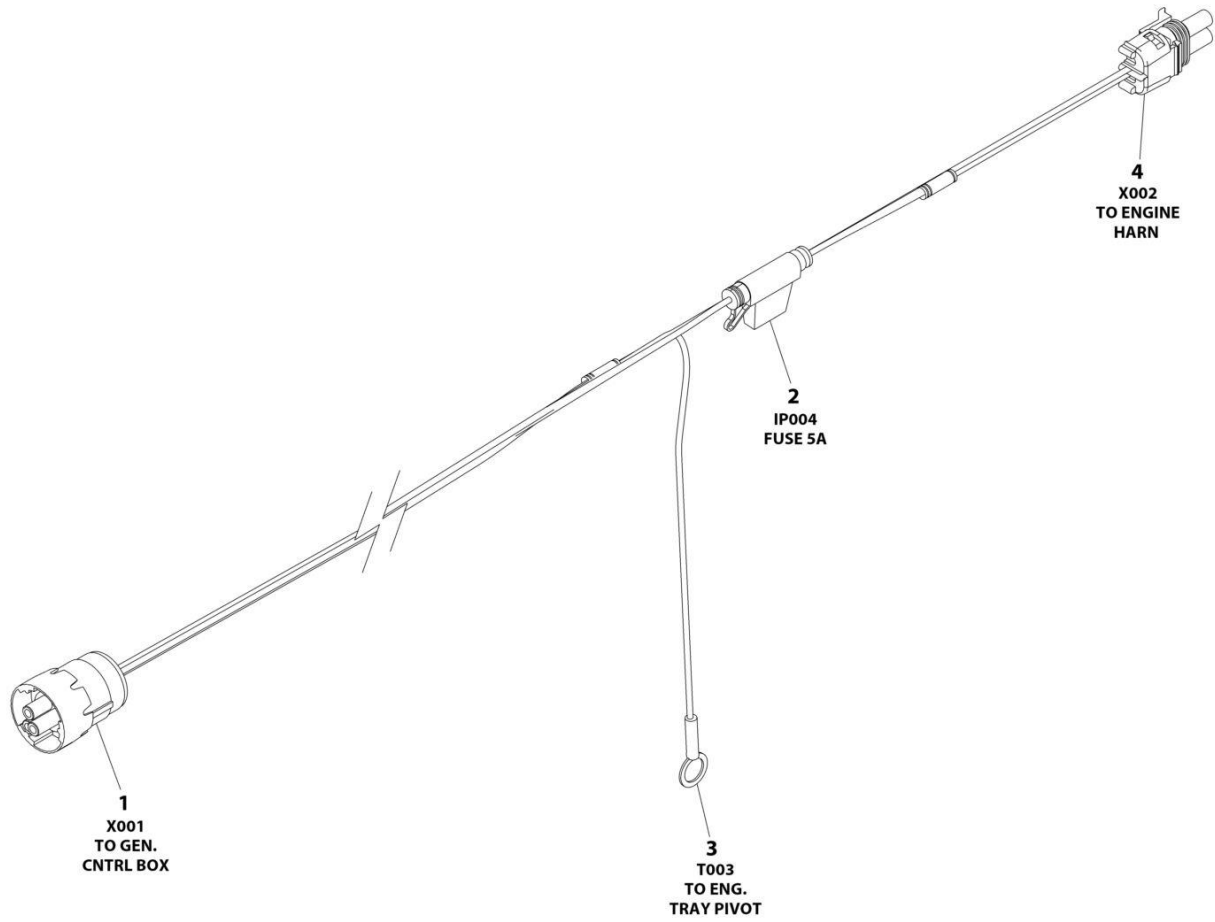
SECTION 8 - ELECTRICAL

FIGURE 8-75. GENERATOR TO ENGINE HARNESS - 7500W SKYPOWER (DEUTZ TD2.9L4 T4F ENGINES)

ITEM	PART NUMBER	QTY	DESCRIPTION	REV
	1001119968	Ref	GENERATOR HARNESS - 7500W GENERATOR	C
1	4460967	1	Connector - 3 Position	
1	4460465	3	Socket, Female	
2	1001117078	1	Connector, Metri-Pack with 5Amp Fuse	
3	4460465	3	Socket, Female	

SECTION 8 - ELECTRICAL

FIGURE 8-76. GENERATOR TO ENGINE HARNESS - 7500W SKYPOWER (FORD DF 2.5L ENGINES)



ART_1001257972

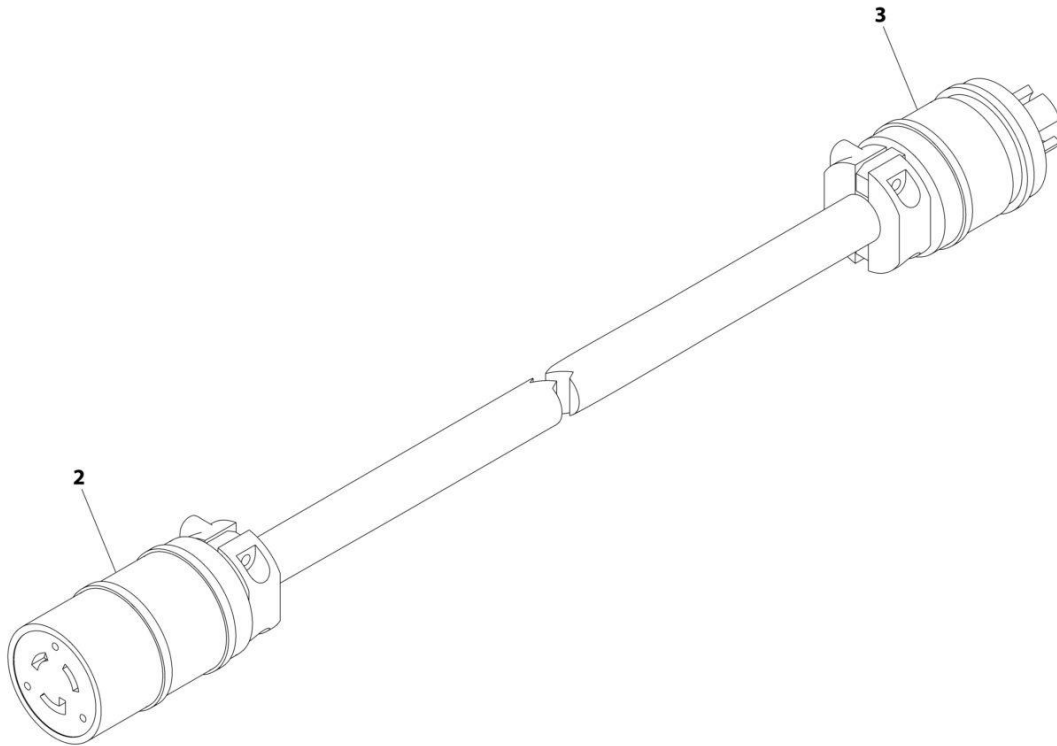
SECTION 8 - ELECTRICAL

FIGURE 8-76. GENERATOR TO ENGINE HARNESS - 7500W SKYPOWER (FORD DF 2.5L ENGINES)

ITEM	PART NUMBER	QTY	DESCRIPTION	REV
	1001257972	Ref	GENERATOR TO ENGINE HARNESS	A
1	4460967	1	Plug, Male - 3 Position	
1	4460465	3	Socket, Female	
2	2400060	1	Fuse-holder (Includes Cover)	
2	2400064	1	Fuse - 5Amp	
3	4460256	1	Terminal, Ring	
4	4460742	1	Plug, Male - 2 Position	
4	4460457	2	Socket, Female	
4	4460458	2	Seal, Terminal	

SECTION 8 - ELECTRICAL

FIGURE 8-77. GENERATOR TO REAR OF BOOM HARNESS - 110V



ART_4922741

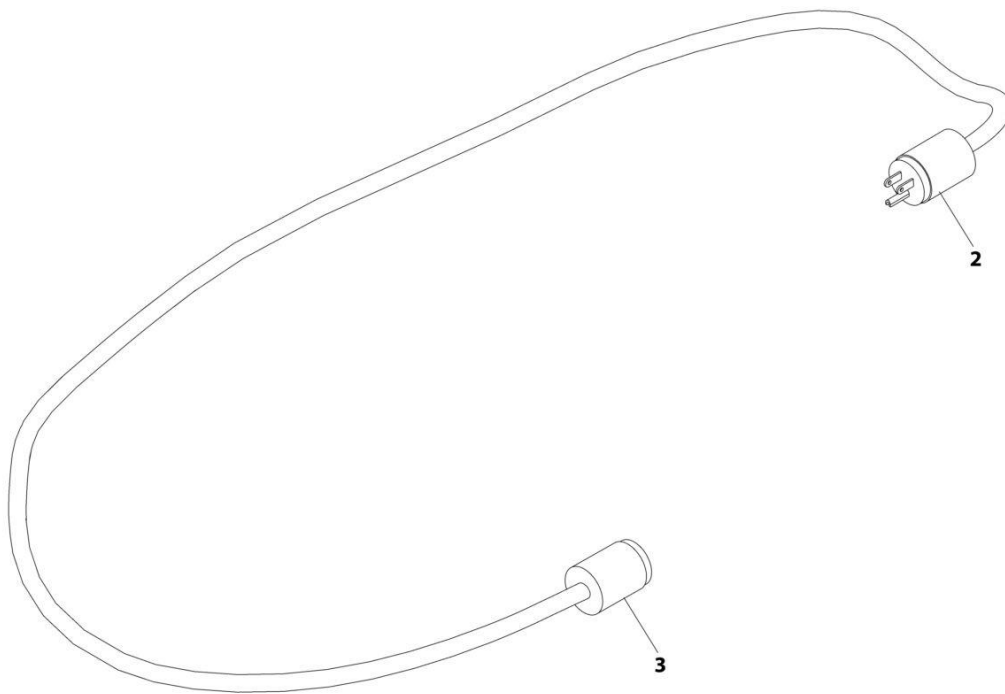
SECTION 8 - ELECTRICAL

FIGURE 8-77. GENERATOR TO REAR OF BOOM HARNESS - 110V

ITEM	PART NUMBER	QTY	DESCRIPTION	REV
	4922741	Ref	GENERATOR TO REAR OF BOOM HARNESS - 110V	A
2	4460134	1	Connector, Female	
3	4460205	1	Plug, Male	

SECTION 8 - ELECTRICAL

FIGURE 8-78. GENERATOR TO REAR OF BOOM HARNESS - 220V



ART_4921955

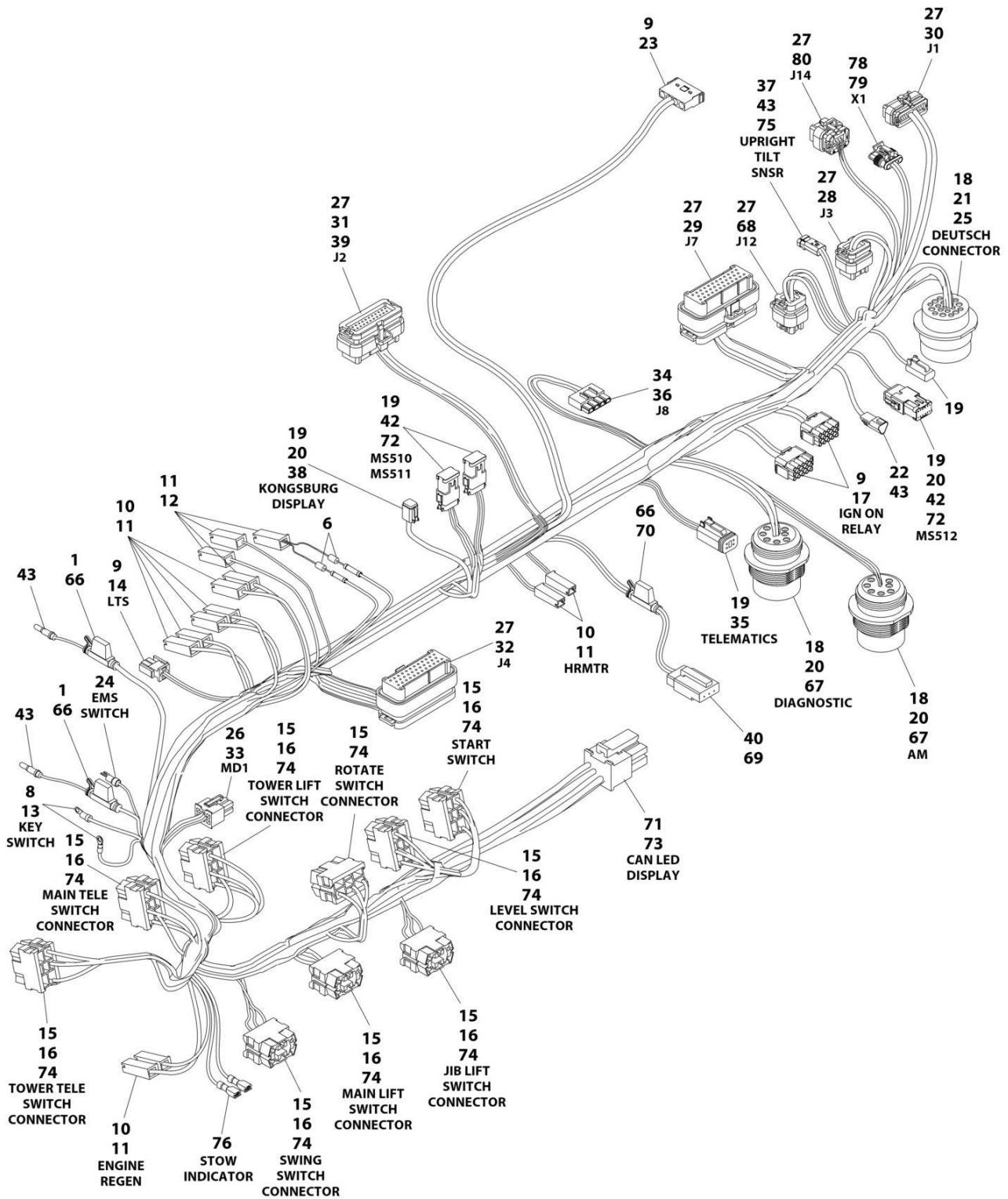
SECTION 8 - ELECTRICAL

FIGURE 8-78. GENERATOR TO REAR OF BOOM HARNESS - 220V

ITEM	PART NUMBER	QTY	DESCRIPTION	REV
	4921955	Ref	GENERATOR TO REAR OF BOOM HARNESS - 220V	A
2	4460233	1	Terminal, Plug	
3	4460701	1	Terminal, Connector	

SECTION 8 - ELECTRICAL

FIGURE 8-79. GROUND CONTROL BOX HARNESS



ART_1001306145

SECTION 8 - ELECTRICAL

FIGURE 8-79. GROUND CONTROL BOX HARNESS

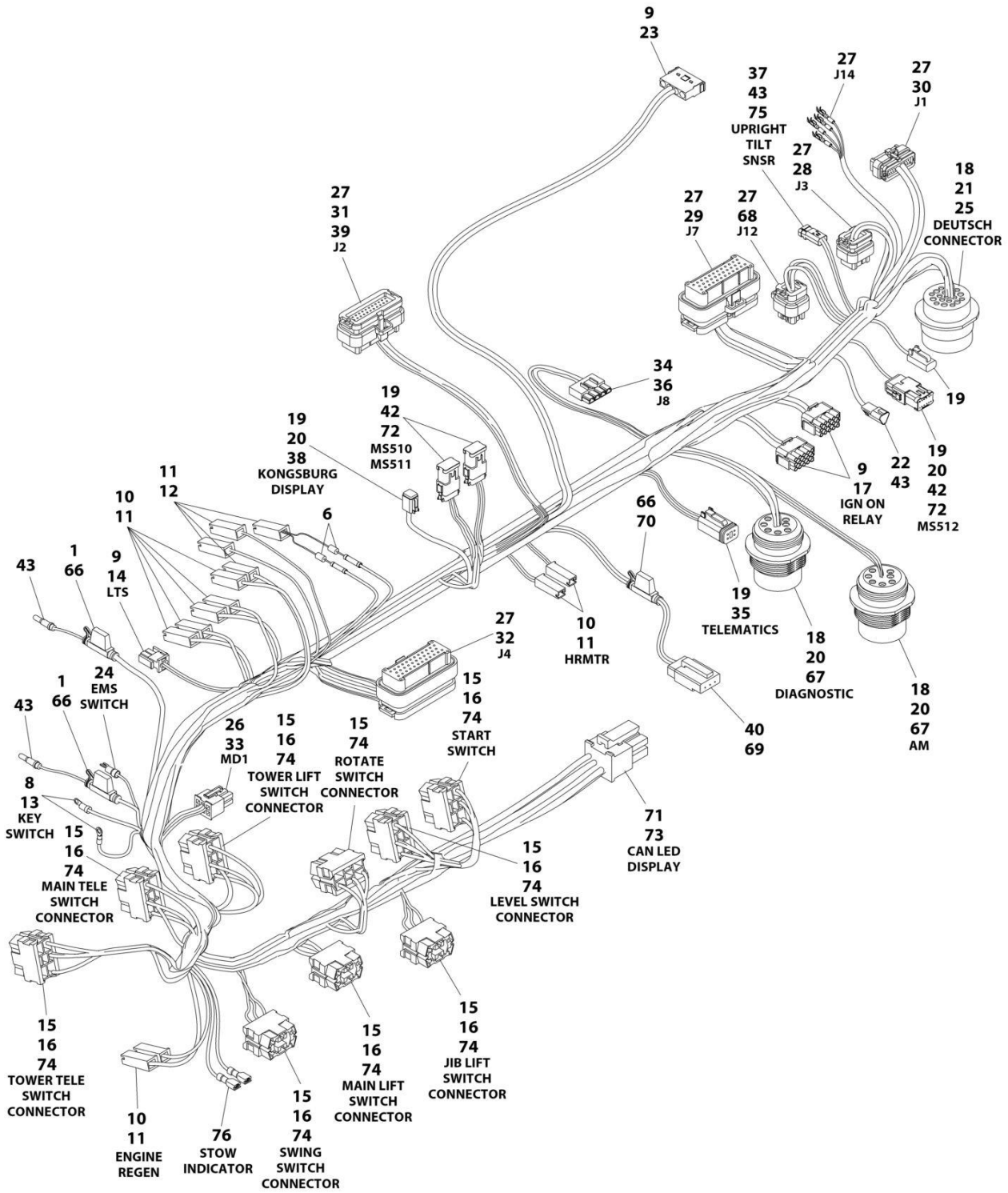
ITEM	PART NUMBER	QTY	DESCRIPTION	REV
	1001306145	Ref	GROUND CONTROL BOX HARNESS	A
1	2400060	2	Fuseholder	
6	3990010	2	Diode, 6Amp	
8	4460142	4	Terminal, Ring	
9	4460227	36	Pin	
10	4460259	11	Socket	
11	4460260	15	Housing, Terminal	
12	4460297	4	Socket	
13	4460313	3	Terminal, Ring	
14	4460320	1	Connector	
15	4460418	9	Connector, Switch	
16	4460419	8	Socket	
17	4460434	2	Connector	
18	4460464	27	Pin	
19	4460465	45	Socket	
20	4460466	9	Plug, Terminal	
21	4460508	4	Pin	
22	4460536	1	Connector	
23	4460761	1	Connector	
24	4460806	5	Terminal, Fork	
25	4460866	1	Pin	
26	4460868	1	Connector	
27	4460871	92	Socket	
28	4460872	1	Connector	
29	4460873	1	Connector	
30	4460874	1	Connector	
31	4460875	1	Connector	
32	4460876	1	Connector	
33	4460877	4	Socket	
34	4460878	1	Housing, Terminal	
35	4460884	1	Connector	
36	4460887	3	Socket	
37	1001229530	1	Connector	
38	4460894	1	Plug	
39	4460905	2	Seal	
40	4460911	1	Plug, Terminal	
42	4460933	3	Connector	
43	4460943	8	Pin	
66	8229242	3	Fuse, 5Amp	
67	1001249095	2	Connector	
68	1001113961	1	Plug	
69	1001116694	3	Socket	
70	1001255901	1	Fuseholder	
71	1001237668	5	Socket	
72	1001119020	3	Connector	
73	1001237667	1	Connector	
74	1001159186	18	Socket	
75	1001200497	1	Connector	
76	1001201885	2	Terminal	
78	1001103012	1	Connector	

SECTION 8 - ELECTRICAL

ITEM	PART NUMBER	QTY	DESCRIPTION	REV
79	1001107854	4	Terminal	
80	1001246859	1	Connector	

SECTION 8 - ELECTRICAL

FIGURE 8-80. GROUND CONTROL BOX HARNESS (ANSI EXPORT (LRC) UK CA (LRC) & AUSTRALIAN SPECS)



ART_1001285346

SECTION 8 - ELECTRICAL

FIGURE 8-80. GROUND CONTROL BOX HARNESS (ANSI EXPORT (LRC) UK CA (LRC) & AUSTRALIAN SPECS)

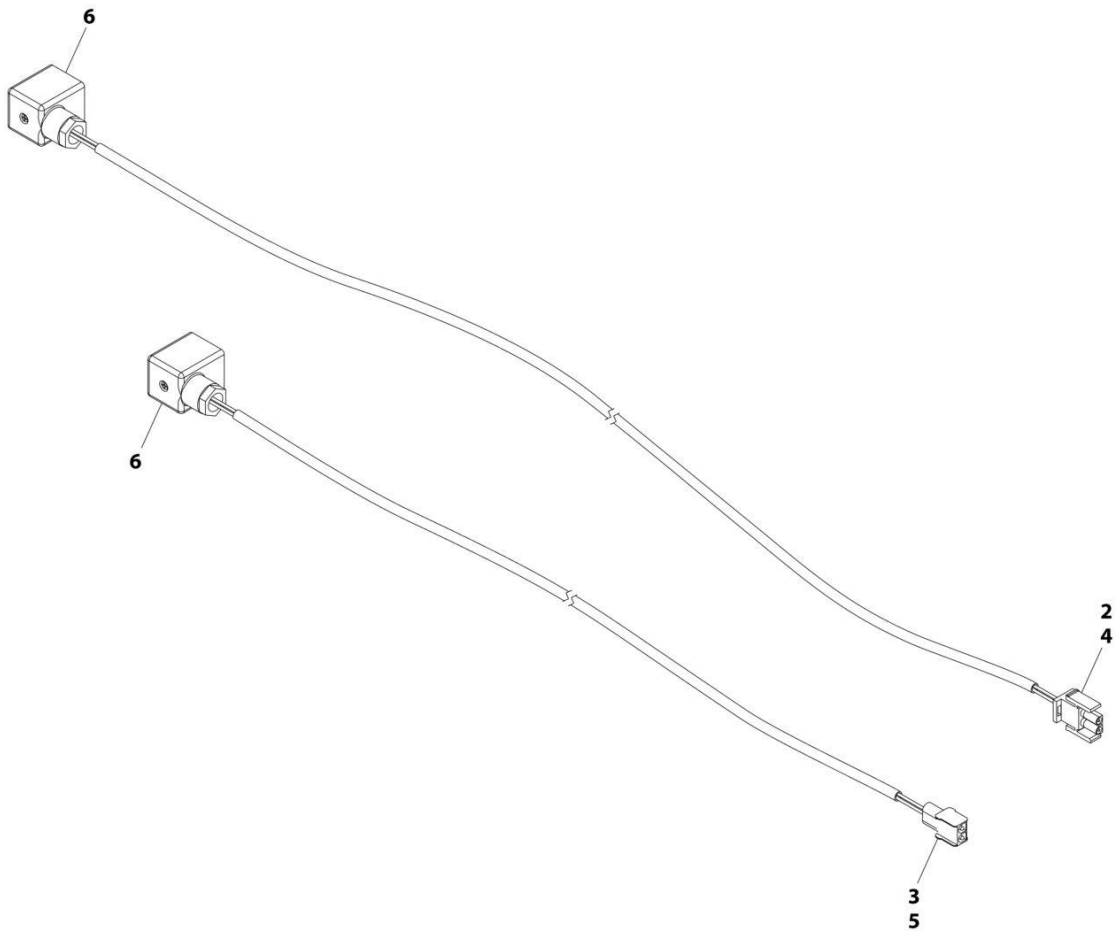
ITEM	PART NUMBER	QTY	DESCRIPTION	REV
	1001285346	Ref	GROUND CONTROL BOX HARNESS	C
1	2400060	2	Fuse Holder	
6	3990010	2	Diode, 6 Amp	
8	4460142	4	Terminal, Ring	
9	4460227	36	Pin	
10	4460259	11	Socket	
11	4460260	15	Housing, Terminal	
12	4460297	4	Socket	
13	4460313	3	Terminal, Ring	
14	4460320	1	Connector	
15	4460418	9	Connector, Switch	
16	4460419	8	Socket	
17	4460434	2	Connector	
18	4460464	27	Terminal	
19	4460465	45	Terminal	
20	4460466	9	Plug, Terminal	
21	4460508	4	Pin	
22	4460536	1	Connector	
23	4460761	1	Connector	
24	4460806	5	Terminal, Fork	
25	4460866	1	Terminal	
26	4460868	1	Connector	
27	4460871	88	Socket	
28	4460872	1	Connector	
29	4460873	1	Connector	
30	4460874	1	Connector	
31	4460875	1	Connector	
32	4460876	1	Connector	
33	4460877	4	Socket	
34	4460878	1	Housing, Terminal	
35	4460884	1	Connector	
36	4460887	3	Socket	
37	1001229530	1	Connector	
38	4460894	1	Plug	
39	4460905	2	Seal	
40	4460911	1	Plug, Terminal	
42	4460933	3	Connector	
43	4460943	8	Terminal	
66	8229242	3	Fuse 5 Amp	
67	1001112612	2	Connector	
67	1001249095	2	Connector	
68	1001113961	1	Plug	
69	1001116694	3	Terminal	
70	1001255901	1	Fuse Holder	
71	1001237668	5	Socket	
72	1001119020	3	Connector	
73	1001237667	1	Connector	
74	1001159186	18	Socket	
75	1001200497	1	Connector	

SECTION 8 - ELECTRICAL

ITEM	PART NUMBER	QTY	DESCRIPTION	REV
76	1001201885	2	Terminal	

SECTION 8 - ELECTRICAL

FIGURE 8-81. HOLDING VALVE/LIFT DUMP HARNESS ASSEMBLY (WITHOUT ARCTIC PACKAGE)



ART_4922660

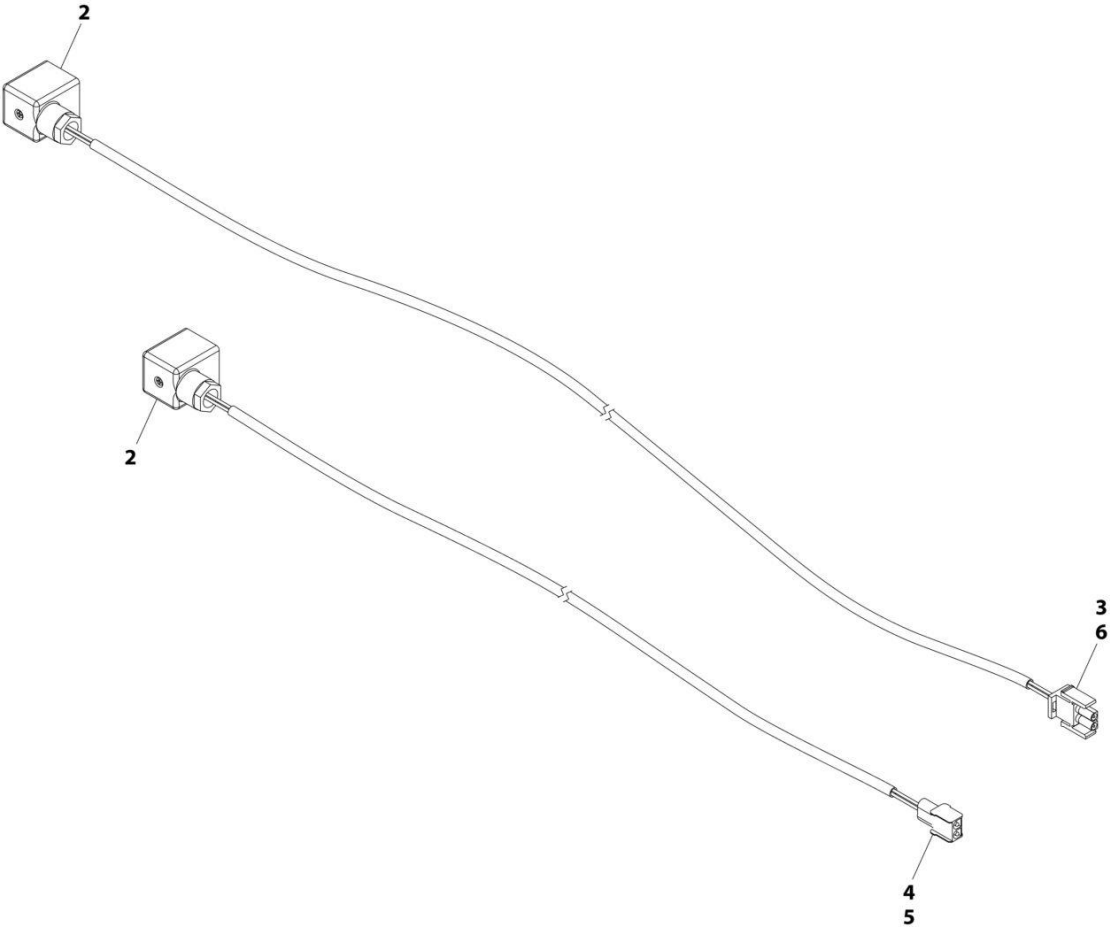
SECTION 8 - ELECTRICAL

FIGURE 8-81. HOLDING VALVE/LIFT DUMP HARNESS ASSEMBLY (WITHOUT ARCTIC PACKAGE)

ITEM	PART NUMBER	QTY	DESCRIPTION	REV
	4922660	Ref	HOLDING VALVE/LIFT DUMP HARNESS ASSEMBLY	E
2	4460226	2	Socket, Female	
3	4460267	2	Pin, Male	
4	4460320	1	Connector - 2 Position	
5	4460424	1	Connector - 2 Position	
6	4460880	2	Connector, Din	

SECTION 8 - ELECTRICAL

FIGURE 8-82. HOLDING VALVE/LIFT DUMP HARNESS ASSEMBLY (WITH ARCTIC PACKAGE)



ART_4923597

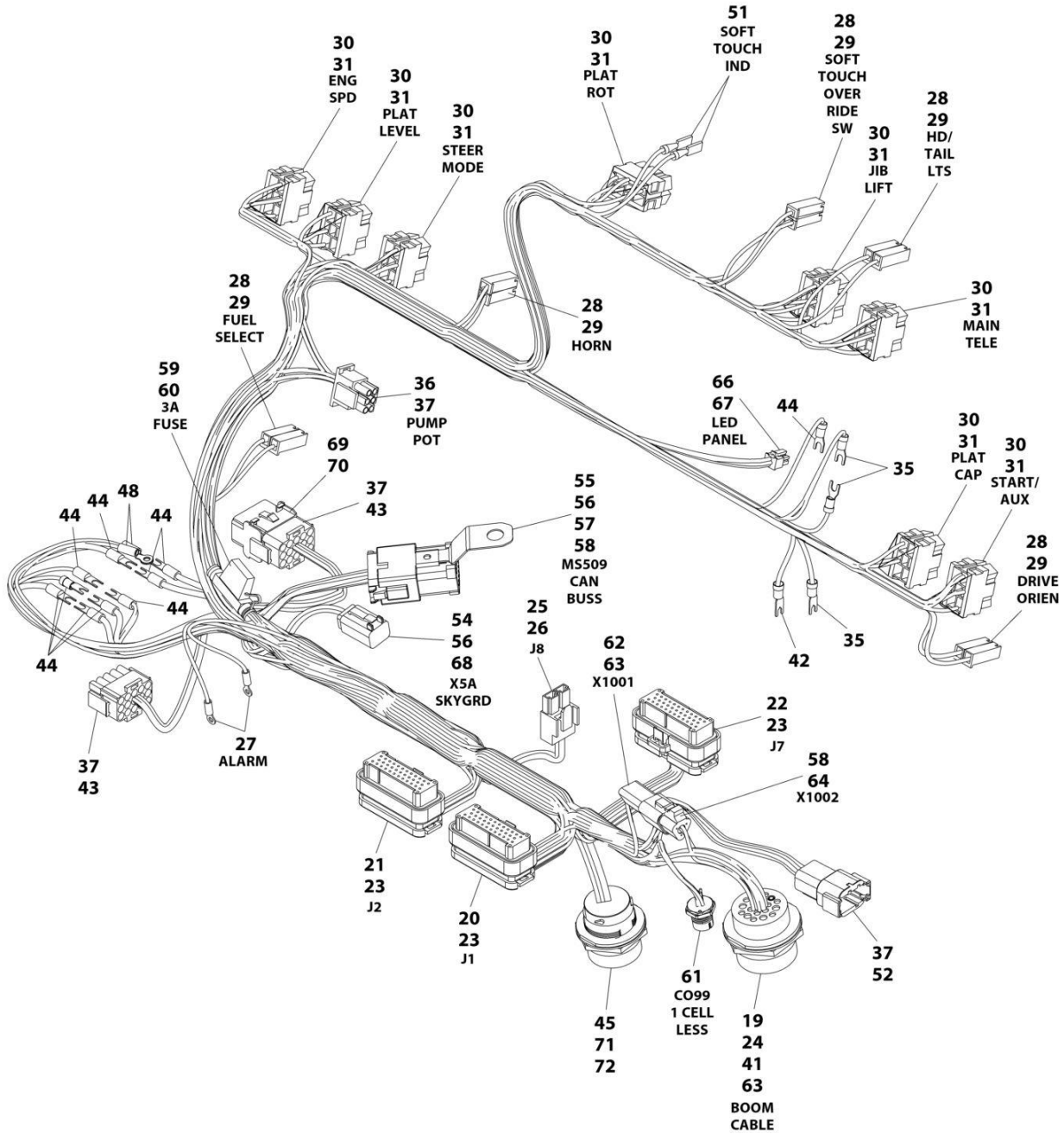
SECTION 8 - ELECTRICAL

FIGURE 8-82. HOLDING VALVE/LIFT DUMP HARNESS ASSEMBLY (WITH ARCTIC PACKAGE)

ITEM	PART NUMBER	QTY	DESCRIPTION	REV
	4923597	Ref	HOLDING VALVE/LIFT DUMP HARNESS ASSEMBLY	1
2	4460880	2	Connector, Din	
3	4460320	1	Connector - 2 Position	
4	4460424	1	Connector - 2 Position	
5	4460267	2	Pin, Male	
6	4460226	2	Socket, Female	

SECTION 8 - ELECTRICAL

FIGURE 8-83. PLATFORM CONSOLE BOX HARNESS



ART_1001309251

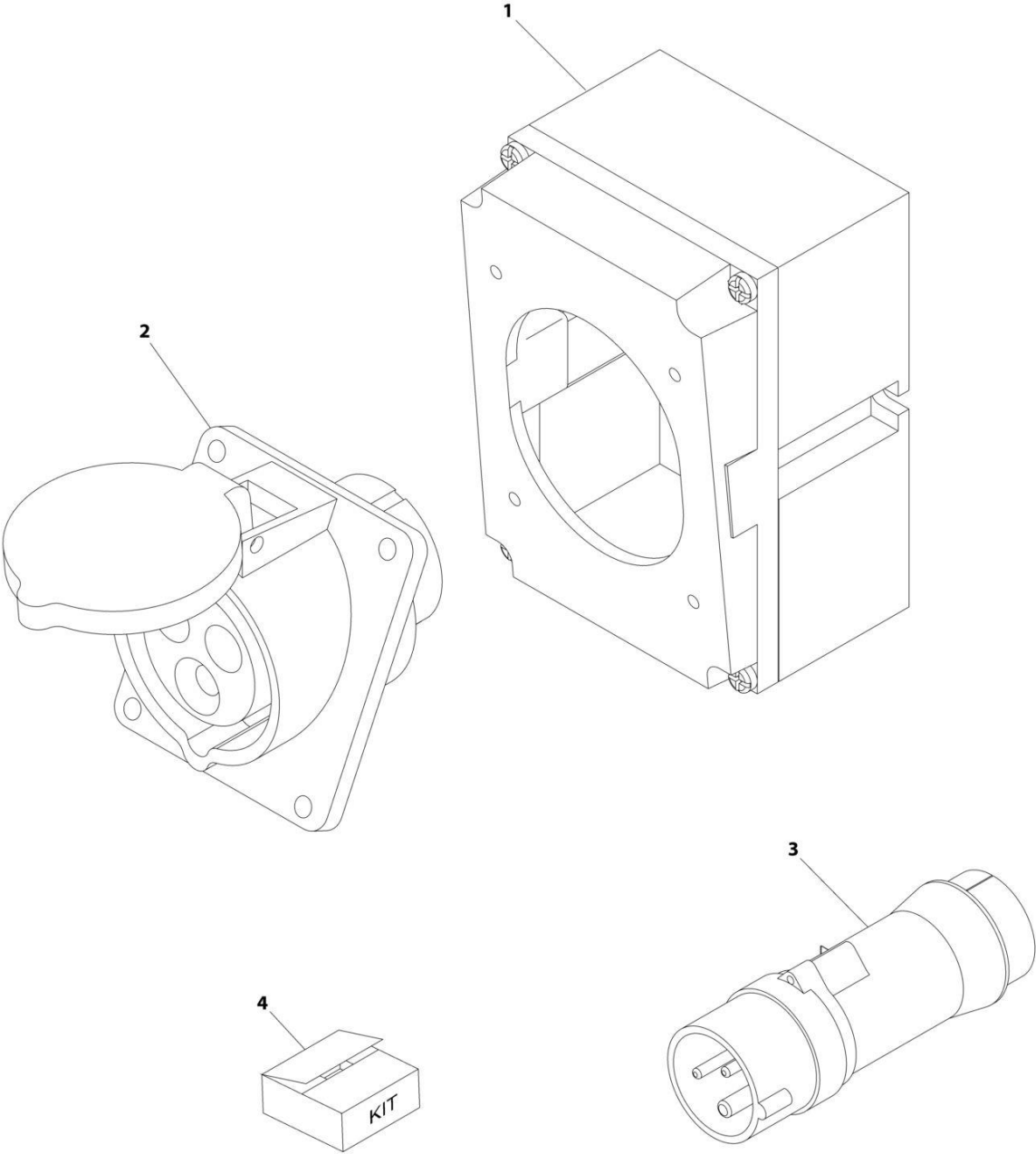
SECTION 8 - ELECTRICAL

FIGURE 8-83. PLATFORM CONSOLE BOX HARNESS

ITEM	PART NUMBER	QTY	DESCRIPTION	REV
	1001309251	Ref	PLATFORM CONSOLE BOX HARNESS	A
19	4460866	1	Connector 19 Position	
20	4460874	1	Connector 35 Position	
21	4460876	1	Connector 35 Position	
22	4460873	1	Connector 35 Position	
23	4460871	70	Terminal	
24	4460464	7	Terminal	
25	4460879	1	Plug	
26	4460887	2	Terminal	
27	1001098122	2	Terminal, Ring	
28	4460260	10	Housing, Terminal	
29	4460259	10	Terminal	
30	4460418	8	Connector 6 Position	
31	4460419	24	Terminal	
32	4460905	AR	Plug (Not Shown)	
35	4460888	3	Terminal, Fork	
36	4460225	1	Plug, Terminal	
37	4460227	26	Terminal	
41	4460508	5	Terminal	
42	4460806	1	Terminal, Fork	
43	4460434	2	Connector 15 Position	
44	4460183	10	Terminal, Fork	
45	4460925	1	Connector 21 Position	
48	4460142	2	Terminal, Ring	
51	1001293138	2	Terminal	
52	4460266	1	Connector	
54	4460894	1	Bussbar	
55	4460933	1	Connector 12 Position	
56	4460466	3	Plug	
57	1001119020	1	Connector	
58	4460944	13	Terminal (Gold)	
59	2400060	1	Fuseholder with Cover	
60	8229249	1	Fuse, 3Amp	
61	1001213447	1	Connector	
62	4460536	1	Connector	
63	4460943	6	Terminal	
64	4460539	1	Plug	
66	1001237667	1	Connector	
67	1001237668	4	Terminal	
68	4460465	5	Terminal	
69	4460708	2	Connector 15 Position	
70	4460226	2	Terminal	
71	1001126011	14	Terminal	
72	4460518	1	Plug, Terminal	

SECTION 8 - ELECTRICAL

FIGURE 8-84. RECEPTACLE BOX KIT - 110V IEC YELLOW WITHOUT 2500W GENERATOR (CE & UK CA SPECS)



ART_0275216

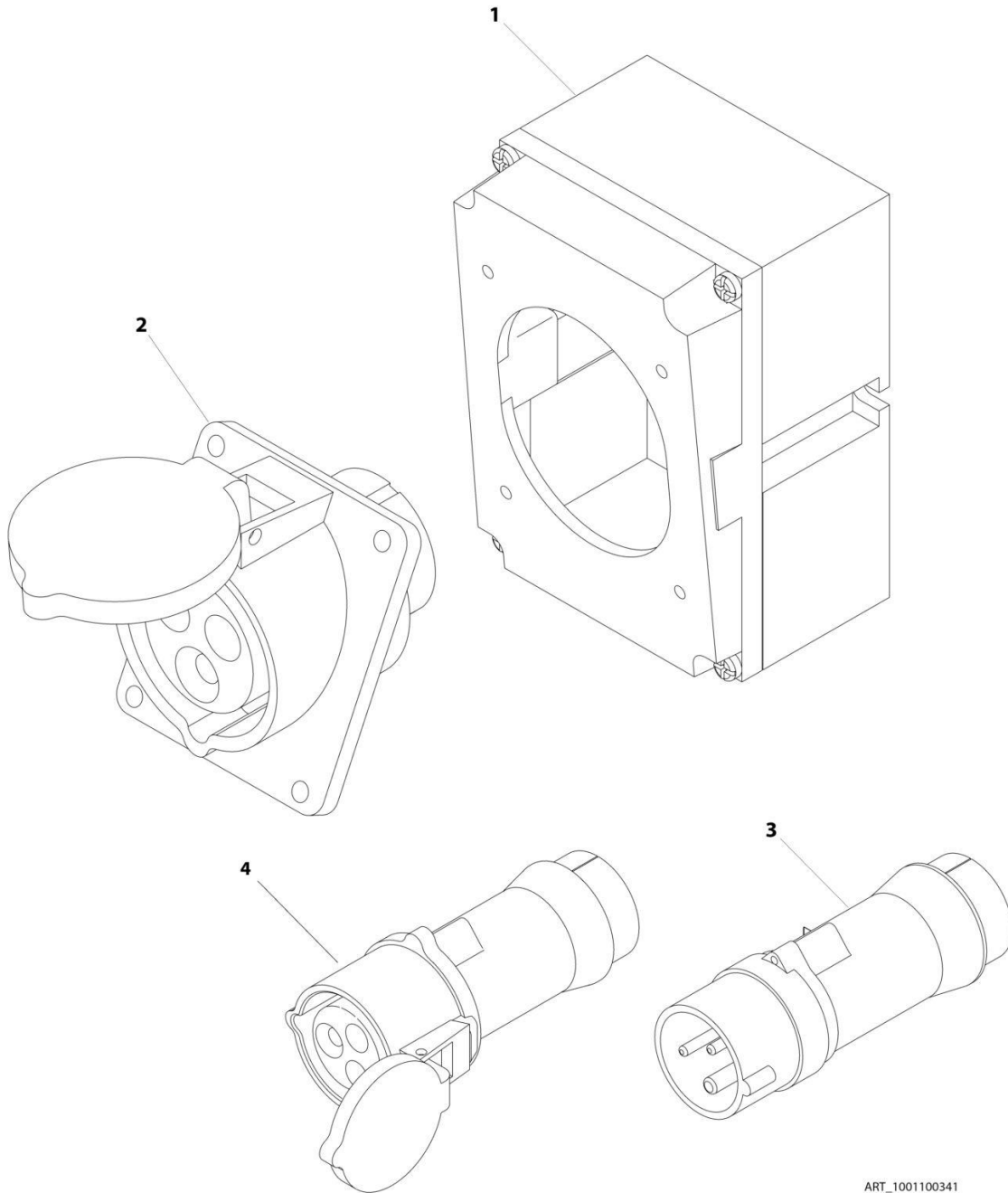
SECTION 8 - ELECTRICAL

FIGURE 8-84. RECEPTACLE BOX KIT - 110V IEC YELLOW WITHOUT 2500W GENERATOR (CE & UK CA SPECS)

ITEM	PART NUMBER	QTY	DESCRIPTION	REV
	0275216	Ref	RECEPTACLE BOX KIT - 110V IEC YELLOW	B
1	0861781	1	Box, Switch	
2	4461198	1	Receptacle	
3	4461196	1	Plug, Male	
4	1001100341	1	Plug and Socket Kit (Includes Items 1-3 and Female Plug p/n 4461197)	

SECTION 8 - ELECTRICAL

FIGURE 8-85. RECEPTACLE BOX KIT - 110V IEC YELLOW WITH 2500W GENERATOR (CE & UK CA SPECS)



ART_1001100341

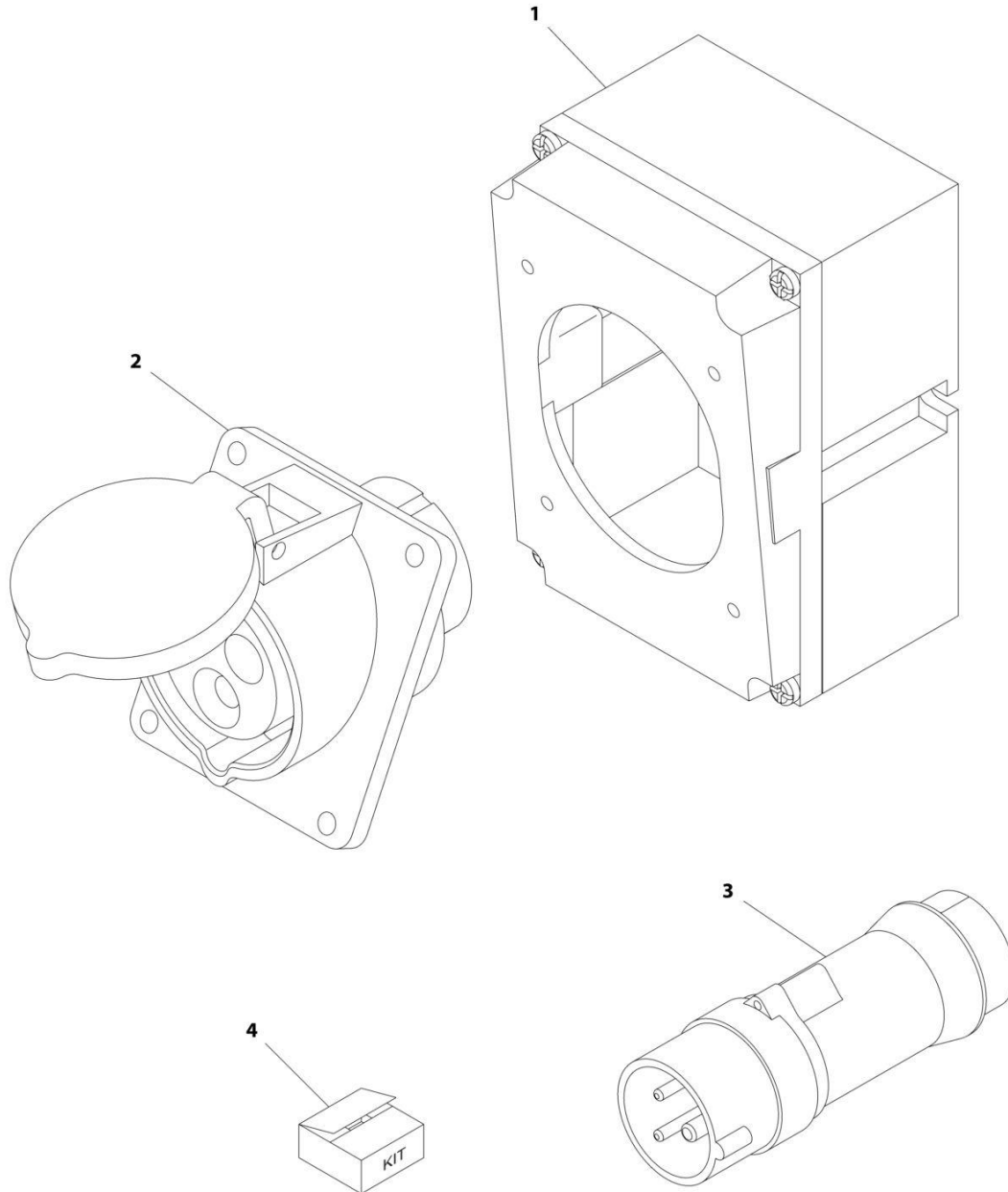
SECTION 8 - ELECTRICAL

FIGURE 8-85. RECEPTACLE BOX KIT - 110V IEC YELLOW WITH 2500W GENERATOR (CE & UK CA SPECS)

ITEM	PART NUMBER	QTY	DESCRIPTION	REV
	1001100341	Ref	RECEPTACLE BOX KIT - 110V IEC YELLOW	2
1	0861781	1	Box, Switch	
2	4461198	1	Receptacle	
3	4461196	1	Plug, Male	
4	4461197	1	Plug, Female	

SECTION 8 - ELECTRICAL

FIGURE 8-86. RECEPTACLE BOX KIT - 220V IEC BLUE WITHOUT 2500W GENERATOR (CE & UK CA SPECS)



ART_0275217

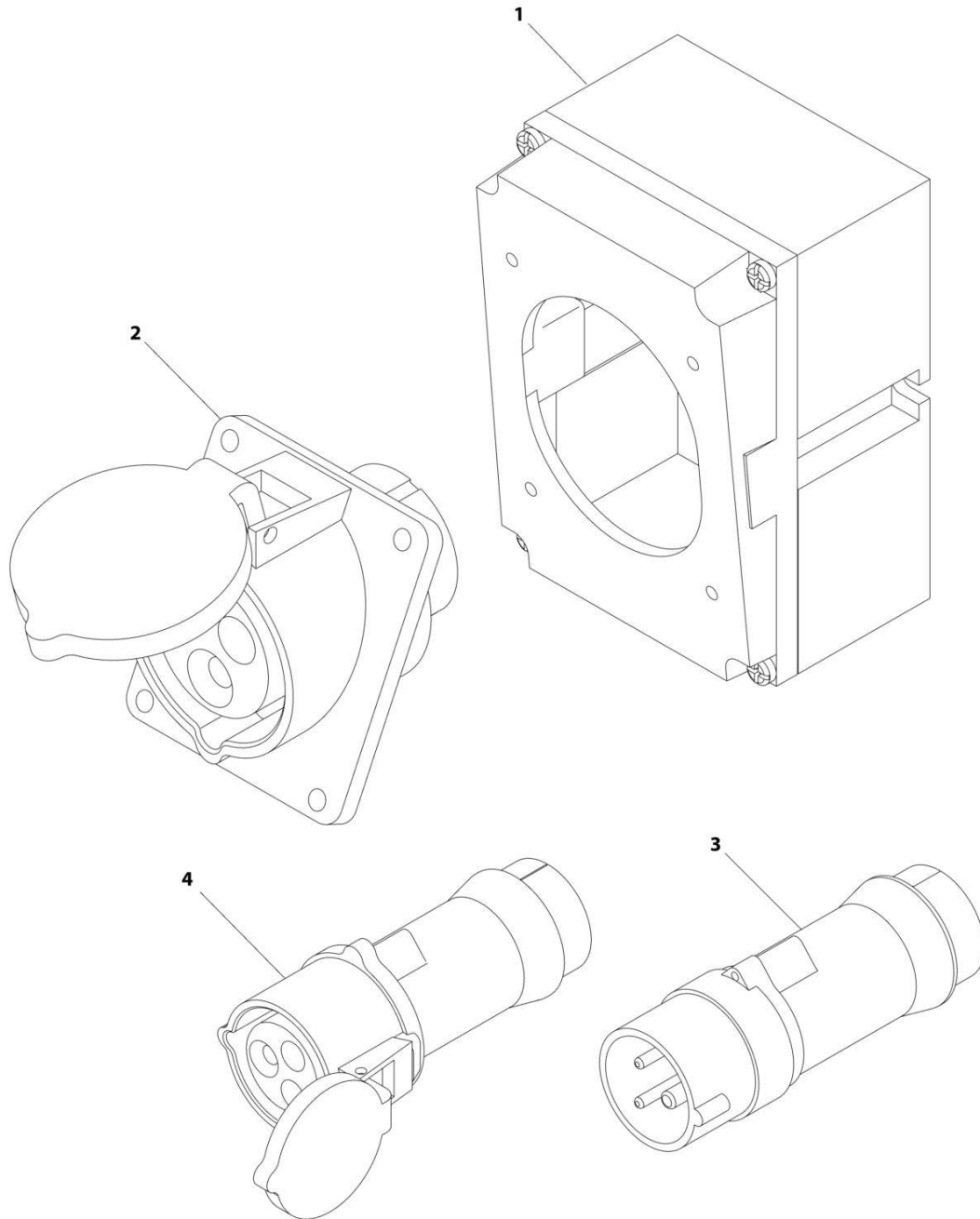
SECTION 8 - ELECTRICAL

FIGURE 8-86. RECEPTACLE BOX KIT - 220V IEC BLUE WITHOUT 2500W GENERATOR (CE & UK CA SPECS)

ITEM	PART NUMBER	QTY	DESCRIPTION	REV
	0275217	Ref	RECEPTACLE BOX KIT - 220V IEC BLUE	B
1	0861781	1	Box, Switch	
2	4461201	1	Receptacle	
3	4461199	1	Plug, Male	
4	1001100342	1	Plug and Socket Kit (Includes Items 1-3 and Female Plug p/n 4461200)	

SECTION 8 - ELECTRICAL

FIGURE 8-87. RECEPTACLE BOX KIT - 220V IEC BLUE WITH 2500W GENERATOR (CE & UK CA SPECS)



ART_1001100342

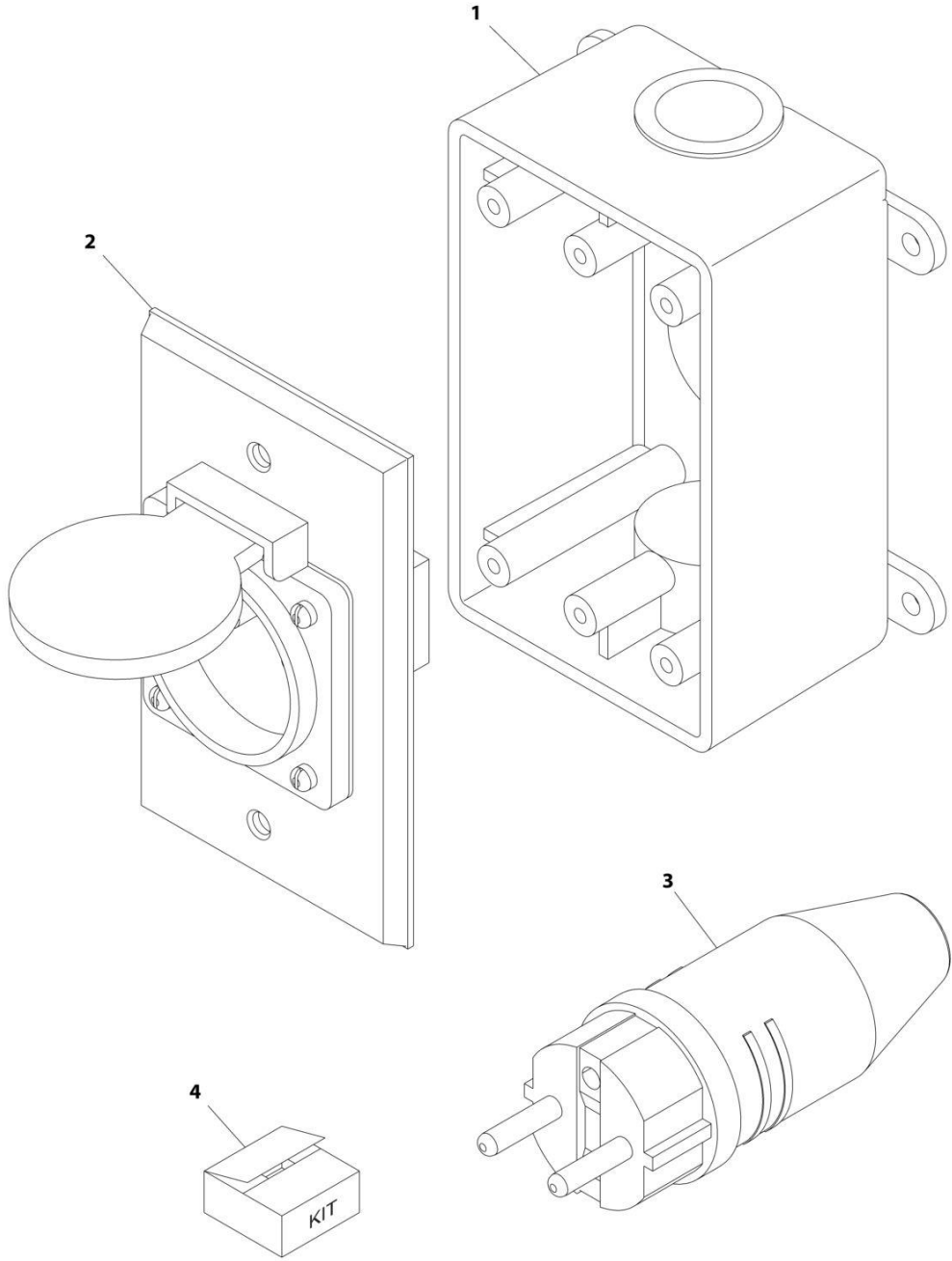
SECTION 8 - ELECTRICAL

FIGURE 8-87. RECEPTACLE BOX KIT - 220V IEC BLUE WITH 2500W GENERATOR (CE & UK CA SPECS)

ITEM	PART NUMBER	QTY	DESCRIPTION	REV
	1001100342	Ref	RECEPTACLE BOX KIT - 220V IEC BLUE WITH 2500W GENERATOR (CE & UK CA SPECS)	2
1	0861781	1	Box, Switch	
2	4461201	1	Receptacle	
3	4461199	1	Plug, Male	
4	4461200	1	Plug, Female	

SECTION 8 - ELECTRICAL

**FIGURE 8-88. RECEPTACLE BOX KIT - 220V CEE7 POST GROUND 2X4 BOX (CE & UK CA SPEC)
(WITH 2500W GENERATOR OR NO GENERATOR OPTION)**



ART_0275452-C

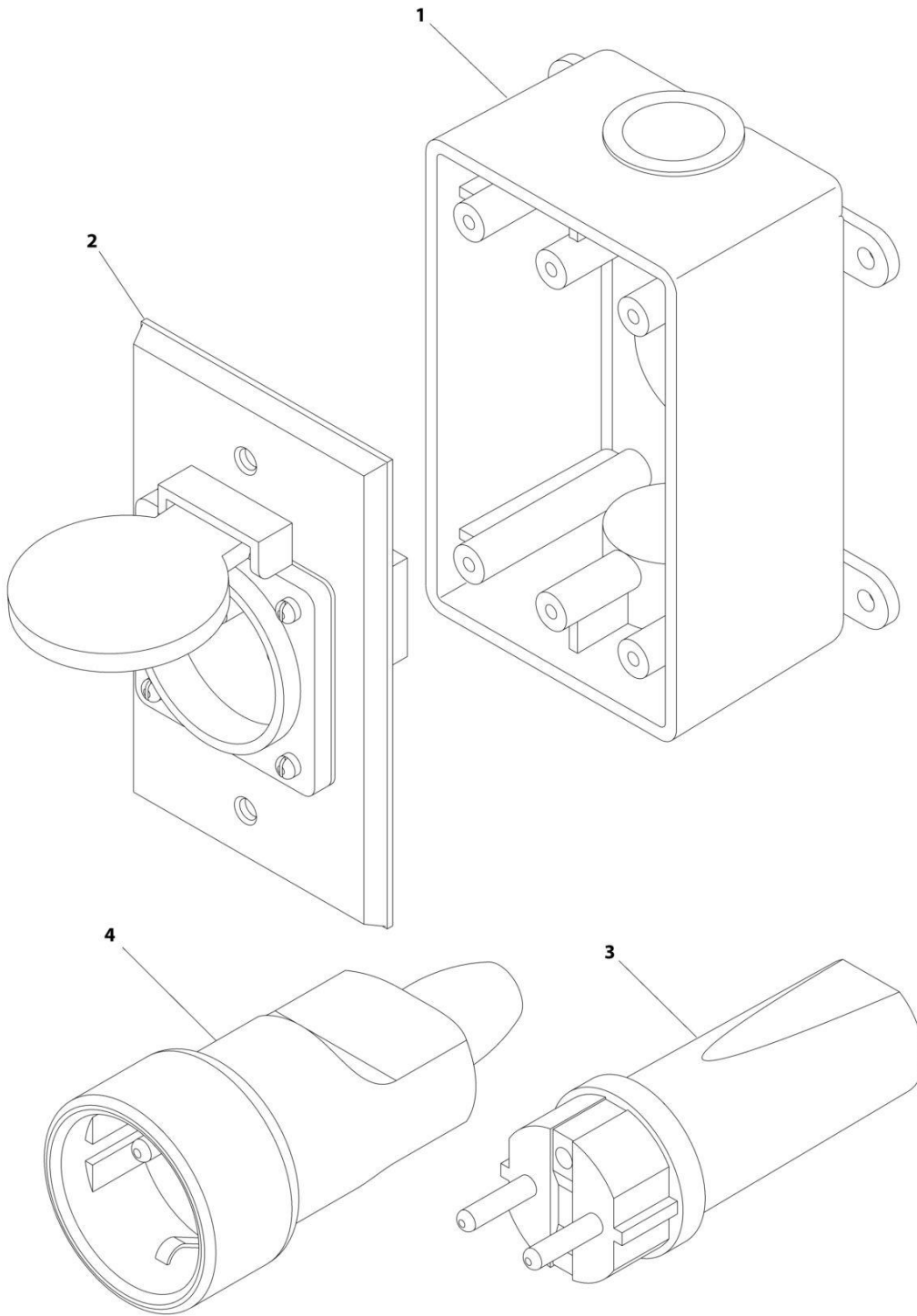
SECTION 8 - ELECTRICAL

**FIGURE 8-88. RECEPTACLE BOX KIT - 220V CEE7 POST GROUND 2X4 BOX (CE & UK CA SPEC)
(WITH 2500W GENERATOR OR NO GENERATOR OPTION)**

ITEM	PART NUMBER	QTY	DESCRIPTION	REV
	0275452	Ref	RECEPTACLE BOX KIT - 220V CEE7 POST GROUND 2IN X 4IN BOX	C
1	0861731	1	Box, Switch	
2	4461244	1	Receptacle	
3	4461205	1	Plug, Male	
4	1001100345	1	Plug and Socket Kit (Includes Items 1-3 and Female Plug p/n 4461203)	

SECTION 8 - ELECTRICAL

**FIGURE 8-89. RECEPTACLE BOX KIT - 220V CEE7 POST GROUND 2X4 BOX (CE & UK CA SPEC)
(WITH 2500W GENERATOR)**



ART_1001100345

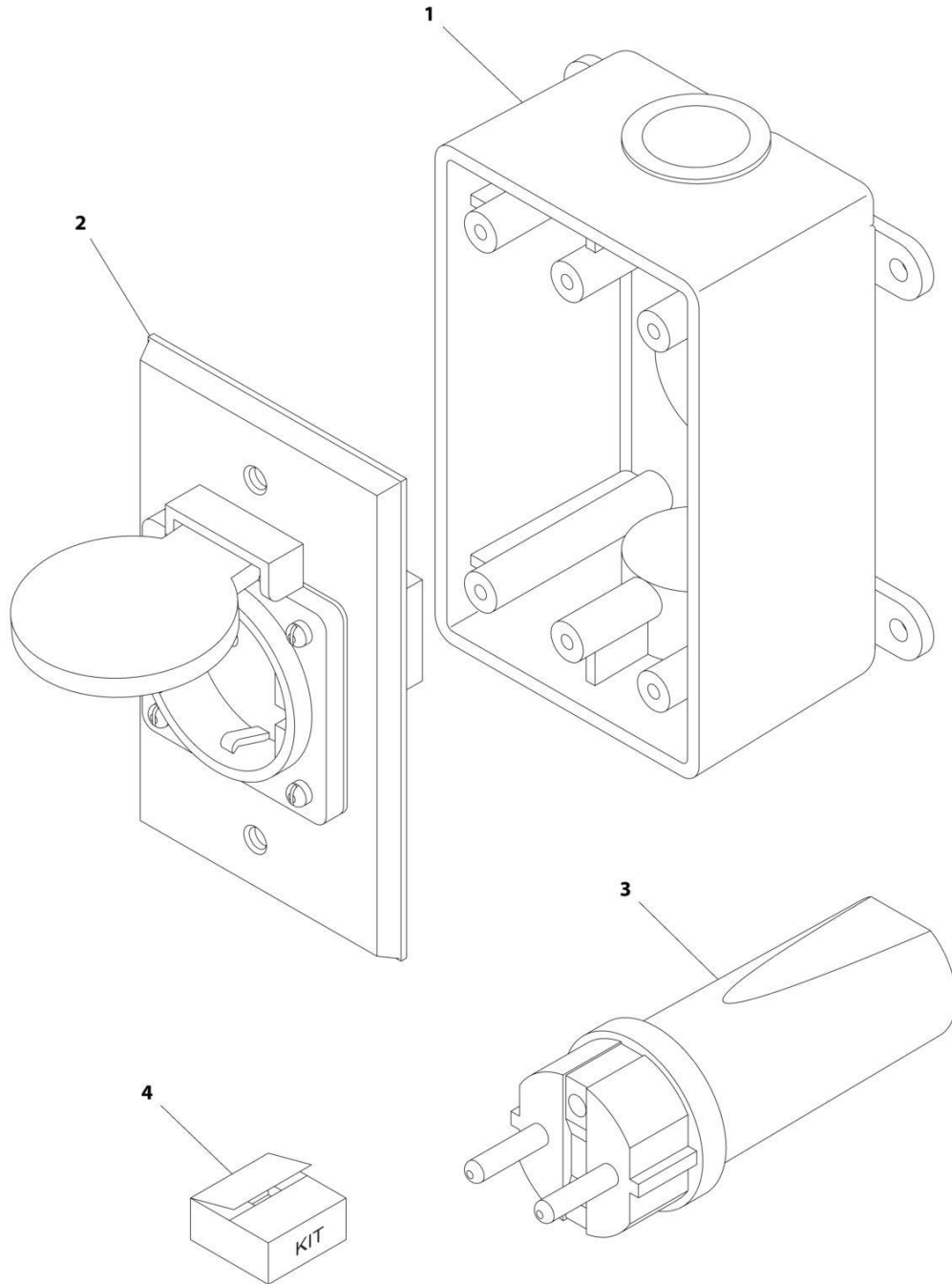
SECTION 8 - ELECTRICAL

**FIGURE 8-89. RECEPTACLE BOX KIT - 220V CEE7 POST GROUND 2X4 BOX (CE & UK CA SPEC)
(WITH 2500W GENERATOR)**

ITEM	PART NUMBER	QTY	DESCRIPTION	REV
	1001100345	Ref	RECEPTACLE BOX KIT - 220V CEE7 POST GROUND	C
1	0861731	1	Box, Switch	
2	4461244	1	Receptacle	
3	4461205	1	Plug, Male	
4	4461203	1	Plug, Female	

SECTION 8 - ELECTRICAL

**FIGURE 8-90. RECEPTACLE BOX KIT - 220V CEE7 SIDE GROUND 2X4 BOX (CE & UK CA SPEC)
(WITH 2500W GENERATOR OR NO GENERATOR OPTION)**



ART_0275453

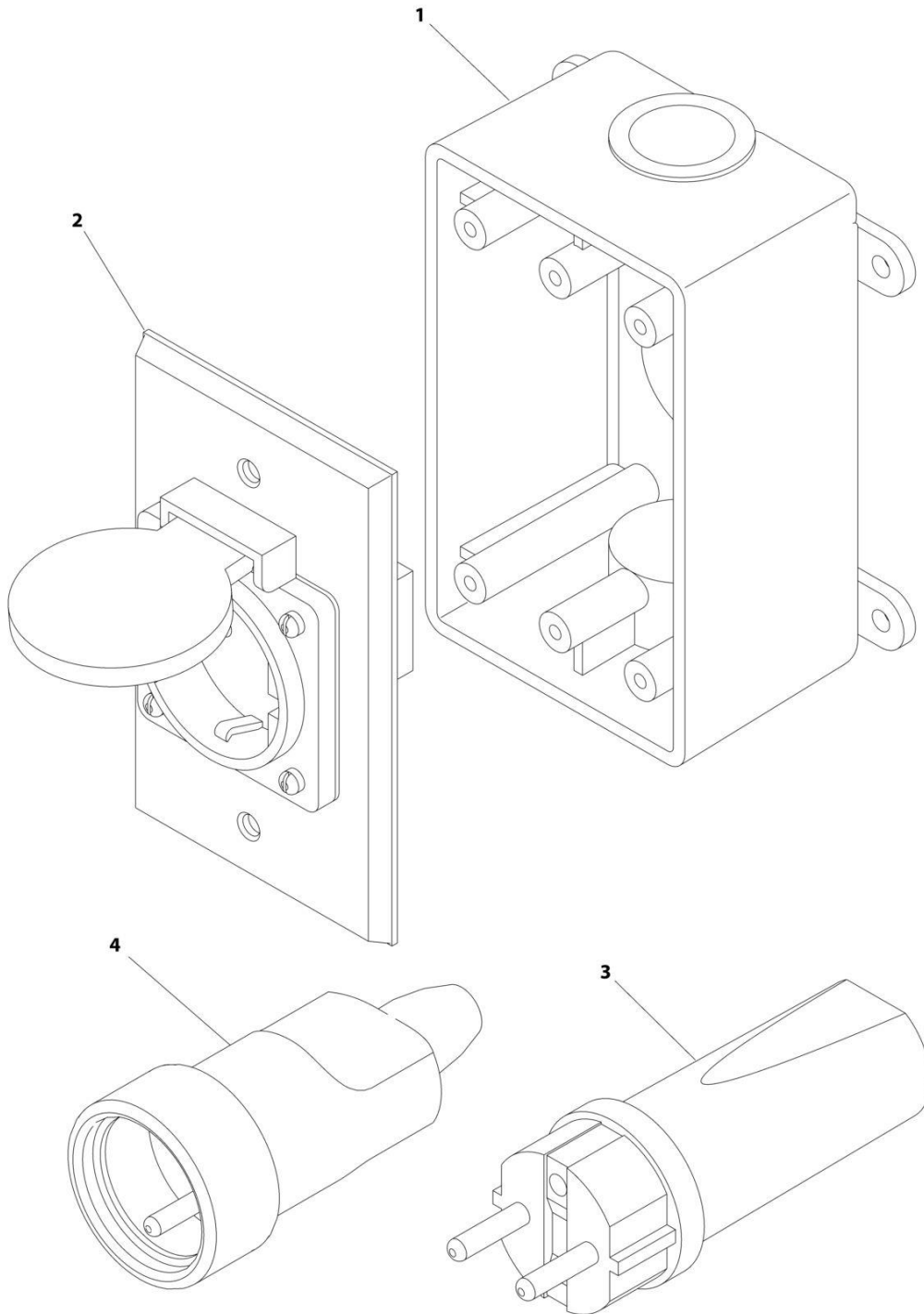
SECTION 8 - ELECTRICAL

**FIGURE 8-90. RECEPTACLE BOX KIT - 220V CEE7 SIDE GROUND 2X4 BOX (CE & UK CA SPEC)
(WITH 2500W GENERATOR OR NO GENERATOR OPTION)**

ITEM	PART NUMBER	QTY	DESCRIPTION	REV
	0275453	Ref	RECEPTACLE BOX KIT - 220V CEE7 SIDE GROUND	B
1	0861731	1	Box, Switch	
2	4461245	1	Receptacle	
3	4461205	1	Plug, Male	
4	1001100347	1	Plug and Socket Kit (Includes Items 1-3 and Female Plug p/n 4461206)	

SECTION 8 - ELECTRICAL

**FIGURE 8-91. RECEPTACLE BOX KIT - 220V CEE7 SIDE GROUND 2X4 BOX (CE & UK CA SPEC)
(WITH 2500W GENERATOR)**



ART_1001100347

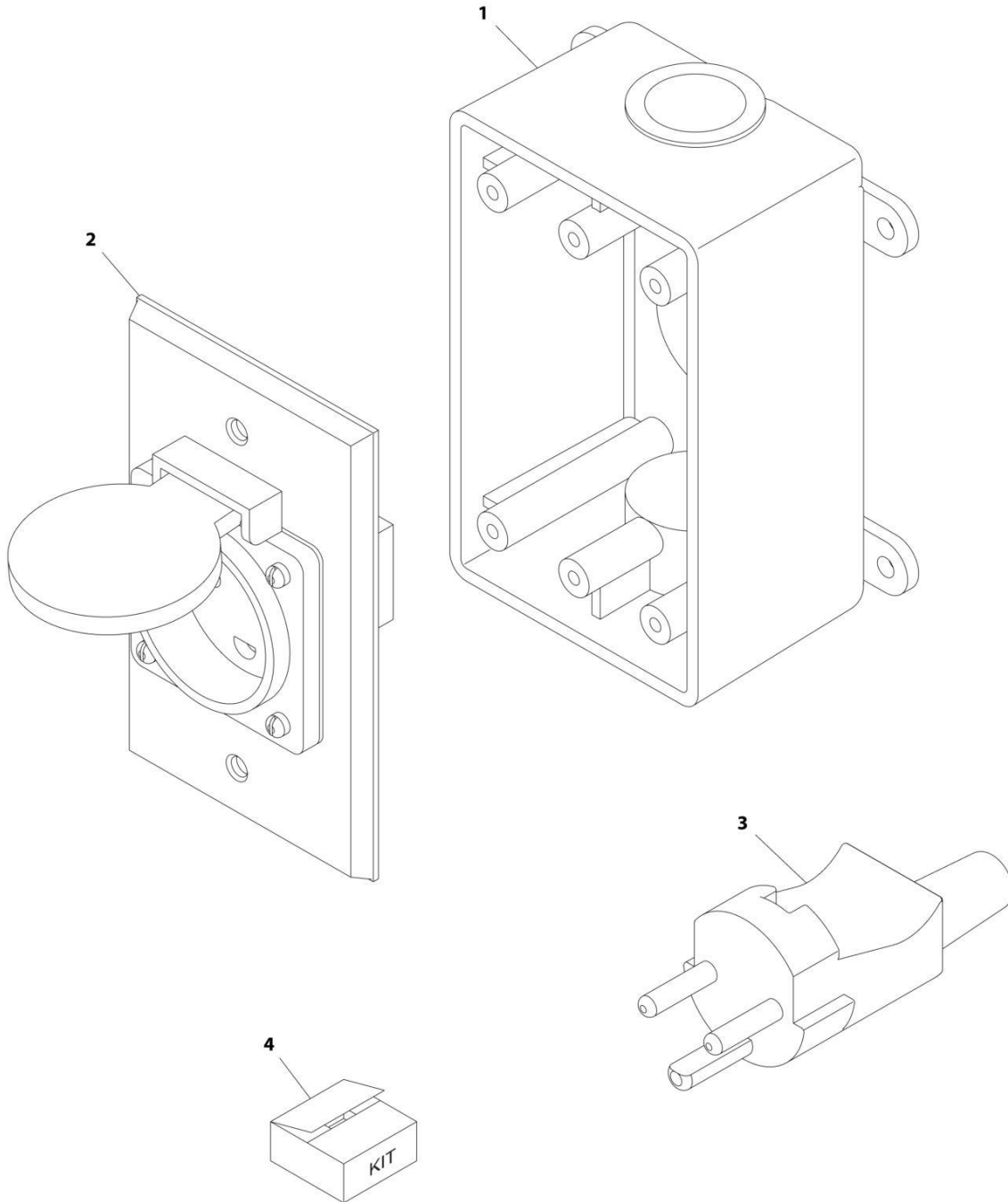
SECTION 8 - ELECTRICAL

**FIGURE 8-91. RECEPTACLE BOX KIT - 220V CEE7 SIDE GROUND 2X4 BOX (CE & UK CA SPEC)
(WITH 2500W GENERATOR)**

ITEM	PART NUMBER	QTY	DESCRIPTION	REV
	1001100347	Ref	RECEPTACLE BOX KIT - 220V CEE7 SIDE GROUND	3
1	0861731	1	Box, Switch	
2	4461245	1	Receptacle	
3	4461205	1	Plug, Male	
4	4461206	1	Plug, Female	

SECTION 8 - ELECTRICAL

**FIGURE 8-92. RECEPTACLE BOX KIT - 220V AFSINT107 KEYED GROUND (CE & UK CA SPECS)
(WITH 2500W GENERATOR OR NO GENERATOR OPTION)**



ART_0275454

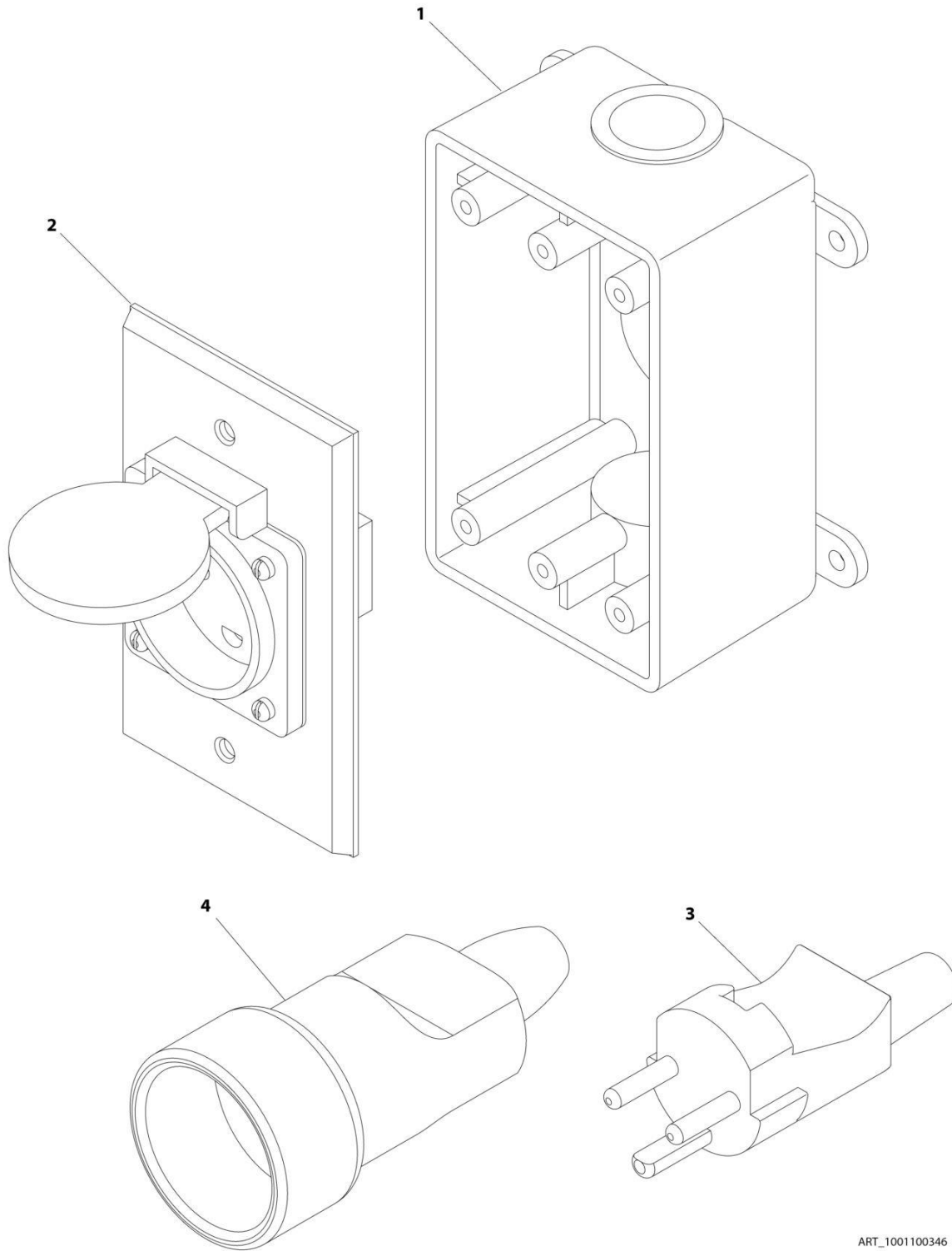
SECTION 8 - ELECTRICAL

**FIGURE 8-92. RECEPTACLE BOX KIT - 220V AFSINT107 KEYED GROUND (CE & UK CA SPECS)
(WITH 2500W GENERATOR OR NO GENERATOR OPTION)**

ITEM	PART NUMBER	QTY	DESCRIPTION	REV
	0275454	Ref	RECEPTACLE BOX KIT - 220V AFSINT 107	B
1	0861731	1	Box, Switch	
2	4461246	1	Receptacle	
3	4461249	1	Plug, Male	
4	1001100346	1	Plug and Socket Kit (Includes Items 1-3 and Female Plug p/n 4461250)	

SECTION 8 - ELECTRICAL

**FIGURE 8-93. RECEPTACLE BOX KIT - 220V AFSINT107 KEYED GROUND (CE & UK CA SPECS)
(WITH 2500W GENERATOR)**



ART_1001100346

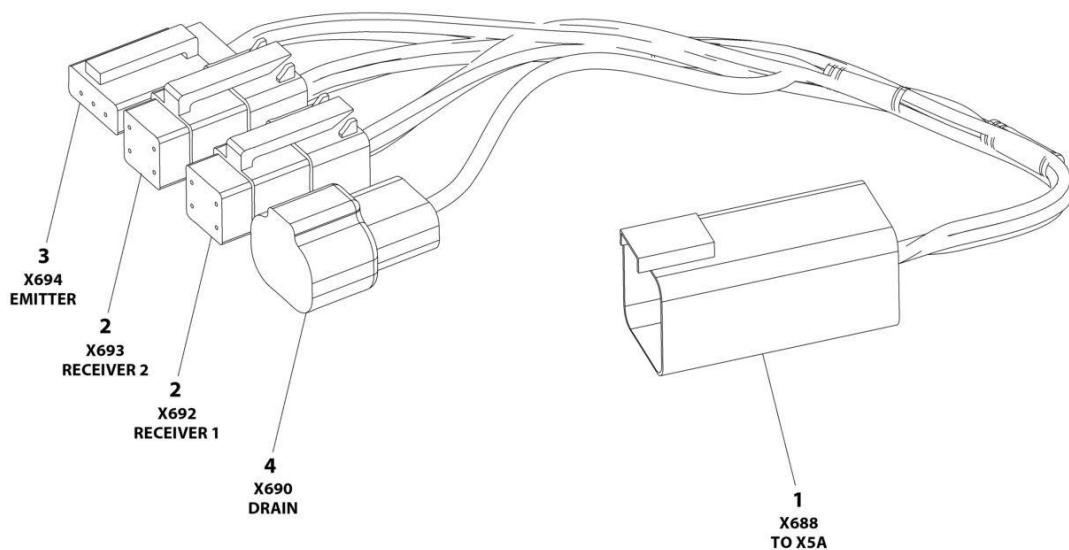
SECTION 8 - ELECTRICAL

**FIGURE 8-93. RECEPTACLE BOX KIT - 220V AFSINT107 KEYED GROUND (CE & UK CA SPECS)
(WITH 2500W GENERATOR)**

ITEM	PART NUMBER	QTY	DESCRIPTION	REV
	1001100346	Ref	RECEPTACLE BOX KIT - 220V AFSINT 107 KEYED GROUND WITH 2500W GENERATOR (2X4 BOX) (CE & UK CA SPECS)	2
1	0861731	1	Box, Switch	
2	4461246	1	Receptacle	
3	4461249	1	Plug, Male	
4	4461250	1	Plug, Female	

SECTION 8 - ELECTRICAL

FIGURE 8-94. SKYEYE INTERMEDIATE HARNESS



ART_1001237865

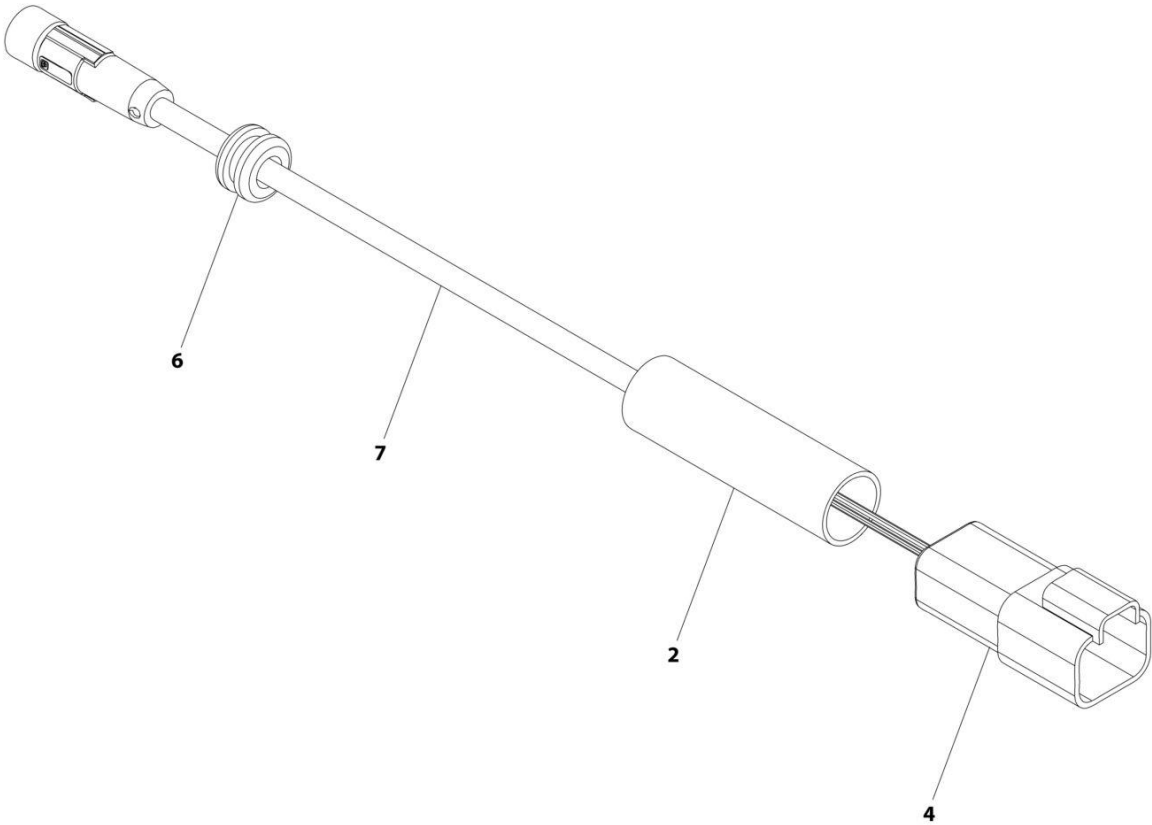
SECTION 8 - ELECTRICAL

FIGURE 8-94. SKYEYE INTERMEDIATE HARNESS

ITEM	PART NUMBER	QTY	DESCRIPTION	REV
	1001237865	Ref	SKYEYE INTERMEDIATE HARNESS	A
1	4460899	1	Connector - 6 Position	
1	4460943	4	Pin, Male	
1	4460466	2	Plug, Terminal	
2	4461077	2	Connector - 4 Position	
2	1001119619	8	Socket, Female	
3	4460911	1	Connector - 3 Position	
3	1001119619	3	Socket, Female	
4	1001187681	1	Connector - 2 Position	
4	4460941	1	Pin, Male	
4	4460466	1	Plug, Terminal	

SECTION 8 - ELECTRICAL

FIGURE 8-95. SKYEYE RECEIVER HARNESS



ART_1001237863

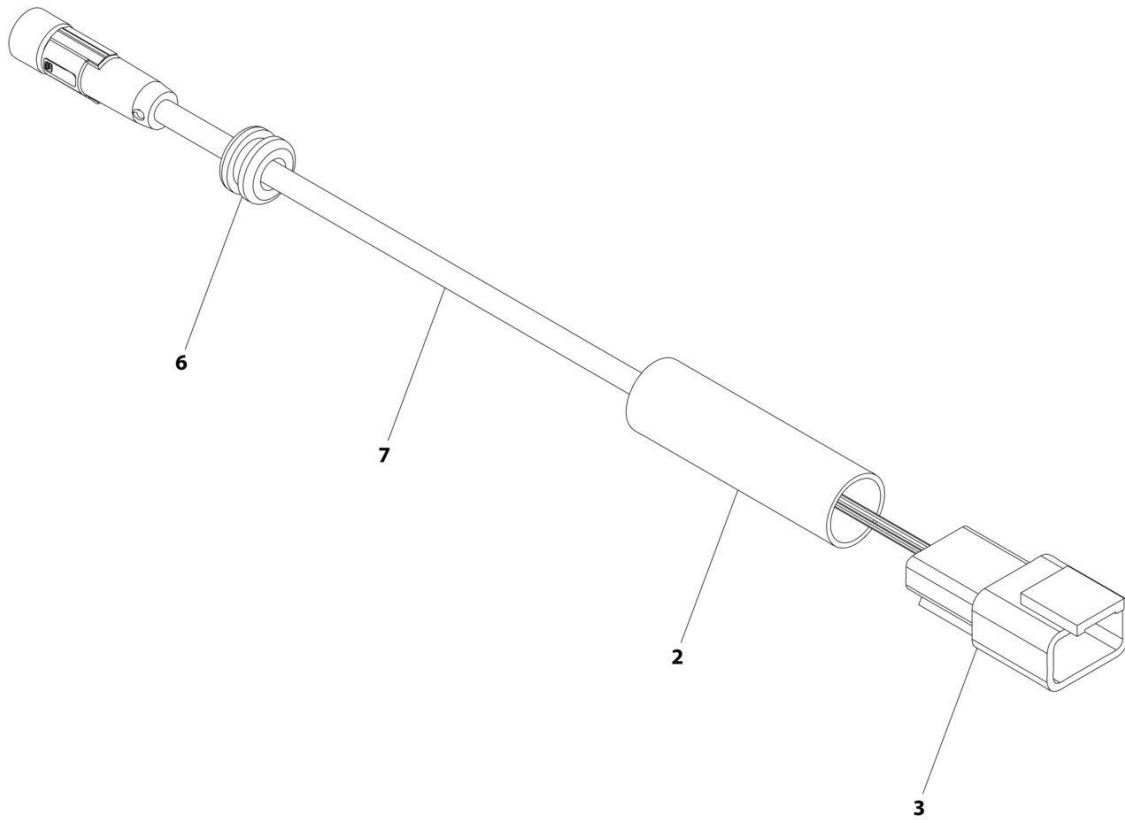
SECTION 8 - ELECTRICAL

FIGURE 8-95. SKYEYE RECEIVER HARNESS

ITEM	PART NUMBER	QTY	DESCRIPTION	REV
	1001237863	Ref	SKYEYE RECEIVER HARNESS	A
2	2820247	AR	Tubing, Heat Shrink	
4	1001097051	1	Connector - 4 Position	
4	1001119620	4	Pin, Male	
6	1001227996	1	Grommet	
7	1001237862	1	Cable, M8 Female Cordset	

SECTION 8 - ELECTRICAL

FIGURE 8-96. SKYEYE EMITTER HARNESS



ART_1001237864

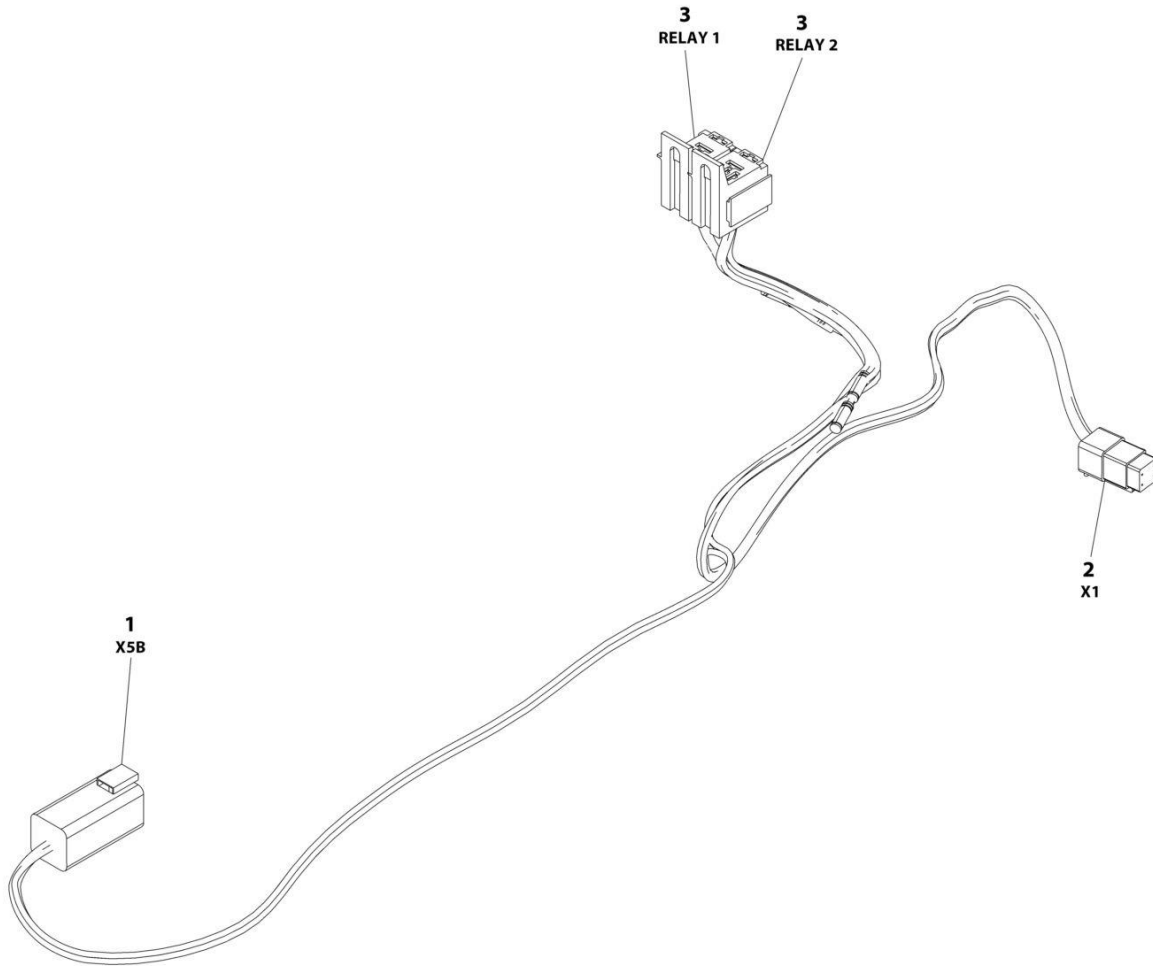
SECTION 8 - ELECTRICAL

FIGURE 8-96. SKYEYE EMITTER HARNESS

ITEM	PART NUMBER	QTY	DESCRIPTION	REV
	1001237864	Ref	SKYEYE EMITTER HARNESS	A
2	2820247	AR	Tubing, Heat Shrink	
3	4460910	1	Connector - 3 Position	
3	1001119620	3	Pin, Male	
6	1001227996	1	Grommet	
7	1001237862	1	Cable, M8 Female Cordset	

SECTION 8 - ELECTRICAL

FIGURE 8-97. SKYLINE HARNESS



ART_1001238418

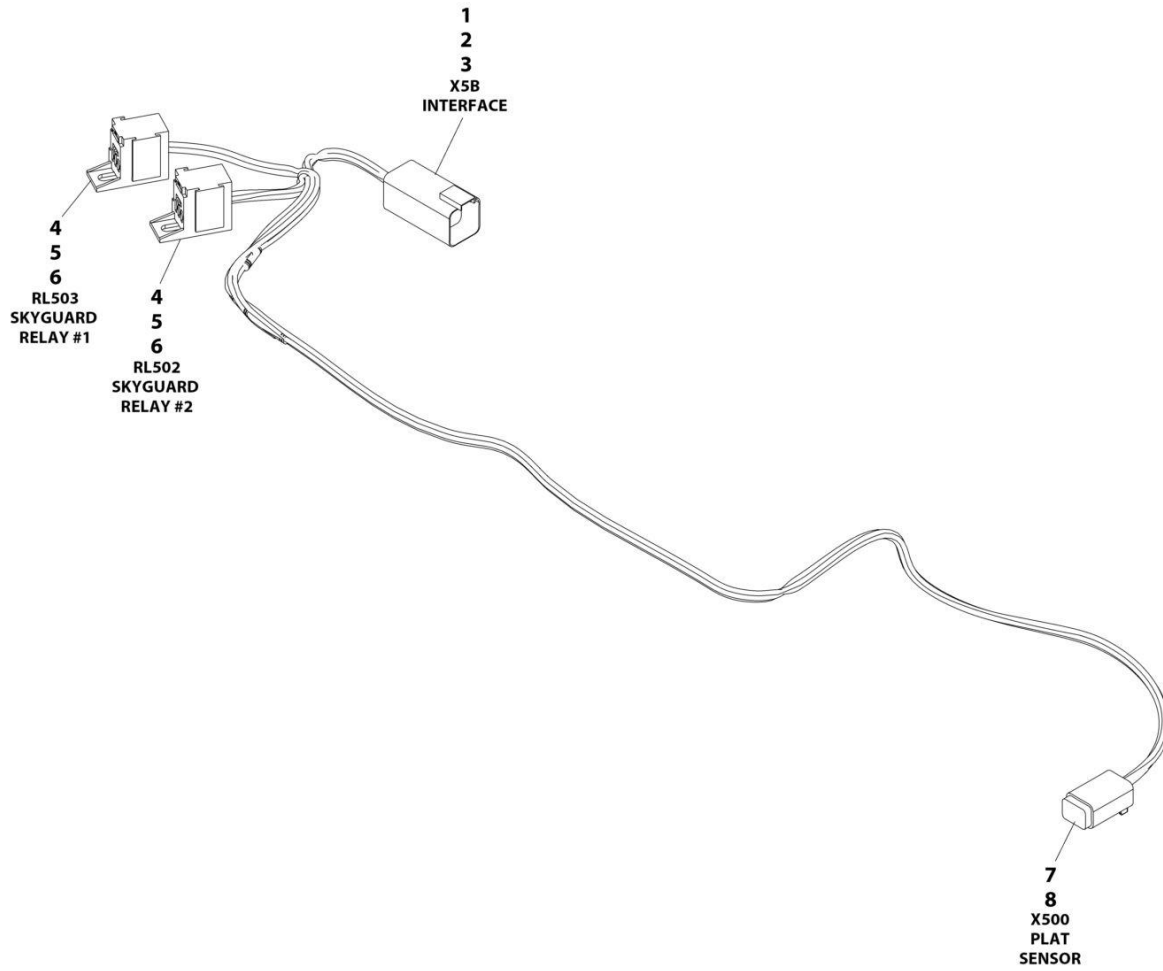
SECTION 8 - ELECTRICAL

FIGURE 8-97. SKYLINE HARNESS

ITEM	PART NUMBER	QTY	DESCRIPTION	REV
	1001238418	Ref	SKYLINE HARNESS	B
1	4460899	1	Connector - 6 Position	
1	4460464	4	Pin, Male	
1	4460466	2	Plug, Terminal	
2	4461077	1	Connector - 4 Position	
2	1001126009	4	Socket, Female	
3	1001186432	2	Plug, Relay	
3	1001118388	5	Terminal	
3	1001118384	3	Terminal	
3	3740086	2	Relay	

SECTION 8 - ELECTRICAL

FIGURE 8-98. SKYGUARD INERFACE HARNESS



ART_1001225580

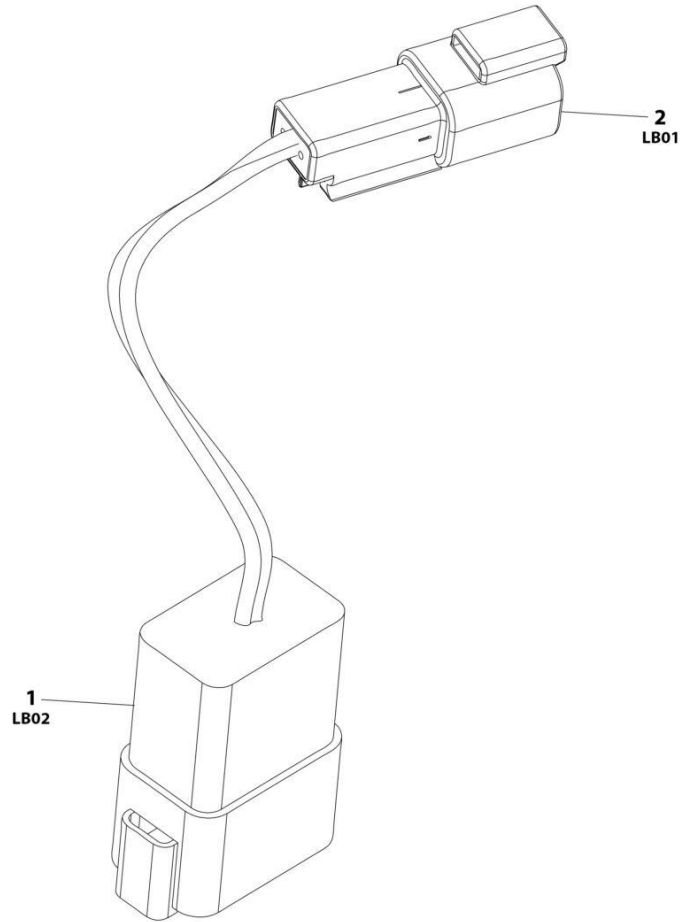
SECTION 8 - ELECTRICAL

FIGURE 8-98. SKYGUARD INERFACE HARNESS

ITEM	PART NUMBER	QTY	DESCRIPTION	REV
	1001225580	Ref	INTERFACE HARNESS - WITH 1 CELL LSS	D
1	4460899	1	Connector	
2	4460464	4	Terminal	
3	4460466	2	Plug	
4	1001186432	2	Connector	
5	1001116720	4	Terminal	
6	1001118388	4	Terminal	
7	4460884	1	Connector	
8	4460465	4	Terminal	

SECTION 8 - ELECTRICAL

FIGURE 8-99. STROBE LIGHT JUMPER HARNESS



ART_1001283776

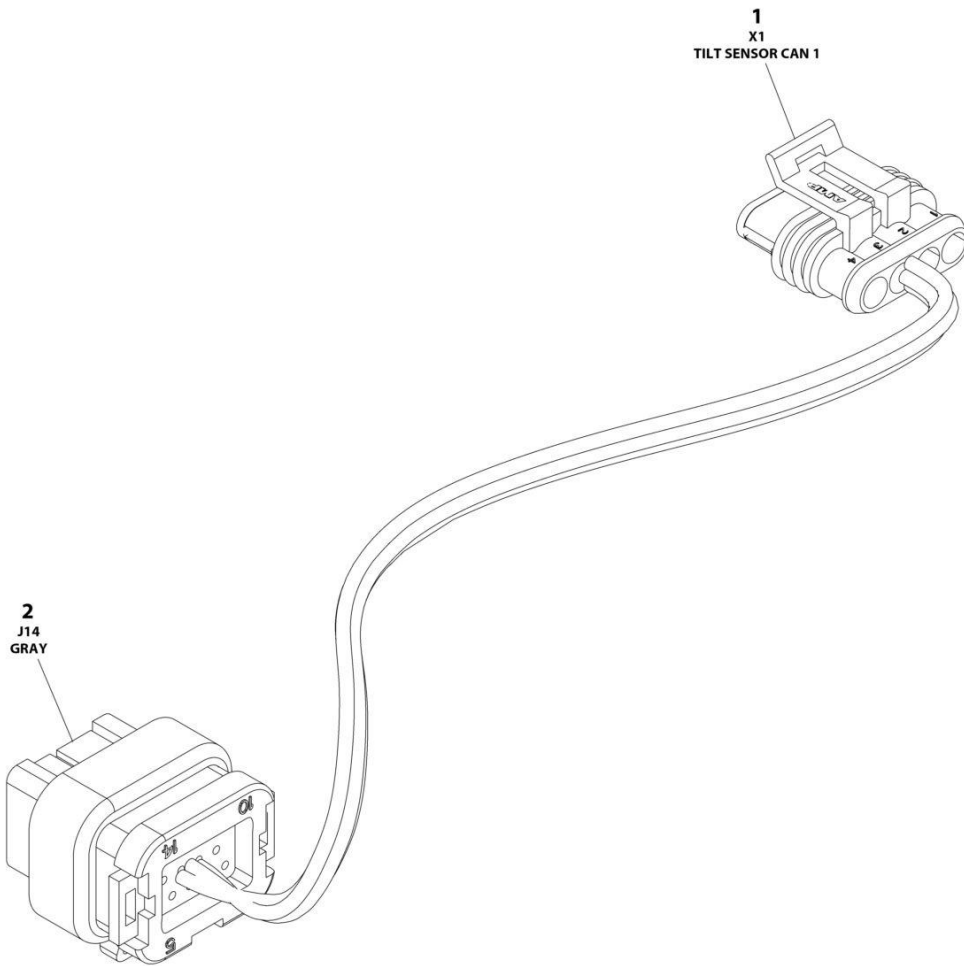
SECTION 8 - ELECTRICAL

FIGURE 8-99. STROBE LIGHT JUMPER HARNESS

ITEM	PART NUMBER	QTY	DESCRIPTION	REV
	1001283776	Ref	STROBE LIGHT HARNESS (AMBER)	A
1	4460931	1	Connector	
1	4460464	2	Pin	
1	4460466	6	Plug	
2	4460897	1	Connector	
2	4460464	2	Pin	

SECTION 8 - ELECTRICAL

FIGURE 8-100. TILT SENSOR HARNESS



ART_1001276143

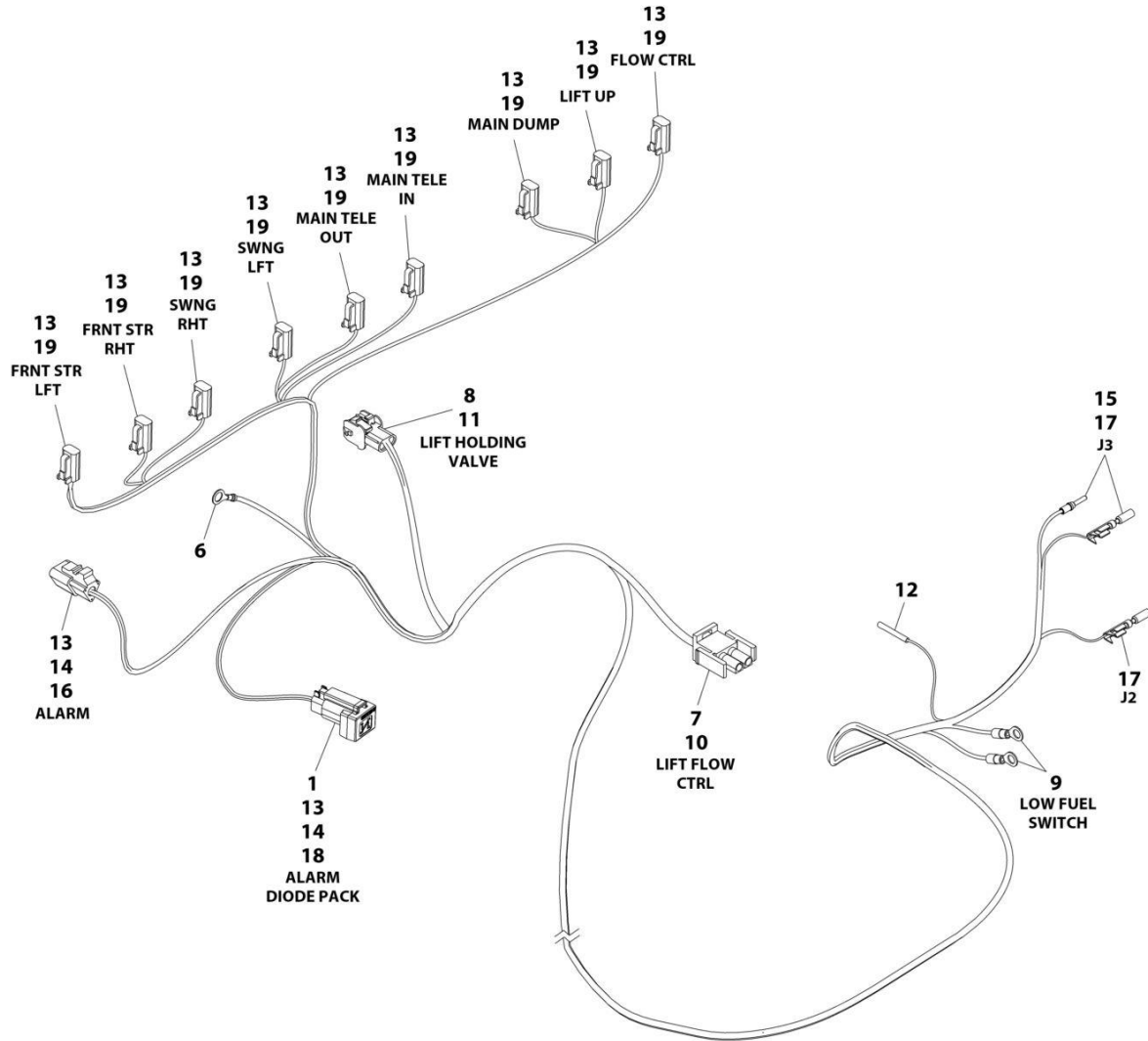
SECTION 8 - ELECTRICAL

FIGURE 8-100. TILT SENSOR HARNESS

ITEM	PART NUMBER	QTY	DESCRIPTION	REV
	1001276143	Ref	TILT SENSOR HARNESS	B
1	1001103012	1	Connector - 4 Position	
1	1001107854	4	Terminal, Male	
1	1001104498	4	Terminal, Seal	
2	1001246859	1	Connector - 14 Position	
2	4460871	4	Socekt, Female	
2	4460905	10	Plug, Terminal	

SECTION 8 - ELECTRICAL

FIGURE 8-101. VALVE HARNESS



ART_1001284973

SECTION 8 - ELECTRICAL

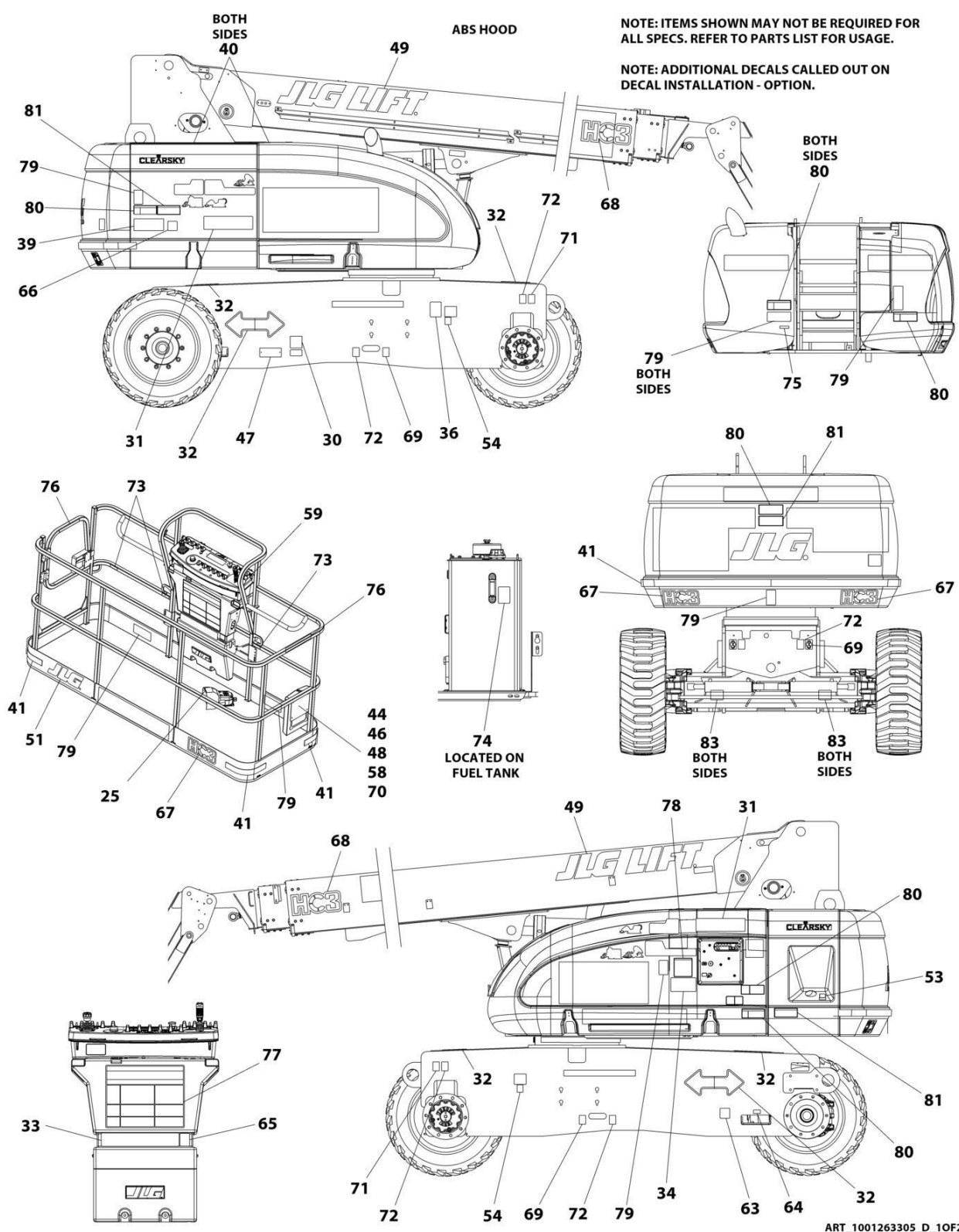
FIGURE 8-101. VALVE HARNESS

ITEM	PART NUMBER	QTY	DESCRIPTION	REV
	1001284973	Ref	VALVE HARNESS	C
1	1001152266	1	Connector	
6	4460019	1	Terminal, Ring	
7	4460226	2	Socket	
8	4460267	2	Pin	
9	4460313	2	Terminal, Ring	
10	4460320	1	Terminal, Plug	
11	4460424	1	Terminal, Plug	
12	4460464	1	Pin	
13	4460465	23	Socket	
14	4460466	3	Plug, Seal	
15	4460508	1	Terminal	
16	4460539	1	Terminal, Plug	
17	4460871	20	Socket	
18	4460884	1	Connector	
19	4460891	9	Connector	
26	4460897	1	Connector (Not Shown)	

SECTION 9 - DECALS

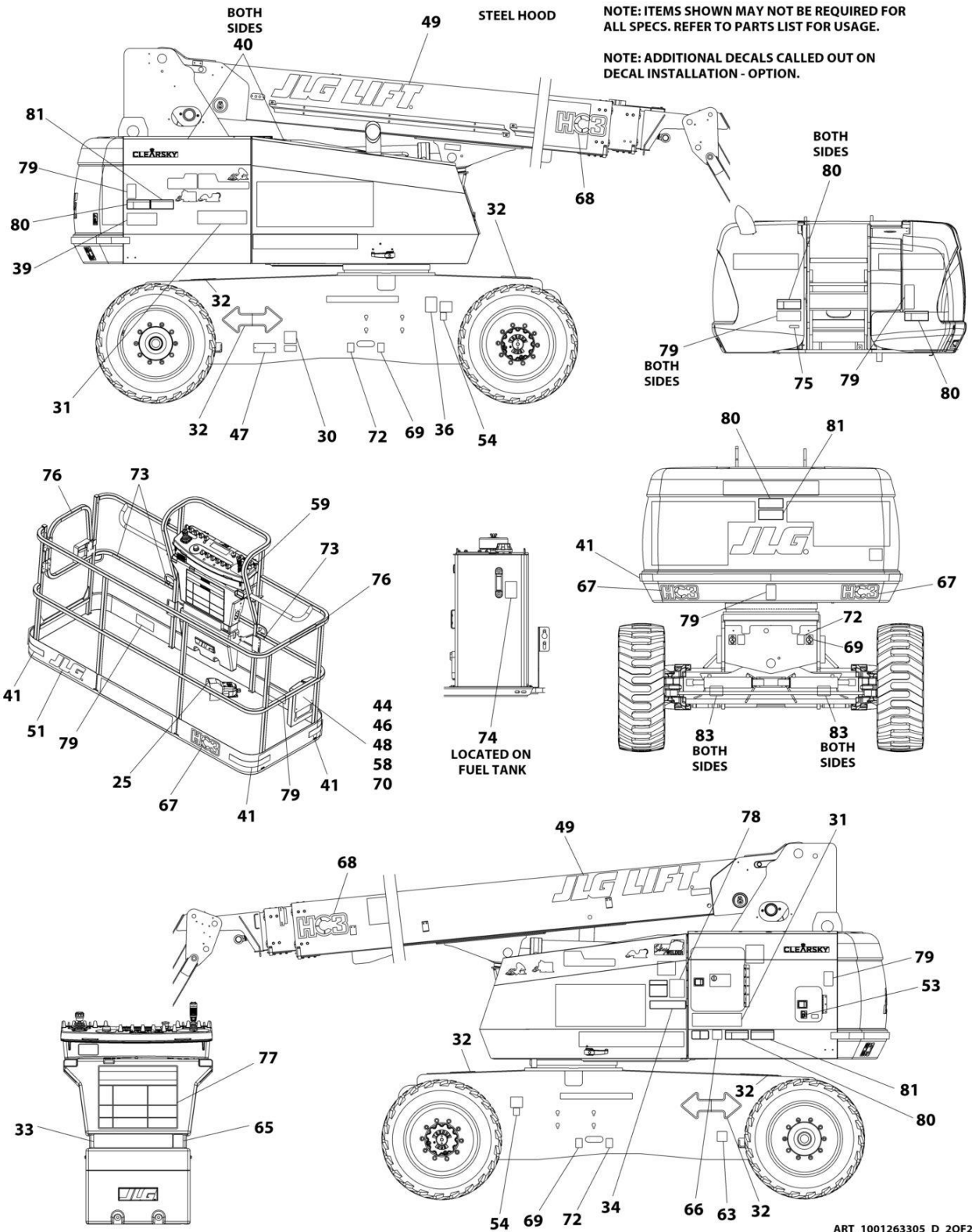
SECTION 9 - DECALS

FIGURE 9-1. DECAL INSTALLATION - (ANSI SPECS) (800S HC3)



ART_1001263305_D_10F2

SECTION 9 - DECALS



ART_1001263305_D_20F2

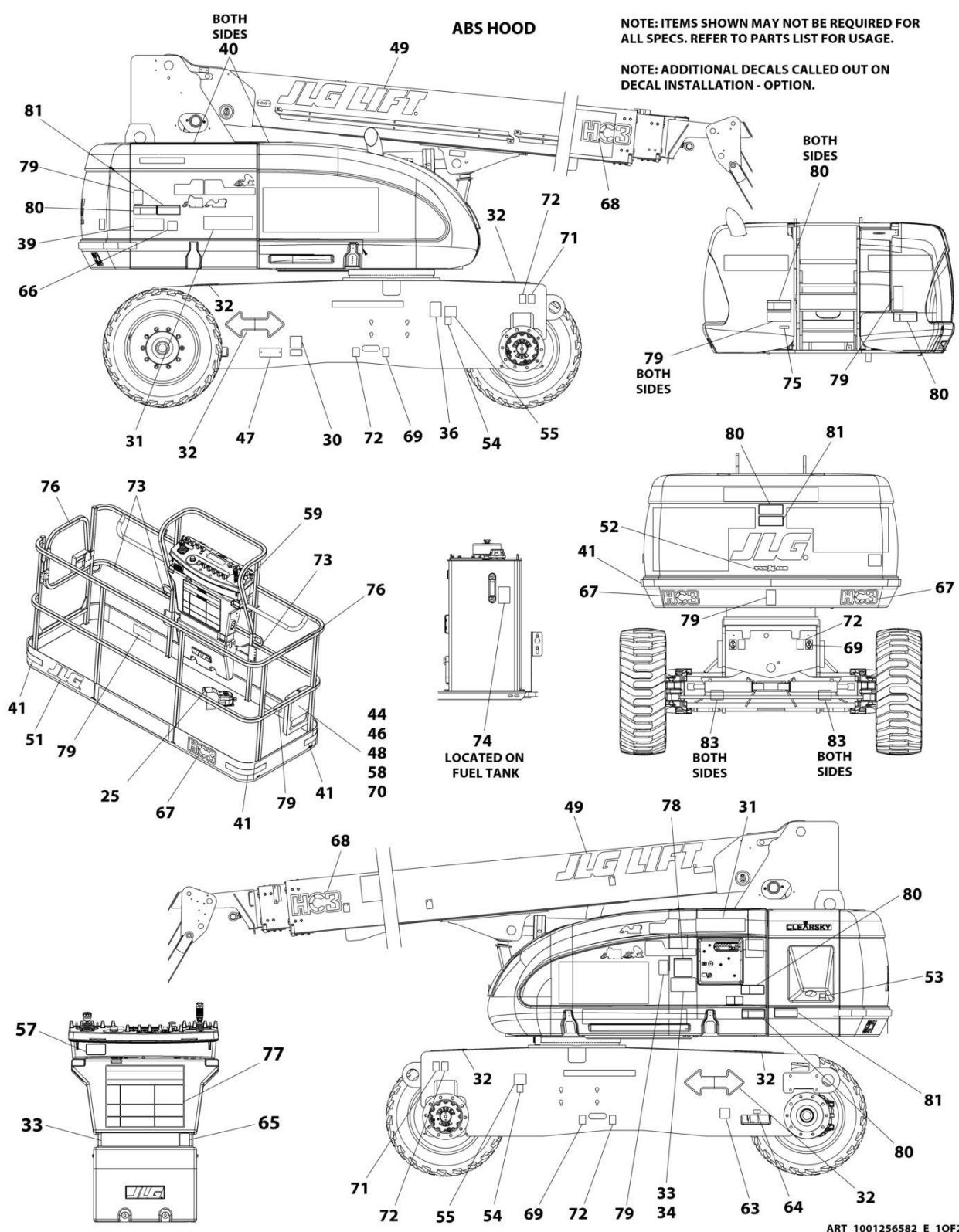
SECTION 9 - DECALS

FIGURE 9-1. DECAL INSTALLATION - (ANSI SPECS) (800S HC3)

ITEM	PART NUMBER	QTY	DESCRIPTION	REV
	1001263305	Ref	DECAL INSTALLATION	D
	1001256837	Ref	REFERENCE CHART	C
25	3252347	1	Decal - Footswitch	
30	See Note	NSS	Decal - Bar Code (Note: Not Available for Purchase)	
31	1001267308	2	Decal - 800S	
32	1701501	4	Decal - Arrow	
33	1001256567	1	Decal - Warning	
34	1001256568	1	Decal - Warning	
36	1001131269	1	Decal - Patent	
39	1001270286	1	Decal - Lift Diagram	
40	1701691	4	Decal - No Step	
41	4420051	23.1 ft/7m	Stripes, Warning	
44	0860520	1	Box, Manual Storage	
46	3311405	4	Nut 1/4	
47	3820001	2	Rivet	
48	4751400	8	Washer 1/4	
58	0641406	4	Bolt 1/4 x 3/4	
59	1705351	1	Decal - Drive/Steer Instructions	
63	1001223055	1	Decal - Yearly Inspection	
64	1001223453	1	Decal - ICES	
69	1701499	4	Decal - No Lift	
70	1701509	1	Decal - Manual	
71	1703811	4	Decal - Tie Down/Lift	
72	1703814	6	Decal - Tie Down	
73	1704277	4	Decal - Attach Lanyard Here	
74	1704412	1	Decal - Hydraulic Oil Chart	
75	3251243	1	Nameplate - 120V-60HZ	
76	1702868	2	Decal - No Hands	
77	1703797	1	Decal - Warning/Danger	
78	1705336	1	Decal - Warning Inspection (MTB)	
79	1703804	5	Decal - Warning Crushing	
80	1703805	5	Decal - Danger Electrocution	
81	1703953	7	Decal - Warning Crushing	
83	1703475	4	Decal - Max Tire Load	

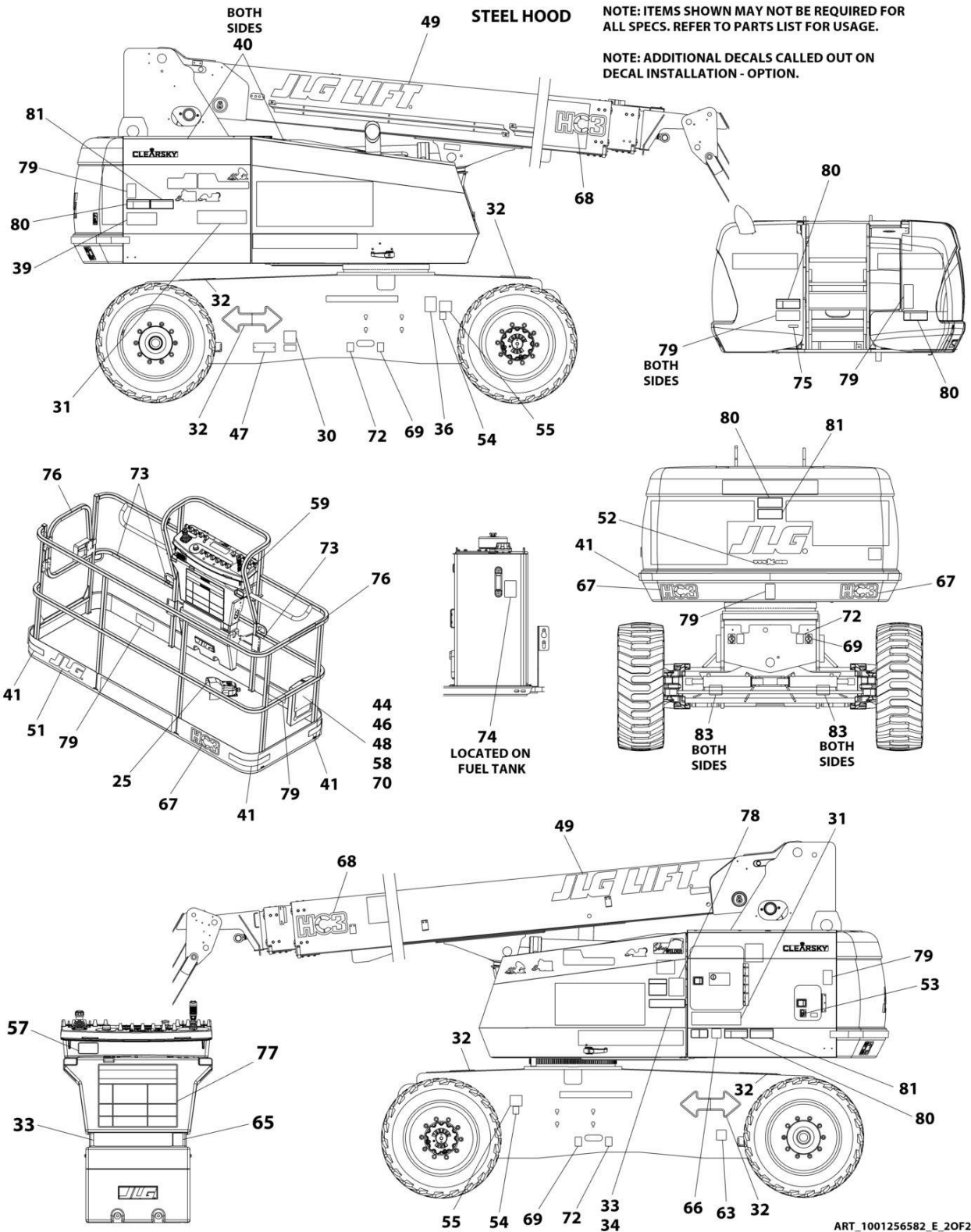
SECTION 9 - DECALS

FIGURE 9-2. DECAL INSTALLATION - (ANSI SPECS) (860SJ HC3)



ART_1001256582_E_10F2

SECTION 9 - DECALS



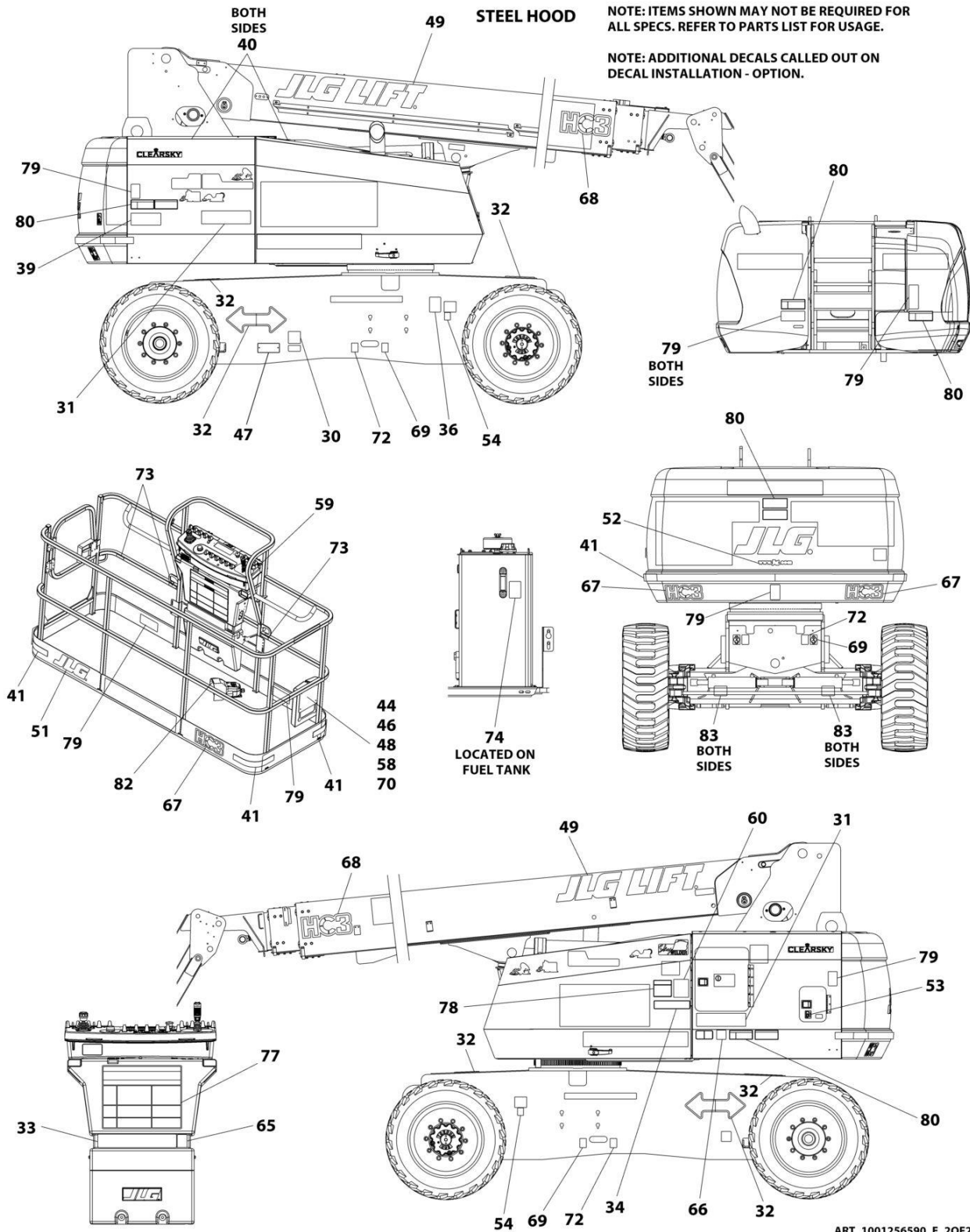
ART_1001256582_E_20F2

SECTION 9 - DECALS

FIGURE 9-2. DECAL INSTALLATION - (ANSI SPECS) (860SJ HC3)

ITEM	PART NUMBER	QTY	DESCRIPTION	REV
	1001256582	Ref	DECAL INSTALLATION	E
	1001256837	Ref	REFERENCE CHART	C
25	3252347	1	Decal - Footswitch	
30	See Note	NSS	Decal - Bar Code (Note: Not Available for Purchase)	
31	1001267309	2	Decal - 860SJ	
32	1701501	4	Decal - Arrow	
33	1001256567	1	Decal - Warning	
34	1001256568	1	Decal - Warning	
36	1001131269	1	Decal - Patent	
39	1001270286	1	Decal - Lift Diagram	
40	1701691	4	Decal - No Step	
41	4420051	23.1 ft/7m	Stripes, Warning	
44	0860520	1	Box, Manual Storage	
46	3311405	4	Nut 1/4	
47	3820001	2	Rivet	
48	4751400	8	Washer 1/4	
58	0641406	4	Bolt 1/4 x 3/4	
59	1705351	1	Decal - Drive/Steer Instructions	
63	1001223055	1	Decal - Yearly Inspection	
64	1001223453	1	Decal - ICES	
69	1701499	4	Decal - No Lift	
70	1701509	1	Decal - Manual	
71	1703811	4	Decal - Tie Down/Lift	
72	1703814	6	Decal - Tie Down	
73	1704277	4	Decal - Attach Lanyard Here	
74	1704412	1	Decal - Hydraulic Oil Chart	
75	3251243	1	Nameplate - 120V-60HZ	
76	1702868	2	Decal - No Hands	
77	1703797	1	Decal - Warning/Danger	
78	1705336	1	Decal - Warning Inspection (MTB)	
79	1703804	5	Decal - Warning Crushing	
80	1703805	5	Decal - Danger Electrocution	
81	1703953	7	Decal - Warning Crushing	
83	1703484	4	Decal - Max Tire Load	

SECTION 9 - DECALS



ART_1001256590_E_20F2

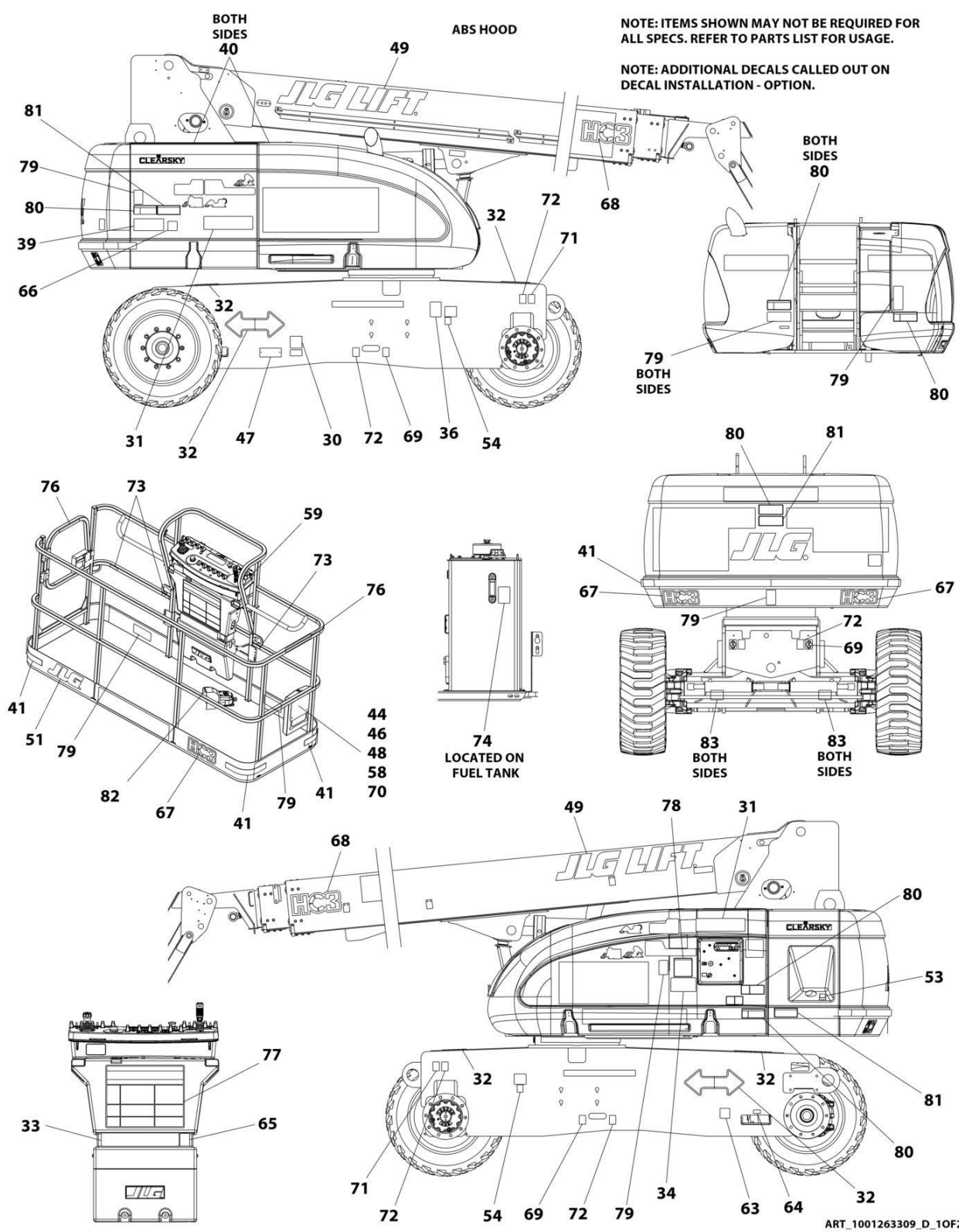
SECTION 9 - DECALS

FIGURE 9-3. DECAL INSTALLATION - (AUSTRALIAN SPECS) (860SJ HC3)

ITEM	PART NUMBER	QTY	DESCRIPTION	REV
	1001256590	Ref	DECAL INSTALLATION	E
	1001256837	Ref	REFERENCE CHART	C
30	See Note	1	Decal - Bar Code (Note: Not Available for Purchase)	
31	1001267309	2	Decal - 860SJ	
32	1701501	4	Decal - Arrow	
33	1001256581	2	Decal - Warning	
39	1001270286	1	Decal - Lift Diagram	
40	1701691	4	Decal - No Step	
41	4420051	AR	Stripes, Warning	
44	0860520	1	Box, Manual Storage	
46	3311405	4	Nut 1/4	
47	3820001	2	Rivet	
48	4751400	8	Washer 1/4	
58	0641406	4	Bolt 1/4 x 3/4	
60	1001112551	1	Decal - Emergency Control	
69	1701499	4	Decal - No Lift	
70	1701509	1	Decal - Manual	
71	1703811	4	Decal - Lifting Lug	
72	1703814	6	Decal - Tie Down/Lift	
73	1704277	4	Decal - Attach Lanyard Here	
74	1704412	1	Decal - Hydraulic Oil Chart	
77	1705921	1	Decal - Tipping	
78	1705822	1	Decal - Warning	
79	1701518	10	Decal - Warning Crushing	
80	1705961	5	Decal - Danger Electrocutation	
82	1705828	1	Decal - Footswitch	
83	1703484	1	Decal - Max Tire Load	

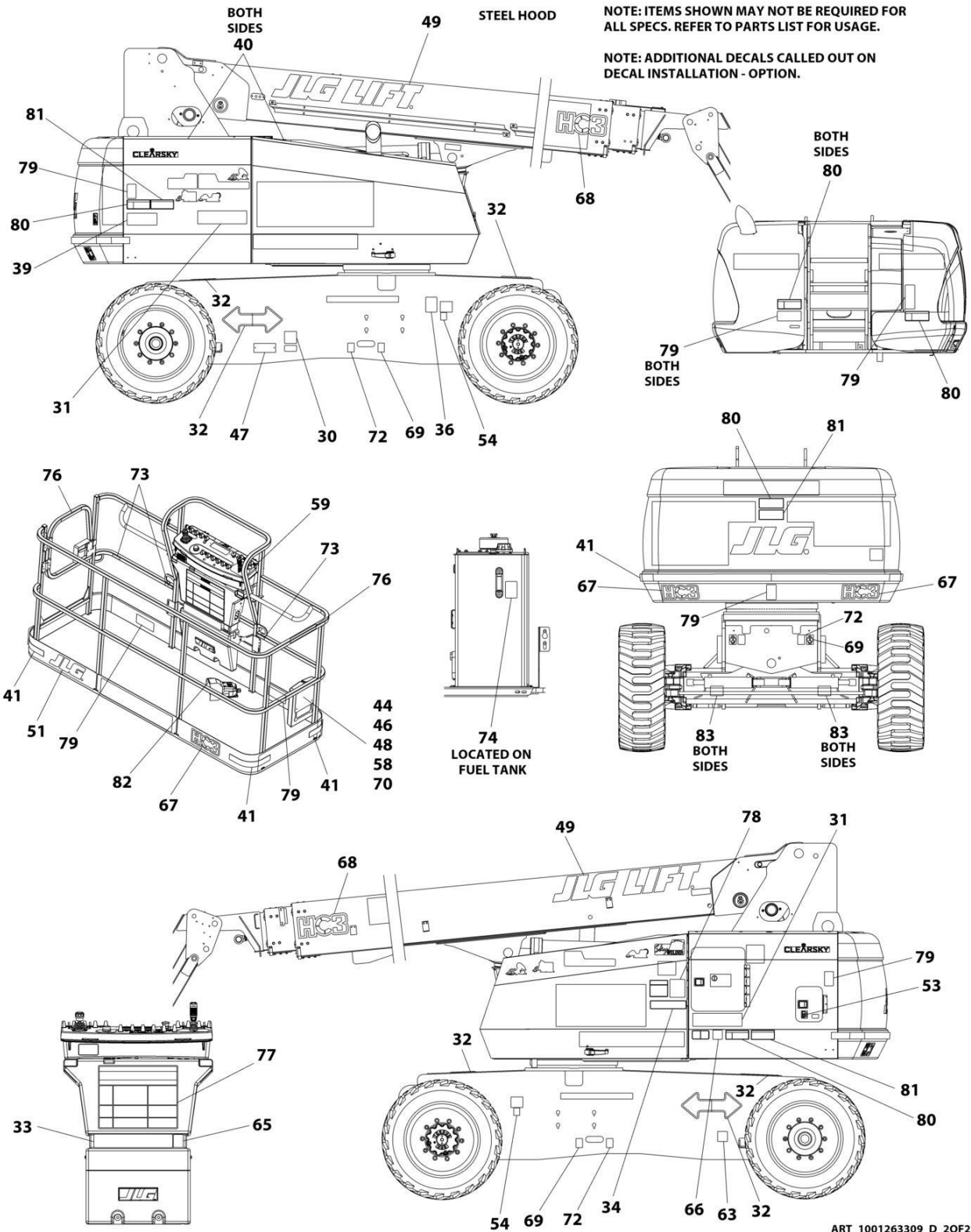
SECTION 9 - DECALS

FIGURE 9-4. DECAL INSTALLATION - (BRAZILIAN SPECS) (800S HC3)



ART_1001263309_D_10F2

SECTION 9 - DECALS



ART_1001263309_D_20F2

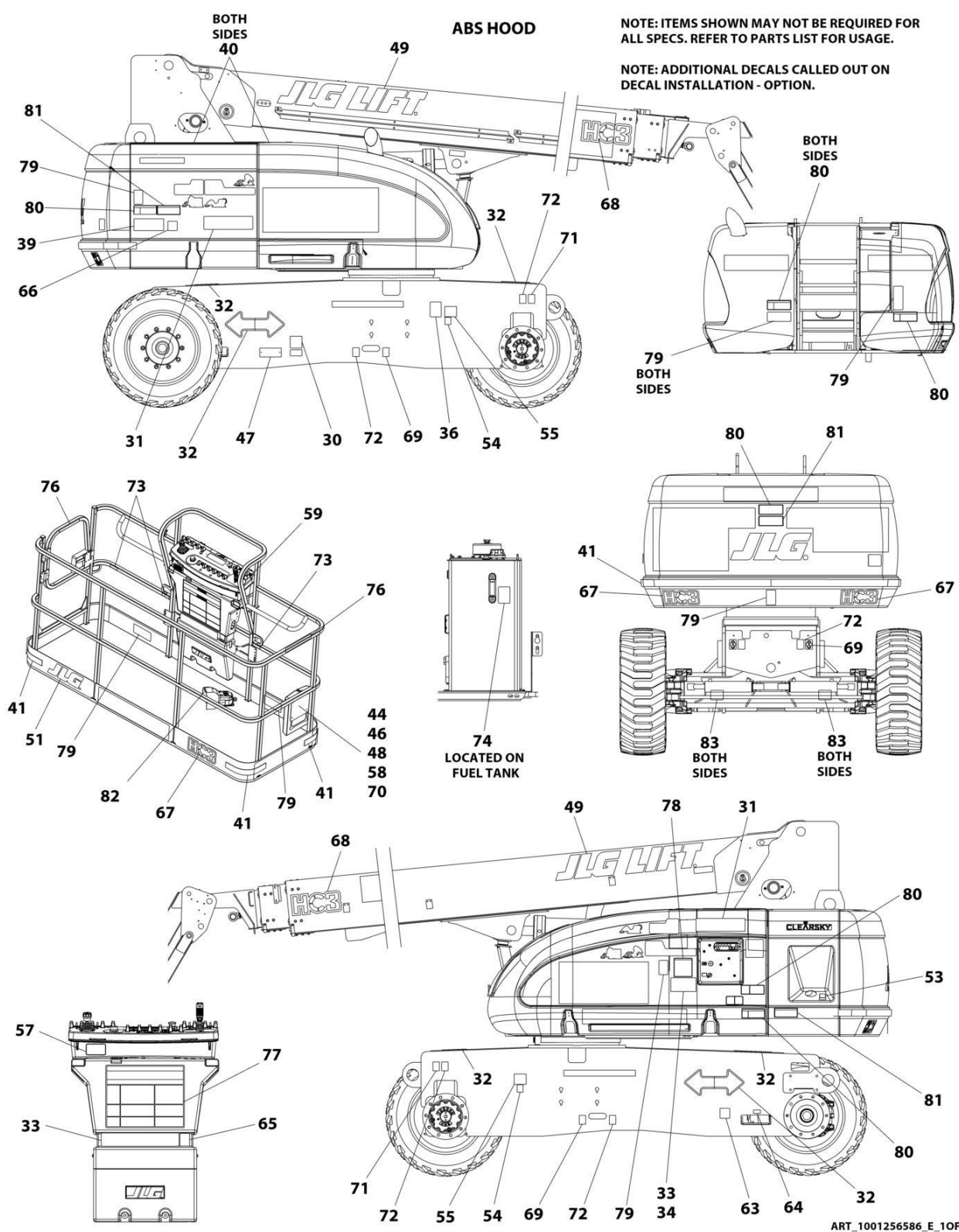
SECTION 9 - DECALS

FIGURE 9-4. DECAL INSTALLATION - (BRAZILIAN SPECS) (800S HC3)

ITEM	PART NUMBER	QTY	DESCRIPTION	REV
	1001263309	Ref	DECAL INSTALLATION	D
	1001256837	Ref	REFERENCE CHART	C
30	See Note	NSS	Decal - Bar Code (Note: Not Available for Purchase)	
31	1001267308	2	Decal - 800S	
32	1701501	4	Decal - Arrow	
33	1001256575	1	Decal - Warning	
34	1001256576	1	Decal - Warning	
39	1001270286	1	Decal - Lift Diagram	
40	1701691	4	Decal - No Step	
41	4420051	23.1 ft/7m	Stripes, Warning	
44	0860520	1	Box, Manual Storage	
46	3311405	4	Nut 1/4	
47	3820001	2	Rivet	
48	4751400	8	Washer 1/4	
58	0641406	4	Bolt 1/4 x 3/4	
59	1705905	1	Decal - Drive/Steer Instructions	
63	1001224052	1	Decal - Yearly Inspection	
69	1701499	4	Decal - No Lift	
70	1701509	1	Decal - Manual	
71	1703811	4	Decal - Tie Down/Lift	
72	1703814	6	Decal - Tie Down	
73	1704277	4	Decal - Attach Lanyard Here	
74	1704412	1	Decal - Hydraulic Oil Chart	
76	1705967	2	Decal - No Hands	
77	1705895	1	Decal - Warning/Danger	
78	1705896	1	Decal - Warning Inspection (MTB)	
79	1705898	5	Decal - Warning Crushing	
80	1705897	5	Decal - Danger Electrocution	
81	1705903	7	Decal - Warning Crushing	
82	1705902	1	Decal - Foot Switch	
83	1703475	4	Decal - Max Tire Load	

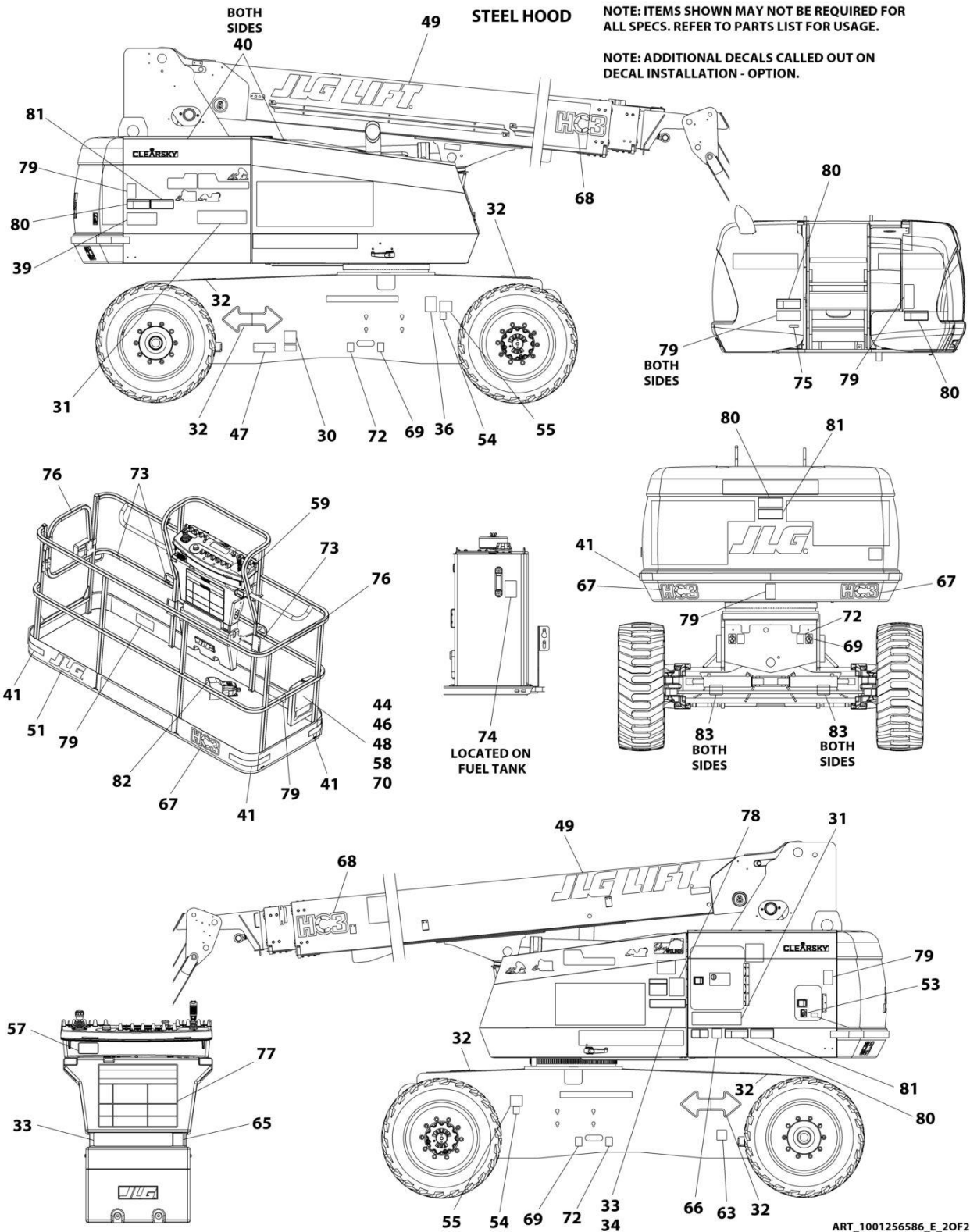
SECTION 9 - DECALS

FIGURE 9-5. DECAL INSTALLATION - (BRAZILIAN SPECS) (860SJ HC3)



ART_1001256586_E_10F2

SECTION 9 - DECALS



ART_1001256586_E_20F2

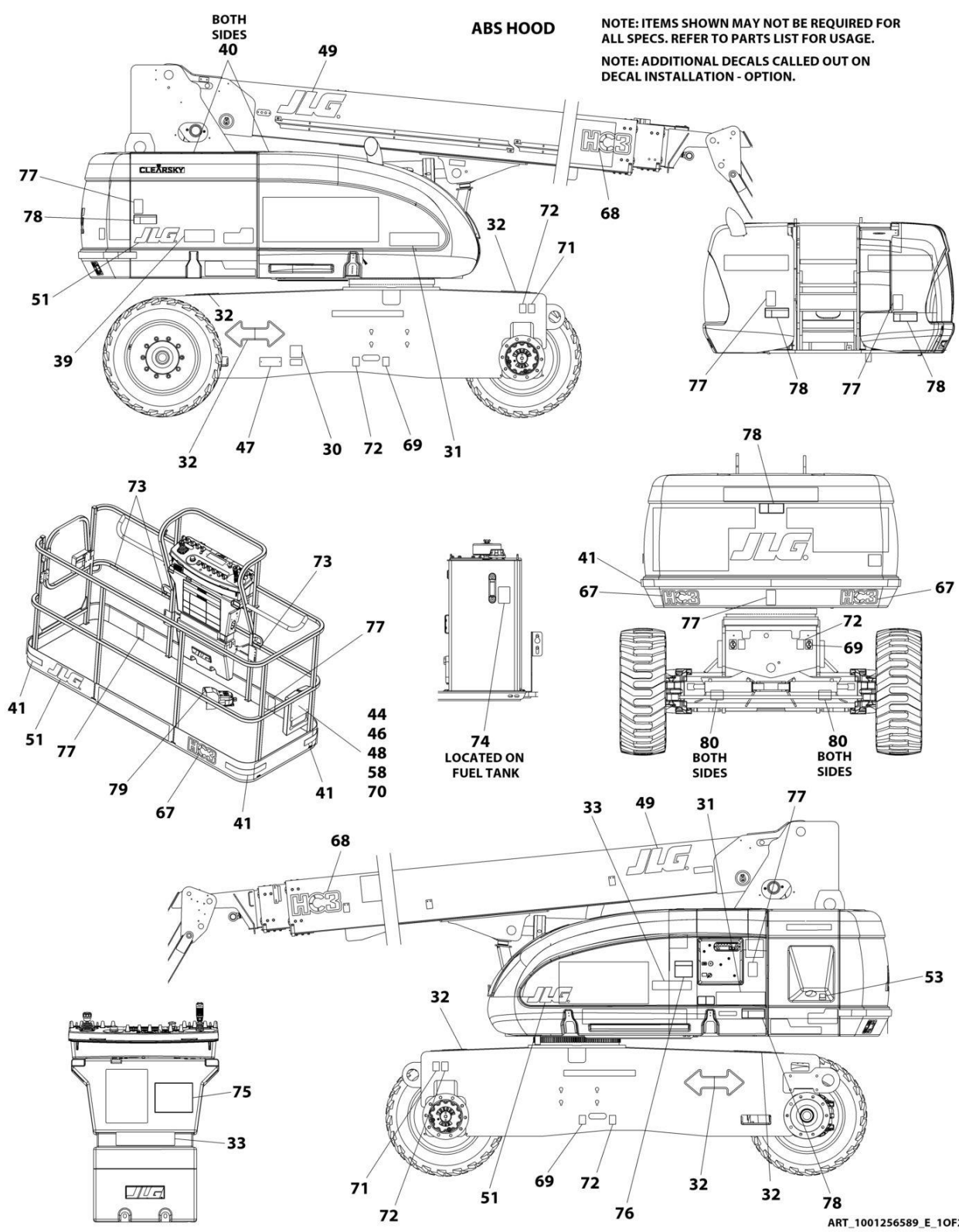
SECTION 9 - DECALS

FIGURE 9-5. DECAL INSTALLATION - (BRAZILIAN SPECS) (860SJ HC3)

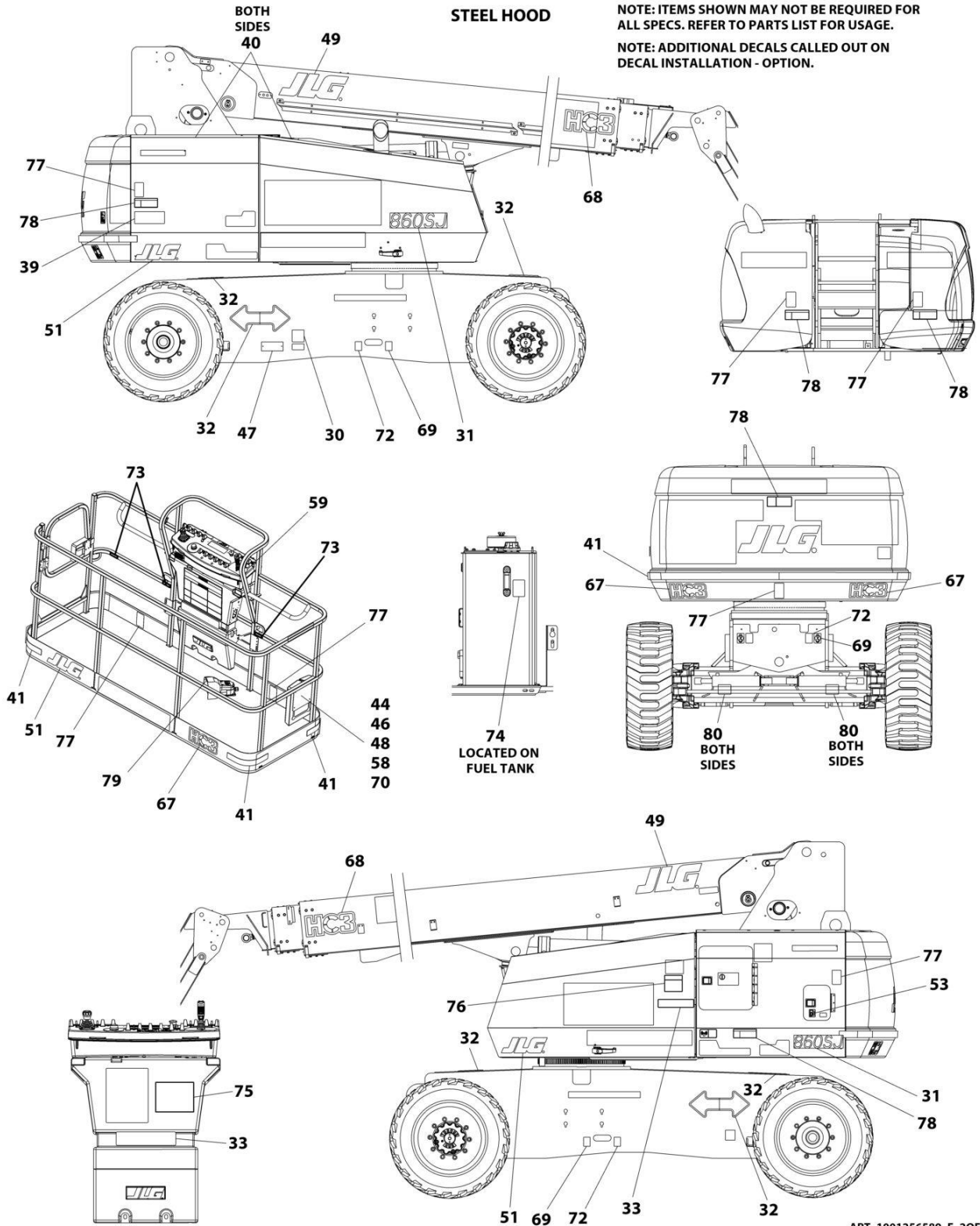
ITEM	PART NUMBER	QTY	DESCRIPTION	REV
	1001256586	Ref	DECAL INSTALLATION	E
	1001256837	Ref	REFERENCE CHART	C
30	See Note	NSS	Decal - Bar Code (Note: Not Available for Purchase)	
31	1001267309	2	Decal - 860SJ	
32	1701501	4	Decal - Arrow	
33	1001256575	1	Decal - Warning	
34	1001256576	1	Decal - Warning	
39	1001270286	1	Decal - Lift Diagram	
40	1701691	4	Decal - No Step	
41	4420051	23.1 ft/7m	Stripes, Warning	
44	0860520	1	Box, Manual Storage	
46	3311405	4	Nut 1/4	
47	3820001	2	Rivet	
48	4751400	8	Washer 1/4	
58	0641406	4	Bolt 1/4 x 3/4	
59	1705905	1	Decal - Drive/Steer Instructions	
63	1001224052	1	Decal - Yearly Inspection	
69	1701499	4	Decal - No Lift	
70	1701509	1	Decal - Manual	
71	1703811	4	Decal - Tie Down/Lift	
72	1703814	6	Decal - Tie Down	
73	1704277	4	Decal - Attach Lanyard Here	
74	1704412	1	Decal - Hydraulic Oil Chart	
76	1705967	2	Decal - No Hands	
77	1705895	1	Decal - Warning/Danger	
78	1705896	1	Decal - Warning Inspection (MTB)	
79	1705898	5	Decal - Warning Crushing	
80	1705897	5	Decal - Danger Electrocution	
81	1705903	7	Decal - Warning Crushing	
82	1705902	1	Decal - Foot Switch	
83	1703484	4	Decal - Max Tire Load	

SECTION 9 - DECALS

FIGURE 9-6. DECAL INSTALLATION - (CE & UK CA SPECS) (860SJ HC3)



SECTION 9 - DECALS



ART_1001256589_E_20F2

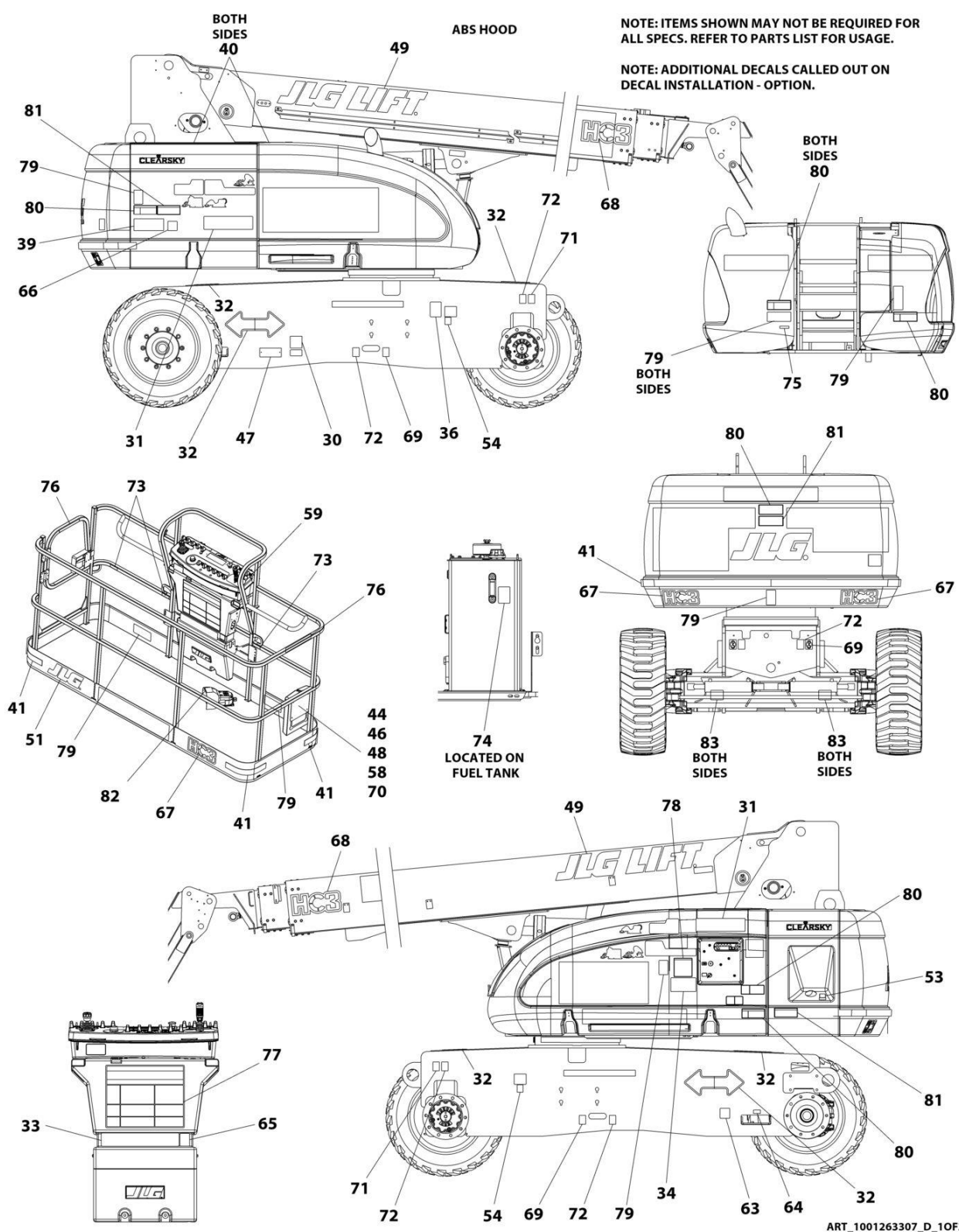
SECTION 9 - DECALS

FIGURE 9-6. DECAL INSTALLATION - (CE & UK CA SPECS) (860SJ HC3)

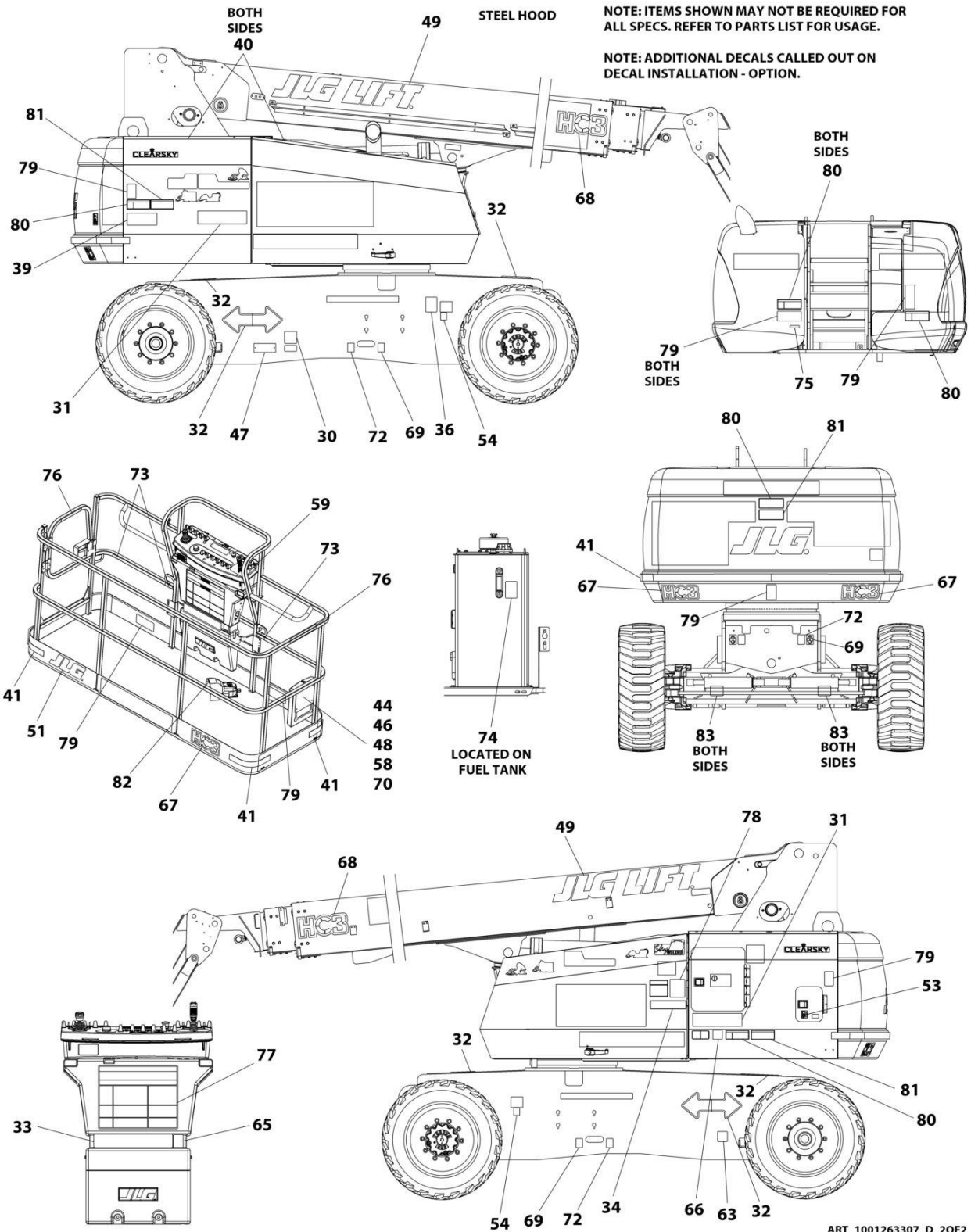
ITEM	PART NUMBER	QTY	DESCRIPTION	REV
	1001256589	Ref	DECAL INSTALLATION	E
	1001263459	Ref	REFERENCE CHART	B
30	See Note	1	Decal - Bar Code (Note: Not Available for Purchase)	
31	1001267309	2	Decal - 860SJ	
32	1701501	4	Decal - Arrow	
33	1001256581	2	Decal - Warning	
39	1001270286	1	Decal - Lift Diagram	
40	1701691	4	Decal - No Step	
41	4420051	AR	Stripes, Warning	
44	0860520	1	Box, Manual Storage	
46	3311405	4	Nut 1/4	
47	3820001	2	Rivet	
48	4751400	8	Washer 1/4	
49	1001159323	2	Decal - JLG, Black	
51	1702773	3	Decal - JLG	
58	0641406	4	Washer 1/4	
67	1001244212	3	Decal - Capacity	
68	1001256906	2	Decal - Capacity	
69	1701499	1	Decal - No Lift	
70	1701509	4	Decal - Manual	
71	1703811	6	Decal - Lifting Lug	
72	1703814	1	Decal - Tie Down	
73	1704277	1	Decal - Attach Lanyard Here	
74	1704412	1	Decal - Oil Chart	
75	1705921	1	Decal - Tipping	
76	1705822	1	Decal - Warning	
77	1701518	10	Decal - Warning Crushing	
78	1705961	5	Decal - Danger Electrocution	
79	1705828	1	Decal - Footswitch	
80	1703484	1	Decal - Max Tire Load	

SECTION 9 - DECALS

FIGURE 9-7. DECAL INSTALLATION - (CHINESE SPECS) (800S HC3)



SECTION 9 - DECALS



ART_1001263307_D_20F2

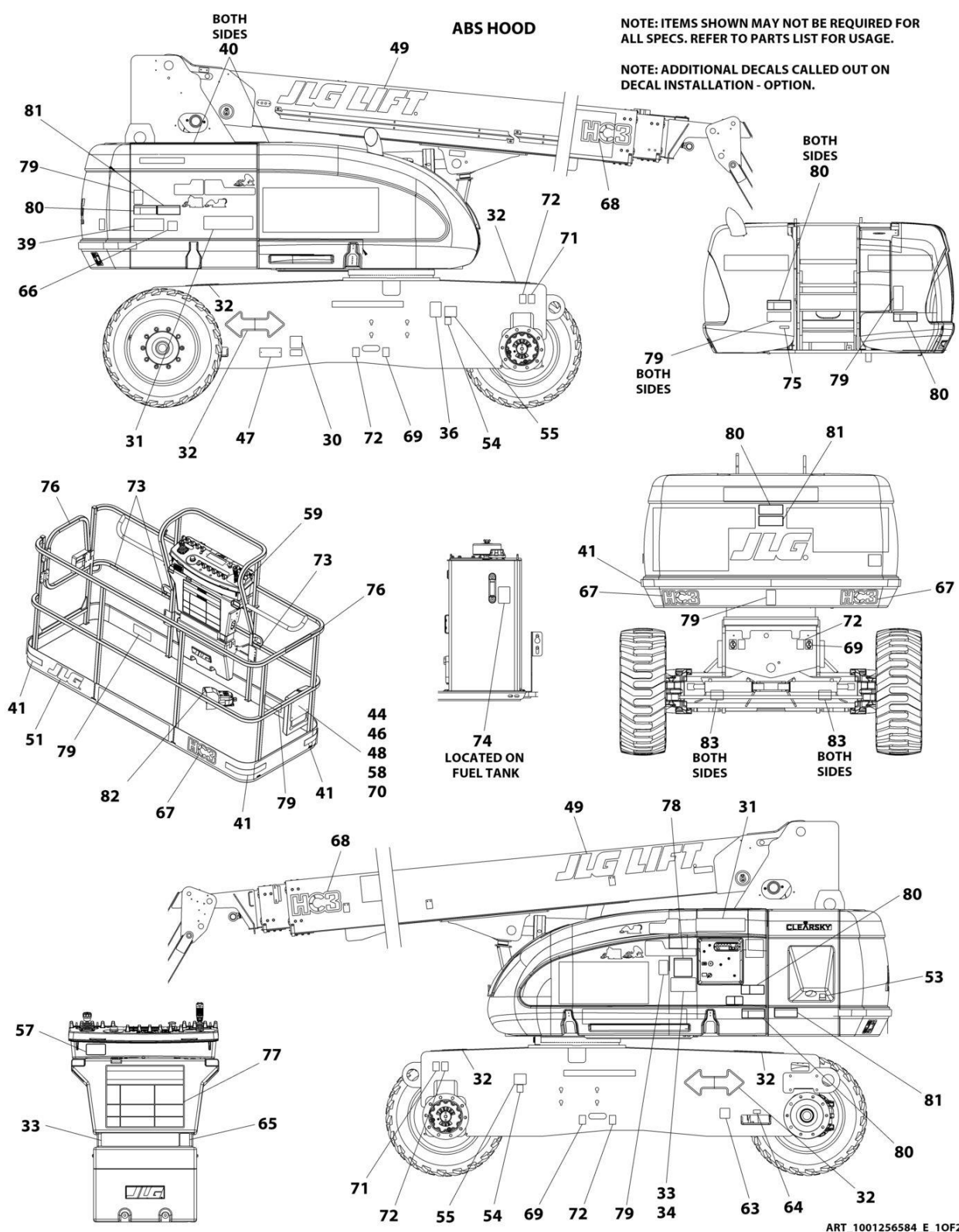
SECTION 9 - DECALS

FIGURE 9-7. DECAL INSTALLATION - (CHINESE SPECS) (800S HC3)

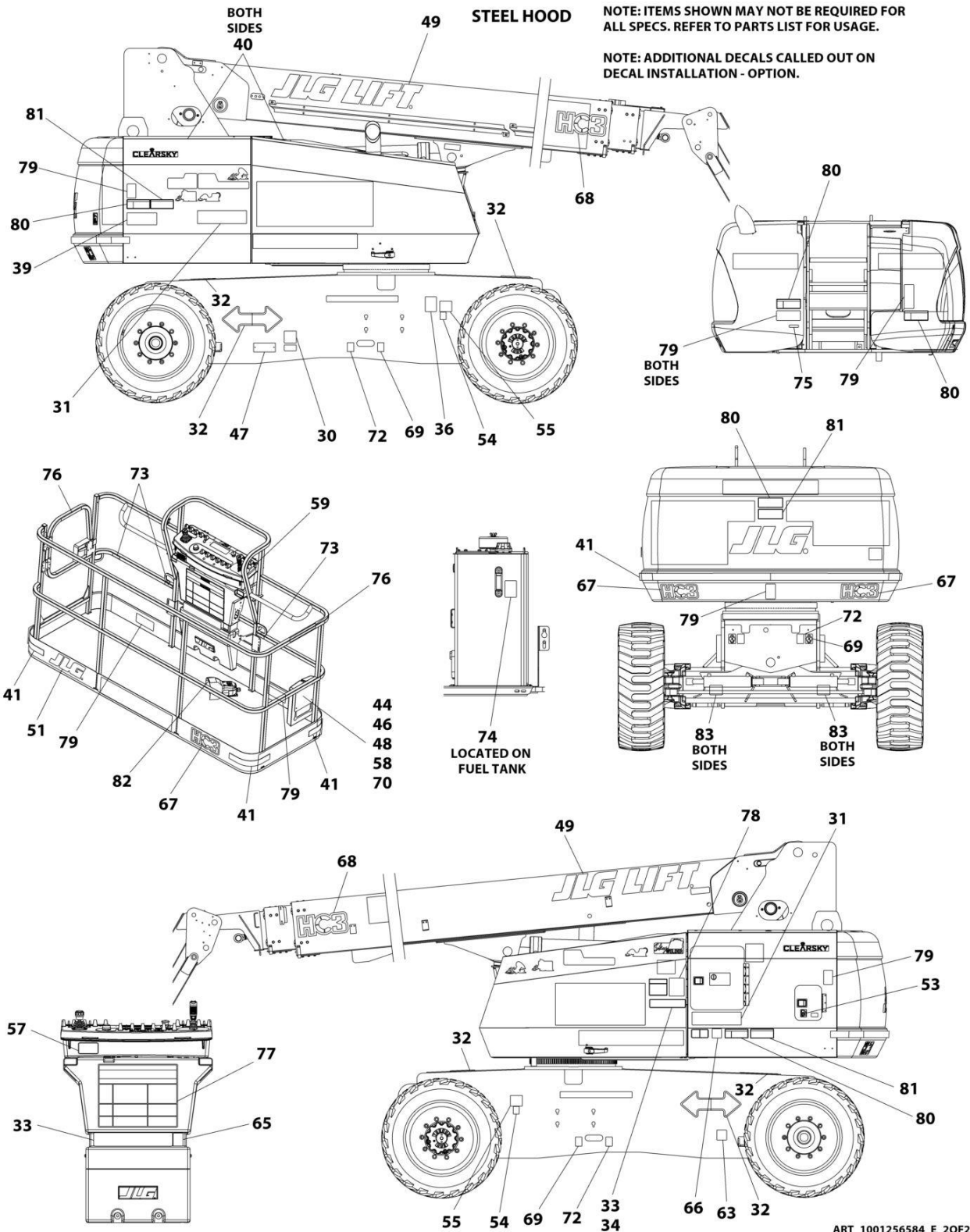
ITEM	PART NUMBER	QTY	DESCRIPTION	REV
	1001263307	Ref	DECAL INSTALLATION	D
	1001256837	Ref	REFERENCE CHART	C
30	See Note	NSS	Decal - Bar Code (Note: Not Available for Purchase)	
31	1001267308	2	Decal - 800S	
32	1701501	4	Decal - Arrow	
33	1001256571	1	Decal - Warning	
34	1001256572	1	Decal - Warning	
39	1001270286	1	Decal - Lift Diagram	
40	1701691	4	Decal - No Step	
41	4420051	23.1 ft/7m	Stripes, Warning	
44	0860520	1	Box, Manual Storage	
46	3311405	4	Nut 1/4	
47	3820001	2	Rivet	
48	4751400	8	Washer 1/4	
58	0641406	4	Bolt 1/4 x 3/4	
59	1705430	1	Decal - Drive/Steer Instructions	
63	1001224050	1	Decal - Yearly Inspection	
65	1001244301	1	Decal - No Platform to Ground Attachments	
66	1001244298	1	Decal - Wechat	
69	1701499	4	Decal - No Lift	
70	1701509	1	Decal - Manual	
71	1703811	4	Decal - Tie Down/Lift	
72	1703814	6	Decal - Tie Down	
73	1704277	4	Decal - Attach Lanyard Here	
74	1704412	1	Decal - Hydraulic Oil Chart	
75	3251243	1	Nameplate - 120V-60HZ	
76	1001116846	2	Decal - No Hands	
77	1703925	1	Decal - Warning/Danger	
78	1001116849	2	Decal - Warning Inspection (MTB)	
79	1703949	5	Decal - Warning Crushing	
80	1001116851	5	Decal - Danger Electrocution	
81	1703943	7	Decal - Warning Crushing	
82	1703982	1	Decal - Footswitch	
83	1703475	4	Decal - Max Tire Load	

SECTION 9 - DECALS

FIGURE 9-8. DECAL INSTALLATION - (CHINESE SPECS) (860SJ HC3)



SECTION 9 - DECALS



ART_1001256584_E_20F2

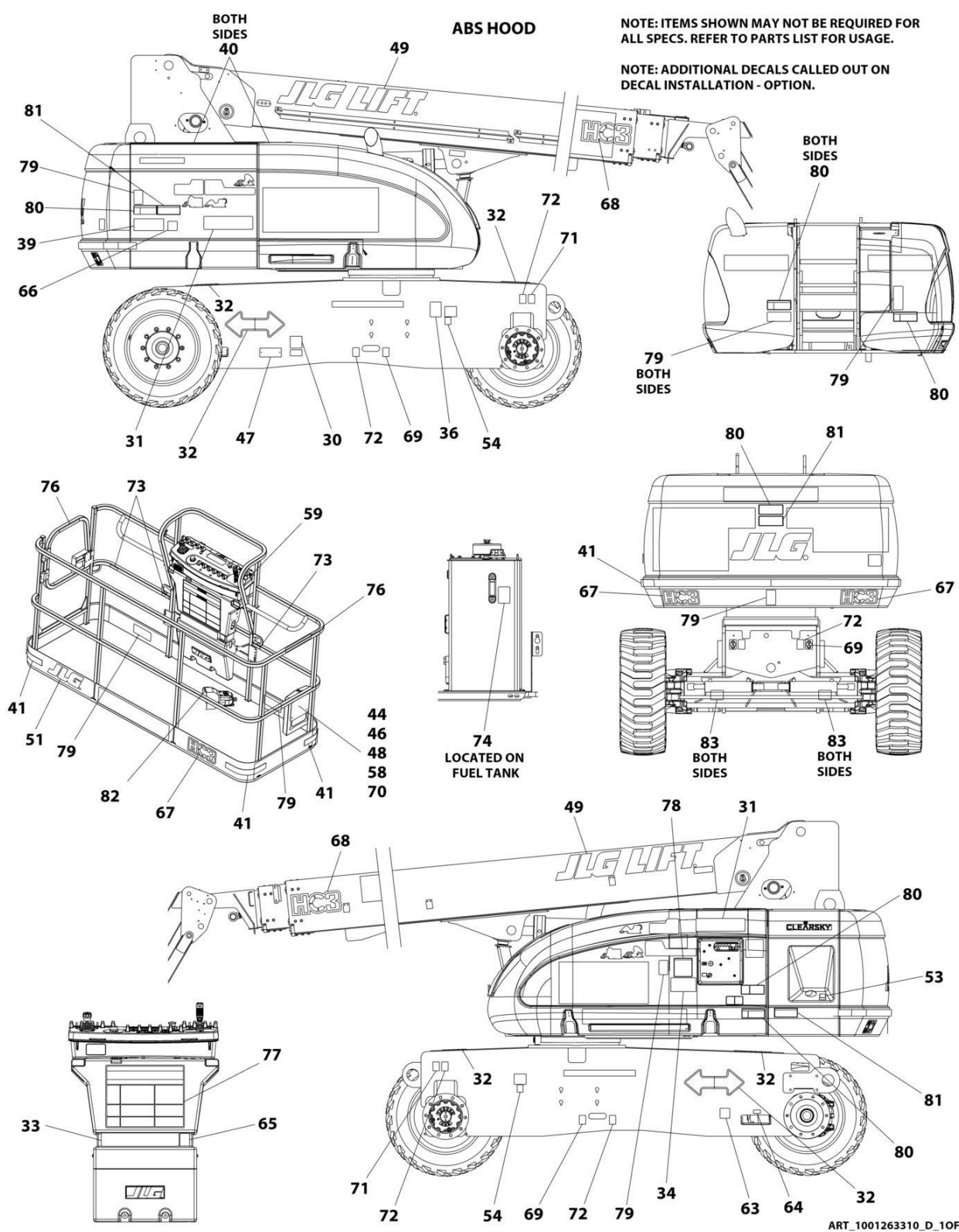
SECTION 9 - DECALS

FIGURE 9-8. DECAL INSTALLATION - (CHINESE SPECS) (860SJ HC3)

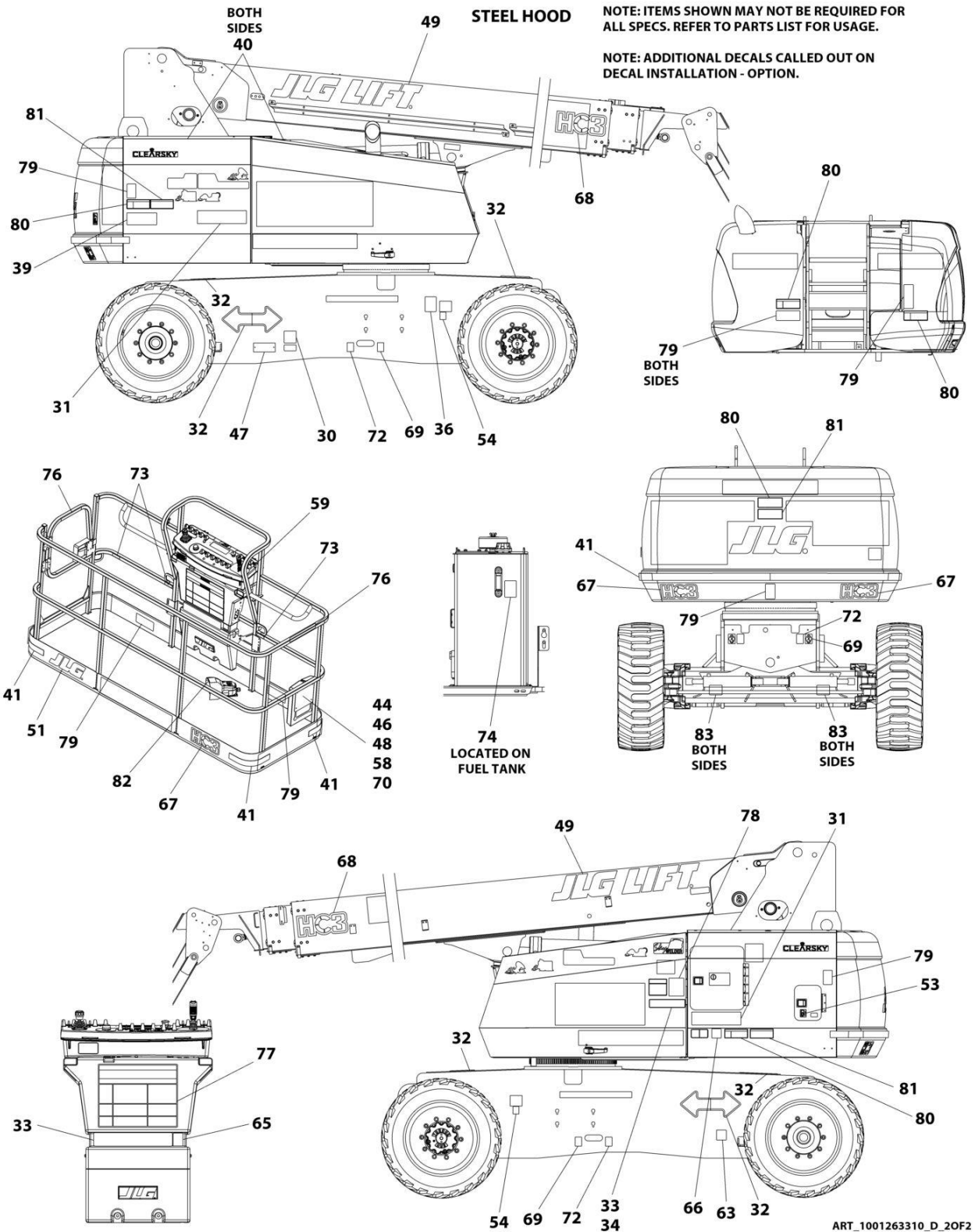
ITEM	PART NUMBER	QTY	DESCRIPTION	REV
	1001256584	Ref	DECAL INSTALLATION	E
	1001256837	Ref	REFERENCE CHART	C
30	See Note	NSS	Decal - Bar Code (Note: Not Available for Purchase)	
31	1001267309	2	Decal - 860SJ	
32	1701501	4	Decal - Arrow	
33	1001256571	1	Decal - Warning	
34	1001256572	1	Decal - Warning	
39	1001270286	1	Decal - Lift Diagram	
40	1701691	4	Decal - No Step	
41	4420051	23.1 ft/7m	Stripes, Warning	
44	0860520	1	Box, Manual Storage	
46	3311405	4	Nut 1/4	
47	3820001	2	Rivet	
48	4751400	8	Washer 1/4	
58	0641406	4	Bolt 1/4 x 3/4	
59	1705430	1	Decal - Drive/Steer Instructions	
63	1001224050	1	Decal - Yearly Inspection	
65	1001244301	1	Decal - No Platform to Ground Attachments	
66	1001244298	1	Decal - Wechat	
69	1701499	4	Decal - No Lift	
70	1701509	1	Decal - Manual	
71	1703811	4	Decal - Tie Down/Lift	
72	1703814	6	Decal - Tie Down	
73	1704277	4	Decal - Attach Lanyard Here	
74	1704412	1	Decal - Hydraulic Oil Chart	
75	3251243	1	Nameplate - 120V-60HZ	
76	1001116846	2	Decal - No Hands	
77	1703925	1	Decal - Warning/Danger	
78	1001116849	2	Decal - Warning Inspection (MTB)	
79	1703949	5	Decal - Warning Crushing	
80	1001116851	5	Decal - Danger Electrocution	
81	1703943	7	Decal - Warning Crushing	
82	1703982	1	Decal - Footswitch	
83	1703484	4	Decal - Max Tire Load	

SECTION 9 - DECALS

FIGURE 9-9. DECAL INSTALLATION - (CSA SPECS) (800S HC3)



SECTION 9 - DECALS



ART_1001263310_D_20F2

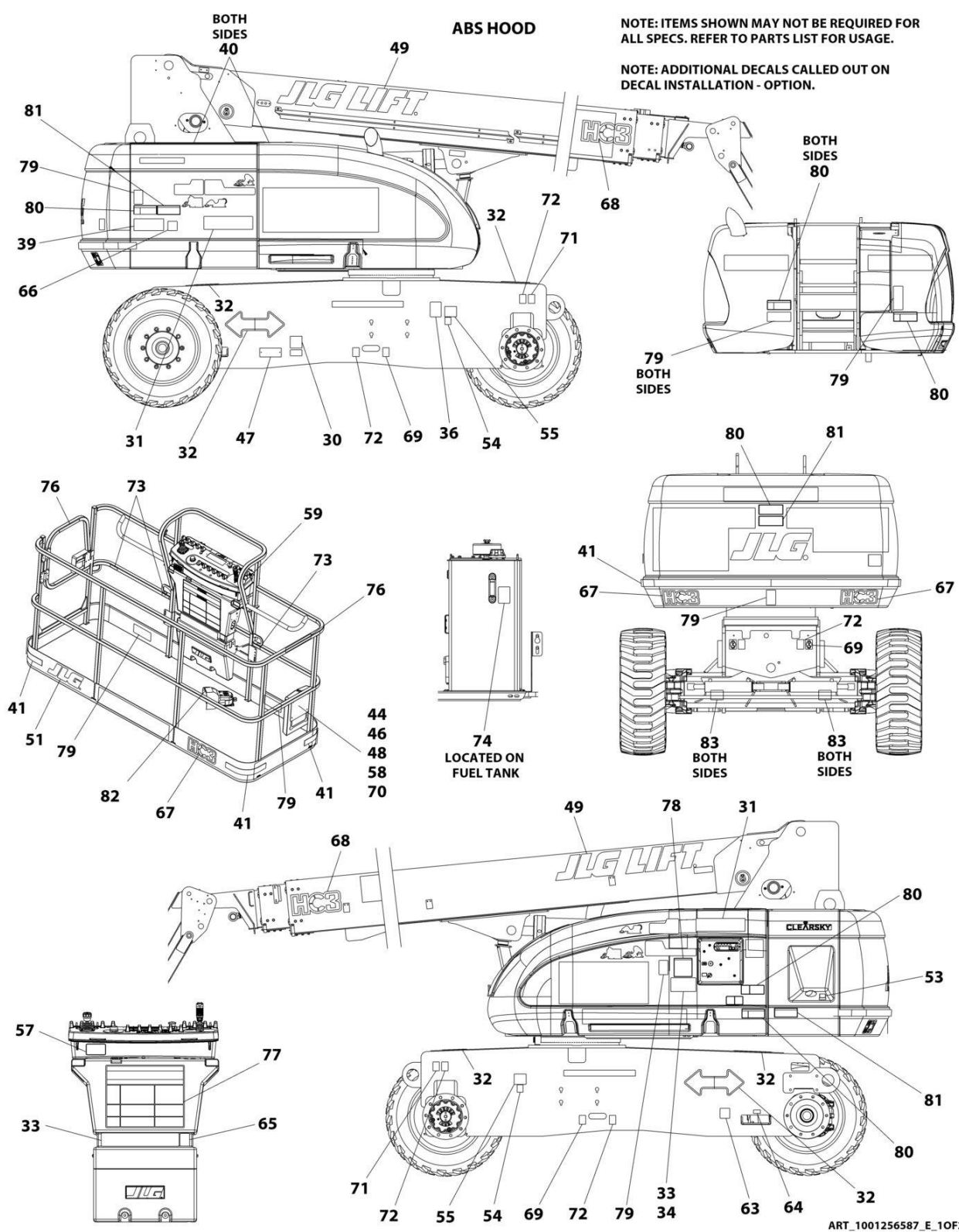
SECTION 9 - DECALS

FIGURE 9-9. DECAL INSTALLATION - (CSA SPECS) (800S HC3)

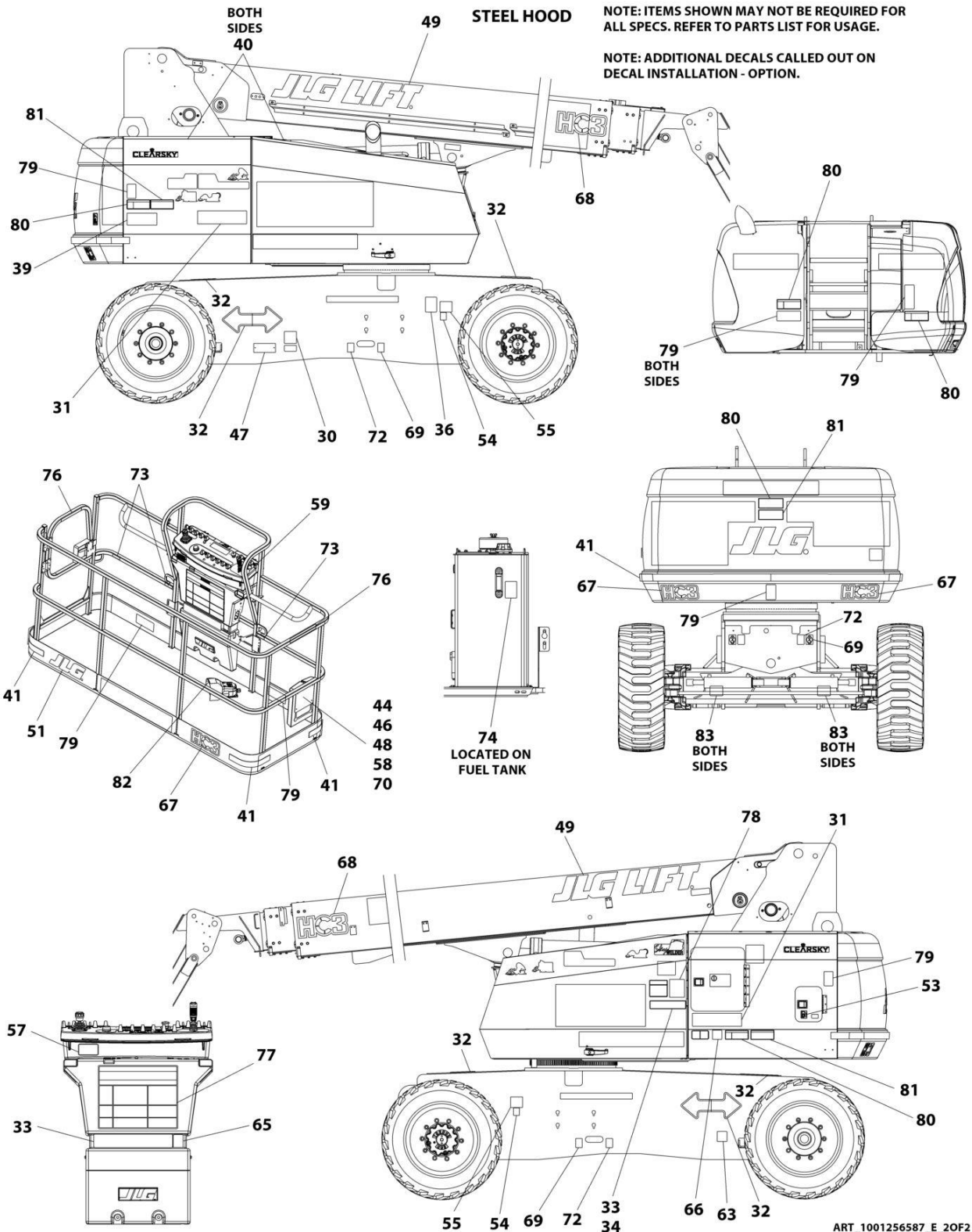
ITEM	PART NUMBER	QTY	DESCRIPTION	REV
	1001263310	Ref	DECAL INSTALLATION	D
	1001256837	Ref	REFERENCE CHART	C
30	See Note	NSS	Decal - Bar Code (Note: Not Available for Purchase)	
31	1001267308	2	Decal - 800S	
32	1701501	4	Decal - Arrow	
33	1001256577	1	Decal - Warning	
34	1001256578	1	Decal - Warning	
36	1001131269	1	Decal - Patent	
39	1001270286	1	Decal - Lift Diagram	
40	1701691	4	Decal - No Step	
41	4420051	23.1 ft/7m	Stripes, Warning	
44	0860520	1	Box, Manual Storage	
46	3311405	4	Nut 1/4	
47	3820001	2	Rivet	
48	4751400	8	Washer 1/4	
58	0641406	4	Bolt 1/4 x 3/4	
59	1705429	1	Decal - Drive/Steer Instructions	
63	1001223971	1	Decal - Yearly Inspection	
64	1001223453	1	Decal - ICES	
69	1701499	4	Decal - No Lift	
70	1701509	1	Decal - Manual	
71	1703811	4	Decal - Tie Down/Lift	
72	1703814	6	Decal - Tie Down	
73	1704277	4	Decal - Attach Lanyard Here	
74	1704412	1	Decal - Hydraulic Oil Chart	
76	1704000	2	Decal - No Hands	
77	1703924	1	Decal - Warning/Danger	
78	1705347	1	Decal - Warning Inspection (MTB)	
79	1703948	5	Decal - Warning Crushing	
80	1703936	5	Decal - Danger Electrocutation	
81	1703942	7	Decal - Warning Crushing	
82	1703984	1	Decal - Footswitch	
83	1703475	4	Decal - Max Tire Load	

SECTION 9 - DECALS

FIGURE 9-10. DECAL INSTALLATION - (CSA SPECS) (860SJ HC3)



SECTION 9 - DECALS



ART_1001256587_E_20F2

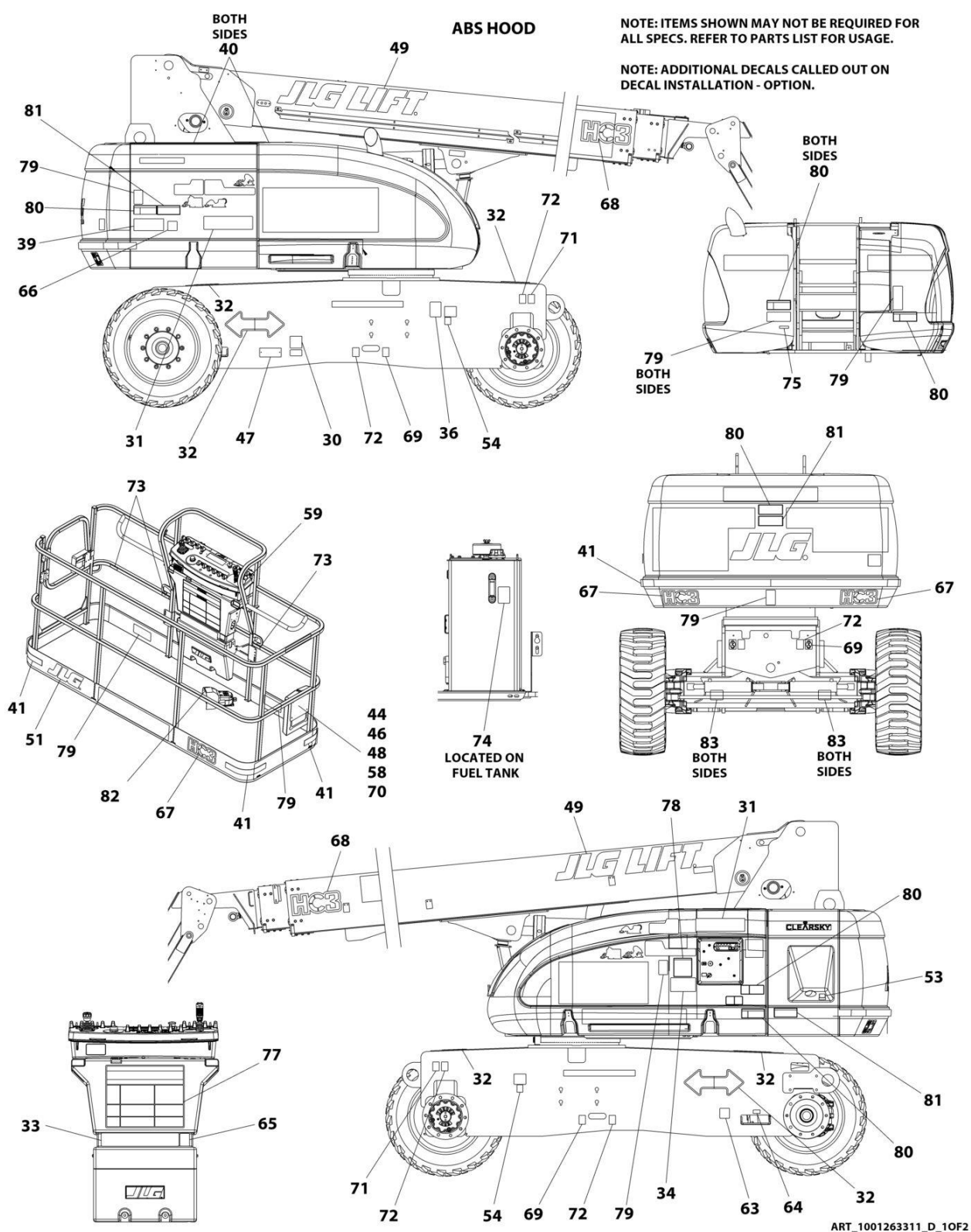
SECTION 9 - DECALS

FIGURE 9-10. DECAL INSTALLATION - (CSA SPECS) (860SJ HC3)

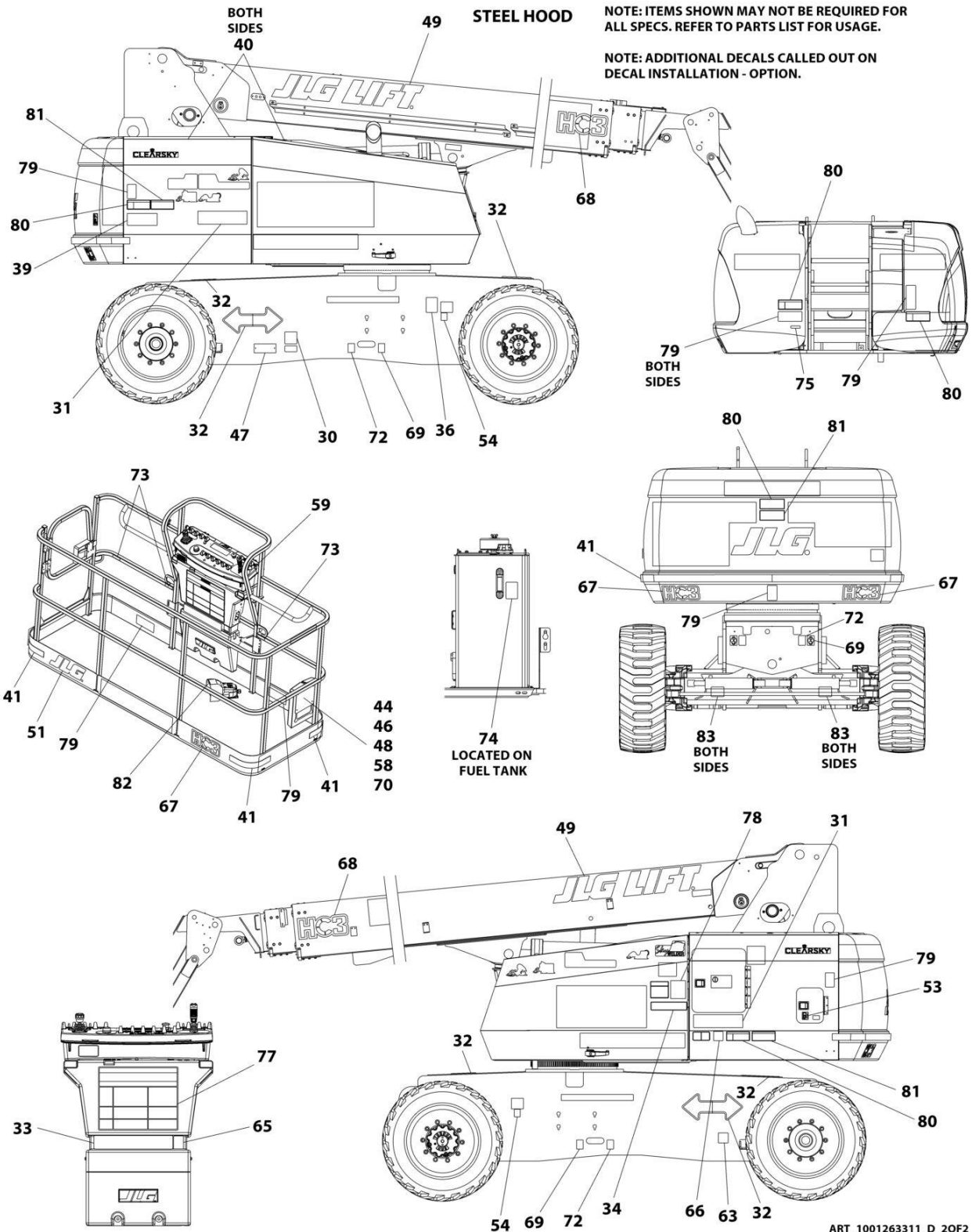
ITEM	PART NUMBER	QTY	DESCRIPTION	REV
	1001256587	Ref	DECAL INSTALLATION	E
	1001256837	Ref	REFERENCE CHART	C
30	See Note	NSS	Decal - Bar Code (Note: Not Available for Purchase)	
31	1001267309	2	Decal - 860SJ	
32	1701501	4	Decal - Arrow	
33	1001256577	1	Decal - Warning	
34	1001256578	1	Decal - Warning	
36	1001131269	1	Decal - Patent	
39	1001270286	1	Decal - Lift Diagram	
40	1701691	4	Decal - No Step	
41	4420051	23.1 ft/7m	Stripes, Warning	
44	0860520	1	Box, Manual Storage	
46	3311405	4	Nut 1/4	
47	3820001	2	Rivet	
48	4751400	8	Washer 1/4	
58	0641406	4	Bolt 1/4 x 3/4	
59	1705429	1	Decal - Drive/Steer Instructions	
63	1001223971	1	Decal - Yearly Inspection	
64	1001223453	1	Decal - ICES	
69	1701499	4	Decal - No Lift	
70	1701509	1	Decal - Manual	
71	1703811	4	Decal - Tie Down/Lift	
72	1703814	6	Decal - Tie Down	
73	1704277	4	Decal - Attach Lanyard Here	
74	1704412	1	Decal - Hydraulic Oil Chart	
76	1704000	2	Decal - No Hands	
77	1703924	1	Decal - Warning/Danger	
78	1705347	1	Decal - Warning Inspection (MTB)	
79	1703948	5	Decal - Warning Crushing	
80	1703936	5	Decal - Danger Electrocution	
81	1703942	7	Decal - Warning Crushing	
82	1703984	1	Decal - Footswitch	
83	1703484	4	Decal - Max Tire Load	

SECTION 9 - DECALS

FIGURE 9-11. DECAL INSTALLATION - (JAPANESE SPECS) (800S HC3)



SECTION 9 - DECALS



ART_1001263311_D_20F2

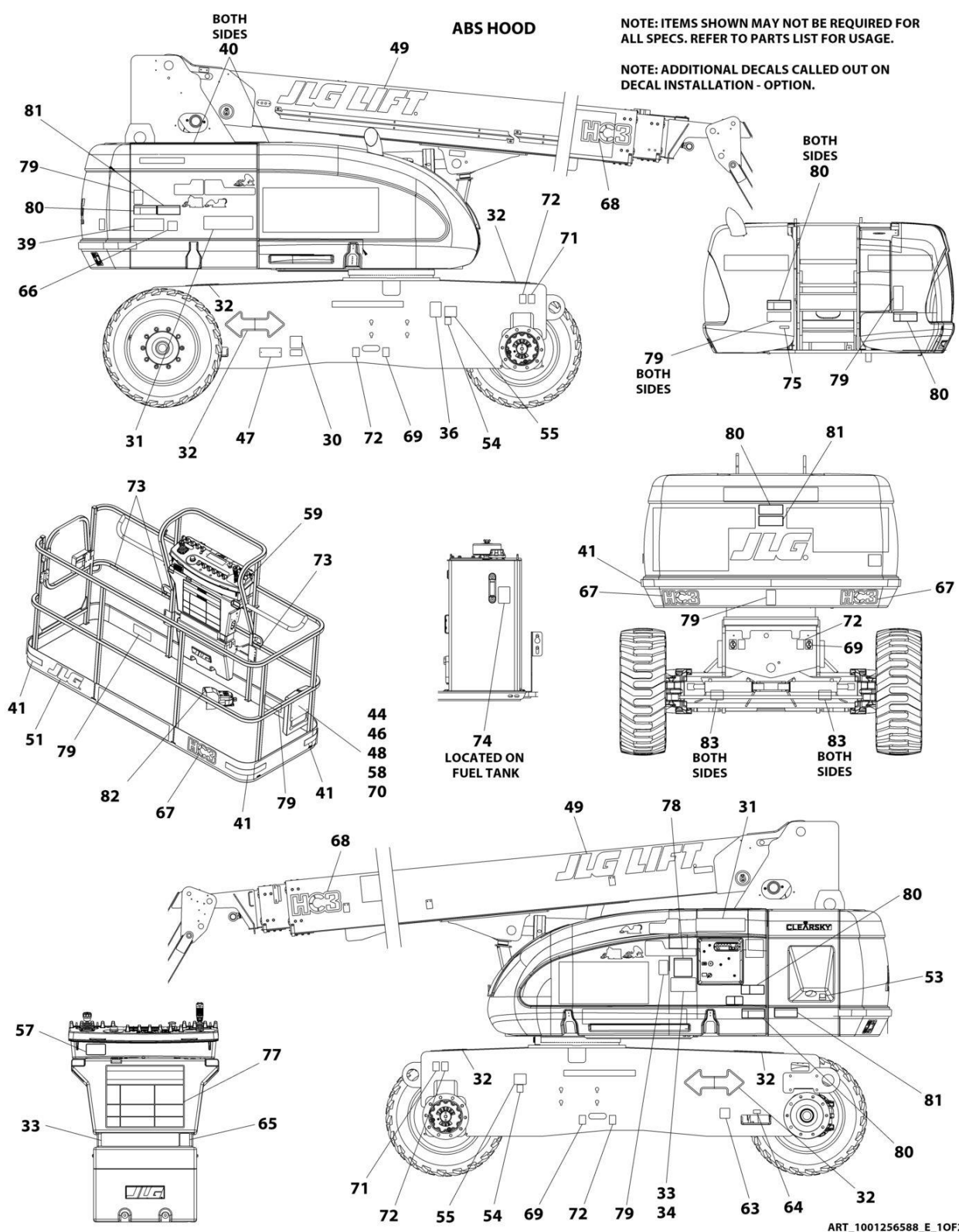
SECTION 9 - DECALS

FIGURE 9-11. DECAL INSTALLATION - (JAPANESE SPECS) (800S HC3)

ITEM	PART NUMBER	QTY	DESCRIPTION	REV
	1001263311	Ref	DECAL INSTALLATION	D
	1001256837	Ref	REFERENCE CHART	C
30	See Note	1	Decal - Bar Code (Note: Not Available for Purchase)	
31	1001267308	2	Decal - 800S	
32	1701501	4	Decal - Arrow	
33	1001256579	1	Decal - Warning	
34	1001256580	1	Decal - Warning	
39	1001270286	1	Decal - Lift Diagram	
40	1701691	4	Decal - No Step	
41	4420051	AR	Stripes, Warning	
44	0860520	1	Box, Manual Storage	
46	3311405	4	Nut 1/4	
47	3820001	2	Rivet	
48	4751400	8	Washer 1/4	
58	0641406	4	Bolt 1/4 x 3/4	
59	1705426	1	Decal - Drive/Steer Instructions	
63	1001224053	1	Decal - Yearly Inspection	
69	1701499	4	Decal - No Lift	
70	1701509	1	Decal - Manual	
71	1703811	4	Decal - Tie Down/Lift	
72	1703814	6	Decal - Tie Down	
73	1704277	4	Decal - Attach Lanyard Here	
74	1704412	1	Decal - Hydraulic Oil Chart	
75	3251243	1	Decal - Nameplate	
77	1703926	1	Decal - Warning/Danger	
78	1705344	1	Decal - Warning Inspection	
79	1703950	5	Decal - Warning Crushing	
80	1703938	5	Decal - Danger Electrocution	
81	1703944	7	Decal - Warning Crushing	
82	1703980	1	Decal - Footswitch	
83	1703484	1	Decal - Max Tire Load	

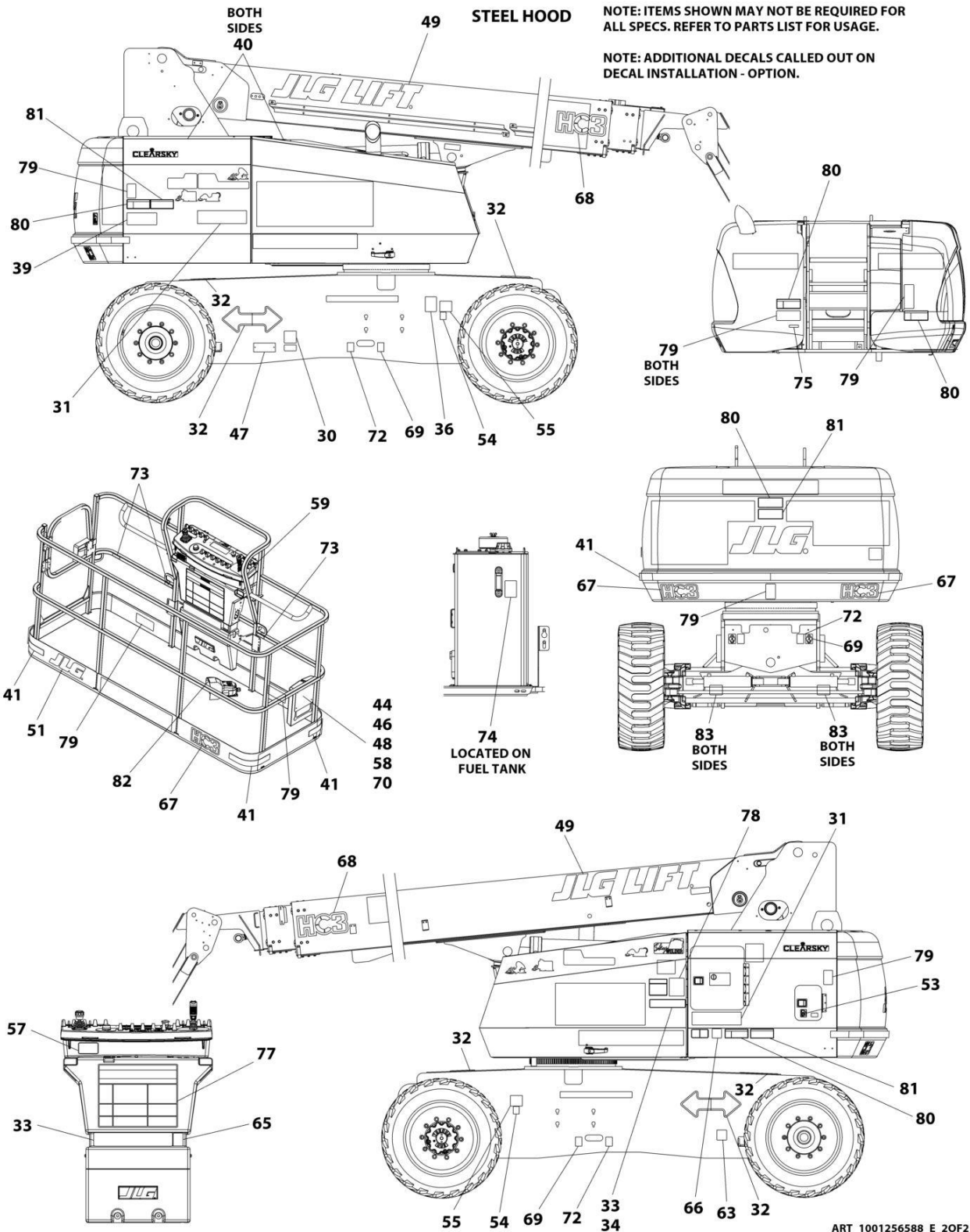
SECTION 9 - DECALS

FIGURE 9-12. DECAL INSTALLATION - (JAPANESE SPECS) (860SJ HC3)



ART_1001256588_E_10F2

SECTION 9 - DECALS



ART_1001256588_E_20F2

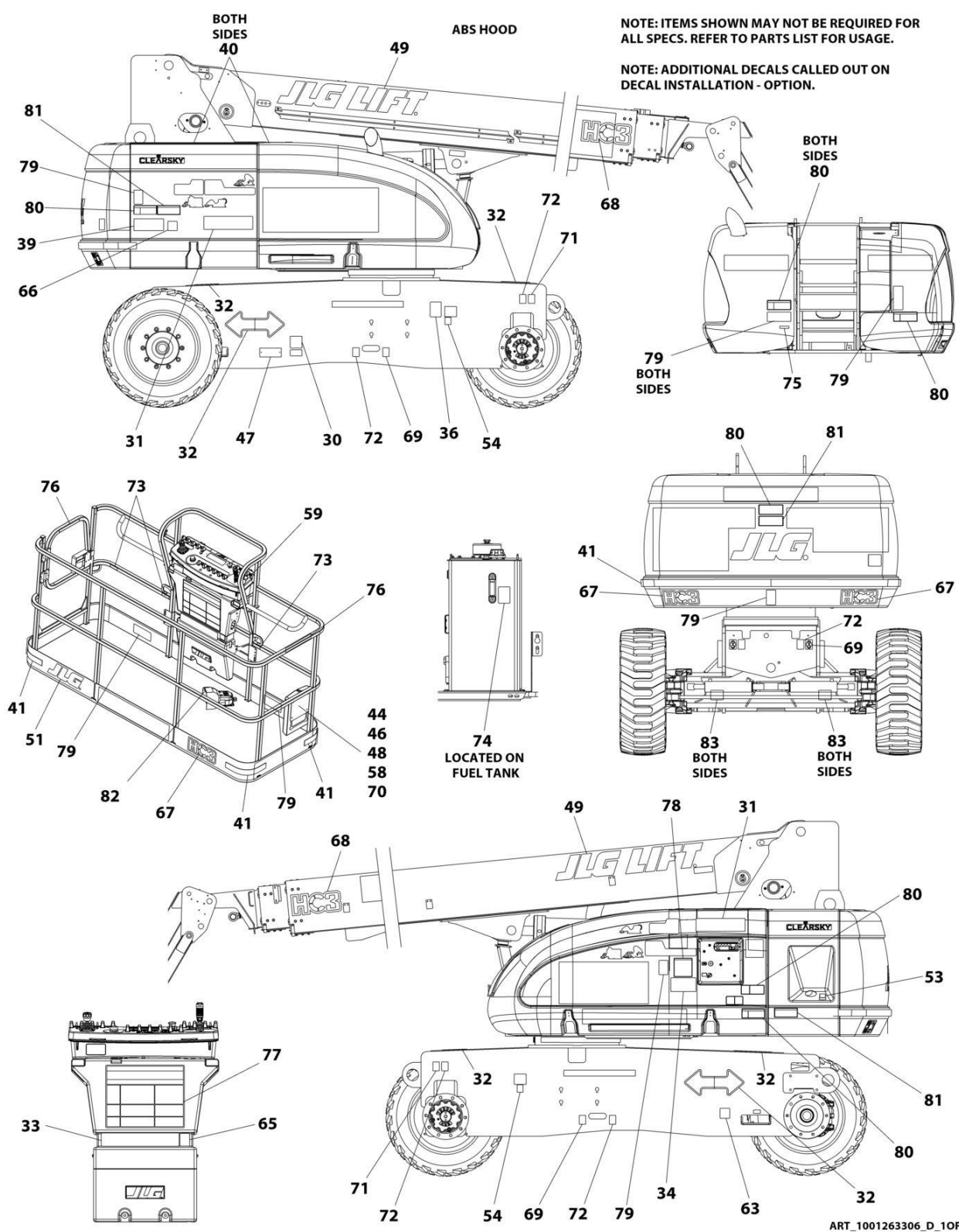
SECTION 9 - DECALS

FIGURE 9-12. DECAL INSTALLATION - (JAPANESE SPECS) (860SJ HC3)

ITEM	PART NUMBER	QTY	DESCRIPTION	REV
	1001256588	Ref	DECAL INSTALLATION	E
	1001256837	Ref	REFERENCE CHART	C
30	See Note	1	Decal - Bar Code (Note: Not Available for Purchase)	
31	1001267309	2	Decal - 860SJ	
32	1701501	4	Decal - Arrow	
33	1001256579	1	Decal - Warning	
34	1001256580	1	Decal - Warning	
39	1001270286	1	Decal - Lift Diagram	
39	1001175354	1	Decal - Lift Diagram	
40	1701691	4	Decal - No Step	
41	4420051	AR	Stripes, Warning	
44	0860520	1	Box, Manual Storage	
46	3311405	4	Nut 1/4	
47	3820001	2	Rivet	
48	4751400	8	Washer 1/4	
58	0641406	4	Bolt 1/4 x 3/4	
59	1705426	1	Decal - Drive/Steer Instructions	
63	1001224053	1	Decal - Yearly Inspection	
69	1701499	4	Decal - No Lift	
70	1701509	1	Decal - Manual	
71	1703811	4	Decal - Tie Down/Lift	
72	1703814	6	Decal - Tie Down	
73	1704277	4	Decal - Attach Lanyard Here	
74	1704412	1	Decal - Hydraulic Oil Chart	
75	3251243	1	Decal - Nameplate	
77	1703926	1	Decal - Warning/Danger	
78	1705344	1	Decal - Warning Inspection	
79	1703950	5	Decal - Warning Crushing	
80	1703938	5	Decal - Danger Electrocution	
81	1703944	7	Decal - Warning Crushing	
82	1703980	1	Decal - Footswitch	
83	1703484	1	Decal - Max Tire Load	

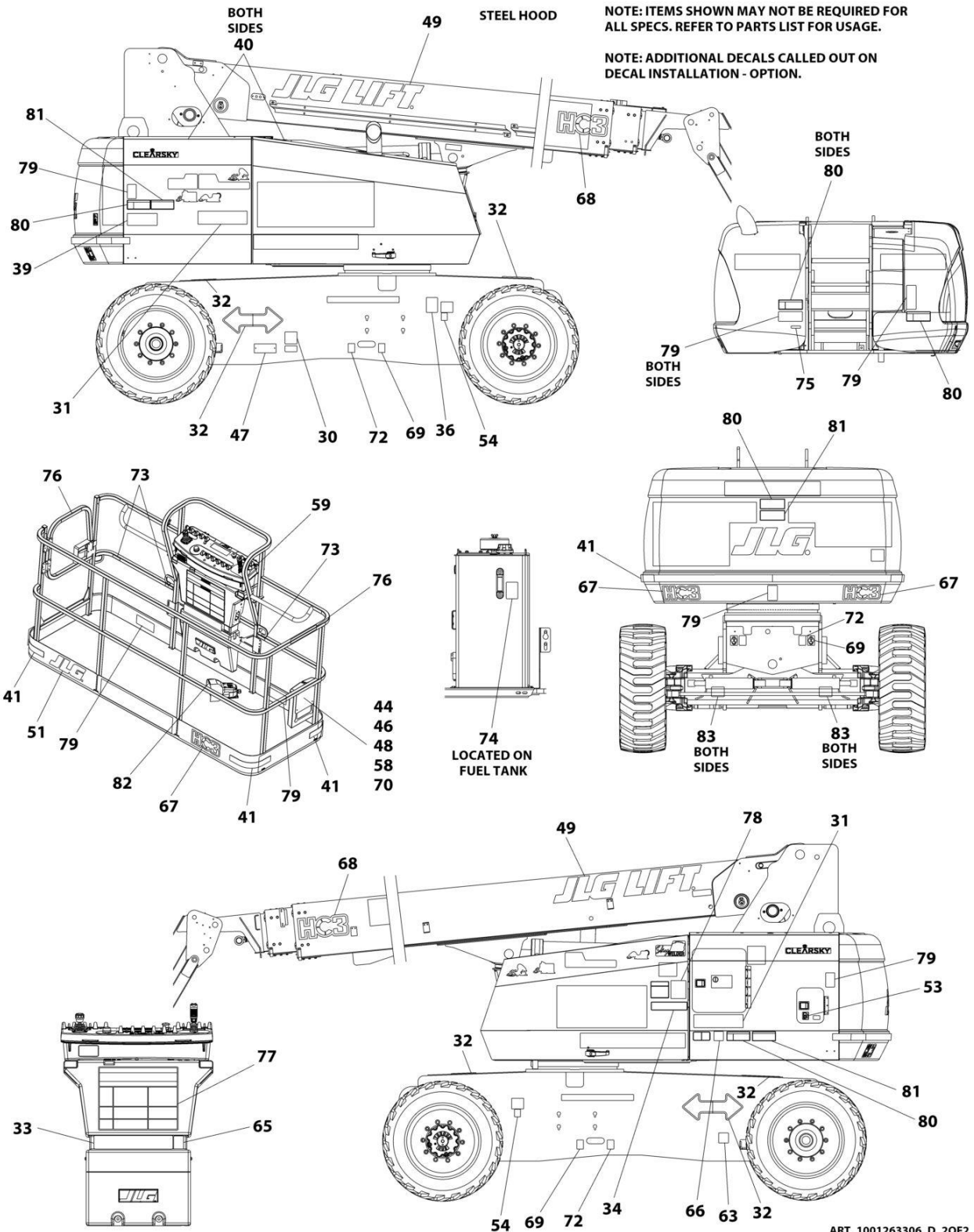
SECTION 9 - DECALS

FIGURE 9-13. DECAL INSTALLATION - (KOREAN SPECS) (800S HC3)



ART_1001263306_D_10F2

SECTION 9 - DECALS



ART_1001263306_D_20F2

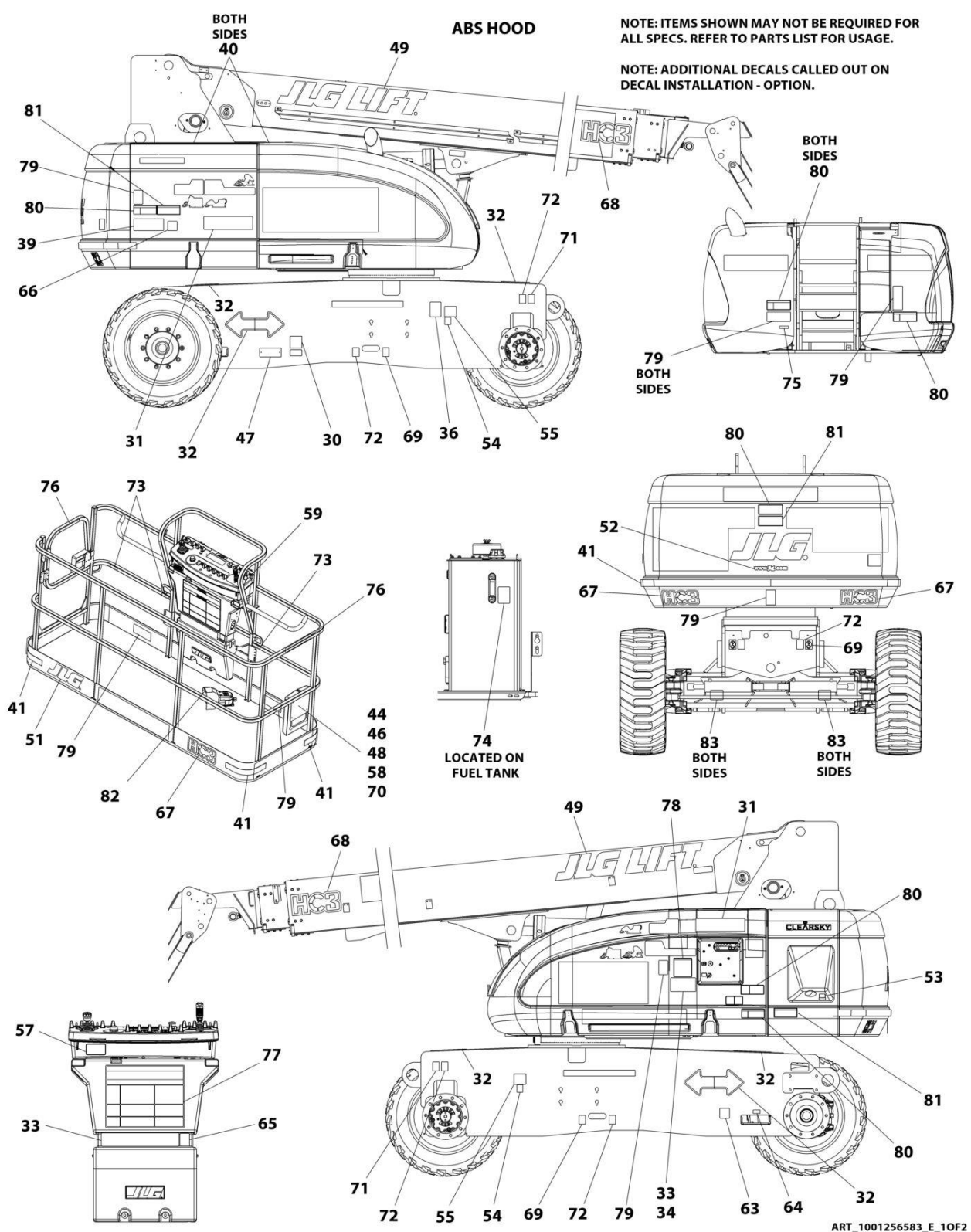
SECTION 9 - DECALS

FIGURE 9-13. DECAL INSTALLATION - (KOREAN SPECS) (800S HC3)

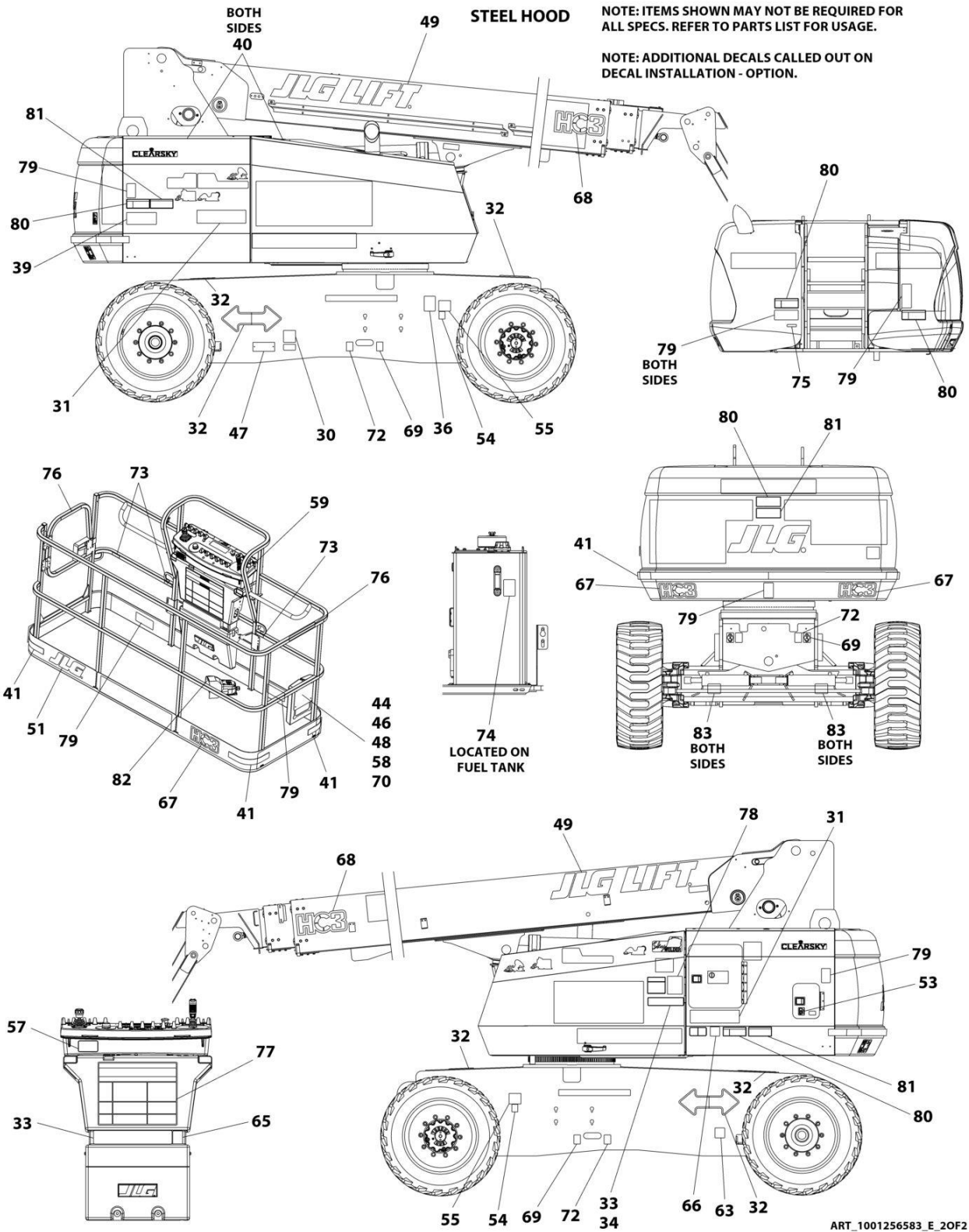
ITEM	PART NUMBER	QTY	DESCRIPTION	REV
	1001263306	Ref	DECAL INSTALLATION	D
	1001256837	Ref	REFERENCE CHART	C
30	See Note	NSS	Decal - Bar Code (Note: Not Available for Purchase)	
31	1001267308	2	Decal - 800S	
32	1701501	4	Decal - Arrow	
33	1001256569	1	Decal - Warning	
34	1001256570	1	Decal - Warning	
39	1001270286	1	Decal - Lift Diagram	
40	1701691	4	Decal - No Step	
41	4420051	23.1 ft/7m	Stripes, Warning	
44	0860520	1	Box, Manual Storage	
46	3311405	4	Nut 1/4	
47	3820001	2	Rivet	
48	4751400	8	Washer 1/4	
58	0641406	4	Bolt 1/4 x 3/4	
59	1705427	1	Decal - Drive/Steer Instructions	
63	1001224048	1	Decal - Yearly Inspection	
69	1701499	4	Decal - No Lift	
70	1701509	1	Decal - Manual	
71	1703811	4	Decal - Tie Down/Lift	
72	1703814	6	Decal - Tie Down	
73	1704277	4	Decal - Attach Lanyard Here	
74	1704412	1	Decal - Hydraulic Oil Chart	
75	3251243	1	Nameplate - 120V-60HZ	
76	1705969	2	Decal - No Hands	
77	1703927	1	Decal - Warning/Danger	
78	1705345	1	Decal - Warning Inspection (MTB)	
79	1703951	5	Decal - Warning Crushing	
80	1703939	5	Decal - Danger Electrocution	
81	1703945	7	Decal - Warning Crushing	
82	1703981	1	Decal - Footswitch	
83	1703475	4	Decal - Max Tire Load	

SECTION 9 - DECALS

FIGURE 9-14. DECAL INSTALLATION - (KOREAN SPECS) (860SJ HC3)



SECTION 9 - DECALS



ART_1001256583_E_20F2

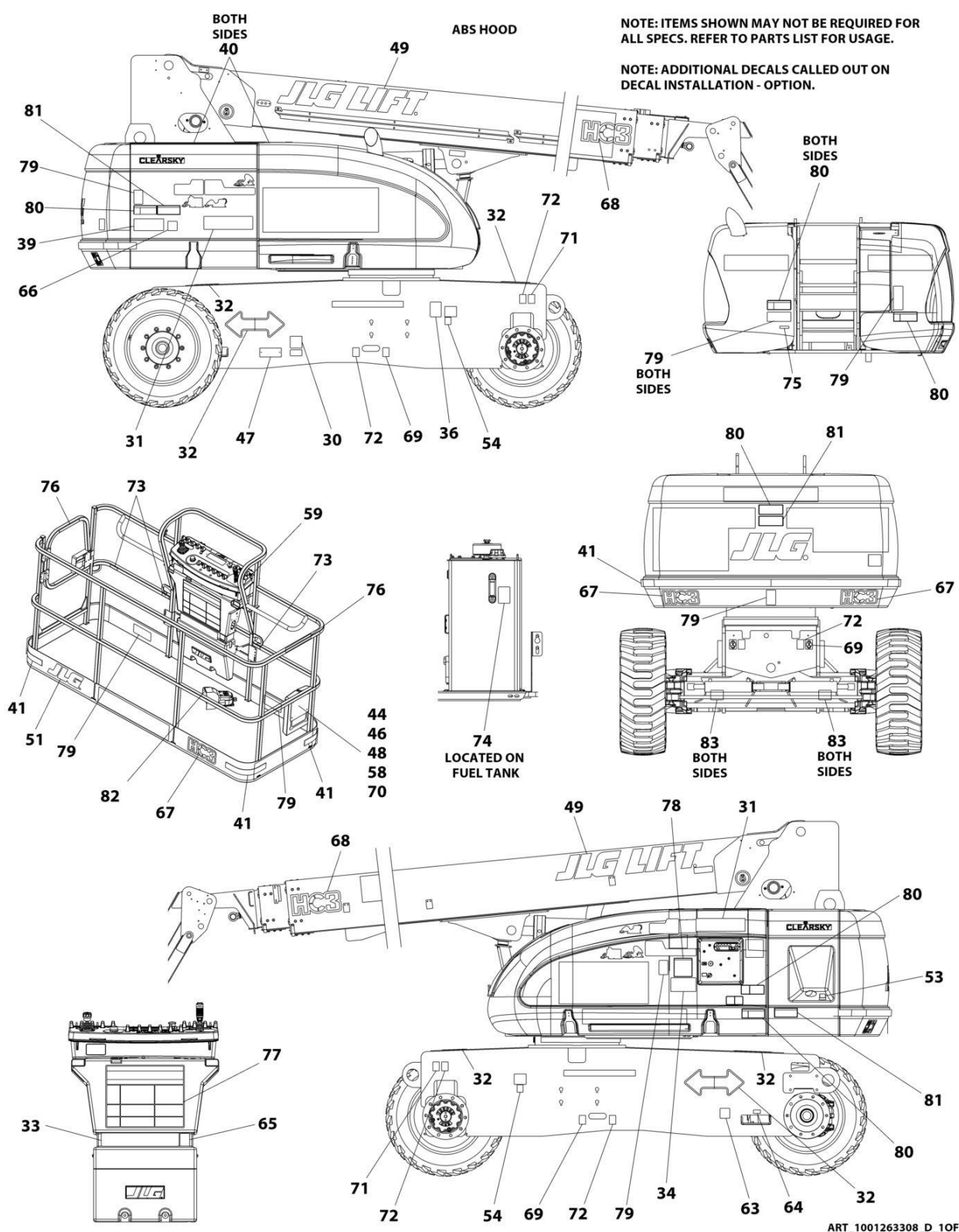
SECTION 9 - DECALS

FIGURE 9-14. DECAL INSTALLATION - (KOREAN SPECS) (860SJ HC3)

ITEM	PART NUMBER	QTY	DESCRIPTION	REV
	1001256583	Ref	DECAL INSTALLATION	E
	1001256837	Ref	REFERENCE CHART	C
30	See Note	NSS	Decal - Bar Code (Note: Not Available for Purchase)	
31	1001267309	2	Decal - 860SJ	
32	1701501	4	Decal - Arrow	
33	1001256569	1	Decal - Warning	
34	1001256570	1	Decal - Warning	
39	1001270286	1	Decal - Lift Diagram	
40	1701691	4	Decal - No Step	
41	4420051	23.1 ft/7m	Stripes, Warning	
44	0860520	1	Box, Manual Storage	
46	3311405	4	Nut 1/4	
47	3820001	2	Rivet	
48	4751400	8	Washer 1/4	
58	0641406	4	Bolt 1/4 x 3/4	
59	1705427	1	Decal - Drive/Steer Instructions	
63	1001224048	1	Decal - Yearly Inspection	
69	1701499	4	Decal - No Lift	
70	1701509	1	Decal - Manual	
71	1703811	4	Decal - Tie Down/Lift	
72	1703814	6	Decal - Tie Down	
73	1704277	4	Decal - Attach Lanyard Here	
74	1704412	1	Decal - Hydraulic Oil Chart	
75	3251243	1	Nameplate - 120V-60HZ	
76	1705969	2	Decal - No Hands	
77	1703927	1	Decal - Warning/Danger	
78	1705345	1	Decal - Warning Inspection (MTB)	
79	1703951	5	Decal - Warning Crushing	
80	1703939	5	Decal - Danger Electrocution	
81	1703945	7	Decal - Warning Crushing	
82	1703981	1	Decal - Footswitch	
83	1703482	4	Decal - Max Tire Load	

SECTION 9 - DECALS

FIGURE 9-15. DECAL INSTALLATION - (LATIN AMERICAN SPECS) (800S HC3)



ART_1001263308_D_10F2

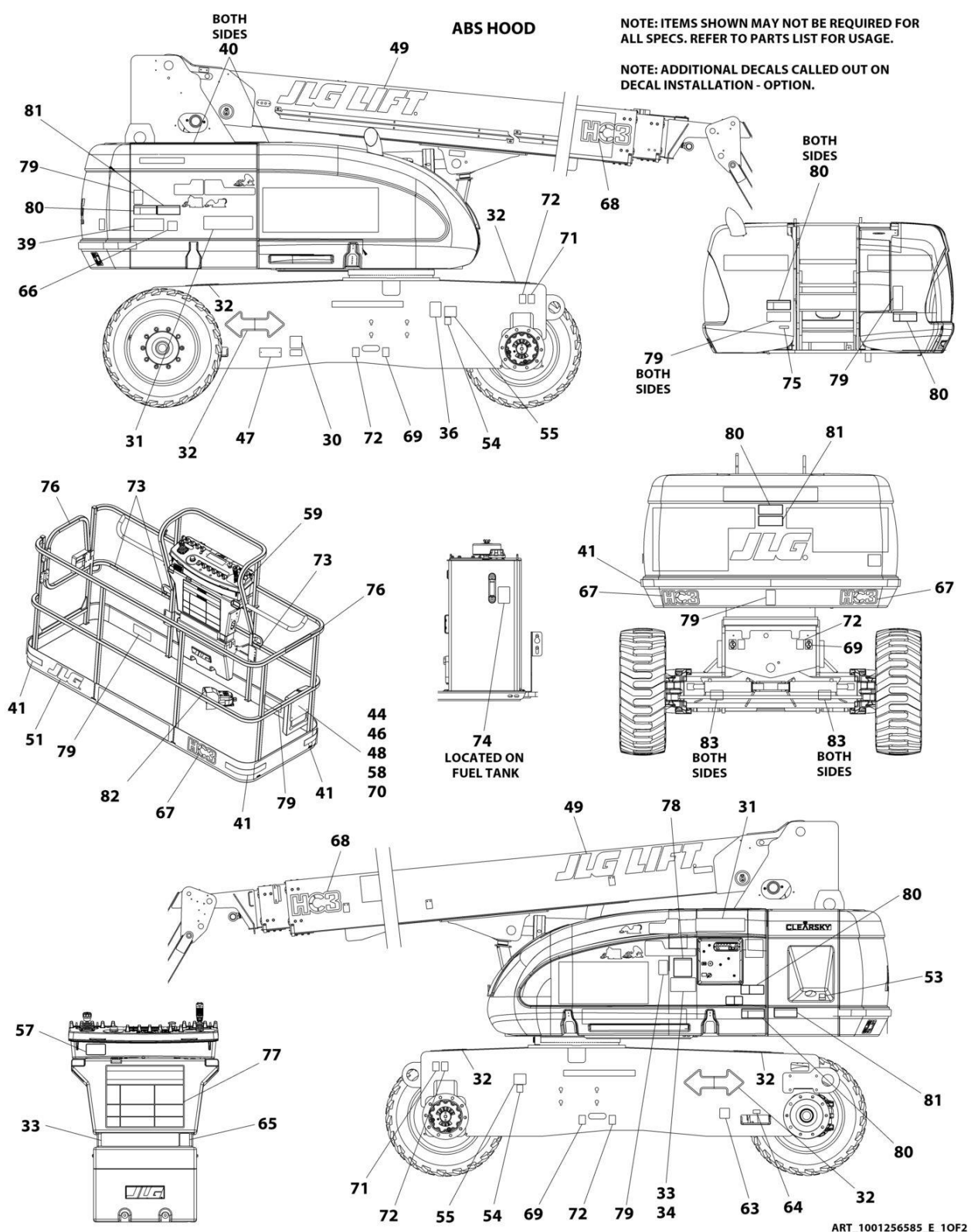
SECTION 9 - DECALS

FIGURE 9-15. DECAL INSTALLATION - (LATIN AMERICAN SPECS) (800S HC3)

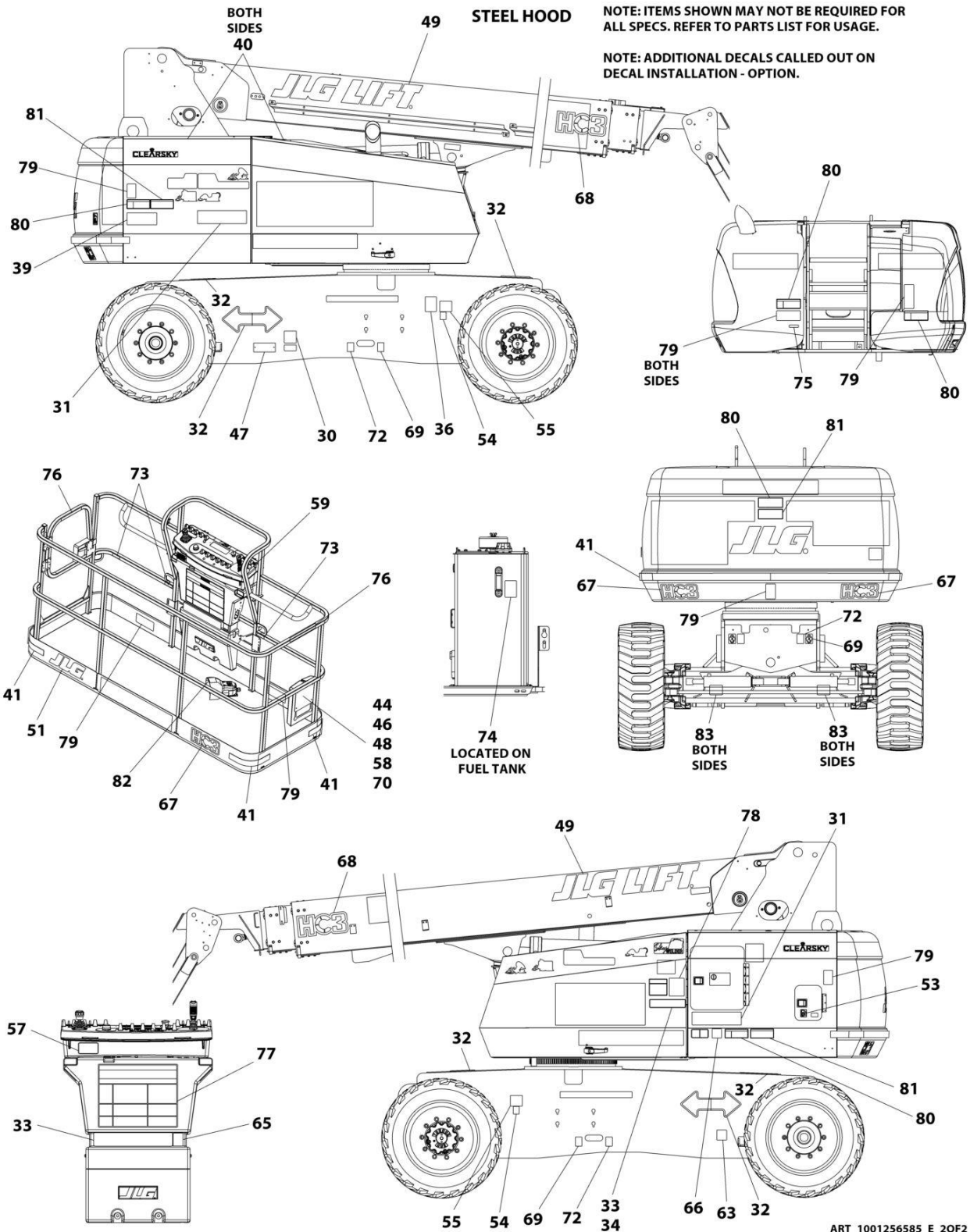
ITEM	PART NUMBER	QTY	DESCRIPTION	REV
	1001263308	Ref	DECAL INSTALLATION	D
	1001256837	Ref	REFERENCE CHART	C
30	See Note	NSS	Decal - Bar Code (Note: Not Available for Purchase)	
31	1001267308	2	Decal - 800S	
32	1701501	4	Decal - Arrow	
33	1001256573	1	Decal - Warning	
34	1001256574	1	Decal - Warning	
39	1001270286	1	Decal - Lift Diagram	
40	1701691	4	Decal - No Step	
41	4420051	23.1 ft/7m	Stripes, Warning	
44	0860520	1	Box, Manual Storage	
46	3311405	4	Nut 1/4	
47	3820001	2	Rivet	
48	4751400	8	Washer 1/4	
58	0641406	4	Bolt 1/4 x 3/4	
59	1705910	1	Decal - Drive/Steer Instructions	
63	1001224049	1	Decal - Yearly Inspection	
69	1701499	4	Decal - No Lift	
70	1701509	1	Decal - Manual	
71	1703811	4	Decal - Tie Down/Lift	
72	1703814	6	Decal - Tie Down	
73	1704277	4	Decal - Attach Lanyard Here	
74	1704412	1	Decal - Hydraulic Oil Chart	
75	3251243	1	Nameplate - 120V-60HZ	
76	1704001	2	Decal - No Hands	
77	1703923	1	Decal - Warning/Danger	
78	1705917	1	Decal - Warning Inspection (MTB)	
79	1703947	5	Decal - Warning Crushing	
80	1703935	5	Decal - Danger Electrocution	
81	1703941	7	Decal - Warning Crushing	
82	1703983	1	Decal - Footswitch	
83	1703475	4	Decal - Max Tire Load	

SECTION 9 - DECALS

FIGURE 9-16. DECAL INSTALLATION - (LATIN AMERICAN SPECS) (860SJ HC3)



SECTION 9 - DECALS



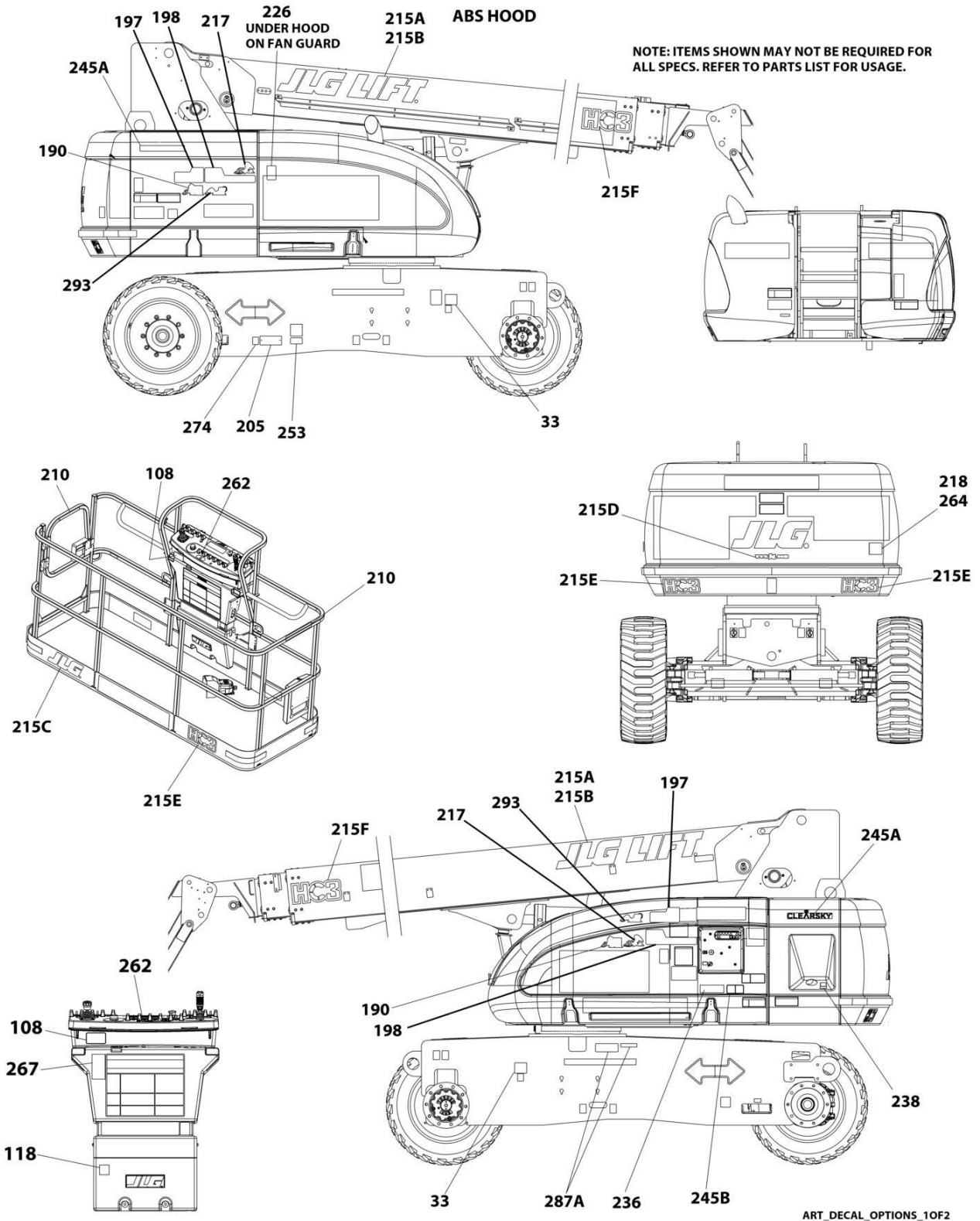
SECTION 9 - DECALS

FIGURE 9-16. DECAL INSTALLATION - (LATIN AMERICAN SPECS) (860SJ HC3)

ITEM	PART NUMBER	QTY	DESCRIPTION	REV
	1001256585	Ref	DECAL INSTALLATION	E
	1001256837	Ref	REFERENCE CHART	C
30	See Note	NSS	Decal - Bar Code (Note: Not Available for Purchase)	
31	1001267309	2	Decal - 860SJ	
31	1704907	2	Decal - 860SJ	
32	1701501	4	Decal - Arrow	
33	1001256573	1	Decal - Warning	
34	1001256574	1	Decal - Warning	
39	1001270286	1	Decal - Lift Diagram	
40	1701691	4	Decal - No Step	
41	4420051	23.1 ft/7m	Stripes, Warning	
44	0860520	1	Box, Manual Storage	
46	3311405	4	Nut 1/4	
47	3820001	2	Rivet	
48	4751400	8	Washer 1/4	
58	0641406	4	Bolt 1/4 x 3/4	
59	1705910	1	Decal - Drive/Steer Instructions	
63	1001224049	1	Decal - Yearly Inspection	
69	1701499	4	Decal - No Lift	
70	1701509	1	Decal - Manual	
71	1703811	4	Decal - Tie Down/Lift	
72	1703814	6	Decal - Tie Down	
73	1704277	4	Decal - Attach Lanyard Here	
74	1704412	1	Decal - Hydraulic Oil Chart	
75	3251243	1	Nameplate - 120V-60HZ	
76	1704001	2	Decal - No Hands	
77	1703923	1	Decal - Warning/Danger	
78	1705917	1	Decal - Warning Inspection (MTB)	
79	1703947	5	Decal - Warning Crushing	
80	1703935	5	Decal - Danger Electrocutation	
81	1703941	7	Decal - Warning Crushing	
82	1703983	1	Decal - Footswitch	
83	1703484	4	Decal - Max Tire Load	

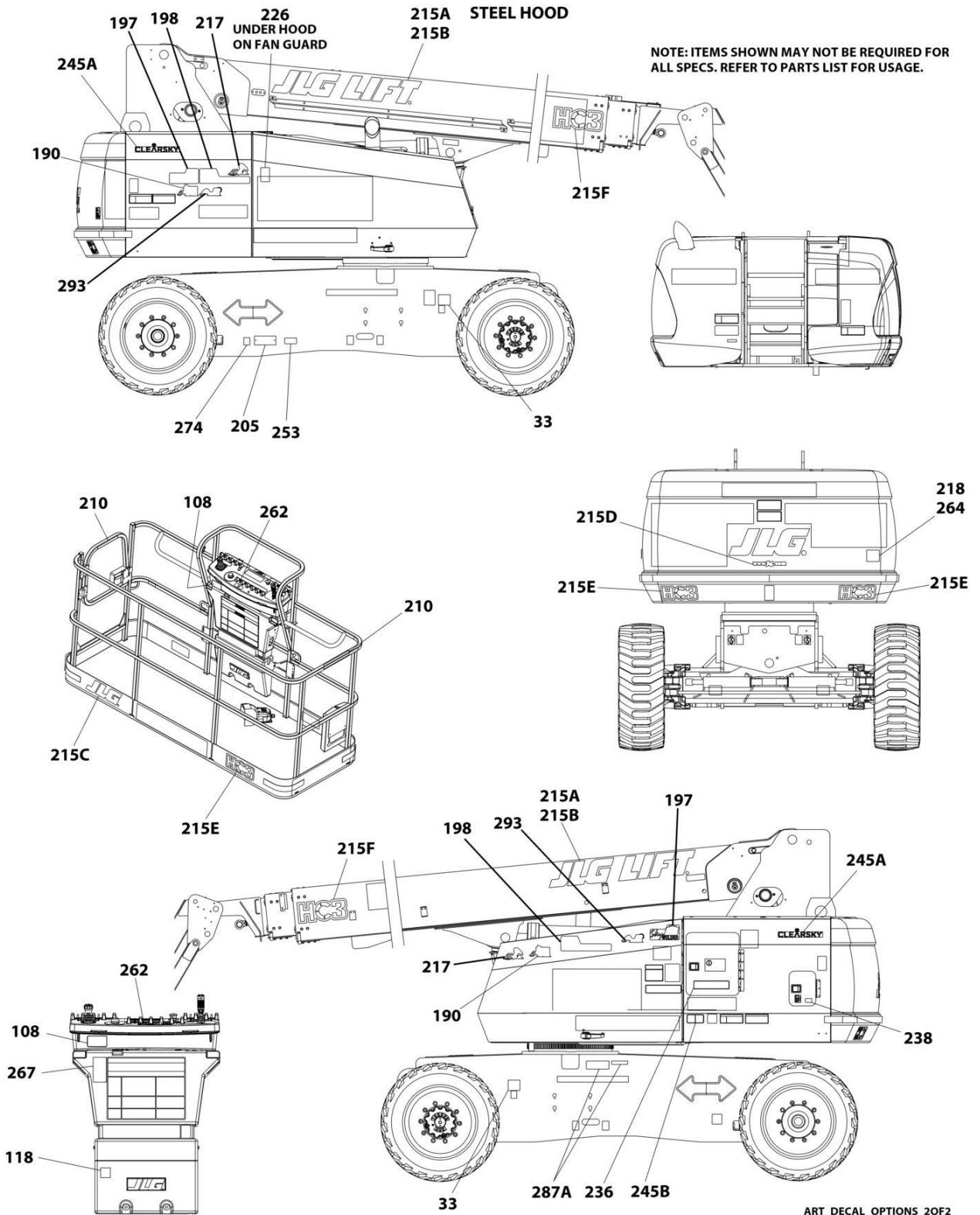
SECTION 9 - DECALS

FIGURE 9-17. DECAL INSTALLATION - OPTIONS



ART_DECAL_OPTIONS_10F2

SECTION 9 - DECALS



ART_DECAL_OPTIONS_20F2

SECTION 9 - DECALS

FIGURE 9-17. DECAL INSTALLATION - OPTIONS

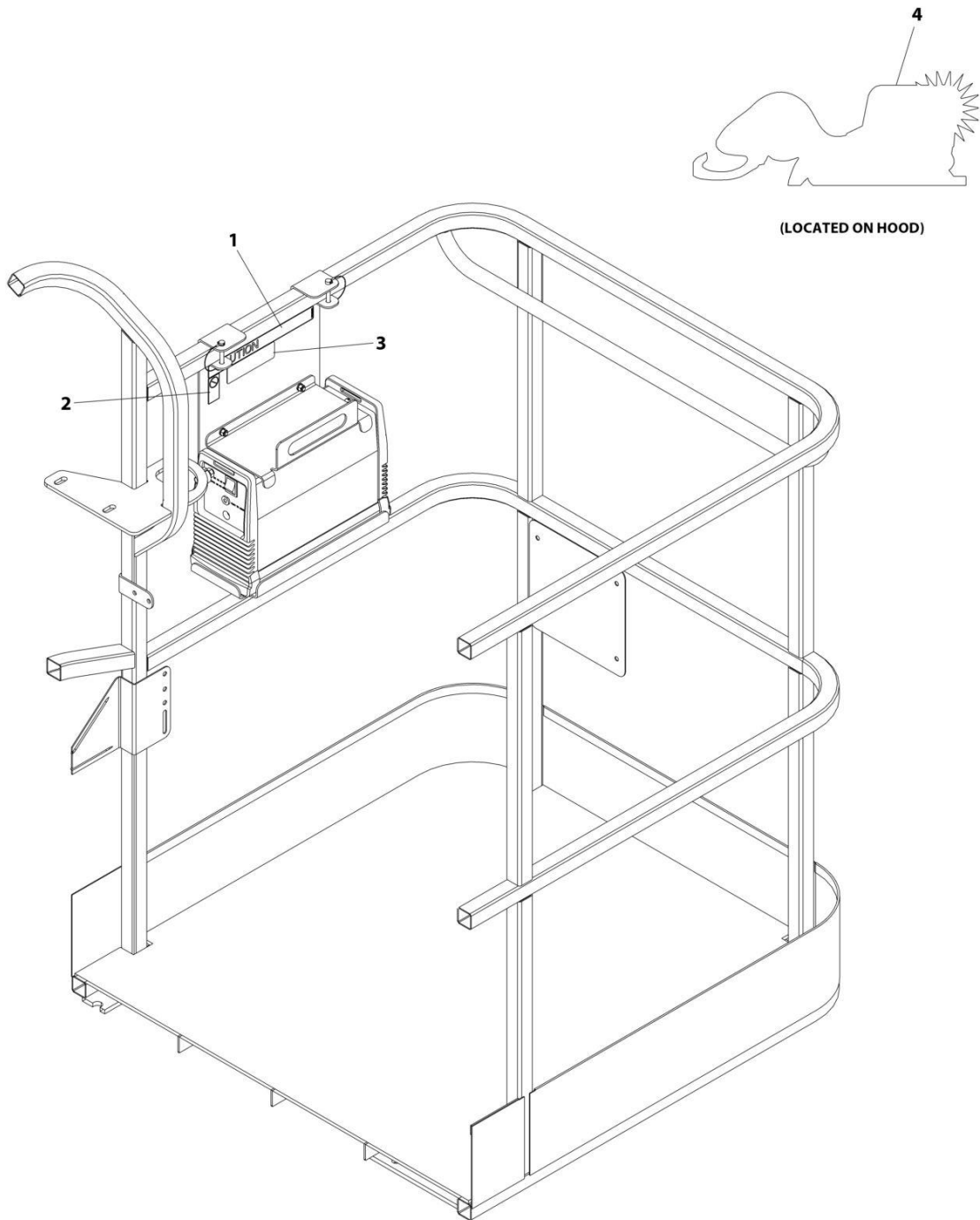
ITEM	PART NUMBER	QTY	DESCRIPTION	REV
		Ref	DECAL INSTALLATION - OPTIONS	
33	1700818	2	Decal - Fuel (LP Gas Machines) (English Language) (ANSI and Australian Specs)	
33	1704271	2	Decal - Fuel (LP Gas Machines) (English/French Languages) (CSA Specs)	
33	1702720	2	Decal - Fuel (LP Gas Machines) (English/Spanish Languages) (ANSI Export Specs)	
108	1001231801	1	Decal - Warning Proposition 65 (ANSI Specs)	
118	0257195	Ref	Decal - Government Warranty Installation (ANSI Spec)	
118	1703179	1	Decal - Government Warranty	
190A	1001262102	1	Decal - SkyGlazier Capacity (English Language) (ANSI & CSA Specs)	
190B	1001262103	1	Decal - SkyGlazier Capacity (Spanish Language)	
190C	1001262104	1	Decal - SkyGlazier Capacity (Portuguese Language)	
190L	1001262105	1	Decal - SkyGlazier Capacity (English Language) (Australian Spec)	
205	See Note	1	Nameplate - Manufacturers Serial Number (Note: Not Available for Purchase)	
210	1702868	2	Decal - No Hands (English Language)	
210	1001218850	2	Decal - No Hands (CE & UK CA)	
210	1001116846	2	Decal - No Hands (English/Chinese Language)	
210	1704000	2	Decal - No Hands (English/French Language)	
210	1705969	2	Decal - No Hands (English/Korean Language)	
210	1705967	2	Decal - No Hands (English/Portuguese Language)	
210	1704001	2	Decal - No Hands (English/Spanish Language)	
215	1001256838	Ref	Decal - Logo Installation (All Specs Except CE & UK CA Specs)	
215A	1702861	2	Decal - JLG Lift (All Specs Except CE & UK CA Specs)	
215B	1001159323	2	Decal - JLG (CE & UK CA Specs)	
215C	1702773	1	Decal - JLG	
215D	1704885	1	Decal - Website	
215E	1001244212	3	Decal - HC3	
215F	1001256906	2	Decal - HC3	
218	3251813	1	Decal - USA	
226	1704972	1	Decal - Warning Explosion/ Fire (English Language) (Diesel Machines) (ANSI, AND CSA Specs)	
226	1706098	1	Decal - Warning Explosion/Fire (English Language) (Diesel Machines) (Australian, Russian, CE & UK CA Specs)	
226	1706059	1	Decal - Warning Explosion/Fire (English/Portuguese Language) (Diesel Machines) (Brazil Specs)	
226	1706060	1	Decal - Warning Explosion/Fire (English/Chinese Language) (Diesel Machines) (Chinese Specs)	
226	1706064	1	Decal - Warning Explosion/Fire (English Language) (Diesel Machines) (CSA Specs)	
226	1706062	1	Decal - Warning Explosion/Fire (English/Japanes Language) (Diesel Machines) (Japanese Specs)	
226	1706061	1	Decal - Warning Explosion/Fire (English/Korean Language) (Diesel Machines) (Korean Specs)	
226	1706063	1	Decal - Warning Explosion/Fire - (English/Spanish Language) (Diesel Machines) (Latin American Specs)	
238	1001125387	1	Decal - Ultra Low Sulfur Fuel (Diesel Machines) (ANSI & CSA Specs)	
238	1001139654	1	Decal - Ultra Low Sulfur Fuel (Diesel Machines) (ANSI Export (HRC), CE, Japanese, China & UK CA Specs)	
245	1001120993	Ref	Decal Installation - ClearSky (Machines with ClearSky Option)	

SECTION 9 - DECALS

ITEM	PART NUMBER	QTY	DESCRIPTION	REV
245A	1001116208	2	Decal - ClearSky	
245B	1001120989	1	Decal - Radio Frequency	
245	1001294861	Ref	Smart Fleet ClearSky Decal Installation	
245A	1001120989	1	Decal - Radio Frequency	
245B	1001294815	1	Decal - ClearSky	
253	1001143852	1	Decal - Emission Compliance (Diesel Machines) (ANSI Export (LRC), Australian, CE, Chinese & UK CA Specs)	
262	1001141300	1	Decal - SkyGuard Override (Machines without Soft Touch Option)	
262	1001141302	1	Decal - SkyGuard Override (Machines with Soft Touch Option)	
263	1001197408	1	Decal - MSSO (CE, Russian & UK CA Specs)	
264	1705980	1	Decal - Sound Power (106dB) (Machines with Deutz D2011 Engines) (Australian, Russian, CE & UK CA Specs)	
264	1001191525	1	Decal - Sound Power (108dB) (Machines with Deutz TD2.9L4 and Deutz 2.9L4 (Stage V) Engines with Steel Hoods) (CE & UK CA Specs)	
264	1705368	1	Decal - Sound Power (112dB) (Machines with Deutz TD2.9L4 and Deutz 2.9L4 (Stage V) Engines with ABS Hoods) (CE & UK CA Specs)	
264	1001200072	1	Decal - Sound Power (113dB) (Machines with Deutz TD2.9L4 and Deutz 2.9L4 (Stage V) Engines with Steel Hoods) (CE & UK CA Specs)	
267	1001200131	1	Decal - Quick Start Guide (Danish Language)	
267	1001200129	1	Decal - Quick Start Guide (Dutch Language)	
267	1001181145	1	Decal - Quick Start Guide (English Language)	
267	1001200128	1	Decal - Quick Start Guide (French Language)	
267	1001200130	1	Decal - Quick Start Guide (German Language)	
267	1001200134	1	Decal - Quick Start Guide (Norwegian Language)	
267	1001200132	1	Decal - Quick Start Guide (Swedish Language)	
267	1001200133	1	Decal - Quick Start Guide (Spanish Language)	
274	1001214030	1	Decal Installation - EAC (Russian/CIS Specs)	
287A	1001236400	1	Decal - ECO Label	

SECTION 9 - DECALS

FIGURE 9-18. SKYCUTTER DECAL INSTALLATION (ANSI, ANSI EXPORT & CSA SPECS)



ART_0272599

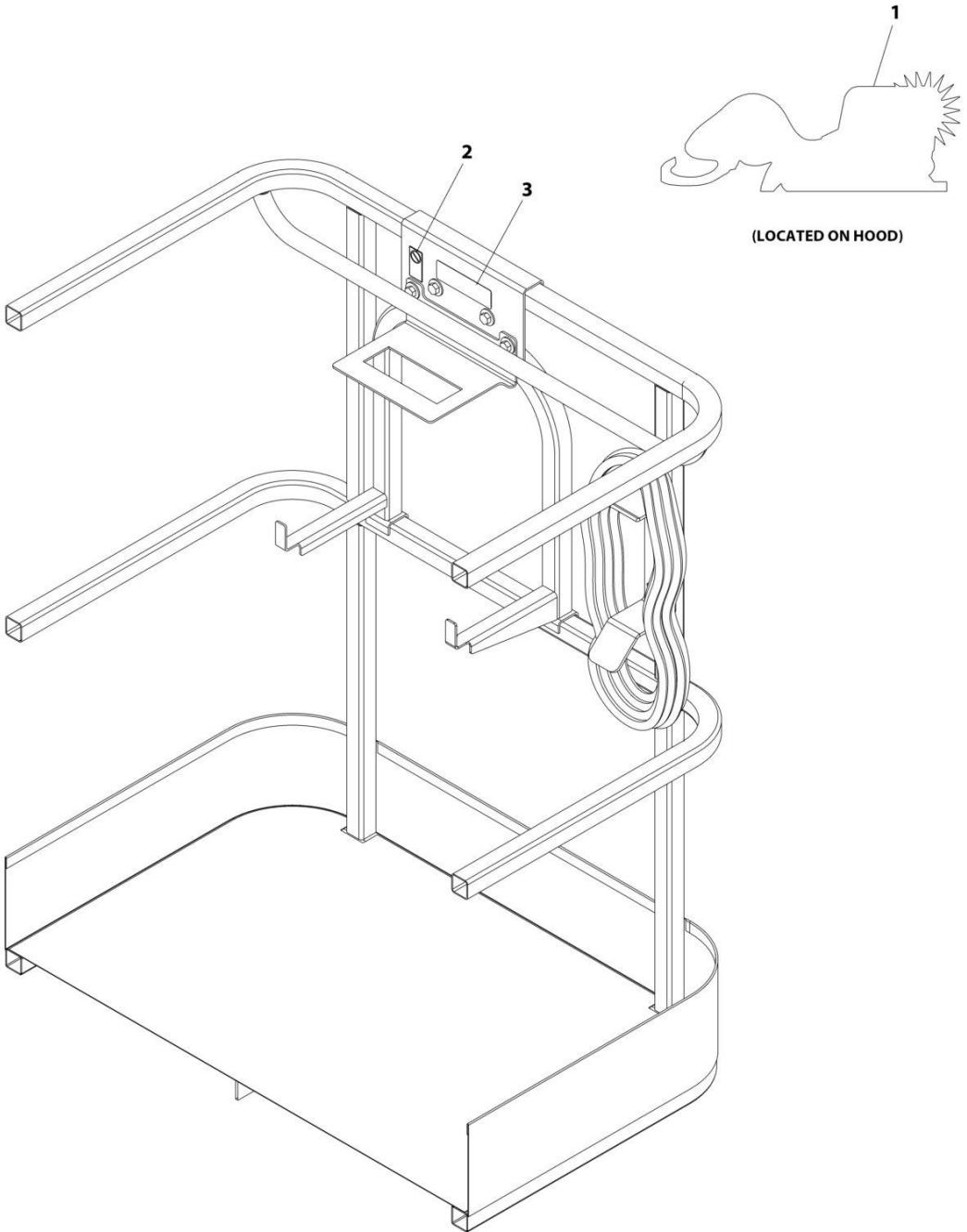
SECTION 9 - DECALS

FIGURE 9-18. SKYCUTTER DECAL INSTALLATION (ANSI, ANSI EXPORT & CSA SPECS)

ITEM	PART NUMBER	QTY	DESCRIPTION	REV
	0272599	Ref	SKYCUTTER DECAL INSTALLATION	C
1	1702868	1	Decal - No Hands	
2	1705305	1	Decal - Weld Leads	
3	1001252627	1	Decal - Weight	
4	1705490	2	Decal - SkyCutter	

SECTION 9 - DECALS

FIGURE 9-19. SKYCUTTER DECAL INSTALLATION (JAPANESE SPECS)



ART_0272607_C

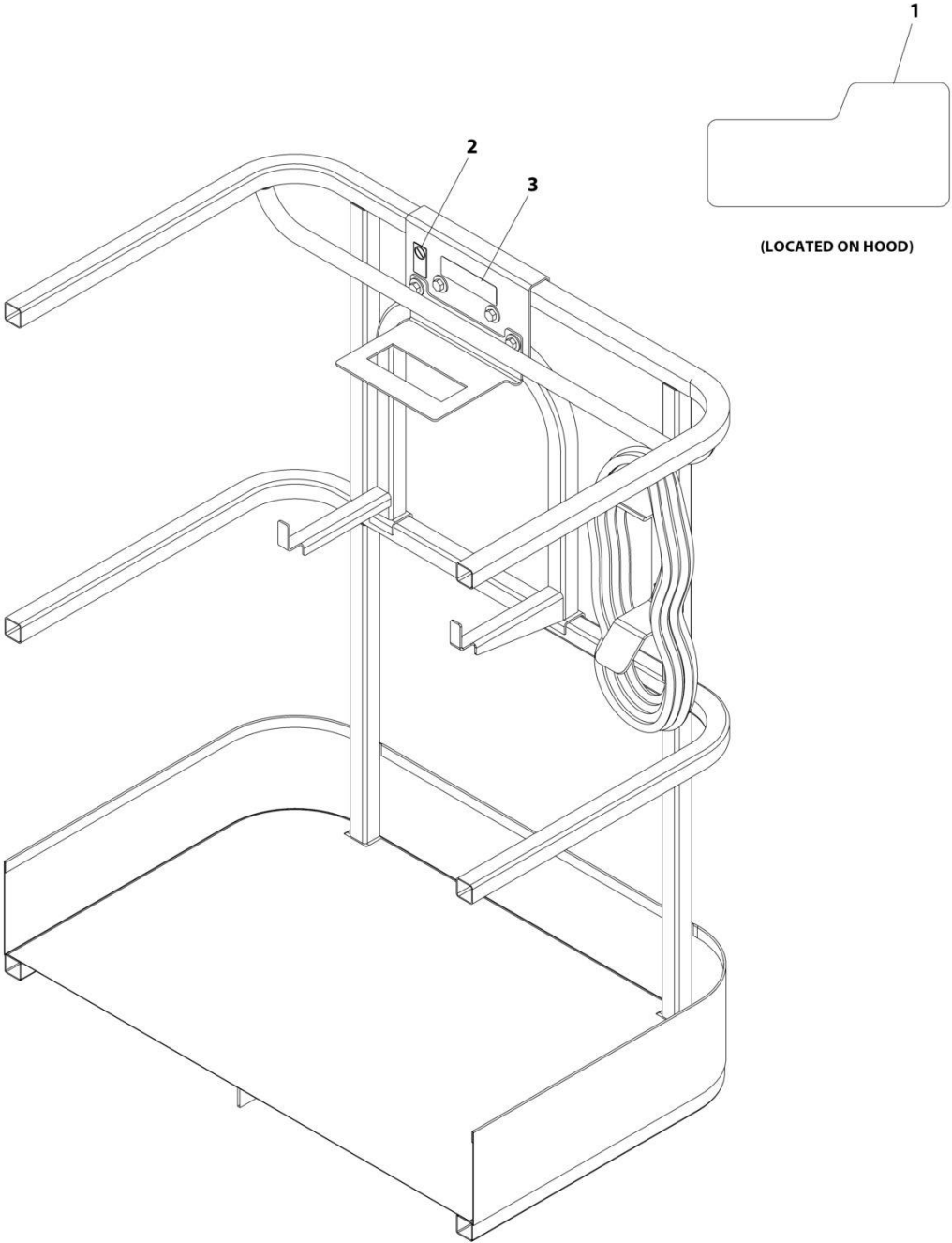
SECTION 9 - DECALS

FIGURE 9-19. SKYCUTTER DECAL INSTALLATION (JAPANESE SPECS)

ITEM	PART NUMBER	QTY	DESCRIPTION	REV
	0272607	1	SKYCUTTER DECAL INSTALLATION	C
1	1705490	2	Decal - SkyCutter	
2	1705305	1	Decal - Weld Lead	
3	1001252627	1	Decal - Weight	

SECTION 9 - DECALS

FIGURE 9-20. SKYWELDER DECAL INSTALLATION - 50HZ



ART_0272588

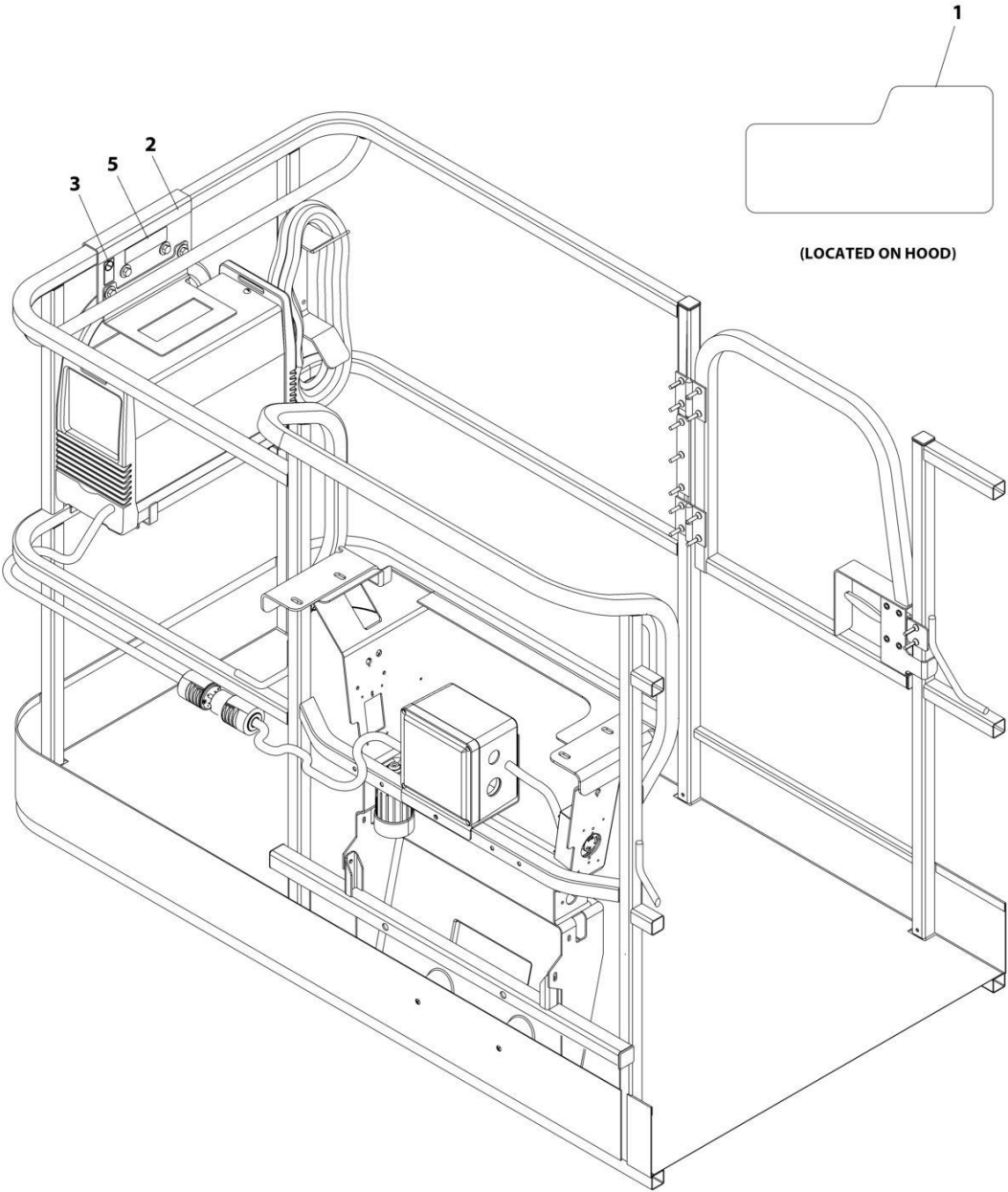
SECTION 9 - DECALS

FIGURE 9-20. SKYWELDER DECAL INSTALLATION - 50HZ

ITEM	PART NUMBER	QTY	DESCRIPTION	REV
	0272588	Ref	SKYWELDER DECAL INSTALLATION - 50Hz	B
1	1705355	2	Decal - SkyWelder	
2	1705305	1	Decal - Weld Lead	
3	1001228988	1	Decal - Weight	

SECTION 9 - DECALS

FIGURE 9-21. SKYWELDER DECAL INSTALLATION - 60HZ



ART_0272448_D

SECTION 9 - DECALS

FIGURE 9-21. SKYWELDER DECAL INSTALLATION - 60HZ

ITEM	PART NUMBER	QTY	DESCRIPTION	REV
	0272448	Ref	SKYWELDER DECAL INSTALLATION - 60Hz	D
1	1705355	2	Decal - SkyWelder	
2	1702868	1	Decal - No Hands	
3	1705305	1	Decal - Weld Lead	
5	1001228988	1	Decal - Weight	

SECTION 10 - RECOMMENDED SERVICE PARTS STOCK

SECTION 10 - RECOMMENDED SERVICE PARTS STOCK

SECTION 10 - RECOMMENDED SERVICE PARTS STOCK

FIGURE 10-1. RECOMMENDED SERVICE PARTS STOCK

ITEM	PART NUMBER	QTY	DESCRIPTION	REV
		Ref	Note: The following list will service one machine (built to current production per date on the front cover) with emergency repair parts which can be installed in the field. Parts from the list should be replaced when inventory is depleted to keep service parts stock supplied. For further information, contact your JLG dealer or the JLG Industries Parts Department.	
	1001181045	1	Breaker, 30mA/16Amp (16Amp Breaker Box)	
	1001181046	1	Breaker, 30mA/10Amp (10Amp Breaker Box)	
	4360070	1	Breaker, Circuit 15Amp (4000W/60HZ & 7500W Generators)	
	7024485	1	Breaker, Circuit 30Amp (7500W Generators with Deutz D2011 and Ford Engines)	
	70006095	1	Breaker, Circuit 30Amp (7500W Generators with Deutz TD2.9L4)	
	4360542	1	Breaker, Circuit (2500W/110V Generators)	
	70001431	1	Breaker, Circuit (Plasma Cutter)	
	1001159118	1	Breaker, GFCI 30Amp 240VAC (240V AC Box At Platform)	
	70005708	1	Breather Assembly (USA Built Machines)	
	70007726	1	Breather Kit (China Built Machines)	
	7012944	1	Coil (Control Valves Installation)	
	7012943	1	Coil (Lift Cylinder Assembly)	
	7017451	1	Coil (Lift Cylinder Assembly)	
	70003789	1	Coil (Main Control Valve)	
	70002386	1	Coil (Main Control Valve and Platform Valve)	
	70003788	1	Coil (Main Control Valve and Platform Valve)	
	4360476	1	Contactactor (Ground Control Boxes and Platform Console Boxes)	
	7020176	1	Contactactor (Ground Control Boxes and Platform Console Boxes)	
	1001212415	1	Controller Drive/Steer (Platform Console Box Assembly)	
	1001117174	1	Controller, Footswitch Assembly	
	1001129555	1	Controller Lift/Swing (Platform Console Box Assembly)	
	4360407	1	Controller, Speed (Platform Console Box)	
	3990010	2	Diode, 6 Amp (Ground Control Box Harness)	
		Ref	Engine - Deutz D2011	
	70004020	12	Filter, Air	
	7016328	12	Filter, Fuel	
	7016331	12	Filter, Oil	
	7027795	1	Module, Control	
	3740067	1	Relay	
	3740080	1	Relay	
	70004058	1	Relay	
		Ref	Engine - Deutz TD2.9L4	
	91403102	12	Filter, Air	
	70025161	12	Filter, Fuel (Engine Mounted)	
	70025153	12	Filter, Fuel (Frame Mounted)	
	7016331	12	Filter, Oil	
	1001196634	2	Fuse, 2Amp (Breather Heater Harness)	
	8229242	2	Fuse, 5Amp	
	80983191	2	Fuse, 10Amp	
	70023592	2	Fuse, 20Amp	
	70023593	2	Fuse, 30Amp	
	70025210	1	Module, ECU	
	3740067	1	Relay	

SECTION 10 - RECOMMENDED SERVICE PARTS STOCK

ITEM	PART NUMBER	QTY	DESCRIPTION	REV
	70005648	1	Relay	
	1001117308	1	Relay	
		Ref	Engine - Deutz TD2.9L4 (Stage V)	
	91403102	12	Filter, Air	
	70025161	12	Filter, Fuel (Engine Mounted)	
	70025153	12	Filter, Fuel (Frame Mounted)	
	7016331	12	Filter, Oil	
	1001196634	2	Fuse, 2Amp (Breather Heater Harness)	
	8229242	2	Fuse, 5Amp	
	80983191	2	Fuse, 10Amp	
	70023592	2	Fuse, 20Amp	
	70023593	2	Fuse, 30Amp	
	70025210	1	Module, ECU	
	3740067	1	Relay	
	70005648	1	Relay	
	1001117308	1	Relay	
		Ref	Engine - Deutz TD2.9L4 (China III)	
	91403102	12	Filter, Air	
	1001225432	12	Filter, Fuel (Engine Mounted)	
	1001225430	12	Filter, Fuel (Frame Mounted)	
	7016331	12	Filter, Oil	
	8229242	2	Fuse, 5Amp	
	80983191	2	Fuse, 10Amp	
	70025210	1	Module, ECU	
	3740067	1	Relay	
	70005648	1	Relay	
	1001117308	1	Relay	
		Ref	Engine - Ford	
	70005008	12	Filter, Air - Primary	
	70006460	12	Filter, Air -Secondary	
	70006155	12	Filter, Fuel	
	70006213	12	Filter, Oil	
	70006175	2	Fuse, 20Amp	
	70006176	1	Module, Engine Control Unit	
	3740067	1	Relay	
	70006171	1	Relay	
	70006172	1	Relay	
	70002097	12	Element, Filter (Control Valves Installation)	
	70002231	12	Element, Filter (Control Valves Installation)	
	8229249	2	Fuse, 3 Amp (USB Charger and Platform Console Box Harness)	
	2400064	2	Fuse, 5Amp (7500W Generator to Engine Harness with Deutz D2011 and Ford Engines)	
	8229242	2	Fuse, 5Amp (Ground Control Box Harness)	
	2860030	1	Key Replacement (Ground Control Box Assembly)	
	2940074	1	Latch (Platforms with Gate)	
	1001142683	1	Module, Control (Strobe Light Installations)	
	1001103667	1	Module, Ground Control	
	1001141138	1	Module, Platform	
	3740080	1	Relay (2500W Generators and 7500W Generator with Ford Engine)	
	70006553	1	Relay (4000W Generators)	
	3740049	1	Relay (Ground Control Box Assembly)	

SECTION 10 - RECOMMENDED SERVICE PARTS STOCK

ITEM	PART NUMBER	QTY	DESCRIPTION	REV
	1001186431	1	Relay (SkyGuard)	
	3740086	1	Relay (SkyLine Harness)	
	1001147479	1	Sensor (Level Sensor Installation)	
	1001191022	1	Sensor (Lower Sensor Assembly)	
	1001137673	1	Sensor (SkyGuard)	
	1001228225	1	Sensor, Emitter (SkyEye)	
	1001148607	1	Sensor, Fuel (Gas/Diesel Engines on China Built Machines)	
	4360057	1	Sensor, Limit (Soft Touch Installation)	
	1001247468	1	Sensor, Loadcell (Platform Support Installation)	
	7026638	1	Sensor, Pressure (Air Compressor)	
	4360506	1	Sensor, Proximity (Boom Cables Installation)	
	1001170847	1	Sensor, Proximity (Dual Capacity Installation)	
	1001182570	1	Sensor, Proximity (Dual Capacity Installation)	
	4360517	1	Sensor, Proximity (Rotary Coupling)	
	1001232667	1	Sensor, Proximity (SkyLine)	
	1001311034	1	Sensor, Proximity (SkyLine)	
	1001228224	1	Sensor, Receiver (SkyEye)	
	1001225346	1	Switch, Battery (Battery Disconnect Installation)	
	4360475	1	Switch, Emergency Stop (Ground Control and Platform Conosole Boxes)	
	4360469	1	Switch, Key (Ground Control Box Assembly)	
	4360387	1	Switch, Push Button (CE & UK CA Ground Control Boxes, Platform Console Boxes, and Soft Touch)	
	4360274	1	Switch, Push Button (Ground Control Boxes with Deutz Stage V Engine)	
	70001432	1	Switch, Rocker (Plasma Cutter)	
	4360336	1	Switch, Toggle (Generator Installations)	
	1001155045	1	Switch, Toggle (Ground Control Box Assembly)	
	4360328	1	Switch, Toggle (Jib Switch Installation)	
	1001159256	1	Switch, Toggle (Platform Console Boxes)	
	1001161709	1	Switch, Toggle (Platform Console Boxes)	
	7024469	1	Switch with Lead (Welder Assembly)	

SECTION 11 - SPECIAL OPTIONS/ACCESSORIES/KITS

SECTION 11 - SPECIAL OPTIONS/ACCESSORIES/KITS

SECTION 11 - SPECIAL OPTIONS/ACCESSORIES/KITS

FIGURE 11-1. SPECIAL OPTIONS/ACCESSORIES/KITS

ITEM	PART NUMBER	QTY	DESCRIPTION	REV
		Ref	Note: This list is to accommodate machines ordered with special equipment. Options may not be applicable to all models. For more specific parts information contact JLG Parts Department.	
		Ref	SPECIAL OPTIONS/ACCESSORIES/KITS	
	1001229762	Ref	Air Intake Shut-off Valve (Deutz TD2.9L4 Engines)	
	1340061	Ref	Air Cleaner Precleaner	
		Ref	Air Line at Platform Installations	
	0271472	Ref	Air Line at Platform Installations 800S HC3	
	0271473	Ref	Air Line at Platform Installations 860SJ HC3	
	1001091712	Ref	Air Line at Platform Installations 800S HC3 - With Cold Weather Package	
	1001091713	Ref	Air Line at Platform Installations 860SJ HC3 - With Cold Weather Package	
	0271476	Ref	Bellows Installations - Boom (800S HC3)	
	1001257440	Ref	Bellows Installations - Boom (860SJ HC3)	
	1001158259	Ref	Bellows Installations - Frame	
	1001111231	Ref	Boom Rope Service Kit (800S)	
	1001197240	Ref	Boom Rope Service Kit (860SJ)	
	2910888	Ref	Boom Wear Pad Kit	
	0271448	Ref	Boom Wiper Installation (800S HC3)	
	1001257418	Ref	Boom Wiper Installation (860SJ HC3)	
	1001233047	Ref	Breather Heater Kit (Deutz TD2.9L4 Engines)	
	1001172045	Ref	Cable/Ladder Rack Installation	
		Ref	ClearSky (Telematics) Add-on Kits (Dealer Installed)	
	1001242409	Ref	ClearSky (Telematics) Access Control Add-on Kit Kit (ANSI, ANSI Export and CSA Specs)	
	1001243183	Ref	ClearSky (Telematics) Add-on Kit (ANSI, ANSI Export and CSA Specs)	
	1001243184	Ref	ClearSky (Telematics) Add-on Kit (CE & UK CA Specs)	
	1001246142	Ref	ClearSky (Telematics) Add-on Kit (Australian Specs)	
	1001276923	Ref	ClearSky (Telematics) Add-on Kit (Contact JLG for Approved Countries)	
	1001289850	Ref	ClearSky (Telematics) CS550 Installation	
		Ref	Cold Weather Start Kits (Factory Installed)	
	1001178208	Ref	Deutz D2011 Engine (With 25 GAL Capacity Hydraulic Tank)	
	1001178207	Ref	Deutz TD2.9L4 Engine (With 25 GAL Capacity Hydraulic Tank)	
	1001255807	Ref	Deutz TD2.9L4 (Stage V) (With 25 GAL Capacity Hydraulic Tank)	
	1001282099	Ref	Deutz TD2.9L4 Stage IV Engine Machines	
	1001219840	Ref	Ford DF 2.5L Engine Machines (With 25 GAL Capacity Hydraulic Tank)	
	1001287837	Ref	Deutz D2011 Engine (With 47.8 GAL Capacity Hydraulic Tank)	
	1001287836	Ref	Deutz TD2.9L4 Engine (With 47.8 GAL Capacity Hydraulic Tank)	
	1001287814	Ref	Deutz TD2.9L4 (Stage V) (With 47.8 GAL Capacity Hydraulic Tank)	
	1001287839	Ref	Ford DF 2.5L Engine Machines (With 47.8 GAL Capacity Hydraulic Tank)	
	1001245137	Ref	Control Valve Lockdown Kit (Used on Valves p/n 1001235900, 1001235901 & 1001244114)	
	1001115918	Ref	Cribbing Switch Installation	
		Ref	Decal Kits Options:	
	1001273071	Ref	Machine (ANSI)	

SECTION 11 - SPECIAL OPTIONS/ACCESSORIES/KITS

ITEM	PART NUMBER	QTY	DESCRIPTION	REV
	1001273072	Ref	Platform (ANSI)	
	1001273073	Ref	Platform Console Box (ANSI)	
	1001214984	Ref	Platform Box Film Installation	
	1001109257	Ref	Drive Orientation Kit (860SJ)	
	2902394	Ref	Drive/Steer Cutout Kit	
		Ref	Electrical Connector Kits	
	1001148902	Ref	Amp/Tyco Electrical Connector Kit	
	1001148903	Ref	Deutsch DT Electrical Connector Kit	
	1001148904	Ref	Deutsch HD Electrical Connector Kit	
	1001148905	Ref	Packard Electrical Connector Kit	
	1001148906	Ref	Various Electrical Connectors Kit	
	1001218022	Ref	Engine Block Heater Installation (Ford DF 2.5L Engines)	
	1001237883	Ref	Fall Arrest (Bolt-on) Add-on Kit (6ft/1.82m Platform (ANSI, ANSI Export, China, CSA & Japanese Specs Only) (Fits Platform p/ns 1001186384, 1001144024 & 1001228376)	
	1001237882	Ref	Fall Arrest (Bolt-on) Add-on Kit (8ft/2.4m Platform (ANSI, ANSI Export, China, CSA & Japanese Specs Only) (Fits Platform p/ns 1001186383 & 1001144023)	
	1001269630	Ref	Fall Arrest (Bolt-on) Add-on Kit (4ft/1.22m Platform) (All Specs)	
	1001269629	Ref	Fall Arrest (Bolt-on) Add-on Kit (5ft/1.52m Platform) (All Specs)	
	1001269631	Ref	Fall Arrest (Bolt-on) Add-on Kit (6ft/1.82m Platform) (All Specs)	
		Ref	Fan Cover/Grille Options:	
	1001182599	Ref	Fan Cover Installation (Deutz D2011 Engines)	
	1001177694	Ref	Fan Grille Installation (Deutz TD2.9L4 Engines and Deutz TD2.9L4 (Stage V) Engines) (Modine Radiator Only)	
	1001093389	Ref	Fan Cover Installation (Ford DF 2.5L Engines)	
	1001139099	Ref	Fire Extinguisher Installation (20lb) (Platform Mounted)	
	1001305520	Ref	Fire Extinguisher Installation (2.5lb) (Platform Mounted)	
	1001227951	Ref	Fire Protection for Platform Valves, Filters and Hoses/Cables (800S HC3)	
	1001239235	Ref	Fire Protection for Platform Valves, Filters and Hoses/Cables (860SJ HC3)	
	1001272888	Ref	Fire Protection for Platform Hoses/Cables Only (860SJ HC3)	
		Ref	Filter Kits:	
		Ref	Combined Filter Kit (Hydraulic/Air and Fuel/Engine Oil)	
	1001225623	1	Deutz D2011 Engine Machines	
	1001195537	1	Deutz DT2.9L4 Engine (All Specs)	
	1001286519	1	Deutz DT2.9L4 Engine - Without HYD Filters (China Spec)	
	1001286521	1	Deutz DT2.9L4 Engine - With HYD Filters (China Spec)	
	1001114052	1	Ford DF 2.5L Engine Machines	
	1001274833	Ref	Floor Mat Add-on Kit (30x48 Platform) (Dealer Installed)	
	1001274832	Ref	Floor Mat Add-on Kit (30x60 Platform) (Dealer Installed)	
	1001274830	Ref	Floor Mat Add-on Kit (36x72 Platform) (Dealer Installed)	
	1001274829	Ref	Floor Mat Add-on Kit (36x96 Platform) (Dealer Installed)	
	1001265676	Ref	Ford 42 Way Connector Kit	
	1001117294	Ref	Footswitch Shield (With Arctic Package)	
	1001202749	Ref	Fuel Cap Cover Installation (Black) (Note: Lock p/n 1001102157 Must be Purchased Separately)	
	1001191395	Ref	Fuel Cap Cover Installation (Green) (Diesel Machines) (Note: Lock p/n 1001102157 Must be Purchased Separately)	
	1001191394	Ref	Fuel Cap Cover Installation (Red) (Gas Machines) (Note: Lock p/n 1001102157 Must be Purchased Separately)	
	1001301123	Ref	Fuel Tank Kit (170L)	
	1001301691	Ref	Fuel Tank Kit (200L)	

SECTION 11 - SPECIAL OPTIONS/ACCESSORIES/KITS

ITEM	PART NUMBER	QTY	DESCRIPTION	REV
	1001116163	Ref	7500W/60Hz Generator Add-on Kit	
		Ref	Hose Kit Options:	
	1001187509	Ref	Hose Kit - Boom (800S)	
	1001187500	Ref	Hose Kit - Boom (860SJ)	
	1001209634	Ref	Hose Kit - Platform Valve (800S)	
	1001209635	Ref	Hose Kit - Platform Valve (860SJ)	
	1001293369	Ref	Hood Plug Installation	
	1001204929	Ref	Hostile Environment Add-on Kit (800S) (Dealer Installed)	
	1001241416	Ref	Hostile Environment Add-on Kit (860SJ) (Dealer Installed)	
	1001121412	Ref	Hostile (Extreme) Environment Installation (800S) (Factory Installed)	
	1001210977	Ref	Hostile (Extreme) Environment Installation (860SJ) (Factory Installed)	
	1001281419	Ref	Hostile Environment Kit (860SJ HC3)	
	1001281420	Ref	Hostile Environment Kit (800S HC3)	
	1001094475	Ref	Hourmeter for Generator	
	1001229935	Ref	Hydraulic Tank Lock Installation	
	1001268736	Ref	Jib Link Kit	
		Ref	Light Options	
	0272057	Ref	Chassis Illumination Lights (ABS Hoods)	
	1001184259	Ref	Chassis Illumination Lights (Steel Hoods)	
	0271552	Ref	Headlights & Taillights Installation (ABS Hoods)	
	1001164786	Ref	Headlights & Taillights Installation (Steel Hoods)	
	1001120466	Ref	Platform Worklights Installation	
	1001120467	Ref	Platform Flood Lights Installation	
	1001128153	Ref	Platform Worklights Installation (Worklight 4 Corner)	
	1001268755	Ref	Lift Cylinder, Jib Kit (860SJ HC3 Kit)	
	1001236951	Ref	Low Temperature Cutout Installation (Russian Specs)	
	1001290375	Ref	Oil Drain Kit (Ford Engines)	
		Ref	Oil Cooler Options:	
	1001297083	Ref	Oil Cooler Installations (Deutz D2011 Engines)	
	1001186631	Ref	Oil Cooler Installations (Deutz TD2.9L4 Engines and Deutz TD2.9L4 (Stage V) Engines) (YMER Cooler)	
	1001219633	Ref	Oil Cooler Installations (Ford DF 2.5L Engines)	
	1001200725	Ref	Oil Cooler Replacement Kit (RCP to YMER)	
	1001272166	Ref	Pipe Rack Kit	
	1580013	Ref	Platform Corner Storage Tray	
		Ref	Platform Box Cover Installations	
	1001195304	Ref	Plastic Cover (All Specs except China Specs)	
	1001266290	Ref	Steel Cover (ANSI Export, CE & UK CA (LRC), and China Specs)	
	1001308593	Ref	Fabric Cover (All Specs)	
	1001270482	Ref	Steel Cover (All Specs) (Dealer Installed)	
	1001309057	Ref	Fabric Cover Kit	
		Ref	Platform Entry Kits	
	1001142504	Ref	Drop Bar (Replacing Swing Gate with Drop Bar)	
	1001142505	Ref	Swing Gate (Replacing Drop Bar with Swing Gate)	
		Ref	Platform Mesh To Mid Rail Installation (Side Entry Platform):	
	1001272274	Ref	30in x 4ft (76cm x 1.22m) Platforms (ANSI, ANSI Export and Australian Specs)	
	1001272178	Ref	30in x 5ft (76cm x 1.52m) Platforms (ANSI, ANSI Export and Australian Specs)	
	1001271760	Ref	36in x 6ft (91.5cm x 1.83m) Platforms (ANSI, ANSI Export and Australian Specs)	

SECTION 11 - SPECIAL OPTIONS/ACCESSORIES/KITS

ITEM	PART NUMBER	QTY	DESCRIPTION	REV
	1001269389	Ref	36in x 8ft (91.5cm x 2.44m) Platforms (ANSI, ANSI Export Australian, Russia and China Specs)	
		Ref	Platform Plastic Mesh To Mid Rail Installation (Side Entry Platform):	
	1001266969	Ref	30in x 4ft (76cm x 1.22m) Platforms (ANSI, ANSI Export and Australian Specs)	
	1001266799	Ref	30in x 5ft (76cm x 1.52m) Platforms (ANSI, ANSI Export and Australian Specs)	
	1001266284	Ref	36in x 6ft (91.5cm x 1.83m) Platforms (ANSI, ANSI Export and Australian Specs)	
	1001266098	Ref	36in x 8ft (91.5cm x 2.44m) Platforms (ANSI, ANSI Export Australian, Russia and China Specs)	
		Ref	Platform Mesh to Mid Rail Add-on Kits:	
	1001281461	Ref	30in x 4ft (76cm x 1.22m) with Gate	
	1001281460	Ref	30in x 5ft (76cm x 1.52m) with Gate	
	1001281458	Ref	36in x 6ft (91.5cm x 1.83m) with Gate	
	1001281457	Ref	36in x 8ft (91.5cm x 2.44m) with Gate	
		Ref	Platform Mesh To Top Rail Installation (Side Entry Platform):	
	1001272182	Ref	30in x 4ft (76cm x 1.22m) Platforms (ANSI, ANSI Export and CSA Specs)	
	1001271888	Ref	30in x 5ft (76cm x 1.52m) Platforms (ANSI, ANSI Export and CSA Specs)	
	1001271642	Ref	36in x 6ft (91.5cm x 1.83m) Platforms (ANSI, ANSI Export and CSA Specs)	
	1001269187	Ref	36in x 8ft (91.5cm x 2.44m) Platforms (ANSI, ANSI Export and CSA Specs)	
		Ref	Platform Plastic Mesh To Top Rail Installation (Side Entry Platform):	
	1001266807	Ref	30in x 4ft (76cm x 1.22m) Platforms (ANSI, ANSI Export and CSA Specs)	
	1001266801	Ref	30in x 5ft (76cm x 1.52m) Platforms (ANSI, ANSI Export and CSA Specs)	
	1001266489	Ref	36in x 6ft (91.5cm x 1.83m) Platforms (ANSI, ANSI Export and CSA Specs)	
	1001266056	Ref	36in x 8ft (91.5cm x 2.44m) Platforms (ANSI, ANSI Export and CSA Specs)	
		Ref	Platform Mesh to Top Rail Add-on Kits:	
	1001281456	Ref	30in x 4ft (76cm x 1.22m) with Gate	
	1001281455	Ref	30in x 5ft (76cm x 1.52m) with Gate	
	1001281453	Ref	36in x 6ft (91.5cm x 1.83m) with Gate	
	1001281452	Ref	36in x 8ft (91.5cm x 2.44m) with Gate	
	1001149730	Ref	Platform Mid Rail Repair Kit	
		Ref	Platform Top Rail Extension Installations:	
	0272733	Ref	Platform 6ft (1.83m)	
	0272725	Ref	Platform 8ft (2.44m)	
	1001209059	Ref	Platform Work Surface Installation	
	1001100121	Ref	Programmable Security Lock Installation (CE, China & UK CA Specs Only)	
	1001162546	Ref	Pump Coupling Service Kit (Sauer Danfoss)	
	1001199487	Ref	Radiator Replacement Kit (RCP to Modine)	
	1001190889	Ref	Service Kits/Tools	Y
	1001241547	Ref	SkyEye Housing Kit (Left Side)	
	1001241548	Ref	SkyEye Housing Kit (Right Side)	
	1001247073	Ref	SkyEye Retrofit Kit	
		Ref	SkyGuard Component Options:	

SECTION 11 - SPECIAL OPTIONS/ACCESSORIES/KITS

ITEM	PART NUMBER	QTY	DESCRIPTION	REV
	1001206477	Ref	SkyGuard Complete Add-On Kit (Blue Beacon)	
	1001210026	Ref	SkyGuard Complete Add-On Kit (Red Beacon)	
	1001137672	Ref	SkyGuard Platform Sensor Kit	
	1001137440	1	SkyGuard Sensor Harness	
	1001186431	2	Relay	
	1001206311	Ref	SkyGuard Strobe Light Kit (Blue Beacon)	
	1001210025	Ref	SkyGuard Strobe Light Kit (Red Beacon)	
	1001250595	Ref	SkyGuard 6-Pin Retrofit Installation Kit	
	1001249052	Ref	SkyGuard Retrofit Kit (Dealer Installed)	
	1001262016	Ref	SkyLine Kit (Dealer Installed)	
	1001289831	Ref	SkySense/Enhanced Detection System (EDS) Level 1 (2-Bar) Kit (Factory Installed)	
	1001289832	Ref	SkySense/Enhanced Detection System (EDS) Level 2 (3-Bar) Kit (Factory Installed)	
	1001289905	Ref	SkySense/Enhanced Detection System (EDS) Level 1 (2-Bar) Kit (Dealer Installed)	
	1001289906	Ref	SkySense/Enhanced Detection System (EDS) Level 2 (3-Bar) Kit (Dealer Installed)	
	1001253618	Ref	SkySense/Enhanced Detection System (EDS) Module 1001246867 Service Kit for Level 1 (2-Bar) (Dealer Installed)	
	1001253619	Ref	SkySense/Enhanced Detection System (EDS) Module 1001246860 Service Kit for Level 2 (3-Bar) (Dealer Installed)	
	1001282461	Ref	SkySense Padding Installation - For 30 x 48 Platforms equipped with SkySense	
	1001275644	Ref	SkySense Padding Installation - For 30 x 60 Platforms equipped with SkySense	
	1001275642	Ref	SkySense Padding Installation - For 36 x 72 Platforms equipped with SkySense	
	1001269655	Ref	SkySense Padding Installation - For 36 x 96 Platforms equipped with SkySense	
	1001263395	Ref	SkyWelder Kit (Dealer Installed)	
	1001231235	Ref	SkyWelder Locking Bracket Installation	
	1001281070	Ref	Strobe Beacon Replacement Kit	
	1001152965	Ref	Strobe Light (Amber) Platform Beacon installation	
	1001284511	Ref	Telematics Gateway (Dealer Installed)	
		Ref	Tools for Service	
	2901443	1	Analyzer Kit	
	1001249695	1	Analyzer and Cable Kit	
	1001249941	1	Analyzer and Cable Kit (Battery Powered)	
	4460467	1	Extractor - 16-18 Gauge (For Removal of Pin/Sockets from Deutsch Connectors)	
	4460510	1	Extractor - 12-14 Gauge (For Removal of Pin/Sockets from Deutsch Connectors)	
	7002823	1	Pin/Socket Extractor - Universal (To Remove Pins/Sockets from Connectors)	
	7002822	1	Screwdriver, Potentiometer (To Adjust Drive Controllers)	
	7016654	1	Screwdriver, Magnetic	
	7004275	1	Seal Installation Tool - 1in	
	7004276	1	Seal Installation Tool - 1-1/2in	
	7002826	1	Seal Installation Tool - 2in	
	1001137005	1	Software Cable Kit	
	70005663	1	Tool, Port Plate for Pump p/n 1001142522	
	7002821	1	Wire Crimper (To install wire ends to wires)	
	7016655	1	Wire Rope Sheave Gauge	

SECTION 11 - SPECIAL OPTIONS/ACCESSORIES/KITS

ITEM	PART NUMBER	QTY	DESCRIPTION	REV
	8896941	1	Wire Stripper	
	1001228355	Ref	Turntable Bearing Cover Installation	
	2915094	Ref	Turntable Bearing Replacement Kit	
	1001274249	Ref	USB Charger Add-on Kit (Dealer Installed)	
	1001262959	Ref	Voltage Regulator Relocation Kit (ClearSky)	
	0271487	Ref	Weld Leads Installation (800S)	
	0271488	Ref	Weld Leads Installation (860SJ)	

SECTION 11 - SPECIAL OPTIONS/ACCESSORIES/KITS

PART NUMBER INDEX

SECTION 11 - SPECIAL OPTIONS/ACCESSORIES/KITS

0100009.....629	0100062 ... 278, 282, 300,	0480126489, 505	0641409.....259, 261, 265,
0100011....21, 23, 25, 27,	316, 350, 356, 362,	0480129493, 509	269
29, 31, 33, 35, 37, 39,	384, 396, 420, 505, 510	0561185533, 537, 541	0641410.....71, 259, 261,
41, 43, 65, 67, 69, 71,	0100079501, 517	0561380527, 529, 531	265, 269, 278, 282,
75, 77, 87, 91, 93, 97,	0100081 ... 196, 204, 208,	0561445533, 537, 541	831, 833, 855, 857,
99, 101, 103, 105, 113,	212, 216, 220, 224,	0561446533, 537, 541	865, 867
115, 117, 119, 121,	565, 567, 569, 651	0561447533, 537, 541	0641412.....289, 293, 305,
125, 129, 133, 137,	0140011629	0561449533, 537, 541	309, 323, 327, 335,
141, 145, 149, 153,	0140044173	0561484 ... 831, 835, 837,	339, 377, 389, 412,
157, 161, 165, 173,	018194963	841	831, 833, 835, 837,
192, 196, 197, 200,	0200048 ... 669, 671, 673,	0630407 ... 300, 316, 350,	839, 841, 855, 857,
201, 204, 205, 208,	675	356, 362, 384, 396	859, 861, 863, 865,
212, 216, 217, 220,	0200742477, 479	0630462 ... 669, 671, 673,	867, 869, 871, 873
224, 225, 227, 229,	0256202781	675	0641414.....629, 643, 669,
231, 251, 253, 259,	02571951054	0630467557, 559	671, 673, 675
261, 265, 269, 271,	0258608639	0630485 ... 197, 204, 208,	0641416.....785, 787, 789,
273, 275, 278, 282,	0258728471	212, 217, 220, 224	791, 793, 795, 797,
289, 293, 297, 300,	025914789	0630518169, 635	799, 801, 803, 805,
305, 309, 313, 316,	027052865, 67, 69	0630534697, 699, 701	807, 809, 811, 813, 815
323, 327, 331, 333,	027088655	0630539567, 569	0641418 75, 77, 581, 583,
335, 339, 343, 345,	027088857	0630548 ... 121, 125, 129,	585, 589, 591, 593,
347, 350, 356, 362,	027100285	133, 137, 141, 145,	595, 597, 615, 617,
377, 381, 384, 389,	027108555	149, 153, 157, 161, 165	619, 621
393, 396, 403, 407,	027108655	0630568630	0641420.....412, 587
412, 415, 418, 423,	027109057	0641403 ... 505, 533, 537,	0641424.....865, 867, 869,
425, 427, 463, 465,	027109157	541	871, 873
477, 479, 481, 485,	02714481070	0641404 ... 121, 125, 129,	0641504.....527, 529, 531
489, 493, 497, 501,	02714721070	133, 137, 141, 145,	0641506....121, 125, 133,
505, 509, 513, 517,	02714731070	149, 153, 157, 161,	137, 141, 145, 149,
521, 527, 529, 531,	02714761070	165, 477, 489, 493,	157, 161, 165, 239
533, 537, 541, 545,	02714871075	497, 501, 509, 513,	0641507....129, 153, 557,
547, 555, 557, 559,	02714881075	517, 645	559
565, 567, 569, 571,	02715521072	0641405 ... 173, 489, 493,	0641508 65, 67, 192, 200,
573, 575, 581, 583,	02720571072	497, 501, 505, 509,	477, 479, 481, 485,
585, 587, 589, 591,	0272081 ... 193, 197, 213,	513, 517, 521, 629, 645	573, 575
593, 595, 597, 615,	217	0641406 ... 175, 177, 179,	0641510.....278, 282
617, 619, 621, 643,	0272254661	181, 183, 185, 187,	0641511....831, 833, 835,
645, 655, 659, 661,	0272259777	192, 196, 200, 204,	837, 839, 841, 855,
667, 669, 671, 673, 675	0272260779	208, 212, 216, 220,	857, 859, 861, 863,
0100019 81, 85, 233, 235,	0272427673	224, 235, 237, 239,	865, 867, 869, 871, 873
237, 481, 489, 493,	0272435510, 518, 522	251, 253, 289, 293,	0641512.....278, 282
497, 501, 505, 509,	02724481063	297, 300, 305, 309,	0641516....493, 501, 505,
513, 517, 521	0272521659	313, 316, 323, 327,	509, 513, 517, 521
0100020..63, 97, 99, 101,	02725881061	331, 333, 335, 339,	0641518....300, 316, 350,
103, 105, 235, 237,	0272589506, 514	343, 345, 347, 350,	356, 362, 384, 396
240, 259, 261, 265,	02725991057	356, 362, 377, 381,	0641542.....39
269, 289, 293, 300,	02726071059	384, 389, 393, 396,	0641560.....41, 43
305, 309, 316, 323,	02727251073	412, 467, 469, 490,	0641604....529, 531, 573,
327, 335, 339, 350,	02727331073	497, 627, 647, 821,	575, 831, 833, 835,
356, 362, 377, 384,	0273353655	823, 990, 994, 998,	837, 839, 841, 855,
386, 389, 396, 398,	0273596235	1002, 1006, 1010,	857, 859, 861, 863,
412, 418, 457, 494,	0273687235, 237	1014, 1018, 1022,	865, 867, 869, 871, 873
510, 633, 649, 655,	0273695527	1026, 1030, 1034,	0641605....300, 316, 350,
785, 787, 789, 791,	0273706675	1038, 1042, 1046, 1050	356, 362, 384, 396,
793, 795, 797, 799,	0273824669	0641407 ... 121, 125, 129,	567, 569
801, 803, 805, 807,	0275216785, 951	133, 137, 141, 145,	0641606..71, 75, 77, 113,
809, 811, 813, 815	0275217791, 955	149, 153, 157, 161,	117, 193, 201, 278,
0100035....247, 405, 629,	0275452797, 959	165, 271, 273, 275,	282, 289, 293, 305,
635, 637	0275453803, 963	278, 282, 415, 467	309, 323, 327, 335,
0100048....121, 125, 129,	0275454809, 967	0641408 ... 197, 204, 208,	339, 377, 389, 533,
133, 137, 141, 145,	0362770192, 200	212, 217, 220, 224,	537, 541, 565, 567,
149, 153, 157, 161,	036291069	412, 627, 831, 833,	569, 573, 575, 655,
165, 173, 251, 253,	0400075 ... 113, 115, 117,	835, 837, 839, 841,	659, 661, 667
412, 485, 497, 501,	119	855, 857, 859, 861,	0641607....31, 33, 35, 37,
513, 517	0440237545, 547	863, 865, 867, 869,	97, 99, 101, 103, 105,
	044024485	871, 873	412, 481, 533, 537,
	0480121477, 479		541, 571, 831, 833,

SECTION 11 - SPECIAL OPTIONS/ACCESSORIES/KITS

835, 837, 839, 841,	489, 493, 497, 501,	0701014.....423, 425	0761216..... 555
855, 857, 859, 861,	505, 509, 513, 517	0701020.....545, 547	0771012..... 547
863, 865, 867, 869,	0641810 ... 31, 33, 35, 37,	0701022....300, 316, 358,	0771014..... 418
871, 873	235, 237	362	0771212... 289, 293, 300,
0641608 ... 175, 177, 179,	064181291, 93, 271, 273,	0701025....300, 316, 356,	305, 309, 316, 323,
181, 183, 185, 187,	275, 297, 313, 331,	362	327, 335, 339, 356,
189, 192, 193, 196,	333, 343, 345, 347,	0701026.....427	362, 377, 384, 389, 396
200, 201, 204, 208,	381, 393, 415, 481,	0710827.....423, 425	0771414... 278, 282, 300,
212, 216, 220, 224,	529, 531	0711014.....420	316, 350, 356, 362,
227, 229, 231, 237,	0641814 ... 289, 293, 305,	0711020.....418	384, 396
259, 261, 265, 269,	309, 323, 327, 335,	0711215....271, 273, 343,	0771415... 300, 316, 350,
289, 293, 300, 305,	339, 377, 389	345, 347, 350, 381, 393	356, 362, 384, 396,
309, 316, 323, 327,	064181697, 99, 101, 103,	0711216.....423, 425	489, 494, 506, 510
335, 339, 350, 356,	105	0711223.....420	0780610..... 529, 531
362, 377, 384, 389,	064181821, 465, 471,	0711414.....463, 465	0791404..... 577
396, 459, 527, 533,	473	0720804.....63	0801275..... 533
537, 541, 565, 567, 569	064182091, 93, 278, 282,	0721004.....69	0801279..... 527
0641609 ... 192, 197, 200,	463	0721005.....673, 675	0801649..... 533
204, 208, 212, 217,	064201069, 259, 261,	0721006....192, 200, 403,	0811606... 323, 327, 533,
220, 224, 278, 282,	265, 269, 289, 293,	405, 407, 477, 479,	537, 541
300, 316, 350, 356,	305, 309, 323, 327,	481, 629	0811607.... 533, 537, 541
362, 384, 396, 463,	335, 339, 377, 389, 412	0721008.....193, 201	0811608.... 533, 537, 541
465, 471	0642012651	073100597, 99, 101, 103,	0811610... 197, 204, 208,
0641610 ... 192, 200, 239,	0642014527, 529, 531	105, 669, 671	212, 217, 220, 224
247, 249, 259, 261,	0642212 ... 21, 23, 25, 27,	0741605....300, 316, 350,	0811614.... 533, 537, 541
265, 269, 278, 282,	29, 527, 529, 531, 651	356, 362, 384, 396, 527	0811616.... 533, 537, 541
289, 293, 305, 309,	0642618527, 529, 531	0741606.....573, 575	0811812... 192, 196, 200,
323, 327, 335, 339,	0681608 ... 21, 23, 25, 27,	0741607.....69, 489, 494,	204, 208, 212, 216,
377, 389, 403, 405,	29, 259, 261, 265, 269,	497, 501, 513, 517, 521	220, 224
407, 412, 457, 477,	300, 316, 323, 327,	0741609.....35, 37	0860038... 493, 501, 509,
479, 533, 537, 541, 627	358, 362, 377, 384,	0741612....533, 537, 541	517, 521, 777, 779
064161191, 93, 196, 204,	389, 396, 545, 555, 567	0760514.....269	0860520... 990, 994, 998,
208, 212, 217, 220, 224	0681620 ... 677, 679, 681,	0760605....300, 316, 350,	1002, 1006, 1010,
0641612 ... 300, 316, 350,	683	356, 362, 384, 396, 423	1014, 1018, 1022,
356, 362, 384, 396	0681814623, 625	0760606.....522	1026, 1030, 1034,
064161375, 77, 213, 527,	0681820 ... 300, 316, 350,	0760608.....418	1038, 1042, 1046, 1050
533, 537, 541	356, 362, 384, 396	0760610....418, 423, 425,	0861538.... 510, 517, 521
064161497, 99, 101, 103,	0681822 .39, 41, 43, 300,	485, 521	0861572..... 506, 513
105, 193, 200, 490,	316, 350, 356, 362,	0760612....122, 126, 130,	0861642..... 235, 237
498, 821, 823	384, 396, 623, 625	134, 138, 142, 145,	0861731... 801, 807, 813,
0641615 529, 531	0682016 ..39, 41, 43, 233	150, 154, 158, 161,	815, 959, 961, 963,
0641616 ... 192, 196, 200,	0682023 85	165, 418	965, 967, 969
204, 208, 212, 216,	0682032 85	0760615.....423, 425	0861781... 789, 795, 951,
220, 224, 239, 489,	0682216 81	0760807.....423	953, 955, 957
494, 533, 537, 541	068223623, 25, 27, 29	0760810....300, 316, 350,	0861880.... 875, 877, 879
0641617 63	0682424 ... 677, 679, 681,	356, 362, 384, 396,	0902219 192, 200
0641618... 497, 501, 506,	683	412, 418, 555	0902223 192, 200
510, 513, 517	0700408 ... 785, 787, 789,	0760812.....418, 827	0902412 192, 200
0641620 459, 567, 569	791, 793, 795, 797,	0760814....300, 316, 356,	0902491 192, 200
0641622 565	799, 801, 803, 805,	362, 418	0902673... 192, 196, 200,
0641626... 533, 537, 541,	807, 809, 811, 813, 815	0760815....300, 316, 356,	204, 208, 216, 220, 224
565	0700615 ... 197, 205, 247,	362, 418	0902674 192, 200
0641630 565	249	0760817423, 425	0902769 192, 200
0641632 565	0700617 ... 197, 217, 225,	0761008....289, 293, 305,	0902888... 493, 501, 505,
0641634 533, 537, 541	231	309, 335, 339, 377,	509, 513, 517, 521
0641640 533, 537, 541	0700618 ... 197, 205, 217,	389, 412, 571	0903242 91, 93
0641644 565, 567, 569	225, 227, 229	0761010.....115, 119	0940049... 196, 204, 208,
0641708... 300, 316, 350,	0700624 865	0761012.....545, 547	212, 216, 220, 224
356, 362, 384, 396	0700626 ... 831, 833, 835,	0761014....418, 473, 555	0940070... 278, 282, 300,
0641772 ... 477, 479, 481,	837, 839, 841	0761015....300, 316, 350,	316, 350, 356, 362,
485	0700808 278, 282	356, 362, 384, 396,	384, 396, 420
0641806 350	0700810 418	418, 545, 547	0940071 192, 200
064180897, 99, 101, 103,	0700812 418	0761016.....418, 485	0940088... 192, 197, 200,
105, 259, 261, 265,	0700814 ... 300, 316, 350,	0761018.....521	204, 208, 212, 217,
269, 297, 313, 331,	384, 396, 418	0761210....300, 316, 350,	220, 224
333, 343, 345, 347,	0700816 423, 425	356, 362, 384, 396	0940092... 669, 671, 673,
381, 393, 412, 415,	0700818 423, 425	0761212....475, 529, 531	675

SECTION 11 - SPECIAL OPTIONS/ACCESSORIES/KITS

0940094.....669, 671, 673, 675	1001098828 555	1001110166 196, 204, 208, 212, 216, 220, 224	1001117027..... 196, 204, 208, 216, 220, 224
0940102.....651	1001099121 193	1001110425 .75, 77, 259, 261, 265, 269, 289, 293, 305, 309, 323, 327, 335, 339, 377, 389	1001117078.....929
0940103.....673	1001099138 193	1001110544 577	1001117106.....905
0940133.....675	1001099366 651	1001110872 817, 819	1001117107.....905, 910
0940134.....669	1001099367 651	1001110873 493, 502, 509, 517, 522, 777	1001117140.....201
0940177.....671	1001099869 477	1001111231 1070	1001117172.....633
0961845.....581, 583, 585, 587, 589, 591, 593, 595, 597, 615, 617, 619, 621	1001099870 39	1001111968 736, 741, 745, 748, 769, 773	1001117174.....629, 633, 1066
0961893.....697, 699, 701	1001100121 1073	1001112551 998	1001117249..... 196, 204, 208, 212, 216, 220
0961947551, 695	1001100231 875	1001112588 479	1001117294..... 1071
0961951537, 541	1001100234 477	1001112589 477, 479	1001117307..... 196, 204, 208, 212, 216, 220, 224
0961986.....278, 282, 300, 316, 350, 356, 362, 384, 396, 418	1001100321 477	1001112612 829, 941	1001117308..... 301, 317, 351, 357, 363, 385, 397, 1067
0962033.....703, 705	1001100326 787	1001112796 829, 881, 893	1001117372.....689, 691
0962051471, 473	1001100327 793	1001113047 196, 204, 208, 212, 216, 220, 224	1001117804.....527
0962102.....21, 23, 25, 27, 29	1001100331 799	1001113961 937, 941	1001117805.....529, 531
0962152.35, 37, 707, 709	1001100333 805	1001114052 1071	1001118384.....977
0962155.....547	1001100337 811	1001115388 509	1001118388.....977, 979
096218135, 37	1001100341 787, 951, 953	1001115394 505	1001118666.....538, 542
0962270.....623, 625	1001100342 793, 955, 957	1001115405 479	1001119020.....829, 881, 937, 941, 949
0962297533, 537, 541	1001100345 799, 959, 961	1001115409 477	1001119619.....971
0962336.....697, 699, 701	1001100346 811, 967, 969	1001115918 1070	1001119620.....973, 975
0962348.....35, 37	1001100347 805, 963, 965	1001116163 1072	1001119968.....514, 519, 929
0962449.....477	1001100825 415, 449	1001116208 1055	1001120328.....643, 645
0962520.....489, 494, 497, 501, 506, 510, 513, 517, 521	1001101191 785, 787, 789, 791, 793, 795, 797, 799, 801, 803, 805, 807, 809, 811, 813, 815, 875, 877, 879	1001116280 196, 204, 208, 212, 216, 220, 224	1001120466.....1072
1001001939.....278, 282	1001101196 785, 787, 789, 791, 793, 795	1001116290 197, 205, 217, 225, 227, 229, 231	1001120467.....1072
1001004720.....269	1001101197 797, 799, 801, 803, 805, 807, 809, 811, 813, 815	1001116322 196, 204, 208, 212, 216, 220, 224	1001120471.....685
1001091460.....47	1001101600 259, 261, 265, 269	1001116344 196, 204, 208, 212, 224	1001120477.....685
100109146147	1001101623 193	1001116358 196, 204, 208, 212, 216, 220, 224	1001120484.....685
1001091472833, 839	1001101673 193	1001116456 175, 183	1001120989.....1055
1001091618.....847, 857, 863	1001102290 899, 901	1001116457 189	1001120993.....1054
1001091620.....857	1001102291 899, 901	1001116558 197, 205, 209, 225	1001121412.....1072
10010917121070	1001102304 899, 901	1001116620 197, 205, 209, 217, 221, 225	1001121669.....837, 839, 861, 863, 871, 873
10010917131070	1001102858 573, 575	1001116694 937, 941	1001121670.....861, 863
1001091969785	1001103012 937, 983	1001116710 915	1001121671.....837, 839, 871, 873
1001091970791	1001103308 121, 125, 129, 133, 137, 149, 157, 161, 165	1001116720 979	1001125387.....1054
1001091973797	1001103667 1067	1001116727 905, 919, 921	1001125492.....81
1001091974803	1001103810 .. 31, 33, 35, 37	1001116728 905	1001125501.....216, 221
1001091975809	1001104498 983	1001116731 893	1001125502.....217, 221
1001093382113, 115, 117, 119	1001106736 121, 125, 129, 133, 137, 141, 145, 149, 153, 157, 161, 165	1001116733 919	1001126008.....557
10010933891071	1001106957 724, 732, 756, 764	1001116734 919	1001126009.....557, 977
10010944751072	1001106974 91	1001116774 829	1001126011.....949
1001094595275, 331, 333, 441	1001107531 91	1001116808 829	1001126351.....905, 910
100109489981	1001107854 938, 983	1001116812 909	1001126352.....905
1001095307721, 725, 729, 733, 753, 757, 761, 765	1001108256 671	1001116815 881, 883, 885, 887, 889, 910	1001126357.....905
1001095308721, 725, 729, 733	1001108617 75, 77	1001116846 . 1014, 1018, 1054	1001126362.....906, 909
1001097051973	1001109257 1071	1001116849 .. 1014, 1018	1001126363.....906, 909
1001097150875, 879	1001109648 823, 879	1001116851 .. 1014, 1018	1001126364.....906, 909
1001097244685	1001109654 821, 875	1001116952 905, 910	1001126365.....906
1001098012649, 655, 657		1001116983 915	1001126384.....905
1001098122633, 949			1001126391.....906, 909
1001098149649			1001126392.....906, 909
1001098167689			1001126485.....909
			1001126487.....909
			1001126828..... 193, 196, 201, 205, 209, 212, 216, 221, 224
			1001128153.....1072

SECTION 11 - SPECIAL OPTIONS/ACCESSORIES/KITS

1001128527 667	1001138795..... 697, 699, 701	1001143483.....469	1001149793 279, 283
1001128556 667	1001138827..... 386, 398	1001143484.....467	1001149994 245, 249
1001128901 419	1001139099..... 1071	1001143525.....467, 469	1001150260 192, 196, 201, 205, 209, 212, 216, 221, 224
1001129555 1066	1001139240..... 385, 397	1001143726..... 357, 905	1001150372 ... 31, 33, 35, 37
1001129858 493	1001139357..... 489, 494	1001143736.....289, 293, 305, 309, 323, 327, 335, 339, 377, 389	1001150539 .. 31, 35, 707
1001131269 990, 994, 1022, 1026	1001139409..... 301, 317, 351, 357, 363, 385, 397	1001143797.....301, 317, 351, 357, 363, 385, 397	1001150561 175, 183
1001131731 565, 567	1001139654.....1054	1001143852.....1055	1001150890 465
1001133714 906, 909, 917	1001140312..... 317, 385	1001143860.....467	1001150915 279, 283
1001133715 906, 909, 917	1001140346.....501	1001143907.....301, 317, 351, 357, 363, 385, 397	1001150918 261, 265, 306, 310, 378
1001133956 905, 910	1001140347.....497	1001144147.....881, 893	1001150937 ... 31, 33, 35, 37
1001133957 905, 910	1001140429..... 581, 583, 585, 587, 589, 591, 593, 595, 597, 615, 617, 619, 621	1001144433.....643	1001150998 279, 283
1001134289 545, 547, 551	1001140448.....302, 318, 351, 358, 364, 385, 397	1001144447237	1001151010 63
1001134488 386, 398, 419	1001140450.....302, 318, 351, 358, 364, 385, 397	1001144527179, 185, 187	1001151034 31
1001135138 351, 357, 385, 397	1001140454.....302, 318, 351, 358, 364, 385, 397	1001144629.....599, 601, 603, 605, 607, 609, 611, 613, 615, 617	1001151037 21
1001135650 906, 909, 917	1001140564..... 386, 398	1001145154.....302, 318, 351, 358, 364, 385, 397	1001151070 259, 261, 265, 269
1001135651 906, 909	1001141138..... 629, 1067	1001145405.....649, 655	1001151252 465
1001135679 301, 317, 385, 397	1001141300..... 1055	1001145781.....585, 589, 593, 597, 601, 605, 609, 613	1001151253 463
1001136104 521	1001141302..... 1055	1001146273.....278, 282	1001151856 906
1001136834 301, 317, 351, 357, 363, 385, 397	1001141304..... 301, 317, 351, 357, 363, 385, 397	1001146588.....323, 328, 351, 364	1001151980 31, 33
1001137005 1074	1001141370..... 301, 317, 351, 357, 363, 385, 397	1001147264.....905, 910	1001152266 985
1001137276 301, 317, 351, 357, 363, 385, 397	1001141419.....351	1001147479.....529, 531, 1068	1001152429 506, 511, 927
1001137440 1074	1001141585..... 301, 317, 351, 357, 363, 385, 397, 419	1001147812.....278, 282	1001152457 493, 502
1001137459 113, 117	1001141586.....351	1001147813.....278, 282	1001152459 279, 283
1001137672 1074	1001141718.....407	1001147820.....278, 282	1001152489 301, 317, 351, 357, 363, 385, 397
1001137673 643, 1068	1001141870..... 403, 405, 407	1001147823.....278, 282, 285	1001152525 506, 510, 514, 518, 522
1001138110 905	1001141995..... 301, 317, 351, 357, 363, 385, 397, 419	1001148138.....481	1001152530 493, 502
1001138111 905	1001142031..... 467, 469	1001148563.....517	1001152532 489, 494, 498, 502, 923
1001138113 905	1001142032..... 467, 469	1001148564.....513	1001152719 21, 23, 25
1001138173 301, 317, 351, 357, 363, 385, 397, 419	1001142501..... 323, 327, 377, 389, 403, 405, 407	1001148565.....237	1001152965 1074
1001138175 302, 318, 351, 358, 364, 385, 397, 419	1001142504..... 1072	1001148607..97, 99, 101, 103, 105, 1068	1001153197 490, 921
1001138228 301, 317, 351, 357, 363, 385, 397	1001142505..... 1072	1001148650.....534, 538, 542	1001153259 498, 925
1001138248 301, 317, 351, 357, 363, 385, 397, 420	1001142623..... 351	1001148651.....534, 538, 542	1001153260 493, 502
1001138489 301, 317, 351, 358, 363, 385, 397	1001142643..... 497, 502, 514, 518	1001148652.....534, 538, 542	1001153282 279, 283, 301, 317, 351, 357, 363, 385, 397, 433
1001138491 289, 293, 305, 309, 323, 327, 335, 339, 377, 389, 915	1001142645..... 497, 513	1001148653.....534, 538, 542	1001153309 493
1001138494 583, 585, 587, 589, 591, 593, 595, 597, 615, 617, 619, 621	1001142646..... 502, 518	1001148675.....817, 819	1001153310 489
1001138514 583, 585, 587, 589, 591, 593, 595, 597, 619, 621	1001142683..... 247, 249, 1067	1001148841.....917	1001153396 271, 278
1001138557 301, 317, 351, 357, 363, 385, 397	1001142722..... 247, 249	1001148842.....917	1001153414 279, 283
1001138565 489	1001142736..... 247, 249, 829	1001148902.....1071	1001153779 273, 275, 282
1001138566 489, 494, 497, 501	1001142938..... 897, 905, 909	1001148903.....1071	1001154126 689
1001138671 529, 531	1001142940..... 897, 905, 909	1001148904.....1071	1001154237 265, 275
	1001142941..... 897, 906, 909, 910	1001148905.....1071	1001154405 289, 293, 306, 310, 323, 327, 339, 378, 389, 403, 405, 407, 459
	1001143390..... 279, 283, 301, 317, 351, 357, 363, 385, 397	1001148906.....1071	1001154584 23
	1001143449..... 467, 469	1001149160.....423	1001154687 689
		1001149639.....419	1001154875 27, 29
		1001149703.....463	1001154931 35, 37
		1001149704.....278, 282	1001155035 35, 37
		1001149705.....278, 282	1001155041 485
		1001149706.....278, 282	1001155043 121, 125, 129, 133, 137, 141, 145, 149, 153, 157, 161, 165
		1001149730.....1073	

SECTION 11 - SPECIAL OPTIONS/ACCESSORIES/KITS

1001155044.....121, 125, 129, 133, 137, 141, 145, 149, 153, 157, 161, 165, 629	1001157770 514, 519	1001167194 737, 740, 744, 749, 768, 772	1001177910.....490, 498, 821, 823
1001155045.....121, 125, 129, 133, 137, 141, 145, 149, 153, 157, 161, 165, 629, 1068	1001157837 529, 531	1001167196 737, 740, 744, 749, 768, 772	1001178057..97, 101, 107
1001155143.....259, 261, 265	1001157851 736, 741, 745, 748, 769, 773	1001167565 555	1001178207.....1070
1001155192.....35	1001157866 721, 725, 729, 733	1001167567 555	1001178208.....1070
1001155194.....27	1001157870 233	1001167596 555	1001178209.....101
1001155823.....289, 293, 306, 310, 324, 327, 335, 339, 378, 389	1001158007 506, 510, 514, 518, 522	1001167632 909	1001178210.....97
1001156107.....351	1001158008 506, 510, 514, 518, 522	1001167635 909	1001178215.....736
1001156425.....835, 859, 869	1001158084 233	1001168018 419	1001178219.....720
1001156426.....859	1001158145 445	1001168025 77, 557	1001178220.....724
1001156427.....835, 869	1001158187 71	1001168166 301, 317	1001178223.....302, 318, 352, 358, 364, 386, 398
1001156439.....565, 567, 569	1001158188 71	1001168402 555	1001178797.....459
1001156710.....21, 23, 25, 27, 29	1001158203 71	1001169054 301, 317, 351, 357, 363, 386, 398, 419	1001178876.....386, 398
1001156805..97, 99, 101, 103, 105	1001158259 1070	1001169138 301, 317, 351, 357, 363, 386, 398, 419	1001179154.....510, 518, 522
1001156819.....459	1001158363 493, 502	1001169754 59	1001179837.....481
1001156823.....412	1001158364 173	1001169755 59	1001180001.....481
1001156965.....565	1001158436 65	1001169756 59	1001180052.....482
1001157015.....39	1001159118 817, 819, 1066	1001169757 59	1001180287.....481
1001157016.....43	1001159119 817, 819	1001169967 419	1001180620.....302, 318, 352, 357, 363, 386, 398, 419, 577
1001157021.....193, 201	1001159120 817, 819	1001170035 419	1001181045.....875, 877, 1066
1001157025.....196, 205, 209, 213, 216, 221, 225	1001159121 819	1001170764 909	1001181046.....879, 1066
1001157056..97, 99, 101, 103, 105	1001159186 937, 941	1001170847 573, 575, 1068	1001181060.....527
1001157208.....197, 225	1001159256 629, 1068	1001171127 501	1001181145.....1055
1001157209.....197, 205, 217, 225	1001159323 .. 1010, 1054	1001171131 817	1001181243.....482
1001157284.....197, 205, 209, 213, 217, 221, 225	1001159340 729, 733, 748, 761, 765, 769	1001171269 497	1001181894.....736, 741, 745, 748, 769, 773
1001157344.....196, 205, 209, 213, 216, 221, 225	1001160077 243	1001171403 906	1001181895.....318, 386
1001157400.....717	1001160559 97, 99	1001172045 1070	1001181899.....302, 318, 357, 363, 386, 398
1001157415.....192	1001160567 101, 103, 105	1001172064 897	1001182361.....910
1001157416.....175, 196	1001160780 65, 67	1001172065 897	1001182365.....910
1001157474.....193, 196, 201, 205, 209, 213, 216, 221, 225	1001161076 87	1001172578 651	1001182570.....573, 575, 1068
1001157475.....193, 196, 201, 205, 209, 213, 216, 221, 225	1001161355 ... 31, 33, 35, 37	1001172760 629	1001182599.....1071
1001157520.....506, 510, 514, 518, 522	1001161399 ... 31, 33, 35, 37	1001173535 420	1001182806.....251
1001157521.....506, 510, 514, 518, 522	1001161709 629, 1068	1001173580 196, 205, 209, 213, 216, 221, 225	1001184259.....1072
1001157525.....505, 506, 513, 514	1001161711 192, 196, 201, 205, 209, 213, 216, 221, 225	1001173869 185	1001184618.....629
1001157528.....506, 510, 514, 518, 522	1001162335 403	1001173870 185, 216	1001184626.....629
1001157592.....509, 510, 518, 522	1001162497 259, 262, 266, 269, 289, 293, 306, 310, 324, 327, 335, 339, 378, 389, 412	1001174040 545, 547, 555	1001184682.....253
1001157612.....196, 205, 209, 213, 216, 221, 225	1001162546 1073	1001174101 217	1001185281.....629
1001157736.....193, 201	1001162915 217	1001174283 197, 225	1001186251.....197, 205, 209, 213, 217, 221, 225
1001157752.....175	1001163101 177, 179, 181, 185, 187	1001174486 412	1001186254.....197, 205, 209, 213, 217, 221, 225
1001157769.....506, 511	1001163599 481, 498, 501, 513, 517	1001174745 467, 469	1001186333.....623
	1001164786 1072	1001174746 469	1001186334.....625
	1001165035 289, 293, 306, 310, 324, 327, 335, 339, 378, 389, 420	1001175354 1034	1001186375.....583
	1001165368 489, 497, 877	1001176329 419	1001186377.....587
	1001165657 ... 31, 33, 35, 37	1001176469 130, 141, 153, 161, 165	1001186382.....591
	1001165842 351	1001176636 837	1001186387.....595
	1001167042 351, 357, 363, 386, 397	1001176862 817	1001186388.....611
		1001177226 736, 741, 745, 748, 769, 773	1001186384.....607
		1001177359 301, 317, 352, 358, 363, 386, 398	1001186386.....603
		1001177694 1071	1001186387.....599
		1001177711 821	1001186426.....419
		1001177712 823	1001186431....643, 1068, 1074
		1001177844 301, 317, 352, 357, 363, 386, 398	1001186432.....977, 979
		1001177845 301, 318, 352, 357, 363, 386, 398	1001186501.....213
			1001186502.....213
			1001186517.....643
			1001186631.....1072

SECTION 11 - SPECIAL OPTIONS/ACCESSORIES/KITS

1001186985 302, 318, 352, 358, 364, 386, 398	1001198337..... 720, 724, 728, 732, 752, 756, 760, 764	1001208994.....555, 557, 559	1001217174 419
1001187382 555	1001198338..... 720, 724, 728, 732, 752, 756, 760, 764	1001209059..... 1073	1001217175 419
1001187383 555	1001198339..... 717	1001209432..... 827	1001217183 419
1001187500 1072	1001198340..... 720, 724, 728, 732, 752, 756, 760, 764	1001209474..... 827	1001217185 419
1001187509 1072	1001199396..... 720, 724, 728, 732, 752, 756, 760, 764	1001209634..... 1072	1001217186 419
1001187674 641	1001199487..... 1073	1001209635..... 1072	1001217191 415, 418
1001187681 971	1001200072..... 1055	1001209664..... 643	1001217317 419
1001187781 418	1001200128..... 1055	1001209982..... 61	1001217350 449
1001188125 87	1001200129..... 1055	1001210025..... 1074	1001217543 419
1001188305 609	1001200130..... 1055	1001210026..... 1074	1001217940 748
1001188306 593	1001200131..... 1055	1001210448..... 423, 425, 429	1001218022 1071
1001188308 613	1001200132..... 1055	1001210636..... 685	1001218085 415
1001188309 597	1001200133..... 1055	1001210977..... 1072	1001218087 449
1001188314 589	1001200134..... 1055	1001211336..... 97, 99	1001218362 419
1001188315 605	1001200491..... 555	1001211588..... 573, 575	1001218449 419
1001188318 585	1001200494..... 555	1001211794..... 423, 425	1001218547 473
1001188319 601	1001200497..... 937, 941	1001212223..... 513, 517	1001218572 113, 115, 117, 119
1001188622 555	1001200725..... 1072	1001212415..... 1066	1001218622 837, 839, 861, 863, 871, 873
1001188844 555	1001201351..... 555	1001213447..... 949	1001218623 837, 839, 861, 863, 871, 873
1001188874 122, 125, 130, 133, 138, 149, 157, 161, 165	1001201602..... 527	1001213584..... 777, 779, 781, 783, 821, 823	1001218850 1054
1001188884 457	1001201885..... 937, 942	1001213585..... 777, 779, 781, 783, 821, 823	1001218930 522
1001188887 457	1001202280..... 457	1001213810..... 423	1001219219 ... 39, 41, 43, 47
1001188972 262, 266, 306, 310, 378	1001202281..... 457	1001213882..... 629	1001219259 419
1001189001 555	1001202368..... 302, 318, 352, 386, 398	1001214030..... 1055	1001219345 419
1001189002 555	1001202687..... 555	1001214570..... 827	1001219361 419
1001189979 420	1001202749..... 1071	1001214571..... 827	1001219363 419
1001190610 302, 318, 352, 358, 363, 386, 398	1001203655..... 623	1001214827..... 423, 425	1001219370 412
1001190889 1073	1001203656..... 625	1001214984..... 1071	1001219480 419
1001190985 555	1001204269..... 724, 732, 756, 765	1001215016..... 913	1001219601 122, 126, 130, 134, 138, 142, 145, 150, 154, 158, 161, 165
1001191022 577, 1068	1001204325..... 302, 318, 352, 358, 364, 386, 398	1001215091..... 913	1001219611 419
1001191394 1071	1001204648..... 201	1001215228..... 630	1001219612 419
1001191395 1071	1001204667..... 457	1001215384..... 423, 425	1001219613 419
1001191525 1055	1001204715..... 573, 575	1001215534..... 913	1001219618 521
1001191599 373	1001204725..... 555	1001215681..... 419	1001219619 485
1001191610 419	1001204929..... 1072	1001215974..... 419	1001219630 486
1001191620 324, 328, 352	1001205958..... 797, 799, 801, 803, 805, 807, 809, 811, 813	1001216015..... 481	1001219632 486
1001192027 529, 531	1001206250..... 801	1001216065..... 423, 425	1001219633 1072
1001193018 785, 787, 789, 791, 793, 795, 797, 799, 801, 803, 805, 807, 809, 811, 813, 815	1001206251..... 807	1001216071..... 423, 425	1001219634 412
1001195304 1072	1001206252..... 813	1001216075..... 419	1001219636 413
1001195537 1071	1001206253..... 789	1001216092..... 419	1001219637 413
1001195967 467	1001206254..... 795	1001216144..... 423, 425	1001219638 413
1001196221 527, 529, 531	1001206255..... 815	1001216144..... 423, 425	1001219639 413
1001196382 522	1001206311..... 1074	1001216201..... 419	1001219840 1070
1001196428 457	1001206476..... 827	1001216212..... 913	1001219881 473
1001196634 409, 895, 1066, 1067	1001206477..... 1074	1001216213..... 913	1001219979 75, 557
1001196768 197, 205, 209, 213, 217, 221, 225	1001206532..... 630	1001216221..... 445	1001220002 225
1001197017 669, 671, 673, 675	1001207004..... 249	1001216300..... 427	1001220067 225
1001197240 1070	1001207558..... 192	1001216390..... 522	1001220142 449
1001197408 1055	1001207969..... 557, 559	1001216391..... 486	1001220283 67
1001197719 909	1001208024..... 192	1001216531..... 420	1001220379 905
1001198333 736, 740, 752, 756		1001216532..... 415	1001220392 189
1001198336 717		1001216533..... 415	1001220393 189, 224
		1001216534..... 415	1001220404 427
		1001216535..... 415	1001221203 302, 318, 358, 364
		1001216568..... 412	1001221212 290, 294, 302, 306, 310, 318, 335, 339, 357, 363, 453, 455
		1001216619..... 427	
		1001216630..... 555	
		1001216768..... 423	
		1001216769..... 423	
		1001216910..... 419, 423	
		1001216919..... 419	
		1001217032..... 419	
		1001217046..... 419	
		1001217090..... 419	
		1001217170..... 415	

SECTION 11 - SPECIAL OPTIONS/ACCESSORIES/KITS

1001221219.....302, 318, 357, 363	1001227987 641	1001236505 827	1001241697.....571
1001221397449	1001227996 973, 975	1001236552 645	1001241698.....571
1001221464.....415	1001228215 581	1001236746 681	1001241703.....627
1001221498.....522	1001228224 641, 1068	1001236747 679	1001241965.....645
1001221545.....423, 425	1001228225 641, 1068	1001236871 201	1001242253.....247
1001221615.....420	1001228243 617	1001236891 677, 679, 681, 683	1001242254.....249
1001222033420	1001228355 1075	1001236895 677, 679, 681, 683	1001242409.....1070
1001222314557, 559	1001228375 621	1001236951 1072	1001242696.....327
1001222641423, 425	1001228376 615	1001237055 200	1001243183.....1070
1001222817459, 461	1001228377 619	1001237142 529, 531	1001243184.....1070
1001223042419	1001228950 883	1001237193 181	1001243366.....269
1001223055.....990, 994	1001228954 883	1001237194 177, 181, 204	1001243414.....197, 205, 209, 217, 221, 225
1001223453.....990, 994, 1022, 1026	1001228988 ... 667, 1061, 1063	1001237205 205	1001243561.....783
1001223459.....906, 909	1001229341 641	1001237259 177	1001243682.....251, 253, 255
1001223584.....418	1001229530 937, 941	1001237261 181	1001243895.....409
1001223591357, 371	1001229542 386, 398	1001237286 205	1001243985.....227
1001223923419	1001229762 1070	1001237546 169	1001243986.....231
1001223971 ... 1022, 1026	1001229935 1072	1001237667 937, 941, 949	1001243992.....269
1001224048 ... 1038, 1042	1001230374 .. 25, 29, 691	1001237668 937, 941, 949	1001244114.....557, 561
1001224049 ... 1046, 1050	1001230375 .. 33, 37, 709	1001237862 973, 975	1001244212... 1010, 1054
1001224050 ... 1014, 1018	1001230635 302, 318, 352, 358, 364, 386, 398	1001237863 641, 973	1001244298... 1014, 1018
1001224052... 1002, 1006	1001230783 33	1001237864 641, 975	1001244301... 1014, 1018
1001224053 ... 1030, 1034	1001230934 910	1001237865 641, 971	1001244463.....213, 221, 227
1001224486420	1001230935 910	1001237882 1071	1001244465.....209, 213, 221, 231
1001224489420	1001230936 910	1001237883 1071	1001244466.....179, 212
1001224936.....302, 318, 358, 364	1001231147 25	1001237949 529, 531	1001245137.....1070
1001224937302, 318, 358, 364	1001231235 1074	1001238168 545, 547	1001245913.....352, 917
1001224940.....302, 318, 358, 363	1001231801 1054	1001238263 677, 679, 681, 683	1001246142.....1070
1001225346.....827, 1068	1001231886 251	1001238268 352	1001246144.....885
1001225430.....371, 1067	1001231949 681	1001238319 641	1001246145.....889
1001225432.....372, 1067	1001231950 679, 683	1001238328 529, 545	1001246475.....885
1001225442419	1001232010 679, 681, 683	1001238333 545, 547	1001246476.....889
1001225510420	1001232011 679, 681, 683	1001238398 545, 547	1001246859.....938, 983
1001225580.....643, 979	1001232164 641	1001238418 645, 977	1001247011.....294, 310, 336, 340
10012256231071	1001232165 641	1001238421 555	1001247073.....1073
1001225745275, 297, 313, 331, 333, 415, 435	1001232539 37	1001238463 683	1001247281.....251
1001226286459	1001232540 29	1001238472 645	1001247358.....63
1001226400843, 845, 847, 849, 851, 853	1001232642 645	1001238495 643	1001247359.....420
1001226531827	1001232667 645, 1068	1001238559 645	1001247466.....529, 531, 693
1001226541881, 893	1001232842 409	1001238671 637	1001247468.....555, 1068
1001226636893	1001233047 1070	1001238673 171	1001248140.....677, 679, 681, 683
1001226637893	1001233089 302, 318, 357, 364	1001238732 171, 637	1001248141.....677, 679, 681, 683
1001226739883, 885, 887, 889, 893	1001233479 245	1001238931 177	1001249052.....1074
1001226799883, 885, 889	1001233763 306, 310, 378, 409	1001239202 909	1001249095.....937, 941
1001226872581	1001233959 169, 635	1001239235 1071	1001249695.....1074
1001226923459	1001234800 909	1001239471 117	1001249824.....567, 569
1001227224290, 294, 306, 310, 335, 340, 407	1001234811 551	1001239472 113	1001249941.....1074
1001227494887	1001235900 75, 77, 79	1001239688 227, 229	1001250294.....197, 205, 209, 217, 221, 225
1001227614345, 356	1001235949 352, 386, 398, 405	1001239689 227	1001250295.....196, 205, 209, 216, 221, 225
1001227633641	1001236087 637	1001239690 227, 229	1001250384.....567, 569
1001227634641	1001236091 169, 171	1001239691 227, 229	1001250595.....1074
1001227666420	1001236303 117, 119	1001239721 231	1001250737.....534, 538, 542
1001227667420	1001236304 827	1001239722 231	1001251027.....527, 695
1001227769423	1001236334 447	1001239723 231	1001251028.....527, 703
1001227772423, 425	1001236335 447	1001239724 231	
10012279511071	1001236335 447	1001241398 171, 637	
1001227985641	1001236387 201	1001241416 1072	
	1001236389 201	1001241547 1073	
	1001236392 201	1001241548 1073	
	1001236400 1055	1001241689 627, 629	
	1001236504 827	1001241694 571	

SECTION 11 - SPECIAL OPTIONS/ACCESSORIES/KITS

1001251029 529, 531, 705	1001256582..... 994	1001262103..... 1054	1001266969 1073
1001251081 534, 711	1001256583..... 1042	1001262104..... 1054	1001267256 302, 318, 358, 364, 386, 398
1001251083 538, 542, 713	1001256584..... 1018	1001262105..... 1054	1001267287 103
1001252527 910	1001256585..... 1050	1001262322..... 887	1001267308 ... 990, 1002, 1014, 1022, 1030, 1038, 1046
1001252627 .. 1057, 1059	1001256586..... 1006	1001262326..... 887	1001267309 994, 998, 1006, 1010, 1018, 1026, 1034, 1042, 1050
1001252629 677, 679, 681, 683	1001256587..... 1026	1001262350..... 527	1001267678 103, 109
1001253618 1074	1001256588..... 1034	1001262351..... 527, 533	1001268736 1072
1001253619 1074	1001256589..... 1010	1001262352..... 534	1001268755 1072
1001253726 651	1001256709..... 529, 537	1001262432..... 573	1001268820 655, 659, 661, 665
1001254016 577	1001256806..... 538	1001262601..... 573	1001268883 61
1001254017 577	1001256820..... 538	1001262829..... 567, 569	1001268884 61
1001254018 577	1001256821..... 529	1001262959..... 1075	1001269187 1073
1001254019 573, 575	1001256837..... 990, 994, 998, 1002, 1006, 1014, 1018, 1022, 1026, 1030, 1034, 1038, 1042, 1046, 1050	1001263035..... 573	1001269199 740, 744, 768, 772
1001254020 573, 575, 577	1001256838..... 1054	1001263179..... 253	1001269322 655, 659, 661, 667
1001254468 575	1001256879..... 324, 328	1001263305..... 990	1001269389 1073
1001254472 645	1001256906... 1010, 1054	1001263306..... 1038	1001269573 655, 659, 661, 667
1001254473 645	1001257057..... 567	1001263310..... 1022	1001269629 1071
1001254657 459	1001257062..... 567, 569	1001263311..... 1030	1001269630 1071
1001255133 545, 547, 555	1001257093..... 567, 569	1001263327..... 567, 569	1001269631 1071
1001255356 573, 575	1001257271..... 677	1001263395..... 1074	1001269655 1074
1001255357 573, 575	1001257274..... 677	1001263445..... 869, 871	1001269959 213
1001255358 573, 575	1001257276..... 453, 455	1001263459..... 1010	1001269988 213
1001255359 573, 575	1001257278..... 302, 318, 357, 364	1001263752..... 865	1001269989 213
1001255807 1070	1001257283..... 451	1001263800..... 699, 701	1001270068 717
1001255901 895, 937, 941	1001257286..... 538	1001263923..... 899	1001270069 720, 724, 728, 732, 752, 756, 760, 764
1001256190 855	1001257412..... 358, 364	1001264088..... 871	1001270070 720, 728, 760
1001256191 831	1001257418..... 1070	1001264237..... 867	1001270071 720, 724, 728, 732
1001256192 857	1001257427..... 575	1001264280..... 869	1001270072 721, 725, 729, 733
1001256193 833	1001257428..... 567, 569	1001264302..... 699	1001270073 724, 732, 756, 764
1001256194 863	1001257429..... 567, 569	1001264367..... 873	1001270074 736, 740
1001256195 839	1001257430..... 740, 744, 768, 772	1001264991..... 545, 547, 701	1001270075 736, 741, 744, 772
1001256196 861	1001257440..... 1070	1001265163..... 685	1001270076 736, 741, 745, 748, 769, 773
1001256197 837	1001257509..... 740, 744, 768, 772	1001265342..... 685	1001270077 729, 733, 748, 761, 765, 769
1001256198 859	1001257558..... 740	1001265676..... 1071	1001270078 748, 769
1001256199 835	1001257559..... 768	1001265900..... 867, 873	1001270099 201
1001256201 841	1001257657..... 567, 569	1001266056..... 1073	1001270286 990, 994, 998, 1002, 1006, 1010, 1014, 1018, 1022, 1026, 1030, 1034, 1038, 1042, 1046, 1050
1001256203 229	1001257776..... 529, 531	1001266098..... 1073	1001270287 245
1001256244 209, 229	1001257972..... 523, 931	1001266284..... 1073	1001270288 245
1001256247 209	1001258003..... 527, 529, 531	1001266290..... 1072	1001270482 1072
1001256248 183, 208	1001258007..... 529, 531	1001266469..... 121	1001270594 243
1001256250 229	1001258330..... 573, 575	1001266470..... 137	1001270630 752
1001256251 183	1001258332..... 573, 575	1001266472..... 141	1001270835 559, 563
1001256258 221	1001258800..... 352	1001266473..... 125	1001270836 77, 559
1001256259 187, 220	1001259137..... 697	1001266474..... 149	1001271074 213
1001256260 187	1001259138..... 697	1001266475..... 133	1001271618 736, 749
1001256506 906	1001259338..... 740, 768	1001266476..... 157	
1001256567 990, 994	1001260412..... 302, 318, 352, 358, 364, 386, 398	1001266477..... 129	
1001256568 990, 994	1001260413..... 302, 318, 352, 358, 364, 386, 398	1001266478..... 153	
1001256569 .. 1038, 1042	1001260680..... 831, 833, 835, 837, 839, 841	1001266479..... 122, 126, 134	
1001256570 .. 1038, 1042	1001261045..... 352	1001266480..... 138, 146, 150, 158	
1001256571 .. 1014, 1018	1001261085..... 352	1001266481..... 165	
1001256572 .. 1014, 1018	1001261335..... 677	1001266482..... 142, 161	
1001256573 .. 1046, 1050	1001261338..... 677	1001266483..... 130	
1001256574 .. 1046, 1050	1001262016..... 1074	1001266484..... 154	
1001256575 .. 1002, 1006	1001262102..... 1054	1001266489..... 1073	
1001256576 .. 1002, 1006		1001266499..... 358, 364	
1001256577 .. 1022, 1026		1001266525..... 302, 318, 357, 364, 386, 398	
1001256578 .. 1022, 1026		1001266799..... 1073	
1001256579 .. 1030, 1034		1001266801..... 1073	
1001256580 .. 1030, 1034		1001266807..... 1073	
1001256581 998, 1010			

SECTION 11 - SPECIAL OPTIONS/ACCESSORIES/KITS

1001271619.....737, 744, 749, 772	1001281304..... 475	1001286521 1071	1001296833.....753, 757, 761, 765
1001271642.....1073	1001281305..... 475	1001286622 243, 881	1001296834.....753, 757, 761, 765
1001271760.....1072	1001281307..... 475	1001287464 121, 125, 129, 133, 137, 141, 145, 149, 153, 157, 162, 166	1001296835.....753, 757, 761, 765
1001271794.....122, 126, 130, 134, 138, 142, 146, 150, 154, 158, 161, 165	1001281309..... 475	1001287536 475	1001296836.....753, 757, 761, 765
1001271888.....1073	1001281310..... 475	1001287749 728	1001296837.....753, 757, 761, 765
1001272166.....1072	1001281311..... 475	1001287750 732	1001296838.....753, 757, 761, 765
1001272178.....1072	1001281359..... 475	1001287814 1070	1001296846.....752
1001272182.....1073	1001281360..... 475	1001287834 265	1001296847.....756
1001272274.....1072	1001281419..... 1072	1001287836 1070	1001296849.....760
1001272305.....213	1001281420..... 1072	1001287837 1070	1001296850.....764
1001272659.....891	1001281452..... 1073	1001287839 1070	1001296856.....752, 756, 761, 765
1001272681.....247	1001281453..... 1073	1001287884 119	1001296857.....753, 757, 761, 765
1001272888.....1071	1001281455..... 1073	1001288113 475	1001297083.....1072
1001272997.....895	1001281456..... 1073	1001288114 744, 772	1001297391.....130, 142, 153, 162, 166
1001273012.....891, 895	1001281457..... 1073	1001288115 744	1001297784.....289
1001273071.....1070	1001281458..... 1073	1001288116 772	1001297787.....305
1001273072.....1071	1001281460..... 1073	1001288407 569	1001299126.....93
1001273073.....1071	1001281461..... 1073	1001289552 910	1001299207.....290, 306
1001274249.....1075	1001281608..... 333, 340	1001289553 910	1001299340.....547, 549
1001274559.....125, 129, 149, 153, 161, 165, 629	1001281609..... 333, 347, 362	1001289593 290, 294, 306, 310, 324, 328, 340, 378, 390, 897	1001299487.....302, 318
1001274829.....1071	1001281610..... 375	1001289831 1074	1001300363.....161
1001274830.....1071	1001281611..... 339	1001289832 1074	1001300364.....165
1001274832.....1071	1001281656..... 475	1001289850 1070	1001301123.....1071
1001274833.....1071	1001281985..... 302, 318, 364, 386, 398	1001289905 1074	1001301337.....453
1001275149.....243	1001281986..... 302, 318, 364, 386, 398	1001289906 1074	1001301338.....455
1001275628.....630	1001282099..... 1070	1001289964 302, 318, 363	1001301691.....1071
1001275629.....629	1001282106..... 169, 635	1001290252 419	1001301717.....386, 398, 401
1001275642.....1074	1001282461..... 1074	1001290375 1072	1001301719.....393, 396
1001275644.....1074	1001282585..... 542	1001291401 302, 318, 352, 358, 364, 386, 398	1001301831.....453
1001276143.....146, 162, 166, 983	1001282588..... 542	1001291566 565	1001301946.....390, 393
1001276376.....271, 273, 343, 345, 347, 381, 393, 439	1001282591..... 542	1001291681 364, 367	1001301950.....381, 384
1001276377.....271, 273, 297, 313, 343, 345, 347, 381, 393, 415, 437	1001282592..... 531, 541	1001293060 323	1001302003.....378, 381
1001276610.....891	1001282593..... 531	1001293138 949	1001302087.....389
1001276644.....302, 318, 352, 363, 386, 398, 909	1001283776..... 243, 981	1001293369 1072	1001302097.....377
1001276923.....1070	1001284101..... 475	1001294438 302, 318, 321	1001302221.....455
1001277592.....352, 369	1001284156..... 115, 119	1001294445 297, 300	1001302223.....455
1001277598.....331, 343, 350	1001284157..... 115	1001294448 290, 294, 297	1001302647.....569
1001277606.....328, 331	1001284511..... 1074	1001294511 313, 316	1001303176.....302, 318
1001278022.....41, 51	1001284582..... 635	1001294516 306, 310, 313	1001303430.....651
1001278612.....145	1001284583..... 635	1001294517 309	1001303818.....420
1001278845.....247	1001284973..... 121, 125, 129, 133, 137, 141, 145, 149, 153, 157, 162, 166, 985	1001294815 1055	1001305520.....1071
1001278850.....247	1001285009..... 41	1001294861 1055	1001306145.....122, 126, 130, 134, 138, 142, 150, 154, 158, 937
1001280403.....122, 125, 134, 138, 145, 150, 158	1001285037..... 413, 415	1001295197 565	1001306283.....302, 318
1001280600.....121, 125, 129, 133, 137, 141, 146, 149, 153, 157, 162, 166	1001285038..... 412	1001295732 125, 129, 149, 153, 162, 166, 903	1001306803.....81, 83
1001281070.....1074	1001285346..... 146, 162, 166, 941	1001296316 259, 269, 271	1001307725.....545, 553
1001281077.....565	1001285349..... 475	1001296317 259	1001307773.....533
1001281168.....565	1001285379..... 99, 105, 111	1001296318 262, 273	1001307775.....538, 542
1001281171.....565	1001285514..... 93, 95	1001296319 347	1001307776.....538, 542
1001281192.....352	1001285515..... 121, 137, 899	1001296320 261	1001308436.....533
1001281298.....475	1001285674..... 740, 744, 768, 772	1001296323 269	1001308437.....537, 541
1001281301.....475	1001285786..... 105	1001296327 336, 345	1001308593.....1072
	1001285800..... 146, 158	1001296328 335	1001309057.....1072
	1001285830..... 99	1001296655 324, 343	1001311034.....645, 1068
	1001286027..... 141, 145, 901		
	1001286028..... 134, 157, 913		
	1001286519..... 1071		

SECTION 11 - SPECIAL OPTIONS/ACCESSORIES/KITS

1001314179 531, 547	1580012 647	1703484..994, 998, 1006,	1705336 990, 994
1060341 ... 669, 671, 673,	1580013 1072	1010, 1018, 1026,	1705344 1030, 1034
675	1670603 815	1030, 1034, 1050	1705345 1038, 1042
1060343 510, 518, 522	1671034 ... 831, 833, 835,	1703797 990, 994	1705347 1022, 1026
1060545 877	837, 839, 841, 865,	1703804 990, 994	1705351 990, 994
1060584 69	867, 869, 871, 873	1703805 990, 994	1705355 1061, 1063
1060626 ... 261, 265, 305,	1671044 529, 531	1703811 233, 990, 994,	1705368 1055
309, 377	1671092 510, 518, 522	998, 1002, 1006, 1010,	1705374 ... 494, 502, 817,
1060637 ... 259, 261, 265,	1671093 655, 661	1014, 1018, 1022,	819
269, 297, 313, 331,	1671201 192, 200	1026, 1030, 1034,	1705375 510, 519, 522
333, 343, 345, 347,	1671228 ... 192, 193, 200,	1038, 1042, 1046, 1050	1705387 ... 494, 502, 511,
381, 393, 415	201	1703814 990, 994, 998,	519, 522
1060903 ... 669, 671, 673,	1671230 193	1002, 1006, 1010,	1705426 1030, 1034
675	1671231 193, 201	1014, 1018, 1022,	1705427 1038, 1042
1060908 ... 787, 793, 799,	1671232 193, 201	1026, 1030, 1034,	1705429 1022, 1026
805, 811, 875, 879	1700818 1054	1038, 1042, 1046, 1050	1705430 1014, 1018
1060918 633	1701499 ... 990, 994, 998,	1038, 1042, 1046, 1050	1705460 ... 506, 510, 514,
1062255 323, 328	1002, 1006, 1010,	1703923 1046, 1050	518, 522
10702077 . 506, 510, 514,	1014, 1018, 1022,	1703924 1022, 1026	1705461 506, 514
518, 522	1026, 1030, 1034,	1703925 1014, 1018	1705489 ... 489, 497, 506,
10702082 . 506, 510, 514,	1038, 1042, 1046, 1050	1703926 1030, 1034	514
518, 522	1701501 ... 990, 994, 998,	1703927 1038, 1042	1705490 1057, 1059
10836804 . 121, 125, 129,	1002, 1006, 1010,	1703935 1046, 1050	1705820 67
133, 137, 141, 145,	1014, 1018, 1022,	1703936 1022, 1026	1705822 998, 1010
149, 153, 157, 161, 165	1026, 1030, 1034,	1703938 1030, 1034	1705828 998, 1010
10837580 79	1038, 1042, 1046, 1050	1703939 1038, 1042	1705836 235, 237
1120510 533, 537, 541	1701505 ... 259, 261, 265,	1703941 1046, 1050	1705837 235, 237
1120555 651	269, 289, 293, 305,	1703942 1022, 1026	1705886 235, 237
1120601 ... 192, 196, 200,	309, 323, 327, 335,	1703943 1014, 1018	1705895 1002, 1006
204, 208, 212, 216,	339, 377, 389	1703944 1030, 1034	1705896 1002, 1006
220, 224	1701509 ... 651, 990, 994,	1703945 1038, 1042	1705897 1002, 1006
1220078 533, 537, 541	998, 1002, 1006, 1010,	1703947 1046, 1050	1705898 1002, 1006
1260017 89	1014, 1018, 1022,	1703948 1022, 1026	1705902 1002, 1006
1320016 278, 282	1026, 1030, 1034,	1703949 1014, 1018	1705903 1002, 1006
1320022 ... 259, 261, 265,	1038, 1042, 1046, 1050	1703950 1030, 1034	1705905 1002, 1006
269, 457	1701518 998, 1010	1703951 1038, 1042	1705910 1046, 1050
1320041 835, 859, 869	1701542 412	1703953 990, 994	1705917 1046, 1050
1320061 ... 289, 293, 305,	1701543 412	1703980 1030, 1034	1705921 998, 1010
309, 323, 327, 335,	1701691 ... 990, 994, 998,	1703981 1038, 1042	1705961 998, 1010
339, 377, 389, 831,	1002, 1006, 1010,	1703982 1014, 1018	1705967 1002, 1006,
833, 835, 837, 839,	1014, 1018, 1022,	1703983 1046, 1050	1054
841, 855, 857, 859,	1026, 1030, 1034,	1703984 1022, 1026	1705969 1038, 1042,
861, 863, 865, 867,	1038, 1042, 1046, 1050	1704000 1022, 1026,	1054
869, 871, 873	1702565 629	1054	1705980 1055
1320110 418	1702566 629	1704001 1046, 1050,	1706059 1054
1320127 63	1702567 629	1054	1706060 1054
1320176 ... 259, 261, 265,	1702720 1054	1704260 629	1706061 1054
269	1702773 . 623, 625, 1010,	1704271 1054	1706062 1054
1320177 649, 655	1054	1704272 67	1706063 1054
1320202 ... 837, 839, 861,	1702861 1054	1704277 990, 994, 998,	1706064 1054
863, 871, 873	1702868 ... 667, 990, 994,	1002, 1006, 1010,	1706098 1054
1320218 63	1054, 1057, 1063	1014, 1018, 1022,	1706385 623, 625
1320220 63	1702941 ... 261, 265, 305,	1026, 1030, 1034,	1706593 67
1320223 ... 278, 282, 831,	309, 377	1038, 1042, 1046, 1050	2060025 278, 282
833, 855, 857, 865, 867	1702942 ... 261, 265, 305,	1704412 990, 994, 998,	2080040 ... 196, 204, 208,
1320224 ... 235, 237, 259,	309, 377	1002, 1006, 1010,	212, 216, 220, 224,
261, 265, 269	1702943 ... 261, 265, 305,	1014, 1018, 1022,	599, 601, 603, 605,
1320263 565, 567, 569	309, 377	1026, 1030, 1034,	607, 609, 611, 613,
1320288 567, 569	1702944 261, 265, 377	1038, 1042, 1046, 1050	615, 617
1320289 565, 567, 569	1703162 ... 278, 282, 300,	1704578 65	2080044 ... 865, 867, 869,
1320294 565	316, 350, 356, 362,	1704885 1054	871, 873
1320302 ... 655, 659, 661,	384, 396, 418	1704907 1050	2080072 ... 196, 204, 208,
667	1703179 1054	1704972 1054	212, 216, 220, 224
1321283 412	1703475 990, 1002, 1014,	1705014 623, 625	2110404 ... 717, 720, 724,
1321384 193, 201	1022, 1038, 1046	1705090 65	728, 732, 736, 740,
1340061 1070	1703482 1042	1705305 667, 1057, 1059,	744, 748, 752, 756,
1380147 471, 473		1061, 1063	760, 764, 768, 772
		1705325 785, 787, 789	

SECTION 11 - SPECIAL OPTIONS/ACCESSORIES/KITS

2110406....720, 724, 728, 732, 752, 756, 760, 764	2131012 ... 720, 724, 728, 732, 752, 756, 760, 764	2220750 235, 237	2753628....720, 728, 752, 760
2110408....717, 720, 724, 728, 732, 752, 756, 760, 764	2131212 ... 720, 724, 728, 732	2220816 457, 459	2753634....720, 724, 728, 732, 752, 756, 760, 764
2110604....740, 744, 768, 772	2131612 ... 752, 756, 760, 764	2220883 49, 53, 689, 691, 693, 695, 697, 699, 703, 705	2753653....736, 741, 744, 748, 769, 772
2110606....717, 728, 732, 736, 740, 744, 748, 752, 756, 760, 764, 768, 772	2131616 ... 720, 724, 728, 732, 752, 756, 760, 764	2220885 ... 689, 691, 697, 699, 703, 705, 711, 713	2753654....736, 741, 744, 748, 769, 772
2110608....728, 732, 736, 740, 744, 748, 760, 764, 768, 772	2132016 ... 720, 724, 728, 732, 752, 756, 760, 764	2220888 49, 53	2753656....729, 733, 736, 741, 745, 748, 761, 765, 769, 773
2110612....736, 740, 744, 748, 768, 772	2150404 ... 736, 740, 744, 748, 768, 772	2221024 63	2753667....720, 724, 729, 733
2110808....720, 724, 728, 732, 736, 740, 744, 748, 752, 756, 760, 764, 768, 772	2150406 ... 720, 724, 728, 732, 752, 756, 760, 764	2221086 ... 736, 740, 744, 748, 768, 772	2753670....737, 740, 744, 749, 768, 772
2110810....720, 724, 728, 732, 752, 756, 760, 764	2151616 ... 720, 724, 728, 732, 736, 740, 744, 748, 752, 756, 760, 764, 768, 772	2221176 ... 259, 261, 265, 269, 412	2753671....737, 740, 744, 749, 768, 772
2110812....720, 724, 728, 732, 752, 756, 760, 764	2170204 ... 720, 724, 728, 732, 752, 756, 760, 764	2221197 63, 412	2753674....736, 740, 744, 749, 768, 772
2111008....736, 740, 744, 748, 768, 772	2170208 ... 736, 740, 744, 748, 768, 772	2300016 43	2753675.....736, 749
2111010....736, 740, 744, 748, 768, 772	2170212 ... 752, 756, 760, 764	2400060 ... 409, 685, 927, 931, 937, 941, 949	2753677....740, 744, 768, 772
2111016....720, 724, 728, 732	2170408 ... 720, 724, 728, 732, 752, 756, 760, 764	2400064 .. 927, 931, 1067	2753678....740, 744, 768, 772
2111208....736, 740, 744, 748, 768, 772	2170504 ... 720, 724, 728, 732, 752, 756, 760, 764	2410014 623, 625	2753679.....736, 749
2111212....720, 724, 728, 732, 736, 740, 744, 748, 752, 756, 760, 764, 768, 772	2170506 ... 728, 732, 748, 760, 764, 768	2420203 479, 481, 485	2753681....736, 741, 745, 748, 769, 773
2111616....720, 724, 728, 732, 752, 756, 760, 764	2170706 ... 728, 732, 748, 760, 764, 768	2460048 505, 509	2753682....737, 740, 744, 749, 768, 772
2112020....720, 724, 728, 732, 752, 756, 760, 764	2172112 ... 736, 740, 744, 748, 768, 772	2460051 485	2753683....736, 741, 745, 749, 769, 773
2112424....736, 740, 744, 748, 768, 772	2180348 ... 259, 261, 265, 269, 412, 420, 457	2460055 479	2753684....737, 740, 744, 749, 768, 772
2120217.....557, 559	2180387 63	2540035 192, 200	2753685....720, 724, 729, 733, 753, 757, 761, 765
2130404....720, 724, 728, 732, 736, 740, 744, 748, 752, 756, 760, 764, 768, 772	2180388 63	2560136 629	2753686....720, 724, 728, 732, 736, 741, 745, 748, 752, 756, 760, 764, 769, 773
2130406....720, 724, 728, 732, 752, 756, 760, 764	2180389 63	2560187 ... 197, 205, 217, 225, 227, 229, 231	2753693.....737, 749
2130604....720, 724, 728, 732, 752, 756, 760, 764	2180418 63, 412, 420	2580024 ... 261, 265, 305, 309, 377	2753699....720, 724, 729, 733
2130606....720, 724, 728, 732, 736, 740, 744, 748, 752, 756, 760, 764, 768, 772	2180467 418	2580062 283	2753732....729, 733, 748, 761, 765, 769
2130608....736, 740, 744, 748, 768, 772	2180829 ... 740, 744, 768, 772	2600209 193, 201	2753768....721, 725, 729, 733
2130612....736, 740, 744, 748, 768, 772	2180832 ... 289, 293, 305, 309, 323, 327, 335, 339, 377, 389, 649, 655	2600233 193, 201	2753879....729, 733, 748, 761, 765, 769
2130808....720, 724, 728, 732, 752, 756, 760, 764	2200222 97, 99, 101, 103, 105	2600244 192, 200	2753970....720, 728, 752, 760
2130810....736, 740, 744, 748, 768, 772	2220237 ... 720, 724, 728, 732, 752, 756, 760, 764	2600281 ... 599, 601, 603, 605, 607, 609, 611, 613, 615, 617	2753971....720, 724, 728, 732, 752, 756, 760, 764
2131010....736, 740, 744, 748, 752, 756, 760, 764, 768, 772	2220238 ... 720, 724, 728, 732, 748, 752, 756, 760, 764, 768	2680490 192, 200	2754337....720, 724, 728, 732, 752, 756, 760, 764
	2220252 235, 237	2717059 ... 736, 740, 744, 748, 768, 772	2754338....720, 724, 728, 732, 752, 756, 760, 764
	2220261 63, 420	2720015 ... 300, 316, 356, 362, 384, 396	2754512....720, 728, 752, 760
	2220313 ... 259, 261, 265, 269, 289, 293, 305, 309, 323, 327, 335, 339, 377, 389	2720058 ... 259, 261, 265, 269, 420, 457	2754720....724, 732, 756, 764
	2220315 ... 300, 316, 350, 356, 362, 384, 396	2720144 63	2780229.....39, 45
	2220418 63	2720160 649, 655	2820031....477, 479, 481, 485, 489, 493, 497, 501, 506, 510, 513,
	2220451 278, 282	2720340 ... 300, 316, 350, 356, 362, 384, 396	
	2220478 ... 736, 740, 744, 748, 768, 772	2720398 278, 282	
	2220737 ... 736, 740, 744, 748, 768, 772	2750532 ... 259, 261, 265, 269, 289, 293, 305, 309, 323, 327, 335, 377, 389	
		2753540 ... 720, 724, 729, 733, 753, 757, 761, 765	
		2753542 ... 720, 724, 728, 732, 752, 756, 760, 764	
		2753545 ... 736, 740, 744, 748, 768, 772	
		2753555 ... 721, 725, 729, 733	
		2753622 ... 720, 724, 728, 732, 736, 740, 745, 748, 749, 752, 756, 760, 764, 769, 773	
		2753626 ... 720, 724, 728, 732, 752, 756, 760, 764	

SECTION 11 - SPECIAL OPTIONS/ACCESSORIES/KITS

517, 521, 843, 845, 847, 849	3271601 201, 567, 569	3310805.....63	187, 189, 192, 193, 196, 200, 204, 208, 212, 216, 220, 224, 227, 229, 231, 237, 239, 259, 261, 265, 269, 278, 282, 300, 316, 350, 356, 362, 384, 396, 403, 405, 407, 459, 463, 465, 471, 477, 479, 490, 498, 527, 529, 531, 533, 537, 541, 557, 559, 565, 567, 569, 623, 625, 627, 655, 659, 661, 667, 821, 823
2820035 409	3271605 ... 677, 679, 681, 683	3311001.... 193, 201, 403, 405, 407, 506, 510, 514, 518, 522	3311705... 477, 479, 481, 485
2820078 ... 193, 197, 213, 217	3271801 ... 300, 316, 350, 356, 362, 384, 396	3311005.... 192, 200, 477, 479, 481, 485, 494, 502, 506, 510, 514, 518, 521, 629	3311801 43, 259, 261, 265, 269, 297, 313, 331, 333, 343, 345, 347, 381, 393, 481, 489, 493, 497, 501, 505, 510, 513, 517
2820118 ... 843, 845, 847, 849	3271805 91, 93, 623, 625	3311401.... 669, 671, 673, 675	3311805 97, 99, 101, 103, 105, 278, 282, 289, 293, 305, 309, 323, 327, 335, 339, 377, 389, 415, 463, 465, 471, 473, 529, 531
2820233 193	3272001 ... 533, 537, 541, 677, 679, 681, 683	3311405.... 121, 125, 129, 133, 137, 141, 145, 149, 153, 157, 161, 165, 175, 177, 179, 181, 183, 185, 187, 192, 196, 200, 204, 208, 212, 216, 220, 224, 235, 237, 239, 251, 253, 259, 261, 265, 269, 271, 273, 275, 278, 282, 289, 293, 297, 300, 305, 309, 313, 316, 323, 327, 331, 333, 335, 339, 343, 345, 347, 350, 356, 362, 377, 381, 384, 389, 393, 396, 412, 415, 467, 469, 489, 493, 497, 502, 505, 509, 513, 518, 627, 645, 785, 787, 789, 791, 793, 795, 797, 799, 801, 803, 805, 807, 809, 811, 813, 815, 821, 823, 827, 831, 833, 835, 837, 839, 841, 855, 857, 859, 861, 863, 865, 867, 869, 871, 873, 990, 994, 998, 1002, 1006, 1010, 1014, 1018, 1022, 1026, 1030, 1034, 1038, 1042, 1046, 1050	3312002 81, 677, 679, 681, 683
2820234 193	3272401 533, 537, 541	3311501.... 196, 204, 208, 212, 216, 220, 224, 573, 575, 669, 671, 673, 675	3312005 651
2820235 193	3290405 ... 243, 245, 247, 412, 685, 785, 787, 789, 791, 793, 795, 797, 799, 801, 803, 805, 807, 809, 811, 813, 815	3311505.. 39, 41, 43, 192, 197, 200, 205, 217, 225, 227, 229, 231, 278, 282, 300, 316, 350, 356, 362, 384, 396, 505, 513, 517, 521, 557, 559, 567, 831, 833, 835, 837, 839, 841, 855, 857, 859, 861, 863, 865, 867, 869, 871, 873	3312201 ... 533, 537, 541
2820247 973, 975	3290501 269	3311601 97, 99, 101, 103, 105, 192, 196, 200, 204, 208, 212, 216, 220, 224, 630, 645	3312205 651
2840016 471, 473	3290505 412, 477	3311605.. 63, 97, 99, 101, 103, 105, 175, 177, 179, 181, 183, 185,	3312602 ... 243, 245, 247, 249
2860012 479	3290601 ... 197, 205, 217, 225, 227, 229, 231, 418, 423, 425, 485, 521		3321501 ... 192, 197, 200, 204, 208, 212, 217, 220, 224
2860030 ... 121, 125, 129, 133, 137, 141, 149, 153, 161, 165, 1067	3290605 ... 122, 126, 130, 134, 138, 142, 145, 150, 154, 158, 161, 165, 418, 649, 655		3322201 91, 93
2900756 41, 43	3290606 ... 583, 585, 587, 589, 591, 593, 595, 597, 619, 621		3340757 533, 537, 541
2900792 ... 693, 697, 699, 701	3290607 247, 249, 418		3340764 565, 567, 569
2901443 1074	3290801 ... 300, 316, 356, 362, 418		3340787 565, 567, 569
2902212 651	3290805 418, 827		3340871 533, 537, 541
2902217 ... 655, 659, 661	3290806 555		3340941 565, 567, 569
2902394 1071	3291001 418, 555		3340942 565
2902443 ... 899, 905, 909	3291005 ... 300, 316, 350, 356, 362, 384, 396, 418, 545, 547, 555		3340943 565, 567, 569
2902461 740, 768	3291007 473		3340956 651
2910888 1070	3291201 ... 418, 486, 521, 555		3340966 35, 37
2915094 1075	3291205 555		3380434 627
2940045 ... 196, 204, 208, 212, 216, 220, 224	3300007 39, 41, 43		3380444 192, 200
2940074 ... 599, 601, 603, 605, 607, 609, 611, 613, 615, 617, 1067	3300151 ... 581, 583, 585, 587, 589, 591, 593, 595, 597, 615, 617, 619, 621, 655, 659, 661, 667		3380575 192, 200
2940088 193, 201	3300205 ... 121, 125, 129, 133, 137, 141, 145, 149, 153, 157, 161, 165		3420372 69
2940173 ... 197, 204, 208, 212, 217, 220, 224	3300240 533, 537, 541		3420447 69
2940188 192, 200	3300241 533, 537, 541		3421453 649, 655
3020021 433	3300242 533, 537, 541		3421565 69, 89
3020029 33, 37	3300353 ... 121, 125, 129, 133, 137, 141, 145, 149, 153, 157, 161, 165, 629		3422417 ... 31, 33, 35, 37, 533, 537, 541
3020037 331, 343	3300364 ... 196, 204, 208, 212, 216, 220, 224		3422424 533, 537, 541
3020039 ... 21, 23, 25, 27, 29	3300396 ... 493, 502, 506, 510, 514, 518, 522		3422446 ... 259, 261, 265, 269, 289, 293, 305, 309, 323, 327, 335, 339, 377, 389, 412
3124242 651	3300408 ... 121, 125, 129, 133, 137, 141, 145, 149, 153, 157, 161, 165, 169, 171		3422532 ... 271, 273, 275, 297, 313, 331, 333, 343, 345, 347, 381, 393, 415
3160347 39, 49	3300430 643		
3160348 43, 53	3310401 356, 384, 396		
3200401 ... 279, 283, 300, 316, 350, 356, 362, 384, 396, 463, 465	3310601 471, 473		
3200406 278, 282			
3200449 529, 531			
3250872 65			
3251102 ... 477, 479, 481, 485, 489, 493, 497, 501			
3251242 ... 791, 795, 797, 801, 803, 807, 809, 813, 815			
3251243 ... 479, 485, 494, 502, 510, 518, 522, 990, 994, 1014, 1018, 1030, 1034, 1038, 1042, 1046, 1050			
3251813 1054			
3252347 990, 994			
3252507 ... 477, 793, 799, 805, 811			
3252764 ... 505, 509, 513, 517, 521			
3271505 569			

SECTION 11 - SPECIAL OPTIONS/ACCESSORIES/KITS

3422562.....527	3576799..... 649, 655	3900192 527	4010608.....649, 655
3422569.....527	3577121 ... 655, 659, 661, 667	3900210 ... 196, 197, 204, 205, 208, 212, 216, 217, 220, 224, 225, 227, 229, 231	4010618....583, 585, 587, 589, 591, 593, 595, 597, 619, 621
3422580.....527	3580134 477	3900232 193, 201	4031505..... 641
3422790..... 31, 33, 35, 37	3580158 477, 479	3900268 ... 121, 125, 129, 133, 137, 141, 145, 149, 153, 157, 161, 165	4031507..... 245
3422841.....69	3580243.... 533, 537, 541	3900283 ... 557, 559, 565, 567, 569	4031509..... 243, 247
3422847.....69	3580249.... 533, 537, 541	3900293 81	4031510..... 577
3422848.....35, 37	3580276 479, 481	3900316 ... 196, 204, 208, 212, 216, 220, 224, 557, 559, 565, 567, 569	4031516..... 645
3422861.....545, 547	3580288.... 533, 537, 541	3900349 629	4031608..... 477
3422867.....545, 547	3580289.... 533, 537, 541	3900363 ... 197, 205, 217, 225, 227, 229, 231	4031711..... 418
3422908.....527, 529, 531	3580314 521	3910408 356, 384, 396	4031908..... 300, 316, 362
3422909.....527, 529, 531	3580317 ... 489, 494, 497, 501, 506, 510, 513, 517, 521	3910606 ... 493, 501, 509, 517, 521, 817, 819	4031912..... 300, 316, 362
3422910.....527, 529, 531	3580318 ... 494, 501, 510, 517	3910608 471, 473	4031914.... 350, 356, 384, 396
3422920.....527, 529, 531	3580319 ... 489, 497, 506, 513	3910610 171, 637	4032014.... 300, 316, 384, 396
3422930.....527	3580320 ... 300, 316, 384, 396, 489, 494, 506, 510	3910616 777, 779	4032015.... 489, 493, 505, 510
3422931.....527, 529, 531	3580324 485	3910804 ... 121, 125, 129, 133, 137, 141, 145, 149, 153, 157, 161, 165	4060092..... 779
3430616.....630	3600386 235, 237, 239	3911010 171, 637	4060802.... 477, 479, 481, 485, 489, 493, 497, 501, 505, 509, 513, 517, 521
3430816.....471, 473	3641569 669, 671	3930606 529, 531	4060804 97, 99, 101, 103, 105
3440410.....529, 531	3720021 235, 237	3931016 ... 493, 501, 505, 509, 513, 517, 521	4060805.... 278, 282, 301, 317, 350, 356, 362, 384, 396, 420
3450404.....471, 473	3740049 ... 121, 125, 129, 133, 137, 141, 145, 149, 153, 157, 161, 165, 1067	3931408 643	4061032.... 736, 740, 744, 748, 768, 772
3460334.....651	3740067 ... 278, 282, 289, 293, 305, 309, 323, 327, 335, 339, 377, 389, 412, 1066, 1067	3931432 ... 300, 316, 350, 356, 362, 384, 396	4070585..... 479
3470003.....630	3740080 ... 269, 278, 282, 477, 479, 481, 485, 521, 1066, 1067	3931512 ... 350, 356, 384, 396	4070863..... 533, 537, 541
3520028.... 479, 481, 485	3740086 977, 1068	3931624 527, 529, 531	4070878.... 21, 23, 25, 27, 29
3520030.... 196, 204, 208, 212, 216, 220, 224	3760170 69, 89	3931628 ... 300, 316, 384, 396	4070879.... 21, 23, 25, 27, 29
3520031.... 121, 125, 129, 133, 137, 141, 145, 149, 153, 157, 161, 165	3790012 412, 629, 639	3931644 418	4070895.... 534, 537, 541
3520054.... 278, 282, 300, 316, 358, 362, 629	3790044 ... 271, 273, 275, 297, 313, 331, 333, 343, 345, 347, 381, 393, 415	3951608 533, 537, 541	4070897.... 534, 537, 541
3520071.....651	3820001 65, 990, 994, 998, 1002, 1006, 1010, 1014, 1018, 1022, 1026, 1030, 1034, 1038, 1042, 1046, 1050	3952020 81	4070898.... 534, 538, 542
3520072.... 581, 583, 587, 591, 595, 599, 603, 607, 611, 615, 617, 619, 621, 623, 625	3820020 ... 599, 601, 603, 605, 607, 609, 611, 613, 615, 617	3960389 ... 192, 196, 200, 204, 208, 212, 216, 220, 224	4070929.... 534, 538, 542
3520189.....506, 514	3841143 ... 259, 261, 265, 269, 289, 293, 305, 309, 323, 327, 335, 339, 377, 389, 412, 527, 533, 537, 541, 545, 547, 555	3960422 ... 493, 501, 509, 517, 521, 777, 779, 817, 819	4070939.... 534, 538, 542
3520192.....506, 514	3841287 ... 21, 23, 25, 27, 29, 527, 529, 531	3960438 193, 201	4070940.... 534, 538, 542
3520193.....573, 575	3841340 ... 831, 833, 835, 837, 839, 841, 855, 857, 859, 861, 863, 865, 867, 869, 871, 873	3960442 418	4070944..... 21
3520198.... 581, 583, 587, 591, 595, 599, 603, 607, 611, 615, 617, 619, 621	3841356 527, 529, 531	3960462 193, 201	4070945..... 21
3537445.....471	3841520.... 31, 33, 35, 37	3960464 193, 201	4070969..... 565
3537446.....471, 473	3841709 529, 531	3960468 ... 278, 282, 297, 313, 331, 333, 343, 345, 347, 381, 393	4070991.... 121, 125, 129, 133, 137, 141, 145, 149, 153, 157, 161, 165
3538047.... 21, 23, 25, 27, 29	3900054 623, 625	3960469 ... 278, 282, 297, 313, 331, 333, 343, 345, 347, 381, 393, 415	4071020.... 534, 538, 542
3538758.... 565, 567, 569	3900085 249	3960470 192, 200	4071048..... 213
3539219.... 141, 145, 161, 165		3960526 39, 41, 43	4071059..... 35, 37
3539622.... 533, 537, 541		3960548 ... 259, 261, 265, 269	4100063..... 323, 328
3539877..... 21		3960549 ... 259, 261, 265, 269	4160139..... 192, 200
3572009..... 69		3980007 ... 261, 265, 305, 309, 377	4160143..... 192, 200
3572010..... 69		3990010 .. 937, 941, 1066	4160149.... 534, 538, 542
3572011..... 69		4010303 577	4160187.... 527, 529, 531
3572012..... 69			4160194.... 196, 204, 208, 212, 216, 220, 224
3573047.... 831, 833, 835, 837, 839, 841, 855, 857, 859, 861, 863, 865, 867, 869, 871, 873			4240017..... 243
3573050.... 527, 529, 531			4240018.... 477, 481, 497, 501, 513, 517, 736, 740, 744, 748, 768, 772, 817, 819
3573296.... 831, 833, 835, 837, 839, 841, 855, 857, 859, 861, 863, 865, 867, 869, 871, 873			4240032.... 247, 249, 301, 317, 352, 358, 364,
3573400.... 655, 659, 661, 667			
3574091..... 673, 675			
3575359..... 669, 671			

SECTION 11 - SPECIAL OPTIONS/ACCESSORIES/KITS

384, 396, 883, 885, 887, 889, 891	4460042 905, 909	4460458..... 899, 901, 905, 909, 913, 919, 921, 927, 931	4460539 ... 255, 899, 901, 903, 909, 913, 949, 985
4240033 ... 235, 237, 573, 575, 641, 643, 645	4460043 ... 409, 899, 901, 905, 910, 919, 921, 927	4460460..... 899, 901, 913	4460612 817, 819
4240099 ... 301, 317, 323, 328, 350, 356, 362, 384, 396, 409, 412, 418, 485, 629, 655, 659, 661, 669, 671, 673, 675	4460049 ... 669, 671, 673, 675	4460464..... 247, 255, 633, 685, 829, 843, 845, 847, 849, 893, 895, 903, 915, 937, 941, 949, 977, 979, 981, 985	4460633 235, 237
424013997, 99, 101, 103, 105	4460051 777, 779	4460465.... 243, 255, 557, 685, 829, 843, 845, 847, 849, 851, 853, 881, 893, 899, 901, 903, 905, 906, 909, 910, 913, 921, 923, 925, 927, 929, 931, 937, 941, 949, 979, 985	4460670 899, 901, 919
4240149 651	4460071 ... 494, 501, 510, 517, 521, 633	4460466.... 641, 685, 829, 843, 845, 847, 849, 851, 853, 881, 893, 901, 903, 905, 909, 910, 937, 941, 949, 971, 977, 979, 981, 985	4460701 935
4280296 71	4460125 779	4460467 1074	4460703 905, 910
4300157 ... 489, 493, 505, 510	4460134 933	4460470.... 121, 125, 129, 133, 137, 141, 145, 149, 153, 157, 161, 165, 629, 831, 833, 835, 837, 839, 841, 855, 857, 859, 861, 863, 865, 867, 869, 871, 873	4460708 949
4340747 235	4460142 ... 899, 901, 937, 941, 949	4460471.... 121, 125, 129, 133, 137, 141, 145, 149, 153, 157, 161, 165, 629, 831, 833, 835, 837, 839, 841, 855, 857, 859, 861, 863, 865, 867, 869, 871, 873	4460722 409
4360057 ... 669, 671, 673, 675, 1068	4460183 949	4460472.... 121, 125, 129, 133, 137, 141, 145, 149, 153, 157, 161, 165, 629, 831, 833, 835, 837, 839, 841, 855, 857, 859, 861, 863, 865, 867, 869, 871, 873	4460738 903, 913
4360070 ... 493, 502, 506, 510, 514, 518, 522, 1066	4460190 479, 481, 485	4460473.... 843, 845, 847, 849, 851, 853	4460742 ... 919, 921, 927, 931
4360274 .. 129, 153, 1068	4460205 777, 933	4460474.... 121, 125, 129, 133, 137, 141, 145, 149, 153, 157, 161, 165, 629, 831, 833, 835, 837, 839, 841, 855, 857, 859, 861, 863, 865, 867, 869, 871, 873	4460743 921, 927
4360328 639, 1068	4460224 497	4460475.... 121, 125, 129, 133, 137, 141, 145, 149, 153, 157, 161, 165, 629, 831, 833, 835, 837, 839, 841, 855, 857, 859, 861, 863, 865, 867, 869, 871, 873	4460746 909
4360336 ... 412, 477, 479, 481, 485, 489, 493, 497, 501, 505, 509, 513, 517, 521, 1068	4460225 923, 949	4460476.... 121, 125, 129, 133, 137, 141, 145, 149, 153, 157, 161, 165, 629, 831, 833, 835, 837, 839, 841, 855, 857, 859, 861, 863, 865, 867, 869, 871, 873	4460748 909
4360387 ... 129, 141, 153, 161, 165, 629, 1068	4460226 ... 633, 669, 671, 673, 675, 825, 899, 901, 903, 913, 945, 947, 949, 985	4460477.... 121, 125, 129, 133, 137, 141, 145, 149, 153, 157, 161, 165, 629, 831, 833, 835, 837, 839, 841, 855, 857, 859, 861, 863, 865, 867, 869, 871, 873	4460761 825, 937, 941
4360407 629, 1066	4460227 ... 825, 937, 941, 949	4460478.... 121, 125, 129, 133, 137, 141, 145, 149, 153, 157, 161, 165, 629, 831, 833, 835, 837, 839, 841, 855, 857, 859, 861, 863, 865, 867, 869, 871, 873	4460806 ... 797, 799, 801, 803, 805, 807, 937, 941, 949
4360469 ... 121, 125, 129, 133, 137, 141, 145, 149, 153, 157, 161, 165, 1068	4460233 779, 935	4460479.... 121, 125, 129, 133, 137, 141, 145, 149, 153, 157, 161, 165, 629, 831, 833, 835, 837, 839, 841, 855, 857, 859, 861, 863, 865, 867, 869, 871, 873	4460807 923
4360475 ... 121, 133, 137, 141, 145, 157, 1068	4460234 ... 243, 629, 669, 671, 673, 675, 883, 885, 887, 889	4460480.... 121, 125, 129, 133, 137, 141, 145, 149, 153, 157, 161, 165, 629, 831, 833, 835, 837, 839, 841, 855, 857, 859, 861, 863, 865, 867, 869, 871, 873	4460808 923
4360476 ... 121, 125, 129, 133, 137, 141, 145, 149, 153, 157, 161, 165, 629, 1066	4460256 931	4460481.... 121, 125, 129, 133, 137, 141, 145, 149, 153, 157, 161, 165, 629, 831, 833, 835, 837, 839, 841, 855, 857, 859, 861, 863, 865, 867, 869, 871, 873	4460865 ... 843, 845, 847, 849, 851, 853
4360506 ... 831, 833, 835, 837, 839, 841, 855, 857, 859, 861, 863, 865, 867, 869, 871, 873, 1068	4460259 ... 685, 899, 901, 913, 937, 941, 949	4460482.... 121, 125, 129, 133, 137, 141, 145, 149, 153, 157, 161, 165, 629, 831, 833, 835, 837, 839, 841, 855, 857, 859, 861, 863, 865, 867, 869, 871, 873	4460868 923
4360517 91, 1068	4460260 ... 685, 899, 901, 913, 937, 941, 949	4460483.... 121, 125, 129, 133, 137, 141, 145, 149, 153, 157, 161, 165, 629, 831, 833, 835, 837, 839, 841, 855, 857, 859, 861, 863, 865, 867, 869, 871, 873	4460871 ... 255, 899, 901, 903, 913, 937, 941, 949, 983, 985
4360542 ... 479, 481, 485, 1066	4460266 949	4460484.... 121, 125, 129, 133, 137, 141, 145, 149, 153, 157, 161, 165, 629, 831, 833, 835, 837, 839, 841, 855, 857, 859, 861, 863, 865, 867, 869, 871, 873	4460872 937, 941
4400275 63	4460267 945, 947, 985	4460485.... 121, 125, 129, 133, 137, 141, 145, 149, 153, 157, 161, 165, 629, 831, 833, 835, 837, 839, 841, 855, 857, 859, 861, 863, 865, 867, 869, 871, 873	4460873 937, 941, 949
4420014 651	4460268 903, 923	4460486.... 121, 125, 129, 133, 137, 141, 145, 149, 153, 157, 161, 165, 629, 831, 833, 835, 837, 839, 841, 855, 857, 859, 861, 863, 865, 867, 869, 871, 873	4460874 937, 941, 949
4420037 ... 655, 659, 661, 667	4460294 497	4460487.... 121, 125, 129, 133, 137, 141, 145, 149, 153, 157, 161, 165, 629, 831, 833, 835, 837, 839, 841, 855, 857, 859, 861, 863, 865, 867, 869, 871, 873	4460875 937, 941
442003897, 99, 101, 103, 105, 197, 204, 208, 212, 217, 220, 224	4460297 937, 941	4460488.... 121, 125, 129, 133, 137, 141, 145, 149, 153, 157, 161, 165, 629, 831, 833, 835, 837, 839, 841, 855, 857, 859, 861, 863, 865, 867, 869, 871, 873	4460876 937, 941, 949
4420051 65, 67, 990, 994, 998, 1002, 1006, 1010, 1014, 1018, 1022, 1026, 1030, 1034, 1038, 1042, 1046, 1050	4460312 899, 901, 913	4460489.... 121, 125, 129, 133, 137, 141, 145, 149, 153, 157, 161, 165, 629, 831, 833, 835, 837, 839, 841, 855, 857, 859, 861, 863, 865, 867, 869, 871, 873	4460877 937, 941
4420060 477	4460313 ... 899, 901, 903, 913, 937, 941, 985	4460490.... 121, 125, 129, 133, 137, 141, 145, 149, 153, 157, 161, 165, 629, 831, 833, 835, 837, 839, 841, 855, 857, 859, 861, 863, 865, 867, 869, 871, 873	4460878 937, 941
4420066 651	4460315 777, 779	4460491.... 121, 125, 129, 133, 137, 141, 145, 149, 153, 157, 161, 165, 629, 831, 833, 835, 837, 839, 841, 855, 857, 859, 861, 863, 865, 867, 869, 871, 873	4460879 685, 949
4460007 629	4460320 ... 937, 941, 945, 947, 985	4460492.... 121, 125, 129, 133, 137, 141, 145, 149, 153, 157, 161, 165, 629, 831, 833, 835, 837, 839, 841, 855, 857, 859, 861, 863, 865, 867, 869, 871, 873	4460880 ... 901, 903, 913, 945, 947
4460019 ... 897, 899, 901, 903, 910, 985	4460321 485	4460493.... 121, 125, 129, 133, 137, 141, 145, 149, 153, 157, 161, 165, 629, 831, 833, 835, 837, 839, 841, 855, 857, 859, 861, 863, 865, 867, 869, 871, 873	4460884 ... 685, 901, 909, 937, 941, 979, 985
4460027 479, 481, 485	4460346 ... 493, 501, 509, 517, 521, 777	4460494.... 121, 125, 129, 133, 137, 141, 145, 149, 153, 157, 161, 165, 629, 831, 833, 835, 837, 839, 841, 855, 857, 859, 861, 863, 865, 867, 869, 871, 873	4460887 ... 685, 899, 901, 903, 913, 937, 941, 949
	4460374 899, 901, 919	4460495.... 121, 125, 129, 133, 137, 141, 145, 149, 153, 157, 161, 165, 629, 831, 833, 835, 837, 839, 841, 855, 857, 859, 861, 863, 865, 867, 869, 871, 873	4460888 949
	4460375 899, 901	4460496.... 121, 125, 129, 133, 137, 141, 145, 149, 153, 157, 161, 165, 629, 831, 833, 835, 837, 839, 841, 855, 857, 859, 861, 863, 865, 867, 869, 871, 873	4460891 ... 243, 255, 557, 829, 881, 903, 906, 915, 985
	4460418 937, 941, 949	4460497.... 121, 125, 129, 133, 137, 141, 145, 149, 153, 157, 161, 165, 629, 831, 833, 835, 837, 839, 841, 855, 857, 859, 861, 863, 865, 867, 869, 871, 873	4460894 ... 881, 893, 905, 909, 937, 941, 949
	4460419 937, 941, 949	4460498.... 121, 125, 129, 133, 137, 141, 145, 149, 153, 157, 161, 165, 629, 831, 833, 835, 837, 839, 841, 855, 857, 859, 861, 863, 865, 867, 869, 871, 873	4460897 ... 247, 906, 915, 981, 985
	4460424 ... 899, 901, 903, 913, 945, 947, 985	4460499.... 121, 125, 129, 133, 137, 141, 145, 149, 153, 157, 161, 165, 629, 831, 833, 835, 837, 839, 841, 855, 857, 859, 861, 863, 865, 867, 869, 871, 873	4460899 ... 903, 971, 977, 979
	4460425 ... 493, 502, 506, 510, 514, 518, 522, 669, 671, 673, 675, 817, 819	4460500.... 641, 843, 845, 847, 849, 937, 941, 949, 985	4460905 ... 937, 941, 949, 983
	4460426 ... 121, 125, 129, 133, 137, 141, 145, 149, 153, 157, 161, 165, 493, 502, 506, 510, 514, 518, 522	4460501.... 843, 845, 847, 849, 851, 853	4460910 975
	4460428 235, 629	4460502.... 1074	4460911 ... 557, 937, 941, 971
	4460434 937, 941, 949	4460503.... 829, 949	4460925 949
	4460457 ... 899, 901, 913, 919, 931	4460504.... 121, 125, 129, 133, 137, 141, 145, 149, 153, 157, 161, 165	4460926 557
		4460505.... 255, 937, 941, 949	4460928 829
			4460930 881, 905, 909
			4460931 903, 981

SECTION 11 - SPECIAL OPTIONS/ACCESSORIES/KITS

4460932.....685, 895, 905, 910, 915	4641188.....705	4740076.....192, 200	831, 833, 835, 837,
4460933.....829, 881, 937, 941, 949	4641194.....703, 705	4740119.....471	839, 841, 855, 857,
4460941.....915, 971	4641232.....695	4740155.....35, 37	859, 861, 863, 865,
4460942.....641, 905, 909, 915	4641234.....705	4740256....31, 33, 35, 37	867, 869, 871, 873
4460943.....881, 937, 941, 949, 971	4641303.....41, 43	4740274...278, 282, 463, 465	4751600....63, 71, 75, 77, 113, 117, 175, 177, 179, 181, 183, 185, 187, 189, 193, 196, 200, 201, 204, 208, 212, 216, 220, 224, 227, 229, 231, 239, 247, 249, 259, 261, 265, 269, 278, 282, 289, 293, 301, 305, 309, 317, 323, 327, 335, 339, 350, 357, 363, 377, 385, 389, 397, 457, 463, 465, 477, 479, 490, 498, 557, 559, 627, 655, 659, 661, 667, 821, 823
4460944.....899, 901, 903, 905, 909, 910, 913, 949	4641317.....75, 77	4740362.....627	475180091, 93, 235, 237, 259, 261, 265, 269, 289, 293, 297, 305, 309, 313, 323, 327, 331, 333, 335, 339, 343, 345, 347, 377, 381, 389, 393, 415, 623, 625, 669, 671, 673, 675
4460945.....910	4711000.....91, 403, 405, 407, 481, 506, 510, 514, 518, 522	4740397...121, 125, 129, 133, 137, 141, 145, 149, 153, 157, 161, 165, 477, 479	4752000....259, 261, 265, 269, 289, 293, 305, 309, 323, 327, 335, 339, 377, 389, 412
4460956.....875, 877, 879	471140075, 77, 121, 125, 129, 133, 137, 149, 157, 161, 165, 173, 235, 237, 251, 253, 259, 261, 265, 269, 278, 282, 289, 293, 301, 305, 309, 317, 323, 327, 335, 339, 350, 356, 362, 377, 384, 389, 396, 412, 467, 469, 490, 497, 501, 517, 521, 581, 583, 585, 587, 589, 591, 593, 595, 597, 615, 617, 619, 621, 643, 645, 785, 787, 789, 791, 793, 795, 797, 799, 801, 803, 805, 807, 809, 811, 813, 815, 821, 823, 831, 833, 835, 837, 839, 841, 855, 857, 859, 861, 863, 865, 867, 869, 871, 873	4740444...121, 125, 129, 133, 137, 141, 145, 149, 153, 157, 161, 165	4760600.....777, 779
4460957.....875, 877, 879	4740463....31, 33, 35, 37	4750400....356, 385, 397	4761400.....647
4460958.....819	4740472...21, 23, 25, 27, 29	4750800.....63	4761600.....239
4460959.....835, 859, 869	4740473....31, 33, 35, 37	4751000.69, 97, 99, 101, 103, 105, 192, 193, 200, 201, 249, 477, 479, 485, 494, 501, 506, 510, 513, 517, 521, 629	4770600.....471, 473
4460960.....835, 859, 869	4740492....527, 529, 531	4751400.....71, 121, 125, 129, 133, 137, 141, 145, 149, 153, 157, 161, 165, 175, 177, 179, 181, 183, 185, 187, 192, 196, 197, 200, 204, 205, 208, 212, 216, 217, 220, 224, 225, 227, 229, 231, 271, 273, 275, 297, 301, 313, 317, 331, 333, 343, 345, 347, 350, 357, 363, 381, 385, 393, 397, 412, 415, 489, 493, 498, 505, 509, 513, 534, 538, 542, 627, 629, 647, 655, 659, 661, 667, 669, 671, 673, 675, 827, 831, 833, 837, 839, 855, 857, 861, 863, 865, 867, 871, 873, 990, 994, 998, 1002, 1006, 1010, 1014, 1018, 1022, 1026, 1030, 1034, 1038, 1042, 1046, 1050	4791400....278, 282, 489, 493, 497, 501, 505, 509, 513, 517
4460962.....655, 661	4740500.....193, 201	475150065, 67, 113, 115, 117, 119, 193, 196, 200, 204, 208, 212, 216, 220, 224, 301, 317, 350, 357, 363, 385, 397, 477, 479, 481, 493, 501, 509, 669, 671, 673, 675,	4811400....243, 245, 247, 685, 785, 787, 789, 791, 793, 795, 797, 799, 801, 803, 805, 807, 809, 811, 813, 815
4460963.....510, 518, 522	4740518...121, 125, 129, 133, 137, 141, 145, 149, 153, 157, 161, 165	475180091, 93, 235, 237, 259, 261, 265, 269, 289, 293, 297, 305, 309, 313, 323, 327, 331, 333, 335, 339, 343, 345, 347, 377, 381, 389, 393, 415, 623, 625, 669, 671, 673, 675	4811600.....269, 477
4460967.....921, 925, 927, 929, 931	4740550.....193, 201	4751900....301, 317, 350, 357, 363, 385, 397, 423	4811700....122, 126, 130, 134, 138, 142, 145, 150, 154, 158, 161, 165, 247, 249, 418, 423, 425, 485, 521, 583, 585, 587, 589, 591, 593, 595, 597, 619, 621, 649, 655
4460968.....477	4740558...121, 125, 129, 133, 137, 141, 145, 149, 153, 157, 161, 165	4811702....301, 317, 350, 357, 363, 385, 397, 423	4811900....301, 317, 350, 357, 363, 385, 397, 412, 418, 423, 425, 555, 827
4460971.....649, 655	4750400....356, 385, 397	4811902....301, 317, 351, 357, 363, 385, 397, 418, 423, 425	4812000....289, 293, 301, 305, 309, 317, 335, 339, 351, 357, 363,
4460979.....899, 901, 913	4750800.....63		
4461005.....899	4751000.69, 97, 99, 101, 103, 105, 192, 193, 200, 201, 249, 477, 479, 485, 494, 501, 506, 510, 513, 517, 521, 629		
4461006.....899	4751400.....71, 121, 125, 129, 133, 137, 141, 145, 149, 153, 157, 161, 165, 175, 177, 179, 181, 183, 185, 187, 192, 196, 197, 200, 204, 205, 208, 212, 216, 217, 220, 224, 225, 227, 229, 231, 271, 273, 275, 297, 301, 313, 317, 331, 333, 343, 345, 347, 350, 357, 363, 381, 385, 393, 397, 412, 415, 489, 493, 498, 505, 509, 513, 534, 538, 542, 627, 629, 647, 655, 659, 661, 667, 669, 671, 673, 675, 827, 831, 833, 837, 839, 855, 857, 861, 863, 865, 867, 871, 873, 990, 994, 998, 1002, 1006, 1010, 1014, 1018, 1022, 1026, 1030, 1034, 1038, 1042, 1046, 1050		
4461008.....899, 906, 909	475150065, 67, 113, 115, 117, 119, 193, 196, 200, 204, 208, 212, 216, 220, 224, 301, 317, 350, 357, 363, 385, 397, 477, 479, 481, 493, 501, 509, 669, 671, 673, 675,		
4461042.....881	475180091, 93, 235, 237, 259, 261, 265, 269, 289, 293, 297, 305, 309, 313, 323, 327, 331, 333, 335, 339, 343, 345, 347, 377, 381, 389, 393, 415, 623, 625, 669, 671, 673, 675		
4461052.....899	4752000....259, 261, 265, 269, 289, 293, 305, 309, 323, 327, 335, 339, 377, 389, 412		
4461053.....899	4760600.....777, 779		
4461054.....899, 909, 915	4761400.....647		
4461060.....899	4761600.....239		
4461070.....829, 899	4770600.....471, 473		
4461071.....905, 909	4791400....278, 282, 489, 493, 497, 501, 505, 509, 513, 517		
4461073.....899, 905, 909	4811400....243, 245, 247, 685, 785, 787, 789, 791, 793, 795, 797, 799, 801, 803, 805, 807, 809, 811, 813, 815		
4461077.....971, 977	4811600.....269, 477		
4461095.....829, 899, 905	4811700....122, 126, 130, 134, 138, 142, 145, 150, 154, 158, 161, 165, 247, 249, 418, 423, 425, 485, 521, 583, 585, 587, 589, 591, 593, 595, 597, 619, 621, 649, 655		
4461157.....899, 901, 913	4811702....301, 317, 350, 357, 363, 385, 397, 423		
4461196.....951, 953	4811900....301, 317, 350, 357, 363, 385, 397, 412, 418, 423, 425, 555, 827		
4461197.....953	4811902....301, 317, 351, 357, 363, 385, 397, 418, 423, 425		
4461198.....789, 951, 953	4812000....289, 293, 301, 305, 309, 317, 335, 339, 351, 357, 363,		
4461199.....955, 957			
4461200.....957			
4461201.....795, 955, 957			
4461203.....961			
4461205.....959, 961, 963, 965			
4461206.....965			
4461244.....801, 959, 961			
4461245.....807, 963, 965			
4461246.....813, 967, 969			
4461249.....967, 969			
4461250.....969			
4520252.....55			
4520253.....57			
4520256.....61			
4530028.....663			
4568133.....69			
4640261.....65, 67			
4640509.....697, 699, 701			
4640751....301, 317, 350, 356, 362, 384, 396			
4640858.....689, 691			
4640932.....693, 695			
4640999.....693			
4641033.....711, 713			
4641122.....55, 57, 59, 61			

SECTION 11 - SPECIAL OPTIONS/ACCESSORIES/KITS

377, 385, 389, 397, 412, 418, 423, 425, 473, 485, 547, 555 4812002 ... 115, 119, 418, 427 4812100 ... 289, 293, 301, 305, 309, 317, 323, 327, 335, 339, 351, 357, 363, 377, 385, 389, 397, 423, 425, 475, 555 4812200 ... 278, 282, 301, 317, 351, 357, 363, 385, 397, 463, 465, 485 4844817 545, 547 4844958 89 4846295 69 4846296 69 4846553 565 4846558 565, 567, 569 4846562 651 4846673 673, 675 4860224 55 4860225 57, 59 4871200 577 4871700 522 4891500 ... 121, 125, 129, 133, 137, 149, 153, 157, 351, 485 489160091, 93, 197, 205, 217, 220, 225, 471, 534, 538, 542, 545, 555 4891800 . 39, 41, 43, 271, 273, 275, 297, 301, 313, 317, 331, 333, 343, 345, 347, 351, 357, 363, 381, 385, 393, 397, 415, 471, 473, 481, 497, 501, 513, 517 4892000 ... 39, 41, 43, 85, 233 4892200 23, 25, 27, 29 4892600001 545, 547, 555 4921829 486 4921955 935 4922566 ... 849, 855, 859, 861 4922567 ... 831, 835, 837, 841, 843, 865, 869, 871 4922569 ... 831, 835, 837, 841, 851, 855, 859, 861, 865, 869, 871 4922641 ... 477, 479, 482, 486, 506, 511, 514, 519, 523 4922660 ... 831, 835, 837, 841, 855, 859, 861, 865, 869, 871, 945 4922666 629, 825 4922741 933 4922874 783 4922875 855 4922876 831, 855, 865 4922877 783 4922878 831, 865 4922925 ... 506, 510, 513, 517, 521 4923379 278, 282 4923445 486, 919 4923595 ... 833, 839, 845, 867, 873 4923596 ... 833, 839, 853, 857, 863, 867, 873 4923597 ... 833, 839, 857, 863, 867, 873, 947 4923600 833, 867 4923601 833, 857, 867 5240800 ... 301, 317, 351, 385, 397 5241000 418 5241200 ... 418, 521, 555 5250605 423, 425 5250810 385, 397 5251008 555 5251010 351 5251016 323, 327, 555 5260600 423, 425 5261000 323, 327 5272010 420 70000044 285 70000123 477 70000342 551 70000345 286, 373 70000619 . 506, 510, 513, 517, 521 70000781 39 70000795 49 70000797 53 70000800 286 70000863 . 505, 509, 513, 517, 522 70000912 285 70000913 285 70000914 285 70000915 285 70000916 285 70000917 285 70000918 285 70000919 285 70001002 285 70001020 113, 117 70001100 . 505, 509, 513, 517, 522 70001181 286 70001248 91 70001384 . 505, 509, 513, 517, 522 70001424 657 70001425 657 70001427 657 70001428 657 70001429 657 70001430 657 70001431 657, 1066 70001432 657, 1068 70001435 285 70001499 557, 559 70001663 239 70001696 .. 505, 509, 521 70001697 551 7000180 372 70001835 285 70001836 285 70001837 285 70001841 285 70001844 286 70001850 285 70001866 285 70001868 285 70001870 285, 371 70001871 285 70001872 286 70001953... 505, 509, 522 70001954 441 70001955 441 70001956 441 70001957 441 70001966.. 489, 493, 497, 501, 505, 509, 514, 518, 521, 522 70001973 . 505, 509, 514, 518, 522 70001974 . 505, 509, 514, 518, 522 70002088... 505, 509, 522 70002097 . 557, 559, 1067 70002112 107, 109 70002200 285 70002231 75, 77, 1067 70002234 285 7000224 47 70002291 514, 518 70002297 . 505, 509, 513, 518, 522 70002373 695 70002386... 79, 561, 1066 7000239 47 70002390 39 7000240 47 70002410 693 70002415 286 70002416 286 70002417 286 70002460 . 505, 509, 514, 518, 521 7000265 45 70002718 286, 371 70002744 707 70002745 707 70002748 707 70002749 707 70002751 707 70002814 107 7000283 47 70002838 107, 109 70002839 107, 109 7000284 47 70002842 689, 691 7000289 47 70002902 633 70002903 633 70002904 633 70002905 633 70002948 235, 237 70003022 79 70003136 285 70003454 91 70003464 285 70003465 285 70003466 285 70003472 285 70003475 285 70003478 285 70003612 113, 117 70003631 . 505, 509, 513, 518, 521 70003708 . 489, 493, 497, 501, 505, 509, 514, 518, 522 70003709 . 489, 493, 497, 501, 505, 509, 514, 518, 522 70003784 629 70003788 .. 79, 561, 1066 70003789 79, 1066 70003921 565, 567 70003922 565, 567 70003935 41, 43 70003936 41, 43 70003998 113, 117 70004020 278, 282, 1066 70004056 285 70004058 285, 1066 70004060 285 70004092 . 489, 493, 497, 501, 514, 518 70004094 514, 518 70004098 . 493, 502, 514, 518 70004099 . 497, 501, 513, 518 70004169 .. 505, 509, 522 70004171 . 489, 493, 505, 509, 522 70004183 433 70004186 .. 697, 699, 701 70004199 107, 109 70004237 693 70004266 113, 117 70004267 113, 117 70004272 285 70004276 373 70004277 373 70004280 286, 371 70004282 373 70004287 285 70004289 286 70004328 557, 559 70004329 435 70004331 435 70004332 435 70004333 435 70004336 435 70004337 435 70004338 435 70004340 435 70004342 435 70004343 435 70004344 435 70004345 435 70004346 435 70004347 435 70004348 435 70004349 435 70004350 435 70004351 435
--

SECTION 11 - SPECIAL OPTIONS/ACCESSORIES/KITS

70004352.....435	70005725..... 79	70006189.....429	7000695.....286
70004381.....707	70005839..... 711, 713	70006191.....429	70006964.....709
70004382.....707	70005871..... 695	70006194.....429	70006965.....709
70004414...101, 103, 105	70005916..... 286	70006195.....429	70006966.....709
70004501.....372	70005917..... 286	70006196.....430	70006967.....709
70004505.....371	70005920..... 371	70006197.....430	70006968.....709
70004506.....371	70005922..... 371	70006198.....430	70006969.....709
70004507.....371	70005923..... 372	70006199.....430	70007108.....430
70004508.....371	70005924..... 372	70006200.....430	70007157.....693
70004509.....371	70005926..... 372	70006202.....430	70007159.....693
70004510.....371	70005928..... 372	70006203.....430	70007161.....693
70004511.....372	70005929..... 372	70006205.....430	70007168.....693
70004513.....372	70005931..... 372	70006206.....430	70007169.....693
70004570.....79	70005932..... 373	70006207.....430	70007251.....693
70004571.....79	70005933..... 373	70006208.....430	70007276.....705
70004572.....79	70005934..... 373	70006213..... 430, 1067	70007277.....705
70004573.....79	70005938..... 371	70006215.....430	70007278.....703, 705
70004574.....79	70005942..... 371	70006217.....430	70007279.....705
70004575.....79	70006093..... 513, 518	70006219.....430	70007280.....705
70004576.....79	70006094..... 514, 518	70006221.....430	70007281.....705
70004577.....79	70006095 514, 518, 1066	70006225.....430	70007282.....703, 705
70004578.....79	70006096..... 514, 518	70006232.....430	70007283.....705
70004579.....79	70006097..... 514, 518	70006233.....429	70007423.....703
70004580.....79	70006134.....423	70006235.....430	70007725.....109
70004581.....79	70006135.....423	70006236.....430	70007726.....109, 1066
70004582.....561	70006136.....423	70006264.....371	70007727.....109
70004676..489, 493, 497, 501	70006144.....371	70006265.....371	70007785.....437
70004677.....489	70006145.....429	70006266.....371	70007786.....437
70004678..489, 493, 497, 501	70006147.....429	70006403..... 459, 461	70007787.....437
70004679..489, 493, 497, 501	70006150.....429	70006404..... 459, 461	70007788.....437
70004680..489, 493, 497, 501	70006151.....429	70006405..... 459, 461	70007789.....437
70004681.....489, 497	70006152.....429	70006406..... 459, 461	70007790.....437
70004682..489, 493, 497, 502	70006153.....429	70006407..... 459, 461	70007791.....437
70004683.....489, 497	70006154.....429	70006408..... 459, 461	70007792.....437
70004684.....493	70006155..... 429, 1067	70006409..... 459, 461	70007793.....437
70004685.....493, 502	70006157.....429	70006410..... 459, 461	70007794.....437
70004686.....497	70006158.....429	70006460..... 420, 1067	70007795.....437
70004687.....501	70006159.....429	70006461.....420	70007796.....437
70004795.....107, 109	70006160.....429	70006552 .489, 494, 497, 501	70007797.....437
70005008.....420, 1067	70006161.....429	70006553 .489, 494, 497, 501, 1067	70007798.....437
70005172.....371	70006162.....429	70006596..... 693, 703	70007799.....437
70005173.....371	70006163.....429	70006649 ..697, 699, 701	70007800.....437
70005177.....372	70006164.....429	70006650 ..697, 699, 701	70007801.....437
70005181.....372	70006165.....429	70006652.....373	70007802.....437
70005184.....372	70006166.....429	70006653.....373	70007847.....51
70005188.....372	70006167.....429	70006673.....47	70007848.....51
70005189.....372	70006168.....429	70006674.....47	70007849.....51
70005191.....373	70006169.....429	70006675.....47	70007850.....51
70005433.....703, 705	70006170.....429	70006676.....47	70007851.....51
70005458.....435	70006171..... 429, 1067	70006677.....47	70007852.....51
70005459.....435	70006172..... 429, 1067	70006678.....47	70007853.....51
70005460.....435	70006173.....429	70006680.....47	70007854.....51
70005461.....435	70006174.....429	70006687.....47	70007855.....51
70005462.....435	70006175..... 429, 1067	70006688.....47	70007856.....51
70005463.....435	70006176..... 429, 1067	70006684.....47	70007857.....51
70005464.....435	70006177.....429	70006685.....47	70007858.....51
70005465.....435	70006178.....429	70006690.....47	70007859.....51
70005527.....373	70006179.....429	70006691.....47	70007860.....51
70005647.....373	70006180.....429	70006692.....47	70007861.....51
70005648.....373, 1067	70006181.....429	70006734 ..697, 699, 701	70007862.....51
70005663.....1074	70006182.....429	70006735 ..697, 699, 701	70007863.....51
70005708.....107, 1066	70006183.....429	70006736 ..697, 699, 701	70007864.....51
	70006184.....429	70006832.....47	70007865.....51
	70006185.....429	70006833.....47	70007866.....51
	70006186.....429	70006941.....371	70007867.....51
	70006187.....429	70006948.....691	70007868.....51
	70006188.....429	70006949.....691	70007869.....51

SECTION 11 - SPECIAL OPTIONS/ACCESSORIES/KITS

70007870	51	70024917	373	7002822	1074	7017406	39
70007871	51	70024918	373	7002823	1074	7017422	79
70007872	51	70024920	372, 373	7002826	1074	7017446	561
70007873	51	70024922	373	70028538	372, 373	7017451	703, 705, 1066
70007874	51	70024924	371	70028802	372	7017452	79, 561
70007875	51	70024925	371	70029468	705	7017492	39
70007876	51	70024961	371	7004275	1074	7017496	79
70007877	51	70025077	373	7004276	1074	7019680	479, 481, 485
70007878	51	70025082	285, 286, 371	7004906	435	702004397, 99, 101, 103, 105	
70007971	695	70025084	372	7004907	435	7020108	477, 479, 481, 485
70007972	695	70025101	372	7004908	435	7020109	477, 479, 481, 485
70007975	713	70025107	372	7007415	441, 442	7020110	477, 479, 481, 485
70007976	713	70025109	372	7007437	49, 53	7020111	477, 479, 481, 485
70007977	711, 713	70025111	371	7007438	49, 53	7020175	121, 133, 137, 141, 145, 157
70007978	713	70025112	372	7007439	49, 53	7020176	121, 133, 137, 141, 145, 157, 1066
70007979	713	70025115	372	7007446	49, 53	7020190	477, 479, 481, 485
70007980	711, 713	70025120	373	7007974	695	7020403	285
70007981	711, 713	70025124	372	7010404	45	7020408	285
70007982	711, 713	70025130	373	7010405	45	7020465	285, 371
70007983	711, 713	70025132	373	7010406	45	7020468	285
70008080	711	70025133	372	7010543	75, 77, 79	7020471	286
70008081	711	70025135	371	7011112	693, 695	7020479	285
70008082	711	70025139	371	70124410	286	7020492	372
70008186	695	70025140	371	70124440	286	7021249	49, 53
70008187	695	70025142	372	7012513	477, 479, 481, 485	7021275	49, 53, 442
70008188	703	70025144	371	7012514	477, 479, 481, 485	7021276	53
70008189	703	70025145	371	7012518	561	7021277	49, 53
70008190	703	70025146	371	7012558	479, 481, 485	7021612	79
70008191	703	70025148	372	7012903	79	7021625	39, 41, 43
70008192	703	70025151	372	7012907	79	7021639	41, 43
70008497	439	70025152	371	7012925	703, 705	7021653	79
70008498	439	70025153	1066, 1067	7012941	75, 77	7022162	429
70008500	439	70025154	371	7012943	703, 705, 1066	7022302	49, 53
70008501	439	70025155	372	7012944	75, 77, 1066	7022305	49, 53
70008502	439	70025158	372	7012953	561	7022310	53
70008504	439	70025161	1066, 1067	7012955	561	7022311	49, 53, 442
70008505	439	70025164	373	7012967	561	7022312	53
70008511	439	70025175	372	7012989	561	7022313	49
70008600	439	70025179	372, 373	7012995	561	7022314	49, 53, 442
70008601	439	70025180	372	7012998	79	7022318	441
70008602	439	70025181	371	7016328	285, 1066	7022326	49, 53
70009020	412	70025182	372	7016331	285, 371, 1066, 1067	7022328	49, 53
7001928	47	70025183	372	7016654	1074	7022368	49, 53
70022563	695	70025184	372	7016655	1074	7022371	49, 53
70022564	693, 695, 703, 705	70025185	372	7017028	47	7022372	53
70023370	701	70025192	373	7017047	47	7022397	39, 41, 43
70023371	701	70025200	372	7017051	45	7022399	39, 41, 43
70023379	711, 713	70025203	372	7017052	45	7023907	53
70023380	703	70025210	372, 1066, 1067	7017053	45	7023908	53
70023592	385, 397, 1066, 1067	70025212	373	7017054	45	7023910	49, 53
70023593	385, 397, 1066, 1067	70025231	373	7017055	45	7023917	41, 43
70024441	109	70025233	373	7017056	45	7023919	703, 705
70024484	373	70025235	372	7017057	45	7023922	561
70024488	371	70025239	372	7017058	45	7023923	703, 705
70024494	371	70025240	372	7017082	47	7023925	79
70024502	372	70025477	373	7017142	551	7023927	703, 705
70024507	373	70025660	371	7017159	551	7023933	39, 41, 43
70024509	373	70025733	373	7017162	551	7023947	441
70024513	371	70025752	286	7017163	551	7023948	441
70024517	371	70025753	286	7017164	551		
70024904	371	70026210	373	7017172	551		
70024905	371	70026287	703, 705	7017192	551		
70024906	371	70026995	373	7017195	551		
70024915	373	70027750	705	7017402	79, 561		
		70028185	371				
		7002821	1074				

SECTION 11 - SPECIAL OPTIONS/ACCESSORIES/KITS

7023949.....441	7024868 53, 441	7027088 ... 289, 293, 305,	8310548.....418
7023950.....441	7024871 49	309, 323, 327, 335,	83304173.....107, 109
7023951.....441	7024881 39, 41, 43	339, 378, 389, 412	8405006....289, 293, 305,
7023952.....441	7026188 ... 505, 509, 521	7027092 259, 261, 265	309, 323, 327, 335,
7023956.....441	7026197 91	7027093 259, 261, 266	339, 377, 389, 403,
7023957.....441	7026199 ... 479, 481, 485	7027094 259, 261, 266	405, 407, 418, 459
7023958.....441	7026503 91	7027095 259, 262, 266	8405007....301, 317, 351,
7023960.....441	7026504 91	7027236 285	357, 363, 385, 397
7023961.....441	7026505 91	7027276 285	8405009....301, 317, 351,
7023962.....441	7026506 91	7027404 430	357, 363, 385, 397, 418
7023964.....441, 442	7026507 91	7027740 49	8405102.....418
7023965.....441	7026509 91	7027741 49	8405104....301, 317, 351,
7023966.....442	7026597 ... 505, 509, 514,	7027773 663	357, 385, 397, 418
7023967.....442	518, 521	7027774 663	8405201.....363
7023982.....703, 705	7026626 ... 505, 509, 514,	7027775 663	8405203.....418
7023985.....79	518, 522	7027776 663	8405204.....351
7024149.....47	7026632 239	7027777 663	8406102....259, 261, 265,
7024151.....47	7026633 239	7027778 663	269, 289, 293, 301,
7024154.....47	7026634 239	7027779 663	305, 309, 317, 323,
7024190.....47	7026635 239	7027780 663	327, 335, 339, 357,
7024191.....47	7026636 239	7027781 235, 237	363, 377, 385, 389, 397
7024404.....91	7026637 239	7027782 235, 237	8406109....301, 317, 351,
7024441.....107	7026638 239, 1068	7027783 235, 237	357, 363, 385, 397, 419
7024462.....663	7026639 239	7027784 235, 237	8406110....301, 317, 351,
7024463.....663	7026640 239	7027790 285	357, 363, 385, 397
7024467.....663	7026641 240	7027791 285	8406201....289, 293, 305,
7024469.....663, 1068	7026642 240	7027792 285	309, 335, 339, 351,
7024470.....663	7026643 240	7027795 286, 1066	377, 389, 412, 420
7024471.....657, 663	7026644 240	7027796 286	8410001.....419
7024472.....663	7026645 240	7027799 ... 505, 509, 514,	8410009.....420
7024473.....663	7026646 240	518, 521	8410011....301, 317, 351,
7024474.....663	7026647 240	7027887 ... 477, 479, 481,	357, 363, 385, 397, 419
7024475.....663	7026648 240	485	8410013....289, 293, 301,
7024478.....663	7026649 240	77143013 . 121, 125, 129,	305, 309, 317, 323,
7024485...505, 509, 521,	7026650 240	133, 137, 141, 145,	327, 335, 339, 351,
1066	7026651 239	149, 153, 157, 161, 165	357, 363, 377, 385,
7024488...506, 510, 513,	7026652 239	77363233 923	389, 397
517, 521	7026653 239	80344004 47	85031405.....351
7024489...506, 510, 513,	7026654 239	80484084 905, 909	8580420.....71
517, 521	7026655 239	80934561 91	85941018.....412
7024508.....713	7026656 239	80983191 905, 910, 1066,	88261024.....557, 559
7024530.....657	7026658 240	1067	88411013.....827
7024531.....657	7026659 239	8220051 915	88521205..113, 115, 117,
7024532.....657	7026660 239	8220115 905	119
7024533.....657	7026661 239	8220164 897	88521214..677, 679, 681,
7024534.....657	7027053 259, 261, 266	8229242 ... 905, 910, 937,	683
7024535.....657	7027084 ... 289, 293, 305,	941, 1066, 1067	88662327..736, 740, 744,
7024536.....657	309, 323, 327, 335,	8229249 .. 685, 949, 1067	748, 768, 772
7024537.....657	339, 377, 389, 412	8270147 ... 259, 261, 266,	8896941.....1075
7024579.....286, 371	7027085 ... 289, 293, 305,	289, 293, 305, 309,	91164057.....79
7024598.....471, 473	309, 323, 327, 335,	323, 327, 335, 339,	91164059.....79
7024782.....47	339, 377, 389, 412	377, 389, 412	91164079.....79
7024844.....39	7027086 ... 289, 293, 305,	8273291 420	91203039.....555
7024854.....53	309, 323, 327, 335,	8305401 418	91401281.....113, 115
7024862.....49	339, 377, 389, 412	8307109 418	91403102 358, 363, 1066,
7024864.....442	7027087 ... 289, 293, 305,	8310070 ... 197, 204, 208,	1067
7024866.....442	309, 323, 327, 335,	212, 217, 220, 224	SEE NOTE711
7024867.....49, 441	339, 377, 389	8310129 651	



**Corporate Office
JLG Industries, Inc.
1 JLG Drive
McConnellsburg, PA 17233-9533 USA**
☎ **(717) 485-5161 (Corporate)**
☎ **(877) 554-5438 (Customer Support)**
📠 **(717) 485-6417**

**Visit our website for JLG Worldwide Locations.
www.jlg.com**



OSHKOSH™