



Illustrated Parts Manual

AG313

PVC 1001

3122309200

July 1, 2024 - Rev A

English (en-US)

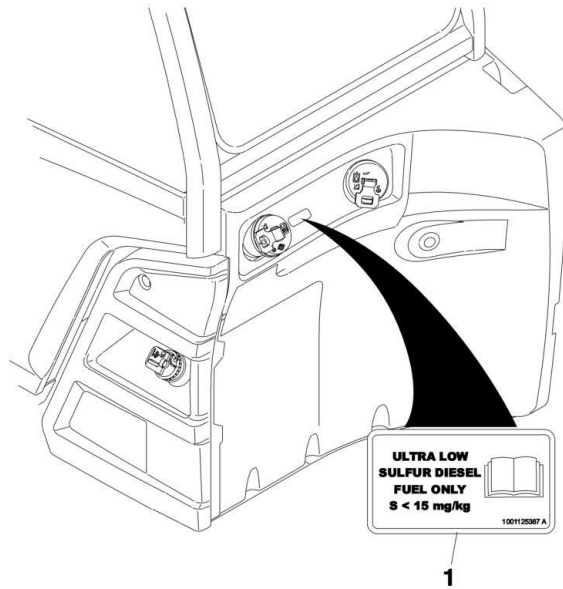
EFFECTIVITY PAGE

July 1, 2024 - A - Original Issue of Manual (Edited to B/M 1001300313 Revision B)

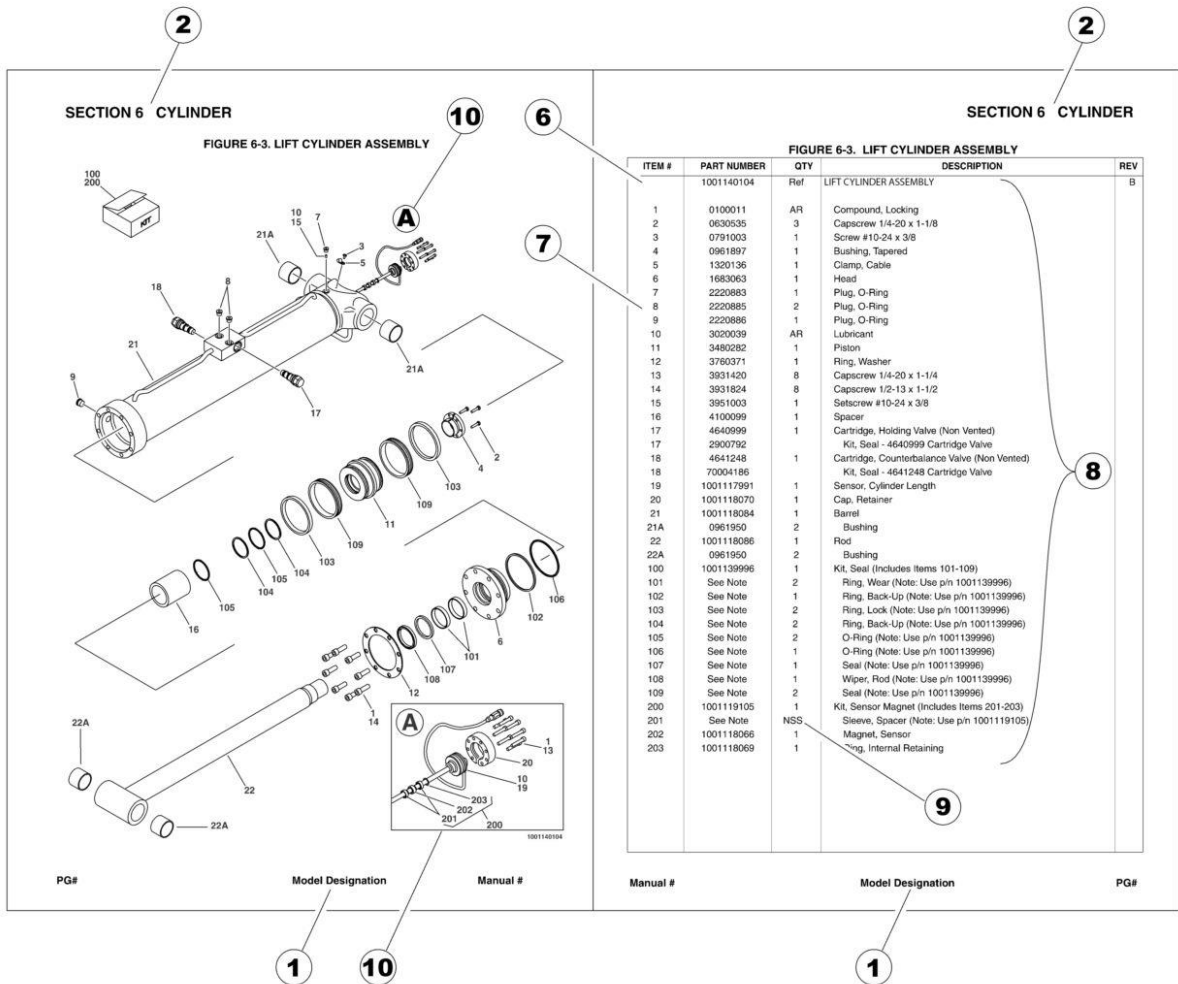
Machine Configuration

Two configurations of each machine are included in this manual. Determine if machine is equipped with Ultra Sulfur Fuel Decal (1) as indicated below.

- If equipped with the Ultra Low Sulfur decal, all specific references to this machine configuration will be referred to as Ultra Low Sulfur (ULS) from this point forward.
- If not equipped with the Ultra Low Sulfur decal, all specific references to this machine configuration will be referred to as Low Sulfur (LS) from this point forward.



GENERAL INFORMATION



1) MACHINE IDENTIFICATION

Machines are identified by model and in some cases a combination of models, serial number (SN) or regional standard (i.e ANSI, CE, CSA). Components may also be identified by SN or manufacturer. Common components that may be identified by these characteristics are engines and hydraulic components.

2) PARTS MANUAL ORGANIZATION

Product information in this manual is organized under section titles. Frame, Cylinder, Hydraulic and Electrical are a few examples. Each section is organized by figure and page number. The information within the Figure is then organized by item number, part number, description and corresponding illustration (s).

3) TABLE OF CONTENTS (NOT SHOWN)

A table of contents is found toward the beginning of the manual. Figure number, description and page number are provided for quick reference to the page containing the related information.

4) RECOMMENDED SPARE PARTS (NOT SHOWN)

The Recommended Spare Parts List, located near the end of the manual, reference most frequently used maintenance parts.

5) PART NUMBER INDEX (NOT SHOWN)

A numerical index listing all part numbers and the corresponding page number(s) appears at the back of the manual.

GENERAL INFORMATION

6) NON-SERVICED PARTS

In some instances, it is necessary to display non-serviced parts, assemblies or installations. In the case of assemblies and installations there will be a Ref in the Qty. column. In case of parts that are not available for service within assemblies or components, there will be a NSS (Not Sold Separately) or NLA (No Longer Available) listed in the Qty. column of the manual.

7) PARTS LIST ITEM NUMBERS

Numbers shown in the item# column correspond to numbers used in the associated illustration (s). Item numbers which are missing from the sequence in the parts list are not used on that page.

8) INDENTED PARTS DESCRIPTION

An indented part description is included in the item under which it is indented.

9) ABBREVIATION AND SYMBOLS

AC.....	Alternating Current	L.....	Liter
ADE.....	Advanced Design Electronics	LB(LBS).....	Pounds
AG.....	Agricultural	LCD.....	Liquid Crystal Display
ANSI.....	American National Standards Institute	LED.....	Light Emitting Diodes
AR.....	As Required	LH.....	Left Hand
ASSY.....	Assembly	LRC.....	Low Rated Countries
AUS.....	Australia	LSS.....	Load Sensing System
AUX.....	Auxiliary	M(m).....	Metric/Meter
AWG.....	American Wire Gauge	MM(mm).....	Milimeter
B/M.....	Bill of Material	mA.....	Miliamps
CAC.....	Charge Air Cooler	NLA.....	No Longer Available
CE.....	European Conformity	NPT.....	National Pipe Threads
CCW.....	Counter Clockwise	NSS.....	Not Sold Separately
CM.....	Centimeter	OD.....	Outside Diameter
CW.....	Clockwise	ORB.....	O-Ring Boss
CSA.....	Canadian Standards Association	ORFS.....	O-Ring Face Seal
CYL.....	Cylinder	OZ (oz).....	Ounces
DIA.....	Diameter	PG.....	Page
DC.....	Direct Current	PN.....	Part Number
DEF.....	Diesel Exhaust Fluid	QT(qt.).....	Quarts
EMS.....	Emergency Stop	QTY.....	Quantity
ENG.....	Engine	REF.....	Reference
FT(ft).....	Feet	REV.....	Revision Level
GA(Ga).....	Gauge	RH.....	Right Hand
HRC.....	High Rated Countries	SAE.....	Society of Automotive Engineers
HVAC.....	Heating, Ventilating, and Air Conditioning	SN.....	Serial Number
HYD.....	Hydraulic	SPEC(S).....	Specifications
Hz.....	Hertz	T/T.....	Turntable
ID.....	Inside Diameter	UGM.....	Universal Ground Module
IN.....	inches	V.....	Volts
ISO.....	International Organization for Standards	W.....	Watts
JIC.....	Joint Industry Council	#.....	Number
KG.....	Kilogram		

10) ILLUSTRATION REFERENCE LETTERS

When necessary, illustrations may contain reference letters that are intended to track information (i. e. hoses, harnesses) from one point to another or to track visual enlargement of components to show details that may be located in another area on the illustration.

Note: Due to continuous product improvements, JLG Industries, Inc. reserves the right to make specification changes without prior notification. Contact JLG Industries, Inc. for updated information.

TABLE OF CONTENTS

SECTION 1 - FRAME AND ATTACHING PARTS.....	11
FIGURE 1-1. FRAME COMPONENTS INSTALLATION	12
FIGURE 1-2. ENCLOSURES INSTALLATION	16
FIGURE 1-3. COUNTERWEIGHTS INSTALLATION	20
FIGURE 1-4. HITCH INSTALLATION.....	22
SECTION 2 - BOOM.....	25
FIGURE 2-1. BOOM INSTALLATION.....	26
FIGURE 2-2. BOOM ASSEMBLY.....	28
FIGURE 2-3. BASE BOOM ASSEMBLY	30
FIGURE 2-4. FLY BOOM ASSEMBLY	32
FIGURE 2-5. BOOM PROP INSTALLATION	34
FIGURE 2-6. COUPLER INSTALLATION - HYDRAULIC	36
FIGURE 2-7. COUPLER ASSEMBLY - HYDRAULIC.....	38
FIGURE 2-8. COUPLER INSTALLATION - MANUAL	40
FIGURE 2-9. COUPLER ASSEMBLY - MANUAL	42
SECTION 3 - ATTACHMENTS	45
FIGURE 3-1. CARRIAGE ASSEMBLY	46
FIGURE 3-2. CARRIAGE BACKREST INSTALLATION.....	48
FIGURE 3-3. CONTROLLER DECAL/HARNESS INSTALLATION (FRAME LOADER)	50
FIGURE 3-4. FORK ASSEMBLY - PALLET (35 X 100 X 1000)	52
FIGURE 3-5. FORK ASSEMBLY - PALLET (35 X 100 X 1200)	54
SECTION 4 - ENGINE AND ATTACHING PARTS	57
FIGURE 4-1. KUBOTA ENGINE INSTALLATION	58
FIGURE 4-2. KUBOTA ENGINE ASSEMBLY	60
FIGURE 4-3. KUBOTA EXHAUST MANIFOLD.....	62
FIGURE 4-4. AIR INTAKE INSTALLATION.....	64
FIGURE 4-5. COOLING PACKAGE INSTALLATION.....	66
FIGURE 4-6. ENGINE MOUNTS INSTALLATION	68
FIGURE 4-7. EXHAUST INSTALLATION.....	70
FIGURE 4-8. FUEL SYSTEM INSTALLATION.....	72
FIGURE 4-9. HYDRAULIC PUMPS INSTALLATION	74
FIGURE 4-10. HYDRAULIC PUMPS INSTALLATION (HIGH FLOW).....	76
SECTION 5 - DRIVE TRAIN	79
FIGURE 5-1. DRIVETRAIN INSTALLATION.....	80
FIGURE 5-2. FRONT AXLE & DIFFERENTIAL ASSEMBLY	82
FIGURE 5-3. FRONT AXLE ASSEMBLY	84
FIGURE 5-4. FRONT DIFFERENTIAL ASSEMBLY	86
FIGURE 5-5. FRONT AXLE REDUCTION GEAR ASSEMBLY	88
FIGURE 5-6. TRANSMISSION INSTALLATION	90
FIGURE 5-7. TRANSMISSION ASSEMBLY	92
FIGURE 5-8. FUNCTION MOTOR INSTALLATION.....	94
FIGURE 5-9. FUNCTION MOTOR ASSEMBLY	96

TABLE OF CONTENTS

FIGURE 5-10. DRIVE SHAFT INSTALLATION	98
FIGURE 5-11. REAR AXLE STEERING ASSEMBLY	100
FIGURE 5-12. REAR AXLE & DIFFERENTIAL ASSEMBLY	102
FIGURE 5-13. LEFT REAR AXLE SUB-ASSEMBLY	104
FIGURE 5-14. REAR DIFFERENTIAL ASSEMBLY	106
FIGURE 5-15. RIGHT REAR AXLE SUB-ASSEMBLY	108
FIGURE 5-16. REAR AXLE ASSEMBLY	110
FIGURE 5-17. REAR AXLE PIVOT ASSEMBLY	112
FIGURE 5-18. REAR AXLE REDUCTION GEAR ASSEMBLY	114
FIGURE 5-19. TIRE INSTALLATION - AIR FILLED.....	116
FIGURE 5-20. TIRE INSTALLATION - FOAM FILLED	118
FIGURE 5-21. TIRE INSTALLATION - TURF	120
SECTION 6 - CAB	123
FIGURE 6-1. ENCLOSED CAB INSTALLATION	124
FIGURE 6-2. ENCLOSED CAB DASH INSTALLATION	126
FIGURE 6-3. ENCLOSED CAB FRAME INSTALLATION.....	128
FIGURE 6-4. ENCLOSED CAB GLASS INSTALLATION	130
FIGURE 6-5. OPEN CAB INSTALLATION.....	132
FIGURE 6-6. OPEN CAB DASH INSTALLATION.....	134
FIGURE 6-7. OPEN CAB FRAME INSTALLATION	136
FIGURE 6-8. OPEN CAB GLASS INSTALLATION.....	138
FIGURE 6-9. BEACON BRACKET INSTALLATION	140
FIGURE 6-10. CLEARSKY INSTALLATION	142
FIGURE 6-11. FRONT CAB GUARD INSTALLATION.....	144
FIGURE 6-12. FUEL TANK INSTALLATION	146
FIGURE 6-13. HEATER INSTALLATION.....	148
FIGURE 6-14. JOYSTICK INSTALLATION (Prior to SN H160000902)	150
FIGURE 6-15. JOYSTICK INSTALLATION (SN H160000902 to Present).....	152
FIGURE 6-16. MIRROR INSTALLATION - CAB RIGHT SIDE.....	154
FIGURE 6-17. ROOF & REAR WIPERS INSTALLATION	156
FIGURE 6-18. SEAT INSTALLATION.....	158
FIGURE 6-19. SEAT BELT ASSEMBLY - 3 INCH BELT	160
FIGURE 6-20. WINDSHIELD WIPER INSTALLATION.....	162
SECTION 7 - CONTROLS.....	165
FIGURE 7-1. BRAKE SYSTEM INSTALLATION	166
FIGURE 7-2. STEERING INSTALLATION.....	170
FIGURE 7-3. STEERING INSTALLATION (HIGH FLOW)	172
FIGURE 7-4. THROTTLE PEDAL INSTALLATION.....	174
SECTION 8 - HYDRAULIC CIRCUITS	177
FIGURE 8-1. AUXILIARY HYDRAULICS INSTALLATION - HYDRAULIC COUPLER (HIGH FLOW).....	178
FIGURE 8-2. AUXILIARY HYDRAULICS INSTALLATION - MANUAL COUPLER	180
FIGURE 8-3. BOOM HOSES INSTALLATION.....	182
FIGURE 8-4. BOOM HOSES INSTALLATION (HIGH FLOW)	184

TABLE OF CONTENTS

FIGURE 8-5. BRAKE HOSES INSTALLATION.....	186
FIGURE 8-6. DRIVE PUMP HOSES INSTALLATION.....	188
FIGURE 8-7. DRIVE PUMP HOSES INSTALLATION (HIGH FLOW)	190
FIGURE 8-8. HYDRAULIC MOTOR HOSES INSTALLATION	192
FIGURE 8-9. HYDRAULIC MOTOR HOSES INSTALLATION (HIGH FLOW)	194
FIGURE 8-10. HYDRAULIC TANK HOSES INSTALLATION.....	196
FIGURE 8-11. JOYSTICK HOSES INSTALLATION.....	198
FIGURE 8-12. OIL COOLER HOSES INSTALLATION	200
FIGURE 8-13. OIL COOLER HOSES INSTALLATION (HIGH FLOW).....	202
FIGURE 8-14. STEERING HOSES INSTALLATION.....	204
FIGURE 8-15. STEERING HOSES INSTALLATION (HIGH FLOW)	206
SECTION 9 - HYDRAULIC COMPONENTS.....	209
FIGURE 9-1. COUPLER VALVE ASSEMBLY.....	210
FIGURE 9-2. CYLINDERS INSTALLATION - LIFT & COMPENSATION	212
FIGURE 9-3. COMPENSATION CYLINDER ASSEMBLY.....	214
FIGURE 9-4. DRIVE PUMP INSTALLATION	216
FIGURE 9-5. DRIVE PUMP ASSEMBLY (HIGH FLOW).....	218
FIGURE 9-6. DRIVE PUMP ASSEMBLY	220
FIGURE 9-7. GEAR PUMP INSTALLATION	222
FIGURE 9-8. GEAR PUMP INSTALLATION (HIGH FLOW)	224
FIGURE 9-9. HYDRAULIC FILTER & VALVES INSTALLATION	226
FIGURE 9-10. HYDRAULIC FILTER & VALVES INSTALLATION (HIGH FLOW).....	228
FIGURE 9-11. HYDRAULIC TANK INSTALLATION	230
FIGURE 9-12. HYDRAULIC TANK INSTALLATION (HIGH FLOW).....	232
FIGURE 9-13. LIFT CYLINDER ASSEMBLY	234
FIGURE 9-14. STEER CYLINDER SUB-ASSEMBLY	236
FIGURE 9-15. STEER CYLINDER ASSEMBLY.....	238
FIGURE 9-16. TELESCOPE CYLINDER ASSEMBLY	240
FIGURE 9-17. TILT CYLINDER ASSEMBLY	242
SECTION 10 - ELECTRICAL.....	245
FIGURE 10-1. BATTERY INSTALLATION.....	246
FIGURE 10-2. BATTERY HARNESS	248
FIGURE 10-3. BEACON INSTALLATION	250
FIGURE 10-4. CAB ELECTRICAL INSTALLATION	252
FIGURE 10-5. CAB HARNESS	254
FIGURE 10-6. FRAME HARNESS INSTALLATION.....	258
FIGURE 10-7. FRAME HARNESS	260
FIGURE 10-8. LSI SENSORS INSTALLATION.....	262
FIGURE 10-9. ROOF WIPER HARNESS.....	264
FIGURE 10-10. SEAT JUMPER HARNESS.....	266
FIGURE 10-11. WORKLIGHTS HARNESS INSTALLATION	268
FIGURE 10-12. WORKLIGHTS INSTALLATION.....	270
SECTION 11 - DECALS.....	273

TABLE OF CONTENTS

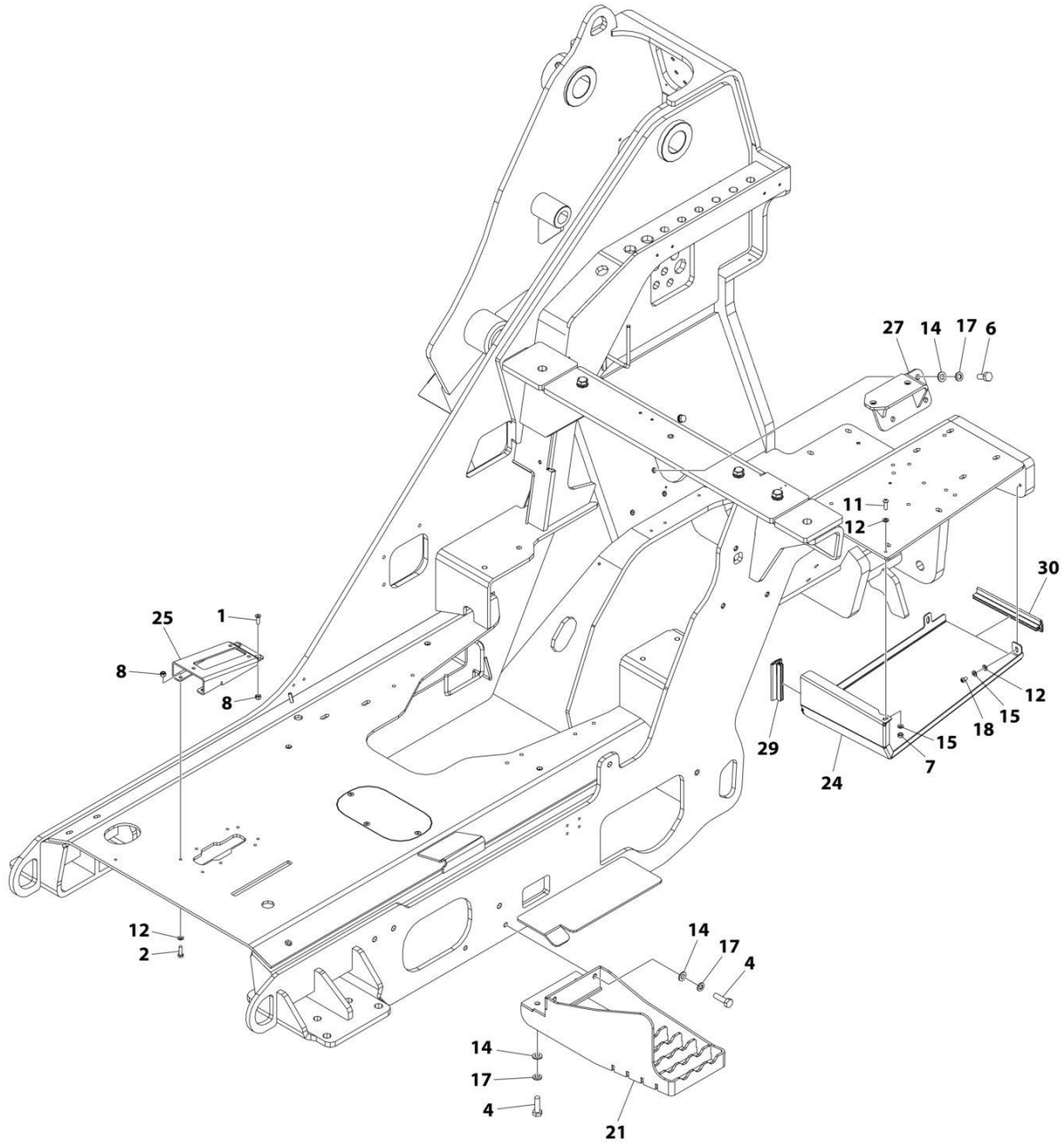
FIGURE 11-1. BRAND DECALS INSTALLATION - ENCLOSED CAB	274
FIGURE 11-2. BRAND DECALS INSTALLATION - OPEN CAB.....	276
FIGURE 11-3. DECAL INSTALLATION (ANSI)	278
FIGURE 11-4. DECAL INSTALLATION (FRENCH).....	282
FIGURE 11-5. DECAL INSTALLATION (ISO).....	284
FIGURE 11-6. LOAD CHART - ANSI.....	288
FIGURE 11-7. LOAD CHART - METRIC.....	290
SECTION 12 - RECOMMENDED SERVICE PARTS STOCK.....	293
FIGURE 12-1. RECOMMENDED SERVICE PARTS STOCK.....	294
SECTION 13 - SPECIAL OPTIONS/ACCESSORIES/KITS.....	295
FIGURE 13-1. SPECIAL OPTIONS/ACCESSORIES/KITS.....	296
PART NUMBER INDEX.....	297

SECTION 1 - FRAME AND ATTACHING PARTS

SECTION 1 - FRAME AND ATTACHING PARTS

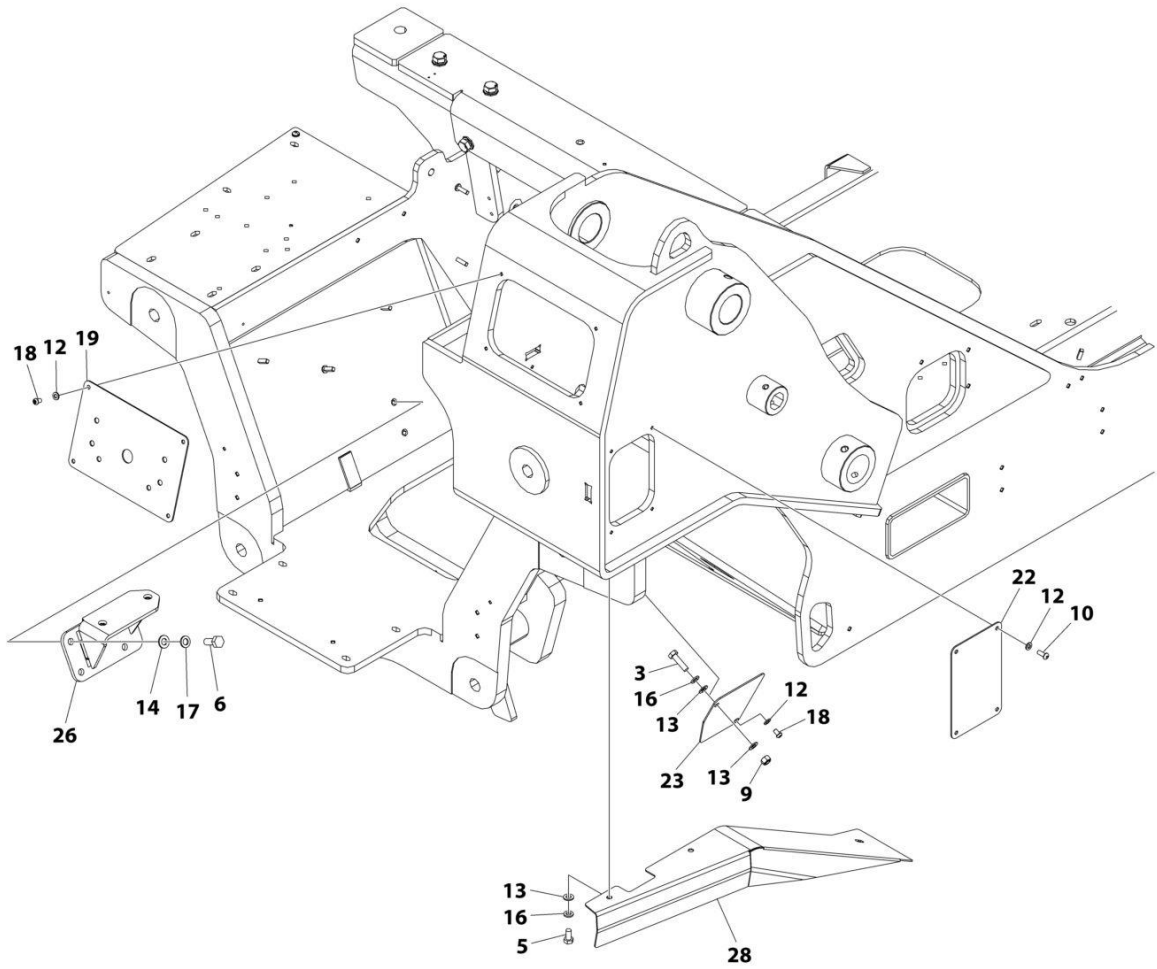
SECTION 1 - FRAME AND ATTACHING PARTS

FIGURE 1-1. FRAME COMPONENTS INSTALLATION



ART_1001301170_10F2

SECTION 1 - FRAME AND ATTACHING PARTS



ART_1001301170_20F2

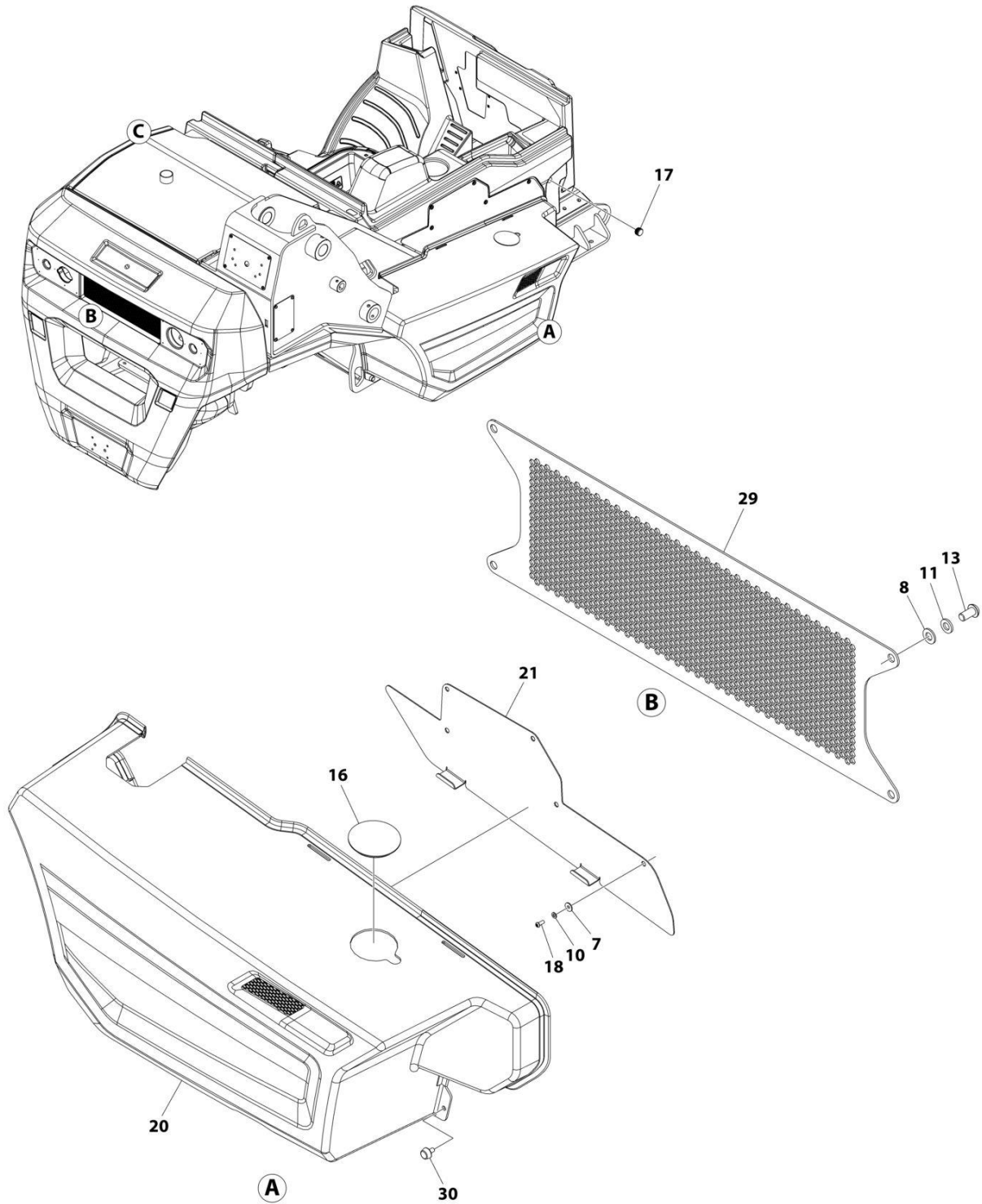
SECTION 1 - FRAME AND ATTACHING PARTS

FIGURE 1-1. FRAME COMPONENTS INSTALLATION

ITEM	PART NUMBER	QTY	DESCRIPTION	REV
	1001301170	Ref	FRAME COMPONENTS INSTALLATION	A
1	0630576	2	Capscrew M6 x 20	
2	0700610	2	Bolt M6 x 20	
3	0700814	1	Bolt M8 x 30	
4	0701015	4	Bolt M10 x 35	
5	0760808	3	Bolt M8 x 16	
6	0761012	6	Bolt M10 x 25	
7	3290601	1	Nut M6	
8	3290605	4	Nut M6	
9	3290805	1	Nut M8	
10	3900357	4	Capscrew M6 x 16	
11	3900364	1	Capscrew M6 x 20 Class 10.9	
12	4811700	15	Washer M6	
13	4811900	5	Washer M8	
14	4812000	10	Washer M10	
15	4831700	4	Washer M6	
16	4831900	4	Washer M8	
17	4832000	10	Washer M10	
18	1001261563	8	Capscrew M6 x 10 Class 10.9	
19	1001261674	1	Panel	
21	1001301174	1	Step	
22	1001301176	1	Panel	
23	1001301177	1	Panel, Filter Access	
24	1001301178	1	Bracket	
25	1001301183	1	Mount, Throttle Pedal	
26	1001301184	1	Mount, Engine Left Side	
27	1001301185	1	Mount, Engine Right Side	
28	1001301186	1	Panel, Fender	
29	1001301188	1	Seal	
30	1001301189	1	Seal	

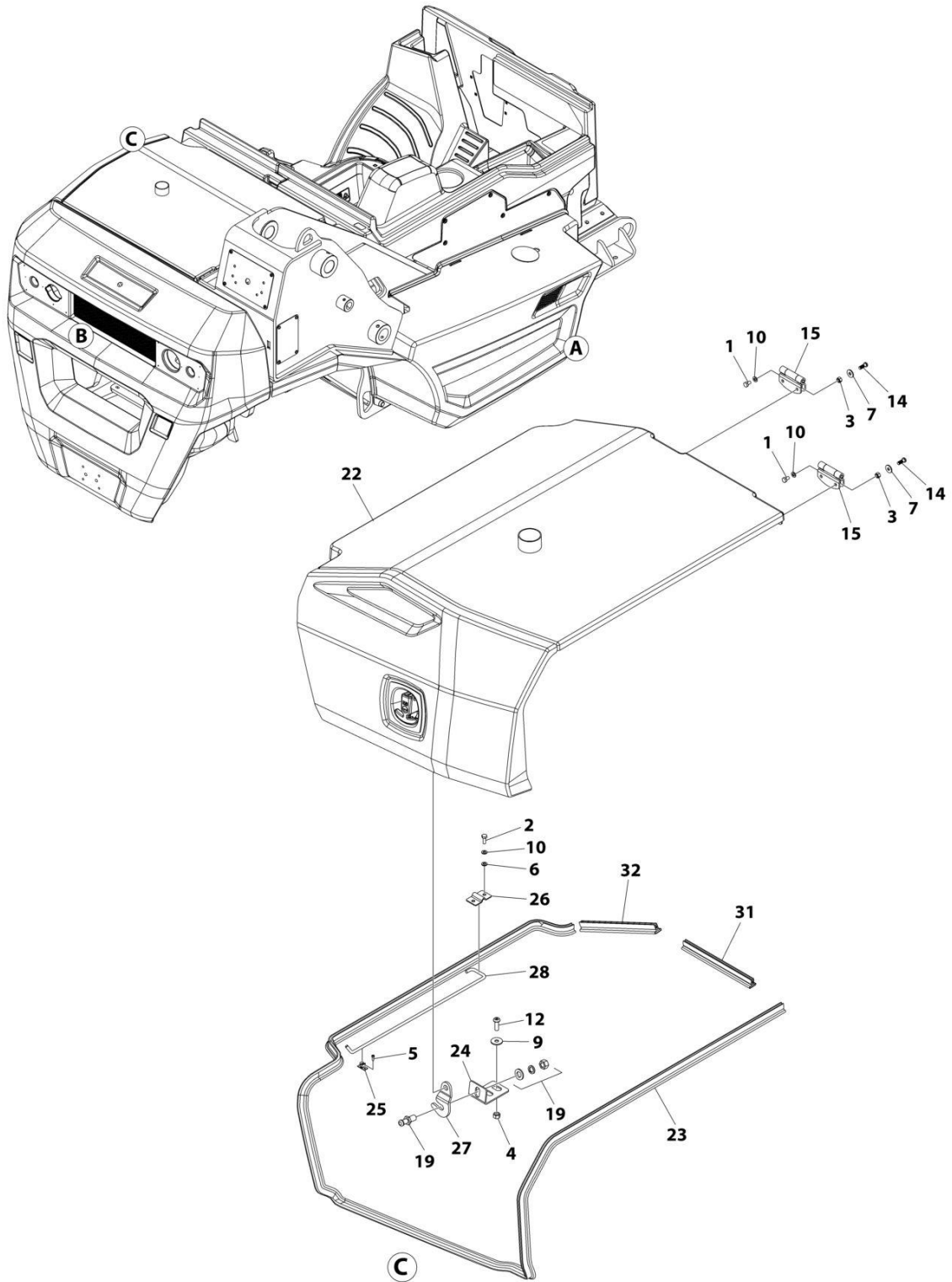
SECTION 1 - FRAME AND ATTACHING PARTS

FIGURE 1-2. ENCLOSURES INSTALLATION



ART_1001304195_1OF2

SECTION 1 - FRAME AND ATTACHING PARTS



ART_1001304195_2OF2

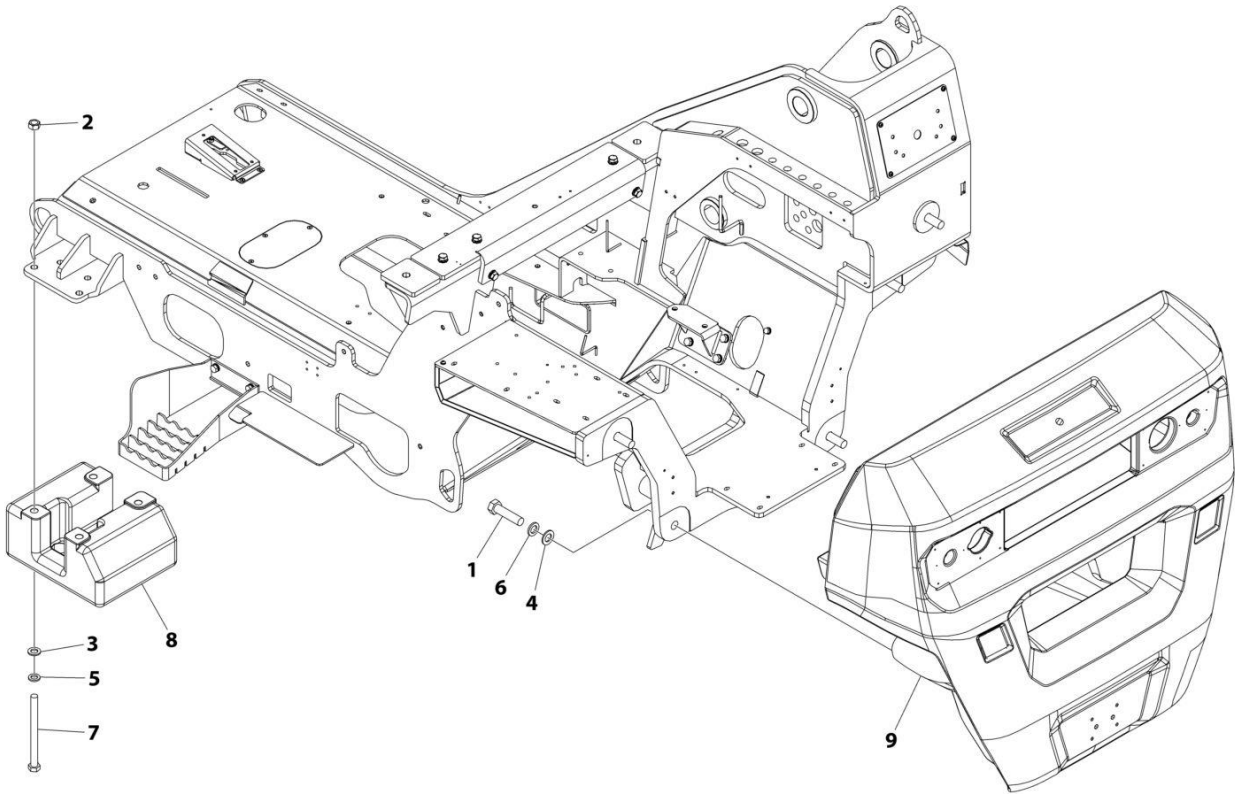
SECTION 1 - FRAME AND ATTACHING PARTS

FIGURE 1-2. ENCLOSURES INSTALLATION

ITEM	PART NUMBER	QTY	DESCRIPTION	REV
	1001304195	Ref	ENCLOSURES INSTALLATION	A
1	0760605	4	Bolt M6 x 10	
2	0760608	2	Bolt M6 x 16	
3	3290605	4	Nut M6	
4	3290805	2	Nut M8	
5	4031205	2	Capscrew M3 x 10	
6	4811700	2	Washer M6	
7	4811702	9	Washer M6	
8	4811900	4	Washer M8	
9	4811902	2	Washer M8	
10	4831700	11	Washer M6	
11	4831900	4	Washer M8	
12	1001261564	2	Capscrew M8 x 25	
13	1001262289	4	Capscrew M8 x 15	
14	1001262607	4	Capscrew M6 x 20 Class 10.9	
15	1001263880	2	Hinge	
16	1001263881	1	Cover	
17	1001264009	1	Plug	
18	1001264021	5	Capscrew M6 x 15 Class 10.9	
19	1001304425	1	Pin, Lock (Includes Hardware)	
20	1001304426	1	Hood, Side	
21	1001304427	1	Bracket, Side Hood	
22	1001304428	1	Hood, Engine	
23	1001304430	1	Seal, Engine Hood Front & Side	
24	1001304431	1	Bracket	
25	1001304432	1	Clip, Hood Prop	
26	1001304433	1	Clamp, Hood Prop	
27	1001304434	1	Hook, Latch	
28	1001304435	1	Prop, Engine Hood	
29	1001304436	1	Panel	
30	1001304465	3	Bumper	
31	1001305987	1	Seal, Engine Hood Rear	
32	1001305989	1	Seal, Engine Hood Rear	

SECTION 1 - FRAME AND ATTACHING PARTS

FIGURE 1-3. COUNTERWEIGHTS INSTALLATION



ART_1001303633

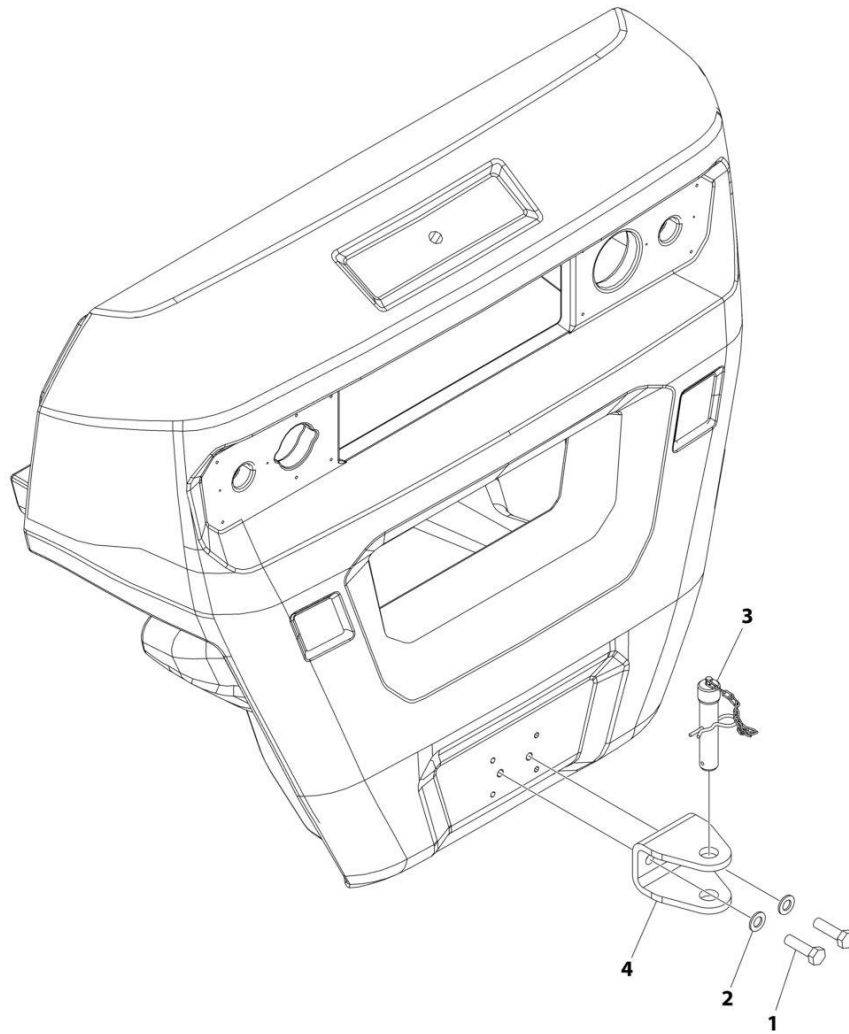
SECTION 1 - FRAME AND ATTACHING PARTS

FIGURE 1-3. COUNTERWEIGHTS INSTALLATION

ITEM	PART NUMBER	QTY	DESCRIPTION	REV
	1001303633	Ref	COUNTERWEIGHTS INSTALLATION	A
1	0712024	5	Bolt M20 x 80 Class 10.9	
2	3331611	4	Nut M16 Class 10	
3	4812300	4	Washer M16	
4	4812500	5	Washer M20	
5	4832300	4	Washer M16	
6	4832500	5	Washer M20	
7	1001091951	4	Bolt M16 x 200 Class 10.9	
8	1001303675	1	Counterweight, Front	
9	1001303676	1	Counterweight, Rear	

SECTION 1 - FRAME AND ATTACHING PARTS

FIGURE 1-4. HITCH INSTALLATION



ART_1001304448

SECTION 1 - FRAME AND ATTACHING PARTS

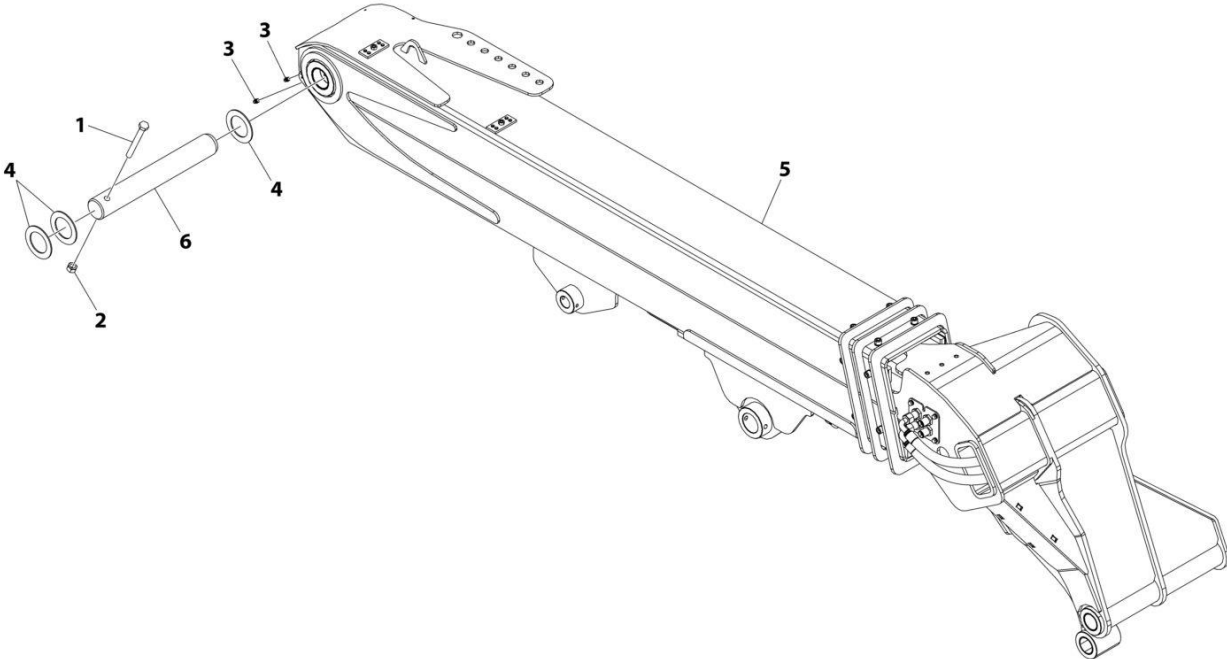
FIGURE 1-4. HITCH INSTALLATION

ITEM	PART NUMBER	QTY	DESCRIPTION	REV
	1001304448	Ref	HITCH INSTALLATION	A
1	0701418	2	Bolt M14 x 50	
2	4812200	2	Washer M14	
3	1001263865	1	Pin, Hitch	
4	1001305615	1	Bracket, Hitch	

SECTION 2 - BOOM

SECTION 2 - BOOM

FIGURE 2-1. BOOM INSTALLATION



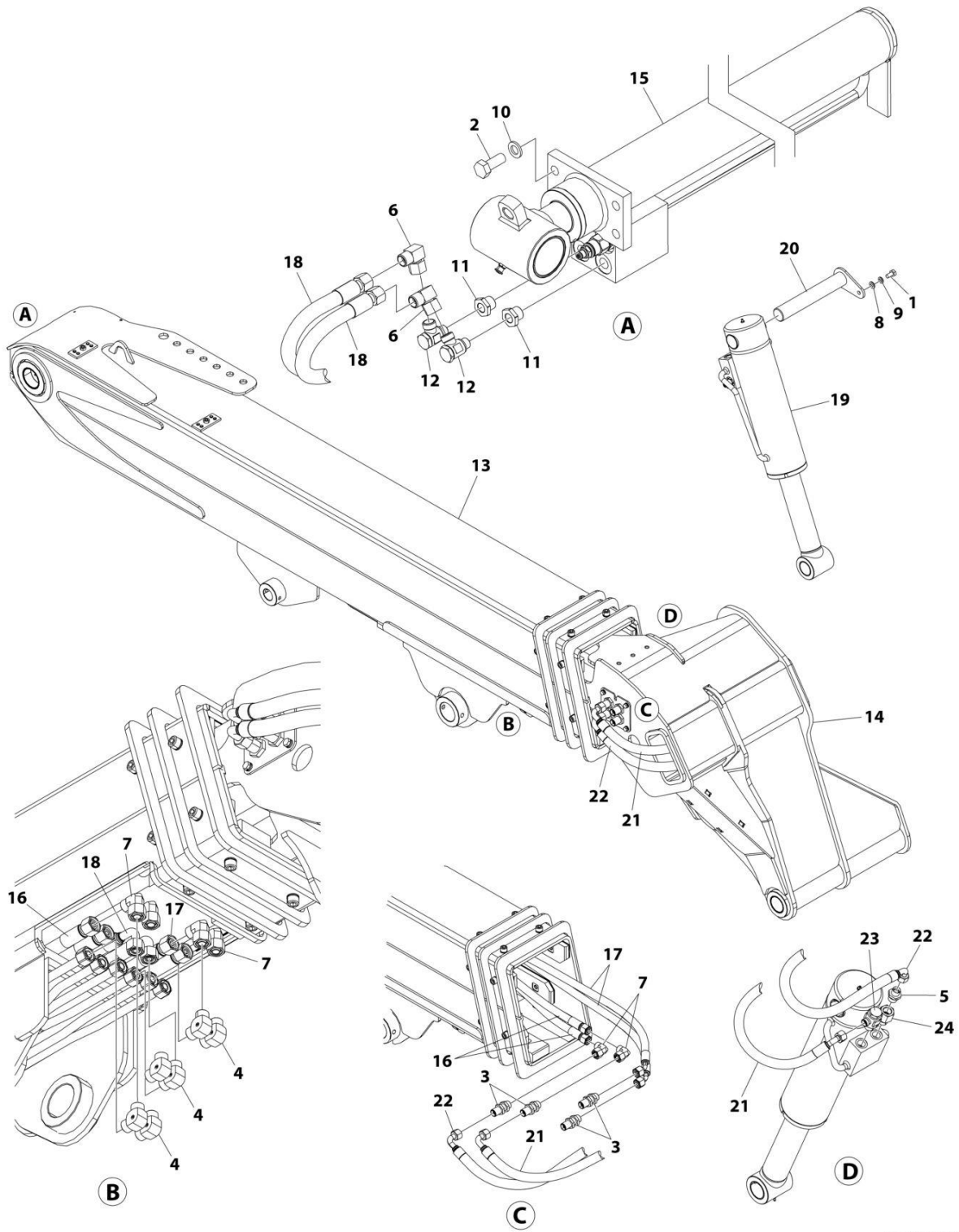
ART_1001301333

FIGURE 2-1. BOOM INSTALLATION

ITEM	PART NUMBER	QTY	DESCRIPTION	REV
	1001301333	Ref	BOOM INSTALLATION	A
1	0761228	1	Bolt M12 x 110	
2	3291207	1	Nut M12	
3	1001261547	2	Fitting, Grease	
4	1001261549	3	Shim	
5	1001301519	1	Boom Assembly (See Separate Breakdown in this Section)	
6	1001301903	1	Pin	

SECTION 2 - BOOM

FIGURE 2-2. BOOM ASSEMBLY



ART_1001301519

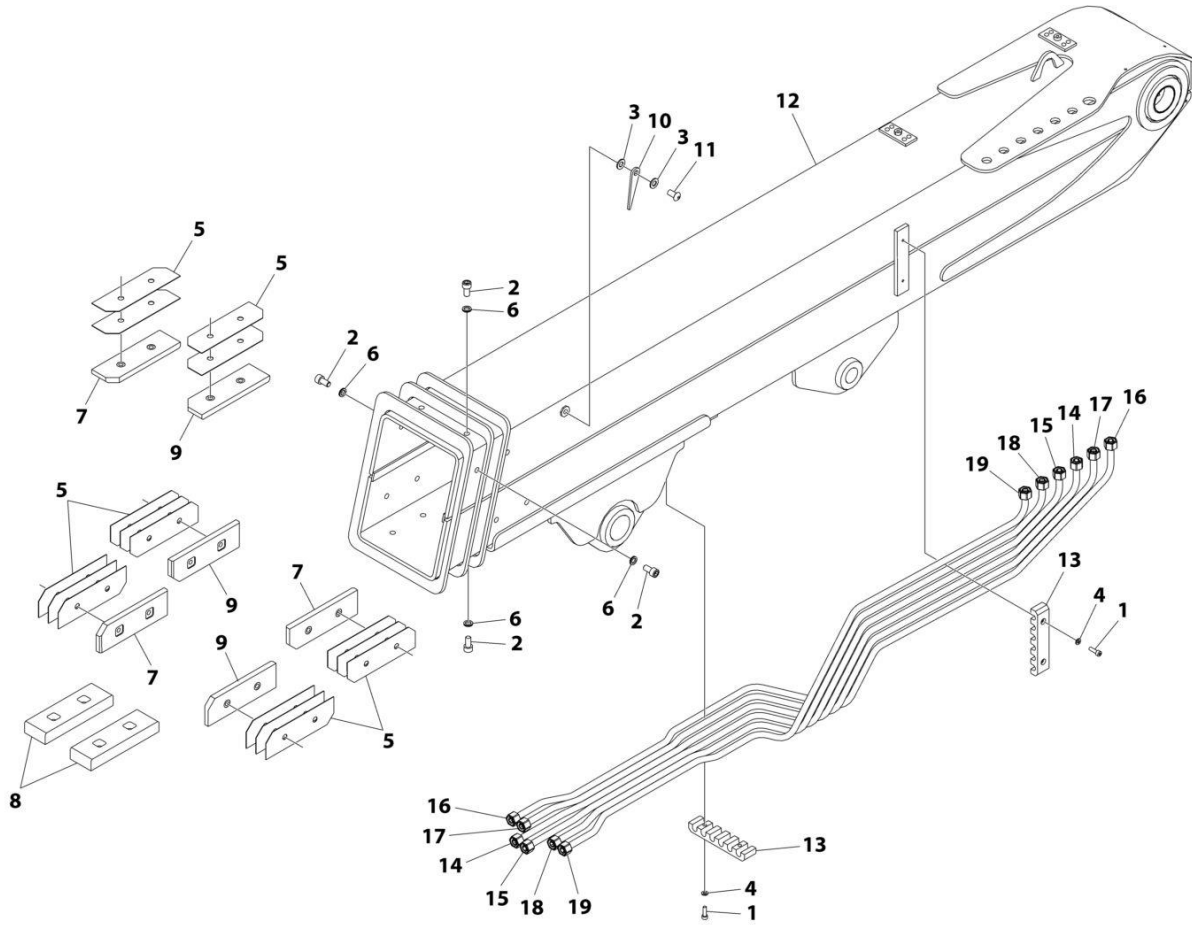
SECTION 2 - BOOM

FIGURE 2-2. BOOM ASSEMBLY

ITEM	PART NUMBER	QTY	DESCRIPTION	REV
	1001301519	Ref	BOOM ASSEMBLY	A
1	0761010	1	Bolt M10 x 20	
2	0761214	4	Bolt M12 x 30	
3	2141504	4	Fitting, Straight	
4	2141809	6	Fitting, 90	
5	2142713	1	Fitting, Straight	
6	2143403	2	Fitting, 90	
7	2143404	6	Fitting, 90	
8	4812000	1	Washer M10	
9	4832000	1	Washer M10	
10	4832100	4	Washer M12	
11	1001263158	2	Fitting, Straight	
12	1001263161	2	Fitting, 90	
13	1001301518	1	Base Boom Assembly (See Separate Breakdown in this Section)	
14	1001301582	1	Fly Boom Assembly (See Separate Breakdown in this Section)	
15	1001301850	1	Telescope Cylinder Assembly (See Separate Breakdown in HYDRAULIC COMPONENTS Section)	
16	1001301926	1	Hose	
17	1001301927	1	Hose	
18	1001301942	1	Hose	
19	1001301975	1	Tilt Cylinder Assembly (See Separate Breakdown in HYDRAULIC COMPONENTS Section)	
20	1001301982	1	Pin	
21	1001301995	1	Hose	
22	1001302074	1	Hose	
23	1001302508	1	Fitting, 90	
24	1001302511	1	Fitting, Straight	

SECTION 2 - BOOM

FIGURE 2-3. BASE BOOM ASSEMBLY



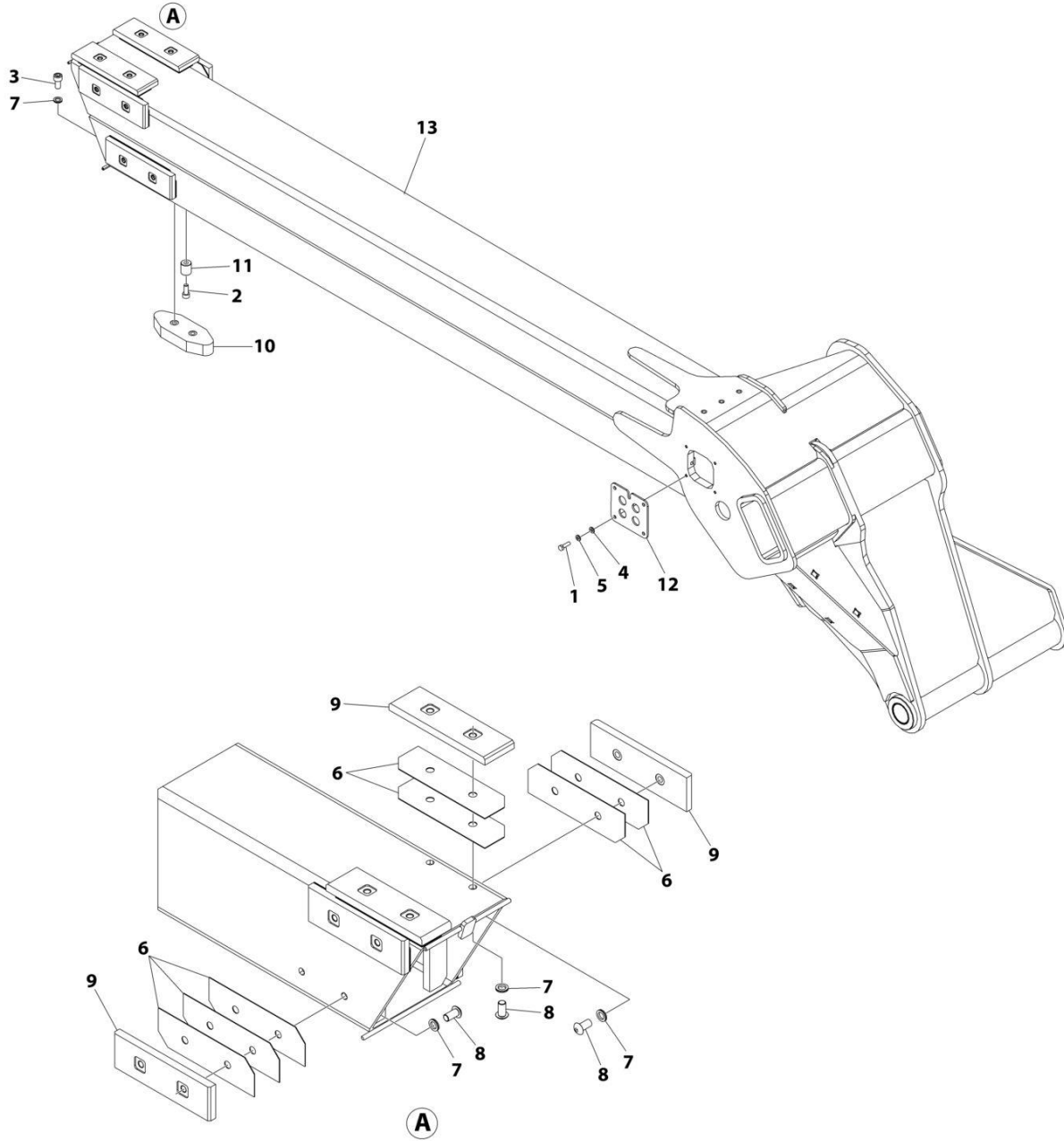
ART_1001301518

FIGURE 2-3. BASE BOOM ASSEMBLY

ITEM	PART NUMBER	QTY	DESCRIPTION	REV
	1001301518	Ref	BASE BOOM ASSEMBLY	A
1	4031708	4	Capscrew M6 x 20	
2	4032008	16	Capscrew M10 x 20	
3	4812000	2	Washer M10	
4	4831700	4	Washer M6	
5	1001261550	16	Shim	
6	1001261551	16	Washer M10	
7	1001261554	3	Pad, Wear	
8	1001261555	2	Pad, Wear	
9	1001261556	3	Pad, Wear	
10	1001261560	1	Indicator, Angle	
11	1001261565	1	Capscrew M10 x 20	
12	1001301516	1	Boom, Base	
13	1001301870	2	Clamp	
14	1001301993	1	Pipe, Telescope Cylinder Extend	
15	1001301994	1	Pipe, Telescope Cylinder Retract	
16	1001301996	1	Pipe, Tilt Cylinder Extend	
17	1001301997	1	Pipe, Tilt Cylinder Retract	
18	1001301998	1	Pipe, Auxiliary Hydraulics	
19	1001301999	1	Pipe, Auxiliary Hydraulics	

SECTION 2 - BOOM

FIGURE 2-4. FLY BOOM ASSEMBLY



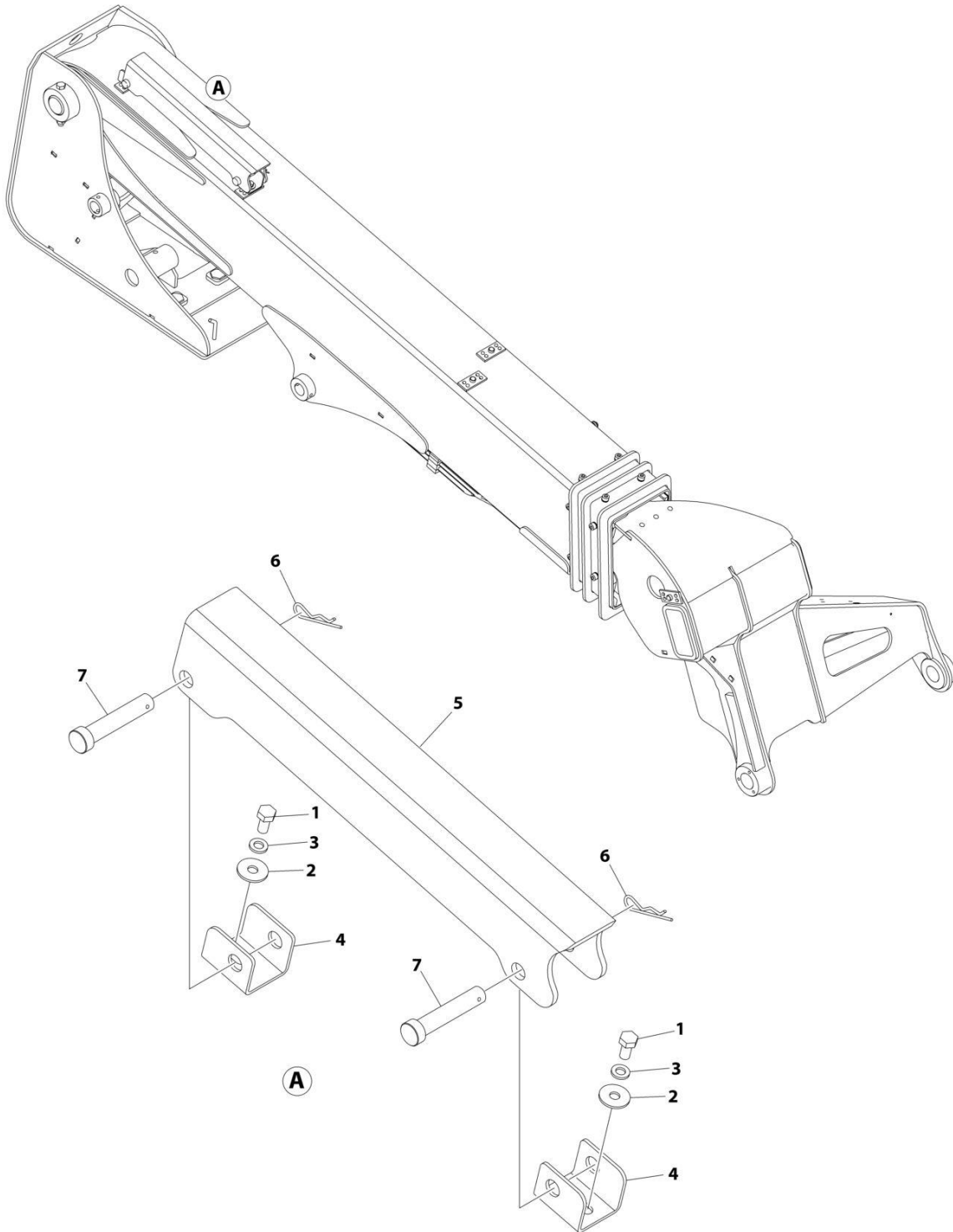
ART_1001301582

FIGURE 2-4. FLY BOOM ASSEMBLY

ITEM	PART NUMBER	QTY	DESCRIPTION	REV
	1001301582	Ref	FLY BOOM ASSEMBLY	A
1	0700610	4	Bolt M6 x 20	
2	4031908	1	Bolt M8 x 20	
3	4032008	2	Capscrew M10 x 20	
4	4811700	4	Washer M6	
5	4831700	4	Washer M6	
6	1001261550	14	Shim	
7	1001261551	14	Washer M10	
8	1001261565	12	Capscrew M10 x 20	
9	1001262033	6	Pad, Wear	
10	1001262034	1	Pad, Wear	
11	1001262036	1	Guide, Hose	
12	1001301899	1	Plate	
13	1001301987	1	Boom, Fly	

SECTION 2 - BOOM

FIGURE 2-5. BOOM PROP INSTALLATION



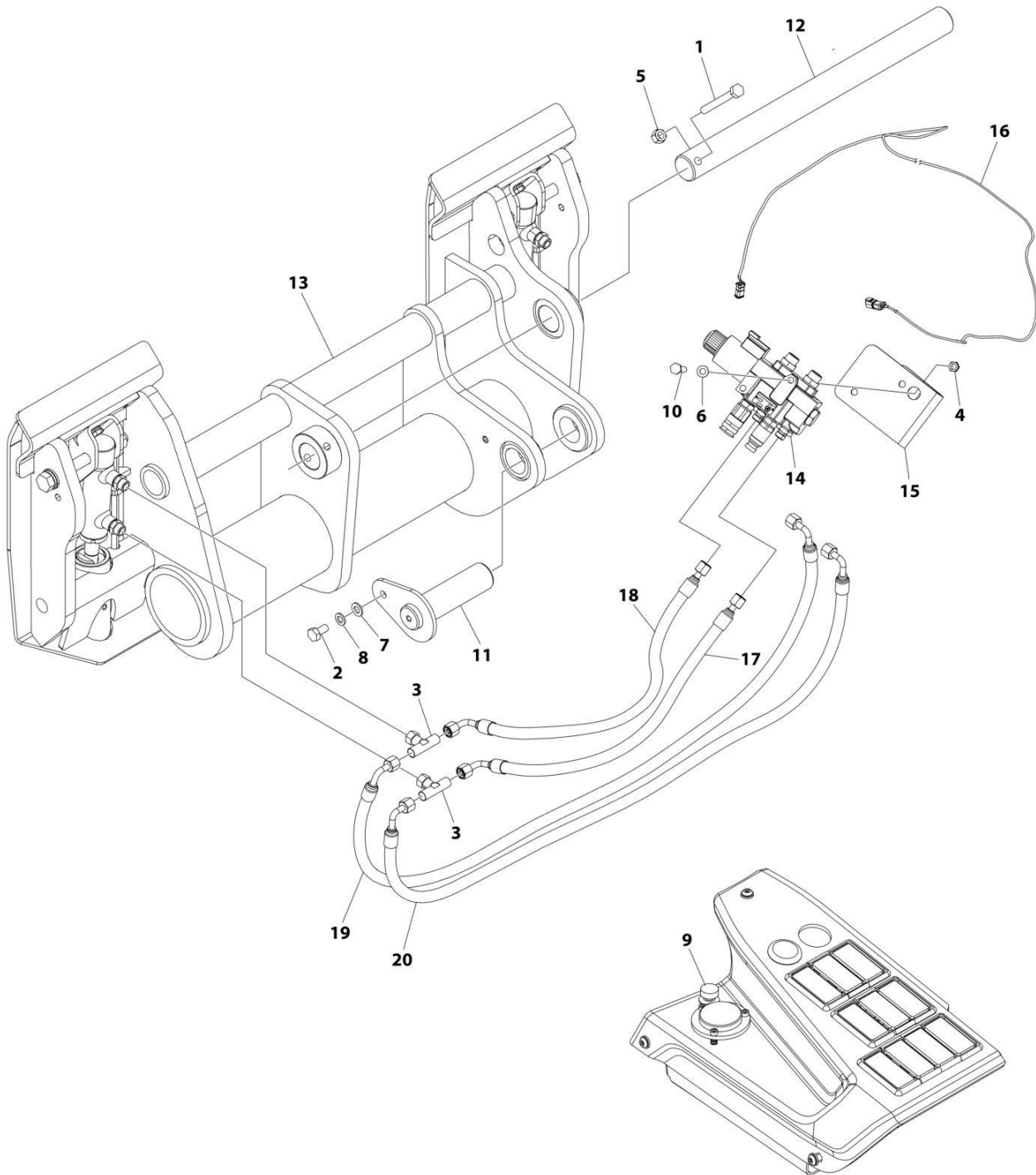
ART_1001263388

FIGURE 2-5. BOOM PROP INSTALLATION

ITEM	PART NUMBER	QTY	DESCRIPTION	REV
	1001263388	Ref	BOOM PROP INSTALLATION	A
1	0760808	2	Bolt M8 x 20	
2	4811902	2	Washer M8	
3	4831900	2	Washer M8	
4	1001266094	2	Bracket	
5	1001266095	1	Prop, Boom	
6	1001266096	2	Pin	
7	1001266097	2	Pin	

SECTION 2 - BOOM

FIGURE 2-6. COUPLER INSTALLATION - HYDRAULIC



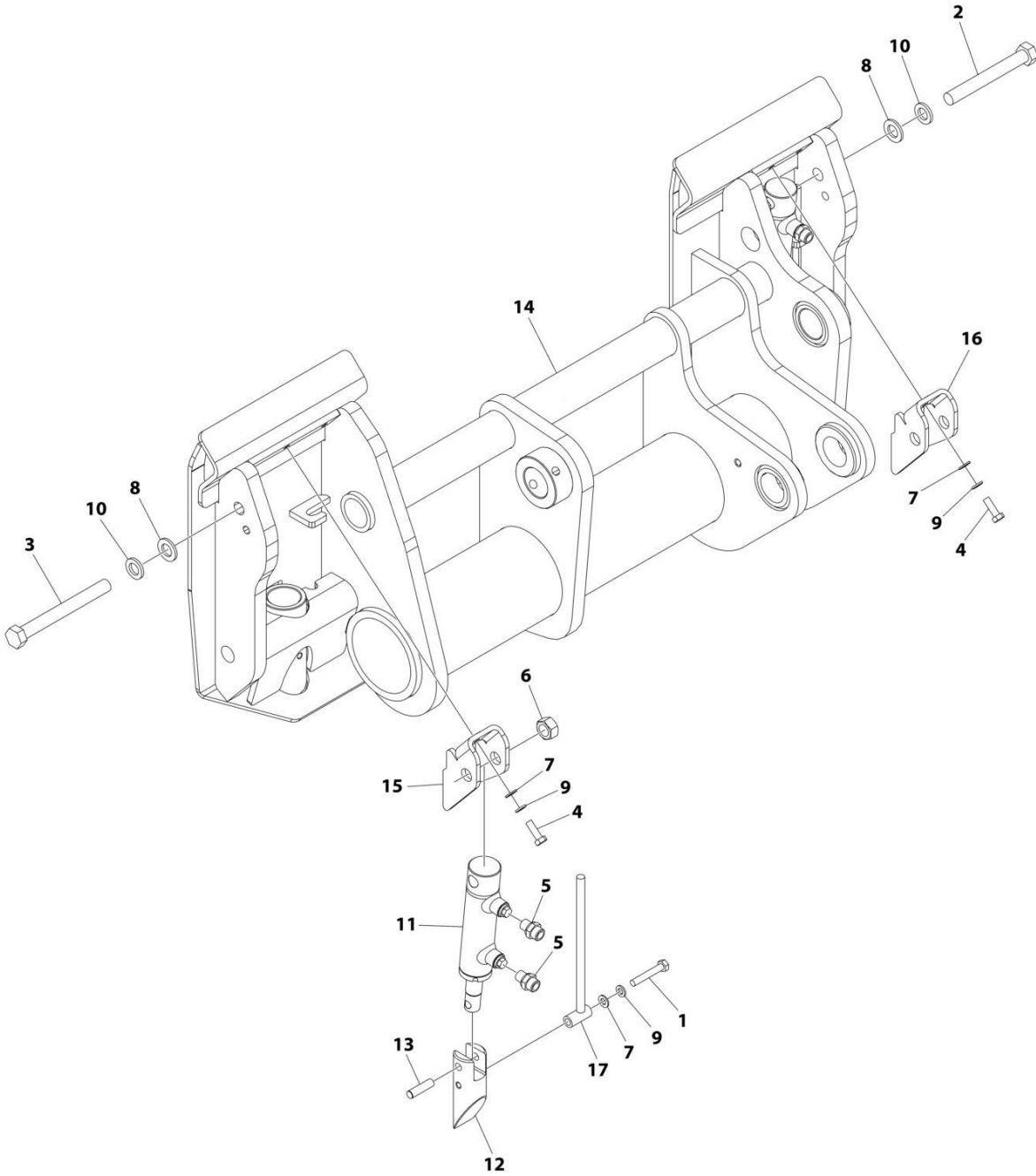
ART_1001304227

FIGURE 2-6. COUPLER INSTALLATION - HYDRAULIC

ITEM	PART NUMBER	QTY	DESCRIPTION	REV
	1001304227	Ref	COUPLER INSTALLATION	A
1	0701026	1	Bolt M10 x 90	
2	0761010	1	Bolt M10 x 20	
3	2142102	2	Fitting, Tee	
4	3290805	2	Nut M8	
5	3291005	1	Nut M10	
6	4811900	2	Washer M8	
7	4812000	1	Washer M10	
8	4832000	1	Washer M10	
9	1001264530	1	Switch, Coupler	
10	1001264533	2	Bolt M8 x 80	
11	1001302197	1	Pin	
12	1001302198	1	Pin	
13	1001304455	1	Coupler Assembly (See Separate Breakdown in this Section)	
14	1001304456	1	Coupler Valve Assembly (See Separate Breakdown in HYDRAULIC COMPONENTS Section)	
15	1001304736	1	Bracket	
16	1001304892	1	Harness, Hydraulic Coupler	
17	1001305628	1	Hose	
18	1001305629	1	Hose	
19	1001305631	1	Hose	
20	1001305632	1	Hose	

SECTION 2 - BOOM

FIGURE 2-7. COUPLER ASSEMBLY - HYDRAULIC



ART_1001304455

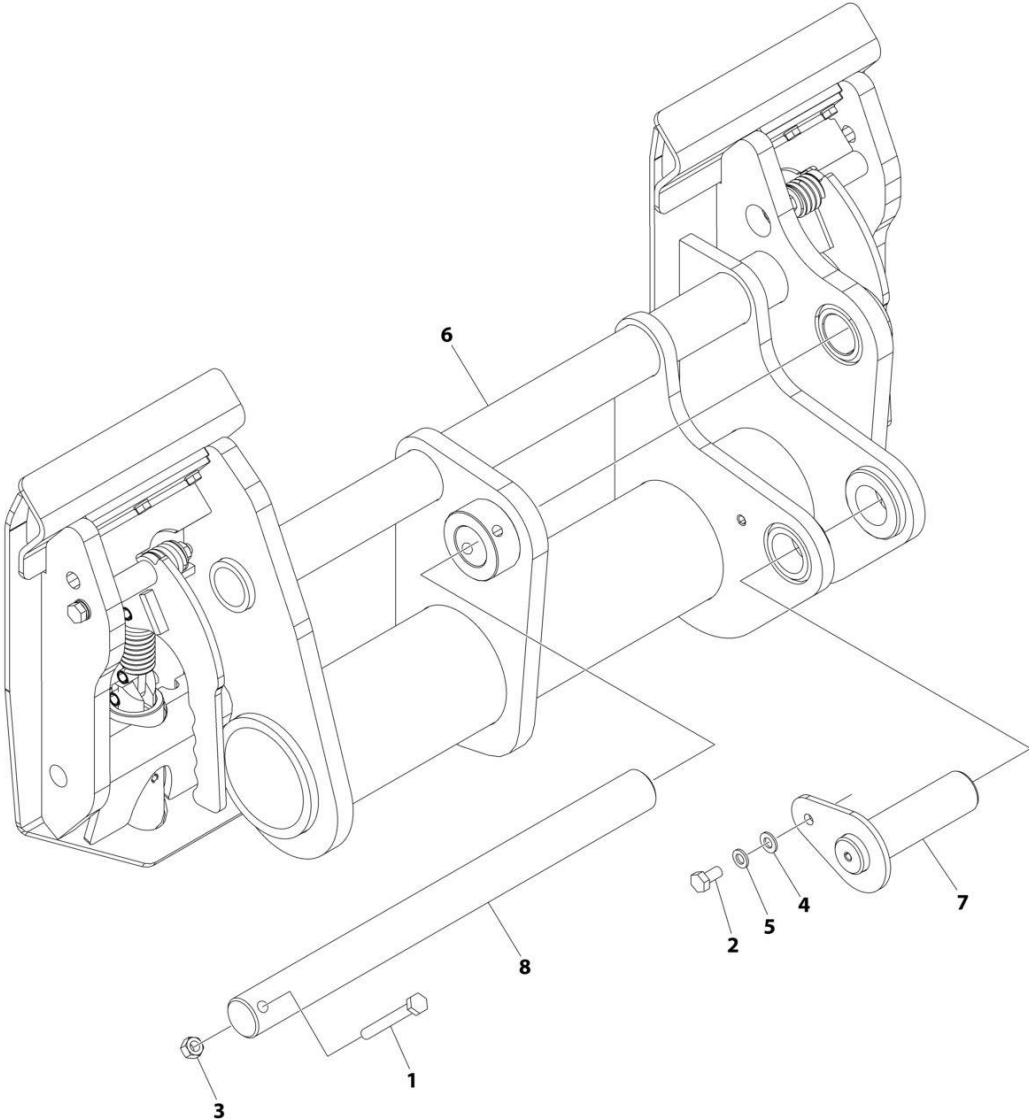
SECTION 2 - BOOM

FIGURE 2-7. COUPLER ASSEMBLY - HYDRAULIC

ITEM	PART NUMBER	QTY	DESCRIPTION	REV
	1001304455	Ref	COUPLER ASSEMBLY	A
1	0700818	2	Bolt M8 x 50	
2	0701630	1	Bolt M16 x 130	
3	0701632	1	Bolt M16 x 150	
4	0770812	2	Bolt M8 x 25	
5	2142706	4	Fitting, Straight	
6	3331611	1	Nut M16	
7	4811900	4	Washer M8	
8	4812300	2	Washer M16	
9	4831900	4	Washer M8	
10	4832300	2	Washer M16	
11	1001264509	2	Cylinder, Coupler	
12	1001264512	2	Pin	
13	1001264516	2	Pin	
14	1001301904	1	Coupler	
15	1001304618	1	Bracket - Left Side	
16	1001304629	1	Bracket - Right Side	
17	1001304631	2	Rod, Hook Positioner	

SECTION 2 - BOOM

FIGURE 2-8. COUPLER INSTALLATION - MANUAL



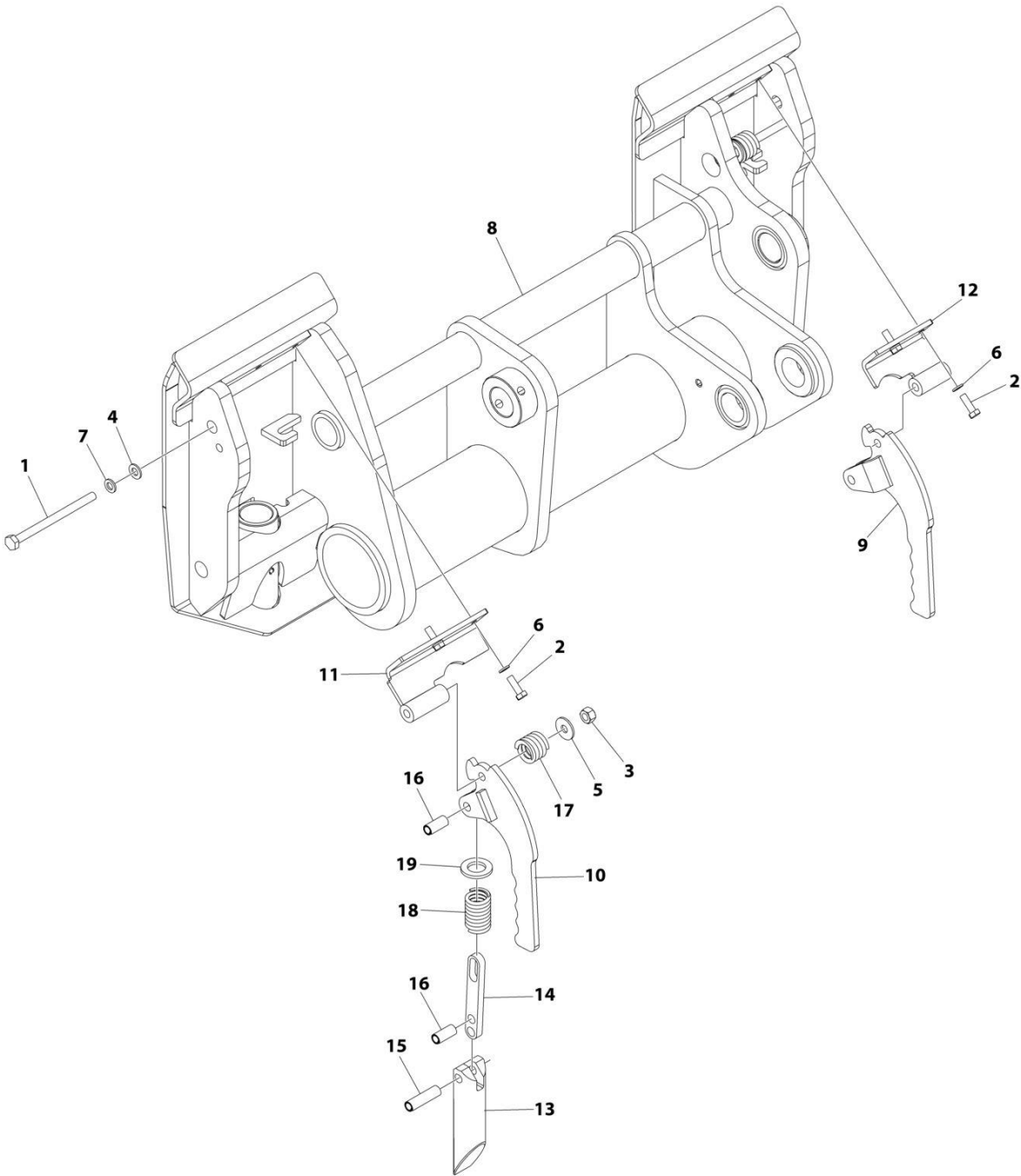
ART_1001301816

FIGURE 2-8. COUPLER INSTALLATION - MANUAL

ITEM	PART NUMBER	QTY	DESCRIPTION	REV
	1001301816	Ref	COUPLER INSTALLATION	A
1	0701026	1	Bolt M10 x 90	
2	0761010	1	Bolt M10 x 20	
3	3291005	1	Nut M10	
4	4812000	1	Washer M10	
5	4832000	1	Washer M10	
6	1001301973	1	Coupler Assembly (See Separate Breakdown in this Section)	
7	1001302197	1	Pin	
8	1001302198	1	Pin	

SECTION 2 - BOOM

FIGURE 2-9. COUPLER ASSEMBLY - MANUAL



ART_1001301973

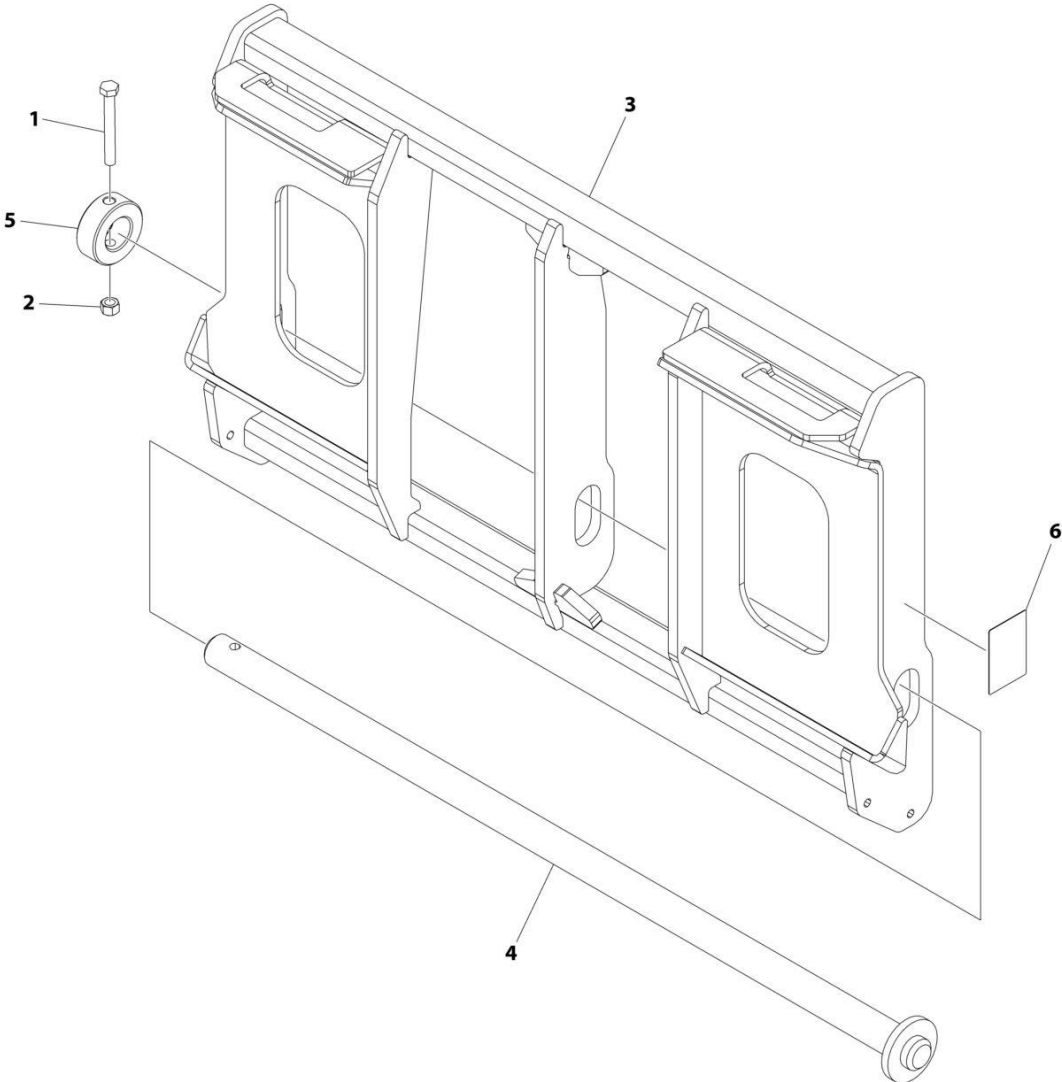
FIGURE 2-9. COUPLER ASSEMBLY - MANUAL

ITEM	PART NUMBER	QTY	DESCRIPTION	REV
	1001301973	Ref	COUPLER ASSEMBLY	A
1	0701031	2	Bolt M10 x 140	
2	0760812	4	Bolt M8 x 25	
3	3291005	2	Nut M10	
4	4812000	2	Washer M10	
5	4812002	2	Washer M10	
6	4831900	4	Washer M8	
7	4832000	2	Washer M10	
8	1001301904	1	Coupler	
9	1001302108	1	Lever, Coupling - Right Side	
10	1001302109	1	Lever, Coupling - Left Side	
11	1001302110	1	Bracket - Left Side	
12	1001302111	1	Bracket - Right Side	
13	1001302158	2	Pin	
14	1001061659	2	Plate	
15	1001302160	2	Pin, Roll	
16	1001061662	4	Pin, Roll	
17	1001062117	2	Spring	
18	1001061660	2	Spring	
19	1001261678	2	Washer M22	

SECTION 3 - ATTACHMENTS

SECTION 3 - ATTACHMENTS

FIGURE 3-1. CARRIAGE ASSEMBLY



ART_1001302251

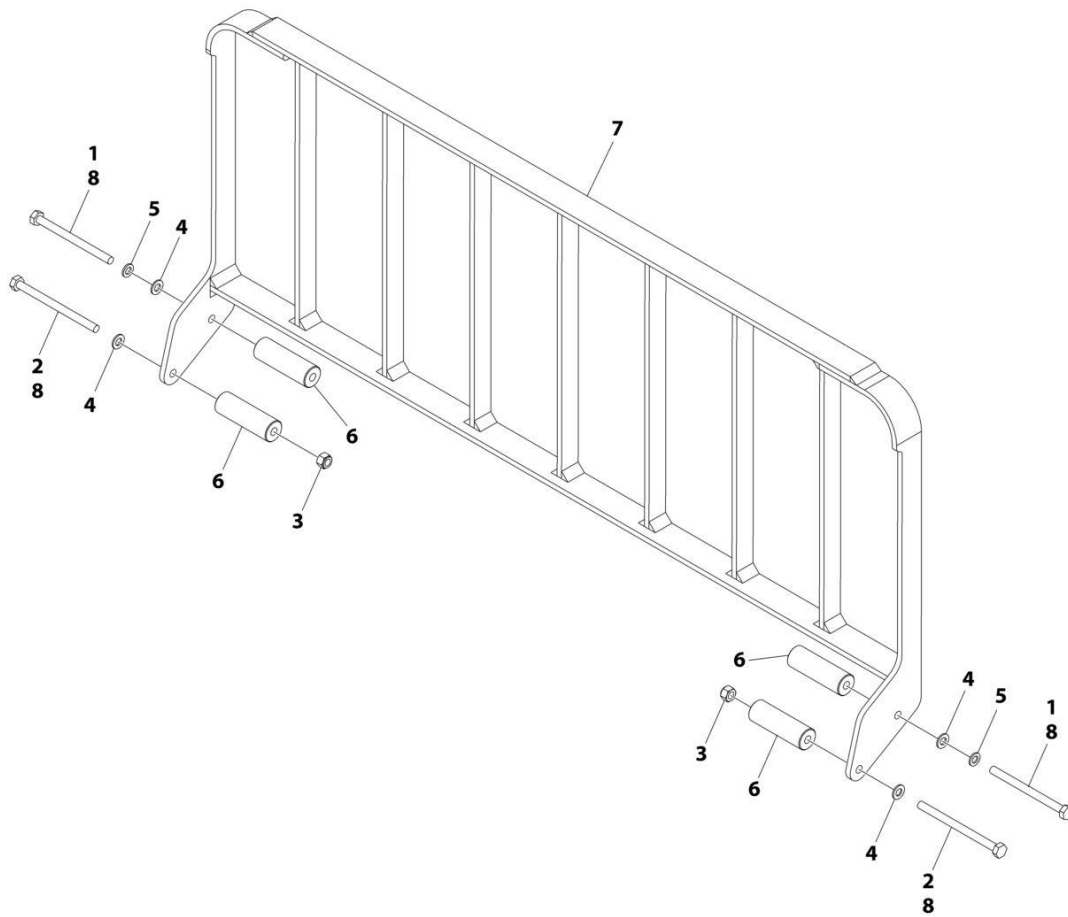
SECTION 3 - ATTACHMENTS

FIGURE 3-1. CARRIAGE ASSEMBLY

ITEM	PART NUMBER	QTY	DESCRIPTION	REV
	1001302251	Ref	CARRIAGE ASSEMBLY	A
1	0701227	1	Bolt M12 x 100	
2	3291205	1	Nut M12	
3	1001302231	1	Carriage	
4	1001302232	1	Pin	
5	1001261544	1	Collar	
6	See Note	NSS	SN Plate (Note: Not Available for Purchase)	

SECTION 3 - ATTACHMENTS

FIGURE 3-2. CARRIAGE BACKREST INSTALLATION



ART_1001262110

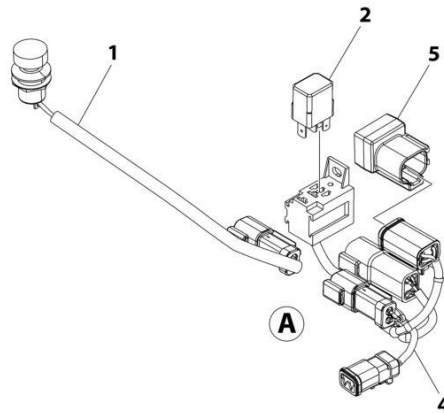
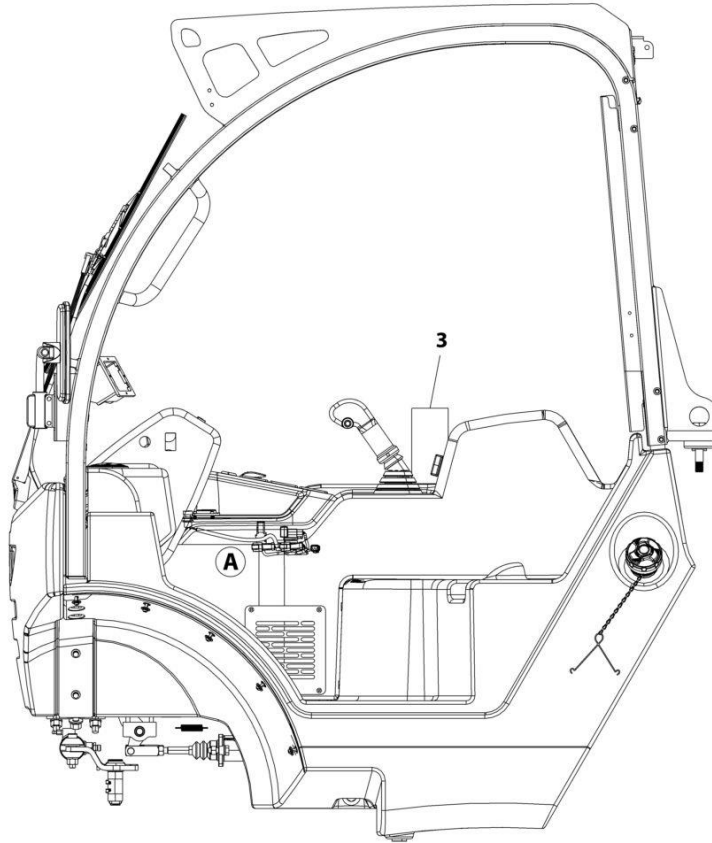
SECTION 3 - ATTACHMENTS

FIGURE 3-2. CARRIAGE BACKREST INSTALLATION

ITEM	PART NUMBER	QTY	DESCRIPTION	REV
	1001262110	Ref	CARRIAGE BACKREST INSTALLATION	B
1	0701030	2	Bolt M10 x 130	
2	0701031	2	Bolt M10 x 140	
3	3291005	2	Nut M10	
4	4812000	4	Washer M10	
5	4832000	2	Washer M10	
6	1001262169	4	Rod	
7	1001262170	1	Brace	
8	0100035	AR	Compound, Locking	

SECTION 3 - ATTACHMENTS

FIGURE 3-3. CONTROLLER DECAL/HARNESS INSTALLATION (FRAME LOADER)



ART_1001312339

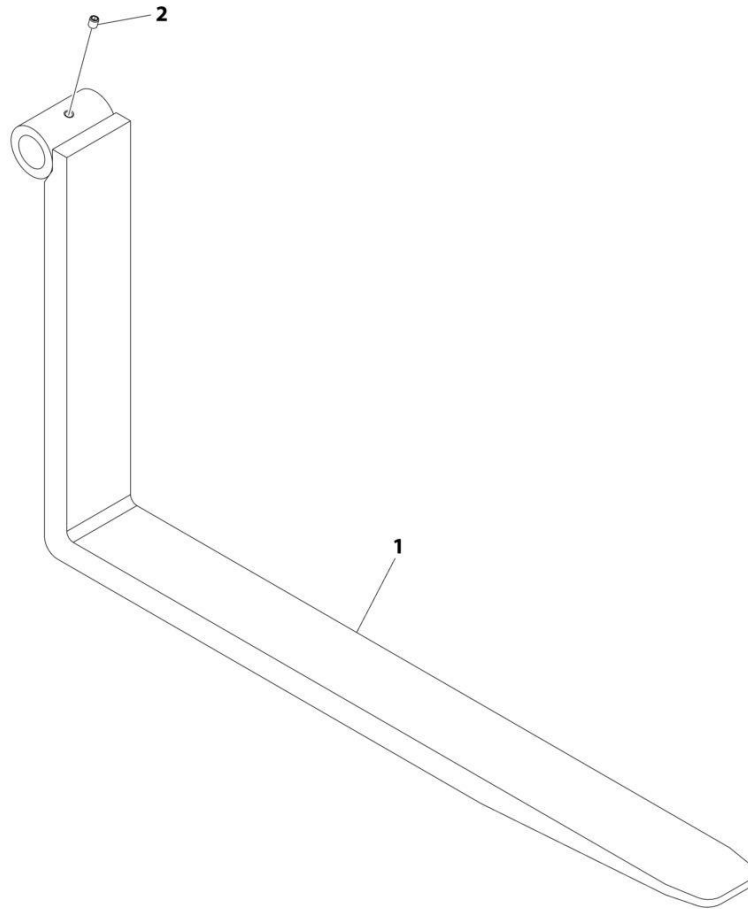
SECTION 3 - ATTACHMENTS

FIGURE 3-3. CONTROLLER DECAL/HARNESS INSTALLATION (FRAME LOADER)

ITEM	PART NUMBER	QTY	DESCRIPTION	REV
	1001312339	Ref	CONTROLLER DECAL/HARNESS INSTALLATION (FRAME LOADER - AG)	A
1	1001264530	1	Harness, Jumper	
2	1001264392	1	Relay	
3	1001312345	1	Decal - Joystick Functions	
4	1001312347	1	Harness, Jumper	
5	1001312348	1	Connector	

SECTION 3 - ATTACHMENTS

FIGURE 3-4. FORK ASSEMBLY - PALLET (35 X 100 X 1000)



ART_1001262107

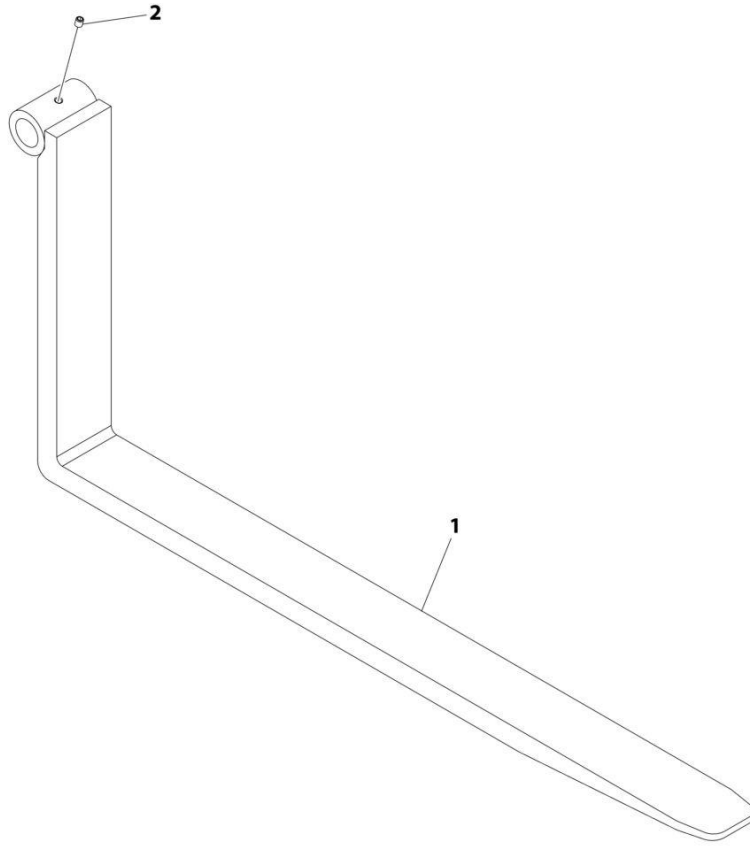
SECTION 3 - ATTACHMENTS

FIGURE 3-4. FORK ASSEMBLY - PALLET (35 X 100 X 1000)

ITEM	PART NUMBER	QTY	DESCRIPTION	REV
1	1001262107 SEE NOTE	Ref 1	FORK ASSEMBLY - 35MM x 100MM x 1000MM Forks rated less than the attachment or machine's capacity decreases capacity of the attachment or machine to that of the forks. Forks rated more than the attachment or machine's capacity do not increase attachment or machine's capacity.	B
	SEE NOTE	1	Please consult jlg parts department to determine the correct forks applicable to your specific carriage assembly and application.	
2	1001262024	1	Setscrew M10 x 12	

SECTION 3 - ATTACHMENTS

FIGURE 3-5. FORK ASSEMBLY - PALLET (35 X 100 X 1200)



ART_1001262108

SECTION 3 - ATTACHMENTS

FIGURE 3-5. FORK ASSEMBLY - PALLET (35 X 100 X 1200)

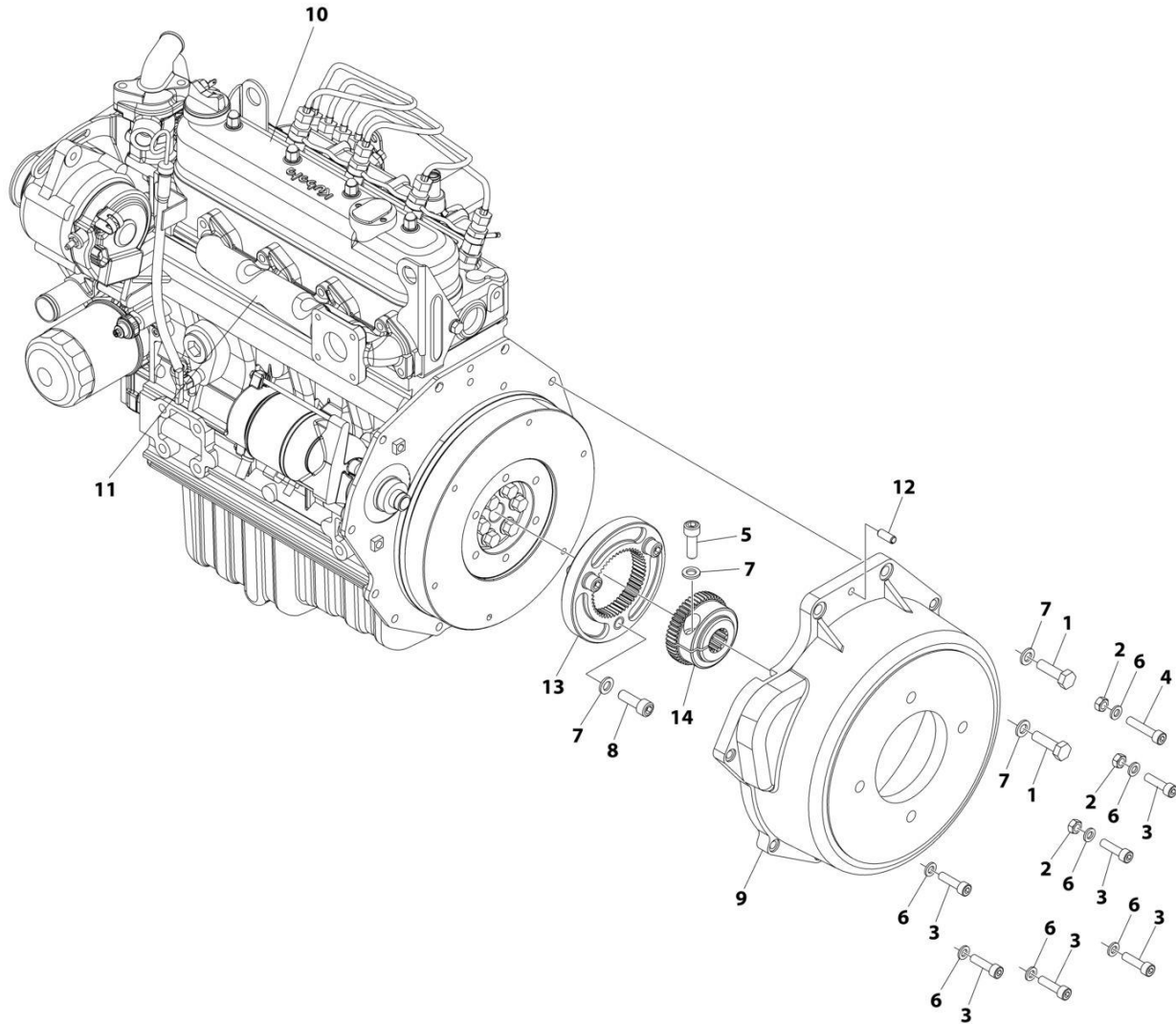
ITEM	PART NUMBER	QTY	DESCRIPTION	REV
1	1001262108 SEE NOTE	Ref 1	FORK ASSEMBLY - 35MM x 100MM x 1200MM Forks rated less than the attachment or machine's capacity decreases capacity of the attachment or machine to that of the forks. Forks rated more than the attachment or machine's capacity do not increase attachment or machine's capacity.	B
	SEE NOTE	1	Please consult jlg parts department to determine the correct forks applicable to your specific carriage assembly and application.	
2	1001262024	1	Setscrew M10 x 12	

SECTION 4 - ENGINE AND ATTACHING PARTS

SECTION 4 - ENGINE AND ATTACHING PARTS

SECTION 4 - ENGINE AND ATTACHING PARTS

FIGURE 4-1. KUBOTA ENGINE INSTALLATION



ART_1001302712

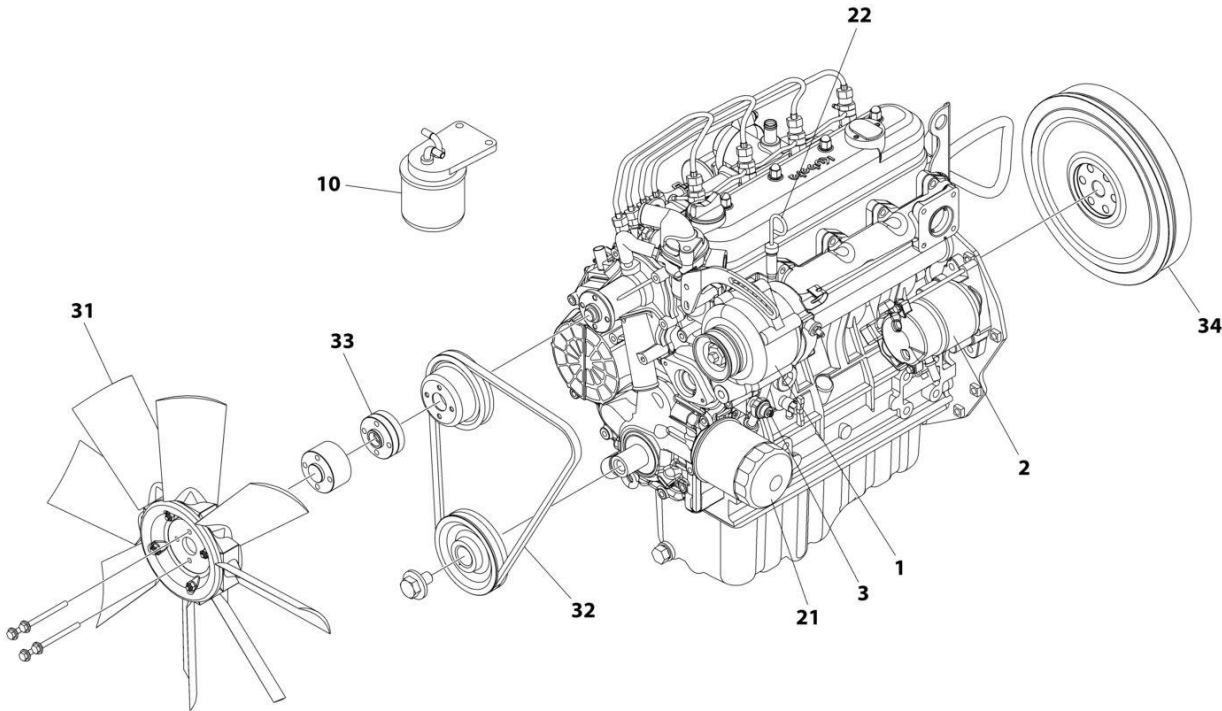
SECTION 4 - ENGINE AND ATTACHING PARTS

FIGURE 4-1. KUBOTA ENGINE INSTALLATION

ITEM	PART NUMBER	QTY	DESCRIPTION	REV
	1001302712	Ref	KUBOTA ENGINE INSTALLATION	A
1	0701015	2	Bolt M10 x 35	
2	3290801	3	Nut M8	
3	4031910	6	Capscrew M8 x 30	
4	4031912	1	Capscrew M8 x 40	
5	4032010	1	Capscrew M10 x 30	
6	4831900	7	Washer M8	
7	4832000	6	Washer M10	
8	4032010000	3	Capscrew M10 x 30	
9	1001262249	1	Coupling	
10	1001262280	1	Kubota Engine Assembly (See Separate Breakdown in this Section)	
11	1001262281	1	Kubota Exhaust Manifold (See Separate Breakdown in this Section)	
12	1001262292	1	Pin	
13	1001262286	1	Coupling, Outer	
14	1001262287	1	Coupling, Inner	

SECTION 4 - ENGINE AND ATTACHING PARTS

FIGURE 4-2. KUBOTA ENGINE ASSEMBLY



ART_1001262280

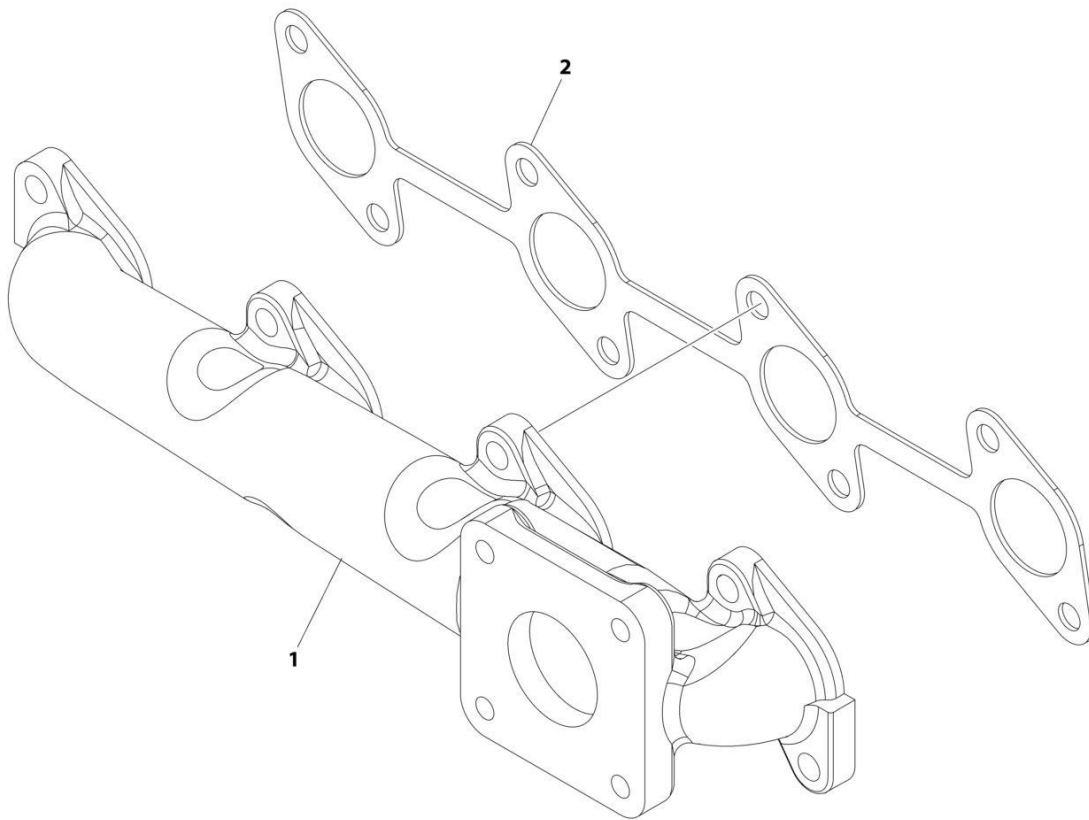
SECTION 4 - ENGINE AND ATTACHING PARTS

FIGURE 4-2. KUBOTA ENGINE ASSEMBLY

ITEM	PART NUMBER	QTY	DESCRIPTION	REV
	1001262280	Ref	KUBOTA ENGINE ASSEMBLY	A
		Ref	Electrical Components	
1	70005741	1	Alternator	
2	7017943	1	Starter	
3	7017901	1	Switch, Oil	
		Ref	Fuel System Components	
10	7017949	1	Assembly, Fuel Filter (Includes - Cover, Fittings, Plug, O-Ring)	
10	1001262409	1	Filter, Fuel	
11	7023139	1	Pump, Fuel (Not Shown - Located on Opposite Side of Engine)	
12	70031353	1	Pump, Injection (Not Shown)	
		Ref	Lubrication System Components	
21	7020942	1	Filter, Engine Oil	
22	7023160	1	Dipstick	
22	70003062	1	Tube, Dipstick	
		Ref	Miscellaneous Components	
31	1001262253	1	Fan	
32	7023141	1	Belt	
33	1001262266	1	Fan Spacer Support	
34	70031354	1	Flywheel	

SECTION 4 - ENGINE AND ATTACHING PARTS

FIGURE 4-3. KUBOTA EXHAUST MANIFOLD



ART_1001262281

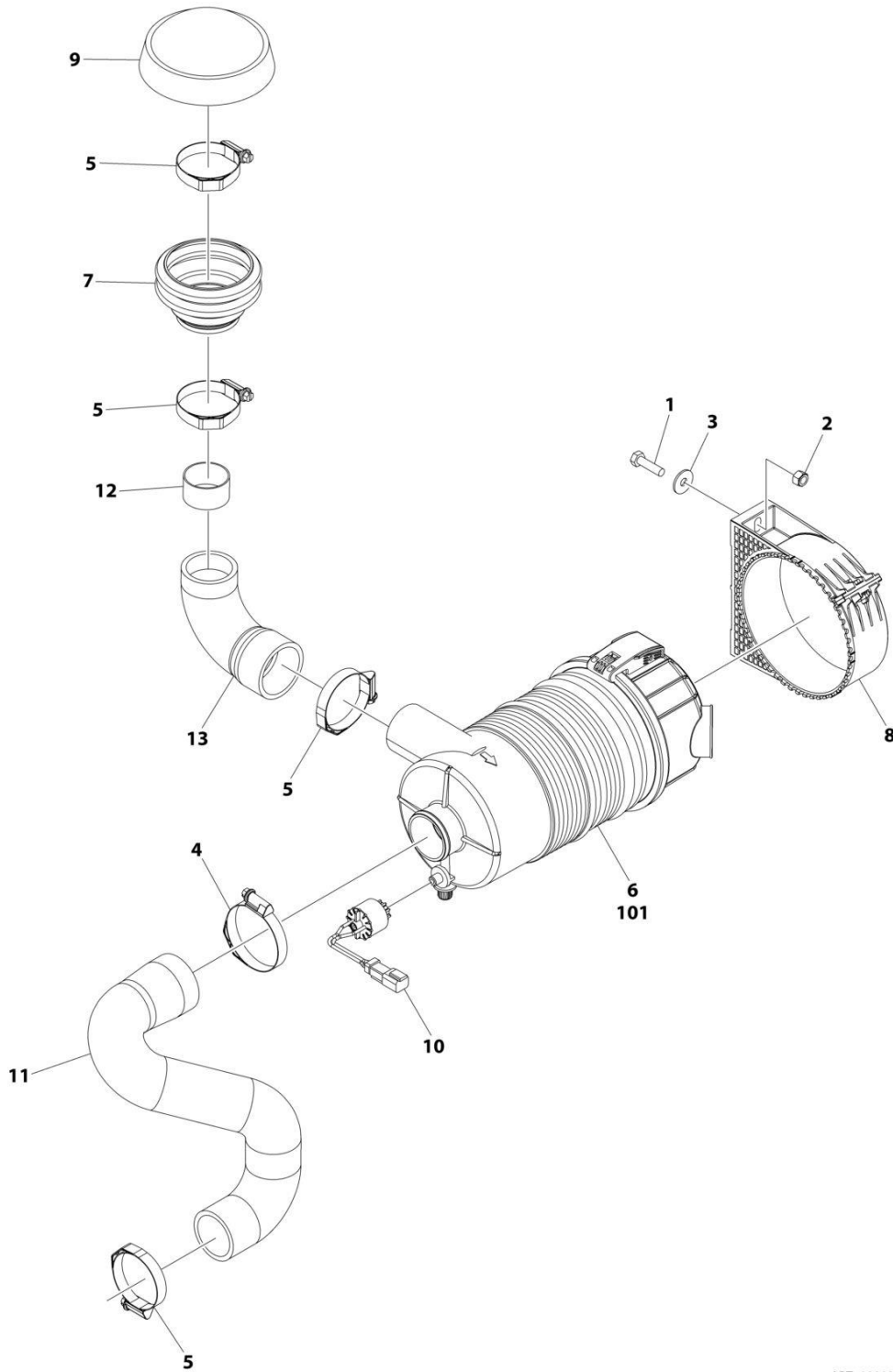
SECTION 4 - ENGINE AND ATTACHING PARTS

FIGURE 4-3. KUBOTA EXHAUST MANIFOLD

ITEM	PART NUMBER	QTY	DESCRIPTION	REV
	1001262281	Ref	KUBOTA EXHAUST MANIFOLD	A
1	1001264274	1	Manifold, Exhaust	
2	1001264275	1	Gasket, Exhaust Manifold	

SECTION 4 - ENGINE AND ATTACHING PARTS

FIGURE 4-4. AIR INTAKE INSTALLATION



ART_1001302714

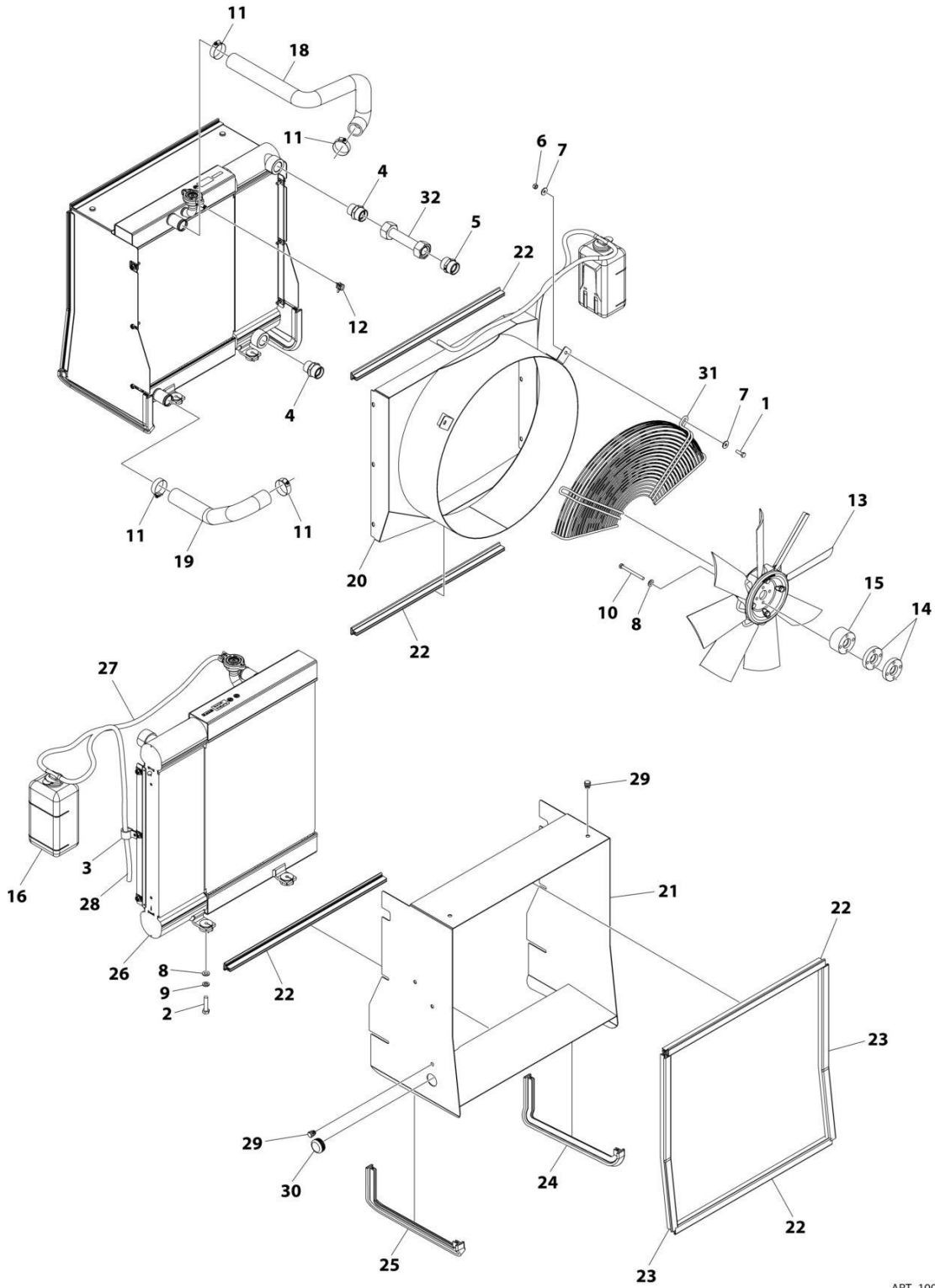
SECTION 4 - ENGINE AND ATTACHING PARTS

FIGURE 4-4. AIR INTAKE INSTALLATION

ITEM	PART NUMBER	QTY	DESCRIPTION	REV
	1001302714	Ref	AIR INTAKE INSTALLATION	A
1	0700814	2	Bolt M8 x 30	
2	3290805	2	Nut M8	
3	4811902	2	Washer M8	
4	1001215023	1	Clamp (50MM - 70MM)	
5	1001215024	4	Clamp (40MM - 60MM)	
6	1001262270	1	Assembly, Air Filter (Includes Item 101)	
7	1001262273	1	Seal	
8	1001262283	1	Mount, Air Filter	
9	1001262284	1	Cap, Rain	
10	1001304074	1	Sensor, Air Intake	
11	1001304075	1	Hose, Filter Output	
12	1001304078	1	Tube, Reinforcement	
13	1001304079	1	Hose, Filter Intake	
101	70031554	1	Element, Air Filter	

SECTION 4 - ENGINE AND ATTACHING PARTS

FIGURE 4-5. COOLING PACKAGE INSTALLATION



ART_1001301785

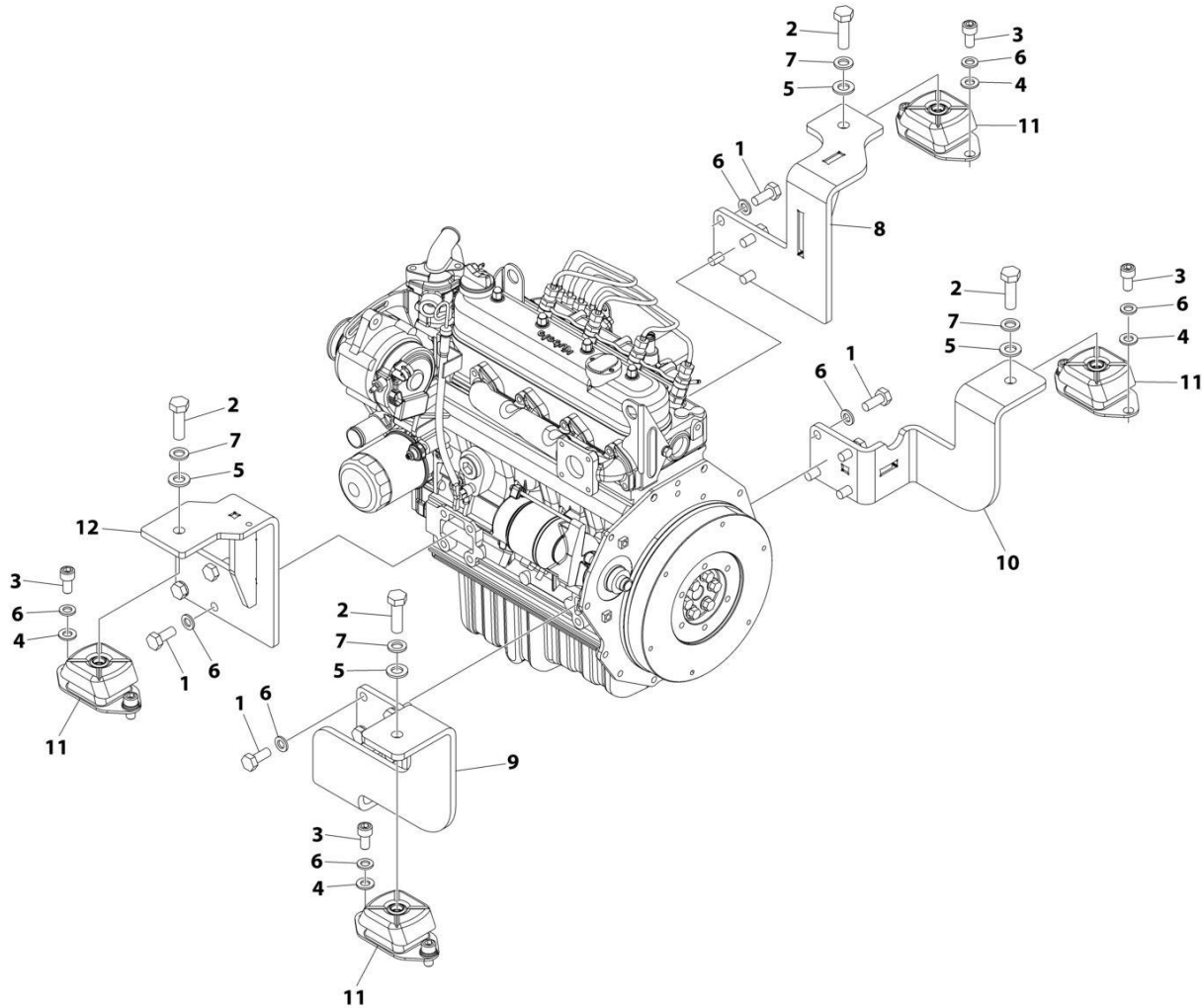
SECTION 4 - ENGINE AND ATTACHING PARTS

FIGURE 4-5. COOLING PACKAGE INSTALLATION

ITEM	PART NUMBER	QTY	DESCRIPTION	REV
	1001301785	Ref	COOLING PACKAGE INSTALLATION	A
1	0700610	2	Bolt M6 x 20	
2	0760815	4	Bolt M8 x 35	
3	1321296	1	Clamp	
4	2142718	2	Fitting, Straight	
5	2141612	1	Fitting, Straight	
6	3290605	2	Nut M6	
7	4811702	4	Washer M6	
8	4811900	8	Washer M8	
9	4831900	4	Washer M8	
10	1001096653	4	Bolt M6 x 70	
11	1001162180	4	Clamp	
12	1001213010	1	Clamp	
13	1001262253	1	Fan	
14	1001262265	2	Coupling	
15	1001262266	1	Coupling	
16	1001262285	1	Tank, Overflow	
17	1001262961	1	Tie-Strap (Not Shown)	
18	1001303102	1	Hose, Upper Radiator	
19	1001303103	1	Hose, Lower Radiator	
20	1001303105	1	Shroud, Fan	
21	1001303106	1	Shroud, Intake	
22	1001303107	5	Seal	
23	1001303108	2	Seal	
24	1001303109	1	Seal	
25	1001303110	1	Seal	
26	1001303111	1	Radiator	
26	70031557	1	Cap, Radiator	
26	70031558	4	Mount, Radiator	
26	70031559	4	Bushing, Rubber Mount	
27	1001303112	1	Hose, Radiator Overflow	
28	1001303113	1	Hose, Overflow Tank	
29	1001303409	5	Plug - 13MM	
30	1001303398	1	Plug - 32MM	
31	1001303100	1	Shield, Fan	
32	1001306180	1	Tube	

SECTION 4 - ENGINE AND ATTACHING PARTS

FIGURE 4-6. ENGINE MOUNTS INSTALLATION



ART_1001302713

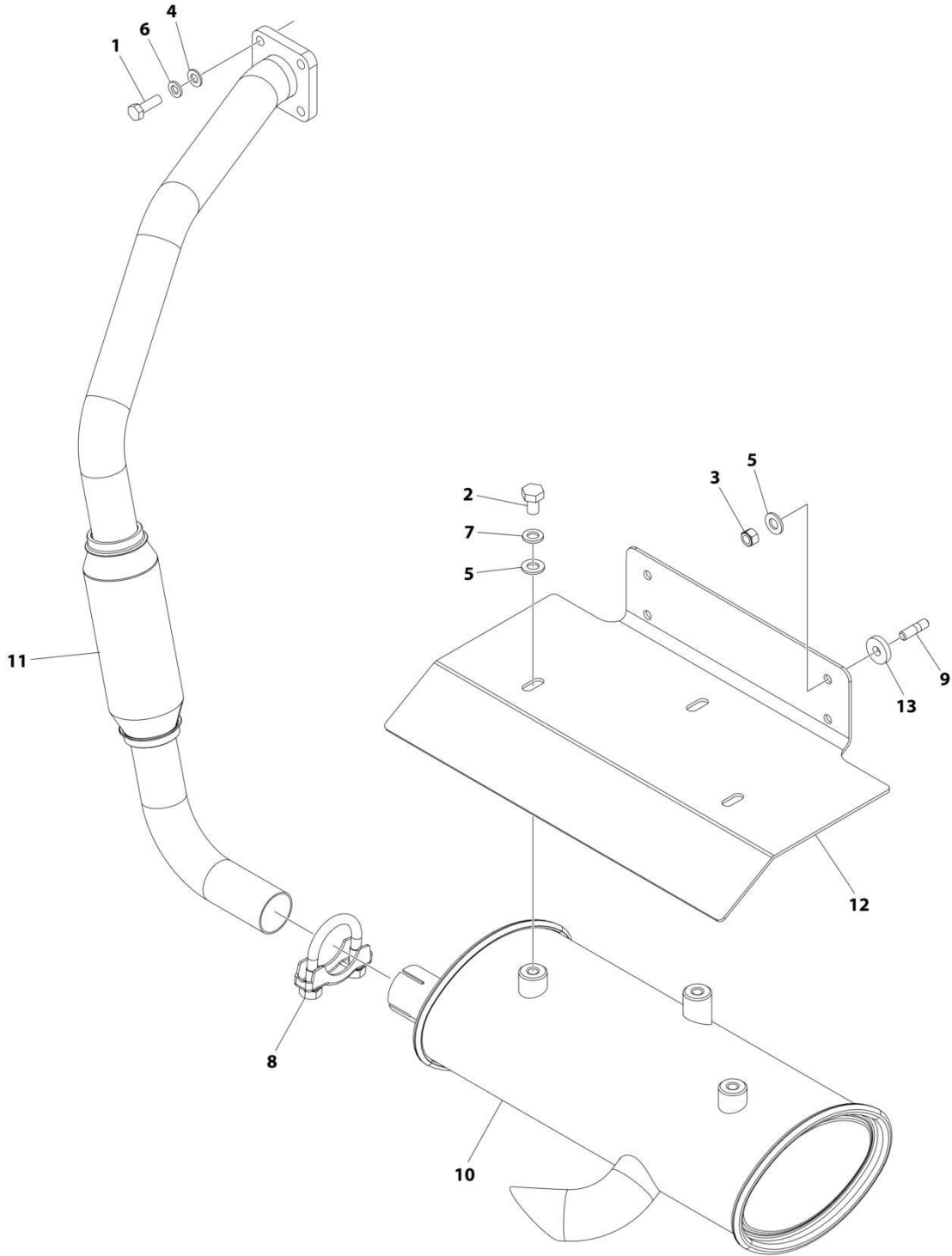
SECTION 4 - ENGINE AND ATTACHING PARTS

FIGURE 4-6. ENGINE MOUNTS INSTALLATION

ITEM	PART NUMBER	QTY	DESCRIPTION	REV
	1001302713	Ref	ENGINE MOUNTS INSTALLATION	A
1	0761012	16	Bolt M10 x 25	
2	0761216	4	Bolt M12 x 40	
3	4032008	8	Capscrew M10 x 20	
4	4812000	8	Washer M10	
5	4812100	4	Washer M12	
6	4832000	24	Washer M10	
7	4832100	4	Washer M12	
8	1001303999	1	Bracket, Left Rear Mounting	
9	1001304000	1	Bracket, Right Front Mounting	
10	1001304001	1	Bracket, Left Front Mounting	
11	1001304002	4	Mount, Isolator	
12	1001304003	1	Bracket, Right Rear Mounting	

SECTION 4 - ENGINE AND ATTACHING PARTS

FIGURE 4-7. EXHAUST INSTALLATION



ART_1001301784

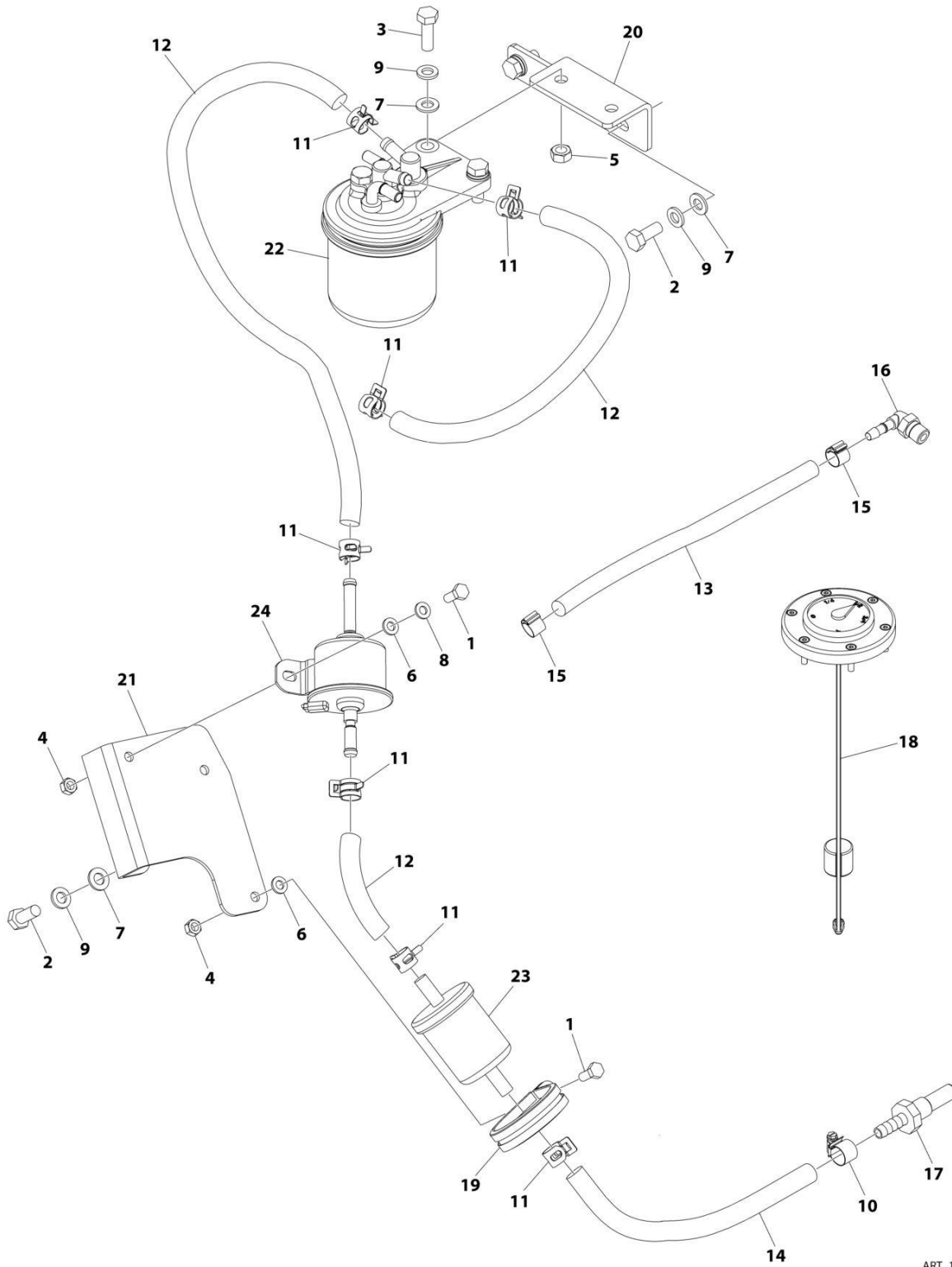
SECTION 4 - ENGINE AND ATTACHING PARTS

FIGURE 4-7. EXHAUST INSTALLATION

ITEM	PART NUMBER	QTY	DESCRIPTION	REV
	1001301784	Ref	EXHAUST INSTALLATION	A
1	0760812	4	Bolt M8 x 25	
2	0761008	3	Bolt M10 x 16	
3	3290805	4	Nut M8	
4	4811900	4	Washer M8	
5	4812000	7	Washer M10	
6	4831900	4	Washer M8	
7	4832000	3	Washer M10	
8	1001262298	1	Clamp, Exhaust	
9	1001262954	4	Stud M8 x 30	
10	1001302799	1	Muffler	
11	1001302801	1	Pipe, Exhaust	
12	1001302803	1	Shield, Muffler	
13	1001302806	4	Spacer	

SECTION 4 - ENGINE AND ATTACHING PARTS

FIGURE 4-8. FUEL SYSTEM INSTALLATION



ART_1001302716

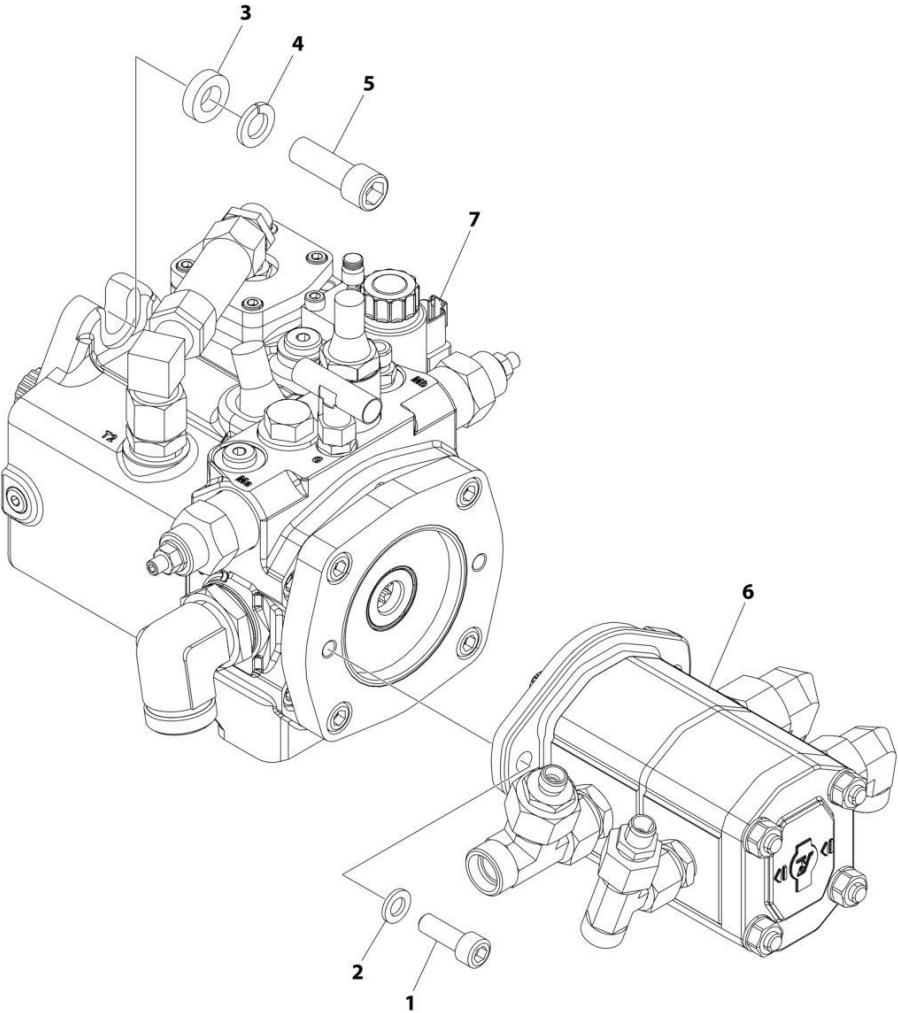
SECTION 4 - ENGINE AND ATTACHING PARTS

FIGURE 4-8. FUEL SYSTEM INSTALLATION

ITEM	PART NUMBER	QTY	DESCRIPTION	REV
	1001302716	Ref	FUEL SYSTEM INSTALLATION	A
1	0760608	3	Bolt M6 x 16	
2	0760810	4	Bolt M8 x 20	
3	0760812	2	Bolt M8 x 25	
4	3290601	3	Nut M6	
5	3290801	2	Nut M8	
6	4811700	3	Washer M6	
7	4811900	6	Washer M8	
8	4831700	2	Washer M6	
9	4831900	6	Washer M8	
10	1001097522	1	Clamp, Gear (8MM - 14MM)	
11	1001213010	7	Clamp, Spring (13MM)	
12	1001262425	AR	Hose	
13	1001262426	1	Hose	
14	1001262427	1	Hose	
15	1001262469	2	Clamp, Spring (9MM)	
16	1001264023	1	Fitting, 90	
17	1001264022	1	Fitting, Straight	
18	1001264300	1	Gauge, Fuel Level	
19	1001304206	1	Clamp, Bolt (50MM)	
20	1001304207	1	Bracket	
21	1001305369	1	Bracket	
22	1001305370	1	Filter, Fuel	
23	1001262424	1	Filter, In-Line Fuel	
24	1001305372	1	Pump, Fuel	

SECTION 4 - ENGINE AND ATTACHING PARTS

FIGURE 4-9. HYDRAULIC PUMPS INSTALLATION



ART_1001302717

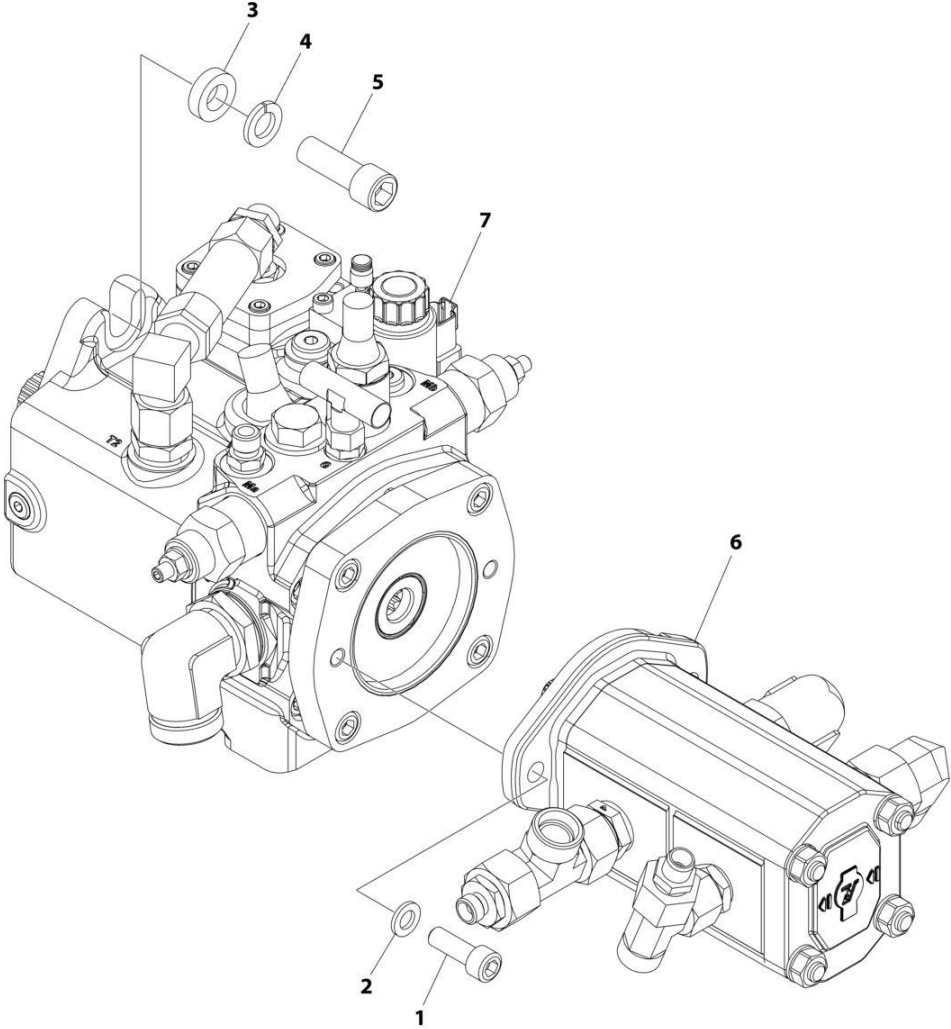
SECTION 4 - ENGINE AND ATTACHING PARTS

FIGURE 4-9. HYDRAULIC PUMPS INSTALLATION

ITEM	PART NUMBER	QTY	DESCRIPTION	REV
	1001302717	Ref	HYDRAULIC PUMPS INSTALLATION	A
1	4032010	2	Capscrew M10 x 30	
2	4832000	2	Washer M10	
3	1001262392	2	Washer M14	
4	1001262435	2	Washer M14	
5	1001262459	2	Capscrew M14 x 40	
6	1001303855	Ref	Gear Pump Installation (See Separate Breakdown in HYDRAULIC COMPONENTS Section)	
7	1001305725	Ref	Drive Pump Installation (See Separate Breakdown in HYDRAULIC COMPONENTS Section)	

SECTION 4 - ENGINE AND ATTACHING PARTS

FIGURE 4-10. HYDRAULIC PUMPS INSTALLATION (HIGH FLOW)



ART_1001311766

SECTION 4 - ENGINE AND ATTACHING PARTS

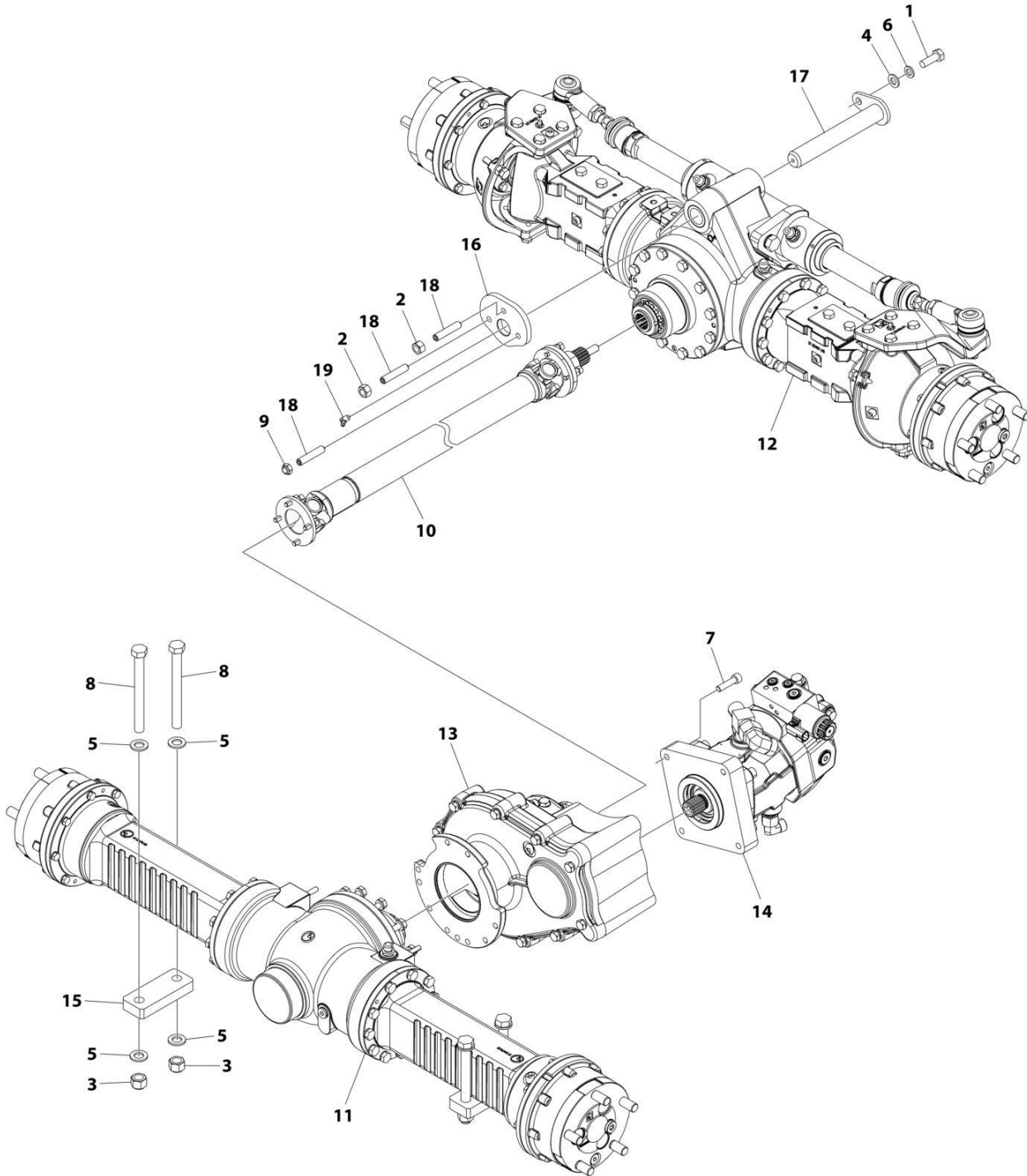
FIGURE 4-10. HYDRAULIC PUMPS INSTALLATION (HIGH FLOW)

ITEM	PART NUMBER	QTY	DESCRIPTION	REV
	1001311766	Ref	HYDRAULIC PUMPS INSTALLATION (HIGH FLOW)	A
1	4032010	2	Capscrew M10 x 30	
2	4832000	2	Washer M10	
3	1001262392	2	Washer M14	
4	1001262435	2	Washer M14	
5	1001262459	2	Capscrew M14 x 40	
6	1001311767	Ref	Gear Pump Installation (See Separate Breakdown in HYDRAULIC COMPONENTS Section)	
7	1001311854	Ref	Drive Pump Installation (See Separate Breakdown in HYDRAULIC COMPONENTS Section)	

SECTION 5 - DRIVE TRAIN

SECTION 5 - DRIVE TRAIN

FIGURE 5-1. DRIVETRAIN INSTALLATION



ART_1001301780

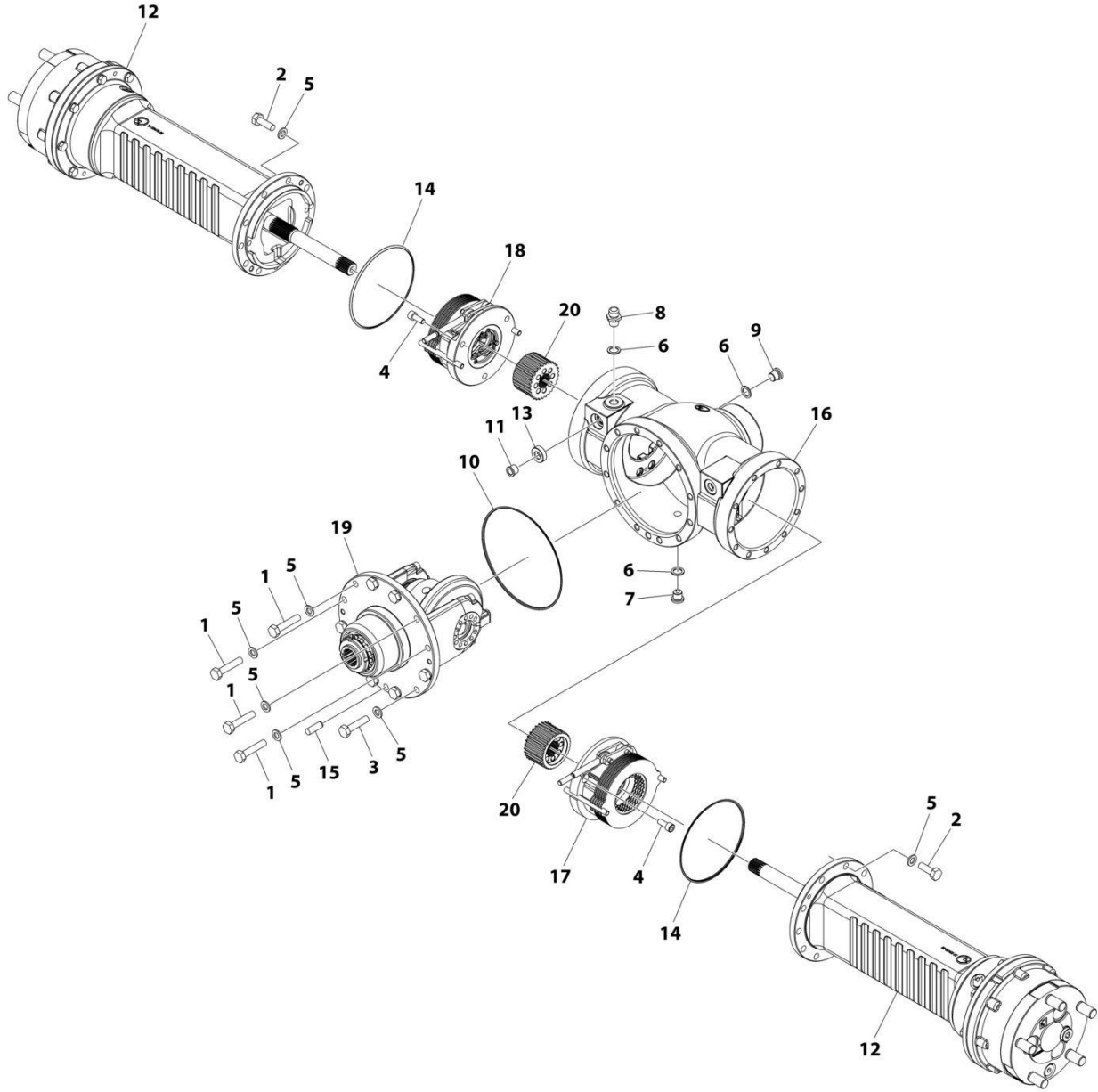
SECTION 5 - DRIVE TRAIN

FIGURE 5-1. DRIVETRAIN INSTALLATION

ITEM	PART NUMBER	QTY	DESCRIPTION	REV
	1001301780	Ref	DRIVETRAIN INSTALLATION	B
1	0761215	1	Bolt M12 x 35	
2	3291207	2	Nut M12	
3	3291605	4	Nut M16	
4	4812100	1	Washer M12	
5	4812300	8	Washer M16	
6	4832100	1	Washer M12	
7	5272012	4	Capscrew M10 x 40 Class 12.9	
8	1001096456	4	Bolt M16 x 160	
9	1001264018	1	Nut M12	
10	1001303629	1	Drive Shaft Installation (See Separate Breakdown in this Section)	
11	1001303630	1	Front Axle & Differential Assembly (See Separate Breakdown in this Section)	
12	1001303631	1	Rear Axle Steering Assembly (See Separate Breakdown in this Section)	
13	1001303632	1	Transmission Installation (See Separate Breakdown in this Section)	
14	1001303856	1	Function Motor Installation (See Separate Breakdown in this Section)	
15	1001303982	2	Support	
16	1001303994	1	Support	
17	1001303997	1	Pin, Axle Support	
18	1001305613	3	Setscrew M12 x 60	
19	1001307239	1	Fitting, Grease	

SECTION 5 - DRIVE TRAIN

FIGURE 5-2. FRONT AXLE & DIFFERENTIAL ASSEMBLY



ART_1001303630

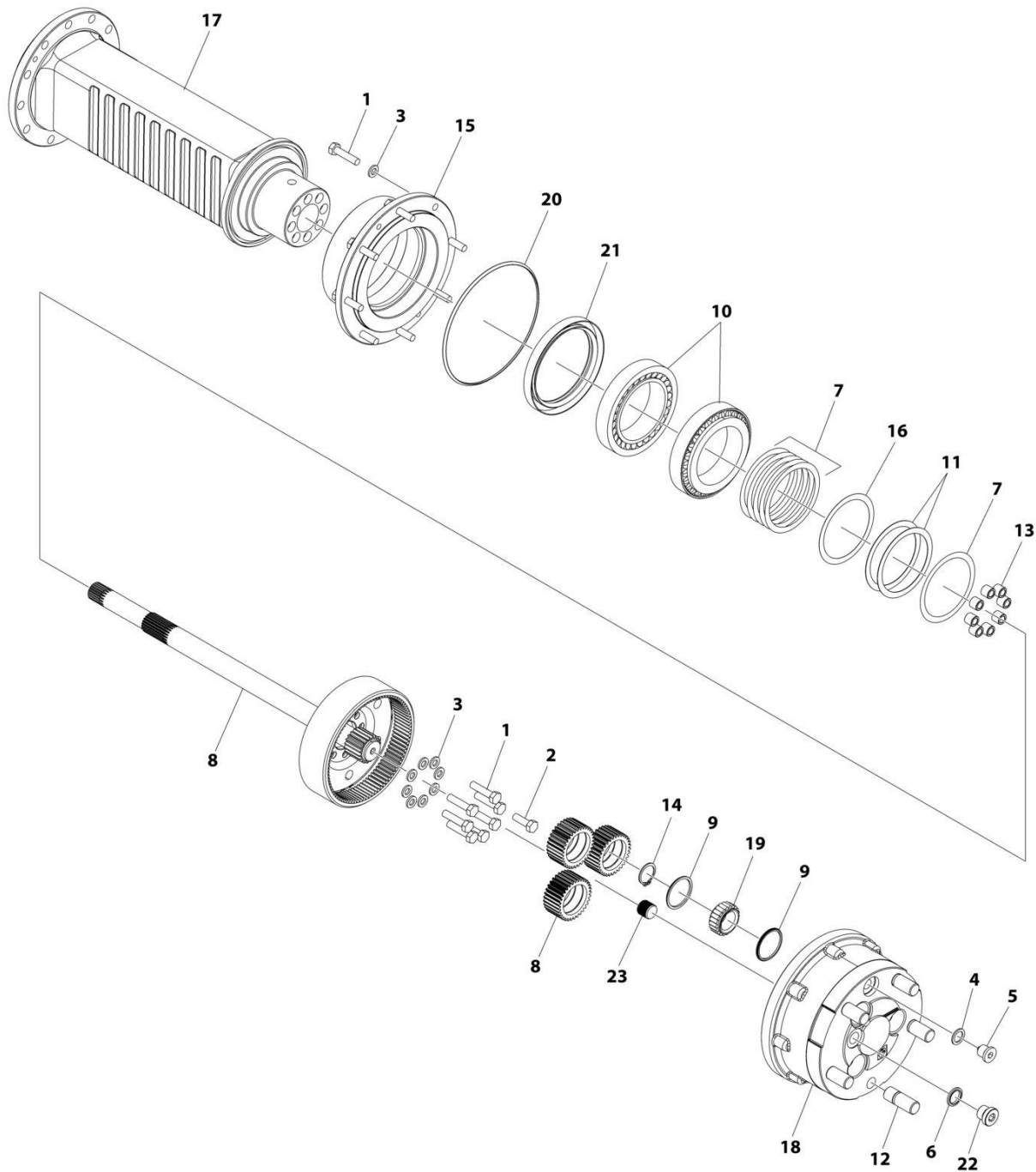
SECTION 5 - DRIVE TRAIN

FIGURE 5-2. FRONT AXLE & DIFFERENTIAL ASSEMBLY

ITEM	PART NUMBER	QTY	DESCRIPTION	REV
	1001303630	Ref	FRONT AXLE & DIFFERENTIAL ASSEMBLY	B
1	0701018	4	Bolt M10 x 50	
2	0761014	22	Bolt M10 x 30	
3	0761017	8	Bolt M10 x 45	
4	4031908	6	Capscrew M8 x 20	
5	4832000	34	Washer M10	
6	1001262360	3	Washer M14	
7	1001262370	1	Plug, Magnetic	
8	1001262371	1	Plug, Pressure Relief	
9	1001262445	1	Plug	
10	1001306162	1	O-Ring (Between Differential & Housing)	
11	1001306163	2	Bearing	
12	1001306166	2	Front Axle Assembly (See Separate Breakdown in this Section)	
13	1001306167	2	Seal	
14	1001306168	2	O-Ring (Between Axle & Housing)	
15	1001306169	1	Pin	
16	1001306170	1	Housing, Differential	
17	1001306171	1	Assembly, Right Brake (No Service Parts Available)	
18	1001306172	1	Assembly, Left Brake (No Service Parts Available)	
19	1001306173	1	Front Differential Assembly (See Separate Breakdown in this Section)	
20	1001306202	2	Coupling, Brake	

SECTION 5 - DRIVE TRAIN

FIGURE 5-3. FRONT AXLE ASSEMBLY



ART_1001306166

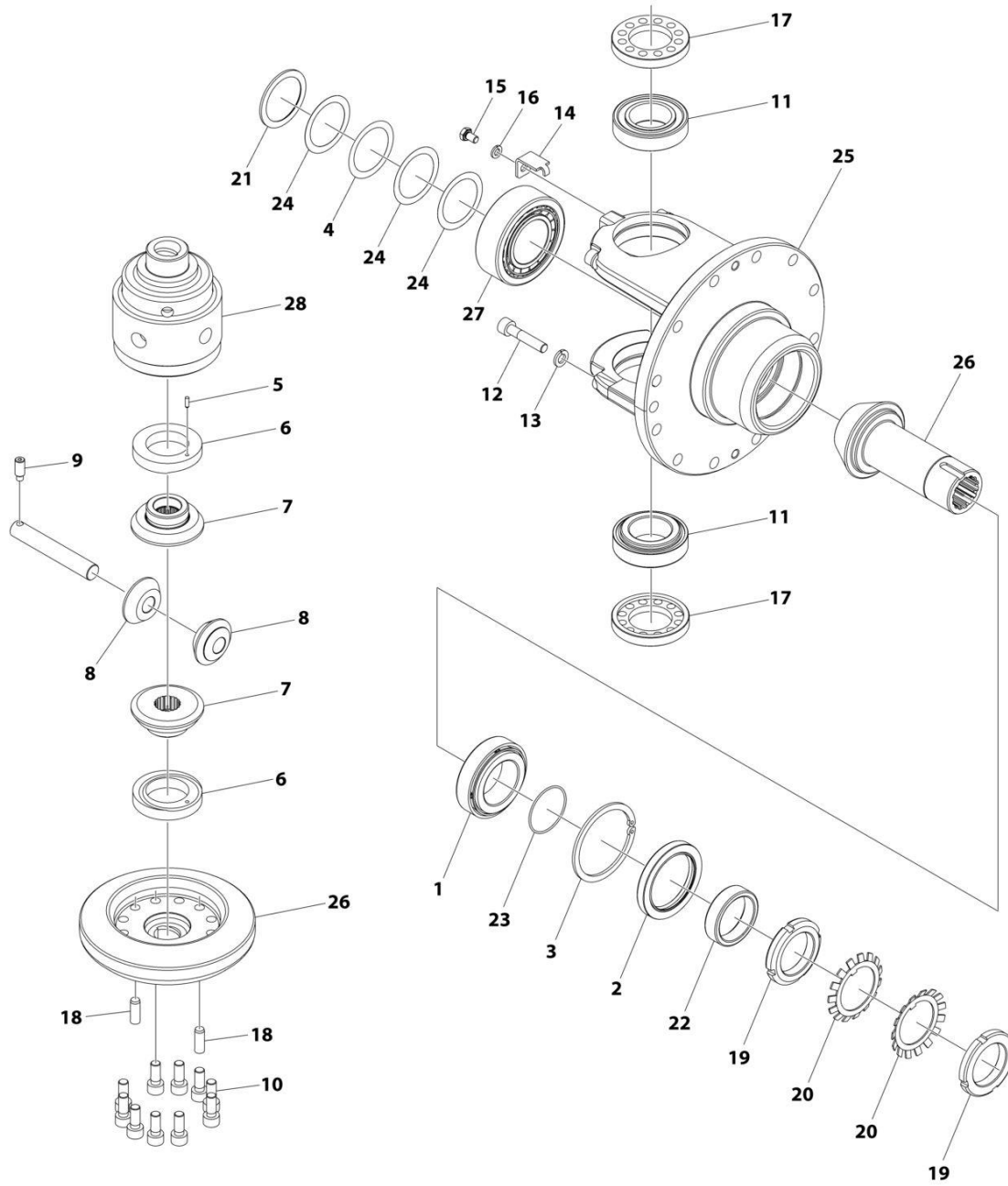
SECTION 5 - DRIVE TRAIN

FIGURE 5-3. FRONT AXLE ASSEMBLY

ITEM	PART NUMBER	QTY	DESCRIPTION	REV
	1001306166	Ref	FRONT AXLE ASSEMBLY	A
1	0700815	15	Bolt M8 x 35	
2	0770812	1	Bolt M8 x 25 Class 10.9	
3	4831900	16	Washer M8	
4	1001262360	1	Washer M14	
5	1001262370	1	Plug, Magnetic	
6	1001263139	1	Seal	
7	1001306231	6	Shim - 0.05MM Thickness	
8	1001306252	1	Front Axle Reduction Gear Assembly (See Separate Breakdown in this Section)	
9	1001306264	6	Ring	
10	1001306265	2	Bearing	
11	1001306266	2	Shim - 0.50MM Thickness	
12	1001306271	5	Stud	
13	1001306280	8	Bushing	
14	1001306281	3	Ring, Retaining	
15	1001306282	1	Hub	
16	1001306288	1	Shim - 0.20MM Thickness	
17	1001306291	1	Housing, Axle	
18	1001306292	1	Housing, Front Axle Reduction Gear	
19	1001306314	3	Bearing	
20	1001306316	1	O-Ring	
21	1001306399	1	Seal	
22	1001306400	1	Plug (With O-Ring)	
23	1001306435	1	Mount, Axle Shaft	

SECTION 5 - DRIVE TRAIN

FIGURE 5-4. FRONT DIFFERENTIAL ASSEMBLY



ART_1001306173

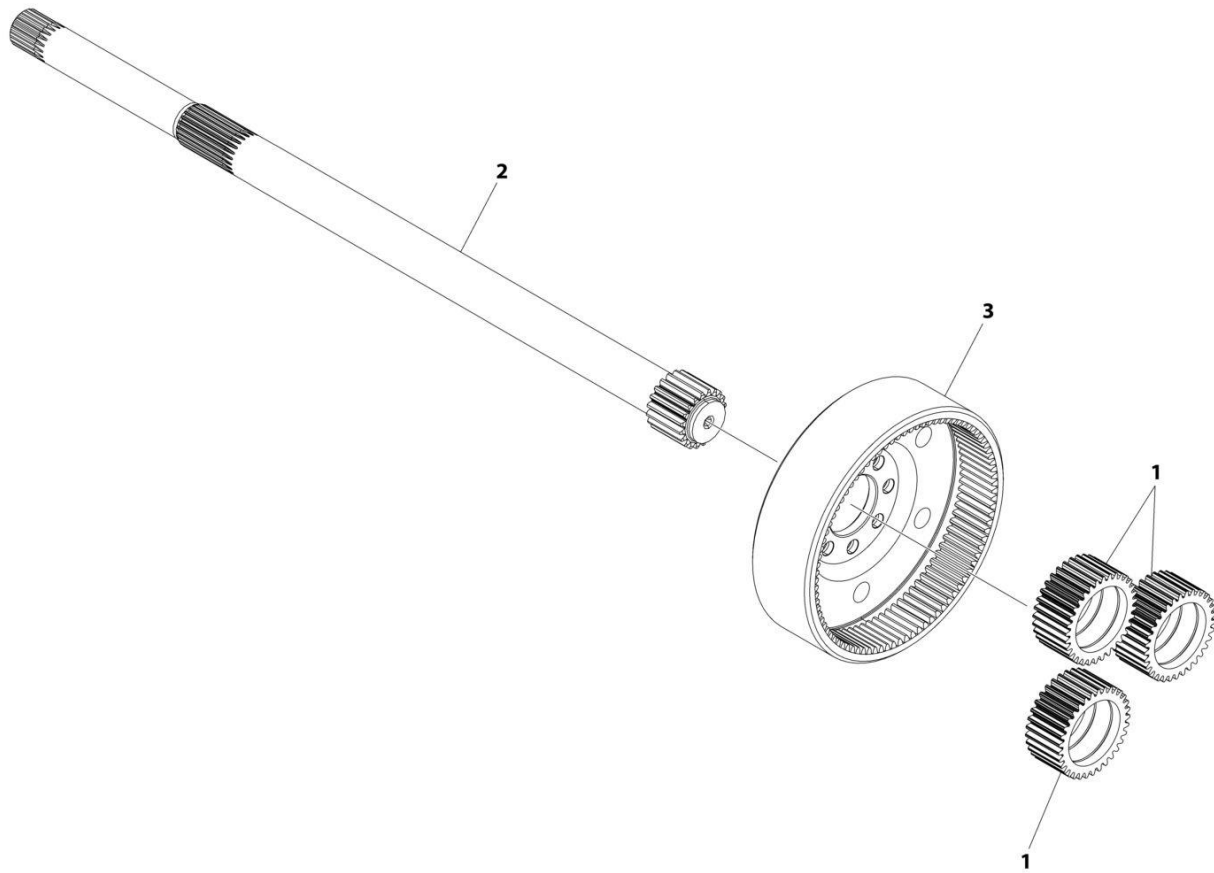
SECTION 5 - DRIVE TRAIN

FIGURE 5-4. FRONT DIFFERENTIAL ASSEMBLY

ITEM	PART NUMBER	QTY	DESCRIPTION	REV
	1001306173	Ref	FRONT DIFFERENTIAL ASSEMBLY	A
1	70031620	1	Bearing	
2	70031621	1	Ring	
3	70031622	1	Ring, Retaining	
4	70031623	1	Ring	
5	70030233	1	Pin	
6	70031626	2	Ring	
7	70031627	2	Gear	
8	70031628	2	Gear	
9	70030234	1	Capscrew M8 x 20	
10	70031632	10	Capscrew M8 x 20	
11	70031633	2	Bearing	
12	70031634	4	Capscrew M8 x 40	
13	70031600	4	Washer M8	
14	70031636	2	Clip	
15	70031637	2	Bolt M6 x 10	
16	70031638	2	Washer M6	
17	70031635	2	Ring, Wear	
18	70031639	2	Pin	
19	70031641	2	Nut	
20	70031640	2	Washer	
21	70031642	1	Ring	
22	70031643	1	Ring	
23	70031644	1	O-Ring	
24	70031645	1	Ring	
25	70031646	1	Housing	
26	70031655	1	Kit, Ring & Pinion Gear	
27	70031648	1	Bearing	
28	70031625	1	Housing	
29	70031656	1	Shaft (Not Shown)	
30	70031657	1	Shaft (Not Shown)	
31	70031658	1	Pin (Not Shown)	

SECTION 5 - DRIVE TRAIN

FIGURE 5-5. FRONT AXLE REDUCTION GEAR ASSEMBLY



ART_1001306252

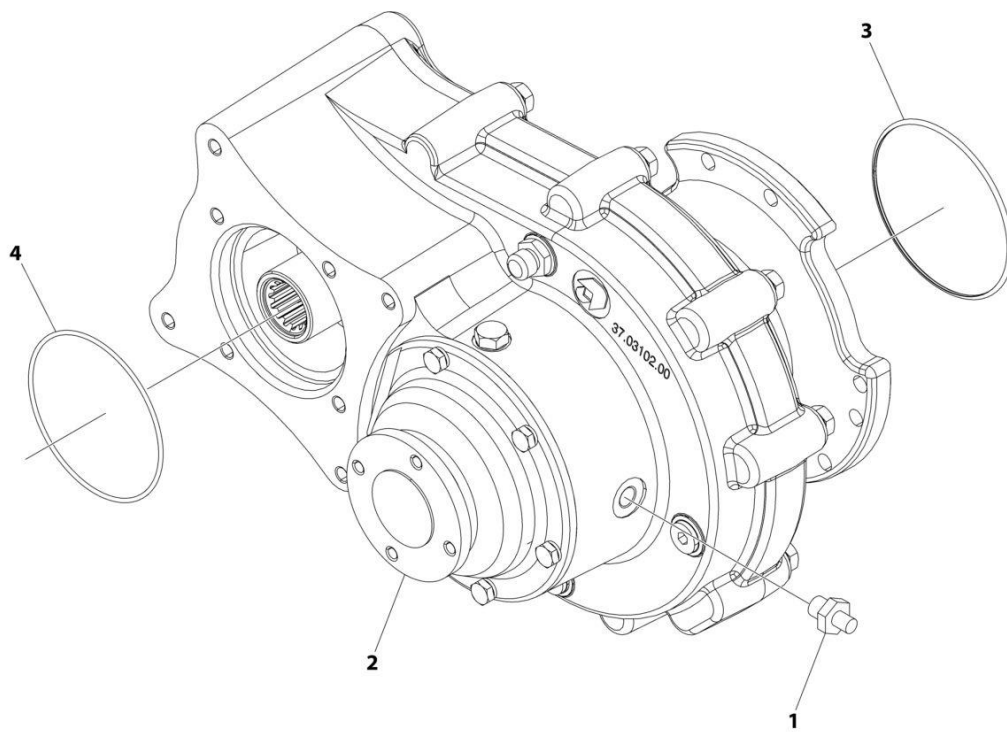
SECTION 5 - DRIVE TRAIN

FIGURE 5-5. FRONT AXLE REDUCTION GEAR ASSEMBLY

ITEM	PART NUMBER	QTY	DESCRIPTION	REV
	1001306252	Ref	FRONT AXLE REDUCTION GEAR ASSEMBLY	A
1	1001306246	3	Gear, Spur	
2	1001306248	1	Shaft	
3	1001306251	1	Gear, Crown	

SECTION 5 - DRIVE TRAIN

FIGURE 5-6. TRANSMISSION INSTALLATION



ART_1001303632

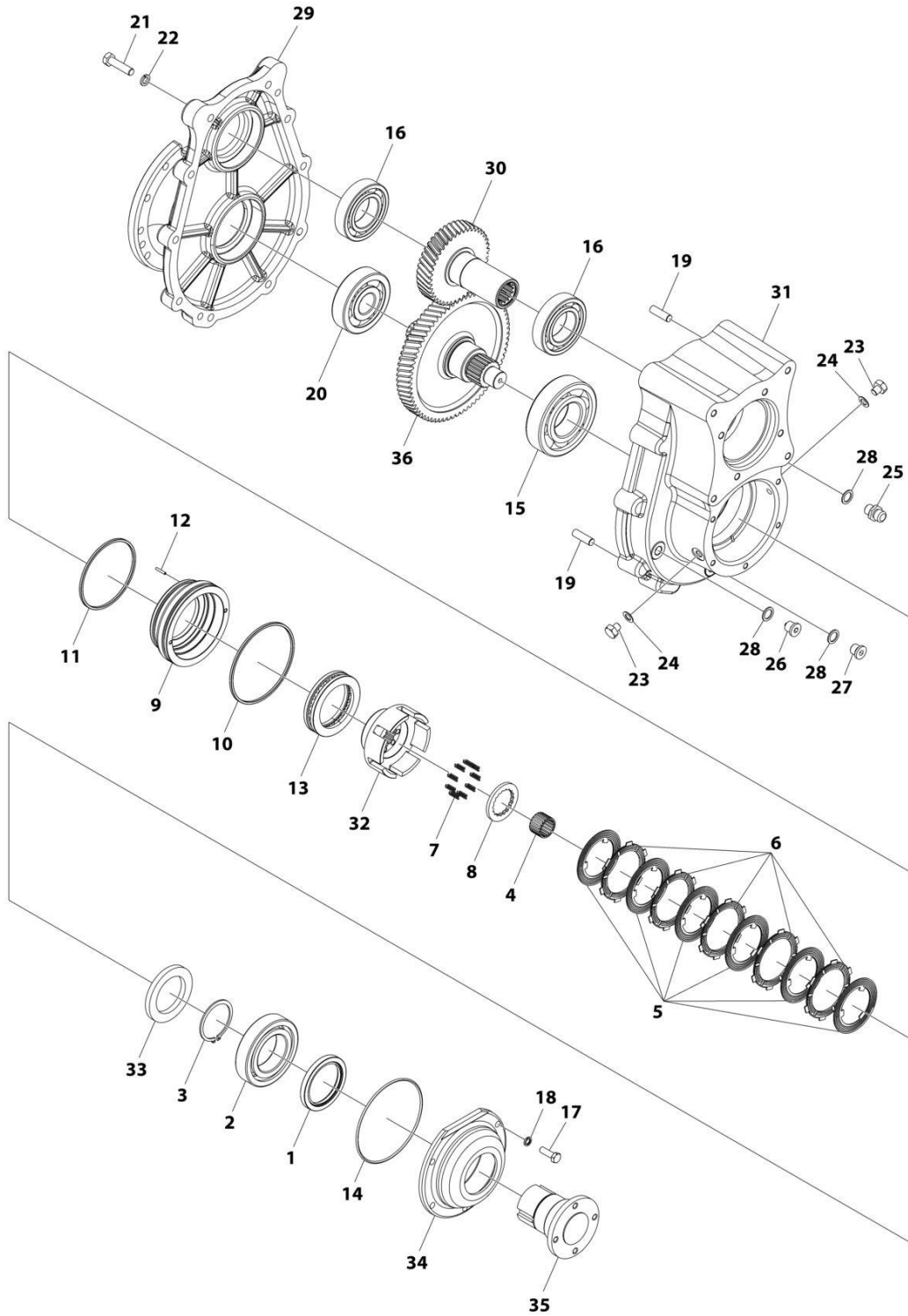
SECTION 5 - DRIVE TRAIN

FIGURE 5-6. TRANSMISSION INSTALLATION

ITEM	PART NUMBER	QTY	DESCRIPTION	REV
	1001303632	Ref	TRANSMISSION INSTALLATION	A
1	2142704	1	Fitting	
2	1001303769	1	Transmission Assembly (See Separate Breakdown in this Section)	
3	1001303772	1	O-Ring (Function Motor Output)	
4	1001303784	1	O-Ring (Front Axle Input)	

SECTION 5 - DRIVE TRAIN

FIGURE 5-7. TRANSMISSION ASSEMBLY



ART_1001303769

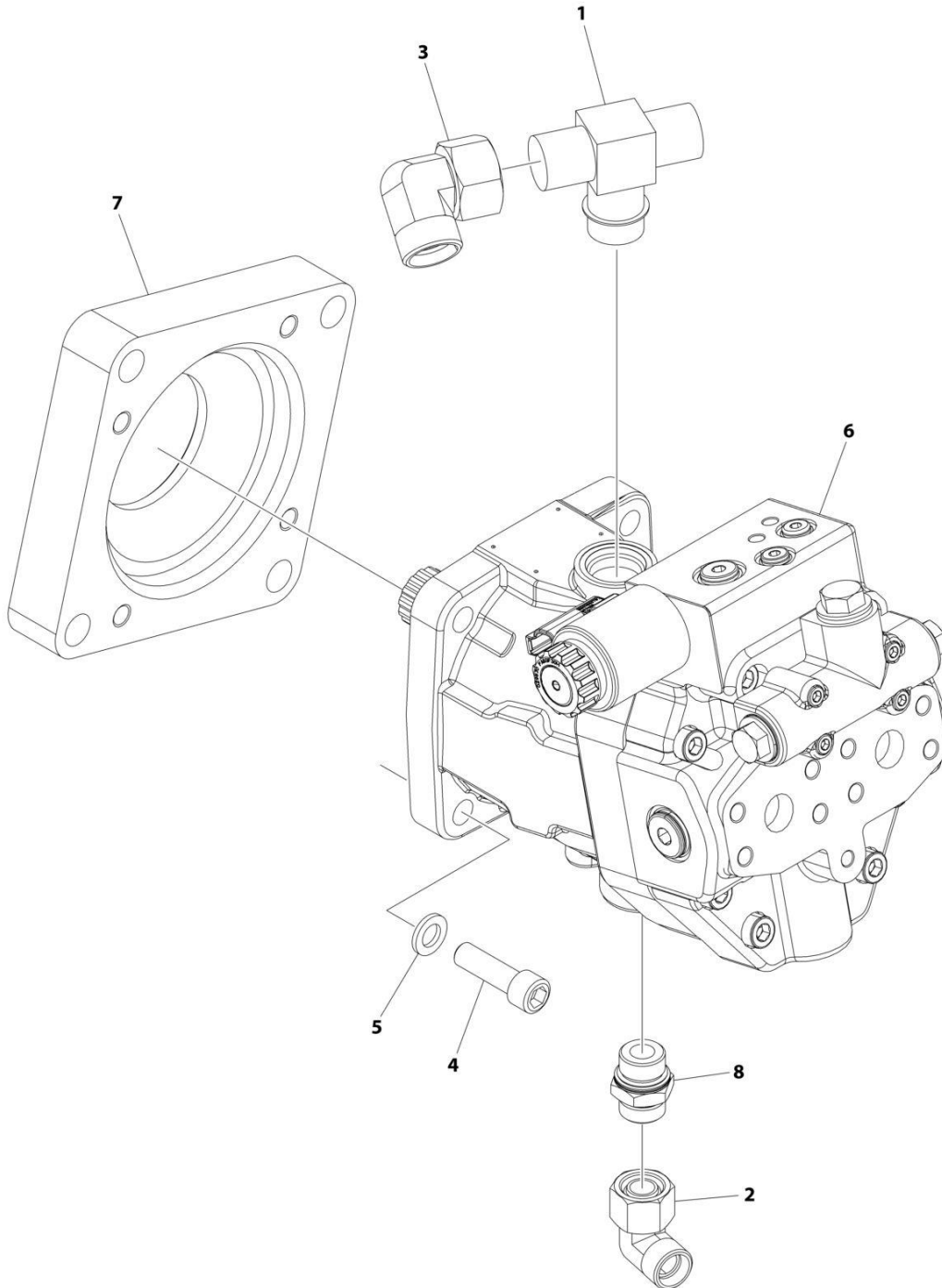
SECTION 5 - DRIVE TRAIN

FIGURE 5-7. TRANSMISSION ASSEMBLY

ITEM	PART NUMBER	QTY	DESCRIPTION	REV
	1001303769	Ref	TRANSMISSION ASSEMBLY	A
1	70031583	1	Seal	
2	70031584	1	Bearing	
3	70031585	1	Ring, Retaining	
4	70031586	1	Bearing	
5	70031587	6	Disc, Clutch	
6	70031588	5	Plate, Friction	
7	70031589	9	Spring	
8	70031590	1	Ring	
9	70031591	1	Housing, Outer Clutch	
10	70031592	1	O-Ring	
11	70031593	1	O-Ring	
12	70031594	1	Pin	
13	70031595	1	Bearing	
14	70031596	1	O-Ring	
15	70031597	1	Bearing	
16	70031598	2	Bearing	
17	70031599	5	Bolt M8 x 25	
18	70031600	5	Washer M8	
19	70031601	2	Pin	
20	70031602	1	Bearing	
21	70031604	10	Bolt M10 x 40	
22	70031605	10	Washer M10	
23	70031606	2	Plug	
24	70031607	2	Washer M10	
25	70031608	1	Breather	
26	70031609	1	Plug	
27	70031610	1	Plug	
28	70031611	3	Washer M14	
29	70031612	1	Cover, Main Housing	
30	70031613	1	Gear	
31	70031614	1	Housing, Main	
32	70031615	1	Housing, Inner Clutch	
33	70031616	1	Disc	
34	70031617	1	Cover	
35	70031618	1	Guide, Clutch	
36	70031619	1	Gear	

SECTION 5 - DRIVE TRAIN

FIGURE 5-8. FUNCTION MOTOR INSTALLATION



ART_1001303856

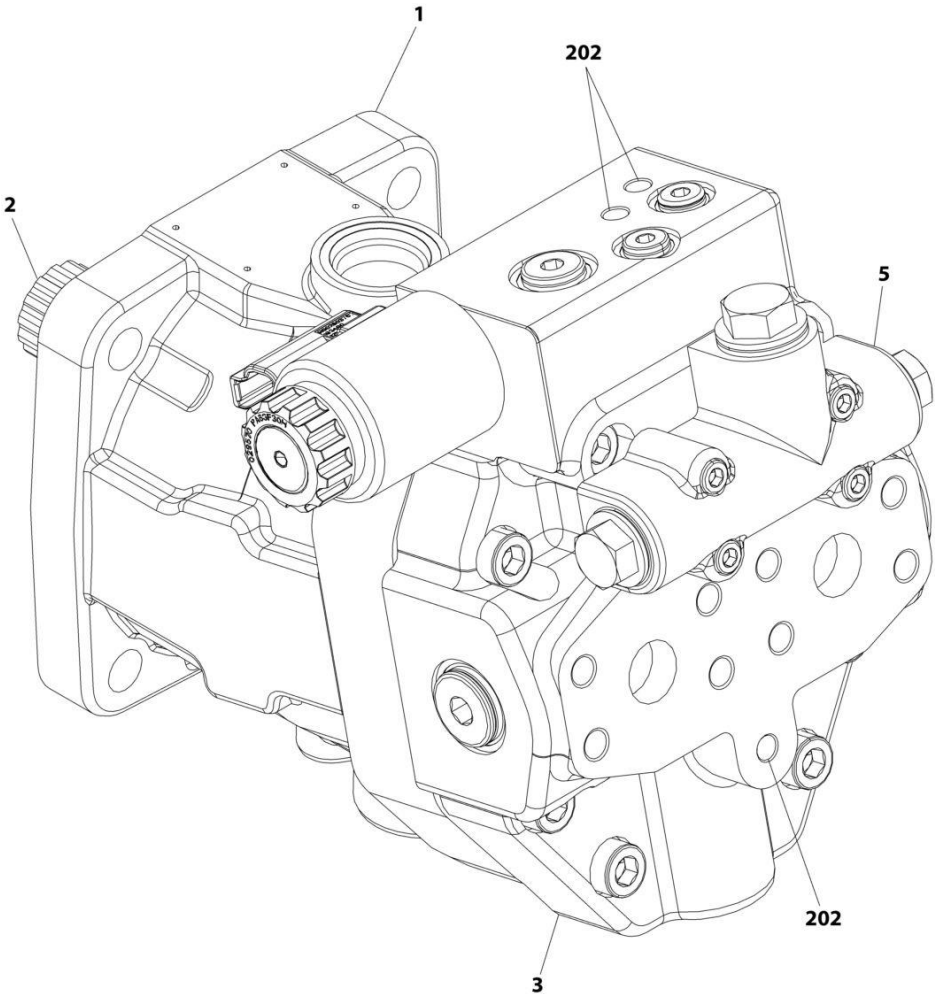
SECTION 5 - DRIVE TRAIN

FIGURE 5-8. FUNCTION MOTOR INSTALLATION

ITEM	PART NUMBER	QTY	DESCRIPTION	REV
	1001303856	Ref	FUNCTION MOTOR INSTALLATION	A
1	2140507	1	Fitting, Tee	
2	2143405	1	Fitting, 90	
3	2143407	1	Fitting, 90	
4	4032112	4	Capscrew M12 x 40	
5	4832100	4	Washer M12	
6	1001303851	1	Function Motor Assembly (See Separate Breakdown in this Section)	
7	1001304006	1	Adapter	
8	1001306122	1	Fitting, Straight	

SECTION 5 - DRIVE TRAIN

FIGURE 5-9. FUNCTION MOTOR ASSEMBLY



ART_1001303851

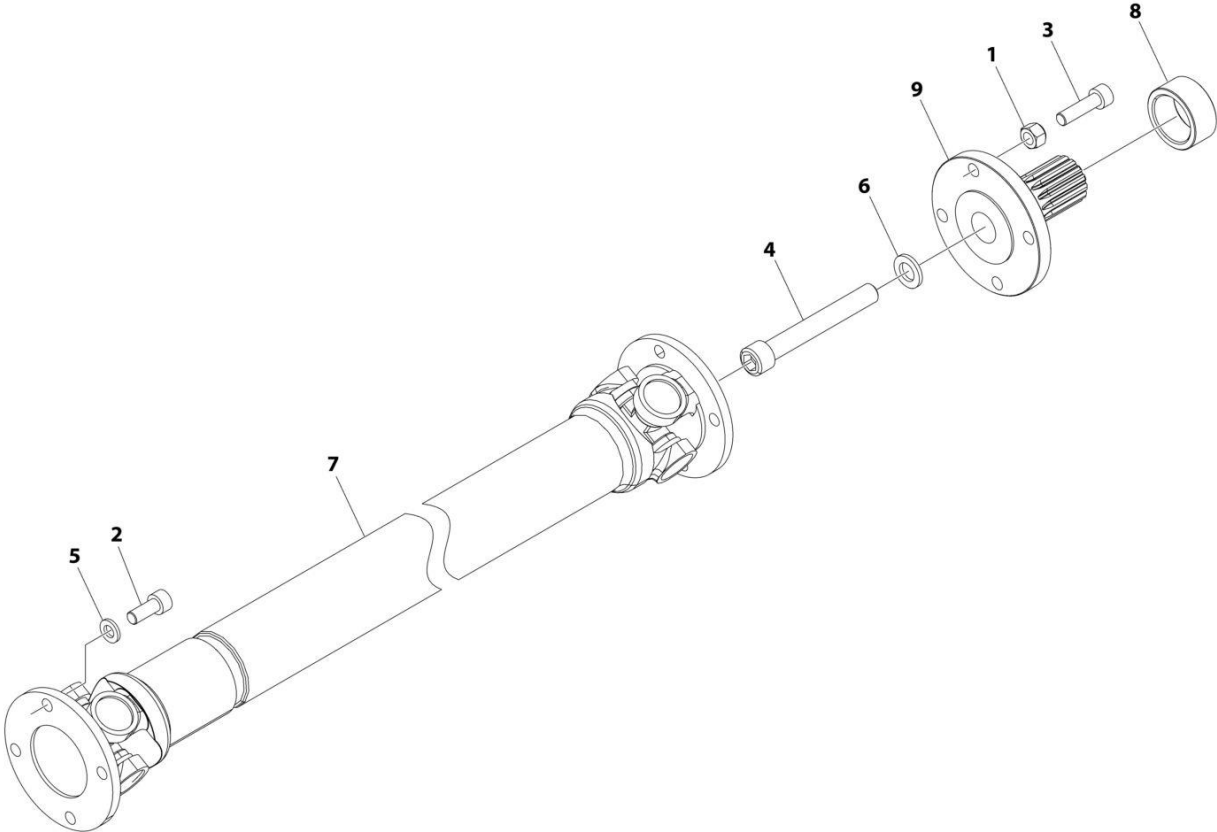
SECTION 5 - DRIVE TRAIN

FIGURE 5-9. FUNCTION MOTOR ASSEMBLY

ITEM	PART NUMBER	QTY	DESCRIPTION	REV
	1001303851	Ref	FUNCTION MOTOR ASSEMBLY	A
1	NPN	1	Housing	
2	70031534	1	Assembly, Rotary Group	
3	70031535	1	Assembly, Cover Plate (Includes Items 108, 109 & 202)	
5	70031536	1	Valve, Flush/Boost	
108	83924123	3	Screw, Throttle (Not Shown)	
109	7028806	3	Screw, Throttle (Not Shown)	
202	70003340	4	Plug	

SECTION 5 - DRIVE TRAIN

FIGURE 5-10. DRIVE SHAFT INSTALLATION



ART_1001303629

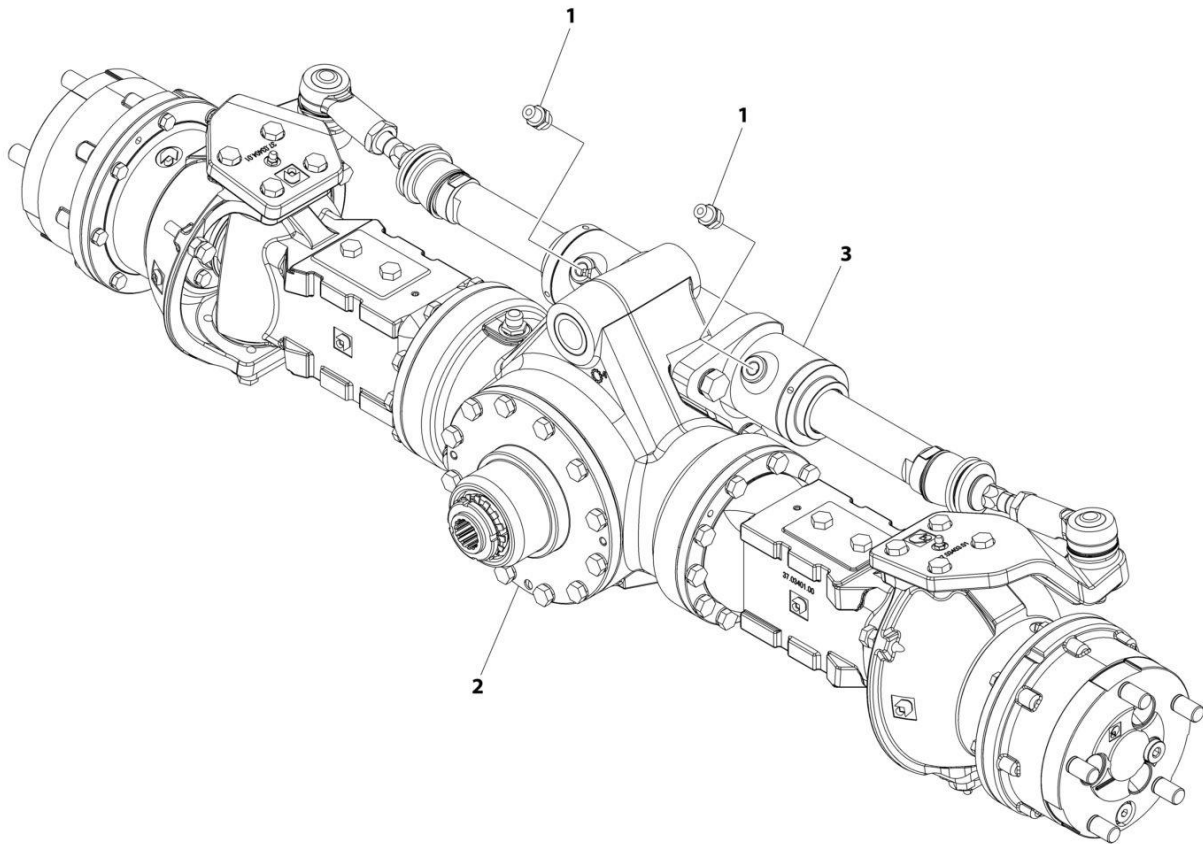
SECTION 5 - DRIVE TRAIN

FIGURE 5-10. DRIVE SHAFT INSTALLATION

ITEM	PART NUMBER	QTY	DESCRIPTION	REV
	1001303629	Ref	DRIVE SHAFT INSTALLATION	A
1	3290805	4	Nut M8	
2	4031908	4	Capscrew M8 x 20	
3	4031910	4	Capscrew M8 x 30	
4	4032122	1	Capscrew M12 x 90	
5	4831900	4	Washer M8	
6	4832100	1	Washer M12	
7	1001303774	1	Assembly, Drive Shaft (No Service Parts Available)	
8	1001303815	1	Sleeve	
9	1001303819	1	Spindle	

SECTION 5 - DRIVE TRAIN

FIGURE 5-11. REAR AXLE STEERING ASSEMBLY



ART_1001303631

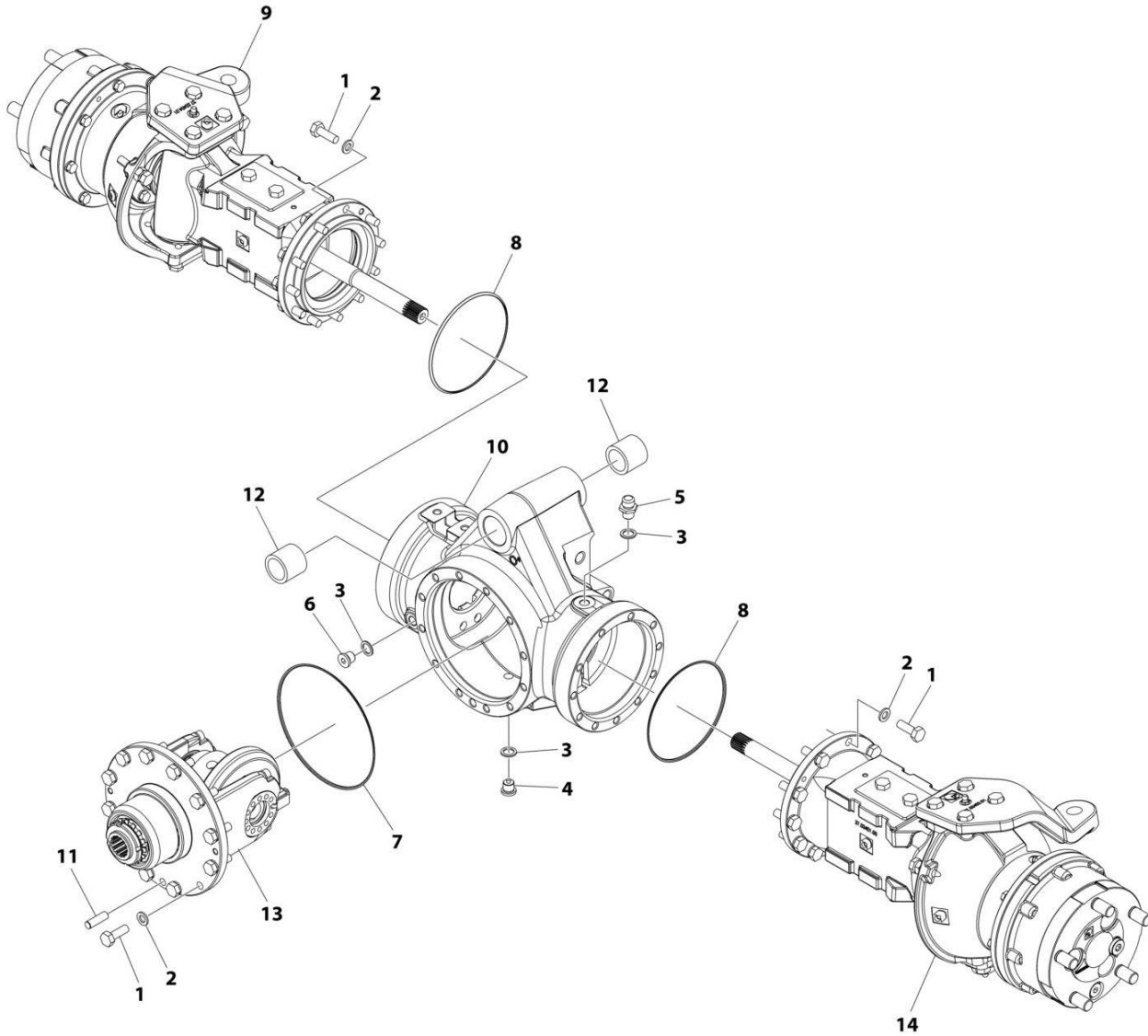
SECTION 5 - DRIVE TRAIN

FIGURE 5-11. REAR AXLE STEERING ASSEMBLY

ITEM	PART NUMBER	QTY	DESCRIPTION	REV
	1001303631	Ref	REAR AXLE STEERING ASSEMBLY	B
1	2142706	2	Fitting, Straight	
2	1001306383	1	Rear Axle & Differential Assembly (See Separate Breakdown in this Section)	
3	1001307027	1	Steer Cylinder Sub-Assembly (See Separate Breakdown in HYDRAULIC COMPONENTS Section)	

SECTION 5 - DRIVE TRAIN

FIGURE 5-12. REAR AXLE & DIFFERENTIAL ASSEMBLY



ART_1001306383

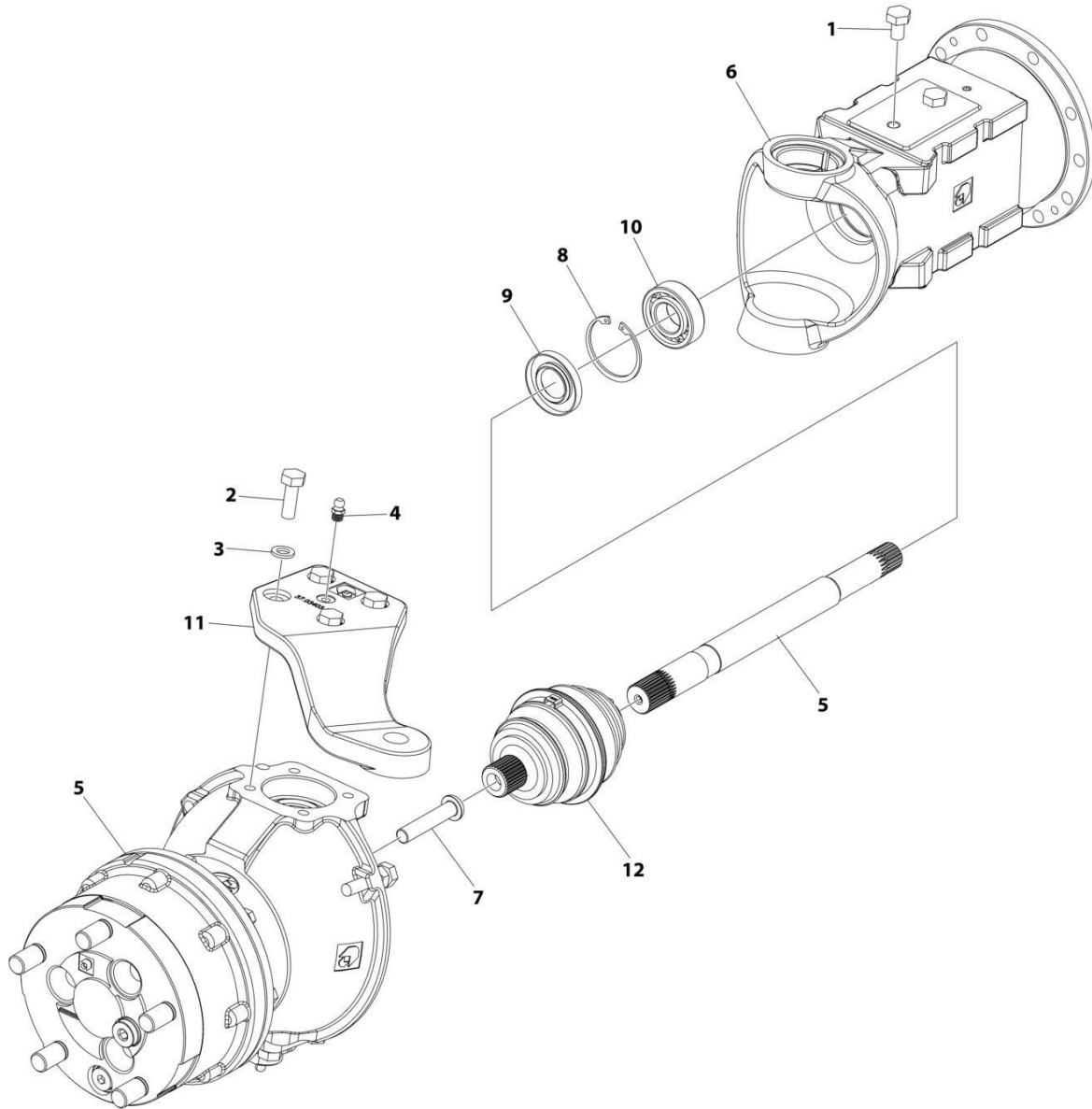
SECTION 5 - DRIVE TRAIN

FIGURE 5-12. REAR AXLE & DIFFERENTIAL ASSEMBLY

ITEM	PART NUMBER	QTY	DESCRIPTION	REV
	1001306383	Ref	REAR AXLE & DIFFERENTIAL ASSEMBLY	B
1	0761014	34	Bolt M10 x 30	
2	4832000	34	Washer M10	
3	1001262360	3	Washer M14	
4	1001262370	1	Plug, Magnetic	
5	1001262371	1	Plug, Pressure Relief	
6	1001262445	1	Plug	
7	1001306162	1	O-Ring (Between Differential & Housing)	
8	1001306168	2	O-Ring (Between Axle & Housing)	
9	1001306384	1	Right Rear Axle Sub-Assembly (See Separate Breakdown in this Section)	
10	1001306406	1	Housing, Differential	
11	1001306800	1	Pin	
12	1001306802	2	Bushing	
13	1001306817	1	Rear Differential Assembly (See Separate Breakdown in this Section)	
14	1001307003	1	Left Rear Axle Sub-Assembly (See Separate Breakdown in this Section)	

SECTION 5 - DRIVE TRAIN

FIGURE 5-13. LEFT REAR AXLE SUB-ASSEMBLY



ART_1001307003

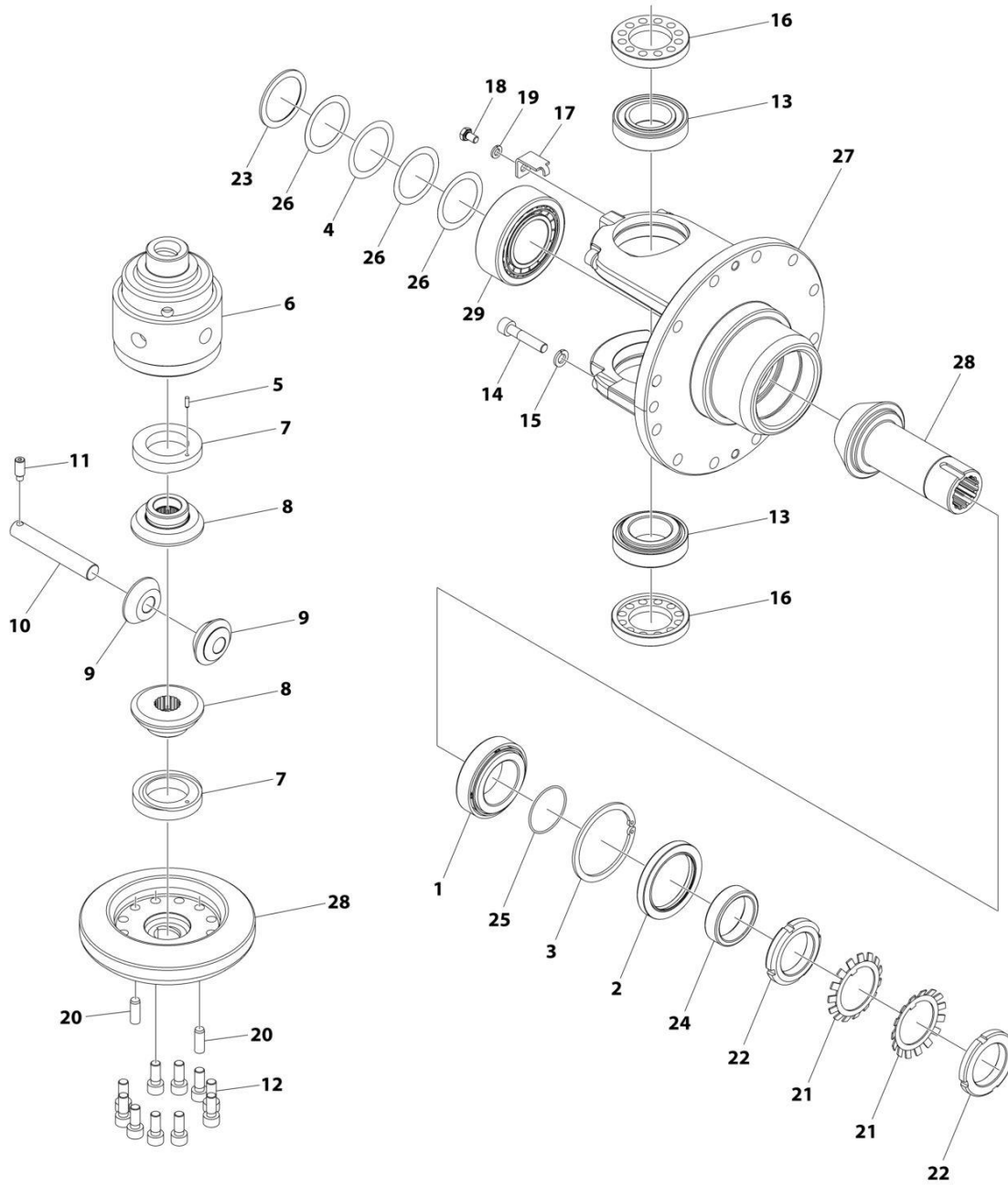
SECTION 5 - DRIVE TRAIN

FIGURE 5-13. LEFT REAR AXLE SUB-ASSEMBLY

ITEM	PART NUMBER	QTY	DESCRIPTION	REV
	1001307003	Ref	LEFT REAR AXLE SUB-ASSEMBLY	A
1	0761008	2	Bolt M10 x 16	
2	0761014	4	Bolt M10 x 30	
3	4832000	4	Washer M10	
4	1001261547	1	Fitting, Grease	
5	1001306385	1	Rear Axle Assembly (See Separate Breakdown in this Section)	
6	1001306404	1	Housing, Axle	
7	1001306727	1	Capscrew M12 x 60	
8	1001306730	1	Ring, Snap	
9	1001306737	1	Seal	
10	1001306818	1	Bearing	
11	1001307004	1	Support, Steer Cylinder	
12	1001307080	1	Joint, Planetary Axle	

SECTION 5 - DRIVE TRAIN

FIGURE 5-14. REAR DIFFERENTIAL ASSEMBLY



ART_1001306817

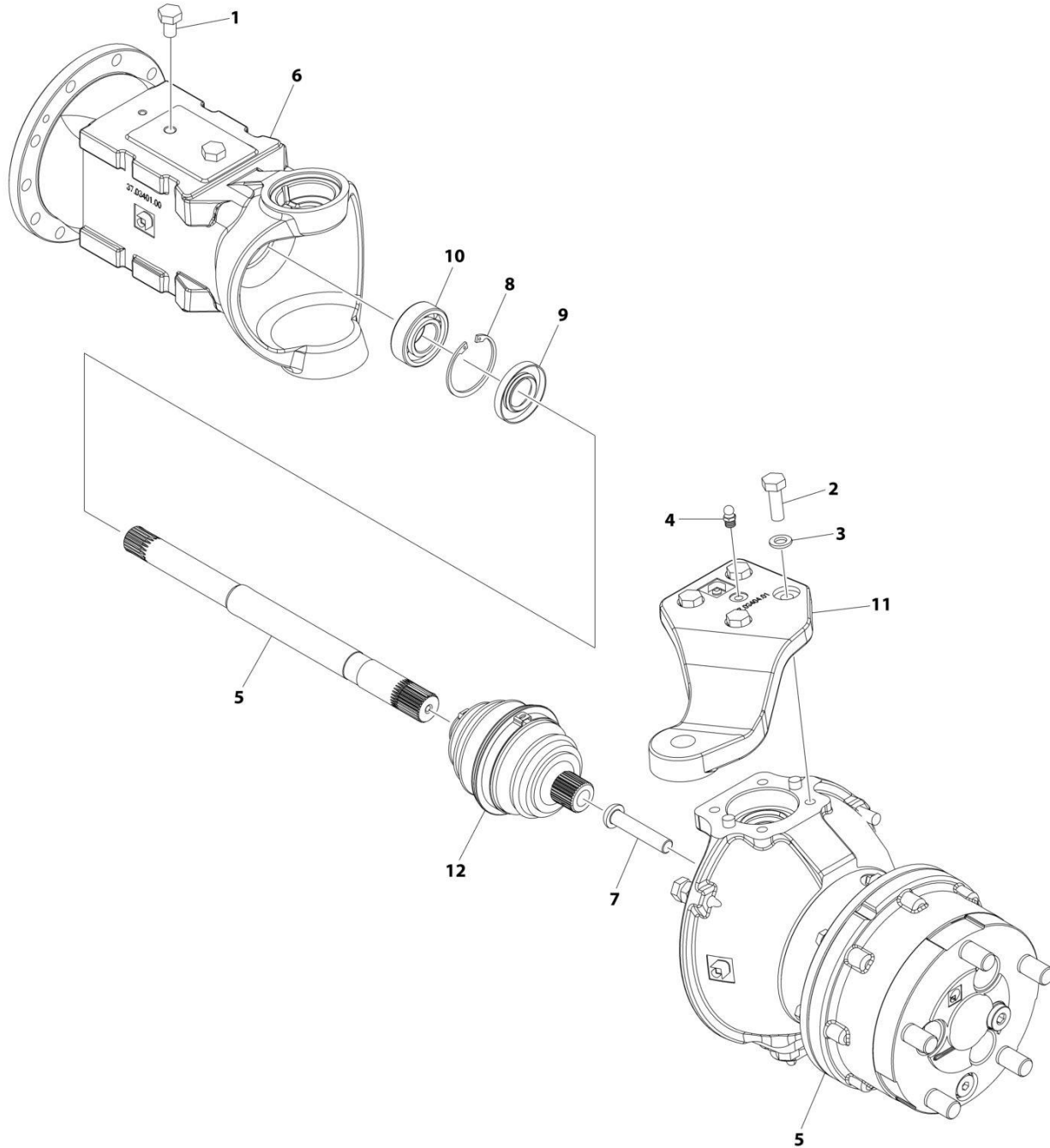
SECTION 5 - DRIVE TRAIN

FIGURE 5-14. REAR DIFFERENTIAL ASSEMBLY

ITEM	PART NUMBER	QTY	DESCRIPTION	REV
	1001306817	Ref	REAR DIFFERENTIAL ASSEMBLY	A
1	70031620	1	Bearing	
2	70031621	1	Ring	
3	70031622	1	Ring, Retaining	
4	70031623	1	Ring	
5	70030233	1	Pin	
6	70031625	1	Housing	
7	70031626	2	Ring	
8	70031627	2	Gear	
9	70031628	2	Gear	
10	70031629	1	Pin	
11	70030234	1	Capscrew M8 x 20	
12	70031632	10	Capscrew M8 x 20	
13	70031633	2	Bearing	
14	70031634	4	Capscrew M8 x 40	
15	70031600	4	Washer M8	
16	70031635	2	Ring, Wear	
17	70031636	2	Clip	
18	70031637	2	Bolt M6 x 10	
19	70031638	2	Washer M6	
20	70031639	2	Pin	
21	70031640	2	Washer	
22	70031641	2	Nut	
23	70031642	1	Ring	
24	70031643	1	Ring	
25	70031644	1	O-Ring	
26	70031645	3	Ring	
27	70031646	1	Housing	
28	70031647	1	Kit, Ring & Pinion Gear	
29	70031648	1	Bearing	

SECTION 5 - DRIVE TRAIN

FIGURE 5-15. RIGHT REAR AXLE SUB-ASSEMBLY



ART_1001306384

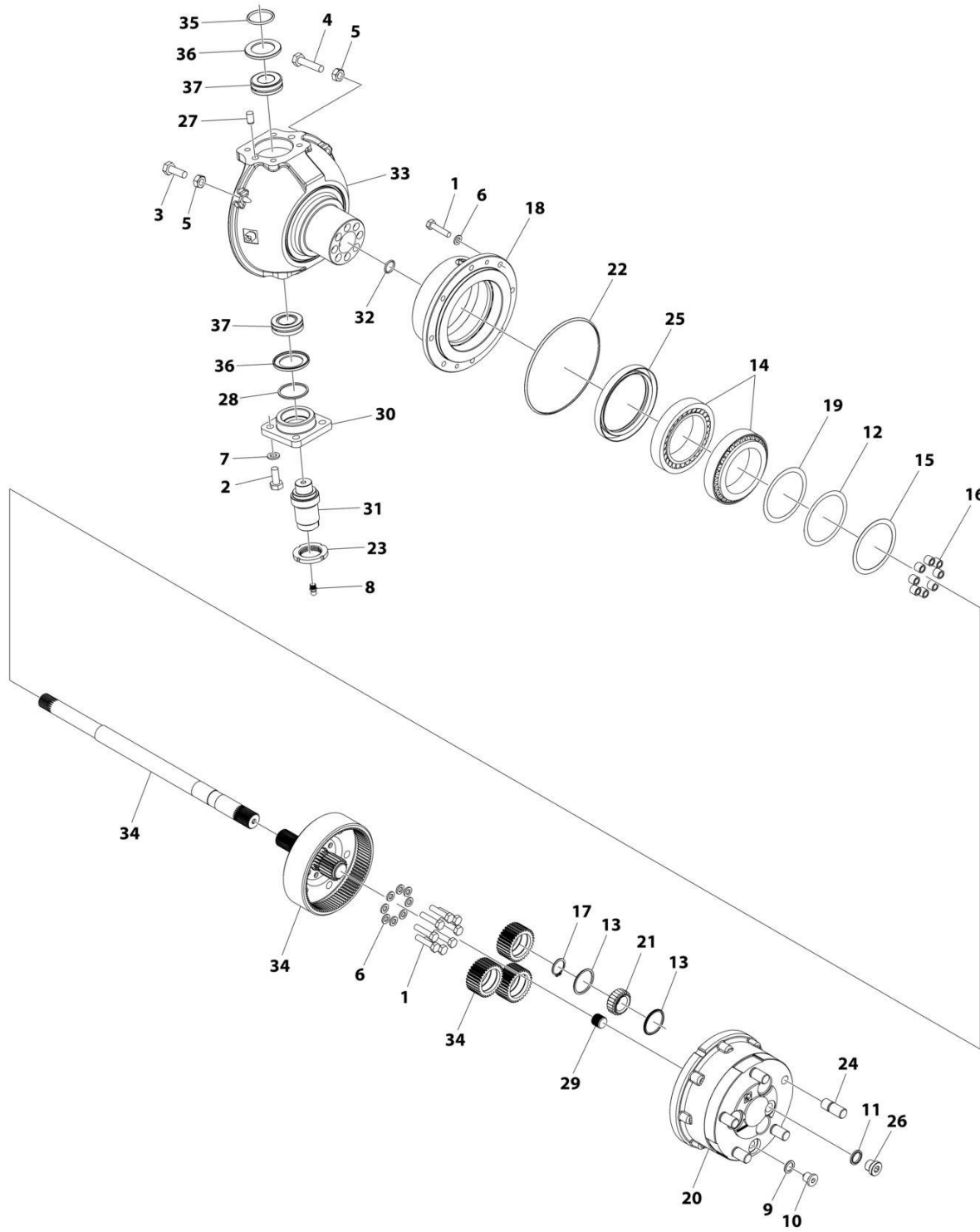
SECTION 5 - DRIVE TRAIN

FIGURE 5-15. RIGHT REAR AXLE SUB-ASSEMBLY

ITEM	PART NUMBER	QTY	DESCRIPTION	REV
	1001306384	Ref	RIGHT REAR AXLE SUB-ASSEMBLY	A
1	0761008	2	Bolt M10 x 16	
2	0761014	4	Bolt M10 x 30	
3	4832000	4	Washer M10	
4	1001261547	1	Fitting, Grease	
5	1001306385	1	Rear Axle Assembly (See Separate Breakdown in this Section)	
6	1001306404	1	Housing, Axle	
7	1001306727	1	Capscrew M12 x 60	
8	1001306730	1	Ring, Snap	
9	1001306737	1	Seal	
10	1001306818	1	Bearing	
11	1001306962	1	Support, Steer Cylinder	
12	1001307080	1	Joint, Planetary Axle	

SECTION 5 - DRIVE TRAIN

FIGURE 5-16. REAR AXLE ASSEMBLY



ART_1001306385

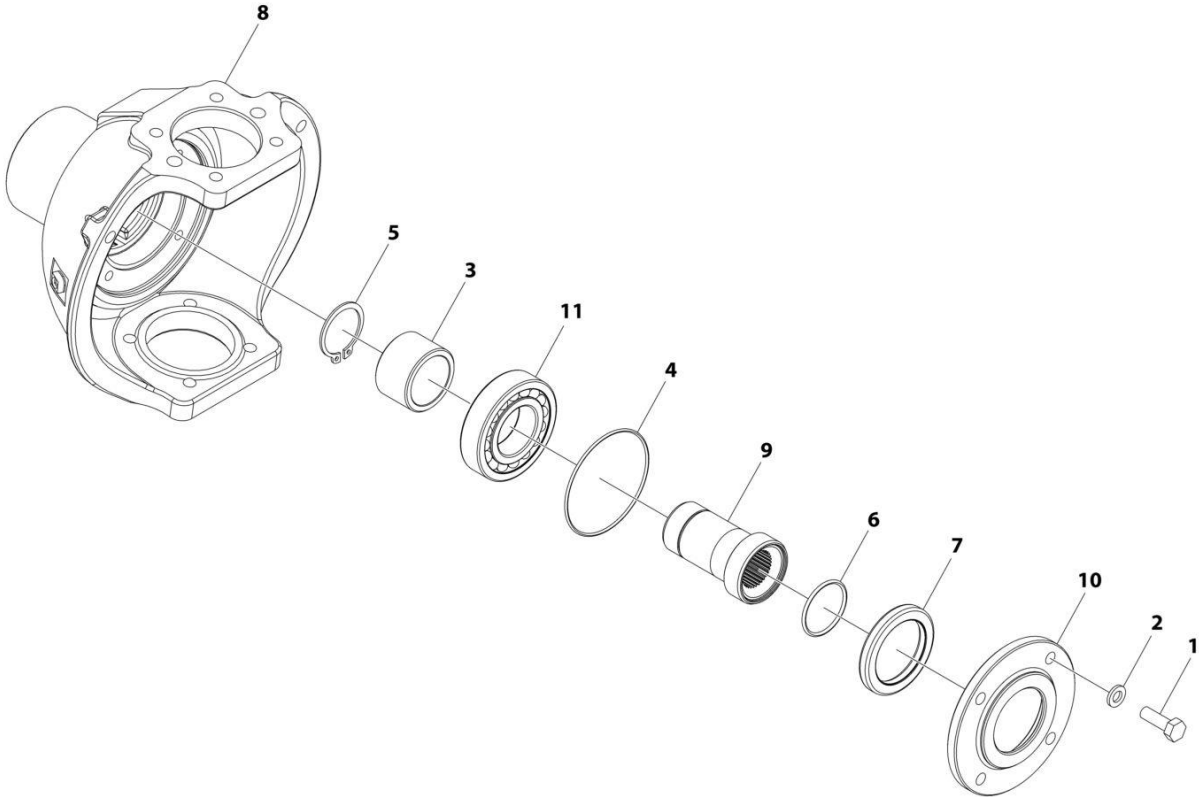
SECTION 5 - DRIVE TRAIN

FIGURE 5-16. REAR AXLE ASSEMBLY

ITEM	PART NUMBER	QTY	DESCRIPTION	REV
	1001306385	Ref	REAR AXLE ASSEMBLY	A
1	0700815	16	Bolt M8 x 35	
2	0761012	4	Bolt M10 x 25	
3	0761014	1	Bolt M10 x 30	
4	0761017	1	Bolt M10 x 45	
5	3291001	2	Nut M10	
6	4831900	16	Washer M8	
7	4832000	4	Washer M10	
8	1001261547	1	Fitting, Grease	
9	1001262360	1	Washer	
10	1001262370	1	Plug, Magnetic	
11	1001263139	1	Seal	
12	1001306231	1	Shim - 0.05MM Thickness	
13	1001306264	6	Ring	
14	1001306265	2	Bearing	
15	1001306266	1	Shim - 0.50MM Thickness	
16	1001306280	8	Bushing	
17	1001306281	3	Ring, Retaining	
18	1001306282	1	Hub	
19	1001306288	1	Shim - 0.20MM Thickness	
20	1001306292	1	Housing, Rear Axle Reduction Gear	
21	1001306314	3	Bearing	
22	1001306316	1	O-Ring - 152MM Diameter	
23	1001306387	1	Nut, Ring Lock	
24	1001306388	5	Stud	
25	1001306399	1	Seal	
26	1001306400	1	Plug (With O-Ring)	
27	1001306408	2	Pin	
28	1001306419	1	O-Ring - 40MM Diameter	
29	1001306435	1	Mount, Axle Shaft	
30	1001306674	1	Mount, Axle Pivot Shaft	
31	1001306675	1	Shaft, Axle Pivot	
32	1001306681	1	O-Ring - 16.3MM Diameter	
33	1001306690	1	Rear Axle Pivot Assembly (See Separate Breakdown in this Section)	
34	1001306705	1	Rear Axle Reduction Gear Assembly (See Separate Breakdown in this Section)	
35	1001306725	1	O-Ring - 34.5MM Diameter	
36	1001306806	2	Cover	
37	1001306859	2	Bearing	

SECTION 5 - DRIVE TRAIN

FIGURE 5-17. REAR AXLE PIVOT ASSEMBLY



ART_1001306690

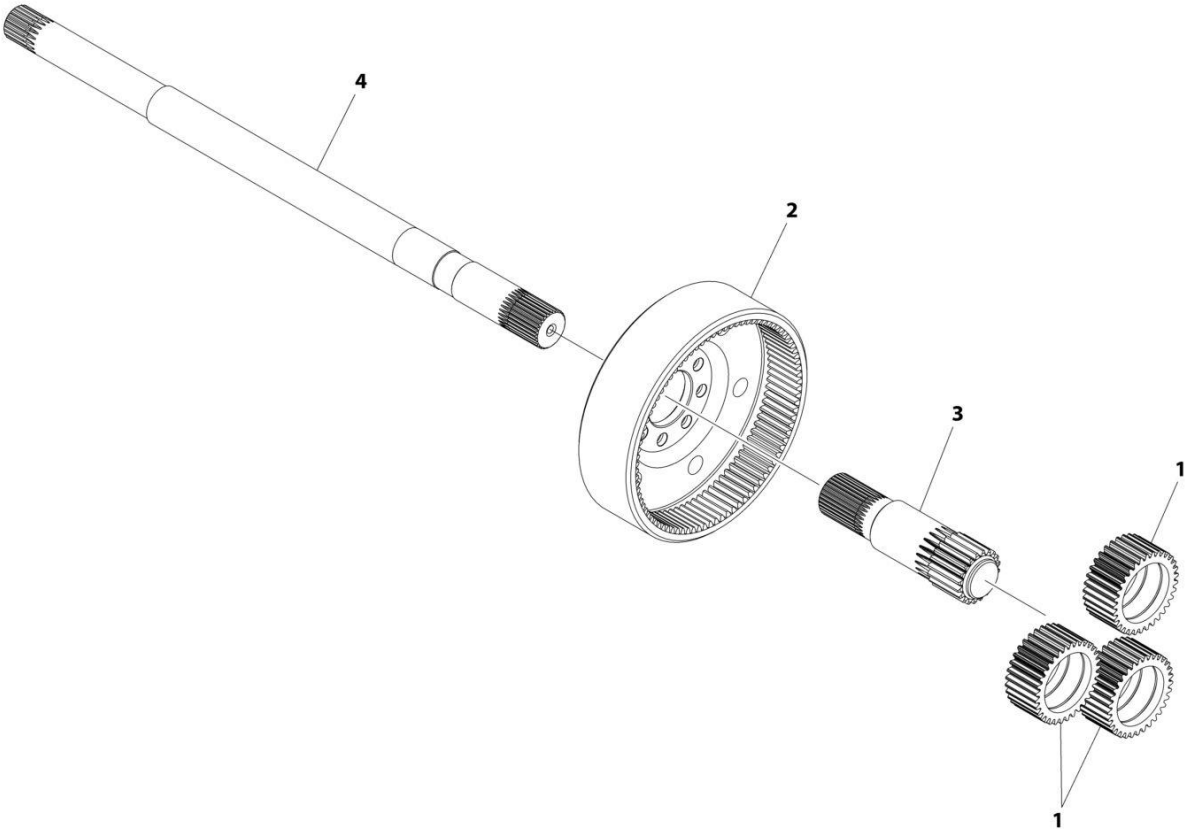
SECTION 5 - DRIVE TRAIN

FIGURE 5-17. REAR AXLE PIVOT ASSEMBLY

ITEM	PART NUMBER	QTY	DESCRIPTION	REV
	1001306690	Ref	REAR AXLE PIVOT ASSEMBLY	A
1	0760812	4	Bolt M8 x 25	
2	4831900	4	Washer M8	
3	1001306687	1	Bushing	
4	1001306693	1	O-Ring - 72MM Diameter	
5	1001306694	1	Ring, Retaining	
6	1001306698	1	O-Ring - 35MM Diameter	
7	1001306700	1	Seal	
8	1001306739	1	Housing	
9	1001306752	1	Shaft	
10	1001306754	1	Support, Axle Flange	
11	1001306856	1	Bearing	

SECTION 5 - DRIVE TRAIN

FIGURE 5-18. REAR AXLE REDUCTION GEAR ASSEMBLY



ART_1001306705

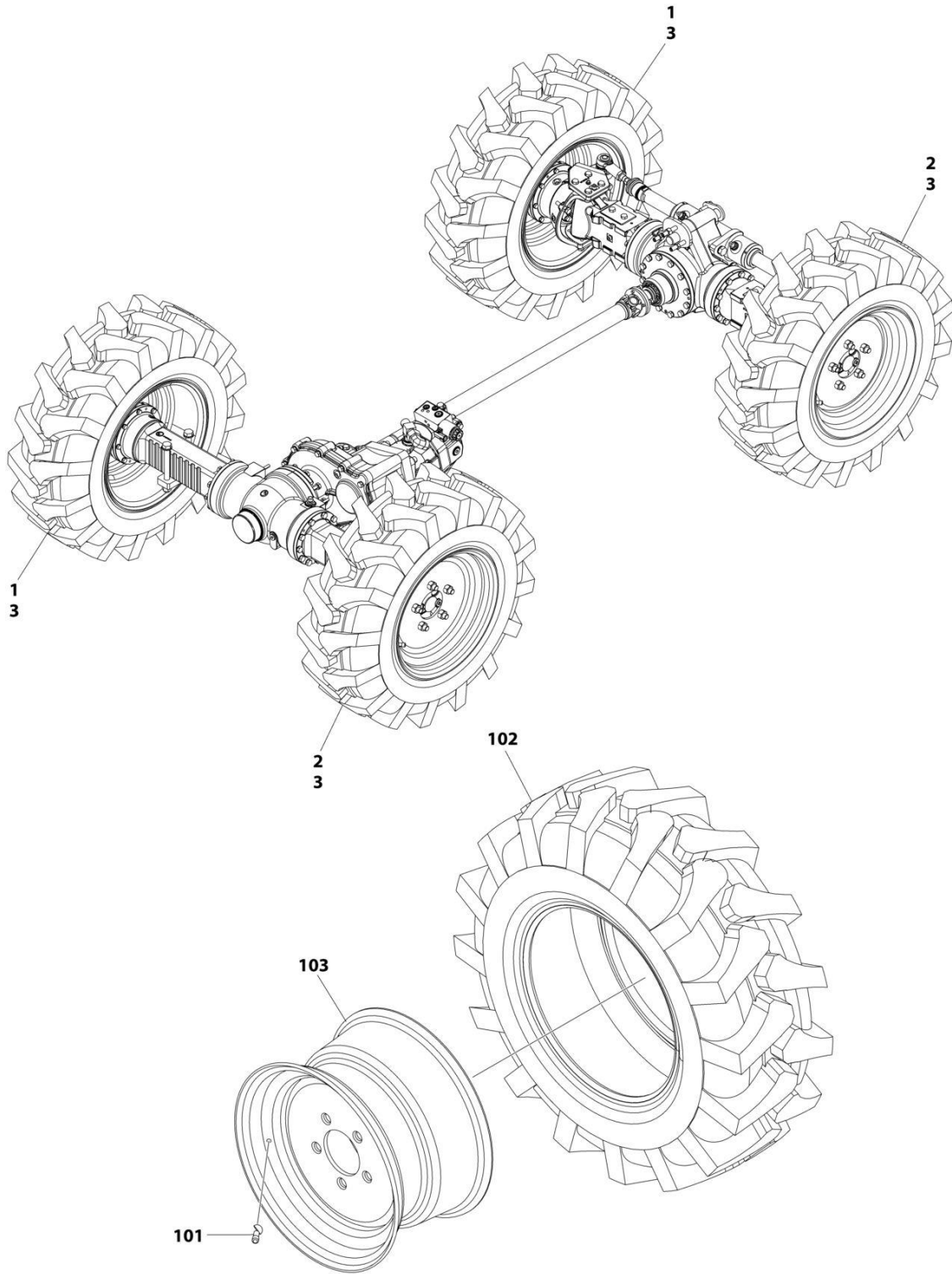
SECTION 5 - DRIVE TRAIN

FIGURE 5-18. REAR AXLE REDUCTION GEAR ASSEMBLY

ITEM	PART NUMBER	QTY	DESCRIPTION	REV
	1001306705	Ref	REAR AXLE REDUCTION GEAR ASSEMBLY	A
1	1001306246	3	Gear, Spur	
2	1001306251	1	Gear, Crown	
3	1001306706	1	Shaft - 124.5MM Length	
4	1001306707	1	Shaft - 25MM Length	

SECTION 5 - DRIVE TRAIN

FIGURE 5-19. TIRE INSTALLATION - AIR FILLED



ART_1001303858

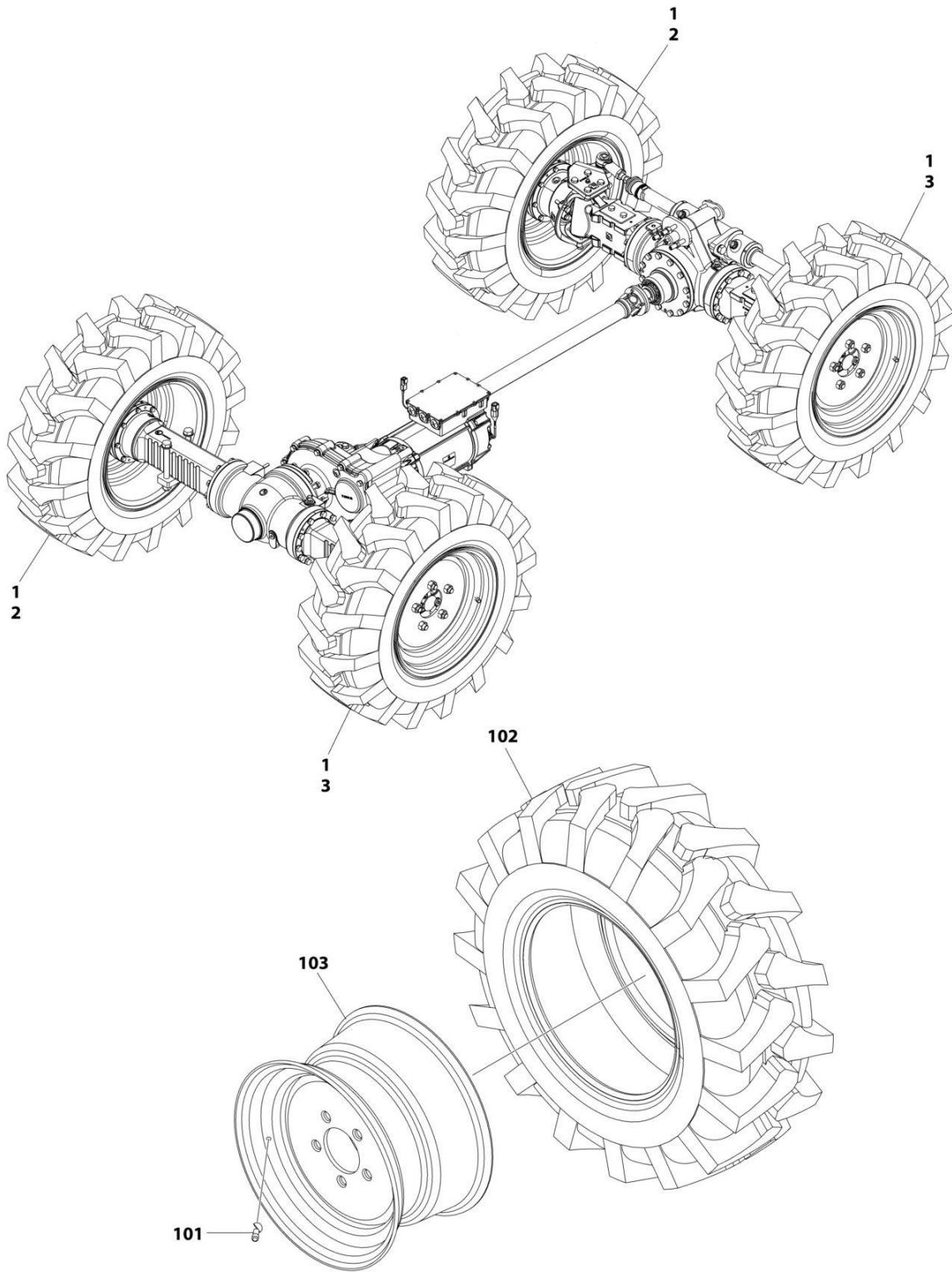
SECTION 5 - DRIVE TRAIN

FIGURE 5-19. TIRE INSTALLATION - AIR FILLED

ITEM	PART NUMBER	QTY	DESCRIPTION	REV
	1001303858	Ref	TIRE INSTALLATION	A
1	1001303860	2	Tire, Right (Includes Items 101-103)	A
2	1001303861	2	Tire, Left (Includes Items 101-103)	A
3	1001304424	20	Nut, Lug M16	
101	1001262612	1	Stem, Valve	
102	1001303862	1	Tire	
103	1001305583	1	Wheel	

SECTION 5 - DRIVE TRAIN

FIGURE 5-20. TIRE INSTALLATION - FOAM FILLED



ART_1001306881

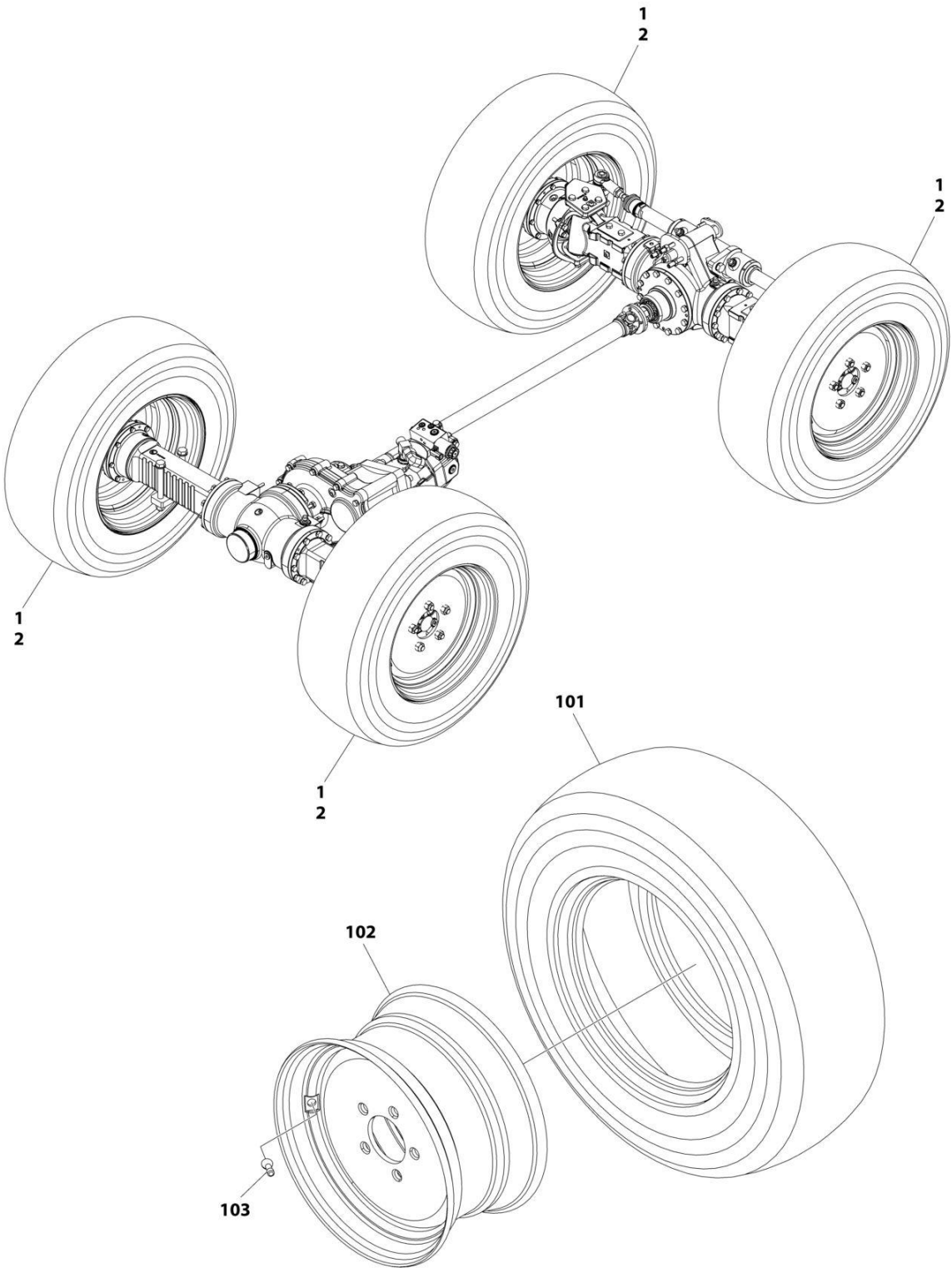
SECTION 5 - DRIVE TRAIN

FIGURE 5-20. TIRE INSTALLATION - FOAM FILLED

ITEM	PART NUMBER	QTY	DESCRIPTION	REV
	1001306881	Ref	TIRE INSTALLATION - FOAM-FILLED	A
		Ref	Note: Assemblies Require Ballast/Foam Filling to Manufacture's Specifications Prior to Installing on Machine. Refer to Operation & Safety or Service & Maintenance Manuals.	
		Ref	Purchase Individual Tire and/or Wheel only if able to Foam Fill Tire & Wheel Assembly, Otherwise Purchase Complete Assembly.	
1	1001304424	20	Nut, Lug M16	
2	1001310817	2	Tire, Right (Includes Items 101-104)	A
3	1001310818	2	Tire, Left (Includes Items 101-104)	A
101	1001262612	1	Valve, Stem	
102	1001303862	1	Tire	
103	1001305583	1	Wheel	
104	8526203	40 kg	Foam Fill (Not Shown)	

SECTION 5 - DRIVE TRAIN

FIGURE 5-21. TIRE INSTALLATION - TURF



ART_1001306883

SECTION 5 - DRIVE TRAIN

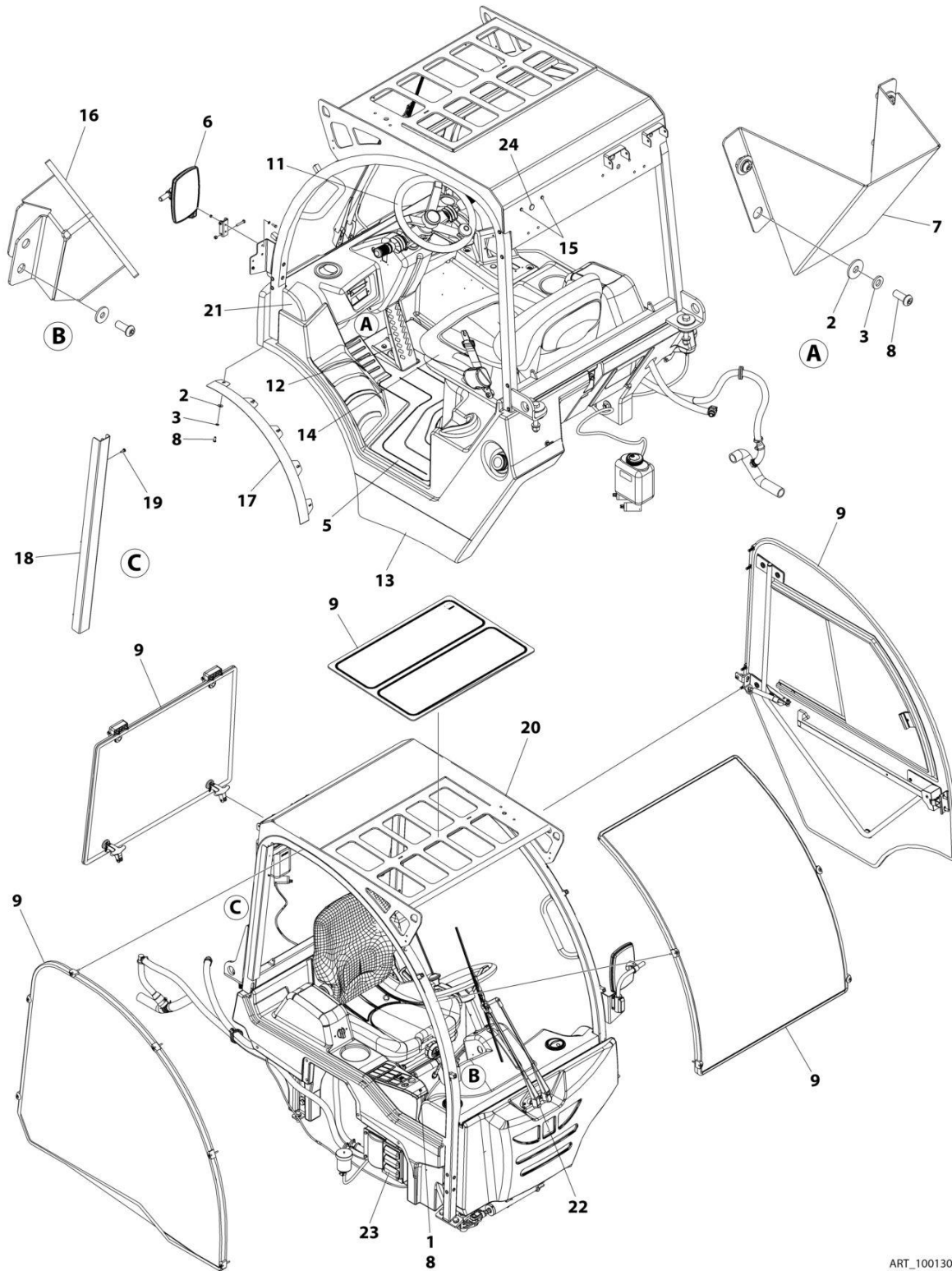
FIGURE 5-21. TIRE INSTALLATION - TURF

ITEM	PART NUMBER	QTY	DESCRIPTION	REV
	1001306883	Ref	TIRE INSTALLATION - TURF	A
1	1001304424	20	Nut, Lug M16	
2	1001312507	4	Tire (Includes Items 101-103)	A
101	1001312504	1	Tire	
102	1001312505	1	Wheel	
103	1001312506	1	Valve, Stem	

SECTION 6 - CAB

SECTION 6 - CAB

FIGURE 6-1. ENCLOSED CAB INSTALLATION



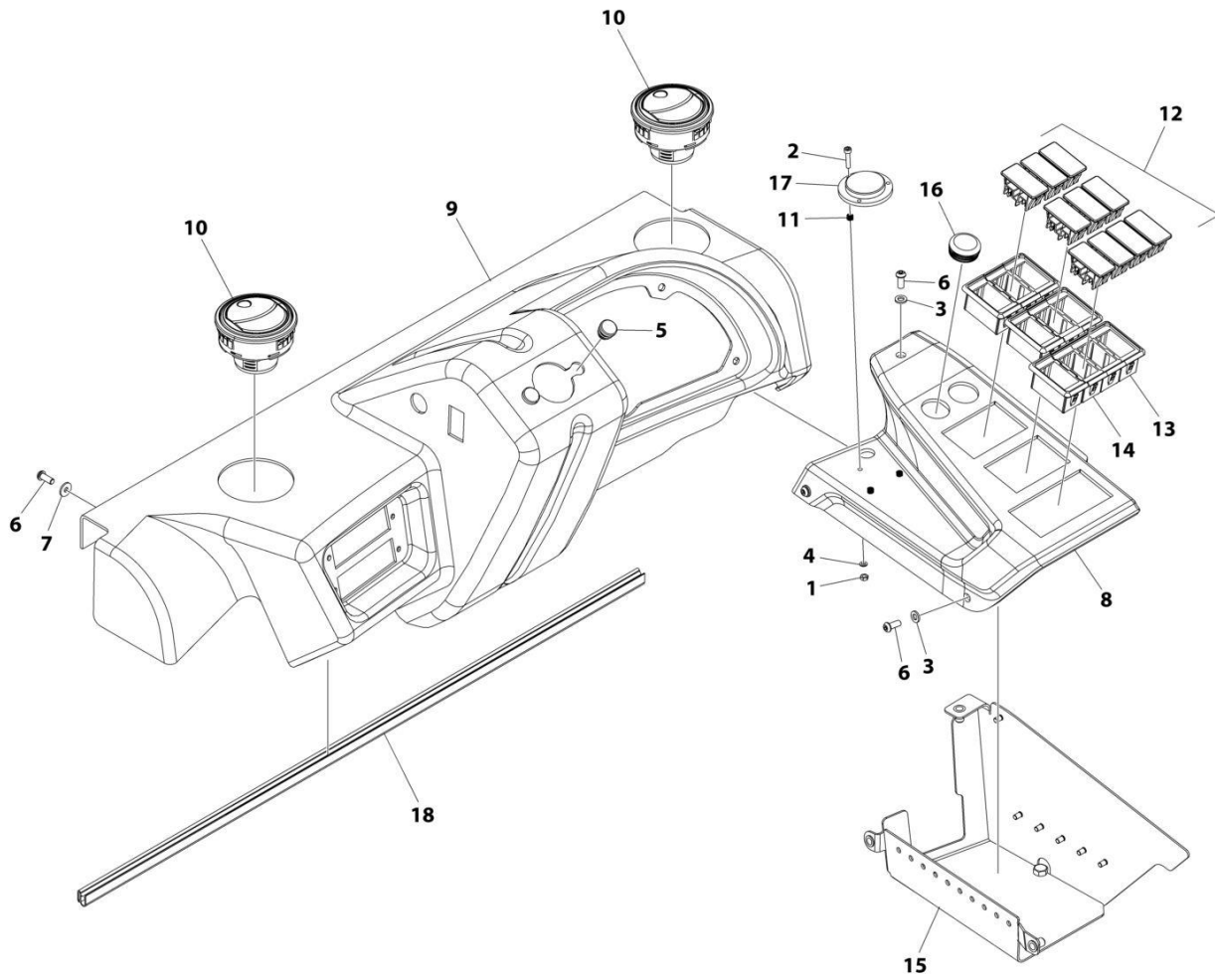
ART_1001301788

FIGURE 6-1. ENCLOSED CAB INSTALLATION

ITEM	PART NUMBER	QTY	DESCRIPTION	REV
	1001301788	Ref	CAB INSTALLATION - ENCLOSED	A
1	4811700	1	Washer M6	
2	4811702	9	Washer M6	
3	4831700	9	Washer M6	
4	1001262961	1	Tie-Strap (Not Shown)	
5	1001263990	1	Mat, Cab Floor	
6	1001263995	1	Mirror	
7	1001264011	1	Bracket	
8	1001264021	10	Capscrew M6 x 15 Class 10.9	
9	1001264351	1	Enclosed Cab Glass Installation (See Separate Breakdown in this Section)	
10	1001264506	1	Headliner (Not Shown)	
11	1001302209	1	Steering Installation (See Separate Breakdown in CONTROLS Section)	
12	1001302715	1	Brake System Installation (See Separate Breakdown in CONTROLS Section)	
13	1001303220	1	Fuel Tank Installation (See Separate Breakdown in this Section)	
14	1001303221	1	Seat Installation (See Separate Breakdown in this Section)	
15	1001303409	2	Plug	
16	1001304005	1	Support, Load Chart	
17	1001304076	1	Bracket, Mudguard Left	
18	1001304080	1	Bracket, Wire	
19	1001304203	3	Screw M4.8 x 16	
20	1001304375	1	Enclosed Cab Frame Installation (See Separate Breakdown in this Section)	
21	1001304376	1	Enclosed Cab Dash Installation (See Separate Breakdown in this Section)	
22	1001304377	1	Windshield Wiper Installation (See Separate Breakdown in this Section)	
23	1001304381	1	Heater Installation (See Separate Breakdown in this Section)	
24	1001305687	1	Plug	

SECTION 6 - CAB

FIGURE 6-2. ENCLOSED CAB DASH INSTALLATION



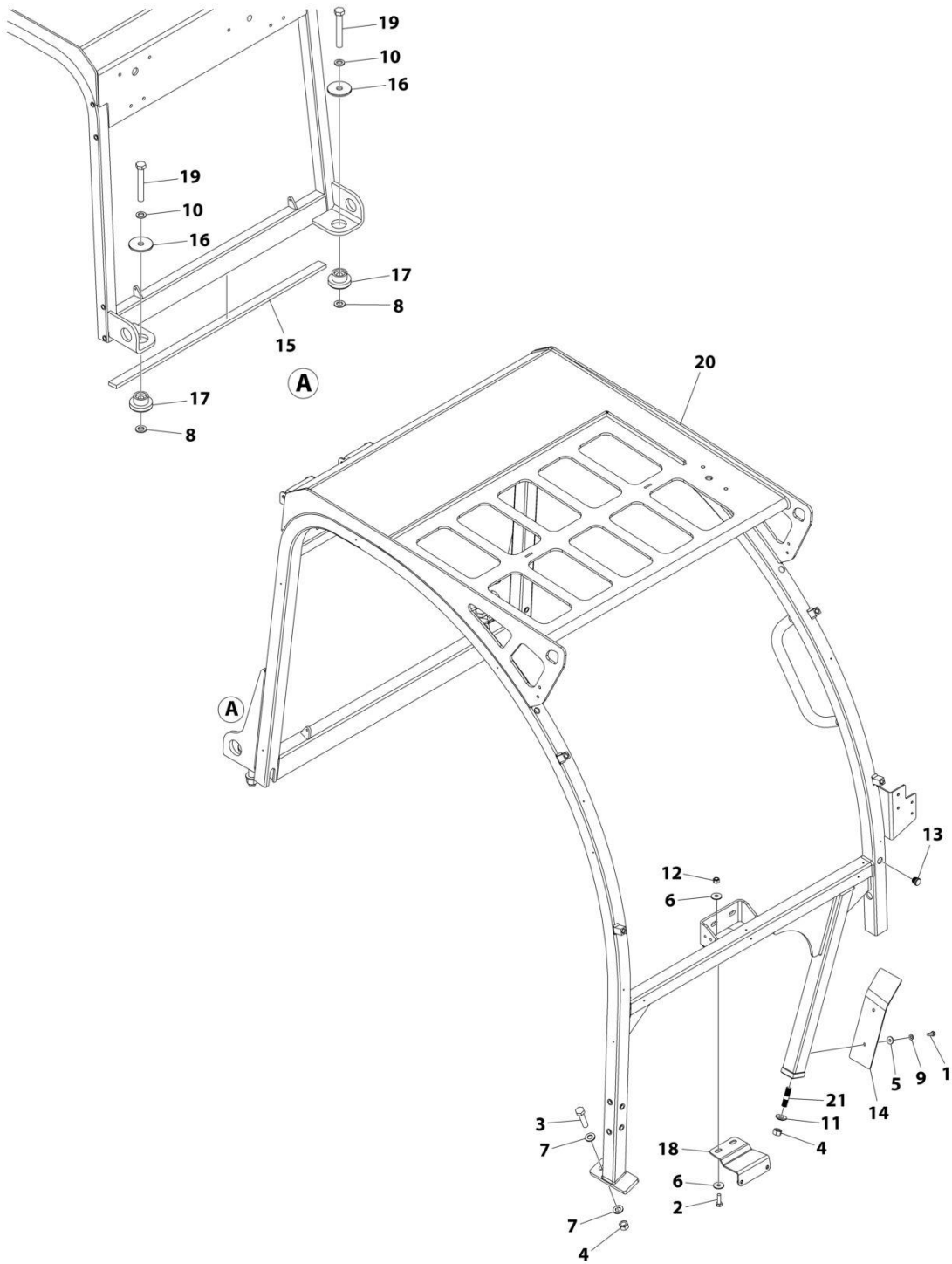
ART_1001304376

FIGURE 6-2. ENCLOSED CAB DASH INSTALLATION

ITEM	PART NUMBER	QTY	DESCRIPTION	REV
	1001304376	Ref	DASH INSTALLATION	A
1	3290401	3	Nut M4	
2	4031508	3	Capscrew M4 x 20	
3	4811700	3	Washer M6	
4	4831400	3	Washer M4	
5	1001264008	2	Plug	
6	1001264021	6	Capscrew M6 x 15 Class 10.9	
7	1001264434	3	Washer M5	
8	1001303415	1	Dash, Side	
9	1001304457	1	Dash, Front	
10	1001305465	2	Vent	
11	1001306197	3	Spring	
12	1001306198	10	Plug	
13	1001306199	6	Bezel, End	
14	1001306200	4	Bezel, Middle	
15	1001306201	1	Bracket	
16	1001303398	1	Plug	
17	1001264377	1	Gauge, Leveling	
18	1001264708	1	Seal	

SECTION 6 - CAB

FIGURE 6-3. ENCLOSED CAB FRAME INSTALLATION



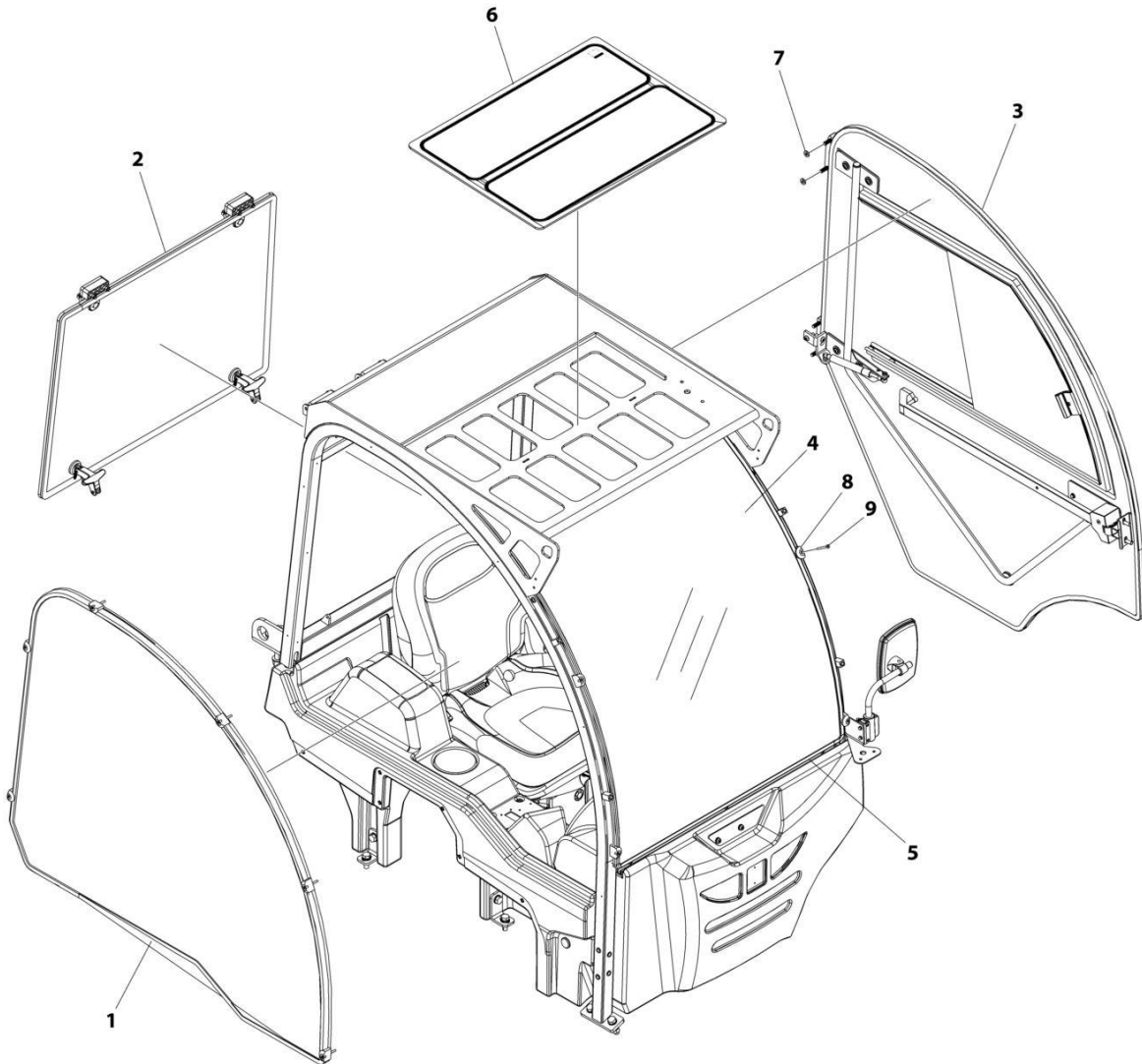
ART_1001304375

FIGURE 6-3. ENCLOSED CAB FRAME INSTALLATION

ITEM	PART NUMBER	QTY	DESCRIPTION	REV
	1001304375	Ref	FRAME INSTALLATION	A
1	0760608	2	Bolt M6 x 16	
2	0760812	2	Bolt M8 x 25	
3	0761218	2	Bolt M12 x 50	
4	3291207	3	Nut M12	
5	4811702	2	Washer M6	
6	4811902	4	Washer M8	
7	4812100	4	Washer M12	
8	4812300	2	Washer M16	
9	4831700	2	Washer M6	
10	4832300	2	Washer M16	
11	1001262274	1	Washer M12	
12	1001263188	2	Nut M8	
13	1001264006	1	Plug	
14	1001264013	1	Panel, Cab Tank	
15	1001264016	1	Seal	
16	1001264019	2	Washer M16	
17	1001264020	2	Mount, Isolator	
18	1001264484	1	Bracket, Wiper Motor	
19	1001264513	2	Bolt M16 x 90	
20	1001303217	1	Frame, Cab	
21	1001303382	1	Stud	

SECTION 6 - CAB

FIGURE 6-4. ENCLOSED CAB GLASS INSTALLATION



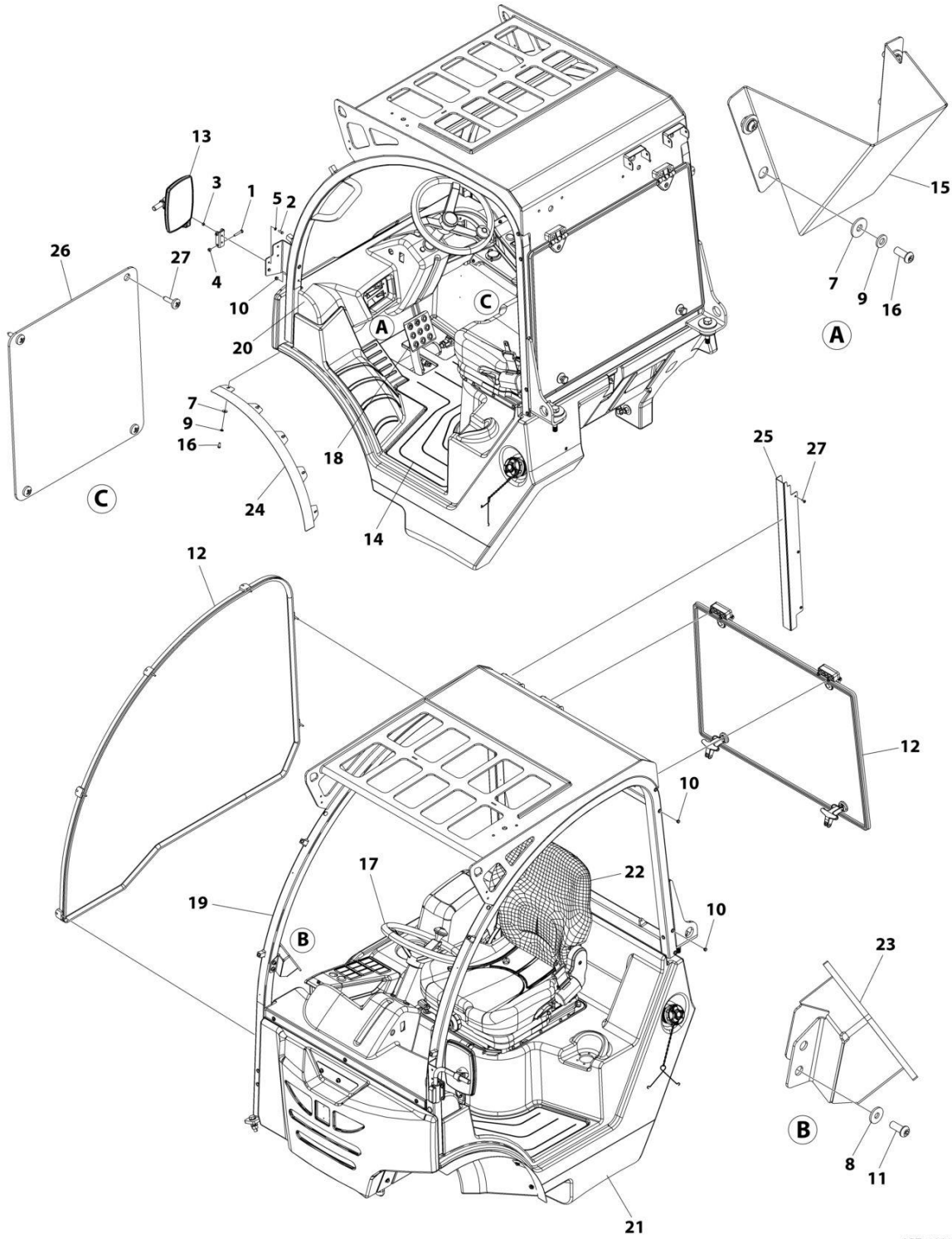
ART_1001264351

FIGURE 6-4. ENCLOSED CAB GLASS INSTALLATION

ITEM	PART NUMBER	QTY	DESCRIPTION	REV
	1001264351	Ref	GLASS INSTALLATION - ENCLOSED CAB	A
1	1001263997	1	Window, Cab Side (RH)	
2	1001263998	1	Window, Cab Rear Exit	
3	1001264477	1	Door, Cab	
3	70030741	1	Key, Door	
3	70031292	1	Shock, Gas	
3	70031363	1	Glass, Window (LH)	
4	1001264478	1	Windshield	
5	1001264479	1	Seal	
6	1001264480	1	Window, Cab Top	
7	1001264481	4	Washer M8	
8	1001264482	4	Support	
9	1001264515	4	Screw M4.8 x 50	

SECTION 6 - CAB

FIGURE 6-5. OPEN CAB INSTALLATION



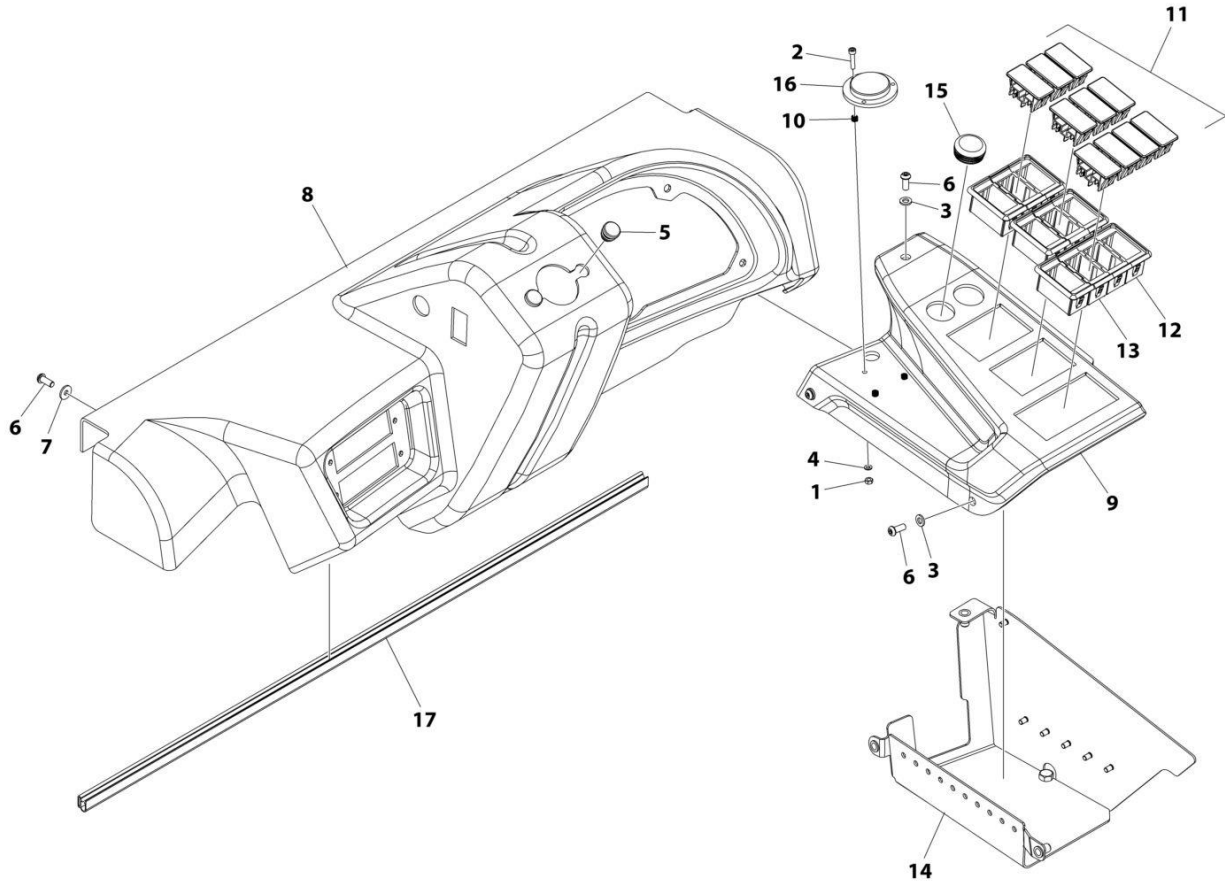
ART_1001303206

FIGURE 6-5. OPEN CAB INSTALLATION

ITEM	PART NUMBER	QTY	DESCRIPTION	REV
	1001303206	Ref	CAB INSTALLATION - OPEN	A
1	0700615	2	Bolt M6 x 35	
2	0760508	2	Bolt M5 x 16	
3	3290505	2	Nut M5	
4	3290605	2	Nut M6	
5	4811600	2	Washer M5	
7	4811702	9	Washer M6	
8	4811900	2	Washer M8	
9	4831700	9	Washer M6	
10	1001261567	6	Plug	
11	1001262664	2	Capscrew M8 x 20	
12	1001263054	1	Open Cab Glass Installation (See Separate Breakdown in this Section)	
13	1001263995	1	Mirror	
14	1001263990	1	Mat, Cab Floor	
15	1001264011	1	Bracket	
16	1001264021	9	Capscrew M6 x 15 Class 10.9	
17	1001302209	1	Steering Installation (See Separate Breakdown in CONTROLS Section)	
18	1001302715	1	Brake System Installation (See Separate Breakdown in CONTROLS Section)	
19	1001303216	1	Open Cab Frame Installation (See Separate Breakdown in this Section)	
20	1001303218	1	Open Cab Dash Installation (See Separate Breakdown in this Section)	
21	1001303220	1	Fuel Tank Installation (See Separate Breakdown in this Section)	
22	1001303221	1	Seat Installation (See Separate Breakdown in this Section)	
23	1001304005	1	Support, Load Chart	
24	1001304076	1	Bracket, Mudguard Left	
25	1001304080	1	Bracket, Wire	
26	1001304081	1	Plate	
27	1001304203	7	Screw M4.8 x 16	

SECTION 6 - CAB

FIGURE 6-6. OPEN CAB DASH INSTALLATION



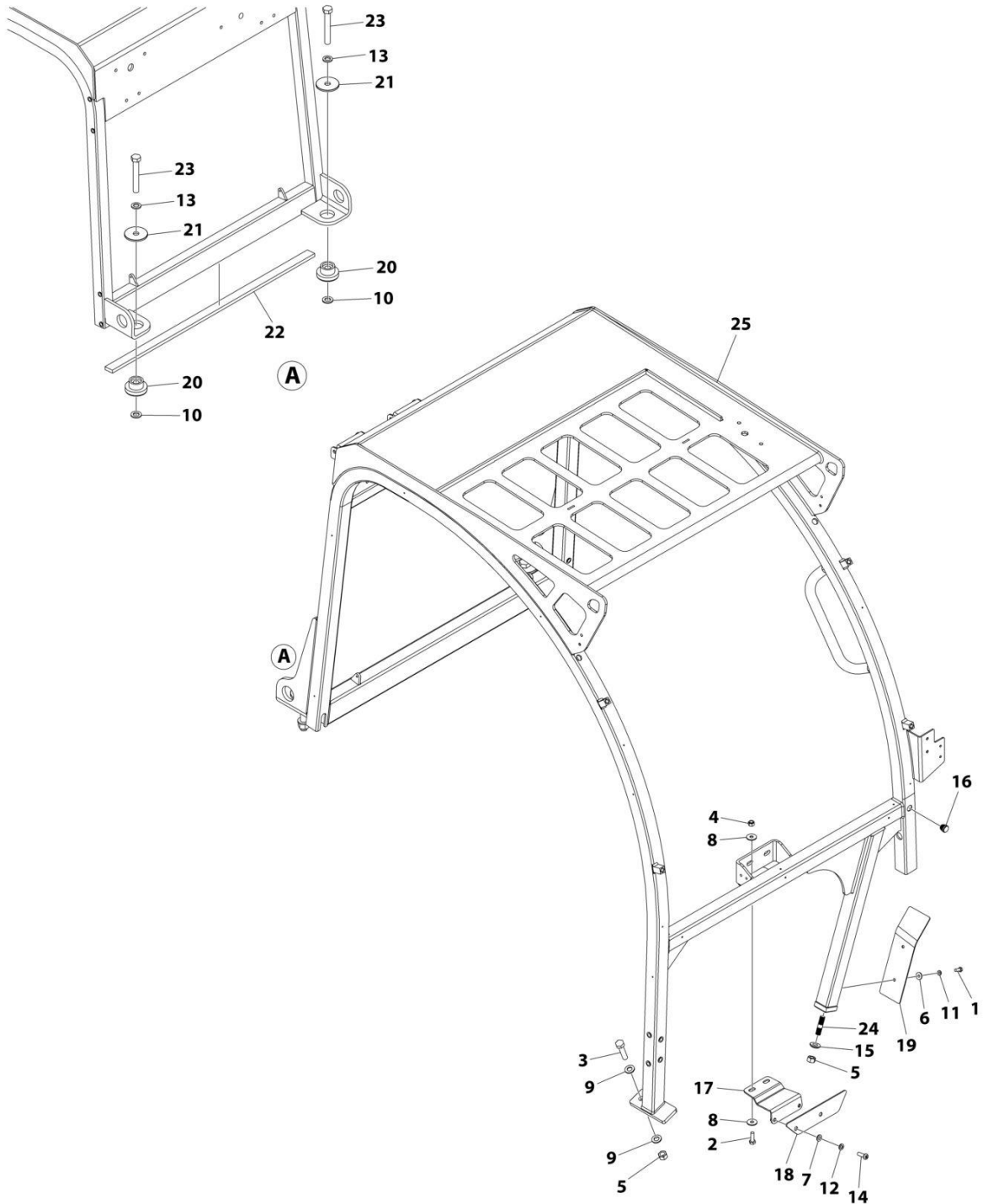
ART_1001303218

FIGURE 6-6. OPEN CAB DASH INSTALLATION

ITEM	PART NUMBER	QTY	DESCRIPTION	REV
	1001303218	Ref	DASH INSTALLATION	A
1	3290401	3	Nut M4	
2	4031508	3	Capscrew M4 x 20	
3	4811700	3	Washer M6	
4	4831400	3	Washer M4	
5	1001264008	2	Plug	
6	1001264021	6	Capscrew M6 x 15 Class 10.9	
7	1001264434	3	Washer M5	
8	1001303411	1	Dash, Front	
9	1001303415	1	Dash, Side	
10	1001306197	3	Spring	
11	1001306198	10	Plug	
12	1001306199	6	Bezel, End	
13	1001306200	4	Bezel, Middle	
14	1001306201	1	Bracket	
15	1001303398	1	Plug	
16	1001264377	1	Gauge, Leveling	
17	1001264708	1	Seal	

SECTION 6 - CAB

FIGURE 6-7. OPEN CAB FRAME INSTALLATION



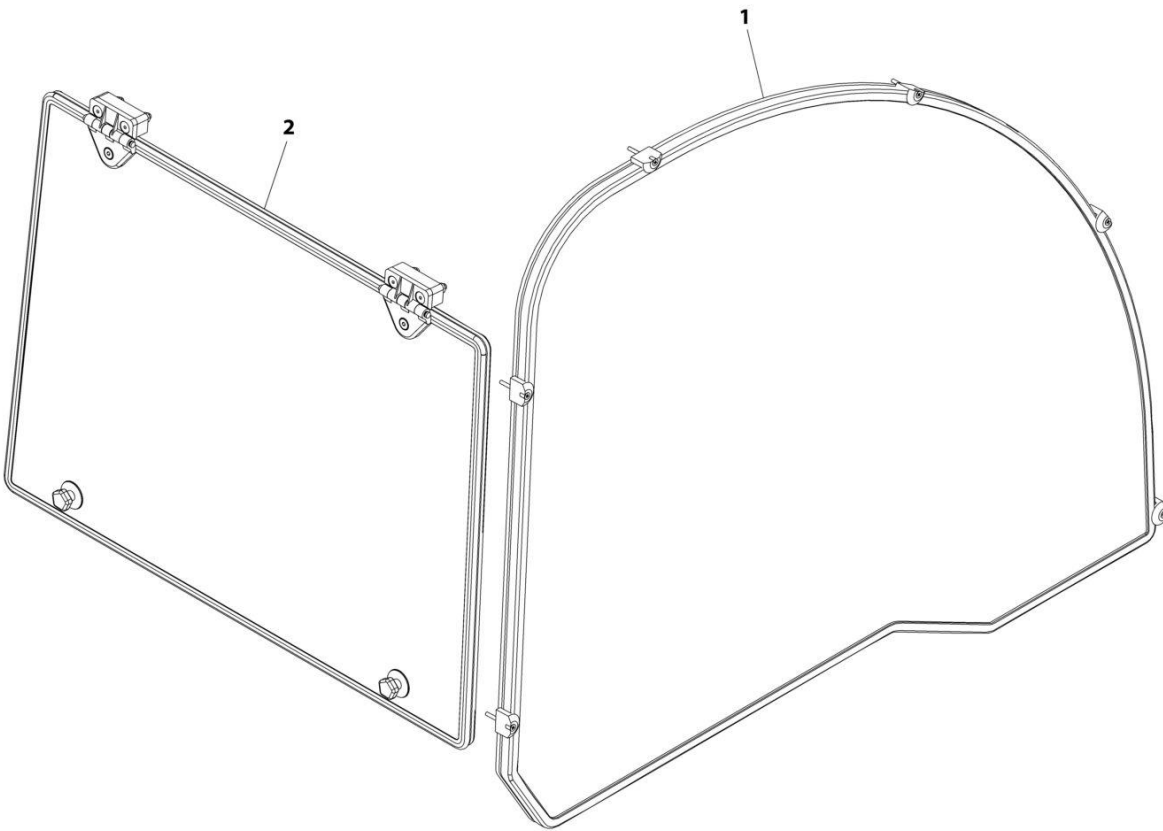
ART_1001303216

FIGURE 6-7. OPEN CAB FRAME INSTALLATION

ITEM	PART NUMBER	QTY	DESCRIPTION	REV
	1001303216	Ref	FRAME INSTALLATION	A
1	0760608	2	Bolt M6 x 16	
2	0760812	2	Bolt M8 x 25	
3	0761218	2	Bolt M12 x 50	
4	3290805	2	Nut M8	
5	3291207	3	Nut M12	
6	4811702	2	Washer M6	
7	4811900	2	Washer M8	
8	4811902	4	Washer M8	
9	4812100	4	Washer M12	
10	4812300	2	Washer M16	
11	4831700	2	Washer M6	
12	4831900	2	Washer M8	
13	4832300	2	Washer M16	
14	1001261564	2	Screw M8 x 25	
15	1001262274	1	Washer M12	
16	1001264006	1	Plug	
17	1001264010	1	Bracket	
18	1001264012	1	Plate, Cab Support	
19	1001264013	1	Panel, Cab Tank	
20	1001264020	2	Mount, Isolator	
21	1001264019	2	Washer M16	
22	1001264016	1	Seal	
23	1001264513	2	Bolt M16 x 90	
24	1001303382	1	Stud	
25	1001303217	1	Frame, Cab	

SECTION 6 - CAB

FIGURE 6-8. OPEN CAB GLASS INSTALLATION



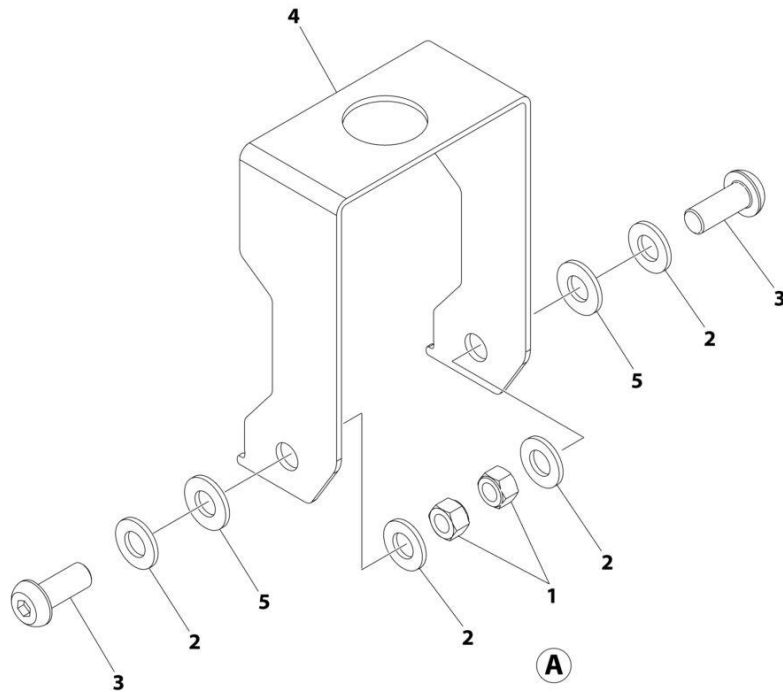
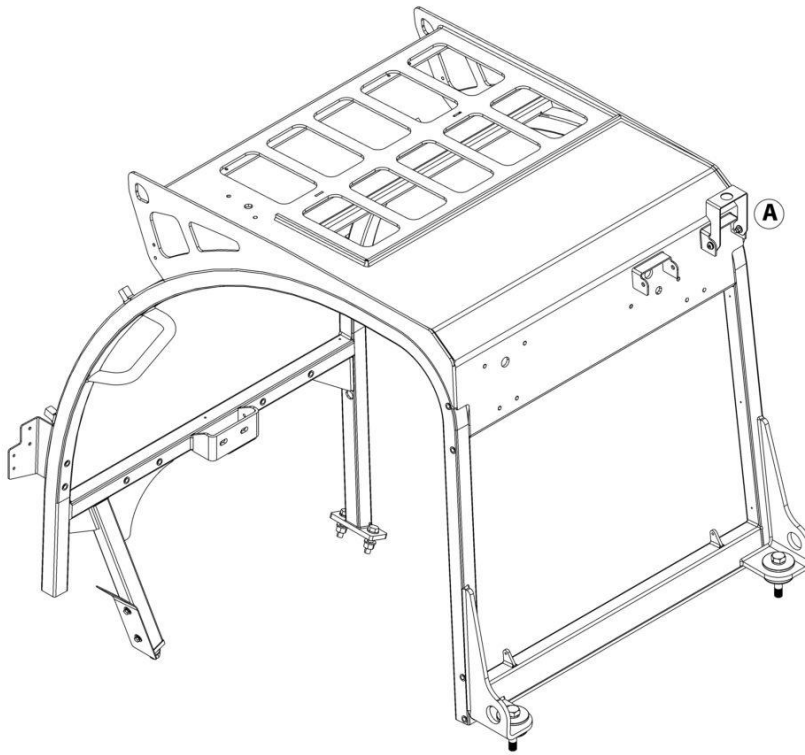
ART_1001263054

FIGURE 6-8. OPEN CAB GLASS INSTALLATION

ITEM	PART NUMBER	QTY	DESCRIPTION	REV
	1001263054	Ref	GLASS INSTALLATION - OPEN CAB	A
1	1001263997	1	Window, Cab Side	
2	1001263998	1	Window, Cab Rear Exit	

SECTION 6 - CAB

FIGURE 6-9. BEACON BRACKET INSTALLATION



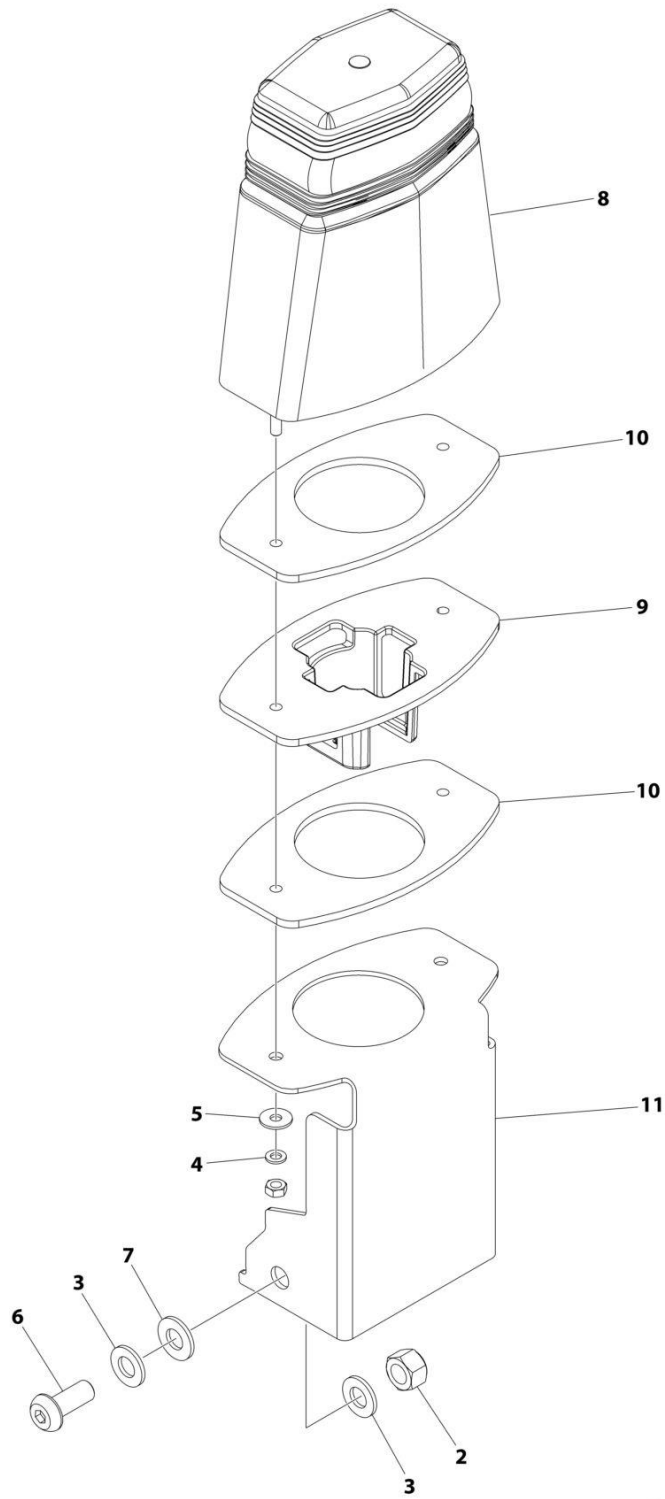
ART_1001309197

FIGURE 6-9. BEACON BRACKET INSTALLATION

ITEM	PART NUMBER	QTY	DESCRIPTION	REV
	1001309197	Ref	BEACON BRACKET INSTALLATION	A
1	3290605	2	Nut M6	
2	4811900	4	Washer M8	
3	1001262664	2	Capscrew M8 x 20 Class 10.9	
4	1001308519	1	Bracket	
5	1001264265	2	Washer, Nylon M8	

SECTION 6 - CAB

FIGURE 6-10. CLEARSKY INSTALLATION



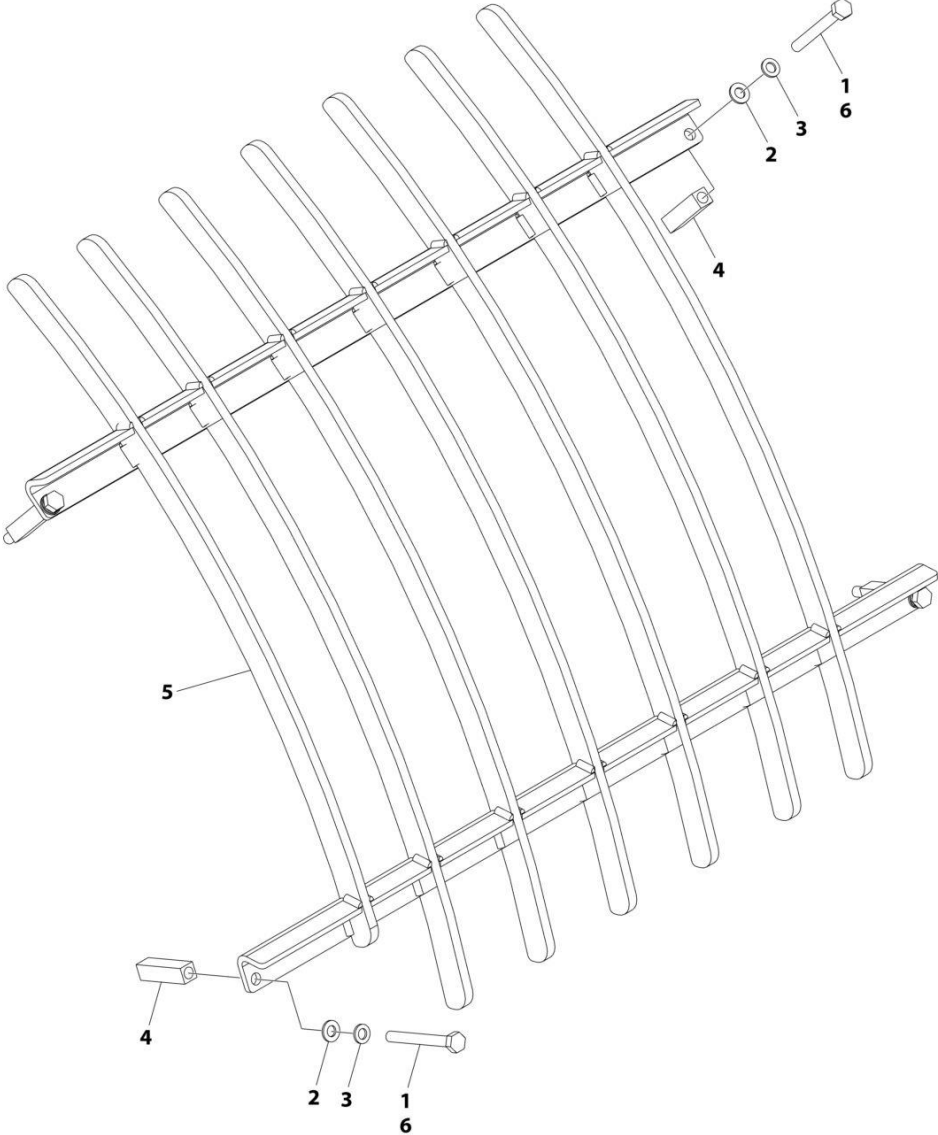
ART_1001306382

FIGURE 6-10. CLEARSKY INSTALLATION

ITEM	PART NUMBER	QTY	DESCRIPTION	REV
	1001306382	Ref	CLEARSKY INSTALLATION	A
2	3290805	2	Nut M8	
3	4811900	4	Washer M8	
4	4831400	2	Washer M4	
5	1001091102	2	Washer M4	
6	1001262664	2	Capscrew M8 x 20 Class 10.9	
7	1001264265	2	Washer, Nylon M8	
8	1001280661	1	Module, ClearSky	
9	1001289648	1	Mount, ClearSky Module	
10	1001291056	2	Gasket	
11	1001306386	1	Bracket	

SECTION 6 - CAB

FIGURE 6-11. FRONT CAB GUARD INSTALLATION



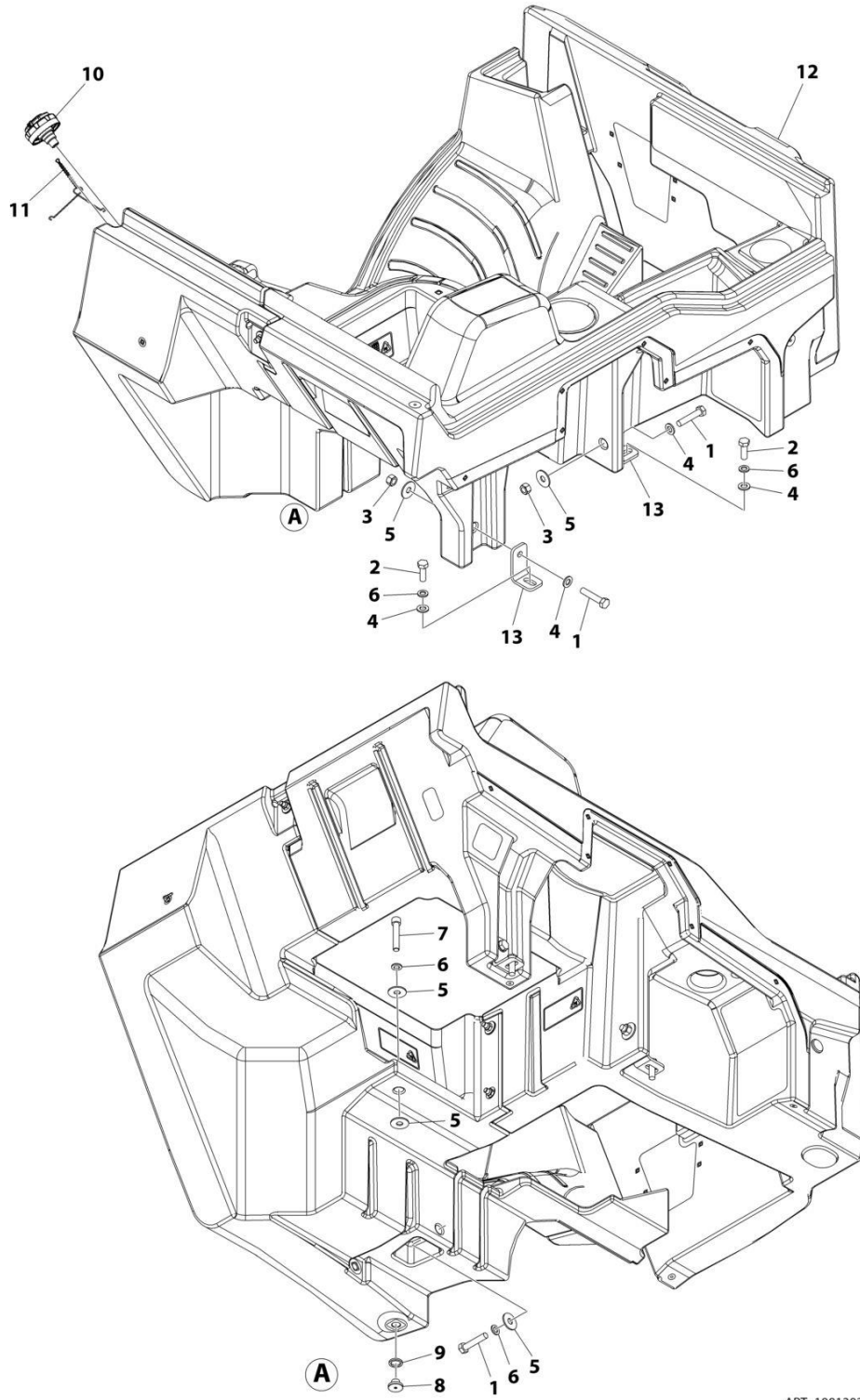
ART_1001262405

FIGURE 6-11. FRONT CAB GUARD INSTALLATION

ITEM	PART NUMBER	QTY	DESCRIPTION	REV
	1001262405	Ref	GUARD INSTALLATION - FRONT CAB	A
1	0701026	4	Bolt M10 x 90	
2	4812000	4	Washer M10	
3	4832000	4	Washer M10	
4	1001262637	4	Shim	
5	1001262638	1	Shield	
6	0100035	AR	Compound Locking	

SECTION 6 - CAB

FIGURE 6-12. FUEL TANK INSTALLATION



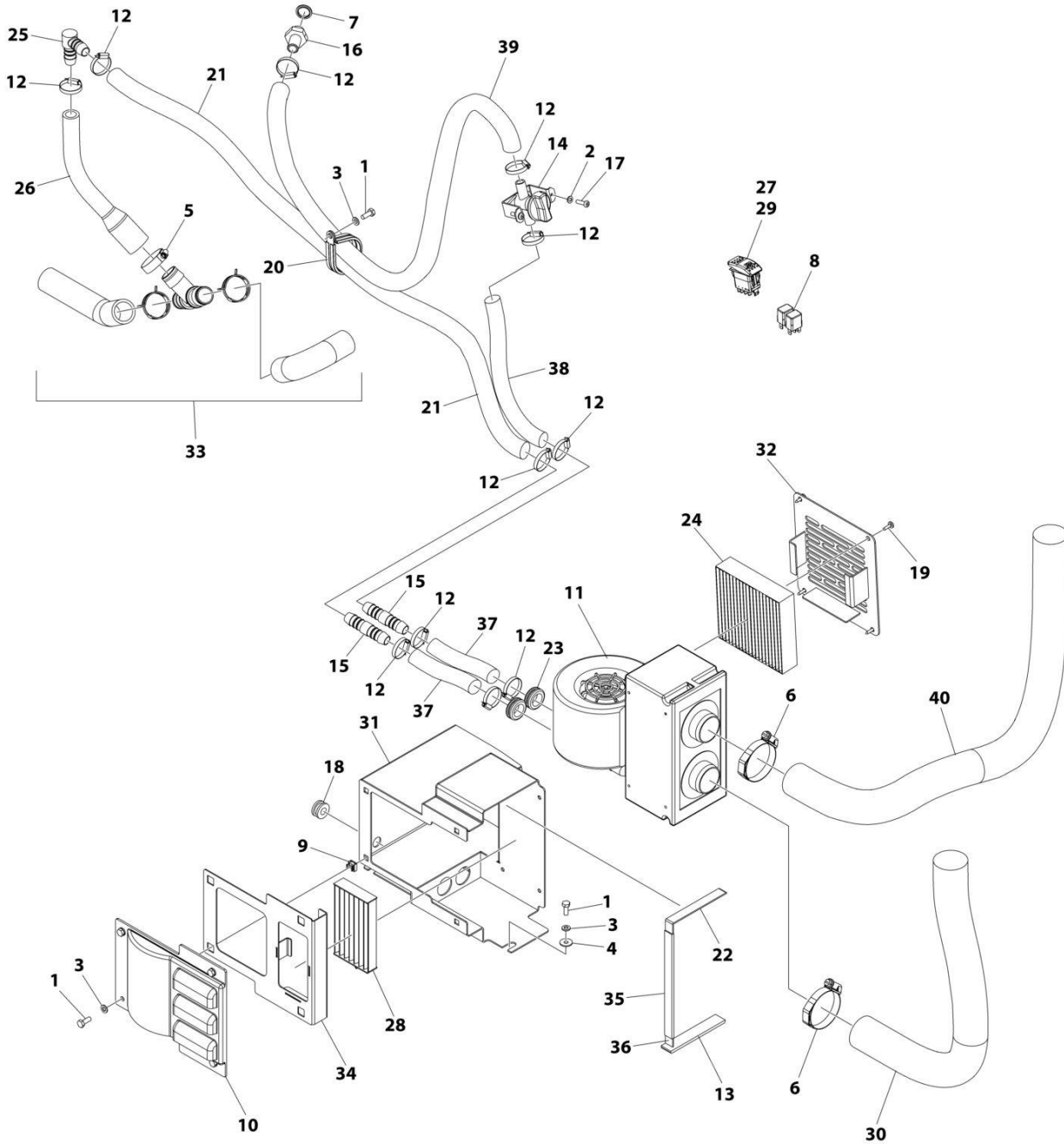
ART_1001303220

FIGURE 6-12. FUEL TANK INSTALLATION

ITEM	PART NUMBER	QTY	DESCRIPTION	REV
	1001303220	Ref	FUEL TANK INSTALLATION	A
1	0711220	3	Bolt M12 x 60 Class 10.9	
2	0761215	2	Bolt M12 x 35	
3	3291207	2	Nut M12	
4	4812100	4	Washer M12	
5	4812102	5	Washer M12	
6	4832100	4	Washer M12	
7	5272117	1	Bolt M12 x 65 Class 12.9	
8	1001262978	1	Plug	
9	1001262987	1	Seal	
10	1001303771	1	Cap, Locking Fuel (Includes Key, No Universal Key Sold Separately)	
11	1001305791	1	Lanyard, Locking Fuel Cap	
12	1001305814	1	Tank, Fuel	
13	1001263996	2	Bracket	

SECTION 6 - CAB

FIGURE 6-13. HEATER INSTALLATION



ART_1001304381

FIGURE 6-13. HEATER INSTALLATION

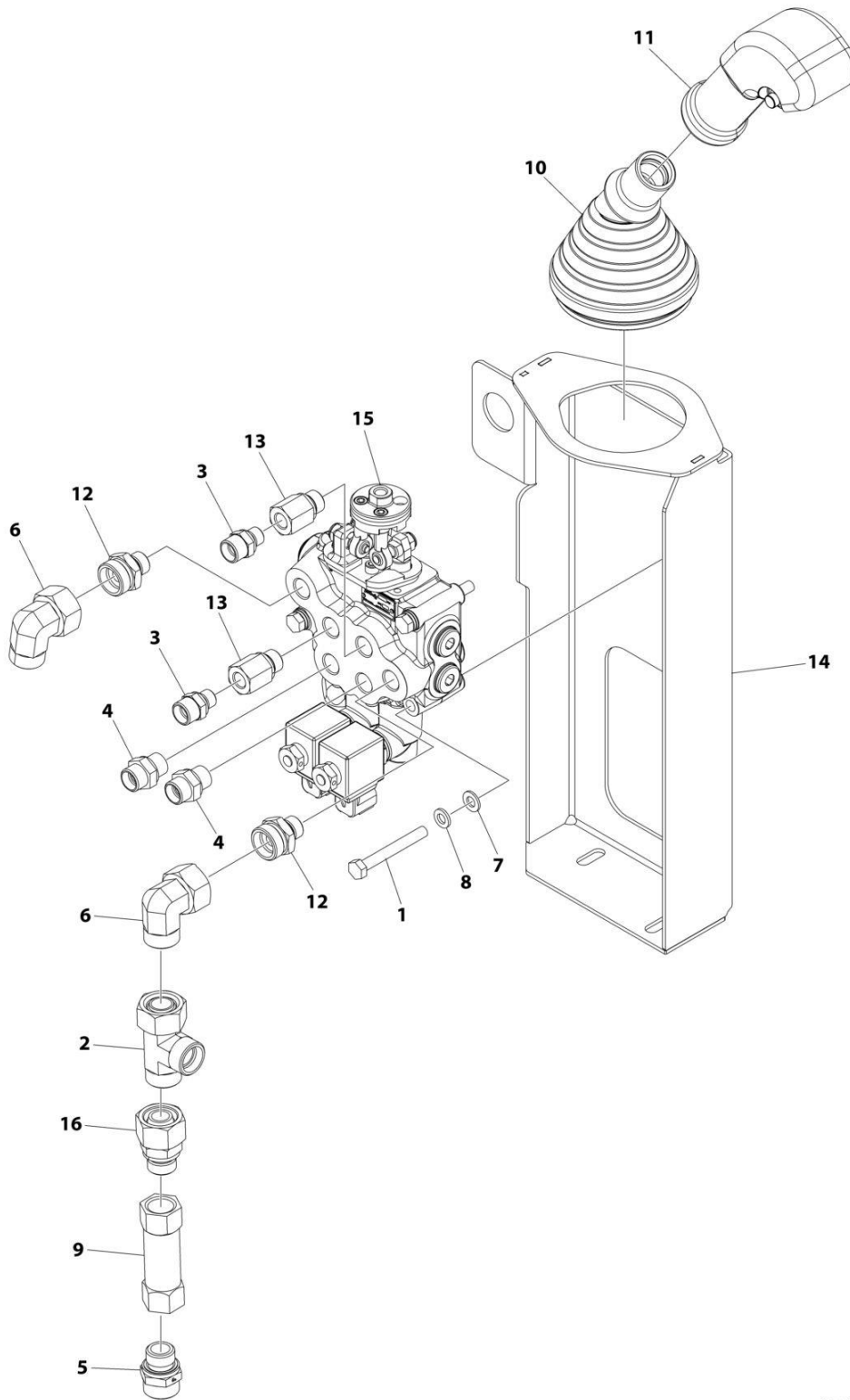
ITEM	PART NUMBER	QTY	DESCRIPTION	REV
	1001304381	Ref	HEATER INSTALLATION	A
1	0760608	7	Bolt M6 x 16	
2	4811600	2	Washer M5	
3	4811700	7	Washer M6	
4	4811702	2	Washer M6	
5	1001162180	1	Clamp, Gear	
6	1001215024	2	Clamp, Gear	
7	1001263139	1	Seal	
8	1001264392	2	Relay (Located in Cab)	
9	1001264416	4	Nut M6	
10	1001264492	1	Cover, Heater	
11	1001264493	1	Heater, Cab	
12	1001264504	11	Clamp, Gear	
13	1001264510	1	Seal	
14	1001264517	1	Valve, Heater	
15	1001264520	2	Fitting, Straight	
16	1001264522	1	Fitting, Straight	
17	1001264523	2	Capscrew M5 x 20	
18	1001264529	1	Grommet	
19	1001304203	4	Screw M4.8 x 16	
20	1001304206	1	Clamp	
21	1001305426	1	Hose	
22	1001305499	1	Seal	
23	1001305506	2	Grommet	
24	1001305507	1	Filter - Cab Side	
25	1001305508	1	Fitting, 90	
26	1001305510	1	Tube	
27	1001305511	1	Rocker, Heater Switch	
28	1001305512	1	Filter - Exterior Side	
29	1001305513	1	Switch, Heater	
30	1001305514	1	Tube	
31	1001305515	1	Housing, Heater	
32	1001305516	1	Grate, Cab Heater	
33	1001305517	1	Assembly, Tube (No Service Parts Available)	
34	1001305567	1	Bracket	
35	1001305568	1	Seal	
36	1001307386	1	Seal	
37	1001307393	2	Hose	
38	1001307395	1	Hose	
39	1001307396	1	Hose	
40	1001307469	1	Tube	

FIGURE 6-14. JOYSTICK INSTALLATION (Prior to SN H160000902)

ITEM	PART NUMBER	QTY	DESCRIPTION	REV
	1001301793	Ref	JOYSTICK INSTALLATION	B
1	0700821	3	Bolt M8 x 65	
2	2142206	1	Fitting, Tee	
3	2142711	2	Fitting, Straight	
4	2142712	2	Fitting, Straight	
5	2142716	1	Fitting, Straight	
6	2143406	2	Fitting, 90	
7	4811900	3	Washer M8	
8	4831900	3	Washer M8	
9	1001262957	1	Valve, Check	
10	1001262972	1	Boot, Joystick	
11	1001262976	1	Joystick	
12	1001263143	2	Fitting, Adapter	
13	1001263572	2	Fitting, Adapter	
14	1001302427	1	Mount, Joystick	
15	1001302428	1	Valve, Joystick Control	
16	1001306164	1	Fitting, Straight	

SECTION 6 - CAB

FIGURE 6-15. JOYSTICK INSTALLATION (SN H16000902 to Present)



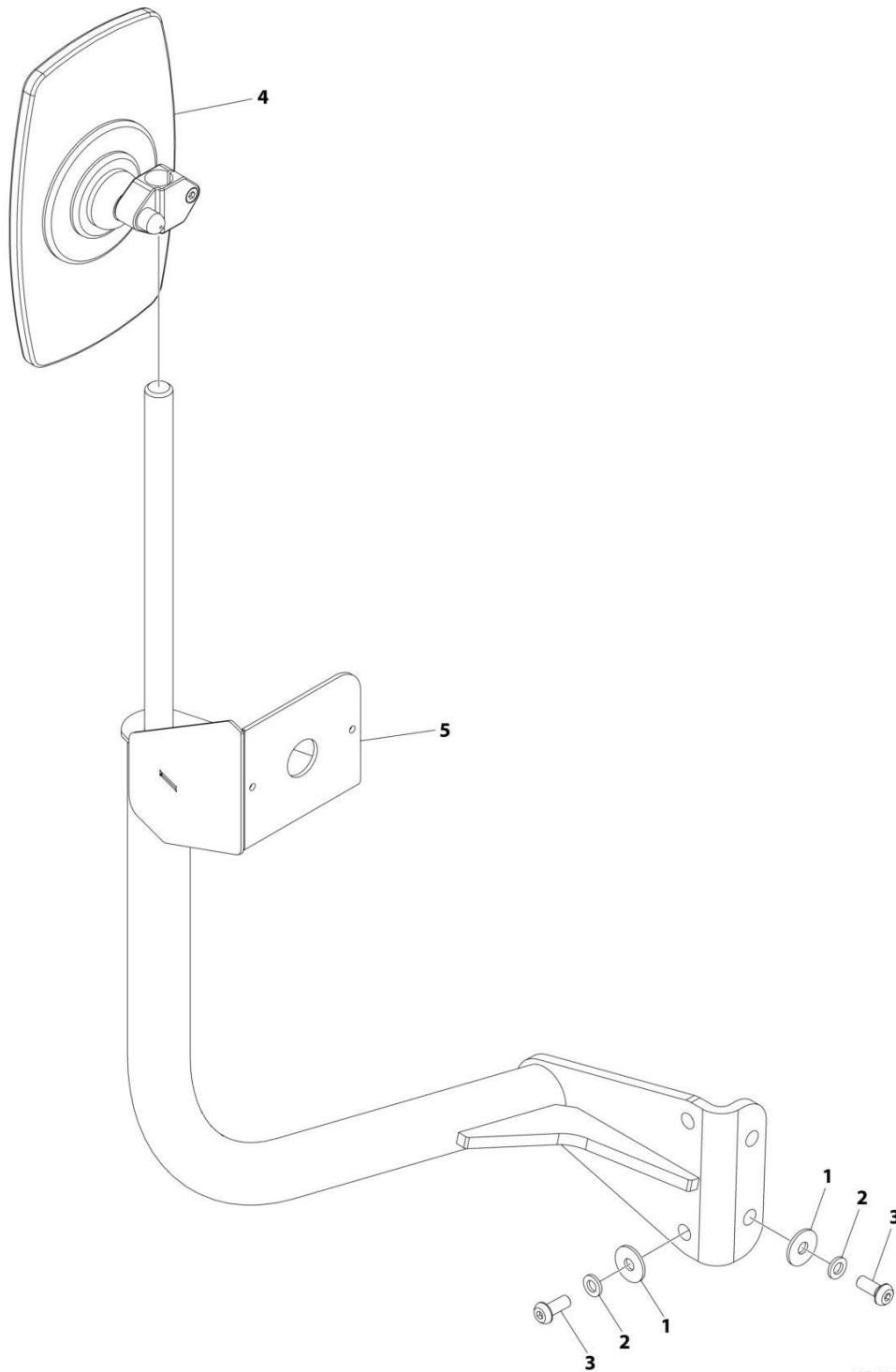
ART_1001301793_C

FIGURE 6-15. JOYSTICK INSTALLATION (SN H160000902 to Present)

ITEM	PART NUMBER	QTY	DESCRIPTION	REV
	1001301793	Ref	JOYSTICK INSTALLATION	C
1	0700821	3	Bolt M8 x 65	
2	2142206	1	Fitting, Tee	
3	2142711	2	Fitting, Straight	
4	2142712	2	Fitting, Straight	
5	2142716	1	Fitting, Straight	
6	2143406	2	Fitting, 90	
7	4811900	3	Washer M8	
8	4831900	3	Washer M8	
9	1001262957	1	Valve, Check	
10	1001262972	1	Boot, Joystick	
11	1001315421	1	Joystick	
12	1001263143	2	Fitting, Adapter	
13	1001263572	2	Fitting, Adapter	
14	1001302427	1	Mount, Joystick	
15	1001302428	1	Valve, Joystick Control	
16	1001306164	1	Fitting, Straight	

SECTION 6 - CAB

FIGURE 6-16. MIRROR INSTALLATION - CAB RIGHT SIDE



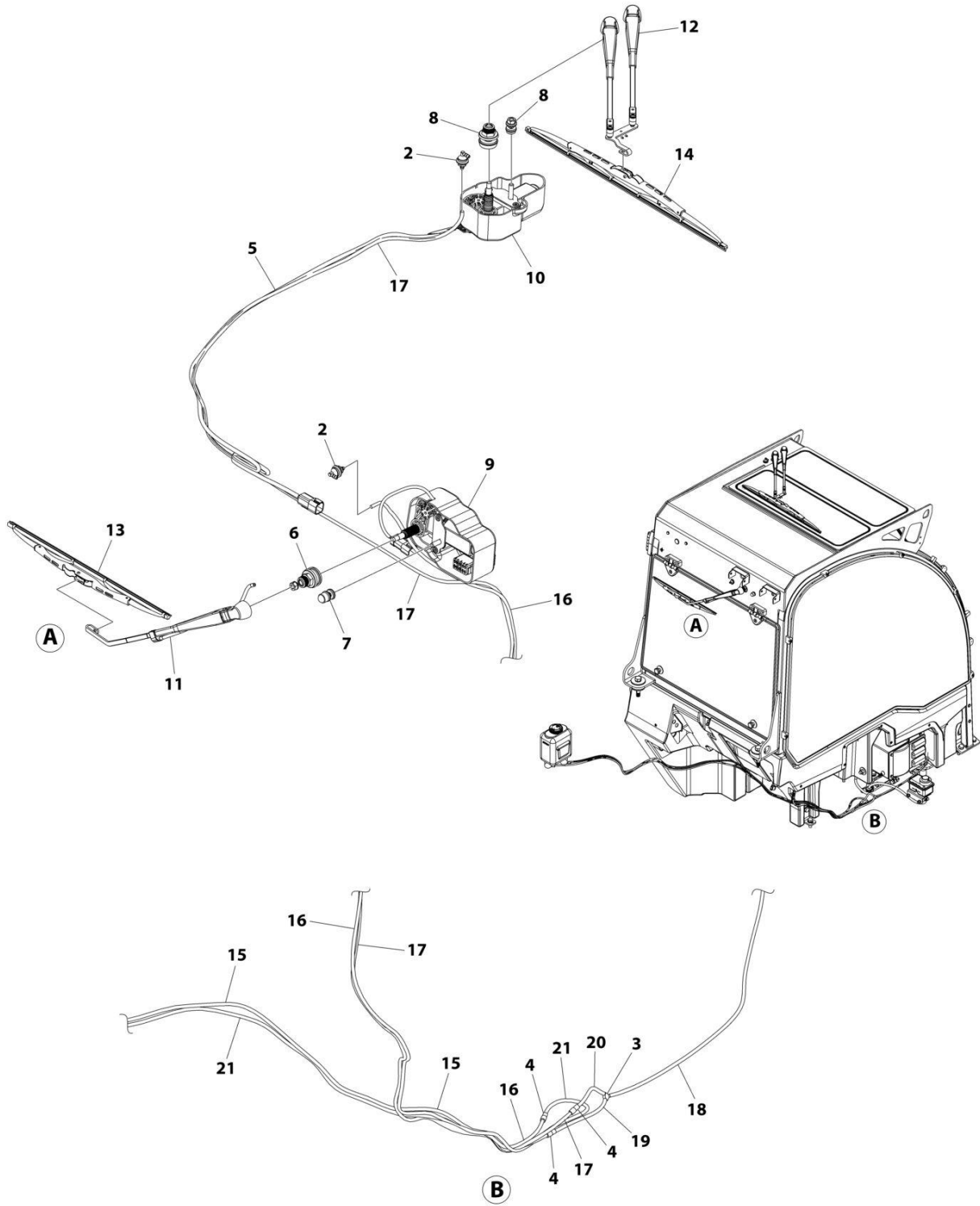
ART_1001304449

FIGURE 6-16. MIRROR INSTALLATION - CAB RIGHT SIDE

ITEM	PART NUMBER	QTY	DESCRIPTION	REV
	1001304449	Ref	MIRROR INSTALLATION	A
1	4811902	4	Washer M8	
2	4831900	4	Washer M8	
3	1001262664	4	Capscrew M8 x 20 Class 10.9	
4	1001262666	1	Mirror, Right Side	
5	1001305673	1	Bracket	

SECTION 6 - CAB

FIGURE 6-17. ROOF & REAR WIPERS INSTALLATION



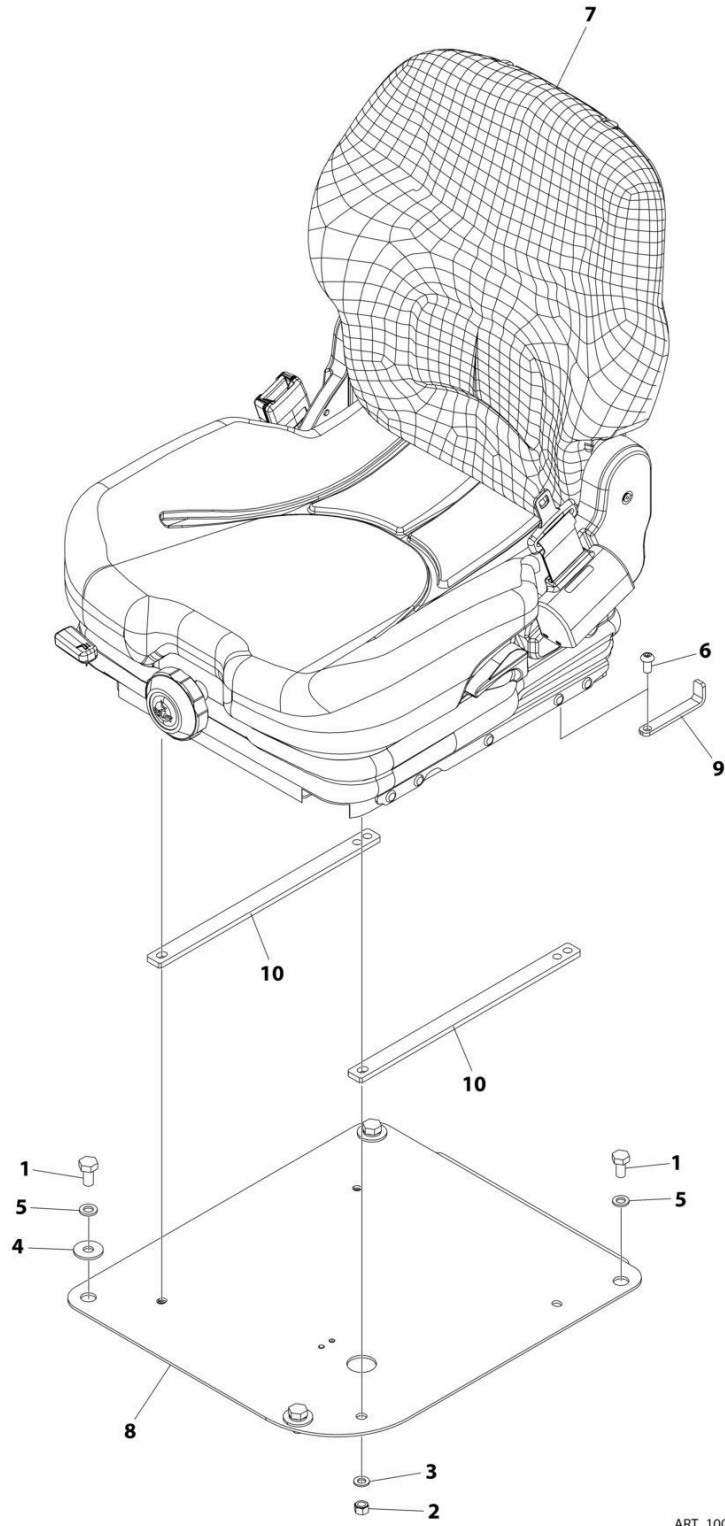
ART_1001307901

FIGURE 6-17. ROOF & REAR WIPERS INSTALLATION

ITEM	PART NUMBER	QTY	DESCRIPTION	REV
	1001307901	Ref	ROOF & REAR WIPERS INSTALLATION	A
1	1001262961	AR	Tie-Strap (Not Shown)	
2	1001265303	2	Fitting, 90	
3	1001265304	1	Fitting, Y	
4	1001265305	3	Valve, Hose Check	
5	1001265306	1	Roof Wiper Harness (See Separate Breakdown in ELECTRICAL Section)	
6	1001309564	1	Kit, Hardware - Rear Wiper Arm (No Service Parts Available)	
7	1001309565	1	Kit, Stud Cap - Rear Wiper Motor (No Service Parts Available)	
8	1001309566	1	Kit, Hardware - Roof Wiper Arm (No Service Parts Available)	
9	1001309567	1	Motor, Rear Wiper	
9		Ref	Connector	
9	1001116693	4	Pin	
10	1001309568	1	Motor, Roof Wiper	
10		Ref	Connector	
10	1001116693	5	Pin	
10	4460466	1	Plug	
11	1001309569	1	Arm, Rear Wiper	
12	1001309570	1	Arm, Roof Wiper	
13	1001309571	1	Blade, Rear Wiper	
14	1001309572	1	Blade, Roof Wiper	
15	1001309730	1	Hose (Washer Fluid Tank to Windshield & Roof Wipers)	
16	1001309731	1	Hose (to Rear Wiper)	
17	1001309732	1	Hose (to Roof Wiper)	
18	1001309733	1	Hose (to Windshield Wiper)	
19	1001309734	1	Hose (to Windshield & Roof Wiper Hose)	
20	1001309735	1	Hose (to Rear Wiper Hose)	
21	1001309736	1	Hose (Washer Fluid Tank to Rear Wiper)	

SECTION 6 - CAB

FIGURE 6-18. SEAT INSTALLATION



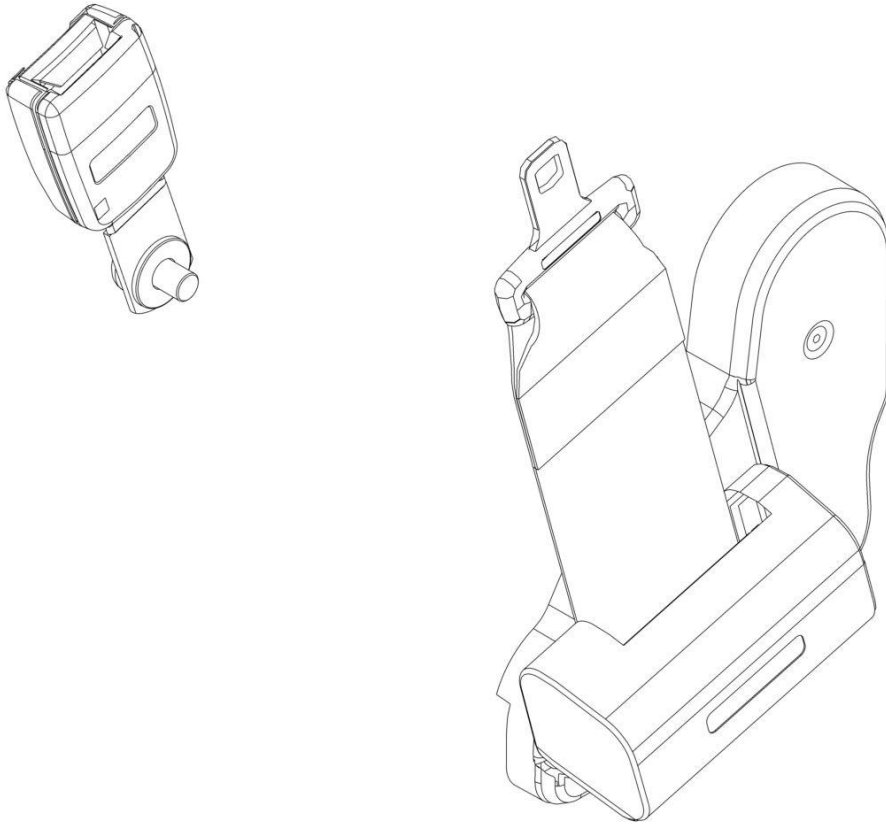
ART_1001303221

FIGURE 6-18. SEAT INSTALLATION

ITEM	PART NUMBER	QTY	DESCRIPTION	REV
	1001303221	Ref	SEAT INSTALLATION	A
1	0761010	4	Bolt M10 x 20	
2	3290805	4	Nut M8	
3	4811900	4	Washer M8	
4	4812002	3	Washer M10	
5	4832000	4	Washer M10	
6	1001262289	1	Capscrew M8 x 15	
7	1001299209	1	Seat (Includes Item 101)	
8	1001299292	1	Plate	
9	1001299295	1	Bracket	
10	1001299300	2	Bar	
101	70031659	1	Belt, Seat - 2 Inch Belt (Includes Sensor)	

SECTION 6 - CAB

FIGURE 6-19. SEAT BELT ASSEMBLY - 3 INCH BELT



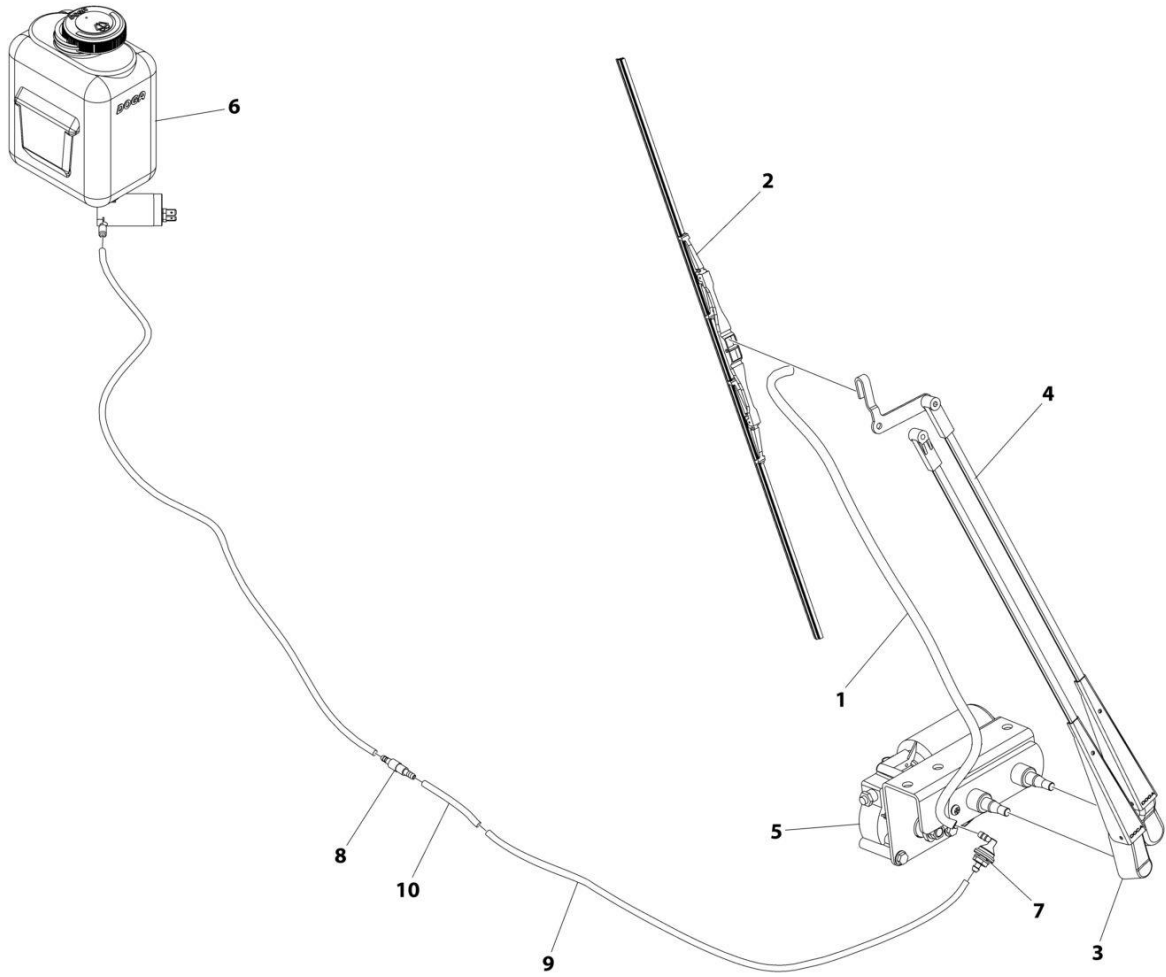
ART_1001310753

FIGURE 6-19. SEAT BELT ASSEMBLY - 3 INCH BELT

ITEM	PART NUMBER	QTY	DESCRIPTION	REV
	1001310753 See Note	Ref Ref	SEAT BELT ASSEMBLY Note: No Service Parts Available, Purchase Complete Assembly	A

SECTION 6 - CAB

FIGURE 6-20. WINDSHIELD WIPER INSTALLATION



ART_1001304377

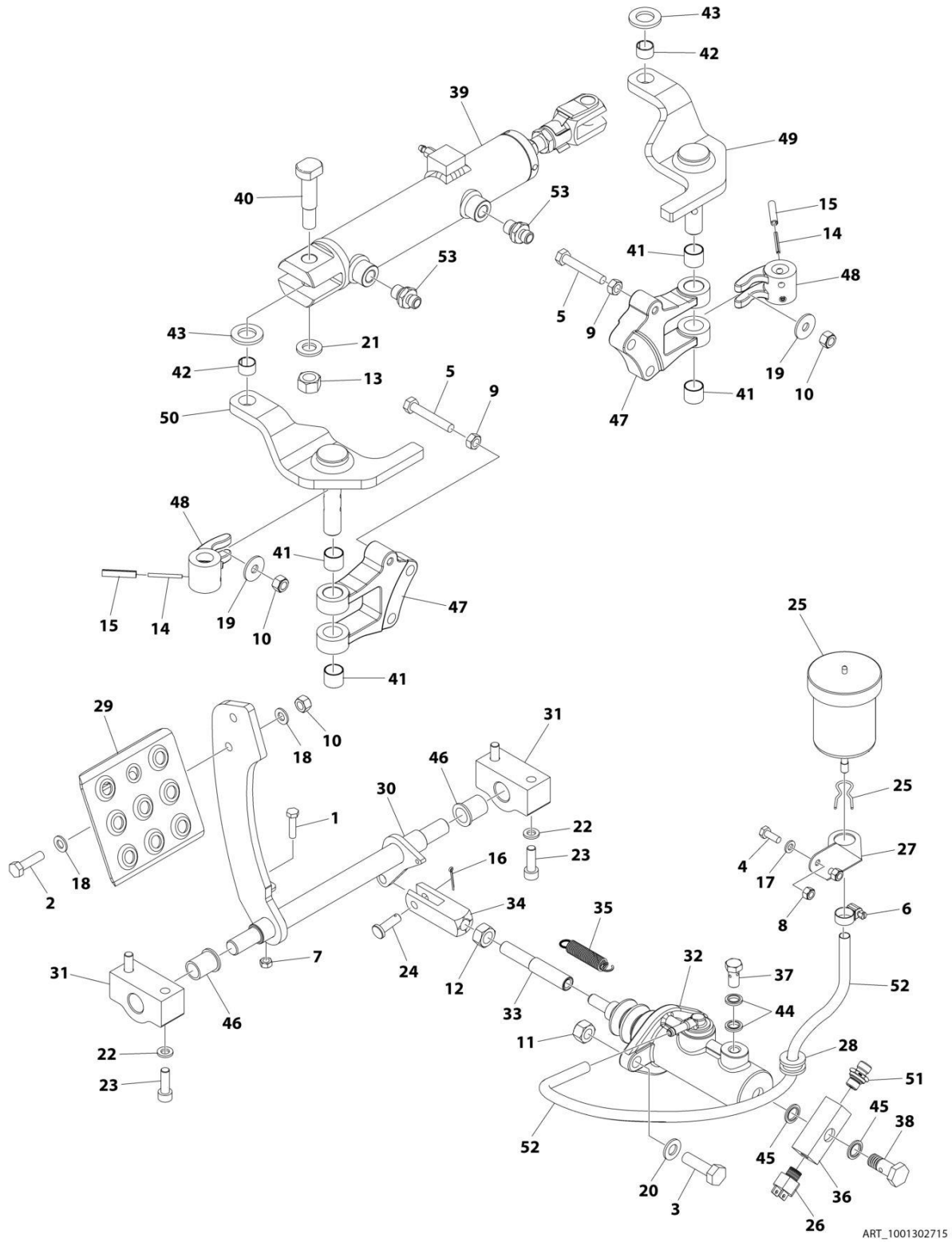
FIGURE 6-20. WINDSHIELD WIPER INSTALLATION

ITEM	PART NUMBER	QTY	DESCRIPTION	REV
	1001304377	Ref	WIPER INSTALLATION	A
1	1001264485	1	Hose	
2	1001264494	1	Blade, Wiper	
3	1001264500	1	Linkage, Right Wiper	
4	1001264501	1	Linkage, Left Wiper	
5	1001264505	1	Motor, Wiper	
6	1001264508	1	Tank, Washer Fluid	
7	1001264521	1	Fitting, 90	
8	1001265305	1	Valve, Check	
9	1001265300	1	Hose	
10	1001265301	1	Hose	

SECTION 7 - CONTROLS

SECTION 7 - CONTROLS

FIGURE 7-1. BRAKE SYSTEM INSTALLATION



SECTION 7 - CONTROLS

FIGURE 7-1. BRAKE SYSTEM INSTALLATION

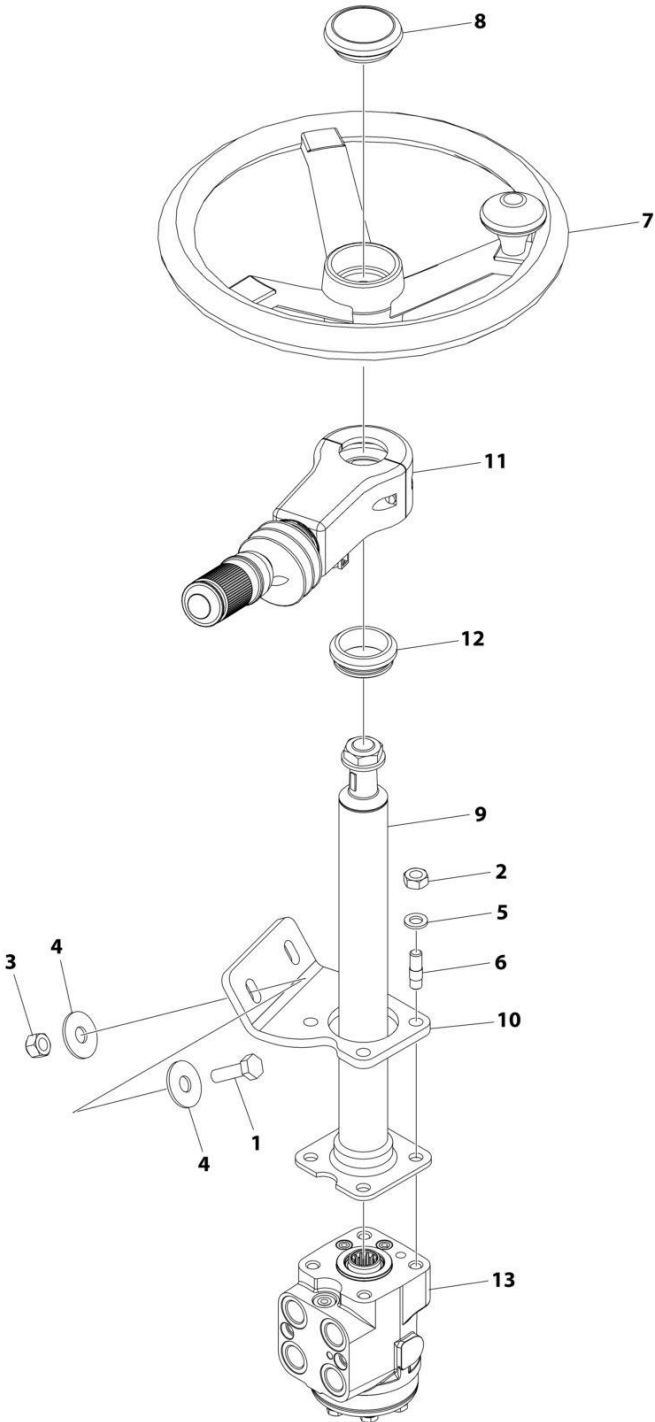
ITEM	PART NUMBER	QTY	DESCRIPTION	REV
	1001302715	Ref	BRAKE SYSTEM INSTALLATION	A
1	0700612	1	Bolt M6 x 25	
2	0700814	2	Bolt M8 x 30	
3	0701015	2	Bolt M10 x 35	
4	0760608	2	Bolt M6 x 16	
5	0760818	2	Bolt M8 x 50	
6	1320022	1	Clamp, Hose	
7	3290601	1	Nut M6	
8	3290605	2	Nut M6	
9	3290801	2	Nut M8	
10	3290805	4	Nut M8	
11	3291005	2	Nut M10	
12	3291201	1	Nut M12	
13	3291207	1	Nut M12	
14	3440420	4	Pin	
15	3440820	4	Pin	
16	3450203	1	Pin, Cotter	
17	4811700	2	Washer M6	
18	4811900	4	Washer M8	
19	4811902	2	Washer M8	
20	4812000	2	Washer M10	
21	4812100	1	Washer M12	
22	4831900	4	Washer M8	
23	5271809	4	Capscrew M8 x 25	
24	1001262675	1	Pin	
25	1001262683	1	Reservoir, Brake Fluid	
26	1001262684	1	Sensor, Brake Pressure	
27	1001262685	1	Bracket	
28	1001264529	1	Grommet	
29	1001303452	1	Pedal, Brake	
30	1001303466	1	Lever, Brake	
31	1001303494	2	Block, Mounting	
32	1001303495	1	Cylinder, Brake Master (No Service Parts Available)	
33	1001303496	1	Rod	
34	1001303514	1	Clevis	
35	1001303521	1	Spring	
36	1001303608	1	Block, Fitting	
37	1001303609	1	Bolt M10 x 1	
38	1001303610	1	Bolt M12 x 1	
39	1001303611	1	Cylinder, Brake	
40	1001303614	1	Bolt M25 x 70	
41	1001303634	4	Bushing	
42	1001303637	2	Bushing	
43	1001305592	2	Washer M17	
44	1001305594	2	Seal M10	
45	1001305595	2	Seal M12	
46	1001305601	2	Bushing	
47	1001305612	2	Support, Brake Arm	
48	1001305660	2	Support, Brake Mount	
49	1001305666	1	Mount, Right Brake	

SECTION 7 - CONTROLS

ITEM	PART NUMBER	QTY	DESCRIPTION	REV
50	1001305674	1	Mount, Left Brake	
51	1001305794	1	Fitting, Straight	
52	1001262688	1	Hose	
53	2142704	2	Fitting, Straight	

SECTION 7 - CONTROLS

FIGURE 7-2. STEERING INSTALLATION



ART_1001302209

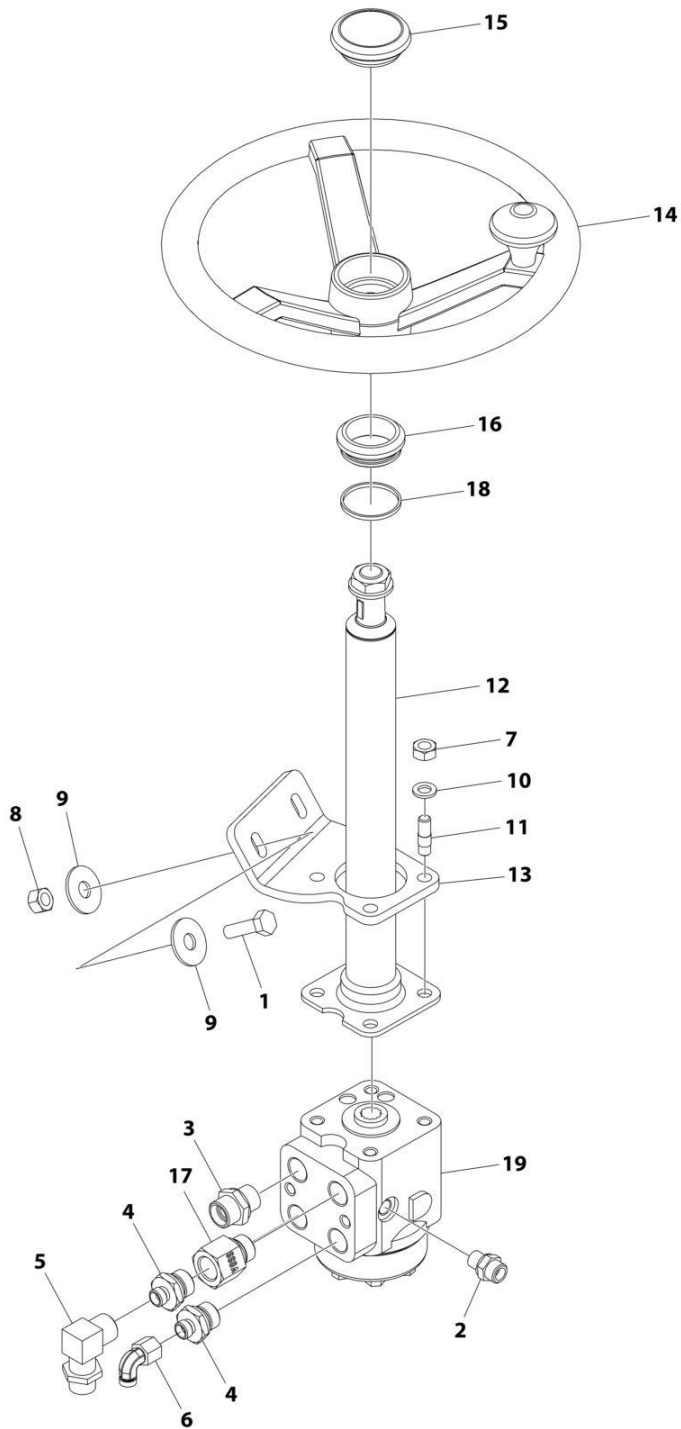
SECTION 7 - CONTROLS

FIGURE 7-2. STEERING INSTALLATION

ITEM	PART NUMBER	QTY	DESCRIPTION	REV
	1001302209	Ref	STEERING INSTALLATION	A
1	0701015	2	Bolt M10 x 35	
2	3291001	4	Nut M10	
3	3291005	2	Nut M10	
4	4812102	4	Washer M12	
5	4832000	4	Washer M10	
6	1001262669	4	Stud	
7	1001262673	1	Wheel, Steering	
7	70031360	1	Knob, Steer	
8	1001262674	1	Button, Horn	
9	1001262670	1	Column, Steering	
10	1001262671	1	Bracket	
11	1001264404	1	Lever, Forward Neutral Reverse	
12	1001302207	1	Grommet	
13	1001302208	1	Valve, Steering	
13	80334588	1	Kit, Seal	

SECTION 7 - CONTROLS

FIGURE 7-3. STEERING INSTALLATION (HIGH FLOW)



ART_1001311715

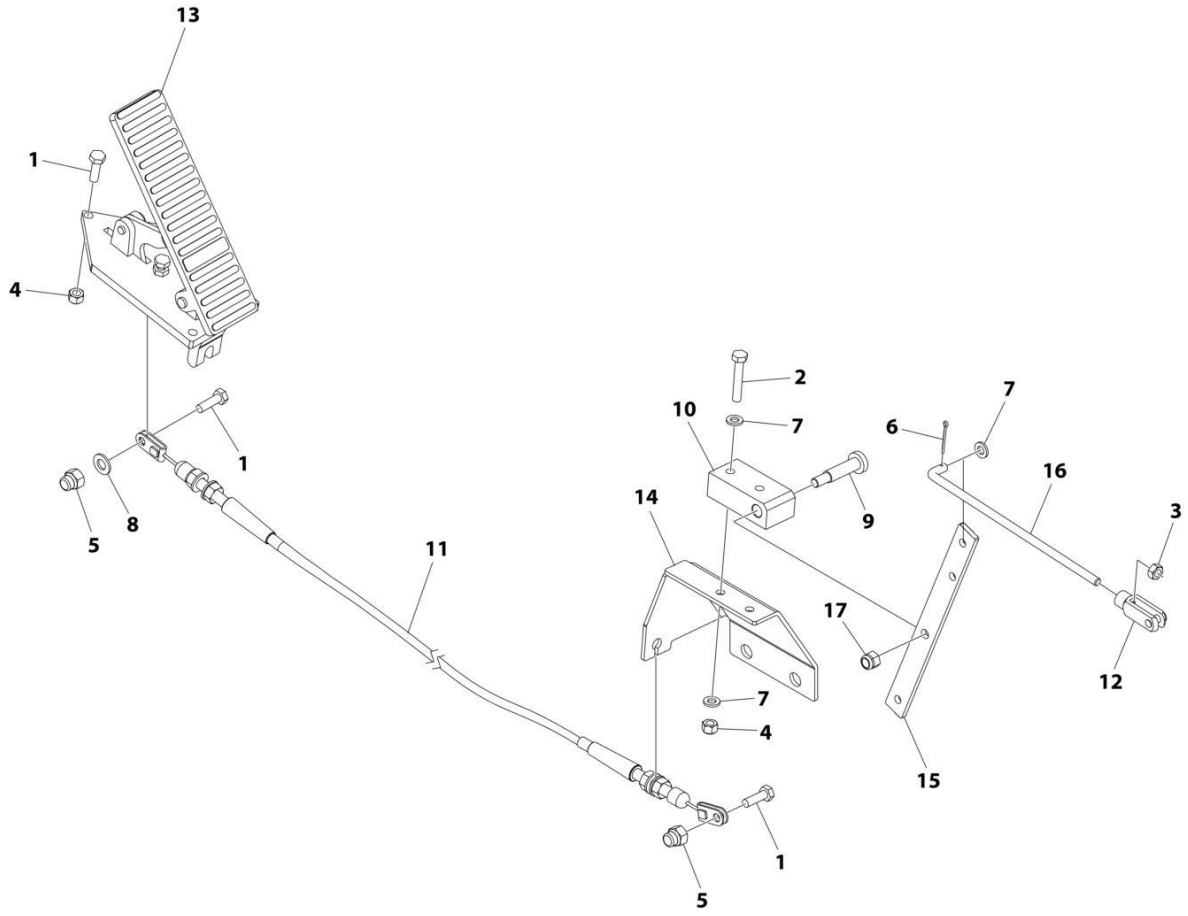
SECTION 7 - CONTROLS

FIGURE 7-3. STEERING INSTALLATION (HIGH FLOW)

ITEM	PART NUMBER	QTY	DESCRIPTION	REV
	1001311715	Ref	STEERING INSTALLATION (HIGH FLOW)	A
1	0701015	2	Bolt M10 x 35	
2	2142706	1	Fitting, Straight	
3	2142715	1	Fitting, Straight	
4	2142743	2	Fitting, Straight	
5	2143007	1	Fitting, 90	
6	2143402	1	Fitting, 90	
7	3291001	4	Nut M10	
8	3291005	2	Nut M10	
9	4812102	4	Washer M12	
10	4832000	4	Washer M10	
11	1001262669	4	Stud	
12	1001262670	1	Column, Steering	
13	1001262671	1	Bracket	
14	1001262673	1	Wheel, Steering	
15	1001262674	1	Button, Horn	
16	1001302207	1	Grommet	
17	1001302511	1	Fitting, Straight	
18	1001304017	1	O-Ring	
19	1001311683	1	Valve, Steering	

SECTION 7 - CONTROLS

FIGURE 7-4. THROTTLE PEDAL INSTALLATION



ART_1001303793

SECTION 7 - CONTROLS

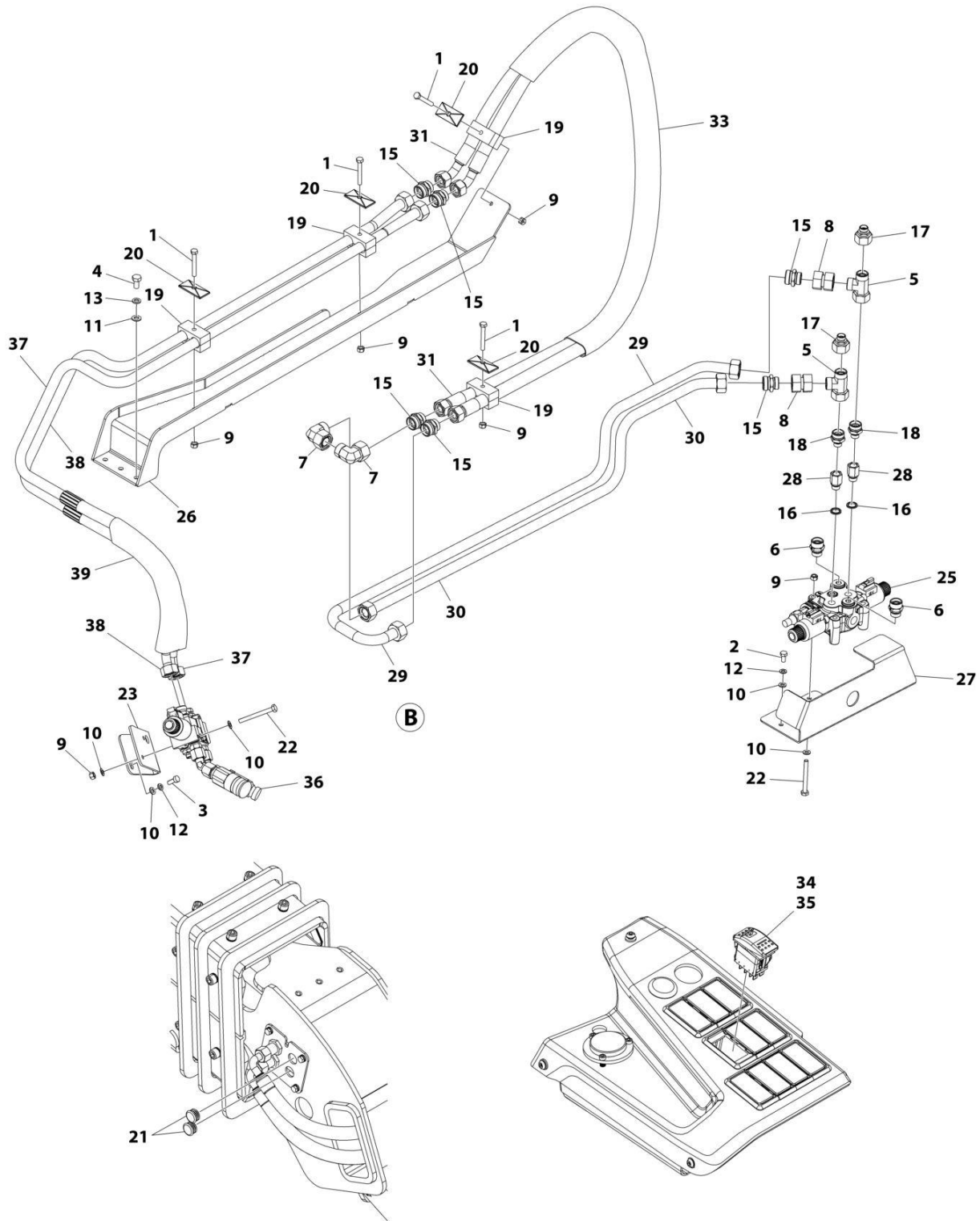
FIGURE 7-4. THROTTLE PEDAL INSTALLATION

ITEM	PART NUMBER	QTY	DESCRIPTION	REV
	1001303793	Ref	THROTTLE PEDAL INSTALLATION	A
1	0700610	5	Bolt M6 x 20	
2	0700615	2	Bolt M6 x 35	
3	3290601	1	Nut M6	
4	3290605	5	Nut M6	
5	3290806	2	Nut M8	
6	3450203	1	Pin, Cotter	
7	4811700	5	Washer M6	
8	4811900	1	Washer M8	
9	1001262417	1	Pin, Throttle Pivot	
10	1001262410	1	Mount, Throttle Coupling	
11	1001262418	1	Cable, Throttle	
12	1001262499	1	Clevis, Throttle	
13	1001262416	1	Pedal, Throttle	
14	1001262411	1	Bracket, Throttle Support	
15	1001262412	1	Coupling, Throttle	
16	1001262414	1	Rod, Throttle	
17	1001262433	1	Nut M7	

SECTION 8 - HYDRAULIC CIRCUITS

SECTION 8 - HYDRAULIC CIRCUITS

FIGURE 8-1. AUXILIARY HYDRAULICS INSTALLATION - HYDRAULIC COUPLER (HIGH FLOW)



ART_1001307908

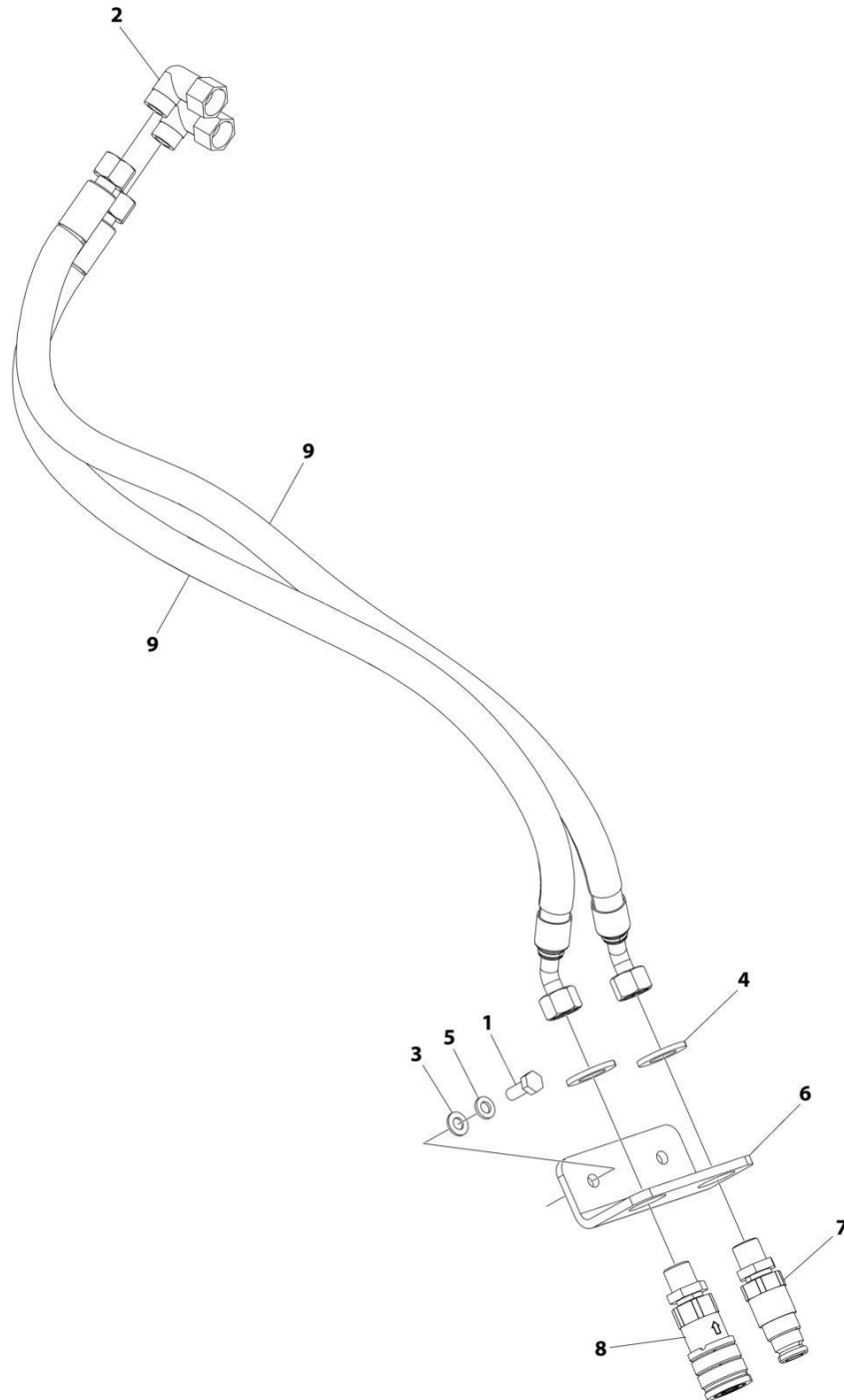
SECTION 8 - HYDRAULIC CIRCUITS

FIGURE 8-1. AUXILIARY HYDRAULICS INSTALLATION - HYDRAULIC COUPLER (HIGH FLOW)

ITEM	PART NUMBER	QTY	DESCRIPTION	REV
	1001307908	Ref	AUXILIARY HYDRAULICS INSTALLATION (HYDRAULIC COUPLER) (HIGH FLOW)	B
1	0700820	4	Bolt M8 x 60	
2	0760808	2	Bolt M8 x 16	
3	0760810	2	Bolt M8 x 20	
4	0761010	3	Bolt M10 x 20	
5	2142206	2	Fitting, Tee	
6	2142716	2	Fitting, Straight	
7	2143407	2	Fitting, 90	
8	2143607	2	Fitting, Straight	
9	3290805	9	Nut M8	
10	4811900	11	Washer M8	
11	4812000	3	Washer M10	
12	4831900	4	Washer M8	
13	4832000	3	Washer M10	
14	1001262961	2	Tie-Strap (Not Shown)	
15	1001263110	6	Fitting, Straight	
16	1001263139	2	Seal	
17	1001263141	2	Fitting, Straight	
18	1001263143	2	Fitting, Straight	
19	1001263184	4	Clamp	
20	1001263185	4	Cap, Clamp	
21	1001264006	2	Plug	
22	1001264533	5	Bolt M8 x 80	
23	1001304736	1	Bracket	
24	1001304892	1	Harness, Hydraulic Coupler (Not Shown)	
25	1001307979	1	Valve, Distributor	
26	1001307980	1	Support	
27	1001308082	1	Bracket	
28	1001308083	2	Fitting, Straight	
29	1001308142	1	Pipe	
30	1001308144	1	Pipe	
31	1001308146	2	Hose	
32	1001308150	1	Harness, Jumper (Not Shown)	
33	1001308151	1	Sleeve	
34	1001311737	1	Switch	
35	1001311738	1	Switch	
36	1001311884	1	Valve, Hydraulic Coupler	
37	1001308140	1	Pipe	
38	1001308141	1	Pipe	
39	1001308152	1	Sleeve	

SECTION 8 - HYDRAULIC CIRCUITS

FIGURE 8-2. AUXILIARY HYDRAULICS INSTALLATION - MANUAL COUPLER



ART_1001301813

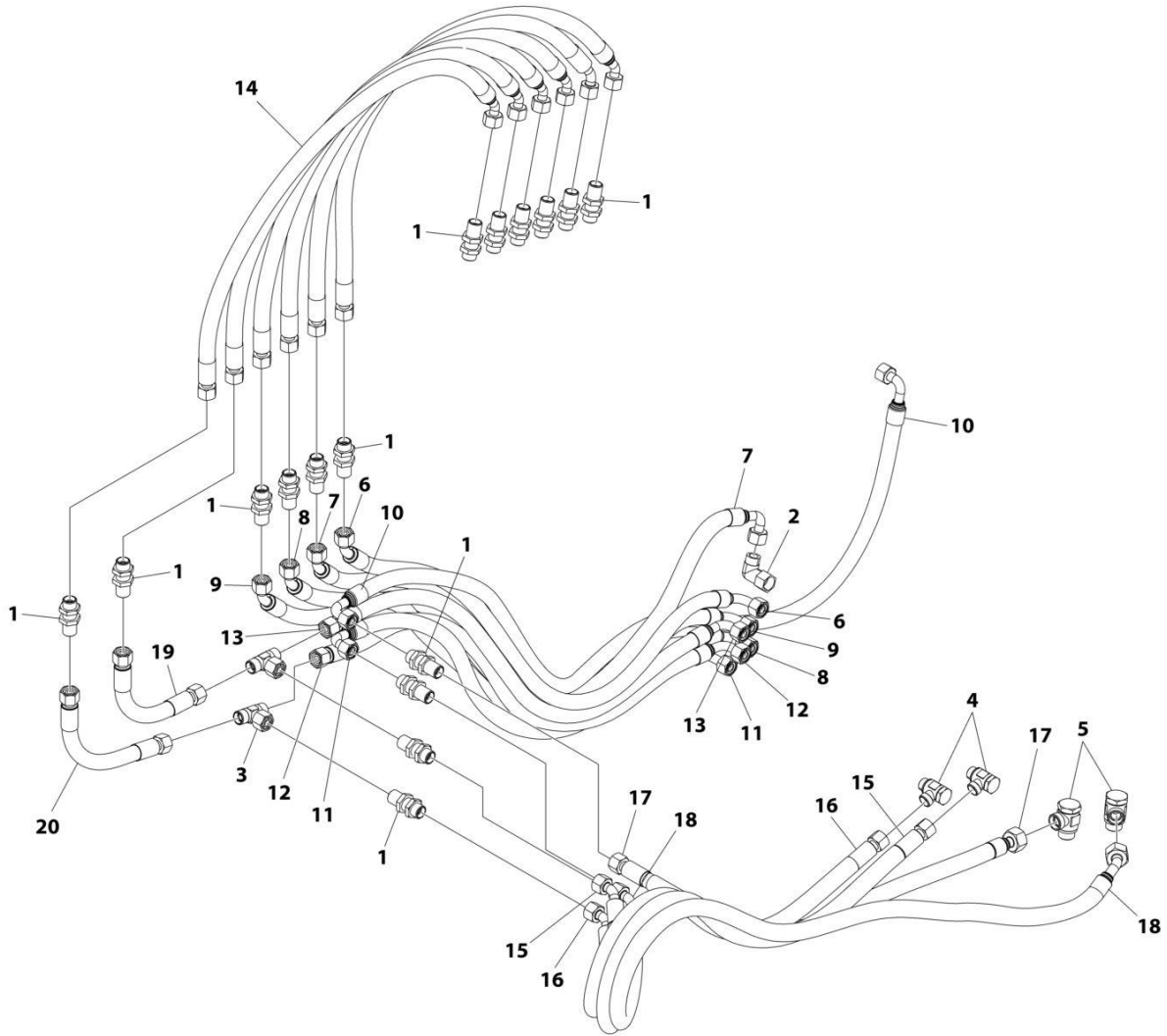
SECTION 8 - HYDRAULIC CIRCUITS

FIGURE 8-2. AUXILIARY HYDRAULICS INSTALLATION - MANUAL COUPLER

ITEM	PART NUMBER	QTY	DESCRIPTION	REV
	1001301813	Ref	AUXILIARY HYDRAULICS INSTALLATION	A
1	0760810	2	Bolt M8 x 20	
2	2143404	2	Fitting, 90	
3	4811900	2	Washer M8	
4	4812400	2	Washer M18	
5	4831900	2	Washer M8	
6	1001262037	1	Bracket	
7	1001263186	1	Coupling, Male Quick Disconnect	
8	1001263187	1	Coupling, Female Quick Disconnect	
9	1001305482	2	Hose	

SECTION 8 - HYDRAULIC CIRCUITS

FIGURE 8-3. BOOM HOSES INSTALLATION



ART_1001305837

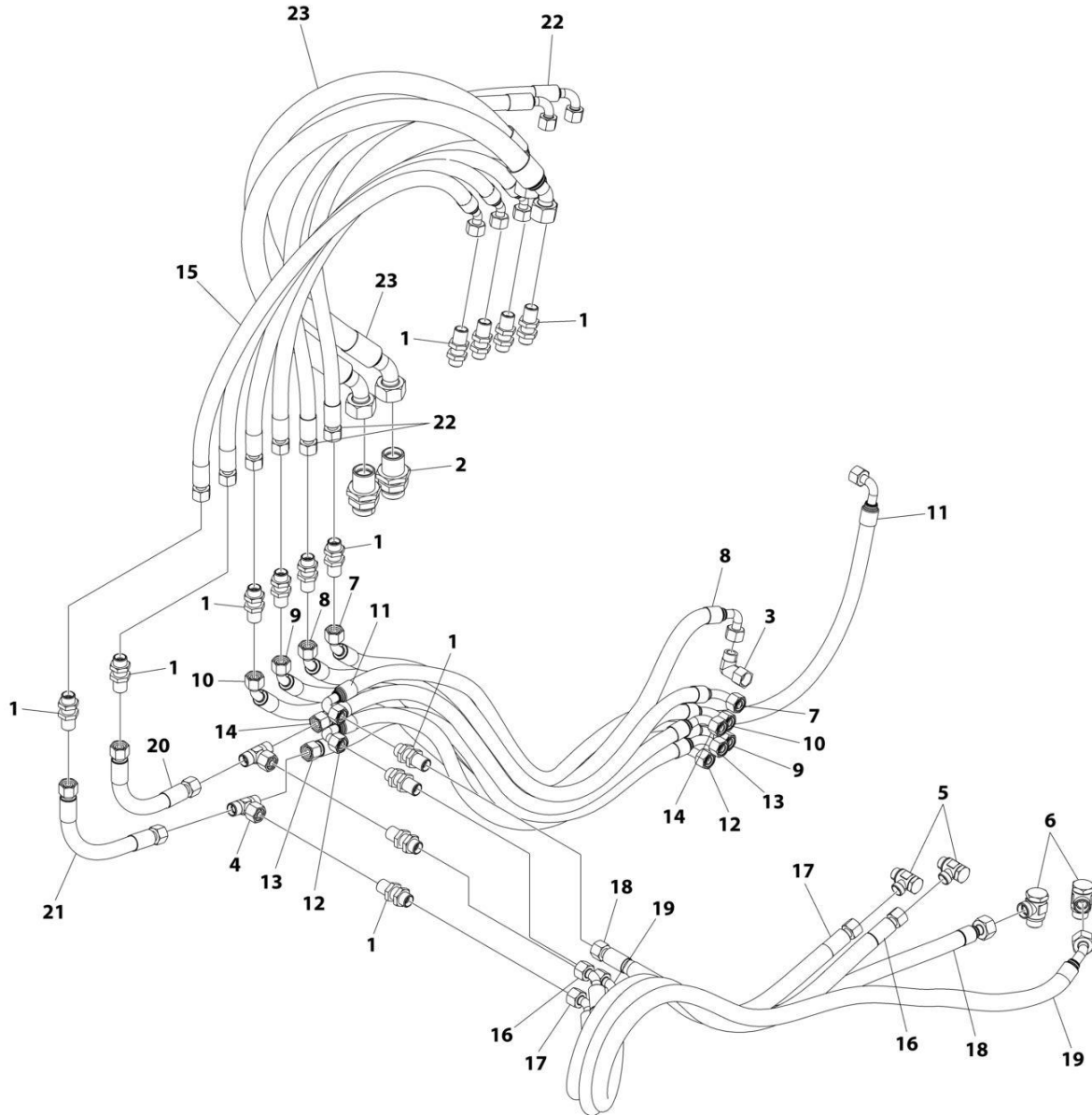
SECTION 8 - HYDRAULIC CIRCUITS

FIGURE 8-3. BOOM HOSES INSTALLATION

ITEM	PART NUMBER	QTY	DESCRIPTION	REV
	1001305837	Ref	BOOM HOSES INSTALLATION	A
1	2141504	16	Fitting, Straight	
2	2143404	1	Fitting, 90	
3	1001263145	2	Fitting, Tee	
4	1001263170	2	Fitting, Tee	
5	1001263181	2	Fitting, Tee	
6	1001302733	1	Hose	
7	1001302734	1	Hose	
8	1001302735	1	Hose	
9	1001302736	1	Hose	
10	1001302737	1	Hose	
11	1001302738	1	Hose	
12	1001302739	1	Hose	
13	1001302740	1	Hose	
14	1001302741	6	Hose	
15	1001302742	1	Hose	
16	1001302743	1	Hose	
17	1001302744	1	Hose	
18	1001302816	1	Hose	
19	1001306269	1	Hose	
20	1001306270	1	Hose	

SECTION 8 - HYDRAULIC CIRCUITS

FIGURE 8-4. BOOM HOSES INSTALLATION (HIGH FLOW)



ART_1001311868

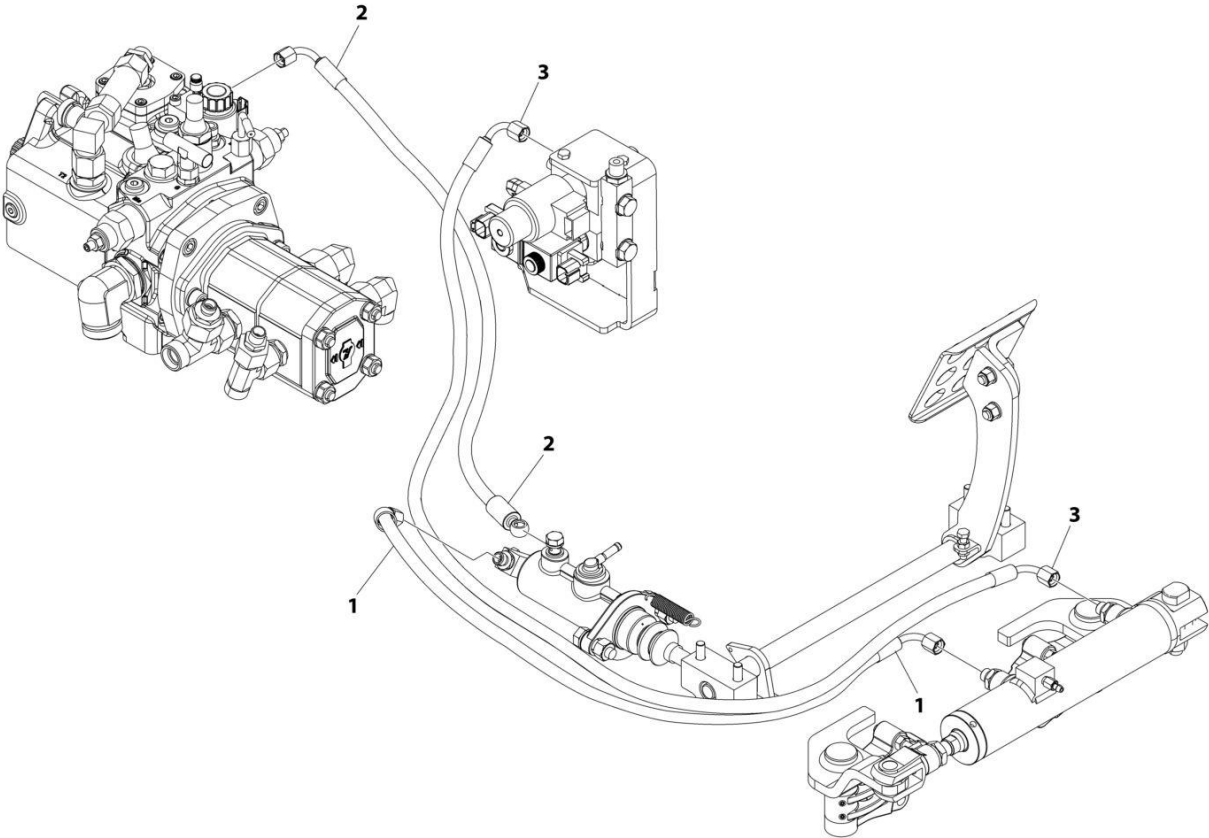
SECTION 8 - HYDRAULIC CIRCUITS

FIGURE 8-4. BOOM HOSES INSTALLATION (HIGH FLOW)

ITEM	PART NUMBER	QTY	DESCRIPTION	REV
	1001311868	Ref	BOOM HOSES INSTALLATION (HIGH FLOW)	A
1	2141504	14	Fitting, Straight	
2	2141507	2	Fitting, Straight	
3	2143404	1	Fitting, 90	
4	1001263145	2	Fitting, Tee	
5	1001263170	2	Fitting, Tee	
6	1001263181	2	Fitting, Tee	
7	1001302733	1	Hose	
8	1001302734	1	Hose	
9	1001302735	1	Hose	
10	1001302736	1	Hose	
11	1001302737	1	Hose	
12	1001302738	1	Hose	
13	1001302739	1	Hose	
14	1001302740	1	Hose	
15	1001302741	4	Hose	
16	1001302742	1	Hose	
17	1001302743	1	Hose	
18	1001302744	1	Hose	
19	1001302816	1	Hose	
20	1001306269	1	Hose	
21	1001306270	1	Hose	
22	1001312056	2	Hose	
23	1001312057	2	Hose	

SECTION 8 - HYDRAULIC CIRCUITS

FIGURE 8-5. BRAKE HOSES INSTALLATION



ART_1001305841

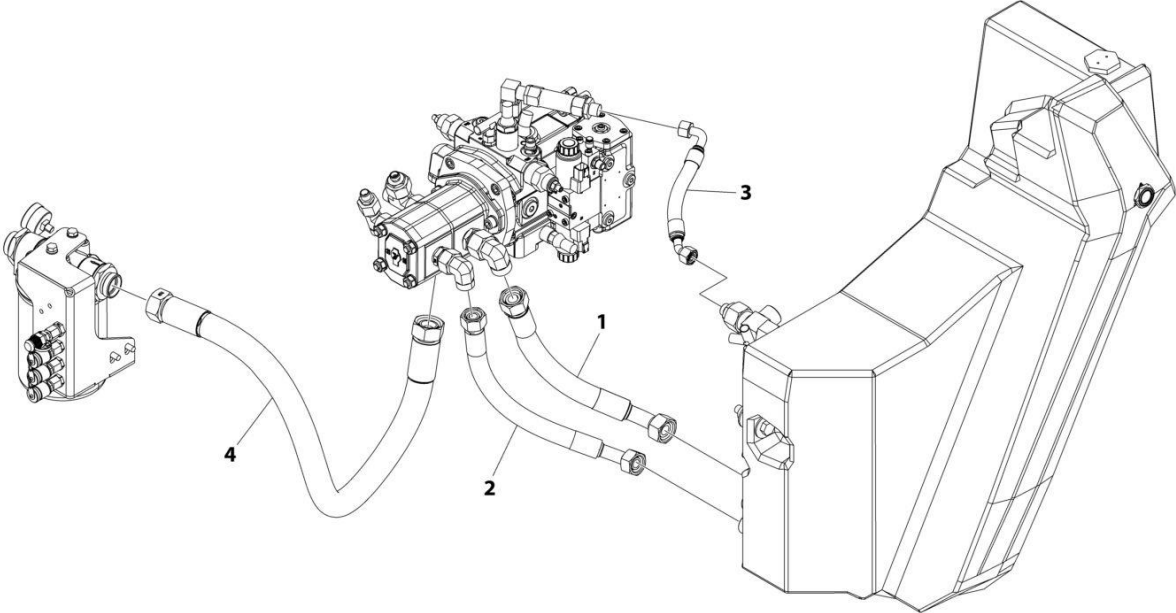
SECTION 8 - HYDRAULIC CIRCUITS

FIGURE 8-5. BRAKE HOSES INSTALLATION

ITEM	PART NUMBER	QTY	DESCRIPTION	REV
	1001305841	Ref	BRAKE HOSES INSTALLATION	A
1	1001306331	1	Hose	
2	1001306332	1	Hose	
3	1001306333	1	Hose	

SECTION 8 - HYDRAULIC CIRCUITS

FIGURE 8-6. DRIVE PUMP HOSES INSTALLATION



ART_1001305840

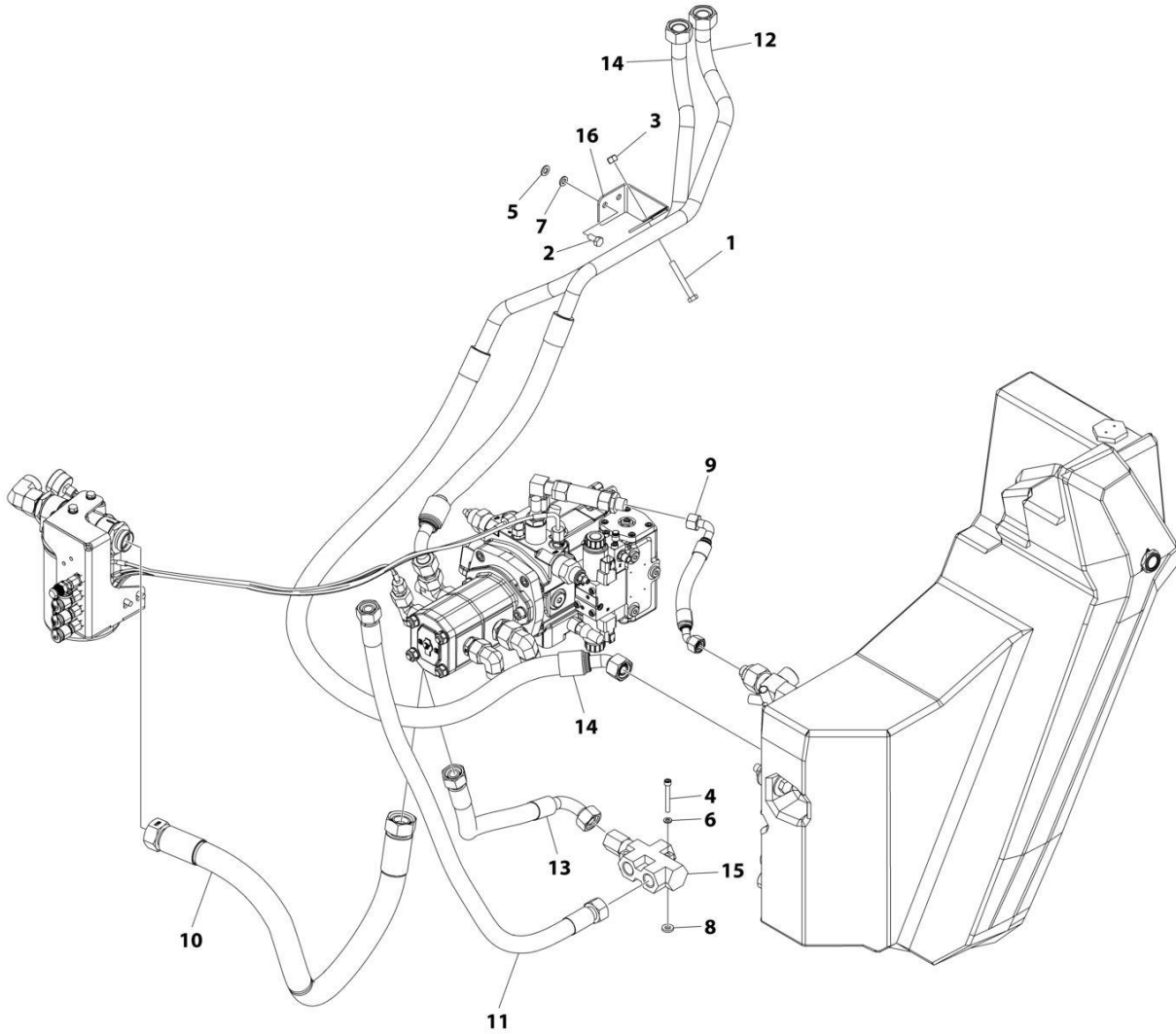
SECTION 8 - HYDRAULIC CIRCUITS

FIGURE 8-6. DRIVE PUMP HOSES INSTALLATION

ITEM	PART NUMBER	QTY	DESCRIPTION	REV
	1001305840	Ref	DRIVE PUMP HOSES INSTALLATION	A
1	1001306327	1	Hose	
2	1001306328	1	Hose	
3	1001306329	1	Hose	
4	1001306330	1	Hose	

SECTION 8 - HYDRAULIC CIRCUITS

FIGURE 8-7. DRIVE PUMP HOSES INSTALLATION (HIGH FLOW)



ART_1001311870

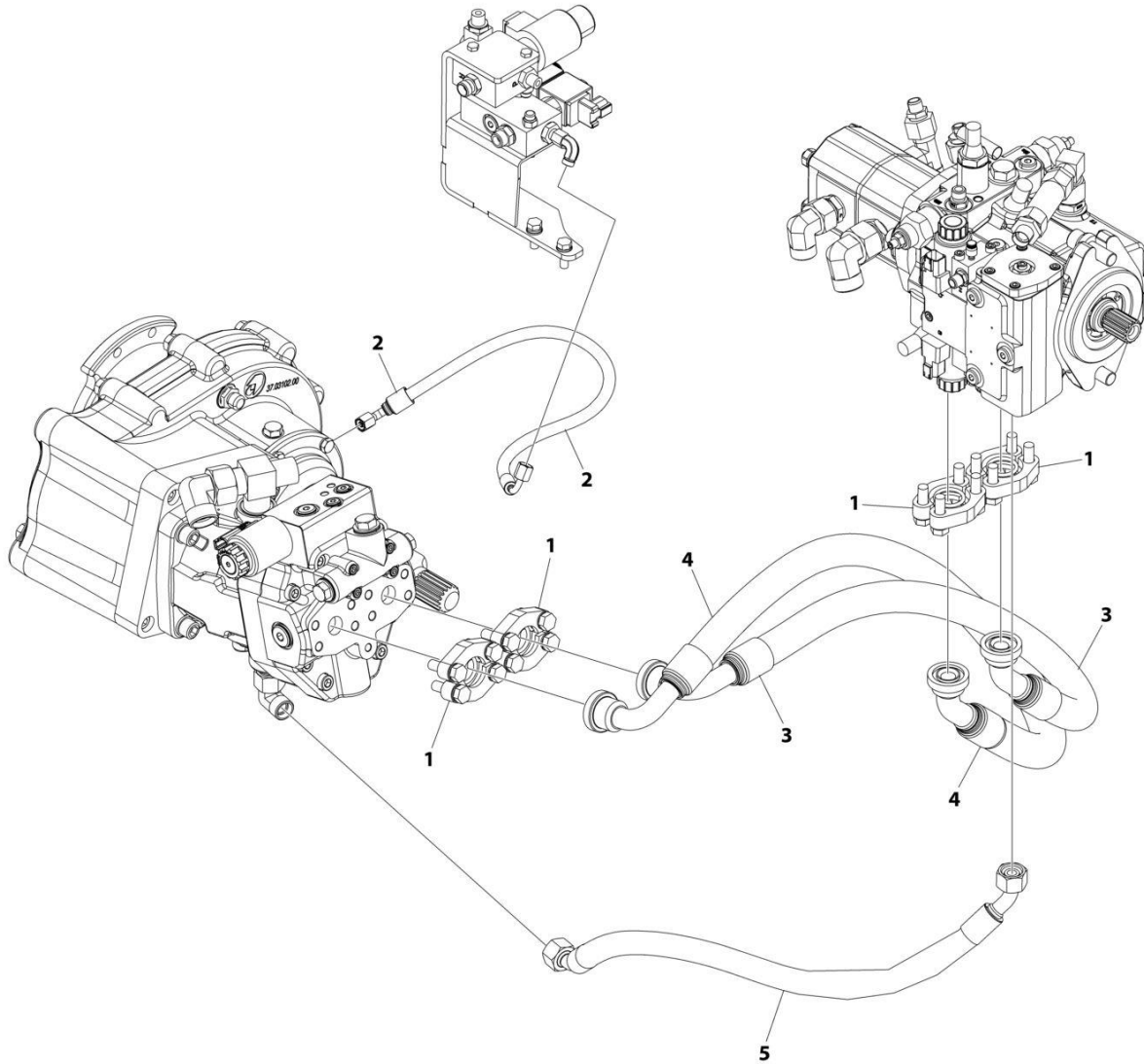
SECTION 8 - HYDRAULIC CIRCUITS

FIGURE 8-7. DRIVE PUMP HOSES INSTALLATION (HIGH FLOW)

ITEM	PART NUMBER	QTY	DESCRIPTION	REV
	1001311870	Ref	DRIVE PUMP HOSES INSTALLATION (HIGH FLOW)	A
1	0700820	1	Bolt M8 x 60	
2	0760808	2	Bolt M8 x 16	
3	3290805	1	Nut M8	
4	4031714	2	Capscrew M6 x 50	
5	4811900	2	Washer M8	
6	4831700	2	Washer M6	
7	4831900	2	Washer M8	
8	1001264481	2	Washer M8	
9	1001306329	1	Hose	
10	1001306330	1	Hose	
11	1001311916	1	Hose	
12	1001312061	1	Hose	
13	1001312062	1	Hose	
14	1001312063	1	Hose	
15	1001312064	1	Valve, Pressure Regulator	
16	1001312065	1	Plate	

SECTION 8 - HYDRAULIC CIRCUITS

FIGURE 8-8. HYDRAULIC MOTOR HOSES INSTALLATION



ART_1001305844

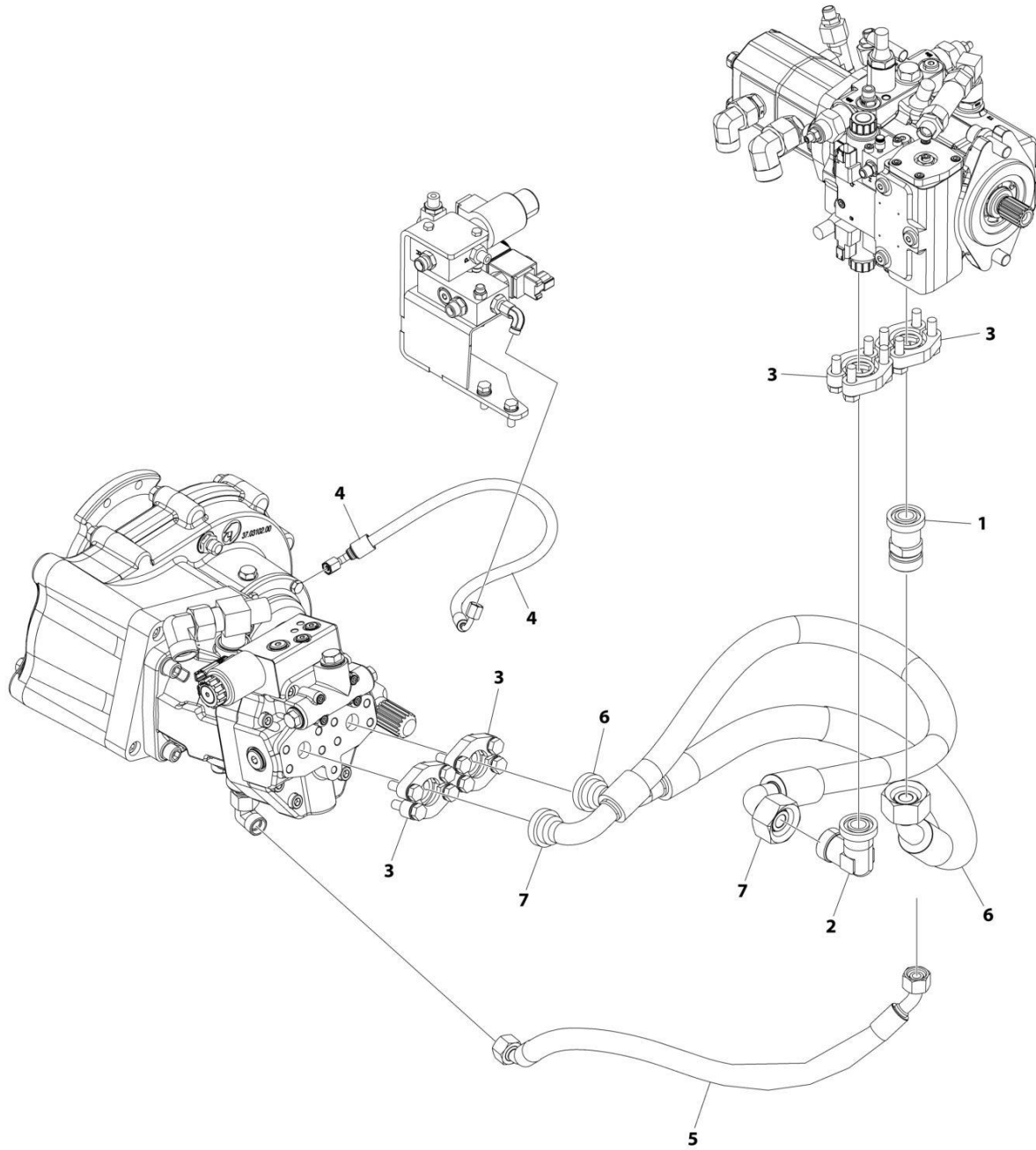
SECTION 8 - HYDRAULIC CIRCUITS

FIGURE 8-8. HYDRAULIC MOTOR HOSES INSTALLATION

ITEM	PART NUMBER	QTY	DESCRIPTION	REV
	1001305844	Ref	HYDRAULIC MOTOR HOSES INSTALLATION	A
1	2171712	4	Flange, Split (Includes Hardware & O-Ring)	
2	1001306241	1	Hose	
3	1001306242	1	Hose	
4	1001306243	1	Hose	
5	1001306244	1	Hose	

SECTION 8 - HYDRAULIC CIRCUITS

FIGURE 8-9. HYDRAULIC MOTOR HOSES INSTALLATION (HIGH FLOW)



ART_1001311872

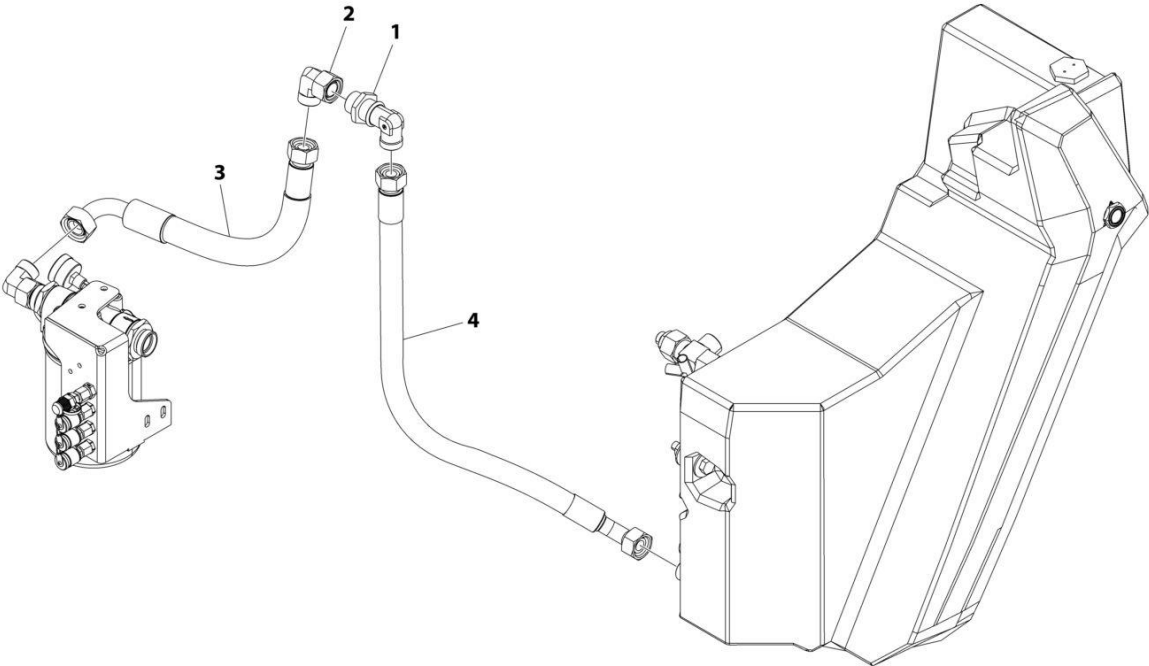
SECTION 8 - HYDRAULIC CIRCUITS

FIGURE 8-9. HYDRAULIC MOTOR HOSES INSTALLATION (HIGH FLOW)

ITEM	PART NUMBER	QTY	DESCRIPTION	REV
	1001311872	Ref	HYDRAULIC MOTOR HOSES INSTALLATION (HIGH FLOW)	A
1	2144209	1	Fitting, Straight	
2	2144515	1	Fitting, 90	
3	2171712	4	Flange, Split (Includes Hardware & O-Ring)	
4	1001306241	1	Hose	
5	1001306244	1	Hose	
6	1001311852	1	Hose	
7	1001311853	1	Hose	

SECTION 8 - HYDRAULIC CIRCUITS

FIGURE 8-10. HYDRAULIC TANK HOSES INSTALLATION



ART_1001305838

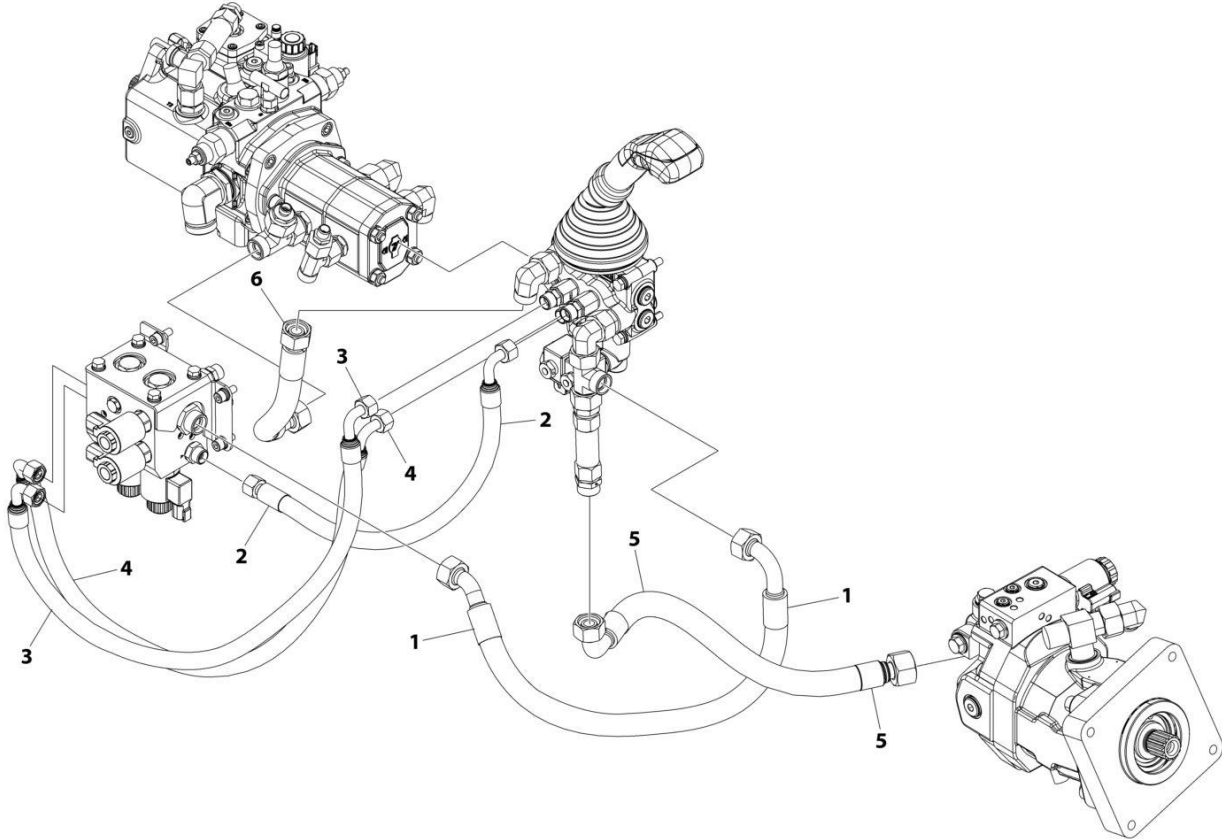
SECTION 8 - HYDRAULIC CIRCUITS

FIGURE 8-10. HYDRAULIC TANK HOSES INSTALLATION

ITEM	PART NUMBER	QTY	DESCRIPTION	REV
	1001305838	Ref	HYDRAULIC TANK HOSES INSTALLATION	A
1	2143307	1	Fitting, Straight	
2	2143407	1	Fitting, 90	
3	1001306249	1	Hose	
4	1001306250	1	Hose	

SECTION 8 - HYDRAULIC CIRCUITS

FIGURE 8-11. JOYSTICK HOSES INSTALLATION



ART_1001305843

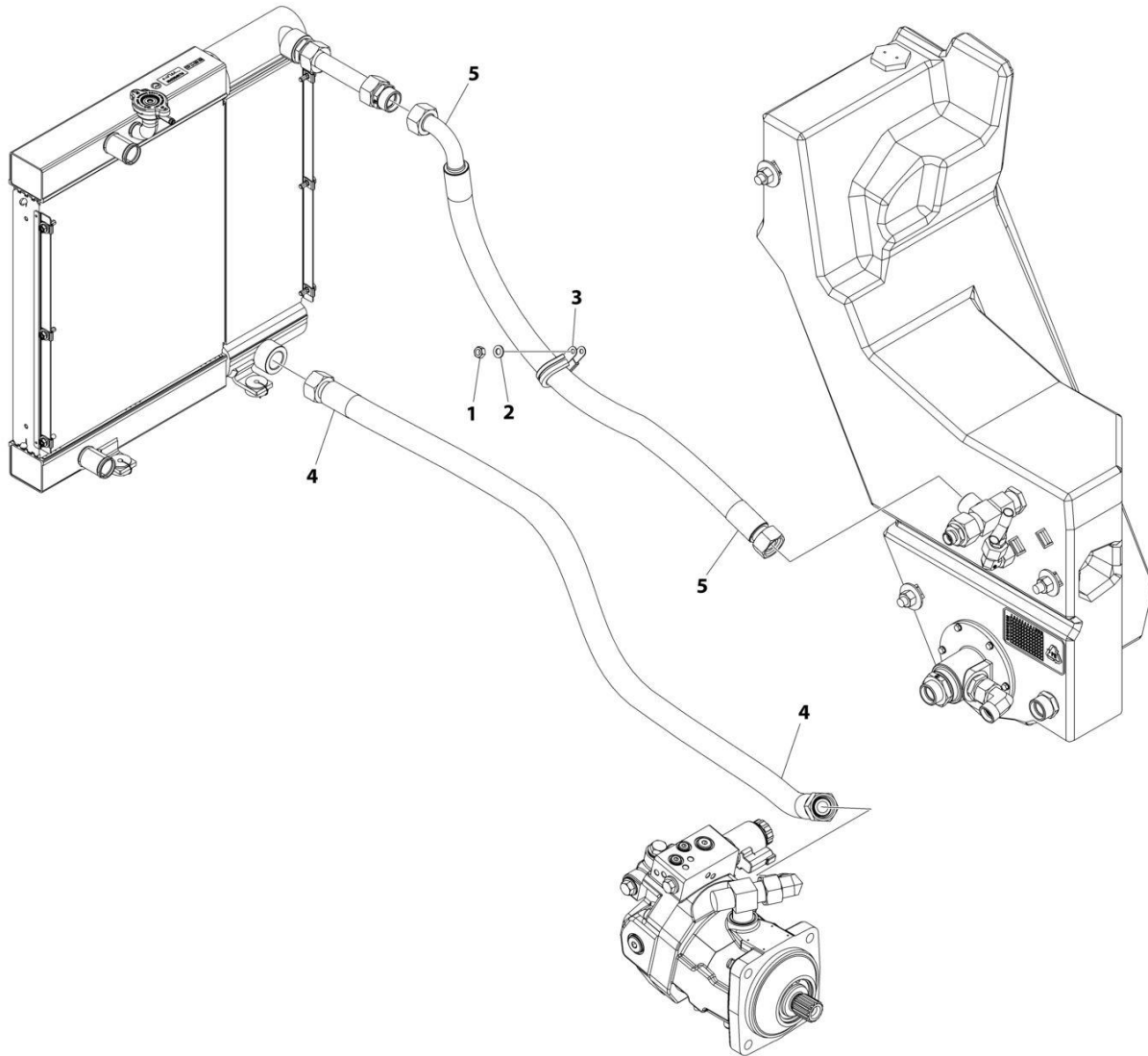
SECTION 8 - HYDRAULIC CIRCUITS

FIGURE 8-11. JOYSTICK HOSES INSTALLATION

ITEM	PART NUMBER	QTY	DESCRIPTION	REV
	1001305843	Ref	JOYSTICK HOSES INSTALLATION	A
1	1001306235	1	Hose	
2	1001306236	1	Hose	
3	1001306237	1	Hose	
4	1001306238	1	Hose	
5	1001306239	1	Hose	
6	1001306240	1	Hose	

SECTION 8 - HYDRAULIC CIRCUITS

FIGURE 8-12. OIL COOLER HOSES INSTALLATION



ART_1001305842

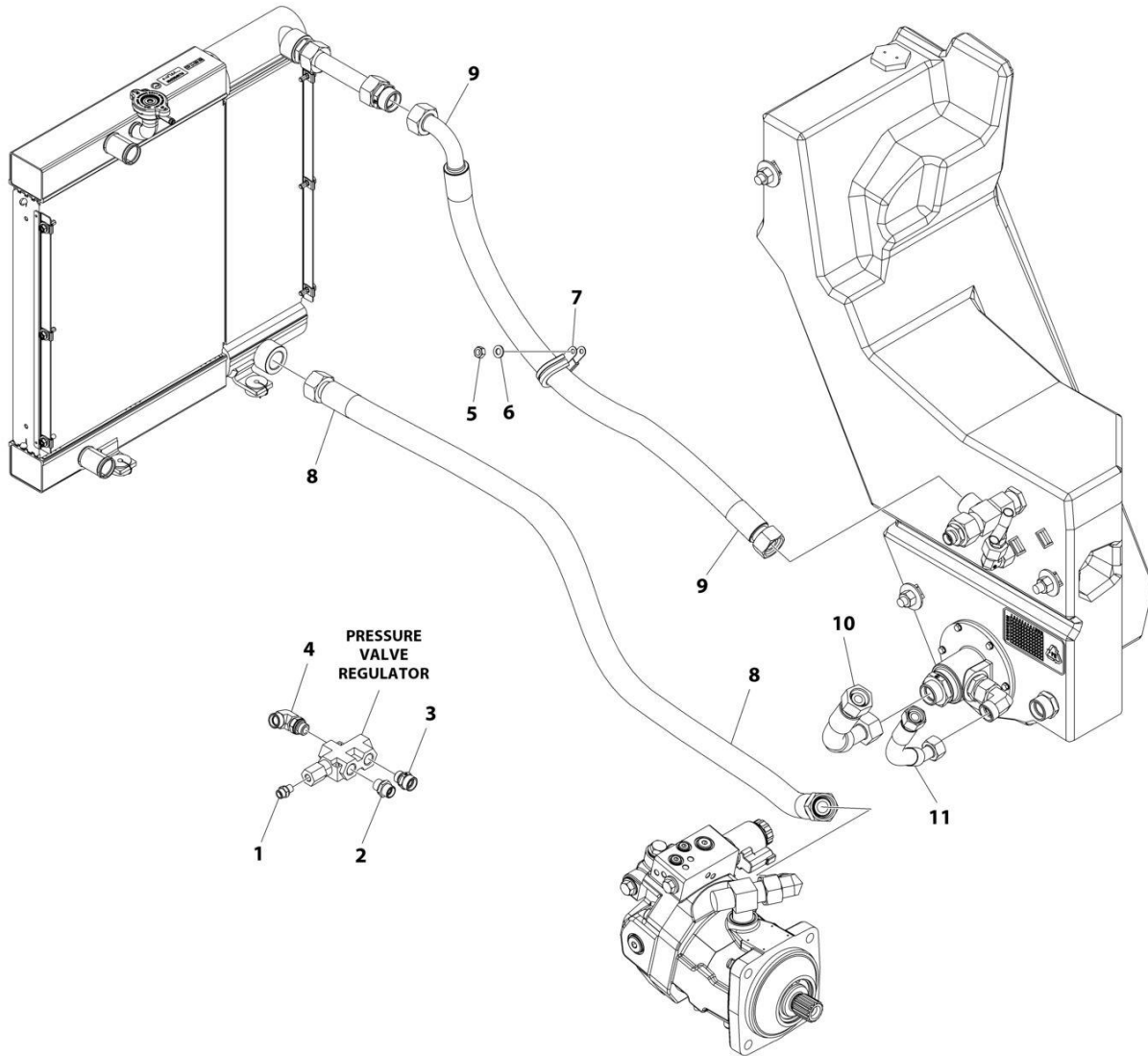
SECTION 8 - HYDRAULIC CIRCUITS

FIGURE 8-12. OIL COOLER HOSES INSTALLATION

ITEM	PART NUMBER	QTY	DESCRIPTION	REV
	1001305842	Ref	OIL COOLER HOSES INSTALLATION	A
1	3290801	1	Nut M8	
2	4811900	1	Washer M8	
3	1001264677	1	Clamp	
4	1001306245	1	Hose	
5	1001306247	1	Hose	

SECTION 8 - HYDRAULIC CIRCUITS

FIGURE 8-13. OIL COOLER HOSES INSTALLATION (HIGH FLOW)



ART_1001311871

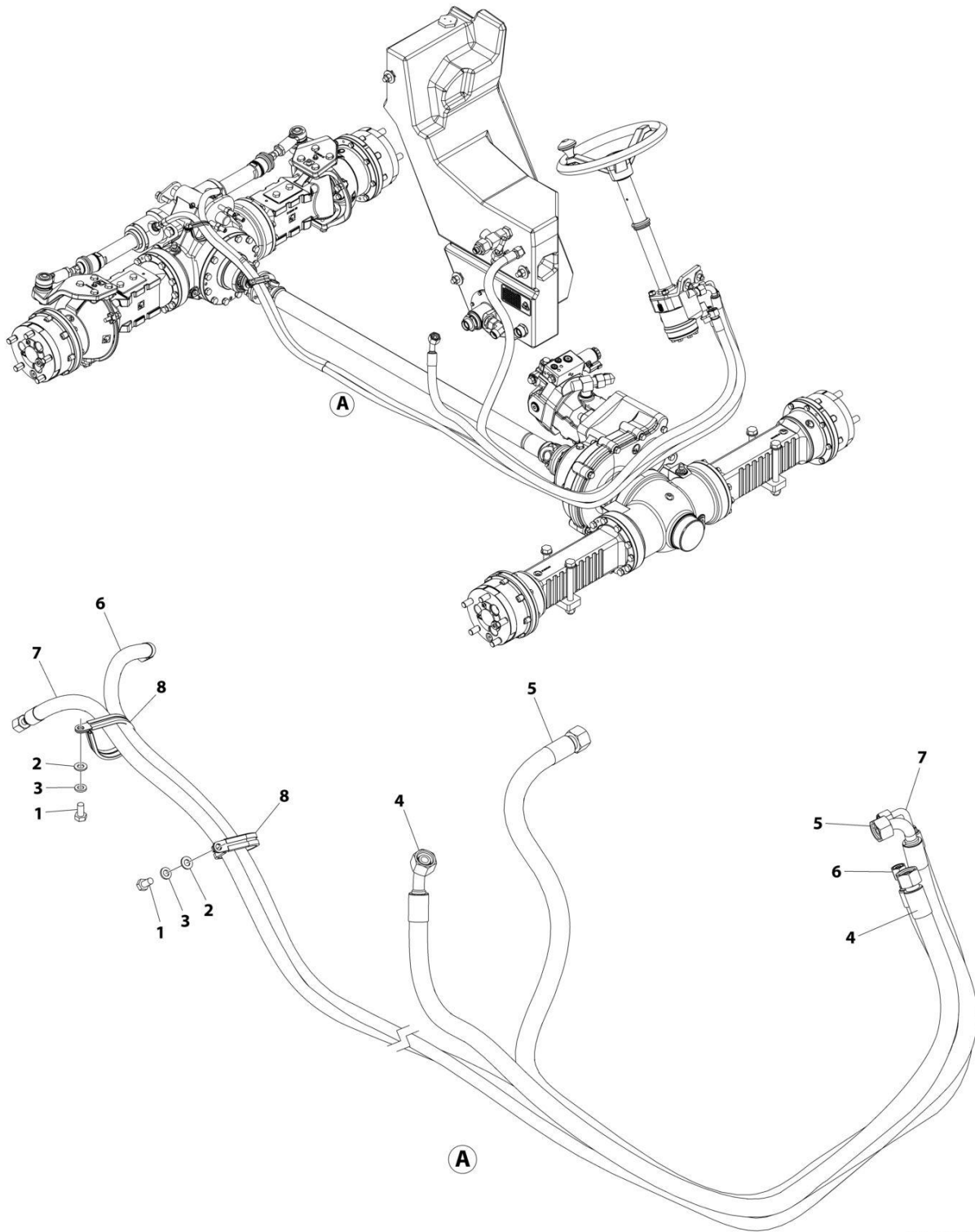
SECTION 8 - HYDRAULIC CIRCUITS

FIGURE 8-13. OIL COOLER HOSES INSTALLATION (HIGH FLOW)

ITEM	PART NUMBER	QTY	DESCRIPTION	REV
	1001311871	Ref	OIL COOLER HOSES INSTALLATION (HIGH FLOW)	A
1	2142706	1	Fitting, Straight	
2	2142715	1	Fitting, Straight	
3	2142716	1	Fitting, Straight	
4	2143008	1	Fitting, 90	
5	3290801	1	Nut M8	
6	4811900	1	Washer M8	
7	1001264677	1	Clamp	
8	1001306245	1	Hose	
9	1001306247	1	Hose	
10	1001312072	1	Hose	
11	1001312073	1	Hose	

SECTION 8 - HYDRAULIC CIRCUITS

FIGURE 8-14. STEERING HOSES INSTALLATION



ART_1001305839

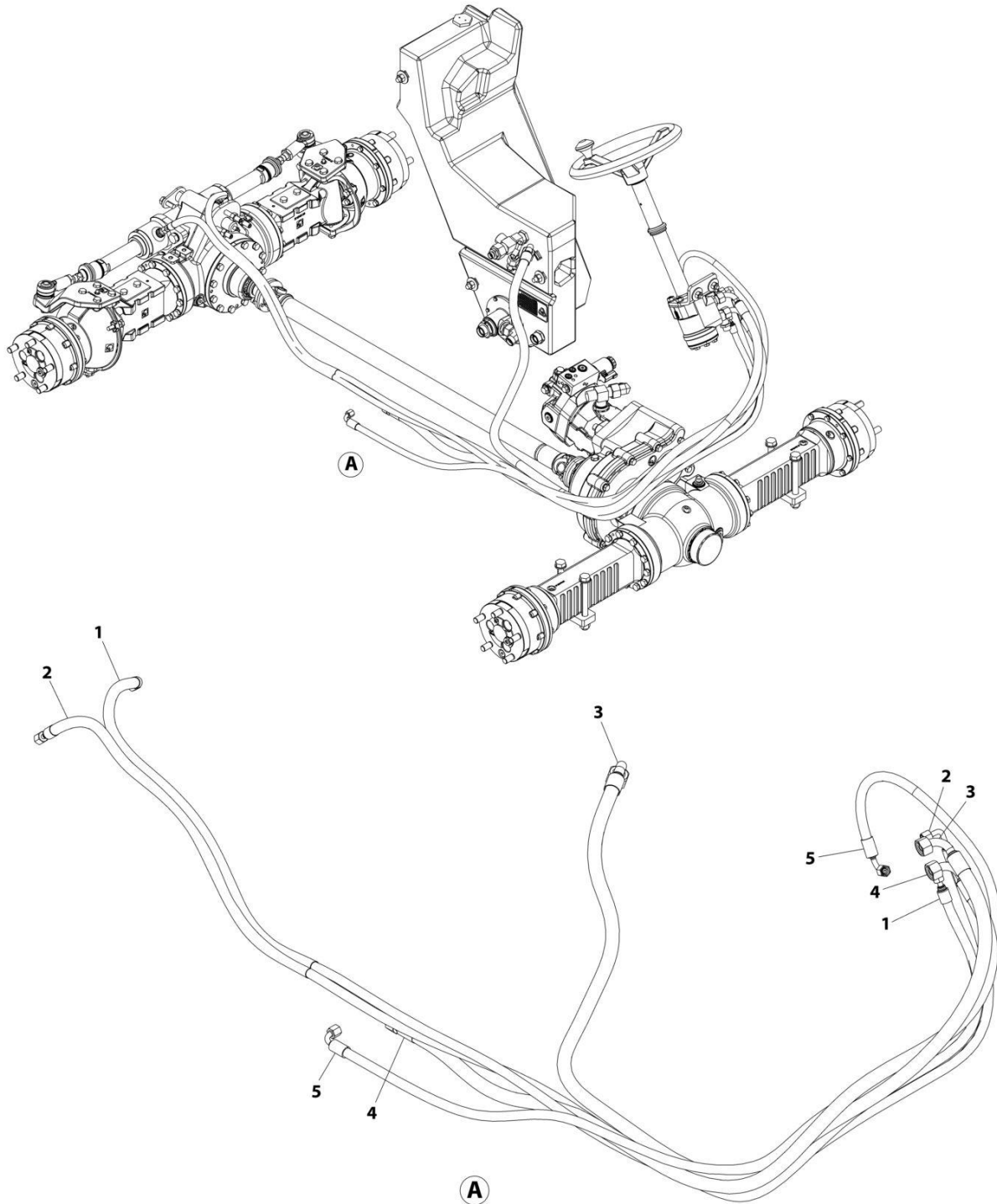
SECTION 8 - HYDRAULIC CIRCUITS

FIGURE 8-14. STEERING HOSES INSTALLATION

ITEM	PART NUMBER	QTY	DESCRIPTION	REV
	1001305839	Ref	STEERING HOSES INSTALLATION	A
1	0760808	2	Bolt M8 x 16	
2	4811900	2	Washer M8	
3	4831900	2	Washer M8	
4	1001302728	1	Hose	
5	1001302730	1	Hose	
6	1001302731	1	Hose	
7	1001302732	1	Hose	
8	1001304559	2	Clamp	

SECTION 8 - HYDRAULIC CIRCUITS

FIGURE 8-15. STEERING HOSES INSTALLATION (HIGH FLOW)



ART_1001311869

SECTION 8 - HYDRAULIC CIRCUITS

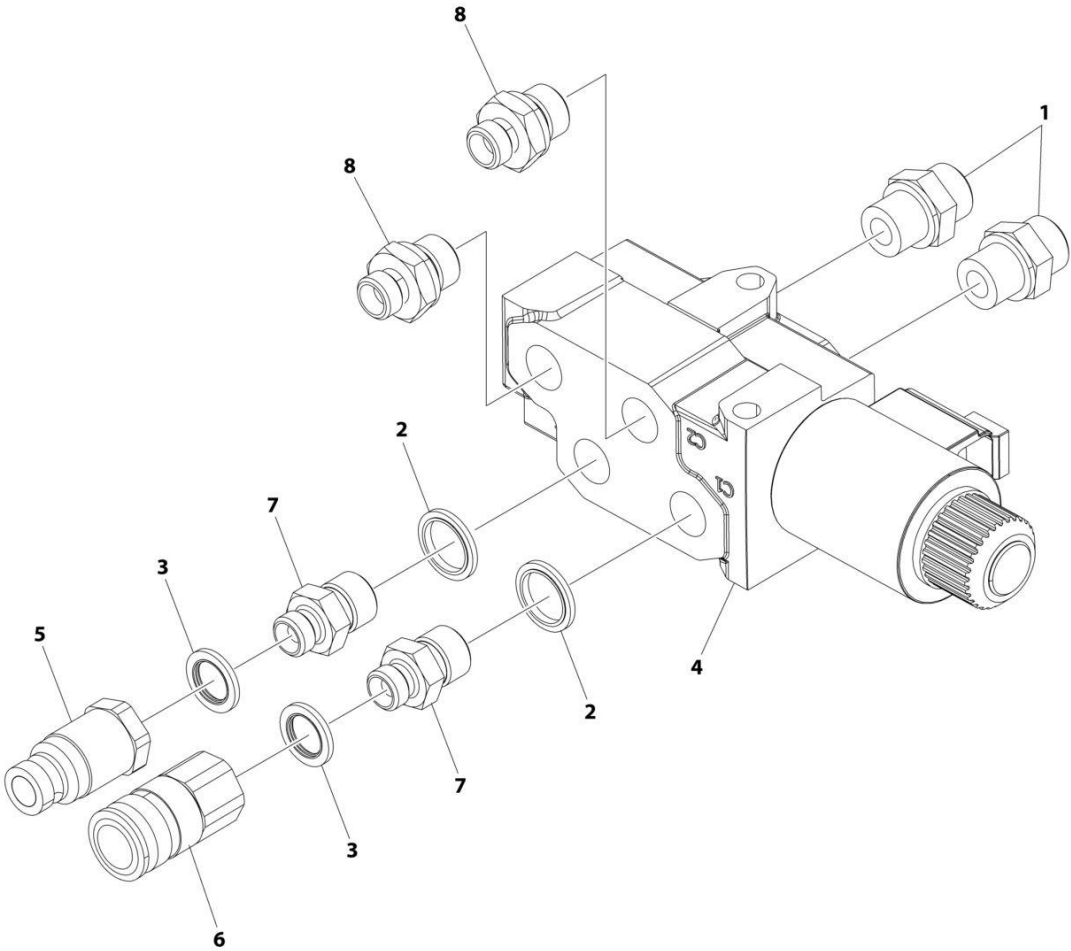
FIGURE 8-15. STEERING HOSES INSTALLATION (HIGH FLOW)

ITEM	PART NUMBER	QTY	DESCRIPTION	REV
	1001311869	Ref	STEER HOSES INSTALLATION (HIGH FLOW)	A
1	1001302731	1	Hose	
2	1001302732	1	Hose	
3	1001312058	1	Hose	
4	1001312059	1	Hose	
5	1001312060	1	Hose	

SECTION 9 - HYDRAULIC COMPONENTS

SECTION 9 - HYDRAULIC COMPONENTS

FIGURE 9-1. COUPLER VALVE ASSEMBLY



ART_1001304456

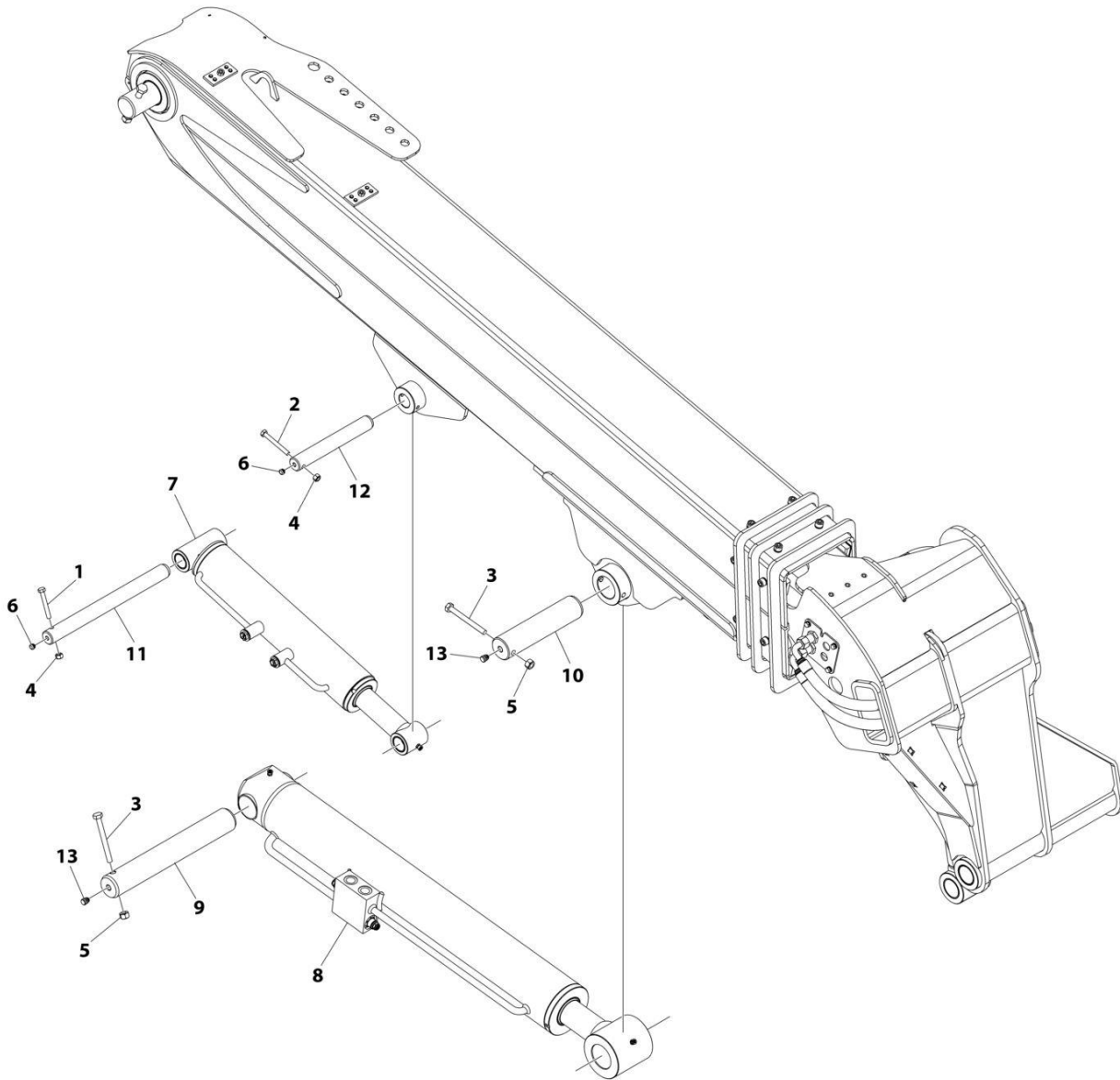
SECTION 9 - HYDRAULIC COMPONENTS

FIGURE 9-1. COUPLER VALVE ASSEMBLY

ITEM	PART NUMBER	QTY	DESCRIPTION	REV
	1001304456	Ref	COUPLER VALVE ASSEMBLY	A
1	2142712	2	Fitting, Straight	
2	1001263139	2	Seal	
3	1001263142	2	Seal	
4	1001264528	1	Valve	
5	1001305034	1	Coupling, Male Quick Disconnect	
6	1001305035	1	Coupling, Female Quick Disconnect	
7	1001306009	2	Fitting, Straight	
8	1001306011	2	Fitting, Straight	

SECTION 9 - HYDRAULIC COMPONENTS

FIGURE 9-2. CYLINDERS INSTALLATION - LIFT & COMPENSATION



ART_1001301795

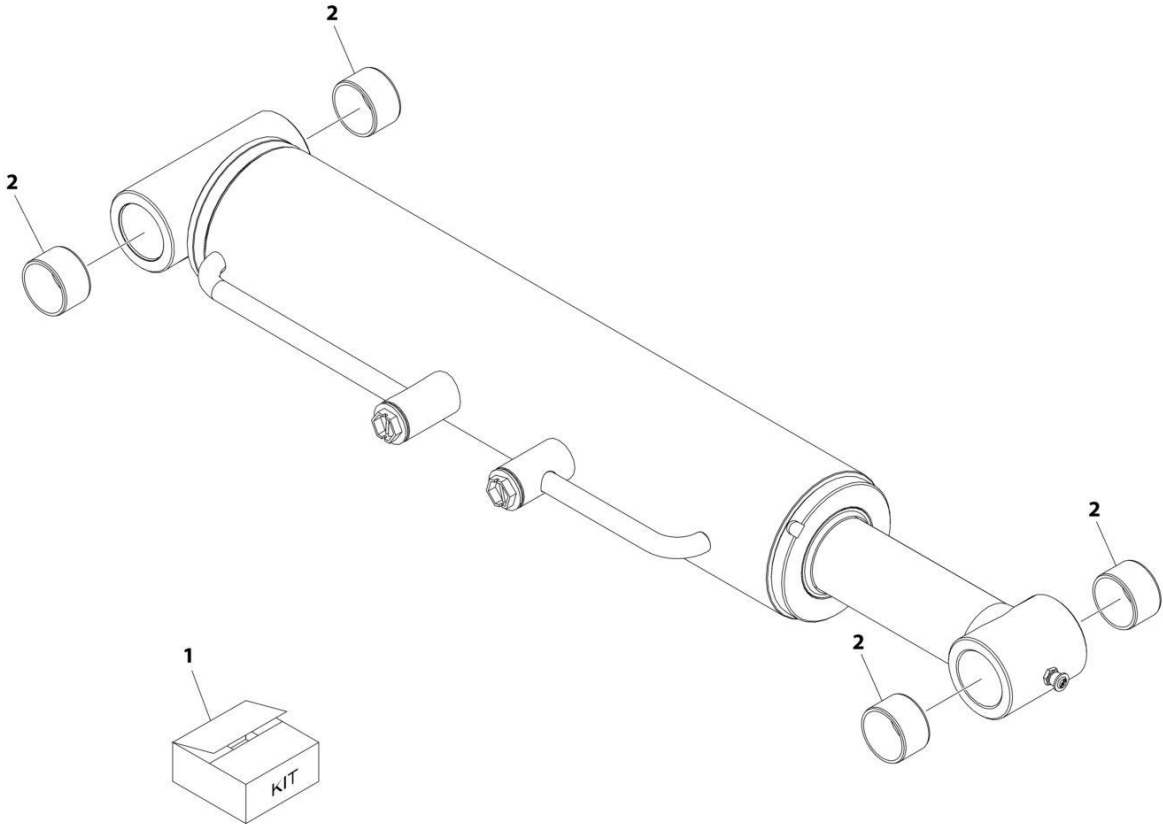
SECTION 9 - HYDRAULIC COMPONENTS

FIGURE 9-2. CYLINDERS INSTALLATION - LIFT & COMPENSATION

ITEM	PART NUMBER	QTY	DESCRIPTION	REV
	1001301795	Ref	CYLINDERS INSTALLATION	A
1	0700820	1	Bolt M8 x 60	
2	0700822	1	Bolt M8 x 70	
3	0701027	2	Bolt M10 x 100	
4	3290805	2	Nut M8	
5	3291005	2	Nut M10	
6	1001261567	2	Plug - 11.5MM	
7	1001303002	1	Compensation Cylinder Assembly (See Separate Breakdown in this Section)	
8	1001303003	1	Lift Cylinder Assembly (See Separate Breakdown in this Section)	
9	1001303043	1	Pin, Lift Cylinder Base	
10	1001303044	1	Pin, Lift Cylinder Rod	
11	1001303045	1	Pin, Compensation Cylinder Base	
12	1001303046	1	Pin, Compensation Cylinder Rod	
13	1001303409	2	Plug - 13MM	

SECTION 9 - HYDRAULIC COMPONENTS

FIGURE 9-3. COMPENSATION CYLINDER ASSEMBLY



ART_1001303002

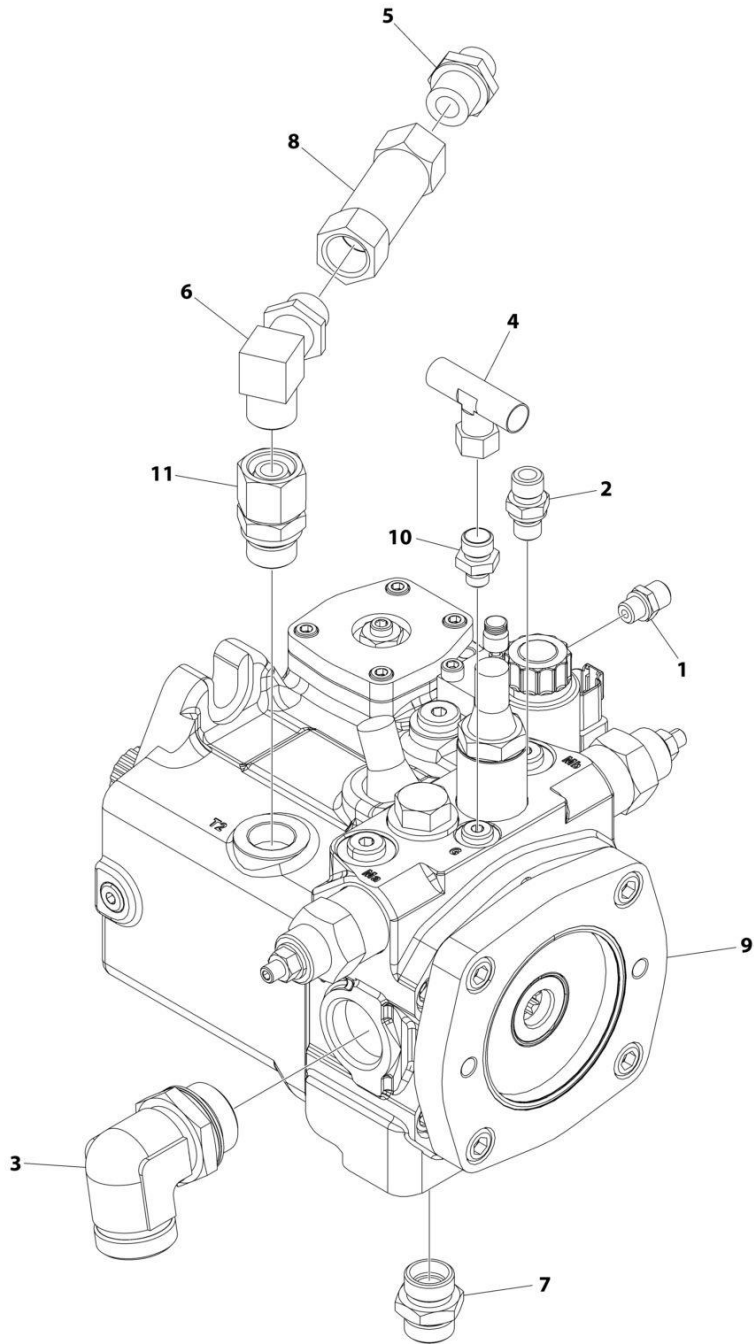
SECTION 9 - HYDRAULIC COMPONENTS

FIGURE 9-3. COMPENSATION CYLINDER ASSEMBLY

ITEM	PART NUMBER	QTY	DESCRIPTION	REV
	1001303002	Ref	COMPENSATION CYLINDER ASSEMBLY	A
	See Note	Ref	Note: Original Cylinder May Have Been Replaced with Service Replacement. Identify PN Stamped on Cylinder Before Ordering Parts.	
	See Note	Ref	Note: No Other Service Parts Available	
1	70031555	1	Kit, Seal	
2	70031556	4	Bushing	

SECTION 9 - HYDRAULIC COMPONENTS

FIGURE 9-4. DRIVE PUMP INSTALLATION



ART_1001305725

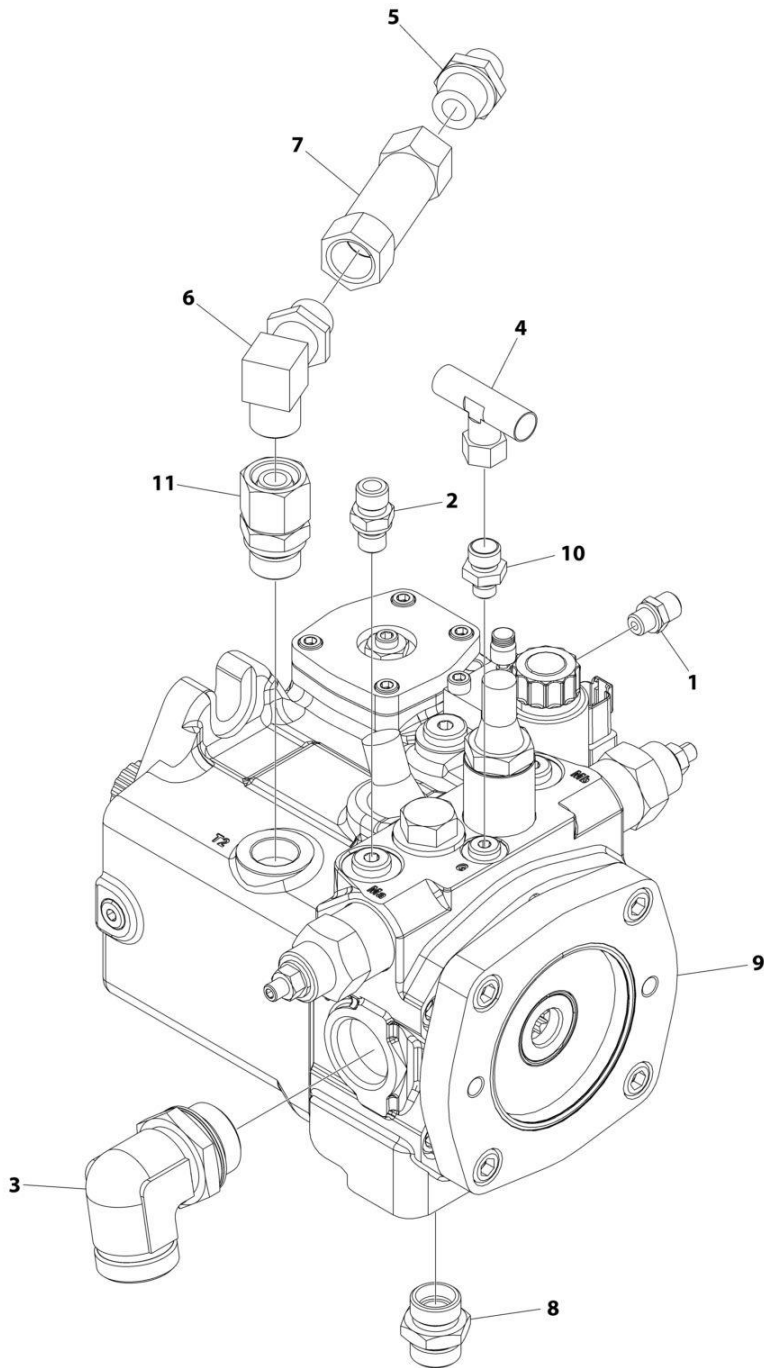
SECTION 9 - HYDRAULIC COMPONENTS

FIGURE 9-4. DRIVE PUMP INSTALLATION

ITEM	PART NUMBER	QTY	DESCRIPTION	REV
	1001305725	Ref	DRIVE PUMP INSTALLATION	A
1	2140801	1	Fitting, Straight	
2	2140814	1	Fitting, Straight MBTL/MORR	
3	2141108	1	Fitting, 90 MBTL/MORR	
4	2142102	1	Fitting, Tee	
5	2142713	1	Fitting, Straight	
6	2143007	1	Fitting, 90	
7	1001263116	1	Fitting, Straight	
8	1001262957	1	Valve, Pressure Check	
9	1001302721	1	Drive Pump Assembly (See Separate Breakdown in this Section)	
10	1001306072	1	Fitting, Straight MBTL/MST	
11	1001306073	1	Fitting, Straight MBTL/MST	

SECTION 9 - HYDRAULIC COMPONENTS

FIGURE 9-5. DRIVE PUMP ASSEMBLY (HIGH FLOW)



ART_1001311854

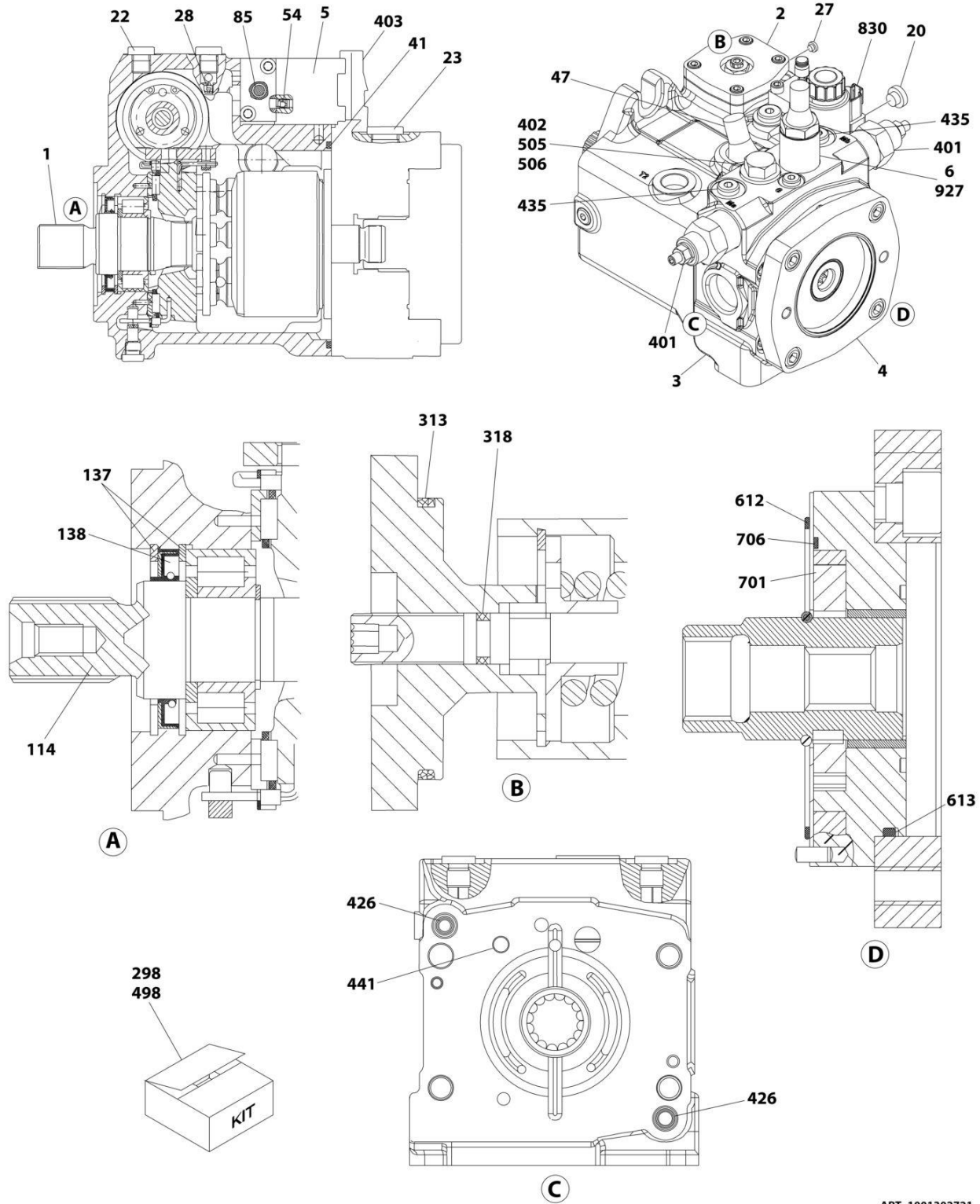
SECTION 9 - HYDRAULIC COMPONENTS

FIGURE 9-5. DRIVE PUMP ASSEMBLY (HIGH FLOW)

ITEM	PART NUMBER	QTY	DESCRIPTION	REV
	1001311854	Ref	PUMP SUB-ASSEMBLY - DRIVE (HIGH FLOW)	A
1	2140801	1	Fitting, Straight	
2	2140814	1	Fitting, Straight MBTL/MORR	
3	2141108	1	Fitting, 90 MBTL/MORR	
4	2142102	1	Fitting, Tee	
5	2142713	1	Fitting, Straight	
6	2143007	1	Fitting, 90	
7	1001262957	1	Valve, Pressure Check	
8	1001263116	1	Fitting, Straight	
9	1001302721	1	Drive Pump Assembly (See Separate Breakdown in this Section)	
10	1001306072	1	Fitting, Straight MBTL/MST	
11	1001306073	1	Fitting, Straight MBTL/MST	

SECTION 9 - HYDRAULIC COMPONENTS

FIGURE 9-6. DRIVE PUMP ASSEMBLY



ART_1001302721

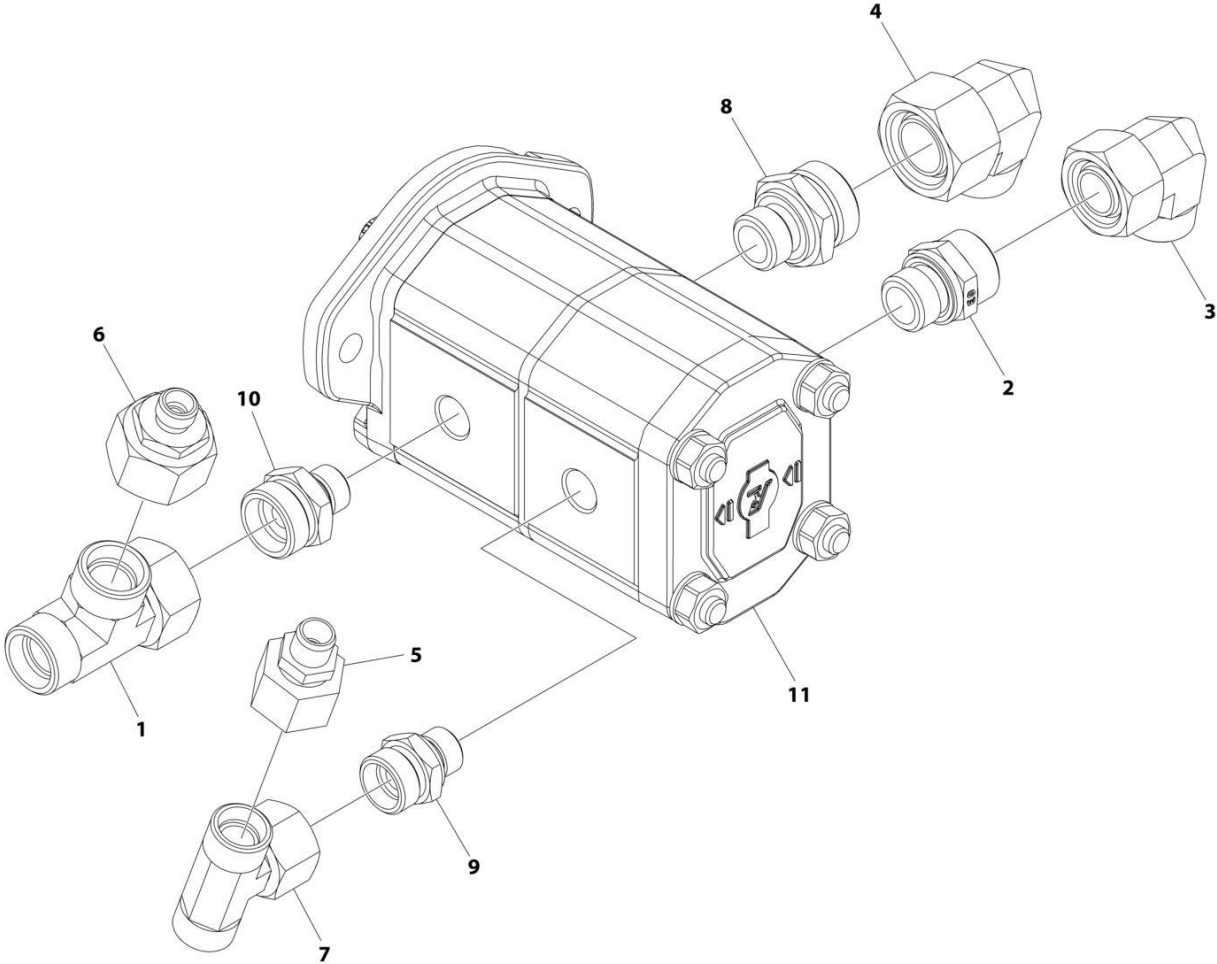
SECTION 9 - HYDRAULIC COMPONENTS

FIGURE 9-6. DRIVE PUMP ASSEMBLY

ITEM	PART NUMBER	QTY	DESCRIPTION	REV
	1001302721	Ref	DRIVE PUMP ASSEMBLY	A
	See Note	Ref	(Note: No Other Service Parts Available)	
1	70031524	1	Assembly, Rotary Group (Includes Items 114 -138)	
2	70031525	1	Assembly, Control (Includes Items 298, 313 & 318)	
3	NPN	1	Assembly, Connection Block (Note: Complete Assembly Not Available for Purchase, See Items 401 - 498)	
4	70031526	1	Assembly, Gear Pump (612, 613, 701 & 706)	
5	70031527	1	Assembly, Inching Valve (Includes Item 830)	
6	70031528	1	Cartridge, Control (Includes Item 927)	
20	91084327	1	Plug	
22	80934091	3	Plug	
23	7018975	1	Plug	
27	70003340	1	Plug	
28	70020324	2	Nozzle	
41	7024069	1	O-Ring	
47	70020323	1	Nut	
49	70031105	1	Nozzle (Not Shown)	
54	70020324	1	Nozzle	
85	70031529	1	Element, Control	
114	7023887	1	Shaft, Drive	
137	70001968	2	Ring, Retaining	
138	70031530	1	Seal	
298	70003168	1	Kit, Seal	
313	7024071	1	O-Ring	
318	7024072	1	O-Ring	
401	70031531	2	Valve, Pressure Relief	
402	70031532	1	Valve, Pressure Relief (Includes Items 505 & 506)	
403	70031533	1	Valve, Pressure Relief	
411	70003340	1	Plug (Not Shown)	
426	7024908	2	O-Ring	
435	80934091	2	Plug	
441	80934598	1	Plug	
498	70003169	1	Kit, Seal	
505	70003172	1	Seal	
506	7024077	1	O-Ring	
612	7024080	1	Seal	
613	7024081	1	O-Ring	
701	7024078	1	Set, Gear	
706	7024080	1	Seal	
830	7028876	2	Solenoid	
927	7024075	1	O-Ring	

SECTION 9 - HYDRAULIC COMPONENTS

FIGURE 9-7. GEAR PUMP INSTALLATION



ART_1001303855

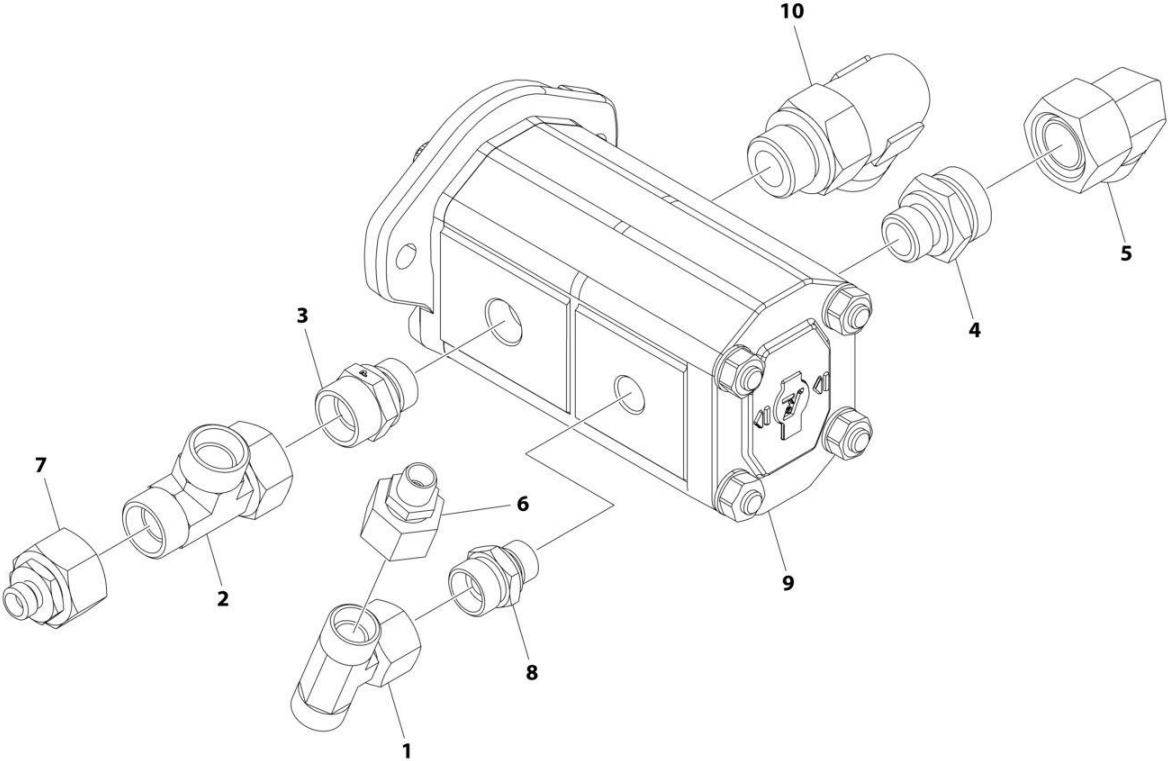
SECTION 9 - HYDRAULIC COMPONENTS

FIGURE 9-7. GEAR PUMP INSTALLATION

ITEM	PART NUMBER	QTY	DESCRIPTION	REV
	1001303855	Ref	GEAR PUMP INSTALLATION	A
1	2142206	1	Fitting, Tee	
2	2142716	1	Fitting, Straight	
3	2143406	1	Fitting, 90	
4	2143407	1	Fitting, 90	
5	2143509	1	Fitting, Straight	
6	2143513	1	Fitting, Straight	
7	2142105	1	Fitting, Tee	
8	2142747	1	Fitting, Straight	
9	1001263126	1	Fitting, Straight	
10	1001263143	1	Fitting, Straight	
11	1001302722	1	Assembly, Gear Pump (No Service Parts Available)	

SECTION 9 - HYDRAULIC COMPONENTS

FIGURE 9-8. GEAR PUMP INSTALLATION (HIGH FLOW)



ART_1001311767

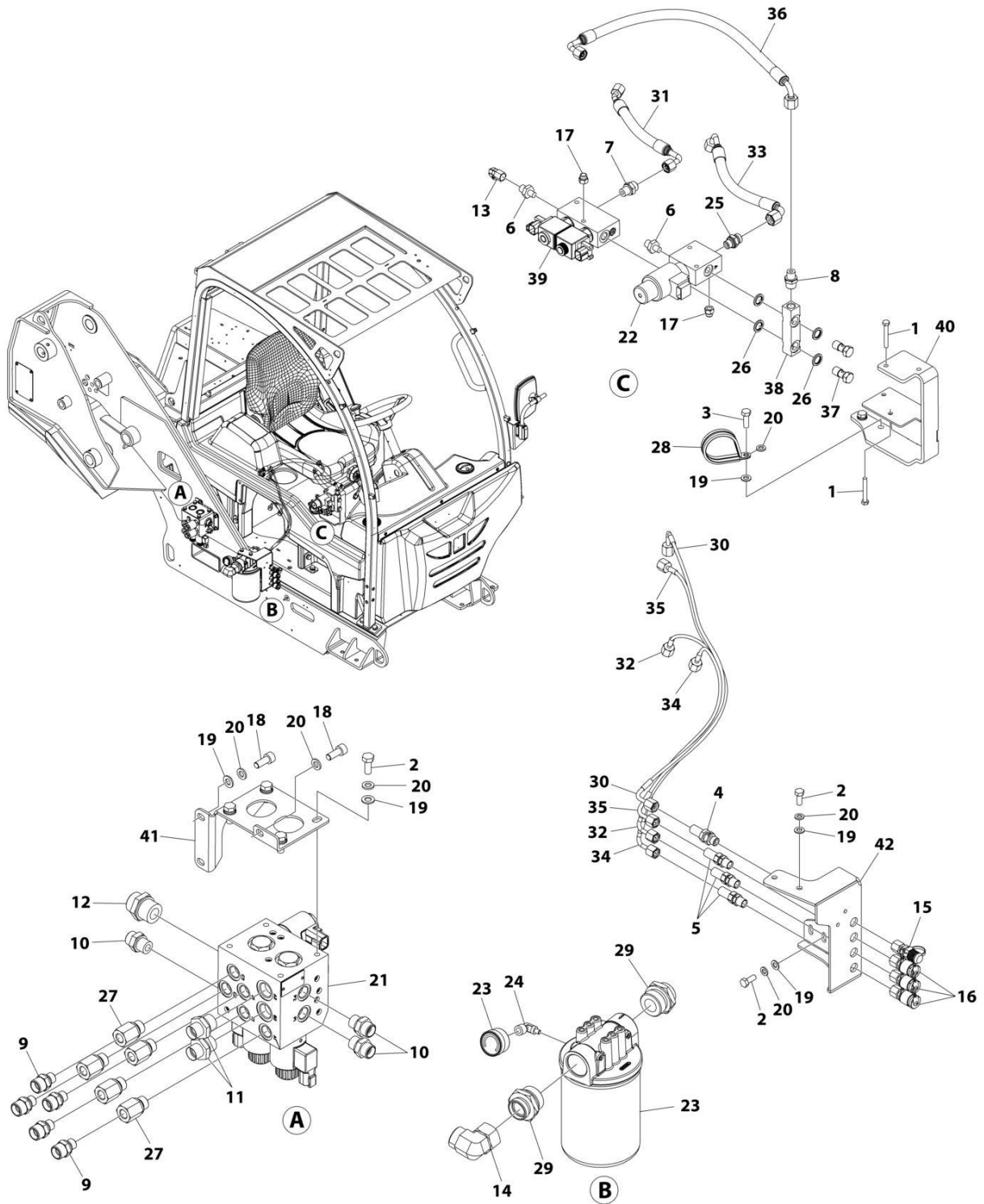
SECTION 9 - HYDRAULIC COMPONENTS

FIGURE 9-8. GEAR PUMP INSTALLATION (HIGH FLOW)

ITEM	PART NUMBER	QTY	DESCRIPTION	REV
	1001311767	Ref	GEAR PUMP SUB-ASSEMBLY (HIGH FLOW)	A
1	2142105	1	Fitting, Tee	
2	2142206	1	Fitting, Tee	
3	2142716	1	Fitting, Straight	
4	2142747	1	Fitting, Straight	
5	2143407	1	Fitting, 90	
6	2143509	1	Fitting, Straight	
7	2143513	1	Fitting, Straight	
8	1001263126	1	Fitting, Straight	
9	1001311801	1	Gear Pump Assembly (No Service Parts Available - Purchase Complete Assembly)	
10	1001311818	1	Fitting, 90	

SECTION 9 - HYDRAULIC COMPONENTS

FIGURE 9-9. HYDRAULIC FILTER & VALVES INSTALLATION



ART_1001305836

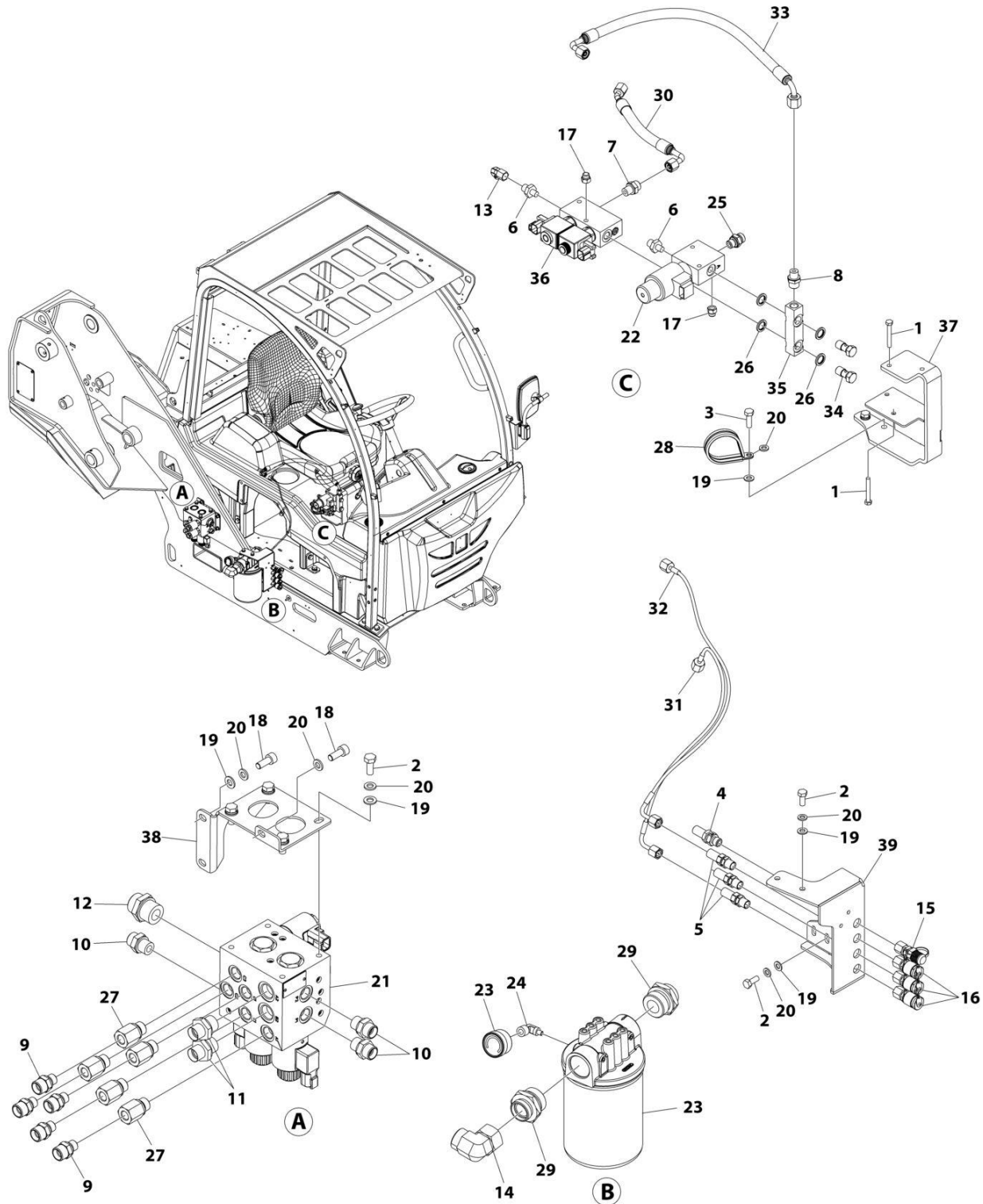
SECTION 9 - HYDRAULIC COMPONENTS

FIGURE 9-9. HYDRAULIC FILTER & VALVES INSTALLATION

ITEM	PART NUMBER	QTY	DESCRIPTION	REV
	1001305836	Ref	HYDRAULIC FILTER & VALVES INSTALLATION	A
1	0700617	4	Bolt M6 x 45	
2	0760810	8	Bolt M8 x 20	
3	0760812	2	Bolt M8 x 25	
4	2141511	1	Fitting, Straight	
5	2141607	3	Fitting, Straight	
6	2142704	2	Fitting, Straight	
7	2142706	1	Fitting, Straight	
8	2142708	1	Fitting, Straight	
9	2142711	5	Fitting, Straight	
10	2142712	3	Fitting, Straight	
11	2142713	2	Fitting, Straight	
12	2142717	1	Fitting, Straight	
13	2143401	1	Fitting, 90	
14	2143408	1	Fitting, 90	
15	2144111	1	Fitting, Diagnostic Tip	
16	2988632	3	Fitting, Test	
17	3290806	4	Nut M8	
18	4031908	3	Capscrew M8 x 20	
19	4811900	12	Washer M8	
20	4831900	13	Washer M8	
21	1001262952	1	Valve, Main Control (No Service Parts Available)	
22	1001262955	1	Valve, 3 Way Selector (No Service Parts Available)	
23	1001262964	1	Filter, Hydraulic	
23	70030136	1	Element, Filter	
23	70030137	1	Gauge	
24	1001262988	1	Fitting, 90	
25	1001263099	1	Fitting, Straight	
26	1001263142	4	Seal	
27	1001263572	5	Fitting, Straight	
28	1001304559	1	Clamp	
29	1001306075	2	Fitting, Straight	
30	1001306318	1	Hose	
31	1001306319	1	Hose	
32	1001306321	1	Hose	
33	1001306322	1	Hose	
34	1001306324	1	Hose	
35	1001306325	1	Hose	
36	1001306326	1	Hose	
37	1001306504	2	Fitting	
38	1001306506	1	Manifold	
39	1001306571	1	Valve, Hydraulic (No Service Parts Available)	
40	1001306574	1	Bracket	
41	1001306575	1	Bracket	
42	1001306576	1	Bracket	

SECTION 9 - HYDRAULIC COMPONENTS

FIGURE 9-10. HYDRAULIC FILTER & VALVES INSTALLATION (HIGH FLOW)



ART_1001311867

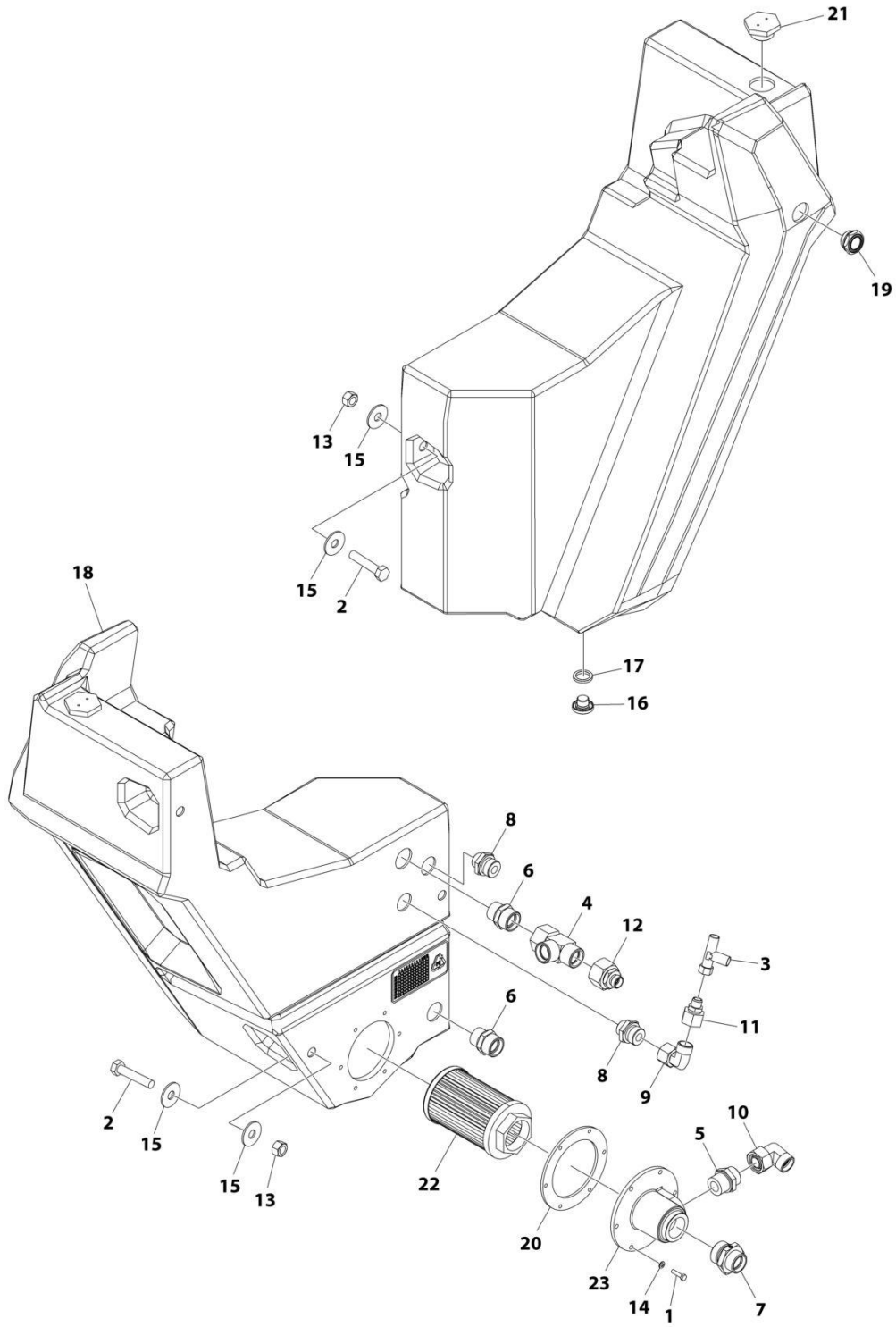
SECTION 9 - HYDRAULIC COMPONENTS

FIGURE 9-10. HYDRAULIC FILTER & VALVES INSTALLATION (HIGH FLOW)

ITEM	PART NUMBER	QTY	DESCRIPTION	REV
	1001311867	Ref	FILTER HOSES INSTALLATION (HIGH FLOW)	A
1	0700617	4	Bolt M6 x 45	
2	0760810	8	Bolt M8 x 20	
3	0760812	2	Bolt M8 x 25	
4	2141511	1	Fitting, Straight	
5	2141607	3	Fitting, Straight	
6	2142704	2	Fitting, Straight	
7	2142706	1	Fitting, Straight	
8	2142708	1	Fitting, Straight	
9	2142711	5	Fitting, Straight	
10	2142712	3	Fitting, Straight	
11	2142713	2	Fitting, Straight	
12	2142717	1	Fitting, Straight	
13	2143401	1	Fitting, 90	
14	2143408	1	Fitting, 90	
15	2144111	1	Fitting, Diagnostic Tip	
16	2988632	3	Fitting, Test	
17	3290806	4	Nut M8	
18	4031908	3	Capscrew M8 x 20	
19	4811900	12	Washer M8	
20	4831900	13	Washer M8	
21	1001262952	1	Valve, Main Control (No Service Parts Available)	
22	1001262955	1	Valve, 3-Way Selector (No Service Parts Available)	
23	1001262964	1	Filter, Hydraulic	
23	70030136	1	Element, Filter	
23	70030137	1	Gauge	
24	1001262988	1	Fitting, 90	
25	1001263099	1	Fitting, Straight	
26	1001263142	4	Seal	
27	1001263572	5	Fitting, Straight	
28	1001304559	1	Clamp	
29	1001306075	2	Fitting, Straight	
30	1001306319	1	Hose	
31	1001306324	1	Hose	
32	1001306325	1	Hose	
33	1001306326	1	Hose	
34	1001306504	2	Fitting	
35	1001306506	1	Manifold	
36	1001306571	1	Valve, Hydraulic (No Service Parts Available)	
37	1001306574	1	Bracket	
38	1001306575	1	Bracket	
39	1001306576	1	Bracket	

SECTION 9 - HYDRAULIC COMPONENTS

FIGURE 9-11. HYDRAULIC TANK INSTALLATION



ART_1001301786

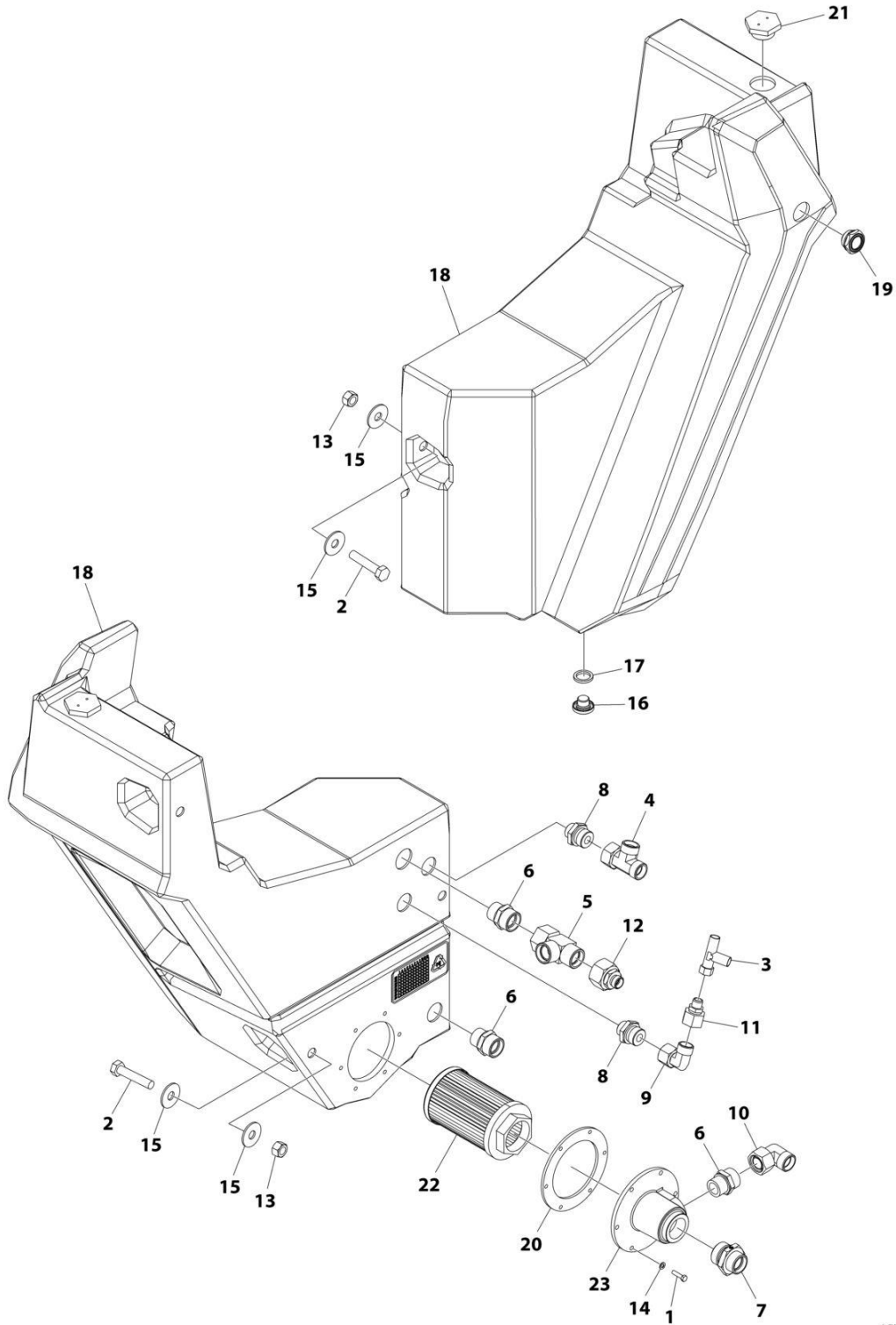
SECTION 9 - HYDRAULIC COMPONENTS

FIGURE 9-11. HYDRAULIC TANK INSTALLATION

ITEM	PART NUMBER	QTY	DESCRIPTION	REV
	1001301786	Ref	HYDRAULIC TANK INSTALLATION	A
1	0700510	6	Bolt M5 x 20	
2	0711220	3	Bolt M12 x 60 Class 10.9	
3	2142202	1	Fitting, Tee	
4	2142207	1	Fitting, Tee	
5	2142717	1	Fitting, Sraight	
6	2142718	2	Fitting, Sraight	
7	2142748	1	Fitting, Sraight	
8	2142757	2	Fitting, Sraight	
9	2143405	1	Fitting, 90	
10	2143406	1	Fitting, 90	
11	2143509	1	Fitting, Sraight	
12	2143520	1	Fitting, Straight	
13	3291207	3	Nut M12	
14	4811600	6	Washer M5	
15	4812102	6	Washer M12	
16	1001262978	1	Plug	
17	1001262987	1	Seal	
18	1001306141	1	Tank, Hydraulic	
19	1001306142	1	Plug, Optical	
20	1001262985	1	Gasket	
21	1001262983	1	Cap, Breather	
22	1001262986	1	Filter, Hydraulic	
23	1001262989	1	Flange	

SECTION 9 - HYDRAULIC COMPONENTS

FIGURE 9-12. HYDRAULIC TANK INSTALLATION (HIGH FLOW)



ART_1001311717

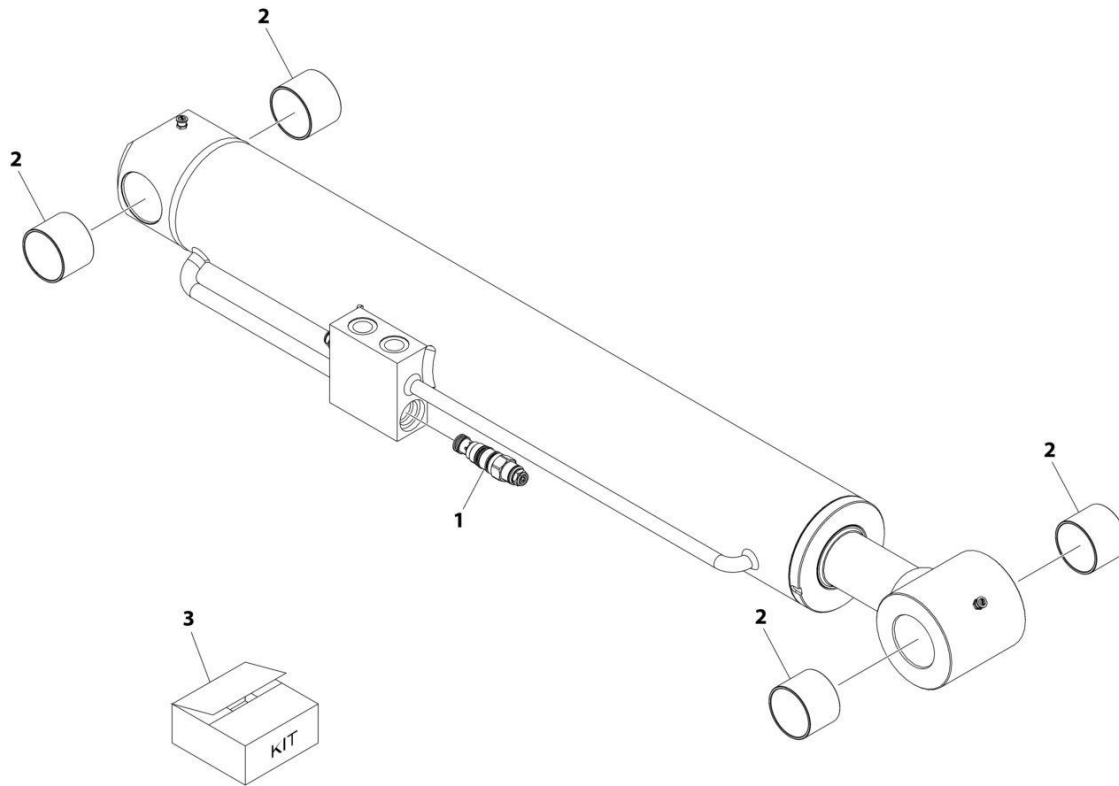
SECTION 9 - HYDRAULIC COMPONENTS

FIGURE 9-12. HYDRAULIC TANK INSTALLATION (HIGH FLOW)

ITEM	PART NUMBER	QTY	DESCRIPTION	REV
	1001311717	Ref	HYDRAULIC TANK INSTALLATION (HIGH FLOW)	A
1	0700510	6	Bolt M5 x 20	
2	0711220	3	Bolt M12 x 60 Class 10.9	
3	2142202	1	Fitting, Tee	
4	2142206	1	Fitting, Tee	
5	2142207	1	Fitting, Tee	
6	2142718	3	Fitting, Sraight	
7	2142748	1	Fitting, Sraight	
8	2142757	2	Fitting, Sraight	
9	2143405	1	Fitting, 90	
10	2143407	1	Fitting, 90	
11	2143509	1	Fitting, Sraight	
12	2143520	1	Fitting, Straight	
13	3291207	3	Nut M12	
14	4811600	6	Washer M5	
15	4812102	6	Washer M12	
16	1001262978	1	Plug	
17	1001262987	1	Seal	
18	1001306141	1	Tank, Hydraulic	
19	1001306142	1	Plug, Optical	
20	1001262985	1	Gasket	
21	1001262983	1	Cap, Breather	
22	1001262986	1	Filter, Hydraulic	
23	1001262989	1	Flange	

SECTION 9 - HYDRAULIC COMPONENTS

FIGURE 9-13. LIFT CYLINDER ASSEMBLY



ART_1001303003

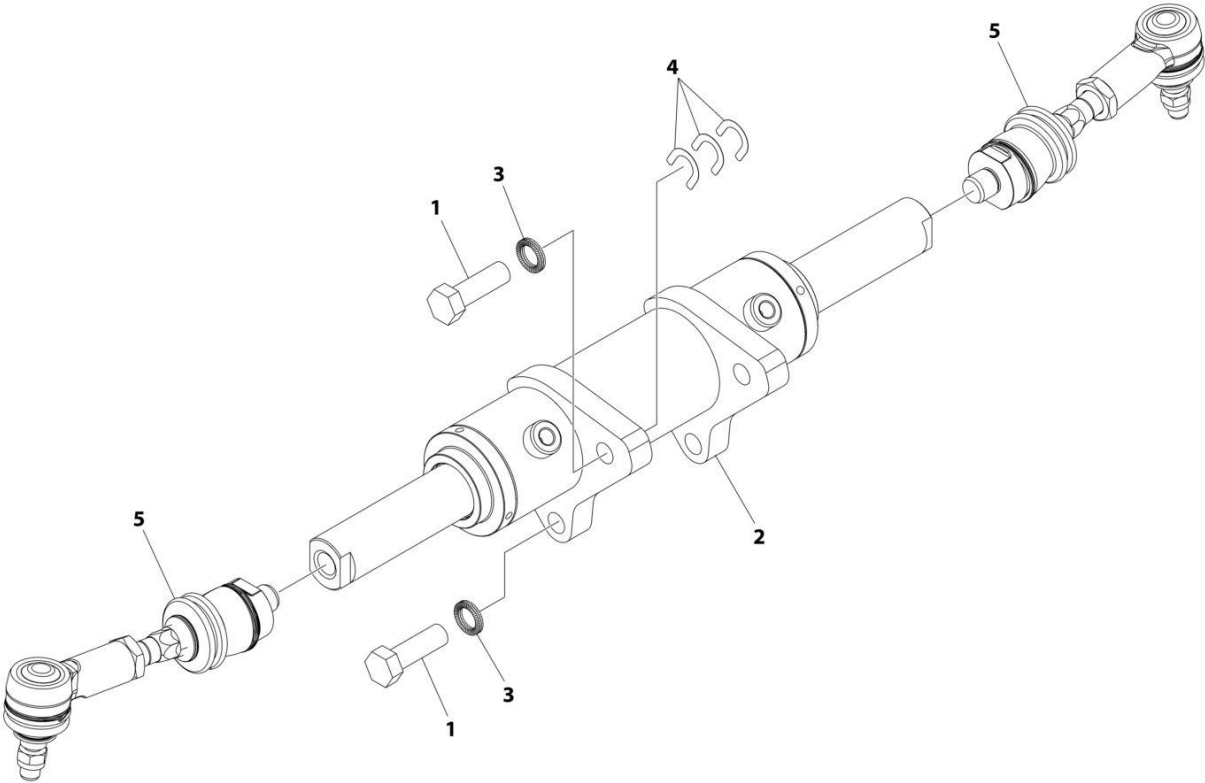
SECTION 9 - HYDRAULIC COMPONENTS

FIGURE 9-13. LIFT CYLINDER ASSEMBLY

ITEM	PART NUMBER	QTY	DESCRIPTION	REV
	1001303003	Ref	LIFT CYLINDER ASSEMBLY	A
	See Note	Ref	Note: Original Cylinder May Have Been Replaced with Service Replacement. Identify PN Stamped on Cylinder Before Ordering Parts.	
	See Note	Ref	Note: No Service Parts Available At Time of Printing	

SECTION 9 - HYDRAULIC COMPONENTS

FIGURE 9-14. STEER CYLINDER SUB-ASSEMBLY



ART_1001307027

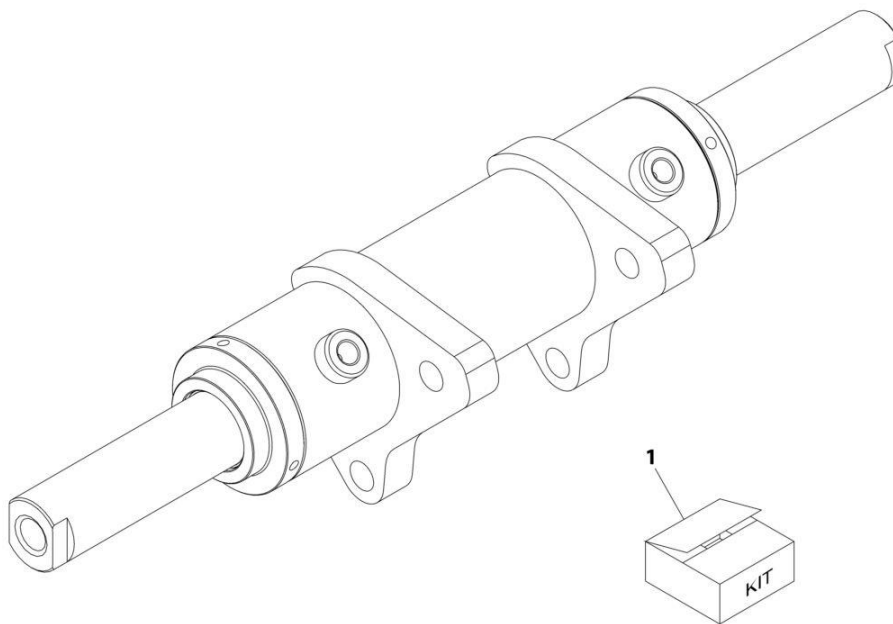
SECTION 9 - HYDRAULIC COMPONENTS

FIGURE 9-14. STEER CYLINDER SUB-ASSEMBLY

ITEM	PART NUMBER	QTY	DESCRIPTION	REV
	1001307027	Ref	STEER CYLINDER SUB-ASSEMBLY	A
1	0701618	4	Bolt M16 x 50	
2	1001307028	1	Steer Cylinder Assembly (See Separate Breakdown in this Section)	
3	1001307031	4	Washer M16	
4	1001307032	6	Shim	
5	1001307033	2	Joint	

SECTION 9 - HYDRAULIC COMPONENTS

FIGURE 9-15. STEER CYLINDER ASSEMBLY



ART_1001307028

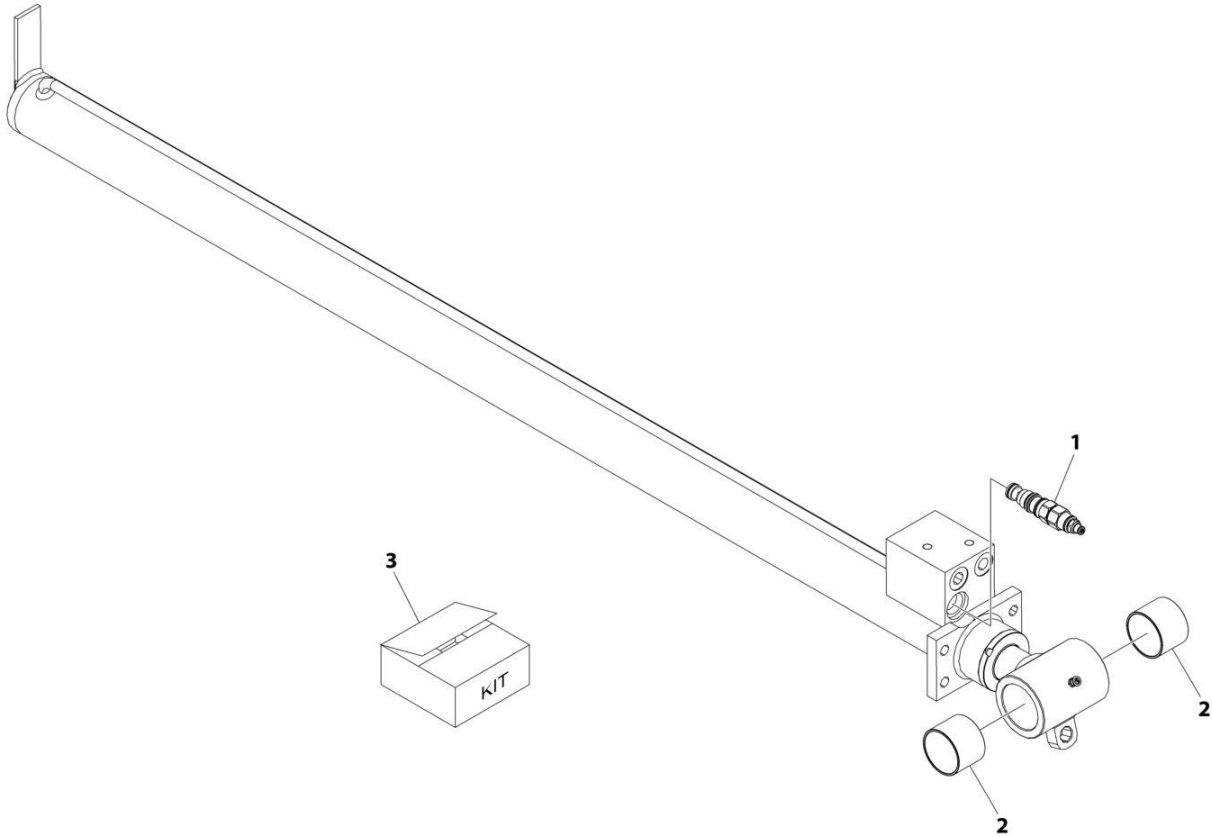
SECTION 9 - HYDRAULIC COMPONENTS

FIGURE 9-15. STEER CYLINDER ASSEMBLY

ITEM	PART NUMBER	QTY	DESCRIPTION	REV
	1001307028	Ref	STEER CYLINDER	A
	See Note	Ref	Note: Original Cylinder May Have Been Replaced with Service Replacement. Identify PN Stamped on Cylinder Before Ordering Parts.	
1	70031819	1	Kit, Seal	

SECTION 9 - HYDRAULIC COMPONENTS

FIGURE 9-16. TELESCOPE CYLINDER ASSEMBLY



ART_1001301850

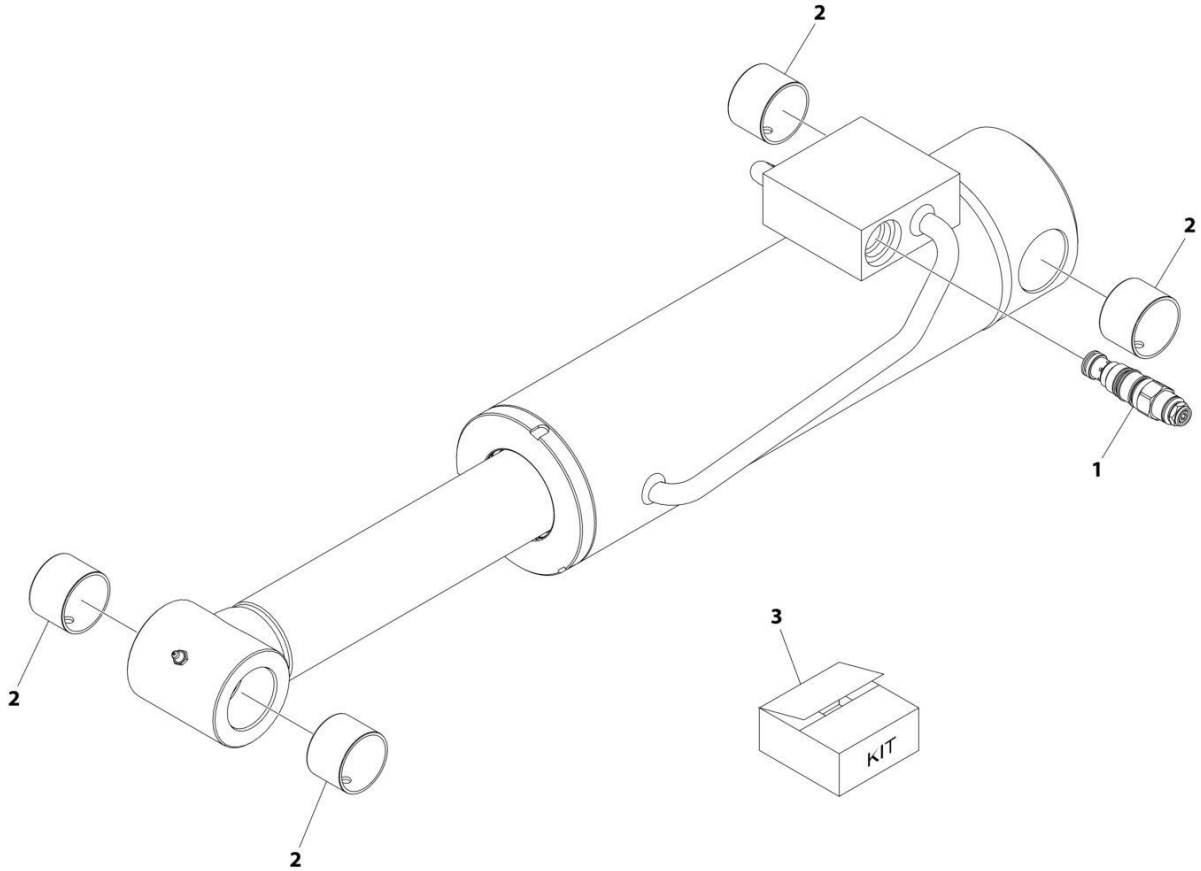
SECTION 9 - HYDRAULIC COMPONENTS

FIGURE 9-16. TELESCOPE CYLINDER ASSEMBLY

ITEM	PART NUMBER	QTY	DESCRIPTION	REV
	1001301850	Ref	TELESCOPE CYLINDER ASSEMBLY	A
	See Note	Ref	Note: Original Cylinder May Have Been Replaced with Service Replacement. Identify PN Stamped on Cylinder Before Ordering Parts.	
1	70031821	1	Cartridge, Valve	
2	70031822	2	Bushing	
3	70031823	1	Kit, Seal	

SECTION 9 - HYDRAULIC COMPONENTS

FIGURE 9-17. TILT CYLINDER ASSEMBLY



ART_1001301975

SECTION 9 - HYDRAULIC COMPONENTS

FIGURE 9-17. TILT CYLINDER ASSEMBLY

ITEM	PART NUMBER	QTY	DESCRIPTION	REV
	1001301975	Ref	TILT CYLINDER ASSEMBLY	A
	See Note	Ref	Note: Original Cylinder May Have Been Replaced with Service Replacement. Identify PN Stamped on Cylinder Before Ordering Parts.	
	See Note	Ref	Note: No Other Service Parts Available	
1	70031560	1	Cartridge	
2	70031561	4	Bushing	
3	70031562	1	Kit, Seal	

SECTION 10 - ELECTRICAL

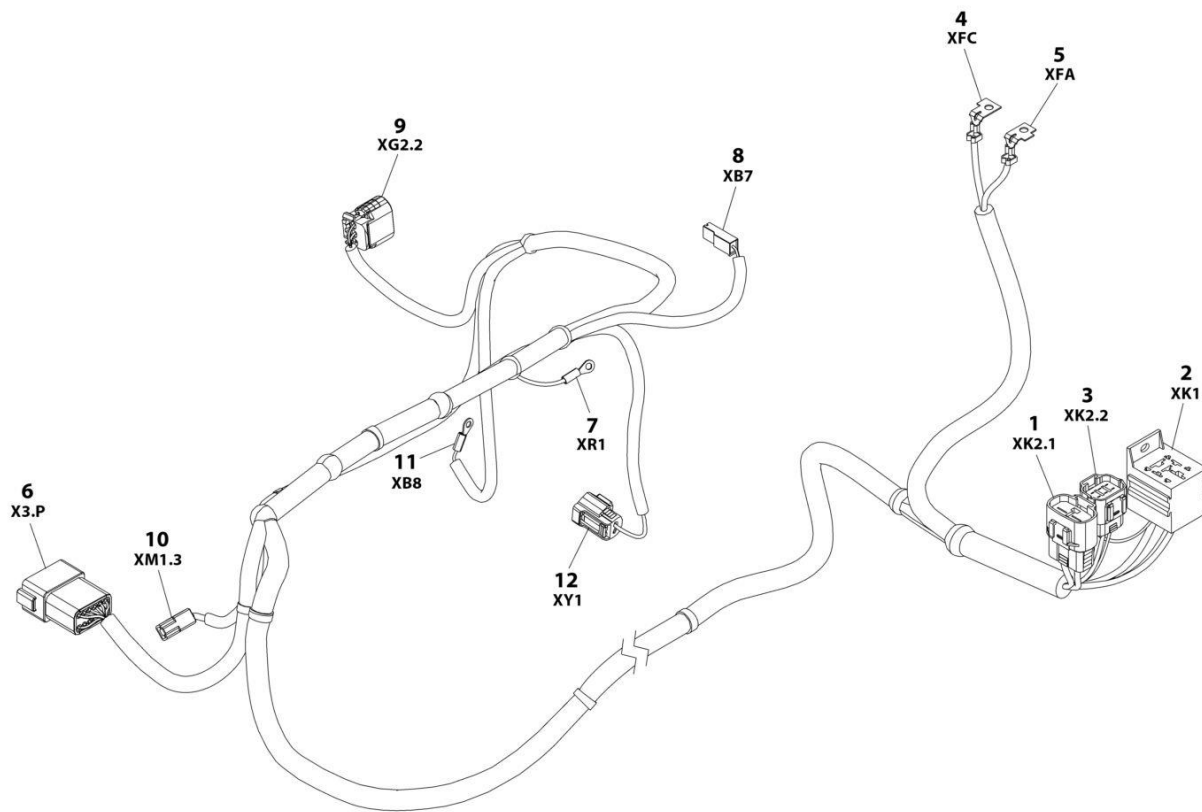
SECTION 10 - ELECTRICAL

FIGURE 10-1. BATTERY INSTALLATION

ITEM	PART NUMBER	QTY	DESCRIPTION	REV
	1001304169	Ref	BATTERY INSTALLATION	A
1	0700610	3	Bolt M6 x 20	
2	0700612	4	Bolt M6 x 25	
3	3290601	1	Nut M6	
4	3290605	6	Nut M6	
5	3290805	4	Nut M8	
6	4031908	2	Capscrew M8 x 20	
7	4811700	4	Washer M6	
8	4831700	2	Washer M6	
9	4831900	2	Washer M8	
10	1001262471	3	Clamp - 18MM	
11	1001264416	1	Nut M6	
12	1001264417	1	Battery	
13	1001264420	3	Capscrew M8 x 20	
14	1001264422	1	Disconnect, Battery	
15	1001264423	1	Cover, Fusebox	
16	1001264425	1	Fuse - 200A	
17	1001264426	1	Fusebox	
18	1001264427	1	Terminal, Battery Disconnect Cable	
19	1001264428	3	Fuse - 50A	
20	1001264429	1	Bracket, Battery Hold Down	
21	1001264674	1	Boot, Terminal - 34MM Head	
22	1001264675	2	Boot, Terminal - 19MM Head	
23	1001304421	2	Bracket	
24	1001304422	1	Tray, Battery	
25	1001304558	1	Clamp - 14MM	
26	1001304559	2	Clamp - 50MM	
27	1001304585	1	Cable, Disconnect	
28	1001304590	1	Battery Harness (See Separate Breakdown in this Section)	
29	1001304594	1	Cable, Starter	
30	1001304595	1	Relay	
31	1001304617	1	Mount, Connector	
32	1001264458	1	Cable, Alternator	
33	1001264465	1	Cable, Ground	
34	1001262288	1	Module, Glow Plug Control (Note: Re-calibration required when replaced)	

SECTION 10 - ELECTRICAL

FIGURE 10-2. BATTERY HARNESS



ART_1001304590

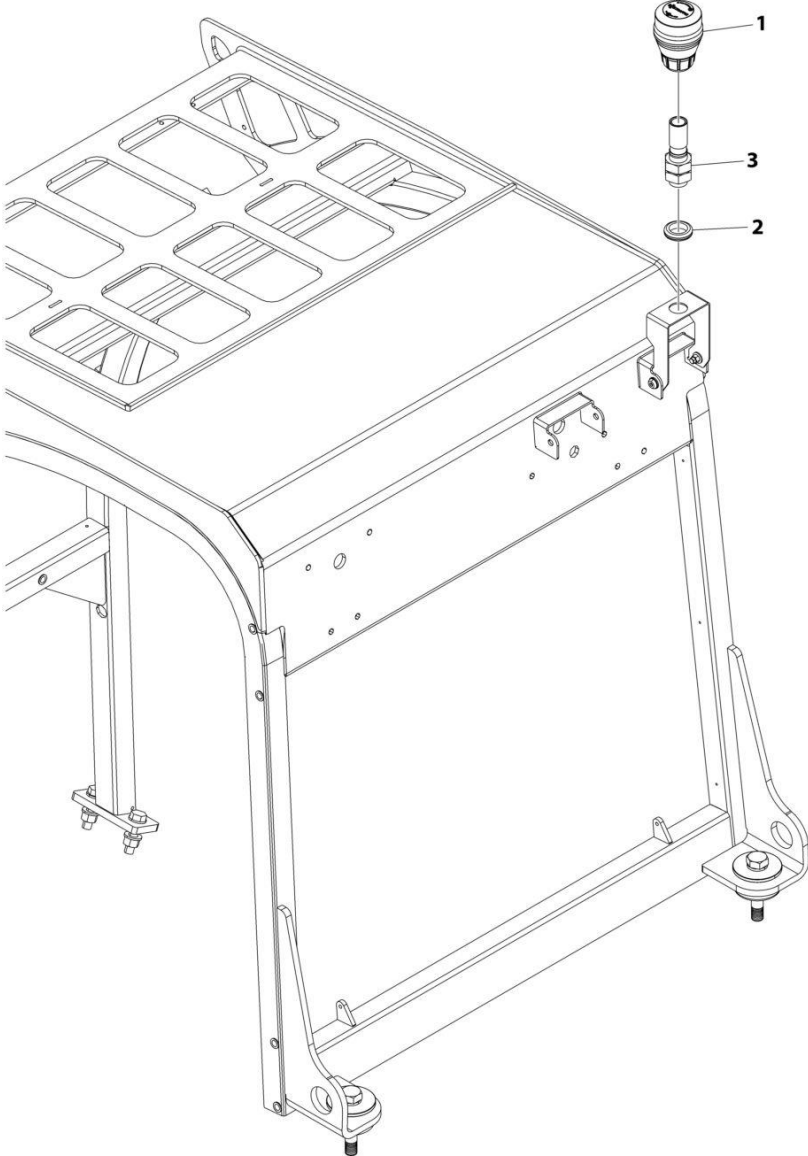
SECTION 10 - ELECTRICAL

FIGURE 10-2. BATTERY HARNESS

ITEM	PART NUMBER	QTY	DESCRIPTION	REV
	1001304590	Ref	BATTERY HARNESS	A
	See Note	Ref	Note: No Other Service Parts Available at Time of Printing	
1	NPN	1	Connector	
2	NPN	1	Connector	
3	NPN	1	Connector	
4	NPN	1	Connector	
5	NPN	1	Connector	
6	4460970	1	Connector	
6	1001116693	6	Socket - Nickel	
6	NPN	2	Socket	
6	4460466	4	Plug	
7	NPN	1	Terminal, Ring - 12AWG	
8	NPN	1	Connector	
9	NPN	1	Connector	
9	1001125773	2	Socket	
9	1001129773	1	Plug	
9	1001248229	2	Seal	
10	NPN	1	Connector	
11	NPN	1	Terminal, Ring - 18AWG	
12	NPN	1	Connector	

SECTION 10 - ELECTRICAL

FIGURE 10-3. BEACON INSTALLATION



ART_1001307828

SECTION 10 - ELECTRICAL

FIGURE 10-3. BEACON INSTALLATION

ITEM	PART NUMBER	QTY	DESCRIPTION	REV
	1001307828	Ref	BEACON INSTALLATION	A
1	1001308516	1	Beacon	
2	1001309048	1	Grommet	
3	1001264268	1	Mount, Beacon	

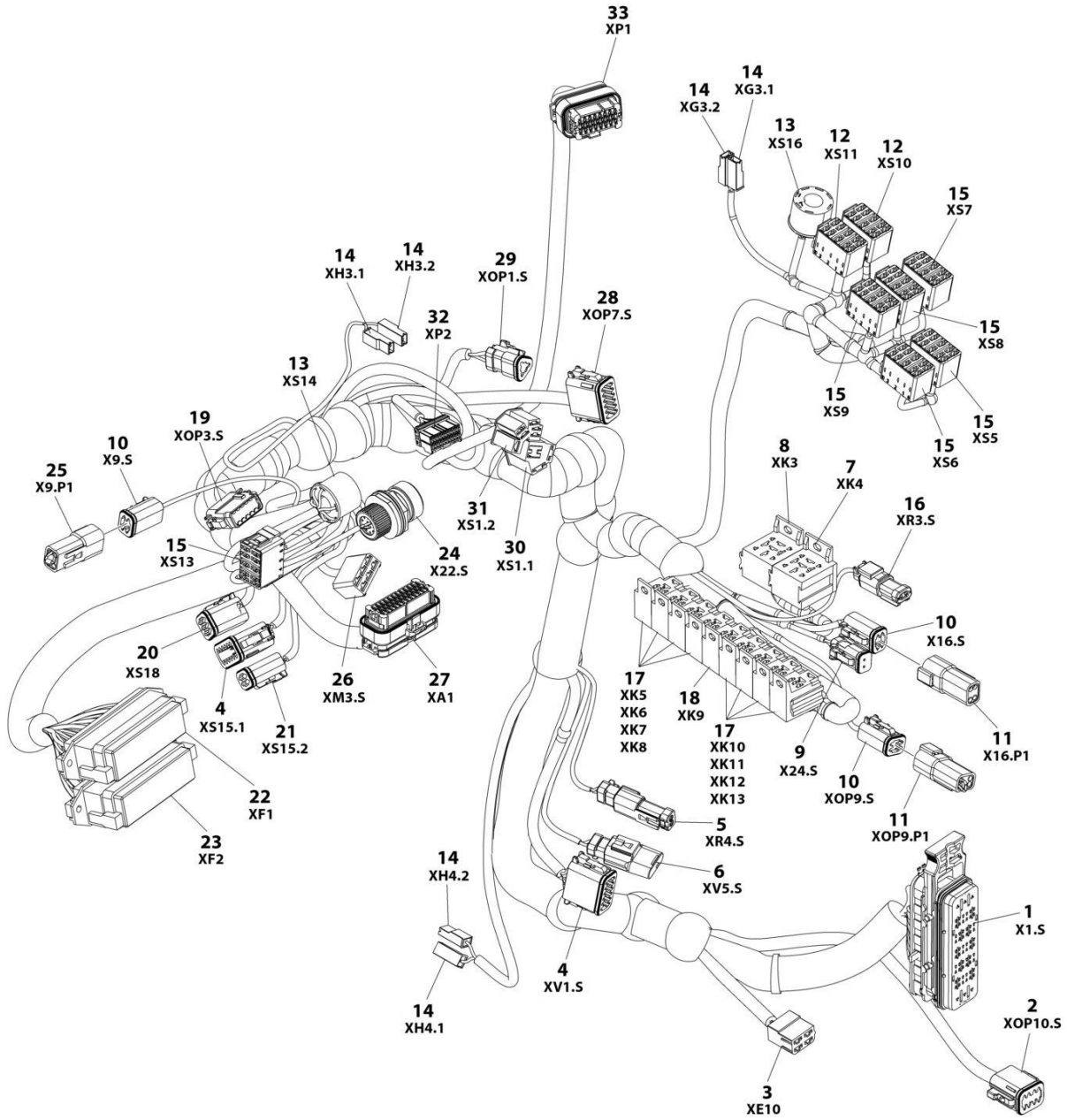
SECTION 10 - ELECTRICAL

FIGURE 10-4. CAB ELECTRICAL INSTALLATION

ITEM	PART NUMBER	QTY	DESCRIPTION	REV
	1001306136	Ref	CAB ELECTRICAL INSTALLATION	A
1	0700615	2	Bolt M6 x 35	
2	0760408	2	Bolt M4 x 16	
3	0760608	2	Bolt M6 x 16	
4	0760810	4	Bolt M8 x 20	
5	3290405	2	Nut M4	
6	3290505	11	Nut M5	
7	3290605	2	Nut M6	
8	3290805	2	Nut M8	
9	3290806	1	Nut M8	
10	4811700	4	Washer M6	
11	4811900	2	Washer M8	
12	4831700	2	Washer M6	
13	4831900	2	Washer M8	
14	8305919	4	Nut, Tinnerman M6	
15	1001262607	4	Capscrew M6 x 20 Class 10.9	
16	1001264021	1	Capscrew M6 x 15 Class 10.9	
17	1001264271	1	Bracket, Horn	
18	1001264273	1	Alarm	
19	1001264388	9	Capscrew M5 x 10 Class 10.9	
20	1001306644	1	Timer, Acoustic	
21	1001306645	1	Rocker, Parking Switch	
22	1001306646	1	Rocker, Horn Switch	
23	1001306647	1	Switch, Lockout	
24	1001306648	1	Connector	
25	1001306649	1	Cab Harness (See Separate Breakdown in this Section)	
26	1001306650	1	Switch, Ignition	
27	1001306651	1	Display, LSI	
28	1001306652	1	Plate	
29	1001306653	1	Panel, Instrument	
30	1001306655	1	Bracket	
31	1001306657	1	Switch, Horn	
32	1001306659	1	Switch, Parking	
33	1001306660	4	Screw M4 x 20	
34	1001306666	1	Module, Control (Note: Re-calibration required when replaced)	
35	1001306668	1	Display, Dash	
36	1001306669	1	Mount	
37	1001306670	1	Switch, Headlight	

SECTION 10 - ELECTRICAL

FIGURE 10-5. CAB HARNESS



ART_1001306649

SECTION 10 - ELECTRICAL

FIGURE 10-5. CAB HARNESS

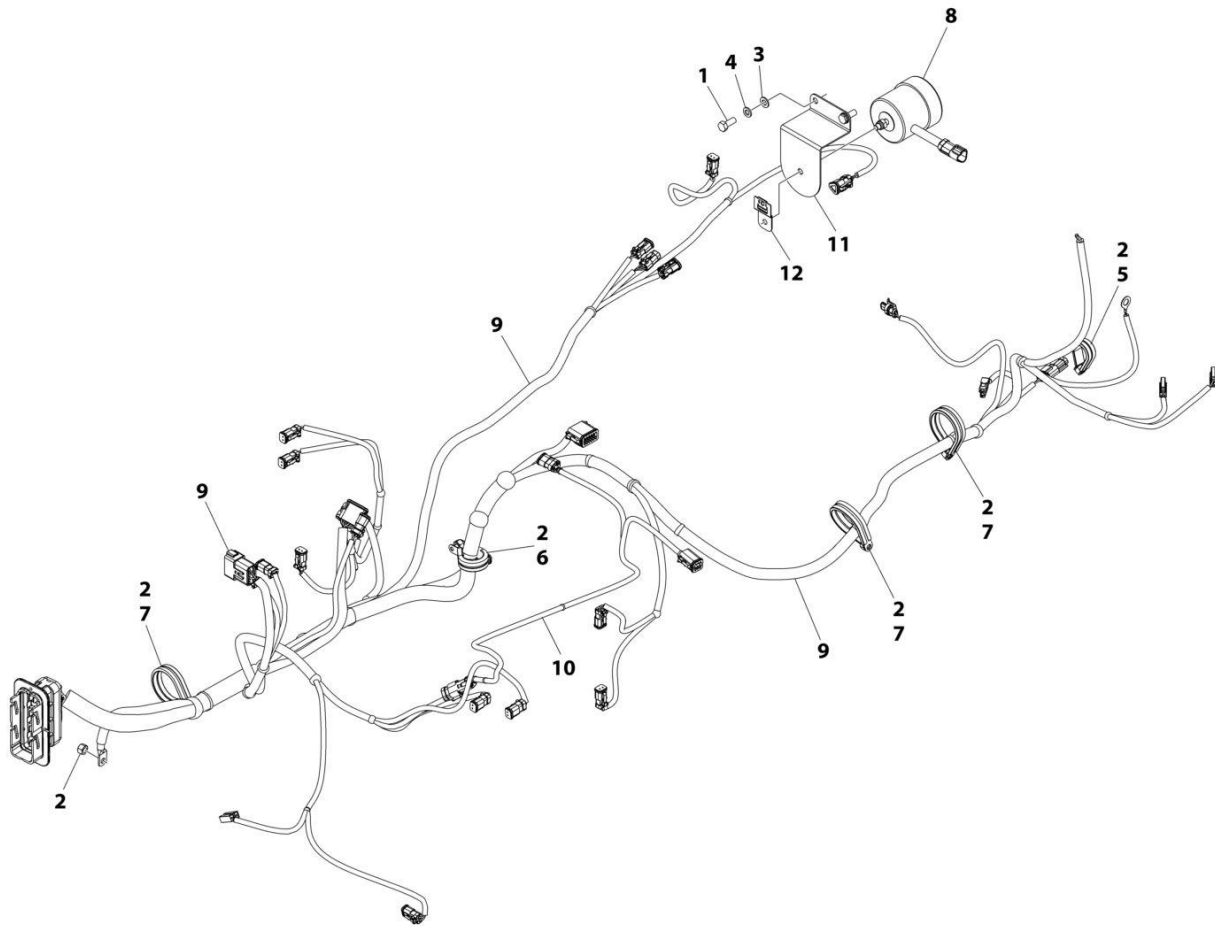
ITEM	PART NUMBER	QTY	DESCRIPTION	REV
	1001306649	Ref	CAB HARNESS	A
	See Note	Ref	Note: No Other Service Parts Available at Time of Printing	
1	NPN	1	Connector	
1	1001163340	10	Plug	
2	4460930	1	Connector	
2	1001116692	1	Socket - 14AWG to 18AWG	
2	NPN	6	Socket - 20AWG	
2	4460466	1	Plug	
3	1001116986	1	Connector	
4	4460933	2	Connector	
4	1001116692	16	Socket - 14AWG to 18AWG	
4	NPN	8	Socket - 20AWG	
5	NPN	1	Connector	
6	NPN	1	Connector	
6	1001116816	1	Connector, Diode	
7	NPN	1	Relay	
8	NPN	1	Relay	
9	NPN	1	Connector	
9	1001116692	2	Socket	
10	1001220379	3	Connector	
11	1001281269	2	Connector	
11	1001116692	4	Socket	
11	4460466	4	Plug	
12	NPN	2	Connector	
12	1001118385	7	Socket - Tin	
12	NPN	12	Socket	
13	NPN	2	Connector	
14	NPN	6	Connector	
15	NPN	6	Connector	
16	4461290	1	Connector	
16	1001116694	2	Socket	
17	NPN	8	Relay	
18	NPN	1	Relay	
18	1001118385	2	Socket - 14AWG to 18AWG Tin	
18	NPN	4	Socket	
19	1001116774	1	Connector	
19	1001116694	12	Socket	
20	4460894	1	Connector	
20	4460466	3	Plug	
21	1001220379	1	Connector	
21	4460466	2	Plug	
22	NPN	1	Block, Fuse	
23	NPN	1	Block, Fuse	
24	1001271968	1	Connector	
24	4461071	2	Socket	
25	1001281269	1	Connector	
25	1001116692	4	Socket	
26	NPN	1	Connector	
27	4460873	1	Connector	
27	4460905	7	Plug	

SECTION 10 - ELECTRICAL

ITEM	PART NUMBER	QTY	DESCRIPTION	REV
28	4460933	1	Connector	
28	1001116692	5	Socket - 14AWG to 18AWG	
28	NPN	4	Socket - 20AWG	
28	4460466	3	Plug	
29	NPN	1	Connector	
29	1001116692	3	Socket	
30	NPN	1	Connector	
31	NPN	1	Connector	
31	1001116716	2	Socket - Tin	
31	NPN	3	Socket	
32	1001116947	1	Connector	
33	1001116994	1	Connector	
33	4460905	10	Plug	

SECTION 10 - ELECTRICAL

FIGURE 10-6. FRAME HARNESS INSTALLATION



ART_1001306134

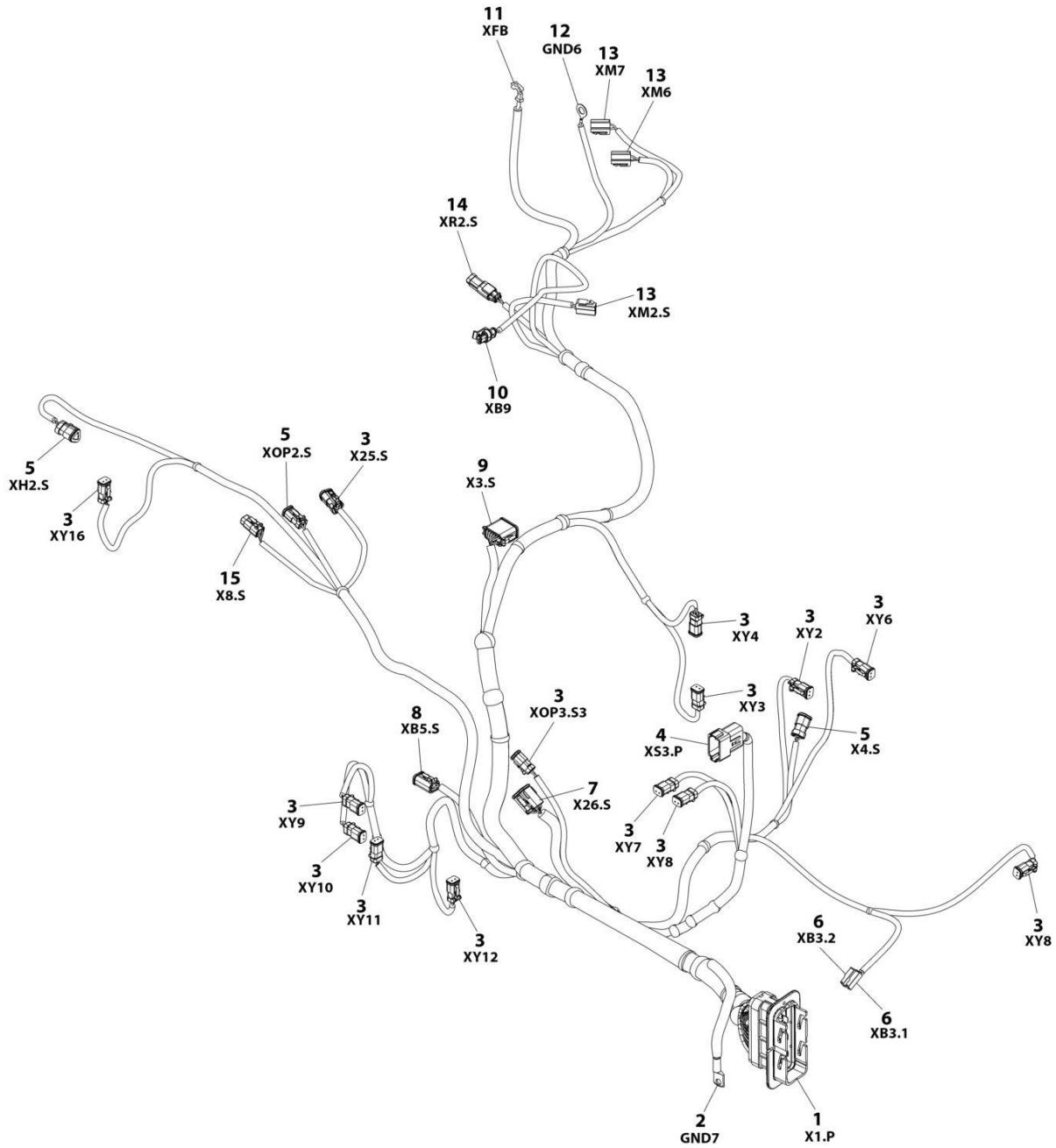
SECTION 10 - ELECTRICAL

FIGURE 10-6. FRAME HARNESS INSTALLATION

ITEM	PART NUMBER	QTY	DESCRIPTION	REV
	1001306134	Ref	FRAME HARNESS INSTALLATION	A
1	0760810	2	Bolt M6 x 20	
2	3290805	6	Nut M8	
3	4811900	2	Washer M8	
4	4831900	2	Washer M8	
5	1001264368	1	Clamp - 25MM	
6	1001264677	1	Clamp - 30MM	
7	1001304559	3	Clamp - 50MM	
8	1001306568	1	Alarm, Backup	
9	1001306570	1	Frame Harness (See Separate Breakdown in this Section)	
10	1001306572	1	Seat Jumper Harness (See Separate Breakdown in this Section)	
11	1001306573	1	Bracket, Alarm	
12	1001306640	1	Clip	

SECTION 10 - ELECTRICAL

FIGURE 10-7. FRAME HARNESS



ART_1001306570

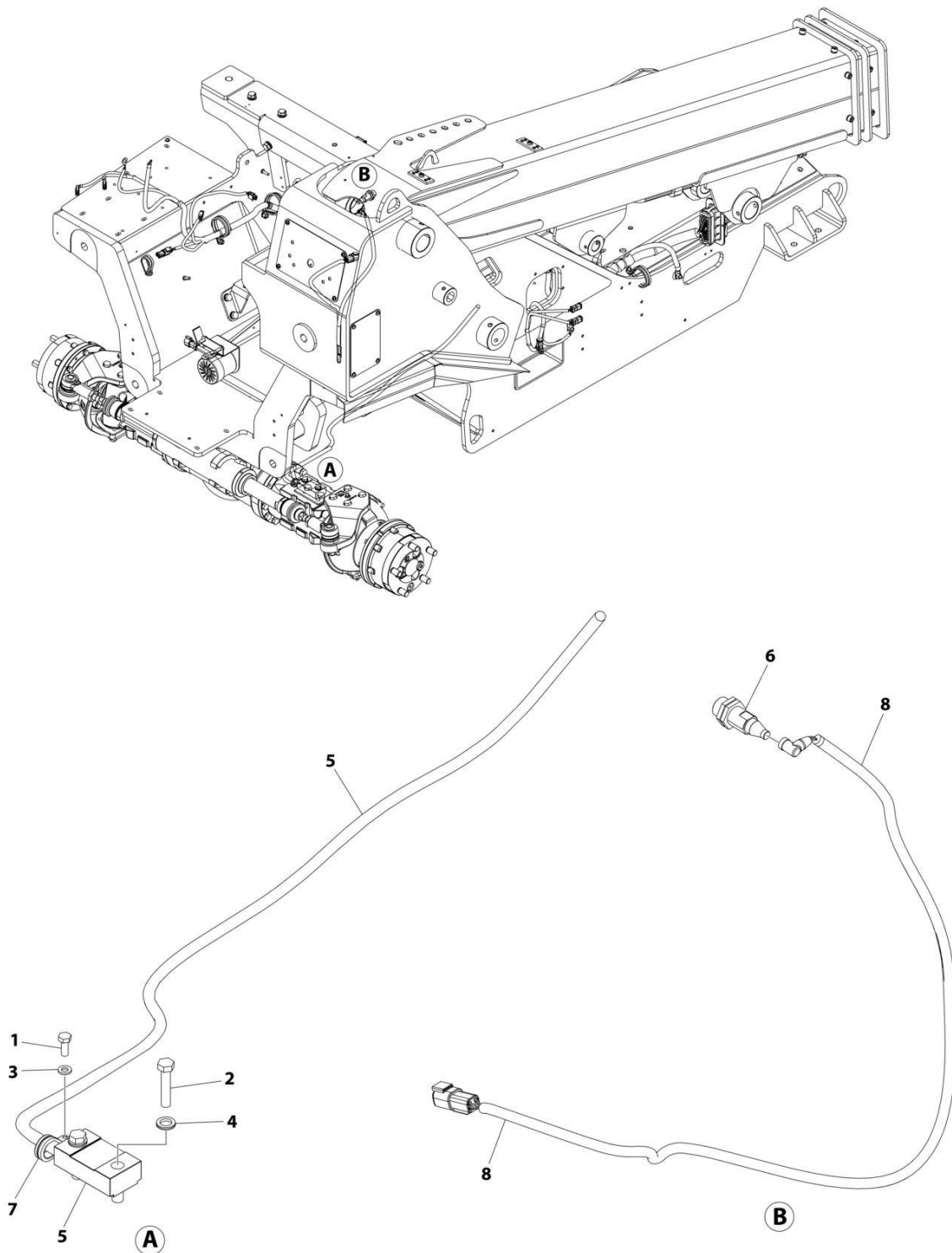
SECTION 10 - ELECTRICAL

FIGURE 10-7. FRAME HARNESS

ITEM	PART NUMBER	QTY	DESCRIPTION	REV
	1001306570	Ref	FRAME HARNESS	A
	See Note	Ref	Note: No Other Service Parts Available at Time of Printing	
1	NPN	1	Connector	
2	NPN	1	Terminal, Ring	
3	NPN	14	Connector	
3	1001116692	28	Socket	
4	4460970	1	Connector	
4	1001116693	3	Pin - 14AWG to 18AWG	
4	NPN	6	Pin - 20AWG	
4	4460466	3	Plug	
5	NPN	3	Connector	
6	NPN	2	Connector	
7	4460933	1	Connector	
7	1001116692	12	Socket	
8	1001220379	1	Connector	
9	4460933	1	Connector	
9	1001116692	6	Socket - 14AWG to 18AWG	
9	NPN	2	Socket- 20AWG	
9	4460466	4	Plug	
10	4461118	1	Connector	
10	1001237212	2	Socket	
10	1001197457	2	Seal	
11	NPN	1	Connector	
12	NPN	1	Terminal, Ring	
13	NPN	3	Connector	
14	4461290	1	Connector	
14	1001116694	2	Socket	
15	4461077	1	Connector	
15	1001116694	4	Socket	

SECTION 10 - ELECTRICAL

FIGURE 10-8. LSI SENSORS INSTALLATION



ART_1001306133

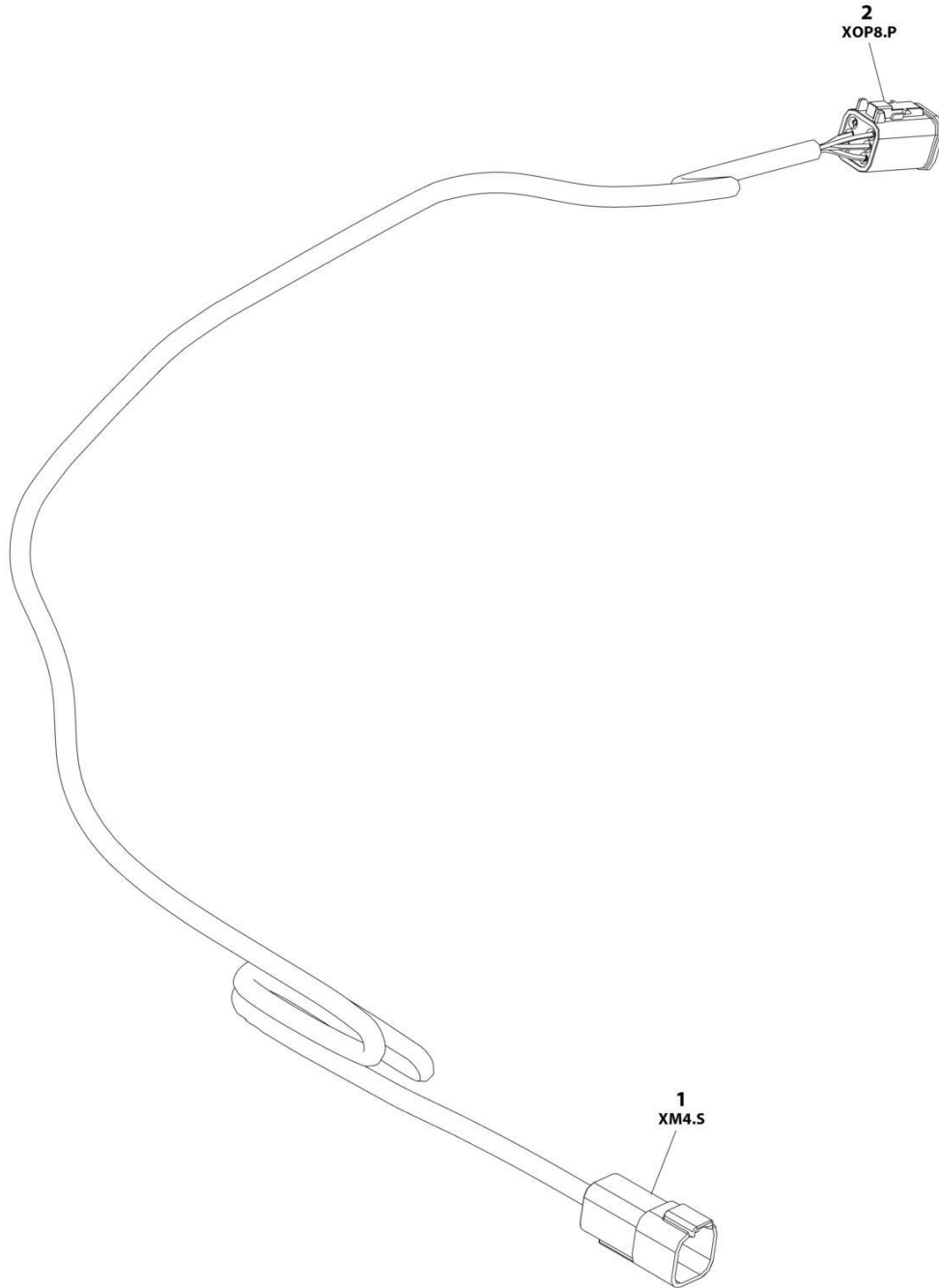
SECTION 10 - ELECTRICAL

FIGURE 10-8. LSI SENSORS INSTALLATION

ITEM	PART NUMBER	QTY	DESCRIPTION	REV
	1001306133	Ref	LSI SENSORS INSTALLATION	A
1	0760608	1	Bolt M6 x 16	
2	0770816	2	Bolt M8 x 40	
3	4831700	1	Washer M6	
4	1001261551	2	Washer M10	
5	1001264369	1	Sensor, LSI Axle	
6	1001264370	1	Sensor, Proximity	
7	1001264372	1	Clamp	
8	1001264452	1	Harness, LSI Jumper	

SECTION 10 - ELECTRICAL

FIGURE 10-9. ROOF WIPER HARNESS



ART_1001265306

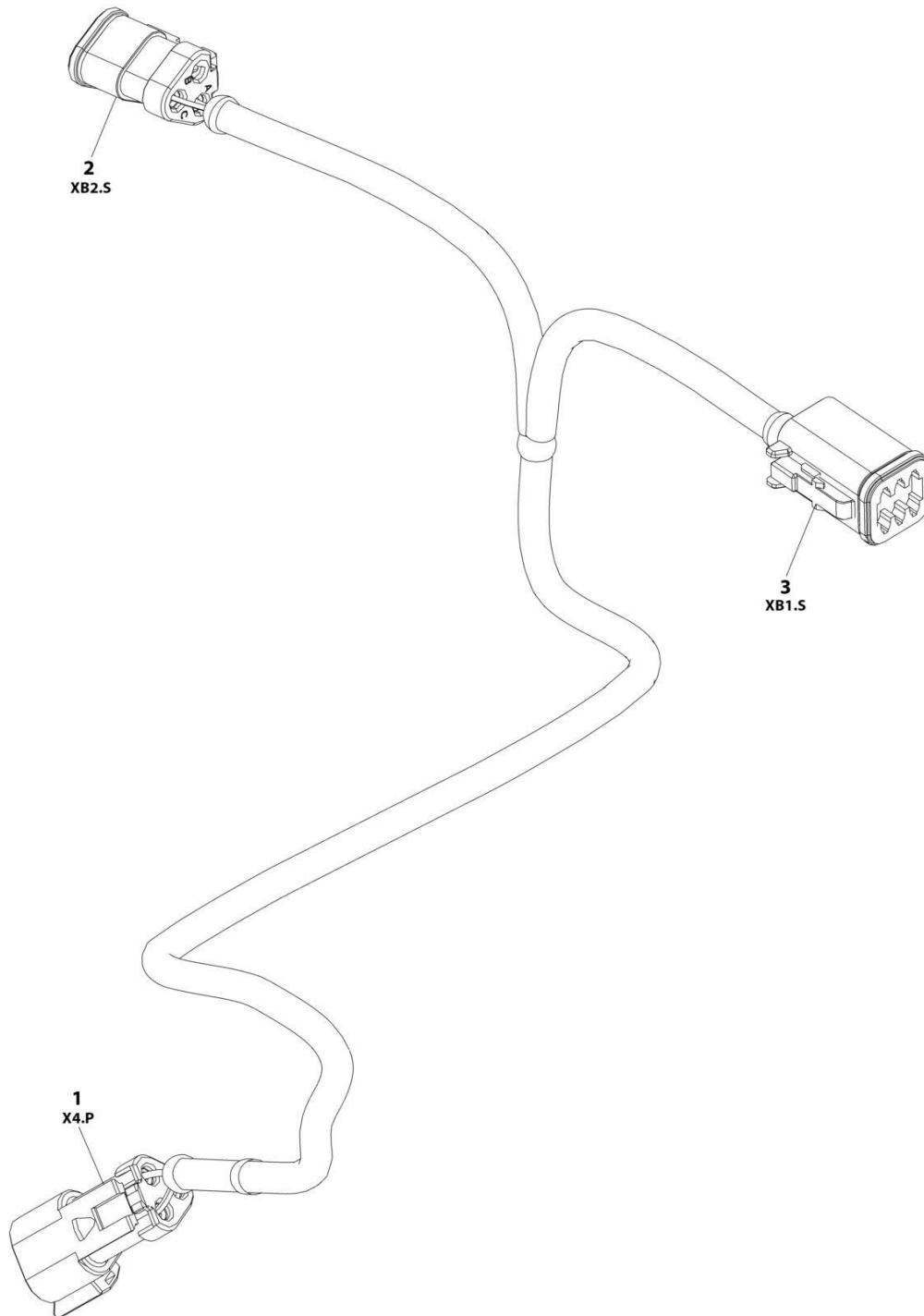
SECTION 10 - ELECTRICAL

FIGURE 10-9. ROOF WIPER HARNESS

ITEM	PART NUMBER	QTY	DESCRIPTION	REV
	1001265306	Ref	ROOF WIPER HARNESS	A
1	4460894	1	Connector	
1	1001116692	4	Socket	
1	4460466	2	Plug	
2	4460899	1	Connector	
2	1001116692	4	Socket	
2	4460466	2	Plug	

SECTION 10 - ELECTRICAL

FIGURE 10-10. SEAT JUMPER HARNESS



ART_1001306572

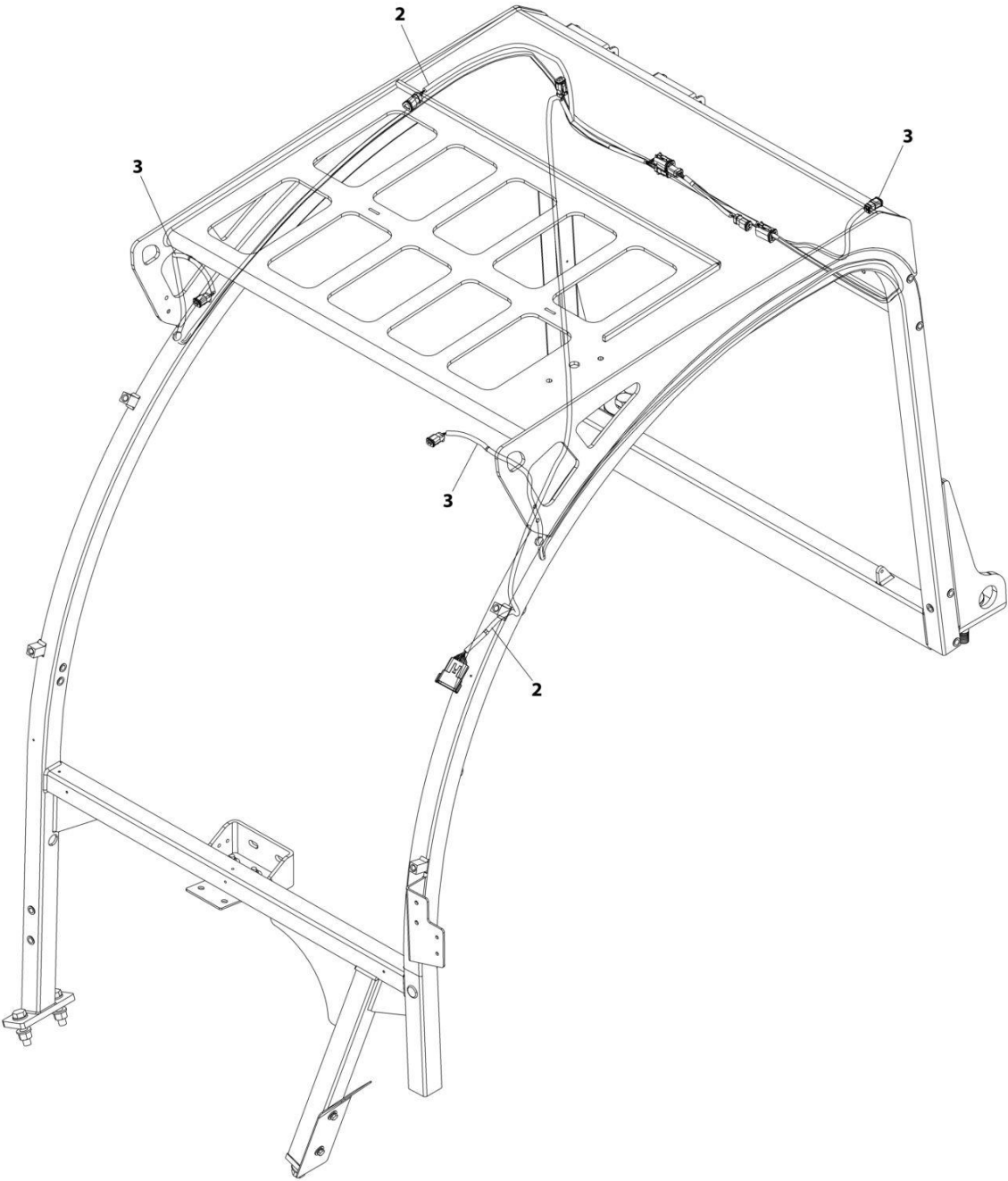
SECTION 10 - ELECTRICAL

FIGURE 10-10. SEAT JUMPER HARNESS

ITEM	PART NUMBER	QTY	DESCRIPTION	REV
	1001306572	Ref	SEAT JUMPER HARNESS	A
	See Note	Ref	Note: No Other Service Parts Available at Time of Printing	
1	NPN	1	Connector	
2	NPN	1	Connector	
2	4460466	1	Plug	
3	4460894	1	Connector	
3	4460466	4	Plug	

SECTION 10 - ELECTRICAL

FIGURE 10-11. WORKLIGHTS HARNESS INSTALLATION



ART_1001306135

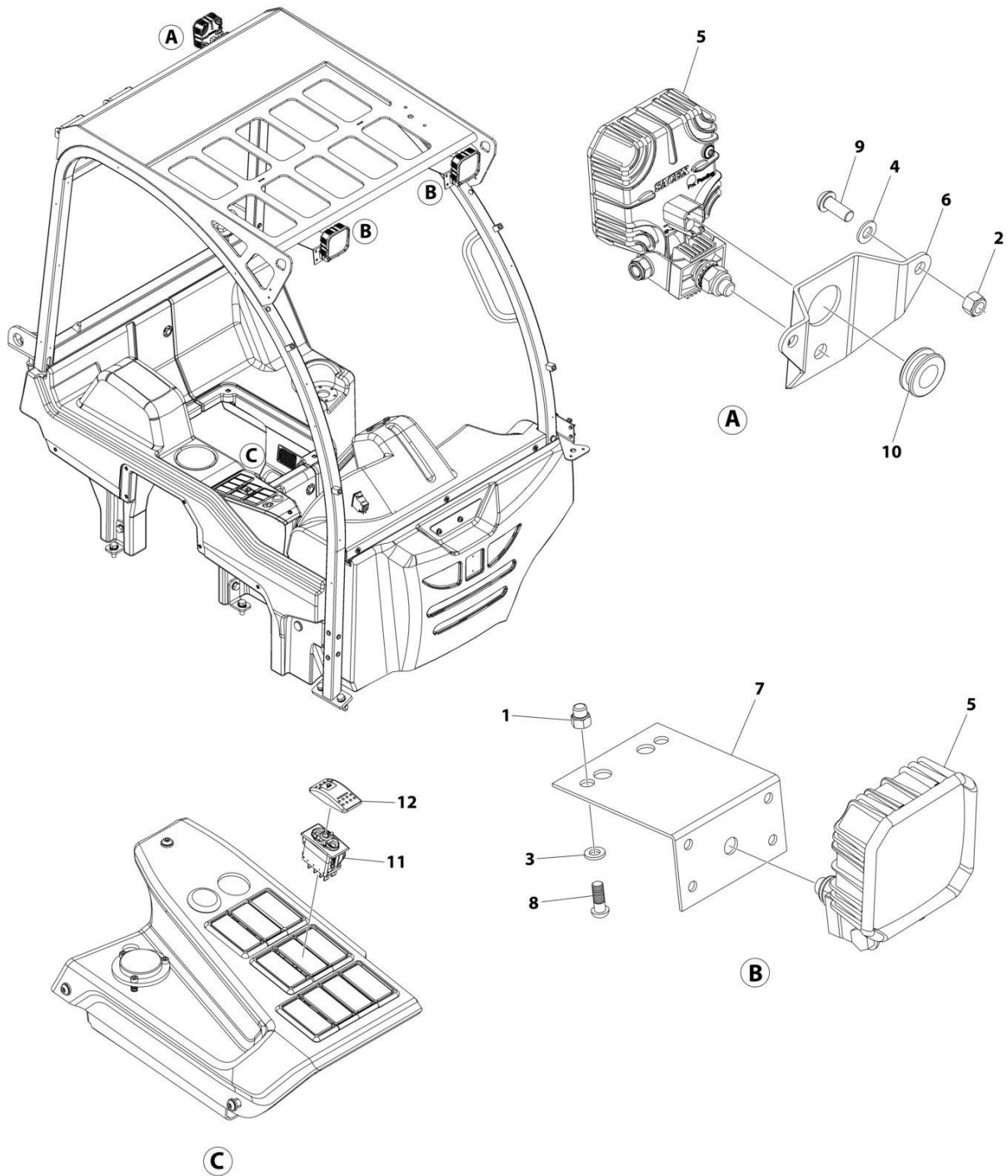
SECTION 10 - ELECTRICAL

FIGURE 10-11. WORKLIGHTS HARNESS INSTALLATION

ITEM	PART NUMBER	QTY	DESCRIPTION	REV
	1001306135	Ref	WORKLIGHTS HARNESS INSTALLATION	A
1	1001002454	3	Tie-Strap (Not Shown)	
2	1001264451	1	Harness, Worklights	
3	1001264456	1	Harness, Worklights Jumper	
4	1001264466	3	Mount, Tie-Strap (Not Shown)	

SECTION 10 - ELECTRICAL

FIGURE 10-12. WORKLIGHTS INSTALLATION



ART_1001304450

SECTION 10 - ELECTRICAL

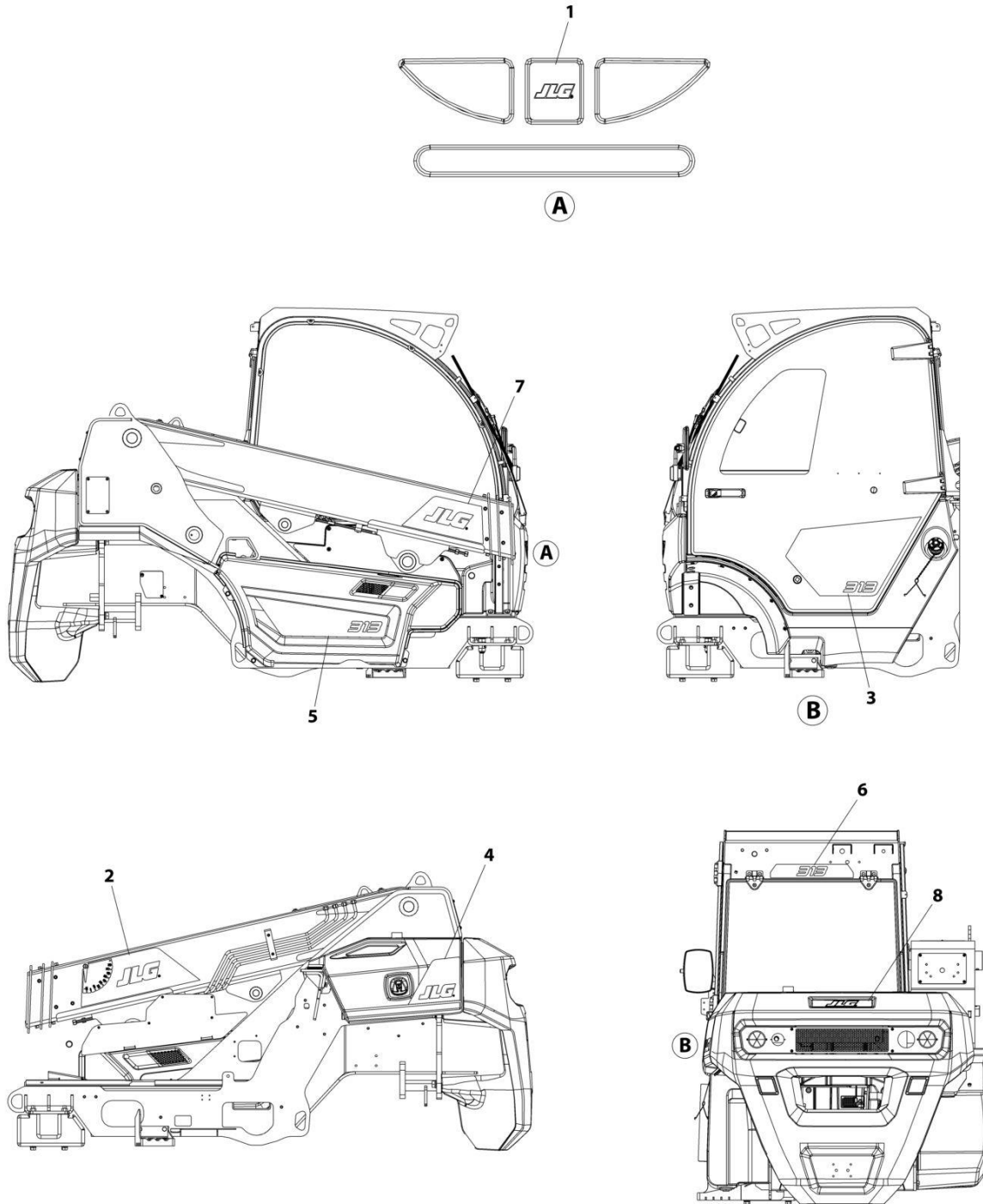
FIGURE 10-12. WORKLIGHTS INSTALLATION

ITEM	PART NUMBER	QTY	DESCRIPTION	REV
	1001304450	Ref	WORKLIGHTS INSTALLATION	A
1	3290605	4	Nut M6	
2	3290805	2	Nut M8	
3	4811700	4	Washer M6	
4	4811900	2	Washer M8	
5	1001262603	3	Lamp	
6	1001262605	1	Bracket, Rear Worklight	
7	1001262606	2	Bracket, Front Worklight	
8	1001262607	4	Capscrew M6 x 20 Class 10.9	
9	1001262664	2	Capscrew M8 x 20 Class 10.9	
10	1001263266	1	Grommet	
11	1001305388	1	Switch, Worklights	
12	1001305395	1	Rocker, Worklights Switch	

SECTION 11 - DECALS

SECTION 11 - DECALS

FIGURE 11-1. BRAND DECALS INSTALLATION - ENCLOSED CAB



ART_1001305412

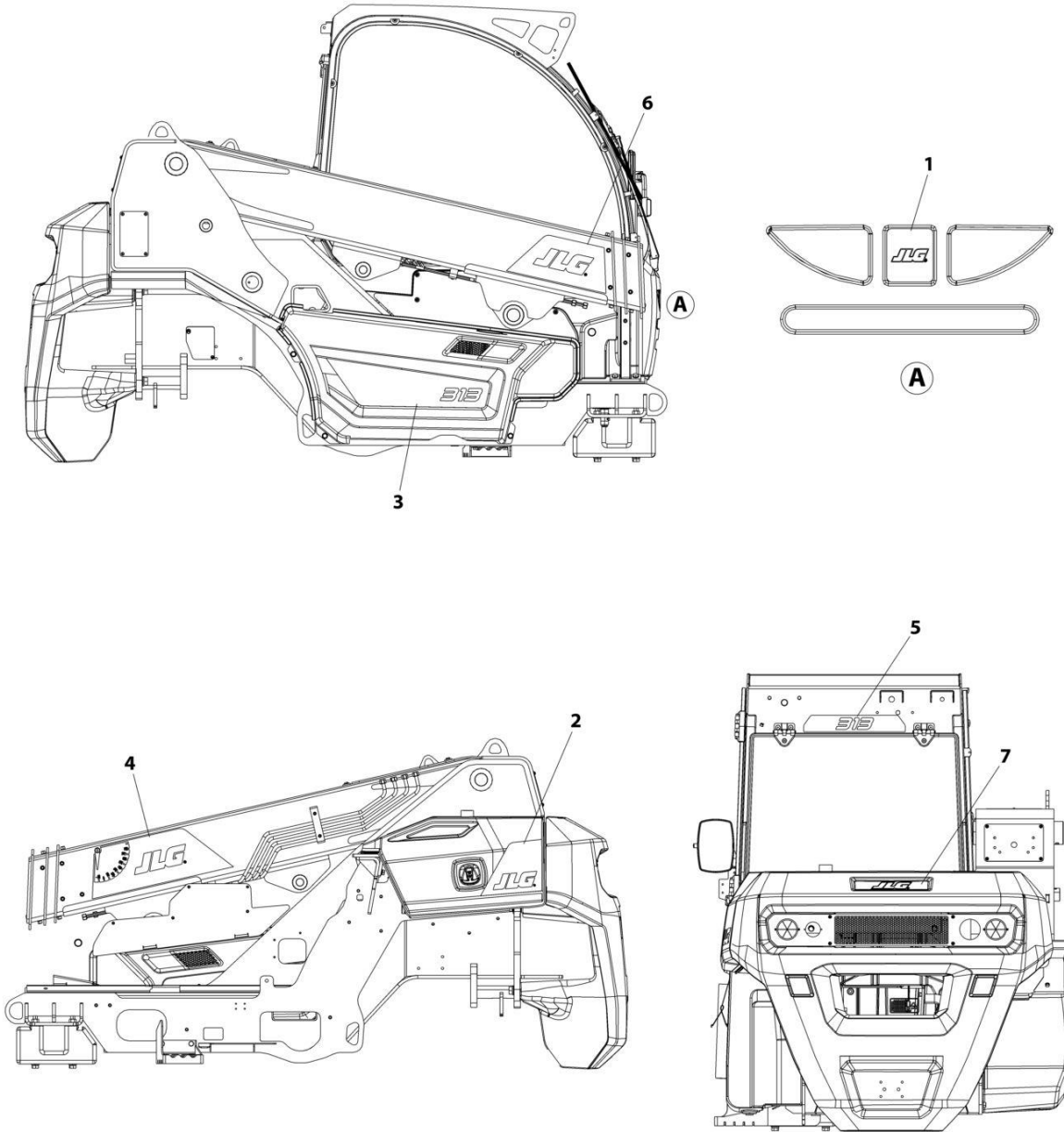
SECTION 11 - DECALS

FIGURE 11-1. BRAND DECALS INSTALLATION - ENCLOSED CAB

ITEM	PART NUMBER	QTY	DESCRIPTION	REV
	1001305412	Ref	BRAND DECALS INSTALLATION	A
1	1001269743	1	Decal - Front JLG	
2	1001302397	1	Decal - Boom Angle	
3	1001302399	1	Decal - Door Model	
4	1001302400	1	Decal - Engine Hood JLG	
5	1001302401	1	Decal - Side Hood Model	
6	1001302402	1	Decal - Cab Rear Model	
7	1001302403	1	Decal - Boom JLG	
8	1001305392	1	Decal - Counterweight JLG	

SECTION 11 - DECALS

FIGURE 11-2. BRAND DECALS INSTALLATION - OPEN CAB



ART_1001301822

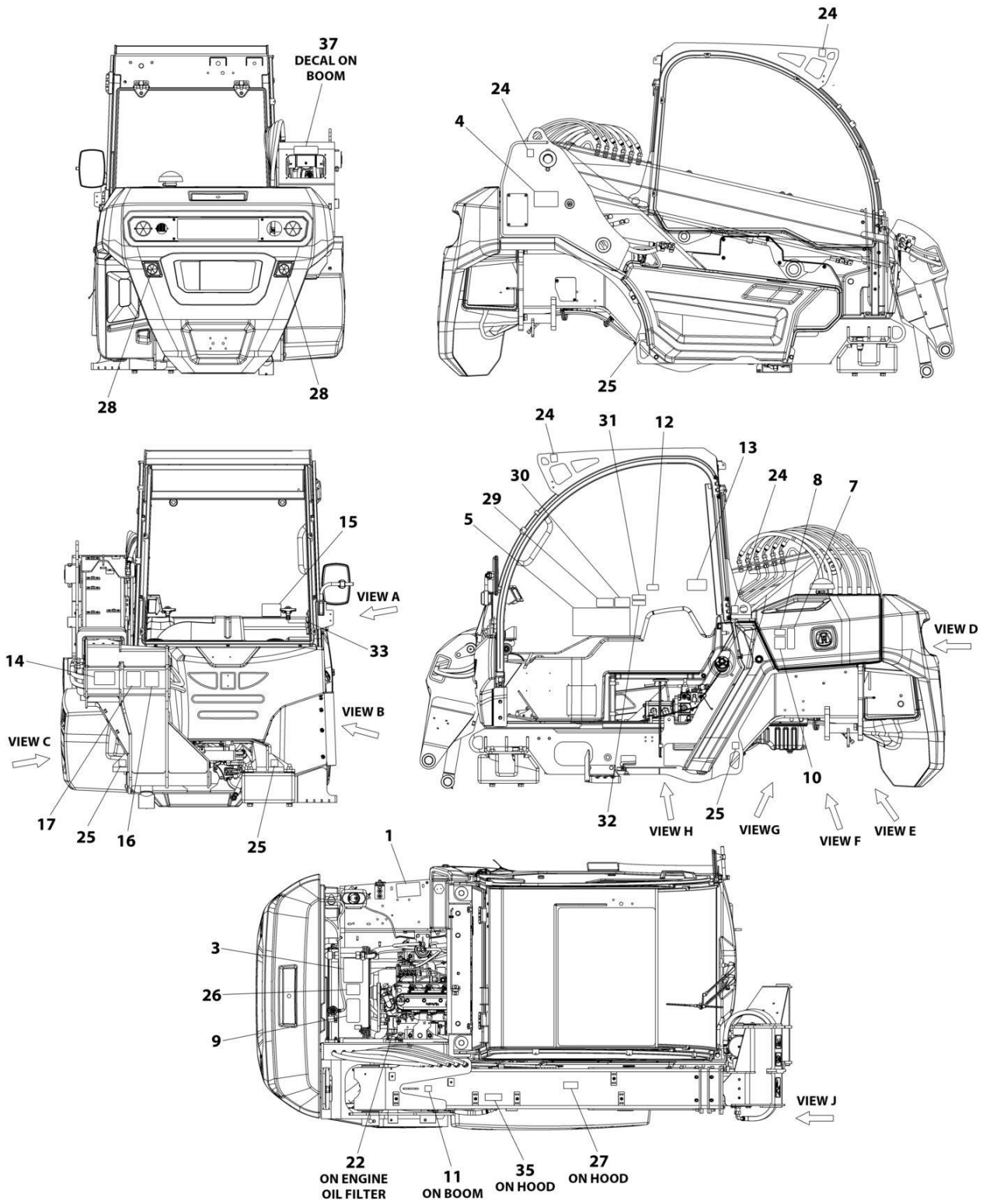
SECTION 11 - DECALS

FIGURE 11-2. BRAND DECALS INSTALLATION - OPEN CAB

ITEM	PART NUMBER	QTY	DESCRIPTION	REV
	1001301822	Ref	BRAND DECALS INSTALLATION	A
1	1001269743	1	Decal - Front JLG	
2	1001302400	1	Decal - Engine Hood JLG	
3	1001302401	1	Decal - Side Hood Model	
4	1001302397	1	Decal - Boom Angle	
5	1001302402	1	Decal - Cab Rear Model	
6	1001302403	1	Decal - Boom JLG	
7	1001305392	1	Decal - Counterweight JLG	

SECTION 11 - DECALS

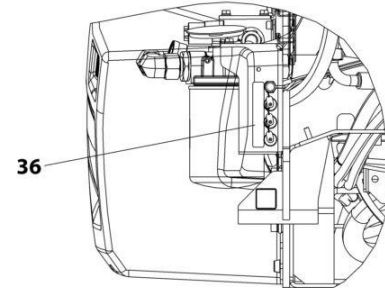
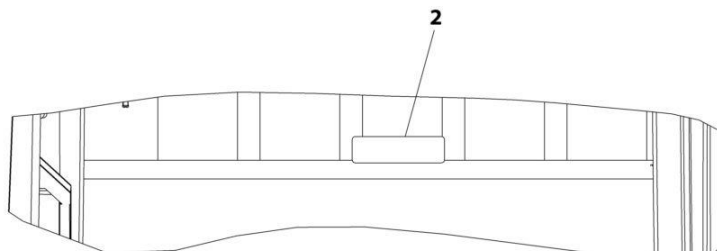
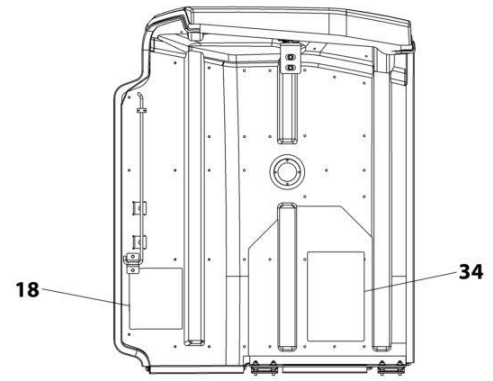
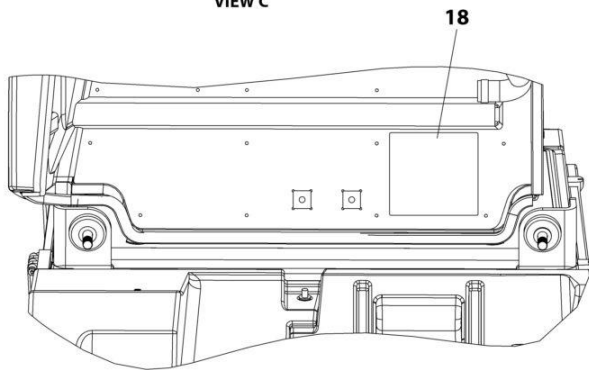
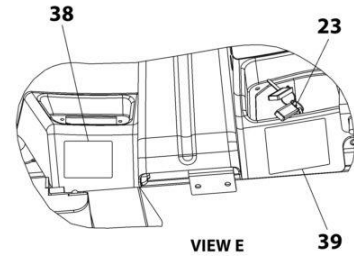
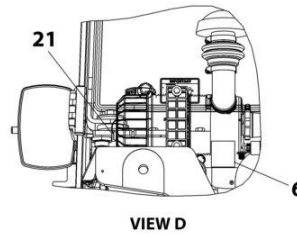
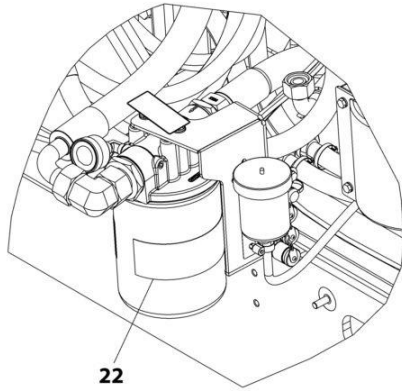
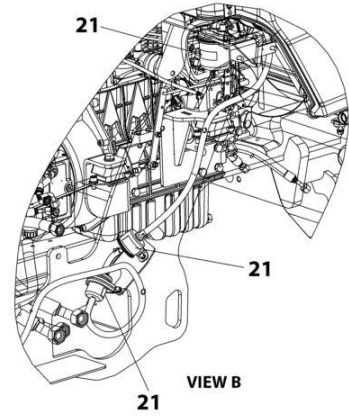
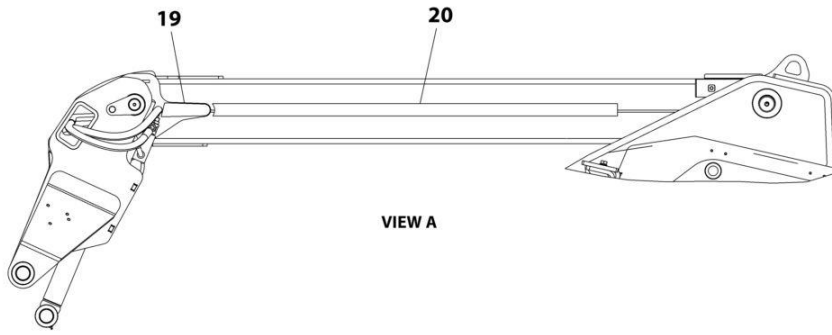
FIGURE 11-3. DECAL INSTALLATION (ANSI)



NOTE: SEE PAGE 20F2 FOR DETAIL VIEWS

ART_1001305801_10F2

SECTION 11 - DECALS



ART_1001305801_20F2

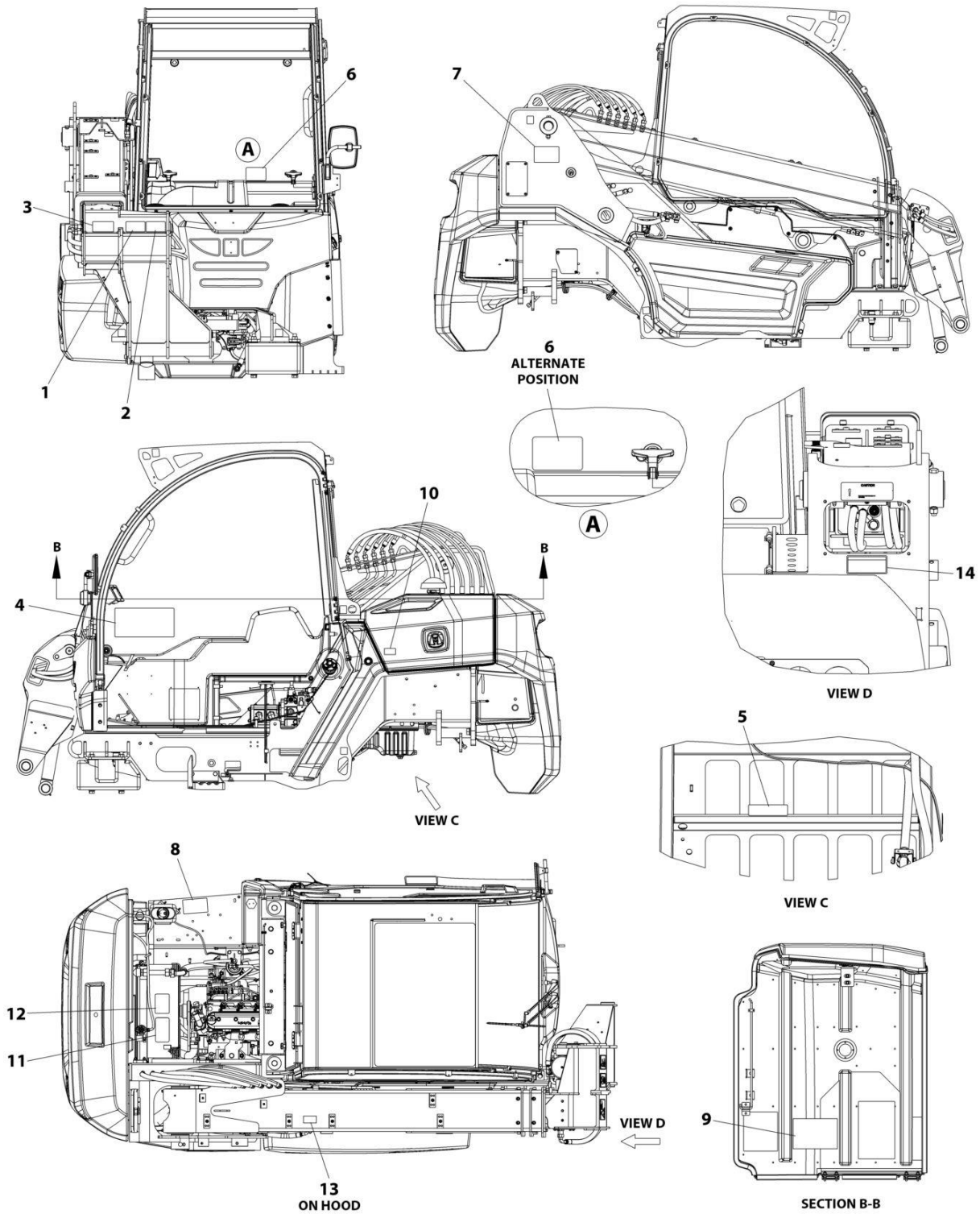
SECTION 11 - DECALS

FIGURE 11-3. DECAL INSTALLATION (ANSI)

ITEM	PART NUMBER	QTY	DESCRIPTION	REV
	1001305801	Ref	DECAL INSTALLATION	A
1	1706296	1	Decal - Battery Warning	
2	1706299	1	Decal - Electrocution Hazard	
3	1706300	1	Decal - Ether Warning	
4	1706302	1	Decal - Pinch Point	
5	1707078	1	Decal - Warning/Danger - Cab	
6	4100181	1	Decal - Hydraulic Oil Fill	
7	4108302	1	Decal - Hydraulic Oil Level	
8	1001125387	1	Decal - Ultra Low Sulfur Diesel	
9	1001139578	1	Decal - Hot Fluid Warning	
10	1001189017	1	Decal - Diesel Fuel Fill	
11	1001212292	1	Decal - No Lifting	
12	1001223453	1	Decal - ICES (CAN)	
13	1001231801	1	Decal - Warning Prop 65	
14	1001260776	1	Decal - Falling Personnel	
15	1001260780	2	Decal - Rear Window Entry/Exit	
16	1001260879	1	Decal - Platform Personnel	
17	1001260880	1	Decal - Do Not Travel	
18	1001263399	1	Decal - Maintenance Hours	
19	1001263410	1	Decal - Boom Letter A	
20	1001263411	1	Decal - Boom Extend Letters	
21	1001263412	4	Decal - Neutral Brand Small	
22	1001263413	3	Decal - Neutral Brand Large	
23	1001264619	1	Ring, Key	
24	1001268712	5	Decal - Tie Down	
25	1001268713	4	Decal - Lift Point	
26	1001300353	1	Decal - Fan/Belt Warning	
27	1001297049	1	Decal - Brake Fluid Spec NA	
28	1001311049	2	Reflector	
29	1001311187	1	Decal - Manual Location	
30	1001311188	1	Decal - Tire Pressure	
31	1001311190	1	Decal - LSI Override	
32	1001311192	1	Decal - Drive Mode	
33	1001311384	NSS	Name Plate, Serial Number (Note: Not Available For Purchase)	
34	1001311460	1	Decal - Grease Points	
35	1001311967	1	Decal - Warning Hot Pipe	
36	1001311994	1	Decal - Test Ports	
37	1001311995	1	Decal - Do Not Spray	
38	1001312125	1	Decal - Fuse Box	
39	1001312126	1	Decal - Fuse Box Cab	

SECTION 11 - DECALS

FIGURE 11-4. DECAL INSTALLATION (FRENCH)



ART_1001305802

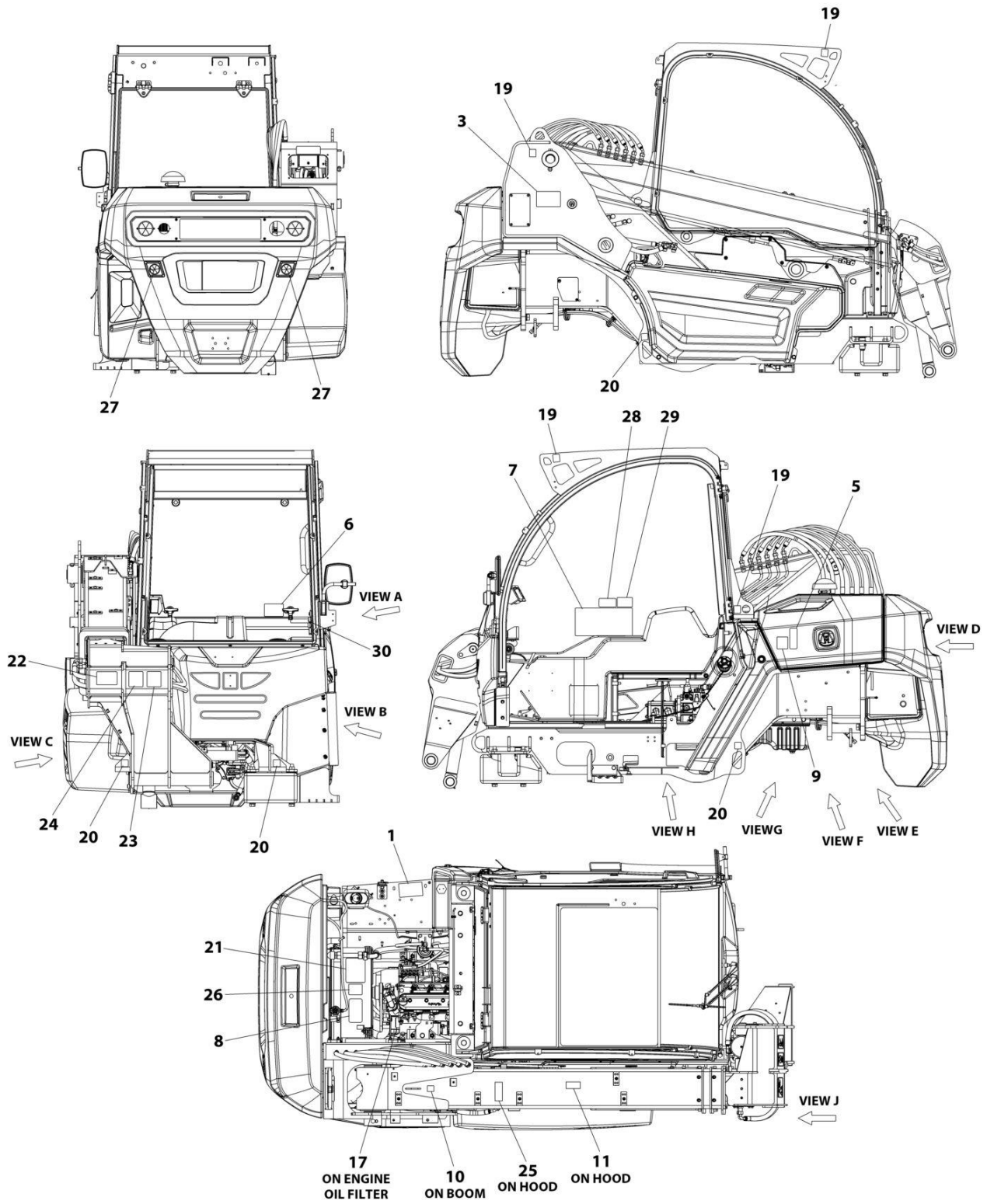
SECTION 11 - DECALS

FIGURE 11-4. DECAL INSTALLATION (FRENCH)

ITEM	PART NUMBER	QTY	DESCRIPTION	REV
	1001305802	Ref	DECAL INSTALLATION	A
1	1001263439	1	Decal - Do Not Travel	
2	1001263440	1	Decal - Platform Personnel	
3	1001263441	1	Decal - Falling Personnel	
4	1001263464	1	Decal - Warning Cab	
5	1001263466	1	Decal - Electrocution Hazard	
6	1001263467	2	Decal - Rear Window Exit	
7	1001263468	1	Decal - Pinch Point	
8	1001263469	1	Decal - Battery Warning	
9	1001263471	1	Decal - Warning No Ether	
10	1001263472	1	Decal - Ultra Low Sulfur Fuel	
11	1001263473	1	Decal - Warning Hot Fluid	
12	1001263475	1	Decal - Warning Fan	
13	1001263481	1	Decal - Warning Hot Exhaust	
14	1001313450	1	Decal - Do Not Spray	

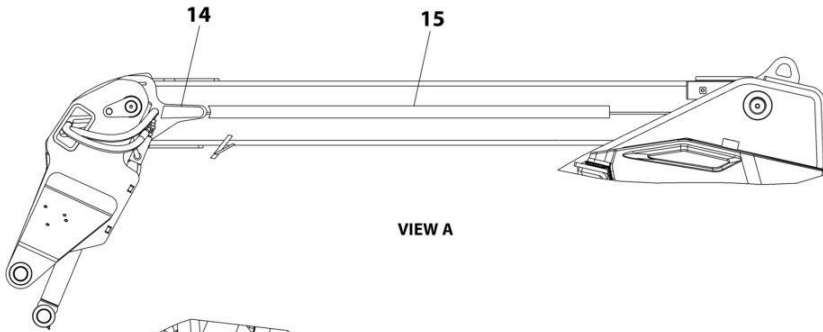
SECTION 11 - DECALS

FIGURE 11-5. DECAL INSTALLATION (ISO)

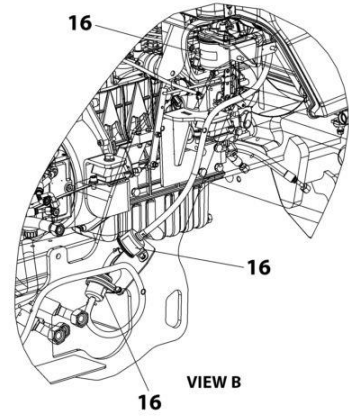


ART_1001305803_10F2

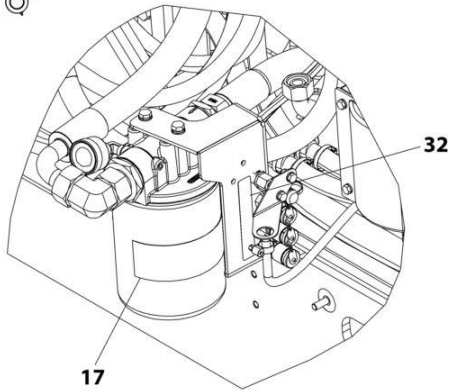
SECTION 11 - DECALS



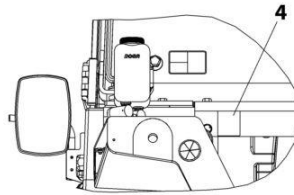
VIEW A



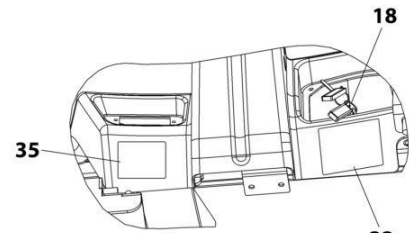
VIEW B



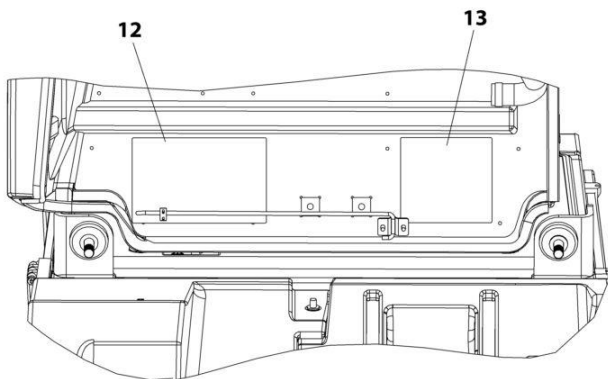
VIEW C



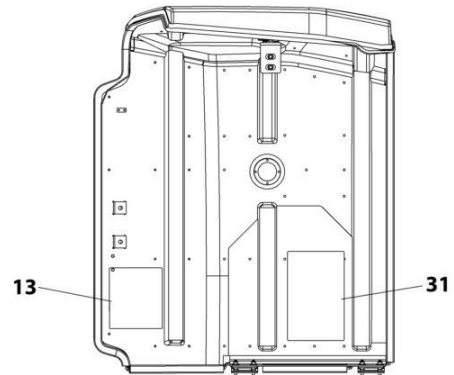
VIEW D



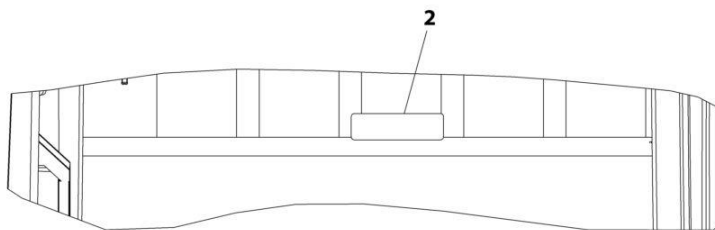
VIEW E



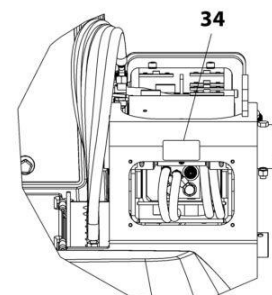
VIEW F



VIEW G



VIEW H



VIEW J

ART_1001305803_20F2

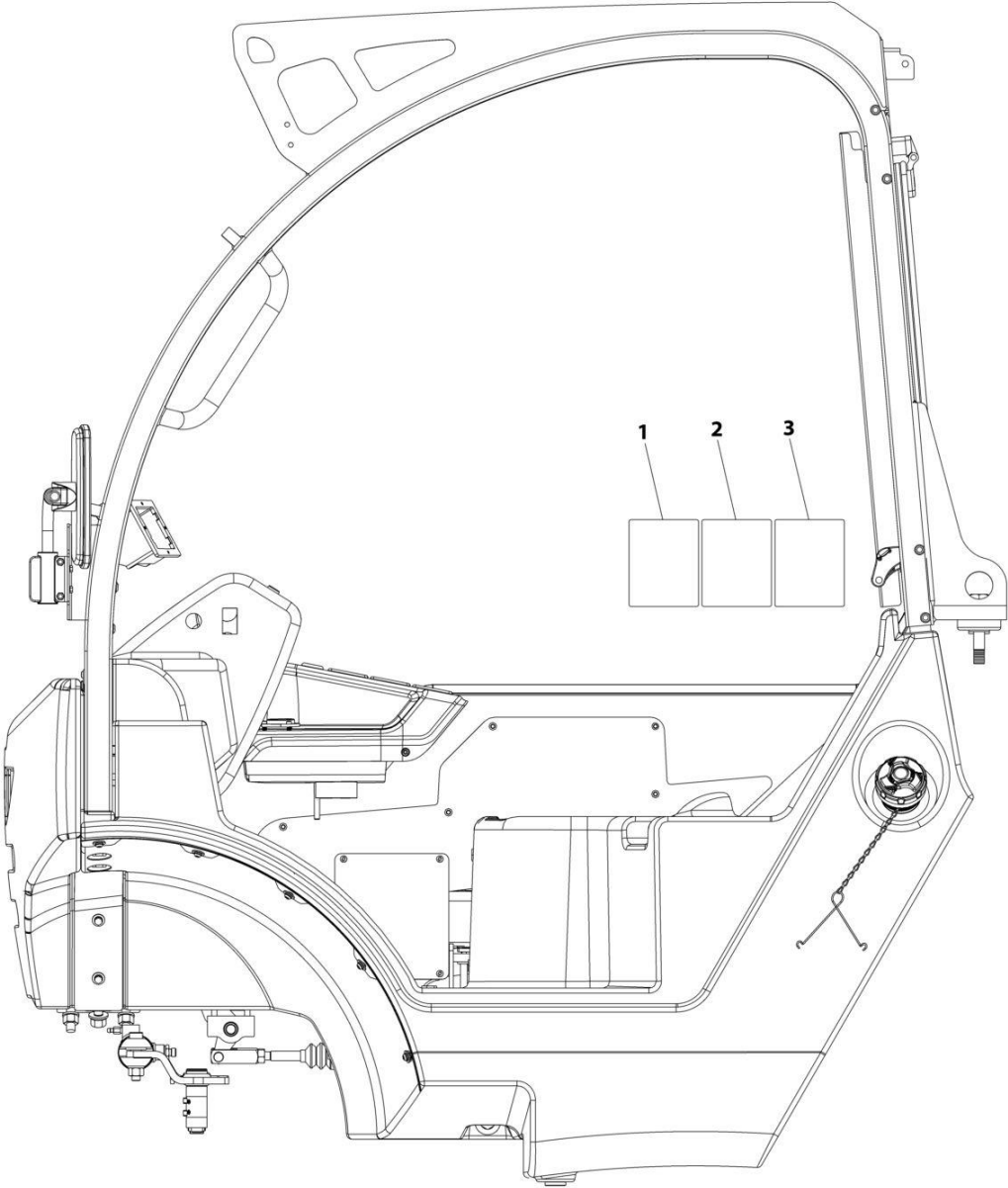
SECTION 11 - DECALS

FIGURE 11-5. DECAL INSTALLATION (ISO)

ITEM	PART NUMBER	QTY	DESCRIPTION	REV
	1001305803	Ref	DECAL INSTALLATION	A
1	1706281	1	Decal - Battery Warning	
2	1706284	1	Decal - Electrocutation Hazard	
3	1706292	1	Decal - Pinch Point	
4	4100181	1	Decal - Hydraulic Oil Fill	
5	4108302	1	Decal - Hydraulic Oil Level	
6	8005870	2	Decal - Emergency Exit	
7	1001101895	1	Decal - Warning Cab	
8	1001139942	1	Decal - Hot Fluid Warning	
9	1001189017	1	Decal - Diesel Fuel Fill	
10	1001212292	1	Decal - No Lifting	
11	1001219211	1	Decal - Brake Fluid Spec	
12	1001263398	1	Decal - Grease Points	
13	1001263399	1	Decal - Maintenance Hours	
14	1001263410	1	Decal - Boom Letter A	
15	1001263411	1	Decal - Boom Extend Letters	
16	1001263412	3	Decal - Neutral Brand Small	
17	1001263413	3	Decal - Neutral Brand Large	
18	1001264619	1	Ring, Key	
19	1001268712	5	Decal - Tie Down	
20	1001268713	4	Decal - Lift Point	
21	1001272167	1	Decal - No Ether	
22	1001272170	1	Decal - Falling Personnel	
23	1001272171	1	Decal - Platform Personnel	
24	1001272172	1	Decal - Do Not Travel	
25	1001272173	1	Decal - Hot Exhaust	
26	1001272174	1	Decal - Fan Warning	
27	1001311049	2	Reflector	
28	1001311187	1	Decal - Manual Location	
29	1001311188	1	Decal - Tire Pressure	
30	1001311384	NSS	Name Plate, Serial Number (Note: Not Available For Purchase)	
31	1001311460	1	Decal - Grease Points	
32	1001311994	1	Decal - Test Ports	
33	1001312126	1	Decal - Fuse Box Cab	
34	1001314403	1	Decal - No Spray	
35	1001312125	1	Decal - Fuse Box	

SECTION 11 - DECALS

FIGURE 11-6. LOAD CHART - ANSI



ART_1001312385

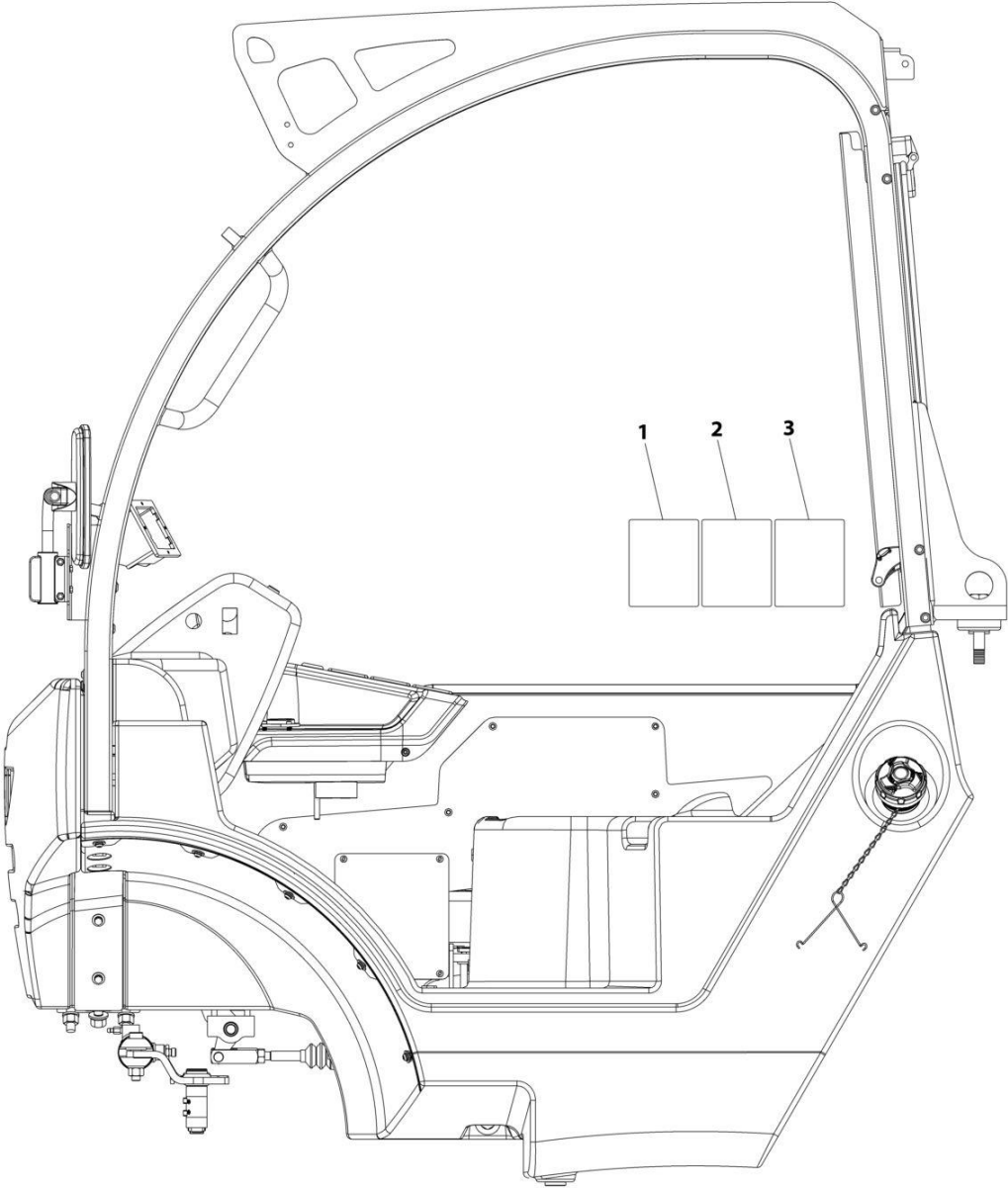
SECTION 11 - DECALS

FIGURE 11-6. LOAD CHART - ANSI

ITEM	PART NUMBER	QTY	DESCRIPTION	REV
	1001312385	Ref	CAPACITY CHART DECALS (ANSI)	A
1	1001312387	1	Decal - Loadchart (Std Carriage)	
2	1001312388	1	Decal - Loadchart (Bucket)	
3	1001312389	1	Decal - Loadchart (Side Shift Carriage)	

SECTION 11 - DECALS

FIGURE 11-7. LOAD CHART - METRIC



ART_1001312386

SECTION 11 - DECALS

FIGURE 11-7. LOAD CHART - METRIC

ITEM	PART NUMBER	QTY	DESCRIPTION	REV
	1001312386	Ref	CAPACITY CHART DECALS (METRIC)	A
1	1001312399	1	Decal - Loadchart (Std Carriage)	
2	1001312400	1	Decal - Loadchart (Bucket)	
3	1001312401	1	Decal - Loadchart (Side Shift Carriage)	

SECTION 12 - RECOMMENDED SERVICE PARTS STOCK

SECTION 12 - RECOMMENDED SERVICE PARTS STOCK

SECTION 12 - RECOMMENDED SERVICE PARTS STOCK

FIGURE 12-1. RECOMMENDED SERVICE PARTS STOCK

ITEM	PART NUMBER	QTY	DESCRIPTION	REV
		Ref	Note: The following list will service one machine (built to current production per date on the front cover) with emergency repair parts which can be installed in the field. Parts from the list should be replaced when inventory is depleted to keep service parts stock supplied. For further information, contact your JLG dealer or the JLG Industries Parts Department.	
	1001303452	1	Controller, Brake Pedal	
	1001264404	1	Controller, Forward Neutral Reverse	
	1001262976	1	Controller, Joystick	
	1001262673	1	Controller, Steering Wheel	
	1001262416	1	Controller, Throttle Pedal	
		Ref	Engine - Kubota	
	1001262409	12	Filter, Fuel	
	7020942	12	Filter, Oil	
	70030108	12	Filter, Air Filter (Engine Air Intake)	
	1001305370	12	Filter, Fuel (Fuel System)	
	1001262424	12	Filter, In-Line Fuel (Fuel System)	
	1001305512	12	Filter, Heater (Cab Exterior)	
	1001305507	12	Filter, Heater (Cab Interior)	
	70030136	12	Filter, Hydraulic	
	1001264428	2	Fuse, 50Amp (Battery Installation)	
	1001264425	2	Fuse, 200Amp (Battery Installation)	
	70030741	1	Key, Door (Enclosed Cab)	
	1001280661	1	Module, ClearSky	
	1001306666	1	Module, Control (Cab Electrical)	
	1001304595	1	Relay (Battery Installation)	
	1001264392	1	Relay (Cab Heater)	
	1001304074	1	Sensor, Air Intake	
	1001264369	1	Sensor, Axle (LSI)	
	1001262684	1	Sensor, Brake Pressure	
	1001264370	1	Sensor, Proximity (LSI)	
	1001264422	1	Switch, Battery Disconnect	
	1001306670	1	Switch, Headlight	
	1001305513	1	Switch, Heater	
	1001306657	1	Switch, Horn (Side Dash)	
	1001262674	1	Switch, Horn (Steering Wheel)	
	1001264530	1	Switch, Hydraulic Coupler	
	1001306650	1	Switch, Ignition	
	1001306647	1	Switch, Lockout	
	1001306659	1	Switch, Parking	
	1001305388	1	Switch, Worklights	

SECTION 13 - SPECIAL OPTIONS/ACCESSORIES/KITS

SECTION 13 - SPECIAL OPTIONS/ACCESSORIES/KITS

SECTION 13 - SPECIAL OPTIONS/ACCESSORIES/KITS

FIGURE 13-1. SPECIAL OPTIONS/ACCESSORIES/KITS

ITEM	PART NUMBER	QTY	DESCRIPTION	REV
	See Note	Ref	Note: This list is to accommodate machines ordered with special equipment. Options may not be applicable to all models. For more specific parts information contact JLG Parts Department.	
		Ref	MISCELLANEOUS SPECIAL OPTIONS/ACCESSORIES/KITS	
	1001304451	Ref	Bucket Attachment	
		Ref	Electrical Connector Kits	
	1001148902	Ref	Electrical Connector Kit - Amp/Tyco Electrical Connectors	
	1001148903	Ref	Electrical Connector Kit - Deutsch DT Electrical Connectors	
	1001148904	Ref	Electrical Connector Kit - Deutsch HD Electrical Connectors	
	1001148905	Ref	Electrical Connector Kit - Packard Electrical Connectors	
	1001148906	Ref	Electrical Connector Kit - Various Electrical Connectors	
	1001264363	Ref	Engine Block Heater Installation	
		Ref	Sub-FAPL:	
	1001301798	Ref	Electrical Installation	A
	1001301782	Ref	Engine Package Installation	A
	1001311716	Ref	Engine Package Installation (High Flow)	A
	1001305798	Ref	Forks Installation (35 x 100 x 1000)	A
	1001305800	Ref	Forks Installation (35 x 100 x 1200)	A
	1001301796	Ref	Hydraulics Installation	A
	1001307910	Ref	Hydraulics Installation (High Flow)	A
	1001307888	Ref	Seat Belt Installation	A
		Ref	Tools for Service	
	2901443	Ref	Analyzer Kit	
	1001249695	Ref	Analyzer and Cable Kit	
	1001249941	Ref	Analyzer and Cable Kit (Battery Powered)	
	1001137005	Ref	Cable Kit, Software	
	7002821	Ref	Crimper, Wire	
	7002823	Ref	Pin Extractor - Universal (For Electrical Connectors with Pins and Sockets)	
	4460510	Ref	Pin Extractor - 12-14 Gauge (For Removal of Pin/Sockets from Deutsch Connectors)	
	4460467	Ref	Pin Extractor - 16-18 Gauge (For Removal of Pin/Sockets from Deutsch Connectors)	
	7016654	Ref	Screwdriver, Magnetic	
	7002822	Ref	Screwdriver, potentiometer	
	7004275	Ref	Seal Tool 1in (For Cylinders)	
	7004276	Ref	Seal Tool 1-1/2in (For Cylinders)	
	7002828	Ref	Stripper, Wire	

SECTION 13 - SPECIAL OPTIONS/ACCESSORIES/KITS

PART NUMBER INDEX

SECTION 13 - SPECIAL OPTIONS/ACCESSORIES/KITS

0100035.....49, 145	1001116692 255, 256, 261, 265	1001262169 49	1001262688.....168
0630576.....14	1001116693 157, 249, 261	1001262170 49	1001262952.....227, 229
0700510.....231, 233	1001116694 255, 261	1001262249 59	1001262954.....71
0700610..14, 33, 67, 175, 247	1001116716 256	1001262253 61, 67	1001262955.....227, 229
0700612.....167, 247	1001116774 255	1001262265 67	1001262957.....151, 153, 217, 219
0700615.....133, 175, 253	1001116816 255	1001262266 61, 67	1001262961 67, 125, 157, 179
0700617227, 229	1001116947 256	1001262270 65	1001262964.....227, 229
0700814.....14, 65, 167	1001116986 255	1001262273 65	1001262972.....151, 153
0700815.....85, 111	1001116994 256	1001262274 129, 137	1001262976.....151, 294
0700818.....39	1001118385 255	1001262280 59, 61	1001262978.....147, 231, 233
0700820.....179, 191, 213	1001125387 280	1001262281 59, 63	1001262983.....231, 233
0700821151, 153	1001125773 249	1001262283 65	1001262985.....231, 233
0700822.....213	1001129773 249	1001262284 65	1001262986.....231, 233
0701015 14, 59, 167, 171, 173	1001137005 296	1001262285 67	1001262987.....147, 231, 233
0701018.....83	1001139578 280	1001262286 59	1001262988.....227, 229
0701026.....37, 41, 145	1001139578 280	1001262287 59	1001262989.....231, 233
0701027213	1001139942 286	1001262288 247	1001263054.....133, 139
0701030.....49	1001148902 296	1001262289 18, 159	1001263099.....227, 229
070103143, 49	1001148903 296	1001262292 59	1001263110.....179
070122747	1001148903 296	1001262298 71	1001263116.....217, 219
0701418.....23	1001148904 296	1001262360 83, 85, 103, 111	1001263126.....223, 225
0701618.....237	1001148905 296	1001262370 83, 85, 103, 111	1001263139 85, 111, 149, 179, 211
0701630.....39	1001162180 67, 149	1001262405 145	1001263141.....179
0701632.....39	1001163340 255	1001262409 61, 294	1001263142.....211, 227, 229
0711220.....147, 231, 233	1001189017 280, 286	1001262411 175	1001263143.....151, 153, 179, 223
0712024.....21	1001197457 261	1001262412 175	1001263145.....183, 185
0760408.....253	1001212292 280, 286	1001262414 175	1001263158.....29
0760508.....133	1001213010 67, 73	1001262416 175, 294	1001263161.....29
0760605.....18	1001215023 65	1001262417 175	1001263170.....183, 185
0760608 18, 73, 129, 137, 149, 167, 253, 263	1001215024 65, 149	1001262418 175	1001263181.....183, 185
0760808 14, 35, 179, 191, 205	1001219211 286	1001262424 73, 294	1001263184.....179
0760810.....73, 179, 181, 227, 229, 253, 259	1001220379 255, 261	1001262425 73	1001263185.....179
0760812..43, 71, 73, 113, 129, 137, 227, 229	1001223453 280	1001262426 73	1001263186.....181
0760815.....67	1001231801 280	1001262427 73	1001263187.....181
0760818.....167	1001237212 261	1001262433 175	1001263188.....129
0761008.....71, 105, 109	1001248229 249	1001262435 75, 77	1001263266.....271
0761010..29, 37, 41, 159, 179	1001249695 296	1001262445 83, 103	1001263388.....35
0761012.....14, 69, 111	1001249941 296	1001262459 75, 77	1001263398.....286
0761014.....83, 103, 105, 109, 111	1001260776 280	1001262469 73	1001263399.....280, 286
076101783, 111	1001260780 280	1001262471 247	1001263410.....280, 286
0761214.....29	1001260879 280	1001262499 175	1001263411.....280, 286
0761215.....81, 147	1001260880 280	1001262603 271	1001263412.....280, 286
0761216.....69	1001261544 47	1001262605 271	1001263413.....280, 286
0761218.....129, 137	1001261547 27, 105, 109, 111	1001262606 271	1001263439.....283
0761228.....27	1001261549 27	1001262607 18, 253, 271	1001263440.....283
0770812.....39, 85	1001261550 31, 33	1001262612 117, 119	1001263441.....283
0770816.....263	1001261551 .. 31, 33, 263	1001262637 145	1001263464.....283
1001002454269	1001261554 31	1001262638 145	1001263466.....283
1001061659.....43	1001261555 31	1001262664 133, 141, 143, 155, 271	1001263467.....283
1001061660.....43	1001261556 31	1001262666 155	1001263468.....283
1001061662.....43	1001261560 31	1001262669 171, 173	1001263469.....283
100106211743	1001261563 14	1001262670 171, 173	1001263471.....283
1001091102143	1001261564 18, 137	1001262671 171, 173	1001263472.....283
100109195121	1001261565 31, 33	1001262673 171, 173, 294	1001263473.....283
100109645681	1001261566 31, 33	1001262674 171, 173, 294	1001263475.....283
100109665367	1001261567 133, 213	1001262675 167	1001263481.....283
100109752273	1001261674 14	1001262683 167	1001263572.....151, 153, 227, 229
1001101895286	1001261678 43	1001262684 167, 294	1001263865.....23
	1001262024 53, 55	1001262685 167	1001263880.....18
	1001262033 33		
	1001262034 33		
	1001262036 33		
	1001262037 181		
	1001262107 53		
	1001262108 55		
	1001262110 49		

SECTION 13 - SPECIAL OPTIONS/ACCESSORIES/KITS

1001263881	18	1001264500.....	163	1001301189.....	14	1001302715	125, 133, 167
1001263990	125, 133	1001264501.....	163	1001301333.....	27	1001302716	73
1001263995	125, 133	1001264504.....	149	1001301516.....	31	1001302717	75
1001263996	147	1001264505.....	163	1001301518.....	29, 31	1001302721	217, 219, 221
1001263997	131, 139	1001264506.....	125	1001301519.....	27, 29	1001302722	223
1001263998	131, 139	1001264508.....	163	1001301582.....	29, 33	1001302728	205
1001264006	129, 137, 179	1001264509.....	39	1001301780.....	81	1001302730	205
1001264008	127, 135	1001264510.....	149	1001301782.....	296	1001302731	205, 207
1001264009	18	1001264512.....	39	1001301784.....	71	1001302732	205, 207
1001264010	137	1001264513.....	129, 137	1001301785.....	67	1001302733	183, 185
1001264011	125, 133	1001264515.....	131	1001301786.....	231	1001302734	183, 185
1001264012	137	1001264516.....	39	1001301788.....	125	1001302735	183, 185
1001264013	129, 137	1001264517.....	149	1001301793.....	151, 153	1001302736	183, 185
1001264016	129, 137	1001264520.....	149	1001301795.....	213	1001302737	183, 185
1001264018	81	1001264521.....	163	1001301796.....	296	1001302738	183, 185
1001264019	129, 137	1001264522.....	149	1001301798.....	296	1001302739	183, 185
1001264020	129, 137	1001264523.....	149	1001301813.....	181	1001302740	183, 185
1001264021	18, 125, 127, 133, 135, 253	1001264528.....	211	1001301816.....	41	1001302741	183, 185
1001264022	73	1001264529.....	149, 167	1001301822.....	277	1001302742	183, 185
1001264023	73	1001264530.....	37, 51, 294	1001301850.....	29, 241	1001302743	183, 185
1001264265	141, 143	1001264533.....	37, 179	1001301870.....	31	1001302744	183, 185
1001264268	251	1001264619.....	280, 286	1001301899.....	33	1001302799	71
1001264271	253	1001264674.....	247	1001301903.....	27	1001302801	71
1001264273	253	1001264675.....	247	1001301904.....	39, 43	1001302803	71
1001264274	63	1001264677.....	201, 203, 259	1001301926.....	29	1001302806	71
1001264275	63	1001264708.....	127, 135	1001301927.....	29	1001302816	183, 185
1001264300	73	1001265300.....	163	1001301942.....	29	1001303002	213, 215
1001264351	125, 131	1001265301.....	163	1001301973.....	41, 43	1001303003	213, 235
1001264363	296	1001265303.....	157	1001301975.....	29, 243	1001303043	213
1001264368	259	1001265304.....	157	1001301982.....	29	1001303044	213
1001264369	263, 294	1001265305.....	157, 163	1001301987.....	33	1001303045	213
1001264370	263, 294	1001265306.....	157, 265	1001301993.....	31	1001303046	213
1001264372	263	1001266094.....	35	1001301994.....	31	1001303100	67
1001264377	127, 135	1001266095.....	35	1001301995.....	29	1001303102	67
1001264388	253	1001266096.....	35	1001301996.....	31	1001303103	67
1001264392	51, 149, 294	1001266097.....	35	1001301997.....	31	1001303105	67
1001264404	171, 294	1001268712.....	280, 286	1001301998.....	31	1001303106	67
1001264416	149, 247	1001268713.....	280, 286	1001301999.....	31	1001303107	67
1001264417	247	1001269743.....	275, 277	1001302074.....	29	1001303108	67
1001264420	247	1001271968.....	255	1001302108.....	43	1001303109	67
1001264422	247, 294	1001272167.....	286	1001302109.....	43	1001303110	67
1001264423	247	1001272170.....	286	1001302110.....	43	1001303111	67
1001264425	247, 294	1001272171.....	286	1001302111.....	43	1001303112	67
1001264426	247	1001272172.....	286	1001302158.....	43	1001303113	67
1001264427	247	1001272173.....	286	1001302160.....	43	1001303206	133
1001264428	247, 294	1001272174.....	286	1001302197.....	37, 41	1001303216	133, 137
1001264429	247	1001272177.....	286	1001302198.....	37, 41	1001303217	129, 137
1001264434	127, 135	1001280661.....	143, 294	1001302207.....	171, 173	1001303218	133, 135
1001264451	269	1001281269.....	255	1001302208.....	171	1001303220	125, 133, 147
1001264452	263	1001289648.....	143	1001302209.....	125, 133, 171	1001303221	125, 133, 159
1001264456	269	1001291056.....	143	1001302231.....	47	1001303382	129, 137
1001264458	247	1001297049.....	280	1001302232.....	47	1001303398	67, 127, 135
1001264465	247	1001299209.....	159	1001302251.....	47	1001303409	67, 125, 213
1001264466	269	1001299292.....	159	1001302397.....	275, 277	1001303411	135
1001264477	131	1001299295.....	159	1001302399.....	275	1001303415	127, 135
1001264478	131	1001299300.....	159	1001302400.....	275, 277	1001303452	167, 294
1001264479	131	1001300353.....	280	1001302401.....	275, 277	1001303466	167
1001264480	131	1001301170.....	14	1001302402.....	275, 277	1001303494	167
1001264481	131, 191	1001301174.....	14	1001302403.....	275, 277	1001303495	167
1001264482	131	1001301176.....	14	1001302427.....	151, 153	1001303496	167
1001264484	129	1001301177.....	14	1001302428.....	151, 153	1001303514	167
1001264485	163	1001301178.....	14	1001302508.....	29	1001303521	167
1001264492	149	1001301183.....	14	1001302511.....	29, 173	1001303608	167
1001264493	149	1001301184.....	14	1001302712.....	59		
1001264494	163	1001301185.....	14	1001302713.....	69		
		1001301186.....	14	1001302714.....	65		
		1001301188.....	14				

SECTION 13 - SPECIAL OPTIONS/ACCESSORIES/KITS

1001303609.....	167	1001304432.....	18	1001305674.....	168	1001306249.....	197
1001303610.....	167	1001304433.....	18	1001305687.....	125	1001306250.....	197
1001303611.....	167	1001304434.....	18	1001305725.....	75, 217	1001306251.....	89, 115
1001303614.....	167	1001304435.....	18	1001305791.....	147	1001306252.....	85, 89
1001303629.....	81, 99	1001304436.....	18	1001305794.....	168	1001306264.....	85, 111
1001303630.....	81, 83	1001304448.....	23	1001305798.....	296	1001306265.....	85, 111
1001303631.....	81, 101	1001304449.....	155	1001305800.....	296	1001306266.....	85, 111
1001303632.....	81, 91	1001304450.....	271	1001305801.....	280	1001306269.....	183, 185
1001303633.....	21	1001304451.....	296	1001305802.....	283	1001306270.....	183, 185
1001303634.....	167	1001304455.....	37, 39	1001305803.....	286	1001306271.....	85
1001303637.....	167	1001304456.....	37, 211	1001305814.....	147	1001306280.....	85, 111
1001303675.....	21	1001304457.....	127	1001305836.....	227	1001306281.....	85, 111
1001303676.....	21	1001304465.....	18	1001305837.....	183	1001306282.....	85, 111
1001303769.....	91, 93	1001304558.....	247	1001305838.....	197	1001306288.....	85, 111
1001303771.....	147	1001304559.....	205, 227, 229, 247, 259	1001305839.....	205	1001306291.....	85
1001303772.....	91	1001304585.....	247	1001305840.....	189	1001306292.....	85, 111
1001303774.....	99	1001304590.....	247, 249	1001305841.....	187	1001306314.....	85, 111
1001303784.....	91	1001304594.....	247	1001305842.....	201	1001306316.....	85, 111
1001303793.....	175	1001304595.....	247, 294	1001305843.....	199	1001306318.....	227
1001303815.....	99	1001304617.....	247	1001305844.....	193	1001306319.....	227, 229
1001303819.....	99	1001304618.....	39	1001305987.....	18	1001306321.....	227
1001303851.....	95, 97	1001304629.....	39	1001305989.....	18	1001306322.....	227
1001303855.....	75, 223	1001304631.....	39	1001306009.....	211	1001306324.....	227, 229
1001303856.....	81, 95	1001304736.....	37, 179	1001306011.....	211	1001306325.....	227, 229
1001303858.....	117	1001304892.....	37, 179	1001306072.....	217, 219	1001306326.....	227, 229
1001303860.....	117	1001305034.....	211	1001306073.....	217, 219	1001306327.....	189
1001303861.....	117	1001305035.....	211	1001306075.....	227, 229	1001306328.....	189
1001303862.....	117, 119	1001305369.....	73	1001306122.....	95	1001306329.....	189, 191
1001303982.....	81	1001305370.....	73, 294	1001306133.....	263	1001306330.....	189, 191
1001303994.....	81	1001305372.....	73	1001306134.....	259	1001306331.....	187
1001303997.....	81	1001305388.....	271, 294	1001306135.....	269	1001306332.....	187
1001303999.....	69	1001305392.....	275, 277	1001306136.....	253	1001306333.....	187
1001304000.....	69	1001305395.....	271	1001306141.....	231, 233	1001306382.....	143
1001304001.....	69	1001305412.....	275	1001306142.....	231, 233	1001306383.....	101, 103
1001304002.....	69	1001305426.....	149	1001306162.....	83, 103	1001306384.....	103, 109
1001304003.....	69	1001305465.....	127	1001306163.....	83	1001306385.....	105, 109, 111
1001304005.....	125, 133	1001305482.....	181	1001306164.....	151, 153	1001306386.....	143
1001304006.....	95	1001305499.....	149	1001306166.....	83, 85	1001306387.....	111
1001304017.....	173	1001305506.....	149	1001306167.....	83	1001306388.....	111
1001304074.....	65, 294	1001305507.....	149, 294	1001306168.....	83, 103	1001306399.....	85, 111
1001304075.....	65	1001305508.....	149	1001306169.....	83	1001306400.....	85, 111
1001304076.....	125, 133	1001305510.....	149	1001306170.....	83	1001306404.....	105, 109
1001304078.....	65	1001305511.....	149	1001306171.....	83	1001306406.....	103
1001304079.....	65	1001305512.....	149, 294	1001306172.....	83	1001306408.....	111
1001304080.....	125, 133	1001305513.....	149, 294	1001306173.....	83, 87	1001306419.....	111
1001304081.....	133	1001305514.....	149	1001306180.....	67	1001306435.....	85, 111
1001304169.....	247	1001305515.....	149	1001306197.....	127, 135	1001306504.....	227, 229
1001304195.....	18	1001305516.....	149	1001306198.....	127, 135	1001306506.....	227, 229
1001304203.....	125, 133, 149	1001305517.....	149	1001306199.....	127, 135	1001306568.....	259
1001304206.....	73, 149	1001305567.....	149	1001306200.....	127, 135	1001306570.....	259, 261
1001304207.....	73	1001305568.....	149	1001306201.....	127, 135	1001306571.....	227, 229
1001304227.....	37	1001305583.....	117, 119	1001306202.....	83	1001306572.....	259, 267
1001304375.....	125, 129	1001305592.....	167	1001306231.....	85, 111	1001306573.....	259
1001304376.....	125, 127	1001305594.....	167	1001306235.....	199	1001306574.....	227, 229
1001304377.....	125, 163	1001305595.....	167	1001306236.....	199	1001306575.....	227, 229
1001304381.....	125, 149	1001305601.....	167	1001306237.....	199	1001306576.....	227, 229
1001304421.....	247	1001305612.....	167	1001306238.....	199	1001306640.....	259
1001304422.....	247	1001305613.....	81	1001306239.....	199	1001306644.....	253
1001304424.....	117, 119, 121	1001305615.....	23	1001306240.....	199	1001306645.....	253
1001304425.....	18	1001305628.....	37	1001306241.....	193, 195	1001306646.....	253
1001304426.....	18	1001305629.....	37	1001306242.....	193	1001306647.....	253, 294
1001304427.....	18	1001305631.....	37	1001306243.....	193	1001306648.....	253
1001304428.....	18	1001305632.....	37	1001306244.....	193, 195	1001306649.....	253, 255
1001304430.....	18	1001305660.....	167	1001306245.....	201, 203	1001306650.....	253, 294
1001304431.....	18	1001305666.....	167	1001306246.....	89, 115	1001306651.....	253
		1001305673.....	155	1001306247.....	201, 203	1001306652.....	253
				1001306248.....	89		

SECTION 13 - SPECIAL OPTIONS/ACCESSORIES/KITS

1001306653.....	253	1001308151.....	179	1001312073.....	203	2142757.....	231, 233
1001306655.....	253	1001308152.....	179	1001312125.....	280, 286	2143007....	173, 217, 219
1001306657.....	253, 294	1001308516.....	251	1001312126.....	280, 286	2143008.....	203
1001306659.....	253, 294	1001308519.....	141	1001312339.....	51	2143307.....	197
1001306660.....	253	1001309048.....	251	1001312345.....	51	2143401.....	227, 229
1001306666.....	253, 294	1001309197.....	141	1001312347.....	51	2143402.....	173
1001306668.....	253	1001309564.....	157	1001312348.....	51	2143403.....	29
1001306669.....	253	1001309565.....	157	1001312385.....	289	2143404....	29, 181, 183, 185
1001306670.....	253, 294	1001309566.....	157	1001312386.....	291	2143405.....	95, 231, 233
1001306674.....	111	1001309567.....	157	1001312387.....	289	2143406... ..	151, 153, 223, 231
1001306675.....	111	1001309568.....	157	1001312388.....	289	2143407....	95, 179, 197, 223, 225, 233
1001306681.....	111	1001309569.....	157	1001312389.....	289	2143408.....	227, 229
1001306687.....	113	1001309570.....	157	1001312399.....	291	2143509... ..	223, 225, 231, 233
1001306690.....	111, 113	1001309571.....	157	1001312400.....	291	2143513.....	223, 225
1001306693.....	113	1001309572.....	157	1001312401.....	291	2143520.....	231, 233
1001306694.....	113	1001309730.....	157	1001312504.....	121	2143607.....	179
1001306698.....	113	1001309731.....	157	1001312505.....	121	2144111.....	227, 229
1001306700.....	113	1001309732.....	157	1001312506.....	121	2144209.....	195
1001306705.....	111, 115	1001309733.....	157	1001312507.....	121	2144515.....	195
1001306706.....	115	1001309734.....	157	1001313450.....	283	2171712.....	193, 195
1001306707.....	115	1001309735.....	157	1001314403.....	286	2901443.....	296
1001306725.....	111	1001309736.....	157	1001315421.....	153	2988632.....	227, 229
1001306727.....	105, 109	1001310753.....	161	1320022.....	167	3290401.....	127, 135
1001306730.....	105, 109	1001310817.....	119	1321296.....	67	3290405.....	253
1001306737.....	105, 109	1001310818.....	119	1706281.....	286	3290505.....	133, 253
1001306739.....	113	1001311049.....	280, 286	1706284.....	286	3290601 14, 73, 167, 175,	247
1001306752.....	113	1001311187.....	280, 286	1706292.....	286	3290605. 14, 18, 67, 133,	141, 167, 175, 247, 253, 271
1001306754.....	113	1001311188.....	280, 286	1706296.....	280	3290801 59, 73, 167, 201,	203
1001306800.....	103	1001311190.....	280	1706299.....	280	3290805... 14, 18, 37, 65,	71, 99, 137, 143, 159, 167, 179, 191, 213, 247, 253, 259, 271
1001306802.....	103	1001311192.....	280	1706300.....	280	3290806... 175, 227, 229,	253
1001306806.....	111	1001311384.....	280, 286	1706302.....	280	3291001.... 111, 171, 173	
1001306817.....	103, 107	1001311460.....	280, 286	1707078.....	280	3291005... 37, 41, 43, 49,	167, 171, 173, 213
1001306818.....	105, 109	1001311683.....	173	2140507.....	95	3291201.....	167
1001306856.....	113	1001311715.....	173	2140801.....	217, 219	3291205.....	47
1001306859.....	111	1001311716.....	296	2140814.....	217, 219	3291207 27, 81, 129, 137,	147, 167, 231, 233
1001306881.....	119	1001311717.....	233	2141108.....	217, 219	3291605.....	81
1001306883.....	121	1001311737.....	179	2141504.....	29, 183, 185	3331611.....	21, 39
1001306962.....	109	1001311738.....	179	2141507.....	185	3440420.....	167
1001307003.....	103, 105	1001311766.....	77	2141511.....	227, 229	3440820.....	167
1001307004.....	105	1001311767.....	77, 225	2141607.....	227, 229	3450203.....	167, 175
1001307027.....	101, 237	1001311801.....	225	2141612.....	67	3900357.....	14
1001307028.....	237, 239	1001311818.....	225	2141809.....	29	3900364.....	14
1001307031.....	237	1001311852.....	195	2142102.....	37, 217, 219	4031205.....	18
1001307032.....	237	1001311853.....	195	2142105.....	223, 225	4031508.....	127, 135
1001307033.....	237	1001311854.....	77, 219	2142202.....	231, 233	4031708.....	31
1001307080.....	105, 109	1001311867.....	229	2142206....	151, 153, 179, 223, 225, 233	4031714.....	191
1001307239.....	81	1001311868.....	185	2142207.....	231, 233	4031908. 33, 83, 99, 227,	229, 247
1001307386.....	149	1001311869.....	207	2142270.....	91, 168, 227, 229	4031910.....	59, 99
1001307393.....	149	1001311870.....	191	2142704.....	91, 168, 227, 229	4031912.....	59
1001307395.....	149	1001311871.....	203	2142706.....	39, 101, 173, 203, 227, 229	4032008.....	31, 33, 69
1001307396.....	149	1001311872.....	195	2142708.....	227, 229	4032010.....	59, 75, 77
1001307469.....	149	1001311884.....	179	2142711....	151, 153, 227, 229	4032010000.....	59
1001307828.....	251	1001311916.....	191	2142712....	151, 153, 211, 227, 229		
1001307888.....	296	1001311967.....	280	2142715.....	173, 203		
1001307901.....	157	1001311994.....	280, 286	2142716....	151, 153, 179, 203, 223, 225		
1001307908.....	179	1001311995.....	280	2142717....	227, 229, 231		
1001307910.....	296	1001312056.....	185	2142718.....	67, 231, 233		
1001307979.....	179	1001312057.....	185	2142743.....	173		
1001307980.....	179	1001312058.....	207	2142747.....	223, 225		
1001308082.....	179	1001312059.....	207	2142748.....	231, 233		
1001308083.....	179	1001312060.....	207				
1001308140.....	179	1001312061.....	191				
1001308141.....	179	1001312062.....	191				
1001308142.....	179	1001312063.....	191				
1001308144.....	179	1001312064.....	191				
1001308146.....	179	1001312065.....	191				
1001308150.....	179	1001312072.....	203				

SECTION 13 - SPECIAL OPTIONS/ACCESSORIES/KITS

4032112.....95	153, 155, 167, 179,	70031556 215	70031635..... 87, 107
4032122.....99	181, 191, 205, 227,	70031557 67	70031636..... 87, 107
4100181.....280, 286	229, 247, 253, 259	70031558 67	70031637..... 87, 107
4108302.....280, 286	4832000 ... 14, 29, 37, 41,	70031559 67	70031638..... 87, 107
4460466.... 157, 249, 255,	43, 49, 59, 69, 71, 75,	70031560 243	70031639..... 87, 107
256, 261, 265, 267	77, 83, 103, 105, 109,	70031561 243	70031640..... 87, 107
4460467 296	111, 145, 159, 171,	70031562 243	70031641..... 87, 107
4460510 296	173, 179	70031583 93	70031642..... 87, 107
4460873.....255	4832100 ... 29, 69, 81, 95,	70031584 93	70031643..... 87, 107
4460894.....255, 265, 267	99, 147	70031585 93	70031644..... 87, 107
4460899.....265	4832300 .21, 39, 129, 137	70031586 93	70031645..... 87, 107
4460905.....255, 256	4832500 21	70031587 93	70031646..... 87, 107
4460930.....255	5271809 167	70031588 93	70031647..... 107
4460933.....255, 256, 261	5272012 81	70031589 93	70031648..... 87, 107
4460970.....249, 261	5272117 147	70031590 93	70031655..... 87
4461071.....255	70001968 221	70031591 93	70031656..... 87
4461077 261	70003062 61	70031592 93	70031657..... 87
4461118.....261	70003168 221	70031593 93	70031658..... 87
4461290.....255, 261	70003169 221	70031594 93	70031659..... 159
4811600.... 133, 149, 231,	70003172 221	70031595 93	70031819..... 239
233	70003340 97, 221	70031596 93	70031821..... 241
4811700.... 14, 18, 33, 73,	70005741 61	70031597 93	70031822..... 241
125, 127, 135, 149,	70020323 221	70031598 93	70031823..... 241
167, 175, 247, 253, 271	70020324 221	70031599 93	7004275..... 296
4811702 18, 67, 125, 129,	7002821 296	70031600 87, 93, 107	7004276..... 296
133, 137, 149	7002822 296	70031601 93	7016654..... 296
4811900.... 14, 18, 37, 39,	7002823 296	70031602 93	7017901..... 61
67, 71, 73, 133, 137,	7002828 296	70031604 93	7017943..... 61
141, 143, 151, 153,	70030108 294	70031605 93	7017949..... 61
159, 167, 175, 179,	70030136 .. 227, 229, 294	70031606 93	7018975..... 221
181, 191, 201, 203,	70030137 227, 229	70031607 93	7020942..... 61, 294
205, 227, 229, 253,	70030233 87, 107	70031608 93	7023139..... 61
259, 271	70030234 87, 107	70031609 93	7023141..... 61
4811902.. 18, 35, 65, 129,	70030741 131, 294	70031610 93	7023160..... 61
137, 155, 167	70031105 221	70031611 93	7023887..... 221
4812000.... 14, 29, 31, 37,	70031292 131	70031612 93	7024069..... 221
41, 43, 49, 69, 71, 145,	70031353 61	70031613 93	7024071..... 221
167, 179	70031354 61	70031614 93	7024072..... 221
4812002.....43, 159	70031360 171	70031615 93	7024075..... 221
4812100 69, 81, 129, 137,	70031363 131	70031616 93	7024077..... 221
147, 167	70031524 221	70031617 93	7024078..... 221
4812102.... 147, 171, 173,	70031525 221	70031618 93	7024080..... 221
231, 233	70031526 221	70031619 93	7024081..... 221
4812200.....23	70031527 221	70031620 87, 107	7024908..... 221
4812300..21, 39, 81, 129,	70031528 221	70031621 87, 107	7028806..... 97
137	70031529 221	70031622 87, 107	7028876..... 221
4812400..... 181	70031530 221	70031623 87, 107	8005870..... 286
4812500.....21	70031531 221	70031625 87, 107	80334588..... 171
4831400.... 127, 135, 143	70031532 221	70031626 87, 107	80934091..... 221
4831700.... 14, 18, 31, 33,	70031533 221	70031627 87, 107	80934598..... 221
73, 125, 129, 133, 137,	70031534 97	70031628 87, 107	8305919..... 253
191, 247, 253, 263	70031535 97	70031629 107	83924123..... 97
4831900.... 14, 18, 35, 39,	70031536 97	70031632 87, 107	8526203..... 119
43, 59, 67, 71, 73, 85,	70031554 65	70031633 87, 107	91084327..... 221
99, 111, 113, 137, 151,	70031555 215	70031634 87, 107	



**Corporate Office
JLG Industries, Inc.
1 JLG Drive
McConnellsburg, PA 17233-9533 USA
☎ (717) 485-5161 (Corporate)
☎ (877) 554-5438 (Customer Support)
📠 (717) 485-6417**

**Visit our website for JLG Worldwide Locations.
www.jlg.com**



OSHKOSH™