



Illustrated Parts Manual

EAG313

PVC 1001

3122309600

July 1, 2024 - Rev A

English (en-US)

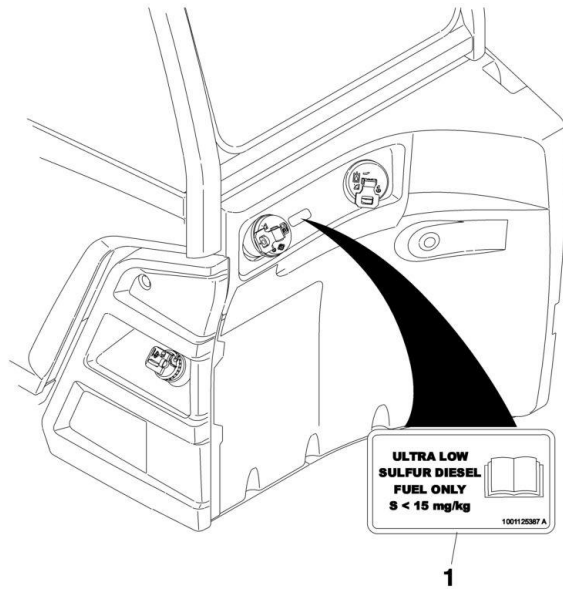
EFFECTIVITY PAGE

July 1, 2024 - A - Original Issue of Manual (Edited to B/M 1001300313 Revision B)

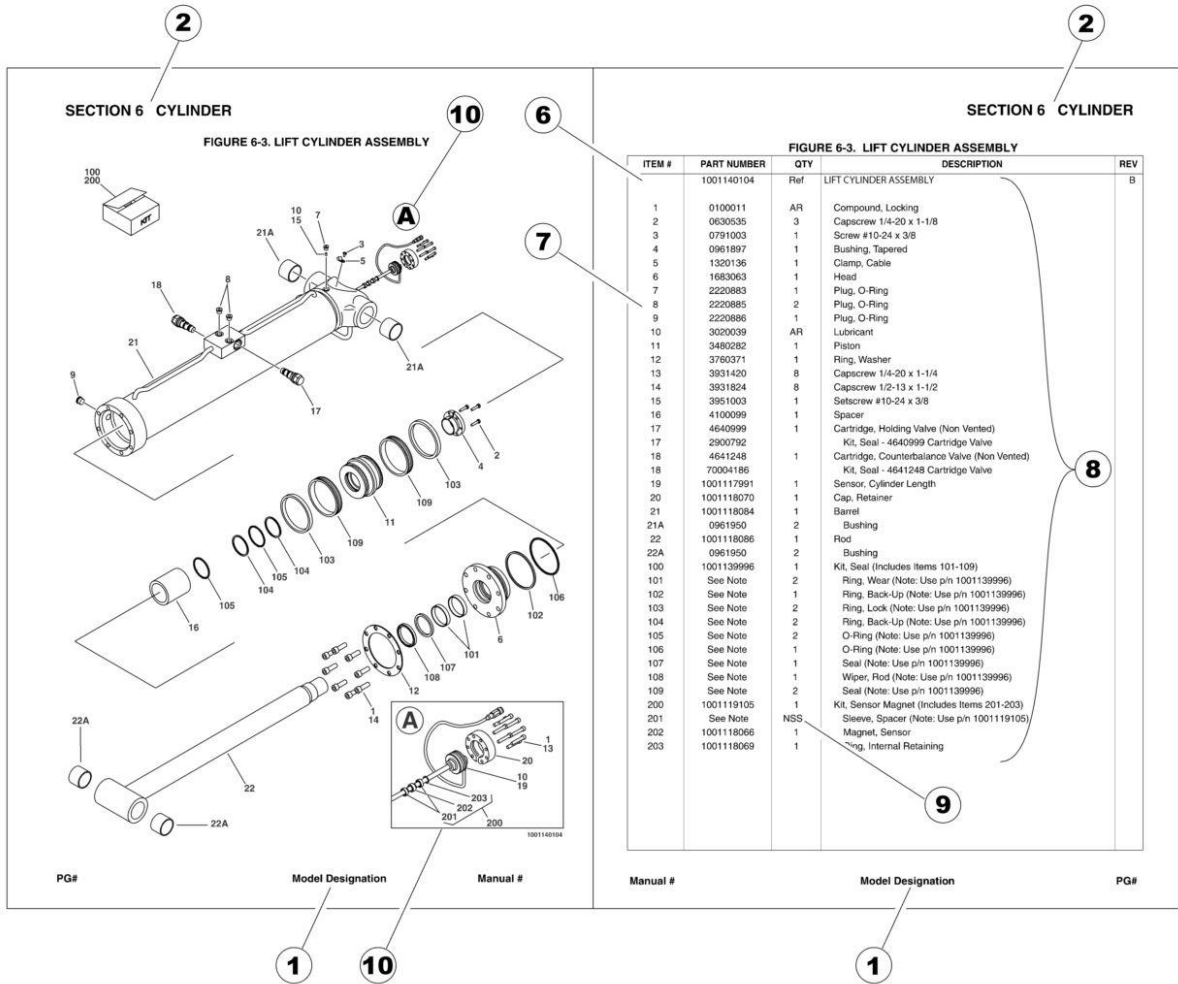
Machine Configuration

Two configurations of each machine are included in this manual. Determine if machine is equipped with Ultra Sulfur Fuel Decal (1) as indicated below.

- If equipped with the Ultra Low Sulfur decal, all specific references to this machine configuration will be referred to as Ultra Low Sulfur (ULS) from this point forward.
- If not equipped with the Ultra Low Sulfur decal, all specific references to this machine configuration will be referred to as Low Sulfur (LS) from this point forward.



GENERAL INFORMATION



1) MACHINE IDENTIFICATION

Machines are identified by model and in some cases a combination of models, serial number (SN) or regional standard (i.e ANSI, CE, CSA). Components may also be identified by SN or manufacturer. Common components that may be identified by these characteristics are engines and hydraulic components.

2) PARTS MANUAL ORGANIZATION

Product information in this manual is organized under section titles. Frame, Cylinder, Hydraulic and Electrical are a few examples. Each section is organized by figure and page number. The information within the Figure is then organized by item number, part number, description and corresponding illustration (s).

3) TABLE OF CONTENTS (NOT SHOWN)

A table of contents is found toward the beginning of the manual. Figure number, description and page number are provided for quick reference to the page containing the related information.

4) RECOMMENDED SPARE PARTS (NOT SHOWN)

The Recommended Spare Parts List, located near the end of the manual, reference most frequently used maintenance parts.

5) PART NUMBER INDEX (NOT SHOWN)

A numerical index listing all part numbers and the corresponding page number(s) appears at the back of the manual.

GENERAL INFORMATION

6) NON-SERVICED PARTS

In some instances, it is necessary to display non-serviced parts, assemblies or installations. In the case of assemblies and installations there will be a Ref in the Qty. column. In case of parts that are not available for service within assemblies or components, there will be a NSS (Not Sold Separately) or NLA (No Longer Available) listed in the Qty. column of the manual.

7) PARTS LIST ITEM NUMBERS

Numbers shown in the item# column correspond to numbers used in the associated illustration (s). Item numbers which are missing from the sequence in the parts list are not used on that page.

8) INDENTED PARTS DESCRIPTION

An indented part description is included in the item under which it is indented.

9) ABBREVIATION AND SYMBOLS

AC.....	Alternating Current	L.....	Liter
ADE.....	Advanced Design Electronics	LB(LBS).....	Pounds
AG.....	Agricultural	LCD.....	Liquid Crystal Display
ANSI.....	American National Standards Institute	LED.....	Light Emitting Diodes
AR.....	As Required	LH.....	Left Hand
ASSY.....	Assembly	LRC.....	Low Rated Countries
AUS.....	Australia	LSS.....	Load Sensing System
AUX.....	Auxiliary	M(m).....	Metric/Meter
AWG.....	American Wire Gauge	MM(mm).....	Milimeter
B/M.....	Bill of Material	mA.....	Miliamps
CAC.....	Charge Air Cooler	NLA.....	No Longer Available
CE.....	European Conformity	NPT.....	National Pipe Threads
CCW.....	Counter Clockwise	NSS.....	Not Sold Separately
CM.....	Centimeter	OD.....	Outside Diameter
CW.....	Clockwise	ORB.....	O-Ring Boss
CSA.....	Canadian Standards Association	ORFS.....	O-Ring Face Seal
CYL.....	Cylinder	OZ (oz).....	Ounces
DIA.....	Diameter	PG.....	Page
DC.....	Direct Current	PN.....	Part Number
DEF.....	Diesel Exhaust Fluid	QT(qt.).....	Quarts
EMS.....	Emergency Stop	QTY.....	Quantity
ENG.....	Engine	REF.....	Reference
FT(ft).....	Feet	REV.....	Revision Level
GA(Ga).....	Gauge	RH.....	Right Hand
HRC.....	High Rated Countries	SAE.....	Society of Automotive Engineers
HVAC.....	Heating, Ventilating, and Air Conditioning	SN.....	Serial Number
HYD.....	Hydraulic	SPEC(S).....	Specifications
Hz.....	Hertz	T/T.....	Turntable
ID.....	Inside Diameter	UGM.....	Universal Ground Module
IN.....	inches	V.....	Volts
ISO.....	International Organization for Standards	W.....	Watts
JIC.....	Joint Industry Council	#.....	Number
KG.....	Kilogram		

10) ILLUSTRATION REFERENCE LETTERS

When necessary, illustrations may contain reference letters that are intended to track information (i. e. hoses, harnesses) from one point to another or to track visual enlargement of components to show details that may be located in another area on the illustration.

Note: Due to continuous product improvements, JLG Industries, Inc. reserves the right to make specification changes without prior notification. Contact JLG Industries, Inc. for updated information.

TABLE OF CONTENTS

SECTION 1 - FRAME AND ATTACHING PARTS.....	11
FIGURE 1-1. FRAME COMPONENTS INSTALLATION	12
FIGURE 1-2. ENCLOSURES INSTALLATION	16
FIGURE 1-3. BATTERY TRAY INSTALLATION - 12V BATTERY.....	20
FIGURE 1-4. BATTERY TRAY INSTALLATION - 48V BATTERY (BOTTOM).....	22
FIGURE 1-5. BATTERY TRAY INSTALLATION - 48V BATTERY (TOP - SIX BATTERY SYSTEMS)	24
FIGURE 1-6. BATTERY TRAY INSTALLATION - 48V BATTERY (TOP - SEVEN BATTERY SYSTEMS).....	26
FIGURE 1-7. COUNTERWEIGHTS INSTALLATION	28
FIGURE 1-8. ELECTRICAL SUPPORTS INSTALLATION.....	30
FIGURE 1-9. HITCH INSTALLATION.....	32
SECTION 2 - BOOM	35
FIGURE 2-1. BOOM INSTALLATION.....	36
FIGURE 2-2. BOOM ASSEMBLY.....	38
FIGURE 2-3. BASE BOOM ASSEMBLY	40
FIGURE 2-4. FLY BOOM ASSEMBLY	42
FIGURE 2-5. BOOM PROP INSTALLATION	44
FIGURE 2-6. COUPLER INSTALLATION - HYDRAULIC	46
FIGURE 2-7. COUPLER ASSEMBLY - HYDRAULIC.....	48
FIGURE 2-8. COUPLER INSTALLATION - MANUAL	50
FIGURE 2-9. COUPLER ASSEMBLY - MANUAL	52
SECTION 3 - ATTACHMENTS	55
FIGURE 3-1. CARRIAGE ASSEMBLY.....	56
FIGURE 3-2. CARRIAGE BACKREST INSTALLATION.....	58
FIGURE 3-3. CONTROLLER DECAL/HARNESS INSTALLATION (FRAME LOADER)	60
FIGURE 3-4. FORK ASSEMBLY - PALLET (35 X 100 X 1000)	62
FIGURE 3-5. FORK ASSEMBLY - PALLET (35 X 100 X 1200)	64
SECTION 4 - ENGINE AND ATTACHING PARTS	67
SECTION 5 - DRIVE TRAIN	69
FIGURE 5-1. DRIVETRAIN INSTALLATION.....	70
FIGURE 5-2. FRONT AXLE & DIFFERENTIAL ASSEMBLY	72
FIGURE 5-3. FRONT AXLE ASSEMBLY	74
FIGURE 5-4. FRONT DIFFERENTIAL ASSEMBLY.....	76
FIGURE 5-5. FRONT AXLE REDUCTION GEAR ASSEMBLY	78
FIGURE 5-6. TRANSMISSION INSTALLATION	80
FIGURE 5-7. TRANSMISSION ASSEMBLY	82
FIGURE 5-8. DRIVE MOTOR ASSEMBLY	84
FIGURE 5-9. DRIVE SHAFT INSTALLATION.....	86
FIGURE 5-10. REAR AXLE STEERING ASSEMBLY	88
FIGURE 5-11. REAR AXLE & DIFFERENTIAL ASSEMBLY.....	90
FIGURE 5-12. LEFT REAR AXLE SUB-ASSEMBLY	92
FIGURE 5-13. REAR DIFFERENTIAL ASSEMBLY	94
FIGURE 5-14. RIGHT REAR AXLE SUB-ASSEMBLY	96

TABLE OF CONTENTS

FIGURE 5-15. REAR AXLE ASSEMBLY	98
FIGURE 5-16. REAR AXLE PIVOT ASSEMBLY	100
FIGURE 5-17. REAR AXLE REDUCTION GEAR ASSEMBLY	102
FIGURE 5-18. TIRE INSTALLATION - AIR FILLED.....	104
FIGURE 5-19. TIRE INSTALLATION - FOAM FILLED	106
FIGURE 5-20. TIRE INSTALLATION - TURF	108
SECTION 6 - CAB	111
FIGURE 6-1. ENCLOSED CAB INSTALLATION	112
FIGURE 6-2. ENCLOSED CAB DASH INSTALLATION	114
FIGURE 6-3. ENCLOSED CAB FRAME INSTALLATION.....	116
FIGURE 6-4. ENCLOSED CAB GLASS INSTALLATION	118
FIGURE 6-5. OPEN CAB INSTALLATION.....	120
FIGURE 6-6. OPEN CAB DASH INSTALLATION.....	122
FIGURE 6-7. OPEN CAB FRAME INSTALLATION	124
FIGURE 6-8. OPEN CAB GLASS INSTALLATION.....	126
FIGURE 6-9. BEACON BRACKET INSTALLATION	128
FIGURE 6-10. CAB BASE INSTALLATION	130
FIGURE 6-11. CHARGE BOX INSTALLATION	132
FIGURE 6-12. CLEARSKY INSTALLATION	134
FIGURE 6-13. FRONT CAB GUARD INSTALLATION.....	136
FIGURE 6-14. HEATER INSTALLATION.....	138
FIGURE 6-15. JOYSTICK INSTALLATION.....	140
FIGURE 6-16. MIRROR INSTALLATION - CAB RIGHT SIDE.....	142
FIGURE 6-17. ROOF & REAR WIPERS INSTALLATION	144
FIGURE 6-18. SEAT INSTALLATION.....	146
FIGURE 6-19. SEAT BELT ASSEMBLY - 3 INCH BELT	148
FIGURE 6-20. WINDSHIELD WIPER INSTALLATION.....	150
SECTION 7 - CONTROLS.....	153
FIGURE 7-1. BRAKE SYSTEM INSTALLATION	154
FIGURE 7-2. JOYSTICK ASSEMBLY.....	156
FIGURE 7-3. STEERING INSTALLATION.....	158
FIGURE 7-4. STEERING INSTALLATION (HIGH FLOW)	160
FIGURE 7-5. THROTTLE PEDAL INSTALLATION.....	162
SECTION 8 - HYDRAULIC CIRCUITS	165
FIGURE 8-1. AUXILIARY HYDRAULICS INSTALLATION - HYDRAULIC COUPLER (HIGH FLOW).....	166
FIGURE 8-2. AUXILIARY HYDRAULICS INSTALLATION - MANUAL COUPLER	168
FIGURE 8-3. BOOM HOSES INSTALLATION.....	170
FIGURE 8-4. BRAKE HOSES INSTALLATION	172
FIGURE 8-5. DRIVE PUMP HOSES INSTALLATION	174
FIGURE 8-6. DRIVE PUMP HOSES INSTALLATION (HIGH FLOW).....	176
FIGURE 8-7. HYDRAULIC TANK HOSES INSTALLATION	178
FIGURE 8-8. HYDRAULIC TANK HOSES INSTALLATION (HIGH FLOW).....	180
FIGURE 8-9. JOYSTICK HOSES INSTALLATION	182

TABLE OF CONTENTS

FIGURE 8-10. JOYSTICK HOSES INSTALLATION (HIGH FLOW)	184
FIGURE 8-11. STEERING HOSES INSTALLATION.....	186
FIGURE 8-12. STEERING HOSES INSTALLATION (HIGH FLOW)	188
SECTION 9 - HYDRAULIC COMPONENTS.....	191
FIGURE 9-1. COUPLER VALVE ASSEMBLY	192
FIGURE 9-2. CYLINDERS INSTALLATION - LIFT & COMPENSATION	194
FIGURE 9-3. COMPENSATION CYLINDER ASSEMBLY.....	196
FIGURE 9-4. GEAR PUMP INSTALLATION	198
FIGURE 9-5. GEAR PUMP SUB-ASSEMBLY.....	200
FIGURE 9-6. HYDRAULIC FILTER & VALVES INSTALLATION	202
FIGURE 9-7. HYDRAULIC FILTER & VALVES INSTALLATION (HIGH FLOW).....	204
FIGURE 9-8. HYDRAULIC TANK INSTALLATION	206
FIGURE 9-9. HYDRAULIC TANK INSTALLATION (HIGH FLOW).....	208
FIGURE 9-10. LIFT CYLINDER ASSEMBLY	210
FIGURE 9-11. STEER CYLINDER SUB-ASSEMBLY	212
FIGURE 9-12. STEER CYLINDER ASSEMBLY.....	214
FIGURE 9-13. TELESCOPE CYLINDER ASSEMBLY	216
FIGURE 9-14. TILT CYLINDER ASSEMBLY	218
SECTION 10 - ELECTRICAL.....	221
FIGURE 10-1. BATTERY CABLES INSTALLATION - SIX BATTERY SYSTEMS	222
FIGURE 10-2. BATTERY CABLES INSTALLATION - SEVEN BATTERY SYSTEMS	224
FIGURE 10-3. BATTERY HARNESS	226
FIGURE 10-4. BATTERY INSTALLATION - SIX BATTERY SYSTEMS.....	228
FIGURE 10-5. BATTERY INSTALLATION - SEVEN BATTERY SYSTEMS	230
FIGURE 10-6. BEACON INSTALLATION	232
FIGURE 10-7. CAB ELECTRICAL INSTALLATION	234
FIGURE 10-8. CAB HARNESS	236
FIGURE 10-9. CHARGER INSTALLATION - DOUBLE.....	240
FIGURE 10-10. CHARGER INSTALLATION - SINGLE	242
FIGURE 10-11. FRAME HARNESS	244
FIGURE 10-12. HEATER HARNESS	248
FIGURE 10-13. IMPLEMENT MOTOR INSTALLATION	250
FIGURE 10-14. IMPLEMENT MOTOR ASSEMBLY.....	252
FIGURE 10-15. LSI SENSORS INSTALLATION.....	254
FIGURE 10-16. MOTOR CABLES INSTALLATION	256
FIGURE 10-17. ROAD LIGHTS INSTALLATION	258
FIGURE 10-18. ROAD LIGHTS HARNESS - CAB.....	260
FIGURE 10-19. ROAD LIGHTS HARNESS - FRAME.....	262
FIGURE 10-20. ROOF WIPER HARNESS.....	264
FIGURE 10-21. SEAT JUMPER HARNESS.....	266
FIGURE 10-22. WORKLIGHTS HARNESS INSTALLATION	268
FIGURE 10-23. WORKLIGHTS INSTALLATION.....	270
SECTION 11 - DECALS.....	273

TABLE OF CONTENTS

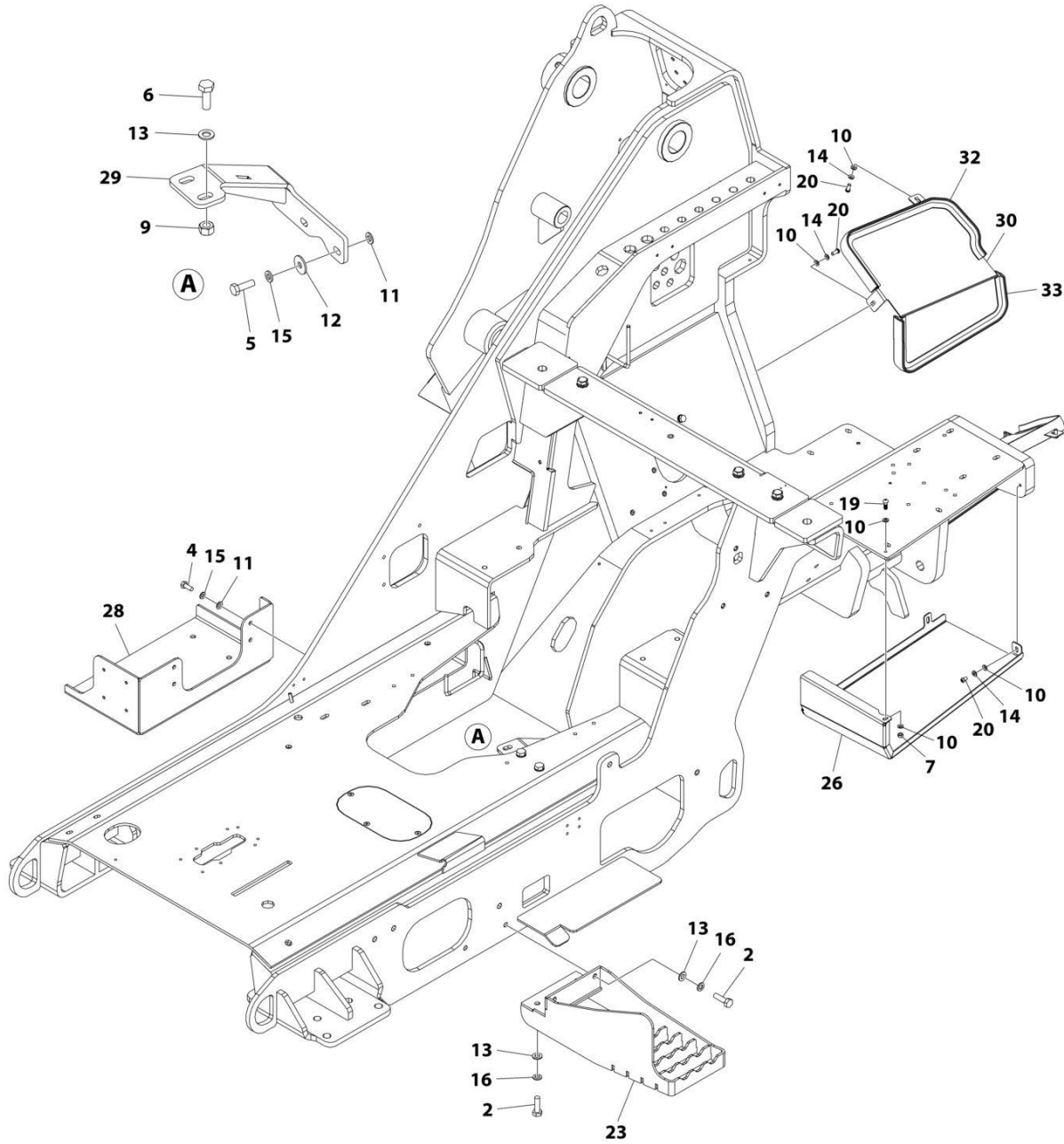
FIGURE 11-1. BRAND DECALS INSTALLATION - ENCLOSED CAB	274
FIGURE 11-2. BRAND DECALS INSTALLATION - OPEN CAB.....	276
FIGURE 11-3. DECALS INSTALLATION (ANSI)	278
FIGURE 11-4. DECAL INSTALLATION (FRENCH).....	282
FIGURE 11-5. DECAL INSTALLATION (ISO).....	286
FIGURE 11-6. LOAD CHART - ANSI	290
FIGURE 11-7. LOAD CHART - METRIC.....	292
SECTION 12 - RECOMMENDED SERVICE PARTS STOCK.....	295
FIGURE 12-1. RECOMMENDED SERVICE PARTS STOCK.....	296
SECTION 13 - SPECIAL OPTIONS/ACCESSORIES/KITS.....	297
FIGURE 13-1. SPECIAL OPTIONS/ACCESSORIES/KITS.....	298
PART NUMBER INDEX.....	299

SECTION 1 - FRAME AND ATTACHING PARTS

SECTION 1 - FRAME AND ATTACHING PARTS

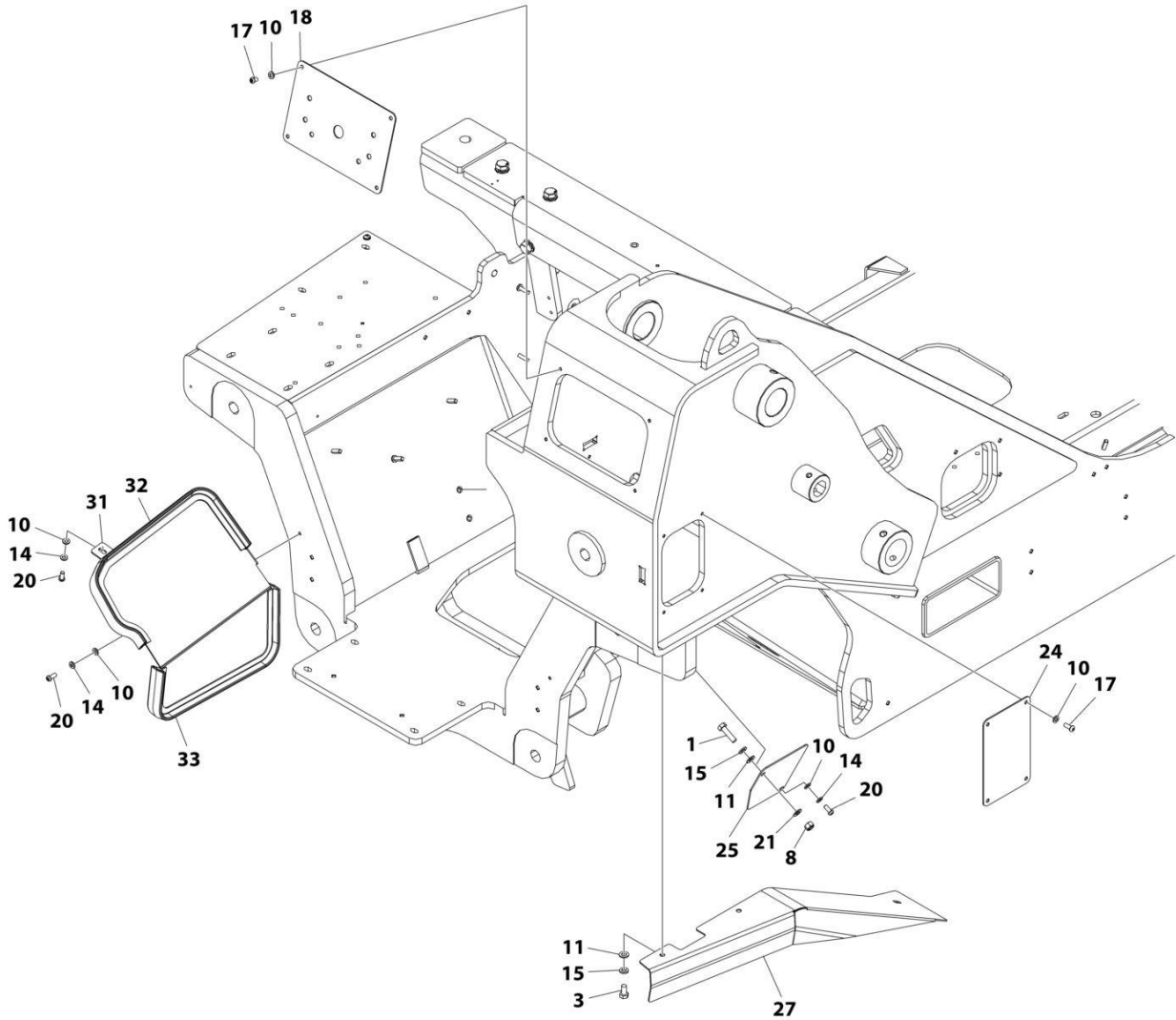
SECTION 1 - FRAME AND ATTACHING PARTS

FIGURE 1-1. FRAME COMPONENTS INSTALLATION



ART_1001301171_1OF2

SECTION 1 - FRAME AND ATTACHING PARTS



ART_1001301171_20F2

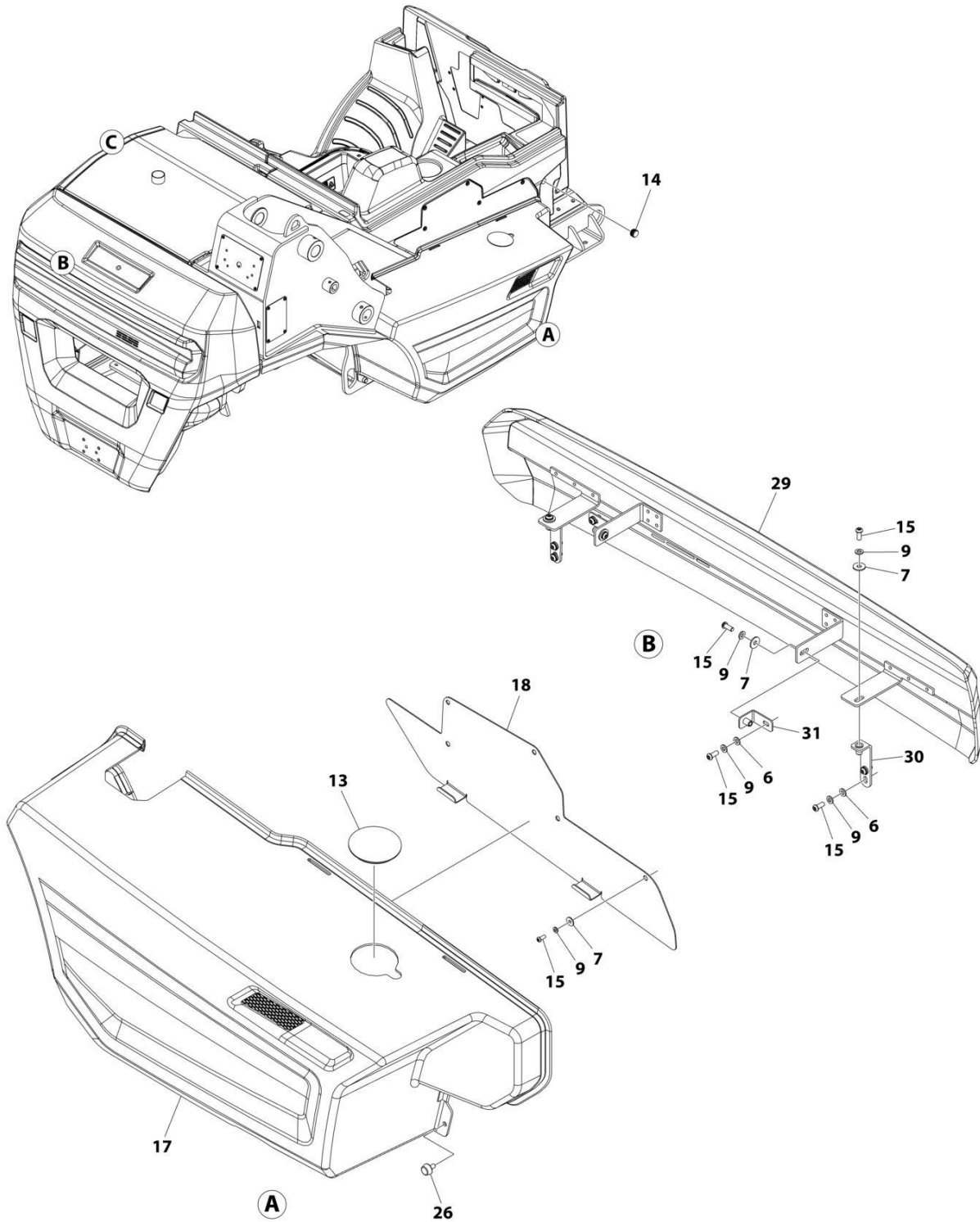
SECTION 1 - FRAME AND ATTACHING PARTS

FIGURE 1-1. FRAME COMPONENTS INSTALLATION

ITEM	PART NUMBER	QTY	DESCRIPTION	REV
	1001301171	Ref	FRAME COMPONENTS INSTALLATION	A
1	0700814	1	Bolt M8 x 30	
2	0701015	4	Bolt M10 x 35	
3	0760808	3	Bolt M8 x 16	
4	0760810	4	Bolt M8 x 20	
5	0760812	2	Bolt M8 x 25	
6	0761014	2	Bolt M10 x 30	
7	3290605	1	Nut M6	
8	3290805	1	Nut M8	
9	3291005	2	Nut M10	
10	4811700	18	Washer M6	
11	4811900	10	Washer M8	
12	4811902	2	Washer M8	
13	4812000	6	Washer M10	
14	4831700	8	Washer M6	
15	4831900	10	Washer M8	
16	4832000	4	Washer M10	
17	1001261563	8	Capscrew M6 x 10 Class 10.9	
18	1001261674	1	Panel	
19	1001262607	1	Capscrew M6 x 20 Class 10.9	
20	1001264021	8	Capscrew M6 x 15 Class 10.9	
21	1001264265	1	Washer M8	
23	1001301174	1	Step	
24	1001301176	1	Panel	
25	1001301177	1	Panel, Filter Access	
26	1001301178	1	Bracket	
27	1001301186	1	Panel, Fender	
28	1001306953	1	Mount, Motor	
29	1001306954	1	Bracket, Motor	
30	1001306955	1	Panel, Profile - Right	
31	1001306956	1	Panel, Profile - Left	
32	1001306957	2	Seal	
33	1001308793	2	Seal	

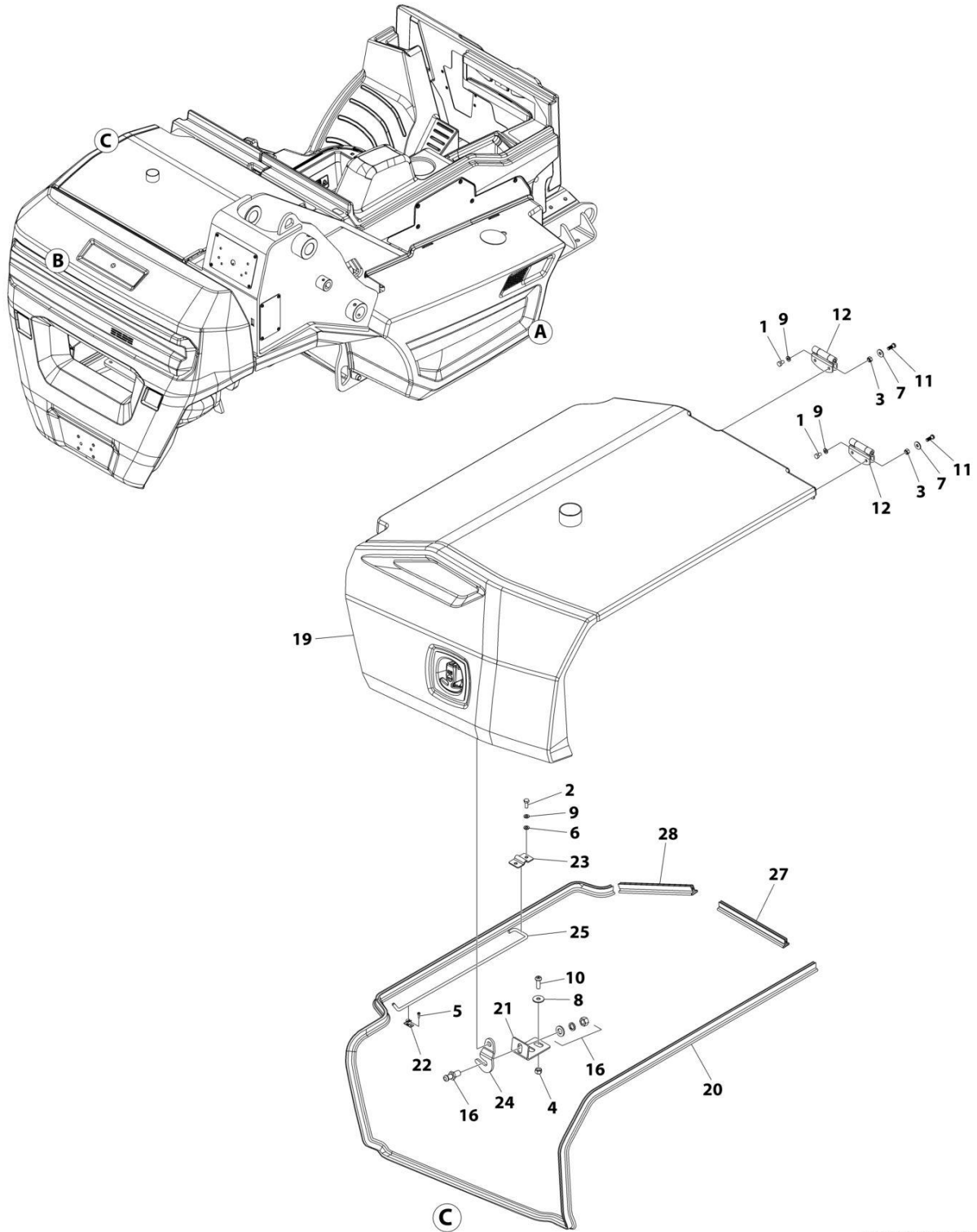
SECTION 1 - FRAME AND ATTACHING PARTS

FIGURE 1-2. ENCLOSURES INSTALLATION



ART_1001306851_1OF2

SECTION 1 - FRAME AND ATTACHING PARTS



ART_1001306851_2OF2

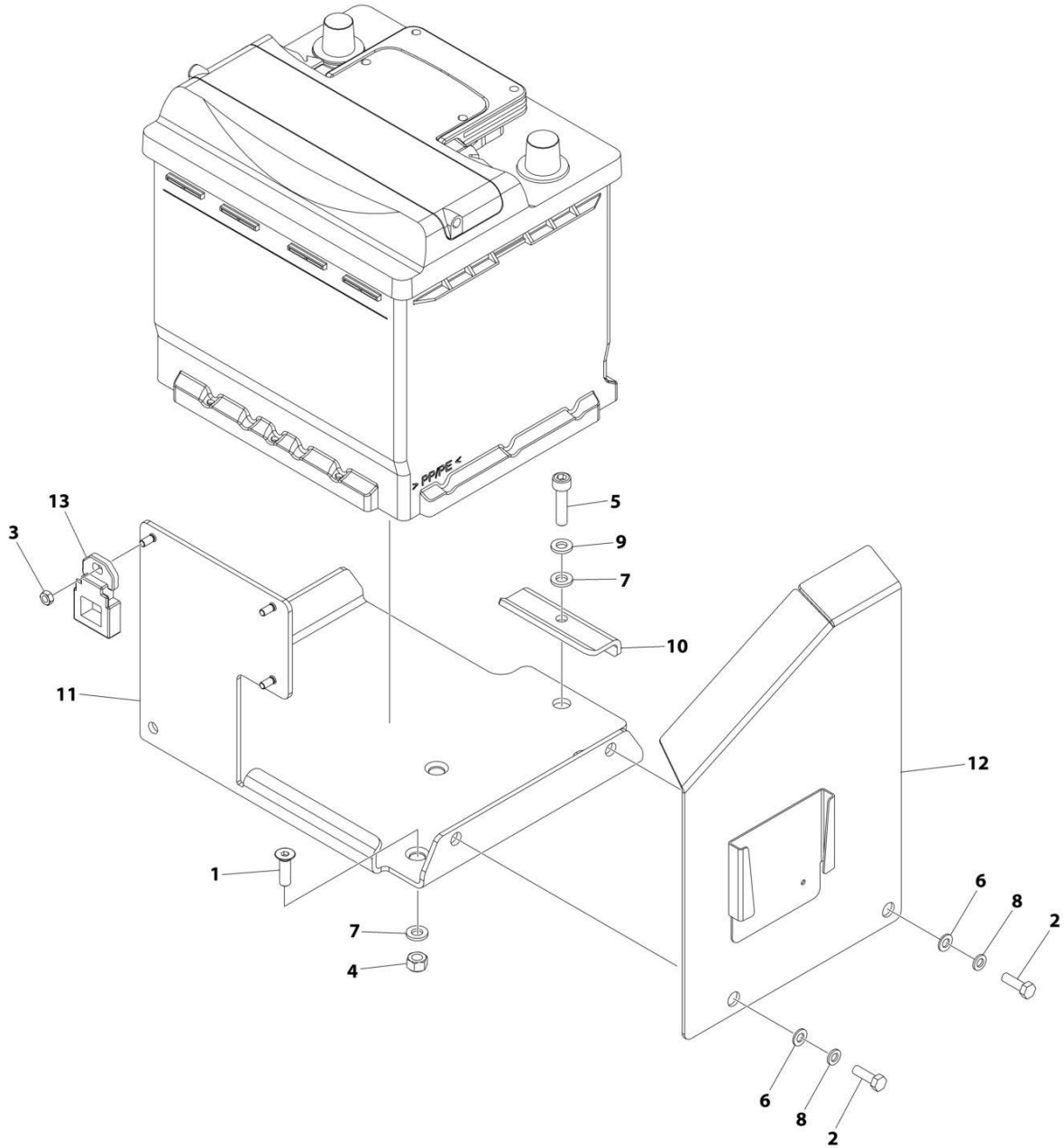
SECTION 1 - FRAME AND ATTACHING PARTS

FIGURE 1-2. ENCLOSURES INSTALLATION

ITEM	PART NUMBER	QTY	DESCRIPTION	REV
	1001306851	Ref	ENCLOSURES INSTALLATION	A
1	0760605	4	Bolt M6 x 10	
2	0760608	2	Bolt M6 x 16	
3	3290605	4	Nut M6	
4	3290805	2	Nut M8	
5	4031205	2	Capscrew M3 x 10	
6	4811700	8	Washer M6	
7	4811702	13	Washer M6	
8	4811902	2	Washer M8	
9	4831700	21	Washer M6	
10	1001261564	2	Capscrew M8 x 25	
11	1001262607	4	Capscrew M6 x 20 Class 10.9	
12	1001263880	2	Hinge	
13	1001263881	1	Cover	
14	1001264009	1	Plug	
15	1001264021	15	Capscrew M6 x 15 Class 10.9	
16	1001304425	1	Pin, Lock (Includes Hardware)	
17	1001304426	1	Hood, Side	
18	1001304427	1	Bracket, Side Hood	
19	1001304428	1	Hood, Engine	
20	1001304430	1	Seal, Engine Hood Front & Side	
21	1001304431	1	Bracket	
22	1001304432	1	Clip, Hood Prop	
23	1001304433	1	Clamp, Hood Prop	
24	1001304434	1	Hook, Latch	
25	1001304435	1	Prop, Engine Hood	
26	1001304465	3	Bumper	
27	1001305987	1	Seal, Engine Hood Rear	
28	1001305989	1	Seal, Engine Hood Rear	
29	1001309438	1	Cover	
30	1001309993	2	Bracket	
31	1001309994	2	Bracket	

SECTION 1 - FRAME AND ATTACHING PARTS

FIGURE 1-3. BATTERY TRAY INSTALLATION - 12V BATTERY



ART_1001308073

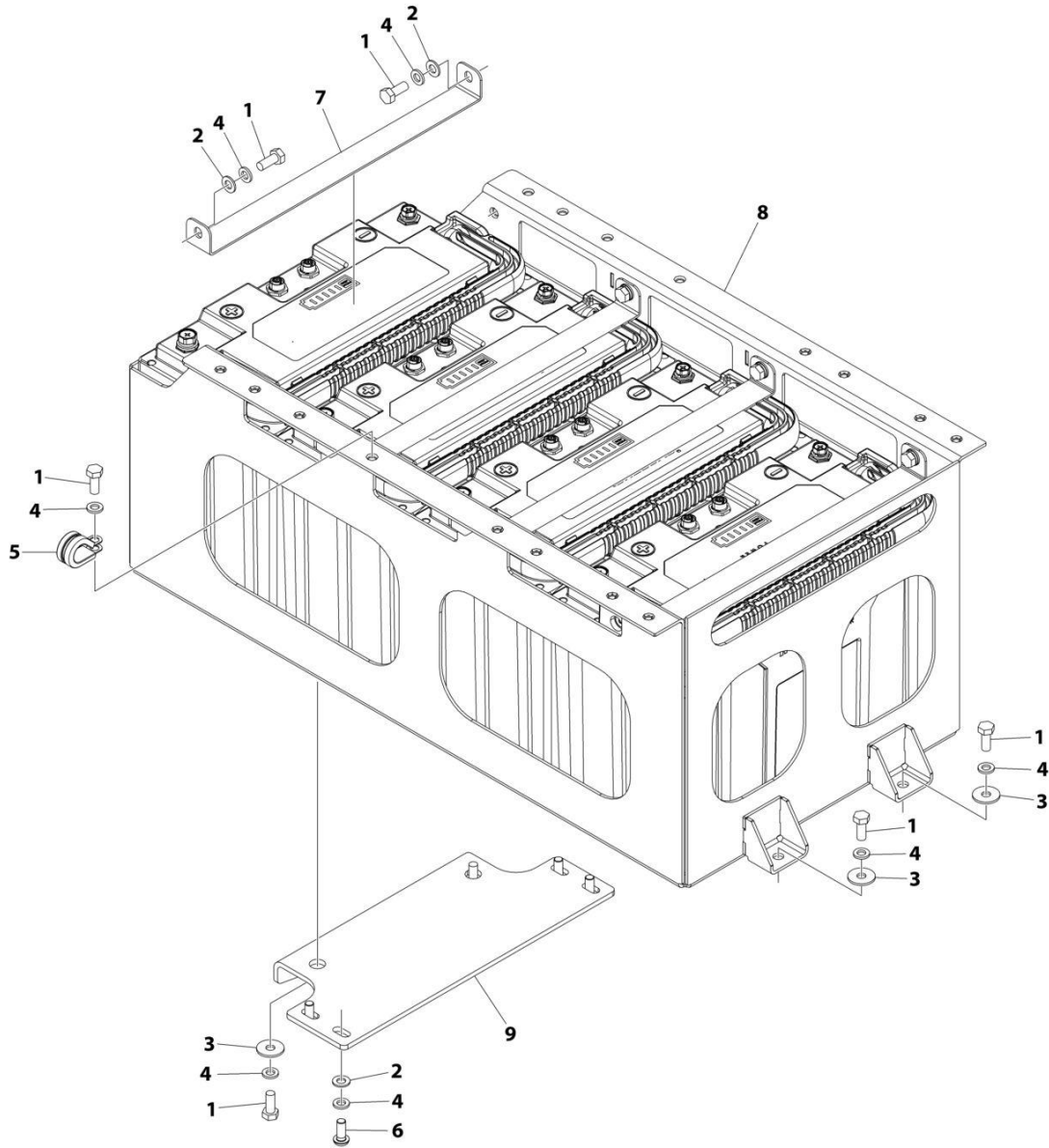
SECTION 1 - FRAME AND ATTACHING PARTS

FIGURE 1-3. BATTERY TRAY INSTALLATION - 12V BATTERY

ITEM	PART NUMBER	QTY	DESCRIPTION	REV
	1001308073	Ref	BATTERY TRAY INSTALLATION	A
1	0630576	3	Capscrew M6 x 20	
2	0760508	2	Bolt M5 x 16	
3	3290401	1	Nut M4	
4	3290605	3	Nut M6	
5	4031709	1	Capscrew M6 x 25	
6	4811600	2	Washer M5	
7	4811700	4	Washer M6	
8	4831600	2	Washer M5	
9	4831700	1	Washer M6	
10	1001264429	1	Bracket, Hold Down	
11	1001308835	1	Tray	
12	1001308838	1	Panel	
13	1001308903	1	Fuseholder	

SECTION 1 - FRAME AND ATTACHING PARTS

FIGURE 1-4. BATTERY TRAY INSTALLATION - 48V BATTERY (BOTTOM)



ART_1001308074

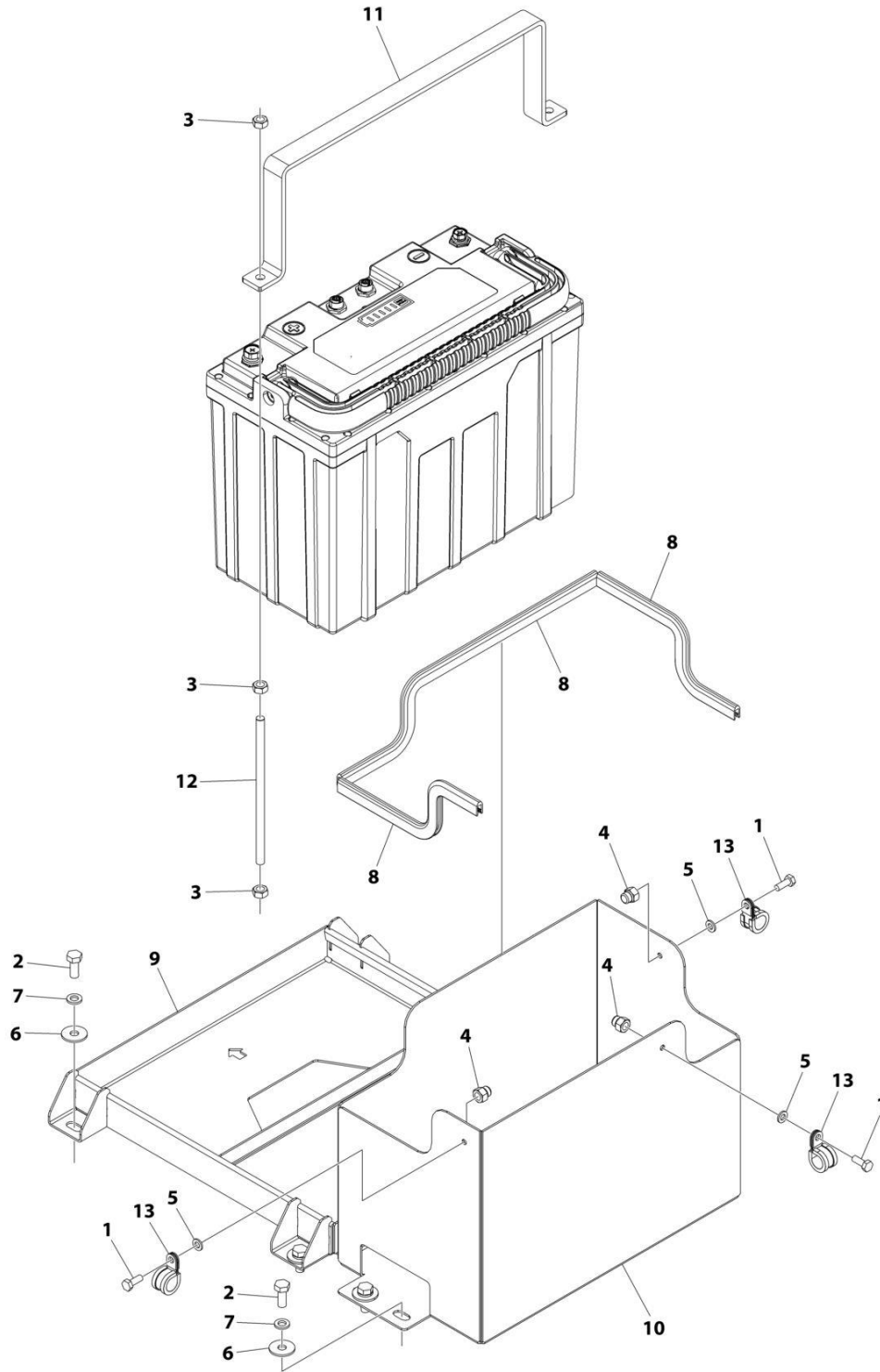
SECTION 1 - FRAME AND ATTACHING PARTS

FIGURE 1-4. BATTERY TRAY INSTALLATION - 48V BATTERY (BOTTOM)

ITEM	PART NUMBER	QTY	DESCRIPTION	REV
	1001308074	Ref	BATTERY TRAY INSTALLATION	A
1	0760810	13	Bolt M8 x 20	
2	4811900	12	Washer M8	
3	4811902	4	Washer M8	
4	4831900	17	Washer M8	
5	1001262471	1	Clamp	
6	1001262664	4	Capscrew M8 x 10 Class 10.9	
7	1001308990	4	Bracket, Hold Down	
8	1001308991	1	Frame	
9	1001308992	1	Plate	

SECTION 1 - FRAME AND ATTACHING PARTS

FIGURE 1-5. BATTERY TRAY INSTALLATION - 48V BATTERY (TOP - SIX BATTERY SYSTEMS)



ART_1001308076

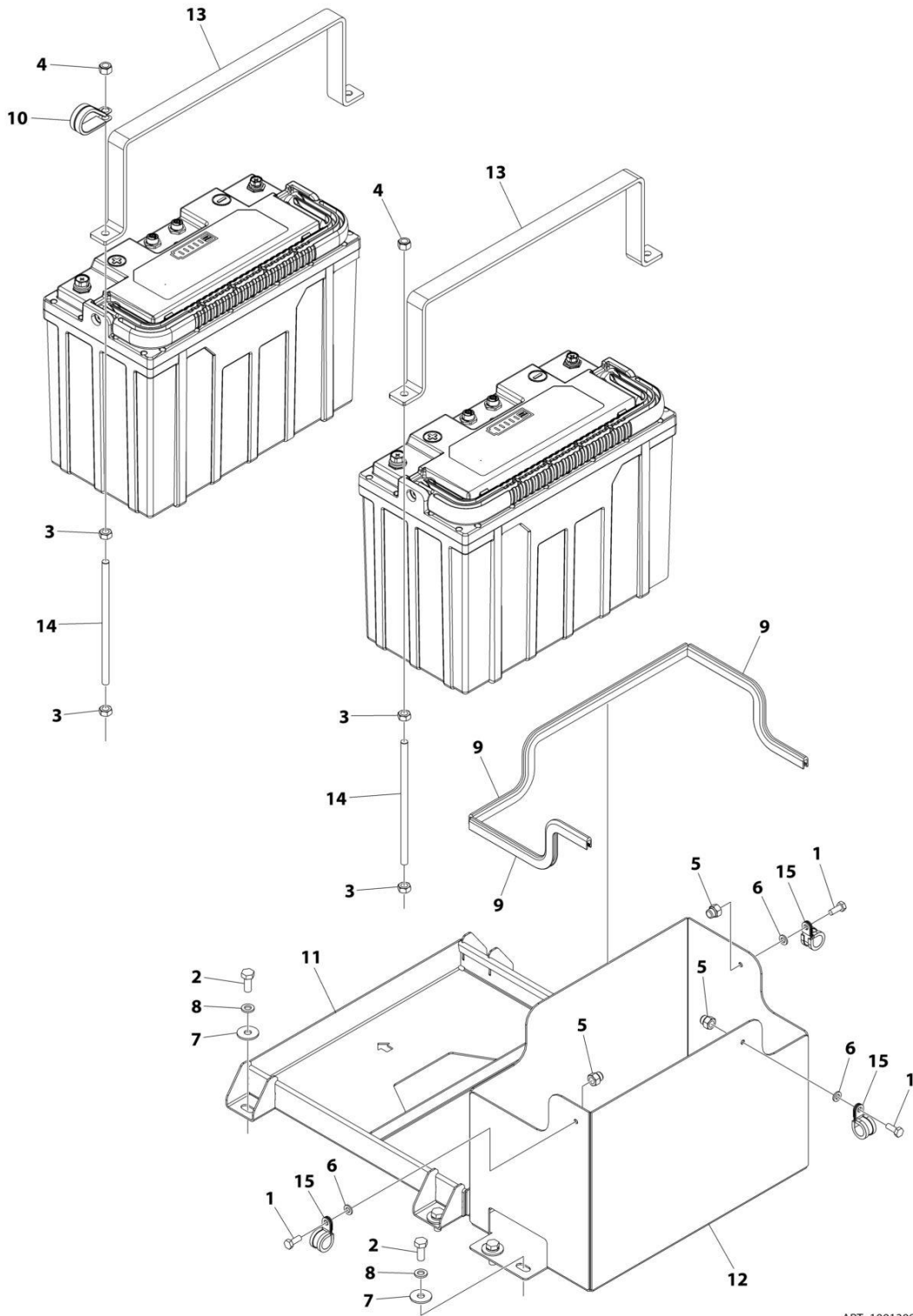
SECTION 1 - FRAME AND ATTACHING PARTS

FIGURE 1-5. BATTERY TRAY INSTALLATION - 48V BATTERY (TOP - SIX BATTERY SYSTEMS)

ITEM	PART NUMBER	QTY	DESCRIPTION	REV
	1001308076	Ref	BATTERY TRAY INSTALLATION	A
1	0760608	3	Bolt M6 x 16	
2	0760810	8	Bolt M8 x 20	
3	3290801	6	Nut M8	
4	3290806	3	Nut M8	
5	4811700	3	Washer M6	
6	4811902	8	Washer M8	
7	4831900	8	Washer M8	
8	1001262969	3	Seal	
9	1001309129	1	Tray	
10	1001309130	1	Box, Battery	
11	1001309131	1	Bracket, Hold Down	
12	1001309132	2	Rod, Threaded M8	
13	1001309133	3	Clamp	

SECTION 1 - FRAME AND ATTACHING PARTS

FIGURE 1-6. BATTERY TRAY INSTALLATION - 48V BATTERY (TOP - SEVEN BATTERY SYSTEMS)



ART_1001308681

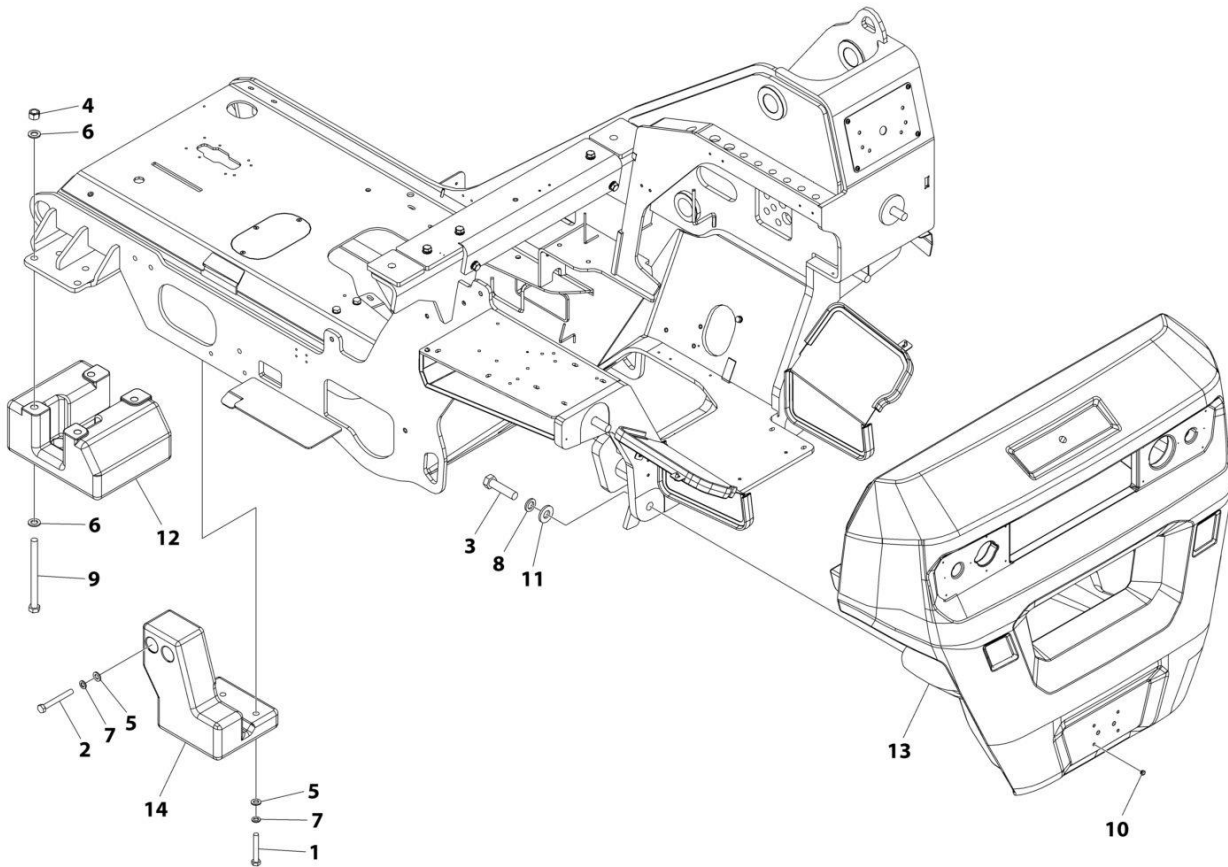
SECTION 1 - FRAME AND ATTACHING PARTS

FIGURE 1-6. BATTERY TRAY INSTALLATION - 48V BATTERY (TOP - SEVEN BATTERY SYSTEMS)

ITEM	PART NUMBER	QTY	DESCRIPTION	REV
	1001308681	Ref	BATTERY TRAY INSTALLATION	A
1	0760608	3	Bolt M6 x 16	
2	0760810	8	Bolt M8 x 20	
3	3290801	8	Nut M8	
4	3290805	4	Nut M8	
5	3290806	3	Nut M8	
6	4811700	3	Washer M6	
7	4811902	8	Washer M8	
8	4831900	8	Washer M8	
9	1001262969	3	Seal	
10	1001264368	1	Clamp	
11	1001309129	1	Tray	
12	1001309130	1	Box, Battery	
13	1001309131	2	Bracket, Hold Down	
14	1001309132	4	Rod, Threaded M8	
15	1001309133	3	Clamp	

SECTION 1 - FRAME AND ATTACHING PARTS

FIGURE 1-7. COUNTERWEIGHTS INSTALLATION



ART_1001306850

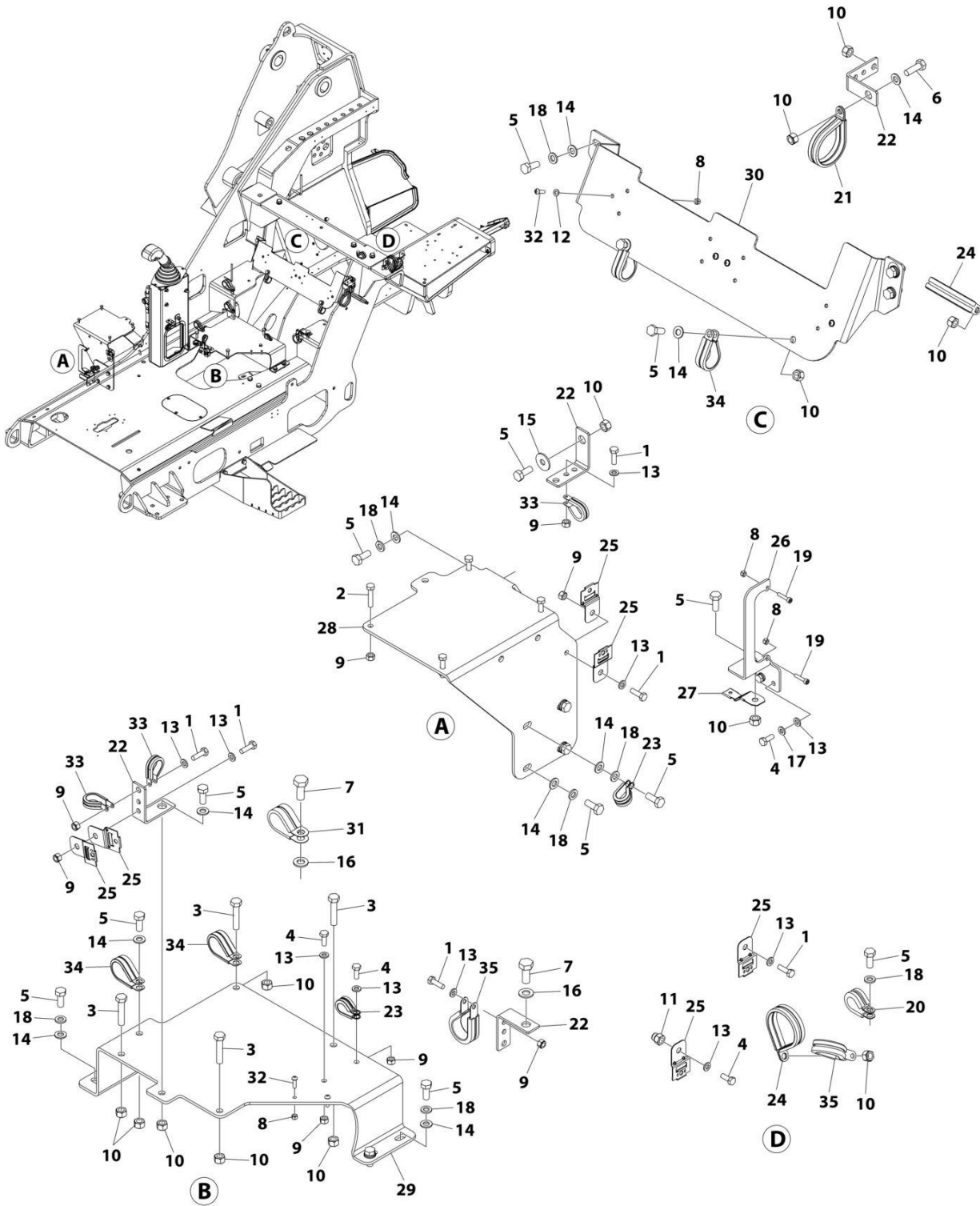
SECTION 1 - FRAME AND ATTACHING PARTS

FIGURE 1-7. COUNTERWEIGHTS INSTALLATION

ITEM	PART NUMBER	QTY	DESCRIPTION	REV
	1001306850	Ref	COUNTERWEIGHTS INSTALLATION	A
1	0701224	2	Bolt M12 x 80	
2	0701227	2	Bolt M12 x 100	
3	0712024	5	Bolt M20 x 80 Class 10.9	
4	3291605	4	Nut M16	
5	4812100	4	Washer M12	
6	4812300	8	Washer M16	
7	4832100	4	Washer M12	
8	4832500	5	Washer M20	
9	1001091951	4	Bolt M16 x 200 Class 10.9	
10	1001261567	4	Plug	
11	1001262981	5	Washer M20	
12	1001303675	1	Counterweight, Front	
13	1001303676	1	Counterweight, Rear	
14	1001307382	1	Counterweight, Mid	

SECTION 1 - FRAME AND ATTACHING PARTS

FIGURE 1-8. ELECTRICAL SUPPORTS INSTALLATION



ART_1001307341

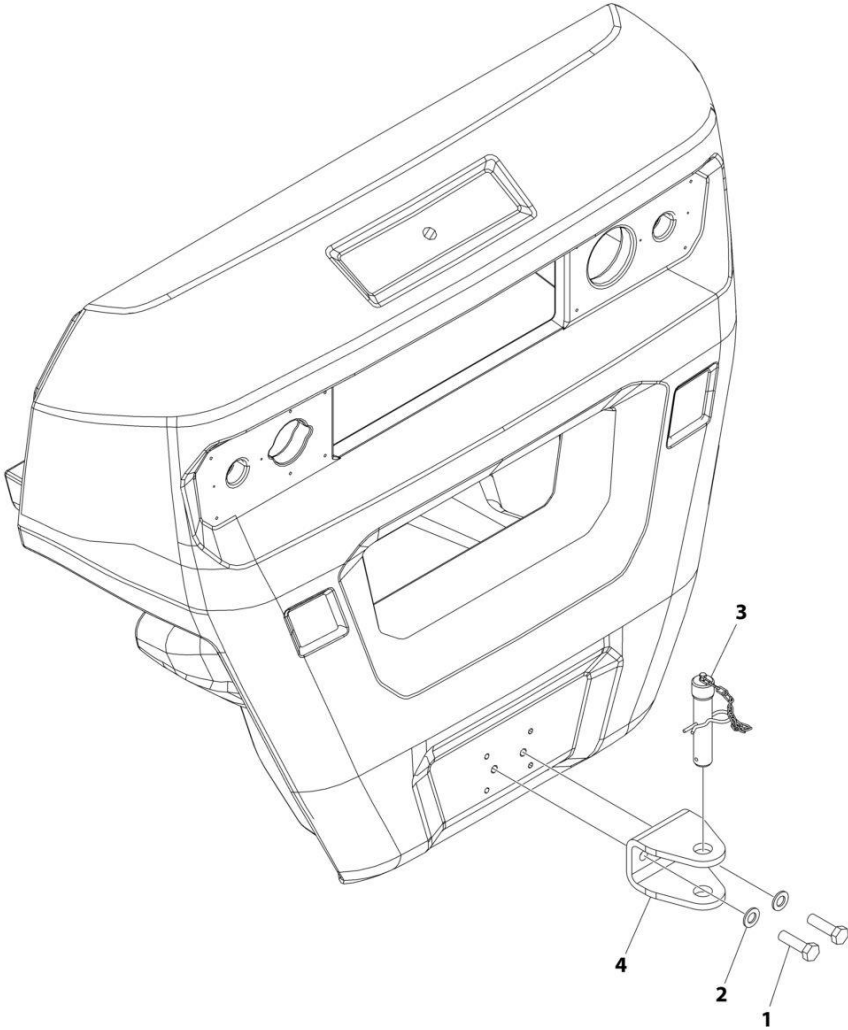
SECTION 1 - FRAME AND ATTACHING PARTS

FIGURE 1-8. ELECTRICAL SUPPORTS INSTALLATION

ITEM	PART NUMBER	QTY	DESCRIPTION	REV
	1001307341	Ref	ELECTRICAL SUPPORTS INSTALLATION	A
1	0700610	6	Bolt M6 x 20	
2	0700614	4	Bolt M6 x 30	
3	0700816	4	Bolt M8 x 40	
4	0760608	5	Bolt M6 x 16	
5	0760810	19	Bolt M8 x 20	
6	0760812	1	Bolt M8 x 25	
7	0761012	2	Bolt M10 x 25	
8	3290405	8	Nut M4	
9	3290605	11	Nut M6	
10	3290805	14	Nut M8	
11	3290806	1	Nut M8	
12	4811400	4	Washer M4	
13	4811700	11	Washer M6	
14	4811900	17	Washer M8	
15	4811902	1	Washer M8	
16	4812000	2	Washer M10	
17	4831700	2	Washer M6	
18	4831900	13	Washer M8	
19	1001110269	2	Capscrew M4 x 20	
20	1001262471	1	Clamp	
21	1001304206	1	Clamp	
22	1001304421	4	Bracket	
23	1001304558	2	Clamp	
24	1001304559	2	Clamp	
25	1001306640	6	Clip	
26	1001306655	1	Bracket	
27	1001306669	1	Clip	
28	1001308295	1	Bracket	
29	1001308296	1	Bracket	
30	1001308297	1	Bracket	
31	1001308298	1	Clamp	
32	1001264387	6	Capscrew M4 x 15 Class 10.9	
33	1001264676	3	Clamp	
34	1001264368	4	Clamp	
35	1001264677	2	Clamp	

SECTION 1 - FRAME AND ATTACHING PARTS

FIGURE 1-9. HITCH INSTALLATION



ART_1001304448

SECTION 1 - FRAME AND ATTACHING PARTS

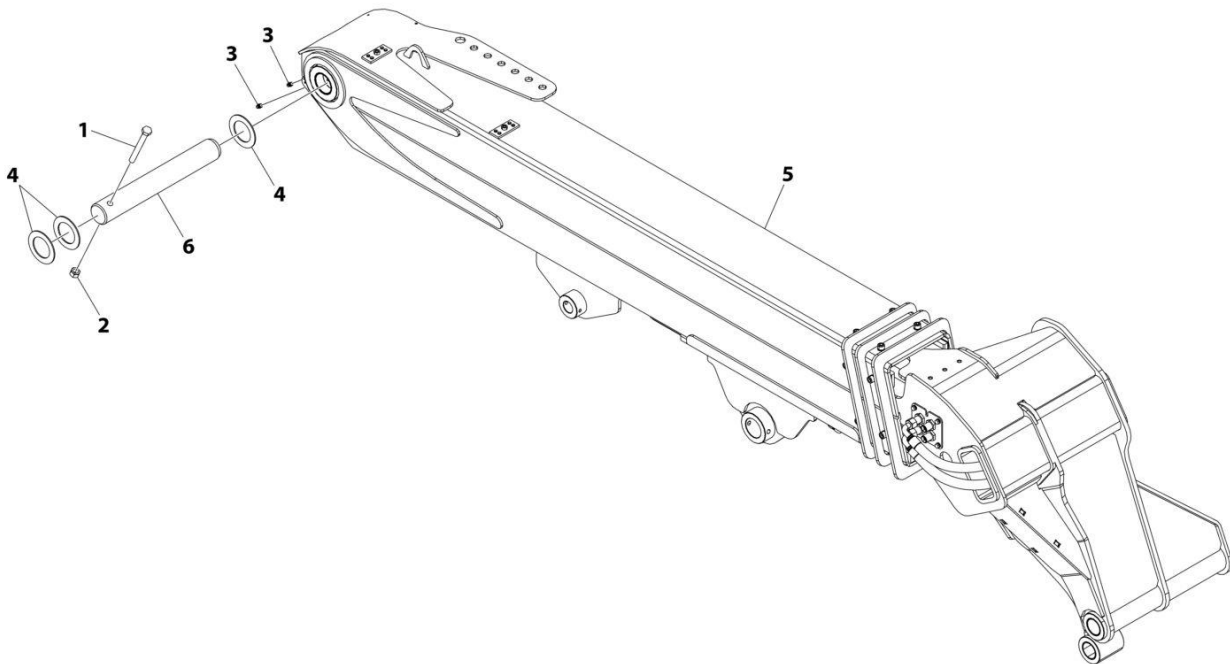
FIGURE 1-9. HITCH INSTALLATION

ITEM	PART NUMBER	QTY	DESCRIPTION	REV
	1001304448	Ref	HITCH INSTALLATION	A
1	0701418	2	Bolt M14 x 50	
2	4812200	2	Washer M14	
3	1001263865	1	Pin, Hitch	
4	1001305615	1	Bracket, Hitch	

SECTION 2 - BOOM

SECTION 2 - BOOM

FIGURE 2-1. BOOM INSTALLATION



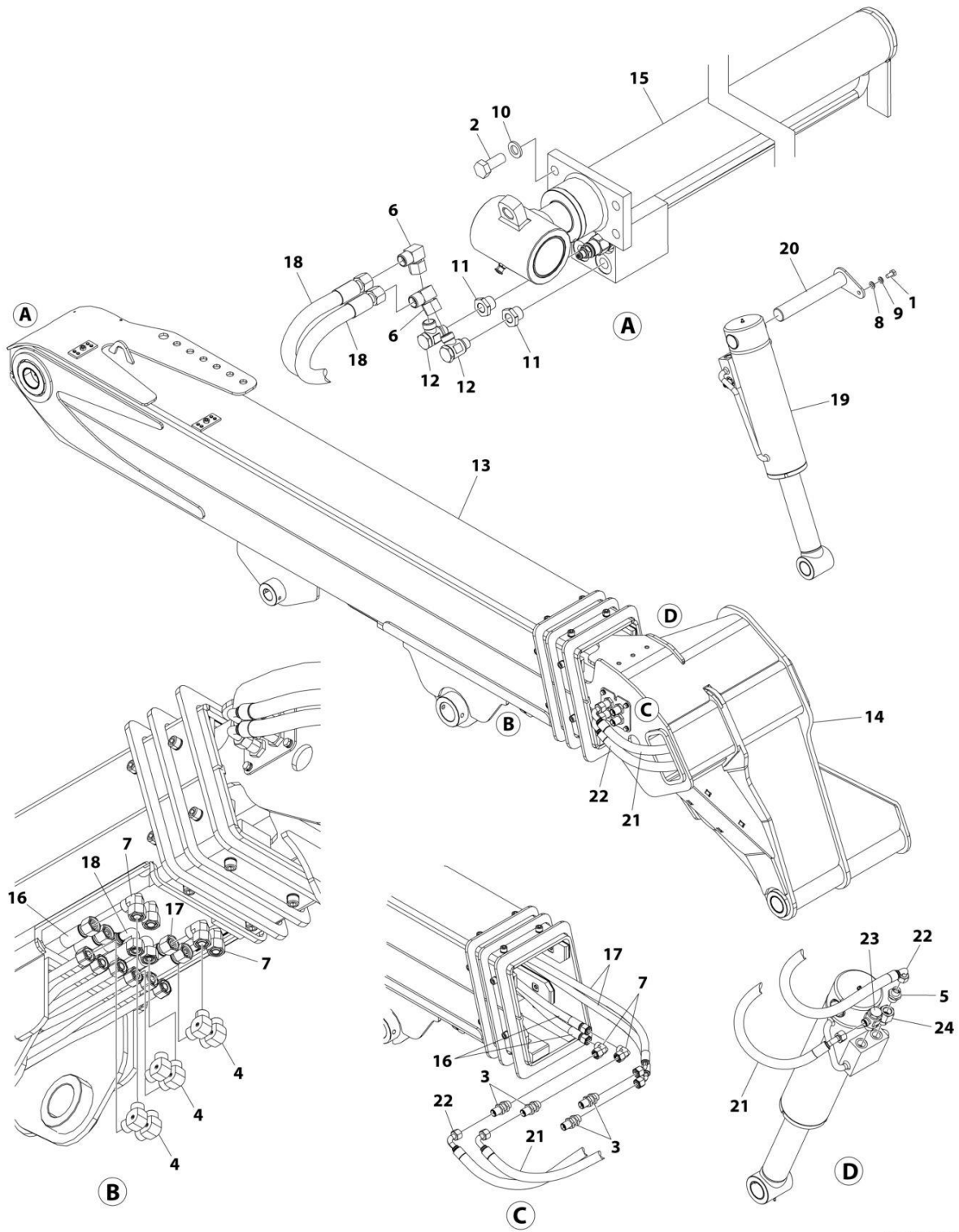
ART_1001301333

FIGURE 2-1. BOOM INSTALLATION

ITEM	PART NUMBER	QTY	DESCRIPTION	REV
	1001301333	Ref	BOOM INSTALLATION	A
1	0761228	1	Bolt M12 x 110	
2	3291207	1	Nut M12	
3	1001261547	2	Fitting, Grease	
4	1001261549	3	Shim	
5	1001301519	1	Boom Assembly (See Separate Breakdown in this Section)	
6	1001301903	1	Pin	

SECTION 2 - BOOM

FIGURE 2-2. BOOM ASSEMBLY



ART_1001301519

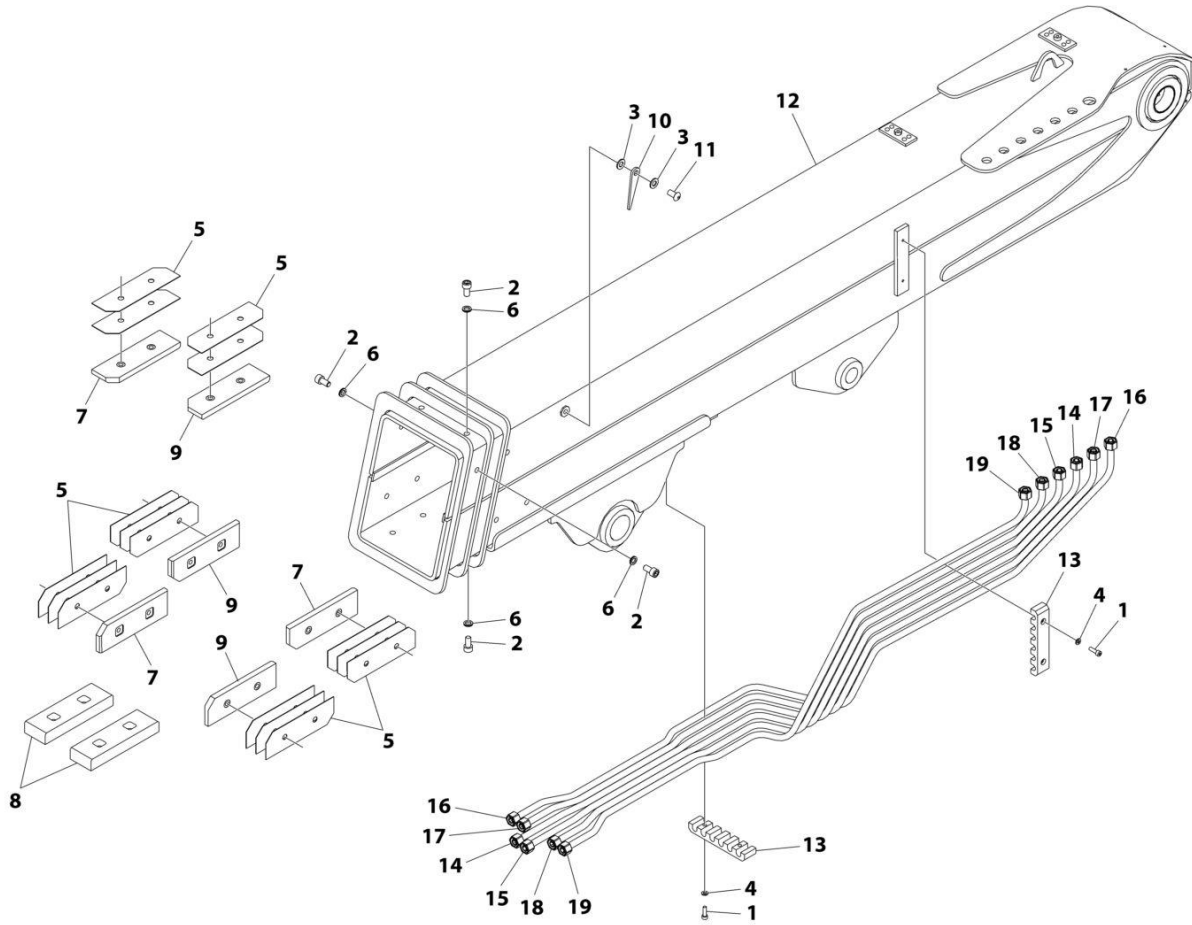
SECTION 2 - BOOM

FIGURE 2-2. BOOM ASSEMBLY

ITEM	PART NUMBER	QTY	DESCRIPTION	REV
	1001301519	Ref	BOOM ASSEMBLY	A
1	0761010	1	Bolt M10 x 20	
2	0761214	4	Bolt M12 x 30	
3	2141504	4	Fitting, Straight	
4	2141809	6	Fitting, 90	
5	2142713	1	Fitting, Straight	
6	2143403	2	Fitting, 90	
7	2143404	6	Fitting, 90	
8	4812000	1	Washer M10	
9	4832000	1	Washer M10	
10	4832100	4	Washer M12	
11	1001263158	2	Fitting, Straight	
12	1001263161	2	Fitting, 90	
13	1001301518	1	Base Boom Assembly (See Separate Breakdown in this Section)	
14	1001301582	1	Fly Boom Assembly (See Separate Breakdown in this Section)	
15	1001301850	1	Telescope Cylinder Assembly (See Separate Breakdown in HYDRAULIC COMPONENTS Section)	
16	1001301926	1	Hose	
17	1001301927	1	Hose	
18	1001301942	1	Hose	
19	1001301975	1	Tilt Cylinder Assembly (See Separate Breakdown in HYDRAULIC COMPONENTS Section)	
20	1001301982	1	Pin	
21	1001301995	1	Hose	
22	1001302074	1	Hose	
23	1001302508	1	Fitting, 90	
24	1001302511	1	Fitting, Straight	

SECTION 2 - BOOM

FIGURE 2-3. BASE BOOM ASSEMBLY



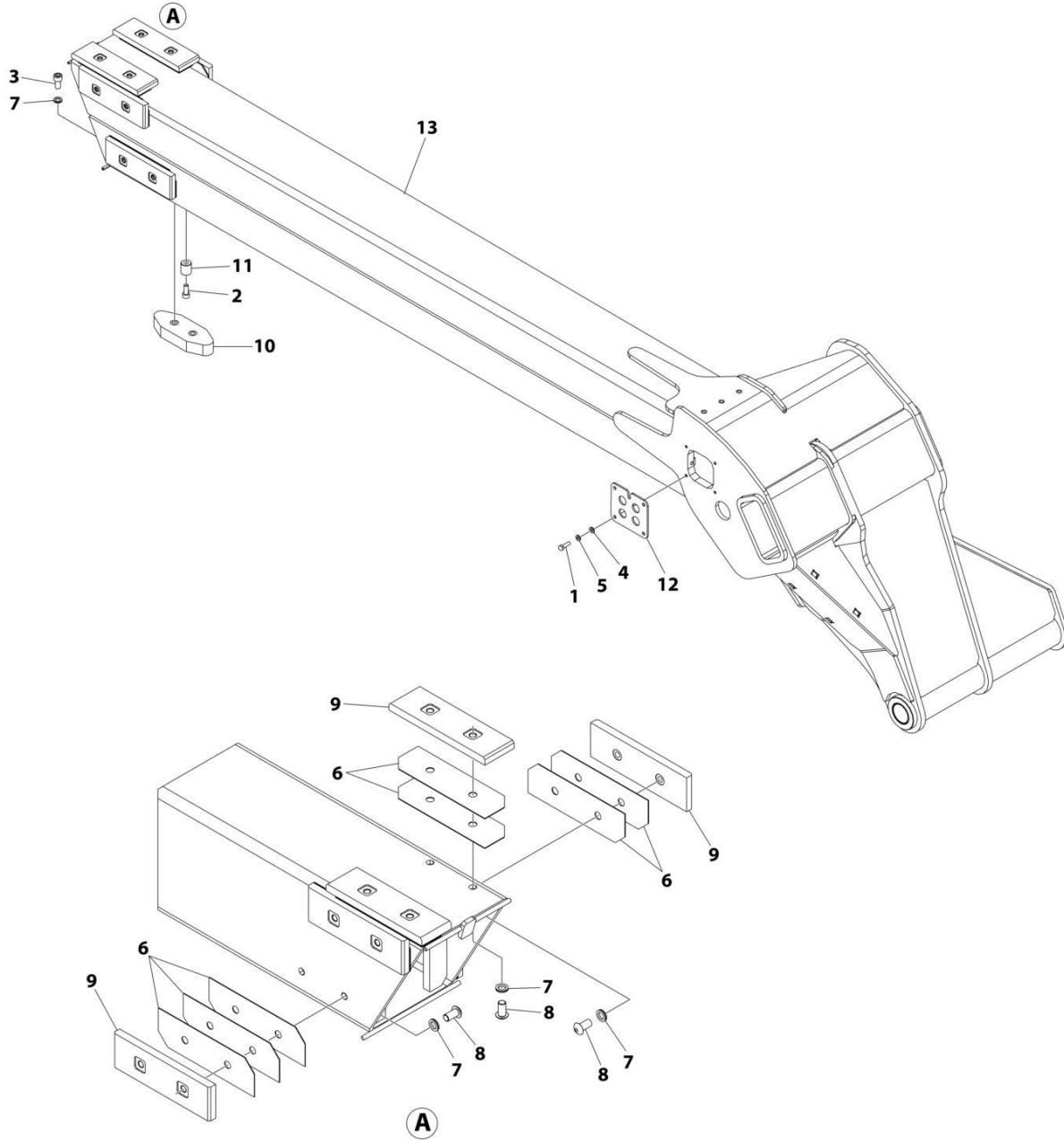
ART_1001301518

FIGURE 2-3. BASE BOOM ASSEMBLY

ITEM	PART NUMBER	QTY	DESCRIPTION	REV
	1001301518	Ref	BASE BOOM ASSEMBLY	A
1	4031708	4	Capscrew M6 x 20	
2	4032008	16	Capscrew M10 x 20	
3	4812000	2	Washer M10	
4	4831700	4	Washer M6	
5	1001261550	16	Shim	
6	1001261551	16	Washer M10	
7	1001261554	3	Pad, Wear	
8	1001261555	2	Pad, Wear	
9	1001261556	3	Pad, Wear	
10	1001261560	1	Indicator, Angle	
11	1001261565	1	Capscrew M10 x 20	
12	1001301516	1	Boom, Base	
13	1001301870	2	Clamp	
14	1001301993	1	Pipe, Telescope Cylinder Extend	
15	1001301994	1	Pipe, Telescope Cylinder Retract	
16	1001301996	1	Pipe, Tilt Cylinder Extend	
17	1001301997	1	Pipe, Tilt Cylinder Retract	
18	1001301998	1	Pipe, Auxiliary Hydraulics	
19	1001301999	1	Pipe, Auxiliary Hydraulics	

SECTION 2 - BOOM

FIGURE 2-4. FLY BOOM ASSEMBLY



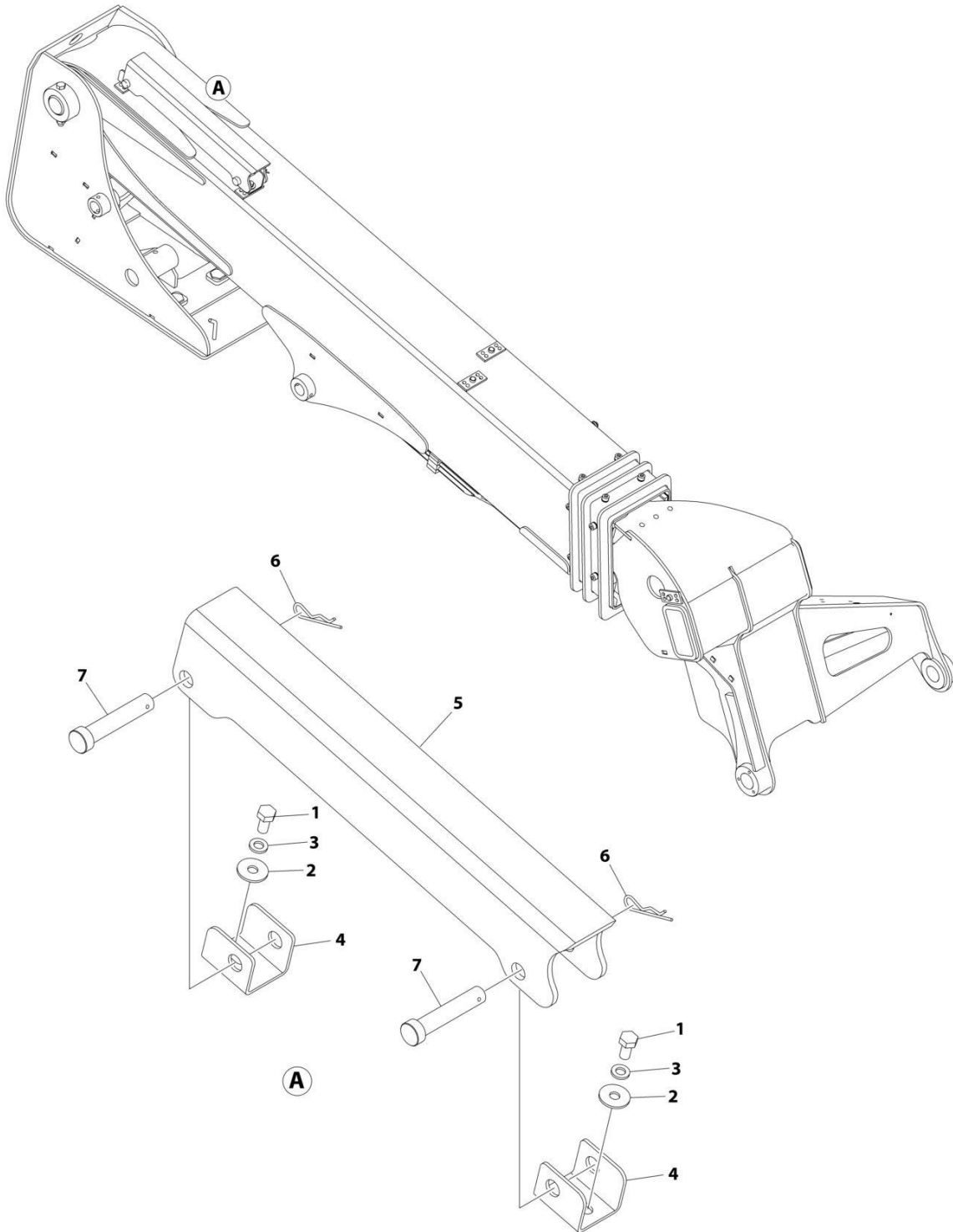
ART_1001301582

FIGURE 2-4. FLY BOOM ASSEMBLY

ITEM	PART NUMBER	QTY	DESCRIPTION	REV
	1001301582	Ref	FLY BOOM ASSEMBLY	A
1	0700610	4	Bolt M6 x 20	
2	4031908	1	Bolt M8 x 20	
3	4032008	2	Capscrew M10 x 20	
4	4811700	4	Washer M6	
5	4831700	4	Washer M6	
6	1001261550	14	Shim	
7	1001261551	14	Washer M10	
8	1001261565	12	Capscrew M10 x 20	
9	1001262033	6	Pad, Wear	
10	1001262034	1	Pad, Wear	
11	1001262036	1	Guide, Hose	
12	1001301899	1	Plate	
13	1001301987	1	Boom, Fly	

SECTION 2 - BOOM

FIGURE 2-5. BOOM PROP INSTALLATION



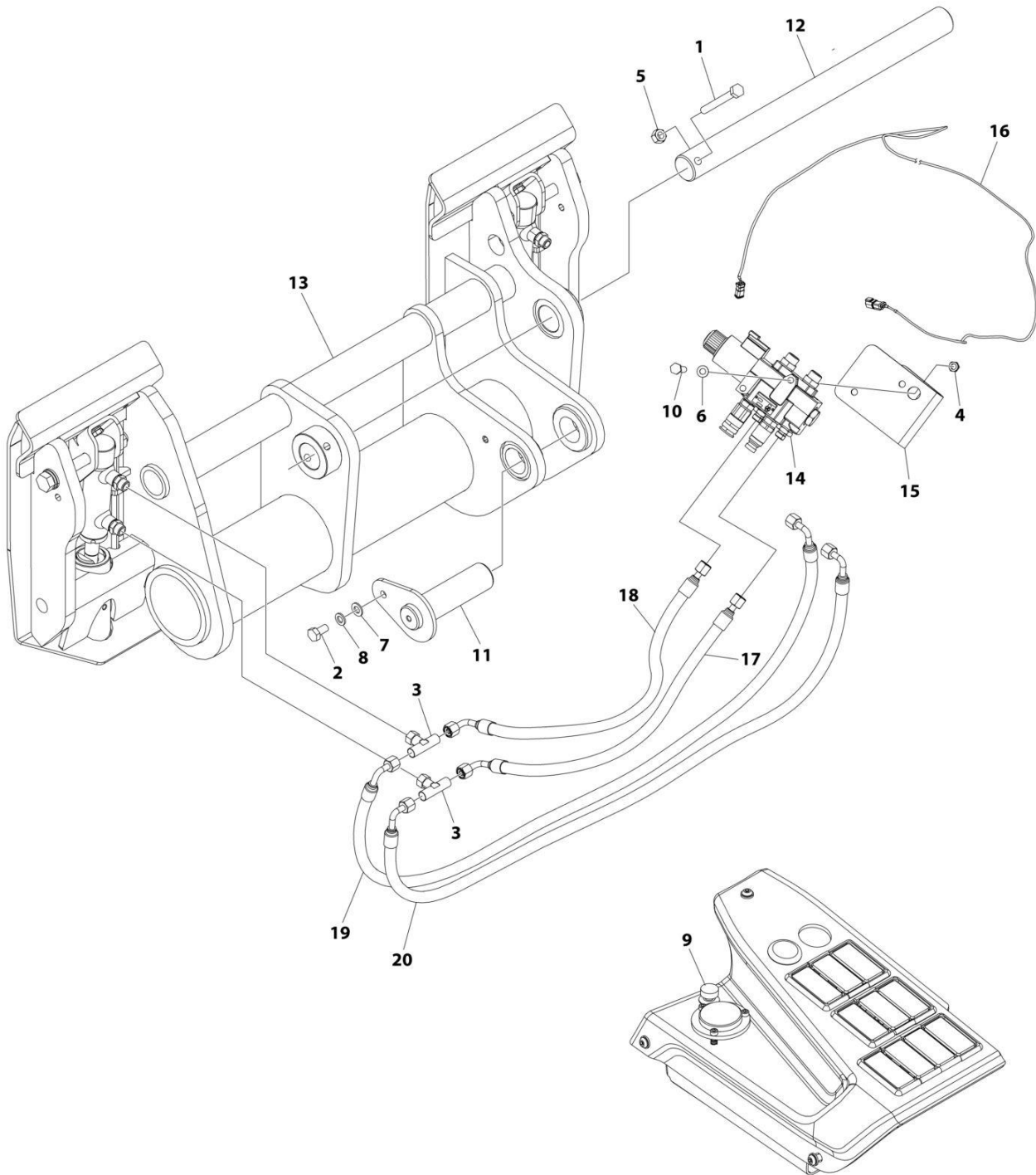
ART_1001263388

FIGURE 2-5. BOOM PROP INSTALLATION

ITEM	PART NUMBER	QTY	DESCRIPTION	REV
	1001263388	Ref	BOOM PROP INSTALLATION	A
1	0760808	2	Bolt M8 x 20	
2	4811902	2	Washer M8	
3	4831900	2	Washer M8	
4	1001266094	2	Bracket	
5	1001266095	1	Prop, Boom	
6	1001266096	2	Pin	
7	1001266097	2	Pin	

SECTION 2 - BOOM

FIGURE 2-6. COUPLER INSTALLATION - HYDRAULIC



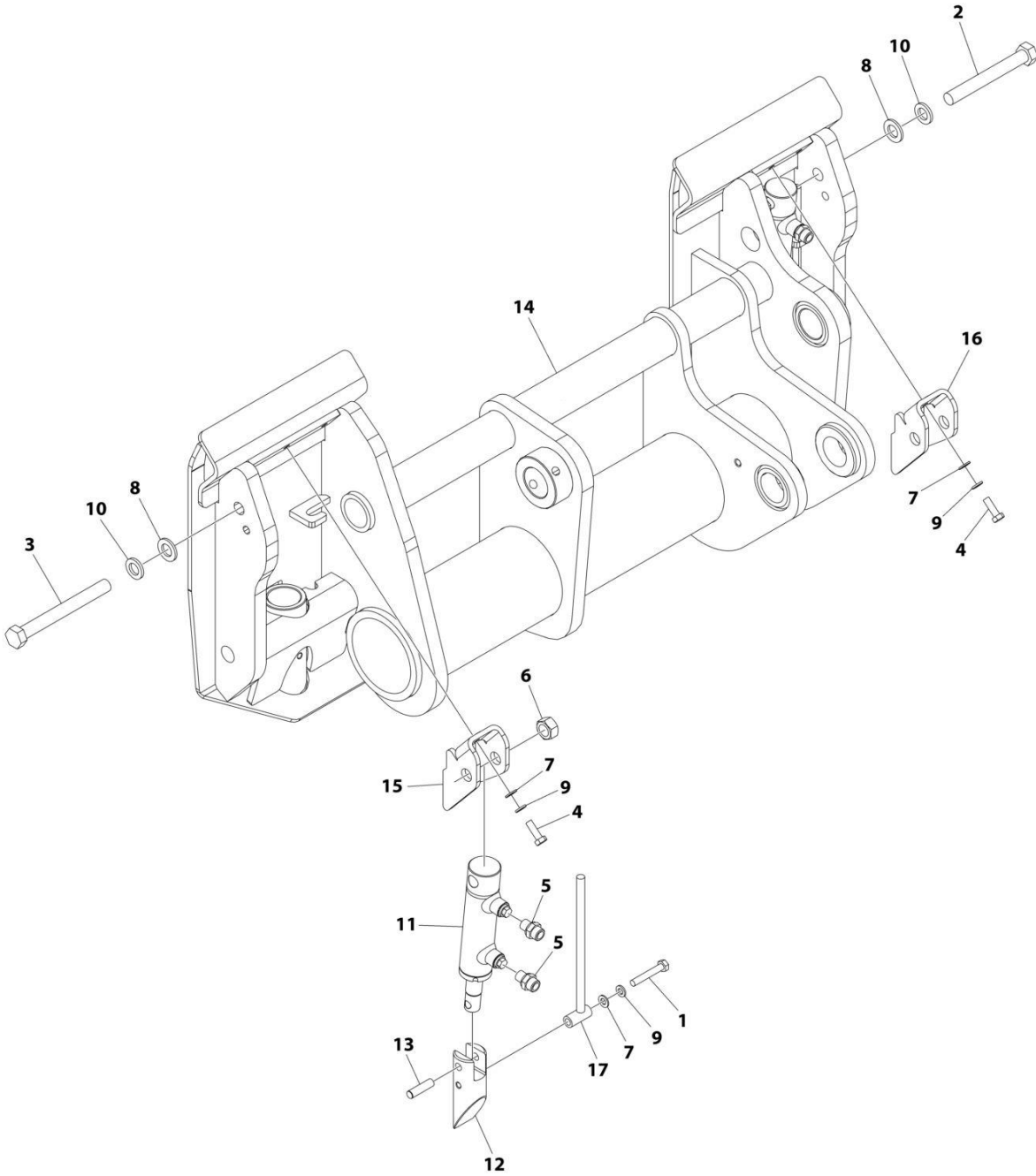
ART_1001304227

FIGURE 2-6. COUPLER INSTALLATION - HYDRAULIC

ITEM	PART NUMBER	QTY	DESCRIPTION	REV
	1001304227	Ref	COUPLER INSTALLATION	A
1	0701026	1	Bolt M10 x 90	
2	0761010	1	Bolt M10 x 20	
3	2142102	2	Fitting, Tee	
4	3290805	2	Nut M8	
5	3291005	1	Nut M10	
6	4811900	2	Washer M8	
7	4812000	1	Washer M10	
8	4832000	1	Washer M10	
9	1001264530	1	Switch, Coupler	
10	1001264533	2	Bolt M8 x 80	
11	1001302197	1	Pin	
12	1001302198	1	Pin	
13	1001304455	1	Coupler Assembly (See Separate Breakdown in this Section)	
14	1001304456	1	Coupler Valve Assembly (See Separate Breakdown in HYDRAULIC COMPONENTS Section)	
15	1001304736	1	Bracket	
16	1001304892	1	Harness, Hydraulic Coupler	
17	1001305628	1	Hose	
18	1001305629	1	Hose	
19	1001305631	1	Hose	
20	1001305632	1	Hose	

SECTION 2 - BOOM

FIGURE 2-7. COUPLER ASSEMBLY - HYDRAULIC



ART_1001304455

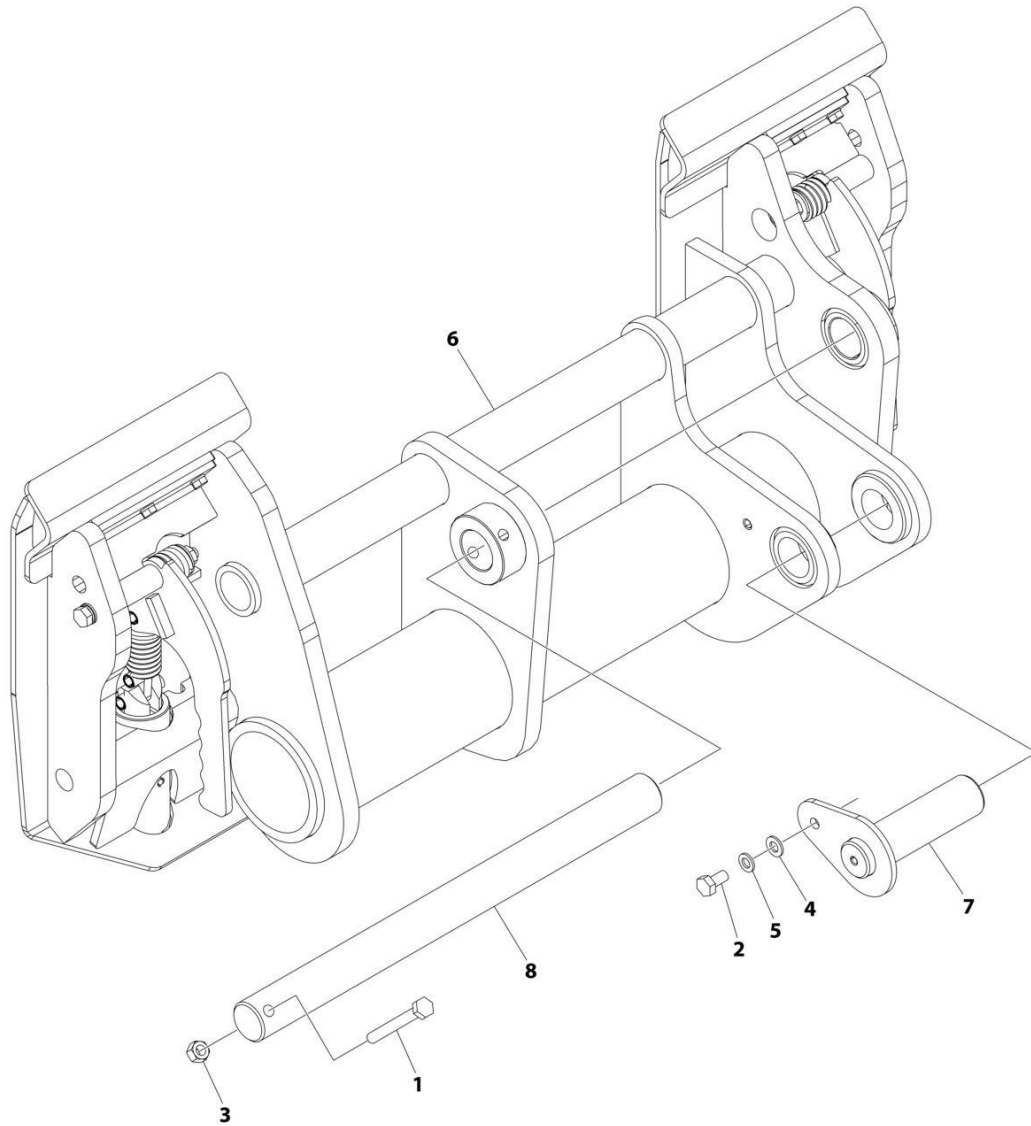
SECTION 2 - BOOM

FIGURE 2-7. COUPLER ASSEMBLY - HYDRAULIC

ITEM	PART NUMBER	QTY	DESCRIPTION	REV
	1001304455	Ref	COUPLER ASSEMBLY	A
1	0700818	2	Bolt M8 x 50	
2	0701630	1	Bolt M16 x 130	
3	0701632	1	Bolt M16 x 150	
4	0770812	2	Bolt M8 x 25	
5	2142706	4	Fitting, Straight	
6	3331611	1	Nut M16	
7	4811900	4	Washer M8	
8	4812300	2	Washer M16	
9	4831900	4	Washer M8	
10	4832300	2	Washer M16	
11	1001264509	2	Cylinder, Coupler	
12	1001264512	2	Pin	
13	1001264516	2	Pin	
14	1001301904	1	Coupler	
15	1001304618	1	Bracket - Left Side	
16	1001304629	1	Bracket - Right Side	
17	1001304631	2	Rod, Hook Positioner	

SECTION 2 - BOOM

FIGURE 2-8. COUPLER INSTALLATION - MANUAL



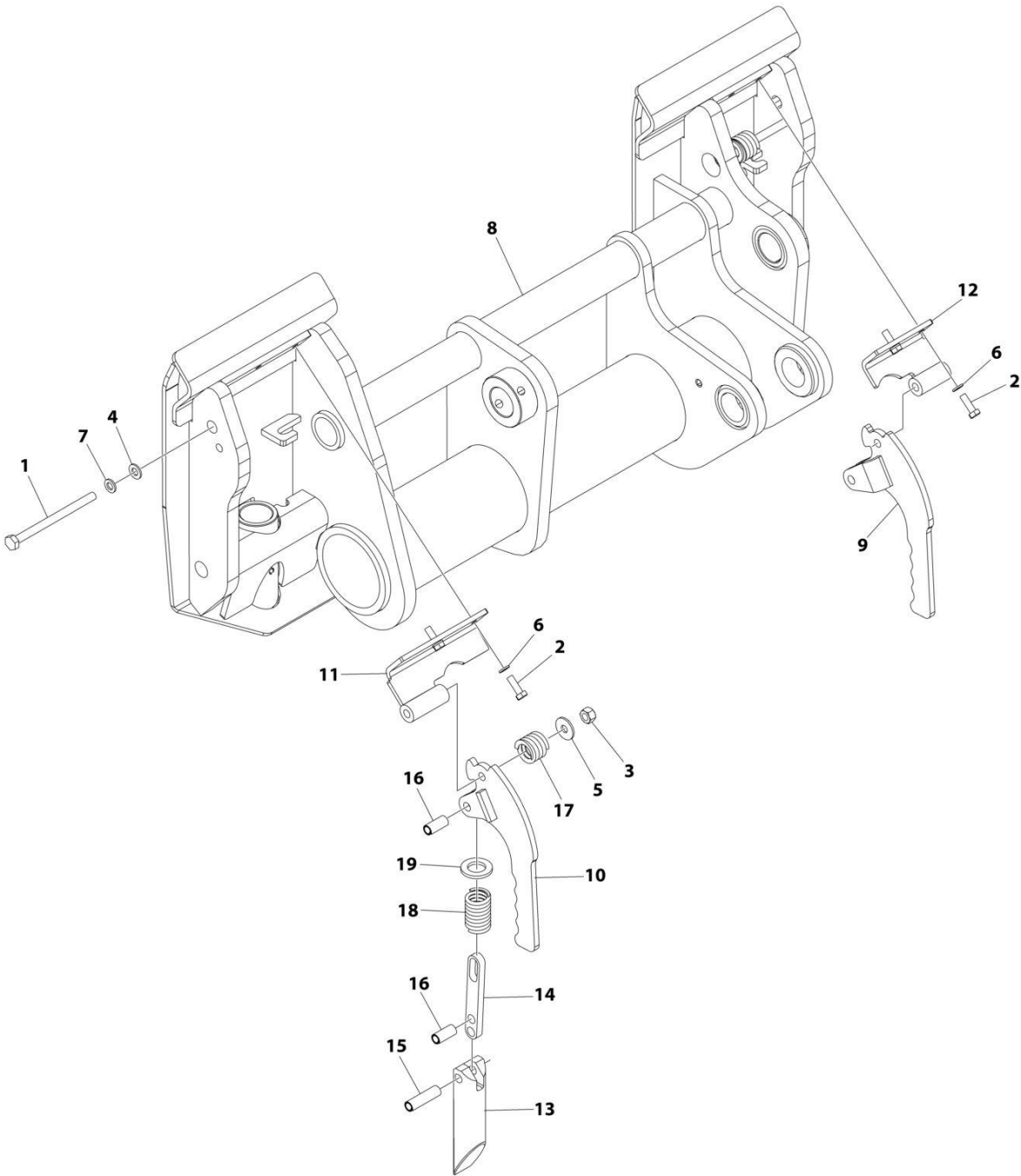
ART_1001301816

FIGURE 2-8. COUPLER INSTALLATION - MANUAL

ITEM	PART NUMBER	QTY	DESCRIPTION	REV
	1001301816	Ref	COUPLER INSTALLATION	A
1	0701026	1	Bolt M10 x 90	
2	0761010	1	Bolt M10 x 20	
3	3291005	1	Nut M10	
4	4812000	1	Washer M10	
5	4832000	1	Washer M10	
6	1001301973	1	Coupler Assembly (See Separate Breakdown in this Section)	
7	1001302197	1	Pin	
8	1001302198	1	Pin	

SECTION 2 - BOOM

FIGURE 2-9. COUPLER ASSEMBLY - MANUAL



ART_1001301973

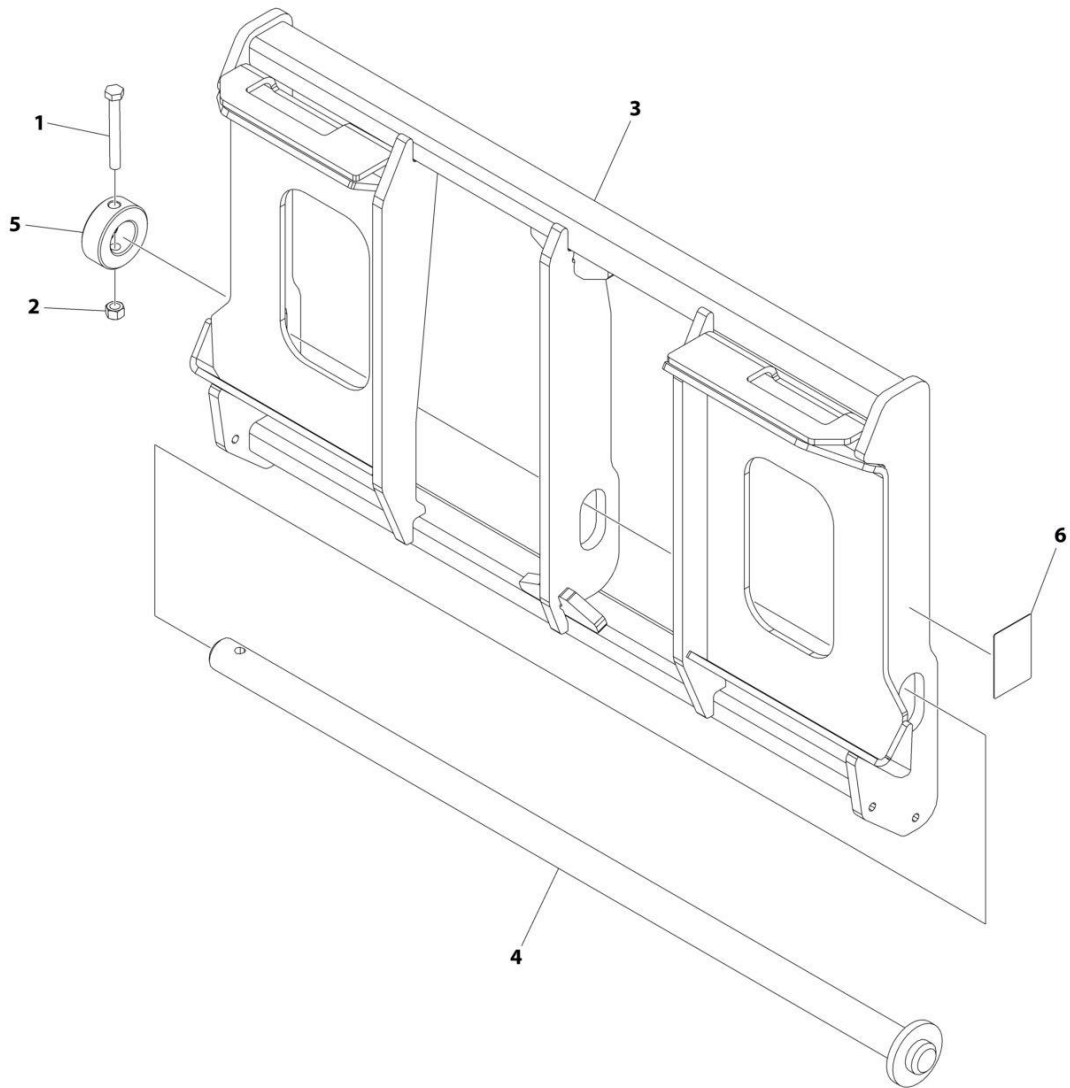
FIGURE 2-9. COUPLER ASSEMBLY - MANUAL

ITEM	PART NUMBER	QTY	DESCRIPTION	REV
	1001301973	Ref	COUPLER ASSEMBLY	A
1	0701031	2	Bolt M10 x 140	
2	0760812	4	Bolt M8 x 25	
3	3291005	2	Nut M10	
4	4812000	2	Washer M10	
5	4812002	2	Washer M10	
6	4831900	4	Washer M8	
7	4832000	2	Washer M10	
8	1001301904	1	Coupler	
9	1001302108	1	Lever, Coupling - Right Side	
10	1001302109	1	Lever, Coupling - Left Side	
11	1001302110	1	Bracket - Left Side	
12	1001302111	1	Bracket - Right Side	
13	1001302158	2	Pin	
14	1001061659	2	Plate	
15	1001302160	2	Pin, Roll	
16	1001061662	4	Pin, Roll	
17	1001062117	2	Spring	
18	1001061660	2	Spring	
19	1001261678	2	Washer M22	

SECTION 3 - ATTACHMENTS

SECTION 3 - ATTACHMENTS

FIGURE 3-1. CARRIAGE ASSEMBLY



ART_1001302251

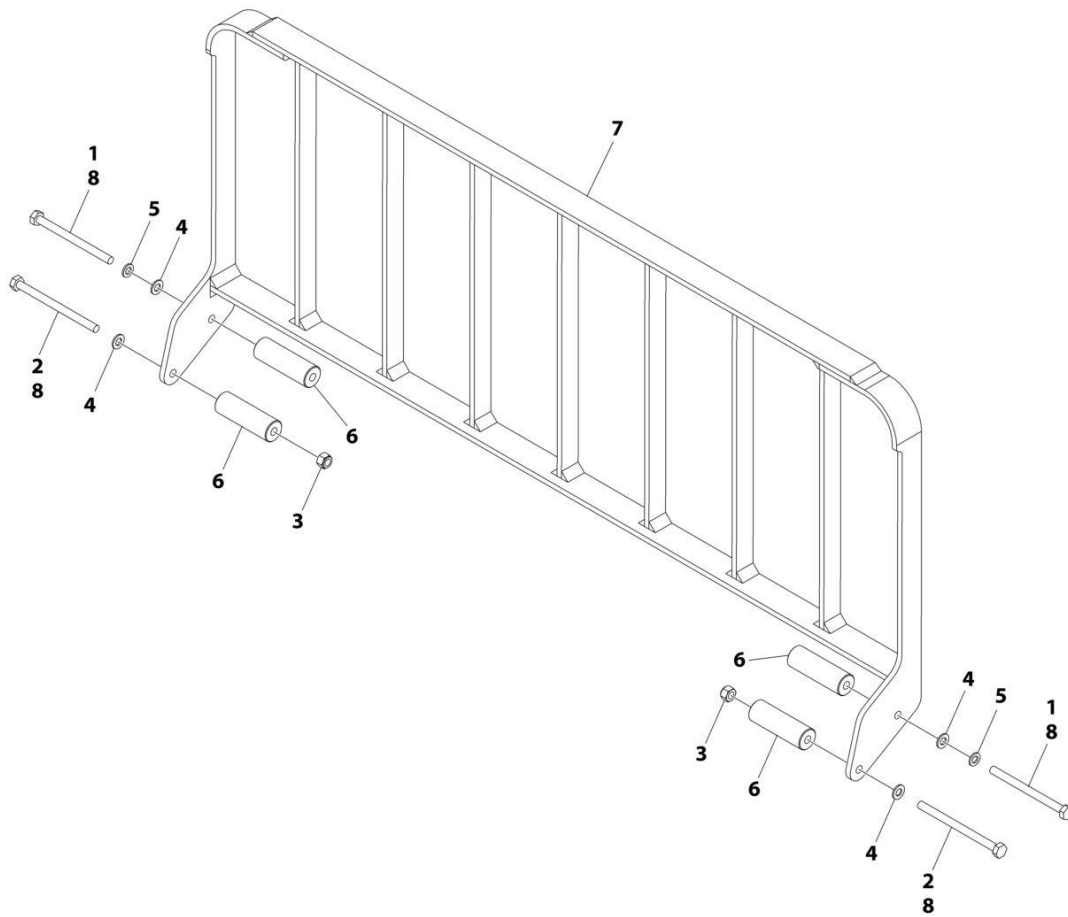
SECTION 3 - ATTACHMENTS

FIGURE 3-1. CARRIAGE ASSEMBLY

ITEM	PART NUMBER	QTY	DESCRIPTION	REV
	1001302251	Ref	CARRIAGE ASSEMBLY	A
1	0701227	1	Bolt M12 x 100	
2	3291205	1	Nut M12	
3	1001302231	1	Carriage	
4	1001302232	1	Pin	
5	1001261544	1	Collar	
6	See Note	NSS	SN Plate (Note: Not Available for Purchase)	

SECTION 3 - ATTACHMENTS

FIGURE 3-2. CARRIAGE BACKREST INSTALLATION



ART_1001262110

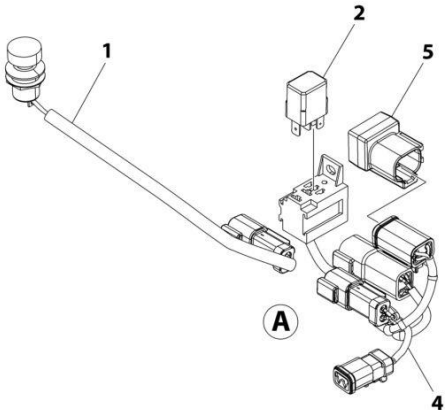
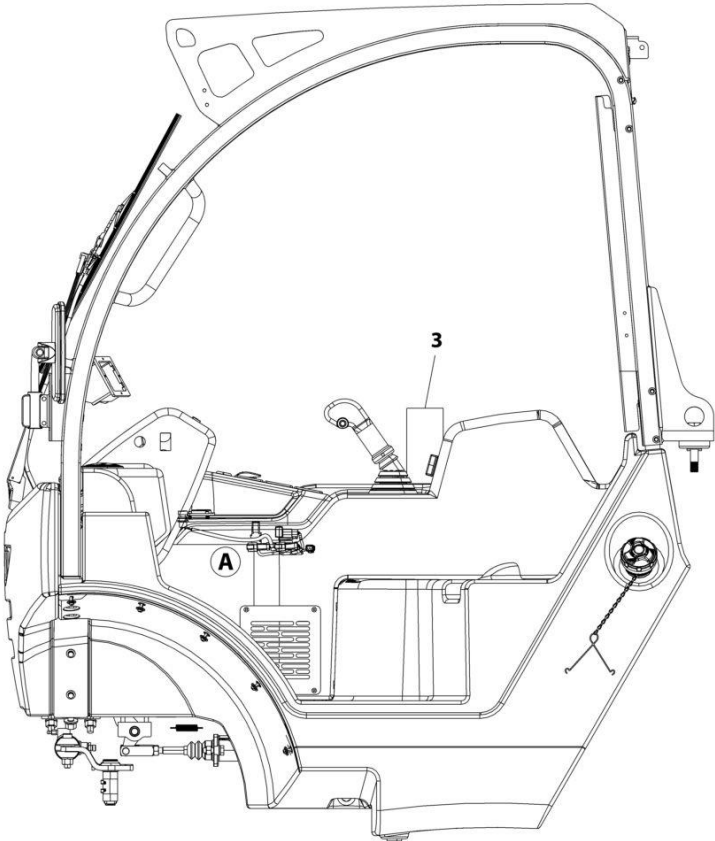
SECTION 3 - ATTACHMENTS

FIGURE 3-2. CARRIAGE BACKREST INSTALLATION

ITEM	PART NUMBER	QTY	DESCRIPTION	REV
	1001262110	Ref	CARRIAGE BACKREST INSTALLATION	B
1	0701030	2	Bolt M10 x 130	
2	0701031	2	Bolt M10 x 140	
3	3291005	2	Nut M10	
4	4812000	4	Washer M10	
5	4832000	2	Washer M10	
6	1001262169	4	Rod	
7	1001262170	1	Brace	
8	0100035	AR	Compound, Locking	

SECTION 3 - ATTACHMENTS

FIGURE 3-3. CONTROLLER DECAL/HARNESS INSTALLATION (FRAME LOADER)



ART_1001312339

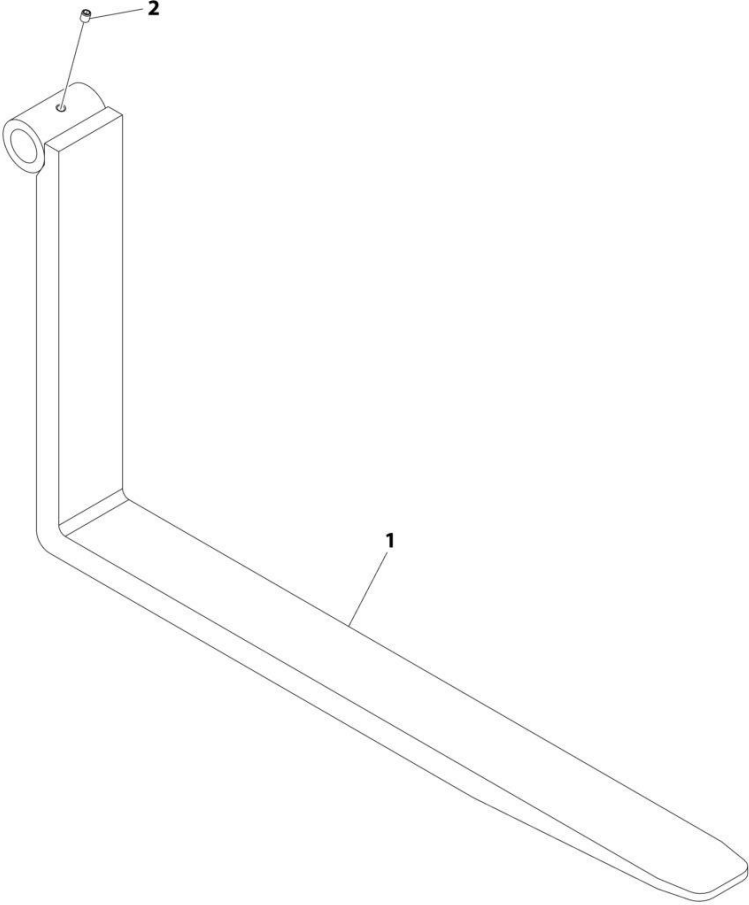
SECTION 3 - ATTACHMENTS

FIGURE 3-3. CONTROLLER DECAL/HARNESS INSTALLATION (FRAME LOADER)

ITEM	PART NUMBER	QTY	DESCRIPTION	REV
	1001312339	Ref	CONTROLLER DECAL/HARNESS INSTALLATION (FRAME LOADER - AG)	A
1	1001264530	1	Harness, Jumper	
2	1001264392	1	Relay	
3	1001312345	1	Decal - Joystick Functions	
4	1001312347	1	Harness, Jumper	
5	1001312348	1	Connector	

SECTION 3 - ATTACHMENTS

FIGURE 3-4. FORK ASSEMBLY - PALLET (35 X 100 X 1000)



ART_1001262107

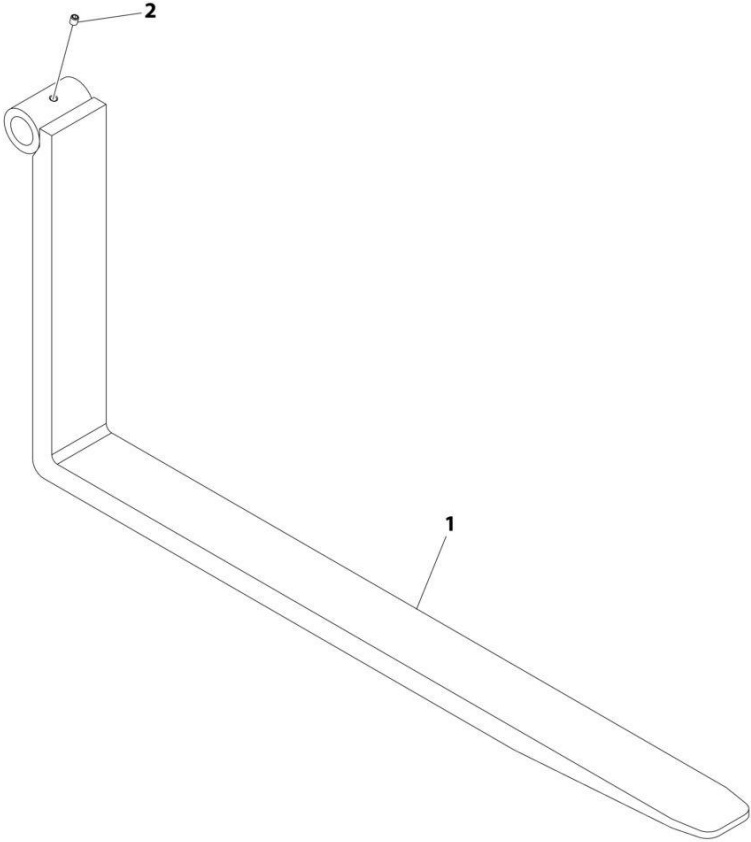
SECTION 3 - ATTACHMENTS

FIGURE 3-4. FORK ASSEMBLY - PALLET (35 X 100 X 1000)

ITEM	PART NUMBER	QTY	DESCRIPTION	REV
1	1001262107 SEE NOTE	Ref 1	FORK ASSEMBLY - 35MM x 100MM x 1000MM Forks rated less than the attachment or machine's capacity decreases capacity of the attachment or machine to that of the forks. Forks rated more than the attachment or machine's capacity do not increase attachment or machine's capacity.	B
	SEE NOTE	1	Please consult jlg parts department to determine the correct forks applicable to your specific carriage assembly and application.	
2	1001262024	1	Setscrew M10 x 12	

SECTION 3 - ATTACHMENTS

FIGURE 3-5. FORK ASSEMBLY - PALLET (35 X 100 X 1200)



ART_1001262108

SECTION 3 - ATTACHMENTS

FIGURE 3-5. FORK ASSEMBLY - PALLET (35 X 100 X 1200)

ITEM	PART NUMBER	QTY	DESCRIPTION	REV
1	1001262108 SEE NOTE	Ref 1	FORK ASSEMBLY - 35MM x 100MM x 1200MM Forks rated less than the attachment or machine's capacity decreases capacity of the attachment or machine to that of the forks. Forks rated more than the attachment or machine's capacity do not increase attachment or machine's capacity.	B
	SEE NOTE	1	Please consult jlg parts department to determine the correct forks applicable to your specific carriage assembly and application.	
2	1001262024	1	Setscrew M10 x 12	

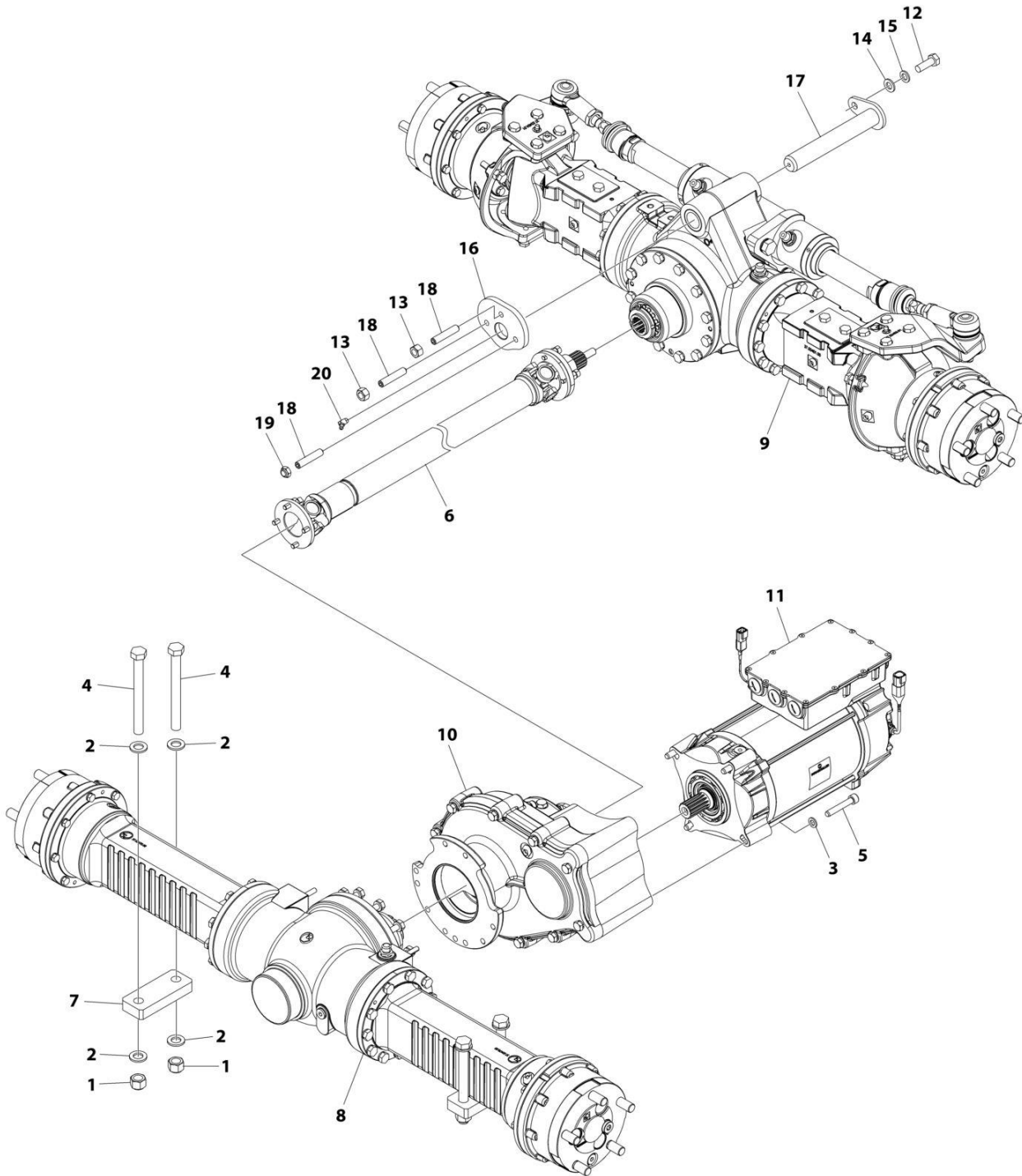
SECTION 4 - ENGINE AND ATTACHING PARTS

SECTION 4 - ENGINE AND ATTACHING PARTS

SECTION 5 - DRIVE TRAIN

SECTION 5 - DRIVE TRAIN

FIGURE 5-1. DRIVETRAIN INSTALLATION



ART_1001301781

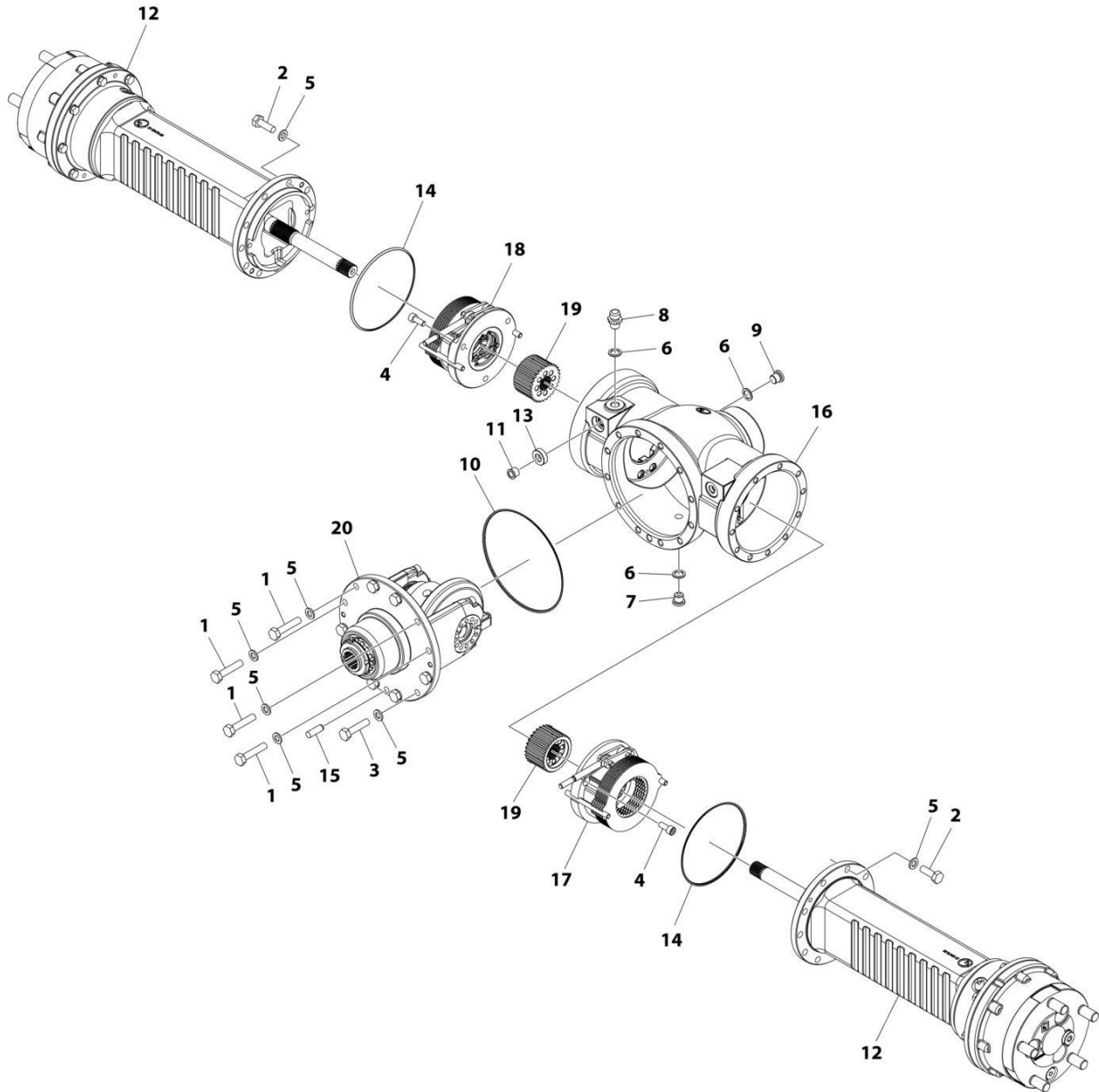
SECTION 5 - DRIVE TRAIN

FIGURE 5-1. DRIVETRAIN INSTALLATION

ITEM	PART NUMBER	QTY	DESCRIPTION	REV
	1001301781	Ref	DRIVETRAIN INSTALLATION	B
1	3291605	4	Nut M16	
2	4812300	8	Washer M16	
3	4832000	4	Washer M10	
4	1001096456	4	Bolt M16 x 160	
5	1001262439	4	Capscrew M10 x 60 Class 10.9	
6	1001303629	1	Drive Shaft Installation (See Separate Breakdown in this Section)	
7	1001303982	2	Support	
8	1001307427	1	Front Axle & Differential Assembly (See Separate Breakdown in this Section)	
9	1001307428	1	Rear Axle Steering Assembly (See Separate Breakdown in this Section)	
10	1001307429	1	Transmission Installation (See Separate Breakdown in this Section)	
11	1001307699	1	Drive Motor Assembly (See Separate Breakdown in this Section)	
12	0761215	1	Bolt M12 x 35	
13	3291207	2	Nut M12	
14	4812100	1	Washer M12	
15	4832100	1	Washer M12	
16	1001303994	1	Support	
17	1001303997	1	Pin, Axle Support	
18	1001305613	3	Setscrew M12 x 60	
19	1001264018	1	Nut M12	
20	1001307239	1	Fitting, Grease	

SECTION 5 - DRIVE TRAIN

FIGURE 5-2. FRONT AXLE & DIFFERENTIAL ASSEMBLY



ART_1001307427

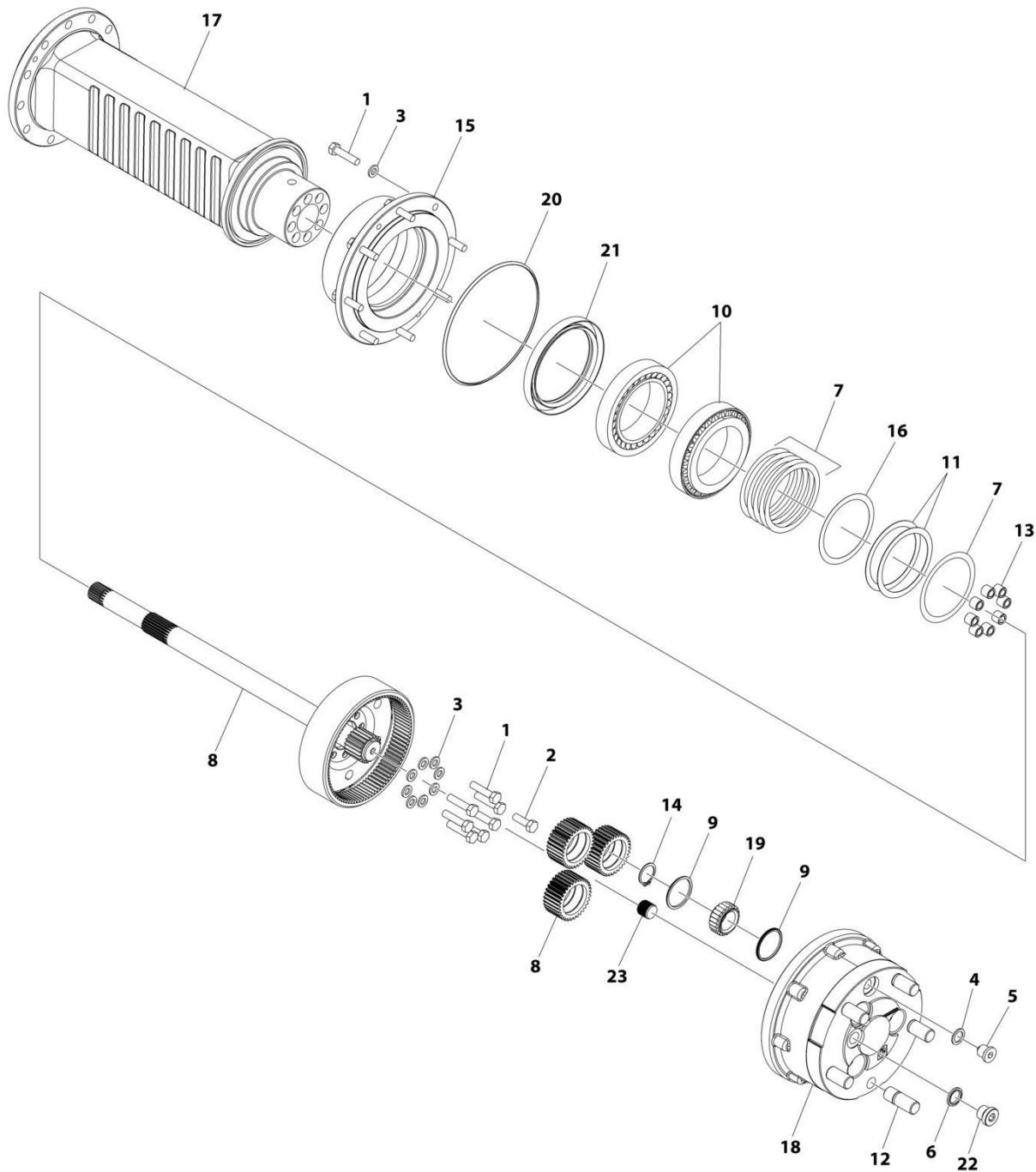
SECTION 5 - DRIVE TRAIN

FIGURE 5-2. FRONT AXLE & DIFFERENTIAL ASSEMBLY

ITEM	PART NUMBER	QTY	DESCRIPTION	REV
	1001307427	Ref	AXLE & DIFF ASSEMBLY	B
1	0701018	4	Bolt M10 x 50	
2	0761014	22	Bolt M10 x 30	
3	0761017	8	Bolt M10 x 45	
4	4031908	6	Capscrew M8 x 20	
5	4832000	34	Washer M10	
6	1001262360	3	Washer M14	
7	1001262370	1	Plug, Magnetic	
8	1001262371	1	Plug, Pressure Relief	
9	1001262445	1	Plug	
10	1001306162	1	O-Ring (Between Differential & Housing)	
11	1001306163	2	Bearing	
12	1001306166	2	Front Axle Assembly, (See Separate Breakdown in this Section)	
13	1001306167	2	Seal	
14	1001306168	2	O-Ring (Between Axle & Housing)	
15	1001306169	1	Pin	
16	1001306170	1	Housing, Differential	
17	1001306171	1	Assembly, Right Brake (No Service Parts Available)	
18	1001306172	1	Assembly, Left Brake (No Service Parts Available)	
19	1001306202	2	Coupling, Brake	
20	1001307478	1	Front Differential Assembly (See Separate Breakdown in this Section)	

SECTION 5 - DRIVE TRAIN

FIGURE 5-3. FRONT AXLE ASSEMBLY



ART_1001306166

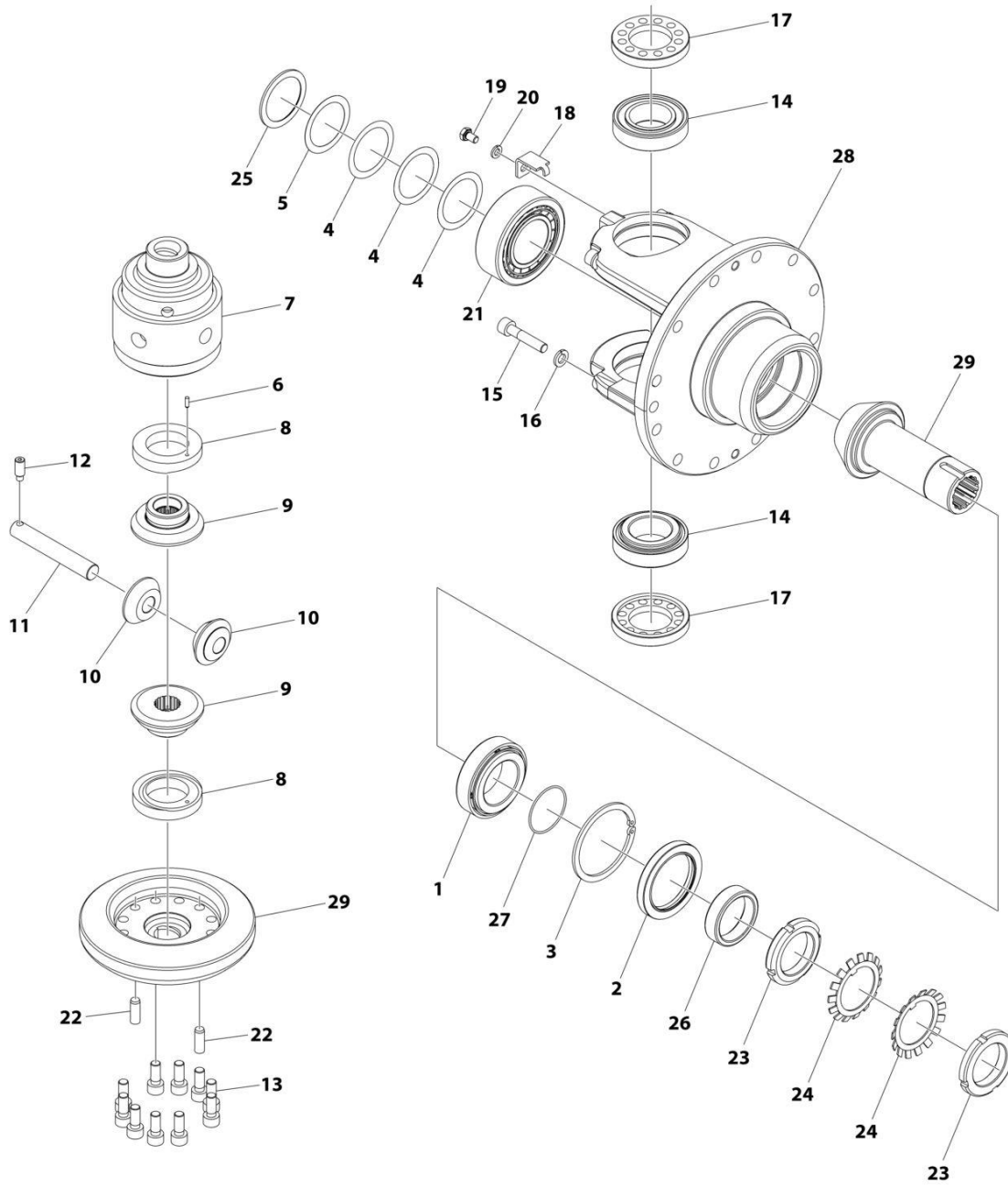
SECTION 5 - DRIVE TRAIN

FIGURE 5-3. FRONT AXLE ASSEMBLY

ITEM	PART NUMBER	QTY	DESCRIPTION	REV
	1001306166	Ref	FRONT AXLE ASSEMBLY	A
1	0700815	15	Bolt M8 x 35	
2	0770812	1	Bolt M8 x 25 Class 10.9	
3	4831900	16	Washer M8	
4	1001262360	1	Washer M14	
5	1001262370	1	Plug, Magnetic	
6	1001263139	1	Seal	
7	1001306231	6	Shim - 0.05MM Thickness	
8	1001306252	1	Front Axle Reduction Gear Assembly (See Separate Breakdown in this Section)	
9	1001306264	6	Ring	
10	1001306265	2	Bearing	
11	1001306266	2	Shim - 0.50MM Thickness	
12	1001306271	5	Stud	
13	1001306280	8	Bushing	
14	1001306281	3	Ring, Retaining	
15	1001306282	1	Hub	
16	1001306288	1	Shim - 0.20MM Thickness	
17	1001306291	1	Housing, Axle	
18	1001306292	1	Housing, Front Axle Reduction Gear	
19	1001306314	3	Bearing	
20	1001306316	1	O-Ring	
21	1001306399	1	Seal	
22	1001306400	1	Plug (With O-Ring)	
23	1001306435	1	Mount, Axle Shaft	

SECTION 5 - DRIVE TRAIN

FIGURE 5-4. FRONT DIFFERENTIAL ASSEMBLY



ART_1001307478

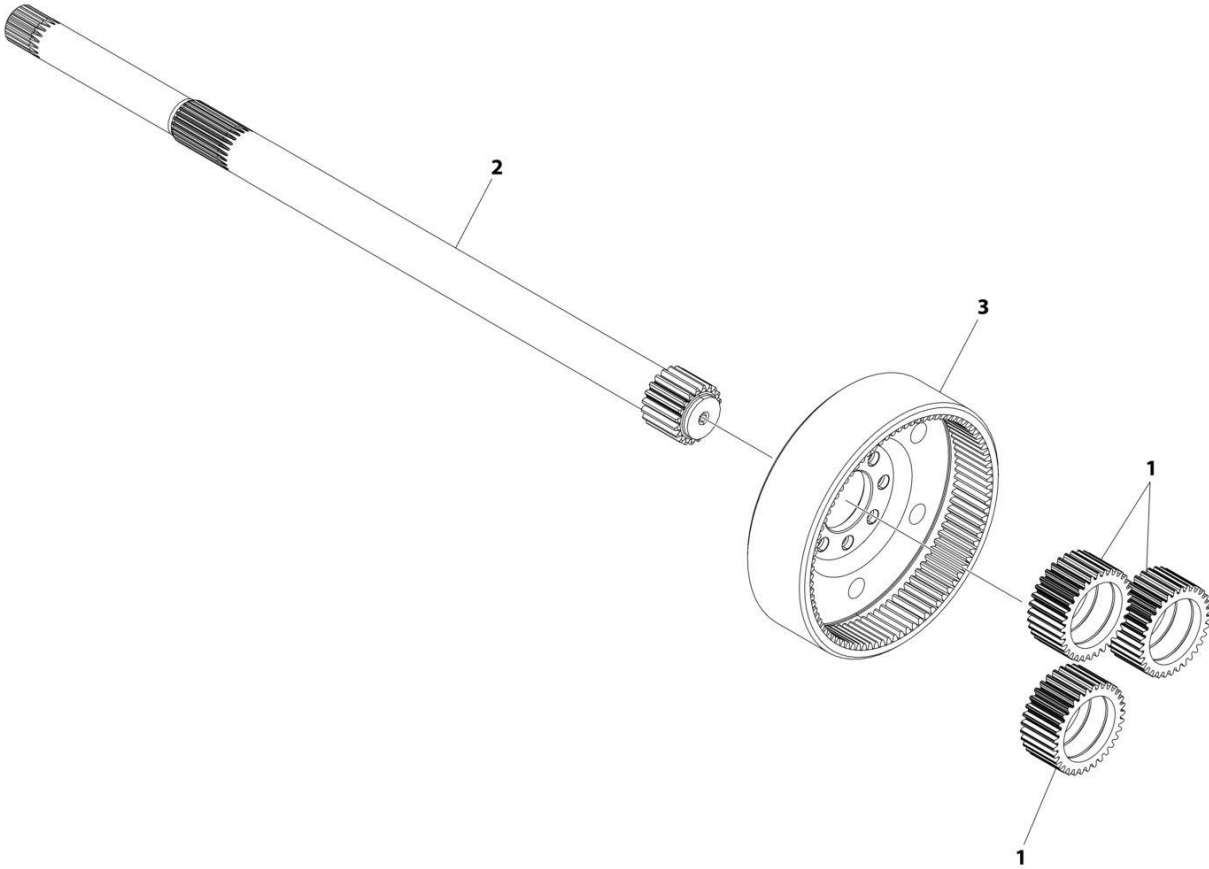
SECTION 5 - DRIVE TRAIN

FIGURE 5-4. FRONT DIFFERENTIAL ASSEMBLY

ITEM	PART NUMBER	QTY	DESCRIPTION	REV
	1001307478	Ref	FRONT DIFFERENTIAL ASSEMBLY	A
1	70031620	1	Bearing	
2	70031621	1	Ring	
3	70031622	1	Ring, Retaining	
4	70031649	3	Ring	
5	70031650	1	Ring	
6	70030233	1	Pin	
7	70031625	1	Housing	
8	70031626	2	Ring	
9	70031627	2	Gear	
10	70031628	2	Gear	
11	70031629	1	Pin	
12	70030234	1	Capscrew M8 x 20	
13	70031632	10	Capscrew M8 x 20	
14	70031633	2	Bearing	
15	70031634	4	Capscrew M8 x 40	
16	70031600	4	Washer M8	
17	70031635	2	Ring, Wear	
18	70031636	2	Clip	
19	70031637	2	Bolt M6 x 10	
20	70031638	2	Washer M6	
21	70031648	1	Bearing	
22	70031639	2	Pin	
23	70031641	2	Nut	
24	70031640	2	Washer	
25	70031642	1	Ring	
26	70031643	1	Ring	
27	70031644	1	O-Ring	
28	70031646	1	Housing	
29	70031651	1	Kit, Ring & Pinion Gear	

SECTION 5 - DRIVE TRAIN

FIGURE 5-5. FRONT AXLE REDUCTION GEAR ASSEMBLY



ART_1001306252

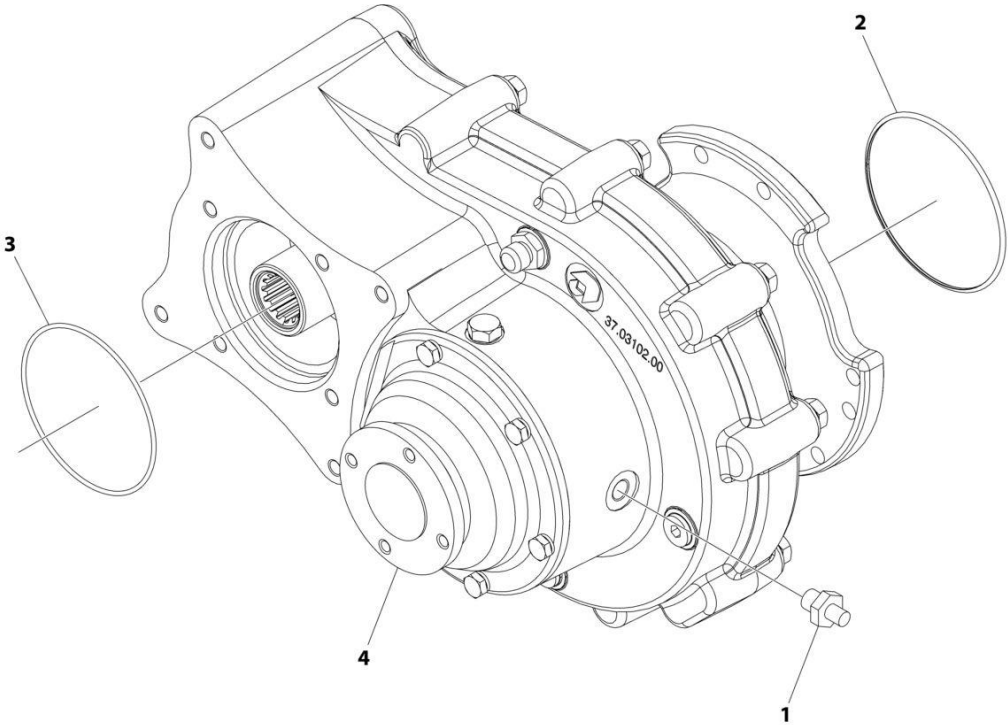
SECTION 5 - DRIVE TRAIN

FIGURE 5-5. FRONT AXLE REDUCTION GEAR ASSEMBLY

ITEM	PART NUMBER	QTY	DESCRIPTION	REV
	1001306252	Ref	FRONT AXLE REDUCTION GEAR ASSEMBLY	A
1	1001306246	3	Gear, Spur	
2	1001306248	1	Shaft	
3	1001306251	1	Gear, Crown	

SECTION 5 - DRIVE TRAIN

FIGURE 5-6. TRANSMISSION INSTALLATION



ART_1001307429

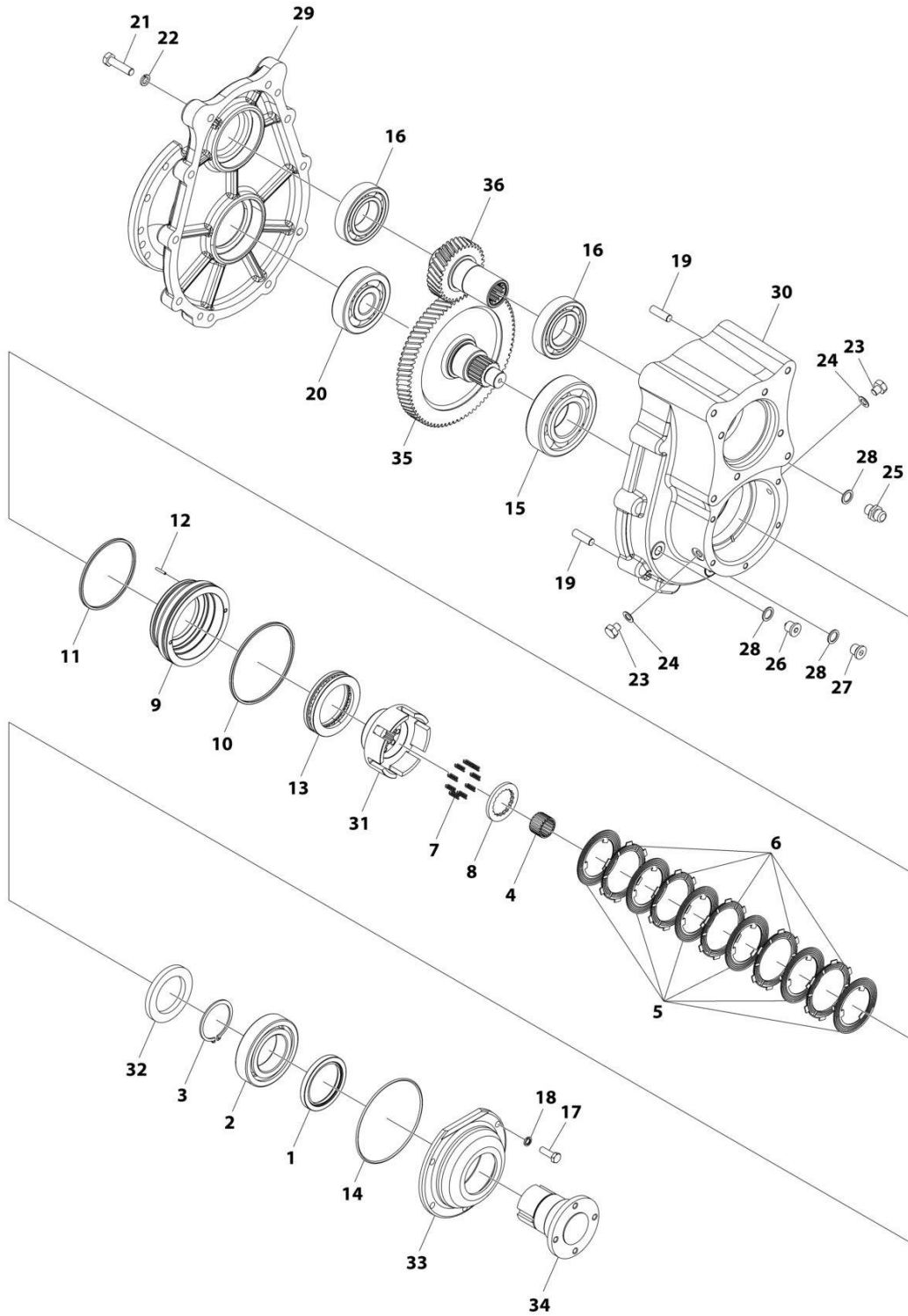
SECTION 5 - DRIVE TRAIN

FIGURE 5-6. TRANSMISSION INSTALLATION

ITEM	PART NUMBER	QTY	DESCRIPTION	REV
	1001307429	Ref	TRANSMISSION INSTALLATION	A
1	2142704	1	Fitting	
2	1001303772	1	O-Ring (Function Axle Output)	
3	1001303784	1	O-Ring (Electric Motor Input)	
4	1001307581	1	Transmission Assembly (See Separate Breakdown in this Section)	

SECTION 5 - DRIVE TRAIN

FIGURE 5-7. TRANSMISSION ASSEMBLY



ART_1001307581

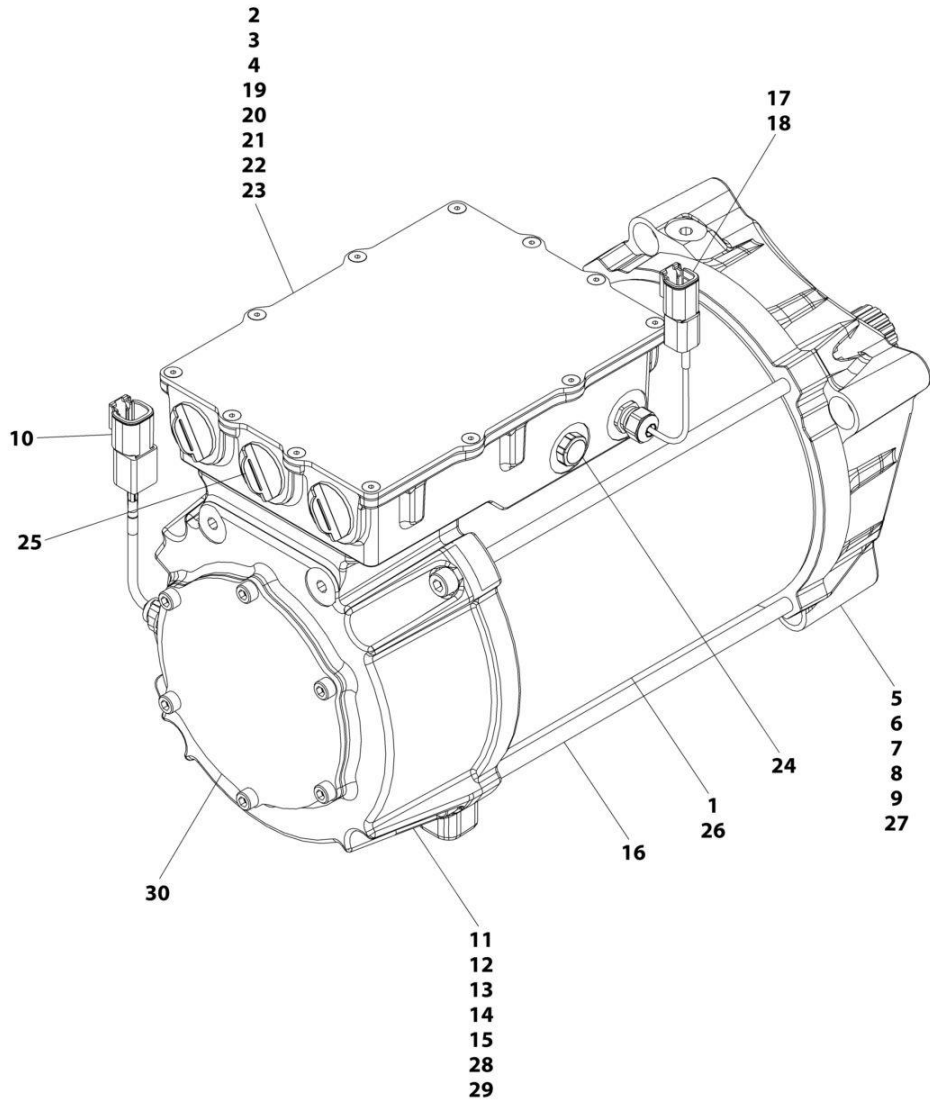
SECTION 5 - DRIVE TRAIN

FIGURE 5-7. TRANSMISSION ASSEMBLY

ITEM	PART NUMBER	QTY	DESCRIPTION	REV
	1001307581	Ref	TRANSMISSION ASSEMBLY	A
1	70031583	1	Seal	
2	70031584	1	Bearing	
3	70031585	1	Ring, Retaining	
4	70031586	1	Bearing	
5	70031587	6	Disc, Clutch	
6	70031588	5	Plate, Friction	
7	70031589	9	Spring	
8	70031590	1	Ring	
9	70031591	1	Housing, Outer Clutch	
10	70031592	1	O-Ring	
11	70031593	1	O-Ring	
12	70031594	1	Pin	
13	70031595	1	Bearing	
14	70031596	1	O-Ring	
15	70031597	1	Bearing	
16	70031598	2	Bearing	
17	70031599	5	Bolt M8 x 25	
18	70031600	5	Washer M8	
19	70031601	2	Pin	
20	70031602	1	Bearing	
21	70031604	10	Bolt M10 x 40	
22	70031605	10	Washer M10	
23	70031606	2	Plug	
24	70031607	2	Washer M10	
25	70031608	1	Breather	
26	70031609	1	Plug	
27	70031610	1	Plug	
28	70031611	3	Washer M14	
29	70031612	1	Cover, Main Housing	
30	70031614	1	Housing, Main	
31	70031615	1	Housing, Inner Clutch	
32	70031616	1	Disc	
33	70031617	1	Cover	
34	70031618	1	Guide, Clutch	
35	70031653	1	Gear	
36	70031654	1	Gear	

SECTION 5 - DRIVE TRAIN

FIGURE 5-8. DRIVE MOTOR ASSEMBLY



ART_1001307699

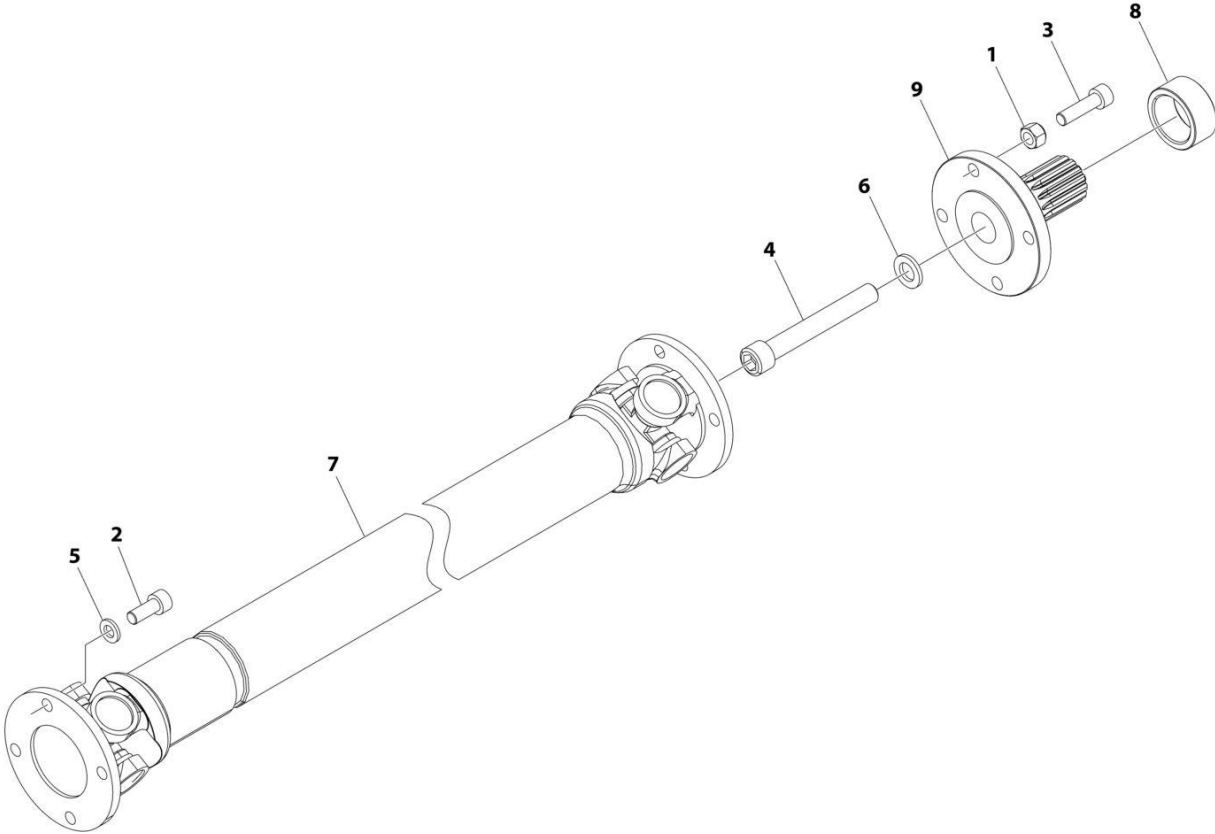
SECTION 5 - DRIVE TRAIN

FIGURE 5-8. DRIVE MOTOR ASSEMBLY

ITEM	PART NUMBER	QTY	DESCRIPTION	REV
	1001307699	Ref	DRIVE MOTOR ASSEMBLY	A
1	70031809	1	Stator	
2	70031789	1	Board, Terminal	
3	70031790	1	Clamp	
4	70031810	1	Bolt M5 x 10	
5	See Note	1	Cover (Note: Not Sold Separately)	
6	70031792	1	O-Ring	
7	70031811	1	Bearing	
8	70031812	1	Circlip	
9	70031813	1	Seal	
10	70031795	1	Sensor, Speed	
10	1001097051	1	Connector	
10	4460929	4	Pin	
11	See Note	1	Cover (Note: Not Sold Separately)	
12	70031796	1	O-Ring	
13	70005404	1	Bearing	
14	70031814	1	Washer	
15	70005408	1	O-Ring	
16	70031815	4	Bolt M8 x 250	
17	70031798	1	Sensor, Temperature	
18	70031799	1	Cable	
18	1001126243	1	Connector	
18	4460929	2	Pin	
19	70031800	1	Box	
20	70031801	1	Gasket	
21	70005395	4	Bolt M6 x 16	
22	70031802	1	Cover	
23	70031803	1	Gasket, Cover	
24	70031804	1	Plug	
25	70031805	3	Plug, Locking	
26	70031816	1	Rotor	
27	70031817	1	Circlip	
28	70004822	1	Ring	
29	70004818	1	Gear	
30	70031808	1	Cover (Includes Hardware)	

SECTION 5 - DRIVE TRAIN

FIGURE 5-9. DRIVE SHAFT INSTALLATION



ART_1001303629

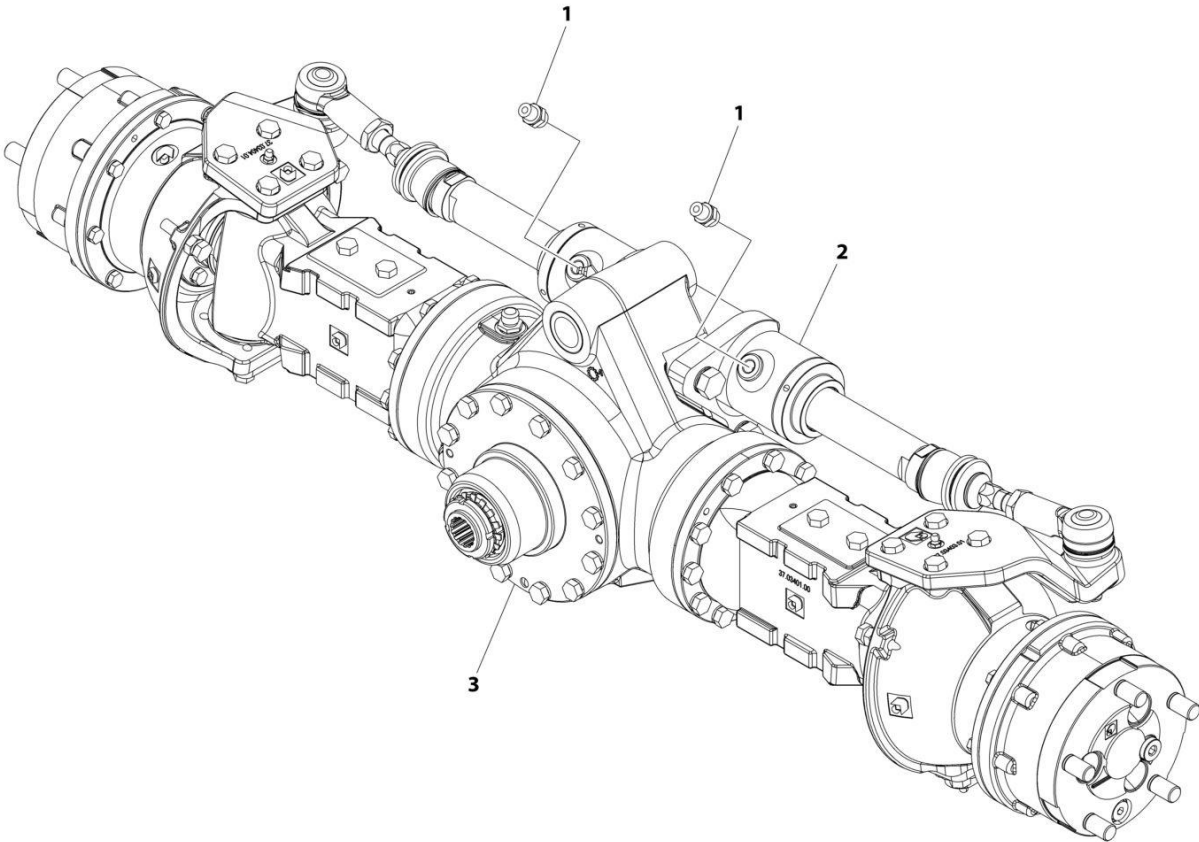
SECTION 5 - DRIVE TRAIN

FIGURE 5-9. DRIVE SHAFT INSTALLATION

ITEM	PART NUMBER	QTY	DESCRIPTION	REV
	1001303629	Ref	DRIVE SHAFT INSTALLATION	A
1	3290805	4	Nut M8	
2	4031908	4	Capscrew M8 x 20	
3	4031910	4	Capscrew M8 x 30	
4	4032122	1	Capscrew M12 x 90	
5	4831900	4	Washer M8	
6	4832100	1	Washer M12	
7	1001303774	1	Assembly, Drive Shaft (No Service Parts Available)	
8	1001303815	1	Sleeve	
9	1001303819	1	Spindle	

SECTION 5 - DRIVE TRAIN

FIGURE 5-10. REAR AXLE STEERING ASSEMBLY



ART_1001307428

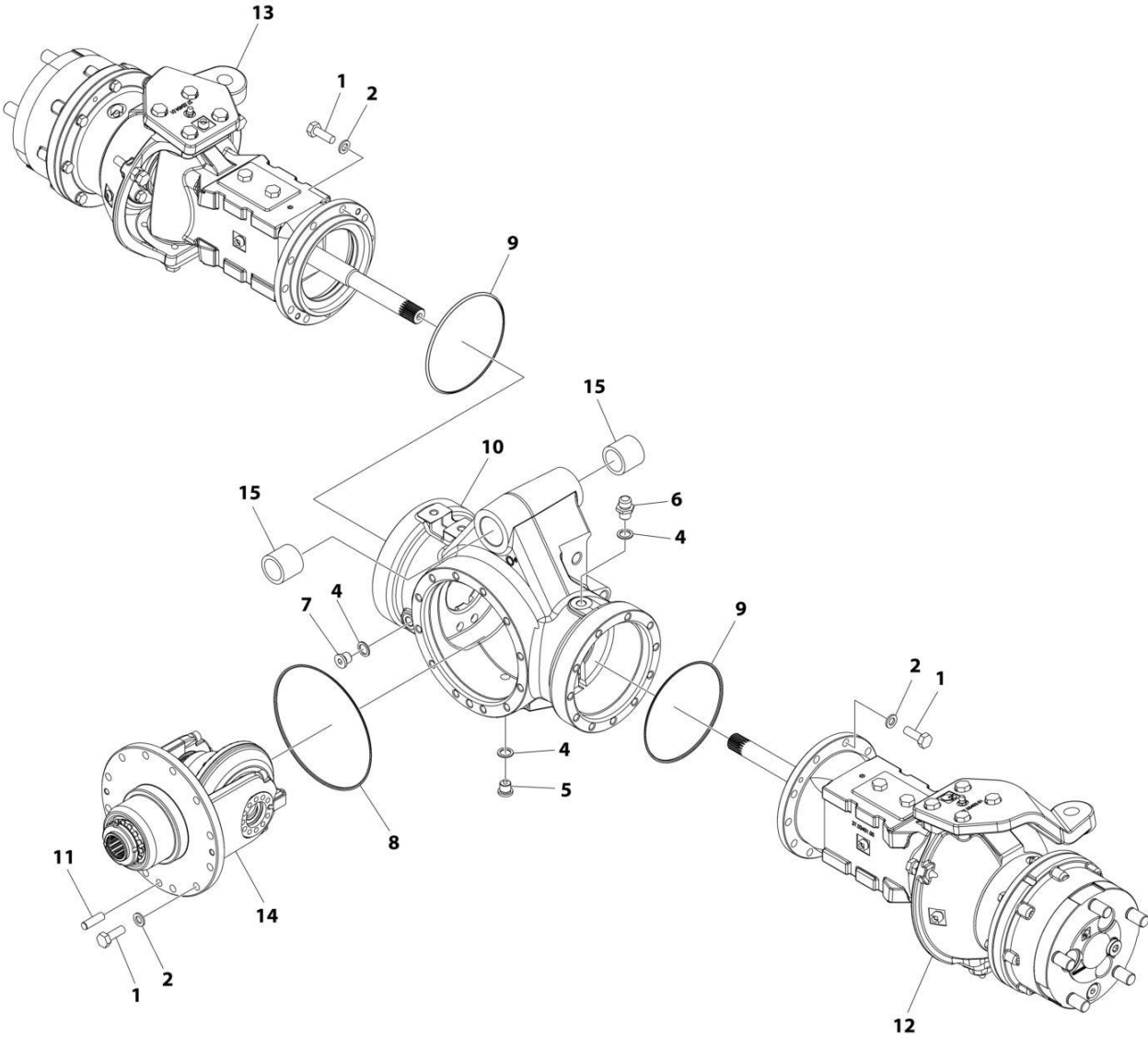
SECTION 5 - DRIVE TRAIN

FIGURE 5-10. REAR AXLE STEERING ASSEMBLY

ITEM	PART NUMBER	QTY	DESCRIPTION	REV
	1001307428	Ref	REAR AXLE STEERING ASSEMBLY	B
1	2142706	2	Fitting	
2	1001307027	1	Steer Cylinder Sub-Assembly (See Separate Breakdown in HYDRAULIC COMPONENTS Section)	
3	1001307532	1	Rear Axle & Differential Assembly (See Separate Breakdown in this Section)	

SECTION 5 - DRIVE TRAIN

FIGURE 5-11. REAR AXLE & DIFFERENTIAL ASSEMBLY



ART_1001307532

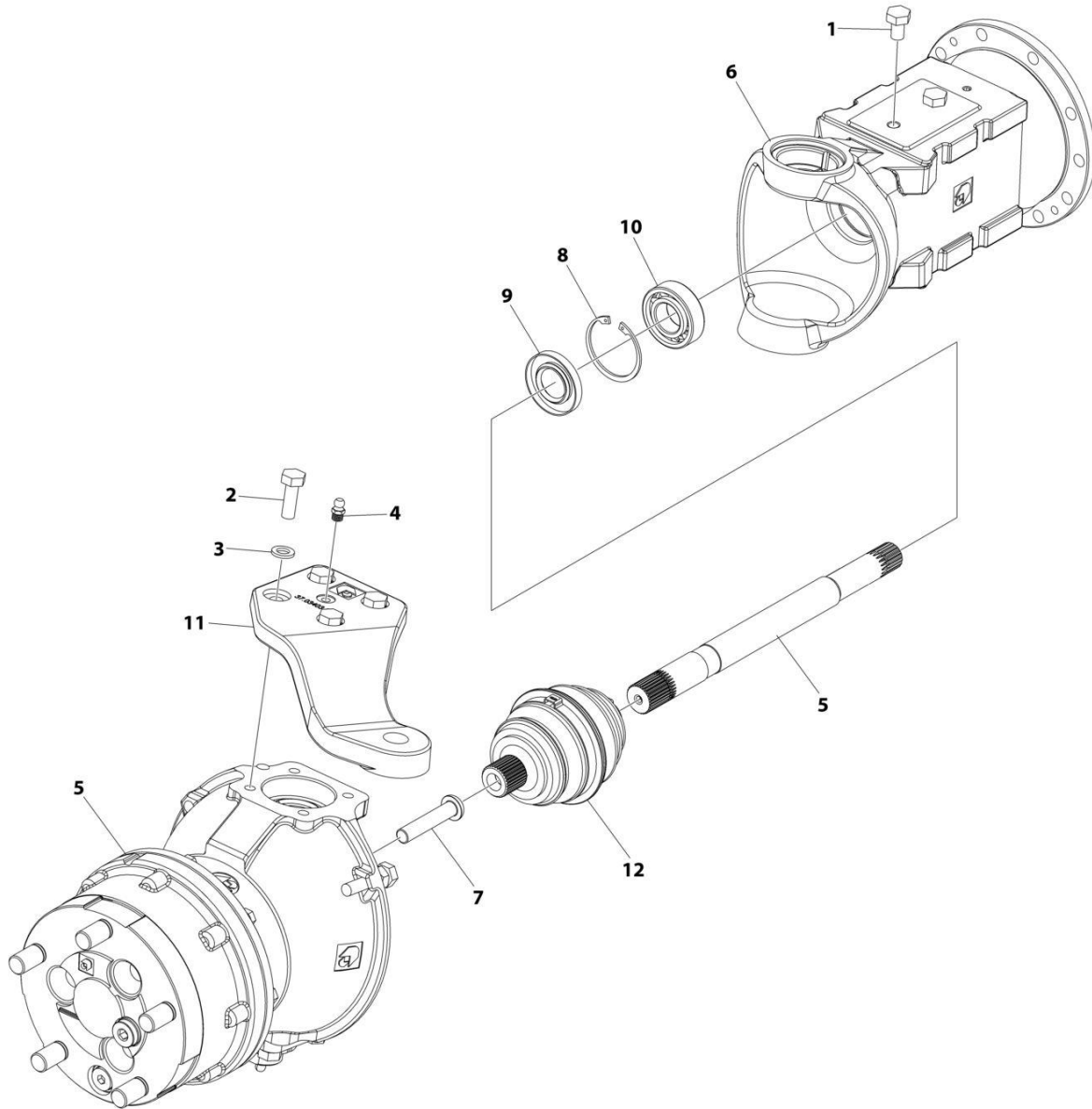
SECTION 5 - DRIVE TRAIN

FIGURE 5-11. REAR AXLE & DIFFERENTIAL ASSEMBLY

ITEM	PART NUMBER	QTY	DESCRIPTION	REV
	1001307532	Ref	REAR AXLE & DIFFERENTIAL ASSEMBLY	B
1	0761014	34	Bolt M10 x 30	
2	4832000	34	Washer M10	
4	1001262360	3	Washer M14	
5	1001262370	1	Plug, Magnetic	
6	1001262371	1	Plug, Pressure Relief	
7	1001262445	1	Plug	
8	1001306162	1	O-Ring (Between Differential & Housing)	
9	1001306168	2	O-Ring (Between Axle & Housing)	
10	1001306406	1	Housing, Differential	
11	1001306800	1	Pin	
12	1001307003	1	Left Rear Axle Sub-Assembly (See Separate Breakdown in this Section)	
13	1001307542	1	Right Rear Axle Sub-Assembly (See Separate Breakdown in this Section)	
14	1001307547	1	Rear Differential Assembly (See Separate Breakdown in this Section)	
15	1001307571	2	Bushing	

SECTION 5 - DRIVE TRAIN

FIGURE 5-12. LEFT REAR AXLE SUB-ASSEMBLY



ART_1001307003

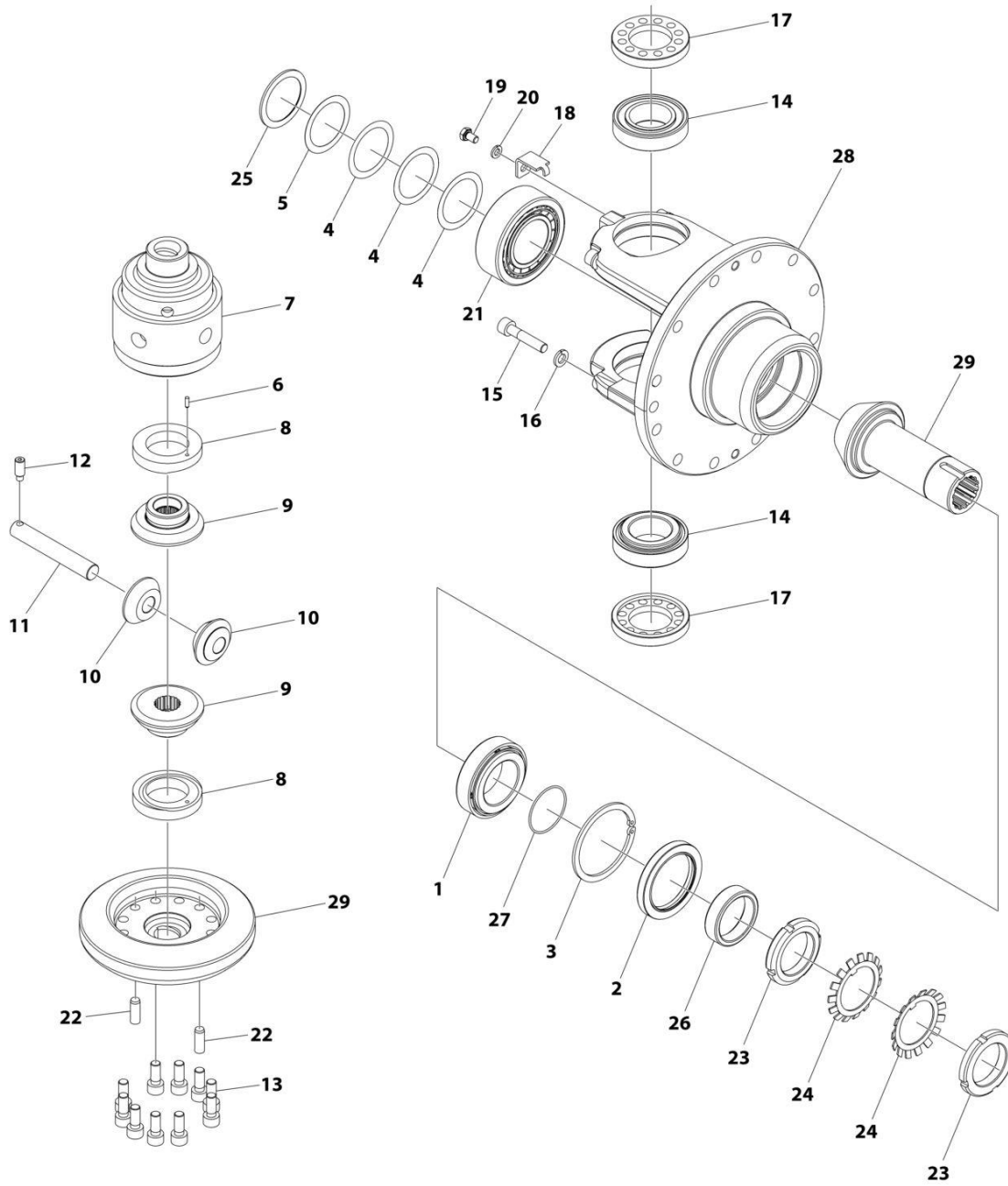
SECTION 5 - DRIVE TRAIN

FIGURE 5-12. LEFT REAR AXLE SUB-ASSEMBLY

ITEM	PART NUMBER	QTY	DESCRIPTION	REV
	1001307003	Ref	LEFT REAR AXLE SUB-ASSEMBLY	A
1	0761008	2	Bolt M10 x 16	
2	0761014	4	Bolt M10 x 30	
3	4832000	4	Washer M10	
4	1001261547	1	Fitting, Grease	
5	1001306385	1	Rear Axle Assembly (See Separate Breakdown in this Section)	
6	1001306404	1	Housing, Axle	
7	1001306727	1	Capscrew M12 x 60	
8	1001306730	1	Ring, Snap	
9	1001306737	1	Seal	
10	1001306818	1	Bearing	
11	1001307004	1	Support, Steer Cylinder	
12	1001307080	1	Joint, Planetary Axle	

SECTION 5 - DRIVE TRAIN

FIGURE 5-13. REAR DIFFERENTIAL ASSEMBLY



ART_1001307547

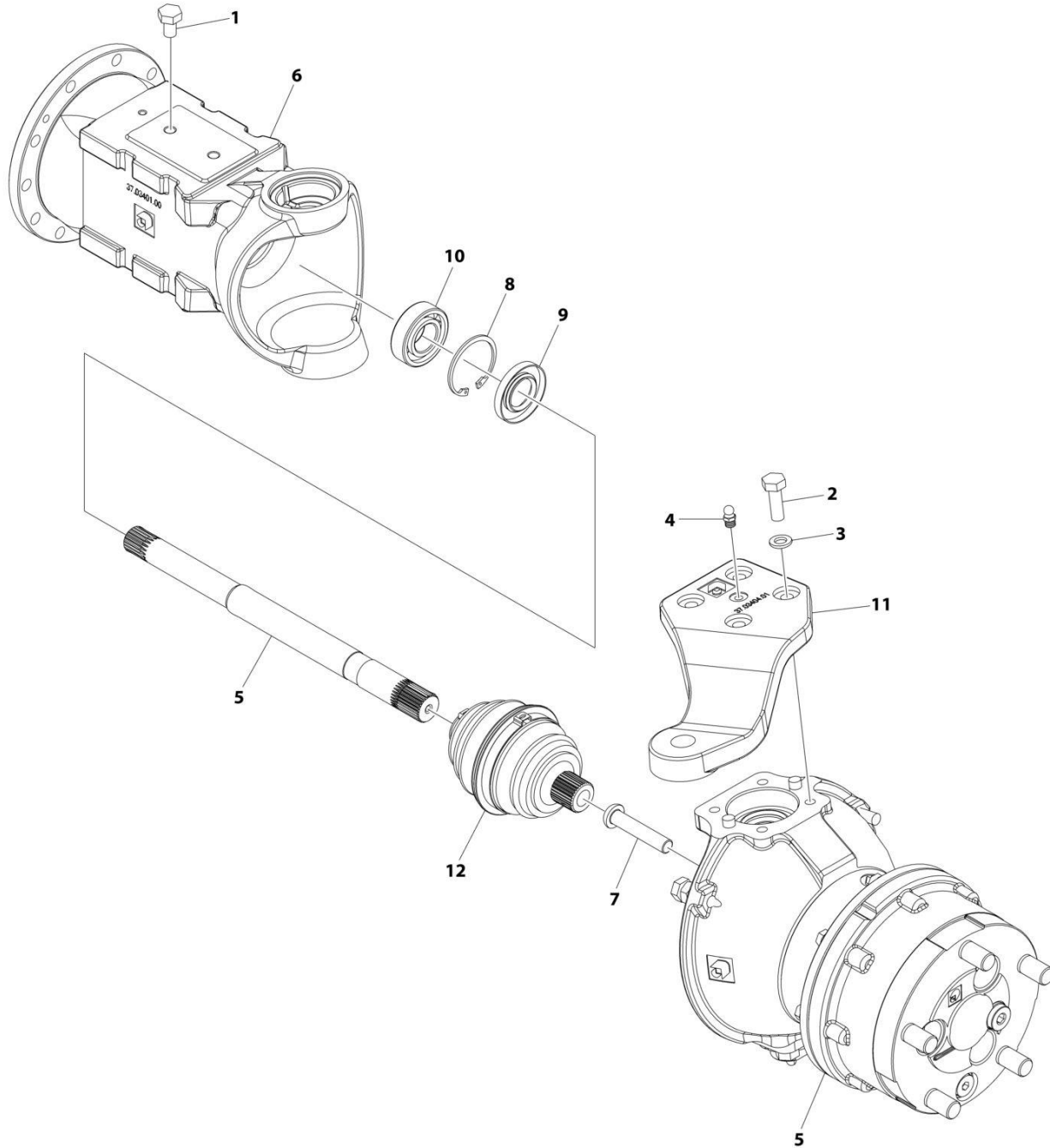
SECTION 5 - DRIVE TRAIN

FIGURE 5-13. REAR DIFFERENTIAL ASSEMBLY

ITEM	PART NUMBER	QTY	DESCRIPTION	REV
	1001307547	Ref	REAR DIFFERENTIAL ASSEMBLY	A
1	70031620	1	Bearing	
2	70031621	1	Ring	
3	70031622	1	Ring, Retaining	
4	70031649	3	Ring	
5	70031650	1	Ring	
6	70030233	1	Pin	
7	70031625	1	Housing	
8	70031626	2	Ring	
9	70031627	2	Gear	
10	70031628	2	Gear	
11	70031629	1	Pin	
12	70030234	1	Capscrew M8 x 20	
13	70031632	10	Capscrew M8 x 20	
14	70031633	2	Bearing	
15	70031634	4	Capscrew M8 x 40	
16	70031600	4	Washer M8	
17	70031635	2	Ring, Wear	
18	70031636	2	Clip	
19	70031637	2	Bolt M6 x 10	
20	70031638	2	Washer M6	
21	70031648	1	Bearing	
22	70031639	2	Pin	
23	70031641	2	Nut	
24	70031640	2	Washer	
25	70031642	1	Ring	
26	70031643	1	Ring	
27	70031644	1	O-Ring	
28	70031646	1	Housing	
29	70031652	1	Kit, Ring & Pinion Gear	

SECTION 5 - DRIVE TRAIN

FIGURE 5-14. RIGHT REAR AXLE SUB-ASSEMBLY



ART_1001307542

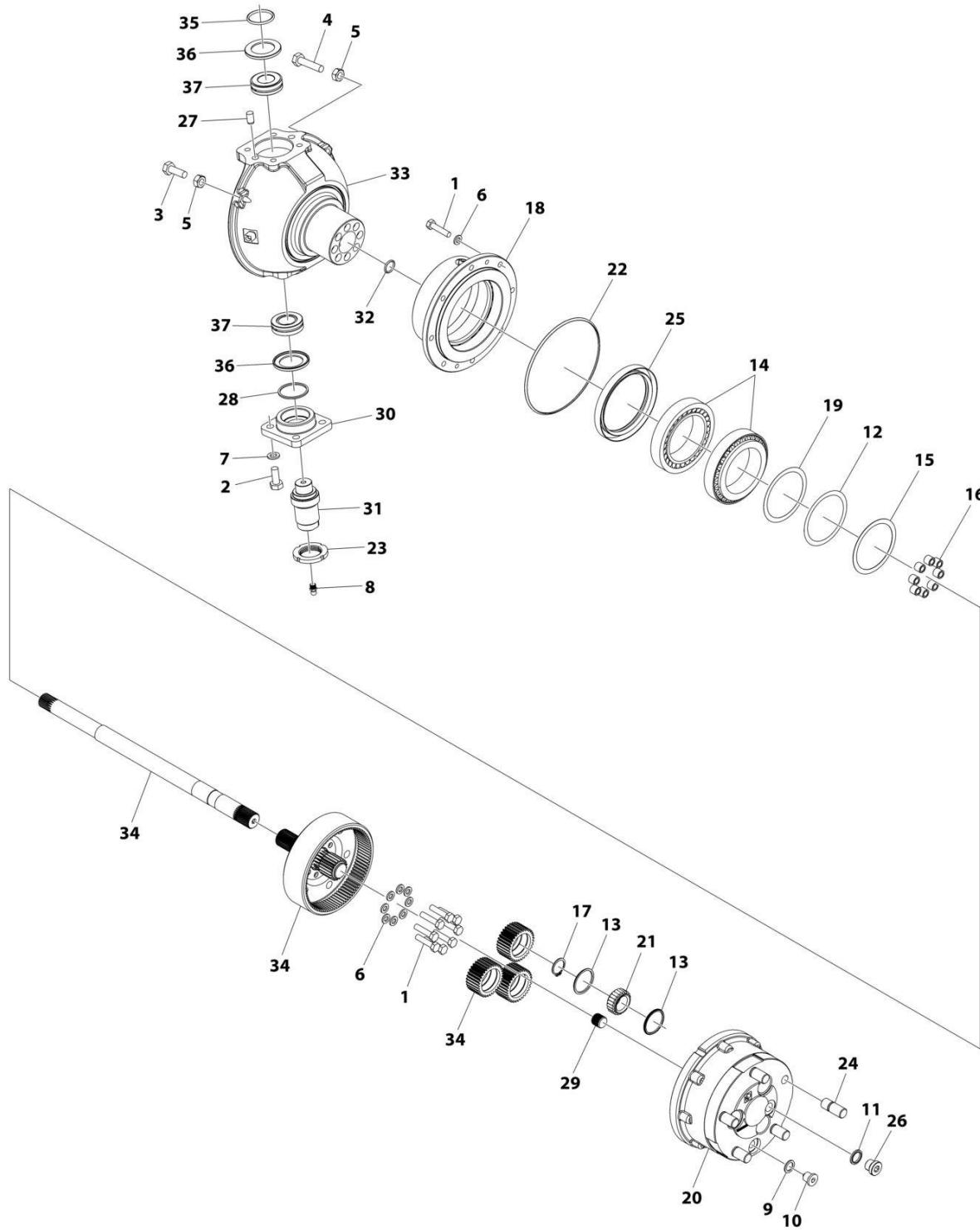
SECTION 5 - DRIVE TRAIN

FIGURE 5-14. RIGHT REAR AXLE SUB-ASSEMBLY

ITEM	PART NUMBER	QTY	DESCRIPTION	REV
	1001307542	Ref	AXLE SUB-ASSEMBLY	A
1	0761008	2	Bolt M10 x 16	
2	0761014	4	Bolt M10 x 30	
3	4832000	4	Washer M10	
4	1001261547	1	Fitting, Grease	
5	1001306385	1	Rear Axle Assembly (See Separate Breakdown in this Section)	
6	1001306404	1	Housing, Axle	
7	1001306727	1	Capscrew M12 x 60	
8	1001306730	1	Ring, Snap	
9	1001306737	1	Seal	
10	1001306818	1	Bearing	
11	1001306962	1	Support, Steer Cylinder	
12	1001307080	1	Joint, Planetary Axle	

SECTION 5 - DRIVE TRAIN

FIGURE 5-15. REAR AXLE ASSEMBLY



ART_1001306385

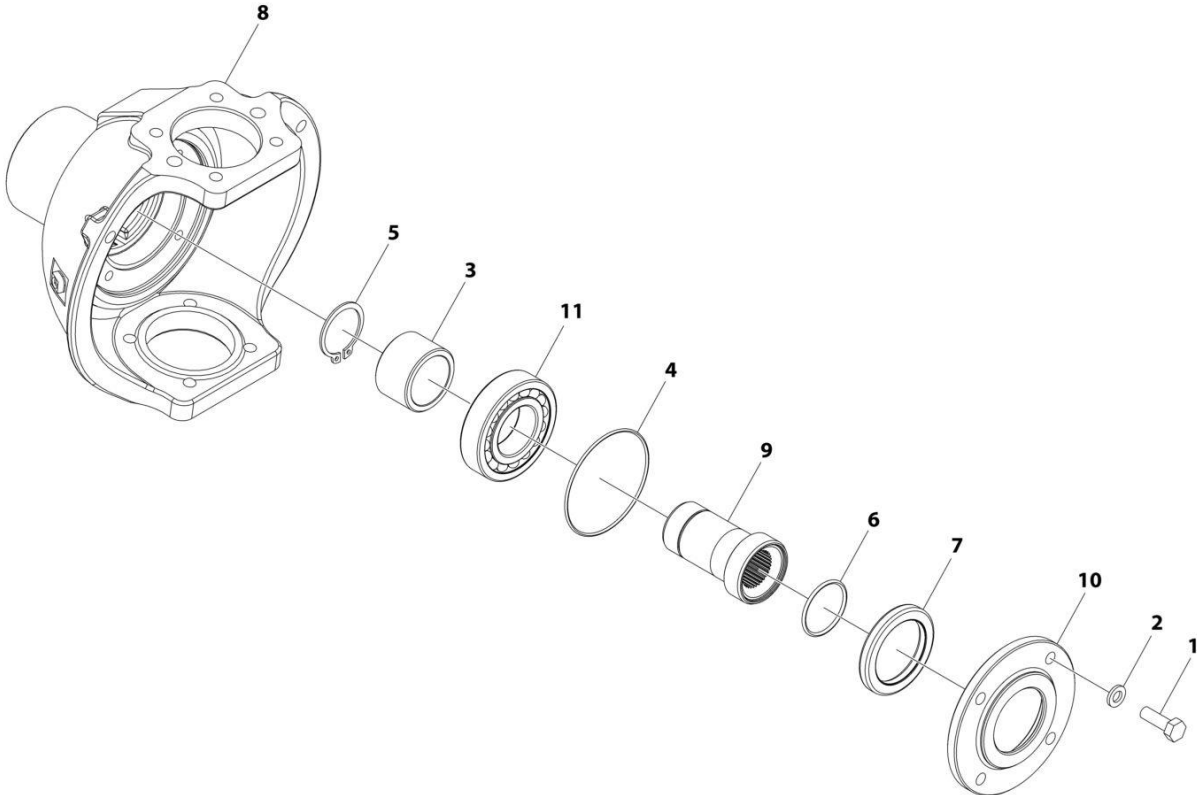
SECTION 5 - DRIVE TRAIN

FIGURE 5-15. REAR AXLE ASSEMBLY

ITEM	PART NUMBER	QTY	DESCRIPTION	REV
	1001306385	Ref	REAR AXLE ASSEMBLY	A
1	0700815	16	Bolt M8 x 35	
2	0761012	4	Bolt M10 x 25	
3	0761014	1	Bolt M10 x 30	
4	0761017	1	Bolt M10 x 45	
5	3291001	2	Nut M10	
6	4831900	16	Washer M8	
7	4832000	4	Washer M10	
8	1001261547	1	Fitting, Grease	
9	1001262360	1	Washer	
10	1001262370	1	Plug, Magnetic	
11	1001263139	1	Seal	
12	1001306231	1	Shim - 0.05MM Thickness	
13	1001306264	6	Ring	
14	1001306265	2	Bearing	
15	1001306266	1	Shim - 0.50MM Thickness	
16	1001306280	8	Bushing	
17	1001306281	3	Ring, Retaining	
18	1001306282	1	Hub	
19	1001306288	1	Shim - 0.20MM Thickness	
20	1001306292	1	Housing, Rear Axle Reduction Gear	
21	1001306314	3	Bearing	
22	1001306316	1	O-Ring - 152MM Diameter	
23	1001306387	1	Nut, Ring Lock	
24	1001306388	5	Stud	
25	1001306399	1	Seal	
26	1001306400	1	Plug (With O-Ring)	
27	1001306408	2	Pin	
28	1001306419	1	O-Ring - 40MM Diameter	
29	1001306435	1	Mount, Axle Shaft	
30	1001306674	1	Mount, Axle Pivot Shaft	
31	1001306675	1	Shaft, Axle Pivot	
32	1001306681	1	O-Ring - 16.3MM Diameter	
33	1001306690	1	Rear Axle Pivot Assembly (See Separate Breakdown in this Section)	
34	1001306705	1	Rear Axle Reduction Gear Assembly (See Separate Breakdown in this Section)	
35	1001306725	1	O-Ring - 34.5MM Diameter	
36	1001306806	2	Cover	
37	1001306859	2	Bearing	

SECTION 5 - DRIVE TRAIN

FIGURE 5-16. REAR AXLE PIVOT ASSEMBLY



ART_1001306690

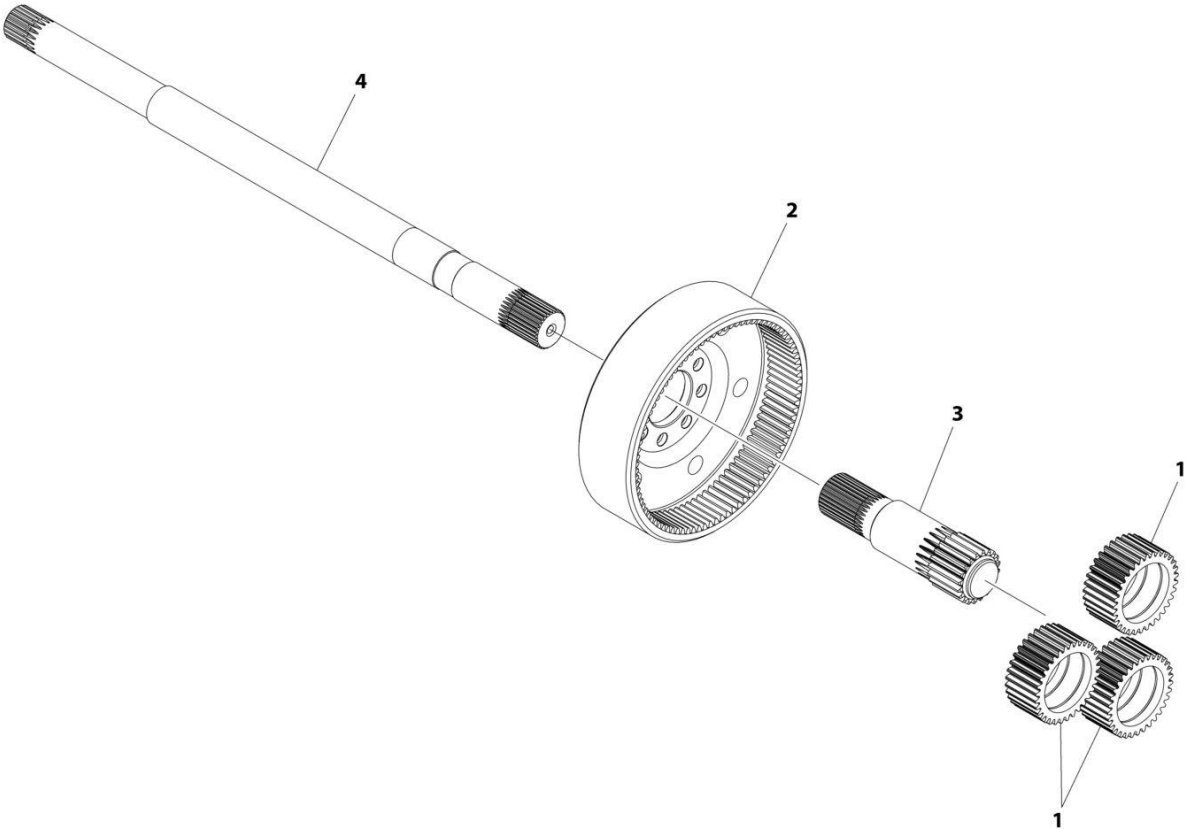
SECTION 5 - DRIVE TRAIN

FIGURE 5-16. REAR AXLE PIVOT ASSEMBLY

ITEM	PART NUMBER	QTY	DESCRIPTION	REV
	1001306690	Ref	REAR AXLE PIVOT ASSEMBLY	A
1	0760812	4	Bolt M8 x 25	
2	4831900	4	Washer M8	
3	1001306687	1	Bushing	
4	1001306693	1	O-Ring - 72MM Diameter	
5	1001306694	1	Ring, Retaining	
6	1001306698	1	O-Ring - 35MM Diameter	
7	1001306700	1	Seal	
8	1001306739	1	Housing	
9	1001306752	1	Shaft	
10	1001306754	1	Support, Axle Flange	
11	1001306856	1	Bearing	

SECTION 5 - DRIVE TRAIN

FIGURE 5-17. REAR AXLE REDUCTION GEAR ASSEMBLY



ART_1001306705

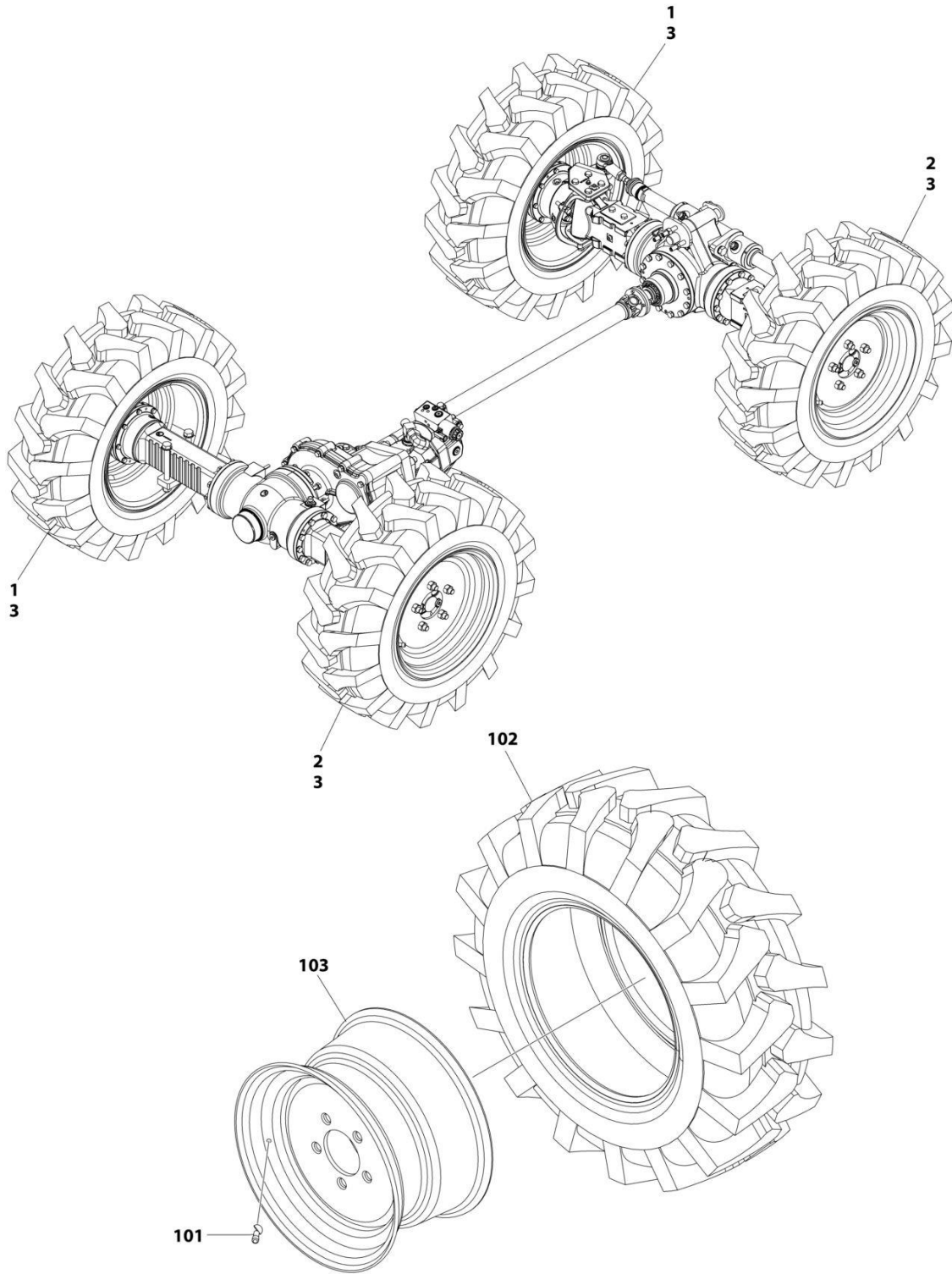
SECTION 5 - DRIVE TRAIN

FIGURE 5-17. REAR AXLE REDUCTION GEAR ASSEMBLY

ITEM	PART NUMBER	QTY	DESCRIPTION	REV
	1001306705	Ref	REAR AXLE REDUCTION GEAR ASSEMBLY	A
1	1001306246	3	Gear, Spur	
2	1001306251	1	Gear, Crown	
3	1001306706	1	Shaft - 124.5MM Length	
4	1001306707	1	Shaft - 25MM Length	

SECTION 5 - DRIVE TRAIN

FIGURE 5-18. TIRE INSTALLATION - AIR FILLED



ART_1001303858

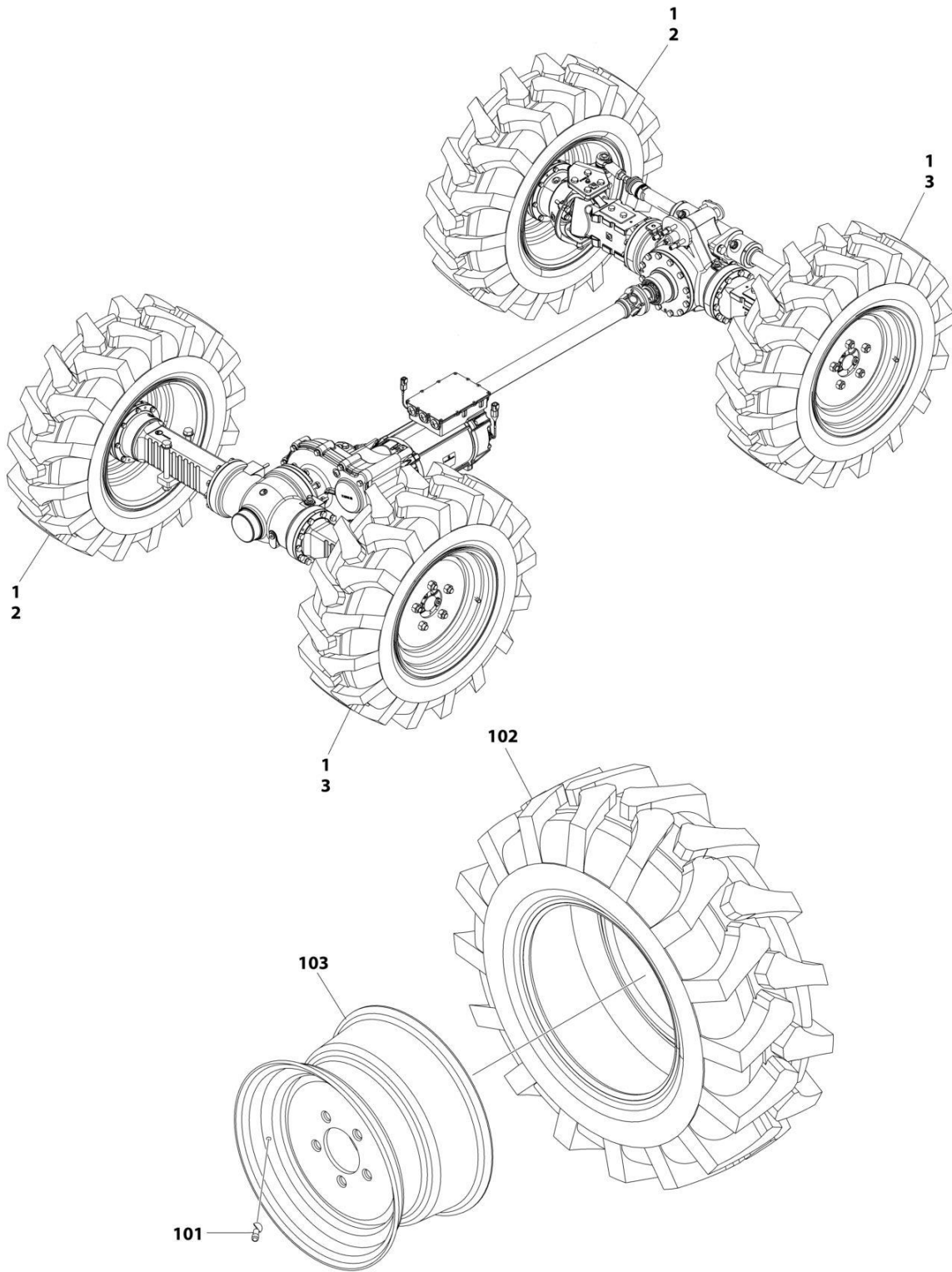
SECTION 5 - DRIVE TRAIN

FIGURE 5-18. TIRE INSTALLATION - AIR FILLED

ITEM	PART NUMBER	QTY	DESCRIPTION	REV
	1001303858	Ref	TIRE INSTALLATION	A
1	1001303860	2	Tire, Right (Includes Items 101-103)	A
2	1001303861	2	Tire, Left (Includes Items 101-103)	A
3	1001304424	20	Nut, Lug M16	
101	1001262612	1	Stem, Valve	
102	1001303862	1	Tire	
103	1001305583	1	Wheel	

SECTION 5 - DRIVE TRAIN

FIGURE 5-19. TIRE INSTALLATION - FOAM FILLED



ART_1001306881

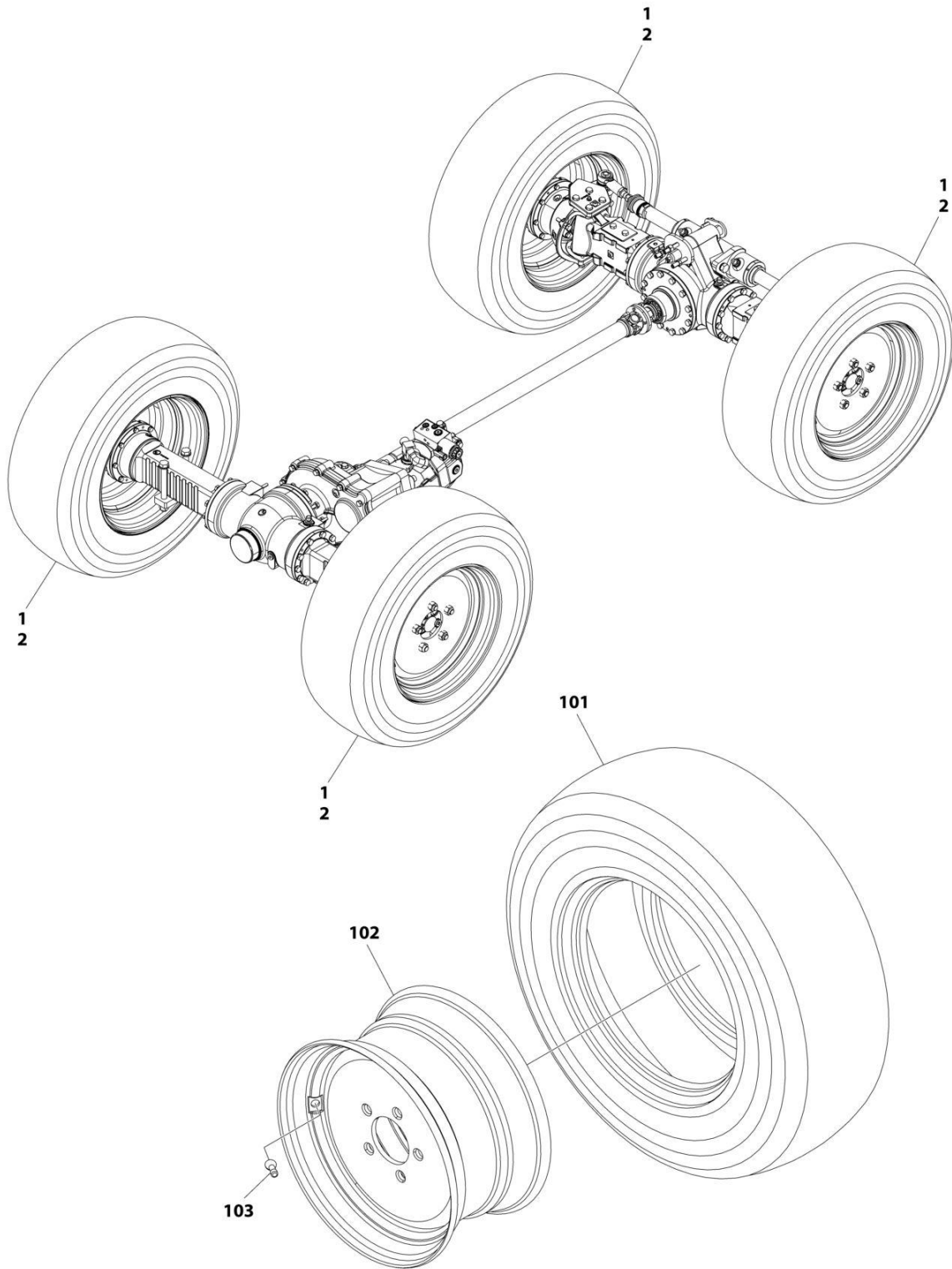
SECTION 5 - DRIVE TRAIN

FIGURE 5-19. TIRE INSTALLATION - FOAM FILLED

ITEM	PART NUMBER	QTY	DESCRIPTION	REV
	1001306881	Ref	TIRE INSTALLATION - FOAM-FILLED	A
		Ref	Note: Assemblies Require Ballast/Foam Filling to Manufacture's Specifications Prior to Installing on Machine. Refer to Operation & Safety or Service & Maintenance Manuals.	
		Ref	Purchase Individual Tire and/or Wheel only if able to Foam Fill Tire & Wheel Assembly, Otherwise Purchase Complete Assembly.	
1	1001304424	20	Nut, Lug M16	
2	1001310817	2	Tire, Right (Includes Items 101-104)	A
3	1001310818	2	Tire, Left (Includes Items 101-104)	A
101	1001262612	1	Valve, Stem	
102	1001303862	1	Tire	
103	1001305583	1	Wheel	
104	8526203	40 kg	Foam Fill (Not Shown)	

SECTION 5 - DRIVE TRAIN

FIGURE 5-20. TIRE INSTALLATION - TURF



ART_1001306883

SECTION 5 - DRIVE TRAIN

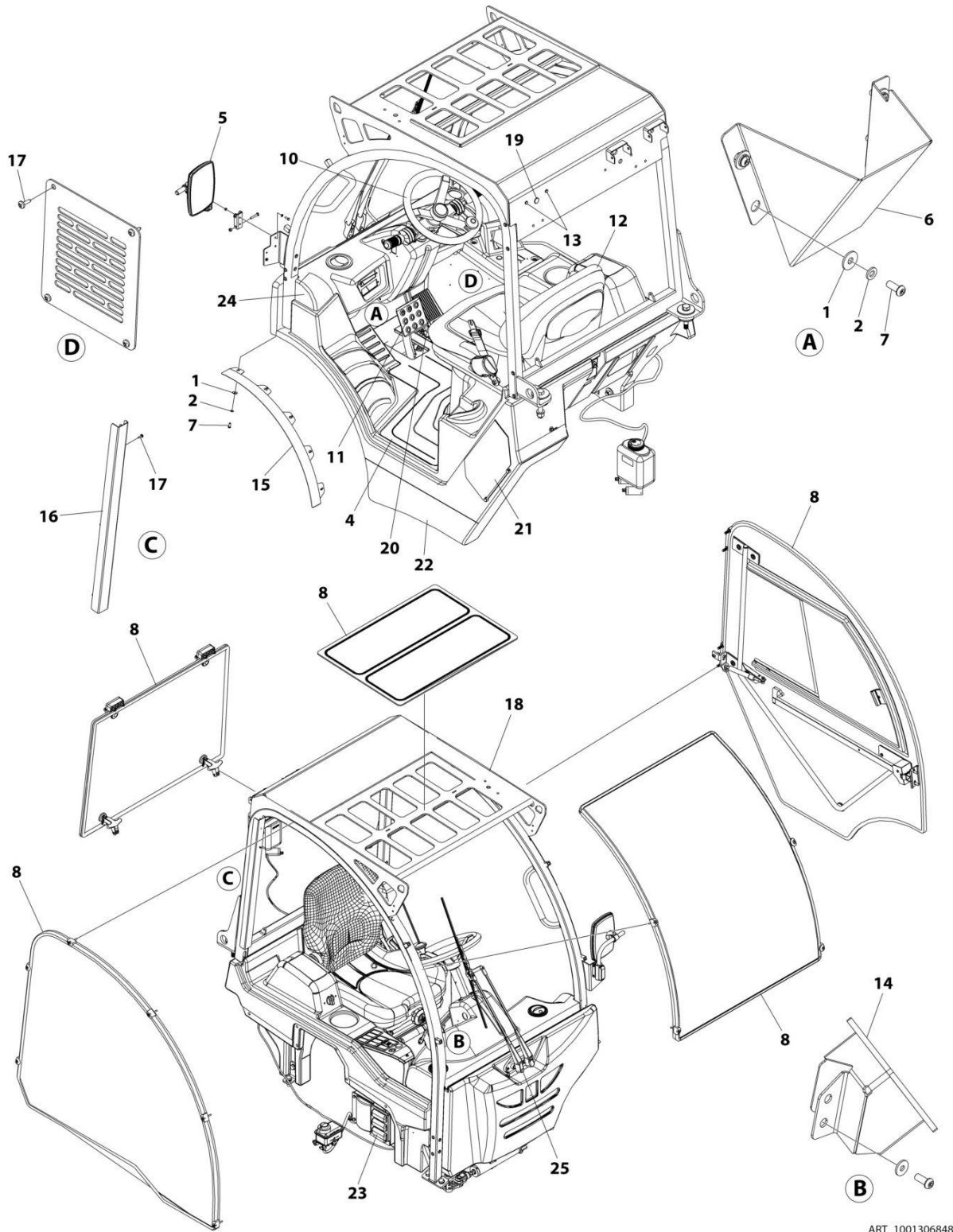
FIGURE 5-20. TIRE INSTALLATION - TURF

ITEM	PART NUMBER	QTY	DESCRIPTION	REV
	1001306883	Ref	TIRE INSTALLATION - TURF	A
1	1001304424	20	Nut, Lug M16	
2	1001312507	4	Tire (Includes Items 101-103)	A
101	1001312504	1	Tire	
102	1001312505	1	Wheel	
103	1001312506	1	Valve, Stem	

SECTION 6 - CAB

SECTION 6 - CAB

FIGURE 6-1. ENCLOSED CAB INSTALLATION



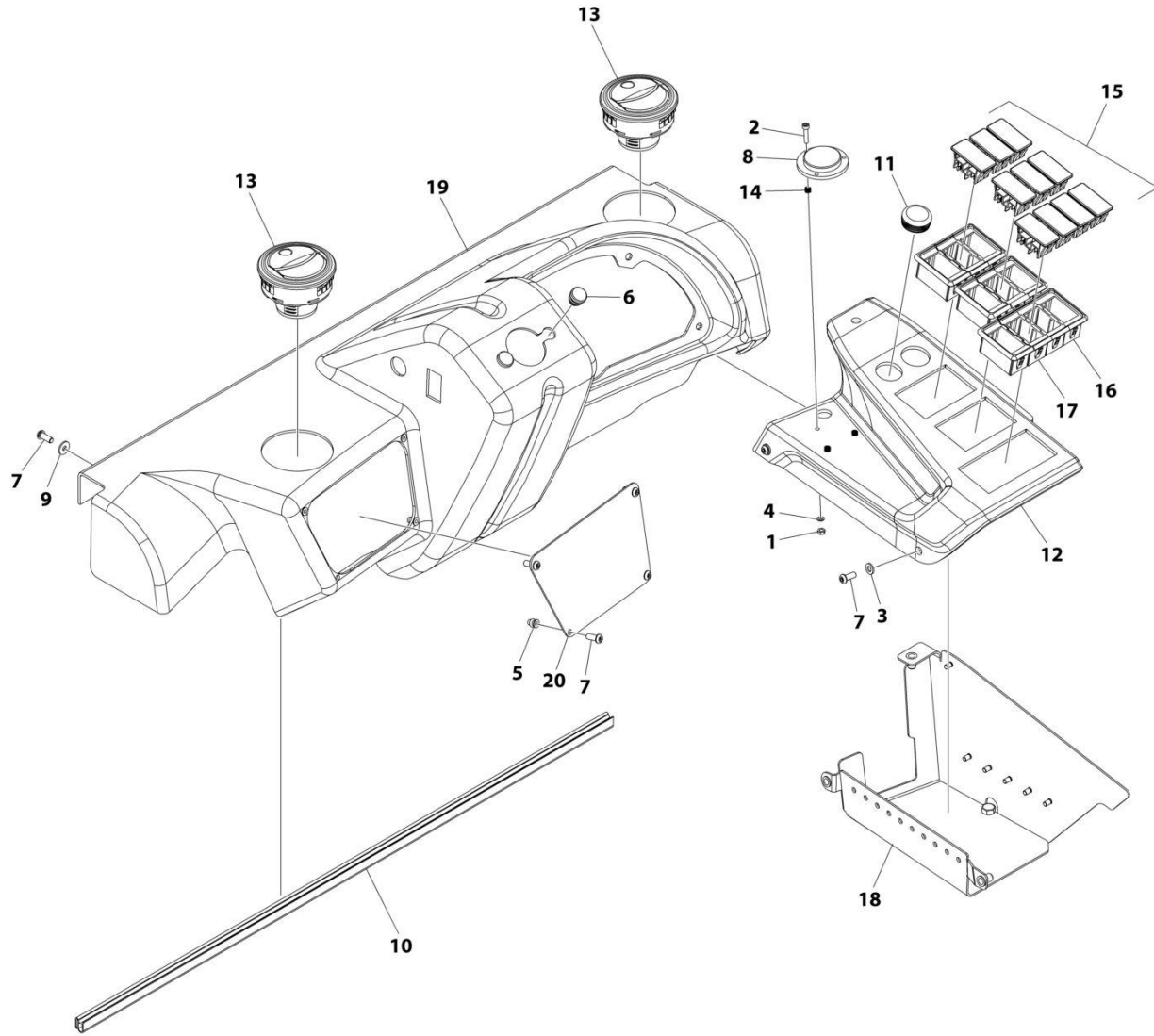
ART_1001306848

FIGURE 6-1. ENCLOSED CAB INSTALLATION

ITEM	PART NUMBER	QTY	DESCRIPTION	REV
	1001306848	Ref	CAB INSTALLATION - ENCLOSED	A
1	4811702	9	Washer M6	
2	4831700	9	Washer M6	
3	1001262961	1	Tie-Strap (Not Shown)	
4	1001263990	1	Mat, Cab Floor	
5	1001263995	1	Mirror	
6	1001264011	1	Bracket	
7	1001264021	9	Capscrew M6 x 15 Clas 10.9	
8	1001264351	Ref	Enclosed Cab Glass Installation (See Separate Breakdown in this Section)	
9	1001264506	1	Headliner (Not Shown)	
10	1001302209	Ref	Steering Installation (See Separate Breakdown in CONTROLS Section)	
11	1001307379	1	Brake System Installation (See Separate Breakdown in CONTROLS Section)	
12	1001303221	Ref	Seat Installation (See Separate Breakdown in this Section)	
13	1001303409	2	Plug - 13MM	
14	1001304005	1	Support, Load Chart	
15	1001304076	1	Bracket, Mudguard Left	
16	1001304080	1	Bracket, Wire	
17	1001304203	7	Screw M4.8 x 16	
18	1001304375	Ref	Enclosed Cab Frame Installation (See Separate Breakdown in this Section)	
19	1001305687	1	Plug - 19MM	
20	1001308481	1	Throttle Pedal Installation (See Separate Breakdown in CONTROLS Section)	
21	1001308482	1	Charge Box Installation (See Separate Breakdown in this Section)	
22	1001308483	1	Cab Base Installation (See Separate Breakdown in this Section)	
23	1001308660	1	Heater Installation (See Separate Breakdown in this Section)	
24	1001308677	1	Enclosed Cab Dash Installation (See Separate Breakdown in this Section)	
25	1001308678	1	Windshield Wiper Installation (See Separate Breakdown in this Section)	

SECTION 6 - CAB

FIGURE 6-2. ENCLOSED CAB DASH INSTALLATION



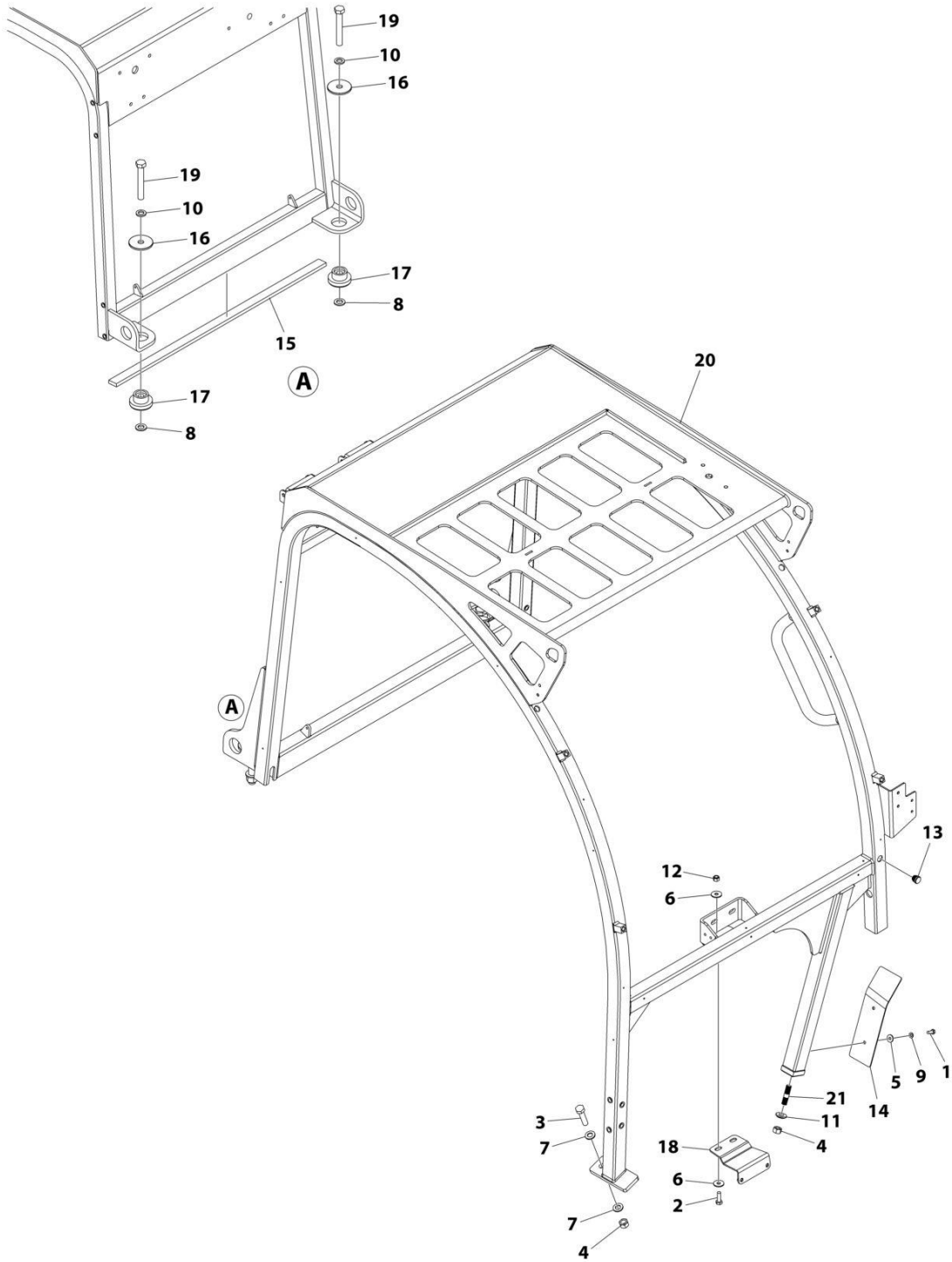
ART_1001308677

FIGURE 6-2. ENCLOSED CAB DASH INSTALLATION

ITEM	PART NUMBER	QTY	DESCRIPTION	REV
	1001308677	Ref	DASH INSTALLATION	A
1	3290401	3	Nut M4	
2	4031508	3	Capscrew M4 x 20	
3	4811700	3	Washer M6	
4	4831400	3	Washer M4	
5	1001186915	4	Rivnut M4	
6	1001264008	2	Plug - 18MM	
7	1001264021	10	Capscrew M6 x 15 Class 10.9	
8	1001264377	1	Gauge, Leveling	
9	1001264434	3	Washer M5	
10	1001264708	32 in/ 81 cm	Seal	
11	1001303398	1	Plug - 32MM	
12	1001303415	1	Dash, Side	
13	1001305465	2	Vent	
14	1001306197	3	Spring	
15	1001306198	10	Plug	
16	1001306199	6	Bezel, End	
17	1001306200	4	Bezel, Middle	
18	1001306201	1	Bracket	
19	1001309136	1	Dash, Front	
20	1001309159	1	Panel	

SECTION 6 - CAB

FIGURE 6-3. ENCLOSED CAB FRAME INSTALLATION



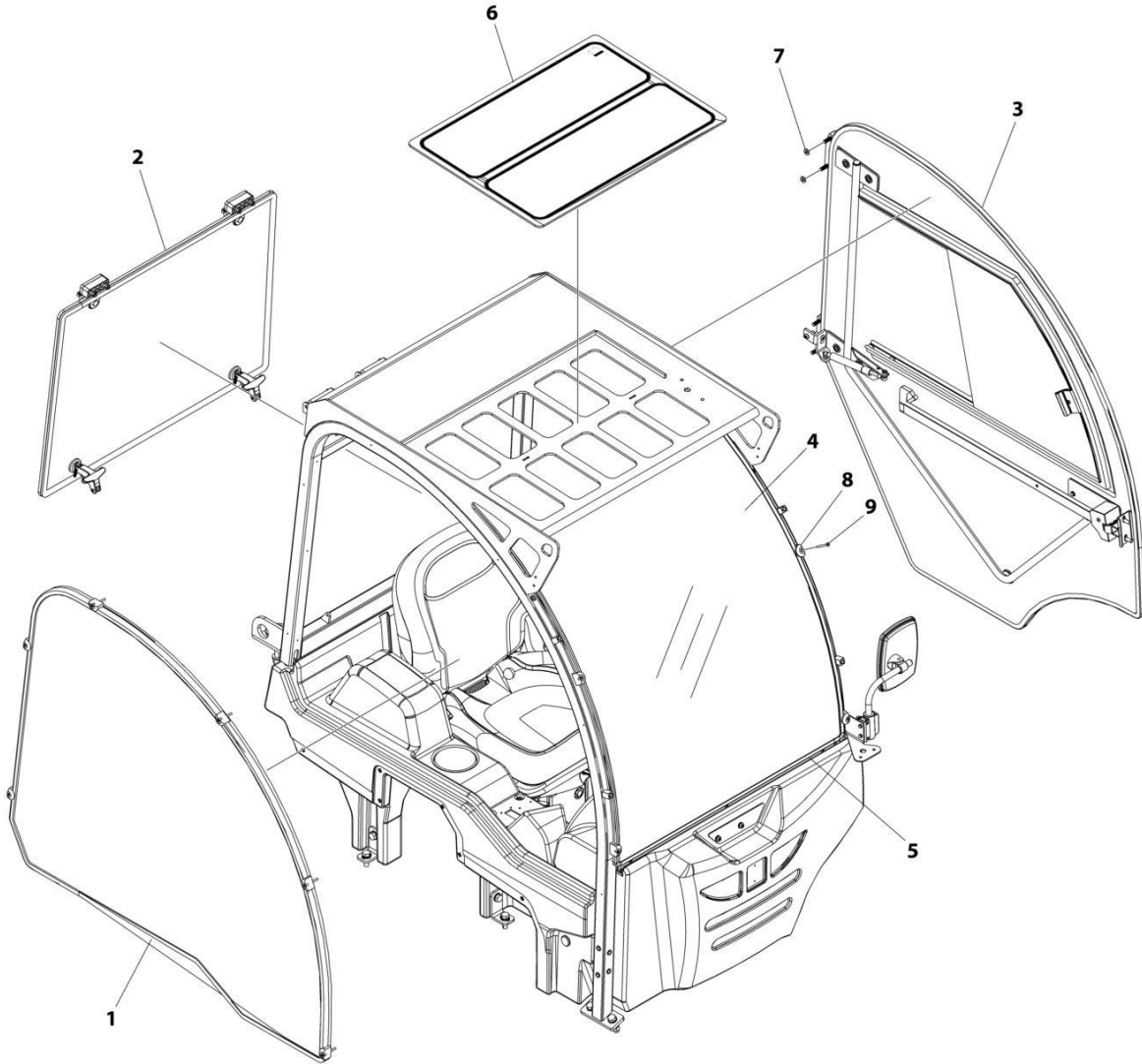
ART_1001304375

FIGURE 6-3. ENCLOSED CAB FRAME INSTALLATION

ITEM	PART NUMBER	QTY	DESCRIPTION	REV
	1001304375	Ref	FRAME INSTALLATION	A
1	0760608	2	Bolt M6 x 16	
2	0760812	2	Bolt M8 x 25	
3	0761218	2	Bolt M12 x 50	
4	3291207	3	Nut M12	
5	4811702	2	Washer M6	
6	4811902	4	Washer M8	
7	4812100	4	Washer M12	
8	4812300	2	Washer M16	
9	4831700	2	Washer M6	
10	4832300	2	Washer M16	
11	1001262274	1	Washer M12	
12	1001263188	2	Nut M8	
13	1001264006	1	Plug	
14	1001264013	1	Panel, Cab Tank	
15	1001264016	1	Seal	
16	1001264019	2	Washer M16	
17	1001264020	2	Mount, Isolator	
18	1001264484	1	Bracket, Wiper Motor	
19	1001264513	2	Bolt M16 x 90	
20	1001303217	1	Frame, Cab	
21	1001303382	1	Stud	

SECTION 6 - CAB

FIGURE 6-4. ENCLOSED CAB GLASS INSTALLATION



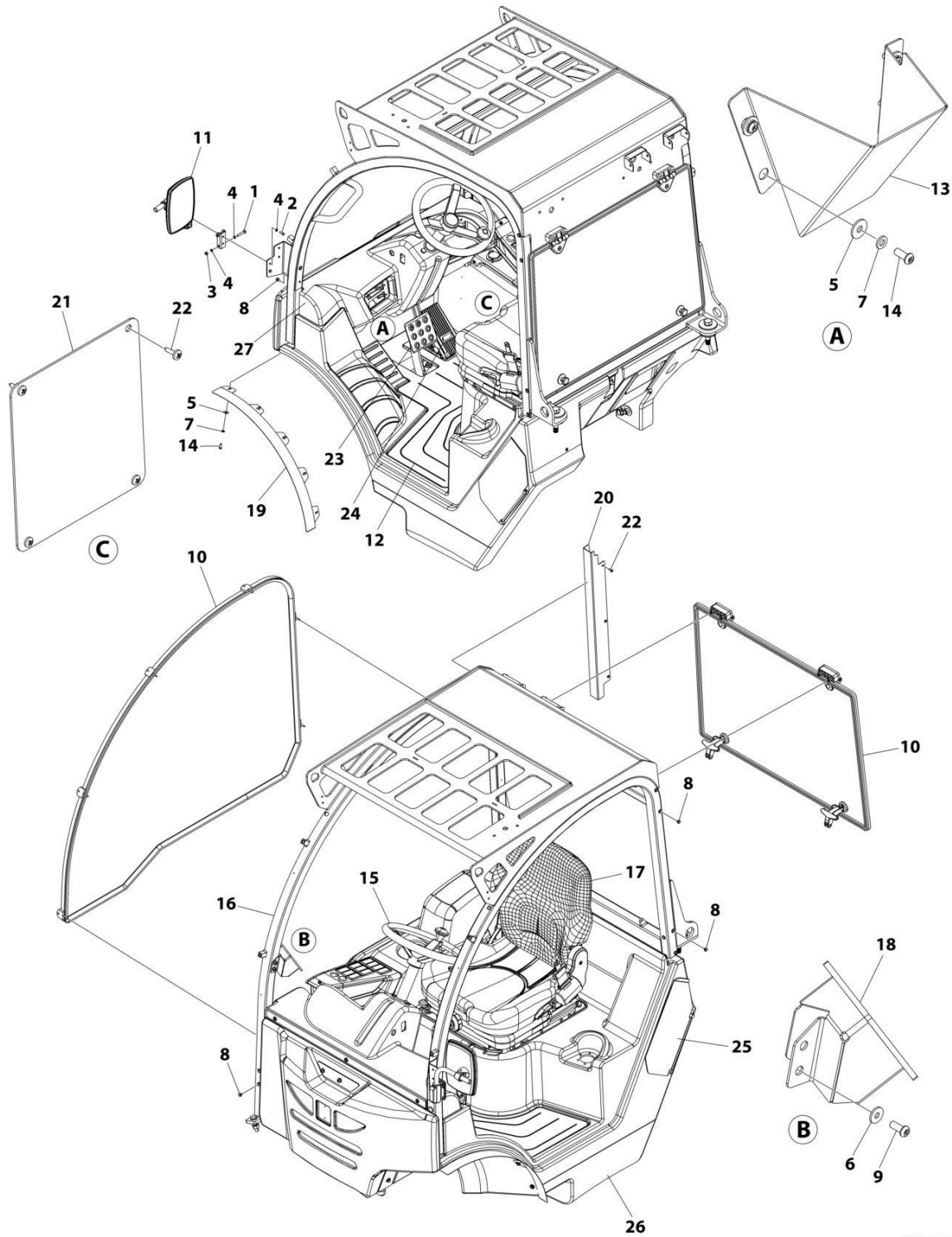
ART_1001264351

FIGURE 6-4. ENCLOSED CAB GLASS INSTALLATION

ITEM	PART NUMBER	QTY	DESCRIPTION	REV
	1001264351	Ref	GLASS INSTALLATION - ENCLOSED CAB	A
1	1001263997	1	Window, Cab Side (RH)	
2	1001263998	1	Window, Cab Rear Exit	
3	1001264477	1	Door, Cab	
3	70030741	1	Key, Door	
3	70031292	1	Shock, Gas	
3	70031363	1	Glass, Window (LH)	
4	1001264478	1	Windshield	
5	1001264479	1	Seal	
6	1001264480	1	Window, Cab Top	
7	1001264481	4	Washer M8	
8	1001264482	4	Support	
9	1001264515	4	Screw M4.8 x 50	

SECTION 6 - CAB

FIGURE 6-5. OPEN CAB INSTALLATION



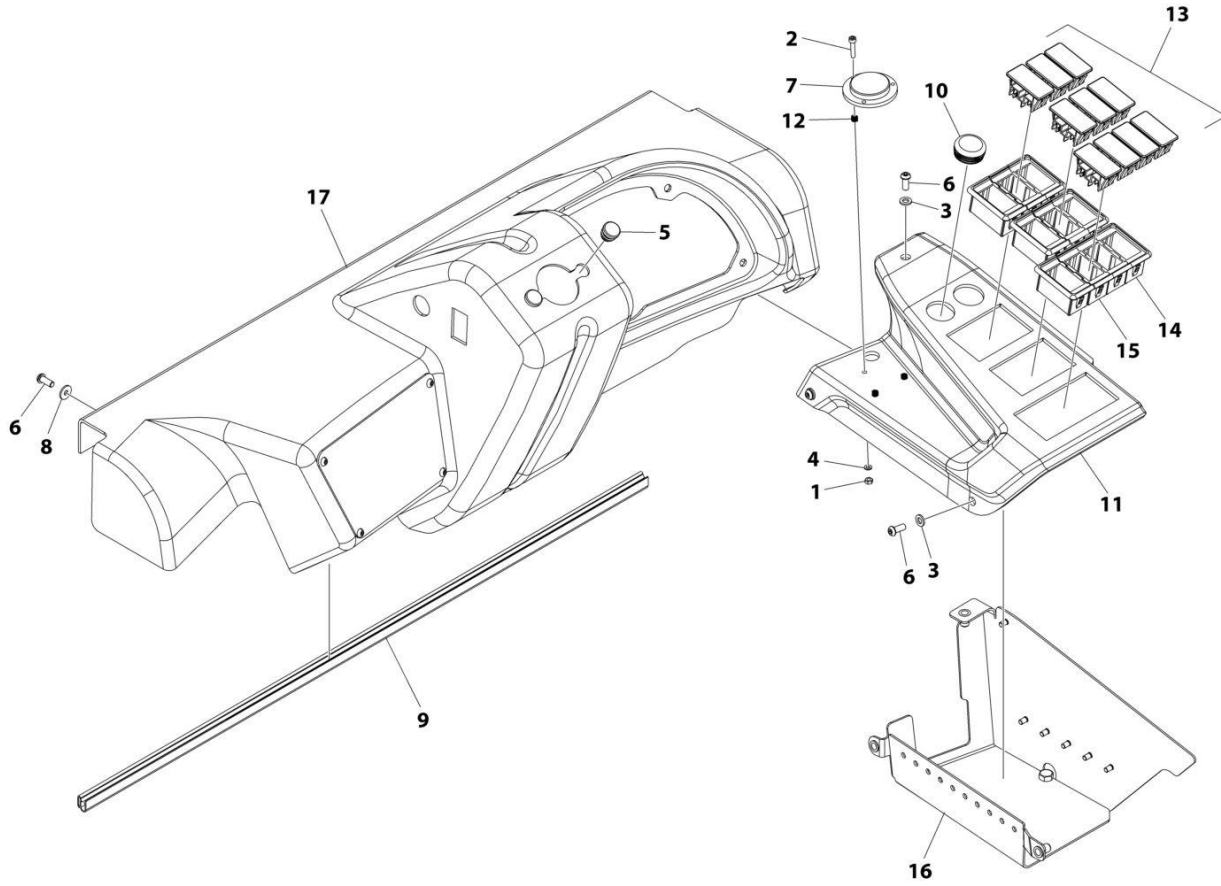
ART_1001306847

FIGURE 6-5. OPEN CAB INSTALLATION

ITEM	PART NUMBER	QTY	DESCRIPTION	REV
	1001306847	Ref	CAB INSTALLATION - OPEN	A
1	0700615	2	Bolt M6 x 35	
2	0760508	2	Bolt M5 x 16	
3	3290605	2	Nut M6	
4	4811600	6	Washer M5	
5	4811702	9	Washer M6	
6	4811900	2	Washer M8	
7	4831700	9	Washer M6	
8	1001261567	9	Plug	
9	1001262664	2	Capscrew M8 x 20	
10	1001263054	1	Open Cab Glass Installation (See Separate Breakdown in this Section)	
11	1001263995	1	Mirror	
12	1001263990	1	Mat, Cab Floor	
13	1001264011	1	Bracket	
14	1001264021	9	Capscrew M6 x 15 Class 10.9	
15	1001302209	Ref	Steering Installation (See Separate Breakdown in CONTROLS Section)	
16	1001303216	Ref	Open Cab Frame Installation (See Separate Breakdown in this Section)	
17	1001303221	Ref	Seat Installation (See Separate Breakdown in this Section)	
18	1001304005	1	Support, Load Chart	
19	1001304076	1	Bracket, Mudguard Left	
20	1001304080	1	Bracket, Wire	
21	1001304081	1	Plate	
22	1001304203	7	Screw M4.8 x 16	
23	1001307379	1	Brake System Installation (See Separate Breakdown in CONTROLS Section)	
24	1001308481	1	Throttle Pedal Installation (See Separate Breakdown in CONTROLS Section)	
25	1001308482	1	Charge Box Installation (See Separate Breakdown in this Section)	
26	1001308483	1	Cab Base Installation (See Separate Breakdown in this Section)	
27	1001308675	1	Open Cab Dash Installation (See Separate Breakdown in this Section)	

SECTION 6 - CAB

FIGURE 6-6. OPEN CAB DASH INSTALLATION



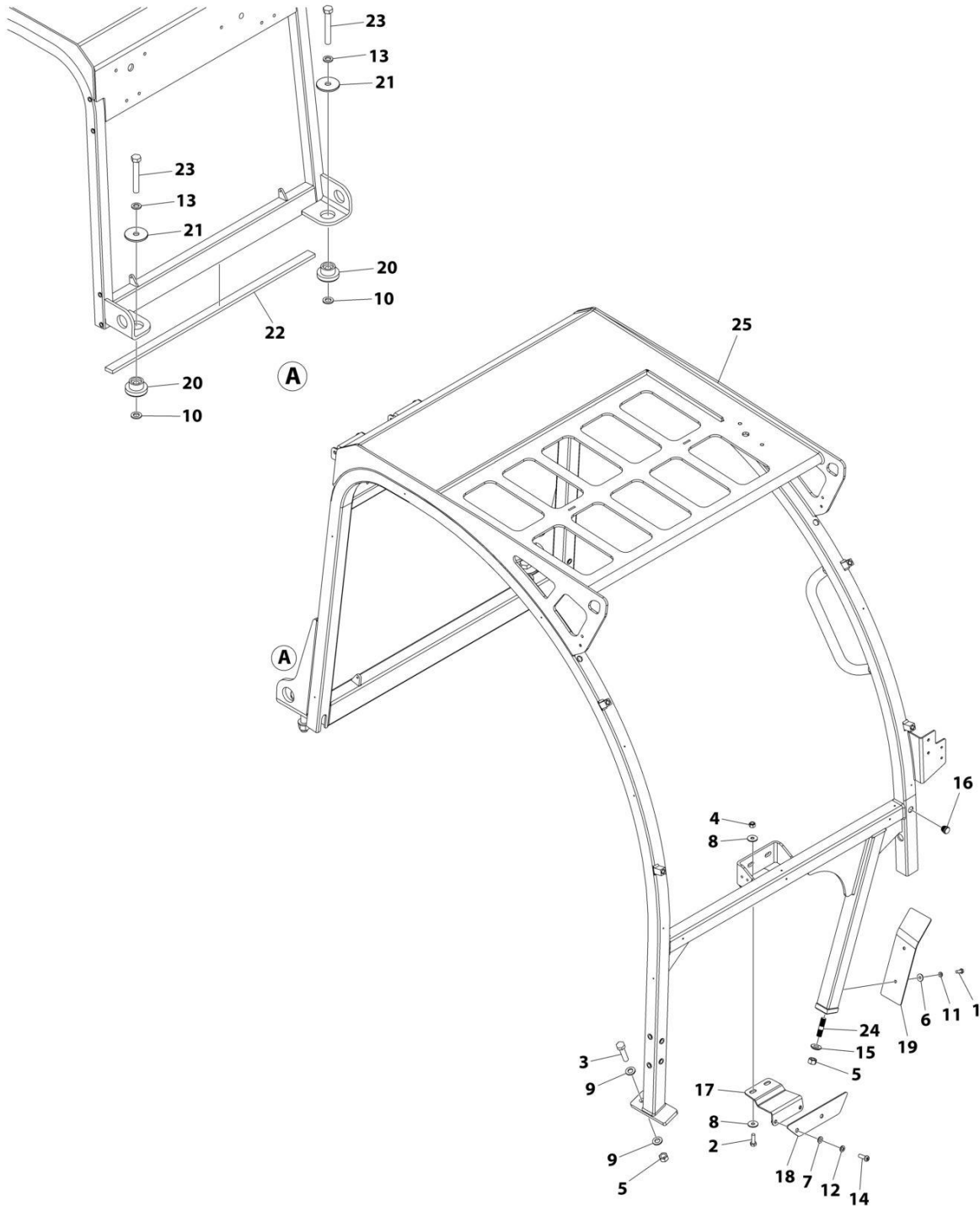
ART_1001308675

FIGURE 6-6. OPEN CAB DASH INSTALLATION

ITEM	PART NUMBER	QTY	DESCRIPTION	REV
	1001308675	Ref	DASH INSTALLATION	A
1	3290401	3	Nut M4	
2	4031508	3	Capscrew M4 x 20	
3	4811700	3	Washer M6	
4	4831400	3	Washer M4	
5	1001264008	2	Plug	
6	1001264021	6	Capscrew M6 x 15 Class 10.9	
7	1001264377	1	Gauge, Leveling	
8	1001264434	3	Washer M5	
9	1001264708	32 in/ 81cm	Seal	
10	1001303398	1	Plug - 32MM	
11	1001303415	1	Dash, Side	
12	1001306197	3	Spring	
13	1001306198	10	Plug	
14	1001306199	6	Bezel, End	
15	1001306200	4	Bezel, Middle	
16	1001306201	1	Bracket	
17	1001308694	1	Dash, Front	

SECTION 6 - CAB

FIGURE 6-7. OPEN CAB FRAME INSTALLATION



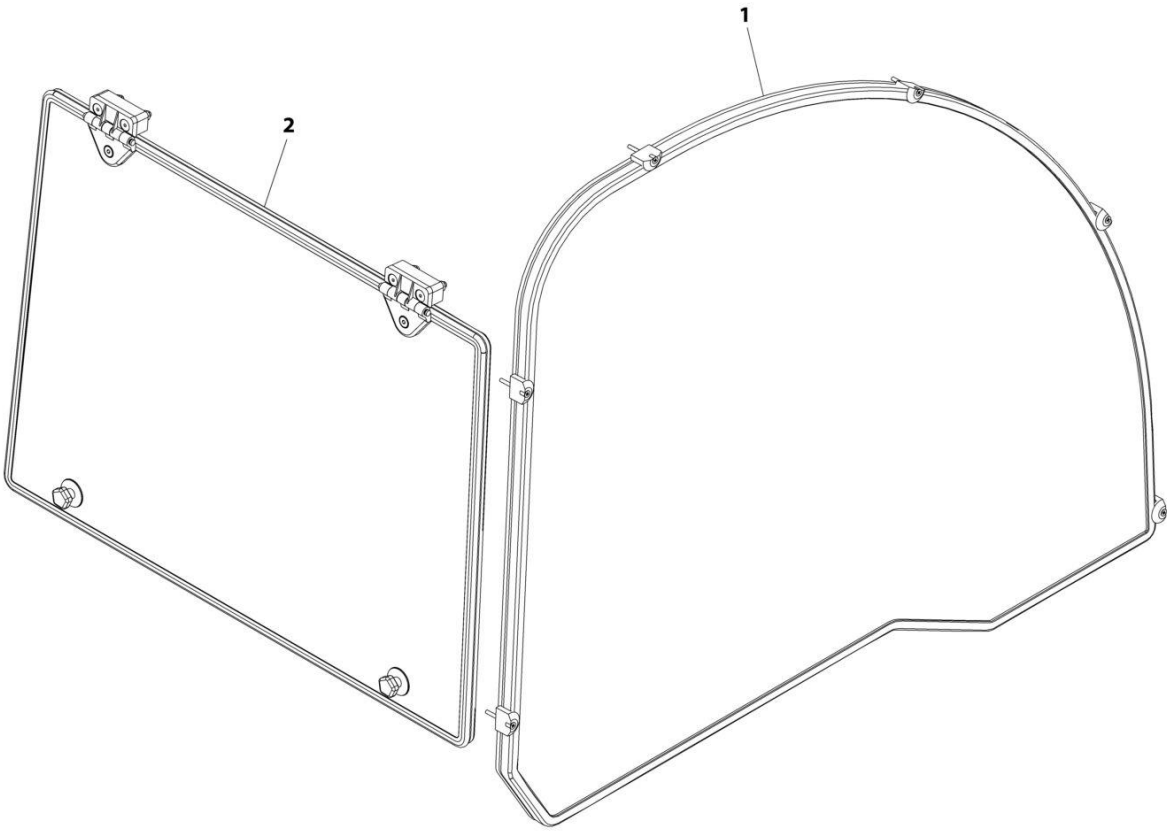
ART_1001303216

FIGURE 6-7. OPEN CAB FRAME INSTALLATION

ITEM	PART NUMBER	QTY	DESCRIPTION	REV
	1001303216	Ref	FRAME INSTALLATION	A
1	0760608	2	Bolt M6 x 16	
2	0760812	2	Bolt M8 x 25	
3	0761218	2	Bolt M12 x 50	
4	3290805	2	Nut M8	
5	3291207	3	Nut M12	
6	4811702	2	Washer M6	
7	4811900	2	Washer M8	
8	4811902	4	Washer M8	
9	4812100	4	Washer M12	
10	4812300	2	Washer M16	
11	4831700	2	Washer M6	
12	4831900	2	Washer M8	
13	4832300	2	Washer M16	
14	1001261564	2	Screw M8 x 25	
15	1001262274	1	Washer M12	
16	1001264006	1	Plug	
17	1001264010	1	Bracket	
18	1001264012	1	Plate, Cab Support	
19	1001264013	1	Panel, Cab Tank	
20	1001264020	2	Mount, Isolator	
21	1001264019	2	Washer M16	
22	1001264016	1	Seal	
23	1001264513	2	Bolt M16 x 90	
24	1001303382	1	Stud	
25	1001303217	1	Frame, Cab	

SECTION 6 - CAB

FIGURE 6-8. OPEN CAB GLASS INSTALLATION



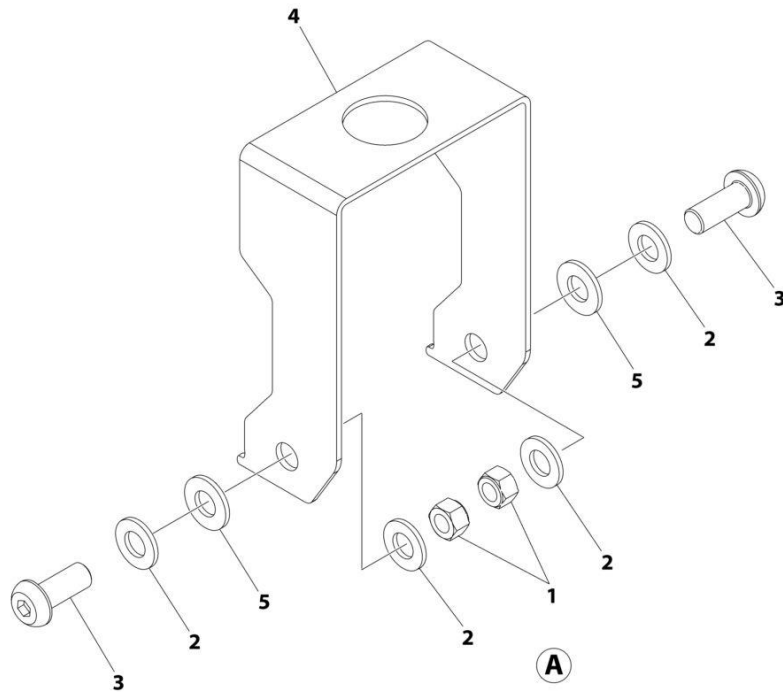
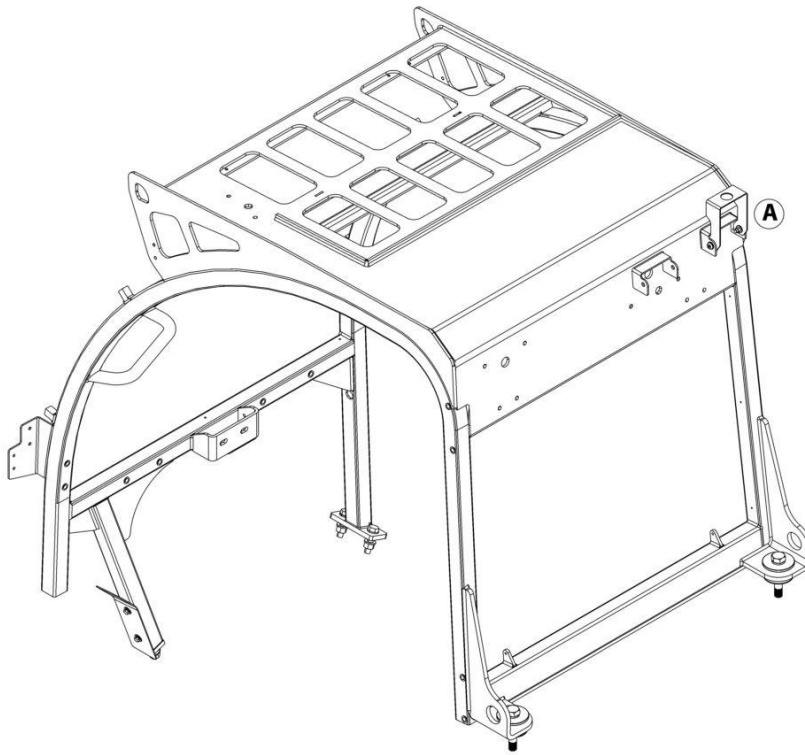
ART_1001263054

FIGURE 6-8. OPEN CAB GLASS INSTALLATION

ITEM	PART NUMBER	QTY	DESCRIPTION	REV
	1001263054	Ref	GLASS INSTALLATION - OPEN CAB	A
1	1001263997	1	Window, Cab Side	
2	1001263998	1	Window, Cab Rear Exit	

SECTION 6 - CAB

FIGURE 6-9. BEACON BRACKET INSTALLATION



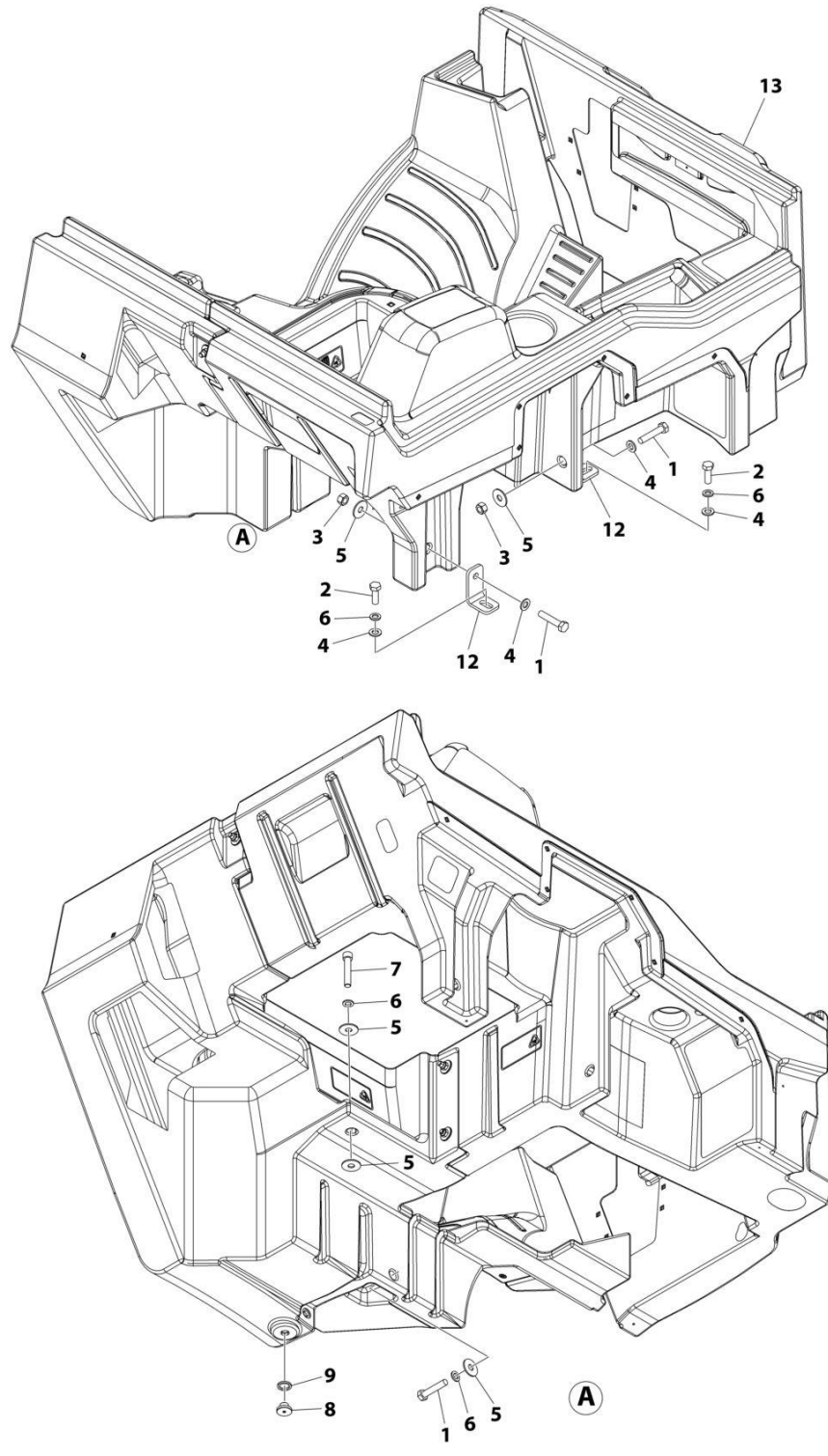
ART_1001309197

FIGURE 6-9. BEACON BRACKET INSTALLATION

ITEM	PART NUMBER	QTY	DESCRIPTION	REV
	1001309197	Ref	BEACON BRACKET INSTALLATION	A
1	3290605	2	Nut M6	
2	4811900	4	Washer M8	
3	1001262664	2	Capscrew M8 x 20 Class 10.9	
4	1001308519	1	Bracket	
5	1001264265	2	Washer, Nylon M8	

SECTION 6 - CAB

FIGURE 6-10. CAB BASE INSTALLATION



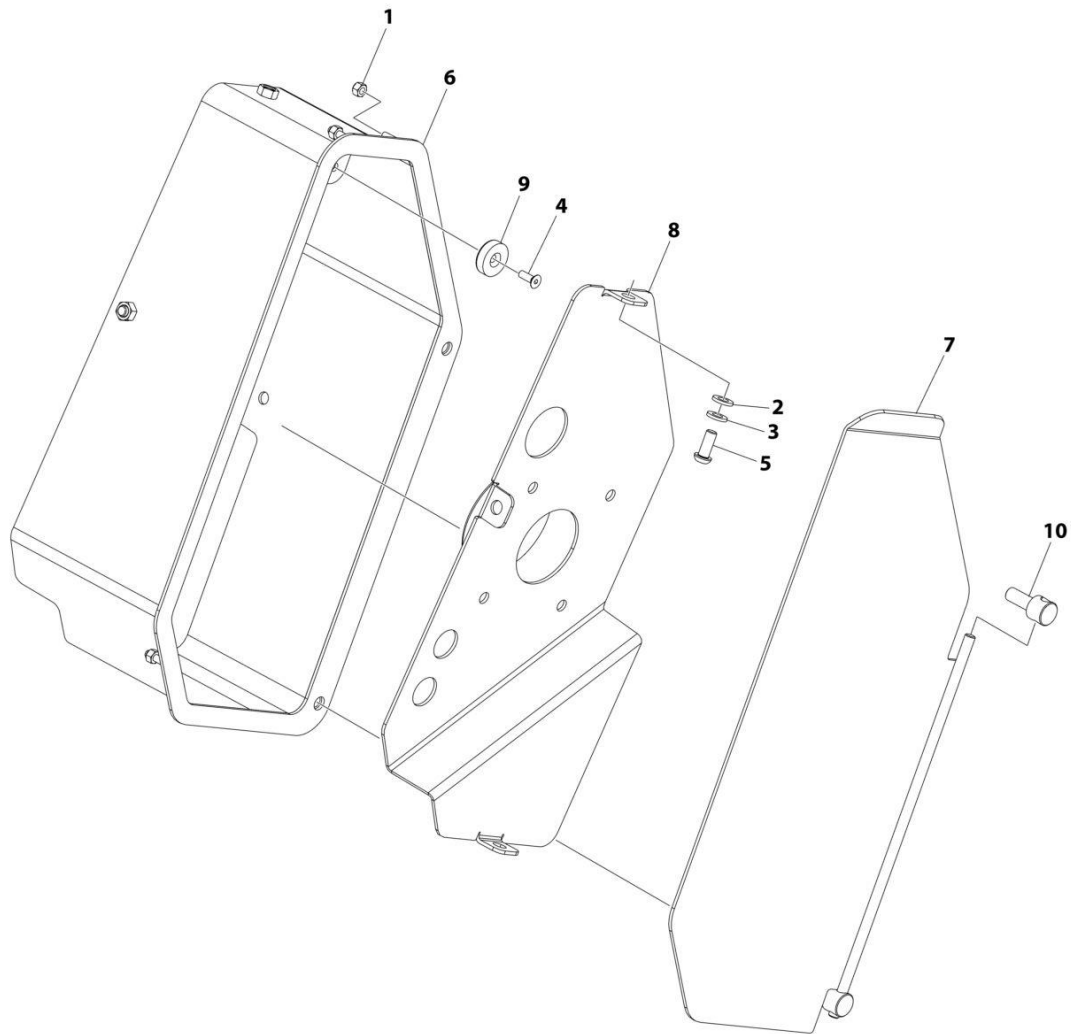
ART_1001308483

FIGURE 6-10. CAB BASE INSTALLATION

ITEM	PART NUMBER	QTY	DESCRIPTION	REV
	1001308483	Ref	CAB BASE INSTALLATION	A
1	0711220	3	Bolt M12 x 60 Class 10.9	
2	0761215	2	Bolt M12 x 35	
3	3291207	2	Nut M12	
4	4812100	4	Washer M12	
5	4812102	5	Washer M12	
6	4832100	4	Washer M12	
7	5272117	1	Bolt M12 x 65 Class 12.9	
8	1001262978	1	Plug	
9	1001262987	1	Seal	
12	1001263996	2	Bracket	
13	1001309350	1	Base, Cab	

SECTION 6 - CAB

FIGURE 6-11. CHARGE BOX INSTALLATION



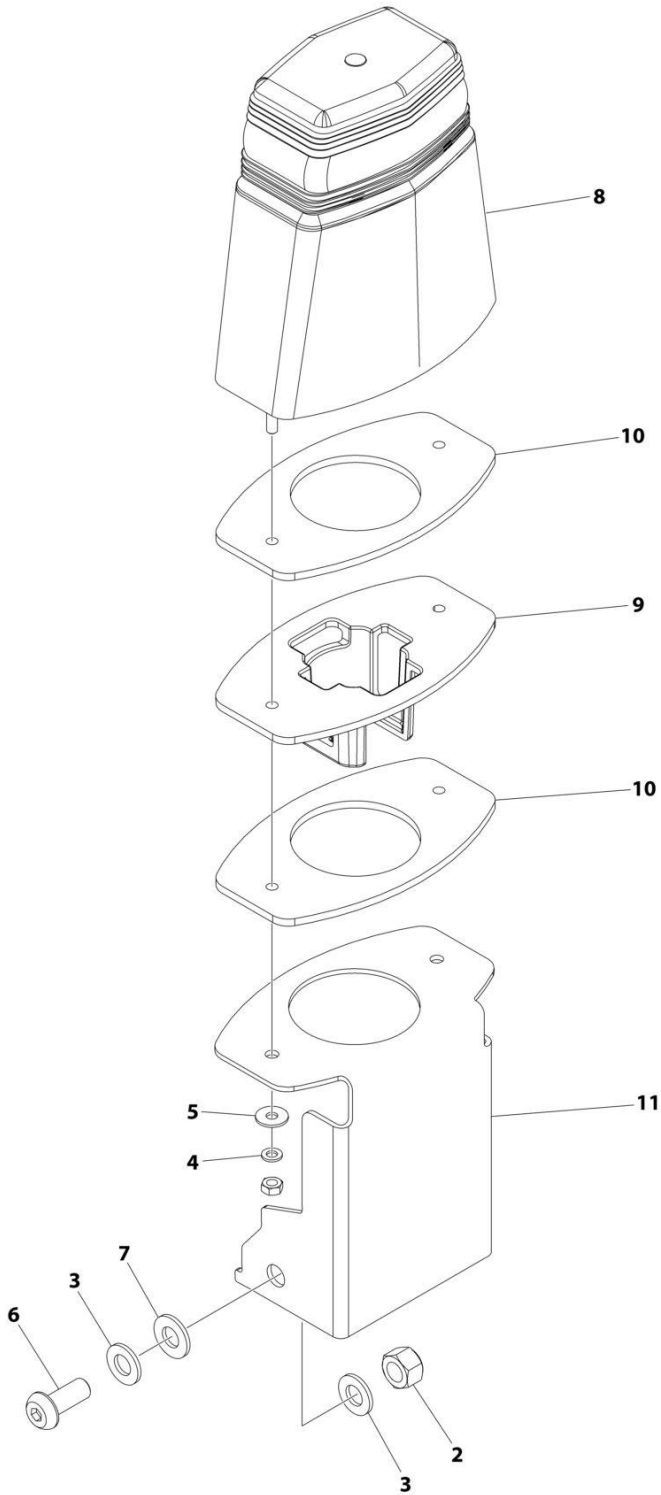
ART_1001308482

FIGURE 6-11. CHARGE BOX INSTALLATION

ITEM	PART NUMBER	QTY	DESCRIPTION	REV
	1001308482	Ref	CHARGE BOX INSTALLATION	A
1	3290405	5	Nut M4	
2	4811700	3	Washer M6	
3	4831700	3	Washer M6	
4	1001097244	1	Capscrew M4 x 12	
5	1001264021	3	Capscrew M3 x 15 Class 10.9	
6	1001308762	1	Housing	
7	1001308774	1	Cover	
8	1001308785	1	Bracket	
9	1001308794	1	Magnet	
10	1001308800	2	Pivot, Cover	

SECTION 6 - CAB

FIGURE 6-12. CLEARSKY INSTALLATION



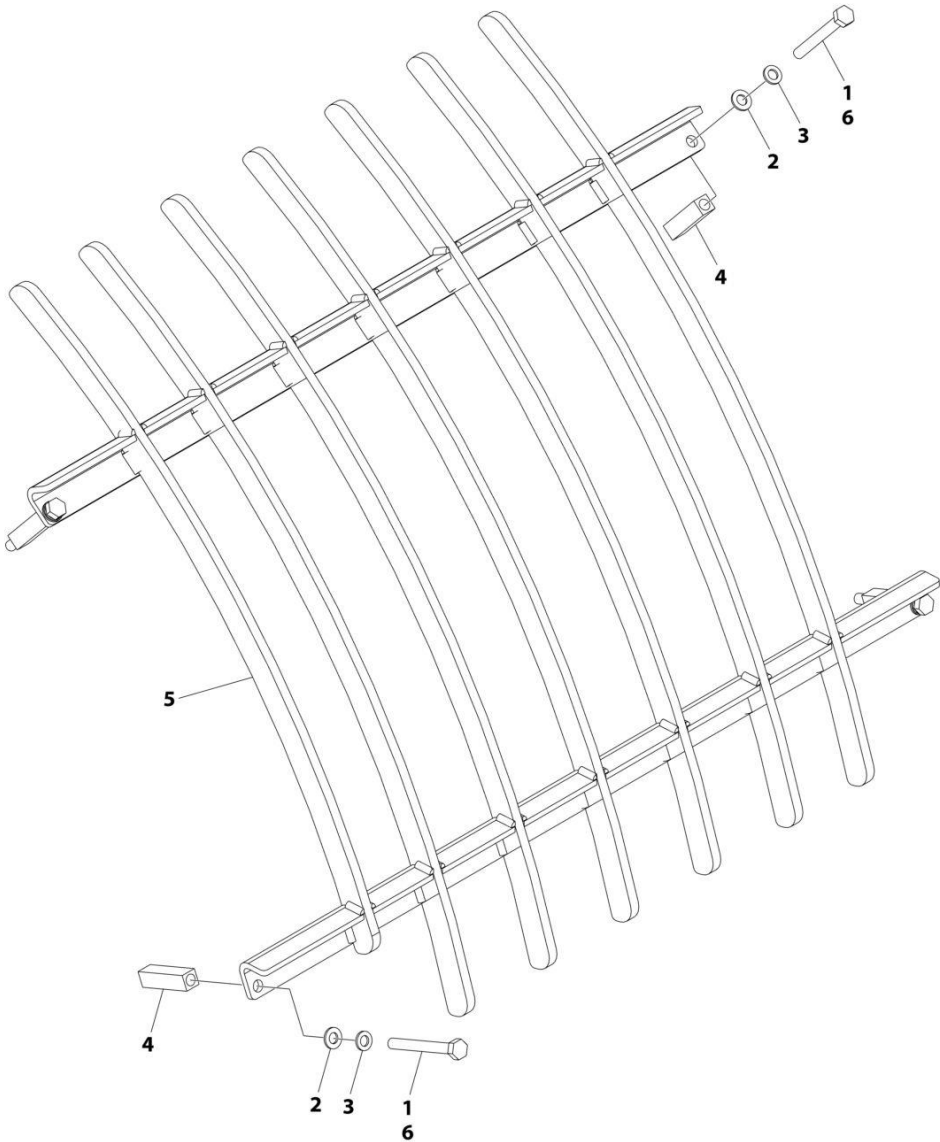
ART_1001306382

FIGURE 6-12. CLEARSKY INSTALLATION

ITEM	PART NUMBER	QTY	DESCRIPTION	REV
	1001306382	Ref	CLEARSKY INSTALLATION	A
2	3290805	2	Nut M8	
3	4811900	4	Washer M8	
4	4831400	2	Washer M4	
5	1001091102	2	Washer M4	
6	1001262664	2	Capscrew M8 x 20 Class 10.9	
7	1001264265	2	Washer, Nylon M8	
8	1001280661	1	Module, ClearSky	
9	1001289648	1	Mount, ClearSky Module	
10	1001291056	2	Gasket	
11	1001306386	1	Bracket	

SECTION 6 - CAB

FIGURE 6-13. FRONT CAB GUARD INSTALLATION



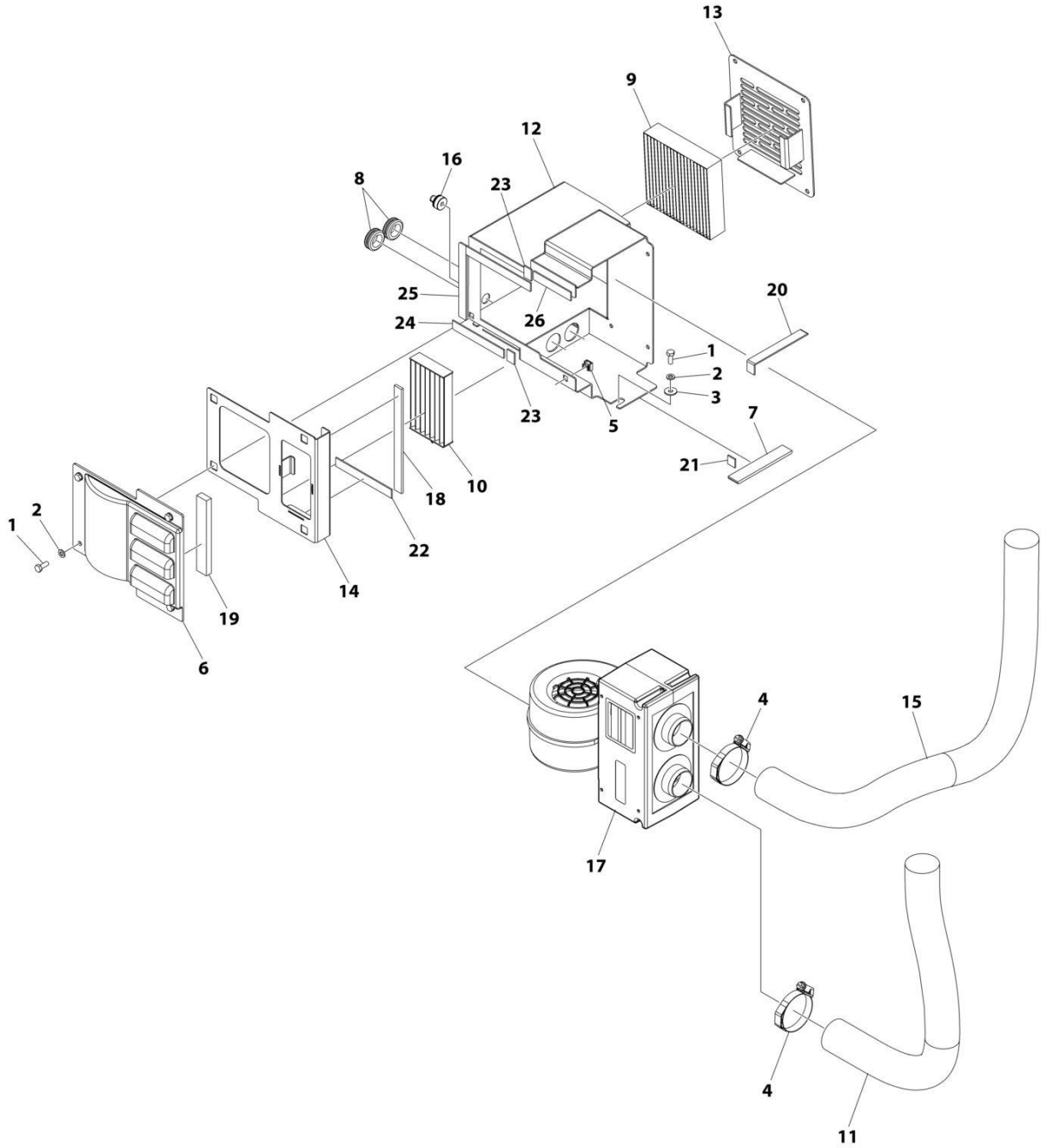
ART_1001262405

FIGURE 6-13. FRONT CAB GUARD INSTALLATION

ITEM	PART NUMBER	QTY	DESCRIPTION	REV
	1001262405	Ref	GUARD INSTALLATION - FRONT CAB	A
1	0701026	4	Bolt M10 x 90	
2	4812000	4	Washer M10	
3	4832000	4	Washer M10	
4	1001262637	4	Shim	
5	1001262638	1	Shield	
6	0100035	AR	Compound Locking	

SECTION 6 - CAB

FIGURE 6-14. HEATER INSTALLATION



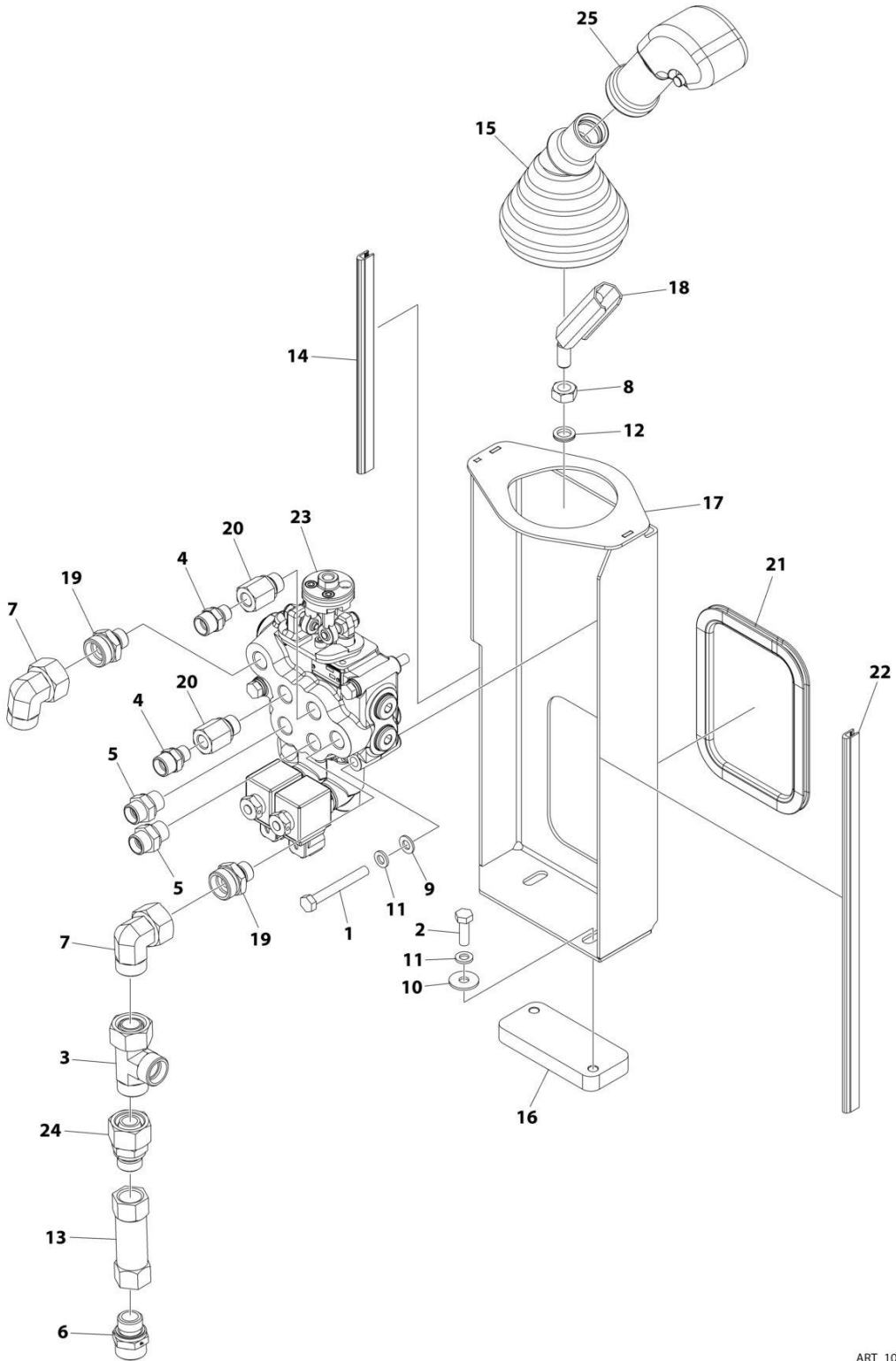
ART_1001308660

FIGURE 6-14. HEATER INSTALLATION

ITEM	PART NUMBER	QTY	DESCRIPTION	REV
	1001308660	Ref	HEATER INSTALLATION	A
1	0760608	6	Bolt M6 x 16	
2	4811700	6	Washer M6	
3	4811702	2	Washer M6	
4	1001215024	2	Clamp, Gear	
5	1001264416	4	Nut M6	
6	1001264492	1	Cover, Heater	
7	1001264510	1	Seal	
8	1001305506	2	Grommet	
9	1001305507	1	Filter - Cab Side	
10	1001305512	1	Filter - Exterior Side	
11	1001305514	1	Tube	
12	1001305515	1	Housing, Heater	
13	1001305516	1	Grate, Cab Heater	
14	1001305567	1	Bracket	
15	1001307469	1	Tube	
16	1001309238	1	Plug	
17	1001309239	1	Heater, Cab	
18	1001309261	1	Seal	
19	1001309262	1	Seal	
20	1001309263	1	Seal	
21	1001309264	1	Seal	
22	1001309265	1	Seal	
23	1001309266	2	Seal	
24	1001309267	1	Seal	
25	1001309268	2	Seal	
26	1001309269	1	Seal	

SECTION 6 - CAB

FIGURE 6-15. JOYSTICK INSTALLATION



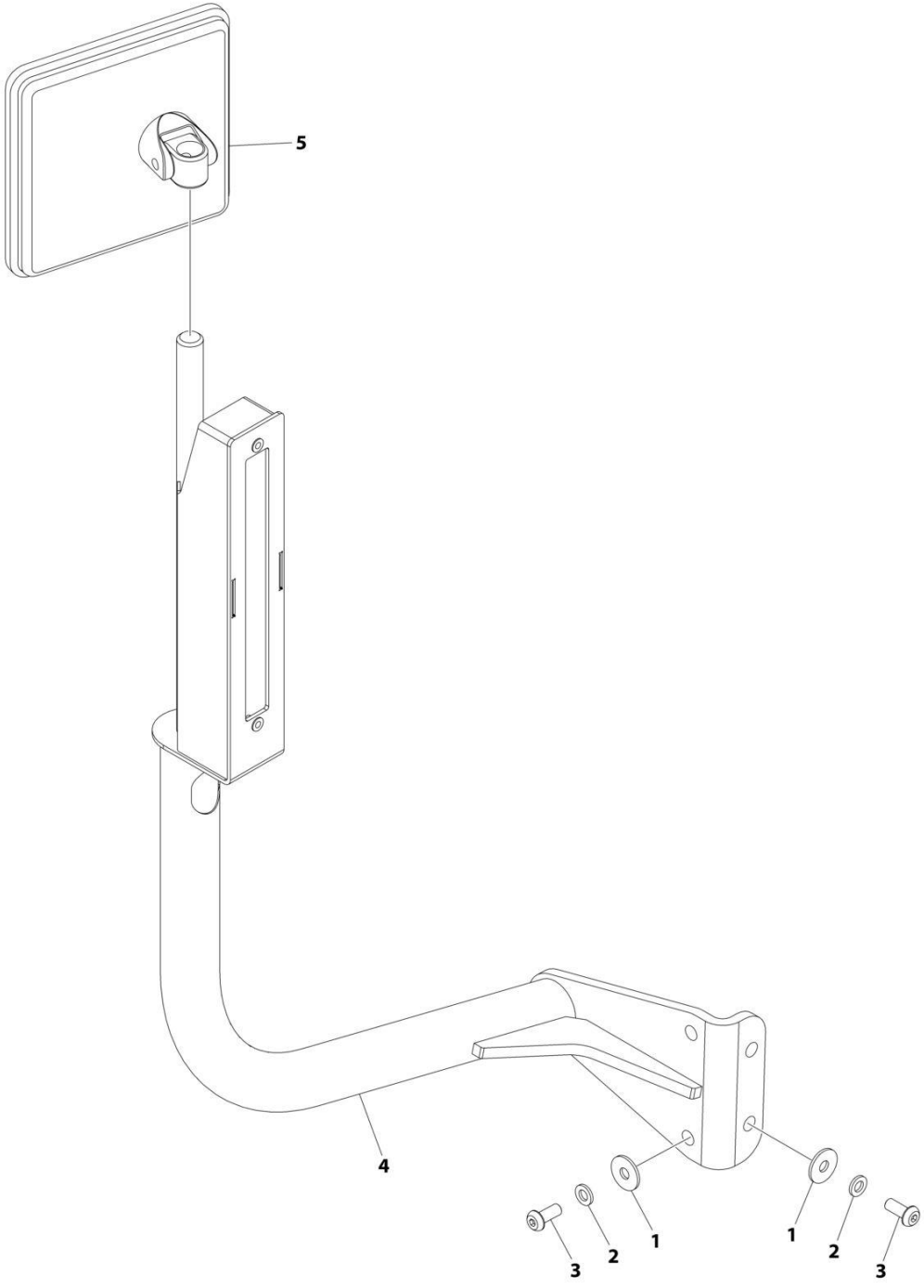
ART_1001306849

FIGURE 6-15. JOYSTICK INSTALLATION

ITEM	PART NUMBER	QTY	DESCRIPTION	REV
	1001306849	Ref	JOYSTICK INSTALLATION	A
1	0700821	3	Bolt M8 x 65	
2	0760812	2	Bolt M8 x 25	
3	2142206	1	Fitting, Tee	
4	2142711	2	Fitting, Straight	
5	2142712	2	Fitting, Straight	
6	2142716	1	Fitting, Straight	
7	2143406	2	Fitting, 90	
8	3291001	1	Nut M10	
9	4811900	3	Washer M8	
10	4811902	2	Washer M8	
11	4831900	5	Washer M8	
12	1001261551	1	Washer M10	
13	1001262957	1	Valve, Check	
14	1001262969	1	Seal	
15	1001262972	1	Boot, Joystick	
16	1001262973	1	Plate	
17	1001262974	1	Mount, Joystick	
18	1001262975	1	Actuator, Joystick	
19	1001263143	2	Fitting, Straight	
20	1001263572	2	Fitting, Straight	
21	1001264080	1	Seal	
22	1001264081	1	Seal	
23	1001302428	1	Valve, Joystick Control	
24	1001306164	1	Fitting, Straight	
25	1001307326	1	Joystick Assembly (See Separate Breakdown in CONTROLS Section)	

SECTION 6 - CAB

FIGURE 6-16. MIRROR INSTALLATION - CAB RIGHT SIDE



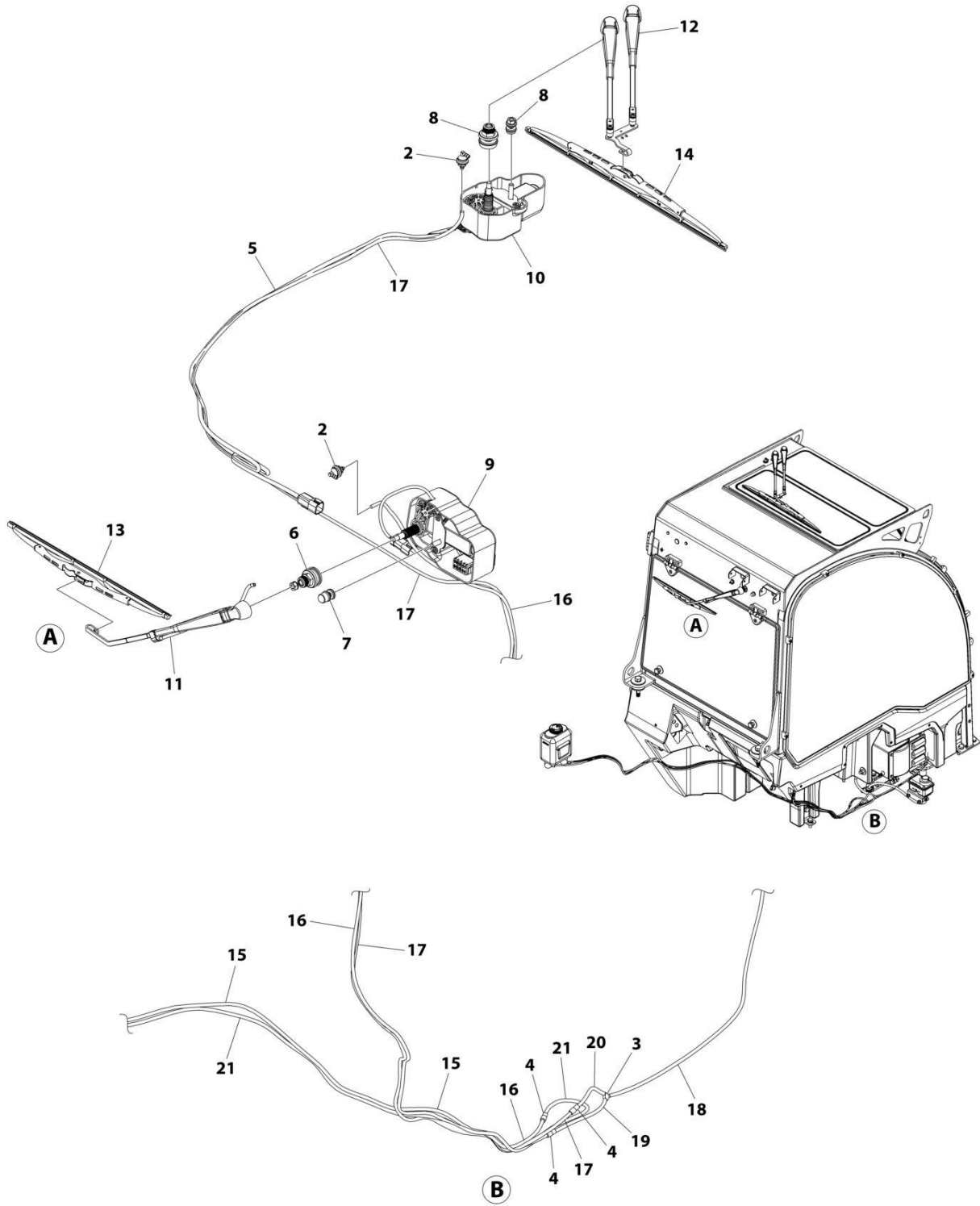
ART_1001308674

FIGURE 6-16. MIRROR INSTALLATION - CAB RIGHT SIDE

ITEM	PART NUMBER	QTY	DESCRIPTION	REV
	1001308674	Ref	MIRROR INSTALLATION	A
1	4811902	4	Washer M8	
2	4831900	4	Washer M8	
3	1001262664	4	Capscrew M8 x 20 Class 10.9	
4	1001309463	1	Bracket, Mirror	
5	1001309464	1	Mirror	

SECTION 6 - CAB

FIGURE 6-17. ROOF & REAR WIPERS INSTALLATION



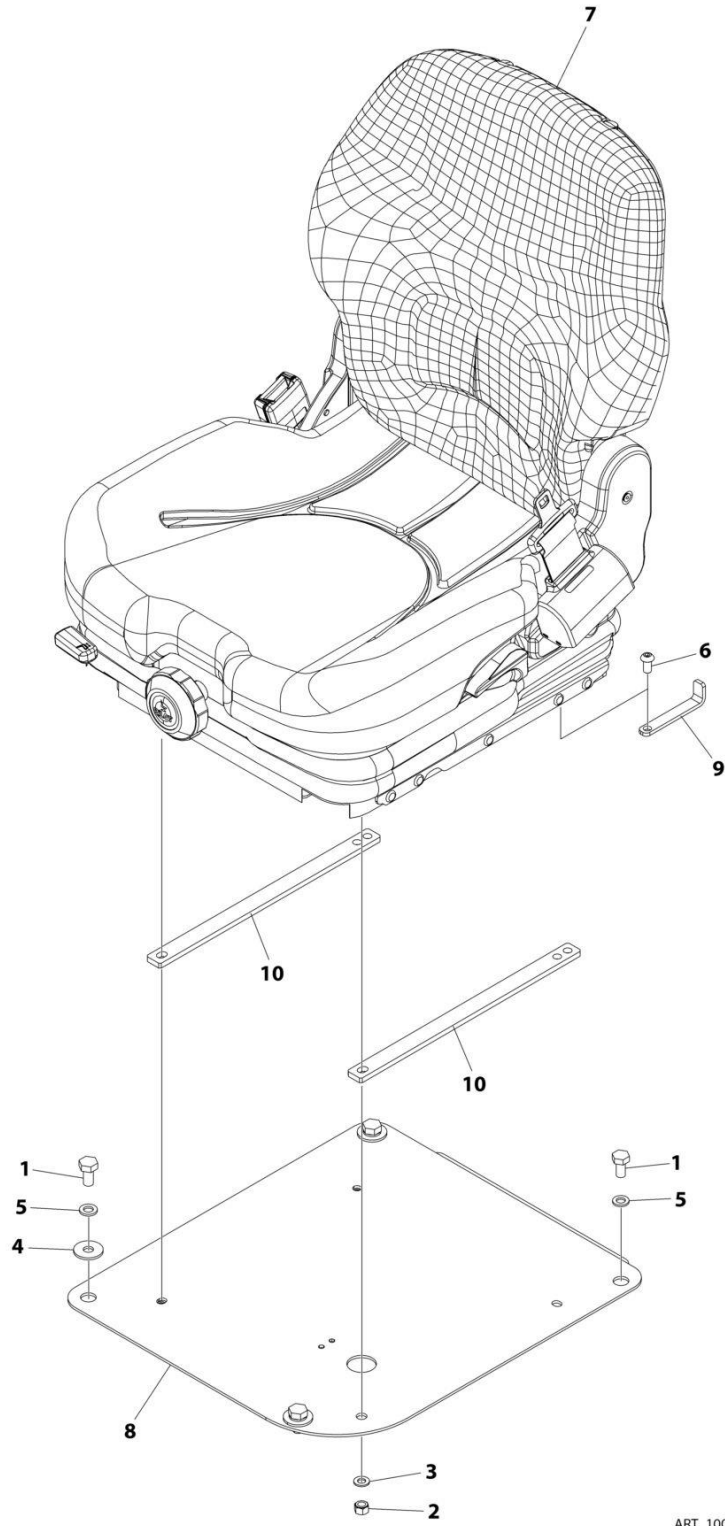
ART_1001307901

FIGURE 6-17. ROOF & REAR WIPERS INSTALLATION

ITEM	PART NUMBER	QTY	DESCRIPTION	REV
	1001307901	Ref	ROOF & REAR WIPERS INSTALLATION	A
1	1001262961	AR	Tie-Strap (Not Shown)	
2	1001265303	2	Fitting, 90	
3	1001265304	1	Fitting, Y	
4	1001265305	3	Valve, Hose Check	
5	1001265306	1	Roof Wiper Harness (See Separate Breakdown in ELECTRICAL Section)	
6	1001309564	1	Kit, Hardware - Rear Wiper Arm (No Service Parts Available)	
7	1001309565	1	Kit, Stud Cap - Rear Wiper Motor (No Service Parts Available)	
8	1001309566	1	Kit, Hardware - Roof Wiper Arm (No Service Parts Available)	
9	1001309567	1	Motor, Rear Wiper	
9		Ref	Connector	
9	1001116693	4	Pin	
10	1001309568	1	Motor, Roof Wiper	
10		Ref	Connector	
10	1001116693	5	Pin	
10	4460466	1	Plug	
11	1001309569	1	Arm, Rear Wiper	
12	1001309570	1	Arm, Roof Wiper	
13	1001309571	1	Blade, Rear Wiper	
14	1001309572	1	Blade, Roof Wiper	
15	1001309730	1	Hose (Washer Fluid Tank to Windshield & Roof Wipers)	
16	1001309731	1	Hose (to Rear Wiper)	
17	1001309732	1	Hose (to Roof Wiper)	
18	1001309733	1	Hose (to Windshield Wiper)	
19	1001309734	1	Hose (to Windshield & Roof Wiper Hose)	
20	1001309735	1	Hose (to Rear Wiper Hose)	
21	1001309736	1	Hose (Washer Fluid Tank to Rear Wiper)	

SECTION 6 - CAB

FIGURE 6-18. SEAT INSTALLATION



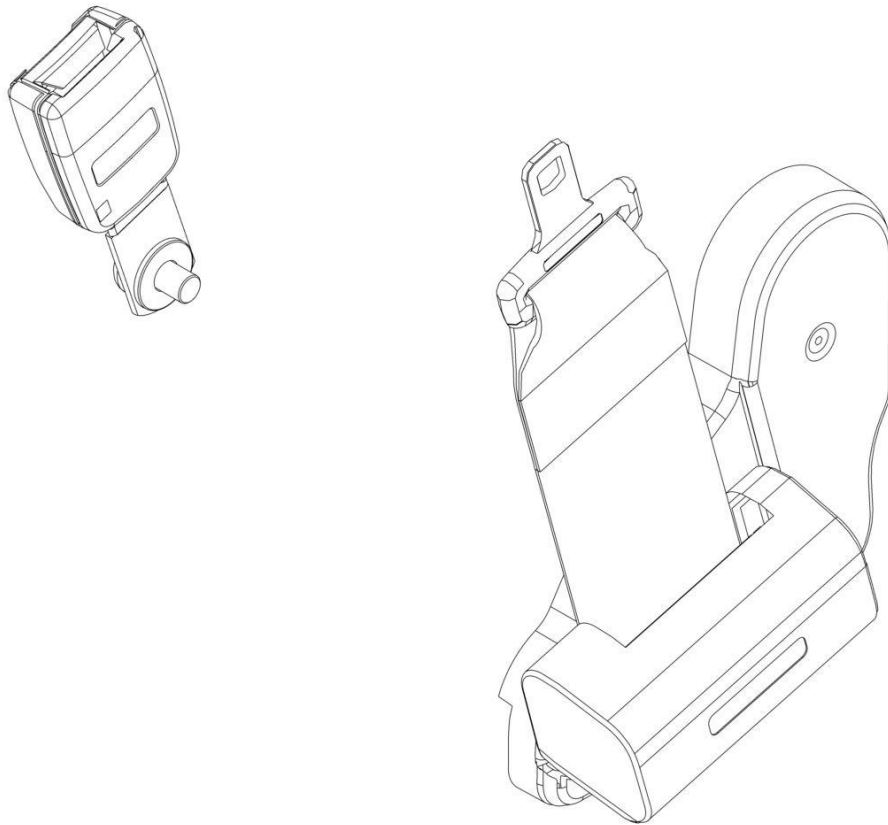
ART_1001303221

FIGURE 6-18. SEAT INSTALLATION

ITEM	PART NUMBER	QTY	DESCRIPTION	REV
	1001303221	Ref	SEAT INSTALLATION	A
1	0761010	4	Bolt M10 x 20	
2	3290805	4	Nut M8	
3	4811900	4	Washer M8	
4	4812002	3	Washer M10	
5	4832000	4	Washer M10	
6	1001262289	1	Capscrew M8 x 15	
7	1001299209	1	Seat (Includes Item 101)	
8	1001299292	1	Plate	
9	1001299295	1	Bracket	
10	1001299300	2	Bar	
101	70031659	1	Belt, Seat - 2 Inch Belt (Includes Sensor)	

SECTION 6 - CAB

FIGURE 6-19. SEAT BELT ASSEMBLY - 3 INCH BELT



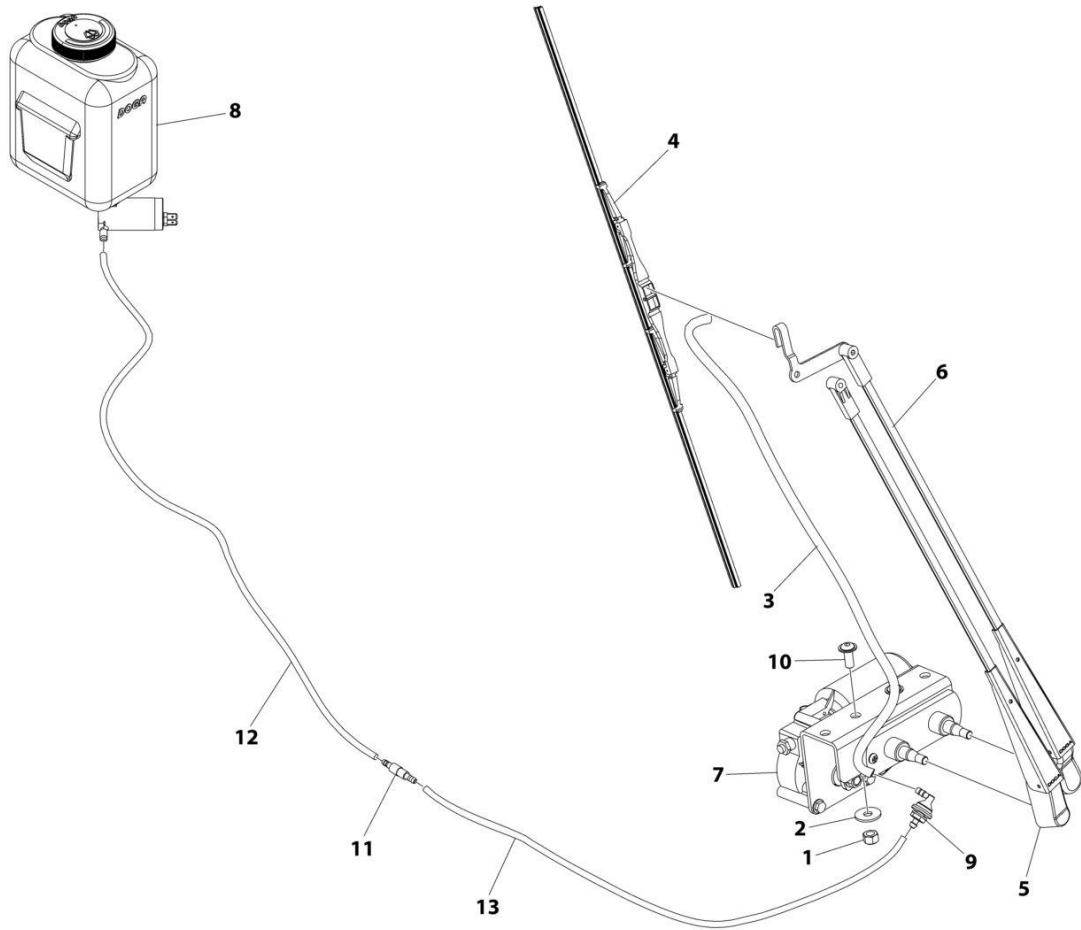
ART_1001310753

FIGURE 6-19. SEAT BELT ASSEMBLY - 3 INCH BELT

ITEM	PART NUMBER	QTY	DESCRIPTION	REV
	1001310753 See Note	Ref Ref	SEAT BELT ASSEMBLY Note: No Service Parts Available, Purchase Complete Assembly	A

SECTION 6 - CAB

FIGURE 6-20. WINDSHIELD WIPER INSTALLATION



ART_1001308678

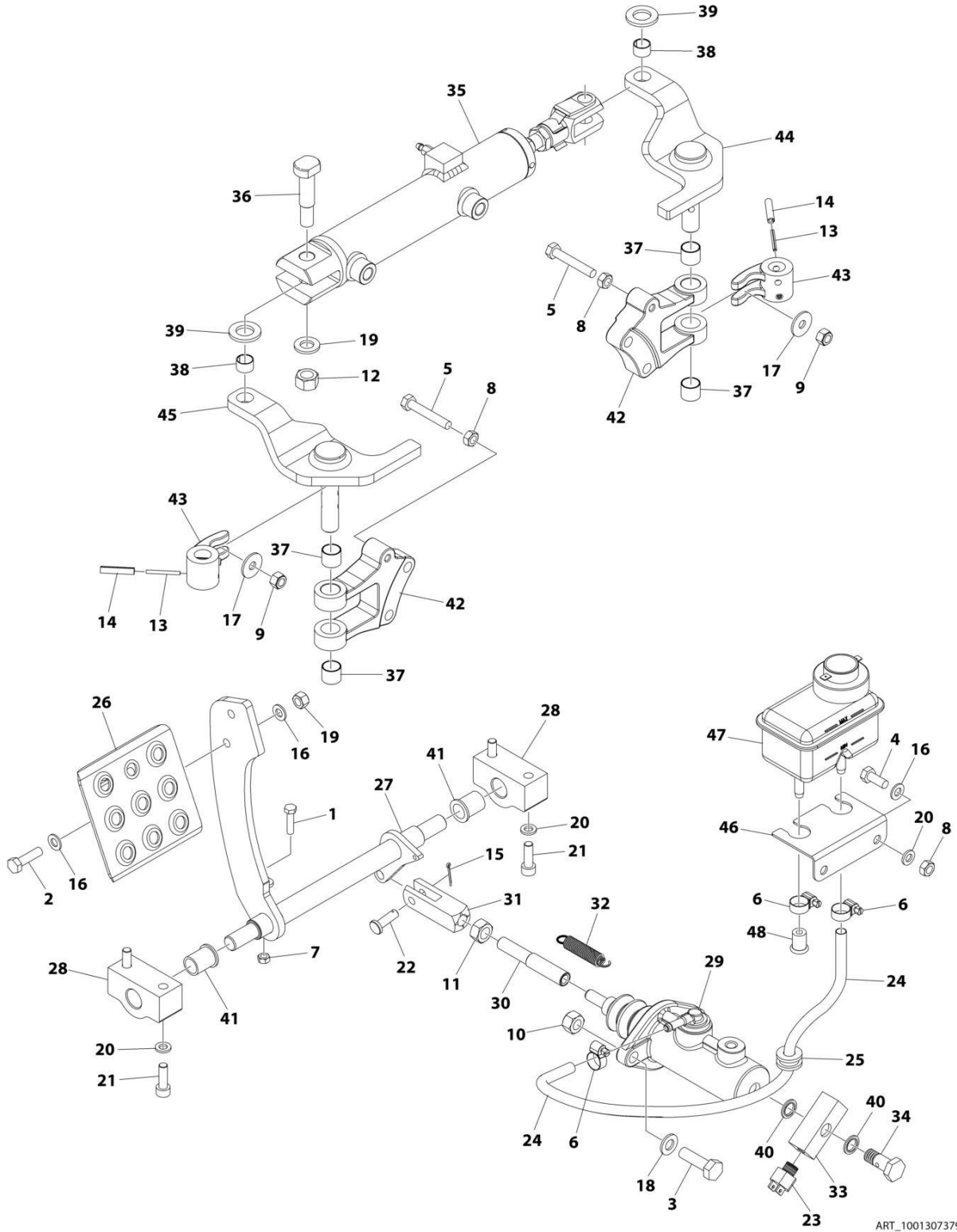
FIGURE 6-20. WINDSHIELD WIPER INSTALLATION

ITEM	PART NUMBER	QTY	DESCRIPTION	REV
	1001308678	Ref	WINDSHIELD WIPER INSTALLATION	A
1	3290805	2	Nut M8	
2	4811902	2	Washer M8	
3	1001264485	1	Hose	
4	1001264494	1	Blade, Wiper	
5	1001264500	1	Linkage, Right Wiper	
6	1001264501	1	Linkage, Left Wiper	
7	1001264505	1	Motor, Wiper	
8	1001264508	1	Tank, Washer Fluid	
9	1001264521	1	Fitting	
10	1001264711	2	Capscrew M8 x 20	
11	1001265305	1	Valve, Check	
12	1001309357	1	Hose	
13	1001309358	1	Hose	

SECTION 7 - CONTROLS

SECTION 7 - CONTROLS

FIGURE 7-1. BRAKE SYSTEM INSTALLATION



ART_1001307379

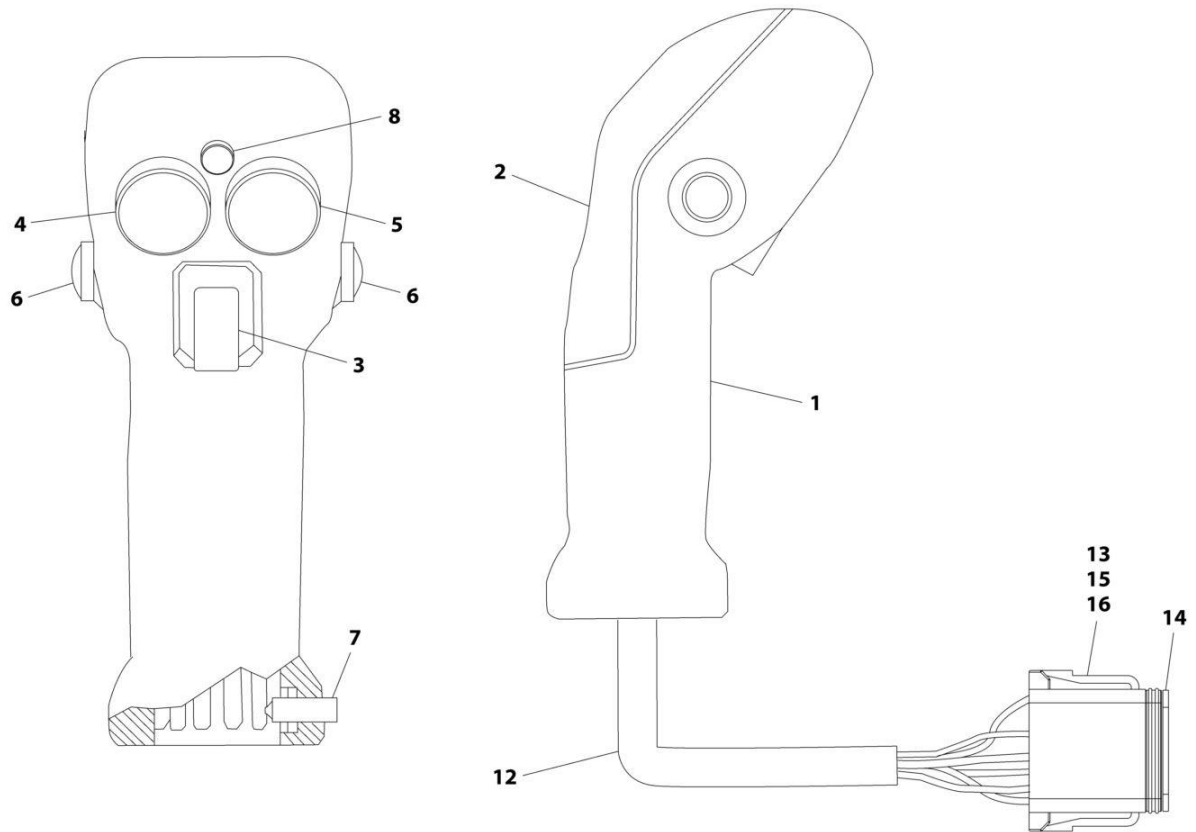
SECTION 7 - CONTROLS

FIGURE 7-1. BRAKE SYSTEM INSTALLATION

ITEM	PART NUMBER	QTY	DESCRIPTION	REV
	1001307379	Ref	BRAKE SYSTEM INSTALLATION	A
1	0700612	1	Bolt M6 x 25	
2	0700814	2	Bolt M8 x 30	
3	0701015	2	Bolt M10 x 35	
4	0760810	2	Bolt M8 x 20	
5	0760818	2	Bolt M8 x 50	
6	1320022	3	Clamp, Hose	
7	3290601	1	Nut M6	
8	3290801	4	Nut M8	
9	3290805	4	Nut M8	
10	3291005	2	Nut M10	
11	3291201	1	Nut M12	
12	3291207	1	Nut M12	
13	3440420	4	Pin, Roll - 1/8	
14	3440820	4	Pin, Roll - 1/4	
15	3450203	1	Pin, Cotter	
16	4811900	6	Washer M8	
17	4811902	2	Washer M8	
18	4812000	2	Washer M10	
19	4812100	1	Washer M12	
20	4831900	6	Washer M8	
21	5271809	4	Capscrew M8 x 25	
22	1001262675	1	Pin	
23	1001262684	1	Sensor, Brake Pressure	
24	1001262688	1	Hose, Brake	
25	1001264529	1	Grommet	
26	1001303452	1	Pedal, Brake	
27	1001303466	1	Lever, Brake	
28	1001303494	2	Block, Mounting	
29	1001303495	1	Cylinder, Brake Master (No Service Parts Available)	
30	1001303496	1	Rod	
31	1001303514	1	Clevis	
32	1001303521	1	Spring	
33	1001303608	1	Block, Fitting	
34	1001303610	1	Bolt M12 x 1	
35	1001303611	1	Cylinder, Brake	
36	1001303614	1	Bolt M25 x 70	
37	1001303634	4	Bushing - 18MM Diameter	
38	1001303637	2	Bushing - 16MM Diameter	
39	1001305592	2	Washer M17	
40	1001305595	2	Seal M12	
41	1001305601	2	Bushing	
42	1001305612	2	Support, Brake Arm	
43	1001305660	2	Support, Brake Mount	
44	1001305666	1	Mount, Right Brake	
45	1001305674	1	Mount, Left Brake	
46	1001307383	1	Bracket	
47	1001307384	1	Reservoir, Brake Fluid	
48	1001308324	1	Plug	

SECTION 7 - CONTROLS

FIGURE 7-2. JOYSTICK ASSEMBLY



ART_1001307326

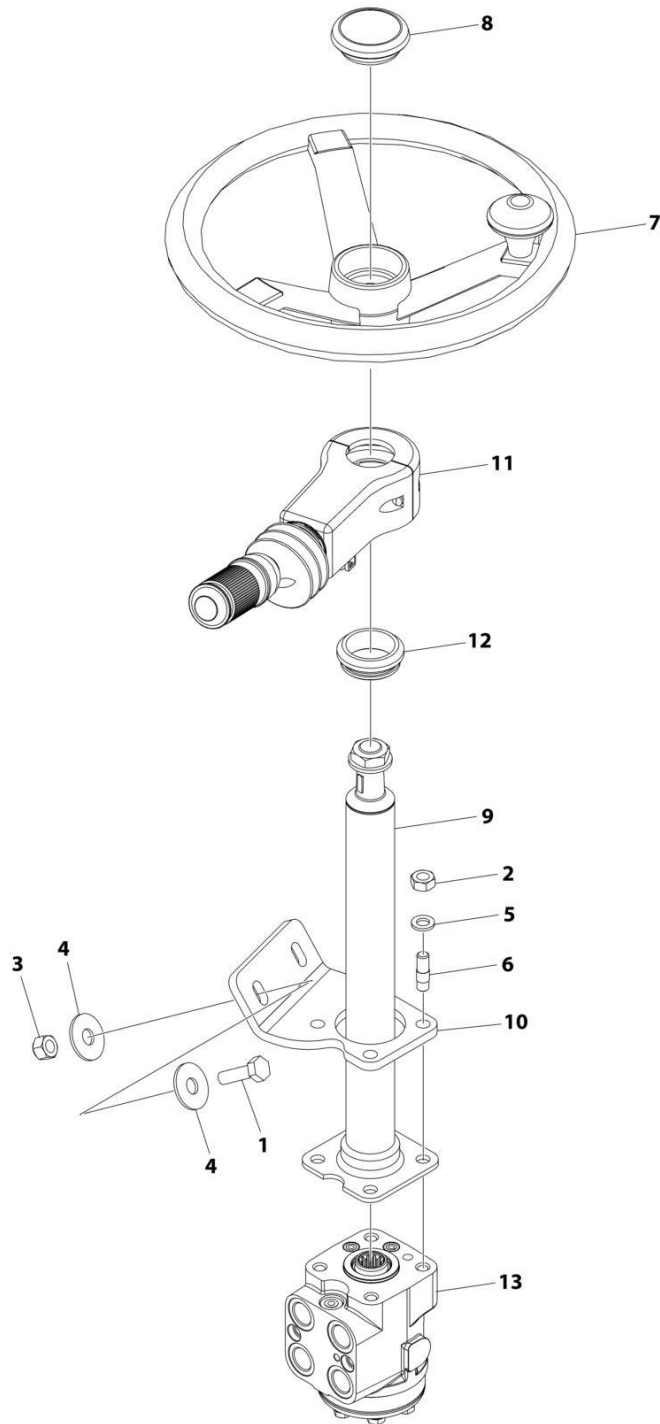
SECTION 7 - CONTROLS

FIGURE 7-2. JOYSTICK ASSEMBLY

ITEM	PART NUMBER	QTY	DESCRIPTION	REV
	1001307326	Ref	JOYSTICK ASSEMBLY	A
1	70031537	1	Handle	
2	70031538	1	Backshell	
3	70031539	1	Switch	
4	70031540	1	Button	
5	70031541	1	Button	
6	70031542	2	Button	
7	70031543	1	Pin	
8	70031544	1	Button	
9	70031545	1	Module, Control (Not Shown - Located Inside Handle) (Note: Re-calibration required when replaced)	
12	70031546	1	Harness, Joystick	
13	70031547	1	Connector	
14	70031548	1	Faceplate	
15	70031549	11	Terminal	
16	70031550	1	Plug	

SECTION 7 - CONTROLS

FIGURE 7-3. STEERING INSTALLATION



ART_1001302209

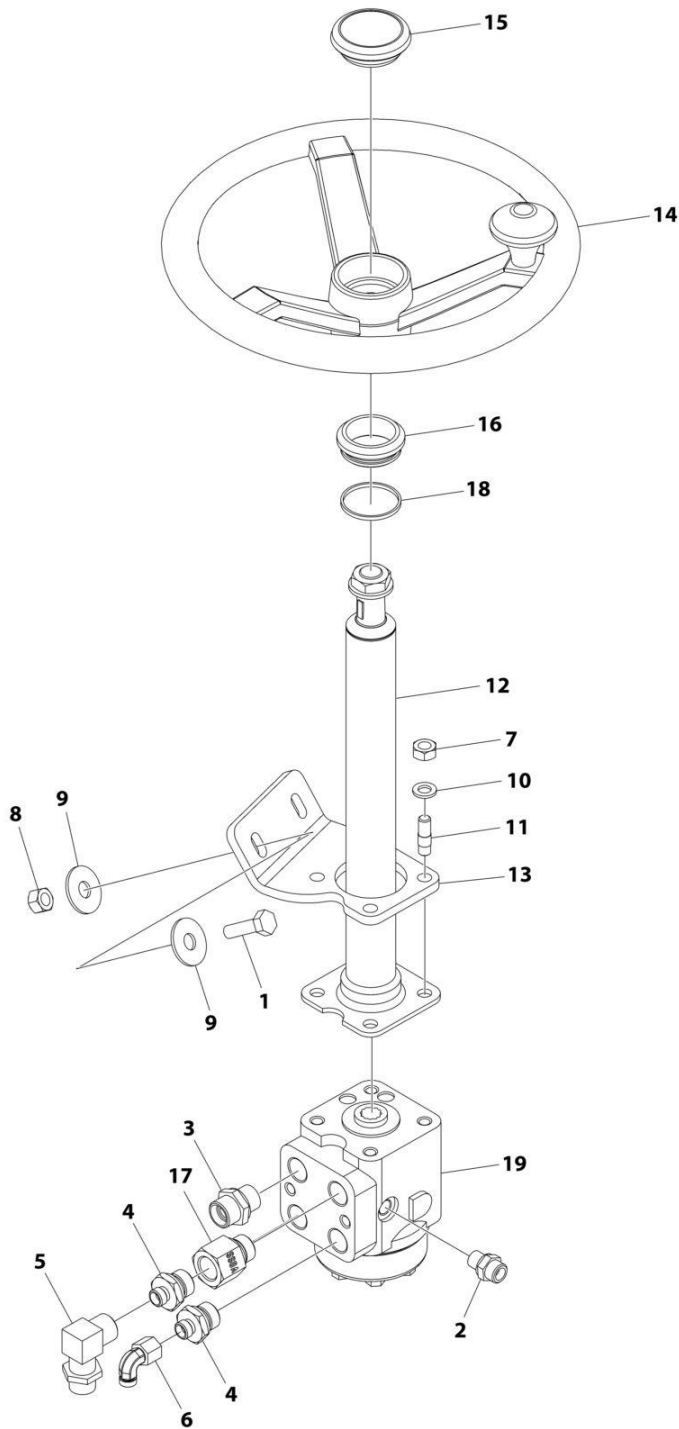
SECTION 7 - CONTROLS

FIGURE 7-3. STEERING INSTALLATION

ITEM	PART NUMBER	QTY	DESCRIPTION	REV
	1001302209	Ref	STEERING INSTALLATION	A
1	0701015	2	Bolt M10 x 35	
2	3291001	4	Nut M10	
3	3291005	2	Nut M10	
4	4812102	4	Washer M12	
5	4832000	4	Washer M10	
6	1001262669	4	Stud	
7	1001262673	1	Wheel, Steering	
7	70031360	1	Knob, Steer	
8	1001262674	1	Button, Horn	
9	1001262670	1	Column, Steering	
10	1001262671	1	Bracket	
11	1001264404	1	Lever, Forward Neutral Reverse	
12	1001302207	1	Grommet	
13	1001302208	1	Valve, Steering	
13	80334588	1	Kit, Seal	

SECTION 7 - CONTROLS

FIGURE 7-4. STEERING INSTALLATION (HIGH FLOW)



ART_1001311715

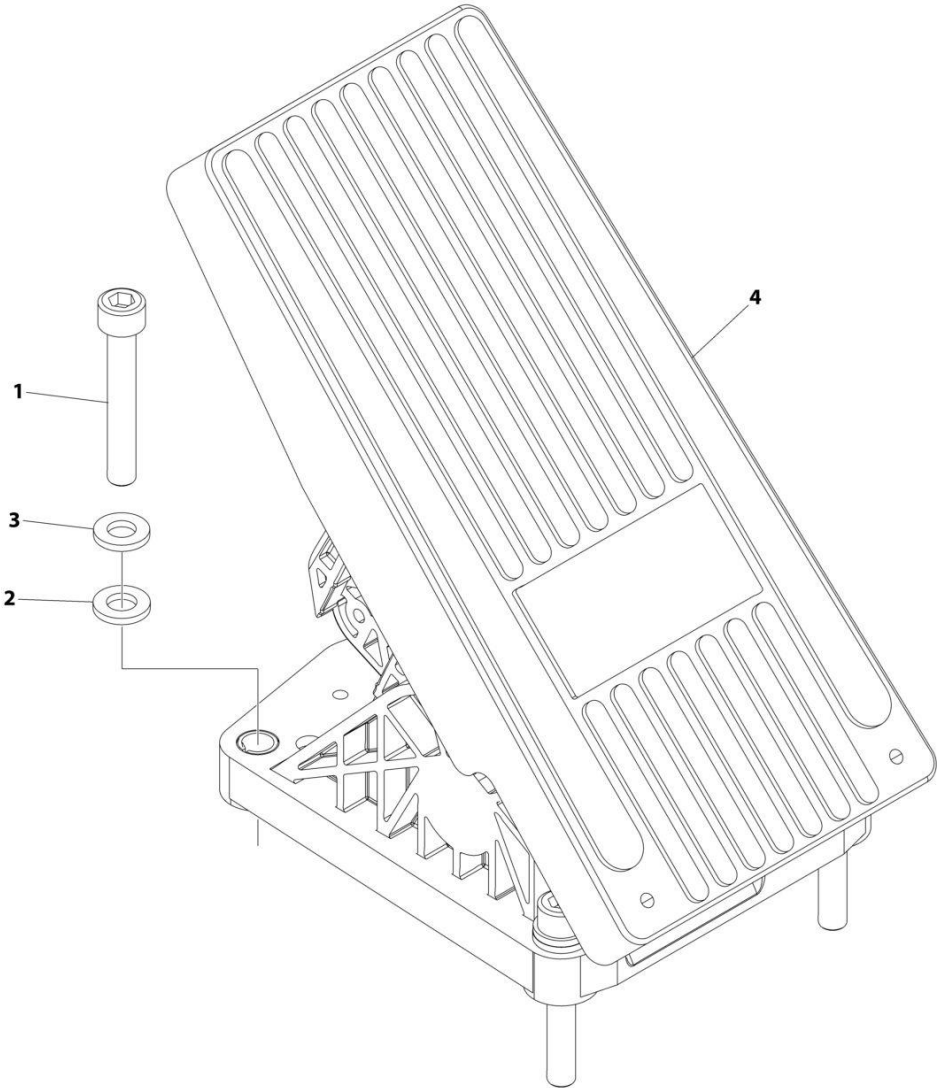
SECTION 7 - CONTROLS

FIGURE 7-4. STEERING INSTALLATION (HIGH FLOW)

ITEM	PART NUMBER	QTY	DESCRIPTION	REV
	1001311715	Ref	STEERING INSTALLATION (HIGH FLOW)	A
1	0701015	2	Bolt M10 x 35	
2	2142706	1	Fitting, Straight	
3	2142715	1	Fitting, Straight	
4	2142743	2	Fitting, Straight	
5	2143007	1	Fitting, 90	
6	2143402	1	Fitting, 90	
7	3291001	4	Nut M10	
8	3291005	2	Nut M10	
9	4812102	4	Washer M12	
10	4832000	4	Washer M10	
11	1001262669	4	Stud	
12	1001262670	1	Column, Steering	
13	1001262671	1	Bracket	
14	1001262673	1	Wheel, Steering	
15	1001262674	1	Button, Horn	
16	1001302207	1	Grommet	
17	1001302511	1	Fitting, Straight	
18	1001304017	1	O-Ring	
19	1001311683	1	Valve, Steering	

SECTION 7 - CONTROLS

FIGURE 7-5. THROTTLE PEDAL INSTALLATION



ART_1001308481

SECTION 7 - CONTROLS

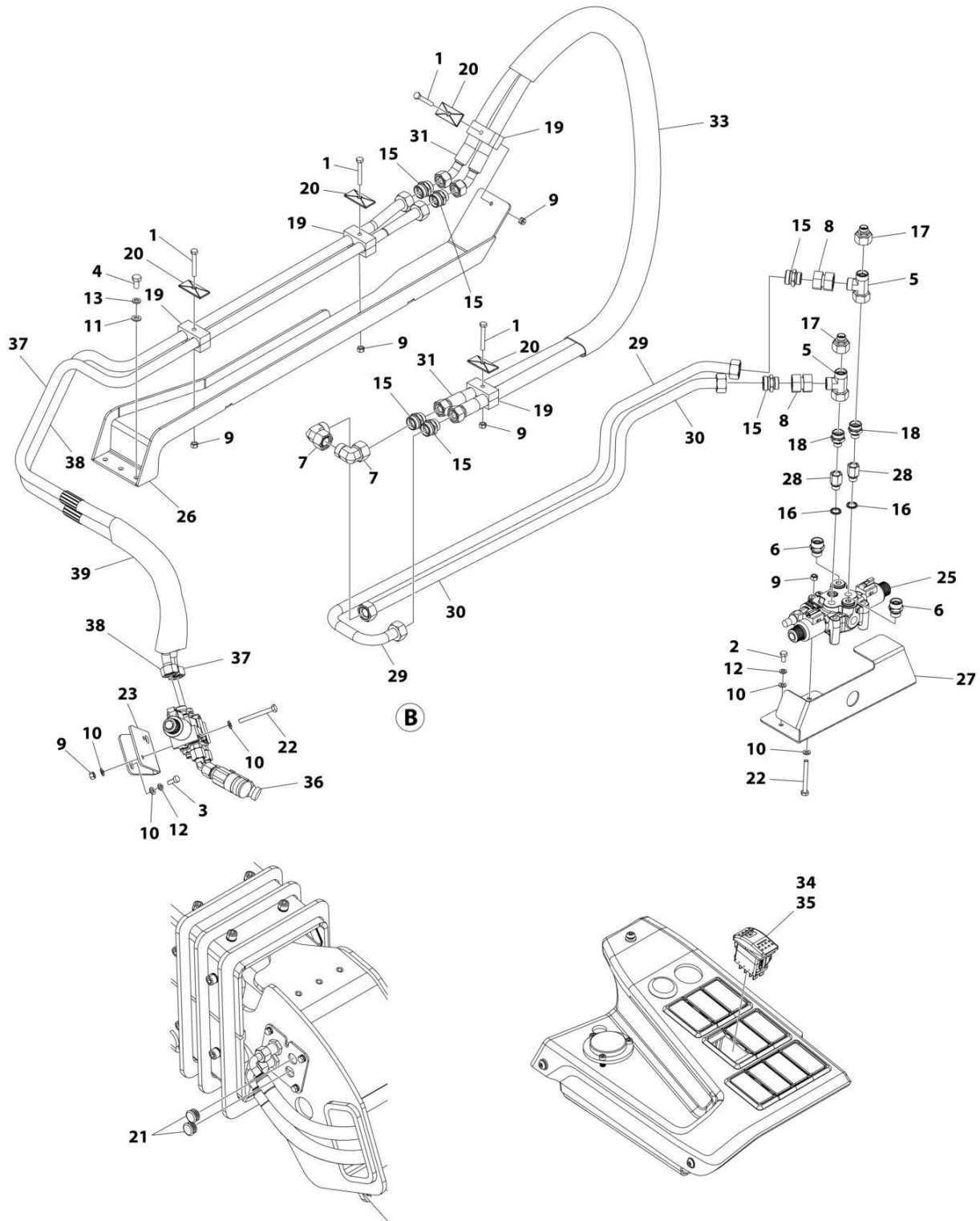
FIGURE 7-5. THROTTLE PEDAL INSTALLATION

ITEM	PART NUMBER	QTY	DESCRIPTION	REV
	1001308481	Ref	THROTTLE PEDAL INSTALLATION	A
1	4031712	4	Capscrew M6 x 40	
2	4811700	4	Washer M6	
3	4831700	4	Washer M6	
4	1001308571	1	Pedal, Throttle	

SECTION 8 - HYDRAULIC CIRCUITS

SECTION 8 - HYDRAULIC CIRCUITS

FIGURE 8-1. AUXILIARY HYDRAULICS INSTALLATION - HYDRAULIC COUPLER (HIGH FLOW)



ART_1001307908

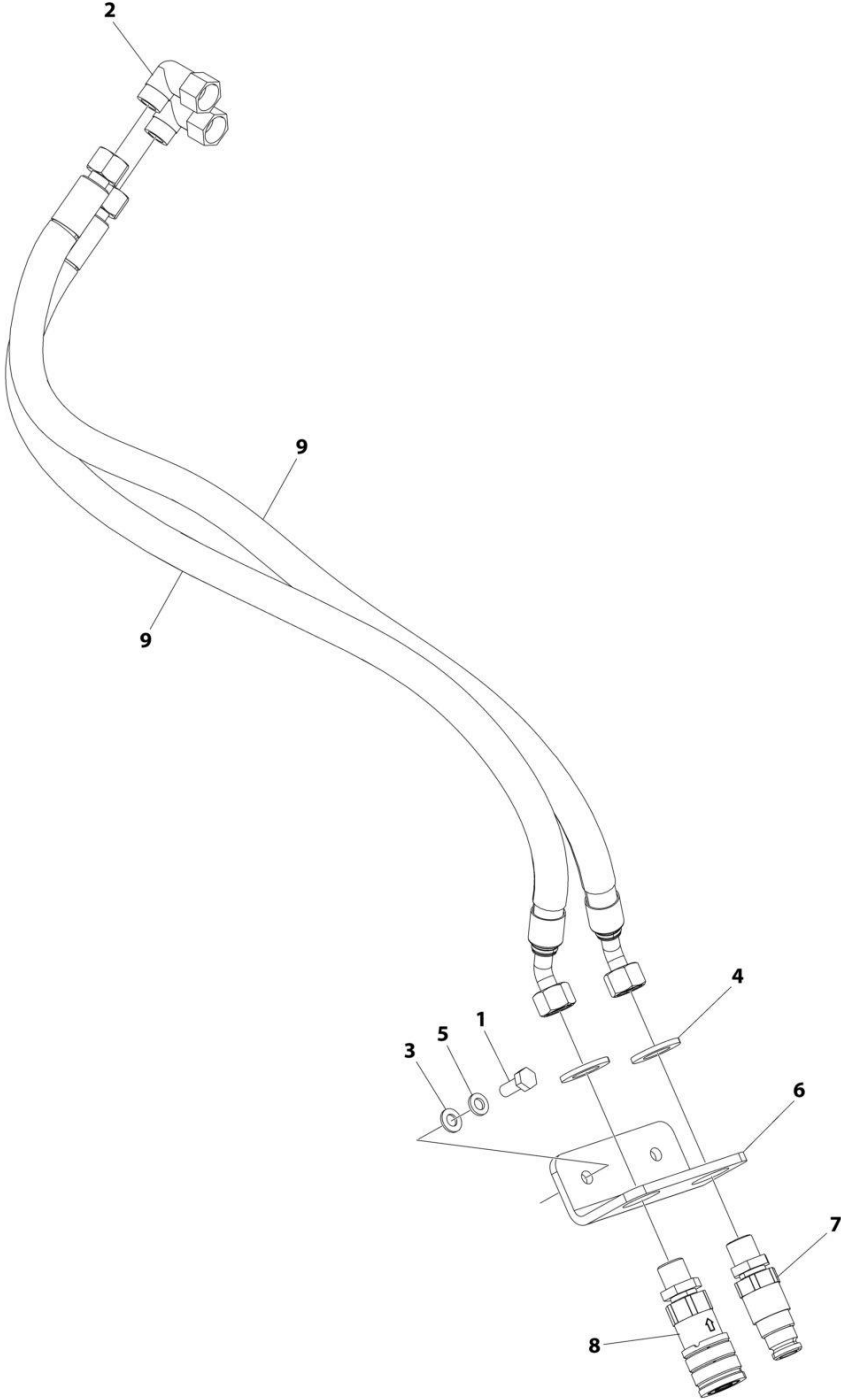
SECTION 8 - HYDRAULIC CIRCUITS

FIGURE 8-1. AUXILIARY HYDRAULICS INSTALLATION - HYDRAULIC COUPLER (HIGH FLOW)

ITEM	PART NUMBER	QTY	DESCRIPTION	REV
	1001307908	Ref	AUXILIARY HYDRAULICS INSTALLATION (HYDRAULIC COUPLER) (HIGH FLOW)	B
1	0700820	4	Bolt M8 x 60	
2	0760808	2	Bolt M8 x 16	
3	0760810	2	Bolt M8 x 20	
4	0761010	3	Bolt M10 x 20	
5	2142206	2	Fitting, Tee	
6	2142716	2	Fitting, Straight	
7	2143407	2	Fitting, 90	
8	2143607	2	Fitting, Straight	
9	3290805	9	Nut M8	
10	4811900	11	Washer M8	
11	4812000	3	Washer M10	
12	4831900	4	Washer M8	
13	4832000	3	Washer M10	
14	1001262961	2	Tie-Strap (Not Shown)	
15	1001263110	6	Fitting, Straight	
16	1001263139	2	Seal	
17	1001263141	2	Fitting, Straight	
18	1001263143	2	Fitting, Straight	
19	1001263184	4	Clamp	
20	1001263185	4	Cap, Clamp	
21	1001264006	2	Plug	
22	1001264533	5	Bolt M8 x 80	
23	1001304736	1	Bracket	
24	1001304892	1	Harness, Hydraulic Coupler (Not Shown)	
25	1001307979	1	Valve, Distributor	
26	1001307980	1	Support	
27	1001308082	1	Bracket	
28	1001308083	2	Fitting, Straight	
29	1001308142	1	Pipe	
30	1001308144	1	Pipe	
31	1001308146	2	Hose	
32	1001308150	1	Harness, Jumper (Not Shown)	
33	1001308151	1	Sleeve	
34	1001311737	1	Switch	
35	1001311738	1	Switch	
36	1001311884	1	Valve, Hydraulic Coupler	
37	1001308140	1	Pipe	
38	1001308141	1	Pipe	
39	1001308152	1	Sleeve	

SECTION 8 - HYDRAULIC CIRCUITS

FIGURE 8-2. AUXILIARY HYDRAULICS INSTALLATION - MANUAL COUPLER



ART_1001301813

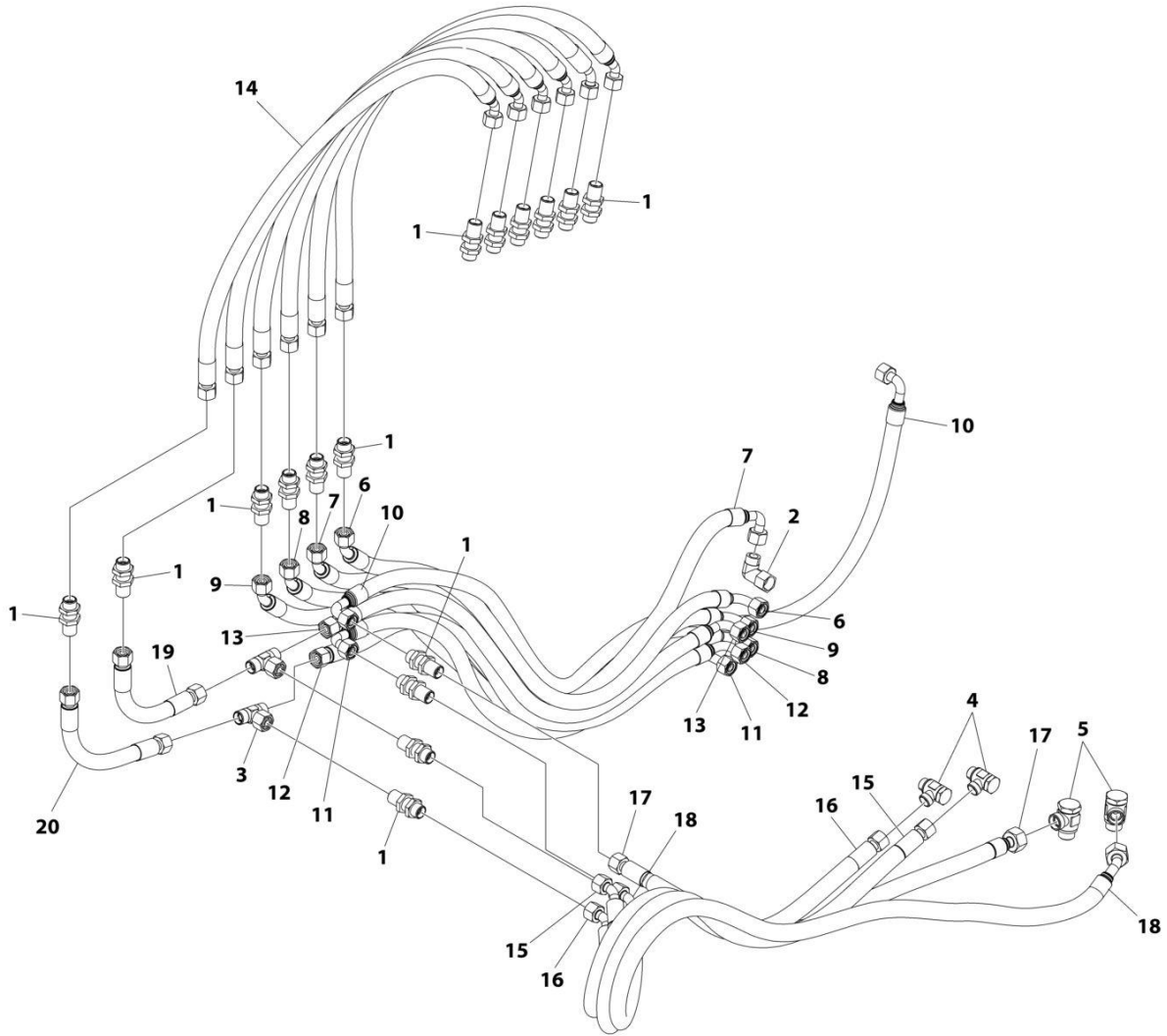
SECTION 8 - HYDRAULIC CIRCUITS

FIGURE 8-2. AUXILIARY HYDRAULICS INSTALLATION - MANUAL COUPLER

ITEM	PART NUMBER	QTY	DESCRIPTION	REV
	1001301813	Ref	AUXILIARY HYDRAULICS INSTALLATION	A
1	0760810	2	Bolt M8 x 20	
2	2143404	2	Fitting, 90	
3	4811900	2	Washer M8	
4	4812400	2	Washer M18	
5	4831900	2	Washer M8	
6	1001262037	1	Bracket	
7	1001263186	1	Coupling, Male Quick Disconnect	
8	1001263187	1	Coupling, Female Quick Disconnect	
9	1001305482	2	Hose	

SECTION 8 - HYDRAULIC CIRCUITS

FIGURE 8-3. BOOM HOSES INSTALLATION



ART_1001305837

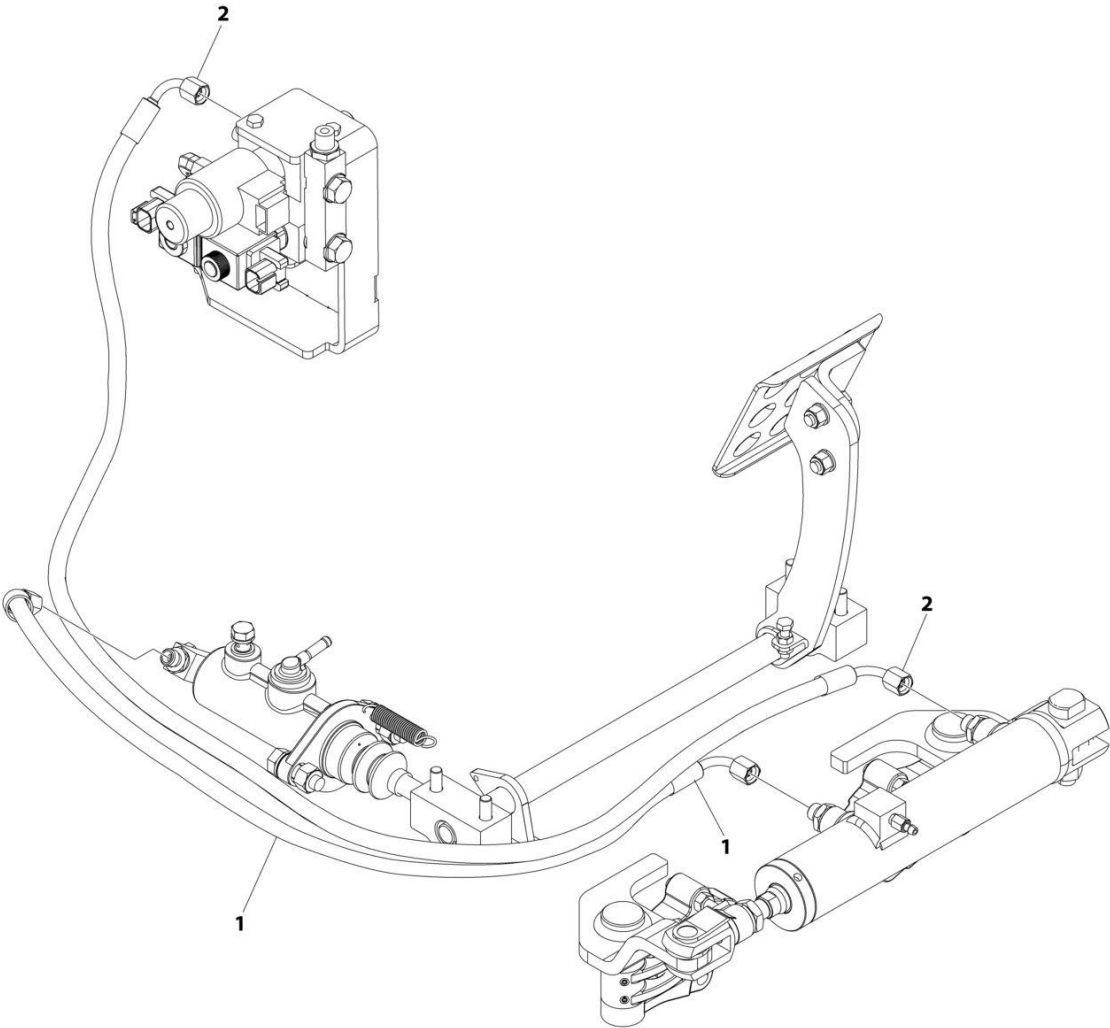
SECTION 8 - HYDRAULIC CIRCUITS

FIGURE 8-3. BOOM HOSES INSTALLATION

ITEM	PART NUMBER	QTY	DESCRIPTION	REV
	1001305837	Ref	BOOM HOSES INSTALLATION	A
1	2141504	16	Fitting, Straight	
2	2143404	1	Fitting, 90	
3	1001263145	2	Fitting, Tee	
4	1001263170	2	Fitting, Tee	
5	1001263181	2	Fitting, Tee	
6	1001302733	1	Hose	
7	1001302734	1	Hose	
8	1001302735	1	Hose	
9	1001302736	1	Hose	
10	1001302737	1	Hose	
11	1001302738	1	Hose	
12	1001302739	1	Hose	
13	1001302740	1	Hose	
14	1001302741	6	Hose	
15	1001302742	1	Hose	
16	1001302743	1	Hose	
17	1001302744	1	Hose	
18	1001302816	1	Hose	
19	1001306269	1	Hose	
20	1001306270	1	Hose	

SECTION 8 - HYDRAULIC CIRCUITS

FIGURE 8-4. BRAKE HOSES INSTALLATION



ART_1001309359

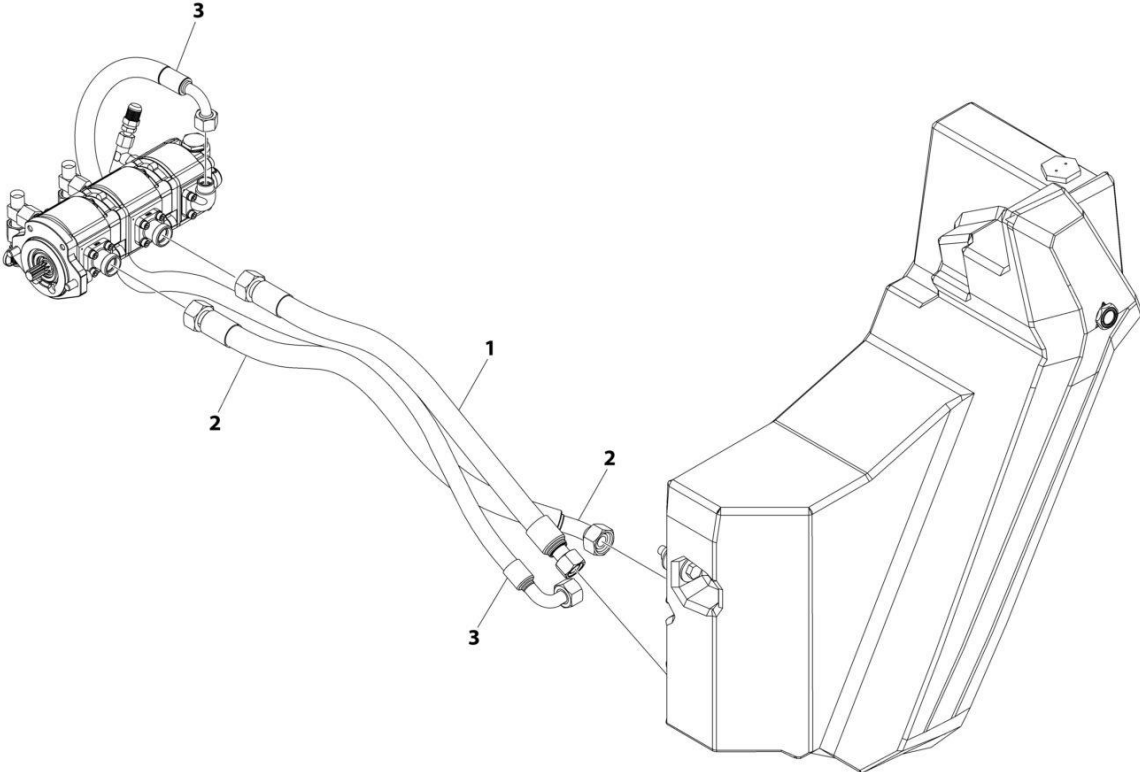
SECTION 8 - HYDRAULIC CIRCUITS

FIGURE 8-4. BRAKE HOSES INSTALLATION

ITEM	PART NUMBER	QTY	DESCRIPTION	REV
	1001309359	Ref	BRAKE HOSES INSTALLATION	A
1	1001306331	1	Hose	
2	1001306333	1	Hose	

SECTION 8 - HYDRAULIC CIRCUITS

FIGURE 8-5. DRIVE PUMP HOSES INSTALLATION



ART_1001309439

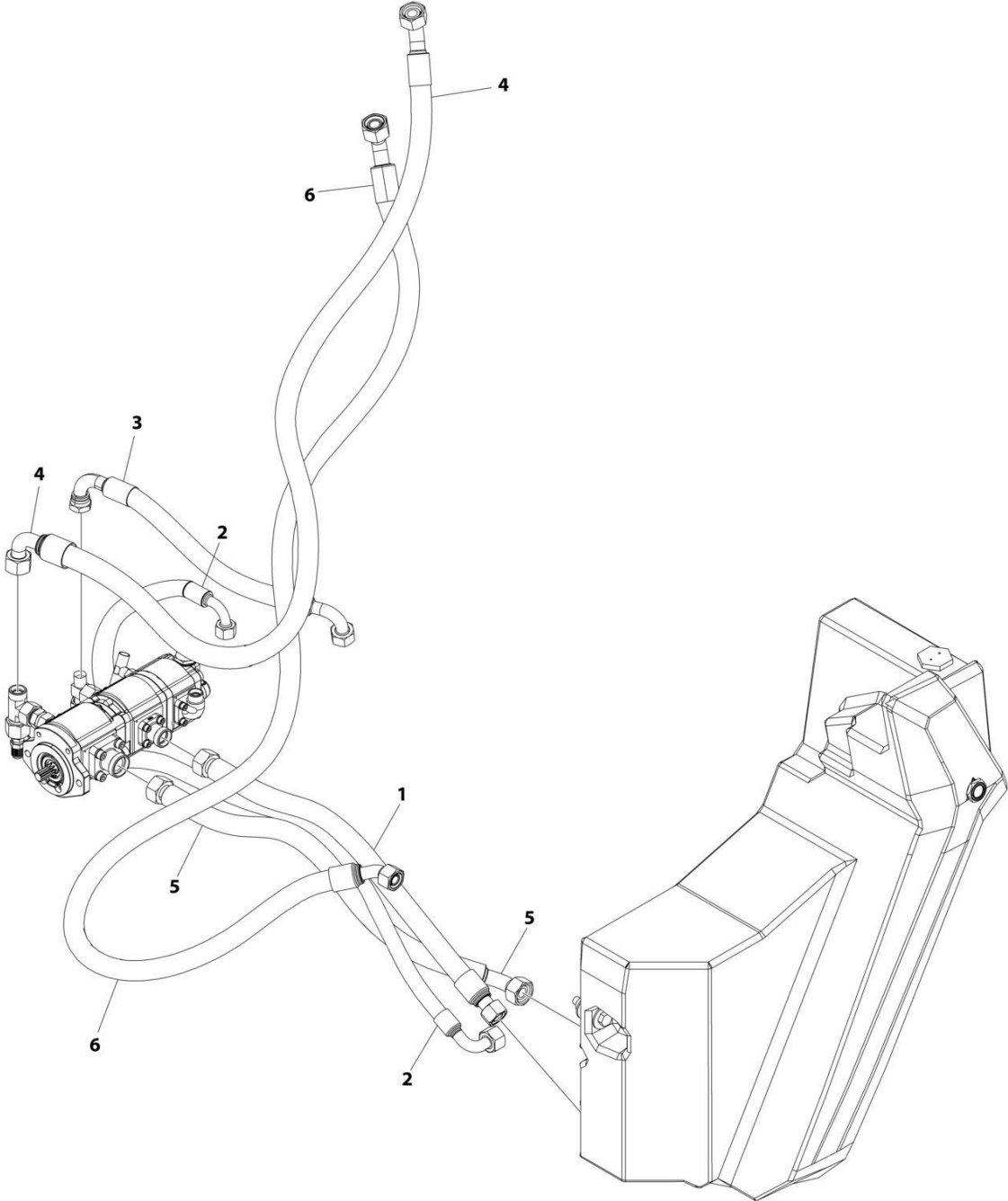
SECTION 8 - HYDRAULIC CIRCUITS

FIGURE 8-5. DRIVE PUMP HOSES INSTALLATION

ITEM	PART NUMBER	QTY	DESCRIPTION	REV
	1001309439	Ref	DRIVE PUMP HOSES INSTALLATION	A
1	1001309573	1	Hose	
2	1001309574	1	Hose	
3	1001309575	1	Hose	

SECTION 8 - HYDRAULIC CIRCUITS

FIGURE 8-6. DRIVE PUMP HOSES INSTALLATION (HIGH FLOW)



ART_1001311973

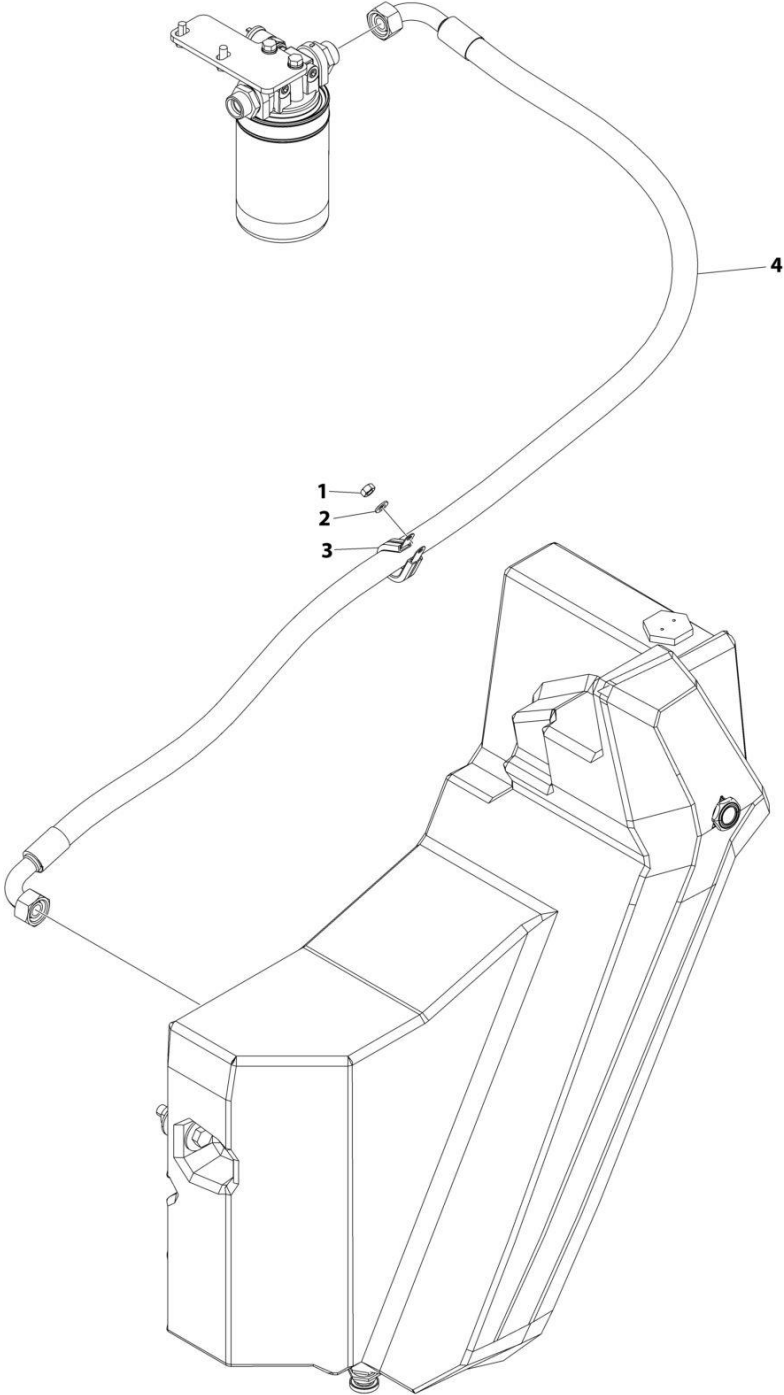
SECTION 8 - HYDRAULIC CIRCUITS

FIGURE 8-6. DRIVE PUMP HOSES INSTALLATION (HIGH FLOW)

ITEM	PART NUMBER	QTY	DESCRIPTION	REV
	1001311973	Ref	DRIVE PUMP HOSES INSTALLATION (HIGH FLOW)	A
1	1001309573	1	Hose	
2	1001309575	1	Hose	
3	1001312873	1	Hose	
4	1001312874	1	Hose	
5	1001312875	1	Hose	
6	1001312876	1	Hose	

SECTION 8 - HYDRAULIC CIRCUITS

FIGURE 8-7. HYDRAULIC TANK HOSES INSTALLATION



ART_1001309421

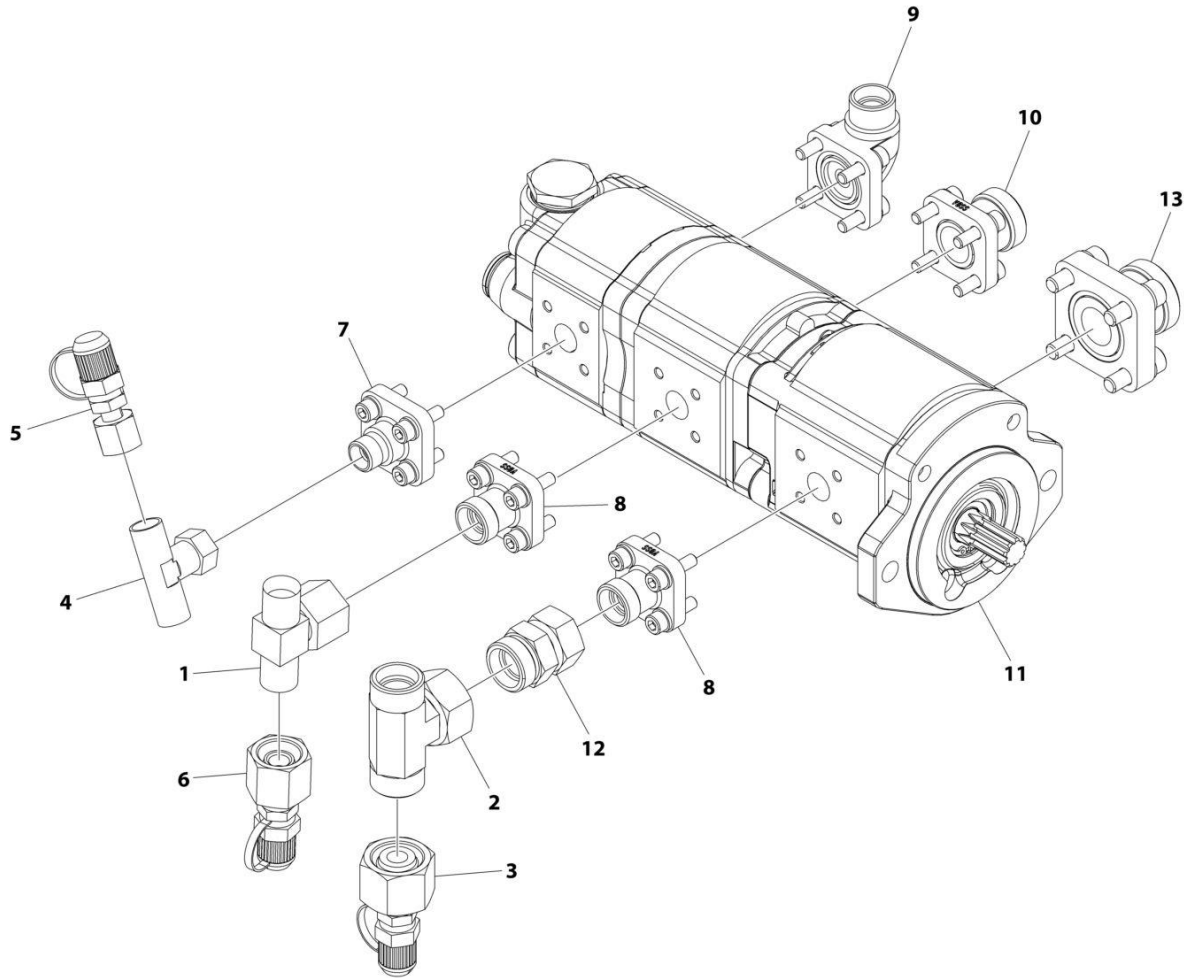
SECTION 8 - HYDRAULIC CIRCUITS

FIGURE 8-7. HYDRAULIC TANK HOSES INSTALLATION

ITEM	PART NUMBER	QTY	DESCRIPTION	REV
	1001309421	Ref	HYDRAULIC TANK HOSES INSTALLATION	A
1	3290801	1	Nut M8	
2	4811900	1	Washer M8	
3	1001264677	1	Clamp	
4	1001309557	1	Hose	

SECTION 8 - HYDRAULIC CIRCUITS

FIGURE 8-8. HYDRAULIC TANK HOSES INSTALLATION (HIGH FLOW)



ART_1001311977

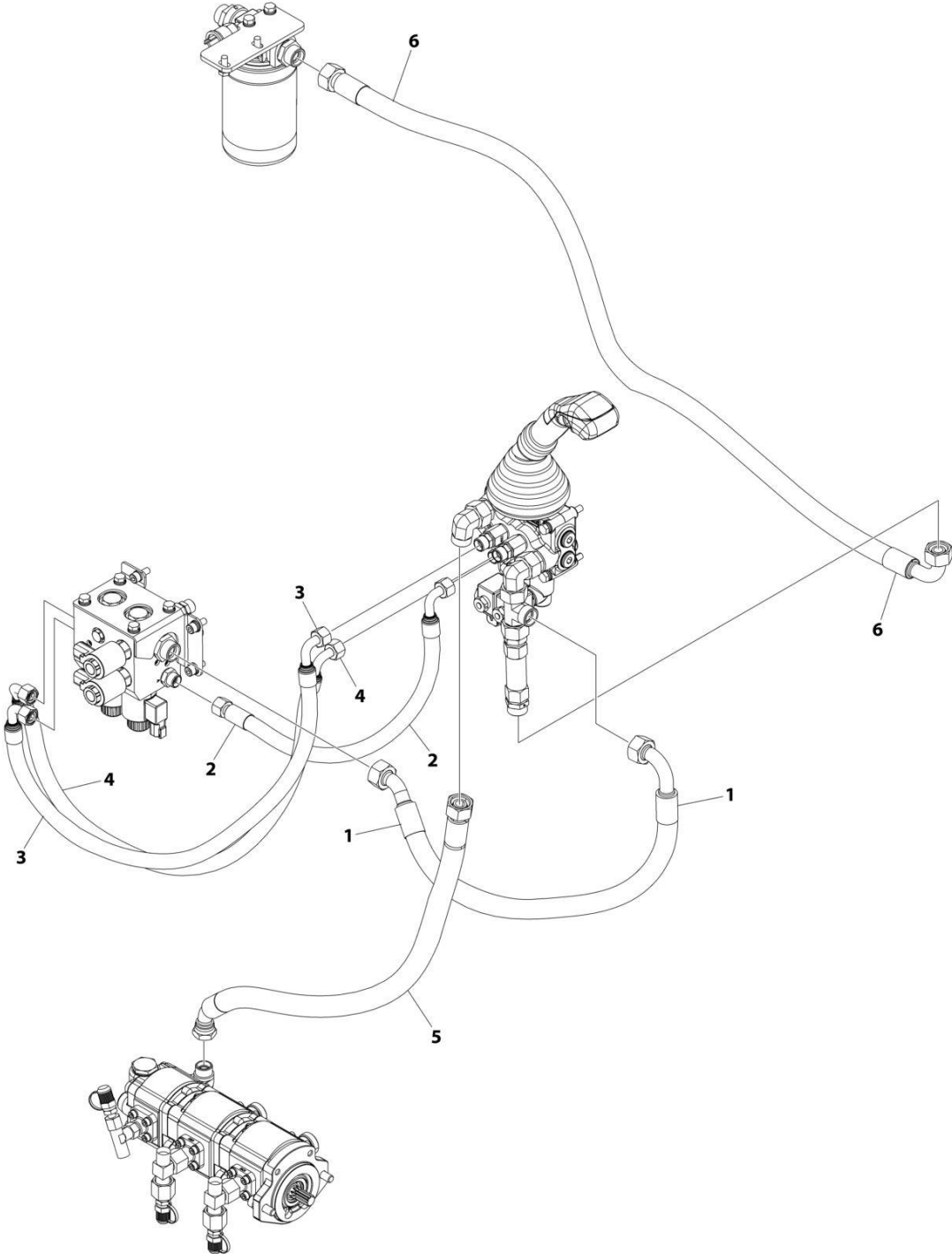
SECTION 8 - HYDRAULIC CIRCUITS

FIGURE 8-8. HYDRAULIC TANK HOSES INSTALLATION (HIGH FLOW)

ITEM	PART NUMBER	QTY	DESCRIPTION	REV
	1001311977	Ref	PUMP HOSES INSTALLATION (HIGH FLOW)	A
1	2142105	1	Fitting, Tee	
2	2142106	1	Fitting, Tee	
3	2144106	1	Fitting, Diagnostic Tip	
4	2142103	1	Fitting, Tee	
5	1001263136	1	Coupling, Pressure Check	
6	1001263137	1	Coupling, Pressure Check	
7	1001310013	1	Fitting, Straight	
8	1001310044	2	Fitting, Straight	
9	1001310046	1	Fitting, 90	
10	1001310056	1	Fitting, Straight	
11	1001312887	1	Pump, Hydraulic	
12	1001312901	1	Fitting, Straight	
13	1001312909	1	Fitting, Straight	

SECTION 8 - HYDRAULIC CIRCUITS

FIGURE 8-9. JOYSTICK HOSES INSTALLATION



ART_1001308943

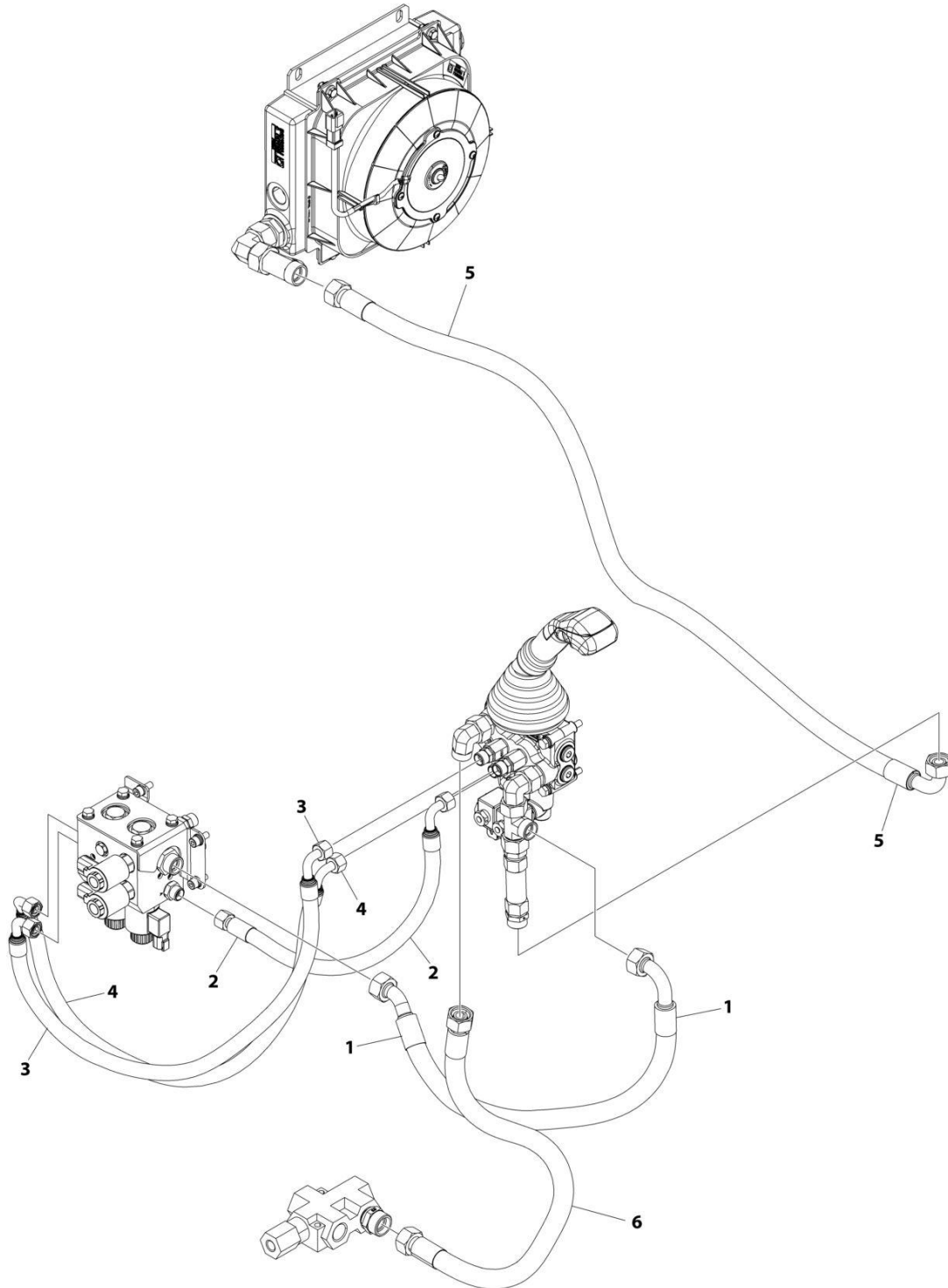
SECTION 8 - HYDRAULIC CIRCUITS

FIGURE 8-9. JOYSTICK HOSES INSTALLATION

ITEM	PART NUMBER	QTY	DESCRIPTION	REV
	1001308943	Ref	JOYSTICK HOSES INSTALLATION	A
1	1001306235	1	Hose	
2	1001306236	1	Hose	
3	1001306237	1	Hose	
4	1001306238	1	Hose	
5	1001309481	1	Hose	
6	1001309482	1	Hose	

SECTION 8 - HYDRAULIC CIRCUITS

FIGURE 8-10. JOYSTICK HOSES INSTALLATION (HIGH FLOW)



ART_1001311891

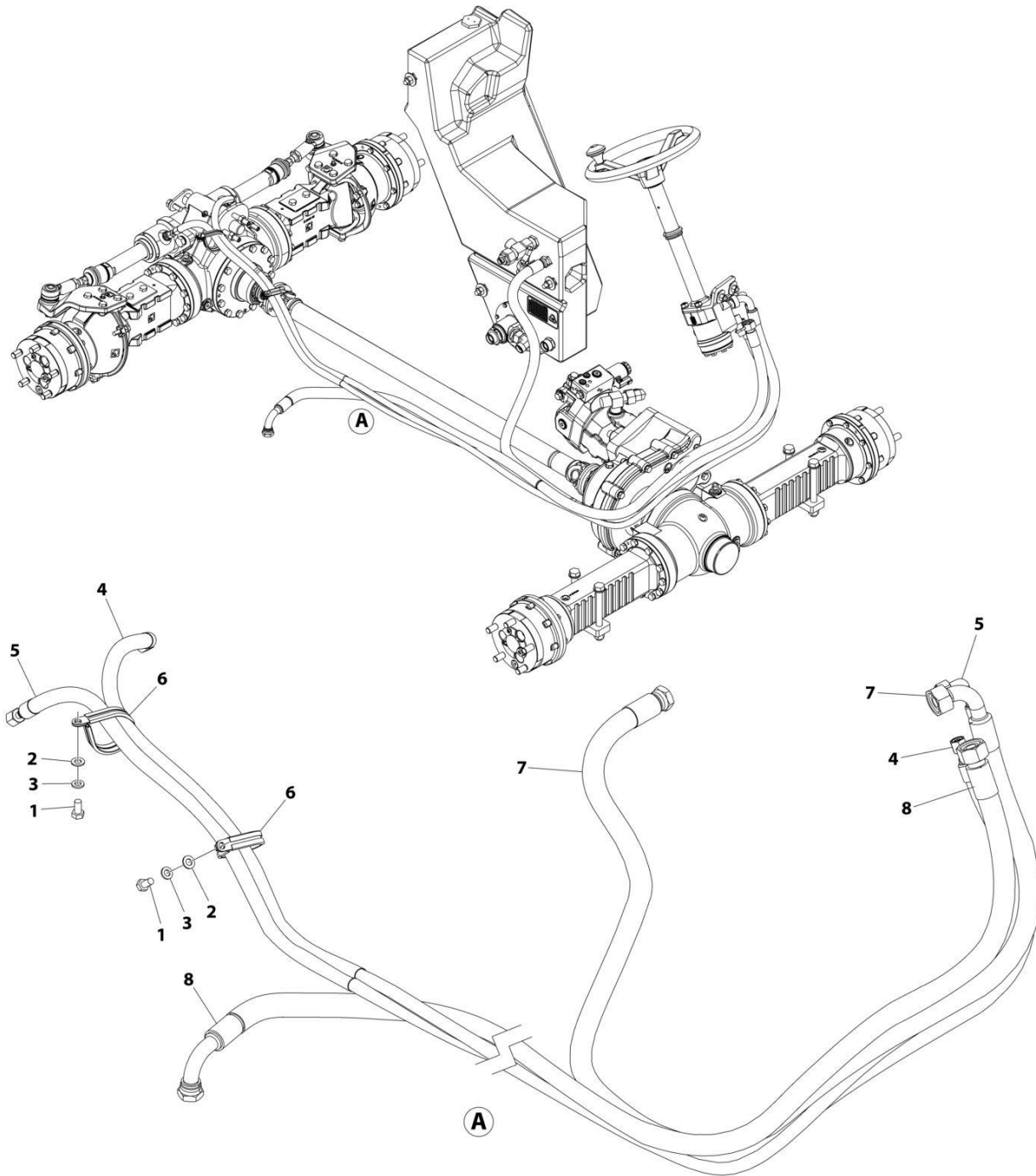
SECTION 8 - HYDRAULIC CIRCUITS

FIGURE 8-10. JOYSTICK HOSES INSTALLATION (HIGH FLOW)

ITEM	PART NUMBER	QTY	DESCRIPTION	REV
	1001311891	Ref	JOYSTICK HOSES INSTALLATION (HIGH FLOW)	B
1	1001306235	1	Hose	
2	1001306236	1	Hose	
3	1001306237	1	Hose	
4	1001306238	1	Hose	
5	1001309482	1	Hose	
6	1001311916	1	Hose	

SECTION 8 - HYDRAULIC CIRCUITS

FIGURE 8-11. STEERING HOSES INSTALLATION



ART_1001309270

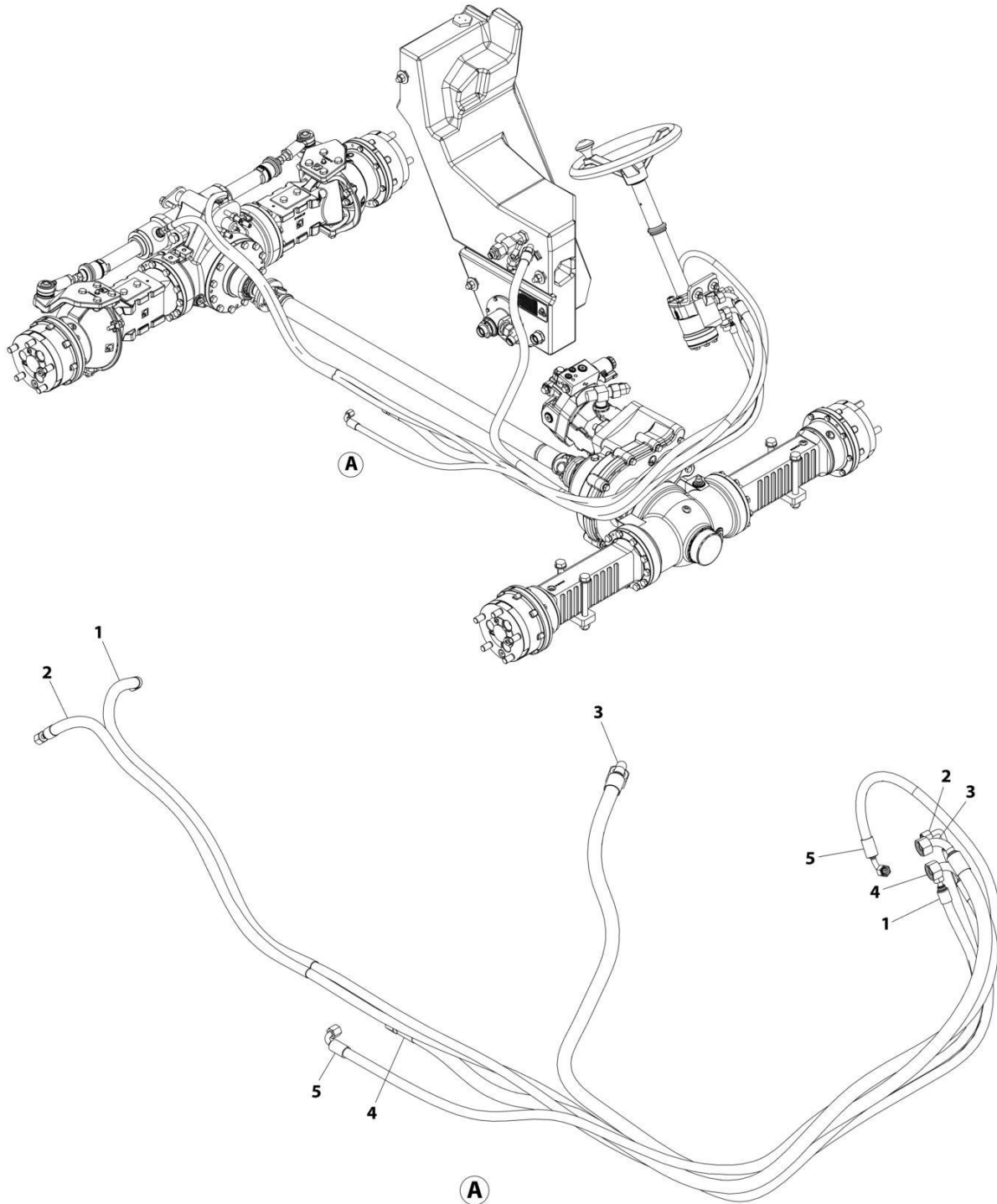
SECTION 8 - HYDRAULIC CIRCUITS

FIGURE 8-11. STEERING HOSES INSTALLATION

ITEM	PART NUMBER	QTY	DESCRIPTION	REV
	1001309270	Ref	STEERING HOSES INSTALLATION	A
1	0760808	2	Bolt M8 x 16	
2	4811900	2	Washer M8	
3	4831900	2	Washer M8	
4	1001302731	1	Hose	
5	1001302732	1	Hose	
6	1001304559	2	Clamp	
7	1001309595	1	Hose	
8	1001309596	1	Hose	

SECTION 8 - HYDRAULIC CIRCUITS

FIGURE 8-12. STEERING HOSES INSTALLATION (HIGH FLOW)



ART_1001311869

SECTION 8 - HYDRAULIC CIRCUITS

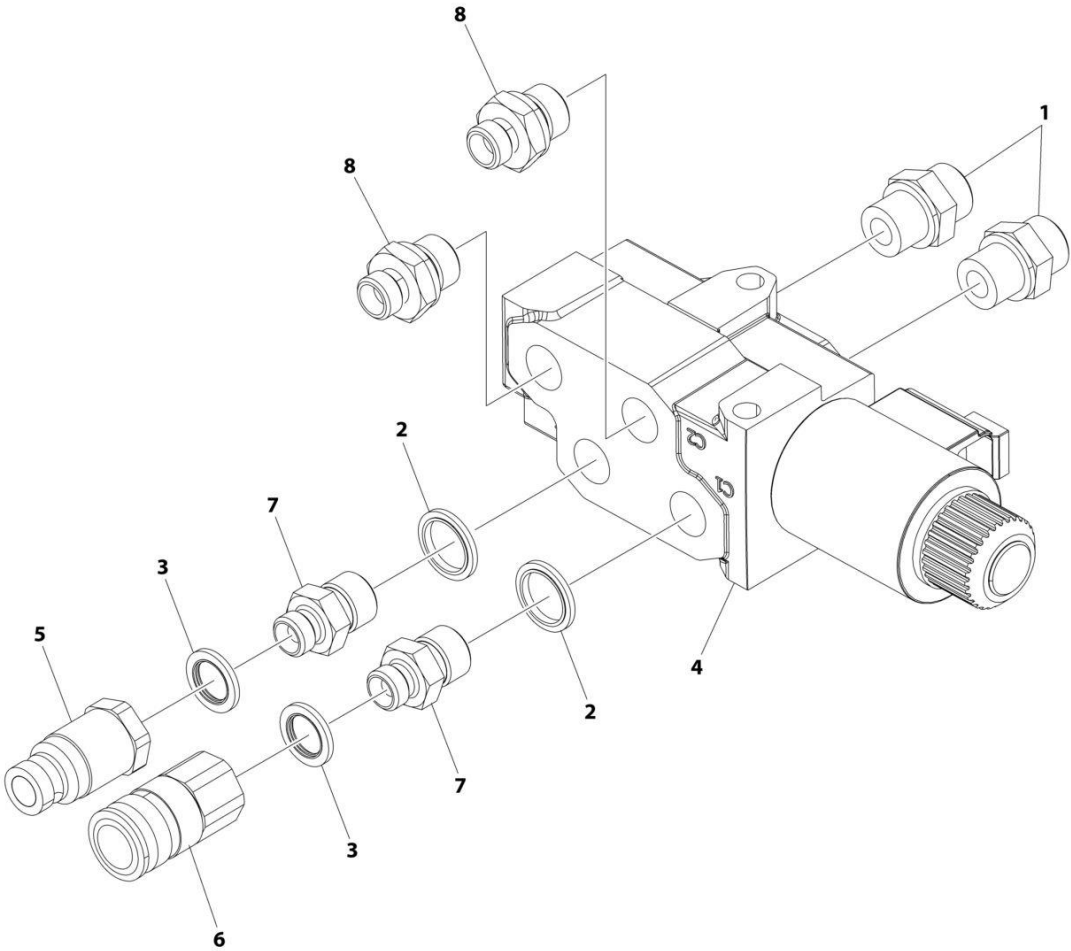
FIGURE 8-12. STEERING HOSES INSTALLATION (HIGH FLOW)

ITEM	PART NUMBER	QTY	DESCRIPTION	REV
	1001311869	Ref	STEER HOSES INSTALLATION (HIGH FLOW)	A
1	1001302731	1	Hose	
2	1001302732	1	Hose	
3	1001312058	1	Hose	
4	1001312059	1	Hose	
5	1001312060	1	Hose	

SECTION 9 - HYDRAULIC COMPONENTS

SECTION 9 - HYDRAULIC COMPONENTS

FIGURE 9-1. COUPLER VALVE ASSEMBLY



ART_1001304456

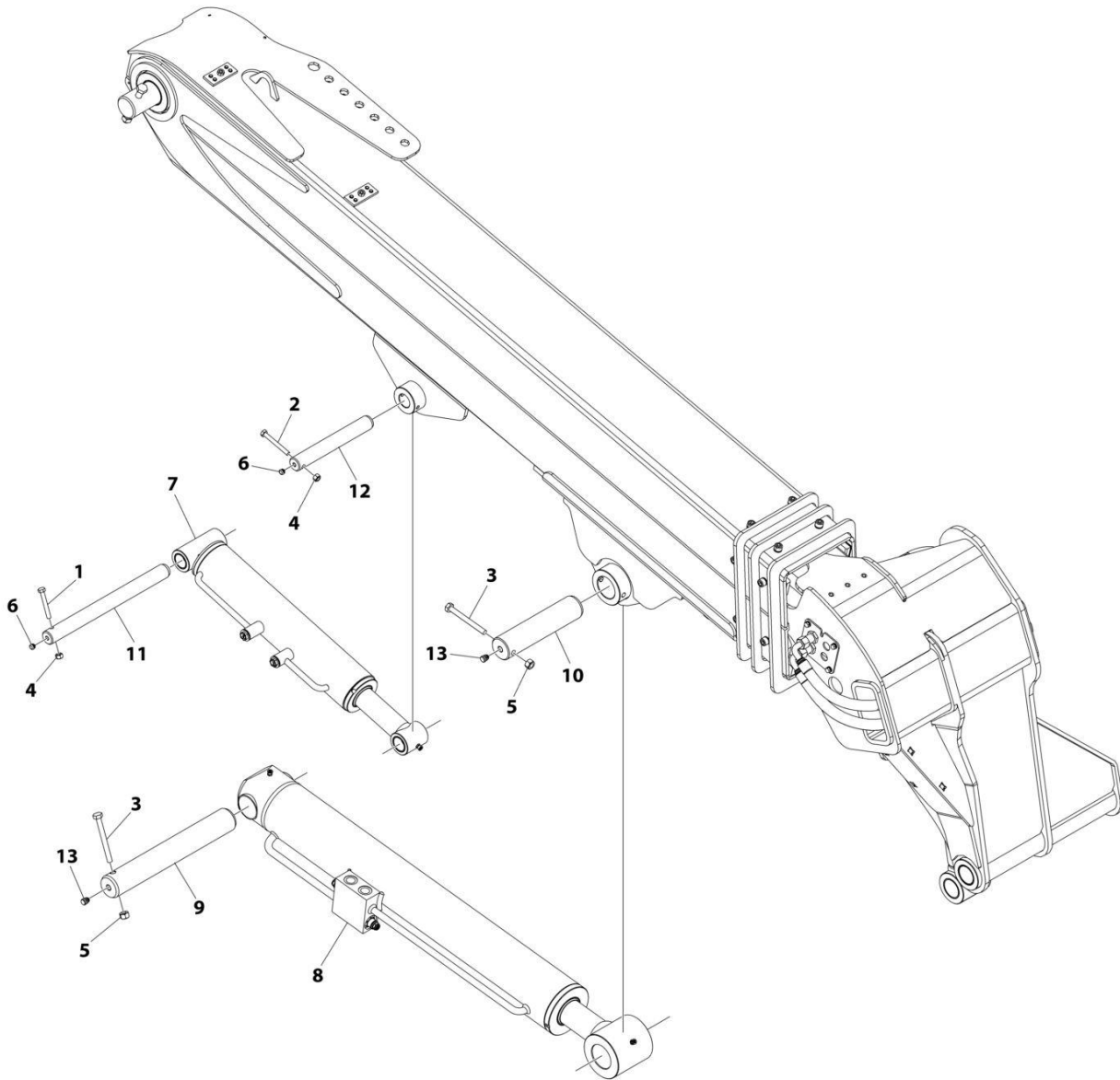
SECTION 9 - HYDRAULIC COMPONENTS

FIGURE 9-1. COUPLER VALVE ASSEMBLY

ITEM	PART NUMBER	QTY	DESCRIPTION	REV
	1001304456	Ref	COUPLER VALVE ASSEMBLY	A
1	2142712	2	Fitting, Straight	
2	1001263139	2	Seal	
3	1001263142	2	Seal	
4	1001264528	1	Valve	
5	1001305034	1	Coupling, Male Quick Disconnect	
6	1001305035	1	Coupling, Female Quick Disconnect	
7	1001306009	2	Fitting, Straight	
8	1001306011	2	Fitting, Straight	

SECTION 9 - HYDRAULIC COMPONENTS

FIGURE 9-2. CYLINDERS INSTALLATION - LIFT & COMPENSATION



ART_1001301795

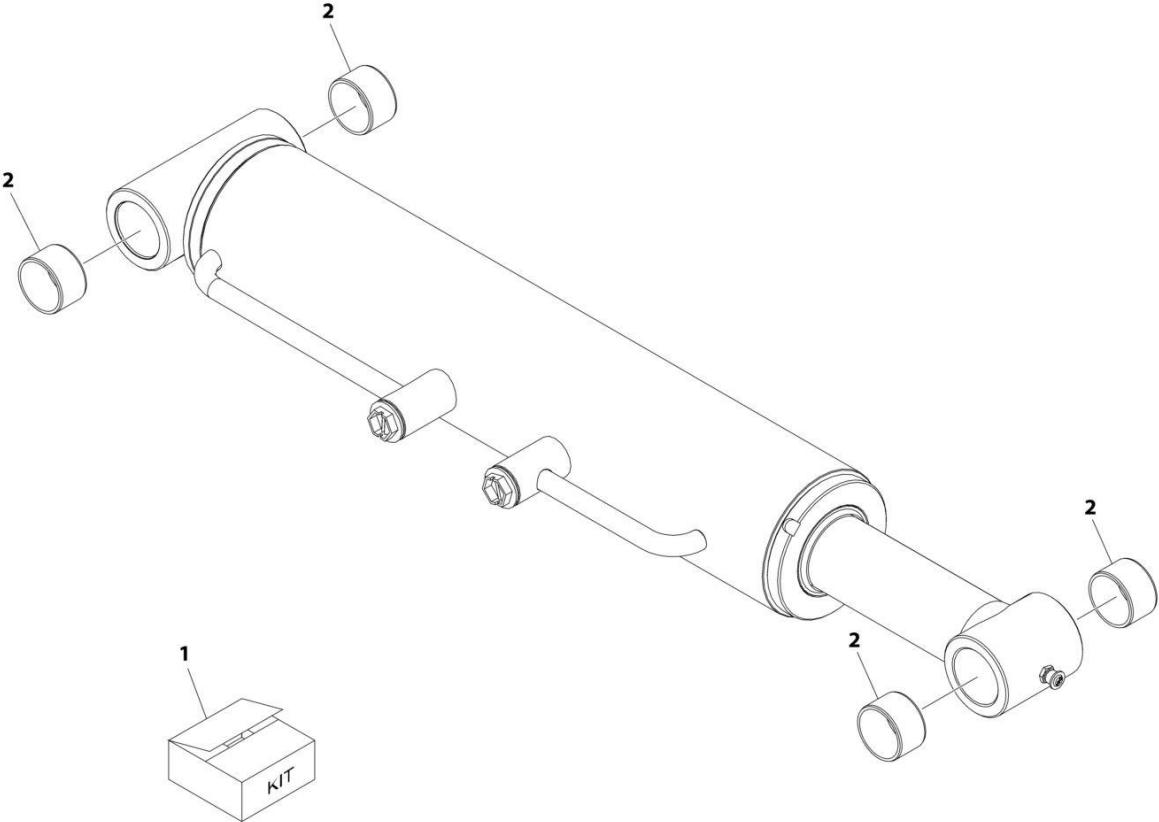
SECTION 9 - HYDRAULIC COMPONENTS

FIGURE 9-2. CYLINDERS INSTALLATION - LIFT & COMPENSATION

ITEM	PART NUMBER	QTY	DESCRIPTION	REV
	1001301795	Ref	CYLINDERS INSTALLATION	A
1	0700820	1	Bolt M8 x 60	
2	0700822	1	Bolt M8 x 70	
3	0701027	2	Bolt M10 x 100	
4	3290805	2	Nut M8	
5	3291005	2	Nut M10	
6	1001261567	2	Plug - 11.5MM	
7	1001303002	1	Compensation Cylinder Assembly (See Separate Breakdown in this Section)	
8	1001303003	1	Lift Cylinder Assembly (See Separate Breakdown in this Section)	
9	1001303043	1	Pin, Lift Cylinder Base	
10	1001303044	1	Pin, Lift Cylinder Rod	
11	1001303045	1	Pin, Compensation Cylinder Base	
12	1001303046	1	Pin, Compensation Cylinder Rod	
13	1001303409	2	Plug - 13MM	

SECTION 9 - HYDRAULIC COMPONENTS

FIGURE 9-3. COMPENSATION CYLINDER ASSEMBLY



ART_1001303002

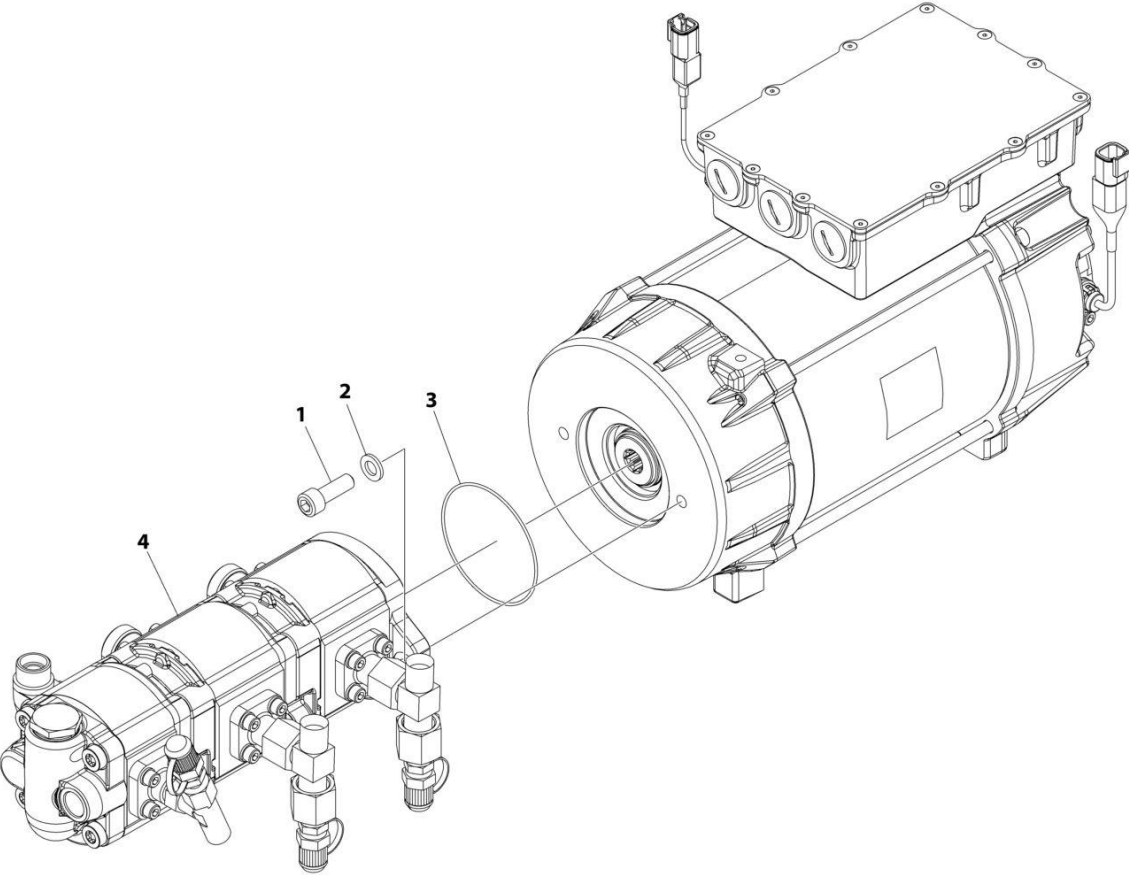
SECTION 9 - HYDRAULIC COMPONENTS

FIGURE 9-3. COMPENSATION CYLINDER ASSEMBLY

ITEM	PART NUMBER	QTY	DESCRIPTION	REV
	1001303002	Ref	COMPENSATION CYLINDER ASSEMBLY	A
	See Note	Ref	Note: Original Cylinder May Have Been Replaced with Service Replacement. Identify PN Stamped on Cylinder Before Ordering Parts.	
	See Note	Ref	Note: No Other Service Parts Available	
1	70031555	1	Kit, Seal	
2	70031556	4	Bushing	

SECTION 9 - HYDRAULIC COMPONENTS

FIGURE 9-4. GEAR PUMP INSTALLATION



ART_1001309000

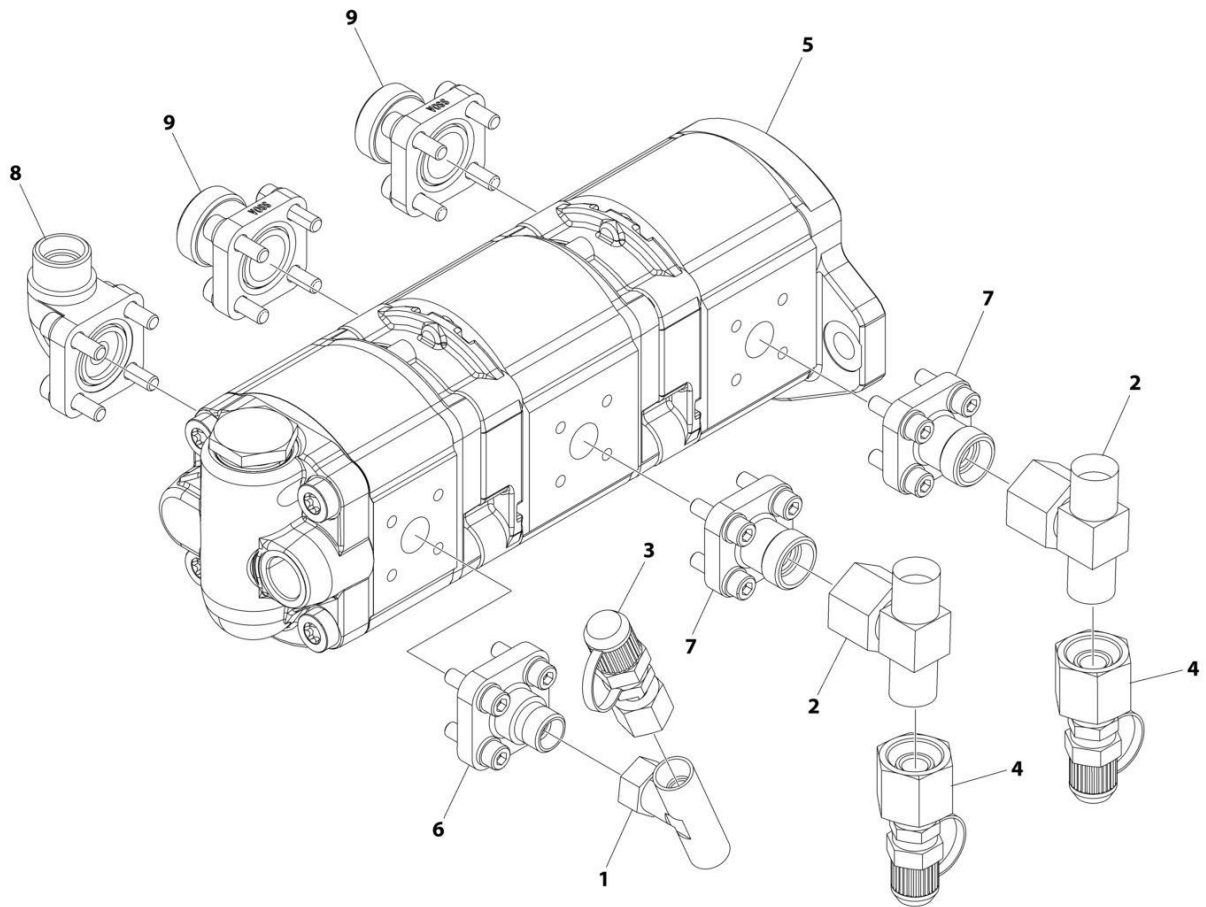
SECTION 9 - HYDRAULIC COMPONENTS

FIGURE 9-4. GEAR PUMP INSTALLATION

ITEM	PART NUMBER	QTY	DESCRIPTION	REV
	1001309000	Ref	GEAR PUMP INSTALLATION	A
1	4032010	2	Bolt M10 x 30	
2	4832000	2	Washer M10	
3	1001262951	1	O-Ring	
4	1001309011	1	Gear Pump Sub-Assembly (See Separate Breakdown in this Section)	

SECTION 9 - HYDRAULIC COMPONENTS

FIGURE 9-5. GEAR PUMP SUB-ASSEMBLY



ART_1001309011

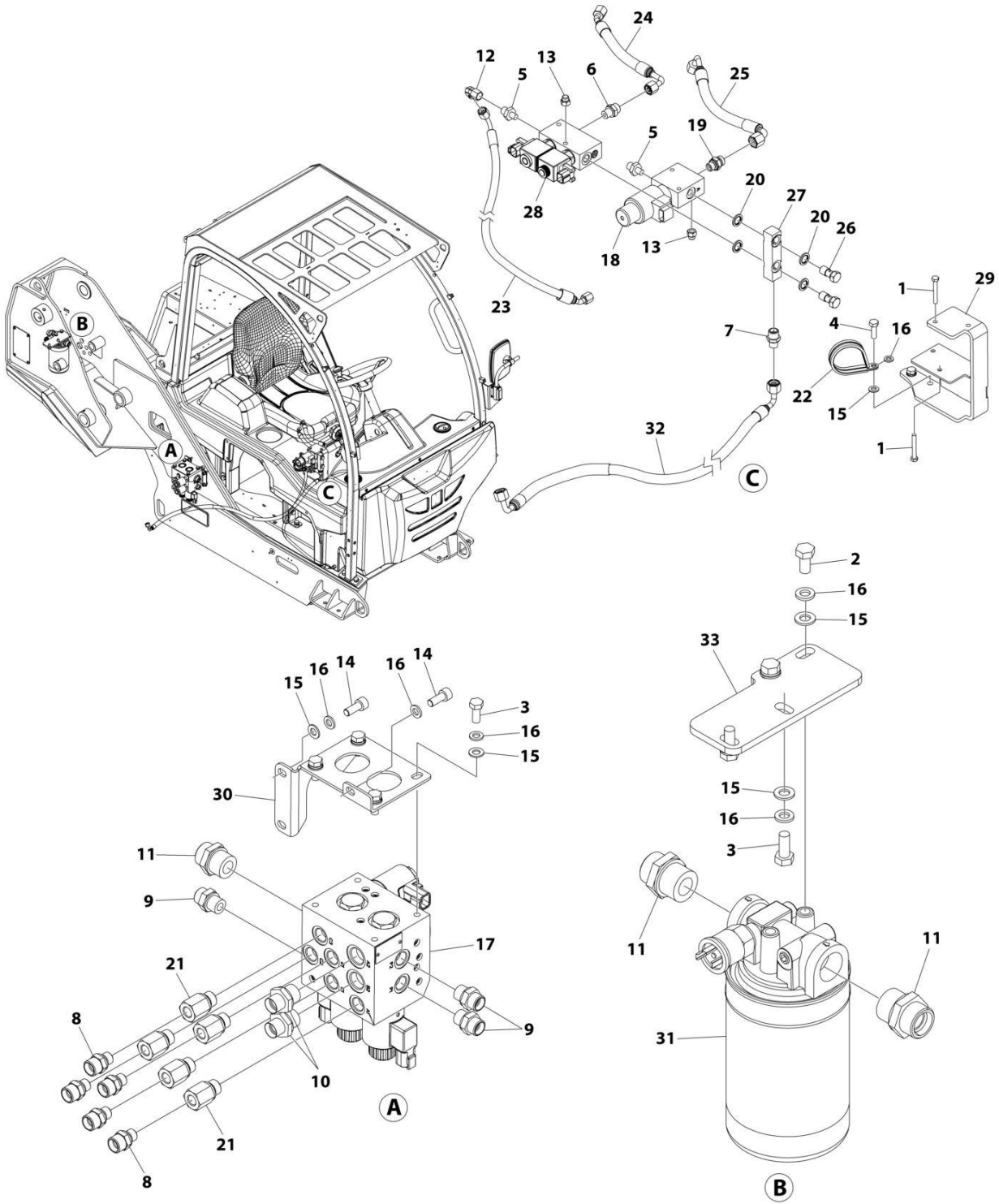
SECTION 9 - HYDRAULIC COMPONENTS

FIGURE 9-5. GEAR PUMP SUB-ASSEMBLY

ITEM	PART NUMBER	QTY	DESCRIPTION	REV
	1001309011	Ref	GEAR PUMP SUB-ASSEMBLY	A
1	2142103	1	Fitting, Tee	
2	2142105	2	Fitting, Tee	
3	1001263136	1	Coupling, Pressure Check	
4	1001263137	2	Coupling, Pressure Check	
5	1001309012	1	Pump, Gear	
6	1001310013	1	Fitting, Straight	
7	1001310044	2	Fitting, Straight	
8	1001310046	1	Fitting, 90	
9	1001310056	2	Fitting, Straight	

SECTION 9 - HYDRAULIC COMPONENTS

FIGURE 9-6. HYDRAULIC FILTER & VALVES INSTALLATION



ART_1001309384

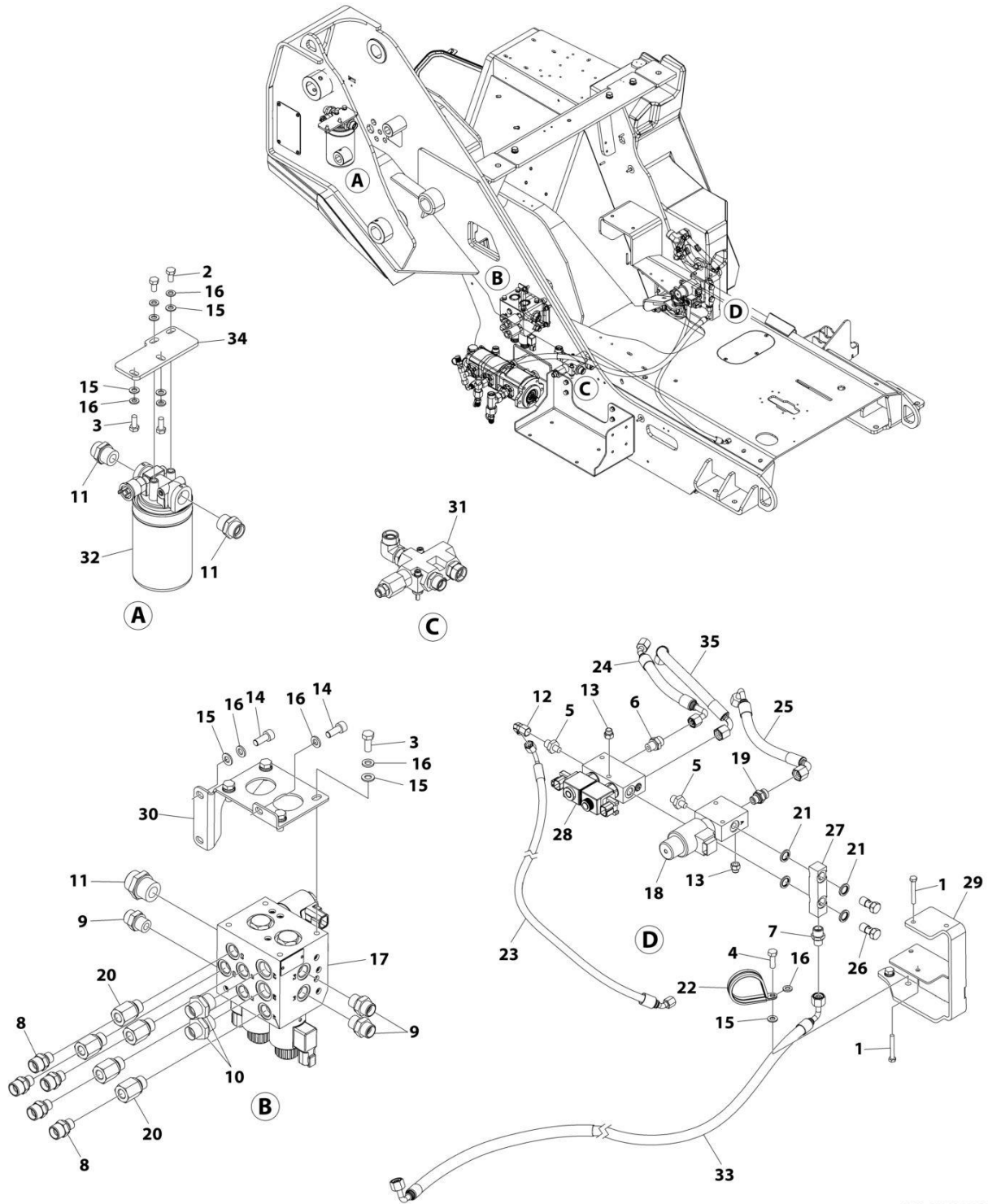
SECTION 9 - HYDRAULIC COMPONENTS

FIGURE 9-6. HYDRAULIC FILTER & VALVES INSTALLATION

ITEM	PART NUMBER	QTY	DESCRIPTION	REV
	1001309384	Ref	HYDRAULIC FILTER & VALVES INSTALLATION	A
1	0700617	4	Bolt M6 x 45	
2	0760808	2	Bolt M8 x 16	
3	0760810	6	Bolt M8 x 20	
4	0760812	2	Bolt M8 x 25	
5	2142704	2	Fitting, Straight	
6	2142706	1	Fitting, Straight	
7	2142708	1	Fitting, Straight	
8	2142711	5	Fitting, Straight	
9	2142712	3	Fitting, Straight	
10	2142713	2	Fitting, Straight	
11	2142717	3	Fitting, Straight	
12	2143401	1	Fitting, 90	
13	3290806	4	Nut M8	
14	4031908	3	Capscrew M8 x 20	
15	4811900	12	Washer M8	
16	4831900	13	Washer M8	
17	1001262952	1	Valve, Main Control (No Service Parts Available)	
18	1001262955	1	Valve, 3 Way Selector (No Service Parts Available)	
19	1001263099	1	Fitting, Straight	
20	1001263142	4	Seal	
21	1001263572	5	Fitting, Straight	
22	1001304559	1	Clamp	
23	1001306241	1	Hose	
24	1001306319	1	Hose	
25	1001306322	1	Hose	
26	1001306504	2	Bolt 1/4 x 26	
27	1001306506	1	Manifold	
28	1001306571	1	Valve, Hydraulic (No Service Parts Available)	
29	1001306574	1	Bracket	
30	1001306575	1	Bracket	
31	1001309252	1	Filter, Hydraulic	
32	1001309758	1	Hose	
33	1001309770	1	Plate	

SECTION 9 - HYDRAULIC COMPONENTS

FIGURE 9-7. HYDRAULIC FILTER & VALVES INSTALLATION (HIGH FLOW)



ART_1001311972

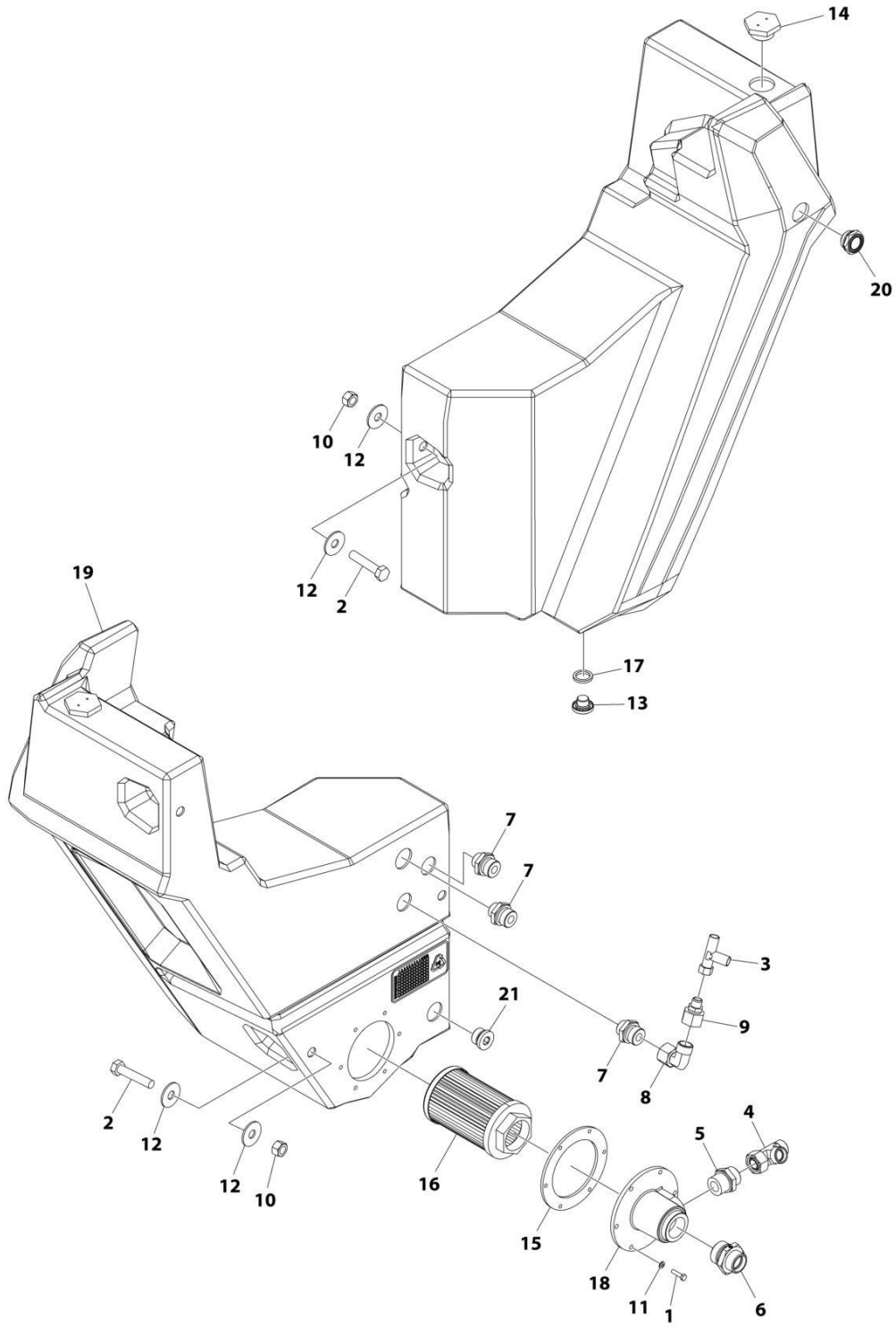
SECTION 9 - HYDRAULIC COMPONENTS

FIGURE 9-7. HYDRAULIC FILTER & VALVES INSTALLATION (HIGH FLOW)

ITEM	PART NUMBER	QTY	DESCRIPTION	REV
	1001311972	Ref	FILTER HOSES INSTALLATION (HIGH FLOW)	A
1	0700617	4	Bolt M6 x 45	
2	0760808	2	Bolt M8 x 16	
3	0760810	6	Bolt M8 x 20	
4	0760812	2	Bolt M8 x 25	
5	2142704	2	Fitting, Straight	
6	2142706	1	Fitting, Straight	
7	2142708	1	Fitting, Straight	
8	2142711	5	Fitting, Straight	
9	2142712	3	Fitting, Straight	
10	2142713	2	Fitting, Straight	
11	2142717	3	Fitting, Straight	
12	2143401	1	Fitting, 90	
13	3290806	4	Nut M8	
14	4031908	3	Capscrew M8 x 20	
15	4811900	12	Washer M8	
16	4831900	13	Washer M8	
17	1001262952	1	Valve, Main Control (No Service Parts Available)	
18	1001262955	1	Valve, 3-Way Selector (No Service Parts Available)	
19	1001263099	1	Fitting, Straight	
20	1001263572	5	Fitting, Straight	
21	1001263142	4	Seal	
22	1001304559	1	Clamp	
23	1001306241	1	Hose	
24	1001306319	1	Hose	
25	1001306322	1	Hose	
26	1001306504	2	Fitting	
27	1001306506	1	Manifold	
28	1001306571	1	Valve, Hydraulic (No Service Parts Available)	
29	1001306574	1	Bracket	
30	1001306575	1	Bracket	
31	1001308161	1	Valve, Filter	
32	1001309252	1	Filter, Hydraulic	
33	1001309758	1	Hose	
34	1001309770	1	Plate	
35	1001311990	1	Hose	

SECTION 9 - HYDRAULIC COMPONENTS

FIGURE 9-8. HYDRAULIC TANK INSTALLATION



ART_1001309419

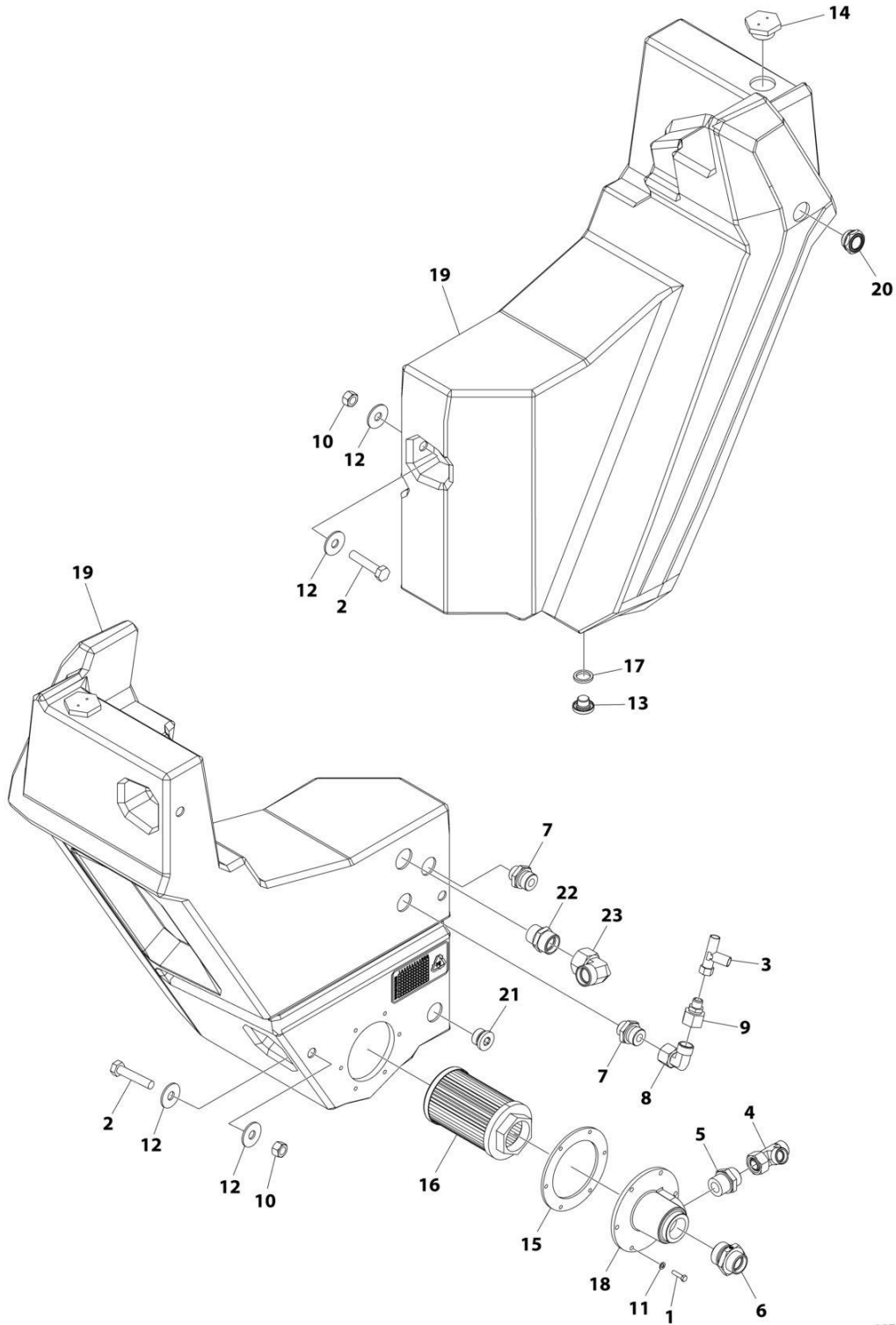
SECTION 9 - HYDRAULIC COMPONENTS

FIGURE 9-8. HYDRAULIC TANK INSTALLATION

ITEM	PART NUMBER	QTY	DESCRIPTION	REV
	1001309419	Ref	HYDRAULIC TANK INSTALLATION	A
1	0700510	6	Bolt M5 x 20	
2	0711220	3	Bolt M12 x 60 Class 10.9	
3	2142202	1	Fitting, Tee	
4	2142206	1	Fitting, Tee	
5	2142717	1	Fitting, Sraight	
6	2142748	1	Fitting, Sraight	
7	2142757	3	Fitting, Sraight	
8	2143405	1	Fitting, 90	
9	2143509	1	Fitting, Sraight	
10	3291207	3	Nut M12	
11	4811600	6	Washer M5	
12	4812102	6	Washer M12	
13	1001262978	1	Plug	
14	1001262983	1	Cap, Breather	
15	1001262985	1	Gasket	
16	1001262986	1	Filter, Hydraulic	
17	1001262987	1	Seal	
18	1001262989	1	Flange	
19	1001306141	1	Tank, Hydraulic	
20	1001306142	1	Plug, Optical	
21	1001310184	1	Plug	

SECTION 9 - HYDRAULIC COMPONENTS

FIGURE 9-9. HYDRAULIC TANK INSTALLATION (HIGH FLOW)



ART_1001311876

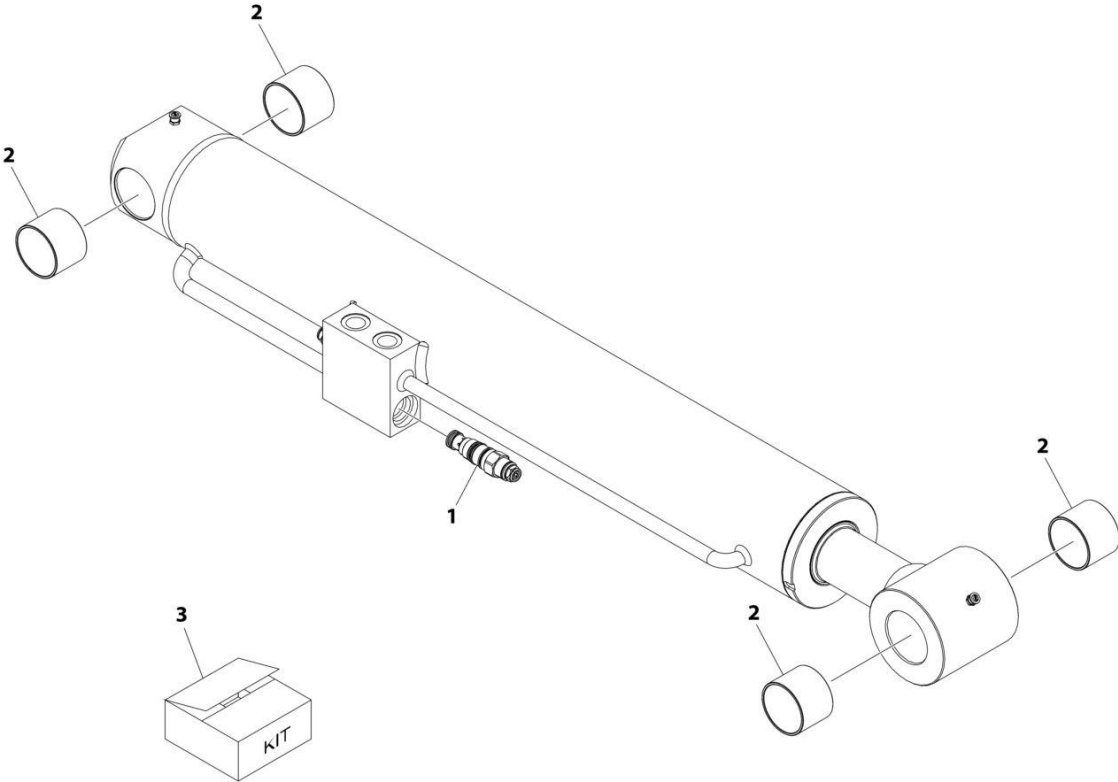
SECTION 9 - HYDRAULIC COMPONENTS

FIGURE 9-9. HYDRAULIC TANK INSTALLATION (HIGH FLOW)

ITEM	PART NUMBER	QTY	DESCRIPTION	REV
	1001311876	Ref	HYDRAULIC TANK INSTALLATION (HIGH FLOW)	B
1	0700510	6	Bolt M5 x 20	
2	0711220	3	Bolt M12 x 60 Class 10.9	
3	2142202	1	Fitting, Tee	
4	2142206	1	Fitting, Tee	
5	2142717	1	Fitting, Sraight	
6	2142719	1	Fitting, Straight	
7	2142757	2	Fitting, Sraight	
8	2143405	1	Fitting, 90	
9	2143509	1	Fitting, Sraight	
10	3291207	3	Nut M12	
11	4811600	6	Washer M5	
12	4812102	6	Washer M12	
13	1001262978	1	Plug	
14	1001262983	1	Cap, Breather	
15	1001262985	1	Gasket	
16	1001262986	1	Filter, Hydraulic	
17	1001262987	1	Seal	
18	1001262989	1	Flange	
19	1001306141	1	Tank, Hydraulic	
20	1001306142	1	Plug, Optical	
21	1001310184	1	Plug	
22	2142718	1	Fitting, Straight	
23	2143407	1	Fitting, 90	

SECTION 9 - HYDRAULIC COMPONENTS

FIGURE 9-10. LIFT CYLINDER ASSEMBLY



ART_1001303003

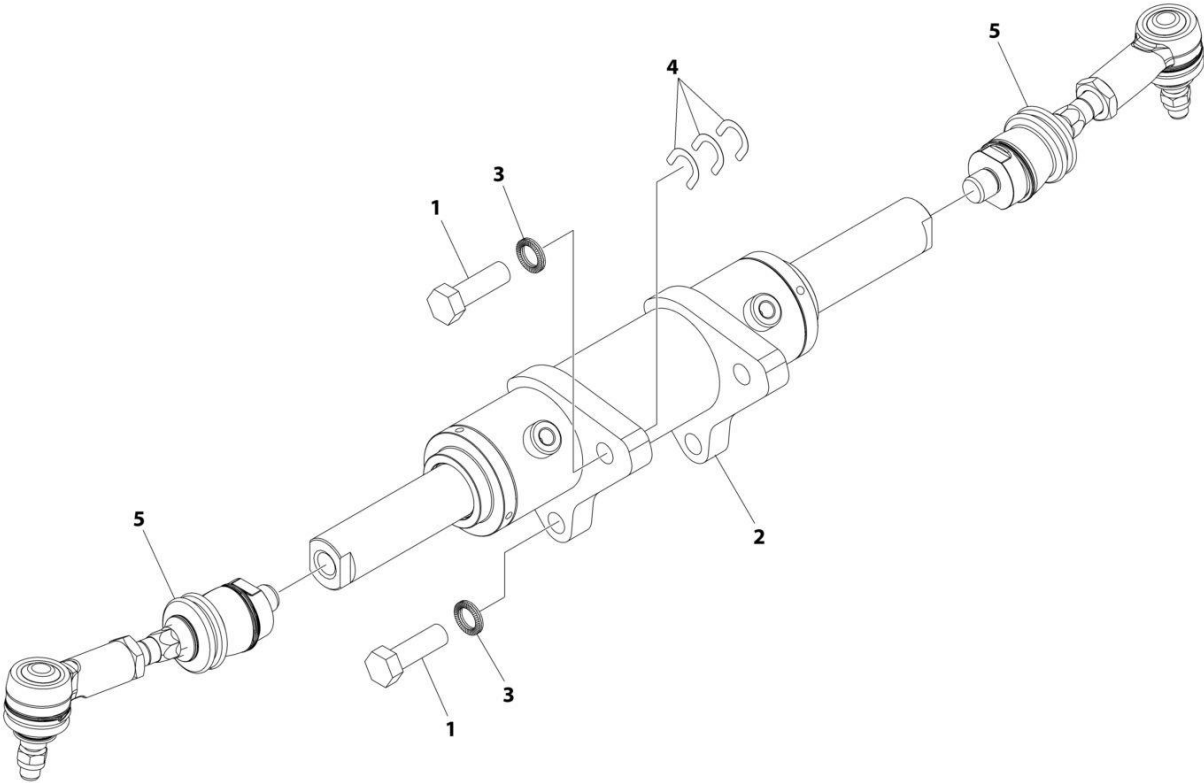
SECTION 9 - HYDRAULIC COMPONENTS

FIGURE 9-10. LIFT CYLINDER ASSEMBLY

ITEM	PART NUMBER	QTY	DESCRIPTION	REV
	1001303003	Ref	LIFT CYLINDER ASSEMBLY	A
	See Note	Ref	Note: Original Cylinder May Have Been Replaced with Service Replacement. Identify PN Stamped on Cylinder Before Ordering Parts.	
	See Note	Ref	Note: No Service Parts Available At Time of Printing	

SECTION 9 - HYDRAULIC COMPONENTS

FIGURE 9-11. STEER CYLINDER SUB-ASSEMBLY



ART_1001307027

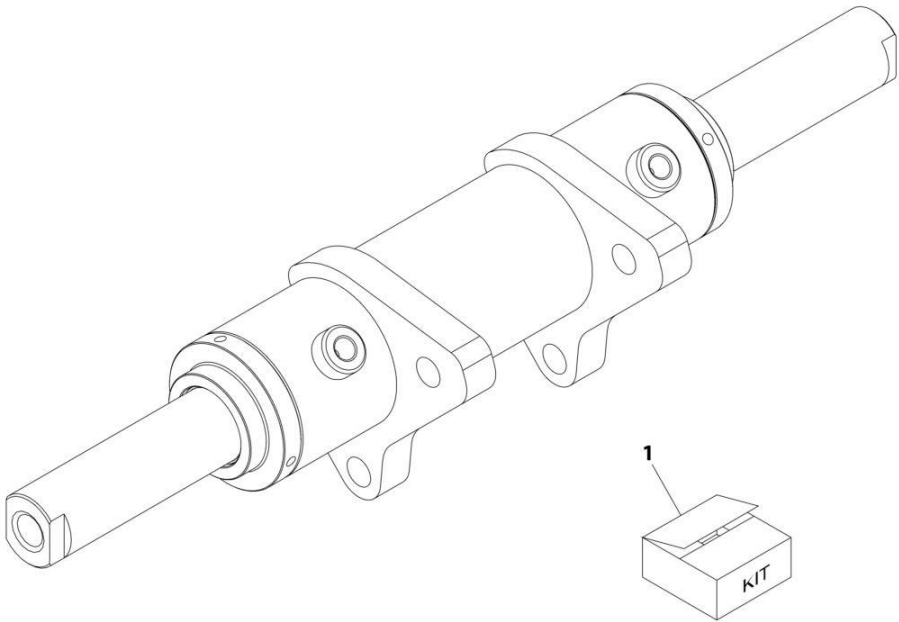
SECTION 9 - HYDRAULIC COMPONENTS

FIGURE 9-11. STEER CYLINDER SUB-ASSEMBLY

ITEM	PART NUMBER	QTY	DESCRIPTION	REV
	1001307027	Ref	STEER CYLINDER SUB-ASSEMBLY	A
1	0701618	4	Bolt M16 x 50	
2	1001307028	1	Steer Cylinder Assembly (See Separate Breakdown in this Section)	
3	1001307031	4	Washer M16	
4	1001307032	6	Shim	
5	1001307033	2	Joint	

SECTION 9 - HYDRAULIC COMPONENTS

FIGURE 9-12. STEER CYLINDER ASSEMBLY



ART_1001307028

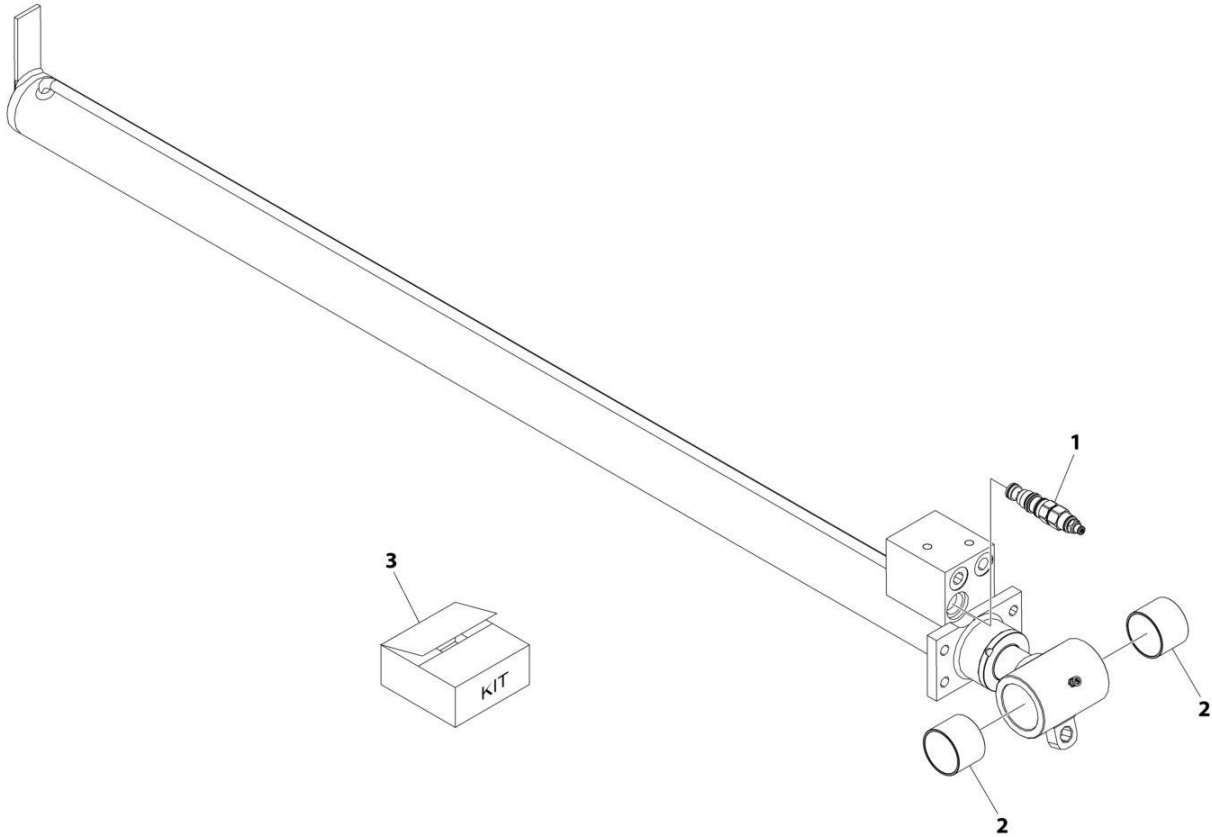
SECTION 9 - HYDRAULIC COMPONENTS

FIGURE 9-12. STEER CYLINDER ASSEMBLY

ITEM	PART NUMBER	QTY	DESCRIPTION	REV
	1001307028	Ref	STEER CYLINDER	A
	See Note	Ref	Note: Original Cylinder May Have Been Replaced with Service Replacement. Identify PN Stamped on Cylinder Before Ordering Parts.	
1	70031819	1	Kit, Seal	

SECTION 9 - HYDRAULIC COMPONENTS

FIGURE 9-13. TELESCOPE CYLINDER ASSEMBLY



ART_1001301850

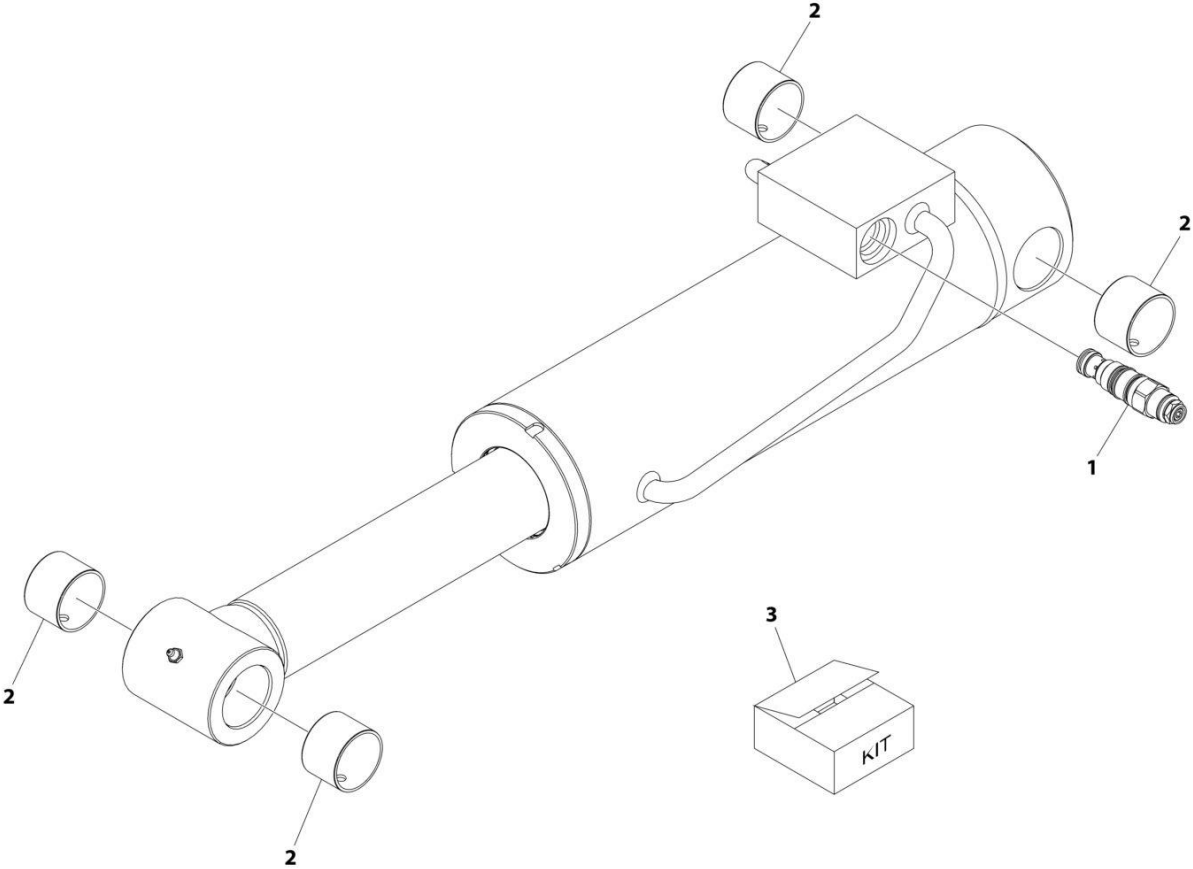
SECTION 9 - HYDRAULIC COMPONENTS

FIGURE 9-13. TELESCOPE CYLINDER ASSEMBLY

ITEM	PART NUMBER	QTY	DESCRIPTION	REV
	1001301850	Ref	TELESCOPE CYLINDER ASSEMBLY	A
	See Note	Ref	Note: Original Cylinder May Have Been Replaced with Service Replacement. Identify PN Stamped on Cylinder Before Ordering Parts.	
1	70031821	1	Cartridge, Valve	
2	70031822	2	Bushing	
3	70031823	1	Kit, Seal	

SECTION 9 - HYDRAULIC COMPONENTS

FIGURE 9-14. TILT CYLINDER ASSEMBLY



ART_1001301975

SECTION 9 - HYDRAULIC COMPONENTS

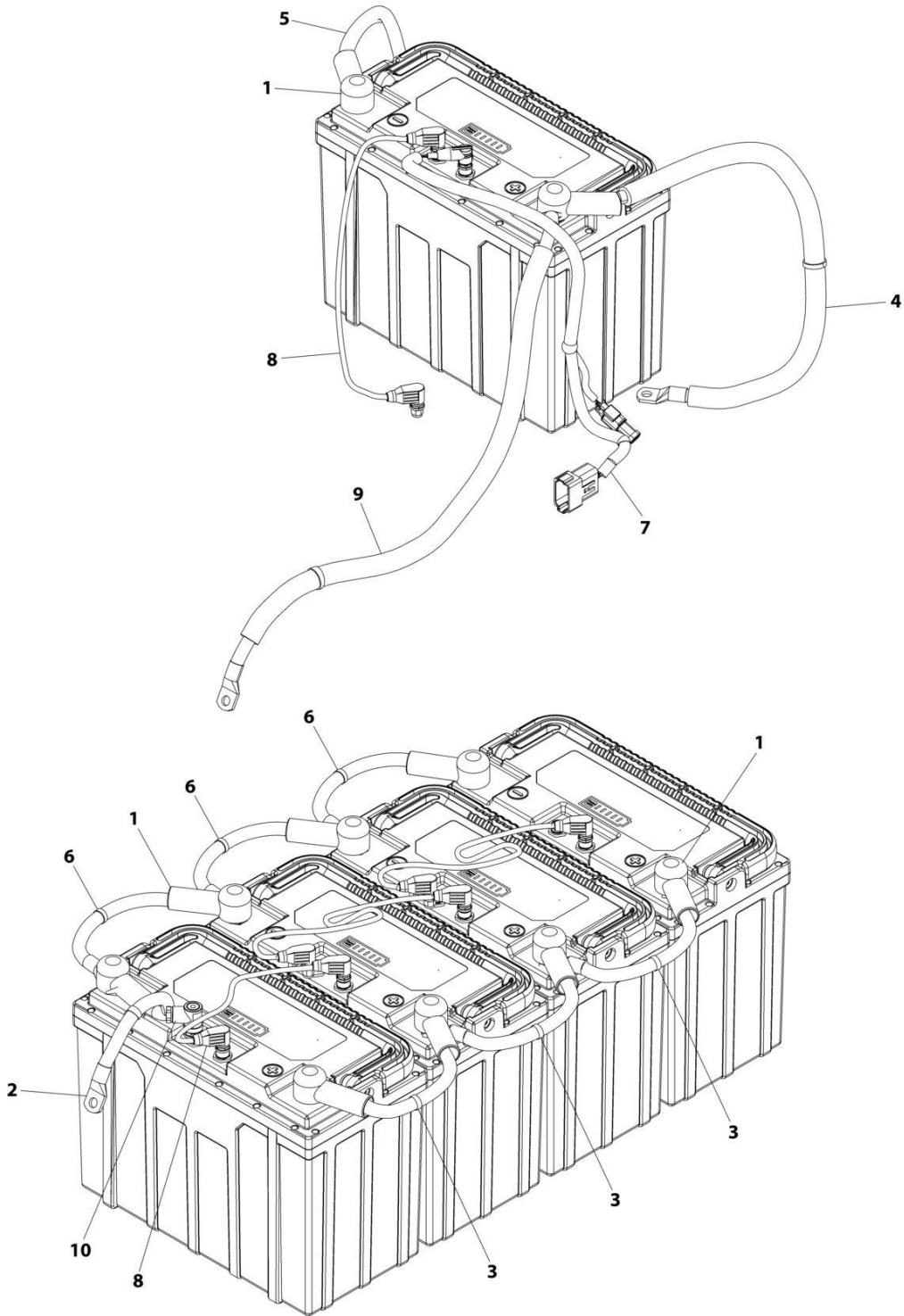
FIGURE 9-14. TILT CYLINDER ASSEMBLY

ITEM	PART NUMBER	QTY	DESCRIPTION	REV
	1001301975	Ref	TILT CYLINDER ASSEMBLY	A
	See Note	Ref	Note: Original Cylinder May Have Been Replaced with Service Replacement. Identify PN Stamped on Cylinder Before Ordering Parts.	
	See Note	Ref	Note: No Other Service Parts Available	
1	70031560	1	Cartridge	
2	70031561	4	Bushing	
3	70031562	1	Kit, Seal	

SECTION 10 - ELECTRICAL

SECTION 10 - ELECTRICAL

FIGURE 10-1. BATTERY CABLES INSTALLATION - SIX BATTERY SYSTEMS



ART_1001307346

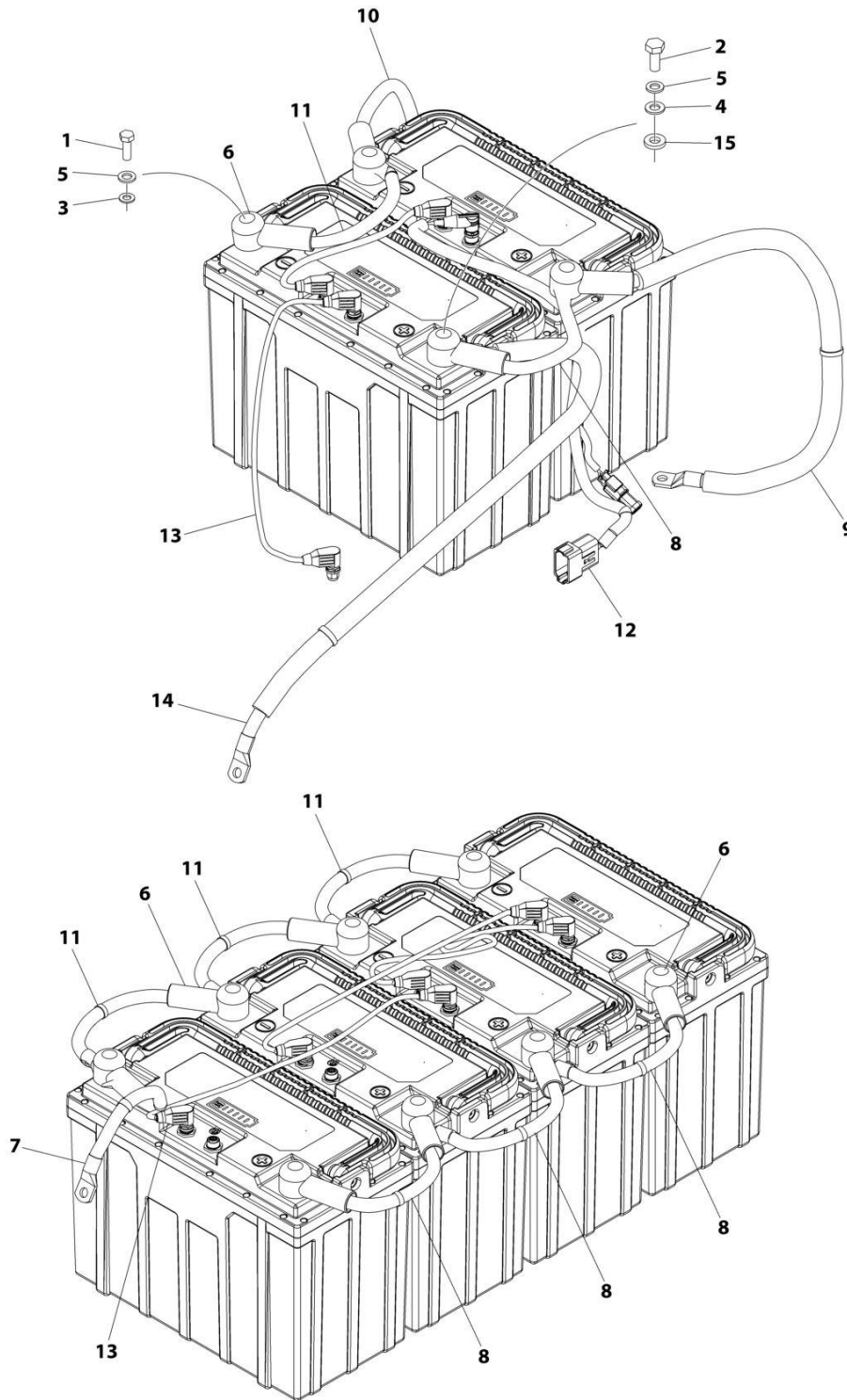
SECTION 10 - ELECTRICAL

FIGURE 10-1. BATTERY CABLES INSTALLATION - SIX BATTERY SYSTEMS

ITEM	PART NUMBER	QTY	DESCRIPTION	REV
	1001307346	Ref	BATTERY CABLES INSTALLATION	A
1	1001264674	10	Boot	
2	1001309320	1	Cable, Battery to Bussbar	
3	1001309321	3	Cable, Battery Jumper	
4	1001309322	1	Cable, Battery Jumper	
5	1001309323	1	Cable, Battery Jumper	
6	1001309324	3	Cable, Battery Jumper	
7	1001309325	1	Battery Harness (See Separate Breakdown in this Section)	
8	1001309326	4	Cable, Battery Link	
9	1001309327	1	Cable, Battery to Bussbar	
10	1001309396	1	Connector	

SECTION 10 - ELECTRICAL

FIGURE 10-2. BATTERY CABLES INSTALLATION - SEVEN BATTERY SYSTEMS



ART_1001308682

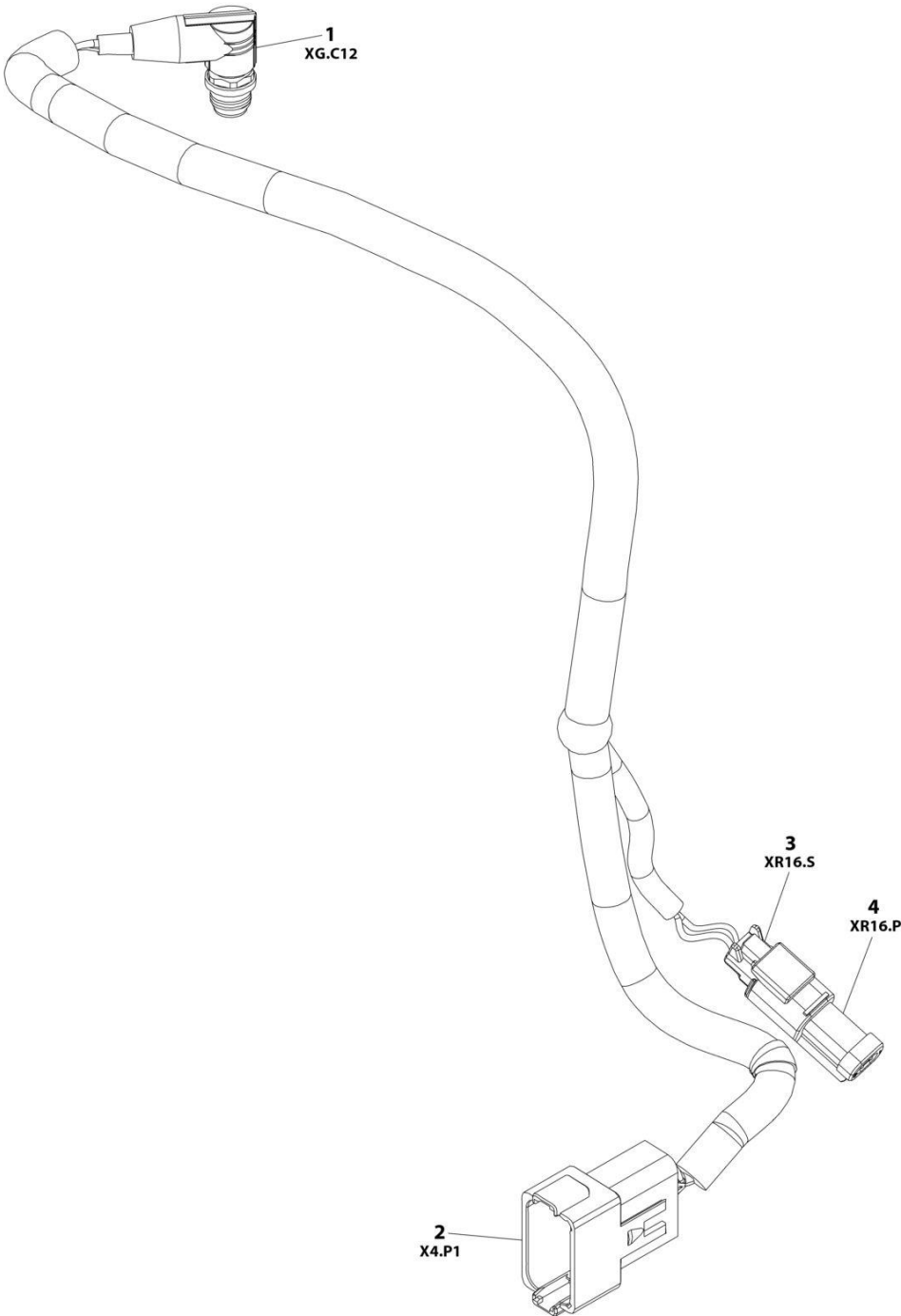
SECTION 10 - ELECTRICAL

FIGURE 10-2. BATTERY CABLES INSTALLATION - SEVEN BATTERY SYSTEMS

ITEM	PART NUMBER	QTY	DESCRIPTION	REV
	1001308682	Ref	BATTERY CABLES INSTALLATION	A
1	0760812	1	Bolt M8 x 25	
2	0761012	1	Bolt M10 x 25	
3	4811900	1	Washer M8	
4	4812000	1	Washer M10	
5	4832000	2	Washer M10	
6	1001264674	12	Boot	
7	1001309320	1	Cable, Battery to Bussbar	
8	1001309321	4	Cable, Battery Jumper	
9	1001309322	1	Cable, Battery Jumper	
10	1001309323	1	Cable, Battery Jumper	
11	1001309324	4	Cable, Battery Jumper	
12	1001309325	1	Battery Harness (See Separate Breakdown in this Section)	
13	1001309326	5	Cable, Battery Link	
14	1001309327	1	Cable, Battery to Bussbar	
15	1001309329	1	Washer M10	

SECTION 10 - ELECTRICAL

FIGURE 10-3. BATTERY HARNESS



ART_1001309325

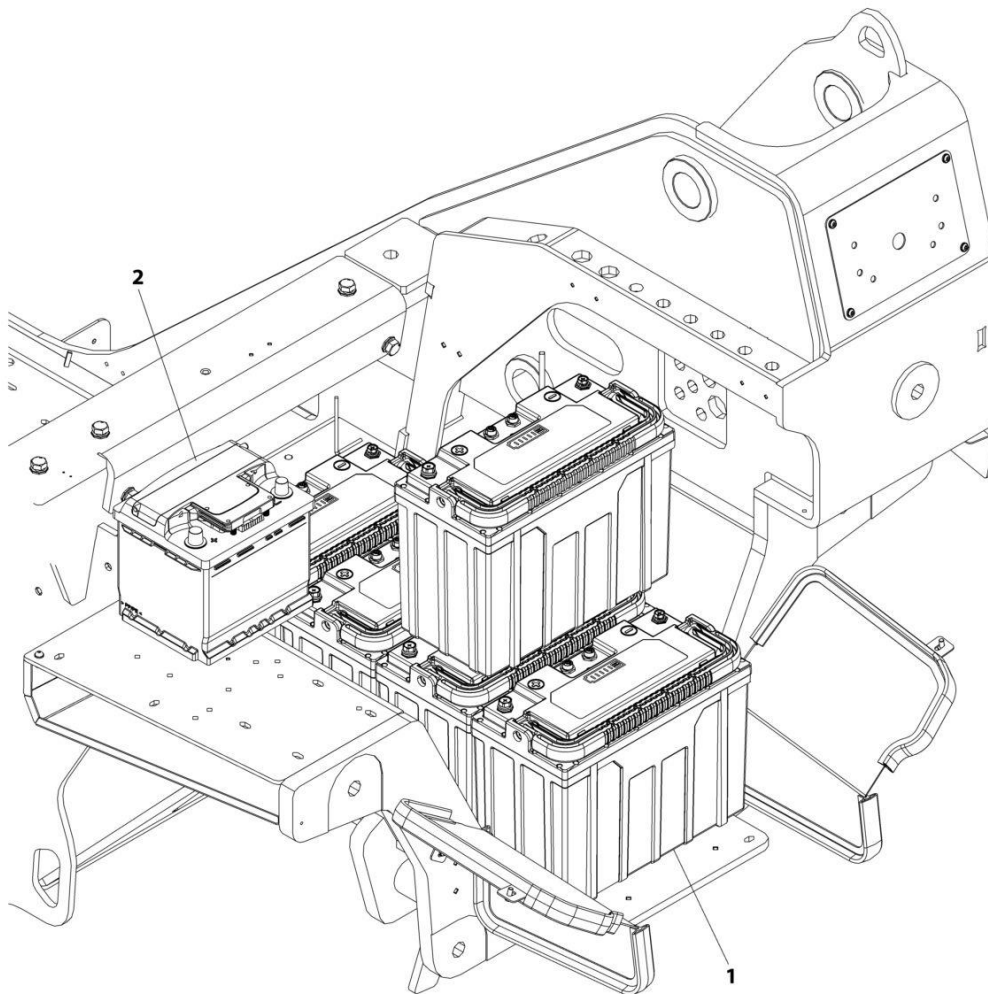
SECTION 10 - ELECTRICAL

FIGURE 10-3. BATTERY HARNESS

ITEM	PART NUMBER	QTY	DESCRIPTION	REV
	1001309325	Ref	BATTERY HARNESS	A
	See Note	Ref	Note: No Other Service Parts Available at Time of Printing	
1	NPN	1	Connector	
2	4460970	1	Connector	
2	1001116693	3	Pin - 14AWG to 18AWG	
2	NPN	3	Pin - 20AWG	
2	4460466	6	Plug	
3	4461290	1	Connector	
3	1001116694	2	Socket	
4	NPN	1	Connector	

SECTION 10 - ELECTRICAL

FIGURE 10-4. BATTERY INSTALLATION - SIX BATTERY SYSTEMS



ART_1001307343

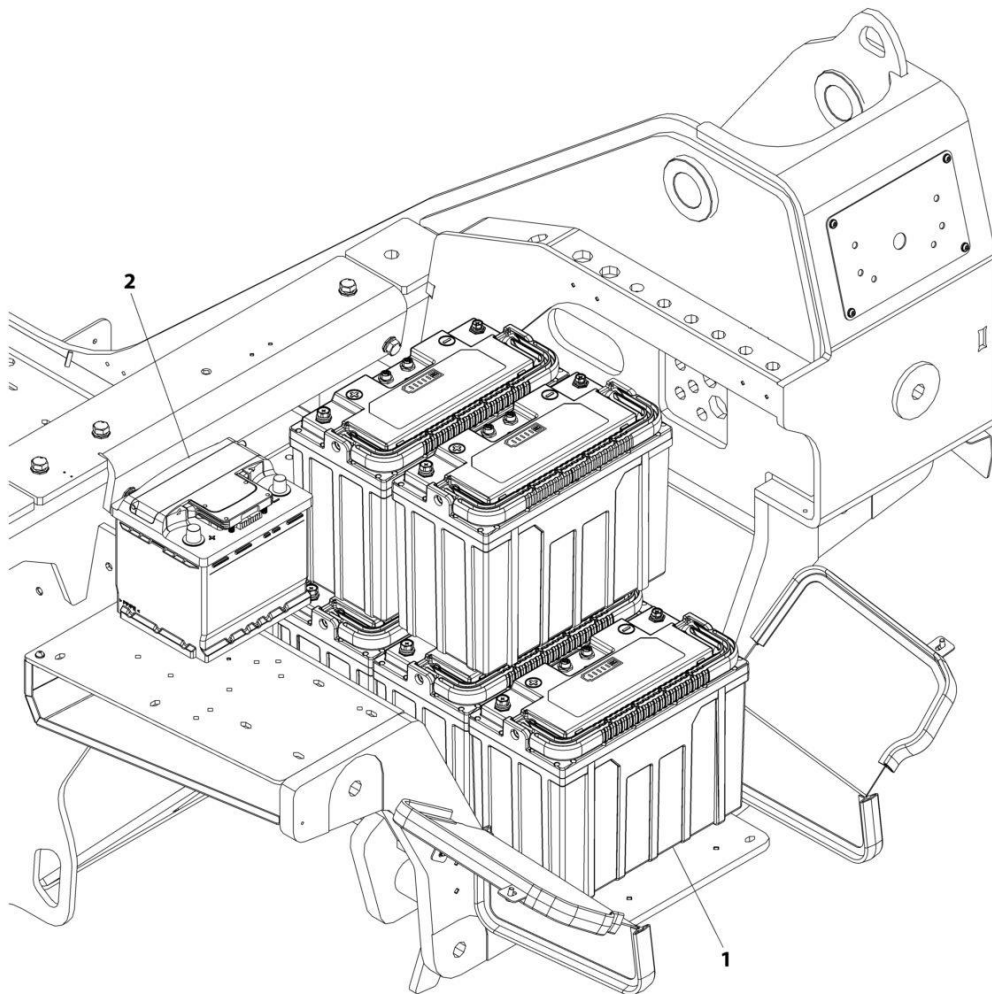
SECTION 10 - ELECTRICAL

FIGURE 10-4. BATTERY INSTALLATION - SIX BATTERY SYSTEMS

ITEM	PART NUMBER	QTY	DESCRIPTION	REV
	1001307343	Ref	BATTERY INSTALLATION	A
1	1001305780	5	Battery - 48V	
2	1001309065	1	Battery - 12V	

SECTION 10 - ELECTRICAL

FIGURE 10-5. BATTERY INSTALLATION - SEVEN BATTERY SYSTEMS



ART_1001308683

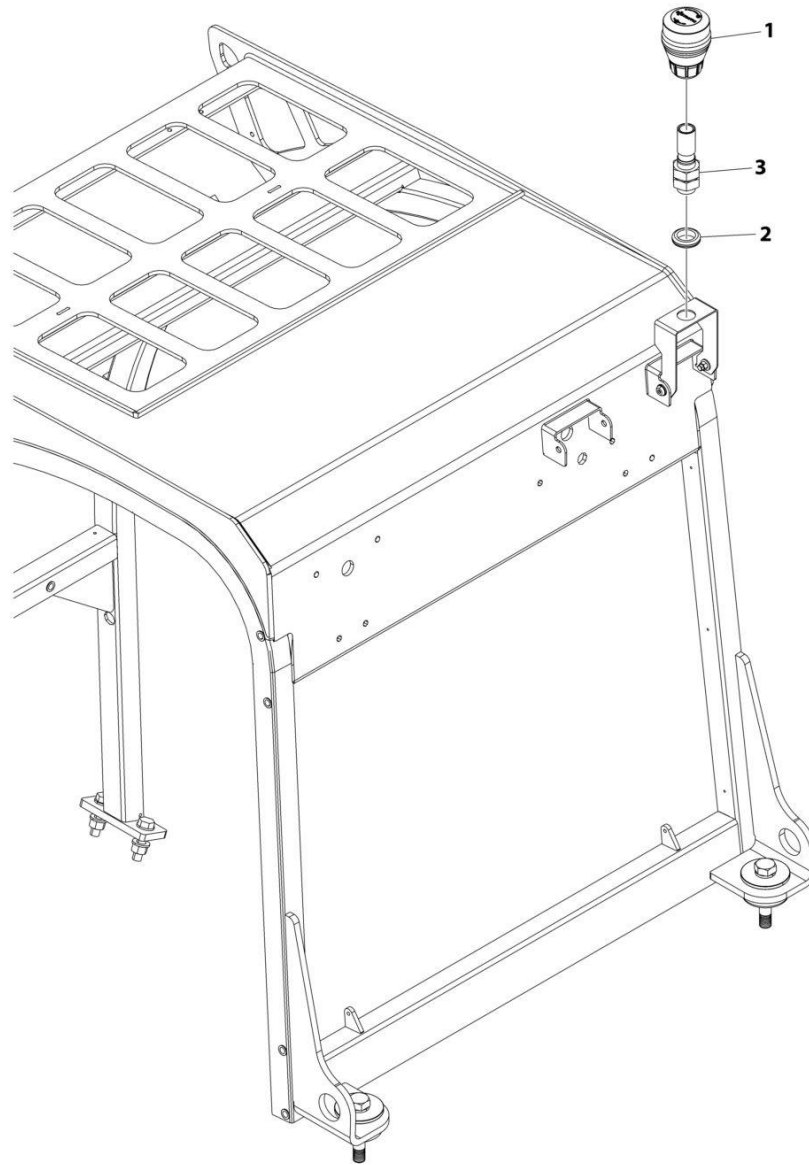
SECTION 10 - ELECTRICAL

FIGURE 10-5. BATTERY INSTALLATION - SEVEN BATTERY SYSTEMS

ITEM	PART NUMBER	QTY	DESCRIPTION	REV
	1001308683	Ref	BATTERY INSTALLATION	A
1	1001305780	6	Battery - 48V	
2	1001309065	1	Battery - 12V	

SECTION 10 - ELECTRICAL

FIGURE 10-6. BEACON INSTALLATION



ART_1001307828

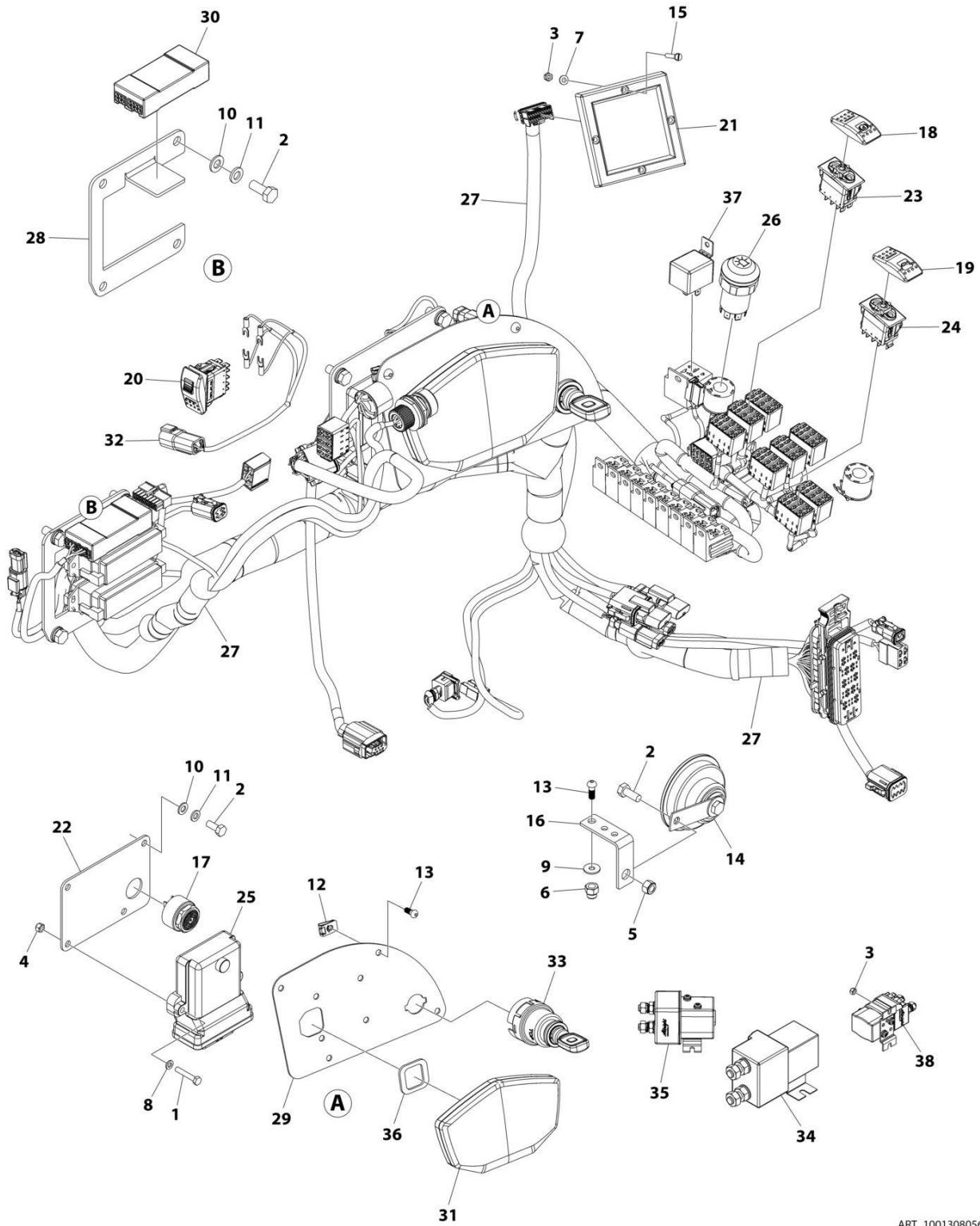
SECTION 10 - ELECTRICAL

FIGURE 10-6. BEACON INSTALLATION

ITEM	PART NUMBER	QTY	DESCRIPTION	REV
	1001307828	Ref	BEACON INSTALLATION	A
1	1001308516	1	Beacon	
2	1001309048	1	Grommet	
3	1001264268	1	Mount, Beacon	

SECTION 10 - ELECTRICAL

FIGURE 10-7. CAB ELECTRICAL INSTALLATION



ART_1001308056

SECTION 10 - ELECTRICAL

FIGURE 10-7. CAB ELECTRICAL INSTALLATION

ITEM	PART NUMBER	QTY	DESCRIPTION	REV
	1001308056	Ref	CAB ELECTRICAL INSTALLATION	A
1	0700615	2	Bolt M6 x 35	
2	0760810	7	Bolt M8 x 20	
3	3290405	6	Nut M4	
4	3290605	2	Nut M6	
5	3290805	1	Nut M8	
6	3290806	1	Nut M8	
7	4811400	4	Washer M4	
8	4811700	2	Washer M6	
9	4811702	1	Washer M6	
10	4811900	6	Washer M8	
11	4831900	6	Washer M8	
12	8305919	4	Nut, Tinnerman M6	
13	1001262607	5	Capscrew M6 x 20 Class 10.9	
14	1001264273	1	Alarm, Horn	
15	1001264386	4	Capscrew M4 x 30	
16	1001304421	1	Bracket	
17	1001306644	1	Timer, Acoustic	
18	1001306645	1	Rocker, Parking Switch	
19	1001306646	1	Rocker, Horn Switch	
20	1001306647	1	Switch, Lockout	
21	1001306651	1	Display	
22	1001306652	1	Plate	
23	1001306657	1	Switch, Parking	
24	1001306659	1	Switch, Horn	
25	1001306666	1	Module, Control (Note: Re-calibration required when replaced)	
26	1001306670	1	Switch, Headlight	
27	1001308057	1	Cab Harness (See Separate Breakdown in this Section)	
28	1001308548	1	Bracket	
29	1001308552	1	Plate	
30	1001308554	1	Connector	
31	1001308555	1	Display	
32	1001308556	1	Harness, Emergency Stop	
32	1001281269	1	Connector	
32	1001116693	4	Pin	
32	NPN	4	Terminal, Ring	
33	1001308557	1	Switch, Ignition	
33	70031820	1	Key, Ignition (Set of Two)	
34	1001308559	1	Coil, Power - 350A	
35	1001308560	1	Coil, Power - 150A	
36	1001308562	1	Seal	
37	1001308566	1	Relay	
38	1001308946	1	Coil, Power - 80A (Located Behind Cab)	

SECTION 10 - ELECTRICAL

FIGURE 10-8. CAB HARNESS

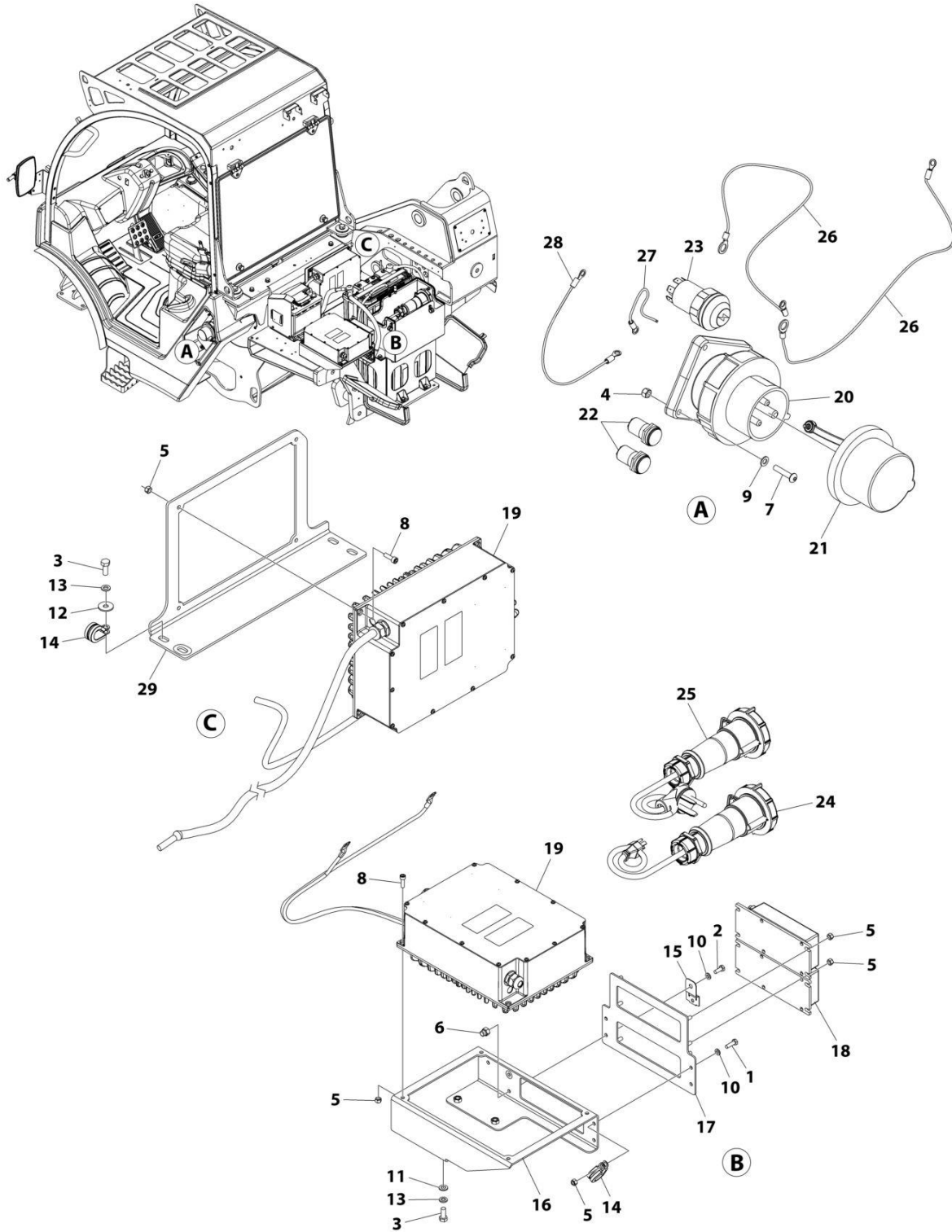
ITEM	PART NUMBER	QTY	DESCRIPTION	REV
	1001308057	Ref	CAB HARNESS	A
	See Note	Ref	Note: No Other Service Parts Available at Time of Printing	
1	NPN	1	Connector	
1	1001163340	2	Plug	
2	NPN	1	Connector	
2	1001116692	1	Socket - 14AWG to 18AWG	
2	NPN	6	Socket - 20AWG	
2	4460466	1	Plug	
3	NPN	1	Connector	
3	1001116692	1	Socket	
3	4460466	1	Plug	
4	1001116986	1	Connector	
5	NPN	1	Connector	
6	NPN	1	Connector	
7	4461290	2	Connector	
7	1001116694	4	Socket	
8	NPN	2	Connector	
9	NPN	2	Connector	
9	1001116692	4	Socket	
10	1001116816	1	Connector	
11	1001220379	4	Connector	
12	NPN	1	Connector	
13	NPN	2	Connector	
14	NPN	2	Connector	
15	NPN	8	Connector	
16	NPN	2	Connector	
17	NPN	9	Connector	
18	NPN	2	Connector	
19	NPN	7	Relay	
20	NPN	2	Relay	
21	1001281269	2	Connector	
21	1001116693	4	Pin	
21	4460466	4	Plug	
22	1001116774	1	Connector	
22	1001116694	11	Socket	
22	4460518	1	Plug	
23	NPN	1	Connector	
23	1001274103	6	Socket	
23	1001274104	6	Seal	
24	NPN	1	Connector	
24	1001248223	9	Socket - 16AWG to 18AWG	
24	NPN	10	Socket - 20AWG	
24	1001248224	7	Plug	
25	NPN	2	Terminal, Ring	
26	4460873	1	Connector	
26	4460905	2	Plug	
27	NPN	1	Connector	
27	1001116692	4	Socket	
28	4460894	1	Connector	
28	1001116692	3	Socket - 14AWG to 18AWG	

SECTION 10 - ELECTRICAL

ITEM	PART NUMBER	QTY	DESCRIPTION	REV
28	NPN	2	Socket - 20AWG	
28	4460466	1	Plug	
29	4460933	1	Connector	
29	1001116692	8	Socket - 14AWG to 18AWG	
29	NPN	4	Socket - 20AWG	
30	1001220379	1	Connector	
30	4460466	2	Plug	
31	1001271968	1	Connector	
31	4461071	4	Socket	
32	NPN	1	Fuseholder	
33	NPN	1	Fuseholder	
34	NPN	1	Connector	
35	NPN	1	Connector	
36	NPN	1	Connector	
37	1001116994	1	Connector	
37	4460905	10	Plug	
38	1001190322	1	Connector	
39	NPN	1	Connector	

SECTION 10 - ELECTRICAL

FIGURE 10-9. CHARGER INSTALLATION - DOUBLE



ART_1001307331

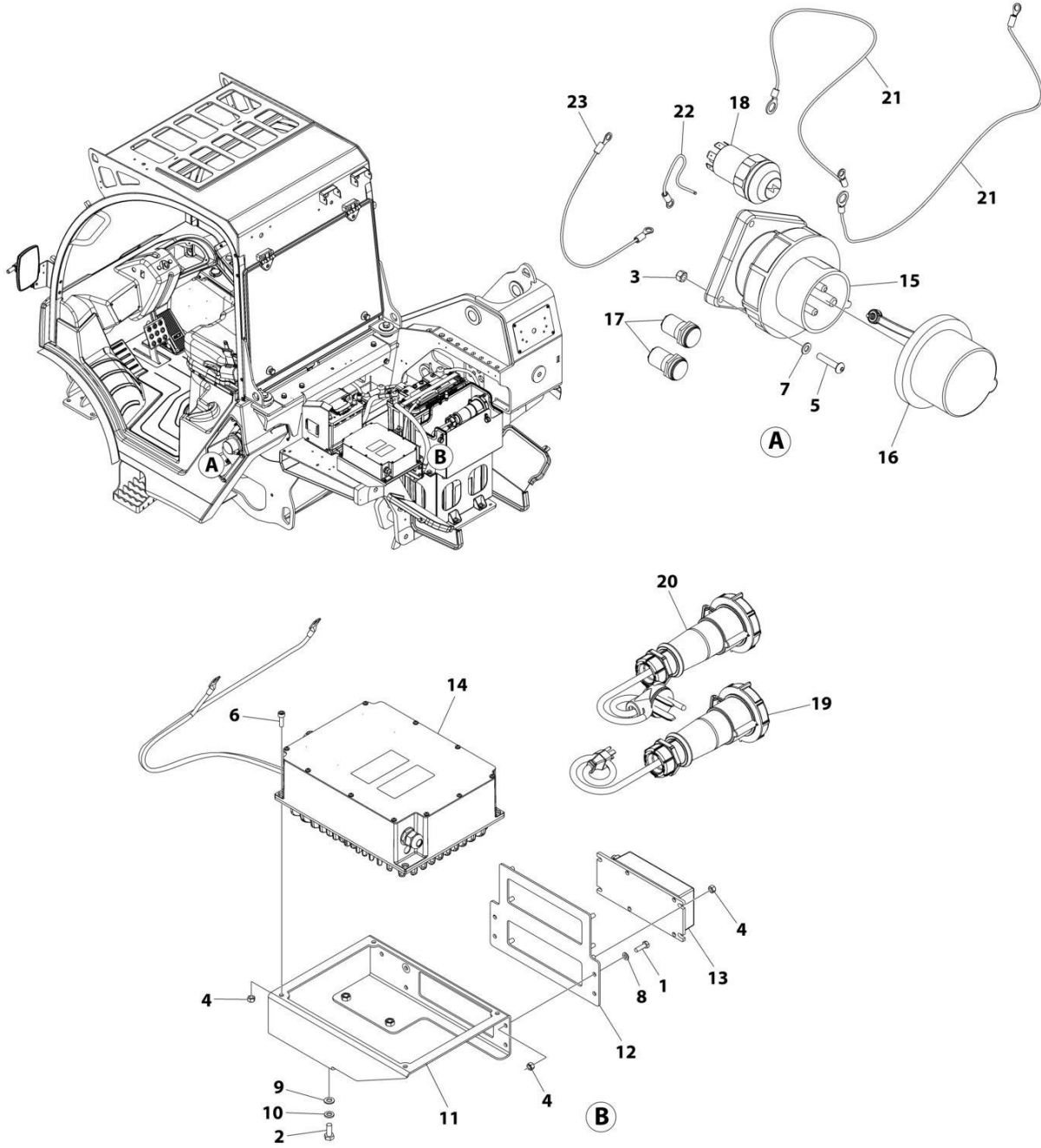
SECTION 10 - ELECTRICAL

FIGURE 10-9. CHARGER INSTALLATION - DOUBLE

ITEM	PART NUMBER	QTY	DESCRIPTION	REV
	1001307331	Ref	CHARGER INSTALLATION	A
1	0700610	2	Bolt M6 x 20	
2	0760608	2	Bolt M6 x 16	
3	0760810	8	Bolt M8 x 20	
4	3290505	4	Nut M5	
5	3290605	18	Nut M6	
6	3290806	2	Nut M8	
7	3900352	4	Capscrew M5 x 25 Class 10.9	
8	4031708	8	Capscrew M6 x 20	
9	4811600	4	Washer M5	
10	4811700	4	Washer M6	
11	4811900	4	Washer M8	
12	4811902	4	Washer M8	
13	4831900	8	Washer M8	
14	1001262471	2	Clamp	
15	1001306640	1	Clip	
16	1001308836	1	Mount, Battery Charger	
17	1001308837	1	Mount, Transformer	
18	1001309064	2	Transformer	
19	1001309066	2	Charger, Battery	
20	1001309578	1	Connector	
21	1001309579	1	Cap	
22	1001309580	2	Lamp, Indicator	
23	1001309581	1	Switch, Charging	
24	1001309582	1	Plug	
25	1001309583	1	Plug	
26	1001309584	2	Cable, Ground	
27	1001309585	1	Cable, Ground	
28	1001309586	1	Cable, Ground	
29	1001309769	1	Mount, Battery Charger	

SECTION 10 - ELECTRICAL

FIGURE 10-10. CHARGER INSTALLATION - SINGLE



ART_1001307330

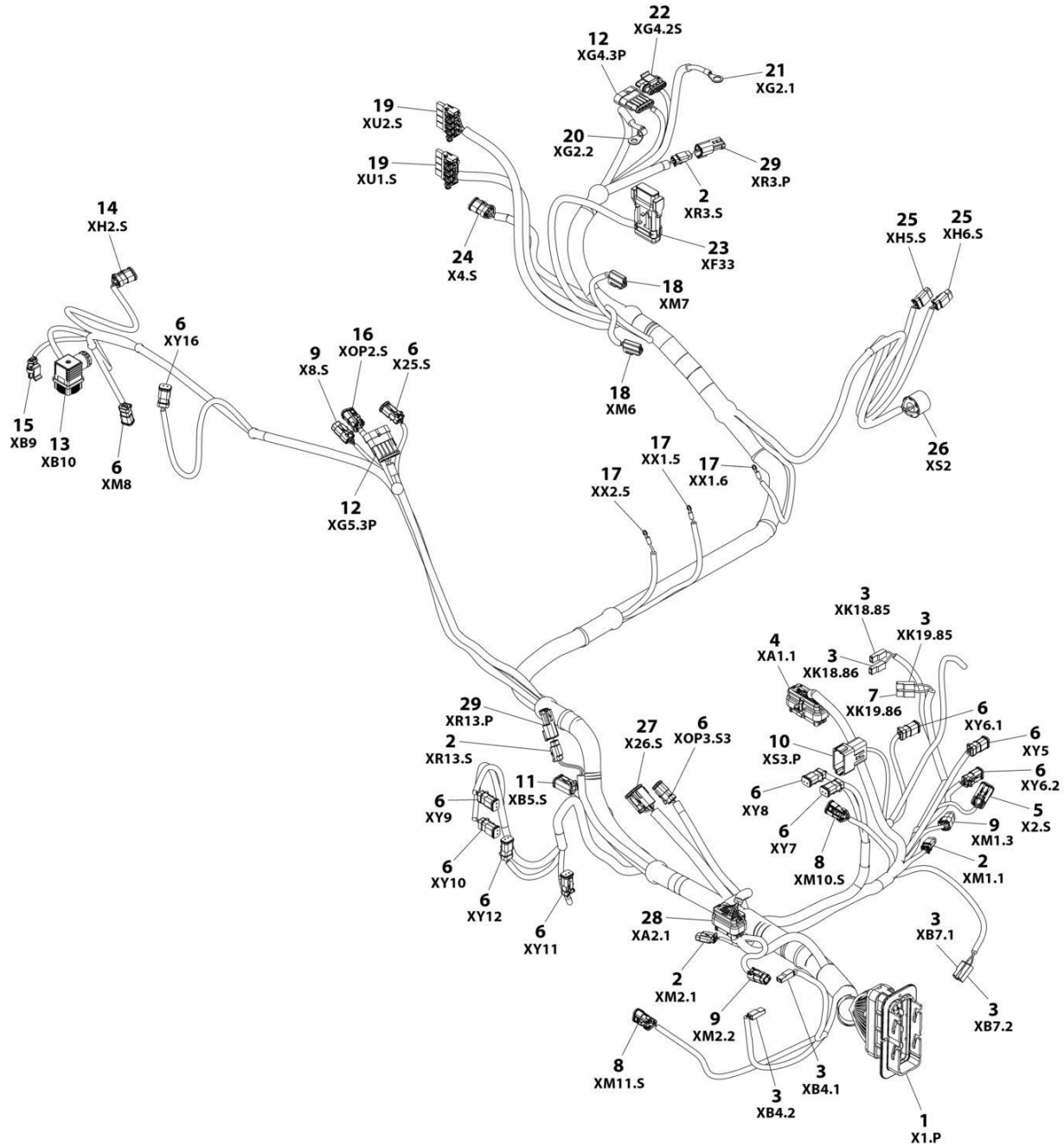
SECTION 10 - ELECTRICAL

FIGURE 10-10. CHARGER INSTALLATION - SINGLE

ITEM	PART NUMBER	QTY	DESCRIPTION	REV
	1001307330	Ref	CHARGER INSTALLATION	A
1	0700610	4	Bolt M6 x 20	
2	0760810	4	Bolt M8 x 20	
3	3290505	4	Nut M5	
4	3290605	12	Nut M6	
5	3900352	4	Capscrew M5 x 25 Class 10.9	
6	4031708	4	Capscrew M6 x 20	
7	4811600	4	Washer M5	
8	4811700	4	Washer M6	
9	4811900	4	Washer M8	
10	4831900	4	Washer M8	
11	1001308836	1	Mount, Battery Charger	
12	1001308837	1	Mount, Transformer	
13	1001309064	1	Transformer	
14	1001309066	1	Charger, Battery	
15	1001309578	1	Connector	
16	1001309579	1	Cap	
17	1001309580	2	Lamp, Indicator	
18	1001309581	1	Switch, Charging	
19	1001309582	1	Plug	
20	1001309583	1	Plug	
21	1001309584	2	Cable, Ground	
22	1001309585	1	Cable, Ground	
23	1001309586	1	Cable, Ground	

SECTION 10 - ELECTRICAL

FIGURE 10-11. FRAME HARNESS



ART_1001307345

SECTION 10 - ELECTRICAL

FIGURE 10-11. FRAME HARNESS

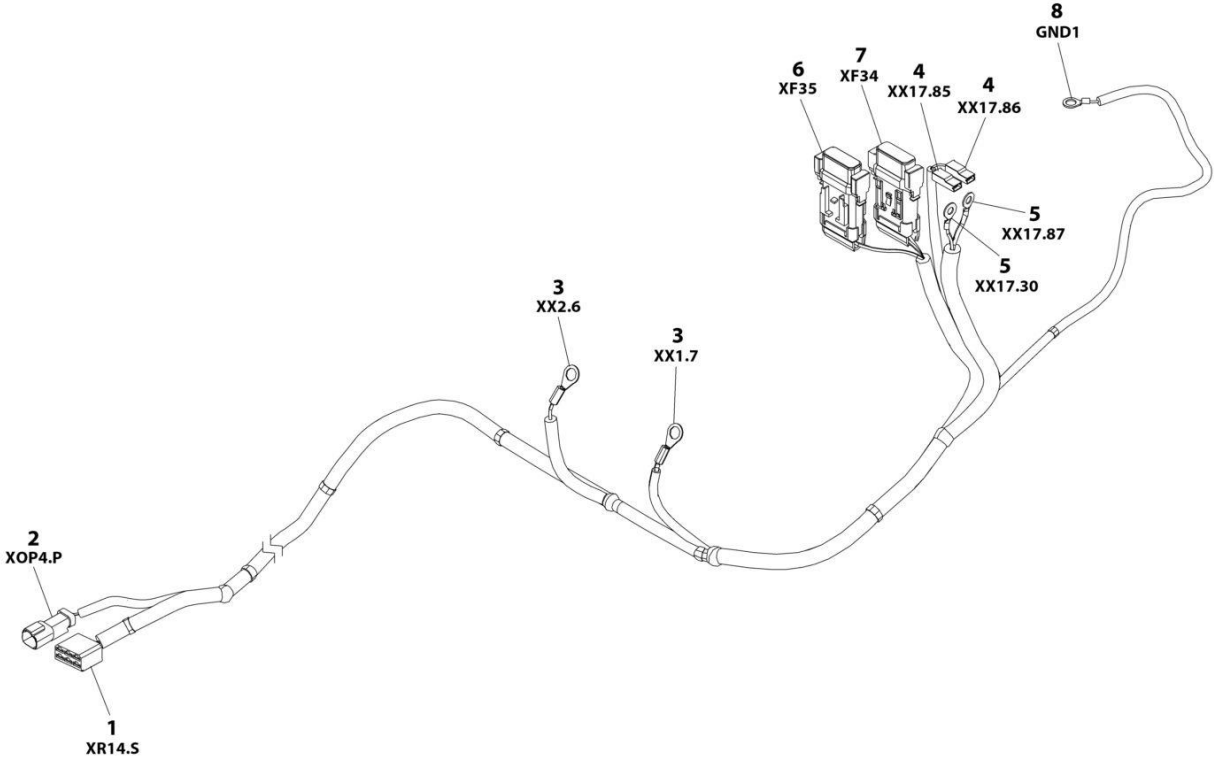
ITEM	PART NUMBER	QTY	DESCRIPTION	REV
	1001307345	Ref	FRAME HARNESS	A
	See Note	Ref	Note: No Other Service Parts Available at Time of Printing	
1	NPN	1	Connector	
2	4461290	4	Connector	
2	1001116694	8	Socket	
3	NPN	7	Connector	
4	4460873	1	Connector	
4	4460905	26	Plug	
5	4460894	1	Connector	
5	1001116692	2	Socket - 14AWG to 18AWG	
5	NPN	4	Socket - 20AWG	
6	NPN	13	Connector	
6	1001116692	26	Socket	
7	NPN	1	Connector	
8	NPN	2	Connector	
8	4460466	2	Plug	
9	4461077	3	Connector	
9	1001116694	12	Socket	
10	4460970	1	Connector	
10	1001116693	3	Pin - 14AWG to 18AWG	
10	NPN	8	Pin - 20AWG	
10	4460466	1	Plug	
11	1001220379	1	Connector	
12	4461229	2	Connector	
12	1001104497	4	Pin	
12	1001116698	6	Plug	
12	1001104498	4	Seal	
13	NPN	1	Connector	
14	NPN	1	Connector	
15	1001190322	1	Connector	
16	NPN	1	Connector	
16	1001116692	3	Socket	
17	NPN	3	Terminal, Ring	
18	NPN	2	Connector	
19	4460878	2	Connector	
19	4460887	8	Socket	
20	NPN	1	Terminal, Ring	
21	NPN	1	Terminal, Ring	
22	4461128	1	Connector	
22	1001237212	3	Socket	
22	4461008	2	Plug	
22	1001197457	3	Seal	
23	1001262473	1	Fuseholder	
24	4460933	1	Connector	
24	1001116692	4	Socket - 14AWG to 18AWG	
24	NPN	4	Socket - 20AWG	
24	4460466	4	Plug	
25	4460911	2	Connector	
25	1001116694	4	Socket	
25	4460518	2	Plug	

SECTION 10 - ELECTRICAL

ITEM	PART NUMBER	QTY	DESCRIPTION	REV
26	NPN	1	Connector	
27	4460933	1	Connector	
27	1001116692	11	Socket - 14AWG to 18AWG	
27	NPN	1	Socket - 20AWG	
28	1001116994	1	Connector	
28	4460905	14	Plug	
29	NPN	2	Connector	

SECTION 10 - ELECTRICAL

FIGURE 10-12. HEATER HARNESS



ART_1001308905

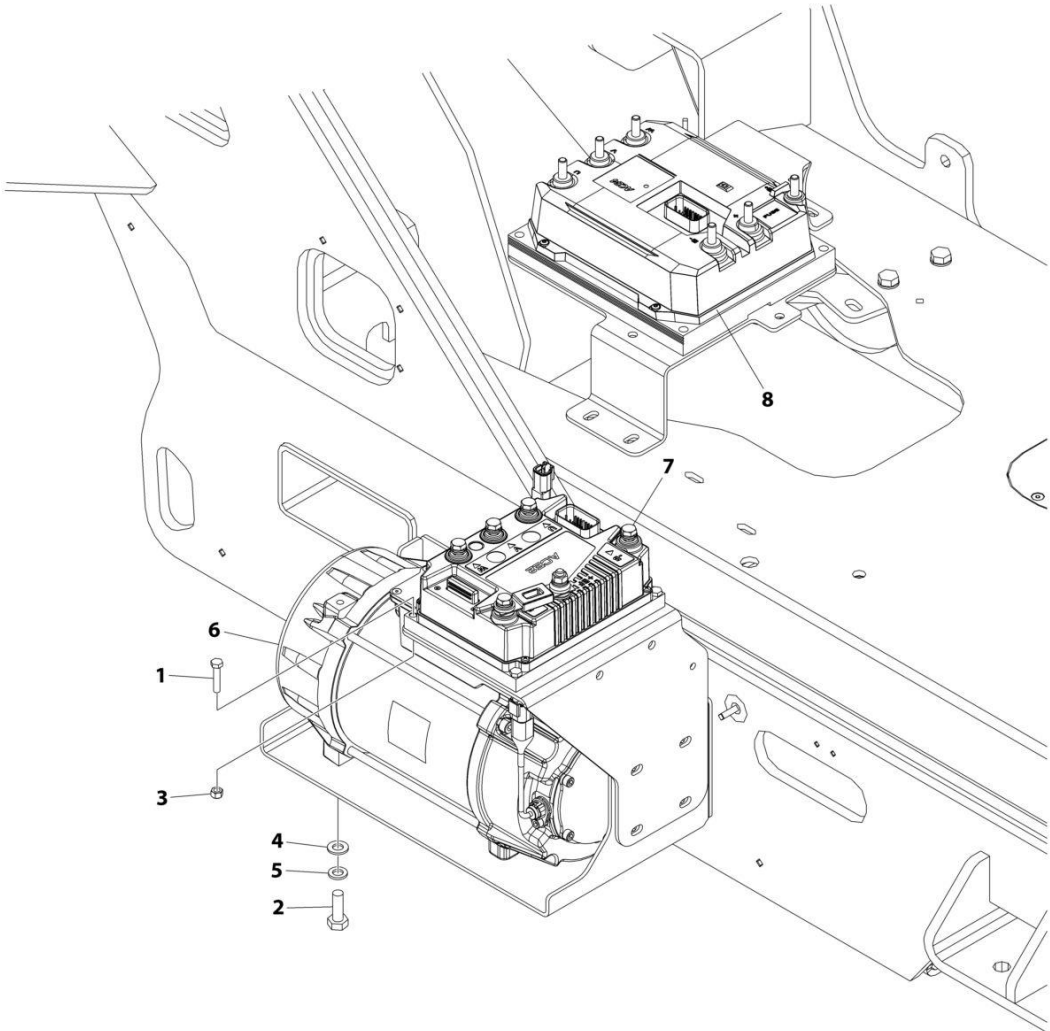
SECTION 10 - ELECTRICAL

FIGURE 10-12. HEATER HARNESS

ITEM	PART NUMBER	QTY	DESCRIPTION	REV
	1001308905	Ref	HEATER HARNESS	A
	See Note	Ref	Note: No Other Service Parts Available at Time of Printing	
1	NPN	1	Connector	
2	NPN	1	Connector	
2	1001116692	1	Socket	
2	4460466	1	Plug	
3	NPN	2	Terminal, Ring	
4	NPN	2	Connector	
5	NPN	2	Terminal, Ring	
6	NPN	1	Fuseholder	
7	NPN	1	Fuseholder	
8	NPN	1	Terminal, Ring	

SECTION 10 - ELECTRICAL

FIGURE 10-13. IMPLEMENT MOTOR INSTALLATION



ART_1001307342

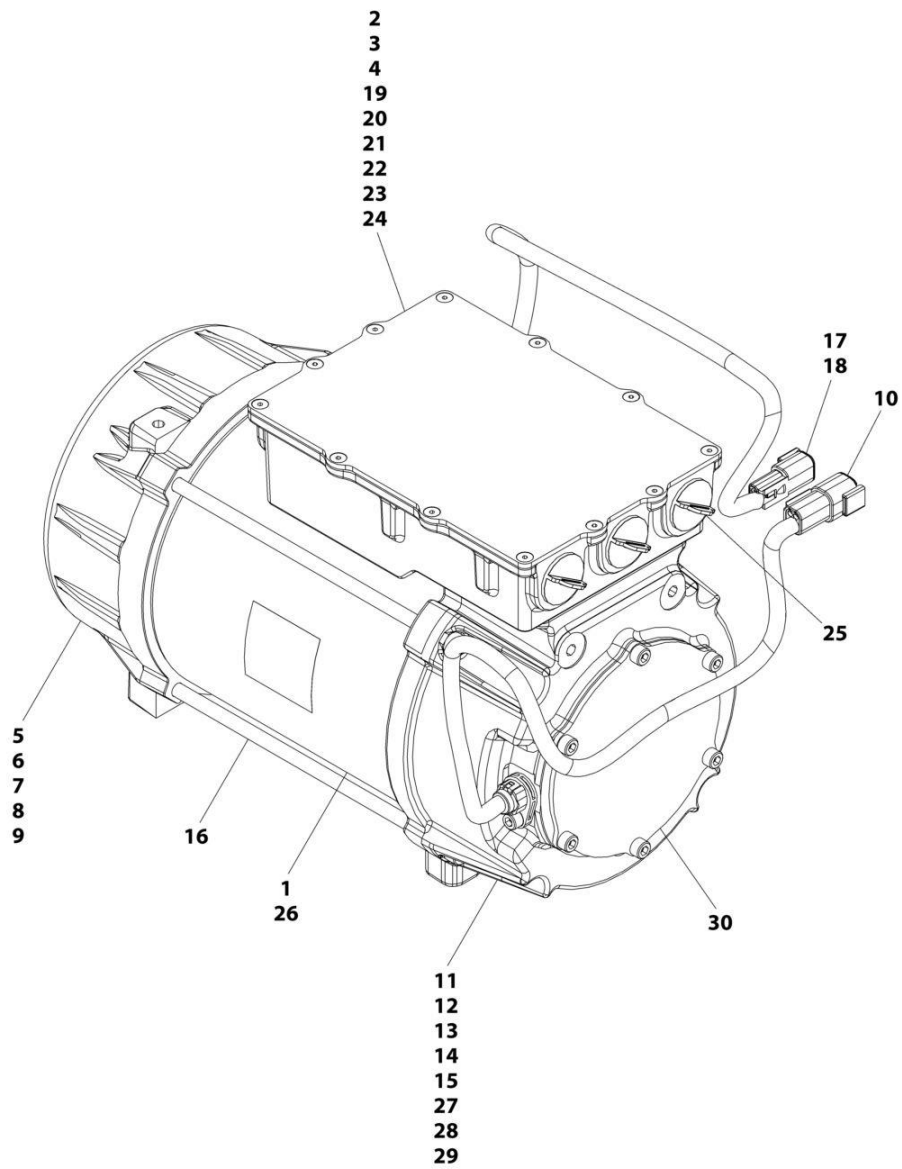
SECTION 10 - ELECTRICAL

FIGURE 10-13. IMPLEMENT MOTOR INSTALLATION

ITEM	PART NUMBER	QTY	DESCRIPTION	REV
	1001307342	Ref	IMPLEMENT MOTOR INSTALLATION	A
1	0700614	4	Bolt M6 x 30	
2	0761014	4	Bolt M10 x 30	
3	3290605	4	Nut M6	
4	4812000	4	Washer M10	
5	4832000	4	Washer M10	
6	1001307672	1	Implement Motor Assembly (See Separate Breakdown in this Section)	
7	1001307673	1	Module, Implement Motor Control (Note: Re-calibration required when replaced)	
8	1001307674	1	Module, Control (Note: Re-calibration required when replaced)	

SECTION 10 - ELECTRICAL

FIGURE 10-14. IMPLEMENT MOTOR ASSEMBLY



ART_1001307672

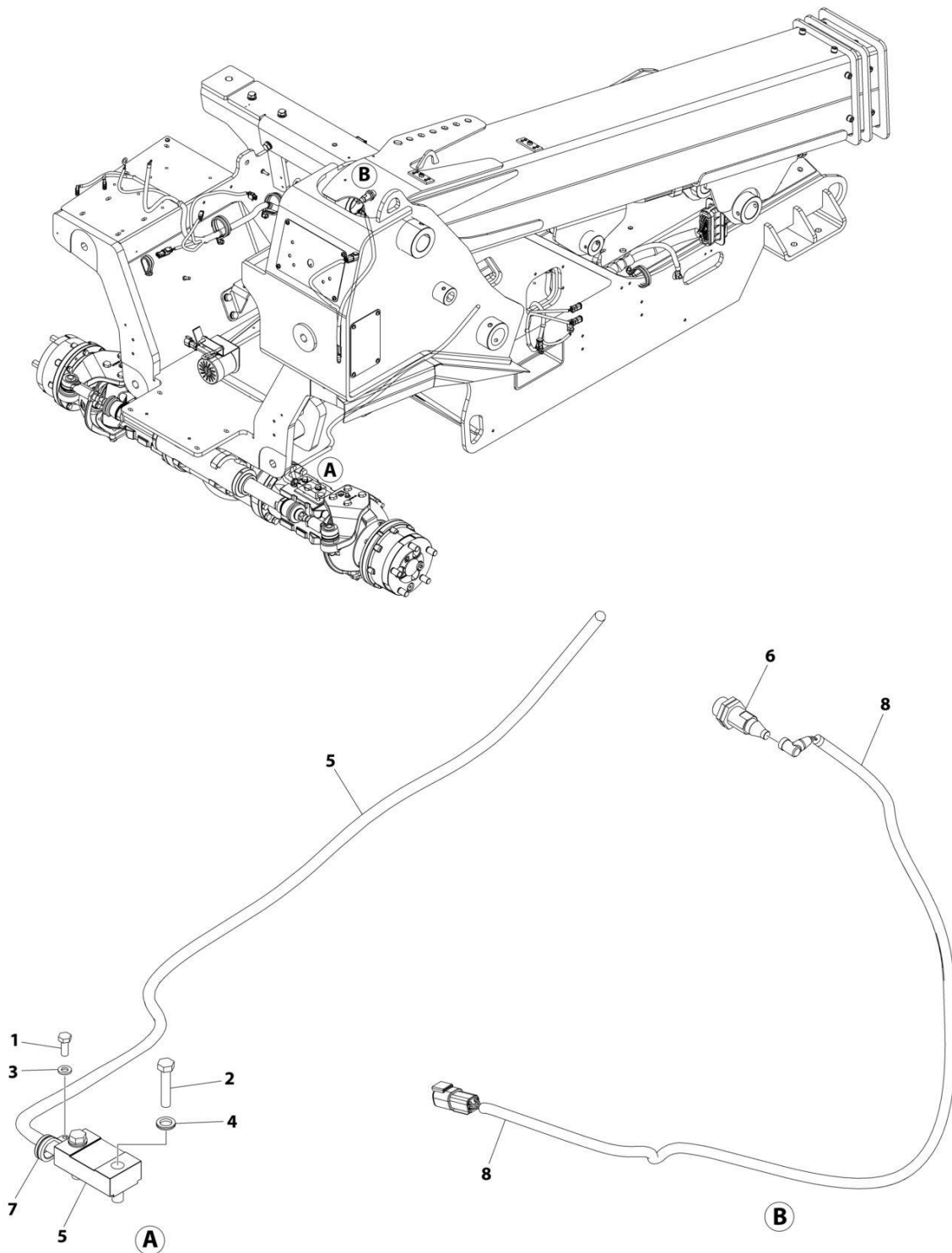
SECTION 10 - ELECTRICAL

FIGURE 10-14. IMPLEMENT MOTOR ASSEMBLY

ITEM	PART NUMBER	QTY	DESCRIPTION	REV
	1001307672	Ref	IMPLEMENT MOTOR ASSEMBLY	A
1	70031788	1	Stator	
2	70031789	1	Board, Terminal	
3	70031790	1	Clamp	
4	70031791	1	Bolt M5 x 12	
5	See Note	1	Cover (Note: Not Sold Separately)	
6	70031792	1	O-Ring	
7	70031793	1	Bearing	
8	70005393	1	Washer	
9	70031794	1	Seal	
10	70031795	1	Sensor, Speed	
10	1001097051	1	Connector	
10	4460929	4	Pin	
11	See Note	1	Cover (Note: Not Sold Separately)	
12	70031796	1	O-Ring	
13	70005404	1	Bearing	
14	70005405	1	Circlip	
15	70005408	1	O-Ring	
16	70031797	4	Bolt M8 x 220	
17	70031798	1	Sensor, Temperature	
18	70031799	1	Cable	
18	1001126243	1	Connector	
18	4460929	2	Pin	
19	70031800	1	Box	
20	70031801	1	Gasket	
21	70005395	4	Bolt M6 x 16	
22	70031802	1	Cover	
23	70031803	1	Gasket, Cover	
24	70031804	1	Plug	
25	70031805	3	Plug, Locking	
26	70031806	1	Rotor	
27	70031807	1	Circlip	
28	70004822	1	Ring	
29	70004818	1	Gear	
30	70031808	1	Cover (Includes Hardware)	

SECTION 10 - ELECTRICAL

FIGURE 10-15. LSI SENSORS INSTALLATION



ART_1001306133

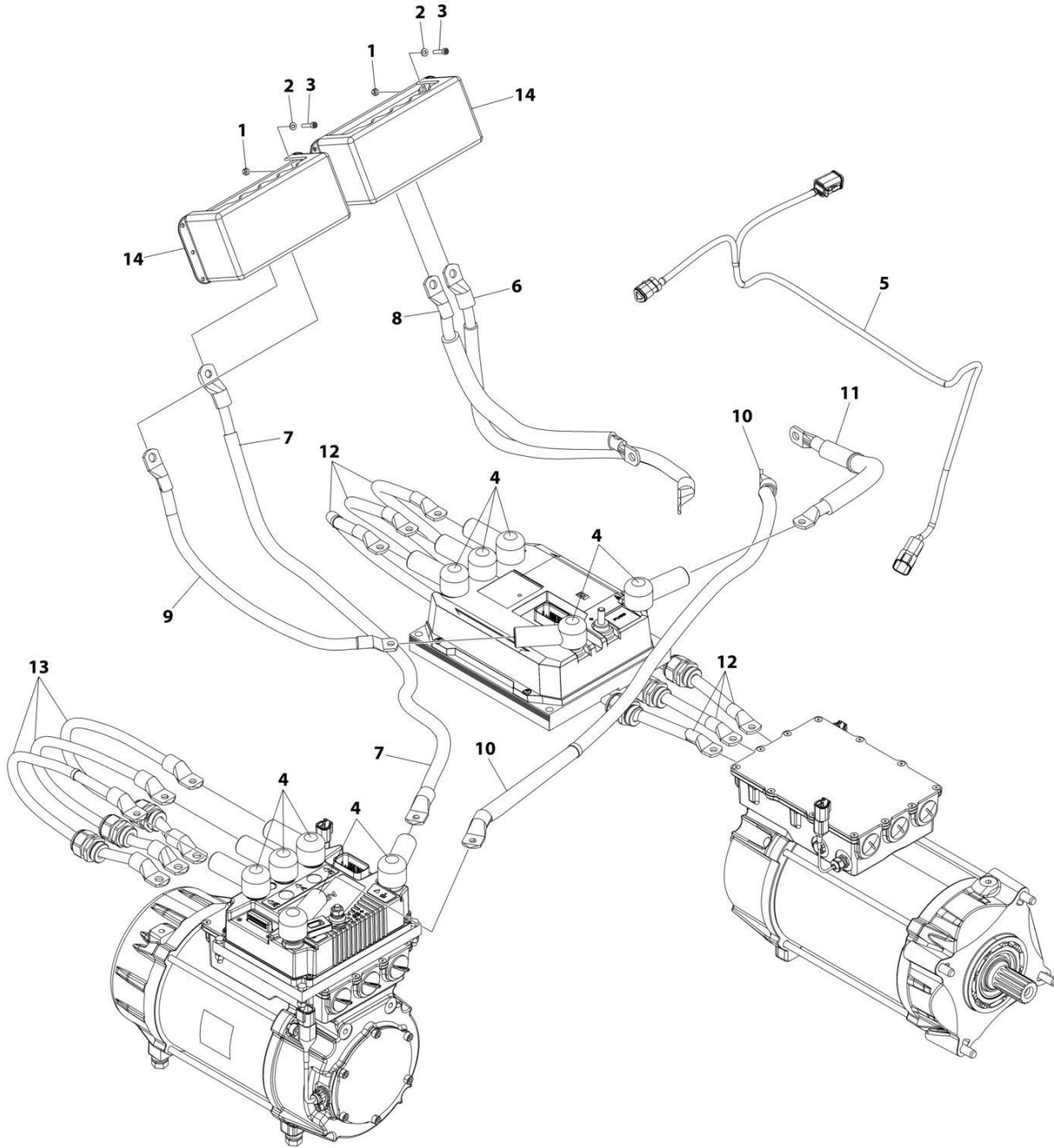
SECTION 10 - ELECTRICAL

FIGURE 10-15. LSI SENSORS INSTALLATION

ITEM	PART NUMBER	QTY	DESCRIPTION	REV
	1001306133	Ref	LSI SENSORS INSTALLATION	A
1	0760608	1	Bolt M6 x 16	
2	0770816	2	Bolt M8 x 40	
3	4831700	1	Washer M6	
4	1001261551	2	Washer M10	
5	1001264369	1	Sensor, LSI Axle	
6	1001264370	1	Sensor, Proximity	
7	1001264372	1	Clamp	
8	1001264452	1	Harness, LSI Jumper	

SECTION 10 - ELECTRICAL

FIGURE 10-16. MOTOR CABLES INSTALLATION



ART_1001307344

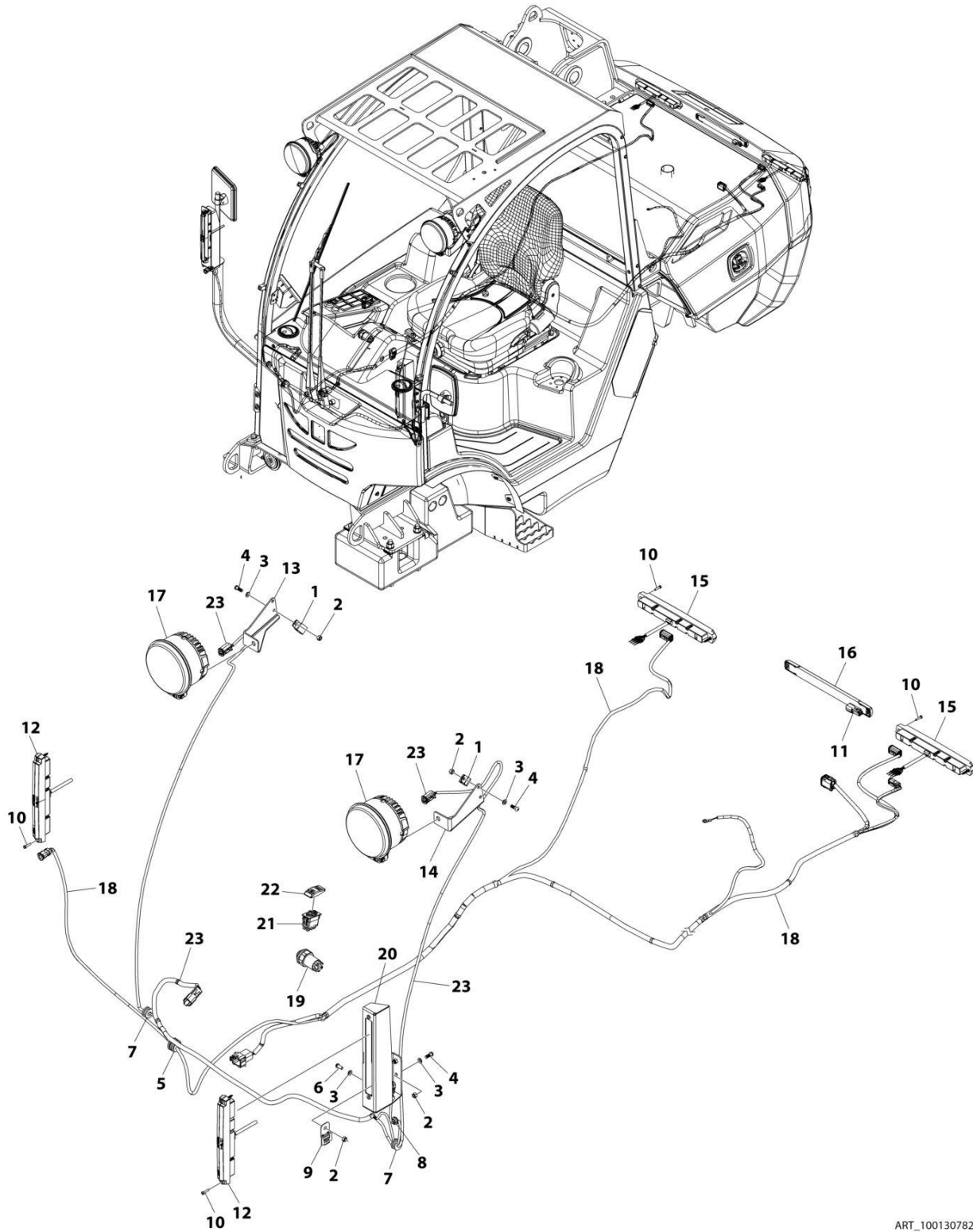
SECTION 10 - ELECTRICAL

FIGURE 10-16. MOTOR CABLES INSTALLATION

ITEM	PART NUMBER	QTY	DESCRIPTION	REV
	1001307344	Ref	MOTOR CABLES INSTALLATION	A
1	3290405	8	Nut M4	
2	4811400	8	Washer M4	
3	1001110269	8	Capscrew M4 x 20	
4	1001264674	10	Boot	
5	1001308356	1	Seat Jumper Harness (See Separate Breakdown in this Section)	
6	1001308357	1	Cable, Power Coil to Bussbar	
7	1001308358	1	Cable, Implement Module to Bussbar	
8	1001308359	1	Cable, Power Coil to Bussbar	
9	1001308360	1	Cable, Control Module to Bussbar	
10	1001308361	1	Cable, Implement Module to Power Coil	
11	1001308362	1	Cable, Control Module to Power Coil	
12	1001308363	3	Cable, Control Module to Drive Motor	
13	1001308364	3	Cable, Implement Module to Implement Motor	
14	1001308373	2	Bussbar	

SECTION 10 - ELECTRICAL

FIGURE 10-17. ROAD LIGHTS INSTALLATION



ART_1001307827

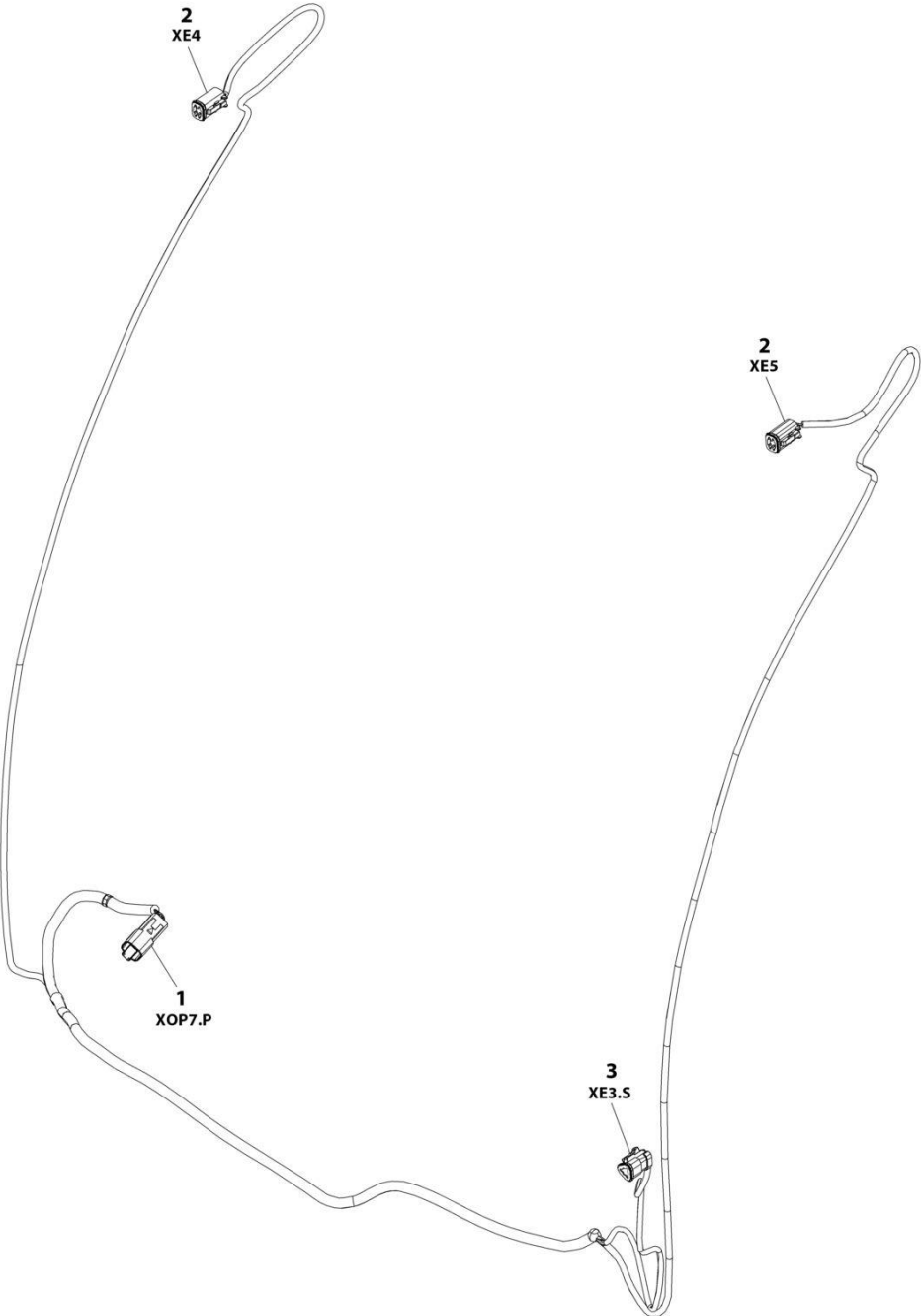
SECTION 10 - ELECTRICAL

FIGURE 10-17. ROAD LIGHTS INSTALLATION

ITEM	PART NUMBER	QTY	DESCRIPTION	REV
	1001307827	Ref	ROAD LIGHTS INSTALLATION	A
1	1321296	2	Clamp	
2	3290605	7	Nut M6	
3	4811700	7	Washer M6	
4	1001262607	6	Capscrew M6 x 20 Class 10.9	
5	1001264009	1	Plug	
6	1001264021	1	Capscrew M6 x 15 Class 10.9	
7	1001264529	2	Grommet	
8	1001264673	1	Grommet	
9	1001306640	1	Clip	
10	1001306660	8	Screw M4 x 20	
11	1001309542	1	Connector	
12	1001309543	2	Light, Front	
13	1001309547	1	Bracket, Roof Light - Right	
14	1001309548	1	Bracket, Roof Light - Left	
15	1001309550	2	Light, Rear - Right & Left	
16	1001309551	1	Light, Rear - Center	
17	1001309552	2	Light, Roof	
18	1001309553	1	Road Lights Harness - Frame (See Separate Breakdown in this Section)	
19	1001309554	1	Switch, Hazard Light	
20	1001309555	1	Bracket	
21	1001309556	1	Switch, Light	
22	1001309558	1	Rocker, Light Switch	
23	1001309563	1	Road Lights Harness - Cab (See Separate Breakdown in this Section)	

SECTION 10 - ELECTRICAL

FIGURE 10-18. ROAD LIGHTS HARNESS - CAB



ART_1001309563

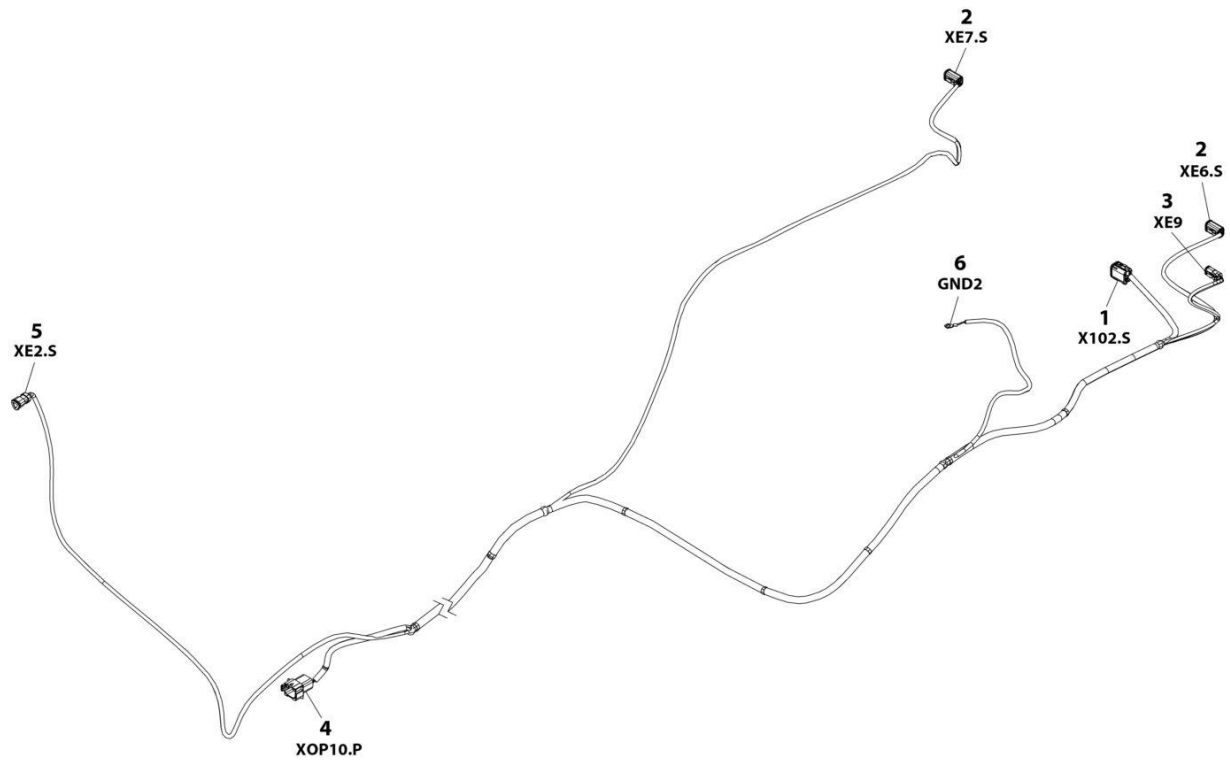
SECTION 10 - ELECTRICAL

FIGURE 10-18. ROAD LIGHTS HARNESS - CAB

ITEM	PART NUMBER	QTY	DESCRIPTION	REV
	1001309563	Ref	WORKLIGHT HARNESS	A
	See Note	Ref	Note: No Other Service Parts Available at Time of Printing	
1	4460899	1	Connector	
1	1001116692	3	Socket - 14AWG to 18AWG	
1	NPN	2	Socket - 20AWG	
1	4460466	1	Plug	
2	1001220379	2	Connector	
2	4460466	2	Plug	
3	NPN	1	Connector	

SECTION 10 - ELECTRICAL

FIGURE 10-19. ROAD LIGHTS HARNESS - FRAME



ART_1001309553

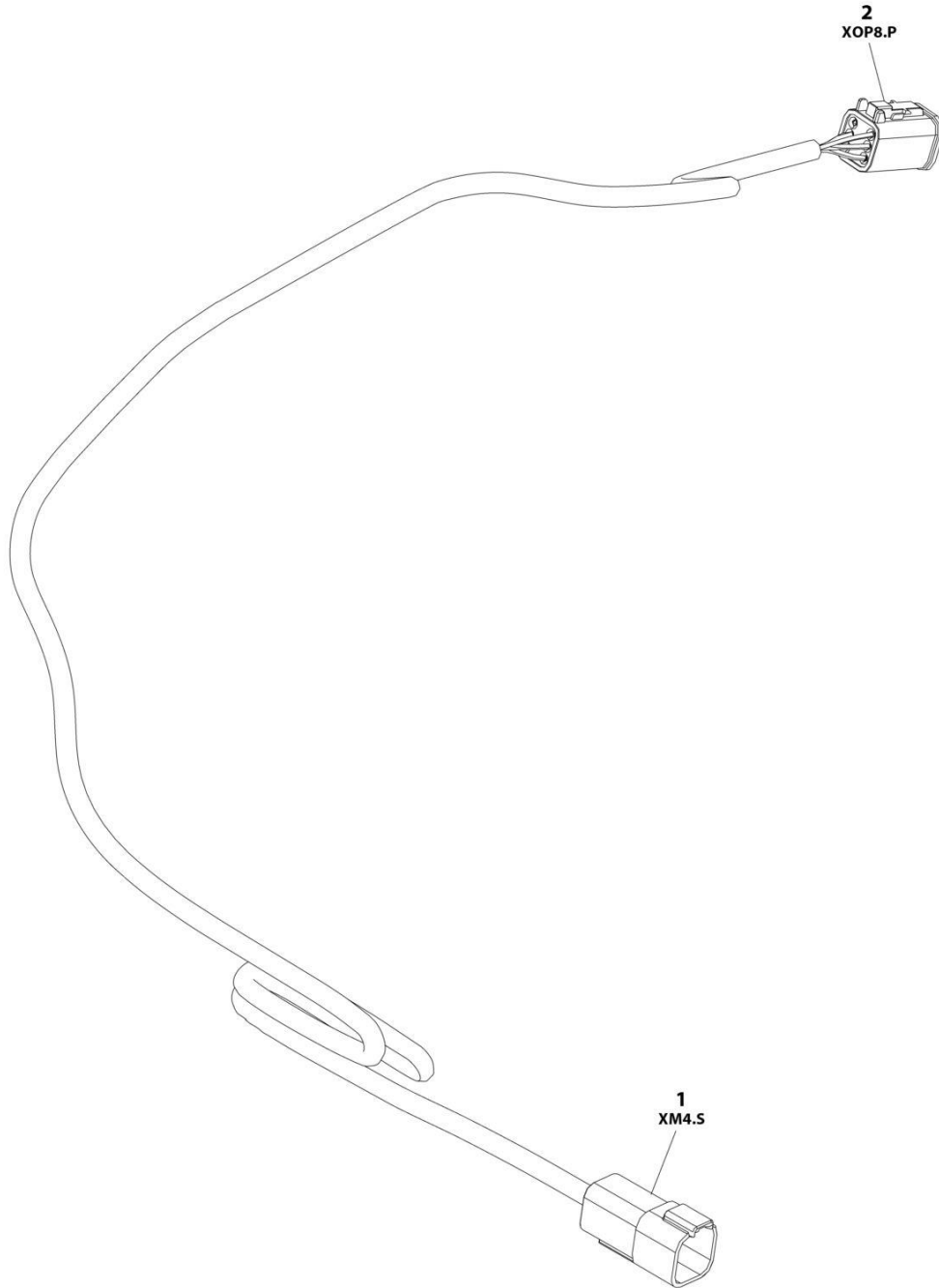
SECTION 10 - ELECTRICAL

FIGURE 10-19. ROAD LIGHTS HARNESS - FRAME

ITEM	PART NUMBER	QTY	DESCRIPTION	REV
	1001309553	Ref	WORKLIGHT HARNESS	A
	See Note	Ref	Note: No Other Service Parts Available at Time of Printing	
1	NPN	1	Connector	
1	1001116692	1	Socket - 14AWG to 18AWG	
1	NPN	5	Socket - 20AWG	
1	4460466	2	Plug	
2	1001220379	2	Connector	
3	NPN	1	Connector	
4	4460931	1	Connector	
4	4460466	1	Plug	
5	NPN	1	Connector	
6	NPN	1	Terminal, Ring	

SECTION 10 - ELECTRICAL

FIGURE 10-20. ROOF WIPER HARNESS



ART_1001265306

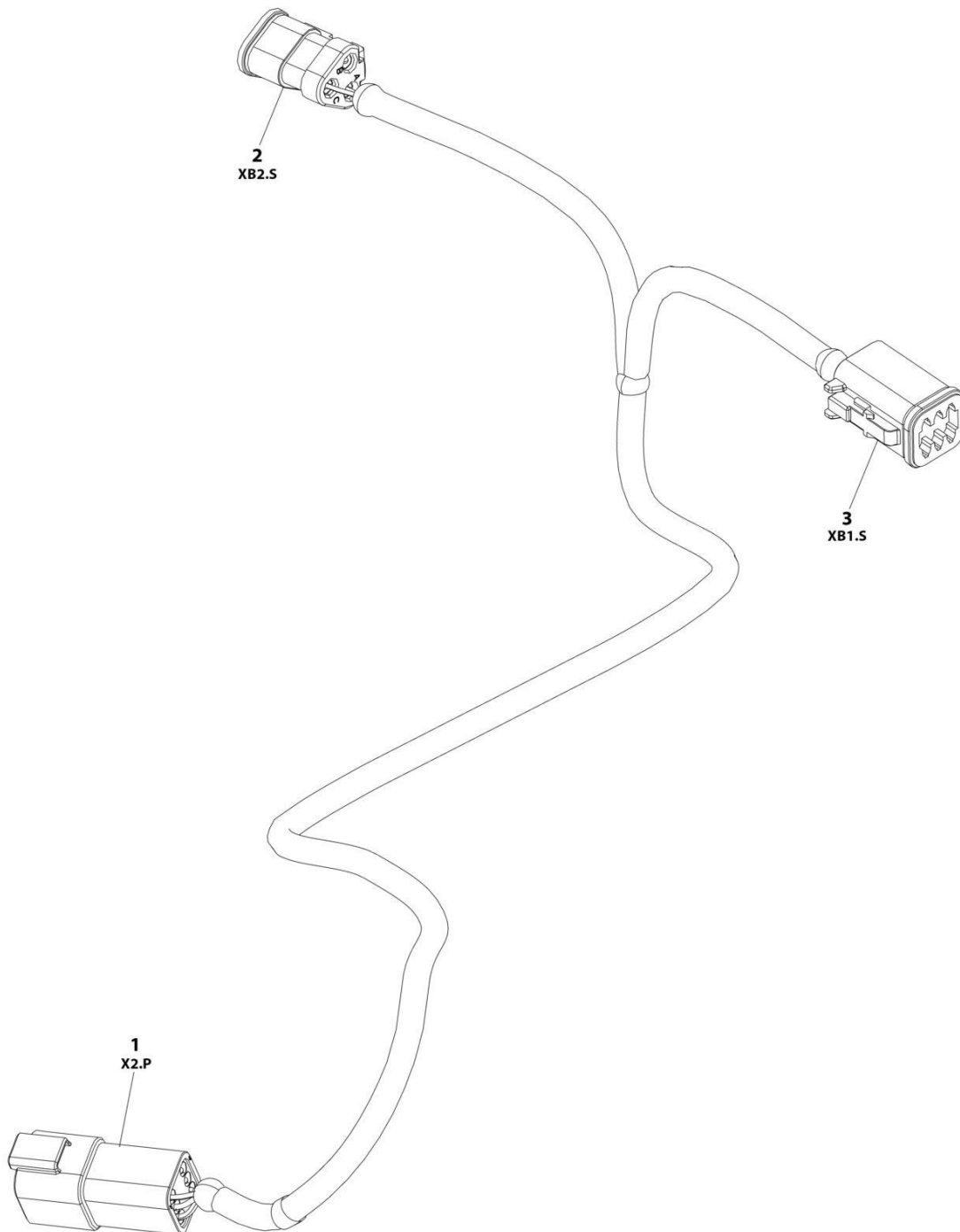
SECTION 10 - ELECTRICAL

FIGURE 10-20. ROOF WIPER HARNESS

ITEM	PART NUMBER	QTY	DESCRIPTION	REV
	1001265306	Ref	ROOF WIPER HARNESS	A
1	4460894	1	Connector	
1	1001116692	4	Socket	
1	4460466	2	Plug	
2	4460899	1	Connector	
2	1001116692	4	Socket	
2	4460466	2	Plug	

SECTION 10 - ELECTRICAL

FIGURE 10-21. SEAT JUMPER HARNESS



ART_1001308356

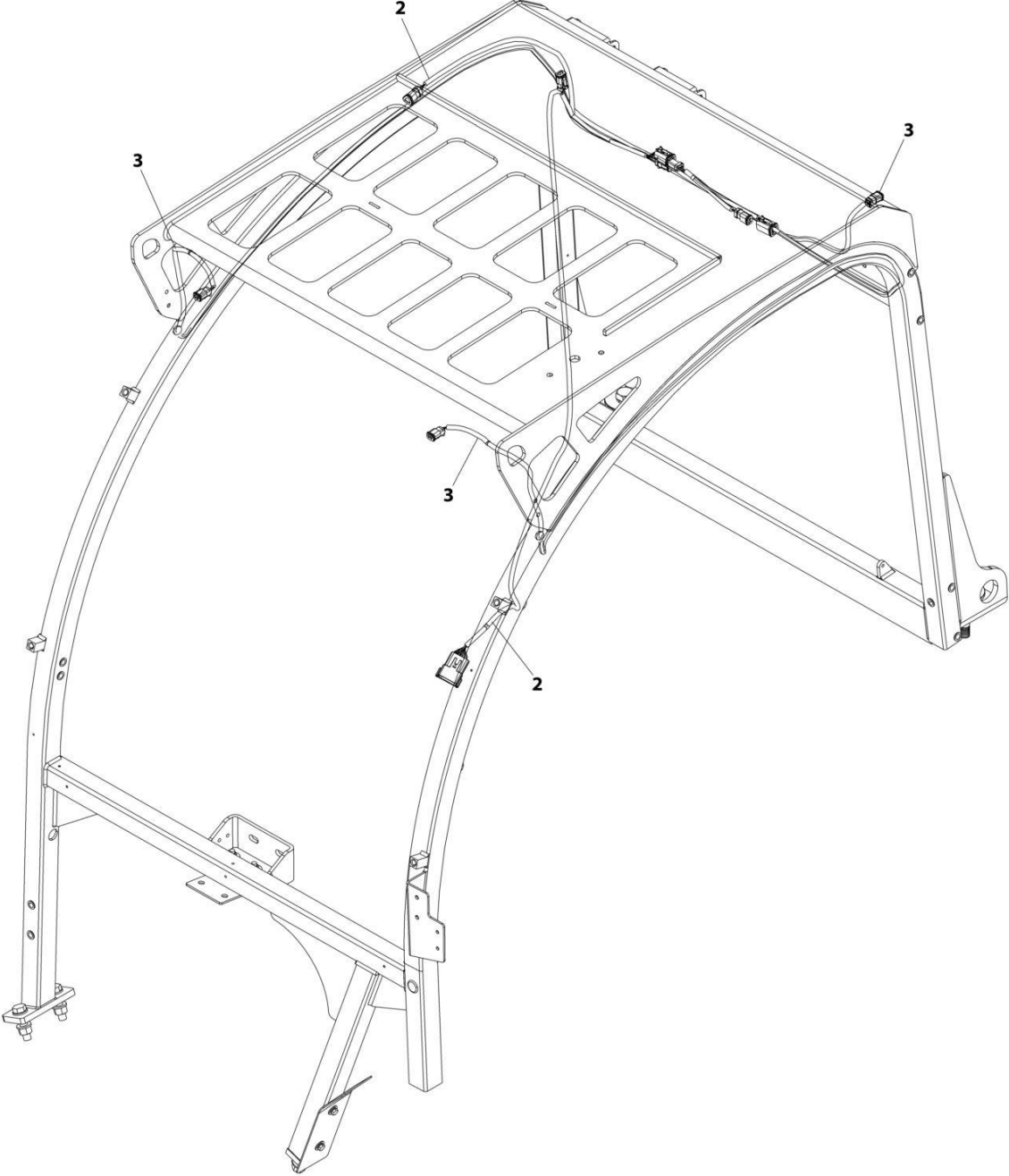
SECTION 10 - ELECTRICAL

FIGURE 10-21. SEAT JUMPER HARNESS

ITEM	PART NUMBER	QTY	DESCRIPTION	REV
	1001308356	Ref	SEAT JUMPER HARNESS	A
	See Note	Ref	Note: No Other Service Parts Available at Time of Printing	
1	4460899	1	Connector	
1	1001116693	2	Pin - 14AWG to 18AWG	
1	NPN	4	Pin - 20AWG	
2	NPN	1	Connector	
2	4460466	1	Plug	
3	4460894	1	Connector	
3	1001116692	2	Socket - 14AWG to 18AWG	
3	NPN	2	Socket - 20AWG	
3	4460466	2	Plug	

SECTION 10 - ELECTRICAL

FIGURE 10-22. WORKLIGHTS HARNESS INSTALLATION



ART_1001306135

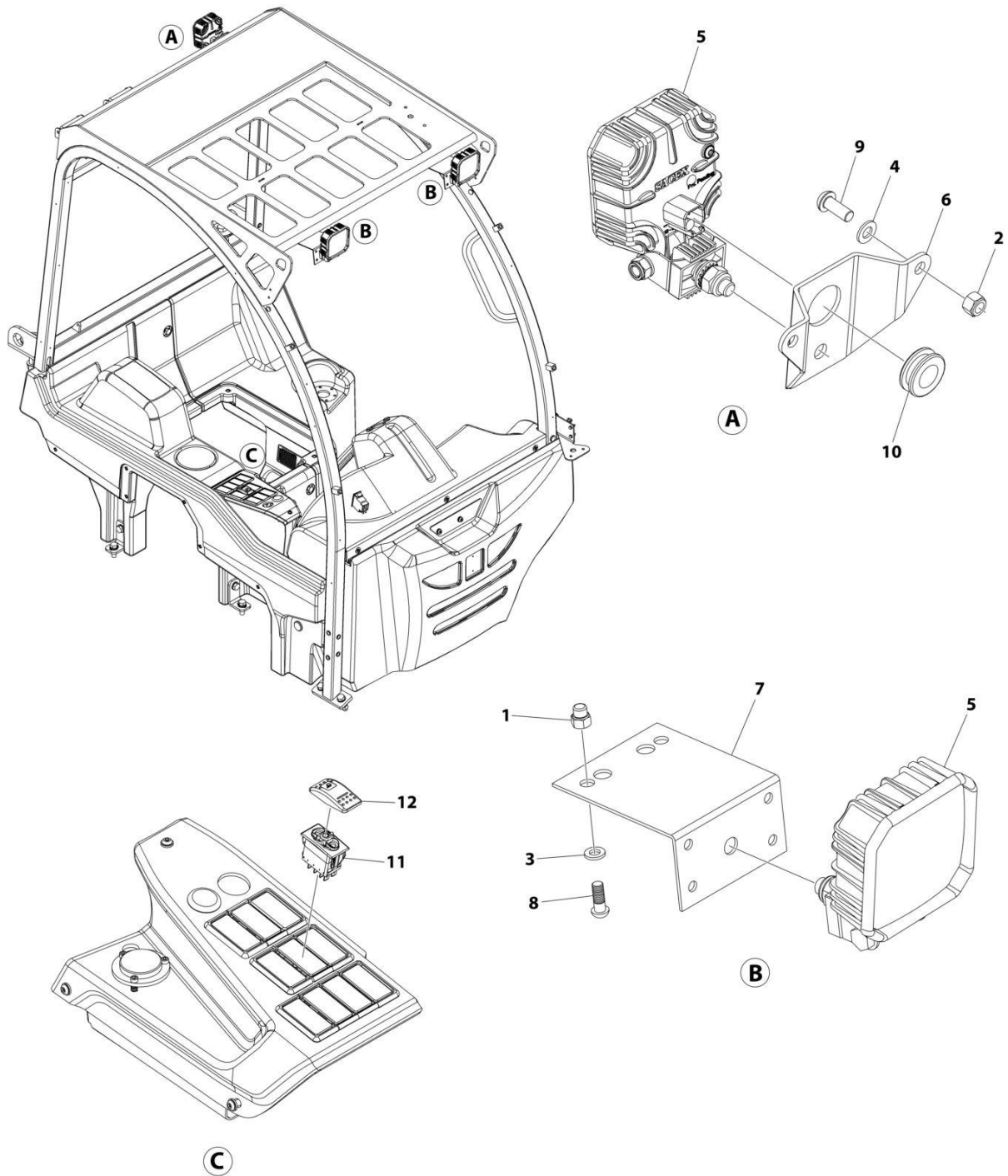
SECTION 10 - ELECTRICAL

FIGURE 10-22. WORKLIGHTS HARNESS INSTALLATION

ITEM	PART NUMBER	QTY	DESCRIPTION	REV
	1001306135	Ref	WORKLIGHTS HARNESS INSTALLATION	A
1	1001002454	3	Tie-Strap (Not Shown)	
2	1001264451	1	Harness, Worklights	
3	1001264456	1	Harness, Worklights Jumper	
4	1001264466	3	Mount, Tie-Strap (Not Shown)	

SECTION 10 - ELECTRICAL

FIGURE 10-23. WORKLIGHTS INSTALLATION



ART_1001304450

SECTION 10 - ELECTRICAL

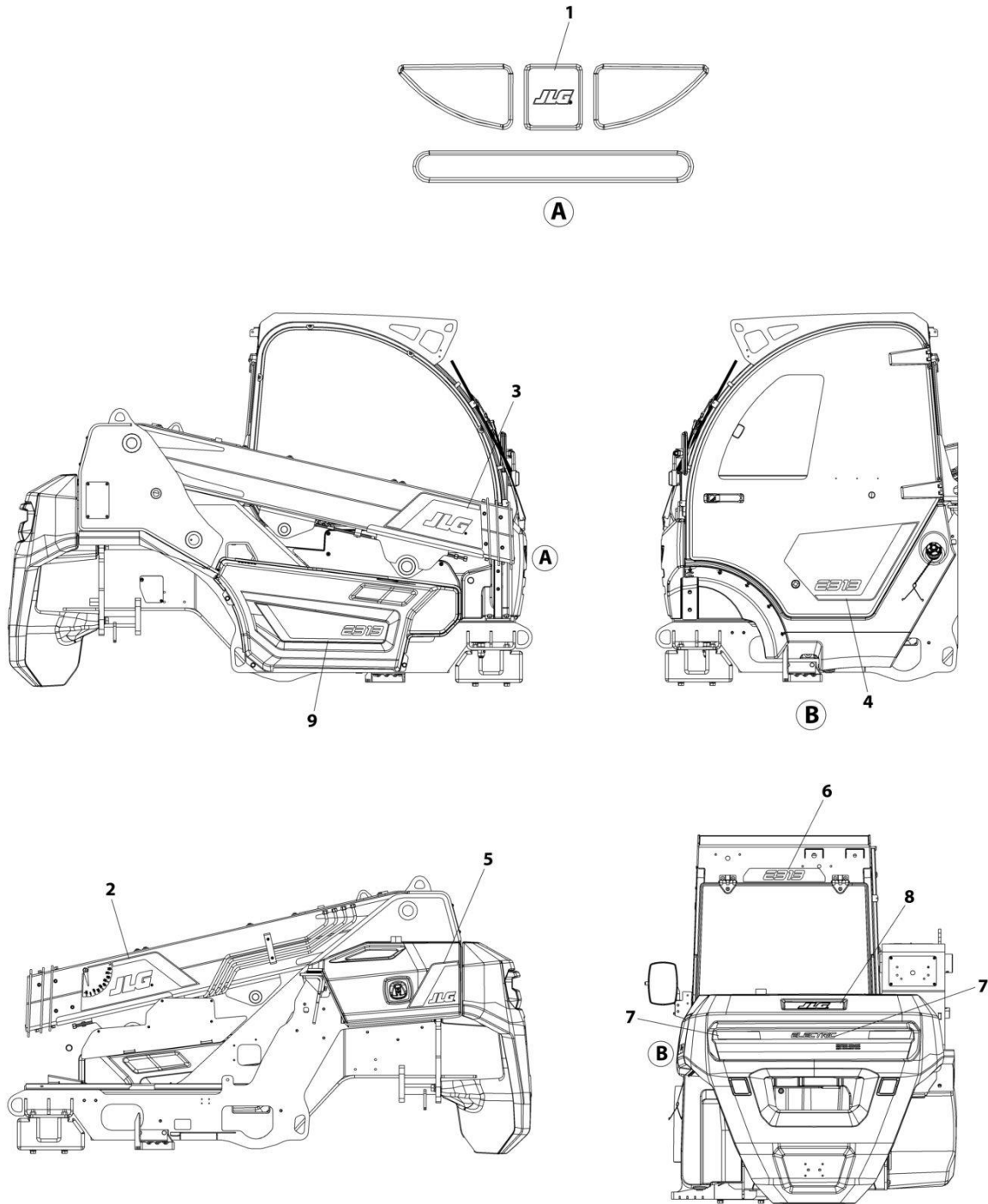
FIGURE 10-23. WORKLIGHTS INSTALLATION

ITEM	PART NUMBER	QTY	DESCRIPTION	REV
	1001304450	Ref	WORKLIGHTS INSTALLATION	A
1	3290605	4	Nut M6	
2	3290805	2	Nut M8	
3	4811700	4	Washer M6	
4	4811900	2	Washer M8	
5	1001262603	3	Lamp	
6	1001262605	1	Bracket, Rear Worklight	
7	1001262606	2	Bracket, Front Worklight	
8	1001262607	4	Capscrew M6 x 20 Class 10.9	
9	1001262664	2	Capscrew M8 x 20 Class 10.9	
10	1001263266	1	Grommet	
11	1001305388	1	Switch, Worklights	
12	1001305395	1	Rocker, Worklights Switch	

SECTION 11 - DECALS

SECTION 11 - DECALS

FIGURE 11-1. BRAND DECALS INSTALLATION - ENCLOSED CAB



ART_1001305413

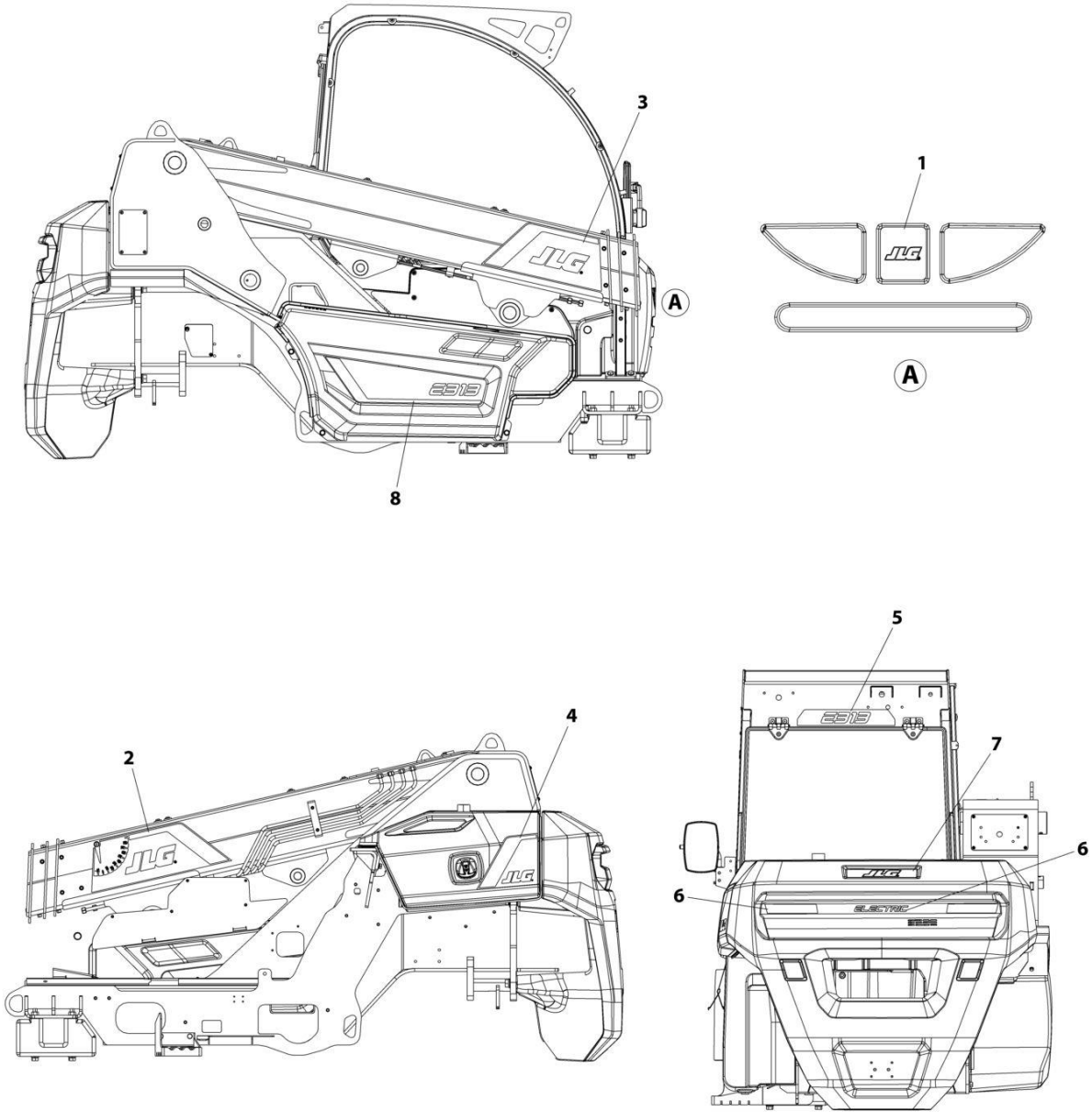
SECTION 11 - DECALS

FIGURE 11-1. BRAND DECALS INSTALLATION - ENCLOSED CAB

ITEM	PART NUMBER	QTY	DESCRIPTION	REV
	1001305413	Ref	BRAND DECALS INSTALLATION	A
1	1001269743	1	Decal - Front JLG	
2	1001302916	1	Decal - Boom Angle	
3	1001302917	1	Decal - Boom JLG	
4	1001302918	1	Decal - Door Model	
5	1001302919	1	Decal - Engine Hood JLG	
6	1001302920	1	Decal - Cab Rear Model	
7	1001302921	1	Decal - Counterweight Electric	
8	1001305392	1	Decal - Counterweight JLG	
9	1001305636	1	Decal - Side Hood Model	

SECTION 11 - DECALS

FIGURE 11-2. BRAND DECALS INSTALLATION - OPEN CAB



ART_1001301823

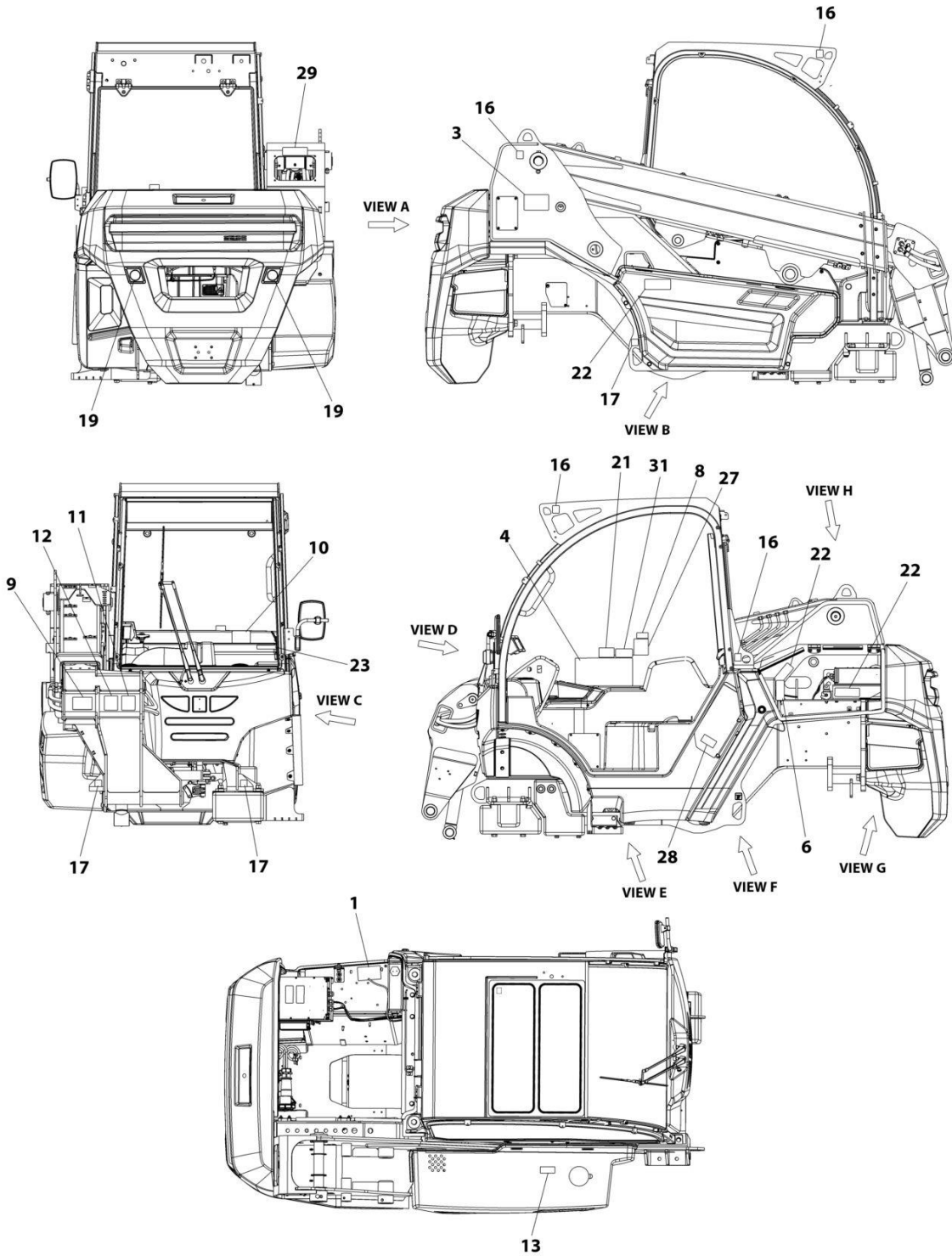
SECTION 11 - DECALS

FIGURE 11-2. BRAND DECALS INSTALLATION - OPEN CAB

ITEM	PART NUMBER	QTY	DESCRIPTION	REV
	1001301823	Ref	BRAND DECALS INSTALLATION	A
1	1001269743	1	Decal - Front JLG	
2	1001302916	1	Decal - Boom Angle	
3	1001302917	1	Decal - Boom JLG	
4	1001302919	1	Decal - Engine Hood JLG	
5	1001302920	1	Decal - Cab Rear Model	
6	1001302921	1	Decal - Counterweight Electric	
7	1001305392	1	Decal - Counterweight JLG	
8	1001305636	1	Decal - Side Hood Model	

SECTION 11 - DECALS

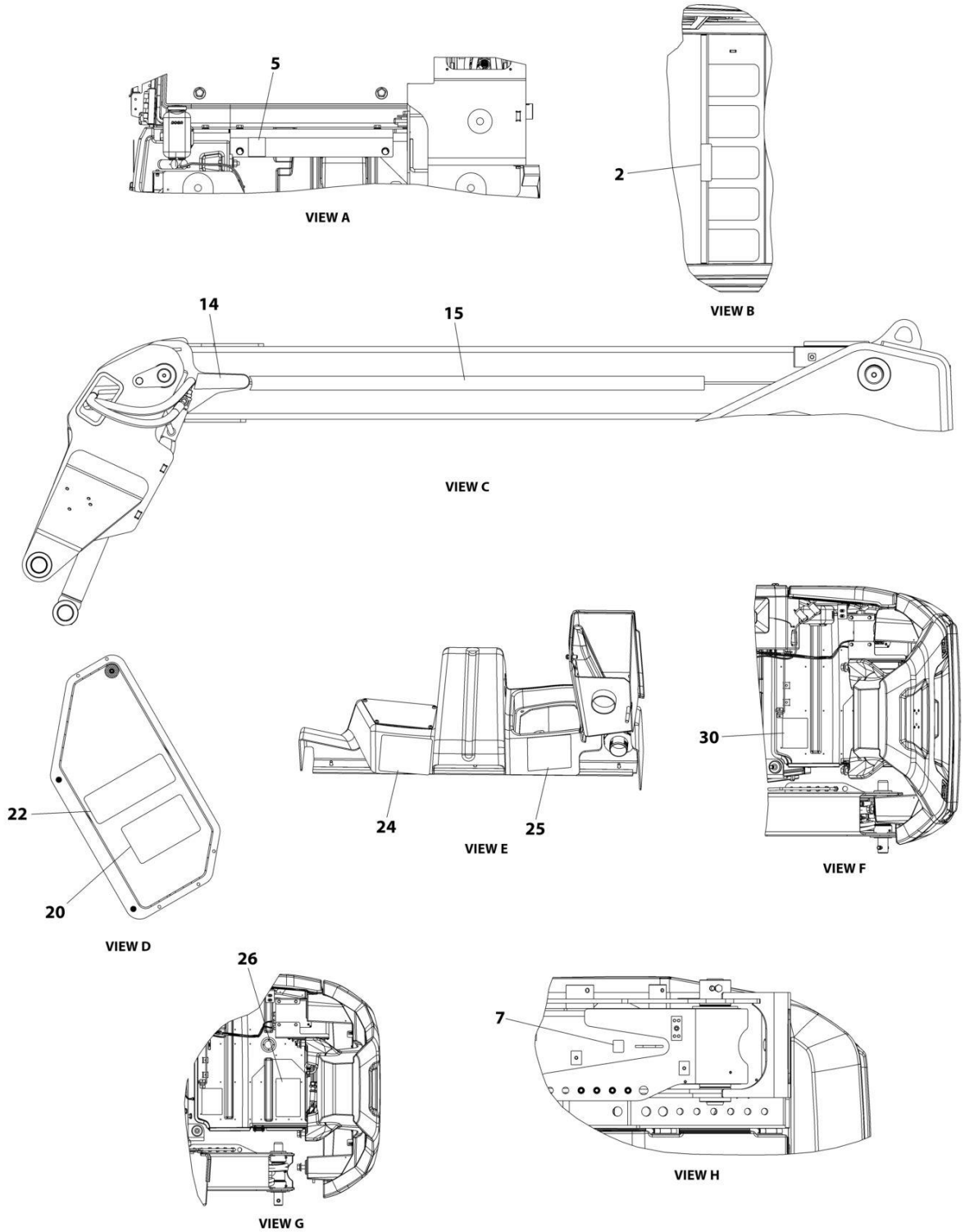
FIGURE 11-3. DECALS INSTALLATION (ANSI)



NOTE: SEE PAGE 20F2 FOR DETAIL VIEWS

ART_1001305804_10F2

SECTION 11 - DECALS



ART_1001305804_20F2

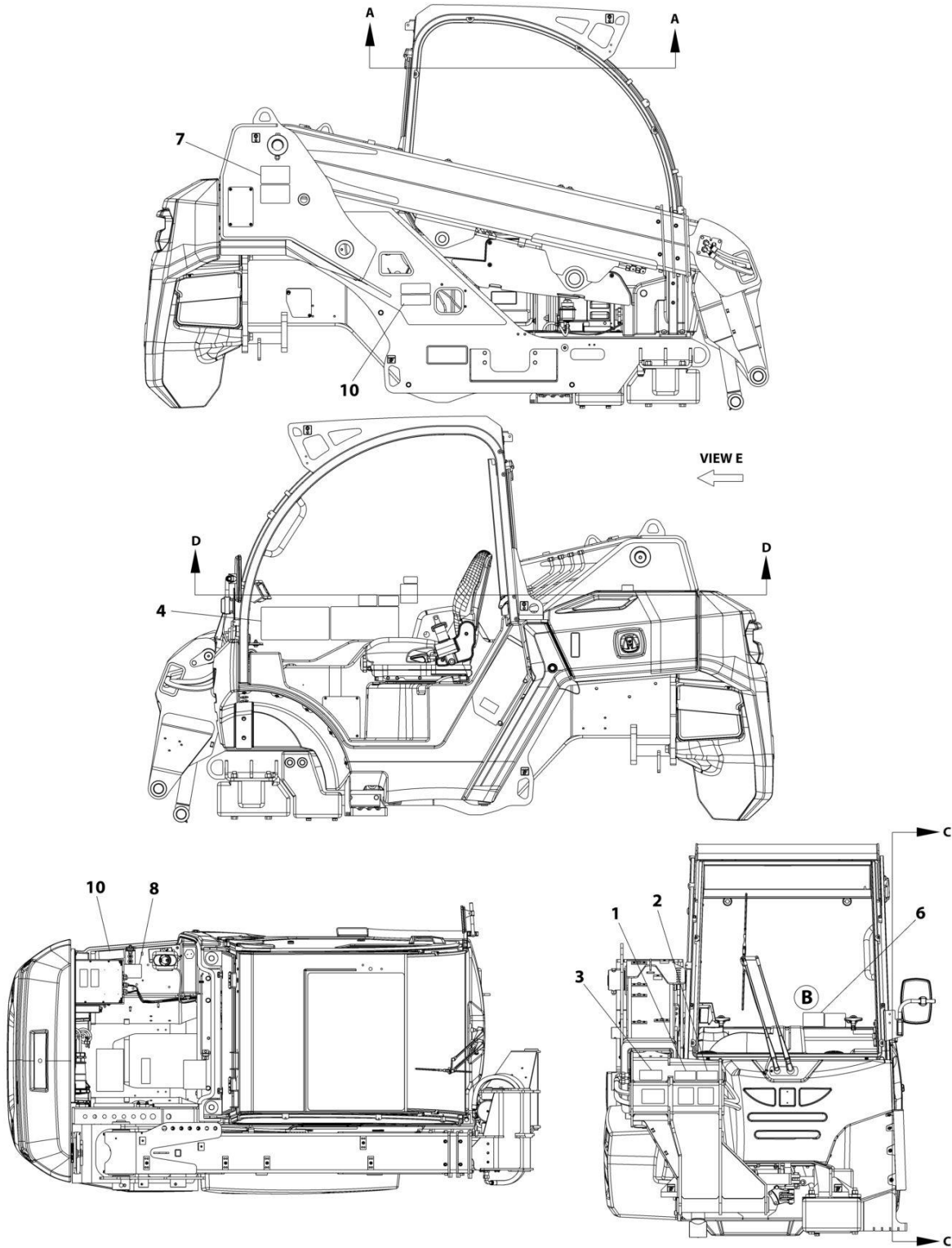
SECTION 11 - DECALS

FIGURE 11-3. DECALS INSTALLATION (ANSI)

ITEM	PART NUMBER	QTY	DESCRIPTION	REV
	1001305804	Ref	DECAL INSTALLATION	A
1	1706296	1	Decal - Battery Warning	
2	1706299	1	Decal - Electrocution Hazard	
3	1706302	1	Decal - Pinch Point	
4	1707078	1	Decal - Warning/Danger - Cab	
5	4100181	1	Decal - Hydraulic Oil Fill	
6	4108302	1	Decal - Hydraulic Oil Level	
7	1001212292	1	Decal - No Lifting	
8	1001223453	1	Decal - ICES	
9	1001260776	1	Decal - Falling Personnel	
10	1001260780	2	Decal - Rear Window Entry/Exit	
11	1001260879	1	Decal - Platform Personnel	
12	1001260880	1	Decal - Do Not Travel	
13	1001297049	1	Decal - Brake Fluid Spec NA	
14	1001263410	1	Decal - Boom Letter A	
15	1001263411	1	Decal - Boom Extend Letters	
16	1001268712	5	Decal - Tie Down	
17	1001268713	4	Decal - Lift Point	
19	1001311049	2	Reflector	
20	1001311189	1	Decal - Charging Instruction	
21	1001311188	1	Decal - Tire Pressure	
22	1001311372	4	Decal - Warning	
23	1001311384	NSS	Name Plate, Serial Number (Note: Not Available For Purchase)	
24	1001311433	1	Decal - Fuse Box Cab	
25	1001311434	1	Decal - Fuse Box	
26	1001311460	1	Decal - Grease Points	
27	1001311464	1	Decal - Joystick Grip	
28	1001311193	1	Decal - Charging Location	
29	1001311995	1	Decal - Do Not Spray	
30	1001312642	1	Decal - Maintenance E313	
31	1001312896	1	Decal - Manual/Plug Location	

SECTION 11 - DECALS

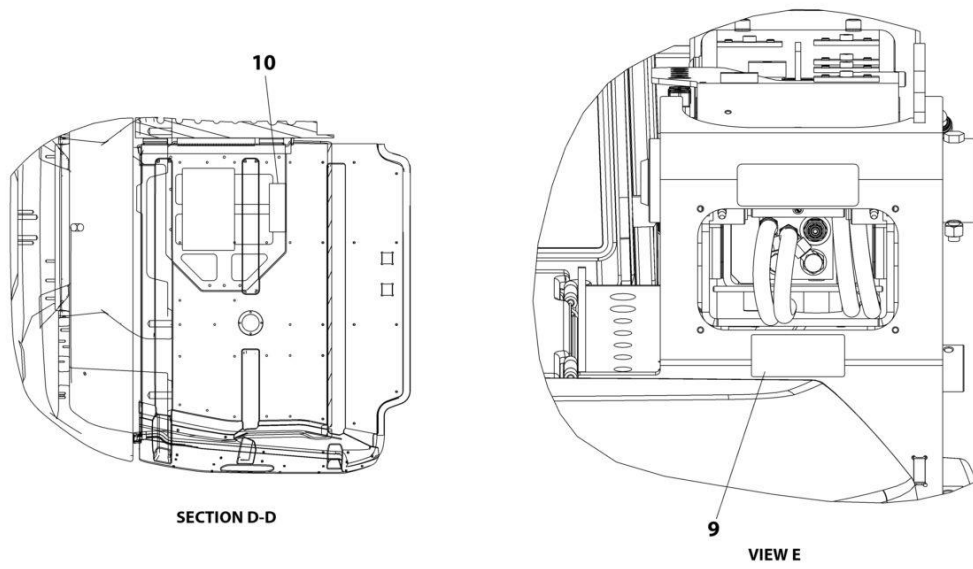
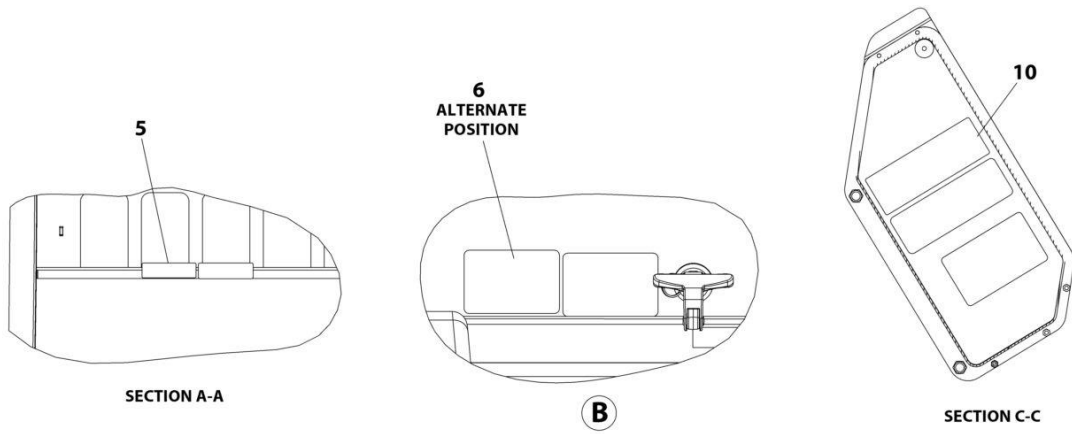
FIGURE 11-4. DECAL INSTALLATION (FRENCH)



NOTE: SEE PAGE 20F2 FOR DETAIL VIEWS

ART_1001305805_10F2

SECTION 11 - DECALS



ART_1001305805_2OF2

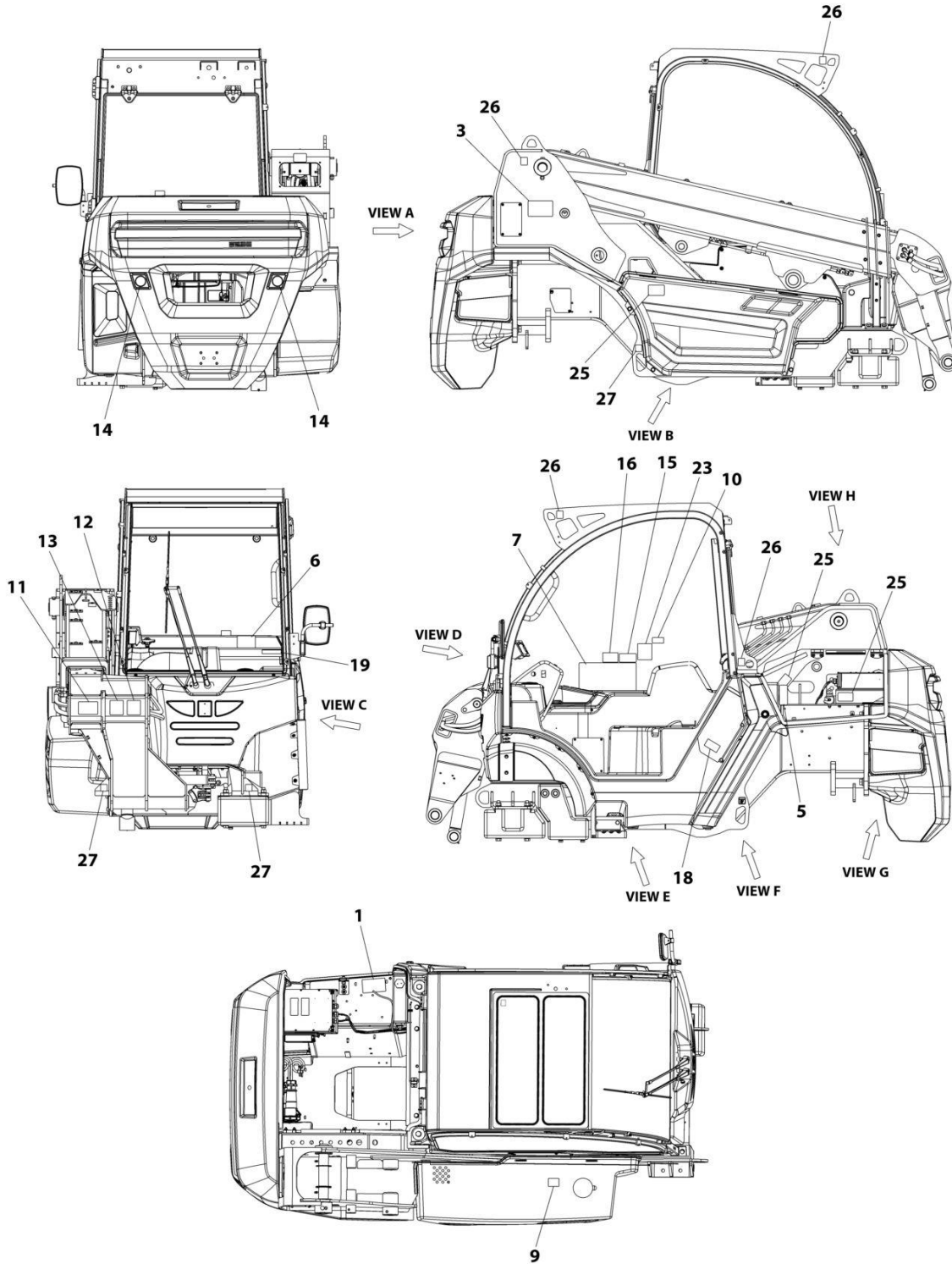
SECTION 11 - DECALS

FIGURE 11-4. DECAL INSTALLATION (FRENCH)

ITEM	PART NUMBER	QTY	DESCRIPTION	REV
	1001305805	Ref	DECAL INSTALLATION	A
1	1001263439	1	Decal - Do Not Travel	
2	1001263440	1	Decal - Platform Personnel	
3	1001263441	1	Decal - Falling Personnel	
4	1001263464	1	Decal - Warning Cab	
5	1001263466	1	Decal - Electrocution Hazard	
6	1001263467	2	Decal - Rear Window Exit	
7	1001263468	1	Decal - Pinch Point	
8	1001263469	1	Decal - Battery Warning	
9	1001313450	1	Decal - Do Not Spray	
10	1001313849	4	Decal - No Water	

SECTION 11 - DECALS

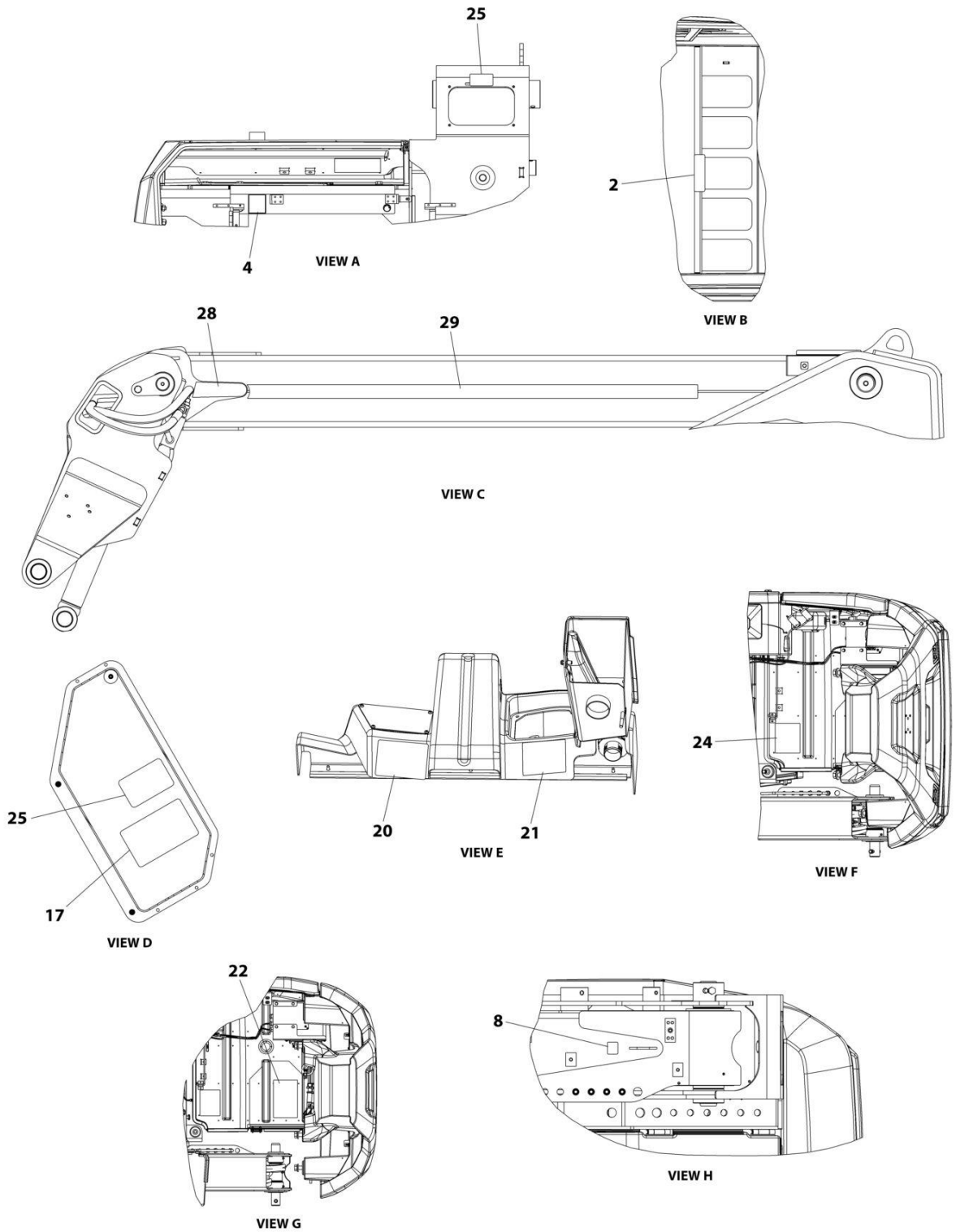
FIGURE 11-5. DECAL INSTALLATION (ISO)



NOTE: SEE PAGE 20F2 FOR DETAIL VIEWS

ART_1001305806_10F2

SECTION 11 - DECALS



ART_1001305806_20F2

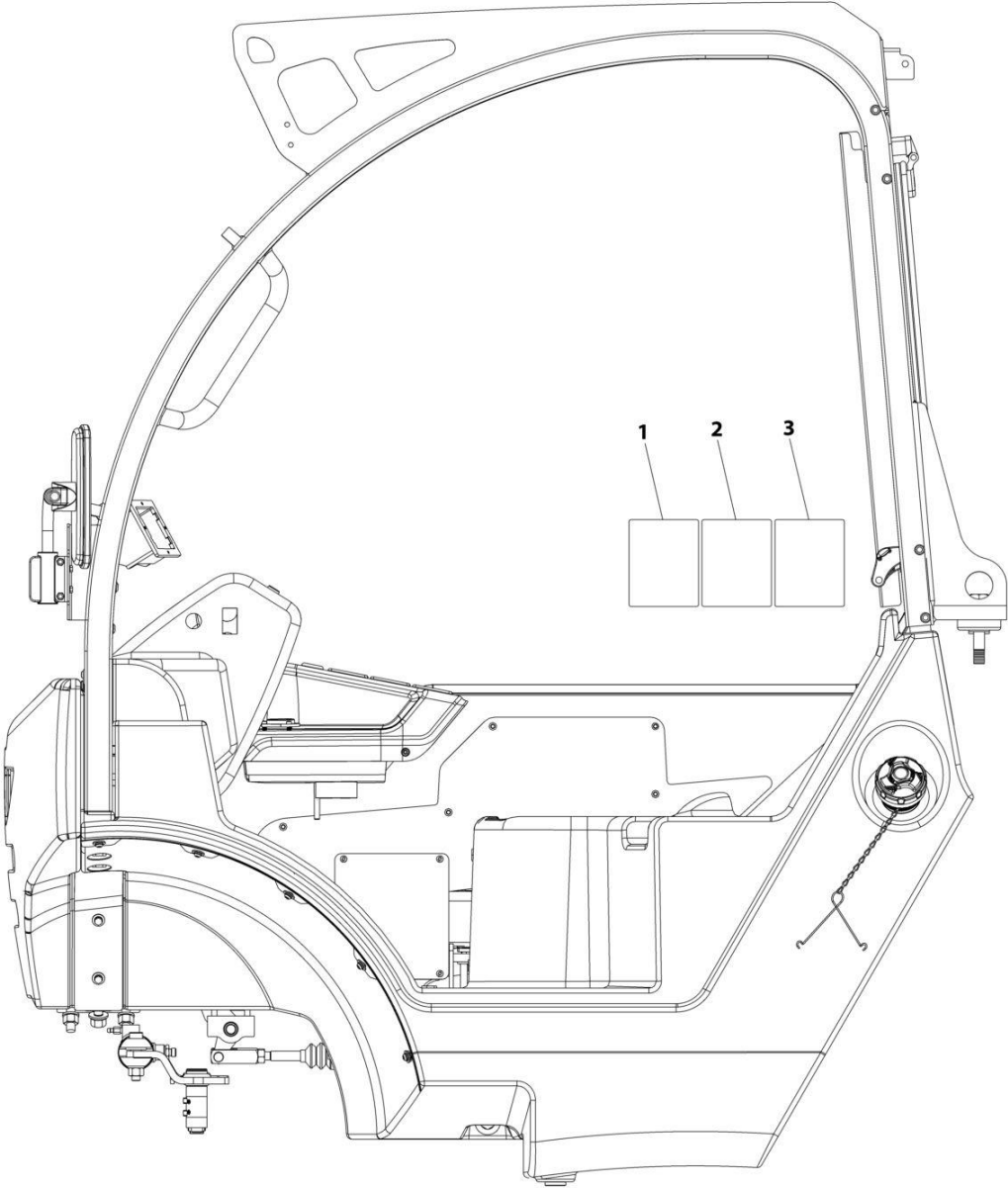
SECTION 11 - DECALS

FIGURE 11-5. DECAL INSTALLATION (ISO)

ITEM	PART NUMBER	QTY	DESCRIPTION	REV
	1001305806	Ref	DECAL INSTALLATION	A
1	1706281	1	Decal - Battery Warning	
2	1706284	1	Decal - Electrocuting Hazard	
3	1706292	1	Decal - Pinch Point	
4	4100181	1	Decal - Hydraulic Oil Fill	
5	4108302	1	Decal - Hydraulic Oil Level	
6	8005870	2	Decal - Emergency Exit	
7	1001101895	1	Decal - Warning/Danger - Cab	
8	1001212292	1	Decal - No Lifting	
9	1001219211	1	Decal - Brake Fluid Spec	
10	1001223453	1	Decal - ICES	
11	1001272170	1	Decal - Falling Personnel	
12	1001272171	1	Decal - Platform Personnel	
13	1001272172	1	Decal - Do Not Travel	
14	1001311049	2	Reflector	
15	1001311187	1	Decal - Manual Location	
16	1001311188	1	Decal - Tire Pressure	
17	1001311189	1	Decal - Charging Instruction	
18	1001311193	1	Decal - Charging Location	
19	1001311384	NSS	Name Plate, Serial Number (Note: Not Available For Purchase)	
20	1001311433	1	Decal - Fuse Box Cab	
21	1001311434	1	Decal - Fuse Box	
22	1001311460	1	Decal - Grease Points	
23	1001311464	1	Decal - Joystick Grip	
24	1001312642	1	Decal - Maintenance E313	
25	1001314403	5	Decal - No Spray	
26	1001268712	5	Decal - Tie Down	
27	1001268713	4	Decal - Lift Point	
28	1001263410	1	Decal - Boom Letter A	
29	1001263411	1	Decal - Boom Extend Letters	

SECTION 11 - DECALS

FIGURE 11-6. LOAD CHART - ANSI



ART_1001312385

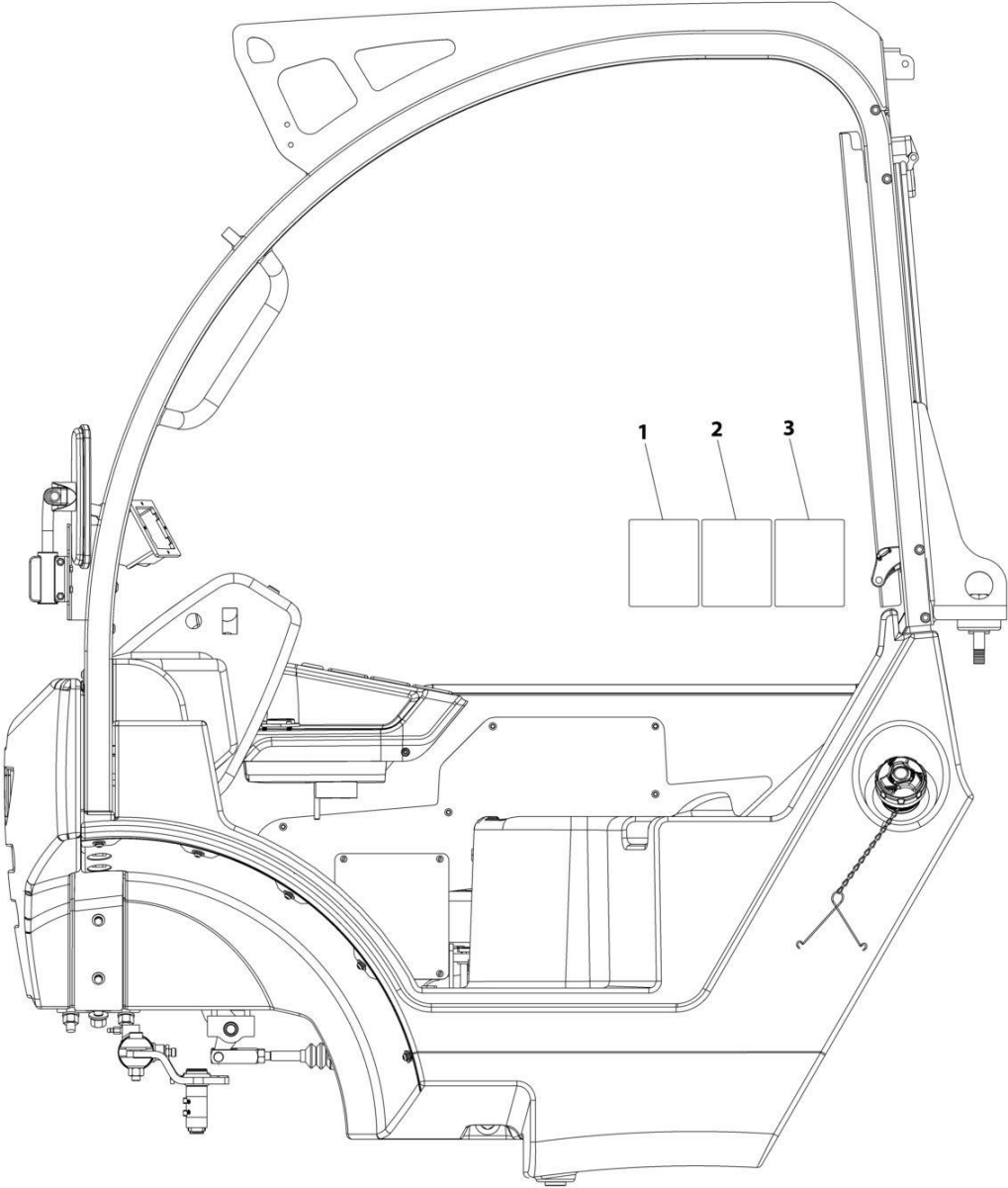
SECTION 11 - DECALS

FIGURE 11-6. LOAD CHART - ANSI

ITEM	PART NUMBER	QTY	DESCRIPTION	REV
	1001312385	Ref	CAPACITY CHART DECALS (ANSI)	A
1	1001312387	1	Decal - Loadchart (Std Carriage)	
2	1001312388	1	Decal - Loadchart (Bucket)	
3	1001312389	1	Decal - Loadchart (Side Shift Carriage)	

SECTION 11 - DECALS

FIGURE 11-7. LOAD CHART - METRIC



ART_1001312386

SECTION 11 - DECALS

FIGURE 11-7. LOAD CHART - METRIC

ITEM	PART NUMBER	QTY	DESCRIPTION	REV
	1001312386	Ref	CAPACITY CHART DECALS (METRIC)	A
1	1001312399	1	Decal - Loadchart (Std Carriage)	
2	1001312400	1	Decal - Loadchart (Bucket)	
3	1001312401	1	Decal - Loadchart (Side Shift Carriage)	

SECTION 12 - RECOMMENDED SERVICE PARTS STOCK

SECTION 12 - RECOMMENDED SERVICE PARTS STOCK

SECTION 12 - RECOMMENDED SERVICE PARTS STOCK

FIGURE 12-1. RECOMMENDED SERVICE PARTS STOCK

ITEM	PART NUMBER	QTY	DESCRIPTION	REV
		Ref	Note: The following list will service one machine (built to current production per date on the front cover) with emergency repair parts which can be installed in the field. Parts from the list should be replaced when inventory is depleted to keep service parts stock supplied. For further information, contact your JLG dealer or the JLG Industries Parts Department.	
	1001303452	1	Controller, Brake Pedal	
	1001264404	1	Controller, Forward Neutral Reverse	
	1001307326	1	Controller, Joystick	
	1001262673	1	Controller, Steering Wheel	
	1001308571	1	Controller, Throttle Pedal	
	1001305512	12	Filter, Heater (Cab Exterior)	
	1001305507	12	Filter, Heater (Cab Interior)	
	70030741	1	Key, Door (Enclosed Cab)	
	70031820	1	Key, Ignition (Set of Two)	
	1001280661	1	Module, ClearSky	
	1001306666	1	Module, Control (Cab Electrical)	
	1001307674	1	Module, Control (Frame)	
	1001307673	1	Module, Control (Implement Motor)	
	1001308566	1	Relay (Cab Electrical)	
	1001264369	1	Sensor, Axle (LSI)	
	1001262684	1	Sensor, Brake Pressure	
	1001264370	1	Sensor, Proximity (LSI)	
	1001309581	1	Switch, Charging	
	1001309554	1	Switch, Hazard Lights	
	1001306670	1	Switch, Headlight	
	1001306659	1	Switch, Horn (Side Dash)	
	1001262674	1	Switch, Horn (Steering Wheel)	
	1001264530	1	Switch, Hydraulic Coupler	
	1001308557	1	Switch, Ignition	
	1001306647	1	Switch, Lockout	
	1001306657	1	Switch, Parking	
	1001309556	1	Switch, Road Lights	
	1001305388	1	Switch, Worklights	

SECTION 13 - SPECIAL OPTIONS/ACCESSORIES/KITS

SECTION 13 - SPECIAL OPTIONS/ACCESSORIES/KITS

SECTION 13 - SPECIAL OPTIONS/ACCESSORIES/KITS

FIGURE 13-1. SPECIAL OPTIONS/ACCESSORIES/KITS

ITEM	PART NUMBER	QTY	DESCRIPTION	REV
	See Note	Ref	Note: This list is to accommodate machines ordered with special equipment. Options may not be applicable to all models. For more specific parts information contact JLG Parts Department.	
		Ref	MISCELLANEOUS SPECIAL OPTIONS/ACCESSORIES/KITS	
	1001304451	Ref	Bucket Attachment	
		Ref	Electrical Connector Kits	
	1001148902	Ref	Electrical Connector Kit - Amp/Tyco Electrical Connectors	
	1001148903	Ref	Electrical Connector Kit - Deutsch DT Electrical Connectors	
	1001148904	Ref	Electrical Connector Kit - Deutsch HD Electrical Connectors	
	1001148905	Ref	Electrical Connector Kit - Packard Electrical Connectors	
	1001148906	Ref	Electrical Connector Kit - Various Electrical Connectors	
		Ref	Sub-FAPL:	
	1001301801	Ref	Battery Installation - Six Battery Systems	A
	1001301802	Ref	Battery Installation - Seven Battery Systems	A
	1001308072	Ref	Battery Support Installation - Six Battery Systems	A
	1001308680	Ref	Battery Support Installation - Seven Battery Systems	A
	1001301799	Ref	Electrical Installation	A
	1001305798	Ref	Forks Installation (35 x 100 x 1000)	A
	1001305800	Ref	Forks Installation (35 x 100 x 1200)	A
	1001307340	Ref	Frame Electrical Installation	A
	1001301797	Ref	Hydraulics Installation	A
	1001307911	Ref	Hydraulics Installation (High Flow)	A
	1001307888	Ref	Seat Belt Installation	A
		Ref	Tools for Service	
	2901443	Ref	Analyzer Kit	
	1001249695	Ref	Analyzer and Cable Kit	
	1001249941	Ref	Analyzer and Cable Kit (Battery Powered)	
	1001137005	Ref	Cable Kit, Software	
	7002821	Ref	Crimper, Wire	
	7002823	Ref	Pin Extractor - Universal (For Electrical Connectors with Pins and Sockets)	
	4460510	Ref	Pin Extractor - 12-14 Gauge (For Removal of Pin/Sockets from Deutsch Connectors)	
	4460467	Ref	Pin Extractor - 16-18 Gauge (For Removal of Pin/Sockets from Deutsch Connectors)	
	7016654	Ref	Screwdriver, Magnetic	
	7002822	Ref	Screwdriver, potentiometer	
	7004275	Ref	Seal Tool 1in (For Cylinders)	
	7004276	Ref	Seal Tool 1-1/2in (For Cylinders)	
	7002828	Ref	Stripper, Wire	

SECTION 13 - SPECIAL OPTIONS/ACCESSORIES/KITS

PART NUMBER INDEX

SECTION 13 - SPECIAL OPTIONS/ACCESSORIES/KITS

0100035.....59, 137	1001104497 245	1001262170 59	1001263170.....171
0630576.....21	1001104498 245	1001262274 117, 125	1001263181.....171
0700510.....207, 209	1001110269 31, 257	1001262289 147	1001263184.....167
0700610.31, 43, 241, 243	1001116692 237, 238,	1001262360 ... 73, 75, 91,	1001263185.....167
0700612.....155	245, 246, 249, 261,	99	1001263186.....169
0700614.....31, 251	263, 265, 267	1001262370 ... 73, 75, 91,	1001263187.....169
0700615.....121, 235	1001116693 145, 227,	99	1001263188.....117
0700617.....203, 205	235, 237, 245, 267	1001262371 73, 91	1001263266.....271
0700814.....14, 155	1001116694 227, 237,	1001262405 137	1001263388.....45
0700815.....75, 99	245	1001262439 71	1001263410.....280, 288
0700816.....31	1001116698 245	1001262445 73, 91	1001263411.....280, 288
0700818.....49	1001116774 237	1001262471 .. 23, 31, 241	1001263439.....284
0700820.....167, 195	1001116816 237	1001262473 245	1001263440.....284
0700821.....141	1001116986 237	1001262603 271	1001263441.....284
0700822.....195	1001116994 238, 246	1001262605 271	1001263464.....284
0701015.....14, 155, 159,	1001126243 85, 253	1001262606 271	1001263466.....284
161	1001137005 298	1001262607 . 14, 18, 235,	1001263467.....284
0701018.....73	1001148902 298	259, 271	1001263468.....284
0701026.....47, 51, 137	1001148903 298	1001262612 105, 107	1001263469.....284
0701027.....195	1001148904 298	1001262637 137	1001263572.....141, 203,
0701030.....59	1001148905 298	1001262638 137	205
0701031.....53, 59	1001148906 298	1001262664 23, 121, 129,	1001263865.....33
0701224.....29	1001163340 237	135, 143, 271	1001263880.....18
0701227.....29, 57	1001186915 115	1001262669 159, 161	1001263881.....18
0701418.....33	1001190322 238, 245	1001262670 159, 161	1001263990.....113, 121
0701618.....213	1001197457 245	1001262671 159, 161	1001263995.....113, 121
0701630.....49	1001212292 280, 288	1001262673 159, 161,	1001263996.....131
0701632.....49	1001215024 139	296	1001263997.....119, 127
0711220.....131, 207, 209	1001219211 288	1001262674 159, 161,	1001263998.....119, 127
0712024.....29	1001220379 237, 238,	296	1001264006.....117, 125,
0760508.....21, 121	245, 261, 263	1001262675 155	167
0760605.....18	1001223453 280, 288	1001262684 155, 296	1001264008.....115, 123
0760608....18, 25, 27, 31,	1001237212 245	1001262688 155	1001264009.....18, 259
117, 125, 139, 241, 255	1001248223 237	1001262951 199	1001264010.....125
0760808 14, 45, 167, 187,	1001248224 237	1001262952 203, 205	1001264011.....113, 121
203, 205	1001249695 298	1001262955 203, 205	1001264012.....125
0760810....14, 23, 25, 27,	1001249941 298	1001262957 141	1001264013.....117, 125
31, 155, 167, 169, 203,	1001260776 280	1001262961 113, 145,	1001264016.....117, 125
205, 235, 241, 243	1001260780 280	167	1001264018.....71
0760812..14, 31, 53, 101,	1001260879 280	1001262969 .. 25, 27, 141	1001264019.....117, 125
117, 125, 141, 203,	1001260880 280	1001262972 141	1001264020.....117, 125
205, 225	1001261544 57	1001262973 141	1001264021..14, 18, 113,
0760818.....155	1001261547 ... 37, 93, 97,	1001262974 141	115, 121, 123, 133, 259
0761008.....93, 97	99	1001262975 141	1001264080.....141
0761010..39, 47, 51, 147,	1001261549 37	1001262978 131, 207,	1001264081.....141
167	1001261550 41, 43	209	1001264265.14, 129, 135
0761012.....31, 99, 225	1001261551. 41, 43, 141,	1001262981 29	1001264268.....233
0761014....14, 73, 91, 93,	255	1001262983 207, 209	1001264273.....235
97, 99, 251	1001261554 41	1001262985 207, 209	1001264351.....113, 119
0761017.....73, 99	1001261555 41	1001262986 207, 209	1001264368.....27, 31
0761214.....39	1001261556 41	1001262987 131, 207,	1001264369.....255, 296
0761215.....71, 131	1001261560 41	209	1001264370.....255, 296
0761218.....117, 125	1001261563 14	1001262989 207, 209	1001264372.....255
0761228.....37	1001261564 18, 125	1001263054 121, 127	1001264377.....115, 123
0770812.....49, 75	1001261565 41, 43	1001263099 203, 205	1001264386.....235
0770816.....255	1001261567 29, 121, 195	1001263110 167	1001264387.....31
1001002454.....269	1001261674 14	1001263136 181, 201	1001264392.....61
1001061659.....53	1001261678 53	1001263137 181, 201	1001264404.....159, 296
1001061660.....53	1001262024 63, 65	1001263139 . 75, 99, 167,	1001264416.....139
1001061662.....53	1001262033 43	193	1001264429.....21
100106211753	1001262034 43	1001263141 167	1001264434.....115, 123
1001091102.....135	1001262036 43	1001263142 193, 203,	1001264451.....269
100109195129	1001262037 169	205	1001264452.....255
1001096456.....71	1001262107 63	1001263143 141, 167	1001264456.....269
100109705185, 253	1001262108 65	1001263145 171	1001264466.....269
1001097244.....133	1001262110 59	1001263158 39	1001264477.....119
1001101895.....288	1001262169 59	1001263161 39	1001264478.....119

SECTION 13 - SPECIAL OPTIONS/ACCESSORIES/KITS

1001264479	119	1001301582.....	39, 43	1001302920.....	275, 277	1001304450	271
1001264480	119	1001301781.....	71	1001302921.....	275, 277	1001304451	298
1001264481	119	1001301795.....	195	1001303002.....	195, 197	1001304455	47, 49
1001264482	119	1001301797.....	298	1001303003.....	195, 211	1001304456	47, 193
1001264484	117	1001301799.....	298	1001303043.....	195	1001304465	18
1001264485	151	1001301801.....	298	1001303044.....	195	1001304558	31
1001264492	139	1001301802.....	298	1001303045.....	195	1001304559 31, 187, 203,	
1001264494	151	1001301813.....	169	1001303046.....	195	205	
1001264500	151	1001301816.....	51	1001303216.....	121, 125	1001304618	49
1001264501	151	1001301823.....	277	1001303217.....	117, 125	1001304629	49
1001264505	151	1001301850.....	39, 217	1001303221.....	113, 121,	1001304631	49
1001264506	113	1001301870.....	41	147		1001304736	47, 167
1001264508	151	1001301899.....	43	1001303382.....	117, 125	1001304892	47, 167
1001264509	49	1001301903.....	37	1001303398.....	115, 123	1001305034	193
1001264510	139	1001301904.....	49, 53	1001303409.....	113, 195	1001305035	193
1001264512	49	1001301926.....	39	1001303415.....	115, 123	1001305388	271, 296
1001264513	117, 125	1001301927.....	39	1001303452.....	155, 296	1001305392	275, 277
1001264515	119	1001301942.....	39	1001303466.....	155	1001305395	271
1001264516	49	1001301973.....	51, 53	1001303494.....	155	1001305413	275
1001264521	151	1001301975.....	39, 219	1001303495.....	155	1001305465	115
1001264528	193	1001301982.....	39	1001303496.....	155	1001305482	169
1001264529	155, 259	1001301987.....	43	1001303514.....	155	1001305506	139
1001264530	47, 61, 296	1001301993.....	41	1001303521.....	155	1001305507	139, 296
1001264533	47, 167	1001301994.....	41	1001303608.....	155	1001305512	139, 296
1001264673	259	1001301995.....	39	1001303610.....	155	1001305514	139
1001264674	223, 225,	1001301996.....	41	1001303611.....	155	1001305515	139
257		1001301997.....	41	1001303614.....	155	1001305516	139
1001264676	31	1001301998.....	41	1001303629.....	71, 87	1001305567	139
1001264677	31, 179	1001301999.....	41	1001303634.....	155	1001305583	105, 107
1001264708	115, 123	1001302074.....	39	1001303637.....	155	1001305592	155
1001264711	151	1001302108.....	53	1001303675.....	29	1001305595	155
1001265303	145	1001302109.....	53	1001303676.....	29	1001305601	155
1001265304	145	1001302110.....	53	1001303772.....	81	1001305612	155
1001265305	145, 151	1001302111.....	53	1001303774.....	87	1001305613	71
1001265306	145, 265	1001302158.....	53	1001303784.....	81	1001305615	33
1001266094	45	1001302160.....	53	1001303815.....	87	1001305628	47
1001266095	45	1001302197.....	47, 51	1001303819.....	87	1001305629	47
1001266096	45	1001302198.....	47, 51	1001303858.....	105	1001305631	47
1001266097	45	1001302207.....	159, 161	1001303860.....	105	1001305632	47
1001268712	280, 288	1001302208.....	159	1001303861.....	105	1001305636	275, 277
1001268713	280, 288	1001302209.....	113, 121,	1001303862.....	105, 107	1001305660	155
1001269743	275, 277	159		1001303982.....	71	1001305666	155
1001271968	238	1001302231.....	57	1001303994.....	71	1001305674	155
1001272170	288	1001302232.....	57	1001303997.....	71	1001305687	113
1001272171	288	1001302251.....	57	1001304005.....	113, 121	1001305780	229, 231
1001272172	288	1001302428.....	141	1001304017.....	161	1001305798	298
1001274103	237	1001302508.....	39	1001304076.....	113, 121	1001305800	298
1001274104	237	1001302511.....	39, 161	1001304080.....	113, 121	1001305804	280
1001280661	135, 296	1001302731.....	187, 189	1001304081.....	121	1001305805	284
1001281269	235, 237	1001302732.....	187, 189	1001304203.....	113, 121	1001305806	288
1001289648	135	1001302733.....	171	1001304206.....	31	1001305837	171
1001291056	135	1001302734.....	171	1001304227.....	47	1001305987	18
1001297049	280	1001302735.....	171	1001304375.....	113, 117	1001305989	18
1001299209	147	1001302736.....	171	1001304421.....	31, 235	1001306009	193
1001299292	147	1001302737.....	171	1001304424.....	105, 107,	1001306011	193
1001299295	147	1001302738.....	171	109		1001306133	255
1001299300	147	1001302739.....	171	1001304425.....	18	1001306135	269
1001301171	14	1001302740.....	171	1001304426.....	18	1001306141	207, 209
1001301174	14	1001302741.....	171	1001304427.....	18	1001306142	207, 209
1001301176	14	1001302742.....	171	1001304428.....	18	1001306162	73, 91
1001301177	14	1001302743.....	171	1001304430.....	18	1001306163	73
1001301178	14	1001302744.....	171	1001304431.....	18	1001306164	141
1001301186	14	1001302816.....	171	1001304432.....	18	1001306166	73, 75
1001301333	37	1001302916.....	275, 277	1001304433.....	18	1001306167	73
1001301516	41	1001302917.....	275, 277	1001304434.....	18	1001306168	73, 91
1001301518	39, 41	1001302918.....	275	1001304435.....	18	1001306169	73
1001301519	37, 39	1001302919.....	275, 277	1001304448.....	33	1001306170	73

SECTION 13 - SPECIAL OPTIONS/ACCESSORIES/KITS

1001306171.....73	1001306674..... 99	1001307532..... 89, 91	1001308571..... 163, 296
1001306172.....73	1001306675..... 99	1001307542..... 91, 97	1001308660..... 113, 139
1001306197..... 115, 123	1001306681..... 99	1001307547..... 91, 95	1001308674..... 143
1001306198..... 115, 123	1001306687..... 101	1001307571..... 91	1001308675..... 121, 123
1001306199..... 115, 123	1001306690..... 99, 101	1001307581..... 81, 83	1001308677..... 113, 115
1001306200..... 115, 123	1001306693..... 101	1001307672..... 251, 253	1001308678..... 113, 151
1001306201..... 115, 123	1001306694..... 101	1001307673..... 251, 296	1001308680..... 298
1001306202..... 73	1001306698..... 101	1001307674..... 251, 296	1001308681..... 27
1001306231..... 75, 99	1001306700..... 101	1001307699..... 71, 85	1001308682..... 225
1001306235..... 183, 185	1001306705..... 99, 103	1001307827..... 259	1001308683..... 231
1001306236..... 183, 185	1001306706..... 103	1001307828..... 233	1001308694..... 123
1001306237..... 183, 185	1001306707..... 103	1001307888..... 298	1001308762..... 133
1001306238..... 183, 185	1001306725..... 99	1001307901..... 145	1001308774..... 133
1001306241..... 203, 205	1001306727..... 93, 97	1001307908..... 167	1001308785..... 133
1001306246..... 79, 103	1001306730..... 93, 97	1001307911..... 298	1001308793..... 14
1001306248..... 79	1001306737..... 93, 97	1001307979..... 167	1001308794..... 133
1001306251..... 79, 103	1001306739..... 101	1001307980..... 167	1001308800..... 133
1001306252..... 75, 79	1001306752..... 101	1001308056..... 235	1001308835..... 21
1001306264..... 75, 99	1001306754..... 101	1001308057..... 235, 237	1001308836..... 241, 243
1001306265..... 75, 99	1001306800..... 91	1001308072..... 298	1001308837..... 241, 243
1001306266..... 75, 99	1001306806..... 99	1001308073..... 21	1001308838..... 21
1001306269..... 171	1001306818..... 93, 97	1001308074..... 23	1001308903..... 21
1001306270..... 171	1001306847..... 121	1001308076..... 25	1001308905..... 249
1001306271..... 75	1001306848..... 113	1001308082..... 167	1001308943..... 183
1001306280..... 75, 99	1001306849..... 141	1001308083..... 167	1001308946..... 235
1001306281..... 75, 99	1001306850..... 29	1001308140..... 167	1001308990..... 23
1001306282..... 75, 99	1001306851..... 18	1001308141..... 167	1001308991..... 23
1001306288..... 75, 99	1001306856..... 101	1001308142..... 167	1001308992..... 23
1001306291..... 75	1001306859..... 99	1001308144..... 167	1001309000..... 199
1001306292..... 75, 99	1001306881..... 107	1001308146..... 167	1001309011..... 199, 201
1001306314..... 75, 99	1001306883..... 109	1001308150..... 167	1001309012..... 201
1001306316..... 75, 99	1001306953..... 14	1001308151..... 167	1001309048..... 233
1001306319..... 203, 205	1001306954..... 14	1001308152..... 167	1001309064..... 241, 243
1001306322..... 203, 205	1001306955..... 14	1001308161..... 205	1001309065..... 229, 231
1001306331..... 173	1001306956..... 14	1001308295..... 31	1001309066..... 241, 243
1001306333..... 173	1001306957..... 14	1001308296..... 31	1001309129..... 25, 27
1001306382..... 135	1001306962..... 97	1001308297..... 31	1001309130..... 25, 27
1001306385..... 93, 97, 99	1001307003..... 91, 93	1001308298..... 31	1001309131..... 25, 27
1001306386..... 135	1001307004..... 93	1001308324..... 155	1001309132..... 25, 27
1001306387..... 99	1001307027..... 89, 213	1001308356..... 257, 267	1001309133..... 25, 27
1001306388..... 99	1001307028..... 213, 215	1001308357..... 257	1001309136..... 115
1001306399..... 75, 99	1001307031..... 213	1001308358..... 257	1001309159..... 115
1001306400..... 75, 99	1001307032..... 213	1001308359..... 257	1001309197..... 129
1001306404..... 93, 97	1001307033..... 213	1001308360..... 257	1001309238..... 139
1001306406..... 91	1001307080..... 93, 97	1001308361..... 257	1001309239..... 139
1001306408..... 99	1001307239..... 71	1001308362..... 257	1001309252..... 203, 205
1001306419..... 99	1001307326..... 141, 157, 296	1001308363..... 257	1001309261..... 139
1001306435..... 75, 99	1001307330..... 243	1001308364..... 257	1001309262..... 139
1001306504..... 203, 205	1001307331..... 241	1001308373..... 257	1001309263..... 139
1001306506..... 203, 205	1001307340..... 298	1001308481..... 113, 121, 163	1001309264..... 139
1001306571..... 203, 205	1001307341..... 31	1001308482..... 113, 121, 133	1001309265..... 139
1001306574..... 203, 205	1001307342..... 251	1001308483..... 113, 121, 131	1001309266..... 139
1001306575..... 203, 205	1001307343..... 229	1001308516..... 233	1001309267..... 139
1001306640..... 31, 241, 259	1001307344..... 257	1001308519..... 129	1001309268..... 139
1001306644..... 235	1001307345..... 245	1001308548..... 235	1001309269..... 139
1001306645..... 235	1001307346..... 223	1001308552..... 235	1001309270..... 187
1001306646..... 235	1001307379..... 113, 121, 155	1001308554..... 235	1001309320..... 223, 225
1001306647..... 235, 296	1001307382..... 29	1001308555..... 235	1001309321..... 223, 225
1001306651..... 235	1001307383..... 155	1001308556..... 235	1001309322..... 223, 225
1001306652..... 235	1001307384..... 155	1001308557..... 235, 296	1001309323..... 223, 225
1001306655..... 31	1001307427..... 71, 73	1001308559..... 235	1001309324..... 223, 225
1001306657..... 235, 296	1001307428..... 71, 89	1001308560..... 235	1001309325..... 223, 225, 227
1001306659..... 235, 296	1001307429..... 71, 81	1001308562..... 235	1001309326..... 223, 225
1001306660..... 259	1001307469..... 139	1001308566..... 235, 296	1001309327..... 223, 225
1001306666..... 235, 296	1001307478..... 73, 77		1001309329..... 225
1001306669..... 31			1001309350..... 131
1001306670..... 235, 296			

SECTION 13 - SPECIAL OPTIONS/ACCESSORIES/KITS

1001309357 151	1001310184.....207, 209	1706302.....280	3450203 155
1001309358 151	1001310753..... 149	1707078.....280	3900352 241, 243
1001309359 173	1001310817..... 107	2141504.....39, 171	4031205 18
1001309384 203	1001310818..... 107	2141809.....39	4031508 115, 123
1001309396 223	1001311049..... 280, 288	2142102.....47	4031708 41, 241, 243
1001309419 207	1001311187.....288	2142103..... 181, 201	4031709 21
1001309421 179	1001311188..... 280, 288	2142105..... 181, 201	4031712 163
1001309438 18	1001311189..... 280, 288	2142106..... 181	4031908 . 43, 73, 87, 203, 205
1001309439 175	1001311193..... 280, 288	2142202.....207, 209	4031910 87
1001309463 143	1001311372..... 280	2142206.... 141, 167, 207, 209	4032008 41, 43
1001309464 143	1001311384..... 280, 288	2142704..... 81, 203, 205	4032010 199
1001309481 183	1001311433..... 280, 288	2142706 49, 89, 161, 203, 205	4032122 87
1001309482 183, 185	1001311434..... 280, 288	2142708.....203, 205	4100181 280, 288
1001309542 259	1001311460..... 280, 288	2142711 141, 203, 205	4108302 280, 288
1001309543 259	1001311464..... 280, 288	2142712 141, 193, 203, 205	4460466 ... 145, 227, 237, 238, 245, 249, 261, 263, 265, 267
1001309547 259	1001311683..... 161	2142713..... 39, 203, 205	4460467 298
1001309548 259	1001311715..... 161	2142715..... 161	4460510 298
1001309550 259	1001311737..... 167	2142716..... 141, 167	4460518 237, 245
1001309551 259	1001311738..... 167	2142717 203, 205, 207, 209	4460873 237, 245
1001309552 259	1001311738..... 167	2142718.....209	4460878 245
1001309553 259, 263	1001311869..... 189	2142719.....209	4460887 245
1001309554 259, 296	1001311876.....209	2142743..... 161	4460894 ... 237, 245, 265, 267
1001309555 259	1001311884..... 167	2142748.....207	4460899 261, 265, 267
1001309556 259, 296	1001311891..... 185	2142757.....207, 209	4460905 ... 237, 238, 245, 246
1001309557 179	1001311916..... 185	2143007 161	4460911 245
1001309558 259	1001311972.....205	2143401.....203, 205	4460929 85, 253
1001309563 259, 261	1001311973..... 177	2143402..... 161	4460931 263
1001309564 145	1001311977..... 181	2143403.....39	4460933 ... 238, 245, 246
1001309565 145	1001311990.....205	2143404.....39, 169, 171	4460970 227, 245
1001309566 145	1001311995..... 280	2143405.....207, 209	4461008 245
1001309567 145	1001312058..... 189	2143406..... 141	4461071 238
1001309568 145	1001312059..... 189	2143407 167, 209	4461077 245
1001309569 145	1001312060..... 189	2143509.....207, 209	4461128 245
1001309570 145	1001312339..... 61	2143607 167	4461229 245
1001309571 145	1001312345..... 61	2144106..... 181	4461290 227, 237, 245
1001309572 145	1001312347..... 61	2901443.....298	4811400 31, 235, 257
1001309573 175, 177	1001312348..... 61	3290401..... 21, 115, 123	4811600 21, 121, 207, 209, 241, 243
1001309574 175	1001312385..... 291	3290405.....31, 133, 235, 257	4811700 ... 14, 18, 21, 25, 27, 31, 43, 115, 123, 133, 139, 163, 235, 241, 243, 259, 271
1001309575 175, 177	1001312386..... 293	3290505.....241, 243	4811702 18, 113, 117, 121, 125, 139, 235
1001309578 241, 243	1001312387..... 291	3290601.....155	4811900 ... 14, 23, 31, 47, 49, 121, 125, 129, 135, 141, 147, 155, 167, 169, 179, 187, 203, 205, 225, 235, 241, 243, 271
1001309579 241, 243	1001312388..... 291	3290605.... 14, 18, 21, 31, 121, 129, 235, 241, 243, 251, 259, 271	4811902 ... 14, 18, 23, 25, 27, 31, 45, 117, 125, 141, 143, 151, 155, 241
1001309580 241, 243	1001312389..... 291	3290801 .25, 27, 155, 179	4812000 ... 14, 31, 39, 41, 47, 51, 53, 59, 137, 155, 167, 225, 251
1001309581 241, 243, 296	1001312389..... 291	3290805 14, 18, 27, 31, 47, 87, 125, 135, 147, 151, 155, 167, 195, 235, 271	4812002 53, 147
1001309582 241, 243	1001312400..... 293	3290806 ..25, 27, 31, 203, 205, 235, 241	4812100 29, 71, 117, 125, 131, 155
1001309583 241, 243	1001312401..... 293	3291001.....99, 141, 159, 161	4812102 ... 131, 159, 161, 207, 209
1001309584 241, 243	1001312504..... 109	3291005.... 14, 47, 51, 53, 59, 155, 159, 161, 195	4812200 33
1001309585 241, 243	1001312505..... 109	3291201.....155	
1001309586 241, 243	1001312506..... 109	3291205.....57	
1001309595 187	1001312507..... 109	3291207 37, 71, 117, 125, 131, 155, 207, 209	
1001309596 187	1001312642..... 280, 288	3331611 49	
1001309730 145	1001312873..... 177	3440420..... 155	
1001309731 145	1001312874..... 177	3440820..... 155	
1001309732 145	1001312875..... 177		
1001309733 145	1001312876..... 177		
1001309734 145	1001312887..... 181		
1001309735 145	1001312896..... 280		
1001309736 145	1001312901..... 181		
1001309758 203, 205	1001312909..... 181		
1001309769 241	1001313450..... 284		
1001309770 203, 205	1001313849..... 284		
1001309993 18	1001314403..... 288		
1001309994 18	1320022 155		
1001310013 181, 201	1321296 259		
1001310044 181, 201	1706281 288		
1001310046 181, 201	1706284 288		
1001310056 181, 201	1706292 288		
	1706296 280		
	1706299 280		

SECTION 13 - SPECIAL OPTIONS/ACCESSORIES/KITS

4812300..29, 49, 71, 117, 125	70031539..... 157	70031609..... 83	70031791.....253
4812400..... 169	70031540..... 157	70031610..... 83	70031792..... 85, 253
4831400..... 115, 123, 135	70031541..... 157	70031611..... 83	70031793.....253
4831600.....21	70031542..... 157	70031612..... 83	70031794.....253
4831700.... 14, 18, 21, 31, 41, 43, 113, 117, 121, 125, 133, 163, 255	70031543..... 157	70031614..... 83	70031795..... 85, 253
4831900.... 14, 23, 25, 27, 31, 45, 49, 53, 75, 87, 99, 101, 125, 141, 143, 155, 167, 169, 187, 203, 205, 235, 241, 243	70031544..... 157	70031615..... 83	70031796..... 85, 253
4832000.... 14, 39, 47, 51, 53, 59, 71, 73, 91, 93, 97, 99, 137, 147, 159, 161, 167, 199, 225, 251	70031545..... 157	70031616..... 83	70031797.....253
4832100....29, 39, 71, 87, 131	70031546..... 157	70031617..... 83	70031798..... 85, 253
4832300..... 49, 117, 125	70031547..... 157	70031618..... 83	70031799..... 85, 253
4832500..... 29	70031548..... 157	70031620..... 77, 95	70031800..... 85, 253
5271809..... 155	70031549..... 157	70031621..... 77, 95	70031801..... 85, 253
5272117..... 131	70031550..... 157	70031622..... 77, 95	70031802..... 85, 253
70004818..... 85, 253	70031555..... 197	70031625..... 77, 95	70031803..... 85, 253
70004822..... 85, 253	70031556..... 197	70031626..... 77, 95	70031804..... 85, 253
70005393..... 253	70031560..... 219	70031627..... 77, 95	70031805..... 85, 253
70005395..... 85, 253	70031561..... 219	70031628..... 77, 95	70031806..... 253
70005404..... 85, 253	70031562..... 219	70031629..... 77, 95	70031807..... 253
70005405..... 253	70031583..... 83	70031632..... 77, 95	70031808..... 85, 253
70005408..... 85, 253	70031584..... 83	70031633..... 77, 95	70031809..... 85
7002821..... 298	70031585..... 83	70031634..... 77, 95	70031810..... 85
7002822..... 298	70031586..... 83	70031635..... 77, 95	70031811..... 85
7002823..... 298	70031587..... 83	70031636..... 77, 95	70031812..... 85
7002828..... 298	70031588..... 83	70031637..... 77, 95	70031813..... 85
70030233..... 77, 95	70031589..... 83	70031638..... 77, 95	70031814..... 85
70030234..... 77, 95	70031590..... 83	70031639..... 77, 95	70031815..... 85
70030741..... 119, 296	70031591..... 83	70031640..... 77, 95	70031816..... 85
70031292..... 119	70031592..... 83	70031641..... 77, 95	70031817..... 85
70031360..... 159	70031593..... 83	70031642..... 77, 95	70031819..... 215
70031363..... 119	70031594..... 83	70031643..... 77, 95	70031820..... 235, 296
70031537..... 157	70031595..... 83	70031644..... 77, 95	70031821..... 217
70031538..... 157	70031596..... 83	70031646..... 77, 95	70031822..... 217
	70031597..... 83	70031648..... 77, 95	70031823..... 217
	70031598..... 83	70031649..... 77, 95	7004275..... 298
	70031599..... 83	70031650..... 77, 95	7004276..... 298
	70031600..... 77, 83, 95	70031651..... 77	7016654..... 298
	70031601..... 83	70031652..... 95	8005870..... 288
	70031602..... 83	70031653..... 83	80334588..... 159
	70031604..... 83	70031654..... 83	8305919..... 235
	70031605..... 83	70031659..... 147	8526203..... 107
	70031606..... 83	70031788..... 253	
	70031607..... 83	70031789..... 85, 253	
	70031608..... 83	70031790..... 85, 253	



**Corporate Office
JLG Industries, Inc.
1 JLG Drive
McConnellsburg, PA 17233-9533 USA**
☎ **(717) 485-5161 (Corporate)**
☎ **(877) 554-5438 (Customer Support)**
📠 **(717) 485-6417**

**Visit our website for JLG Worldwide Locations.
www.jlg.com**



OSHKOSH™