



---

# Illustrated Parts Manual

## T500J, ET500J

PVC 2207

31223292

July 15, 2024 - Rev A

**ANSI**  **CE**   
**AS/NZS**

English (en-US)

---



## **REVISION LOG**

July 15, 2024 - A - Original Issue of Manual (Edited to B/M 1001270939 Rev B)

# GENERAL INFORMATION



## 1) MACHINE IDENTIFICATION

Machines are identified by model and in some cases a combination of models, serial number (SN) or regional standard (i.e ANSI, CE, CSA). Components may also be identified by SN or manufacturer. Common components that may be identified by these characteristics are engines and hydraulic components.

## 2) PARTS MANUAL ORGANIZATION

Product information in this manual is organized under section titles. Frame, Cylinder, Hydraulic and Electrical are a few examples. Each section is organized by figure and page number. The information within the Figure is then organized by item number, part number, description and corresponding illustration (s).

## 3) TABLE OF CONTENTS (NOT SHOWN)

A table of contents is found toward the beginning of the manual. Figure number, description and page number are provided for quick reference to the page containing the related information.

## 4) RECOMMENDED SPARE PARTS (NOT SHOWN)

The Recommended Spare Parts List, located near the end of the manual, reference most frequently used maintenance parts.

## 5) PART NUMBER INDEX (NOT SHOWN)

A numerical index listing all part numbers and the corresponding page number(s) appears at the back of the manual.

## GENERAL INFORMATION

### 6) NON-SERVICED PARTS

In some instances, it is necessary to display non-serviced parts, assemblies or installations. In the case of assemblies and installations there will be a Ref in the Qty. column. In case of parts that are not available for service within assemblies or components, there will be a NSS (Not Sold Separately) or NLA (No Longer Available) listed in the Qty. column of the manual.

### 7) PARTS LIST ITEM NUMBERS

Numbers shown in the item# column correspond to numbers used in the associated illustration (s). Item numbers which are missing from the sequence in the parts list are not used on that page.

### 8) INDENTED PARTS DESCRIPTION

An indented part description is included in the item under which it is indented.

### 9) ABBREVIATION AND SYMBOLS

AC.....	Alternating Current	L.....	Liter
ADE.....	Advanced Design Electronics	LB(LBS).....	Pounds
AG.....	Agricultural	LCD.....	Liquid Crystal Display
ANSI.....	American National Standards Institute	LED.....	Light Emitting Diodes
AR.....	As Required	LH.....	Left Hand
ASSY.....	Assembly	LRC.....	Low Rated Countries
AUS.....	Australia	LSS.....	Load Sensing System
AUX.....	Auxiliary	M(m).....	Metric/Meter
AWG.....	American Wire Gauge	MM(mm).....	Milimeter
B/M.....	Bill of Material	mA.....	Miliamps
CAC.....	Charge Air Cooler	NLA.....	No Longer Available
CE.....	European Conformity	NPT.....	National Pipe Threads
CCW.....	Counter Clockwise	NSS.....	Not Sold Separately
CM.....	Centimeter	OD.....	Outside Diameter
CW.....	Clockwise	ORB.....	O-Ring Boss
CSA.....	Canadian Standards Association	ORFS.....	O-Ring Face Seal
CYL.....	Cylinder	OZ (oz).....	Ounces
DIA.....	Diameter	PG.....	Page
DC.....	Direct Current	PN.....	Part Number
DEF.....	Diesel Exhaust Fluid	QT(qt.).....	Quarts
EMS.....	Emergency Stop	QTY.....	Quantity
ENG.....	Engine	REF.....	Reference
FT(ft).....	Feet	REV.....	Revision Level
GA(Ga).....	Gauge	RH.....	Right Hand
HRC.....	High Rated Countries	SAE.....	Society of Automotive Engineers
HVAC.....	Heating, Ventilating, and Air Conditioning	SN.....	Serial Number
HYD.....	Hydraulic	SPEC(S).....	Specifications
Hz.....	Hertz	T/T.....	Turntable
ID.....	Inside Diameter	UGM.....	Universal Ground Module
IN.....	inches	V.....	Volts
ISO.....	International Organization for Standards	W.....	Watts
JIC.....	Joint Industry Council	#.....	Number
KG.....	Kilogram		

### 10) ILLUSTRATION REFERENCE LETTERS

When necessary, illustrations may contain reference letters that are intended to track information (i. e. hoses, harnesses) from one point to another or to track visual enlargement of components to show details that may be located in another area on the illustration.

*Note: Due to continuous product improvements, JLG Industries, Inc. reserves the right to make specification changes without prior notification. Contact JLG Industries, Inc. for updated information.*



# TABLE OF CONTENTS

SECTION 1 - FRAME.....	11
FIGURE 1-1. AXLE INSTALLATION .....	12
FIGURE 1-2. AXLE AND TONGUE INSTALLATION WITH HYDRAULIC BRAKES (COMBINATION WITH 2IN BALL) .....	14
FIGURE 1-3. AXLE AND TONGUE INSTALLATION WITH HYDRAULIC BRAKES (COLLAR WITH 2IN BALL) .....	16
FIGURE 1-4. BATTERIES INSTALLATION.....	18
FIGURE 1-5. BATTERY CHARGER INSTALLATION (110 PLUG) .....	20
FIGURE 1-6. BATTERY CHARGER INSTALLATION (NO PLUG).....	22
FIGURE 1-7. ENGINE INSTALLATION.....	24
FIGURE 1-8. ENGINE ASSEMBLY .....	26
FIGURE 1-9. CONTROL MODULE INSTALLATION (ENGINE POWERED MACHINES) (T500J) .....	28
FIGURE 1-10. CONTROL MODULE INSTALLATION (ELECTRIC POWERED MACHINES) (ET500J).....	30
FIGURE 1-11. CONTROL VALVES INSTALLATION (ELECTRIC POWERED) (ET500J).....	32
FIGURE 1-12. CONTROL VALVES INSTALLATION (ENGINE POWERED) (T500J) .....	34
FIGURE 1-13. CONTROL VALVE ASSEMBLY (ELECTRIC POWERED MACHINES) (ET500J).....	36
FIGURE 1-14. CONTROL VALVE ASSEMBLY (ENGINE POWERED MACHINES) (T500J) .....	40
FIGURE 1-15. FENDERS INSTALLATION .....	44
FIGURE 1-16. FRAME COVERS INSTALLATION (ELECTRIC POWERED MACHINES) (ET500J).....	46
FIGURE 1-17. FRAME COVERS INSTALLATION (GAS POWERED MACHINES) (T500J) .....	48
FIGURE 1-18. HYDRAULIC BRAKE COUPLER ASSEMBLY (WITH 2 IN BALL).....	50
FIGURE 1-19. HYDRAULIC BRAKE COUPLER WITH 2 INCH BALL AND COLLAR ASSEMBLY .....	52
FIGURE 1-20. OUTRIGGERS INSTALLATION .....	54
FIGURE 1-21. SPARE TIRE INSTALLATION (225-75R15 TIRE) (OPTIONAL).....	56
FIGURE 1-22. SPARE TIRE INSTALLATION (215-75R14 TIRE) (OPTIONAL).....	58
FIGURE 1-23. TAILLIGHTS AND MARKERS INSTALLATION.....	60
FIGURE 1-24. TIRE AND WHEEL INSTALLATION - 225-75-R15.....	62
FIGURE 1-25. TONGUE JACK INSTALLATION .....	64
FIGURE 1-26. TRANSPORT LOCK ASSEMBLY .....	66
SECTION 2 - TURNTABLE.....	69
FIGURE 2-1. GROUND CONTROL INSTALLATION (ELECTRIC POWERED MACHINES) (ET500J).....	70
FIGURE 2-2. GROUND CONTROL INSTALLATION (ENGINE POWERED MACHINES) (T500J) .....	72
FIGURE 2-3. GROUND CONTROL BOX ASSEMBLY.....	74
FIGURE 2-4. TURNTABLE BEARING INSTALLATION (WITH JING WEI BEARING/ WITH ZHENJIANG MOTOR) .....	76
FIGURE 2-5. TURNTABLE BEARING ASSEMBLY - JING WEI .....	78
FIGURE 2-6. ACCESSORY TRAY INSTALLATION (OPTIONAL) .....	80
FIGURE 2-7. ALARM AND STROBE LIGHT INSTALLATION .....	82
SECTION 3 - BOOM.....	85
FIGURE 3-1. BOOM INSTALLATION.....	86
FIGURE 3-2. BOOM ASSEMBLY.....	88
FIGURE 3-3. BOOM ASSEMBLY.....	90
FIGURE 3-4. MAIN BOOM ASSEMBLY.....	94
FIGURE 3-5. MATERIAL HOOK INSTALLATION (OPTIONAL).....	96
SECTION 4 - PLATFORM.....	99

# TABLE OF CONTENTS

FIGURE 4-1. CONSOLE BOX INSTALLATION (ELECTRIC POWERED MACHINES) (ET500J) .....	100
FIGURE 4-2. CONSOLE BOX INSTALLATION (ENGINE POWERED MACHINES) (T500J) .....	102
FIGURE 4-3. CONSOLE BOX ASSEMBLY (ELECTRIC POWERED MACHINES) (ET500J) .....	104
FIGURE 4-4. CONSOLE BOX ASSEMBLY (ENGINE POWERED MACHINES) (T500J).....	106
FIGURE 4-5. PLATFORM ASSEMBLY.....	108
FIGURE 4-6. PLATFORM MOUNT INSTALLATION (WITH ROTATOR).....	110
FIGURE 4-7. PLATFORM MOUNT INSTALLATION (WITHOUT ROTATOR) .....	112
FIGURE 4-8. PLATFORM ROTATOR ASSEMBLY (OPTIONAL).....	114
SECTION 5 - CYLINDER.....	117
FIGURE 5-1. JIB CYLINDER ASSEMBLY .....	118
FIGURE 5-2. LIFT CYLINDER ASSEMBLY.....	120
FIGURE 5-3. MASTER CYLINDER ASSEMBLY .....	122
FIGURE 5-4. OUTRIGGER CYLINDER ASSEMBLY.....	124
FIGURE 5-5. PLATFORM LEVEL CYLINDER ASSEMBLY .....	126
FIGURE 5-6. TELESCOPE CYLINDER ASSEMBLY.....	128
SECTION 6 - HYDRAULIC .....	131
FIGURE 6-1. HYDRAULIC DIAGRAM - CHASSIS (ELECTRIC POWERED MACHINES) (ET500J) .....	132
FIGURE 6-2. HYDRAULIC DIAGRAM - CHASSIS (ENGINE POWERED MACHINES) (T500J).....	134
SECTION 7 - ELECTRICAL.....	137
FIGURE 7-1. AC BOX AT PLATFORM INSTALLATION - 110V GFI .....	138
FIGURE 7-2. AC BOX AT PLATFORM INSTALLATION - NO RECEPT.....	140
FIGURE 7-3. AC RECEPTABLE BOX ASSEMBLY - 110V GFI.....	142
FIGURE 7-4. AC RECEPTABLE BOX ASSEMBLY - NO RECEPT .....	144
FIGURE 7-5. ADD ON HARNESS (SN 0030016956 to Present, SN 0030016975 to Present).....	146
FIGURE 7-6. BATTERY CABLE KIT (ELECTRIC POWERED MACHINES) (ET500J).....	148
FIGURE 7-7. BOOM CABLE, HARNESS.....	150
FIGURE 7-8. ENGINE HARNESS (ENGINE POWERED MACHINES) (T500J).....	152
FIGURE 7-9. FRAME HARNESS - ELECTRICAL POWERED MACHINES (ET500J).....	154
FIGURE 7-10. FRAME HARNESS - ENGINE POWERED MACHINES (T500J) .....	156
FIGURE 7-11. GROUND CONTROL BOX HARNESS (ELECTRIC POWERED MACHINES) (ET500J).....	158
FIGURE 7-12. GROUND CONTROL BOX HARNESS (ENGINE POWERED MACHINES) (T500J).....	160
FIGURE 7-13. HOOK HARNESS.....	162
FIGURE 7-14. LIFT DOWN PROP VALVE, HARNESS .....	164
FIGURE 7-15. LIGHT HARNESS - CENTER BRAKE LIGHT .....	166
FIGURE 7-16. MAIN CONTROL VALVE HARNESS .....	168
FIGURE 7-17. OUTRIGGER JACK & VALVE HARNESS.....	170
FIGURE 7-18. PLATFORM BOX HARNESS (ELECTRICAL POWERED MACHINES) (ET500J).....	172
FIGURE 7-19. PLATFORM BOX HARNESS (ENGINE POWERED MACHINES) (T500J).....	174
FIGURE 7-20. STROBE LIGHT AND ALARM HARNESS .....	176
FIGURE 7-21. TELESCOPE LIMIT SWITCH HARNESS.....	178
FIGURE 7-22. TRAILER LIGHT HARNESS.....	180
FIGURE 7-23. TRANSPORT LIMIT SWITCH HARNESS .....	182
SECTION 8 - DECALS .....	185



# TABLE OF CONTENTS

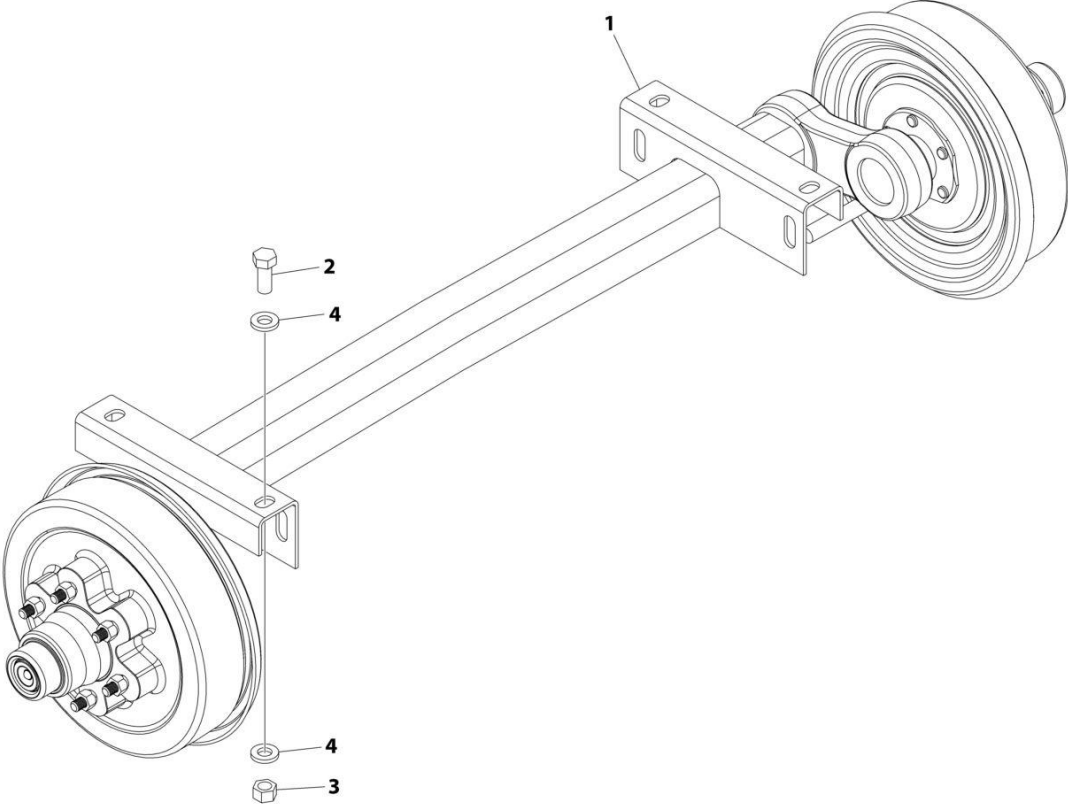
FIGURE 8-1. DECAL INSTALLATION (ANSI SPEC) (ENGLISH LANGUAGE) .....	186
FIGURE 8-2. DECAL INSTALLATION (CSA SPEC) (FRENCH/ENGLISH LANGUAGE) .....	188
FIGURE 8-3. DECAL INSTALLATION (SPANISH/ENGLISH LANGUAGE) .....	192
FIGURE 8-4. DECAL INSTALLATION (PORTUGUESE/ENGLISH LANGUAGE) .....	196
FIGURE 8-5. DECAL INSTALLATION (SPANISH LANGUAGE) .....	200
FIGURE 8-6. DECALS INSTALLATION (ET500J) .....	202
FIGURE 8-7. DECAL INSTALLATION - OPTIONS .....	204
FIGURE 8-8. DECAL MOUNTING PLATE INSTALLATION .....	206
FIGURE 8-9. DECAL TAGS INSTALLATION .....	208
SECTION 9 - RECOMMENDED SERVICE PARTS STOCK .....	211
FIGURE 9-1. RECOMMENDED SERVICE PARTS STOCK .....	212
SECTION 10 - SPECIAL OPTIONS .....	215
FIGURE 10-1. SPECIAL OPTIONS .....	216
PART NUMBER INDEX .....	219



**SECTION 1 - FRAME**

**SECTION 1 - FRAME**

**FIGURE 1-1. AXLE INSTALLATION**



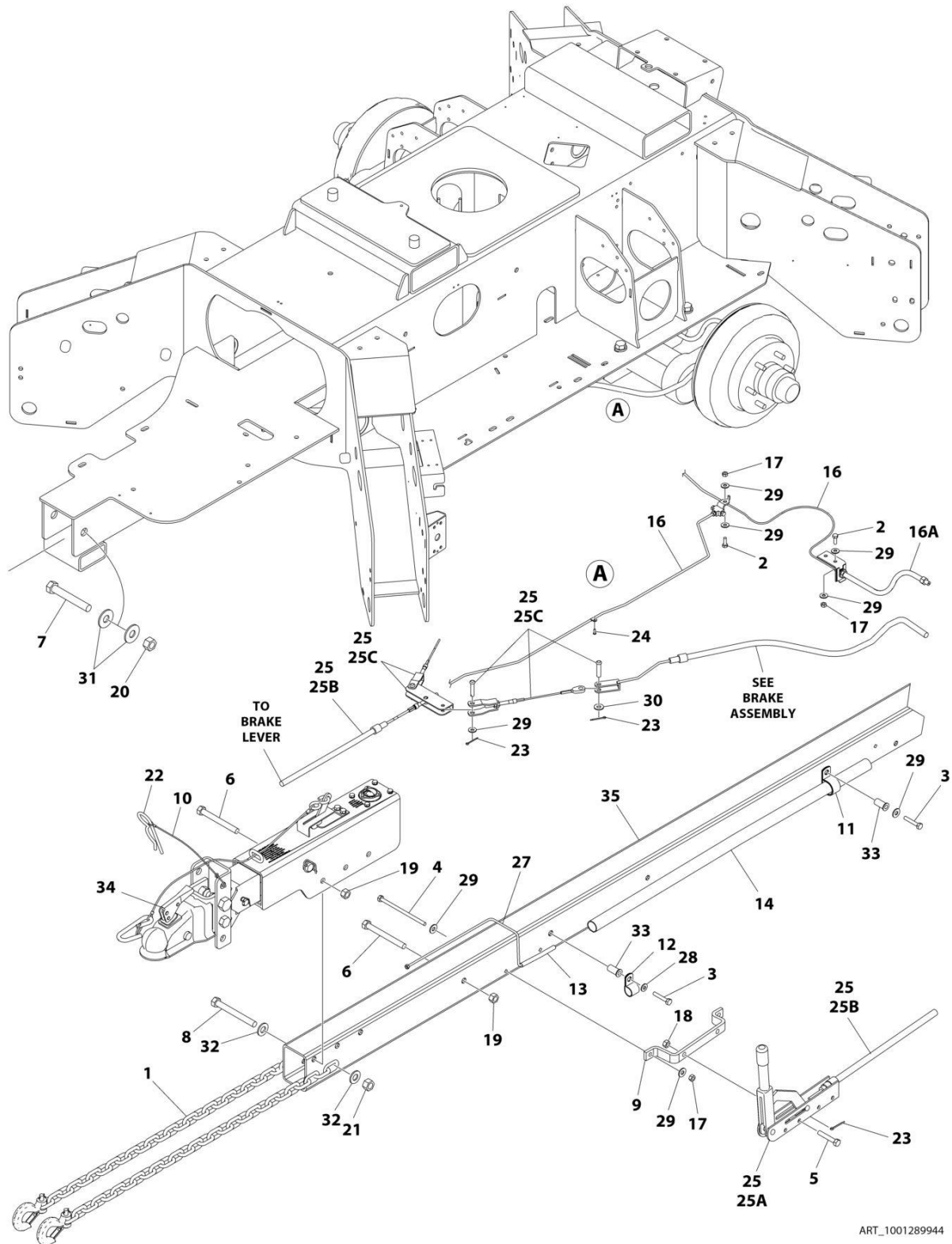
ART\_0273609\_C

FIGURE 1-1. AXLE INSTALLATION

ITEM	PART NUMBER	QTY	DESCRIPTION	REV
	0273609	Ref	AXLE INSTALLATION	C
1	1001302765	1	Axle Assembly - Hydraulic Brakes	
1	70008481	1	Brake Assembly (LH) (Note: Sold as Assembly)	
1	70008482	1	Brake Assembly (RH) (Note: Sold as Assembly)	
1	7010645	12	Lugnut	
2	0642012	4	Bolt 5/8 x 1-1/2	
3	3312005	4	Nut 5/8	
4	4892000	8	Washer 5/8	

# SECTION 1 - FRAME

## FIGURE 1-2. AXLE AND TONGUE INSTALLATION WITH HYDRAULIC BRAKES (COMBINATION WITH 2IN BALL)



ART\_1001289944

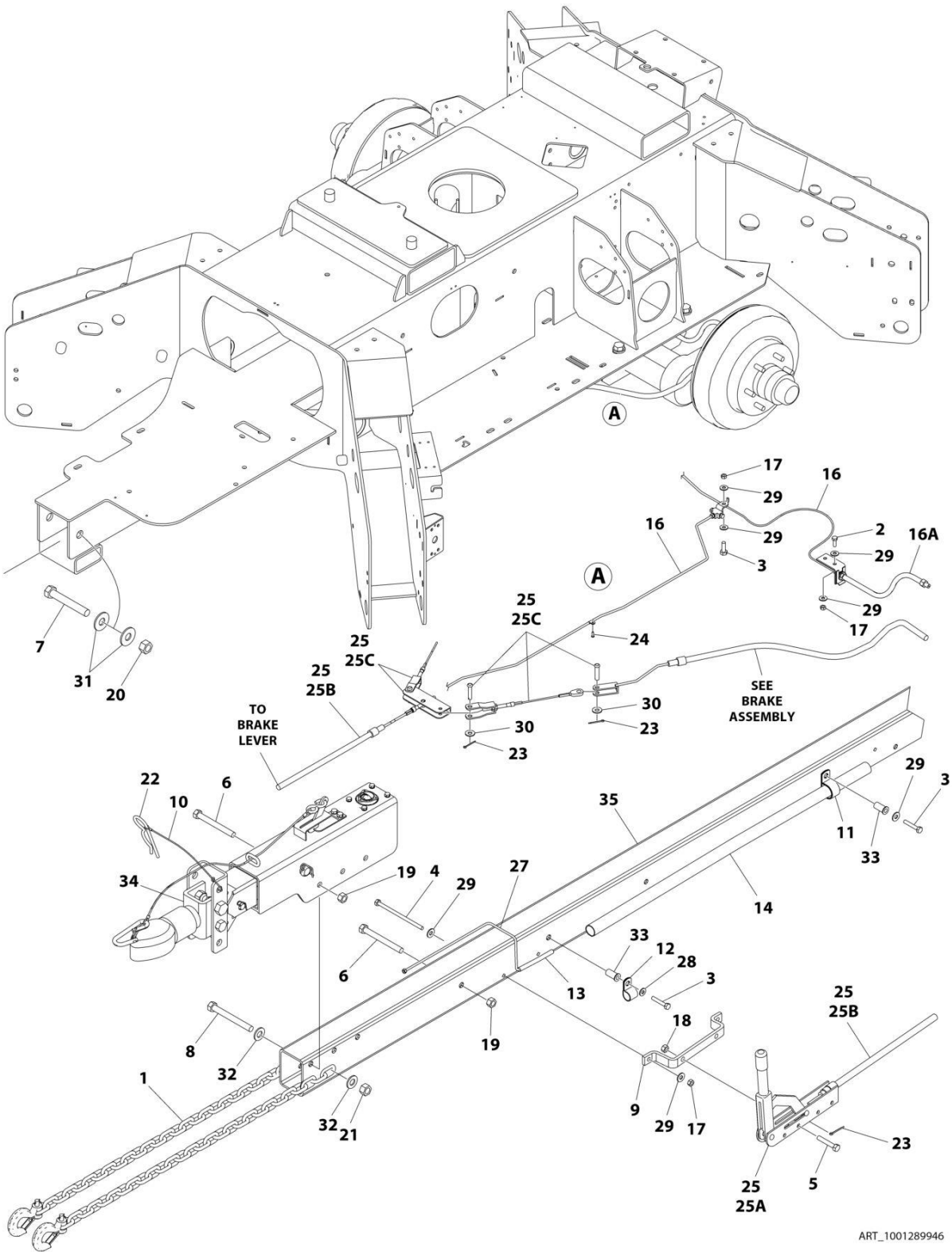
## SECTION 1 - FRAME

**FIGURE 1-2. AXLE AND TONGUE INSTALLATION WITH HYDRAULIC BRAKES (COMBINATION WITH 2IN BALL)**

ITEM	PART NUMBER	QTY	DESCRIPTION	REV
	1001289944	Ref	TONGUE INSTALLATION WITH HYRAULIC BRAKES	A
1	70212	2	Chain, Safety with Hook	
2	0641406	5	Bolt 1/4 x 3/4	
3	0641412	4	Bolt 1/4 x 1-1/2	
4	0641430	2	Bolt 1/4 x 3-3/4	
5	0641514	2	Bolt 5/16 x 1-3/4	
6	0641836	3	Bolt 1/2 x 4-1/2	
7	0642240	2	Bolt 3/4 x 5	
8	0711228	1	Bolt M12 x 110	
9	0903108	1	Bracket	
10	1060799	1	Lanyard	
11	1320060	3	Clamp	
12	1320061	1	Clamp	
13	1560016	1	Conduit	
14	1560017	2	Conduit	
15	2300006	AR	Fluid, Brake - DOT3 (Not Shown)	
16	2902349	1	Brake Line Kit (Includes qty 2 of these items: 12in Steel Lines with Fittings, 18in Hoses, Mounting Angles and Clamps. Also, Includes qty 1 Tee Fitting with Mounting Bracket)	
16A	7027890	2	Replacement Hose Only	
17	3311405	7	Nut 1/4	
18	3311505	2	Nut 5/16	
19	3311805	3	Nut 1/2	
20	3312205	2	Nut 3/4	
21	3331211	1	Nut M12	
22	3420592	1	Hairpin	
23	3450304	5	Pin, Cotter	
24	3820017	2	Rivet	
25	3890042	1	Parking Brake Cable Assembly	
25A	2980123	1	Handle	
25B	3890046	1	Cable, Brake	
25C	3890048	1	Brake, Cable Assembly	
26	4240032	AR	Tie-Strap (Not Shown)	
27	4569097	1	Brake Line	
28	4711400	1	Washer 1/4	
29	4751400	19	Washer 1/4	
30	4751500	2	Washer 5/16	
31	4752200	4	Washer 3/4	
32	4812100	2	Washer M12	
33	8580420	4	Wellnut 1/4	
34	1001116350	1	Coupler Assembly (See Separate Breakdown in this Section)	
35	1001286879	1	Tongue	

# SECTION 1 - FRAME

## FIGURE 1-3. AXLE AND TONGUE INSTALLATION WITH HYDRAULIC BRAKES (COLLAR WITH 2IN BALL)





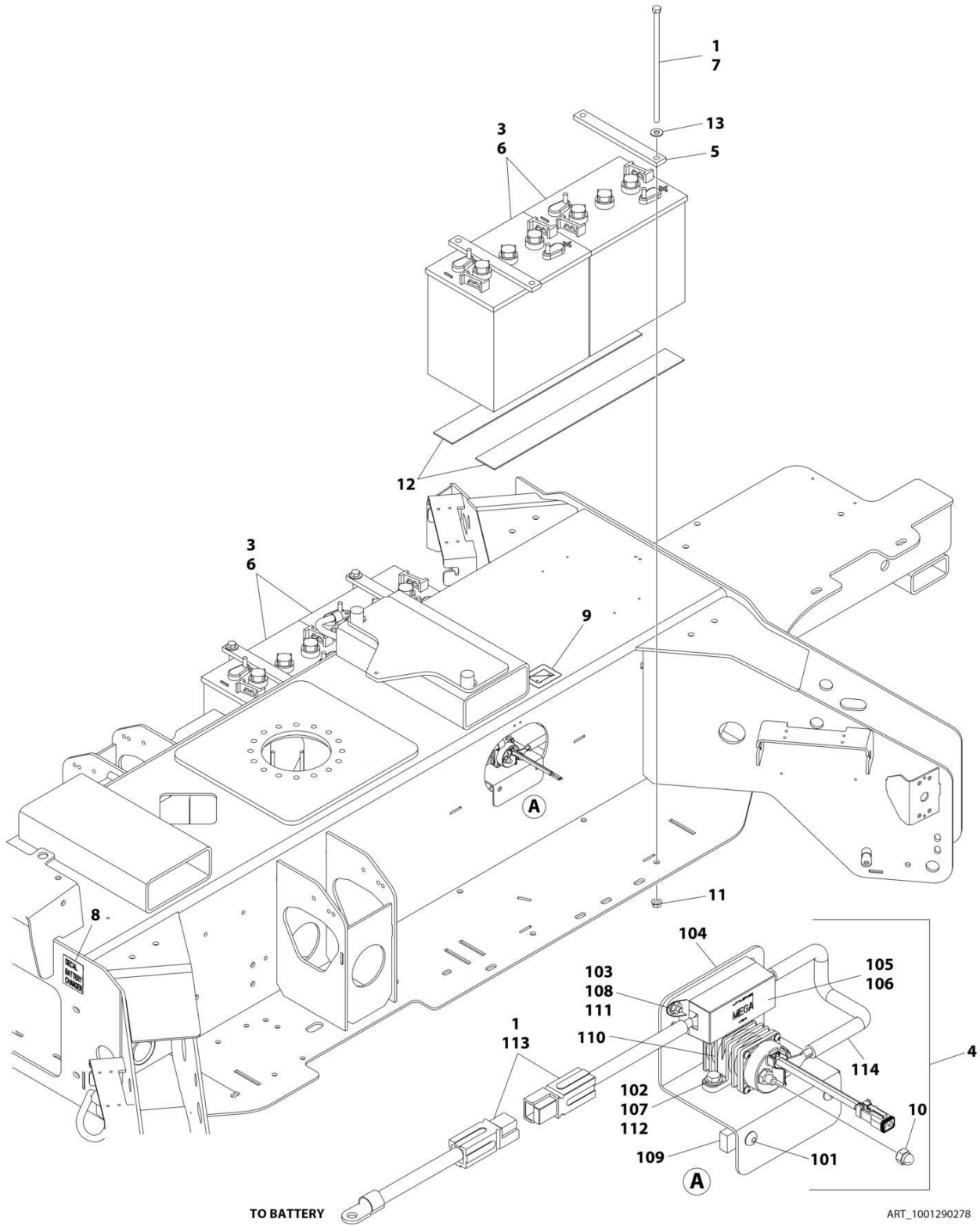
## SECTION 1 - FRAME

**FIGURE 1-3. AXLE AND TONGUE INSTALLATION WITH HYDRAULIC BRAKES (COLLAR WITH 2IN BALL)**

ITEM	PART NUMBER	QTY	DESCRIPTION	REV
	1001289946	Ref	TONGUE INSTALLATION WITH HYRAULIC BRAKES	A
1	70212	2	Chain, Safety with Hook	
2	0641406	5	Bolt 1/4 x 3/4	
3	0641412	4	Bolt 1/4 x 1-1/2	
4	0641430	2	Bolt 1/4 x 3-3/4	
5	0641514	2	Bolt 5/16 x 1-3/4	
6	0641836	3	Bolt 1/2 x 4-1/2	
7	0642240	2	Bolt 3/4 x 5	
8	0711228	1	Bolt M12 x 110	
9	0903108	1	Bracket	
10	1060799	1	Lanyard	
11	1320060	3	Clamp	
12	1320061	1	Clamp	
13	1560016	1	Conduit	
14	1560017	2	Conduit	
15	2300006	AR	Fluid, Brake - DOT3 (Not Shown)	
16	2902349	1	Brake Line Kit (Includes qty 2 of these items: 12in Steel Lines with Fittings, 18in Hoses, Mounting Angles and Clamps. Also, Includes qty 1 Tee Fitting with Mounting Bracket)	
16A	7027890	2	Replacement Hose Only	
17	3311405	7	Nut 1/4	
18	3311505	2	Nut 5/16	
19	3311805	3	Nut 1/2	
20	3312205	2	Nut 3/4	
21	3331211	1	Nut M12	
22	3420592	1	Hairpin	
23	3450304	5	Pin, Cotter	
24	3820017	2	Rivet	
25	3890042	1	Parking Brake Cable Assembly	
25A	2980123	1	Handle	
25B	3890046	1	Cable, Brake	
25C	3890048	1	Brake, Cable Assembly	
26	4240032	AR	Tie-Strap (Not Shown)	
27	4569097	1	Brake Line	
28	4711400	1	Washer 1/4	
29	4751400	19	Washer 1/4	
30	4751500	2	Washer 5/16	
31	4752200	4	Washer 3/4	
32	4812100	2	Washer M12	
33	8580420	4	Wellnut 1/4	
34	1001243182	1	Coupler Assembly (See Separate Breakdown in this Section)	
35	1001286879	1	Tongue	

# SECTION 1 - FRAME

## FIGURE 1-4. BATTERIES INSTALLATION



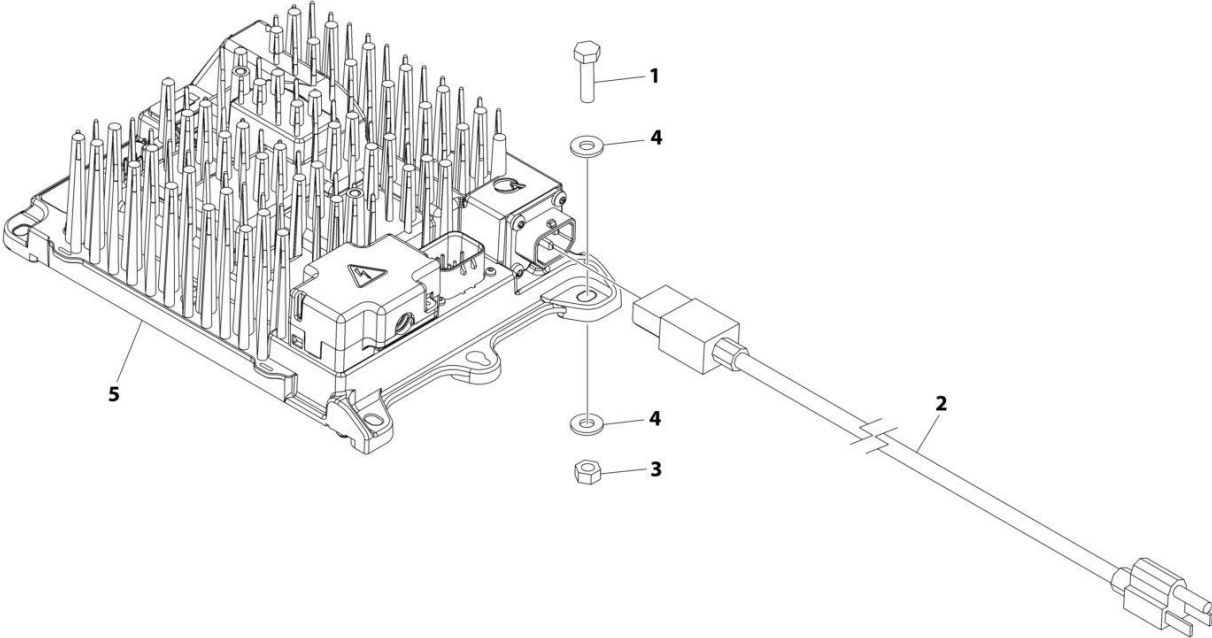
# SECTION 1 - FRAME

## FIGURE 1-4. BATTERIES INSTALLATION

ITEM	PART NUMBER	QTY	DESCRIPTION	REV
	1001290278	Ref	BATTERIES INSTALLATION (ELECTRIC POWERED MACHINES)	B
1	0100011	AR	Compound, Locking	
2	0100048	AR	Grease, Dielectric (Not Shown)	
3	0100051	AR	Grease, Battery Terminal	
4	0275439	1	Contactora, Assembly (Includes Item 101-114)	
5	0361810	4	Bar, Battery Hold Down	
6	0400215	4	Battery, 6 Volt /220 Amp	
7	0641688	8	Bolt 3/8 x 11	
8	1701644	1	Decal - Battery Charger	
9	1702155	1	Decal - Battery Disconnect	
10	3300506	2	Nut 5/16	
11	3311608	8	Nut 3/8	
12	4420038	6.7 ft/2m	Tape, Rubber	
13	4751600	8	Washer 3/8	
14	4923428	1	Battery Cables Kit (Not Shown - See Separate Breakdown in ELECTRICAL Section)	
	0275439	Ref	CONTACTOR ASSEMBLY	C
101	0630468	2	Screw 5/16 x 1	
102	0641407	2	Bolt 1/4 x 7/8	
103	0721004	2	Screw #10 x 1/2	
104	0903560	1	Bracket	
105	2400087	1	Fuse - 300 Amp	
106	2400088	1	Fuseholder	
107	3311405	2	Nut 1/4	
108	3311005	2	Nut #10	
109	3576773	1	Bar, Clamping	
110	3740150	1	Relay	
111	4711000	2	Washer #10	
112	4711400	2	Washer 1/4	
113	4923545	1	Cable, Electrical (Fuse to Battery B+)	
114	4923570	1	Cable, Electrical	

**SECTION 1 - FRAME**

**FIGURE 1-5. BATTERY CHARGER INSTALLATION (110 PLUG)**



ART\_1001290074

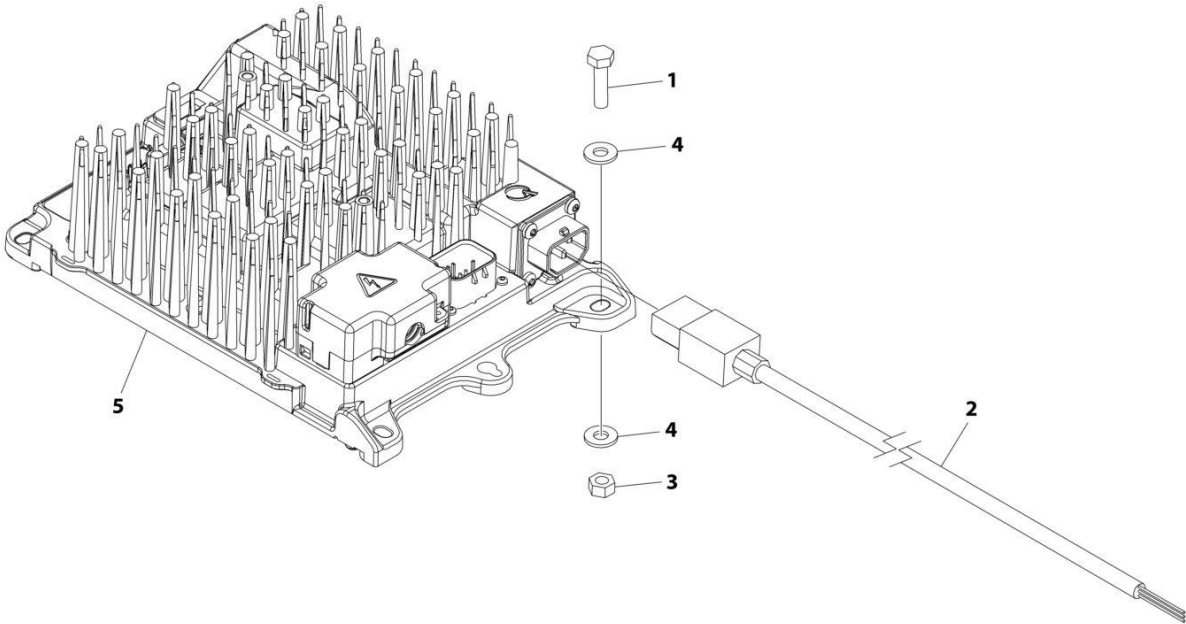
## SECTION 1 - FRAME

### FIGURE 1-5. BATTERY CHARGER INSTALLATION (110 PLUG)

ITEM	PART NUMBER	QTY	DESCRIPTION	REV
	1001290074	Ref	BATTERY CHARGER INSTALLATION	A
1	0641408	4	Bolt 1/4 x 1	
2	1060688	1	AC Extension Cord	
3	3311405	4	Nut 1/4	
4	4711400	8	Washer 1/4	
5	1001253952	1	Battery Charger Assembly (No Service Parts Available)	

**SECTION 1 - FRAME**

**FIGURE 1-6. BATTERY CHARGER INSTALLATION (NO PLUG)**



ART\_1001290073

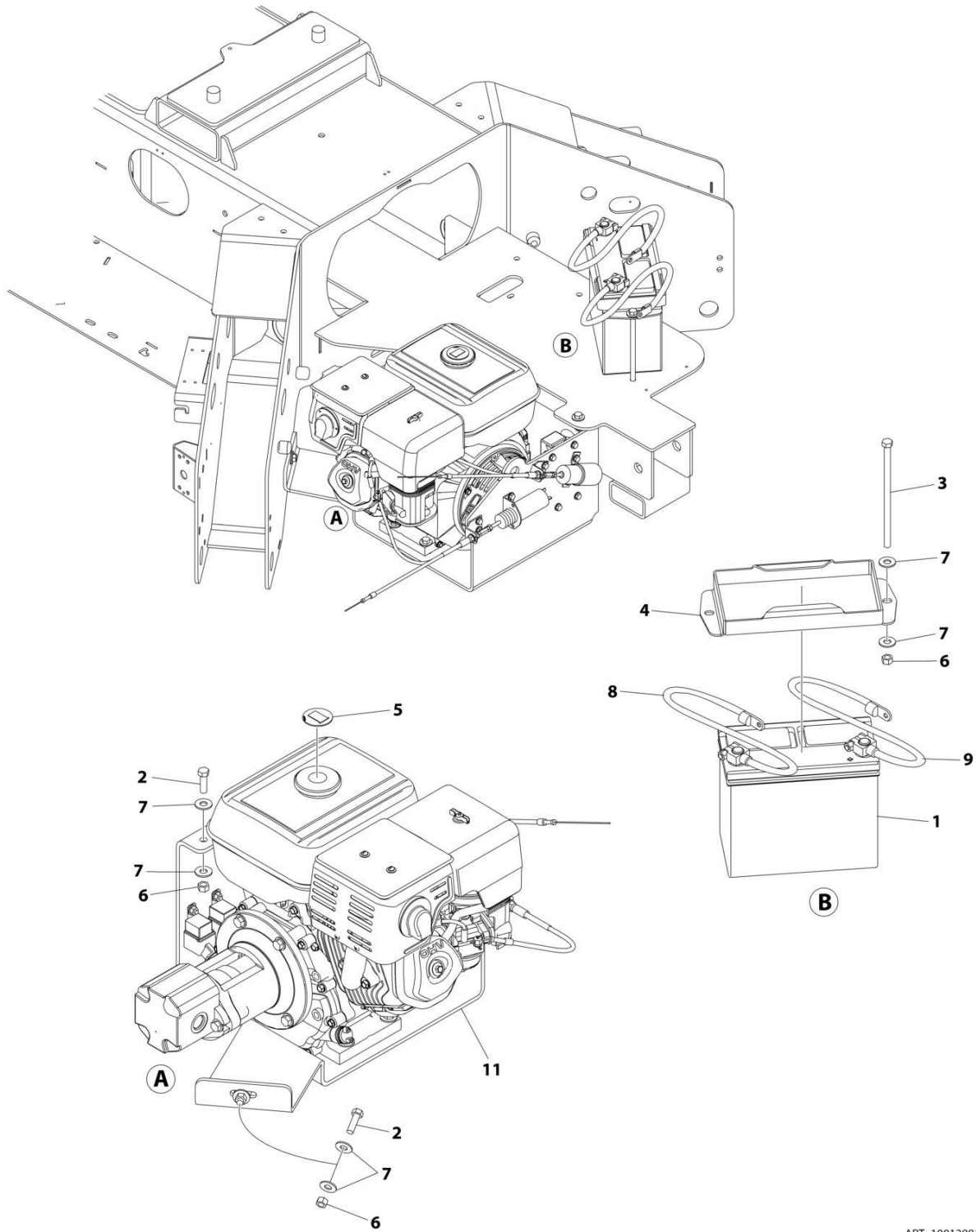
## SECTION 1 - FRAME

### FIGURE 1-6. BATTERY CHARGER INSTALLATION (NO PLUG)

ITEM	PART NUMBER	QTY	DESCRIPTION	REV
	1001290073	Ref	BATTERY CHARGER INSTALLATION	A
1	0641408	4	Bolt 1/4 x 1	
2	1060689	1	AC Extension Cord	
3	3311405	4	Nut 1/4	
4	4711400	8	Washer 1/4	
5	1001253952	1	Battery Charger Assembly (No Service Parts Available)	

# SECTION 1 - FRAME

## FIGURE 1-7. ENGINE INSTALLATION



ART\_1001288127

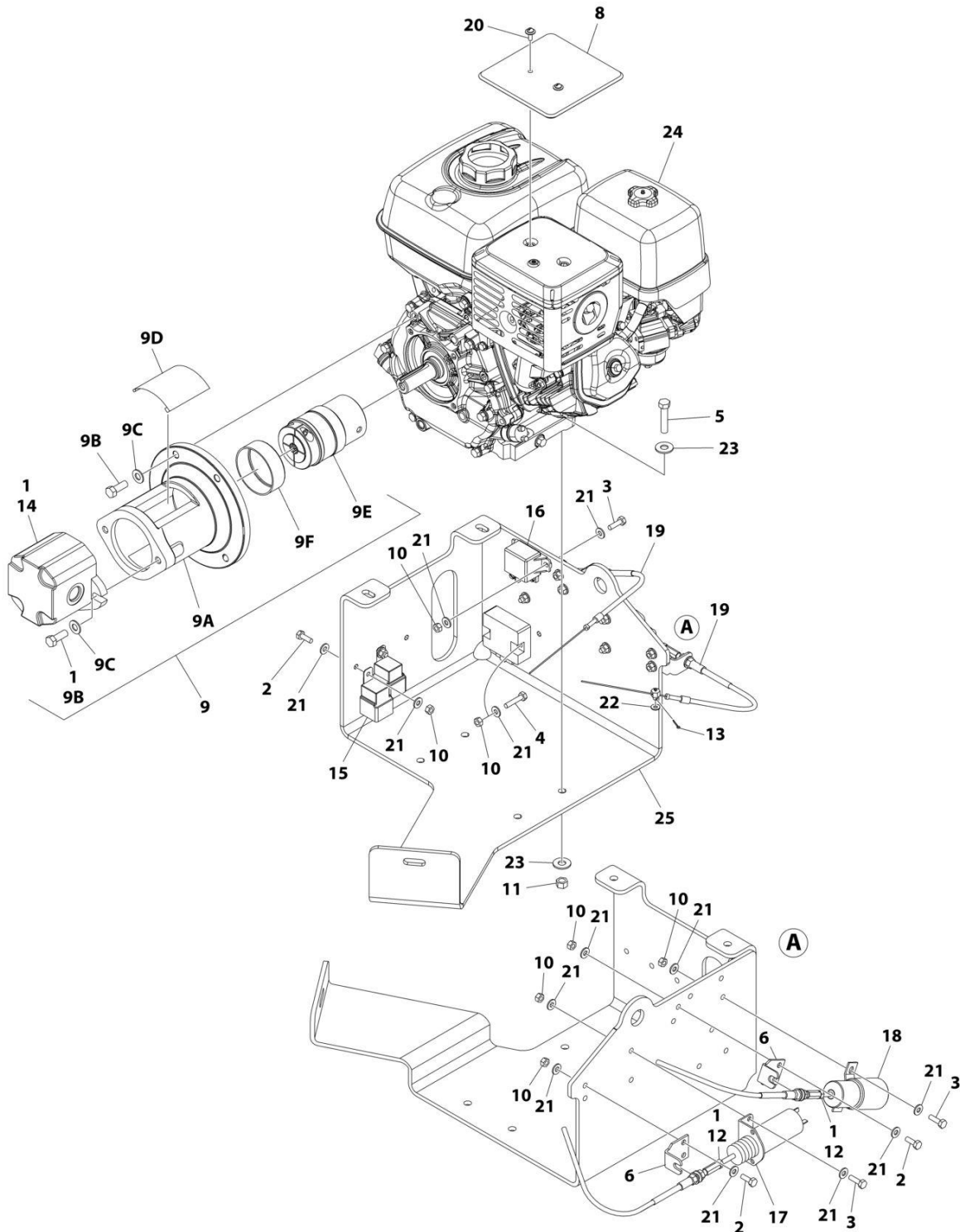


FIGURE 1-7. ENGINE INSTALLATION

ITEM	PART NUMBER	QTY	DESCRIPTION	REV
	1001288127	Ref	ENGINE INSTALLATION	B
1	0400201	1	Battery	
2	0641610	3	Bolt 3/8 x 1-1/4	
3	0641660	2	Bolt 3/8 x 7-1/2	
4	0902659	1	Bracket, Battery Hold-Down	
5	1706260	1	Decal - Fuel	
6	3311605	5	Nut 3/8	
7	4751600	10	Washer 3/8	
8	4923153	1	Cable, Battery Ground	
9	4923154	1	Cable, Battery Power	
10	1001128929	1	Harness, Engine (Not Shown - See Separate Breakdown in ELECTRICAL Section)	
11	1001288128	1	Engine Assembly (See Separate Breakdown in this Section)	

# SECTION 1 - FRAME

## FIGURE 1-8. ENGINE ASSEMBLY



ART\_1001288128

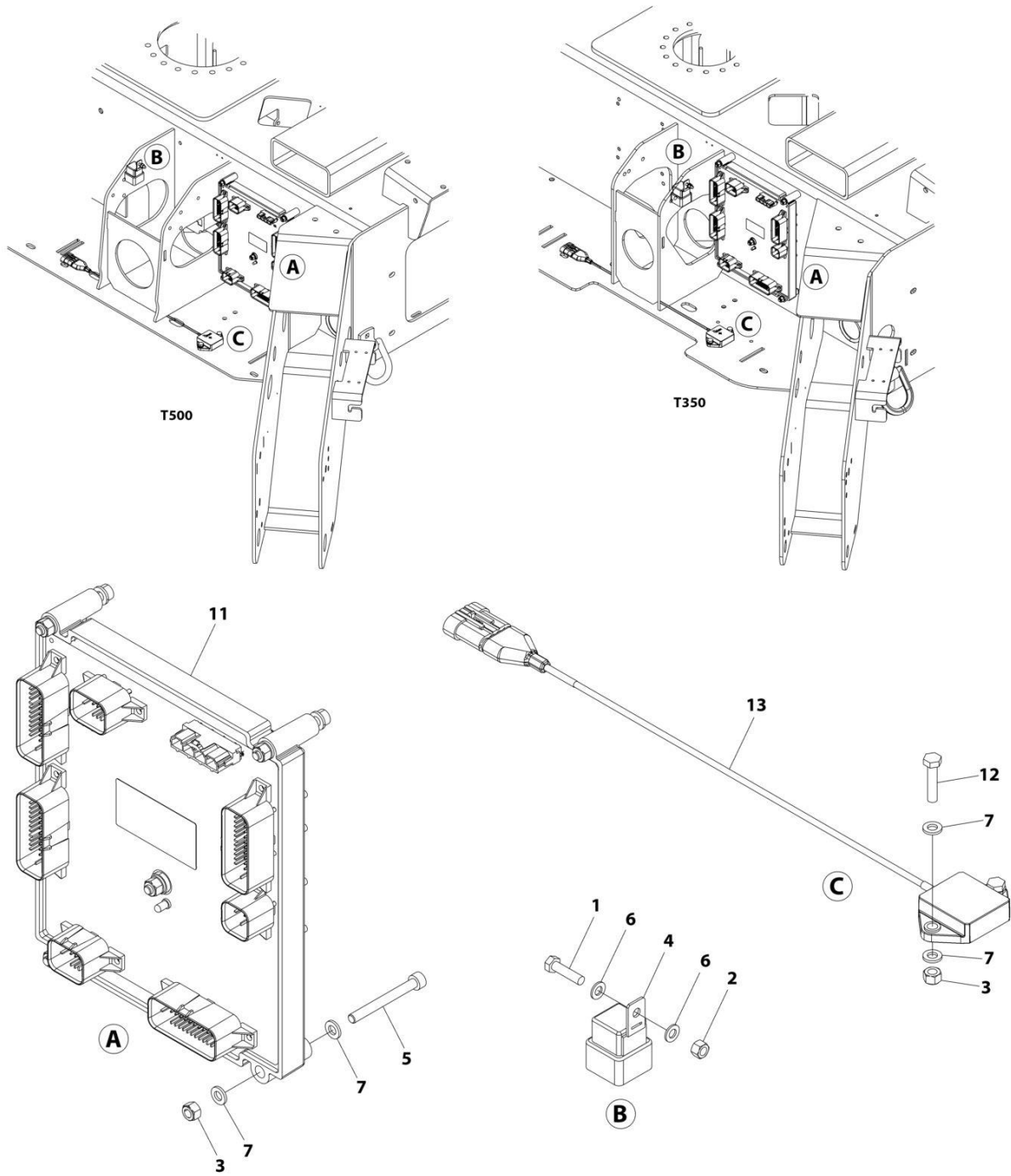
# SECTION 1 - FRAME

## FIGURE 1-8. ENGINE ASSEMBLY

ITEM	PART NUMBER	QTY	DESCRIPTION	REV
	1001288128	Ref	ENGINE ASSEMBLY (GAS POWERED MACHINES)	B
1	0100011	AR	Compound, Locking	
2	0641406	10	Bolt 1/4 x 3/4	
3	0641407	2	Bolt 1/4 x 7/8	
4	0641410	2	Bolt 1/4 x 1-1/4	
5	0641615	4	Bolt 3/8 x 1-7/8	
6	0903597	2	Bracket, Cable Mount	
8	2820179	1	Shield, Heat (Top)	
9	2902333	1	Pump Coupling Kit	
9A	7027326	1	Housing and Bolt Kit	
9B	0641608	6	Bolt 3/8 x 1	
9C	4711600	6	Washer 3/8	
9D	70001008	1	Cover	
9E	7027327	1	Coupling	
9F	7027328	1	Neoprene with Metal Ring	
10	3311405	14	Nut 1/4	
11	3311605	4	Nut 3/8	
12	3321401	2	Nut 1/4	
13	3450202	1	Pin, Cotter	
14	3600403	1	Gear Pump Assembly (No Serviceable Parts - Replace Complete Part)	
15	3740080	2	Relay	
16	3740112	1	Relay	
17	3740144	1	Actuator, Solenoid (Choke)	
18	3740148	1	Actuator, Solenoid (Throttle)	
19	3890065	2	Cable, Throttle	
20	3900184	2	Screw #10 x 5/8	
21	4711400	4	Washer 1/4	
22	4751200	1	Washer #12	
23	4751600	8	Washer 3/8	
24	1001288458	1	Engine Components (GX390)	
25	1001288129	1	Plate, Engine Mount	

# SECTION 1 - FRAME

## FIGURE 1-9. CONTROL MODULE INSTALLATION (ENGINE POWERED MACHINES) (T500J)



ART\_1001290259

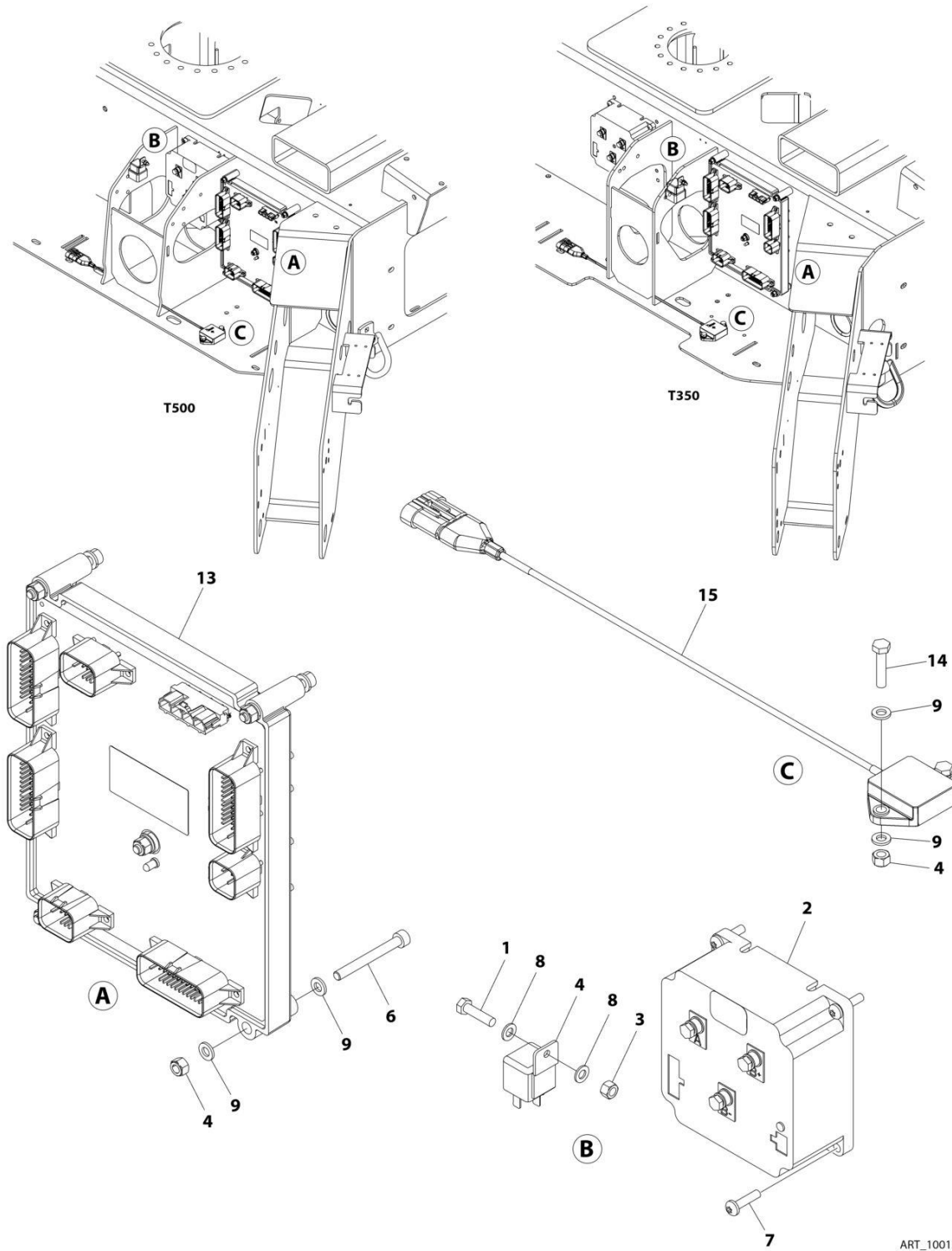
## SECTION 1 - FRAME

**FIGURE 1-9. CONTROL MODULE INSTALLATION (ENGINE POWERED MACHINES) (T500J)**

ITEM	PART NUMBER	QTY	DESCRIPTION	REV
	1001290259	Ref	CONTROL MODULE INSTALLAION (GAS MACHINES)	B
1	0700510	1	Bolt M5 x 20	
2	3290507	1	Nut M5	
3	3290605	7	Nut M6	
4	3740049	1	Relay	
5	1001118878	5	Capscrew M6 x 55	
6	4811600	2	Washer M5	
7	4811700	14	Washer M6	
8	4923041	1	Harness, Jack and Valve (Not Shown - See Separate Breakdown in ELECTRICAL Section)	
9	4923109	1	Harness, Main Valve (Not Shown - See Separate Breakdown in ELECTRICAL Section)	
10	1001288733	1	Harness, Frame (Not Shown - See Separate Breakdown in ELECTRICAL Section)	
11	1001289291	1	Module, Ground Control (Note: Control System must be Re-calibrated when Module is Replaced)	
12	0760613	2	Bolt M6 x 28	
13	1001219601	1	Sensor, Tilt	
14	1001297192	1	Harness, Add-on (Not Shown - See Separate Breakdown in ELECTRICAL Section)	

# SECTION 1 - FRAME

## FIGURE 1-10. CONTROL MODULE INSTALLATION (ELECTRIC POWERED MACHINES) (ET500J)



ART\_1001290260

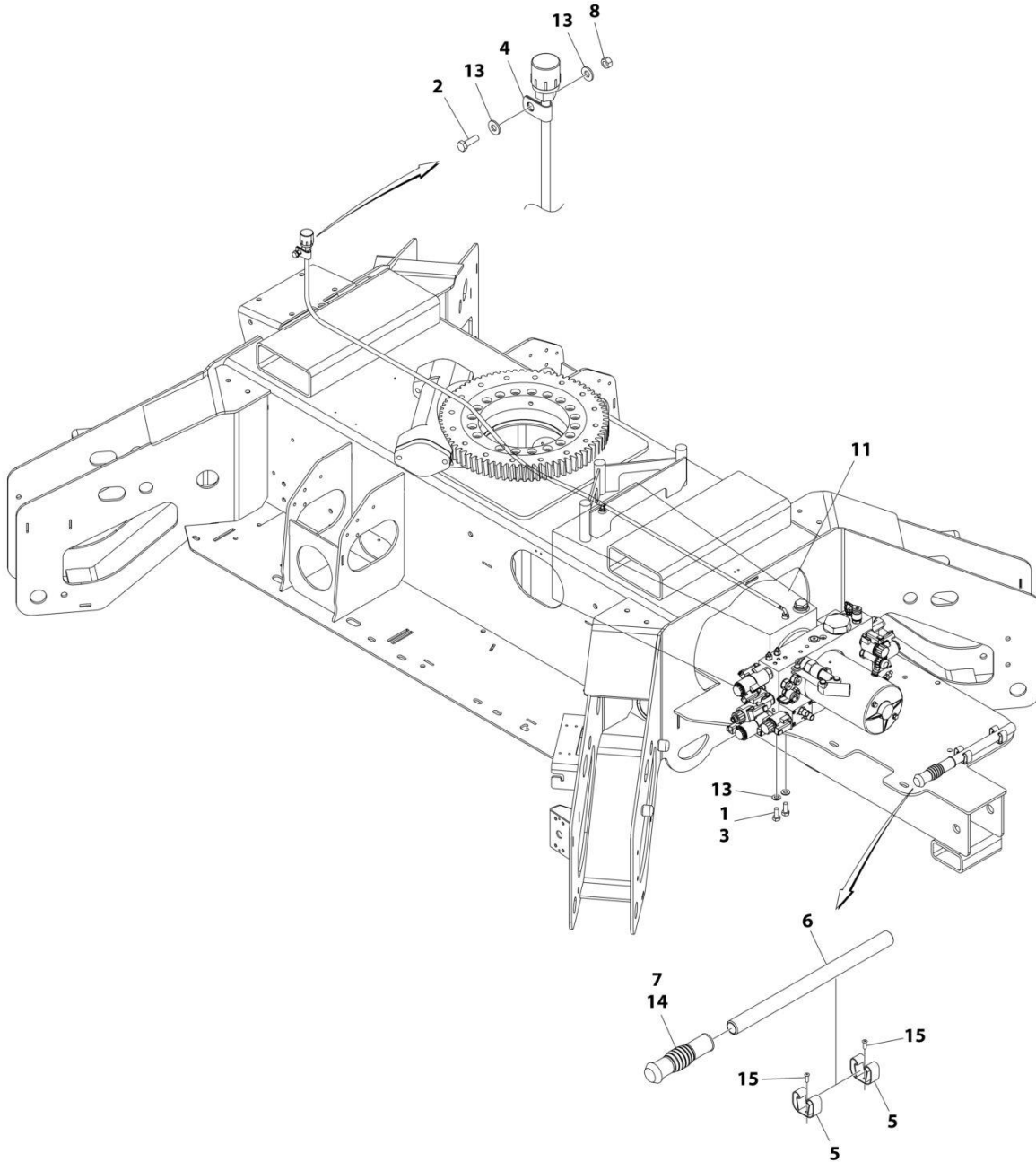
## SECTION 1 - FRAME

**FIGURE 1-10. CONTROL MODULE INSTALLATION (ELECTRIC POWERED MACHINES) (ET500J)**

ITEM	PART NUMBER	QTY	DESCRIPTION	REV
	1001290260	Ref	CONTROL MODULE INSTALLAION - ELECTRIC POWERED MACHINES	B
1	0700510	1	Bolt M5 x 20	
2	1600412	1	Controller, Sevcon (Note: Control System must be Re-calibrated when Module is Replaced)	
3	3290507	1	Nut M5	
4	3290605	7	Nut M6	
5	3740145	1	Relay	
6	1001118878	5	Capscrew M6 x 55	
7	4191709	4	Screw M6 x 25	
8	4811600	2	Washer M5	
9	4811700	14	Washer M6	
10	4923041	1	Harness, Jack and Valve (Not Shown - See Separate Breakdown in ELECTRICAL Section)	
11	4923109	1	Harness, Main Valve (Not Shown - See Separate Breakdown in ELECTRICAL Section)	
12	1001288732	1	Harness, Frame (Not Shown - See Separate Breakdown in ELECTRICAL Section)	
13	1001289291	1	Module, Ground Control (Note: Control System must be Re-calibrated when Module is Replaced)	
14	0760613	2	Bolt M6 x 28	
15	1001219601	1	Sensor, Tilt	
16	1001297192	1	Harness, Add-on (Not Shown – See Separate Breakdown in ELECTRICAL Section)	

# SECTION 1 - FRAME

## FIGURE 1-11. CONTROL VALVES INSTALLATION (ELECTRIC POWERED) (ET500J)



ART\_0273617



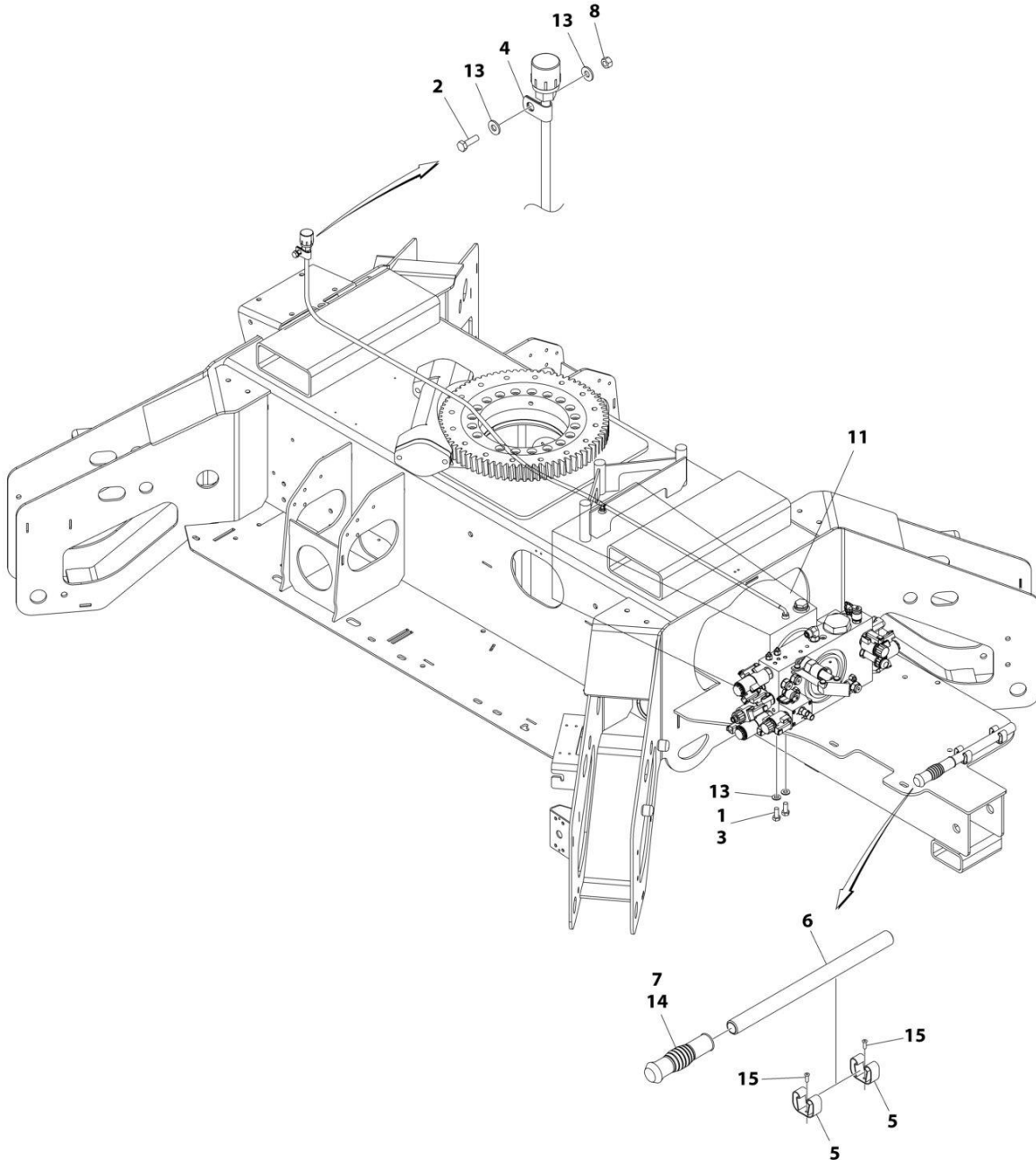
## SECTION 1 - FRAME

**FIGURE 1-11. CONTROL VALVES INSTALLATION (ELECTRIC POWERED) (ET500J)**

ITEM	PART NUMBER	QTY	DESCRIPTION	REV
	0273617	Ref	CONTROL VALVE INSTALLATION	F
1	0100011	AR	Compound, Locking	
2	0700812	1	Bolt M8 x 25	
3	0760810	3	Bolt M8 x 20	
4	8406110	1	Clamp	
5	1380136	2	Clip, Gripper	
6	2560122	1	Handle	
7	2560123	1	Grip, Handle	
8	3290805	1	Nut M8	
11	4641343	1	Control Valve Assembly (See Separate Breakdown in this Section)	
13	4811900	5	Washer M8	
14	0100081	AR	Adhesive	
15	3820017	2	Rivet	

# SECTION 1 - FRAME

## FIGURE 1-12. CONTROL VALVES INSTALLATION (ENGINE POWERED) (T500J)



ART\_0273619

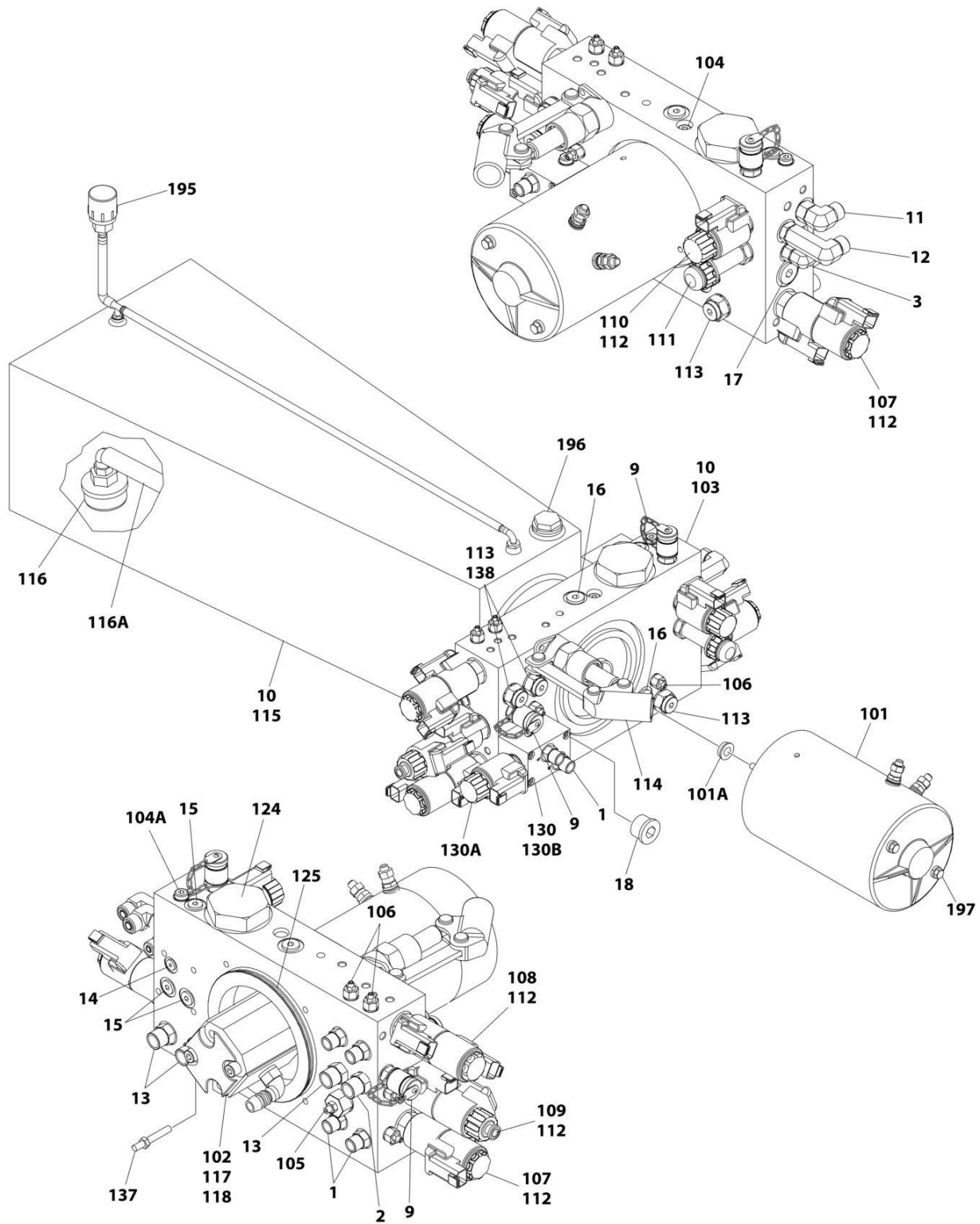
## SECTION 1 - FRAME

**FIGURE 1-12. CONTROL VALVES INSTALLATION (ENGINE POWERED) (T500J)**

ITEM	PART NUMBER	QTY	DESCRIPTION	REV
	0273619	Ref	CONTROL VALVE INSTALLATION	E
1	0100011	AR	Compound, Locking	
2	0700812	1	Bolt M8 x 25	
3	0760810	3	Bolt M8 x 20	
4	1320263	1	Clamp	
5	1380136	2	Clip, Gripper	
6	2560122	1	Handle	
7	2560123	1	Grip, Handle	
8	3290805	1	Nut M8	
11	4641345	1	Control Valve Assembly (See Separate Breakdown in this Section)	
13	4811900	5	Washer M8	
14	0100081	AR	Adhesive	
15	3820017	2	Rivet	

# SECTION 1 - FRAME

## FIGURE 1-13. CONTROL VALVE ASSEMBLY (ELECTRIC POWERED MACHINES) (ET500J)



ART\_4641343

## SECTION 1 - FRAME

**FIGURE 1-13. CONTROL VALVE ASSEMBLY (ELECTRIC POWERED MACHINES) (ET500J)**

ITEM	PART NUMBER	QTY	DESCRIPTION	REV
	4641343	Ref	VALVE AND FITTINGS SUBASSEMBLY	E
1	2110404	6	Fitting, Straight	
2	2110604	1	Fitting, Straight	
3	2130404	1	Fitting, Elbow	
9	2221086	3	Fitting, Test Port	
10	4641326	1	Valve Assembly Less Fittings (Includes Items 101-197)	
11	2130606	1	Fitting, Elbow	
12	2170206	1	Fitting, Long Elbow	
13	2110606	3	Fitting, Straight	
14	2220881	1	Plug	
15	2220883	3	Plug	
16	2220885	2	Plug	
17	2220886	1	Plug	
18	2220887	1	Plug	
100	4641326	NSS	Control Valve Assembly (Note: Use p/n 4641343 When replacing complete Assembly)	D
101	7027617	1	Motor Assembly	
101	See Note	1	Brush Kit (Note: Not Available - Purchase Complete Motor Assembly p/n 7027617)	
101A	7027618	1	Coupling	
102	7027619	1	Pump	
102	See Note	1	Seal Kit - Pump (Note: Not Available - Purchase Pump p/n 7027619)	
103	See Note	1	Block, Valve (Note: Not Available - Purchase Complete Valve Assembly)	
104	7027620	1	Cartridge, Relief Valve	
104	See Note	1	Seal Kit (Note: Not Available - Purchase Relief Valve Cartridge p/n 7027620)	
104A	7027621	1	Cartridge, Relief Valve	
104A	See Note	1	Seal Kit (Note: Not Available - Purchase Relief Valve Cartridge p/n 7027621)	
105	7027622	1	Cartridge, Valve	
105	See Note	1	Seal Kit (Note: Not Available - Purchase Cartridge Valve p/n 7027622)	
106	7027623	7	Cartridge, Valve	
106	See Note	7	Seal Kit (Note: Not Available - Purchase Cartridge Valve p/n 7027623)	
107	7027624	2	Cartridge, Solenoid Less Coil (Swing and Leveling Jacks)	
107	70002227	2	Nut, Coil	
107	70000100	2	Seal Kit	
108	7027625	1	Cartridge, Solenoid Less Coil (Level)	
108	70002227	1	Nut, Coil	
108	70000100	1	Seal Kit	
109	7027626	1	Cartridge, Solenoid Less Coil (Tele)	
109	70002228	1	Nut, Coil	
109	70000100	1	Seal Kit	
110	7024500	1	Cartridge, Solenoid Less Coil (Lift Up)	
110	70002230	1	Nut, Coil	
110	7024505	1	Seal Kit	
111	7027627	1	Cartridge (Manual Descent)	
111	70002229	1	Nut, Coil	

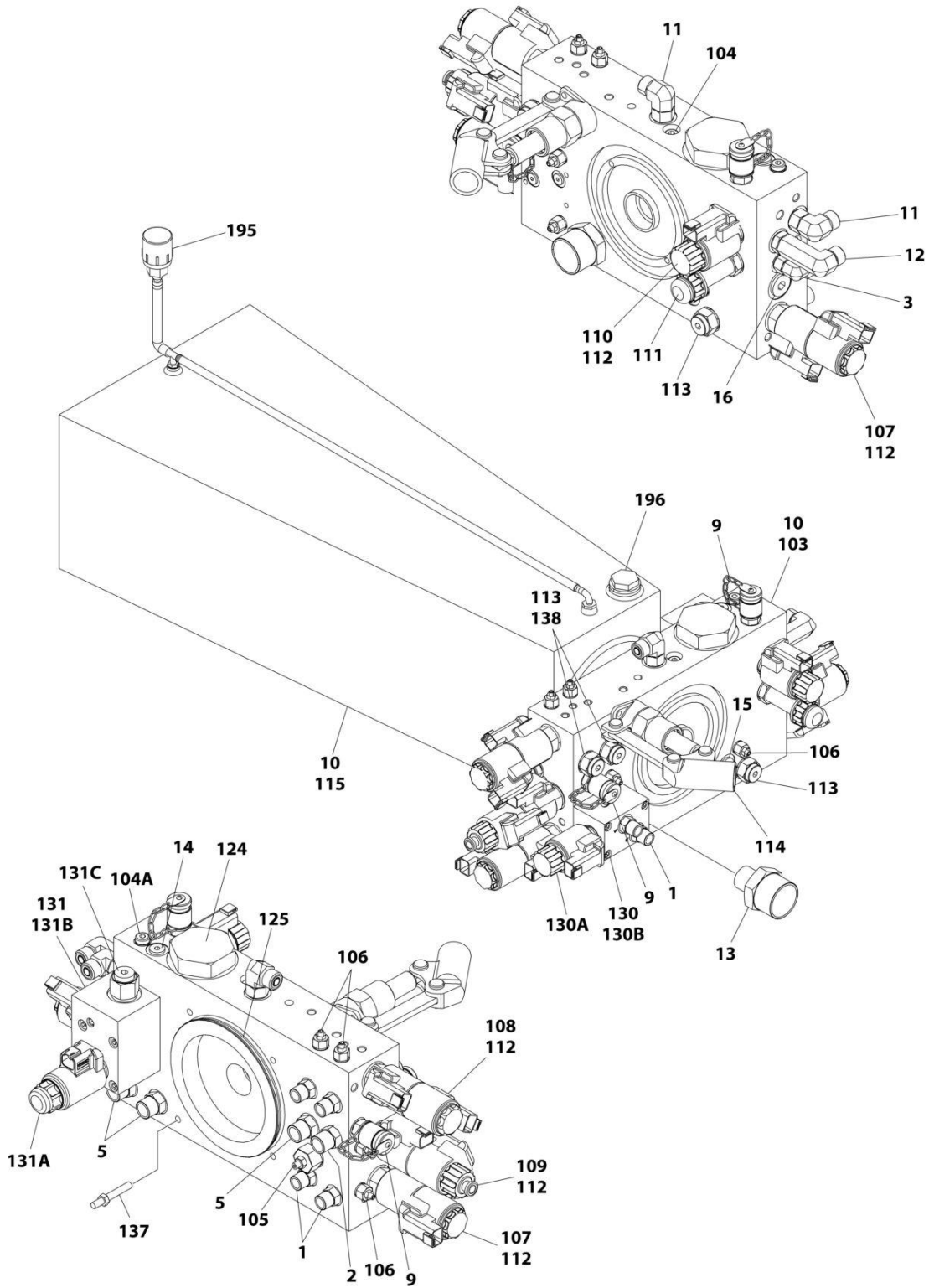
## SECTION 1 - FRAME

ITEM	PART NUMBER	QTY	DESCRIPTION	REV
111	7024505	1	Seal Kit	
112	7027628	9	Coil	
113	7027629	3	Cartridge, Valve	
113	7024505	3	Seal Kit	
114	7027630	1	Cartridge, Manual Hand Pump Valve (Manual Descent)	
114	See Note	1	Seal Kit (Note: Not Available - Purchase Manual Pump Valve Cartridge p/n 7027630)	
115		Ref	Tank Options:	
115	7027639	1	Tank (T500J)	
116	7027632	1	Filter, Hydraulic (Suction)	
116A	7027633	1	Tube, Suction	
117	See Note	2	Capscrew 8mm x 90mm (for Pump) (Note: Not available for purchase)	
118	See Note	1	Ring, Seal (Note: Not available for purchase)	
124	2915194	1	Element, Filter (Includes p/n 7000065 O-Ring) (Was p/n 7027634)	
124	See Note	1	Adapter (Note: Not Available - Purchase Filter Element p/n 2915194)	
124	70002282	1	Fitting, Plug	
124	70003615	1	Retainer, Filter Element Contamination	
125	7027635	1	O-Ring	
130	7027690	1	Valve Block Assembly (Jib)	
30A	7024500	1	Cartridge, Solenoid Less Coil	
30A	70002230	1	Nut, Coil	
30A	7024505	1	Seal Kit	
30A	7027628	1	Coil	
30B	See Note	1	Cartridge, Valve (Note: Not Available - Purchase Complete Valve Block Assembly p/n 7027690)	
30B	See Note	1	Seal Kit (Note: Not Available - Purchase Complete Valve Block Assembly p/n 7027690)	
137	70000894	4	Nut	
137	70000895	4	Stud	
138	7027636	2	Orifice	
195	7027638	1	Breather	
196	70000378	1	Dipstick	
197	See Note	1	Bolt M6 x 200 (Note: Not available for purchase)	



# SECTION 1 - FRAME

FIGURE 1-14. CONTROL VALVE ASSEMBLY (ENGINE POWERED MACHINES) (T500J)



ART\_4641345



## SECTION 1 - FRAME

**FIGURE 1-14. CONTROL VALVE ASSEMBLY (ENGINE POWERED MACHINES) (T500J)**

ITEM	PART NUMBER	QTY	DESCRIPTION	REV
	4641345	Ref	VALVE AND FITTINGS SUBASSEMBLY	H
1	2110404	6	Fitting, Straight	
2	2110604	1	Fitting, Straight	
3	2130404	1	Fitting, Elbow	
5	2110606	3	Fitting, Straight	
9	2221086	3	Fitting, Test Port	
10	1001228195	1	Valve Assembly Less Fittings	
11	2130606	2	Fitting, Elbow	
12	2170206	1	Fitting, Long Elbow	
13	2111610	1	Fitting, Straight	
14	2220883	1	Plug	
15	2220885	1	Plug	
16	2220886	1	Plug	
100	4641328	NSS	Control Valve Assembly (Note: Use p/n 4641345 When replacing complete Assembly)	E
103	See Note	1	Block, Valve (Note: Not Available - Purchase Complete Valve Assembly)	
104	7027620	1	Cartridge, Relief Valve	
104	See Note	1	Seal Kit (Note: Not Available - Purchase Relief Valve Cartridge p/n 7027620)	
104A	7027621	1	Cartridge, Relief Valve	
104A	See Note	1	Seal Kit (Note: Not Available - Purchase Relief Valve Cartridge p/n 7027621)	
105	7027622	1	Cartridge, Valve	
105	See Note	1	Seal Kit (Note: Not Available - Purchase Cartridge Valve p/n 7027622)	
106	7027623	7	Cartridge, Valve	
106	See Note	7	Seal Kit (Note: Not Available - Purchase Cartridge Valve p/n 7027623)	
107	7027624	2	Cartridge, Solenoid Less Coil (Swing and Leveling Jacks)	
107	70002227	2	Nut, Coil	
107	70000100	2	Seal Kit	
108	7027625	1	Cartridge, Solenoid Less Coil (Level)	
108	70002227	1	Nut, Coil	
108	70000100	1	Seal Kit	
109	7027626	1	Cartridge, Solenoid Less Coil (Tele)	
109	70002228	1	Nut, Coil	
109	70000100	1	Seal Kit	
110	7024500	1	Cartridge, Solenoid Less Coil (Lift Up)	
110	70002230	1	Nut, Coil	
110	7024505	1	Seal Kit	
111	7027627	1	Cartridge (Manual Descent)	
111	70002229	1	Nut, Coil	
111	7024505	1	Seal Kit	
112	7027628	9	Coil	
113	7027629	3	Cartridge, Valve	
113	7024505	3	Seal Kit	
114	7027630	1	Cartridge, Manual Hand Pump Valve (Manual Descent)	
114	See Note	1	Seal Kit (Note: Not Available - Purchase Manual Pump Valve Cartridge p/n 7027630)	
115		Ref	Tank Options:	

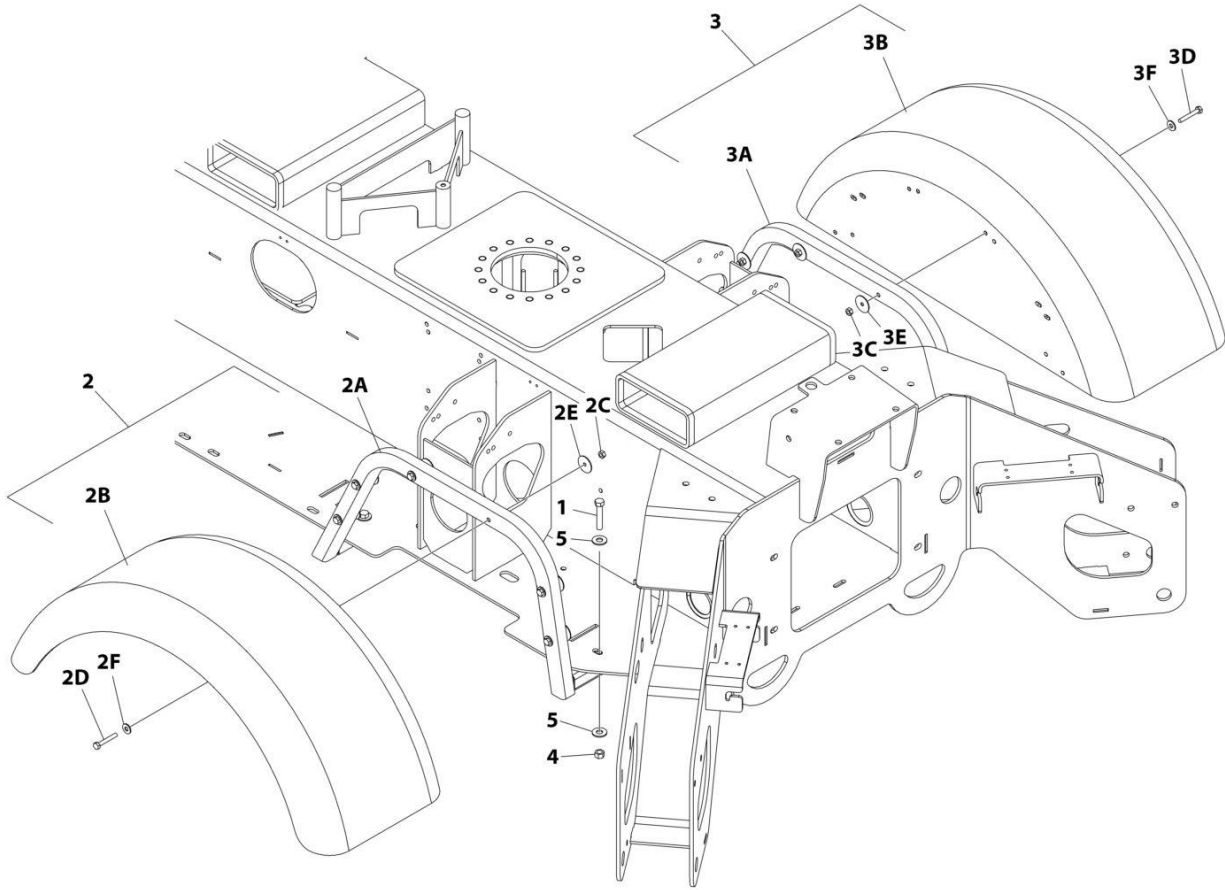
## SECTION 1 - FRAME

ITEM	PART NUMBER	QTY	DESCRIPTION	REV
115	7027639	1	Tank (T500J)	
124	2915194	1	Element, Filter (Includes p/n 70000065 O-Ring) (Was p/n 7027634)	
124	See Note	1	Adapter (Note: Not Available - Purchase Filter Element p/n 2915194)	
124	70003615	1	Retainer, Filter Element Contamination	
125	7027635	1	O-Ring	
130	7027690	1	Valve Block Assembly (Jib)	
130A	7024500	1	Cartridge, Solenoid Less Coil	
130A	70002230	1	Nut, Coil	
130A	7024505	1	Seal Kit	
130A	7027628	1	Coil	
130B	See Note	1	Cartridge, Valve (Note: Not Available - Purchase Complete Valve Block Assembly p/n 7027690)	
130B	See Note	1	Seal Kit (Note: Not Available - Purchase Complete Valve Block Assembly p/n 7027690)	
131	7027691	1	Valve Block Assembly (Proportional)	
131A	70000025	1	Cartridge, Solenoid Less Coil	
131A	7026623	1	Seal Kit	
131A	70000026	1	Coil	
131B	70000028	1	Cartridge, Valve (Check)	
131B	See Note	1	Seal Kit (Note: Not Available - Purchase Cartridge Valve p/n 70000028)	
131C	70000027	1	Compensator	
137	70000894	4	Nut	
137	70000895	4	Stud	
138	7027636	2	Orifice	
195	7027638	1	Breather	
196	70000378	1	Dipstick	



# SECTION 1 - FRAME

## FIGURE 1-15. FENDERS INSTALLATION



ART\_0273946

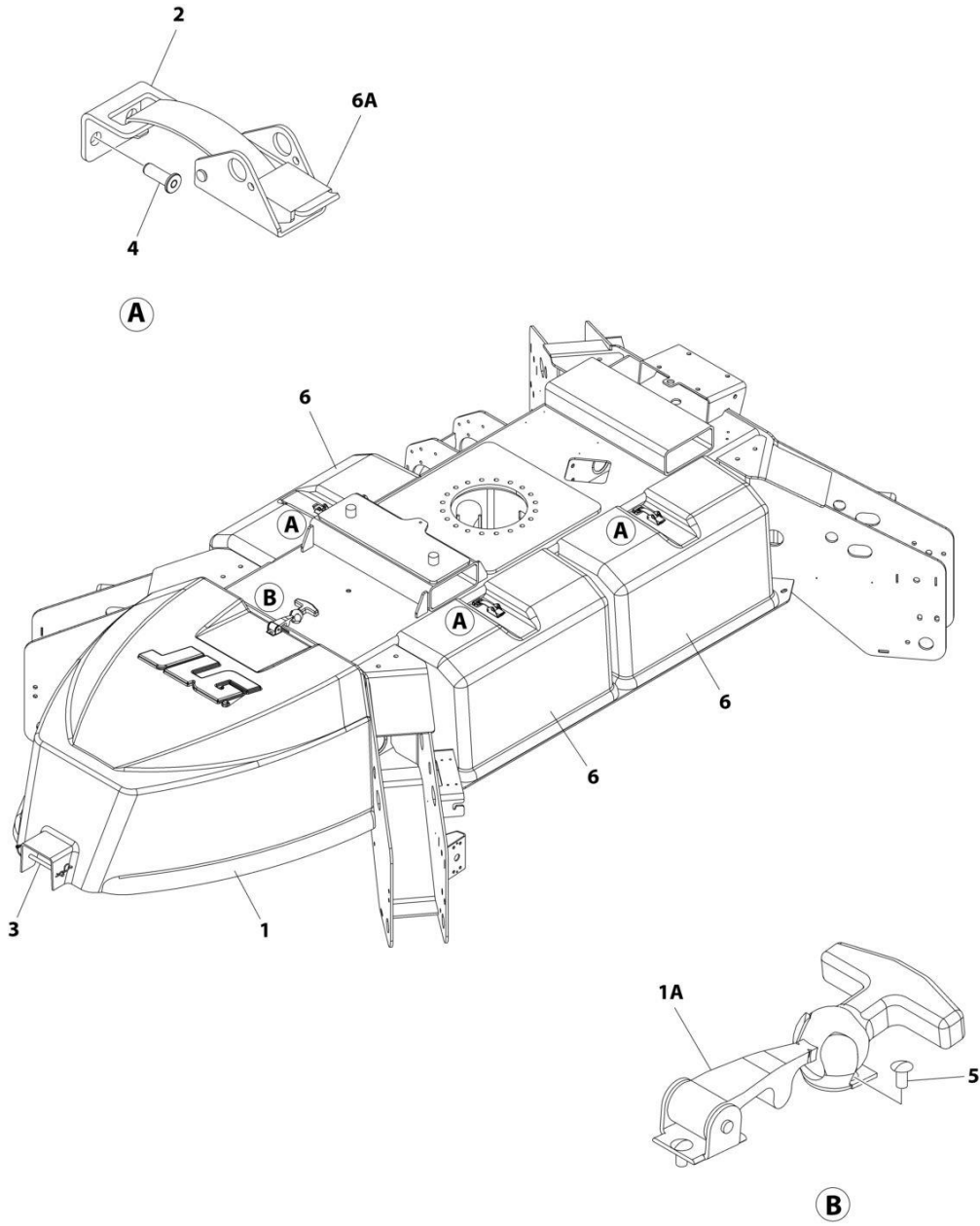
# SECTION 1 - FRAME

## FIGURE 1-15. FENDERS INSTALLATION

ITEM	PART NUMBER	QTY	DESCRIPTION	REV
	0273946	Ref	FENDERS INSTALLATION	D
		Ref	Note: Front/Rear and Left/Right are determined by facing the Tow Vehicle.	
1	0641616	4	Bolt 3/8 x 2	
2	2090050	1	Fender Assembly (LH Side)	
2A	0903111	1	Bracket, Fender	
2B	2090043	1	Fender (LH)	
2C	3311405	6	Nut 1/4	
2D	0641414	6	Bolt 1/4 x 1-3/4	
2E	4740362	6	Washer 1/4	
2F	4751400	6	Washer 1/4	
3	2090051	1	Fender Assembly (RH Side)	
3A	0903112	1	Bracket, Fender	
3B	2090043	1	Fender (RH)	
3C	3311405	6	Nut 1/4	
3D	0641414	6	Bolt 1/4 x 1-3/4	
3E	4740362	6	Washer 1/4	
3F	4751400	6	Washer 1/4	
4	3311605	4	Nut 3/8	
5	4751600	8	Washer 3/8	

# SECTION 1 - FRAME

FIGURE 1-16. FRAME COVERS INSTALLATION (ELECTRIC POWERED MACHINES) (ET500J)



ART\_1001289972

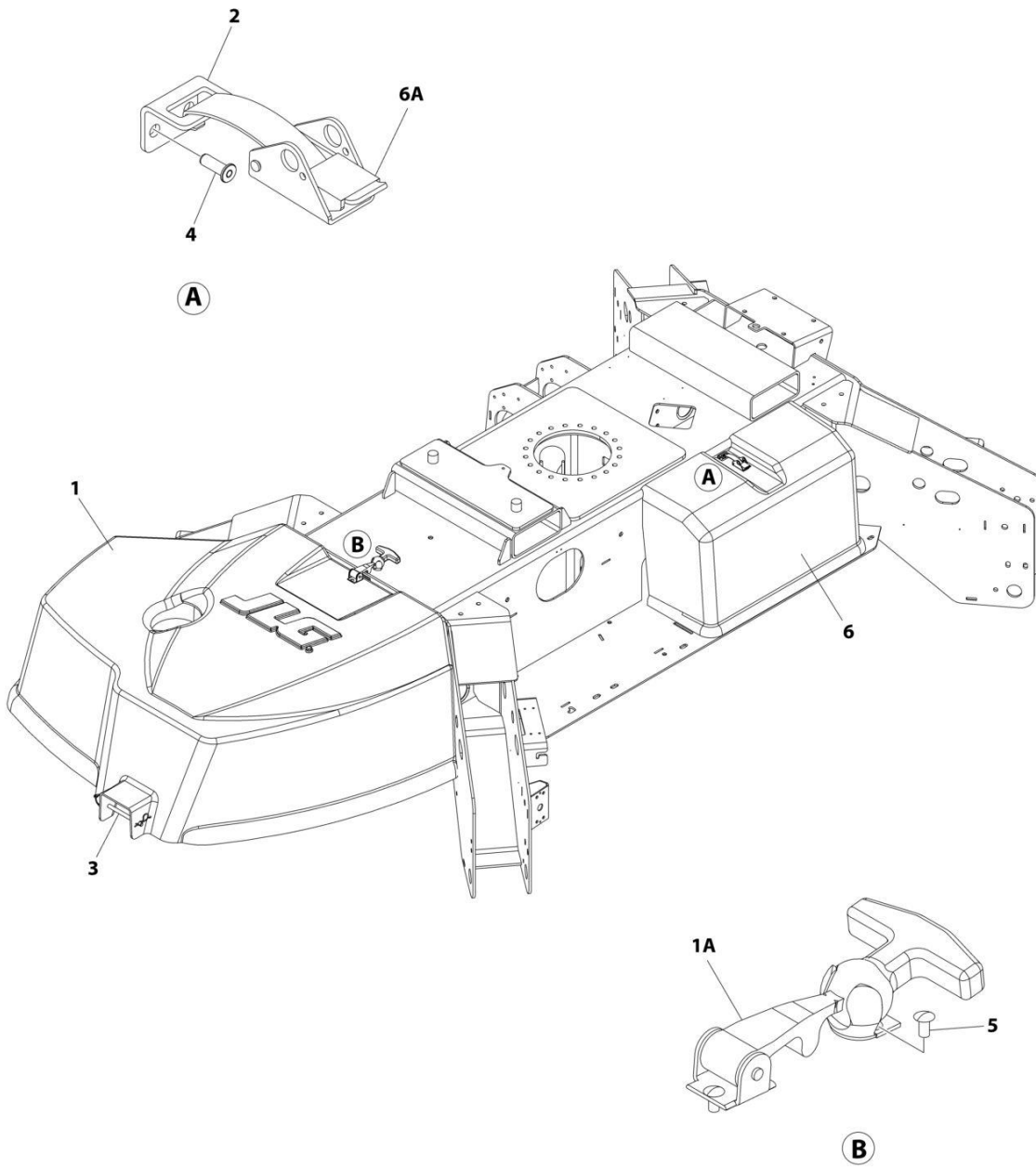
## SECTION 1 - FRAME

**FIGURE 1-16. FRAME COVERS INSTALLATION (ELECTRIC POWERED MACHINES) (ET500J)**

ITEM	PART NUMBER	QTY	DESCRIPTION	REV
	1001289972	Ref	FRAME COVERS INSTALLATION	A
1	1671187	1	Pump Cover Assembly	
1A	2940095	1	Latch	
2	2940178	3	Latch Keeper	
3	3423159	1	Pin, Hitch (Includes Cotter Pin)	
4	3820017	6	Rivet	
5	3820020	2	Rivet	
6	1001287539	3	Cover, Battery Assembly	
6A	1001287540	1	Latch (1 Per Assembly)	

# SECTION 1 - FRAME

## FIGURE 1-17. FRAME COVERS INSTALLATION (GAS POWERED MACHINES) (T500J)



ART\_1001289971



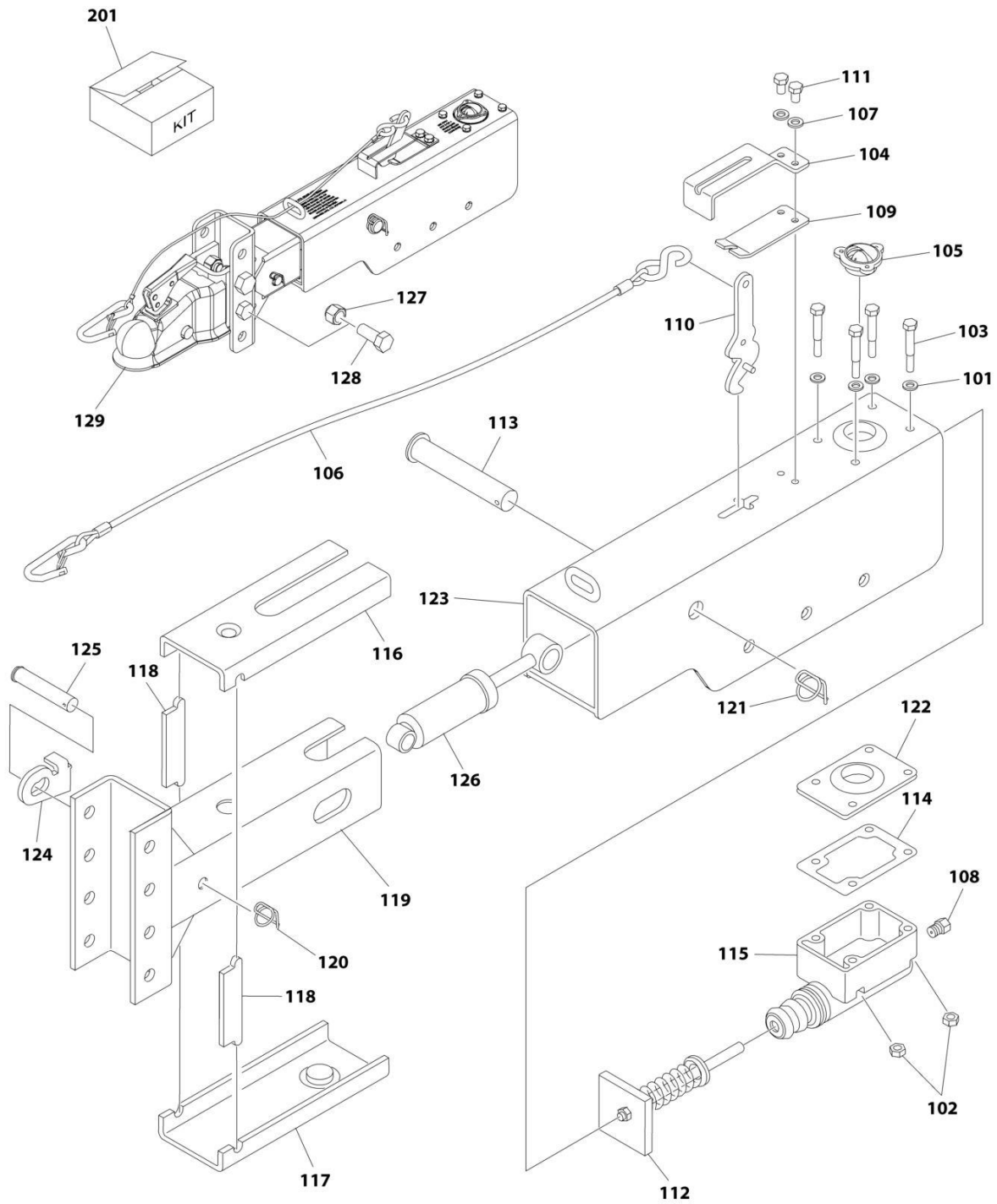
## SECTION 1 - FRAME

**FIGURE 1-17. FRAME COVERS INSTALLATION (GAS POWERED MACHINES) (T500J)**

ITEM	PART NUMBER	QTY	DESCRIPTION	REV
	1001289971	Ref	FRAME COVERS INSTALLATION	A
1	1671189	1	Pump Cover Assembly	
1A	2940095	1	Latch	
2	2940178	1	Latch Keeper	
3	3423159	1	Pin, Hitch (Includes Cotter Pin)	
4	3820017	2	Rivet	
5	3820020	2	Rivet	
6	1001287539	1	Cover, Battery Assembly	
6A	1001287540	1	Latch (1 Per Assembly)	

# SECTION 1 - FRAME

## FIGURE 1-18. HYDRAULIC BRAKE COUPLER ASSEMBLY (WITH 2 IN BALL)



ART\_1001116350

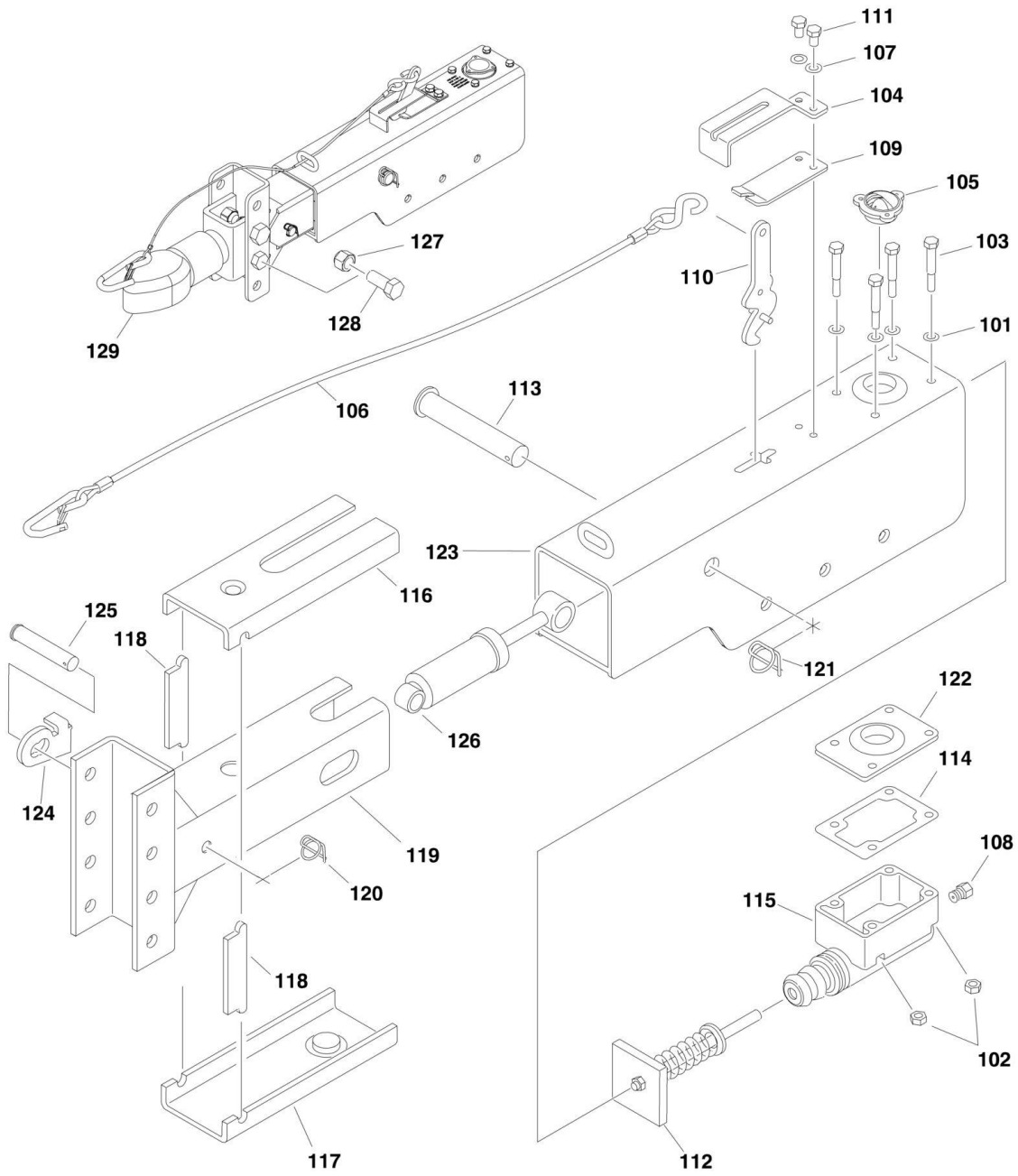
## SECTION 1 - FRAME

**FIGURE 1-18. HYDRAULIC BRAKE COUPLER ASSEMBLY (WITH 2 IN BALL)**

ITEM	PART NUMBER	QTY	DESCRIPTION	REV
	1001116350	Ref	HYDRAULIC BRAKE COUPLER ASSEMBLY	B
101	4761400	4	Washer 1/4	
102	3311401	4	Nut 1/4	
103	0641416	4	Bolt 1/4 x 2	
104	7026372	1	Guide, Emergency Lever	
105	19616	1	Cap, Master Cylinder (Includes Diaphragm and O-Ring)	
106	19613	1	Cable with Hooks	
107	70002632	2	Lockwasher 5/16in	
108	7026355	1	Fitting with Orifice	
109	70002633	1	Plate, Emergency Lever Spring	
110	70002634	1	Lever, Emergency	
111	0641505	2	Bolt 5/16 x 5/8	
112	70002635	1	Push Rod (Master Cylinder)	
113	7026367	1	Pin	
114	7026370	1	Gasket (Master Cylinder)	
115	19611	1	Reservoir (Master Cylinder)	
116	7026358	1	Slider, Upper	
117	7026359	1	Slider, Lower	
118	7026360	2	Spacer, Side	
119	70002636	1	Slider, Channel Centered	
120	70002637	1	Ring Lock, Cotter	
121	70002638	1	Ring Lock, Cotter	
122	70002639	1	Cover (Master Cylinder)	
123	70002631	1	Case, Outer	
124	70002640	1	Lever, Lock Out	
125	70002641	1	Pin	
126	7026353	1	Shock, Damper	
127	70002628	4	Nut 5/8	
128	70002629	4	Bolt 5/8 x 1-1/2	
129	70002630	1	2in Coupler	
201	70002722	1	Actuator Replacement Kit (Includes Items 116, 117 & 118)	

# SECTION 1 - FRAME

## FIGURE 1-19. HYDRAULIC BRAKE COUPLER WITH 2 INCH BALL AND COLLAR ASSEMBLY



ART\_1001243182

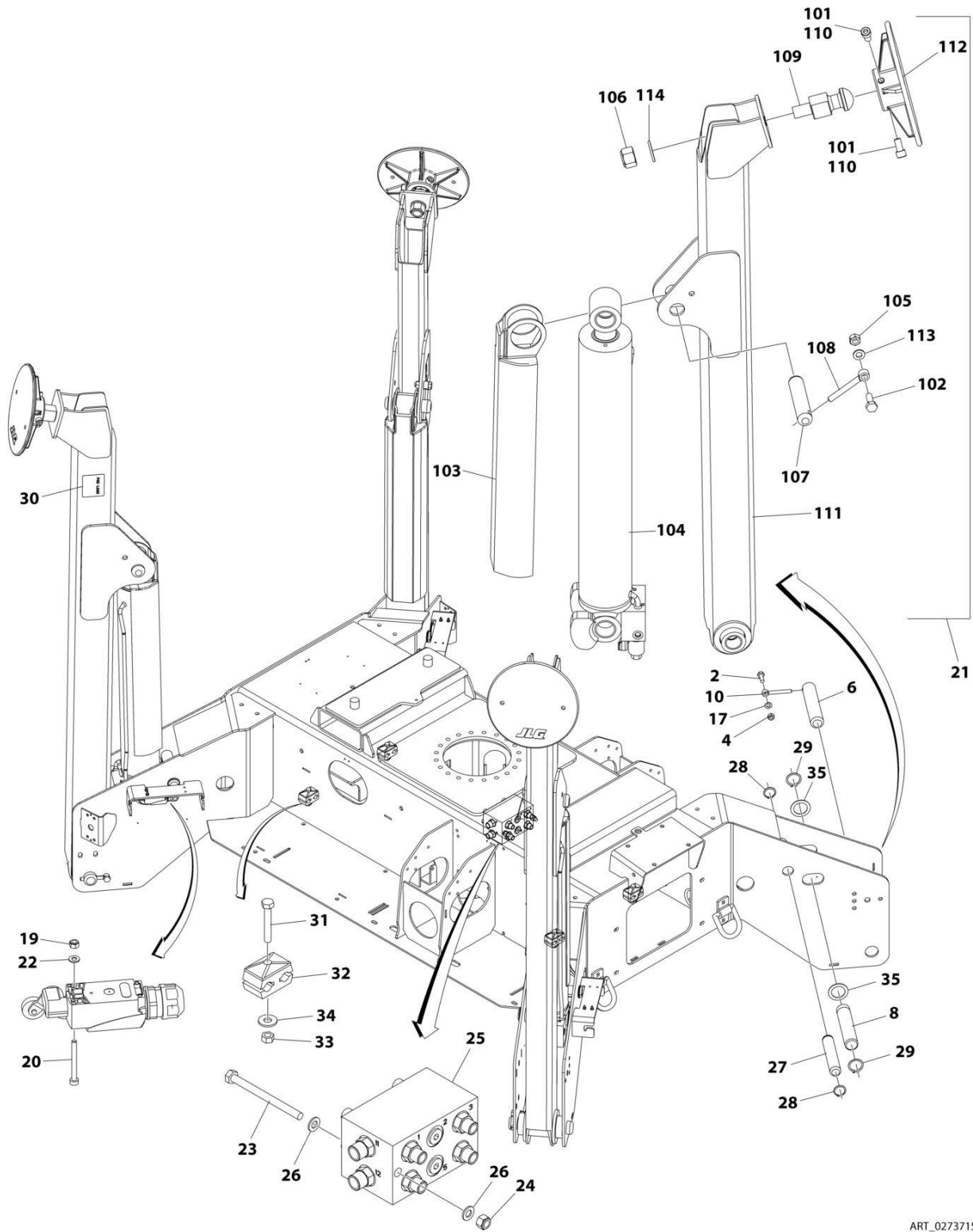
## SECTION 1 - FRAME

**FIGURE 1-19. HYDRAULIC BRAKE COUPLER WITH 2 INCH BALL AND COLLAR ASSEMBLY**

ITEM	PART NUMBER	QTY	DESCRIPTION	REV
	1001243182	Ref	HYDRAULIC BRAKE COUPLER WITH 2 INCH BALL AND COLLAR ASSEMBLY	B
101	4761400	4	Washer 1/4	
102	3311401	4	Nut 1/4	
103	0641416	4	Bolt 1/4 x 2	
104	7026372	1	Guide, Emergency Lever	
105	19616	1	Cap, Master Cylinder (Includes Diaphragm and O-Ring)	
106	19613	1	Cable with Hooks	
107	70002632	2	Lockwasher 5/16in	
108	7026355	1	Fitting with Orifice	
109	70002633	1	Plate, Emergency Lever Spring	
110	70002634	1	Lever, Emergency	
111	0641505	2	Bolt 5/16 x 5/8	
112	70002635	1	Push Rod (Master Cylinder)	
113	7026367	1	Pin	
114	7026370	1	Gasket (Master Cylinder)	
115	19611	1	Reservoir (Master Cylinder)	
116	7026358	1	Slider, Upper	
117	7026359	1	Slider, Lower	
118	7026360	2	Spacer, Side	
119	70002636	1	Slider, Channel Centered	
120	70002637	1	Ring Lock, Cotter	
121	70002638	1	Ring Lock, Cotter	
122	70002639	1	Cover (Master Cylinder)	
123	70002631	1	Case, Outer	
124	70002640	1	Lever, Lock Out	
125	70002641	1	Pin	
126	7026353	1	Shock, Damper	
127	70002628	4	Nut 5/8	
128	70002629	4	Bolt 5/8 x 1-1/2	
129	70006984	1	2in Coupler	

# SECTION 1 - FRAME

## FIGURE 1-20. OUTRIGGERS INSTALLATION



ART\_0273715

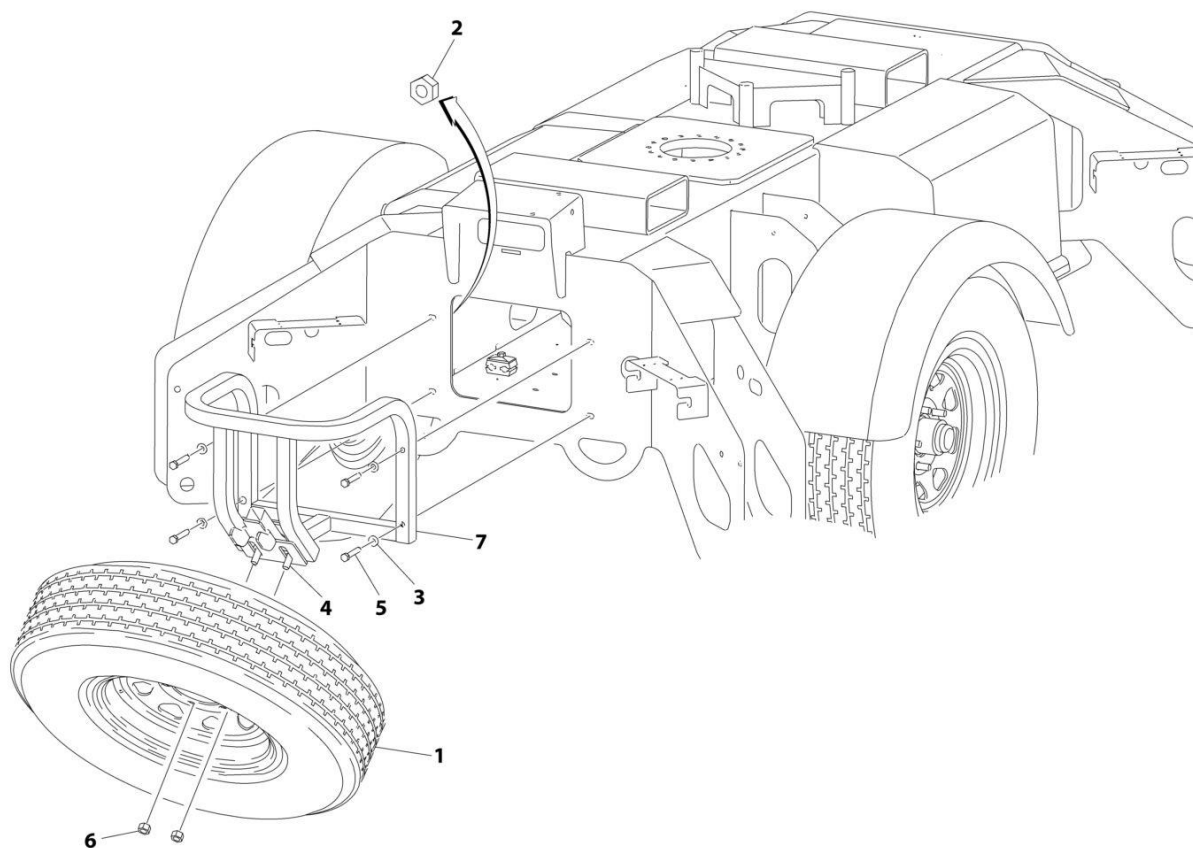
# SECTION 1 - FRAME

## FIGURE 1-20. OUTRIGGERS INSTALLATION

ITEM	PART NUMBER	QTY	DESCRIPTION	REV
	0273715	Ref	OUTRIGGER INSTALLATION	I
2	0701014	4	Bolt M10 x 30	
4	3291007	4	Nut M10	
6	3421986	4	Pin	
8	3423147	4	Pin	
10	3841143	4	Keeper, Pin	
17	4812000	4	Washer M10	
19	3290405	8	Nut M4	
20	4031512	8	Capscrew M4 x 40	
21	4210025	4	Outrigger Sub-Assembly (See Items 101-114 for Breakdown)	
22	4811400	8	Washer M4	
23	0700827	2	Bolt M8 x 100	
24	3290805	2	Nut M8	
25	4641380	1	Valve Assembly - Outrigger	
25	2220885	4	Plug	
25	2110406	6	Fitting, Straight	
25	2110606	2	Fitting, Straight	
26	4711400	4	Washer 1/4	
27	3423186	4	Pin	
28	3760133	8	Ring, Retaining	
29	3760237	8	Ring, Retaining	
30	1706264	4	Decal - Pad Load	
31	0641516	4	Bolt 5/16 x 2	
32	1320159	4	Clamp	
33	3311505	4	Nut 5/16	
34	4751500	4	Washer	
35	4740333	8	Thrustwasher	
	4210025	Ref	OUTRIGGER SUB-ASSEMBLY	C
		Ref	Note: Qtys shown are for one sub-assembly. Four sub-assemblies required per machine.	
101	0100011	AR	Compound, Locking	
102	0701216	1	Bolt M12 x 40	
103	1671171	1	Cover	
104	1684443	1	Cylinder Assembly - Outrigger (See Separate Breakdown in CYLINDER Section)	
105	3291207	1	Nut M12	
106	3292405	1	Nut M24	
107	3423146	1	Pin	
108	3841203	1	Keeper, Pin	
109	3841655	1	Rod	
110	3931816	3	Capscrew 1/2 x 1	
111	4210024	1	Stabilizer	
112	4220207	1	Pad, Outrigger	
113	4812100	1	Washer M12	
114	4812700	1	Washer M24	

# SECTION 1 - FRAME

## FIGURE 1-21. SPARE TIRE INSTALLATION (225-75R15 TIRE) (OPTIONAL)



ART\_0275633



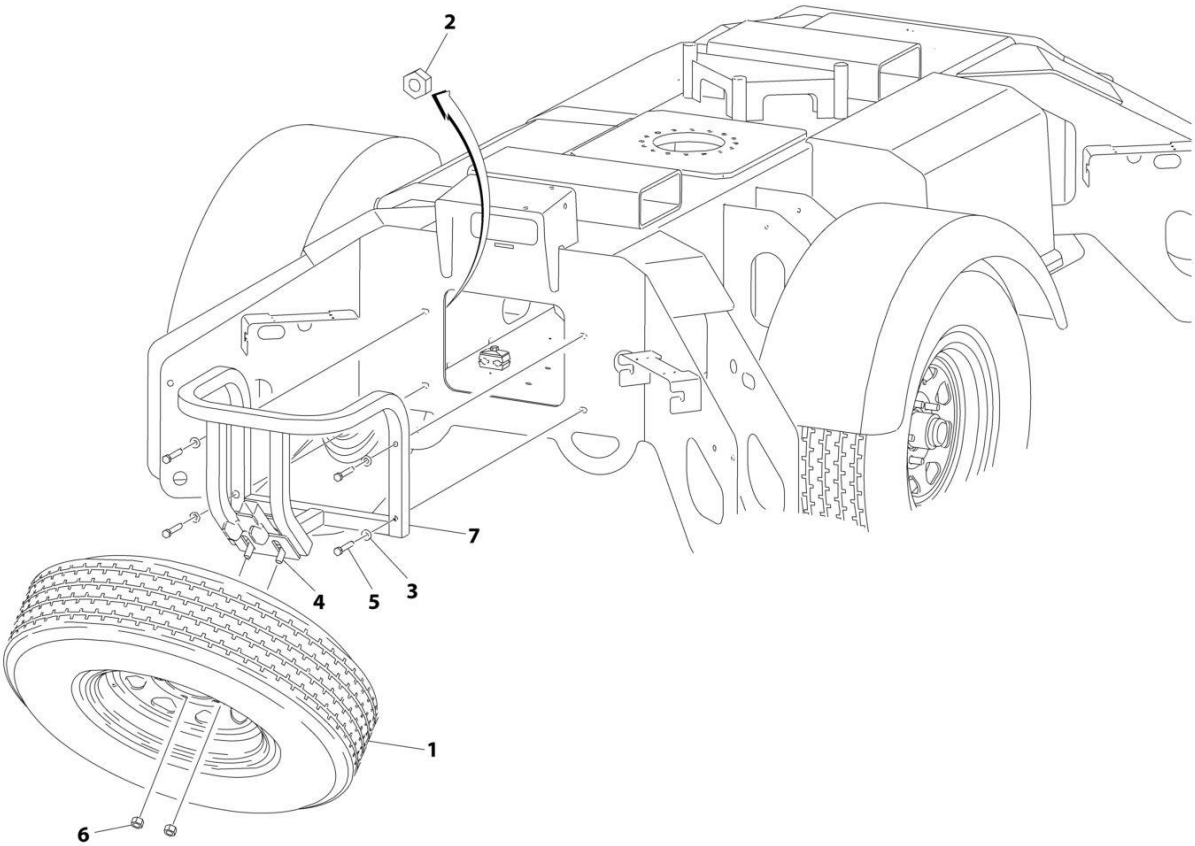
## SECTION 1 - FRAME

**FIGURE 1-21. SPARE TIRE INSTALLATION (225-75R15 TIRE) (OPTIONAL)**

ITEM	PART NUMBER	QTY	DESCRIPTION	REV
	0275633	Ref	SPARE TIRE INSTALLATION (OPTIONAL)	C
1	4520614	1	Tire and Wheel Assembly	
2	3311605	4	Nut 3/8	
3	4711600	8	Washer 3/8	
4	0630607	2	Bolt 1/2 x 4	
5	0641617	4	Bolt 3/8 x 2-1/2	
6	3300407	2	Lugnut	
7	4341181	1	Bracket, Spare Tire Mounting	

**SECTION 1 - FRAME**

**FIGURE 1-22. SPARE TIRE INSTALLATION (215-75R14 TIRE) (OPTIONAL)**



ART\_0275632

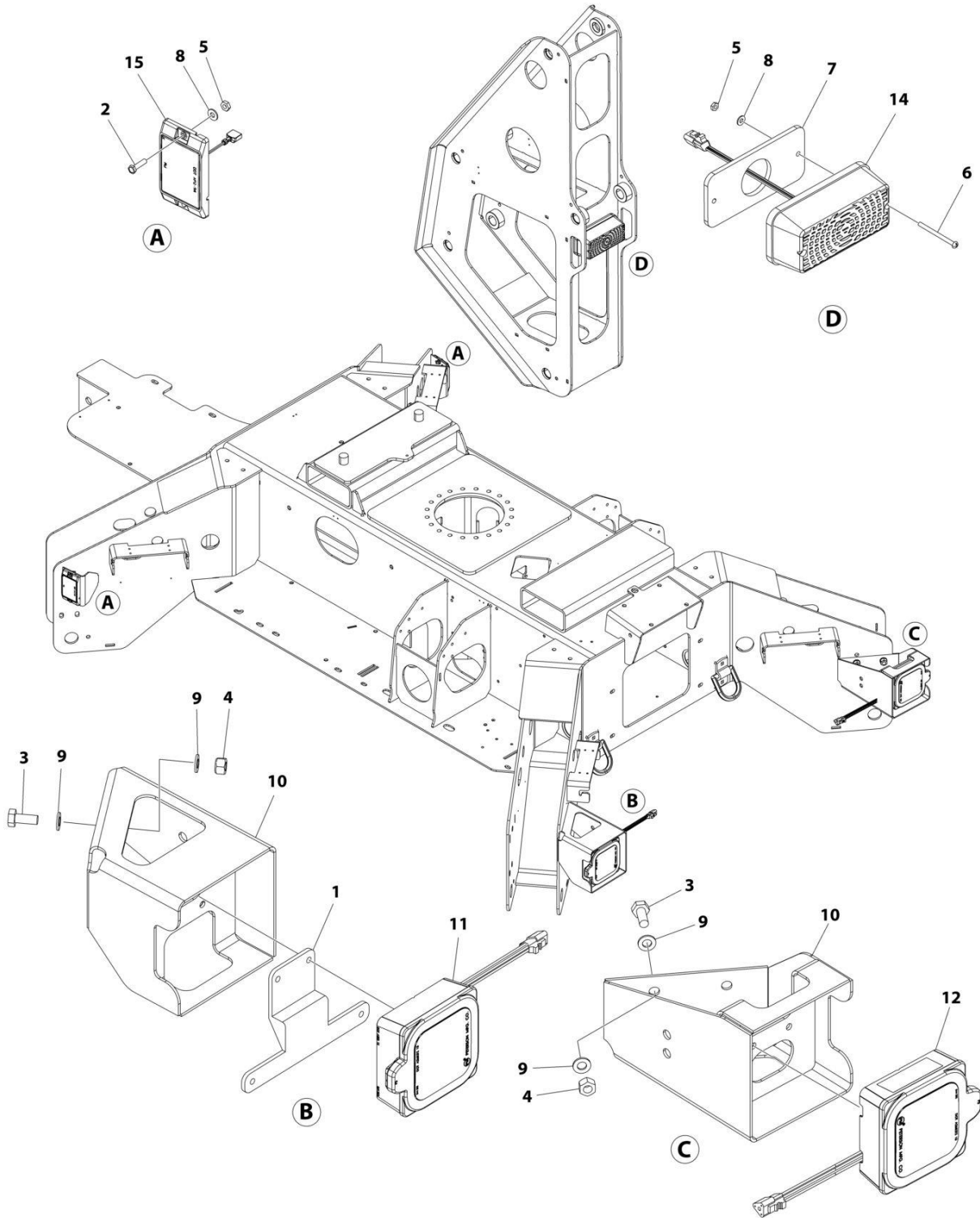
## SECTION 1 - FRAME

**FIGURE 1-22. SPARE TIRE INSTALLATION (215-75R14 TIRE) (OPTIONAL)**

ITEM	PART NUMBER	QTY	DESCRIPTION	REV
	0275632	Ref	SPARE TIRE INSTALLATION (OPTIONAL)	C
1	1001109586	1	Tire and Wheel Assembly	
2	3311605	4	Nut 3/8	
3	4711600	8	Washer 3/8	
4	0630607	2	Bolt 1/2 x 4	
5	0641617	4	Bolt 3/8 x 2-1/2	
6	3300407	2	Lugnut	
7	4341181	1	Bracket, Spare Tire Mounting	

# SECTION 1 - FRAME

## FIGURE 1-23. TAILLIGHTS AND MARKERS INSTALLATION



ART\_1001287895

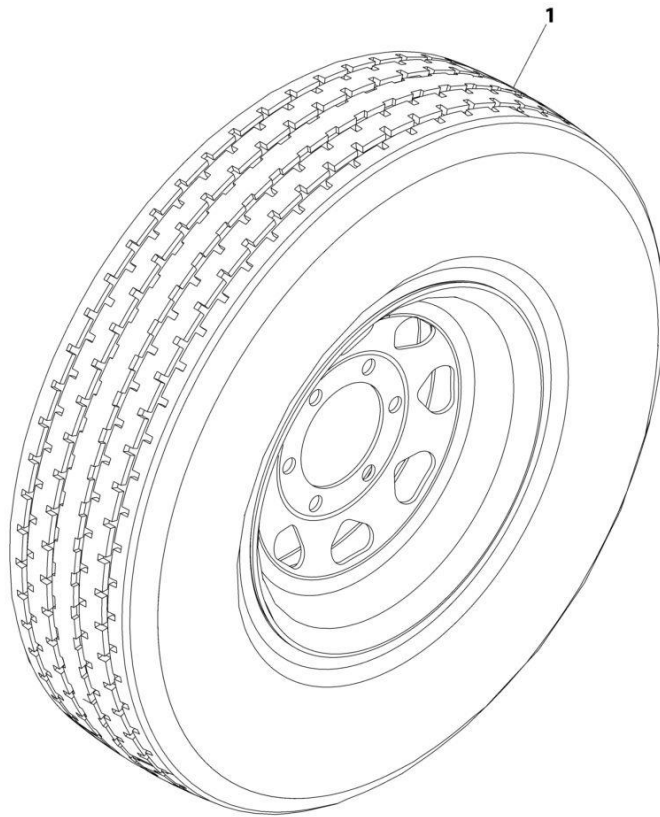
## SECTION 1 - FRAME

**FIGURE 1-23. TAILLIGHTS AND MARKERS INSTALLATION**

ITEM	PART NUMBER	QTY	DESCRIPTION	REV
	1001287895	Ref	TAILLIGHTS AND MARKERS INSTALLATION	A
1	71101	1	Bracket, License Plate	
2	0721006	4	Screw #10 x 3/4	
3	0761012	4	Bolt M10 x 25	
4	3291005	4	Nut M10	
5	3311005	6	Nut #10	
6	3911040	2	Screw #10 x 2-1/2	
7	3960461	1	Seal, Gasket	
8	4751000	6	Washer #10	
9	4812000	8	Washer M10	
10	1001287893	2	Bracket, Taillight	
11	1001287897	1	Lamp, Taillight (Road Side)	
12	1001287898	1	Lamp, Taillight (Curb Side)	
13	1001288848	1	Harness, Lights (Not Shown - See Separate Breakdown in ELECTRICAL Section)	
14	1001289236	1	Light, Stop/Tail/Turn Signal	
15	1001289237	2	Lamp, Clearance/Reflector (Amber)	

# SECTION 1 - FRAME

FIGURE 1-24. TIRE AND WHEEL INSTALLATION - 225-75-R15



ART\_0275211

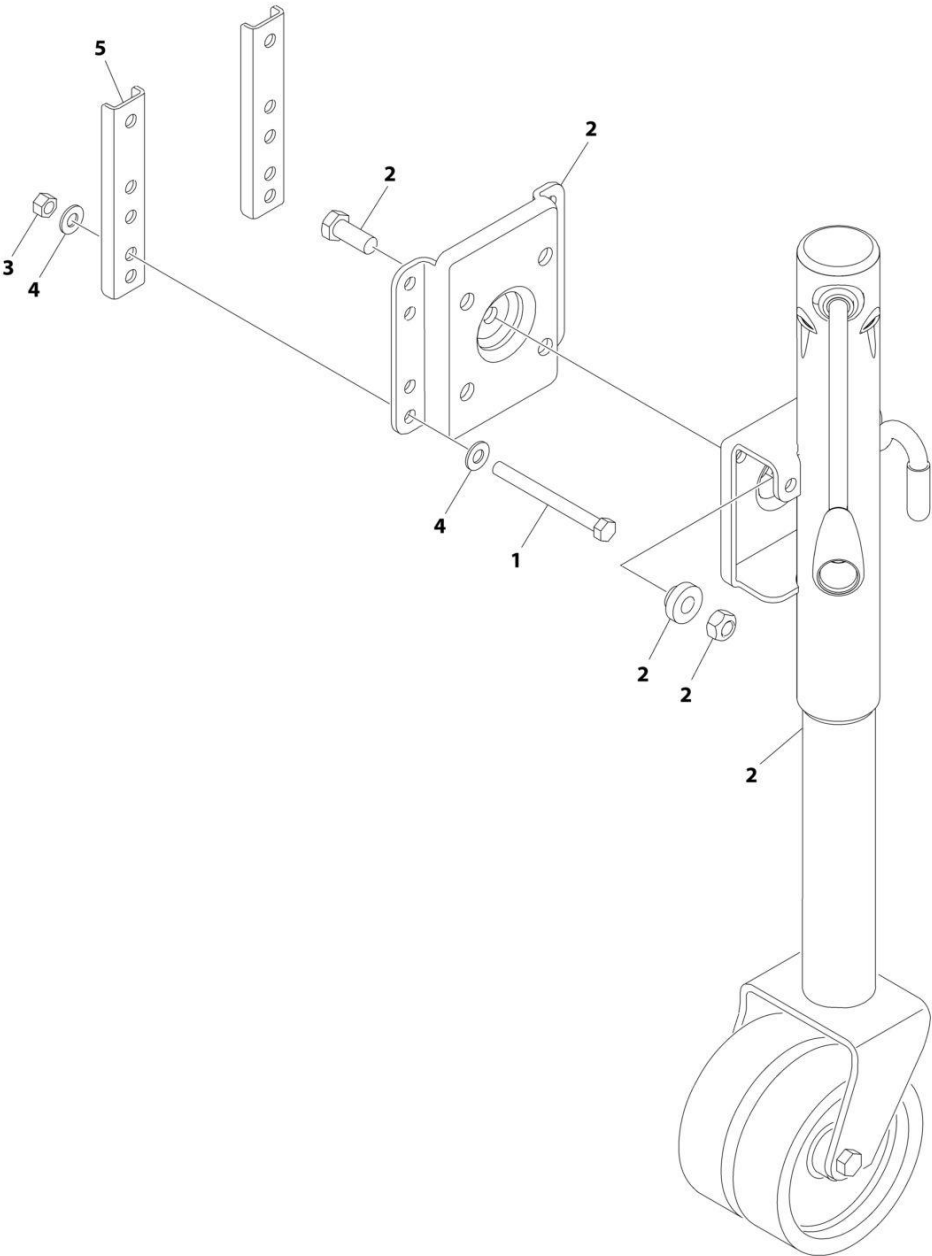
**SECTION 1 - FRAME**

**FIGURE 1-24. TIRE AND WHEEL INSTALLATION - 225-75-R15**

ITEM	PART NUMBER	QTY	DESCRIPTION	REV
1	0275211 4520614	Ref 2	TIRE AND WHEEL INSTALLATION Tire and Wheel Assembly (225-75-R15) (Serviced as an assembly Only)	B

**SECTION 1 - FRAME**

**FIGURE 1-25. TONGUE JACK INSTALLATION**



ART\_1001290401



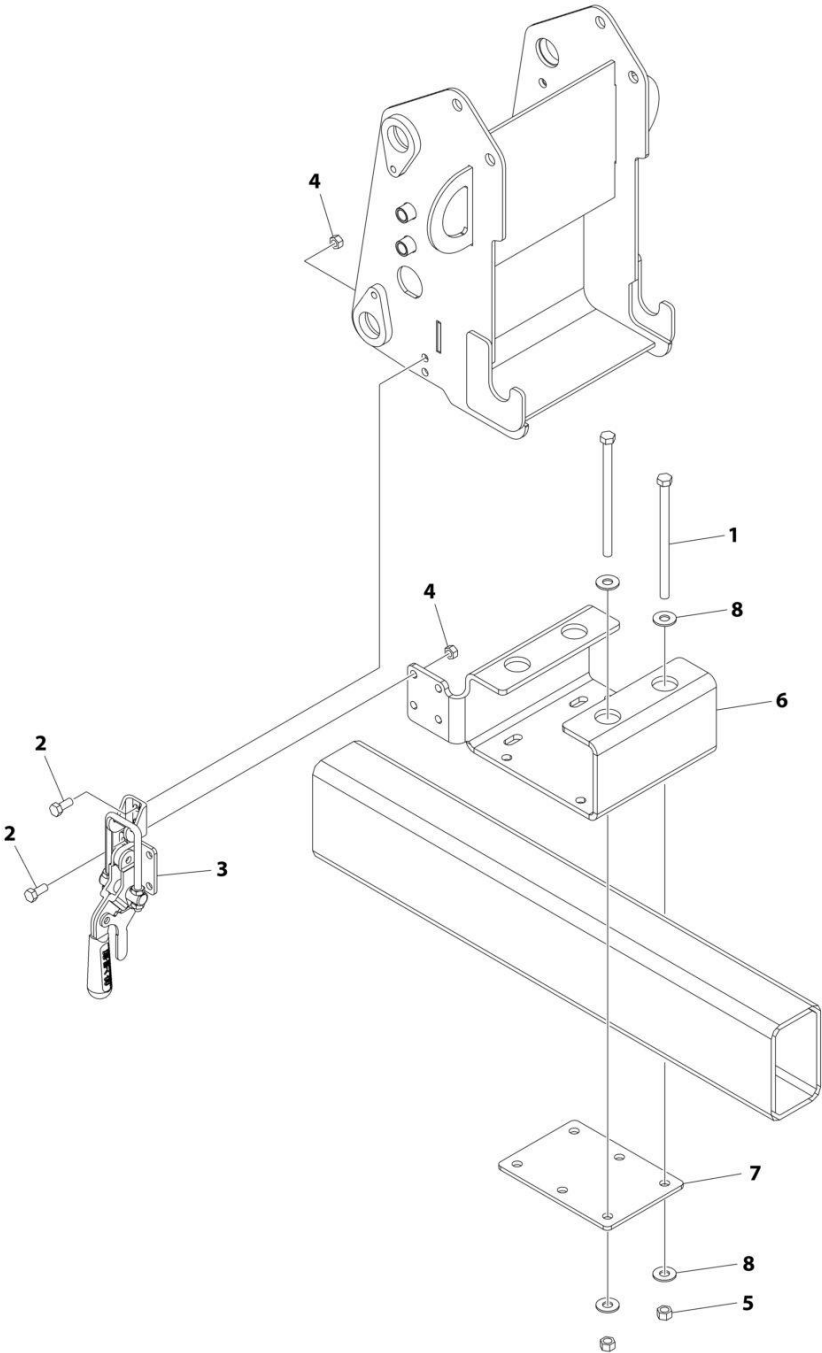
**SECTION 1 - FRAME**

**FIGURE 1-25. TONGUE JACK INSTALLATION**

<b>ITEM</b>	<b>PART NUMBER</b>	<b>QTY</b>	<b>DESCRIPTION</b>	<b>REV</b>
	1001290401	Ref	TONGUE JACK INSTALLATION	A
1	0641632	4	Bolt 3/8 x 4	
1	0641630	4	Bolt 3/8 x 3-3/4	
1	0641638	4	Bolt 3/8 x 4-3/4	
2	2840026	1	Jack Assembly (No Service Parts Available Due to the Variety of Jacks Used by either JLG or Supplier. Replace Complete Assembly)	
3	3311605	4	Nut 3/8	
4	4751600	8	Washer 3/8	
5	7027727	2	Strap, Mounting	

**SECTION 1 - FRAME**

**FIGURE 1-26. TRANSPORT LOCK ASSEMBLY**



ART\_1001290096

# SECTION 1 - FRAME

## FIGURE 1-26. TRANSPORT LOCK ASSEMBLY

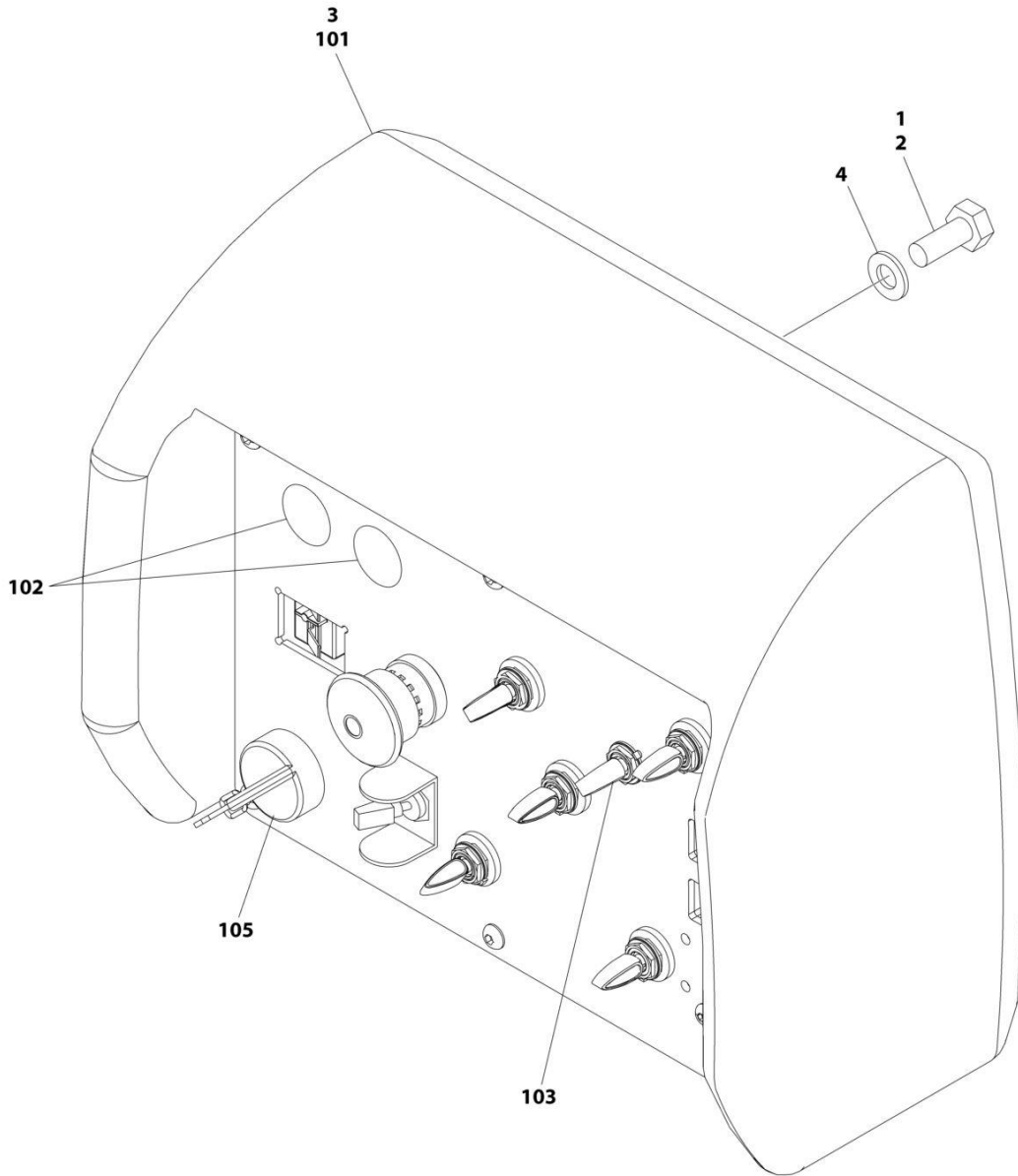
ITEM	PART NUMBER	QTY	DESCRIPTION	REV
	1001290096	Ref	TRANSPORT LOCK ASSEMBLY	A
1	0641648	4	Bolt 3/8 x 6	
2	0681506	6	Bolt 5/16 x 3/4	
3	2940159	1	Latch, Manual Clamp	
4	3271505	6	Nut 5/16	
5	3311605	4	Nut 3/8	
6	3575420	1	Plate	
7	3575719	1	Plate	
8	4751600	8	Washer 3/8	



**SECTION 2 - TURNTABLE**

# SECTION 2 - TURNTABLE

## FIGURE 2-1. GROUND CONTROL INSTALLATION (ELECTRIC POWERED MACHINES) (ET500J)



ART\_0273961

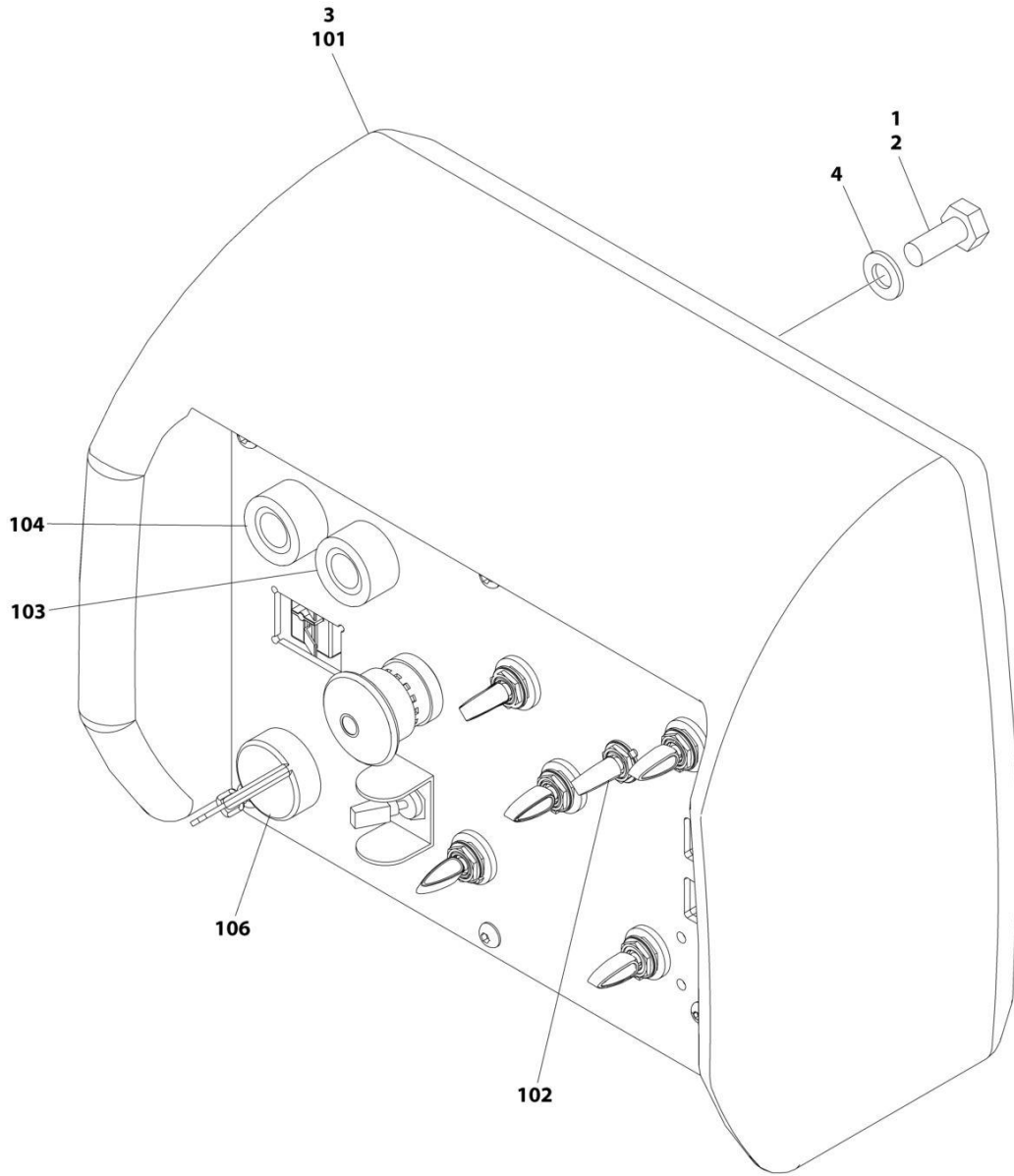
## SECTION 2 - TURNTABLE

**FIGURE 2-1. GROUND CONTROL INSTALLATION (ELECTRIC POWERED MACHINES) (ET500J)**

ITEM	PART NUMBER	QTY	DESCRIPTION	REV
	0273961	Ref	GROUND CONTROL BOX INSTALLATION	B
1	0100035	AR	Compound, Locking	
2	0761012	4	Bolt M10 x 25	
3	0861662	1	Ground Control Box Sub-Assembly (See Items 101-105)	
4	4812000	4	Washer M10	
5	4240175	1	Tie-Strap (Not Shown)	
	0861662	Ref	GROUND CONTROL BOX SUB-ASSEMBLY	K
101	0861648	1	Ground Control Box Assembly (See Separate Breakdown in this Section)	
102	3520030	2	Plug	
103	4360328	1	Switch, Toggle	
104	4923118	1	Ground Control Box Harness (Not Shown - See Separate Breakdown in ELECTRICAL Section)	
105	4360469	1	Keyswitch	
105	2860030	1 Set	Key, Replacement	

# SECTION 2 - TURNTABLE

## FIGURE 2-2. GROUND CONTROL INSTALLATION (ENGINE POWERED MACHINES) (T500J)



ART\_0273962



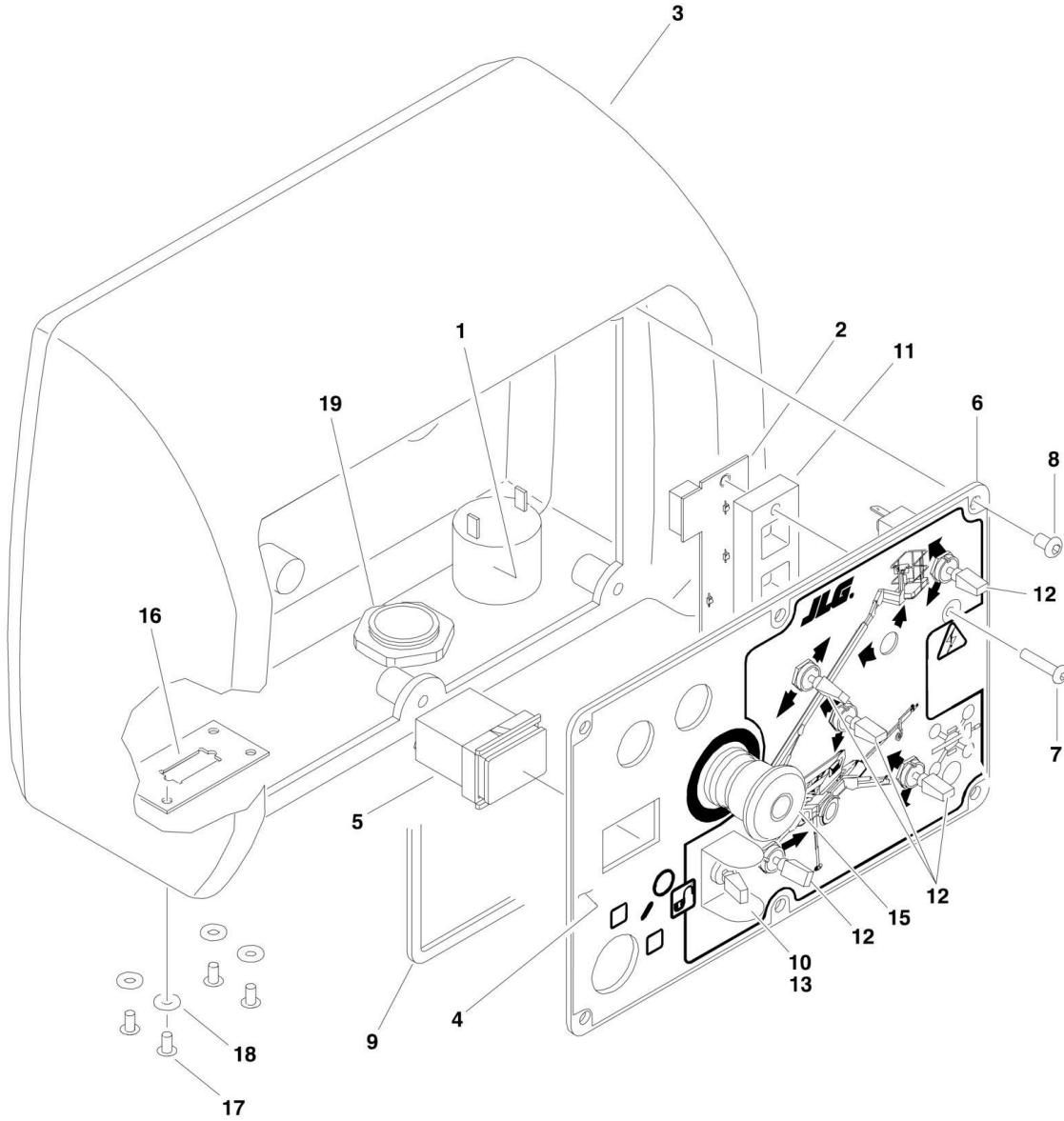
## SECTION 2 - TURNTABLE

**FIGURE 2-2. GROUND CONTROL INSTALLATION (ENGINE POWERED MACHINES) (T500J)**

ITEM	PART NUMBER	QTY	DESCRIPTION	REV
	0273962	Ref	GROUND CONTROL BOX INSTALLATION	B
1	0100035	AR	Compound, Locking	
2	0761012	4	Bolt M10 x 25	
3	0861649	1	Ground Control Box Sub-Assembly (See Items 101-106)	
4	4812000	4	Washer M10	
5	4240175	1	Tie-Strap (Not Shown)	
	0861649	Ref	GROUND CONTROL BOX SUB-ASSEMBLY	K
101	0861648	1	Ground Control Box Assembly (See Separate Breakdown in this Section)	
102	4360328	1	Switch, Toggle	
103	4360564	1	Switch, Push (Yellow)	
104	4360565	1	Switch, Push (Black)	
105	4923125	1	Ground Control Box Harness (Not Shown - See Separate Breakdown in ELECTRICAL Section)	
106	4360469	1	Keyswitch	
106	2860030	1 Set	Key, Replacement	

# SECTION 2 - TURNTABLE

## FIGURE 2-3. GROUND CONTROL BOX ASSEMBLY



ART\_0861648

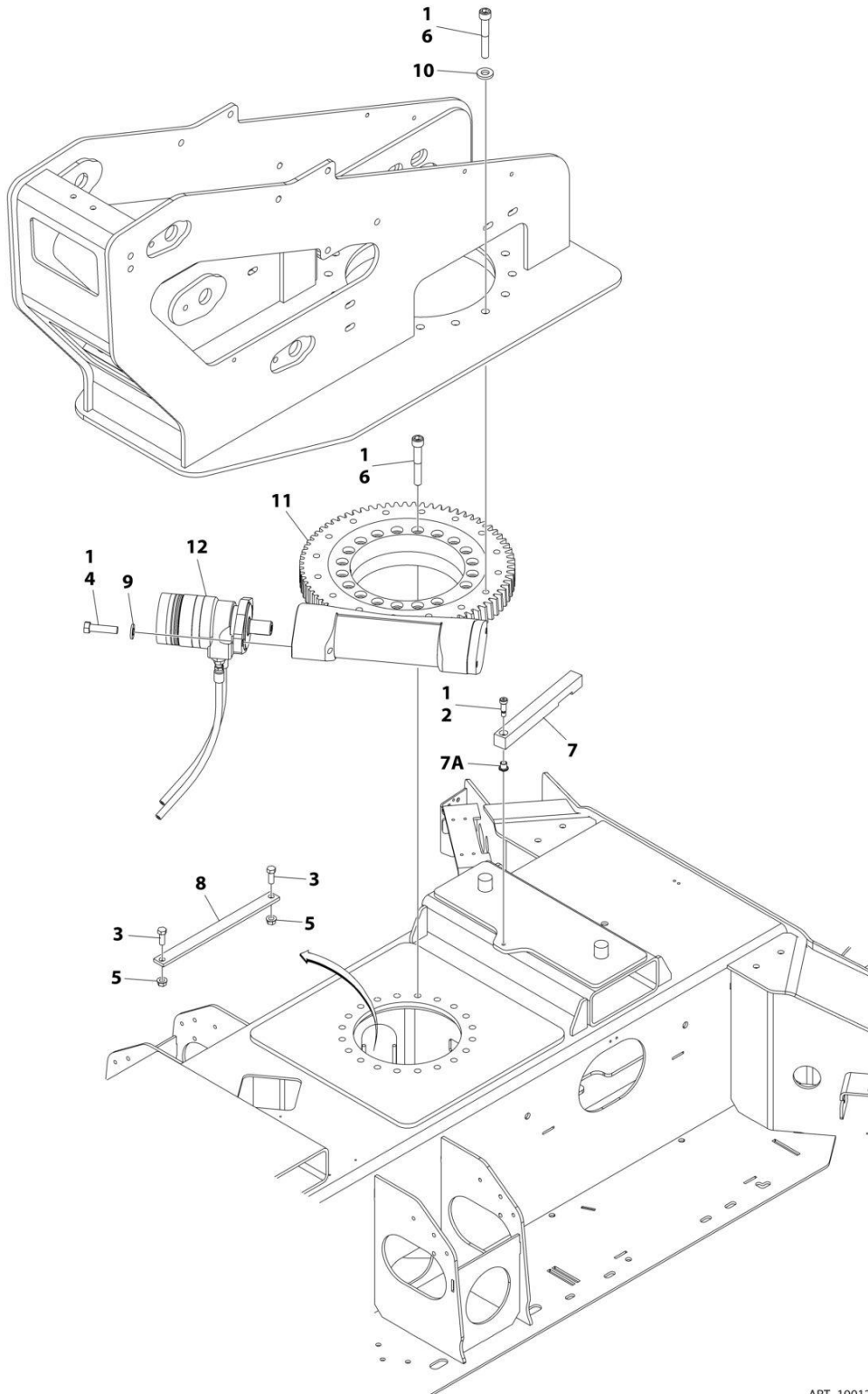
**SECTION 2 - TURNTABLE**

**FIGURE 2-3. GROUND CONTROL BOX ASSEMBLY**

ITEM	PART NUMBER	QTY	DESCRIPTION	REV
	0861648	Ref	GROUND CONTROL BOX ASSEMBLY	L
1	0140011	1	Alarm	
2	0610170	1	PC Board	
3	0861647	1	Box	
4	1705971	1	Decal	
5	2420172	1	Hourmeter	
6	3575358	1	Plate, Switch Mounting	
7	3900352	2	Screw M5 x 25	
8	3900358	6	Screw M6 x 10	
9	3960587	1	Seal	
10	4060906	1	Guard, Switch	
11	4220210	1	Block, PC Board Mounting	
12	4360328	5	Switch, Toggle	
13	4360330	1	Switch, Toggle	
15		Ref	Switch, Emergency Stop	
15	4360475	1	Cap, Replacement	
15	7020175	1	Block, Replacement Contact	
15	7020176	1	Plate, Plug Mounting	
16	3575623	1	Rivet	
17	3820020	4	Washer #10	
18	4711000	4	Connector, Strain Relief	
19	4460386	1	Connector, Strain Relief	

## SECTION 2 - TURNTABLE

FIGURE 2-4. TURNTABLE BEARING INSTALLATION (WITH JING WEI BEARING/ WITH ZHENJIANG MOTOR)



ART\_1001294630

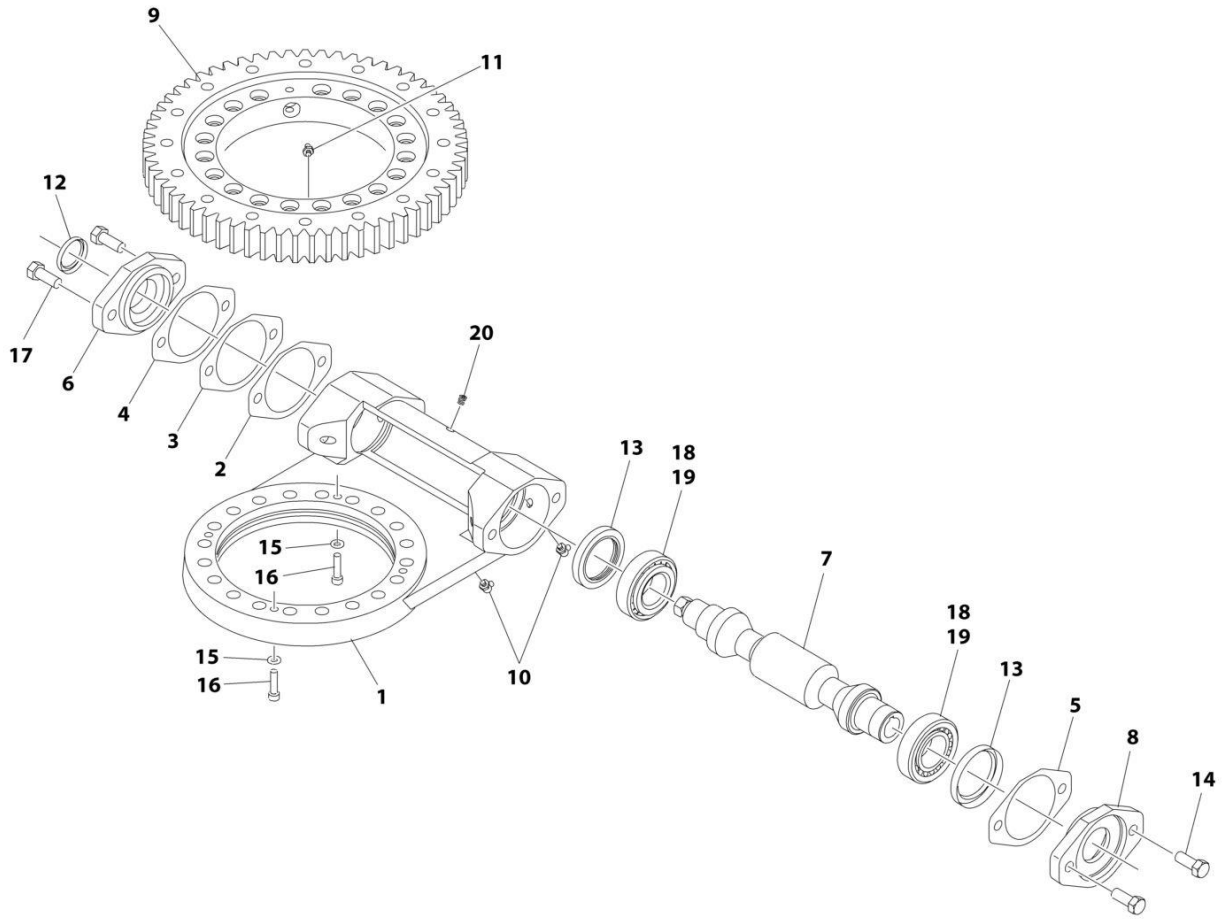
## SECTION 2 - TURNTABLE

**FIGURE 2-4. TURNTABLE BEARING INSTALLATION (WITH JING WEI BEARING/ WITH ZHENJIANG MOTOR)**

ITEM	PART NUMBER	QTY	DESCRIPTION	REV
	1001294630	Ref	TURNTABLE BEARING INSTALLATION	B
1	0100019	AR	Compound, Locking	
2	0630183	1	Capscrew 3/8 x 1	
3	0641608	2	Bolt 3/8 x 1	
4	3931832	2	Bolt 1/2 x 2	
5	3311608	2	Nut 3/8	
6	3900360	35	Capscrew M14 x 90 Class 12.9	
7	4220255	1	Stop, Turntable Swing	
7A	0962447	1	Bushing	
8	4240173	1	Strap, Hose Containment	
9	4740171	2	Washer, Hardened 1/2	
10	4891900	16	Washer 9/16	
11	1001153014	1	Turntable Bearing Assembly (See Separate Breakdown in this Section)	
12	1001294629	1	Motor	

# SECTION 2 - TURNTABLE

## FIGURE 2-5. TURNTABLE BEARING ASSEMBLY - JING WEI



ART\_1001153014

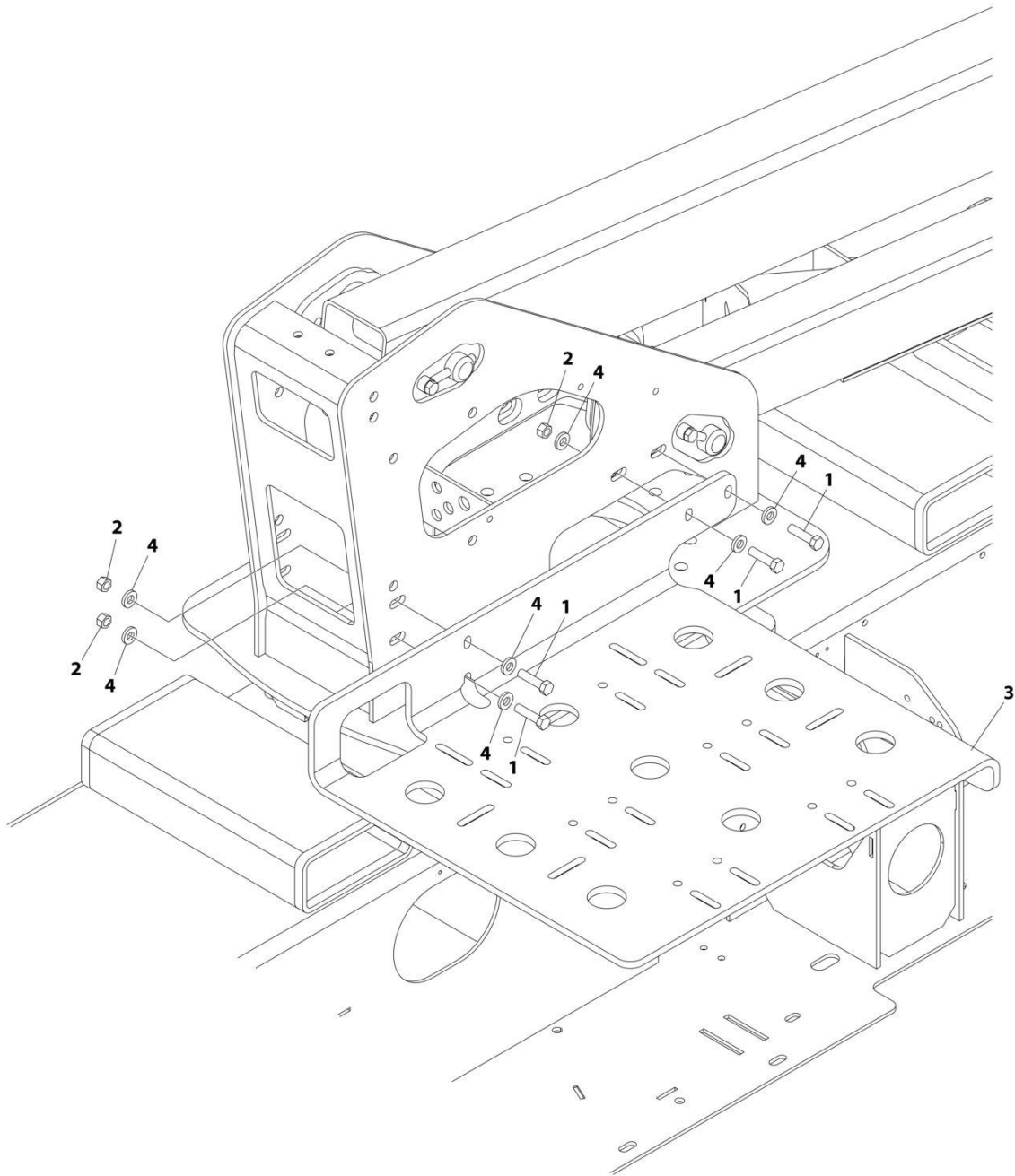
# SECTION 2 - TURNTABLE

**FIGURE 2-5. TURNTABLE BEARING ASSEMBLY - JING WEI**

ITEM	PART NUMBER	QTY	DESCRIPTION	REV
	1001153014	Ref	TURNTABLE BEARING ASSEMBLY	B
1	See Note	1	Housing (Note: Not Available - Purchase Complete Bearing Assembly)	
2	7027350	AR	Gasket (Blue.005)	
3	7027351	AR	Gasket (Clear.0075)	
4	7027352	AR	Gasket (Brown.010)	
5	7027353	AR	Gasket (Yellow.020)	
6	7027354	1	Cap	
7	7027363	1	Shaft, Worm Drive	
8	7027356	1	Adapter, Motor	
9	70004157	1	Bearing, Slew	
10	7027358	3	Fitting, Grease - Elbow	
11	See Note	1	Fitting, Grease - Straight (Note: Not Available - Purchase Locally)	
12	7027360	1	Seal	
13	7027361	1	Seal	
14	0641810	2	Bolt 1/2 x 1-1/4	
15	4751500	2	Washer 5/16	
16	88212228	2	Capscrew 5/16 x 1-1/4	
17	0681812	2	Bolt 1/2 x 1-1/2 Grade 8	
18	7026042	2	Cup, Bearing	
19	7026043	2	Cone, Bearing	
20	See Note	1	Plug (Note: Not Available - Purchase Locally)	

## SECTION 2 - TURNTABLE

FIGURE 2-6. ACCESSORY TRAY INSTALLATION (OPTIONAL)



ART\_0274290



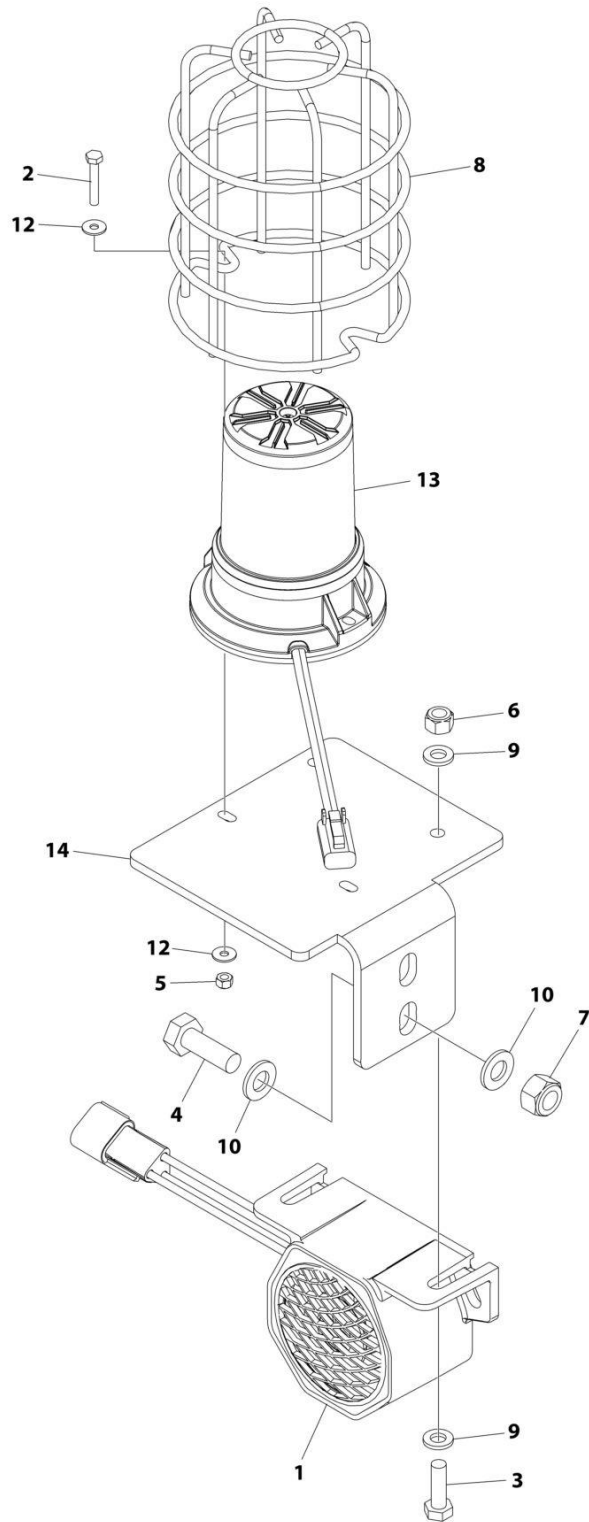
**SECTION 2 - TURNTABLE**

**FIGURE 2-6. ACCESSORY TRAY INSTALLATION (OPTIONAL)**

<b>ITEM</b>	<b>PART NUMBER</b>	<b>QTY</b>	<b>DESCRIPTION</b>	<b>REV</b>
	0274290	Ref	ACCESSORY TRAY INSTALLATION (OPTIONAL)	C
1	0641612	4	Bolt 3/8 x 1-1/2	
2	3311605	4	Nut 3/8	
3	4341400	1	Mount, Accessory Tray	
4	4891600	8	Washer 3/8	

# SECTION 2 - TURNTABLE

## FIGURE 2-7. ALARM AND STROBE LIGHT INSTALLATION



ART\_1001290220

**SECTION 2 - TURNTABLE**

**FIGURE 2-7. ALARM AND STROBE LIGHT INSTALLATION**

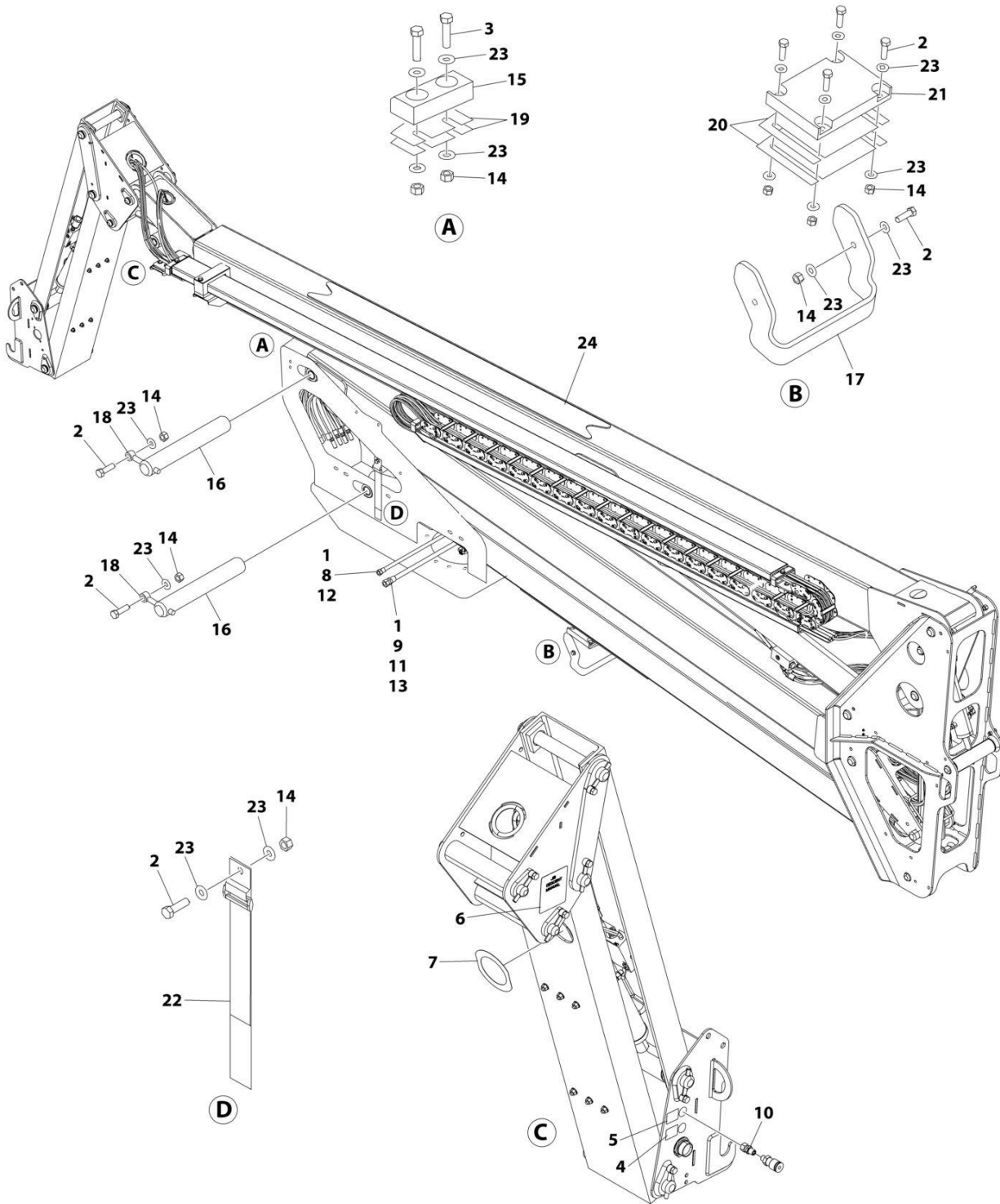
<b>ITEM</b>	<b>PART NUMBER</b>	<b>QTY</b>	<b>DESCRIPTION</b>	<b>REV</b>
	1001290220	Ref	ALARM AND STROBE LIGHT INSTALLATION	A
1	0140043	1	Alarm	
2	0700412	2	Bolt M4 x 25	
3	0700610	2	Bolt M6 x 20	
4	0701014	2	Bolt M10 x 30	
5	3290405	2	Nut M4	
6	3290605	2	Nut M6	
7	3291005	2	Nut M10	
8	4060865	1	Guard, Strobe	
9	4811700	4	Washer M6	
10	4812000	4	Washer M10	
11	4923128	1	Harness, Strobe/Alarm (Not Shown - See Separate Breakdown in ELECTRICAL Section)	
12	1001091102	4	Washer M4	
13	1001270594	1	Lamp	
14	1001290107	1	Bracket	



**SECTION 3 - BOOM**

# SECTION 3 - BOOM

## FIGURE 3-1. BOOM INSTALLATION



ART\_1001289711

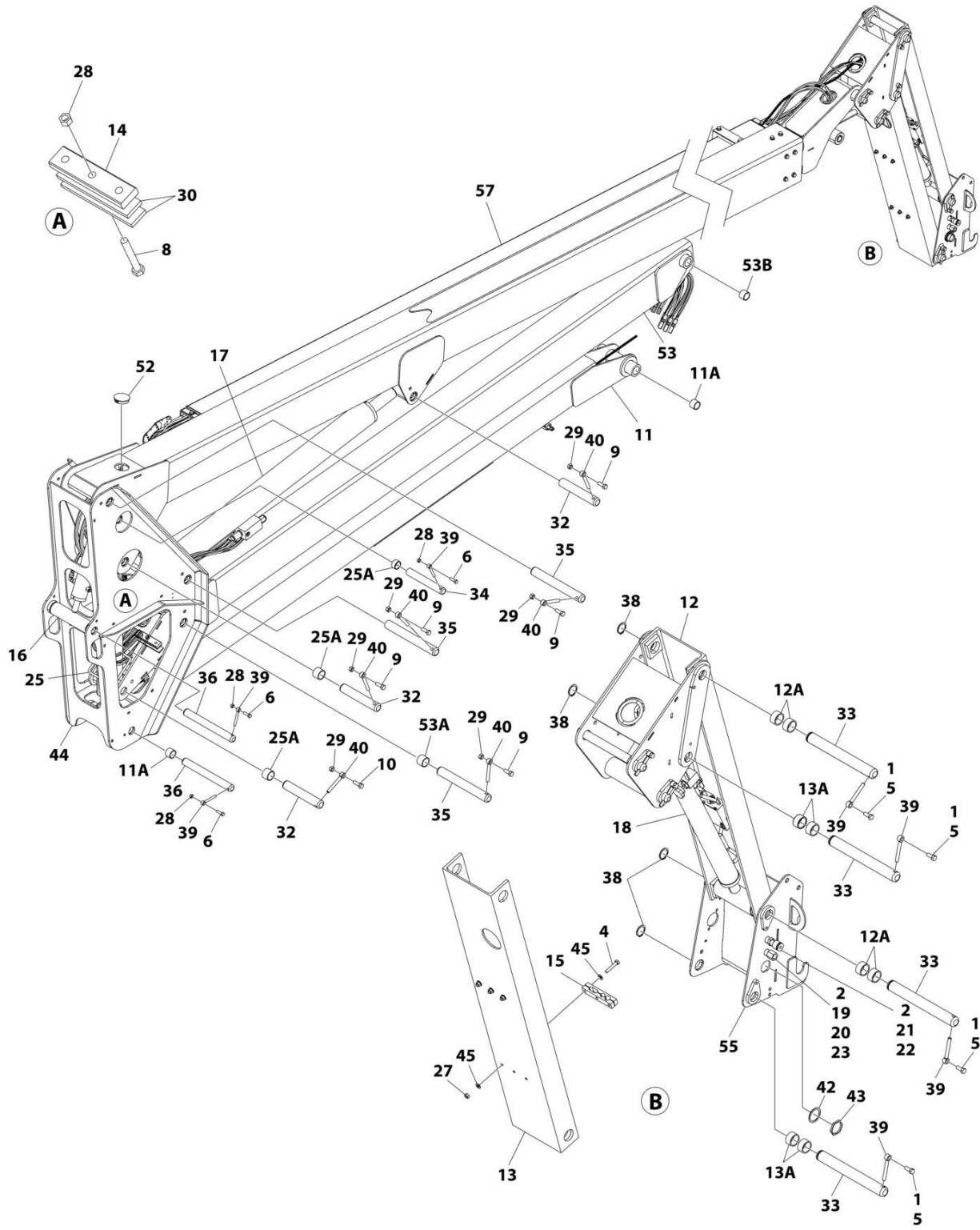
## SECTION 3 - BOOM

### FIGURE 3-1. BOOM INSTALLATION

ITEM	PART NUMBER	QTY	DESCRIPTION	REV
	1001289711	Ref	BOOM INSTALLATION	A
1	0100020	AR	Sealant, Pipe	
2	0641610	9	Bolt 3/8 x 1-1/4	
3	0641612	2	Bolt 3/8 x 1-1/2	
4	1706261	1	Nameplate - Pressure Washer	
5	1706262	1	Nameplate - Air Compressor	
6	1706337	1	Decal - Jib Manual Descent	
7	1706349	1	Decal - Manual Descent Arrows	
8	1706625	1	Decal - Air	
9	1706626	1	Decal - Water	
10	2220003	1	Fitting, Swivel	
11	2221209	1	Fitting, Coupler Body	
12	2221212	1	Fitting, Coupler Nipple	
13	2221213	1	Fitting, Female Coupling	
14	3311605	11	Nut 3/8	
15	3340843	1	Pad, Wear	
16	3423203	2	Pin	
17	3575804	1	Plate, Boom Stop	
18	3841143	2	Keeper, Pin	
19	4071082	2	Shim	
20	4071083	2	Shim	
21	4220211	1	Pad, Boom Rest	
22	4240003	1	Strap, Cinch	
23	4711600	20	Washer 3/8	
24	1001289713	1	Boom Assembly (See Separate Breakdown in this Section)	

**SECTION 3 - BOOM**

**FIGURE 3-2. BOOM ASSEMBLY**



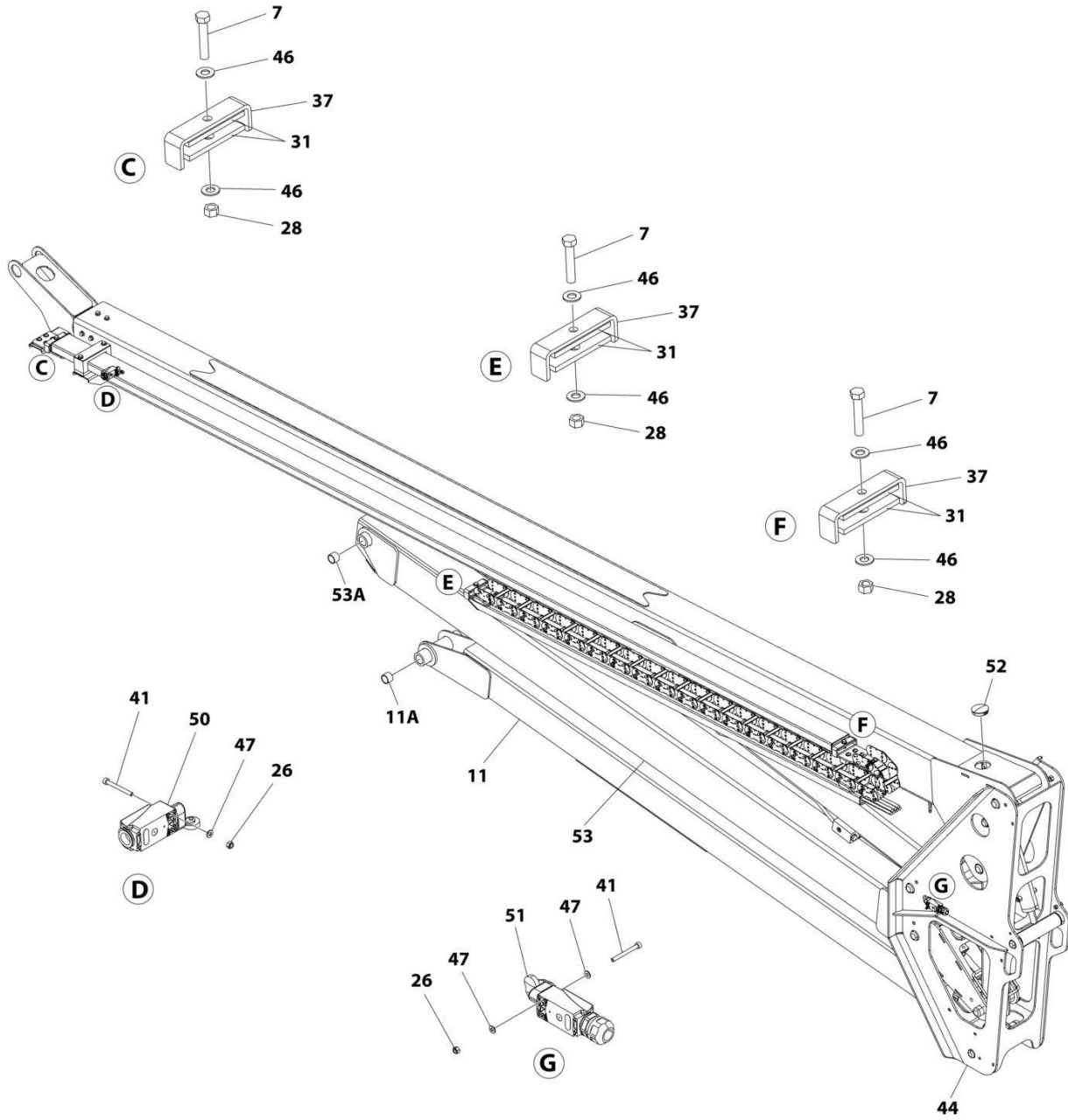
ART\_1001289713\_10F2





# SECTION 3 - BOOM

## FIGURE 3-3. BOOM ASSEMBLY



ART\_1001289713\_2OF2

## SECTION 3 - BOOM

### FIGURE 3-3. BOOM ASSEMBLY

ITEM	PART NUMBER	QTY	DESCRIPTION	REV
	1001289713	Ref	BOOM ASSEMBLY	A
1	0100011	AR	Compound, Locking	
2	0100020	AR	Sealant, Pipe	
3	0100081	AR	Adhesive	
4	0641514	6	Bolt 5/16 x 1-3/4	
5	0641607	4	Bolt 3/8 x 7/8	
6	0641610	3	Bolt 3/8 x 1-1/4	
7	0641616	3	Bolt 3/8 x 2	
8	0641620	1	Bolt 3/8 x 2-1/2	
9	0641811	5	Bolt 1/2 x 1-3/8	
10	0641812	1	Bolt 1/2 x 1-1/2	
11	0801451	1	Tube, Tower (Bottom)	
11A	0962257	4	Bushing	
12	1271585	1	Channel, Jib (Top)	
12A	0962257	4	Bushing	
13	1271633	1	Channel, Jib (Bottom)	
13A	0962257	4	Bushing	
14	1320294	1	Clamp	
15	1321137	2	Clamp	
16	1684398	1	Master Cylinder Assembly (See Separate Breakdown in CYLINDER Section)	
17	1684434	1	Lift Cylinder Assembly (See Separate Breakdown in CYLINDER Section)	
18	1684494	1	Jib Cylinder Assembly (See Separate Breakdown in CYLINDER Section)	
19	2220364	1	Fitting, Coupling	
20	2221210	1	Fitting, Coupler Nipple	
21	2221211	1	Fitting, Coupler Body	
22	2754173	1	Hose	
23	2754174	1	Hose	
25	3010130	1	Link, Timing	
25A	0961948	4	Bushing	
26	3290405	4	Nut M4	
27	3311505	6	Nut 5/16	
28	3311605	7	Nut 3/8	
29	3311805	6	Nut 1/2	
30	3340942	2	Pad	
31	3340943	6	Pad, Rubber	
32	3422796	3	Pin	
33	3423156	4	Pin	
34	3423201	1	Pin	
35	3423202	3	Pin	
36	3423204	2	Pin	
37	3575887	3	Plate	
38	3760133	4	Ring, Retaining	
39	3841143	7	Keeper, Pin	
40	3841203	6	Keeper, Rod	
41	4031512	4	Capscrew M4 x 40	
42	4460496	1	Washer, Terminal	
43	4460497	1	Nut, Terminal	

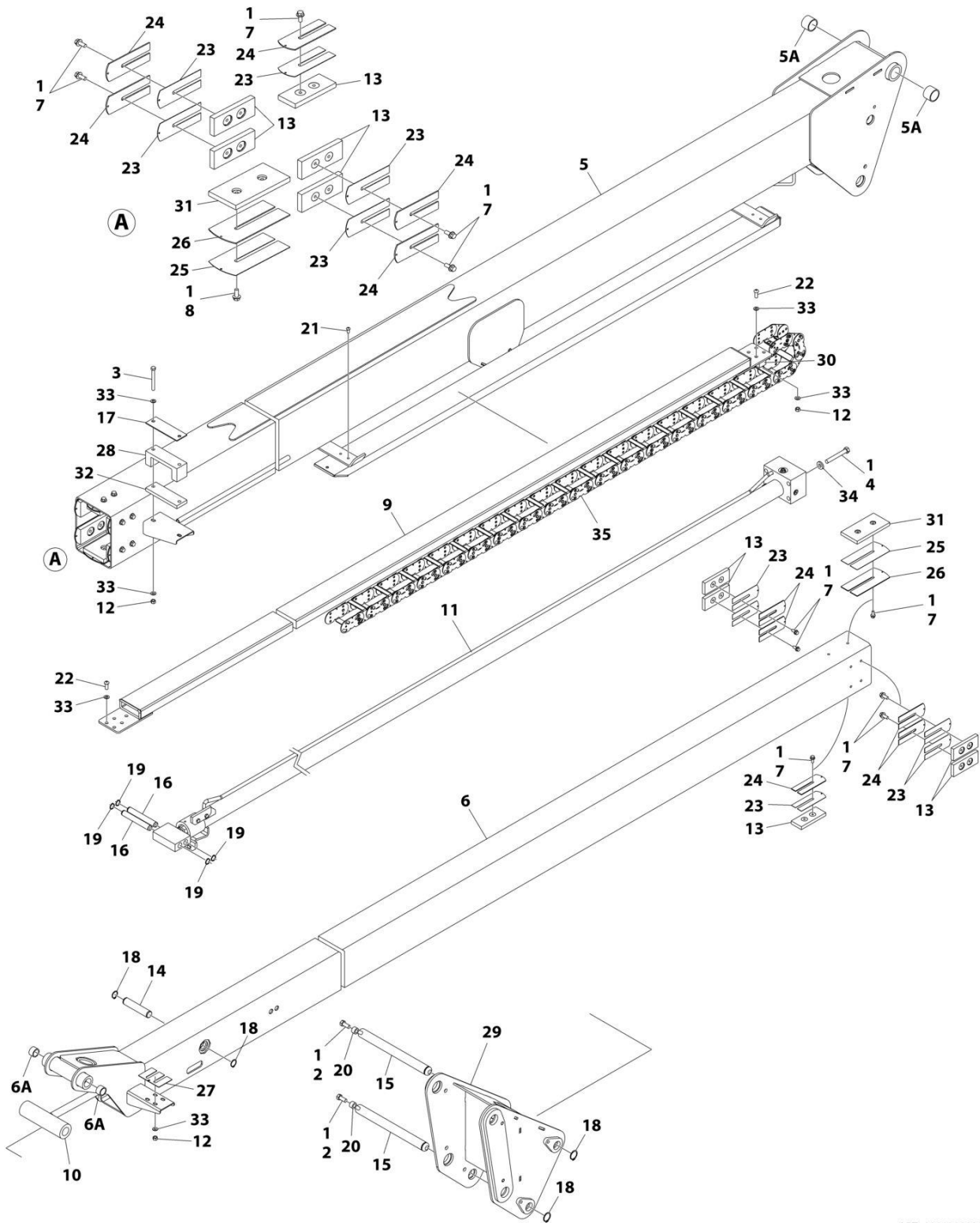
## SECTION 3 - BOOM

ITEM	PART NUMBER	QTY	DESCRIPTION	REV
44	4630003	1	Upright	
45	4711500	12	Washer 5/16	
46	4711600	6	Washer 3/8	
47	4811400	6	Washer M4	
48	4923101	1	Harness, Lift Down Prop Valve (Not Shown - See Separate Breakdown in ELECTRICAL Section)	
49	4923102	1	Harness, Boom Cable (Not Shown - See Separate Breakdown in ELECTRICAL Section)	
50	4923193	1	Harness, Telescope Limit Switch (See Separate Breakdown in ELECTRICAL Section)	
51	4923217	1	Harness, Transport Limit Switch (See Separate Breakdown in ELECTRICAL Section)	
52	1001092012	1	Plug, Hole	
53	1001274196	1	Tube, Tower (Top)	
53A	0961948	2	Bushing	
53B	0961951	2	Bushing	
54	1001286250	1	Harness, AC Cable (Not Shown)	
55	1001286254	1	Pivot	
56	1001288850	1	Harness, Center Break Light (Not Shown - See Separate Breakdown in ELECTRICAL Section)	
57	1001289839	1	Main Boom Assembly (See Separate Breakdown in this Section)	



# SECTION 3 - BOOM

## FIGURE 3-4. MAIN BOOM ASSEMBLY



ART\_1001289839

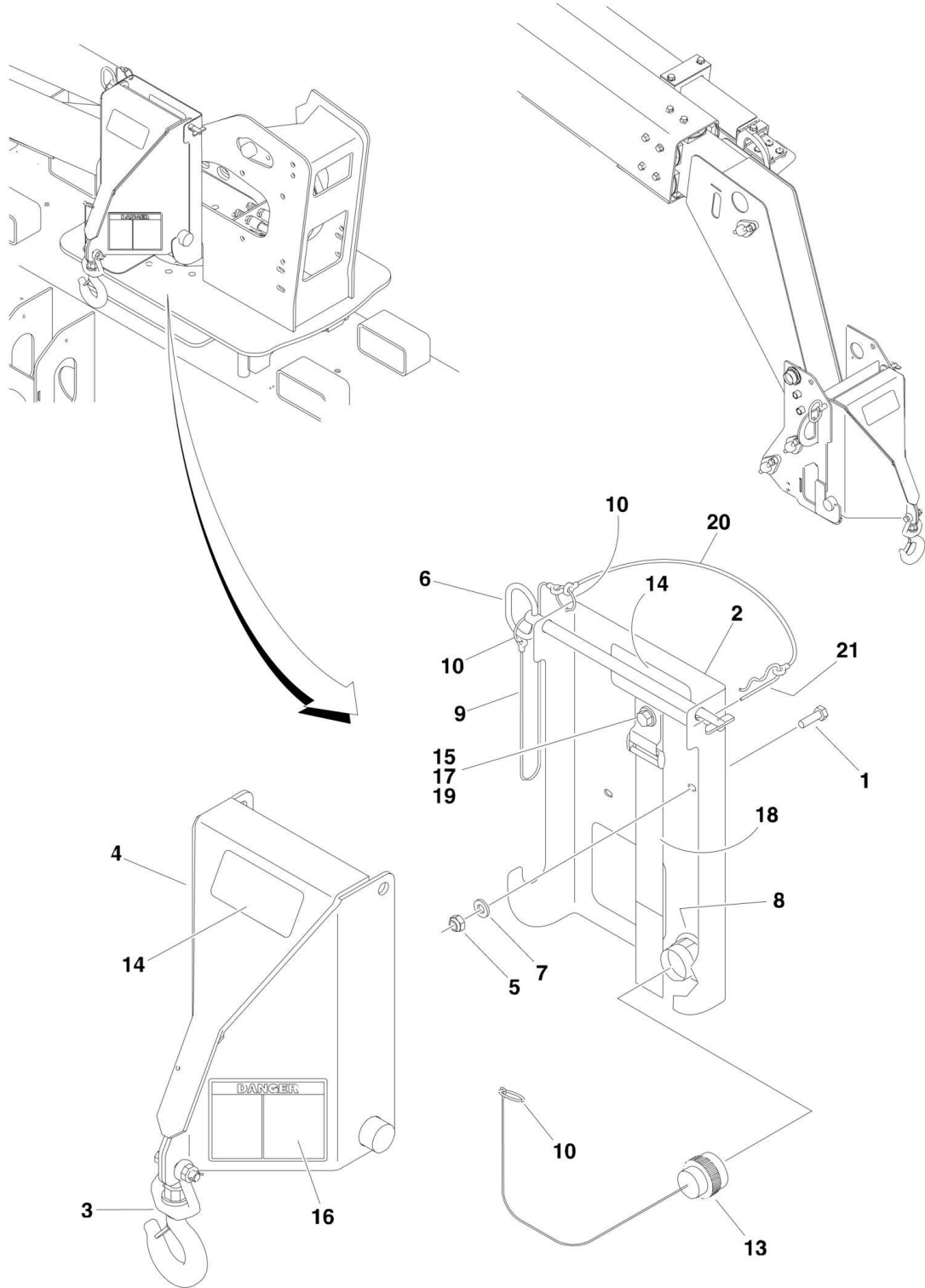
## SECTION 3 - BOOM

### FIGURE 3-4. MAIN BOOM ASSEMBLY

ITEM	PART NUMBER	QTY	DESCRIPTION	REV
	1001289839	Ref	MAIN BOOM ASSEMBLY	A
1	0100011	AR	Compound, Locking	
2	0641607	2	Bolt 3/8 x 7/8	
3	0641628	2	Bolt 3/8 x 3-1/2	
4	0641830	4	Bolt 1/2 x 3-3/4	
5	0801424	1	Base, Boom	
5A	0961951	2	Bushing	
6	0801425	1	Fly, Boom	
6A	0961947	2	Bushing	
7	0811607	22	Screw 3/8 x 7/8	
8	0811608	2	Screw 3/8 x 1	
9	1180398	1	Tube, Push	
10	1684397	1	Platform Level Cylinder Assembly (See Separate Breakdown in CYLINDER Section)	
11	1684402	1	Telescope Cylinder Assembly (See Separate Breakdown in CYLINDER Section)	
12	3311605	10	Nut 3/8	
13	3340881	10	Pad, Wear	
14	3422745	1	Pin	
15	3423105	2	Pin	
16	3423161	2	Pin	
17	3575889	1	Plate	
18	3760115	4	Ring, Retaining	
19	3760351	4	Ring, Retaining	
20	3841143	2	Keeper, Pin	
21	3900283	2	Screw 3/8 x 3/4	
22	3900316	8	Screw 3/8 x 1	
23	4070897	10	Shim #18 Gauge	
24	4070898	10	Shim #11 Gauge	
25	4071039	2	Shim #18 Gauge	
26	4071040	2	Shim #11 Gauge	
27	4071117	1	Shim	
28	4220254	1	Pad, Push Tube	
29	4630004	1	Pivot	
30	4700018	1	Pad, Wear	
31	4700019	2	Pad, Wear	
32	4700037	1	Pad, Wear	
33	4711600	18	Washer 3/8	
34	4891800	4	Washer 1/2	
35	1001255962	1	Power Track	

# SECTION 3 - BOOM

## FIGURE 3-5. MATERIAL HOOK INSTALLATION (OPTIONAL)





## SECTION 3 - BOOM

**FIGURE 3-5. MATERIAL HOOK INSTALLATION (OPTIONAL)**

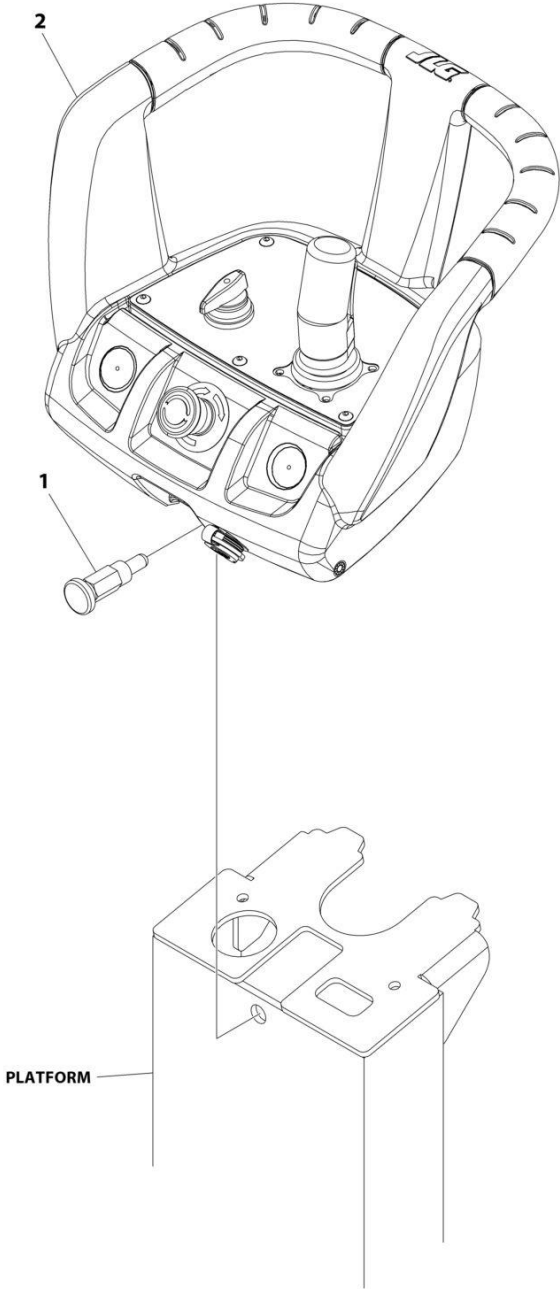
ITEM	PART NUMBER	QTY	DESCRIPTION	REV
	0273678	Ref	MATERIAL HOOK INSTALLATION (OPTIONAL)	I
1	0700610	2	Bolt M6 x 20	
1	0641407	2	Bolt 1/4 x 7/8	
2	0903075	1	Bracket	
3	2700108	1	Hook, Swivel	
4	2700104	1	Attachment, Hook	
5	3290605	2	Nut M6	
5	3311405	2	Nut 1/4	
6	3423100	2	Pin, Gravity	
7	4811700	4	Washer M6	
7	4711400	4	Washer 1/4	
8	4923124	1	Harness, Hook Cable (See Separate Breakdown in ELECTRICAL Section)	
9	1060697	1	Lanyard	
10	3760170	3	Ring, Split	
13	4461065	1	Cap, Terminal Dust with Lanyard	
14	1706313	2	Decal - Hook Capacity	
15	0641606	1	Bolt 3/8 x 3/4	
16	1706128	1	Decal - Electrocution	
17	3311605	1	Nut 3/8	
18	4240003	1	Strap, Cinch	
19	4711600	2	Washer 3/8	
20	1060799	2	Lanyard	
21	8310264	2	Hairpin	



**SECTION 4 - PLATFORM**

**SECTION 4 - PLATFORM**

**FIGURE 4-1. CONSOLE BOX INSTALLATION (ELECTRIC POWERED MACHINES) (ET500J)**



ART\_1001290127

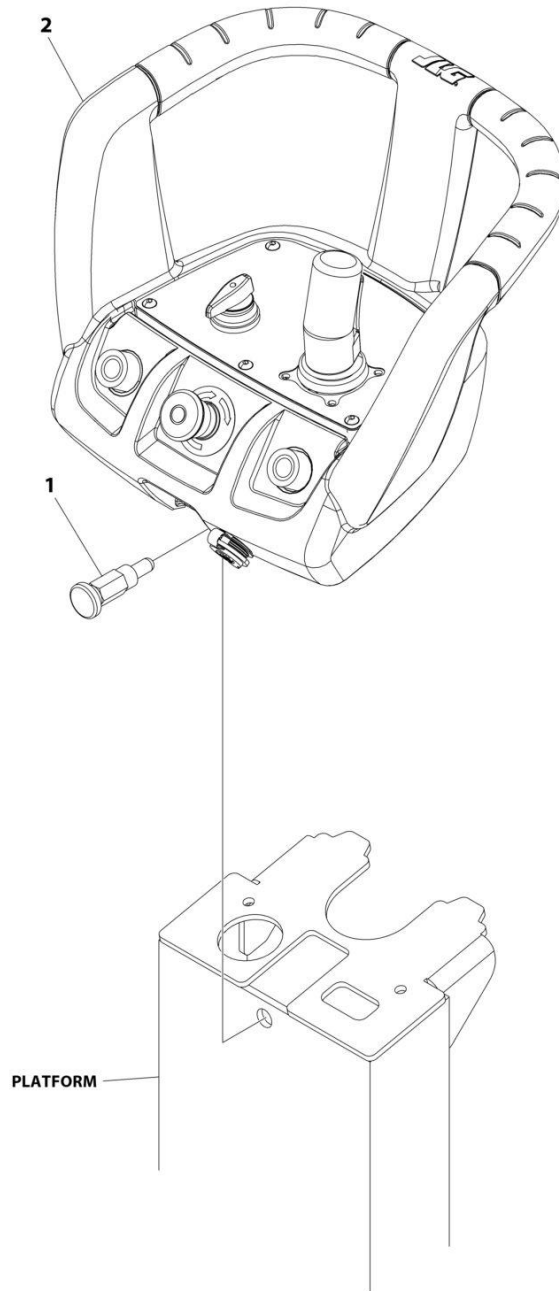
## SECTION 4 - PLATFORM

**FIGURE 4-1. CONSOLE BOX INSTALLATION (ELECTRIC POWERED MACHINES) (ET500J)**

ITEM	PART NUMBER	QTY	DESCRIPTION	REV
	1001290127	Ref	CONSOLE BOX INSTALLATION (ELECTRIC POWERED MACHINES WITHOUT DRIVE OPTION)	A
1	2940160	1	Latch	
2	1001287756	1	Console Box Assembly (See Separate Breakdown in this Section)	

## SECTION 4 - PLATFORM

FIGURE 4-2. CONSOLE BOX INSTALLATION (ENGINE POWERED MACHINES) (T500J)



ART\_1001290126

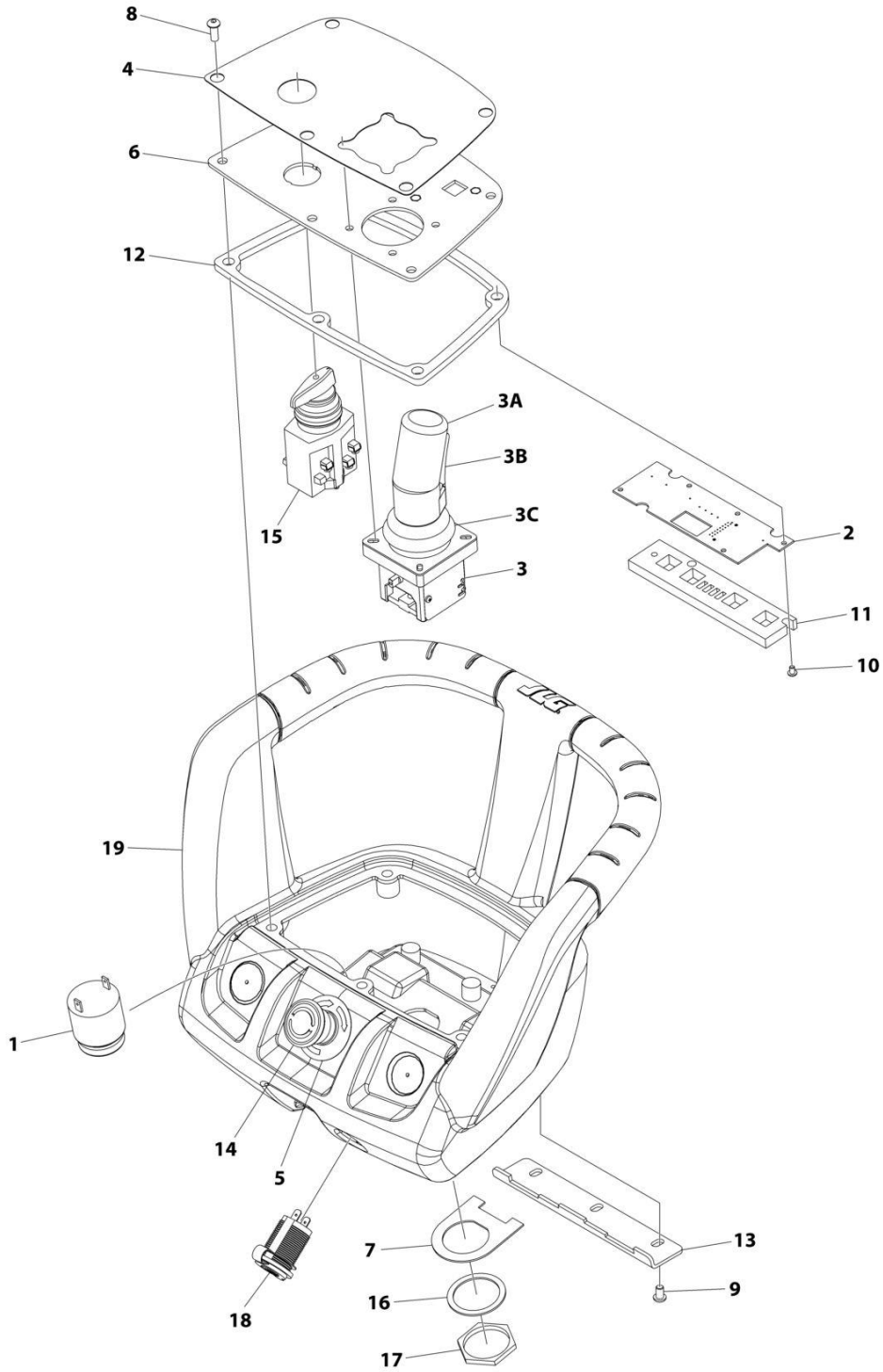
## SECTION 4 - PLATFORM

**FIGURE 4-2. CONSOLE BOX INSTALLATION (ENGINE POWERED MACHINES) (T500J)**

ITEM	PART NUMBER	QTY	DESCRIPTION	REV
	1001290126	Ref	CONSOLE BOX INSTALLATION (ENGINE POWERED MACHINES WITHOUT DRIVE OPTION)	A
1	2940160	1	Latch	
2	1001287757	1	Console Box Assembly (See Separate Breakdown in this Section)	

# SECTION 4 - PLATFORM

## FIGURE 4-3. CONSOLE BOX ASSEMBLY (ELECTRIC POWERED MACHINES) (ET500J)



ART\_1001287756



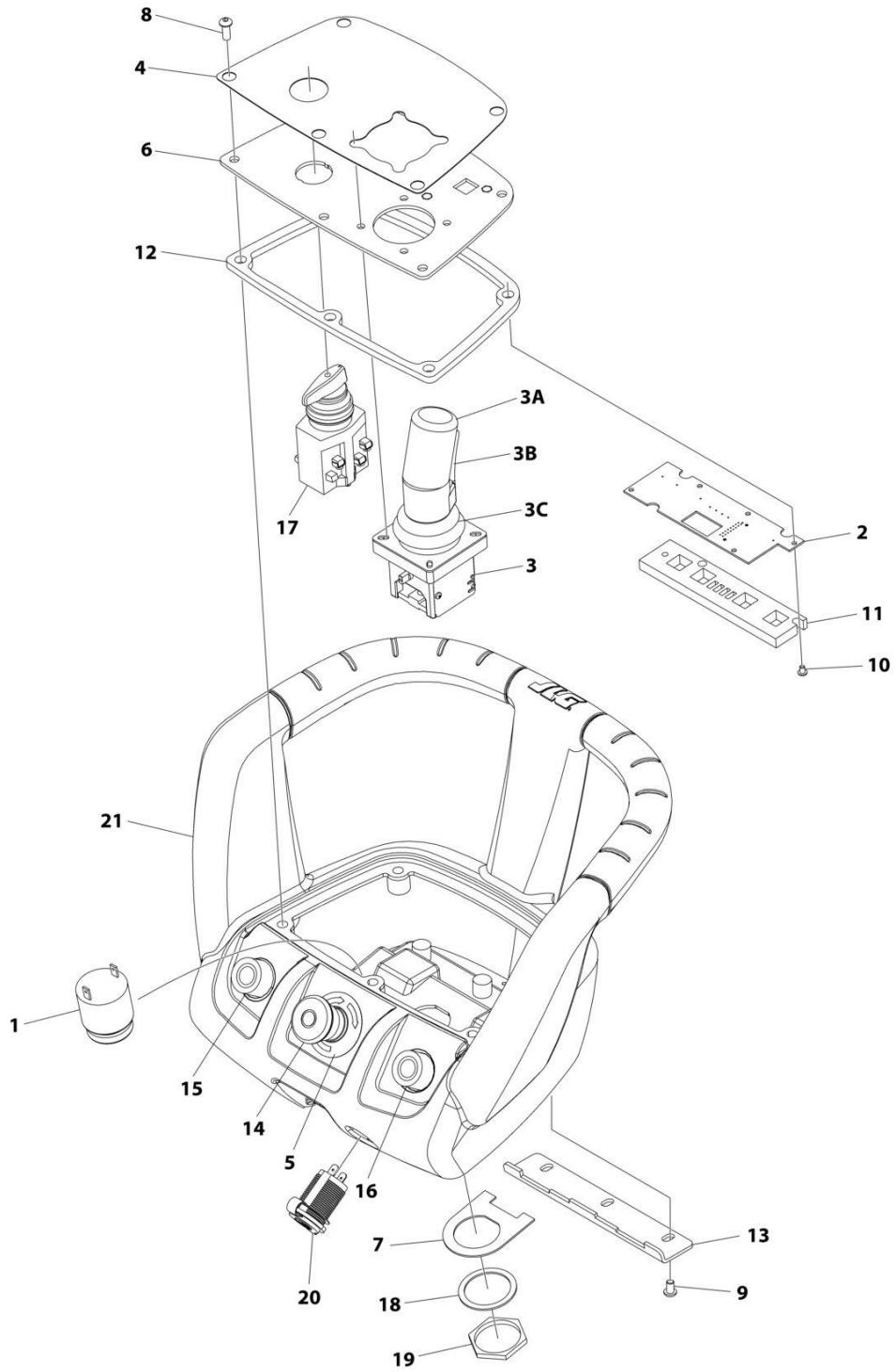
## SECTION 4 - PLATFORM

**FIGURE 4-3. CONSOLE BOX ASSEMBLY (ELECTRIC POWERED MACHINES) (ET500J)**

ITEM	PART NUMBER	QTY	DESCRIPTION	REV
	1001287756	Ref	CONSOLE BOX ASSEMBLY (ELECTRIC POWERED MACHINES WITHOUT DRIVE OPTION)	A
1	0140011	1	Alarm	
2	1600369	1	Module, PC Board	
3	1600452	1	Controller	
3A	7027371	1	Boot (Black)	
3A	7027766	1	Ring, Boot Retaining	
3B	7027367	1	Switch, Push Button (Enable)	
3B	7027765	1	Lever, Enable	
3C	70000682	1	Boot, Panel	
4	1705950	1	Decal - Faceplate	
5	1706898	1	Decal - Emergency Stop	
6	3575304	1	Faceplate	
7	3575796	1	Plate with D Shaped Slot	
8	3900357	5	Screw M6 x 16	
9	3900358	3	Screw M6 x 10	
10	3900359	3	Screw M4 x 6	
11	3960584	1	Seal, Foam Gasket	
12	3960604	1	Seal, Adhesive Backed	
13	4340871	1	Mount	
14	4360562	1	Switch, Emergency Stop	
15	4360612	1	Switch, Rotary	
16	4460496	1	Washer, Terminal	
17	4460497	1	Nut, Terminal	
18	1001253800	1	Receptacle, USB	
19	1001287751	1	Box, Control	
20	1001287752	1	Harness, Platform Box (Not Shown - See Separate Breakdown in ELECTRICAL Section)	

# SECTION 4 - PLATFORM

## FIGURE 4-4. CONSOLE BOX ASSEMBLY (ENGINE POWERED MACHINES) (T500J)



ART\_1001287757

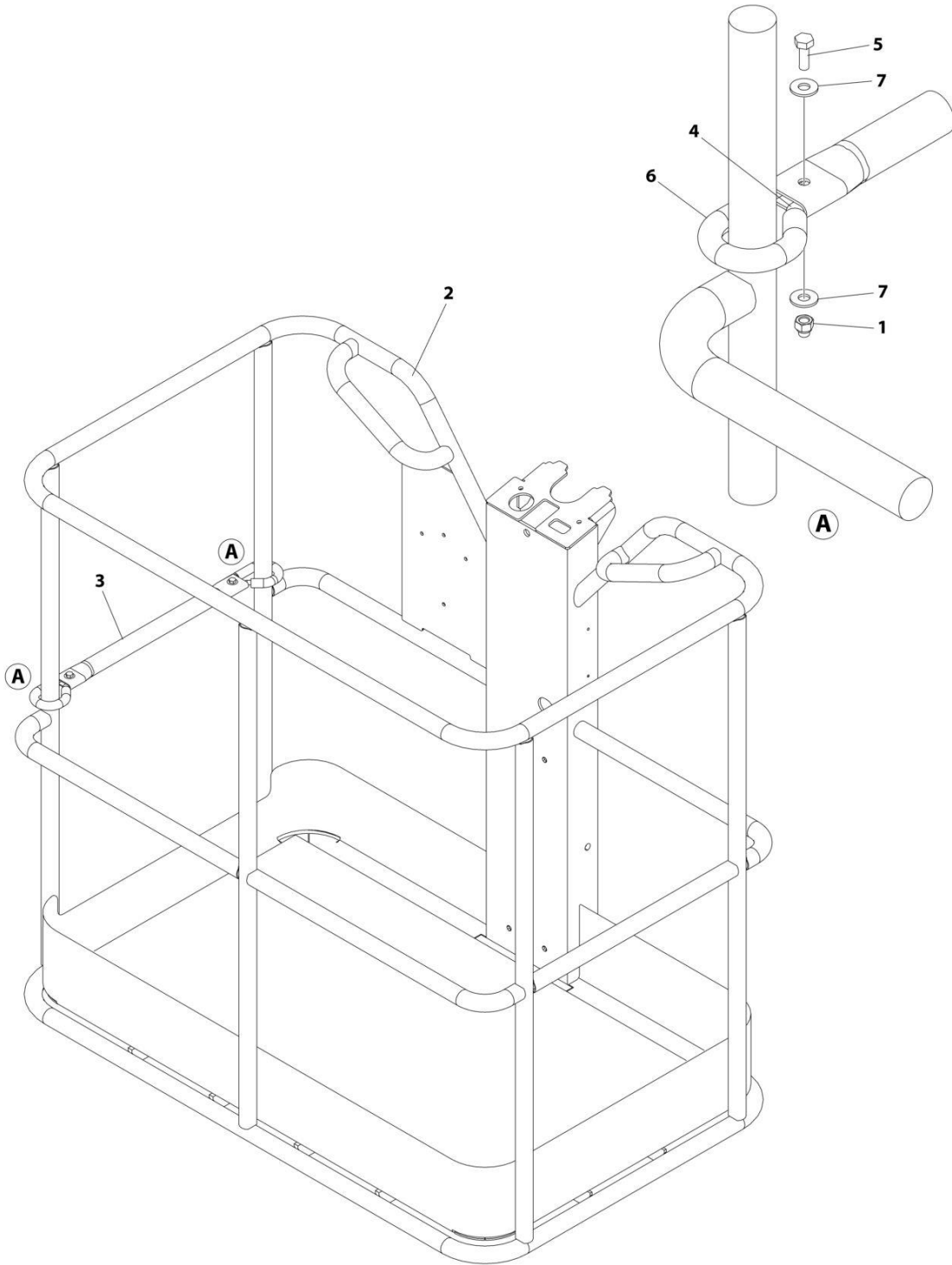
## SECTION 4 - PLATFORM

**FIGURE 4-4. CONSOLE BOX ASSEMBLY (ENGINE POWERED MACHINES) (T500J)**

ITEM	PART NUMBER	QTY	DESCRIPTION	REV
	1001287757	Ref	CONSOLE BOX ASSEMBLY (ENGINE POWERED MACHINES WITHOUT DRIVE OPTION)	A
1	0140011	1	Alarm	
2	1600369	1	Module, PC Board	
3	1600452	1	Controller	
3A	7027371	1	Boot (Black)	
3A	7027766	1	Ring, Boot Retaining	
3B	7027367	1	Switch, Push Button (Enable)	
3B	7027765	1	Lever, Enable	
3C	70000682	1	Boot, Panel	
4	1705950	1	Decal - Faceplate	
5	1706898	1	Decal - Emergency Stop	
6	3575304	1	Faceplate	
7	3575796	1	Plate with D Shaped Slot	
8	3900357	5	Screw M6 x 16	
9	3900358	3	Screw M6 x 10	
10	3900359	3	Screw M4 x 6	
11	3960584	1	Seal, Foam Gasket	
12	3960604	1	Seal, Adhesive Backed	
13	4340871	1	Mount	
14	4360562	1	Switch, Emergency Stop	
15	4360564	1	Switch, Push Button (Black)	
16	4360565	1	Switch, Push Button (Yellow)	
17	4360612	1	Switch, Rotary	
18	4460496	1	Washer, Terminal	
19	4460497	1	Nut, Terminal	
20	1001253800	1	Receptacle, USB	
21	1001287751	1	Box, Control	
22	1001287753	1	Harness, Platform Box (Not Shown - See Separate Breakdown in ELECTRICAL Section)	

# SECTION 4 - PLATFORM

## FIGURE 4-5. PLATFORM ASSEMBLY



ART\_1001214179

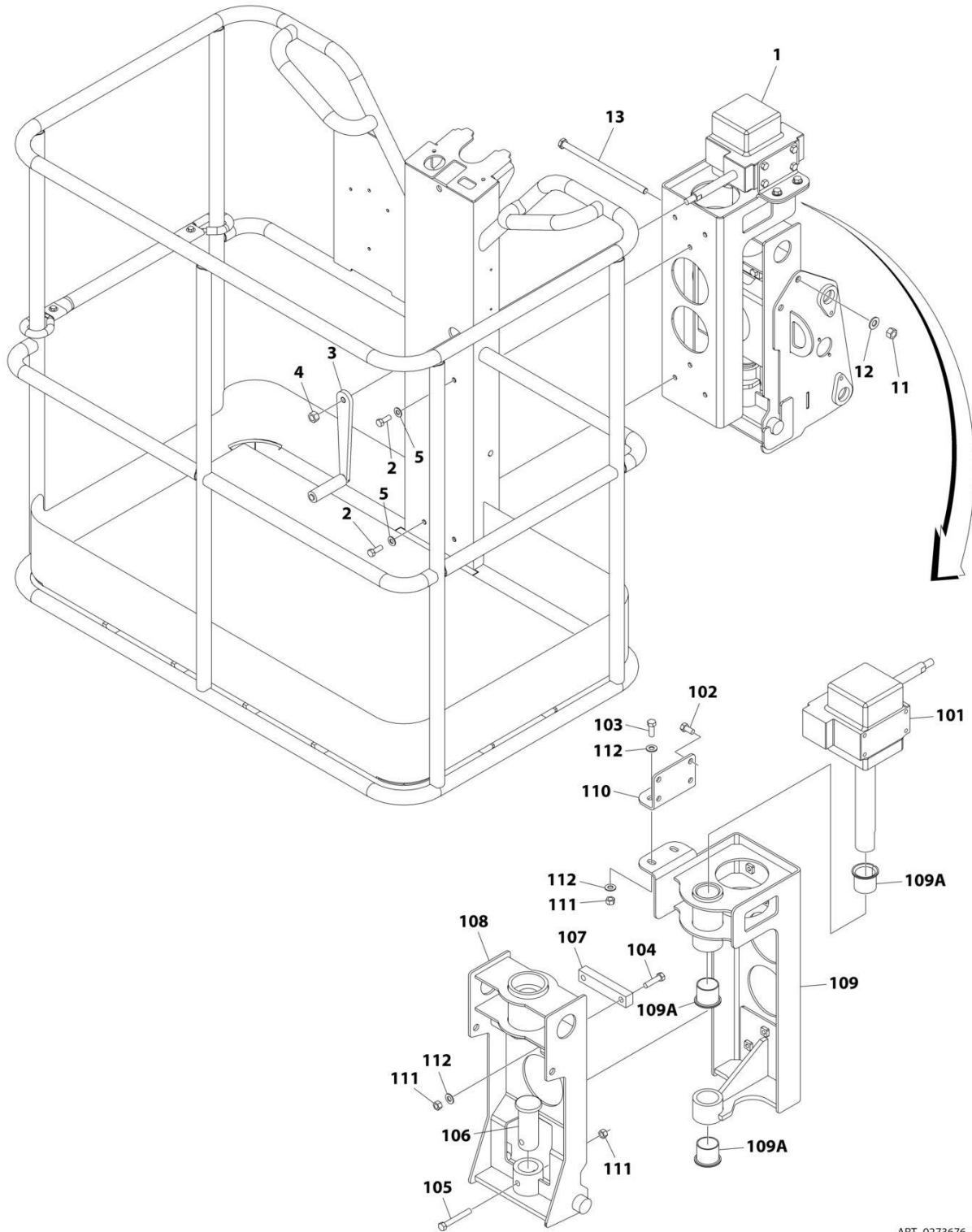
## SECTION 4 - PLATFORM

### FIGURE 4-5. PLATFORM ASSEMBLY

ITEM	PART NUMBER	QTY	DESCRIPTION	REV
	1001214179	Ref	PLATFORM ASSEMBLY	D
1	2080063	2	Nut 1/4	
2	See Note	NSS	Platform (Note: Not Available - Purchase Complete Platform Assembly)	
3	3641585	1	Tube, Gate	
4	3841692	2	Rod, Gate	
5	0641406	2	Bolt 1 /4	
6	1560010	14 in/ 36cm	Conduit	
7	4751400	4	Washer 1/4	

# SECTION 4 - PLATFORM

## FIGURE 4-6. PLATFORM MOUNT INSTALLATION (WITH ROTATOR)



ART\_0273676\_D

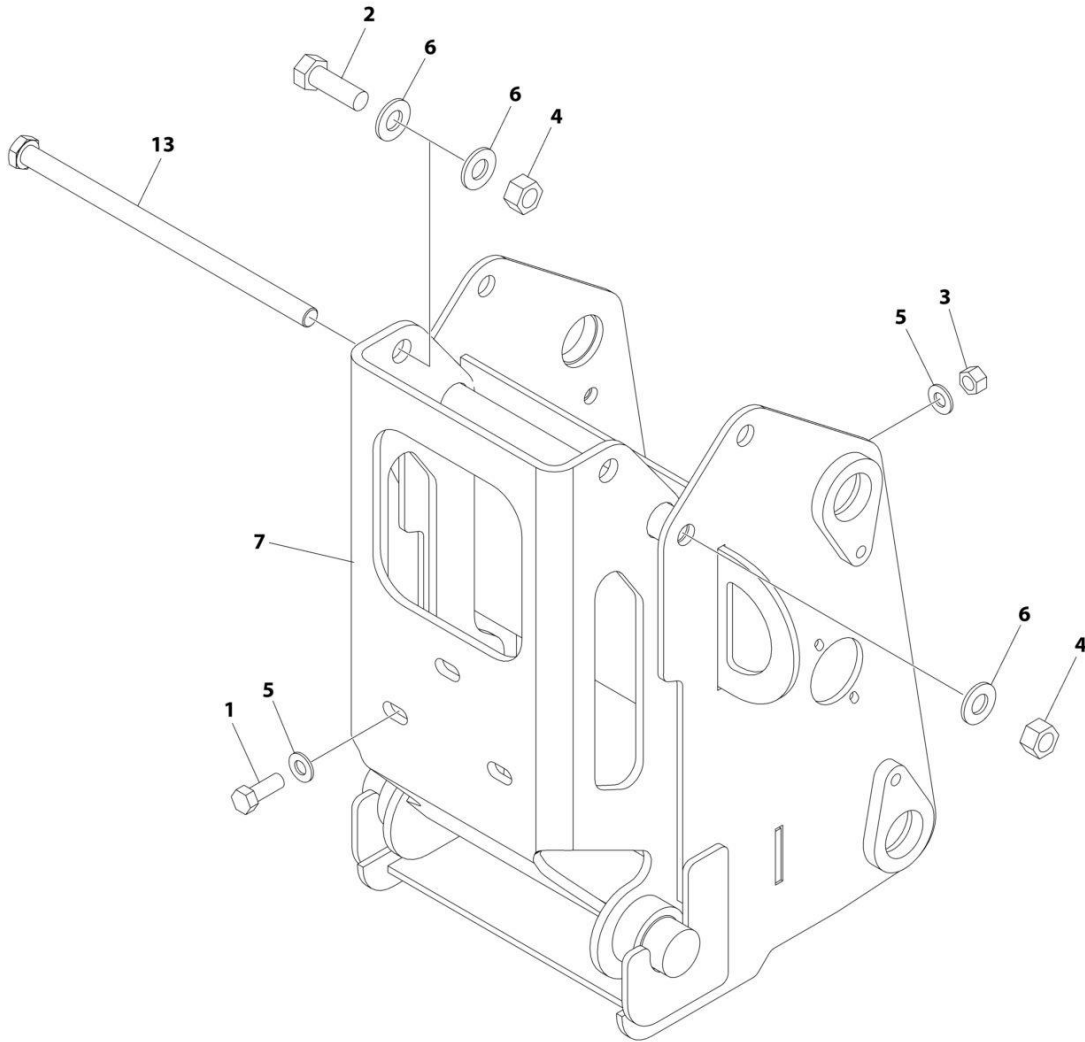
## SECTION 4 - PLATFORM

**FIGURE 4-6. PLATFORM MOUNT INSTALLATION (WITH ROTATOR)**

ITEM	PART NUMBER	QTY	DESCRIPTION	REV
	0273676	Ref	PLATFORM MOUNT INSTALLATION	D
1	0060080	NLA	Rotator Sub-Assembly (Note: See Items 101-112). Not available as an assembly. Purchase individual Components.	
2	0641608	6	Bolt 3/8 x 1	
3	2560184	1	Handle	
4	3271805	1	Nut 1/2 GRD8	
5	4711600	6	Washer 3/8	
11	3311805	1	Nut 1/2	
12	4711800	1	Washer 1/2	
13	1001266623	1	Bolt 1/2 x 9-1/2	
	0060080	Ref	ROTATOR SUB-ASSEMBLY (OPTIONAL)	B
101	0060081	1	Rotator Assembly (See Separate Breakdown in this Section)	
102	0641606	4	Bolt 3/8 x 3/4	
103	0641608	2	Bolt 3/8 x 1	
104	0641612	2	Bolt 3/8 x 1-1/2	
105	0641622	1	Bolt 3/8 x 2-3/4	
106	3423106	1	Pin	
107	3575058	1	Bar, Stop	
108	4340799	1	Pivot (Boom to Rotator Sub-Assembly)	
109	4340800	1	Pivot (Rotator Sub-Assembly to Platform)	
109A	0440319	3	Bushing, Flanged	
110	0903199	1	Bracket	
111	3311605	5	Nut 3/8	
112	4711600	6	Washer 3/8	

# SECTION 4 - PLATFORM

## FIGURE 4-7. PLATFORM MOUNT INSTALLATION (WITHOUT ROTATOR)



ART\_1001091364\_D



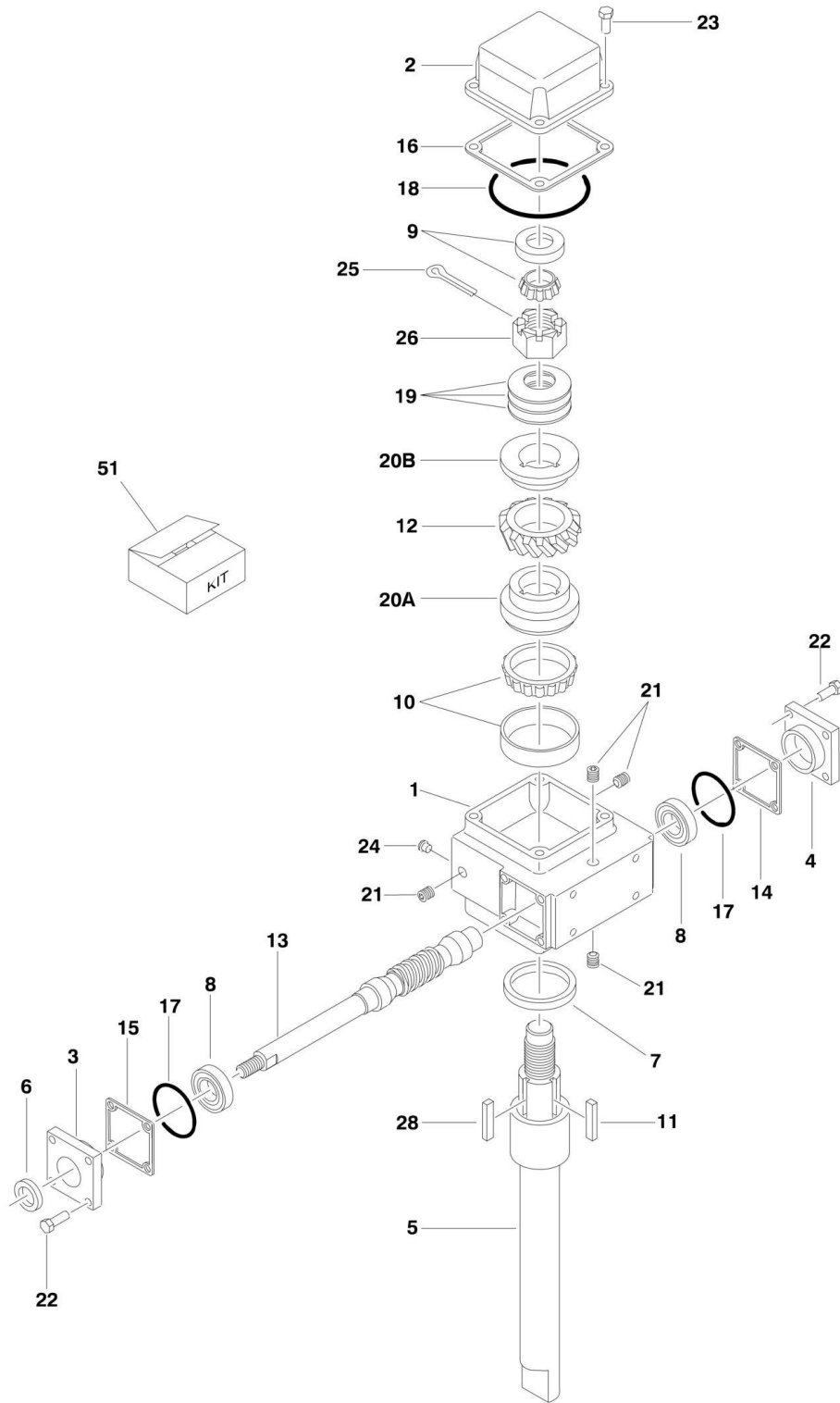
## SECTION 4 - PLATFORM

**FIGURE 4-7. PLATFORM MOUNT INSTALLATION (WITHOUT ROTATOR)**

ITEM	PART NUMBER	QTY	DESCRIPTION	REV
	1001091364	Ref	PLATFORM MOUNT INSTALLATION	D
1	0641608	3	Bolt 3/8 x 1	
2	0641812	2	Bolt 1/2 x 1-1/2	
3	3311605	3	Nut 3/8	
4	3311805	3	Nut 1/2	
5	4711600	6	Washer 3/8	
6	4711800	3	Washer 1/2	
7	1001091500	1	Support, Platform	
13	1001266623	1	Bolt 1/2 x 9-1/2	

# SECTION 4 - PLATFORM

## FIGURE 4-8. PLATFORM ROTATOR ASSEMBLY (OPTIONAL)



## SECTION 4 - PLATFORM

**FIGURE 4-8. PLATFORM ROTATOR ASSEMBLY (OPTIONAL)**

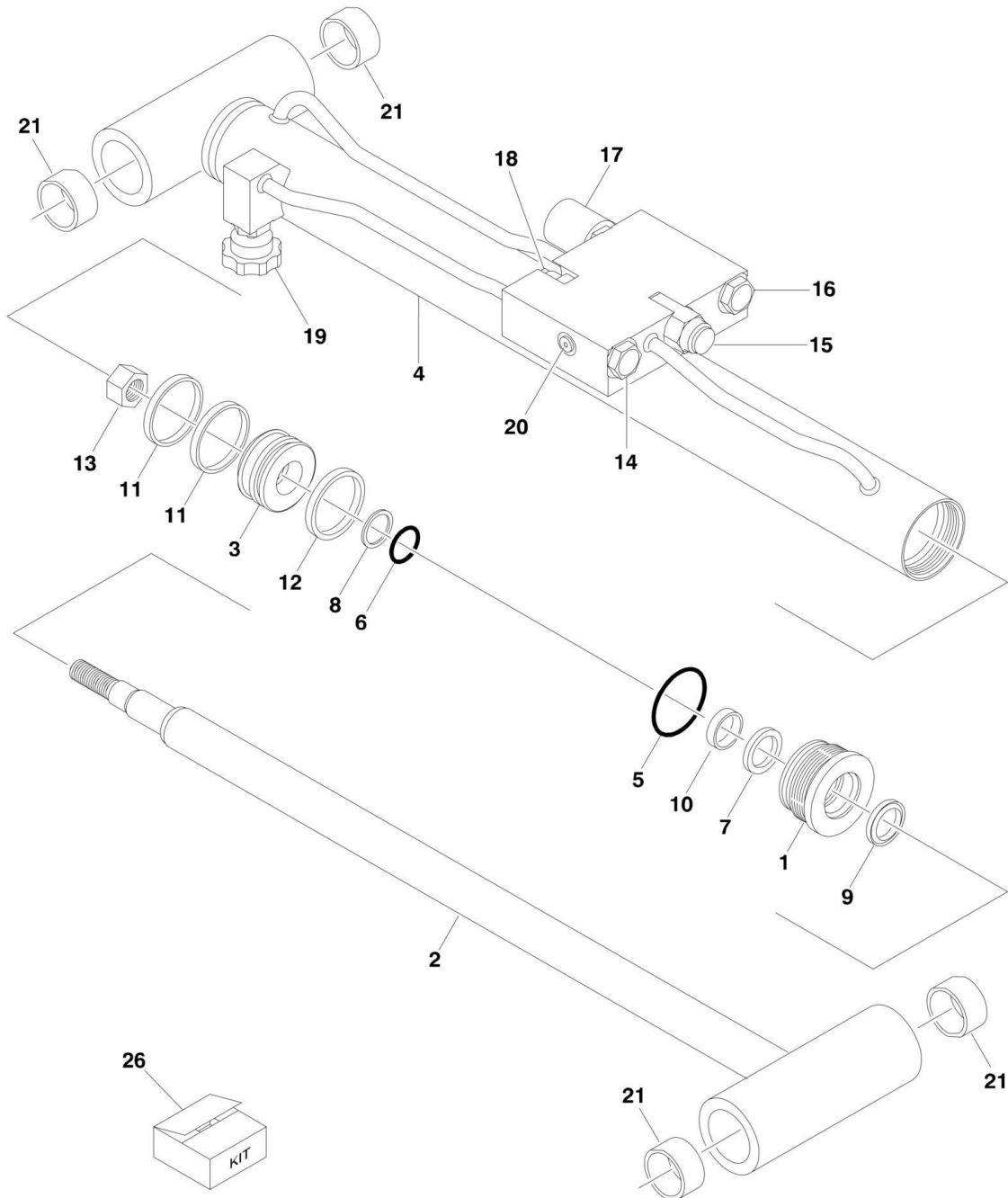
ITEM	PART NUMBER	QTY	DESCRIPTION	REV
	0060081	Ref	PLATFORM ROTATOR ASSEMBLY	C
1	See Note	1	Housing (Note: Not Available - Purchase Complete Platform Rotator Assembly p/n 0060081)	
2	7027742	1	Cover (Slow Speed)	
3	7027743	1	Cap (High Speed Open)	
4	7027744	1	Cap (High Speed Closed)	
5	7027745	1	Shaft (Slow Speed)	
6	7027746	1	Seal (High Speed)	
7	7027747	1	Seal (Low Speed)	
8	7027748	2	Bearing (High Speed)	
9	7027749	1	Cup, Bearing (Slow Speed)	
9	7027750	1	Cone, Bearing (Slow Speed)	
10	7027751	1	Cup, Bearing (Slow Speed)	
10	7027752	1	Cone (Slow Speed)	
11	7027753	1	Key	
12	7027899	1	Worm Gear (Slow Speed)	
13	7027755	1	Shaft, Worm Gear (High Speed)	
14	7027756	1	Gasket (High Speed)	
15	7027756	1	Gasket (High Speed)	
16	7027757	2	Gasket (Slow Speed)	
17	7027758	2	O-Ring (High Speed)	
18	7027759	1	O-Ring (Slow Speed)	
19	7027760	3	Washer, Belleville	
20		Ref	Hub, Gear Options:	
20A	7027899	1	Exterior Side	
20B	7027899	1	Nut Side	
21	See Note	6	Plug (Note: Not Available - Purchase Locally)	
22	0641506	8	Bolt 5/16i x 3/4	
23	0941516	4	Bolt 5/16 x 2	
24	See Note	4	Plug, Button (Note: Not Available - Purchase Locally)	
25	See Note	1	Pin, Cotter (Note: Not Available - Purchase Locally)	
26	7027763	1	Nut 1 1/4	
27	7027897	AR	Grease, Mobile SHC007 with Borate (Not Shown)	
28	7027768	1	Key	
51	7027899	1	Gear and Hub Kit (Includes Items 11, 12, 20A, 20B & 28)	



**SECTION 5 - CYLINDER**

# SECTION 5 - CYLINDER

## FIGURE 5-1. JIB CYLINDER ASSEMBLY



ART\_1684494

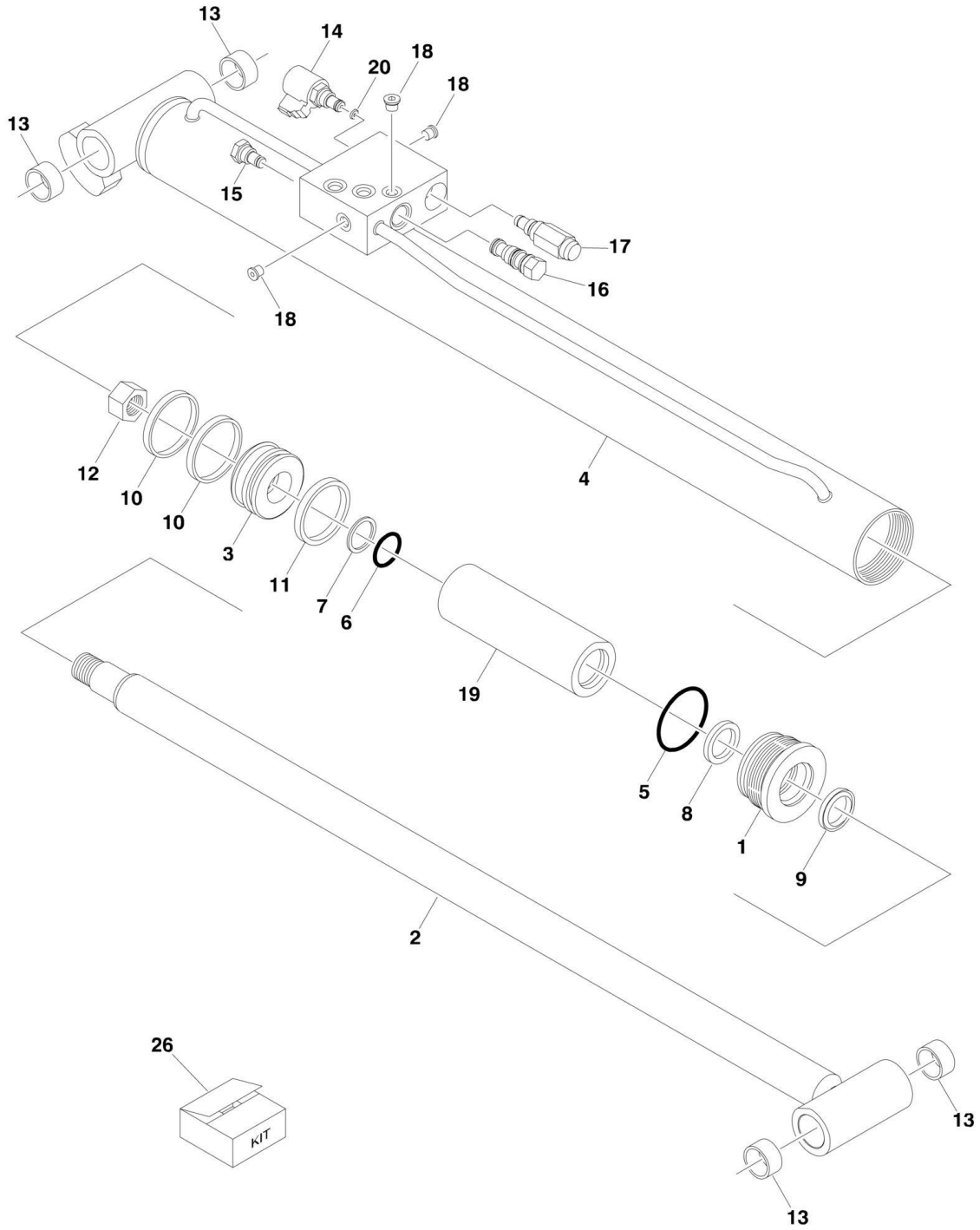
## SECTION 5 - CYLINDER

### FIGURE 5-1. JIB CYLINDER ASSEMBLY

ITEM	PART NUMBER	QTY	DESCRIPTION	REV
	1684494	Ref	JIB CYLINDER ASSEMBLY	B
		Ref	Note: Original Cylinder May Have Been Replaced with Service Replacement. Identify PN Stamped on Cylinder Before Ordering Parts.	
1	7027342	1	Head	
2	7027708	1	Rod	
3	7027338	1	Piston	
4	70000190	1	Barrel	
5	7027711	1	O-Ring	
6	7027711	1	O-Ring	
7	7027711	1	Seal, Rod	
8	7027711	1	Ring, Back-up	
9	7027711	1	Wiper, Rod	
10	7027711	1	Ring, Wear	
11	7027711	2	Ring, Wear	
12	7027711	1	Seal, Piston	
13	7027710	1	Nut	
14	7012975	1	Cartridge, Check	
14	7012540	1	Seal Kit - 7012975 Cartridge	
15	7024888	1	Cartridge, Relief	
15	7012972	1	Seal Kit - 7024888 Cartridge	
16	7024887	1	Cartridge, Check	
16	7012998	1	Seal Kit - 7024887 Cartridge	
17	7024884	1	Cartridge, Solenoid Less Coil	
17	7012967	1	Seal Kit - 7024884 Cartridge	
17	7024885	1	Coil	
18	7011380	1	Cartridge, Counterbalance	
18	2900770	1	Seal Kit - 7011380 Cartridge	
19	4640902	1	Cartridge, Needle Valve	
19	7012953	1	Seal Kit - 4640902 Cartridge	
19	7012961	1	Knob	
20	2220881	4	Plug	
21	0962257	4	Bushing	
26	7027711	1	Seal Kit (Includes Items 5-12)	

# SECTION 5 - CYLINDER

## FIGURE 5-2. LIFT CYLINDER ASSEMBLY



ART\_1684434



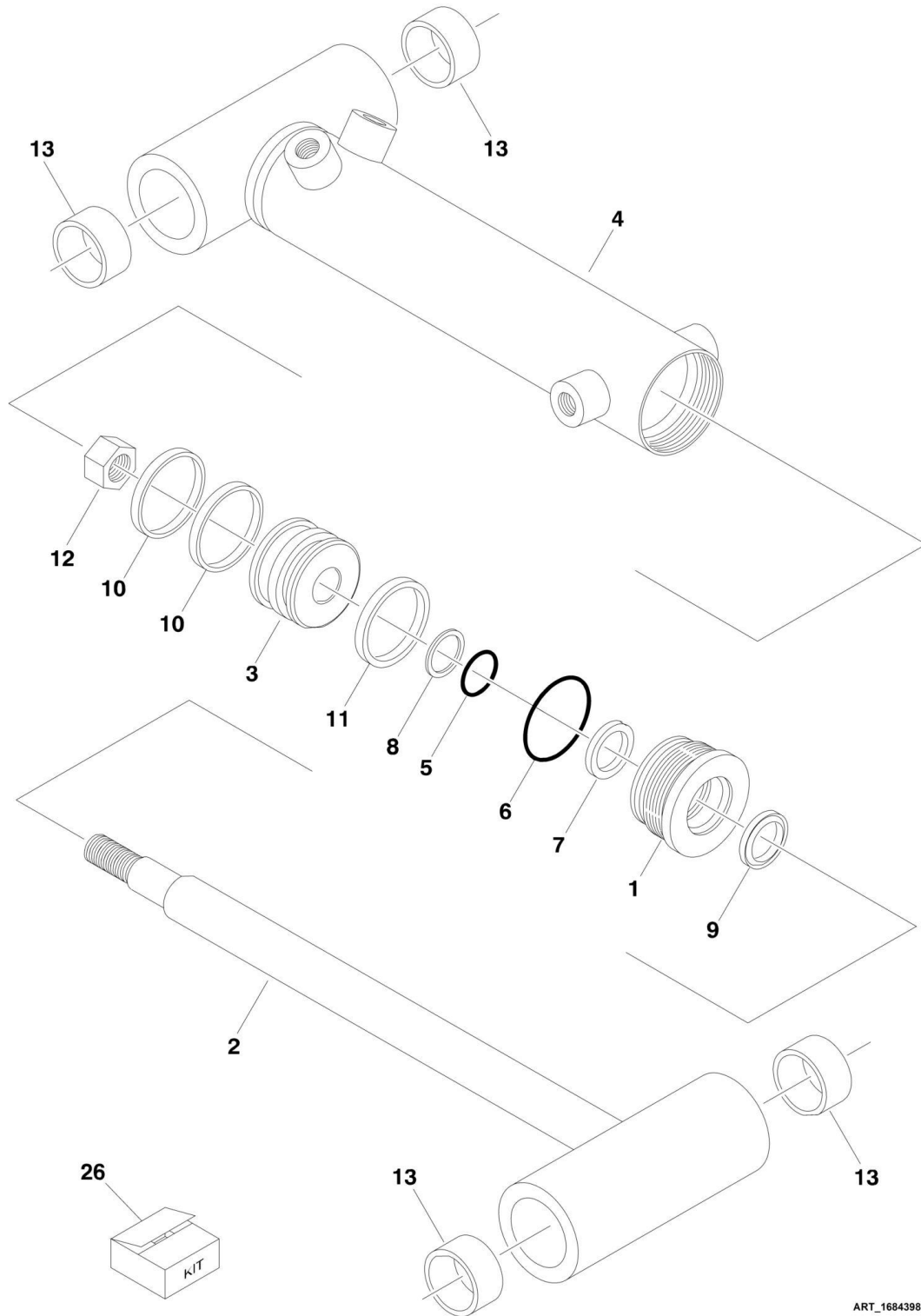
## SECTION 5 - CYLINDER

### FIGURE 5-2. LIFT CYLINDER ASSEMBLY

ITEM	PART NUMBER	QTY	DESCRIPTION	REV
	1684434	Ref	LIFT CYLINDER ASSEMBLY	F
		Ref	Note: Original Cylinder May Have Been Replaced with Service Replacement. Identify PN Stamped on Cylinder Before Ordering Parts.	
1	7027712	1	Head	
2	7027713	1	Rod	
3	7027714	1	Piston	
4	7027715	1	Barrel	
5	See Note	1	O-Ring (Note: Use Item 26)	
6	See Note	1	O-Ring (Note: Use Item 26)	
7	See Note	1	Ring, Back-up (Note: Use Item 26)	
8	See Note	1	Seal, Rod (Note: Use Item 26)	
9	See Note	1	Wiper (Note: Use Item 26)	
10	See Note	2	Ring, Wear (Note: Use Item 26)	
11	See Note	1	Seal, Piston (Note: Use Item 26)	
12	7027334	1	Locknut	
13	0961948	4	Bushing	
14	7024884	1	Cartridge Less Coil	
14	7012967	1	Seal Kit - 7024884 Cartridge	
14	7024885	1	Coil	
15	7012955	1	Cartridge, Check	
15	7012967	1	Seal Kit - 7012955 Cartridge	
16	4640438	1	Cartridge, Pilot Check	
16	2900770	1	Seal Kit - 4640438 Cartridge	
17	7024886	1	Cartridge, Relief	
17	7012972	1	Seal Kit - 7024886 Cartridge	
18	2220883	3	Plug	
19	See Note	1	Spacer (Note: Not available for purchase)	
20	70004315	1	Orifice	
26	7027716	1	Seal Kit (Includes Items 5-11)	

# SECTION 5 - CYLINDER

## FIGURE 5-3. MASTER CYLINDER ASSEMBLY



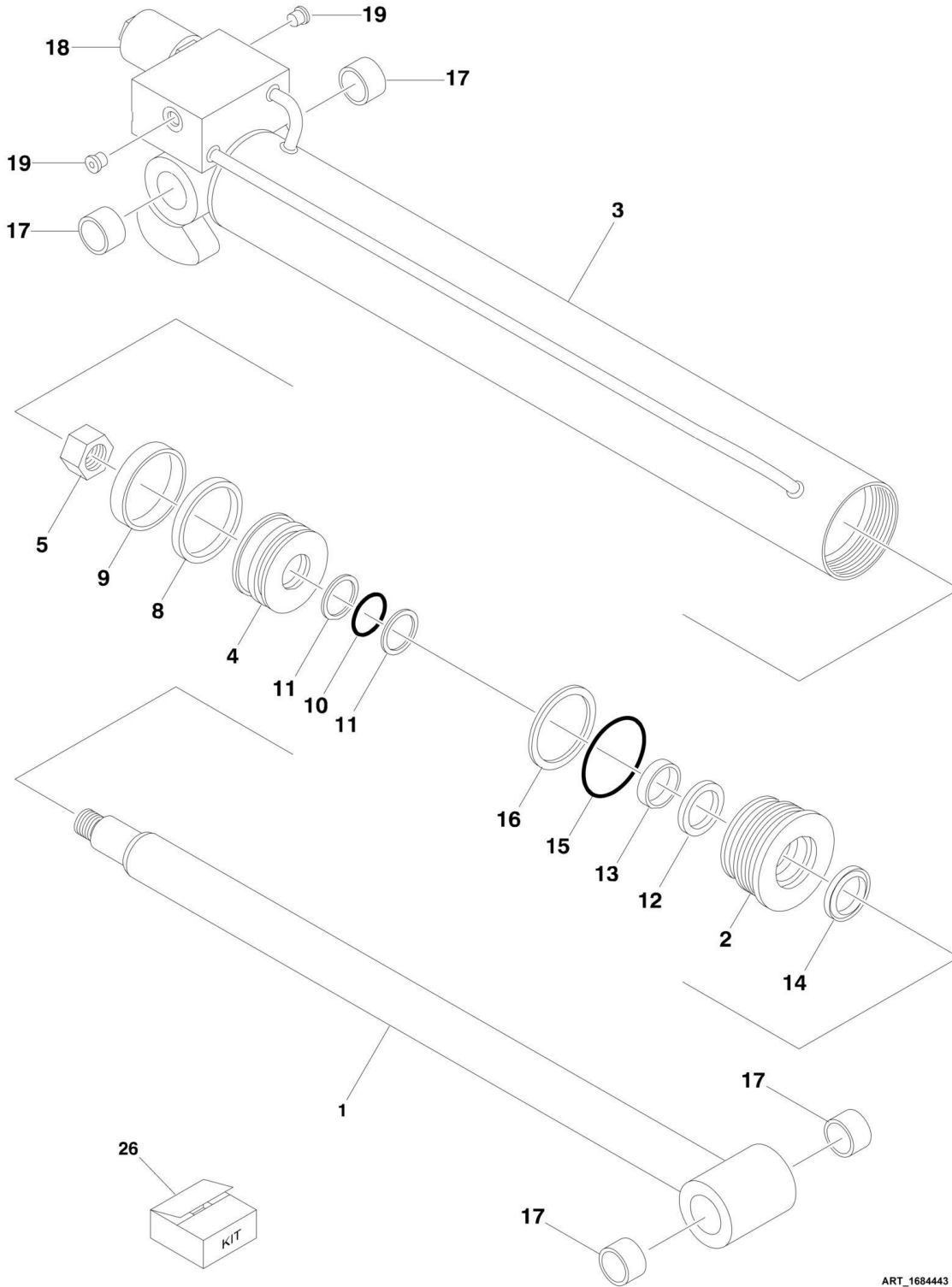
## SECTION 5 - CYLINDER

**FIGURE 5-3. MASTER CYLINDER ASSEMBLY**

ITEM	PART NUMBER	QTY	DESCRIPTION	REV
	1684398	Ref	MASTER CYLINDER ASSEMBLY	C
		Ref	Note: Original Cylinder May Have Been Replaced with Service Replacement. Identify PN Stamped on Cylinder Before Ordering Parts.	
1	7027694	1	Head	
2	7027699	1	Rod	
3	7027696	1	Piston	
4	7027700		Barrel	
5	See Note	1	O-Ring (Note: Use Item 26)	
6	See Note	1	O-Ring (Note: Use Item 26)	
7	See Note	1	Seal, Rod (Note: Use Item 26)	
8	See Note	1	Ring, Back-up (Note: Use Item 26)	
9	See Note	1	Wiper (Note: Use Item 26)	
10	See Note	2	Ring, Wear (Note: Use Item 26)	
11	See Note	1	Seal, Piston (Note: Use Item 26)	
12	7027340	1	Locknut	
13	0962257	4	Bushing	
26	7027698	1	Seal Kit (Includes Items 5-11)	

# SECTION 5 - CYLINDER

## FIGURE 5-4. OUTRIGGER CYLINDER ASSEMBLY



ART\_1684443

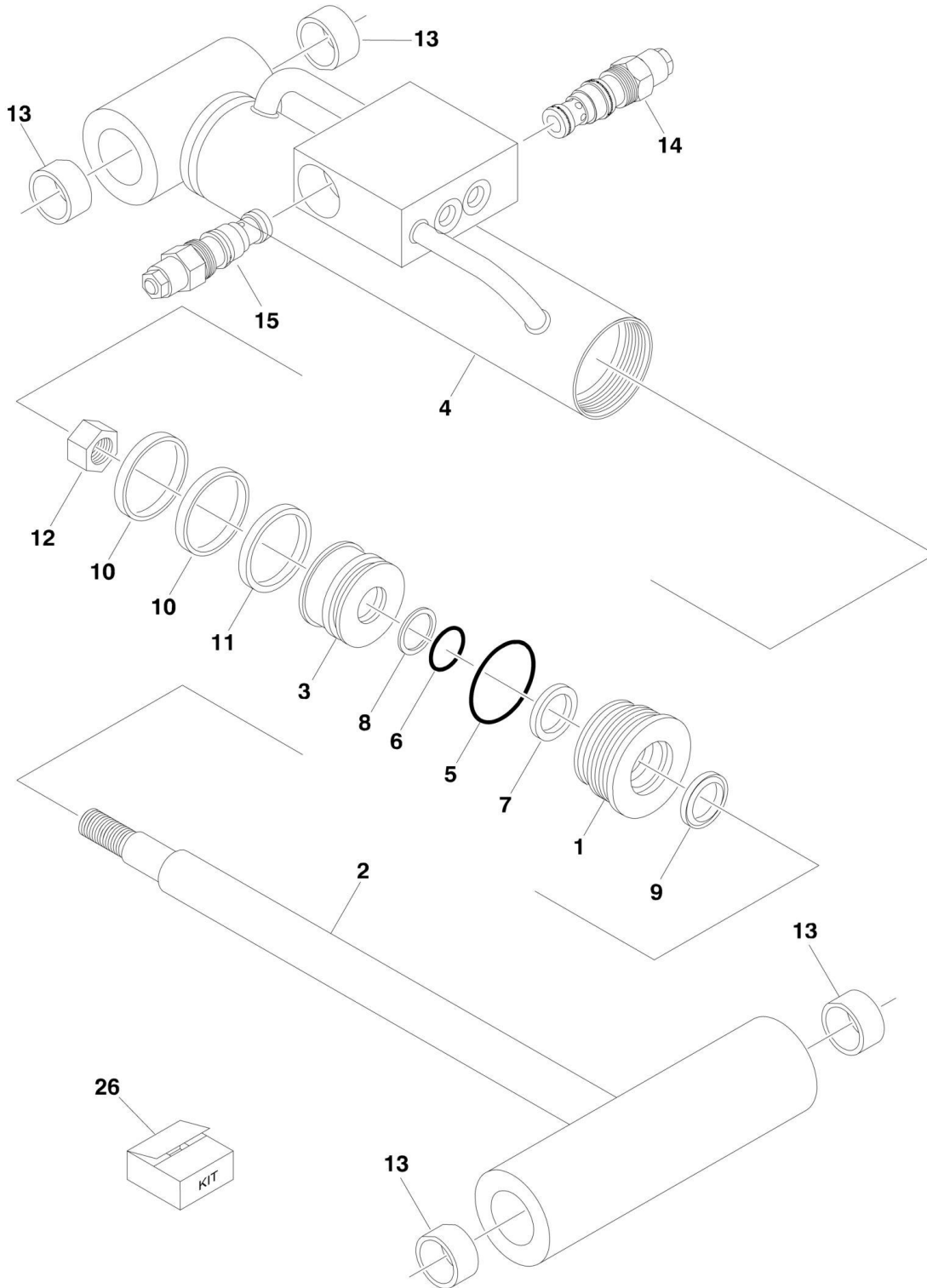
## SECTION 5 - CYLINDER

**FIGURE 5-4. OUTRIGGER CYLINDER ASSEMBLY**

ITEM	PART NUMBER	QTY	DESCRIPTION	REV
	1684443	Ref	OUTRIGGER CYLINDER ASSEMBLY	E
		Ref	Note: Original Cylinder May Have Been Replaced with Service Replacement. Identify PN Stamped on Cylinder Before Ordering Parts.	
1	7027320	1	Rod	
2	7027321	1	Head	
3	7027322	1	Barrel	
4	7027323	1	Piston	
5	7027324	1	Locknut	
8	See Note	1	T-Seal (Note: Use Item 26)	
9	See Note	1	Ring, Wear (Note: Use Item 26)	
10	See Note	1	O-Ring (Note: Use Item 26)	
11	See Note	2	Ring, Back-up (Note: Use Item 26)	
12	See Note	1	Seal, Rod (Note: Use Item 26)	
13	See Note	1	Ring, Wear (Note: Use Item 26)	
14	See Note	1	Wiper (Note: Use Item 26)	
15	See Note	1	O-Ring (Note: Use Item 26)	
16	See Note	1	Ring, Back-up (Note: Use Item 26)	
17	0961948	4	Bushing	
18	7024882	1	Cartridge Less Coil	
18	7012953	1	Seal Kit - 7024882 Cartridge	
18	7024883	1	Coil (Note: Orient Electrical Connector Toward Center of Cams.)	
19	See Note	2	Plug (Note: Not available for purchase)	
26	7027325	1	Seal Kit (Includes Items 8-16)	

# SECTION 5 - CYLINDER

## FIGURE 5-5. PLATFORM LEVEL CYLINDER ASSEMBLY



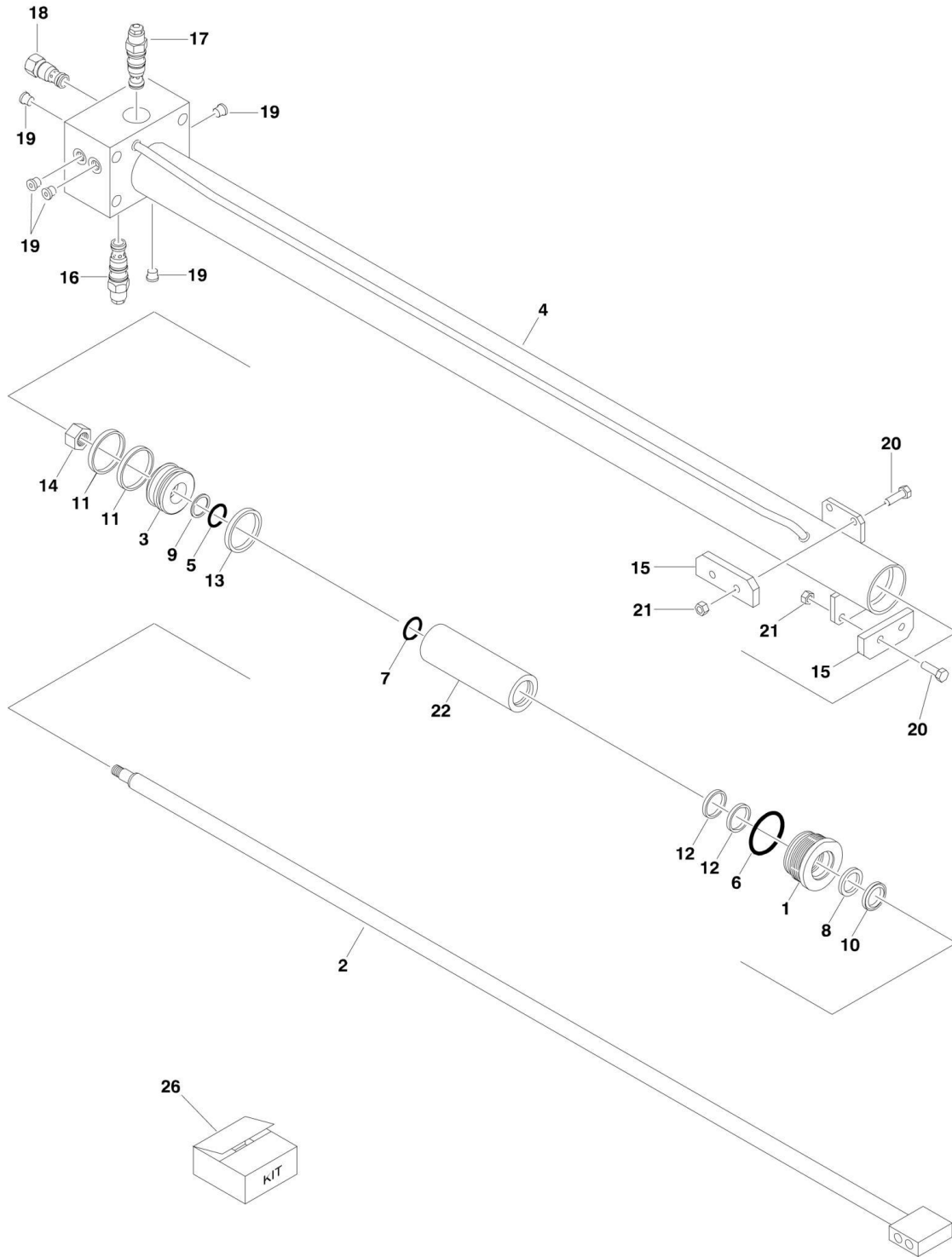
## SECTION 5 - CYLINDER

**FIGURE 5-5. PLATFORM LEVEL CYLINDER ASSEMBLY**

ITEM	PART NUMBER	QTY	DESCRIPTION	REV
	1684397	Ref	LEVEL (PLATFORM SLAVE) CYLINDER ASSEMBLY	D
		Ref	Note: Original Cylinder May Have Been Replaced with Service Replacement. Identify PN Stamped on Cylinder Before Ordering Parts.	
1	7027694	1	Head	
2	7027695	1	Rod	
3	7027696	1	Piston	
4	7027697	1	Barrel	
5	7027698	1	O-Ring	
6	7027698	1	O-Ring	
7	7027698	1	Seal, Rod	
8	7027698	1	Ring, Back-up	
9	7027698	1	Wiper	
10	7027698	2	Ring, Wear	
11	7027698	1	Seal, Piston	
12	7027340	1	Locknut	
13	0961947	4	Bushing	
14	7011377	1	Cartridge	
14	7011358	1	Seal Kit - 7011377 Cartridge	
15	7011378	1	Cartridge	
15	2900770	1	Seal Kit - 7011378 Cartridge	
26	7027698	1	Seal Kit (Includes Items 5-11)	

# SECTION 5 - CYLINDER

## FIGURE 5-6. TELESCOPE CYLINDER ASSEMBLY



ART\_1684402



## SECTION 5 - CYLINDER

**FIGURE 5-6. TELESCOPE CYLINDER ASSEMBLY**

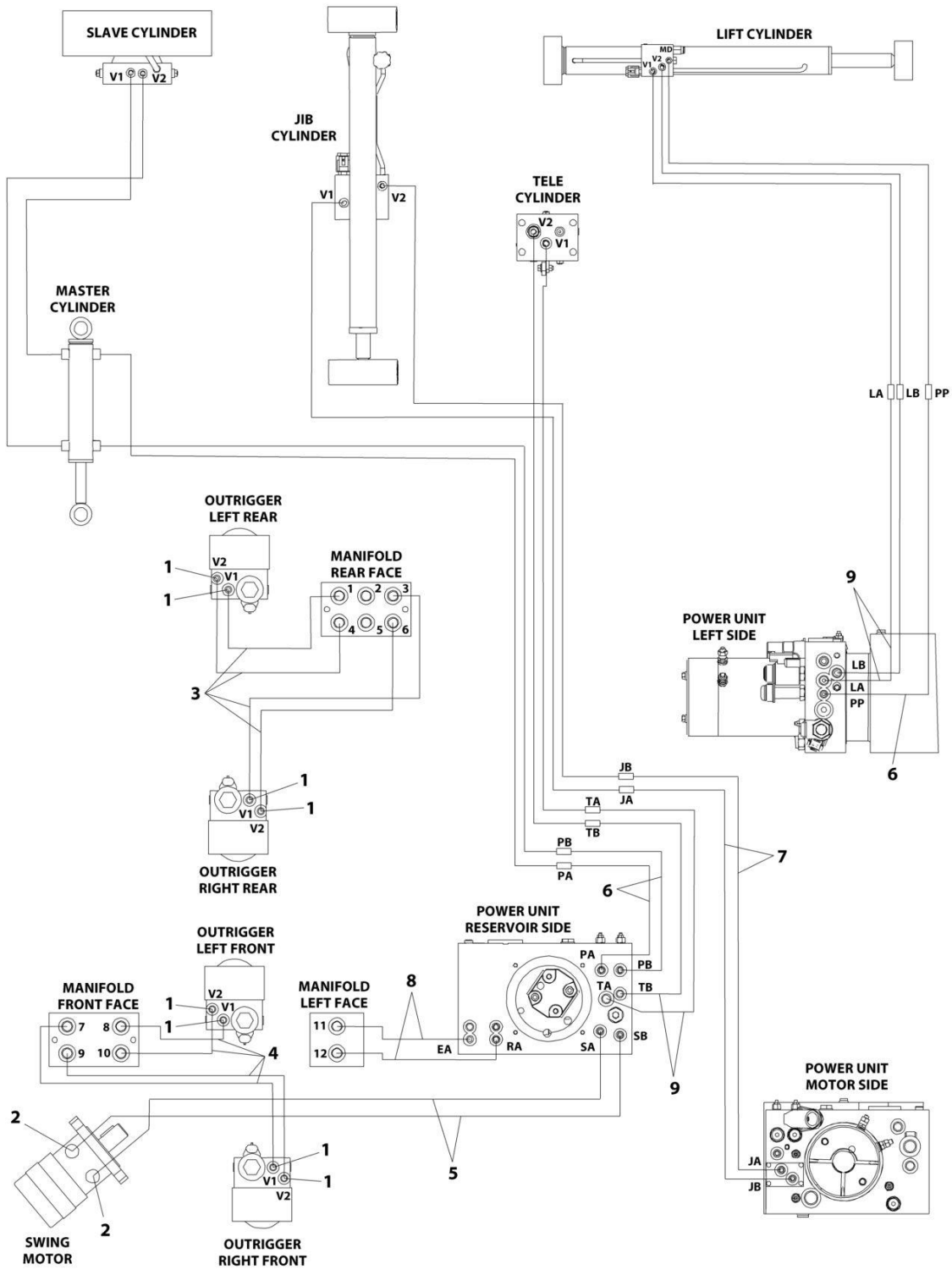
ITEM	PART NUMBER	QTY	DESCRIPTION	REV
	1684402	Ref	TELESCOPE CYLINDER ASSEMBLY	F
		Ref	Note: Original Cylinder May Have Been Replaced with Service Replacement. Identify PN Stamped on Cylinder Before Ordering Parts.	
1	7027701	1	Head	
2	7027702	1	Rod	
3	7027703	1	Piston	
4	7027704	1	Barrel	
5	See Note	1	O-Ring (Note: Use Item 26)	
6	See Note	1	O-Ring (Note: Use Item 26)	
7	See Note	1	O-Ring (Note: Use Item 26)	
8	See Note	1	Seal, Rod (Note: Use Item 26)	
9	See Note	1	Ring, Back-up (Note: Use Item 26)	
10	See Note	1	Wiper (Note: Use Item 26)	
11	See Note	2	Ring, Wear (Note: Use Item 26)	
12	See Note	2	Ring, Wear (Note: Use Item 26)	
13	See Note	1	Seal, Piston (Note: Use Item 26)	
14	7027705	1	Locknut	
15	7027706	2	Pad, Wear	
16	7011377	2	Cartridge, Counterbalance	
16	7011358	2	Seal Kit - 7011377 Cartridge	
17	7011379	2	Cartridge, Counterbalance	
17	2900770	2	Seal Kit - 7011379 Cartridge	
18	4641285	1	Cartridge, Shuttle	
18	7011311	1	Seal Kit - 4641285 Cartridge	
19	2220883	5	Plug	
20	0641510	4	Bolt 5/16 x 1 1/4	
21	3311505	4	Nut 5/16	
22	See Note	1	Spacer (Note: Not available for purchase)	
26	7027707	1	Seal Kit (Includes Items 5-13)	



**SECTION 6 - HYDRAULIC**

# SECTION 6 - HYDRAULIC

FIGURE 6-1. HYDRAULIC DIAGRAM - CHASSIS (ELECTRIC POWERED MACHINES) (ET500J)



ART\_2792668

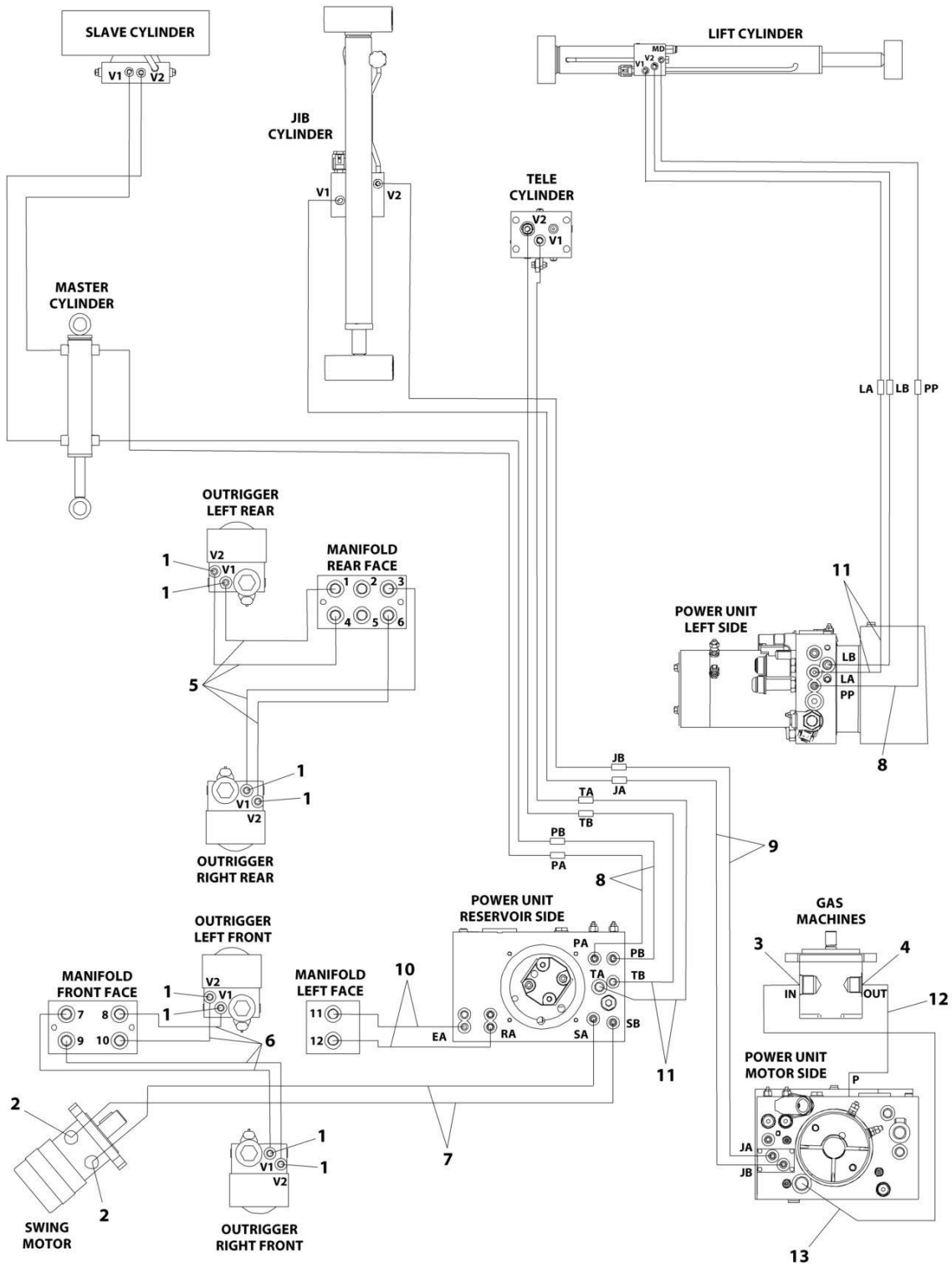
## SECTION 6 - HYDRAULIC

**FIGURE 6-1. HYDRAULIC DIAGRAM - CHASSIS (ELECTRIC POWERED MACHINES) (ET500J)**

ITEM	PART NUMBER	QTY	DESCRIPTION	REV
	2792668	Ref	HYDRAULIC DIAGRAM - CHASSIS	2
	1283401	Ref	HYDRAULIC DIAGRAM - CHART DRAWING	F
1	2110404	8	Fitting, Straight	
2	2110410	2	Fitting, Straight	
3	2753540	4	Hose	
4	2753541	4	Hose	
5	2753622	2	Hose	
6	2753784	3	Hose	
7	2754263	2	Hose	
8	2754265	2	Hose	
9	2753727	4	Hose	

# SECTION 6 - HYDRAULIC

FIGURE 6-2. HYDRAULIC DIAGRAM - CHASSIS (ENGINE POWERED MACHINES) (T500J)



ART\_2792669

## SECTION 6 - HYDRAULIC

**FIGURE 6-2. HYDRAULIC DIAGRAM - CHASSIS (ENGINE POWERED MACHINES) (T500J)**

ITEM	PART NUMBER	QTY	DESCRIPTION	REV
	2792669	Ref	HYDRAULIC DIAGRAM - CHASSIS	4
	1283401	Ref	HYDRAULIC DIAGRAM - CHART DRAWING	F
1	2110404	8	Fitting, Straight	
2	2110410	2	Fitting, Straight	
3	2151612	1	Fitting, Straight	
4	2130610	1	Fitting, Straight	
5	2753540	4	Hose	
6	2753541	4	Hose	
7	2753622	2	Hose	
8	2753784	3	Hose	
9	2754263	2	Hose	
10	2754265	2	Hose	
11	2753727	4	Hose	
12	2753626	1	Hose	
13	1001110688	1	Hose	

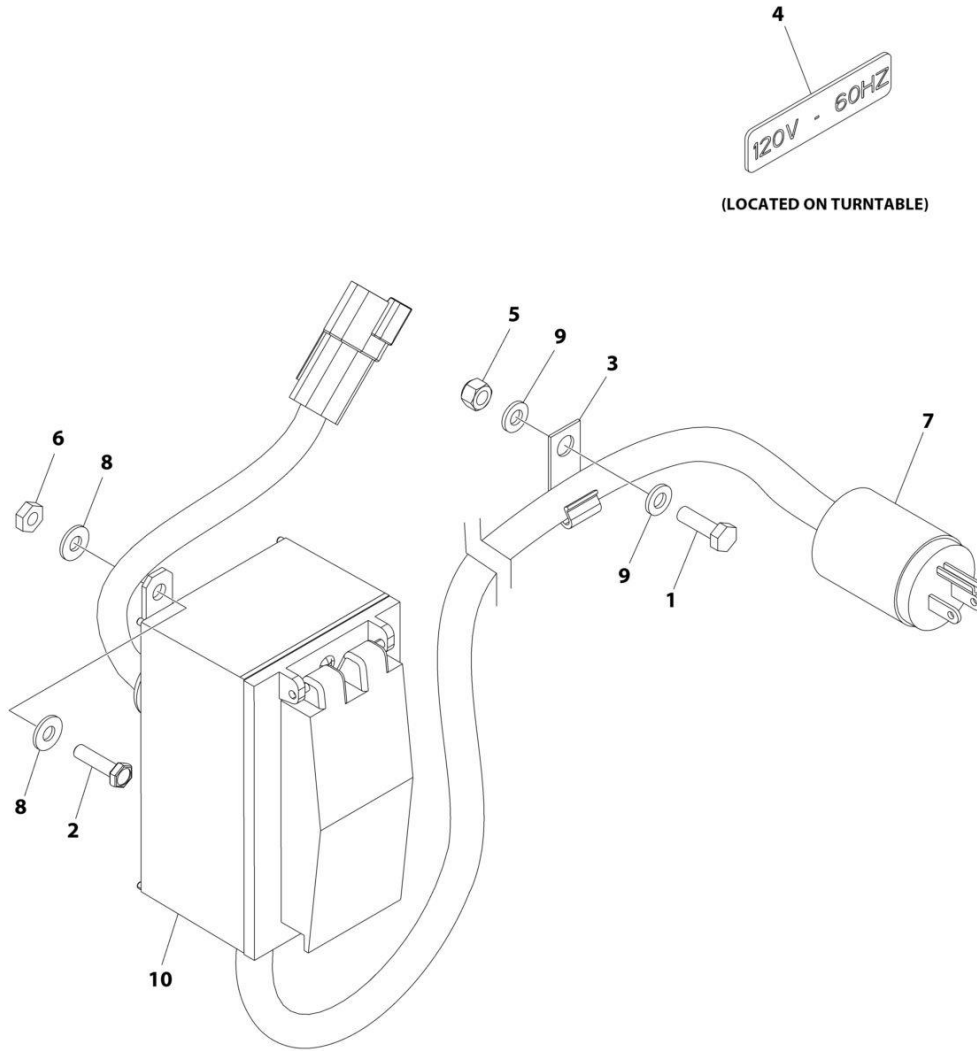




**SECTION 7 - ELECTRICAL**

# SECTION 7 - ELECTRICAL

## FIGURE 7-1. AC BOX AT PLATFORM INSTALLATION - 110V GFI



ART\_1001289924

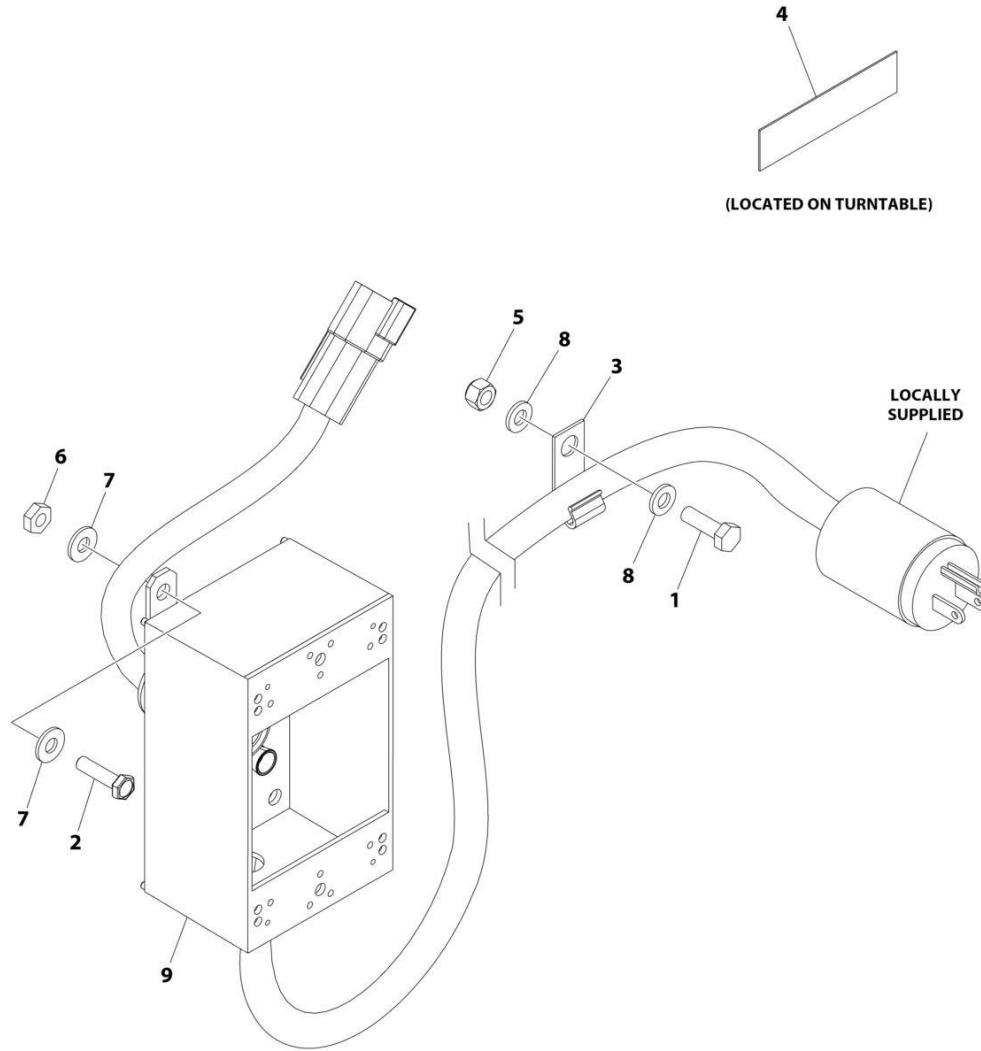
## SECTION 7 - ELECTRICAL

FIGURE 7-1. AC BOX AT PLATFORM INSTALLATION - 110V GFI

ITEM	PART NUMBER	QTY	DESCRIPTION	REV
	1001289924	Ref	AC BOX INSTALLATION - 110V GFI	A
1	0700610	1	Bolt M6 x 20	
2	0721006	2	Screw #10 x 3/4	
3	1320222	1	J-Clip	
4	3251243	1	Decal - 120V - 60HZ	
5	3290605	1	Nut M6	
6	3311005	2	Nut #10	
7	4460138	1	Plug	
8	4711000	4	Washer #10	
9	4811700	2	Washer M6	
10	1001286252	1	AC Receptacle Box Assembly (See Separate Breakdown in this Section)	

# SECTION 7 - ELECTRICAL

## FIGURE 7-2. AC BOX AT PLATFORM INSTALLATION - NO RECEIPT



ART\_1001289925

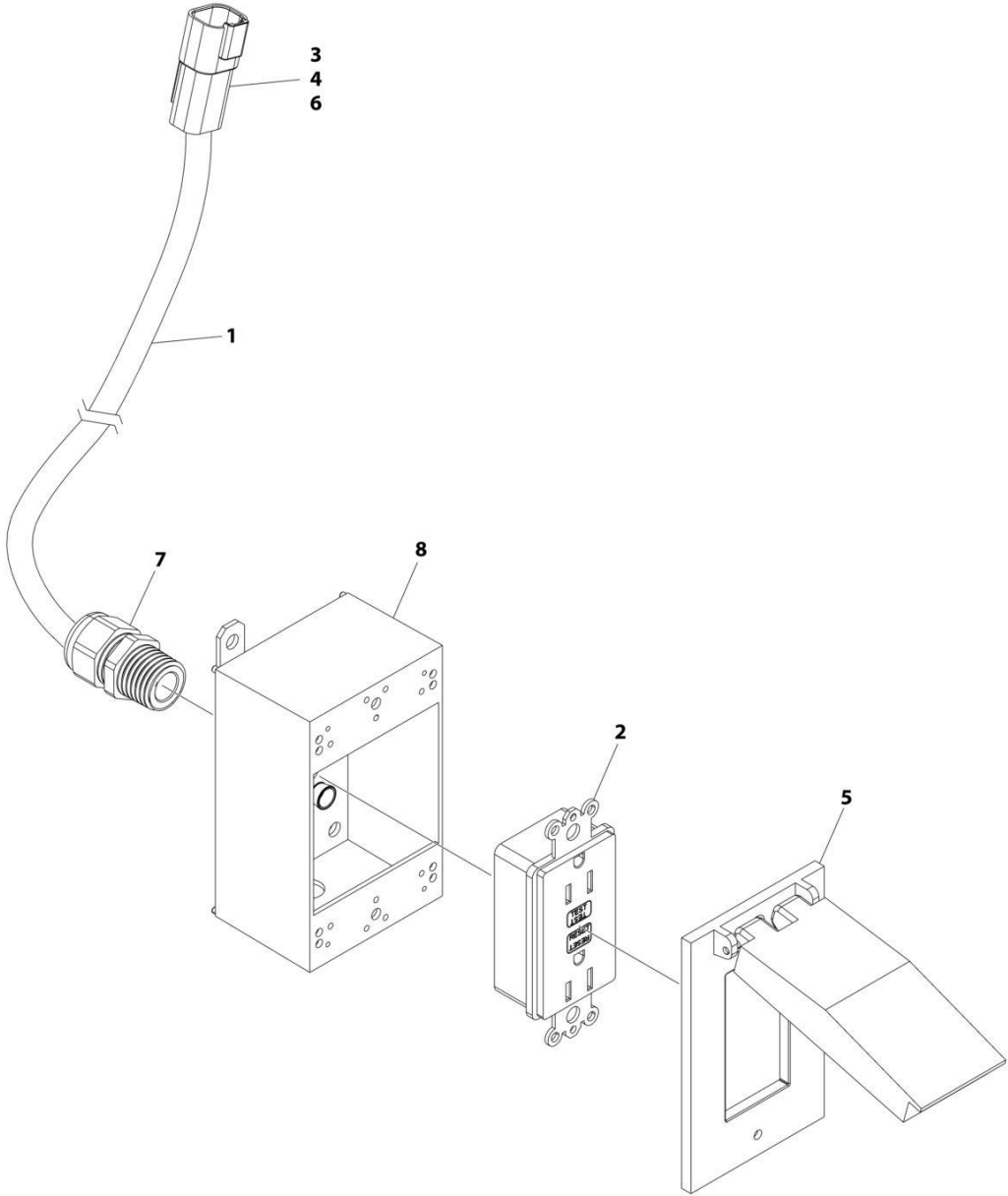
## SECTION 7 - ELECTRICAL

**FIGURE 7-2. AC BOX AT PLATFORM INSTALLATION - NO RECEIPT**

ITEM	PART NUMBER	QTY	DESCRIPTION	REV
	1001289925	Ref	AC BOX INSTALLATION - LOCALLY SUPPLIED COMPONENTS	A
1	0700610	1	Bolt M6 x 20	
2	0721006	2	Screw #10 x 3/4	
3	1320222	1	J-Clip	
4	3252507	1	Decal - 220V	
5	3290605	1	Nut M6	
6	3311005	2	Nut #10	
7	4711000	4	Washer #10	
8	4811700	2	Washer M6	
9	1001287285	1	AC No Receptacle Box Assembly (See Separate Breakdown in this Section)	

**SECTION 7 - ELECTRICAL**

**FIGURE 7-3. AC RECEPTABLE BOX ASSEMBLY - 110V GFI**



ART\_1001286252

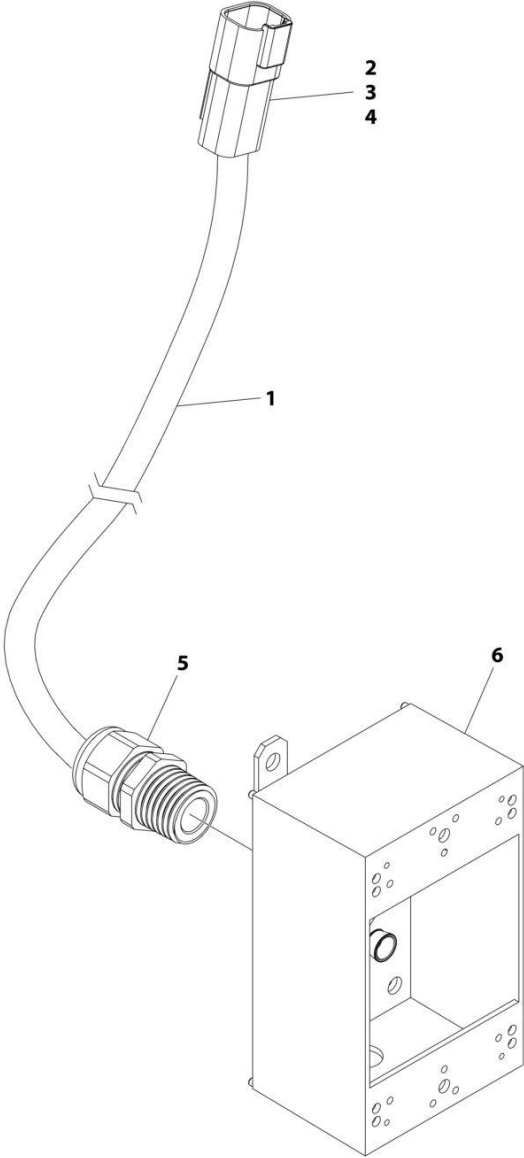
## SECTION 7 - ELECTRICAL

### FIGURE 7-3. AC RECEPTABLE BOX ASSEMBLY - 110V GFI

ITEM	PART NUMBER	QTY	DESCRIPTION	REV
	1001286252	Ref	AC RECEPTABLE BOX ASSEMBLY	A
1	1060908	2 ft/0.6m	Cable, Receptacle	
2	4460346	1	Terminal, Receptacle (110V GFI)	
3	4460466	1	Terminal, Plug	
4	4460508	3	Terminal, Pin	
5	1001110873	1	Cover, Receptacle	
6	1001116811	1	Connector	
7	1001213793	1	Connector, Strain Relief	
8	1001286126	1	Box, Switch	

**SECTION 7 - ELECTRICAL**

**FIGURE 7-4. AC RECEPTABLE BOX ASSEMBLY - NO RECEPT**



ART\_1001287285



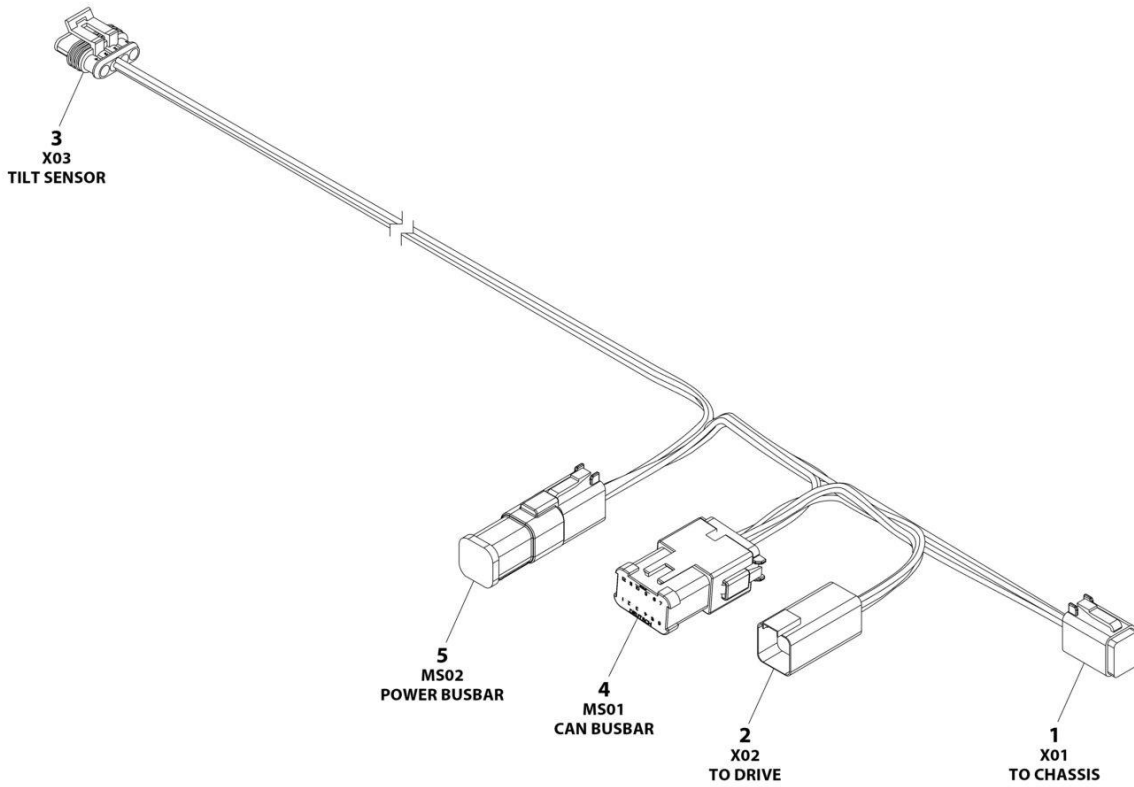
## SECTION 7 - ELECTRICAL

### FIGURE 7-4. AC RECEPTABLE BOX ASSEMBLY - NO RECEIPT

ITEM	PART NUMBER	QTY	DESCRIPTION	REV
	1001287285	Ref	AC BOX ASSEMBLY - LOCALLY SUPPLIED COMPONENTS	A
1	1060908	2 ft/0.6m	Cable, Receptacle	
2	4460466	1	Terminal, Plug	
3	4460508	3	Terminal, Pin	
4	1001116811	1	Connector	
5	1001213793	1	Connector, Strain Relief	
6	1001286126	1	Box, Switch	

# SECTION 7 - ELECTRICAL

FIGURE 7-5. ADD ON HARNESS (SN 0030016956 to Present, SN 0030016975 to Present)



ART\_1001297192

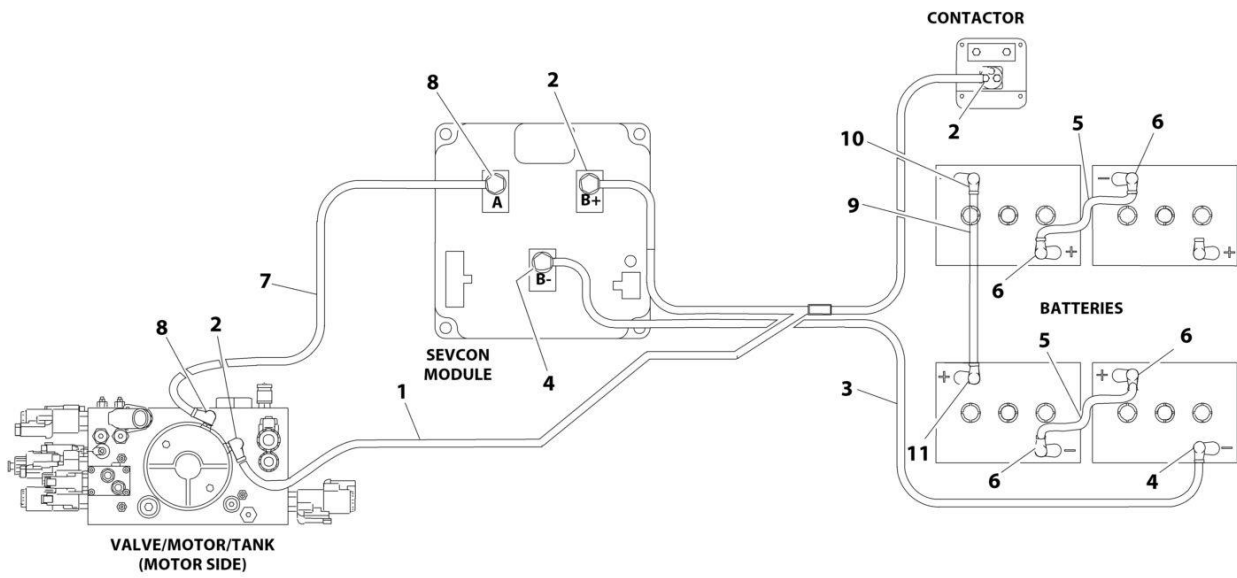
## SECTION 7 - ELECTRICAL

**FIGURE 7-5. ADD ON HARNESS (SN 0030016956 to Present, SN 0030016975 to Present)**

ITEM	PART NUMBER	QTY	DESCRIPTION	REV
	1001297192	Ref	ADD ON HARNESS	A
1	4460894	1	Connector	
1	4460465	5	Socket	
1	4460466	1	Plug	
2	4460899	1	Connector	
2	4460464	5	Pin	
2	4460466	1	Plug	
3	1001103012	1	Connector	
3	1001107854	4	Socket	
4	4460933	1	Connector	
4	4460465	8	Socket	
4	4460466	4	Plug	
5	4460894	1	Connector	
5	4460465	6	Socket	

# SECTION 7 - ELECTRICAL

## FIGURE 7-6. BATTERY CABLE KIT (ELECTRIC POWERED MACHINES) (ET500J)



ART\_4923428

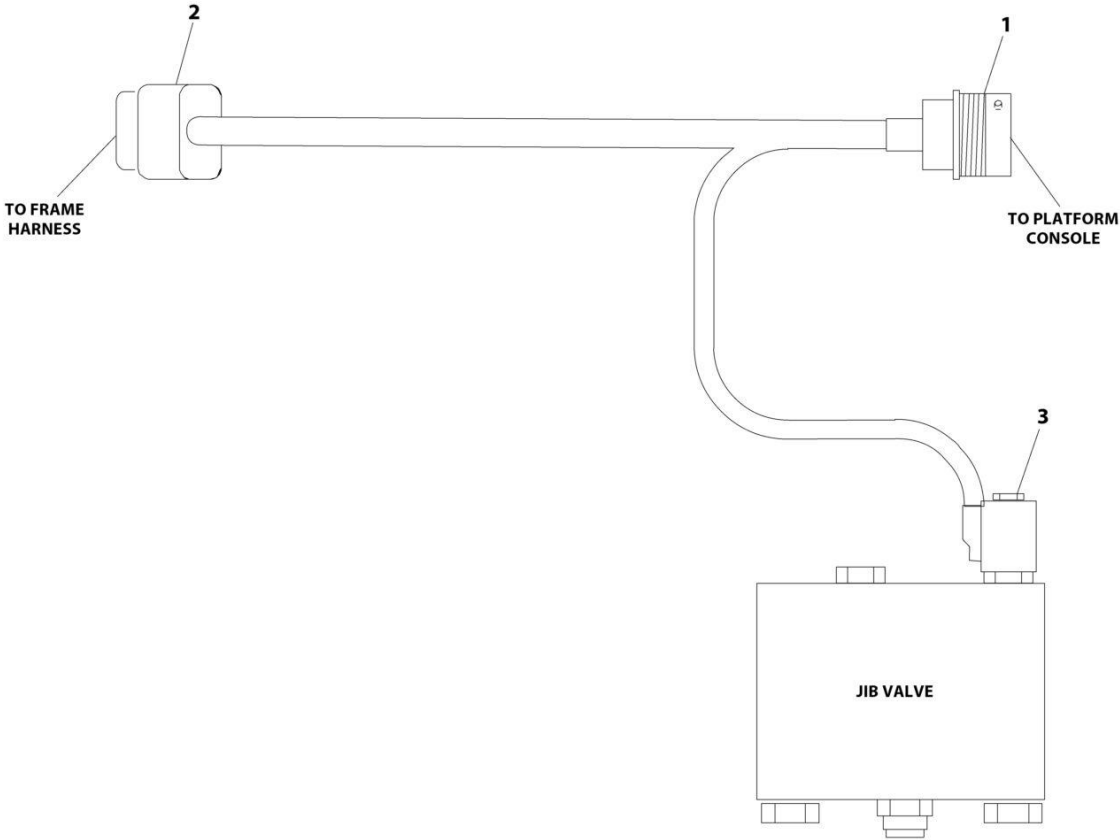
## SECTION 7 - ELECTRICAL

**FIGURE 7-6. BATTERY CABLE KIT (ELECTRIC POWERED MACHINES) (ET500J)**

ITEM	PART NUMBER	QTY	DESCRIPTION	REV
	4923428	Ref	BATTERY CABLE KIT (ELECTRIC POWERED MACHINES)	D
1	See Note	1	Battery Cable - Contactor To Sevcon "B+" to Pump + (Note : Not Available for Purchase)	
2	70000235	3	Boot (Red)	
3	See Note	1	Battery Cable - Batteries to Sevcon Controller (Note : Not Available for Purchase)	
4	70000236	2	Boot (Black)	
5	See Note	2	Harness, Jumper (Note : Not Available for Purchase)	
6	70000235	4	Boot (Red)	
7	See Note	1	Cable, Electrical (Black) - Sevcon "A" to Pump - (Note : Not Available for Purchase)	
8	70000236	2	Boot (Black)	
9	See Note	1	Cable, Battery (Note : Not Available for Purchase)	
10	70000236	1	Boot (Black)	
11	70000235	1	Boot (Red)	

**SECTION 7 - ELECTRICAL**

**FIGURE 7-7. BOOM CABLE, HARNESS**



ART\_4923102

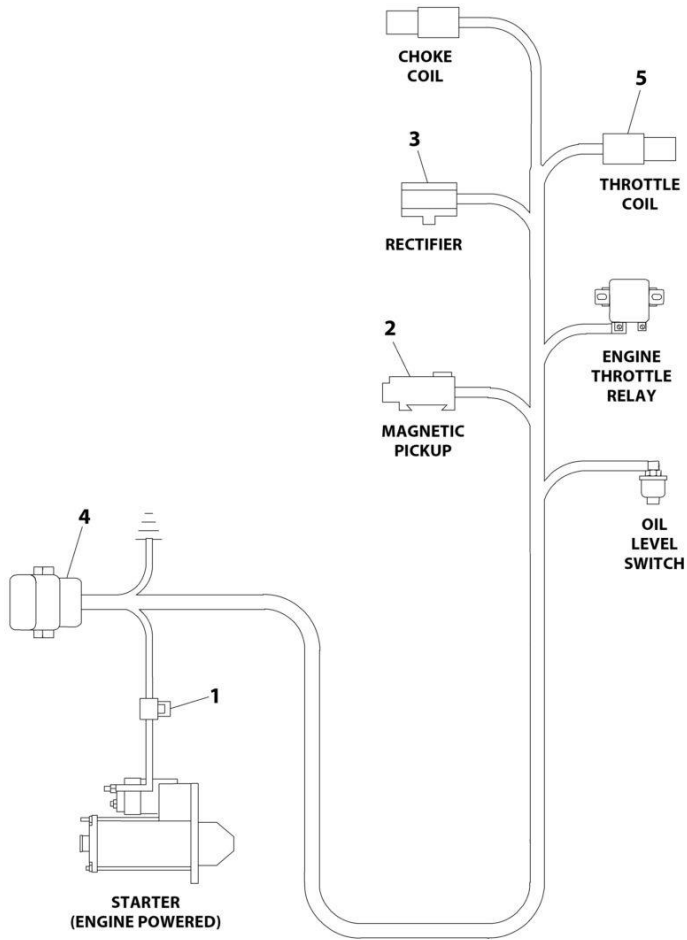
## SECTION 7 - ELECTRICAL

### FIGURE 7-7. BOOM CABLE, HARNESS

ITEM	PART NUMBER	QTY	DESCRIPTION	REV
	4923102	Ref	BOOM CABLE, HARNESS	F
1	4461016	1	Connector - 14 Position	
1	4460464	9	Pin, Male	
1	4460941	3	Pin, Gold Male	
1	3730119	1	Resistor	
2	4460933	1	Connector - 12 Position	
2	4460465	9	Socket, Female	
2	4460942	3	Socket, Gold Female	
3	4460891	1	Connector - 2 Position	
3	4460465	2	Socket, Female	

# SECTION 7 - ELECTRICAL

## FIGURE 7-8. ENGINE HARNESS (ENGINE POWERED MACHINES) (T500J)



ART\_1001128929



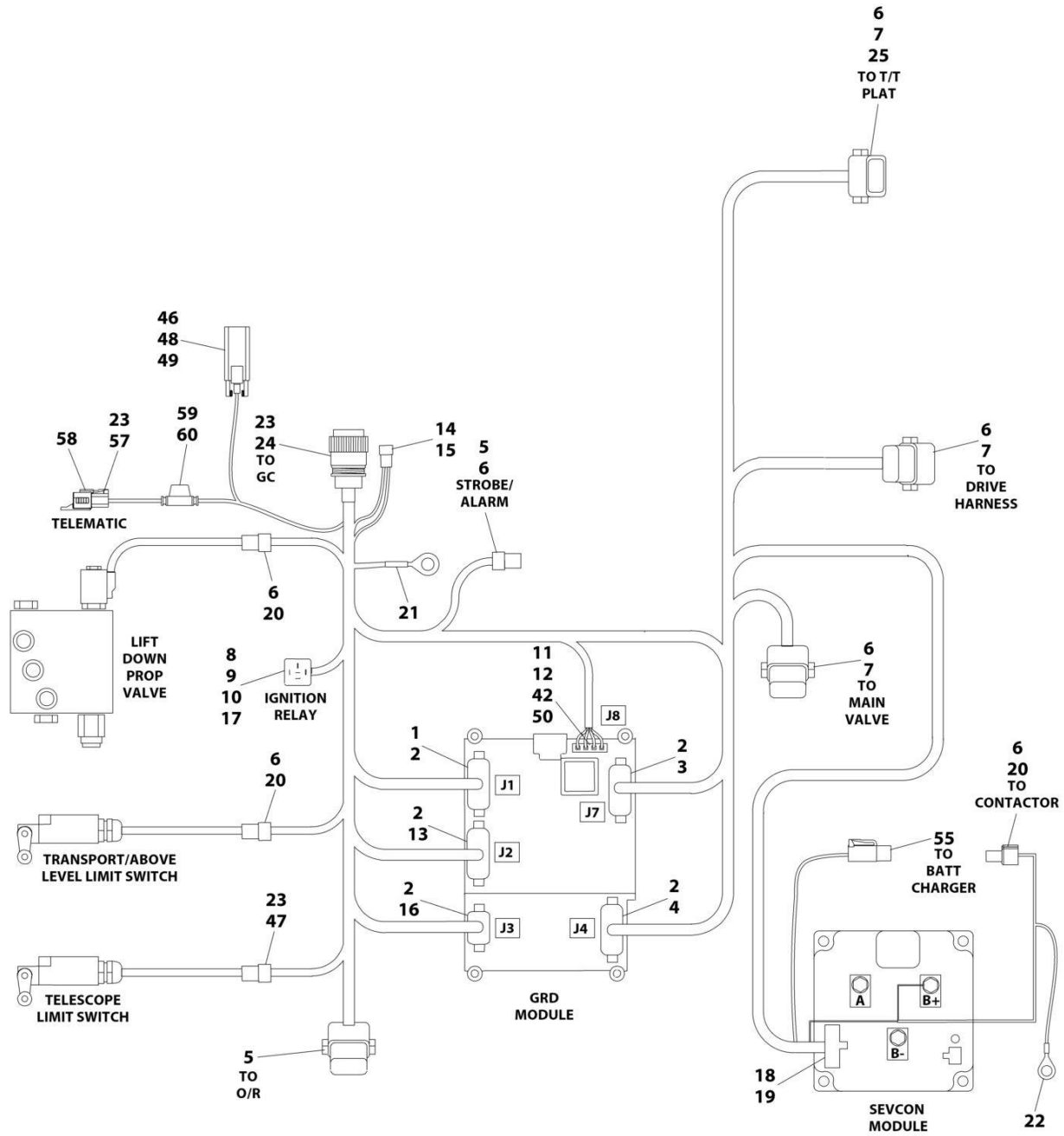
## SECTION 7 - ELECTRICAL

**FIGURE 7-8. ENGINE HARNESS (ENGINE POWERED MACHINES) (T500J)**

ITEM	PART NUMBER	QTY	DESCRIPTION	REV
	1001128929	Ref	ENGINE HARNESS	E
	3990010	2	Diode, 6Amp	
1	2400057	1	Fuse 15 Amp	
1	2400060	1	Fuseholder	
2	4461047	1	Plug, Male - 2 Position	
2	4461046	2	Terminal, Spade	
3	4461049	1	Receptacle, Female - 6 Position	
3	4461048	5	Terminal, Slip-On	
4	4460930	1	Connector - 8 Position	
4	4460965	7	Socket, Female	
5	4460959	1	Plug, Male - 3 Position	
5	4460457	3	Socket, Female	
5	4460458	3	Seal, Terminal	

# SECTION 7 - ELECTRICAL

## FIGURE 7-9. FRAME HARNESS - ELECTRICAL POWERED MACHINES (ET500J)



ART\_1001288732

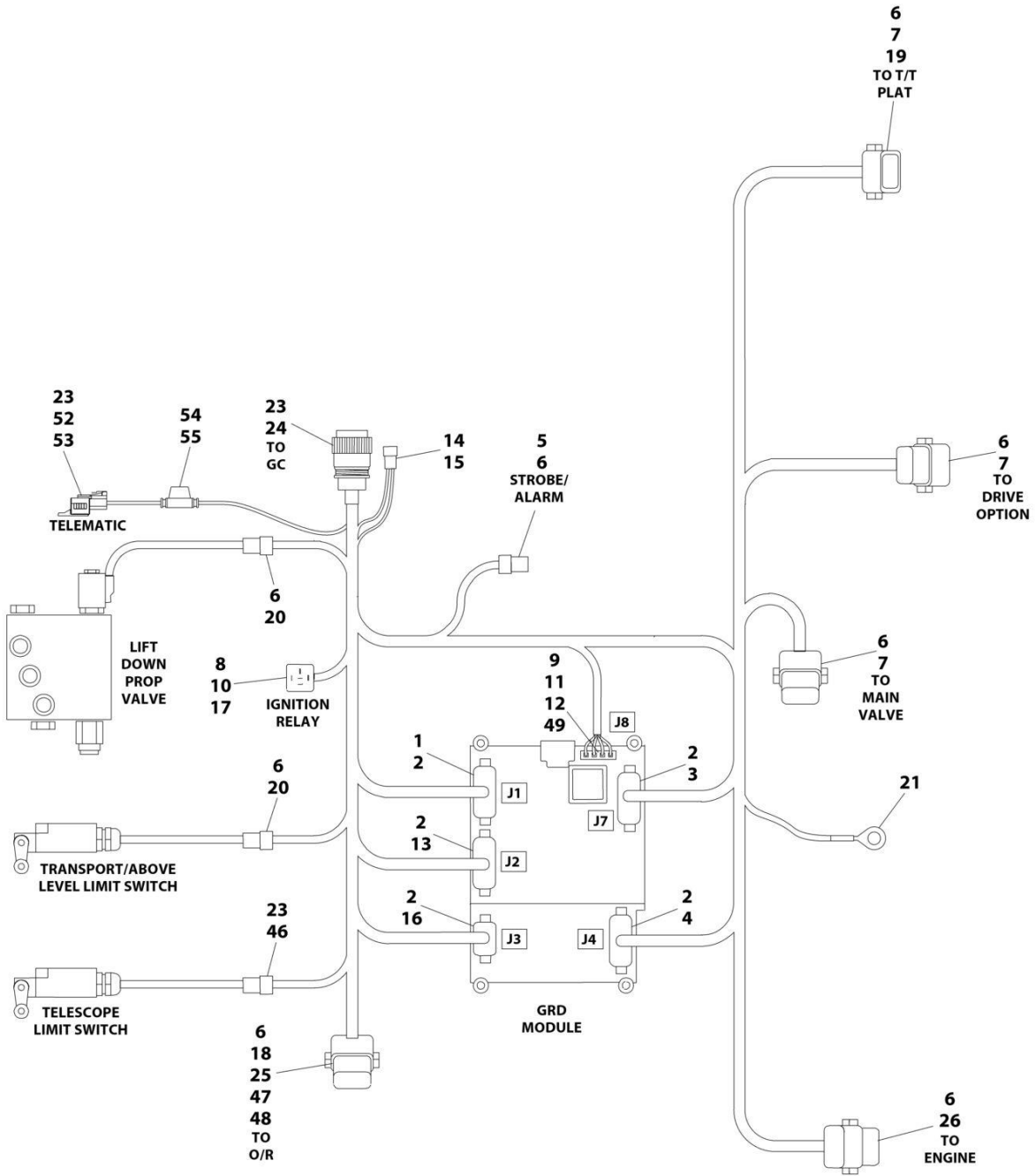
## SECTION 7 - ELECTRICAL

**FIGURE 7-9. FRAME HARNESS - ELECTRICAL POWERED MACHINES (ET500J)**

ITEM	PART NUMBER	QTY	DESCRIPTION	REV
	1001288732	Ref	FRAME HARNESS - ELECTRICAL POWERED MACHINES	A
1	4460874	1	Connector	
2	4460871	68	Socket	
3	4460873	1	Connector	
4	4460876	1	Connector	
5	4460932	2	Connector	
6	4460464	46	Pin	
7	4460970	3	Connector	
8	4460297	3	Socket	
9	4460259	1	Socket	
10	4460260	4	Connector	
11	4460878	1	Connector	
12	4460887	2	Socket	
13	4460875	1	Connector	
14	4460509	2	Socket	
15	4461018	1	Connector	
16	4460872	1	Connector	
17	3990010	2	Diode, 6 Amp	
18	4461051	1	Connector	
19	4461023	4	Socket	
20	4460897	3	Connector	
21	4460312	1	Terminal, Ring	
22	4460722	2	Terminal, Ring	
23	4460465	44	Socket	
24	4461020	1	Connector	
25	4460943	6	Pin (Gold)	
42	3990112	1	Varistor	
46	4460899	1	Connector	
47	4460891	1	Connector	
48	4460894	1	Connector	
49	4460466	6	Seal, Plug	
50	4461271	2	Socket	
55	4460019	2	Terminal, Ring	
57	4460884	1	Connector	
58	1001192401	1	Dust Cap, Connector	
59	2400060	1	Fuseholder	
60	8229242	1	Fuse, 5 Amp	

# SECTION 7 - ELECTRICAL

## FIGURE 7-10. FRAME HARNESS - ENGINE POWERED MACHINES (T500J)



ART\_1001288733

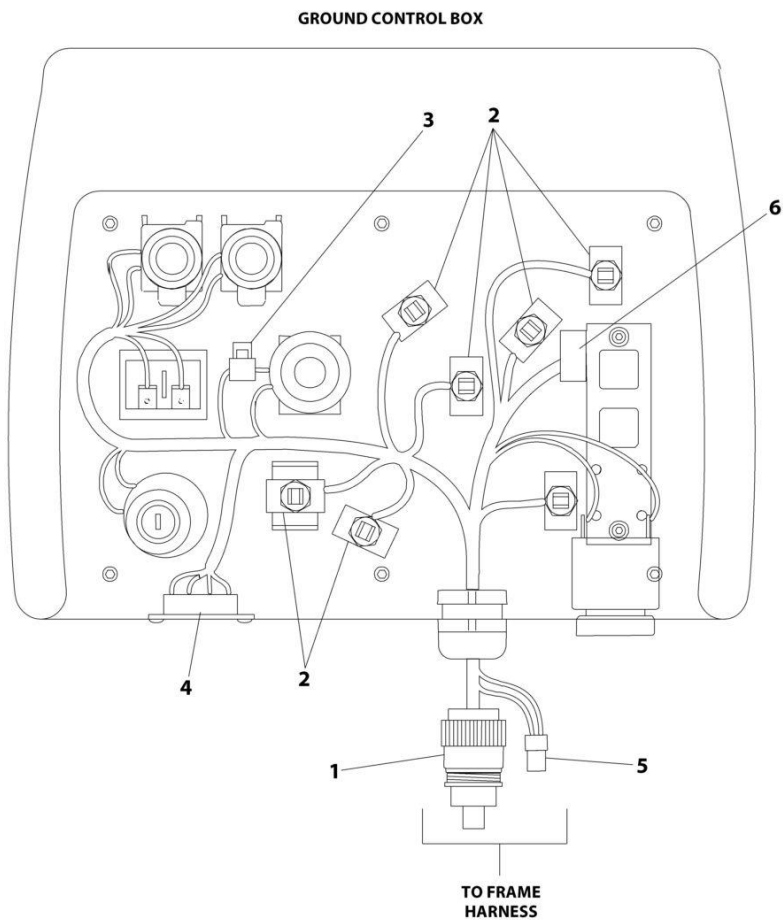
## SECTION 7 - ELECTRICAL

**FIGURE 7-10. FRAME HARNESS - ENGINE POWERED MACHINES (T500J)**

ITEM	PART NUMBER	QTY	DESCRIPTION	REV
	1001288733	Ref	FRAME HARNESS - GAS POWERED MACHINES	A
1	4460874	1	Connector	
2	4460871	76	Socket	
3	4460873	1	Connector	
4	4460876	1	Connector	
5	4460932	1	Connector	
6	4460464	48	Pin	
7	4460970	3	Connector	
8	4460297	4	Socket	
9	3990111	1	Varistor	
10	4460260	4	Connector	
11	4460878	1	Connector	
12	4460887	4	Socket	
13	4460875	1	Connector	
14	4460509	2	Socket	
15	4461018	1	Connector	
16	4460872	1	Connector	
17	3990010	2	Diode, 6 Amp	
18	4460941	3	Pin	
19	4460943	3	Pin (Gold)	
20	4460897	2	Connector	
21	4460019	2	Terminal, Ring	
23	4460465	36	Socket	
24	4461020	1	Connector	
25	4460899	1	Connector	
26	4460931	1	Connector	
46	4460891	1	Connector	
47	4460894	1	Connector	
48	4460466	6	Seal, Plug	
49	4461271	2	Socket	
52	4460884	1	Connector	
53	1001192401	1	Dust Cap, Connector	
54	2400060	2	Fuseholder	
55	8229242	2	Fuse, 5 Amp	

# SECTION 7 - ELECTRICAL

## FIGURE 7-11. GROUND CONTROL BOX HARNESS (ELECTRIC POWRED MACHINES) (ET500J)



ART\_4923118

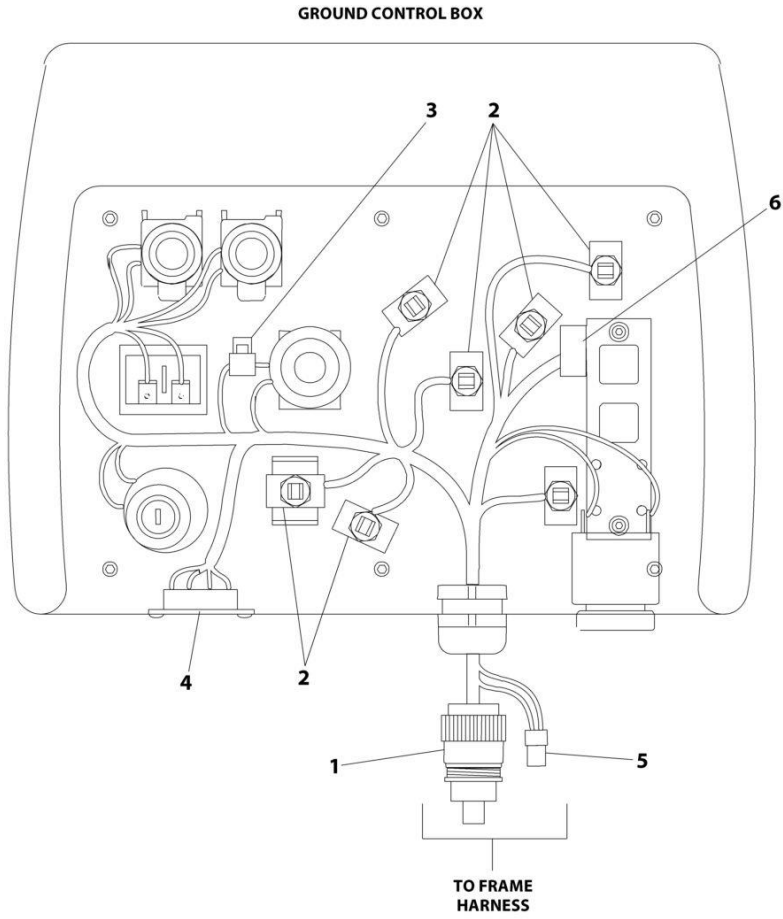
## SECTION 7 - ELECTRICAL

**FIGURE 7-11. GROUND CONTROL BOX HARNESS (ELECTRIC POWRED MACHINES) (ET500J)**

ITEM	PART NUMBER	QTY	DESCRIPTION	REV
	4923118	Ref	GROUND CONTROL BOX HARNESS (ELECTRIC POWERED MACHINES)	C
1	4461019	1	Connector - 31 Position	
1	4460464	30	Pin, Male	
2	4460418	6	Connector, Terminal	
2	4460419	18	Terminal, Connector	
3	2400066	1	Fuseholder with Cover	
3	2400065	1	Fuse - 30 Amp	
4	4460761	1	Receptacle, Female - 4 Position	
4	4460227	4	Pin, Terminal	
5	4461017	1	Connector - 2 Position	
5	4460508	2	Terminal	
6	4461041	1	Connector - 8 Position	
6	4461023	7	Socket, Female	

# SECTION 7 - ELECTRICAL

## FIGURE 7-12. GROUND CONTROL BOX HARNESS (ENGINE POWERED MACHINES) (T500J)



ART\_4923125



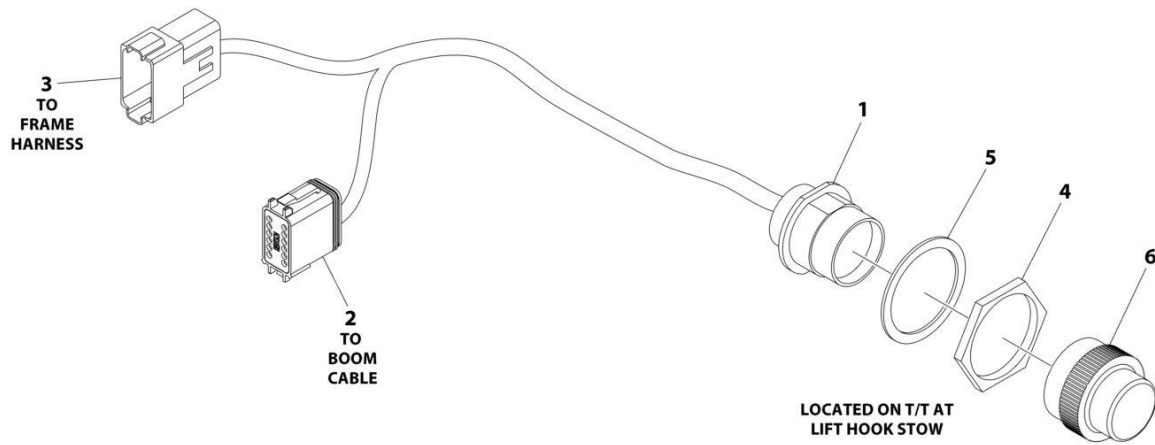
## SECTION 7 - ELECTRICAL

**FIGURE 7-12. GROUND CONTROL BOX HARNESS (ENGINE POWERED MACHINES) (T500J)**

ITEM	PART NUMBER	QTY	DESCRIPTION	REV
	4923125	Ref	GROUND CONTROL BOX HARNESS (ENGINE POWERED MACHINES)	C
1	4461019	1	Connector - 31 Position	
1	4460464	30	Pin, Male	
2	4460418	6	Connector, Terminal	
2	4460419	18	Terminal, Connector	
3	2400066	1	Fuseholder with Cover	
3	2400065	1	Fuse - 30 Amp	
4	4460761	1	Receptacle, Female - 4 Position	
4	4460227	4	Pin, Terminal	
5	4461017	1	Connector - 2 Position	
5	4460508	2	Terminal	
6	4461041	1	Connector - 8 Position	
6	4461023	7	Socket, Female	

# SECTION 7 - ELECTRICAL

## FIGURE 7-13. HOOK HARNESS



ART\_4923124

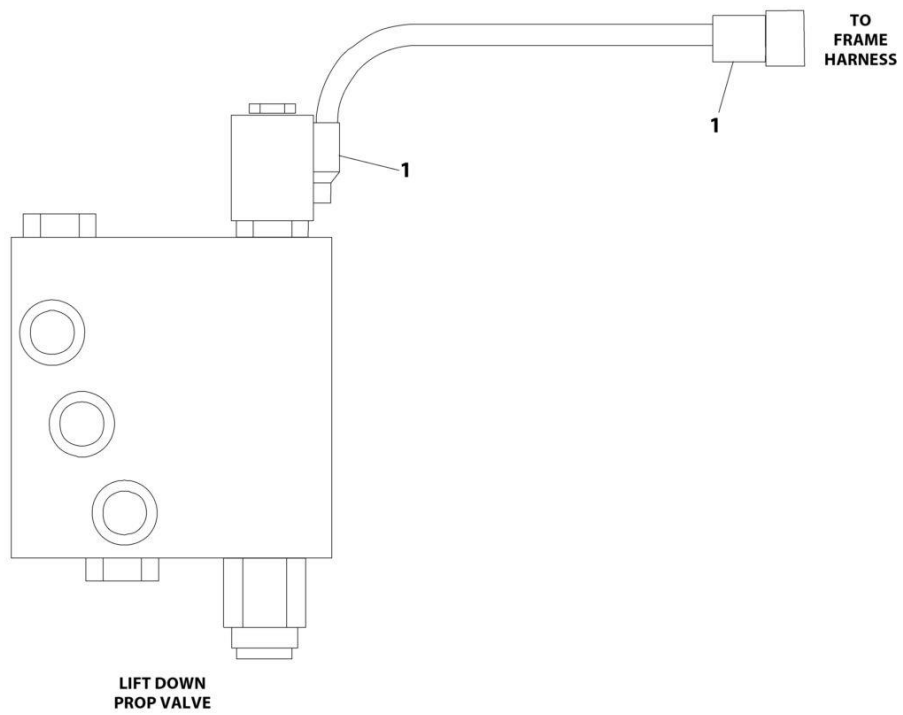
## SECTION 7 - ELECTRICAL

### FIGURE 7-13. HOOK HARNESS

ITEM	PART NUMBER	QTY	DESCRIPTION	REV
	4923124	Ref	HOOK HARNESS	E
1	4461016	1	Connector - 14 Position	
1	4460464	9	Pin, Male	
1	4460941	3	Pin, Gold Male	
2	4460970	1	Connector - 12 Position	
2	4460464	9	Pin, Male	
2	4460943	3	Pin, Gold Male	
3	4460933	1	Connector - 12 Position	
3	4460465	9	Socket, Female	
3	4460942	3	Socket, Gold Female	
4	4460470	1	Nut, Terminal	
5	4460471	1	Washer, Terminal	
6	4461065	1	Cap, Dust	

# SECTION 7 - ELECTRICAL

## FIGURE 7-14. LIFT DOWN PROP VALVE, HARNESS



ART\_4923101

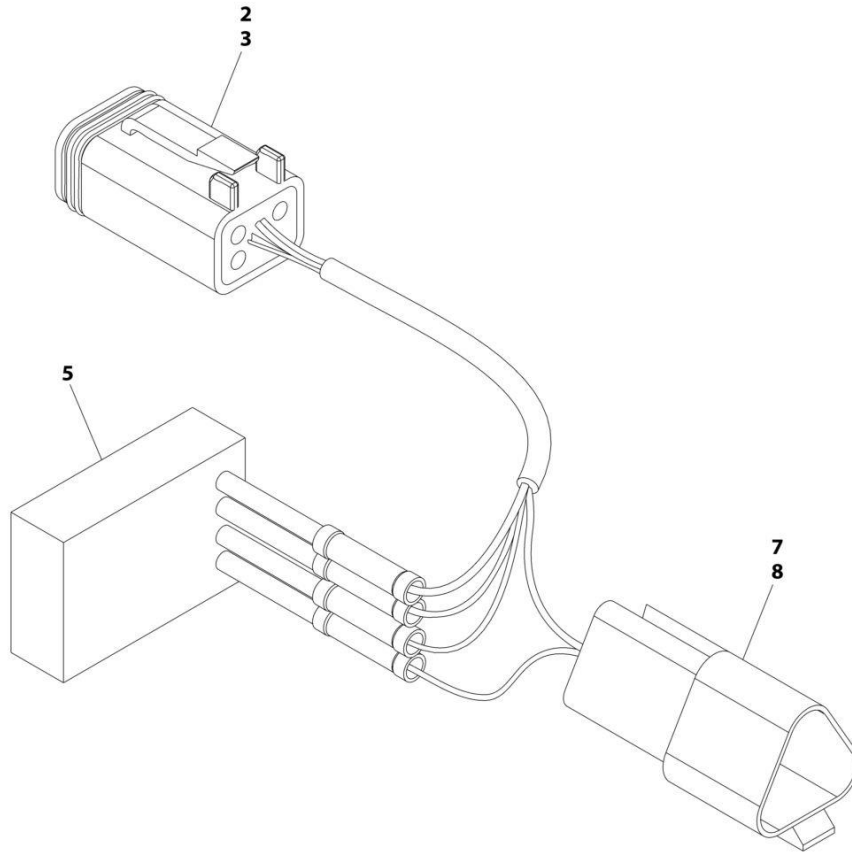
## SECTION 7 - ELECTRICAL

**FIGURE 7-14. LIFT DOWN PROP VALVE, HARNESS**

ITEM	PART NUMBER	QTY	DESCRIPTION	REV
	4923101	Ref	LIFT DOWN PROP VALVE, HARNESS	C
1	4460891	2	Plug, Male - 2 Position	
1	4460465	4	Socket, Female	

# SECTION 7 - ELECTRICAL

## FIGURE 7-15. LIGHT HARNESS - CENTER BRAKE LIGHT



ART\_1001288850

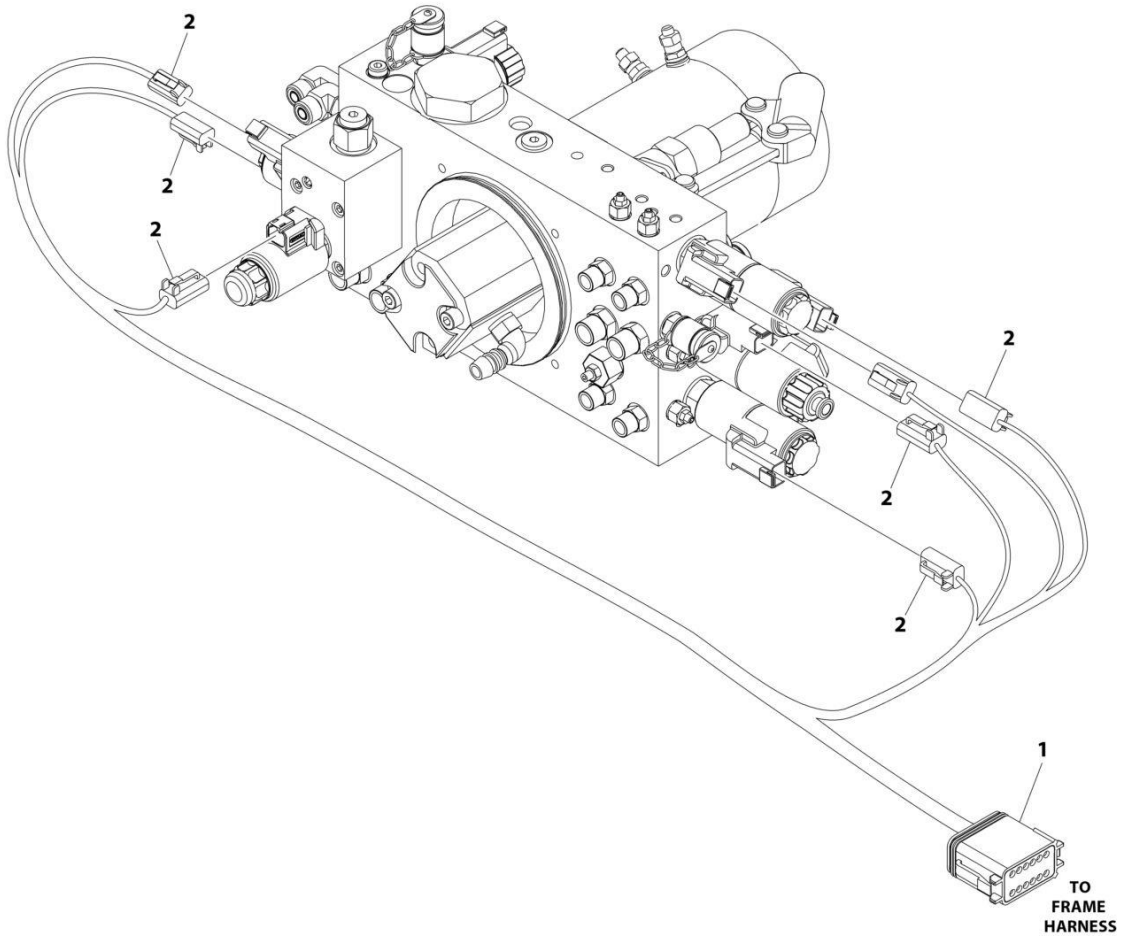
## SECTION 7 - ELECTRICAL

### FIGURE 7-15. LIGHT HARNESS - CENTER BRAKE LIGHT

ITEM	PART NUMBER	QTY	DESCRIPTION	REV
	1001288850	Ref	LIGHT HARNESS - CENTER BRAKE LIGHT	A
2	4460884	1	Connector	
3	4460465	4	Socket	
5	1001253644	1	Controller, Logic Circuit	
7	4460464	3	Pin	
8	4460536	1	Connector	

# SECTION 7 - ELECTRICAL

## FIGURE 7-16. MAIN CONTROL VALVE HARNESS



ART\_4923109



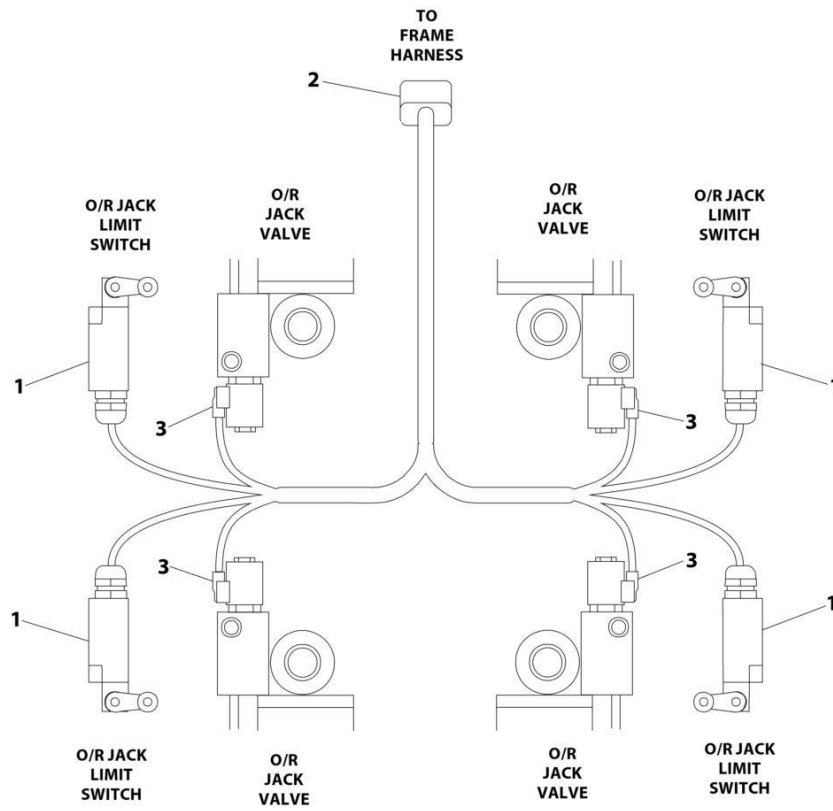
## SECTION 7 - ELECTRICAL

### FIGURE 7-16. MAIN CONTROL VALVE HARNESS

ITEM	PART NUMBER	QTY	DESCRIPTION	REV
	4923109	Ref	MAIN CONTROL VALVE HARNESS	C
1	4460933	1	Connector - 12 Position (Gray)	
1	4460465	12	Socket, Female	
2	4460891	11	Plug, Male - 2 Position	
2	4460465	22	Socket, Female	

# SECTION 7 - ELECTRICAL

## FIGURE 7-17. OUTRIGGER JACK & VALVE HARNESS



ART\_4923041

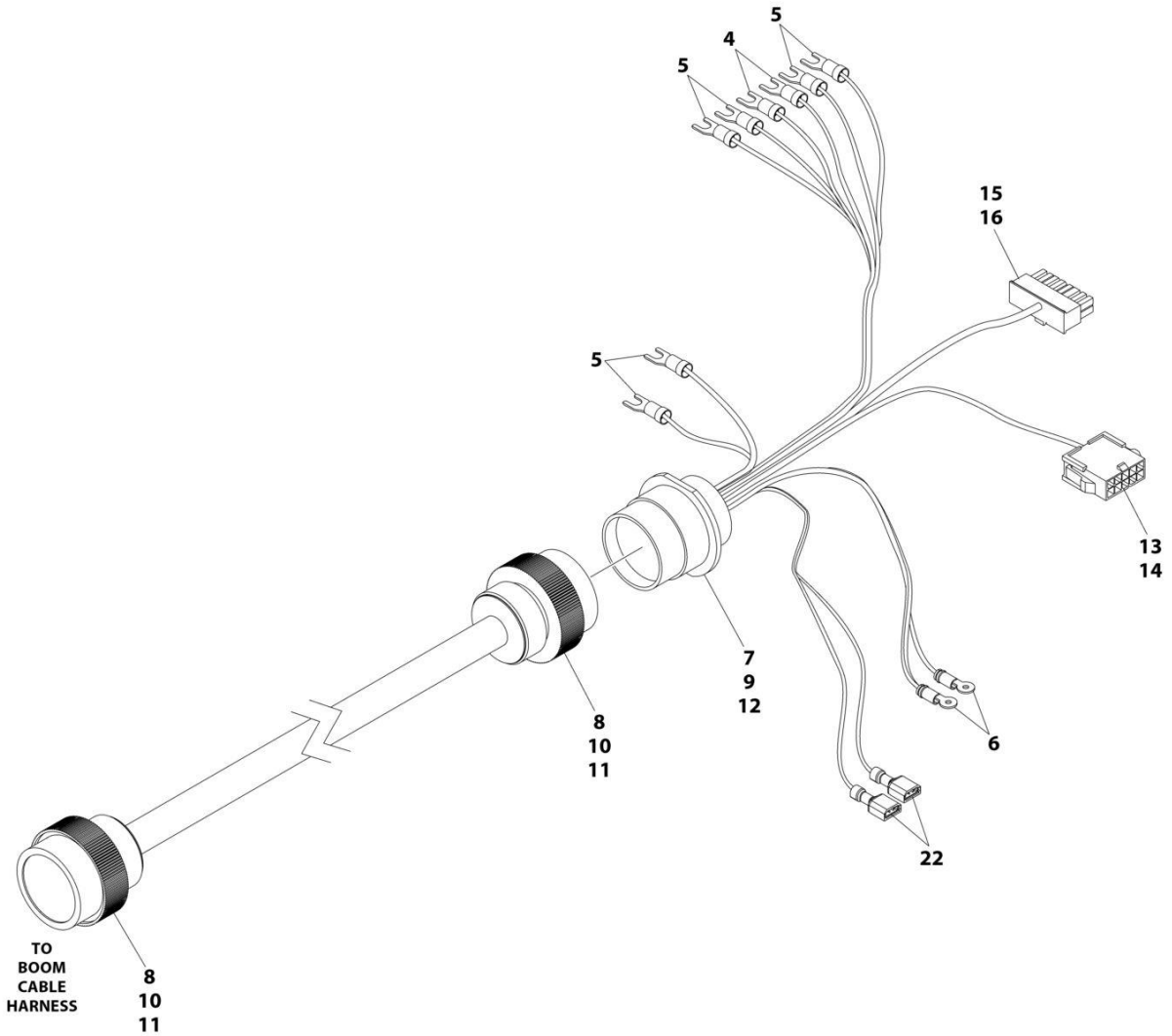
## SECTION 7 - ELECTRICAL

### FIGURE 7-17. OUTRIGGER JACK & VALVE HARNESS

ITEM	PART NUMBER	QTY	DESCRIPTION	REV
	4923041	Ref	OUTRIGGER HARNESS	D
1	4360577	4	Switch, Limit	
2	4460933	1	Connector - 12 Position (Gray)	
2	4460465	10	Socket, Female	
2	4460942	2	Socket, Gold Female	
3	4460891	4	Plug, Male - 2 Position	
3	4460465	8	Socket, Female	

# SECTION 7 - ELECTRICAL

## FIGURE 7-18. PLATFORM BOX HARNESS (ELECTRICAL POWERED MACHINES) (ET500J)



ART\_1001287752

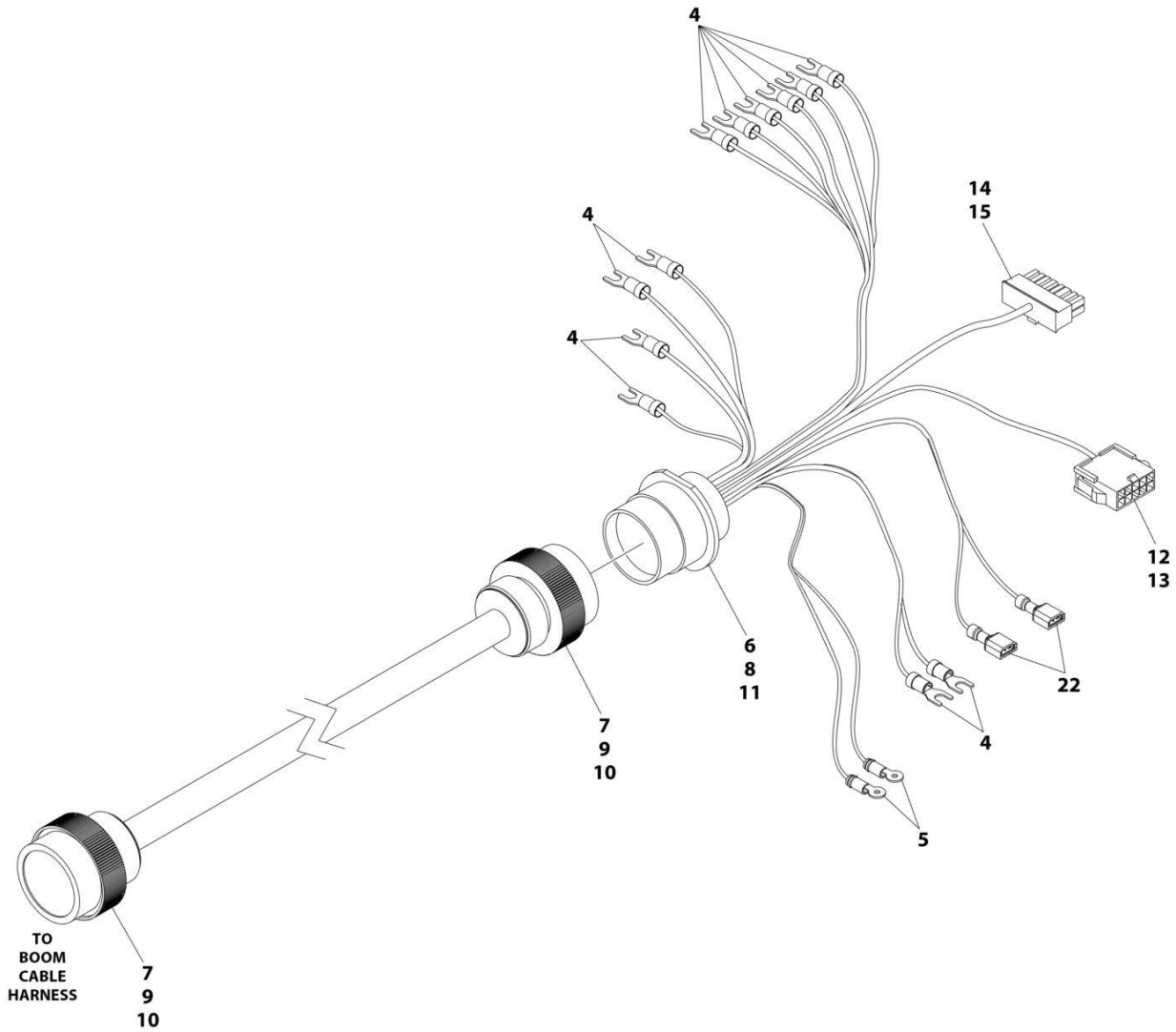
## SECTION 7 - ELECTRICAL

**FIGURE 7-18. PLATFORM BOX HARNESS (ELECTRICAL POWERED MACHINES) (ET500J)**

ITEM	PART NUMBER	QTY	DESCRIPTION	REV
	1001287752	Ref	PLATFORM BOX HARNESS (ELECTRIC POWERED MACHINES WITHOUT DRIVE OPTION)	A
4	4460115	2	Terminal, Fork	
5	4460183	6	Terminal, Fork	
6	4460213	2	Terminal, Ring	
7	4460464	6	Pin	
8	4460465	18	Socket	
9	4460943	2	Pin (Gold)	
10	4460944	6	Socket (Gold)	
11	4461015	2	Connector	
12	4461016	1	Connector	
13	4461024	1	Connector	
14	4461025	6	Pin (Gold)	
15	4461057	1	Connector	
16	4461058	12	Socket	
22	1001194421	2	Socket	

# SECTION 7 - ELECTRICAL

## FIGURE 7-19. PLATFORM BOX HARNESS (ENGINE POWERED MACHINES) (T500J)



ART\_1001287753

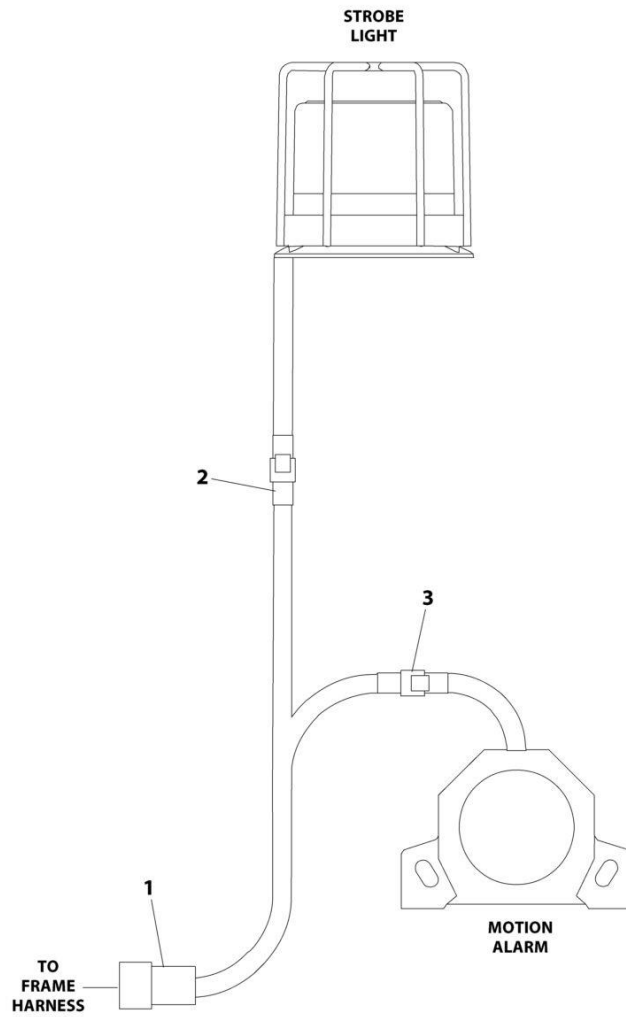
## SECTION 7 - ELECTRICAL

**FIGURE 7-19. PLATFORM BOX HARNESS (ENGINE POWERED MACHINES) (T500J)**

ITEM	PART NUMBER	QTY	DESCRIPTION	REV
	1001287753	Ref	PLATFORM BOX HARNESS (ENGINE POWERED MACHINES WITHOUT DRIVE OPTION)	A
4	4460183	12	Terminal, Fork	
5	4460213	2	Terminal, Ring	
6	4460464	6	Pin	
7	4460465	18	Socket	
8	4460943	2	Pin (Gold)	
9	4460944	6	Socket (Gold)	
10	4461015	2	Connector	
11	4461016	1	Connector	
12	4461024	1	Connector	
13	4461025	6	Pin (Gold)	
14	4461057	1	Connector	
15	4461058	14	Socket	
22	1001194421	2	Socket	

# SECTION 7 - ELECTRICAL

## FIGURE 7-20. STROBE LIGHT AND ALARM HARNESS



ART\_4923128



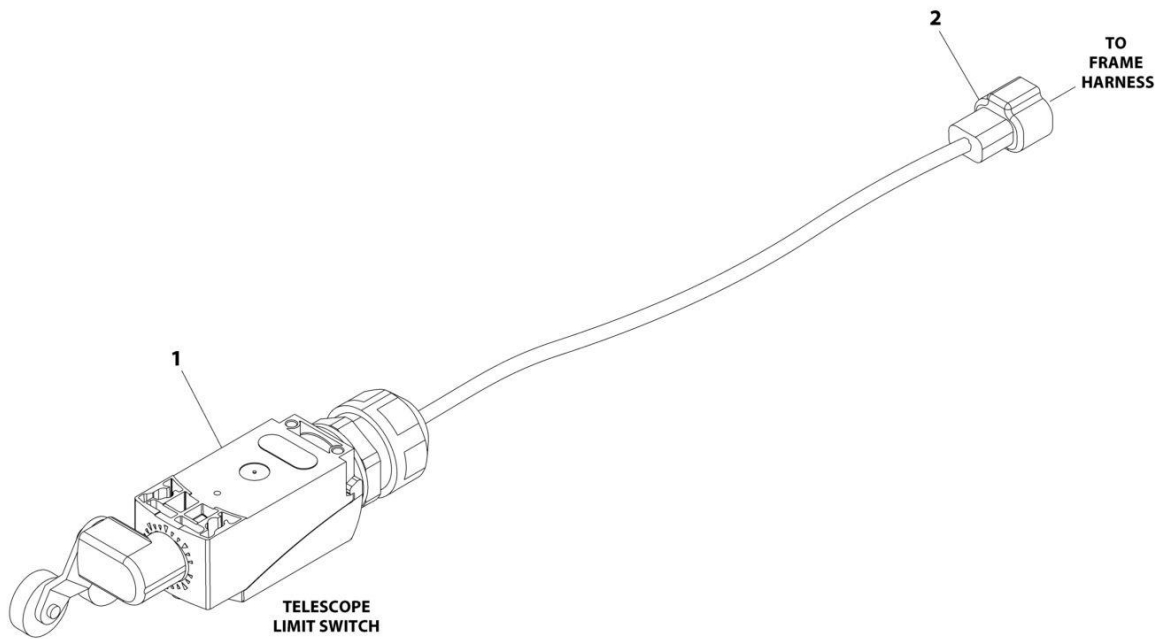
## SECTION 7 - ELECTRICAL

### FIGURE 7-20. STROBE LIGHT AND ALARM HARNESS

ITEM	PART NUMBER	QTY	DESCRIPTION	REV
	4923128	Ref	STROBE LIGHT AND ALARM HARNESS	B
1	4460884	1	Plug, Male - 2 Position	
1	4460465	4	Socket, Female	
2	4460897	1	Receptacle, Female - 2 Position	
2	4460464	4	Pin, Male	
3	4460539	1	Plug, Male - 3 Position	
3	4460465	3	Socket, Female	

# SECTION 7 - ELECTRICAL

## FIGURE 7-21. TELESCOPE LIMIT SWITCH HARNESS



ART\_4923193

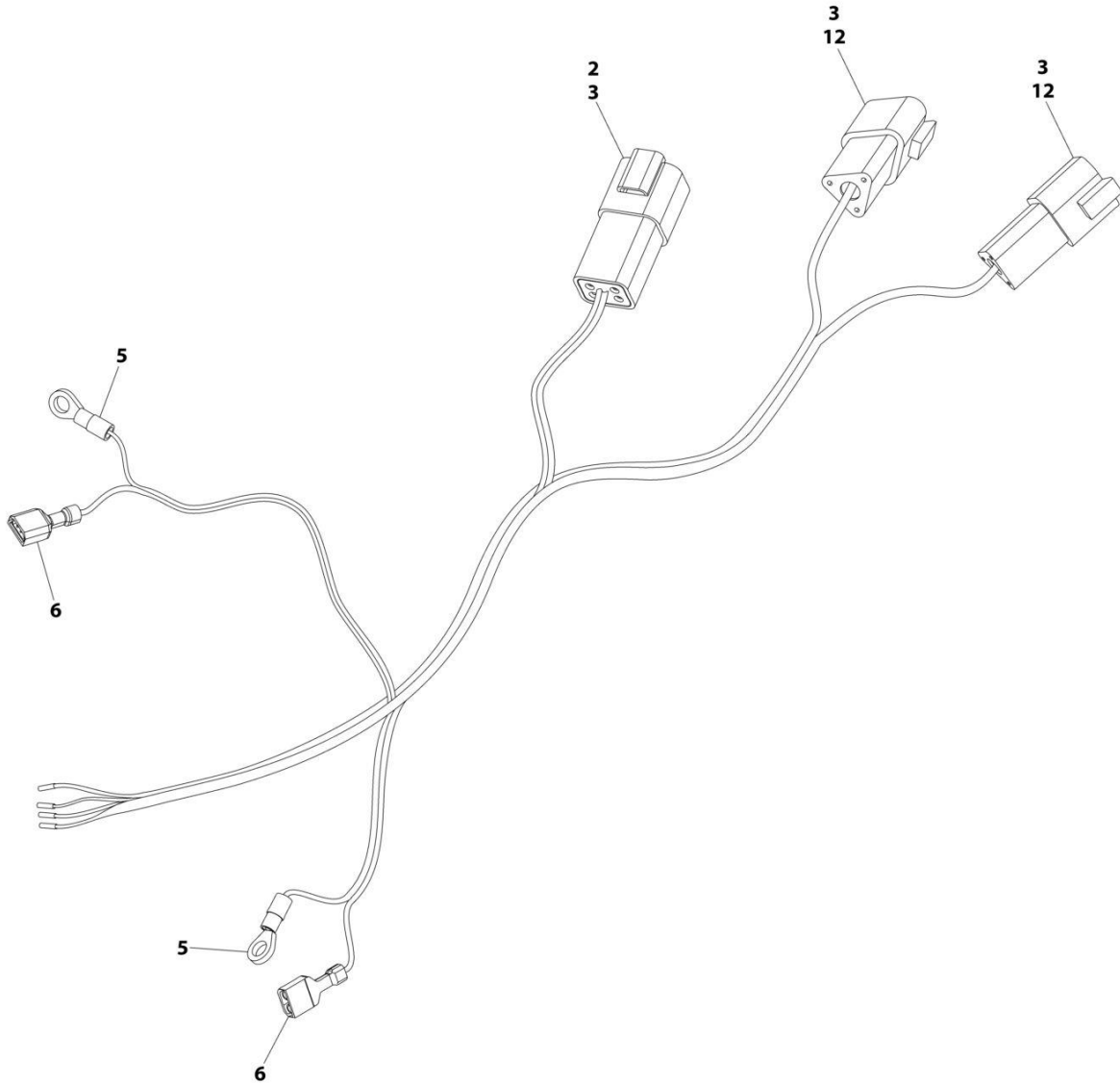
## SECTION 7 - ELECTRICAL

### FIGURE 7-21. TELESCOPE LIMIT SWITCH HARNESS

ITEM	PART NUMBER	QTY	DESCRIPTION	REV
	4923193	Ref	TELESCOPE LIMIT SWITCH HARNESS	A
1	4360577	1	Switch, Light	
2	4460897	1	Receptacle, Female - 2 Position	
2	4460464	2	Pin, Male	

# SECTION 7 - ELECTRICAL

## FIGURE 7-22. TRAILER LIGHT HARNESS



ART\_1001288848

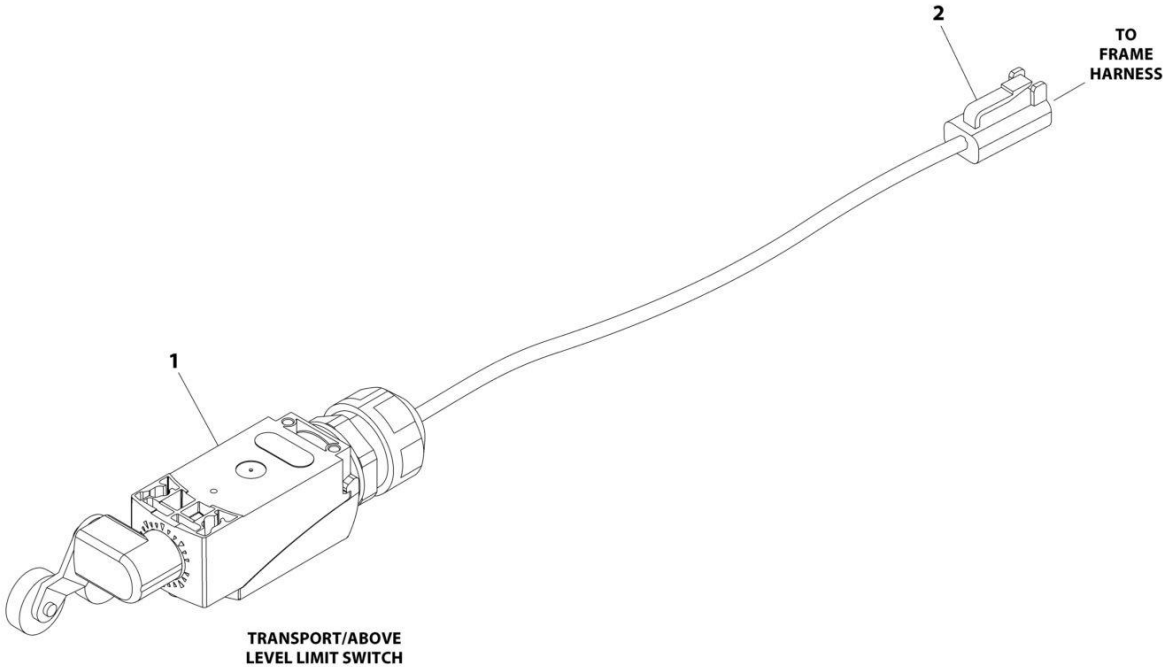
## SECTION 7 - ELECTRICAL

### FIGURE 7-22. TRAILER LIGHT HARNESS

ITEM	PART NUMBER	QTY	DESCRIPTION	REV
	1001288848	Ref	LIGHTS HARNESS	A
2	4460932	1	Connector	
3	4460464	10	Pin	
5	4460313	2	Terminal, Ring	
6	1001194421	2	Socket	
12	4460536	2	Connector	

**SECTION 7 - ELECTRICAL**

**FIGURE 7-23. TRANSPORT LIMIT SWITCH HARNESS**



ART\_4923217

## SECTION 7 - ELECTRICAL

### FIGURE 7-23. TRANSPORT LIMIT SWITCH HARNESS

ITEM	PART NUMBER	QTY	DESCRIPTION	REV
	4923217	Ref	TRANSPORT LIMIT SWITCH HARNESS	B
1	4360577	1	Switch, Limit	
2	4460891	1	Connector - 2 Position	
2	4460465	2	Socket, Female	

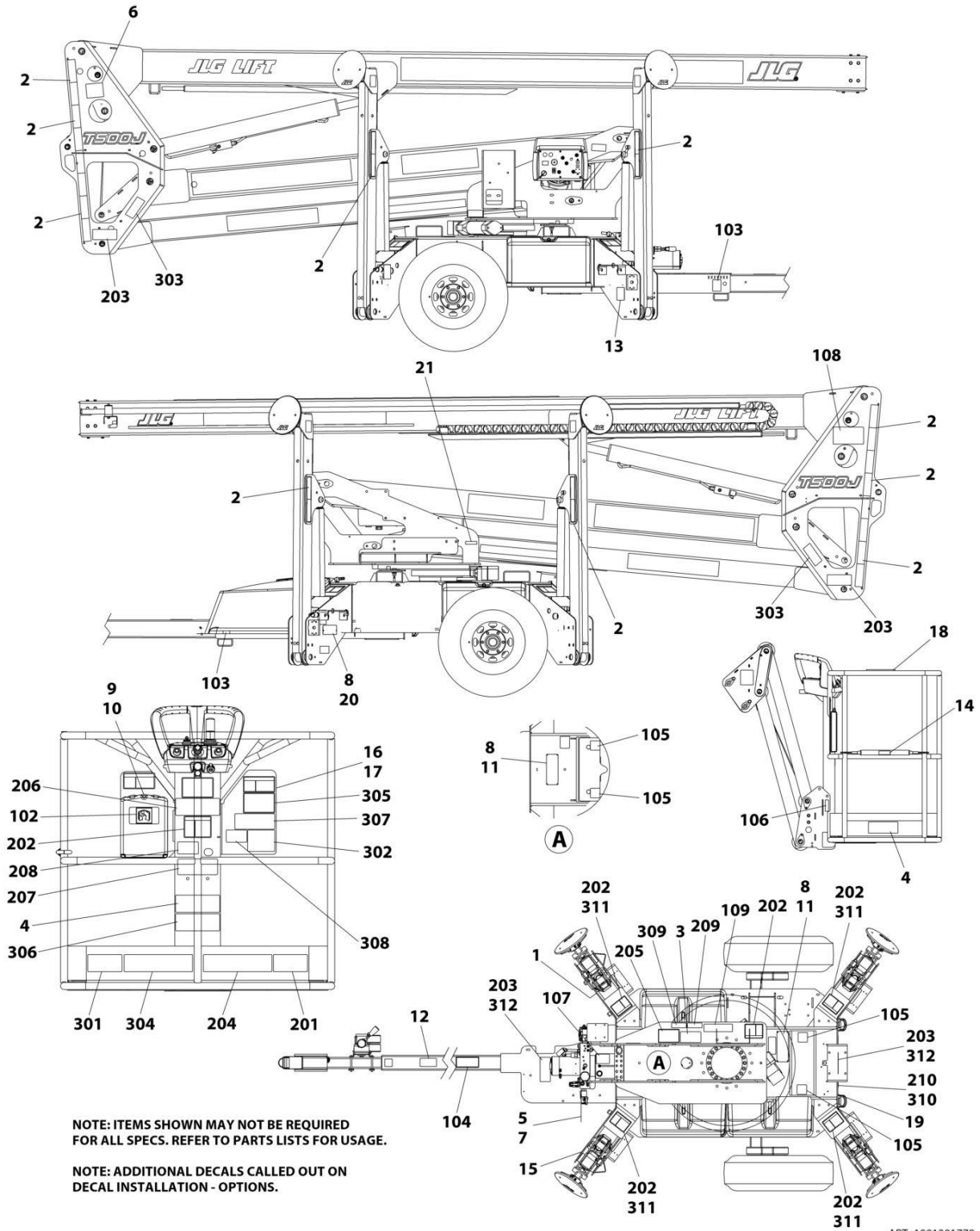




**SECTION 8 - DECALS**

# SECTION 8 - DECALS

## FIGURE 8-1. DECAL INSTALLATION (ANSI SPEC) (ENGLISH LANGUAGE)



ART\_1001291778

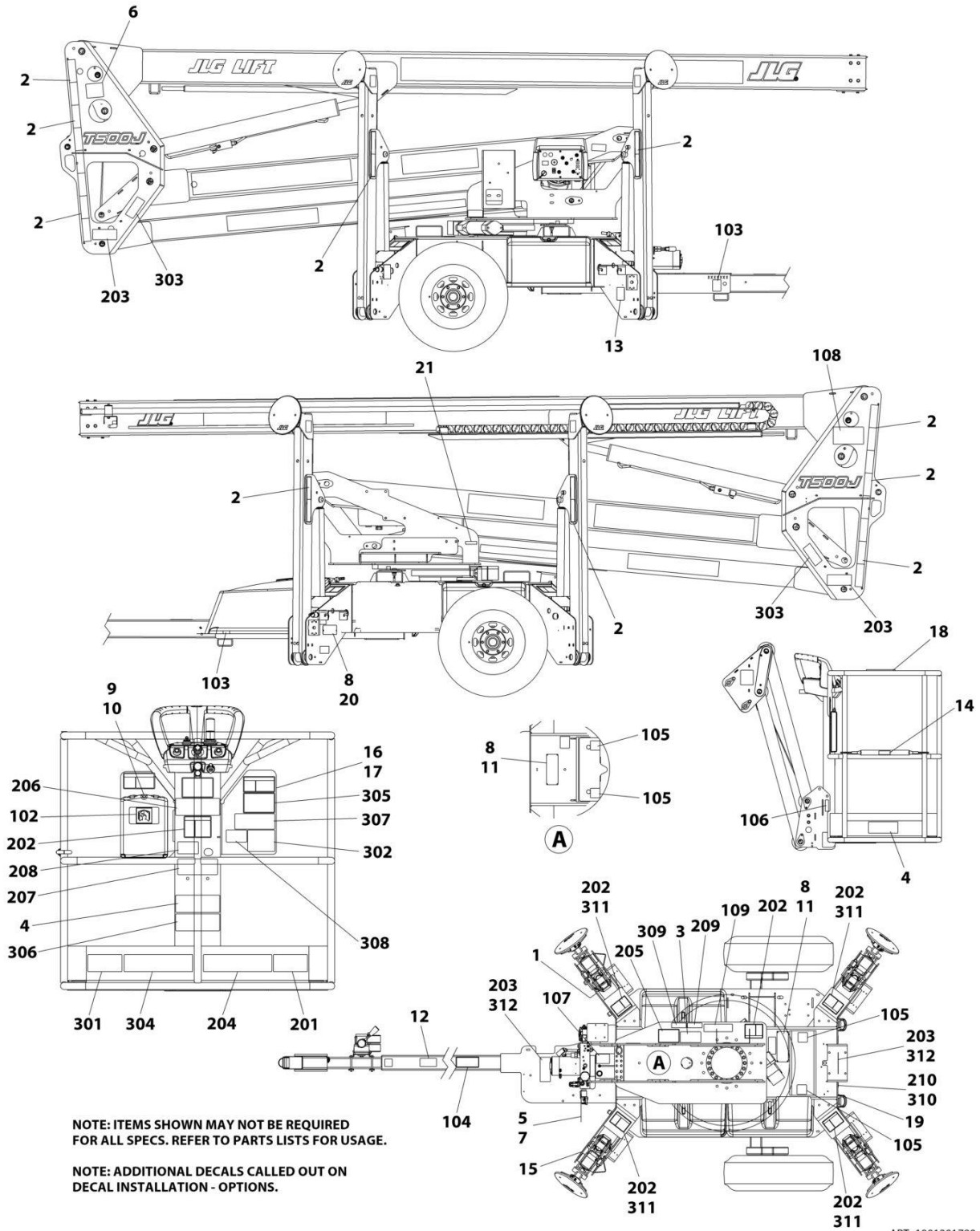
## SECTION 8 - DECALS

**FIGURE 8-1. DECAL INSTALLATION (ANSI SPEC) (ENGLISH LANGUAGE)**

ITEM	PART NUMBER	QTY	DESCRIPTION	REV
	1001291778	Ref	DECAL INSTALLATION (ANSI SPEC) (ENGLISH LANGUAGE)	A
	1001291784	Ref	REFERENCE CHART	A
1	See Note	NSS	Decal - Barcode (Note: Not Available for Purchase)	
2	1705817	17 ft/5.2m	Tape, Reflective	
3	1706106	1	Decal - MTB Capacity	
4	1706107	2	Decal - Platform Capacity	
5	1706139	1	Decal - Manual Descent	
6	3251813	1	Decal - USA	
7	3760170	1	Ring, Split	
8	3820001	6	Rivet	
9	3820032	4	Rivet	
10	8990147	1	Box, Manual Storage	
11	1001214673	1	Decal - Temperature	
12	1001260244	1	Decal - Parking Brake	
13	1001289470	1	Decal - Yearly Inspection	
14	1706385	1	Decal - Drop Bar	
15	1001131269	1	Decal - Patent	
100	2902428	Ref	Decal Kit - Master (Not Shown)	
102	1701640	1	Decal - Manual	
103	1703814	4	Decal - Tie-Down	
104	1706384	1	Decal - Manual Descent Inside	
105	1704016	4	Decal - Forklift	
106	1704277	2	Decal - Lanyard Attach	
107	1704412	1	Decal - Hydraulic Oil Chart	
108	1706629	1	Decal - Lift Diagram	
109	1706372	1	Decal - Platform Entry Instructions	
200	2902430	Ref	Decal Kit - ANSI English (Not Shown)	
201	1706112	1	Decal - Speed Limit	
202	1706128	6	Decal - Electrocution	
203	1706099	5	Decal - Warning Crushing	
204	1706111	1	Decal - Warning Machine Operation	
205	1706135	2	Decal - Warning Inspection	
206	1706386	1	Decal - Fall Hazard	
207	1706387	1	Decal - Crushing	
208	1706108	1	Decal - Legend (Platform)	
209	1706109	1	Decal - Legend (Ground Control)	
210	1703813	1	Decal - Battery Ventilation (Electric Machines Only)	

# SECTION 8 - DECALS

## FIGURE 8-2. DECAL INSTALLATION (CSA SPEC) (FRENCH/ENGLISH LANGUAGE)



## SECTION 8 - DECALS

**FIGURE 8-2. DECAL INSTALLATION (CSA SPEC) (FRENCH/ENGLISH LANGUAGE)**

ITEM	PART NUMBER	QTY	DESCRIPTION	REV
	1001291780	Ref	DECAL INSTALLATION (CSA SPEC) (FRENCH/ENGLISH LANGUAGE)	A
	1001291784	Ref	REFERENCE CHART	A
1	See Note	NSS	Decal - Barcode (Note: Not Available for Purchase)	
2	1705817	17 ft/5.2m	Tape, Reflective	
3	1706106	1	Decal - Capacity (Ground Control)	
4	1706107	2	Decal - Capacity (Platform)	
5	1706139	1	Decal - Manual Descent	
6	3251813	1	Decal - USA	
7	3760170	1	Ring, Split	
8	3820001	6	Rivet	
9	3820032	4	Rivet	
10	8990147	1	Box, Manual Storage	
11	1001214673	1	Decal - Temperature	
12	1001260244	1	Decal - Parking Brake	
13	1001290807	1	Decal - Yearly Inspection	
14	1706385	1	Decal - Drop Bar	
15	1001131269	1	Decal - Patent	
16	3576102	1	Mount - Decal	
17	3820021	2	Rivet	
18	1706495	1	Decal - Drop Bar (French)	
100	2902428	Ref	Decal Kit - Master (Not Shown)	
102	1701640	1	Decal - Manual	
103	1703814	4	Decal - Tie Down	
104	1706384	1	Decal - Manual Descent Inside	
105	1704016	4	Decal - Forklift	
106	1704277	2	Decal - Lanyard Attach	
107	1704412	1	Decal - Hydraulic Oil Chart	
108	1706629	1	Decal - Lift Diagram	
109	1706372	1	Decal - Platform Entry Instructions	
200	2902430	Ref	Decal Kit - ANSI English (Not Shown)	
201	1706112	1	Decal - Speed Limit	
202	1706128	6	Decal - Electrocutation	
203	1706099	5	Decal - Warning Crushing	
204	1706111	1	Decal - Warning Machine Operation	
205	1706135	2	Decal - Warning Inspection	
206	1706386	1	Decal - Fall Hazard	
207	1706387	1	Decal - Crushing	
208	1706108	1	Decal - Legend (Platform)	
209	1706109	1	Decal - Legend (Ground Control)	
210	1703813	1	Decal - Battery Ventilation (Electric Machines Only)	
300	2902442	Ref	Decal Kit - Brazil Portuguese (Not Shown)	
301	1706513	1	Decal - Speed Limit	
302	1706516	3	Decal - Electrocutation	
303	1706517	3	Decal - Warning Crushing	
304	1706518	1	Decal - Warning Machine Operation	
305	1706519	2	Decal - Warning Inspection	
306	1706520	1	Decal - Fall Hazard	
307	1706521	1	Decal - Crushing	
308	1706522	1	Decal - Legend (Platform)	

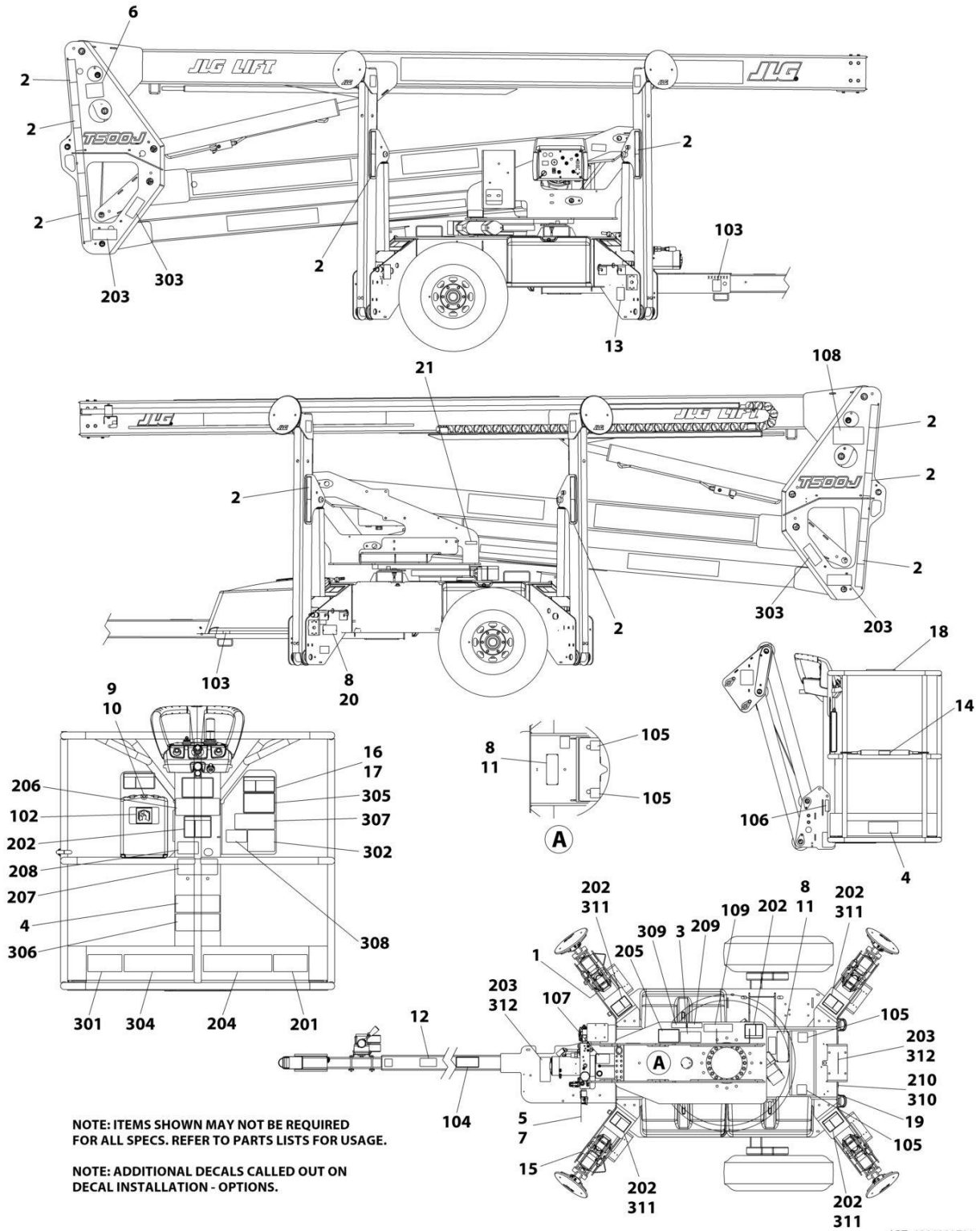
## SECTION 8 - DECALS

ITEM	PART NUMBER	QTY	DESCRIPTION	REV
309	1706523	1	Decal - Legend (Ground Control)	
310	1703864	1	Decal - Warning Battery Ventilation	
311	1706565	4	Decal - Electrocution	
312	1706569	2	Decal - Warning Crushing	



# SECTION 8 - DECALS

## FIGURE 8-3. DECAL INSTALLATION (SPANISH/ENGLISH LANGUAGE)



ART\_1001291781



## SECTION 8 - DECALS

**FIGURE 8-3. DECAL INSTALLATION (SPANISH/ENGLISH LANGUAGE)**

ITEM	PART NUMBER	QTY	DESCRIPTION	REV
	1001291781	Ref	DECAL INSTALLATION (SPANISH/ENGLISH LANGUAGE)	A
	1001291784	Ref	REFERENCE CHART	A
1	See Note	NSS	Decal - Barcode (Note: Not Available for Purchase)	
2	1705817	17 ft/5.2m	Tape, Reflective	
3	1706106	1	Decal - Capacity (Ground Control)	
4	1706107	2	Decal - Capacity (Platform)	
5	1706139	1	Decal - Manual Descent	
6	3251813	1	Decal - USA	
7	3760170	1	Ring, Split	
8	3820001	6	Rivet	
9	3820032	4	Rivet	
10	8990147	1	Box, Manual Storage	
11	1001214673	1	Decal - Temperature	
12	1001260244	1	Decal - Parking Brake	
13	1001290664	1	Decal - Yearly Inspection	
14	1706385	1	Decal - Drop Bar	
16	3576102	1	Mount - Decal	
17	3820021	2	Rivet	
18	1706494	1	Decal - Drop Bar (Spanish)	
100	2902428	Ref	Decal Kit - Master (Not Shown)	
102	1701640	1	Decal - Manual	
103	1703814	4	Decal - Tie Down	
104	1706384	1	Decal - Manual Descent Inside	
105	1704016	4	Decal - Forklift	
106	1704277	2	Decal - Lanyard Attach	
107	1704412	1	Decal - Hydraulic Oil Chart	
108	1706629	1	Decal - Lift Diagram	
109	1706372	1	Decal - Platform Entry Instructions	
200	2902430	Ref	Decal Kit - ANSI English (Not Shown)	
201	1706112	1	Decal - Speed Limit	
202	1706128	6	Decal - Electrocution	
203	1706099	5	Decal - Warning Crushing	
204	1706111	1	Decal - Warning Machine Operation	
205	1706135	2	Decal - Warning Inspection	
206	1706386	1	Decal - Fall Hazard	
207	1706387	1	Decal - Crushing	
208	1706108	1	Decal - Legend (Platform)	
209	1706109	1	Decal - Legend (Ground Control)	
210	1703813	1	Decal - Battery Ventilation (Electric Machines Only)	
300	2902454	Ref	Decal Kit - Spanish (Not Shown)	
301	1706427	1	Decal - Speed Limit	
302	1706430	6	Decal - Electrocution	
303	1706431	5	Decal - Warning Crushing	
304	1706432	1	Decal - Warning Machine Operation	
305	1706433	2	Decal - Warning Inspection	
306	1706434	1	Decal - Fall Hazard	
307	1706435	1	Decal - Crushing	
308	1706436	1	Decal - Platform Legend	
309	1706437	1	Decal - MTB Legend	
310	1703840	1	Decal - Warning Battery Ventilation	

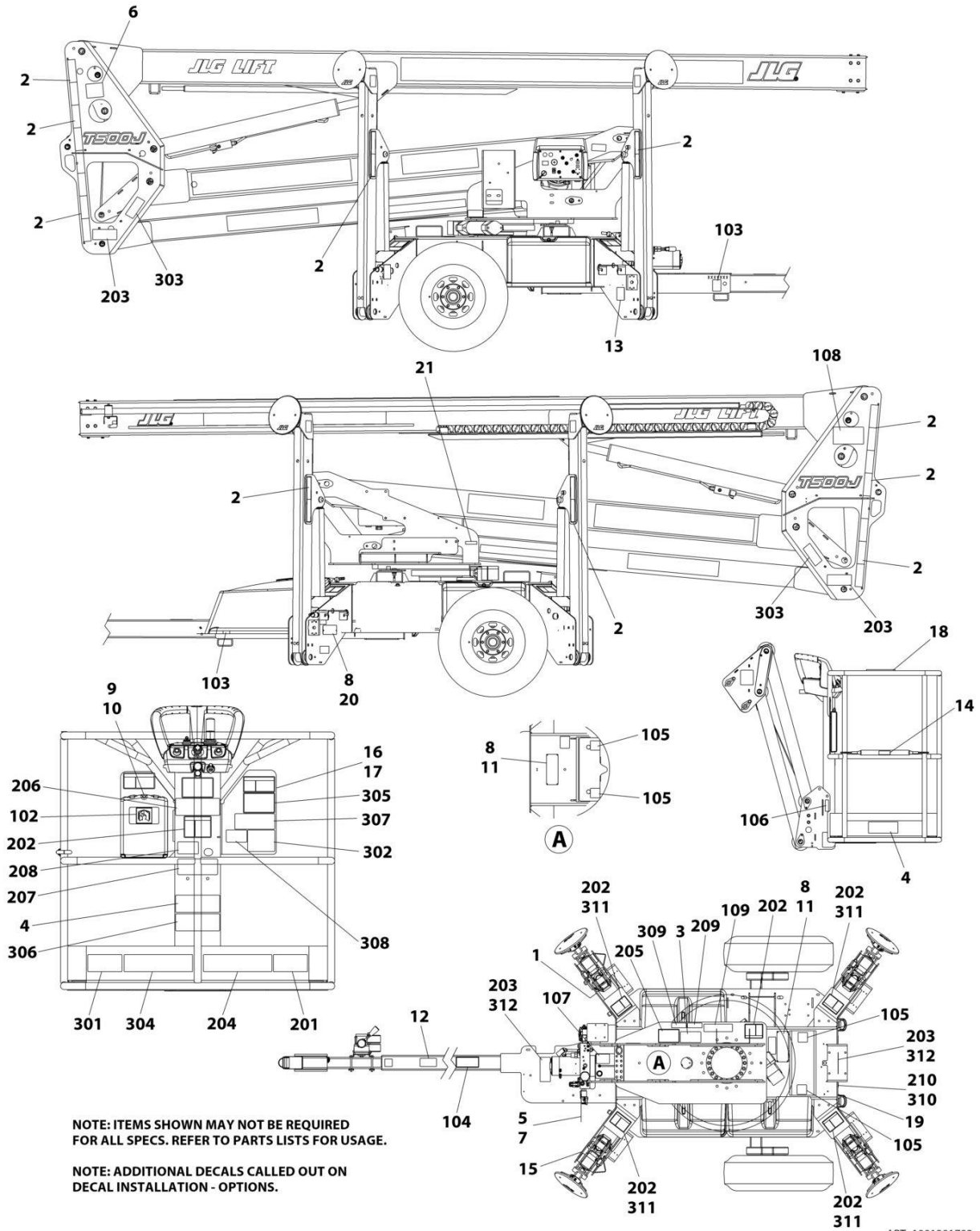
## SECTION 8 - DECALS

ITEM	PART NUMBER	QTY	DESCRIPTION	REV
311	1706664	4	Decal - Electrocution	
312	1706665	2	Decal - Warning Crushing	



# SECTION 8 - DECALS

## FIGURE 8-4. DECAL INSTALLATION (PORTUGUESE/ENGLISH LANGUAGE)



ART\_1001291782

## SECTION 8 - DECALS

**FIGURE 8-4. DECAL INSTALLATION (PORTUGUESE/ENGLISH LANGUAGE)**

ITEM	PART NUMBER	QTY	DESCRIPTION	REV
	1001291782	Ref	DECAL INSTALLATION (PORTUGUESE/ENGLISH LANGUAGE)	A
	1001291784	Ref	REFERENCE CHART	A
1	See Note	NSS	Decal - Barcode (Note: Not Available for Purchase)	
2	1705817	17 ft/5.2m	Tape, Reflective	
3	1706106	1	Decal - Capacity (Ground Control)	
4	1706107	2	Decal - Capacity (Platform)	
5	1706139	1	Decal - Manual Descent	
6	3251813	1	Decal - USA	
7	3760170	1	Ring, Split	
8	3820001	6	Rivet	
9	3820032	4	Rivet	
10	8990147	1	Box, Manual Storage	
11	1001214673	1	Decal - Temperature	
12	1001260244	1	Decal - Parking Brake	
13	1001290808	1	Decal - Yearly Inspection	
14	1706385	1	Decal - Drop Bar (Portuguese)	
16	3576102	1	Mount - Decal	
17	3820021	2	Rivet	
18	1706496	1	Decal - Drop Bar	
100	2902428	Ref	Decal Kit - Master (Not Shown)	
102	1701640	1	Decal - Manual	
103	1703814	4	Decal - Tie Down	
104	1706384	1	Decal - Manual Descent Inside	
105	1704016	4	Decal - Forklift	
106	1704277	2	Decal - Lanyard Attach	
107	1704412	1	Decal - Hydraulic Oil Chart	
108	1706629	1	Decal - Lift Diagram	
109	1706372	1	Decal - Platform Entry Instructions	
200	2902430	Ref	Decal Kit - ANSI English (Not Shown)	
201	1706112	1	Decal - Speed Limit	
202	1706128	6	Decal - Electrocution	
203	1706099	5	Decal - Warning Crushing	
204	1706111	1	Decal - Warning Machine Operation	
205	1706135	2	Decal - Warning Inspection	
206	1706386	1	Decal - Fall Hazard	
207	1706387	1	Decal - Crushing	
208	1706108	1	Decal - Legend (Platform)	
209	1706109	1	Decal - Legend (Ground Control)	
210	1703813	1	Decal - Battery Ventilation (Electric Machines Only)	
300	2902447	Ref	Decal Kit - Portuguese (Not Shown)	
301	1706524	1	Decal - Speed Limit	
302	1706527	3	Decal - Electrocution	
303	1706528	3	Decal - Warning Crushing	
304	1706529	1	Decal - Machine Operation	
305	1706530	2	Decal - Warning Inspection	
306	1706531	1	Decal - Fall Hazard	
307	1706532	1	Decal - Crushing	
308	1706533	1	Decal - Platform Legend	
309	1706534	1	Decal - MTB Legend	
310	1703832	1	Decal - Warning Battery Ventilation	

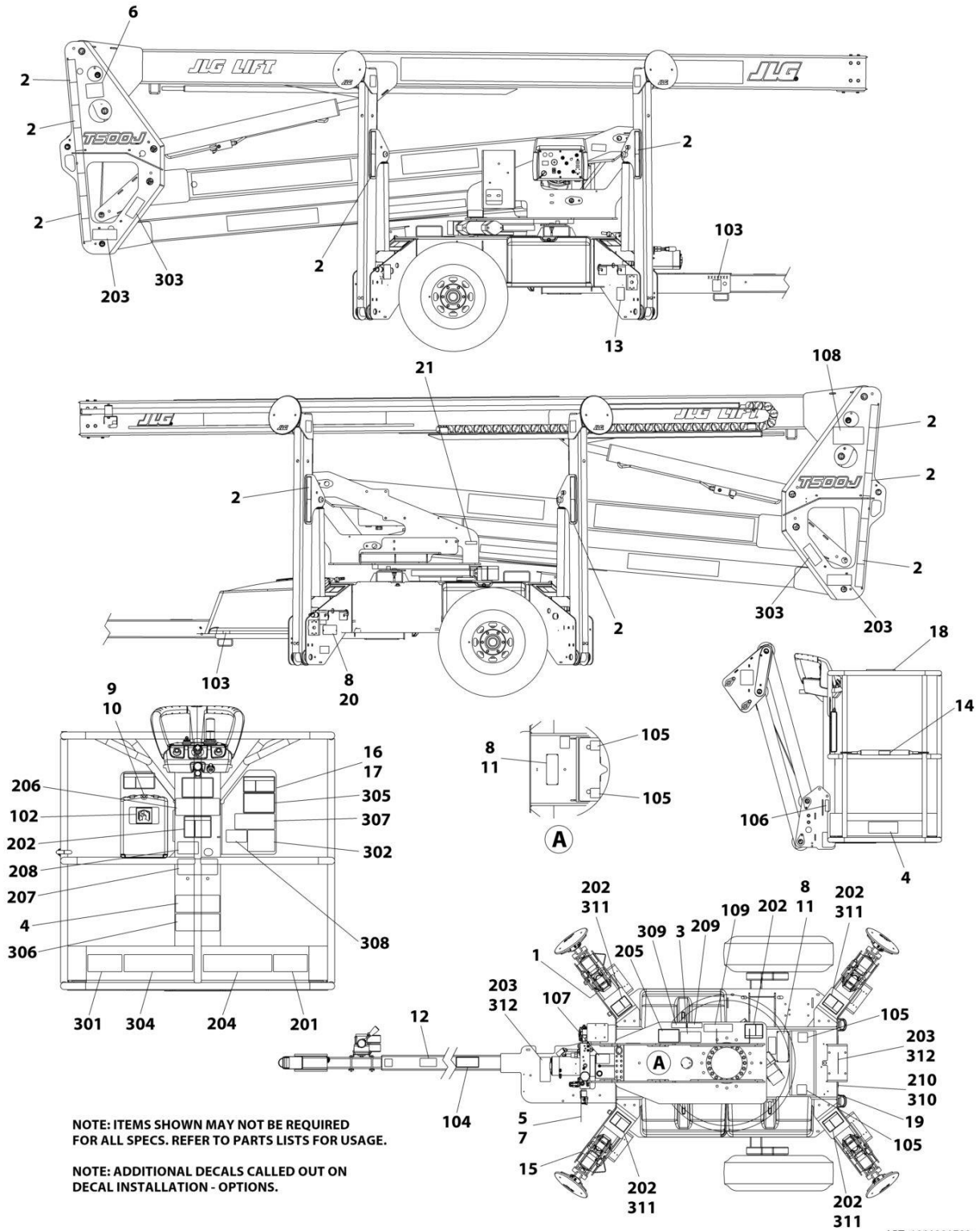
## SECTION 8 - DECALS

ITEM	PART NUMBER	QTY	DESCRIPTION	REV
311	1706657	4	Decal - Electrocutation	
312	1706658	2	Decal - Warning Crushing	



# SECTION 8 - DECALS

## FIGURE 8-5. DECAL INSTALLATION (SPANISH LANGUAGE)



ART\_1001291783



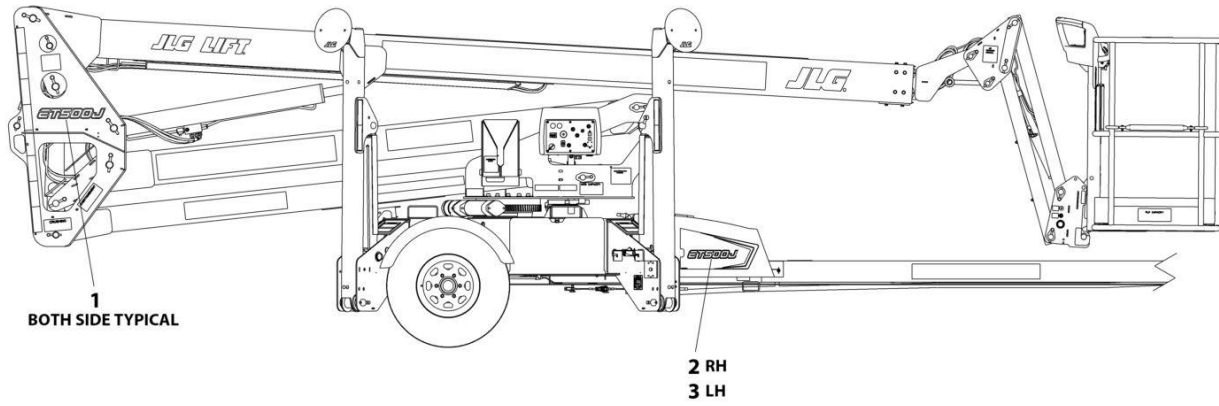
## SECTION 8 - DECALS

**FIGURE 8-5. DECAL INSTALLATION (SPANISH LANGUAGE)**

ITEM	PART NUMBER	QTY	DESCRIPTION	REV
	1001291783	Ref	DECAL INSTALLATION (SPANISH LANGUAGE)	A
	1001291784	Ref	REFERENCE CHART	A
1	See Note	NSS	Decal - Barcode (Note: Not Available for Purchase)	
2	1705817	12 ft/3.6m	Tape, Reflective	
3	1706106	1	Decal - Capacity (Ground Control)	
4	1706107	2	Decal - Capacity (Platform)	
5	1706139	1	Decal - Manual Descent	
6	3251813	1	Decal - USA	
7	3760170	1	Ring, Split	
8	3820001	6	Rivet	
9	3820032	4	Rivet	
10	8990147	1	Box, Manual Storage	
11	1001214673	1	Decal - Temperature	
12	1001260244	1	Decal - Parking Brake	
13	1001290664	1	Decal - Yearly Inspection	
18	1706494	1	Decal - Drop Bar (Latin)	
19	1703840	1	Decal - Warning Battery Ventilation (Spanish)	
20	See Note	1	Decal - Vin Tag (Note: Not Available for Purchase)	
21	3251243	1	Nameplate - 120V/60Hz	
100	2902428	Ref	Decal Kit - Master (Not Shown)	
102	1701640	1	Decal - Manual	
103	1703814	4	Decal - Tie Down	
104	1706384	1	Decal - Manual Descent Inside	
105	1704016	4	Decal - Forklift	
106	1704277	2	Decal - Lanyard Attach	
107	1704412	1	Decal - Hydraulic Oil Chart	
108	1706629	1	Decal - Lift Diagram	
109	1706372	1	Decal - Platform Entry Instruction	
300	2902425	Ref	Decal Kit - Spanish (Not Shown)	
301	1706427	1	Decal - Speed Limit	
302	1706430	6	Decal - Electrocution	
303	1706431	5	Decal - Warning Crushing	
304	1706432	1	Decal - Machine Operation	
305	1706433	2	Decal - Warning Inspection	
306	1706434	1	Decal - Fall Hazard	
307	1706435	1	Decal - Crushing	
308	1706436	1	Decal - Platform Legend	
309	1706437	1	Decal - MTB Legend	

# SECTION 8 - DECALS

## FIGURE 8-6. DECALS INSTALLATION (ET500J)



ART\_1001306678

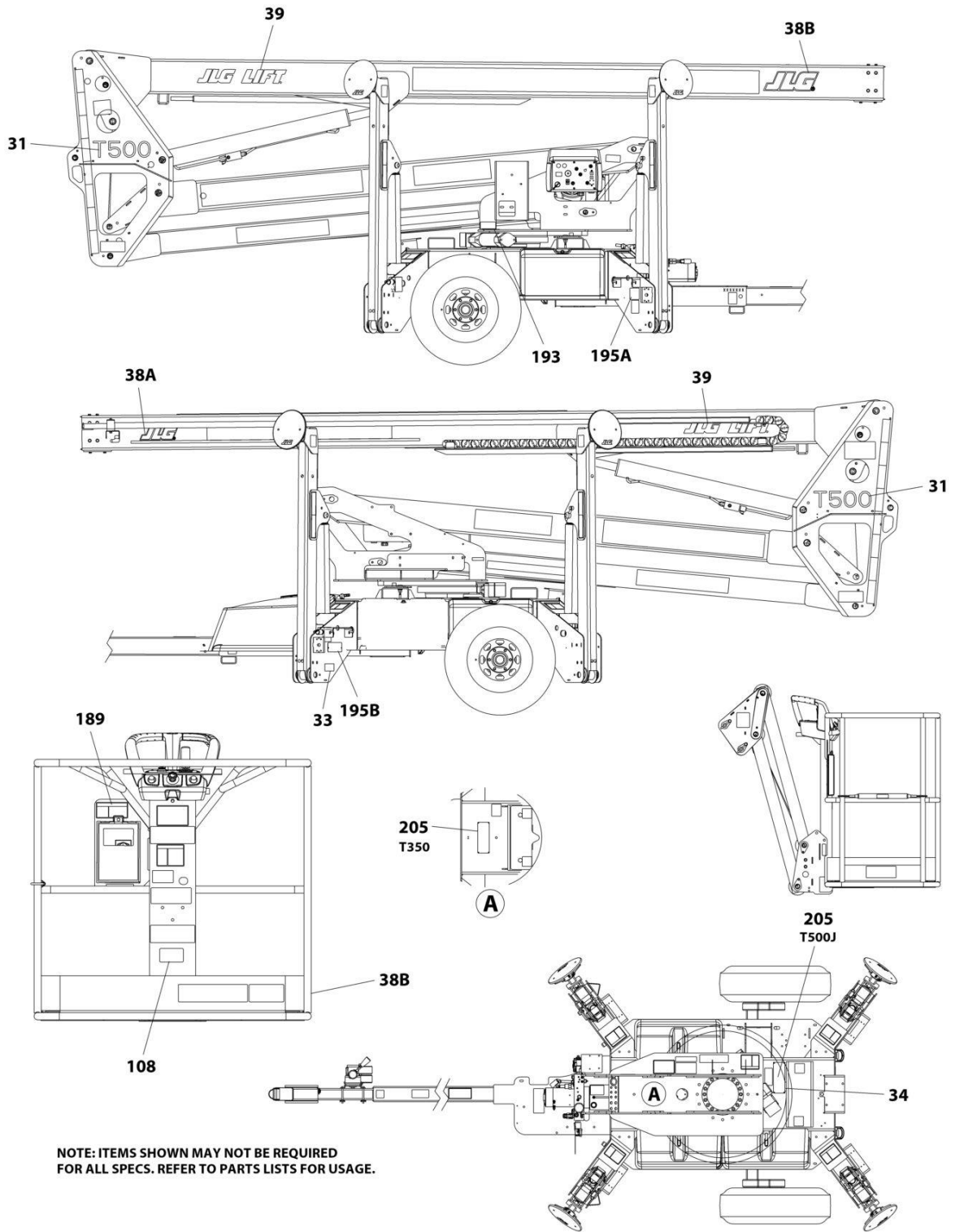
## SECTION 8 - DECALS

**FIGURE 8-6. DECALS INSTALLATION (ET500J)**

ITEM	PART NUMBER	QTY	DESCRIPTION	REV
	1001306678	Ref	DECALS INSTALLATION	A
1	1001288695	2	Decal	
2	1001289202	1	Decal Hood RH	
3	1001289203	1	Decal Hood LH	

# SECTION 8 - DECALS

## FIGURE 8-7. DECAL INSTALLATION - OPTIONS



NOTE: ITEMS SHOWN MAY NOT BE REQUIRED FOR ALL SPECS. REFER TO PARTS LISTS FOR USAGE.

ART\_DECAL\_OPTIONS

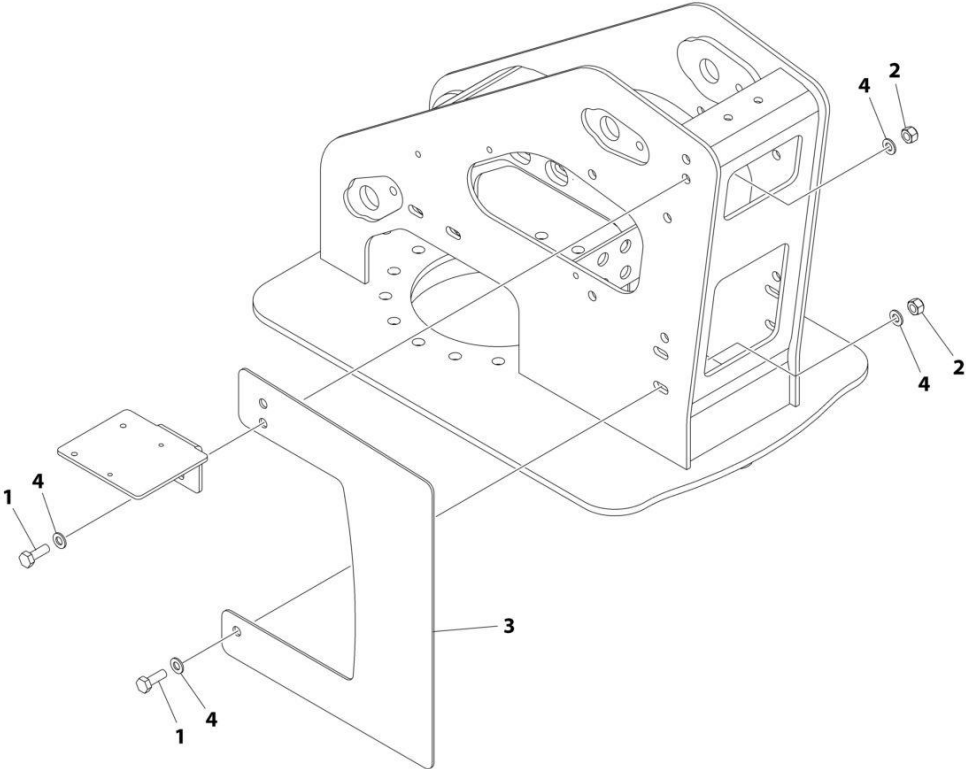
## SECTION 8 - DECALS

**FIGURE 8-7. DECAL INSTALLATION - OPTIONS**

ITEM	PART NUMBER	QTY	DESCRIPTION	REV
31		Ref	DECAL INSTALLATION - OPTIONS	
31		Ref	Decal - Model Options:	
31	1001289472	1	Decal - Model (T500J)	
33		Ref	Decal - Vehicle Placard Options (ANSI, ANSI Export & CSA Specs):	
33	1001112471	1	Decal - Vehicle Placard	
34		Ref	Decal - ICES Options (ANSI & CSA Specs):	
34	1001228370	1	Decal - ICES 001 (ET500J)	
34	1001223453	1	Decal - ICES 002 (T500J)	
38	0273670	Ref	Decals Installation - JLG (Not Shown)	
38A	1705754	1	Decal - JLG	
38B	1702773	1	Decal - JLG	
39	1702774	2	Decal - JLG Lift	
108	1001231801	1	Decal - Prop 65	
189		Ref	Decal - Tip Over Options:	
189	1706127	1	Decal - Tip Over (All Specs)(English Language)	
189	0274830	Ref	Decal - Tip Over (ANSI EXPORT) (Portuguese & English Languages)	
189	0274832	Ref	Decal - Tip Over (ANSI EXPORT) (Spanish & English Languages)	
189	1706428	1	Decal - Tip Over (ANSI EXPORT) (Spanish Language)	
189	0274819	Ref	Decal - Tip Over (CSA Specs) (French & English Languages)	
193		Ref	Decal - Service Support Options (ABSI & CSA Specs):	
193	1705304	1	Decal - Service Support (8HR)	
193	1706922	1	Decal - Service Support (24HR)	
195A	1706318	1	DECAL, VIN TAG	
205		Ref	Nameplate - Manufacturers Serial Number	

**SECTION 8 - DECALS**

**FIGURE 8-8. DECAL MOUNTING PLATE INSTALLATION**



ART\_0275836

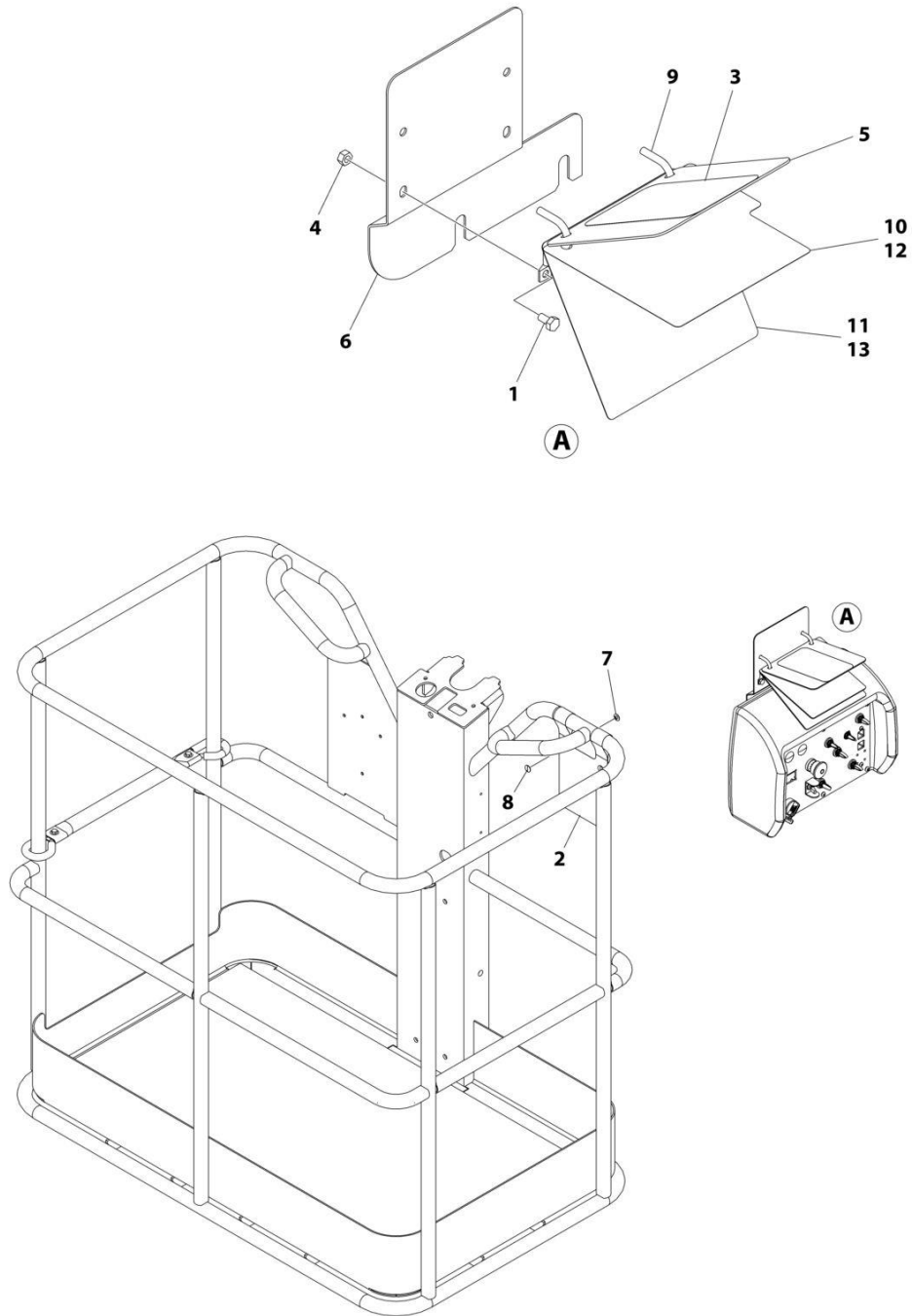
## SECTION 8 - DECALS

**FIGURE 8-8. DECAL MOUNTING PLATE INSTALLATION**

ITEM	PART NUMBER	QTY	DESCRIPTION	REV
	0275836	Ref	DECAL MOUNTING PLATE INSTALLATION	A
1	0701014	3	Bolt M10 x 30	
2	3291005	3	Nut M10	
3	3576114	1	Plate, Decal Mounting	
4	4812000	6	Washer M10	

# SECTION 8 - DECALS

## FIGURE 8-9. DECAL TAGS INSTALLATION



ART\_1001290439



## SECTION 8 - DECALS

### FIGURE 8-9. DECAL TAGS INSTALLATION

ITEM	PART NUMBER	QTY	DESCRIPTION	REV
	1001290439	Ref	DECAL TAGS INSTALLATION (ENGLISH)	A
1	0641404	2	Bolt 1/4 x 1/2	
2	1706897	1	Decal - Start Tag (Platform)	
3	1706926	1	Decal - Flash Codes	
4	3311405	2	Nut 1/4	
5	3576892	1	Cover	
6	3577000	1	Plate, Mounting	
7	3820038	2	Rivet	
8	3820039	2	Rivet	
9	91163087	2	Bracket	
10	1001266160	1	Decal - Start Tag (Ground Control)	
11	1001266161	1	Decal - Finish Tag	
12	1001285948	1	Plate, Decal	
13	1001285949	1	Plate, Decal	



## **SECTION 9 - RECOMMENDED SERVICE PARTS STOCK**

## **SECTION 9 - RECOMMENDED SERVICE PARTS STOCK**

## SECTION 9 - RECOMMENDED SERVICE PARTS STOCK

FIGURE 9-1. RECOMMENDED SERVICE PARTS STOCK

ITEM	PART NUMBER	QTY	DESCRIPTION	REV
		Ref	Note: The following list will service one machine (built to current production per date on the front cover) with emergency repair parts which can be installed in the field. Parts from the list should be replaced when inventory is depleted to keep service parts stock supplied. For further information, contact your JLG dealer or the JLG Industries Parts Department.	
		Ref	<b>STANDARD PARTS</b>	
	3740145	1	Relay	
	2915194	1	Element, Filter	
	7024883	1	Coil	
	7024885	1	Coil	
	7027628	1	Coil	
	7027638	1	Breather	
	70000026	1	Coil	
	4360328	1	Switch, Toggle	
	4360330	1	Switch, Toggle	
	4360475	1	Switch, Emergency Stop	
	2860030	1 Set	Key, Replacement	
	7027367	1	Switch, Push Button	
	4360562	1	Switch, Emergency Stop	
	2400065	1	Fuse 30 Amp	
	3990010	1	Diode 6 Amp	
	2400057	1	Fuse 15 Amp	
		Ref	<b>VARIABLE PARTS</b>	
	71820	1	Switch, Breakaway (With Electric Brakes)	
	1600392	1	Module, Drive Propulsion (With Drive Option)	
	4000008	1	Sensor, Proximity (With Drive Option)	
	1600370	1	Module, Ground Control	
	1600371	1	Controller Sevcon (Electric Machines without Drive Option)	
	1600412	1	Controller Sevcon (Electric Machines with Drive Option)	
	3740080	1	Relay (Gas Machines)	
	3740112	1	Relay (Gas Machines)	
	3740144	1	Actuator, Solenoid (Gas Machines)	
	3740148	1	Actuator, Solenoid (Gas Machines)	
	70001453	1	Filter Assembly, Air Cleaner (Gas Machines)	
	70003516	1	Coil, Ignition (Gas Machines)	
	70003521	1	Switch, Key (Gas Machines)	
	70003550	1	Key, Replacement (Gas Machines)	
	70003522	2	Fuse (Gas Machines)	
	2400087	2	Fuse (Electric Machines)	
	3740150	1	Relay (Electric Machines)	
	0610170	1	PC Board (Ground Control)	
	4360564	1	Switch, Push Button (Gas Machines)	
	4360565	1	Switch, Push Button (Gas Machines)	
	4360469	1	Keyswitch (ANSI and ANSI Export Specs)	
	4360470	1	Keyswitch (CE and Australian Specs)	
	1600369	1	PC Board (Platform)	
	1600452	1	Controller without Drive Function	
	1600453	1	Controller with Drive Function	

## SECTION 9 - RECOMMENDED SERVICE PARTS STOCK

ITEM	PART NUMBER	QTY	DESCRIPTION	REV
	7027369	1	Switch, Push Button (With Drive Function)	
	4360612	1	Switch, Rotary (Without Drive Option)	
	4360620	1	Switch, Rotary (With Drive Option)	
	4360577	1	Switch, Limit	



**SECTION 10 - SPECIAL OPTIONS**

# SECTION 10 - SPECIAL OPTIONS

## FIGURE 10-1. SPECIAL OPTIONS

ITEM	PART NUMBER	QTY	DESCRIPTION	REV
		Ref	Note: This list is to accommodate machines ordered with special equipment. Options may not be applicable to all models. For more specific parts information contact JLG Parts Department	
		Ref	MISCELLANEOUS SPECIAL OPTIONS	
		Ref	ClearSky Telematics Options:	
	1001276609	Ref	ClearSky Telematics - 3 Wire	
	1001263543	Ref	ClearSky Telematics Installation (Factory Installed) - Canbus 4G (ANSI and CSA Specs)	
	1001229709	Ref	Decal - Clearsky	
		Ref	Electrical Connector Kits	
	1001148902	Ref	Amp/Tyco Electrical Connector Kit	
	1001148903	Ref	Deutsch DT Electrical Connector Kit	
	1001148904	Ref	Deutsch HD Electrical Connector Kit	
	1001148905	Ref	Packard Electrical Connector Kit	
	1001148906	Ref	Various Electrical Connectors Kit	
		Ref	Filter Kits:	
		Ref	Combined Filter Kit (Hydraulic/Air and Fuel)	
	1001091767	1	Electric Engines	
	1001091766	1	Honda Engines	
	3128958	Ref	Inspection Packet	
	0274748	Ref	Lifting Lugs Installation	
	0274480	Ref	Panel Tray Installation	
	1001267933	Ref	Platform Mount Kit (Dealer installed)	
	1001213280	Ref	Security Kit (Compact Power/Home Depot)	
	1001213281	1	Latch, Trailer Coupler Lock	
	1001213282	1	Latch , Trailer Wheel Lock	
	1001268363	Ref	Service Kits & Tools	A
	0274573	Ref	Theft Recovery System (ANSI and CSA Specs Only)	
	1001101195	1	Transmitter	
	1001137282	Ref	Theft Recovery System Mounting Bracket Kit (Use p/n 1001157081)	
		Ref	Tools for Service	
	1001249695	1	Analyzer and Cable Kit	
	8896941	1	Wire Stripper	
	7002821	1	Wire Crimper (To install wire ends to wires)	
	7002823	1	Pin/Socket Extractor - Universal (To Remove Pins/Sockets from Connectors)	
	4460467	1	Extractor - 16-18 Gauge (For Removal of Pin/Sockets from Deutsch Connectors)	
	4460510	1	Extractor - 12-14 Gauge (For Removal of Pin/Sockets from Deutsch Connectors)	
	7002822	1	Screwdriver, Potentiometer (To Adjust Drive Controllers)	
	7016654	1	Screwdriver, Magnetic	
	7004275	1	Seal Installation Tool - 1in	
	7004276	1	Seal Installation Tool - 1-1/2in	
	7002826	1	Seal Installation Tool - 2in	
	2915205	1	Service Kit, Contactor	
	2915230	1	Delta-Q Charger Reprogram Controller Kit	
	4923341	1	Harness, Outrigger Manual Retract Service	
	1001137005	1	USB to RS232 Drive Installation (Service Kit)	



**SECTION 10 - SPECIAL OPTIONS**

ITEM	PART NUMBER	QTY	DESCRIPTION	REV
	31201317	Ref	Video	
	1001262959	Ref	Voltage Regulator Relocation Kit (ClearSky)	



**PART NUMBER INDEX**

## SECTION 10 - SPECIAL OPTIONS

0060080.....111	0641630.....65	1001128929.....25, 153	1001288695.....203
0060081.....111, 115	0641632.....65	1001131269.....187, 189	1001288732.....31, 155
0100011....19, 27, 33, 35, 55, 91, 95	0641638.....65	1001137005.....216	1001288733.....29, 157
0100019.....77	0641648.....67	1001137282.....216	1001288848.....61, 181
0100020.....87, 91	0641660.....25	1001148902.....216	1001288850.....92, 167
0100035.....71, 73	0641688.....19	1001148903.....216	1001289202.....203
0100048.....19	0641810.....79	1001148904.....216	1001289203.....203
0100051.....19	0641811.....91	1001148905.....216	1001289236.....61
0100081.....33, 35, 91	0641812.....91, 113	1001148906.....216	1001289237.....61
0140011.....75, 105, 107	0641830.....95	1001153014.....77, 79	1001289291.....29, 31
0140043.....83	0641836.....15, 17	1001192401.....155, 157	1001289470.....187
0273609.....13	0642012.....13	1001194421.....173, 175, 181	1001289472.....205
0273617.....33	0642240.....15, 17	1001213280.....216	1001289711.....87
0273619.....35	0681506.....67	1001213281.....216	1001289713.....87, 91
0273670.....205	0681812.....79	1001213282.....216	1001289839.....92, 95
0273676.....111	0700412.....83	1001213793.....143, 145	1001289924.....139
0273678.....97	0700510.....29, 31	1001214179.....109	1001289925.....141
0273715.....55	0700610.....83, 97, 139, 141	1001214673.....187, 189, 193, 197, 201	1001289944.....15
0273946.....45	0700812.....33, 35	1001219601.....29, 31	1001289946.....17
0273961.....71	0700827.....55	1001223453.....205	1001289971.....49
0273962.....73	0701014.....55, 83, 207	1001228195.....41	1001289972.....47
0274290.....81	0701216.....55	1001228370.....205	1001290073.....23
0274480.....216	0711228.....15, 17	1001229709.....216	1001290074.....21
0274573.....216	0721004.....19	1001231801.....205	1001290096.....67
0274748.....216	0721006.....61, 139, 141	1001243182.....17, 53	1001290107.....83
0274819.....205	0760613.....29, 31	1001249695.....216	1001290126.....103
0274830.....205	0760810.....33, 35	1001253644.....167	1001290127.....101
0274832.....205	0761012.....61, 71, 73	1001253800.....105, 107	1001290220.....83
0275211.....63	0801424.....95	1001253952.....21, 23	1001290259.....29
0275439.....19	0801425.....95	1001255962.....95	1001290260.....31
0275632.....59	0801451.....91	1001260244.....187, 189, 193, 197, 201	1001290278.....19
0275633.....57	0811607.....95	1001262295.....217	1001290401.....65
0275836.....207	0811608.....95	1001263543.....216	1001290439.....209
0361810.....19	0861647.....75	1001266160.....209	1001290664.....193, 201
0400201.....25	0861648.....71, 73, 75	1001266623.....111, 113	1001290807.....189
0400215.....19	0861649.....73	1001267933.....216	1001290808.....197
0440319.....111	0861662.....71	1001268363.....216	1001291778.....187
0610170.....75, 212	0902659.....25	1001270594.....83	1001291780.....189
0630183.....77	0903075.....97	1001274196.....92	1001291781.....193
0630468.....19	0903108.....15, 17	1001276609.....216	1001291782.....197
0630607.....57, 59	0903111.....45	1001285948.....209	1001291783.....201
0641404.....209	0903112.....45	1001285949.....209	1001291784.....187, 189, 193, 197, 201
0641406...15, 17, 27, 109	0903199.....111	1001286126.....143, 145	100129192...29, 31, 147
0641407.....19, 27, 97	0903560.....19	1001286250.....92	1001302765.....13
0641408.....21, 23	0903597.....27	1001286252.....139, 143	1001306678.....203
0641410.....27	0941516.....115	1001286254.....92	1060688.....21
0641412.....15, 17	0961947.....95, 127	1001286879.....15, 17	1060689.....23
0641414.....45	0961948.....91, 92, 121, 125	1001287285.....141, 145	1060697.....97
0641416.....51, 53	0961951.....92, 95	1001287539.....47, 49	1060799.....15, 17, 97
0641430.....15, 17	0962257.....91, 119, 123	1001287540.....47, 49	1060908.....143, 145
0641505.....51, 53	0962447.....77	1001287751.....105, 107	1180398.....95
0641506.....115	1001091102.....83	1001287752.....105, 173	1271585.....91
0641510.....129	1001091364.....113	1001287753.....107, 175	1271633.....91
0641514.....15, 17, 91	1001091500.....113	1001287756.....101, 105	1283401.....133, 135
0641516.....55	1001091766.....216	1001287757.....103, 107	1320060.....15, 17
0641606.....97, 111	1001091767.....216	1001287893.....61	1320061.....15, 17
0641607.....91, 95	1001092012.....92	1001287895.....61	1320159.....55
0641608.27, 77, 111, 113	1001101195.....216	1001287897.....61	1320222.....139, 141
0641610.....25, 87, 91	1001103012.....147	1001287898.....61	1320263.....35
0641612.....81, 87, 111	1001107854.....147	1001288127.....25	1320294.....91
0641615.....27	1001109586.....59	1001288128.....25, 27	1321137.....91
0641616.....45, 91	1001110688.....135	1001288129.....27	1380136.....33, 35
0641617.....57, 59	1001110873.....143	1001288458.....27	1560010.....109
0641620.....91	1001112471.....205		1560016.....15, 17
0641622.....111	1001116350.....15, 51		
0641628.....95	1001116811.....143, 145		
	1001118878.....29, 31		

## SECTION 10 - SPECIAL OPTIONS

1560017 .....	15, 17	1706313 .....	97	2110406.....	55	2940159.....	67
1600369 ....	105, 107, 212	1706318 .....	205	2110410.....	133, 135	2940160.....	101, 103
1600370 .....	212	1706337 .....	87	2110604.....	37, 41	2940178.....	47, 49
1600371 .....	212	1706349 .....	87	2110606.....	37, 41, 55	2980123.....	15, 17
1600392 .....	212	1706372 ...	187, 189, 193, 197, 201	2111610.....	41	3010130.....	91
1600412 .....	31, 212	1706384 ...	187, 189, 193, 197, 201	2130404.....	37, 41	31201317 .....	217
1600452 ....	105, 107, 212	1706385 ...	187, 189, 193, 197	2130606.....	37, 41	3128958 .....	216
1600453 .....	212	1706386 ...	187, 189, 193, 197	2130610.....	135	3251243.....	139, 201
1671171 .....	55	1706387 ...	187, 189, 193, 197	2151612.....	135	3251813... ..	187, 189, 193, 197, 201
1671187 .....	47	1706388 ...	187, 189, 193, 197	2170206.....	37, 41	3252507 .....	141
1671189 .....	49	1706427 .....	193, 201	2220003.....	87	3271505.....	67
1684397 .....	95, 127	1706428 .....	205	2220364.....	91	3271805.....	111
1684398 .....	91, 123	1706430 .....	193, 201	2220881.....	37, 119	327805 .....	55, 83, 91
1684402 .....	95, 129	1706431 .....	193, 201	2220883.....	37, 41, 121, 129	3290405.....	29, 31
1684434 .....	91, 121	1706432 .....	193, 201	2220885.....	37, 41, 55	3290605... ..	29, 31, 83, 97, 139, 141
1684443 .....	55, 125	1706433 .....	193, 201	2220886.....	37, 41	3290805.....	33, 35, 55
1684494 .....	91, 119	1706434 .....	193, 201	2220887.....	37	3291005.....	61, 83, 207
1701640 ...	187, 189, 193, 197, 201	1706435 .....	193, 201	2221086.....	37, 41	3291007.....	55
1701644 .....	19	1706436 .....	193, 201	2221209.....	87	3291207.....	55
1702155 .....	19	1706437 .....	193, 201	2221210.....	91	3292405.....	55
1702773 .....	205	1706438 .....	193, 201	2221211.....	91	3300407.....	57, 59
1702774 .....	205	1706439 .....	193, 201	2221212.....	87	3300506.....	19
1703813 ...	187, 189, 193, 197	1706440 .....	193, 201	2221213.....	87	3311005.....	19, 61, 139, 141
1703814 ...	187, 189, 193, 197, 201	1706441 .....	189	2300006.....	15, 17	3311401.....	51, 53
1703832 .....	197	1706442 .....	197	2400057.....	153, 212	3311405... ..	15, 17, 19, 21, 23, 27, 45, 97, 209
1703840 .....	193, 201	1706443 .....	189	2400060.....	153, 155, 157	3311505... ..	15, 17, 55, 91, 129
1703864 .....	190	1706444 .....	189	2400065.....	159, 161, 212	3311605... ..	25, 27, 45, 57, 59, 65, 67, 81, 87, 91, 95, 97, 111, 113
1704016 ...	187, 189, 193, 197, 201	1706445 .....	189	2400066.....	159, 161	3311608.....	19, 77
1704277 ...	187, 189, 193, 197, 201	1706446 .....	189	2400087.....	19, 212	331805.....	15, 17, 91, 111, 113
1704412 ...	187, 189, 193, 197, 201	1706447 .....	197	2400088.....	19	3312005.....	13
1705304 .....	205	1706448 .....	197	2420172.....	75	3312205.....	15, 17
1705754 .....	205	1706449 .....	197	2560122.....	33, 35	3321401.....	27
1705817 ...	187, 189, 193, 197, 201	1706450 .....	197	2560123.....	33, 35	3331211.....	15, 17
1705950 .....	105, 107	1706451 .....	189	2560184.....	111	3340843.....	87
1705971 .....	75	1706452 .....	189	2700104.....	97	3340881.....	95
1706099 ...	187, 189, 193, 197	1706453 .....	190	2700108.....	97	3340942.....	91
1706106 ...	187, 189, 193, 197, 201	1706454 .....	197	2753540.....	133, 135	3340943.....	91
1706107 ...	187, 189, 193, 197, 201	1706455 .....	190	2753541.....	133, 135	3420592.....	15, 17
1706108 ...	187, 189, 193, 197	1706456 .....	190	2753622.....	133, 135	3421986.....	55
1706109 ...	187, 189, 193, 197	1706457 .....	197	2753626.....	135	3422745.....	95
1706111 ...	187, 189, 193, 197	1706458 .....	197	2753727.....	133, 135	3422796.....	91
1706112 ...	187, 189, 193, 197	1706459 .....	197	2753784.....	133, 135	3423100.....	97
1706127 .....	205	1706460 .....	197	2754173.....	91	3423105.....	95
1706128 .....	97, 187, 189, 193, 197	1706461 .....	197	2754174.....	91	3423106.....	111
1706135 ...	187, 189, 193, 197	1706462 .....	87	2754263.....	133, 135	3423146.....	55
1706139 ...	187, 189, 193, 197, 201	1706463 .....	87	2754265.....	133, 135	3423147.....	55
1706260 .....	25	1706464 .....	87	2792668.....	133	3423156.....	91
1706261 .....	87	1706465 .....	87	2792669.....	135	3423159.....	47, 49
1706262 .....	87	1706466 .....	87	2820179.....	27	3423161.....	95
1706264 .....	55	1706467 ...	187, 189, 193, 197, 201	2840026.....	65	3423186.....	55
		1706657 .....	198	2860030.....	71, 73, 212	3423201.....	91
		1706658 .....	198	2900770....	119, 121, 127, 129	3423202.....	91
		1706664 .....	194	2902333.....	27	3423203.....	87
		1706665 .....	194	2902349.....	15, 17	3423204.....	91
		1706897 .....	209	2902425.....	201	3450202.....	27
		1706898 .....	105, 107	2902428....	187, 189, 193, 197, 201	3450304.....	15, 17
		1706922 .....	205	2902430....	187, 189, 193, 197	3520030.....	71
		1706926 .....	209	2902442.....	189	3575058.....	111
		19611 .....	51, 53	2902447.....	197	3575304.....	105, 107
		19613 .....	51, 53	2902454.....	193	3575358.....	75
		19616 .....	51, 53	2915194.....	38, 42, 212		
		2080063 .....	109	2915205.....	216		
		2090043 .....	45	2915230.....	216		
		2090050 .....	45	2940095.....	47, 49		
		2090051 .....	45				
		2110404 .....	37, 41, 133, 135				

## SECTION 10 - SPECIAL OPTIONS

3575420.....	67	4060865.....	83	4460470.....	163	4641285.....	129
3575623.....	75	4060906.....	75	4460471.....	163	4641326.....	37
3575719.....	67	4070897.....	95	4460496.....	91, 105, 107	4641328.....	41
3575796.....	105, 107	4070898.....	95	4460497.....	91, 105, 107	4641343.....	33, 37
3575804.....	87	4071039.....	95	4460508... 143, 145, 159,		4641345.....	35, 41
3575887.....	91	4071040.....	95	161		4641380.....	55
3575889.....	95	4071082.....	87	4460509.....	155, 157	4700018.....	95
3576102....	189, 193, 197	4071083.....	87	4460510.....	216	4700019.....	95
3576114.....	207	4071117.....	95	4460536.....	167, 181	4700037.....	95
3576773.....	19	4191709.....	31	4460539.....	177	4711000.19, 75, 139, 141	
3576892.....	209	4210024.....	55	4460722.....	155	4711400....	15, 17, 19, 21,
3577000.....	209	4210025.....	55	4460761.....	159, 161	23, 27, 55, 97	
3600403.....	27	4220207.....	55	4460871.....	155, 157	4711500.....	92
3641585.....	109	4220210.....	75	4460872.....	155, 157	4711600....	27, 57, 59, 87,
3730119.....	151	4220211.....	87	4460873.....	155, 157	92, 95, 97, 111, 113	
3740049.....	29	4220254.....	95	4460874.....	155, 157	4711800.....	111, 113
3740080.....	27, 212	4220255.....	77	4460875.....	155, 157	4740171.....	77
3740112.....	27, 212	4240003.....	87, 97	4460876.....	155, 157	4740333.....	55
3740144.....	27, 212	4240032.....	15, 17	4460878.....	155, 157	4740362.....	45
3740145.....	31, 212	4240173.....	77	4460884... 155, 157, 167,		4751000.....	61
3740148.....	27, 212	4240175.....	71, 73	177		4751200.....	27
3740150.....	19, 212	4340799.....	111	4460887.....	155, 157	4751400... 15, 17, 45, 109	
3760115.....	95	4340800.....	111	4460891... 151, 155, 157,		4751500....	15, 17, 55, 79
3760133.....	55, 91	4340871.....	105, 107	165, 169, 171, 183		4751600....	19, 25, 27, 45,
3760170.....	97, 187, 189,	4341181.....	57, 59	4460894.... 147, 155, 157		65, 67	
193, 197, 201		4341400.....	81	4460897... 155, 157, 177,		4752200.....	15, 17
3760237.....	55	4360328...71, 73, 75, 212		179		4761400.....	51, 53
3760351.....	95	4360330.....	75, 212	4460899.... 147, 155, 157		4811400.....	55, 92
3820001....	187, 189, 193,	4360469.....	71, 73, 212	4460930.....	153	4811600.....	29, 31
197, 201		4360470.....	212	4460931.....	157	4811700....	29, 31, 83, 97,
3820017....	15, 17, 33, 35,	4360475.....	75, 212	4460932.... 155, 157, 181		139, 141	
47, 49		4360562.... 105, 107, 212		4460933... 147, 151, 163,		4811900.....	33, 35
3820020.....	47, 49, 75	4360564.....	73, 107, 212	169, 171		4812000....	55, 61, 71, 73,
3820021....	189, 193, 197	4360565.....	73, 107, 212	4460941.... 151, 157, 163		83, 207	
3820032....	187, 189, 193,	4360577... 171, 179, 183,		4460942.... 151, 163, 171		4812100.....	15, 17, 55
197, 201		213		4460943... 155, 157, 163,		4812700.....	55
3820038.....	209	4360612.... 105, 107, 213		173, 175		4891600.....	81
3820039.....	209	4360620.....	213	4460944.....	173, 175	4891800.....	95
3841143....	55, 87, 91, 95	4420038.....	19	4460959.....	153	4891900.....	77
3841203.....	55, 91	4460019.....	155, 157	4460965.....	153	4892000.....	13
3841655.....	55	4460115.....	173	4460970.... 155, 157, 163		4923041.....	29, 31, 171
3841692.....	109	4460138.....	139	4461015.....	173, 175	4923101.....	92, 165
3890042.....	15, 17	4460183.....	173, 175	4461016... 151, 163, 173,		4923102.....	92, 151
3890046.....	15, 17	4460213.....	173, 175	175		4923109.....	29, 31, 169
3890048.....	15, 17	4460227.....	159, 161	4461017.....	159, 161	4923118.....	71, 159
3890065.....	27	4460259.....	155	4461018.....	155, 157	4923124.....	97, 163
3900184.....	27	4460260.....	155, 157	4461019.....	159, 161	4923125.....	73, 161
3900283.....	95	4460297.....	155, 157	4461020.....	155, 157	4923128.....	83, 177
3900316.....	95	4460312.....	155	4461023... 155, 159, 161		4923153.....	25
3900352.....	75	4460313.....	181	4461024.....	173, 175	4923154.....	25
3900357.....	105, 107	4460346.....	143	4461025.....	173, 175	4923193.....	92, 179
3900358....	75, 105, 107	4460386.....	75	4461041.....	159, 161	4923217.....	92, 183
3900359.....	105, 107	4460418.....	159, 161	4461046.....	153	4923341.....	216
3900360.....	77	4460419.....	159, 161	4461047.....	153	4923428.....	19, 149
3911040.....	61	4460457.....	153	4461048.....	153	4923545.....	19
3931816.....	55	4460458.....	153	4461049.....	153	4923570.....	19
3931832.....	77	4460464... 147, 151, 155,		4461051.....	155	70000025.....	42
3960461.....	61	157, 159, 161, 163,		4461057.....	173, 175	70000026.....	42, 212
3960584.....	105, 107	167, 173, 175, 177,		4461058.....	173, 175	70000027.....	42
3960587.....	75	179, 181		4461065.....	97, 163	70000028.....	42
3960604.....	105, 107	4460465... 147, 151, 155,		4461271.....	155, 157	70000100.....	37, 41
3990010....	153, 155, 157,	157, 163, 165, 167,		4520614.....	57, 63	70000190.....	119
212		169, 171, 173, 175,		4569097.....	15, 17	70000235.....	149
3990111.....	157	177, 183		4630003.....	92	70000236.....	149
3990112.....	155	4460466... 143, 145, 147,		4630004.....	95	70000378.....	38, 42
4000008.....	212	155, 157		4640438.....	121	70000682.....	105, 107
4031512.....	55, 91	4460467.....	216	4640902.....	119	70000894.....	38, 42

## SECTION 10 - SPECIAL OPTIONS

70000895 ..... 38, 42	7012953 ..... 119, 125	7027353.....79	7027710 ..... 119
70001008 ..... 27	7012955 ..... 121	7027354.....79	7027711 ..... 119
70001453 ..... 212	7012961 ..... 119	7027356.....79	7027712 ..... 121
70002227 ..... 37, 41	7012967 ..... 119, 121	7027358.....79	7027713 ..... 121
70002228 ..... 37, 41	7012972 ..... 119, 121	7027360.....79	7027714 ..... 121
70002229 ..... 37, 41	7012975 ..... 119	7027361.....79	7027715 ..... 121
70002230 .. 37, 38, 41, 42	7012998 ..... 119	7027363.....79	7027716 ..... 121
70002282 ..... 38	7016654 ..... 216	7027367.... 105, 107, 212	7027727 ..... 65
70002628 ..... 51, 53	7020175 ..... 75	7027369.....213	7027742 ..... 115
70002629 ..... 51, 53	7020176 ..... 75	7027371..... 105, 107	7027743 ..... 115
70002630 ..... 51	70212 ..... 15, 17	7027617.....37	7027744 ..... 115
70002631 ..... 51, 53	7024500 .... 37, 38, 41, 42	7027618.....37	7027745 ..... 115
70002632 ..... 51, 53	7024505 .... 37, 38, 41, 42	7027619.....37	7027746 ..... 115
70002633 ..... 51, 53	7024882 ..... 125	7027620.....37, 41	7027747 ..... 115
70002634 ..... 51, 53	7024883 ..... 125, 212	7027621.....37, 41	7027748 ..... 115
70002635 ..... 51, 53	7024884 ..... 119, 121	7027622.....37, 41	7027749 ..... 115
70002636 ..... 51, 53	7024885 .... 119, 121, 212	7027623.....37, 41	7027750 ..... 115
70002637 ..... 51, 53	7024886 ..... 121	7027624.....37, 41	7027751 ..... 115
70002638 ..... 51, 53	7024887 ..... 119	7027625.....37, 41	7027752 ..... 115
70002639 ..... 51, 53	7024888 ..... 119	7027626.....37, 41	7027753 ..... 115
70002640 ..... 51, 53	7026042 ..... 79	7027627.....37, 41	7027755 ..... 115
70002641 ..... 51, 53	7026043 ..... 79	7027628... 38, 41, 42, 212	7027756 ..... 115
70002722 ..... 51	7026353 ..... 51, 53	7027629.....38, 41	7027757 ..... 115
70003516 ..... 212	7026355 ..... 51, 53	7027630.....38, 41	7027758 ..... 115
70003521 ..... 212	7026358 ..... 51, 53	7027632.....38	7027759 ..... 115
70003522 ..... 212	7026359 ..... 51, 53	7027633.....38	7027760 ..... 115
70003550 ..... 212	7026360 ..... 51, 53	7027635.....38, 42	7027763 ..... 115
70003615 ..... 38, 42	7026367 ..... 51, 53	7027636.....38, 42	7027765 ..... 105, 107
70004157 ..... 79	7026370 ..... 51, 53	7027638.....38, 42, 212	7027766 ..... 105, 107
70004315 ..... 121	7026372 ..... 51, 53	7027639.....38, 42	7027768 ..... 115
70006984 ..... 53	7026623 ..... 42	7027690.....38, 42	7027890 ..... 15, 17
70008481 ..... 13	7027320 ..... 125	7027691.....42	7027897 ..... 115
70008482 ..... 13	7027321 ..... 125	7027694..... 123, 127	7027899 ..... 115
7002821 ..... 216	7027322 ..... 125	7027695.....127	71101 ..... 61
7002822 ..... 216	7027323 ..... 125	7027696..... 123, 127	71820 ..... 212
7002823 ..... 216	7027324 ..... 125	7027697 ..... 127	8229242 ..... 155, 157
7002826 ..... 216	7027325 ..... 125	7027698..... 123, 127	8310264 ..... 97
7004275 ..... 216	7027326 ..... 27	7027699.....123	8406110 ..... 33
7004276 ..... 216	7027327 ..... 27	7027700.....123	8580420 ..... 15, 17
7010645 ..... 13	7027328 ..... 27	7027701.....129	88212228 ..... 79
7011311 ..... 129	7027334 ..... 121	7027702.....129	8896941 ..... 216
7011358 ..... 127, 129	7027338 ..... 119	7027703.....129	8990147 ... 187, 189, 193, 197, 201
7011377 ..... 127, 129	7027340 ..... 123, 127	7027704.....129	91163087 ..... 209
7011378 ..... 127	7027342 ..... 119	7027705.....129	
7011379 ..... 129	7027350 ..... 79	7027706.....129	
7011380 ..... 119	7027351 ..... 79	7027707.....129	
7012540 ..... 119	7027352 ..... 79	7027708.....119	



**Corporate Office  
JLG Industries, Inc.  
1 JLG Drive  
McConnellsburg, PA 17233-9533 USA  
☎ (717) 485-5161 (Corporate)  
☎ (877) 554-5438 (Customer Support)  
📠 (717) 485-6417**

**Visit our website for JLG Worldwide Locations.  
[www.jlg.com](http://www.jlg.com)**



**OSHKOSH™**