



Illustrated Parts Manual

519

PVC 1001

3122243500

September 1, 2024 - Rev A

English (en-US)

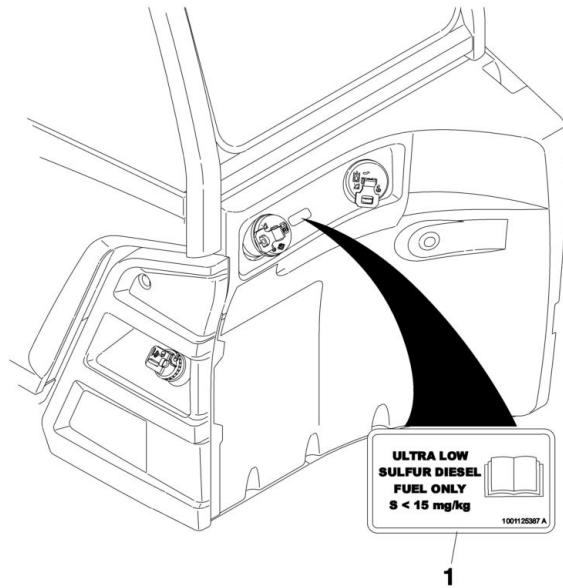
EFFECTIVITY PAGE

September 1, 2024 - A - Original Issue of Manual (Edited to B/M 1001290519 Revision E)

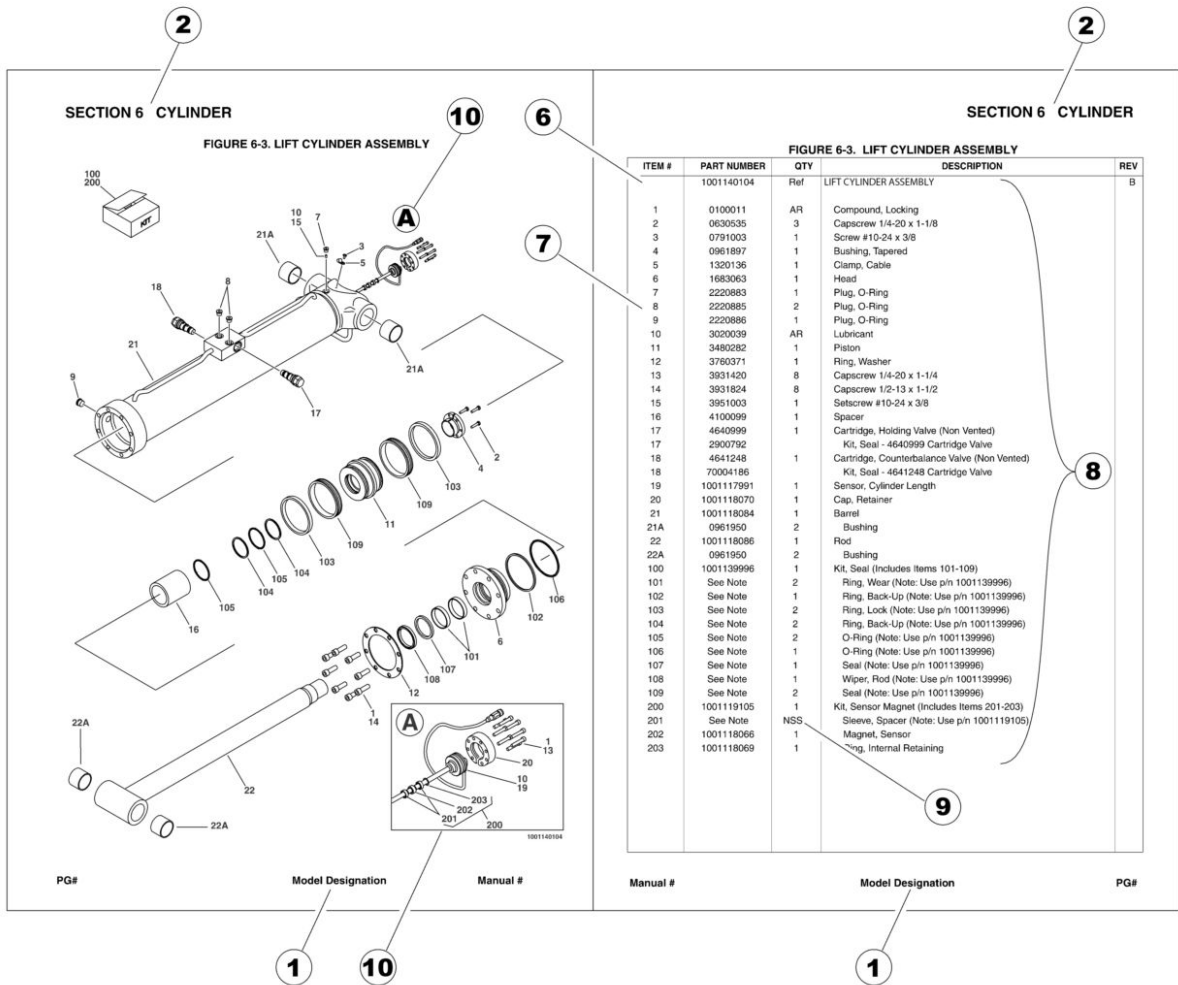
Machine Configuration

Two configurations of each machine are included in this manual. Determine if machine is equipped with Ultra Sulfur Fuel Decal (1) as indicated below.

- If equipped with the Ultra Low Sulfur decal, all specific references to this machine configuration will be referred to as Ultra Low Sulfur (ULS) from this point forward.
- If not equipped with the Ultra Low Sulfur decal, all specific references to this machine configuration will be referred to as Low Sulfur (LS) from this point forward.



GENERAL INFORMATION



1) MACHINE IDENTIFICATION

Machines are identified by model and in some cases a combination of models, serial number (SN) or regional standard (i.e ANSI, CE, CSA). Components may also be identified by SN or manufacturer. Common components that may be identified by these characteristics are engines and hydraulic components.

2) PARTS MANUAL ORGANIZATION

Product information in this manual is organized under section titles. Frame, Cylinder, Hydraulic and Electrical are a few examples. Each section is organized by figure and page number. The information within the Figure is then organized by item number, part number, description and corresponding illustration (s).

3) TABLE OF CONTENTS (NOT SHOWN)

A table of contents is found toward the beginning of the manual. Figure number, description and page number are provided for quick reference to the page containing the related information.

4) RECOMMENDED SPARE PARTS (NOT SHOWN)

The Recommended Spare Parts List, located near the end of the manual, reference most frequently used maintenance parts.

5) PART NUMBER INDEX (NOT SHOWN)

A numerical index listing all part numbers and the corresponding page number(s) appears at the back of the manual.

GENERAL INFORMATION

6) NON-SERVICED PARTS

In some instances, it is necessary to display non-serviced parts, assemblies or installations. In the case of assemblies and installations there will be a Ref in the Qty. column. In case of parts that are not available for service within assemblies or components, there will be a NSS (Not Sold Separately) or NLA (No Longer Available) listed in the Qty. column of the manual.

7) PARTS LIST ITEM NUMBERS

Numbers shown in the item# column correspond to numbers used in the associated illustration (s). Item numbers which are missing from the sequence in the parts list are not used on that page.

8) INDENTED PARTS DESCRIPTION

An indented part description is included in the item under which it is indented.

9) ABBREVIATION AND SYMBOLS

AC.....	Alternating Current	L.....	Liter
ADE.....	Advanced Design Electronics	LB(LBS).....	Pounds
AG.....	Agricultural	LCD.....	Liquid Crystal Display
ANSI.....	American National Standards Institute	LED.....	Light Emitting Diodes
AR.....	As Required	LH.....	Left Hand
ASSY.....	Assembly	LRC.....	Low Rated Countries
AUS.....	Australia	LSS.....	Load Sensing System
AUX.....	Auxiliary	M(m).....	Metric/Meter
AWG.....	American Wire Gauge	MM(mm).....	Milimeter
B/M.....	Bill of Material	mA.....	Miliamps
CAC.....	Charge Air Cooler	NLA.....	No Longer Available
CE.....	European Conformity	NPT.....	National Pipe Threads
CCW.....	Counter Clockwise	NSS.....	Not Sold Separately
CM.....	Centimeter	OD.....	Outside Diameter
CW.....	Clockwise	ORB.....	O-Ring Boss
CSA.....	Canadian Standards Association	ORFS.....	O-Ring Face Seal
CYL.....	Cylinder	OZ (oz).....	Ounces
DIA.....	Diameter	PG.....	Page
DC.....	Direct Current	PN.....	Part Number
DEF.....	Diesel Exhaust Fluid	QT/qt.).....	Quarts
EMS.....	Emergency Stop	QTY.....	Quantity
ENG.....	Engine	REF.....	Reference
FT(ft).....	Feet	REV.....	Revision Level
GA(Ga).....	Gauge	RH.....	Right Hand
HRC.....	High Rated Countries	SAE.....	Society of Automotive Engineers
HVAC.....	Heating, Ventilating, and Air Conditioning	SN.....	Serial Number
HYD.....	Hydraulic	SPEC(S).....	Specifications
Hz.....	Hertz	T/T.....	Turntable
ID.....	Inside Diameter	UGM.....	Universal Ground Module
IN.....	inches	V.....	Volts
ISO.....	International Organization for Standards	W.....	Watts
JIC.....	Joint Industry Council	#.....	Number
KG.....	Kilogram		

10) ILLUSTRATION REFERENCE LETTERS

When necessary, illustrations may contain reference letters that are intended to track information (i. e. hoses, harnesses) from one point to another or to track visual enlargement of components to show details that may be located in another area on the illustration.

Note: Due to continuous product improvements, JLG Industries, Inc. reserves the right to make specification changes without prior notification. Contact JLG Industries, Inc. for updated information.

TABLE OF CONTENTS

SECTION 1 - FRAME AND ATTACHING PARTS.....	13
FIGURE 1-1. FRAME COMPONENTS INSTALLATION	14
FIGURE 1-2. FRAME COVERS ASSEMBLY	16
FIGURE 1-3. ENCLOSURE INSTALLATION	18
FIGURE 1-4. FUEL TANK INSTALLATION.....	20
FIGURE 1-5. HOOD INSTALLATION.....	22
FIGURE 1-6. HYDRAULIC TANK INSTALLATION	24
FIGURE 1-7. TANK ASSEMBLY - FUEL.....	26
FIGURE 1-8. TANK ASSEMBLY - HYDRAULIC	28
SECTION 2 - BOOM.....	31
FIGURE 2-1. BOOM INSTALLATION.....	32
FIGURE 2-2. BOOM ASSEMBLY.....	34
FIGURE 2-3. BOOM BASE ASSEMBLY	36
FIGURE 2-4. BOOM FLY ASSEMBLY	38
FIGURE 2-5. BOOM ANGLE INDICATOR INSTALLATION.....	40
FIGURE 2-6. BOOM PROP INSTALLATION	42
FIGURE 2-7. COUPLER INSTALLATION (HYDRAULIC)	44
FIGURE 2-8. COUPLER INSTALLATION - UNIVERSAL (HYDRAULIC).....	46
FIGURE 2-9. COUPLER ASSEMBLY - UNIVERSAL.....	48
FIGURE 2-10. COUPLER INSTALLATION (MANUAL).....	50
FIGURE 2-11. COUPLER INSTALLATION, UNIVERSAL (MANUAL).....	52
FIGURE 2-12. FORK LOCKING CYLINDER KIT	54
FIGURE 2-13. TELESCOPE CYLINDER INSTALLATION.....	56
SECTION 3 - ATTACHMENTS	59
FIGURE 3-1. BASKET, PERSONNEL (1.2MX2.4M) (DOMESTIC).....	60
FIGURE 3-2. BASKET, PERSONNEL (1.2MX2.4M) (ISO).....	62
FIGURE 3-3. BASKET, PERSONNEL (1.2MX2.4M) (FRENCH).....	64
FIGURE 3-4. BOLT-ON EDGE ASSEMBLY, 72"	66
FIGURE 3-5. CARRIAGE, SIDE TILT, (48IN).....	68
FIGURE 3-6. CARRIAGE, SIDE TILT, UNIVERSAL QUICK ATTACH, (48IN).....	70
FIGURE 3-7. CARRIAGE, SIDE SHIFT (48IN).....	72
FIGURE 3-8. CARRIAGE, SIDE SHIFT, UNIVERSAL QUICK ATTACH, (48IN).....	74
FIGURE 3-9. CARRIAGE ASSEMBLY - 48IN STANDARD.....	76
FIGURE 3-10. CARRIAGE ASSEMBLY - 48IN UNIVERSAL	78
FIGURE 3-11. CARRIAGE ASSEMBLY - FORK POSITIONING STANDARD (48IN).....	80
FIGURE 3-12. CARRIAGE ASSEMBLY - FORK POSITIONING UNIVERSAL (48IN)	82
FIGURE 3-13. FORK MOUNTED HOOK (4 TON).....	84
FIGURE 3-14. FORK MOUNTED PLATFORM.....	86
FIGURE 3-15. FORK 2.00X4X48 / 3800# CAPACITY.....	88
FIGURE 3-16. LIFTING HOOK ASSEMBLY, STANDARD.....	90
FIGURE 3-17. LIFTING HOOK ASSEMBLY, UNIVERSAL	92
FIGURE 3-18. LIGHT MATERIAL BUCKET, (72INCH) (1.7 YD ³ /1.29 M ³)	94
FIGURE 3-19. LIGHT MATERIAL BUCKET, (72INCH) (1.0 YD ³ /0.76 M ³)	96

TABLE OF CONTENTS

FIGURE 3-20. MULTI-PURPOSE GRAPPLE BUCKET (1850MM)	98
FIGURE 3-21. UNIVERSAL HITCH ATTACHMENT	100
FIGURE 3-22. QUICK SWITCH ASSEMBLY	102
SECTION 4 - ENGINE AND ATTACHING PARTS	105
FIGURE 4-1. ENGINE ASSEMBLY (HRC)	106
FIGURE 4-2. ENGINE ASSEMBLY (LRC)	110
FIGURE 4-3. ENGINE MOUNTS INSTALLATION	114
FIGURE 4-4. ENGINE WIRING INSTALLATION	116
FIGURE 4-5. ENGINE AIR INTAKE INSTALLATION	118
FIGURE 4-6. ENGINE FUEL LINES INSTALLATION	120
FIGURE 4-7. ENGINE PUMP ADAPTOR INSTALLATION	122
FIGURE 4-8. ENGINE PUMP INSTALLATION	124
FIGURE 4-9. ENGINE MODULE INSTALLATION	126
FIGURE 4-10. ENGINE COOLING INSTALLATION	128
FIGURE 4-11. ENGINE EXHAUST INSTALLATION	130
FIGURE 4-12. ENGINE HEATER INSTALLATION	132
FIGURE 4-13. AIR CLEANER ASSEMBLY	134
FIGURE 4-14. AC LINES INSTALLATION	136
FIGURE 4-15. AC PUMP INSTALLATION	138
FIGURE 4-16. COOLANT EXPANSION TANK INSTALLATION	140
FIGURE 4-17. COOLANT LINES INSTALLATION	142
FIGURE 4-18. FAN GUARD INSTALLATION	144
FIGURE 4-19. FAN INSTALLATION - COOLING	146
FIGURE 4-20. HEATER HOSE INSTALLATION	148
FIGURE 4-21. RADIATOR ASSEMBLY	150
FIGURE 4-22. QUICKFIT OIL CHANGE ASSEMBLY	152
SECTION 5 - DRIVE TRAIN	155
FIGURE 5-1. FRONT AXLE ASSEMBLY	156
FIGURE 5-2. FRONT AXLE ASSEMBLY - CENTER HOUSING	158
FIGURE 5-3. FRONT AXLE ASSEMBLY - DIFFERENTIAL	160
FIGURE 5-4. FRONT AXLE ASSEMBLY - HUB REDUCTION (LH)	162
FIGURE 5-5. FRONT AXLE ASSEMBLY - HUB REDUCTION (RH)	166
FIGURE 5-6. FRONT AXLE ASSEMBLY - BRAKES	170
FIGURE 5-7. FRONT AXLE ASSEMBLY - STEERING	172
FIGURE 5-8. AXLE ASSEMBLY - REAR	174
FIGURE 5-9. REAR AXLE ASSEMBLY - CENTER HOUSING	176
FIGURE 5-10. REAR AXLE ASSEMBLY - DIFFERENTIAL	178
FIGURE 5-11. REAR AXLE ASSEMBLY - HUB REDUCTION (LH)	180
FIGURE 5-12. REAR AXLE ASSEMBLY - HUB REDUCTION (RH)	184
FIGURE 5-13. REAR AXLE ASSEMBLY - STEERING	188
FIGURE 5-14. REAR AXLE ASSEMBLY - TRUNION	190
FIGURE 5-15. DRIVE TRAIN INSTALLATION	192
FIGURE 5-16. DRIVE MOTER INSTALLATION	194
FIGURE 5-17. FENDER INSTALLATION	196

TABLE OF CONTENTS

FIGURE 5-18. FENDER INSTALLATION (CAB)	198
FIGURE 5-19. FENDER ASSEMBLY	200
FIGURE 5-20. TIRE SET - 12 X 16.5 PHUEMATIC	202
FIGURE 5-21. TIRE SET - 12 X 16.5 FOAM-FILLED	204
FIGURE 5-22. TIRE SET - 33 X 12-20 NON MARKING	206
FIGURE 5-23. TIRE SET - 33 X 16 TURF	208
FIGURE 5-24. TIRE SET - 33 X 16 AG	210
FIGURE 5-25. RIGHT TIRE/WHEEL ASSEMBLY, CAMSO (AIR 12-16.5 - 12 PLY)	212
FIGURE 5-26. LEFT TIRE/WHEEL ASSEMBLY, CAMSO (AIR 12-16.5 - 12 PLY)	214
SECTION 6 - CAB	217
FIGURE 6-1. CAB TRIM INSTALLATION - OPEN CAB	218
FIGURE 6-2. CAB TRIM INSTALLATION - CLOSED CAB	220
FIGURE 6-3. CAB ASSEMBLY - OPEN CAB	222
FIGURE 6-4. CAB ASSEMBLY - CLOSED CAB	224
FIGURE 6-5. CAB NO HEAT INSTALLATION	226
FIGURE 6-6. CAB HEATER INSTALLATION	228
FIGURE 6-7. CAB HEATER/AC INSTALLATION	230
FIGURE 6-8. CAB MAT INSTALLATION	232
FIGURE 6-9. CAB MOUNTS INSTALLATION	234
FIGURE 6-10. CAB DUCT INSTALLATION	236
FIGURE 6-11. CAB GUARD INSTALLATION (TOP)	238
FIGURE 6-12. CAB GUARD INSTALLATION (FRONT)	240
FIGURE 6-13. AC CONDENSER INSTALLATION	242
FIGURE 6-14. A/C RECEIVER DRIER	244
FIGURE 6-15. ARMREST/CONSOLE INSTALLATION	246
FIGURE 6-16. COLUMN SHIFT INSTALLATION	248
FIGURE 6-17. CONDENSER	250
FIGURE 6-18. DECAL INSTALLATION - EMERGENCY EXIT	252
FIGURE 6-19. DOOR ASSEMBLY - CAB	254
FIGURE 6-20. FIRE EXTINGUISHER INSTALLATION	258
FIGURE 6-21. HEADLINER INSTALLATION	260
FIGURE 6-22. HEATER INSTALLATION - HEAT/AC	262
FIGURE 6-23. HEATER INSTALLATION - HEAT ONLY	264
FIGURE 6-24. HEATER ASSEMBLY - HEAT ONLY	266
FIGURE 6-25. HEATER ASSEMBLY - HEAT/AC	268
FIGURE 6-26. LEVEL INDICATOR INSTALLATION	270
FIGURE 6-27. MIRROR INSTALLATION	272
FIGURE 6-28. MIRRORS INSTALLATION	274
FIGURE 6-29. MOTOR ASSEMBLY - WIPER	276
FIGURE 6-30. NO ENGINE SPEED SET SWITCH INSTALLATION	278
FIGURE 6-31. SEAT INSTALLATION - STANDARD	280
FIGURE 6-32. SEAT INSTALLATION - SEAOP	282
FIGURE 6-33. SEAT ASSEMBLY - STANDARD	284
FIGURE 6-34. SEAT ASSEMBLY - VINYL	286
FIGURE 6-35. SEAT BELT INSTALLATION (2IN)	288

TABLE OF CONTENTS

FIGURE 6-36. SEAT BELT INSTALLATION (3IN).....	290
FIGURE 6-37. SECONDARY EXIT INSTALLATION (CA SPECS).....	292
FIGURE 6-38. SECONDARY EXIT INSTALLATION (ANSI SPECS).....	294
FIGURE 6-39. SECONDARY EXIT INSTALLATION (ISO SPECS).....	296
FIGURE 6-40. SECONDARY EXIT INSTALLATION (ENGLISH/SPANISH LANGUAGES).....	298
FIGURE 6-41. STEERING COLUMN INSTALLATION - FIXED.....	300
FIGURE 6-42. STEERING COLUMN ASSEMBLY - FIXED.....	302
FIGURE 6-43. STEERING COLUMN INSTALLATION - TILT.....	304
FIGURE 6-44. STEERING COLUMN ASSEMBLY - TILT.....	306
FIGURE 6-45. STEERING WHEEL INSTALLATION.....	308
FIGURE 6-46. WASHER HOSE PASS THROUGH INSTALLATION.....	310
FIGURE 6-47. WINDOW WASHER INSTALLATION.....	312
FIGURE 6-48. WINDOW ASSEMBLY - REAR.....	314
FIGURE 6-49. WIPER INSTALLATION - FRONT.....	316
FIGURE 6-50. WIPER INSTALLATION - REAR WINDOW.....	318
FIGURE 6-51. WIPER INSTALLATION - ROOF.....	320
SECTION 7 - CONTROLS.....	323
FIGURE 7-1. JOYSTICK INSTALLATION.....	324
FIGURE 7-2. PEDAL INSTALLATION - ACCELERATOR.....	326
FIGURE 7-3. BRAKE PEDAL INSTALLATION.....	328
FIGURE 7-4. BRAKE PEDAL ASSEMBLY.....	330
SECTION 8 - HYDRAULIC CIRCUITS.....	333
FIGURE 8-1. BOOM HYDRAULIC INSTALLATION.....	334
FIGURE 8-2. HOSE INSTALLATION - BOOM.....	336
FIGURE 8-3. HOSE INSTALLATION - CAB.....	338
FIGURE 8-4. HOSE INSTALLATION - ENGINE BAY.....	340
FIGURE 8-5. HOSE INSTALLATION - FRAME.....	342
SECTION 9 - HYDRAULIC COMPONENTS.....	345
FIGURE 9-1. BOOM AUX HYDRAULIC INSTALLATION (MANUAL - SINGLE).....	346
FIGURE 9-2. BOOM AUX HYDRAULIC INSTALLATION (HYDRAULIC - TWIN).....	348
FIGURE 9-3. BOOM AUX HYDRAULIC INSTALLATION (FLAT FACE).....	350
FIGURE 9-4. BOOM AUX HYDRAULIC INSTALLATION (UNIVERSAL COUPLER).....	352
FIGURE 9-5. BOOM AUXILIARY HYDRAULIC VALVE INSTALLATION.....	354
FIGURE 9-6. CYLINDERS INSTALLATION.....	356
FIGURE 9-7. CYLINDER ASSEMBLY - COMP.....	358
FIGURE 9-8. CYLINDER ASSEMBLY - EXTEND/RETRACT.....	360
FIGURE 9-9. CYLINDER ASSEMBLY - FORK LOCKING.....	362
FIGURE 9-10. CYLINDER ASSEMBLY - FORK POSITIONING.....	364
FIGURE 9-11. CYLINDER ASSEMBLY - LIFT.....	366
FIGURE 9-12. CYLINDER ASSEMBLY - SIDE TILT CARRIAGE.....	368
FIGURE 9-13. CYLINDER ASSEMBLY - TILT.....	370
FIGURE 9-14. CYLINDER ASSEMBLY - UNIVERSAL SIDE SHIFT.....	372
FIGURE 9-15. DIVERTOR VALVE.....	374

TABLE OF CONTENTS

FIGURE 9-16. DRIVE MOTOR ASSEMBLY	376
FIGURE 9-17. MAIN CONTROL VALVE INSTALLATION.....	378
FIGURE 9-18. MAIN CONTROL VALVE ASSEMBLY.....	380
FIGURE 9-19. PRIORITY VALVE INSTALLATION	382
FIGURE 9-20. PRIORITY VALVE ASSEMBLY	384
FIGURE 9-21. PUMP ASSEMBLY	386
FIGURE 9-22. PUMP ASSEMBLY	388
FIGURE 9-23. REMOTE GREASE INSTALLATION	390
FIGURE 9-24. SAHR BRAKE VALVE INSTALLATION.....	392
FIGURE 9-25. SAHR VALVE INSTALLATION.....	394
FIGURE 9-26. SAHR BRAKE VALVE AND FITTING ASSEMBLY.....	396
FIGURE 9-27. STEERING SELECT VALVE INSTALLATION.....	398
FIGURE 9-28. STEERING SELECT VALVE ASSEMBLY	400
FIGURE 9-29. STEER VALVE ASSEMBLY	402
FIGURE 9-30. WATCH DOG VALVE INSTALLATION.....	404
FIGURE 9-31. WATCH DOG VALVE AND FITTING ASSEMBLY.....	406
FIGURE 9-32. VALVE AUX HYDRAULIC INSTALLATION	408
FIGURE 9-33. VALVE ASSEMBLY - MAIN CONTROL VALVE.....	410
FIGURE 9-34. VALVE ASSEMBLY - STEERING SELECT.....	412
FIGURE 9-35. VALVE ASSEMBLY - WATCHDOG.....	414
FIGURE 9-36. VALVE ASSEMBLY, - BLOCK.....	416
SECTION 10 - ELECTRICAL.....	419
FIGURE 10-1. A/C OPTION HARNESS	420
FIGURE 10-2. ALARM INSTALLATION - BACK UP	422
FIGURE 10-3. ALARM INSTALLATION - WHITE NOISE	424
FIGURE 10-4. BATTERY INSTALLATION.....	426
FIGURE 10-5. BATTERY DISCONNECT INSTALLATION	428
FIGURE 10-6. BATTERY DISCONNECT INSTALLATION (SWITCH NONE).....	430
FIGURE 10-7. BEACON INSTALLATION (NO A/C).....	432
FIGURE 10-8. BEACON INSTALLATION (WITH A/C).....	434
FIGURE 10-9. BEACON WORKLIGHT HARNESS.....	436
FIGURE 10-10. BOOM WORKLIGHT JUMPER HARNESS	438
FIGURE 10-11. BOOM AUX HARNESS	440
FIGURE 10-12. CAB ELECTRICAL INSTALLATION	442
FIGURE 10-13. CAB HARNESS	444
FIGURE 10-14. CAB HARNESS (ENCLOSED CAB).....	448
FIGURE 10-15. CAB HARNESS - OPTION	450
FIGURE 10-16. CAMERA INSTALLATION - REVERSE.....	452
FIGURE 10-17. DASH SWITCHES INSTALLATION.....	454
FIGURE 10-18. ENGINE HARNESS.....	456
FIGURE 10-19. FRAME ELECTRICAL COMPONENTS INSTALLATION	460
FIGURE 10-20. FRAME HARNESS INSTALLATION.....	462
FIGURE 10-21. FRAME HARNESS	464
FIGURE 10-22. FRAME HARNESS	466
FIGURE 10-23. FUSEBOX ASSEMBLY - FRAME.....	470

TABLE OF CONTENTS

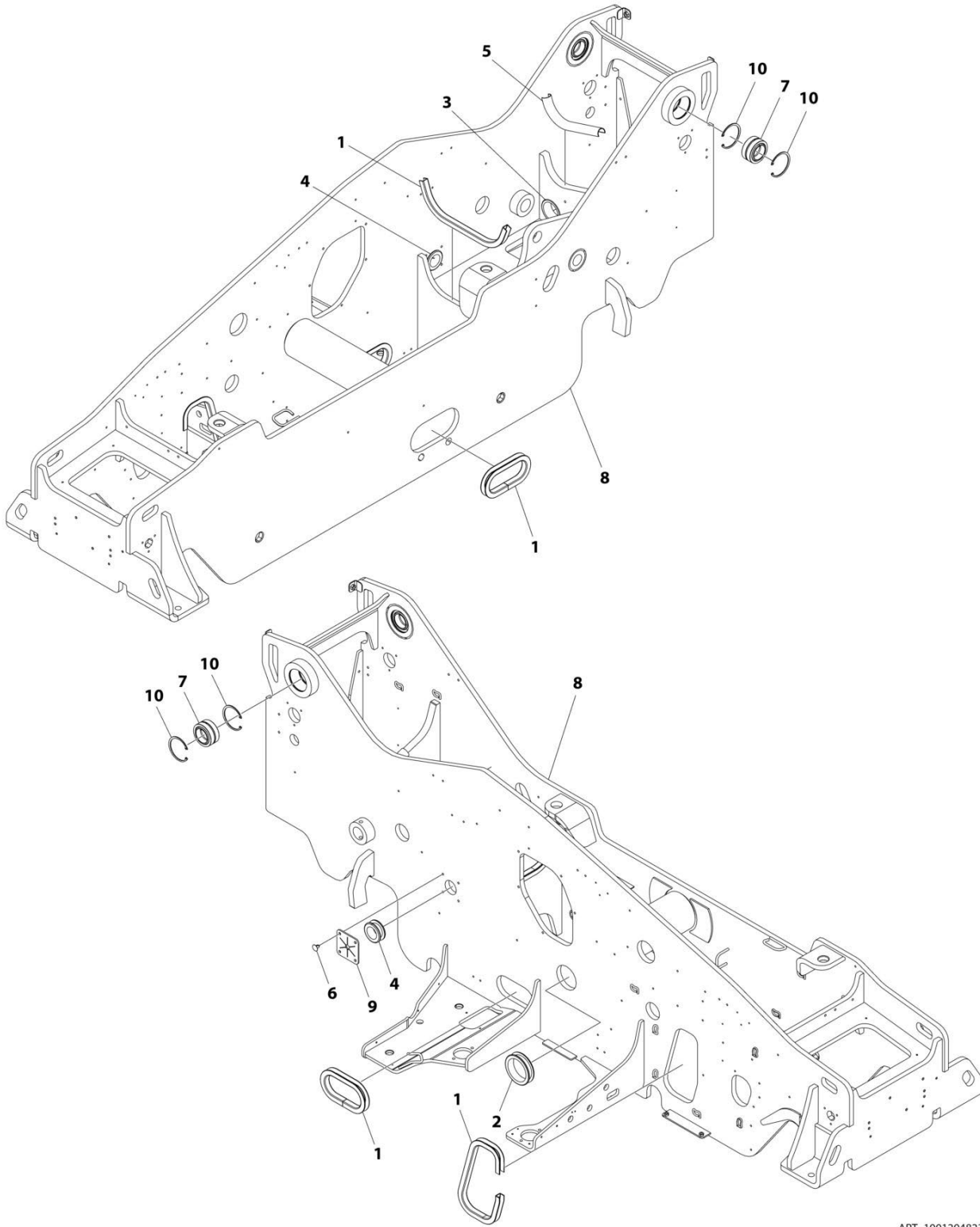
FIGURE 10-24. HEADLIGHTS HARNESS	472
FIGURE 10-25. HEADLIGHT/WORKLIGHT OPTIONAL HARNESS	474
FIGURE 10-26. LIGHTS - ROADLIGHTS INSTALLATION.....	476
FIGURE 10-27. LIGHTS - WORKLIGHTS INSTALLATION.....	478
FIGURE 10-28. LSI INSTALLATION - OPEN CAB	480
FIGURE 10-29. LSI INSTALLATION - ENCLOSED CAB.....	482
FIGURE 10-30. LSI SENSOR INSTALLATION.....	484
FIGURE 10-31. LSI PIGTAIL HARNESS	486
FIGURE 10-32. REVERSE SENSING INSTALLATION.....	488
FIGURE 10-33. REVERSE SENSOR HARNESS	490
FIGURE 10-34. SEAT BELT ALARM HARNESS.....	492
FIGURE 10-35. TAILLIGHTS HARNESS.....	494
FIGURE 10-36. TELEMATICS JUMPER HARNESS	496
FIGURE 10-37. VALVE JUMPER HARNESS	498
SECTION 11 - DECALS	501
FIGURE 11-1. DECALS INSTALLATION - INFO (ANSI SPECS)	502
FIGURE 11-2. DECALS INSTALLATION - INFO (ISO SPECS)	506
FIGURE 11-3. DECALS INSTALLATION - INFO (ENGLISH/FRENCH LANGUAGES).....	510
FIGURE 11-4. DECALS INSTALLATION - INFO (ENGLISH/SPANISH LANGUAGES).....	514
FIGURE 11-5. DECALS INSTALLATION - BRAND (OPEN CAB)	518
FIGURE 11-6. DECALS INSTALLATION - BRAND (CLOSED CAB).....	520
FIGURE 11-7. DECALS INSTALLATION - CLEARSKY.....	522
FIGURE 11-8. LOAD CHART (ANSI SPECS).....	524
FIGURE 11-9. LOAD CHART (METRIC SPECS)	526
FIGURE 11-10. REVERSE SENSOR SYSTEM DECAL (ENGLISH).....	528
FIGURE 11-11. REVERSE SENSOR SYSTEM DECAL (ISO)	530
FIGURE 11-12. REVERSE SENSING SYSTEM DECAL, (ENGLISH/FRENCH).....	532
FIGURE 11-13. REVERSE SENSOR SYSTEM DECAL (ENGLISH/SPANISH).....	534
SECTION 12 - RECOMMENDED SERVICE PARTS STOCK.....	537
FIGURE 12-1. RECOMMENDED SERVICE PARTS STOCK.....	538
SECTION 13 - SPECIAL OPTIONS/ACCESSORIES/KITS.....	541
FIGURE 13-1. SPECIAL OPTIONS/ACCESSORIES/KITS.....	542
PART NUMBER INDEX.....	545

SECTION 1 - FRAME AND ATTACHING PARTS

SECTION 1 - FRAME AND ATTACHING PARTS

SECTION 1 - FRAME AND ATTACHING PARTS

FIGURE 1-1. FRAME COMPONENTS INSTALLATION



ART_1001294823

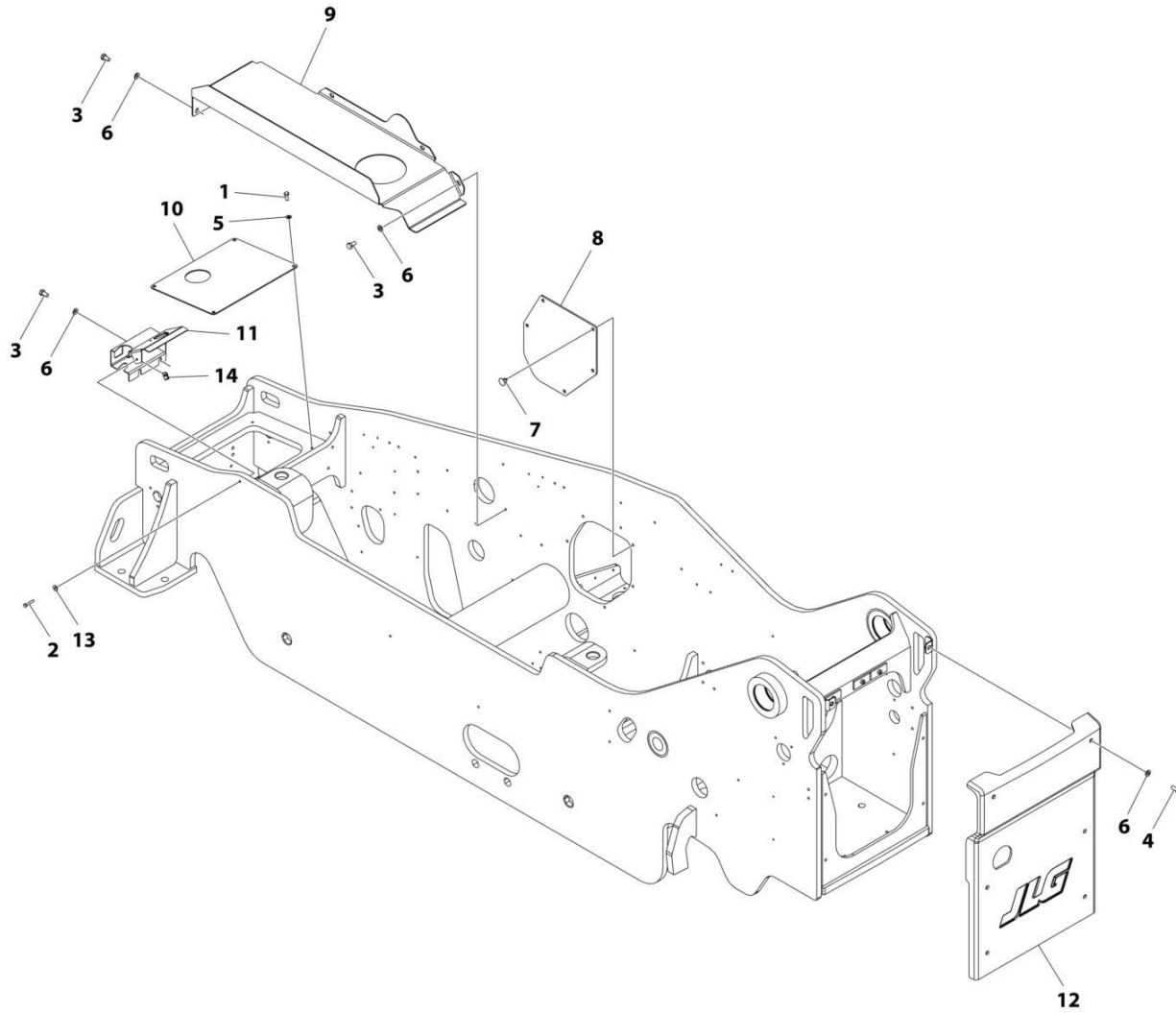
SECTION 1 - FRAME AND ATTACHING PARTS

FIGURE 1-1. FRAME COMPONENTS INSTALLATION

ITEM	PART NUMBER	QTY	DESCRIPTION	REV
	1001294823	Ref	FRAME COMPONENTS INSTALLATION	B
1	4060919	7.2 ft / 2.2m	Trim	
2	1001028264	1	Grommet	
3	1001028306	2	Grommet	
4	1001028308	1	Grommet	
5	7124471	1	Conduit	
6	1001180306	4	Retainer	
7	1001292157	2	Bearing	
8	See Note	NSS	Frame (Note: Not Available for Purchase)	
9	1001294746	1	Panel, Air Dam	
10	1001298855	4	Ring, Retaining	

SECTION 1 - FRAME AND ATTACHING PARTS

FIGURE 1-2. FRAME COVERS ASSEMBLY



ART_1001296572

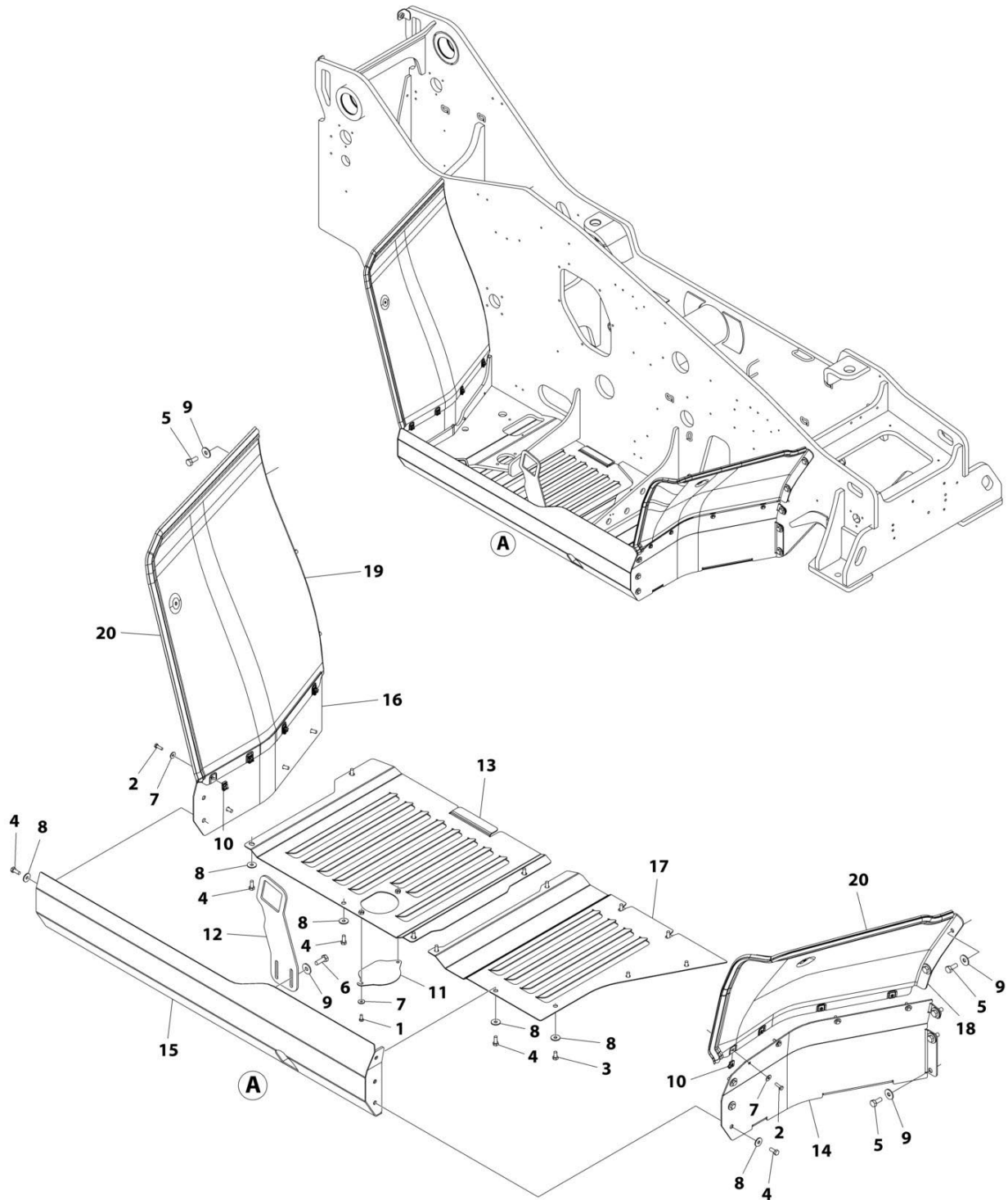
SECTION 1 - FRAME AND ATTACHING PARTS

FIGURE 1-2. FRAME COVERS ASSEMBLY

ITEM	PART NUMBER	QTY	DESCRIPTION	REV
	1001296572	Ref	FRAME COVERS ASSEMBLY	D
1	0760810	4	Bolt M8 x 20	
2	0760615	1	Bolt M6 x 35	
3	0761010	7	Bolt M10 x 20	
4	0761012	6	Bolt M10 x 25	
5	4811900	4	Washer M8	
6	4812000	13	Washer M10	
7	1001180306	5	Fastener	
8	1001292260	1	Plate, Frame Closure	
9	1001296658	1	Plate, Base Panel	
10	1001296663	1	Panel, Front Axle Cover	
11	1001304452	1	Support, Filler Neck	
12	1001296915	1	Cover, Rear Frame	
13	4811702	1	Washer M6	
14	1001130220	1	Nut, Tinnerman M6	

SECTION 1 - FRAME AND ATTACHING PARTS

FIGURE 1-3. ENCLOSURE INSTALLATION



ART_1001297139

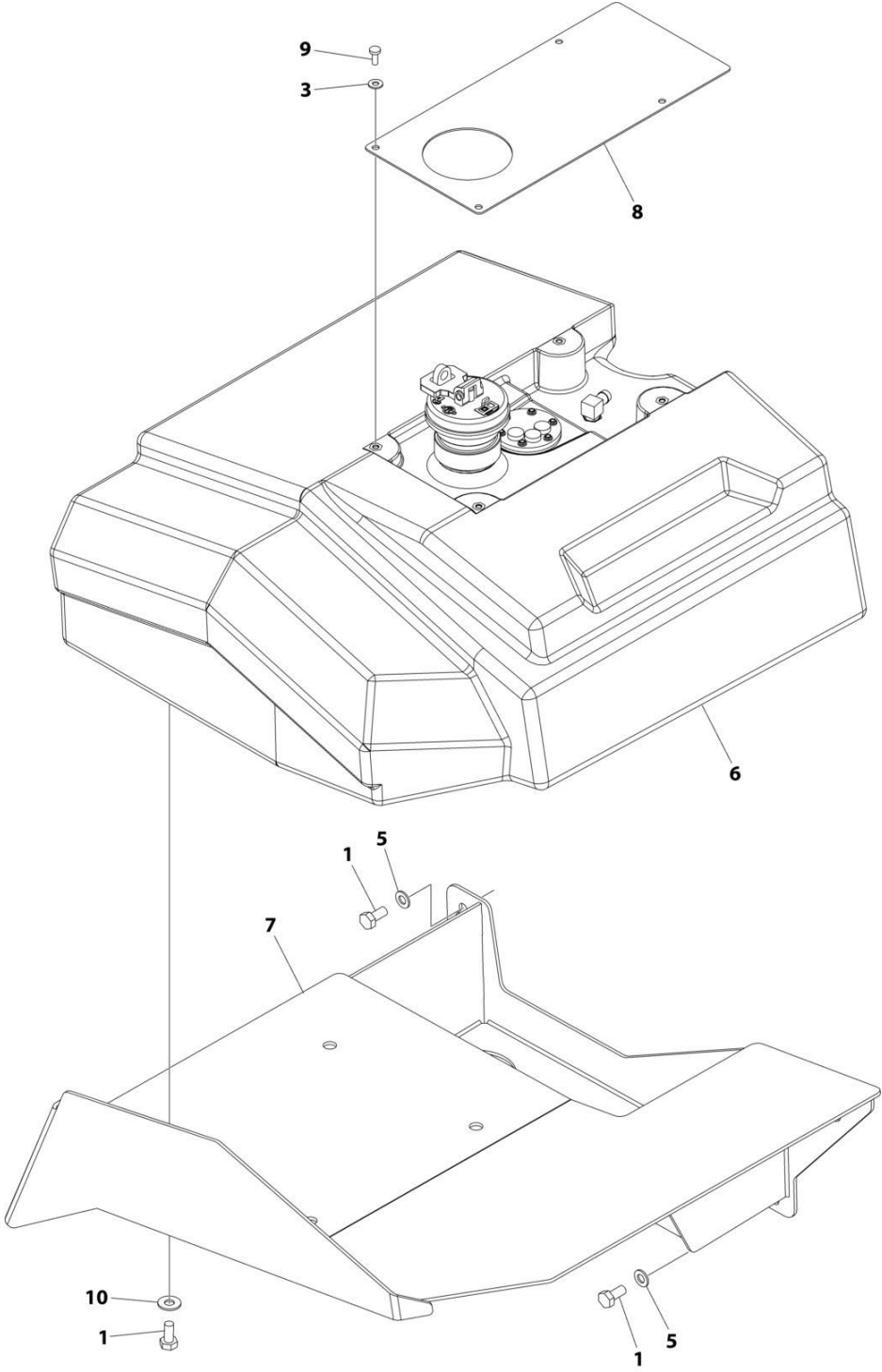
SECTION 1 - FRAME AND ATTACHING PARTS

FIGURE 1-3. ENCLOSURE INSTALLATION

ITEM	PART NUMBER	QTY	DESCRIPTION	REV
	1001297139	Ref	ENCLOSURE INSTALLATION	D
1	0760607	2	Bolt M6 x 14	
2	0700610	8	Bolt M6 x 20	
3	0760808	3	Bolt M8 x 16	
4	0760810	18	Bolt M8 x 20	
5	0761012	8	Bolt M10 x 25	
6	0761014	2	Bolt M10 x 30	
7	4811702	10	Washer M6	
8	4811902	21	Washer M8	
9	4812002	10	Washer M10	
10	8305919	8	Nut, Retainer M6	
11	1001081299K	1	Panel, Fuel Filter Access	
12	1001296809	1	Plate, Hood Latch	
13	1001297140	1	Panel, Bottom Rear	
14	1001297141	1	Panel, Front	
15	1001297142	1	Panel, Side	
16	1001297143	1	Plate, Rear	
17	1001297146	1	Plate, Bottom Front	
18	1001297153	1	Cover, Enclosure Front	
19	1001297154	1	Cover, Enclosure Rear	
20	1001128416	9 ft/ 2.5 m	Seal	

SECTION 1 - FRAME AND ATTACHING PARTS

FIGURE 1-4. FUEL TANK INSTALLATION



ART_1001295923

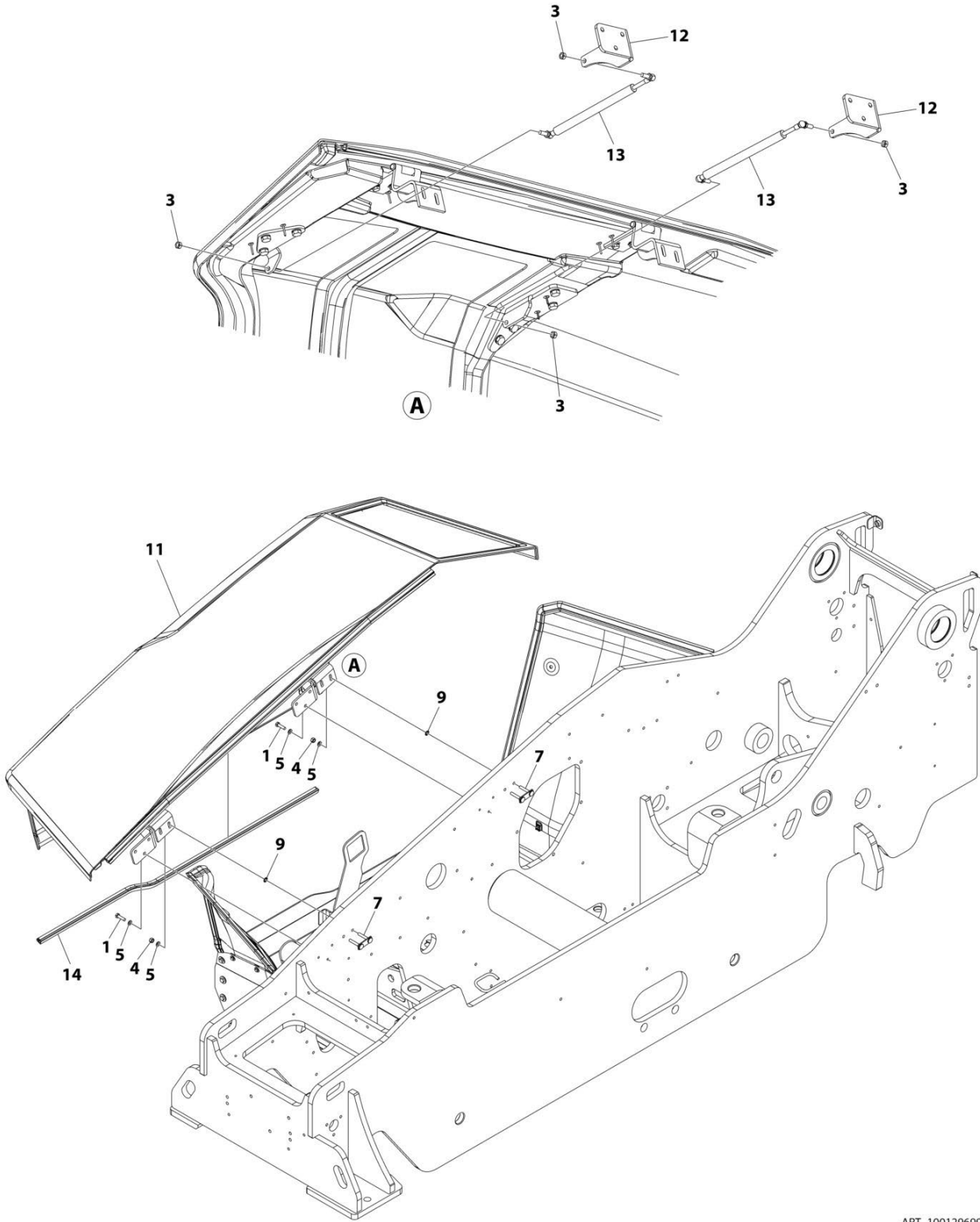
SECTION 1 - FRAME AND ATTACHING PARTS

FIGURE 1-4. FUEL TANK INSTALLATION

ITEM	PART NUMBER	QTY	DESCRIPTION	REV
	1001295923	Ref	FUEL TANK INSTALLATION	D
1	0761011	8	Bolt M10 x 22	
3	4711400001	4	Washer 1/4	
5	4812000	4	Washer M10	
6	1001295169	1	Tank Assembly (See Separate Breakdown in this Section)	
7	1001303704	1	Support	
8	1001295940	1	Plate, Cover	
9	4010608002	4	Screw M6 x 16	
10	4751600	4	Washer 3/8	

SECTION 1 - FRAME AND ATTACHING PARTS

FIGURE 1-5. HOOD INSTALLATION



ART_1001296997

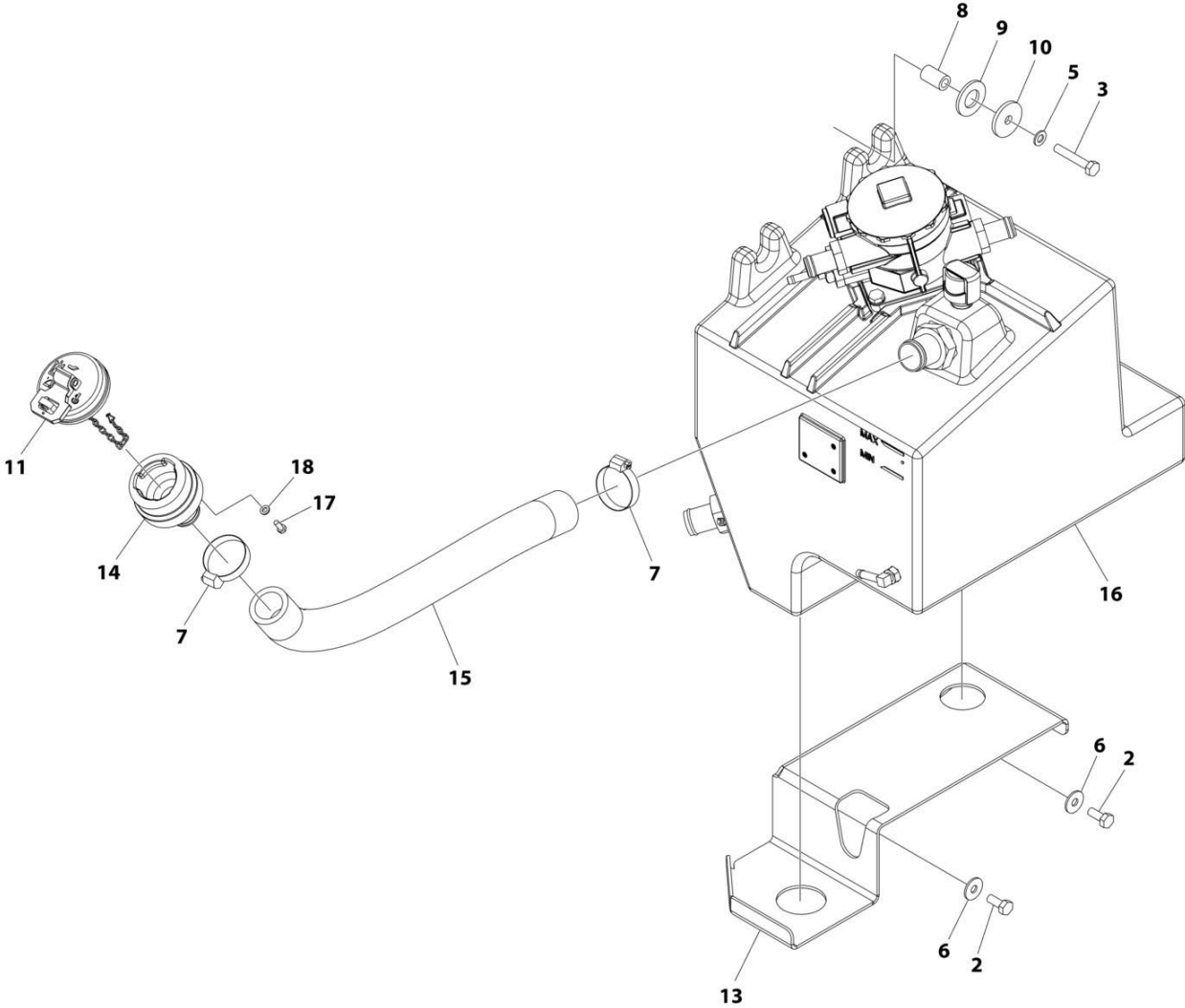
SECTION 1 - FRAME AND ATTACHING PARTS

FIGURE 1-5. HOOD INSTALLATION

ITEM	PART NUMBER	QTY	DESCRIPTION	REV
	1001296997	Ref	HOOD INSTALLATION	C
1	0700814	6	Bolt M8 x 30	
3	3290801	4	Nut M8	
4	3290805	4	Nut M8	
5	4811900	10	Washer M8	
7	1001195587	2	Brace, Hood Hinge	
9	1001256264	4	Washer M8	
11	1001296975	1	Hood Assembly	
12	1001297372	2	Bracket	
13	1001297733	2	Spring, Gas	
14	1001308112	4.3 ft/ 1.3 m	Seal	

SECTION 1 - FRAME AND ATTACHING PARTS

FIGURE 1-6. HYDRAULIC TANK INSTALLATION



ART_1001290730

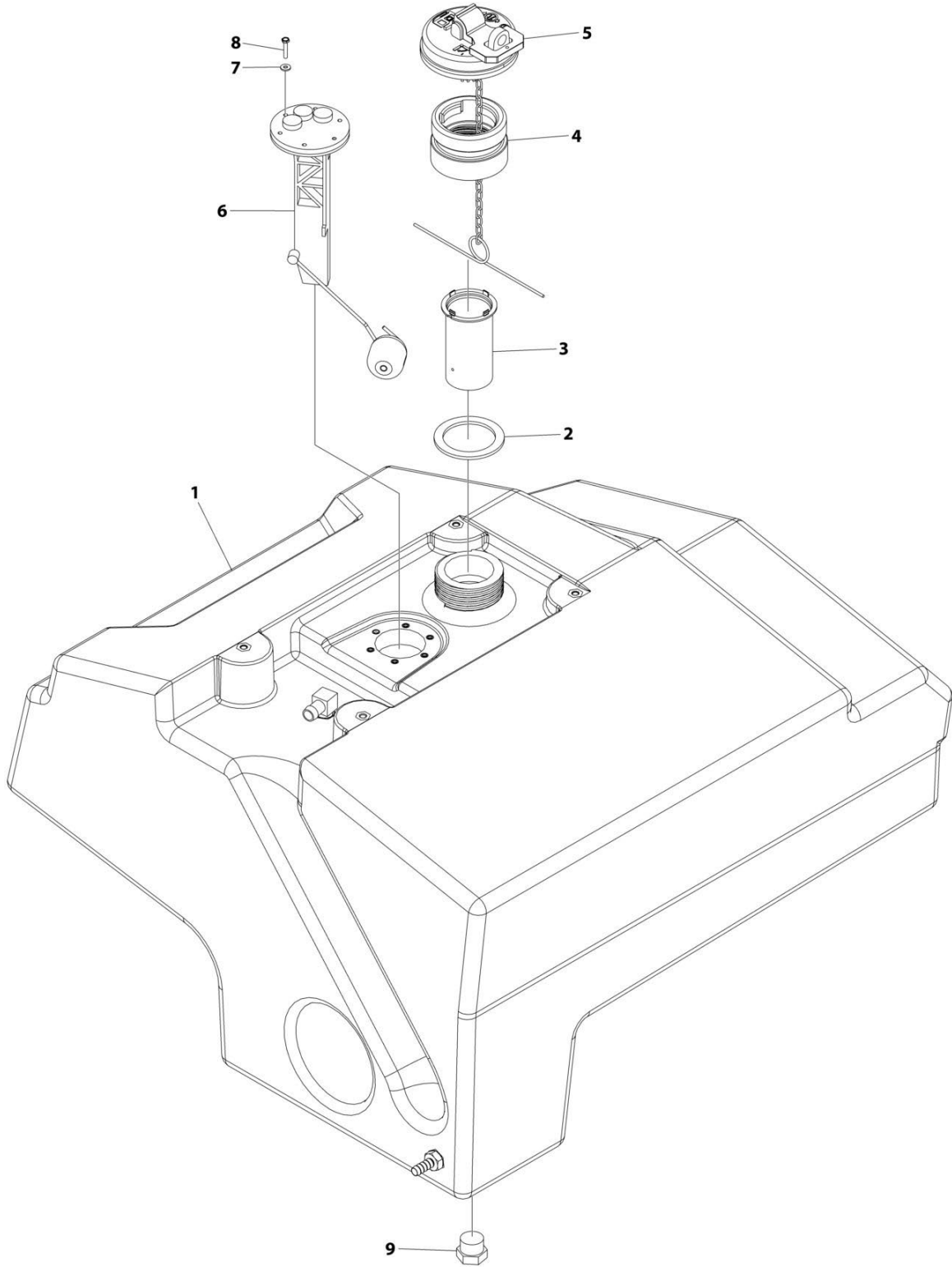
SECTION 1 - FRAME AND ATTACHING PARTS

FIGURE 1-6. HYDRAULIC TANK INSTALLATION

ITEM	PART NUMBER	QTY	DESCRIPTION	REV
	1001290730	Ref	TANK INSTALLATION - HYDRAULIC	C
2	0701012	2	Bolt M10 x 25	
3	0701020	2	Bolt M10 x 60	
5	4812000	2	Washer M10	
6	4812002	2	Washer M10	
7	8405104	2	Clamp	
8	1001171179	2	Spacer	
9	1001172146	2	Washer, Rubber	
10	1001172147	2	Washer M10	
11	1001306587	1	Cap	
13	1001294850	1	Bracket	
14	1001306405	1	Neck, Filler	
15	1001296906	1	Hose	
16	1001297194	1	Tank Assembly (See Separate Breakdown in this Section)	
17	0760608	3	Bolt M5 x 16	
18	4811700	3	Washer M6	

SECTION 1 - FRAME AND ATTACHING PARTS

FIGURE 1-7. TANK ASSEMBLY - FUEL



ART_1001295169

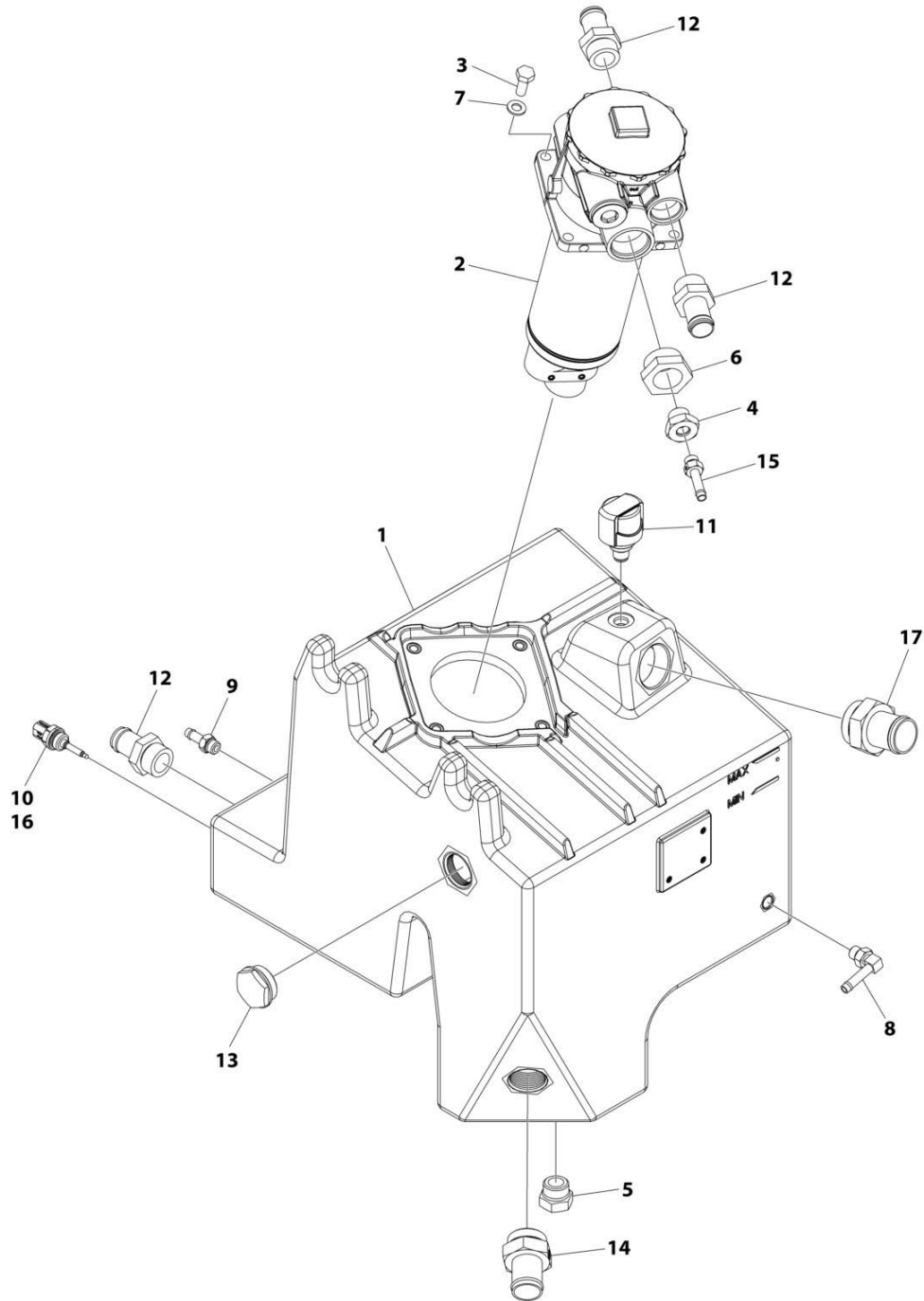
SECTION 1 - FRAME AND ATTACHING PARTS

FIGURE 1-7. TANK ASSEMBLY - FUEL

ITEM	PART NUMBER	QTY	DESCRIPTION	REV
	1001295169	Ref	TANK ASSEMBLY - FUEL	D
1	1001295168	1	Tank, Fuel	
2	1001172178	1	Gasket	
3	1001295511	1	Tube	
4	1001207282	1	Adapter, Cap	
5	1001272297	1	Cap, Fuel	
6	1001197965	1	Sensor, Fuel Level	
7	4750600	6	Washer M6	
8	0720606	6	Screw #6 x 3/4	
9	2220239	1	Plug	

SECTION 1 - FRAME AND ATTACHING PARTS

FIGURE 1-8. TANK ASSEMBLY - HYDRAULIC



ART_1001297194

SECTION 1 - FRAME AND ATTACHING PARTS

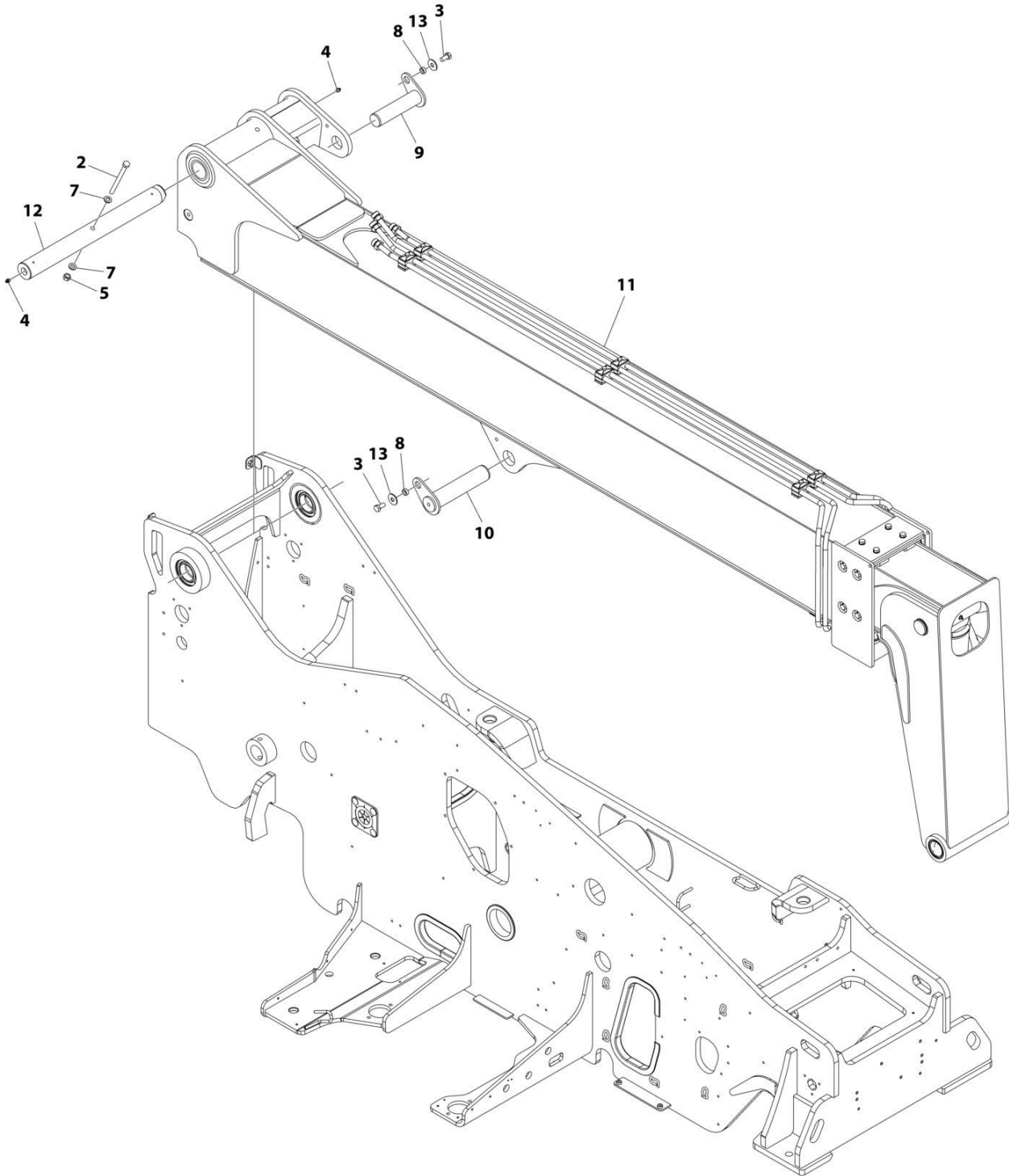
FIGURE 1-8. TANK ASSEMBLY - HYDRAULIC

ITEM	PART NUMBER	QTY	DESCRIPTION	REV
	1001297194	Ref	TANK ASSEMBLY - HYDRAULIC	D
1	1001290386	1	Tank, Hydraulic	
2	1001290387	1	Filter Assembly - Hydraulic Tank	
2	70031028	1	Element, Filter	
3	0761012	4	Bolt M10 x 25	
4	2220221	1	Fitting, Straight FORB/ORB	
5	2220240	1	Plug	
6	2220921	1	Fitting, Straight	
7	4812000	4	Washer M10	
8	8430034	1	Fitting, 90	
9	1001003589	1	Fitting, Straight BARB/ORB	
10	1001128478	1	Sensor, Temperature	
11	1001162662	1	Filter/Breather	
12	1001185073	3	Fitting, Straight ORB/BARB	
13	1001285382	1	Gauge, Sight	
14	1001294265	1	Fitting, Straight Pipe/BARB	
15	1001297252	1	Fitting, Straight Pipe/BARB	
16	1001009163	1	O-Ring	
17	1001287856	1	Fitting, Straight BARB/ORB	

SECTION 2 - BOOM

SECTION 2 - BOOM

FIGURE 2-1. BOOM INSTALLATION



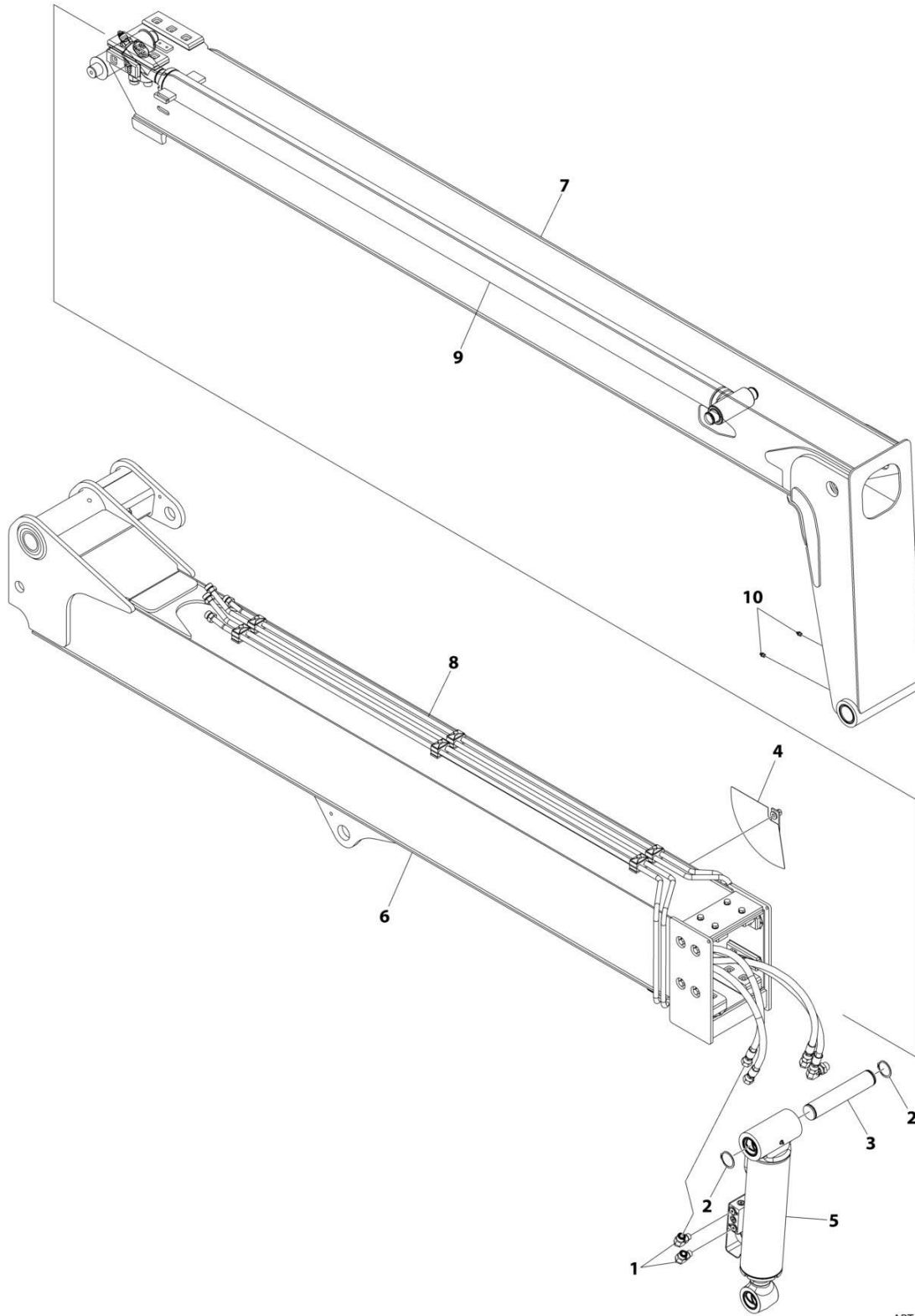
ART_1001292149

FIGURE 2-1. BOOM INSTALLATION

ITEM	PART NUMBER	QTY	DESCRIPTION	REV
	1001292149	Ref	BOOM INSTALLATION	B
2	0701232	1	Bolt M12 x 150	
3	0761212	2	Bolt M12 x 25	
4	2160016	2	Fitting, Straight	
5	3291205	1	Nut M12	
7	4812100	2	Washer M12	
8	7139886	2	Spacer	
9	1001080154	1	Pin	
10	1001080155	1	Pin	
11	1001291677	1	Boom Assembly (See Separate Breakdown in this Section)	
12	1001292164	1	Pin	
13	4812102	2	Washer M12	

SECTION 2 - BOOM

FIGURE 2-2. BOOM ASSEMBLY



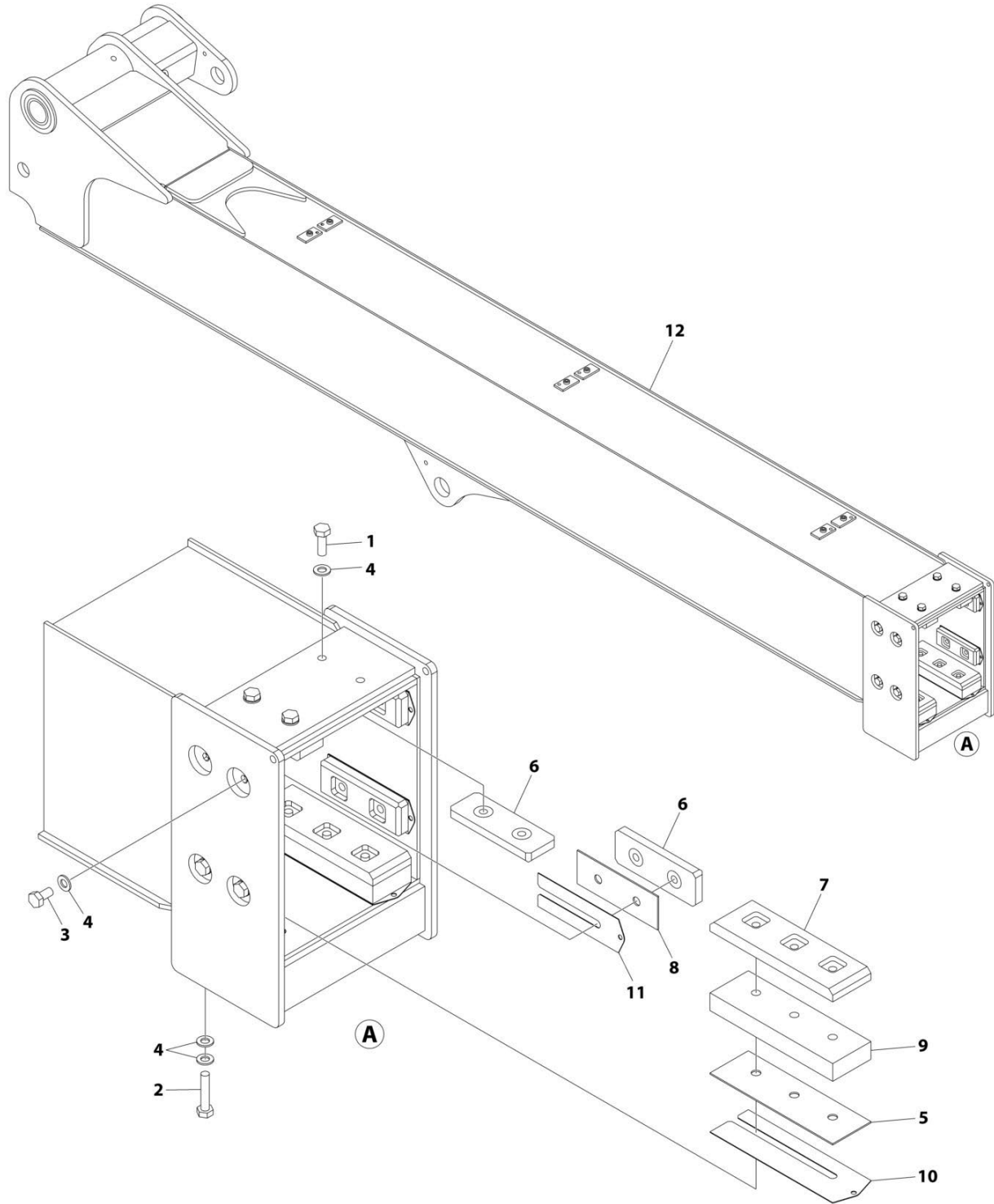
ART_1001291677

FIGURE 2-2. BOOM ASSEMBLY

ITEM	PART NUMBER	QTY	DESCRIPTION	REV
	1001291677	Ref	BOOM ASSEMBLY	B
1	2131008	2	Fitting, 90 ORFS/ORB	
2	8642224	2	Ring, Retaining	
3	1001080152	1	Pin	
4	1001192364	1	Boom Angle Indicator Installation (See separate breakdown in This Section)	
5	1001200581	1	Tilt Cylinder Assembly (See Separate Breakdown in HYDRAULIC COMPONENTS Section)	
6	1001291787	1	Boom Base Assembly (See Separate Breakdown in this Section)	
7	1001292029	1	Boom Fly Assembly (See Separate Breakdown in this Section)	
8	1001292159	1	Boom Hydraulic Installation (See separate breakdown in HYDRAULIC CIRCUITS Section)	
9	1001293253	1	Telescope Cylinder Installation (See Separate Breakdown in This Section)	
10	88671001	2	Fitting, Straight	

SECTION 2 - BOOM

FIGURE 2-3. BOOM BASE ASSEMBLY



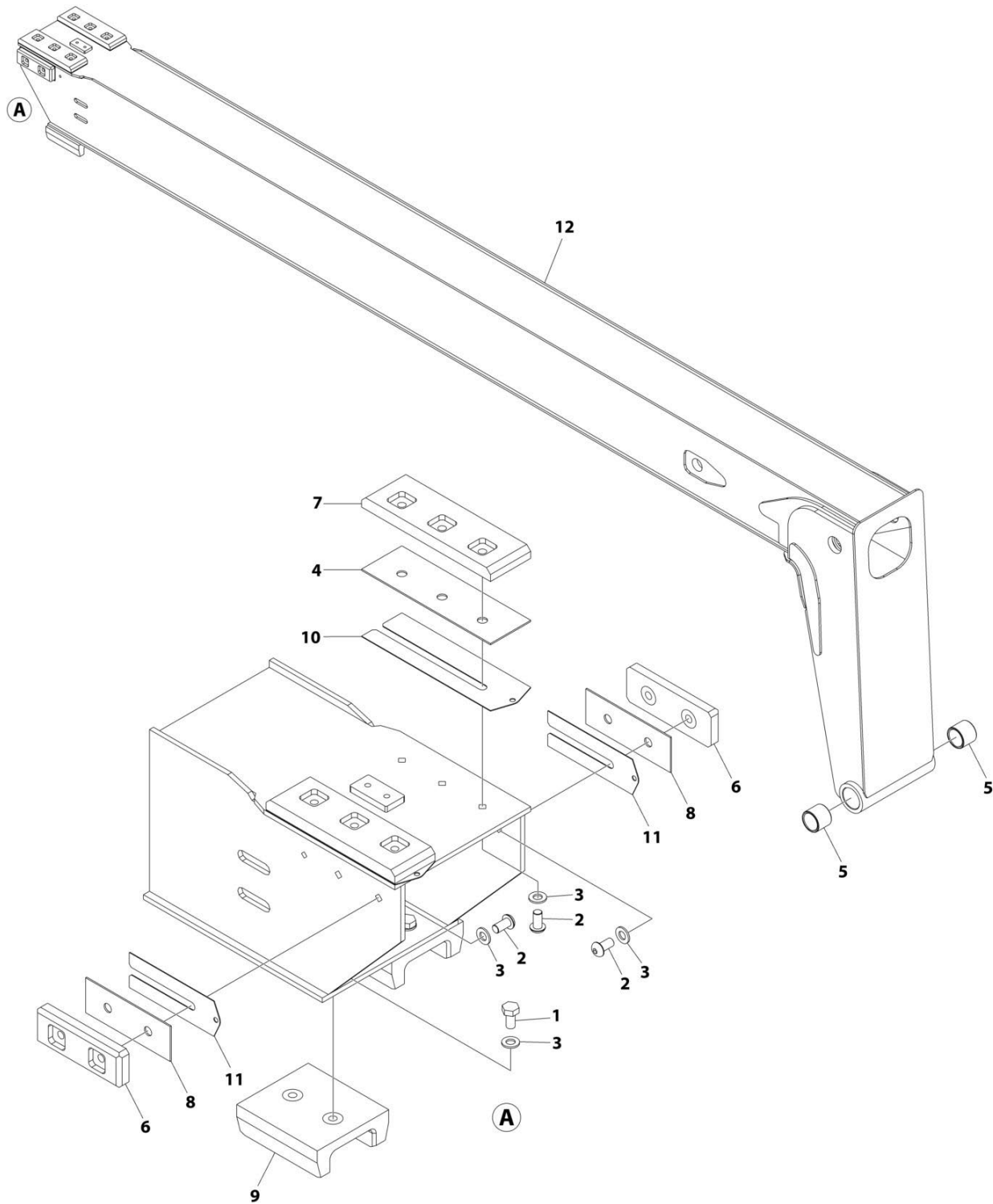
ART_1001291787

FIGURE 2-3. BOOM BASE ASSEMBLY

ITEM	PART NUMBER	QTY	DESCRIPTION	REV
	1001291787	Ref	BOOM BASE ASSEMBLY	B
1	0701014	4	Bolt M10 x 30	
2	0701018	6	Bolt M10 x 50	
3	0761010	8	Bolt M10 x 20	
4	4812000	AR	Washer M10	
5	7126182	2	Shim	
6	7300032	6	Pad	
7	7300034	2	Wear Pad	
8	7300518	4	Shim	
9	1001080391	2	Spacer	
10	1001096584	AR	Shim	
11	1001096585	AR	Shim	
12	1001291679	1	Boom, First Section	

SECTION 2 - BOOM

FIGURE 2-4. BOOM FLY ASSEMBLY



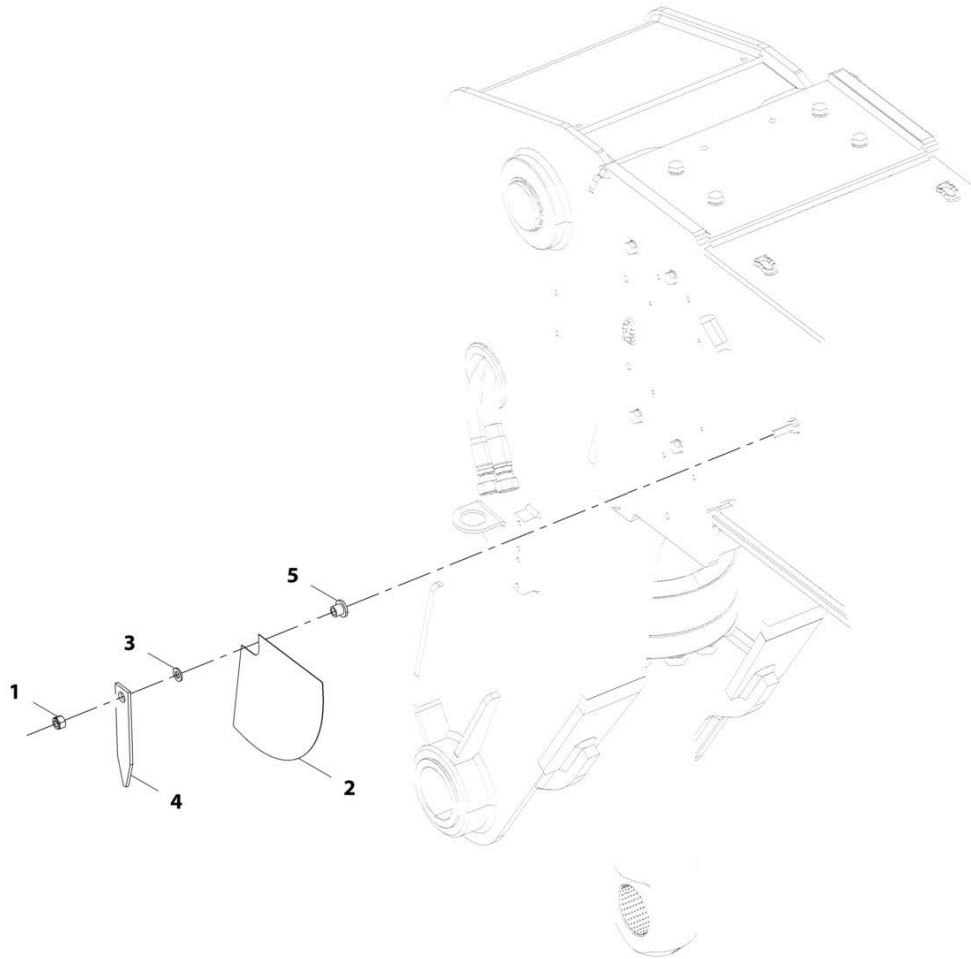
ART_1001292029

FIGURE 2-4. BOOM FLY ASSEMBLY

ITEM	PART NUMBER	QTY	DESCRIPTION	REV
	1001292029	Ref	BOOM FLY ASSEMBLY	B
1	0761010	4	Bolt M10 x 20	
2	3900393	10	Screw M10 x 20	
3	4812000	AR	Washer M10	
4	7126182	2	Shim	
5	7126662	2	Bushing	
6	7300032	2	Pad	
7	7300034	2	Wear Pad	
8	7300518	2	Shim	
9	1001080050	2	Wear Pad Channel Assembly	
10	1001096584	AR	Shim	
11	1001096585	AR	Shim	
12	1001292023	1	Boom, Fly	

SECTION 2 - BOOM

FIGURE 2-5. BOOM ANGLE INDICATOR INSTALLATION



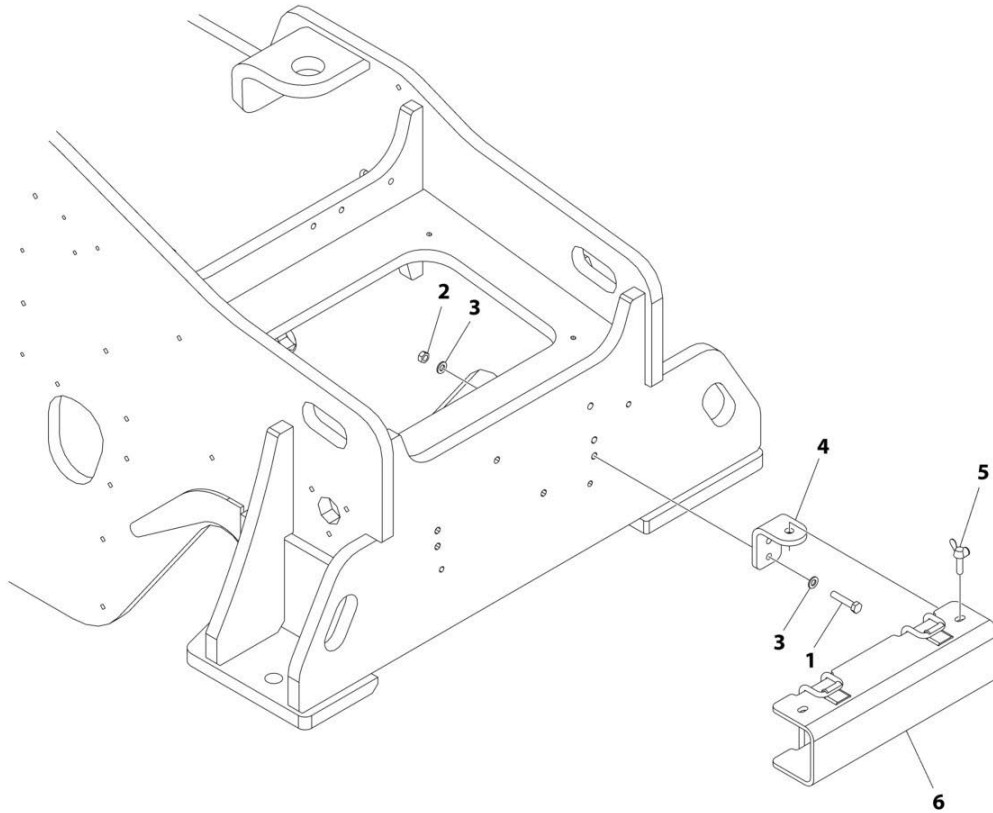
ART_1001192364-A

FIGURE 2-5. BOOM ANGLE INDICATOR INSTALLATION

ITEM	PART NUMBER	QTY	DESCRIPTION	REV
	1001192364	Ref	Boom Angle Indicator Installation	A
1	3291005	1	Nut, Lock M10X1.5	
2	4105262	1	Decal, Boom Angle Indicator	
3	4812000	1	Washer, M10	
4	1001098769	1	Plate, Boom Angle Indicator	
5	1001171808	1	Spacer	

SECTION 2 - BOOM

FIGURE 2-6. BOOM PROP INSTALLATION



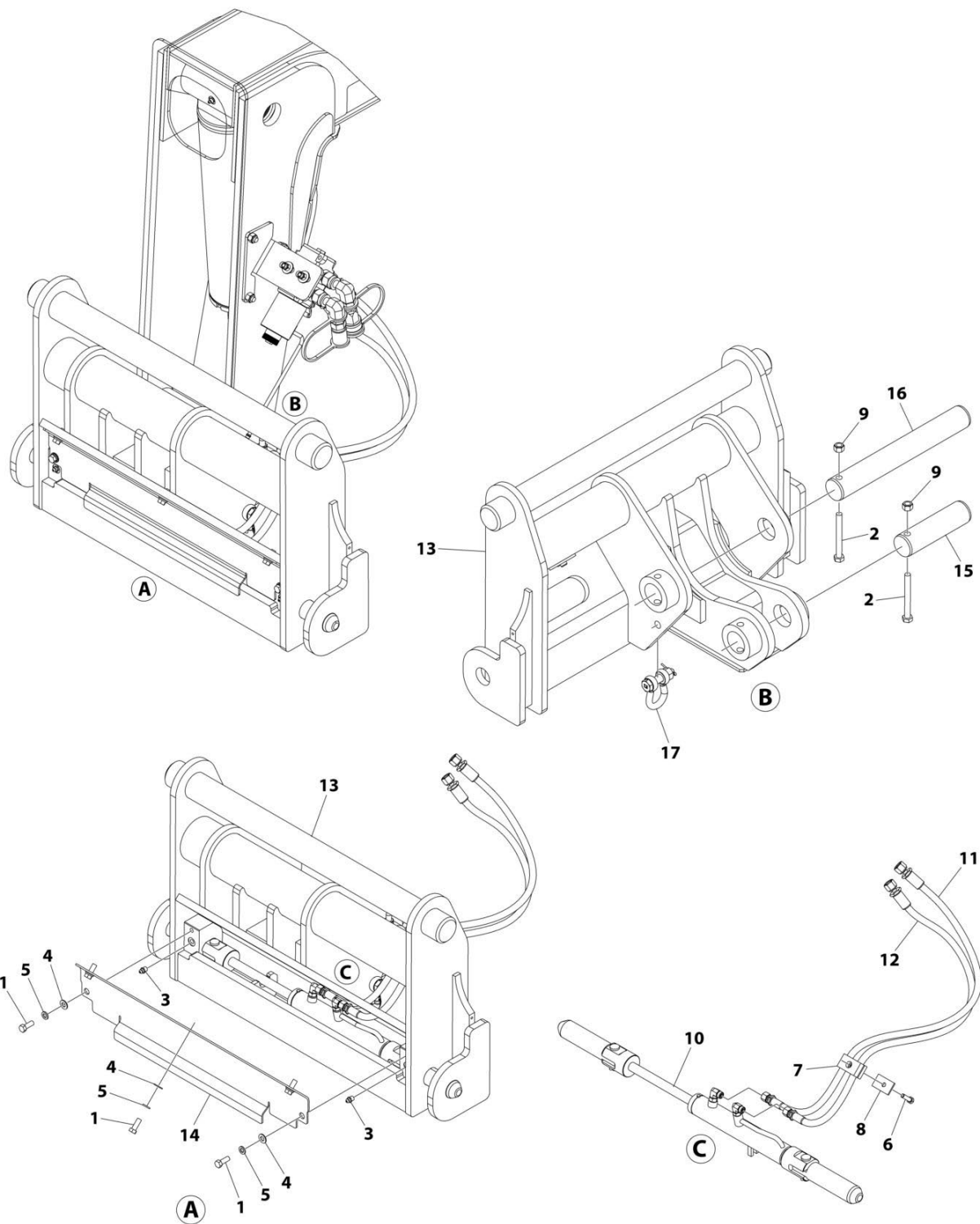
ART_1001292410

FIGURE 2-6. BOOM PROP INSTALLATION

ITEM	PART NUMBER	QTY	DESCRIPTION	REV
	1001292410	Ref	BOOM PROP INSTALLATION	A
1	0760816	4	Bolt M8 x 40	
2	3290801	4	Nut M8	
3	4811900	8	Washer M8	
4	1001193887	2	Bracket, Boom Prop	
5	1001228860	2	Bolt M8 x 30	
6	1001298844	1	Channel, Boom Prop	

SECTION 2 - BOOM

FIGURE 2-7. COUPLER INSTALLATION (HYDRAULIC)



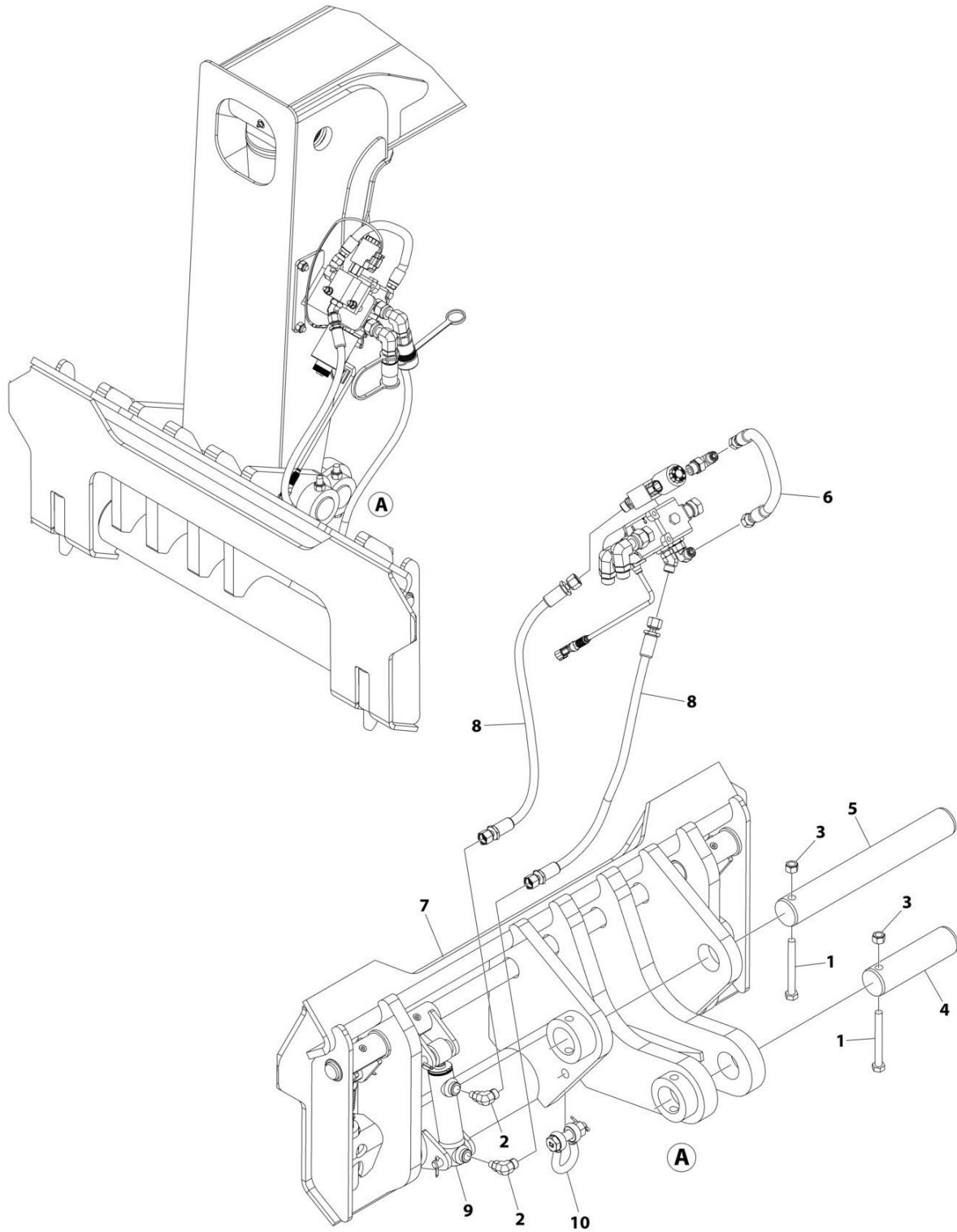
ART_1001299764

FIGURE 2-7. COUPLER INSTALLATION (HYDRAULIC)

ITEM	PART NUMBER	QTY	DESCRIPTION	REV
	1001299764	Ref	COUPLER INSTALLATION (HYDRAULIC)	C
1	0641608	5	Bolt 3/8 x 1	
2	0761228	2	Bolt M12 x 110	
3	2160002	2	Fitting, Grease	
4	4711600	5	Washer 3/8	
5	4761600	5	Washer 3/8	
6	8303739	1	Bolt 5/16 x 1-1/4	
7	8769122	1	Clamp	
8	8769123	1	Cover Plate	
9	3291205	2	Nut M12	
10	1001080333	1	Fork Locking Cylinder Kit (See Separate Breakdown in this Section)	
11	1001080565	1	Hose	
12	1001096730	1	Hose	
13	1001097252	1	Hydraulic Quick Coupler Weldment	
14	1001097628	1	Plate, Cover	
15	1001097728	1	Pin	
16	1001097729	1	Pin	
17	1001292581	1	Bolt Shackle	

SECTION 2 - BOOM

FIGURE 2-8. COUPLER INSTALLATION - UNIVERSAL (HYDRAULIC)



ART_1001299765

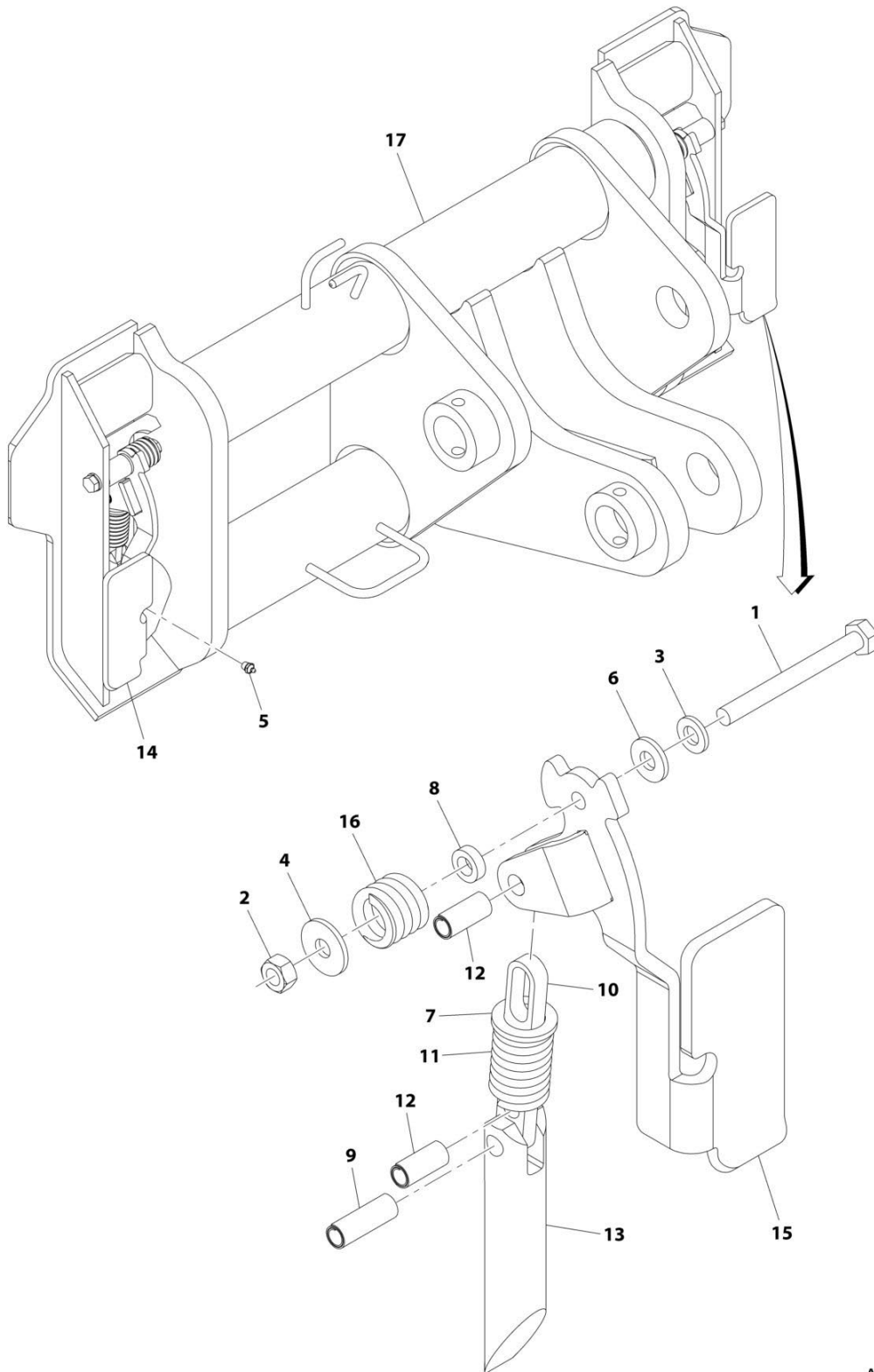
SECTION 2 - BOOM

FIGURE 2-8. COUPLER INSTALLATION - UNIVERSAL (HYDRAULIC)

ITEM	PART NUMBER	QTY	DESCRIPTION	REV
	1001299765	Ref	HYDRAULIC QUICK SWITCH INSTALLATION	C
1	0761228	2	Bolt M12 x 110	
2	2130604	2	Fitting, 90 ORFS/ORB	
3	3291205	2	Nut M12	
4	1001097728	1	Pin	
5	1001097729	1	Pin	
6	1001137106	1	Hose	
7	1001158352	1	Quick Switch Assembly (See Separate Breakdown in this Section)	
8	1001161759	2	Hose	
9	1001267976	1	Cylinder, Fork Locking	
10	1001292581	1	Bolt Shackle	

SECTION 2 - BOOM

FIGURE 2-9. COUPLER ASSEMBLY - UNIVERSAL



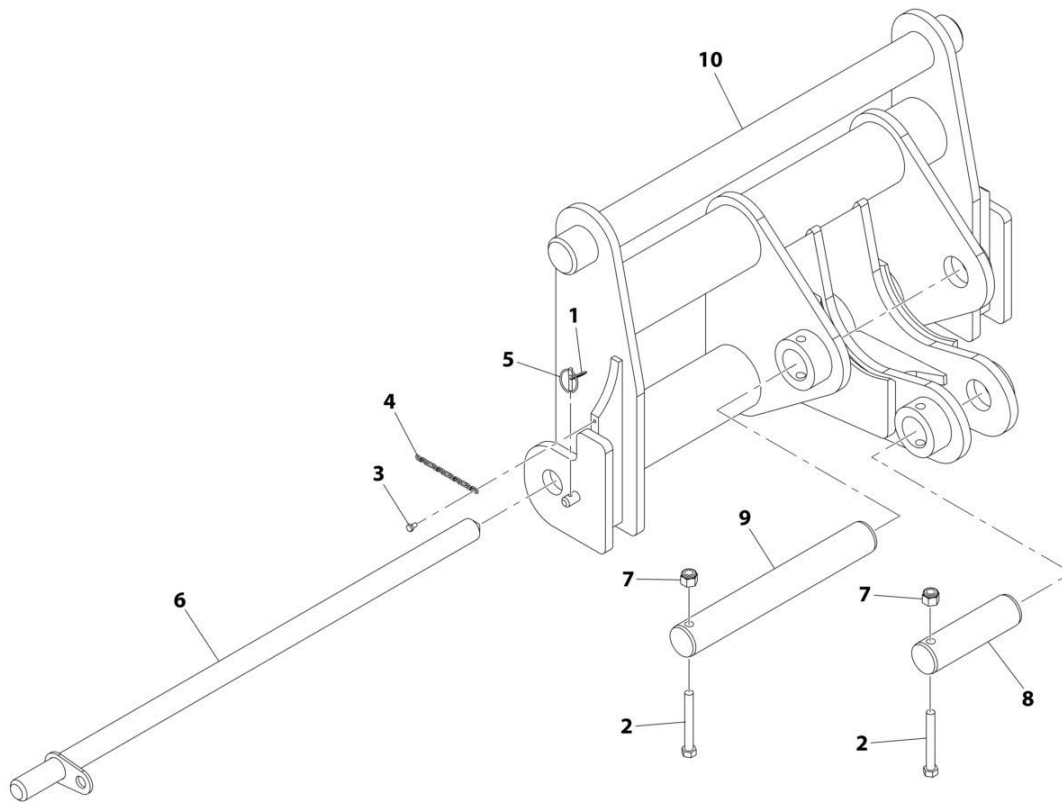
ART_1001117498

FIGURE 2-9. COUPLER ASSEMBLY - UNIVERSAL

ITEM	PART NUMBER	QTY	DESCRIPTION	REV
	1001117498	Ref	Universal Quick Coupler Assembly, (if ordering for the first time, refer to Decals Section for the appropriate capacity chart)	E
1	0701027	2	Hex HD Capscrew	
2	3291007	2	Hex Locknut, M10X1.5, Gr8	
3	5241000	2	Washer, 10mm	
4	1001003299	2	Washer	
5	1001008479	2	Grease Fitting	
6	1001008979	2	Washer	
7	1001009094	2	Washer	
8	1001055652	2	Washer	
9	1001061633	2	Spring Pin	
10	1001061659	2	Plate	
11	1001061660	2	Spring	
12	1001061662	4	Spring Pin	
13	1001061891	2	Pin	
14	1001061892	1	LH Handle	
15	1001061893	1	RH Handle	
16	1001062117	2	Spring	
17	N.S.S.	1	Universal Quick Coupler Weldment	

SECTION 2 - BOOM

FIGURE 2-10. COUPLER INSTALLATION (MANUAL)



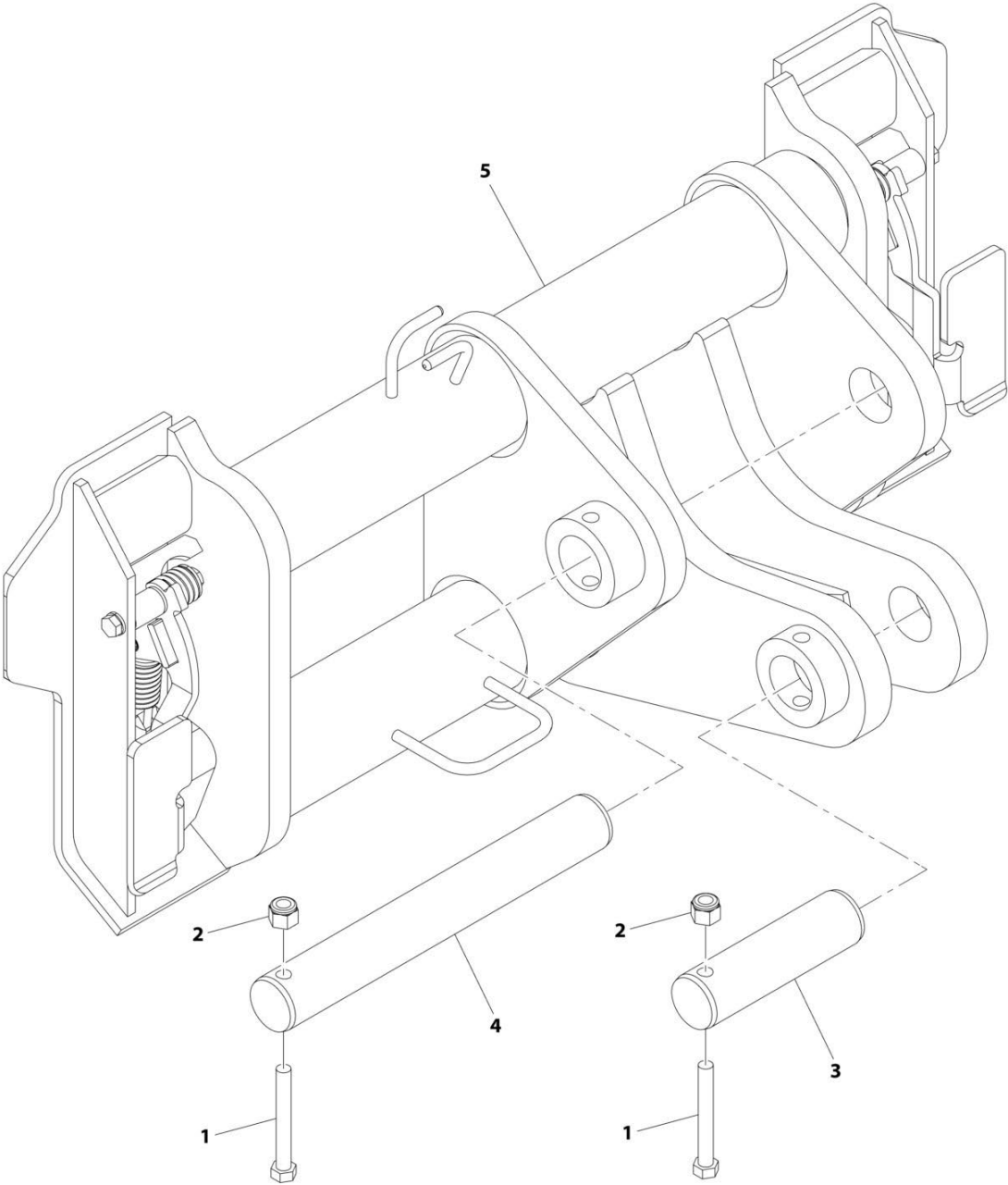
ART_1001098472

FIGURE 2-10. COUPLER INSTALLATION (MANUAL)

ITEM	PART NUMBER	QTY	DESCRIPTION	REV
	1001098472	Ref	COUPLER INSTALLATION - MANUAL	D
1	463929	1	Ring	
2	0761228	2	Bolt M12 X 110	
3	0760605	1	Bolt M6 x 10	
4	933940	1	Chain	
5	3964987	1	Split Pin	
6	8002027	1	Rod	
7	3291205	2	Nut M12	
8	1001097728	1	Fork Cylinder Rod Pin	
9	1001097729	1	Quick Coupler Pivot Pin	
10	1001098171	1	Quick Coupler Weldment	

SECTION 2 - BOOM

FIGURE 2-11. COUPLER INSTALLATION, UNIVERSAL (MANUAL)



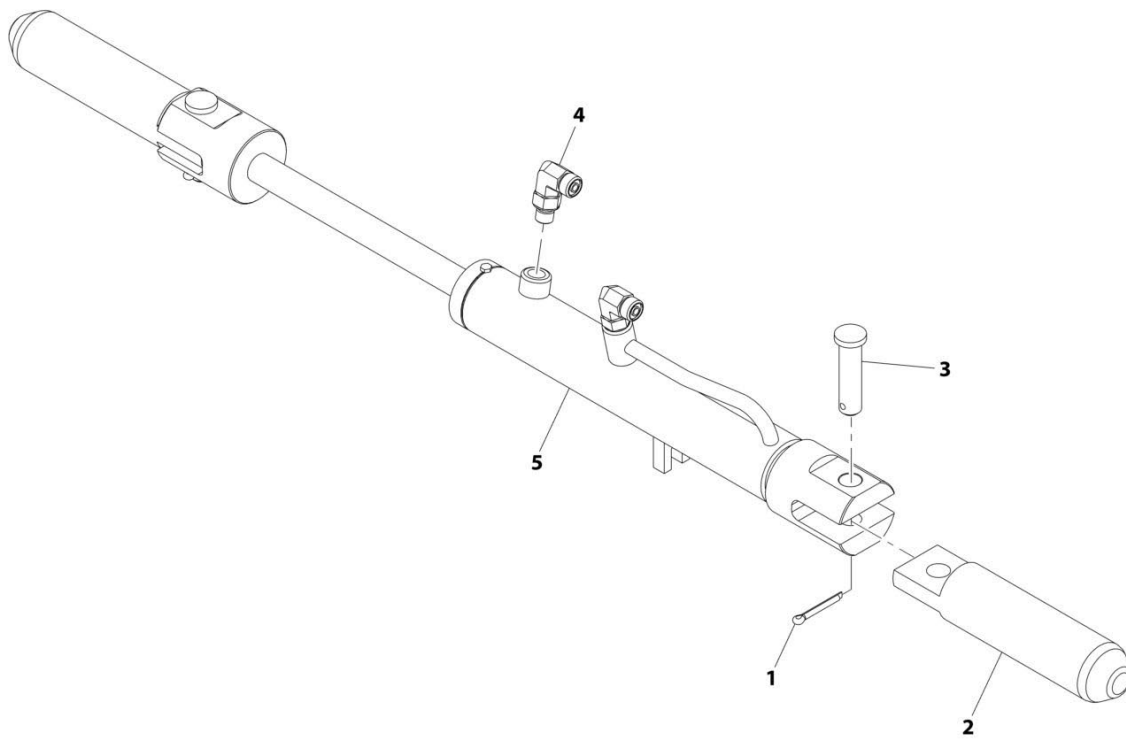
ART_1001101185

FIGURE 2-11. COUPLER INSTALLATION, UNIVERSAL (MANUAL)

ITEM	PART NUMBER	QTY	DESCRIPTION	REV
	1001101185	Ref	Coupler Installation, Universal (Manual)	D
1	0761228	2	Bolt M12 X 110	
2	3291205	2	Nut M12	
3	1001097728	1	Fork Cylinder Rod Pin	
4	1001097729	1	Universal Quick Coupler Pivot Pin	
5	1001117498	Ref	Universal Quick Coupler Assembly (See Separate Breakdown in this Section)	

SECTION 2 - BOOM

FIGURE 2-12. FORK LOCKING CYLINDER KIT



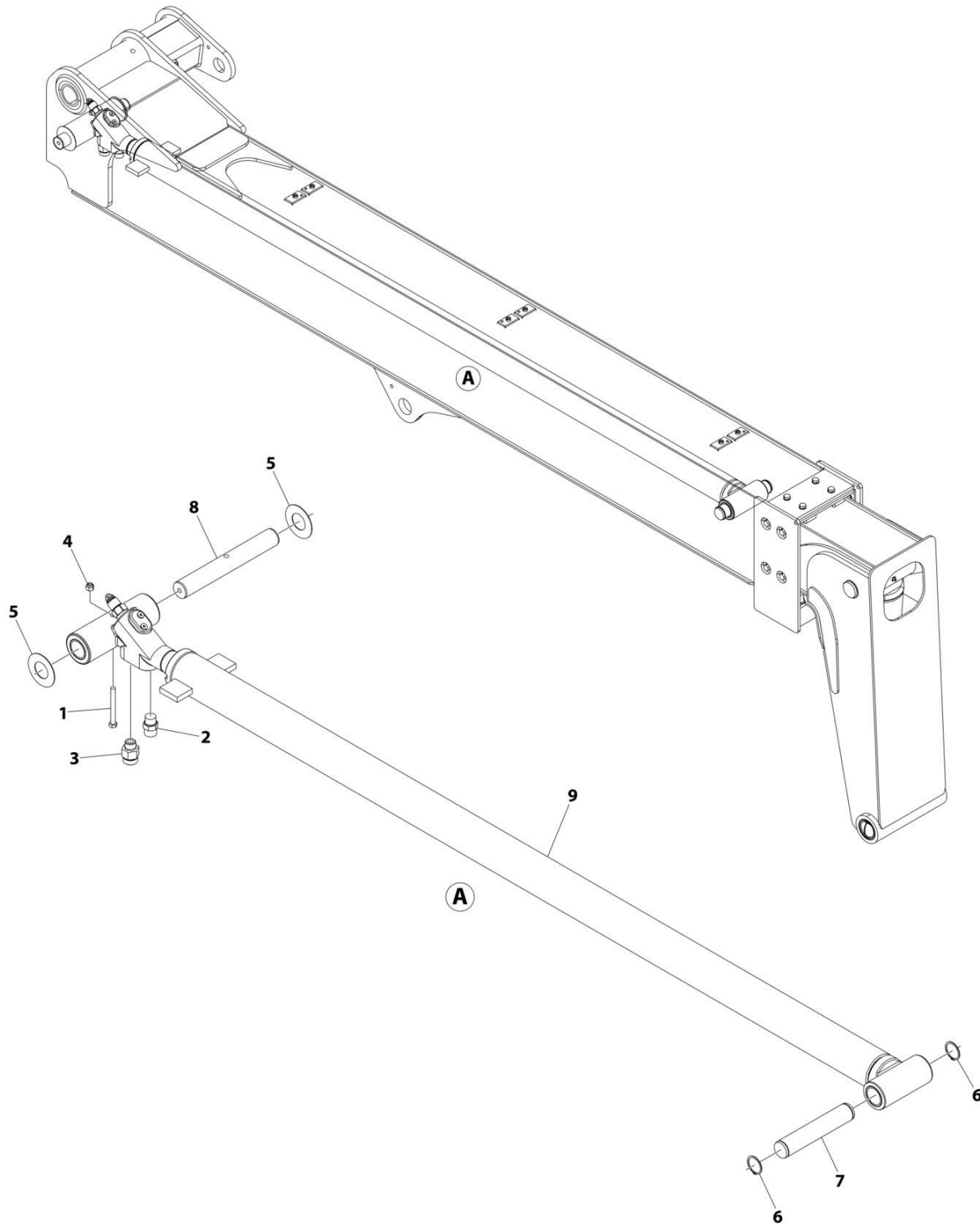
ART_1001080333-C

FIGURE 2-12. FORK LOCKING CYLINDER KIT

ITEM	PART NUMBER	QTY	DESCRIPTION	REV
	1001080333	Ref	Fork Locking Cylinder Kit	C
1	3391410	2	Split Pin	
2	8001888	2	Pin	
3	8002110	2	Clevis Pin	
4	2130404	2	Elbow, 90	
5	1001080334	Ref	Hydraulic Quick Coupler Cylinder, (See Separate Breakdown in HYDRAULIC COMPONENTS Section)	

SECTION 2 - BOOM

FIGURE 2-13. TELESCOPE CYLINDER INSTALLATION



ART_1001293253

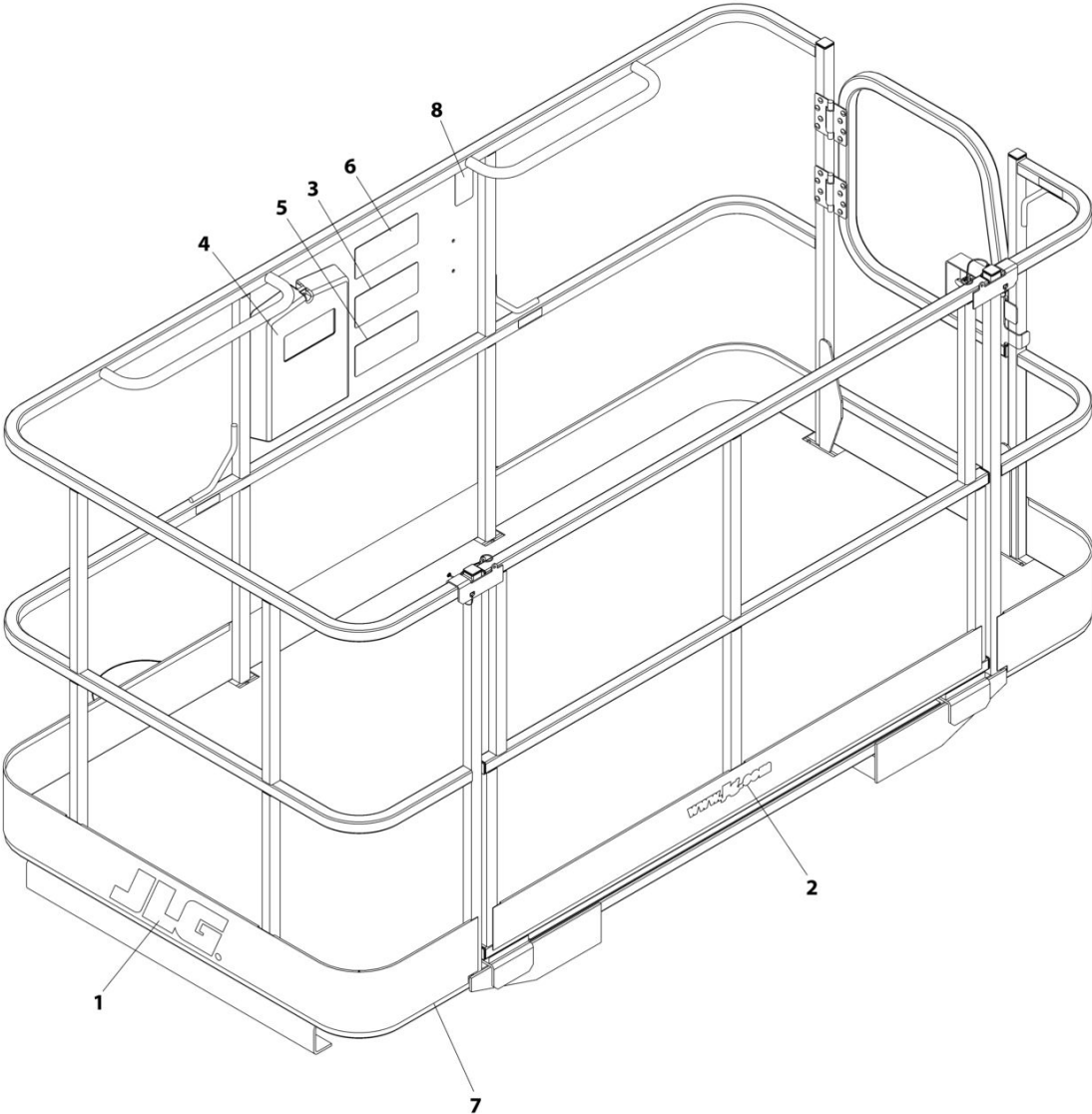
FIGURE 2-13. TELESCOPE CYLINDER INSTALLATION

ITEM	PART NUMBER	QTY	DESCRIPTION	REV
	1001293253	Ref	TELESCOPE CYLINDER INSTALLATION	B
1	0641628	1	Bolt 3/8 x 3-1/2	
2	2111010	1	Fitting, Straight ORFS/ORB	
3	2111210	1	Fitting, Straight ORFS/ORB	
4	8305645	1	Nut	
5	8310160	2	Washer	
6	8642207	2	Ring, Retaining	
7	1001080116	1	Pin	
8	1001080117	1	Pin	
9	1001201668	1	Telescope Cylinder (See Separate Breakdown in this Section)	

SECTION 3 - ATTACHMENTS

SECTION 3 - ATTACHMENTS

FIGURE 3-1. BASKET, PERSONNEL (1.2MX2.4M) (DOMESTIC)



ART_1001238653-A

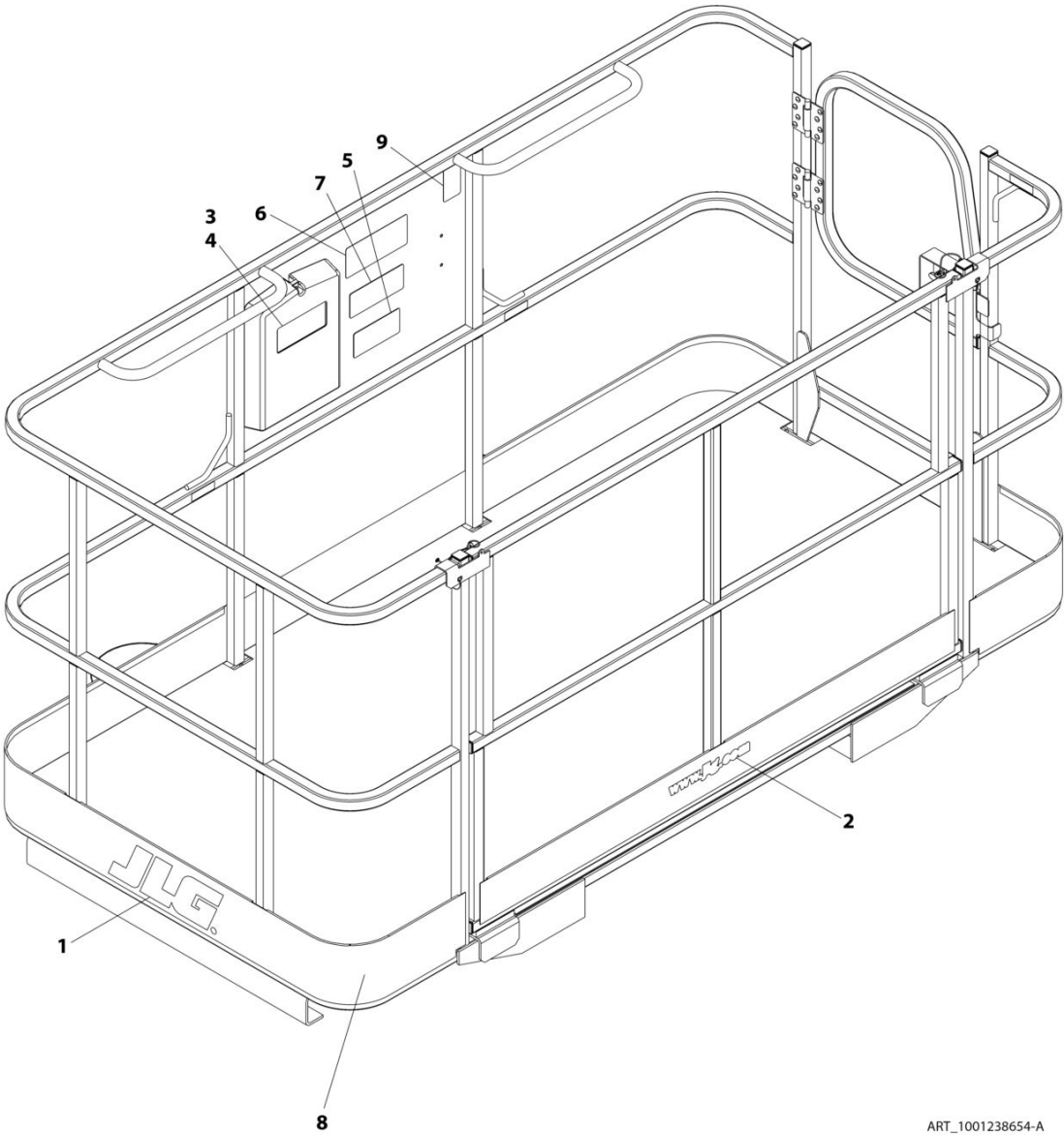
SECTION 3 - ATTACHMENTS

FIGURE 3-1. BASKET, PERSONNEL (1.2MX2.4M) (DOMESTIC)

ITEM	PART NUMBER	QTY	DESCRIPTION	REV
	1001238653	Ref	FORK MOUNTED PLATFORM	B
1	1702773	2	Decal, JLG	
2	1704885	1	Decal, Website	
3	1706892	1	Decal, Platform Warning	
4	31200160	1	Manual, Personnel Work Platform Operation and Safety	
5	1001092481	1	Decal, Warning Attachment	
6	1001092482	1	Decal, Platform Capacity	
7	1001238565	1	Platform, Fork Mounted (See Separate Breakdown in this Section)	
8	See Note	NSS	SN Plate (Note: Stamped Part - Not Available for Purchase)	

SECTION 3 - ATTACHMENTS

FIGURE 3-2. BASKET, PERSONNEL (1.2MX2.4M) (ISO)



ART_1001238654-A

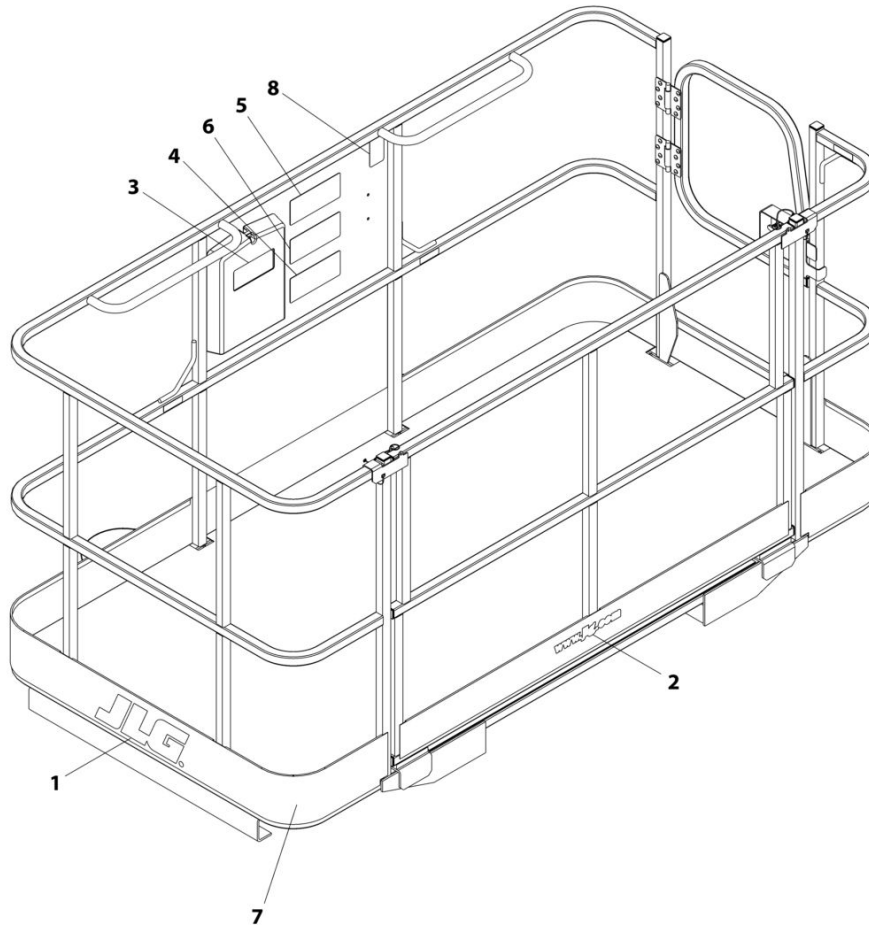
SECTION 3 - ATTACHMENTS

FIGURE 3-2. BASKET, PERSONNEL (1.2MX2.4M) (ISO)

ITEM	PART NUMBER	QTY	DESCRIPTION	REV
	1001238654	Ref	BASKET, PERSONNEL	B
1	1702773	2	Decal, JLG	
2	1704885	1	Decal, Website	
3	31200387	1	Manual, Operation and Safety, Spanish	
4	31200388	1	Manual, Operation and Safety, Portuguese	
5	1001096021	1	Decal, Warning Attachment	
6	1001096023	1	Decal, Platform Capacity	
7	1001096025	1	Decal, Platform Warning	
8	1001238565	1	Platform, Fork Mounted (ANSI) (See Separate Breakdown in this Section)	
9	See Note	NSS	SN Plate (Note: Stamped Part - Not Available for Purchase)	

SECTION 3 - ATTACHMENTS

FIGURE 3-3. BASKET, PERSONNEL (1.2MX2.4M) (FRENCH)



ART_1001238655-A

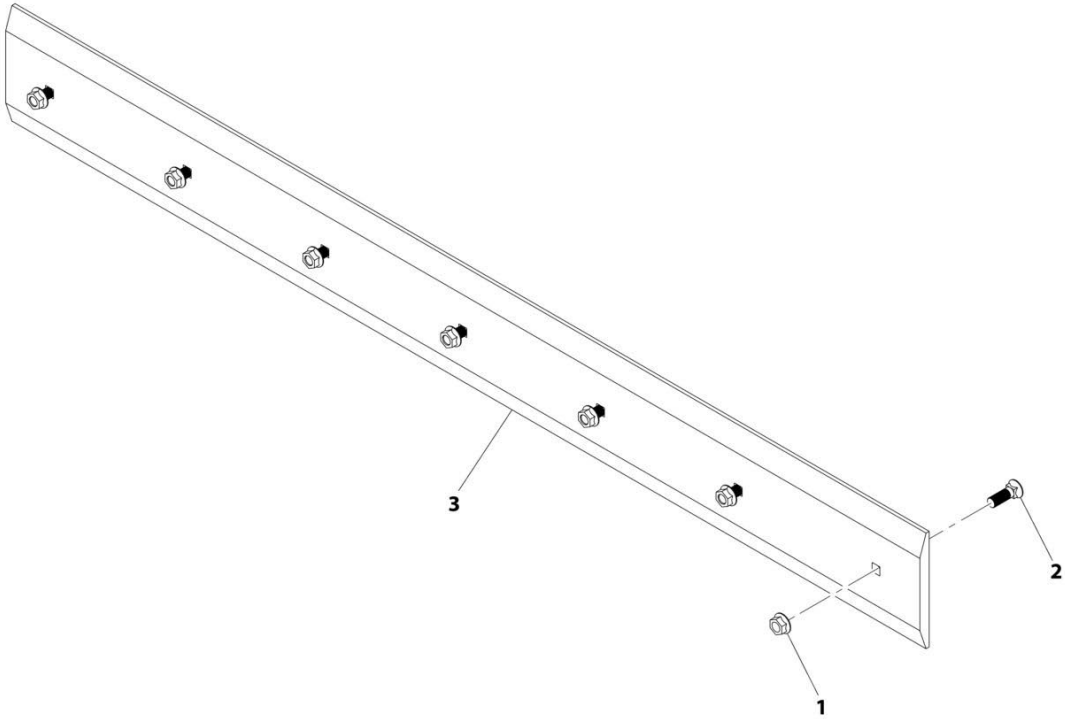
SECTION 3 - ATTACHMENTS

FIGURE 3-3. BASKET, PERSONNEL (1.2MX2.4M) (FRENCH)

ITEM	PART NUMBER	QTY	DESCRIPTION	REV
	1001238655	Ref	BASKET, PERSONNEL	B
1	1702773	2	Decal, JLG	
2	1704885	1	Decal, Website	
3	31200386	1	Manual, Operation and Safety (French)	
4	1001096019	1	Decal, Warning Attachment (French)	
5	1001096020	1	Decal, Platform Capacity (French)	
6	1001096024	1	Decal, Platform Warning (French)	
7	1001238565	1	Platform, Fork Mounted (ANSI) (See Separate Breakdown in this Section)	
8	See Note	NSS	SN Plate (Note: Stamped Part - Not Available for Purchase)	

SECTION 3 - ATTACHMENTS

FIGURE 3-4. BOLT-ON EDGE ASSEMBLY, 72"



ART_1001162898 -A

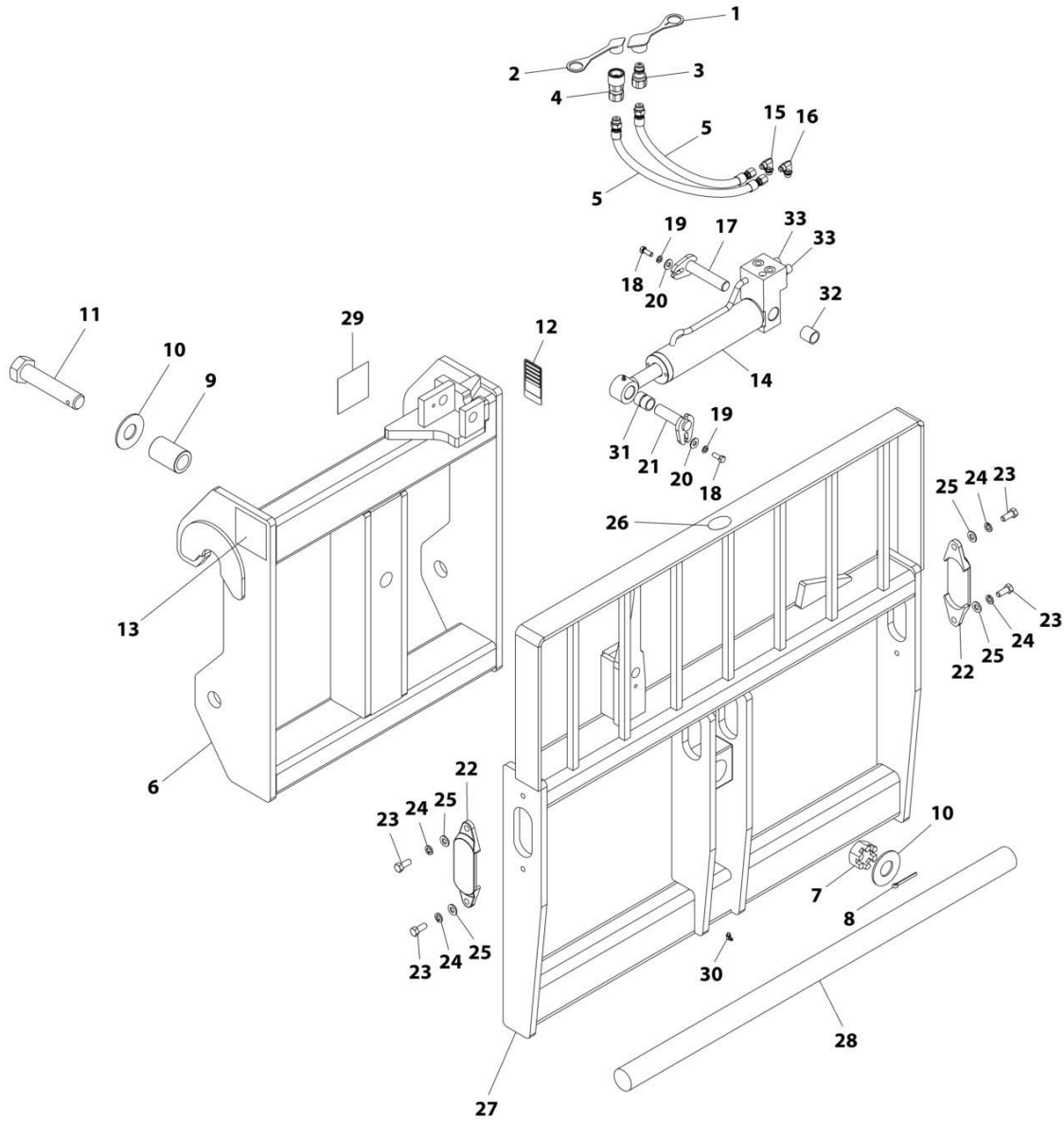
SECTION 3 - ATTACHMENTS

FIGURE 3-4. BOLT-ON EDGE ASSEMBLY, 72"

ITEM	PART NUMBER	QTY	DESCRIPTION	REV
1	1001162898	1	Bolt-On Edge Assembly, 72"	A

SECTION 3 - ATTACHMENTS

FIGURE 3-5. CARRIAGE, SIDE TILT, (48IN)



ART_1001102331-G

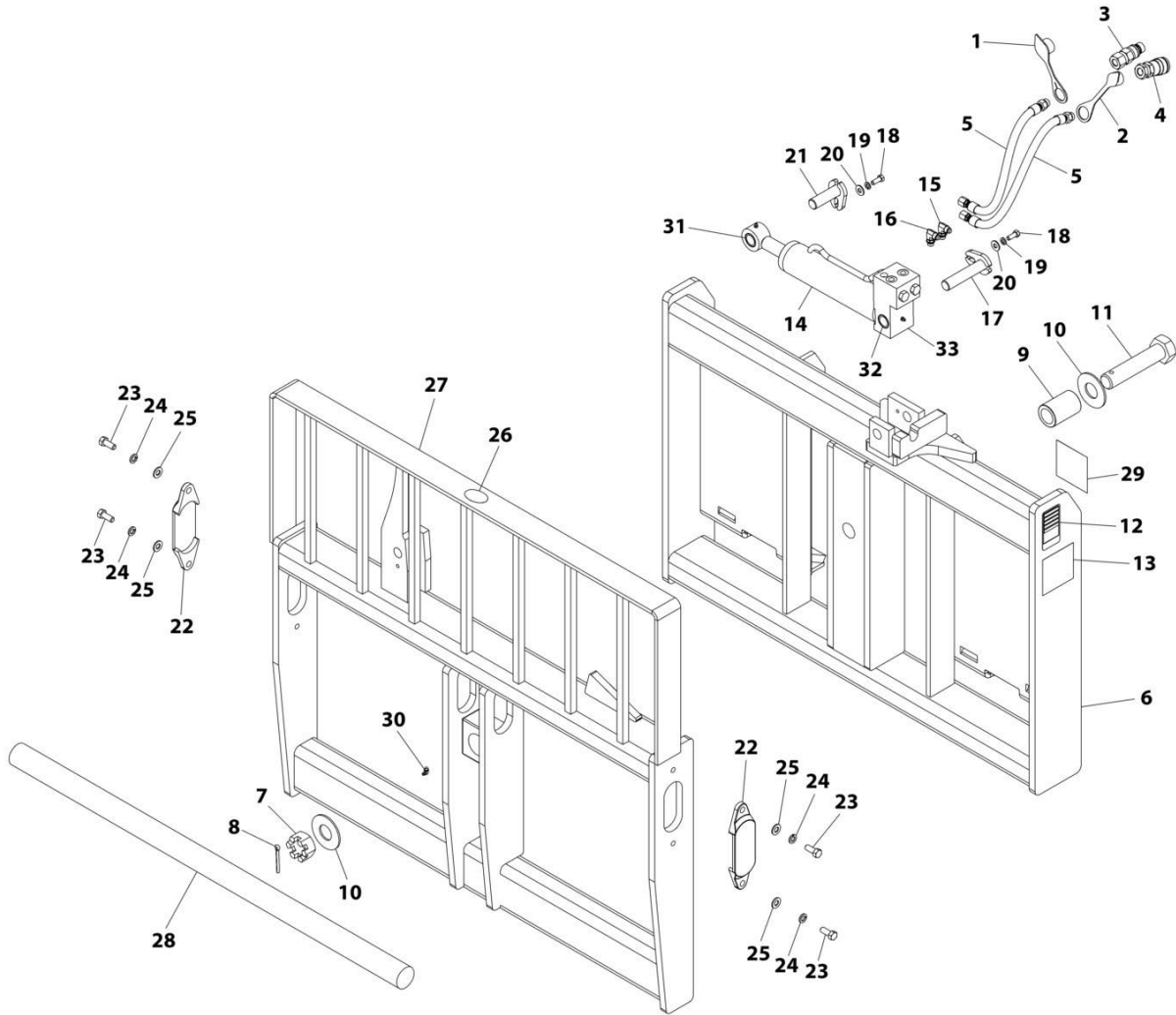
SECTION 3 - ATTACHMENTS

FIGURE 3-5. CARRIAGE, SIDE TILT, (48IN)

ITEM	PART NUMBER	QTY	DESCRIPTION	REV
	1001102331	Ref	Carriage, Side Tilt (48in)	1
1	1001003475	1	Dust Cap, Male	
2	1001003474	1	Plug, Dust, Female	
3	7029692	1	Hydraulic Couplier, Male	
4	70021342	1	Hydraulic Couplier, Female	
5	70021343	2	Hose	
6	N.S.S.	1	Rear Frame Weldment	
7	7029713	1	Nut	
8	7029700	1	Pin, Cotter	
9	70021345	1	Spacer	
10	70021346	2	Washer	
11	70021347	1	Bolt	
12	N.S.S.	1	Serial Tag	
13	90554017	1	Decal	
14	70021363	1	Cylinder Assembly (See Separate Breakdown in HYDRAULIC COMPONENTS Section)	
15	90554065	1	Hydraulic Fitting	
16	7029705	1	Hydraulic Fitting	
17	70021348	1	Pin	
18	70021349	2	Bolt	
19	90554042	2	Washer, Lock	
20	70021350	2	Washer	
21	70021351	1	Pin	
22	7029690	2	Fork Pin Retainer	
23	7029691	4	Bolt	
24	90554020	4	Washer, Lock	
25	70021338	4	Washer	
26	90554016	1	Decal	
27	N.S.S.	1	Front Frame	
28	70022105	1	Fork Pin	
29	7029711	1	Decal	
30	70022106	1	Zerk, Grease	
31	70021447	1	Bushing	
32	70021448	2	Bushing	
33	70021464	2	Valve	

SECTION 3 - ATTACHMENTS

FIGURE 3-6. CARRIAGE, SIDE TILT, UNIVERSAL QUICK ATTACH, (48IN)



ART_1001104009-G

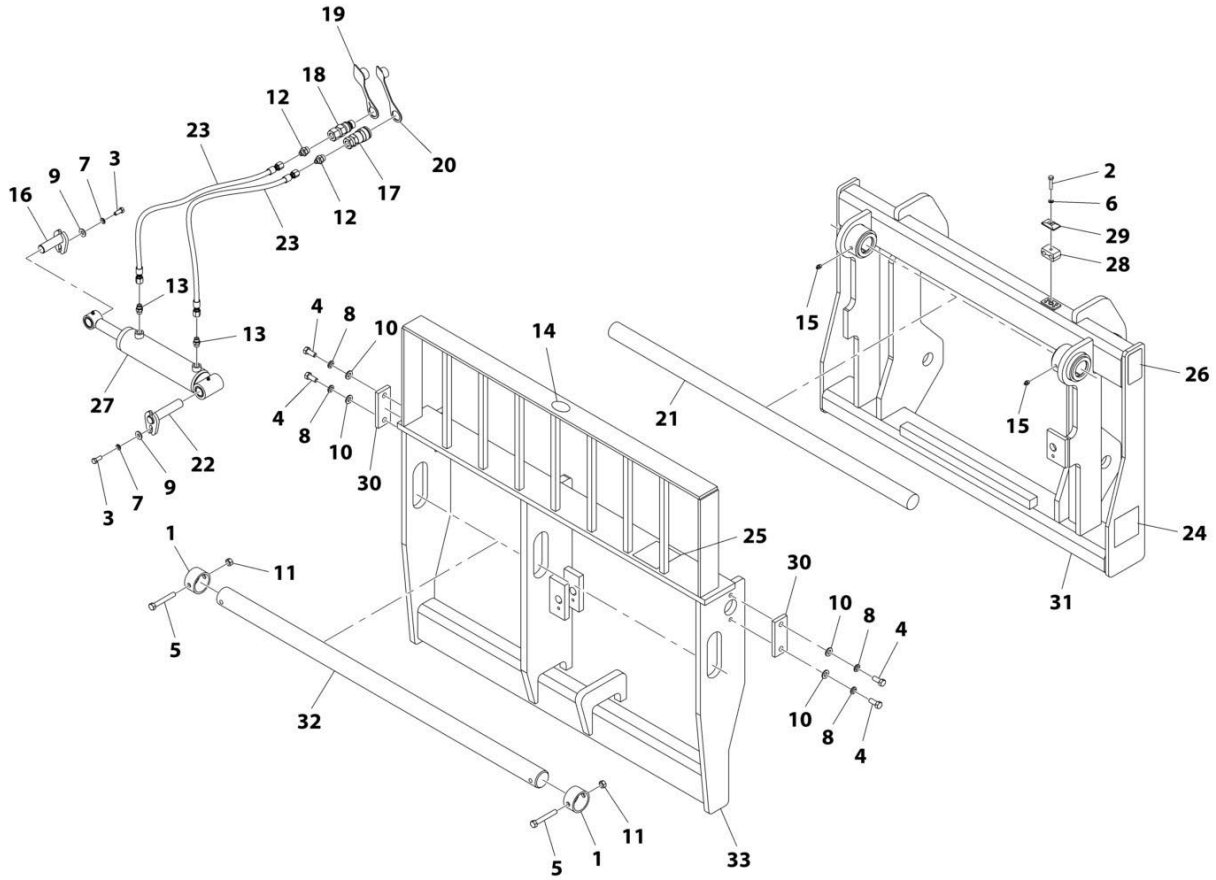
SECTION 3 - ATTACHMENTS

FIGURE 3-6. CARRIAGE, SIDE TILT, UNIVERSAL QUICK ATTACH, (48IN)

ITEM	PART NUMBER	QTY	DESCRIPTION	REV
	1001104009	Ref	Carriage, Side Tilt, Universal Quick Attach (48in)	1
1	70022097	1	Dust Cap, Male	
2	70022102	1	Plug, Dust, Female	
3	70022103	1	Hydraulic Couplier, Male	
4	70022104	1	Hydraulic Couplier, Female	
5	70021343	2	Hose	
6	N.S.S.	1	Rear Frame Weldment	
7	7029713	1	Nut	
8	7029700	1	Pin, Cotter	
9	70021345	1	Spacer	
10	70021346	2	Washer	
11	70021347	1	Bolt	
12	N.S.S.	1	Serial Tag	
13	90554017	1	Decal	
14	70021363	1	Cylinder Assembly (See Separate Breakdown in HYDRAULIC COMPONENTS Section)	
15	90554065	1	Hydraulic Fitting	
16	7029705	1	Hydraulic Fitting	
17	70021348	1	Pin	
18	70021349	2	Bolt	
19	90554042	2	Washer, Lock	
20	70021350	2	Washer	
21	70021351	1	Pin	
22	7029690	2	Fork Pin Retainer	
23	7029691	4	Bolt	
24	90554020	4	Washer, Lock	
25	70021338	4	Washer	
26	90554016	1	Decal	
27	N.S.S.	1	Front Frame	
28	70022105	1	Fork Pin	
29	7029711	1	Decal	
30	70022106	1	Zerk, Grease	
31	70021447	1	Bushing	
32	70021448	2	Bushing	
33	70021464	2	Valve	

SECTION 3 - ATTACHMENTS

FIGURE 3-7. CARRIAGE, SIDE SHIFT (48IN)



ART_1001242501-B

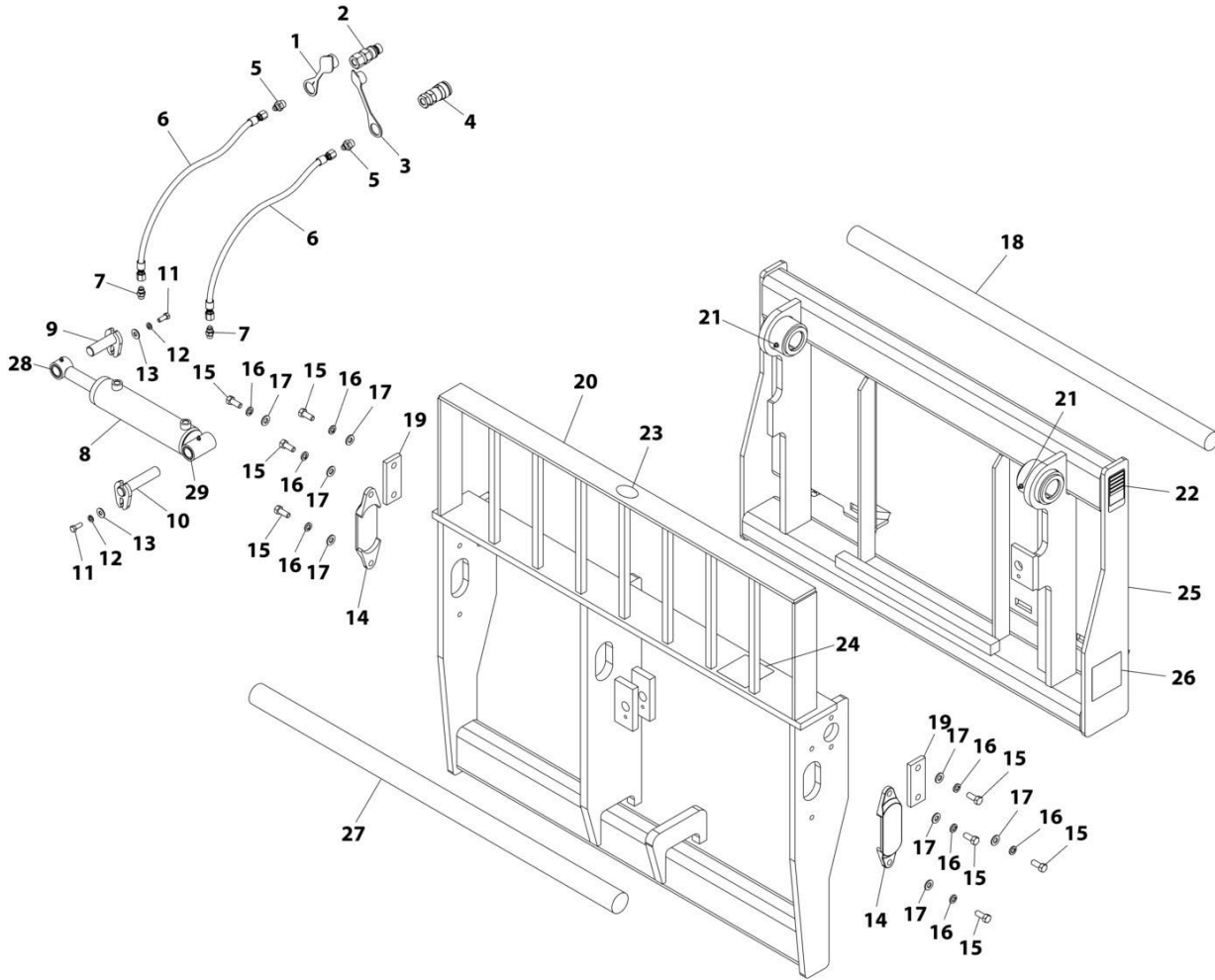
SECTION 3 - ATTACHMENTS

FIGURE 3-7. CARRIAGE, SIDE SHIFT (48IN)

ITEM	PART NUMBER	QTY	DESCRIPTION	REV
	1001242501	Ref	CARRIAGE, SIDE SHIFT (48IN)	C
1	70020028	2	Fork Pin Retainer	
2	70029502	1	Bolt	
3	70021349	2	Bolt	
4	70027989	4	Bolt	
5	70020002	2	Bolt	
6	90554067	1	Washer	
7	90554042	2	Washer	
8	90554020	4	Washer	
9	70021350	2	Washer	
10	70021338	4	Washer	
11	70027642	2	Nut	
12	70021397	2	Fitting	
13	70021415	2	Fitting	
14	90554016	1	Decal	
15	7029714	2	Fitting, Grease	
16	70021351	1	Pin	
17	1001001240	1	Hydraulic Coupler, Female	
18	1001001241	1	Hydraulic Coupler, Male	
19	1001003475	1	Dust Cap, Male	
20	1001003474	1	Plug, Dust, Female	
21	70022111	1	Fork Pin	
22	70022110	1	Pin	
23	70022107	1	Hose	
24	90554017	2	Decal	
25	7029711	1	Decal	
26	See Note	NSS	Serial Tag (Note: Not Available for Purchase)	
27	70022108	1	Cylinder Assembly (See Separate Breakdown in HYDRAULIC COMPONENTS Section)	
28	70029503	1	Clamp	
29	70029505	1	Clamp	
30	70022112	2	Plate, Retainer	
31	See Note	NSS	Rear Frame (Note: Not Available for Purchase)	
32	70029504	1	Fork Pin	
33	See Note	NSS	Main Frame (Note: Not Available for Purchase)	

SECTION 3 - ATTACHMENTS

FIGURE 3-8. CARRIAGE, SIDE SHIFT, UNIVERSAL QUICK ATTACH, (48IN)



ART_1001104025-G

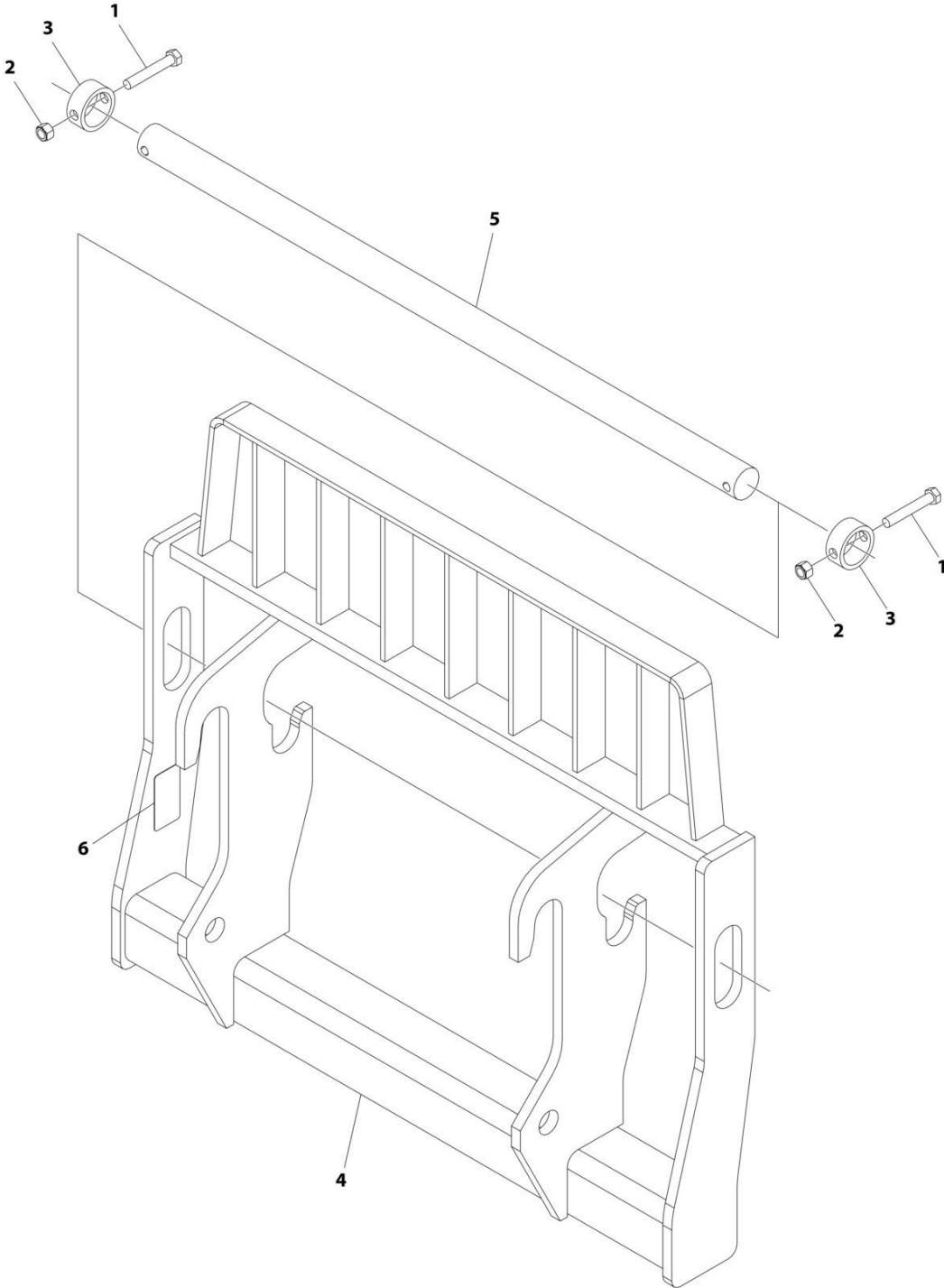
SECTION 3 - ATTACHMENTS

FIGURE 3-8. CARRIAGE, SIDE SHIFT, UNIVERSAL QUICK ATTACH, (48IN)

ITEM	PART NUMBER	QTY	DESCRIPTION	REV
	1001104025	Ref	Carriage, Side Shift, Universal Quick Attach (48in)	1
1	70022097	1	Dust Cap, Male	
2	70022103	1	Hydraulic Couplier, Male	
3	70022102	1	Plug, Dust, Female	
4	70022104	1	Hydraulic Couplier, Female	
5	70021397	2	Hydraulic Fitting	
6	70022107	2	Hose	
7	70021415	2	Hydraulic Fitting	
8	70022108	1	Cylinder Assembly (See Separate Breakdown in HYDRAULIC COMPONENTS Section)	
9	70021351	1	Pin	
10	70022110	1	Pin	
11	70021349	2	Bolt	
12	90554042	2	Washer, Lock	
13	70021350	2	Washer	
14	7029690	2	Fork Pin Retainer	
15	70027989	8	Bolt	
16	90554020	8	Washer, Lock	
17	70021338	4	Washer	
18	70022111	1	Fork Pin	
19	70022112	2	Pin Retainer Bar	
20	N.S.S.	1	Front Frame	
21	7029714	2	Zerk, Grease	
22	N.S.S.	1	Serial Tag	
23	70050641	1	Decal	
24	7029711	1	Decal	
25	N.S.S.	1	Rear Frame	
26	90554017	2	Decal	
27	70022105	1	Fork Pin	
28	70021447	1	Bushing	
29	70021448	2	Bushing	

SECTION 3 - ATTACHMENTS

FIGURE 3-9. CARRIAGE ASSEMBLY - 48IN STANDARD



ART_1001293063

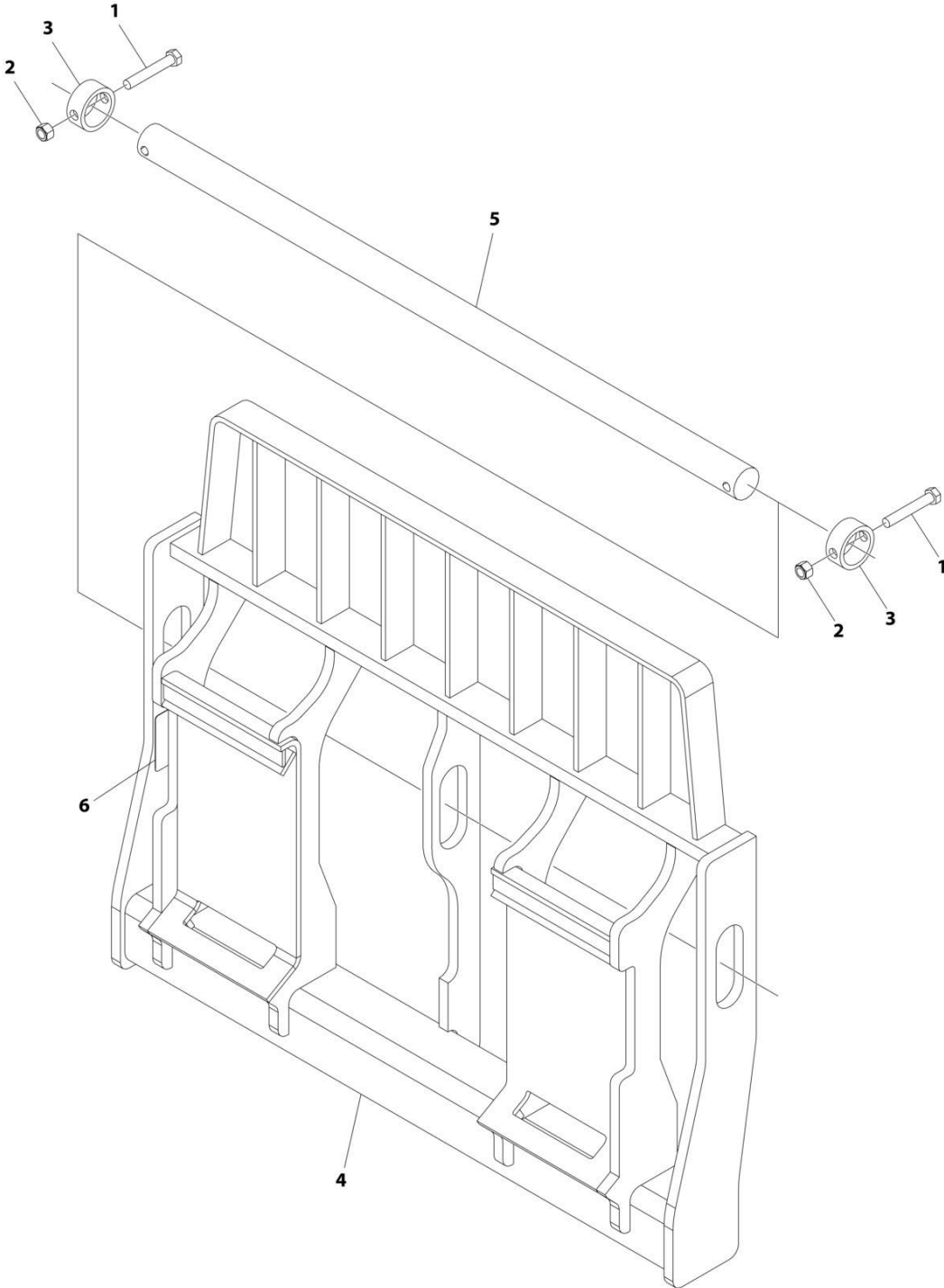
SECTION 3 - ATTACHMENTS

FIGURE 3-9. CARRIAGE ASSEMBLY - 48IN STANDARD

ITEM	PART NUMBER	QTY	DESCRIPTION	REV
	1001293063	Ref	CARRIAGE ASSEMBLY - 48IN STANDARD	A
1	0701627	2	Bolt M16 x 100	
2	3291605	2	Nut M16	
3	90200003	2	Collar, Fork Pin	
4	1001287939	NSS	Carriage (Note: Purchase Complete Assembly)	
5	1001293048	1	Pin, Fork	
6	1001301591	NSS	SN Plate (Note: Stamped Part - Not Available for Purchase)	

SECTION 3 - ATTACHMENTS

FIGURE 3-10. CARRIAGE ASSEMBLY - 48IN UNIVERSAL



ART_1001293064

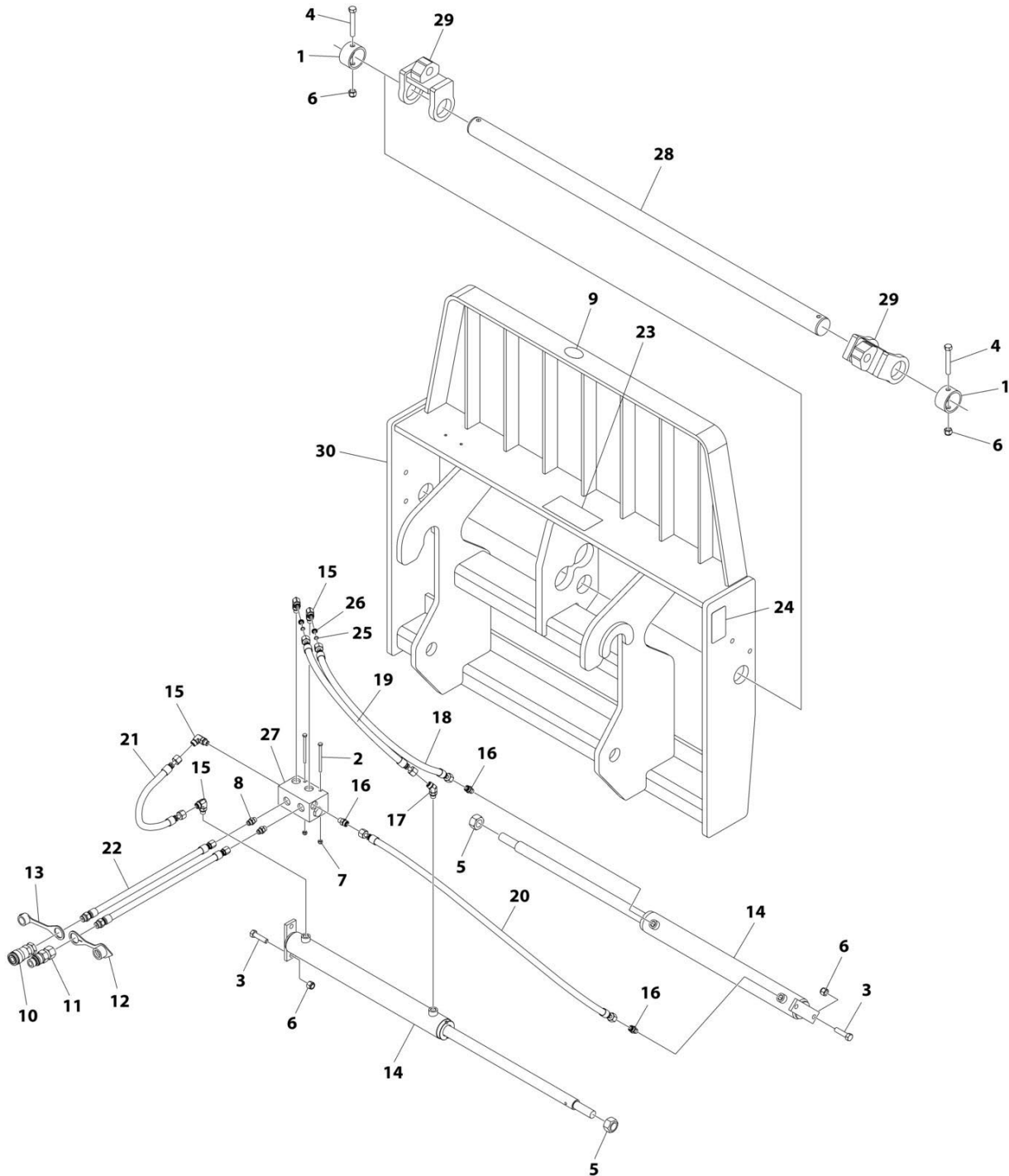
SECTION 3 - ATTACHMENTS

FIGURE 3-10. CARRIAGE ASSEMBLY - 48IN UNIVERSAL

ITEM	PART NUMBER	QTY	DESCRIPTION	REV
	1001293064	Ref	CARRIAGE ASSEMBLY - 48IN UNIVERSAL	B
1	0701627	2	Bolt M16 x 100	
2	3291605	2	Nut M16	
3	90200003	2	Collar, Fork Pin	
4	1001287951	NSS	Carriage (Note: Purchase Complete Assembly)	
5	1001293048	1	Pin, Fork	
6	1001301592	NSS	SN Plate (Note: Stamped Part - Not Available for Purchase)	

SECTION 3 - ATTACHMENTS

FIGURE 3-11. CARRIAGE ASSEMBLY - FORK POSITIONING STANDARD (48IN)



ART_1001242506

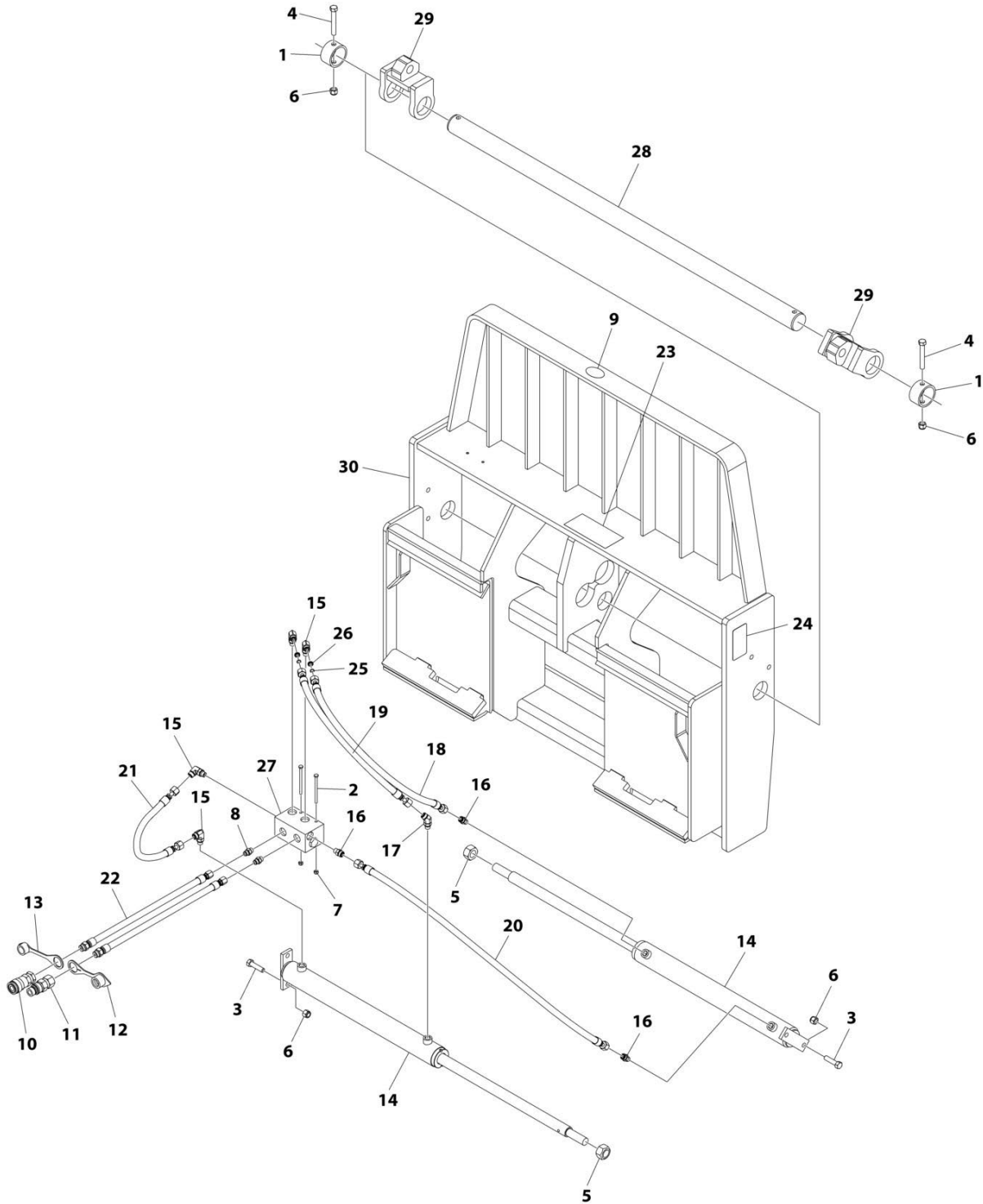
SECTION 3 - ATTACHMENTS

FIGURE 3-11. CARRIAGE ASSEMBLY - FORK POSITIONING STANDARD (48IN)

ITEM	PART NUMBER	QTY	DESCRIPTION	REV
	1001242506	Ref	CARRIAGE ASSEMBLY - FORK POSITIONING STANDARD (48IN)	C
1	70020028	2	Retainer, Pin	
2	70028519	2	Bolt	
3	90554019	4	Bolt	
4	70020002	2	Bolt	
5	70021440	2	Nut	
6	70028523	6	Nut	
7	70028524	2	Nut	
8	70021415	2	Hydraulic Fitting	
9	90554016	1	Decal	
10	1001001240	1	Hydraulic Coupler, Female	
11	1001001241	1	Hydraulic Coupler, Male	
12	1001003475	1	Dust Cap, Male	
13	1001003474	1	Plug, Dust, Female	
14	2717283	2	Cylinder Assembly (See Separate Breakdown in HYDRAULIC COMPONENTS Section)	
15	70028525	4	Hydraulic Fitting	
16	70028486	3	Hydraulic Fitting	
17	70029495	1	Hydraulic Fitting	
18	70029052	1	Hose	
19	70029046	2	Hose	
20	70029496	1	Hose	
21	70029492	1	Hose	
22	70026702	2	Hose	
23	70028530	1	Decal	
24	See Note	NSS	Serial Tag (Note: Not Available for Purchase)	
25	70028531	2	O-Ring	
26	70028520	2	Orifice	
27	70028521	1	Valve	
28	70027283	1	Pin Fork	
29	70029497	2	Clevis	
30	See Note	NSS	Weldment (Note: Not Available for Purchase)	

SECTION 3 - ATTACHMENTS

FIGURE 3-12. CARRIAGE ASSEMBLY - FORK POSITIONING UNIVERSAL (48IN)



ART_1001242508

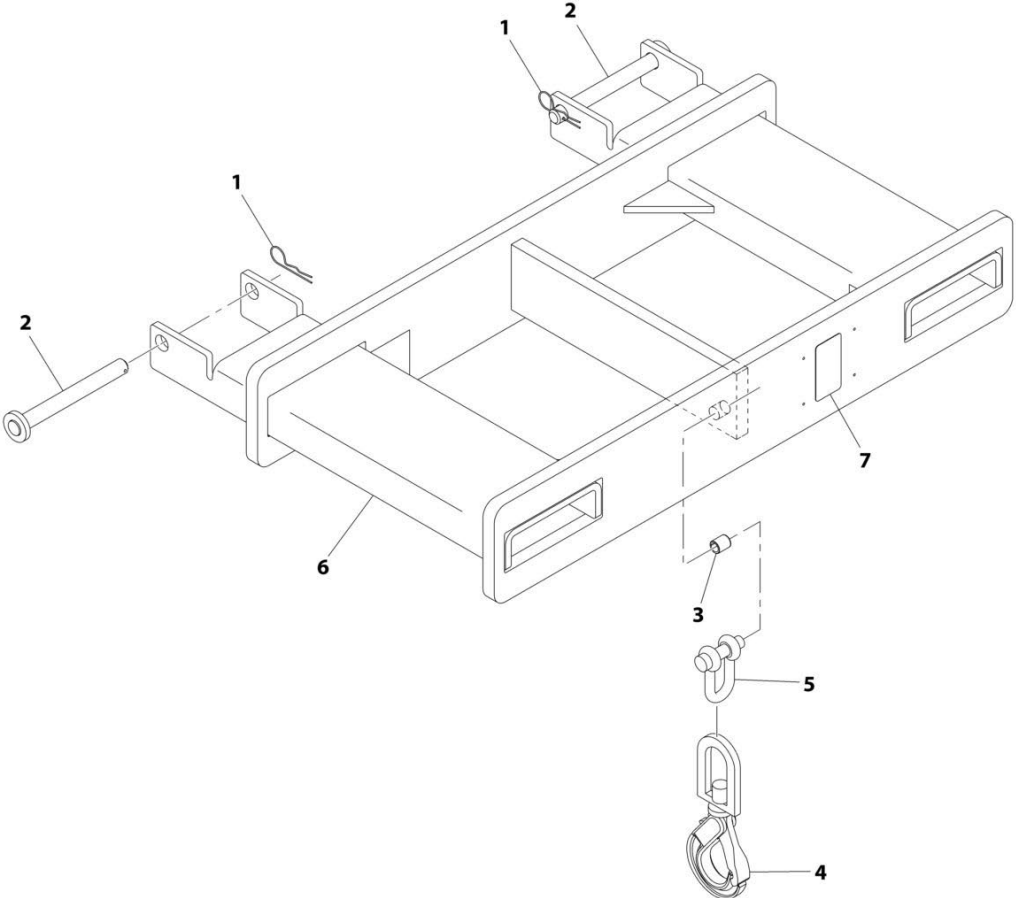
SECTION 3 - ATTACHMENTS

FIGURE 3-12. CARRIAGE ASSEMBLY - FORK POSITIONING UNIVERSAL (48IN)

ITEM	PART NUMBER	QTY	DESCRIPTION	REV
	1001242508	Ref	CARRIAGE ASSEMBLY - FORK POSITIONING UNIVERSAL, (48IN)	C
1	70020028	2	Retainer, Pin	
2	70028519	2	Bolt	
3	90554019	4	Bolt	
4	70020002	2	Bolt	
5	70021440	2	Nut	
6	70028523	6	Nut	
7	70028524	2	Nut	
8	70021415	2	Hydraulic Fitting	
9	90554016	1	Decal	
10	1001001240	1	Hydraulic Coupler, Female	
11	1001001241	1	Hydraulic Coupler, Male	
12	1001003475	1	Dust Cap, Male	
13	1001003474	1	Plug, Dust, Female	
14	2717283	2	Cylinder Assembly (See Separate Breakdown in HYDRAULIC COMPONENTS Section)	
15	70028525	4	Hydraulic Fitting	
16	70028486	3	Hydraulic Fitting	
17	70029495	1	Hydraulic Fitting	
18	70029052	1	Hose	
19	70029046	2	Hose	
20	70029496	1	Hose	
21	70029492	1	Hose	
22	70026702	2	Hose	
23	70028530	1	Decal	
24	See Note	NSS	Serial Tag (Note: Not Available for Purchase)	
25	70028531	2	O-Ring	
26	70028520	2	Orifice	
27	70028521	1	Valve	
28	70027283	1	Pin Fork	
29	70029497	2	Clevis	
30	See Note	NSS	Weldment (Note: Not Available for Purchase)	

SECTION 3 - ATTACHMENTS

FIGURE 3-13. FORK MOUNTED HOOK (4 TON)



ART_1001097205-I

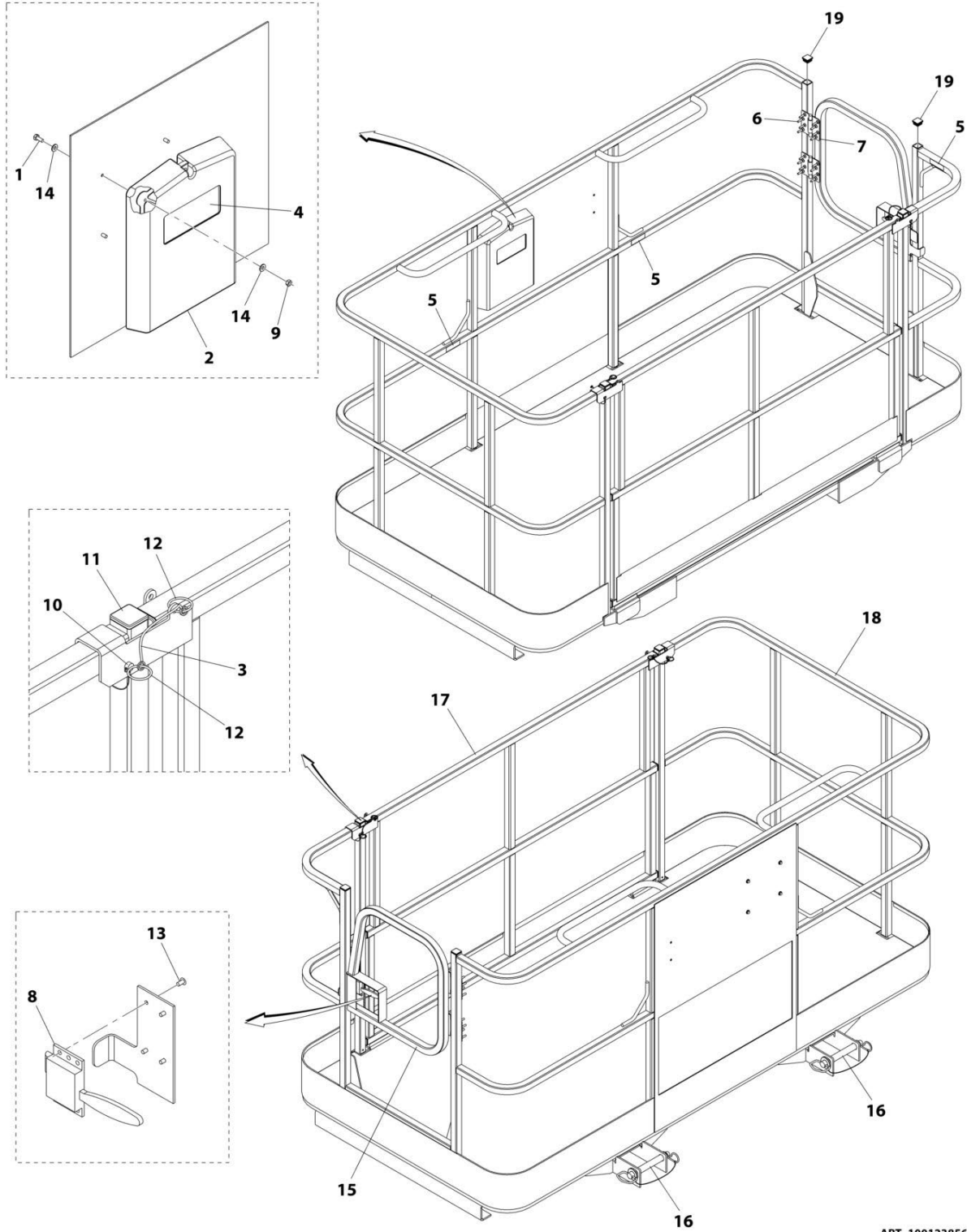
SECTION 3 - ATTACHMENTS

FIGURE 3-13. FORK MOUNTED HOOK (4 TON)

ITEM	PART NUMBER	QTY	DESCRIPTION	REV
	1001097205	Ref	Fork Mounted Hook (4 Ton)	J
1	7029520	2	Pin, Cotter	
2	1001093171	2	Pin	
3	70020555	1	Bushing	
4	90554080	1	Hook	
5	7029521	1	Shackle	
6	See Note	NSS	Frame, Hook (Note: Purchase Complete Assembly)	
7	See Note	NSS	S/N Plate (Note: Stamped Part - Not Available for Purchase)	

SECTION 3 - ATTACHMENTS

FIGURE 3-14. FORK MOUNTED PLATFORM



ART_1001238565

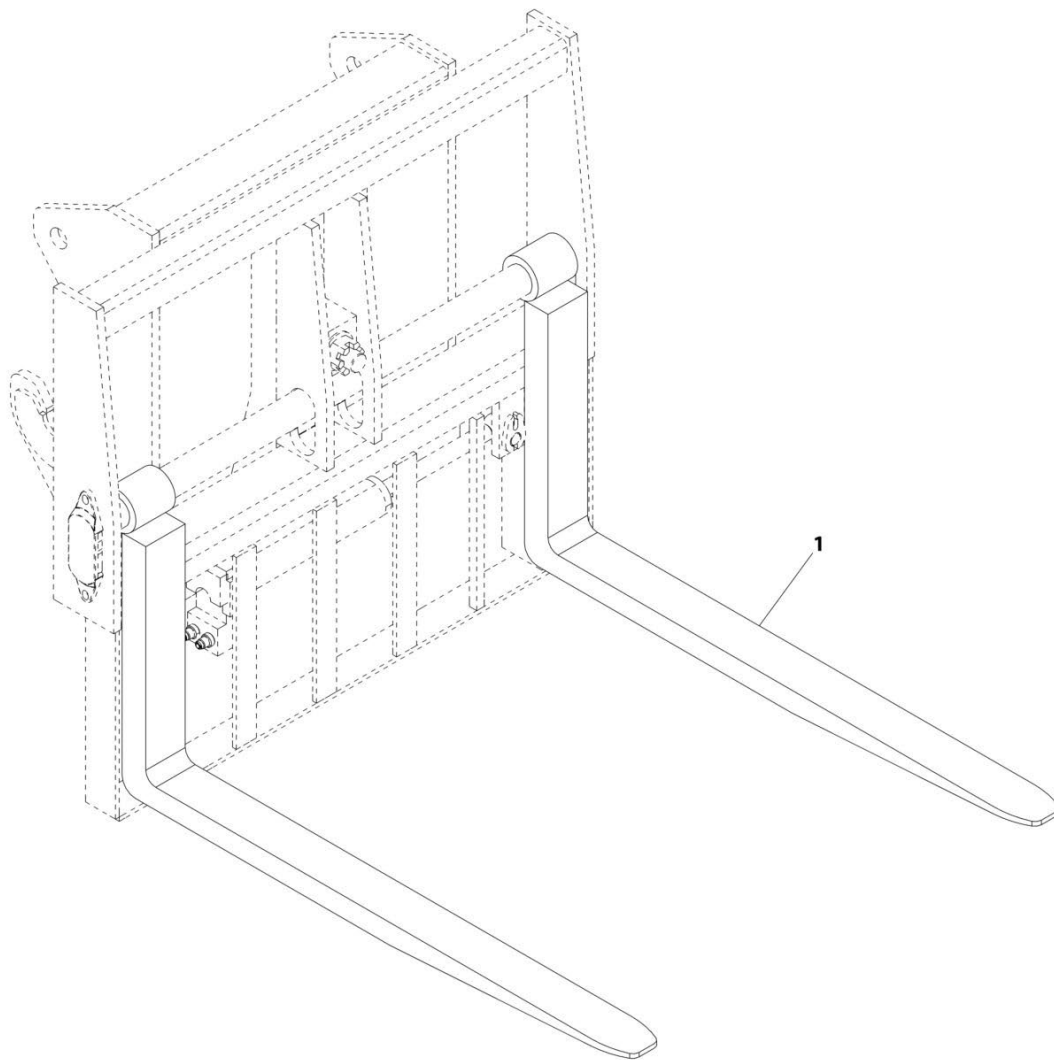
SECTION 3 - ATTACHMENTS

FIGURE 3-14. FORK MOUNTED PLATFORM

ITEM	PART NUMBER	QTY	DESCRIPTION	REV
	1001238565	Ref	FORK MOUNTED PLATFORM ASSEMBLY	F
1	0641405	4	Bolt 1/4 x 5/8	
2	0860520	1	Box, Manual Storage	
3	1060379	2	Cable, Lanyard	
4	1701509	1	Decal, Manual	
5	1704277	3	Decal, Lanyard Attach	
6	2080040	16	Fastener	
7	2600281	2	Hinge	
8	2940074	1	Latch	
9	3311405	4	Nut 1/4	
10	3421453	2	Pin	
11	3520072	7	Plug	
12	3760170	4	Ring	
13	3820020	4	Rivet	
14	4711400	8	Washer 1/4	
15	1001144629J	1	Gate	
16	1001238560	2	Pin, Hitch	
17	1001095810	1	Gate	
18	See Note	NSS	Platform, Fork Mounted	
19	3520198	4	Plug	

SECTION 3 - ATTACHMENTS

FIGURE 3-15. FORK 2.00X4X48 / 3800# CAPACITY



ART_1001099458-C

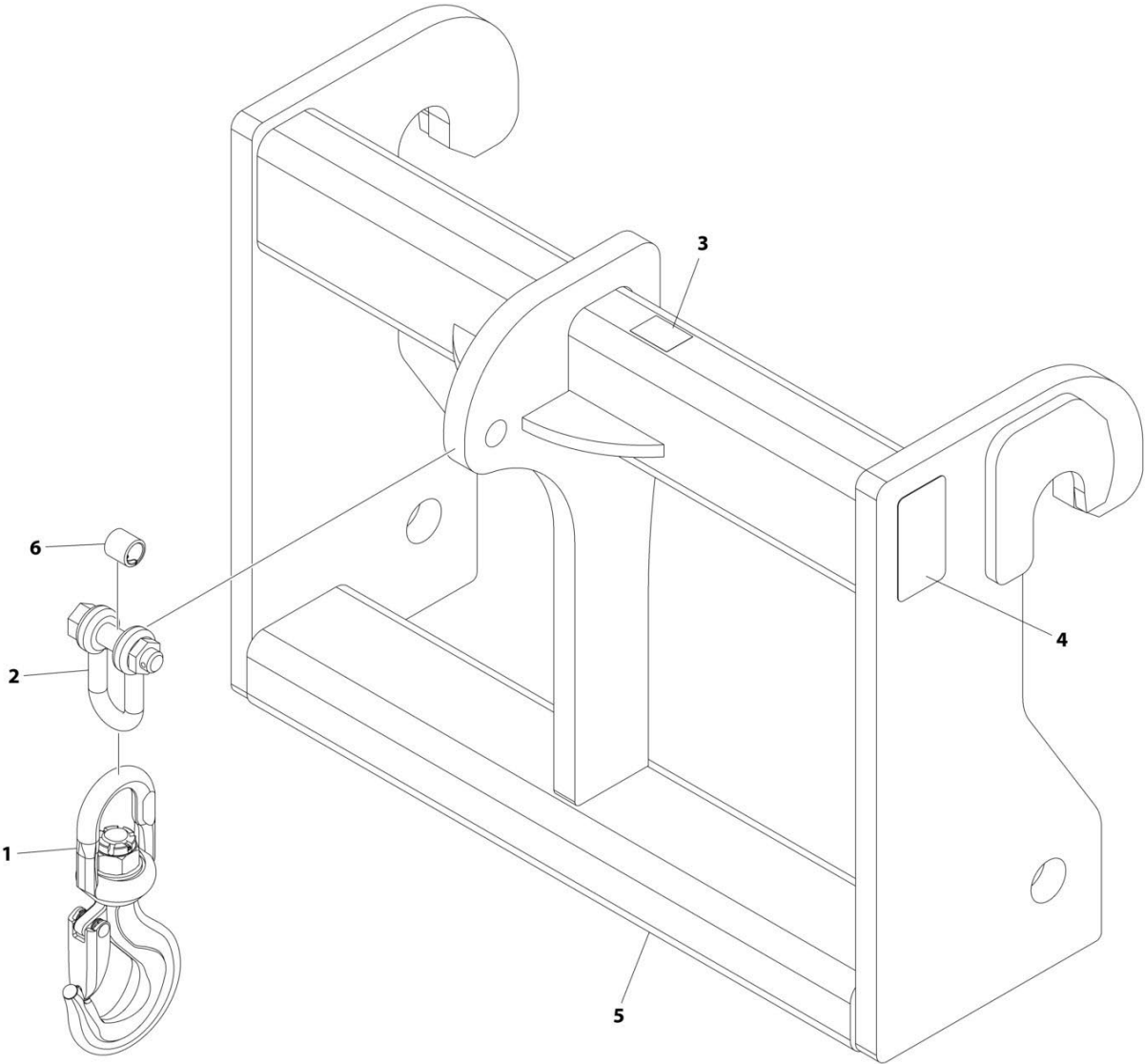
SECTION 3 - ATTACHMENTS

FIGURE 3-15. FORK 2.00X4X48 / 3800# CAPACITY

ITEM	PART NUMBER	QTY	DESCRIPTION	REV
1	1001099458	Ref	Fork (2.00X4x48)	C
	Note	Ref	FORKS RATED LESS THAN THE ATTACHMENT OR MACHINE'S CAPACITY DECREASES CAPACITY OF THE ATTACHMENT OR MACHINE TO THAT OF THE FORKS. FORKS RATED MORE THAN THE ATTACHMENT OR MACHINE'S CAPACITY DO NOT INCREASE ATTACHMENT OR MACHINE'S CAPACITY.	
	Note	Ref	PLEASE CONSULT JLG PARTS DEPARTMENT TO DETERMINE THE CORRECT FORKS APPLICABLE TO YOUR SPECIFIC CARRIAGE ASSEMBLY AND APPLICATION.	

SECTION 3 - ATTACHMENTS

FIGURE 3-16. LIFTING HOOK ASSEMBLY, STANDARD



ART_1001242509

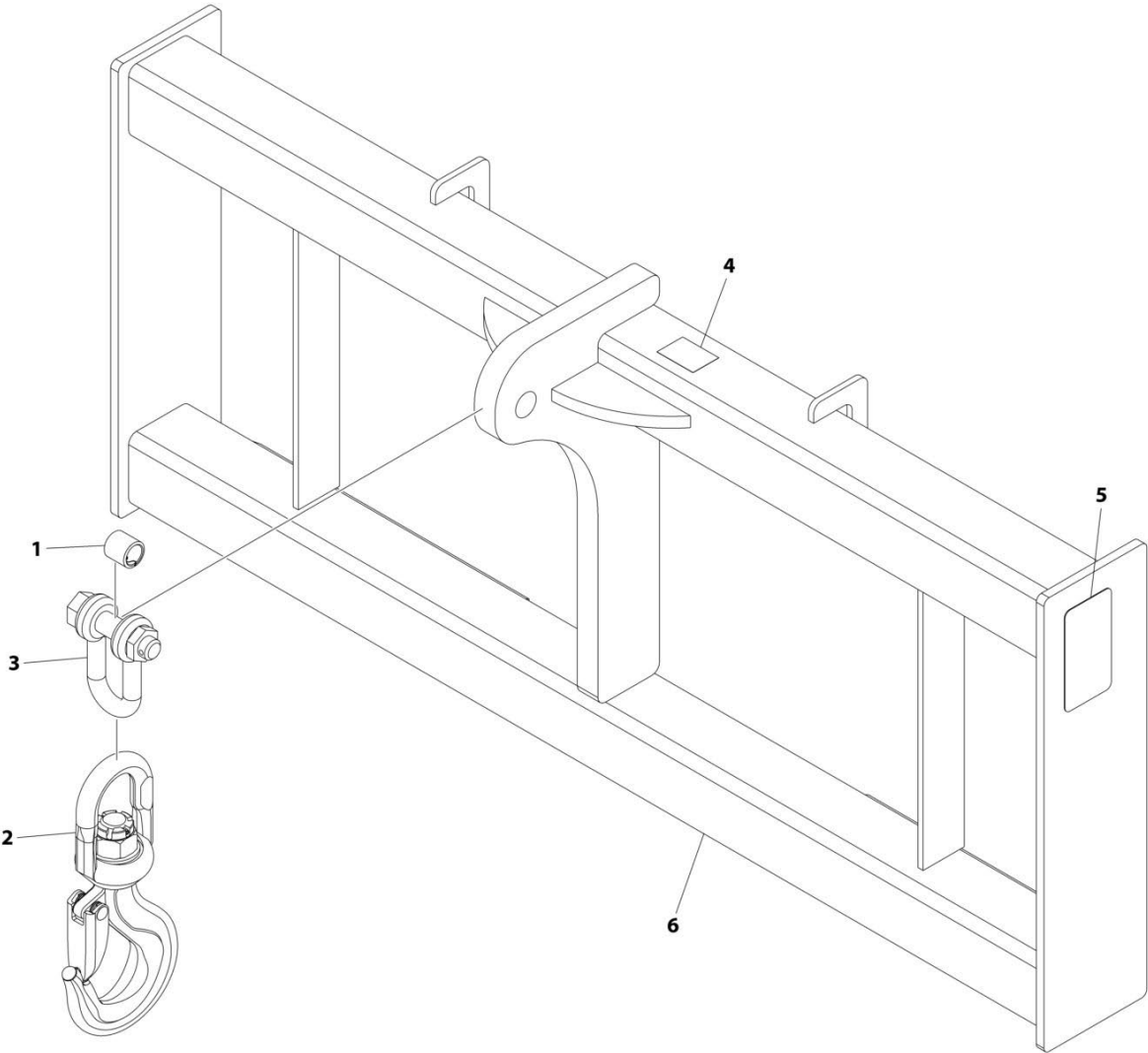
SECTION 3 - ATTACHMENTS

FIGURE 3-16. LIFTING HOOK ASSEMBLY, STANDARD

ITEM	PART NUMBER	QTY	DESCRIPTION	REV
	1001242509	Ref	LIFTING HOOK ASSEMBLY, STANDARD	C
1	90554080	1	Hook, Swivel	
2	7029521	1	Chain, Shackle	
3	90554016	1	Decal - USA	
4	See Note	NSS	Serial Tag (Note: Not Available for Purchase)	
5	See Note	NSS	Weldment (Note: Not Available for Purchase)	
6	70029498	1	Bushing	

SECTION 3 - ATTACHMENTS

FIGURE 3-17. LIFTING HOOK ASSEMBLY, UNIVERSAL



ART_1001242510

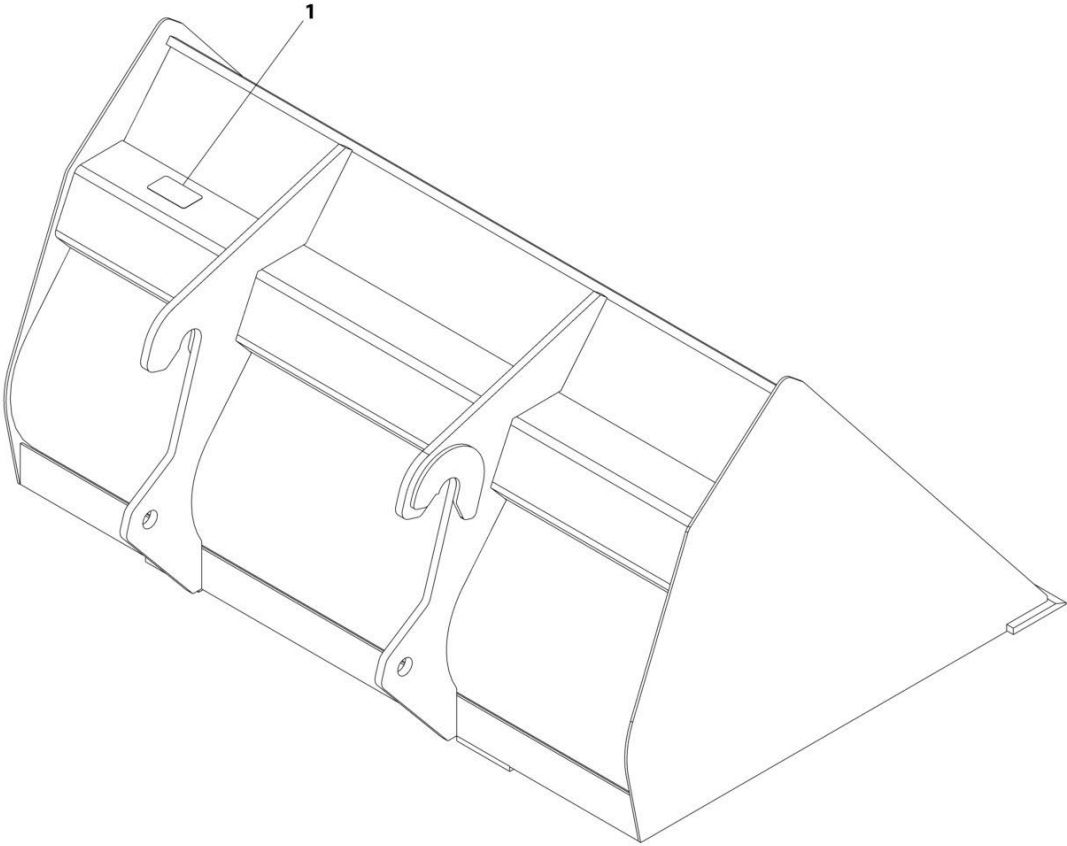
SECTION 3 - ATTACHMENTS

FIGURE 3-17. LIFTING HOOK ASSEMBLY, UNIVERSAL

ITEM	PART NUMBER	QTY	DESCRIPTION	REV
	1001242510	Ref	LIFTING HOOK ASSEMBLY, UNIVERSAL	C
1	70029498	1	Bushing	
2	90554080	1	Hook, Swivel	
3	7029521	1	Chain, Shackle	
4	90554016	1	Decal - USA	
5	See Note	NSS	Serial Tag (Note: Not Available for Purchase)	
6	See Note	NSS	Weldment (Note: Not Available for Purchase)	

SECTION 3 - ATTACHMENTS

FIGURE 3-18. LIGHT MATERIAL BUCKET, (72INCH) (1.7 YD³/1.29 M³)



ART_1001102323-F

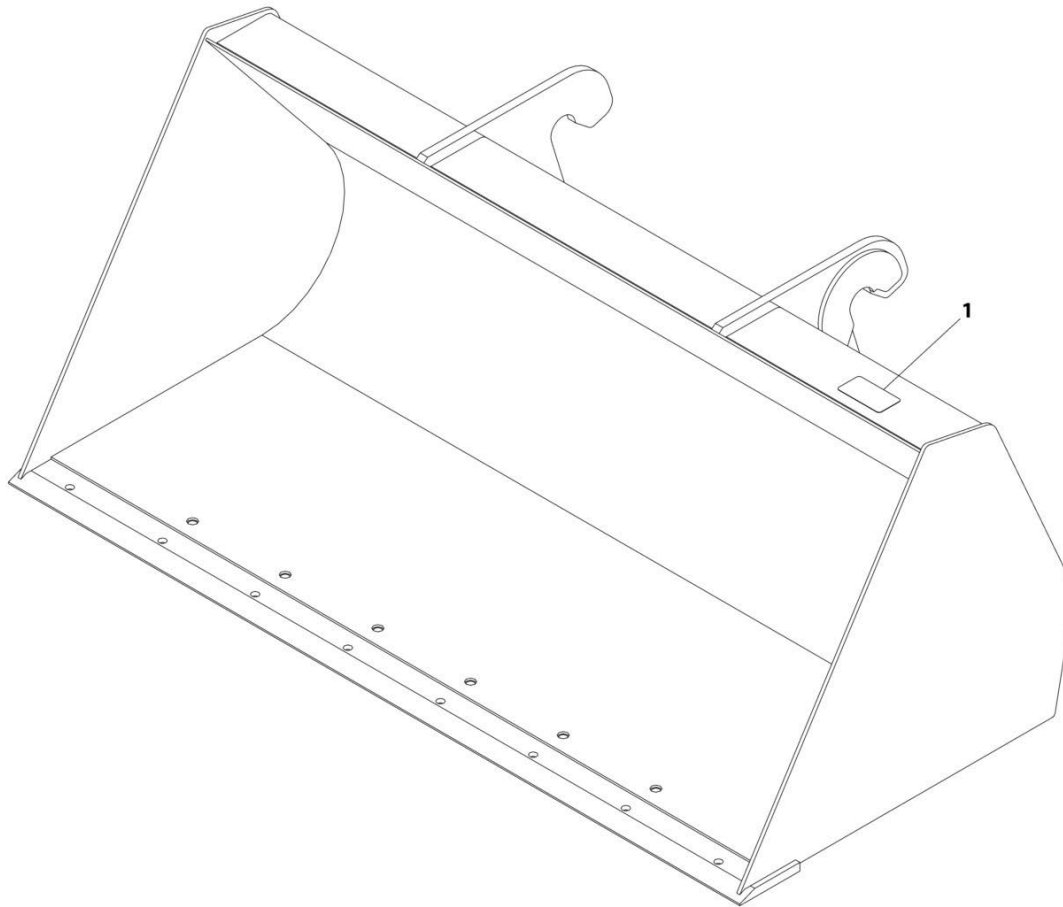
SECTION 3 - ATTACHMENTS

FIGURE 3-18. LIGHT MATERIAL BUCKET, (72INCH) (1.7 YD³/1.29 M³)

ITEM	PART NUMBER	QTY	DESCRIPTION	REV
1	1001102323 N.S.S.	Ref 1	Bucket (72Inch) (1.7 yd ³ /1.29 m ³) S/N Plate	1

SECTION 3 - ATTACHMENTS

FIGURE 3-19. LIGHT MATERIAL BUCKET, (72INCH) (1.0 YD³/0.76 M³)



ART_1001102324-F

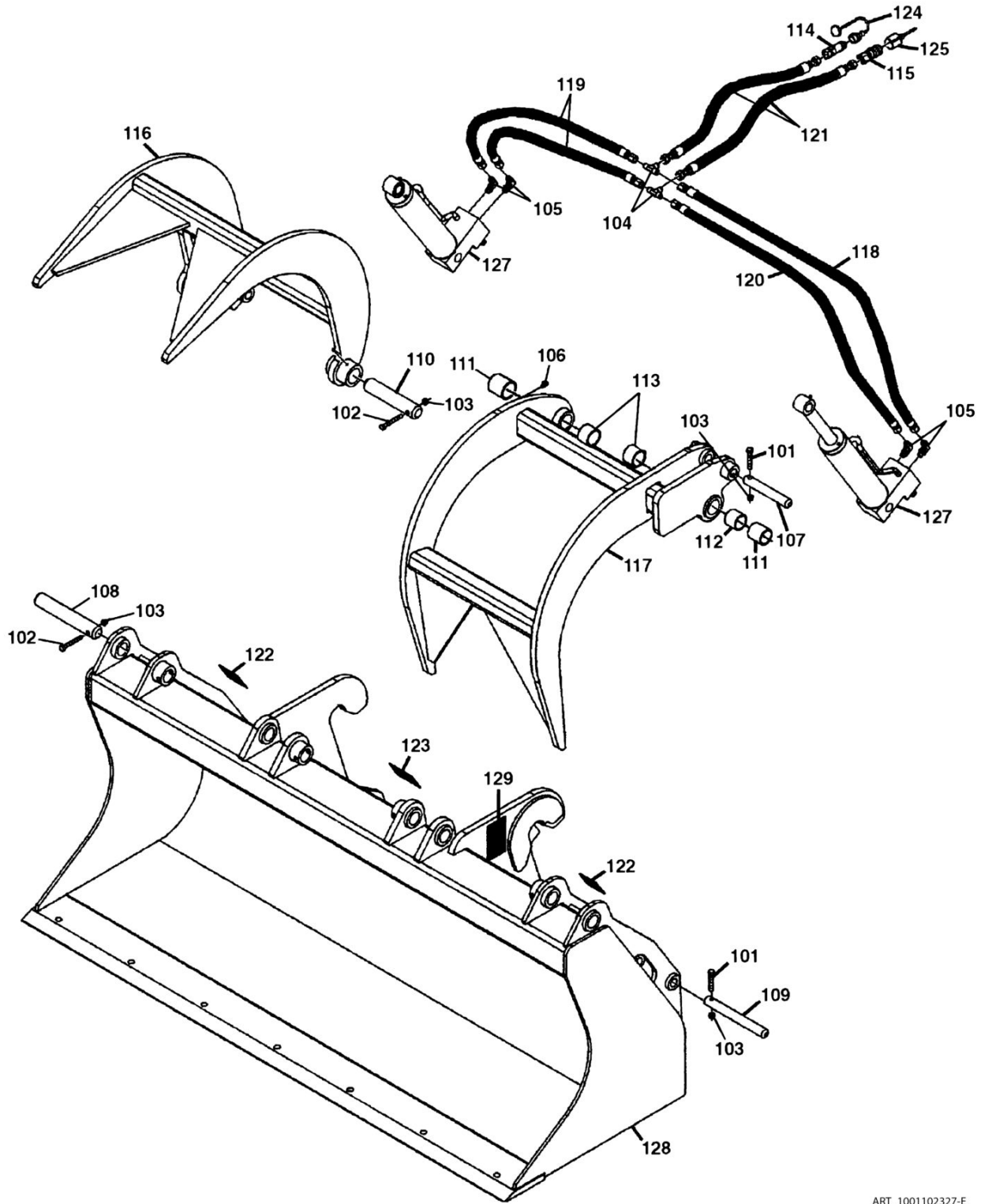
SECTION 3 - ATTACHMENTS

FIGURE 3-19. LIGHT MATERIAL BUCKET, (72INCH) (1.0 YD³/0.76 M³)

ITEM	PART NUMBER	QTY	DESCRIPTION	REV
	1001102324 N.S.S.	Ref 1	Bucket (72Inch) (1.0 yd ³ /0.76 m ³) S/N Plate	I

SECTION 3 - ATTACHMENTS

FIGURE 3-20. MULTI-PURPOSE GRAPPLE BUCKET (1850MM)



ART_1001102327-E

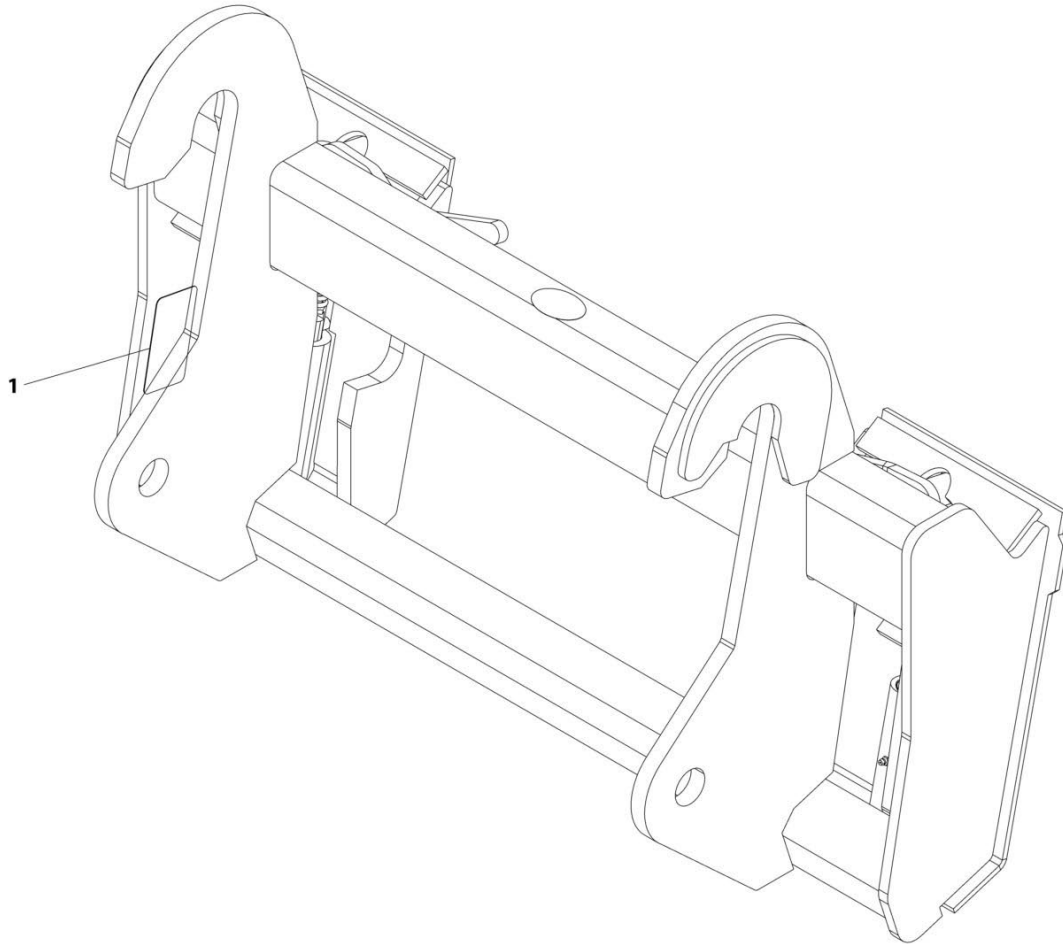
SECTION 3 - ATTACHMENTS

FIGURE 3-20. MULTI-PURPOSE GRAPPLE BUCKET (1850MM)

ITEM	PART NUMBER	QTY	DESCRIPTION	REV
	1001102327	1	Multi-Purpose Grapple Bucket (1850mm) (ANSI - JLG)	G
101	70021399	4	Screw	
102	70021366	4	Screw	
103	70021367	8	Nut	
104	70020562	2	Fitting, Tee	
105	90554065	4	Fitting, 90	
106	7029714	4	Fitting, Grease	
107	70021364	2	Pin	
108	70021361	2	Pin	
109	70021365	2	Pin	
110	70021362	2	Pin	
111	70021360	4	Bushing	
112	70021359	2	Spacer	
113	70021358	4	Bushing	
114	7029692	1	Fitting, Straight	
115	70021342	1	Fitting, Straight	
116	70021356	1	Grapple Hook, RH	
117	70021357	1	Grapple Hook, LH	
118	70020560	1	Hose	
119	70021368	2	Hose	
120	70021370	1	Hose	
121	70021369	2	Hose	
122	90554017	2	Decal, Pinch Point	
123	7029711	1	Decal, High Pressure	
124	90554062	1	Cap, Dust	
125	90554076	1	Plug, Dust	
126	70021387	4	Clamp (not shown)	
127	70021363	2	Cylinder, Multi-Purpose Grapple Bucket (1850mm) (See Separate Breakdown in Hydraulic Components Section)	
128	N.S.S.	1	Bucket, Grapple	
129	N.S.S.	1	Plate, Serial Number	

SECTION 3 - ATTACHMENTS

FIGURE 3-21. UNIVERSAL HITCH ATTACHMENT



ART_1001272548

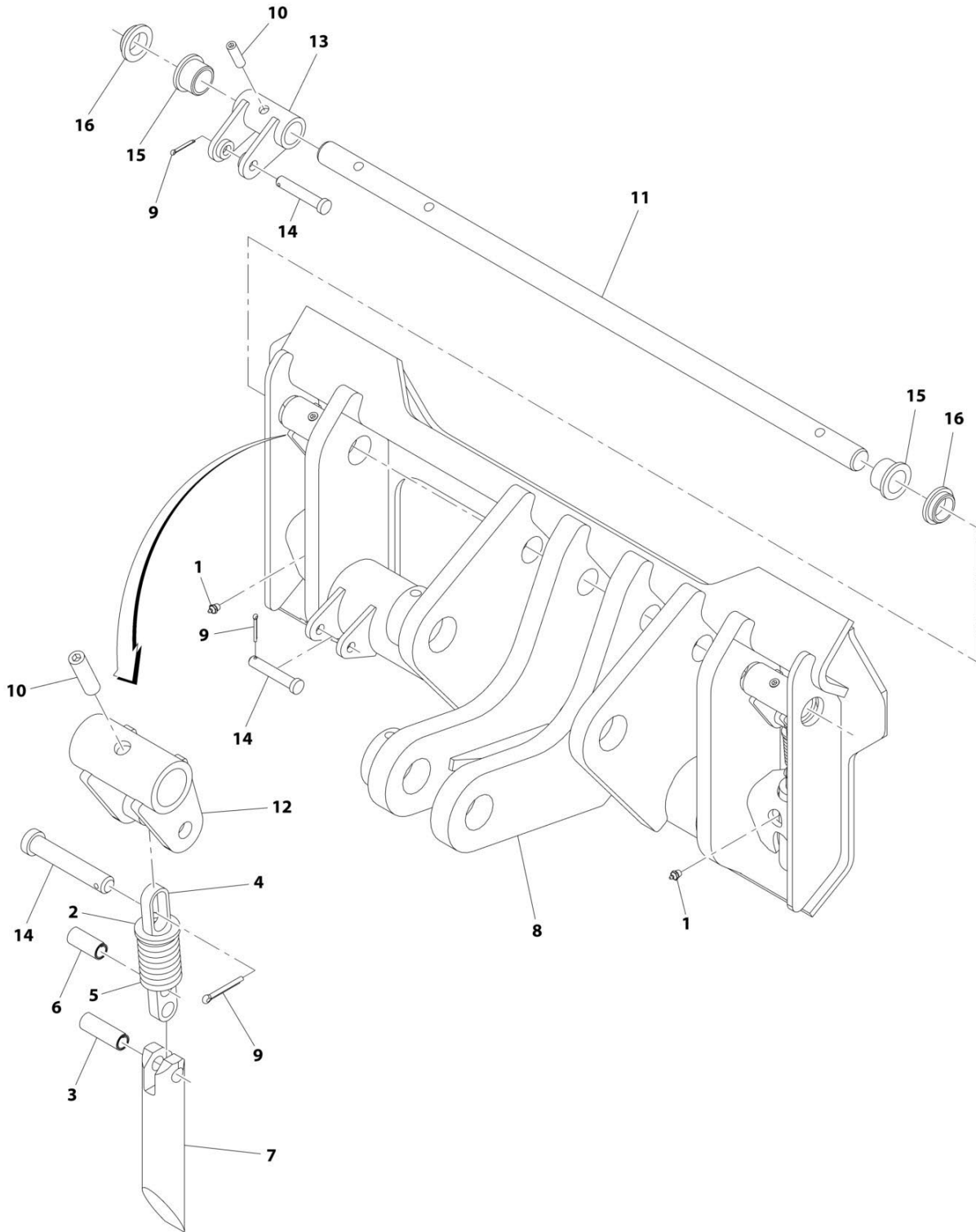
SECTION 3 - ATTACHMENTS

FIGURE 3-21. UNIVERSAL HITCH ATTACHMENT

ITEM	PART NUMBER	QTY	DESCRIPTION	REV
1	1001272548 N.S.S.	Ref 1	UNIVERSAL ADAPTER ATTACHMENT S/N Plate	C

SECTION 3 - ATTACHMENTS

FIGURE 3-22. QUICK SWITCH ASSEMBLY



ART_1001158352

SECTION 3 - ATTACHMENTS

FIGURE 3-22. QUICK SWITCH ASSEMBLY

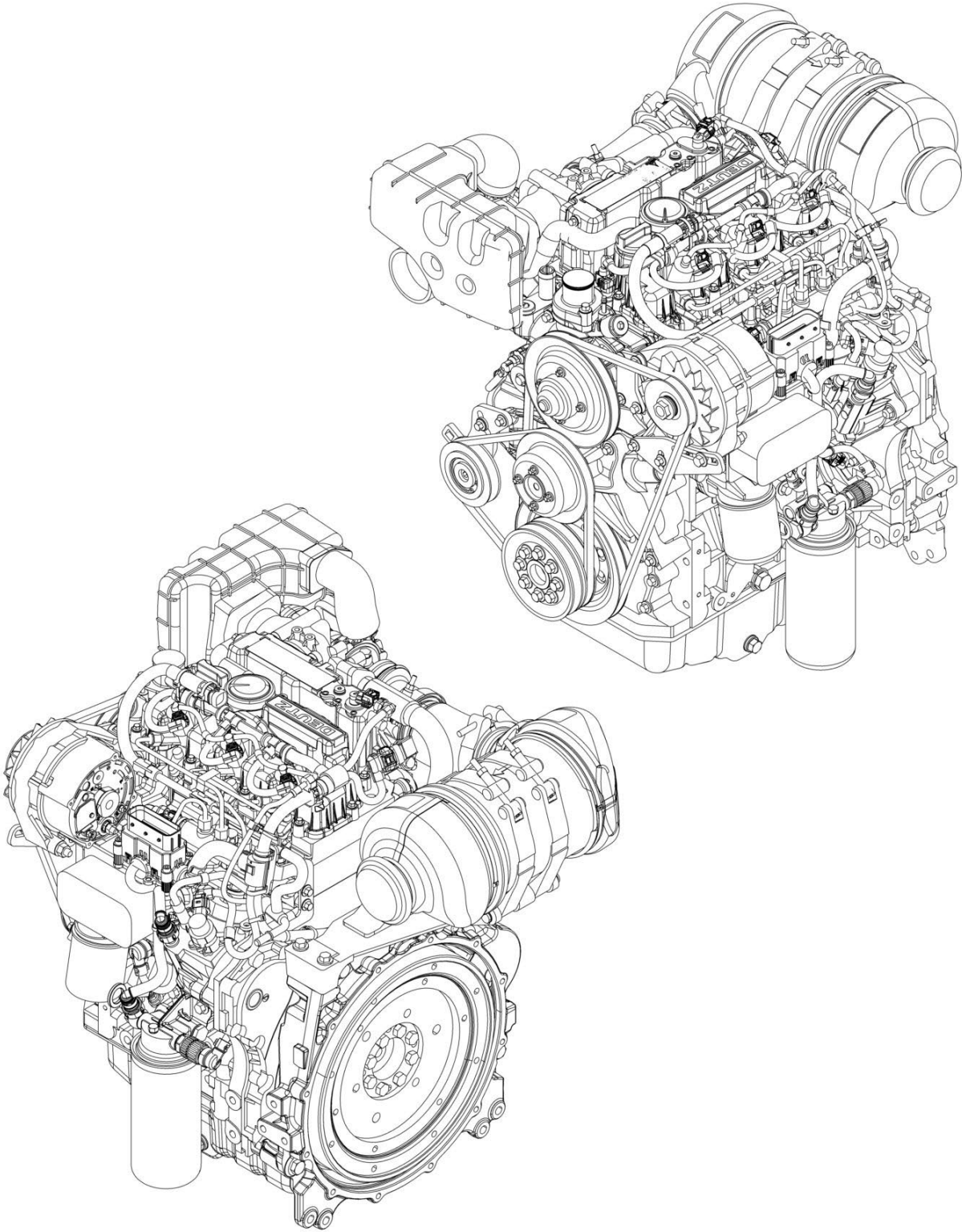
ITEM	PART NUMBER	QTY	DESCRIPTION	REV
	1001158352	Ref	Quick Switch Assembly	E
1	1001008479	2	Grease Fitting	
2	1001009094	2	Washer	
3	1001061633	2	Spring Pin	
4	1001178059	2	Plate, Quick Switch	
5	1001061660	2	Spring	
6	1001061662	2	Spring Pin	
7	1001061891	2	Pin	
8	N.S.S.	1	Weldment, Quick Switch	
9	3391410	4	Split Pin	
10	3951814	3	Setscrew .50-13X1.75	
11	1001158330	1	Rod, Quick Switch	
12	1001158331	2	Support, Quick Switch Link	
13	1001158336	1	Support, Quick Switch Cylinder	
14	1001161604	4	Lock Pin	
15	1001161606	2	Bushing	
16	1001161607	2	Bushing	

SECTION 4 - ENGINE AND ATTACHING PARTS

SECTION 4 - ENGINE AND ATTACHING PARTS

SECTION 4 - ENGINE AND ATTACHING PARTS

FIGURE 4-1. ENGINE ASSEMBLY (HRC)



ART_1001289554

SECTION 4 - ENGINE AND ATTACHING PARTS

FIGURE 4-1. ENGINE ASSEMBLY (HRC)

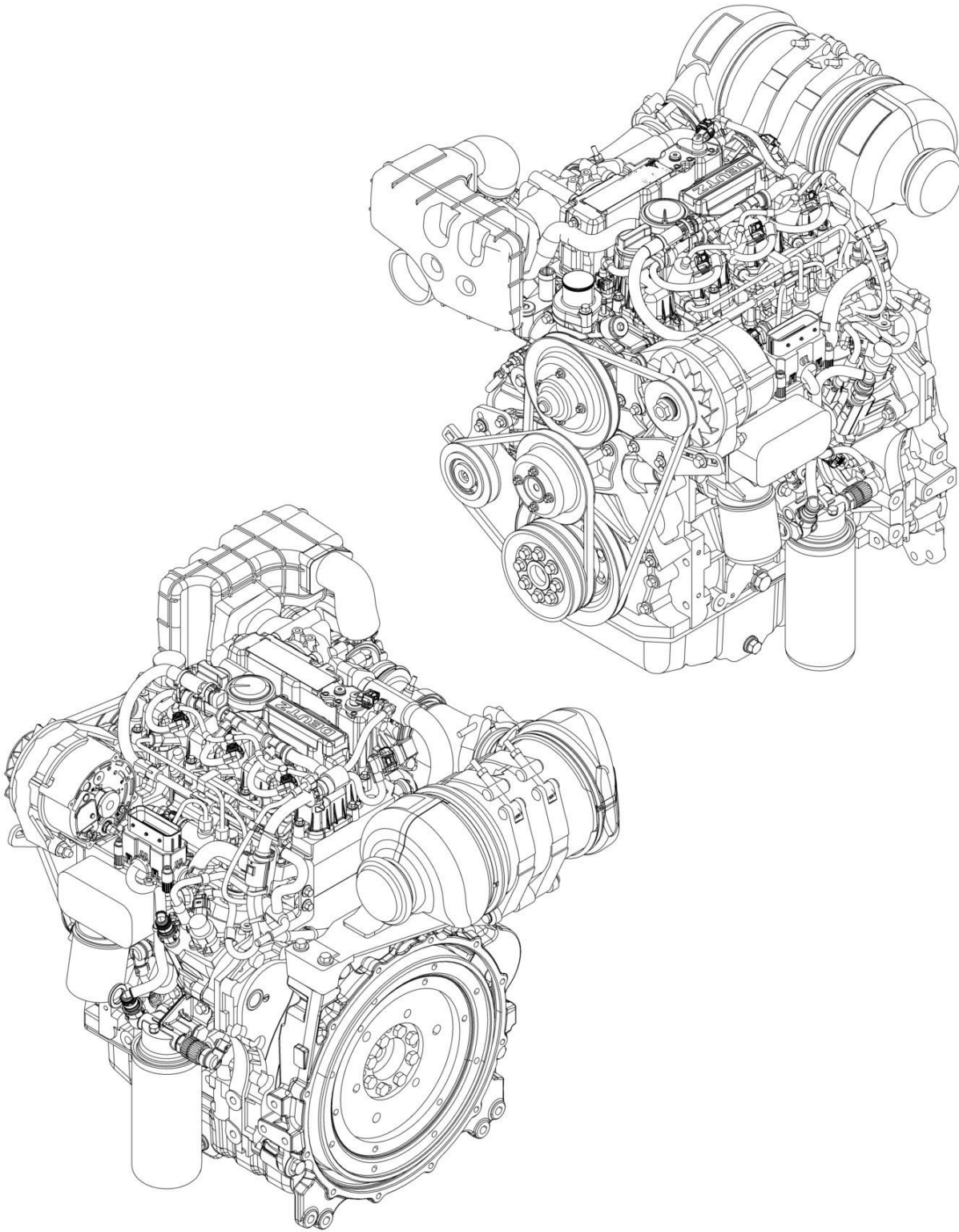
ITEM	PART NUMBER	QTY	DESCRIPTION	REV
	1001289554	Ref	DEUTZ ENGINE COMPONENTS	E
	See Note	Ref	Note: Additional components may be available. Contact JLG Customer Service for more details.	
		Ref	COOLING SYSTEM COMPONENTS	
	70031981	1	Pump, Coolant	
	70007325	1	Gasket, Coolant Pump	
	70007603	1	Thermostat	
	70005184	1	O-Ring ((Thermostat to Housing)	
	70005931	1	Seal (Thermostat to Pump)	
	70025142	1	Housing, Thermostat	
		Ref	ELECTRICAL SYSTEM COMPONENTS	
	70024513	1	Sensor, Fuel Filter	
	70024504	1	Sensor, Fuel Pressure	
	70031144	1	Starter	
	70008435	1	Generator (Includes Voltage Regulator)	
	70031143	1	Regulator, Voltage	
	70031993	1	Harness, Injector	
	70031995	1	Harness, Engine	
	70028540	1	Sender, Temperature	
	70026210	2	Sensor, Speed	
	70024507	1	Sensor, Pressure (Air Manifold)	
	70031475	1	Sensor, Temperature (Air Manifold)	
	70000345	3	Plug, Glow	
		Ref	EXHAUST SYSTEM COMPONENTS	
	70028989	1	Valve, EGR Shuttle	
	70025130	6	Bolt, Exhaust Manifold to Head	
	70031985	1	Gasket, Exhaust Manifold	
	70031988	1	Turbocharger	
	70024912	1	Gasket, Turbocharger Mounting	
	70025242	1	Gasket, Muffler	
	70030099	1	Clamp, Muffler	
	70005529	2	Strap, Muffler	
	70031996	1	Muffler, EAT	
	70031997	1	Compensator, Exhaust	
	70030097	1	Clamp, Compensator (Engine Side)	
	70030099	1	Clamp, Compensator (Muffler Side)	
		Ref	FUEL SYSTEM COMPONENTS	
	1001225430	1	Filter, Fuel (Primary)	
	1001242983	1	Filter, Fuel	
	70030381	1	Pump, High Pressure (Includes O-Rings, Seals & Flow Control Valve)	
	70004508	1	Valve, Flow Control	
	70025181	3	Injector, Fuel (Includes Sealing Disc & Clip)	
	70008422	1	Pump, Fuel Supply (Includes Clamps)	
	70025144	2	Clamp	
		Ref	GASKETS & SEAL & KITS (Note: Some components listed with main component)	
	70031967	1	Gasket, Head	
	70031969	1	Gasket, Valve Cover	
	70008296	1	Seal, Front Main	

SECTION 4 - ENGINE AND ATTACHING PARTS

ITEM	PART NUMBER	QTY	DESCRIPTION	REV
	70002718	1	Seal, Rear Main	
	70031970	1	Gasket, Oil Filter Housing	
	70031977	1	Gasket, Air Manifold	
	70005176	1	O-Ring, Air Manifold	
		Ref	LUBRICATION SYSTEM COMPONENTS	
	7016331	1	Filter, Oil	
	70031965	1	Dipstick	
	70024905	1	O-Ring, Dipstick	
	70005941	2	Plug, Oil Pan	
	70005942	2	Ring, Sealing - Oil Pan Plug	
	7020465	1	Cap, Filler	
		Ref	MECHANICAL COMPONENTS	
	70031966	1	Ring, Gear	
	70031992	1	V-Belt	

SECTION 4 - ENGINE AND ATTACHING PARTS

FIGURE 4-2. ENGINE ASSEMBLY (LRC)



ART_1001293992

SECTION 4 - ENGINE AND ATTACHING PARTS

FIGURE 4-2. ENGINE ASSEMBLY (LRC)

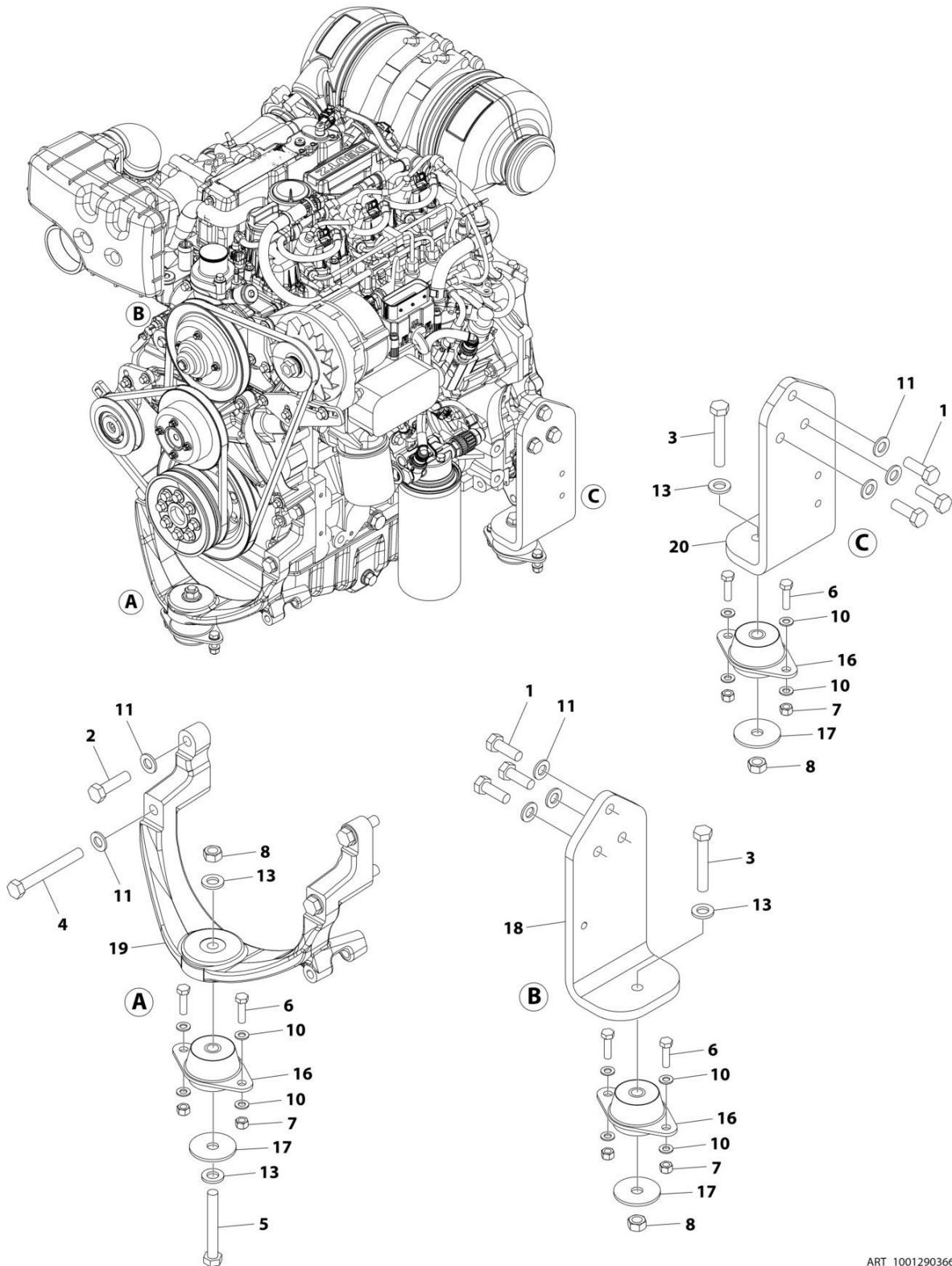
ITEM	PART NUMBER	QTY	DESCRIPTION	REV
	1001293992	Ref	DEUTZ ENGINE COMPONENTS	B
	See Note	Ref	Note: Additional components may be available. Contact JLG Customer Service for more details.	
		Ref	COOLING SYSTEM COMPONENTS	
	70031981	1	Pump, Coolant	X
	70007325	1	Gasket, Coolant Pump	X
	70007603	1	Thermostat	X
	70005184	1	O-Ring ((Thermostat to Housing)	X
	70005931	1	Seal (Thermostat to Pump)	X
	70025142	1	Housing, Thermostat	X
		Ref	ELECTRICAL SYSTEM COMPONENTS	
	70024513	1	Sensor, Fuel Filter	X
	70024504	2	Sensor, Fuel Pressure	X
	70031144	1	Starter	X
	70008435	1	Generator (Includes Voltage Regulator)	X
	70031143	1	Regulator, Voltage	X
	70031993	1	Harness, Injector	X
	70031995	1	Harness, Engine	X
	70028540	1	Sender, Temperature	X
	70026210	2	Sensor, Speed	X
	70024507	1	Sensor, Pressure (Air Manifold)	X
	70031475	1	Sensor, Temperature (Air Manifold)	X
	70000345	3	Plug, Glow	X
		Ref	EXHAUST SYSTEM COMPONENTS	
	70028989	1	Valve, EGR Shuttle	X
	70025130	6	Bolt, Exhaust Manifold to Head	X
	70031985	1	Gasket, Exhaust Manifold	X
	70031988	1	Turbocharger	X
	70024912	1	Gasket, Turbocharger Mounting	X
	70025242	1	Gasket, Muffler	X
	70030099	1	Clamp, Muffler	X
	70005529	1	Strap, Muffler	X
	70031996	1	Muffler, EAT	X
	70031997	1	Compensator, Exhaust	X
	70030097	1	Clamp, Compensator (Engine Side)	X
	70030099	1	Clamp, Compensator (Muffler Side)	X
		Ref	FUEL SYSTEM COMPONENTS	
	1001225430	1	Filter, Fuel (Primary)	X
	1001242983	1	Filter, Fuel	X
	70030381	1	Pump, High Pressure (Includes O-Rings, Seals & Flow Control Valve)	X
	70004508	1	Valve, Flow Control	X
	70025181	3	Injector, Fuel (Includes Sealing Disc & Clip)	X
	70008422	1	Pump, Fuel Supply (Includes Clamps)	X
	70025144	2	Clamp	X
		Ref	GASKETS & SEAL & KITS (Note: Some components listed with main component)	
	70031967	1	Gasket, Head	X
	70031969	1	Gasket, Valve Cover	X
	70008296	1	Seal, Front Main	X

SECTION 4 - ENGINE AND ATTACHING PARTS

ITEM	PART NUMBER	QTY	DESCRIPTION	REV
	70002718	1	Seal, Rear Main	X
	70031970	1	Gasket, Oil Filter Housing	X
	70031977	1	Gasket, Air Manifold	X
	70005176	1	O-Ring, Air Manifold	X
		Ref	LUBRICATION SYSTEM COMPONENTS	
	7016331	1	Filter, Oil	X
	70031965	1	Dipstick	X
	70024905	1	O-Ring, Dipstick	X
	70005941	2	Plug, Oil Pan	X
	70005942	2	Ring, Sealing - Oil Pan Plug	X
	7020465	1	Cap, Filler	X
		Ref	MECHANICAL COMPONENTS	
	70031966	1	Ring, Gear	X
	70031992	1	V-Belt	X

SECTION 4 - ENGINE AND ATTACHING PARTS

FIGURE 4-3. ENGINE MOUNTS INSTALLATION



ART_1001290366

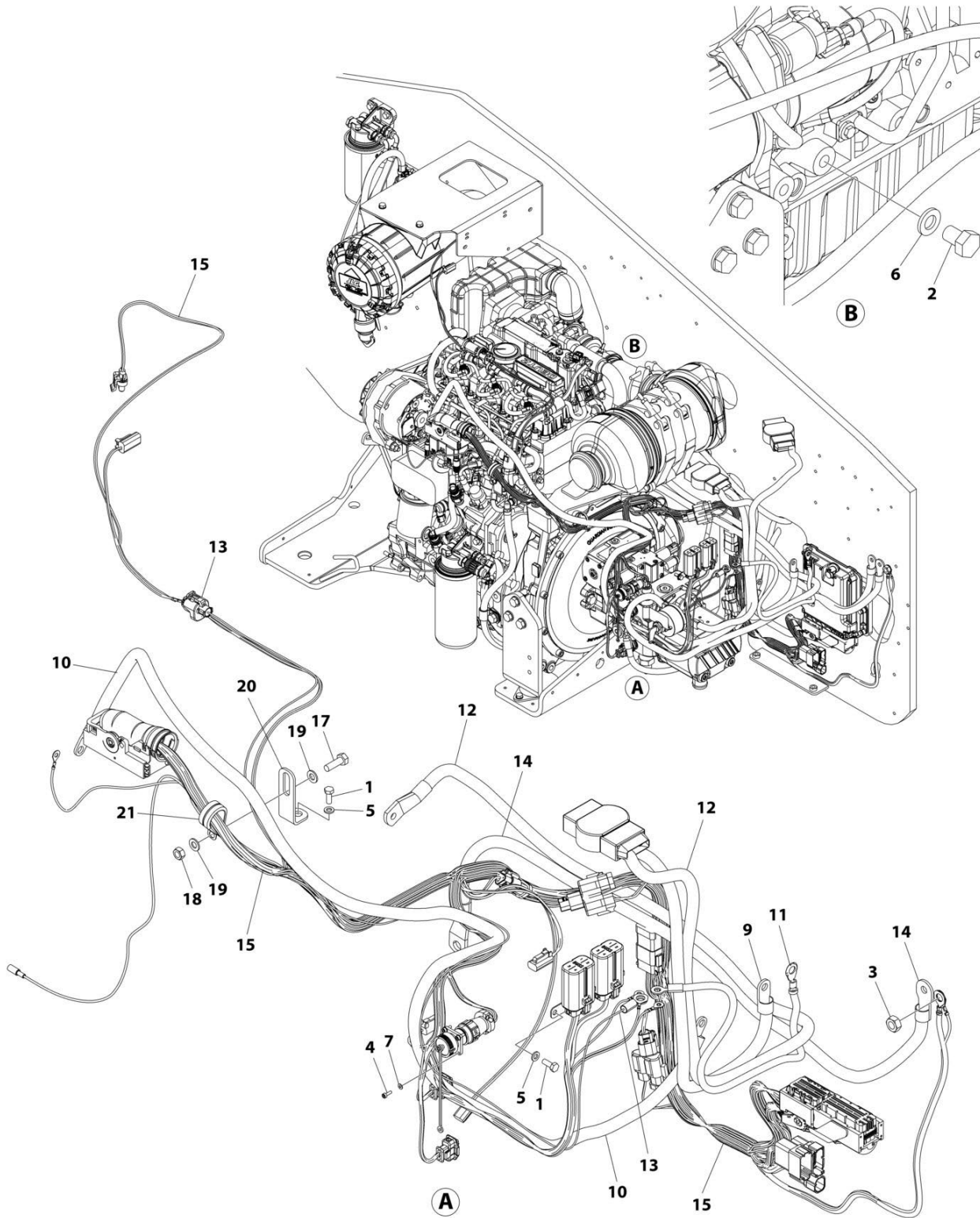
SECTION 4 - ENGINE AND ATTACHING PARTS

FIGURE 4-3. ENGINE MOUNTS INSTALLATION

ITEM	PART NUMBER	QTY	DESCRIPTION	REV
	1001290366	Ref	ENGINE MOUNTS INSTALLATION	C
1	0711215	6	Bolt M12 x 35	
2	0711217	2	Bolt M12 x 45	
3	0711223	2	Bolt M12 x 75	
4	0711227	2	Bolt M12 x 100	
5	0711226	1	Bolt M12 x 90	
6	0760814	6	Bolt M8 x 30	
7	3290805	6	Nut M8	
8	3331215	3	Nut M12	
10	4811900	12	Washer M8	
11	4812100	10	Washer M12	
13	5241200	4	Washer M12	
16	1001166718	3	Mount, Engine	
17	1001168018	3	Washer	
18	1001290910	1	Mount (RH)	
19	1001306549	1	Mount (Rear)	
20	1001293018	1	Mount (LH)	

SECTION 4 - ENGINE AND ATTACHING PARTS

FIGURE 4-4. ENGINE WIRING INSTALLATION



ART_1001297602

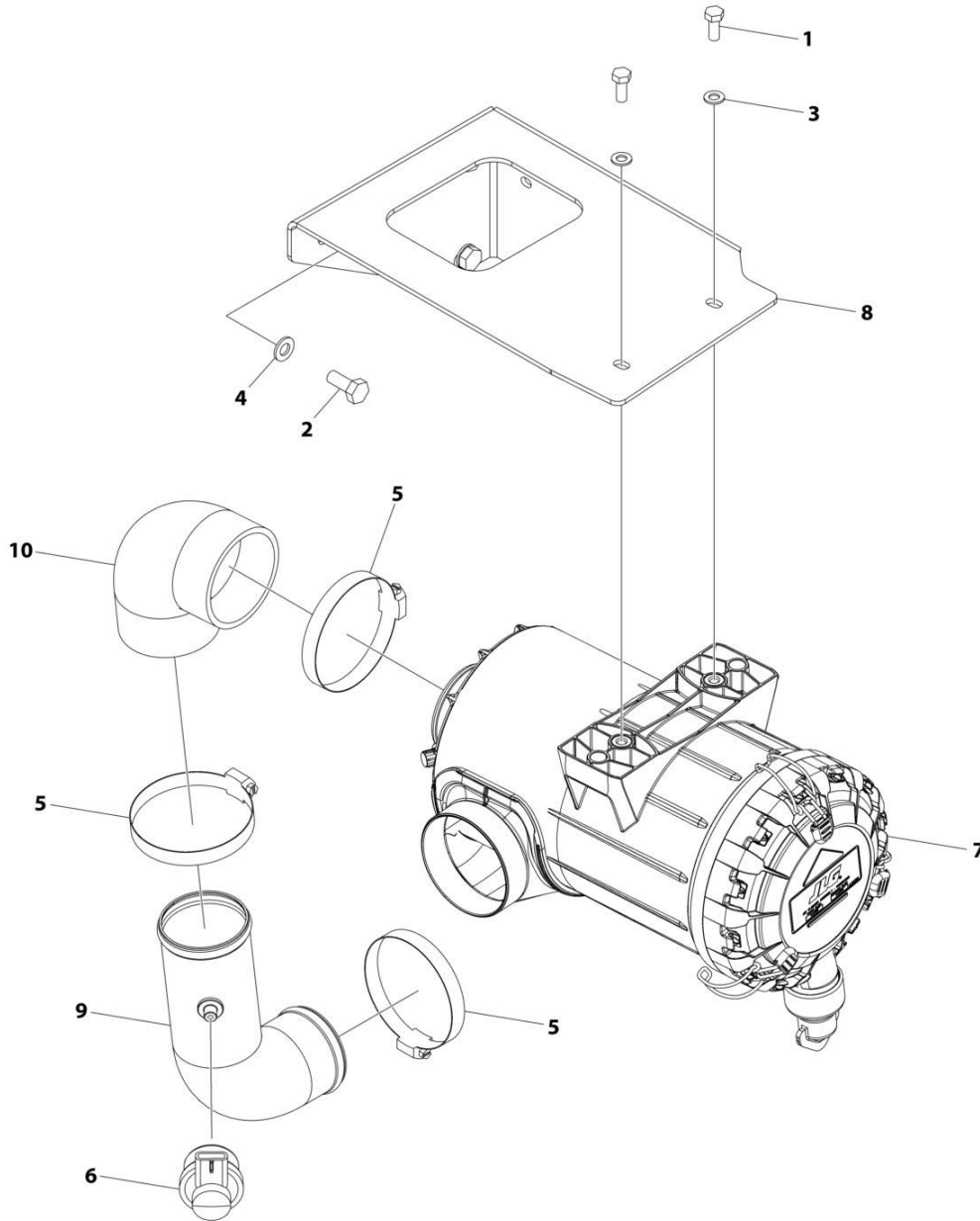
SECTION 4 - ENGINE AND ATTACHING PARTS

FIGURE 4-4. ENGINE WIRING INSTALLATION

ITEM	PART NUMBER	QTY	DESCRIPTION	REV
	1001297602	Ref	ENGINE WIRING INSTALLATION	C
1	0760608	4	Bolt M6 x 16	
2	0761410	1	Bolt M14 x 20	
3	3291001	1	Nut M10	
4	4031205	3	Capscrew M3 x 10	
5	4811700	4	Washer M6	
6	5241200	1	Washer M12	
7	1001110544	3	Washer M3	
8	1001146588	3	Tie-Strap (Not Shown)	
9	1001293891	1	Cable, Batt+ to PDM	
10	1001293892	1	Cable, Alternator +	
11	1001293893	1	Cable, PDM to Glow Plug	
12	1001293894	1	Cable, Starter B+	
13	1001293895	1	Cable, Glow Plug to Engine	
14	1001293898	1	Cable, Engine GND	
15	1001295843	1	Engine Harness (See Separate Breakdown in ELECTRICAL Section)	
16	1001008559	19	Tie-Strap (Not Shown)	
17	0760812	1	Bolt M8 x 25	
18	3290801	1	Nut M8	
19	4811900	2	Washer M8	
20	1001223122	1	Support	
21	1001264368	1	Clamp	

SECTION 4 - ENGINE AND ATTACHING PARTS

FIGURE 4-5. ENGINE AIR INTAKE INSTALLATION



ART_1001294732

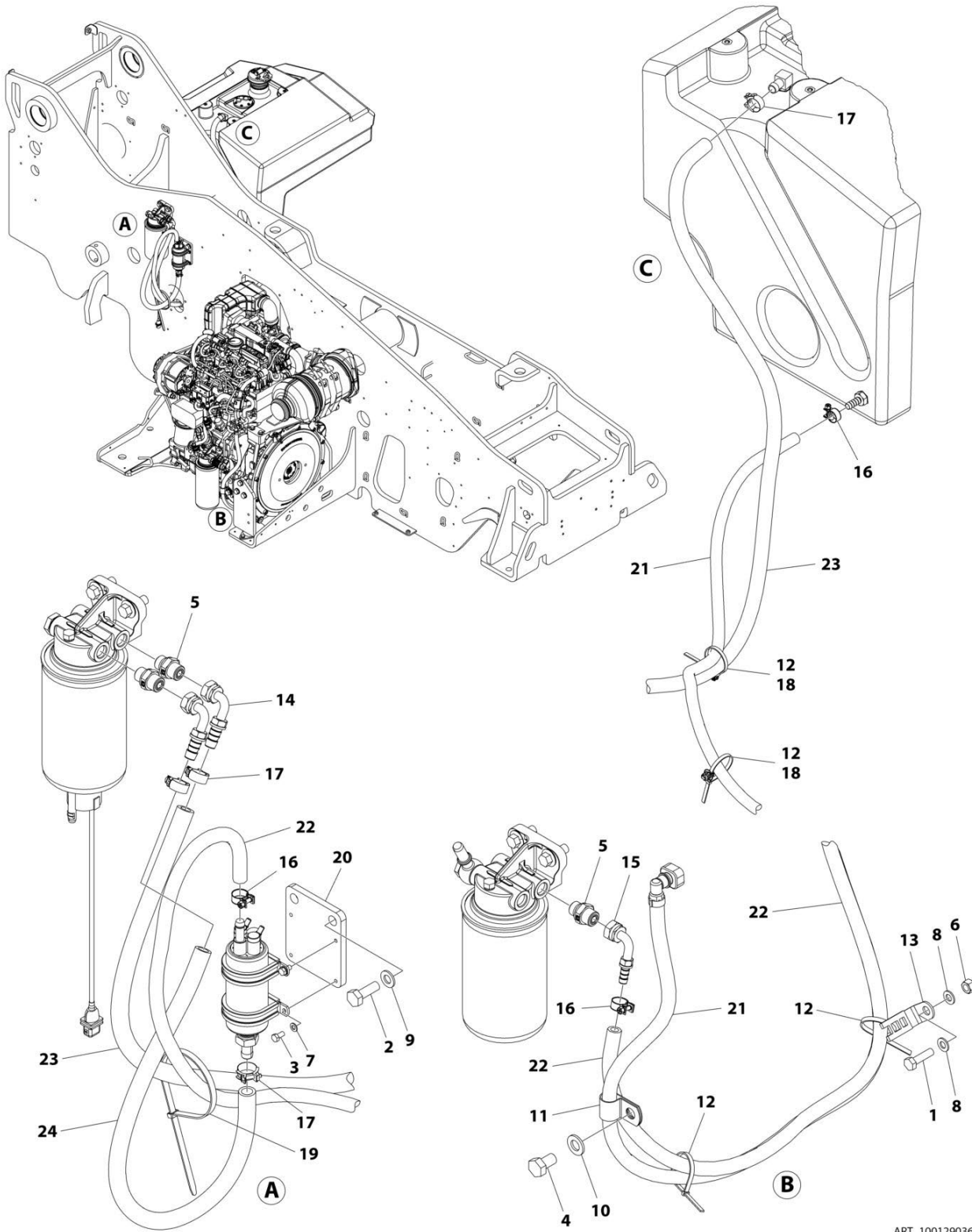
SECTION 4 - ENGINE AND ATTACHING PARTS

FIGURE 4-5. ENGINE AIR INTAKE INSTALLATION

ITEM	PART NUMBER	QTY	DESCRIPTION	REV
	1001294732	Ref	AIR INTAKE INSTALLATION	C
1	0760810	2	Bolt M8 x 20	
2	0761012	3	Bolt M10 x 25	
3	4811900	2	Washer M8	
4	4812000	3	Washer M10	
5	8410011	3	Clamp	
6	1001166715	1	Indicator, Restriction	
7	1001294382	1	Air Cleaner Assembly (See Separate Breakdown in this Section)	
8	1001294733	1	Bracket	
9	1001294734	1	Tube	
10	1001294735	1	Hose	

SECTION 4 - ENGINE AND ATTACHING PARTS

FIGURE 4-6. ENGINE FUEL LINES INSTALLATION



ART_1001290369

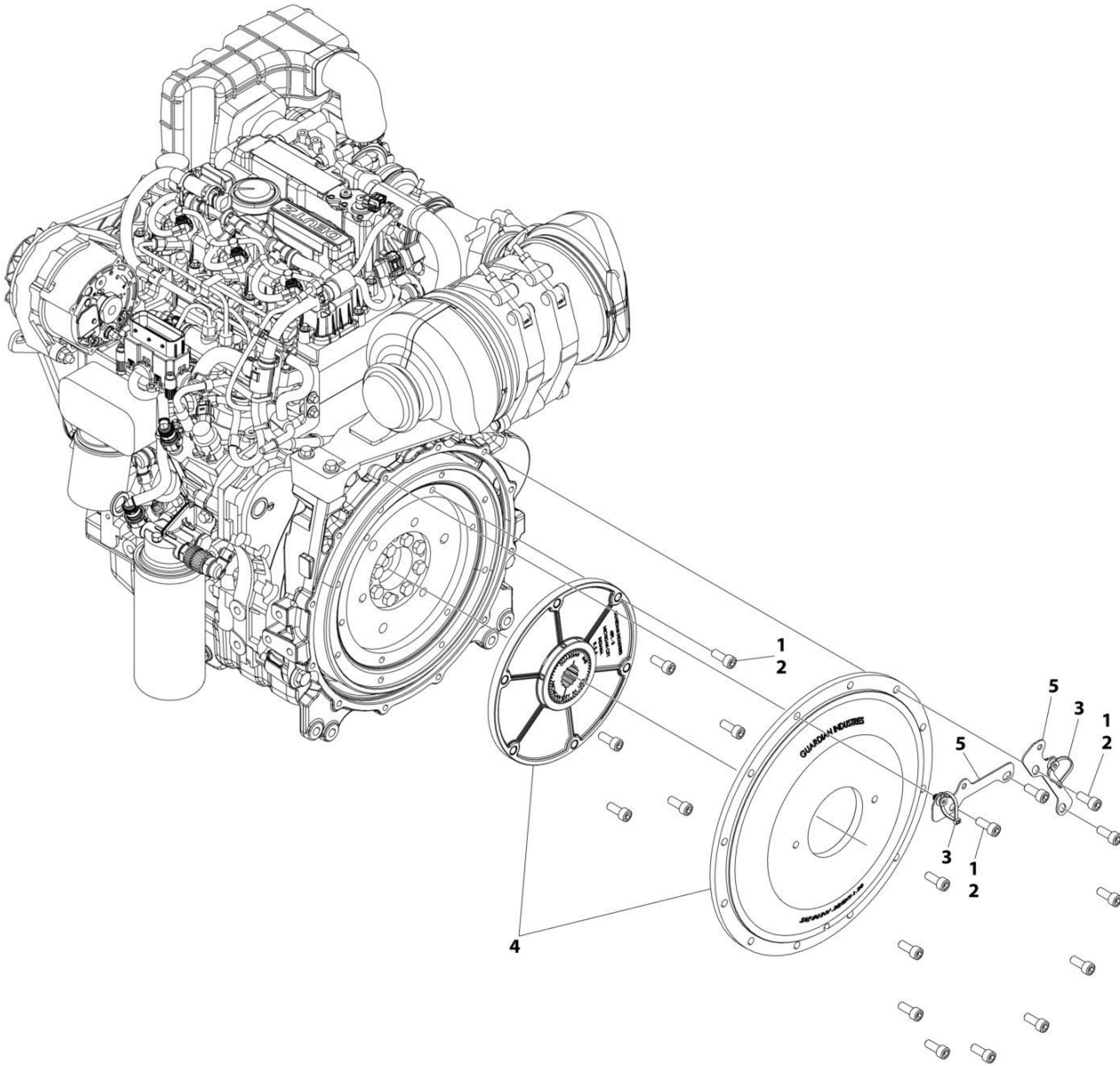
SECTION 4 - ENGINE AND ATTACHING PARTS

FIGURE 4-6. ENGINE FUEL LINES INSTALLATION

ITEM	PART NUMBER	QTY	DESCRIPTION	REV
	1001290369	Ref	FUEL LINES INSTALLATION	D
1	0700814	1	Bolt M8 x 30	
2	0701014	2	Bolt M10 x 30	
3	0760505	4	Bolt M5 x 10	
4	0761210	1	Bolt M12 x 20	
5	80333207	3	Fitting, Straight ORFS/MORR	
6	3290805	1	Nut M8	
7	4811600	4	Washer M5	
8	4811900	2	Washer M8	
9	4812000	2	Washer M10	
10	4812100	1	Washer M12	
11	8406105	1	Clip	
12	8584001	4	Tie-Strap	
13	1001003305	1	Clip	
14	1001095301	2	Fitting, 90 ORFS	
15	1001133793	1	Fitting, 90 ORFS	
16	1001136975	3	Clamp	
17	1001175568	4	Clip	
18	1001273793	2	Tie-Strap	
19	1062255	1	Tie-Strap	
20	1001290974	1	Plate	
21	1001292501	1	Hose	
22	1001292502	1	Hose	
23	1001292503	1	Hose	
24	1001292504	1	Hose	

SECTION 4 - ENGINE AND ATTACHING PARTS

FIGURE 4-7. ENGINE PUMP ADAPTOR INSTALLATION



ART_1001290367

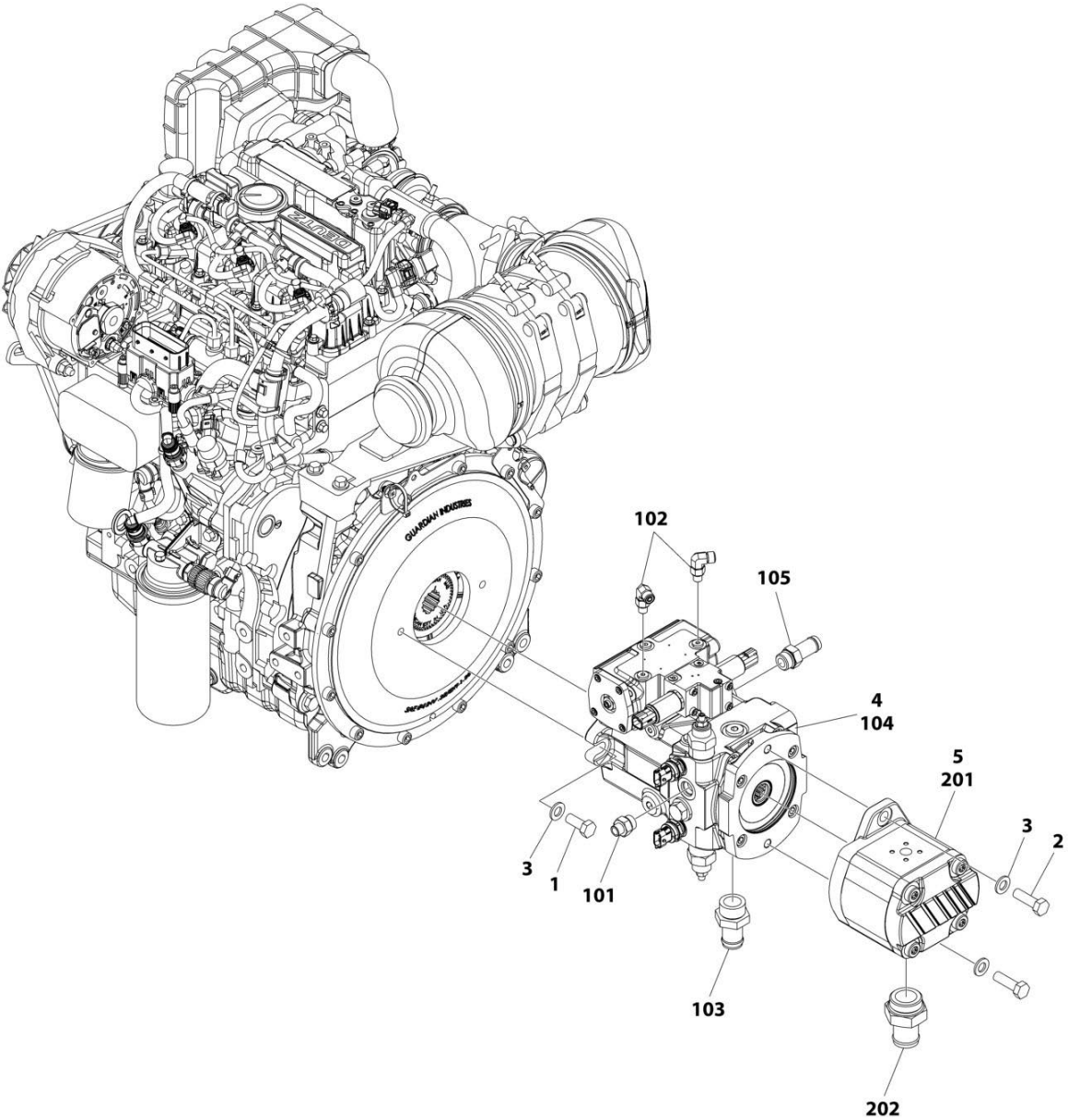
SECTION 4 - ENGINE AND ATTACHING PARTS

FIGURE 4-7. ENGINE PUMP ADAPTOR INSTALLATION

ITEM	PART NUMBER	QTY	DESCRIPTION	REV
	1001290367	Ref	PUMP ADAPTOR INSTALLATION	B
1	0100011	AR	Compound, Locking	
2	4032009	18	Bolt M10 x 25	
3	1001146588	2	Tie-Strap	
4	1001290243	1	Kit, Pump Coupling (Includes Coupling & Cover)	
4	70031932	1	HUB	
4	70031933	1	FLYWHEEL	
5	1001293303	2	Plate, Retainer	

SECTION 4 - ENGINE AND ATTACHING PARTS

FIGURE 4-8. ENGINE PUMP INSTALLATION



ART_1001290368

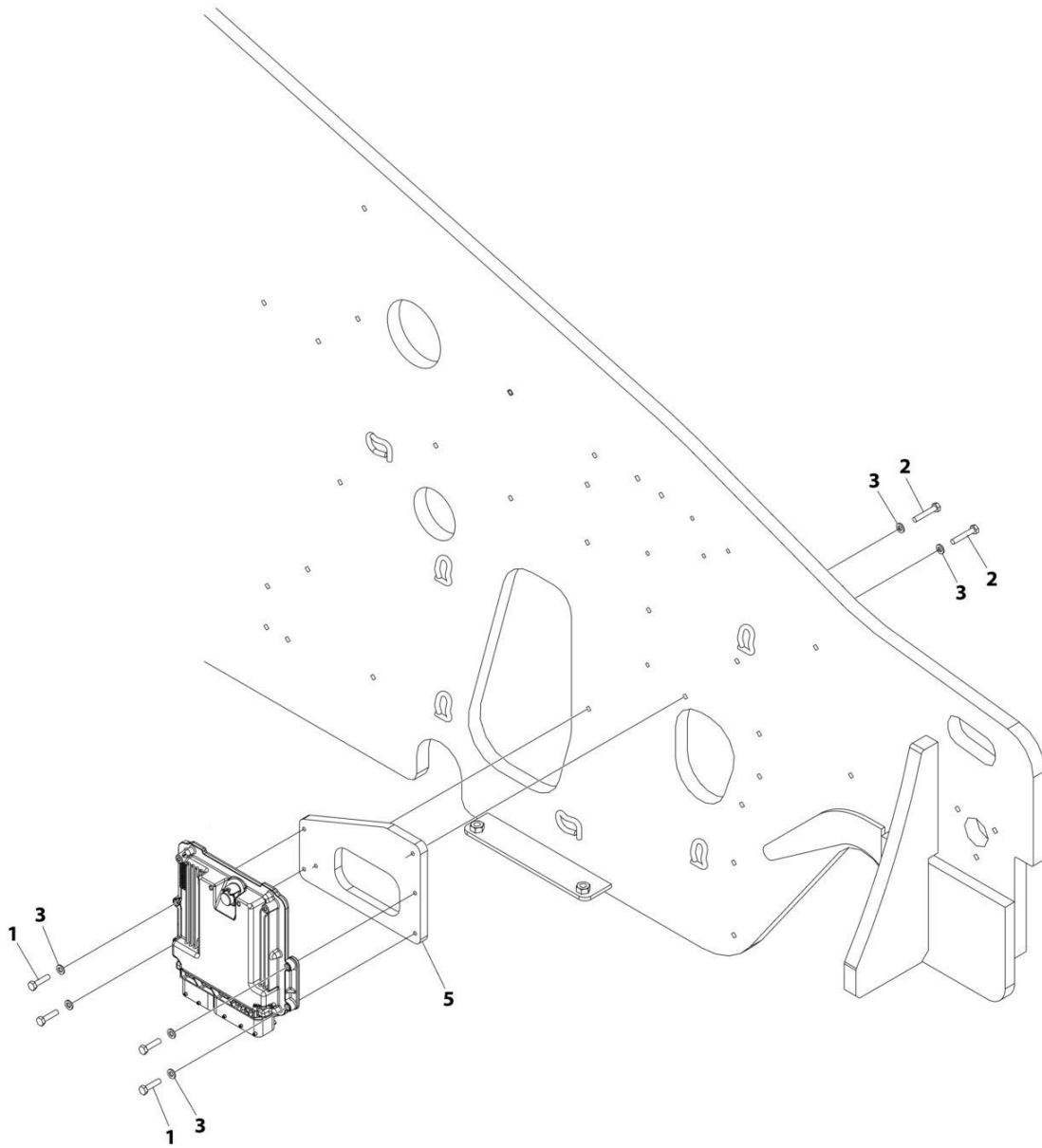
SECTION 4 - ENGINE AND ATTACHING PARTS

FIGURE 4-8. ENGINE PUMP INSTALLATION

ITEM	PART NUMBER	QTY	DESCRIPTION	REV
	1001290368	Ref	PUMP INSTALLATION	C
1	0711214	2	Bolt M12 x 30	
2	0711216	2	Bolt M12 x 40	
3	4812100	4	Washer M12	
4	1001291536	Ref	Pump Sub-Assembly (See Items 101-105)	
5	1001291537	Ref	Pump Sub-Assembly (See Items 201-202)	
	1001291536	Ref	PUMP SUB-ASSEMBLY	A
101	2110408	1	Fitting, Straight ORFS/ORB	
102	2130404	2	Fitting, 90 ORFS/ORB	
103	1001185073	1	Fitting, Straight ORB/Barbed	
104	1001294179	1	Pump Assembly (See Separate Breakdown in HYDRAULIC Section)	
105	1001295534	1	Fitting, Straight Barbed	
	1001291537	Ref	PUMP SUB-ASSEMBLY	A
201	1001291749	1	Pump Assembly (See Separate Breakdown in HYDRAULIC Section)	
202	1001294265	1	Fitting, Straight Barbed	

SECTION 4 - ENGINE AND ATTACHING PARTS

FIGURE 4-9. ENGINE MODULE INSTALLATION



ART_1001290371

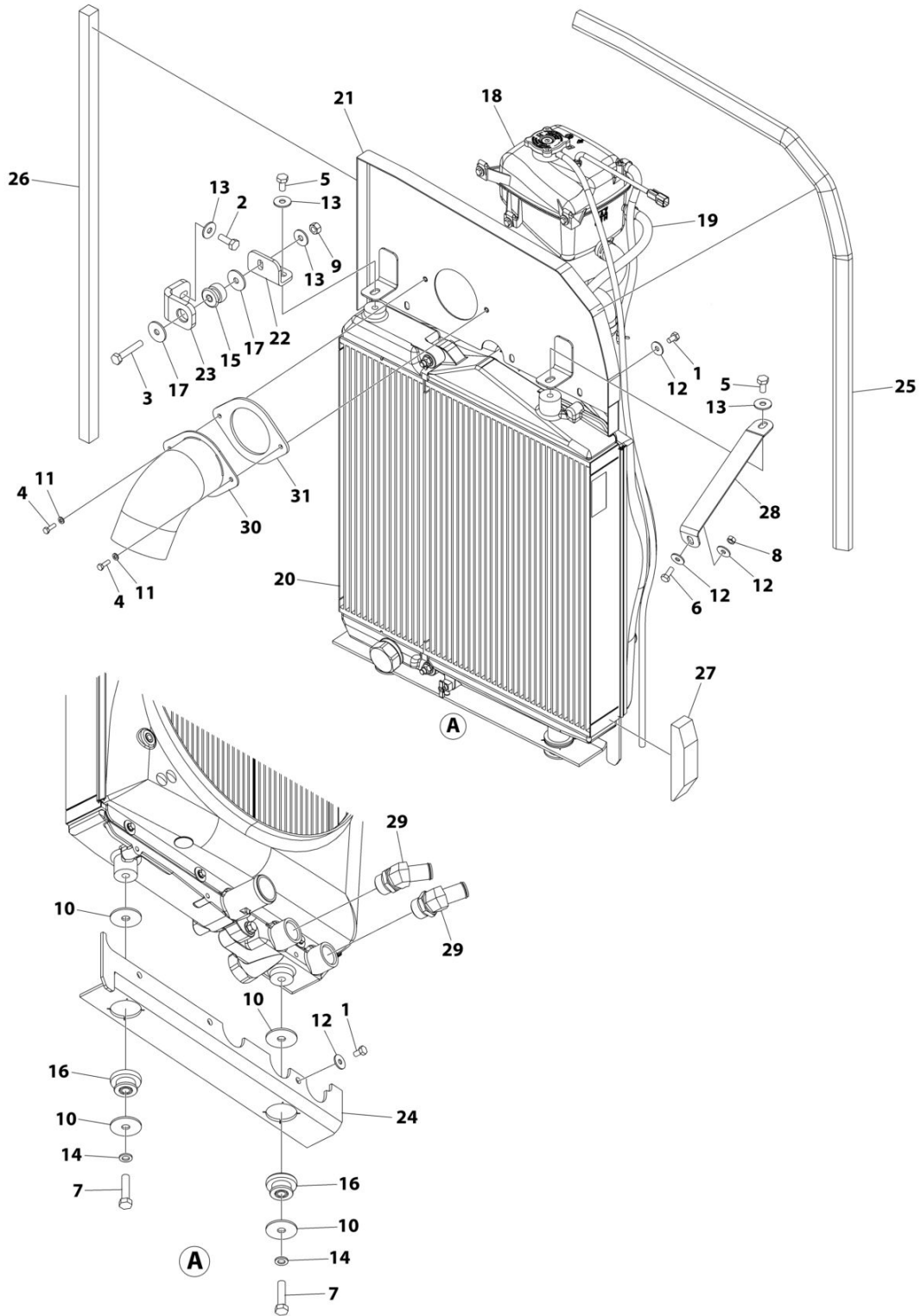
SECTION 4 - ENGINE AND ATTACHING PARTS

FIGURE 4-9. ENGINE MODULE INSTALLATION

ITEM	PART NUMBER	QTY	DESCRIPTION	REV
	1001290371	Ref	ENGINE MODULE INSTALLATION	B
	See Note	Ref	Note: Engine Module is Part of Engine Components.	
1	0700612	4	Bolt M6 x 25	
2	0700615	2	Bolt M6 x 35	
3	4811700	6	Washer M6	
5	1001293317	1	Plate	

SECTION 4 - ENGINE AND ATTACHING PARTS

FIGURE 4-10. ENGINE COOLING INSTALLATION



ART_1001290359

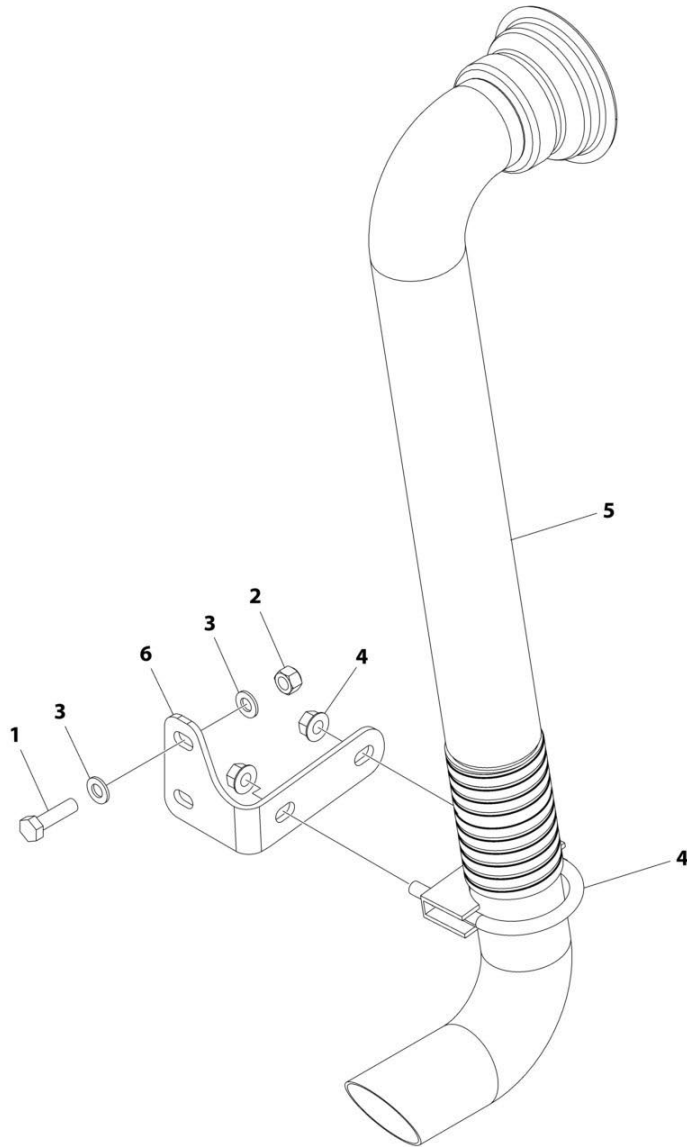
SECTION 4 - ENGINE AND ATTACHING PARTS

FIGURE 4-10. ENGINE COOLING INSTALLATION

ITEM	PART NUMBER	QTY	DESCRIPTION	REV
	1001290359	Ref	ENGINE COOLING INSTALLATION	C
1	0760807	6	Bolt M8 x 14	
2	0701014	1	Bolt M10 x 30	
3	0701020	1	Bolt M10 x 60	
4	0760610	2	Bolt M6 x 20	
5	0761010	2	Bolt M10 x 20	
6	0760810	1	Bolt M8 x 20	
7	0761218	2	Bolt M12 x 50	
8	3290801	1	Nut M8	
9	3291005	1	Nut M10	
10	4740274	4	Washer	
11	4811700	2	Washer M6	
12	4811902	8	Washer M8	
13	4812002	4	Washer M10	
14	4832100	2	Washer M12	
15	8278020	1	Mount, Rubber	
16	1001114803	2	Mount	
17	1001155540	2	Washer	
18	1001290373	Ref	Surge Tank Installation (See Separate Breakdown in this Section)	
19	1001290374	Ref	Coolant Lines Installation (See Separate Breakdown in this Section)	
20	1001290494	1	Radiator Assembly (See Separate Breakdown in this Section)	
21	1001291159	1	Bracket	
22	1001291165	1	Bracket	
23	1001291166	1	Bracket	
24	1001291167	1	Panel	
25	1001291168	1	Seal	
26	1001291169	1	Seal	
27	1001291170	1	Seal	
28	1001293304	1	Plate	
29	1001294263	2	Fitting, 45 Pipe/BARB	
30	1001296193	1	Pipe, Air intake	
31	1001296647	1	Seal	

SECTION 4 - ENGINE AND ATTACHING PARTS

FIGURE 4-11. ENGINE EXHAUST INSTALLATION



ART_1001290360

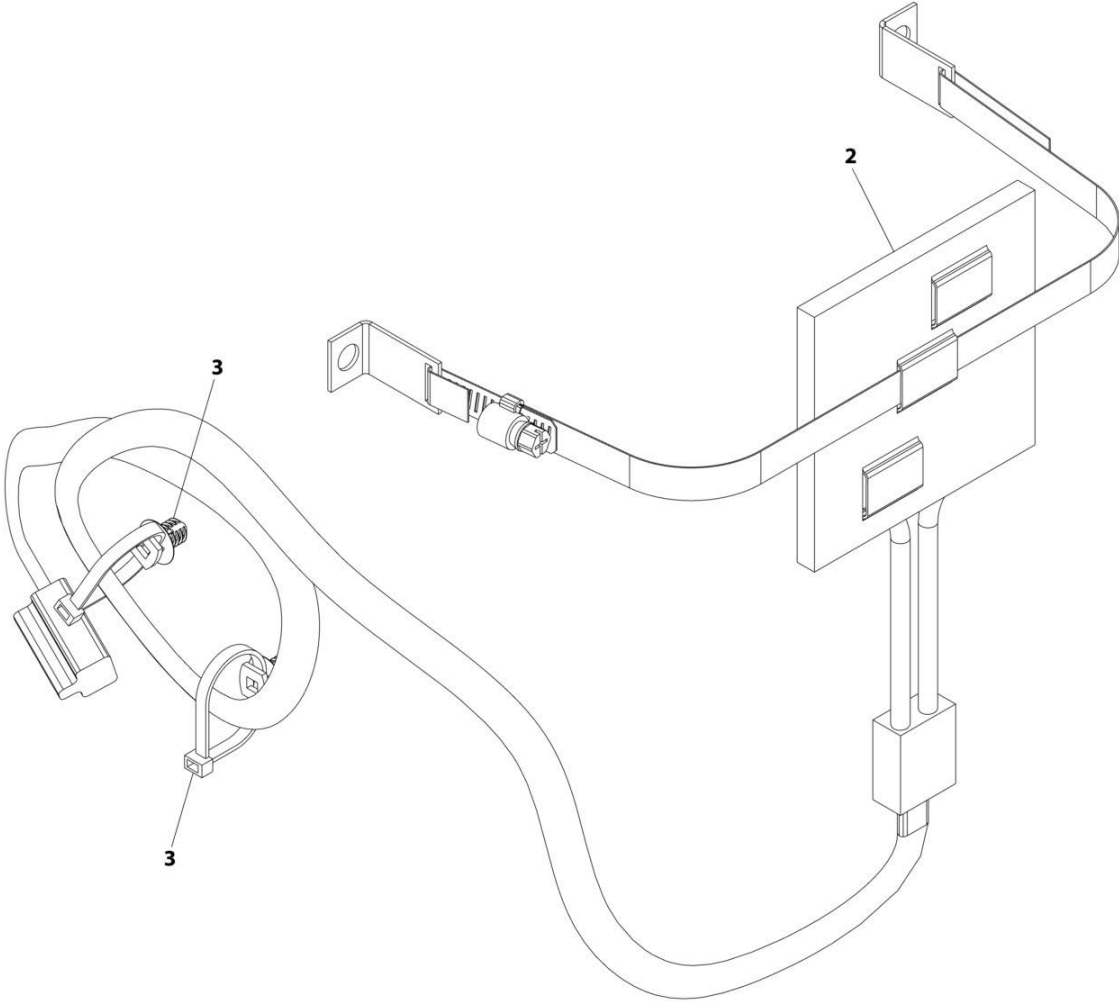
SECTION 4 - ENGINE AND ATTACHING PARTS

FIGURE 4-11. ENGINE EXHAUST INSTALLATION

ITEM	PART NUMBER	QTY	DESCRIPTION	REV
	1001290360	Ref	EXHAUST INSTALLATION	B
1	0760814	2	Bolt M8 x 30	
2	3290805	2	Nut M8	
3	4811900	4	Washer M8	
4	86683211	1	Clamp	
5	1001291573	1	Pipe, Exhaust	
6	1001291574	1	Bracket	

SECTION 4 - ENGINE AND ATTACHING PARTS

FIGURE 4-12. ENGINE HEATER INSTALLATION



ART_1001293180

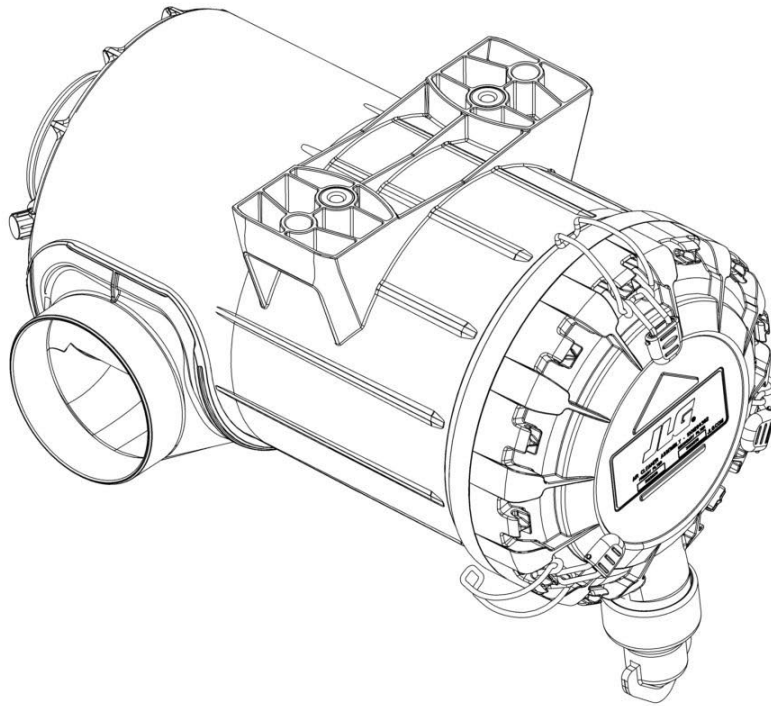
SECTION 4 - ENGINE AND ATTACHING PARTS

FIGURE 4-12. ENGINE HEATER INSTALLATION

ITEM	PART NUMBER	QTY	DESCRIPTION	REV
	1001293180	Ref	ENGINE HEATER INSTALLATION	B
2	2580057	1	Heater, Engine Block (Includes MTG Strap and Power Cable)	
3	1001146588	2	Tie-Strap	

SECTION 4 - ENGINE AND ATTACHING PARTS

FIGURE 4-13. AIR CLEANER ASSEMBLY



ART_1001294382

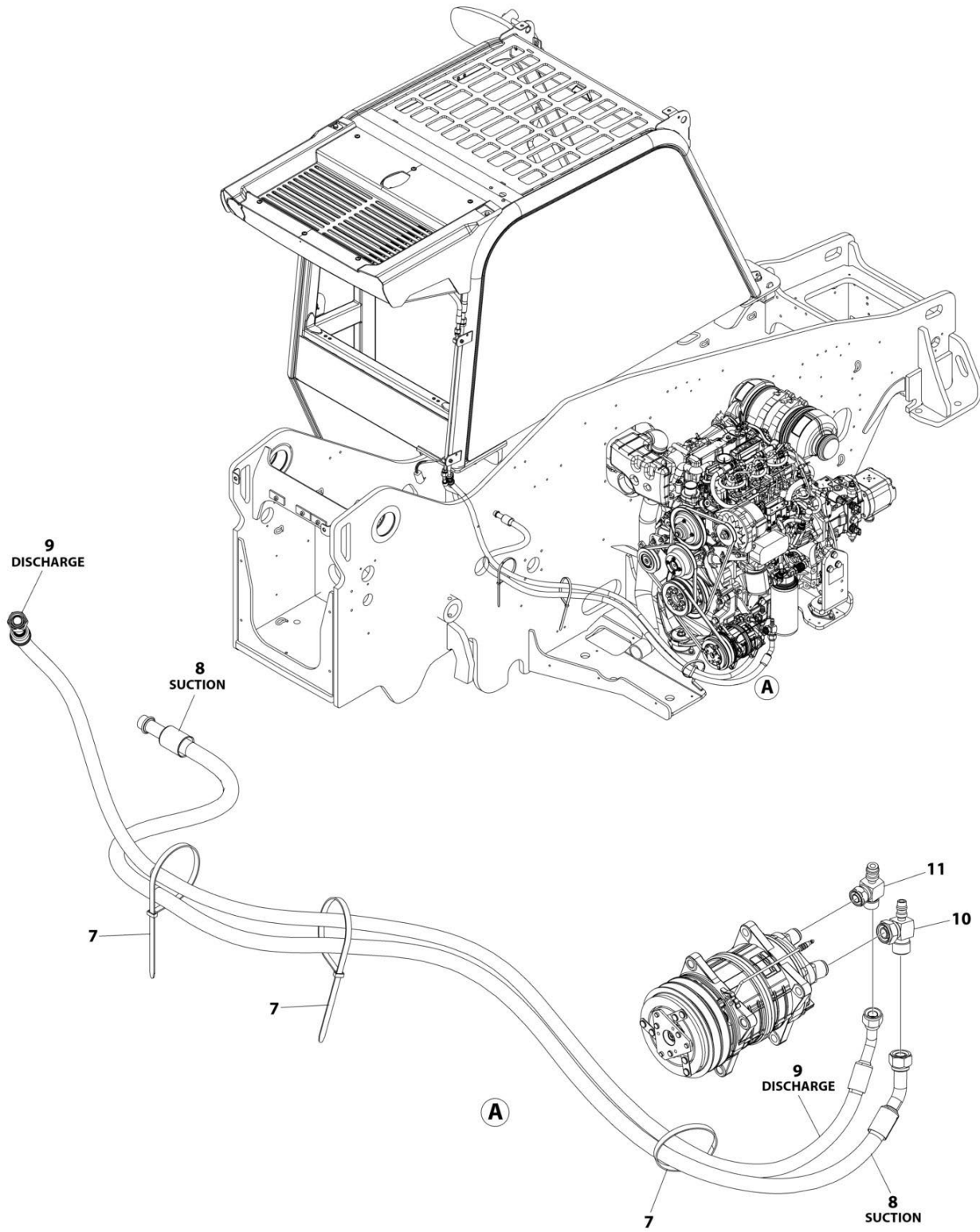
SECTION 4 - ENGINE AND ATTACHING PARTS

FIGURE 4-13. AIR CLEANER ASSEMBLY

ITEM	PART NUMBER	QTY	DESCRIPTION	REV
	1001294382	Ref	AIR CLEANER ASSEMBLY	B
	70031078	1	Element, Filter (Primary)	
	70031079	1	Element, Filter (Secondary)	

SECTION 4 - ENGINE AND ATTACHING PARTS

FIGURE 4-14. AC LINES INSTALLATION



ART_1001291538

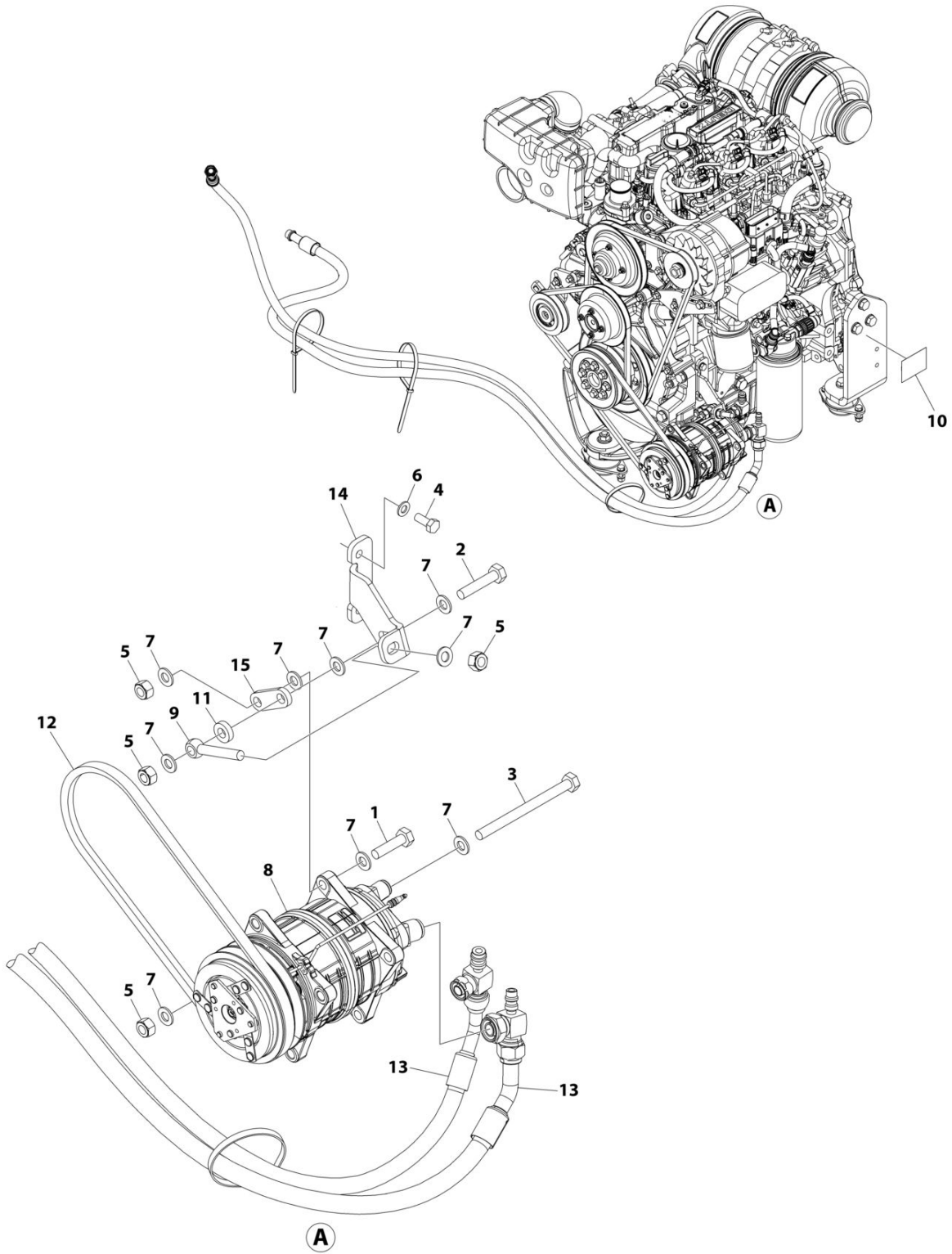
SECTION 4 - ENGINE AND ATTACHING PARTS

FIGURE 4-14. AC LINES INSTALLATION

ITEM	PART NUMBER	QTY	DESCRIPTION	REV
	1001291538	Ref	AC LINES INSTALLATION	D
7	1062255	3	Tie-Strap	
8	1001312321	1	Hose (Suction)	
9	1001305564	1	Hose (Discharge)	
10	1001305565	1	Fitting (Low Pressure)	
11	1001305566	1	Fitting (High Pressure)	

SECTION 4 - ENGINE AND ATTACHING PARTS

FIGURE 4-15. AC PUMP INSTALLATION



ART_1001290362

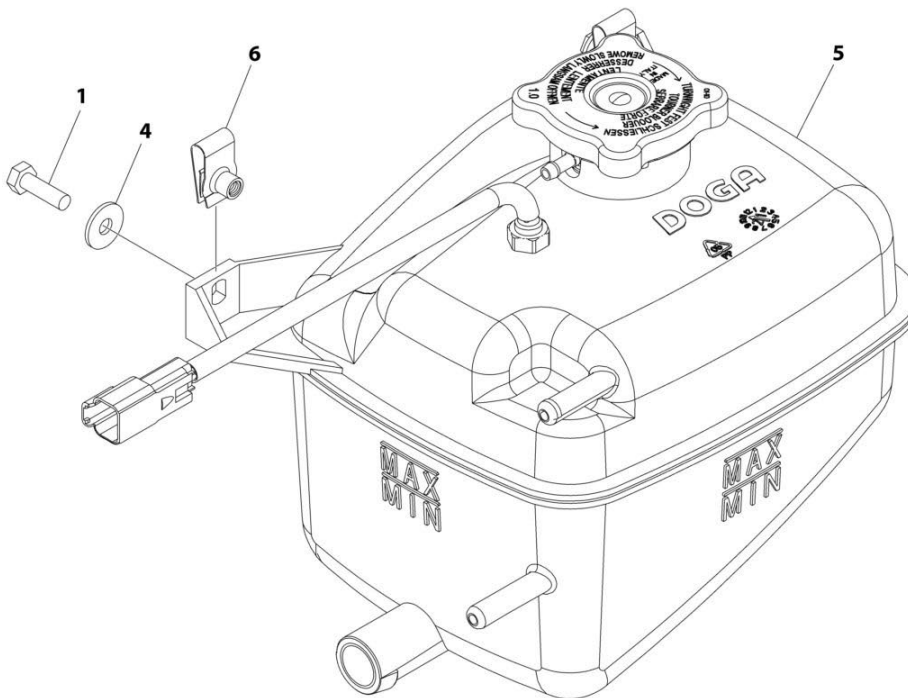
SECTION 4 - ENGINE AND ATTACHING PARTS

FIGURE 4-15. AC PUMP INSTALLATION

ITEM	PART NUMBER	QTY	DESCRIPTION	REV
	1001290362	Ref	AC PUMP INSTALLATION	C
1	0701016	1	Bolt M10 x 40	
2	0701018	1	Bolt M10 x 50	
3	0701030	1	Bolt M10 x 130	
4	0770810	2	Bolt M8 x 20	
5	3291005	4	Nut M10	
6	4811900	2	Washer M8	
7	4812000	9	Washer M10	
8	1001307731	1	Compressor, AC	
9	1001144375	1	End, Rod	
10	1001227091	1	Decal	
11	1001272336	1	Plate, Spacer	
12	1001283127	1	Belt	
13	1001291538	Ref	AC Lines Installation (See Separate Breakdown in this Section)	
14	1001291863	1	Bracket	
15	1001291864	1	Plate	

SECTION 4 - ENGINE AND ATTACHING PARTS

FIGURE 4-16. COOLANT EXPANSION TANK INSTALLATION



ART_1001290373

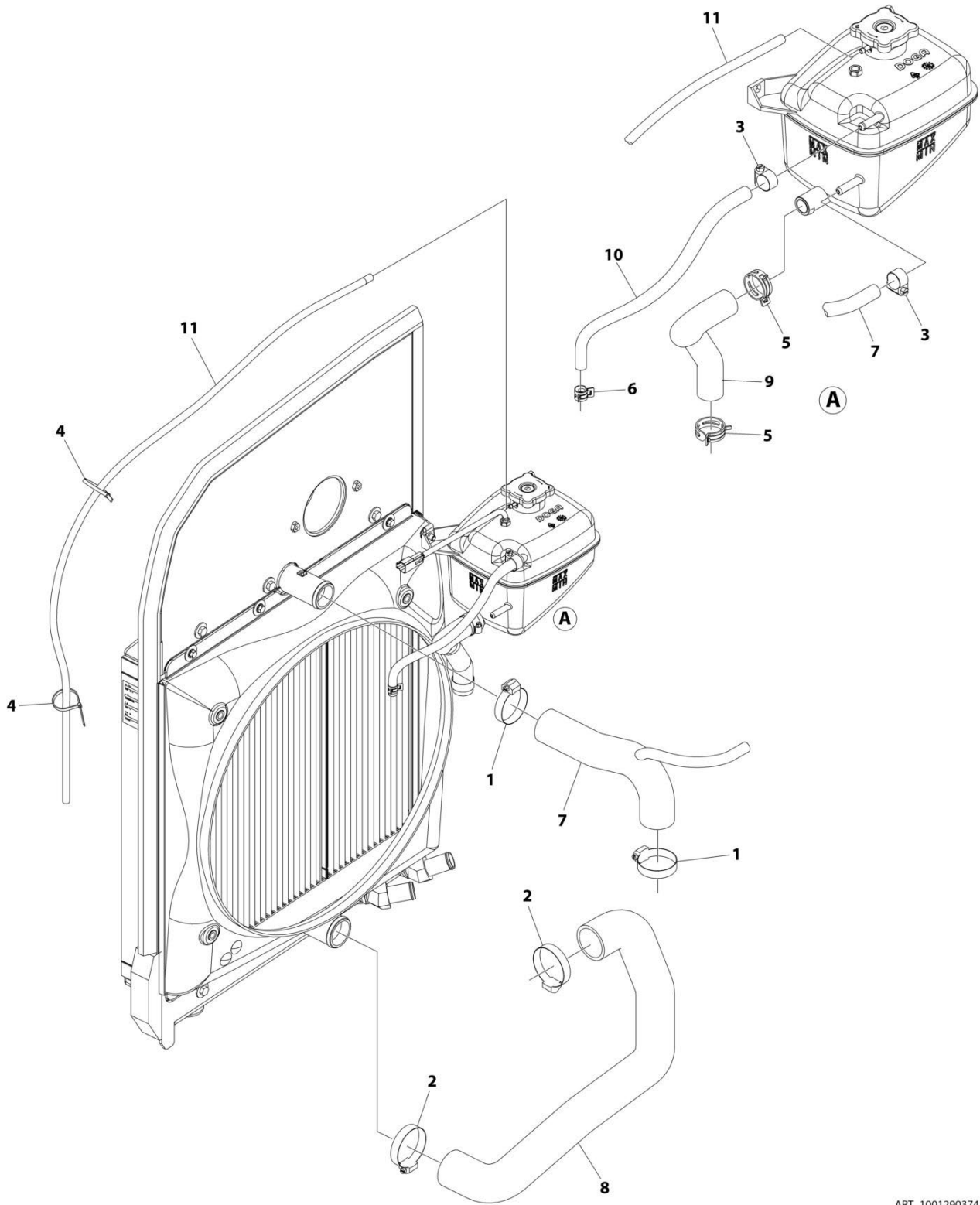
SECTION 4 - ENGINE AND ATTACHING PARTS

FIGURE 4-16. COOLANT EXPANSION TANK INSTALLATION

ITEM	PART NUMBER	QTY	DESCRIPTION	REV
	1001290373	Ref	COOLANT EXPANSION TANK INSTALLATION	B
1	0760610	3	Bolt M6 x 20	
4	4811702	3	Washer M6	
5	1001291012	1	Tank, Coolant Expansion	
6	1001307464	3	Nut, Tinnerman M6	

SECTION 4 - ENGINE AND ATTACHING PARTS

FIGURE 4-17. COOLANT LINES INSTALLATION



ART_1001290374

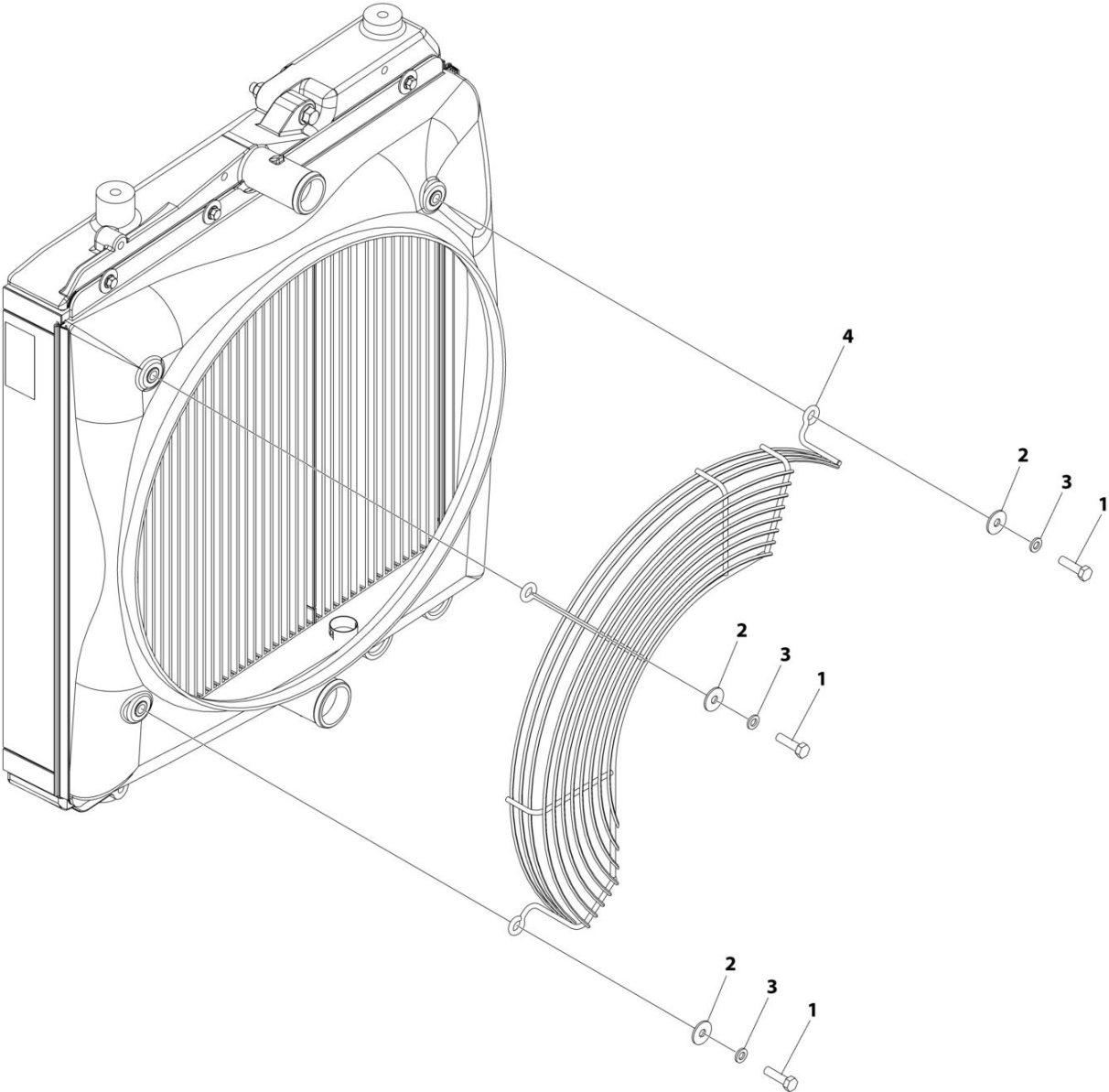
SECTION 4 - ENGINE AND ATTACHING PARTS

FIGURE 4-17. COOLANT LINES INSTALLATION

ITEM	PART NUMBER	QTY	DESCRIPTION	REV
	1001290374	Ref	ENGINE COOLANT LINES INSTALLATION	A
1	8405104	2	Clamp	
2	8405201	2	Clamp	
3	8410013	2	Clamp	
4	8584001	2	Tie-Strap	
5	1001212948	2	Clamp	
6	1001213010	1	Clamp	
7	1001290625	1	Hose, Radiator (Upper)	
8	1001290626	1	Hose, Radiator (Lower)	
9	1001290627	1	Hose, Fill Surge	
10	1001290628	1	Hose, Engine Vent	
11	1001290629	1	Hose, Cap Vent	

SECTION 4 - ENGINE AND ATTACHING PARTS

FIGURE 4-18. FAN GUARD INSTALLATION



ART_1001290377

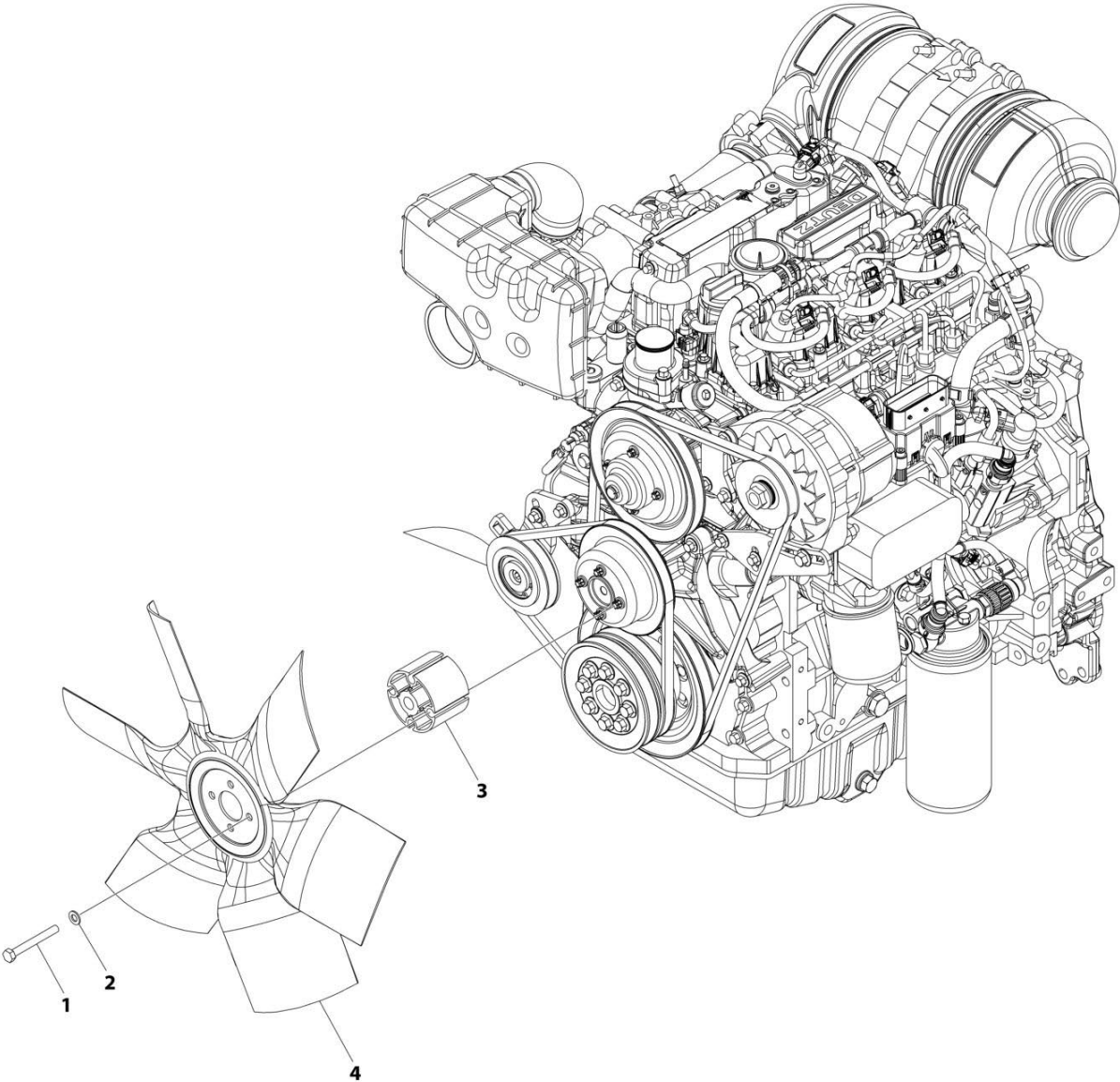
SECTION 4 - ENGINE AND ATTACHING PARTS

FIGURE 4-18. FAN GUARD INSTALLATION

ITEM	PART NUMBER	QTY	DESCRIPTION	REV
	1001290377	Ref	FAN GUARD INSTALLATION	A
1	0700814	3	Bolt M8 x 30	
2	4811902	3	Washer M8	
3	4831900	3	Washer M8	
4	1001290379	1	Grill, Fan Guard	

SECTION 4 - ENGINE AND ATTACHING PARTS

FIGURE 4-19. FAN INSTALLATION - COOLING



ART_1001290480

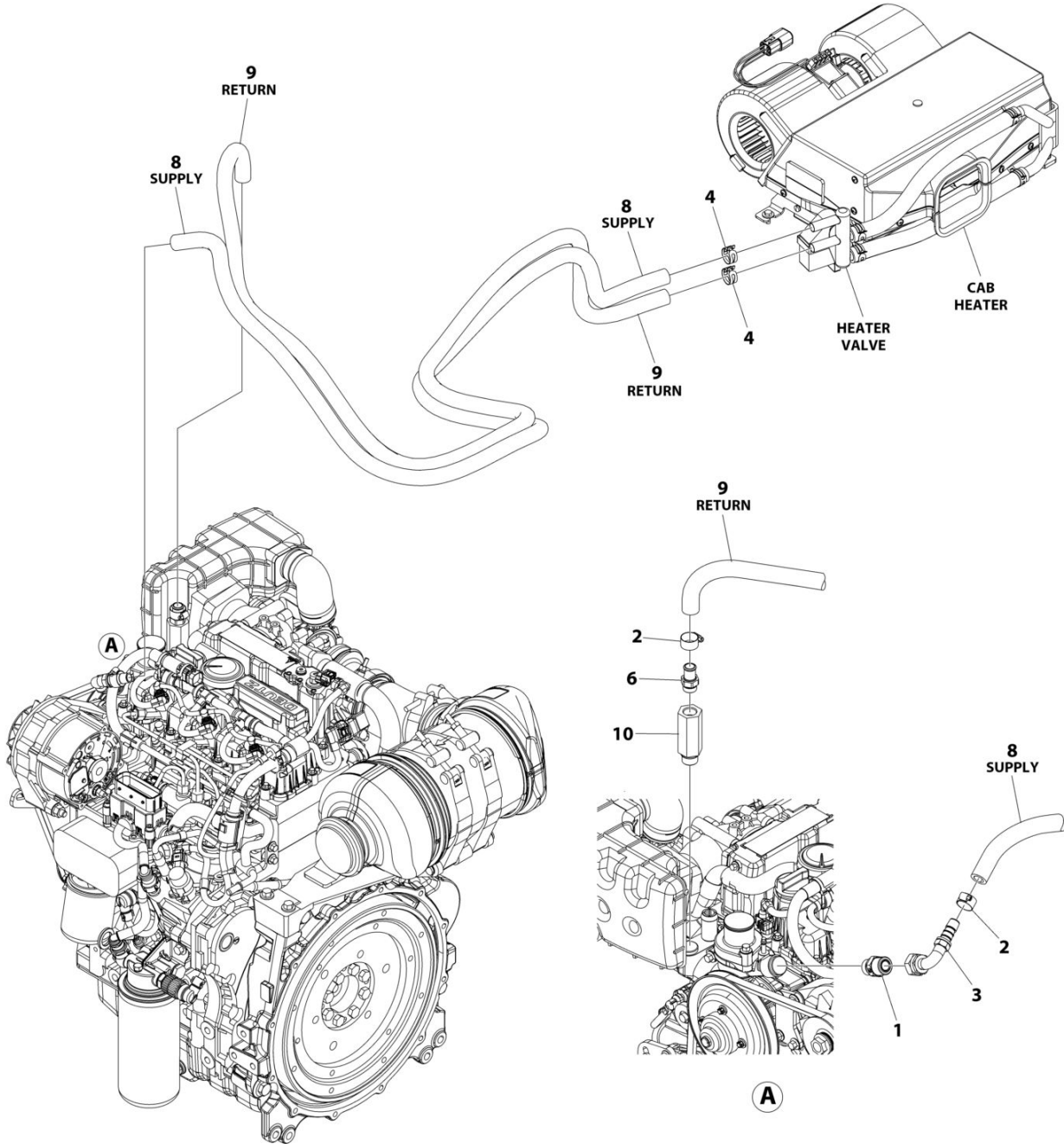
SECTION 4 - ENGINE AND ATTACHING PARTS

FIGURE 4-19. FAN INSTALLATION - COOLING

ITEM	PART NUMBER	QTY	DESCRIPTION	REV
	1001290480	Ref	FAN INSTALLATION - COOLING	B
1	0700822	4	Bolt M8 x 70	
2	4811900	4	Washer M8	
3	1001283785	1	Adapter	
4	1001289555	1	Fan, Cooling	

SECTION 4 - ENGINE AND ATTACHING PARTS

FIGURE 4-20. HEATER HOSE INSTALLATION



ART_1001290361

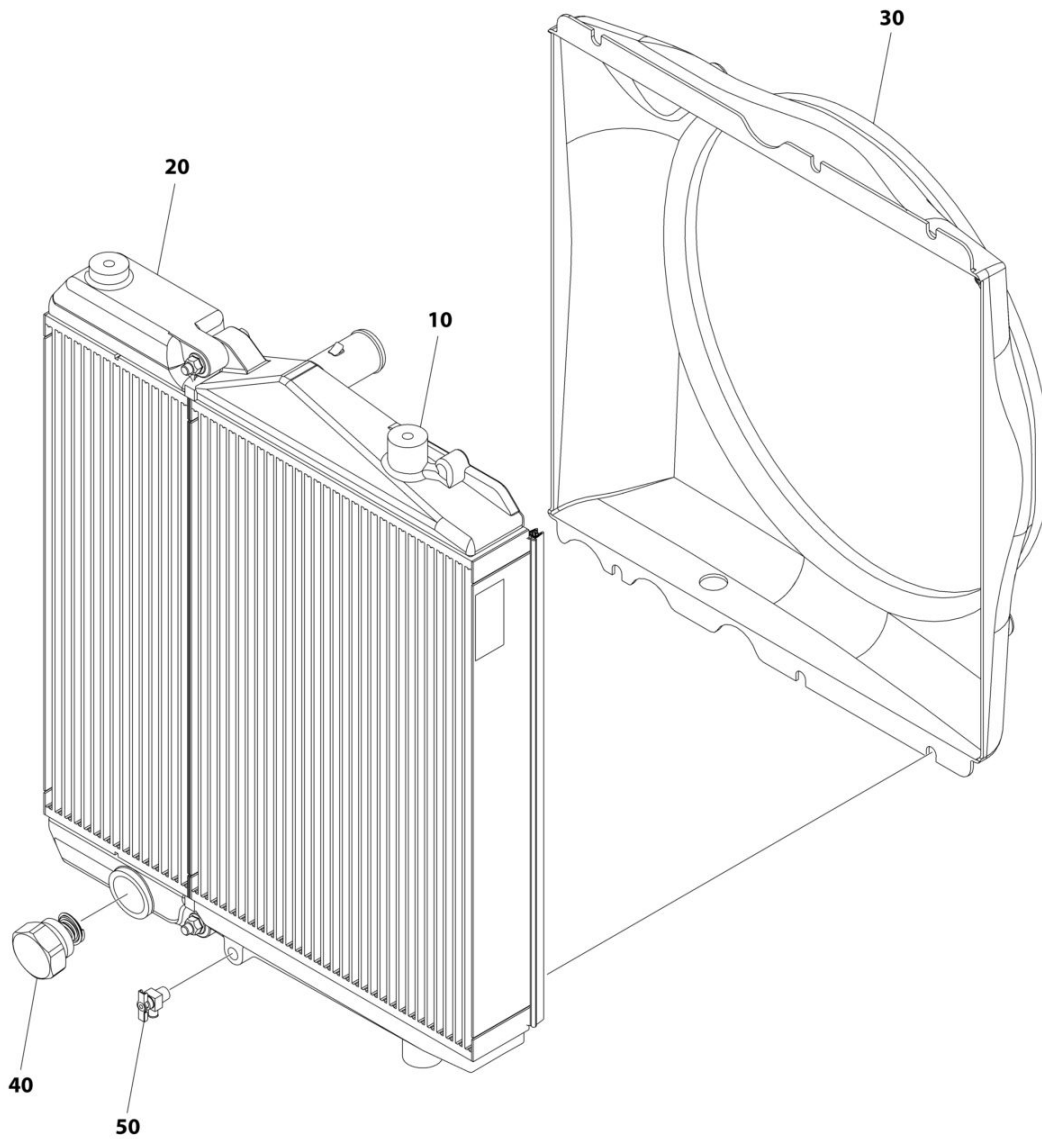
SECTION 4 - ENGINE AND ATTACHING PARTS

FIGURE 4-20. HEATER HOSE INSTALLATION

ITEM	PART NUMBER	QTY	DESCRIPTION	REV
	1001290361	Ref	HEATER HOSE INSTALLATION	D
1	2145011	1	Fitting, Straight ORFS/MPP	
2	8405007	2	Clamp	
3	1001137296	1	Fitting, 90 ORFS	
4	1001152730	2	Clamp	
5	1001202986	3	Tie-Strap (Not Shown)	
6	1001257122	1	Fitting, Straight ORB/BARB	
7	1062255	6	Tie-Strap (Not Shown)	
8	1001292505	1	Hose	
9	1001292506	1	Hose	
10	1001120602	1	Fitting, Straight FORB/MPP	

SECTION 4 - ENGINE AND ATTACHING PARTS

FIGURE 4-21. RADIATOR ASSEMBLY



ART_1001290494

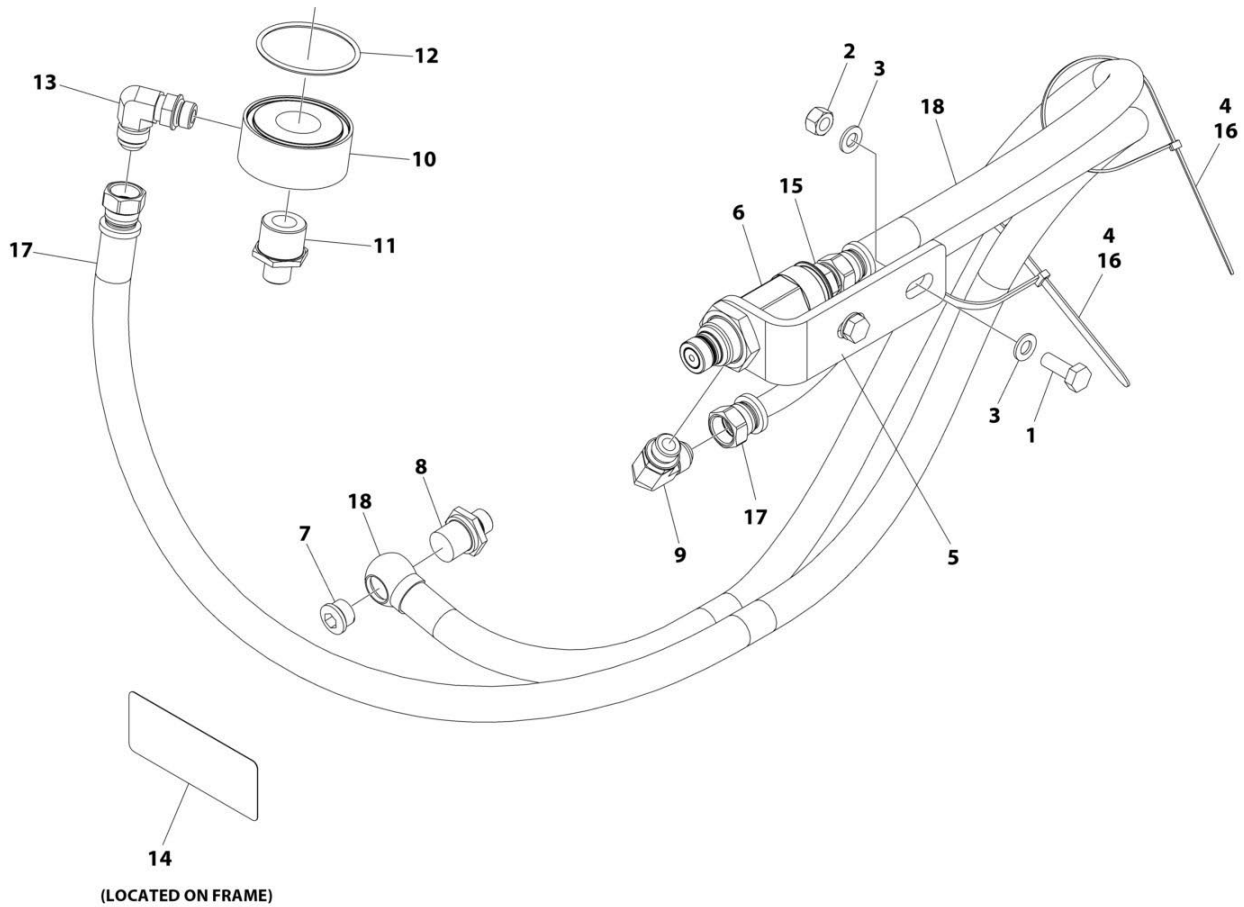
SECTION 4 - ENGINE AND ATTACHING PARTS

FIGURE 4-21. RADIATOR ASSEMBLY

ITEM	PART NUMBER	QTY	DESCRIPTION	REV
	1001290494	Ref	RADIATOR ASSEMBLY	D
10	NPN	1	Tank, Radiator (Large)	
20	NPN	1	Tank, Radiator (Small)	
30	NPN	1	Shroud	
40	70028548	1	Valve, Bypass	
50	NPN	1	Drain, Petcock	

SECTION 4 - ENGINE AND ATTACHING PARTS

FIGURE 4-22. QUICKFIT OIL CHANGE ASSEMBLY



ART_1001290363

SECTION 4 - ENGINE AND ATTACHING PARTS

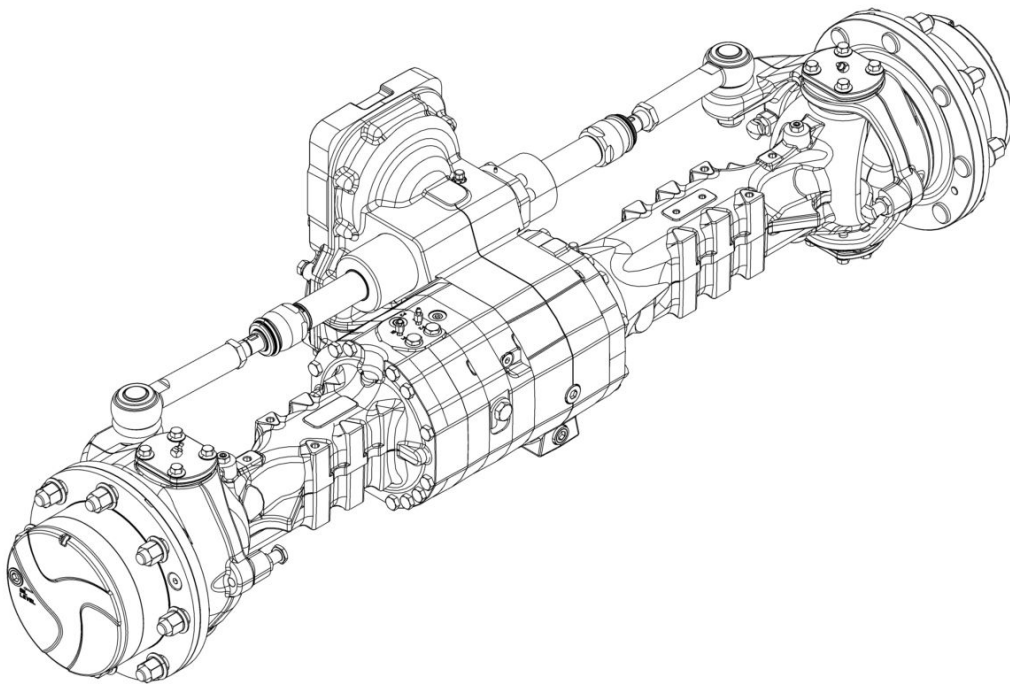
FIGURE 4-22. QUICKFIT OIL CHANGE ASSEMBLY

ITEM	PART NUMBER	QTY	DESCRIPTION	REV
	1001290363	Ref	QUICKFIT OIL CHANGE ASSEMBLY	C
1	0701013	2	Bolt M10 x 28	
2	3291005	2	Nut M10	
3	4812000	4	Washer M10	
4	1001202986	1	Mount, Tie-Strap	
5	1001315378	1	Bracket	
6	1001281298	1	Valve, Quickfit	
7	1001281304	1	Plug	
8	1001281305	1	Fitting, Banjo	
9	1001281307	1	Fitting, 90	
10	1001281309	1	Filter, Ring	
11	1001281310	1	Fitting, Straight	
12	1001281311	1	O-Ring	
13	1001281359	1	Valve, Check	
14	1001281360	1	Decal - Quickfit	
15	1001281404	1	Fitting, Straight	
16	1062255	2	Tie-Strap	
17	1001293440	1	Hose	
18	1001293441	1	Hose	

SECTION 5 - DRIVE TRAIN

SECTION 5 - DRIVE TRAIN

FIGURE 5-1. FRONT AXLE ASSEMBLY



ART_1027049900

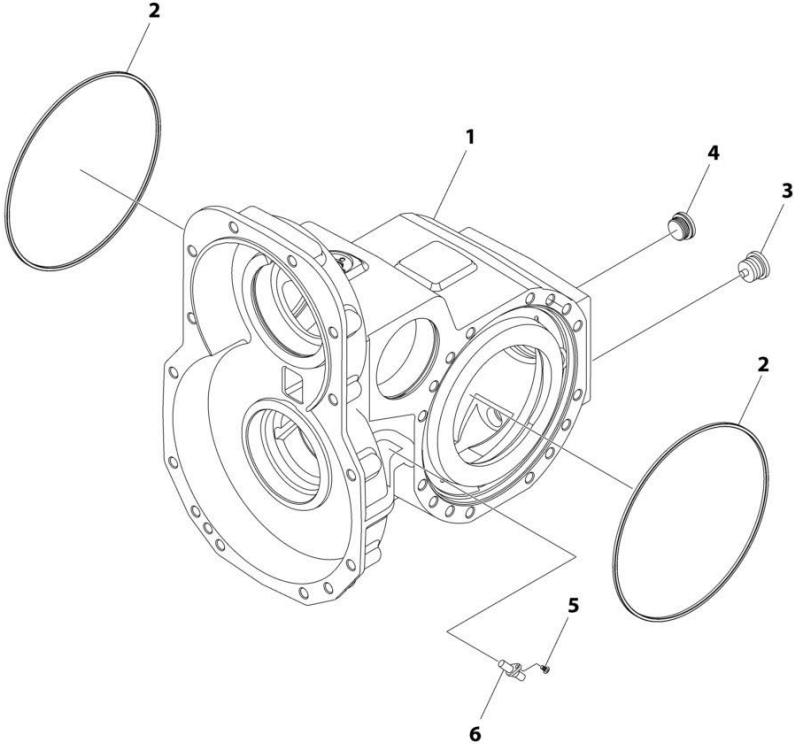
SECTION 5 - DRIVE TRAIN

FIGURE 5-1. FRONT AXLE ASSEMBLY

ITEM	PART NUMBER	QTY	DESCRIPTION	REV
	1027049900	Ref	AXLE ASSEMBLY - FRONT	C
		Ref	Front Axle, Central Housing (See Separate Breakdown in this Section)	
		Ref	Front Axle, Differential (See Separate Breakdown in this Section)	
		Ref	Front Axle, Hub Reduction (1) (See Separate Breakdown in this Section)	
		Ref	Front Axle, Hub Reduction (2) (See Separate Breakdown in this Section)	
		Ref	Front Axle, Brakes (2) (See Separate Breakdown in this Section)	
		Ref	Front Axle, Steering (See Separate Breakdown in this Section)	

SECTION 5 - DRIVE TRAIN

FIGURE 5-2. FRONT AXLE ASSEMBLY - CENTER HOUSING



ART_1027049900_10F6

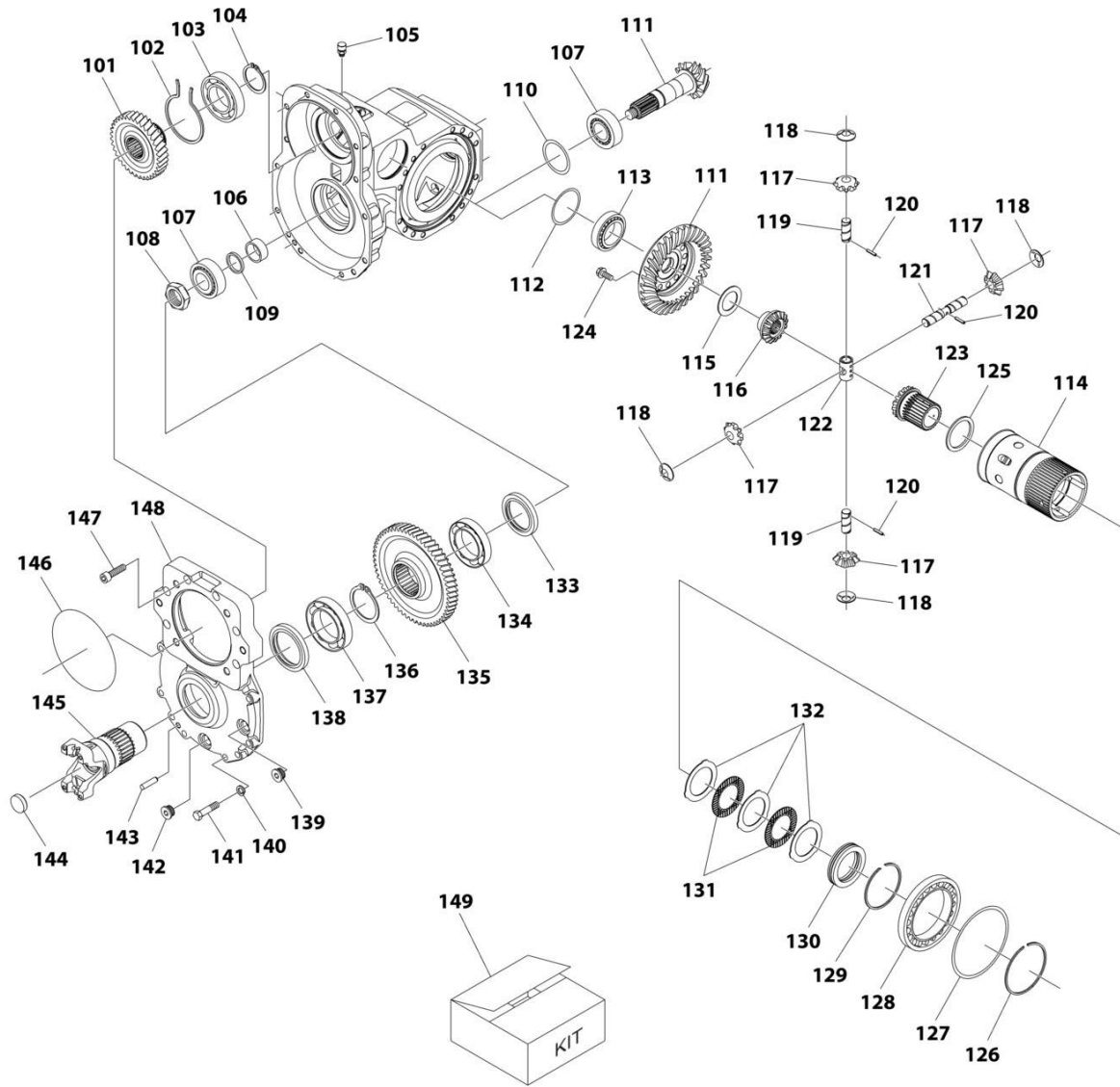
SECTION 5 - DRIVE TRAIN

FIGURE 5-2. FRONT AXLE ASSEMBLY - CENTER HOUSING

ITEM	PART NUMBER	QTY	DESCRIPTION	REV
	1027049900	Ref	AXLE ASSEMBLY - CENTRAL HOUSING	C
1	70030362	1	Housing	
2	70021147	2	O-Ring	
3	7028706	1	Plug	
4	91514188	1	Plug	
5	70027111	1	Bolt	
6	70031952	1	Plug	

SECTION 5 - DRIVE TRAIN

FIGURE 5-3. FRONT AXLE ASSEMBLY - DIFFERENTIAL



ART_1027049900_2OF6

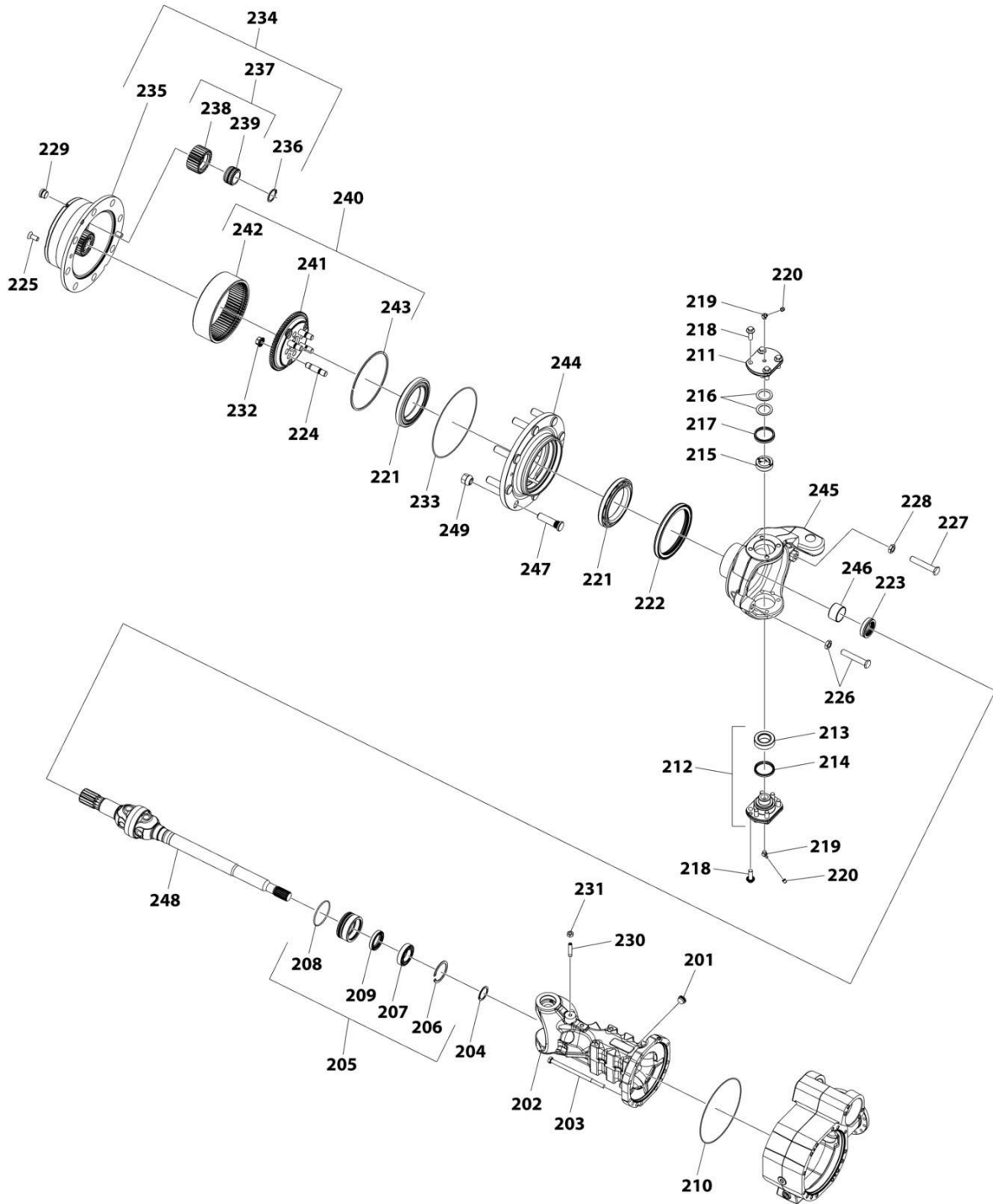
SECTION 5 - DRIVE TRAIN

FIGURE 5-3. FRONT AXLE ASSEMBLY - DIFFERENTIAL

ITEM	PART NUMBER	QTY	DESCRIPTION	REV
	1027049900	Ref	AXLE ASSEMBLY - DIFFERENTIAL	C
101	70031953	1	Gear	
102	70020230	1	Circlip	
103	70020231	1	Bearing	
104	70020232	1	Circlip	
105	91474512	1	Vent	
106	70020233	1	Spacer	
107	70020234	2	Bearing	
108	70020235	1	Nut	
109	70024927	1	Kit, Shim	
110	70024866	1	Kit, Shim	
111	70024867	1	Gear, Bevel (Set)	
112	70027858	1	Kit, Shim	
113	70031906	1	Bearing	
114	70031954	1	Carrier	
115	70029267	1	Washer	
116	70021221	1	Gear, Side	
117	70020244	4	Pinion	
118	70020245	4	Washer	
119	70021929	2	Pin	
120	70020247	3	Pin, Dowel	
121	70021928	1	Pin	
122	70020249	1	Retainer	
123	70020250	1	Gear, Side	
124	70020251	12	Bolt	
125	70020252	1	Washer	
126	70020253	1	Circlip	
127	70027859	1	Kit, Shim	
128	70030251	1	Bearing	
129	70020255	1	Circlip	
130	70020256	1	Bearing	
131	70020257	7	Disc, Clutch	
132	70020258	8	Disc, Clutch (Intermediate)	
133	70020259	1	Seal	
134	70020260	1	Bearing	
135	70031955	1	Gear	
136	70020262	1	Circlip	
137	80204178	1	Bearing	
138	70020263	1	Seal	
139	70028389	1	Plug	
140	80204147	8	Washer	
141	70024873	8	Bolt	
142	70028388	1	Plug	
143	70020265	2	Pin, Dowel	
144	70020266	1	Plug	
145	70020267	1	Flange	
146	70024874	1	O-Ring	
147	70020269	6	Bolt	
148	70031956	1	Cover	
149	70031957	1	Kit, Differential (Includes Items 114-123, 125 & 128-132)	

SECTION 5 - DRIVE TRAIN

FIGURE 5-4. FRONT AXLE ASSEMBLY - HUB REDUCTION (LH)



ART_1027049900_30F6

SECTION 5 - DRIVE TRAIN

FIGURE 5-4. FRONT AXLE ASSEMBLY - HUB REDUCTION (LH)

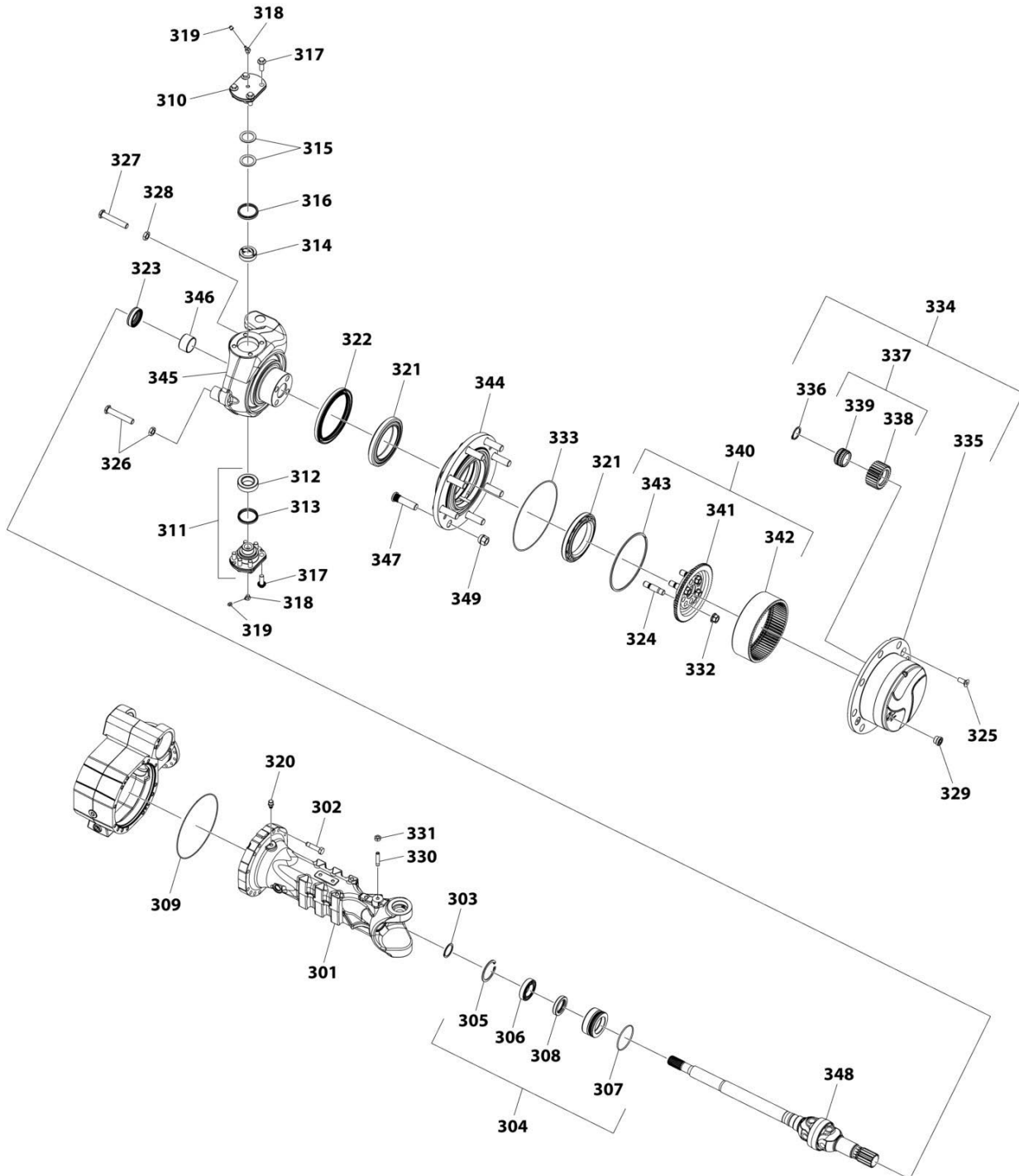
ITEM	PART NUMBER	QTY	DESCRIPTION	REV
	1027049900	Ref	AXLE ASSEMBLY - HUB REDUCTION (LH)	C
201	91514188	1	Plug	
202	70029269	1	Arm, Modular	
203	70029288	14	Screw	
204	70029283	1	Circlip	
205	70031281	1	Bearing Assembly (Includes Items 206-209)	
206	70029281	1	Circlip	
207	70031908	1	Bearing	
208	70029282	1	O-Ring	
209	70029278	1	Seal, Shaft Lip	
210	70021147	1	O-Ring	
211	70029271	1	Cover, King Pin	
212	70029274	1	Cap Assembly (Includes Items 213 & 214)	
213	70029273	1	Ball Joint	
214	70021155	1	Seal	
215	70029272	1	Bushing	
216	70029292	2	Spring	
217	70029291	1	Seal	
218	70025562	10	Screw	
219	70024881	2	Fitting, Grease	
220	80204117	2	Plug	
221	70030251	2	Bearing	
222	70029276	1	Seal	
223	70021151	1	Seal	
224	70027315	4	Stud	
225	91514189	2	Screw	
226	7028733	2	Kit, Steering Stop Screw	
227	7028733	2	Screw, Steering Stop	
228	80204065	2	Nut	
229	7028706	1	Plug	
230	70029277	1	Setscrew	
231	80204172	1	Nut	
232	70031192	4	Nut	
233	91474507	1	O-Ring	
234	70029285	1	Hub Reduction Assembly (Includes Items 235-239)	
235	70024888	1	Carrier, Planet	
236	91474585	3	Circlip	
237	70027114	3	Planet Gear Assembly (Includes Items 238 & 239)	
238	70028473	3	Gear, Planet	
239	70028474	3	Bearing	
240	70031909	1	Ring Gear Assembly (Includes Items 241-243)	
241	See Note	NSS	Carrier, Ring Gear (Note: Use Item 240)	
242	70031958	1	Gear, Ring	
243	91474579	1	Circlip	
244	70029280	1	Hub, Wheel	
245	70029287	1	Knuckle, Steering (Includes Item 246)	
246	70031910	1	Bushing	
247	70024883	8	Stud, Wheel	
248	70031911	1	Shaft/Universal Joint Assembly (Individual Service Parts Not Available)	

SECTION 5 - DRIVE TRAIN

ITEM	PART NUMBER	QTY	DESCRIPTION	REV
249	70031563	8	Nut, Lug	

SECTION 5 - DRIVE TRAIN

FIGURE 5-5. FRONT AXLE ASSEMBLY - HUB REDUCTION (RH)



ART_1027049900_40F6

SECTION 5 - DRIVE TRAIN

FIGURE 5-5. FRONT AXLE ASSEMBLY - HUB REDUCTION (RH)

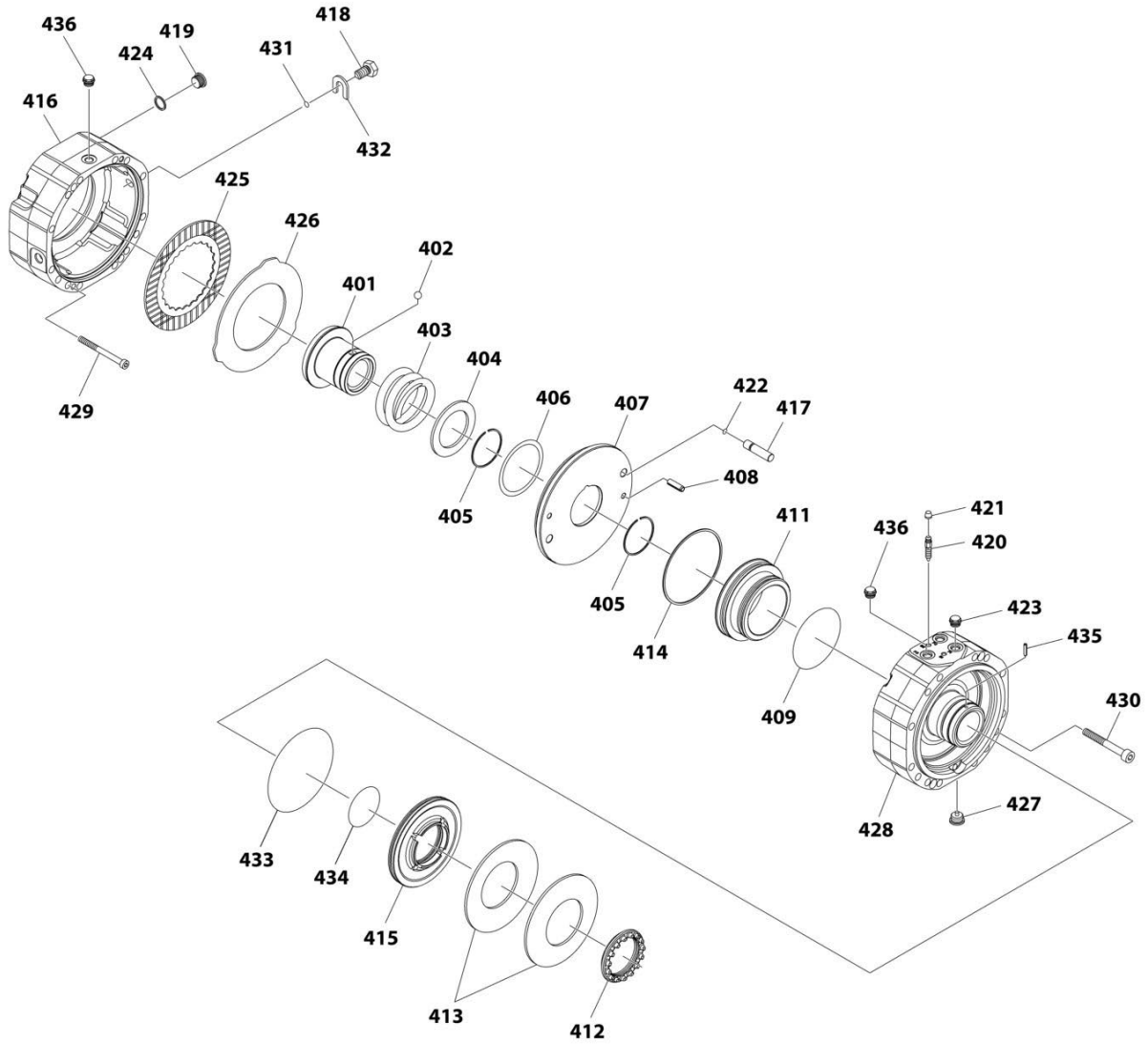
ITEM	PART NUMBER	QTY	DESCRIPTION	REV
	1027049900	Ref	AXLE ASSEMBLY - HUB REDUCTION (RH)	C
301	70029284	1	ARM, Modular	
302	70024878	14	Screw	
303	70029283	1	Circlip	
304	70031281	1	Bearing Assembly (Includes Items 305-308)	
305	70029281	1	Circlip	
306	70031908	1	Bearing	
307	70029282	1	O-Ring	
308	70029278	1	Seal, Shaft Lip	
309	70021147	1	O-Ring	
310	70029271	1	Cover, King Pin	
311	70029274	1	King Pin Cap Assembly (Includes Items 312 & 313)	
312	70029273	1	Ball Joint	
313	70021155	1	Seal	
314	70029272	1	Bushing	
315	70029292	2	Spring	
316	70029291	1	Seal	
317	70025562	10	Screw	
318	70024881	2	Fitting, Grease	
319	80204117	2	Plug	
320	91474512	1	Plug, Breather	
321	70030251	2	Bearing	
322	70029276	1	Seal	
323	70021151	1	Seal	
324	70027315	4	Stud	
325	91514189	2	Screw	
326	7028733	2	Kit, Steering Stop Screw	
327	7028733	2	Screw, Steering Stop	
328	80204065	2	Nut	
329	7028706	1	Plug	
330	70029277	1	Setscrew	
331	80204172	1	Nut	
332	70031192	4	Nut	
333	91474507	1	O-Ring	
334	70029285	1	Hub Reduction Assembly (Includes Items 335-339)	
335	70024888	1	Carrier, Planet	
336	91474585	3	Circlip	
337	70027114	3	Planet Gear Assembly (Includes Items 338 & 339)	
338	70028473	3	Gear, Planet	
339	70028474	3	Bearing	
340	70031909	1	Ring Gear Assembly (Includes Items 341-343)	
341	See Note	NSS	Carrier, Ring Gear (Note: Use Item 340)	
342	70031958	1	Gear, Ring	
343	91474579	1	Circlip	
344	70029280	1	Hub, Wheel	
345	70029286	1	Knuckle, Steering (Includes Item 346)	
346	70031910	1	Bushing	
347	70024883	8	Stud, Wheel	
348	70031911	1	Shaft/Universal Joint Assembly (Individual Service Parts Not Available)	

SECTION 5 - DRIVE TRAIN

ITEM	PART NUMBER	QTY	DESCRIPTION	REV
349	70031563	8	Nut, Lug	

SECTION 5 - DRIVE TRAIN

FIGURE 5-6. FRONT AXLE ASSEMBLY - BRAKES



ART_1027049900_5OF6

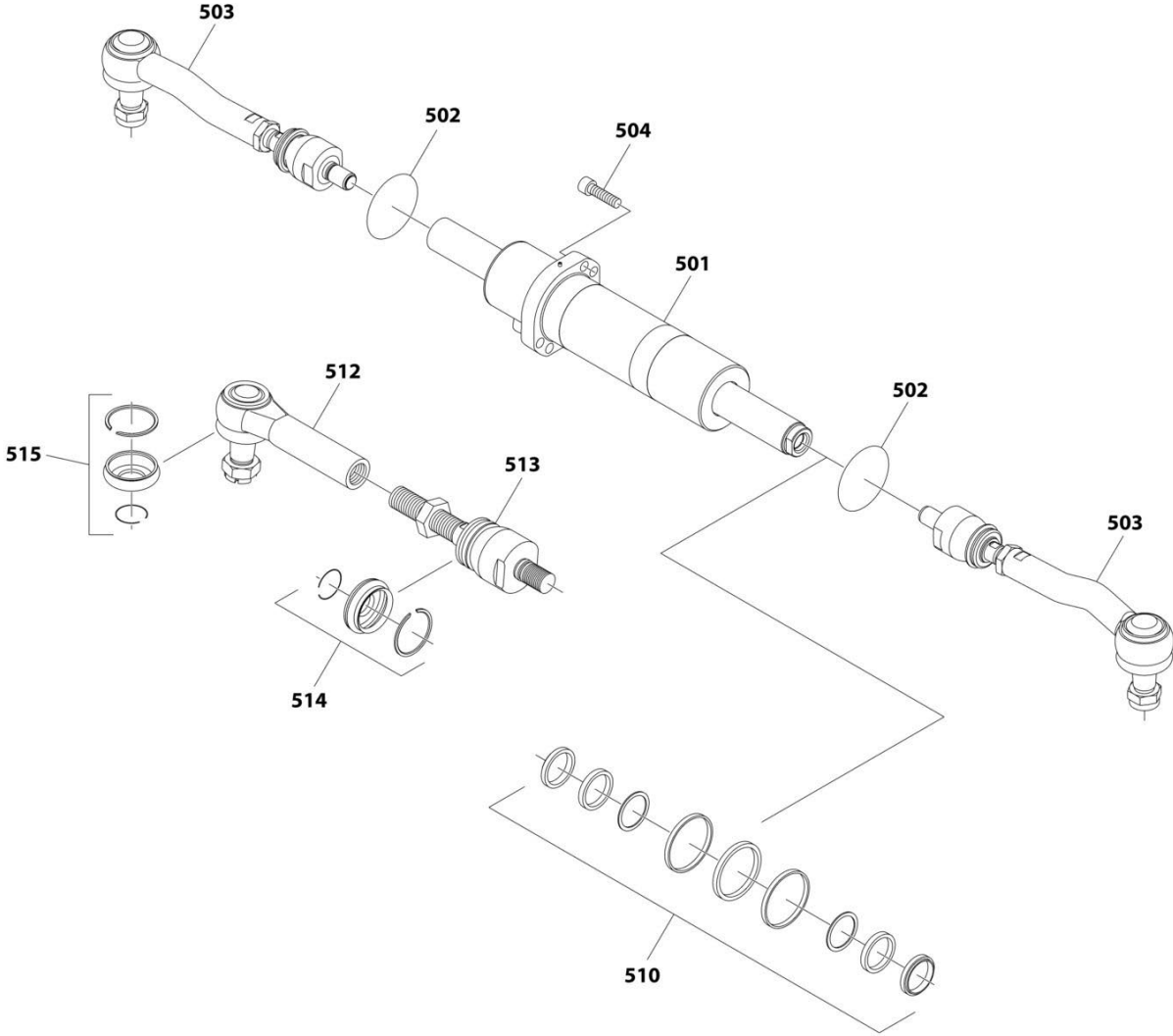
SECTION 5 - DRIVE TRAIN

FIGURE 5-6. FRONT AXLE ASSEMBLY - BRAKES

ITEM	PART NUMBER	QTY	DESCRIPTION	REV
	1027049900	Ref	AXLE ASSEMBLY - BRAKES	C
401	70021942	1	Bushing	
402	70020276	2	Ball	
403	70020285	1	Spring	
404	70021941	1	Spacer	
405	70020284	2	Circlip	
406	70031959	1	Kit, Shim	
407	70021940	1	Disc, Brake (Intermediate)	
408	70029293	2	Rollpin	
409	70028884	1	O-Ring	
411	70020280	1	Piston	
412	70020296	1	Nut	
413	70020295	2	Spring	
414	70026263	1	Seal	
415	70031960	1	Piston	
416	70029294	1	Housing, Steering Axle	
417	70030235	3	Pin	
418	70020297	2	Bolt	
419	70029295	1	Plug	
420	10725627	2	Bolt, Bleeding	
421	80204117	2	Plug	
422	70020290	3	O-Ring	
423	91514154	2	Plug	
424	70029296	1	Washer	
425	70020273	6	Disc, Brake	
426	70024528	6	Disc, Brake (Intermediate)	
427	7028706	1	Plug	
428	70029297	1	Housing, Steering Axle	
429	70029298	2	Bolt	
430	70029299	2	Bolt	
431	80204111	2	O-Ring	
432	70020298	2	Spacer	
433	70031961	1	Seal	
434	70031962	1	O-Ring	
435	70020247	1	Pin, Dowel	
436	70020282	2	Plug	

SECTION 5 - DRIVE TRAIN

FIGURE 5-7. FRONT AXLE ASSEMBLY - STEERING



ART_1027049900_6OF6

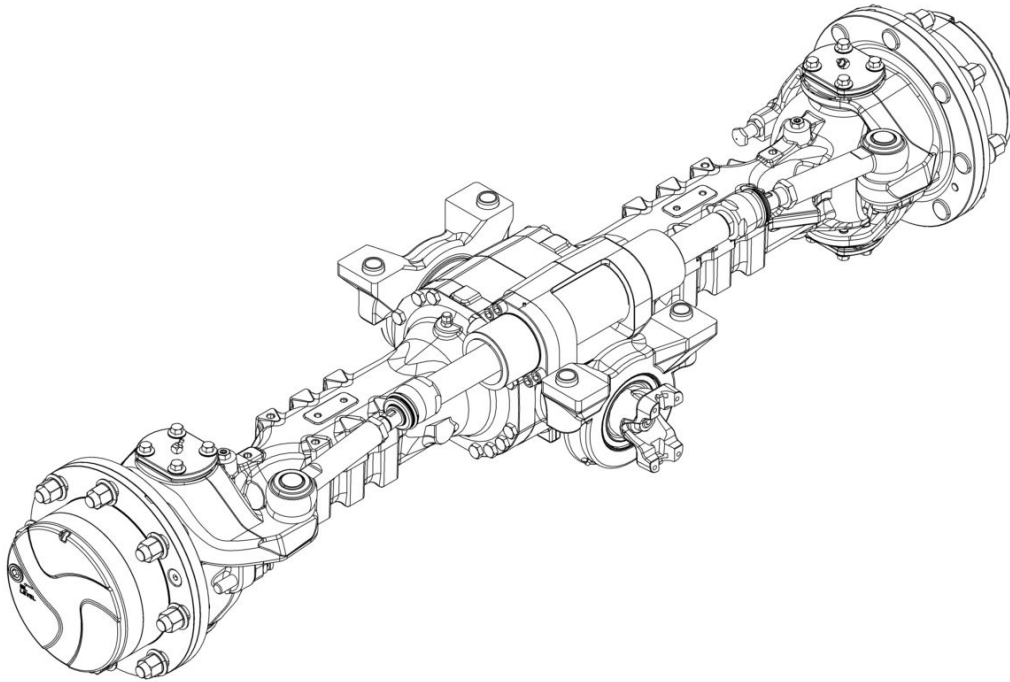
SECTION 5 - DRIVE TRAIN

FIGURE 5-7. FRONT AXLE ASSEMBLY - STEERING

ITEM	PART NUMBER	QTY	DESCRIPTION	REV
	1027049900	Ref	AXLE ASSEMBLY - STEERING	C
501	70023035	1	Cylinder	
502	70020301	2	Ring	
503	70020302	2	Bar	
504	70020269	4	Bolt	
510	70023036	1	Kit, Seal - Cylinder	
512	70029300	1	Joint, 90	
513	70029301	1	Joint, Axial	
514	70027866	1	Kit, Rubber Boot and Locking Ring	
515	70027865	1	Kit, Rubber Boot and Locking Ring	

SECTION 5 - DRIVE TRAIN

FIGURE 5-8. AXLE ASSEMBLY - REAR



ART_1034299800

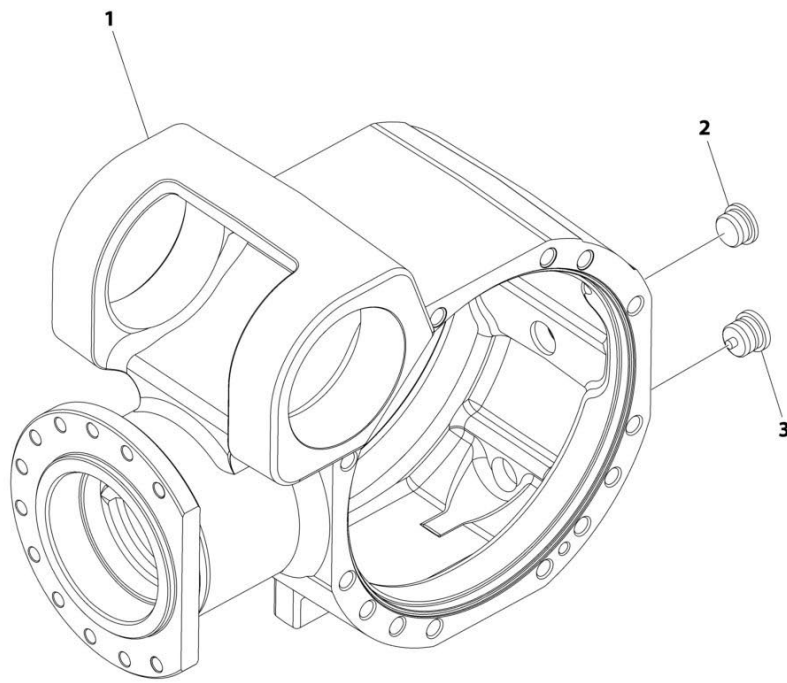
SECTION 5 - DRIVE TRAIN

FIGURE 5-8. AXLE ASSEMBLY - REAR

ITEM	PART NUMBER	QTY	DESCRIPTION	REV
	1034299800	Ref	AXLE ASSEMBLY - REAR	D
		Ref	Rear Axle, Central Housing (See Separate Breakdown in this Section)	
		Ref	Rear Axle, Differential (See Separate Breakdown in this Section)	
		Ref	Rear Axle, Hub Reduction (1) (See Separate Breakdown in this Section)	
		Ref	Rear Axle, Hub Reduction (2) (See Separate Breakdown in this Section)	
		Ref	Rear Axle, Steering (See Separate Breakdown in this Section)	
		Ref	Rear Axle, Trunion (See Separate Breakdown in this Section)	

SECTION 5 - DRIVE TRAIN

FIGURE 5-9. REAR AXLE ASSEMBLY - CENTER HOUSING



ART_1034299800_10F6

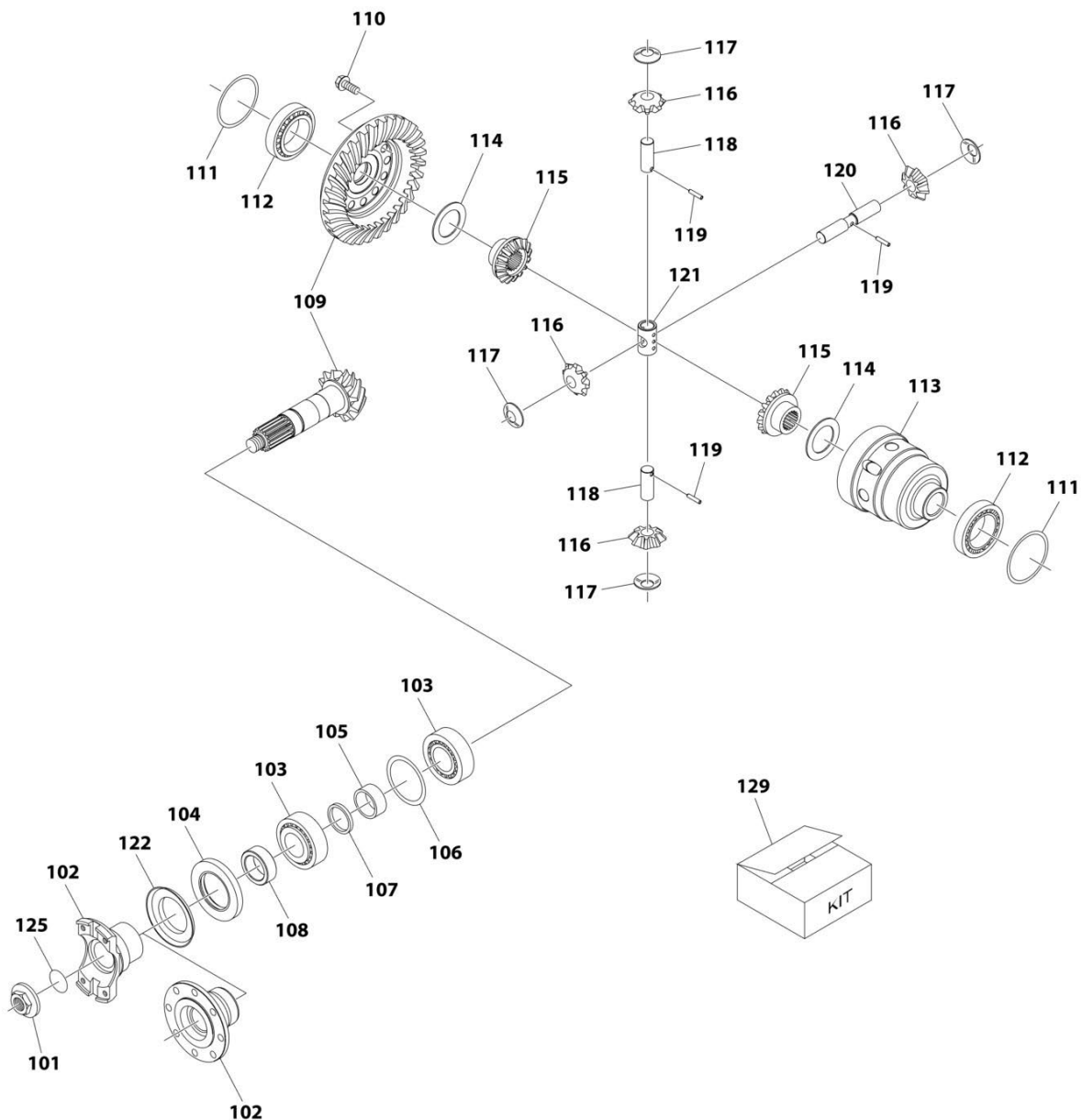
SECTION 5 - DRIVE TRAIN

FIGURE 5-9. REAR AXLE ASSEMBLY - CENTER HOUSING

ITEM	PART NUMBER	QTY	DESCRIPTION	REV
	1034299800	Ref	AXLE ASSEMBLY - CENTER HOUSING	D
1	70030950	1	Housing	
2	91514188	1	Plug	
3	7028706	1	Plug	

SECTION 5 - DRIVE TRAIN

FIGURE 5-10. REAR AXLE ASSEMBLY - DIFFERENTIAL



ART_1034299800_20F6

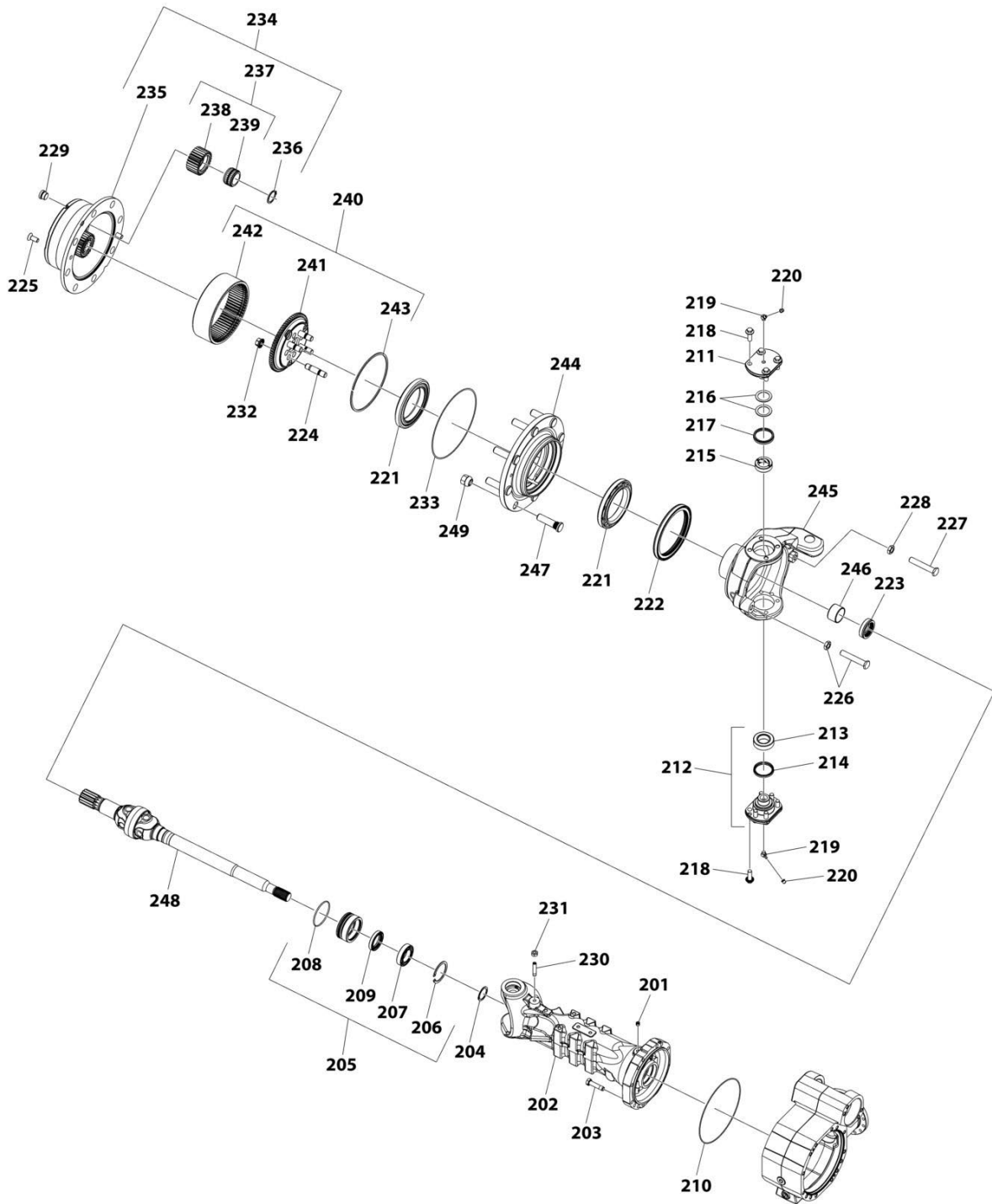
SECTION 5 - DRIVE TRAIN

FIGURE 5-10. REAR AXLE ASSEMBLY - DIFFERENTIAL

ITEM	PART NUMBER	QTY	DESCRIPTION	REV
	1034299800	Ref	AXLE ASSEMBLY - DIFFERENTIAL	D
101	70031552	1	Nut	
102	70020288	1	Flange	
103	70020234	2	Bearing	
104	70024522	1	Seal	
105	70020233	1	Spacer	
106	70024866	1	Kit, Shim	
107	70024927	1	Kit, Shim	
108	70020303	1	Spacer	
109	70024928	1	Gear, Bevel (Set of Gears)	
110	70020251	12	Bolt	
111	70024929	1	Kit, Shim	
112	70031906	2	Bearing	
113	70020346	1	Carrier	
114	70029267	2	Washer	
115	70021221	2	Gear, Side	
116	70020244	4	Gear, Pinion	
117	70020245	4	Washer	
118	70021929	2	Pin	
119	70020247	3	Pin	
120	70021928	1	Pin	
121	70020249	1	Retainer	
122	70021076	1	Cover	
125	70021196	1	O-Ring	
129	70031907	1	Kit, Differential (Includes Items 113-121)	

SECTION 5 - DRIVE TRAIN

FIGURE 5-11. REAR AXLE ASSEMBLY - HUB REDUCTION (LH)



ART_1034299800_30F6

SECTION 5 - DRIVE TRAIN

FIGURE 5-11. REAR AXLE ASSEMBLY - HUB REDUCTION (LH)

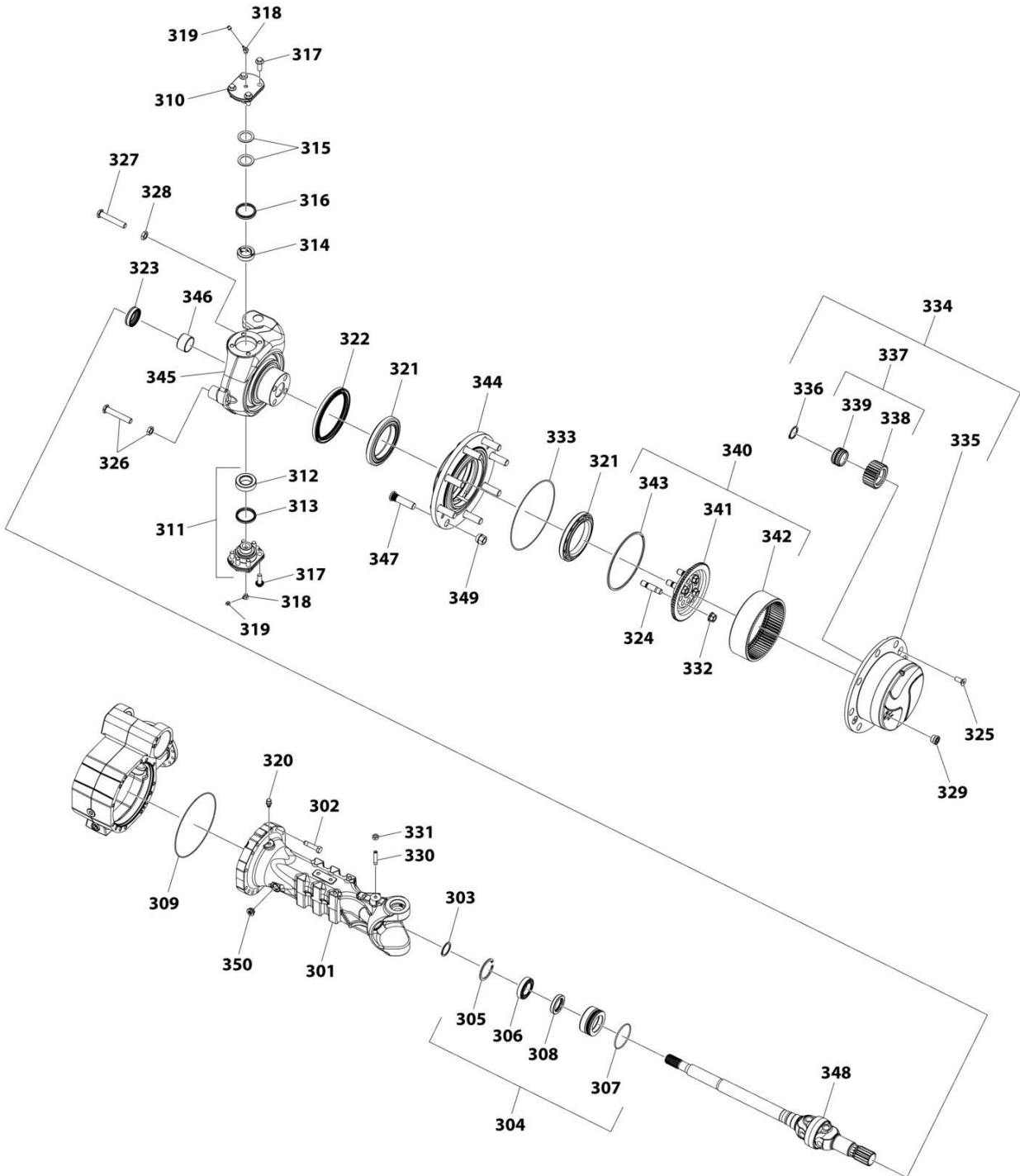
ITEM	PART NUMBER	QTY	DESCRIPTION	REV
	1034299800	Ref	AXLE ASSEMBLY - HUB REDUCTION (LH)	D
201	80204012	1	Plug	
202	70029284	1	Housing, Axle Arm	
203	70024878	14	Screw	
204	70029283	1	Circlip	
205	70031281	1	Bearing Assembly (Includes Items 206-209)	
206	70029281	1	Circlip	
207	70031908	1	Bearing	
208	70029282	1	O-Ring	
209	70029278	1	Seal, Shaft	
210	70021147	1	O-Ring	
211	70029271	1	Cover, King Pin (Upper)	
212	70029274	1	King Pin Assembly (Lower) (Includes Items 213 & 214)	
213	70029273	1	Ball Joint	
214	70021155	1	Seal, Wiper	
215	70029272	1	Bushing	
216	70029292	2	Spring, Belleville	
217	70029291	1	Seal, Wiper	
218	70025562	10	Screw	
219	70024881	2	Fitting, Grease	
220	80204117	2	Plug	
221	70030251	2	Bearing	
222	70029276	1	Seal	
223	70021151	1	Seal	
224	70027315	4	Stud, Wheel	
225	91514189	2	Screw	
226	7028733	2	Kit, Steering Stop Screw	
227	7028733	2	Screw (Steering Stop)	
228	80204065	2	Nut (Steering Stop)	
229	7028706	1	Plug	
230	70029277	1	Setscrew	
231	80204172	1	Nut	
232	70031192	4	Nut	
233	91474507	1	O-Ring	
234	70029285	1	Hub Reduction Sub-Assembly (Includes Items 235-239)	
235	70024888	1	Carrier, Planet	
236	91474585	3	Circlip	
237	70027114	3	Planet Gear Sub-Assembly (Includes Items 238 & 239)	
238	70028473	3	Gear, Planet	
239	70028474	3	Bearing	
240	70031908	1	Ring Gear Sub-Assembly (Includes Items 241-243)	
241	See Note	NSS	Carrier, Ring Gear (Note: Use PN 70031908)	
242	See Note	NSS	Gear, Ring (Note: Use PN 70031908)	
243	91474579	1	Circlip	
244	70029280	1	Hub, Wheel	
245	70029287	1	Steering Knuckle Sub-Assembly (Includes Item 246)	
246	70031910	1	Bushing	
247	70024883	8	Stud, Wheel	
248	70031911	1	Axle Shaft and Universal Joint Assembly (Note: No Service Parts - Sold As Assembly Only)	

SECTION 5 - DRIVE TRAIN

ITEM	PART NUMBER	QTY	DESCRIPTION	REV
249	70031563	8	Nut, Wheel	

SECTION 5 - DRIVE TRAIN

FIGURE 5-12. REAR AXLE ASSEMBLY - HUB REDUCTION (RH)



ART_1034299800_40F6

SECTION 5 - DRIVE TRAIN

FIGURE 5-12. REAR AXLE ASSEMBLY - HUB REDUCTION (RH)

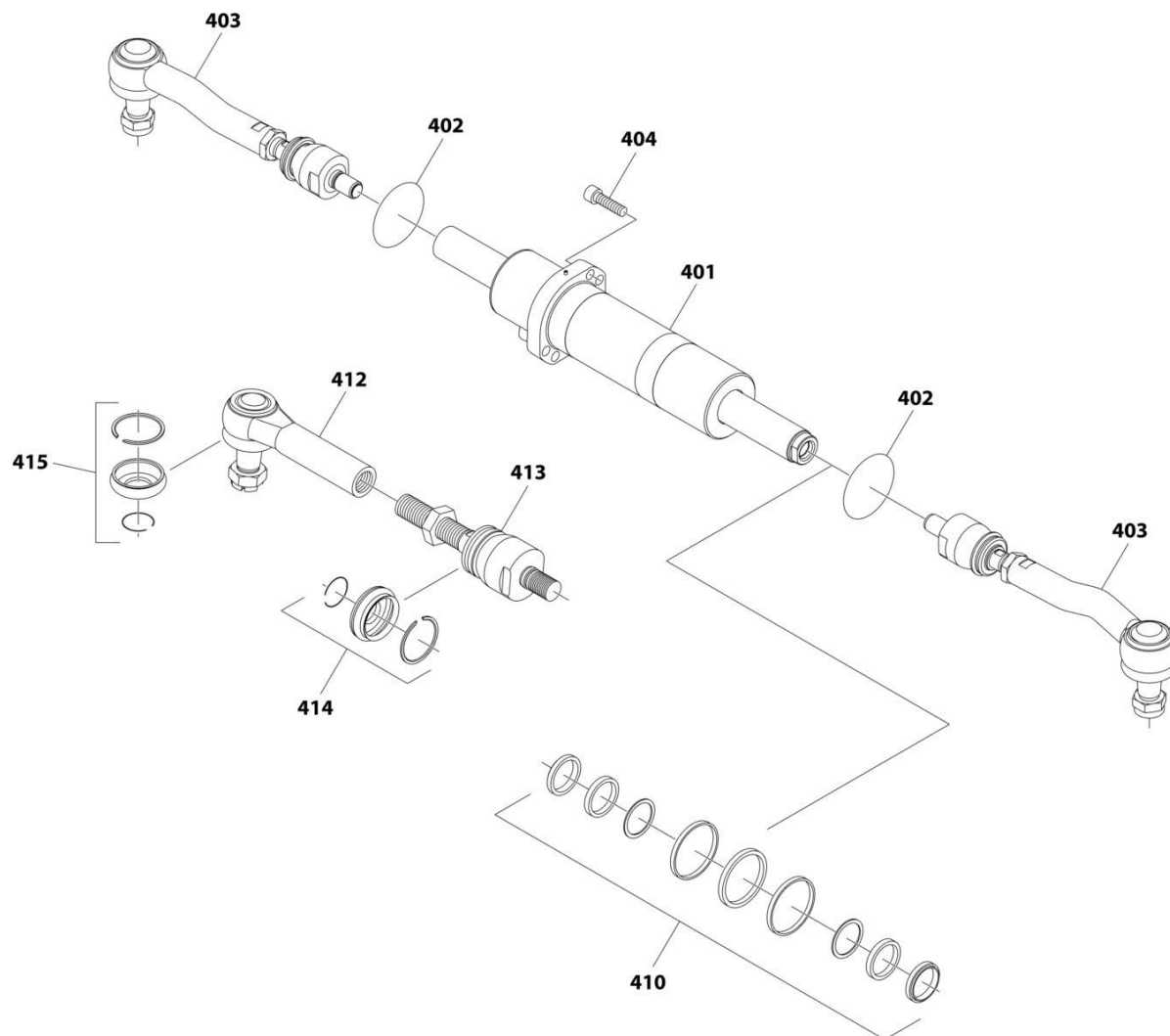
ITEM	PART NUMBER	QTY	DESCRIPTION	REV
	1034299800	Ref	AXLE ASSEMBLY - HUB REDUCTION (RH)	D
301	70029304	1	Housing, Axle Arm	
302	70024878	14	Screw	
303	70029283	1	Circlip	
304	70031281	1	Bearing Assembly (Includes Items 305-308)	
305	70029281	1	Circlip	
306	70031908	1	Bearing	
307	70029282	1	O-Ring	
308	70029278	1	Seal, Shaft	
309	70021147	1	O-Ring	
310	70029271	1	Cover, King Pin (Upper)	
311	70029274	1	King Pin Assembly (Includes Items 312 & 313)	
312	70029273	1	Ball Joint	
313	70021155	1	Seal, Wiper	
314	70029272	1	Bushing	
315	70029292	2	Spring, Belleville	
316	70029291	1	Seal, Wiper	
317	70025562	10	Screw	
318	70024881	2	Fitting, Grease	
319	80204117	2	Plug	
320	91474512	1	Plug, Breather	
321	70030251	2	Bearing	
322	70029276	1	Seal	
323	70021151	1	Seal	
324	70027315	4	Stud, Wheel	
325	91514189	2	Screw	
326	7028733	2	Kit, Steering Stop Screw	
327	7028733	2	Screw (Steering Stop)	
328	80204065	2	Nut (Steering Stop)	
329	7028706	1	Plug	
330	70029277	1	Setscrew	
331	80204172	1	Nut	
332	70031192	4	Nut	
333	91474507	1	O-Ring	
334	70029285	1	Hub Reduction Sub-Assembly (Includes Items 335-339)	
335	70024888	1	Carrier, Planet	
336	91474585	3	Circlip	
337	70027114	3	Planet Gear Sub-Assembly (Includes Items 338 & 339)	
338	70028473	3	Gear, Planet	
339	70028474	3	Bearing	
340	70031909	1	Ring Gear Sub-Assembly (Includes Items 341-343)	
341	See Note	NSS	Carrier, Ring Gear (Note: Use PN 70031909)	
342	See Note	NSS	Gear, Ring (Note: Use PN 70031909)	
343	91474579	1	Circlip	
344	70029280	1	Hub, Wheel	
345	70029286	1	Steering Knuckle Sub-Assembly (Includes Item 346)	
346	70031910	1	Bushing	
347	70024883	8	Stud, Wheel	
348	70031911	1	Axle Shaft and Universal Joint Assembly (Note: No Service Parts - Sold As Assembly Only)	

SECTION 5 - DRIVE TRAIN

ITEM	PART NUMBER	QTY	DESCRIPTION	REV
349	70031563	8	Nut, Wheel	
350	70028389	1	Plug	

SECTION 5 - DRIVE TRAIN

FIGURE 5-13. REAR AXLE ASSEMBLY - STEERING



ART_1034299800_50F6

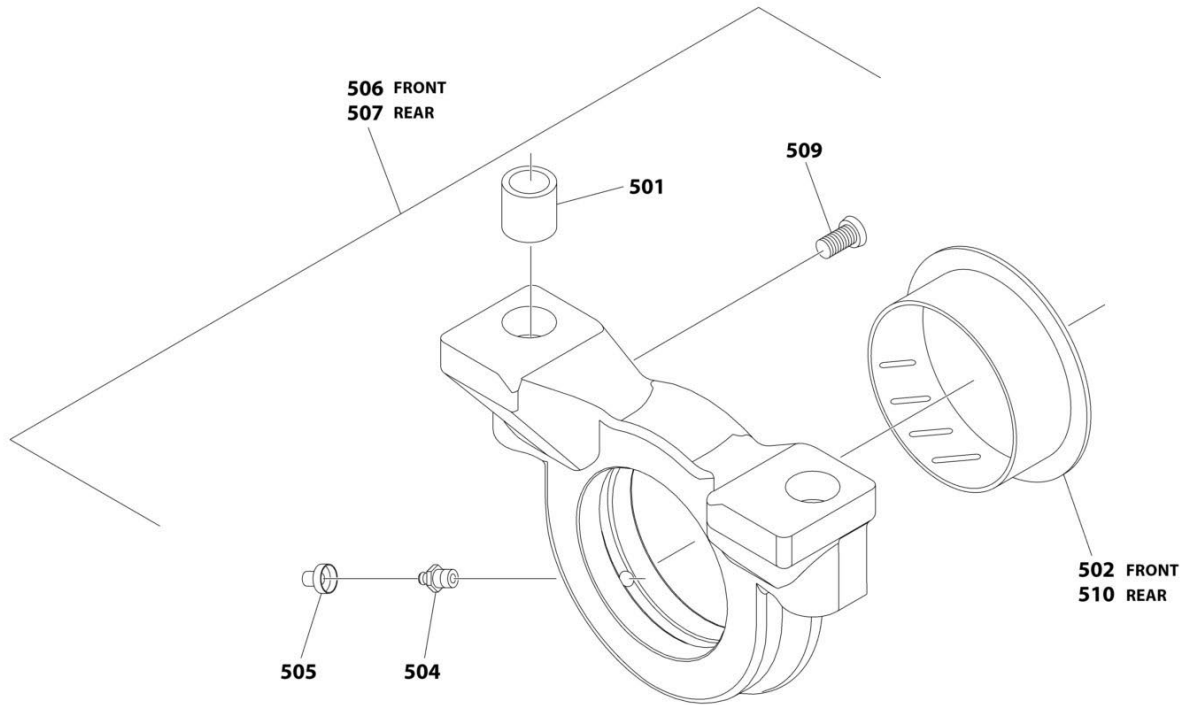
SECTION 5 - DRIVE TRAIN

FIGURE 5-13. REAR AXLE ASSEMBLY - STEERING

ITEM	PART NUMBER	QTY	DESCRIPTION	REV
	1034299800	Ref	AXLE ASSEMBLY - STEERING	D
401	70023035	1	Cylinder	
402	70020301	2	Ring	
403	70020302	2	Bar	
404	70020269	4	Bolt	
410	70023036	1	Kit, Seal - Cylinder	
412	70029300	1	Joint, 90	
413	70029301	1	Joint, Axial	
414	70027866	1	Kit, Rubber Boot and Locking Ring	
415	70027865	1	Kit, Rubber Boot and Locking Ring	

SECTION 5 - DRIVE TRAIN

FIGURE 5-14. REAR AXLE ASSEMBLY - TRUNION



ART_1034299800_60F6

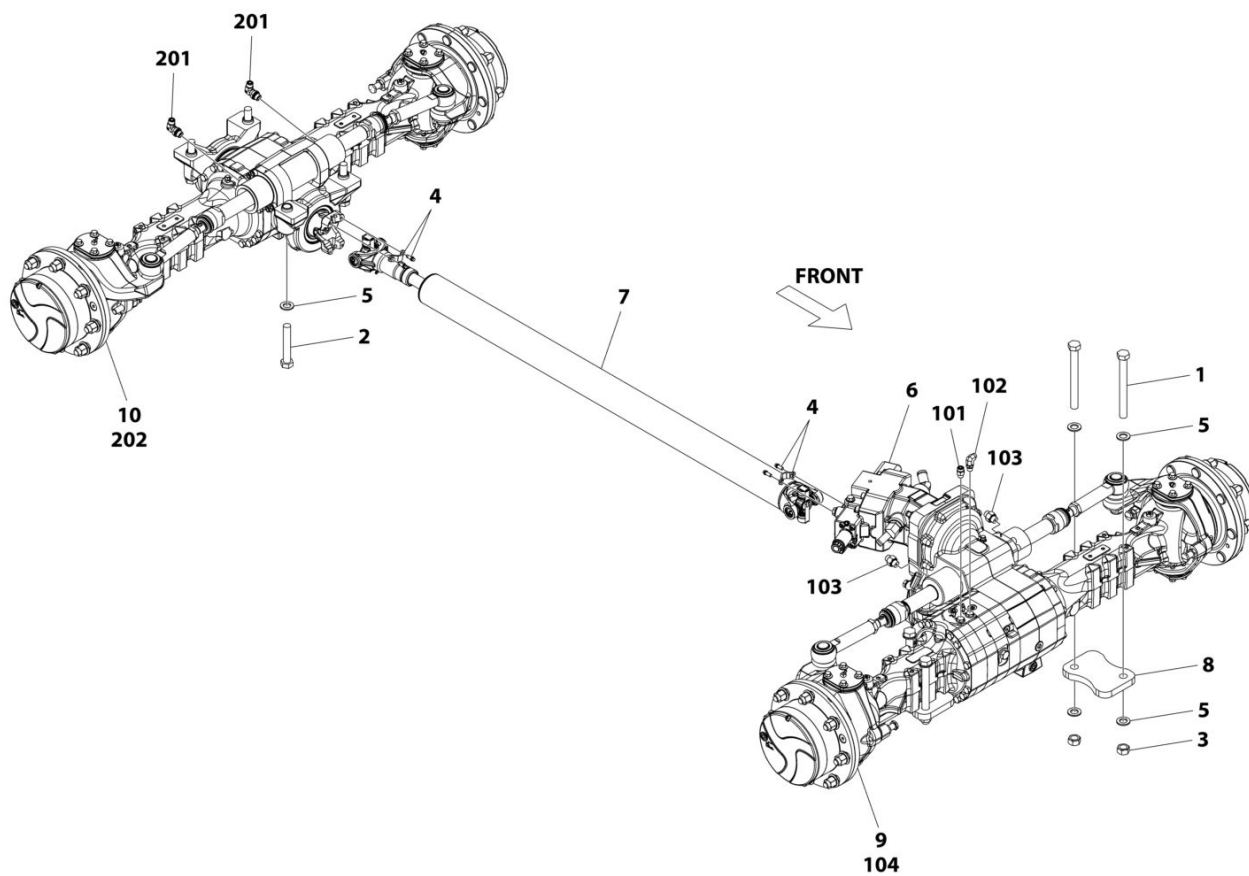
SECTION 5 - DRIVE TRAIN

FIGURE 5-14. REAR AXLE ASSEMBLY - TRUNION

ITEM	PART NUMBER	QTY	DESCRIPTION	REV
	1034299800	Ref	AXLE ASSEMBLY - TRUNION	D
501	91474516	4	Bushing (Part of Items 506 & 507)	
502	70021198	1	Bushing (Part of Item 506)	
504	70024881	2	Fitting, Grease (Part of Items 506 & 507)	
505	80204117	2	Plug (Part of Items 506 & 507)	
506	70021200	1	Support Assembly (Includes Items 501-505)	
507	70021200	1	Support Assembly (Includes Items 501, 503, 504 & 510)	
509	70028535	2	Bolt	
510	70021198	1	Bushing (Part of Item 507)	

SECTION 5 - DRIVE TRAIN

FIGURE 5-15. DRIVE TRAIN INSTALLATION



ART_1001290357

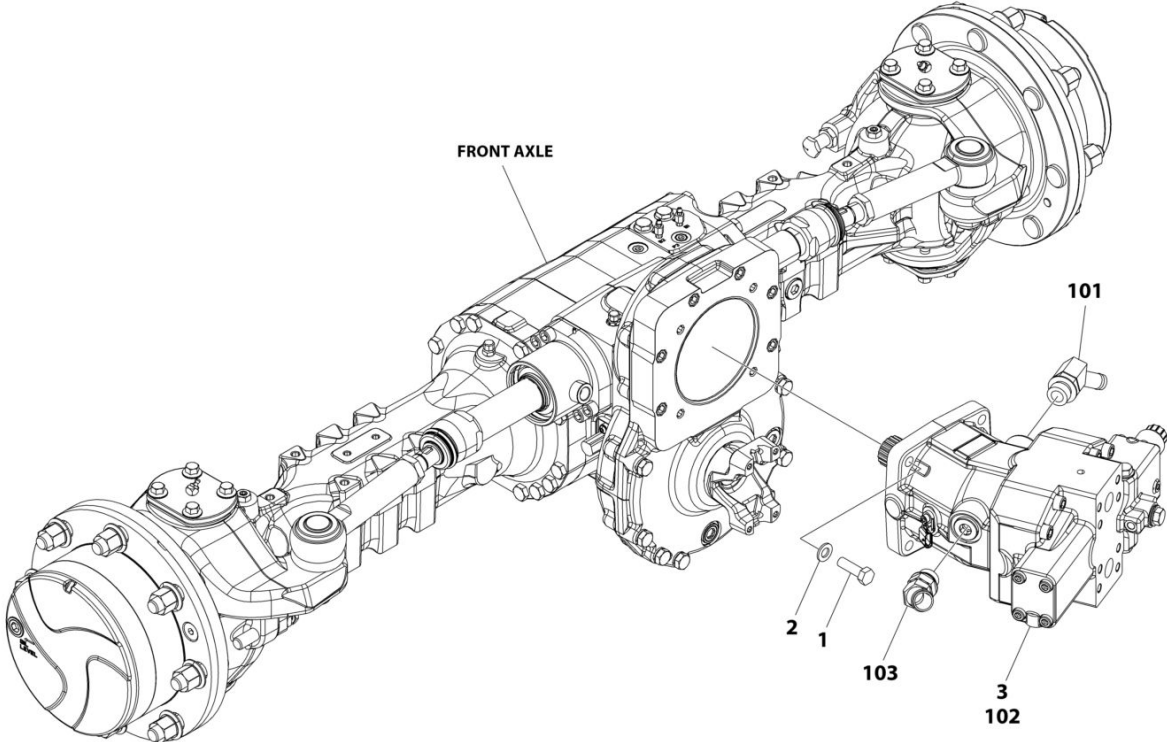
SECTION 5 - DRIVE TRAIN

FIGURE 5-15. DRIVE TRAIN INSTALLATION

ITEM	PART NUMBER	QTY	DESCRIPTION	REV
	1001290357	Ref	DRIVE TRAIN INSTALLATION	A
1	0702037	4	Bolt M20 x 200	
2	0712029	4	Bolt M20 x 120	
3	3332011	4	Nut M20	
4	8005079	4	Clamp, Universal	
5	1001197130	12	Washer M20	
6	1001290364	Ref	Drive Motor Installation (See Separate Breakdown in this Section)	
7	1001290380	1	Driveshaft	
8	1001290892	2	Plate	
9	1001293272	Ref	Axle Installation - Front (See Items 101-104)	
10	1001293273	Ref	Axle Installation - Rear (See Items 201 & 202)	
	1001293272	Ref	AXLE INSTALLATION - FRONT	
101	2144605	1	Fitting, Straight ORFS/MPP	
102	8770241	1	Fitting, 90 METRIC/ORFS	
103	1001081333	2	Fitting, Straight ORFS/MPP	
104	1027049900	1	Axle Assembly - Front (See Separate Breakdown in this Section)	
	1001293273	Ref	AXLE INSTALLATION - REAR	
201	1001303239	2	Fitting, 90 METRIC/ORFS	
202	1034299800	1	Axle Assembly - Rear (See Separate Breakdown in this Section)	

SECTION 5 - DRIVE TRAIN

FIGURE 5-16. DRIVE MOTER INSTALLATION



ART_1001290364

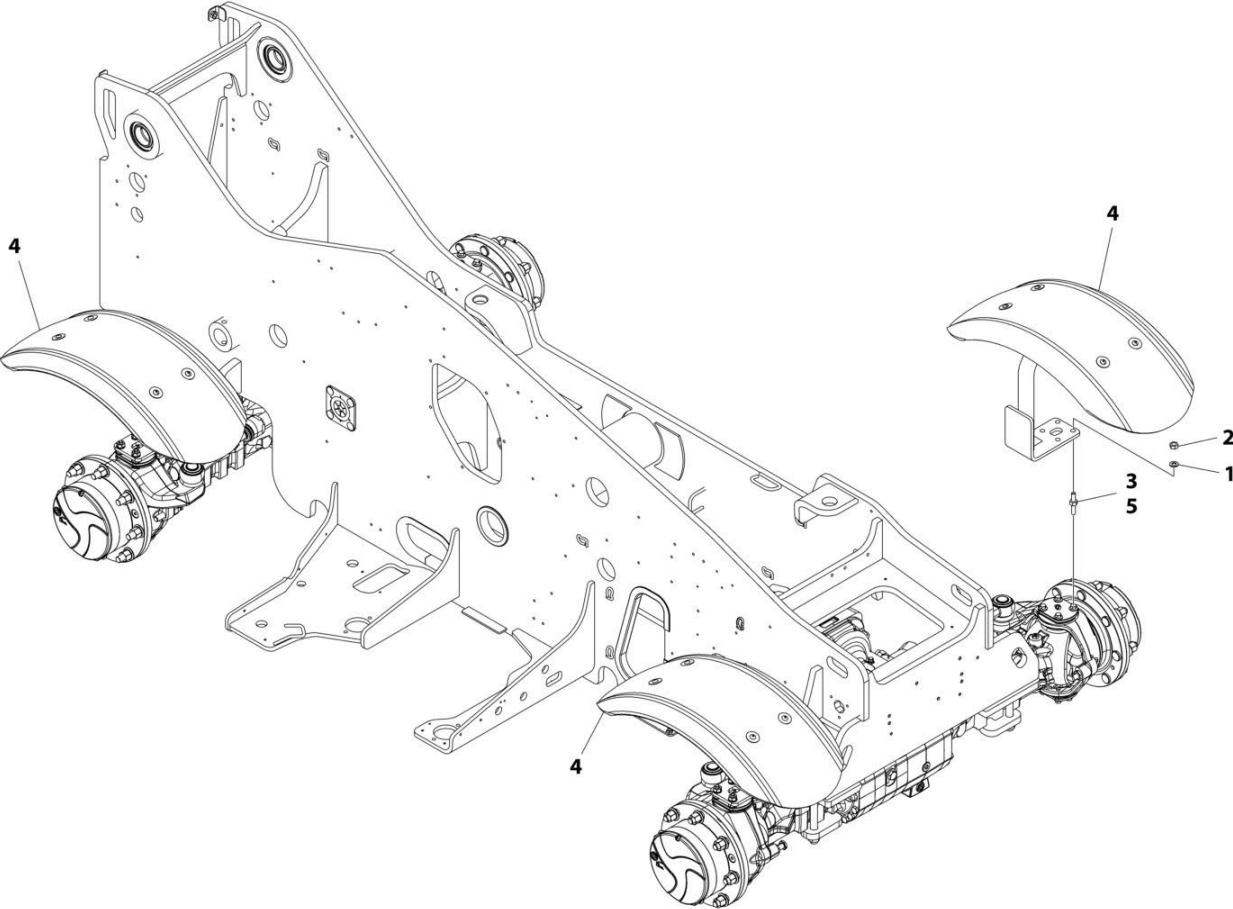
SECTION 5 - DRIVE TRAIN

FIGURE 5-16. DRIVE MOTER INSTALLATION

ITEM	PART NUMBER	QTY	DESCRIPTION	REV
	1001290364	Ref	DRIVE MOTER INSTALLATION	B
1	0711216	4	Bolt M12 x 40	
2	4812100	4	Washer M12	
3	1001290365	Ref	Drive Moter Sub-Assembly	
101	2180896	1	Fitting, 45	
102	1001286267	1	Drive Moter Assembly (See Separate Breakdown in HYDRAULIC COMPONENTS Section)	
103	1001294261	1	Fitting, 45	

SECTION 5 - DRIVE TRAIN

FIGURE 5-17. FENDER INSTALLATION



ART_1001298450

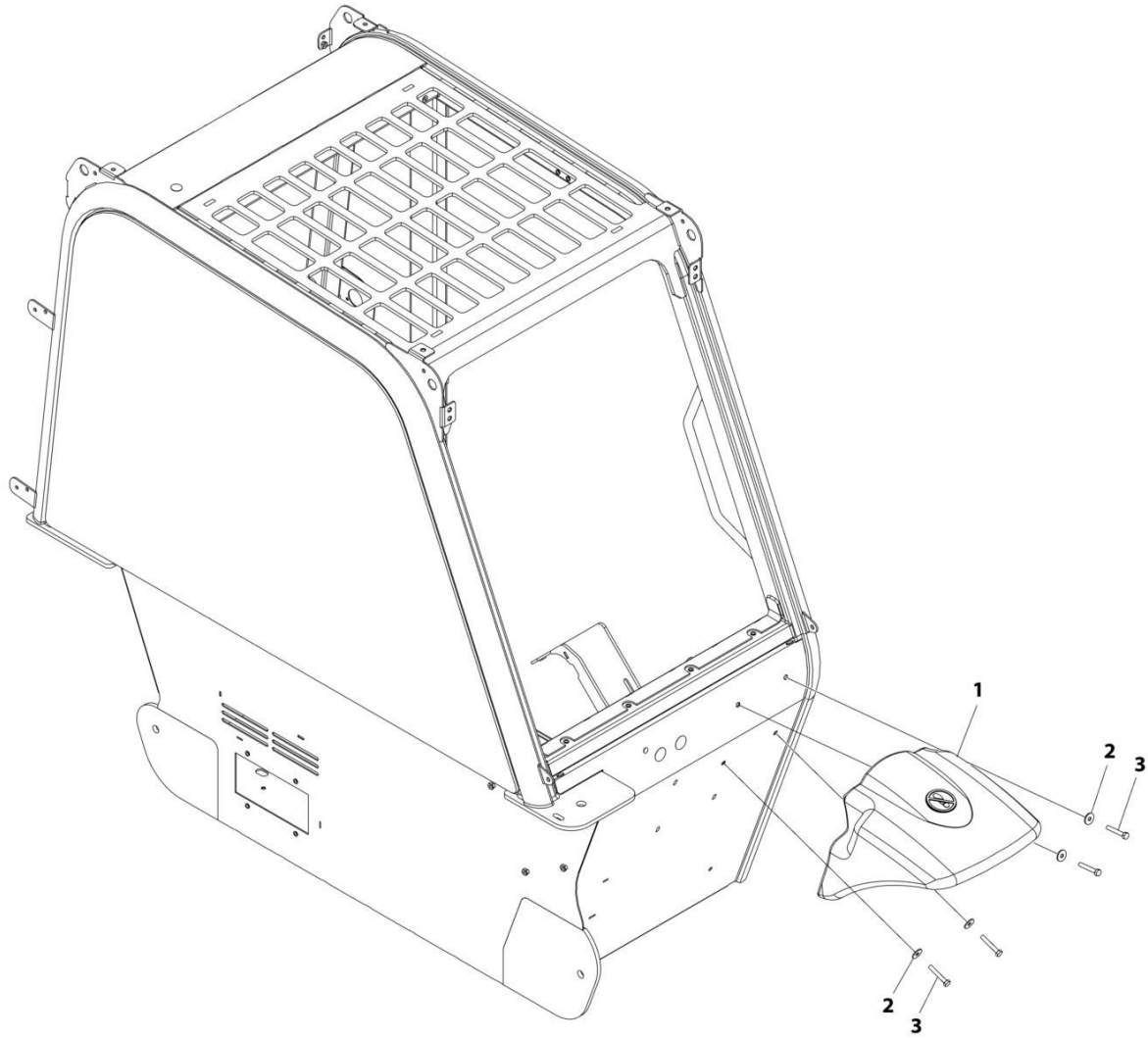
SECTION 5 - DRIVE TRAIN

FIGURE 5-17. FENDER INSTALLATION

ITEM	PART NUMBER	QTY	DESCRIPTION	REV
	1001298450	Ref	FENDER INSTALLATION	B
1	4812100	12	Washer M12	
2	91513266	12	Nut M12	
3	91514118	12	Stud, Fender	
4	1001235014	3	Fender Assembly (See Separate Breakdown in this Section)	
5	0100019	AR	Compound, Locking	

SECTION 5 - DRIVE TRAIN

FIGURE 5-18. FENDER INSTALLATION (CAB)



ART_1001302027

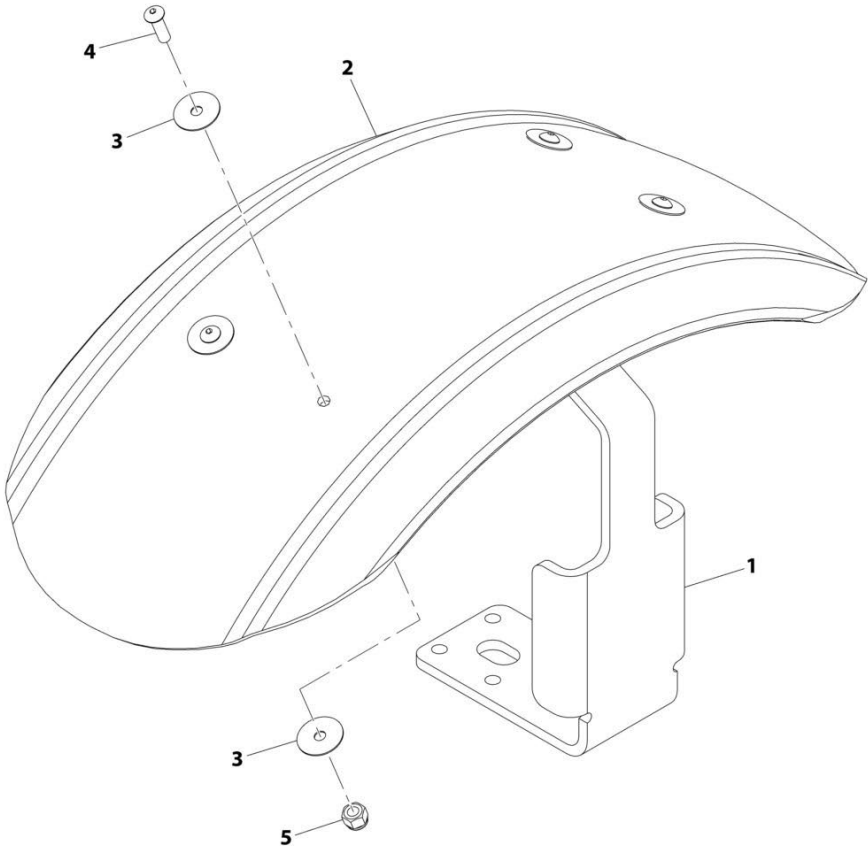
SECTION 5 - DRIVE TRAIN

FIGURE 5-18. FENDER INSTALLATION (CAB)

ITEM	PART NUMBER	QTY	DESCRIPTION	REV
	1001302027	Ref	FENDER INSTALLATION (CAB)	B
1	1001080891	1	Fender	
2	4811902	4	Washer M8	
3	0700818	4	Bolt M8 x 50	

SECTION 5 - DRIVE TRAIN

FIGURE 5-19. FENDER ASSEMBLY



ART_1001235014-A

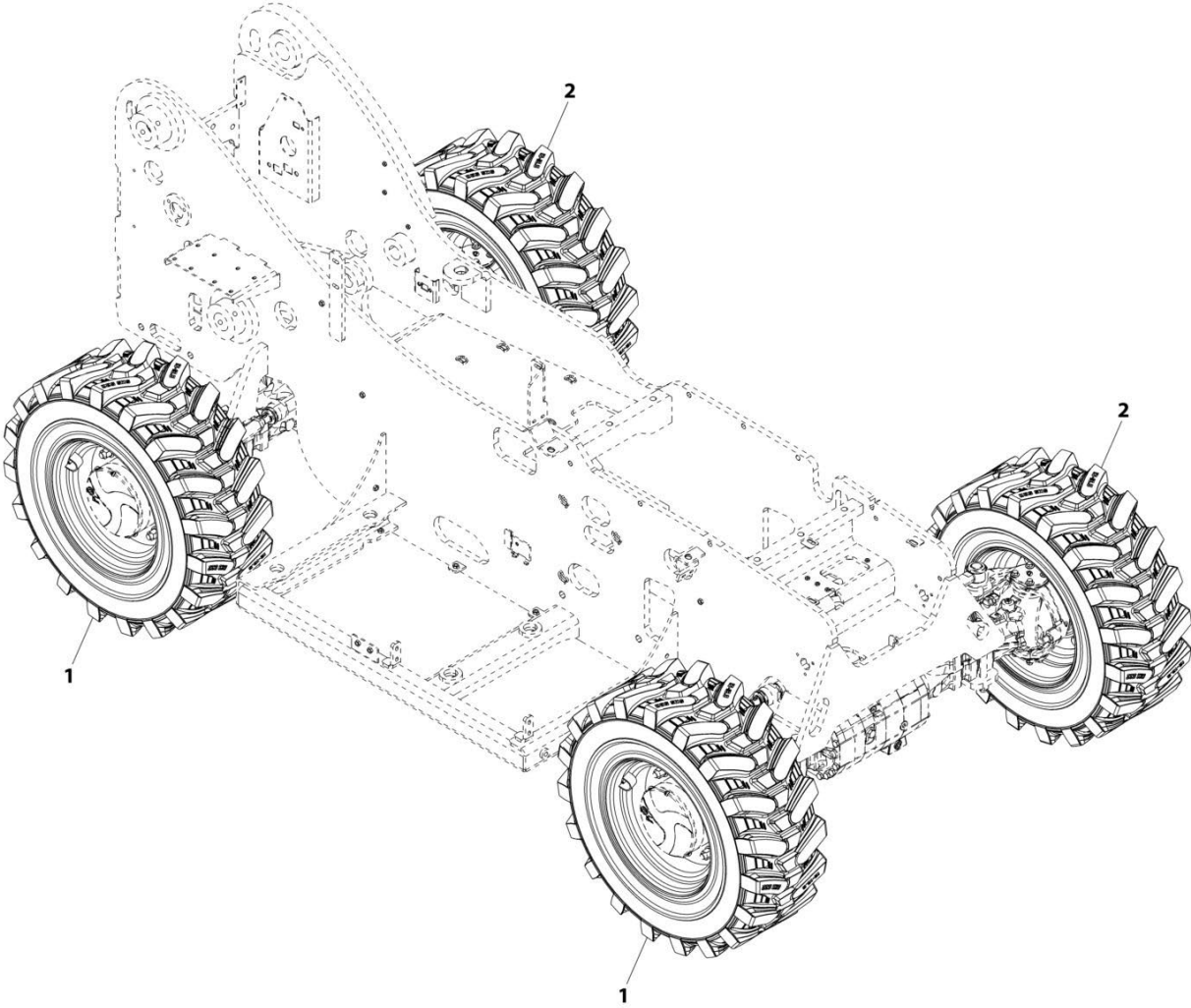
SECTION 5 - DRIVE TRAIN

FIGURE 5-19. FENDER ASSEMBLY

ITEM	PART NUMBER	QTY	DESCRIPTION	REV
	1001235014	Ref	Fender Assembly	A
1	1001234973	1	Fender Mount	
2	1001080212	1	Wheel Fender	
3	8310246	8	Fender Washer, 3/8X0.048X1-1/2	
4	88261030	4	Socket HD Capscrew, 3/8-16X1-1/4	
5	88521206	4	Locknut, 3/8-16	

SECTION 5 - DRIVE TRAIN

FIGURE 5-20. TIRE SET - 12 X 16.5 PHUEMATIC



ART_1001236316-A

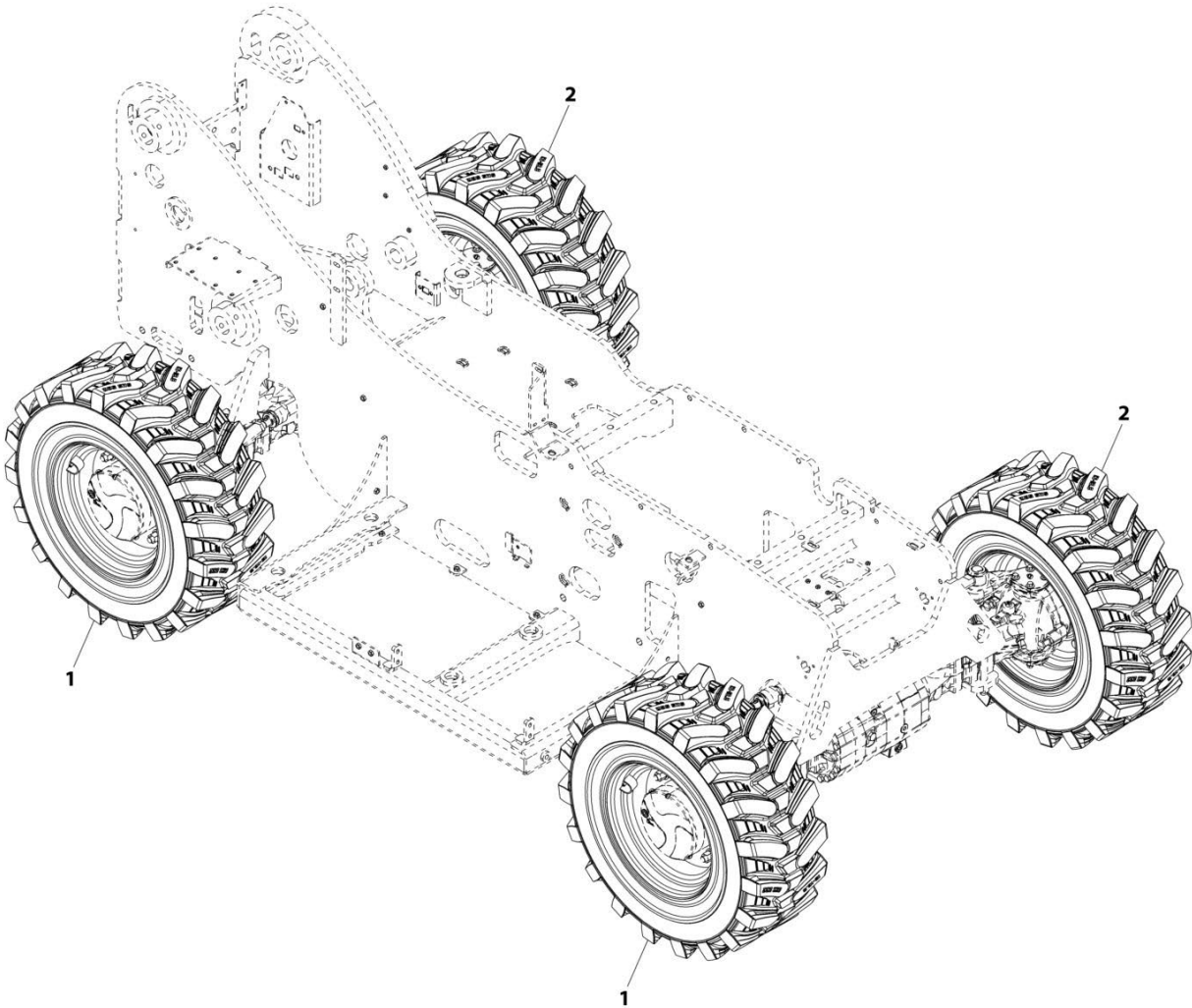
SECTION 5 - DRIVE TRAIN

FIGURE 5-20. TIRE SET - 12 X 16.5 PNEUMATIC

ITEM	PART NUMBER	QTY	DESCRIPTION	REV
1	1001236316	Ref	Tire/Wheel Set, Camso (Air 12-16.5 - 12 PLY)	A
	1001236666	2	Right Tire/Wheel Assembly, Camso (Air 12-16.5 - 12 Ply) (See Separate Breakdown in this Section)	
2	1001236667	2	Left Tire/Wheel Assembly, Camso (Air 12-16.5 - 12 Ply) (See Separate Breakdown in this Section)	

SECTION 5 - DRIVE TRAIN

FIGURE 5-21. TIRE SET - 12 X 16.5 FOAM-FILLED



ART_1001236319-A

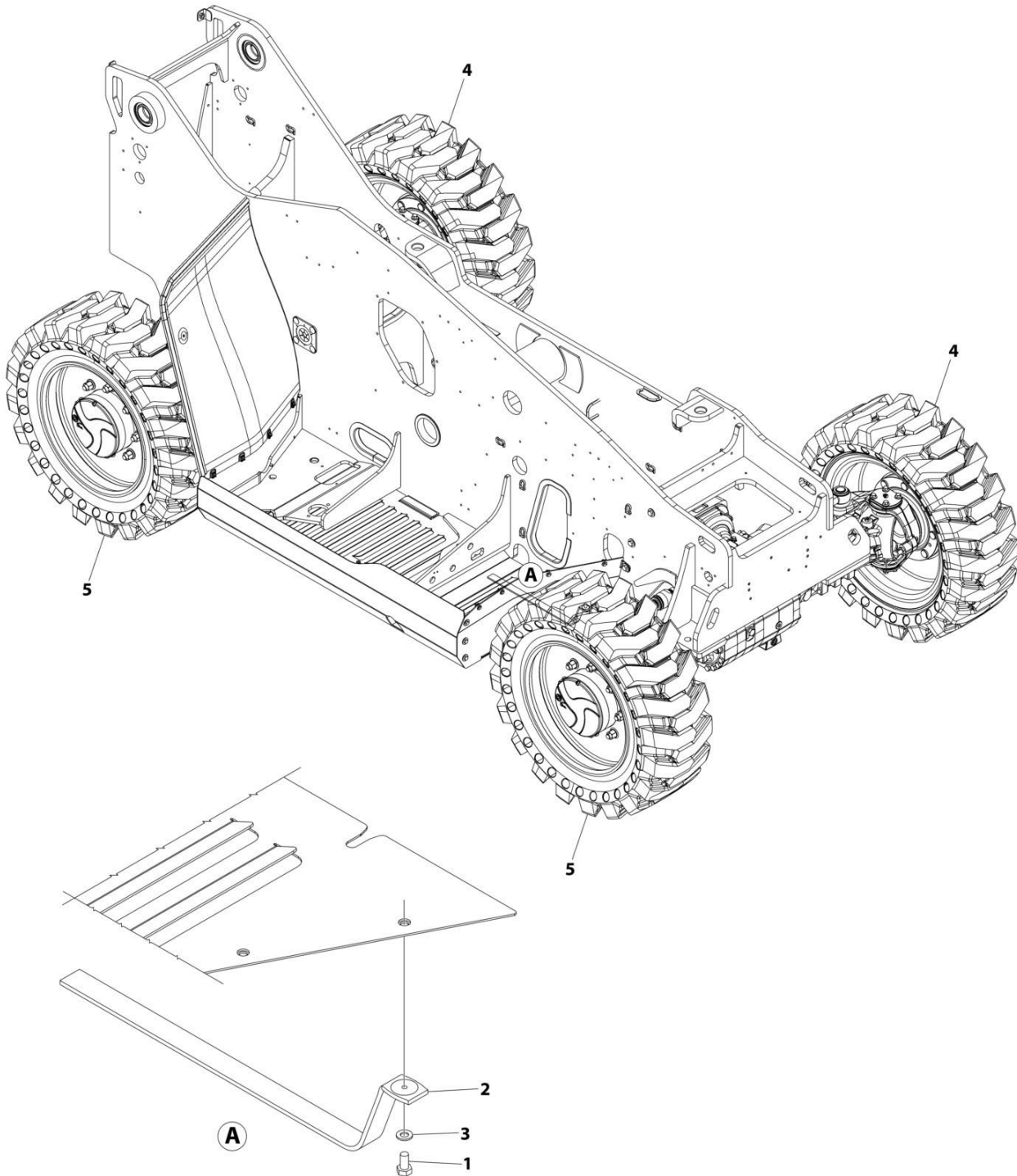
SECTION 5 - DRIVE TRAIN

FIGURE 5-21. TIRE SET - 12 X 16.5 FOAM-FILLED

ITEM	PART NUMBER	QTY	DESCRIPTION	REV
	1001236319	Ref	Tire/Wheel Set, Camso (Foam 12-16.5 - 12 PLY)	A
1	1001236668	2	Wheel and Tire Assembly, Right, 12-16.5, Foam	
2	1001236669	2	Wheel and Tire Assembly, Left, 12-16.5, Foam	

SECTION 5 - DRIVE TRAIN

FIGURE 5-22. TIRE SET - 33 X 12-20 NON MARKING



ART_1001315382

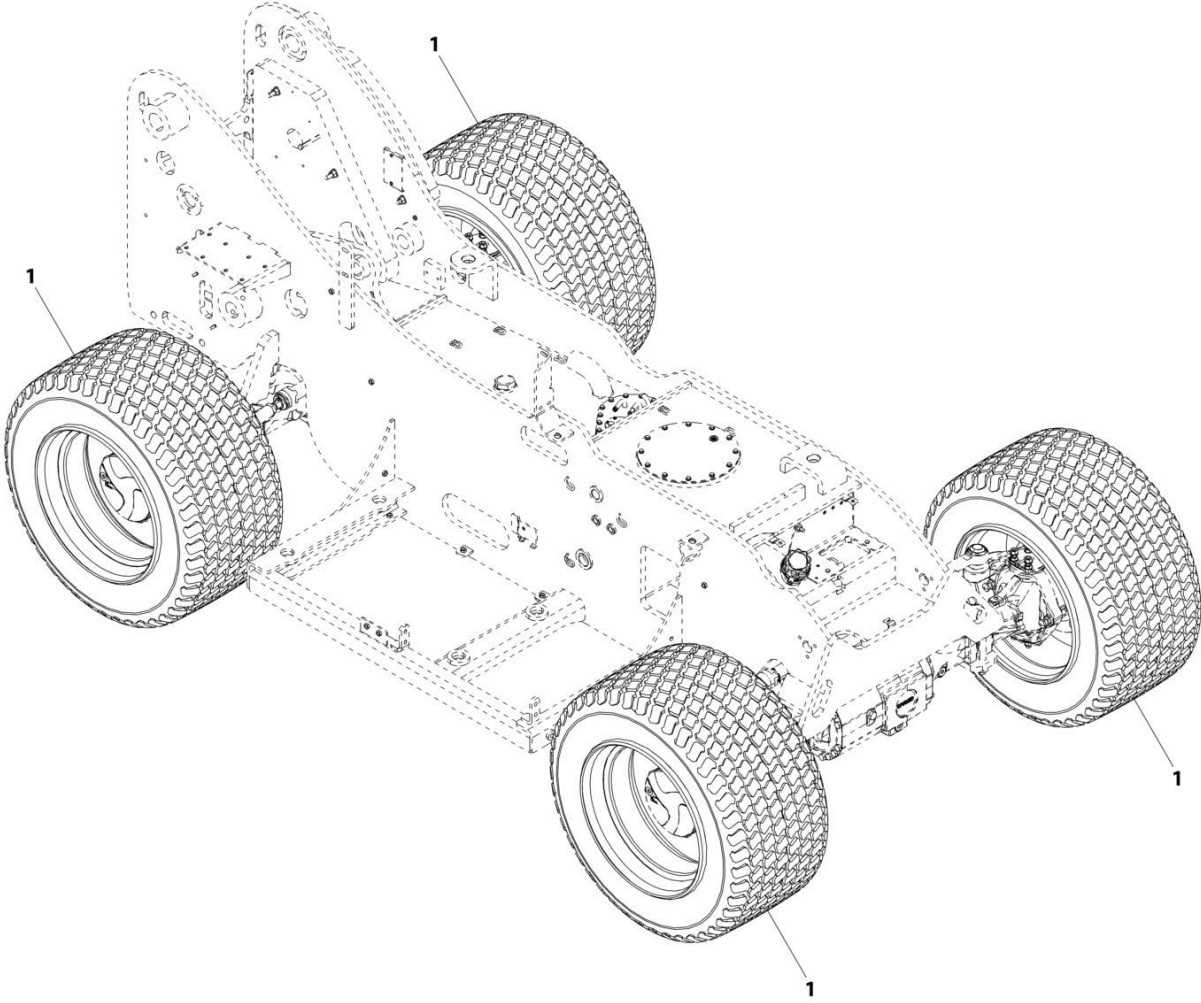
SECTION 5 - DRIVE TRAIN

FIGURE 5-22. TIRE SET - 33 X 12-20 NON MARKING

ITEM	PART NUMBER	QTY	DESCRIPTION	REV
	1001315382	Ref	TIRE/WHEEL SET (SOLID 33 X 12-20 - NM)	A
1	0760810	1	Bolt M8 x 20	
2	4240084	1	Anti-Static Strap	
3	4811900	1	Washer M8	
4	1001200796	2	Wheel and Tire Assembly, Left, Non-Marking	
5	1001200797	2	Wheel and Tire Assembly, Right, Non-Marking	

SECTION 5 - DRIVE TRAIN

FIGURE 5-23. TIRE SET - 33 X 16 TURF



ART_1001234507-A

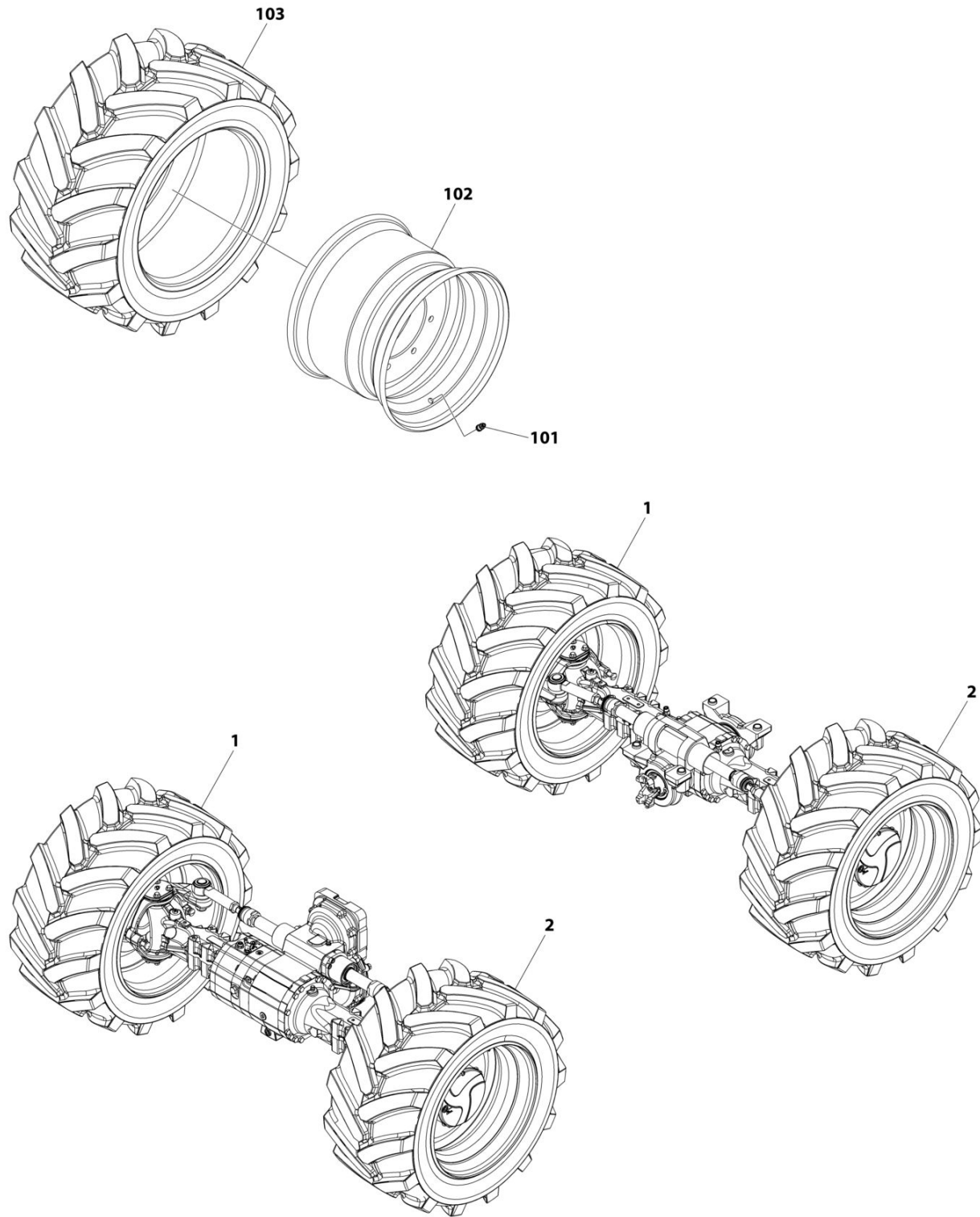
SECTION 5 - DRIVE TRAIN

FIGURE 5-23. TIRE SET - 33 X 16 TURF

ITEM	PART NUMBER	QTY	DESCRIPTION	REV
1	1001234507 1001233304	1 4	Tire/Wheel Set 33X16LL 19.5 - Turf/Sand Assembly, Tire/Wheel 33X16LL 19.5 - Turf/Sand (See TIRE/WHEEL ASSEMBLY 33X16LL 19.5 TURF/SAND for Breakdown)	A

SECTION 5 - DRIVE TRAIN

FIGURE 5-24. TIRE SET - 33 X 16 AG



ART_1001310843

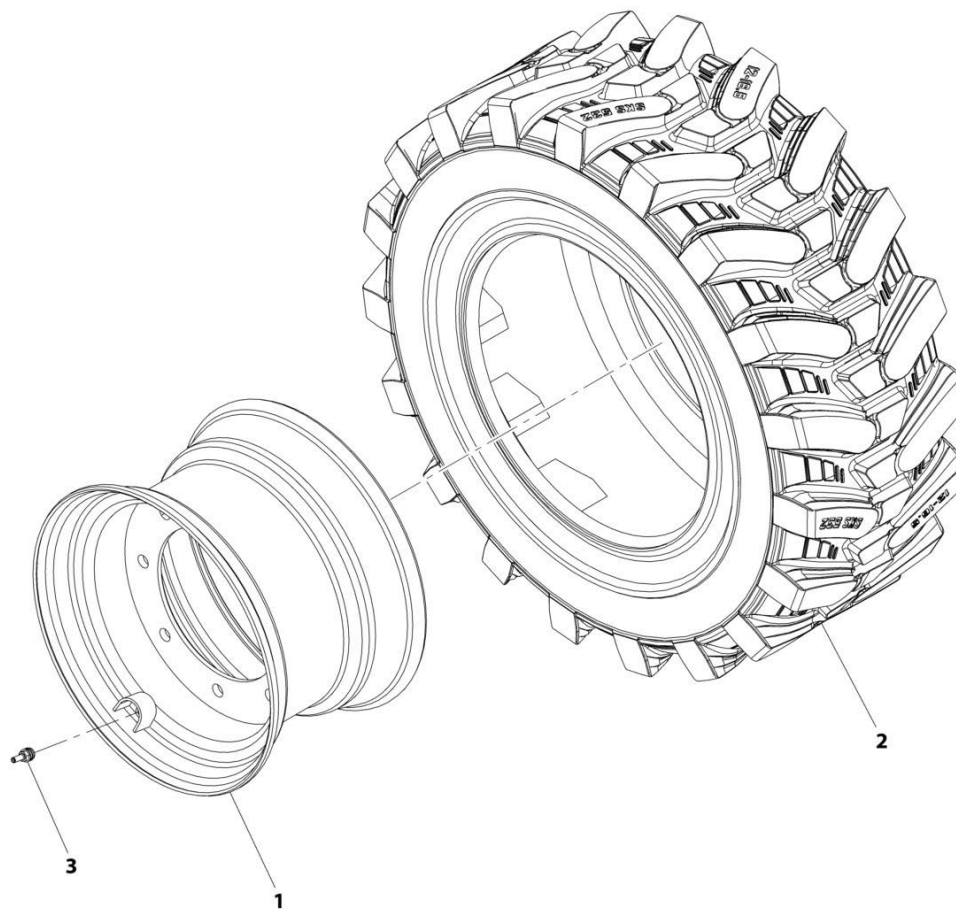
SECTION 5 - DRIVE TRAIN

FIGURE 5-24. TIRE SET - 33 X 16 AG

ITEM	PART NUMBER	QTY	DESCRIPTION	REV
	1001310843	Ref	TIRE SET - 33 X 16 AG	A
1	1001310810	2	Tire and Wheel Assembly (RH) (See Items 101-103 for Breakdown)	A
2	1001310811	2	Tire and Wheel Assembly (LH) (See Items 101-103 for Breakdown)	A
101	4640113	4	Valve, Air (1 per assembly)	
102	1001233305	4	Wheel (1 per assembly)	
103	1001310801	4	Tire - 33 x 16 (1 per assembly)	

SECTION 5 - DRIVE TRAIN

FIGURE 5-25. RIGHT TIRE/WHEEL ASSEMBLY, CAMSO (AIR 12-16.5 - 12 PLY)



ART_1001236666-A

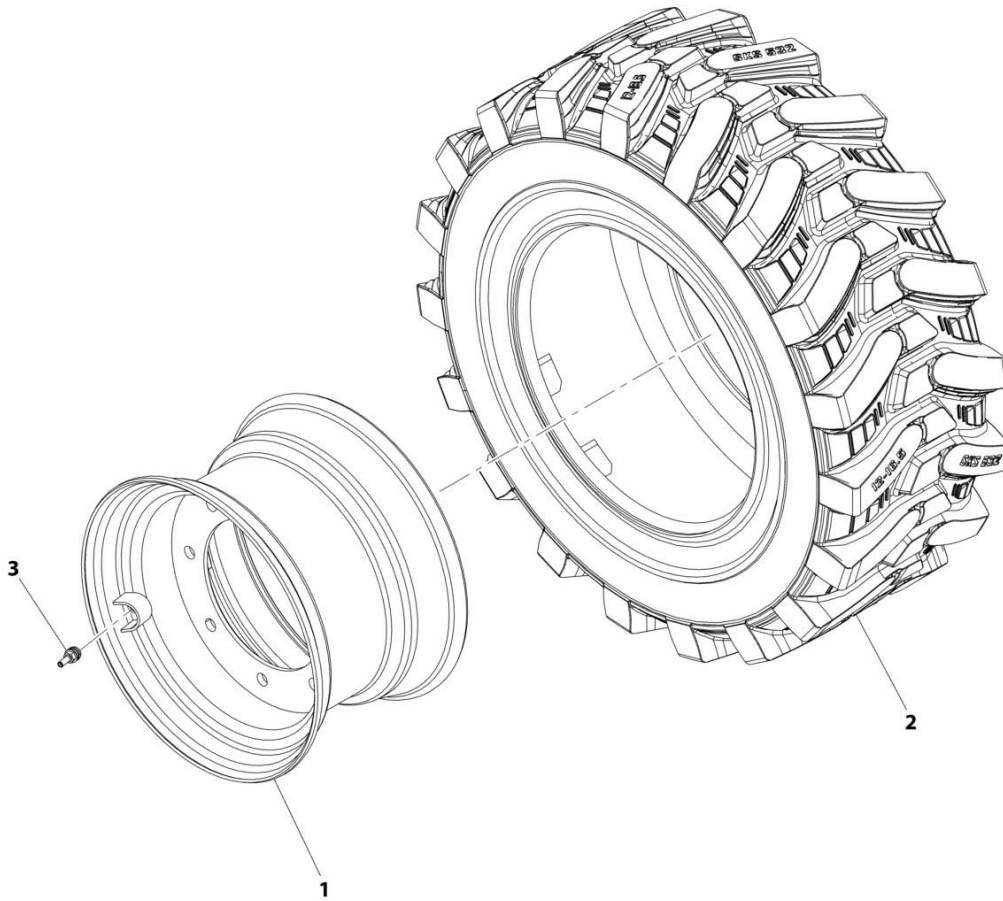
SECTION 5 - DRIVE TRAIN

FIGURE 5-25. RIGHT TIRE/WHEEL ASSEMBLY, CAMSO (AIR 12-16.5 - 12 PLY)

ITEM	PART NUMBER	QTY	DESCRIPTION	REV
	1001236666	Ref	Right Tire/Wheel Assembly, Camso (Air 12-16.5 - 12 PLY)	A
1	1001139975	1	Wheel, 16.5X9.75	
2	1001232351	1	Tire, 12-16.5 - 12 Ply	
3	4640163	1	Tire Valve	

SECTION 5 - DRIVE TRAIN

FIGURE 5-26. LEFT TIRE/WHEEL ASSEMBLY, CAMSO (AIR 12-16.5 - 12 PLY)



ART_1001236667-A

SECTION 5 - DRIVE TRAIN

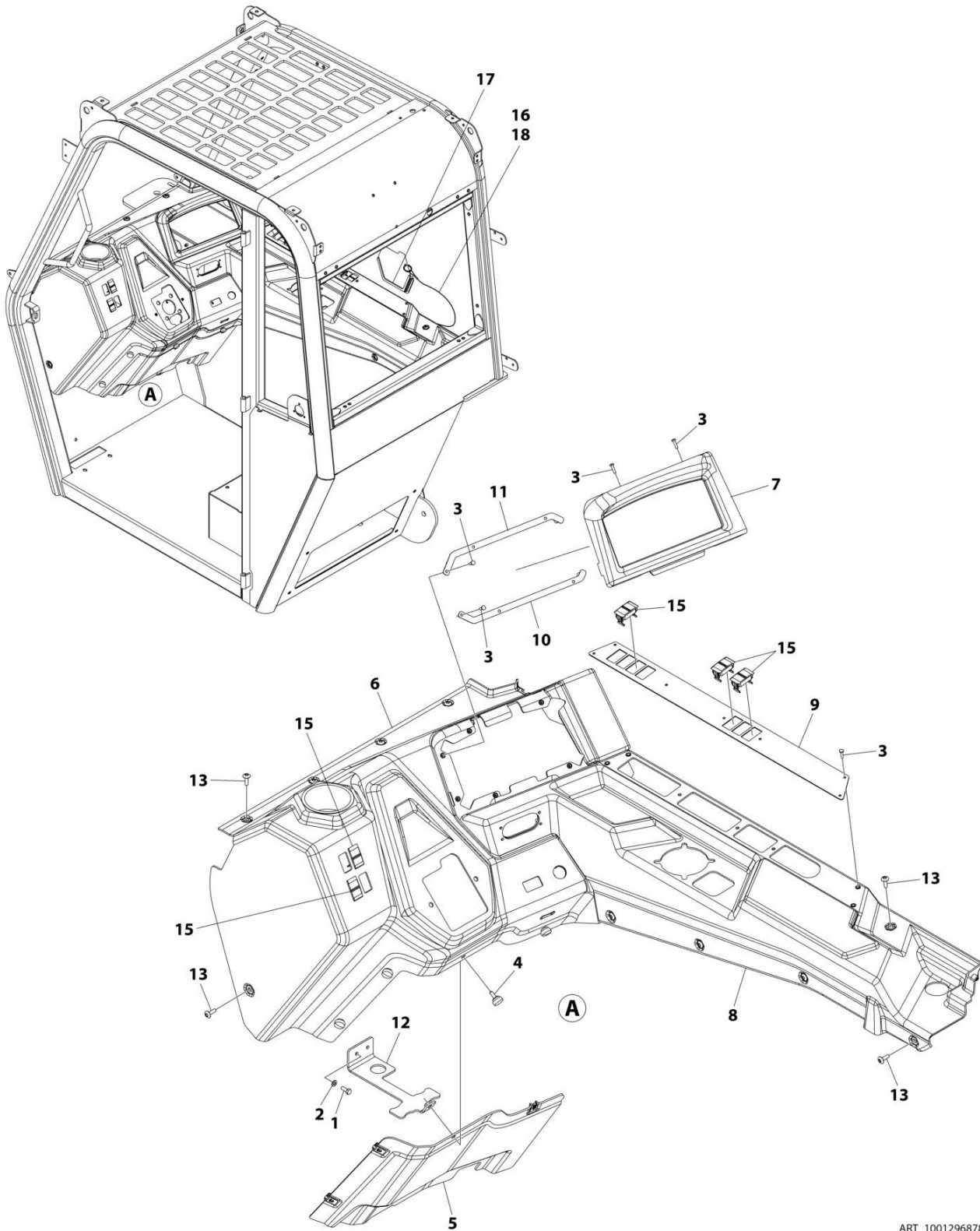
FIGURE 5-26. LEFT TIRE/WHEEL ASSEMBLY, CAMSO (AIR 12-16.5 - 12 PLY)

ITEM	PART NUMBER	QTY	DESCRIPTION	REV
	1001236667	Ref	Left Tire/Wheel Assembly, Camso (Air 12-16.5 - 12 PLY)	A
1	1001139975	1	Wheel, 16.5X9.75	
2	1001232351	1	Tire, 12-16.5 - 12 Ply	
3	4640163	1	Tire Valve	

SECTION 6 - CAB

SECTION 6 - CAB

FIGURE 6-1. CAB TRIM INSTALLATION - OPEN CAB



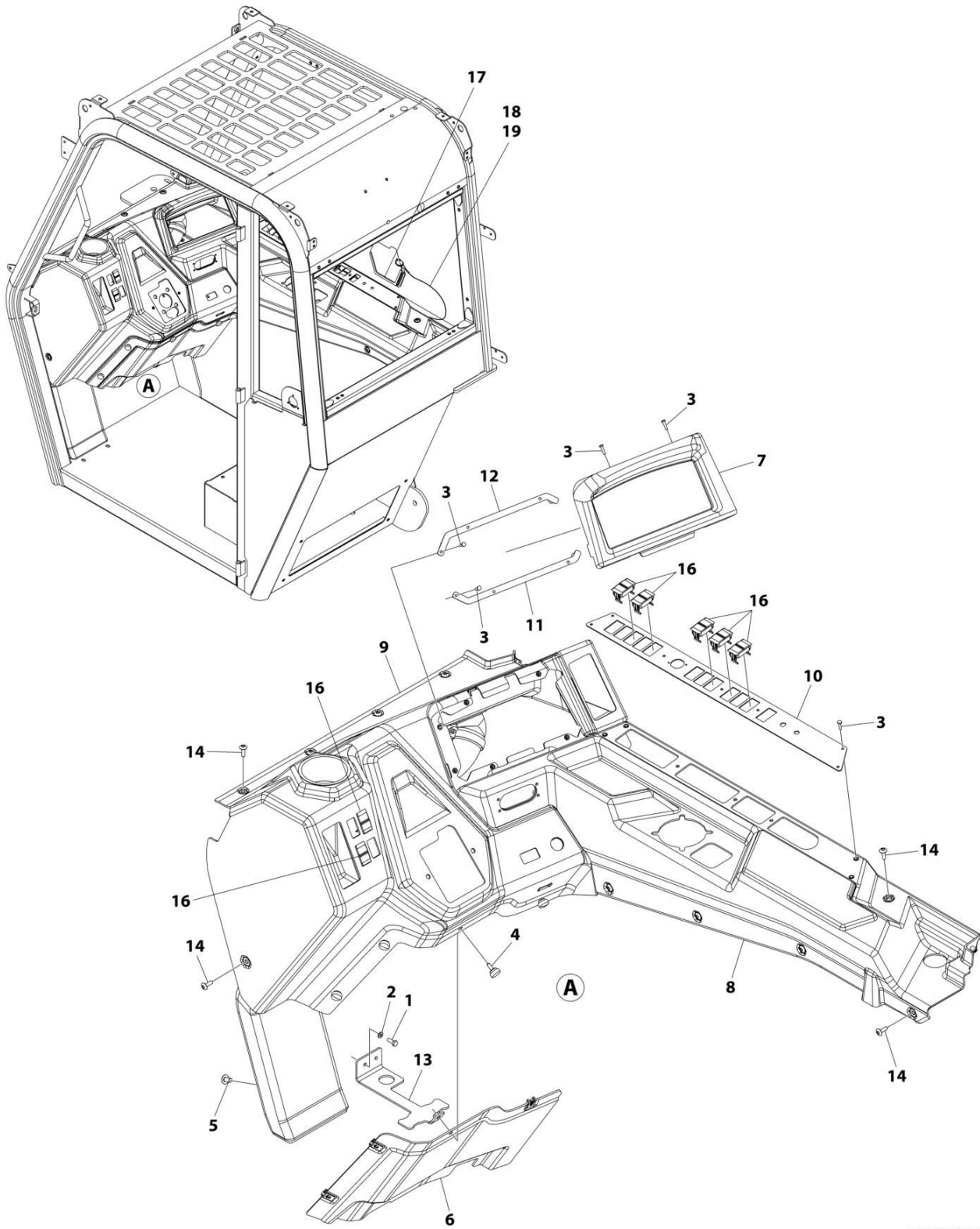
ART_1001296878

FIGURE 6-1. CAB TRIM INSTALLATION - OPEN CAB

ITEM	PART NUMBER	QTY	DESCRIPTION	REV
	1001296878	Ref	CAB TRIM INSTALLATION	C
1	0760608	2	Bolt M6 x 16	
2	4811700	2	Washer M6	
3	1001126837	15	Screw M4 x 16	
4	1001208308	4	Thumbscrew M6 x 15	
5	1001296894	1	Cover, Dash (Lower)	
6	1001296927	1	Cover, Dash	
7	1001296939	1	Cover, Display	
8	1001297171	Ref	Armrest/Console Installation (See Separate Breakdown in this Section)	
9	1001310867	1	Cover, Console	
10	1001297320	1	Bracket, Display (Lower)	
11	1001297323	1	Bracket, Display (Upper)	
12	1001298308	1	Bracket, Dash Mount	
13	1001272884	11	Bolt M6 x 20	
15	1001080494	5	Cover, Switch	
16	1001104541	1	Ring, Split	
17	1001300360	1	Cover, Loadcharts	
18	1001303376	1	Lanyard	

SECTION 6 - CAB

FIGURE 6-2. CAB TRIM INSTALLATION - CLOSED CAB



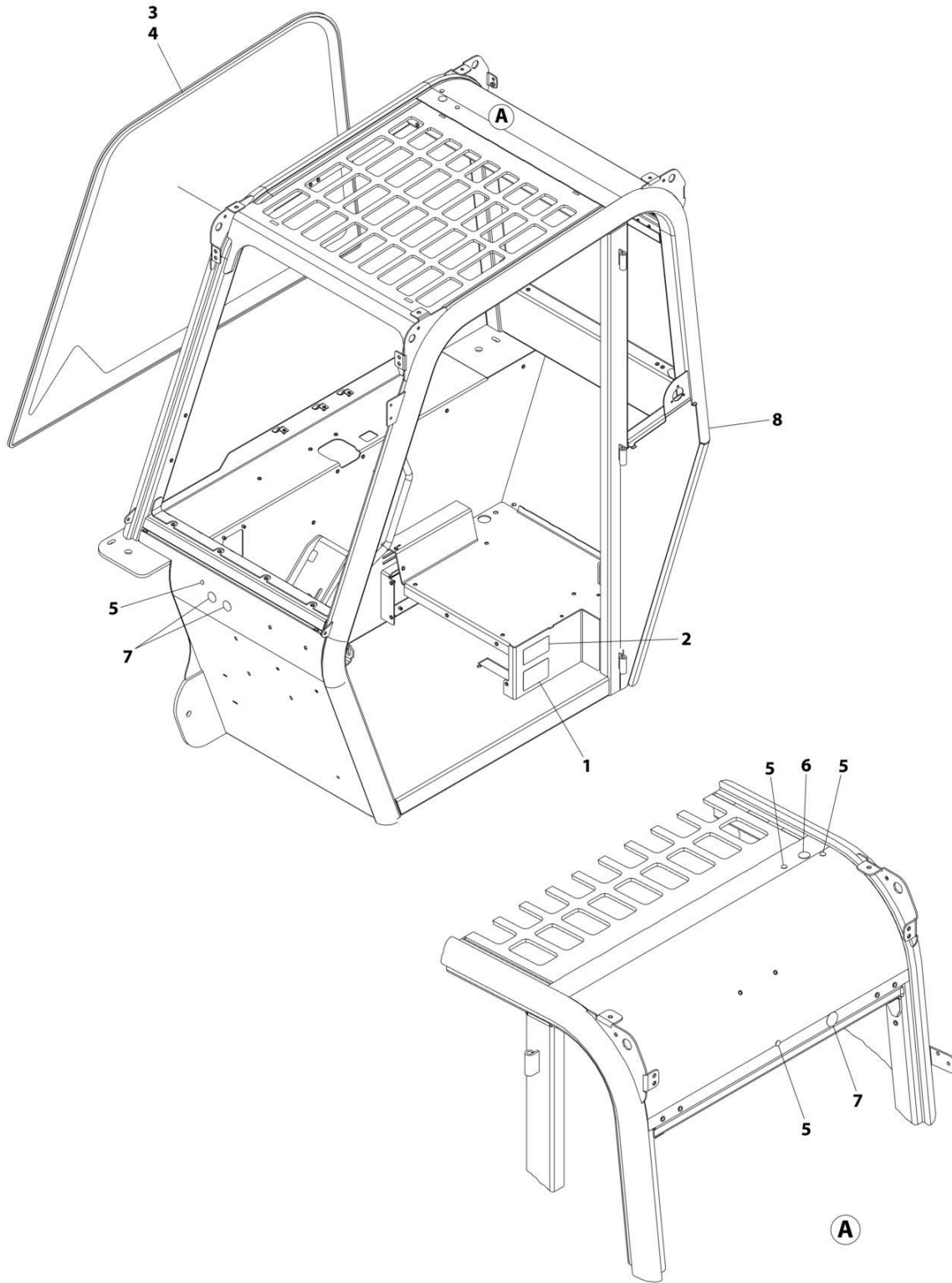
ART_1001296879

FIGURE 6-2. CAB TRIM INSTALLATION - CLOSED CAB

ITEM	PART NUMBER	QTY	DESCRIPTION	REV
	1001296879	Ref	CAB TRIM INSTALLATION	D
1	0760608	2	Bolt M6 x 16	
2	4811700	2	Washer M6	
3	1001126837	15	Screw M4 x 16	
4	1001208308	4	Thumbscrew M6 x 15	
5	1001295925	2	Screw M8 x 15	
6	1001296894	1	Cover, Dash (Lower)	
7	1001296939	1	Cover, Display	
8	1001297171	Ref	Armrest/Console Installation (See Separate Breakdown in this Section)	
9	1001297179	Ref	Cab Duct Installation (See Separate Breakdown in this Section)	
10	1001310866	1	Cover, Console	
11	1001297320	1	Bracket, Display (Lower)	
12	1001297323	1	Bracket, Display (Upper)	
13	1001298308	1	Bracket, Dash Mount	
14	1001272884	11	Bolt M6 x 20	
16	1001080494	7	Cover, Switch	
17	1001300360	1	Cover, Loadcharts	
18	1001104541	1	Ring, Split	
19	1001303376	1	Lanyard	

SECTION 6 - CAB

FIGURE 6-3. CAB ASSEMBLY - OPEN CAB



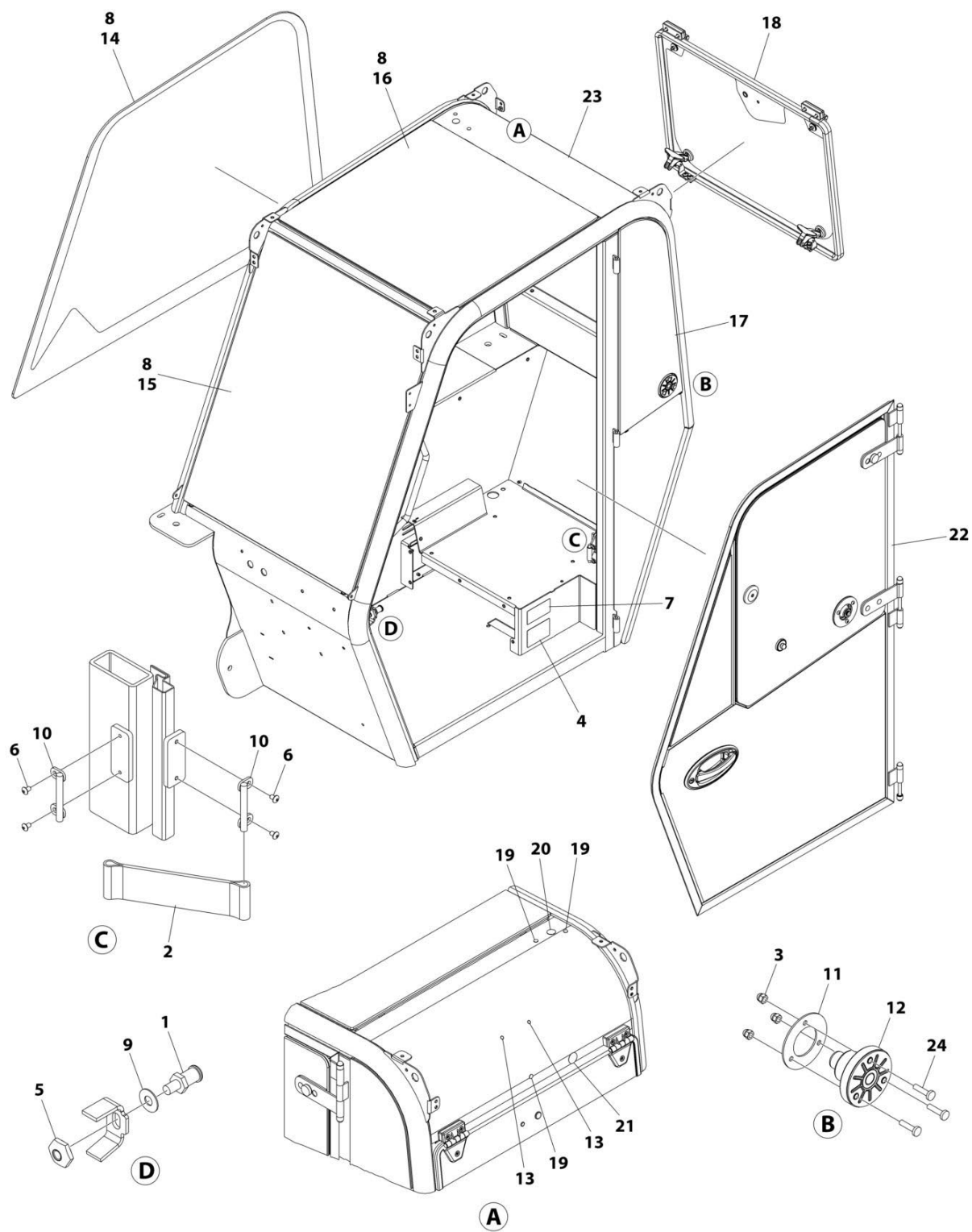
ART_1001298616

FIGURE 6-3. CAB ASSEMBLY - OPEN CAB

ITEM	PART NUMBER	QTY	DESCRIPTION	REV
	1001298616	Ref	CAB ASSEMBLY - OPEN CAB	C
1	1001109365	1	Decal - Rops Warning	
2	See Note	NSS	Nameplate, Serial Number (Note: Not Available for Purchase)	
3	1001215531	AR	Adhesive	
4	1001293502	1	Glass (RH Side)	
5	1001293613	4	Plug 9.5MM	
6	1001293614	1	Plug 19.1MM	
7	1001293615	3	Plug 25.4MM	
8	1001298109	1	Cab	

SECTION 6 - CAB

FIGURE 6-4. CAB ASSEMBLY - CLOSED CAB



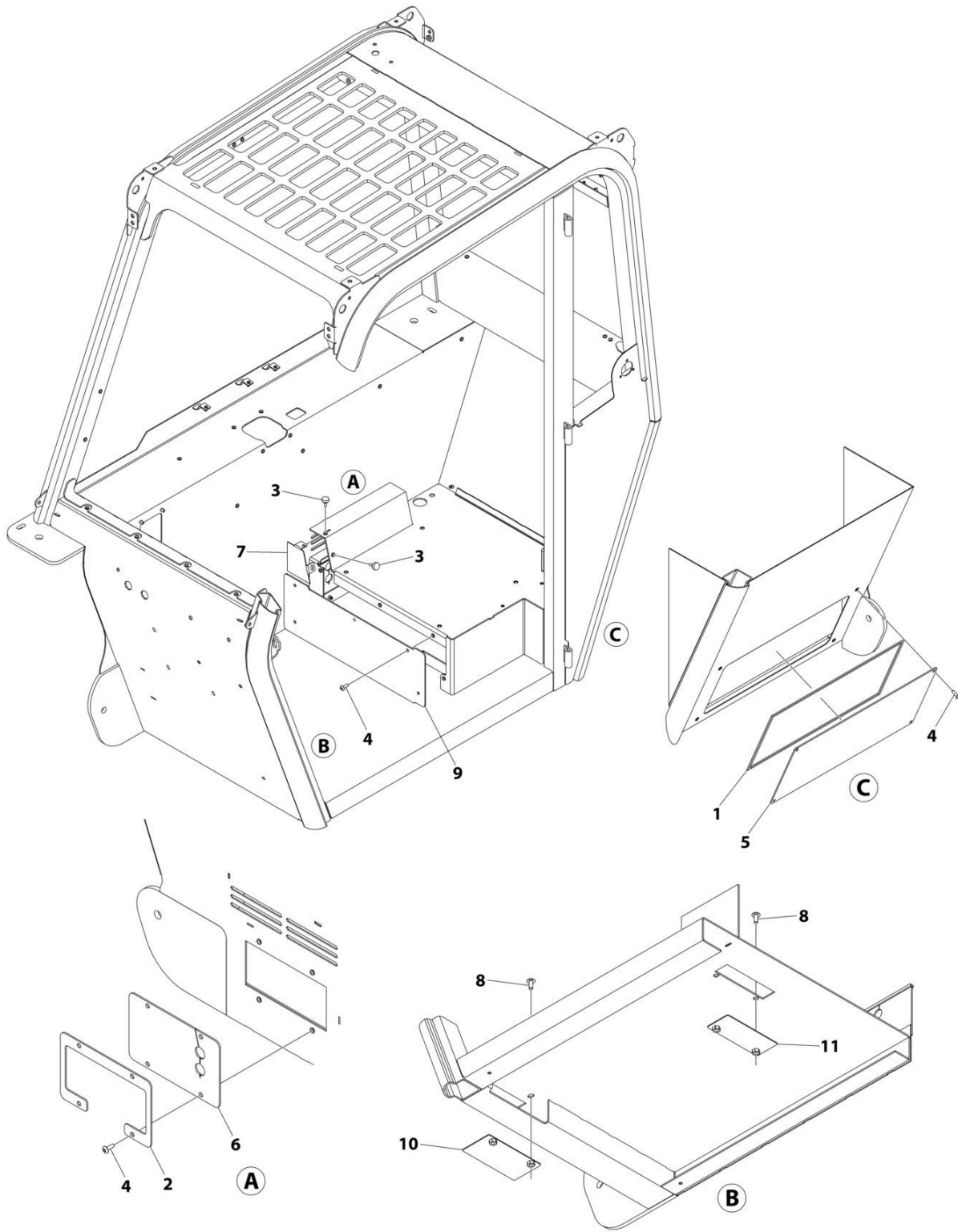
ART_1001298617

FIGURE 6-4. CAB ASSEMBLY - CLOSED CAB

ITEM	PART NUMBER	QTY	DESCRIPTION	REV
	1001298617	Ref	CAB ASSEMBLY - CLOSED CAB	C
1	8000803	1	Pin, Door Striker	
2	80384218	1	Strap, Door	
3	1001108603	3	Nut M6	
4	1001109365	1	Decal, Rops Warning	
5	1001192309	1	Nut M12	
6	1001148802	4	Screw M5 x 8	
7	See Note	NSS	Nameplate, Serial Number (Note: Not Available for Purchase)	
8	1001215531	AR	Adhesive	
9	1001227802	1	Washer	
10	1001230163	2	Bracket, Door Strap Holder	
11	1001287981	1	Gasket	
12	1001288356	1	Latch, Window Hold Back	
13	1001293198	2	Plug 6MM	
14	1001293502	1	Glass (RH Side)	
15	1001293503	1	Glass (Front)	
16	1001293504	1	Glass (Roof)	
17	1001293506	1	Glass (LH Side)	
18	1001293573	1	Window Assembly (Rear) (See Separate Breakdown in this Section)	
19	1001293613	3	Plug 9.5MM	
20	1001293614	1	Plug 19.1MM	
21	1001293615	1	Plug 25.4MM	
22	1001293816	1	Door Assembly (See Separate Breakdown in this Section)	
23	1001298109	1	Cab	
24	4010612002	3	Screw M6 x 25	

SECTION 6 - CAB

FIGURE 6-5. CAB NO HEAT INSTALLATION



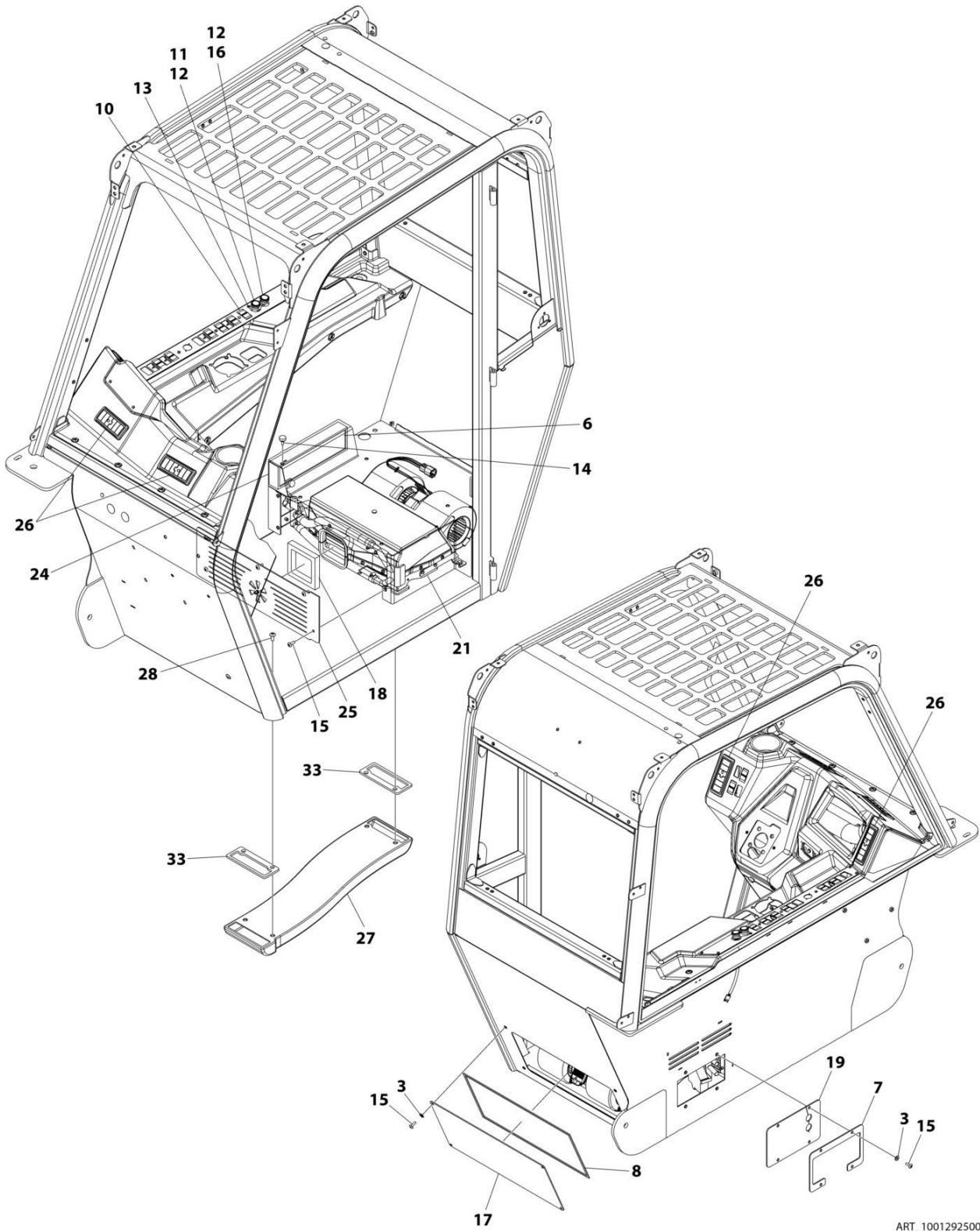
ART_1001290876

FIGURE 6-5. CAB NO HEAT INSTALLATION

ITEM	PART NUMBER	QTY	DESCRIPTION	REV
	1001290876	Ref	CAB NO HEAT INSTALLATION	C
1	1001113047	4.5 ft/ 1.4 m	Seal	
2	1001312962	1	Plate, Mounting	
3	1001208308	2	Thumbscrew M6 x 15	
4	1001272884	13	Bolt M6 x 20	
5	1001292239	1	Cover	
6	1001292258	1	Panel	
7	1001292492	1	Cover, Filter	
8	1001295261	4	Screw M8 x 20	
9	1001297270	1	Cover	
10	1001298848	1	Panel	
11	1001298849	1	Panel	

SECTION 6 - CAB

FIGURE 6-6. CAB HEATER INSTALLATION



ART_1001292500

FIGURE 6-6. CAB HEATER INSTALLATION

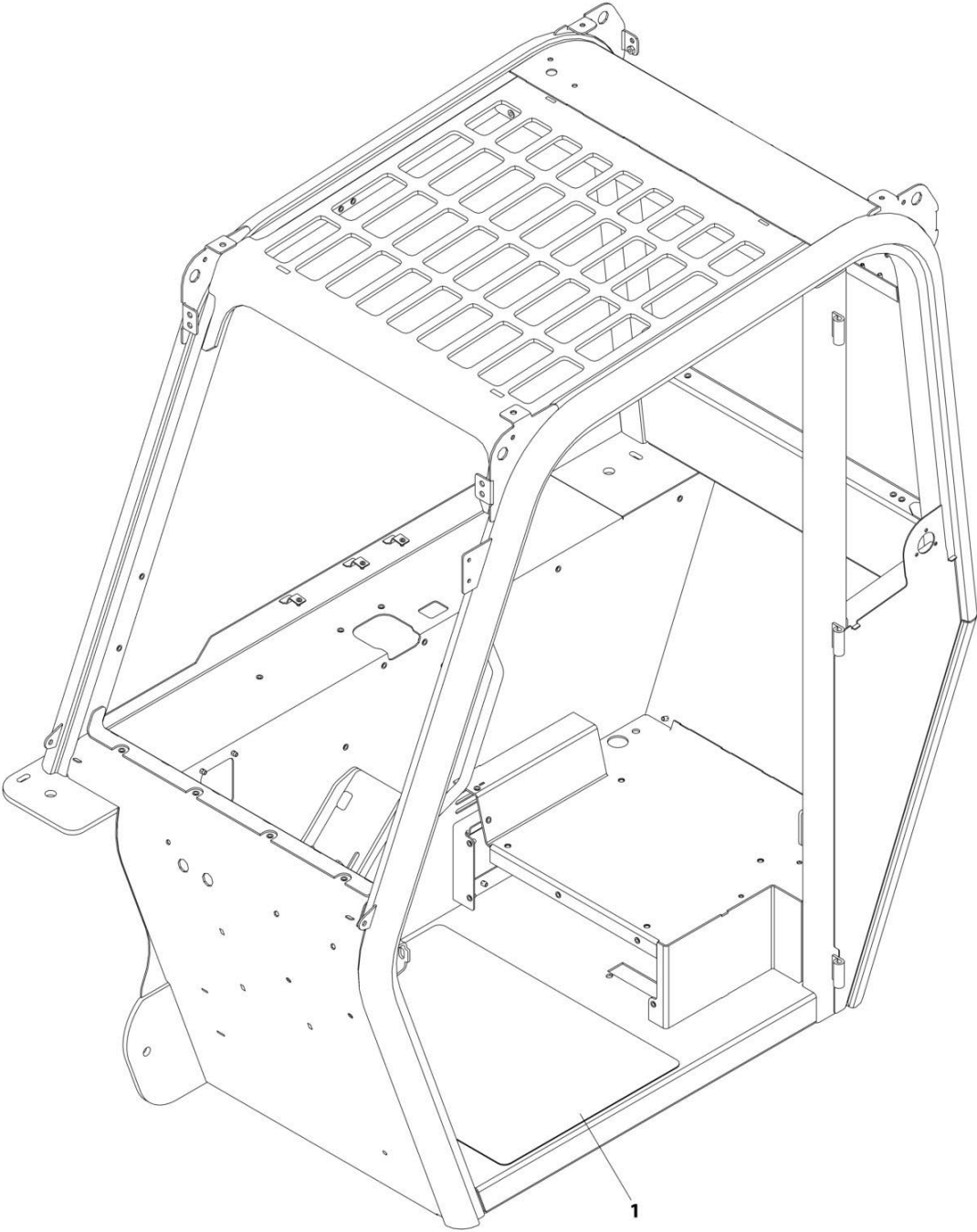
ITEM	PART NUMBER	QTY	DESCRIPTION	REV
	1001292500	Ref	CAB HEATER INSTALLATION	C
3	4811900	8	Washer M8	
6	1001081375	1	Filter, Cab Air	
7	1001312962	1	Plate, Mounting	
8	1001113047	4.5 ft/ 1.4 m	Seal	
10	1001080494	1	Cover, Switch	
11	1001172547	1	Switch, HVAC	
12	1001172550	2	Knob, Control	
13	1001184975	1	Decal - HVAC	
14	1001208308	2	Thumbscrew M6 x 15	
15	1001272884	13	Bolt M6 x 20	
16	1001273883	1	Resistor, 10K Potentiometer	
17	1001292239	1	Cover	
18	1001292240	1	Seal, Duct	
19	1001292258	1	Panel	
21	1001292484	Ref	Heater Installation (See Separate Breakdown in this Section)	
24	1001292492	1	Cover, Filter	
25	1001292495	1	Cover, Heater (Front)	
26	1001294177	4	Vent, Diffuser	
27	1001295236	1	Duct, Lower	
28	1001295261	4	Screw M8 x 20	
33	1001306019	2	Seal, Duct (Lower)	

FIGURE 6-7. CAB HEATER/AC INSTALLATION

ITEM	PART NUMBER	QTY	DESCRIPTION	REV
	1001292259	Ref	CAB HEATER/AC INSTALLATION	C
3	4811702	10	Washer M6	
4	4811900	4	Washer M8	
6	1001081375	1	Filter, Cab Air	
7	1001113047	4.5 ft/ 1.4 m	Seal	
8	1001312962	1	Plate, Mounting	
10	1001160326	1	Switch, HVAC ON/OFF	
11	1001172547	1	Switch, HVAC 3 Speed	
12	1001172550	2	Knob, Control	
13	1001184975	1	Decal - HVAC	
14	1001208308	2	Thumbscrew M6 x 15	
15	1001272884	21	Bolt M6 x 20	
16	1001273883	1	Resistor, 10K Potentiometer	
17	1001292206	2	Bracket	
18	1001292239	1	Cover	
19	1001292240	1	Seal, Duct	
20	1001292254	Ref	Heater Installation (See Separate Breakdown in this Section)	
25	1001292492	1	Cover, Filter	
26	1001292495	1	Cover, Heater (Front)	
27	1001294177	4	Vent, Diffuser	
28	1001295236	1	Duct, Lower	
29	1001295261	4	Screw M8 x 20	
30	1001297246	1	Panel	
34	1001307296	1	Cover, Condenser (Upper)	
35	1001299925	Ref	A/C Condenser Installation (See Separate Breakdown in this Section)	
38	1001306019	2	Seal, Duct (Lower)	
39	1001312324	1	Hose	

SECTION 6 - CAB

FIGURE 6-8. CAB MAT INSTALLATION



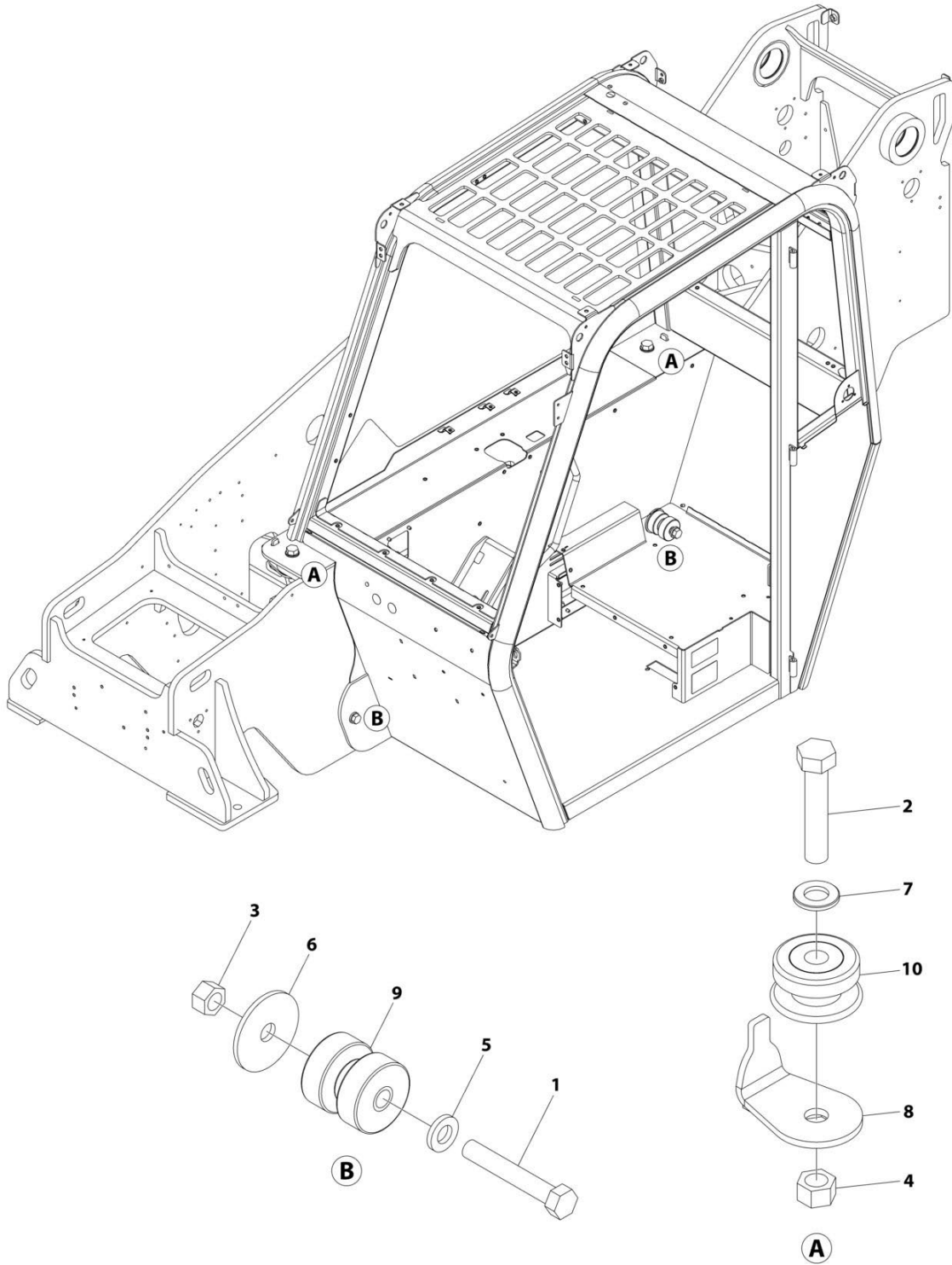
ART_1001297632

FIGURE 6-8. CAB MAT INSTALLATION

ITEM	PART NUMBER	QTY	DESCRIPTION	REV
1	1001297632 1001197217	Ref 1	CAB MAT INSTALLATION Mat, Floor (Non Skid)	A

SECTION 6 - CAB

FIGURE 6-9. CAB MOUNTS INSTALLATION



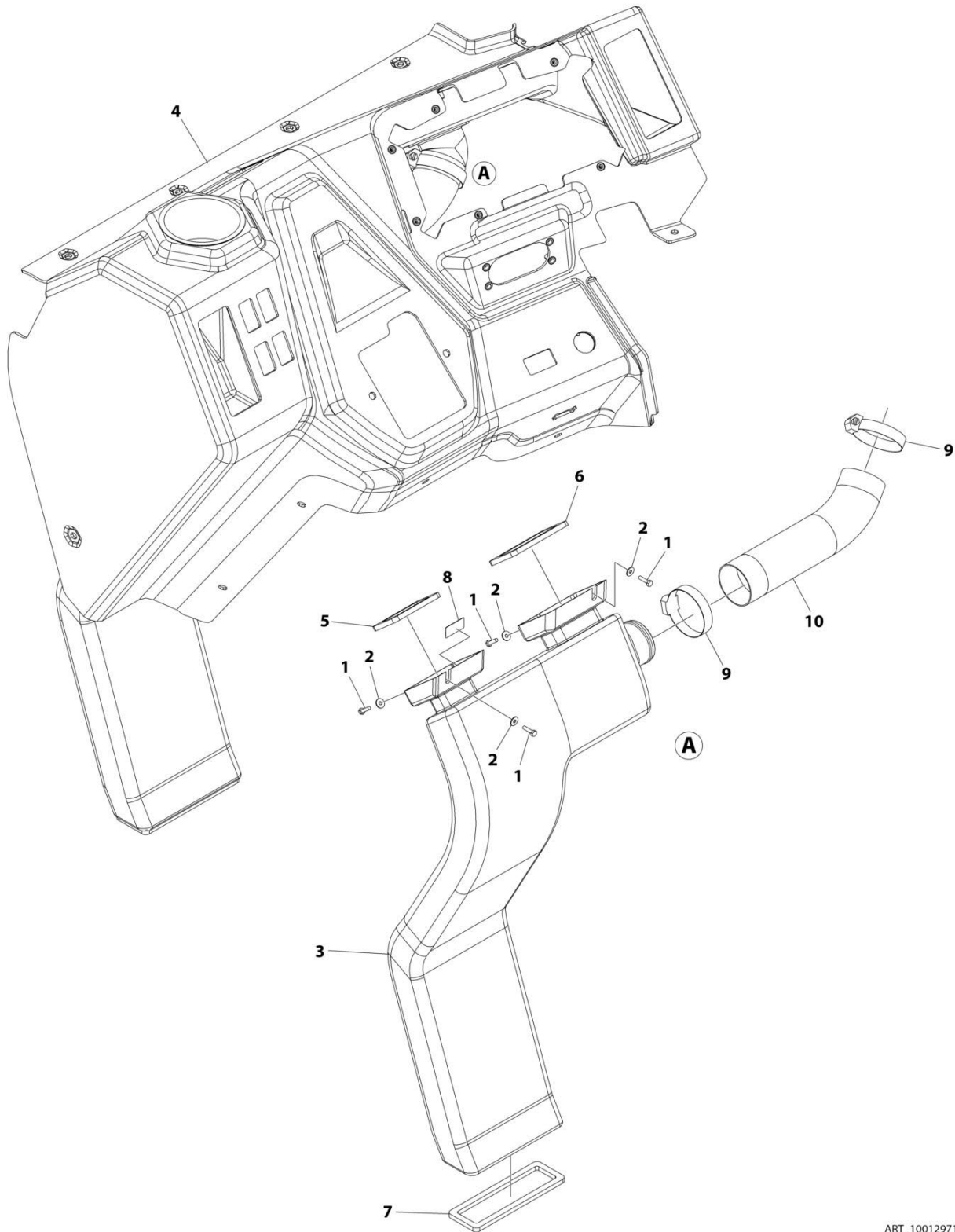
ART_1001296524

FIGURE 6-9. CAB MOUNTS INSTALLATION

ITEM	PART NUMBER	QTY	DESCRIPTION	REV
	1001296524	Ref	CAB MOUNTS INSTALLATION	B
1	0682032	2	Bolt 5/8 x 4	
2	0682230	2	Bolt 3/4 x 3-3/4	
3	3272001	2	Nut 5/8	
4	3272201	2	Nut 3/4	
5	4892000	2	Washer 5/8	
6	7300435	2	Washer	
7	90027473	2	Washer 3/4	
8	1001080992	2	Support	
9	1001188758	2	Mount, Isolator	
10	91403097	2	Mount, Isolator	

SECTION 6 - CAB

FIGURE 6-10. CAB DUCT INSTALLATION



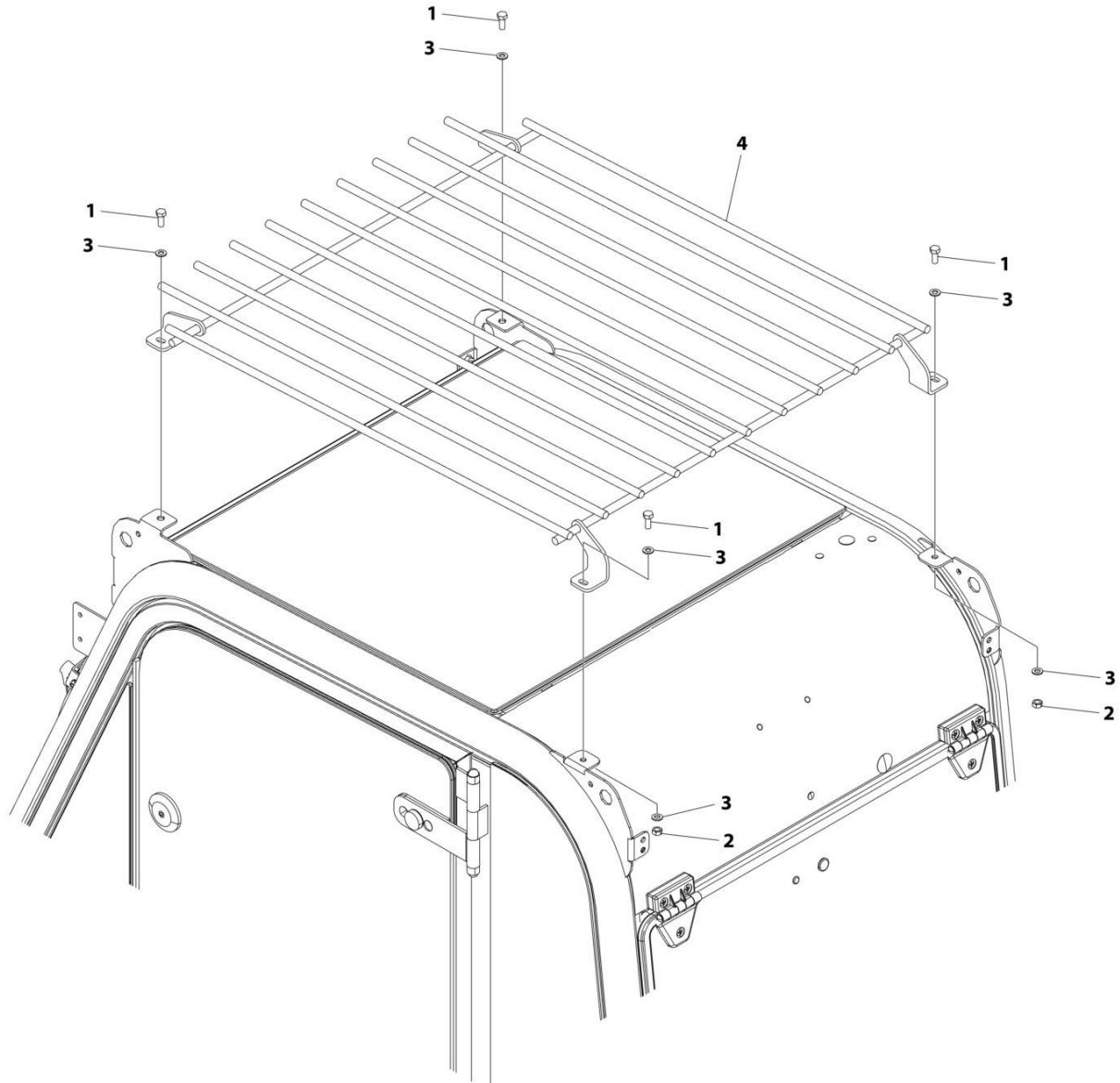
ART_1001297179

FIGURE 6-10. CAB DUCT INSTALLATION

ITEM	PART NUMBER	QTY	DESCRIPTION	REV
	1001297179	Ref	CAB DUCT INSTALLATION	C
1	0700408	4	Bolt M4 x 16	
2	1001091102	4	Washer M4	
3	1001295921	1	Duct (Upper)	
4	1001296928	1	Cover, Dash	
5	1001297180	1	Seal, Duct	
6	1001297181	1	Seal, Duct	
7	1001297183	1	Seal, Duct	
8	1001226481	1	Decal	
9	8405201	2	Clamp	
10	1001314937	1	Hose	

SECTION 6 - CAB

FIGURE 6-11. CAB GUARD INSTALLATION (TOP)



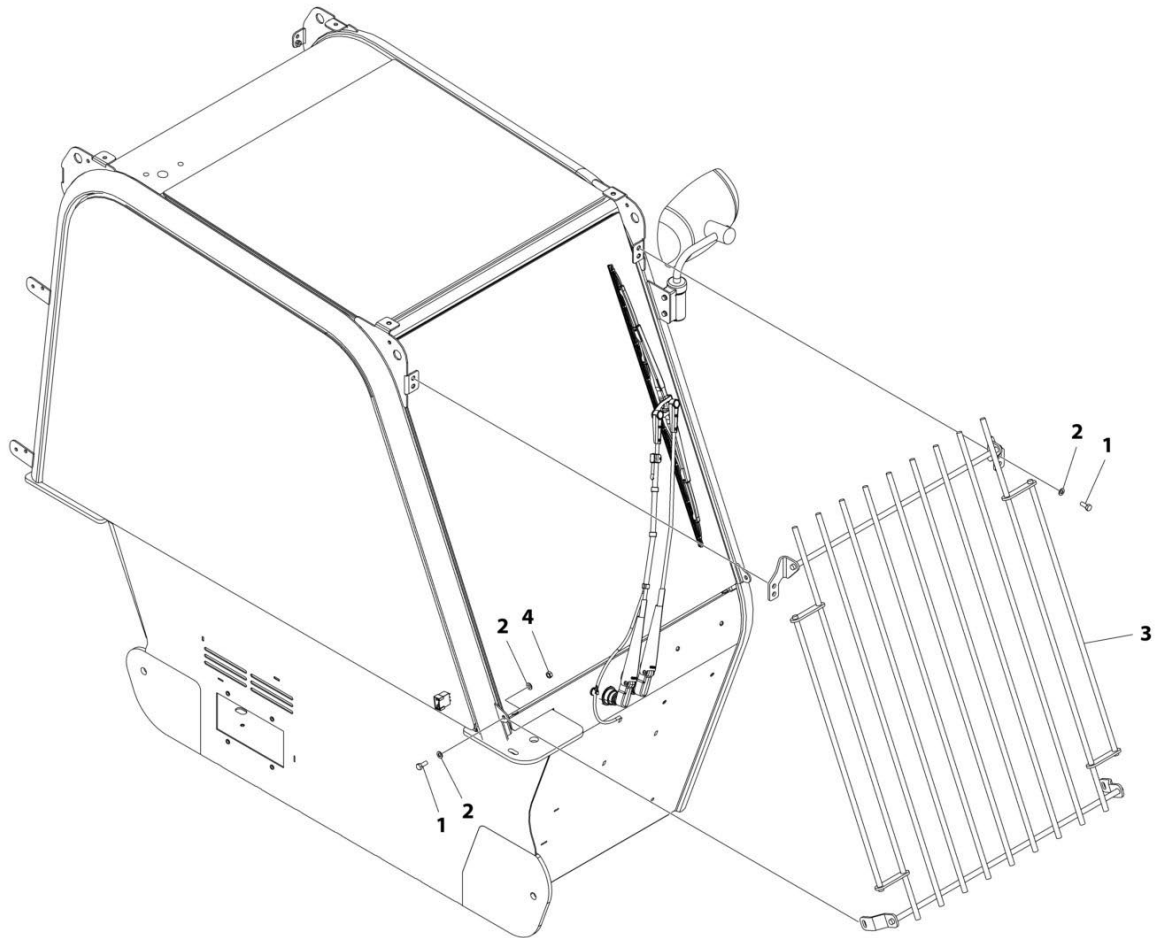
ART_1001297986

FIGURE 6-11. CAB GUARD INSTALLATION (TOP)

ITEM	PART NUMBER	QTY	DESCRIPTION	REV
	1001297986	Ref	CAB GUARD INSTALLATION (TOP)	B
1	0760810	4	Bolt M8 x 20	
2	3290801	2	Nut M8	
3	4811900	6	Washer M8	
4	1001297985	1	Guard, Cab Top	

SECTION 6 - CAB

FIGURE 6-12. CAB GUARD INSTALLATION (FRONT)



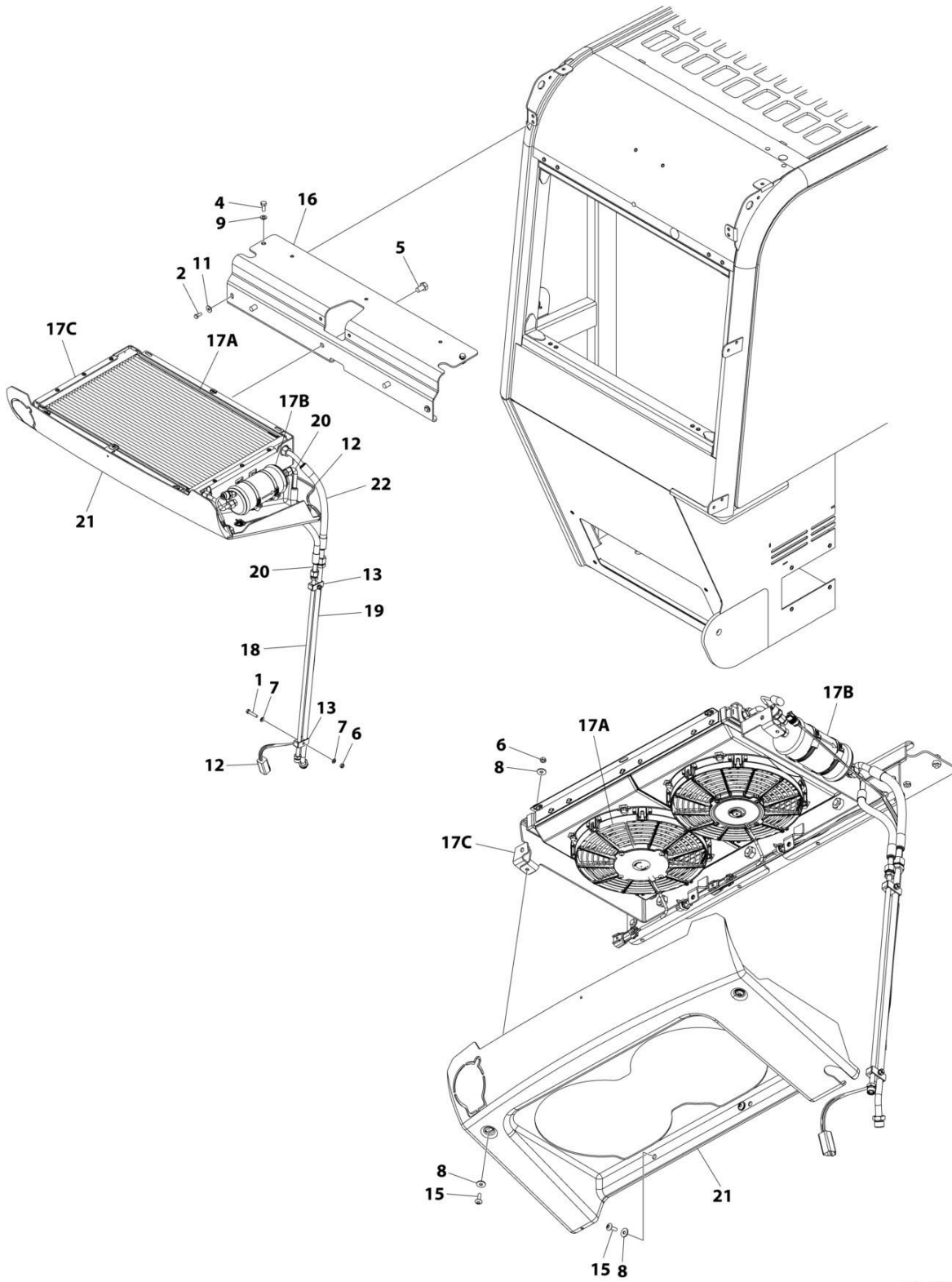
ART_1001298133

FIGURE 6-12. CAB GUARD INSTALLATION (FRONT)

ITEM	PART NUMBER	QTY	DESCRIPTION	REV
	1001298133	Ref	CAB GUARD INSTALLATION (FRONT)	B
1	0760810	6	Bolt M8 x 20	
2	4811900	8	Washer M8	
3	1001298132	1	Guard, Front Cab	
4	3290801	2	Nut M8	

SECTION 6 - CAB

FIGURE 6-13. AC CONDENSER INSTALLATION



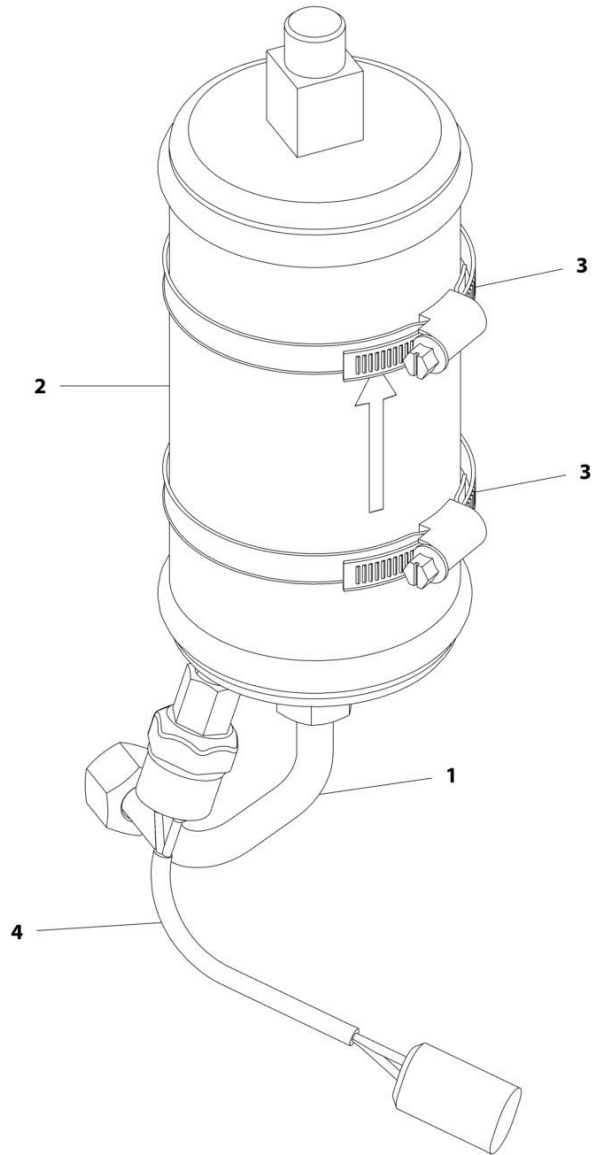
ART_1001299925

FIGURE 6-13. AC CONDENSER INSTALLATION

ITEM	PART NUMBER	QTY	DESCRIPTION	REV
	1001299925	Ref	AC CONDENSER INSTALLATION	C
1	0700614	2	Bolt M6 x 30	
2	0760608	2	Bolt M6 x 16	
4	0760810	2	Bolt M8 x 20	
5	0761210	3	Bolt M12 x 20	
6	3290601	4	Nut M6	
7	4811700	4	Washer M6	
8	4811702	6	Washer M6	
9	4811900	2	Washer M8	
11	1001150509	2	Washer	
12	1001169151	1	AC Harness (See Separate Breakdown in ELECTRICAL Section)	
13	1001237342	2	Support, Pipe	
15	1001272884	4	Bolt M6 x 20	
16	1001292202	1	Bracket	
17	1001292213	NSS	Condenser Sub Assembly (Not Shown) (Note: Purchase Individual Components)	
17A	1001167266	1	Condenser Assembly (See Separate Breakdown in this Section)	
17B	1001179130	1	Receiver/Drier Assembly (See Separate Breakdown in this Section)	
17C	1001292204	1	Bracket, Condenser Mount Assembly	
18	1001292845	1	Tube, AC Drier Outlet	
19	1001292868	1	Tube, Condenser Supply	
20	1001297723	1	Hose	
21	1001299803	1	Cover, Condenser (Lower)	
22	1001168330	1	Hose	

SECTION 6 - CAB

FIGURE 6-14. A/C RECEIVER DRIER



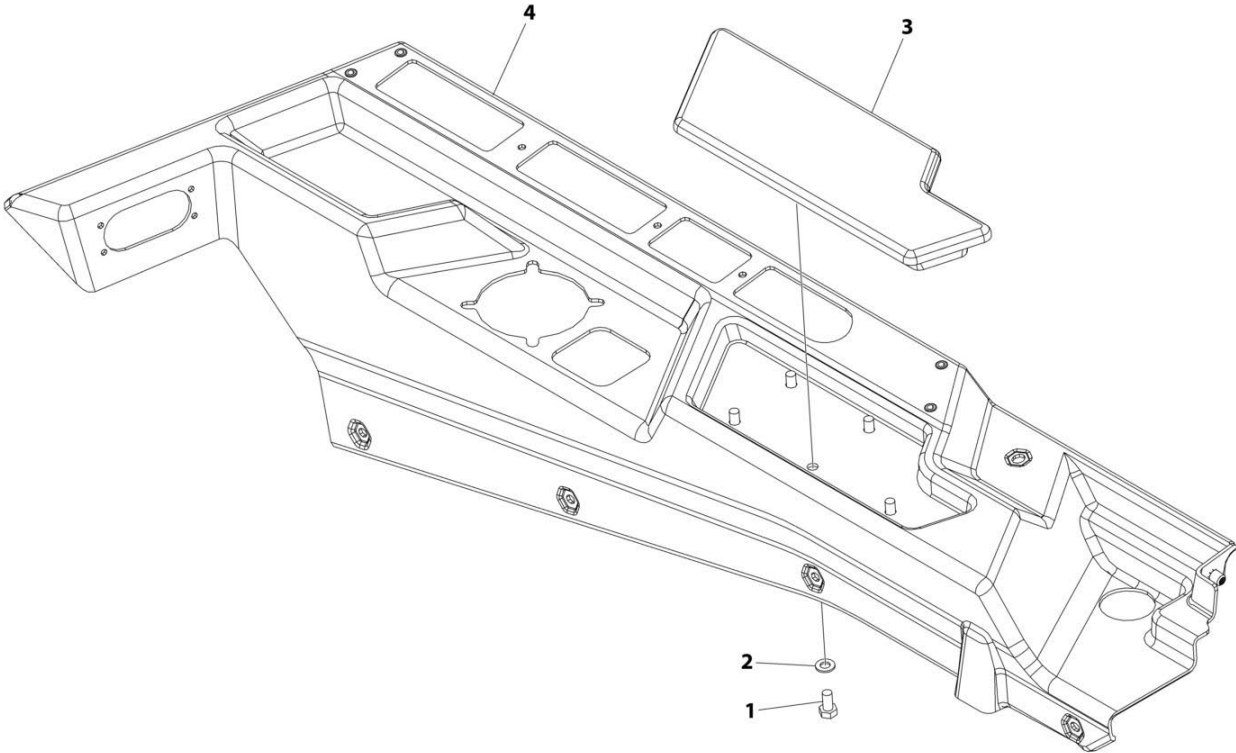
ART_1001179130-B

FIGURE 6-14. A/C RECEIVER DRIER

ITEM	PART NUMBER	QTY	DESCRIPTION	REV
	1001179130	Ref	A/C Receiver Drier	B
1	1001184403	1	Tube, Heater	
2	1001184404	1	Receiver, Heater Drier	
3	1001184405	2	Clamp	
4	1001184406	1	Connector, Heater	

SECTION 6 - CAB

FIGURE 6-15. ARMREST/CONSOLE INSTALLATION



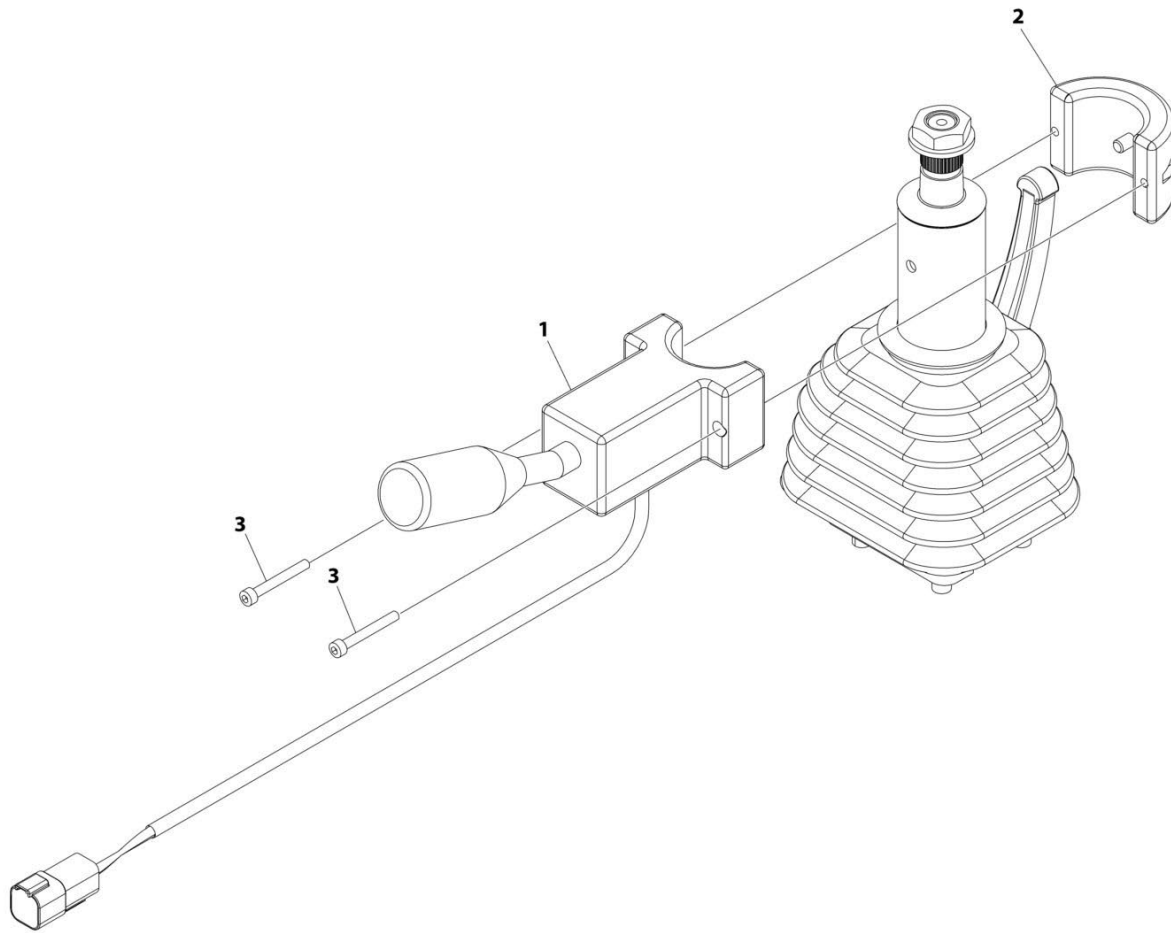
ART_1001297171

FIGURE 6-15. ARMREST/CONSOLE INSTALLATION

ITEM	PART NUMBER	QTY	DESCRIPTION	REV
	1001297171	Ref	ARMREST/CONSOLE INSTALLATION	B
1	0760808	5	Bolt M8 x 16	
2	4811900	5	Washer M8	
3	1001296785	1	Armrest	
4	1001310852	1	Console	

SECTION 6 - CAB

FIGURE 6-16. COLUMN SHIFT INSTALLATION



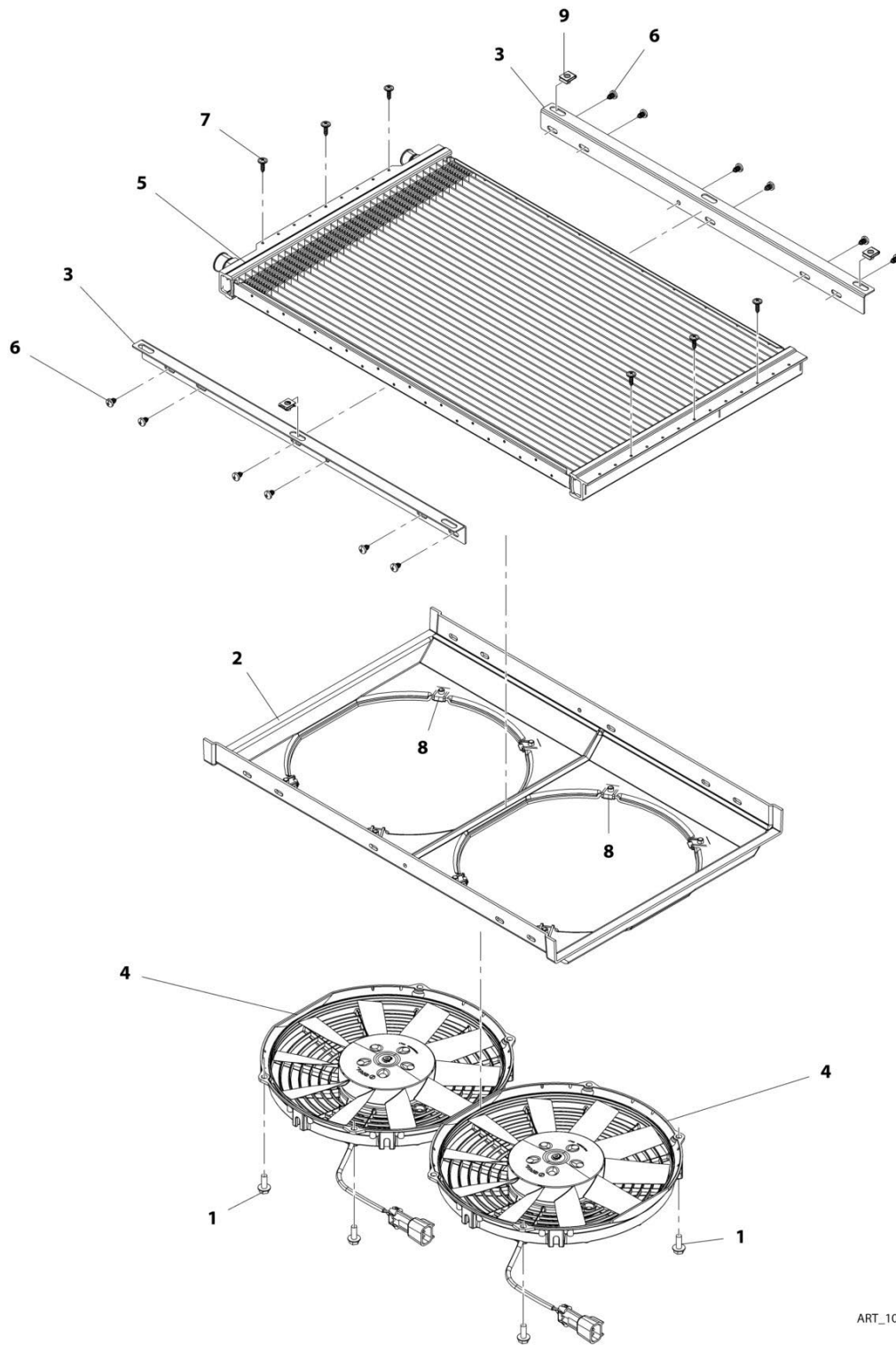
ART_1001298299

FIGURE 6-16. COLUMN SHIFT INSTALLATION

ITEM	PART NUMBER	QTY	DESCRIPTION	REV
	1001298299	Ref	COLUMN SHIFT INSTALLATION	A
1	1001080380	1	Switch	
2	1001080900	1	Clamp, Lever	
3	1001108079	2	Bolt M5 x 40	

SECTION 6 - CAB

FIGURE 6-17. CONDENSER



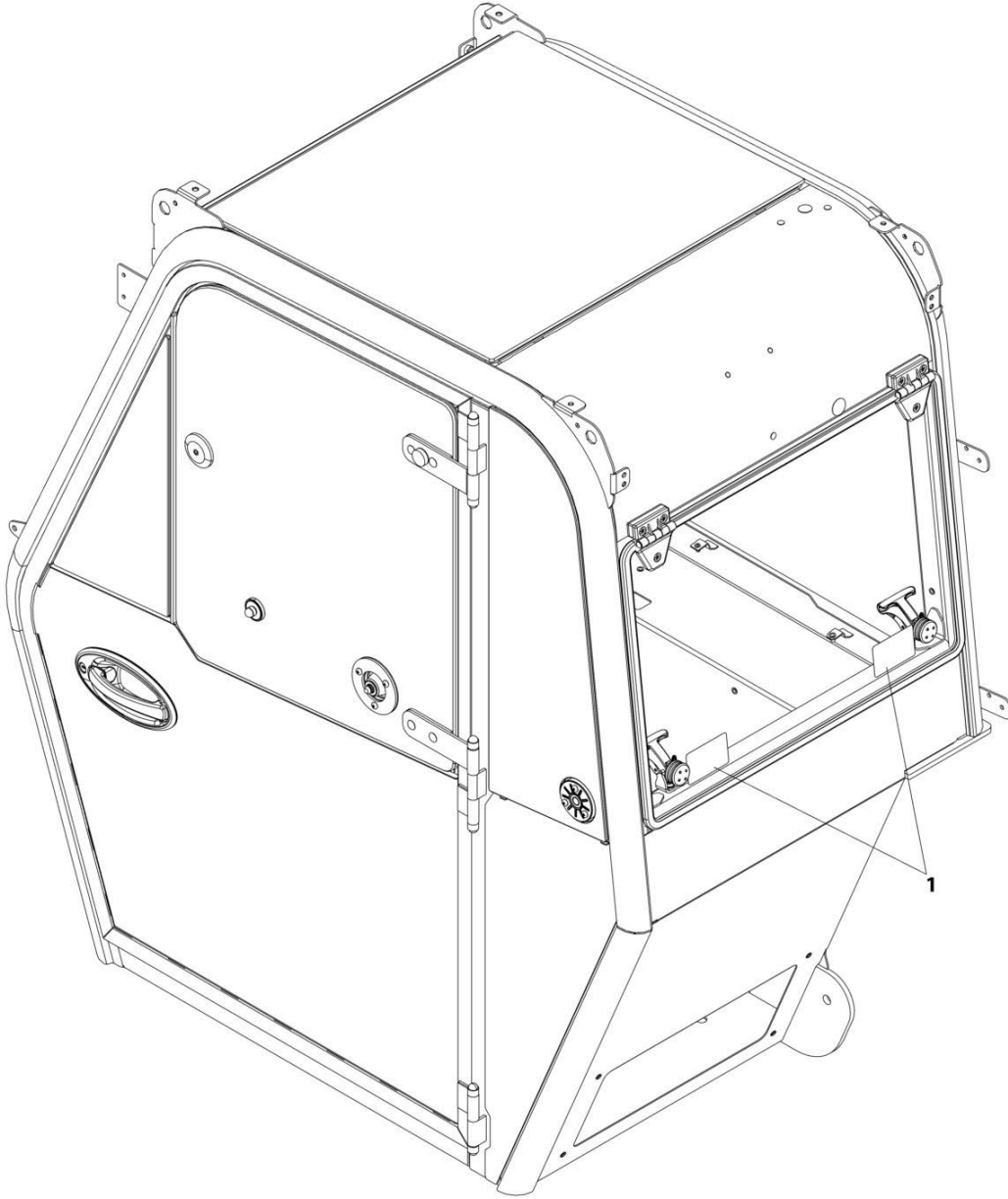
ART_1001167266-C

FIGURE 6-17. CONDENSER

ITEM	PART NUMBER	QTY	DESCRIPTION	REV
	1001167266	Ref	Condenser	C
1	5250608	8	Bolt, M6X16	
2	1001195342	1	Bracket, Condenser Fan Mount	
3	1001195343	2	Support, Condenser	
4	1001195345	2	Fan, Condenser	
5	1001195346	1	Condenser	
6	1001195385	12	Screw, M3.9X9.5	
7	1001195386	6	Screw, M4.2X16	
8	1001195437	8	Clip, M6X1	
9	1001195438	3	Clip, M6X1	

SECTION 6 - CAB

FIGURE 6-18. DECAL INSTALLATION - EMERGENCY EXIT



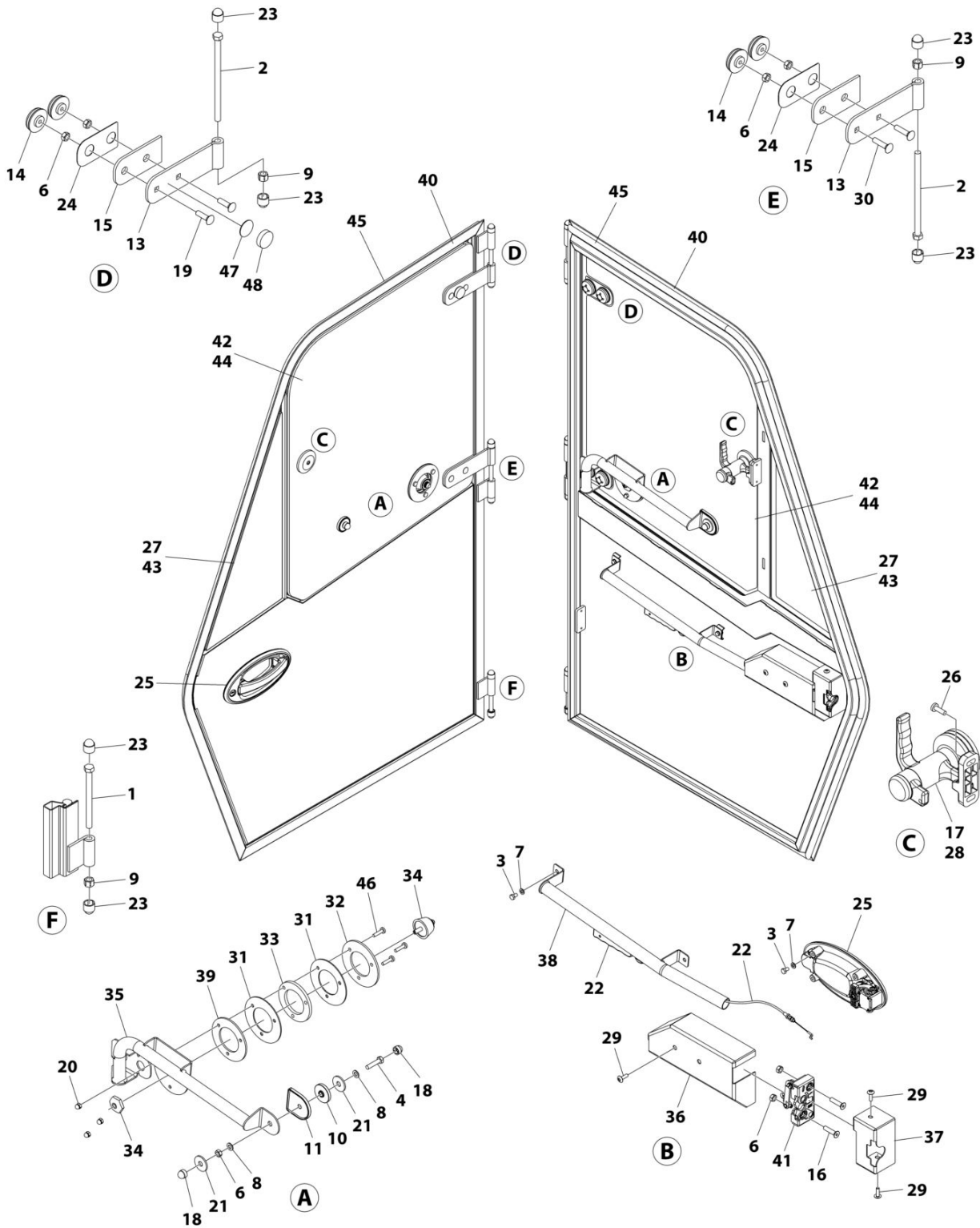
ART_1001297165

FIGURE 6-18. DECAL INSTALLATION - EMERGENCY EXIT

ITEM	PART NUMBER	QTY	DESCRIPTION	REV
1	1001297165 8005870	Ref 2	DECAL INSTALLATION - EMERGENCY EXIT Decal - Emergency Exit	A

SECTION 6 - CAB

FIGURE 6-19. DOOR ASSEMBLY - CAB



ART_1001293816

FIGURE 6-19. DOOR ASSEMBLY - CAB

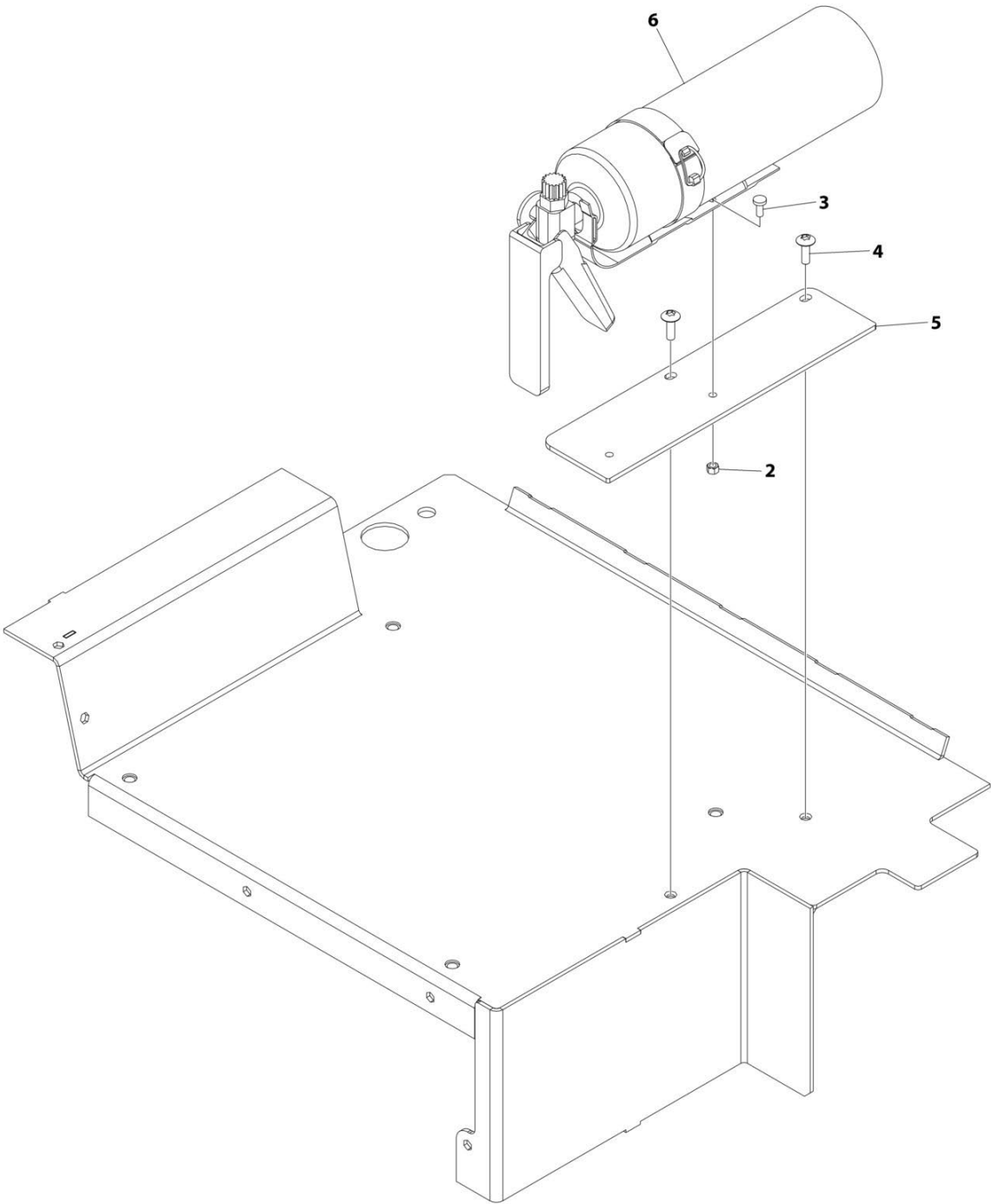
ITEM	PART NUMBER	QTY	DESCRIPTION	REV
	1001293816	Ref	DOOR ASSEMBLY - CAB	C
1	0641636	1	Bolt 3/8 x 4-1/2	
2	0641652	2	Bolt 3/8 x 6-1/2	
3	0760605	6	Bolt M6 x 10	
4	0760815	1	Bolt M8 x 35	
6	3290801	7	Nut M8	
7	4811700	6	Washer M6	
8	4811900	2	Washer M8	
9	8305603	3	Nut 3/8	
10	1001002953	1	Mount, Rubber	
11	1001002957	1	Mount, Latch	
13	1001081242	2	Hinge	
14	1001081246	4	Cap, Nut M6	
15	1001081266	2	Spacer	
16	1001094312	2	Screw M8 x 30 GRD 8	
17	1001095650	AR	Adhesive	
18	1001096365	2	Cap, Nut M8	
19	1001108575	2	Screw M8 x 30	
20	1001108603	3	Nut M6	
21	1001141246	2	Mount, Handle	
22	1001167958	1	Door Trigger Assembly	
22	1001167937	1	Mechanism, Trigger	
22	1001192644	1	Cable, Release	
23	1001182663	6	Cap	
24	1001182882	2	Shim	
25	1001192646	1	Handle, Door Exterior	
26	4010508002	2	Screw M5 x 16	
27	1001215531	1	Adhesive	
28	1001220260	1	Handle, Window Vent Latch	
29	1001272884	4	Bolt M6 x 20	
30	1001277374	2	Screw M8 x 35	
31	1001288301	2	Seal, Cab Striker	
32	1001288302	1	Plate, Cab Striker	
33	1001288303	1	Seal, Window Spacer	
34	1001288355	1	Striker Assembly	
35	1001293636	1	Handle, Window	
36	1001293782	1	Panel, Door Handle Cover	
37	1001293783	1	Panel, Door Latch Cover	
38	1001293812	1	Handle, Door Interior	
39	1001293817	1	Spacer, Striker Plate	
40	1001293925	1	Door	
41	1001293944	1	Door Latch Assembly	
41	1001192643	1	Mechanism, Latch	
41	1001293945	1	Link	
42	1001294223	1	Glass (Hinged)	
43	1001294242	1	Glass (Fixed)	
44	1001294253	1	Seal, Glass	
45	1001294257	1	Seal, Door	
46	4010612002	3	Screw M6 x 25	
47	1001271648	1	Tape, Adhesive	

SECTION 6 - CAB

ITEM	PART NUMBER	QTY	DESCRIPTION	REV
48	1001308129	1	Bumper	

SECTION 6 - CAB

FIGURE 6-20. FIRE EXTINGUISHER INSTALLATION



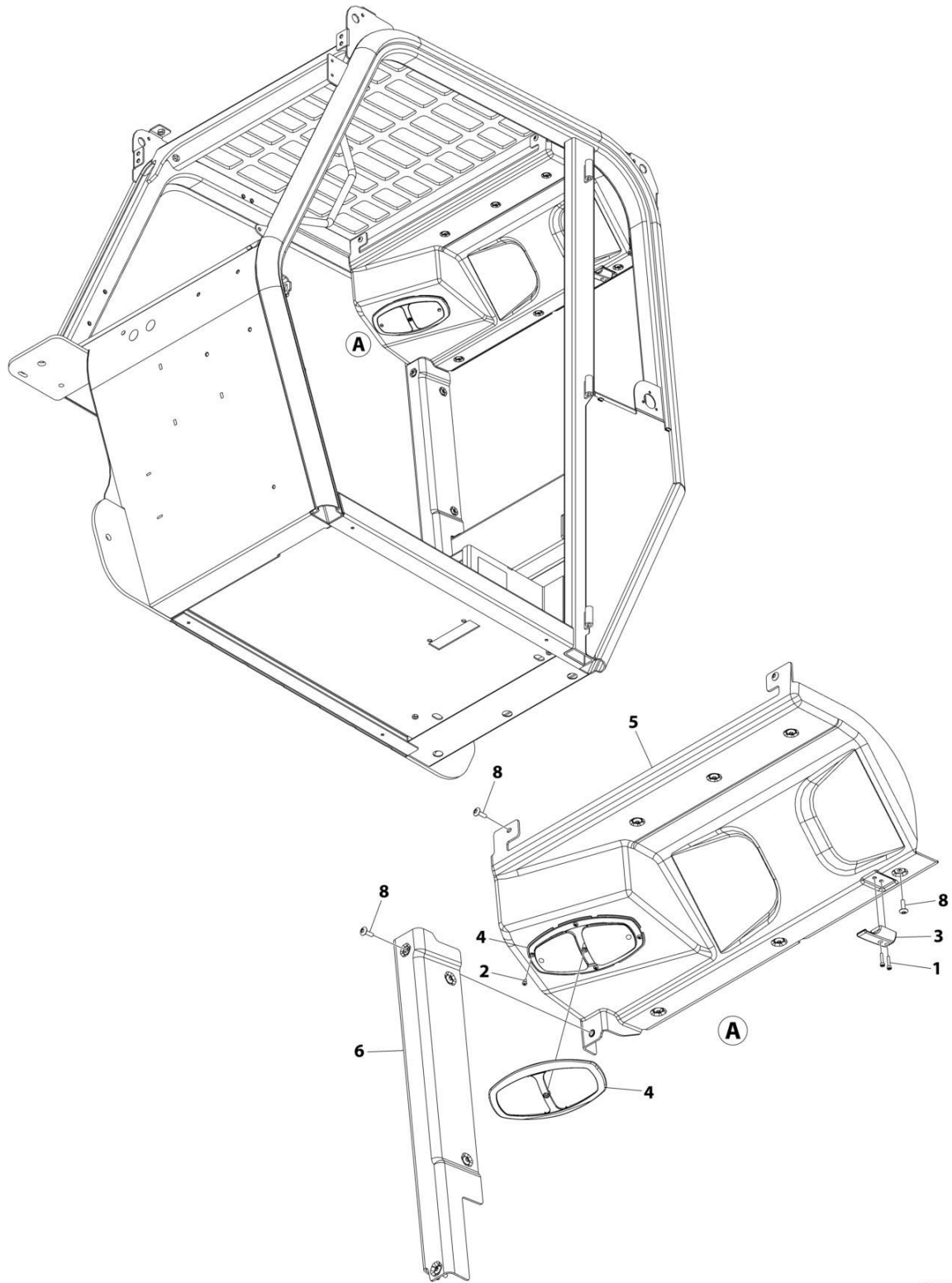
ART_1001292172

FIGURE 6-20. FIRE EXTINGUISHER INSTALLATION

ITEM	PART NUMBER	QTY	DESCRIPTION	REV
	1001292172	Ref	FIRE EXTINGUISHER INSTALLATION	B
2	3290507	2	Nut M5	
3	4010506	2	Screw M5 x 12	
4	1001272884	2	Bolt M6 x 20	
5	1001292171	1	Plate	
6	1001099699	1	Extinguisher, Fire	

SECTION 6 - CAB

FIGURE 6-21. HEADLINER INSTALLATION



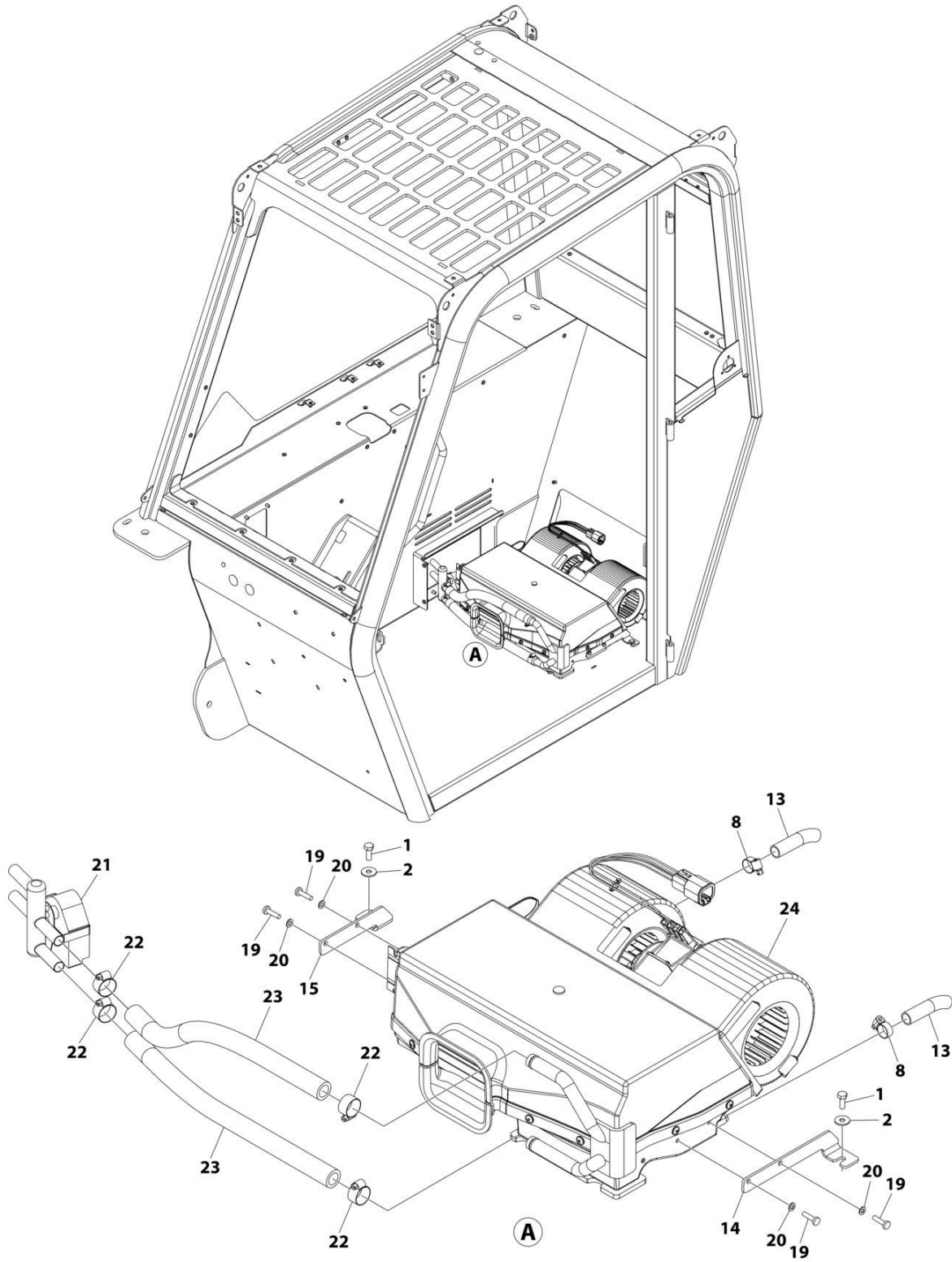
ART_1001297635

FIGURE 6-21. HEADLINER INSTALLATION

ITEM	PART NUMBER	QTY	DESCRIPTION	REV
	1001297635	Ref	HEADLINER INSTALLATION	B
1	4031508	2	Capscrew M4 x 20	
2	7029486	4	Screw	
3	1001080953	1	Hook	
4	1001167015	1	Lamp, Dome	
5	1001296936	1	Cover, Headliner	
6	1001297055	1	Cover, C-Pillar	
8	1001272884	12	Bolt M6 x 20	

SECTION 6 - CAB

FIGURE 6-22. HEATER INSTALLATION - HEAT/AC



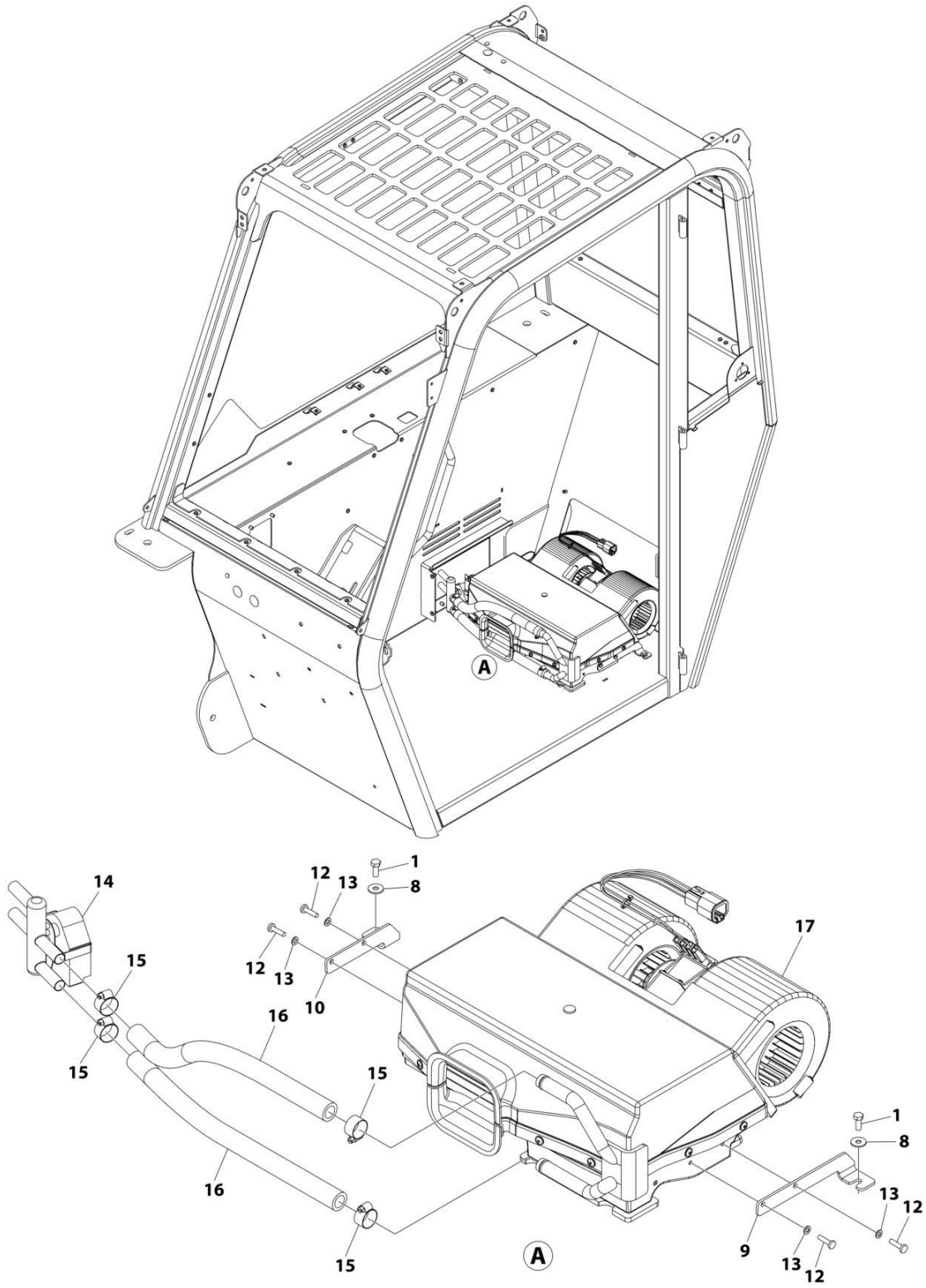
ART_1001292254

FIGURE 6-22. HEATER INSTALLATION - HEAT/AC

ITEM	PART NUMBER	QTY	DESCRIPTION	REV
	1001292254	Ref	HEATER INSTALLATION	E
1	0760608	2	Bolt M6 x 16	
2	4811702	2	Washer M6	
8	1320022	2	Clamp	
13	1001297411	2	Hose, Drain	
14	1001298944	1	Support (LH)	
15	1001299315	1	Support (RH)	
19	4010510	4	Screw M5 x 20	
20	4811600	4	Washer M5	
21	80383231	1	Valve, Heater Control	
22	8410009	4	Clamp	
23	1001292486	2	Hose, Heater Inlet	
24	1001311694	1	Heater Assembly (See Separate Breakdown in this Section)	

SECTION 6 - CAB

FIGURE 6-23. HEATER INSTALLATION - HEAT ONLY



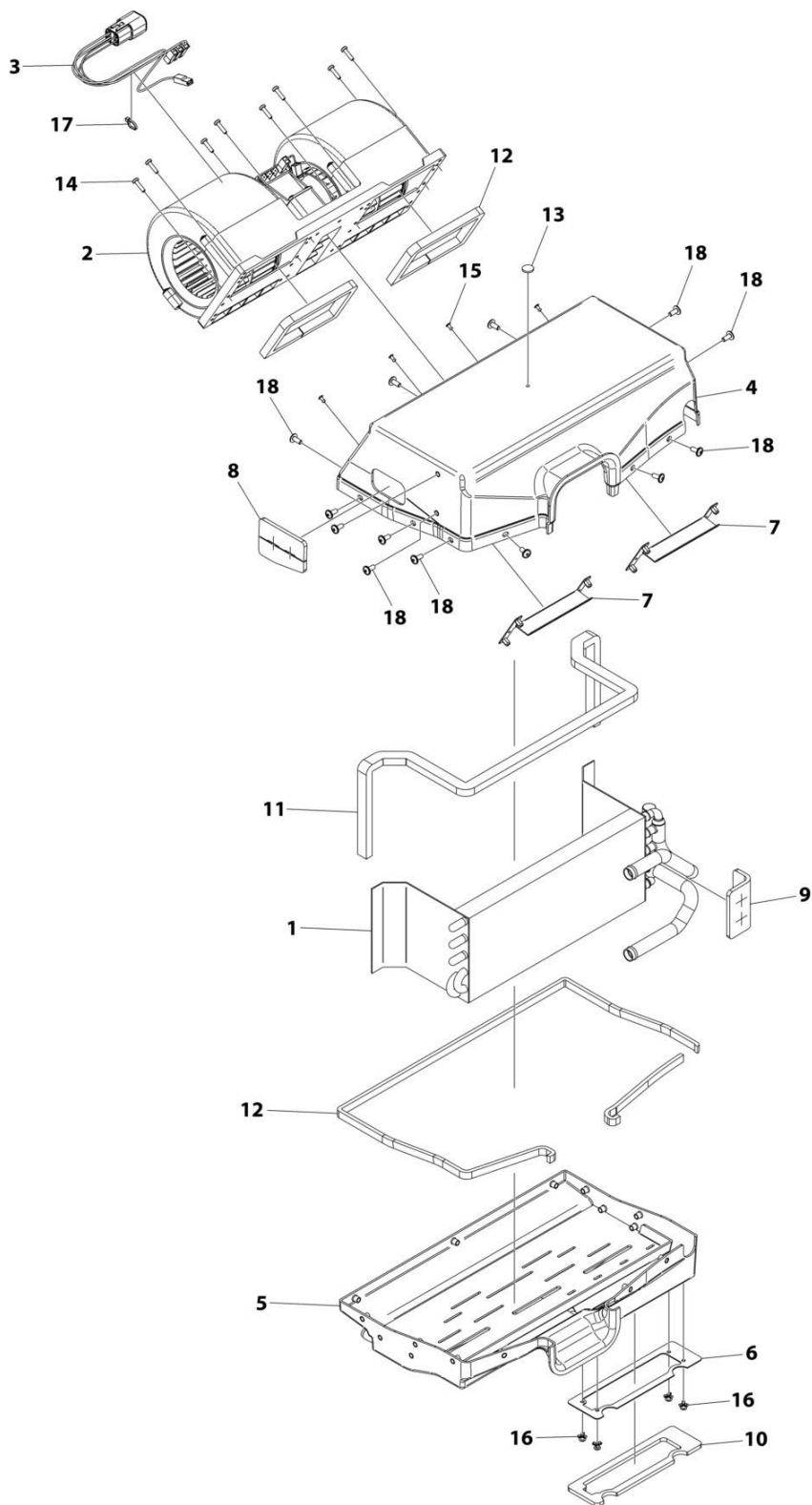
ART_1001292484

FIGURE 6-23. HEATER INSTALLATION - HEAT ONLY

ITEM	PART NUMBER	QTY	DESCRIPTION	REV
	1001292484	Ref	HEATER INSTALLATION	E
1	0760608	2	Bolt M6 x 16	
8	4811702	2	Washer M6	
9	1001298944	1	Support (LH)	
10	1001299315	1	Support (RH)	
12	4010510	4	Screw M5 x 20	
13	4811600	4	Washer M5	
14	80383231	1	Valve, Heater Control	
15	8410009	4	Clamp	
16	1001292486	2	Hose	
17	1001311693	1	Heater Assembly (See Separate Breakdown in this Section)	

SECTION 6 - CAB

FIGURE 6-24. HEATER ASSEMBLY - HEAT ONLY



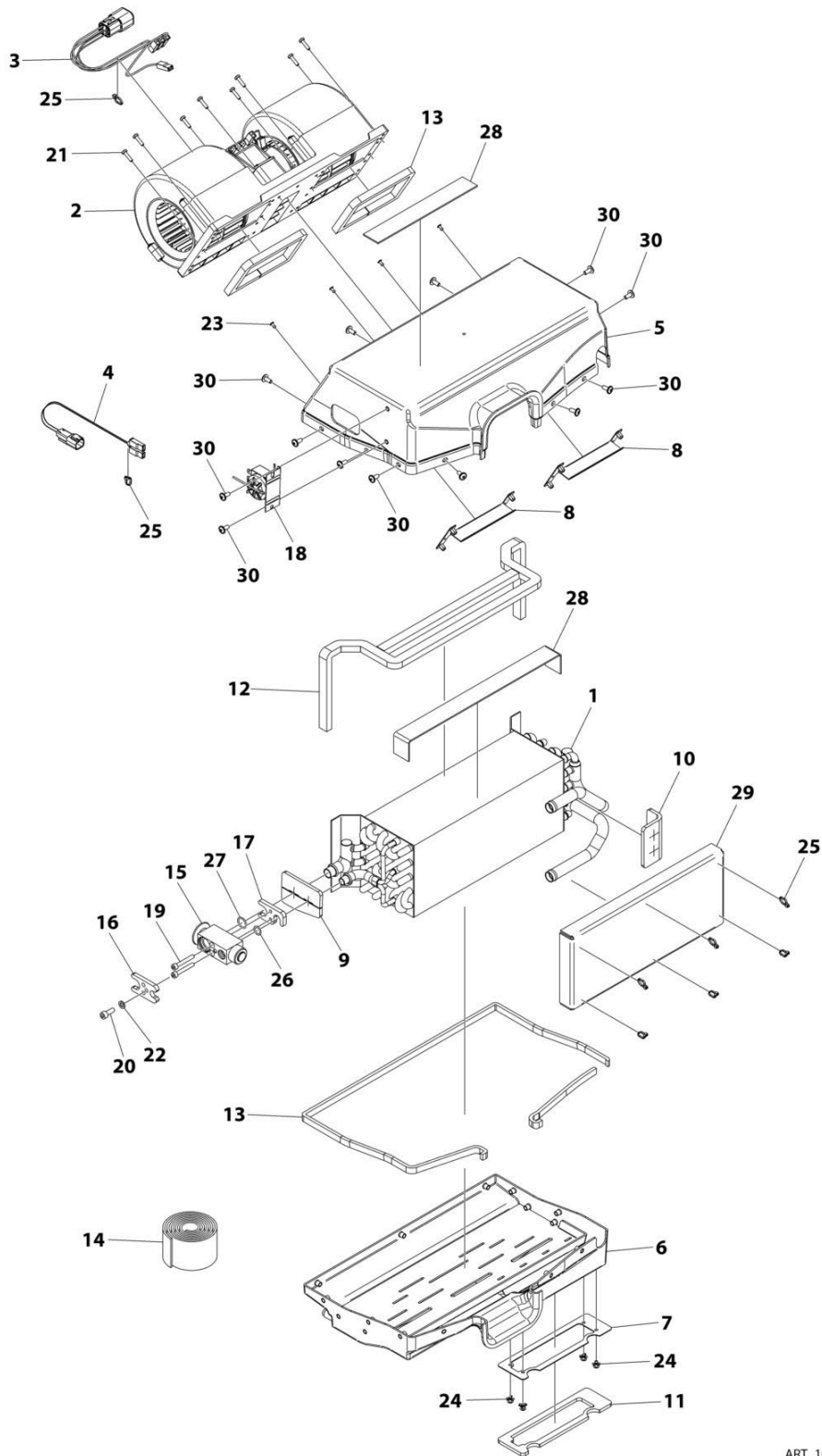
ART_1001311693

FIGURE 6-24. HEATER ASSEMBLY - HEAT ONLY

ITEM	PART NUMBER	QTY	DESCRIPTION	REV
	1001311693	Ref	HEATER ASSEMBLY	A
1	70032003	1	Heater Radiator	
2	70032004	1	Heater Motor	
3	70032005	1	Harness	
4	70032006	1	Top Cover	
5	70032007	1	Bottom Cover	
6	70032008	1	Gasket	
7	70032009	2	Deflector	
8	70032010	1	Side Cover	
9	70032011	1	Corner Cover	
10	70032012	1	Gasket Seal Plate	
11	70032013	1	Air Vent Seal	
12	70032014	2	Bottom Cover Seal	
13	70032015	1	Plug	
14	70032016	8	Screw	
15	70032017	4	Screw	
16	NSS	4	Rivet	
17	NSS	1	Tie-Strap	
18	70032018	13	Screw	

SECTION 6 - CAB

FIGURE 6-25. HEATER ASSEMBLY - HEAT/AC



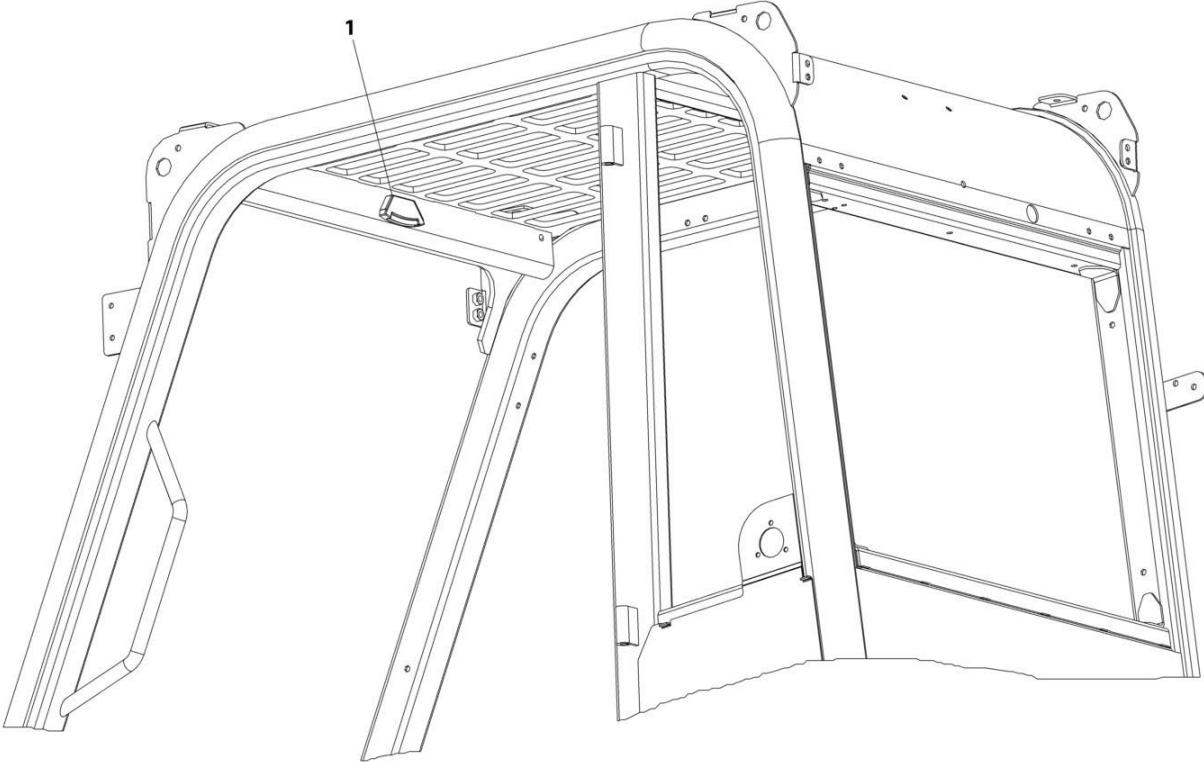
ART_1001311694

FIGURE 6-25. HEATER ASSEMBLY - HEAT/AC

ITEM	PART NUMBER	QTY	DESCRIPTION	REV
	1001311694	Ref	HEATER ASSEMBLY	A
1	70032019	1	Evaporator	
2	70032004	1	Heater Motor	
3	70032005	1	Harness	
4	70032020	1	Thermostat Harness	
5	70032006	1	Top Cover	
6	70032007	1	Bottom Cover	
7	70032008	1	Gasket	
8	70032009	2	Deflector	
9	70032010	1	Side Cover	
10	70032011	1	Corner Cover	
11	70032012	1	Gasket Seal Plate	
12	70032013	2	Air Vent Seal	
13	70032014	3	Bottom Cover Seal	
14	70032021	12 in/ 13 cm	Sealing Tape	
15	70032022	1	Expansion Valve	
16	70032023	1	Valve Mounting Plate	
17	70032024	1	Valve Mounting Plate	
18	70032025	1	Thermostat	
19	70032026	2	Screw	
20	70032027	1	Screw	
21	70032016	8	Screw	
22	70032028	1	Nut	
23	70032017	4	Screw	
24	NSS	4	Rivet	
25	NSS	8	Tie-Strap	
26	70032029	1	O-Ring	
27	70032030	1	O-Ring	
28	70032031	2	Gasket	
29	70032032	1	Anti-Drip Cover	
30	70032018	13	Screw	

SECTION 6 - CAB

FIGURE 6-26. LEVEL INDICATOR INSTALLATION



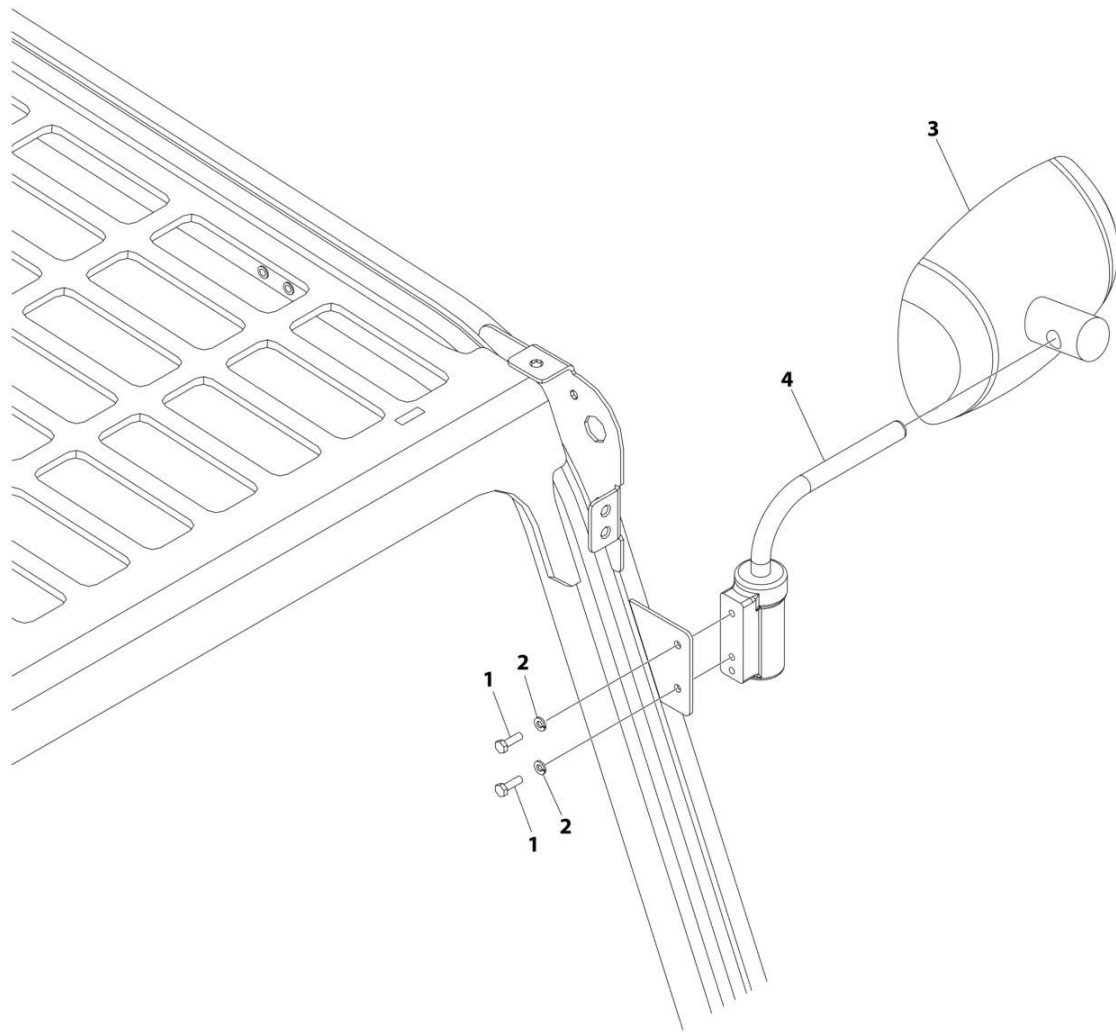
ART_1001297108

FIGURE 6-26. LEVEL INDICATOR INSTALLATION

ITEM	PART NUMBER	QTY	DESCRIPTION	REV
1	1001297108 8466306	Ref 1	LEVEL INDICATOR INSTALLATION Gage, Tilt Angle	A

SECTION 6 - CAB

FIGURE 6-27. MIRROR INSTALLATION



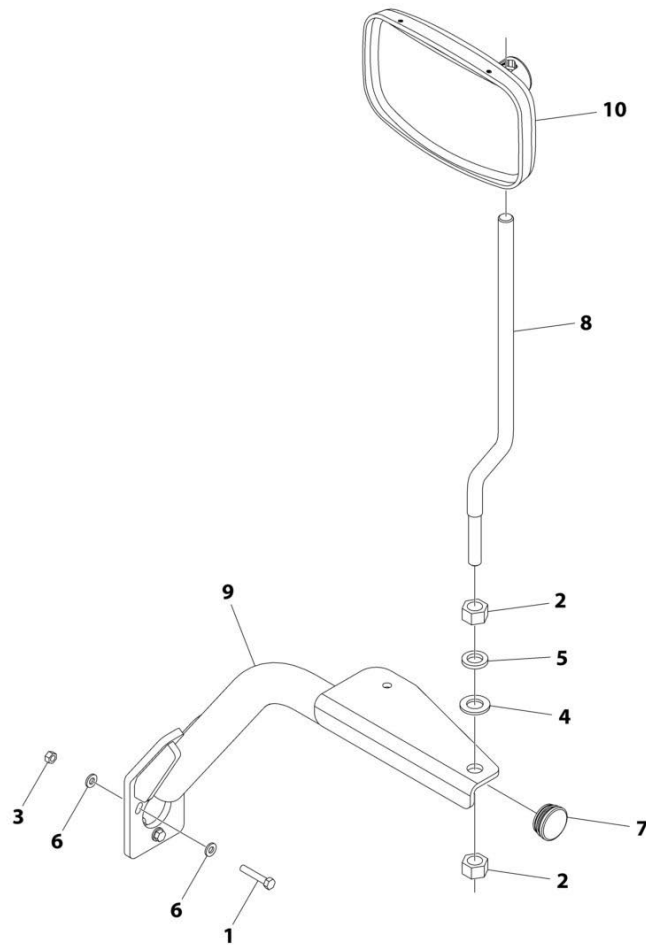
ART_1001297107

FIGURE 6-27. MIRROR INSTALLATION

ITEM	PART NUMBER	QTY	DESCRIPTION	REV
	1001297107	Ref	MIRROR INSTALLATION	A
1	0700610	2	Bolt M6 x 20	
2	8307024	2	Washer M6	
3	8866514	1	Mirror	
4	1001114675	1	Arm, Mirror	

SECTION 6 - CAB

FIGURE 6-28. MIRRORS INSTALLATION



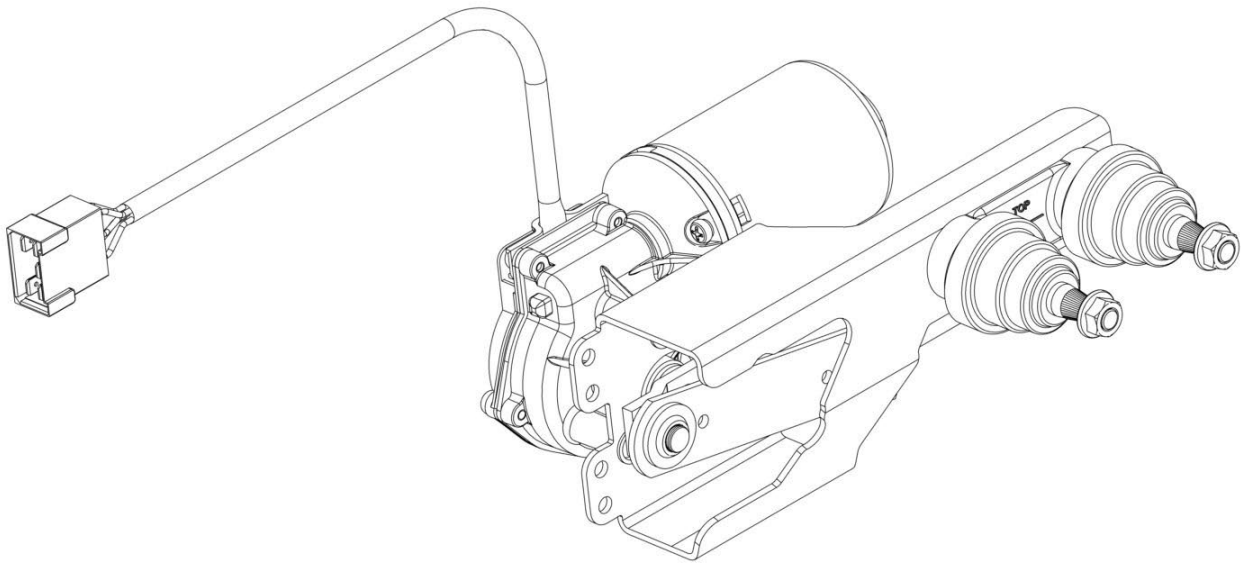
ART_1001292062

FIGURE 6-28. MIRRORS INSTALLATION

ITEM	PART NUMBER	QTY	DESCRIPTION	REV
	1001292062	Ref	MIRRORS INSTALLATION	A
1	0760816	3	Bolt M8 x 40	
2	3272201	2	Nut 3/4	
3	3290801	3	Nut M8	
4	4712200	1	Washer 3/4	
5	4762200	1	Washer 3/4	
6	4811900	6	Washer M8	
7	1001096913	1	Cap, Bracket	
8	1001144474	1	Bracket, Mirror	
9	1001190639	1	Bracket, Headlight (RH)	
10	1001191635	1	Mirror, Frame	

SECTION 6 - CAB

FIGURE 6-29. MOTOR ASSEMBLY - WIPER



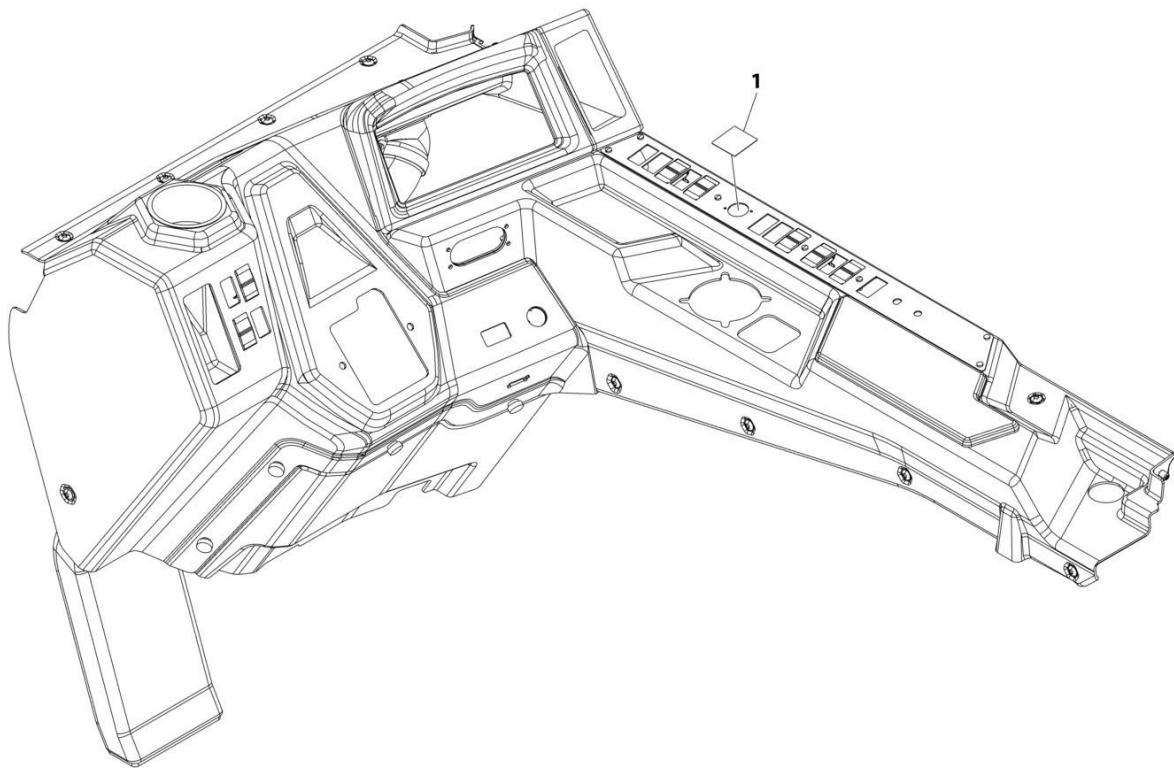
ART_1001283481

FIGURE 6-29. MOTOR ASSEMBLY - WIPER

ITEM	PART NUMBER	QTY	DESCRIPTION	REV
	1001283481 See Note	Ref Ref	MOTOR ASSEMBLY - WIPER Note: No Service Parts Available at Time of Printing	C

SECTION 6 - CAB

FIGURE 6-30. NO ENGINE SPEED SET SWITCH INSTALLATION



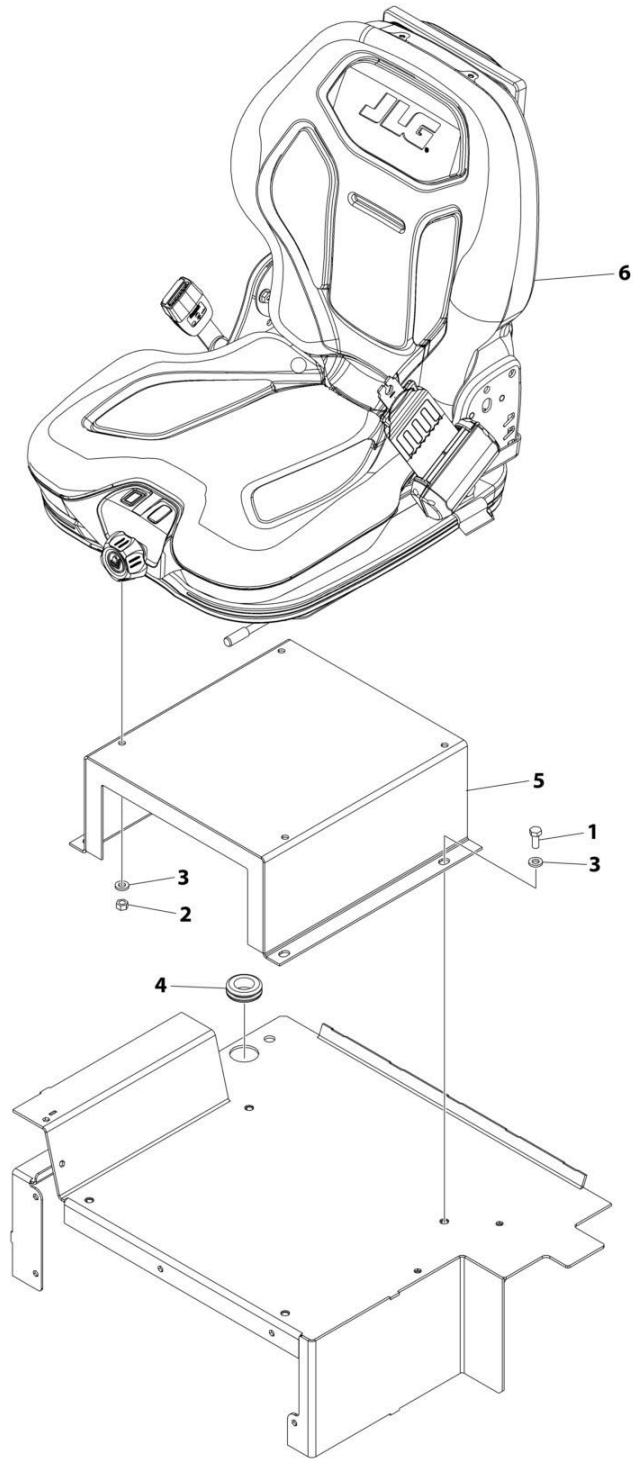
ART_1001306372

FIGURE 6-30. NO ENGINE SPEED SET SWITCH INSTALLATION

ITEM	PART NUMBER	QTY	DESCRIPTION	REV
1	1001306372 1001306279	Ref 1	NO ENGINE SPEED SET SWITCH INSTALLATION Decal	A

SECTION 6 - CAB

FIGURE 6-31. SEAT INSTALLATION - STANDARD



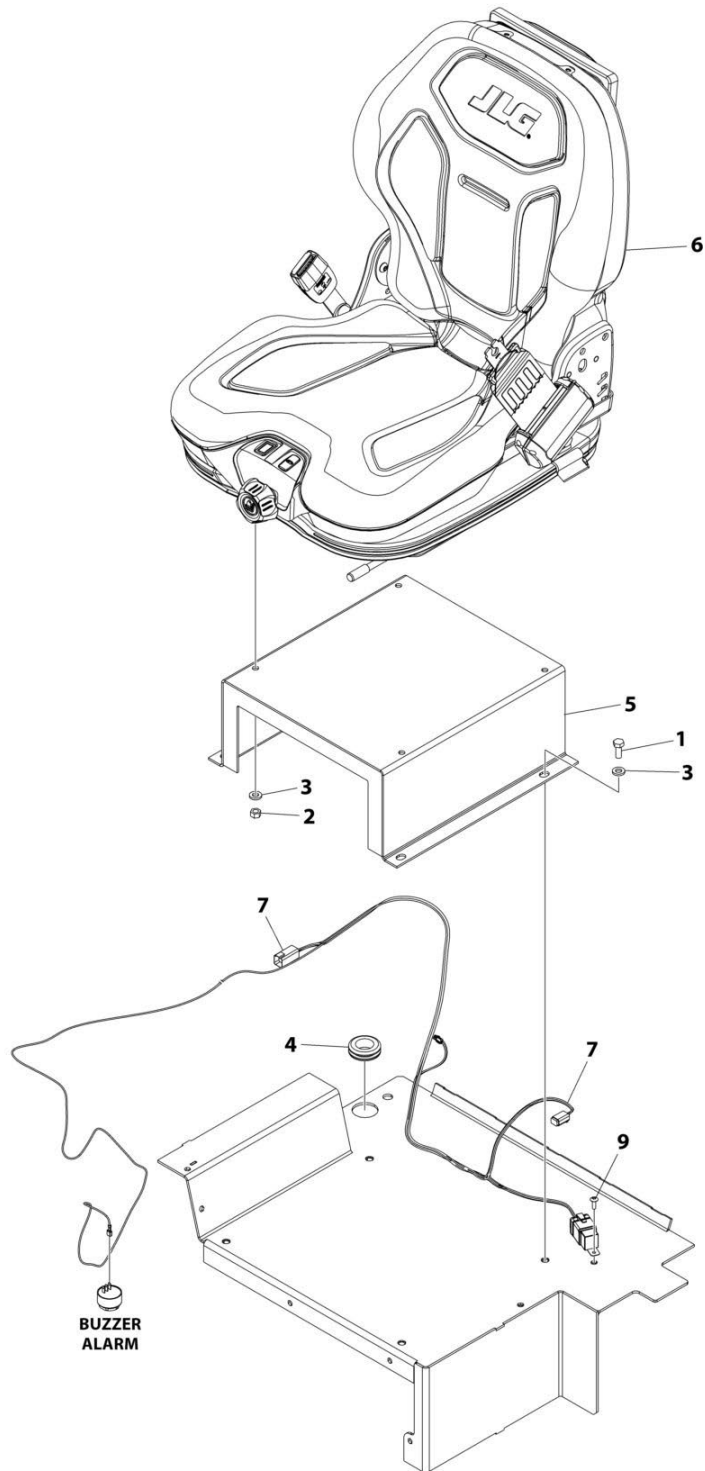
ART_1001296361

FIGURE 6-31. SEAT INSTALLATION - STANDARD

ITEM	PART NUMBER	QTY	DESCRIPTION	REV
	1001296361	Ref	SEAT INSTALLATION	B
1	0760810	4	Bolt M8 x 20	
2	3311505	4	Nut 5/16	
3	5240800	8	Washer M8	
4	1001081049	1	Grommet	
5	1001164498	1	Plinth, Seat	
6	1001275929	1	Seat Assembly (See Separate Breakdown in this Section)	

SECTION 6 - CAB

FIGURE 6-32. SEAT INSTALLATION - SEAOP



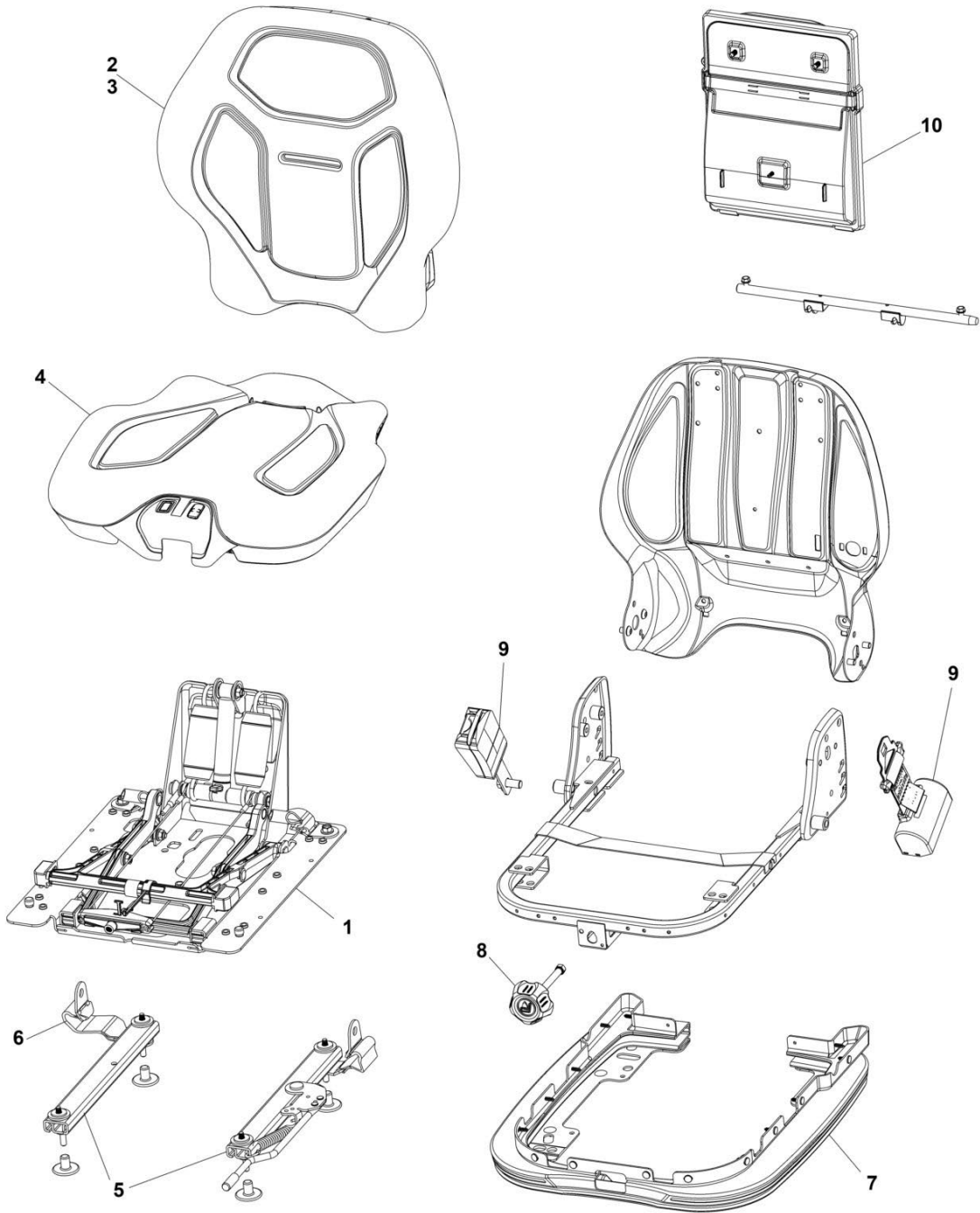
ART_1001296674

FIGURE 6-32. SEAT INSTALLATION - SEAOP

ITEM	PART NUMBER	QTY	DESCRIPTION	REV
	1001296674	Ref	SEAT INSTALLATION	C
1	0760810	4	Bolt M8 x 20	
2	3311505	4	Nut 5/16	
3	5240800	8	Washer M8	
4	1001081049	1	Grommet	
5	1001164498	1	Plinth, Seat	
6	1001275931	1	Seat Assembly (See Separate Breakdown in this Section)	
7	1001296730	1	Seat Belt Alarm Harness (See Separate Breakdown in ELECTRICAL Section)	
9	1001272884	1	Bolt M6 x 20	

SECTION 6 - CAB

FIGURE 6-33. SEAT ASSEMBLY - STANDARD



ART_1001275929

FIGURE 6-33. SEAT ASSEMBLY - STANDARD

ITEM	PART NUMBER	QTY	DESCRIPTION	REV
	1001275929	Ref	Seat Assembly	B
1	70027024	1	Suspension Kit	
2	70027026	1	Back Cushion Kit (JLG)	
3	70027027	1	Back Cushion Kit (CAT)	
4	70027028	1	Seat Cushion Kit	
5	7026798	1	Adjuster Kit	
6	70027032	1	Tether strap	
7	70027030	1	Boot Kit	
8	70027033	1	Weight Adjust Knob Kit	
9	1001275933	1	Seat Belt	
10	70027035	1	Document box Kit	

SECTION 6 - CAB

FIGURE 6-34. SEAT ASSEMBLY - VINYL



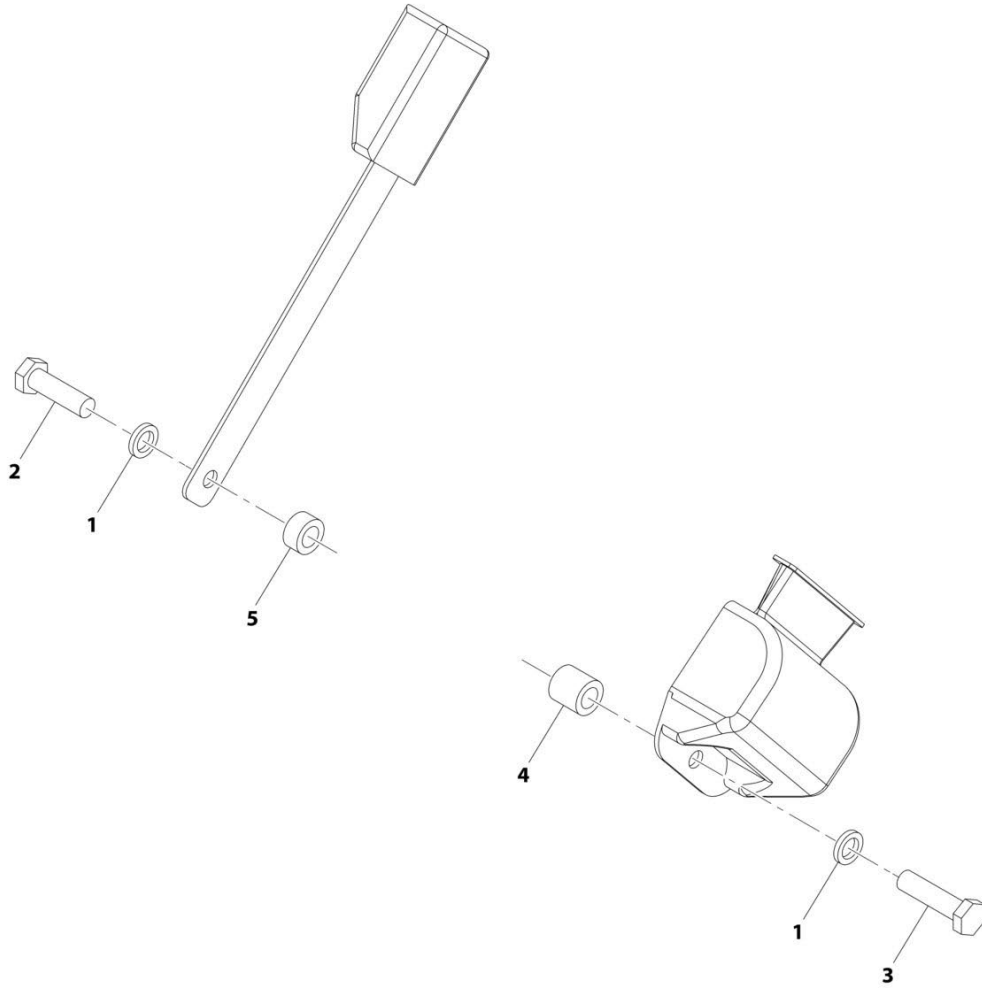
ART_1001275931

FIGURE 6-34. SEAT ASSEMBLY - VINYL

ITEM	PART NUMBER	QTY	DESCRIPTION	REV
	1001275931	Ref Ref	SEAT ASSEMBLY - VINYL Note: No Service Parts Available at Time of Printing	D

SECTION 6 - CAB

FIGURE 6-35. SEAT BELT INSTALLATION (2IN)



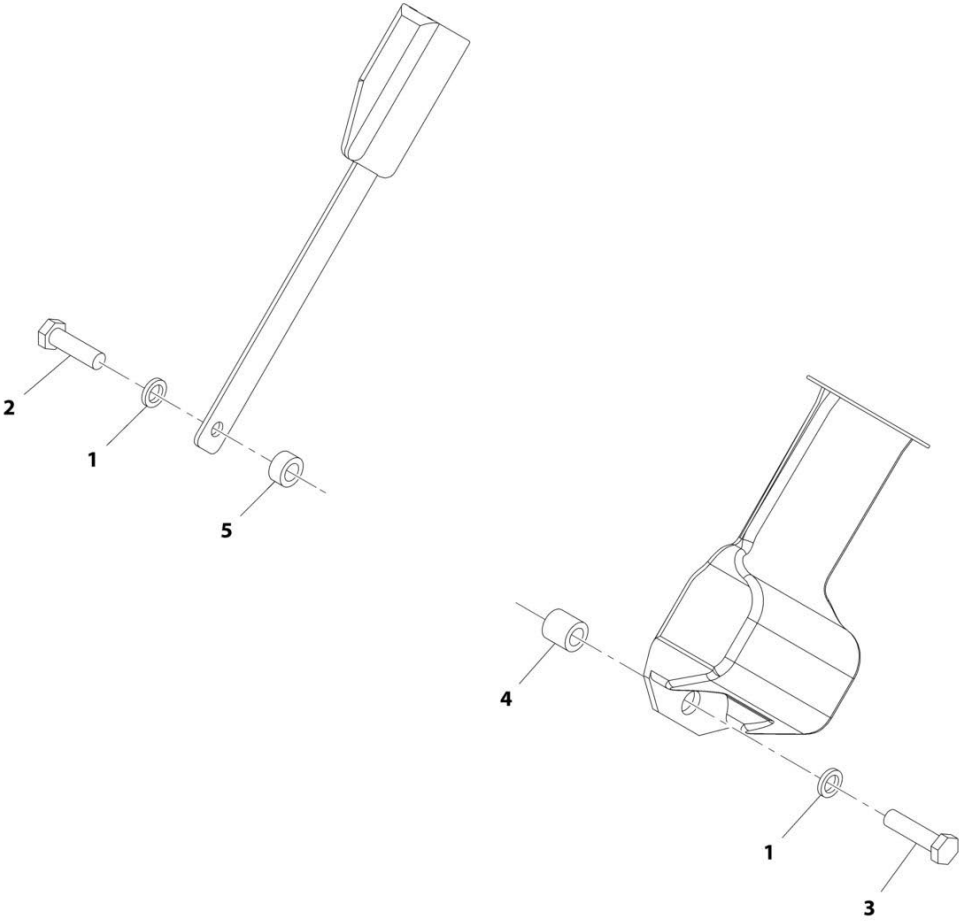
ART_1001006730

FIGURE 6-35. SEAT BELT INSTALLATION (2IN)

ITEM	PART NUMBER	QTY	DESCRIPTION	REV
	1001006730	Ref	Seat Belt Installation (2IN)	H
1	1001010646	2	Washer	
2	1001010647	1	Bolt	
3	1001010648	1	Bolt	
4	1001010649	1	Spacer, Shim	
5	1001010650	1	Spacer, Shim	

SECTION 6 - CAB

FIGURE 6-36. SEAT BELT INSTALLATION (3IN)



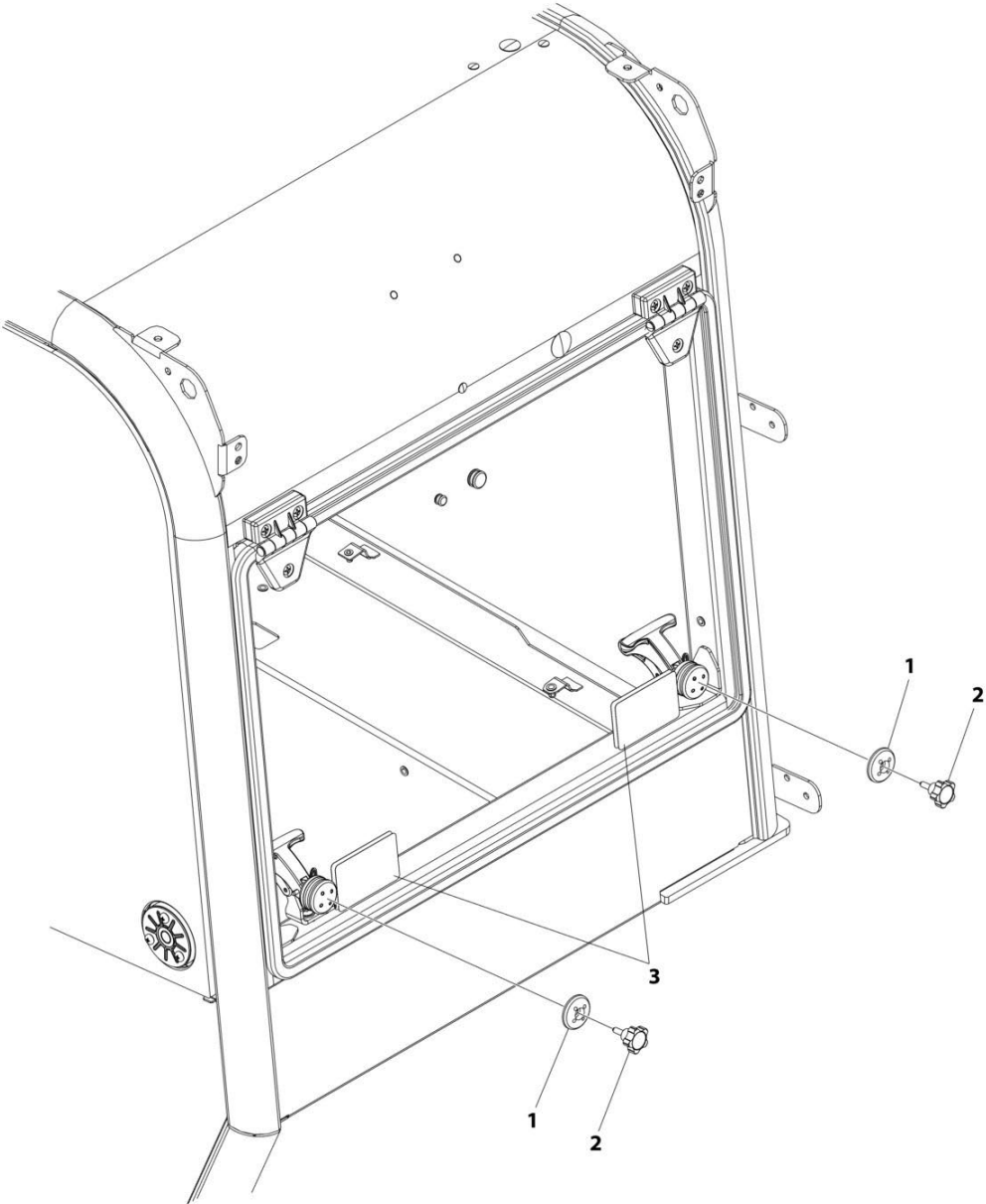
ART_1001006731-B

FIGURE 6-36. SEAT BELT INSTALLATION (3IN)

ITEM	PART NUMBER	QTY	DESCRIPTION	REV
	1001006731	Ref	Seat Belt Installation (3IN)	B
1	1001010646	2	Washer	
2	1001010647	1	Bolt	
3	1001010648	1	Bolt	
4	1001010649	1	Spacer	
5	1001010650	1	Spacer	

SECTION 6 - CAB

FIGURE 6-37. SECONDARY EXIT INSTALLATION (CA SPECS)



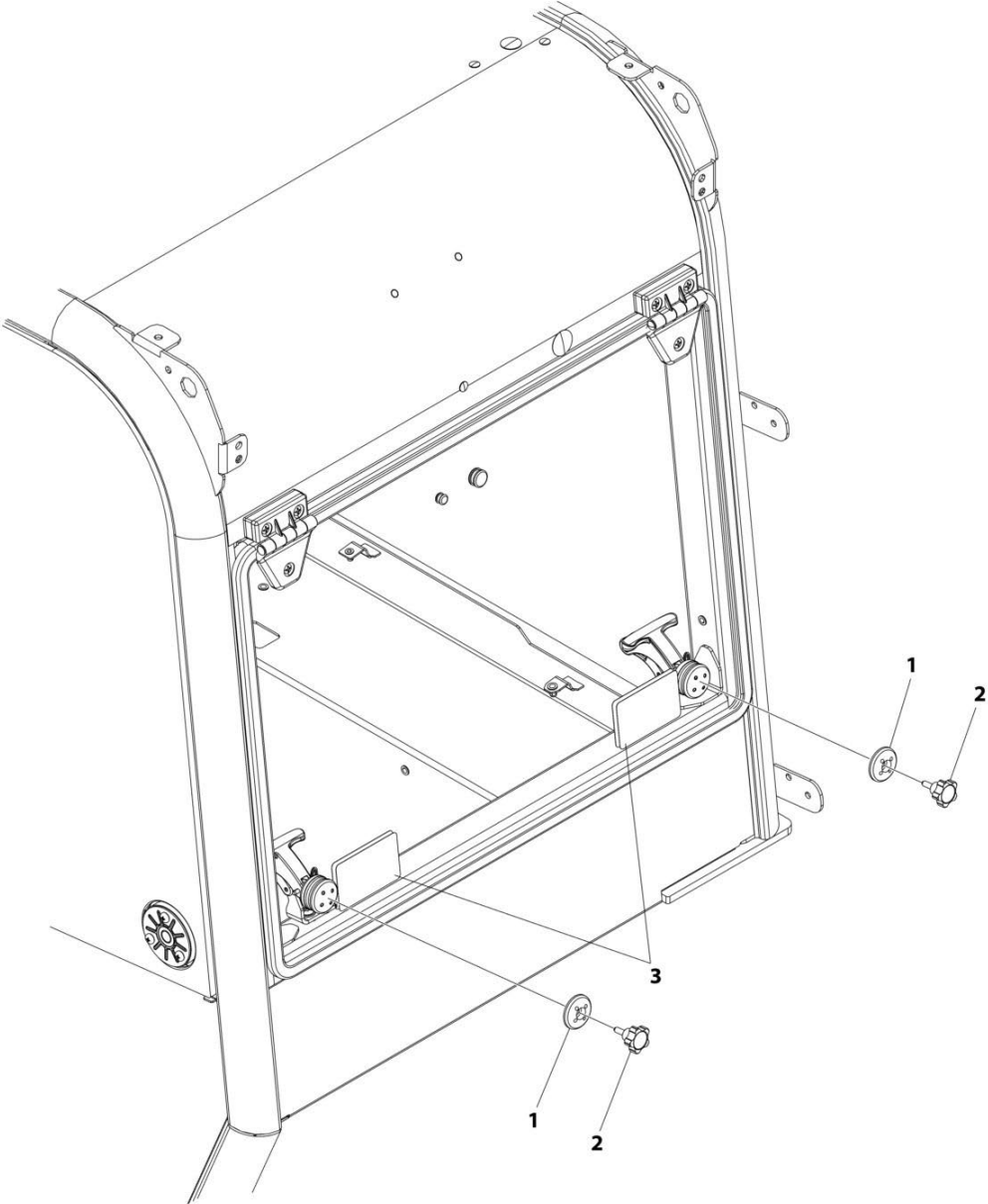
ART_1001299434

FIGURE 6-37. SECONDARY EXIT INSTALLATION (CA SPECS)

ITEM	PART NUMBER	QTY	DESCRIPTION	REV
	1001299434	Ref	SECONDARY EXIT INSTALLATION	A
1	1001179008	2	Cap	
2	1001179009	2	Knob	
3	1001204709	4	Decal - Emergency Exit	

SECTION 6 - CAB

FIGURE 6-38. SECONDARY EXIT INSTALLATION (ANSI SPECS)



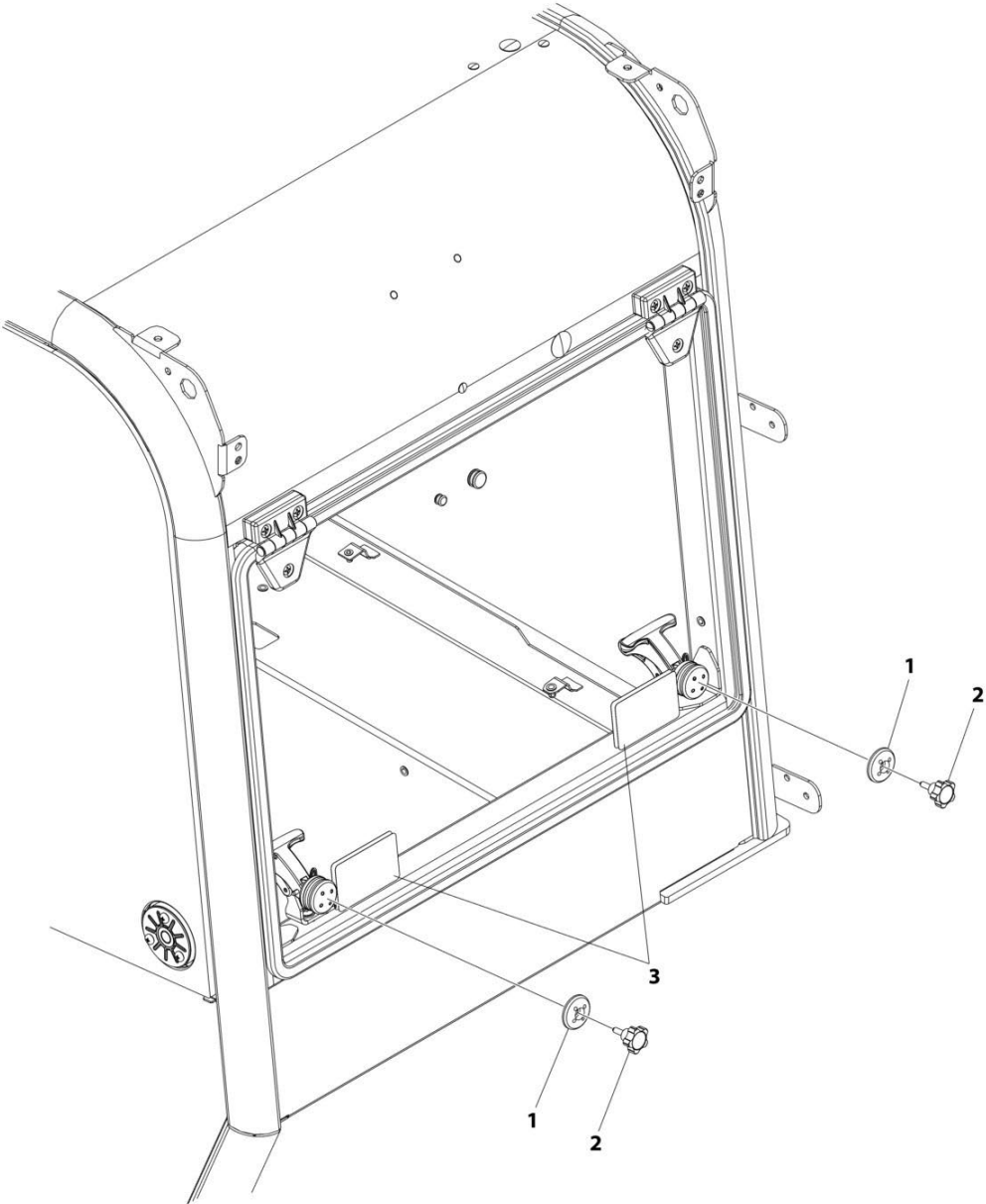
ART_1001299435

FIGURE 6-38. SECONDARY EXIT INSTALLATION (ANSI SPECS)

ITEM	PART NUMBER	QTY	DESCRIPTION	REV
	1001299435	Ref	SECONDARY EXIT INSTALLATION	A
1	1001179008	2	Cap	
2	1001179009	2	Knob	
3	1001212049	4	Decal - Emergency Exit	

SECTION 6 - CAB

FIGURE 6-39. SECONDARY EXIT INSTALLATION (ISO SPECS)



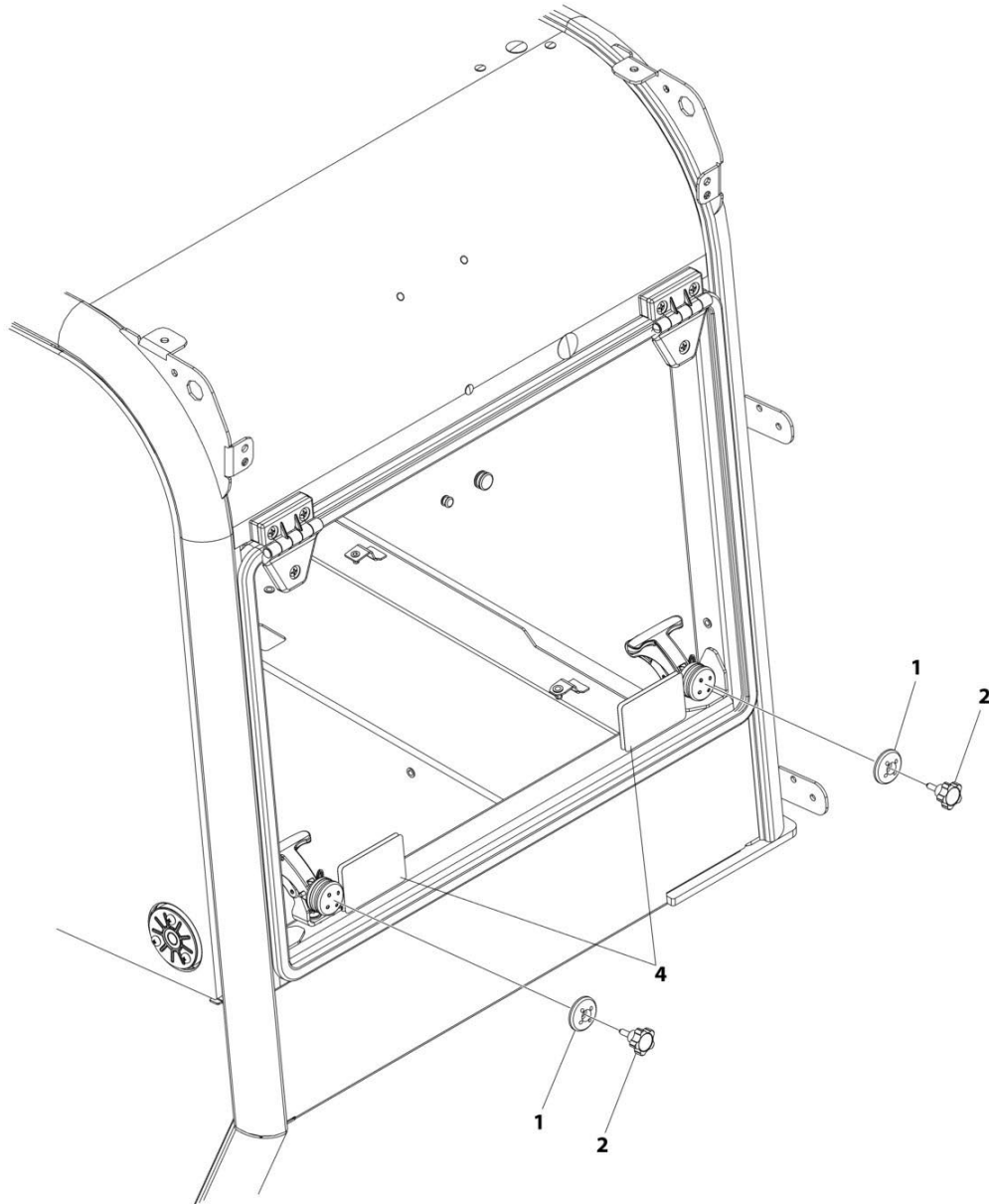
ART_1001301544

FIGURE 6-39. SECONDARY EXIT INSTALLATION (ISO SPECS)

ITEM	PART NUMBER	QTY	DESCRIPTION	REV
	1001301544	Ref	SECONDARY EXIT INSTALLATION	A
1	1001179008	2	Cap	
2	1001179009	2	Knob	
3	1001212050	4	Decal - Emergency Exit	

SECTION 6 - CAB

FIGURE 6-40. SECONDARY EXIT INSTALLATION (ENGLISH/SPANISH LANGUAGES)



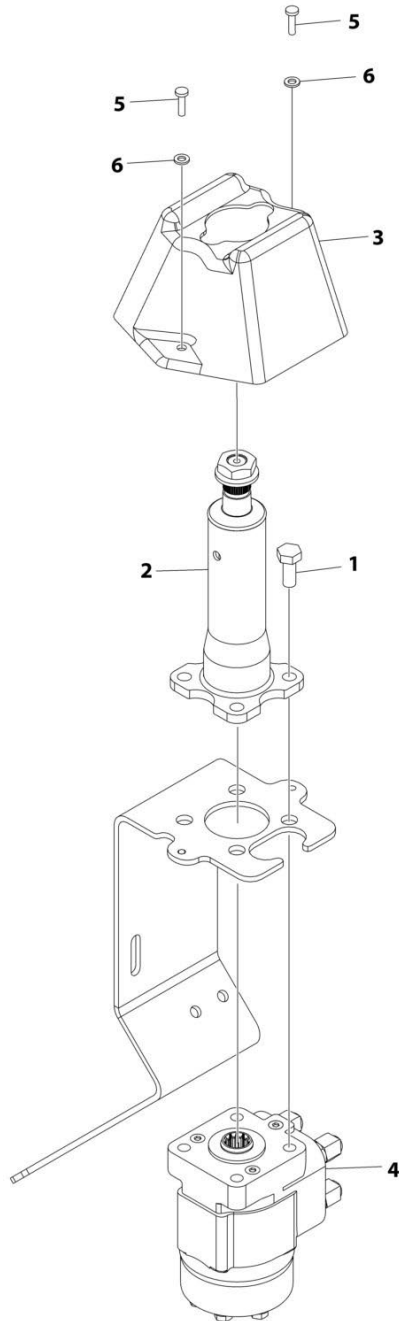
ART_1001301547

FIGURE 6-40. SECONDARY EXIT INSTALLATION (ENGLISH/SPANISH LANGUAGES)

ITEM	PART NUMBER	QTY	DESCRIPTION	REV
	1001301547	Ref	SECONDARY EXIT INSTALLATION	A
1	1001179008	2	Cap	
2	1001179009	2	Knob	
4	1001237845	4	Decal - Emergency Exit	

SECTION 6 - CAB

FIGURE 6-41. STEERING COLUMN INSTALLATION - FIXED



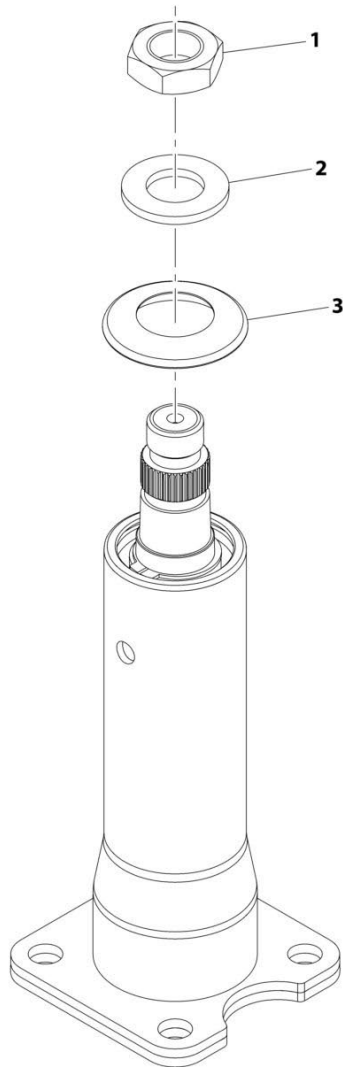
ART_1001297057

FIGURE 6-41. STEERING COLUMN INSTALLATION - FIXED

ITEM	PART NUMBER	QTY	DESCRIPTION	REV
	1001297057	Ref	FIXED STEERING COLUMN INSTALLATION	D
1	0761012	4	Bolt M10 x 25	
2	1001081223	1	Column, Steering (See Separate Breakdown in this Section)	
3	1001305633	1	Column, Steering Boot	
4	1001293337	1	Steer Valve Assembly (See Separate Breakdown in HYDRAULIC COMPONENTS Section)	
5	4010510002	2	Screw M5 x 20	
6	4811700001	2	Washer M6	

SECTION 6 - CAB

FIGURE 6-42. STEERING COLUMN ASSEMBLY - FIXED



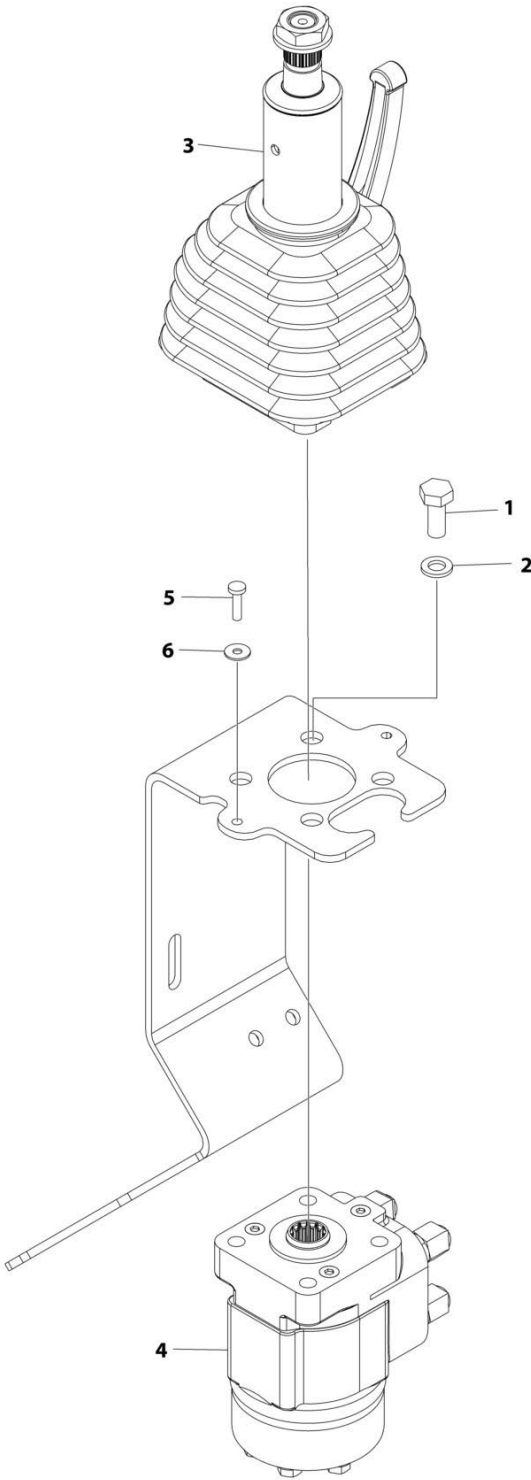
ART_1001081223-D

FIGURE 6-42. STEERING COLUMN ASSEMBLY - FIXED

ITEM	PART NUMBER	QTY	DESCRIPTION	REV
	1001081223	Ref	Fixed Steering Column	E
1	70020923	1	Nut, M18X.5	
2	70020924	1	Washer	
3	70020925	1	Rubber Cap	

SECTION 6 - CAB

FIGURE 6-43. STEERING COLUMN INSTALLATION - TILT



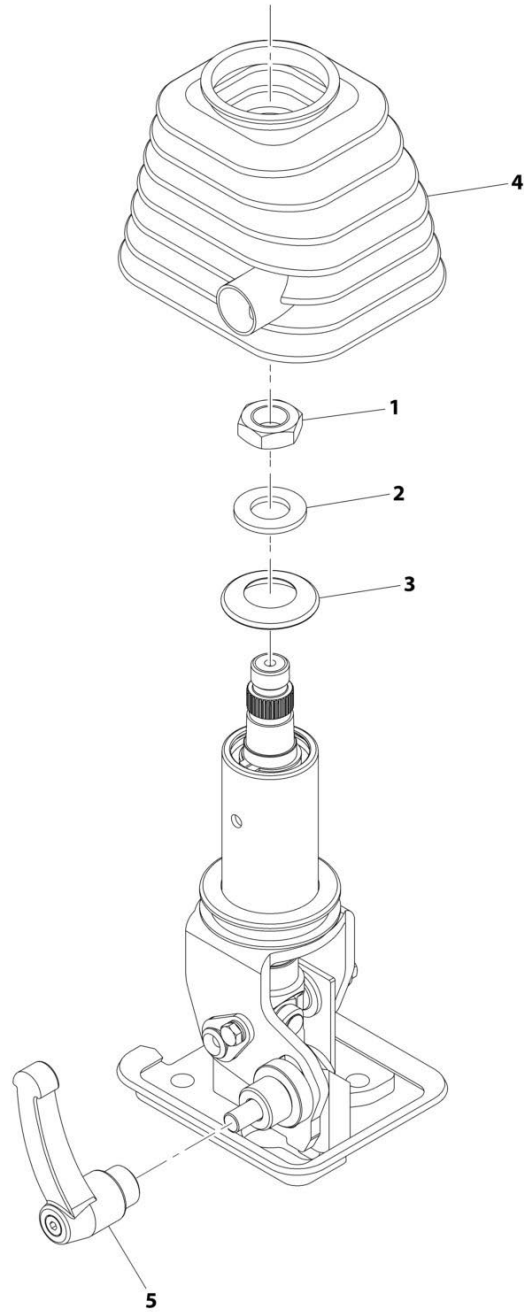
ART_1001294428

FIGURE 6-43. STEERING COLUMN INSTALLATION - TILT

ITEM	PART NUMBER	QTY	DESCRIPTION	REV
	1001294428	Ref	TILT STEERING COLUMN INSTALLATION	B
1	0761012	4	Bolt M10 x 25	
2	4832000	1	Washer M10	
3	1001080826	1	Column, Tilt Steering (See Separate Breakdown in this Section)	
4	1001293337	1	Valve, Steer (See Separate Breakdown in this Section)	
5	4010510002	2	Screw M5 x 20	
6	4811602001	2	Washer M5	

SECTION 6 - CAB

FIGURE 6-44. STEERING COLUMN ASSEMBLY - TILT



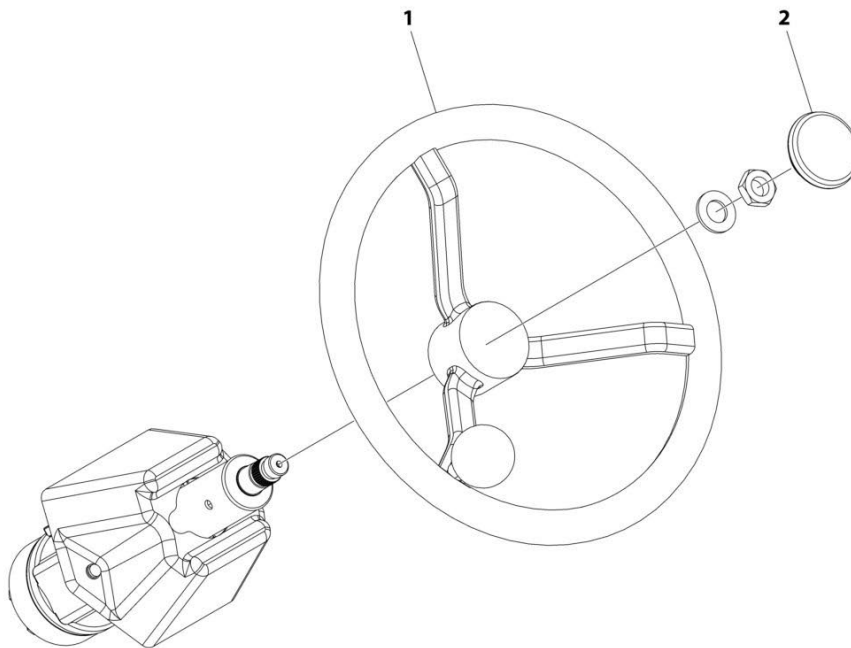
ART_1001080826-F

FIGURE 6-44. STEERING COLUMN ASSEMBLY - TILT

ITEM	PART NUMBER	QTY	DESCRIPTION	REV
	1001080826	Ref	Tilt Steering Column	F
1	70020923	1	Nut, M18-1-1/2	
2	70020924	1	Washer	
3	70020925	1	Rubber Cap	
4	70020926	1	Bellows	
5	70020927	1	Locking Handle	

SECTION 6 - CAB

FIGURE 6-45. STEERING WHEEL INSTALLATION



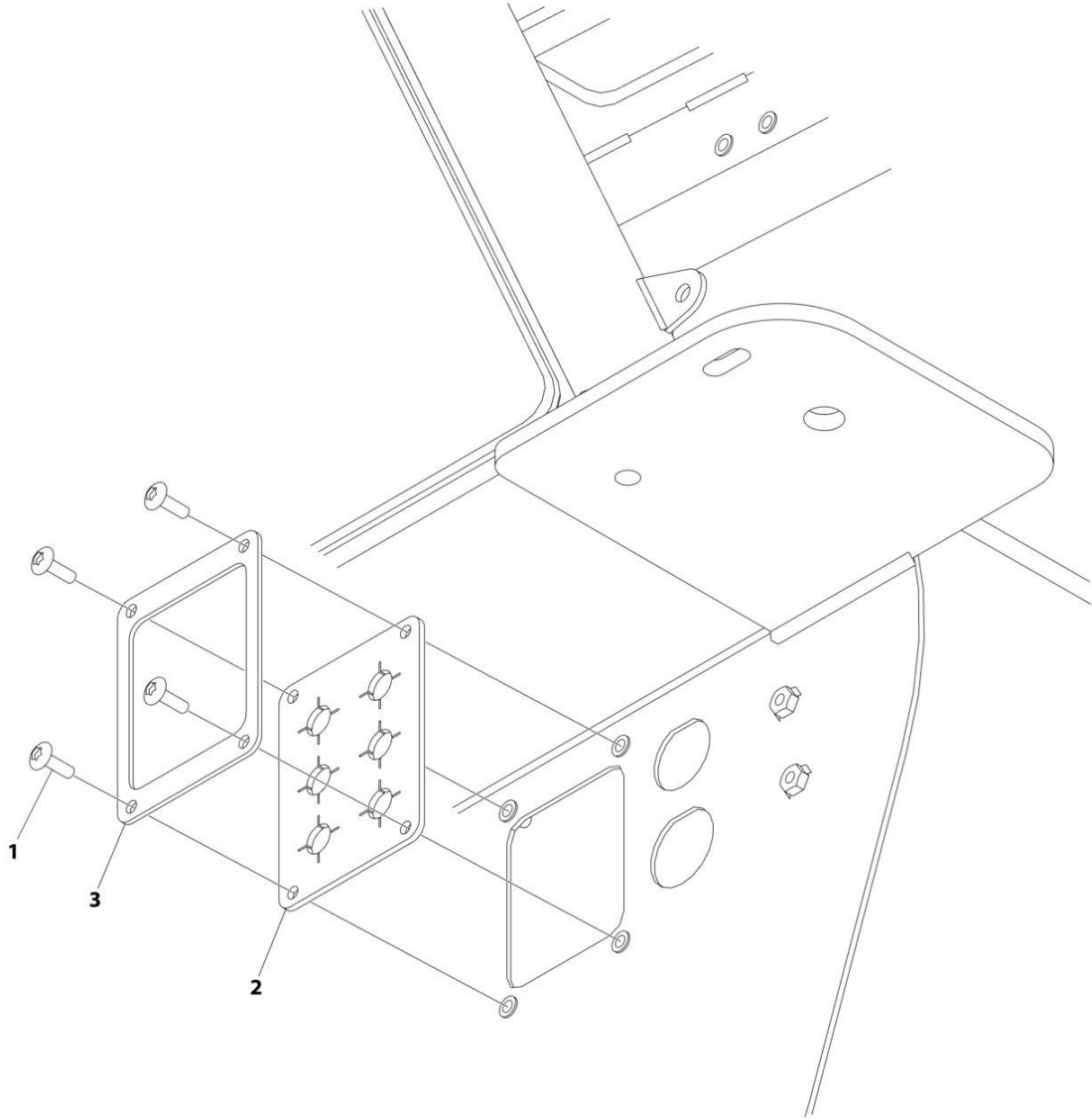
ART_1001298296

FIGURE 6-45. STEERING WHEEL INSTALLATION

ITEM	PART NUMBER	QTY	DESCRIPTION	REV
	1001298296	Ref	STEERING WHEEL INSTALLATION	B
1	1001080462	1	Wheel, Steering	
2	1001080463	1	Cap, Center	

SECTION 6 - CAB

FIGURE 6-46. WASHER HOSE PASS THROUGH INSTALLATION



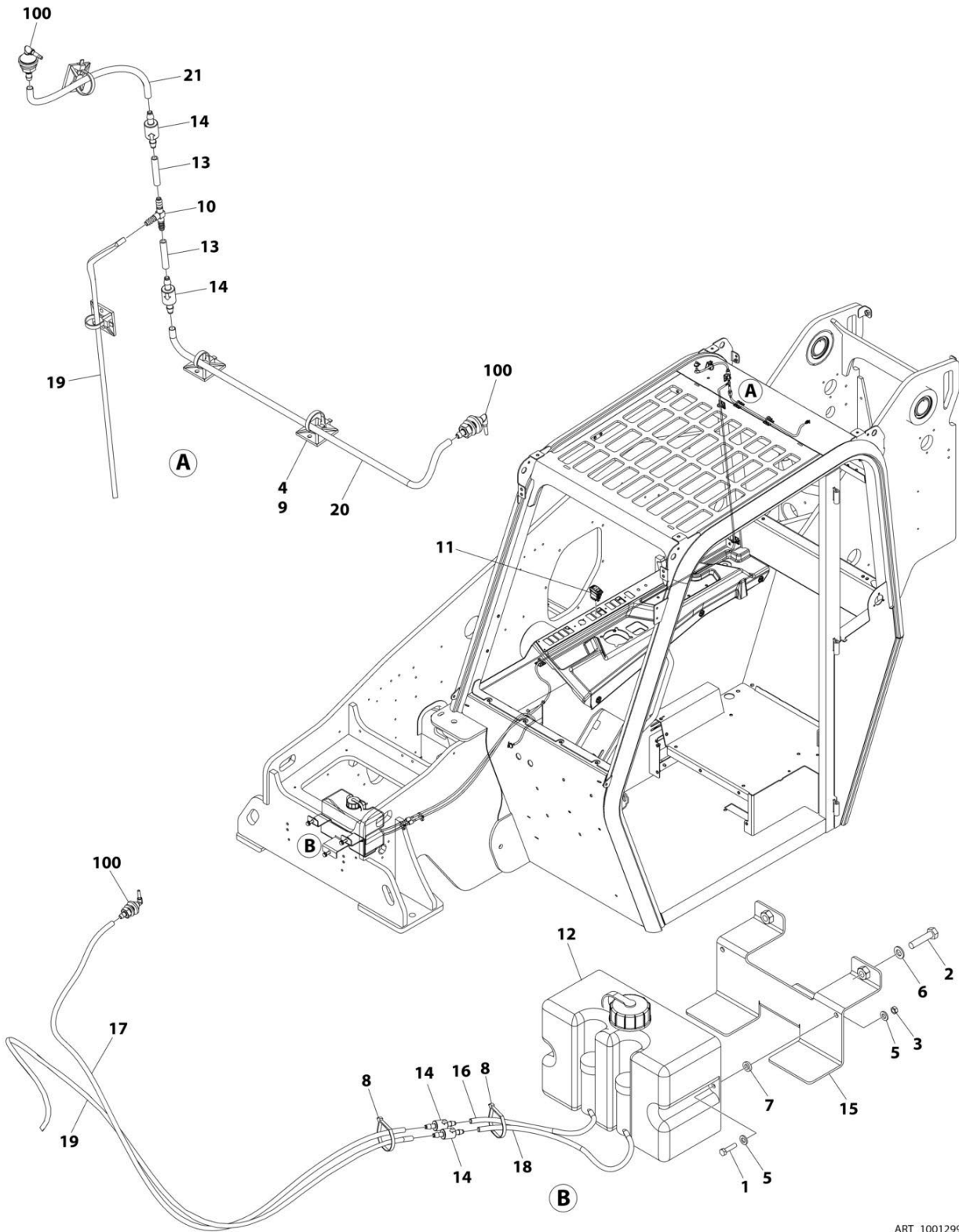
ART_1001299417

FIGURE 6-46. WASHER HOSE PASS THROUGH INSTALLATION

ITEM	PART NUMBER	QTY	DESCRIPTION	REV
	1001299417	Ref	HOSE PASS THROUGH INSTALLATION	A
1	1001272884	4	Screw M6 x 20	
2	1001298344	1	Panel	
3	1001298345	1	Plate, Trim	

SECTION 6 - CAB

FIGURE 6-47. WINDOW WASHER INSTALLATION



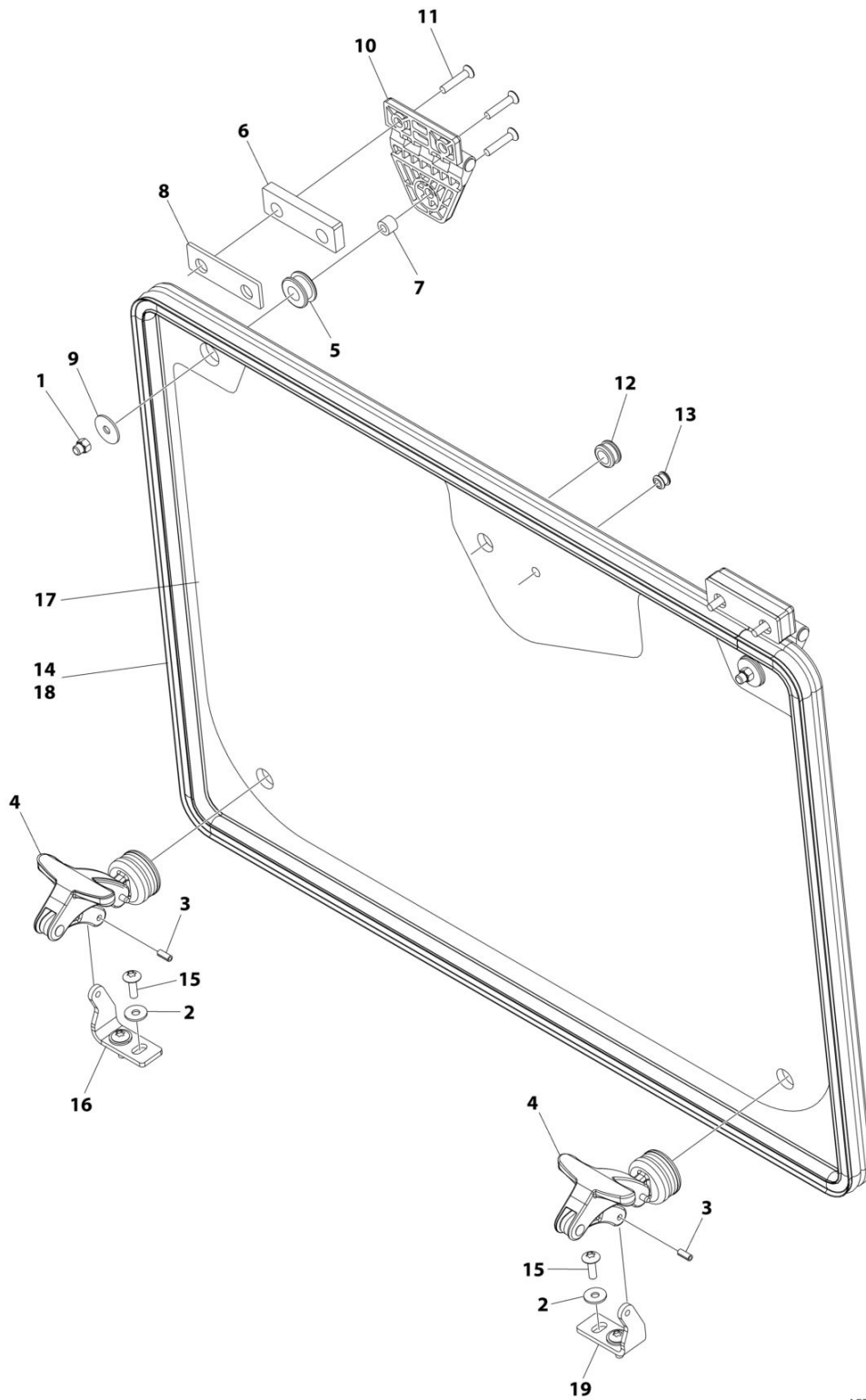
ART_1001299066

FIGURE 6-47. WINDOW WASHER INSTALLATION

ITEM	PART NUMBER	QTY	DESCRIPTION	REV
	1001299066	Ref	WINDOW WASHER INSTALLATION	C
1	0760510	2	Bolt M5 x 20	
2	0760815	3	Bolt M8 x 35	
3	3290501	2	Nut M5	
4	4460234	7	Mount, Tie-Strap	
5	4811700	4	Washer M6	
6	4811900	3	Washer M8	
7	5240600	2	Washer M6	
8	8584001	2	Tie-Wrap	
9	1001008559	7	Tie-Strap	
10	1001008742	1	Fitting, Tee	
11	1001080367	1	Switch, Front Washer	
12	1001165269	1	Tank, Washer	
13	1001165455	2	Hose	
14	1001201331	4	Valve, Check	
15	1001291762	1	Bracket	
16	1001299140	1	Hose	
17	1001299141	1	Hose	
18	1001299142	1	Hose	
19	1001299143	1	Hose	
20	1001299144	1	Hose	
21	1001299145	1	Hose	
100	1001090343	3	Nozzle, Spray	

SECTION 6 - CAB

FIGURE 6-48. WINDOW ASSEMBLY - REAR



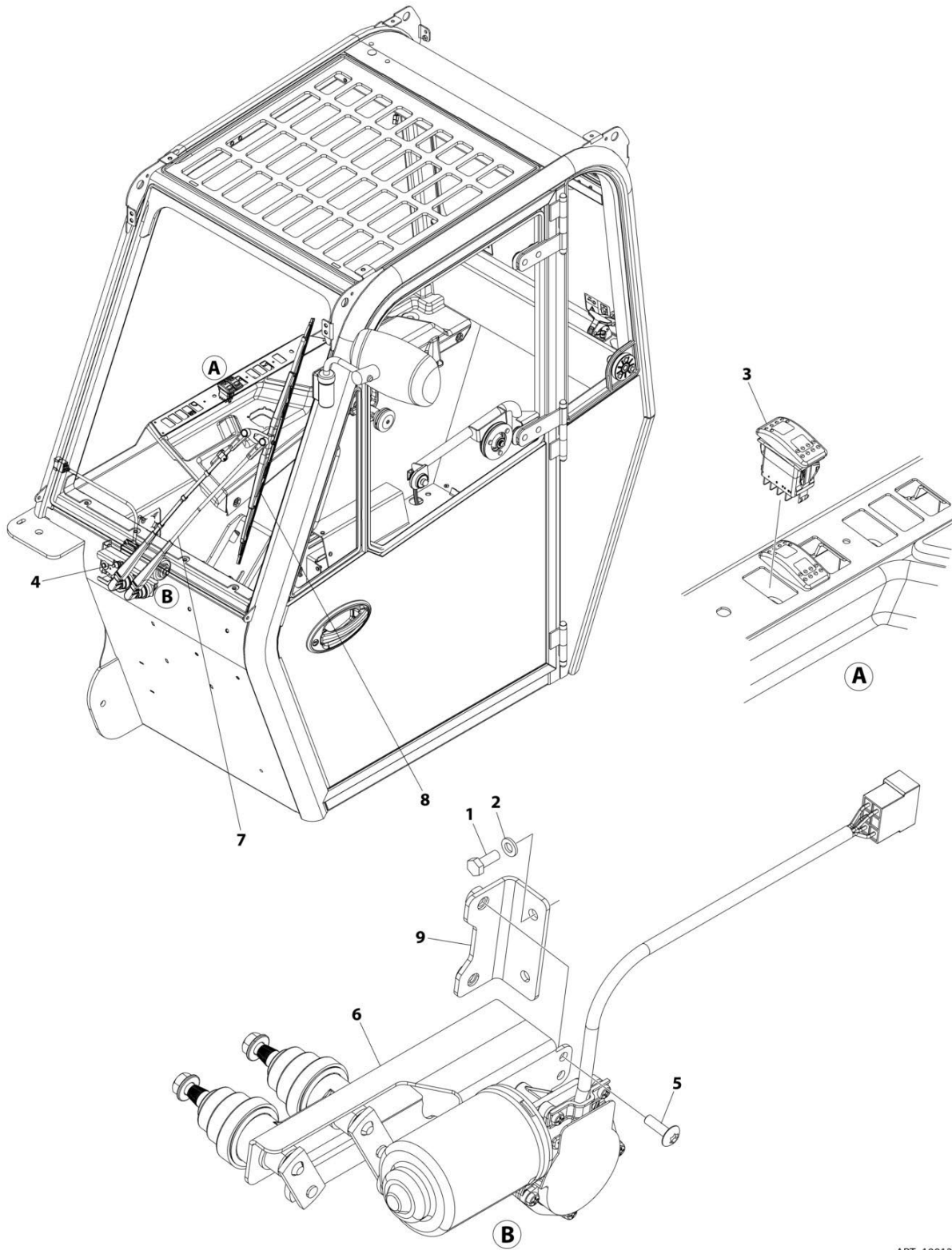
ART_1001293573

FIGURE 6-48. WINDOW ASSEMBLY - REAR

ITEM	PART NUMBER	QTY	DESCRIPTION	REV
	1001293573	Ref	WINDOW ASSEMBLY - REAR	B
1	3290606	2	Nut M6	
2	4811702	4	Washer M6	
3	1001003043	2	Pin	
4	1001005368	2	Latch	
5	1001081283	2	Grommet	
6	1001081284	2	Seal, Hinge	
7	1001081285	2	Sleeve	
8	1001081289	2	Pad, Mounting	
9	1001108552	2	Washer 1/4	
10	1001139568	2	Hinge	
11	1001149125	6	Screw M6 x 30	
12	1001171182	1	Grommet	
13	1001171183	1	Grommet	
14	1001302215	AR	Adhesive	
15	1001272884	4	Screw M6 x 20	
16	1001292295	1	Mount	
17	1001293567	1	Glass (Rear)	
18	1001293571	1	Seal	
19	1001295203	1	Mount	

SECTION 6 - CAB

FIGURE 6-49. WIPER INSTALLATION - FRONT



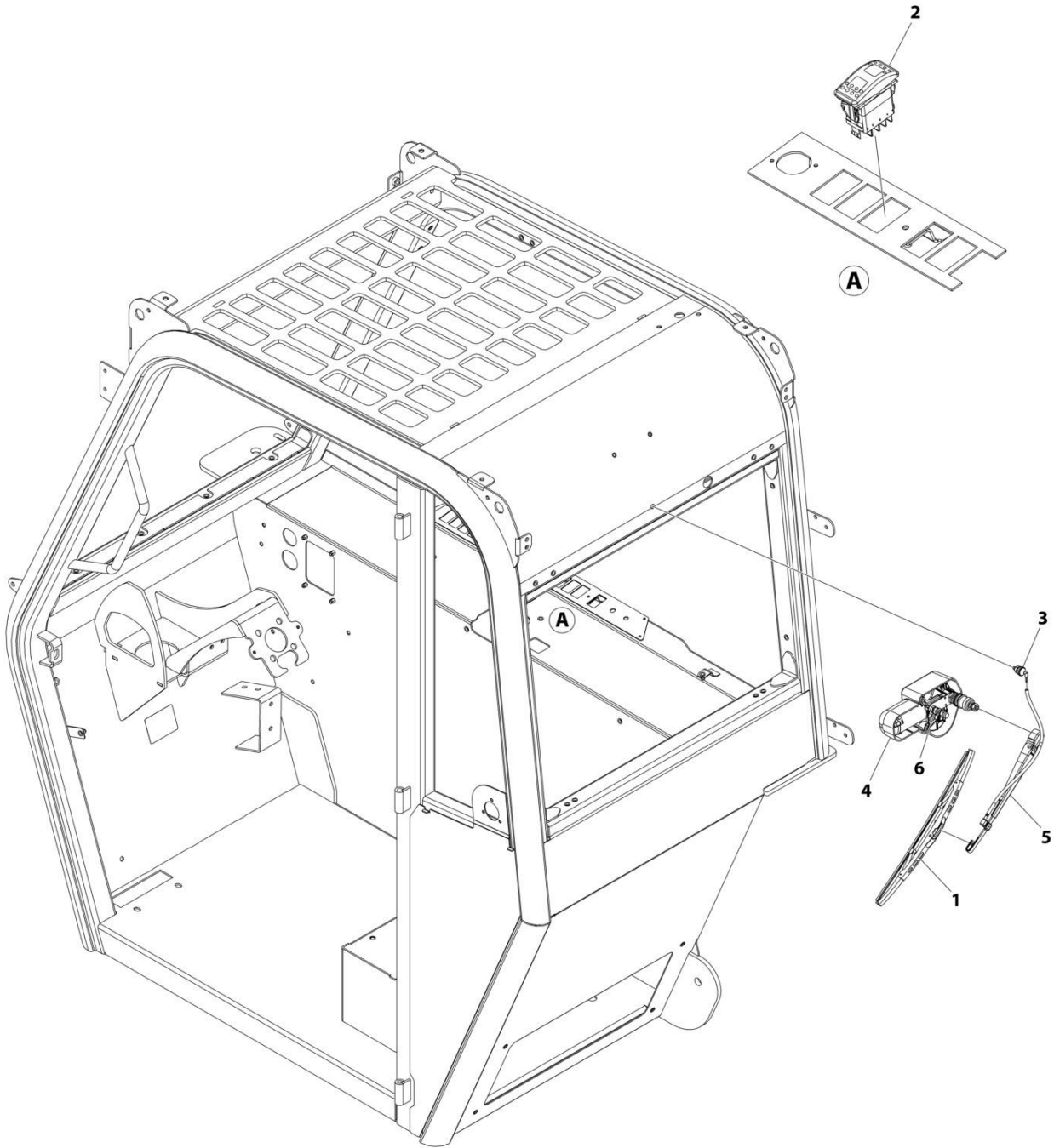
ART_1001291761

FIGURE 6-49. WIPER INSTALLATION - FRONT

ITEM	PART NUMBER	QTY	DESCRIPTION	REV
	1001291761	Ref	WIPER INSTALLATION - FRONT	B
1	0760608	2	Bolt M6 x 16	
2	4811700	2	Washer M6	
3	1001080368	1	Switch	
4	1001090343	1	Nozzle, Spray	
5	1001272884	2	Screw M6 x 20	
6	1001283481	1	Wiper Motor Assembly (See Separate Breakdown in this Section)	
7	1001283482	1	Arm, Wiper	
8	1001283530	1	Blade	
9	1001292252	1	Bracket	

SECTION 6 - CAB

FIGURE 6-50. WIPER INSTALLATION - REAR WINDOW



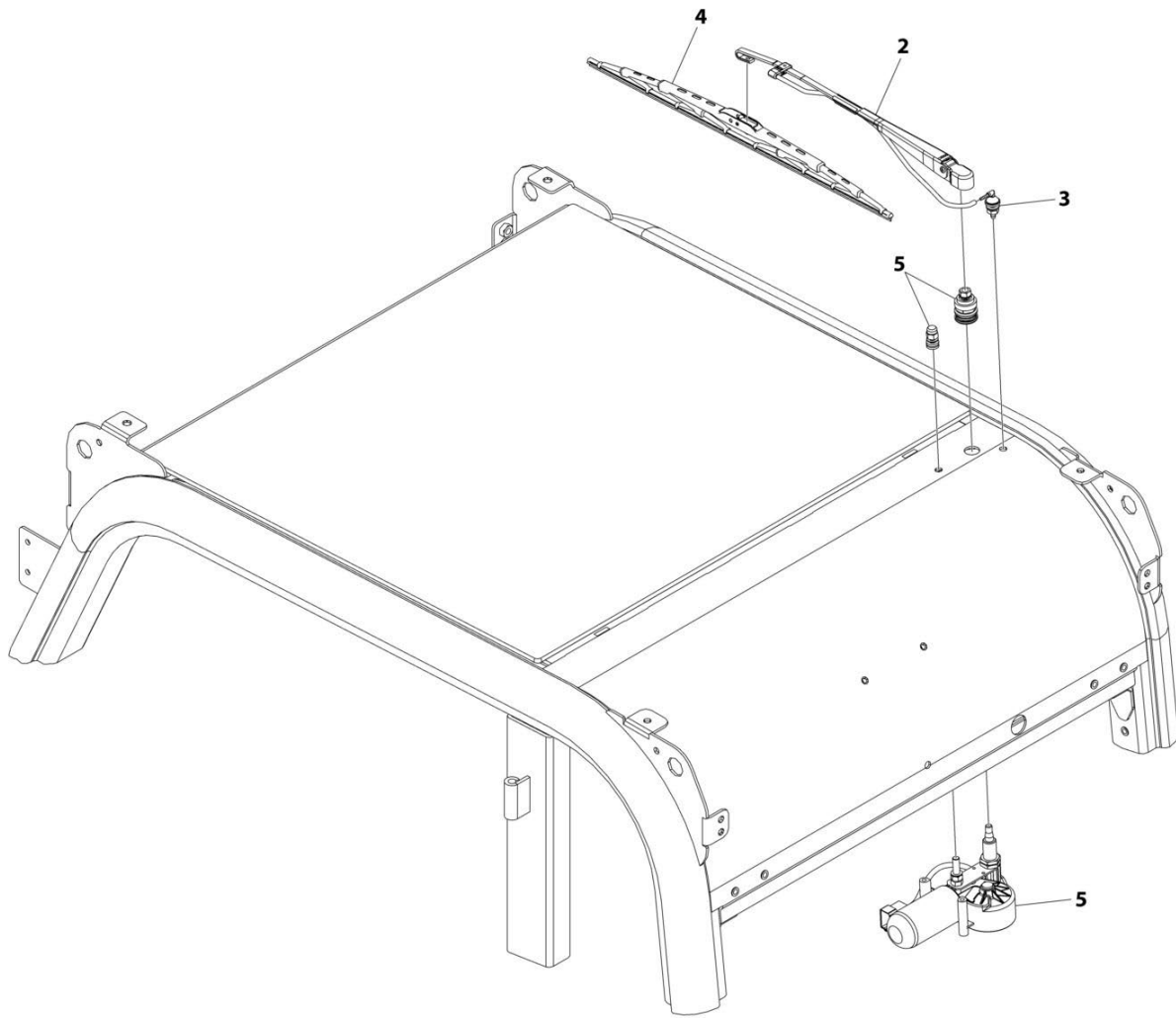
ART_1001296988

FIGURE 6-50. WIPER INSTALLATION - REAR WINDOW

ITEM	PART NUMBER	QTY	DESCRIPTION	REV
	1001296988	Ref	WIPER INSTALLATION - REAR WINDOW	C
1	4807718	1	Blade, Wiper	
2	1001080377	1	Switch, Wiper	
3	1001090343	1	Pipe, Connector	
4	1001139552	1	Motor, Wiper	
5	1001141312	1	Arm, Wiper	
6	3290801	1	Nut M8	

SECTION 6 - CAB

FIGURE 6-51. WIPER INSTALLATION - ROOF



ART_1001296989

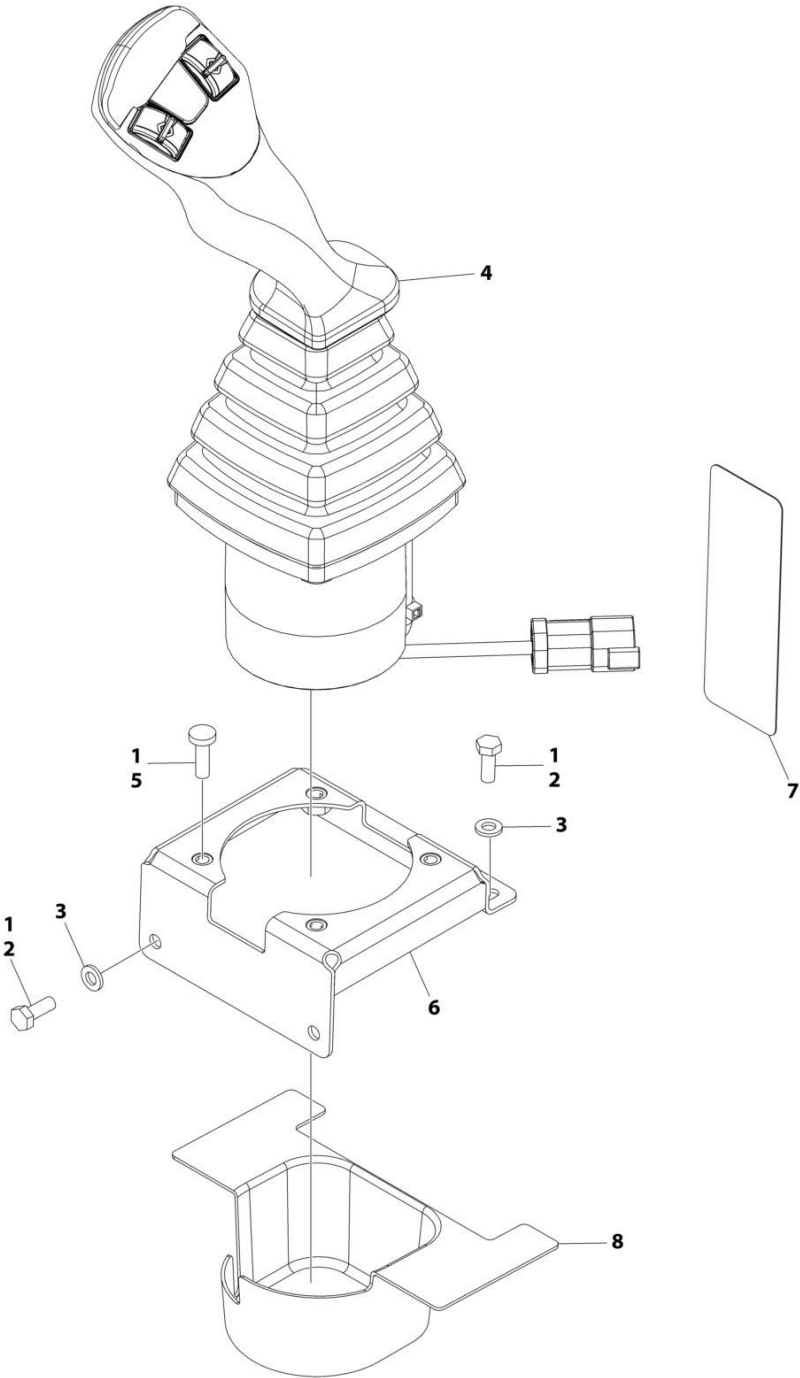
FIGURE 6-51. WIPER INSTALLATION - ROOF

ITEM	PART NUMBER	QTY	DESCRIPTION	REV
	1001296989	Ref	WIPER INSTALLATION - ROOF	D
2	1001283484	1	Arm, Wiper	
3	1001090343	1	Pipe, Connector	
4	1001283532	1	Blade, Wiper	
5	1001296992	1	Motor, Wiper	

SECTION 7 - CONTROLS

SECTION 7 - CONTROLS

FIGURE 7-1. JOYSTICK INSTALLATION



ART_1001296263

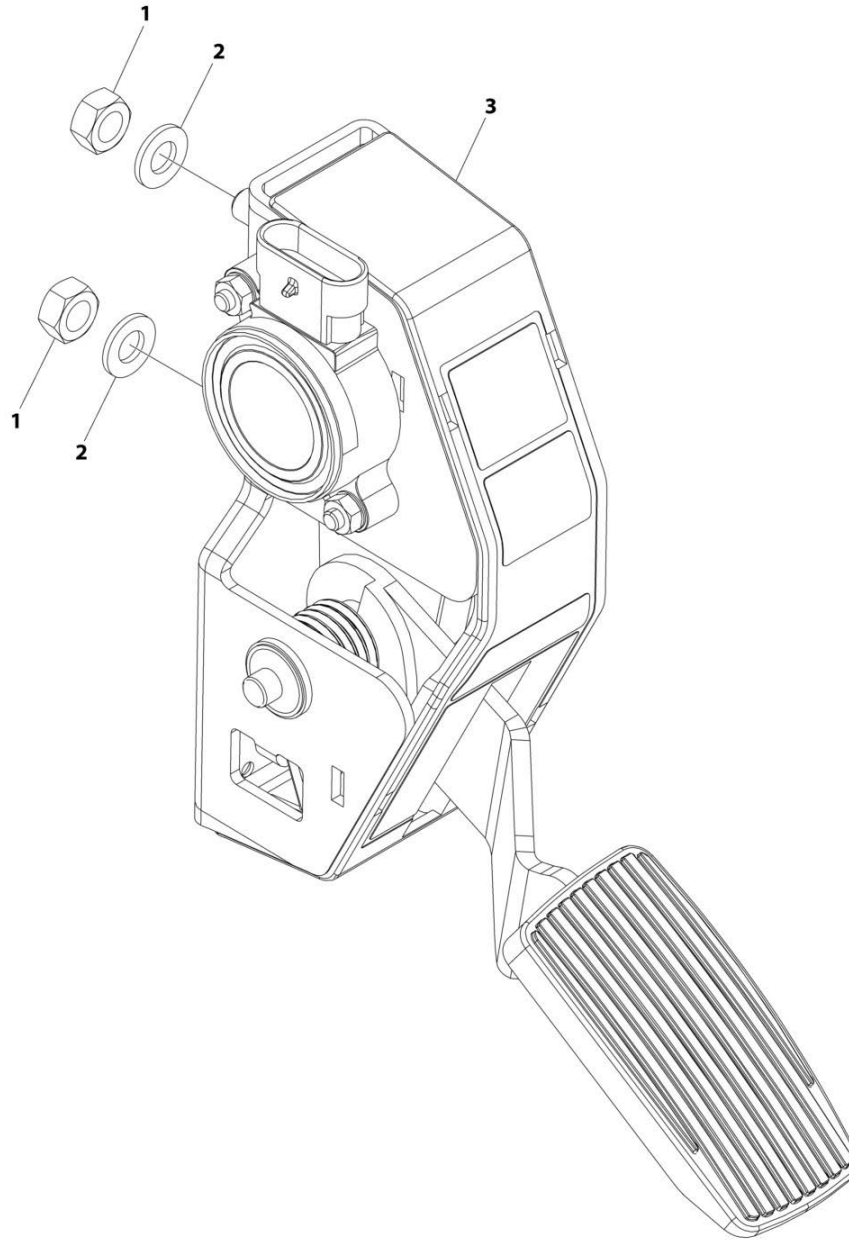
SECTION 7 - CONTROLS

FIGURE 7-1. JOYSTICK INSTALLATION

ITEM	PART NUMBER	QTY	DESCRIPTION	REV
	1001296263	Ref	JOYSTICK INSTALLATION	C
1	0100011	AR	Compound, Locking	
2	0760608	4	Bolt M6 x 16	
3	4811700	4	Washer M6	
4	1001313260	1	Control, Joystick	
5	4010610	4	Screw M6 x 20	
6	1001312694	1	Support, Joystick Mount	
7	1001276620	1	Decal - Joystick Control	
8	1001314048	1	Cover, Joystick	

SECTION 7 - CONTROLS

FIGURE 7-2. PEDAL INSTALLATION - ACCELERATOR



ART_1001297104

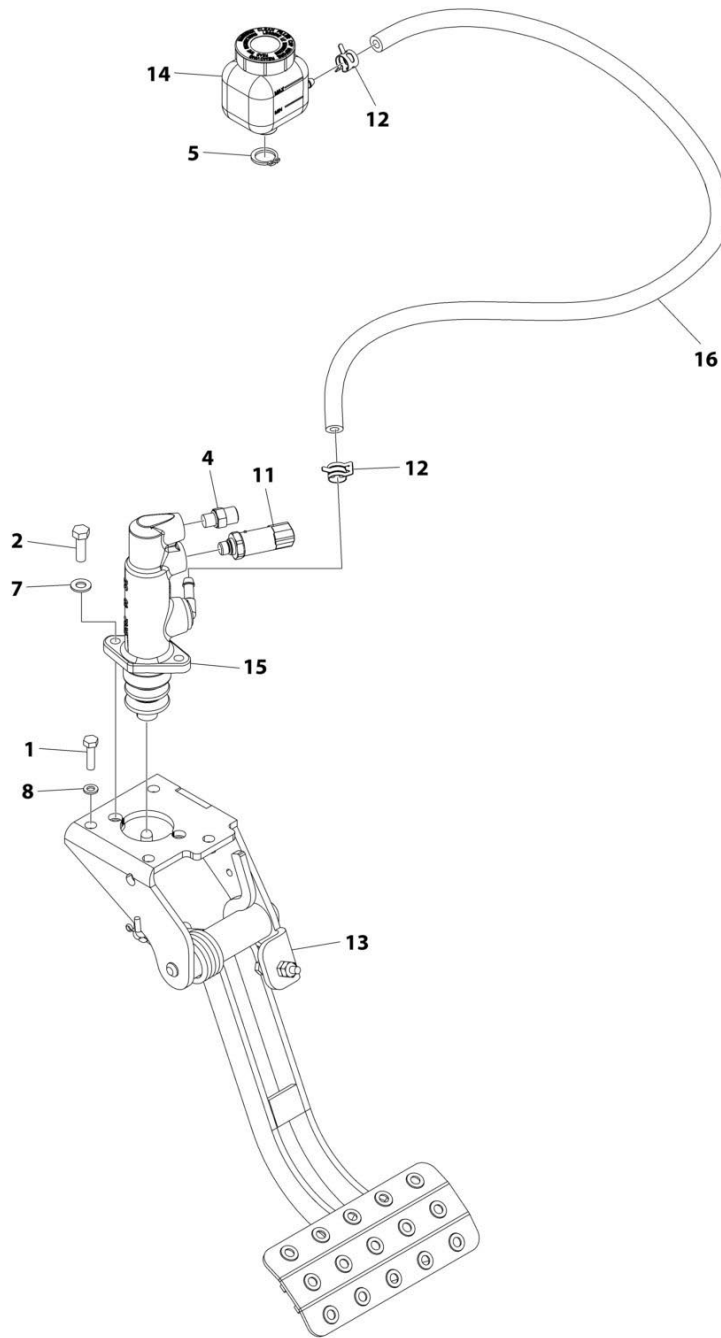
SECTION 7 - CONTROLS

FIGURE 7-2. PEDAL INSTALLATION - ACCELERATOR

ITEM	PART NUMBER	QTY	DESCRIPTION	REV
	1001297104	Ref	PEDAL INSTALLATION - ACCELERATOR	A
1	3290801	2	Nut M8	
2	4811900	2	Washer M8	
3	1001159028	1	Pedal, Accelerator	

SECTION 7 - CONTROLS

FIGURE 7-3. BRAKE PEDAL INSTALLATION



ART_1001294429

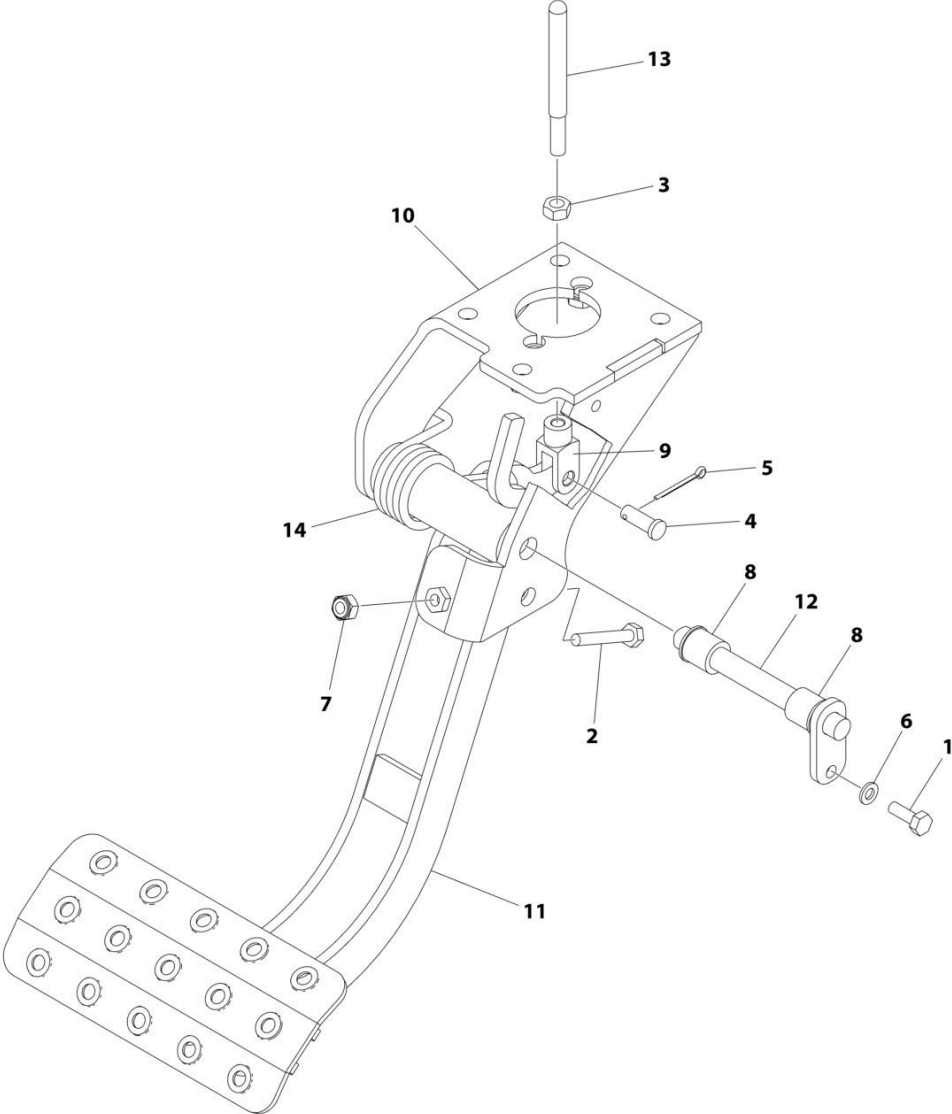
SECTION 7 - CONTROLS

FIGURE 7-3. BRAKE PEDAL INSTALLATION

ITEM	PART NUMBER	QTY	DESCRIPTION	REV
	1001294429	Ref	BRAKE PEDAL INSTALLATION	C
1	0641408	4	Bolt 1/4 x 1	
2	0641508	2	Bolt 5/16 x 1	
4	2110404	1	Fitting, Straight ORFS/ORB	
5	3760348	1	Ring, Retaining	
7	4711500	2	Washer 5/16	
8	4761400	4	Washer 1/4	
11	1001147340	1	Sensor, Pressure	
12	1001140296	2	Clamp	
13	1001308967	1	Brake Pedal Assembly (See Separate Breakdown in this Section)	
14	1001214220	1	Reservoir, Brake	
15	1001306401	1	Cylinder, Brake Master	
16	1001306595	1	Hose	
20	1001266920	1	Tie-Strap (Not Shown)	

SECTION 7 - CONTROLS

FIGURE 7-4. BRAKE PEDAL ASSEMBLY



ART_1001308967

SECTION 7 - CONTROLS

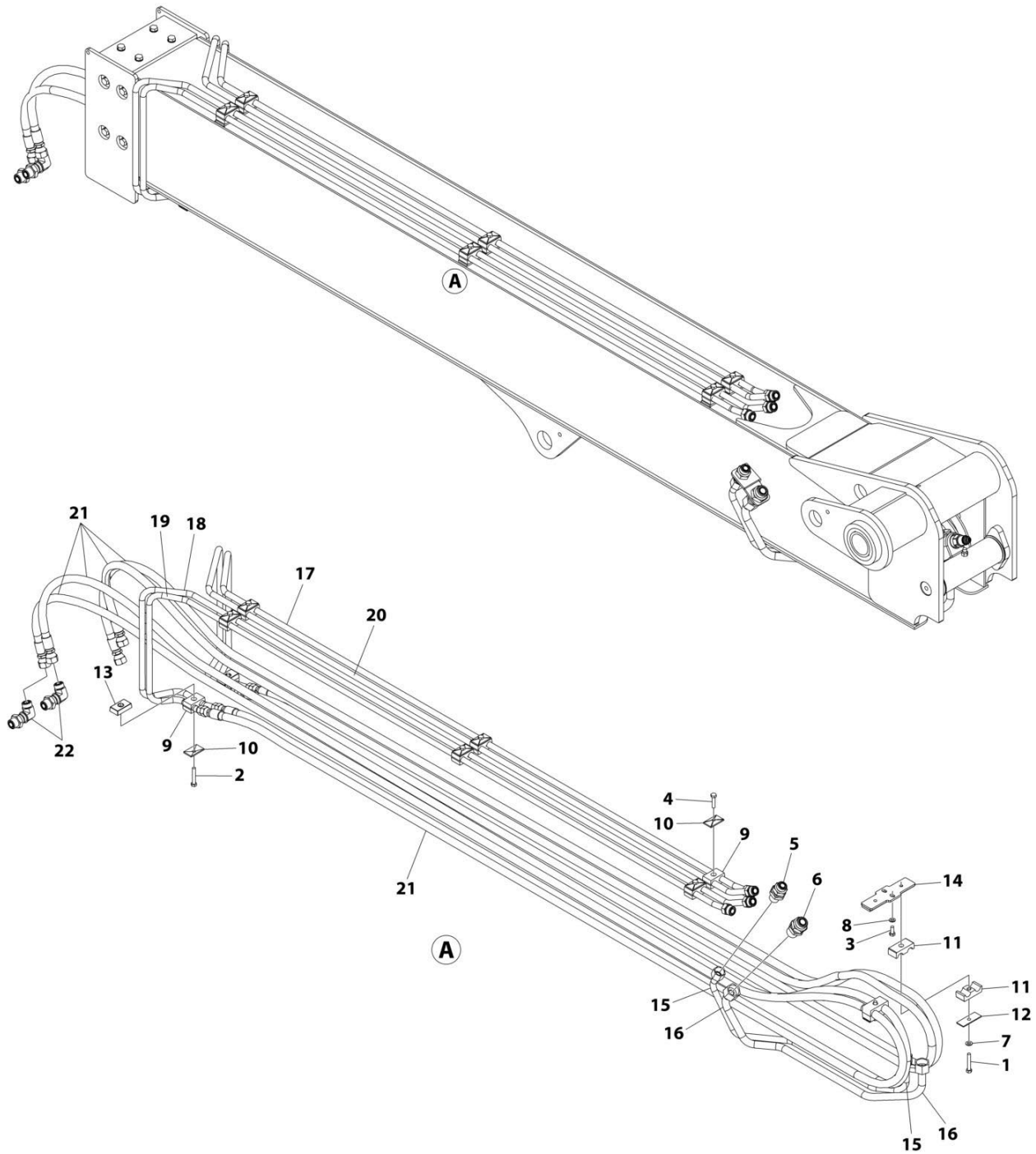
FIGURE 7-4. BRAKE PEDAL ASSEMBLY

ITEM	PART NUMBER	QTY	DESCRIPTION	REV
	1001308967	Ref	BRAKE PEDAL ASSEMBLY	A
1	0641406	1	Bolt 1/4 x 3/4	
2	0681414	1	Bolt 1/4 x 1 3/4	
3	3290801	1	Nut M8	
4	3430507	1	Pin, Clevis	
5	3450304	1	Pin, Cotter	
6	4761400	1	Washer 1/4	
7	88521304	1	Nut 1/4	
8	1001189738	2	Bearing	
9	1001189743	1	Universal Clevis Yoke	
10	1001189745	1	Mount, Weldment Pedal	
11	1001189803	1	Pedal, Weldment	
12	1001189850	1	Pin, Pedal Shaft	
13	1001308966	1	Push Rod	
14	1001189733	1	Pedal Spring	

SECTION 8 - HYDRAULIC CIRCUITS

SECTION 8 - HYDRAULIC CIRCUITS

FIGURE 8-1. BOOM HYDRAULIC INSTALLATION



ART_1001292159

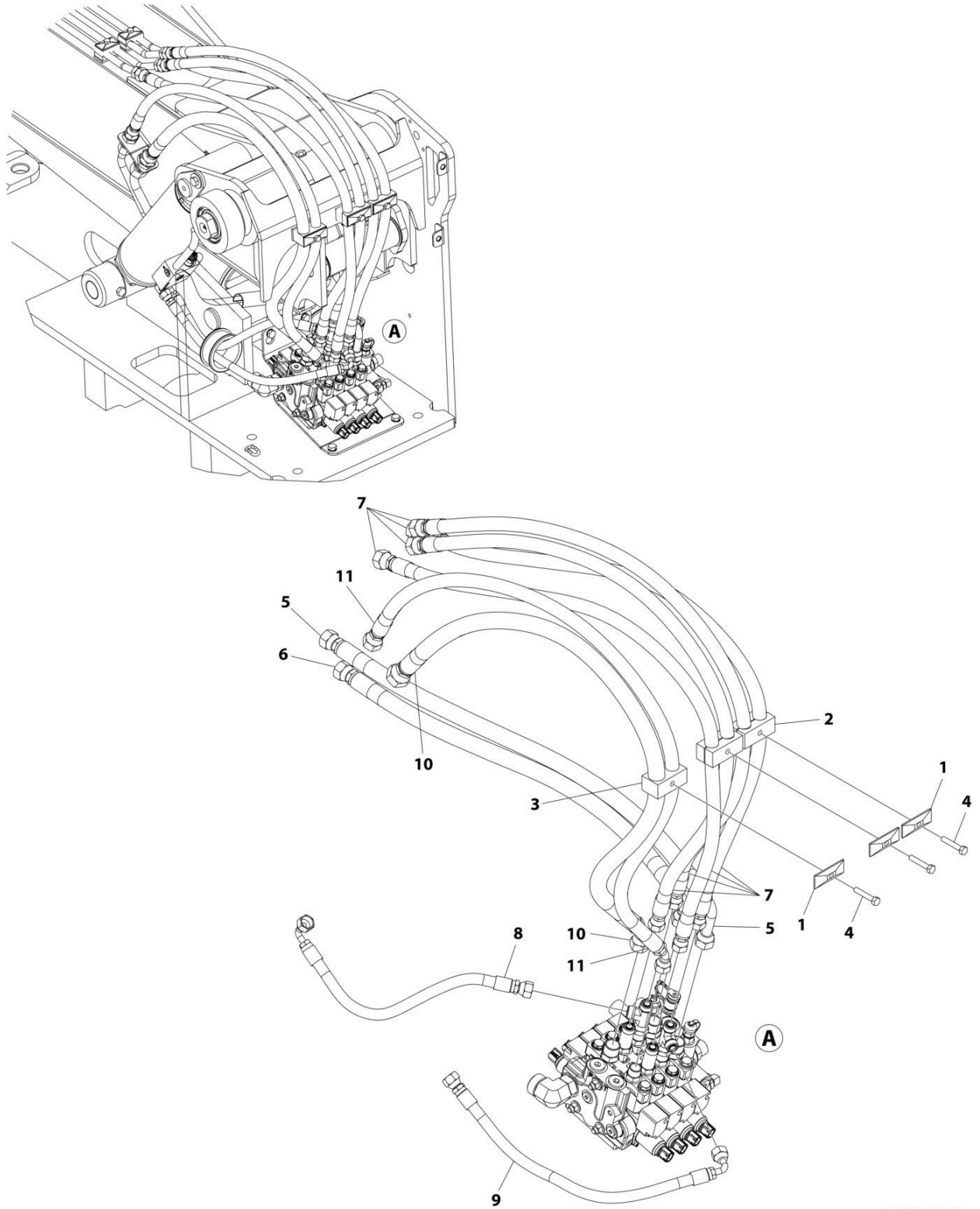
SECTION 8 - HYDRAULIC CIRCUITS

FIGURE 8-1. BOOM HYDRAULIC INSTALLATION

ITEM	PART NUMBER	QTY	DESCRIPTION	REV
	1001292159	Ref	BOOM HYDRAULIC INSTALLATION	C
1	0641516	2	Bolt 5/16 x 2	
2	0700818	2	Bolt M8 x 50	
3	0760810	2	Bolt M8 x 20	
4	0760815	6	Bolt M8 x 35	
5	2171110	1	Fitting, ORFS	
6	2171112	1	Fitting, ORFS	
7	4711500	2	Washer 5/16	
8	4811900	2	Washer M8	
9	8769122	8	Clamp	
10	8769123	8	Cover Plate	
11	77133136	2	Clamp	
12	77133137	2	Cover Plate	
13	1001080394	2	Spacer	
14	1001238317	1	Bracket	
15	1001292482	1	Tube	
16	1001292483	1	Tube	
17	1001295912	1	Tube	
18	1001295937	1	Tube	
19	1001295938	1	Tube	
20	1001295939	1	Tube	
21	1001247195	4	Hose	
22	2221290	2	Fitting, ORFS	

SECTION 8 - HYDRAULIC CIRCUITS

FIGURE 8-2. HOSE INSTALLATION - BOOM



ART_1001290198

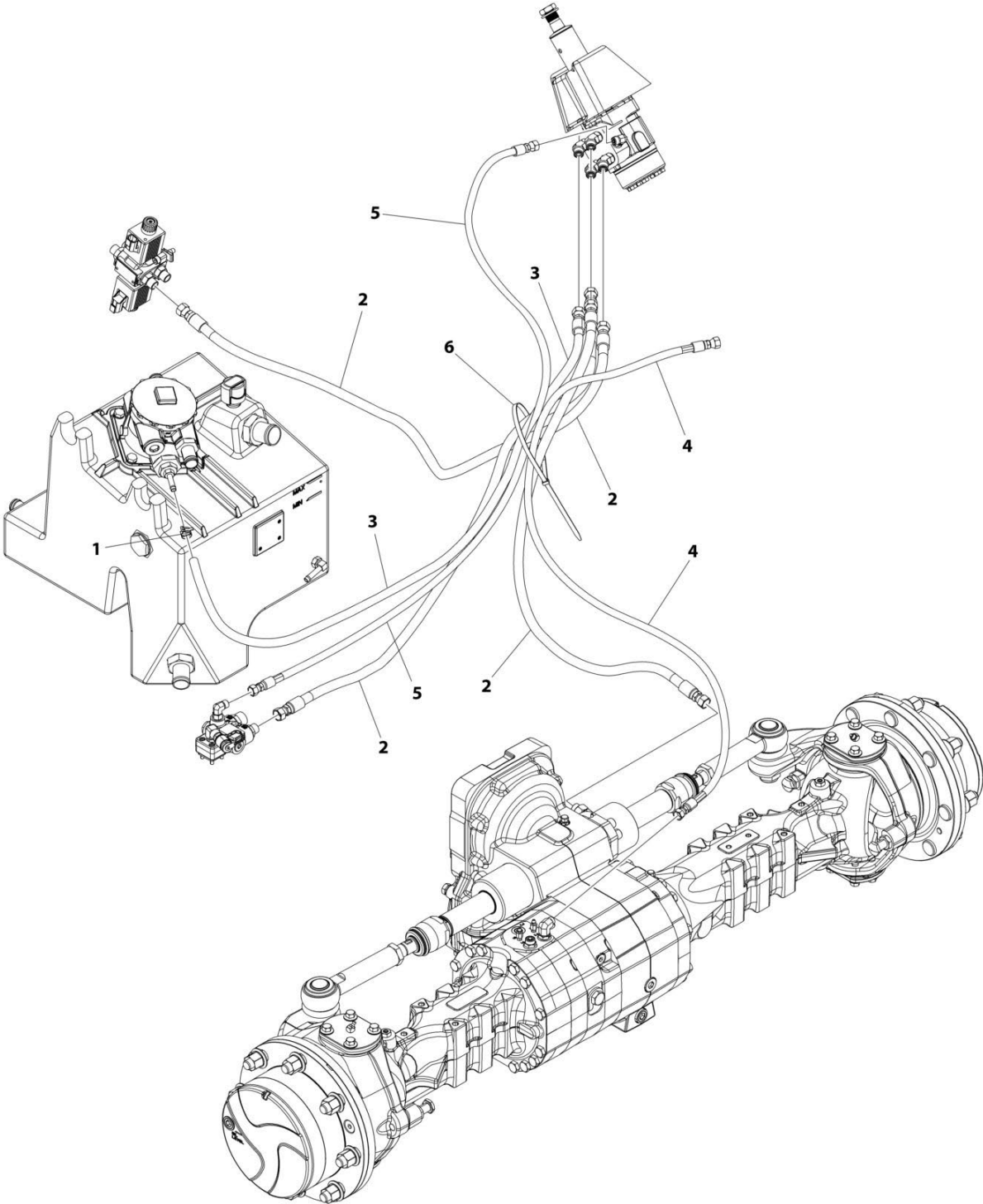
SECTION 8 - HYDRAULIC CIRCUITS

FIGURE 8-2. HOSE INSTALLATION - BOOM

ITEM	PART NUMBER	QTY	DESCRIPTION	REV
	1001290198	Ref	BOOM HYDRAULICS INSTALLATION	B
1	77133137	3	Cover Plate	
2	77323029	2	Clamp	
3	83663119	1	Clamp	
4	88201023	3	Bolt 5/16 x 1-3/4	
5	1001290449	1	Hose	
6	1001290450	1	Hose	
7	1001290453	4	Hose	
8	1001290455	1	Hose	
9	1001290456	1	Hose	
10	1001290459	1	Hose	
11	1001290460	1	Hose	

SECTION 8 - HYDRAULIC CIRCUITS

FIGURE 8-3. HOSE INSTALLATION - CAB



ART_1001290197

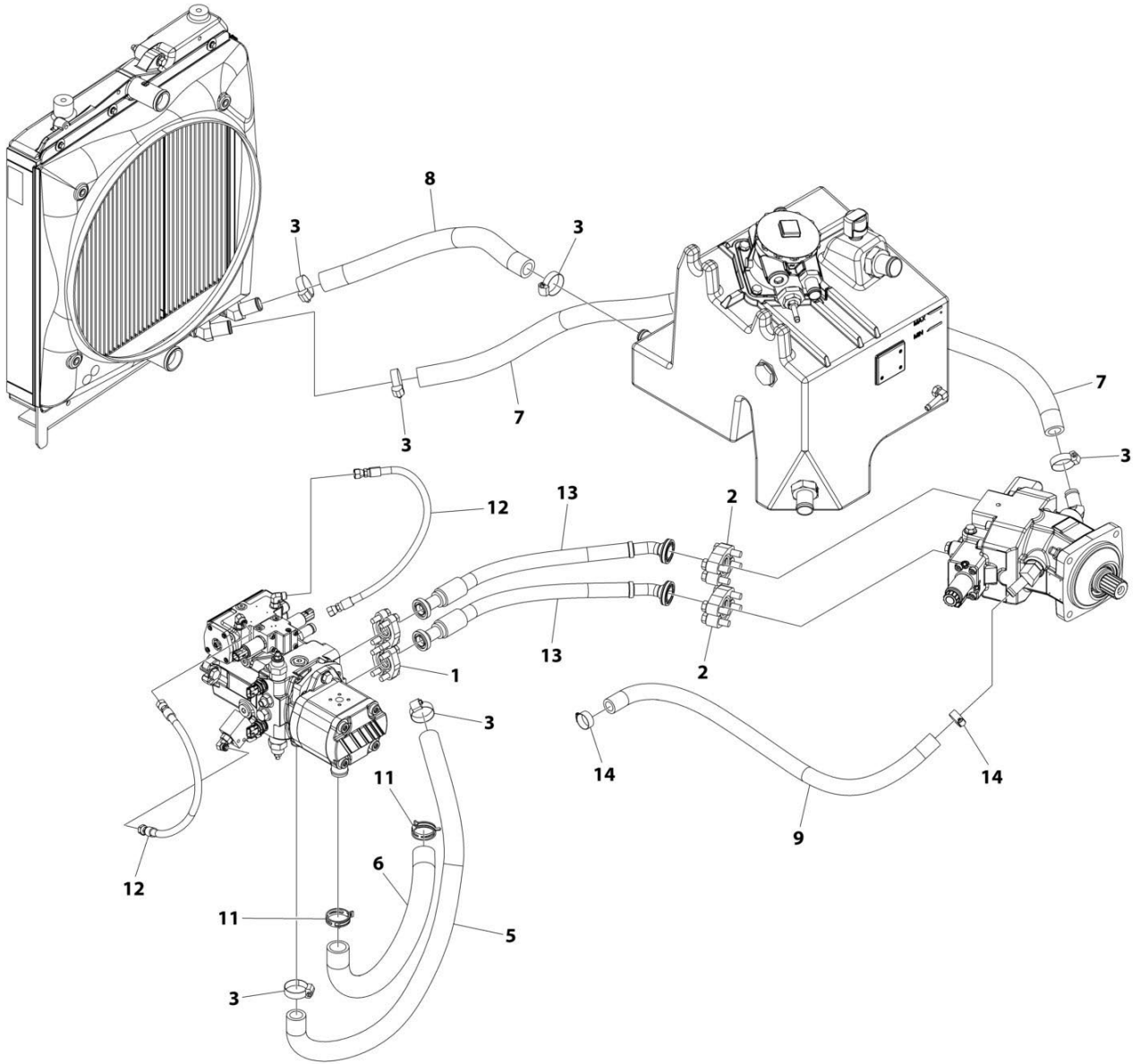
SECTION 8 - HYDRAULIC CIRCUITS

FIGURE 8-3. HOSE INSTALLATION - CAB

ITEM	PART NUMBER	QTY	DESCRIPTION	REV
	1001290197	Ref	CAB HYDRAULICS INSTALLATION	B
1	1001254357	1	Clamp	
2	1001290313	3	Hose	
3	1001290314	1	Hose	
4	1001290316	1	Hose	
5	1001290318	1	Hose	
6	1001266920	1	Tie-Strap	

SECTION 8 - HYDRAULIC CIRCUITS

FIGURE 8-4. HOSE INSTALLATION - ENGINE BAY



ART_1001290194

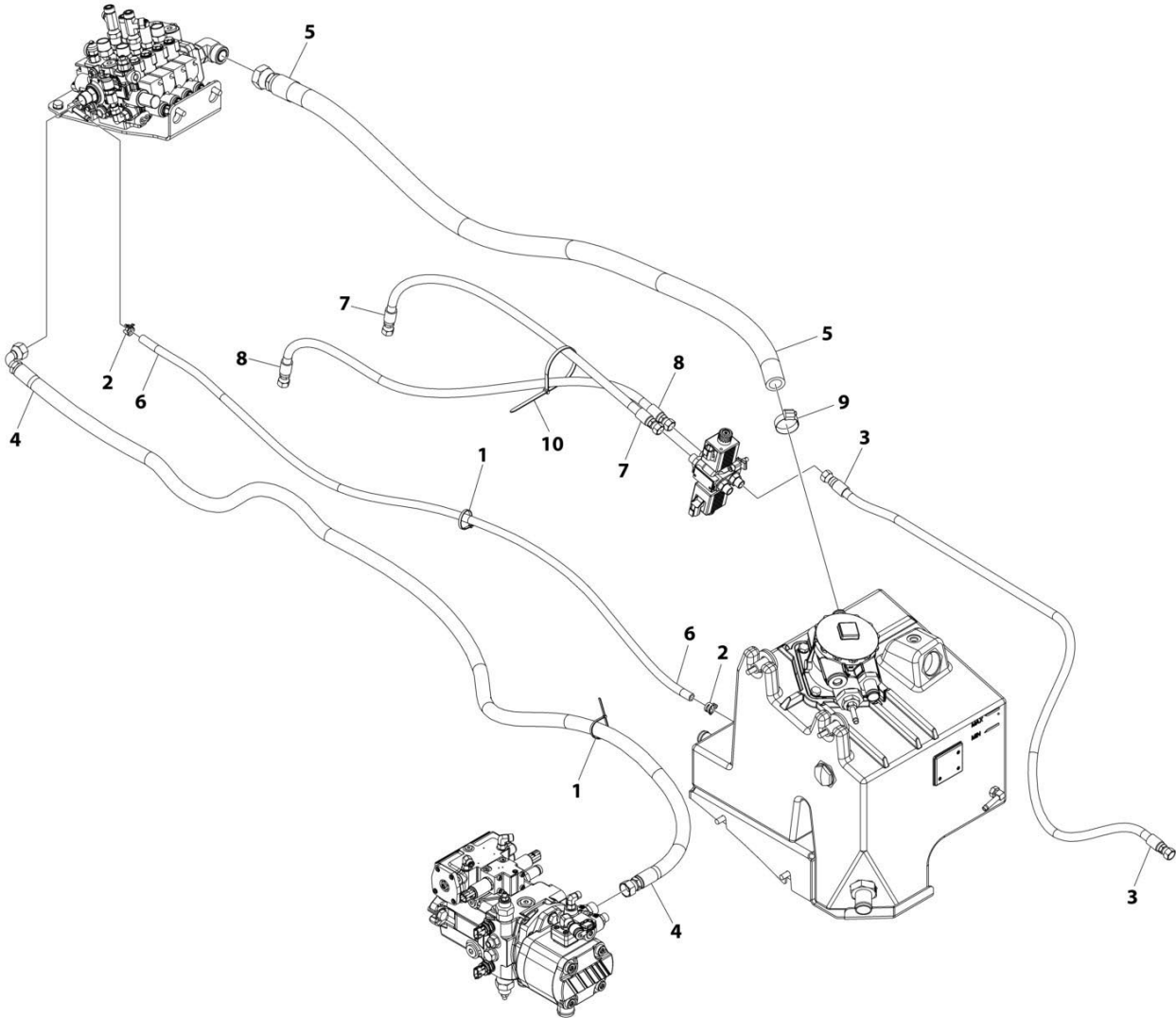
SECTION 8 - HYDRAULIC CIRCUITS

FIGURE 8-4. HOSE INSTALLATION - ENGINE BAY

ITEM	PART NUMBER	QTY	DESCRIPTION	REV
	1001290194	Ref	ENGINE BAY HYDRAULIC INSTALLATION	B
1	2171712	2	Flange Kit	
2	2171716	2	Flange Kit	
3	8405102	6	Clamp, Gear	
5	1001290167	1	Hose	
6	1001290168	1	Hose	
7	1001290170	1	Hose	
8	1001290171	1	Hose	
9	1001290173	1	Hose	
11	1001290651	2	Clamp	
12	1001295675	2	Hose	
13	1001290163	2	Hose	
14	8405007	2	Clamp, Gear	

SECTION 8 - HYDRAULIC CIRCUITS

FIGURE 8-5. HOSE INSTALLATION - FRAME



ART_1001290196

SECTION 8 - HYDRAULIC CIRCUITS

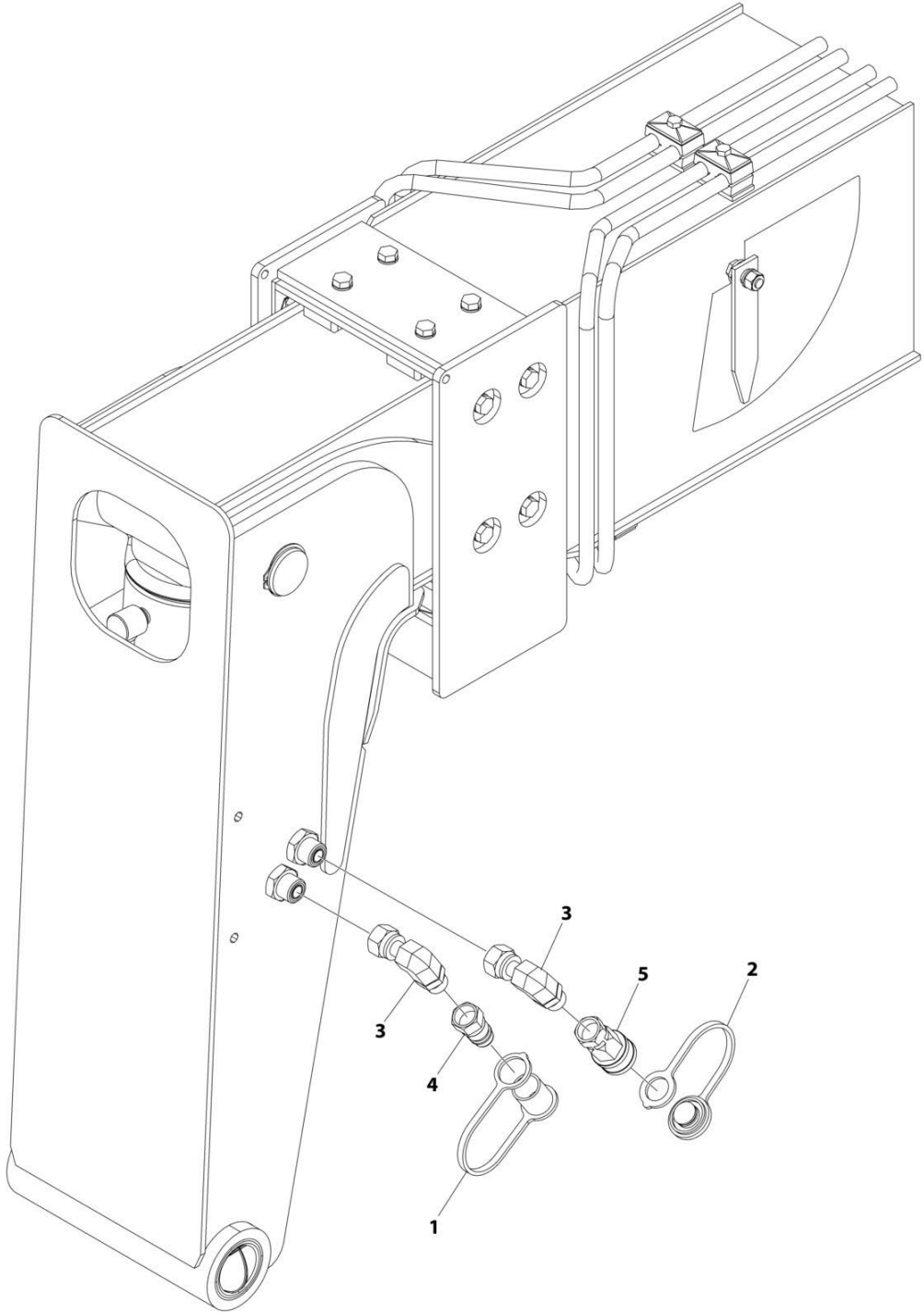
FIGURE 8-5. HOSE INSTALLATION - FRAME

ITEM	PART NUMBER	QTY	DESCRIPTION	REV
	1001290196	Ref	FRAME HYDRAULIC INSTALLATION	C
1	8584001	2	Tie-Wrap	
2	1001254357	2	Clamp	
3	1001290299	1	Hose	
4	1001306805	1	Hose	
5	1001290303	1	Hose	
6	1001290304	1	Hose	
7	1001290305	1	Hose	
8	1001290306	1	Hose	
9	8405102	1	Clamp, Gear	
10	1062255	1	Tie-Strap	

SECTION 9 - HYDRAULIC COMPONENTS

SECTION 9 - HYDRAULIC COMPONENTS

FIGURE 9-1. BOOM AUX HYDRAULIC INSTALLATION (MANUAL - SINGLE)



ART_1001292273

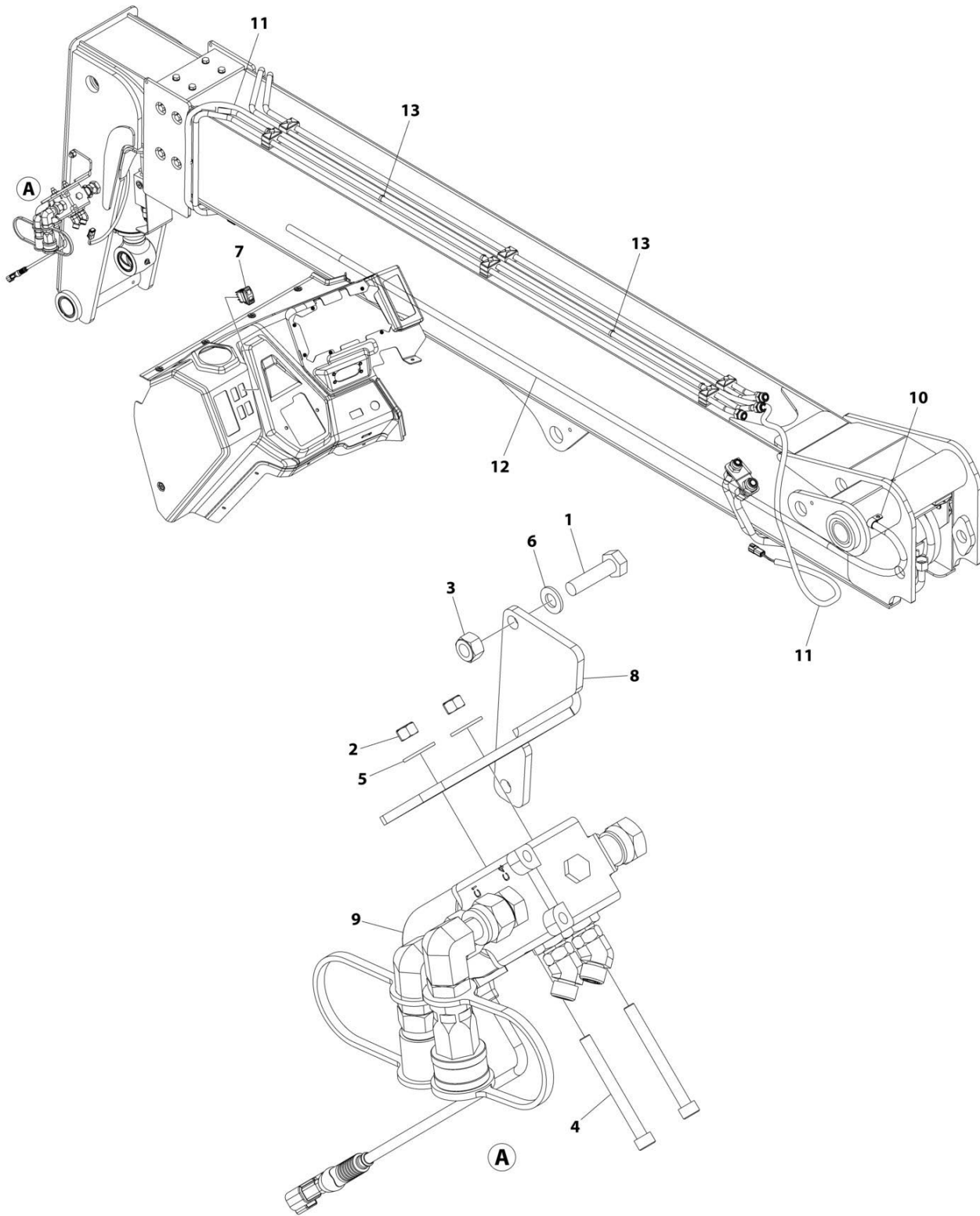
SECTION 9 - HYDRAULIC COMPONENTS

FIGURE 9-1. BOOM AUX HYDRAULIC INSTALLATION (MANUAL - SINGLE)

ITEM	PART NUMBER	QTY	DESCRIPTION	REV
	1001292273	Ref	BOOM AUX HYDRAULIC INSTALLATION (MANUAL - SINGLE)	A
1	8420053	1	Dustcap	
2	8420055	1	Plug	
3	1001090103	2	Fitting, ORFS	
4	1001101041	1	Quick Disconnect Coupling, Male	
5	1001101042	1	Quick Disconnect Coupling, Female	

SECTION 9 - HYDRAULIC COMPONENTS

FIGURE 9-2. BOOM AUX HYDRAULIC INSTALLATION (HYDRAULIC - TWIN)



ART_1001292235

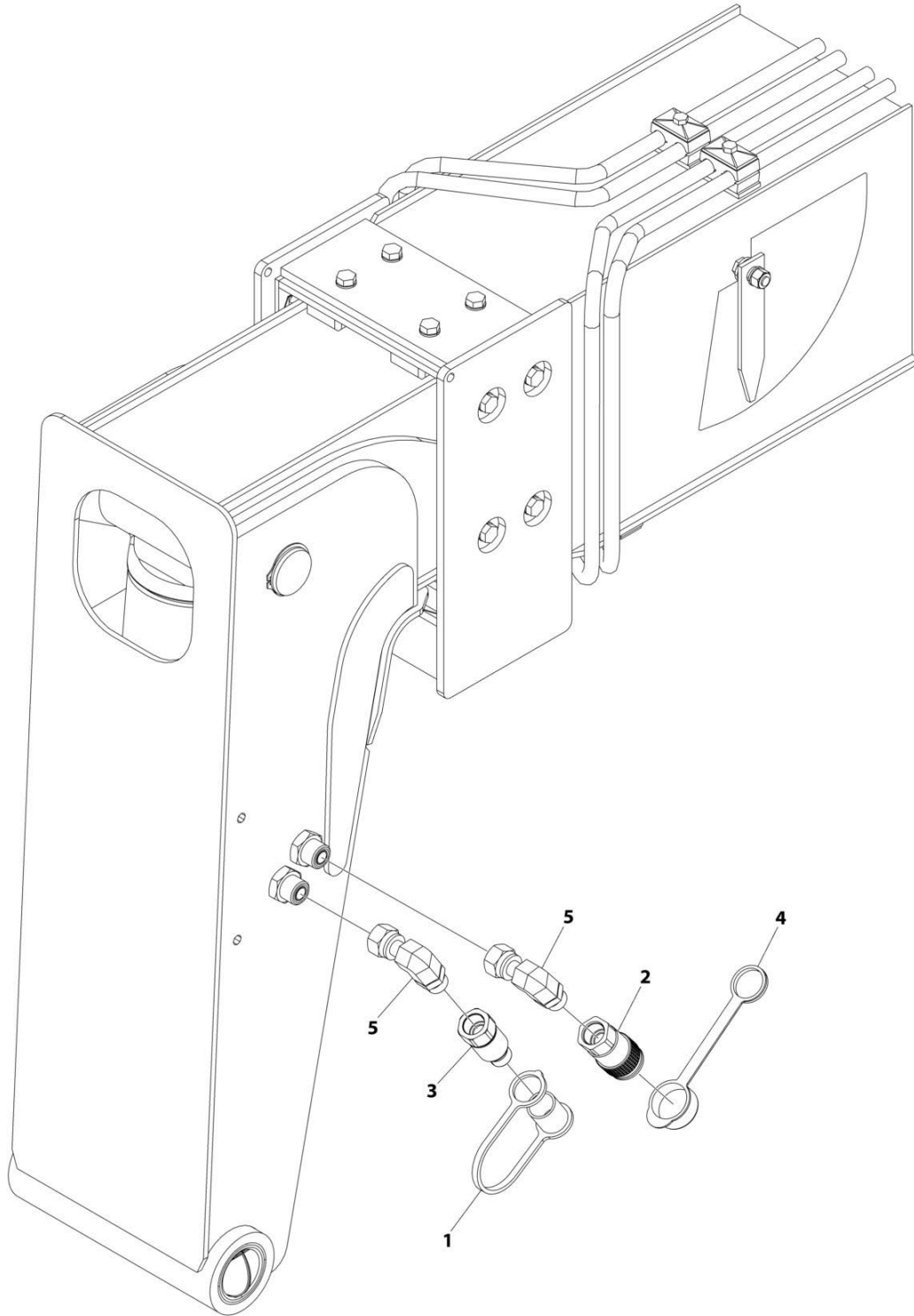
SECTION 9 - HYDRAULIC COMPONENTS

FIGURE 9-2. BOOM AUX HYDRAULIC INSTALLATION (HYDRAULIC - TWIN)

ITEM	PART NUMBER	QTY	DESCRIPTION	REV
	1001292235	Ref	BOOM AUX HYDRAULIC INSTALLATION (HYDRAULIC - TWIN)	B
1	0701016	2	Bolt M10 x 40	
2	3290805	2	Nut M8	
3	3291005	2	Nut M10	
4	4031920	2	Bolt M8 x 80	
5	4811902	2	Washer M8	
6	4812000	2	Washer M10	
7	1001080375	1	Switch	
8	1001100916	1	Bracket	
9	1001292233	1	Auxiliary Hydraulic Valve Installation (See Separate Breakdown in this Section)	
10	91043147	1	Clamp	
11	1001080397	1	Boom Aux Harness (See Separate Breakdown in ELECTRICAL Section)	
12	1001232722	1	Hose	
13	90027187	AR	Tie-Strap	

SECTION 9 - HYDRAULIC COMPONENTS

FIGURE 9-3. BOOM AUX HYDRAULIC INSTALLATION (FLAT FACE)



ART_1001292286

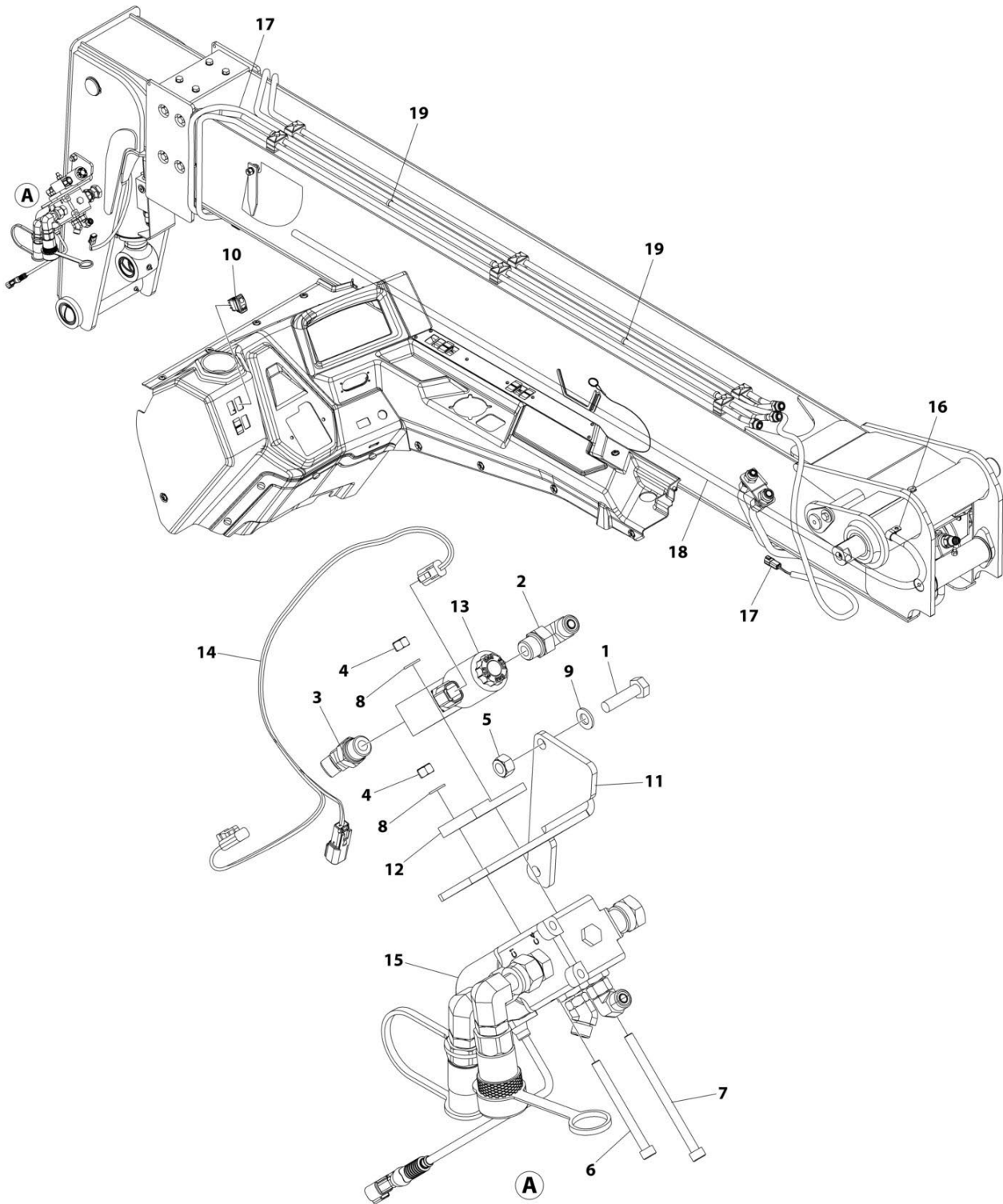
SECTION 9 - HYDRAULIC COMPONENTS

FIGURE 9-3. BOOM AUX HYDRAULIC INSTALLATION (FLAT FACE)

ITEM	PART NUMBER	QTY	DESCRIPTION	REV
	1001292286	Ref	BOOM AUX HYDRAULIC INSTALLATION (FLAT FACE)	B
1	8420053	1	Dustcap, Quick Disconnect	
2	1001001240	1	Quick Disconnect Coupling, Female	
3	1001001241	1	Quick Disconnect Coupling, Male	
4	1001001557	1	Plug	
5	1001090103	2	Fitting, ORFS	

SECTION 9 - HYDRAULIC COMPONENTS

FIGURE 9-4. BOOM AUX HYDRAULIC INSTALLATION (UNIVERSAL COUPLER)



ART_1001292282

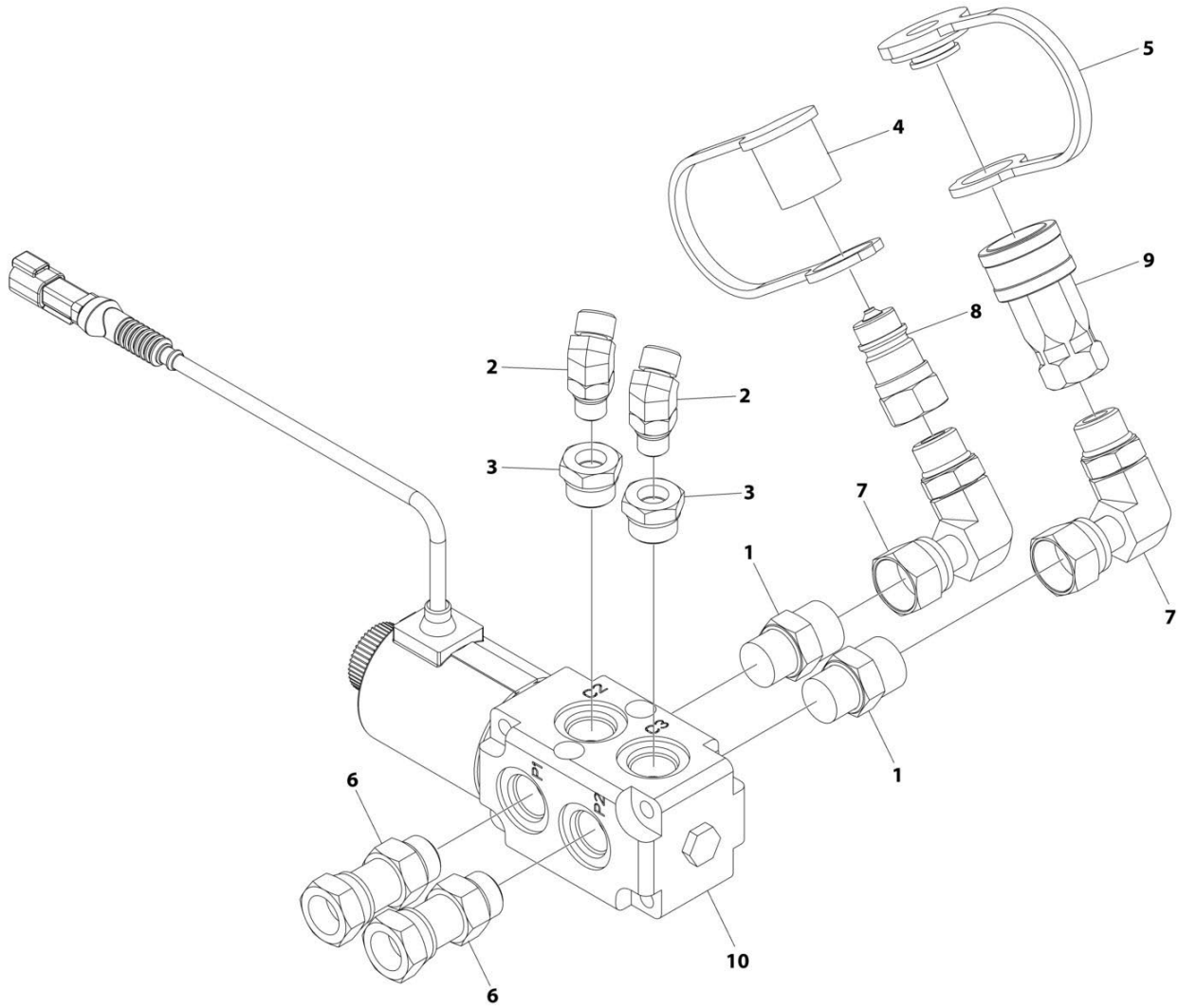
SECTION 9 - HYDRAULIC COMPONENTS

FIGURE 9-4. BOOM AUX HYDRAULIC INSTALLATION (UNIVERSAL COUPLER)

ITEM	PART NUMBER	QTY	DESCRIPTION	REV
	1001292282	Ref	DUAL COUPLER AUX HYDRAULIC INSTALLATION	B
1	0701016	2	Bolt M10 x 40	
2	2130608	1	Fitting, 90 ORFS/ORB	
3	2150608	1	Fitting, 45 ORFS/ORB	
4	3290805	2	Nut M8	
5	3291005	2	Nut M10	
6	4031922	1	Capscrew M8 x 90	
7	4031925	1	Capscrew M8 x 120	
8	4811900	2	Washer M8	
9	4812000	2	Washer M10	
10	1001080375	1	Switch	
11	1001100916	1	Bracket	
12	1001207768	1	Bracket	
13	1001207926	1	Valve, Block Assembly (See Separate Breakdown in this Section)	
14	1001209009	1	Harness, Valve Jumper (See Separate Breakdown in ELECTRICAL Section)	
15	1001292274	1	Valve Aux Hydraulic Installation (See Separate Breakdown in this Section)	
16	91043147	1	Clamp	
17	1001080397	1	Harness, Boom Aux (See Separate Breakdown in ELECTRICAL Section)	
18	1001232722	1	Hose	
19	90027187	AR	Tie-Strap	

SECTION 9 - HYDRAULIC COMPONENTS

FIGURE 9-5. BOOM AUXILIARY HYDRAULIC VALVE INSTALLATION



ART_1001292233

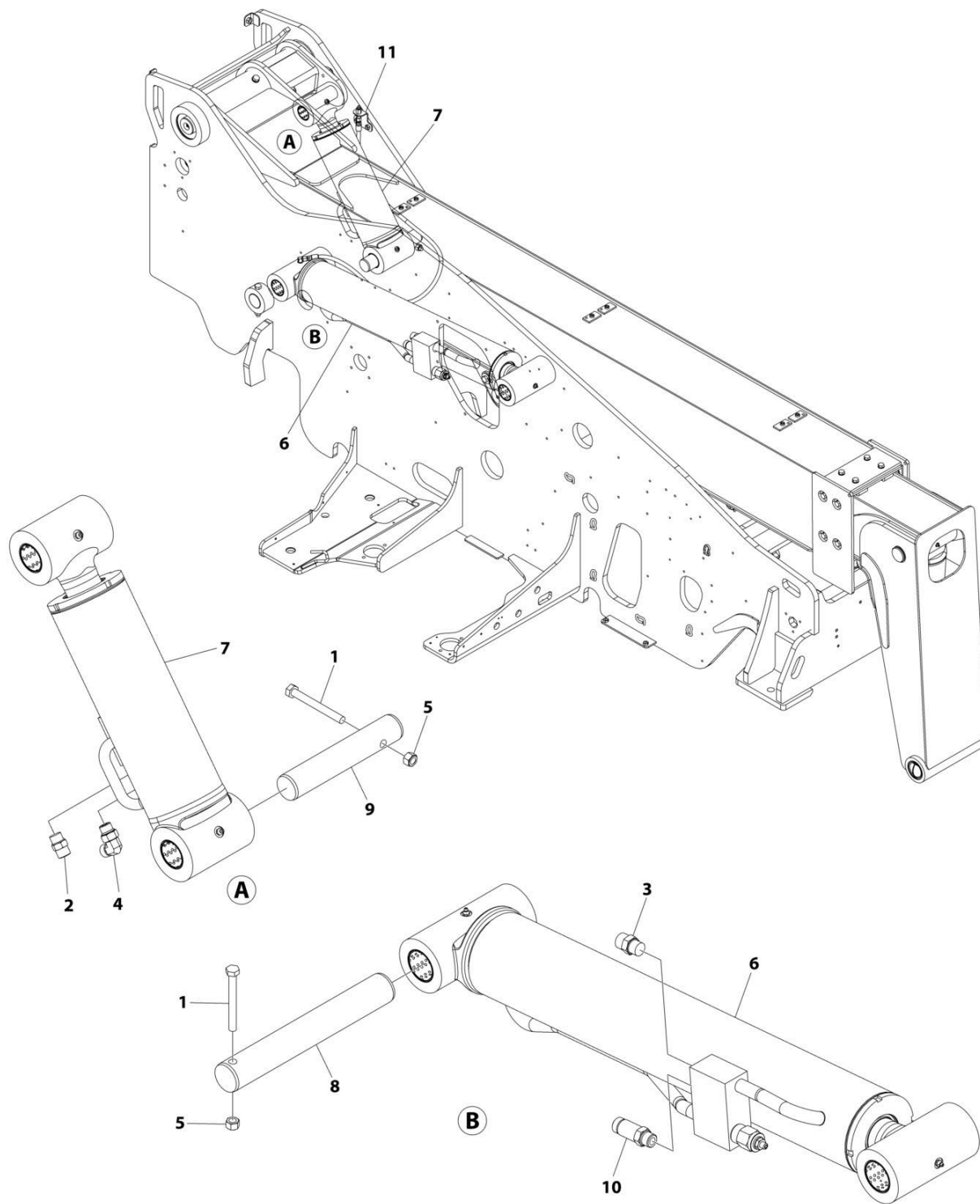
SECTION 9 - HYDRAULIC COMPONENTS

FIGURE 9-5. BOOM AUXILIARY HYDRAULIC VALVE INSTALLATION

ITEM	PART NUMBER	QTY	DESCRIPTION	REV
	1001292233	Ref	AUXILIARY HYDRAULIC VALVE INSTALLATION	A
1	2111010	2	Fitting, Straight ORFS/ORB	
2	2150606	2	Fitting, 45 ORFS/ORB	
3	2220218	2	Fitting, Straight FORB/ORB	
4	8420053	1	Dustcap	
5	8420055	1	Plug	
6	1001001556	2	Fitting, Straight ORFS/ORB	
7	1001090103	2	Fitting, ORFS	
8	1001101041	1	Quick Disconnect Coupling, Male	
9	1001101042	1	Quick Disconnect Coupling, Female	
10	1001104477	1	Valve, Divertor (See Separate Breakdown in HYDRAULIC COMPONENTS Section)	

SECTION 9 - HYDRAULIC COMPONENTS

FIGURE 9-6. CYLINDERS INSTALLATION



ART_1001294432

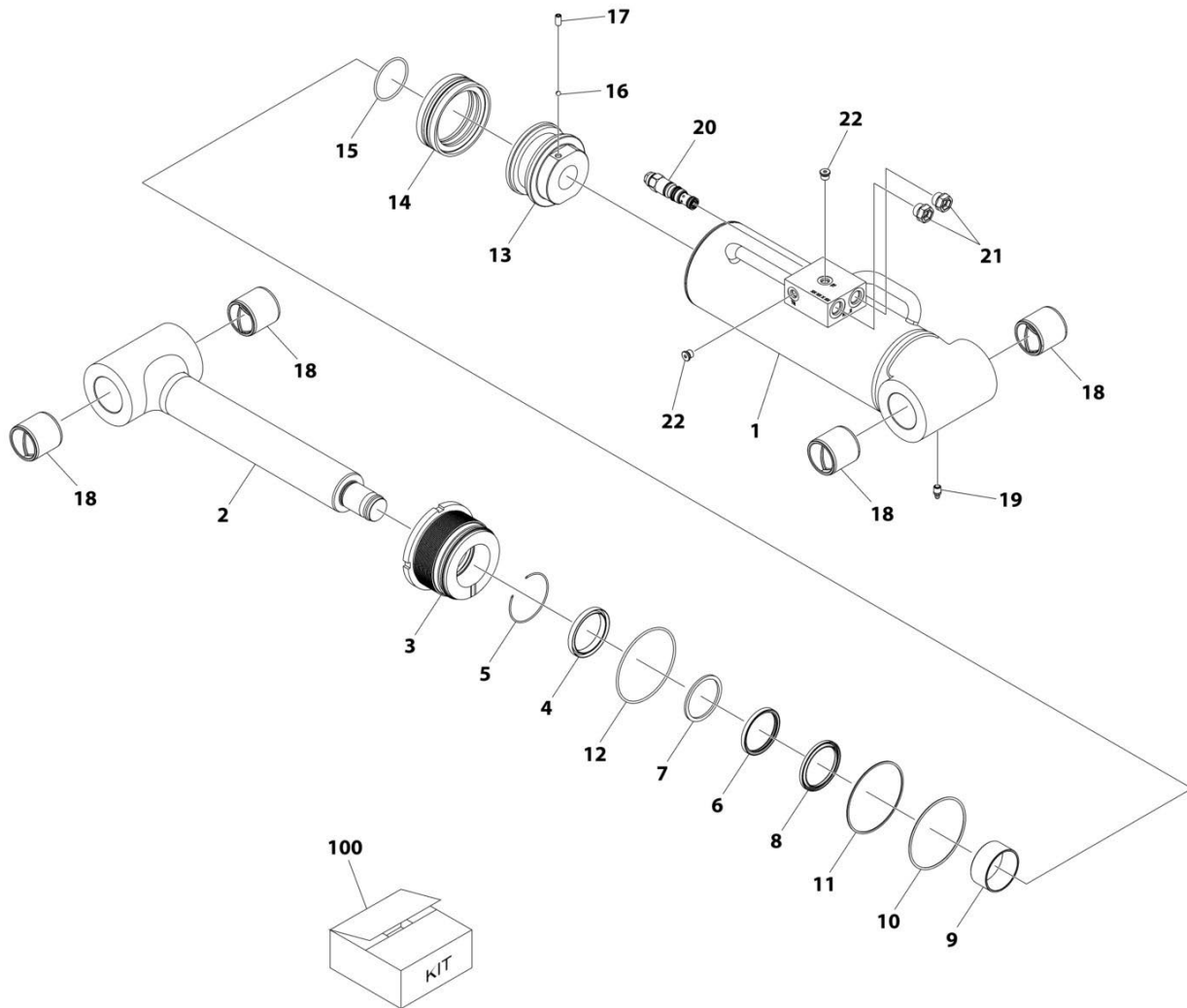
SECTION 9 - HYDRAULIC COMPONENTS

FIGURE 9-6. CYLINDERS INSTALLATION

ITEM	PART NUMBER	QTY	DESCRIPTION	REV
	1001294432	Ref	CYLINDERS INSTALLATION	C
1	0761228	2	Bolt M12 x 110	
2	2110808	1	Fitting, Straight ORFS/ORB	
3	2111010	1	Fitting, Straight ORFS/ORB	
4	2130808	1	Fitting, 90 ORFS/ORB	
5	3291205	2	Nut M12	
6	1001290097	1	Lift Cylinder Assembly (See Separate Breakdown in this Section)	
7	1001294843	1	Compensator Cylinder Assembly (See Separate Breakdown in this Section)	
8	1001296792	1	Pin	
9	1001296793	1	Pin	
10	2170110	1	Fitting, Straight ORFS/ORB	
11	1001312253	1	Remote Grease Installation (See Separate Breakdown in HYDRAULIC COMPONENTS Section)	

SECTION 9 - HYDRAULIC COMPONENTS

FIGURE 9-7. CYLINDER ASSEMBLY - COMP



ART_1001294843

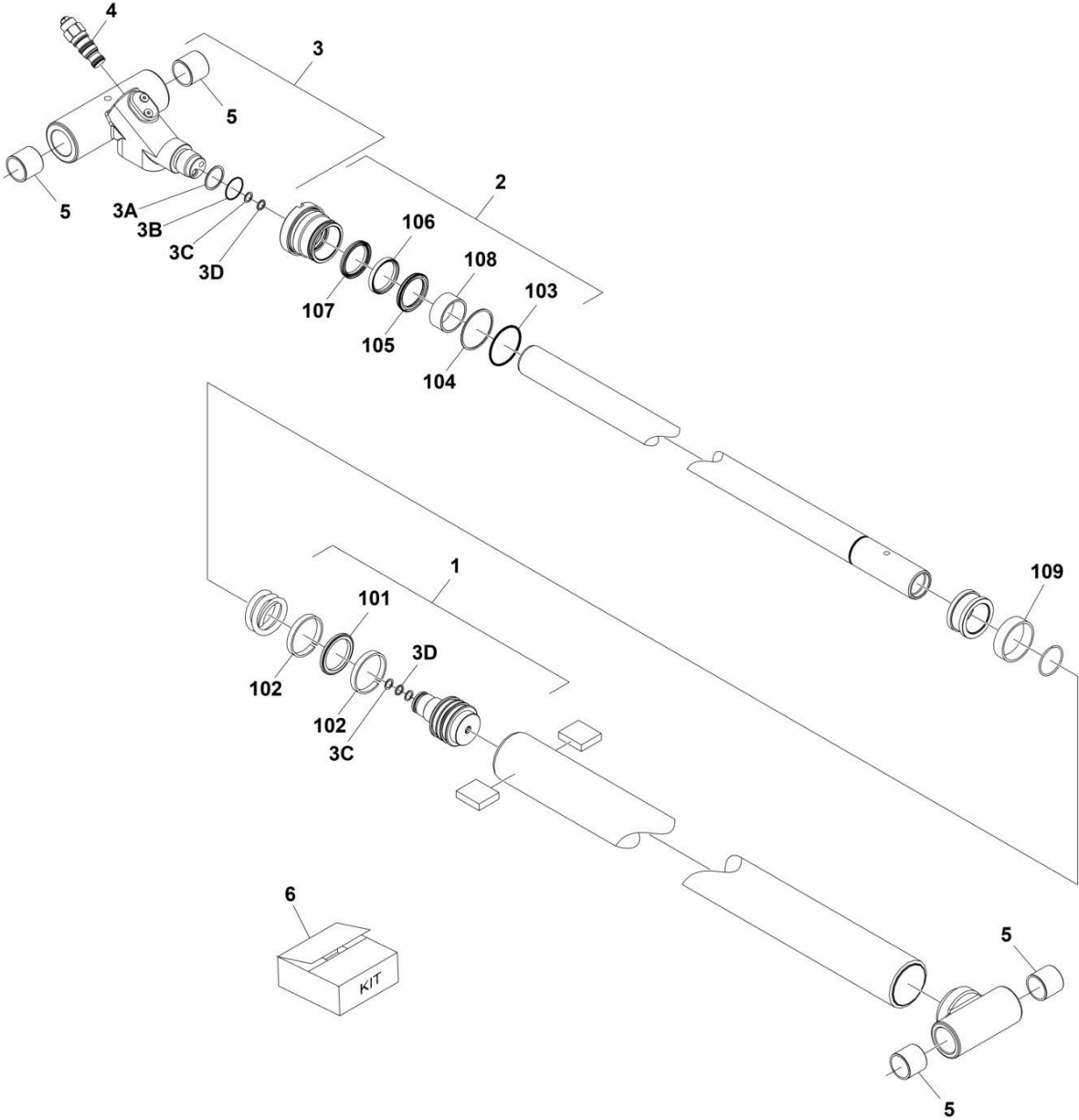
SECTION 9 - HYDRAULIC COMPONENTS

FIGURE 9-7. CYLINDER ASSEMBLY - COMP

ITEM	PART NUMBER	QTY	DESCRIPTION	REV
	1001294843	Ref	CYLINDER ASSEMBLY	D
		Ref	Note: Original Cylinder May Have Been Replaced with Service Replacement. Identify PN Stamped on Cylinder Before Ordering Parts.	
1	See Note	NSS	Barrel (Note: Use PN 1001294843)	
2	70031934	1	Rod	
3	70031935	1	Head	
4	See Note	NSS	Wiper (Note: Use Item 100)	
5	70027244	1	Ring, Retaining	
6	See Note	NSS	Seal, Rod (Note: Use Item 100)	
7	See Note	NSS	Ring, Back-Up (Note: Use Item 100)	
8	See Note	NSS	Ring, Buffer (Note: Use Item 100)	
9	70004637	1	Bearing	
10	See Note	NSS	O-Ring (Note: Use Item 100)	
11	See Note	NSS	Ring, Back-Up (Note: Use Item 100)	
12	See Note	NSS	O-Ring (Note: Use Item 100)	
13	70031936	1	Piston	
14	See Note	NSS	Seal, Piston (Note: Use Item 100)	
15	See Note	NSS	O-Ring (Note: Use Item 100)	
16	70022564	1	Ball	
17	70006596	1	Setscrew M8 x 12	
18	70027245	4	Bearing	
19	70026308	2	Fitting, Grease	
20	1001302107	1	Valve, Counterbalance	
21	70023372	2	Plug 3/4	
22	2220883	2	Plug 7/16	
100	70031937	1	Kit, Seal (Includes Items 4, 6-8, 10-12 & 14-15)	

SECTION 9 - HYDRAULIC COMPONENTS

FIGURE 9-8. CYLINDER ASSEMBLY - EXTEND/RETRACT



ART_1001201668

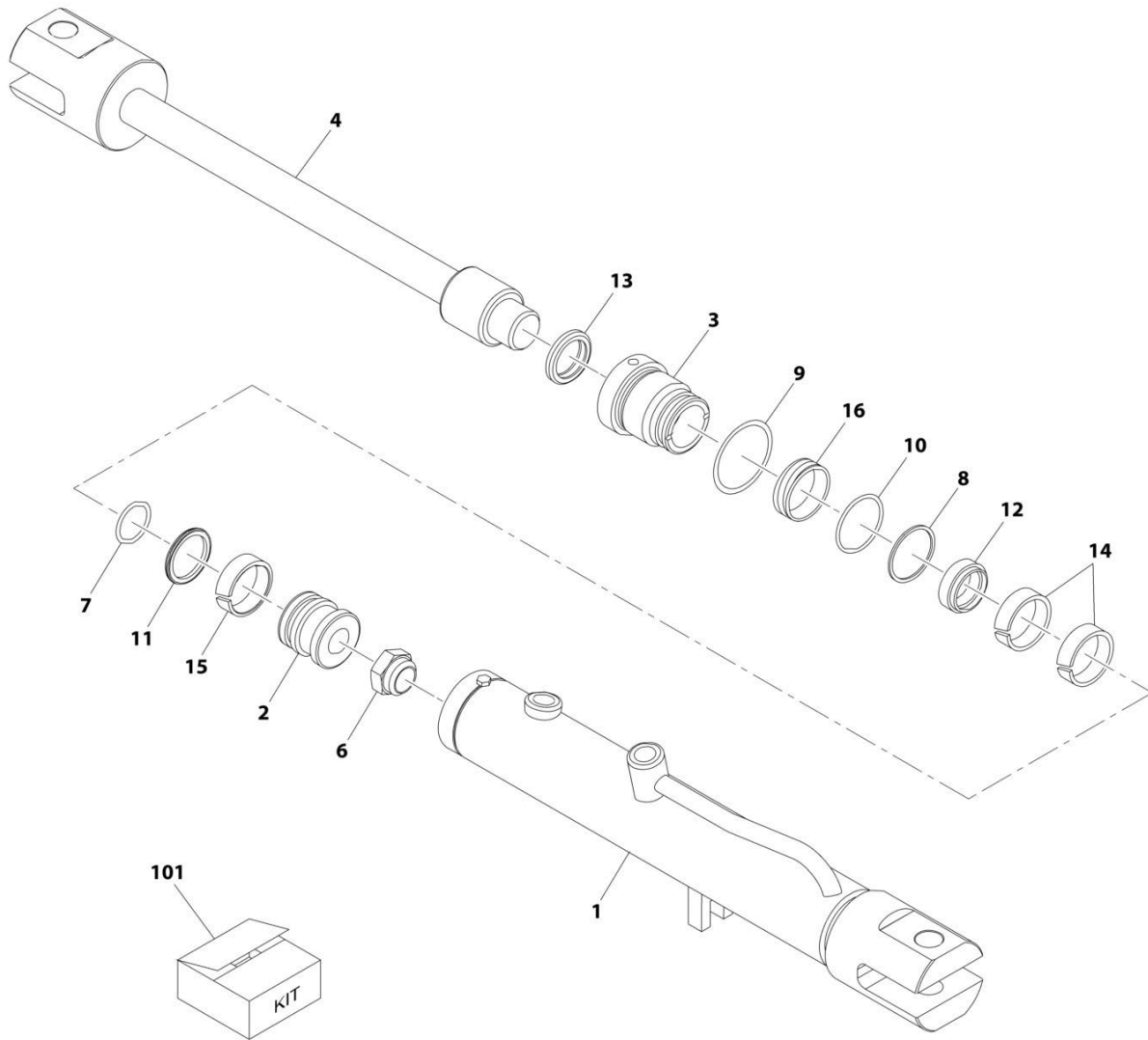
SECTION 9 - HYDRAULIC COMPONENTS

FIGURE 9-8. CYLINDER ASSEMBLY - EXTEND/RETRACT

ITEM	PART NUMBER	QTY	DESCRIPTION	REV
	1001201668	Ref	EXTEND/RETRACT CYLINDER	E
		Ref	Note: Original Cylinder May Have Been Replaced with Service Replacement. Identify PN Stamped on Cylinder Before Ordering Parts.	
1	70027610	1	Piston Assembly (Includes Items 101 & 102)	
2	70027611	1	Retainer Assembly (Includes Items 103-108)	
3	70027612	1	Rod Assembly	
3A	70030368	1	Ring, Back up	
3B	70030369	1	O-Ring	
3C	70030370	1	O-Ring	
3D	70030371	1	Ring, Back up	
4	1001301017	NLA	Valve, Counter Balance (Use PN 1001293720)	
4	1001293720	1	Valve, Counter Balance	
5	70029975	4	Bearing	
6	70027638	1	Seal Kit (Includes Items 101-109)	
101	Kit	1	Seal, Piston	
102	Kit	2	Ring, Wear	
103	Kit	1	O-Ring	
104	Kit	1	Ring, Back Up	
105	Kit	1	Ring, Buffer	
106	Kit	1	Seal, Rod	
107	Kit	1	Wiper	
108	Kit	1	Bushing	
109	Kit	1	Ring, Wear	

SECTION 9 - HYDRAULIC COMPONENTS

FIGURE 9-9. CYLINDER ASSEMBLY - FORK LOCKING



ART_1001080334-D

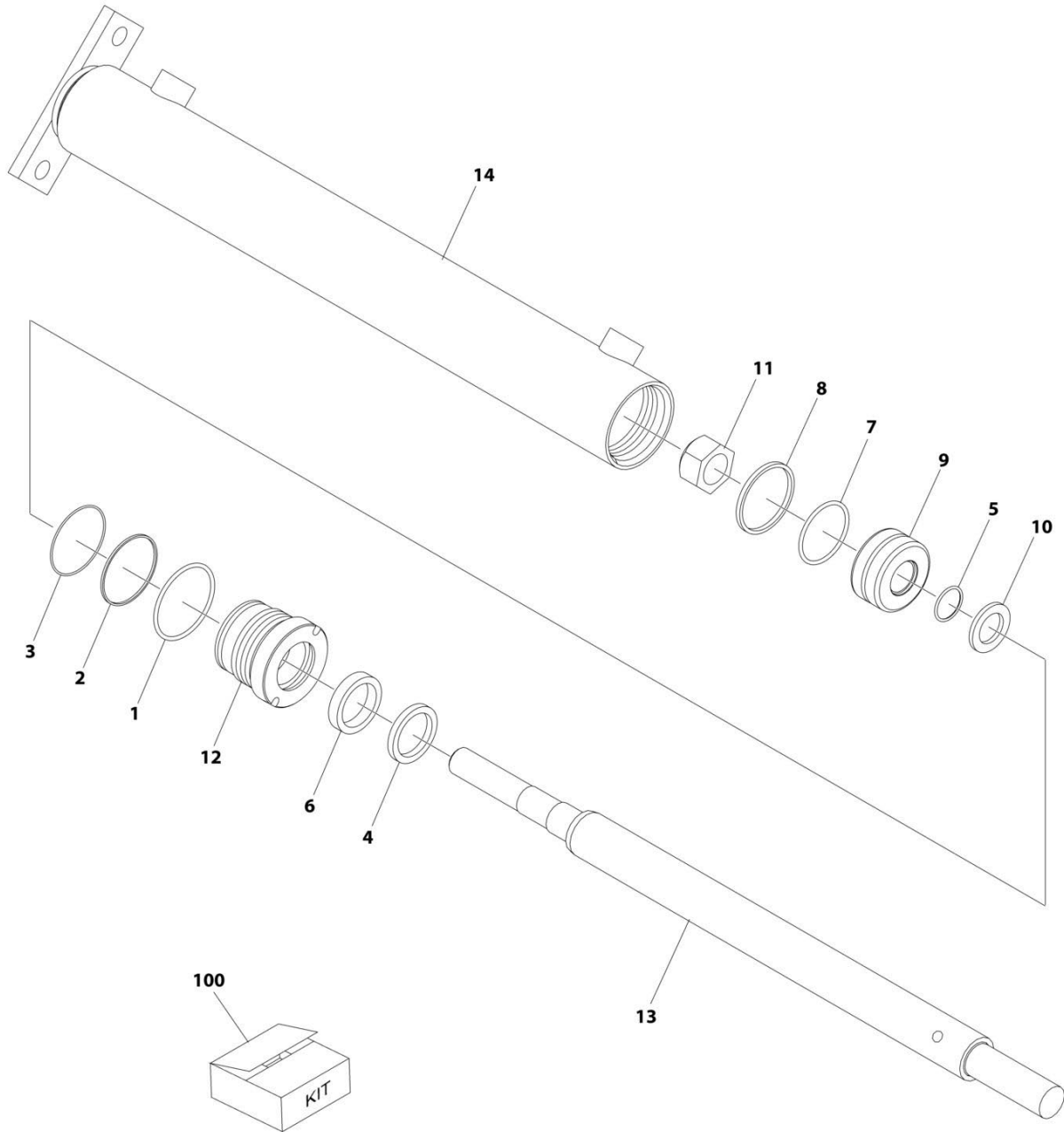
SECTION 9 - HYDRAULIC COMPONENTS

FIGURE 9-9. CYLINDER ASSEMBLY - FORK LOCKING

ITEM	PART NUMBER	QTY	DESCRIPTION	REV
	1001080334	Ref	Fork Locking Cylinder	D
		Ref	Note: Original Cylinder May Have Been Replaced with Service Replacement. Identify PN Stamped on Cylinder Before Ordering Parts.	
1	70021270	1	Case Assembly	
2	70021271	1	Piston	
3	70021272	1	Head Gland	
4	70021273	1	Rod	
6	70021275	1	Locknut	
7	Kit	1	O-Ring	
8	Kit	1	O-Ring	
9	Kit	1	O-Ring	
10	Kit	1	Back-Up Ring	
11	Kit	1	Diso-Pac	
12	Kit	1	Deep Z-Seal	
13	Kit	1	Rod Wiper	
14	Kit	2	Precision Wearband	
15	Kit	1	Precision Wearband	
16	Kit	1	Locking Insert	
101	70021276	1	Seal Kit, (includes items 7 thru 16)	

SECTION 9 - HYDRAULIC COMPONENTS

FIGURE 9-10. CYLINDER ASSEMBLY - FORK POSITIONING



ART_2717283

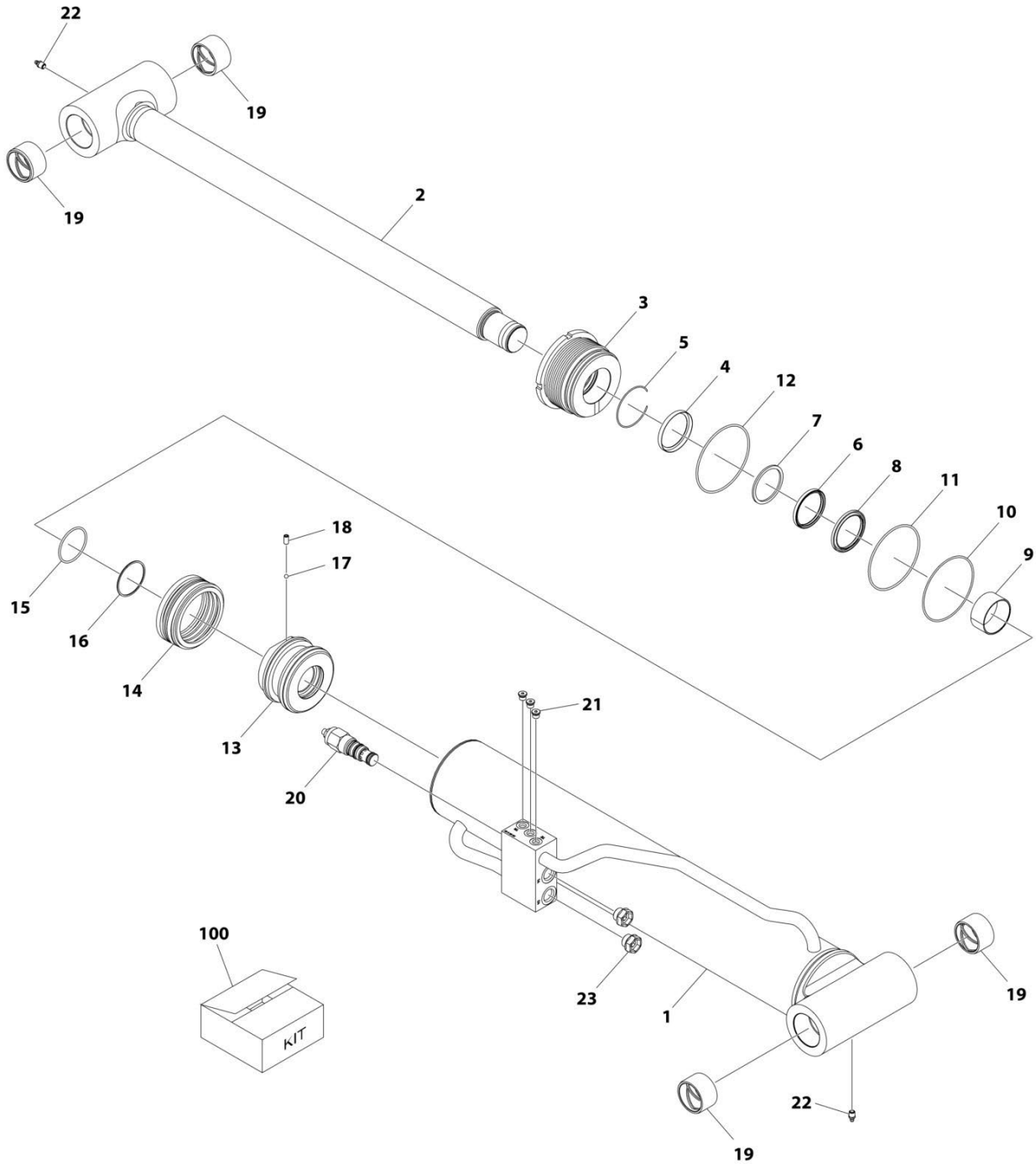
SECTION 9 - HYDRAULIC COMPONENTS

FIGURE 9-10. CYLINDER ASSEMBLY - FORK POSITIONING

ITEM	PART NUMBER	QTY	DESCRIPTION	REV
	2717283	Ref	FORK POSITIONING CYLINDER	B
		Ref	Note: Original Cylinder May Have Been Replaced with Service Replacement. Identify PN Stamped on Cylinder Before Ordering Parts.	
1	See Note	NSS	O-Ring (Use Item 100)	
2	See Note	NSS	Ring, Back-up (Use Item 100)	
3	See Note	NSS	O-Ring (Use Item 100)	
4	See Note	NSS	Seal (Use Item 100)	
5	See Note	NSS	O-Ring (Use Item 100)	
6	See Note	NSS	Seal (Use Item 100)	
7	See Note	NSS	O-Ring (Use Item 100)	
8	See Note	NSS	Seal (Use Item 100)	
9	70026771	1	Piston	
10	70026775	1	Washer	
11	70026770	1	Nut	
12	70026774	1	Head	
13	70026773	1	Rod	
14	See Note	NSS	Barrel (Note: Use PN 2717283)	
100	8036733	1	Seal Kit (includes items 1 thru 8)	

SECTION 9 - HYDRAULIC COMPONENTS

FIGURE 9-11. CYLINDER ASSEMBLY - LIFT



ART_1001290097

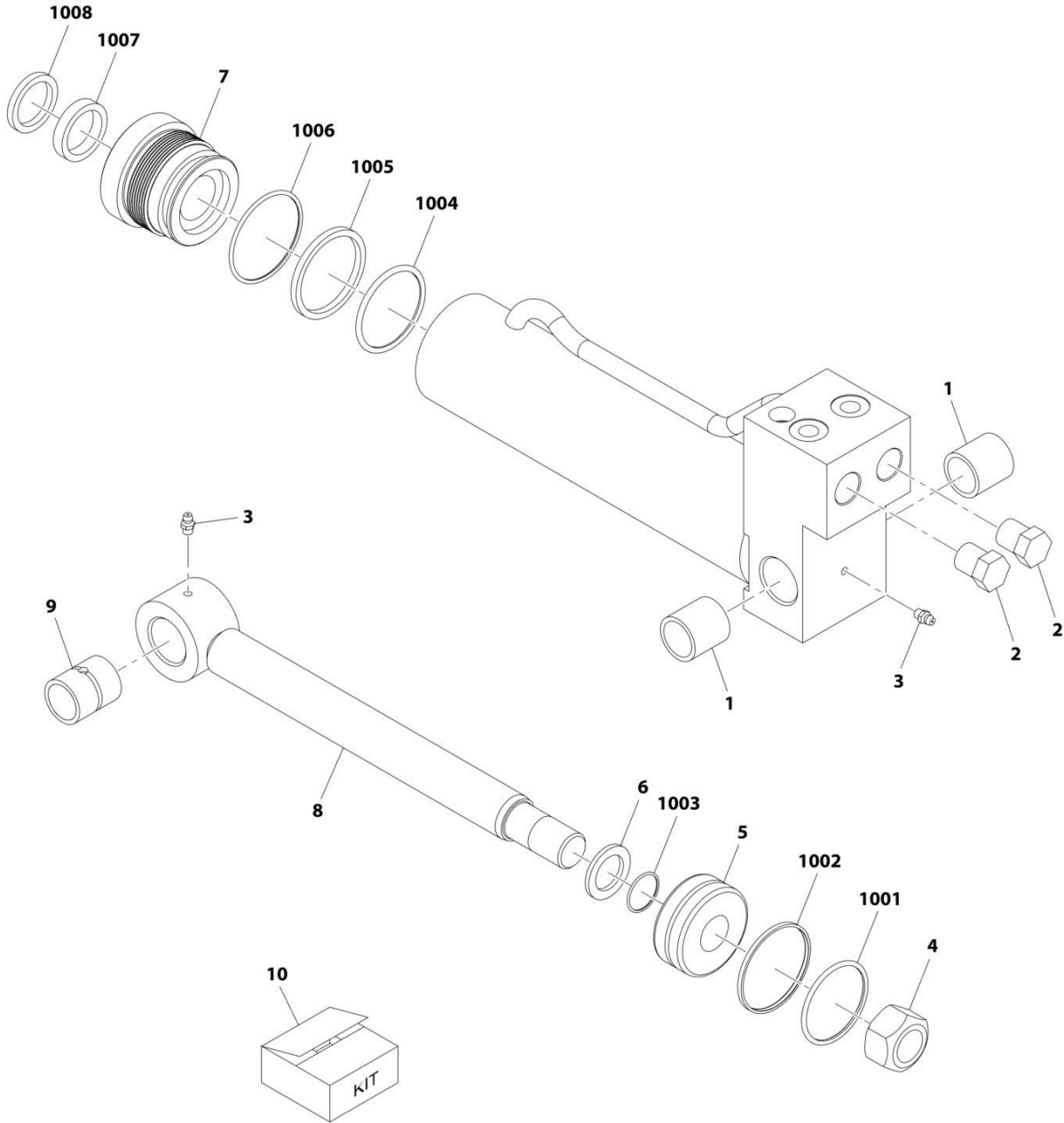
SECTION 9 - HYDRAULIC COMPONENTS

FIGURE 9-11. CYLINDER ASSEMBLY - LIFT

ITEM	PART NUMBER	QTY	DESCRIPTION	REV
	1001290097	Ref	CYLINDER ASSEMBLY	E
		Ref	Note: Original Cylinder May Have Been Replaced with Service Replacement. Identify PN Stamped on Cylinder Before Ordering Parts.	
1	See Note	NSS	Barrel (Note: Use PN 1001290097)	
2	70031938	1	Rod	
3	70031939	1	Head	
4	See Note	NSS	Wiper (Note: Use Item 100)	
5	70027244	1	Ring, Retaining	
6	See Note	NSS	Seal, Rod (Note: Use Item 100)	
7	See Note	NSS	Ring, Back-up (Note: Use Item 100)	
8	See Note	NSS	Ring, Buffer (Note: Use Item 100)	
9	70004637	1	Bearing	
10	See Note	NSS	O-Ring (Note: Use Item 100)	
11	See Note	NSS	Ring, Back-up (Note: Use Item 100)	
12	See Note	NSS	O-Ring (Note: Use Item 100)	
13	70031940	1	Piston	
14	See Note	NSS	Seal, Piston (Note: Use Item 100)	
15	See Note	NSS	O-Ring (Note: Use Item 100)	
16	See Note	NSS	Ring, Back-up (Note: Use Item 100)	
17	70022564	1	Ball	
18	70007246	1	Setscrew M8 x 16	
19	70031941	4	Bearing	
20	1001295772	1	Valve, Counterbalance	
21	2220883	3	Plug	
22	70026308	2	Fitting, Grease	
23	70005433	2	Plug 7/8	
100	70031942	1	Kit, Seal (Includes Items 4, 6-8, 10-12 & 14-16)	

SECTION 9 - HYDRAULIC COMPONENTS

FIGURE 9-12. CYLINDER ASSEMBLY - SIDE TILT CARRIAGE



ART_70021363-A

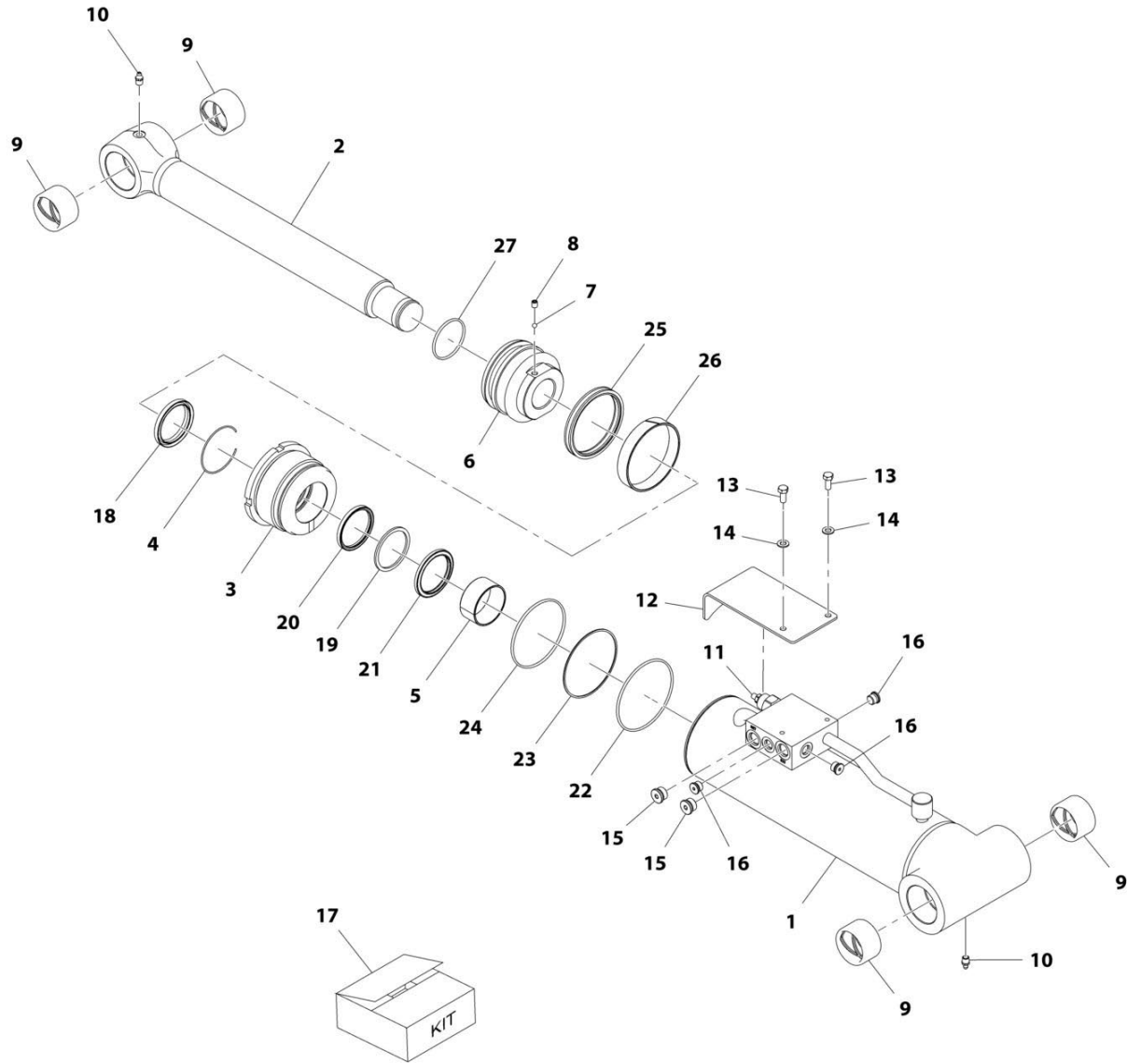
SECTION 9 - HYDRAULIC COMPONENTS

FIGURE 9-12. CYLINDER ASSEMBLY - SIDE TILT CARRIAGE

ITEM	PART NUMBER	QTY	DESCRIPTION	REV
	70021363	Ref	Side Tilt Carriage Cylinder	A
		Ref	Note: Original Cylinder May Have Been Replaced with Service Replacement. Identify PN Stamped on Cylinder Before Ordering Parts.	
1	70021448	2	Bushing	
2	70021464	2	Valve Cartridge	
3	90554045	2	Grease Fitting	
4	70021440	1	Nut	
5	70021451	1	Piston	
6	70021444	1	Washer	
7	70021446	1	Gland	
8	70029441	1	Rod	
9	70021447	1	Bushing	
10	70021452	1	Seal Kit, (includes items 1001 thru 1008)	
1001	Kit	1	Piston Ring	
1002	Kit	1	O-Ring	
1003	Kit	1	O-Ring	
1004	Kit	1	O-Ring	
1005	Kit	1	Back-Up Ring	
1006	Kit	1	O-Ring	
1007	Kit	1	Polypak, Type B	
1008	Kit	1	Rod Wiper	

SECTION 9 - HYDRAULIC COMPONENTS

FIGURE 9-13. CYLINDER ASSEMBLY - TILT



ART_1001200581

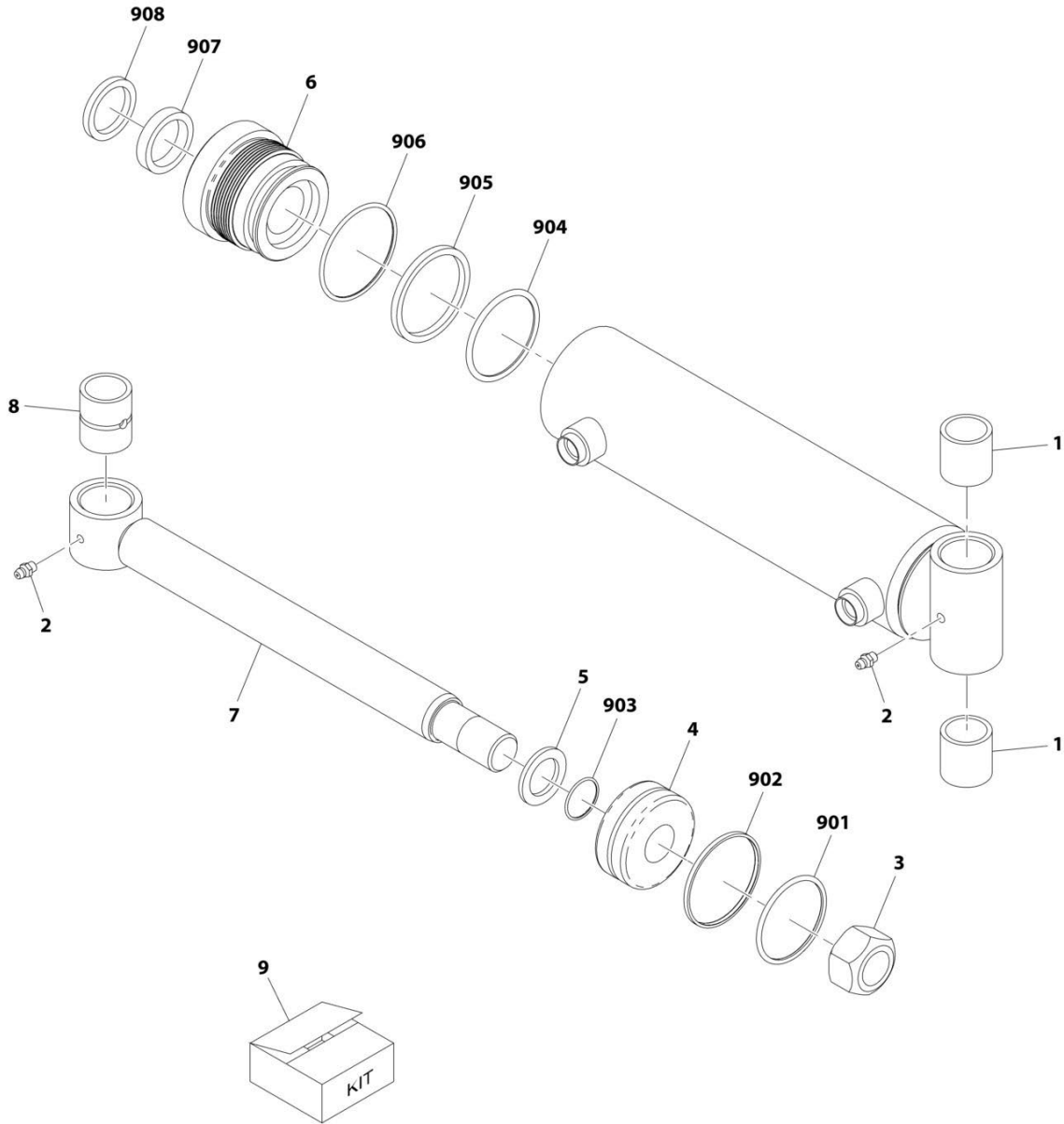
SECTION 9 - HYDRAULIC COMPONENTS

FIGURE 9-13. CYLINDER ASSEMBLY - TILT

ITEM	PART NUMBER	QTY	DESCRIPTION	REV
	1001200581	Ref	Tilt Cylinder	C
		Ref	Note: Original Cylinder May Have Been Replaced with Service Replacement. Identify PN Stamped on Cylinder Before Ordering Parts.	
1	70027252	1	Barrel Assembly	
2	70027253	1	Rod Assembly	
3	70027242	1	Gland	
4	70027244	1	Retain Ring	
5	70004637	1	Dry Bearing	
6	70027243	1	Piston	
7	70022564	1	Steel Ball	
8	70023369	1	Set Screw	
9	70027251	4	Bush	
10	70026308	2	Grease Nipple	
11	1001189888	NLA	Counter Balance Valve (Use PN 1001293720)	
11	1001293720	1	Counter Balance Valve	
12	70027254	1	Cover	
13	70027249	2	Hex Bolt	
14	70027250	2	Washer	
15	70023373	2	Hex Socket Plug	
16	70023371	3	Hex Socket Plug	
17	70027255	1	Seal Kit	
18	Kit	1	Dust Wiper	
19	Kit	1	Rod Seal	
20	Kit	1	Back Up Ring	
21	Kit	1	Buffer Ring	
22	Kit	1	O-Ring	
23	Kit	1	Back Up Ring	
24	Kit	1	O-Ring	
25	Kit	1	Piston Seal	
26	Kit	1	Wear Ring	
27	Kit	1	O-Ring	

SECTION 9 - HYDRAULIC COMPONENTS

FIGURE 9-14. CYLINDER ASSEMBLY - UNIVERSAL SIDE SHIFT



ART_70022108-A

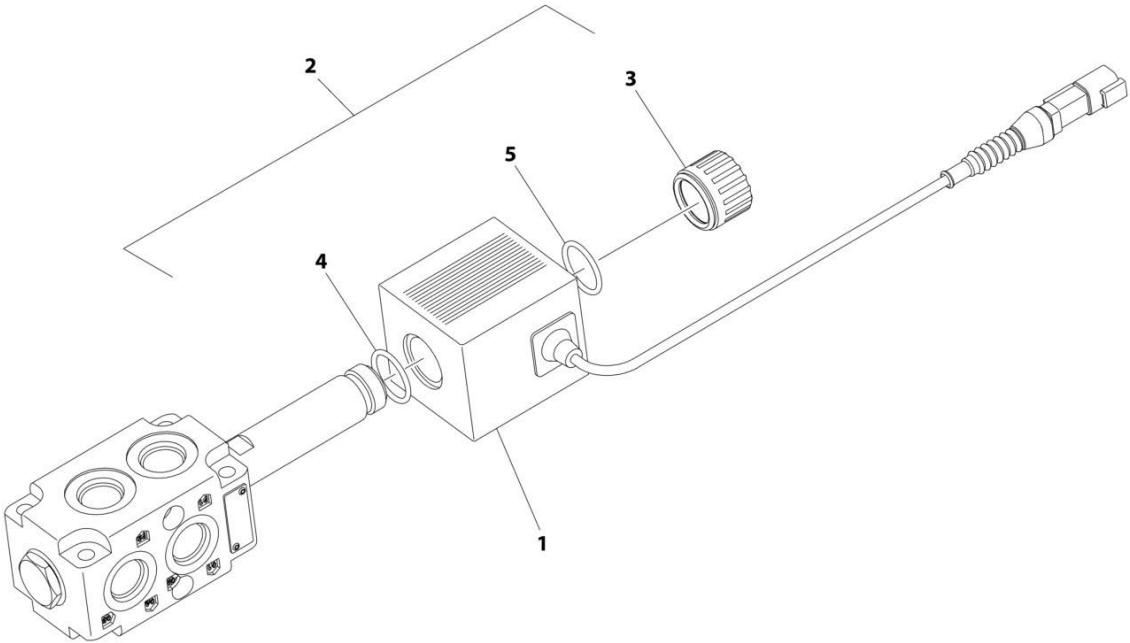
SECTION 9 - HYDRAULIC COMPONENTS

FIGURE 9-14. CYLINDER ASSEMBLY - UNIVERSAL SIDE SHIFT

ITEM	PART NUMBER	QTY	DESCRIPTION	REV
	70022108	Ref	Universal Side Shift Cylinder	A
		Ref	Note: Original Cylinder May Have Been Replaced with Service Replacement. Identify PN Stamped on Cylinder Before Ordering Parts.	
1	70021448	2	Bushing	
2	90554045	2	Grease Fitting	
3	70021440	1	Nut	
4	70021451	1	Piston	
5	70021444	1	Washer	
6	70021446	1	Gland	
7	70021462	1	Rod	
8	70021447	1	Bushing	
9	70021452	1	Seal Kit, (includes items 901 thru 908)	
901	Kit	1	O-Ring	
902	Kit	1	Back-up O-Ring	
903	Kit	1	O-Ring	
904	Kit	1	O-Ring	
905	Kit	1	O-Ring	
906	Kit	1	Seal	
907	Kit	1	O-Ring	
908	Kit	1	Seal	

SECTION 9 - HYDRAULIC COMPONENTS

FIGURE 9-15. DIVERTOR VALVE



ART_1001104477

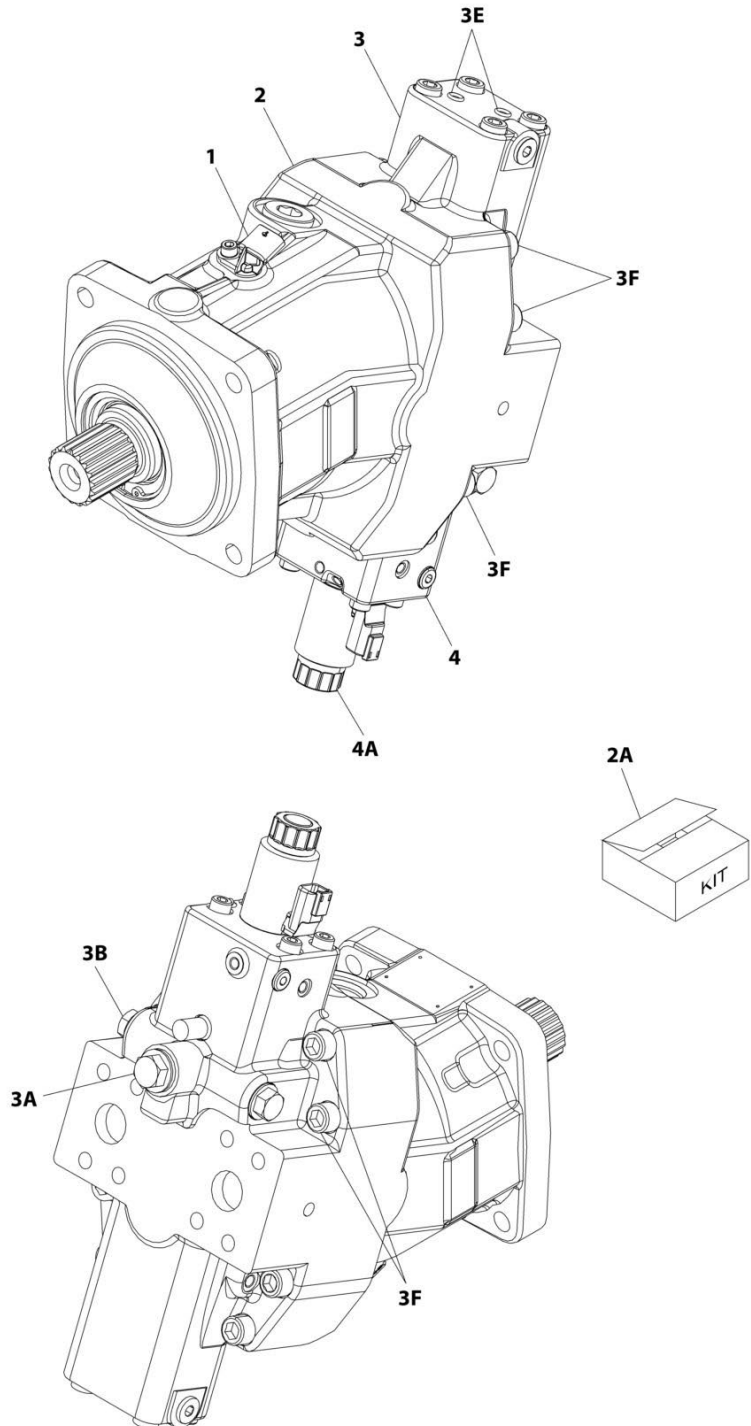
SECTION 9 - HYDRAULIC COMPONENTS

FIGURE 9-15. DIVERTOR VALVE

ITEM	PART NUMBER	QTY	DESCRIPTION	REV
	1001104477	Ref	DIVERTOR VALVE	D
1	70020764	1	Coil	
2	70021531	1	Retainer Kit (Includes Items 3-5)	
3	Kit	1	Nut	
4	Kit	1	O-Ring	
5	Kit	1	O-Ring	

SECTION 9 - HYDRAULIC COMPONENTS

FIGURE 9-16. DRIVE MOTOR ASSEMBLY



ART_1001286267

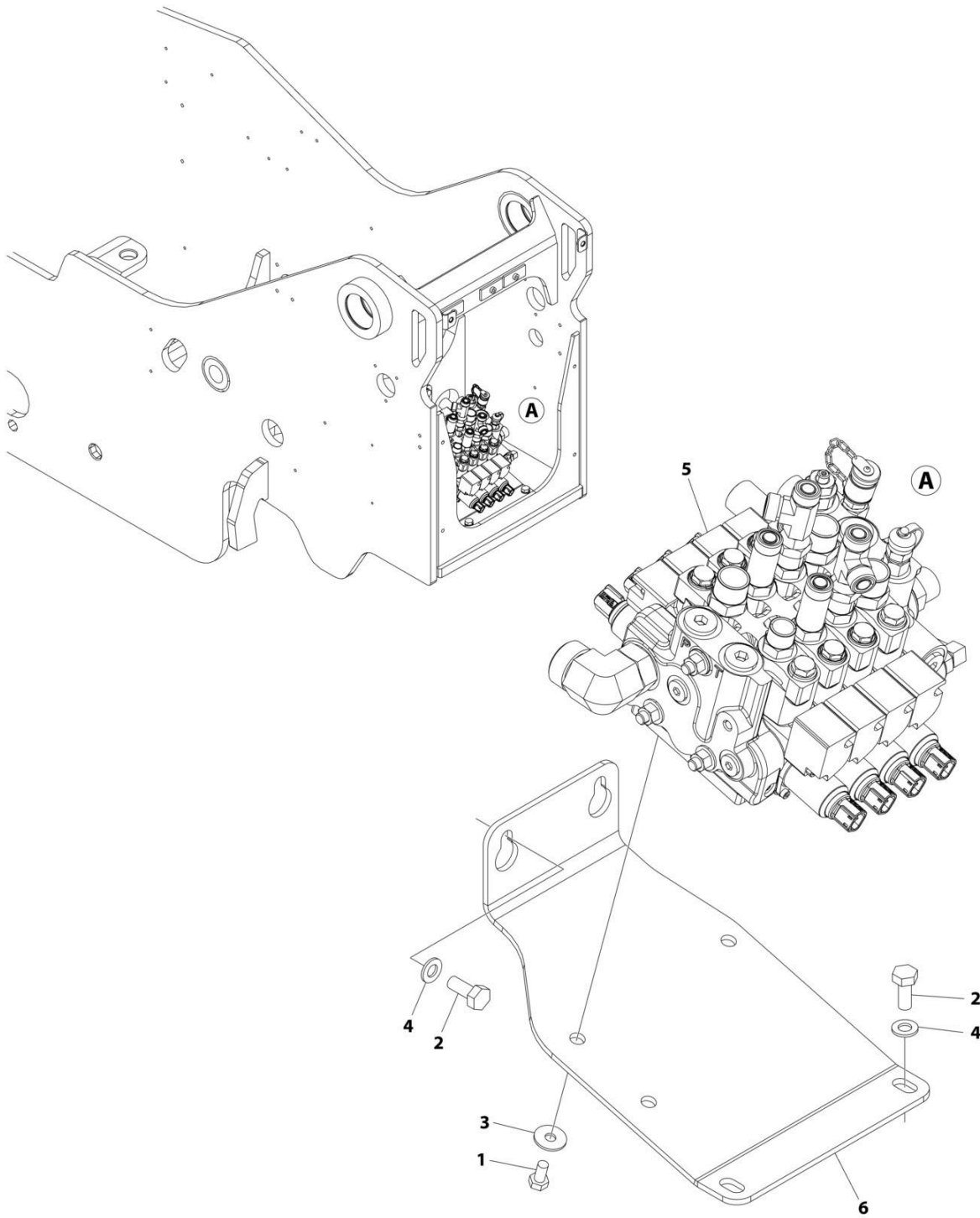
SECTION 9 - HYDRAULIC COMPONENTS

FIGURE 9-16. DRIVE MOTOR ASSEMBLY

ITEM	PART NUMBER	QTY	DESCRIPTION	REV
	1001286267	Ref	DRIVE MOTOR ASSEMBLY	C
1	1001287276	1	Sensor, Speed	
2	See Note	NSS	Housing Assembly (Note Use PN 1001286267)	
2A	70031925	1	Seal Kit - Housing	
3	See Note	NSS	Cover Plate Assembly (Note Use PN 1001286267)	
3A	70031926	1	Valve, Feed Pressure	
3B	70031927	1	Valve, Flushing	
3C	7028817	1	Capscrew (Internal - Not Shown)	
3D	70003340	1	Plug, Break-Off (Not Shown)	
3E	70031928	6	O-Ring (Under Cover Plates)	
3F	7028835	6	Capscrew	
4	70031929	1	Control Assembly	
4A	70003170	1	Solenoid	

SECTION 9 - HYDRAULIC COMPONENTS

FIGURE 9-17. MAIN CONTROL VALVE INSTALLATION



ART_1001290199

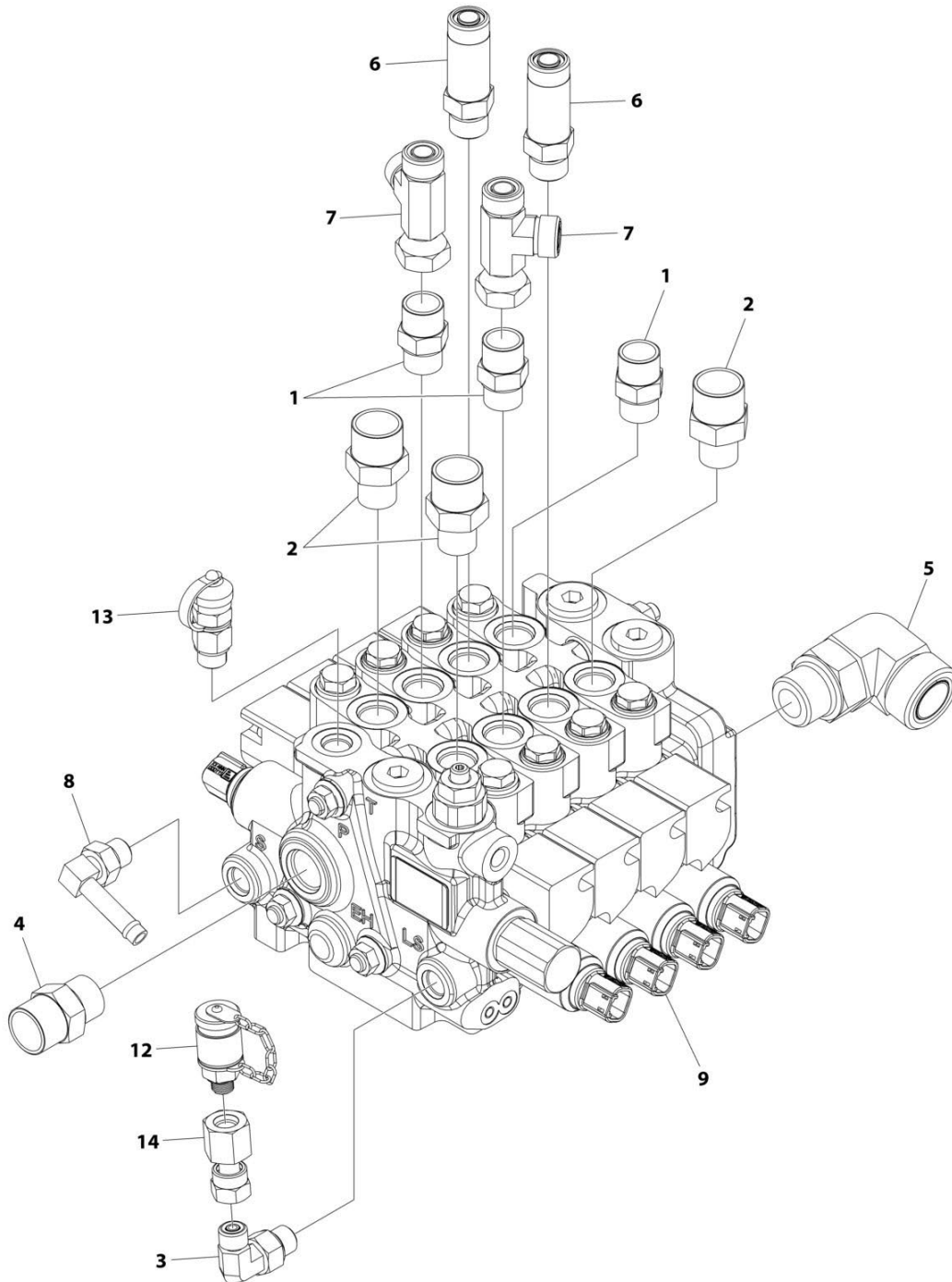
SECTION 9 - HYDRAULIC COMPONENTS

FIGURE 9-17. MAIN CONTROL VALVE INSTALLATION

ITEM	PART NUMBER	QTY	DESCRIPTION	REV
	1001290199	Ref	MAIN CONTROL VALVE INSTALLATION	B
1	0760808	3	Bolt M8 x 16	
2	0761012	4	Bolt M10 x 25	
3	4811902	3	Washer M8	
4	4812000	4	Washer M10	
5	1001293739	1	Main Control Valve Assembly (See Separate Breakdown in this Section)	
6	1001295385	1	Bracket	

SECTION 9 - HYDRAULIC COMPONENTS

FIGURE 9-18. MAIN CONTROL VALVE ASSEMBLY



ART_1001293739

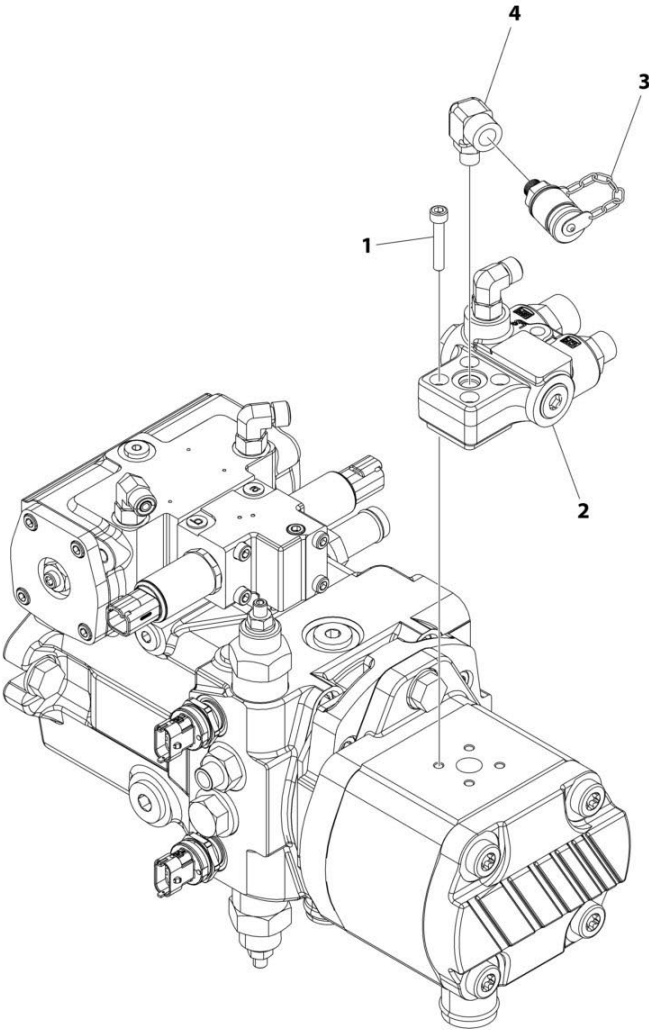
SECTION 9 - HYDRAULIC COMPONENTS

FIGURE 9-18. MAIN CONTROL VALVE ASSEMBLY

ITEM	PART NUMBER	QTY	DESCRIPTION	REV
	1001293739	Ref	MAIN CONTROL VALVE ASSEMBLY	C
1	2110808	3	Fitting, Straight ORFS/ORB	
2	2111008	3	Fitting, Straight ORFS/ORB	
3	2130406	1	Fitting, 90 ORFS/ORB	
4	2111010	1	Fitting, Straight ORFS/ORB	
5	2131612	1	Fitting, 90 ORFS/ORB	
6	2170108	2	Fitting, Straight ORFS/ORB	
7	2170708	2	Fitting, Tee ORFS/FSORFS/ORFS	
8	8430034	1	Fitting, 90	
9	1001291279	1	Valve, Main Control (See Separate Breakdown in HYDRAULIC COMPONENTS Section)	
12	2221086	1	Fitting, Test	
13	77133089	1	Mini Check	
14	1001301437	1	Fitting, Straight FSORFS/FORB	

SECTION 9 - HYDRAULIC COMPONENTS

FIGURE 9-19. PRIORITY VALVE INSTALLATION



ART_1001290219

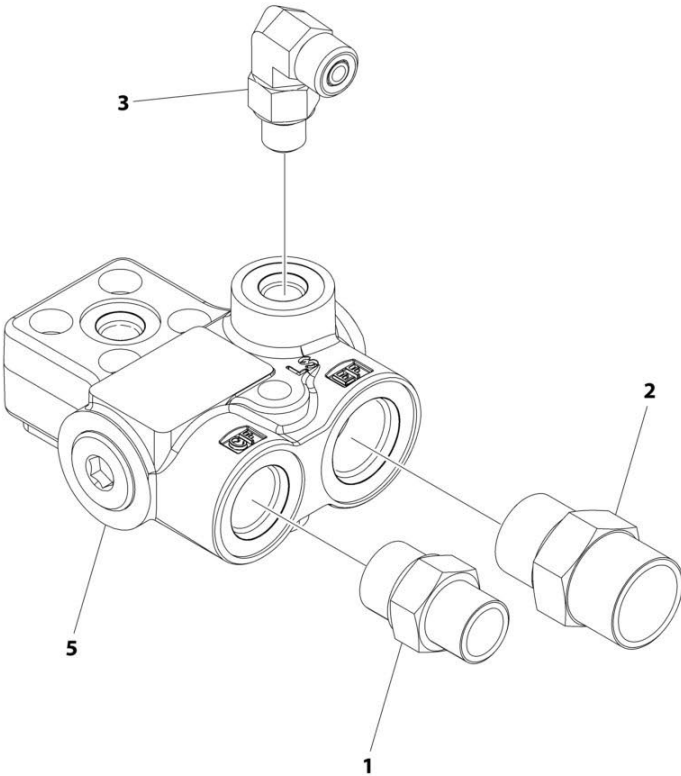
SECTION 9 - HYDRAULIC COMPONENTS

FIGURE 9-19. PRIORITY VALVE INSTALLATION

ITEM	PART NUMBER	QTY	DESCRIPTION	REV
	1001290219	Ref	PRIORITY VALVE INSTALLATION	B
1	4031711	4	Bolt M6 x 35	
2	1001290776	1	Priority Valve Assembly (See Separate Breakdown in this Section)	
3	2221086	1	Fitting, Test	
4	2221116	1	Fitting, 90	

SECTION 9 - HYDRAULIC COMPONENTS

FIGURE 9-20. PRIORITY VALVE ASSEMBLY



ART_1001290776

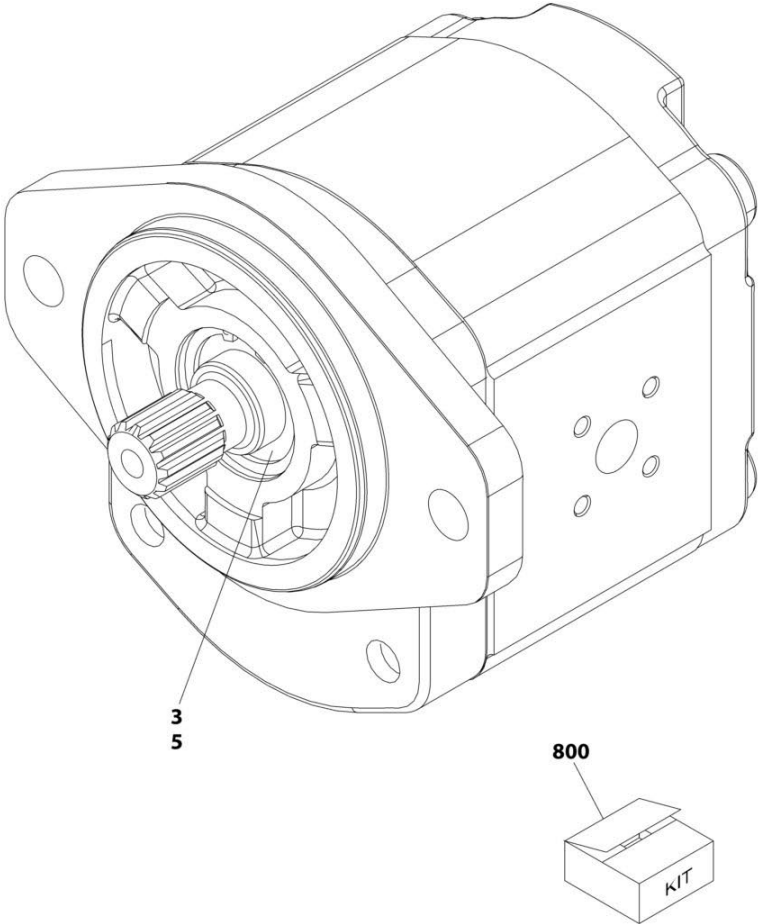
SECTION 9 - HYDRAULIC COMPONENTS

FIGURE 9-20. PRIORITY VALVE ASSEMBLY

ITEM	PART NUMBER	QTY	DESCRIPTION	REV
	1001290776	Ref	PRIORITY VALVE ASSEMBLY	B
1	2110608	1	Fitting, Straight ORFS/ORB	
2	2111010	1	Fitting, Straight ORFS/ORB	
3	2130404	1	Fitting, 90 ORFS/ORB	
5	1001290775	1	Valve, Priority Pumpsided	
5	70020575	1	O-Ring Kit	

SECTION 9 - HYDRAULIC COMPONENTS

FIGURE 9-21. PUMP ASSEMBLY



ART_1001291749

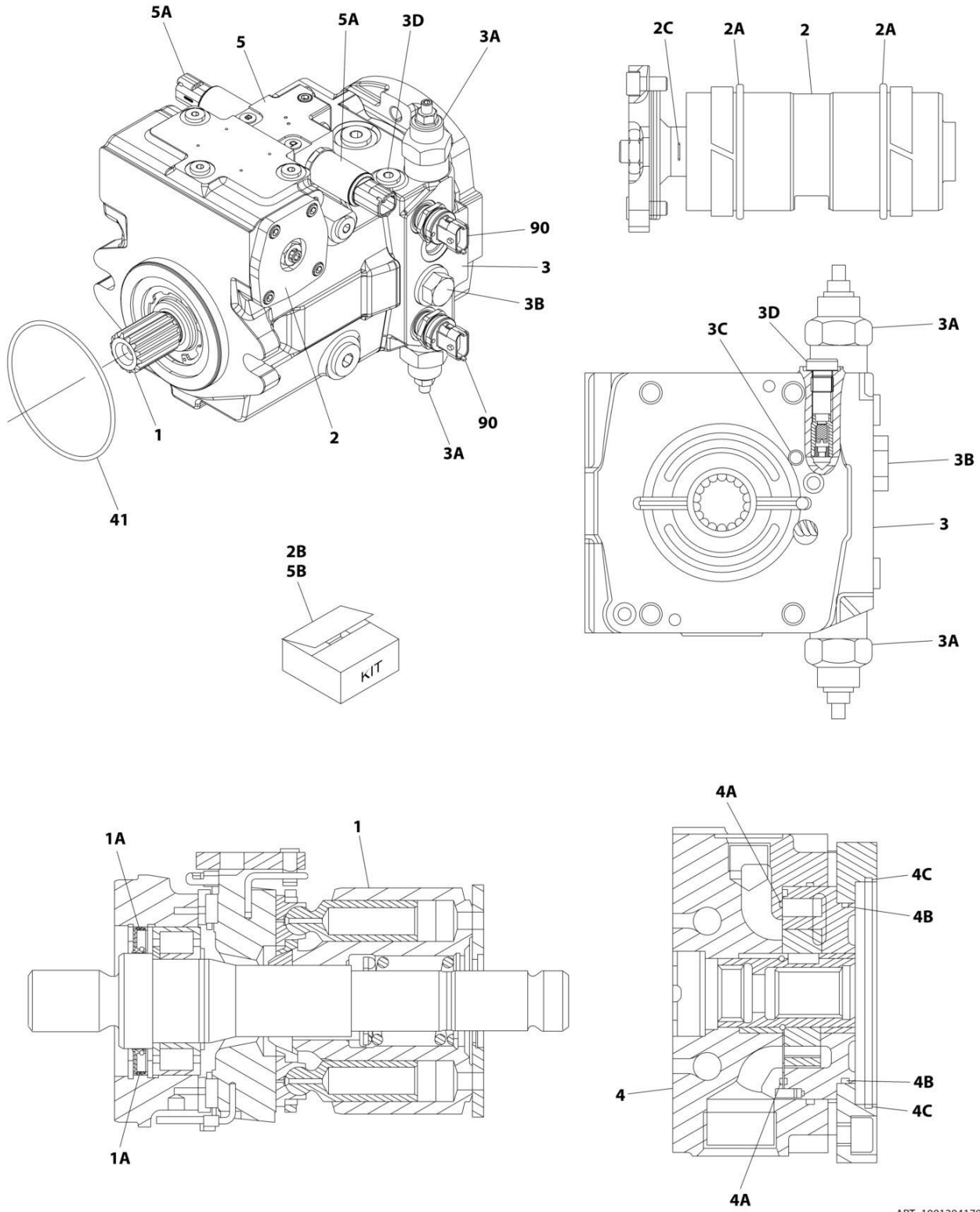
SECTION 9 - HYDRAULIC COMPONENTS

FIGURE 9-21. PUMP ASSEMBLY

ITEM	PART NUMBER	QTY	DESCRIPTION	REV
	1001291749	Ref	PUMP ASSEMBLY	C
	See Note	Ref	Note: No Other Service Parts Available at Time of Printing	
3	70031922	1	Seal	
5	70031923	1	Ring, Retaining	
800	70031924	1	Kit, Seal	

SECTION 9 - HYDRAULIC COMPONENTS

FIGURE 9-22. PUMP ASSEMBLY



ART_1001294179

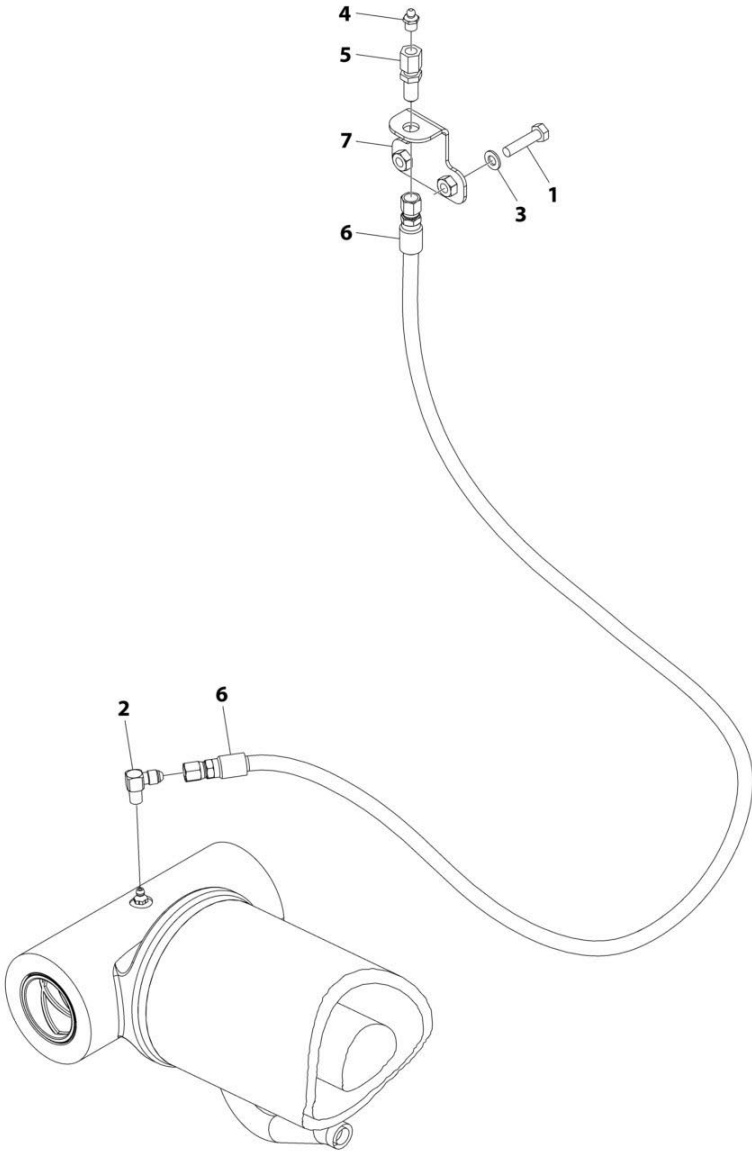
SECTION 9 - HYDRAULIC COMPONENTS

FIGURE 9-22. PUMP ASSEMBLY

ITEM	PART NUMBER	QTY	DESCRIPTION	REV
	1001294179	Ref	PUMP ASSEMBLY	B
1	70031895	1	Rotary Assembly	
1A	70031900	1	Seal, Lip	
2	70031896	1	Control Assembly	
2A	70031901	4	Seal, Piston (2 Per Piston)	
2B	70031902	2	Kit, Seal - Control (1 per Side)	
2C	7024072	2	O-Ring (Rod Seal)	
3	70031897	1	Connection Plate Assembly	
3A	70031531	2	Valve, Relief	
3A	7024075	2	O-Ring (Large) (1 per Valve)	
3A	7024072	2	O-Ring (Small) (1 per Valve)	
3A	7024076	2	Ring, Back up (1 per Valve) (Used with Large O-Ring)	
3B	70031532	1	Valve, Relief	
3B	7024077	1	O-Ring	
3B	70003172	1	Ring, Seal	
3C	70003340	1	Plug, Break-Off	
3D	80334079	1	Plug	
3E	7024908	1	O-Ring Between Connection Plate & Housing near Item 3D	
4	70031898	1	Internal Gear Assembly	
4A	7024080	1	Seal	
4B	7024081	1	O-Ring	
4C	70007178	1	O-Ring	
5	70031899	1	Control Module Assembly	
5A	70031904	2	Valve, Pressure Reducing	
5B	70031905	2	Kit, Seal - Valve	
5C	7024908	1	O-Ring Between Module & Housing (Not Shown)	
27	70003340	1	Plug, Break-Off (Not Shown)	
41	91144002	1	O-Ring	
90	70031104	NLA	Sensor, Pressure (Use PN 1001243960)	
90	1001243960	2	Sensor, Pressure	

SECTION 9 - HYDRAULIC COMPONENTS

FIGURE 9-23. REMOTE GREASE INSTALLATION



ART_1001312253

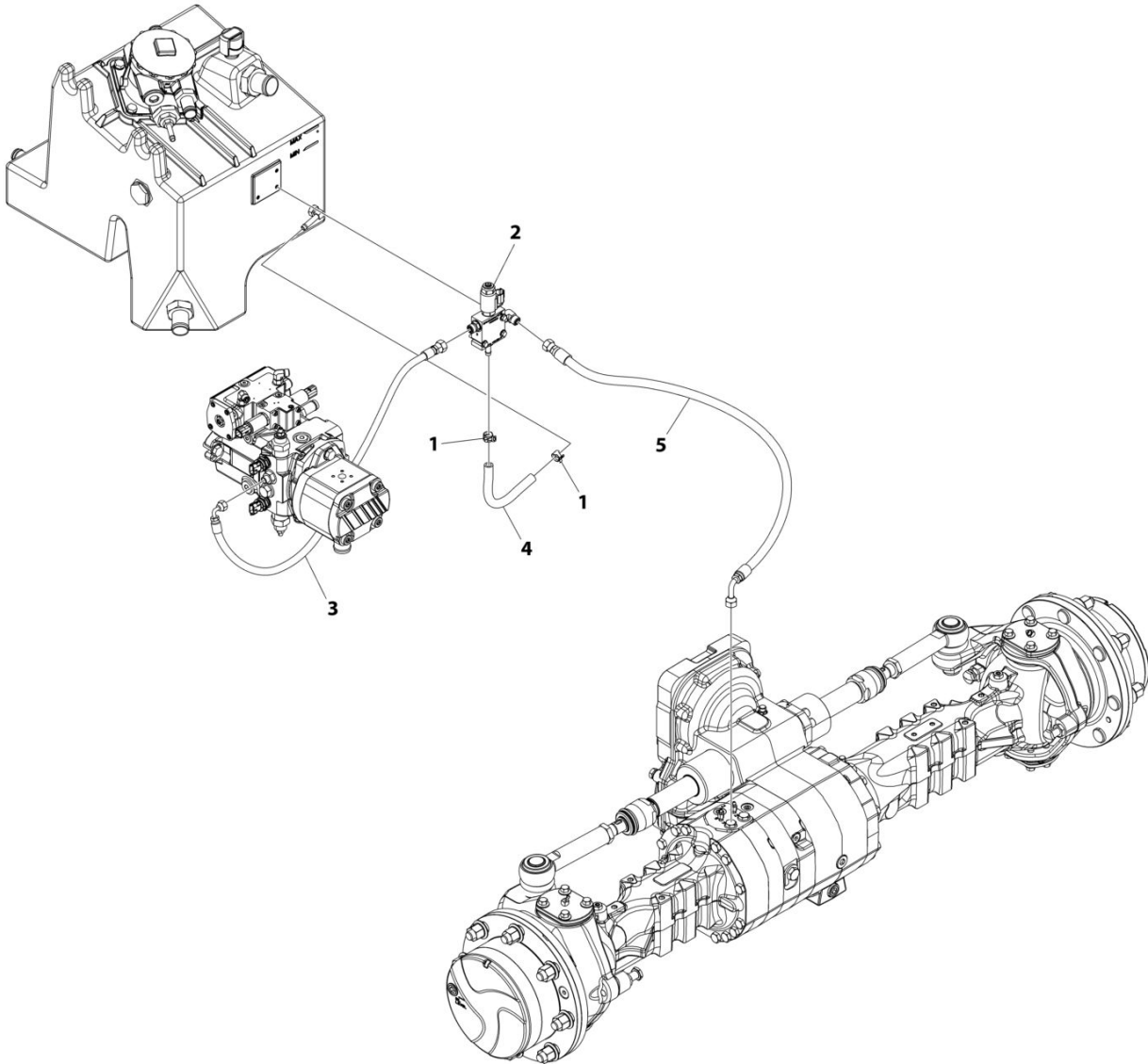
SECTION 9 - HYDRAULIC COMPONENTS

FIGURE 9-23. REMOTE GREASE INSTALLATION

ITEM	PART NUMBER	QTY	DESCRIPTION	REV
	1001312253	Ref	REMOTE GREASE INSTALLATION	A
1	0760815	2	Bolt M8 x 35	
2	2220612	1	Fitting, 90 JIC/NPTF	
3	4811900	2	Washer M8	
4	8520001	1	Fitting, Grease	
5	80623016	1	Fitting, Straight	
6	1001081413	1	Hose	
7	1001312278	1	Support, Hose	

SECTION 9 - HYDRAULIC COMPONENTS

FIGURE 9-24. SAHR BRAKE VALVE INSTALLATION



ART_1001294430

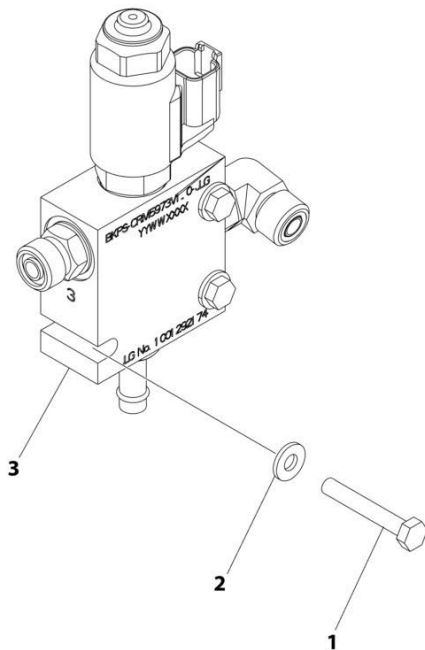
SECTION 9 - HYDRAULIC COMPONENTS

FIGURE 9-24. SAHR BRAKE VALVE INSTALLATION

ITEM	PART NUMBER	QTY	DESCRIPTION	REV
	1001294430	Ref	SAHR BRAKE VALVE INSTALLATION	A
1	1001254357	2	Clamp	
2	1001290201	1	Sahr Valve (See Separate Breakdown in this Section)	
3	1001290165	1	Hose	
4	1001290300	1	Hose	
5	1001290302	1	Hose	

SECTION 9 - HYDRAULIC COMPONENTS

FIGURE 9-25. SAHR VALVE INSTALLATION



ART_1001290201

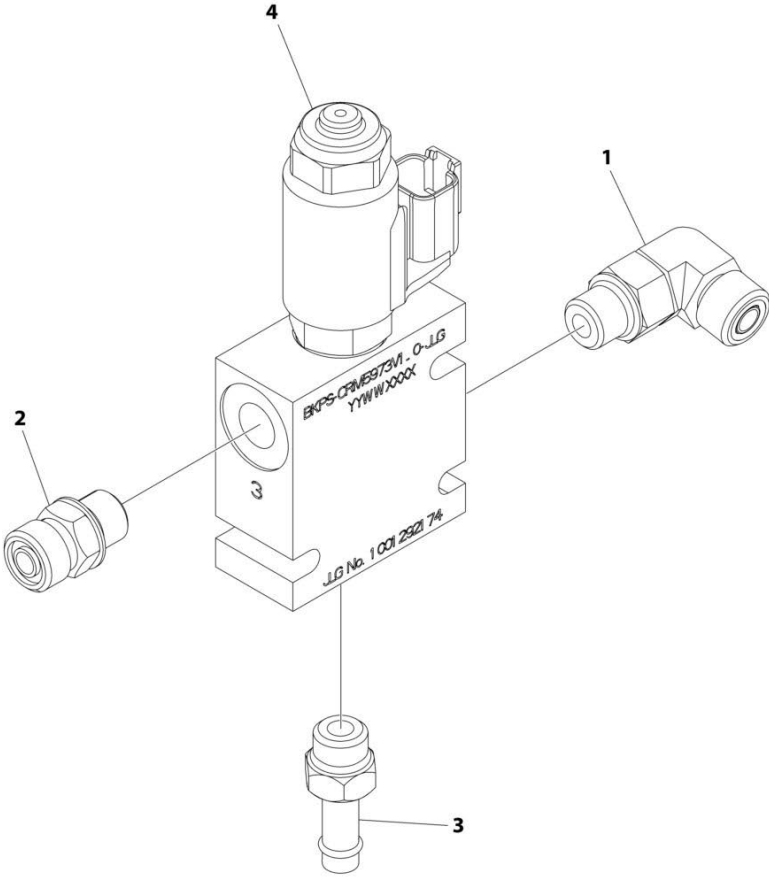
SECTION 9 - HYDRAULIC COMPONENTS

FIGURE 9-25. SAHR VALVE INSTALLATION

ITEM	PART NUMBER	QTY	DESCRIPTION	REV
	1001290201	Ref	SAHR VALVE INSTALLATION	A
1	0700616	3	Bolt M6 x 40	
2	4751200	3	Washer	
3	1001294278	1	Sahr Brake Valve and Fitting Assembly (See Separate Breakdown in this Section)	

SECTION 9 - HYDRAULIC COMPONENTS

FIGURE 9-26. SAHR BRAKE VALVE AND FITTING ASSEMBLY



ART_1001294278

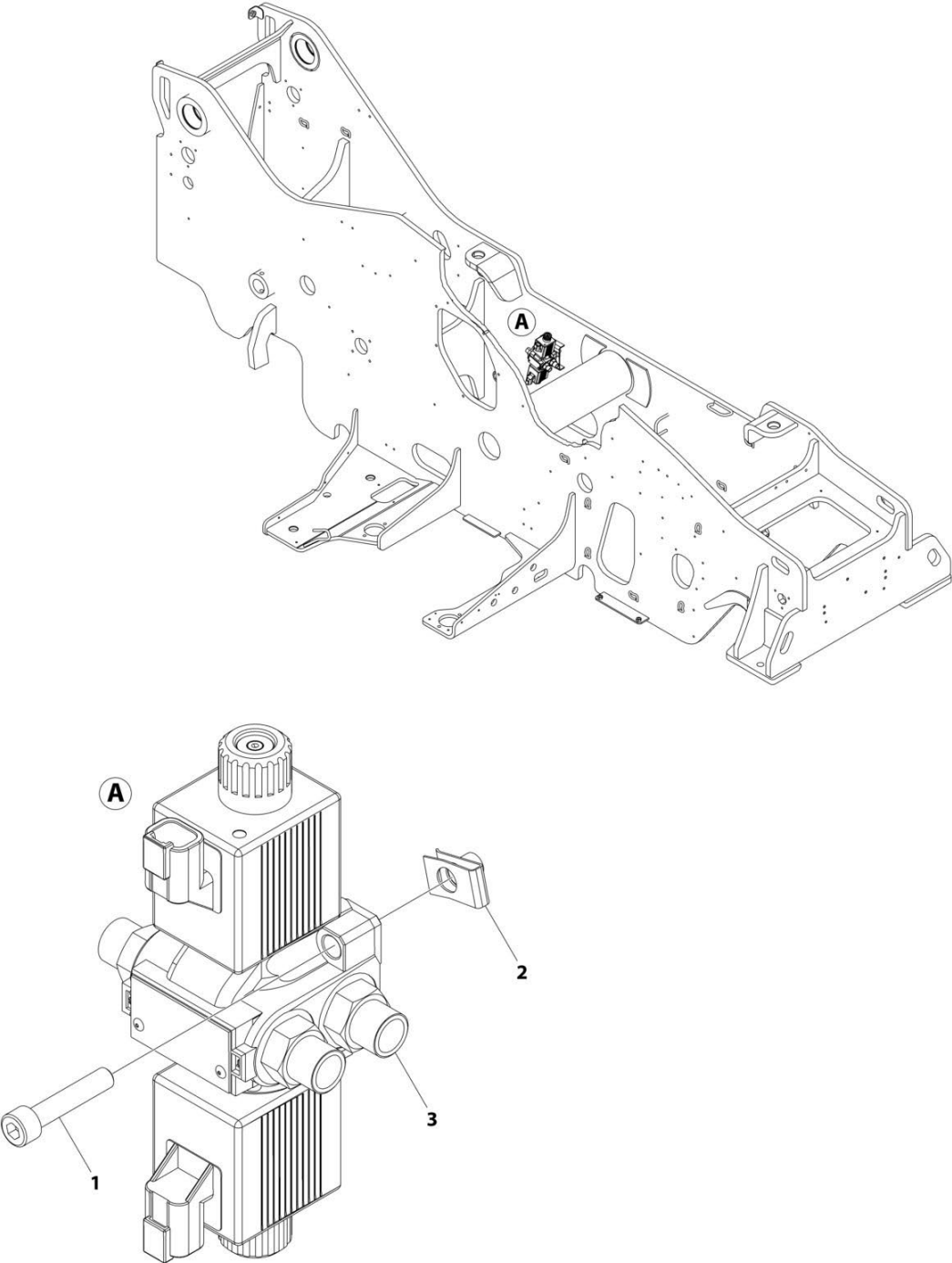
SECTION 9 - HYDRAULIC COMPONENTS

FIGURE 9-26. SAHR BRAKE VALVE AND FITTING ASSEMBLY

ITEM	PART NUMBER	QTY	DESCRIPTION	REV
	1001294278	Ref	SAHR BRAKE VALVE AND FITTING ASSEMBLY	B
1	2130606	1	Fitting, 90 ORFS/ORB	
2	80333184	1	Fitting, Check	
3	1001003589	1	Fitting, Straight BARB/ORB	
4	1001292174	1	Sahr Brake Valve	
4	70031930	1	Directional Valve	
4	70031931	1	Coil	

SECTION 9 - HYDRAULIC COMPONENTS

FIGURE 9-27. STEERING SELECT VALVE INSTALLATION



ART_1001290200

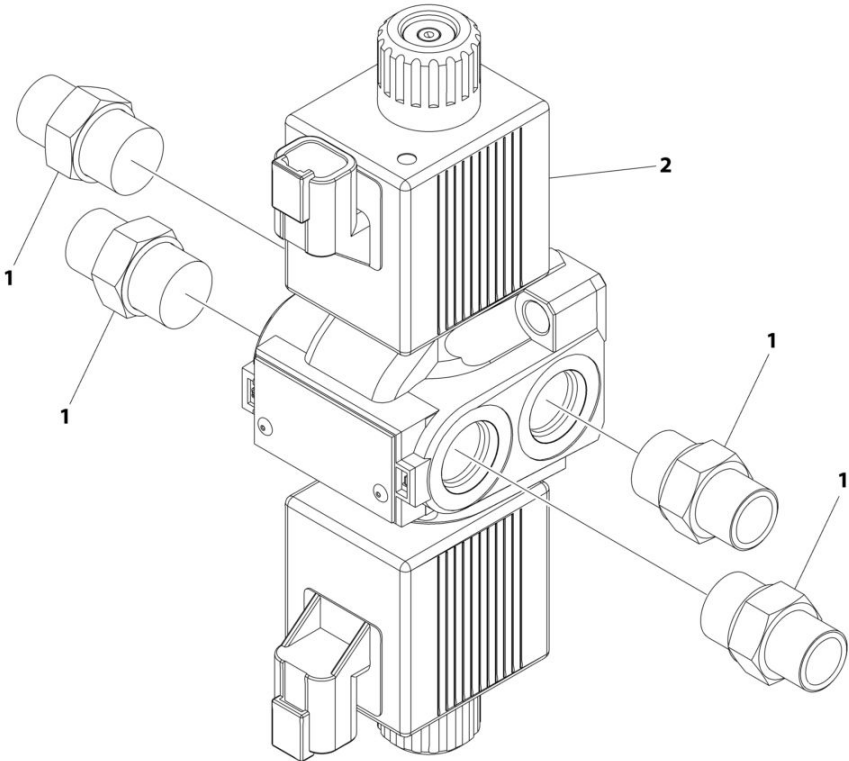
SECTION 9 - HYDRAULIC COMPONENTS

FIGURE 9-27. STEERING SELECT VALVE INSTALLATION

ITEM	PART NUMBER	QTY	DESCRIPTION	REV
	1001290200	Ref	STEERING SELECT VALVE INSTALLATION	B
1	4031912	2	Bolt M8 x 40	
2	8310686	2	Nut, Retainer M8	
3	1001293740	1	Steering Select Valve Assembly (See Separate Breakdown in this Section)	

SECTION 9 - HYDRAULIC COMPONENTS

FIGURE 9-28. STEERING SELECT VALVE ASSEMBLY



ART_1001293740

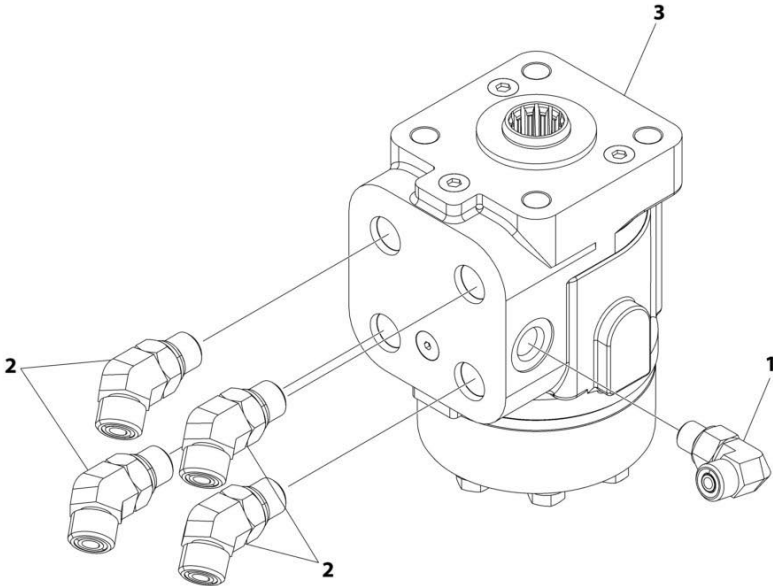
SECTION 9 - HYDRAULIC COMPONENTS

FIGURE 9-28. STEERING SELECT VALVE ASSEMBLY

ITEM	PART NUMBER	QTY	DESCRIPTION	REV
	1001293740	Ref	STEERING SELECT VALVE ASSEMBLY	A
1	2110608	4	Fitting, Straight ORFS/ORB	
2	1001153748	1	Valve, Steering Select (See Separate Breakdown in HYDRAULIC COMPONENTS Section)	

SECTION 9 - HYDRAULIC COMPONENTS

FIGURE 9-29. STEER VALVE ASSEMBLY



ART_1001293337

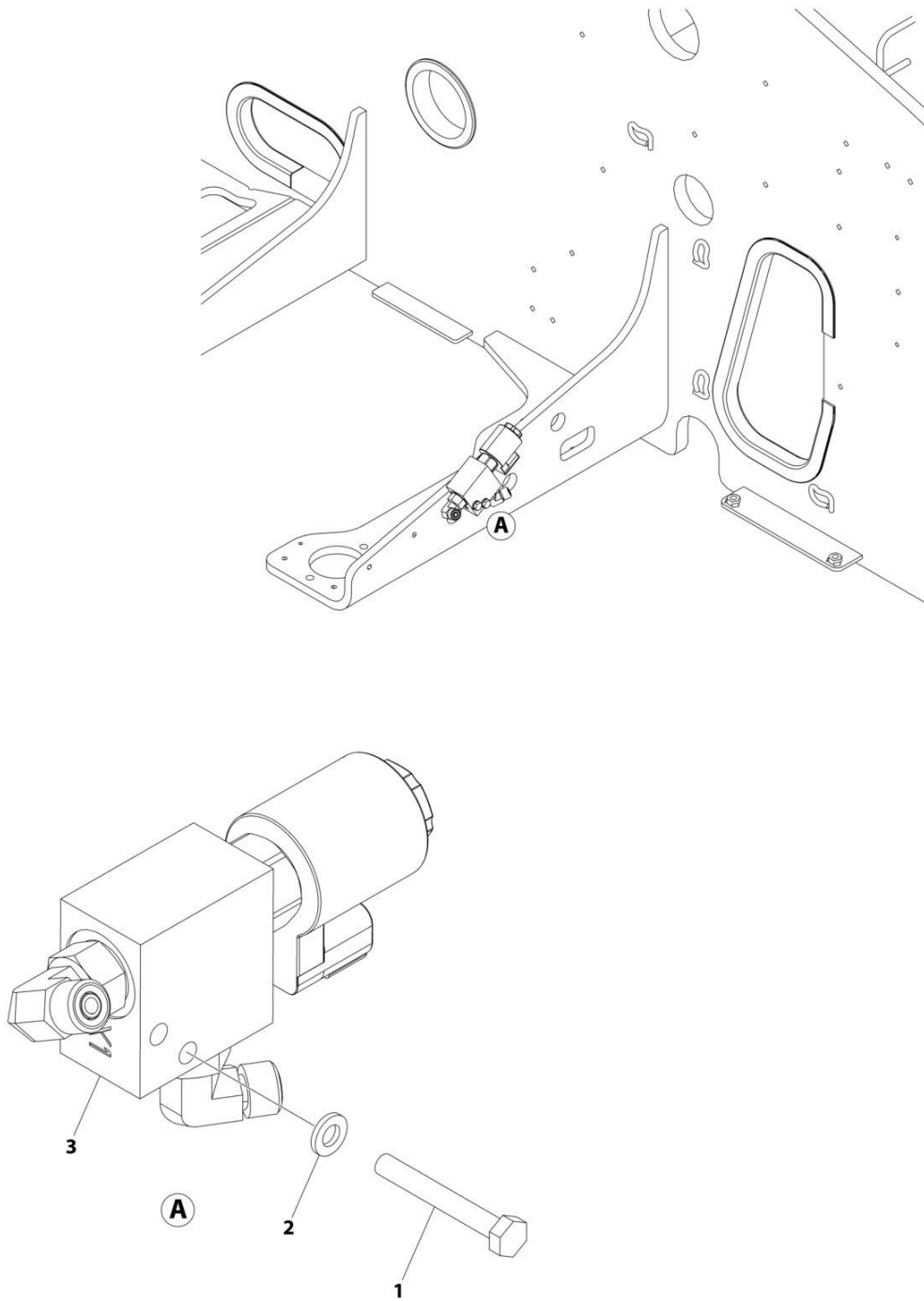
SECTION 9 - HYDRAULIC COMPONENTS

FIGURE 9-29. STEER VALVE ASSEMBLY

ITEM	PART NUMBER	QTY	DESCRIPTION	REV
	1001293337	Ref	STEER VALVE ASSEMBLY	A
1	2130404	1	Fitting, 90 ORFS/ORB	
2	2150606	4	Fitting, 45 ORFS/ORB	
3	1001290332	1	Valve, Steer	
3	70026401	1	O-Ring Kit	

SECTION 9 - HYDRAULIC COMPONENTS

FIGURE 9-30. WATCH DOG VALVE INSTALLATION



ART_1001295677

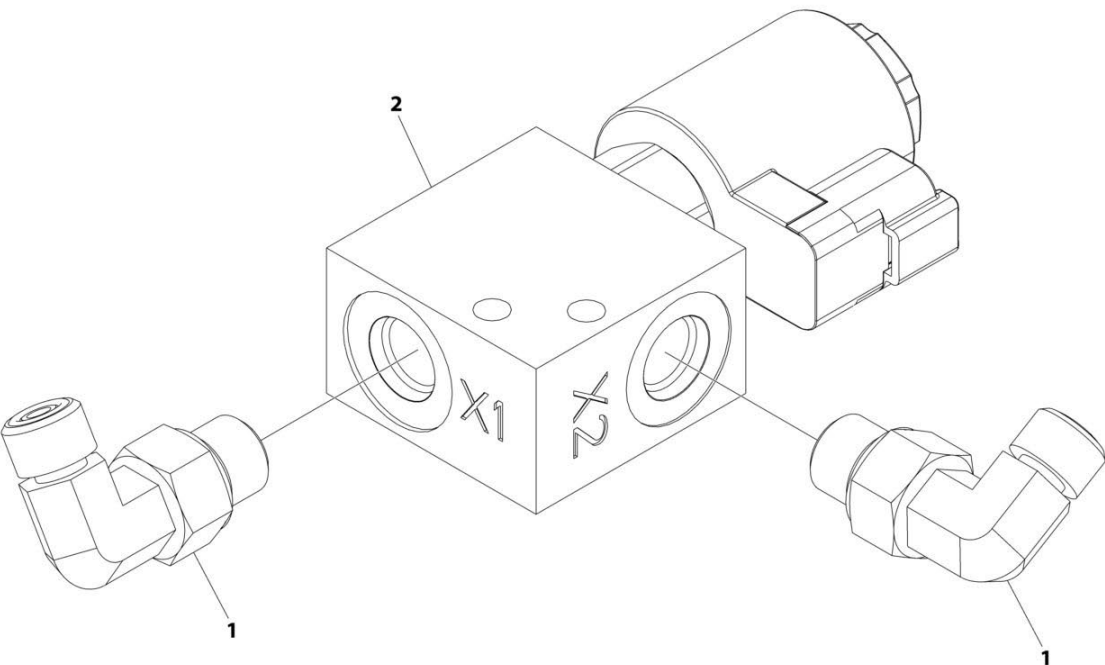
SECTION 9 - HYDRAULIC COMPONENTS

FIGURE 9-30. WATCH DOG VALVE INSTALLATION

ITEM	PART NUMBER	QTY	DESCRIPTION	REV
	1001295677	Ref	WATCH DOG VALVE INSTALLATION	A
1	0700617	2	Bolt M6 x 45	
2	4811700	2	Washer M6	
3	1001295676	1	Watch Dog Valve and Fitting Assembly (See Separate Breakdown in this Section)	

SECTION 9 - HYDRAULIC COMPONENTS

FIGURE 9-31. WATCH DOG VALVE AND FITTING ASSEMBLY



ART_1001295676

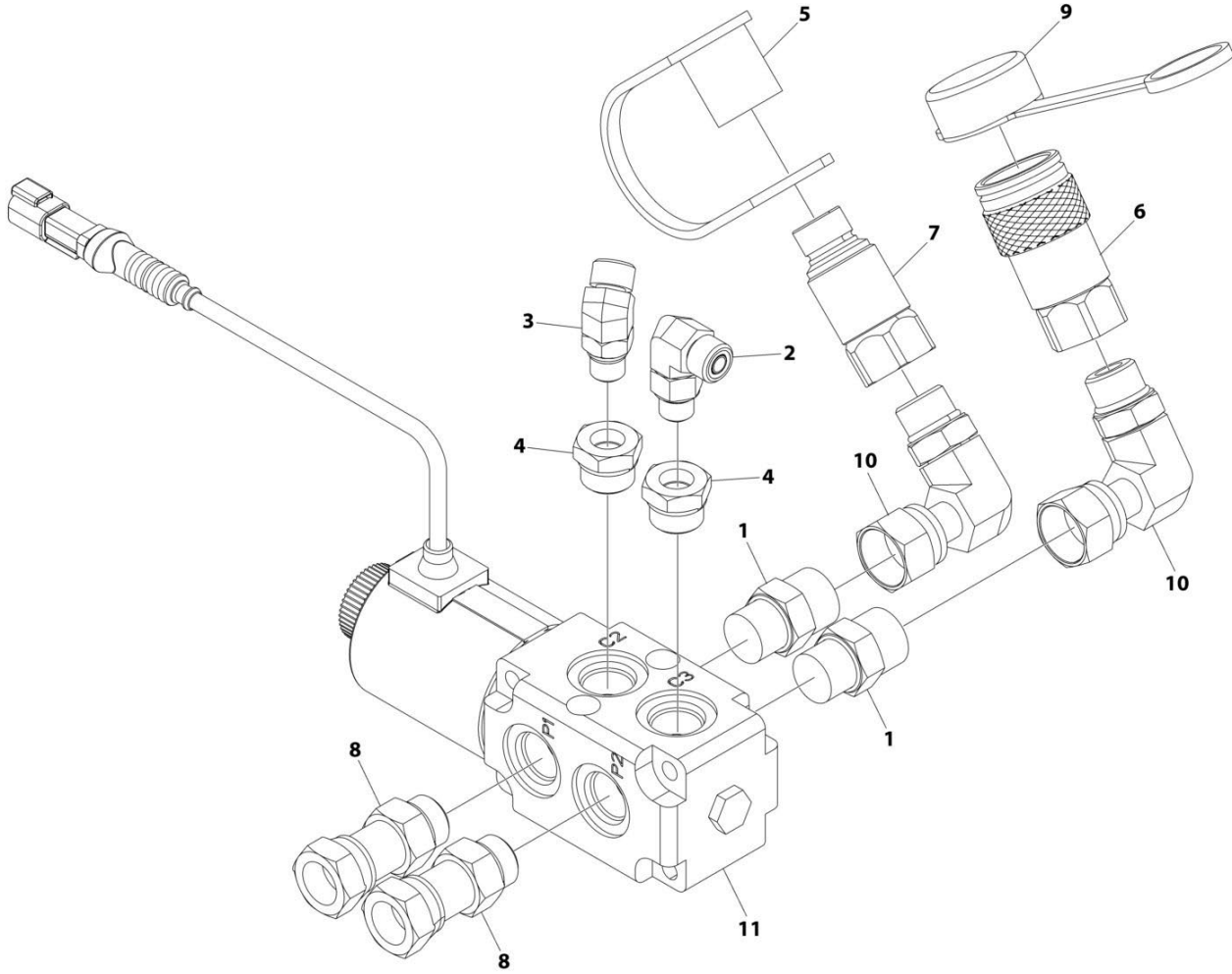
SECTION 9 - HYDRAULIC COMPONENTS

FIGURE 9-31. WATCH DOG VALVE AND FITTING ASSEMBLY

ITEM	PART NUMBER	QTY	DESCRIPTION	REV
	1001295676	Ref	WATCH DOG VALVE AND FITTING ASSEMBLY	A
1	2130406	2	Fitting, 90 ORFS/ORB	
2	1001275632	1	Valve, Watch Dog Assembly (See Separate Breakdown in HYDRAULIC COMPONENTS Section)	

SECTION 9 - HYDRAULIC COMPONENTS

FIGURE 9-32. VALVE AUX HYDRAULIC INSTALLATION



ART_1001292274

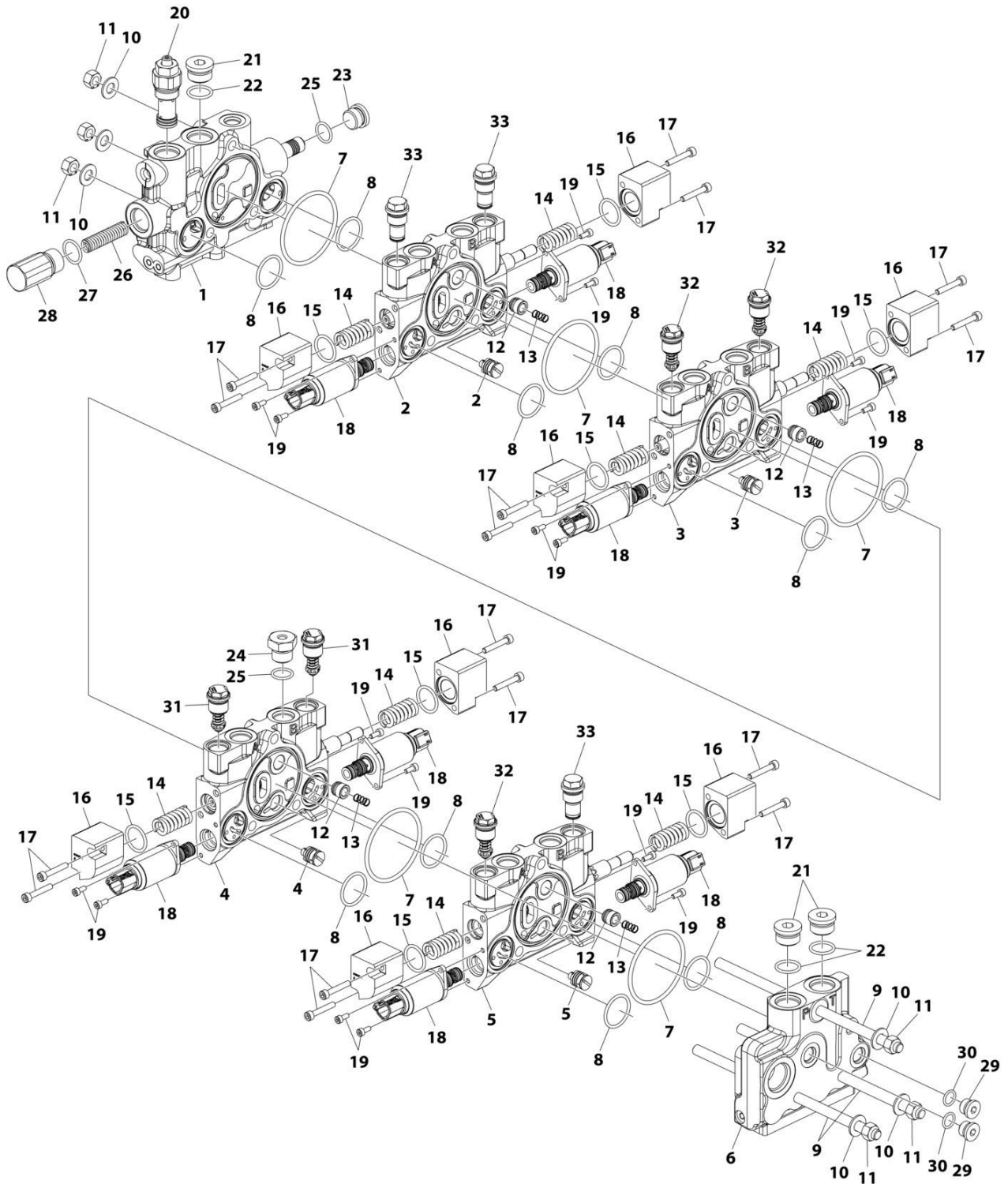
SECTION 9 - HYDRAULIC COMPONENTS

FIGURE 9-32. VALVE AUX HYDRAULIC INSTALLATION

ITEM	PART NUMBER	QTY	DESCRIPTION	REV
	1001292274	Ref	VALVE AUX HYDRAULIC INSTALLATION	A
1	2111010	2	Fitting, Straight ORFS/ORB	
2	2130606	1	Fitting, 90 ORFS/ORB	
3	2150606	1	Fitting, 45 ORFS/ORB	
4	2220218	2	Fitting, Straight FORB/ORB	
5	8420053	1	Cap, Dust	
6	1001001240	1	Fitting, Female Quick Disconnect	
7	1001001241	1	Fitting, Male Quick Disconnect	
8	1001001556	2	Fitting, Straight FSORFS/ORB	
9	1001001557	1	Plug, Dust	
10	1001090103	2	Fitting, 90	
11	1001104477	1	Valve, Divertor (See Separate Breakdown in HYDRAULIC COMPONENTS Section)	

SECTION 9 - HYDRAULIC COMPONENTS

FIGURE 9-33. VALVE ASSEMBLY - MAIN CONTROL VALVE



ART_1001291279

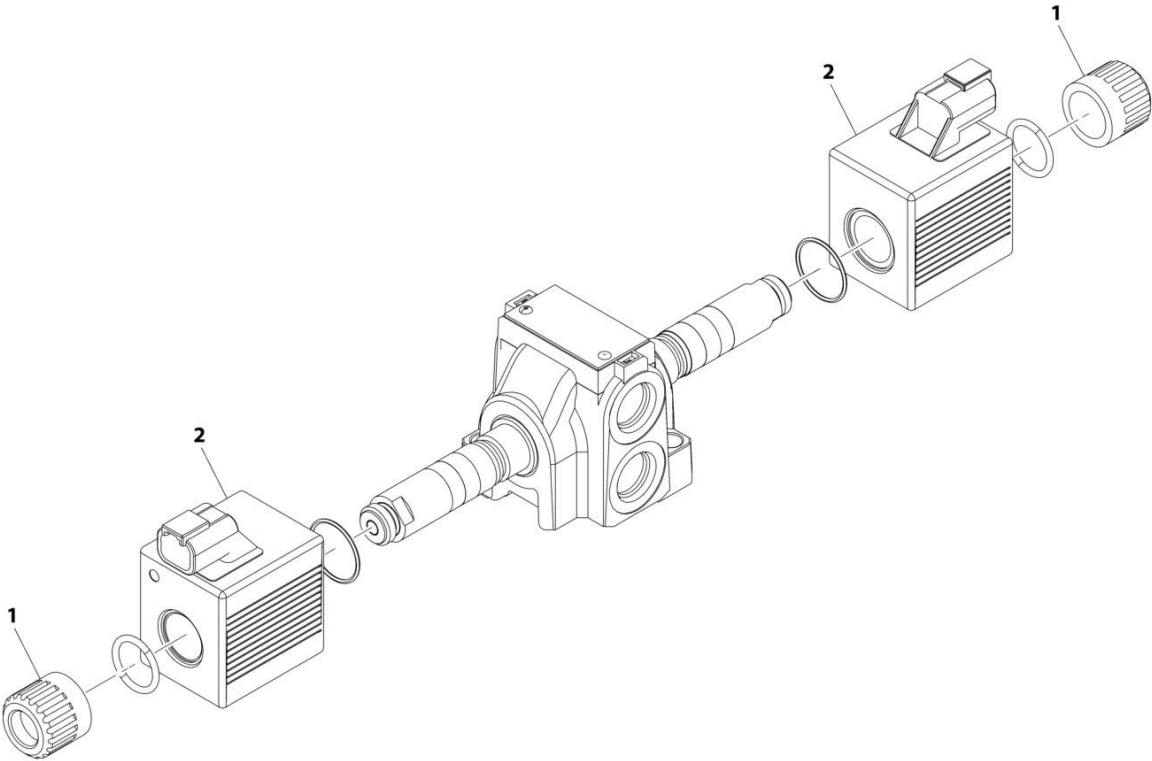
SECTION 9 - HYDRAULIC COMPONENTS

FIGURE 9-33. VALVE ASSEMBLY - MAIN CONTROL VALVE

ITEM	PART NUMBER	QTY	DESCRIPTION	REV
	1001291279	Ref	VALVE ASSEMBLY - MAIN CONTROL	C
1	70031943	1	Inlet Section	
2	70031944	1	Spool Section	
3	70031945	1	Spool Section	
4	70031946	1	Spool Section	
5	70031947	1	Spool Section	
6	70031948	1	Outlet Section	
7	70031224	5	O-Ring	
8	70030013	10	O-Ring	
9	70031225	3	Tie Rod	
10	70031226	6	Washer	
11	8035346	6	Nut	
12	10837929	4	Valve, Cartridge - Control	
13	10837937	4	Spring	
14	70031230	8	Spring	
15	70031231	8	O-Ring	
16	70031232	8	Cap	
17	70026658	16	Capscrew	
18	70029874	8	Coil	
19	70022014	16	Capscrew	
20	70028286	1	Valve, Cartridge - Drain	
21	70026653	3	Plug	
22	70026652	3	O-Ring	
23	8035382	1	Plug	
24	70031949	1	Plug	
25	70024202	2	O-Ring	
26	70031228	1	Spring	
27	70031950	1	O-Ring	
28	70031229	1	Plug	
29	70050475	2	Plug	
30	8036533	2	O-Ring	
31	70031233	2	Valve, Cartridge - Relief	
32	70031951	3	Valve, Cartridge - Relief	
33	70031234	3	Valve, Cartridge - Shut-Off	

SECTION 9 - HYDRAULIC COMPONENTS

FIGURE 9-34. VALVE ASSEMBLY - STEERING SELECT



ART_1001153748-D

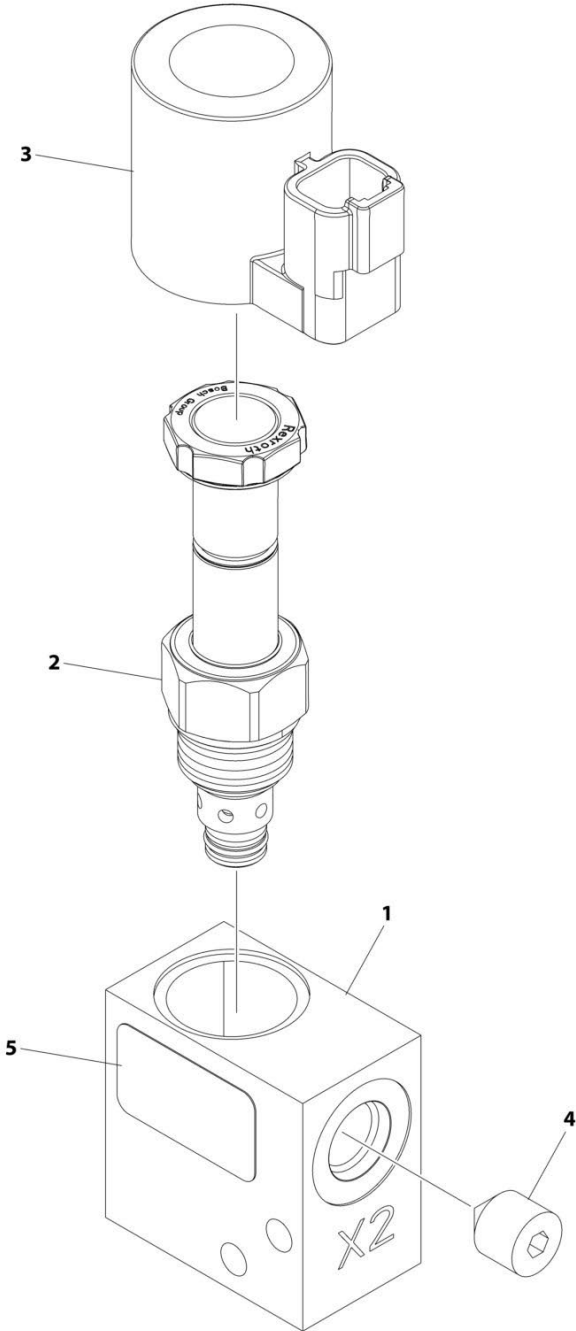
SECTION 9 - HYDRAULIC COMPONENTS

FIGURE 9-34. VALVE ASSEMBLY - STEERING SELECT

ITEM	PART NUMBER	QTY	DESCRIPTION	REV
	1001153748	Ref	Steering Select Valve	D
1	70020867	2	Nut, Coil	
2	70026582	2	Coil	

SECTION 9 - HYDRAULIC COMPONENTS

FIGURE 9-35. VALVE ASSEMBLY - WATCHDOG



ART_1001275632

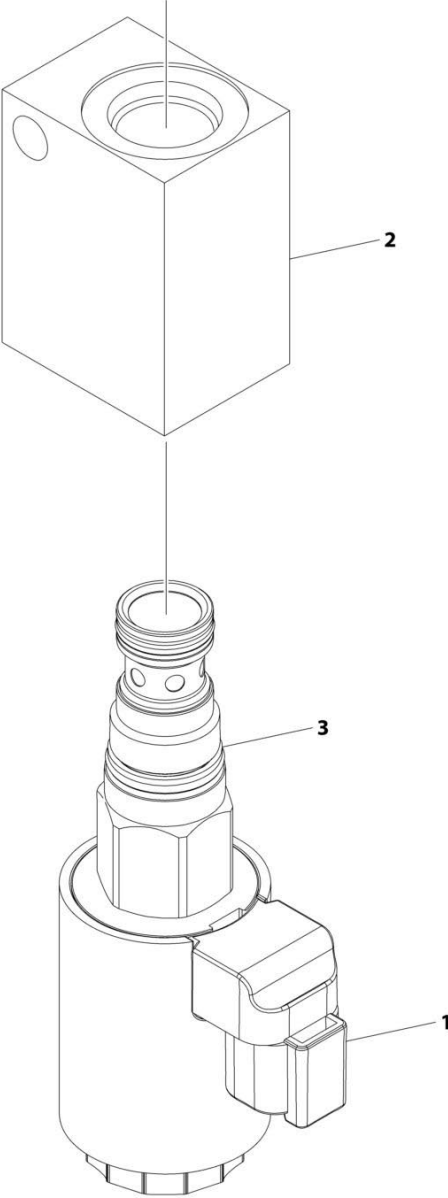
SECTION 9 - HYDRAULIC COMPONENTS

FIGURE 9-35. VALVE ASSEMBLY - WATCHDOG

ITEM	PART NUMBER	QTY	DESCRIPTION	REV
	1001275632	Ref	VALVE ASSEMBLY - WATCHDOG	A
1	See Note	NSS	Block (Note: Not Available for Purchase)	
2	70031265	1	Cartridge	
3	70007504	1	Coil	
4	7018936	1	Orifice	
5	See Note	NSS	Nameplate (Note: Not Available for Purchase)	

SECTION 9 - HYDRAULIC COMPONENTS

FIGURE 9-36. VALVE ASSEMBLY, - BLOCK



ART_1001207926_B

SECTION 9 - HYDRAULIC COMPONENTS

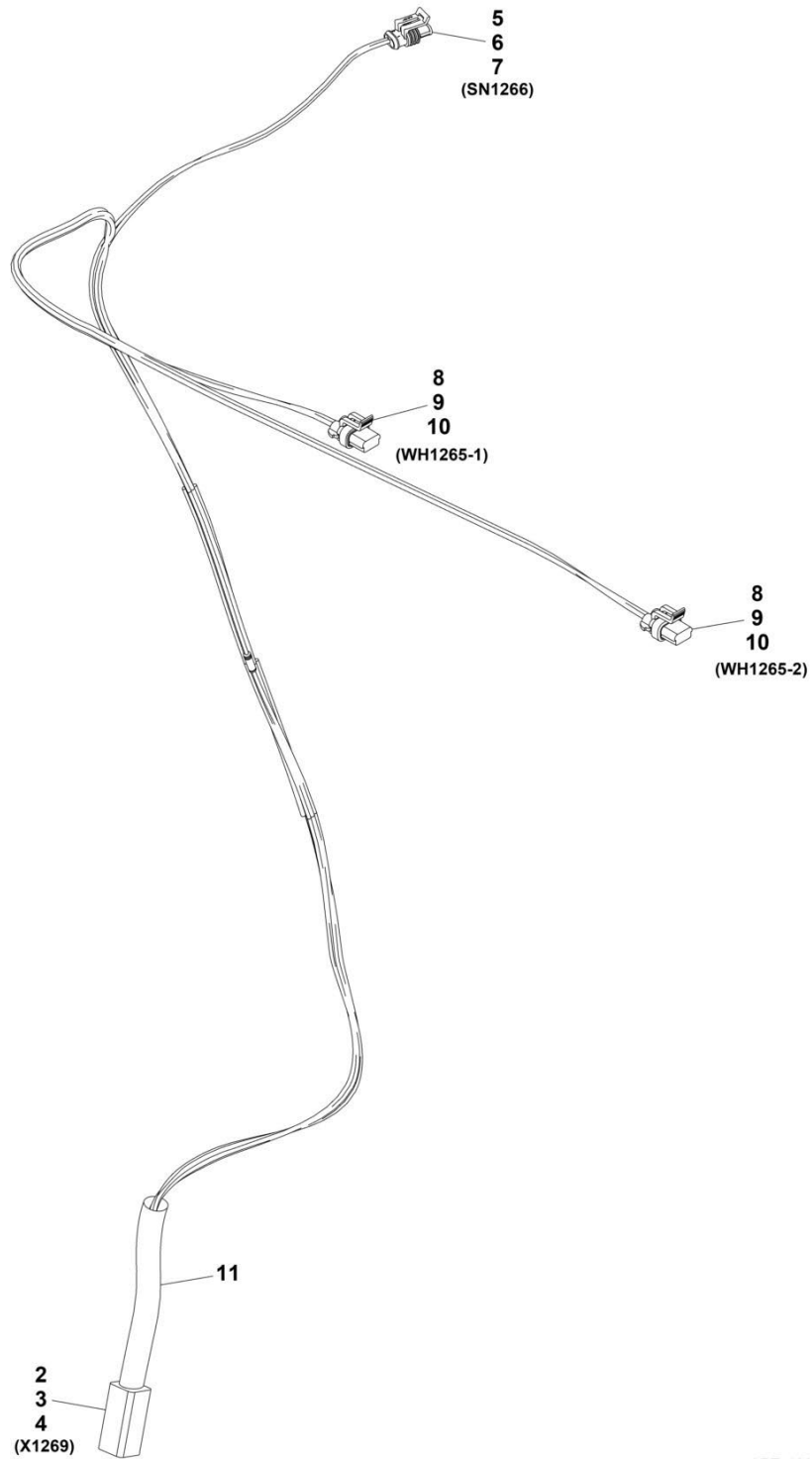
FIGURE 9-36. VALVE ASSEMBLY, - BLOCK

ITEM	PART NUMBER	QTY	DESCRIPTION	REV
	1001207926	Ref	VALVE BLOCK ASSEMBLY	B
1	1001264879	1	Coil	
2	1001207924	1	Manifold	
3	1001264878	1	Vale, Poppet	

SECTION 10 - ELECTRICAL

SECTION 10 - ELECTRICAL

FIGURE 10-1. A/C OPTION HARNESS



ART_1001169151

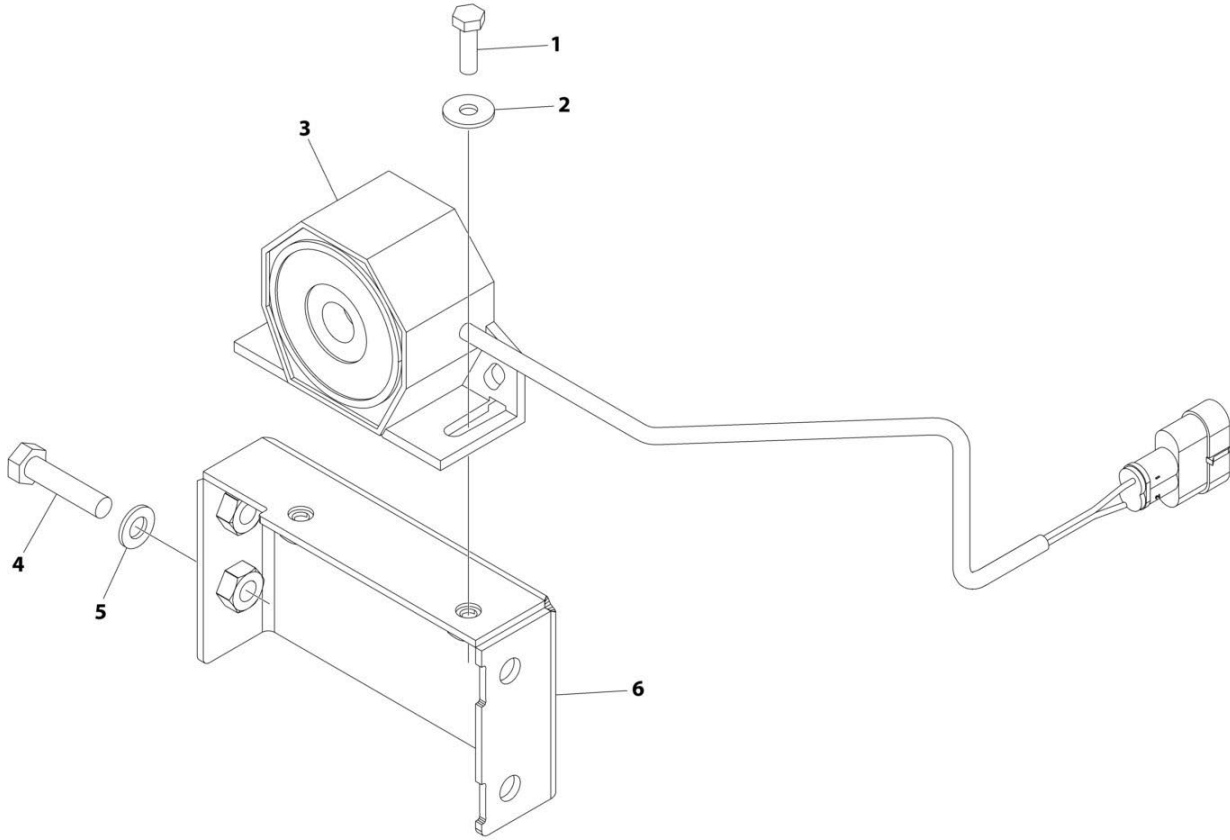
SECTION 10 - ELECTRICAL

FIGURE 10-1. A/C OPTION HARNESS

ITEM	PART NUMBER	QTY	DESCRIPTION	REV
	1001169151	Ref	A/C Option Harness	G
2	4460899	1	Connector	
3	4460941	4	Terminal	
4	4460464	2	Terminal	
5	4461118	1	Connector	
6	1001107854	2	Terminal	
7	1001116763	2	Seal	
8	1001117021	2	Connector	
9	1001116747	4	Terminal	
10	4460789	4	Seal	
11	70028546	1	Backshell	

SECTION 10 - ELECTRICAL

FIGURE 10-2. ALARM INSTALLATION - BACK UP



ART_1001292579

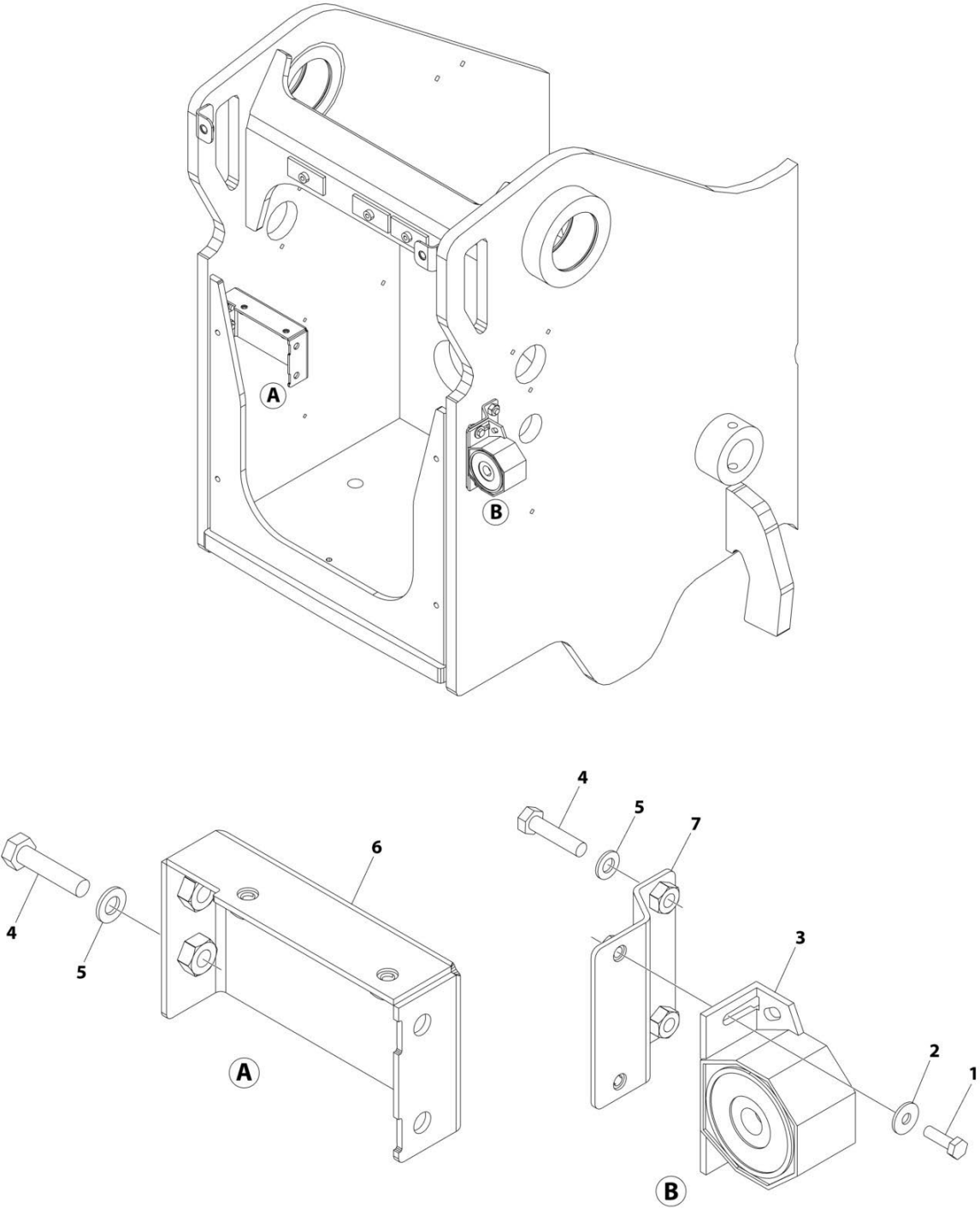
SECTION 10 - ELECTRICAL

FIGURE 10-2. ALARM INSTALLATION - BACK UP

ITEM	PART NUMBER	QTY	DESCRIPTION	REV
	1001292579	Ref	ALARM INSTALLATION - BACK UP	C
1	0700610	2	Bolt M6 x 20	
2	4811702	2	Washer M6	
3	1001101808	1	Alarm	
4	0700815	2	Bolt M8 x 35	
5	4811900	2	Washer M8	
6	1001307690	1	Bracket	

SECTION 10 - ELECTRICAL

FIGURE 10-3. ALARM INSTALLATION - WHITE NOISE



ART_1001298343

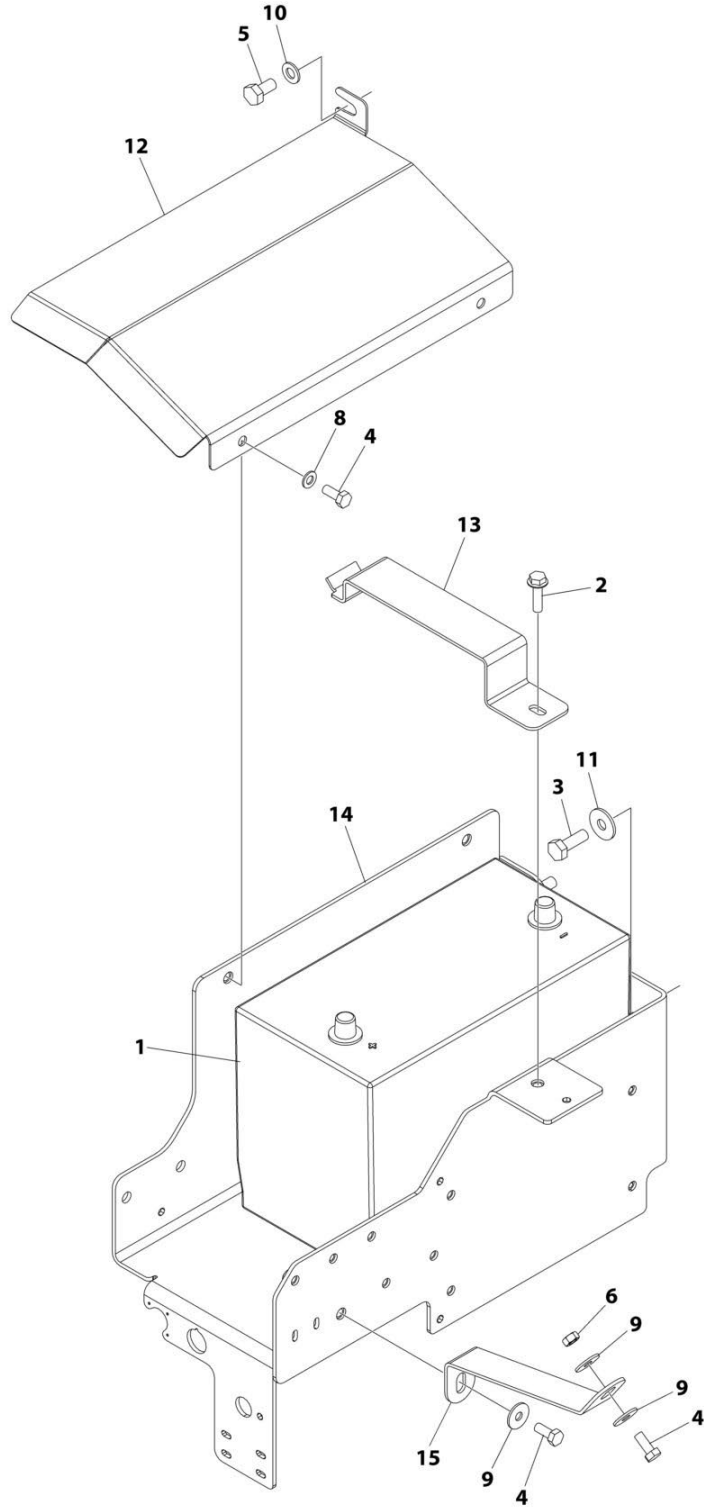
SECTION 10 - ELECTRICAL

FIGURE 10-3. ALARM INSTALLATION - WHITE NOISE

ITEM	PART NUMBER	QTY	DESCRIPTION	REV
	1001298343	Ref	ALARM INSTALLATION - WHITE NOISE	C
1	0700610	2	Bolt M6 x 20	
2	4811702	2	Washer M6	
3	1001165827	1	Alarm	
4	0700815	4	Bolt M8 x 35	
5	4811900	4	Washer M8	
6	1001307690	1	Bracket	
7	1001311733	1	Bracket	

SECTION 10 - ELECTRICAL

FIGURE 10-4. BATTERY INSTALLATION



ART_1001291010

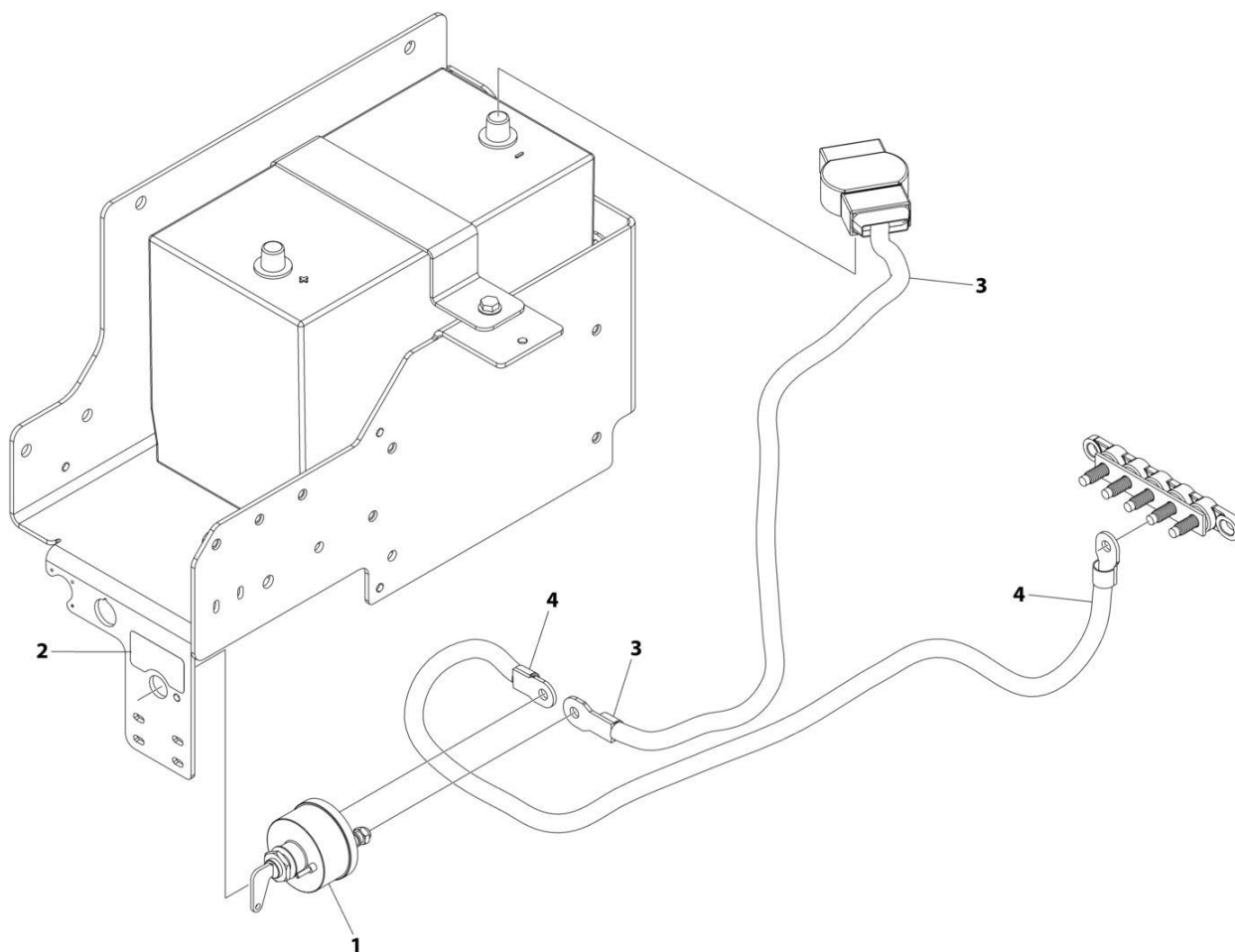
SECTION 10 - ELECTRICAL

FIGURE 10-4. BATTERY INSTALLATION

ITEM	PART NUMBER	QTY	DESCRIPTION	REV
	1001291010	Ref	BATTERY INSTALLATION	C
1	0400075	1	Battery 12V	
2	5200814	1	Bolt M8 x 30	
3	0701014	4	Bolt M10 x 30	
4	0760810	4	Bolt M8 x 20	
5	0761010	1	Bolt M10 x 20	
6	3290801	1	Nut M8	
8	4811900	2	Washer M8	
9	4811902	3	Washer M8	
10	4812000	1	Washer M10	
11	4812002	4	Washer M10	
12	1001291637	1	Plate	
13	1001291638	1	Plate	
14	1001293335	1	Bracket	
15	1001294244	1	Plate	

SECTION 10 - ELECTRICAL

FIGURE 10-5. BATTERY DISCONNECT INSTALLATION



ART_1001298215

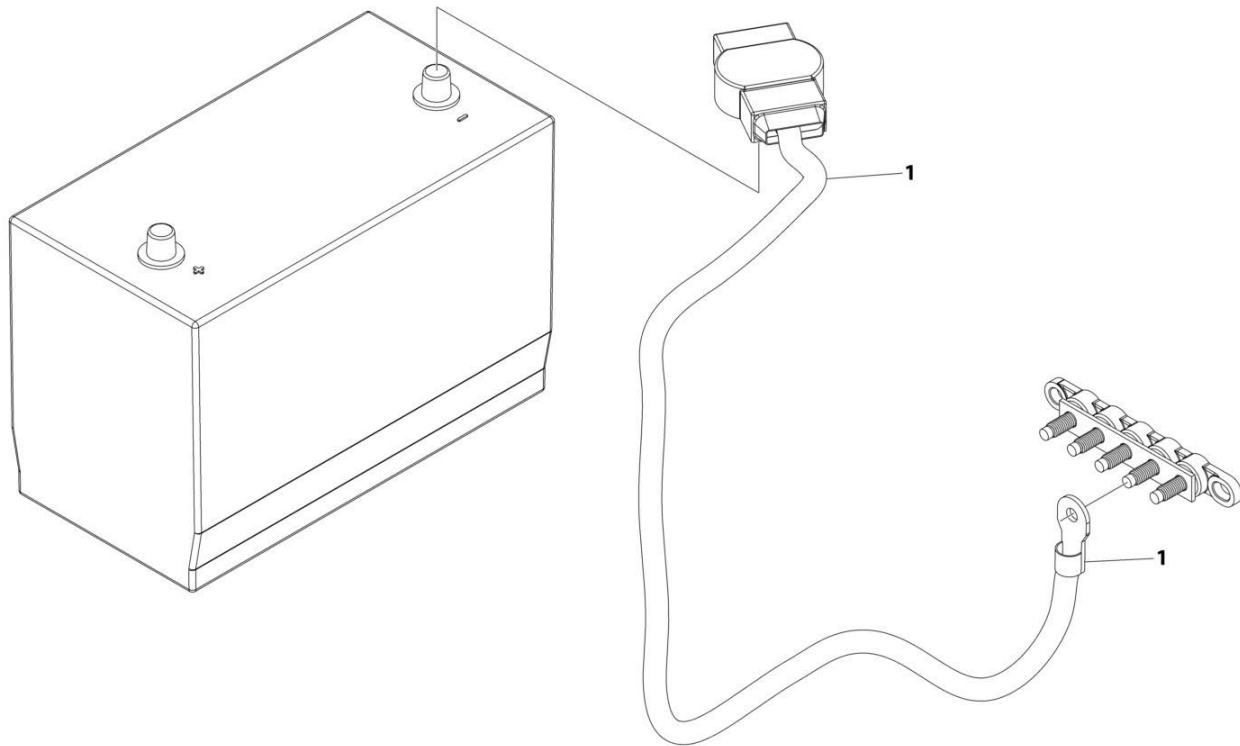
SECTION 10 - ELECTRICAL

FIGURE 10-5. BATTERY DISCONNECT INSTALLATION

ITEM	PART NUMBER	QTY	DESCRIPTION	REV
	1001298215	Ref	BATTERY DISCONNECT INSTALLATION	B
1	1001192142	1	Switch	
2	1001293310	1	Decal	
3	1001293896	1	Cable	
3	4460200	2	Terminal Ring	
3	8270147	1	Clamp	
3	1001145300	1	Boot	
4	1001293897	1	Cable	
4	4460200	2	Terminal Ring	

SECTION 10 - ELECTRICAL

FIGURE 10-6. BATTERY DISCONNECT INSTALLATION (SWITCH NONE)



ART_1001301046

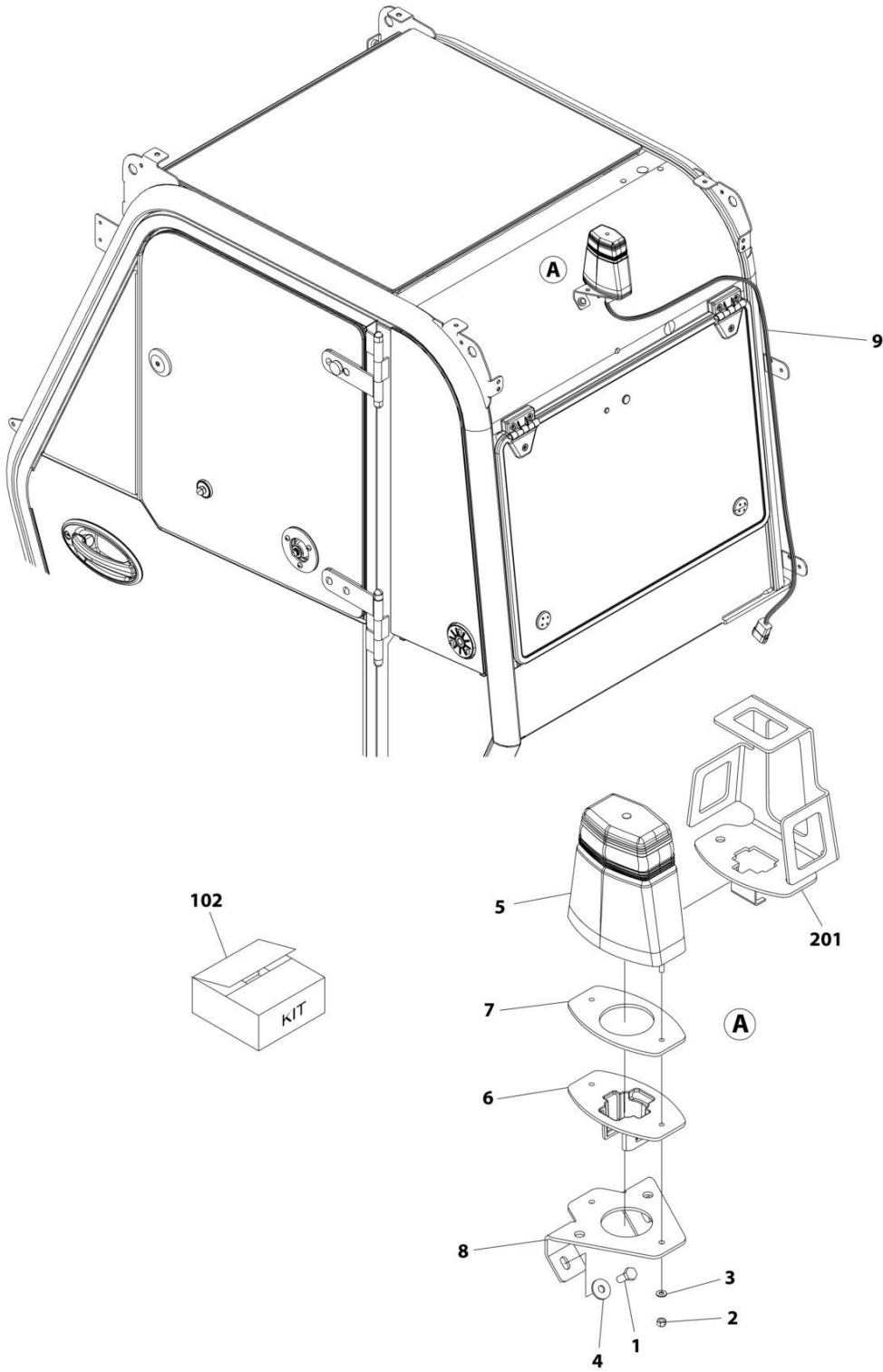
SECTION 10 - ELECTRICAL

FIGURE 10-6. BATTERY DISCONNECT INSTALLATION (SWITCH NONE)

ITEM	PART NUMBER	QTY	DESCRIPTION	REV
	1001301046	Ref	BATTERY DISCONNECT INSTALLATION (SWITCH NONE)	A
1	1001298219	1	Cable	
1	4460200	2	Terminal Ring	
1	8270147	1	Clamp	
1	1001145300	1	Boot	

SECTION 10 - ELECTRICAL

FIGURE 10-7. BEACON INSTALLATION (NO A/C)



ART_1001297763

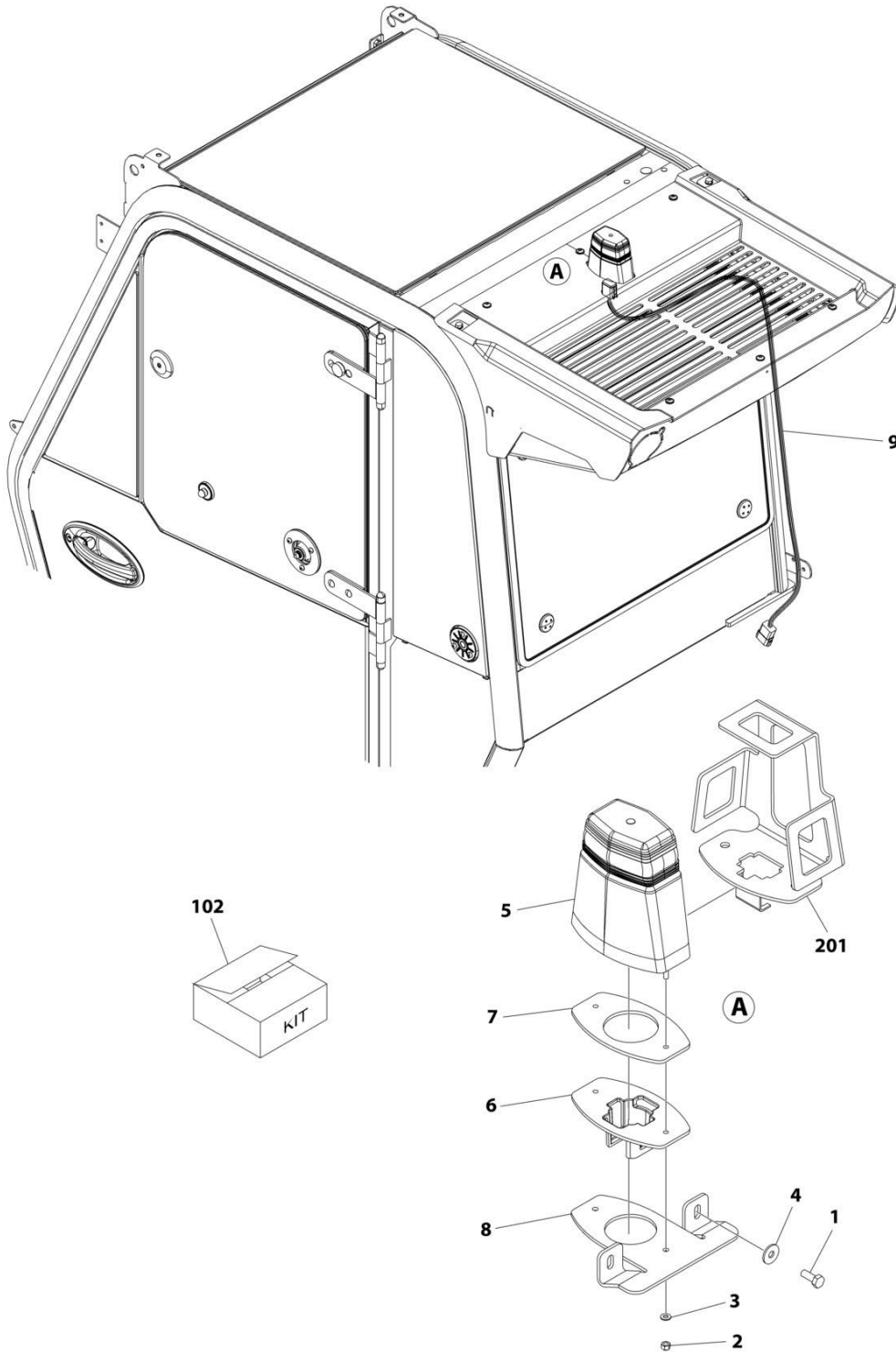
SECTION 10 - ELECTRICAL

FIGURE 10-7. BEACON INSTALLATION (NO A/C)

ITEM	PART NUMBER	QTY	DESCRIPTION	REV
	1001297763	Ref	BEACON INSTALLATION (NO A/C)	B
1	0760608	2	Bolt M6 x 16	
2	3290405	2	Nut M4	
3	4811400	2	Washer M4	
4	4811702	2	Washer M6	
5	1001280661	1	Control, Clearsky (Note: Re-calibration required when replaced)	
6	1001289648	1	Mount	
7	1001291056	1	Gasket	
8	1001297765	1	Bracket	
9	1001305556	1	Harness, Telematics Jumper (See Separate Breakdown in this Section)	
102	1001302422	1	Kit, Lens Replacement	
201	1001315050	1	Shield	

SECTION 10 - ELECTRICAL

FIGURE 10-8. BEACON INSTALLATION (WITH A/C)



ART_1001297764

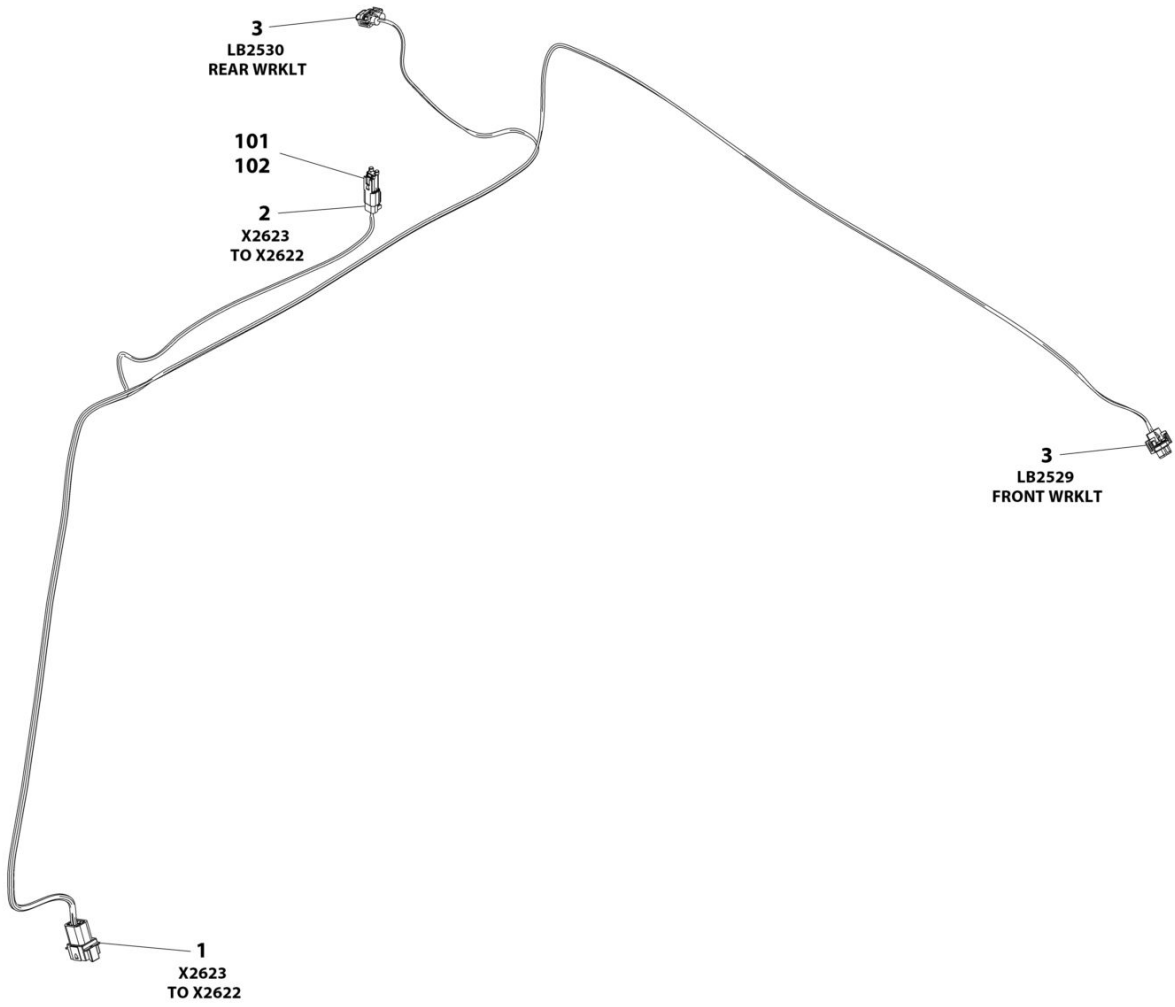
SECTION 10 - ELECTRICAL

FIGURE 10-8. BEACON INSTALLATION (WITH A/C)

ITEM	PART NUMBER	QTY	DESCRIPTION	REV
	1001297764	Ref	BEACON INSTALLATION (WITH A/C)	B
1	0760608	2	Bolt M6 x 16	
2	3290405	2	Nut M4	
3	4811400	2	Washer M4	
4	4811702	2	Washer M6	
5	1001280661	1	Control, Clearsky (Note: Re-calibration required when replaced)	
6	1001289648	1	Mount	
7	1001291056	1	Gasket	
8	1001297766	1	Bracket	
9	1001305556	1	Harness, Telematics Jumper (See Separate Breakdown in this Section)	
102	1001302422	1	Kit, Lens Replacement	
201	1001315050	1	Shield	

SECTION 10 - ELECTRICAL

FIGURE 10-9. BEACON WORKLIGHT HARNESS



ART_1001305555

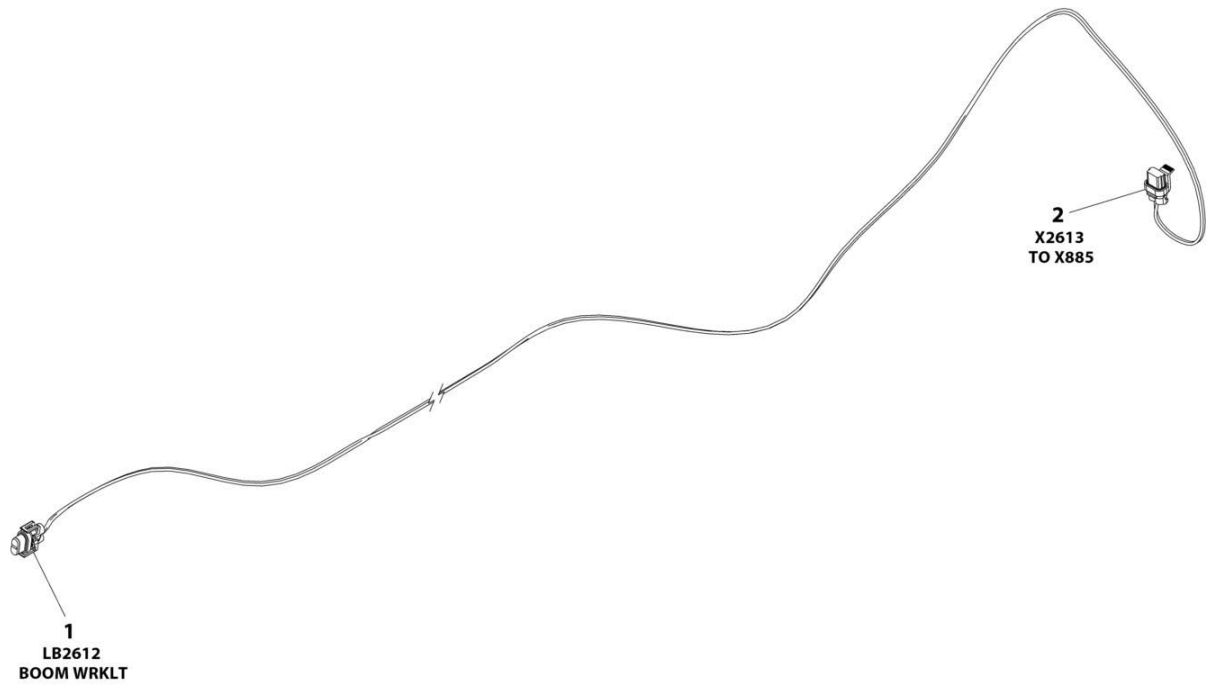
SECTION 10 - ELECTRICAL

FIGURE 10-9. BEACON WORKLIGHT HARNESS

ITEM	PART NUMBER	QTY	DESCRIPTION	REV
	1001305555	Ref	BEACON WORKLIGHT HARNESS	B
1	1001116813	1	Connector 8 Position	
1	4460464	6	Terminal	
1	4460466	2	Plug, Terminal	
2	4460891	1	Connector 2 Position	
2	4460465	2	Terminal	
3	4461115	2	Connector 2 Position	
3	4460746	4	Terminal	
101	4460466	2	Plug, Terminal	
102	4460897	1	Connector 2 Position	

SECTION 10 - ELECTRICAL

FIGURE 10-10. BOOM WORKLIGHT JUMPER HARNESS



ART_1001299133

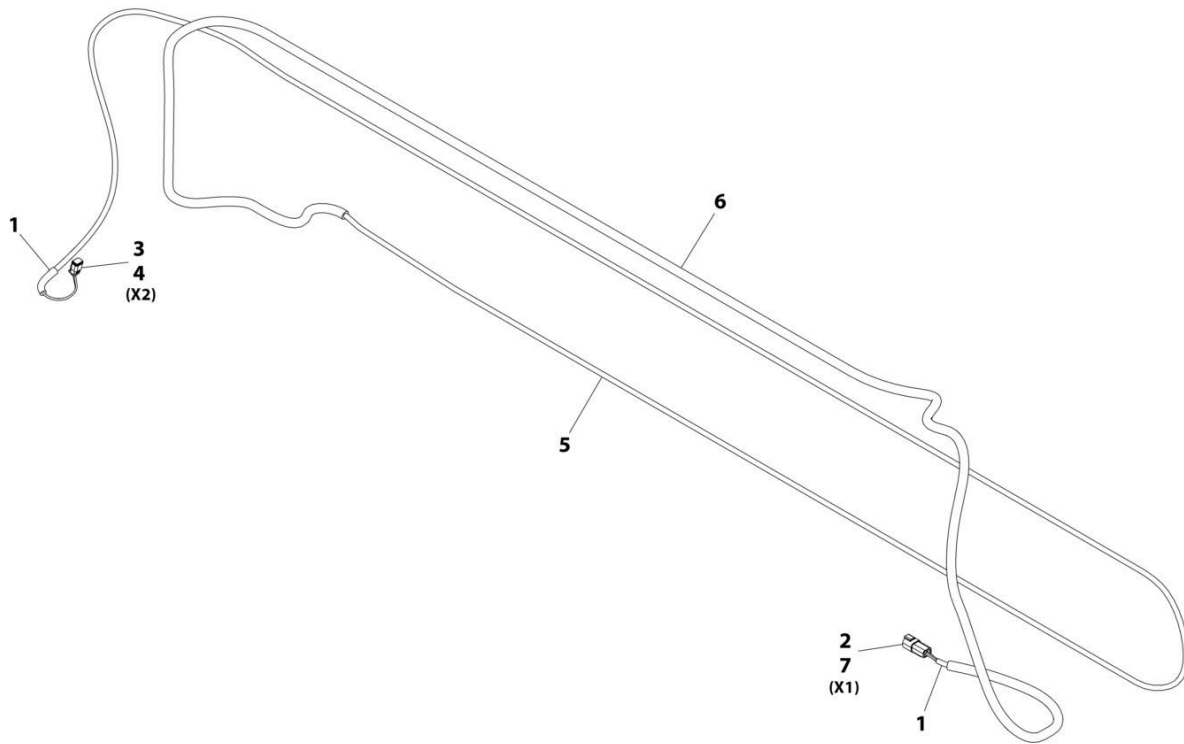
SECTION 10 - ELECTRICAL

FIGURE 10-10. BOOM WORKLIGHT JUMPER HARNESS

ITEM	PART NUMBER	QTY	DESCRIPTION	REV
	1001299133	Ref	BOOM WORKLIGHT JUMPER HARNESS	B
1	4461115	1	Connector 2 Position	
1	4460746	2	Terminal	
2	1001117021	1	Connector 2 Position	
2	4460746	2	Terminal	

SECTION 10 - ELECTRICAL

FIGURE 10-11. BOOM AUX HARNESS



ART_1001080397-B

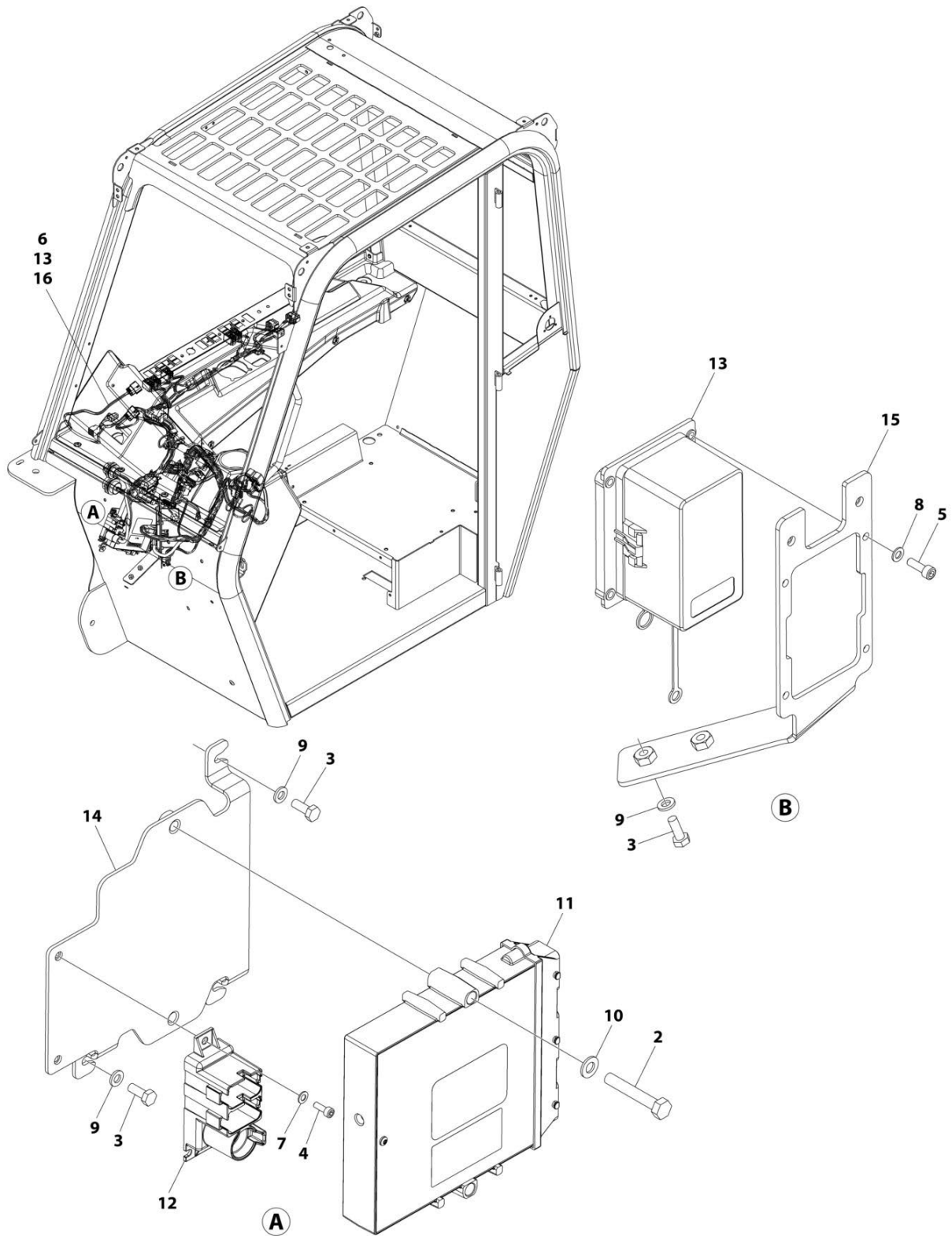
SECTION 10 - ELECTRICAL

FIGURE 10-11. BOOM AUX HARNESS

ITEM	PART NUMBER	QTY	DESCRIPTION	REV
	1001080397	Ref	Boom Aux Harness	B
1	2820171	0.25 ft	Heat Shrink, Insulate	
2	4460464	4	Terminal	
3	4460465	2	Terminal	
4	4460891	1	Connector	
5	4923141	34.83 ft	Wire, 4 Conductor 16 Ga Cable	
6	1001220853	14 ft	Loom, 3/8	
7	4460932	1	Connector	

SECTION 10 - ELECTRICAL

FIGURE 10-12. CAB ELECTRICAL INSTALLATION



ART_1001298488

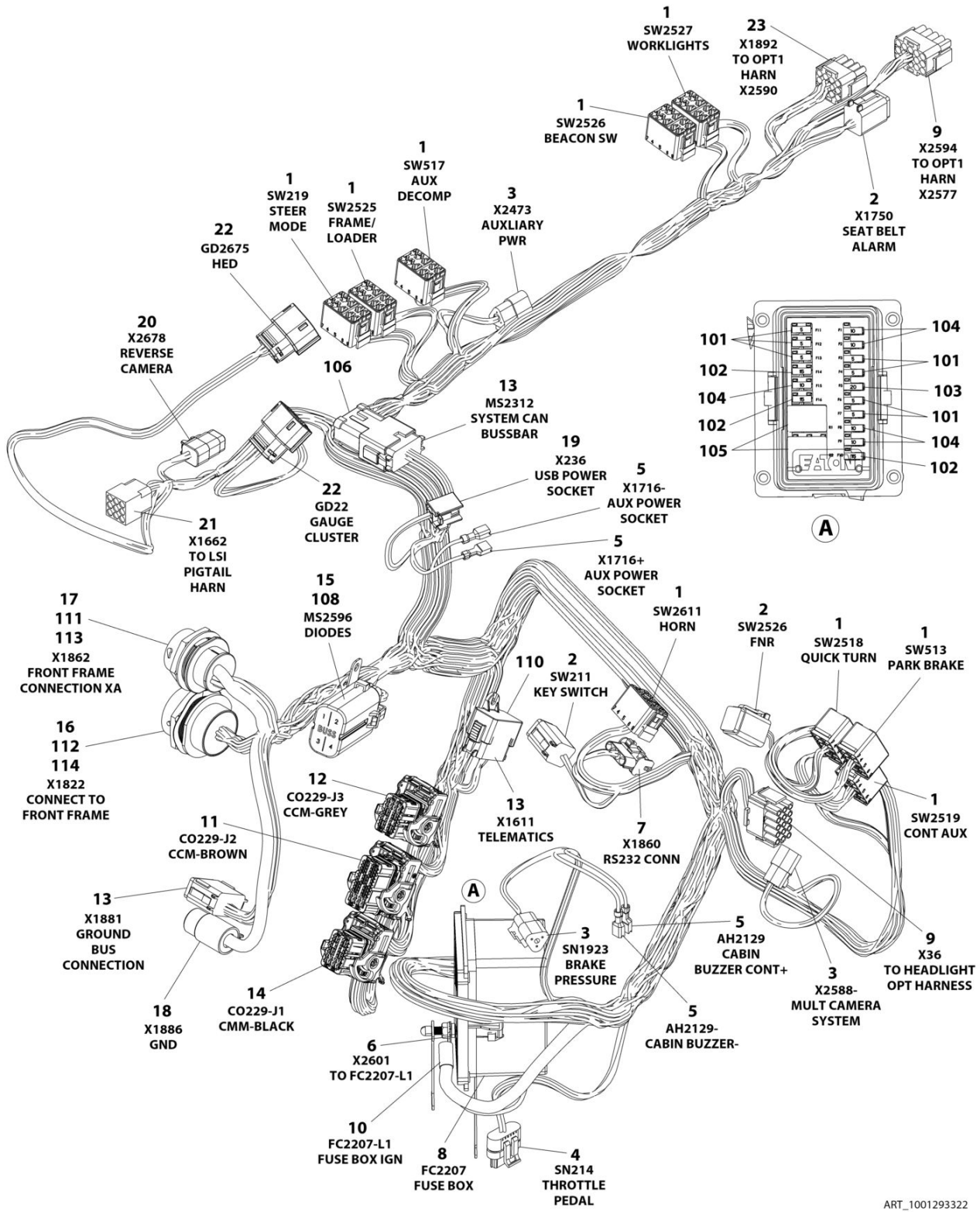
SECTION 10 - ELECTRICAL

FIGURE 10-12. CAB ELECTRICAL INSTALLATION

ITEM	PART NUMBER	QTY	DESCRIPTION	REV
	1001298488	Ref	CAB ELECTRICAL INSTALLATION	B
1	0100011	AR	Compound, Locking (Not Shown)	
2	0700818	2	Bolt M8 x 50	
3	0760608	5	Bolt M6 x 16	
4	4031506	2	Capscrew M4 x 12	
5	4031607	4	Capscrew M5 x 16	
6	4460234	8	Mount, Tie-Strap	
7	4811400	2	Washer M4	
8	4811600	4	Washer M5	
9	4811700	5	Washer M6	
10	4811900	2	Washer M8	
11	1001270466	1	Module, Control - Cab	
12	1001271293	1	Bussbar 24 Way	
13	1001293322	1	Cab Harness (See Separate Breakdown in this Section)	
14	1001297752	1	Bracket, Module	
15	1001298093	1	Bracket, Fuse Box	
16	1001008559	10	Tie-Strap	

SECTION 10 - ELECTRICAL

FIGURE 10-13. CAB HARNESS



ART_1001293322

SECTION 10 - ELECTRICAL

FIGURE 10-13. CAB HARNESS

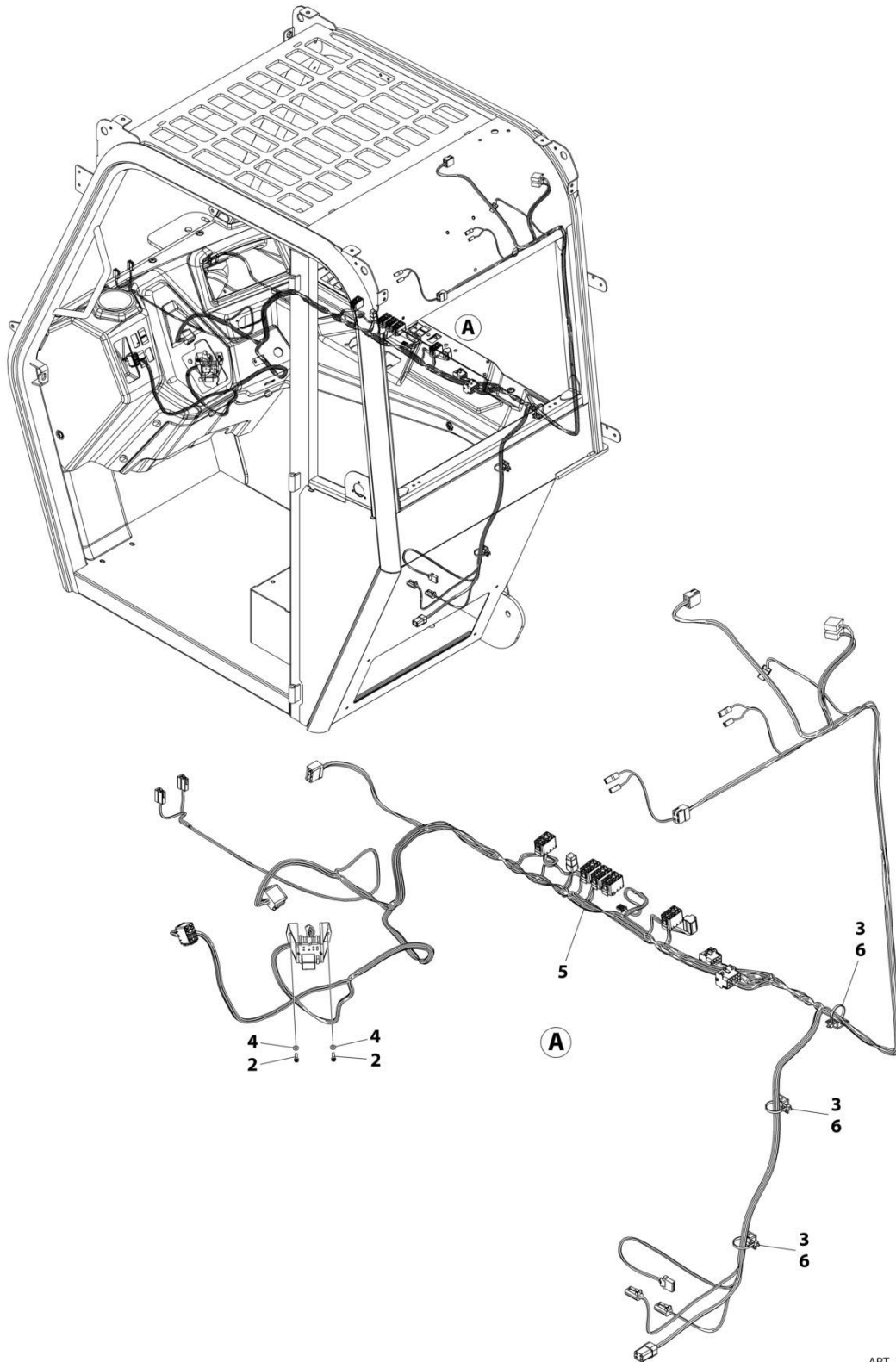
ITEM	PART NUMBER	QTY	DESCRIPTION	REV
	1001293322	Ref	CAB HARNESS	F
1	1001117081	9	Connector 8 Position	
1	1001104519	20	Terminal	
1	1001223455	47	Terminal	
2	4460894	3	Connector 6 Position	
2	4460465	14	Terminal	
2	4460466	4	Plug, Terminal	
3	4460539	3	Connector 3 Position	
3	4460465	9	Terminal	
4	1001230931	1	Connector 6 Position	
5	8220051	4	Coupler	
6	1001207171	1	Terminal, Ring	
7	1001119032	1	Connector 4 Position	
7	4460226	4	Terminal	
8	1001285586	1	Fuse Box	
9	4460434	2	Connector 15 Position	
9	4460226	24	Terminal	
10	8220116	1	Terminal, Ring	
11	1001160502	1	Connector 48 Position	
11	1001161098	2	Terminal	
11	1001161095	1	Terminal	
11	1001161097	25	Terminal	
11	1001161100	18	Plug, Terminal	
12	1001161959	1	Connector 32 Position	
12	1001161097	14	Terminal	
12	1001161100	18	Plug, Terminal	
13	4460933	3	Connector 12 Position	
13	4460465	25	Terminal	
13	4460466	11	Plug, Terminal	
14	1001160498	1	Connector 32 Position	
14	1001161098	2	Terminal	
14	1001161097	20	Terminal	
14	1001161100	8	Plug, Terminal	
15	1001184551	1	Connector 8 Position	
16	1001148106	1	Connector 23 Position	
16	4460465	19	Terminal	
16	4460466	4	Plug, Terminal	
17	1001118322	1	Connector 6 Position	
17	91013191	2	Terminal	
17	4460941	4	Terminal	
18	1001271411	1	Connector 1 Position	
19	1001118684	1	Connector 3 Position	
19	1001116754	2	Terminal	
20	4461216	1	Connector 6 Position	
20	1001126008	4	Terminal	
20	4460518	2	Plug, Terminal	
21	4460266	1	Connector 9 Position	
21	4460226	7	Terminal	
22	1001255772	2	Connector 12 Position	
22	1001162887	14	Terminal	

SECTION 10 - ELECTRICAL

ITEM	PART NUMBER	QTY	DESCRIPTION	REV
22	1001163340	10	Plug, Terminal	
23	4460343	1	Connector 12 Position	
23	4460267	6	Terminal	
23	4460226	2	Terminal	
101	8229242	7	Fuse 5Amp	
102	8229244	3	Fuse 15Amp	
103	8229246	1	Fuse 20Amp	
104	80983191	5	Fuse 10Amp	
105	1001095704	2	Relay 35Amp	
106	1001125677	1	Connector 12 Position	
108	1001177597	2	Module, Diode	
109	1001008559	1	Tie-Strap (Not Shown)	
110	1001215898	1	Connector, Dust Cap	
111	4460496	1	Terminal, Washer	
112	1001317865	1	Nut	
113	1001317866	1	Nut	
114	1001317867	1	Washer	

SECTION 10 - ELECTRICAL

FIGURE 10-14. CAB HARNESS (ENCLOSED CAB)



ART_1001299102

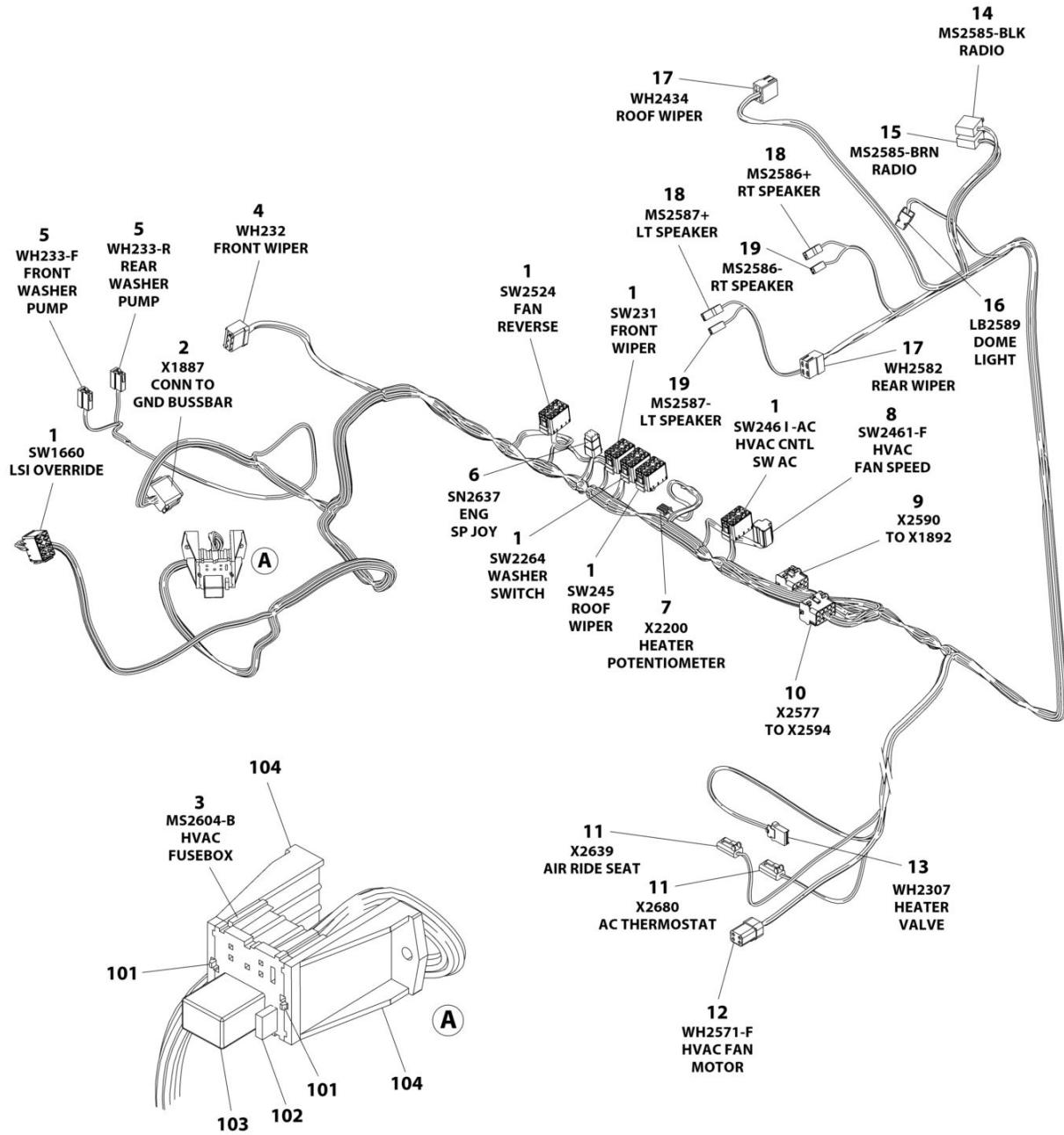
SECTION 10 - ELECTRICAL

FIGURE 10-14. CAB HARNESS (ENCLOSED CAB)

ITEM	PART NUMBER	QTY	DESCRIPTION	REV
	1001299102	Ref	CAB HARNESS INSTALLATION	C
1	0100011	AR	Compound, Locking (Not Shown)	
2	4031507	2	Capscrew M4 x 16	
3	4460234	3	Mount, Tie-Strap	
4	4811400	2	Washer M4	
5	1001297750	1	Cab Harness (See Separate Breakdown in this Section)	
6	1001008559	3	Tie-Strap	

SECTION 10 - ELECTRICAL

FIGURE 10-15. CAB HARNESS - OPTION



ART_1001297750

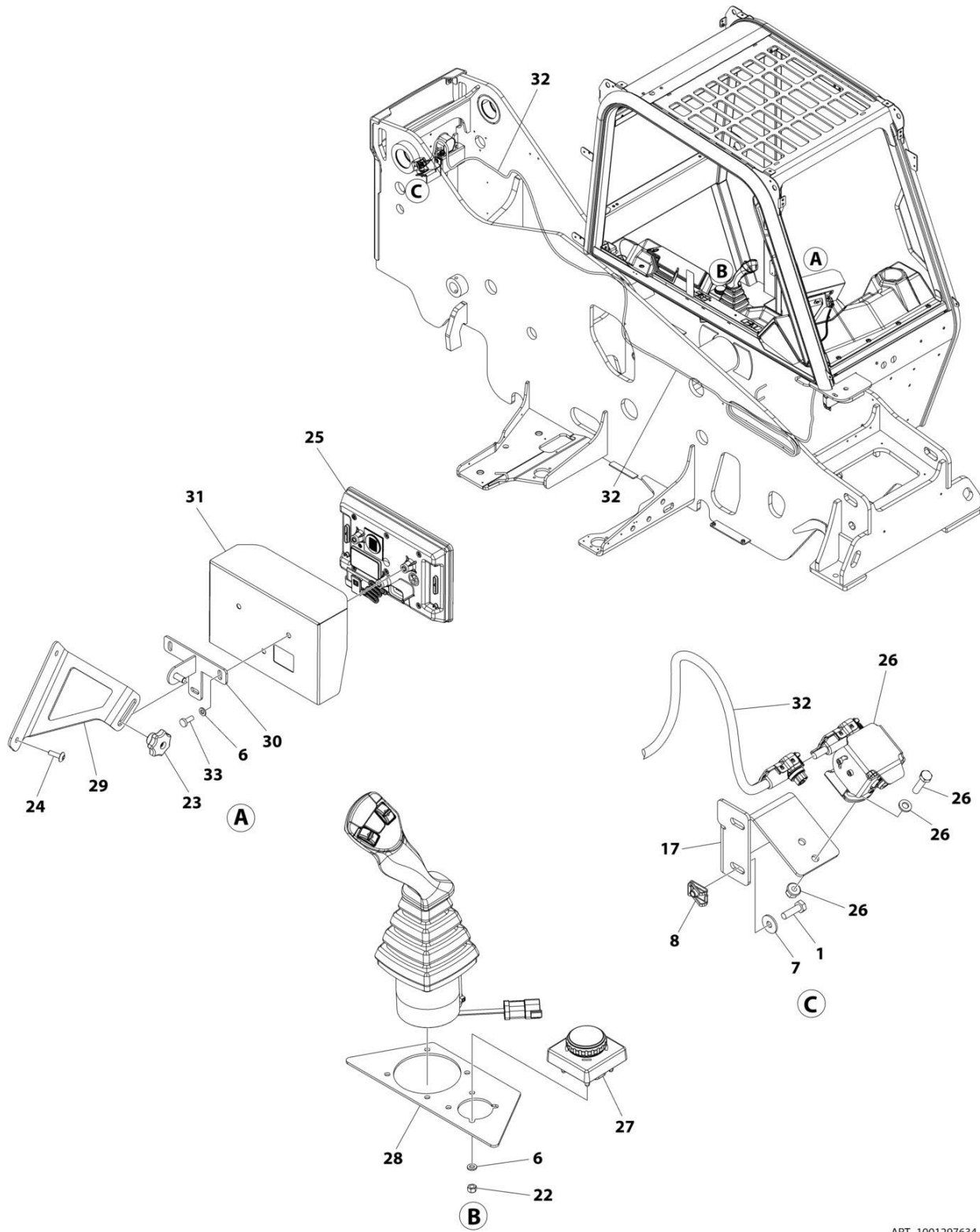
SECTION 10 - ELECTRICAL

FIGURE 10-15. CAB HARNESS - OPTION

ITEM	PART NUMBER	QTY	DESCRIPTION	REV
	1001297750	Ref	CAB HARNESS - OPTION	E
1	1001117081	6	Connector 10 Position	
1	1001104519	38	Terminal	
2	4460933	1	Connector 12 Position	
2	4490942	2	Terminal	
2	4460465	9	Terminal	
2	4460466	1	Plug, Terminal	
3	1001177198	1	Connector 16 Position	
4	1001116997	1	Connector 4 Position	
4	1001104519	6	Terminal	
5	4460994	2	Connector 2 Position	
5	1001104519	4	Terminal	
6	4461077	1	Connector 4 Position	
6	1001126008	4	Terminal	
7	1001184473	1	Connector 4 Position	
8	1001117080	1	Connector 5 Position	
8	1001104519	5	Terminal	
9	4460367	1	Connector 12 Position	
9	4460705	1	Terminal	
9	4460267	4	Terminal	
9	4460226	3	Terminal	
10	4460708	1	Connector 15 Position	
10	4460226	11	Terminal	
11	4460891	2	Connector 2 Position	
11	4460465	4	Terminal	
12	1001116810	1	Connector 4 Position	
12	4460509	4	Terminal	
13	1001197624	1	Connector 6 Position	
14	1001116985	1	Connector 8 Position	
14	4460889	3	Terminal	
15	1001116984	1	Connector 8 Position	
15	4460889	4	Terminal	
16	1001116991	1	Connector 2 Position	
16	1001104519	2	Terminal	
17	1001116986	2	Connector 4 Position	
17	1001104519	7	Terminal	
18	1001116995	2	Connector 1 Position	
18	1001236622	2	Terminal	
19	1001117002	2	Connector 1 Position	
19	1001116705	2	Terminal	
101	4461103	2	Lock, Wedge	
102	8229242	1	Fuse 5Amp	
103	1001095704	1	Relay	
104	1001200845	2	Bracket, Mounting	
105	683A0070	2	Connector (Not Shown)	

SECTION 10 - ELECTRICAL

FIGURE 10-16. CAMERA INSTALLATION - REVERSE



ART_1001297634

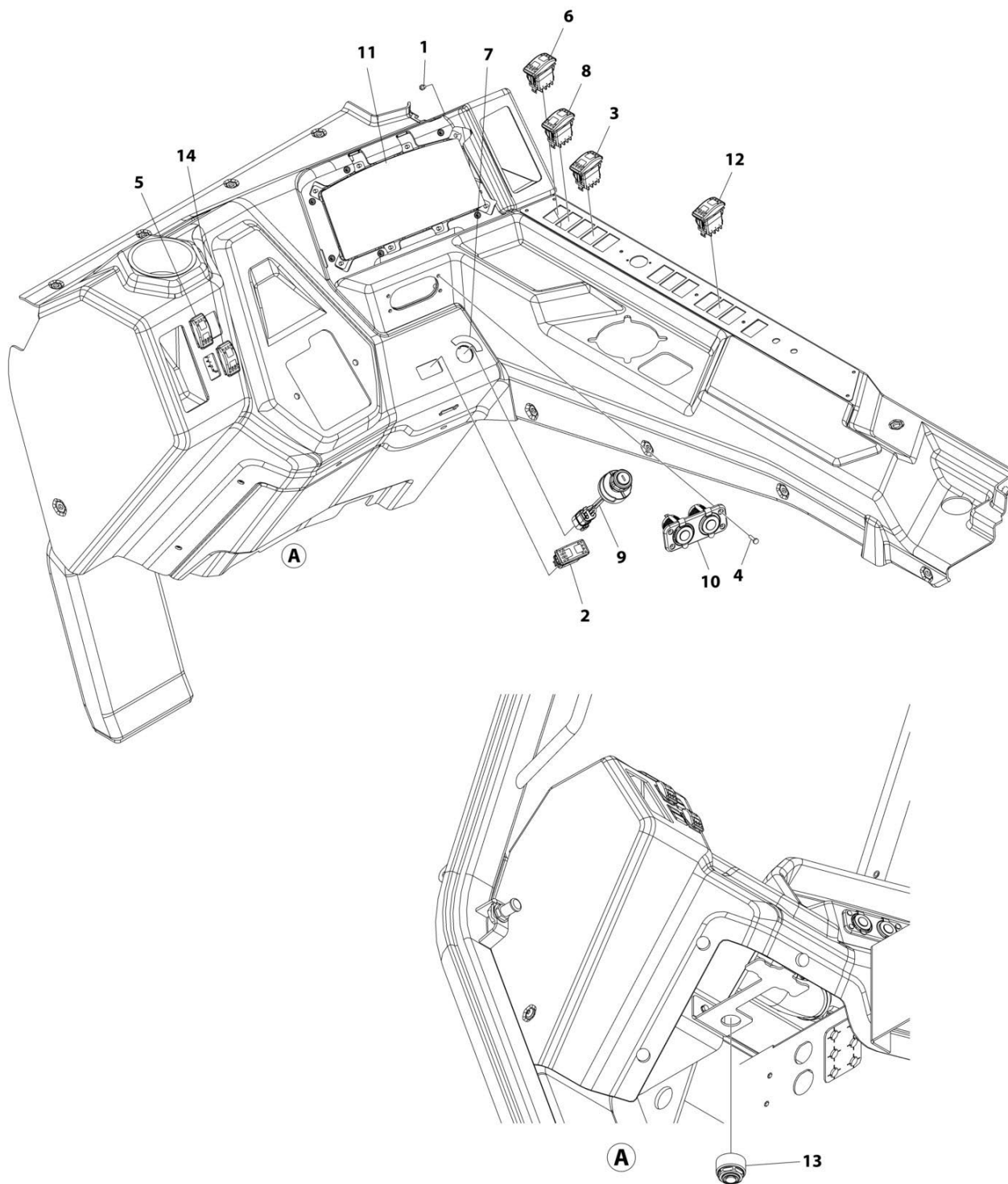
SECTION 10 - ELECTRICAL

FIGURE 10-16. CAMERA INSTALLATION - REVERSE

ITEM	PART NUMBER	QTY	DESCRIPTION	REV
	1001297634	Ref	CAMERA INSTALLATION - REVERSE	E
1	0700610	2	Bolt M6 x 20	
6	4811700	7	Washer M6	
7	4811702	2	Washer M6	
8	8305919	2	Nut, Retainer M6	
17	1001296510	1	Plate, Mounting	
22	3290605	4	Nut M6	
23	1001265007	1	Knob	
24	1001272884	2	Bolt M6 x 20	
25	1001309310	1	Module, Display	
26	1001309311	1	Camera	
27	1001309317	1	Control, Rotary	
28	1001310865	1	Cover	
29	1001311058	1	Bracket	
30	1001311059	1	Mount	
31	1001311062	1	Hood	
32	1001311809	1	Cable, Camera	
33	4010608002	3	Screw M6 x 16	

SECTION 10 - ELECTRICAL

FIGURE 10-17. DASH SWITCHES INSTALLATION



ART_1001298489

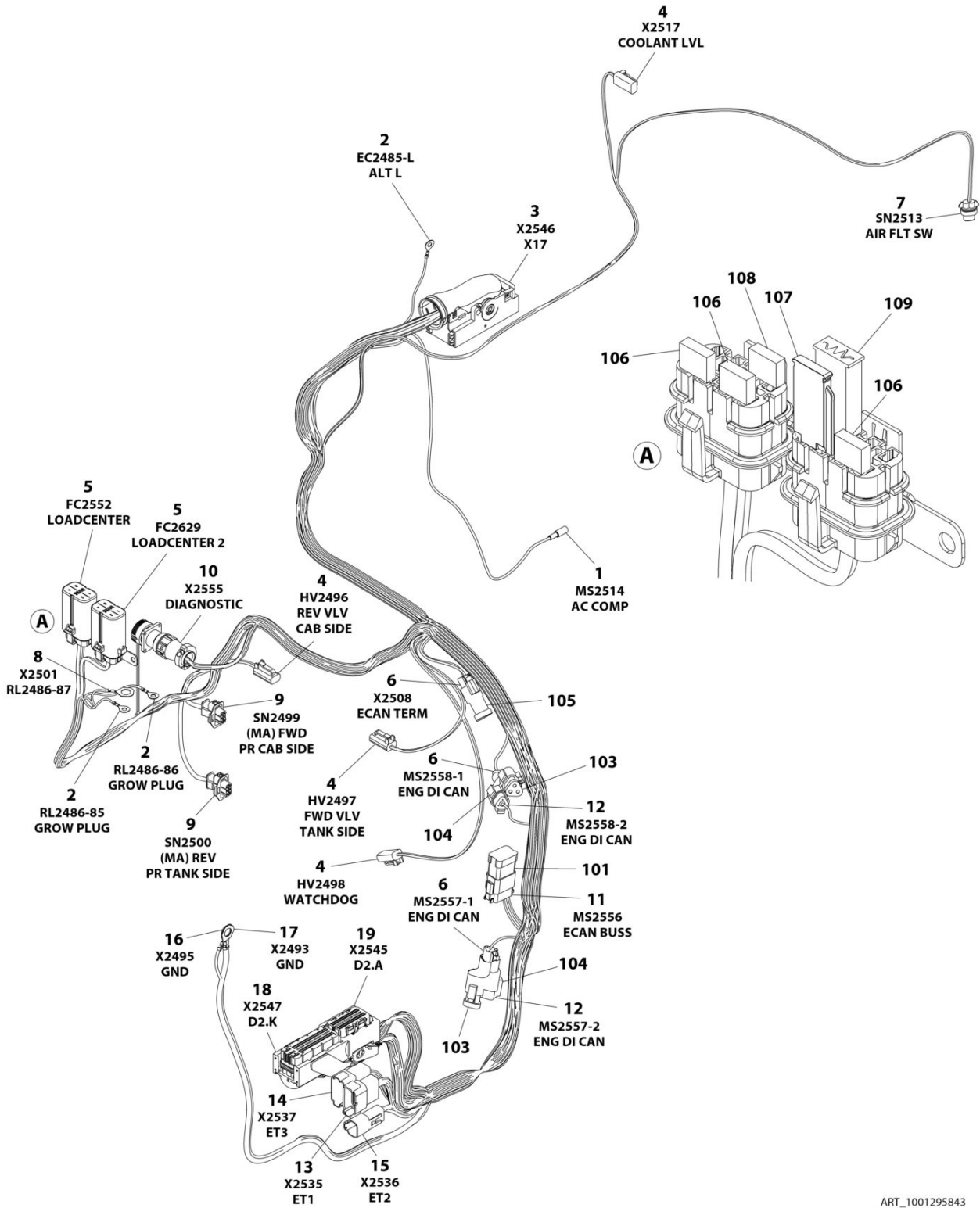
SECTION 10 - ELECTRICAL

FIGURE 10-17. DASH SWITCHES INSTALLATION

ITEM	PART NUMBER	QTY	DESCRIPTION	REV
	1001298489	Ref	DASH SWITCHES INSTALLATION	D
1	0760405	8	Bolt M4 x 10	
2	1001080371	1	Switch, Horn	
3	1001104654	1	Switch, Aux Decomp	
4	1001126837	4	Screw M4 x 16	
5	1001159753	1	Switch, Park Brake	
6	1001159849	1	Switch, Steer Select	
7	1001181531	1	Decal - Ignition Switch	
8	1001189898	1	Switch, Framer/Loader	
9	1001311740	1	Switch, Ignition	
9	1001311739	1	Keys, Ignition	
10	1001283424	1	Station, Dual Charger	
11	1001308193	1	Display	
12	1001299096	1	Switch, Beacon	
13	1001091751	1	Alarm	
14	1001159741	1	Switch, Cont Aux	

SECTION 10 - ELECTRICAL

FIGURE 10-18. ENGINE HARNESS



ART_1001295843

SECTION 10 - ELECTRICAL

FIGURE 10-18. ENGINE HARNESS

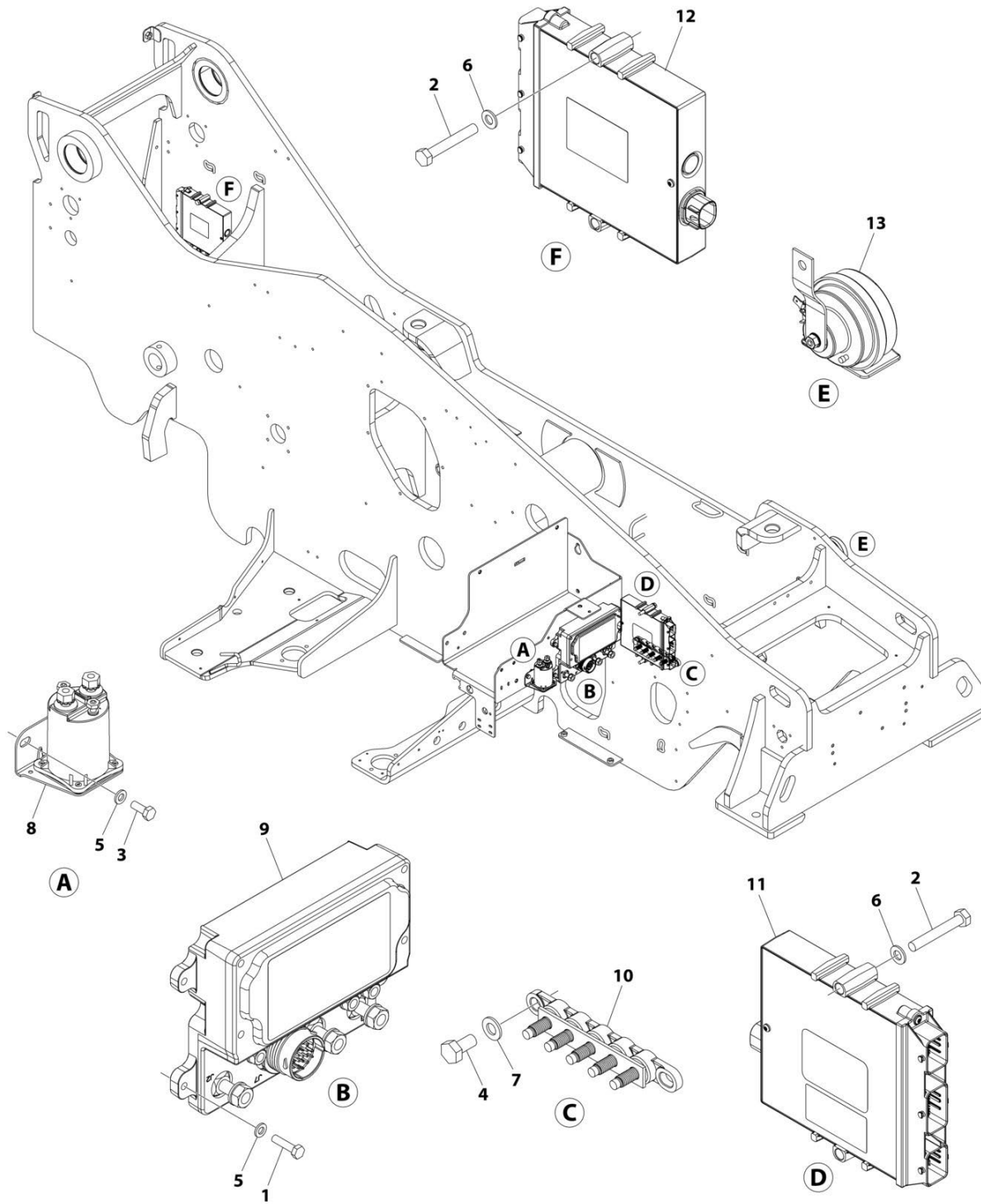
ITEM	PART NUMBER	QTY	DESCRIPTION	REV
	1001295843	Ref	ENGINE HARNESS - DEUTZ SC	E
1	1001246391	1	Connector 1 Position	
2	1001187070	3	Terminal, Ring	
3	1001126362	1	Connector 62 Position	
3	1001126351	36	Terminal	
3	4461008	26	Plug, Terminal	
4	4460891	4	Connector 2 Position	
4	4460465	8	Terminal	
5	1001184551	2	Connector 8 Position	
6	1001116812	3	Connector 3 Position	
6	4460465	6	Terminal	
6	4460466	3	Plug, Terminal	
7	1001209097	1	Connector 2 Position	
7	8220124	2	Terminal	
8	1001187077	1	Terminal, Ring	
9	1001126483	2	Connector 3 Position	
9	1001126484	6	Terminal	
10	2902443	1	Receptacle Kit	
10	4461071	8	Socket, Female	
10	4461072	1	Receptacle with Flange 8 Position	
10	4461073	1	Cap, Dust	
10	4461074	1	Shell, Black	
11	4460930	1	Connector 8 Position	
11	4460465	8	Terminal	
12	4460539	2	Connector 3 Position	
12	4460465	4	Terminal	
12	4460466	2	Plug, Terminal	
13	1001132169	1	Connector 12 Position	
13	4460917	11	Terminal (Gold)	
13	4460518	1	Plug, Terminal	
14	4460970	1	Connector 12 Position	
14	4460464	8	Terminal	
14	4460466	4	Plug, Terminal	
15	1001116811	1	Connector 4 Position	
15	1001150610	2	Terminal	
15	4460508	1	Terminal	
16	1001187078	1	Terminal, Ring	
17	1001187080	1	Terminal, Ring	
18	1001133173	1	Connector 94 Position	
18	1001126352	6	Terminal	
18	1001126351	18	Terminal	
18	4461008	70	Plug, Terminal	
19	1001294923	1	Connector 60 Position	
19	1001126351	34	Terminal	
19	4461008	26	Plug, Terminal	
101	4460984	1	Connector 8 Position	
102	1001008559	3	Tie-Strap (Not Shown)	
103	1001116815	2	Connector 3 Position	
104	4460945	2	Connector 3 Way	
105	4461070	1	Connector 3 Position	

SECTION 10 - ELECTRICAL

ITEM	PART NUMBER	QTY	DESCRIPTION	REV
106	8229242	3	Fuse 5Amp	
107	1001177597	1	Diode	
108	1001197719	1	Resistor 620 OHM, 0.5 Watt	
109	1001270952	1	Resistor 68 OHM	

SECTION 10 - ELECTRICAL

FIGURE 10-19. FRAME ELECTRICAL COMPONENTS INSTALLATION



ART_1001298335

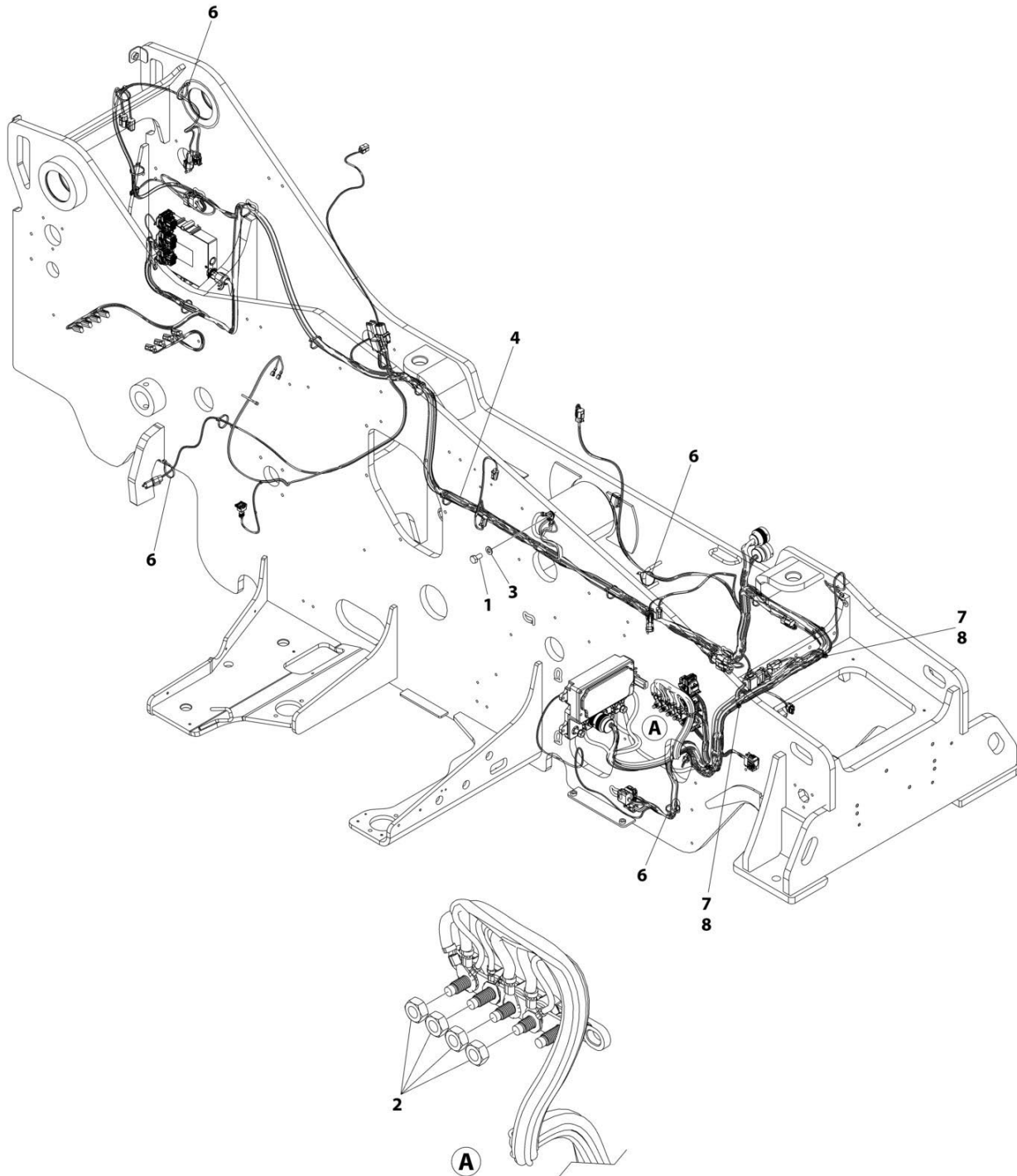
SECTION 10 - ELECTRICAL

FIGURE 10-19. FRAME ELECTRICAL COMPONENTS INSTALLATION

ITEM	PART NUMBER	QTY	DESCRIPTION	REV
	1001298335	Ref	FRAME ELECTRICAL COMPONENTS INSTALLATION	B
1	0700612	4	Bolt M6 x 25	
2	0700819	4	Bolt M8 x 55	
3	0760608	2	Bolt M6 x 16	
4	0761010	2	Bolt M10 x 20	
5	4811700	6	Washer M6	
6	4811900	4	Washer M8	
7	4812000	2	Washer M10	
8	1001117308	1	Contactora	
9	1001306044	1	Assembly, Power Distribution Box (See Separate Breakdown in this Section)	
10	1001181128	1	Bussbar	
11	1001270467	1	Module, Control - Front Frame	
12	1001270468	1	Module, Control - Rear Frame	
13	10713707	1	Horn	

SECTION 10 - ELECTRICAL

FIGURE 10-20. FRAME HARNESS INSTALLATION



ART_1001297546

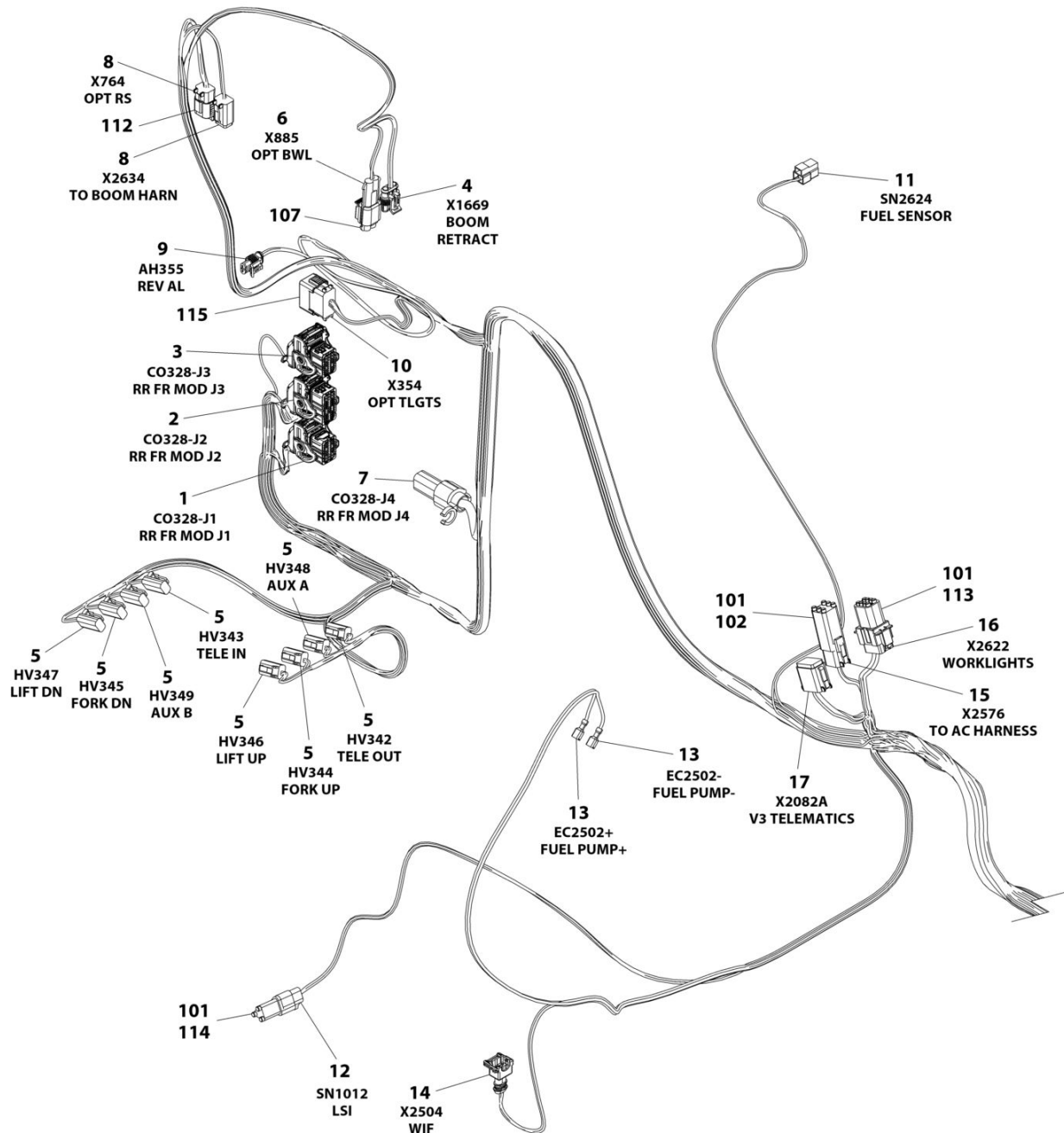
SECTION 10 - ELECTRICAL

FIGURE 10-20. FRAME HARNESS INSTALLATION

ITEM	PART NUMBER	QTY	DESCRIPTION	REV
	1001297546	Ref	FRAME HARNESS INSTALLATION	B
1	0761010	1	Bolt M10 x 20	
2	3291001	4	Nut M10	
3	4812000	1	Washer M10	
4	1001293325	1	Frame Harness (See Separate Breakdown in this Section)	
6	1001008559	21	Strap	
7	1001273793	4	Tie-Strap	
8	8584001	4	Tie Wrap	

SECTION 10 - ELECTRICAL

FIGURE 10-21. FRAME HARNESS



ART_1001293325_10F2

SECTION 10 - ELECTRICAL

FIGURE 10-22. FRAME HARNESS

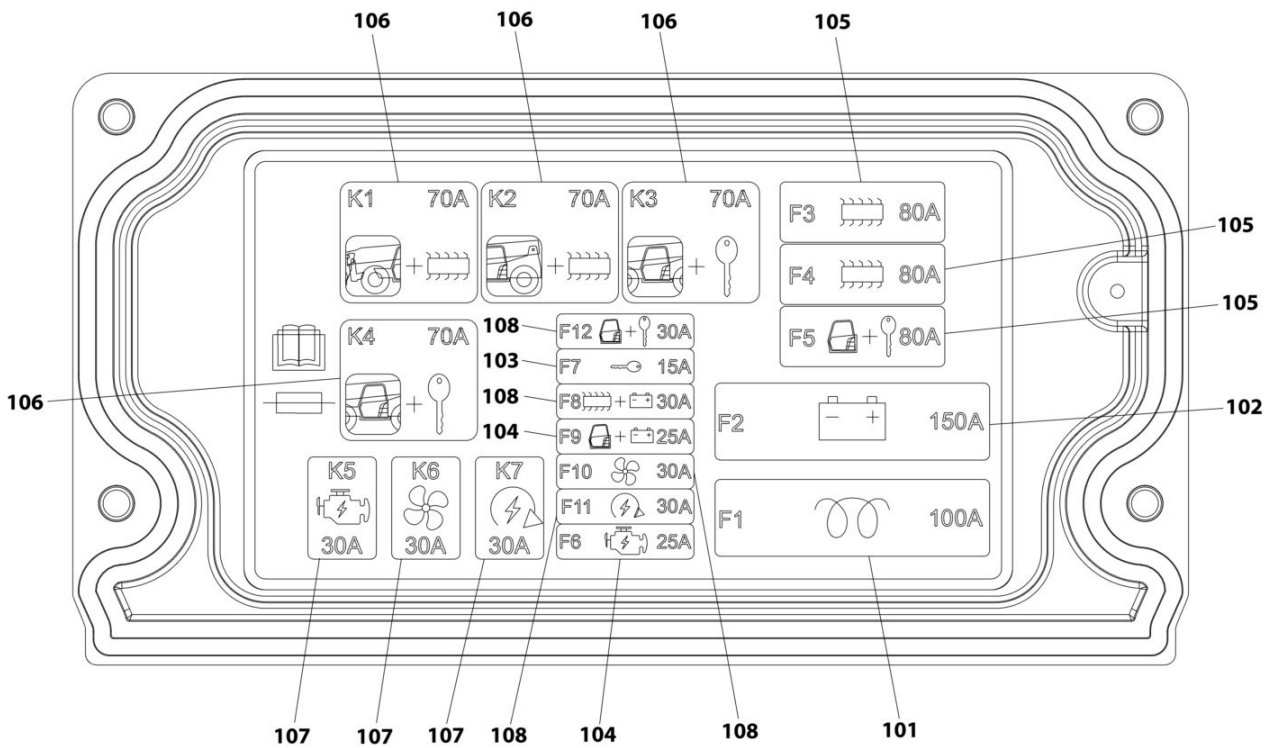
ITEM	PART NUMBER	QTY	DESCRIPTION	REV
	1001293325	Ref	FRAME HARNESS	F
1	1001160500	2	Connector 32 Position	
1	1001161095	14	Terminal	
1	1001161097	15	Terminal	
1	1001161100	35	Plug, Terminal	
1	643191201	2	Cover	
2	1001161963	2	Connector 48 Position	
2	1001161099	6	Terminal	
2	1001161098	3	Terminal	
2	1001161095	4	Terminal	
2	1001161097	35	Terminal	
2	1001161100	48	Plug, Terminal	
2	643191201	2	Cover	
3	1001161957	2	Connector 32 Position	
3	1001161097	14	Terminal	
3	1001161100	50	Plug, Terminal	
3	643191201	2	Cover	
4	4461262	1	Connector 3 Position	
4	1001107854	2	Terminal	
4	1001196589	1	Terminal	
5	4460891	12	Connector 2 Position	
5	4460465	24	Terminal	
6	1001117026	1	Connector 2 Position	
6	1001116745	2	Terminal	
7	1001160509	2	Connector 1 Position	
8	4460884	4	Connector 4 Position	
8	4460465	14	Terminal	
8	4460466	2	Plug, Terminal	
9	4461118	1	Connector 2 Position	
9	1001107854	2	Terminal	
10	4460933	4	Connector 12 Position	
10	4460465	42	Terminal	
10	4460466	6	Plug, Terminal	
11	1001116948	1	Connector 3 Position	
11	1001116699	2	Terminal	
12	4460539	3	Connector 3 Position	
12	4460465	7	Terminal	
12	4460466	2	Plug, Terminal	
13	8220051	3	Connector 1 Position	
14	1001116983	1	Connector 2 Position	
14	4460889	1	Terminal	
15	4460894	2	Connector 6 Position	
15	4490942	4	Terminal	
15	4460465	6	Terminal	
15	4460466	2	Plug, Terminal	
16	4460851	1	Connector 8 Position	
16	4460465	6	Terminal	
16	4460466	2	Plug, Terminal	
17	4460930	1	Connector 8 Position	
17	4460465	8	Terminal	

SECTION 10 - ELECTRICAL

ITEM	PART NUMBER	QTY	DESCRIPTION	REV
18	1001116812	3	Connector 3 Position	
18	4460465	6	Terminal	
18	4460466	3	Plug, Terminal	
19	1001187079	4	Terminal, Ring	
20	1001187076	6	Terminal, Ring	
21	1001187078	1	Terminal, Ring	
22	1001116950	2	Connector 2 Position	
22	4460465	4	Terminal	
23	1001285634	1	Connector 4 Position	
24	1001118323	1	Connector 6 Position	
24	91013192	2	Terminal	
24	4460942	4	Terminal	
25	1001147923	1	Connector 23 Position	
25	4460465	19	Terminal	
25	4460466	4	Plug, Terminal	
26	1001187073	1	Terminal, Ring	
27	1001165309	1	Connector 19 Position	
27	1001150611	2	Terminal	
27	4460509	6	Terminal	
27	4460465	9	Terminal	
27	4460466	2	Plug, Terminal	
28	1001187075	4	Terminal, Ring	
29	1001187077	1	Terminal, Ring	
30	1001116810	1	Connector 4 Position	
30	1001150611	2	Terminal	
30	4460509	1	Terminal	
31	1001116774	1	Connector 12 Position	
31	4460928	11	Terminal	
31	4460518	1	Plug, Terminal	
101	4460466	19	Terminal	
102	4460899	1	Terminal	
103	4460945	2	Receptacle 3-Way	
104	1001008559	6	Tie-Strap	
106	1001116815	1	Connector 3 Position	
107	1001117021	1	Connector 2 Position	
108	1001125677	1	Bussbar	
111	1001162515	1	Seal	
112	1001192401	3	Dust Cap	
113	1001116813	1	Connector 3 Position	
114	1001144147	1	Terminal	
115	1001215898	2	Dust Cap	

SECTION 10 - ELECTRICAL

FIGURE 10-23. FUSEBOX ASSEMBLY - FRAME



ART_1001306044

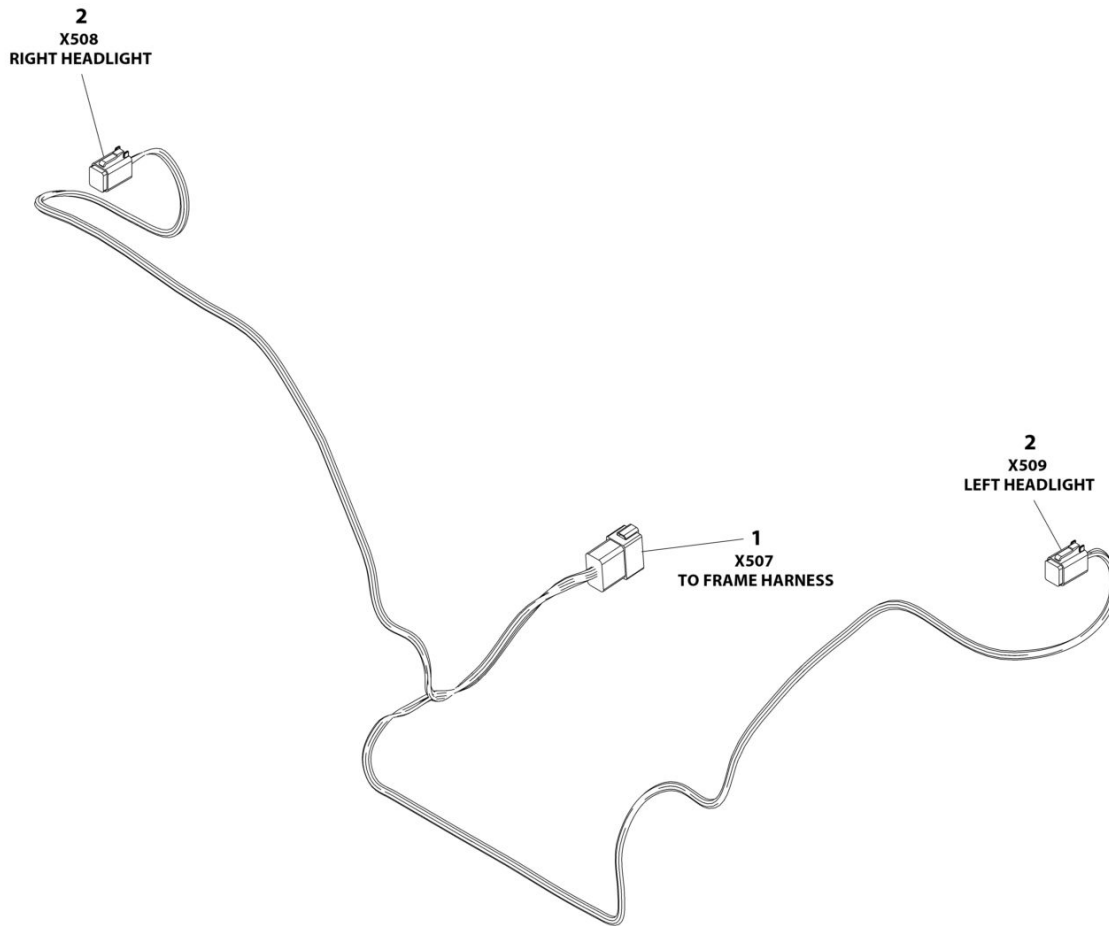
SECTION 10 - ELECTRICAL

FIGURE 10-23. FUSEBOX ASSEMBLY - FRAME

ITEM	PART NUMBER	QTY	DESCRIPTION	REV
	1001306044	Ref	FUSEBOX ASSEMBLY - FRAME	B
101	70026296	1	Fuse, 100AMP	
102	70031248	1	Fuse, 150AMP	
103	70031249	1	Fuse, 15AMP	
104	70031250	2	Fuse, 25AMP	
105	70026297	3	Fuse, 80AMP	
106	70025317	4	Relay, 70AMP	
107	70026295	3	Relay, 30AMP	
108	70031251	4	Fuse, 30AMP	

SECTION 10 - ELECTRICAL

FIGURE 10-24. HEADLIGHTS HARNESS



ART_1001297413

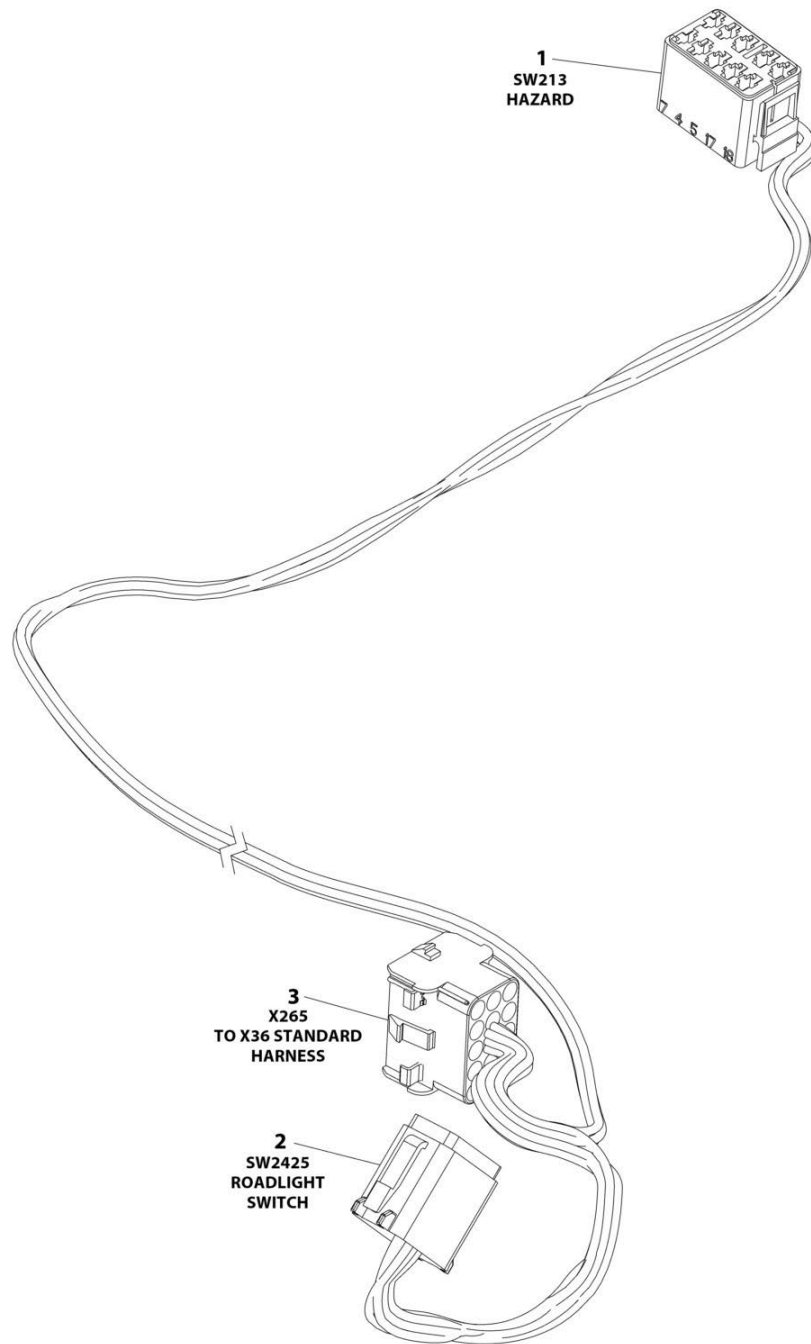
SECTION 10 - ELECTRICAL

FIGURE 10-24. HEADLIGHTS HARNESS

ITEM	PART NUMBER	QTY	DESCRIPTION	REV
	1001297413	Ref	HEADLIGHTS HARNESS	B
1	4460970	1	Connector 12 Position	
1	4460464	10	Terminal	
1	4460466	2	Plug, Terminal	
2	4460894	2	Connector 6 Position	
2	4460465	10	Terminal	
2	4460466	2	Plug, Terminal	

SECTION 10 - ELECTRICAL

FIGURE 10-25. HEADLIGHT/WORKLIGHT OPTIONAL HARNESS



ART_1001297844

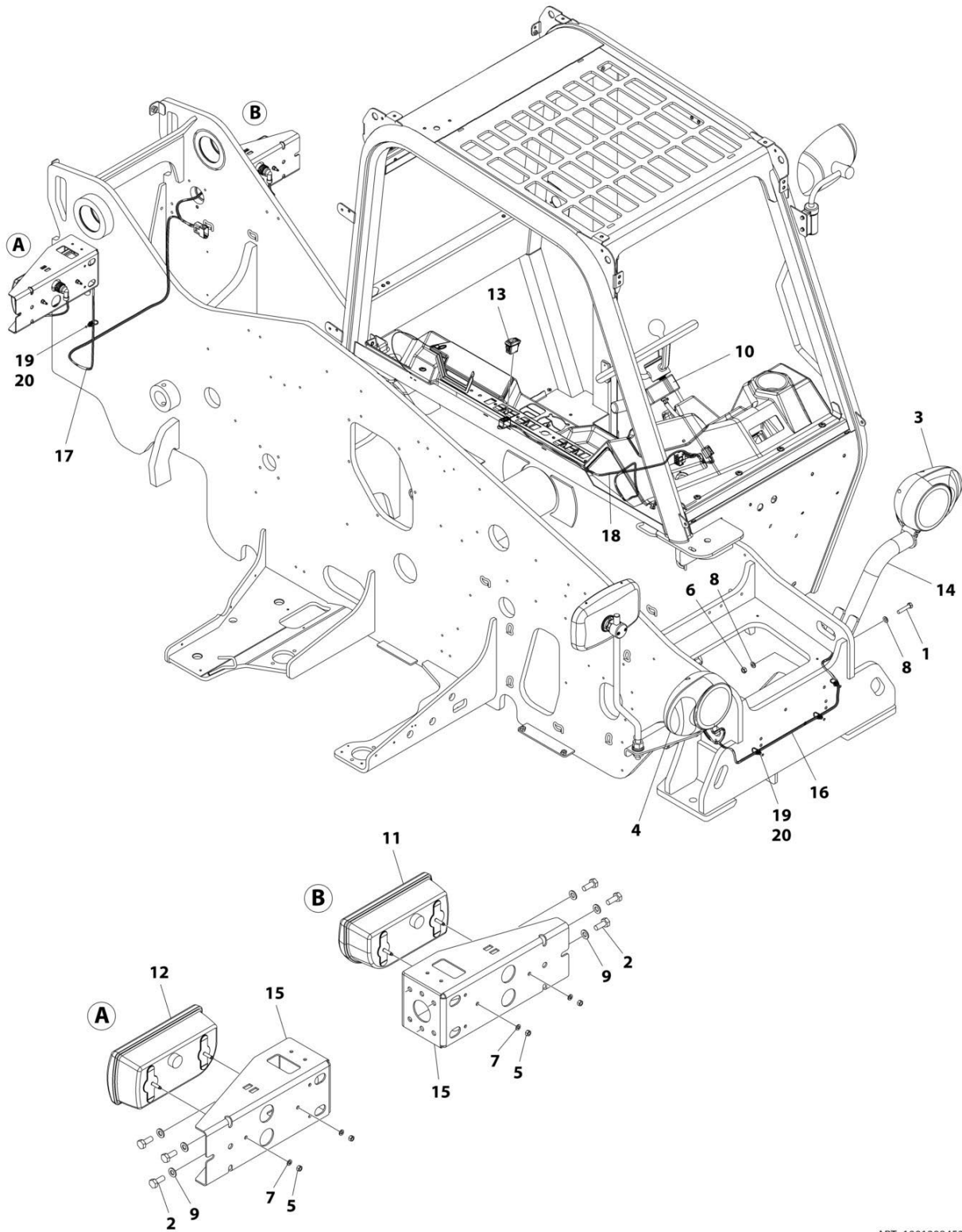
SECTION 10 - ELECTRICAL

FIGURE 10-25. HEADLIGHT/WORKLIGHT OPTIONAL HARNESS

ITEM	PART NUMBER	QTY	DESCRIPTION	REV
	1001297844	Ref	HEADLIGHT/WORKLIGHT OPTIONAL HARNESS	B
1	1001117079	1	Connector 10 Position	
1	1001104519	6	Terminal	
2	4460930	1	Connector 8 Position	
2	4460465	8	Terminal	
3	4460708	1	Connector 15 Position	
3	4460226	10	Terminal	

SECTION 10 - ELECTRICAL

FIGURE 10-26. LIGHTS - ROADLIGHTS INSTALLATION



ART_1001298452

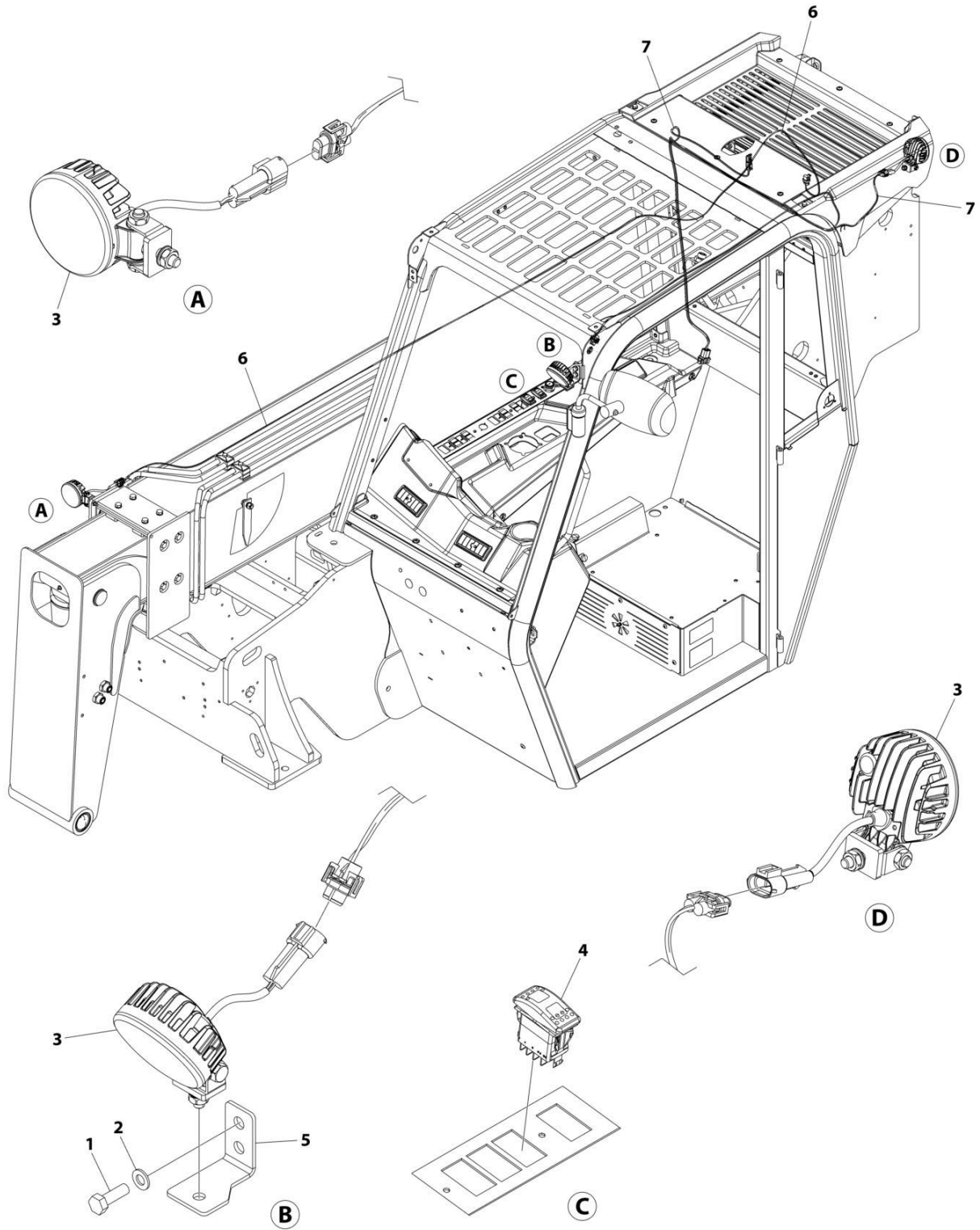
SECTION 10 - ELECTRICAL

FIGURE 10-26. LIGHTS - ROADLIGHTS INSTALLATION

ITEM	PART NUMBER	QTY	DESCRIPTION	REV
	1001298452	Ref	ROADLIGHTS INSTALLATION	B
1	0760816	3	Bolt M8 x 40	
2	0761012	6	Bolt M10 x 25	
3	2920207	1	Light, Driving (LH)	
4	2920208	1	Light, Driving (RH)	
5	3290607	4	Nut M6	
6	3290801	3	Nut M8	
7	4811700	4	Washer M6	
8	4811900	6	Washer M8	
9	4812000	6	Washer M10	
10	1001080381	1	Switch, Turn Signal	
11	1001091715	1	Lamp, Rear (LH)	
12	1001091716	1	Lamp, Rear (RH)	
13	1001159734	1	Switch, Hazard	
14	1001190640	1	Bracket, Headlight (LH)	
15	1001196100	2	Bracket, Rear Light	
16	1001297413	1	Harness, Headlights (See Separate Breakdown in this Section)	
17	1001297412	1	Harness, Taillights (See Separate Breakdown in this Section)	
18	1001297844	1	Harness, Headlight/Worklight Optional (See Separate Breakdown in this Section)	
19	1001273793	4	Mount, Tie-Strap	
20	8584001	4	Tie-Strap	

SECTION 10 - ELECTRICAL

FIGURE 10-27. LIGHTS - WORKLIGHTS INSTALLATION



ART_1001299003

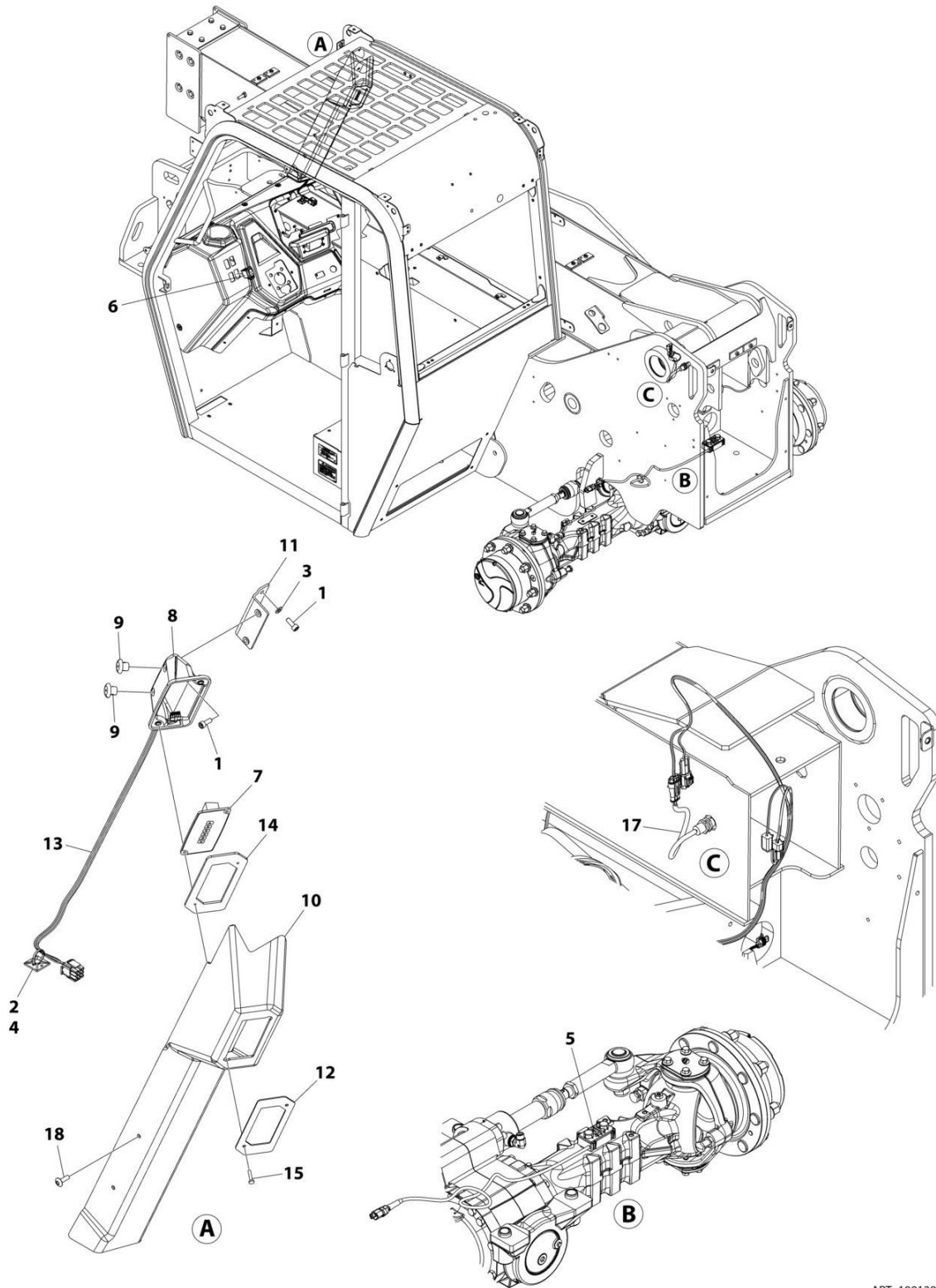
SECTION 10 - ELECTRICAL

FIGURE 10-27. LIGHTS - WORKLIGHTS INSTALLATION

ITEM	PART NUMBER	QTY	DESCRIPTION	REV
	1001299003	Ref	WORKLIGHTS INSTALLATION	D
1	0760812	2	Bolt M8 x 25	
2	4811900	2	Washer M8	
3	1001273635	3	Lamp, LED Worklight	
4	1001299654	1	Switch, Worklights	
5	1001299014	1	Plate, Support	
6	1001299133	1	Harness, Boom Worklight Jumper (See Separate Breakdown in this Section)	
7	1001305555	1	Harness, Beacon Worklight (See Separate Breakdown in this Section)	
8	1001008559	9	Tie-Strap	

SECTION 10 - ELECTRICAL

FIGURE 10-28. LSI INSTALLATION - OPEN CAB



ART_1001298036

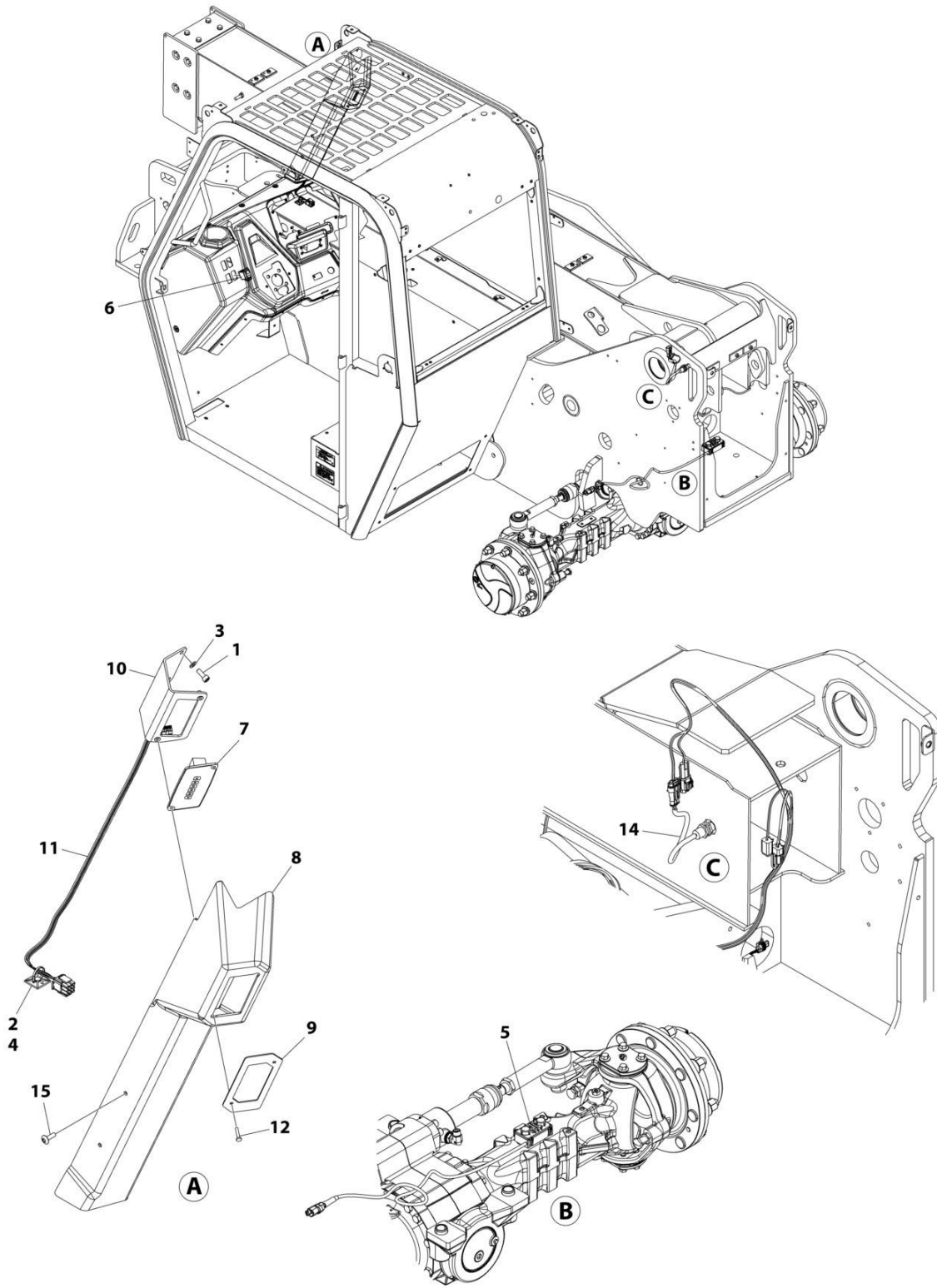
SECTION 10 - ELECTRICAL

FIGURE 10-28. LSI INSTALLATION - OPEN CAB

ITEM	PART NUMBER	QTY	DESCRIPTION	REV
	1001298036	Ref	LSI INSTALLATION - OPEN CAB	C
1	4031707	4	Bolt M6 x 16	
2	4460234	1	Mount, Tie-Strap	
3	4811700	2	Washer M6	
4	8584001	1	Tie-Wrap	
5	1001311386	1	LSI Sensor Installation (See Separate Breakdown in this Section)	
6	1001159742	1	Switch, LSI Override	
7	1001213752	1	LSI Display Assembly	
8	1001257058	1	Box, LSI Waterproof	
9	1001257067	2	Plug, Grommet	
10	1001297402	1	Cover	
11	1001298040	1	Bracket	
12	1001298074	1	Plate	
13	1001298094	1	Harness, LSI Pigtail (See Separate Breakdown in this Section)	
14	1001298641	1	Seal	
15	4010410002	2	Screw M4 x 20	
16	1001008559	1	Strap, Cable (Not Shown)	
17	1001183024	1	Sensor, Proximity	
18	1001272884	2	Bolt M6 x 20	

SECTION 10 - ELECTRICAL

FIGURE 10-29. LSI INSTALLATION - ENCLOSED CAB



ART_1001298037

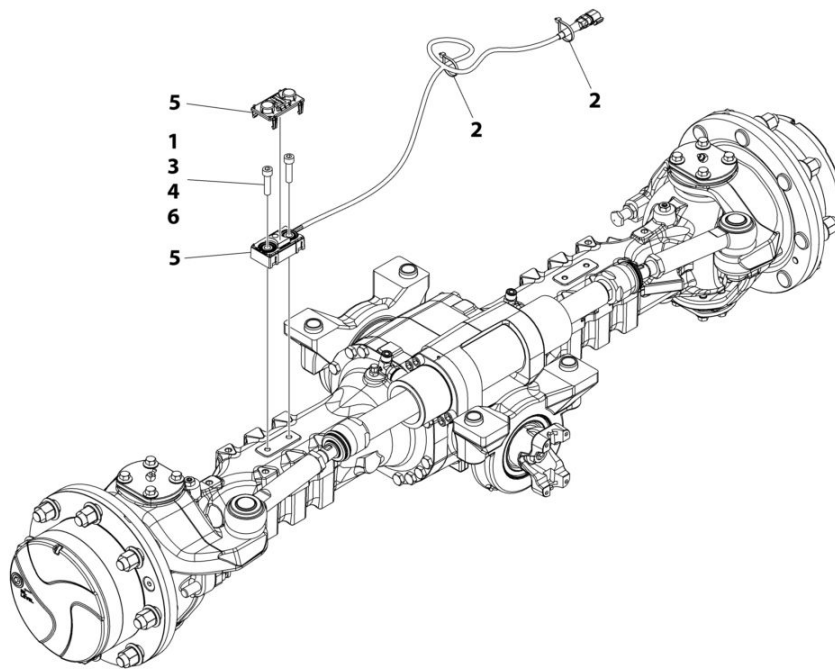
SECTION 10 - ELECTRICAL

FIGURE 10-29. LSI INSTALLATION - ENCLOSED CAB

ITEM	PART NUMBER	QTY	DESCRIPTION	REV
	1001298037	Ref	LSI INSTALLATION - ENCLOSED CAB	C
1	4031707	2	Bolt M6 x 16	
2	4460234	1	Mount, Tie-Strap	
3	4811700	2	Washer M6	
4	8584001	1	Tie-Wrap	
5	1001311386	1	LSI Sensor Installation (See Separate Breakdown in this Section)	
6	1001159742	1	Switch, LSI Override	
7	1001213752	1	LSI Display Assembly	
8	1001297402	1	Cover	
9	1001298074	1	Plate	
10	1001298076	1	Bracket	
11	1001298094	1	Harness, LSI Pigtail (See Separate Breakdown in this Section)	
12	4010410002	2	Screw M4 x 20	
13	1001008559	1	Strap, Cable (Not Shown)	
14	1001183024	1	Sensor, Proximity	
15	1001272884	2	Bolt M6 x 20	

SECTION 10 - ELECTRICAL

FIGURE 10-30. LSI SENSOR INSTALLATION



ART_1001311386

SECTION 10 - ELECTRICAL

FIGURE 10-30. LSI SENSOR INSTALLATION

ITEM	PART NUMBER	QTY	DESCRIPTION	REV
	1001311386	Ref	LSI SENSOR INSTALLATION	C
1	5272012	2	Bolt M10 x 40	
2	1001008559	2	Strap, Cable	
3	1001116128	AR	Seal	
4	1001125465	AR	Compound, Locking	
5	1001289105	1	Sensor, Rear Axle	
6	1001289296	AR	Compound, Locking	

SECTION 10 - ELECTRICAL

FIGURE 10-31. LSI PIGTAIL HARNESS



ART_1001298094

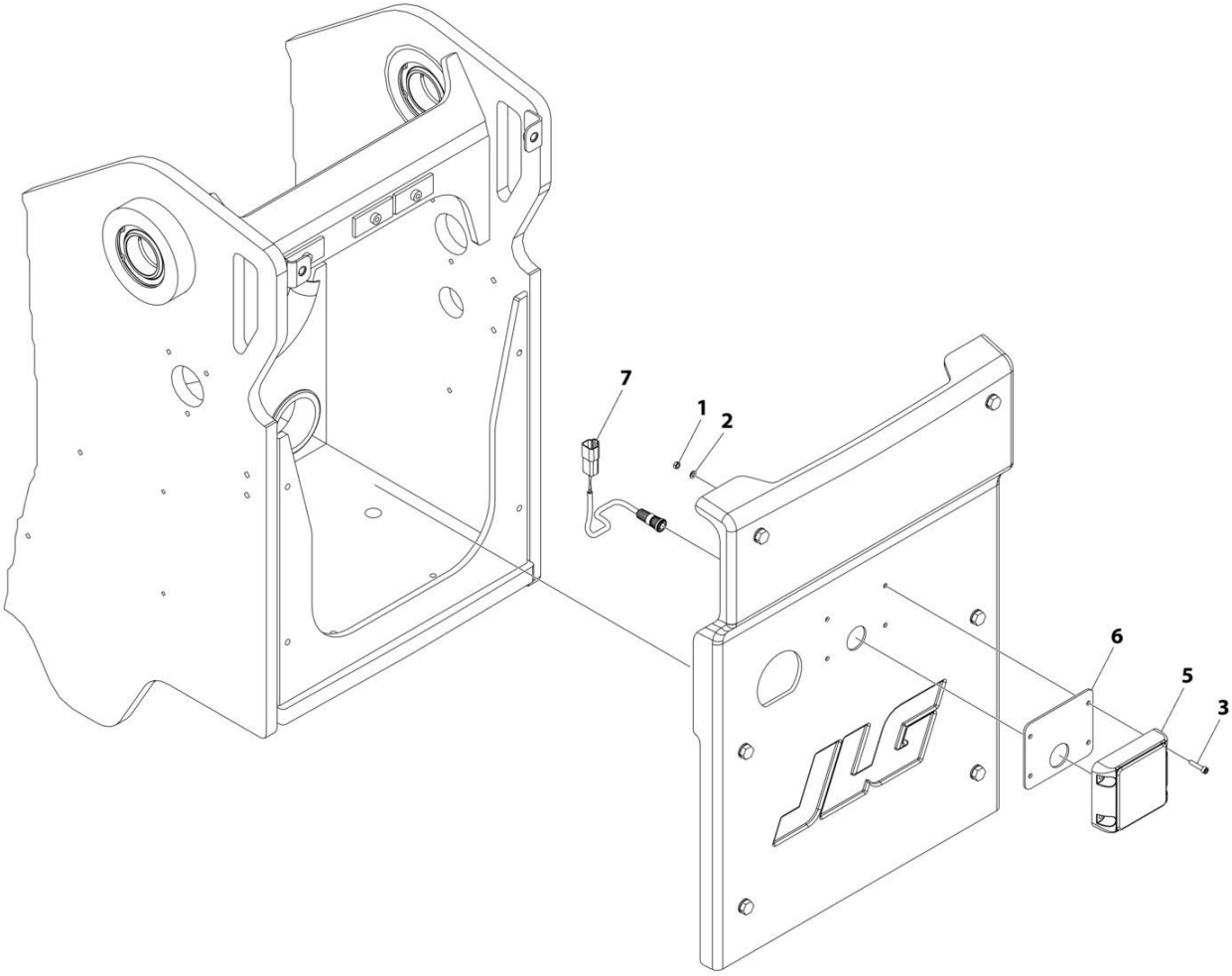
SECTION 10 - ELECTRICAL

FIGURE 10-31. LSI PIGTAIL HARNESS

ITEM	PART NUMBER	QTY	DESCRIPTION	REV
	1001298094	Ref	LSI PIGTAIL HARNESS	B
1	4460265	1	Connector 9 Position	
1	4460226	7	Terminal	
2	1001150735	1	Connector 10 Position	
2	1001150737	7	Terminal	

SECTION 10 - ELECTRICAL

FIGURE 10-32. REVERSE SENSING INSTALLATION



ART_1001292580

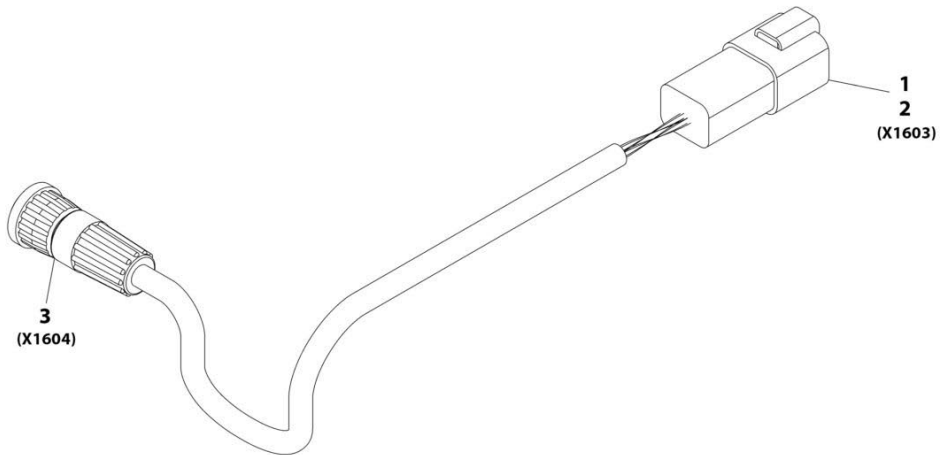
SECTION 10 - ELECTRICAL

FIGURE 10-32. REVERSE SENSING INSTALLATION

ITEM	PART NUMBER	QTY	DESCRIPTION	REV
	1001292580	Ref	REVERSE SENSING INSTALLATION	B
1	3290501	4	Nut M5	
2	4811600	4	Washer M5	
3	5271609	4	Capscrew M5 x 25	
5	1001247421	1	Sensor, Reverse	
6	1001251518	1	Plate	
7	1001175776	1	Reverse Sensor Harness (See Separate Breakdown in this Section)	

SECTION 10 - ELECTRICAL

FIGURE 10-33. REVERSE SENSOR HARNESS



ART_1001175776-C

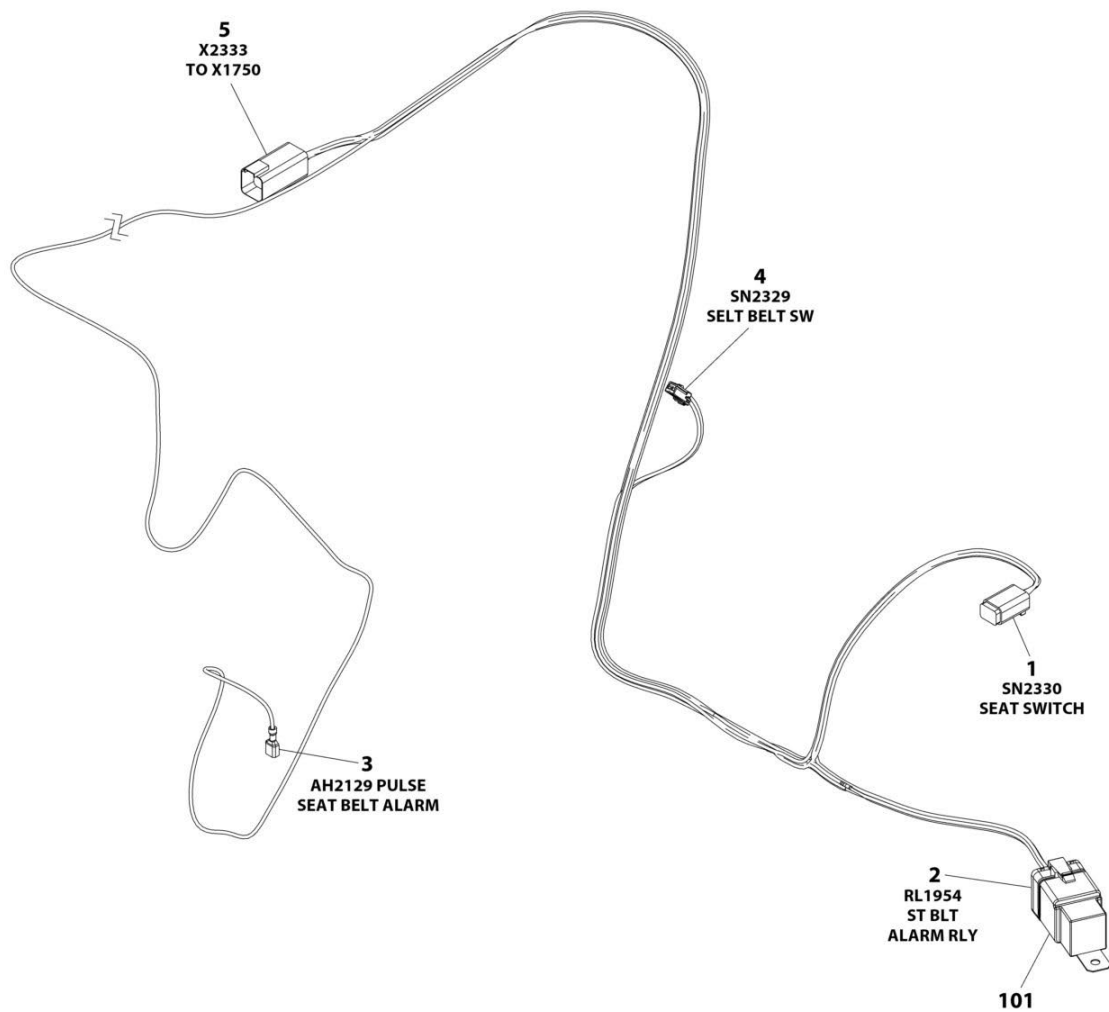
SECTION 10 - ELECTRICAL

FIGURE 10-33. REVERSE SENSOR HARNESS

ITEM	PART NUMBER	QTY	DESCRIPTION	REV
	1001175776	Ref	Reverse Sensor Harness	C
1	4460932	1	Connector	
2	4460464	4	Terminal	
3	1001175733	1	Connector	

SECTION 10 - ELECTRICAL

FIGURE 10-34. SEAT BELT ALARM HARNESS



ART_1001296730

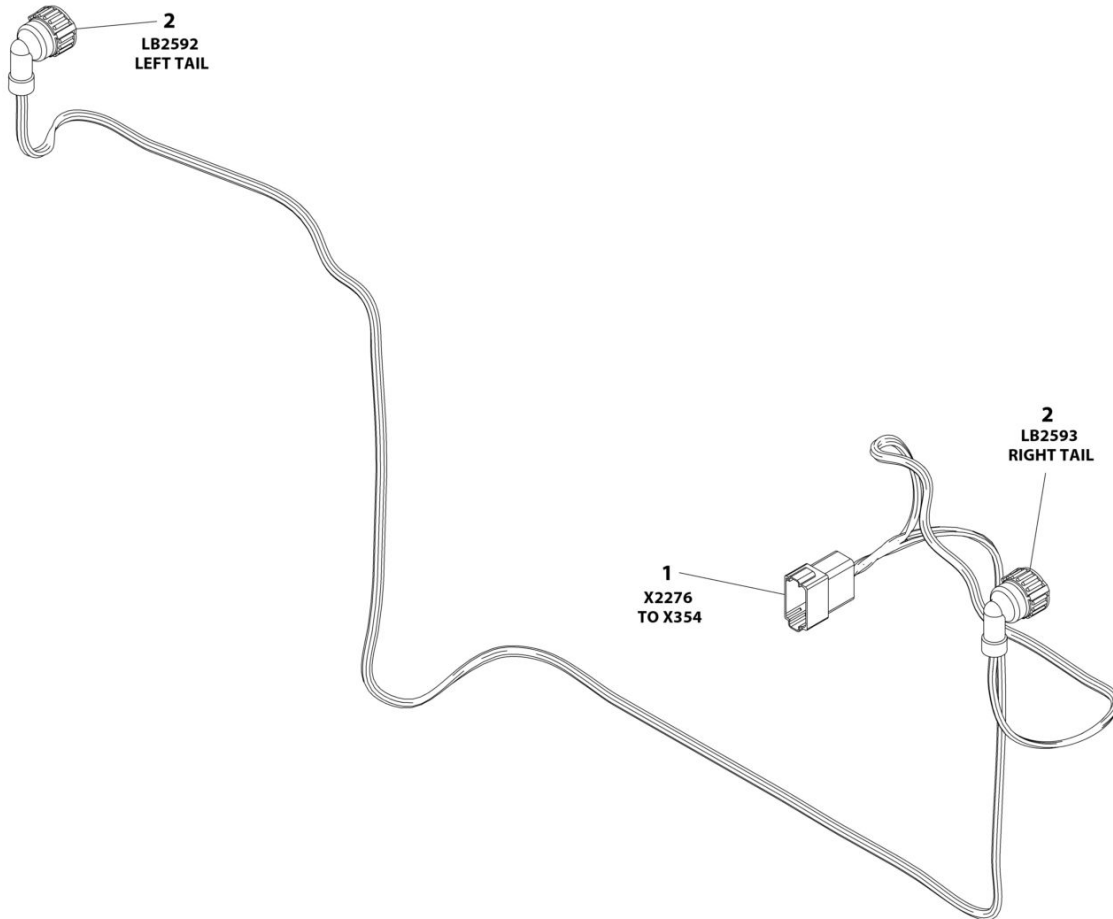
SECTION 10 - ELECTRICAL

FIGURE 10-34. SEAT BELT ALARM HARNESS

ITEM	PART NUMBER	QTY	DESCRIPTION	REV
	1001296730	Ref	SEAT BELT ALARM HARNESS	C
1	4460884	1	Connector 4 Position	
1	4460465	4	Terminal	
2	1001231398	1	Connector 5 Position	
3	1001194421	1	Terminal	
4	1001264844	1	Connector 2 Position	
5	4460899	1	Connector 6 Position	
5	4460464	5	Terminal	
5	4460466	1	Plug, Terminal	
101	3740080	1	Relay	

SECTION 10 - ELECTRICAL

FIGURE 10-35. TAILLIGHTS HARNESS



ART_1001297412

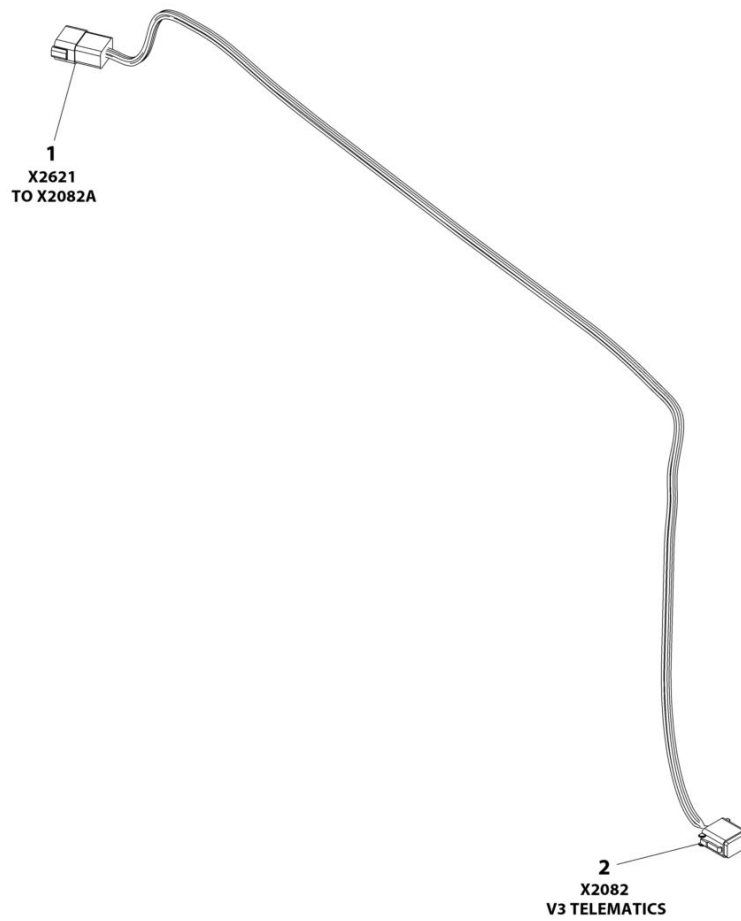
SECTION 10 - ELECTRICAL

FIGURE 10-35. TAILLIGHTS HARNESS

ITEM	PART NUMBER	QTY	DESCRIPTION	REV
	1001297412	Ref	TAILLIGHTS HARNESS	B
1	4460970	1	Connector 12 Position	
1	4460464	10	Terminal	
1	4460466	2	Plug, Terminal	
2	1001116996	2	Connector 7 Position	
2	1001118393	10	Terminal	
2	1001116696	4	Plug, Terminal	

SECTION 10 - ELECTRICAL

FIGURE 10-36. TELEMATICS JUMPER HARNESS



ART_1001305556

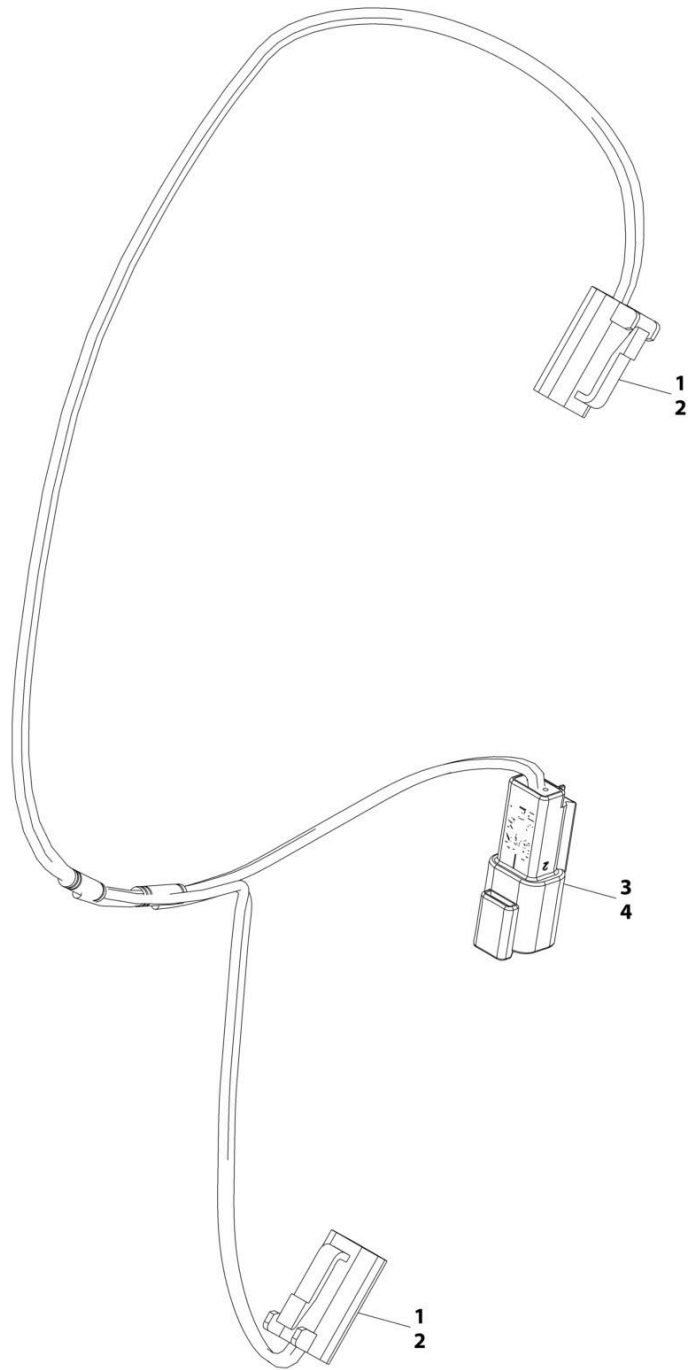
SECTION 10 - ELECTRICAL

FIGURE 10-36. TELEMATICS JUMPER HARNESS

ITEM	PART NUMBER	QTY	DESCRIPTION	REV
	1001305556	Ref	TELEMATICS JUMPER HARNESS	A
1	4460930	1	Connector 8 Position	
1	4460465	8	Terminal	
2	4460931	1	Connector 8 Position	
2	4460464	8	Terminal	

SECTION 10 - ELECTRICAL

FIGURE 10-37. VALVE JUMPER HARNESS



ART_1001209009-B

SECTION 10 - ELECTRICAL

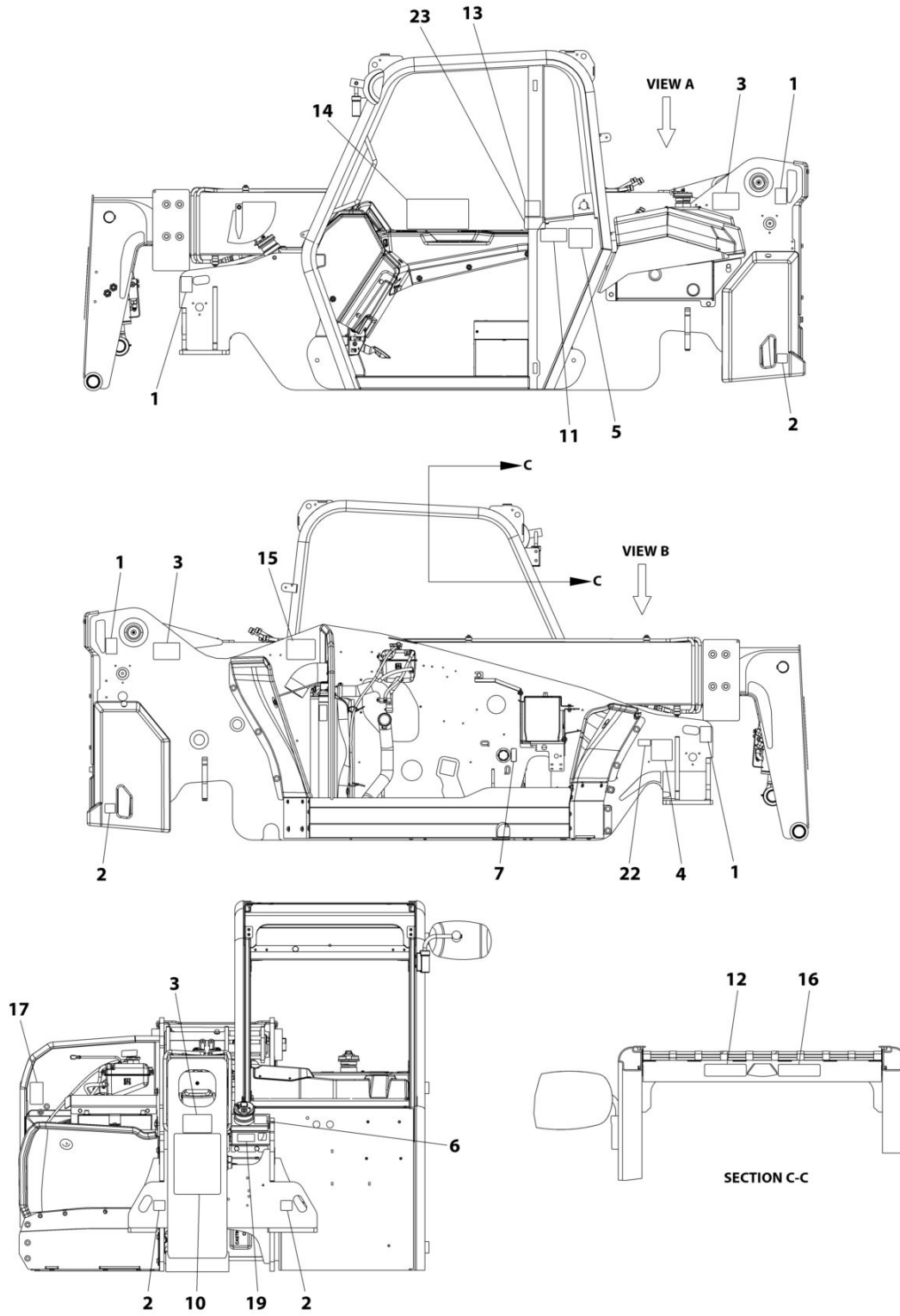
FIGURE 10-37. VALVE JUMPER HARNESS

ITEM	PART NUMBER	QTY	DESCRIPTION	REV
	1001209009	Ref	Valve Jumper Harness	B
1	4460891	1	Connector, (includes rear seal)	
2	4460465	2	Terminal	
3	4460891	1	Connector, (includes rear seal)	
4	4460465	2	Terminal	
5	4460897	1	Connector, (includes rear seal)	
6	4460464	2	Terminal	

SECTION 11 - DECALS

SECTION 11 - DECALS

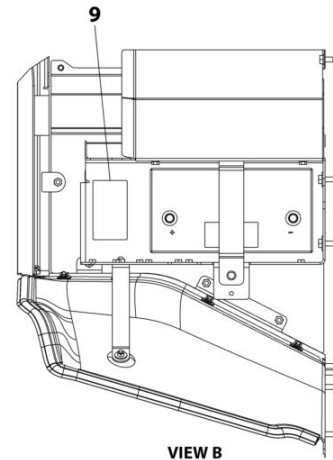
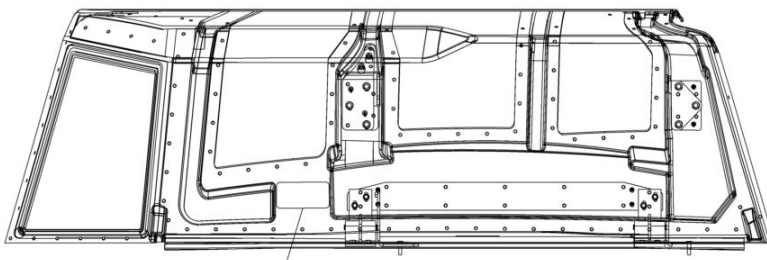
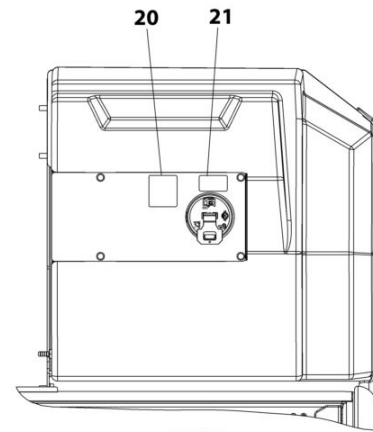
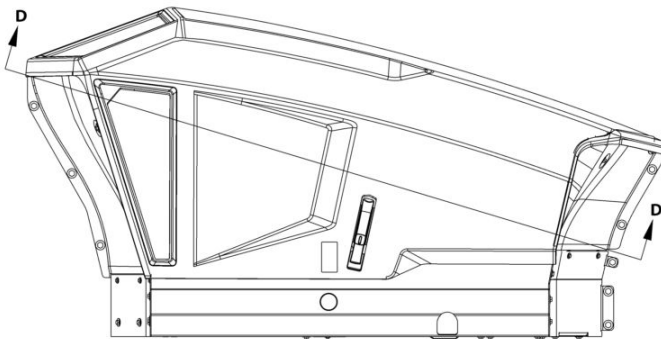
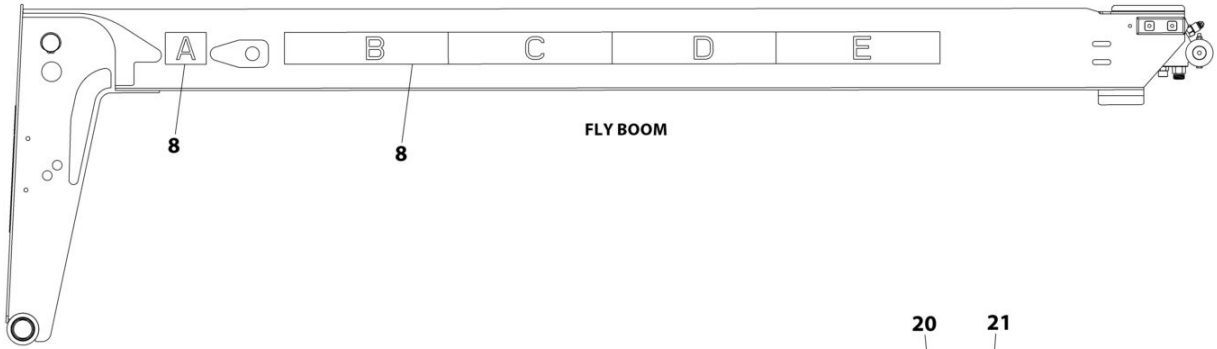
FIGURE 11-1. DECALS INSTALLATION - INFO (ANSI SPECS)



NOTE: SEE PAGE 20F2 FOR DETAIL VIEWS

ART_1001301759_10F2

SECTION 11 - DECALS



ART_1001301759_20F2

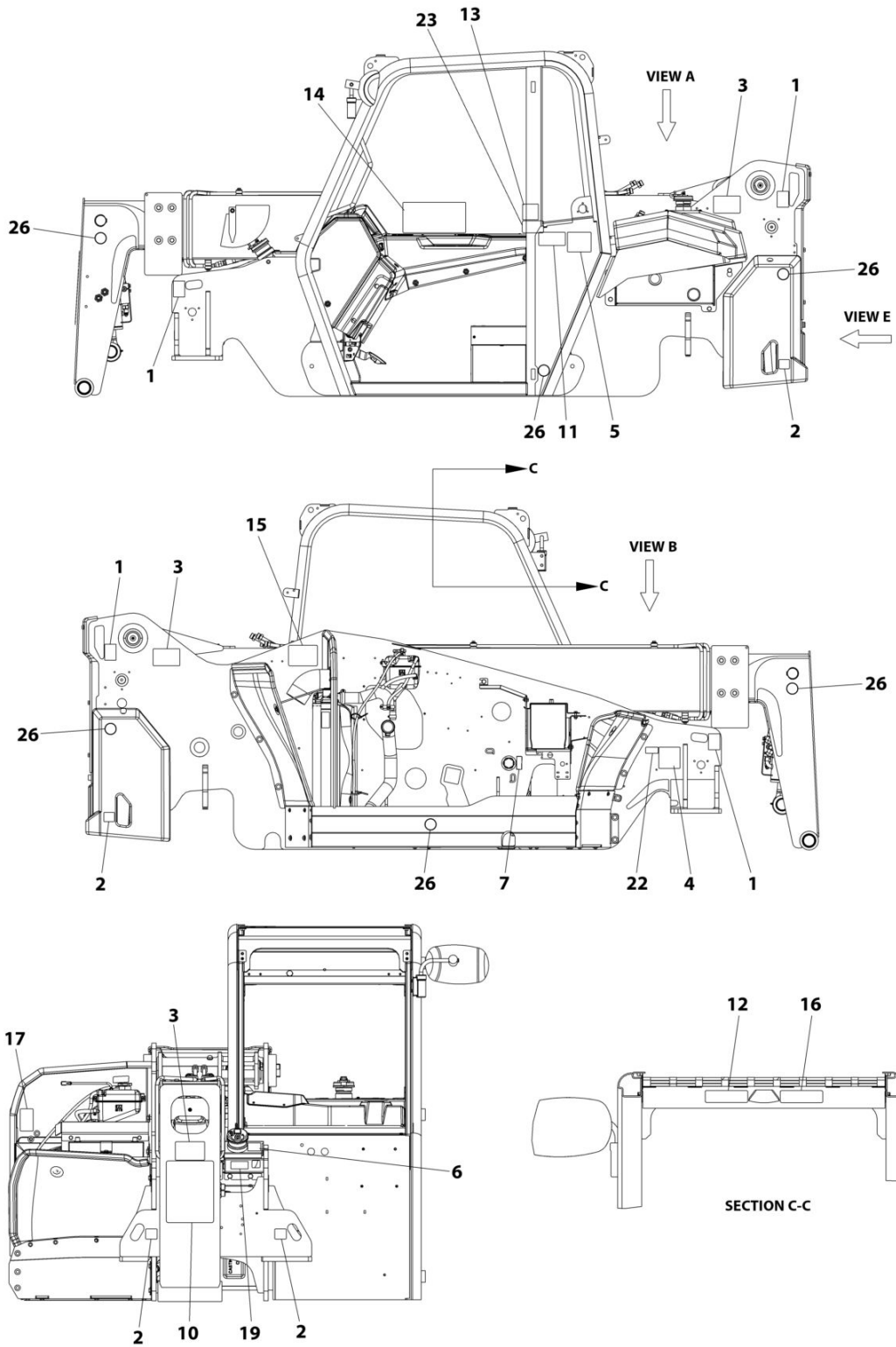
SECTION 11 - DECALS

FIGURE 11-1. DECALS INSTALLATION - INFO (ANSI SPECS)

ITEM	PART NUMBER	QTY	DESCRIPTION	REV
	1001301759	Ref	DECALS INSTALLATION - INFO (ANSI SPECS)	A
	1001305415	Ref	DECAL - CHART	D
1	1701500	4	Decal - Lift	
2	4109801	4	Decal - Tie Down Point	
3	1706302	3	Decal - Pinch Point	
4	See Note	NSS	Decal - Bar Code (Note: Not Available for Purchase)	
5	3251813	1	Decal - USA	
6	4100181	1	Decal - Hydraulic Oil Fill	
7	91563220	1	Decal - Oil Level	
8	1001099783	1	Decal - Boom Extend	
9	1706296	1	Decal - Battery Warning	
10	1706298	1	Decal - Carry Personnel	
11	1706768	1	Decal - No Riders	
12	1706850	1	Decal - Crush Hazard Warning	
13	1001200101	1	Decal - Manual Location	
14	1707078	1	Decal - Warning/Danger	
15	1706300	1	Decal - Ether Warning	
16	1706299	1	Decal - Electrocutation Hazard	
17	1706301	1	Decal - Moving Parts	
18	1001139578	1	Decal - Hot Fluid Warning	
19	1001297049	1	Decal - Brake Fluid	
20	1001189017	1	Decal - Diesel Fuel Fill	
21	1001125387	1	Decal - Ultra Low Sulfur Diesel	
22	1001223453	1	Decal - ICES	
23	1001231801	1	Decal - Warning Prop 65	

SECTION 11 - DECALS

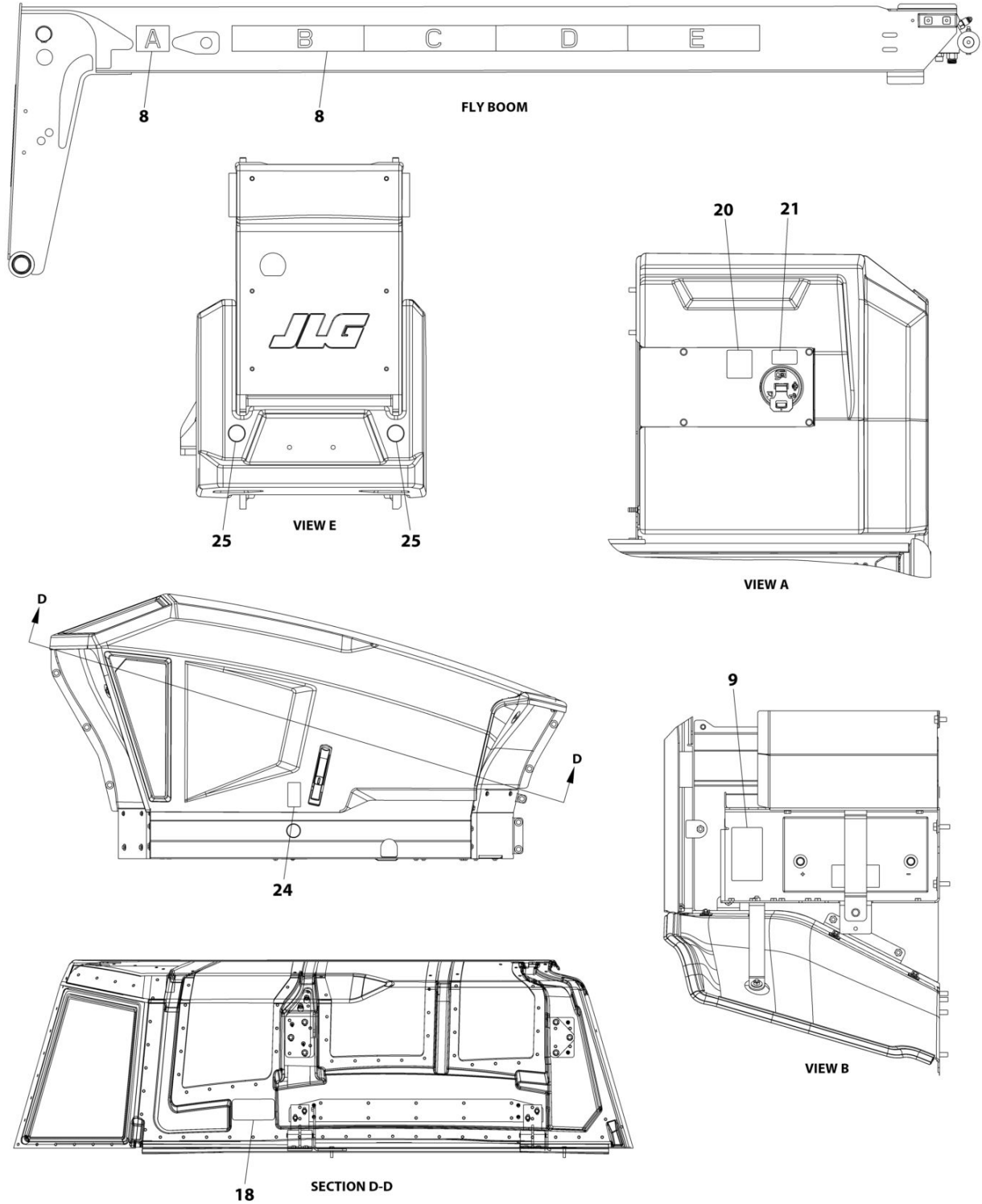
FIGURE 11-2. DECALS INSTALLATION - INFO (ISO SPECS)



NOTE: SEE PAGE 20F2 FOR DETAIL VIEWS

ART_1001301760_10F2

SECTION 11 - DECALS



ART_1001301760_20F2

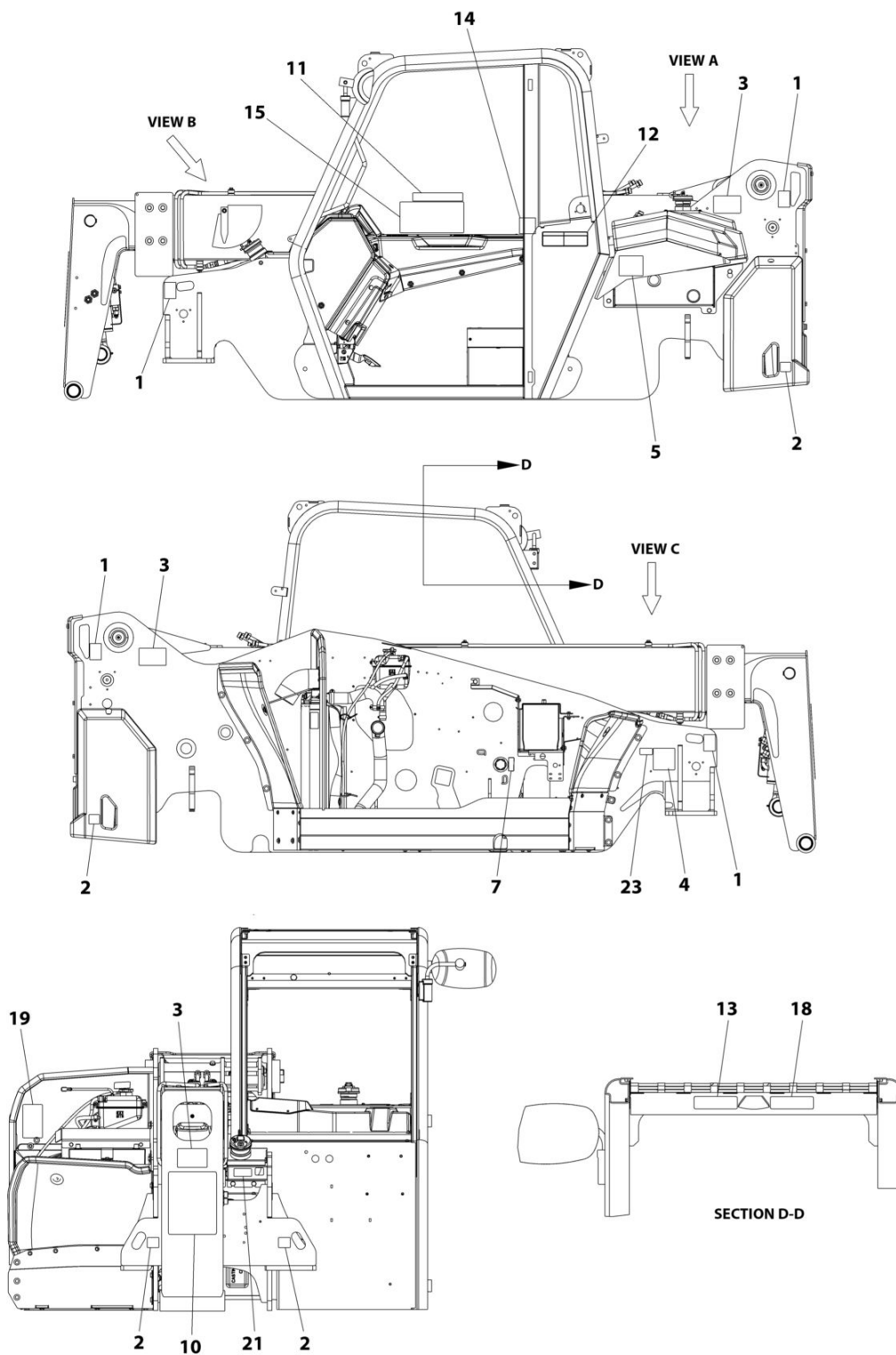
SECTION 11 - DECALS

FIGURE 11-2. DECALS INSTALLATION - INFO (ISO SPECS)

ITEM	PART NUMBER	QTY	DESCRIPTION	REV
	1001301760	Ref	DECALS INSTALLATION - INFO (ISO SPECS)	A
	1001305415	Ref	DECAL - CHART	D
1	1701500	4	Decal - Lift	
2	4109801	4	Decal - Tie Down Point	
3	1706292	3	Decal - Pinch Point	
4	See Note	NSS	Decal - Bar Code (Note: Not Available for Purchase)	
5	3251813	1	Decal - USA	
6	4100181	1	Decal - Hydraulic Oil Fill	
7	91563220	1	Decal - Oil Level	
8	1001099783	1	Decal - Boom Extend	
9	1706281	1	Decal - Battery Warning	
10	1706282	1	Decal - Carry Personnel	
11	1001092878	1	Decal - No Riders	
12	1001092877	1	Decal - Crush Hazard Warning	
13	1001200101	1	Decal - Manual Location	
14	1001101895	1	Decal - Warning	
15	1706098	1	Decal - Ether Warning	
16	1706284	1	Decal - Electrocutation Hazard	
17	1706285	1	Decal - Moving Parts	
18	1001139942	1	Decal - Hot Fluid Warning	
19	1001219211	1	Decal - Brake Fluid Spec	
20	1001189017	1	Decal - Diesel Fuel Fill	
24	8005670	1	Decal - Instruction	
25	3700015	2	Reflector, Rear	
26	3700016	6	Reflector, Rear	

SECTION 11 - DECALS

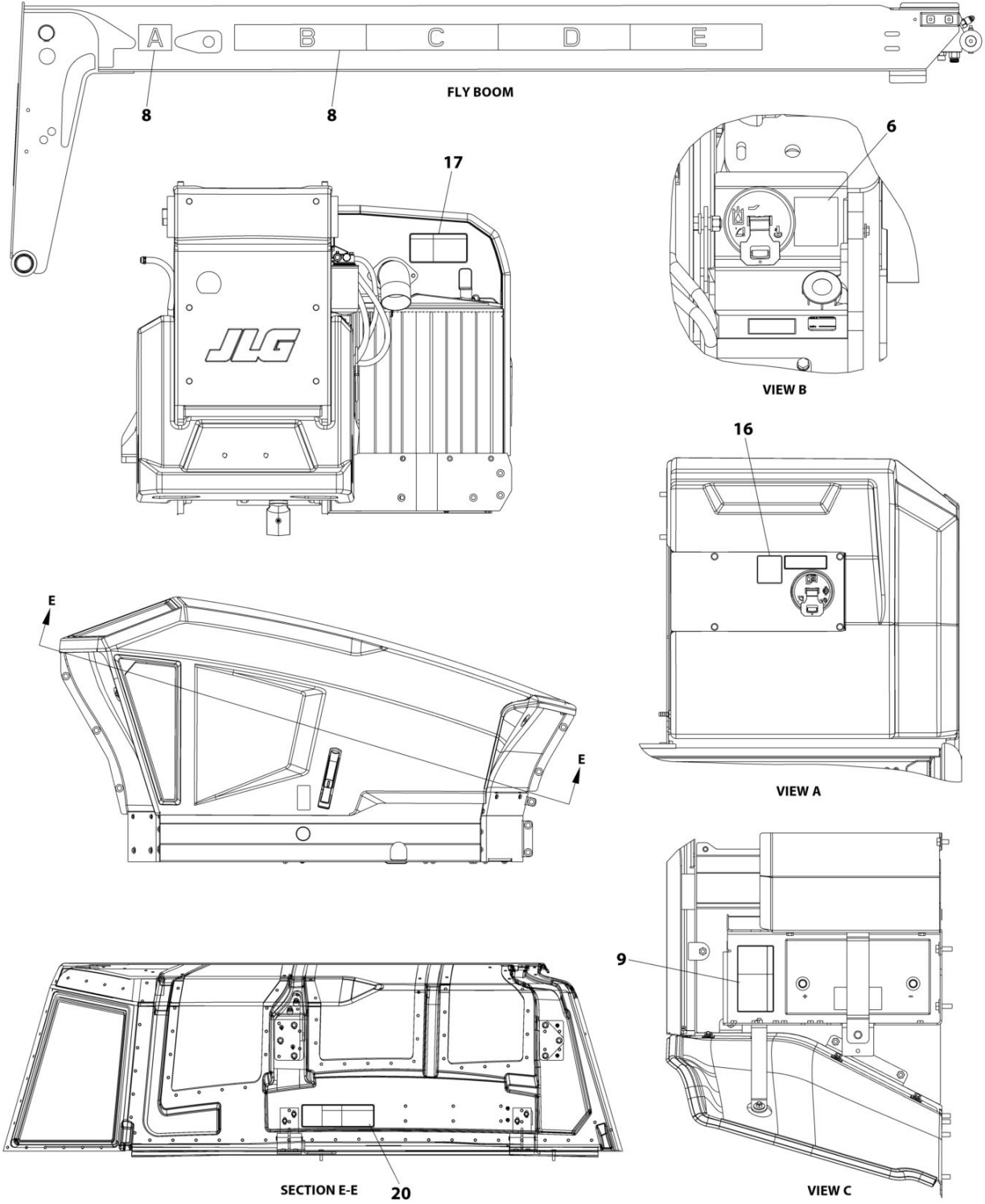
FIGURE 11-3. DECALS INSTALLATION - INFO (ENGLISH/FRENCH LANGUAGES)



NOTE: SEE PAGE 20F2 FOR DETAIL VIEWS

ART_1001301761_10F2

SECTION 11 - DECALS



ART_1001301761_20F2

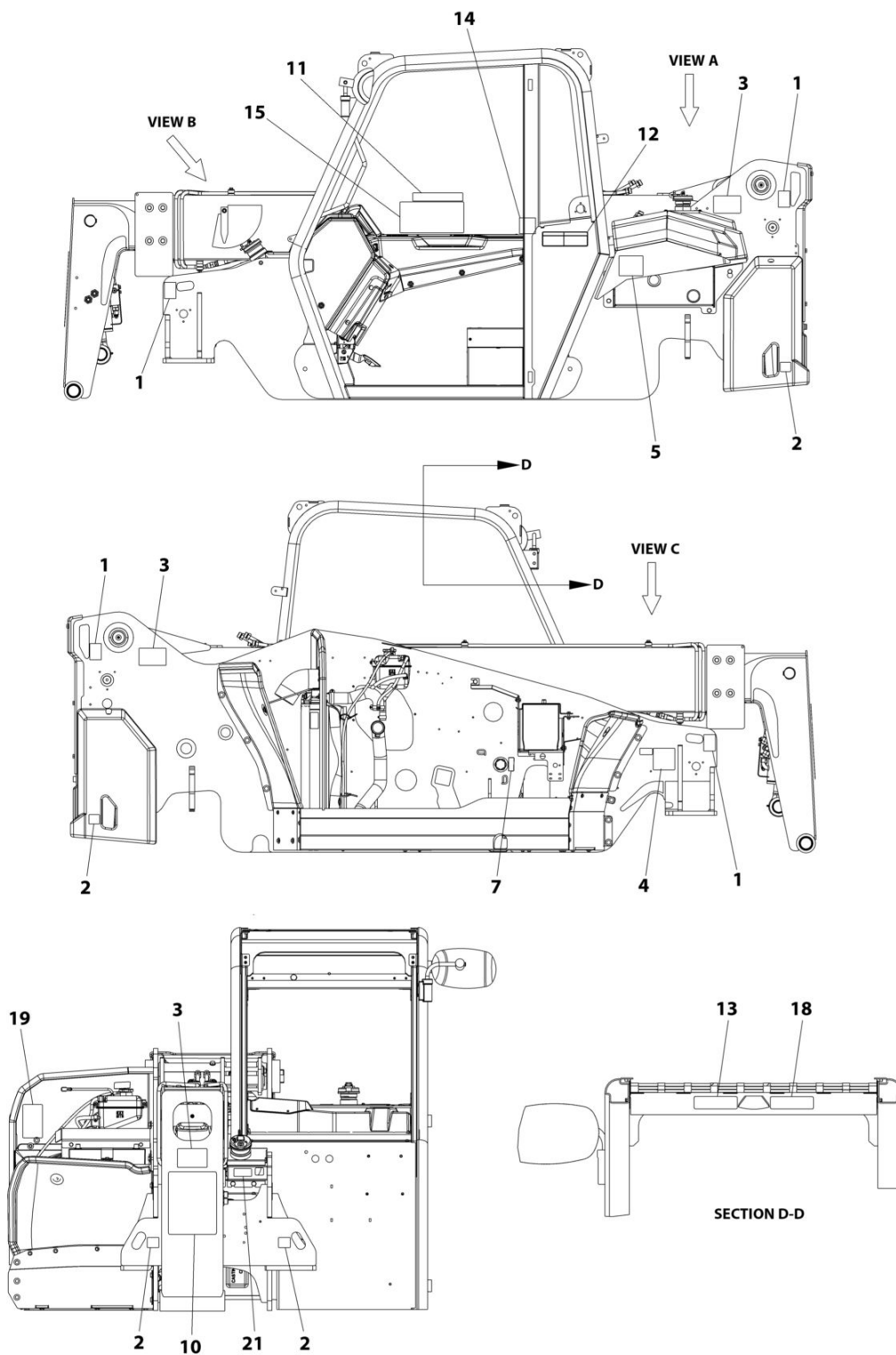
SECTION 11 - DECALS

FIGURE 11-3. DECALS INSTALLATION - INFO (ENGLISH/FRENCH LANGUAGES)

ITEM	PART NUMBER	QTY	DESCRIPTION	REV
	1001301761	Ref	DECALS INSTALLATION - INFO (ENGLISH/FRENCH LANGUAGES)	A
	1001302579	Ref	DECAL - CHART	D
1	1701500	4	Decal - Lift	
2	4109801	4	Decal - Tie Down Point	
3	1001163223	3	Decal - Pinch Point	
4	See Note	NSS	Decal - Bar Code (Note: Not Available for Purchase)	
5	3251813	1	Decal - USA	
6	4100181	1	Decal - Hydraulic Oil Fill	
7	91563220	1	Decal - Oil Level	
8	1001099783	1	Decal - Boom Extend	
9	1001163174	1	Decal - Battery Warning	
10	1001163206	1	Decal - Carry Personnel	
11	1001163285	1	Decal - Tipover Warning	
12	1001163300	1	Decal - No Riders	
13	1001163304	1	Decal - Crush Hazard Warning	
14	1001200101	1	Decal - Manual Location	
15	1001233558	1	Decal - Warning/Danger	
16	1001189017	1	Decal - Diesel Fuel Fill	
17	1001163212	1	Decal - No Ether Warning	
18	1001163210	1	Decal - Electrocution Hazard	
19	1001163222	1	Decal - Moving Parts	
20	1001163323	1	Decal - Hot Fluid Warning	
21	1001219211	1	Decal - Brake Fluid Spec	
23	1001223453	1	Decal - ICES	

SECTION 11 - DECALS

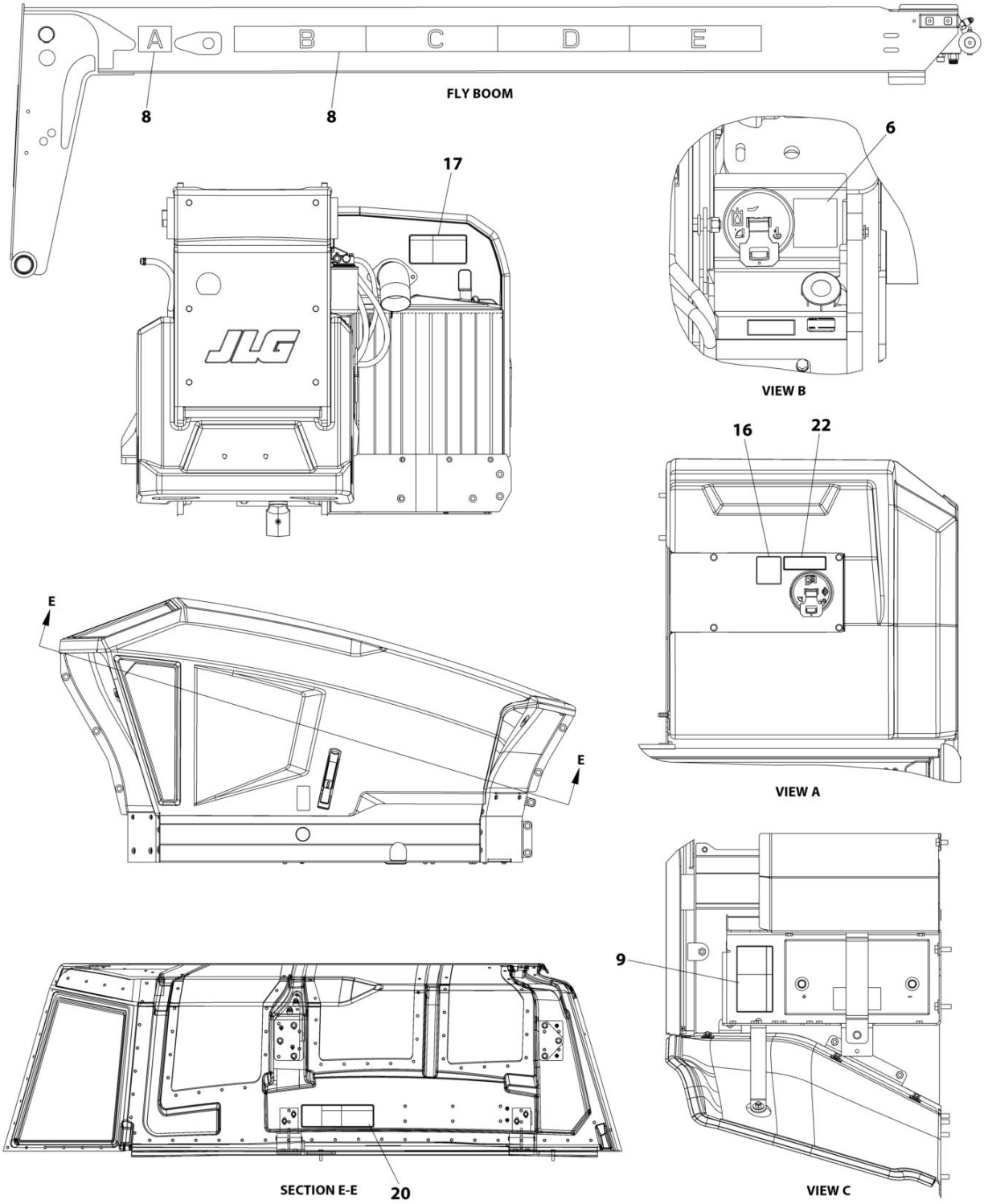
FIGURE 11-4. DECALS INSTALLATION - INFO (ENGLISH/SPANISH LANGUAGES)



NOTE: SEE PAGE 20F2 FOR DETAIL VIEWS

ART_1001302578_10F2

SECTION 11 - DECALS



ART_1001302578_20F2

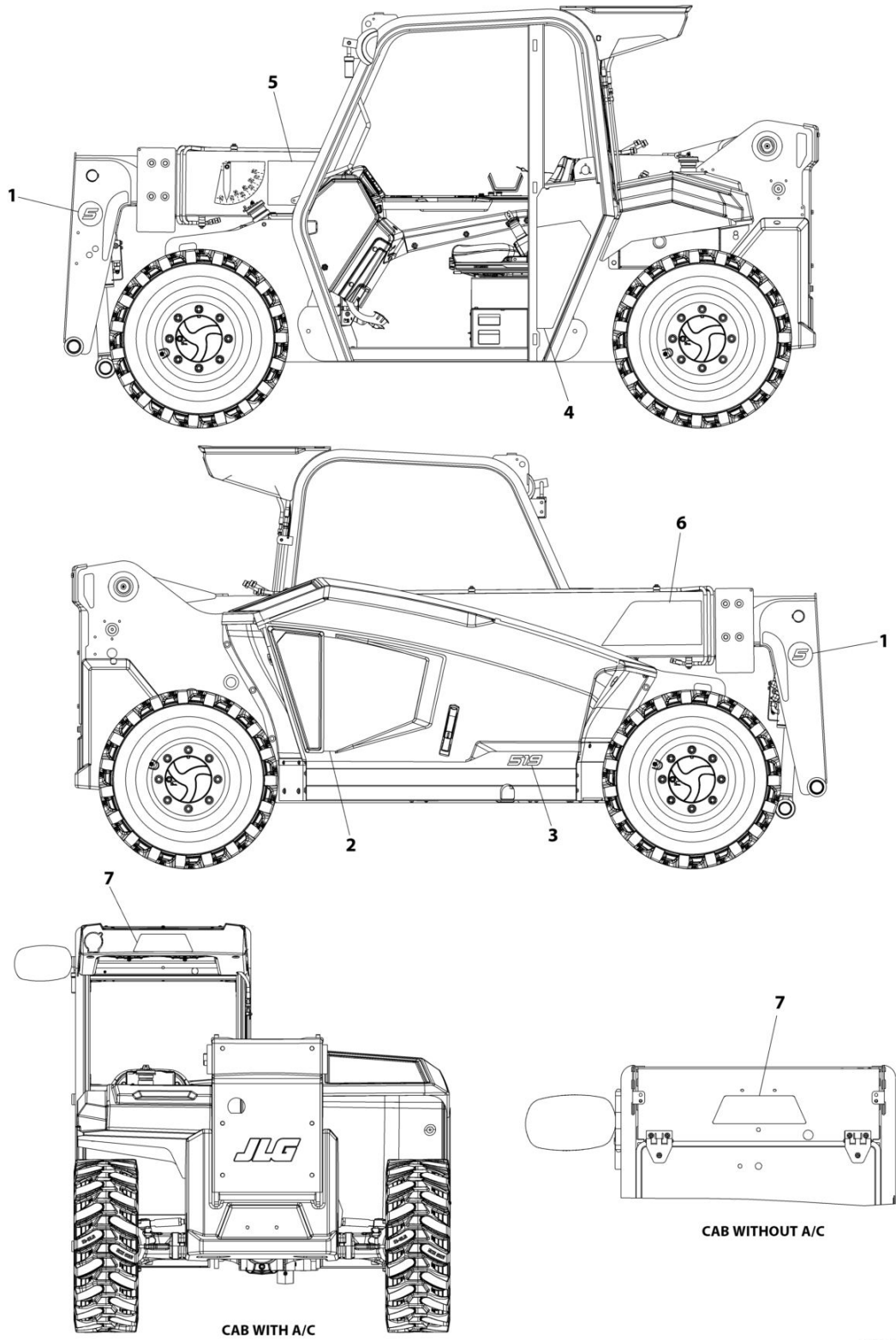
SECTION 11 - DECALS

FIGURE 11-4. DECALS INSTALLATION - INFO (ENGLISH/SPANISH LANGUAGES)

ITEM	PART NUMBER	QTY	DESCRIPTION	REV
	1001302578	Ref	DECALS INSTALLATION - INFO (ENGLISH/SPANISH LANGUAGES)	A
	1001302579	Ref	DECAL - CHART	D
1	1701500	4	Decal - Lift	
2	4109801	4	Decal - Tie Down Point	
3	1001235800	3	Decal - Pinch Point	
4	See Note	NSS	Decal - Bar Code (Note: Not Available for Purchase)	
5	3251813	1	Decal - USA	
6	4100181	1	Decal - Hydraulic Oil Fill	
7	91563220	1	Decal - Oil Level	
8	1001099783	1	Decal - Boom Extend	
9	1001235794	1	Decal - Battery Warning	
10	1001235796	1	Decal - Carry Personnel	
11	1001235801	1	Decal - Tipover Warning	
12	1001235802	1	Decal - No Riders	
13	1001235803	1	Decal - Crush Hazard Warning	
14	1001200101	1	Decal - Manual Location	
15	1001235809	1	Decal - Warning/Danger	
16	1001189017	1	Decal - Diesel Fuel Fill	
17	1001235798	1	Decal - Ether Starting Warning	
18	1001235797	1	Decal - Electrocution Hazard	
19	1001235799	1	Decal - Moving Parts	
20	1001235805	1	Decal - Hot Fluid Warning	
21	1001219211	1	Decal - Brake Fluid Spec	
22	1001235804	1	Decal - Ultra Low Sulfur Diesel	

SECTION 11 - DECALS

FIGURE 11-5. DECALS INSTALLATION - BRAND (OPEN CAB)



ART_1001302484

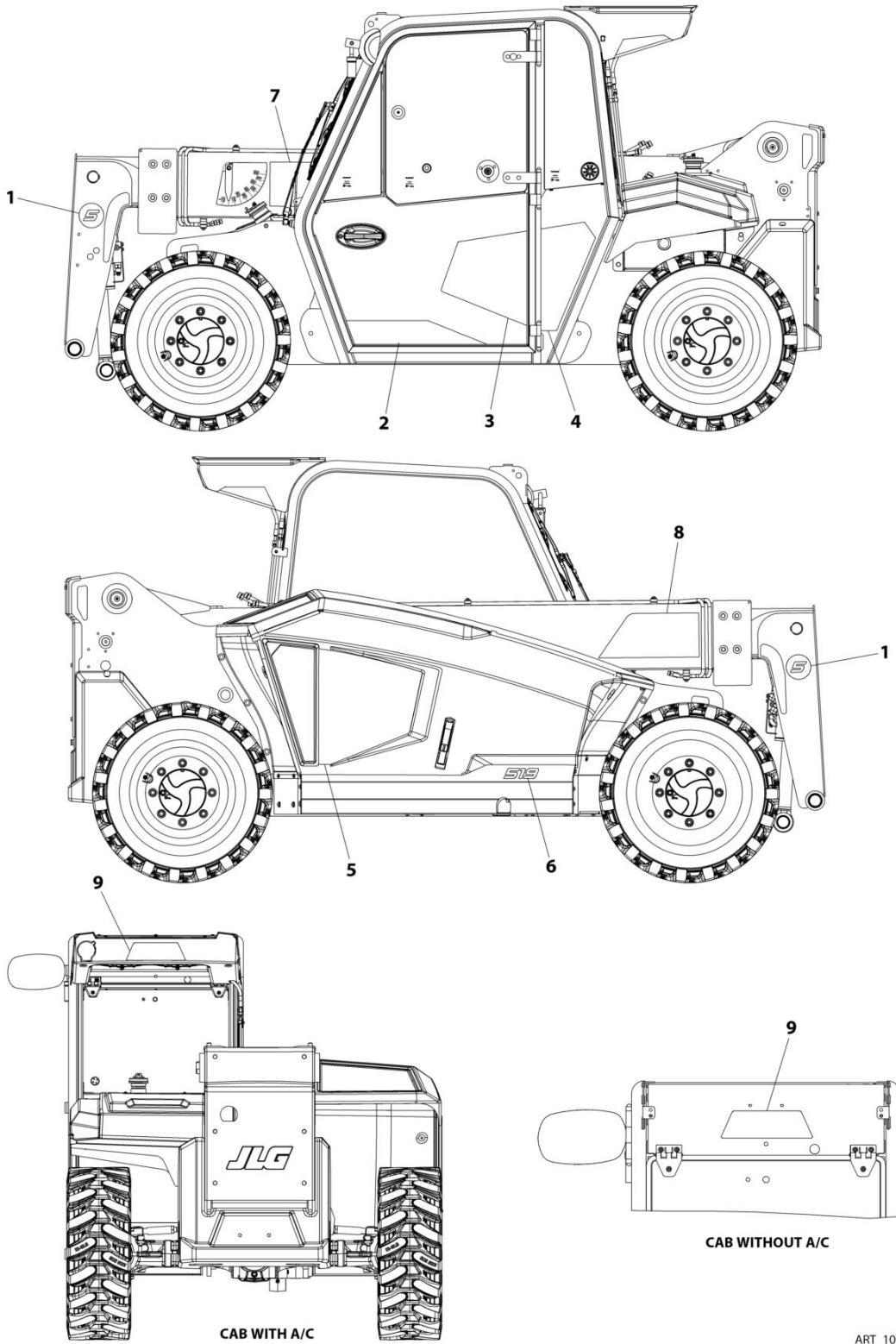
SECTION 11 - DECALS

FIGURE 11-5. DECALS INSTALLATION - BRAND (OPEN CAB)

ITEM	PART NUMBER	QTY	DESCRIPTION	REV
	1001302484	Ref	DECALS INSTALLATION - BRAND (OPEN CAB)	D
1	1001279175	2	Decal - Boom Head	
2	1001302367	1	Decal - Hood	
3	1001302369	1	Decal - Skirt	
4	1001302371	1	Decal - Open Cab	
5	1001302543	1	Decal - Boom Left	
6	1001302544	1	Decal - Boom Right	
7	1001316110	1	Decal - Cab/AC	

SECTION 11 - DECALS

FIGURE 11-6. DECALS INSTALLATION - BRAND (CLOSED CAB)



ART_1001302577

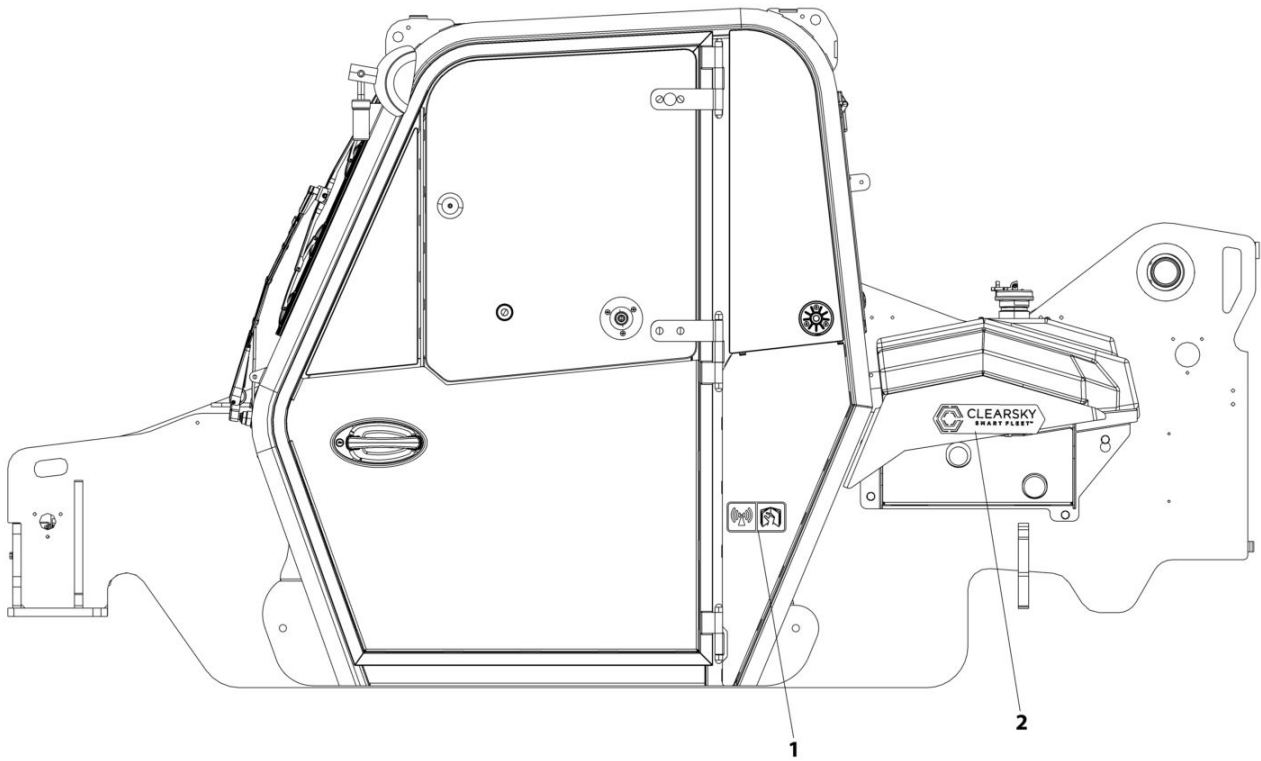
SECTION 11 - DECALS

FIGURE 11-6. DECALS INSTALLATION - BRAND (CLOSED CAB)

ITEM	PART NUMBER	QTY	DESCRIPTION	REV
	1001302577	Ref	DECALS INSTALLATION - BRAND (CLOSED CAB)	D
1	1001279175	2	Decal - Boom Head	
2	1001302364	1	Decal - Lower Door	
3	1001302365	1	Decal - Door	
4	1001302366	1	Decal - Panel	
5	1001302367	1	Decal - Hood	
6	1001302369	1	Decal - Skirt	
7	1001302543	1	Decal - Boom Left	
8	1001302544	1	Decal - Boom Right	
9	1001316110	1	Decal - Cab/AC	

SECTION 11 - DECALS

FIGURE 11-7. DECALS INSTALLATION - CLEARSKY



ART_1001310863

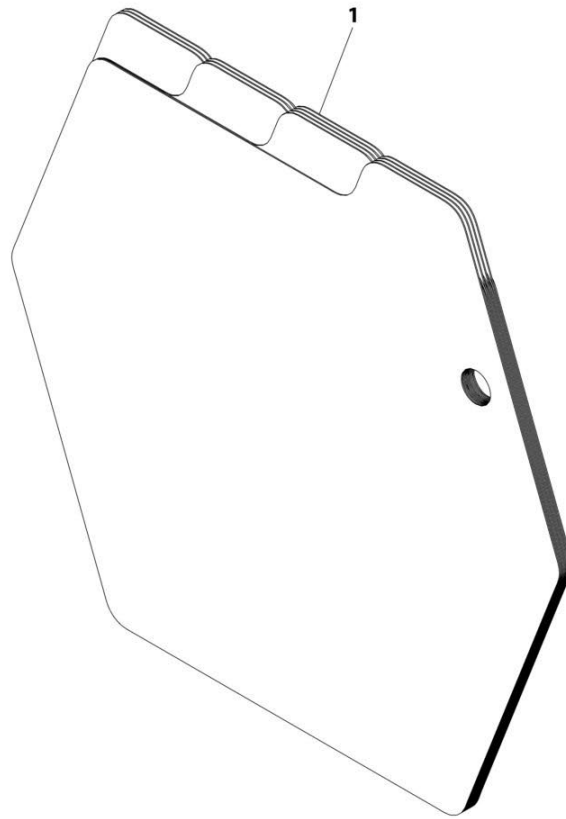
SECTION 11 - DECALS

FIGURE 11-7. DECALS INSTALLATION - CLEARSKY

ITEM	PART NUMBER	QTY	DESCRIPTION	REV
	1001310863	Ref	DECALS INSTALLATION - CLEARSKY	A
1	1001120989	1	Decal - Radio Frequency	
2	1001294815	1	Decal - Clearsky	

SECTION 11 - DECALS

FIGURE 11-8. LOAD CHART (ANSI SPECS)



ART_1001311295

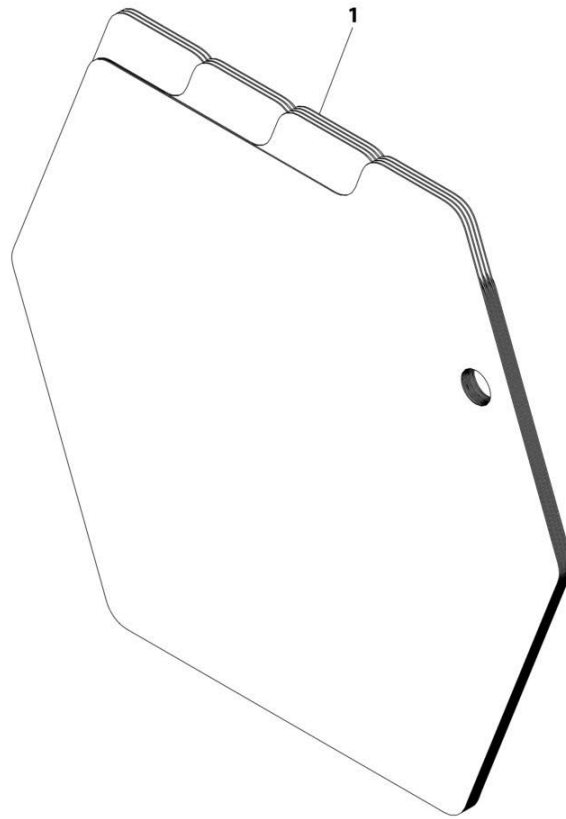
SECTION 11 - DECALS

FIGURE 11-8. LOAD CHART (ANSI SPECS)

ITEM	PART NUMBER	QTY	DESCRIPTION	REV
1	1001311295 See Note	Ref Ref	LOAD CHART (ANSI SPECS) Note: Sold as Assembly Only.	B

SECTION 11 - DECALS

FIGURE 11-9. LOAD CHART (METRIC SPECS)



ART_1001314793

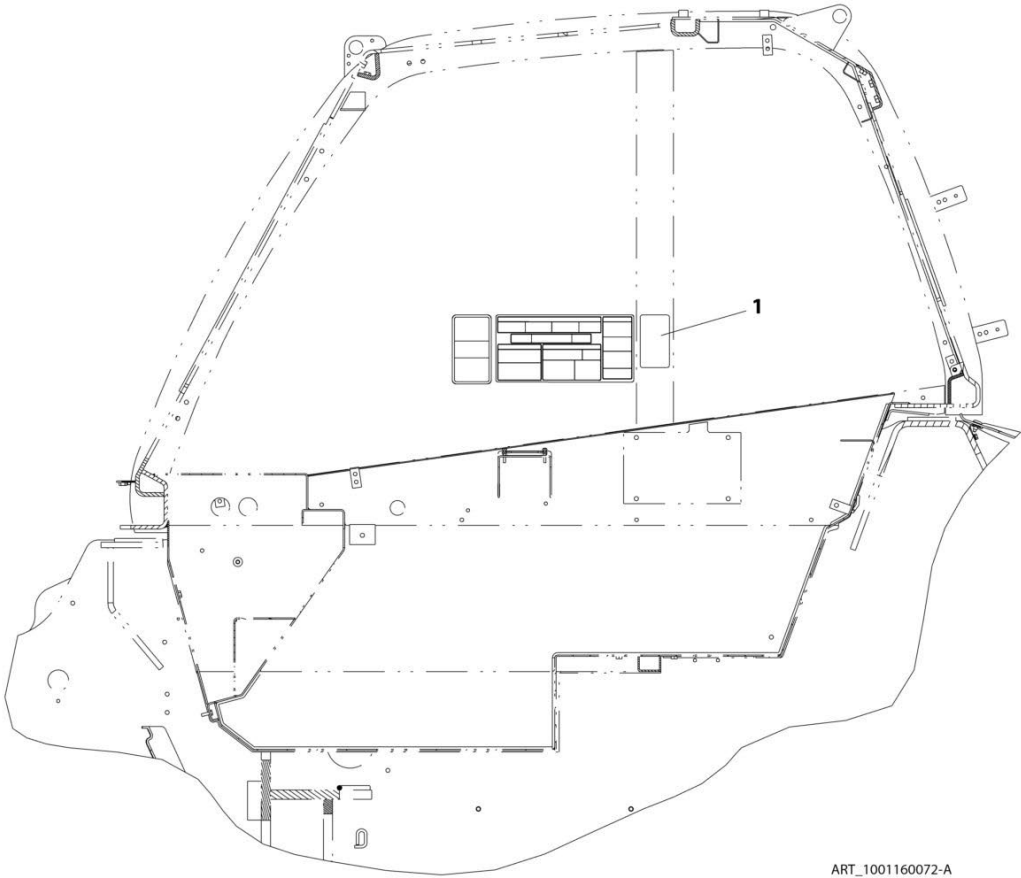
SECTION 11 - DECALS

FIGURE 11-9. LOAD CHART (METRIC SPECS)

ITEM	PART NUMBER	QTY	DESCRIPTION	REV
1	1001314793 See Note	Ref Ref	LOAD CHART (METRIC SPECS) Note: Sold as Assembly Only.	A

SECTION 11 - DECALS

FIGURE 11-10. REVERSE SENSOR SYSTEM DECAL (ENGLISH)



ART_1001160072-A

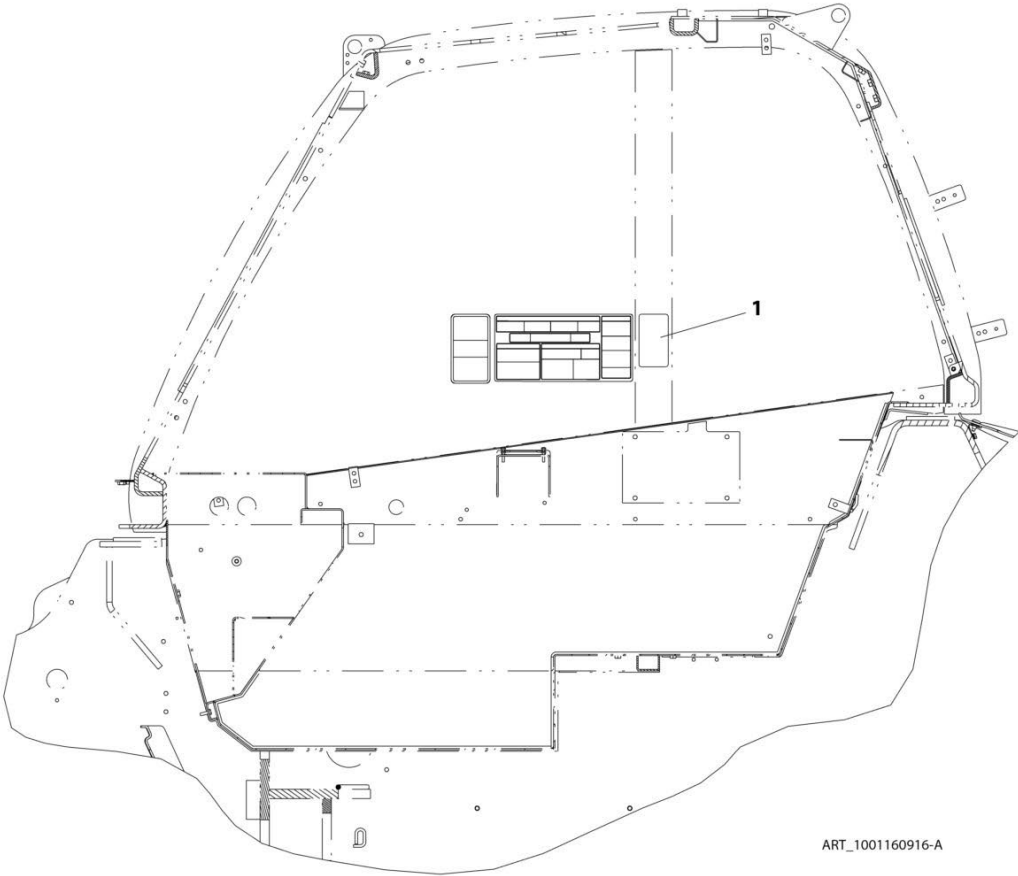
SECTION 11 - DECALS

FIGURE 11-10. REVERSE SENSOR SYSTEM DECAL (ENGLISH)

ITEM	PART NUMBER	QTY	DESCRIPTION	REV
1	1001160072	1	Reverse Sensor System Decal (English)	A

SECTION 11 - DECALS

FIGURE 11-11. REVERSE SENSOR SYSTEM DECAL (ISO)



ART_1001160916-A

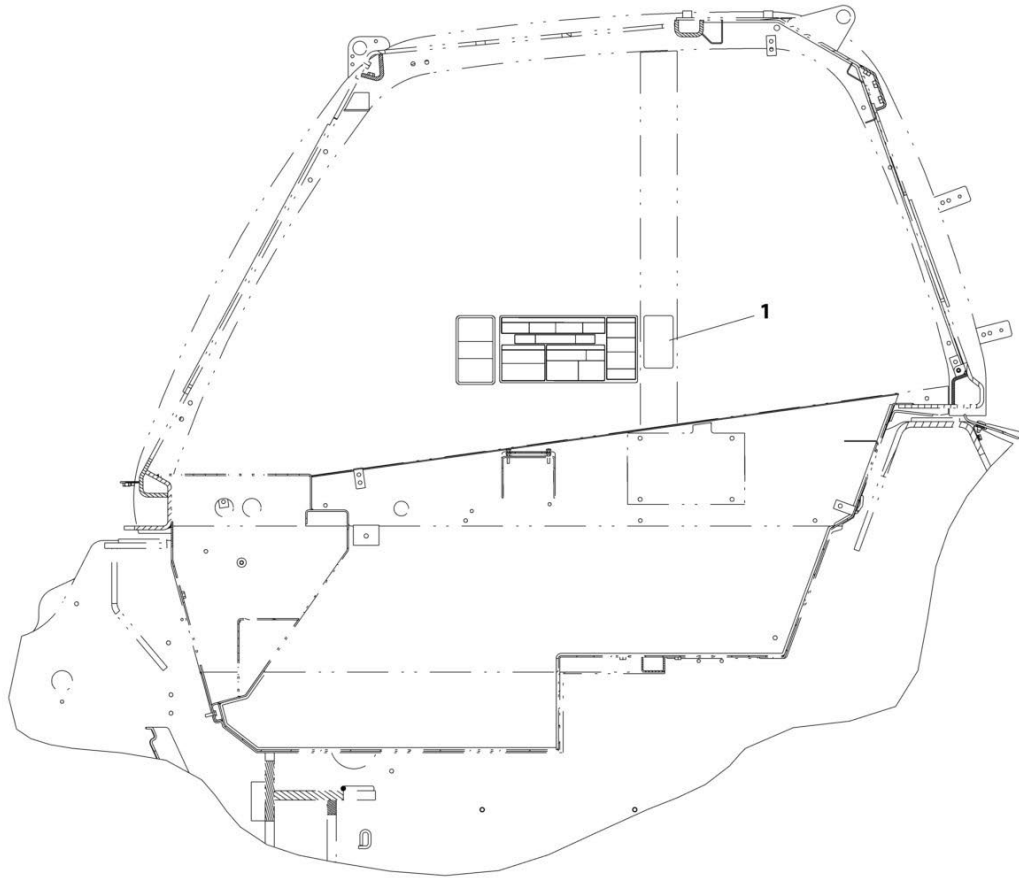
SECTION 11 - DECALS

FIGURE 11-11. REVERSE SENSOR SYSTEM DECAL (ISO)

ITEM	PART NUMBER	QTY	DESCRIPTION	REV
1	1001160916	1	Reverse Sensor System Decal (ISO)	A

SECTION 11 - DECALS

FIGURE 11-12. REVERSE SENSING SYSTEM DECAL, (ENGLISH/FRENCH)



ART_1001160945-A

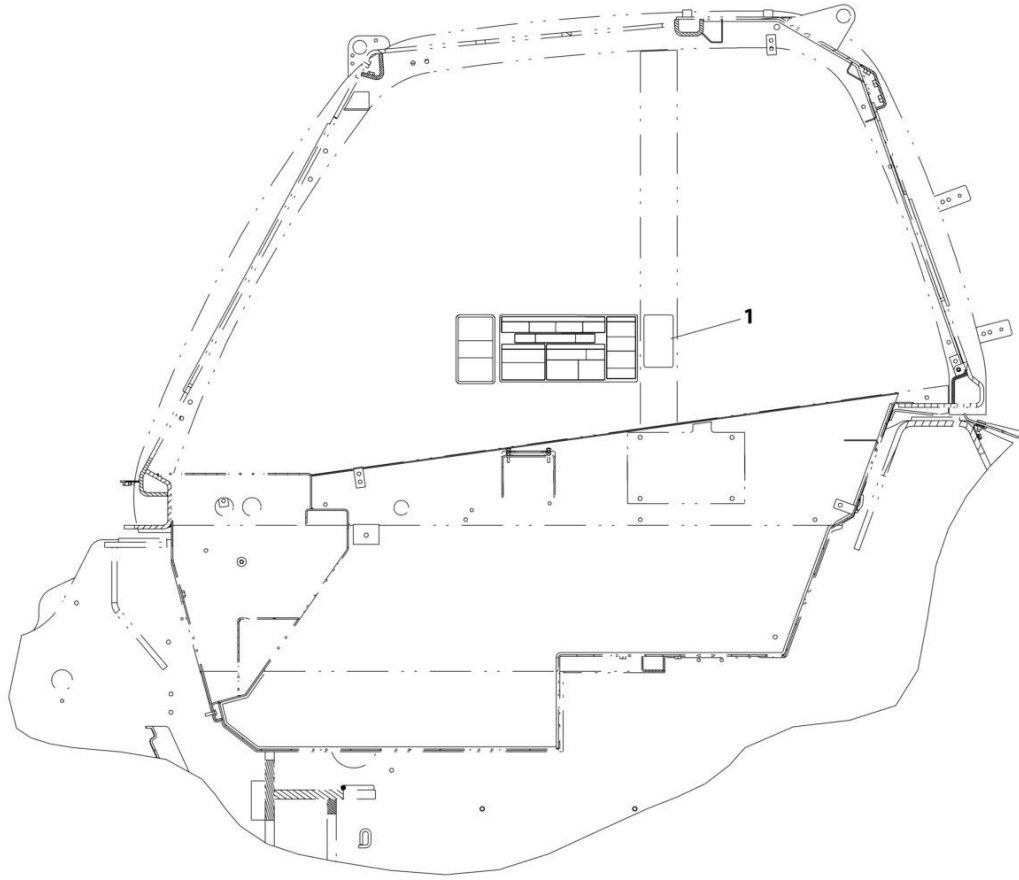
SECTION 11 - DECALS

FIGURE 11-12. REVERSE SENSING SYSTEM DECAL, (ENGLISH/FRENCH)

ITEM	PART NUMBER	QTY	DESCRIPTION	REV
1	1001160945	1	Reverse Sensor System Decal (ENGLISH/FRENCH)	A

SECTION 11 - DECALS

FIGURE 11-13. REVERSE SENSOR SYSTEM DECAL (ENGLISH/SPANISH)



ART_1001237846-A

SECTION 11 - DECALS

FIGURE 11-13. REVERSE SENSOR SYSTEM DECAL (ENGLISH/SPANISH)

ITEM	PART NUMBER	QTY	DESCRIPTION	REV
1	1001237846	Ref	REVERSE SENSOR SYSTEM DECAL (ENGLISH/SPANISH LANGUAGES)	A

SECTION 12 - RECOMMENDED SERVICE PARTS STOCK

SECTION 12 - RECOMMENDED SERVICE PARTS STOCK

SECTION 12 - RECOMMENDED SERVICE PARTS STOCK

FIGURE 12-1. RECOMMENDED SERVICE PARTS STOCK

ITEM	PART NUMBER	QTY	DESCRIPTION	REV
		Ref	Note: The following list will service one machine (built to current production per date on the front cover) with emergency repair parts which can be installed in the field. Parts from the list should be replaced when inventory is depleted to keep service parts stock supplied. For further information, contact your JLG dealer or the JLG Industries Parts Department.	
	1001264879	1	Coil (Valve Block Assembly)	
	70020764	1	Coil (Divertor Valve)	
	70031931	1	Coil (Brake Valve)	
	70007504	1	Coil (Watchdog valve)	
	70026582	1	Coil (Steering Select)	
	1001177597	1	Diode (Cab & Engine Harness)	
	70031028	1	Element, Filter (Hydraulic)	
	70031078	1	ELEMENT, PRIMARY AIR FILTER	
	70031079	1	ELEMENT, SECONDARY AIR FILTER	
	1001081375	1	FILTER,CAB AIR	
	1001162662	1	FILTER,BREATHER (Hydraulic)	
	8229242	2	Fuse, 5A (Frame Harness)	
	80983191	2	Fuse, 10A (Frame Harness)	
	8229244	2	Fuse, 15A (Frame Harness)	
	8229246	1	FUSE,20 AMP MINI	
	70026296	1	Fuse, 200AMP	
	70031248	1	Fuse, 150 AMP	
	70031249	1	Fuse, 15 AMP	
	70031250	1	Fuse, 25 AMP	
	70026297	1	Fuse, 80AMP	
	70031251	1	Fuse, 30 AMP	
	8342813	1	Key, Door (Door Assembly Installation)	
	1001311739	1	KEY,SWITCH IGNITION	
	2940074	1	Latch (Fork Mounted Platform)	
	3740080	1	Relay (A/C Condenser Installation, Frame Harness, Posi Air Shutoff & SC Frame)	
	1001095704	1	Relay, 35A (Frame Harness)	
	70025317	1	Relay, 70A	
	70026295	1	Relay, 35AMP	
	1001197965	1	Switch, Fuel Level Sensor	
	1001183024	1	SENSOR,PROXIMITY (LSI)	
	1001289105	1	SENSOR,REAR AXLE, LSI	
	1001247421	1	Sensor, Reverse Object (Reverse Sensing System Installation)	
	1001128478	1	Sensor, Temperature (Radiator)	
	1001104654	1	Switch, Auxiliary Decomp	
	1001299096	1	SWITCH,BEACON	
	1001159741	1	SWITCH,CONT AUX	
	1001192142	1	Switch, Disconnect (Battery Disconnect)	
	1001189898	1	SWITCH,FRAMER / LOADER	
	1001080380	1	Switch, FNR Shifter (Cab Common Installation)	
	1001080368	1	Switch, Front Wiper (Enclosed Cab)	
	1001080367	1	Switch, Front Windshield Washer (Enclosed Cab)	
	1001159734	1	Switch, Hazard Light (Roadlights)	
	1001080371	1	Switch, Horn (Cab Common Installation)	

SECTION 12 - RECOMMENDED SERVICE PARTS STOCK

ITEM	PART NUMBER	QTY	DESCRIPTION	REV
	1001172547	1	SWITCH,HVAC ROTARY 3 SPEED	
	1001160326	1	SWITCH,HVAC ON/OFF	
	1001159742	1	SWITCH,LSI OVERRIDE	
	1001311740	1	SWITCH,IGNITION	
	1001159753	1	SWITCH,PARK BRAKE	
	1001159849	1	SWITCH,STEER MODE	
	1001080375	1	Switch, Quick Coupler (Hydraulic Quick Switch Installation)	
	1001080377	1	Switch, Rear/Roof Wiper (Enclosed Cab)	
	1001080381	1	Switch, Turn Signal-Headlight (Roadlights)	
	1001299654	1	SWITCH,WORKLIGHTS	

SECTION 13 - SPECIAL OPTIONS/ACCESSORIES/KITS

SECTION 13 - SPECIAL OPTIONS/ACCESSORIES/KITS

SECTION 13 - SPECIAL OPTIONS/ACCESSORIES/KITS

FIGURE 13-1. SPECIAL OPTIONS/ACCESSORIES/KITS

ITEM	PART NUMBER	QTY	DESCRIPTION	REV
	1001130717	Ref	Service Kits	Z
	See Note	Ref	Note: This list is to accommodate machines ordered with special equipment. Options may not be applicable to all models. For more specific parts information contact JLG Parts Department.	
		Ref	SPECIAL OPTIONS/ACCESSORIES/KITS	
	1001307740	Ref	Coupler (Manual) Installation Sub - FAPL - Includes	
	1001098472	Ref	Coupler (Manual) Installation (See Separate Breakdown in BOOM Section)	
	1001307741	Ref	Coupler (Manual) Universal Installation Sub - FAPL - Includes	
	1001101185	Ref	Coupler (Manual) Universal Installation (See Separate Breakdown in BOOM Section)	
	1001298309	Ref	Electrical Sub - FAPL - Includes:	
	1001297546	Ref	Frame Wiring Installation (See Separate Breakdown in ELECTRICAL Section)	
	1001298335	Ref	Frame Electrical Installation (See Separate Breakdown in ELECTRICAL Section)	
	1001290358	Ref	Engine Sub -FAPL - HRC - Includes:	
	1001289554	Ref	Engine Assembly - HRC (See Separate Breakdown in ENGINE Section)	
	1001290366	Ref	Engine Mounts Installation (See Separate Breakdown in ENGINE Section)	
	1001290367	Ref	Engine Pump Adapter Installation (See Separate Breakdown in ENGINE Section)	
	1001290368	Ref	Engine Pumps Installation (See Separate Breakdown in ENGINE Section)	
	1001290369	Ref	Engine Fuel System Installation (See Separate Breakdown in ENGINE Section)	
	1001290371	Ref	Engine ECM Installation (See Separate Breakdown in ENGINE Section)	
	1001294732	Ref	Engine Air Intake Installation (See Separate Breakdown In ENGINE Section)	
	1001297602	Ref	Engine Electrical Installation (See Separate Breakdown in ENGINE Section)	
	1001311888	Ref	Engine Sub -FAPL - LRC - Includes:	
	1001290366	Ref	Engine Mounts Installation (See Separate Breakdown in ENGINE Section)	
	1001290367	Ref	Engine Pump Adapter Installation (See Separate Breakdown in ENGINE Section)	
	1001290368	Ref	Engine Pumps Installation (See Separate Breakdown in ENGINE Section)	
	1001290369	Ref	Engine Fuel System Installation (See Separate Breakdown in ENGINE Section)	
	1001290371	Ref	Engine ECM Installation (See Separate Breakdown in ENGINE Section)	
	1001293992	Ref	Engine Assembly - LRC (See Separate Breakdown in ENGINE Section)	
	1001294732	Ref	Engine Air Intake Installation (See Separate Breakdown In ENGINE Section)	
	1001297602	Ref	Engine Electrical Installation (See Separate Breakdown in ENGINE Section)	
	1001298024	Ref	Enclosure Installation Sub - FAPL - Includes:	
	1001296997	Ref	Hood Installation (See Separate Breakdown in FRAME AND ATTACHING PARTS Section)	

SECTION 13 - SPECIAL OPTIONS/ACCESSORIES/KITS

ITEM	PART NUMBER	QTY	DESCRIPTION	REV
	1001297139	Ref	Enclosure Skirt Installation (See Separate Breakdown in FRAME AND ATTACHING PARTS Section)	
	1001298451	Ref	Hitch Installation	
	1001290202	Ref	Hydraulics Sub-FAPL - Includes:	
	1001290194	Ref	Hose Installation - Engine Bay (See Separate Breakdown in HYDRAULIC CIRCUITS Section)	
	1001290196	Ref	Hose Installation - Frame (See Separate Breakdown in HYDRAULIC CIRCUITS Section)	
	1001290197	Ref	Hose Installation - Cab (See Separate Breakdown in HYDRAULIC CIRCUITS Section)	
	1001290198	Ref	Hose Installation - Boom (See Separate Breakdown in HYDRAULIC CIRCUITS Section)	
	1001290199	Ref	Valve Installation - Main Control (See Separate Breakdown in HYDRAULIC COMPONENTS Section)	
	1001290200	Ref	Valve Installation - Steer (See Separate Breakdown in HYDRAULIC COMPONENTS Section)	
	1001290219	Ref	Valve Installation - Priority (See Separate Breakdown in HYDRAULIC COMPONENTS Section)	
	1001295677	Ref	Valve Installation - Watchdog (See Separate Breakdown in HYDRAULIC COMPONENTS Section)	
	1001311649	Ref	NO REVERSE CAMERA INSTALLATION	
	1001294525	Ref	Open Cab Sub - FAPL - Includes:	
	1001297104	Ref	Accelerator Pedal Installation (See Separate Breakdown in the CONTROLS Section)	
	1001297107	Ref	Cab Side Mirror Installation (See Separate Breakdown in the CAB Section)	
	1001297108	Ref	Level Indicator Installation (See Separate Breakdown in the CAB Section)	
	1001298616	Ref	Open Cab Glass Installation (See Separate Breakdown in the CAB Section)	
	1001299417	Ref	Hose Pass Through Installation (See Separate Breakdown in the CAB Section)	
	1001296954	Ref	Closed Cab Sub - FAPL - Includes:	
	1001291761	Ref	Front Wiper Installation (See Separate Breakdown in the CAB Section)	
	1001297104	Ref	Accelerator Pedal Installation (See Separate Breakdown in the CONTROLS Section)	
	1001297107	Ref	Cab Side Mirror Installation (See Separate Breakdown in the CAB Section)	
	1001297108	Ref	Level Indicator Installation (See Separate Breakdown in the CAB Section)	
	1001297165	Ref	Rear Window Exit Decal Installation (See Separate Breakdown in the CAB Section)	
	1001298617	Ref	Closed Cab Glass Installation (See Separate Breakdown in the CAB Section)	
	1001299066	Ref	Washer Tank and Hoses Installation (See Separate Breakdown in the CAB Section)	
	1001299417	Ref	Hose Pass Through Installation (See Separate Breakdown in the CAB Section)	
	1001298028	Ref	Tanks Sub-FAPL - Includes:	
	1001290730	Ref	Hydraulic Tank Installation (See Separate Breakdown in FRAME AND ATTACHING PARTS Section)	
	1001295923	Ref	Fuel Tank Installation (See Separate Breakdown in FRAME AND ATTACHING PARTS Section)	

SECTION 13 - SPECIAL OPTIONS/ACCESSORIES/KITS

PART NUMBER INDEX

SECTION 13 - SPECIAL OPTIONS/ACCESSORIES/KITS

0100011.....123, 325, 443, 449	0760814.....115, 131	1001080154.....33	1001096584.....37, 39
0100019.....197	0760815...255, 313, 335, 391	1001080155.....33	1001096585.....37, 39
0400075.....427	0760816.....43, 275, 477	1001080212.....201	1001096730.....45
0641405.....87	0761010.17, 37, 39, 129, 427, 461, 463	1001080333.....45, 55	1001096913.....275
0641406.....331	0761011.....21	1001080334.....55, 363	1001097205.....85
0641408.....329	0761012.17, 19, 29, 119, 301, 305, 379, 477	1001080367.....313, 538	1001097252.....45
0641508.....329	0761014.....19	1001080368.....317, 538	1001097628.....45
0641516.....335	0761210.....121, 243	1001080371.....455, 538	1001097728...45, 47, 51, 53
0641608.....45	0761212.....33	1001080375.....349, 353, 539	1001097729...45, 47, 51, 53
0641628.....57	0761218.....129	1001080377.....319, 539	1001098171.....51
0641636.....255	0761228...45, 47, 51, 53, 357	1001080380.....249, 538	1001098472.....51, 542
0641652.....255	0761410.....117	1001080381.....477, 539	1001098769.....41
0681414.....331	0770810.....139	1001080391.....37	1001099458.....89
0682032.....235	0860520.....87	1001080394.....335	1001099699.....259
0682230.....235	1001001240...73, 81, 83, 351, 409	1001080397...349, 353, 441	1001099783...504, 508, 512, 516
0700408.....237	1001001241...73, 81, 83, 351, 409	1001080462.....309	1001100916...349, 353
0700610.....19, 273, 423, 425, 453	1001001556.....355, 409	1001080463.....309	1001101041...347, 355
0700612.....127, 461	1001001557.....351, 409	1001080494...219, 221, 229	1001101042...347, 355
0700614.....243	1001002953.....255	1001080565.....45	1001101185.....53, 542
0700615.....127	1001002957.....255	1001080826.....305, 307	1001101808.....423
0700616.....395	1001003043.....315	1001080891.....199	1001101895.....508
0700617.....405	1001003299.....49	1001080900.....249	1001102323.....95
0700814.....23, 121, 145	1001003305.....121	1001080953.....261	1001102324.....97
0700815.....423, 425	1001003474...69, 73, 81, 83	1001080992.....235	1001102327.....99
0700818.....199, 335, 443	1001003475...69, 73, 81, 83	1001081049.....281, 283	1001102331.....69
0700819.....461	1001003589.....29, 397	1001081223.....301, 303	1001104009.....71
0700822.....147	1001005368.....315	1001081242.....255	1001104025.....75
0701012.....25	1001006730.....289	1001081246.....255	1001104477...355, 375, 409
0701013.....153	1001006731.....291	1001081266.....255	1001104519...445, 451, 475
0701014.....37, 121, 129, 427	1001008479.....49, 103	1001081283.....315	1001104541...219, 221
0701016.....139, 349, 353	1001008559...117, 313, 443, 446, 449, 457, 463, 468, 479, 481, 483, 485	1001081284.....315	1001104654...455, 538
0701018.....37, 139	1001008742.....313	1001081285.....315	1001107854...421, 467
0701020.....25, 129	1001008979.....49	1001081289.....315	1001108079.....249
0701027.....49	1001009094...49, 103	1001081299K.....19	1001108552.....315
0701030.....139	1001009163.....29	1001081333.....193	1001108575.....255
0701232.....33	1001010646...289, 291	1001081375...229, 231, 538	1001108603...225, 255
0701627.....77, 79	1001010647...289, 291	1001081413.....391	1001109365...223, 225
0702037.....193	1001010648...289, 291	1001090103...347, 351, 355, 409	1001110544.....117
0711214.....125	1001010649...289, 291	1001090343...313, 317, 319, 321	1001113047...227, 229, 231
0711215.....115	1001010650...289, 291	1001091102.....237	1001114675.....273
0711216.....125, 195	1001028264.....15	1001091715.....477	1001114803.....129
0711217.....115	1001028306.....15	1001091716.....477	1001116128.....485
0711223.....115	1001028308.....15	1001091751.....455	1001116696.....495
0711226.....115	1001055652.....49	1001092481.....61	1001116699.....467
0711227.....115	1001061633...49, 103	1001092482.....61	1001116705.....451
0712029.....193	1001061659.....49	1001092877.....508	1001116745.....467
0720606.....27	1001061660...49, 103	1001092878.....508	1001116747.....421
0760405.....455	1001061891...49, 103	1001093171.....85	1001116754.....445
0760505.....121	1001061892.....49	1001094312.....255	1001116763.....421
0760510.....313	1001061893.....49	1001095301.....121	1001116774.....468
0760605.....51, 255	1001062117.....49	1001095650.....255	1001116810...451, 468
0760607.....19	1001080050.....39	1001095704...446, 451, 538	1001116811.....457
0760608...25, 117, 219, 221, 243, 263, 265, 317, 325, 433, 435, 443, 461	1001080116.....57	1001095810.....87	1001116812...457, 468
0760610.....129, 141	1001080117.....57	1001096019.....65	1001116813...437, 468
0760615.....17	1001080152.....35	1001096020.....65	1001116815...457, 468
0760807.....129		1001096021.....63	1001116948.....467
0760808...19, 247, 379		1001096022.....63	1001116950.....468
0760810.17, 19, 119, 129, 207, 239, 241, 243, 281, 283, 335, 427		1001096023.....63	1001116983.....467
0760812.....117, 479		1001096024.....65	1001116984.....451
		1001096025.....63	1001116985.....451
		1001096365.....255	1001116986.....451

SECTION 13 - SPECIAL OPTIONS/ACCESSORIES/KITS

1001116991 451	1001153748..... 401, 413	1001172147.....25	1001195385 251
1001116995 451	1001155540..... 129	1001172178.....27	1001195386 251
1001116996 495	1001158330..... 103	1001172547..... 229, 231,	1001195437 251
1001116997 451	1001158331..... 103	539	1001195438 251
1001117002 451	1001158336..... 103	1001172550..... 229, 231	1001195587 23
1001117021 421, 439,	1001158352..... 47, 103	1001175568..... 121	1001196100 477
468	1001159028..... 327	1001175733..... 491	1001196589 467
1001117026 467	1001159734..... 477, 538	1001175776..... 489, 491	1001197130 193
1001117079 475	1001159741..... 455, 538	1001177198..... 451	1001197217 233
1001117080 451	1001159742..... 481, 483,	1001177597..... 446, 458,	1001197624 451
1001117081 445, 451	539	538	1001197719 458
1001117308 461	1001159753..... 455, 539	1001178059..... 103	1001197965 27, 538
1001117498 49, 53	1001159849..... 455, 539	1001179008..... 293, 295,	1001200101 504, 508,
1001118322 445	1001160072..... 529	297, 299	512, 516
1001118323 468	1001160326..... 231, 539	1001179009..... 293, 295,	1001200581 35, 371
1001118393 495	1001160498..... 445	297, 299	1001200796 207
1001118684 445	1001160500..... 467	1001179130..... 243, 245	1001200797 207
1001119032 445	1001160502..... 445	1001180306..... 15, 17	1001200845 451
1001120602 149	1001160509..... 467	1001181128..... 461	1001201331 313
1001120989 523	1001160916..... 531	1001181531..... 455	1001201668 57, 361
1001125387 504	1001160945..... 533	1001182663..... 255	1001202986 149, 153
1001125465 485	1001161095..... 445, 467	1001182882..... 255	1001204709 293
1001125677 446, 468	1001161097..... 445, 467	1001183024..... 481, 483,	1001207171 445
1001126008 445, 451	1001161098..... 445, 467	538	1001207282 27
1001126351 457	1001161099..... 467	1001184403..... 245	1001207768 353
1001126352 457	1001161100..... 445, 467	1001184404..... 245	1001207924 417
1001126362 457	1001161604..... 103	1001184405..... 245	1001207926 353, 417
1001126483 457	1001161606..... 103	1001184406..... 245	1001208308 219, 221,
1001126484 457	1001161607..... 103	1001184473..... 451	227, 229, 231
1001126837 219, 221,	1001161759..... 47	1001184551..... 445, 457	1001209009 353, 499
455	1001161957..... 467	1001184975..... 229, 231	1001209097 457
1001128416 19	1001161959..... 445	1001185073..... 29, 125	1001212049 295
1001128478 29, 538	1001161963..... 467	1001187070..... 457	1001212050 297
1001130220 17	1001162515..... 468	1001187073..... 468	1001212948 143
1001130717 542	1001162662..... 29, 538	1001187075..... 468	1001213010 143
1001132169 457	1001162887..... 445	1001187076..... 468	1001213752 481, 483
1001133173 457	1001162898..... 67	1001187077..... 457, 468	1001214220 329
1001133793 121	1001163174..... 512	1001187078..... 457, 468	1001215531 223, 225,
1001136975 121	1001163206..... 512	1001187079..... 468	255
1001137106 47	1001163210..... 512	1001187080..... 457	1001215898 446, 468
1001137296 149	1001163212..... 512	1001188758..... 235	1001219211 508, 512,
1001139552 319	1001163222..... 512	1001189017 504, 508,	516
1001139568 315	1001163223..... 512	512, 516	1001220260 255
1001139578 504	1001163285..... 512	1001189733..... 331	1001220853 441
1001139942 508	1001163300..... 512	1001189738..... 331	1001223122 117
1001139975 213, 215	1001163304..... 512	1001189743..... 331	1001223453 504, 512
1001140296 329	1001163323..... 512	1001189745..... 331	1001223455 445
1001141246 255	1001163340..... 446	1001189803..... 331	1001225430 107, 111
1001141312 319	1001164498..... 281, 283	1001189850..... 331	1001226481 237
1001144147 468	1001165269..... 313	1001189888..... 371	1001227091 139
1001144375 139	1001165309..... 468	1001189898..... 455, 538	1001227802 225
1001144474 275	1001165455..... 313	1001190639..... 275	1001228860 43
1001144629J 87	1001165827..... 425	1001190640..... 477	1001230163 225
1001145300 429, 431	1001166715..... 119	1001191635..... 275	1001230931 445
1001146588 117, 123,	1001166718..... 115	1001192142..... 429, 538	1001231398 493
133	1001167015..... 261	1001192309..... 225	1001231801 504
1001147340 329	1001167266..... 243, 251	1001192364..... 35, 41	1001232351 213, 215
1001147923 468	1001167937..... 255	1001192401..... 468	1001232722 349, 353
1001148106 445	1001167958..... 255	1001192643..... 255	1001233304 209
1001148802 225	1001168018..... 115	1001192644..... 255	1001233305 211
1001149125 315	1001168330..... 243	1001192646..... 255	1001233558 512
1001150509 243	1001169151..... 243, 421	1001193887..... 43	1001234507 209
1001150610 457	1001171179..... 25	1001194421..... 493	1001234973 201
1001150611 468	1001171182..... 315	1001195342..... 251	1001235014 197, 201
1001150735 487	1001171183..... 315	1001195343..... 251	1001235794 516
1001150737 487	1001171808..... 41	1001195345..... 251	1001235796 516
1001152730 149	1001172146..... 25	1001195346..... 251	1001235797 516

SECTION 13 - SPECIAL OPTIONS/ACCESSORIES/KITS

1001235798.....	516	1001273793.....	121, 463, 477	1001290300.....	393	1001291538.....	137, 139
1001235799.....	516	1001273883.....	229, 231	1001290302.....	393	1001291573.....	131
1001235800.....	516	1001275632.....	407, 415	1001290303.....	343	1001291574.....	131
1001235801.....	516	1001275929.....	281, 285	1001290304.....	343	1001291637.....	427
1001235802.....	516	1001275931.....	283, 287	1001290305.....	343	1001291638.....	427
1001235803.....	516	1001275933.....	285	1001290306.....	343	1001291677.....	33, 35
1001235804.....	516	1001276620.....	325	1001290313.....	339	1001291679.....	37
1001235805.....	516	1001277374.....	255	1001290314.....	339	1001291749.....	125, 387
1001235809.....	516	1001279175.....	519, 521	1001290316.....	339	1001291761.....	317, 543
1001236316.....	203	1001280661.....	433, 435	1001290318.....	339	1001291762.....	313
1001236319.....	205	1001281298.....	153	1001290332.....	403	1001291787.....	35, 37
1001236622.....	451	1001281304.....	153	1001290357.....	193	1001291863.....	139
1001236666.....	203, 213	1001281305.....	153	1001290358.....	542	1001291864.....	139
1001236667.....	203, 215	1001281307.....	153	1001290359.....	129	1001292023.....	39
1001236668.....	205	1001281307.....	153	1001290360.....	131	1001292029.....	35, 39
1001236669.....	205	1001281309.....	153	1001290361.....	149	1001292062.....	275
1001237342.....	243	1001281310.....	153	1001290362.....	139	1001292149.....	33
1001237845.....	299	1001281311.....	153	1001290363.....	153	1001292157.....	15
1001237846.....	535	1001281359.....	153	1001290364.....	193, 195	1001292159.....	35, 335
1001238317.....	335	1001281360.....	153	1001290365.....	195	1001292164.....	33
1001238560.....	87	1001281404.....	153	1001290366.....	115, 542	1001292171.....	259
1001238565.....	61, 63, 65, 87	1001283127.....	139	1001290367.....	123, 542	1001292172.....	259
1001238653.....	61	1001283424.....	455	1001290368.....	125, 542	1001292174.....	397
1001238654.....	63	1001283481.....	277, 317	1001290369.....	121, 542	1001292202.....	243
1001238655.....	65	1001283482.....	317	1001290371.....	127, 542	1001292204.....	243
1001242501.....	73	1001283484.....	321	1001290373.....	129, 141	1001292206.....	231
1001242506.....	81	1001283530.....	317	1001290374.....	129, 143	1001292213.....	243
1001242508.....	83	1001283532.....	321	1001290377.....	145	1001292233.....	349, 355
1001242509.....	91	1001283785.....	147	1001290379.....	145	1001292235.....	349
1001242510.....	93	1001285382.....	29	1001290380.....	193	1001292239.....	227, 229, 231
1001242983.....	107, 111	1001285586.....	445	1001290386.....	29	1001292240.....	229, 231
1001243960.....	389	1001285634.....	468	1001290387.....	29	1001292252.....	317
1001246391.....	457	1001286267.....	195, 377	1001290449.....	337	1001292254.....	231, 263
1001247195.....	335	1001287276.....	377	1001290450.....	337	1001292258.....	227, 229
1001247421.....	489, 538	1001287856.....	29	1001290453.....	337	1001292259.....	231
1001251518.....	489	1001287939.....	77	1001290455.....	337	1001292260.....	17
1001254357.....	339, 343, 393	1001287951.....	79	1001290456.....	337	1001292273.....	347
1001255772.....	445	1001287981.....	225	1001290459.....	337	1001292274.....	353, 409
1001256264.....	23	1001288301.....	255	1001290460.....	337	1001292282.....	353
1001257058.....	481	1001288302.....	255	1001290480.....	147	1001292286.....	351
1001257067.....	481	1001288303.....	255	1001290494.....	129, 151	1001292295.....	315
1001257122.....	149	1001288355.....	255	1001290625.....	143	1001292410.....	43
1001264368.....	117	1001288356.....	225	1001290626.....	143	1001292482.....	335
1001264844.....	493	1001289105.....	485, 538	1001290627.....	143	1001292483.....	335
1001264878.....	417	1001289296.....	485	1001290628.....	143	1001292484.....	229, 265
1001264879.....	417, 538	1001289554.....	107, 542	1001290629.....	143	1001292486.....	263, 265
1001265007.....	453	1001289555.....	147	1001290651.....	341	1001292492.....	227, 229, 231
1001266920.....	329, 339	1001289648.....	433, 435	1001290730.....	25, 543	1001292495.....	229, 231
1001267976.....	47	1001290097.....	357, 367	1001290775.....	385	1001292500.....	229
1001270466.....	443	1001290163.....	341	1001290776.....	383, 385	1001292501.....	121
1001270467.....	461	1001290165.....	393	1001290876.....	227	1001292502.....	121
1001270468.....	461	1001290167.....	341	1001290892.....	193	1001292503.....	121
1001270952.....	458	1001290168.....	341	1001290910.....	115	1001292504.....	121
1001271293.....	443	1001290170.....	341	1001290974.....	121	1001292505.....	149
1001271411.....	445	1001290171.....	341	1001291010.....	427	1001292506.....	149
1001271648.....	255	1001290173.....	341	1001291012.....	141	1001292579.....	423
1001272297.....	27	1001290194.....	341, 543	1001291056.....	433, 435	1001292580.....	489
1001272336.....	139	1001290196.....	343, 543	1001291159.....	129	1001292581.....	45, 47
1001272548.....	101	1001290197.....	339, 543	1001291165.....	129	1001292845.....	243
1001272884.....	219, 221, 227, 229, 231, 243, 255, 259, 261, 283, 311, 315, 317, 453, 481, 483	1001290198.....	337, 543	1001291166.....	129	1001292868.....	243
1001273635.....	479	1001290199.....	379, 543	1001291167.....	129	1001293018.....	115
		1001290200.....	399, 543	1001291168.....	129	1001293048.....	77, 79
		1001290201.....	393, 395	1001291169.....	129	1001293063.....	77
		1001290202.....	543	1001291170.....	129	1001293064.....	79
		1001290219.....	383, 543	1001291279.....	381, 411	1001293180.....	133
		1001290243.....	123	1001291536.....	125		
		1001290299.....	343	1001291537.....	125		

SECTION 13 - SPECIAL OPTIONS/ACCESSORIES/KITS

1001293198 225	1001294746..... 15	1001297142..... 19	1001298616 223, 543
1001293253 35, 57	1001294815..... 523	1001297143..... 19	1001298617 225, 543
1001293272 193	1001294823..... 15	1001297146..... 19	1001298641 481
1001293273 193	1001294843..... 357, 359	1001297153..... 19	1001298844 43
1001293303 123	1001294850..... 25	1001297154..... 19	1001298848 227
1001293304 129	1001294923..... 457	1001297165..... 253, 543	1001298849 227
1001293310 429	1001295168..... 27	1001297171..... 219, 221, 247	1001298855 15
1001293317 127	1001295169..... 21, 27	1001297179..... 221, 237	1001298944 263, 265
1001293322 443, 445	1001295203..... 315	1001297180..... 237	1001299003 479
1001293325 463, 467	1001295236..... 229, 231	1001297181..... 237	1001299014 479
1001293335 427	1001295261..... 227, 229, 231	1001297183..... 237	1001299066 313, 543
1001293337 301, 305, 403	1001295385..... 379	1001297194..... 25, 29	1001299096 455, 538
1001293440 153	1001295511..... 27	1001297246..... 231	1001299102 449
1001293441 153	1001295534..... 125	1001297252..... 29	1001299133 439, 479
1001293502 223, 225	1001295675..... 341	1001297270..... 227	1001299140 313
1001293503 225	1001295676..... 405, 407	1001297320..... 219, 221	1001299141 313
1001293504 225	1001295677..... 405, 543	1001297323..... 219, 221	1001299142 313
1001293506 225	1001295772..... 367	1001297372..... 23	1001299143 313
1001293567 315	1001295843..... 117, 457	1001297402..... 481, 483	1001299144 313
1001293571 315	1001295912..... 335	1001297411..... 263	1001299145 313
1001293573 225, 315	1001295921..... 237	1001297412..... 477, 495	1001299315 263, 265
1001293613 223, 225	1001295923..... 21, 543	1001297413..... 473, 477	1001299417 311, 543
1001293614 223, 225	1001295925..... 221	1001297546..... 463, 542	1001299434 293
1001293615 223, 225	1001295937..... 335	1001297602..... 117, 542	1001299435 295
1001293636 255	1001295938..... 335	1001297632..... 233	1001299654 479, 539
1001293720 361, 371	1001295939..... 335	1001297634..... 453	1001299764 45
1001293739 379, 381	1001295940..... 21	1001297635..... 261	1001299765 47
1001293740 399, 401	1001296193..... 129	1001297636..... 261	1001299803 243
1001293782 255	1001296263..... 325	1001297723..... 243	1001299925 231, 243
1001293783 255	1001296361..... 281	1001297733..... 23	1001300360 219, 221
1001293812 255	1001296510..... 453	1001297750 449, 451	1001301017 361
1001293816 225, 255	1001296524..... 235	1001297752..... 443	1001301046 431
1001293817 255	1001296572..... 17	1001297763..... 433	1001301437 381
1001293891 117	1001296572..... 17	1001297764..... 435	1001301544 297
1001293892 117	1001296647..... 129	1001297765..... 433	1001301547 299
1001293893 117	1001296658..... 17	1001297766..... 435	1001301591 77
1001293894 117	1001296663..... 17	1001297844 475, 477	1001301592 79
1001293895 117	1001296674..... 283	1001297985..... 239	1001301759 504
1001293896 429	1001296730..... 283, 493	1001297986..... 239	1001301760 508
1001293897 429	1001296785..... 247	1001298024..... 542	1001301761 512
1001293898 117	1001296792..... 357	1001298028..... 543	1001302027 199
1001293925 255	1001296793..... 357	1001298036..... 481	1001302107 359
1001293944 255	1001296809..... 19	1001298037..... 483	1001302215 315
1001293945 255	1001296878..... 219	1001298040..... 481	1001302215 315
1001293992 111, 542	1001296879..... 221	1001298074 481, 483	1001302364 521
1001294177 229, 231	1001296894..... 219, 221	1001298076..... 483	1001302365 521
1001294179 125, 389	1001296906..... 25	1001298093..... 443	1001302366 521
1001294223 255	1001296915..... 17	1001298094 481, 483, 487	1001302367 519, 521
1001294242 255	1001296927..... 219	1001298109..... 223, 225	1001302369 519, 521
1001294244 427	1001296928..... 237	1001298132..... 241	1001302371 519
1001294253 255	1001296936..... 261	1001298133..... 241	1001302422 433, 435
1001294257 255	1001296939..... 219, 221	1001298215..... 429	1001302484 519
1001294261 195	1001296954..... 543	1001298219..... 431	1001302543 519, 521
1001294263 129	1001296975..... 23	1001298296..... 309	1001302544 519, 521
1001294265 29, 125	1001296988..... 319	1001298299..... 249	1001302577 521
1001294278 395, 397	1001296989..... 321	1001298308..... 219, 221	1001302578 516
1001294382 119, 135	1001296992..... 321	1001298309..... 542	1001302579 512, 516
1001294428 305	1001296997..... 23, 542	1001298335 461, 542	1001303239 193
1001294429 329	1001297049..... 504	1001298343..... 425	1001303376 219, 221
1001294430 393	1001297055..... 261	1001298344 311	1001303704 21
1001294432 357	1001297057..... 301	1001298345 311	1001304452 17
1001294525 543	1001297104..... 327, 543	1001298450 197	1001305415 504, 508
1001294732 119, 542	1001297107..... 273, 543	1001298451 543	1001305555 437, 479
1001294733 119	1001297108..... 271, 543	1001298452 477	1001305556 433, 435, 497
1001294734 119	1001297139..... 19, 543	1001298488 443	1001305564 137
1001294735 119	1001297140..... 19	1001298489 455	1001305565 137
	1001297141..... 19		1001305566 137

SECTION 13 - SPECIAL OPTIONS/ACCESSORIES/KITS

1001305633.....301	1027049900 157, 159, 161, 163, 167, 171, 173, 193	2180896 195	4010508002.....255
1001306019.....229, 231	1034299800 175, 177, 179, 181, 185, 189, 191, 193	2220218 355, 409	4010510.....263, 265
1001306044.....461, 471	1060379 87	2220221 29	4010510002.....301, 305
1001306279.....279	1062255 ... 121, 137, 149, 153, 343	2220239 27	4010608002.....21, 453
1001306372.....279	10713707 461	2220240 29	4010610.....325
1001306401.....329	10725627 171	2220612 391	4010612002.....225, 255
1001306405.....25	10837929 411	2220883 359, 367	4031205.....117
1001306549.....115	10837937 411	2220921 29	4031506.....443
1001306587.....25	1320022 263	2221086 381, 383	4031507.....449
1001306595.....329	1701500 ... 504, 508, 512, 516	2221116 383	4031508.....261
1001306805.....343	1701509 87	2221290 335	4031607.....443
1001307296.....231	1702773 61, 63, 65	2580057 133	4031707.....481, 483
1001307464.....141	1704277 87	2600281 87	4031711.....383
1001307690.....423, 425	1704885 61, 63, 65	2717283 81, 83, 365	4031912.....399
1001307731.....139	1706098 508	2820171 441	4031920.....349
1001307740.....542	1706281 508	2902443 457	4031922.....353
1001307741.....542	1706282 508	2920207 477	4031925.....353
1001308112.....23	1706284 508	2920208 477	4032009.....123
1001308129.....256	1706285 508	2940074 87, 538	4060919.....15
1001308193.....455	1706292 508	31200160 61	4100181 ... 504, 508, 512, 516
1001308966.....331	1706296 504	31200386 65	4105262.....41
1001308967.....329, 331	1706298 504	31200387 63	4109801 ... 504, 508, 512, 516
1001309310.....453	1706299 504	31200388 63	4240084.....207
1001309311.....453	1706300 504	3251813 ... 504, 508, 512, 516	4460200.....429, 431
1001309317.....453	1706301 504	3272001 235	4460226... 445, 446, 451, 475, 487
1001310801.....211	1706302 504	3272201 235, 275	4460234... 313, 443, 449, 481, 483
1001310810.....211	1706306 504	3290405 433, 435	4460265.....487
1001310811.....211	1706307 504	3290501 313, 489	4460266.....445
1001310843.....211	1706308 504	3290507 259	4460267.....446, 451
1001310852.....247	1706309 504	3290601 243	4460267.....446, 451
1001310863.....523	1706310 504	3290605 453	4460343.....446
1001310865.....453	1706311 504	3290606 315	4460367.....451
1001310866.....221	1706312 504	3290607 477	4460434.....445
1001310867.....219	1706313 504	3290801 23, 43, 117, 129, 239, 241, 255, 275, 319, 327, 331, 427, 477	4460464... 421, 437, 441, 457, 473, 491, 493, 495, 497, 499
1001311058.....453	1706314 504	3290805 23, 115, 121, 131, 349, 353	4460465... 437, 441, 445, 451, 457, 467, 468, 473, 475, 493, 497, 499
1001311059.....453	1706315 504	3291001 117, 463	4460466... 437, 445, 451, 457, 467, 468, 473, 493, 495
1001311062.....453	1706316 504	3291005 41, 129, 139, 153, 349, 353	4460496.....446
1001311295.....525	1706317 504	3291007 49	4460508.....457
1001311386.....481, 483, 485	1706318 504	3291205 ... 33, 45, 47, 51, 53, 357	4460509.....451, 468
1001311649.....543	1706319 504	3291605 77, 79	4460518... 445, 457, 468
1001311693.....265, 267	1706320 504	3311405 87	4460539... 445, 457, 467
1001311694.....263, 269	1706321 504	3311505 281, 283	4460705.....451
1001311733.....425	1706322 504	3331215 115	4460708.....451, 475
1001311739.....455, 538	1706323 504	3332011 193	4460746.....437, 439
1001311740.....455, 539	1706324 504	3391410 55, 103	4460789.....421
1001311809.....453	1706325 504	3421453 87	4460851.....467
1001311888.....542	1706326 504	3430507 331	4460884.....467, 493
1001312253.....357, 391	1706327 504	3450304 331	4460889.....451, 467
1001312278.....391	1706328 504	3520072 87	4460891... 437, 441, 451, 457, 467, 499
1001312321.....137	1706329 504	3520198 87	4460894... 445, 467, 473
1001312324.....231	1706330 504	3520198 87	4460897.....437, 499
1001312694.....325	1706331 504	3700015 508	4460899... 421, 468, 493
1001312962.....227, 229, 231	1706332 504	3700016 508	4460917.....457
1001313260.....325	1706333 504	3740080 493, 538	4460928.....468
1001314048.....325	1706334 504	3760170 87	4460930... 457, 467, 475, 497
1001314793.....527	1706335 504	3760348 329	4460931.....497
1001314937.....237	1706336 504	3820020 87	
1001315050.....433, 435	1706337 504	3900393 39	
1001315378.....153	1706338 504	3951814 103	
1001315382.....207	1706339 504	3964987 51	
1001316110.....519, 521	1706340 504	4010410002 481, 483	
1001317865.....446	1706341 504	4010506 259	
1001317866.....446			
1001317867.....446			

SECTION 13 - SPECIAL OPTIONS/ACCESSORIES/KITS

4460932	441, 491	4812100	33, 115, 121, 125, 195, 197	70020267	161	70021367	99
4460933	445, 451, 467	4812102	33	70020269	161, 173, 189	70021368	99
4460941	421, 445	4831900	145	70020273	171	70021369	99
4460942	468	4832000	305	70020276	171	70021370	99
4460945	457, 468	4832100	129	70020280	171	70021387	99
4460970	457, 473, 495	4892000	235	70020282	171	70021397	73, 75
4460984	457	4923141	441	70020284	171	70021399	99
4460994	451	5200814	427	70020285	171	70021415	73, 75, 81, 83
4461008	457	5240600	313	70020288	179	70021440	81, 83, 369, 373
4461070	457	5240800	281, 283	70020290	171	70021444	369, 373
4461071	457	5241000	49	70020295	171	70021446	369, 373
4461072	457	5241200	115, 117	70020296	171	70021447	69, 71, 75, 369, 373
4461073	457	5250608	251	70020297	171	70021448	69, 71, 75, 369, 373
4461074	457	5271609	489	70020298	171	70021451	369, 373
4461077	451	5272012	485	70020301	173, 189	70021452	369, 373
4461103	451	643191201	467	70020302	173, 189	70021462	373
4461115	437, 439	683A0070	451	70020303	179	70021464	69, 71, 369
4461118	421, 467	70000345	107, 111	70020346	179	70021531	375
4461216	445	70002718	108, 112	70020555	85	70021928	161, 179
4461262	467	70003170	377	70020560	99	70021929	161, 179
4490942	451, 467	70003172	389	70020562	99	70021940	171
463929	51	70003340	377, 389	70020575	385	70021941	171
4640113	211	70004508	107, 111	70020764	375, 538	70021942	171
4640163	213, 215	70004637	359, 367, 371	70020867	413	70022014	411
4711400	87	70005176	108, 112	70020923	303, 307	70022097	71, 75
4711400001	21	70005184	107, 111	70020924	303, 307	70022102	71, 75
4711500	329, 335	70005184	107, 111	70020925	303, 307	70022103	71, 75
4711600	45	70005433	367	70020926	307	70022104	71, 75
4712200	275	70005529	107, 111	70020927	307	70022105	69, 71, 75
4740274	129	70005931	107, 111	70021076	179	70022106	69, 71
4750600	27	70005941	108, 112	70021147	159, 163, 167, 181, 185	70022107	73, 75
4751200	395	70005942	108, 112	70021151	163, 167, 181, 185	70022108	73, 75, 373
4751600	21	70006596	359	70021155	163, 167, 181, 185	70022110	73, 75
4761400	329, 331	70007178	389	70021196	179	70022111	73, 75
4761600	45	70007246	367	70021198	191	70022112	73, 75
4762200	275	70007325	107, 111	70021200	191	70022564	359, 367, 371
4807718	319	70007504	415, 538	70021221	161, 179	70023035	173, 189
4811400	433, 435, 443, 449	70007603	107, 111	70021270	363	70023036	173, 189
4811600	121, 263, 265, 443, 489	70008296	107, 111	70021271	363	70023369	371
4811602001	305	70008422	107, 111	70021272	363	70023371	371
4811700	25, 117, 127, 129, 219, 221, 243, 255, 313, 317, 325, 405, 443, 453, 461, 477, 481, 483	70008435	107, 111	70021273	363	70023372	359
4811700001	301	70020002	73, 81, 83	70021275	363	70023373	371
481170217	19, 141, 231, 243, 263, 265, 315, 423, 425, 433, 435, 453	70020028	73, 81, 83	70021276	363	70024202	411
4811900	17, 23, 43, 115, 117, 119, 121, 131, 139, 147, 207, 229, 231, 239, 241, 243, 247, 255, 275, 313, 327, 335, 353, 391, 423, 425, 427, 443, 461, 477, 479	70020230	161	70021338	69, 71, 73, 75	70024504	107, 111
4811902	19, 129, 145, 199, 349, 379, 427	70020231	161	70021342	69, 99	70024507	107, 111
4812000	17, 21, 25, 29, 37, 39, 41, 119, 121, 139, 153, 349, 353, 379, 427, 461, 463, 477	70020232	161	70021343	69, 71	70024513	107, 111
4812002	19, 25, 129, 427	70020233	161, 179	70021345	69, 71	70024522	179
		70020234	161, 179	70021346	69, 71	70024528	171
		70020235	161	70021347	69, 71	70024866	161, 179
		70020244	161, 179	70021348	69, 71	70024867	161
		70020245	161, 179	70021349	69, 71, 73, 75	70024873	161
		70020247	161, 171, 179	70021350	69, 71, 73, 75	70024874	161
		70020249	161, 179	70021351	69, 71, 73, 75	70024878	167, 181, 185
		70020250	161	70021356	99	70024881	163, 167, 181, 185, 191
		70020251	161, 179	70021357	99	70024883	163, 167, 181, 185
		70020252	161	70021358	99	70024888	163, 167, 181, 185
		70020253	161	70021359	99	70024905	108, 112
		70020255	161	70021360	99	70024912	107, 111
		70020256	161	70021361	99	70024927	161, 179
		70020257	161	70021362	99	70024928	179
		70020258	161	70021363	69, 71, 99, 369	70024929	179
		70020259	161	70021364	99		
		70020260	161	70021365	99		
		70020262	161	70021366	99		
		70020263	161				
		70020265	161				
		70020266	161				

SECTION 13 - SPECIAL OPTIONS/ACCESSORIES/KITS

70025130.....	107, 111	70028486.....	81, 83	70029502.....	73	70031911..	163, 167, 181, 185
70025142.....	107, 111	70028519.....	81, 83	70029503.....	73	70031922.....	387
70025144.....	107, 111	70028520.....	81, 83	70029504.....	73	70031923.....	387
70025181.....	107, 111	70028521.....	81, 83	70029505.....	73	70031924.....	387
70025242.....	107, 111	70028523.....	81, 83	70029874.....	411	70031925.....	377
70025317.....	471, 538	70028524.....	81, 83	70029975.....	361	70031926.....	377
70025562..	163, 167, 181, 185	70028525.....	81, 83	70030013.....	411	70031927.....	377
70026210.....	107, 111	70028530.....	81, 83	70030097.....	107, 111	70031928.....	377
70026263.....	171	70028531.....	81, 83	70030099.....	107, 111	70031929.....	377
70026295.....	471, 538	70028535.....	191	70030235.....	171	70031930.....	397
70026296.....	471, 538	70028540.....	107, 111	70030251..	161, 163, 167, 181, 185	70031931.....	397, 538
70026297.....	471, 538	70028546.....	421	70030362.....	159	70031932.....	123
70026308...359, 367, 371		70028548.....	151	70030368.....	361	70031933.....	123
70026401.....	403	70028884.....	171	70030369.....	361	70031934.....	359
70026582.....	413, 538	70028989.....	107, 111	70030370.....	361	70031935.....	359
70026652.....	411	70029046.....	81, 83	70030371.....	361	70031936.....	359
70026653.....	411	70029052.....	81, 83	70030381.....	107, 111	70031937.....	359
70026658.....	411	70029267.....	161, 179	70030950.....	177	70031938.....	367
70026702.....	81, 83	70029269.....	163	70031028.....	29, 538	70031939.....	367
70026770.....	365	70029271..	163, 167, 181, 185	70031078.....	135, 538	70031940.....	367
70026771.....	365	70029272..	163, 167, 181, 185	70031079.....	135, 538	70031941.....	367
70026773.....	365	70029273..	163, 167, 181, 185	70031104.....	389	70031942.....	367
70026774.....	365	70029274..	163, 167, 181, 185	70031143.....	107, 111	70031943.....	411
70026775.....	365	70029277..	163, 167, 181, 185	70031144.....	107, 111	70031944.....	411
70027024.....	285	70029278..	163, 167, 181, 185	70031192..	163, 167, 181, 185	70031945.....	411
70027026.....	285	70029276..	163, 167, 181, 185	70031224.....	411	70031946.....	411
70027027.....	285	70029277..	163, 167, 181, 185	70031225.....	411	70031947.....	411
70027028.....	285	70029278..	163, 167, 181, 185	70031226.....	411	70031948.....	411
70027030.....	285	70029279..	163, 167, 181, 185	70031228.....	411	70031949.....	411
70027032.....	285	70029280..	163, 167, 181, 185	70031229.....	411	70031950.....	411
70027033.....	285	70029281..	163, 167, 181, 185	70031230.....	411	70031951.....	411
70027035.....	285	70029282..	163, 167, 181, 185	70031231.....	411	70031952.....	159
70027111.....	159	70029283..	163, 167, 181, 185	70031232.....	411	70031953.....	161
70027114..	163, 167, 181, 185	70029284.....	167, 181	70031233.....	411	70031954.....	161
70027242.....	371	70029285..	163, 167, 181, 185	70031234.....	411	70031955.....	161
70027243.....	371	70029286.....	167, 185	70031234.....	411	70031956.....	161
70027244...359, 367, 371		70029287.....	163, 181	70031248.....	471, 538	70031957.....	161
70027245.....	359	70029288.....	163	70031249.....	471, 538	70031958.....	163, 167
70027249.....	371	70029291..	163, 167, 181, 185	70031250.....	471, 538	70031959.....	171
70027250.....	371	70029292..	163, 167, 181, 185	70031251.....	471, 538	70031960.....	171
70027251.....	371	70029293.....	171	70031265.....	415	70031961.....	171
70027252.....	371	70029294.....	171	70031281..	163, 167, 181, 185	70031962.....	171
70027253.....	371	70029295.....	171	70031475.....	107, 111	70031965.....	108, 112
70027254.....	371	70029296.....	171	70031531.....	389	70031966.....	108, 112
70027255.....	371	70029297.....	171	70031532.....	389	70031967.....	107, 111
70027283.....	81, 83	70029298.....	171	70031533.....	389	70031969.....	107, 111
70027315..	163, 167, 181, 185	70029299.....	171	70031552.....	179	70031970.....	108, 112
70027610.....	361	70029300.....	173, 189	70031563..	164, 168, 182, 186	70031977.....	108, 112
70027611.....	361	70029301.....	173, 189	70031895.....	389	70031981.....	107, 111
70027612.....	361	70029304.....	185	70031896.....	389	70031985.....	107, 111
70027638.....	361	70029441.....	369	70031897.....	389	70031988.....	107, 111
70027642.....	73	70029492.....	81, 83	70031898.....	389	70031992.....	108, 112
70027858.....	161	70029495.....	81, 83	70031899.....	389	70031993.....	107, 111
70027859.....	161	70029496.....	81, 83	70031900.....	389	70031995.....	107, 111
70027865.....	173, 189	70029497.....	81, 83	70031901.....	389	70031996.....	107, 111
70027866.....	173, 189	70029498.....	91, 93	70031902.....	389	70031997.....	107, 111
70027989.....	73, 75			70031904.....	389	70032003.....	267
70028286.....	411			70031905.....	389	70032004.....	267, 269
70028388.....	161			70031906.....	161, 179	70032005.....	267, 269
70028389.....	161, 186			70031907.....	179	70032006.....	267, 269
70028473..	163, 167, 181, 185			70031908..	163, 167, 181, 185	70032007.....	267, 269
70028474..	163, 167, 181, 185			70031909..	163, 167, 185	70032008.....	267, 269
				70031910..	163, 167, 181, 185	70032009.....	267, 269
						70032010.....	267, 269
						70032011.....	267, 269
						70032012.....	267, 269

SECTION 13 - SPECIAL OPTIONS/ACCESSORIES/KITS

70032013 267, 269	7029692 69, 99	80384218.....225	88201023..... 337
70032014 267, 269	7029700 69, 71	80623016.....391	88261030..... 201
70032015 267	7029705 69, 71	80983191.....446, 538	88521206..... 201
70032016 267, 269	7029711 ... 69, 71, 73, 75, 99	8220051.....445, 467	88521304..... 331
70032017 267, 269	7029713 69, 71	8220116.....445	8866514 273
70032018 267, 269	7029714 73, 75, 99	8220124.....457	88671001..... 35
70032019 269	7124471 15	8229242....446, 451, 458, 538	90027187 349, 353
70032020 269	7126182 37, 39	8229244.....446, 538	90027473 235
70032021 269	7126662 39	8229246.....446, 538	90200003 77, 79
70032022 269	7139886 33	8270147429, 431	90554016 . 69, 71, 73, 81, 83, 91, 93
70032023 269	7300032 37, 39	8278020.....129	90554017 . 69, 71, 73, 75, 99
70032024 269	7300034 37, 39	830373945	90554019 81, 83
70032025 269	7300435 235	8305603.....255	90554020 .. 69, 71, 73, 75
70032026 269	7300518 37, 39	8305645.....57	90554042 .. 69, 71, 73, 75
70032027 269	77133089 381	8305919.....19, 453	90554045 369, 373
70032028 269	77133136 335	8307024.....273	90554062 99
70032029 269	77133137 335, 337	8310160.....57	90554065 69, 71, 99
70032030 269	77323029 337	8310246.....201	90554067 73
70032031 269	8000803 225	8310686.....399	90554076 99
70032032 269	8001888 55	8342813.....538	90554080 85, 91, 93
70050475 411	8002027 51	83663119.....337	90554081 445
70050641 75	8002110 55	8405007.....149, 341	91013192 468
7016331 108, 112	8005079 193	8405102.....341, 343	91043147 349, 353
7018936 415	8005670 508	8405104.....25, 143	91144002 389
7020465 108, 112	8005870 253	8405201.....143, 237	91403097 235
7024072 389	80204012 181	8406105.....121	91474507 . 163, 167, 181, 185
7024075 389	80204065 . 163, 167, 181, 185	8410009.....263, 265	91474512 .. 161, 167, 185
7024076 389	80204111 171	8410011.....119	91474516 191
7024077 389	80204117 . 163, 167, 171, 181, 185, 191	8410013.....143	91474579 . 163, 167, 181, 185
7024080 389	80204147 161	8420053....347, 351, 355, 409	91474585 . 163, 167, 181, 185
7024081 389	80204172 . 163, 167, 181, 185	8420055.....347, 355	91513266 197
7024908 389	80204178 161	8430034.....29, 381	91514118 197
7026798 285	80333184 397	8466306.....271	91514154 171
7028706 ... 159, 163, 167, 171, 177, 181, 185	80333207 121	8520001391	91514188 .. 159, 163, 177
7028733 ... 163, 167, 181, 185	80334079 389	8584001.... 121, 143, 313, 343, 463, 477, 481, 483	91514189 . 163, 167, 181, 185
7028817 377	8035346 411	864220757	91563220 . 504, 508, 512, 516
7028835 377	8035382 411	8642224.....35	933940 51
7029486 261	8035382 411	86683211.....131	
7029520 85	8036533 411	8769122.....45, 335	
7029521 85, 91, 93	8036733 365	8769123.....45, 335	
7029690 69, 71, 75	80383231 263, 265	8770241.....193	
7029691 69, 71			



**Corporate Office
JLG Industries, Inc.
1 JLG Drive
McConnellsburg, PA 17233-9533 USA
☎ (717) 485-5161 (Corporate)
☎ (877) 554-5438 (Customer Support)
📠 (717) 485-6417**

**Visit our website for JLG Worldwide Locations.
www.jlg.com**



OSHKOSH™