



Illustrated Parts Manual

AG519

PVC 1001

3122345100

September 1, 2024 - Rev A

English (en-US)

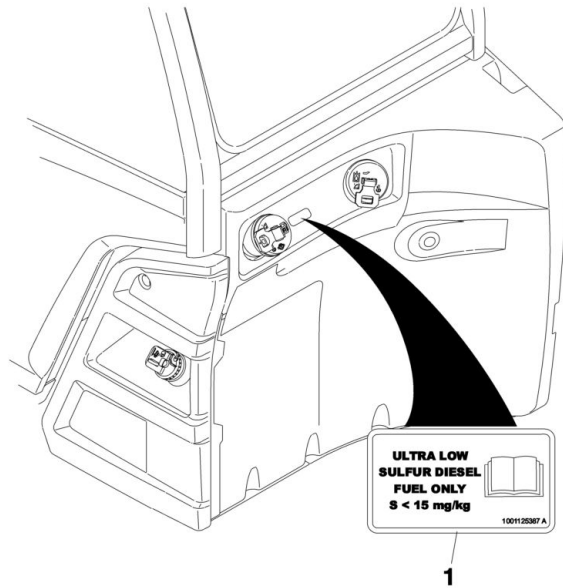
EFFECTIVITY PAGE

September 1, 2024 - A - Original Issue of Manual (Edited to B/M 1001290519 Revision E)

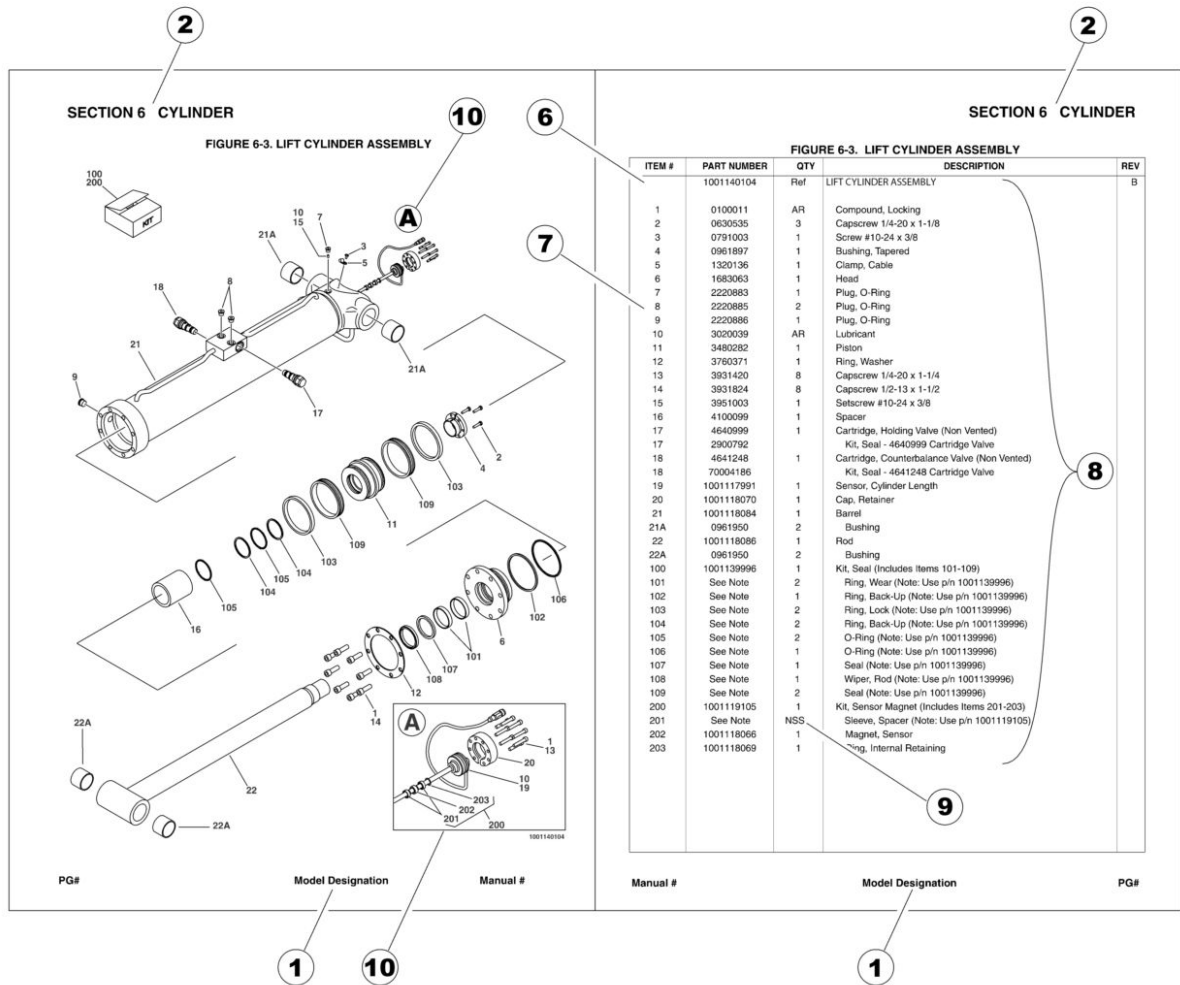
Machine Configuration

Two configurations of each machine are included in this manual. Determine if machine is equipped with Ultra Sulfur Fuel Decal (1) as indicated below.

- If equipped with the Ultra Low Sulfur decal, all specific references to this machine configuration will be referred to as Ultra Low Sulfur (ULS) from this point forward.
- If not equipped with the Ultra Low Sulfur decal, all specific references to this machine configuration will be referred to as Low Sulfur (LS) from this point forward.



GENERAL INFORMATION



1) MACHINE IDENTIFICATION

Machines are identified by model and in some cases a combination of models, serial number (SN) or regional standard (i.e ANSI, CE, CSA). Components may also be identified by SN or manufacturer. Common components that may be identified by these characteristics are engines and hydraulic components.

2) PARTS MANUAL ORGANIZATION

Product information in this manual is organized under section titles. Frame, Cylinder, Hydraulic and Electrical are a few examples. Each section is organized by figure and page number. The information within the Figure is then organized by item number, part number, description and corresponding illustration (s).

3) TABLE OF CONTENTS (NOT SHOWN)

A table of contents is found toward the beginning of the manual. Figure number, description and page number are provided for quick reference to the page containing the related information.

4) RECOMMENDED SPARE PARTS (NOT SHOWN)

The Recommended Spare Parts List, located near the end of the manual, reference most frequently used maintenance parts.

5) PART NUMBER INDEX (NOT SHOWN)

A numerical index listing all part numbers and the corresponding page number(s) appears at the back of the manual.

GENERAL INFORMATION

6) NON-SERVICED PARTS

In some instances, it is necessary to display non-serviced parts, assemblies or installations. In the case of assemblies and installations there will be a Ref in the Qty. column. In case of parts that are not available for service within assemblies or components, there will be a NSS (Not Sold Separately) or NLA (No Longer Available) listed in the Qty. column of the manual.

7) PARTS LIST ITEM NUMBERS

Numbers shown in the item# column correspond to numbers used in the associated illustration (s). Item numbers which are missing from the sequence in the parts list are not used on that page.

8) INDENTED PARTS DESCRIPTION

An indented part description is included in the item under which it is indented.

9) ABBREVIATION AND SYMBOLS

AC.....	Alternating Current	L.....	Liter
ADE.....	Advanced Design Electronics	LB(LBS).....	Pounds
AG.....	Agricultural	LCD.....	Liquid Crystal Display
ANSI.....	American National Standards Institute	LED.....	Light Emitting Diodes
AR.....	As Required	LH.....	Left Hand
ASSY.....	Assembly	LRC.....	Low Rated Countries
AUS.....	Australia	LSS.....	Load Sensing System
AUX.....	Auxiliary	M(m).....	Metric/Meter
AWG.....	American Wire Gauge	MM(mm).....	Milimeter
B/M.....	Bill of Material	mA.....	Miliamps
CAC.....	Charge Air Cooler	NLA.....	No Longer Available
CE.....	European Conformity	NPT.....	National Pipe Threads
CCW.....	Counter Clockwise	NSS.....	Not Sold Separately
CM.....	Centimeter	OD.....	Outside Diameter
CW.....	Clockwise	ORB.....	O-Ring Boss
CSA.....	Canadian Standards Association	ORFS.....	O-Ring Face Seal
CYL.....	Cylinder	OZ (oz).....	Ounces
DIA.....	Diameter	PG.....	Page
DC.....	Direct Current	PN.....	Part Number
DEF.....	Diesel Exhaust Fluid	QT/qt.).....	Quarts
EMS.....	Emergency Stop	QTY.....	Quantity
ENG.....	Engine	REF.....	Reference
FT(ft).....	Feet	REV.....	Revision Level
GA(Ga).....	Gauge	RH.....	Right Hand
HRC.....	High Rated Countries	SAE.....	Society of Automotive Engineers
HVAC.....	Heating, Ventilating, and Air Conditioning	SN.....	Serial Number
HYD.....	Hydraulic	SPEC(S).....	Specifications
Hz.....	Hertz	T/T.....	Turntable
ID.....	Inside Diameter	UGM.....	Universal Ground Module
IN.....	inches	V.....	Volts
ISO.....	International Organization for Standards	W.....	Watts
JIC.....	Joint Industry Council	#.....	Number
KG.....	Kilogram		

10) ILLUSTRATION REFERENCE LETTERS

When necessary, illustrations may contain reference letters that are intended to track information (i. e. hoses, harnesses) from one point to another or to track visual enlargement of components to show details that may be located in another area on the illustration.

Note: Due to continuous product improvements, JLG Industries, Inc. reserves the right to make specification changes without prior notification. Contact JLG Industries, Inc. for updated information.

TABLE OF CONTENTS

SECTION 1 - FRAME AND ATTACHING PARTS.....	13
FIGURE 1-1. FRAME COMPONENTS INSTALLATION	14
FIGURE 1-2. FRAME COVERS ASSEMBLY	16
FIGURE 1-3. ENCLOSURE INSTALLATION	18
FIGURE 1-4. FUEL TANK INSTALLATION.....	20
FIGURE 1-5. HOOD INSTALLATION.....	22
FIGURE 1-6. HYDRAULIC TANK INSTALLATION	24
FIGURE 1-7. TANK ASSEMBLY - FUEL.....	26
FIGURE 1-8. TANK ASSEMBLY - HYDRAULIC	28
SECTION 2 - BOOM.....	31
FIGURE 2-1. BOOM INSTALLATION.....	32
FIGURE 2-2. BOOM ASSEMBLY.....	34
FIGURE 2-3. BOOM BASE ASSEMBLY	36
FIGURE 2-4. BOOM FLY ASSEMBLY	38
FIGURE 2-5. BOOM ANGLE INDICATOR INSTALLATION.....	40
FIGURE 2-6. BOOM PROP INSTALLATION	42
FIGURE 2-7. COUPLER INSTALLATION - UNIVERSAL (HYDRAULIC).....	44
FIGURE 2-8. TELESCOPE CYLINDER INSTALLATION	46
SECTION 3 - ATTACHMENTS	49
FIGURE 3-1. AUGER DRIVE ASSEMBLY - UNIVERSAL.....	50
FIGURE 3-2. AUGER BIT (6INX4IN).....	52
FIGURE 3-3. AUGER BIT (9INX4IN).....	54
FIGURE 3-4. AUGER BIT (12INX4IN).....	56
FIGURE 3-5. AUGER BIT (15INX4IN).....	58
FIGURE 3-6. AUGER BIT (18INX4IN).....	60
FIGURE 3-7. BALE SPEAR ASSEMBLY - UNIVERSAL.....	62
FIGURE 3-8. BASKET, PERSONNEL (1.2MX2.4M) (DOMESTIC).....	64
FIGURE 3-9. BASKET, PERSONNEL (1.2MX2.4M) (ISO).....	66
FIGURE 3-10. BASKET, PERSONNEL (1.2MX2.4M) (FRENCH).....	68
FIGURE 3-11. BOLT-ON EDGE ASSEMBLY, 72"	70
FIGURE 3-12. CARRIAGE, SIDE TILT, UNIVERSAL QUICK ATTACH, (48IN).....	72
FIGURE 3-13. CARRIAGE, SIDE SHIFT, UNIVERSAL QUICK ATTACH, (48IN).....	74
FIGURE 3-14. CARRIAGE ASSEMBLY - 48IN UNIVERSAL	76
FIGURE 3-15. CARRIAGE ASSEMBLY - FORK POSITIONING UNIVERSAL (48IN)	78
FIGURE 3-16. FORK MOUNTED HOOK (4 TON).....	80
FIGURE 3-17. FORK MOUNTED PLATFORM.....	82
FIGURE 3-18. FORK 2.00X4X48 / 3800# CAPACITY.....	84
FIGURE 3-19. LIFTING HOOK ASSEMBLY, STANDARD.....	86
FIGURE 3-20. LIFTING HOOK ASSEMBLY, UNIVERSAL	88
FIGURE 3-21. QUICK SWITCH ASSEMBLY	90
SECTION 4 - ENGINE AND ATTACHING PARTS	93
FIGURE 4-1. ENGINE ASSEMBLY (HRC).....	94

TABLE OF CONTENTS

FIGURE 4-2. ENGINE ASSEMBLY (LRC).....	98
FIGURE 4-3. ENGINE MOUNTS INSTALLATION.....	102
FIGURE 4-4. ENGINE WIRING INSTALLATION.....	104
FIGURE 4-5. ENGINE AIR INTAKE INSTALLATION.....	106
FIGURE 4-6. ENGINE FUEL LINES INSTALLATION.....	108
FIGURE 4-7. ENGINE PUMP ADAPTOR INSTALLATION.....	110
FIGURE 4-8. ENGINE PUMP INSTALLATION.....	112
FIGURE 4-9. ENGINE MODULE INSTALLATION.....	114
FIGURE 4-10. ENGINE COOLING INSTALLATION.....	116
FIGURE 4-11. ENGINE EXHAUST INSTALLATION.....	118
FIGURE 4-12. ENGINE HEATER INSTALLATION.....	120
FIGURE 4-13. AIR CLEANER ASSEMBLY.....	122
FIGURE 4-14. AC LINES INSTALLATION.....	124
FIGURE 4-15. AC PUMP INSTALLATION.....	126
FIGURE 4-16. COOLANT EXPANSION TANK INSTALLATION.....	128
FIGURE 4-17. COOLANT LINES INSTALLATION.....	130
FIGURE 4-18. FAN GUARD INSTALLATION.....	132
FIGURE 4-19. FAN INSTALLATION - COOLING.....	134
FIGURE 4-20. HEATER HOSE INSTALLATION.....	136
FIGURE 4-21. RADIATOR ASSEMBLY.....	138
SECTION 5 - DRIVE TRAIN.....	141
FIGURE 5-1. FRONT AXLE ASSEMBLY.....	142
FIGURE 5-2. FRONT AXLE ASSEMBLY - CENTER HOUSING.....	144
FIGURE 5-3. FRONT AXLE ASSEMBLY - DIFFERENTIAL.....	146
FIGURE 5-4. FRONT AXLE ASSEMBLY - HUB REDUCTION (LH).....	148
FIGURE 5-5. FRONT AXLE ASSEMBLY - HUB REDUCTION (RH).....	152
FIGURE 5-6. FRONT AXLE ASSEMBLY - BRAKES.....	156
FIGURE 5-7. FRONT AXLE ASSEMBLY - STEERING.....	158
FIGURE 5-8. AXLE ASSEMBLY - REAR.....	160
FIGURE 5-9. REAR AXLE ASSEMBLY - CENTER HOUSING.....	162
FIGURE 5-10. REAR AXLE ASSEMBLY - DIFFERENTIAL.....	164
FIGURE 5-11. REAR AXLE ASSEMBLY - HUB REDUCTION (LH).....	166
FIGURE 5-12. REAR AXLE ASSEMBLY - HUB REDUCTION (RH).....	170
FIGURE 5-13. REAR AXLE ASSEMBLY - STEERING.....	174
FIGURE 5-14. REAR AXLE ASSEMBLY - TRUNION.....	176
FIGURE 5-15. DRIVE TRAIN INSTALLATION.....	178
FIGURE 5-16. DRIVE MOTER INSTALLATION.....	180
FIGURE 5-17. FENDER INSTALLATION.....	182
FIGURE 5-18. FENDER ASSEMBLY.....	184
FIGURE 5-19. TIRE SET - 12 X 16.5 PHUEMATIC.....	186
FIGURE 5-20. TIRE SET - 12 X 16.5 FOAM-FILLED.....	188
FIGURE 5-21. TIRE SET - 33 X 12-20 NON MARKING.....	190
FIGURE 5-22. TIRE SET - 33 X 16 TURF.....	192
FIGURE 5-23. TIRE SET - 33 X 16 AG.....	194
FIGURE 5-24. RIGHT TIRE/WHEEL ASSEMBLY, CAMSO (AIR 12-16.5 - 12 PLY).....	196

TABLE OF CONTENTS

FIGURE 5-25. LEFT TIRE/WHEEL ASSEMBLY, CAMSO (AIR 12-16.5 - 12 PLY).....	198
SECTION 6 - CAB.....	201
FIGURE 6-1. CAB TRIM INSTALLATION - CLOSED CAB	202
FIGURE 6-2. CAB ASSEMBLY - CLOSED CAB	204
FIGURE 6-3. CAB HEATER INSTALLATION.....	206
FIGURE 6-4. CAB HEATER/AC INSTALLATION.....	208
FIGURE 6-5. CAB MAT INSTALLATION.....	210
FIGURE 6-6. CAB MOUNTS INSTALLATION.....	212
FIGURE 6-7. CAB DUCT INSTALLATION	214
FIGURE 6-8. CAB GUARD INSTALLATION (TOP).....	216
FIGURE 6-9. CAB GUARD INSTALLATION (FRONT).....	218
FIGURE 6-10. AC CONDENSER INSTALLATION.....	220
FIGURE 6-11. A/C RECEIVER DRIER.....	222
FIGURE 6-12. ARMREST/CONSOLE INSTALLATION.....	224
FIGURE 6-13. CONDENSER	226
FIGURE 6-14. DECAL INSTALLATION - EMERGENCY EXIT	228
FIGURE 6-15. DOOR ASSEMBLY - CAB	230
FIGURE 6-16. ENGINE SPEED SET SWITCH INSTALLATION.....	234
FIGURE 6-17. FIRE EXTINGUISHER INSTALLATION.....	236
FIGURE 6-18. HEATER INSTALLATION - HEAT/AC	238
FIGURE 6-19. HEATER INSTALLATION - HEAT ONLY.....	240
FIGURE 6-20. HEATER ASSEMBLY - HEAT ONLY.....	242
FIGURE 6-21. HEATER ASSEMBLY - HEAT/AC.....	244
FIGURE 6-22. LEVEL INDICATOR INSTALLATION.....	246
FIGURE 6-23. MIRROR INSTALLATION	248
FIGURE 6-24. MIRRORS INSTALLATION.....	250
FIGURE 6-25. MOTOR ASSEMBLY - WIPER	252
FIGURE 6-26. RADIO READY HEADLINER INSTALLATION	254
FIGURE 6-27. SEAT INSTALLATION	256
FIGURE 6-28. SEAT ASSEMBLY (AIR SUSPENSION - STANDARD).....	258
FIGURE 6-29. SEAT BELT INSTALLATION (3IN)	260
FIGURE 6-30. SECONDARY EXIT INSTALLATION (CA SPECS).....	262
FIGURE 6-31. SECONDARY EXIT INSTALLATION (ANSI SPECS)	264
FIGURE 6-32. SECONDARY EXIT INSTALLATION (ISO SPECS)	266
FIGURE 6-33. SECONDARY EXIT INSTALLATION (ENGLISH/SPANISH LANGUAGES).....	268
FIGURE 6-34. STEERING COLUMN INSTALLATION - TILT	270
FIGURE 6-35. STEERING COLUMN ASSEMBLY - TILT	272
FIGURE 6-36. STEERING WHEEL INSTALLATION.....	274
FIGURE 6-37. SUN SCREEN INSTALLATION	276
FIGURE 6-38. WASHER HOSE PASS THROUGH INSTALLATION	278
FIGURE 6-39. WINDOW WASHER INSTALLATION	280
FIGURE 6-40. WINDOW ASSEMBLY - REAR.....	282
FIGURE 6-41. WIPER INSTALLATION - FRONT	284
FIGURE 6-42. WIPER INSTALLATION - REAR WINDOW	286
FIGURE 6-43. WIPER INSTALLATION - ROOF	288

TABLE OF CONTENTS

SECTION 7 - CONTROLS.....	291
FIGURE 7-1. JOYSTICK INSTALLATION.....	292
FIGURE 7-2. PEDAL INSTALLATION - ACCELERATOR	294
FIGURE 7-3. BRAKE PEDAL INSTALLATION	296
FIGURE 7-4. BRAKE PEDAL ASSEMBLY	298
SECTION 8 - HYDRAULIC CIRCUITS	301
FIGURE 8-1. BOOM HYDRAULIC INSTALLATION.....	302
FIGURE 8-2. HOSE INSTALLATION - BOOM.....	304
FIGURE 8-3. HOSE INSTALLATION - CAB	306
FIGURE 8-4. HOSE INSTALLATION - ENGINE BAY.....	308
FIGURE 8-5. HOSE INSTALLATION - FRAME	310
SECTION 9 - HYDRAULIC COMPONENTS	313
FIGURE 9-1. BOOM AUX HYDRAULIC INSTALLATION (UNIVERSAL COUPLER).....	314
FIGURE 9-2. CYLINDERS INSTALLATION.....	316
FIGURE 9-3. CYLINDER ASSEMBLY - COMP	318
FIGURE 9-4. CYLINDER ASSEMBLY - EXTEND/RETRACT.....	320
FIGURE 9-5. CYLINDER ASSEMBLY - FORK LOCKING	322
FIGURE 9-6. CYLINDER ASSEMBLY - FORK POSITIONING.....	324
FIGURE 9-7. CYLINDER ASSEMBLY - LIFT.....	326
FIGURE 9-8. CYLINDER ASSEMBLY - SIDE TILT CARRIAGE.....	328
FIGURE 9-9. CYLINDER ASSEMBLY - TILT.....	330
FIGURE 9-10. CYLINDER ASSEMBLY - UNIVERSAL SIDE SHIFT	332
FIGURE 9-11. DRIVE MOTOR ASSEMBLY.....	334
FIGURE 9-12. MAIN CONTROL VALVE INSTALLATION	336
FIGURE 9-13. MAIN CONTROL VALVE ASSEMBLY	338
FIGURE 9-14. PRIORITY VALVE INSTALLATION.....	340
FIGURE 9-15. PRIORITY VALVE ASSEMBLY	342
FIGURE 9-16. PUMP ASSEMBLY	344
FIGURE 9-17. PUMP ASSEMBLY	346
FIGURE 9-18. REMOTE GREASE INSTALLATION.....	348
FIGURE 9-19. SAHR BRAKE VALVE INSTALLATION.....	350
FIGURE 9-20. SAHR VALVE INSTALLATION.....	352
FIGURE 9-21. SAHR BRAKE VALVE - REVERSE FAN AND FITTING ASSEMBLY.....	354
FIGURE 9-22. STEERING SELECT VALVE INSTALLATION	356
FIGURE 9-23. STEERING SELECT VALVE ASSEMBLY.....	358
FIGURE 9-24. STEER VALVE ASSEMBLY	360
FIGURE 9-25. WATCH DOG VALVE INSTALLATION	362
FIGURE 9-26. WATCH DOG VALVE AND FITTING ASSEMBLY	364
FIGURE 9-27. VALVE AUX HYDRAULIC INSTALLATION.....	366
FIGURE 9-28. VALVE ASSEMBLY - MAIN CONTROL VALVE.....	368
FIGURE 9-29. VALVE ASSEMBLY - SAHR BRAKE VALVE AND REVERSE FAN	370
FIGURE 9-30. VALVE ASSEMBLY - STEERING SELECT	372
FIGURE 9-31. VALVE ASSEMBLY - WATCHDOG	374
FIGURE 9-32. VALVE ASSEMBLY, - BLOCK	376

TABLE OF CONTENTS

FIGURE 9-33. VALVE, DIVERTER	378
SECTION 10 - ELECTRICAL	381
FIGURE 10-1. A/C OPTION HARNESS	382
FIGURE 10-2. ALARM INSTALLATION - BACK UP	384
FIGURE 10-3. ALARM INSTALLATION - WHITE NOISE	386
FIGURE 10-4. BATTERY INSTALLATION	388
FIGURE 10-5. BATTERY DISCONNECT INSTALLATION	390
FIGURE 10-6. BEACON INSTALLATION (WITH A/C)	392
FIGURE 10-7. BEACON WORKLIGHT HARNESS	394
FIGURE 10-8. BOOM WORKLIGHT JUMPER HARNESS	396
FIGURE 10-9. BOOM AUX HARNESS	398
FIGURE 10-10. CAB ELECTRICAL INSTALLATION	400
FIGURE 10-11. CAB HARNESS	402
FIGURE 10-12. CAB HARNESS (ENCLOSED CAB)	406
FIGURE 10-13. CAB HARNESS - OPTION	408
FIGURE 10-14. CAMERA INSTALLATION - REVERSE	410
FIGURE 10-15. DASH SWITCHES INSTALLATION	412
FIGURE 10-16. ENGINE HARNESS	414
FIGURE 10-17. FRAME ELECTRICAL COMPONENTS INSTALLATION	418
FIGURE 10-18. FRAME HARNESS INSTALLATION	420
FIGURE 10-19. FRAME HARNESS	422
FIGURE 10-20. FRAME HARNESS	424
FIGURE 10-21. FUSEBOX ASSEMBLY - FRAME	428
FIGURE 10-22. HEADLIGHTS HARNESS	430
FIGURE 10-23. HEADLIGHT/WORKLIGHT OPTIONAL HARNESS	432
FIGURE 10-24. LIGHTS - ROADLIGHTS INSTALLATION	434
FIGURE 10-25. LIGHTS - WORKLIGHTS INSTALLATION	436
FIGURE 10-26. LSI INSTALLATION - ENCLOSED CAB	438
FIGURE 10-27. LSI SENSOR INSTALLATION	440
FIGURE 10-28. LSI PIGTAIL HARNESS	442
FIGURE 10-29. REVERSE SENSING INSTALLATION	444
FIGURE 10-30. REVERSE SENSOR HARNESS	446
FIGURE 10-31. SEAT BELT ALARM HARNESS	448
FIGURE 10-32. TAILLIGHTS HARNESS	450
FIGURE 10-33. TELEMATICS JUMPER HARNESS	452
FIGURE 10-34. VALVE JUMPER HARNESS	454
SECTION 11 - DECALS	457
FIGURE 11-1. DECALS INSTALLATION - INFO (ANSI SPECS)	458
FIGURE 11-2. DECALS INSTALLATION - INFO (ISO SPECS)	462
FIGURE 11-3. DECALS INSTALLATION - INFO (ENGLISH/FRENCH LANGUAGES)	466
FIGURE 11-4. DECALS INSTALLATION - INFO (ENGLISH/SPANISH LANGUAGES)	470
FIGURE 11-5. DECALS INSTALLATION - BRAND (CLOSED CAB)	474
FIGURE 11-6. DECALS INSTALLATION - CLEARSKY	476
FIGURE 11-7. LOAD CHART (ANSI SPECS)	478

TABLE OF CONTENTS

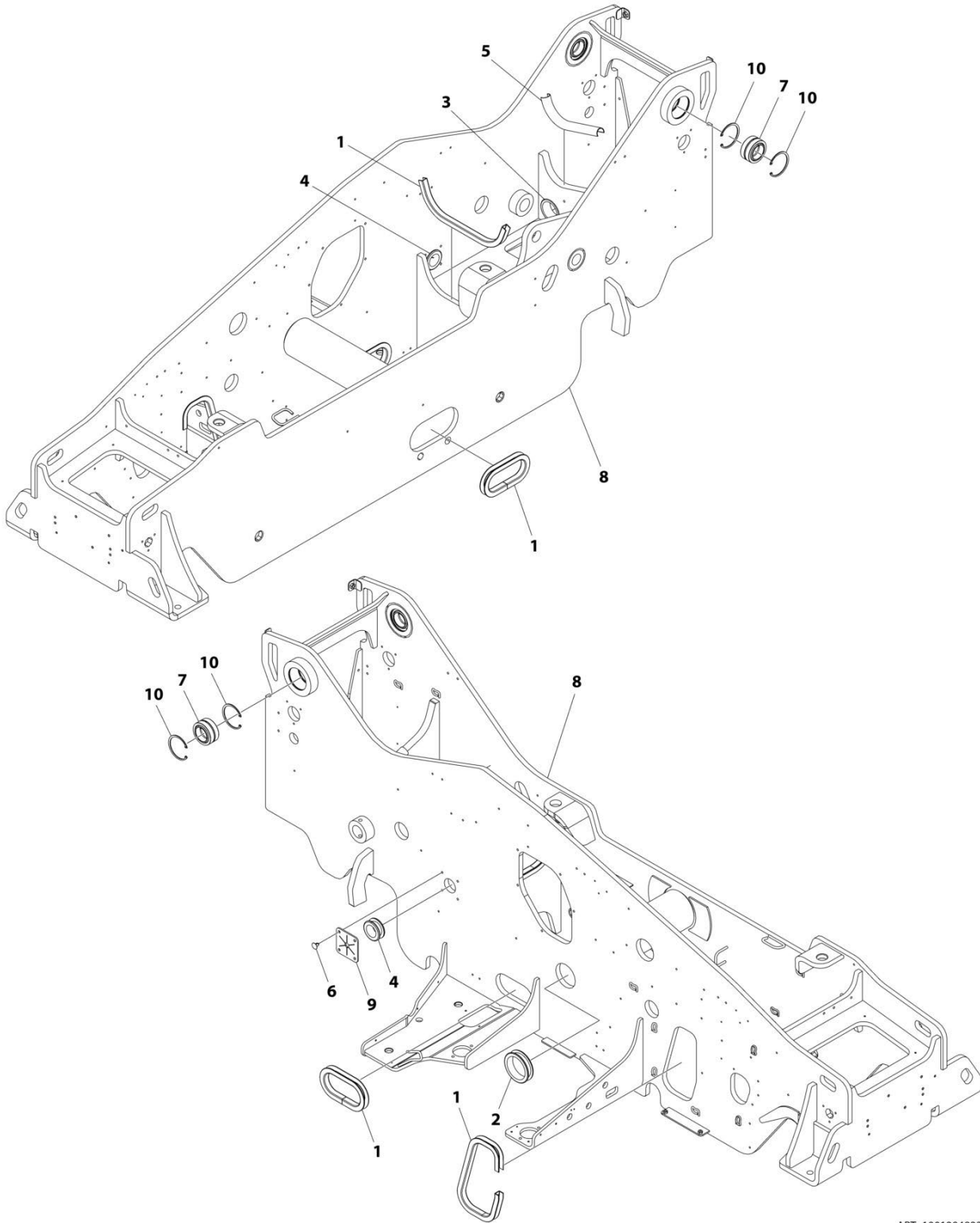
FIGURE 11-8. LOAD CHART (METRIC SPECS)	480
FIGURE 11-9. REVERSE SENSOR SYSTEM DECAL (ENGLISH).....	482
FIGURE 11-10. REVERSE SENSOR SYSTEM DECAL (ISO)	484
FIGURE 11-11. REVERSE SENSING SYSTEM DECAL, (ENGLISH/FRENCH).....	486
FIGURE 11-12. REVERSE SENSOR SYSTEM DECAL (ENGLISH/SPANISH).....	488
FIGURE 11-13. TRIANGLE INSTALLATION - SLOW MOVING VEHICLE.....	490
SECTION 12 - RECOMMENDED SERVICE PARTS STOCK.....	493
FIGURE 12-1. RECOMMENDED SERVICE PARTS STOCK.....	494
SECTION 13 - SPECIAL OPTIONS/ACCESSORIES/KITS.....	497
FIGURE 13-1. SPECIAL OPTIONS/ACCESSORIES/KITS.....	498
PART NUMBER INDEX.....	501

SECTION 1 - FRAME AND ATTACHING PARTS

SECTION 1 - FRAME AND ATTACHING PARTS

SECTION 1 - FRAME AND ATTACHING PARTS

FIGURE 1-1. FRAME COMPONENTS INSTALLATION



ART_1001294823

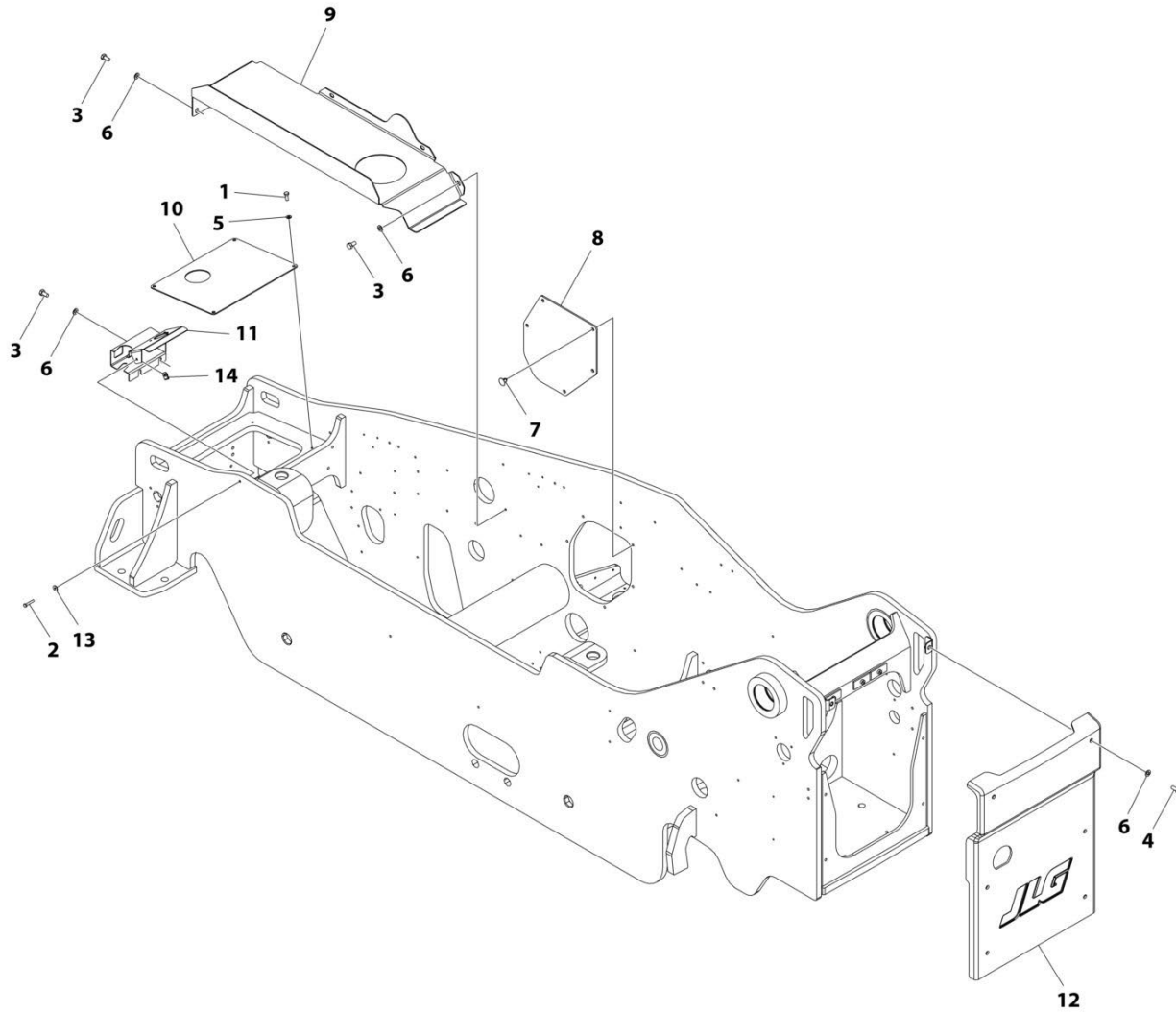
SECTION 1 - FRAME AND ATTACHING PARTS

FIGURE 1-1. FRAME COMPONENTS INSTALLATION

ITEM	PART NUMBER	QTY	DESCRIPTION	REV
	1001294823	Ref	FRAME COMPONENTS INSTALLATION	B
1	4060919	7.2 ft / 2.2m	Trim	
2	1001028264	1	Grommet	
3	1001028306	2	Grommet	
4	1001028308	1	Grommet	
5	7124471	1	Conduit	
6	1001180306	4	Retainer	
7	1001292157	2	Bearing	
8	See Note	NSS	Frame (Note: Not Available for Purchase)	
9	1001294746	1	Panel, Air Dam	
10	1001298855	4	Ring, Retaining	

SECTION 1 - FRAME AND ATTACHING PARTS

FIGURE 1-2. FRAME COVERS ASSEMBLY



ART_1001296572

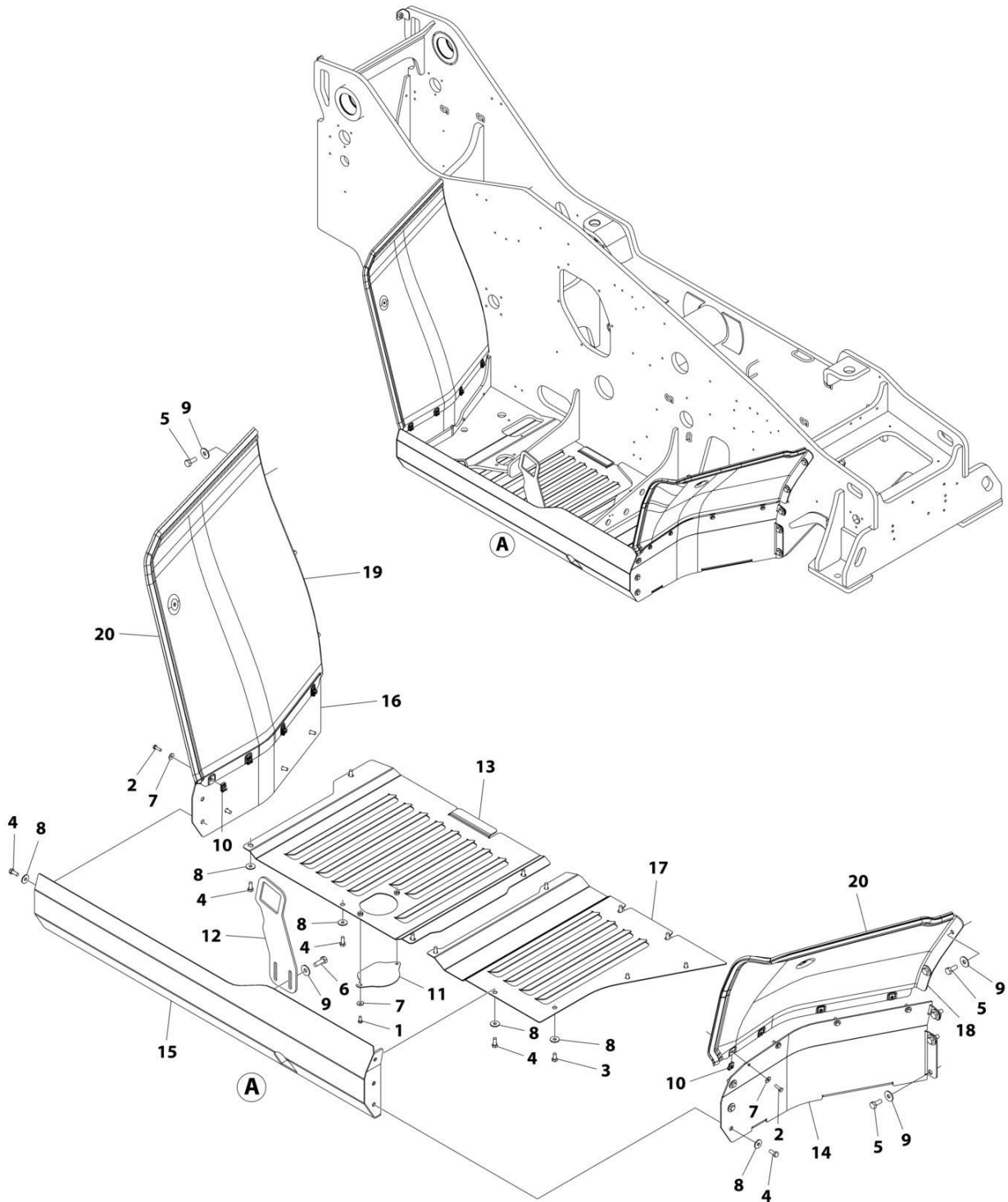
SECTION 1 - FRAME AND ATTACHING PARTS

FIGURE 1-2. FRAME COVERS ASSEMBLY

ITEM	PART NUMBER	QTY	DESCRIPTION	REV
	1001296572	Ref	FRAME COVERS ASSEMBLY	D
1	0760810	4	Bolt M8 x 20	
2	0760615	1	Bolt M6 x 35	
3	0761010	7	Bolt M10 x 20	
4	0761012	6	Bolt M10 x 25	
5	4811900	4	Washer M8	
6	4812000	13	Washer M10	
7	1001180306	5	Fastener	
8	1001292260	1	Plate, Frame Closure	
9	1001296658	1	Plate, Base Panel	
10	1001296663	1	Panel, Front Axle Cover	
11	1001304452	1	Support, Filler Neck	
12	1001296915	1	Cover, Rear Frame	
13	4811702	1	Washer M6	
14	1001130220	1	Nut, Tinnerman M6	

SECTION 1 - FRAME AND ATTACHING PARTS

FIGURE 1-3. ENCLOSURE INSTALLATION



ART_1001297139

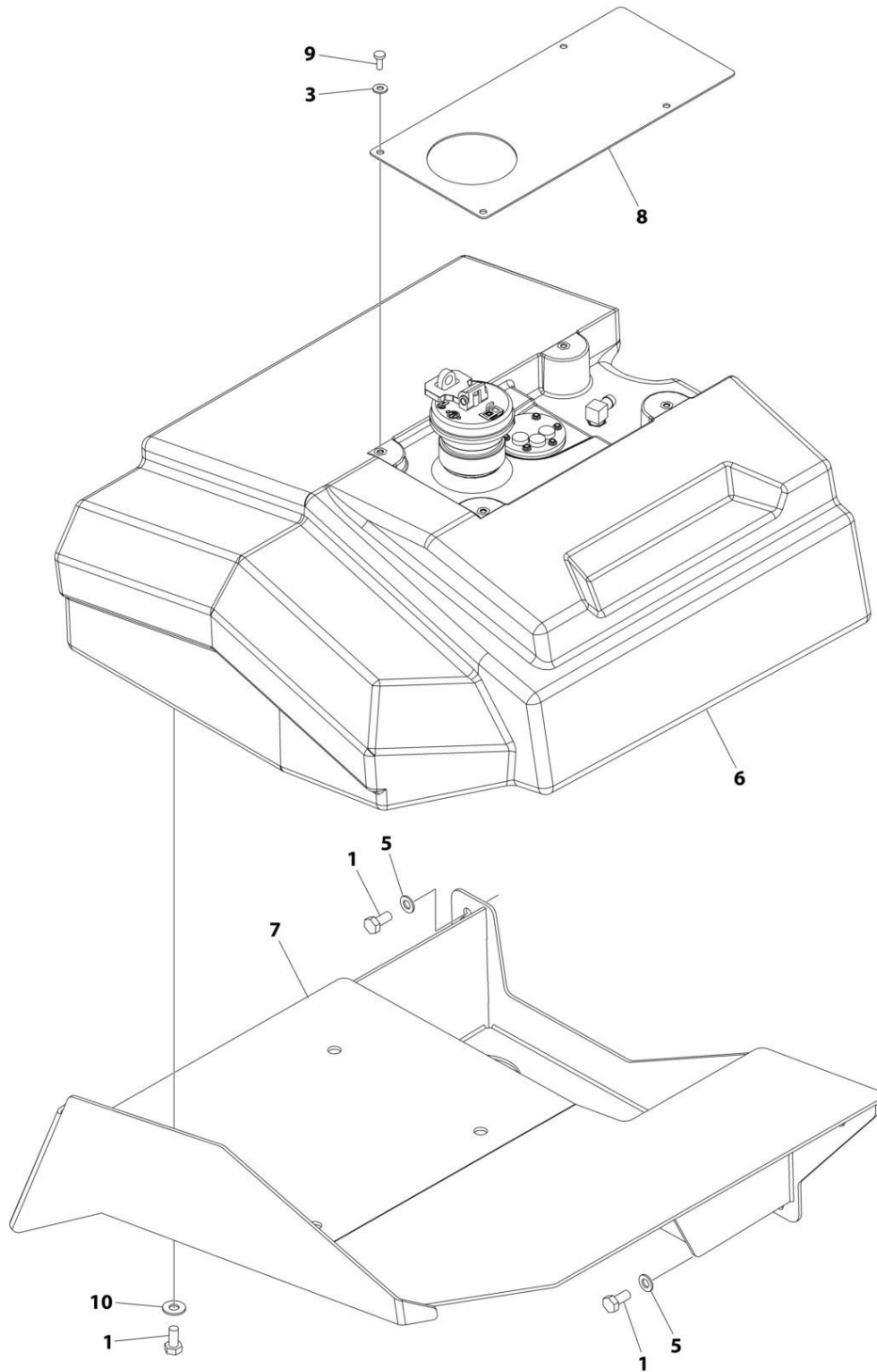
SECTION 1 - FRAME AND ATTACHING PARTS

FIGURE 1-3. ENCLOSURE INSTALLATION

ITEM	PART NUMBER	QTY	DESCRIPTION	REV
	1001297139	Ref	ENCLOSURE INSTALLATION	D
1	0760607	2	Bolt M6 x 14	
2	0700610	8	Bolt M6 x 20	
3	0760808	3	Bolt M8 x 16	
4	0760810	18	Bolt M8 x 20	
5	0761012	8	Bolt M10 x 25	
6	0761014	2	Bolt M10 x 30	
7	4811702	10	Washer M6	
8	4811902	21	Washer M8	
9	4812002	10	Washer M10	
10	8305919	8	Nut, Retainer M6	
11	1001081299K	1	Panel, Fuel Filter Access	
12	1001296809	1	Plate, Hood Latch	
13	1001297140	1	Panel, Bottom Rear	
14	1001297141	1	Panel, Front	
15	1001297142	1	Panel, Side	
16	1001297143	1	Plate, Rear	
17	1001297146	1	Plate, Bottom Front	
18	1001297153	1	Cover, Enclosure Front	
19	1001297154	1	Cover, Enclosure Rear	
20	1001128416	9 ft/ 2.5 m	Seal	

SECTION 1 - FRAME AND ATTACHING PARTS

FIGURE 1-4. FUEL TANK INSTALLATION



ART_1001295923

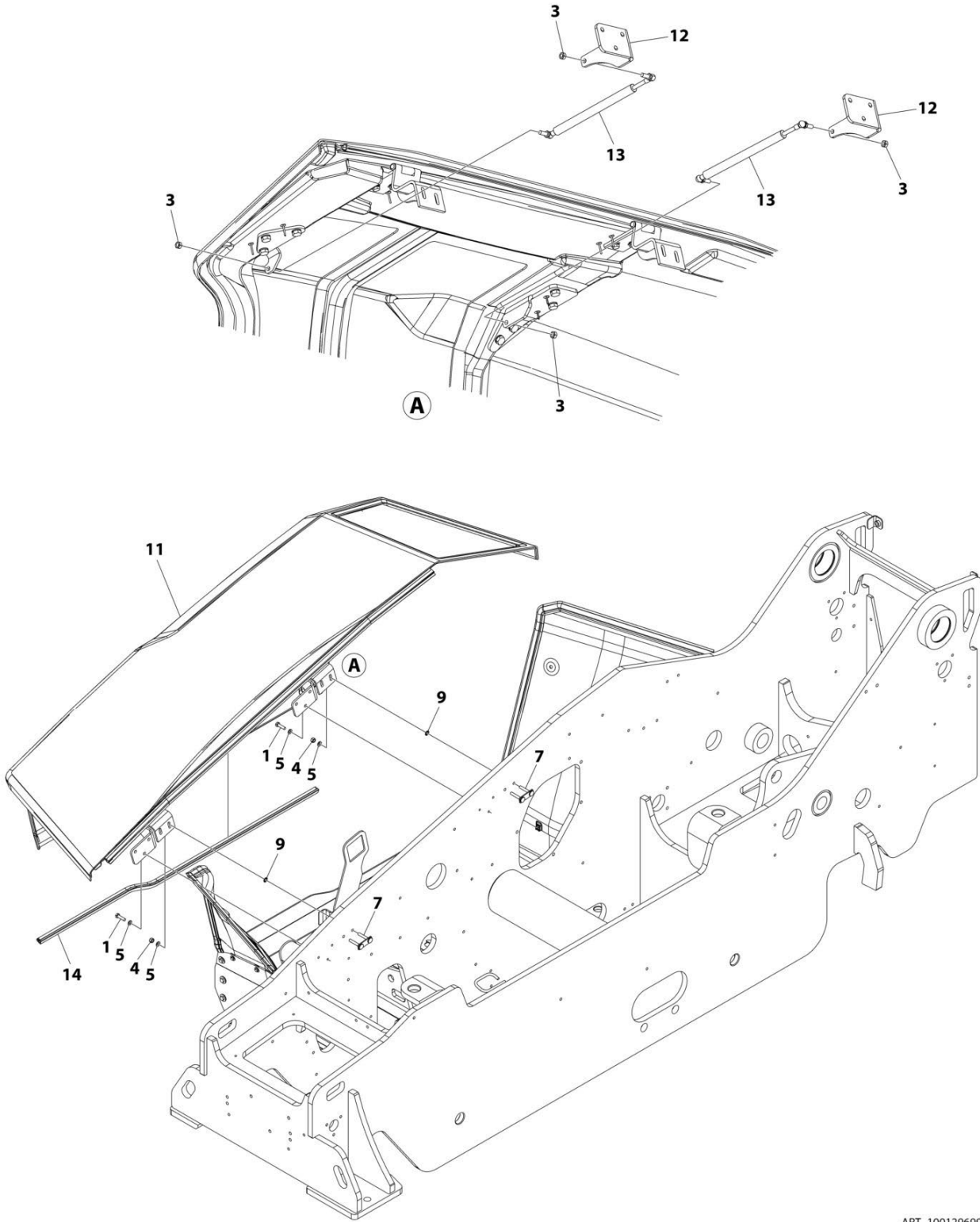
SECTION 1 - FRAME AND ATTACHING PARTS

FIGURE 1-4. FUEL TANK INSTALLATION

ITEM	PART NUMBER	QTY	DESCRIPTION	REV
	1001295923	Ref	FUEL TANK INSTALLATION	D
1	0761011	8	Bolt M10 x 22	
3	4711400001	4	Washer 1/4	
5	4812000	4	Washer M10	
6	1001295169	1	Tank Assembly (See Separate Breakdown in this Section)	
7	1001303704	1	Support	
8	1001295940	1	Plate, Cover	
9	4010608002	4	Screw M6 x 16	
10	4751600	4	Washer 3/8	

SECTION 1 - FRAME AND ATTACHING PARTS

FIGURE 1-5. HOOD INSTALLATION



ART_1001296997

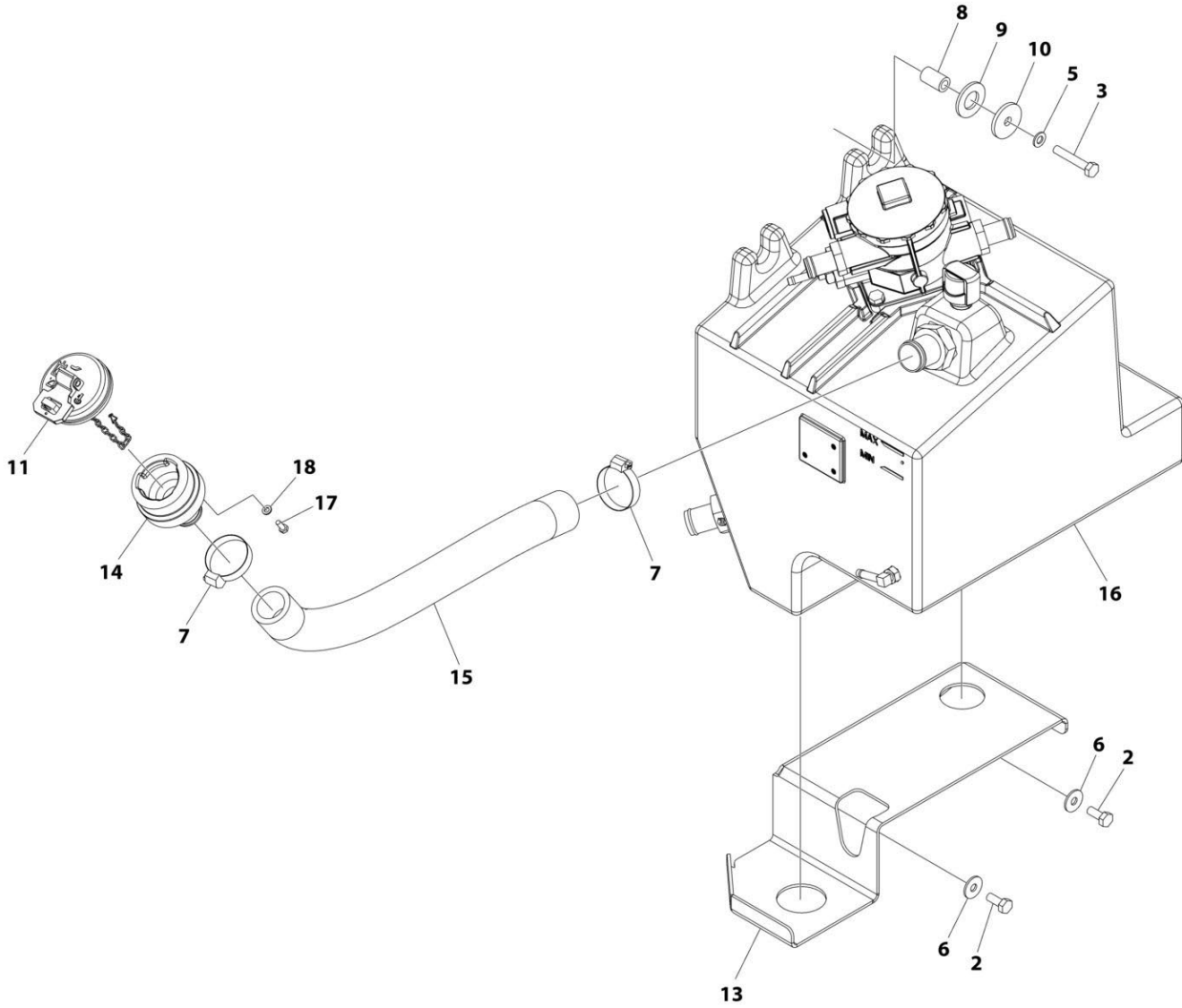
SECTION 1 - FRAME AND ATTACHING PARTS

FIGURE 1-5. HOOD INSTALLATION

ITEM	PART NUMBER	QTY	DESCRIPTION	REV
	1001296997	Ref	HOOD INSTALLATION	C
1	0700814	6	Bolt M8 x 30	
3	3290801	4	Nut M8	
4	3290805	4	Nut M8	
5	4811900	10	Washer M8	
7	1001195587	2	Brace, Hood Hinge	
9	1001256264	4	Washer M8	
11	1001296975	1	Hood Assembly	
12	1001297372	2	Bracket	
13	1001297733	2	Spring, Gas	
14	1001308112	4.3 ft/ 1.3 m	Seal	

SECTION 1 - FRAME AND ATTACHING PARTS

FIGURE 1-6. HYDRAULIC TANK INSTALLATION



ART_1001290730

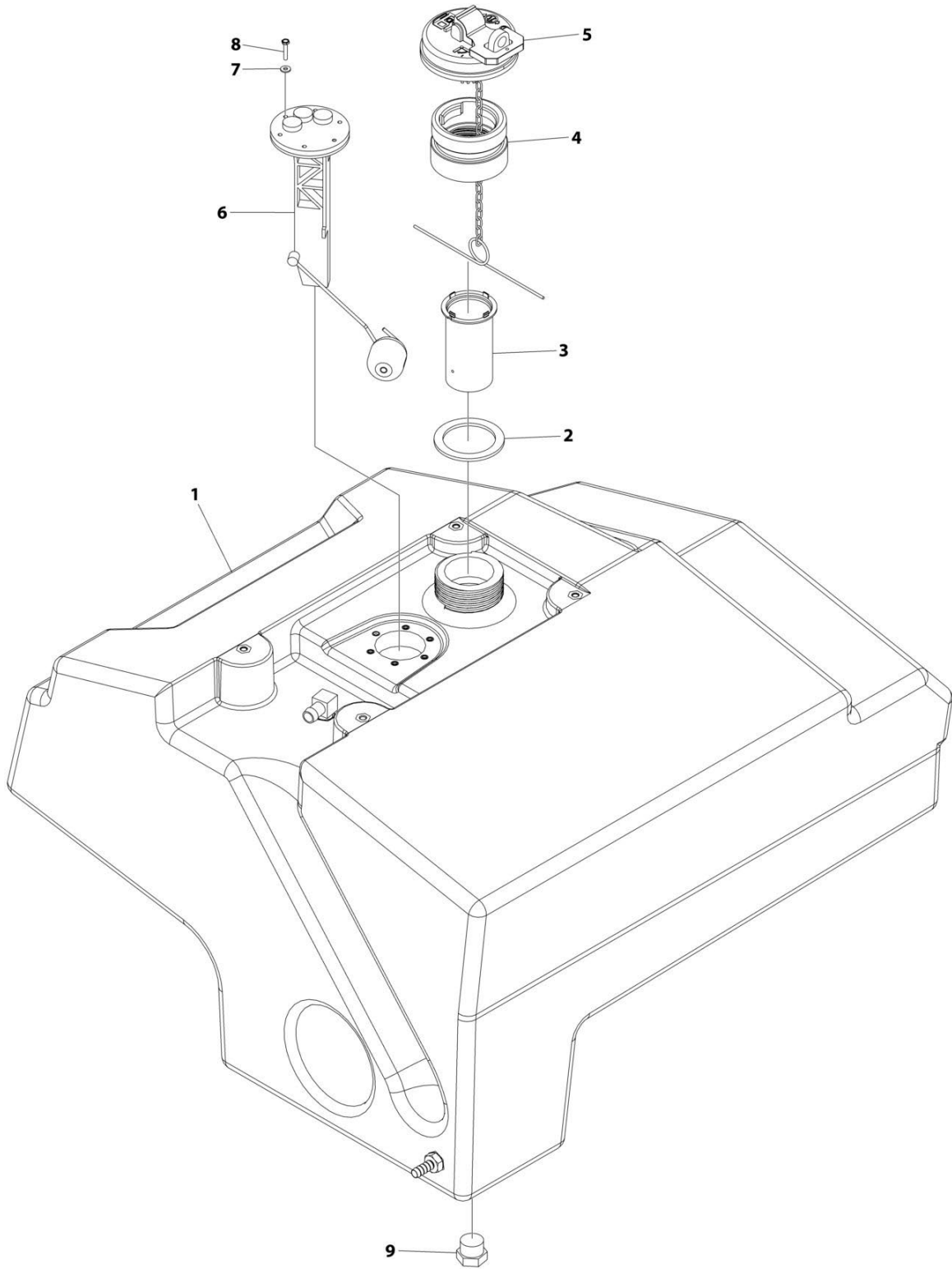
SECTION 1 - FRAME AND ATTACHING PARTS

FIGURE 1-6. HYDRAULIC TANK INSTALLATION

ITEM	PART NUMBER	QTY	DESCRIPTION	REV
	1001290730	Ref	TANK INSTALLATION - HYDRAULIC	C
2	0701012	2	Bolt M10 x 25	
3	0701020	2	Bolt M10 x 60	
5	4812000	2	Washer M10	
6	4812002	2	Washer M10	
7	8405104	2	Clamp	
8	1001171179	2	Spacer	
9	1001172146	2	Washer, Rubber	
10	1001172147	2	Washer M10	
11	1001306587	1	Cap	
13	1001294850	1	Bracket	
14	1001306405	1	Neck, Filler	
15	1001296906	1	Hose	
16	1001297194	1	Tank Assembly (See Separate Breakdown in this Section)	
17	0760608	3	Bolt M5 x 16	
18	4811700	3	Washer M6	

SECTION 1 - FRAME AND ATTACHING PARTS

FIGURE 1-7. TANK ASSEMBLY - FUEL



ART_1001295169

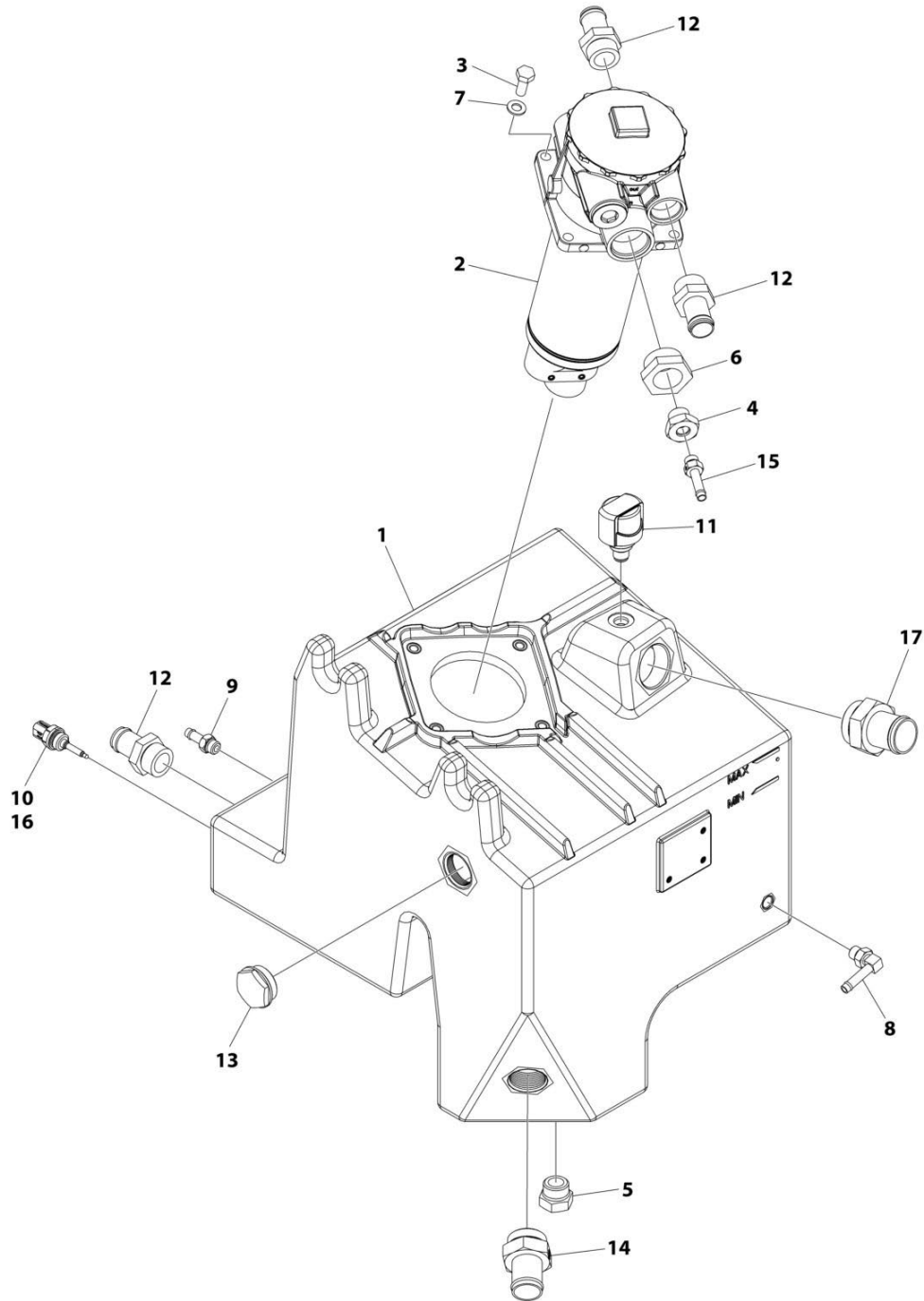
SECTION 1 - FRAME AND ATTACHING PARTS

FIGURE 1-7. TANK ASSEMBLY - FUEL

ITEM	PART NUMBER	QTY	DESCRIPTION	REV
	1001295169	Ref	TANK ASSEMBLY - FUEL	D
1	1001295168	1	Tank, Fuel	
2	1001172178	1	Gasket	
3	1001295511	1	Tube	
4	1001207282	1	Adapter, Cap	
5	1001272297	1	Cap, Fuel	
6	1001197965	1	Sensor, Fuel Level	
7	4750600	6	Washer M6	
8	0720606	6	Screw #6 x 3/4	
9	2220239	1	Plug	

SECTION 1 - FRAME AND ATTACHING PARTS

FIGURE 1-8. TANK ASSEMBLY - HYDRAULIC



ART_1001297194

SECTION 1 - FRAME AND ATTACHING PARTS

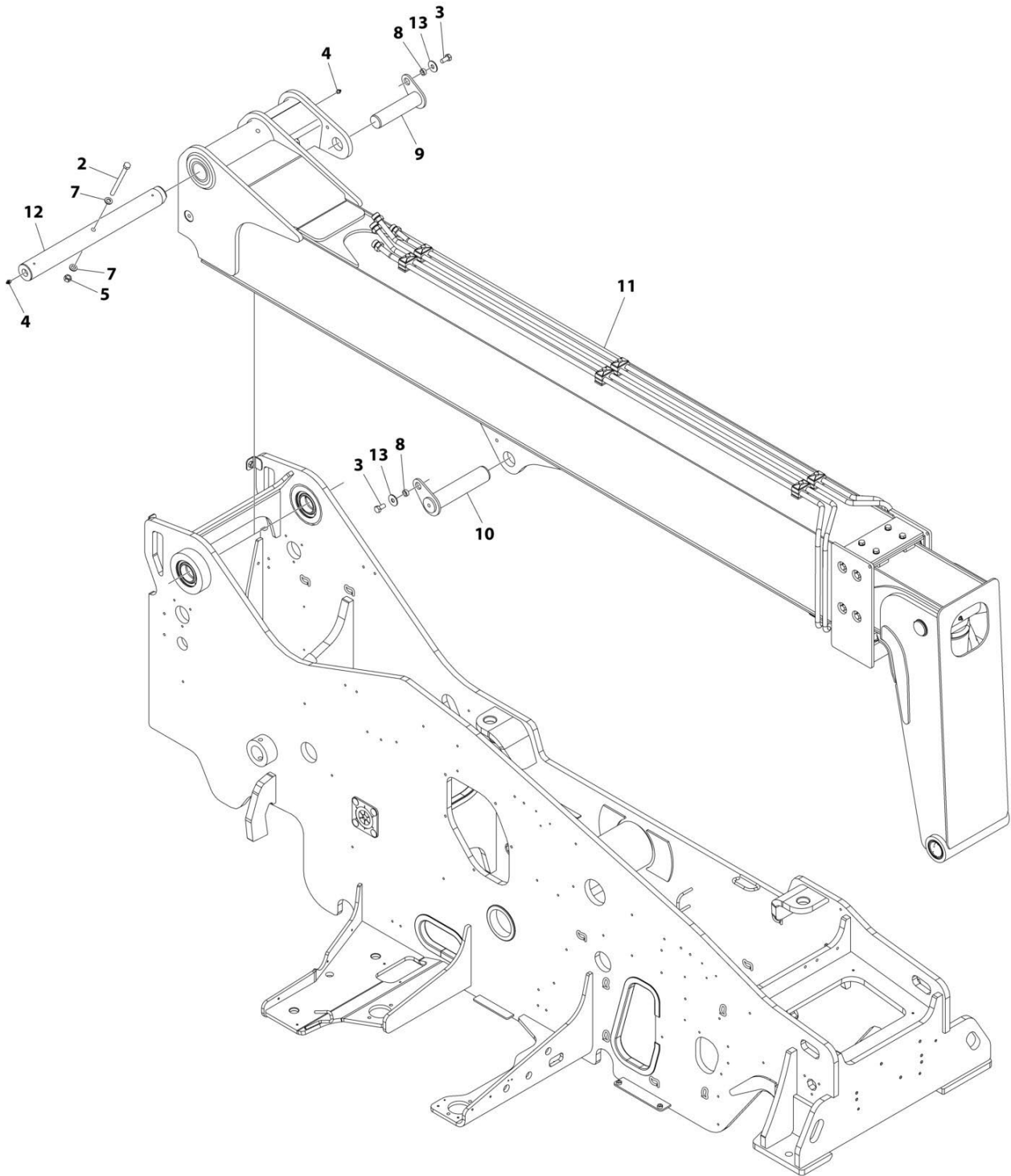
FIGURE 1-8. TANK ASSEMBLY - HYDRAULIC

ITEM	PART NUMBER	QTY	DESCRIPTION	REV
	1001297194	Ref	TANK ASSEMBLY - HYDRAULIC	D
1	1001290386	1	Tank, Hydraulic	
2	1001290387	1	Filter Assembly - Hydraulic Tank	
2	70031028	1	Element, Filter	
3	0761012	4	Bolt M10 x 25	
4	2220221	1	Fitting, Straight FORB/ORB	
5	2220240	1	Plug	
6	2220921	1	Fitting, Straight	
7	4812000	4	Washer M10	
8	8430034	1	Fitting, 90	
9	1001003589	1	Fitting, Straight BARB/ORB	
10	1001128478	1	Sensor, Temperature	
11	1001162662	1	Filter/Breather	
12	1001185073	3	Fitting, Straight ORB/BARB	
13	1001285382	1	Gauge, Sight	
14	1001294265	1	Fitting, Straight Pipe/BARB	
15	1001297252	1	Fitting, Straight Pipe/BARB	
16	1001009163	1	O-Ring	
17	1001287856	1	Fitting, Straight BARB/ORB	

SECTION 2 - BOOM

SECTION 2 - BOOM

FIGURE 2-1. BOOM INSTALLATION



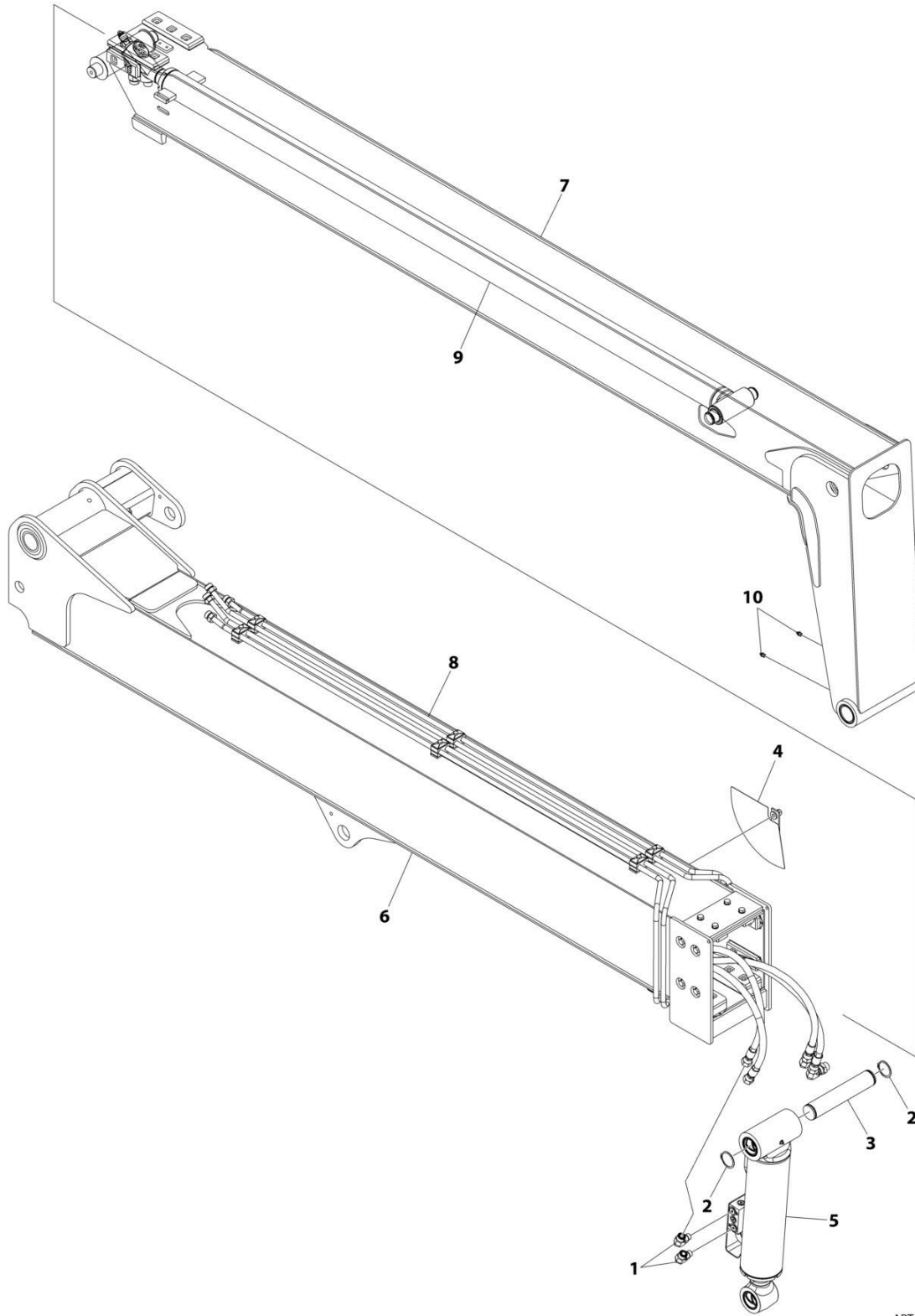
ART_1001292149

FIGURE 2-1. BOOM INSTALLATION

ITEM	PART NUMBER	QTY	DESCRIPTION	REV
	1001292149	Ref	BOOM INSTALLATION	B
2	0701232	1	Bolt M12 x 150	
3	0761212	2	Bolt M12 x 25	
4	2160016	2	Fitting, Straight	
5	3291205	1	Nut M12	
7	4812100	2	Washer M12	
8	7139886	2	Spacer	
9	1001080154	1	Pin	
10	1001080155	1	Pin	
11	1001291677	1	Boom Assembly (See Separate Breakdown in this Section)	
12	1001292164	1	Pin	
13	4812102	2	Washer M12	

SECTION 2 - BOOM

FIGURE 2-2. BOOM ASSEMBLY



ART_1001291677

FIGURE 2-2. BOOM ASSEMBLY

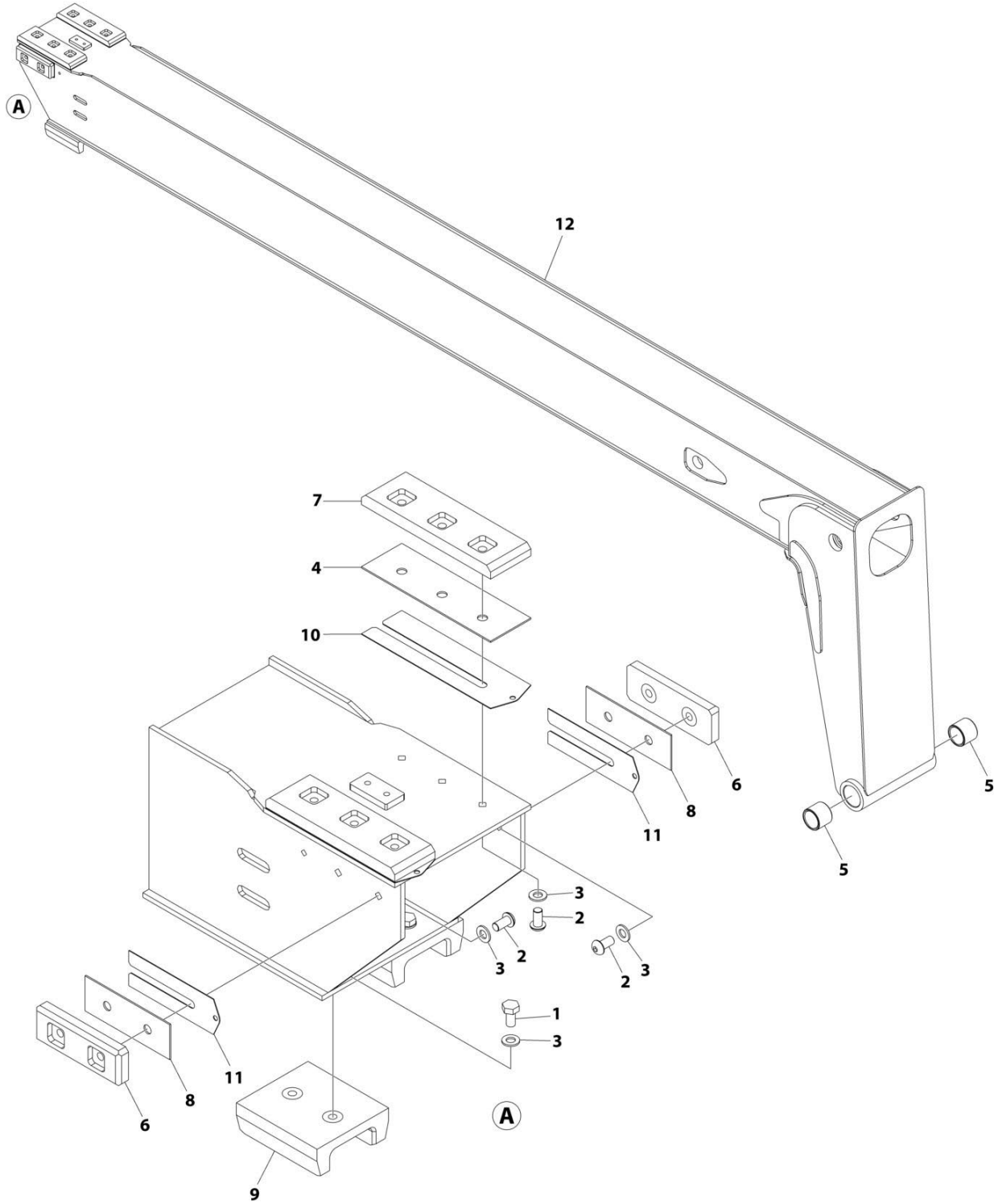
ITEM	PART NUMBER	QTY	DESCRIPTION	REV
	1001291677	Ref	BOOM ASSEMBLY	B
1	2131008	2	Fitting, 90 ORFS/ORB	
2	8642224	2	Ring, Retaining	
3	1001080152	1	Pin	
4	1001192364	1	Boom Angle Indicator Installation (See separate breakdown in This Section)	
5	1001200581	1	Tilt Cylinder Assembly (See Separate Breakdown in HYDRAULIC COMPONENTS Section)	
6	1001291787	1	Boom Base Assembly (See Separate Breakdown in this Section)	
7	1001292029	1	Boom Fly Assembly (See Separate Breakdown in this Section)	
8	1001292159	1	Boom Hydraulic Installation (See separate breakdown in HYDRAULIC CIRCUITS Section)	
9	1001293253	1	Telescope Cylinder Installation (See Separate Breakdown in This Section)	
10	88671001	2	Fitting, Straight	

FIGURE 2-3. BOOM BASE ASSEMBLY

ITEM	PART NUMBER	QTY	DESCRIPTION	REV
	1001291787	Ref	BOOM BASE ASSEMBLY	B
1	0701014	4	Bolt M10 x 30	
2	0701018	6	Bolt M10 x 50	
3	0761010	8	Bolt M10 x 20	
4	4812000	AR	Washer M10	
5	7126182	2	Shim	
6	7300032	6	Pad	
7	7300034	2	Wear Pad	
8	7300518	4	Shim	
9	1001080391	2	Spacer	
10	1001096584	AR	Shim	
11	1001096585	AR	Shim	
12	1001291679	1	Boom, First Section	

SECTION 2 - BOOM

FIGURE 2-4. BOOM FLY ASSEMBLY



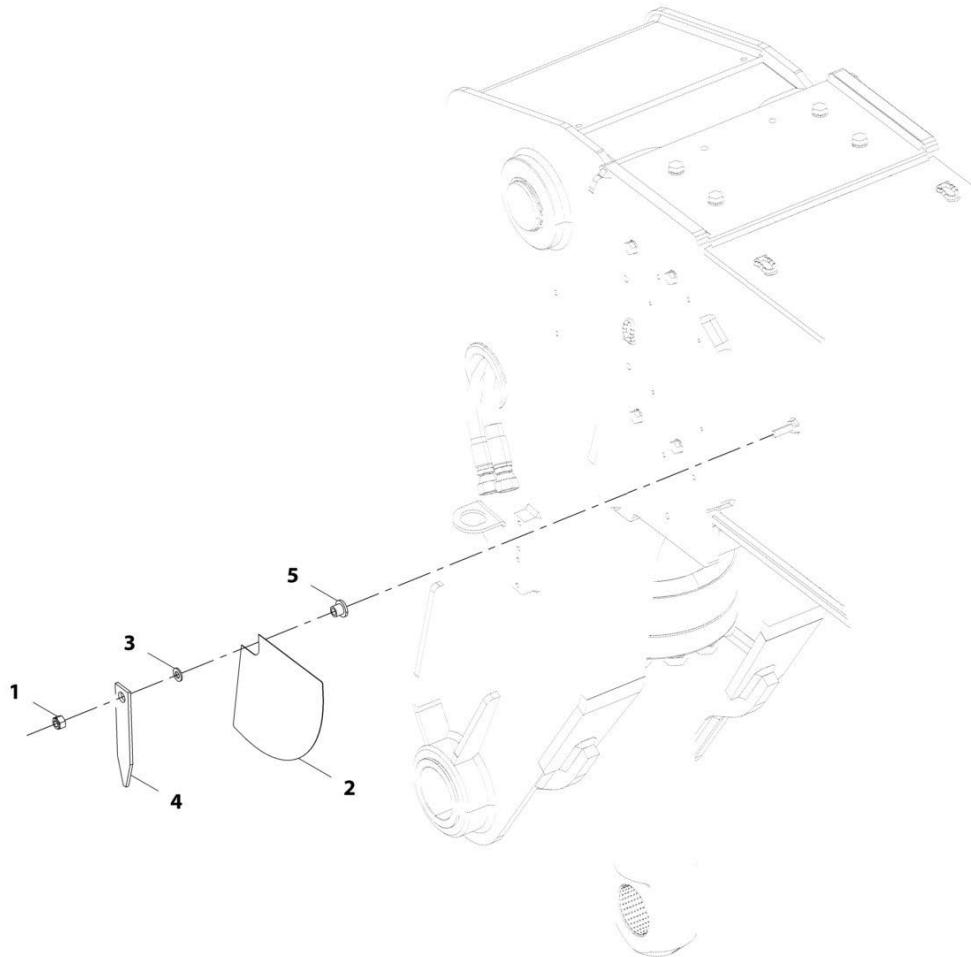
ART_1001292029

FIGURE 2-4. BOOM FLY ASSEMBLY

ITEM	PART NUMBER	QTY	DESCRIPTION	REV
	1001292029	Ref	BOOM FLY ASSEMBLY	B
1	0761010	4	Bolt M10 x 20	
2	3900393	10	Screw M10 x 20	
3	4812000	AR	Washer M10	
4	7126182	2	Shim	
5	7126662	2	Bushing	
6	7300032	2	Pad	
7	7300034	2	Wear Pad	
8	7300518	2	Shim	
9	1001080050	2	Wear Pad Channel Assembly	
10	1001096584	AR	Shim	
11	1001096585	AR	Shim	
12	1001292023	1	Boom, Fly	

SECTION 2 - BOOM

FIGURE 2-5. BOOM ANGLE INDICATOR INSTALLATION



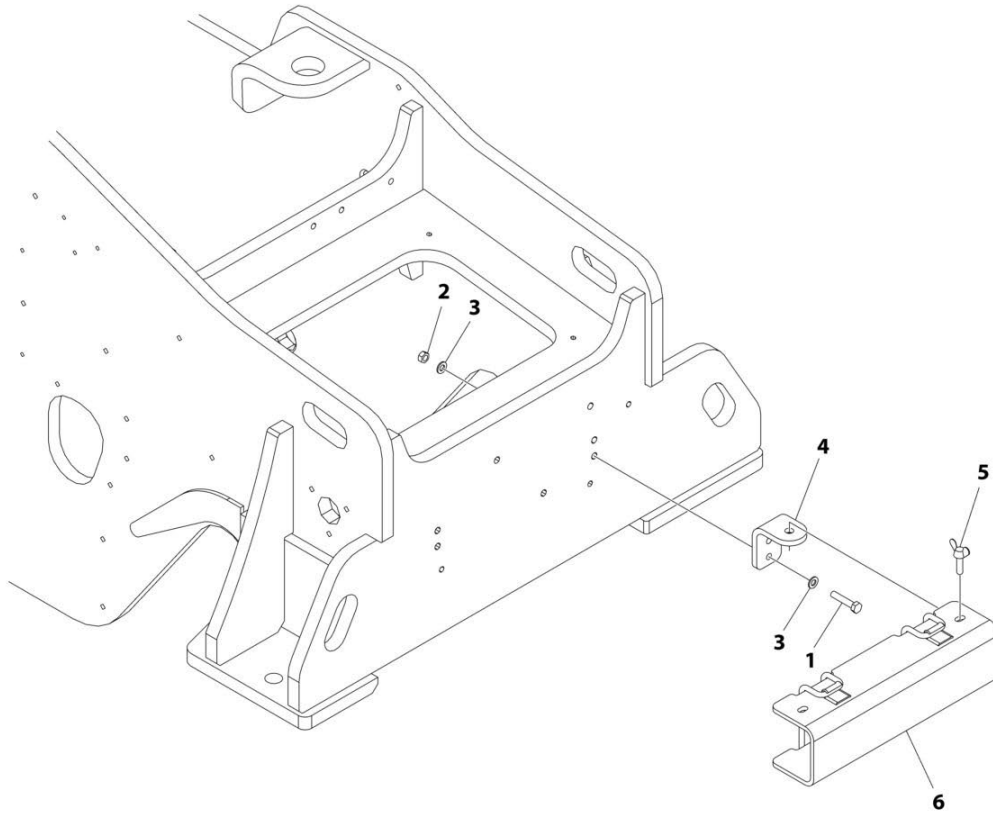
ART_1001192364-A

FIGURE 2-5. BOOM ANGLE INDICATOR INSTALLATION

ITEM	PART NUMBER	QTY	DESCRIPTION	REV
	1001192364	Ref	Boom Angle Indicator Installation	A
1	3291005	1	Nut, Lock M10X1.5	
2	4105262	1	Decal, Boom Angle Indicator	
3	4812000	1	Washer, M10	
4	1001098769	1	Plate, Boom Angle Indicator	
5	1001171808	1	Spacer	

SECTION 2 - BOOM

FIGURE 2-6. BOOM PROP INSTALLATION



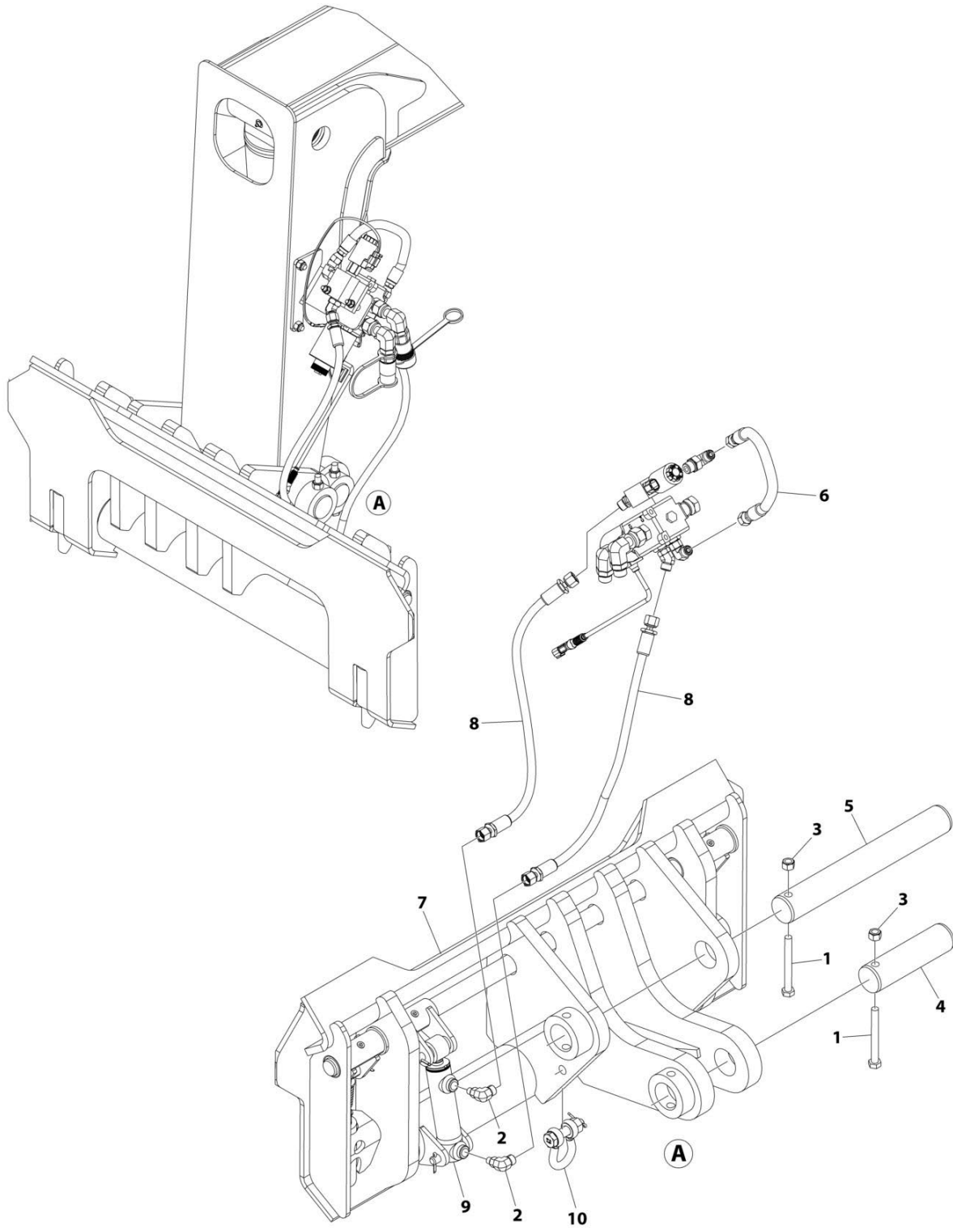
ART_1001292410

FIGURE 2-6. BOOM PROP INSTALLATION

ITEM	PART NUMBER	QTY	DESCRIPTION	REV
	1001292410	Ref	BOOM PROP INSTALLATION	A
1	0760816	4	Bolt M8 x 40	
2	3290801	4	Nut M8	
3	4811900	8	Washer M8	
4	1001193887	2	Bracket, Boom Prop	
5	1001228860	2	Bolt M8 x 30	
6	1001298844	1	Channel, Boom Prop	

SECTION 2 - BOOM

FIGURE 2-7. COUPLER INSTALLATION - UNIVERSAL (HYDRAULIC)



ART_1001299765

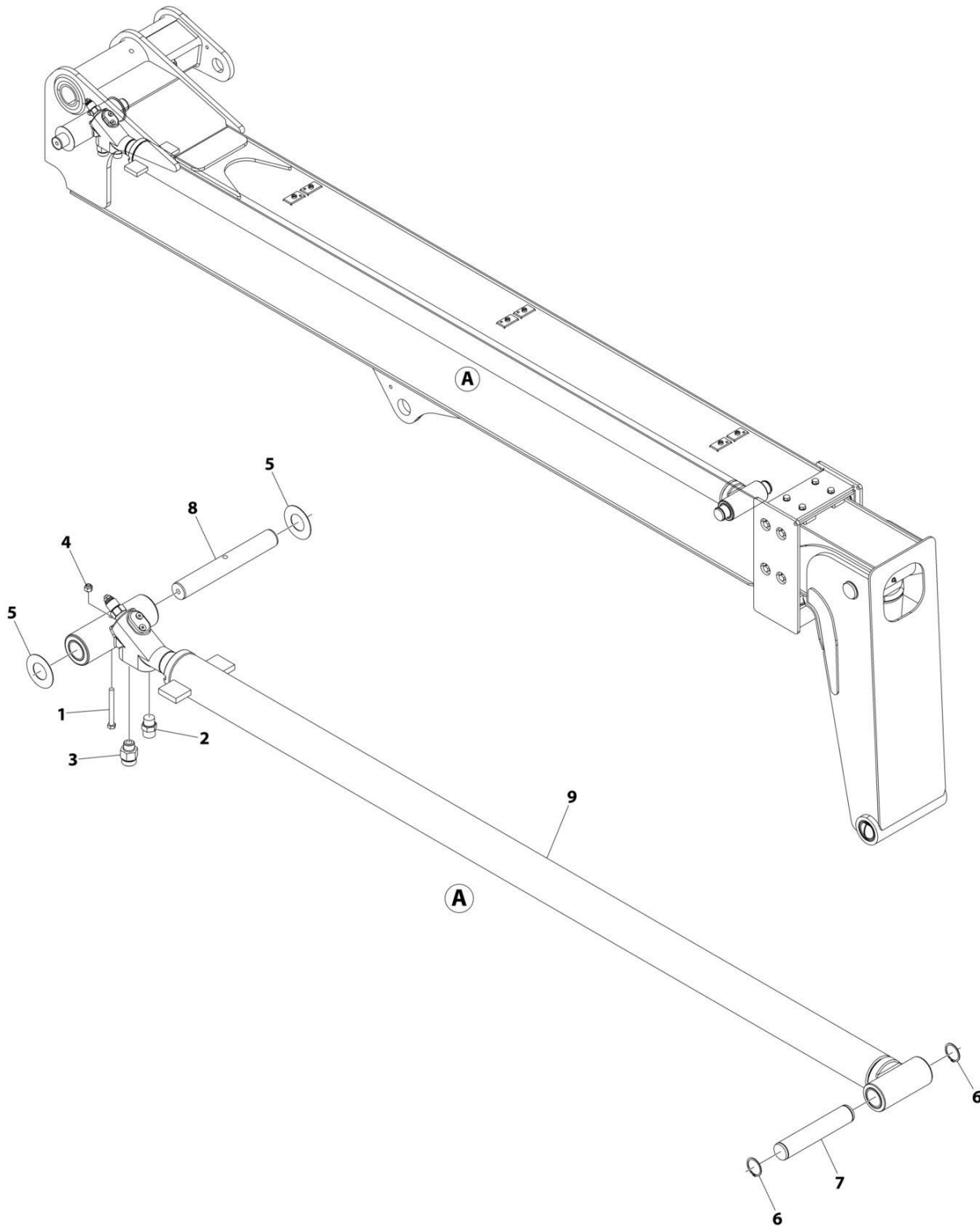
SECTION 2 - BOOM

FIGURE 2-7. COUPLER INSTALLATION - UNIVERSAL (HYDRAULIC)

ITEM	PART NUMBER	QTY	DESCRIPTION	REV
	1001299765	Ref	HYDRAULIC QUICK SWITCH INSTALLATION	C
1	0761228	2	Bolt M12 x 110	
2	2130604	2	Fitting, 90 ORFS/ORB	
3	3291205	2	Nut M12	
4	1001097728	1	Pin	
5	1001097729	1	Pin	
6	1001137106	1	Hose	
7	1001158352	1	Quick Switch Assembly (See Separate Breakdown in this Section)	
8	1001161759	2	Hose	
9	1001267976	1	Cylinder, Fork Locking	
10	1001292581	1	Bolt Shackle	

SECTION 2 - BOOM

FIGURE 2-8. TELESCOPE CYLINDER INSTALLATION



ART_1001293253

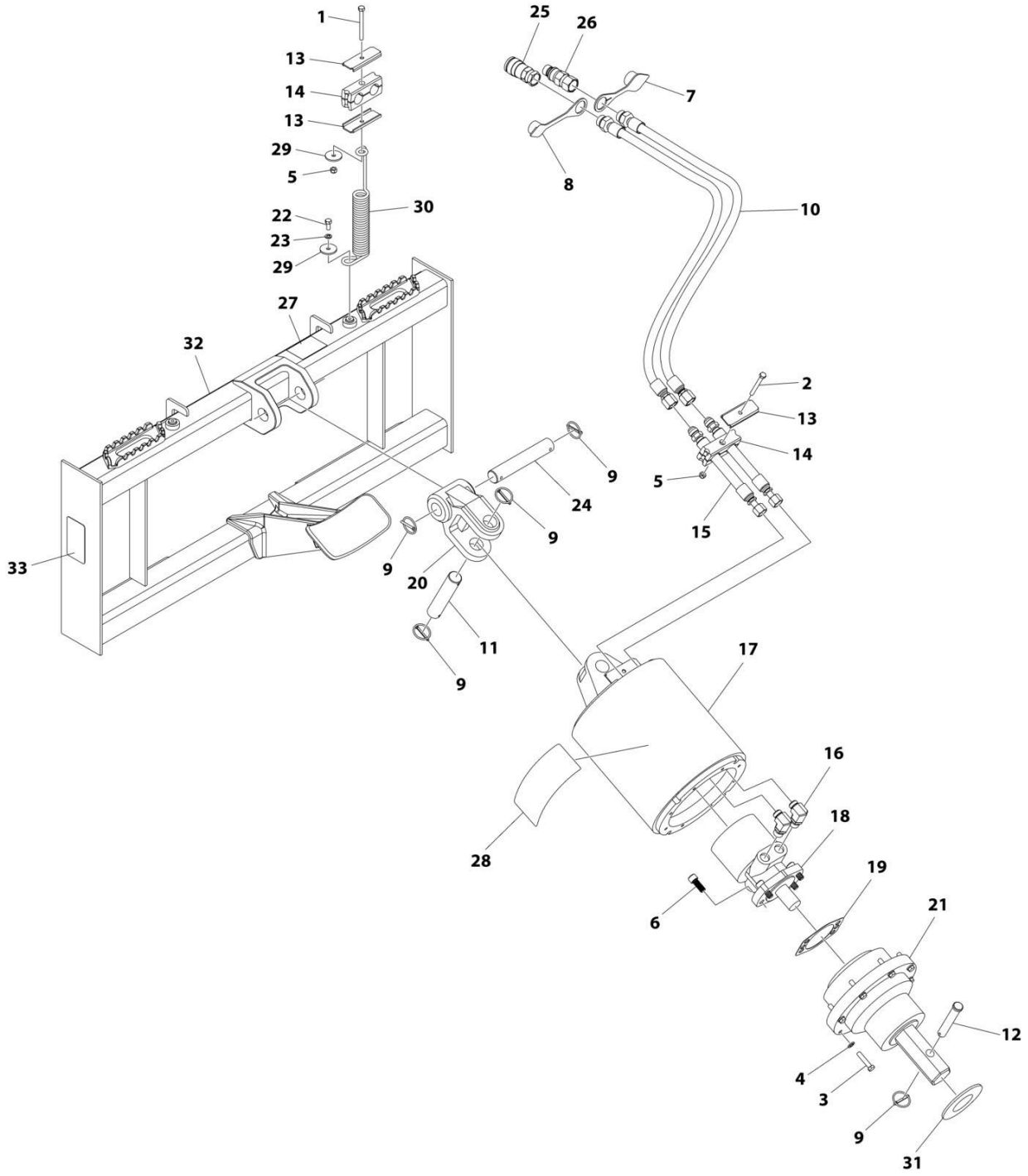
FIGURE 2-8. TELESCOPE CYLINDER INSTALLATION

ITEM	PART NUMBER	QTY	DESCRIPTION	REV
	1001293253	Ref	TELESCOPE CYLINDER INSTALLATION	B
1	0641628	1	Bolt 3/8 x 3-1/2	
2	2111010	1	Fitting, Straight ORFS/ORB	
3	2111210	1	Fitting, Straight ORFS/ORB	
4	8305645	1	Nut	
5	8310160	2	Washer	
6	8642207	2	Ring, Retaining	
7	1001080116	1	Pin	
8	1001080117	1	Pin	
9	1001201668	1	Telescope Cylinder (See Separate Breakdown in this Section)	

SECTION 3 - ATTACHMENTS

SECTION 3 - ATTACHMENTS

FIGURE 3-1. AUGER DRIVE ASSEMBLY - UNIVERSAL



ART_1001242616

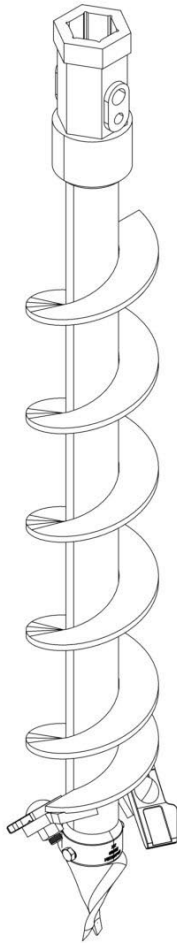
SECTION 3 - ATTACHMENTS

FIGURE 3-1. AUGER DRIVE ASSEMBLY - UNIVERSAL

ITEM	PART NUMBER	QTY	DESCRIPTION	REV
	1001242616	Ref	AUGER DRIVE ASSEMBLY, UNIVERSAL	C
1	90554074	1	Bolt	
2	90554070	1	Bolt	
3	70027774	8	Bolt	
4	90554042	8	Washer	
5	70027775	2	Nut	
6	70027776	4	Bolt	
7	1001093826	1	Dust Cap, Male	
8	1001093827	1	Dust Cap, Female	
9	70027777	5	Pin	
10	70029315	2	Hose	
11	70027781	1	Pin	
12	70027782	1	Pin	
13	70027783	3	Plate	
14	70027784	2	Block	
15	70027789	2	Hose	
16	70027788	2	Fitting	
17	70029696	1	Planetary Housing	
18	70029697	1	Motor	
19	70029314	1	Gasket	
20	70027779	1	Cast Swivel	
21	70027793	1	Planetary, Gearbox Assembly	
22	70027773	1	Bolt	
23	90554067	1	Washer	
24	70027780	1	Pin	
25	1001101042	1	Hydraulic Coupler, Female	
26	1001101041	1	Hydraulic Coupler, Male	
27	70027786	1	Decal, Warning	
28	70037787	2	Decal - Danger	
29	70029698	2	Washer	
30	70029699	1	Spring	
31	70029700	1	Seal	
32	See Note	NSS	Weldment (Note: Not Available for Purchase)	
33	See Note	NSS	Serial Tag (Note: Not Available for Purchase)	

SECTION 3 - ATTACHMENTS

FIGURE 3-2. AUGER BIT (6INX4IN)



ART_1001204128-B

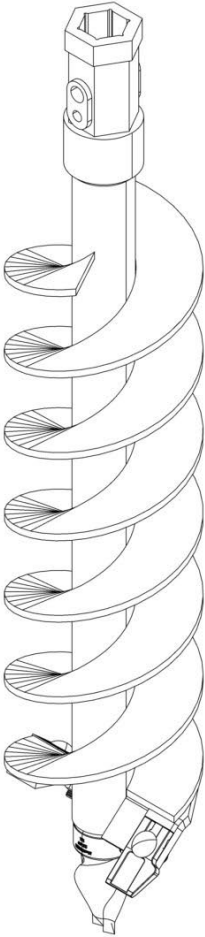
SECTION 3 - ATTACHMENTS

FIGURE 3-2. AUGER BIT (6INX4IN)

ITEM	PART NUMBER	QTY	DESCRIPTION	REV
	1001204128	Ref	Auger Bit (6INX4IN)	B

SECTION 3 - ATTACHMENTS

FIGURE 3-3. AUGER BIT (9INX4IN)



ART_1001204129-B

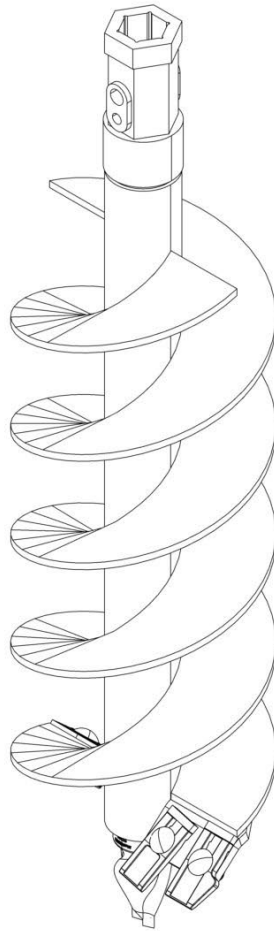
SECTION 3 - ATTACHMENTS

FIGURE 3-3. AUGER BIT (9INX4IN)

ITEM	PART NUMBER	QTY	DESCRIPTION	REV
	1001204129	Ref	Auger Bit (9INX4IN)	B

SECTION 3 - ATTACHMENTS

FIGURE 3-4. AUGER BIT (12INX4IN)



ART_1001204130-B

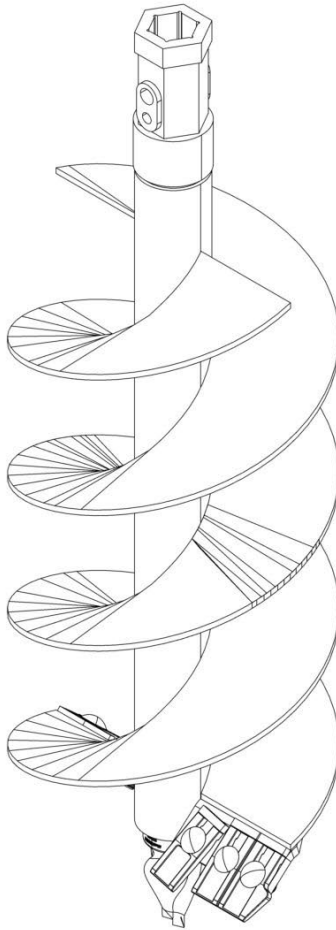
SECTION 3 - ATTACHMENTS

FIGURE 3-4. AUGER BIT (12INX4IN)

ITEM	PART NUMBER	QTY	DESCRIPTION	REV
	1001204130	Ref	Auger Bit (12INX4IN)	B

SECTION 3 - ATTACHMENTS

FIGURE 3-5. AUGER BIT (15INX4IN)



ART_1001204131-B

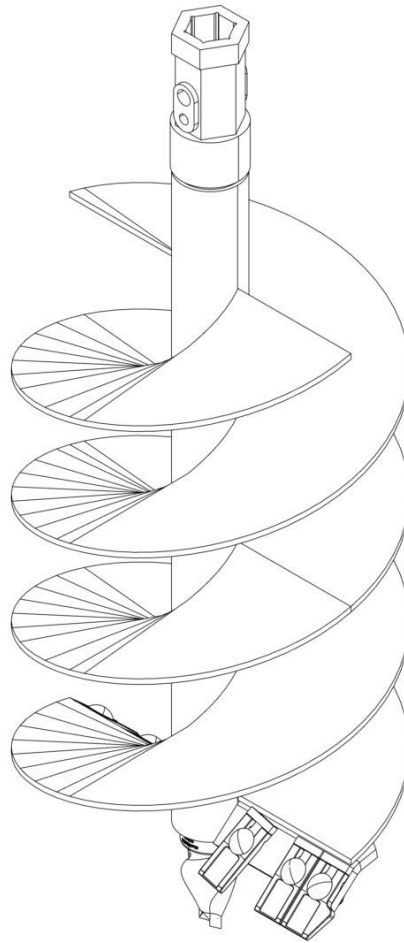
SECTION 3 - ATTACHMENTS

FIGURE 3-5. AUGER BIT (15INX4IN)

ITEM	PART NUMBER	QTY	DESCRIPTION	REV
	1001204131	Ref	Auger Bit (15INX4IN)	B

SECTION 3 - ATTACHMENTS

FIGURE 3-6. AUGER BIT (18INX4IN)



ART_1001204132-B

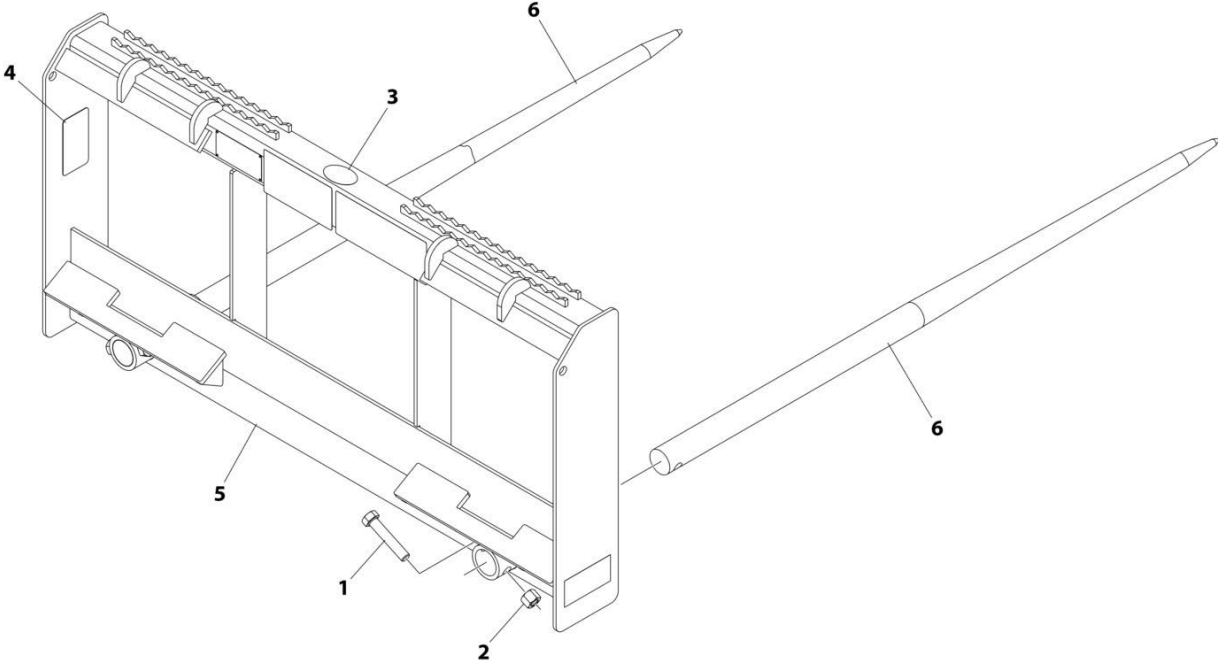
SECTION 3 - ATTACHMENTS

FIGURE 3-6. AUGER BIT (18INX4IN)

ITEM	PART NUMBER	QTY	DESCRIPTION	REV
	1001204132	Ref	Auger Bit (18INX4IN)	B

SECTION 3 - ATTACHMENTS

FIGURE 3-7. BALE SPEAR ASSEMBLY - UNIVERSAL



ART_1001242511

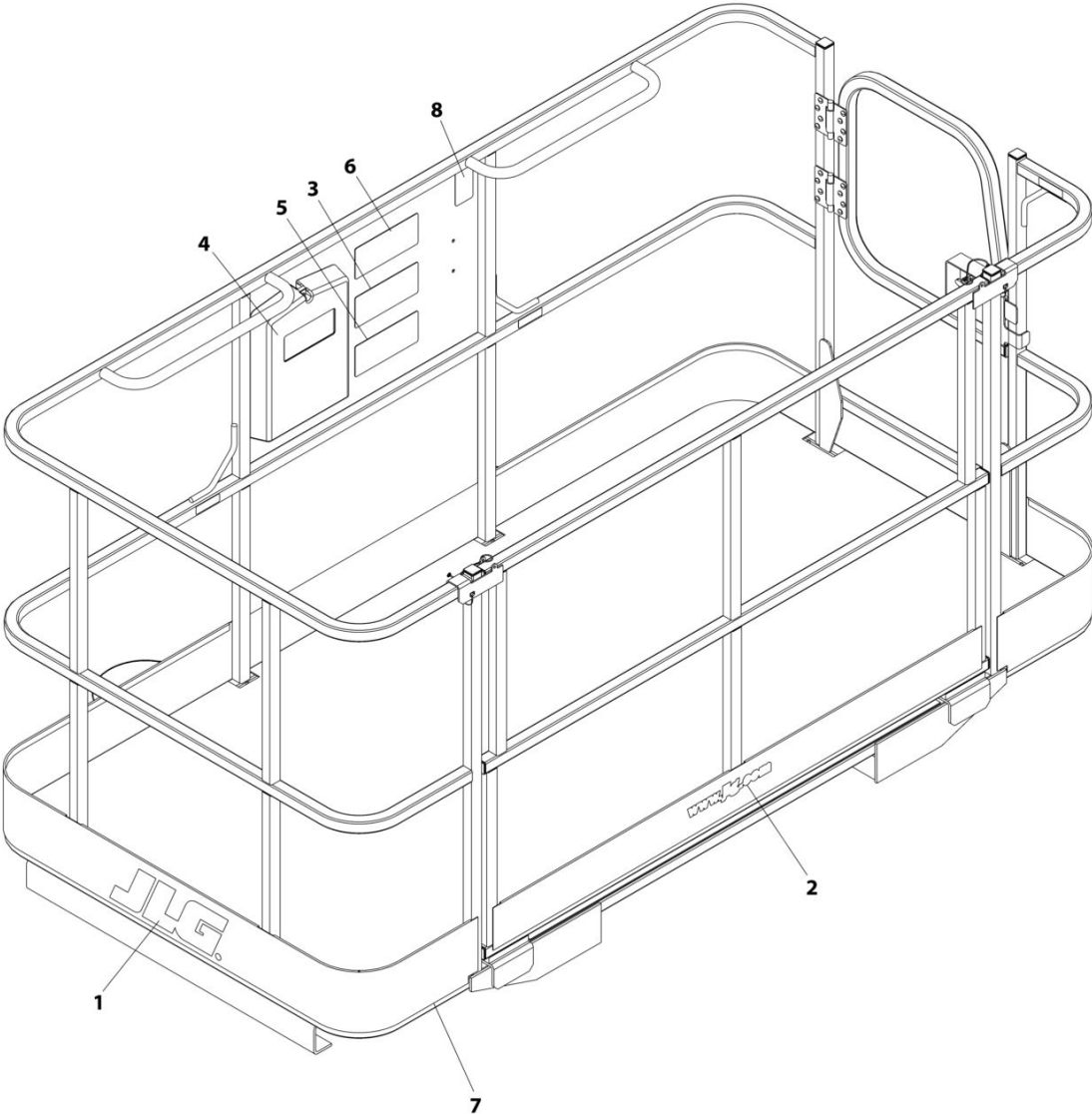
SECTION 3 - ATTACHMENTS

FIGURE 3-7. BALE SPEAR ASSEMBLY - UNIVERSAL

ITEM	PART NUMBER	QTY	DESCRIPTION	REV
	1001242511	Ref	BALE SPEAR ASSEMBLY, UNIVERSAL	C
1	70029309	2	Bolt	
2	70029310	2	Nut	
3	90554016	1	Decal - USA	
4	See Note	NSS	Serial Tag (Note: Not Available for Purchase)	
5	See Note	NSS	Weldment (Note: Not Available for Purchase)	
6	70029313	2	Spear, Bale	

SECTION 3 - ATTACHMENTS

FIGURE 3-8. BASKET, PERSONNEL (1.2MX2.4M) (DOMESTIC)



ART_1001238653-A

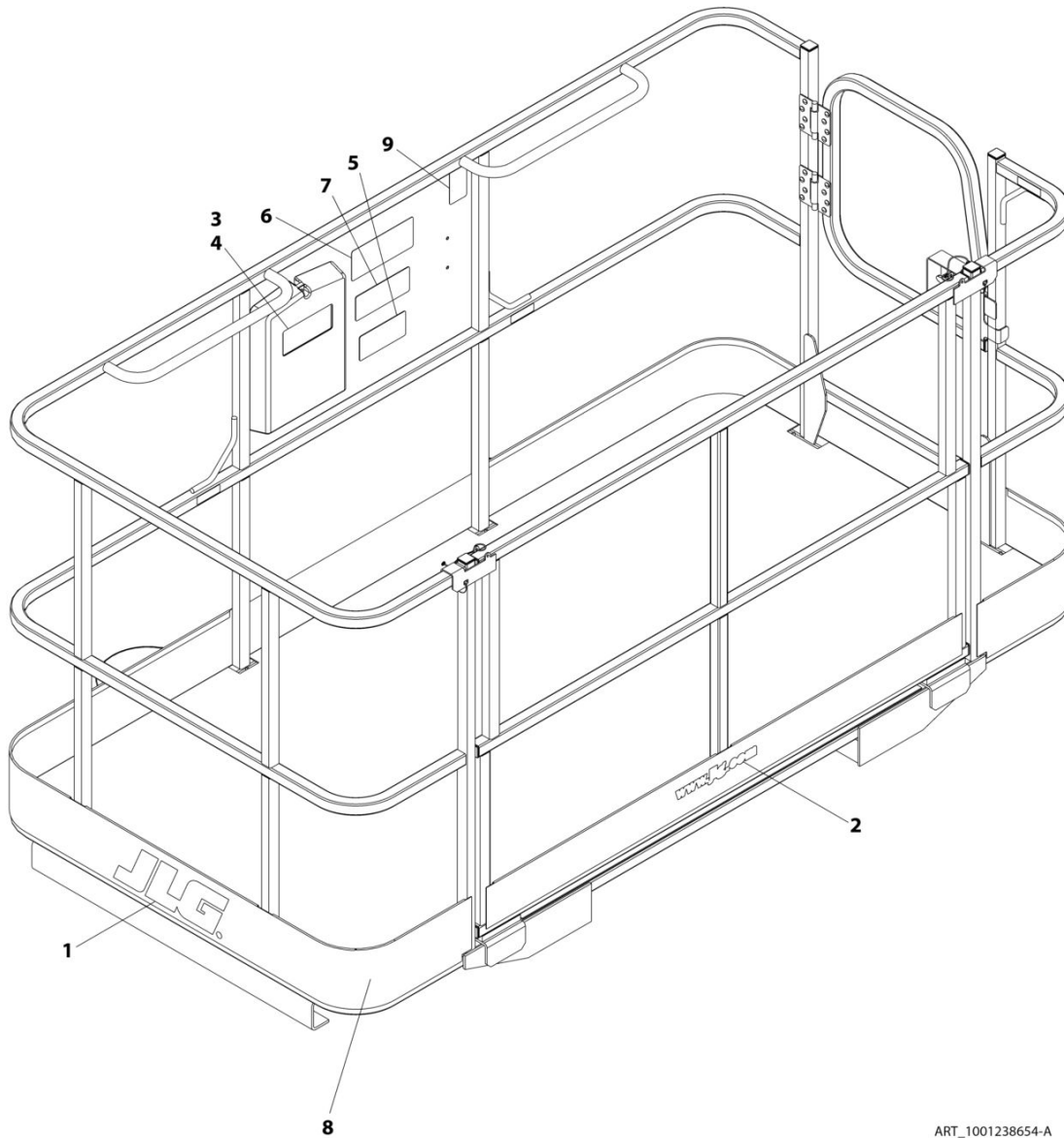
SECTION 3 - ATTACHMENTS

FIGURE 3-8. BASKET, PERSONNEL (1.2MX2.4M) (DOMESTIC)

ITEM	PART NUMBER	QTY	DESCRIPTION	REV
	1001238653	Ref	FORK MOUNTED PLATFORM	B
1	1702773	2	Decal, JLG	
2	1704885	1	Decal, Website	
3	1706892	1	Decal, Platform Warning	
4	31200160	1	Manual, Personnel Work Platform Operation and Safety	
5	1001092481	1	Decal, Warning Attachment	
6	1001092482	1	Decal, Platform Capacity	
7	1001238565	1	Platform, Fork Mounted (See Separate Breakdown in this Section)	
8	See Note	NSS	SN Plate (Note: Stamped Part - Not Available for Purchase)	

SECTION 3 - ATTACHMENTS

FIGURE 3-9. BASKET, PERSONNEL (1.2MX2.4M) (ISO)



ART_1001238654-A

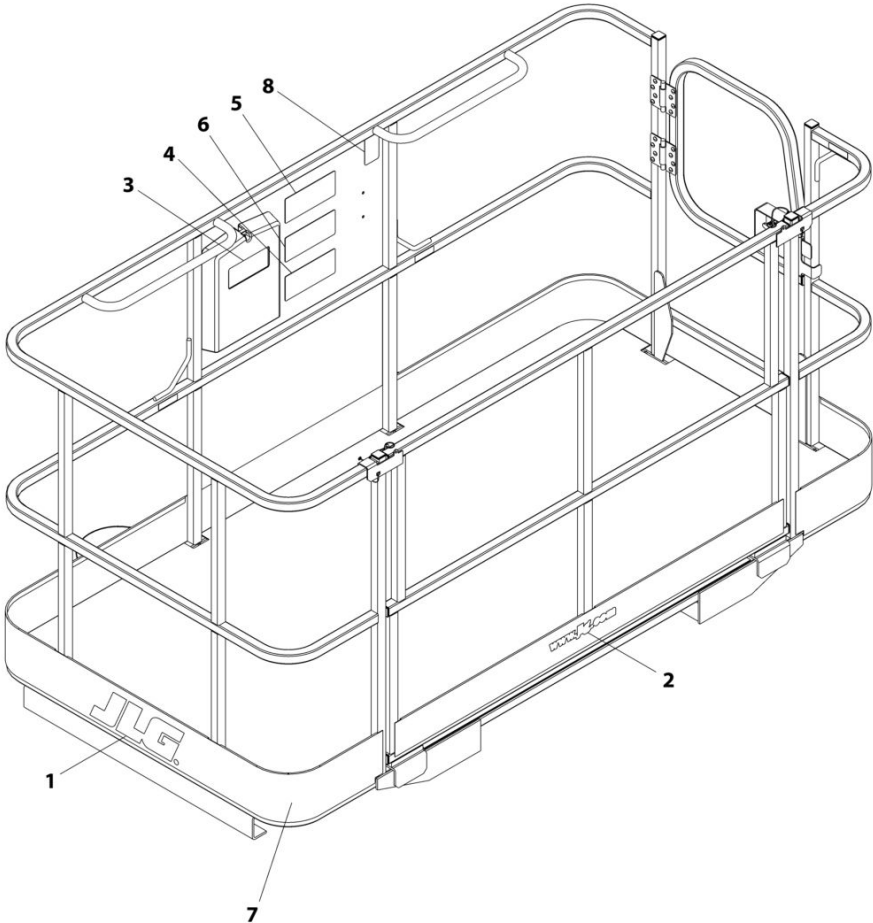
SECTION 3 - ATTACHMENTS

FIGURE 3-9. BASKET, PERSONNEL (1.2MX2.4M) (ISO)

ITEM	PART NUMBER	QTY	DESCRIPTION	REV
	1001238654	Ref	BASKET, PERSONNEL	B
1	1702773	2	Decal, JLG	
2	1704885	1	Decal, Website	
3	31200387	1	Manual, Operation and Safety, Spanish	
4	31200388	1	Manual, Operation and Safety, Portuguese	
5	1001096021	1	Decal, Warning Attachment	
6	1001096023	1	Decal, Platform Capacity	
7	1001096025	1	Decal, Platform Warning	
8	1001238565	1	Platform, Fork Mounted (ANSI) (See Separate Breakdown in this Section)	
9	See Note	NSS	SN Plate (Note: Stamped Part - Not Available for Purchase)	

SECTION 3 - ATTACHMENTS

FIGURE 3-10. BASKET, PERSONNEL (1.2MX2.4M) (FRENCH)



ART_1001238655-A

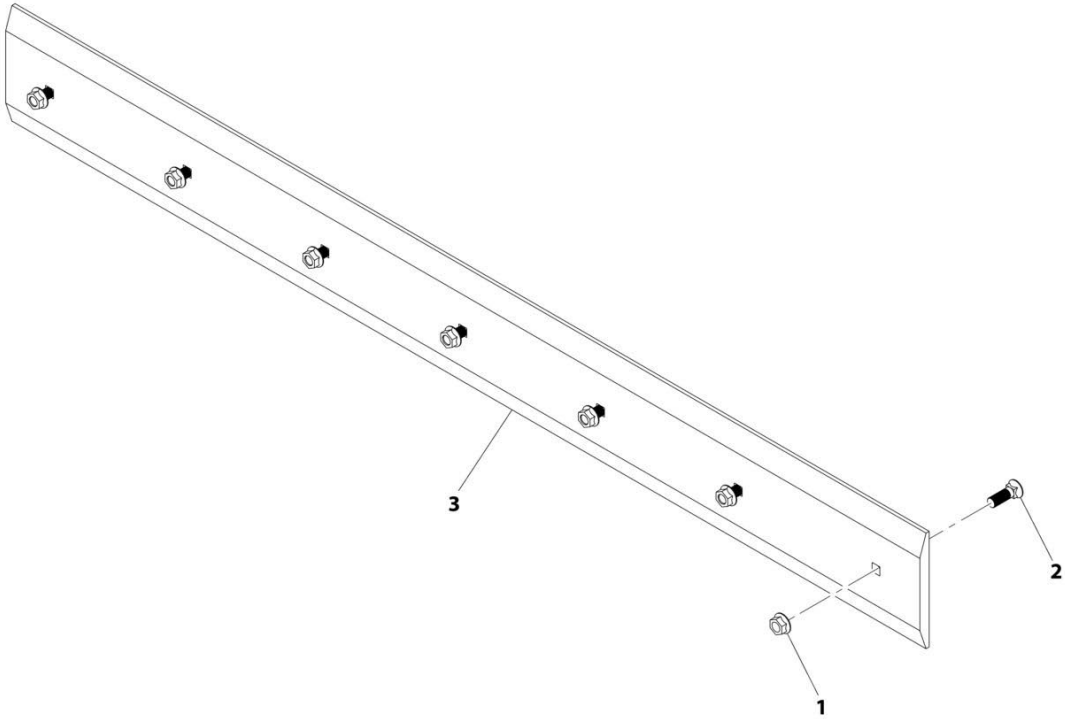
SECTION 3 - ATTACHMENTS

FIGURE 3-10. BASKET, PERSONNEL (1.2MX2.4M) (FRENCH)

ITEM	PART NUMBER	QTY	DESCRIPTION	REV
	1001238655	Ref	BASKET, PERSONNEL	B
1	1702773	2	Decal, JLG	
2	1704885	1	Decal, Website	
3	31200386	1	Manual, Operation and Safety (French)	
4	1001096019	1	Decal, Warning Attachment (French)	
5	1001096020	1	Decal, Platform Capacity (French)	
6	1001096024	1	Decal, Platform Warning (French)	
7	1001238565	1	Platform, Fork Mounted (ANSI) (See Separate Breakdown in this Section)	
8	See Note	NSS	SN Plate (Note: Stamped Part - Not Available for Purchase)	

SECTION 3 - ATTACHMENTS

FIGURE 3-11. BOLT-ON EDGE ASSEMBLY, 72"



ART_1001162898 -A

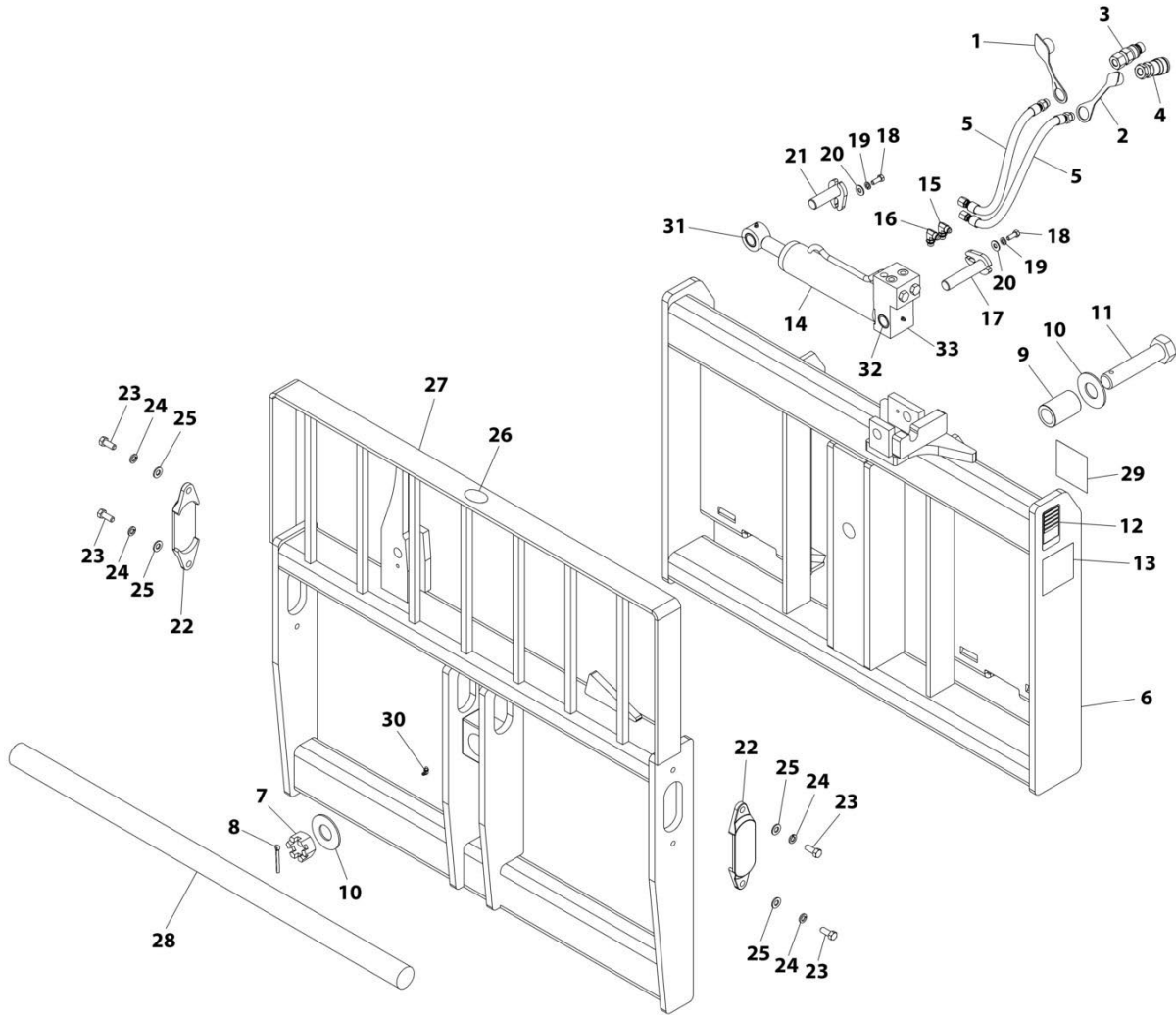
SECTION 3 - ATTACHMENTS

FIGURE 3-11. BOLT-ON EDGE ASSEMBLY, 72"

ITEM	PART NUMBER	QTY	DESCRIPTION	REV
1	1001162898	1	Bolt-On Edge Assembly, 72"	A

SECTION 3 - ATTACHMENTS

FIGURE 3-12. CARRIAGE, SIDE TILT, UNIVERSAL QUICK ATTACH, (48IN)



ART_1001104009-G

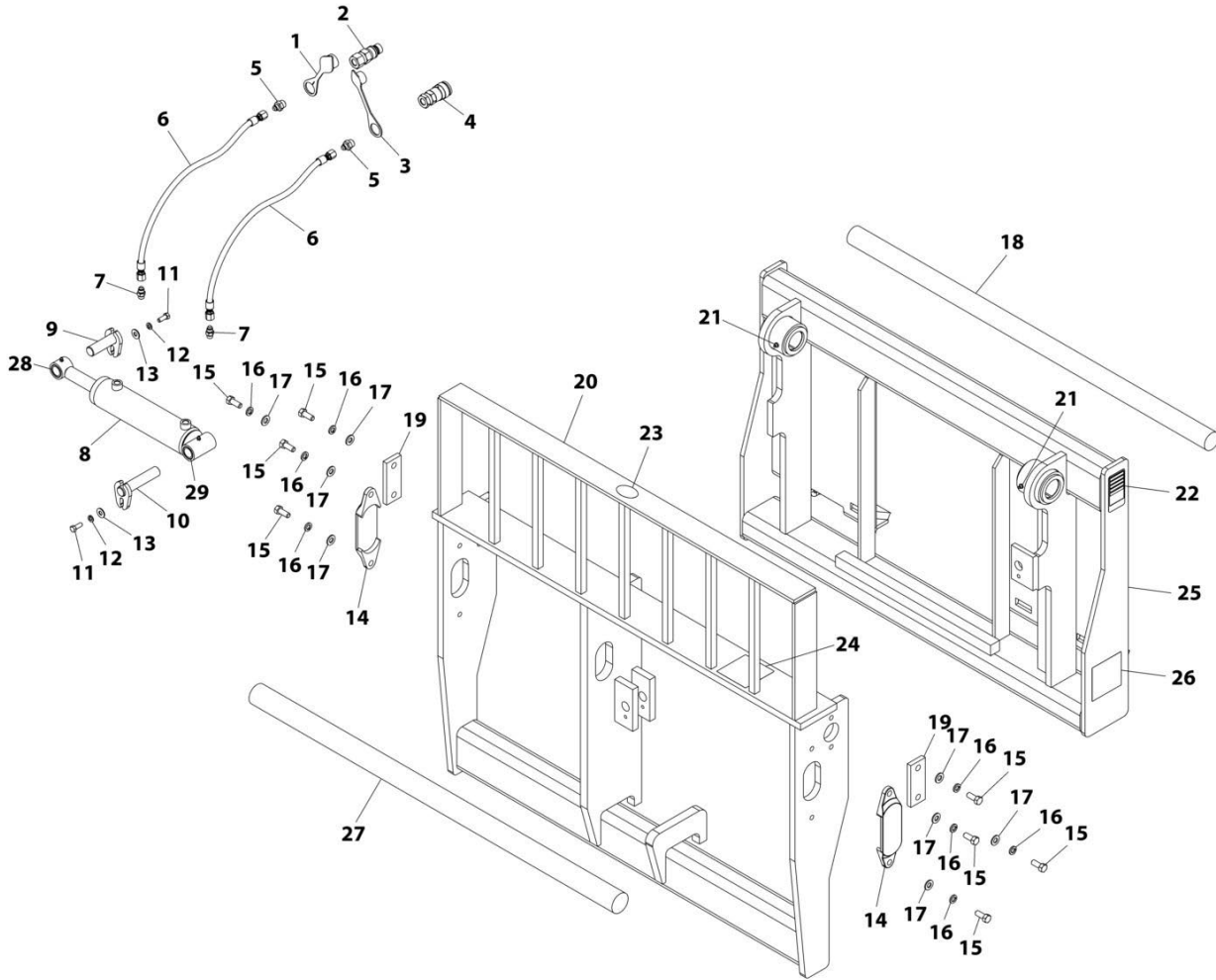
SECTION 3 - ATTACHMENTS

FIGURE 3-12. CARRIAGE, SIDE TILT, UNIVERSAL QUICK ATTACH, (48IN)

ITEM	PART NUMBER	QTY	DESCRIPTION	REV
	1001104009	Ref	Carriage, Side Tilt, Universal Quick Attach (48in)	1
1	70022097	1	Dust Cap, Male	
2	70022102	1	Plug, Dust, Female	
3	70022103	1	Hydraulic Couplier, Male	
4	70022104	1	Hydraulic Couplier, Female	
5	70021343	2	Hose	
6	N.S.S.	1	Rear Frame Weldment	
7	7029713	1	Nut	
8	7029700	1	Pin, Cotter	
9	70021345	1	Spacer	
10	70021346	2	Washer	
11	70021347	1	Bolt	
12	N.S.S.	1	Serial Tag	
13	90554017	1	Decal	
14	70021363	1	Cylinder Assembly (See Separate Breakdown in HYDRAULIC COMPONENTS Section)	
15	90554065	1	Hydraulic Fitting	
16	7029705	1	Hydraulic Fitting	
17	70021348	1	Pin	
18	70021349	2	Bolt	
19	90554042	2	Washer, Lock	
20	70021350	2	Washer	
21	70021351	1	Pin	
22	7029690	2	Fork Pin Retainer	
23	7029691	4	Bolt	
24	90554020	4	Washer, Lock	
25	70021338	4	Washer	
26	90554016	1	Decal	
27	N.S.S.	1	Front Frame	
28	70022105	1	Fork Pin	
29	7029711	1	Decal	
30	70022106	1	Zerk, Grease	
31	70021447	1	Bushing	
32	70021448	2	Bushing	
33	70021464	2	Valve	

SECTION 3 - ATTACHMENTS

FIGURE 3-13. CARRIAGE, SIDE SHIFT, UNIVERSAL QUICK ATTACH, (48IN)



ART_1001104025-G

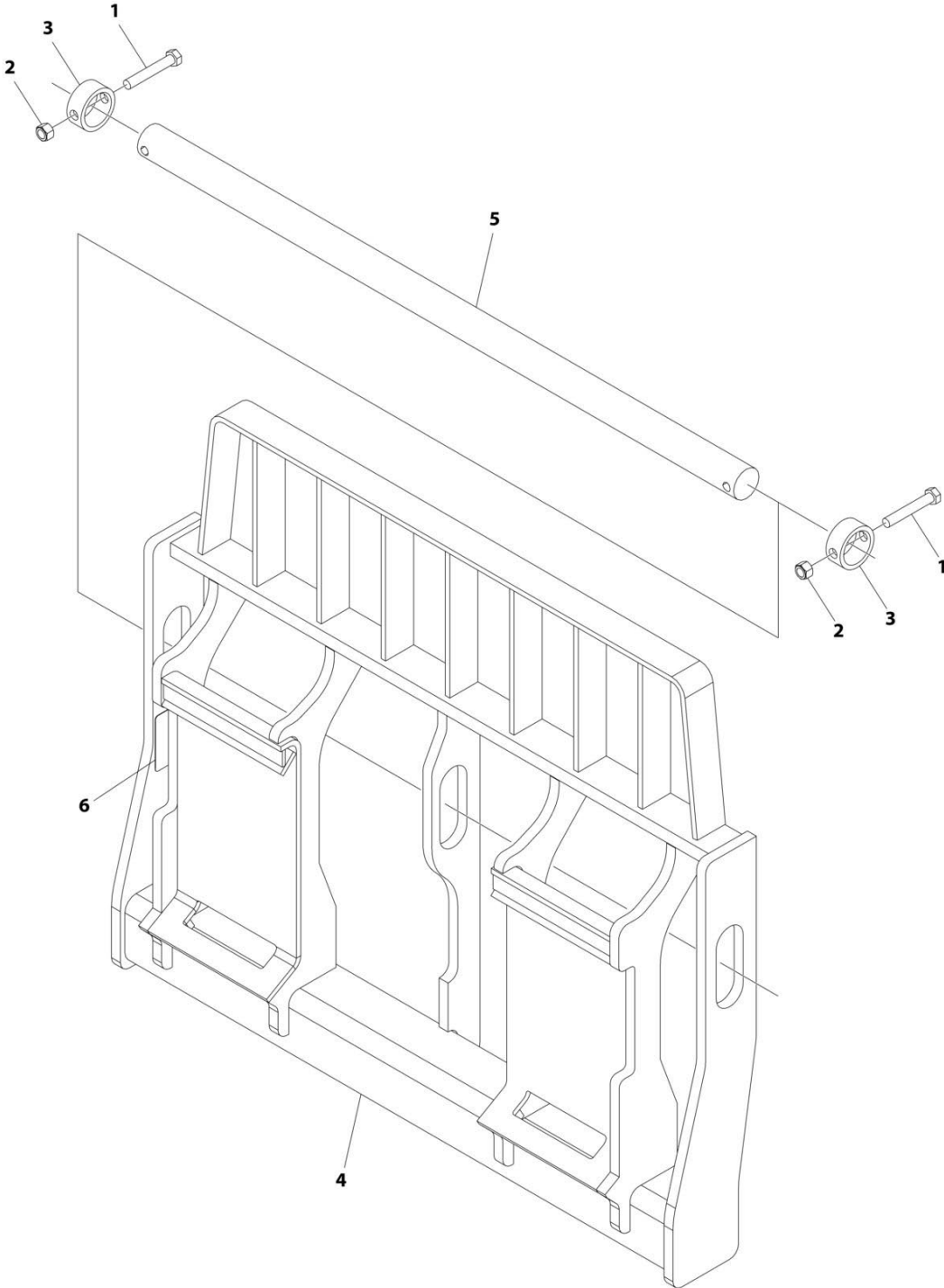
SECTION 3 - ATTACHMENTS

FIGURE 3-13. CARRIAGE, SIDE SHIFT, UNIVERSAL QUICK ATTACH, (48IN)

ITEM	PART NUMBER	QTY	DESCRIPTION	REV
	1001104025	Ref	Carriage, Side Shift, Universal Quick Attach (48in)	1
1	70022097	1	Dust Cap, Male	
2	70022103	1	Hydraulic Couplier, Male	
3	70022102	1	Plug, Dust, Female	
4	70022104	1	Hydraulic Couplier, Female	
5	70021397	2	Hydraulic Fitting	
6	70022107	2	Hose	
7	70021415	2	Hydraulic Fitting	
8	70022108	1	Cylinder Assembly (See Separate Breakdown in HYDRAULIC COMPONENTS Section)	
9	70021351	1	Pin	
10	70022110	1	Pin	
11	70021349	2	Bolt	
12	90554042	2	Washer, Lock	
13	70021350	2	Washer	
14	7029690	2	Fork Pin Retainer	
15	70027989	8	Bolt	
16	90554020	8	Washer, Lock	
17	70021338	4	Washer	
18	70022111	1	Fork Pin	
19	70022112	2	Pin Retainer Bar	
20	N.S.S.	1	Front Frame	
21	7029714	2	Zerk, Grease	
22	N.S.S.	1	Serial Tag	
23	70050641	1	Decal	
24	7029711	1	Decal	
25	N.S.S.	1	Rear Frame	
26	90554017	2	Decal	
27	70022105	1	Fork Pin	
28	70021447	1	Bushing	
29	70021448	2	Bushing	

SECTION 3 - ATTACHMENTS

FIGURE 3-14. CARRIAGE ASSEMBLY - 48IN UNIVERSAL



ART_1001293064

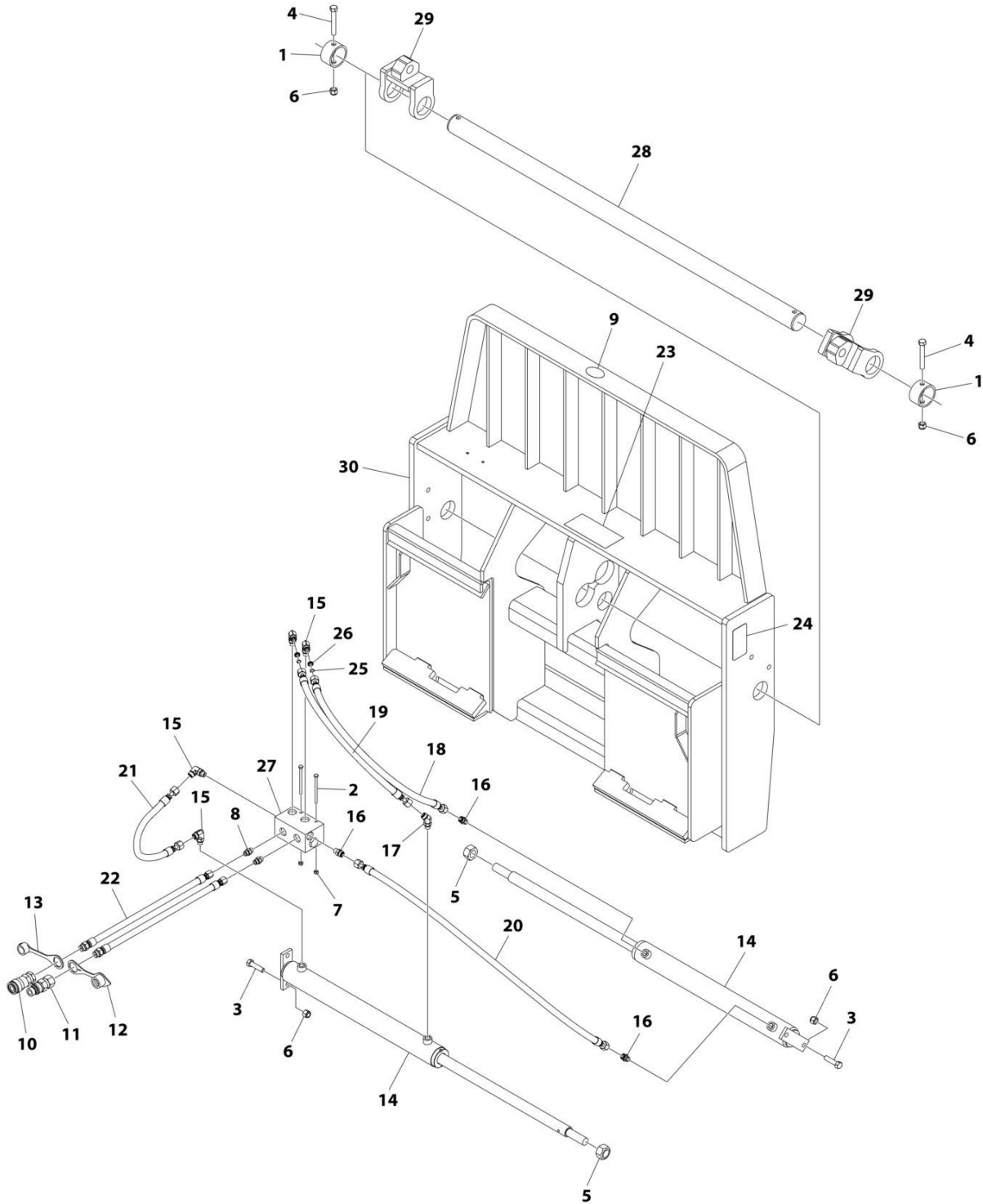
SECTION 3 - ATTACHMENTS

FIGURE 3-14. CARRIAGE ASSEMBLY - 48IN UNIVERSAL

ITEM	PART NUMBER	QTY	DESCRIPTION	REV
	1001293064	Ref	CARRIAGE ASSEMBLY - 48IN UNIVERSAL	B
1	0701627	2	Bolt M16 x 100	
2	3291605	2	Nut M16	
3	90200003	2	Collar, Fork Pin	
4	1001287951	NSS	Carriage (Note: Purchase Complete Assembly)	
5	1001293048	1	Pin, Fork	
6	1001301592	NSS	SN Plate (Note: Stamped Part - Not Available for Purchase)	

SECTION 3 - ATTACHMENTS

FIGURE 3-15. CARRIAGE ASSEMBLY - FORK POSITIONING UNIVERSAL (48IN)



ART_1001242508

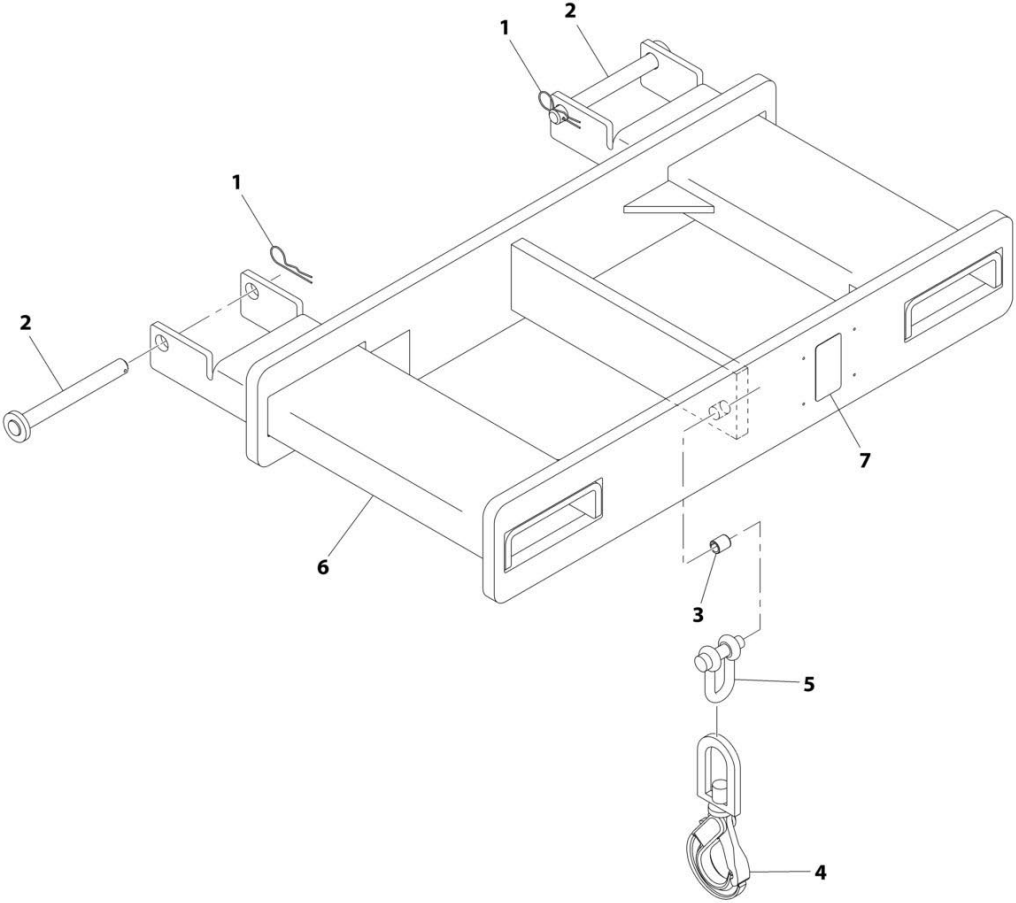
SECTION 3 - ATTACHMENTS

FIGURE 3-15. CARRIAGE ASSEMBLY - FORK POSITIONING UNIVERSAL (48IN)

ITEM	PART NUMBER	QTY	DESCRIPTION	REV
	1001242508	Ref	CARRIAGE ASSEMBLY - FORK POSITIONING UNIVERSAL, (48IN)	C
1	70020028	2	Retainer, Pin	
2	70028519	2	Bolt	
3	90554019	4	Bolt	
4	70020002	2	Bolt	
5	70021440	2	Nut	
6	70028523	6	Nut	
7	70028524	2	Nut	
8	70021415	2	Hydraulic Fitting	
9	90554016	1	Decal	
10	1001001240	1	Hydraulic Coupler, Female	
11	1001001241	1	Hydraulic Coupler, Male	
12	1001003475	1	Dust Cap, Male	
13	1001003474	1	Plug, Dust, Female	
14	2717283	2	Cylinder Assembly (See Separate Breakdown in HYDRAULIC COMPONENTS Section)	
15	70028525	4	Hydraulic Fitting	
16	70028486	3	Hydraulic Fitting	
17	70029495	1	Hydraulic Fitting	
18	70029052	1	Hose	
19	70029046	2	Hose	
20	70029496	1	Hose	
21	70029492	1	Hose	
22	70026702	2	Hose	
23	70028530	1	Decal	
24	See Note	NSS	Serial Tag (Note: Not Available for Purchase)	
25	70028531	2	O-Ring	
26	70028520	2	Orifice	
27	70028521	1	Valve	
28	70027283	1	Pin Fork	
29	70029497	2	Clevis	
30	See Note	NSS	Weldment (Note: Not Available for Purchase)	

SECTION 3 - ATTACHMENTS

FIGURE 3-16. FORK MOUNTED HOOK (4 TON)



ART_1001097205-I

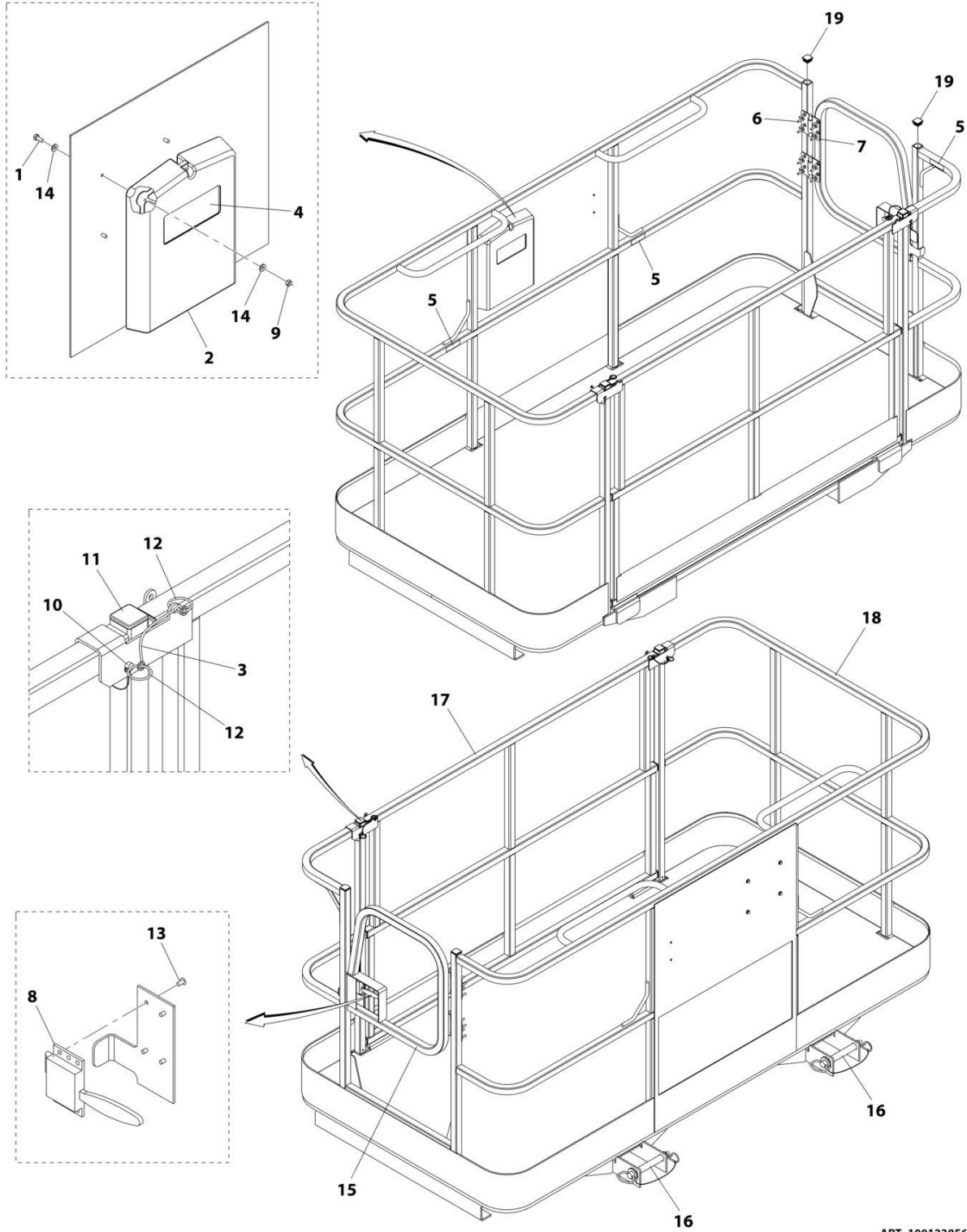
SECTION 3 - ATTACHMENTS

FIGURE 3-16. FORK MOUNTED HOOK (4 TON)

ITEM	PART NUMBER	QTY	DESCRIPTION	REV
	1001097205	Ref	Fork Mounted Hook (4 Ton)	J
1	7029520	2	Pin, Cotter	
2	1001093171	2	Pin	
3	70020555	1	Bushing	
4	90554080	1	Hook	
5	7029521	1	Shackle	
6	See Note	NSS	Frame, Hook (Note: Purchase Complete Assembly)	
7	See Note	NSS	S/N Plate (Note: Stamped Part - Not Available for Purchase)	

SECTION 3 - ATTACHMENTS

FIGURE 3-17. FORK MOUNTED PLATFORM



ART_1001238565

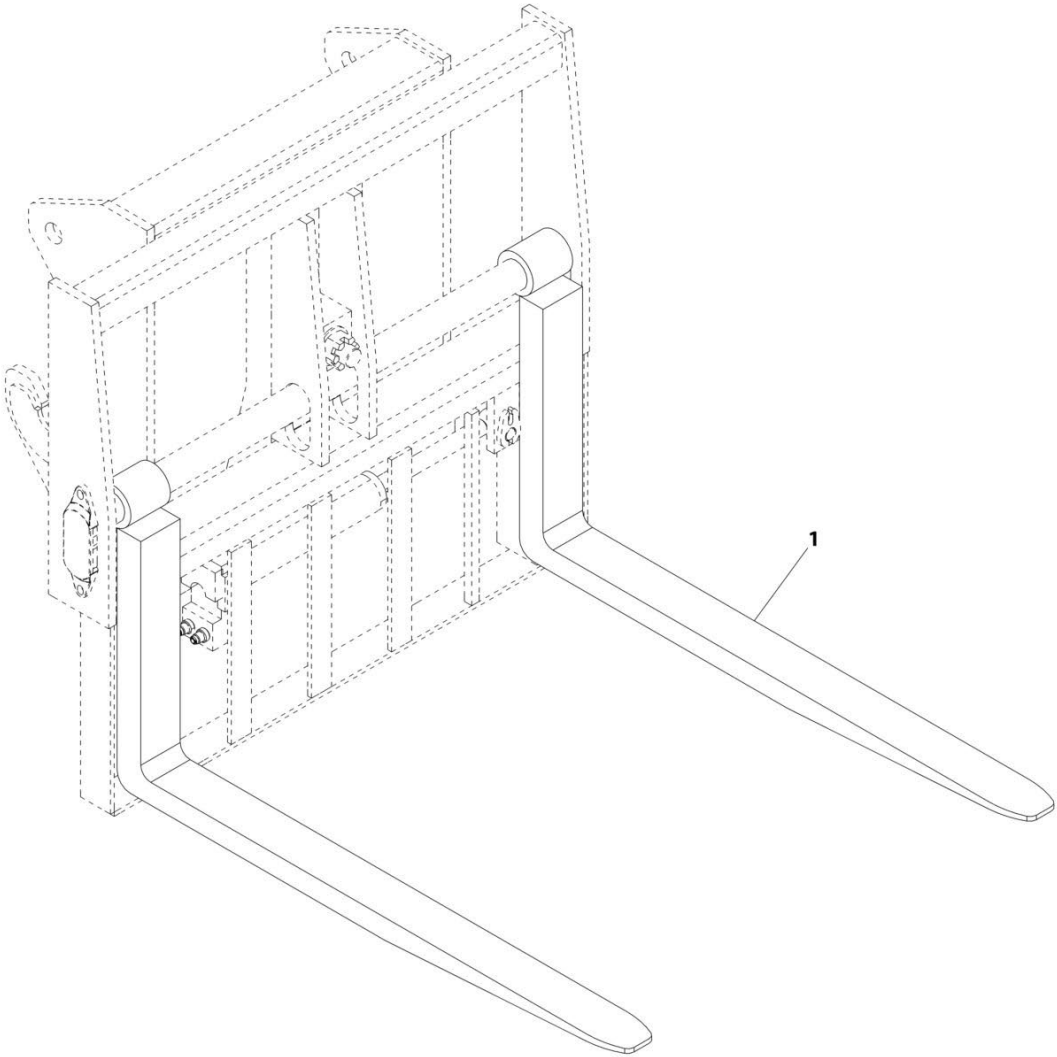
SECTION 3 - ATTACHMENTS

FIGURE 3-17. FORK MOUNTED PLATFORM

ITEM	PART NUMBER	QTY	DESCRIPTION	REV
	1001238565	Ref	FORK MOUNTED PLATFORM ASSEMBLY	F
1	0641405	4	Bolt 1/4 x 5/8	
2	0860520	1	Box, Manual Storage	
3	1060379	2	Cable, Lanyard	
4	1701509	1	Decal, Manual	
5	1704277	3	Decal, Lanyard Attach	
6	2080040	16	Fastener	
7	2600281	2	Hinge	
8	2940074	1	Latch	
9	3311405	4	Nut 1/4	
10	3421453	2	Pin	
11	3520072	7	Plug	
12	3760170	4	Ring	
13	3820020	4	Rivet	
14	4711400	8	Washer 1/4	
15	1001144629J	1	Gate	
16	1001238560	2	Pin, Hitch	
17	1001095810	1	Gate	
18	See Note	NSS	Platform, Fork Mounted	
19	3520198	4	Plug	

SECTION 3 - ATTACHMENTS

FIGURE 3-18. FORK 2.00X4X48 / 3800# CAPACITY



ART_1001099458-C

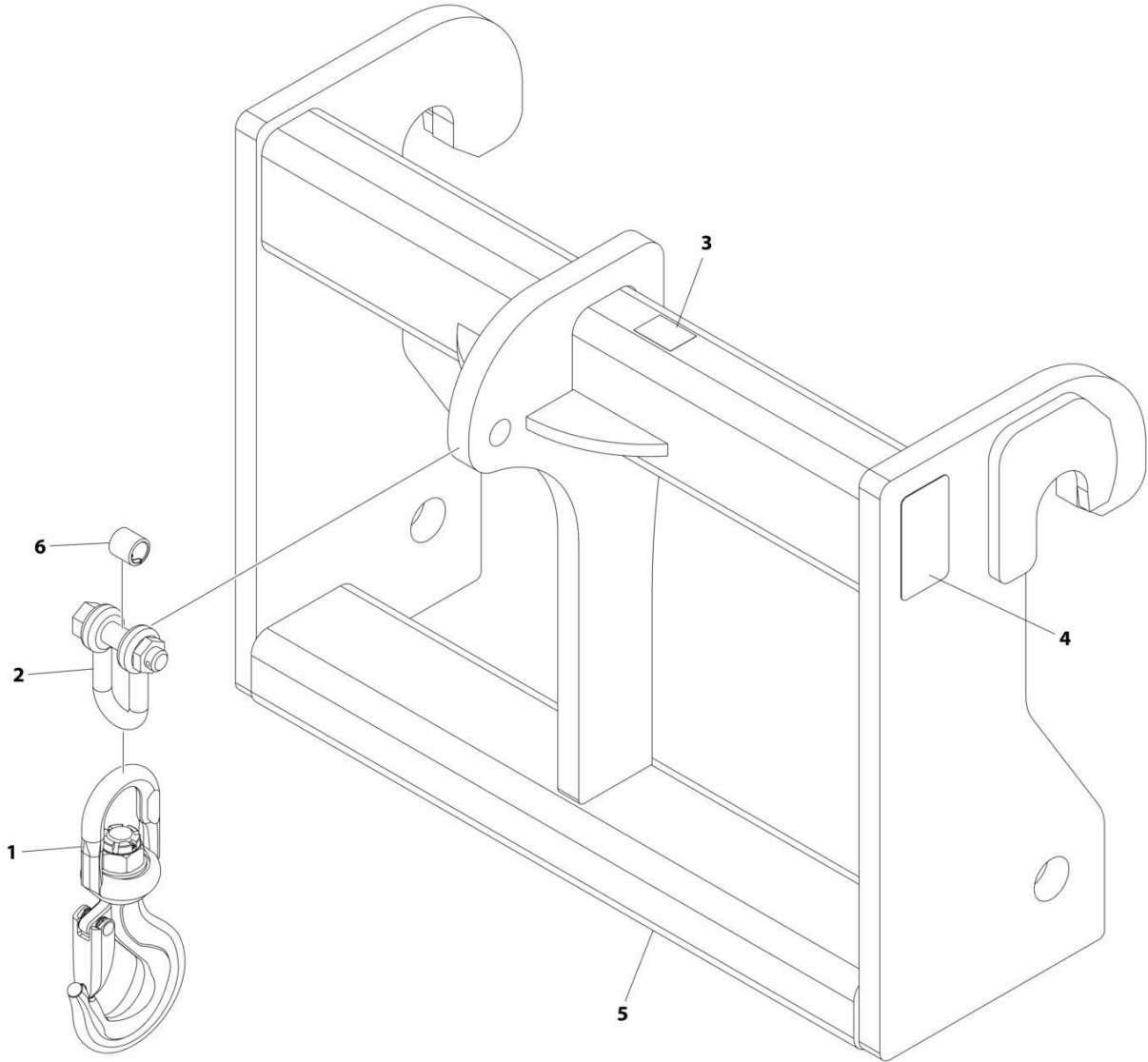
SECTION 3 - ATTACHMENTS

FIGURE 3-18. FORK 2.00X4X48 / 3800# CAPACITY

ITEM	PART NUMBER	QTY	DESCRIPTION	REV
1	1001099458	Ref	Fork (2.00X4x48)	C
	Note	Ref	FORKS RATED LESS THAN THE ATTACHMENT OR MACHINE'S CAPACITY DECREASES CAPACITY OF THE ATTACHMENT OR MACHINE TO THAT OF THE FORKS. FORKS RATED MORE THAN THE ATTACHMENT OR MACHINE'S CAPACITY DO NOT INCREASE ATTACHMENT OR MACHINE'S CAPACITY.	
	Note	Ref	PLEASE CONSULT JLG PARTS DEPARTMENT TO DETERMINE THE CORRECT FORKS APPLICABLE TO YOUR SPECIFIC CARRIAGE ASSEMBLY AND APPLICATION.	

SECTION 3 - ATTACHMENTS

FIGURE 3-19. LIFTING HOOK ASSEMBLY, STANDARD



ART_1001242509

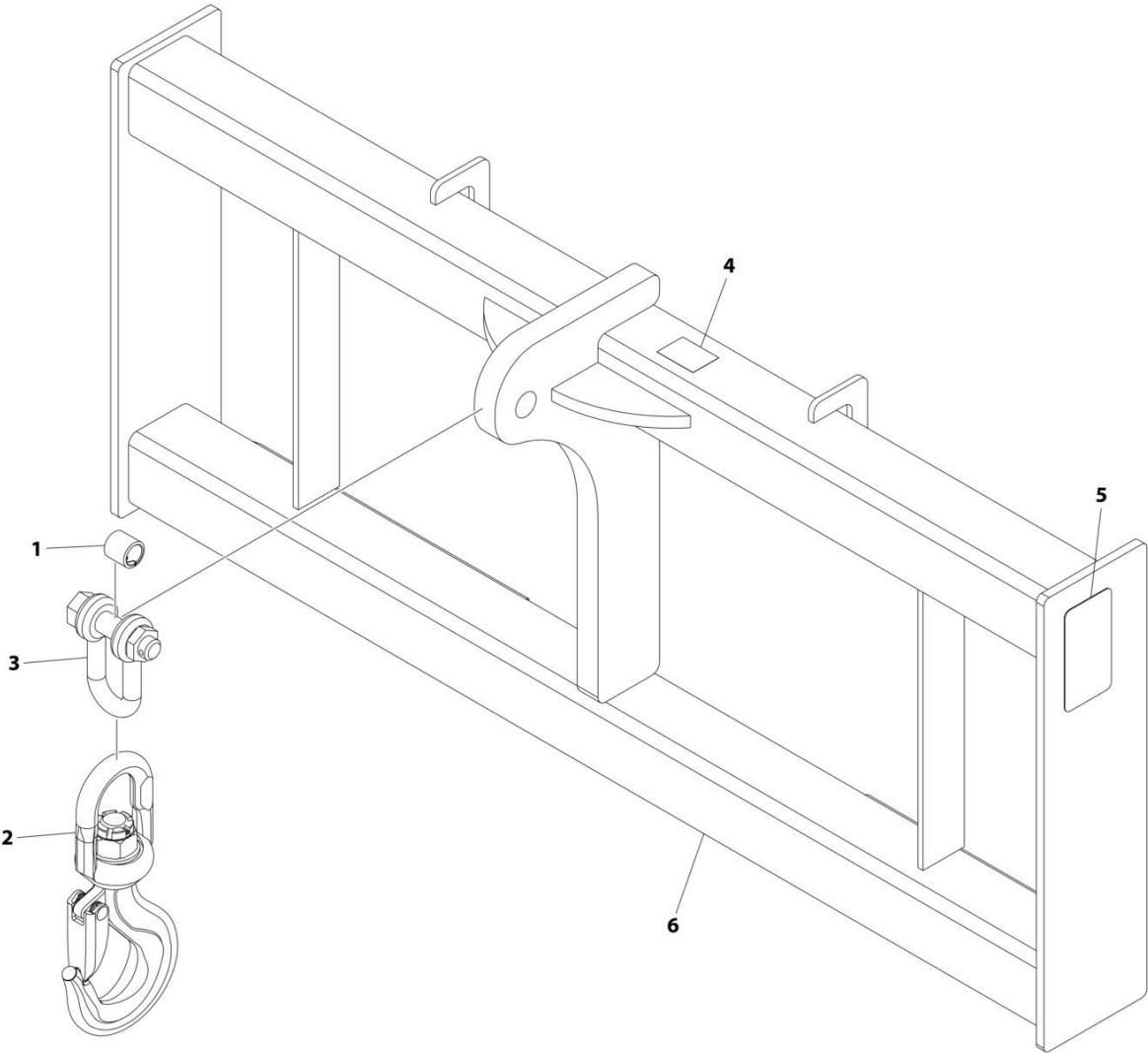
SECTION 3 - ATTACHMENTS

FIGURE 3-19. LIFTING HOOK ASSEMBLY, STANDARD

ITEM	PART NUMBER	QTY	DESCRIPTION	REV
	1001242509	Ref	LIFTING HOOK ASSEMBLY, STANDARD	C
1	90554080	1	Hook, Swivel	
2	7029521	1	Chain, Shackle	
3	90554016	1	Decal - USA	
4	See Note	NSS	Serial Tag (Note: Not Available for Purchase)	
5	See Note	NSS	Weldment (Note: Not Available for Purchase)	
6	70029498	1	Bushing	

SECTION 3 - ATTACHMENTS

FIGURE 3-20. LIFTING HOOK ASSEMBLY, UNIVERSAL



ART_1001242510

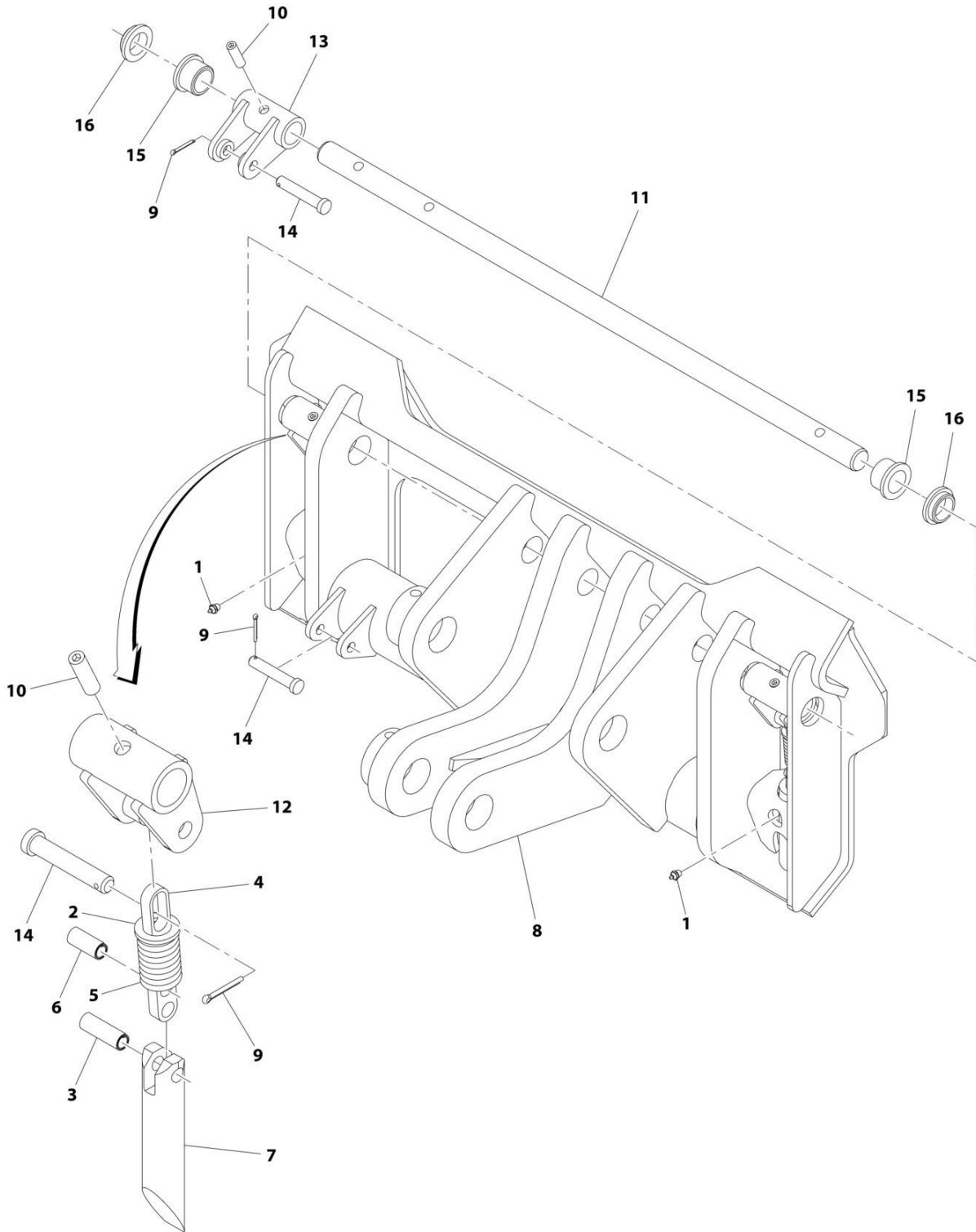
SECTION 3 - ATTACHMENTS

FIGURE 3-20. LIFTING HOOK ASSEMBLY, UNIVERSAL

ITEM	PART NUMBER	QTY	DESCRIPTION	REV
	1001242510	Ref	LIFTING HOOK ASSEMBLY, UNIVERSAL	C
1	70029498	1	Bushing	
2	90554080	1	Hook, Swivel	
3	7029521	1	Chain, Shackle	
4	90554016	1	Decal - USA	
5	See Note	NSS	Serial Tag (Note: Not Available for Purchase)	
6	See Note	NSS	Weldment (Note: Not Available for Purchase)	

SECTION 3 - ATTACHMENTS

FIGURE 3-21. QUICK SWITCH ASSEMBLY



ART_1001158352

SECTION 3 - ATTACHMENTS

FIGURE 3-21. QUICK SWITCH ASSEMBLY

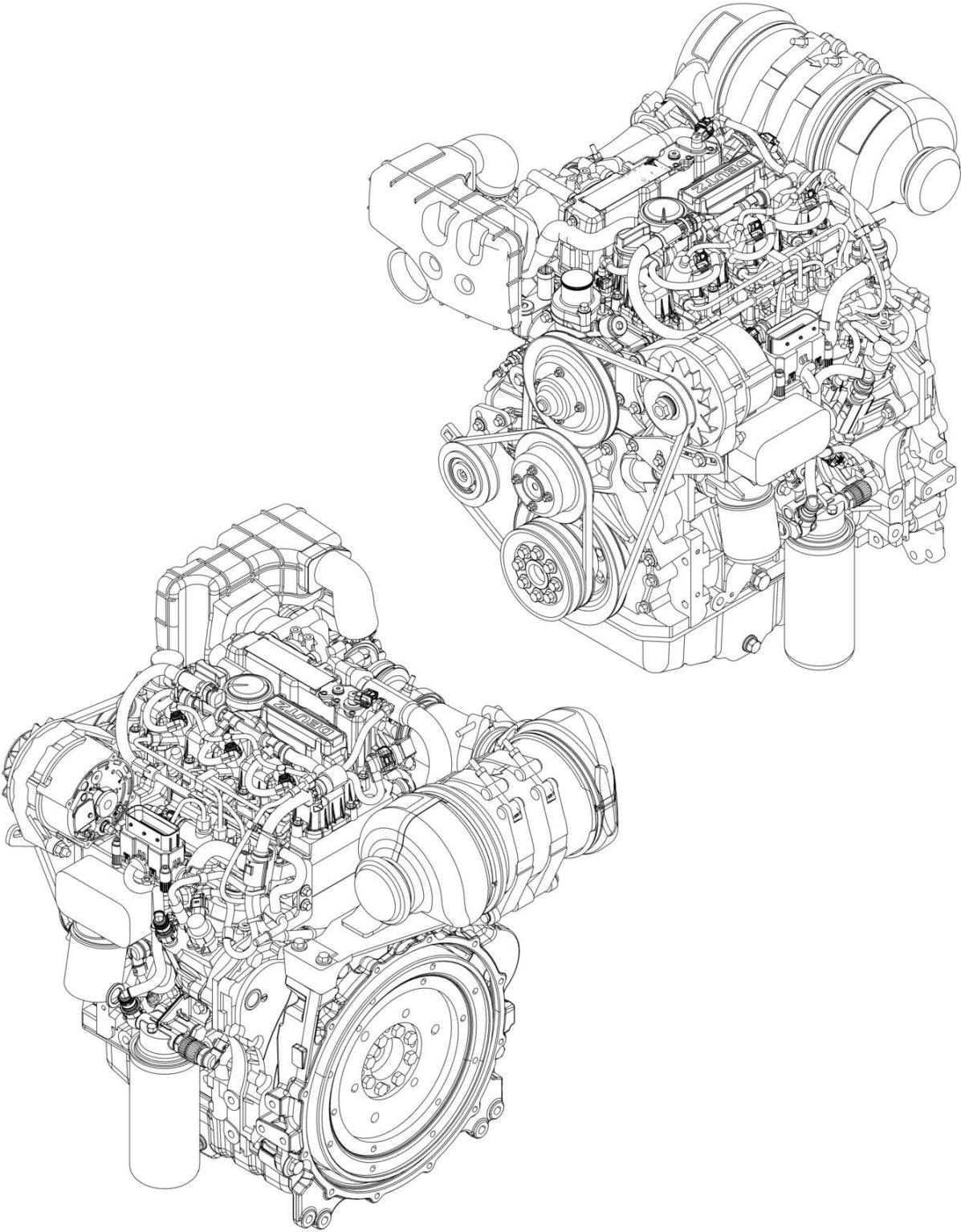
ITEM	PART NUMBER	QTY	DESCRIPTION	REV
	1001158352	Ref	Quick Switch Assembly	E
1	1001008479	2	Grease Fitting	
2	1001009094	2	Washer	
3	1001061633	2	Spring Pin	
4	1001178059	2	Plate, Quick Switch	
5	1001061660	2	Spring	
6	1001061662	2	Spring Pin	
7	1001061891	2	Pin	
8	N.S.S.	1	Weldment, Quick Switch	
9	3391410	4	Split Pin	
10	3951814	3	Setscrew .50-13X1.75	
11	1001158330	1	Rod, Quick Switch	
12	1001158331	2	Support, Quick Switch Link	
13	1001158336	1	Support, Quick Switch Cylinder	
14	1001161604	4	Lock Pin	
15	1001161606	2	Bushing	
16	1001161607	2	Bushing	

SECTION 4 - ENGINE AND ATTACHING PARTS

SECTION 4 - ENGINE AND ATTACHING PARTS

SECTION 4 - ENGINE AND ATTACHING PARTS

FIGURE 4-1. ENGINE ASSEMBLY (HRC)



ART_1001289554

SECTION 4 - ENGINE AND ATTACHING PARTS

FIGURE 4-1. ENGINE ASSEMBLY (HRC)

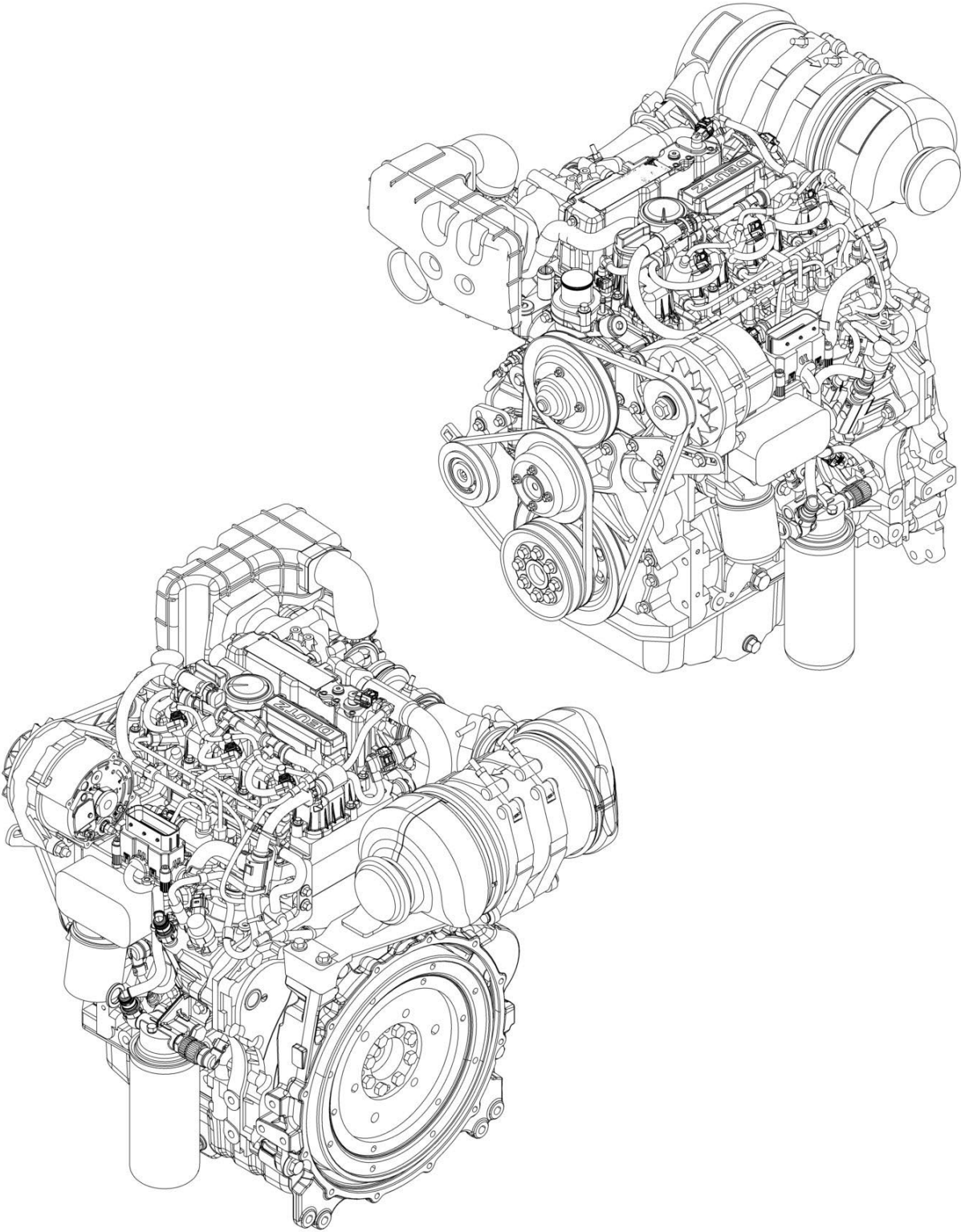
ITEM	PART NUMBER	QTY	DESCRIPTION	REV
	1001289554	Ref	DEUTZ ENGINE COMPONENTS	E
	See Note	Ref	Note: Additional components may be available. Contact JLG Customer Service for more details.	
		Ref	COOLING SYSTEM COMPONENTS	
	70031981	1	Pump, Coolant	
	70007325	1	Gasket, Coolant Pump	
	70007603	1	Thermostat	
	70005184	1	O-Ring ((Thermostat to Housing)	
	70005931	1	Seal (Thermostat to Pump)	
	70025142	1	Housing, Thermostat	
		Ref	ELECTRICAL SYSTEM COMPONENTS	
	70024513	1	Sensor, Fuel Filter	
	70024504	1	Sensor, Fuel Pressure	
	70031144	1	Starter	
	70008435	1	Generator (Includes Voltage Regulator)	
	70031143	1	Regulator, Voltage	
	70031993	1	Harness, Injector	
	70031995	1	Harness, Engine	
	70028540	1	Sender, Temperature	
	70026210	2	Sensor, Speed	
	70024507	1	Sensor, Pressure (Air Manifold)	
	70031475	1	Sensor, Temperature (Air Manifold)	
	70000345	3	Plug, Glow	
		Ref	EXHAUST SYSTEM COMPONENTS	
	70028989	1	Valve, EGR Shuttle	
	70025130	6	Bolt, Exhaust Manifold to Head	
	70031985	1	Gasket, Exhaust Manifold	
	70031988	1	Turbocharger	
	70024912	1	Gasket, Turbocharger Mounting	
	70025242	1	Gasket, Muffler	
	70030099	1	Clamp, Muffler	
	70005529	2	Strap, Muffler	
	70031996	1	Muffler, EAT	
	70031997	1	Compensator, Exhaust	
	70030097	1	Clamp, Compensator (Engine Side)	
	70030099	1	Clamp, Compensator (Muffler Side)	
		Ref	FUEL SYSTEM COMPONENTS	
	1001225430	1	Filter, Fuel (Primary)	
	1001242983	1	Filter, Fuel	
	70030381	1	Pump, High Pressure (Includes O-Rings, Seals & Flow Control Valve)	
	70004508	1	Valve, Flow Control	
	70025181	3	Injector, Fuel (Includes Sealing Disc & Clip)	
	70008422	1	Pump, Fuel Supply (Includes Clamps)	
	70025144	2	Clamp	
		Ref	GASKETS & SEAL & KITS (Note: Some components listed with main component)	
	70031967	1	Gasket, Head	
	70031969	1	Gasket, Valve Cover	
	70008296	1	Seal, Front Main	

SECTION 4 - ENGINE AND ATTACHING PARTS

ITEM	PART NUMBER	QTY	DESCRIPTION	REV
	70002718	1	Seal, Rear Main	
	70031970	1	Gasket, Oil Filter Housing	
	70031977	1	Gasket, Air Manifold	
	70005176	1	O-Ring, Air Manifold	
		Ref	LUBRICATION SYSTEM COMPONENTS	
	7016331	1	Filter, Oil	
	70031965	1	Dipstick	
	70024905	1	O-Ring, Dipstick	
	70005941	2	Plug, Oil Pan	
	70005942	2	Ring, Sealing - Oil Pan Plug	
	7020465	1	Cap, Filler	
		Ref	MECHANICAL COMPONENTS	
	70031966	1	Ring, Gear	
	70031992	1	V-Belt	

SECTION 4 - ENGINE AND ATTACHING PARTS

FIGURE 4-2. ENGINE ASSEMBLY (LRC)



ART_1001293992

SECTION 4 - ENGINE AND ATTACHING PARTS

FIGURE 4-2. ENGINE ASSEMBLY (LRC)

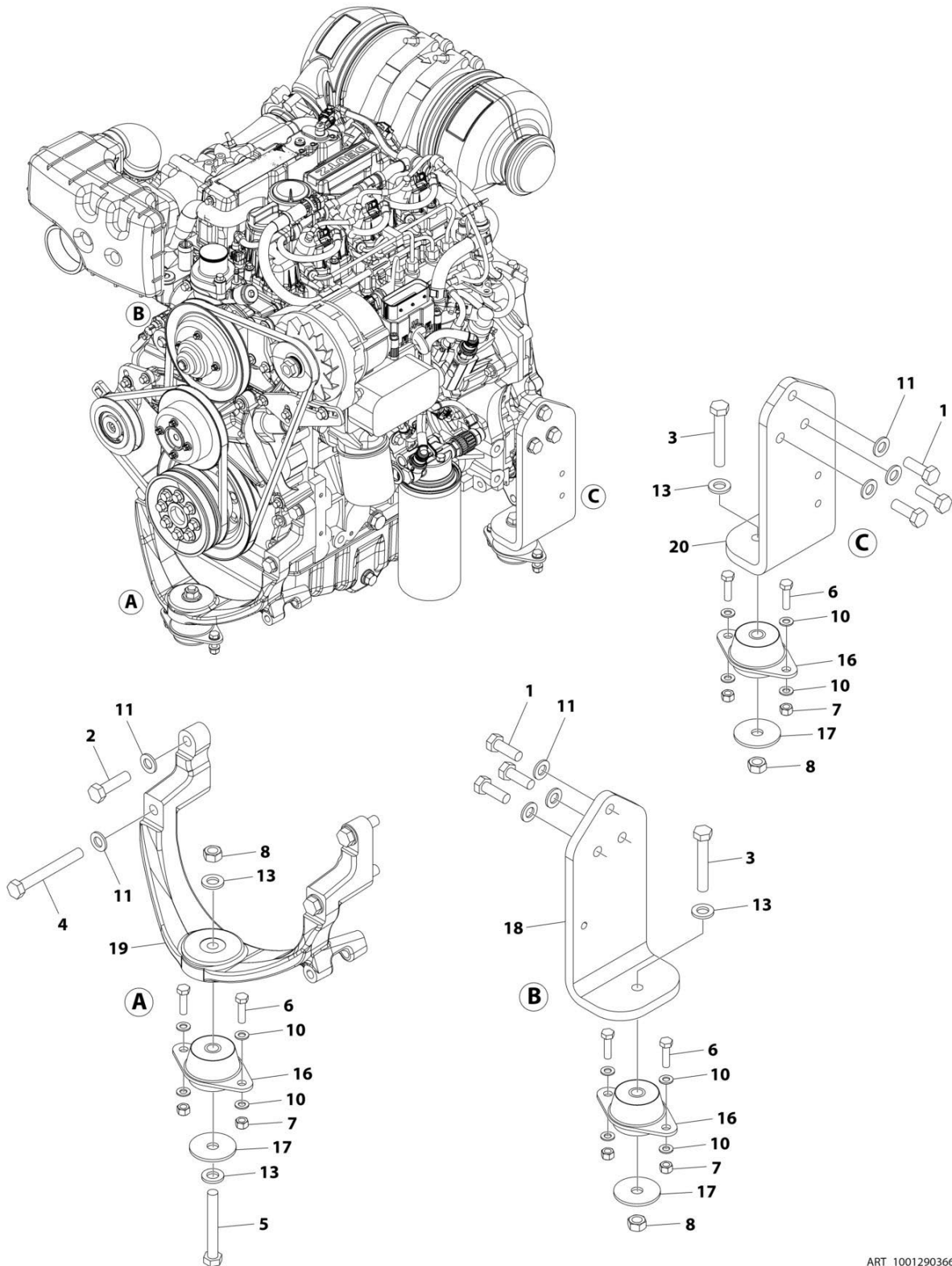
ITEM	PART NUMBER	QTY	DESCRIPTION	REV
	1001293992	Ref	DEUTZ ENGINE COMPONENTS	B
	See Note	Ref	Note: Additional components may be available. Contact JLG Customer Service for more details.	
		Ref	COOLING SYSTEM COMPONENTS	
	70031981	1	Pump, Coolant	X
	70007325	1	Gasket, Coolant Pump	X
	70007603	1	Thermostat	X
	70005184	1	O-Ring ((Thermostat to Housing)	X
	70005931	1	Seal (Thermostat to Pump)	X
	70025142	1	Housing, Thermostat	X
		Ref	ELECTRICAL SYSTEM COMPONENTS	
	70024513	1	Sensor, Fuel Filter	X
	70024504	2	Sensor, Fuel Pressure	X
	70031144	1	Starter	X
	70008435	1	Generator (Includes Voltage Regulator)	X
	70031143	1	Regulator, Voltage	X
	70031993	1	Harness, Injector	X
	70031995	1	Harness, Engine	X
	70028540	1	Sender, Temperature	X
	70026210	2	Sensor, Speed	X
	70024507	1	Sensor, Pressure (Air Manifold)	X
	70031475	1	Sensor, Temperature (Air Manifold)	X
	70000345	3	Plug, Glow	X
		Ref	EXHAUST SYSTEM COMPONENTS	
	70028989	1	Valve, EGR Shuttle	X
	70025130	6	Bolt, Exhaust Manifold to Head	X
	70031985	1	Gasket, Exhaust Manifold	X
	70031988	1	Turbocharger	X
	70024912	1	Gasket, Turbocharger Mounting	X
	70025242	1	Gasket, Muffler	X
	70030099	1	Clamp, Muffler	X
	70005529	1	Strap, Muffler	X
	70031996	1	Muffler, EAT	X
	70031997	1	Compensator, Exhaust	X
	70030097	1	Clamp, Compensator (Engine Side)	X
	70030099	1	Clamp, Compensator (Muffler Side)	X
		Ref	FUEL SYSTEM COMPONENTS	
	1001225430	1	Filter, Fuel (Primary)	X
	1001242983	1	Filter, Fuel	X
	70030381	1	Pump, High Pressure (Includes O-Rings, Seals & Flow Control Valve)	X
	70004508	1	Valve, Flow Control	X
	70025181	3	Injector, Fuel (Includes Sealing Disc & Clip)	X
	70008422	1	Pump, Fuel Supply (Includes Clamps)	X
	70025144	2	Clamp	X
		Ref	GASKETS & SEAL & KITS (Note: Some components listed with main component)	
	70031967	1	Gasket, Head	X
	70031969	1	Gasket, Valve Cover	X
	70008296	1	Seal, Front Main	X

SECTION 4 - ENGINE AND ATTACHING PARTS

ITEM	PART NUMBER	QTY	DESCRIPTION	REV
	70002718	1	Seal, Rear Main	X
	70031970	1	Gasket, Oil Filter Housing	X
	70031977	1	Gasket, Air Manifold	X
	70005176	1	O-Ring, Air Manifold	X
		Ref	LUBRICATION SYSTEM COMPONENTS	
	7016331	1	Filter, Oil	X
	70031965	1	Dipstick	X
	70024905	1	O-Ring, Dipstick	X
	70005941	2	Plug, Oil Pan	X
	70005942	2	Ring, Sealing - Oil Pan Plug	X
	7020465	1	Cap, Filler	X
		Ref	MECHANICAL COMPONENTS	
	70031966	1	Ring, Gear	X
	70031992	1	V-Belt	X

SECTION 4 - ENGINE AND ATTACHING PARTS

FIGURE 4-3. ENGINE MOUNTS INSTALLATION



ART_1001290366

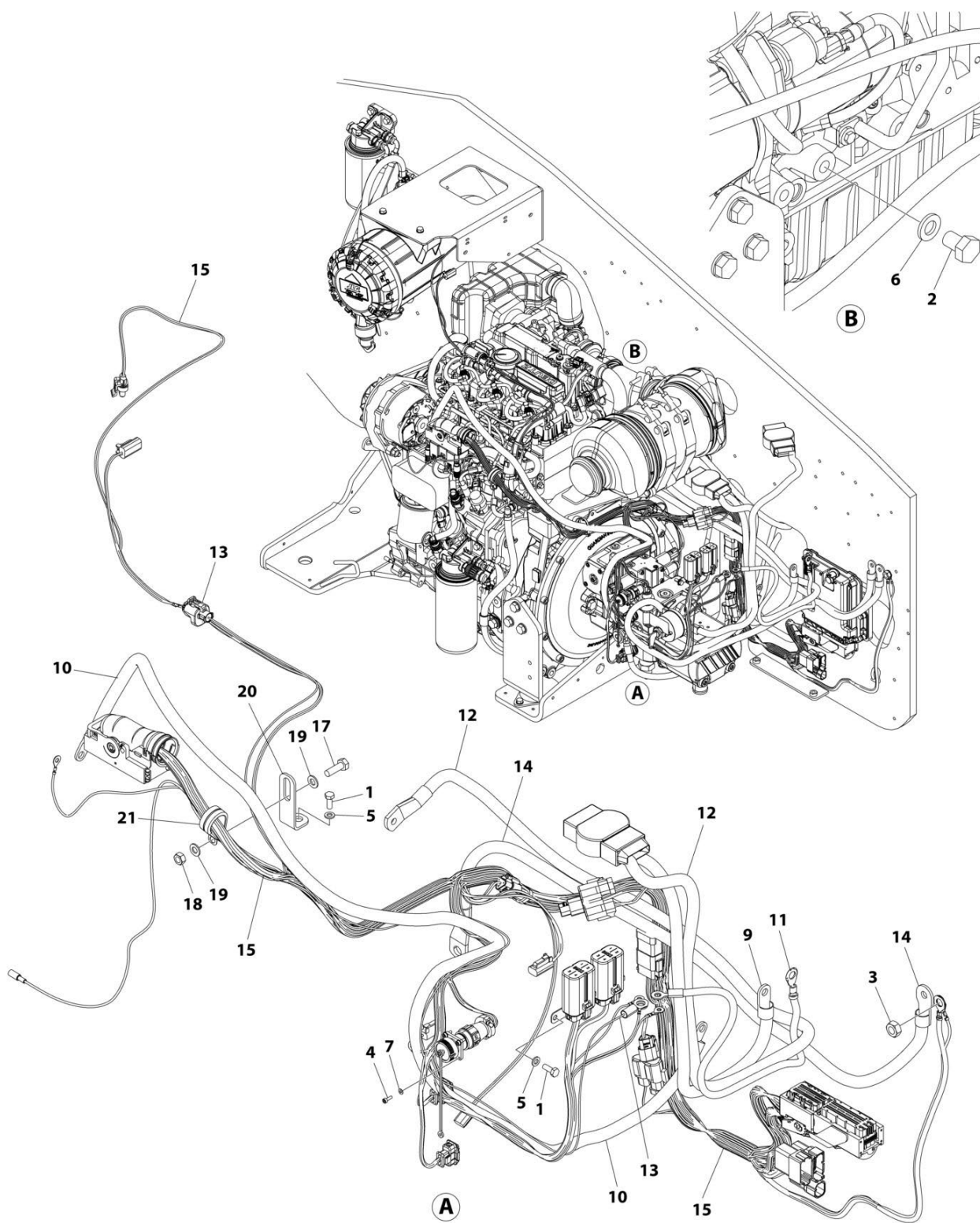
SECTION 4 - ENGINE AND ATTACHING PARTS

FIGURE 4-3. ENGINE MOUNTS INSTALLATION

ITEM	PART NUMBER	QTY	DESCRIPTION	REV
	1001290366	Ref	ENGINE MOUNTS INSTALLATION	C
1	0711215	6	Bolt M12 x 35	
2	0711217	2	Bolt M12 x 45	
3	0711223	2	Bolt M12 x 75	
4	0711227	2	Bolt M12 x 100	
5	0711226	1	Bolt M12 x 90	
6	0760814	6	Bolt M8 x 30	
7	3290805	6	Nut M8	
8	3331215	3	Nut M12	
10	4811900	12	Washer M8	
11	4812100	10	Washer M12	
13	5241200	4	Washer M12	
16	1001166718	3	Mount, Engine	
17	1001168018	3	Washer	
18	1001290910	1	Mount (RH)	
19	1001306549	1	Mount (Rear)	
20	1001293018	1	Mount (LH)	

SECTION 4 - ENGINE AND ATTACHING PARTS

FIGURE 4-4. ENGINE WIRING INSTALLATION



ART_1001297602

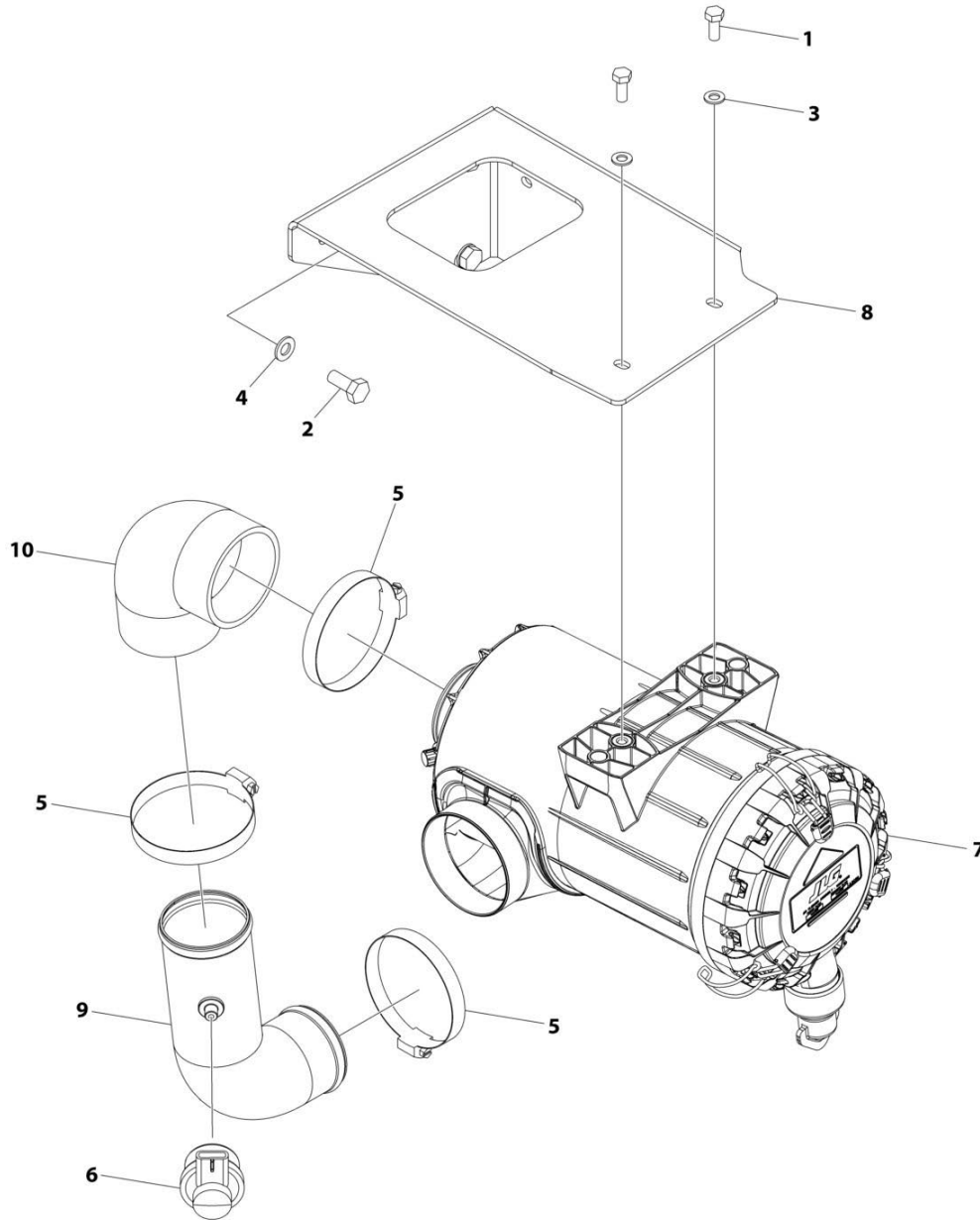
SECTION 4 - ENGINE AND ATTACHING PARTS

FIGURE 4-4. ENGINE WIRING INSTALLATION

ITEM	PART NUMBER	QTY	DESCRIPTION	REV
	1001297602	Ref	ENGINE WIRING INSTALLATION	C
1	0760608	4	Bolt M6 x 16	
2	0761410	1	Bolt M14 x 20	
3	3291001	1	Nut M10	
4	4031205	3	Capscrew M3 x 10	
5	4811700	4	Washer M6	
6	5241200	1	Washer M12	
7	1001110544	3	Washer M3	
8	1001146588	3	Tie-Strap (Not Shown)	
9	1001293891	1	Cable, Batt+ to PDM	
10	1001293892	1	Cable, Alternator +	
11	1001293893	1	Cable, PDM to Glow Plug	
12	1001293894	1	Cable, Starter B+	
13	1001293895	1	Cable, Glow Plug to Engine	
14	1001293898	1	Cable, Engine GND	
15	1001295843	1	Engine Harness (See Separate Breakdown in ELECTRICAL Section)	
16	1001008559	19	Tie-Strap (Not Shown)	
17	0760812	1	Bolt M8 x 25	
18	3290801	1	Nut M8	
19	4811900	2	Washer M8	
20	1001223122	1	Support	
21	1001264368	1	Clamp	

SECTION 4 - ENGINE AND ATTACHING PARTS

FIGURE 4-5. ENGINE AIR INTAKE INSTALLATION



ART_1001294732

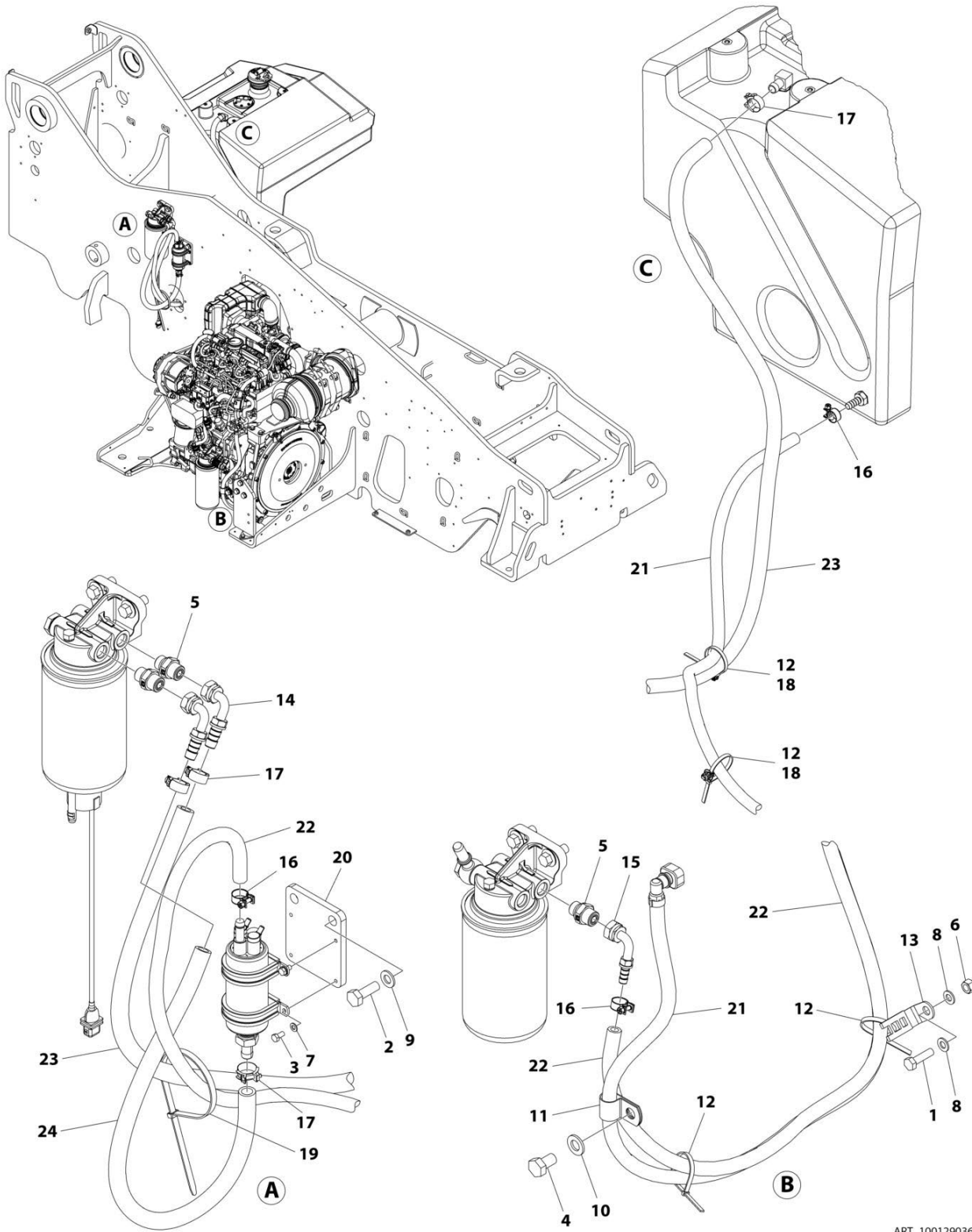
SECTION 4 - ENGINE AND ATTACHING PARTS

FIGURE 4-5. ENGINE AIR INTAKE INSTALLATION

ITEM	PART NUMBER	QTY	DESCRIPTION	REV
	1001294732	Ref	AIR INTAKE INSTALLATION	C
1	0760810	2	Bolt M8 x 20	
2	0761012	3	Bolt M10 x 25	
3	4811900	2	Washer M8	
4	4812000	3	Washer M10	
5	8410011	3	Clamp	
6	1001166715	1	Indicator, Restriction	
7	1001294382	1	Air Cleaner Assembly (See Separate Breakdown in this Section)	
8	1001294733	1	Bracket	
9	1001294734	1	Tube	
10	1001294735	1	Hose	

SECTION 4 - ENGINE AND ATTACHING PARTS

FIGURE 4-6. ENGINE FUEL LINES INSTALLATION



ART_1001290369

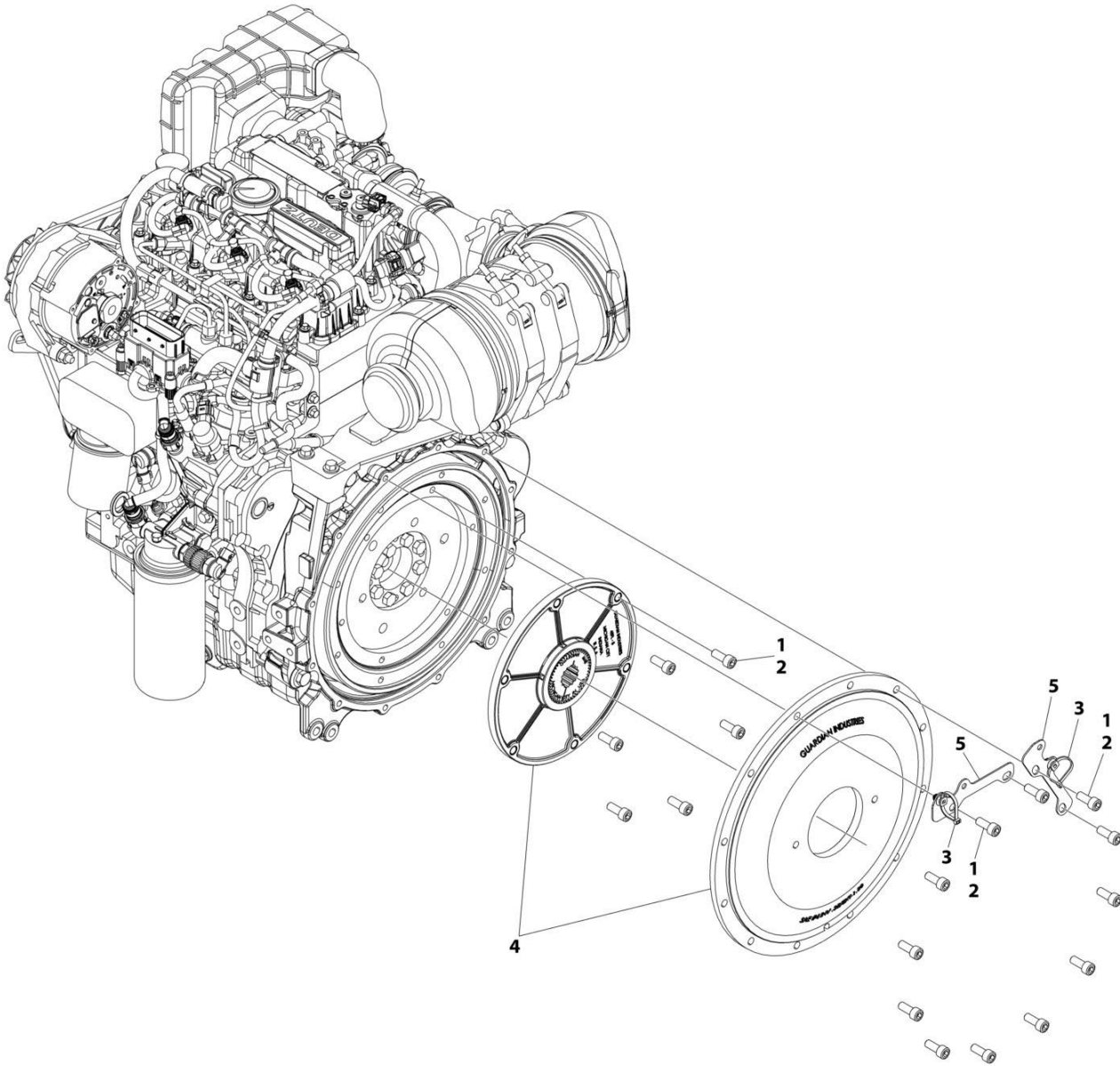
SECTION 4 - ENGINE AND ATTACHING PARTS

FIGURE 4-6. ENGINE FUEL LINES INSTALLATION

ITEM	PART NUMBER	QTY	DESCRIPTION	REV
	1001290369	Ref	FUEL LINES INSTALLATION	D
1	0700814	1	Bolt M8 x 30	
2	0701014	2	Bolt M10 x 30	
3	0760505	4	Bolt M5 x 10	
4	0761210	1	Bolt M12 x 20	
5	80333207	3	Fitting, Straight ORFS/MORR	
6	3290805	1	Nut M8	
7	4811600	4	Washer M5	
8	4811900	2	Washer M8	
9	4812000	2	Washer M10	
10	4812100	1	Washer M12	
11	8406105	1	Clip	
12	8584001	4	Tie-Strap	
13	1001003305	1	Clip	
14	1001095301	2	Fitting, 90 ORFS	
15	1001133793	1	Fitting, 90 ORFS	
16	1001136975	3	Clamp	
17	1001175568	4	Clip	
18	1001273793	2	Tie-Strap	
19	1062255	1	Tie-Strap	
20	1001290974	1	Plate	
21	1001292501	1	Hose	
22	1001292502	1	Hose	
23	1001292503	1	Hose	
24	1001292504	1	Hose	

SECTION 4 - ENGINE AND ATTACHING PARTS

FIGURE 4-7. ENGINE PUMP ADAPTOR INSTALLATION



ART_1001290367

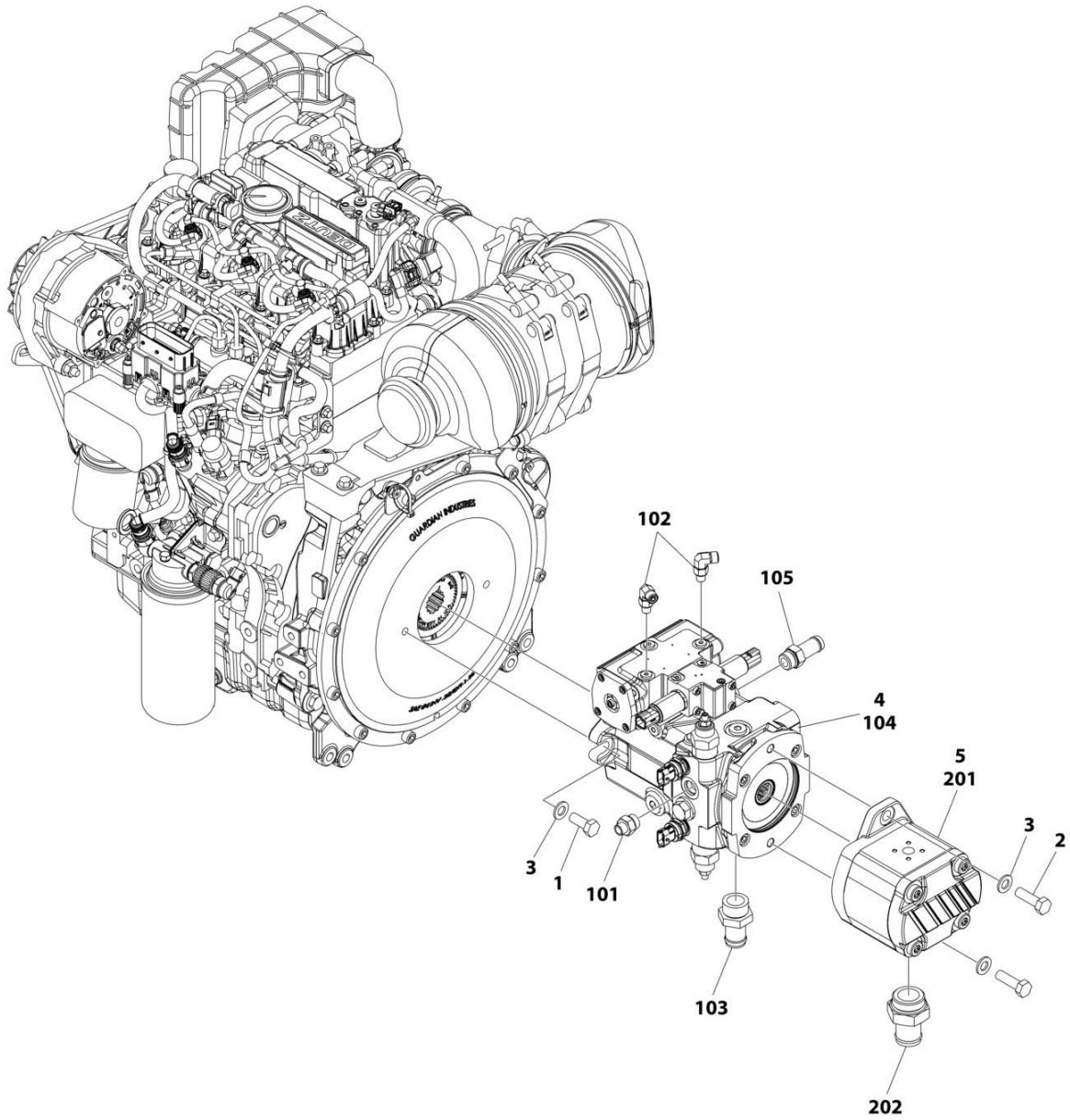
SECTION 4 - ENGINE AND ATTACHING PARTS

FIGURE 4-7. ENGINE PUMP ADAPTOR INSTALLATION

ITEM	PART NUMBER	QTY	DESCRIPTION	REV
	1001290367	Ref	PUMP ADAPTOR INSTALLATION	B
1	0100011	AR	Compound, Locking	
2	4032009	18	Bolt M10 x 25	
3	1001146588	2	Tie-Strap	
4	1001290243	1	Kit, Pump Coupling (Includes Coupling & Cover)	
4	70031932	1	HUB	
4	70031933	1	FLYWHEEL	
5	1001293303	2	Plate, Retainer	

SECTION 4 - ENGINE AND ATTACHING PARTS

FIGURE 4-8. ENGINE PUMP INSTALLATION



ART_1001290368

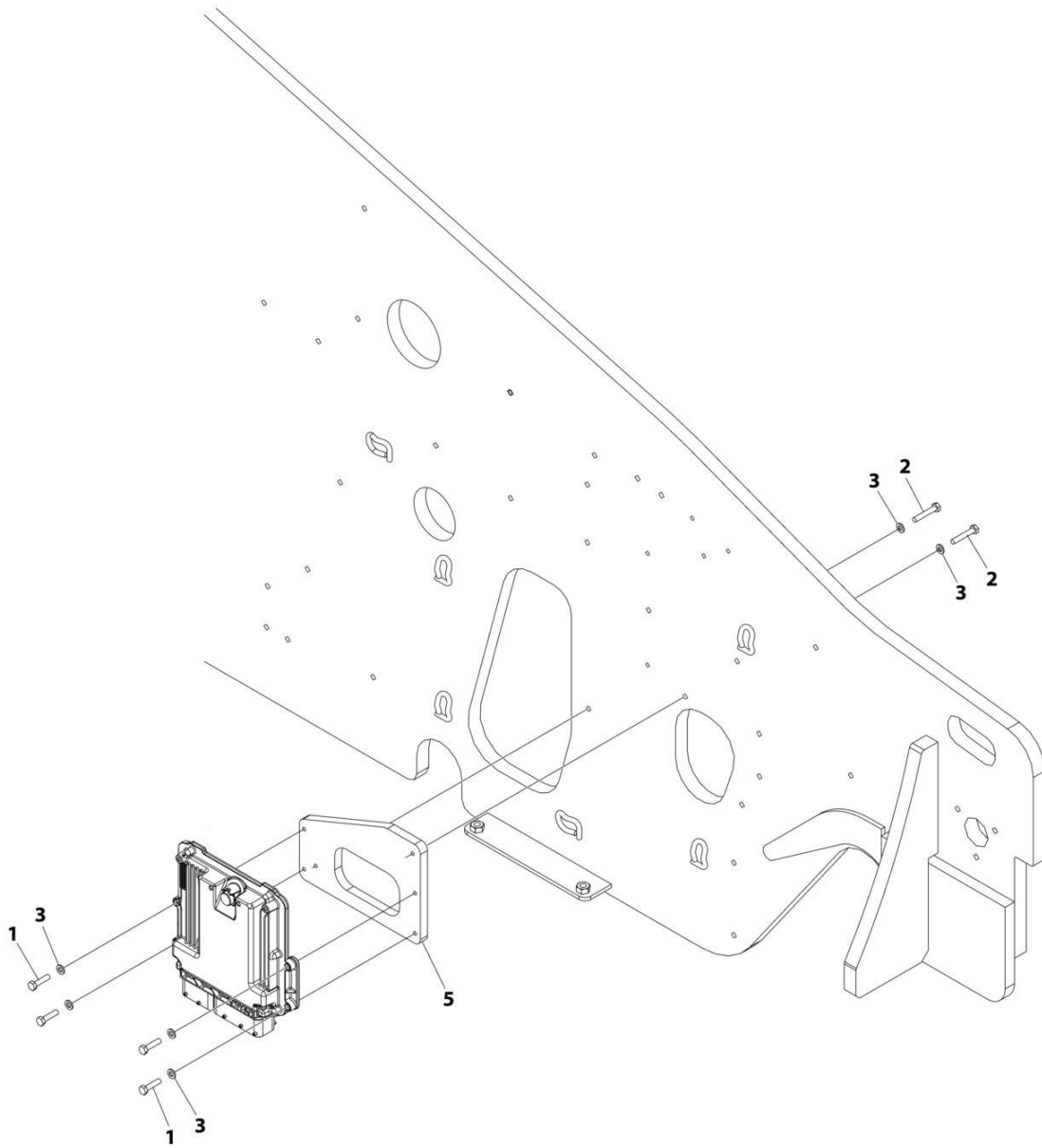
SECTION 4 - ENGINE AND ATTACHING PARTS

FIGURE 4-8. ENGINE PUMP INSTALLATION

ITEM	PART NUMBER	QTY	DESCRIPTION	REV
	1001290368	Ref	PUMP INSTALLATION	C
1	0711214	2	Bolt M12 x 30	
2	0711216	2	Bolt M12 x 40	
3	4812100	4	Washer M12	
4	1001291536	Ref	Pump Sub-Assembly (See Items 101-105)	
5	1001291537	Ref	Pump Sub-Assembly (See Items 201-202)	
	1001291536	Ref	PUMP SUB-ASSEMBLY	A
101	2110408	1	Fitting, Straight ORFS/ORB	
102	2130404	2	Fitting, 90 ORFS/ORB	
103	1001185073	1	Fitting, Straight ORB/Barbed	
104	1001294179	1	Pump Assembly (See Separate Breakdown in HYDRAULIC Section)	
105	1001295534	1	Fitting, Straight Barbed	
	1001291537	Ref	PUMP SUB-ASSEMBLY	A
201	1001291749	1	Pump Assembly (See Separate Breakdown in HYDRAULIC Section)	
202	1001294265	1	Fitting, Straight Barbed	

SECTION 4 - ENGINE AND ATTACHING PARTS

FIGURE 4-9. ENGINE MODULE INSTALLATION



ART_1001290371

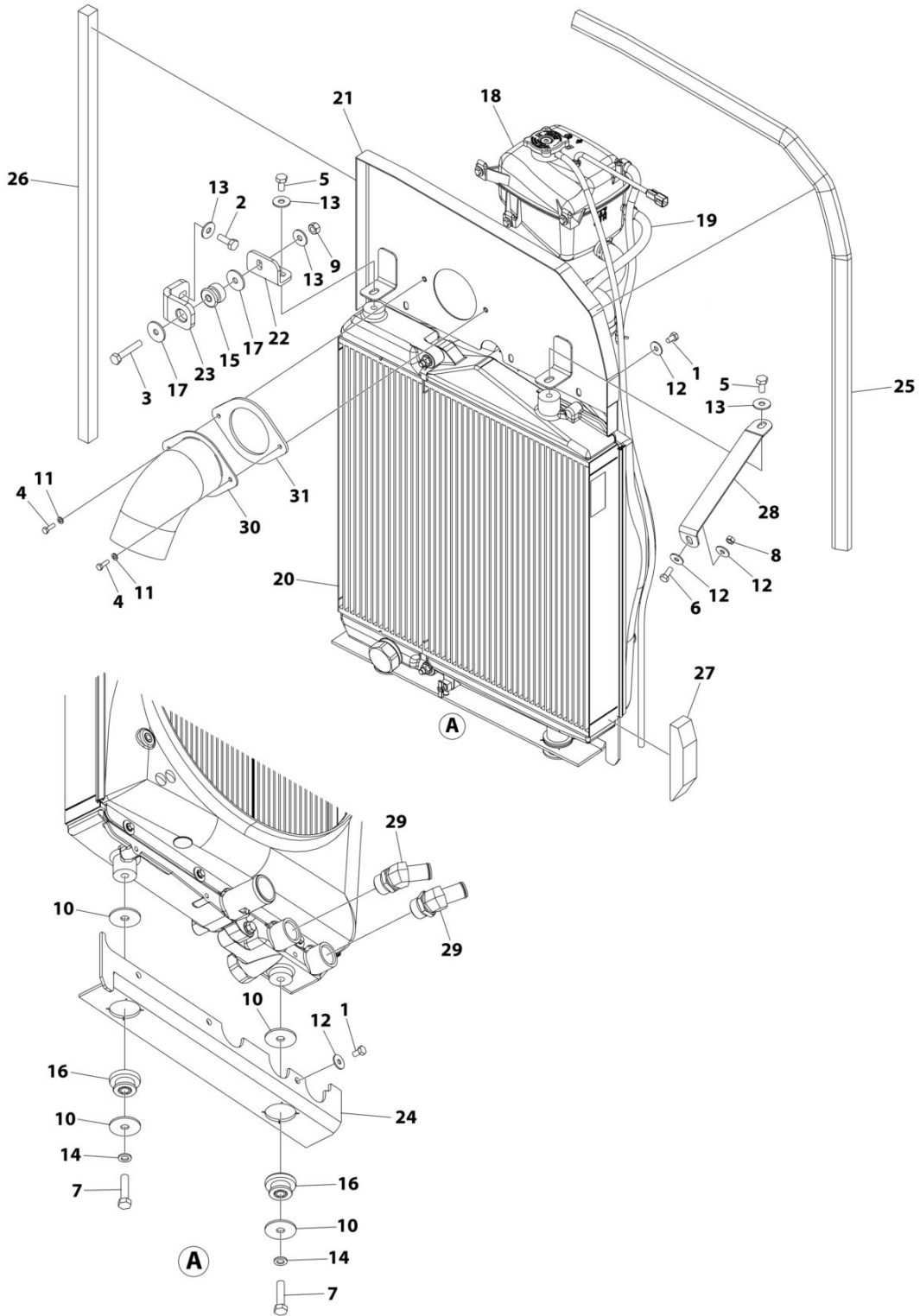
SECTION 4 - ENGINE AND ATTACHING PARTS

FIGURE 4-9. ENGINE MODULE INSTALLATION

ITEM	PART NUMBER	QTY	DESCRIPTION	REV
	1001290371	Ref	ENGINE MODULE INSTALLATION	B
	See Note	Ref	Note: Engine Module is Part of Engine Components.	
1	0700612	4	Bolt M6 x 25	
2	0700615	2	Bolt M6 x 35	
3	4811700	6	Washer M6	
5	1001293317	1	Plate	

SECTION 4 - ENGINE AND ATTACHING PARTS

FIGURE 4-10. ENGINE COOLING INSTALLATION



ART_1001290359

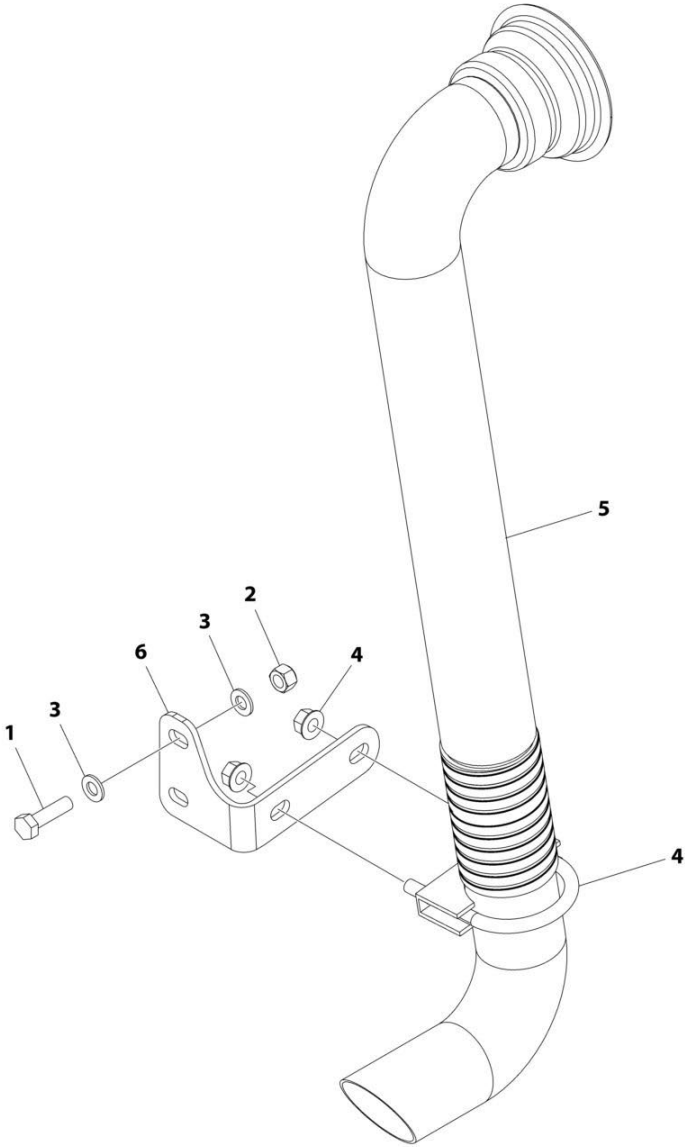
SECTION 4 - ENGINE AND ATTACHING PARTS

FIGURE 4-10. ENGINE COOLING INSTALLATION

ITEM	PART NUMBER	QTY	DESCRIPTION	REV
	1001290359	Ref	ENGINE COOLING INSTALLATION	C
1	0760807	6	Bolt M8 x 14	
2	0701014	1	Bolt M10 x 30	
3	0701020	1	Bolt M10 x 60	
4	0760610	2	Bolt M6 x 20	
5	0761010	2	Bolt M10 x 20	
6	0760810	1	Bolt M8 x 20	
7	0761218	2	Bolt M12 x 50	
8	3290801	1	Nut M8	
9	3291005	1	Nut M10	
10	4740274	4	Washer	
11	4811700	2	Washer M6	
12	4811902	8	Washer M8	
13	4812002	4	Washer M10	
14	4832100	2	Washer M12	
15	8278020	1	Mount, Rubber	
16	1001114803	2	Mount	
17	1001155540	2	Washer	
18	1001290373	Ref	Surge Tank Installation (See Separate Breakdown in this Section)	
19	1001290374	Ref	Coolant Lines Installation (See Separate Breakdown in this Section)	
20	1001290494	1	Radiator Assembly (See Separate Breakdown in this Section)	
21	1001291159	1	Bracket	
22	1001291165	1	Bracket	
23	1001291166	1	Bracket	
24	1001291167	1	Panel	
25	1001291168	1	Seal	
26	1001291169	1	Seal	
27	1001291170	1	Seal	
28	1001293304	1	Plate	
29	1001294263	2	Fitting, 45 Pipe/BARB	
30	1001296193	1	Pipe, Air intake	
31	1001296647	1	Seal	

SECTION 4 - ENGINE AND ATTACHING PARTS

FIGURE 4-11. ENGINE EXHAUST INSTALLATION



ART_1001290360

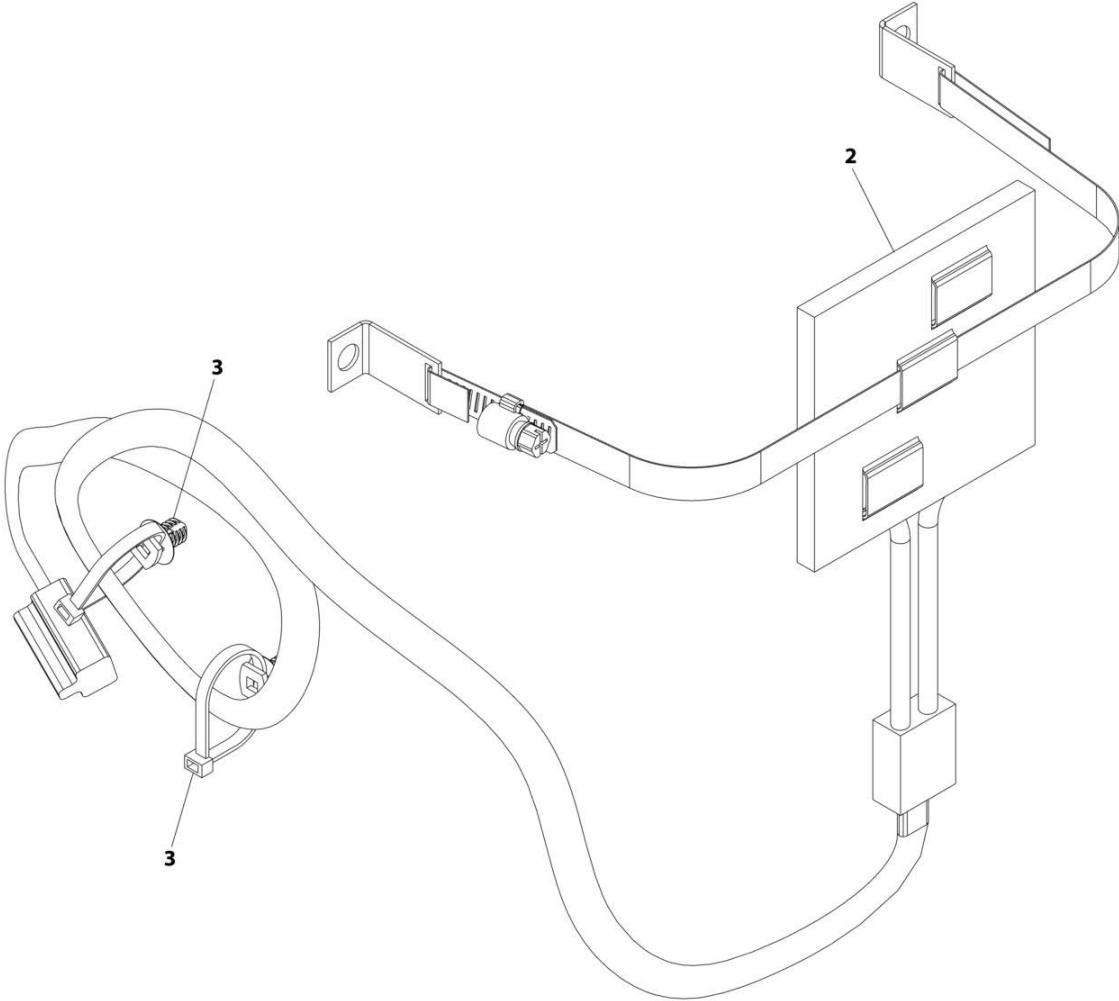
SECTION 4 - ENGINE AND ATTACHING PARTS

FIGURE 4-11. ENGINE EXHAUST INSTALLATION

ITEM	PART NUMBER	QTY	DESCRIPTION	REV
	1001290360	Ref	EXHAUST INSTALLATION	B
1	0760814	2	Bolt M8 x 30	
2	3290805	2	Nut M8	
3	4811900	4	Washer M8	
4	86683211	1	Clamp	
5	1001291573	1	Pipe, Exhaust	
6	1001291574	1	Bracket	

SECTION 4 - ENGINE AND ATTACHING PARTS

FIGURE 4-12. ENGINE HEATER INSTALLATION



ART_1001293180

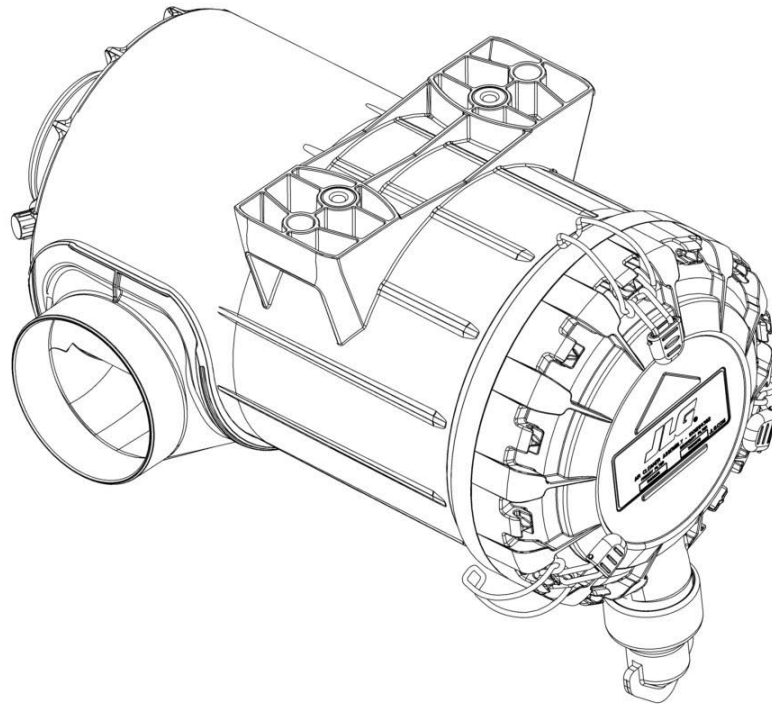
SECTION 4 - ENGINE AND ATTACHING PARTS

FIGURE 4-12. ENGINE HEATER INSTALLATION

ITEM	PART NUMBER	QTY	DESCRIPTION	REV
	1001293180	Ref	ENGINE HEATER INSTALLATION	B
2	2580057	1	Heater, Engine Block (Includes MTG Strap and Power Cable)	
3	1001146588	2	Tie-Strap	

SECTION 4 - ENGINE AND ATTACHING PARTS

FIGURE 4-13. AIR CLEANER ASSEMBLY



ART_1001294382

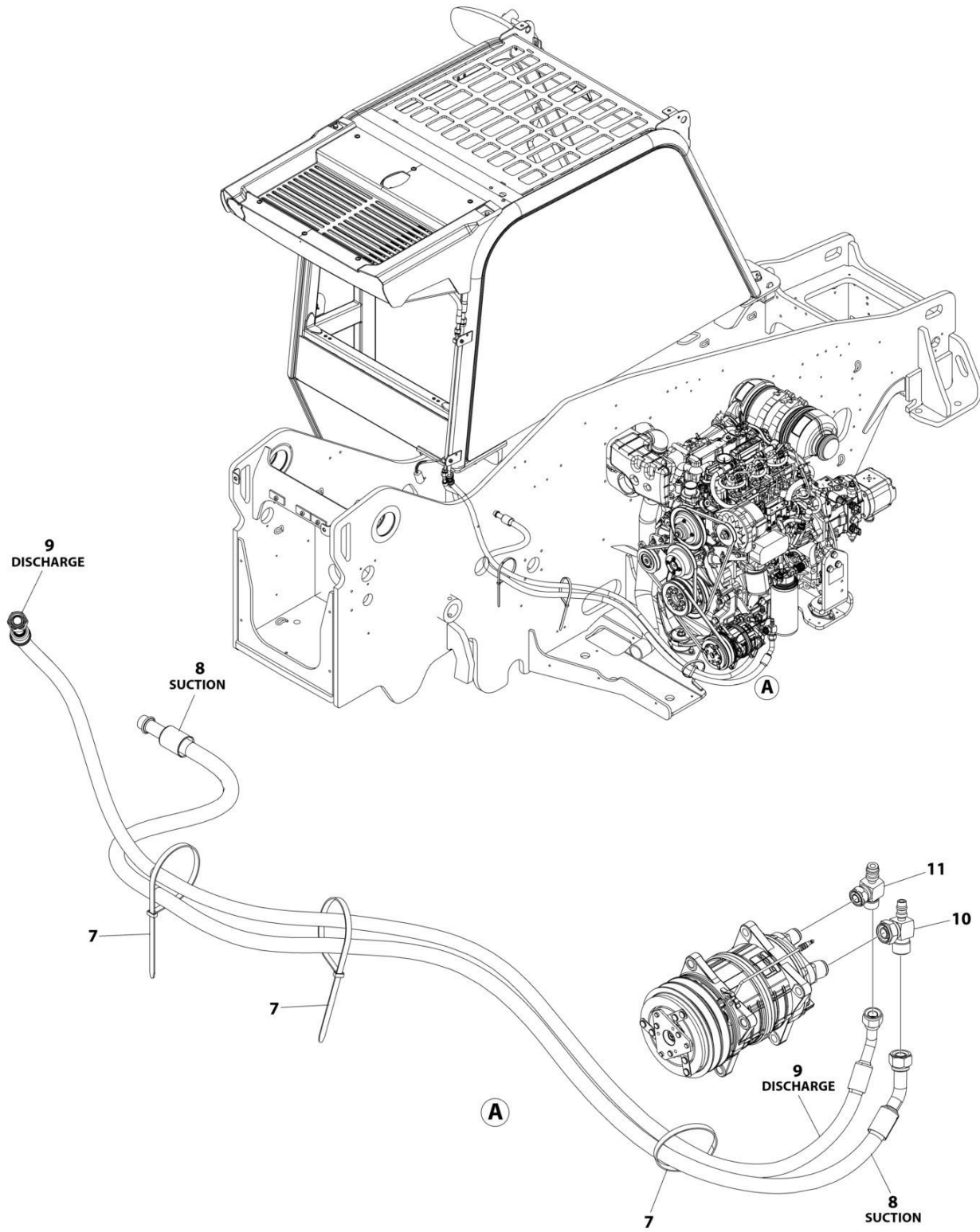
SECTION 4 - ENGINE AND ATTACHING PARTS

FIGURE 4-13. AIR CLEANER ASSEMBLY

ITEM	PART NUMBER	QTY	DESCRIPTION	REV
	1001294382	Ref	AIR CLEANER ASSEMBLY	B
	70031078	1	Element, Filter (Primary)	
	70031079	1	Element, Filter (Secondary)	

SECTION 4 - ENGINE AND ATTACHING PARTS

FIGURE 4-14. AC LINES INSTALLATION



ART_1001291538

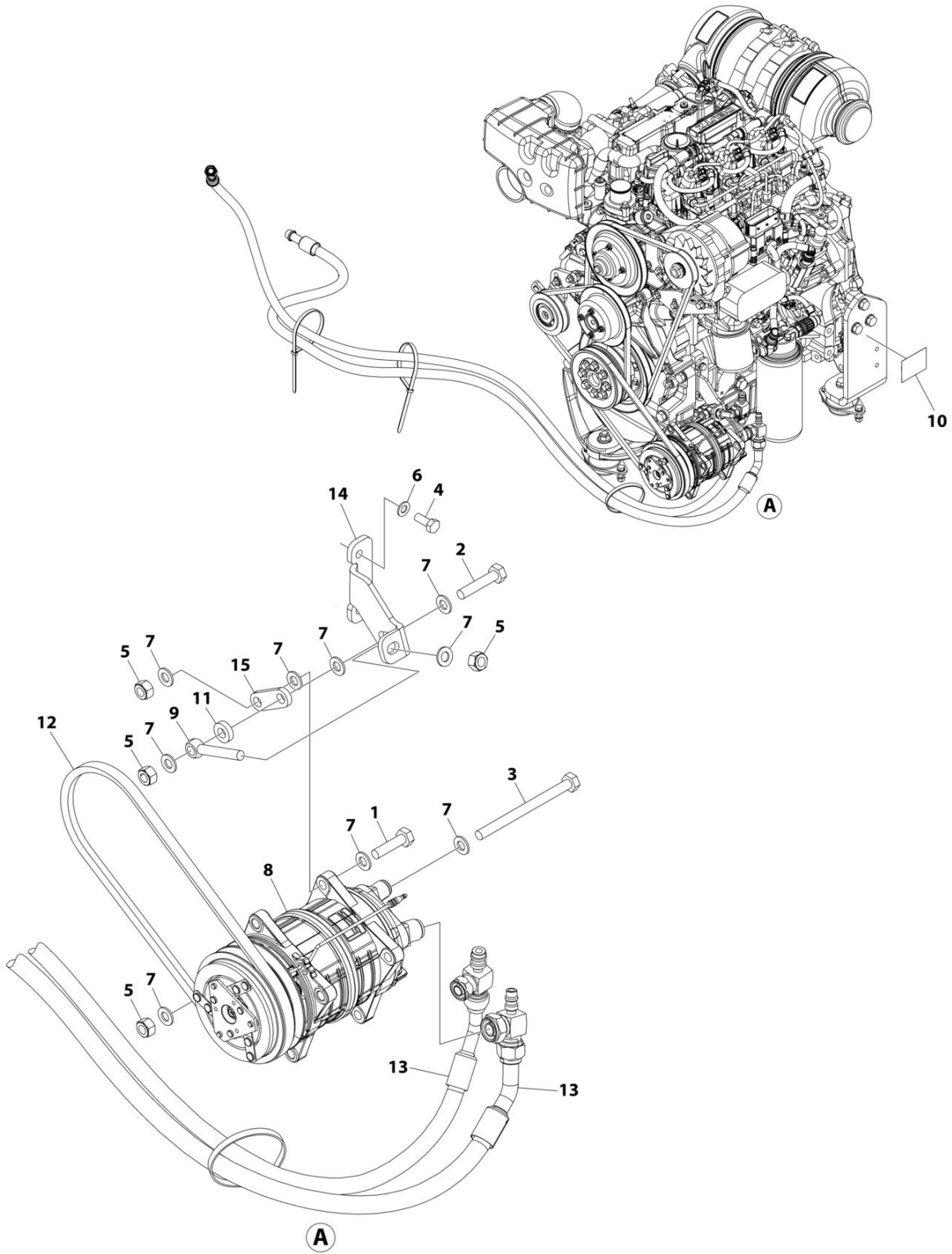
SECTION 4 - ENGINE AND ATTACHING PARTS

FIGURE 4-14. AC LINES INSTALLATION

ITEM	PART NUMBER	QTY	DESCRIPTION	REV
	1001291538	Ref	AC LINES INSTALLATION	D
7	1062255	3	Tie-Strap	
8	1001312321	1	Hose (Suction)	
9	1001305564	1	Hose (Discharge)	
10	1001305565	1	Fitting (Low Pressure)	
11	1001305566	1	Fitting (High Pressure)	

SECTION 4 - ENGINE AND ATTACHING PARTS

FIGURE 4-15. AC PUMP INSTALLATION



ART_1001290362

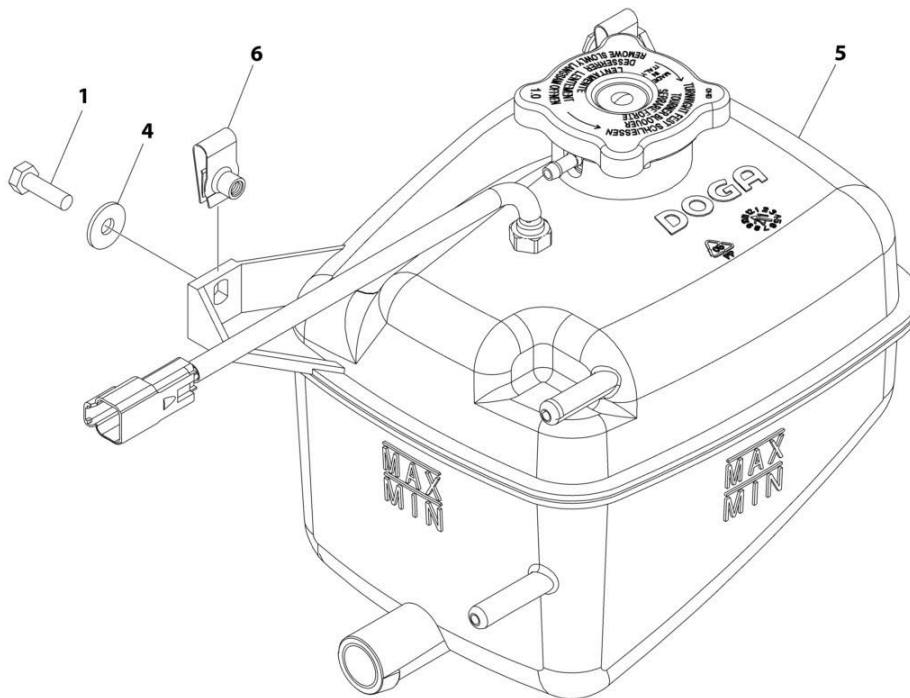
SECTION 4 - ENGINE AND ATTACHING PARTS

FIGURE 4-15. AC PUMP INSTALLATION

ITEM	PART NUMBER	QTY	DESCRIPTION	REV
	1001290362	Ref	AC PUMP INSTALLATION	C
1	0701016	1	Bolt M10 x 40	
2	0701018	1	Bolt M10 x 50	
3	0701030	1	Bolt M10 x 130	
4	0770810	2	Bolt M8 x 20	
5	3291005	4	Nut M10	
6	4811900	2	Washer M8	
7	4812000	9	Washer M10	
8	1001307731	1	Compressor, AC	
9	1001144375	1	End, Rod	
10	1001227091	1	Decal	
11	1001272336	1	Plate, Spacer	
12	1001283127	1	Belt	
13	1001291538	Ref	AC Lines Installation (See Separate Breakdown in this Section)	
14	1001291863	1	Bracket	
15	1001291864	1	Plate	

SECTION 4 - ENGINE AND ATTACHING PARTS

FIGURE 4-16. COOLANT EXPANSION TANK INSTALLATION



ART_1001290373

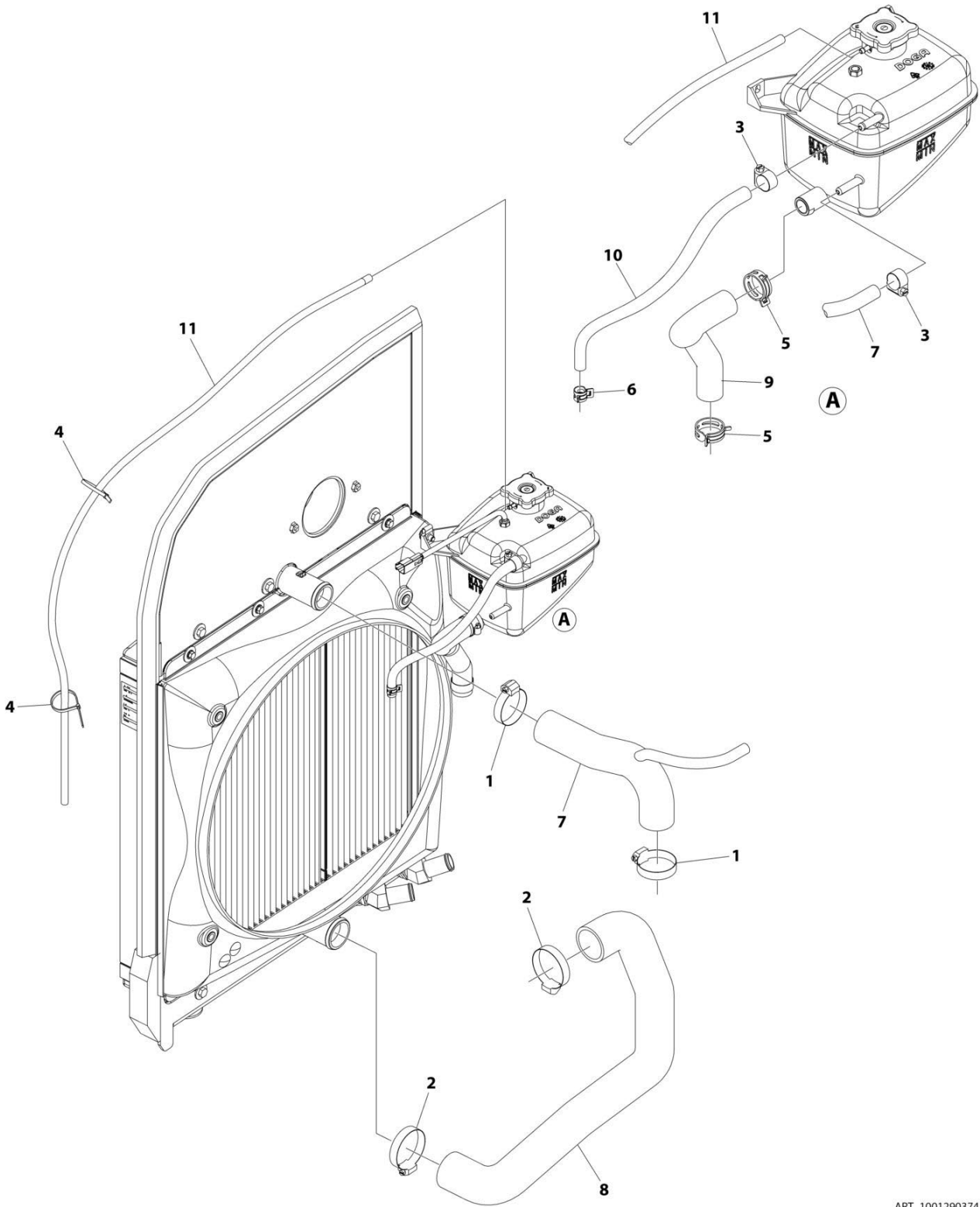
SECTION 4 - ENGINE AND ATTACHING PARTS

FIGURE 4-16. COOLANT EXPANSION TANK INSTALLATION

ITEM	PART NUMBER	QTY	DESCRIPTION	REV
	1001290373	Ref	COOLANT EXPANSION TANK INSTALLATION	B
1	0760610	3	Bolt M6 x 20	
4	4811702	3	Washer M6	
5	1001291012	1	Tank, Coolant Expansion	
6	1001307464	3	Nut, Tinnerman M6	

SECTION 4 - ENGINE AND ATTACHING PARTS

FIGURE 4-17. COOLANT LINES INSTALLATION



ART_1001290374

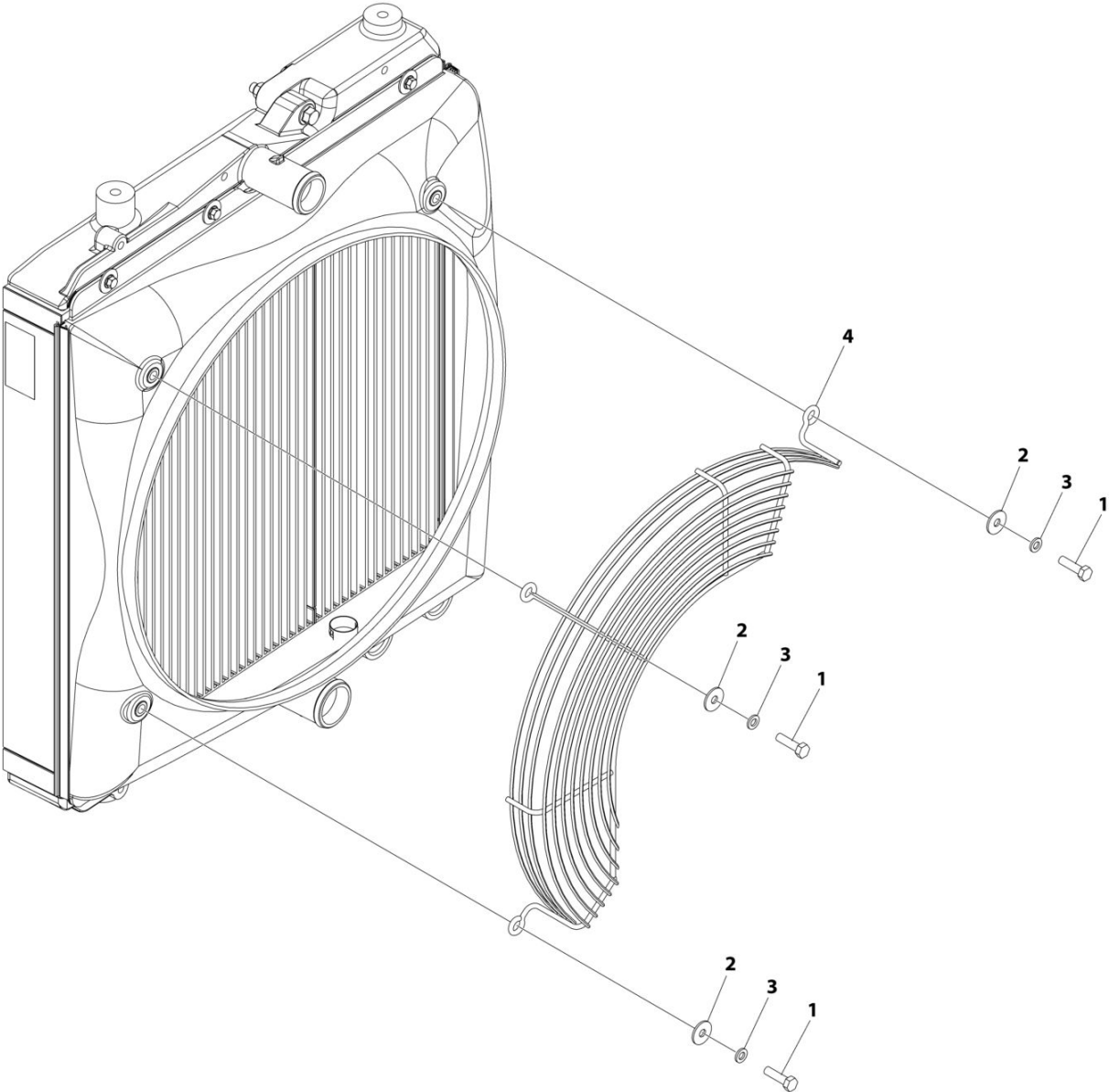
SECTION 4 - ENGINE AND ATTACHING PARTS

FIGURE 4-17. COOLANT LINES INSTALLATION

ITEM	PART NUMBER	QTY	DESCRIPTION	REV
	1001290374	Ref	ENGINE COOLANT LINES INSTALLATION	A
1	8405104	2	Clamp	
2	8405201	2	Clamp	
3	8410013	2	Clamp	
4	8584001	2	Tie-Strap	
5	1001212948	2	Clamp	
6	1001213010	1	Clamp	
7	1001290625	1	Hose, Radiator (Upper)	
8	1001290626	1	Hose, Radiator (Lower)	
9	1001290627	1	Hose, Fill Surge	
10	1001290628	1	Hose, Engine Vent	
11	1001290629	1	Hose, Cap Vent	

SECTION 4 - ENGINE AND ATTACHING PARTS

FIGURE 4-18. FAN GUARD INSTALLATION



ART_1001290377

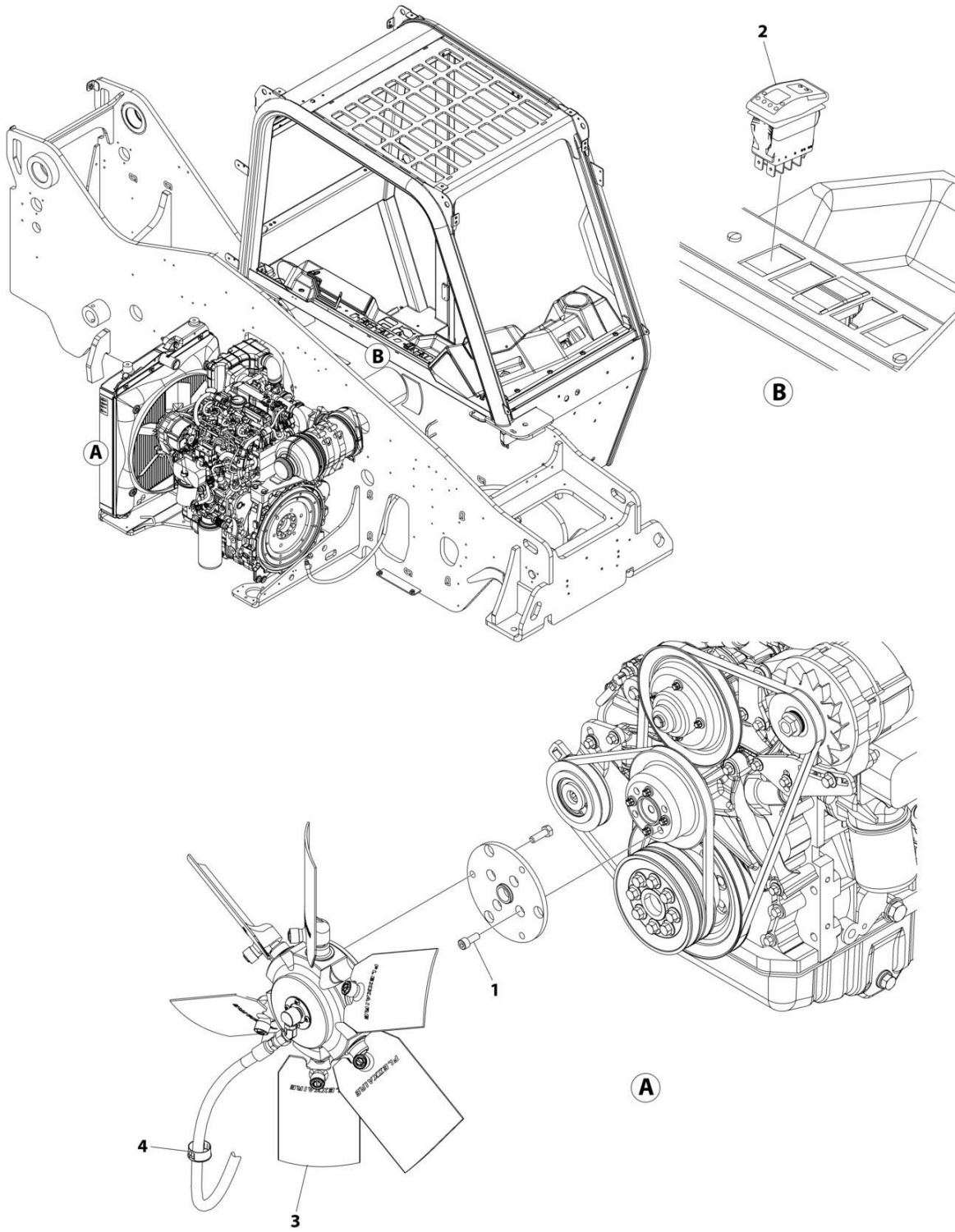
SECTION 4 - ENGINE AND ATTACHING PARTS

FIGURE 4-18. FAN GUARD INSTALLATION

ITEM	PART NUMBER	QTY	DESCRIPTION	REV
	1001290377	Ref	FAN GUARD INSTALLATION	A
1	0700814	3	Bolt M8 x 30	
2	4811902	3	Washer M8	
3	4831900	3	Washer M8	
4	1001290379	1	Grill, Fan Guard	

SECTION 4 - ENGINE AND ATTACHING PARTS

FIGURE 4-19. FAN INSTALLATION - COOLING



ART_1001292990

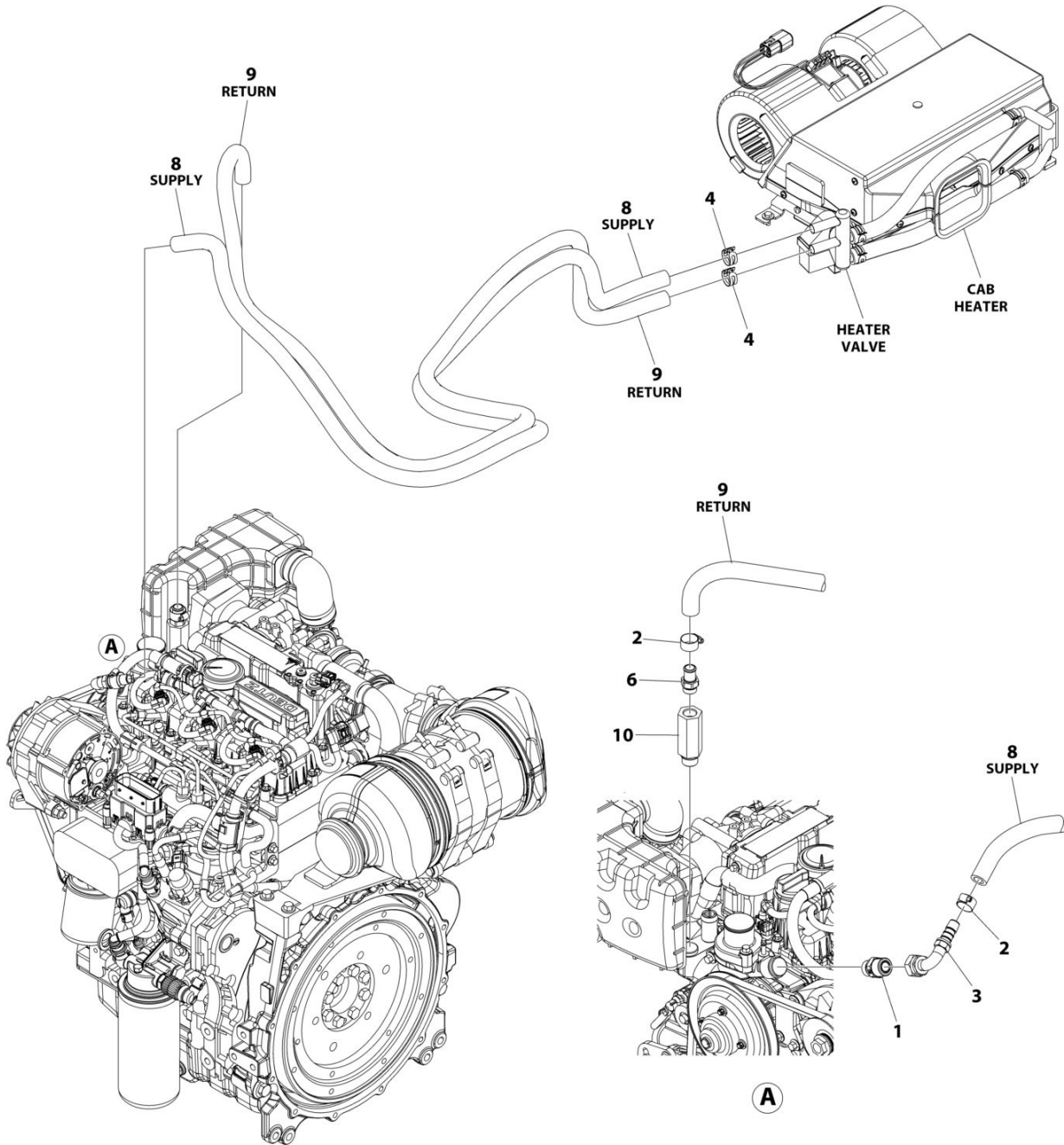
SECTION 4 - ENGINE AND ATTACHING PARTS

FIGURE 4-19. FAN INSTALLATION - COOLING

ITEM	PART NUMBER	QTY	DESCRIPTION	REV
	1001292990	Ref	FAN INSTALLATION - REVERSING	B
1	4031908	4	Capscrew M8 x 20	
2	1001145204	1	Switch, Reversing Fan	
3	1001292283	1	Kit, Reversing Fan	
4	1001295212	1	Grommet	

SECTION 4 - ENGINE AND ATTACHING PARTS

FIGURE 4-20. HEATER HOSE INSTALLATION



ART_1001290361

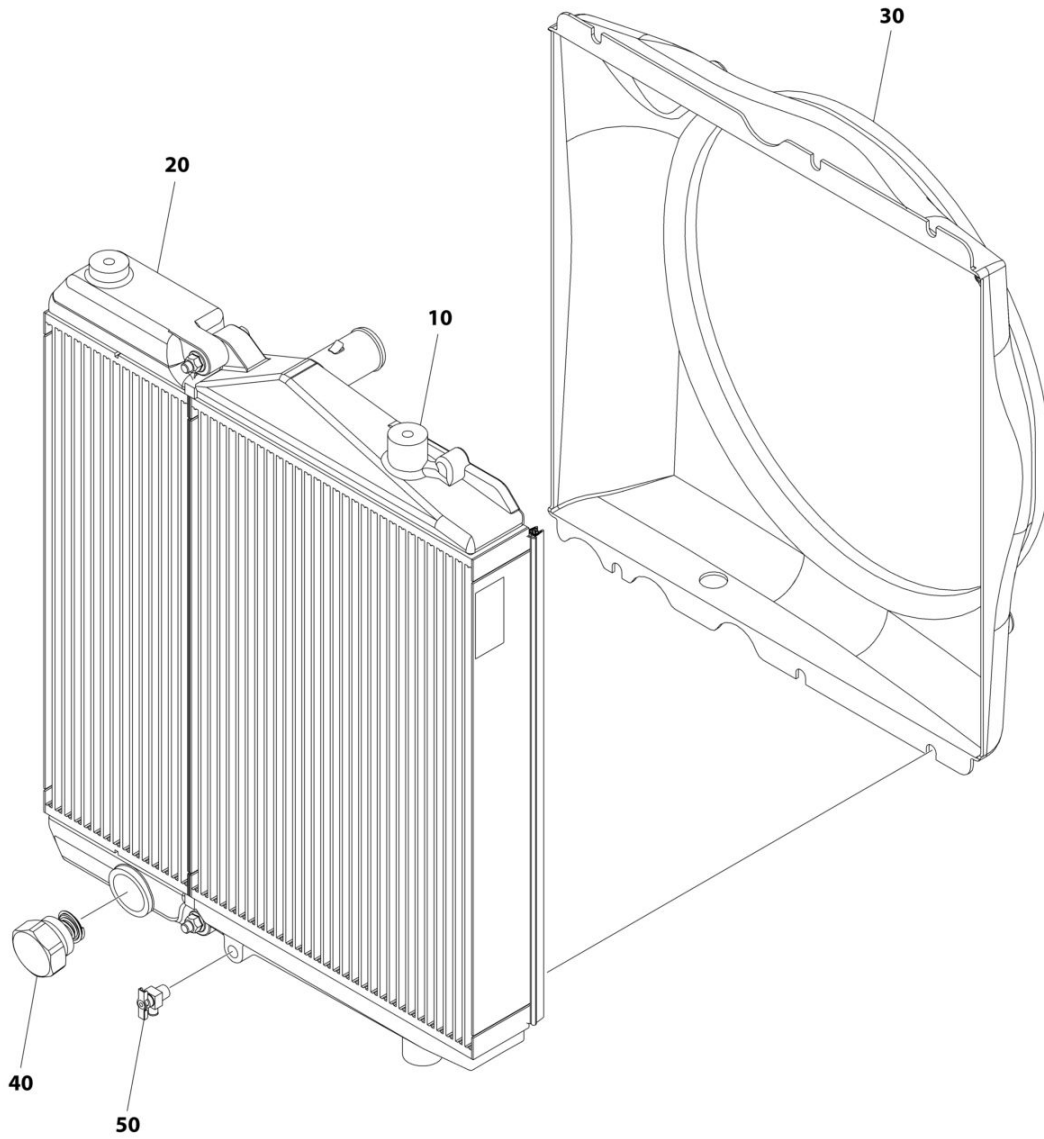
SECTION 4 - ENGINE AND ATTACHING PARTS

FIGURE 4-20. HEATER HOSE INSTALLATION

ITEM	PART NUMBER	QTY	DESCRIPTION	REV
	1001290361	Ref	HEATER HOSE INSTALLATION	D
1	2145011	1	Fitting, Straight ORFS/MPP	
2	8405007	2	Clamp	
3	1001137296	1	Fitting, 90 ORFS	
4	1001152730	2	Clamp	
5	1001202986	3	Tie-Strap (Not Shown)	
6	1001257122	1	Fitting, Straight ORB/BARB	
7	1062255	6	Tie-Strap (Not Shown)	
8	1001292505	1	Hose	
9	1001292506	1	Hose	
10	1001120602	1	Fitting, Straight FORB/MPP	

SECTION 4 - ENGINE AND ATTACHING PARTS

FIGURE 4-21. RADIATOR ASSEMBLY



ART_1001290494

SECTION 4 - ENGINE AND ATTACHING PARTS

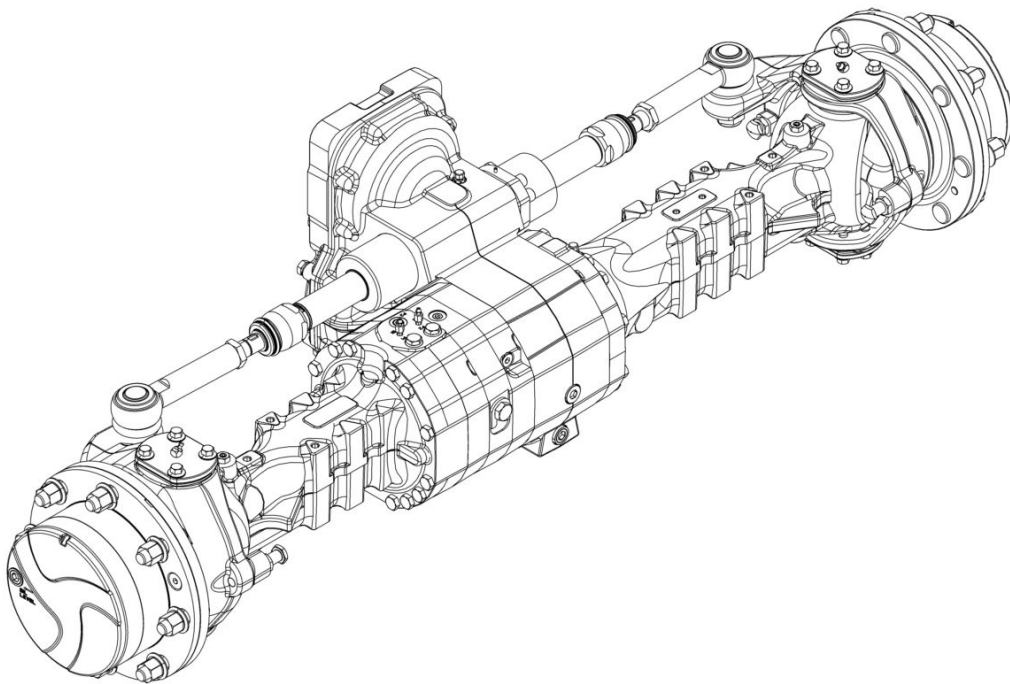
FIGURE 4-21. RADIATOR ASSEMBLY

ITEM	PART NUMBER	QTY	DESCRIPTION	REV
	1001290494	Ref	RADIATOR ASSEMBLY	D
10	NPN	1	Tank, Radiator (Large)	
20	NPN	1	Tank, Radiator (Small)	
30	NPN	1	Shroud	
40	70028548	1	Valve, Bypass	
50	NPN	1	Drain, Petcock	

SECTION 5 - DRIVE TRAIN

SECTION 5 - DRIVE TRAIN

FIGURE 5-1. FRONT AXLE ASSEMBLY



ART_1027049900

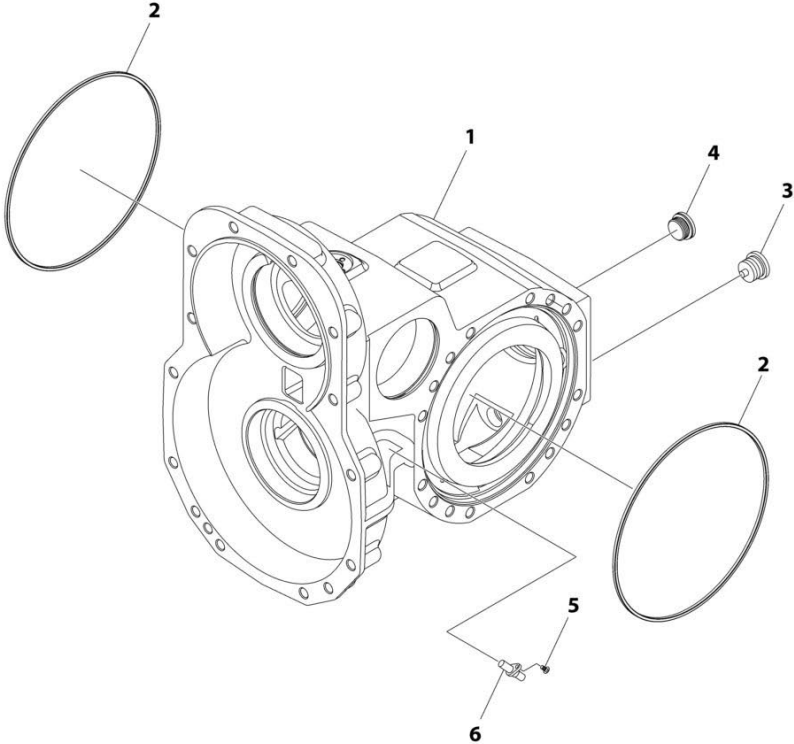
SECTION 5 - DRIVE TRAIN

FIGURE 5-1. FRONT AXLE ASSEMBLY

ITEM	PART NUMBER	QTY	DESCRIPTION	REV
	1027049900	Ref	AXLE ASSEMBLY - FRONT	C
		Ref	Front Axle, Central Housing (See Separate Breakdown in this Section)	
		Ref	Front Axle, Differential (See Separate Breakdown in this Section)	
		Ref	Front Axle, Hub Reduction (1) (See Separate Breakdown in this Section)	
		Ref	Front Axle, Hub Reduction (2) (See Separate Breakdown in this Section)	
		Ref	Front Axle, Brakes (2) (See Separate Breakdown in this Section)	
		Ref	Front Axle, Steering (See Separate Breakdown in this Section)	

SECTION 5 - DRIVE TRAIN

FIGURE 5-2. FRONT AXLE ASSEMBLY - CENTER HOUSING



ART_1027049900_10F6

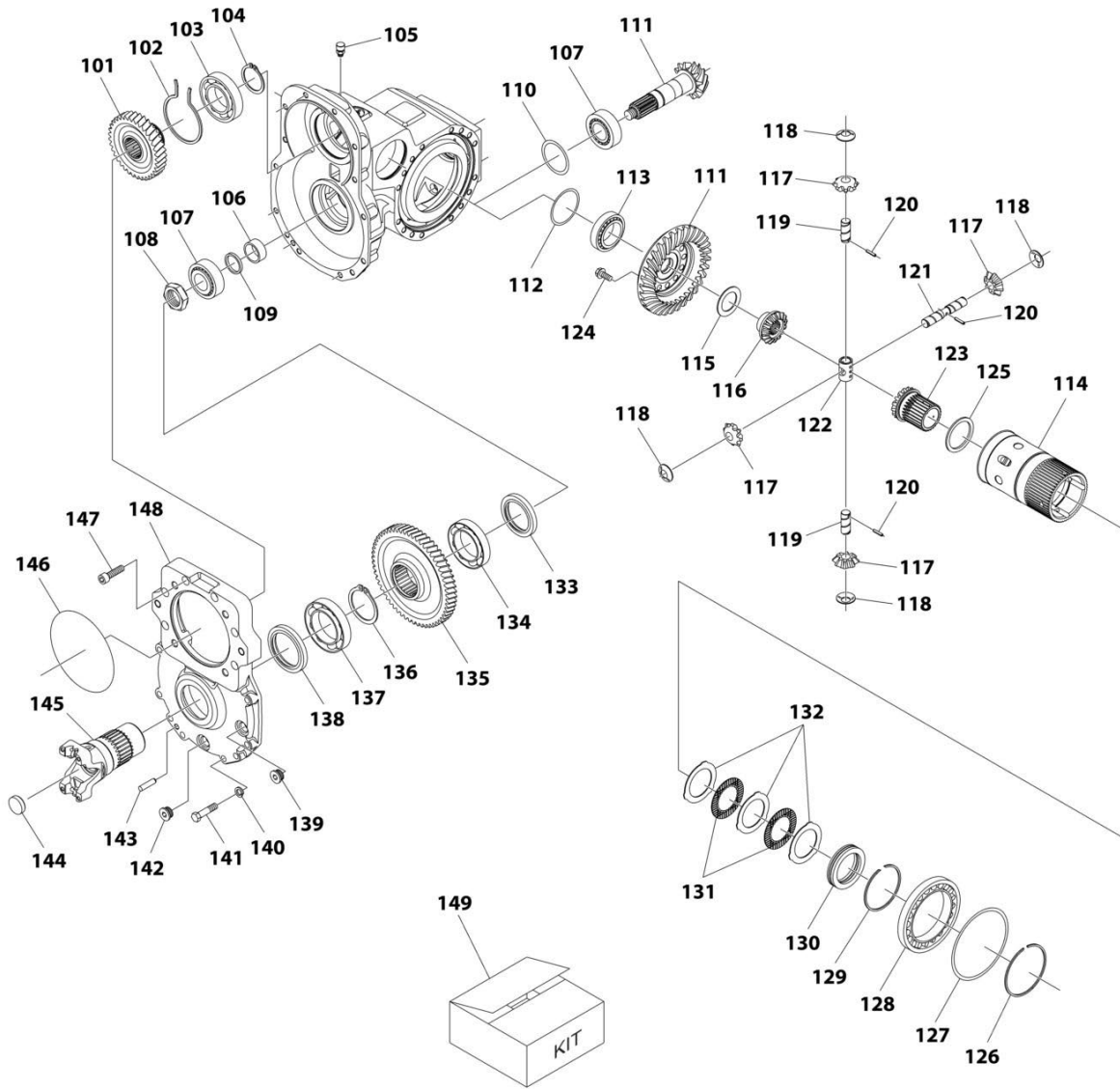
SECTION 5 - DRIVE TRAIN

FIGURE 5-2. FRONT AXLE ASSEMBLY - CENTER HOUSING

ITEM	PART NUMBER	QTY	DESCRIPTION	REV
	1027049900	Ref	AXLE ASSEMBLY - CENTRAL HOUSING	C
1	70030362	1	Housing	
2	70021147	2	O-Ring	
3	7028706	1	Plug	
4	91514188	1	Plug	
5	70027111	1	Bolt	
6	70031952	1	Plug	

SECTION 5 - DRIVE TRAIN

FIGURE 5-3. FRONT AXLE ASSEMBLY - DIFFERENTIAL



ART_1027049900_2OF6

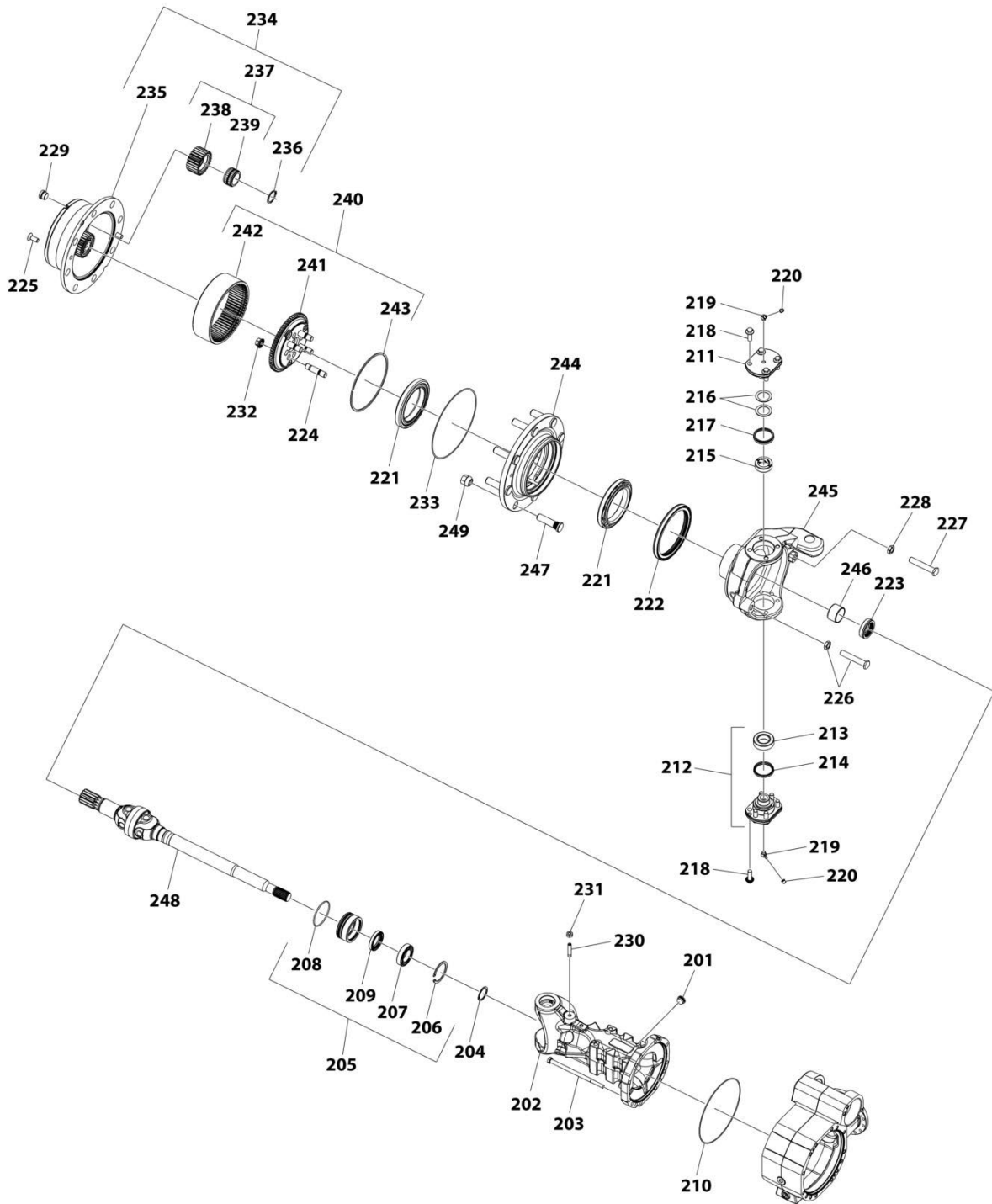
SECTION 5 - DRIVE TRAIN

FIGURE 5-3. FRONT AXLE ASSEMBLY - DIFFERENTIAL

ITEM	PART NUMBER	QTY	DESCRIPTION	REV
	1027049900	Ref	AXLE ASSEMBLY - DIFFERENTIAL	C
101	70031953	1	Gear	
102	70020230	1	Circlip	
103	70020231	1	Bearing	
104	70020232	1	Circlip	
105	91474512	1	Vent	
106	70020233	1	Spacer	
107	70020234	2	Bearing	
108	70020235	1	Nut	
109	70024927	1	Kit, Shim	
110	70024866	1	Kit, Shim	
111	70024867	1	Gear, Bevel (Set)	
112	70027858	1	Kit, Shim	
113	70031906	1	Bearing	
114	70031954	1	Carrier	
115	70029267	1	Washer	
116	70021221	1	Gear, Side	
117	70020244	4	Pinion	
118	70020245	4	Washer	
119	70021929	2	Pin	
120	70020247	3	Pin, Dowel	
121	70021928	1	Pin	
122	70020249	1	Retainer	
123	70020250	1	Gear, Side	
124	70020251	12	Bolt	
125	70020252	1	Washer	
126	70020253	1	Circlip	
127	70027859	1	Kit, Shim	
128	70030251	1	Bearing	
129	70020255	1	Circlip	
130	70020256	1	Bearing	
131	70020257	7	Disc, Clutch	
132	70020258	8	Disc, Clutch (Intermediate)	
133	70020259	1	Seal	
134	70020260	1	Bearing	
135	70031955	1	Gear	
136	70020262	1	Circlip	
137	80204178	1	Bearing	
138	70020263	1	Seal	
139	70028389	1	Plug	
140	80204147	8	Washer	
141	70024873	8	Bolt	
142	70028388	1	Plug	
143	70020265	2	Pin, Dowel	
144	70020266	1	Plug	
145	70020267	1	Flange	
146	70024874	1	O-Ring	
147	70020269	6	Bolt	
148	70031956	1	Cover	
149	70031957	1	Kit, Differential (Includes Items 114-123, 125 & 128-132)	

SECTION 5 - DRIVE TRAIN

FIGURE 5-4. FRONT AXLE ASSEMBLY - HUB REDUCTION (LH)



ART_1027049900_30F6

SECTION 5 - DRIVE TRAIN

FIGURE 5-4. FRONT AXLE ASSEMBLY - HUB REDUCTION (LH)

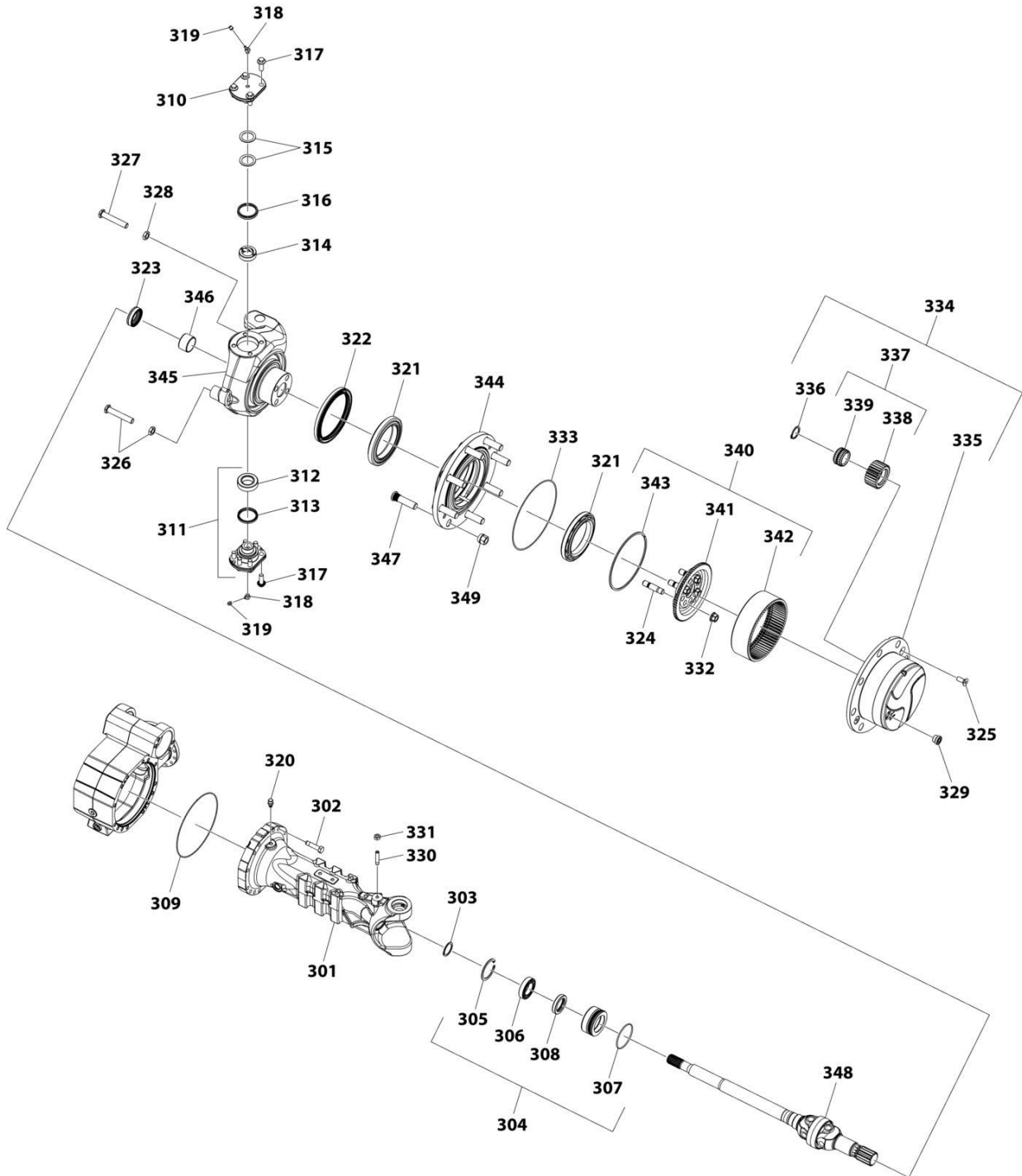
ITEM	PART NUMBER	QTY	DESCRIPTION	REV
	1027049900	Ref	AXLE ASSEMBLY - HUB REDUCTION (LH)	C
201	91514188	1	Plug	
202	70029269	1	Arm, Modular	
203	70029288	14	Screw	
204	70029283	1	Circlip	
205	70031281	1	Bearing Assembly (Includes Items 206-209)	
206	70029281	1	Circlip	
207	70031908	1	Bearing	
208	70029282	1	O-Ring	
209	70029278	1	Seal, Shaft Lip	
210	70021147	1	O-Ring	
211	70029271	1	Cover, King Pin	
212	70029274	1	Cap Assembly (Includes Items 213 & 214)	
213	70029273	1	Ball Joint	
214	70021155	1	Seal	
215	70029272	1	Bushing	
216	70029292	2	Spring	
217	70029291	1	Seal	
218	70025562	10	Screw	
219	70024881	2	Fitting, Grease	
220	80204117	2	Plug	
221	70030251	2	Bearing	
222	70029276	1	Seal	
223	70021151	1	Seal	
224	70027315	4	Stud	
225	91514189	2	Screw	
226	7028733	2	Kit, Steering Stop Screw	
227	7028733	2	Screw, Steering Stop	
228	80204065	2	Nut	
229	7028706	1	Plug	
230	70029277	1	Setscrew	
231	80204172	1	Nut	
232	70031192	4	Nut	
233	91474507	1	O-Ring	
234	70029285	1	Hub Reduction Assembly (Includes Items 235-239)	
235	70024888	1	Carrier, Planet	
236	91474585	3	Circlip	
237	70027114	3	Planet Gear Assembly (Includes Items 238 & 239)	
238	70028473	3	Gear, Planet	
239	70028474	3	Bearing	
240	70031909	1	Ring Gear Assembly (Includes Items 241-243)	
241	See Note	NSS	Carrier, Ring Gear (Note: Use Item 240)	
242	70031958	1	Gear, Ring	
243	91474579	1	Circlip	
244	70029280	1	Hub, Wheel	
245	70029287	1	Knuckle, Steering (Includes Item 246)	
246	70031910	1	Bushing	
247	70024883	8	Stud, Wheel	
248	70031911	1	Shaft/Universal Joint Assembly (Individual Service Parts Not Available)	

SECTION 5 - DRIVE TRAIN

ITEM	PART NUMBER	QTY	DESCRIPTION	REV
249	70031563	8	Nut, Lug	

SECTION 5 - DRIVE TRAIN

FIGURE 5-5. FRONT AXLE ASSEMBLY - HUB REDUCTION (RH)



ART_1027049900_40F6

SECTION 5 - DRIVE TRAIN

FIGURE 5-5. FRONT AXLE ASSEMBLY - HUB REDUCTION (RH)

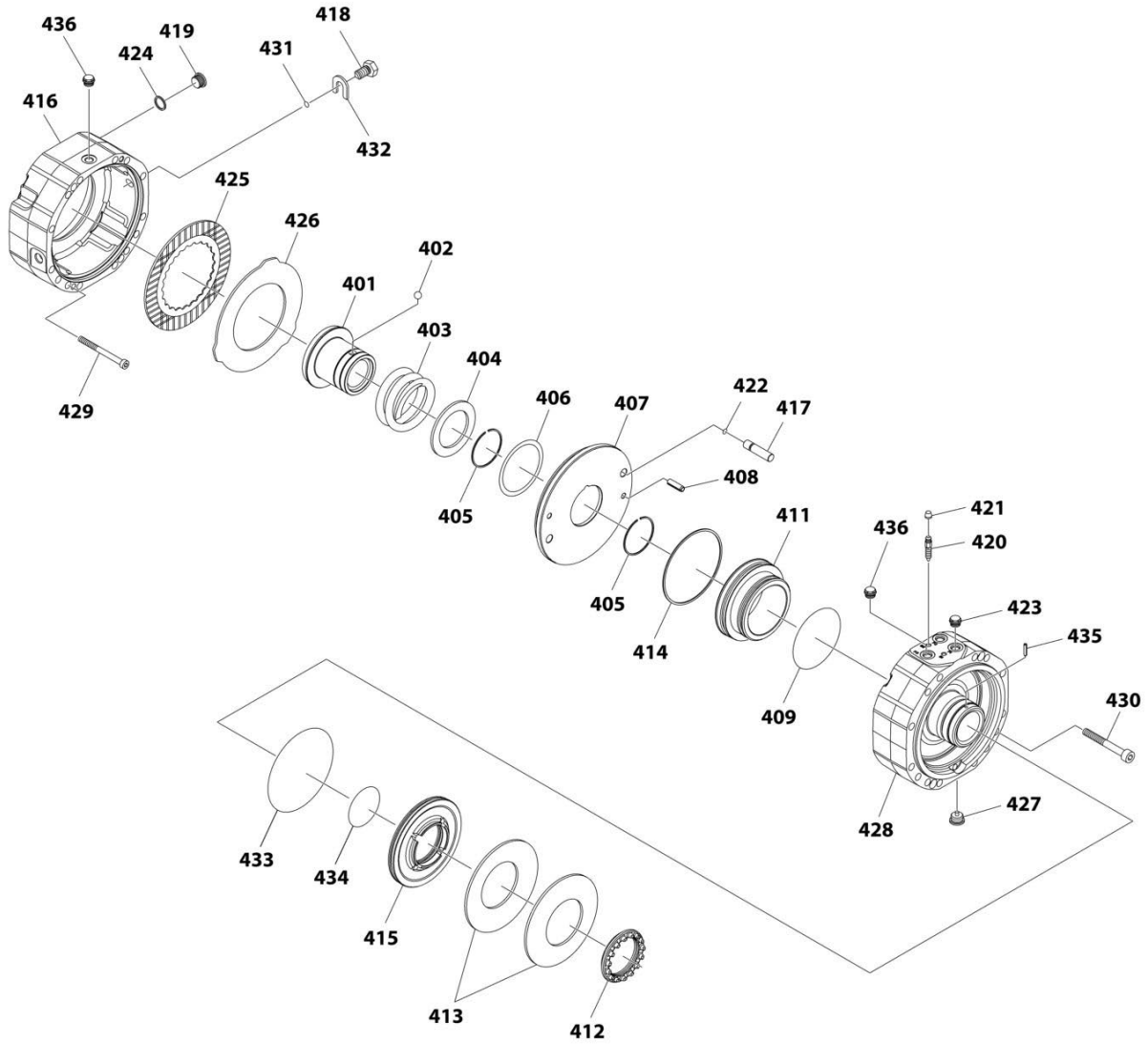
ITEM	PART NUMBER	QTY	DESCRIPTION	REV
	1027049900	Ref	AXLE ASSEMBLY - HUB REDUCTION (RH)	C
301	70029284	1	ARM, Modular	
302	70024878	14	Screw	
303	70029283	1	Circlip	
304	70031281	1	Bearing Assembly (Includes Items 305-308)	
305	70029281	1	Circlip	
306	70031908	1	Bearing	
307	70029282	1	O-Ring	
308	70029278	1	Seal, Shaft Lip	
309	70021147	1	O-Ring	
310	70029271	1	Cover, King Pin	
311	70029274	1	King Pin Cap Assembly (Includes Items 312 & 313)	
312	70029273	1	Ball Joint	
313	70021155	1	Seal	
314	70029272	1	Bushing	
315	70029292	2	Spring	
316	70029291	1	Seal	
317	70025562	10	Screw	
318	70024881	2	Fitting, Grease	
319	80204117	2	Plug	
320	91474512	1	Plug, Breather	
321	70030251	2	Bearing	
322	70029276	1	Seal	
323	70021151	1	Seal	
324	70027315	4	Stud	
325	91514189	2	Screw	
326	7028733	2	Kit, Steering Stop Screw	
327	7028733	2	Screw, Steering Stop	
328	80204065	2	Nut	
329	7028706	1	Plug	
330	70029277	1	Setscrew	
331	80204172	1	Nut	
332	70031192	4	Nut	
333	91474507	1	O-Ring	
334	70029285	1	Hub Reduction Assembly (Includes Items 335-339)	
335	70024888	1	Carrier, Planet	
336	91474585	3	Circlip	
337	70027114	3	Planet Gear Assembly (Includes Items 338 & 339)	
338	70028473	3	Gear, Planet	
339	70028474	3	Bearing	
340	70031909	1	Ring Gear Assembly (Includes Items 341-343)	
341	See Note	NSS	Carrier, Ring Gear (Note: Use Item 340)	
342	70031958	1	Gear, Ring	
343	91474579	1	Circlip	
344	70029280	1	Hub, Wheel	
345	70029286	1	Knuckle, Steering (Includes Item 346)	
346	70031910	1	Bushing	
347	70024883	8	Stud, Wheel	
348	70031911	1	Shaft/Universal Joint Assembly (Individual Service Parts Not Available)	

SECTION 5 - DRIVE TRAIN

ITEM	PART NUMBER	QTY	DESCRIPTION	REV
349	70031563	8	Nut, Lug	

SECTION 5 - DRIVE TRAIN

FIGURE 5-6. FRONT AXLE ASSEMBLY - BRAKES



ART_1027049900_5OF6

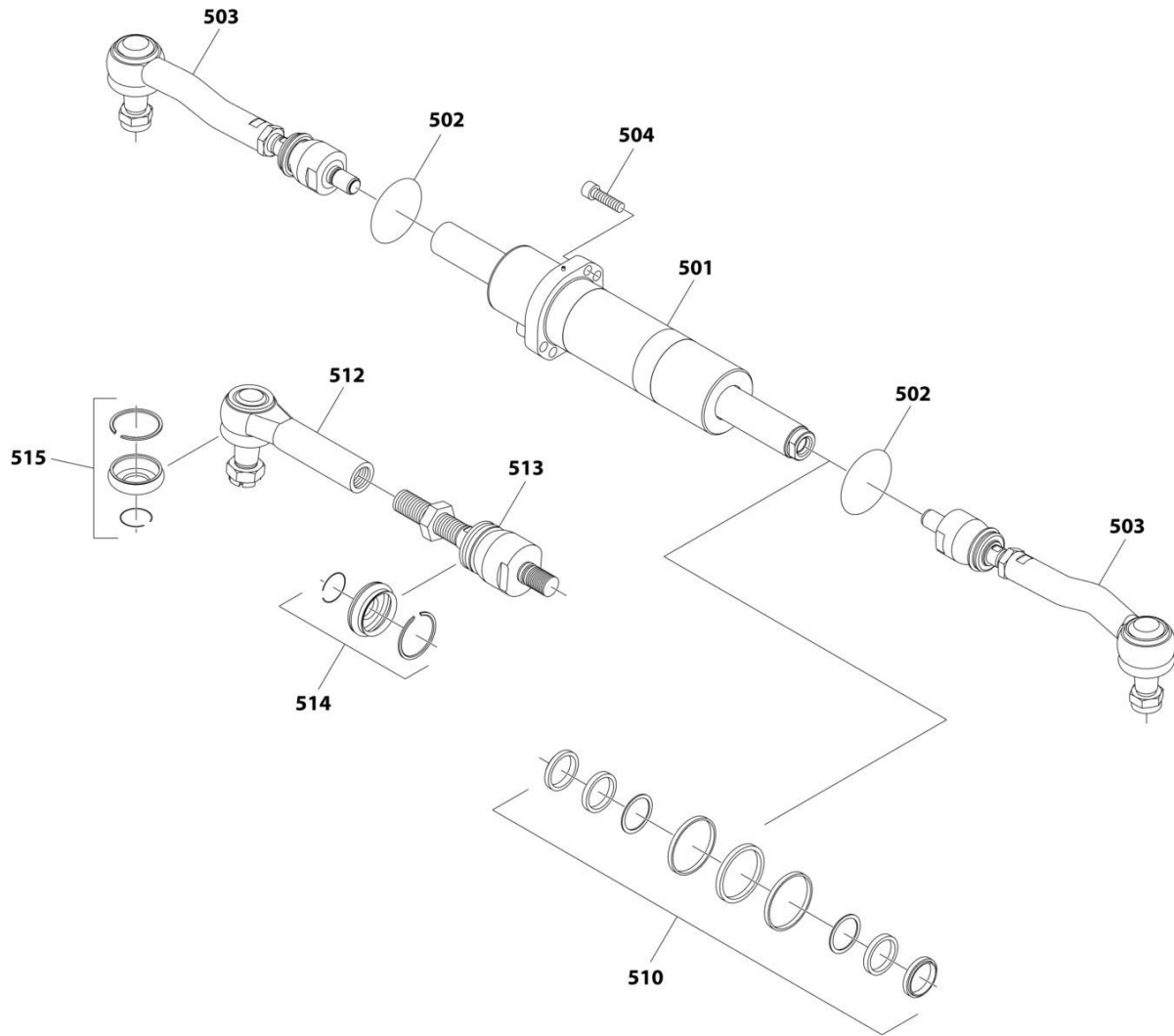
SECTION 5 - DRIVE TRAIN

FIGURE 5-6. FRONT AXLE ASSEMBLY - BRAKES

ITEM	PART NUMBER	QTY	DESCRIPTION	REV
	1027049900	Ref	AXLE ASSEMBLY - BRAKES	C
401	70021942	1	Bushing	
402	70020276	2	Ball	
403	70020285	1	Spring	
404	70021941	1	Spacer	
405	70020284	2	Circlip	
406	70031959	1	Kit, Shim	
407	70021940	1	Disc, Brake (Intermediate)	
408	70029293	2	Rollpin	
409	70028884	1	O-Ring	
411	70020280	1	Piston	
412	70020296	1	Nut	
413	70020295	2	Spring	
414	70026263	1	Seal	
415	70031960	1	Piston	
416	70029294	1	Housing, Steering Axle	
417	70030235	3	Pin	
418	70020297	2	Bolt	
419	70029295	1	Plug	
420	10725627	2	Bolt, Bleeding	
421	80204117	2	Plug	
422	70020290	3	O-Ring	
423	91514154	2	Plug	
424	70029296	1	Washer	
425	70020273	6	Disc, Brake	
426	70024528	6	Disc, Brake (Intermediate)	
427	7028706	1	Plug	
428	70029297	1	Housing, Steering Axle	
429	70029298	2	Bolt	
430	70029299	2	Bolt	
431	80204111	2	O-Ring	
432	70020298	2	Spacer	
433	70031961	1	Seal	
434	70031962	1	O-Ring	
435	70020247	1	Pin, Dowel	
436	70020282	2	Plug	

SECTION 5 - DRIVE TRAIN

FIGURE 5-7. FRONT AXLE ASSEMBLY - STEERING



ART_1027049900_6OF6

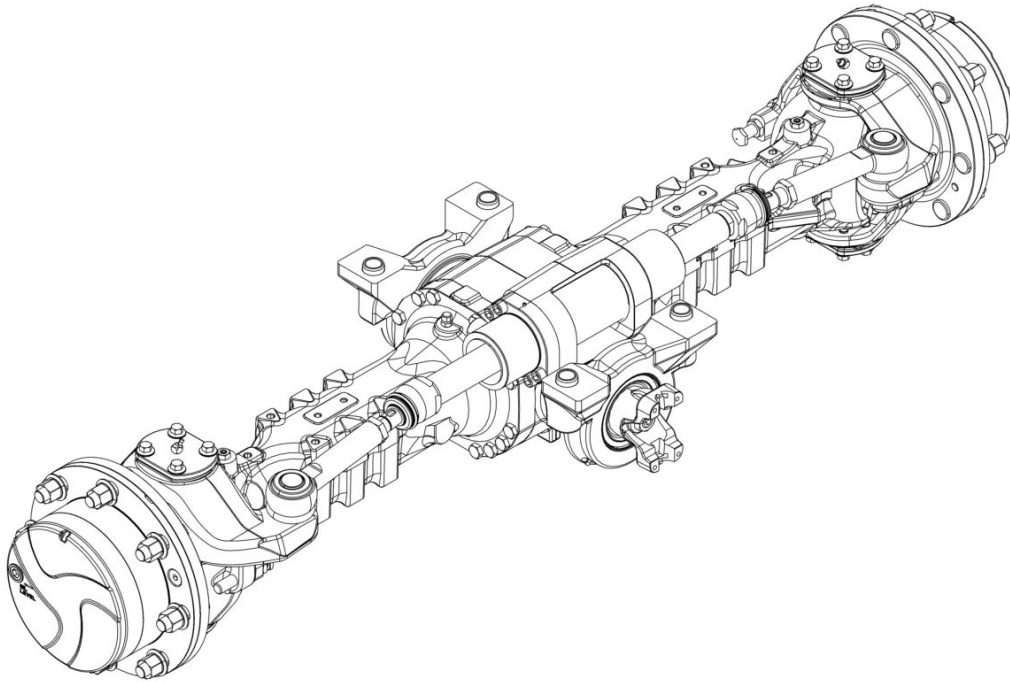
SECTION 5 - DRIVE TRAIN

FIGURE 5-7. FRONT AXLE ASSEMBLY - STEERING

ITEM	PART NUMBER	QTY	DESCRIPTION	REV
	1027049900	Ref	AXLE ASSEMBLY - STEERING	C
501	70023035	1	Cylinder	
502	70020301	2	Ring	
503	70020302	2	Bar	
504	70020269	4	Bolt	
510	70023036	1	Kit, Seal - Cylinder	
512	70029300	1	Joint, 90	
513	70029301	1	Joint, Axial	
514	70027866	1	Kit, Rubber Boot and Locking Ring	
515	70027865	1	Kit, Rubber Boot and Locking Ring	

SECTION 5 - DRIVE TRAIN

FIGURE 5-8. AXLE ASSEMBLY - REAR



ART_1034299800

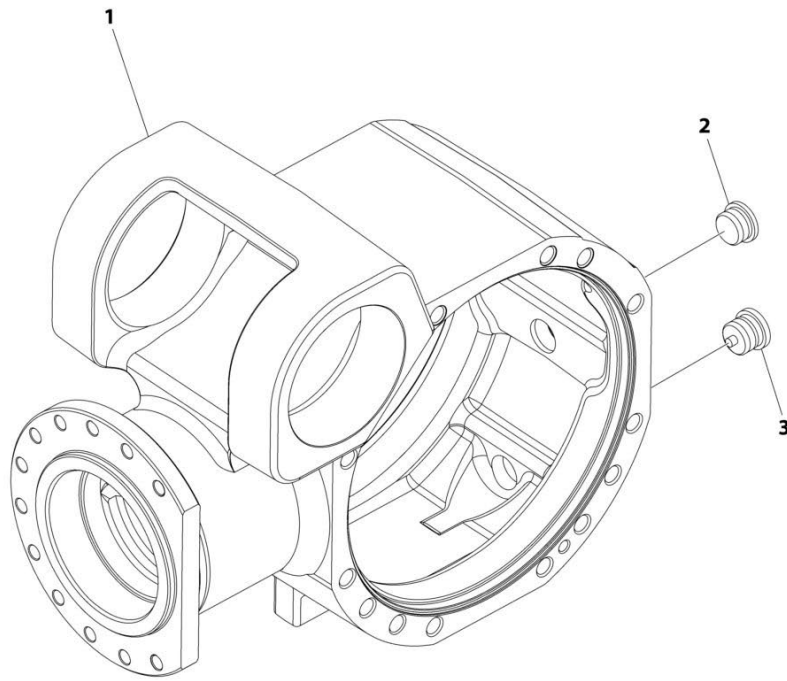
SECTION 5 - DRIVE TRAIN

FIGURE 5-8. AXLE ASSEMBLY - REAR

ITEM	PART NUMBER	QTY	DESCRIPTION	REV
	1034299800	Ref	AXLE ASSEMBLY - REAR	D
		Ref	Rear Axle, Central Housing (See Separate Breakdown in this Section)	
		Ref	Rear Axle, Differential (See Separate Breakdown in this Section)	
		Ref	Rear Axle, Hub Reduction (1) (See Separate Breakdown in this Section)	
		Ref	Rear Axle, Hub Reduction (2) (See Separate Breakdown in this Section)	
		Ref	Rear Axle, Steering (See Separate Breakdown in this Section)	
		Ref	Rear Axle, Trunion (See Separate Breakdown in this Section)	

SECTION 5 - DRIVE TRAIN

FIGURE 5-9. REAR AXLE ASSEMBLY - CENTER HOUSING



ART_1034299800_10F6

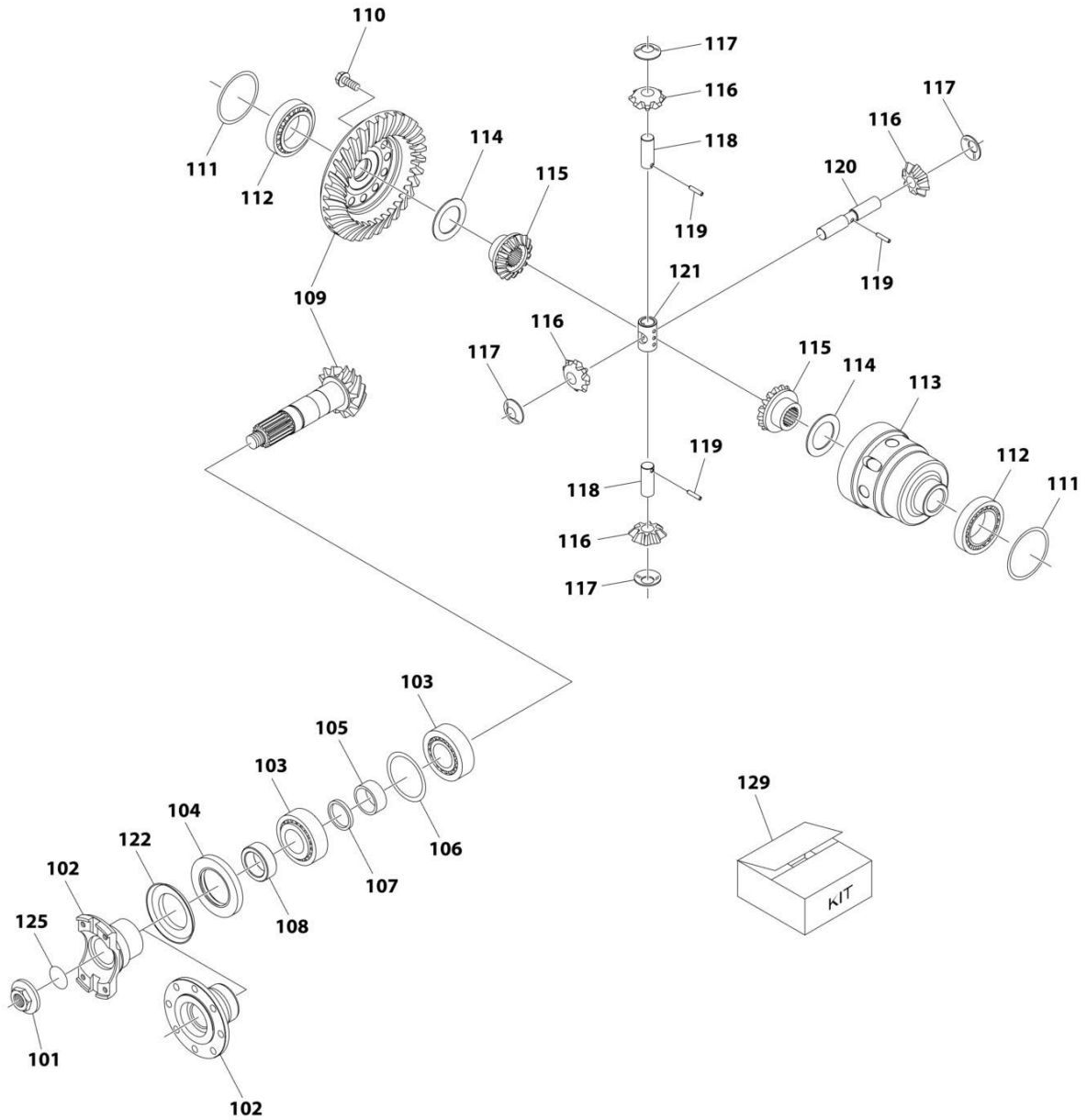
SECTION 5 - DRIVE TRAIN

FIGURE 5-9. REAR AXLE ASSEMBLY - CENTER HOUSING

ITEM	PART NUMBER	QTY	DESCRIPTION	REV
	1034299800	Ref	AXLE ASSEMBLY - CENTER HOUSING	D
1	70030950	1	Housing	
2	91514188	1	Plug	
3	7028706	1	Plug	

SECTION 5 - DRIVE TRAIN

FIGURE 5-10. REAR AXLE ASSEMBLY - DIFFERENTIAL



ART_1034299800_20F6

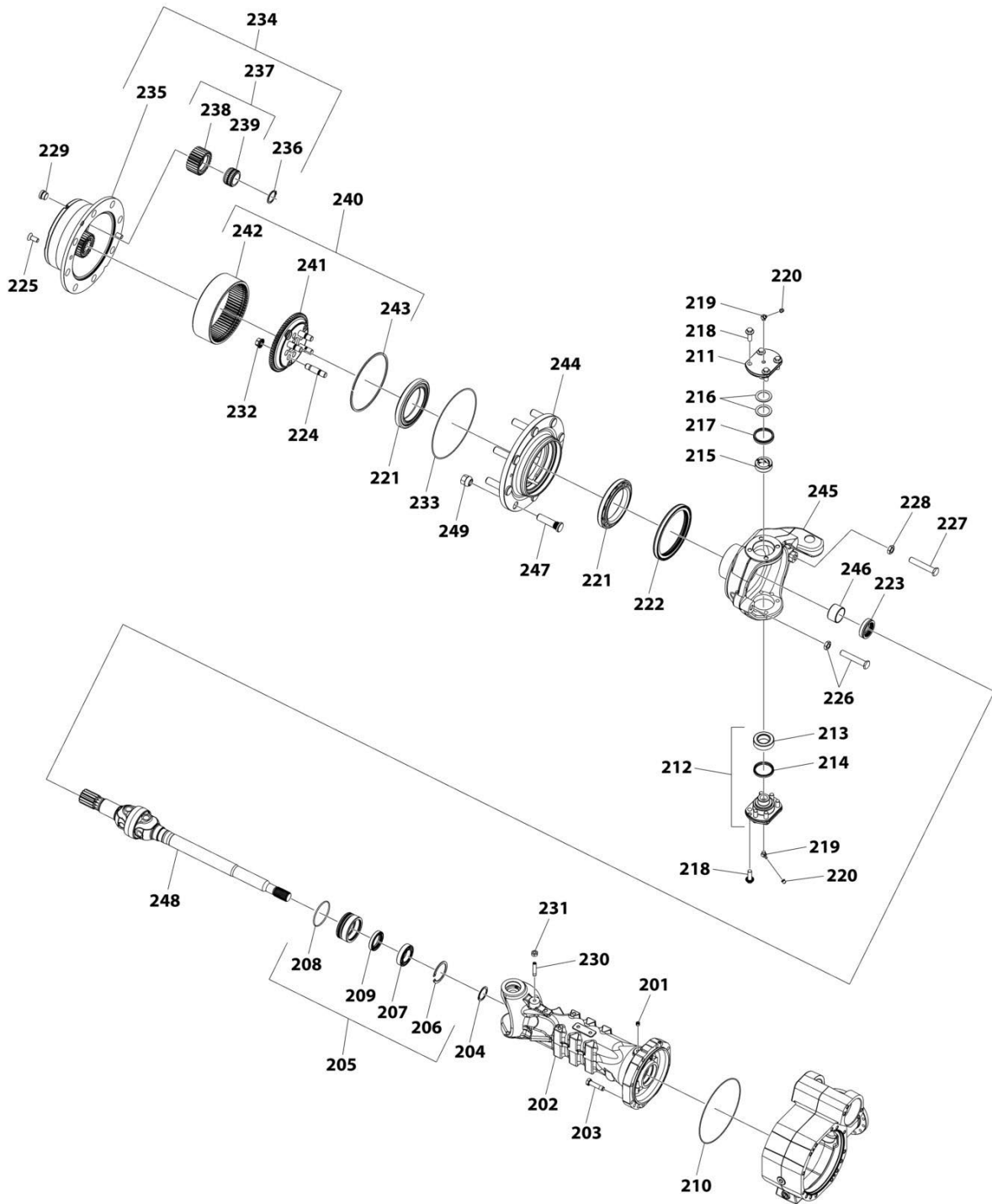
SECTION 5 - DRIVE TRAIN

FIGURE 5-10. REAR AXLE ASSEMBLY - DIFFERENTIAL

ITEM	PART NUMBER	QTY	DESCRIPTION	REV
	1034299800	Ref	AXLE ASSEMBLY - DIFFERENTIAL	D
101	70031552	1	Nut	
102	70020288	1	Flange	
103	70020234	2	Bearing	
104	70024522	1	Seal	
105	70020233	1	Spacer	
106	70024866	1	Kit, Shim	
107	70024927	1	Kit, Shim	
108	70020303	1	Spacer	
109	70024928	1	Gear, Bevel (Set of Gears)	
110	70020251	12	Bolt	
111	70024929	1	Kit, Shim	
112	70031906	2	Bearing	
113	70020346	1	Carrier	
114	70029267	2	Washer	
115	70021221	2	Gear, Side	
116	70020244	4	Gear, Pinion	
117	70020245	4	Washer	
118	70021929	2	Pin	
119	70020247	3	Pin	
120	70021928	1	Pin	
121	70020249	1	Retainer	
122	70021076	1	Cover	
125	70021196	1	O-Ring	
129	70031907	1	Kit, Differential (Includes Items 113-121)	

SECTION 5 - DRIVE TRAIN

FIGURE 5-11. REAR AXLE ASSEMBLY - HUB REDUCTION (LH)



ART_1034299800_30F6

SECTION 5 - DRIVE TRAIN

FIGURE 5-11. REAR AXLE ASSEMBLY - HUB REDUCTION (LH)

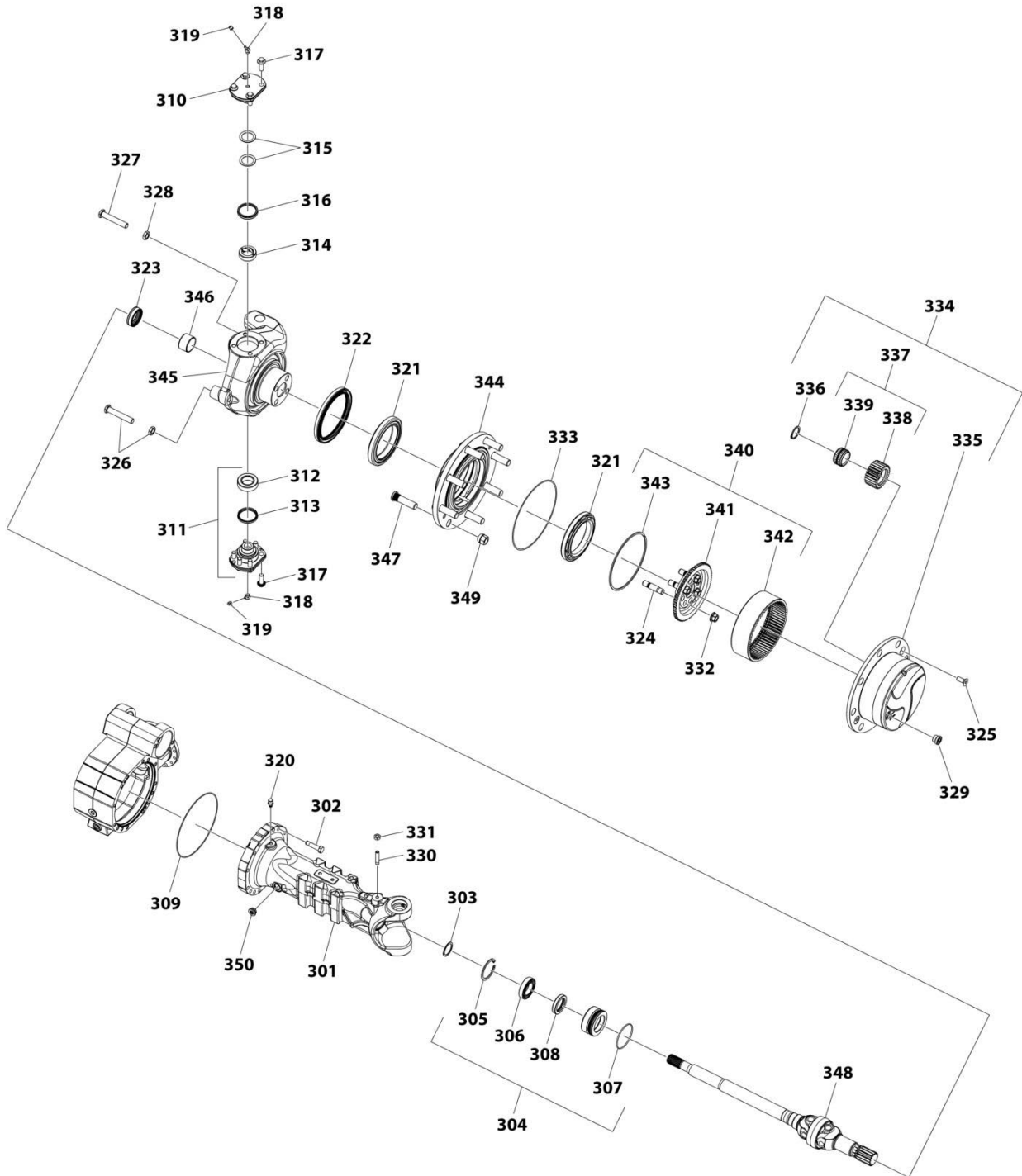
ITEM	PART NUMBER	QTY	DESCRIPTION	REV
	1034299800	Ref	AXLE ASSEMBLY - HUB REDUCTION (LH)	D
201	80204012	1	Plug	
202	70029284	1	Housing, Axle Arm	
203	70024878	14	Screw	
204	70029283	1	Circlip	
205	70031281	1	Bearing Assembly (Includes Items 206-209)	
206	70029281	1	Circlip	
207	70031908	1	Bearing	
208	70029282	1	O-Ring	
209	70029278	1	Seal, Shaft	
210	70021147	1	O-Ring	
211	70029271	1	Cover, King Pin (Upper)	
212	70029274	1	King Pin Assembly (Lower) (Includes Items 213 & 214)	
213	70029273	1	Ball Joint	
214	70021155	1	Seal, Wiper	
215	70029272	1	Bushing	
216	70029292	2	Spring, Belleville	
217	70029291	1	Seal, Wiper	
218	70025562	10	Screw	
219	70024881	2	Fitting, Grease	
220	80204117	2	Plug	
221	70030251	2	Bearing	
222	70029276	1	Seal	
223	70021151	1	Seal	
224	70027315	4	Stud, Wheel	
225	91514189	2	Screw	
226	7028733	2	Kit, Steering Stop Screw	
227	7028733	2	Screw (Steering Stop)	
228	80204065	2	Nut (Steering Stop)	
229	7028706	1	Plug	
230	70029277	1	Setscrew	
231	80204172	1	Nut	
232	70031192	4	Nut	
233	91474507	1	O-Ring	
234	70029285	1	Hub Reduction Sub-Assembly (Includes Items 235-239)	
235	70024888	1	Carrier, Planet	
236	91474585	3	Circlip	
237	70027114	3	Planet Gear Sub-Assembly (Includes Items 238 & 239)	
238	70028473	3	Gear, Planet	
239	70028474	3	Bearing	
240	70031908	1	Ring Gear Sub-Assembly (Includes Items 241-243)	
241	See Note	NSS	Carrier, Ring Gear (Note: Use PN 70031908)	
242	See Note	NSS	Gear, Ring (Note: Use PN 70031908)	
243	91474579	1	Circlip	
244	70029280	1	Hub, Wheel	
245	70029287	1	Steering Knuckle Sub-Assembly (Includes Item 246)	
246	70031910	1	Bushing	
247	70024883	8	Stud, Wheel	
248	70031911	1	Axle Shaft and Universal Joint Assembly (Note: No Service Parts - Sold As Assembly Only)	

SECTION 5 - DRIVE TRAIN

ITEM	PART NUMBER	QTY	DESCRIPTION	REV
249	70031563	8	Nut, Wheel	

SECTION 5 - DRIVE TRAIN

FIGURE 5-12. REAR AXLE ASSEMBLY - HUB REDUCTION (RH)



ART_1034299800_40F6

SECTION 5 - DRIVE TRAIN

FIGURE 5-12. REAR AXLE ASSEMBLY - HUB REDUCTION (RH)

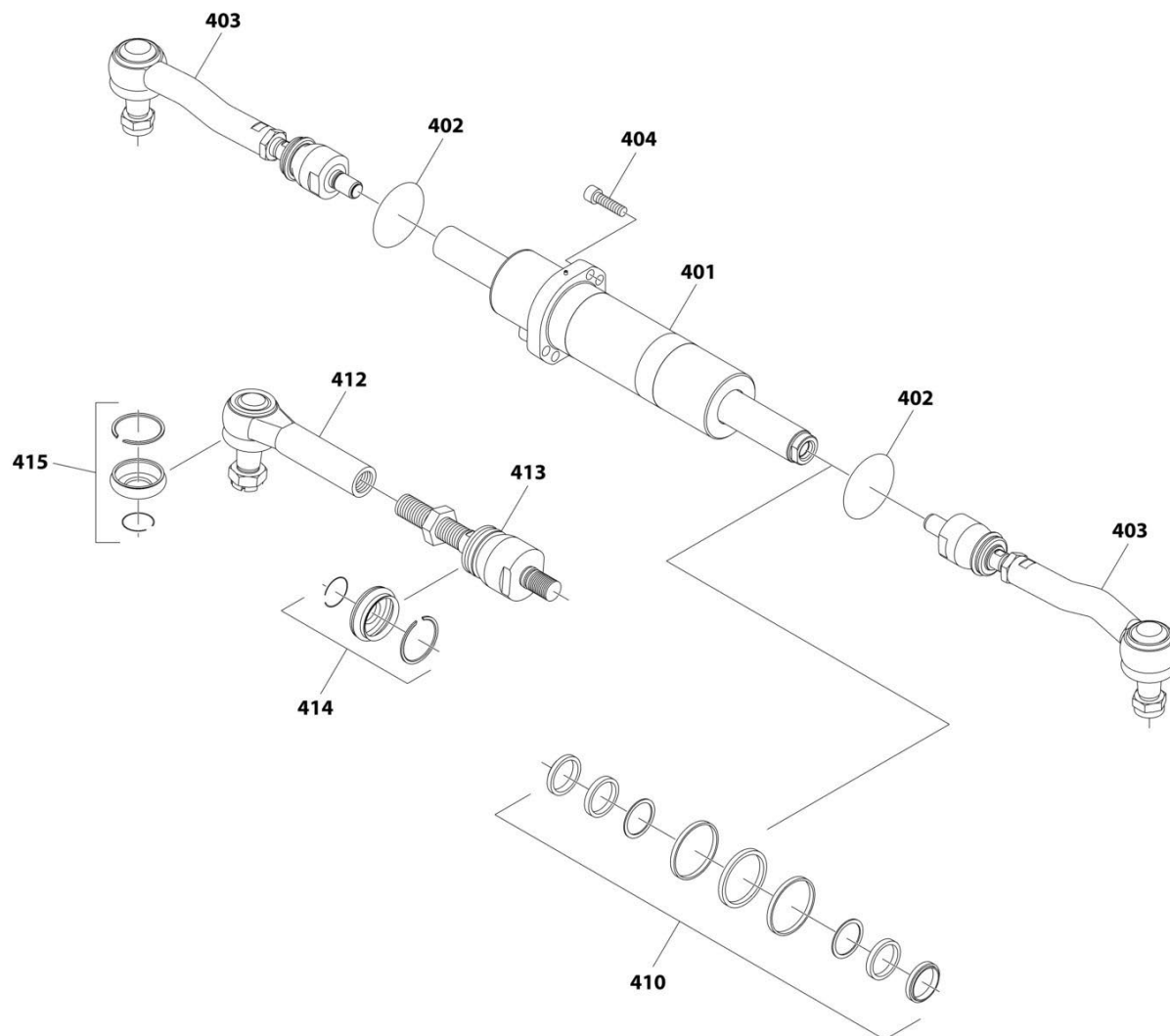
ITEM	PART NUMBER	QTY	DESCRIPTION	REV
	1034299800	Ref	AXLE ASSEMBLY - HUB REDUCTION (RH)	D
301	70029304	1	Housing, Axle Arm	
302	70024878	14	Screw	
303	70029283	1	Circlip	
304	70031281	1	Bearing Assembly (Includes Items 305-308)	
305	70029281	1	Circlip	
306	70031908	1	Bearing	
307	70029282	1	O-Ring	
308	70029278	1	Seal, Shaft	
309	70021147	1	O-Ring	
310	70029271	1	Cover, King Pin (Upper)	
311	70029274	1	King Pin Assembly (Includes Items 312 & 313)	
312	70029273	1	Ball Joint	
313	70021155	1	Seal, Wiper	
314	70029272	1	Bushing	
315	70029292	2	Spring, Belleville	
316	70029291	1	Seal, Wiper	
317	70025562	10	Screw	
318	70024881	2	Fitting, Grease	
319	80204117	2	Plug	
320	91474512	1	Plug, Breather	
321	70030251	2	Bearing	
322	70029276	1	Seal	
323	70021151	1	Seal	
324	70027315	4	Stud, Wheel	
325	91514189	2	Screw	
326	7028733	2	Kit, Steering Stop Screw	
327	7028733	2	Screw (Steering Stop)	
328	80204065	2	Nut (Steering Stop)	
329	7028706	1	Plug	
330	70029277	1	Setscrew	
331	80204172	1	Nut	
332	70031192	4	Nut	
333	91474507	1	O-Ring	
334	70029285	1	Hub Reduction Sub-Assembly (Includes Items 335-339)	
335	70024888	1	Carrier, Planet	
336	91474585	3	Circlip	
337	70027114	3	Planet Gear Sub-Assembly (Includes Items 338 & 339)	
338	70028473	3	Gear, Planet	
339	70028474	3	Bearing	
340	70031909	1	Ring Gear Sub-Assembly (Includes Items 341-343)	
341	See Note	NSS	Carrier, Ring Gear (Note: Use PN 70031909)	
342	See Note	NSS	Gear, Ring (Note: Use PN 70031909)	
343	91474579	1	Circlip	
344	70029280	1	Hub, Wheel	
345	70029286	1	Steering Knuckle Sub-Assembly (Includes Item 346)	
346	70031910	1	Bushing	
347	70024883	8	Stud, Wheel	
348	70031911	1	Axle Shaft and Universal Joint Assembly (Note: No Service Parts - Sold As Assembly Only)	

SECTION 5 - DRIVE TRAIN

ITEM	PART NUMBER	QTY	DESCRIPTION	REV
349	70031563	8	Nut, Wheel	
350	70028389	1	Plug	

SECTION 5 - DRIVE TRAIN

FIGURE 5-13. REAR AXLE ASSEMBLY - STEERING



ART_1034299800_SOF6

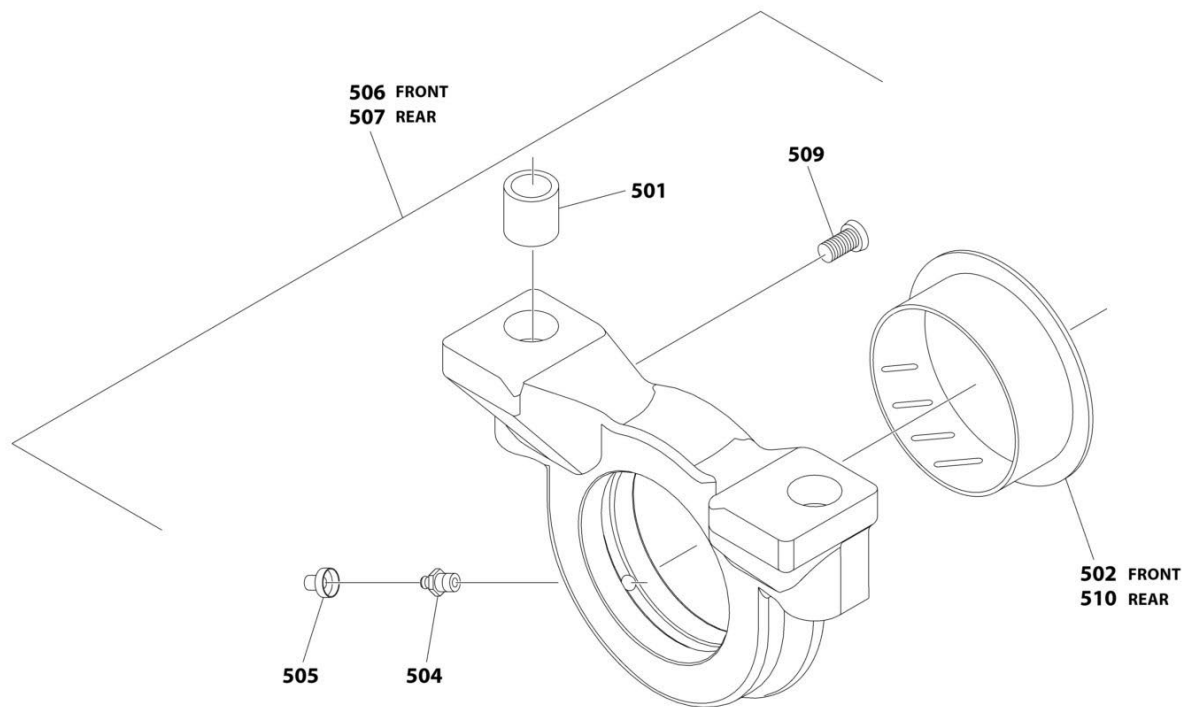
SECTION 5 - DRIVE TRAIN

FIGURE 5-13. REAR AXLE ASSEMBLY - STEERING

ITEM	PART NUMBER	QTY	DESCRIPTION	REV
	1034299800	Ref	AXLE ASSEMBLY - STEERING	D
401	70023035	1	Cylinder	
402	70020301	2	Ring	
403	70020302	2	Bar	
404	70020269	4	Bolt	
410	70023036	1	Kit, Seal - Cylinder	
412	70029300	1	Joint, 90	
413	70029301	1	Joint, Axial	
414	70027866	1	Kit, Rubber Boot and Locking Ring	
415	70027865	1	Kit, Rubber Boot and Locking Ring	

SECTION 5 - DRIVE TRAIN

FIGURE 5-14. REAR AXLE ASSEMBLY - TRUNION



ART_1034299800_60F6

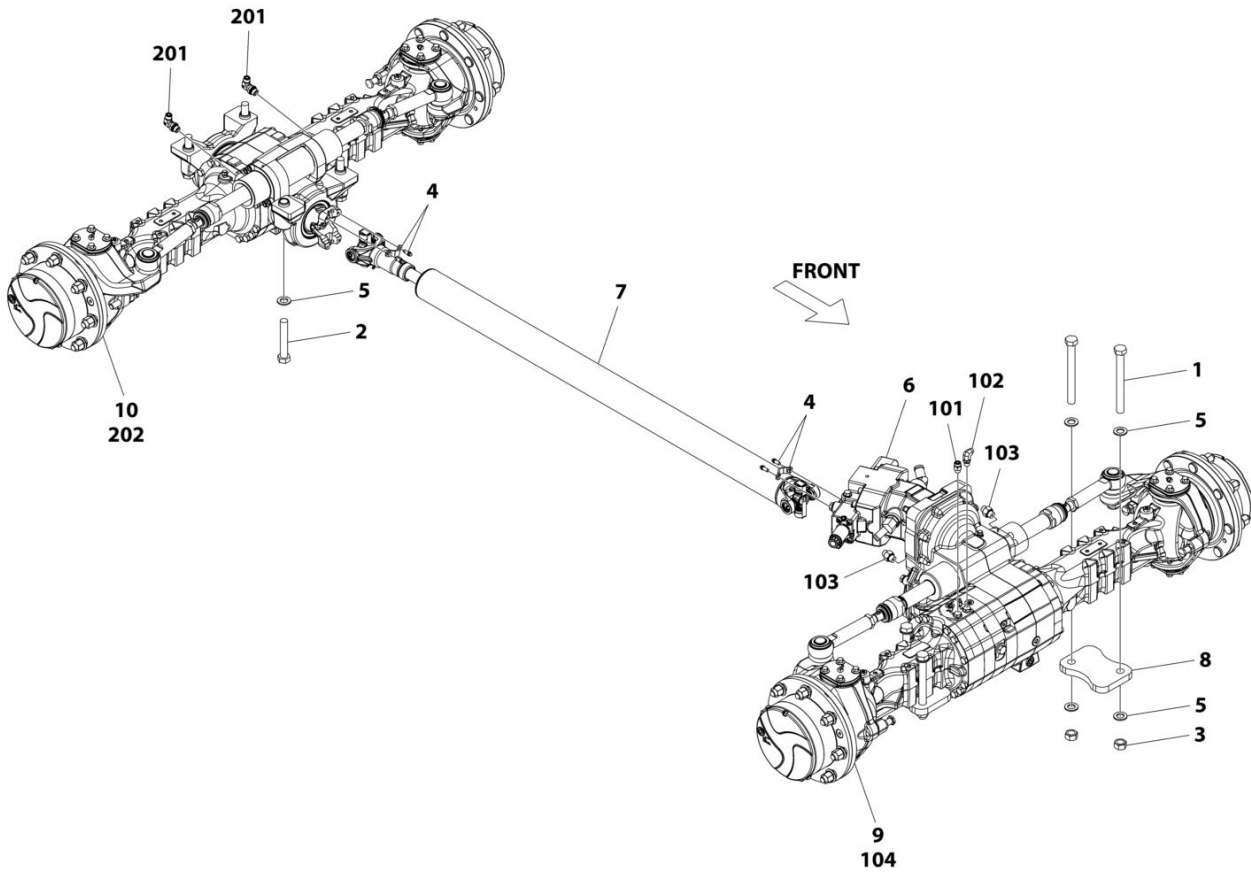
SECTION 5 - DRIVE TRAIN

FIGURE 5-14. REAR AXLE ASSEMBLY - TRUNION

ITEM	PART NUMBER	QTY	DESCRIPTION	REV
	1034299800	Ref	AXLE ASSEMBLY - TRUNION	D
501	91474516	4	Bushing (Part of Items 506 & 507)	
502	70021198	1	Bushing (Part of Item 506)	
504	70024881	2	Fitting, Grease (Part of Items 506 & 507)	
505	80204117	2	Plug (Part of Items 506 & 507)	
506	70021200	1	Support Assembly (Includes Items 501-505)	
507	70021200	1	Support Assembly (Includes Items 501, 503, 504 & 510)	
509	70028535	2	Bolt	
510	70021198	1	Bushing (Part of Item 507)	

SECTION 5 - DRIVE TRAIN

FIGURE 5-15. DRIVE TRAIN INSTALLATION



ART_1001290357

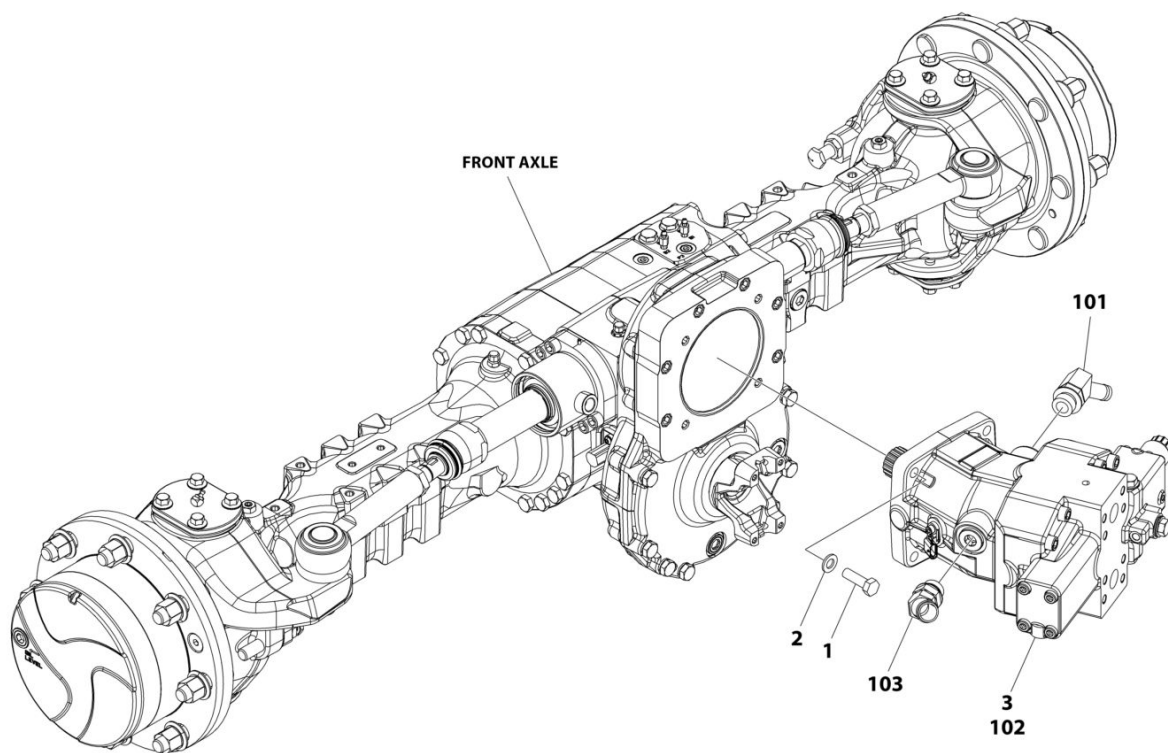
SECTION 5 - DRIVE TRAIN

FIGURE 5-15. DRIVE TRAIN INSTALLATION

ITEM	PART NUMBER	QTY	DESCRIPTION	REV
	1001290357	Ref	DRIVE TRAIN INSTALLATION	A
1	0702037	4	Bolt M20 x 200	
2	0712029	4	Bolt M20 x 120	
3	3332011	4	Nut M20	
4	8005079	4	Clamp, Universal	
5	1001197130	12	Washer M20	
6	1001290364	Ref	Drive Motor Installation (See Separate Breakdown in this Section)	
7	1001290380	1	Driveshaft	
8	1001290892	2	Plate	
9	1001293272	Ref	Axle Installation - Front (See Items 101-104)	
10	1001293273	Ref	Axle Installation - Rear (See Items 201 & 202)	
	1001293272	Ref	AXLE INSTALLATION - FRONT	
101	2144605	1	Fitting, Straight ORFS/MPP	
102	8770241	1	Fitting, 90 METRIC/ORFS	
103	1001081333	2	Fitting, Straight ORFS/MPP	
104	1027049900	1	Axle Assembly - Front (See Separate Breakdown in this Section)	
	1001293273	Ref	AXLE INSTALLATION - REAR	
201	1001303239	2	Fitting, 90 METRIC/ORFS	
202	1034299800	1	Axle Assembly - Rear (See Separate Breakdown in this Section)	

SECTION 5 - DRIVE TRAIN

FIGURE 5-16. DRIVE MOTER INSTALLATION



ART_1001290364

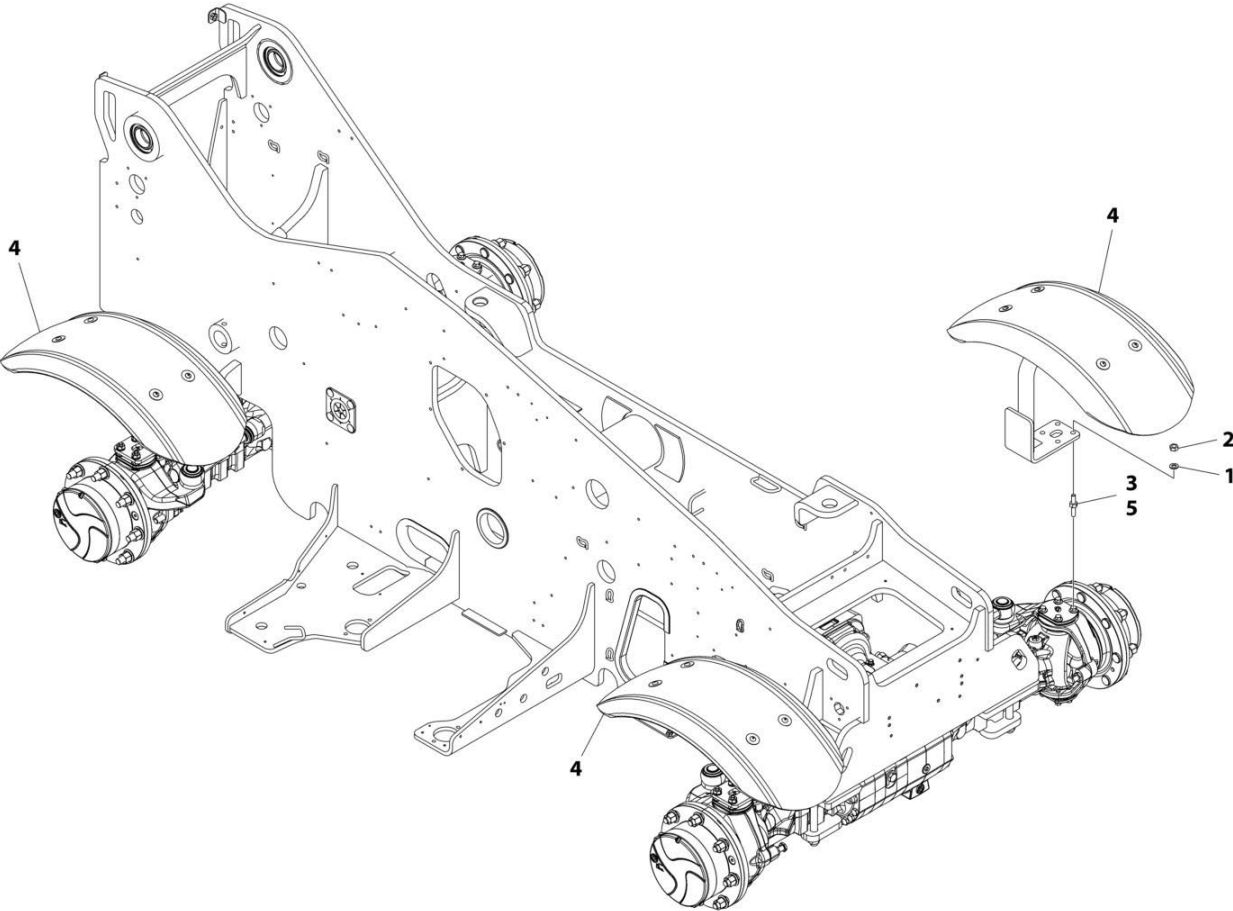
SECTION 5 - DRIVE TRAIN

FIGURE 5-16. DRIVE MOTER INSTALLATION

ITEM	PART NUMBER	QTY	DESCRIPTION	REV
	1001290364	Ref	DRIVE MOTER INSTALLATION	B
1	0711216	4	Bolt M12 x 40	
2	4812100	4	Washer M12	
3	1001290365	Ref	Drive Moter Sub-Assembly	
101	2180896	1	Fitting, 45	
102	1001286267	1	Drive Moter Assembly (See Separate Breakdown in HYDRAULIC COMPONENTS Section)	
103	1001294261	1	Fitting, 45	

SECTION 5 - DRIVE TRAIN

FIGURE 5-17. FENDER INSTALLATION



ART_1001298450

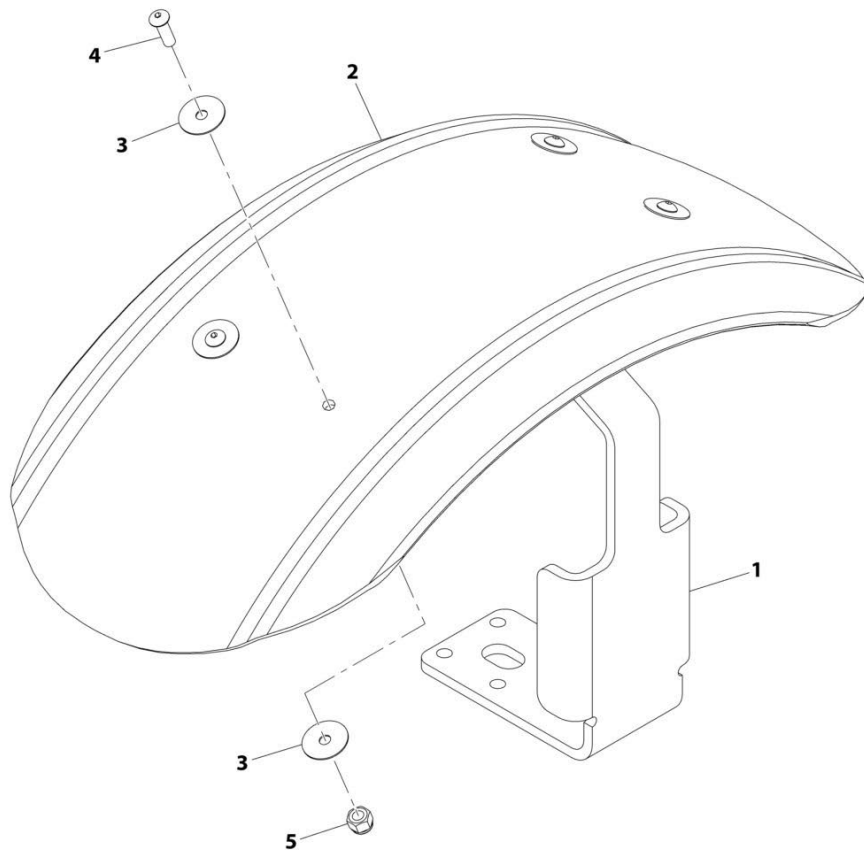
SECTION 5 - DRIVE TRAIN

FIGURE 5-17. FENDER INSTALLATION

ITEM	PART NUMBER	QTY	DESCRIPTION	REV
	1001298450	Ref	FENDER INSTALLATION	B
1	4812100	12	Washer M12	
2	91513266	12	Nut M12	
3	91514118	12	Stud, Fender	
4	1001235014	3	Fender Assembly (See Separate Breakdown in this Section)	
5	0100019	AR	Compound, Locking	

SECTION 5 - DRIVE TRAIN

FIGURE 5-18. FENDER ASSEMBLY



ART_1001235014-A

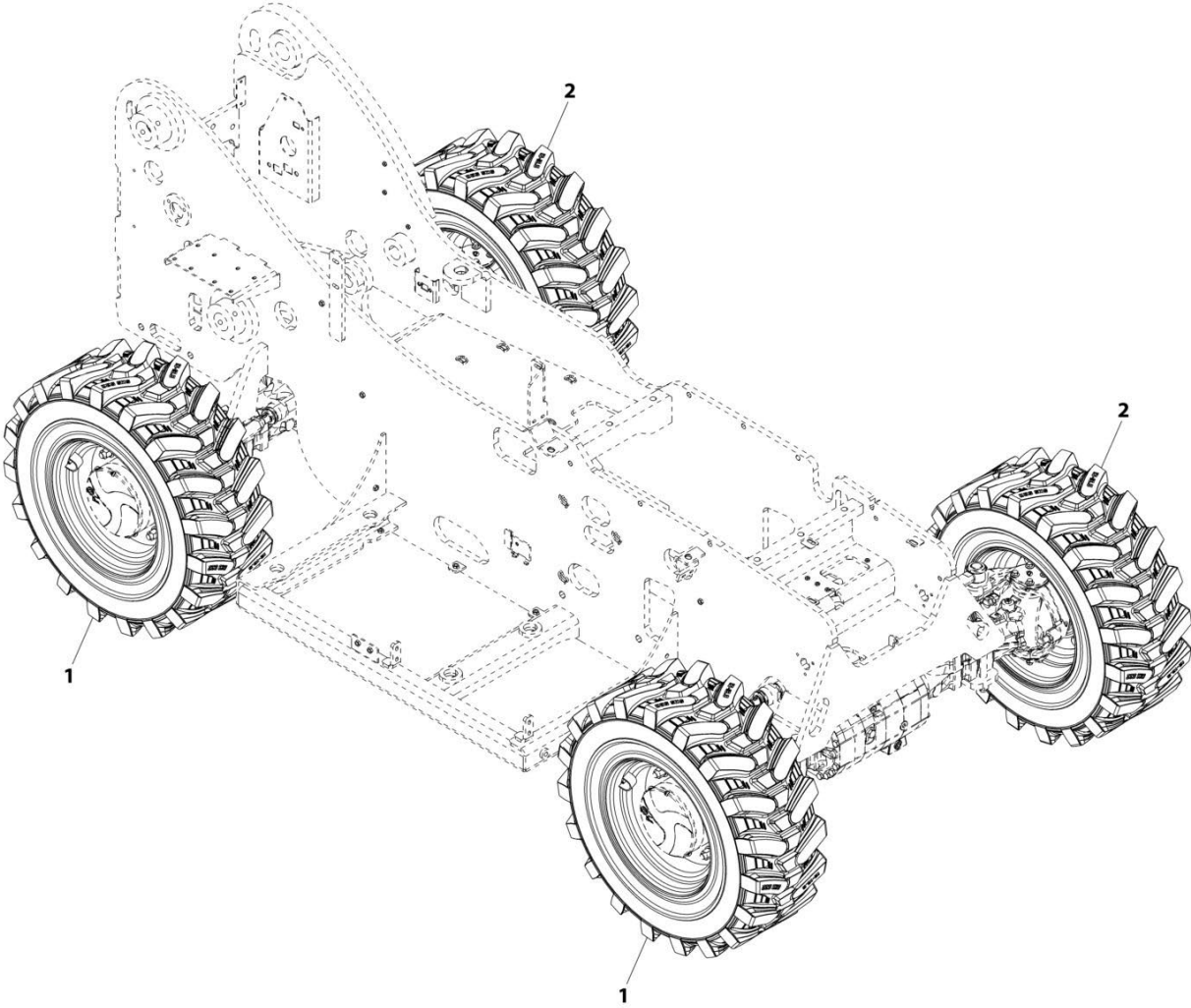
SECTION 5 - DRIVE TRAIN

FIGURE 5-18. FENDER ASSEMBLY

ITEM	PART NUMBER	QTY	DESCRIPTION	REV
	1001235014	Ref	Fender Assembly	A
1	1001234973	1	Fender Mount	
2	1001080212	1	Wheel Fender	
3	8310246	8	Fender Washer, 3/8X0.048X1-1/2	
4	88261030	4	Socket HD Capscrew, 3/8-16X1-1/4	
5	88521206	4	Locknut, 3/8-16	

SECTION 5 - DRIVE TRAIN

FIGURE 5-19. TIRE SET - 12 X 16.5 PHUEMATIC



ART_1001236316-A

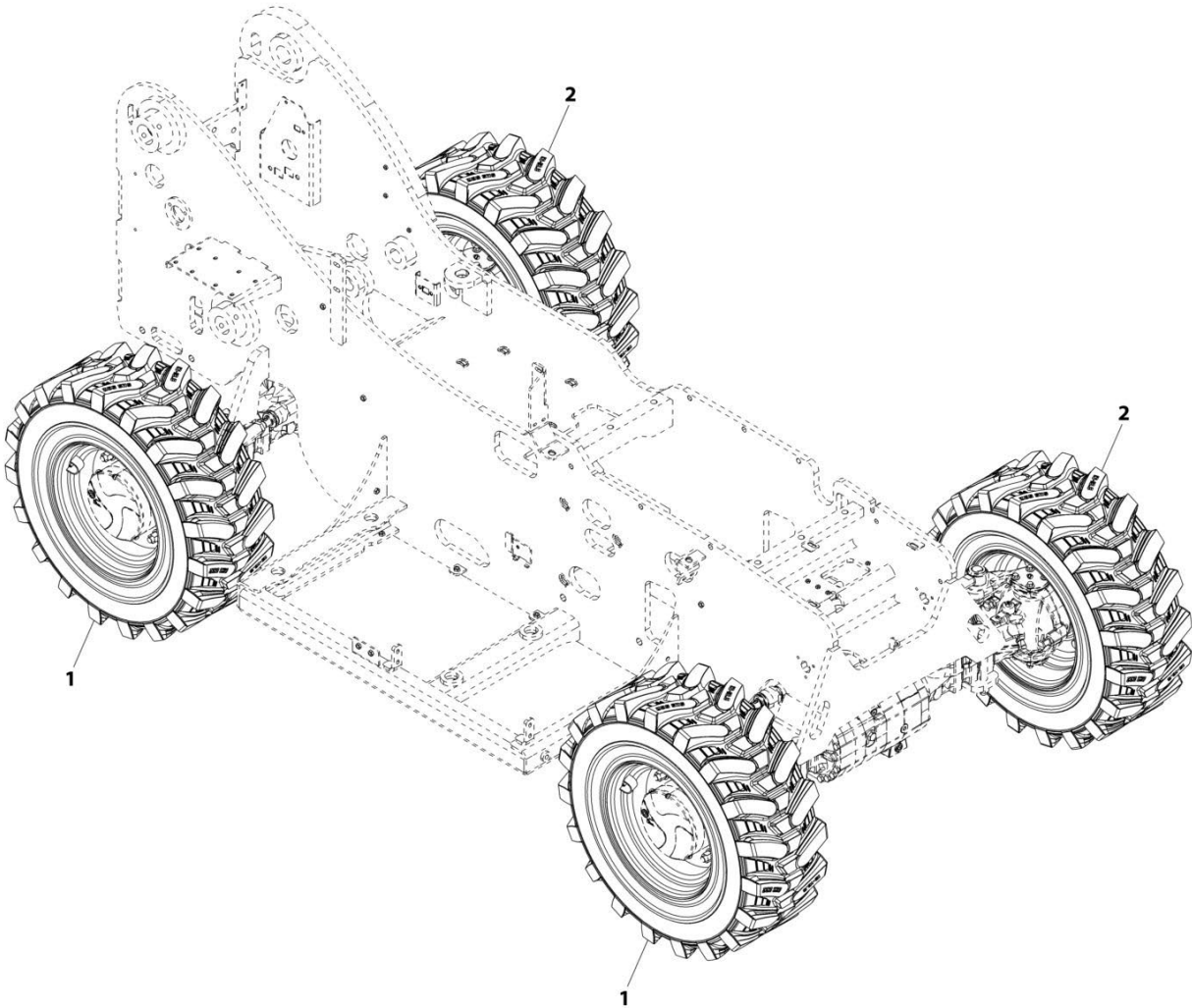
SECTION 5 - DRIVE TRAIN

FIGURE 5-19. TIRE SET - 12 X 16.5 PNEUMATIC

ITEM	PART NUMBER	QTY	DESCRIPTION	REV
1	1001236316	Ref	Tire/Wheel Set, Camso (Air 12-16.5 - 12 PLY)	A
	1001236666	2	Right Tire/Wheel Assembly, Camso (Air 12-16.5 - 12 Ply) (See Separate Breakdown in this Section)	
2	1001236667	2	Left Tire/Wheel Assembly, Camso (Air 12-16.5 - 12 Ply) (See Separate Breakdown in this Section)	

SECTION 5 - DRIVE TRAIN

FIGURE 5-20. TIRE SET - 12 X 16.5 FOAM-FILLED



ART_1001236319-A

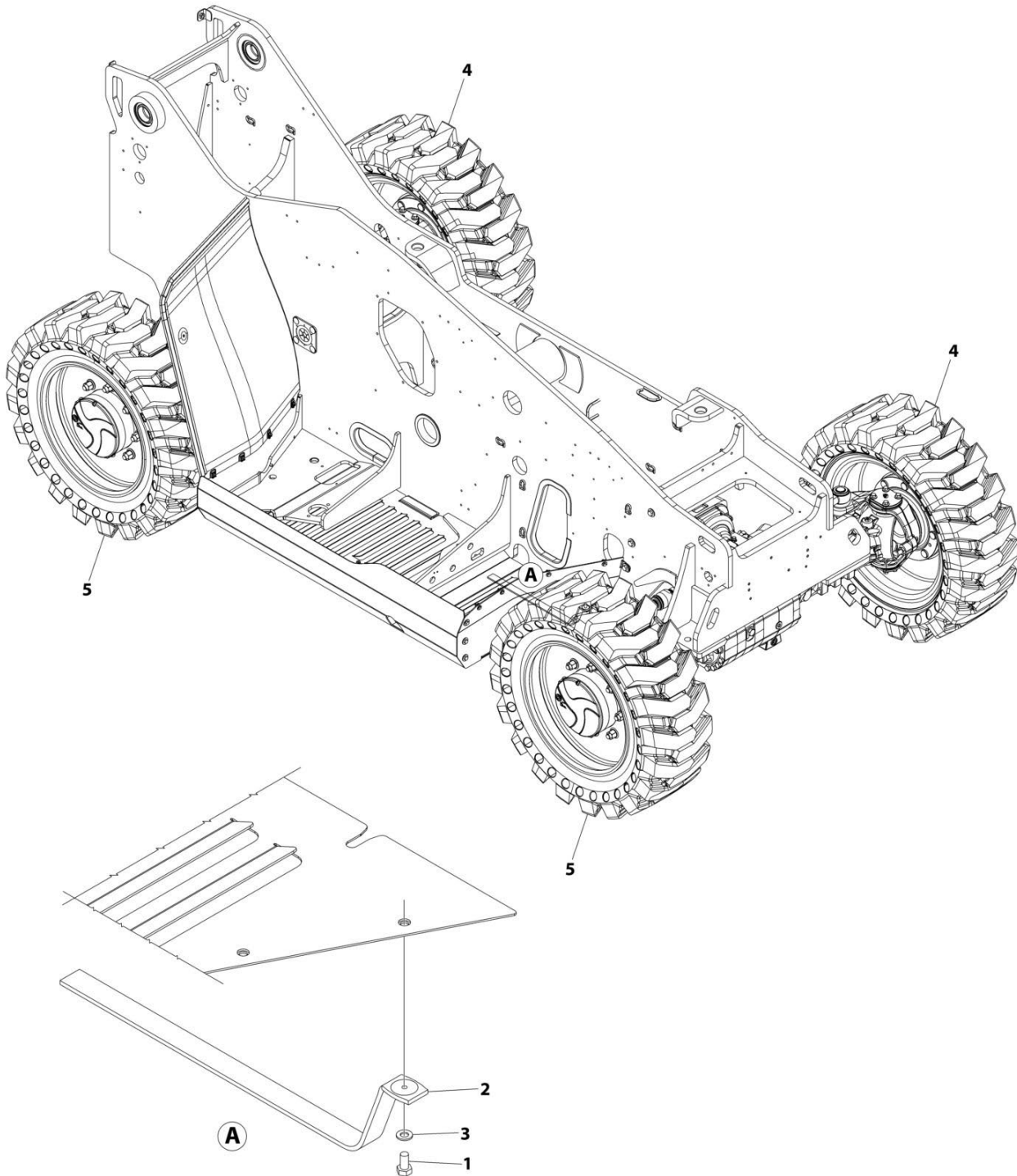
SECTION 5 - DRIVE TRAIN

FIGURE 5-20. TIRE SET - 12 X 16.5 FOAM-FILLED

ITEM	PART NUMBER	QTY	DESCRIPTION	REV
	1001236319	Ref	Tire/Wheel Set, Camso (Foam 12-16.5 - 12 PLY)	A
1	1001236668	2	Wheel and Tire Assembly, Right, 12-16.5, Foam	
2	1001236669	2	Wheel and Tire Assembly, Left, 12-16.5, Foam	

SECTION 5 - DRIVE TRAIN

FIGURE 5-21. TIRE SET - 33 X 12-20 NON MARKING



ART_1001315382

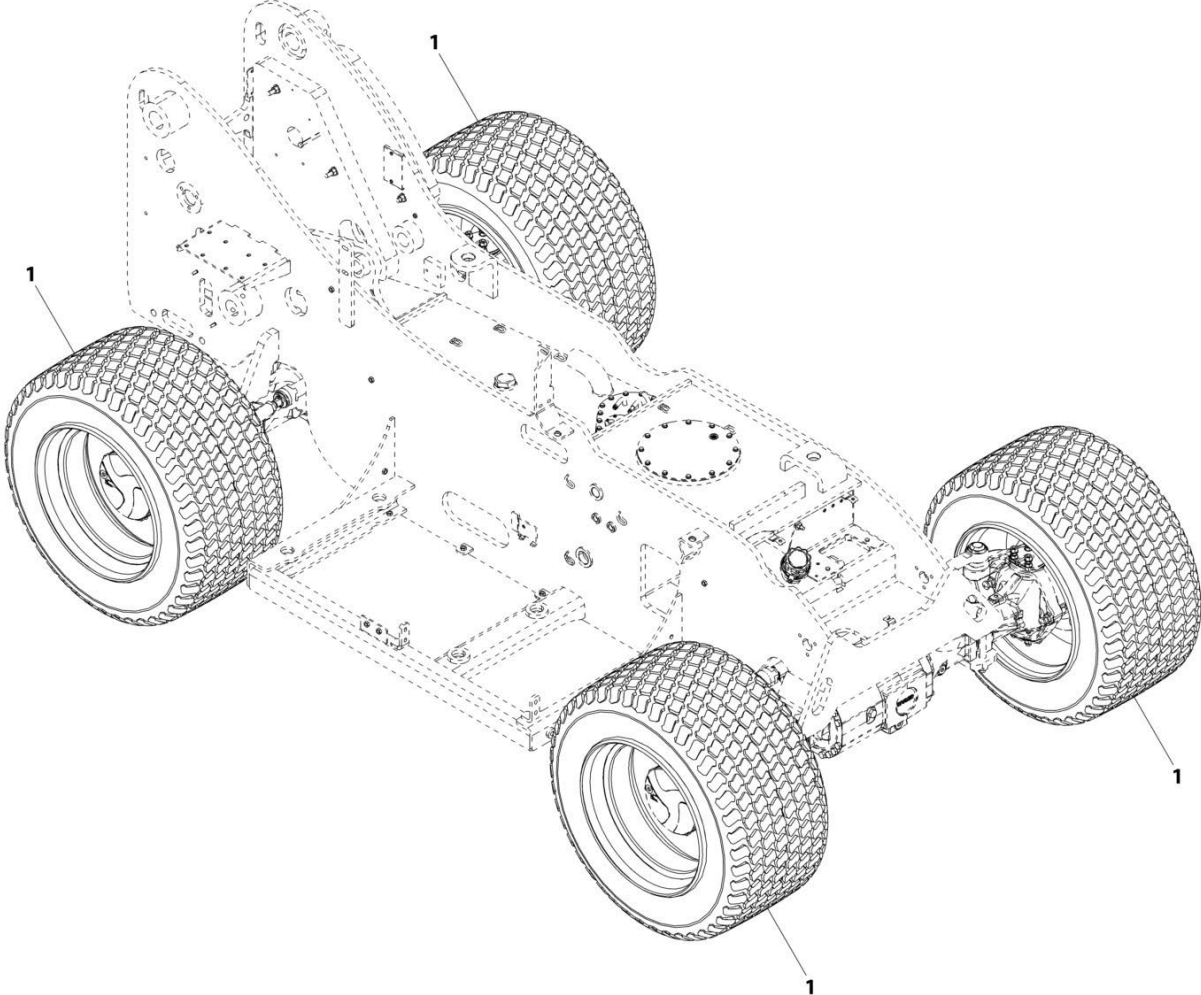
SECTION 5 - DRIVE TRAIN

FIGURE 5-21. TIRE SET - 33 X 12-20 NON MARKING

ITEM	PART NUMBER	QTY	DESCRIPTION	REV
	1001315382	Ref	TIRE/WHEEL SET (SOLID 33 X 12-20 - NM)	A
1	0760810	1	Bolt M8 x 20	
2	4240084	1	Anti-Static Strap	
3	4811900	1	Washer M8	
4	1001200796	2	Wheel and Tire Assembly, Left, Non-Marking	
5	1001200797	2	Wheel and Tire Assembly, Right, Non-Marking	

SECTION 5 - DRIVE TRAIN

FIGURE 5-22. TIRE SET - 33 X 16 TURF



ART_1001234507-A

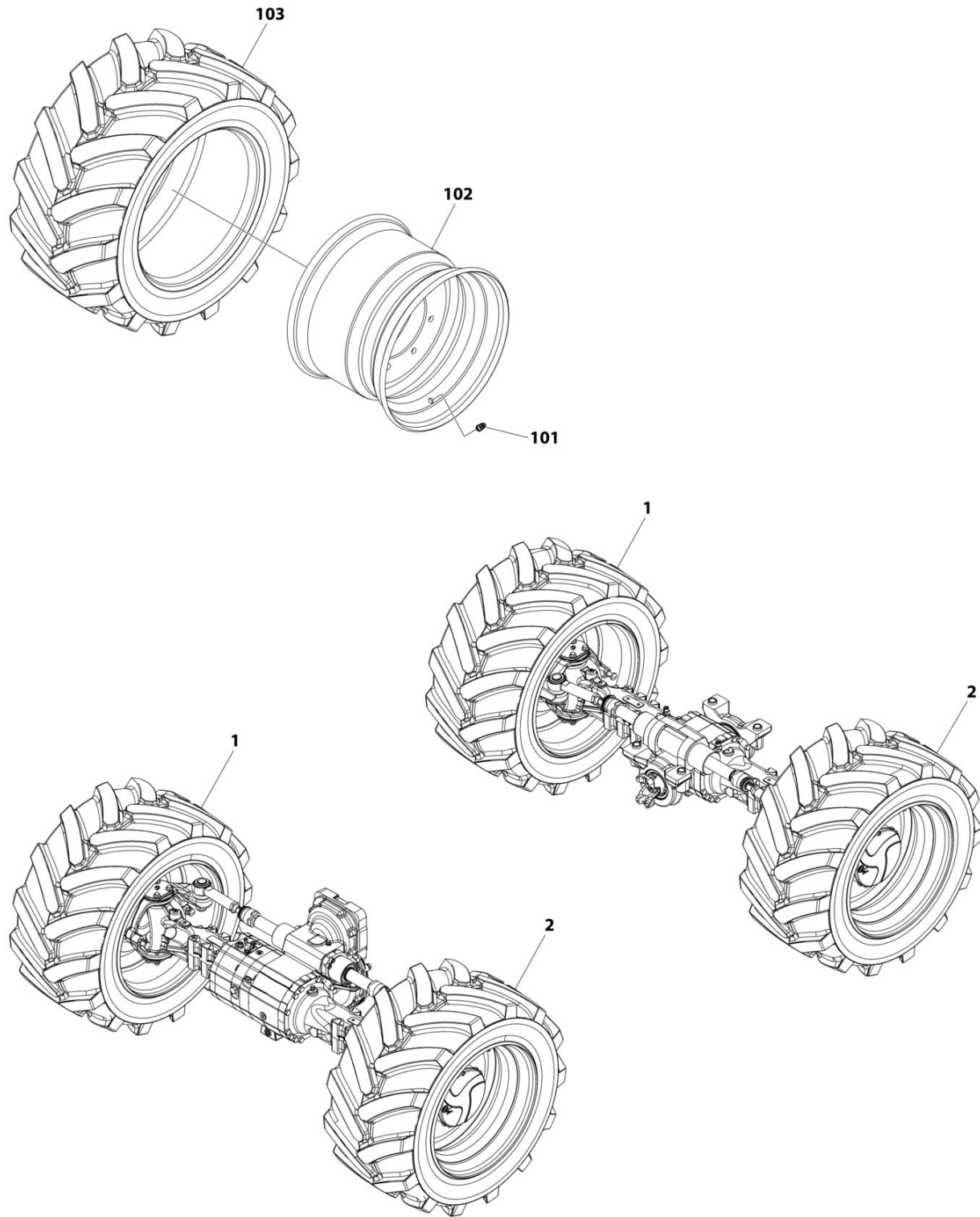
SECTION 5 - DRIVE TRAIN

FIGURE 5-22. TIRE SET - 33 X 16 TURF

ITEM	PART NUMBER	QTY	DESCRIPTION	REV
1	1001234507 1001233304	1 4	Tire/Wheel Set 33X16LL 19.5 - Turf/Sand Assembly, Tire/Wheel 33X16LL 19.5 - Turf/Sand (See TIRE/WHEEL ASSEMBLY 33X16LL 19.5 TURF/SAND for Breakdown)	A

SECTION 5 - DRIVE TRAIN

FIGURE 5-23. TIRE SET - 33 X 16 AG



ART_1001310843

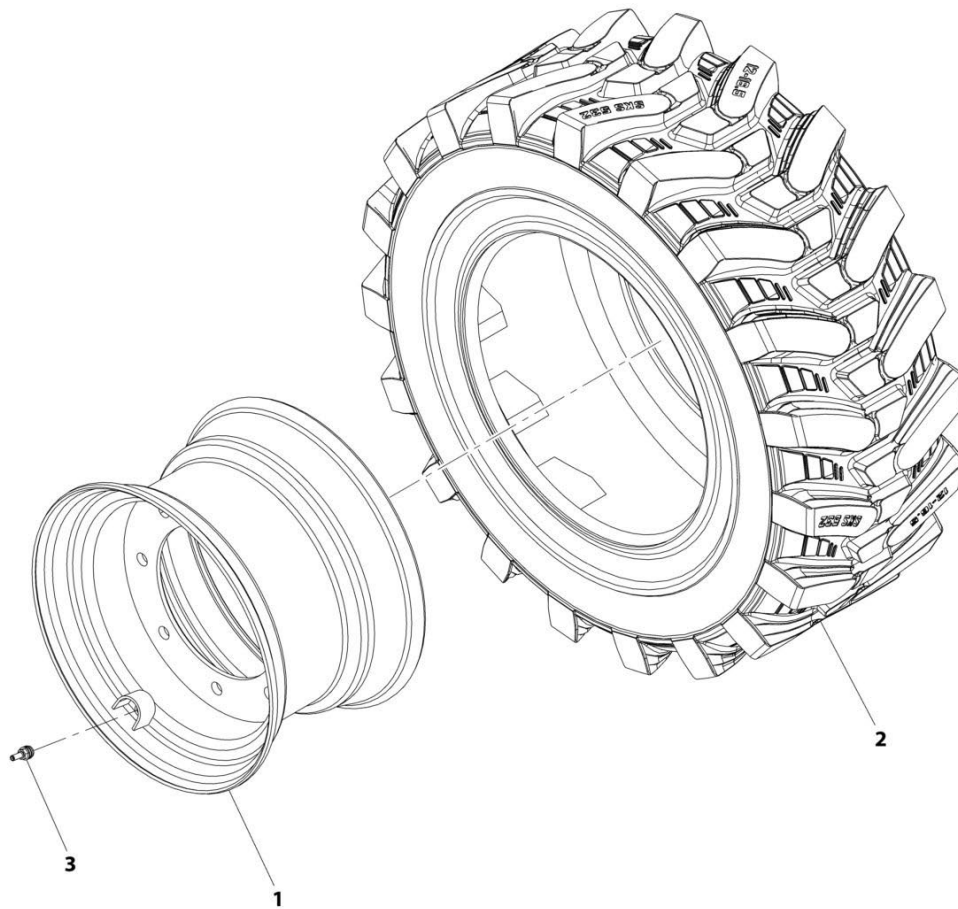
SECTION 5 - DRIVE TRAIN

FIGURE 5-23. TIRE SET - 33 X 16 AG

ITEM	PART NUMBER	QTY	DESCRIPTION	REV
	1001310843	Ref	TIRE SET - 33 X 16 AG	A
1	1001310810	2	Tire and Wheel Assembly (RH) (See Items 101-103 for Breakdown)	A
2	1001310811	2	Tire and Wheel Assembly (LH) (See Items 101-103 for Breakdown)	A
101	4640113	4	Valve, Air (1 per assembly)	
102	1001233305	4	Wheel (1 per assembly)	
103	1001310801	4	Tire - 33 x 16 (1 per assembly)	

SECTION 5 - DRIVE TRAIN

FIGURE 5-24. RIGHT TIRE/WHEEL ASSEMBLY, CAMSO (AIR 12-16.5 - 12 PLY)



ART_1001236666-A

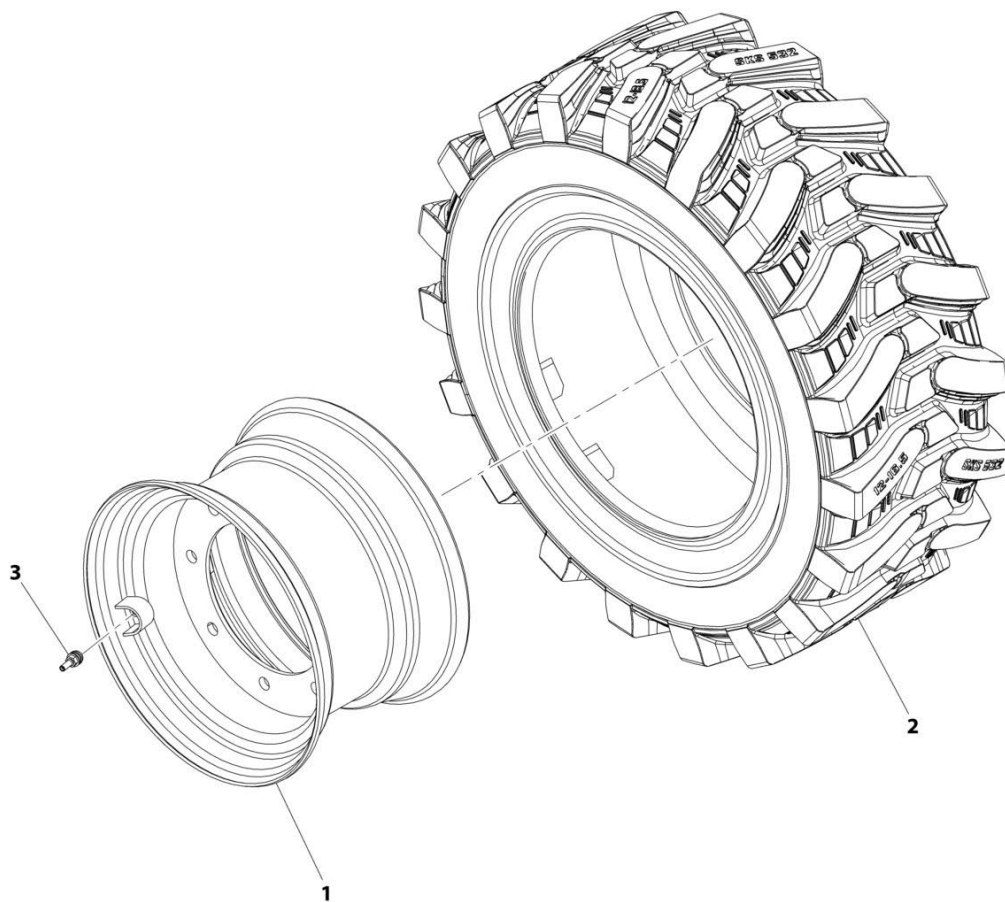
SECTION 5 - DRIVE TRAIN

FIGURE 5-24. RIGHT TIRE/WHEEL ASSEMBLY, CAMSO (AIR 12-16.5 - 12 PLY)

ITEM	PART NUMBER	QTY	DESCRIPTION	REV
	1001236666	Ref	Right Tire/Wheel Assembly, Camso (Air 12-16.5 - 12 PLY)	A
1	1001139975	1	Wheel, 16.5X9.75	
2	1001232351	1	Tire, 12-16.5 - 12 Ply	
3	4640163	1	Tire Valve	

SECTION 5 - DRIVE TRAIN

FIGURE 5-25. LEFT TIRE/WHEEL ASSEMBLY, CAMSO (AIR 12-16.5 - 12 PLY)



ART_1001236667-A

SECTION 5 - DRIVE TRAIN

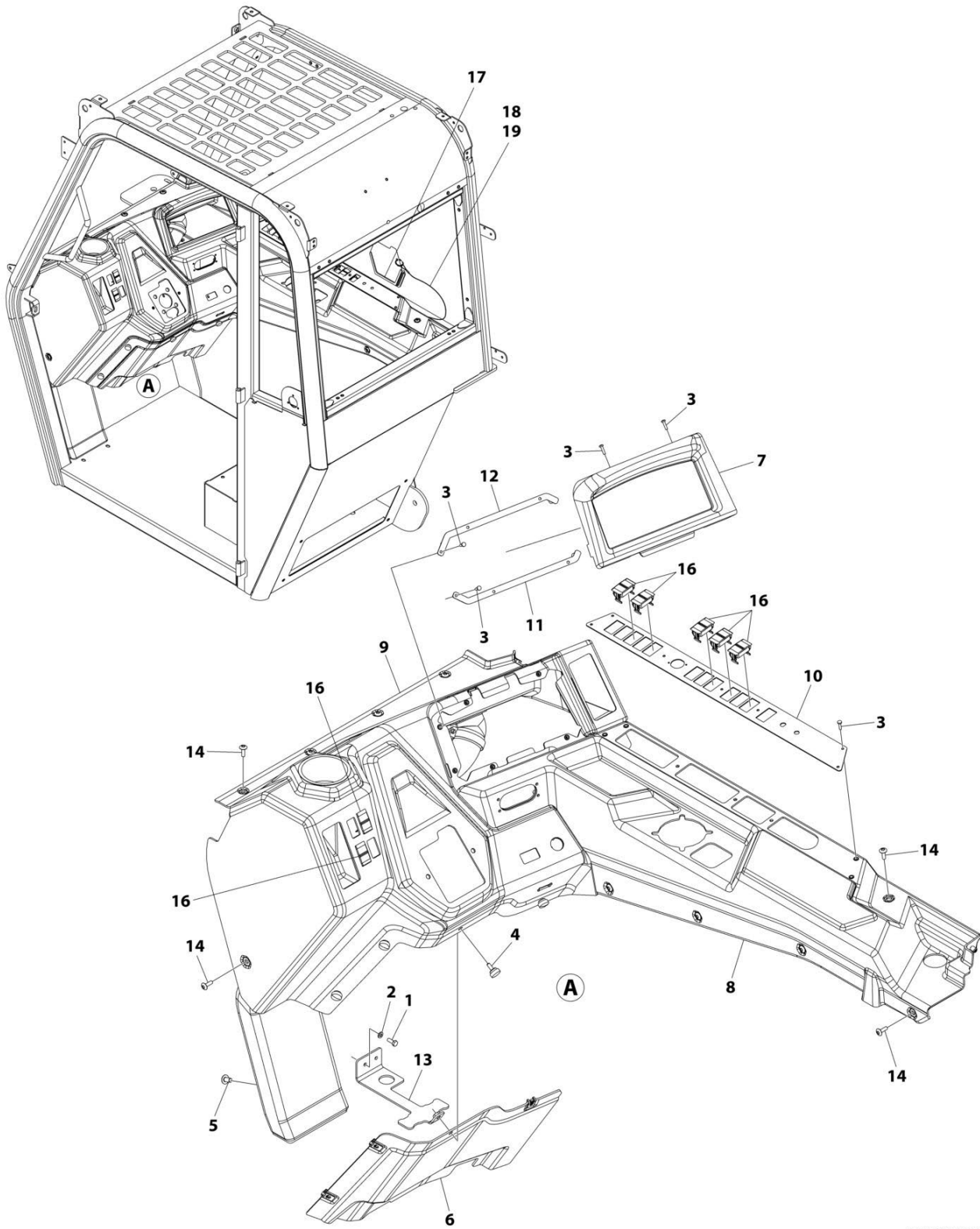
FIGURE 5-25. LEFT TIRE/WHEEL ASSEMBLY, CAMSO (AIR 12-16.5 - 12 PLY)

ITEM	PART NUMBER	QTY	DESCRIPTION	REV
	1001236667	Ref	Left Tire/Wheel Assembly, Camso (Air 12-16.5 - 12 PLY)	A
1	1001139975	1	Wheel, 16.5X9.75	
2	1001232351	1	Tire, 12-16.5 - 12 Ply	
3	4640163	1	Tire Valve	

SECTION 6 - CAB

SECTION 6 - CAB

FIGURE 6-1. CAB TRIM INSTALLATION - CLOSED CAB



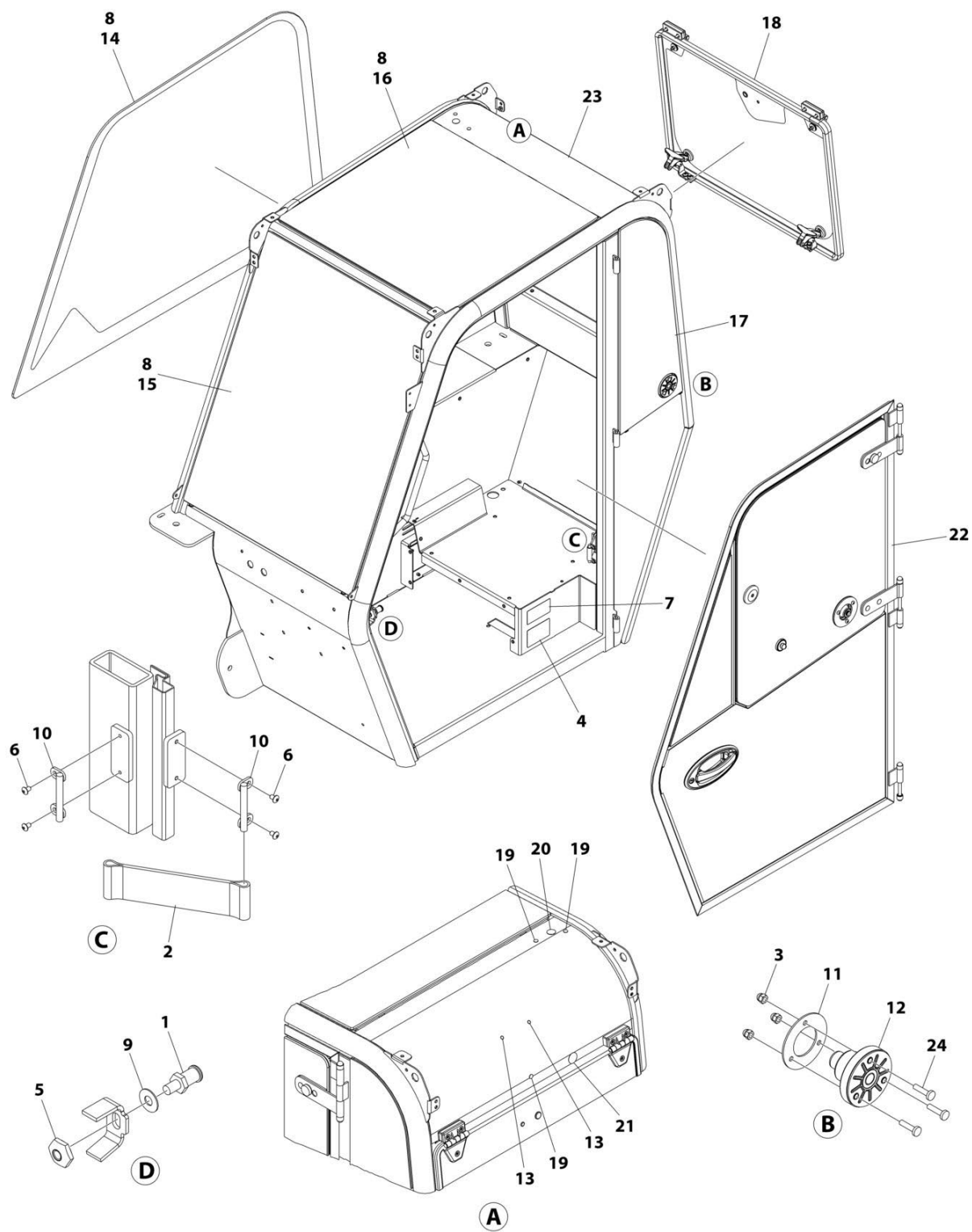
ART_1001296879

FIGURE 6-1. CAB TRIM INSTALLATION - CLOSED CAB

ITEM	PART NUMBER	QTY	DESCRIPTION	REV
	1001296879	Ref	CAB TRIM INSTALLATION	D
1	0760608	2	Bolt M6 x 16	
2	4811700	2	Washer M6	
3	1001126837	15	Screw M4 x 16	
4	1001208308	4	Thumbscrew M6 x 15	
5	1001295925	2	Screw M8 x 15	
6	1001296894	1	Cover, Dash (Lower)	
7	1001296939	1	Cover, Display	
8	1001297171	Ref	Armrest/Console Installation (See Separate Breakdown in this Section)	
9	1001297179	Ref	Cab Duct Installation (See Separate Breakdown in this Section)	
10	1001310866	1	Cover, Console	
11	1001297320	1	Bracket, Display (Lower)	
12	1001297323	1	Bracket, Display (Upper)	
13	1001298308	1	Bracket, Dash Mount	
14	1001272884	11	Bolt M6 x 20	
16	1001080494	7	Cover, Switch	
17	1001300360	1	Cover, Loadcharts	
18	1001104541	1	Ring, Split	
19	1001303376	1	Lanyard	

SECTION 6 - CAB

FIGURE 6-2. CAB ASSEMBLY - CLOSED CAB



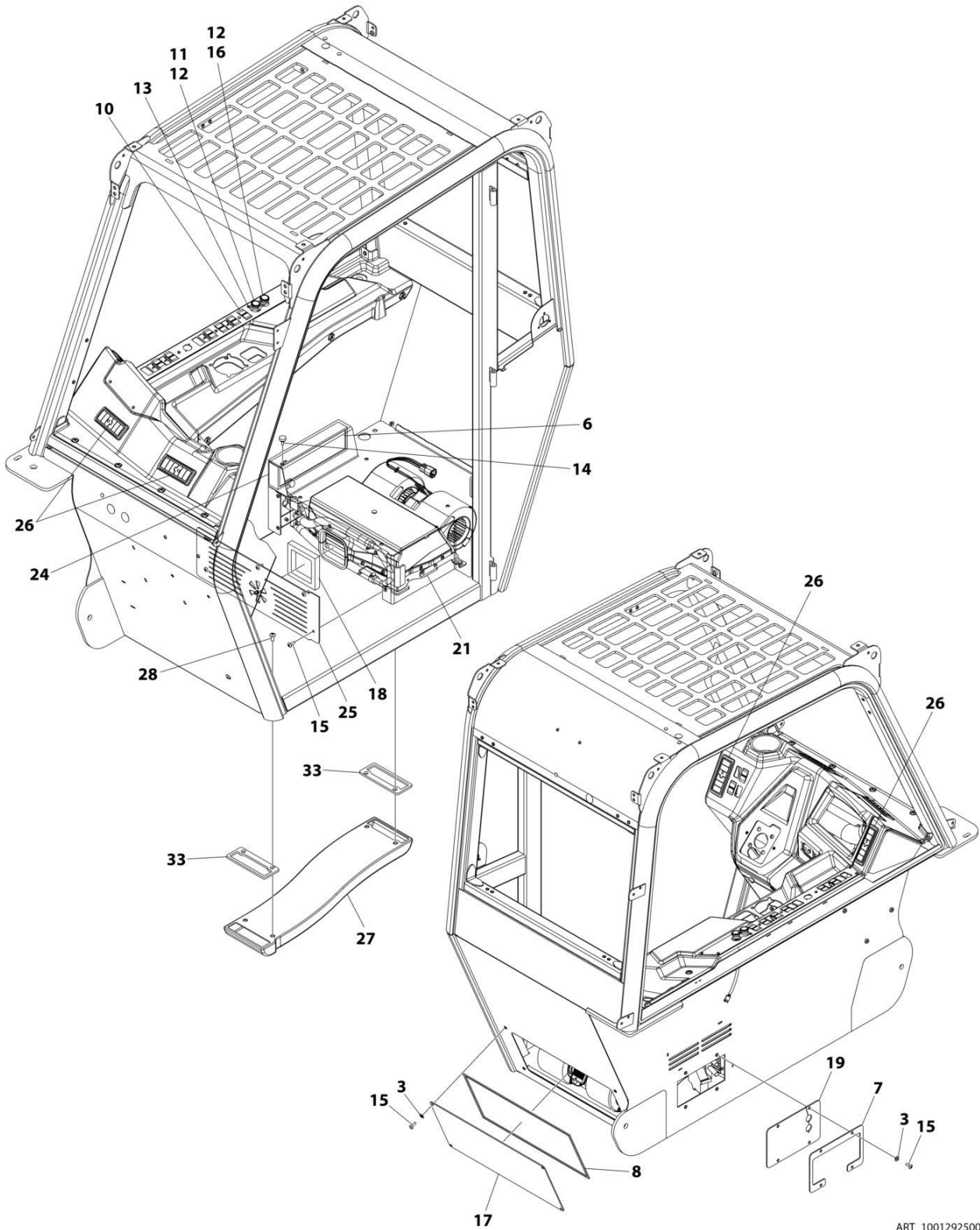
ART_1001298617

FIGURE 6-2. CAB ASSEMBLY - CLOSED CAB

ITEM	PART NUMBER	QTY	DESCRIPTION	REV
	1001298617	Ref	CAB ASSEMBLY - CLOSED CAB	C
1	8000803	1	Pin, Door Striker	
2	80384218	1	Strap, Door	
3	1001108603	3	Nut M6	
4	1001109365	1	Decal, Rops Warning	
5	1001192309	1	Nut M12	
6	1001148802	4	Screw M5 x 8	
7	See Note	NSS	Nameplate, Serial Number (Note: Not Available for Purchase)	
8	1001215531	AR	Adhesive	
9	1001227802	1	Washer	
10	1001230163	2	Bracket, Door Strap Holder	
11	1001287981	1	Gasket	
12	1001288356	1	Latch, Window Hold Back	
13	1001293198	2	Plug 6MM	
14	1001293502	1	Glass (RH Side)	
15	1001293503	1	Glass (Front)	
16	1001293504	1	Glass (Roof)	
17	1001293506	1	Glass (LH Side)	
18	1001293573	1	Window Assembly (Rear) (See Separate Breakdown in this Section)	
19	1001293613	3	Plug 9.5MM	
20	1001293614	1	Plug 19.1MM	
21	1001293615	1	Plug 25.4MM	
22	1001293816	1	Door Assembly (See Separate Breakdown in this Section)	
23	1001298109	1	Cab	
24	4010612002	3	Screw M6 x 25	

SECTION 6 - CAB

FIGURE 6-3. CAB HEATER INSTALLATION



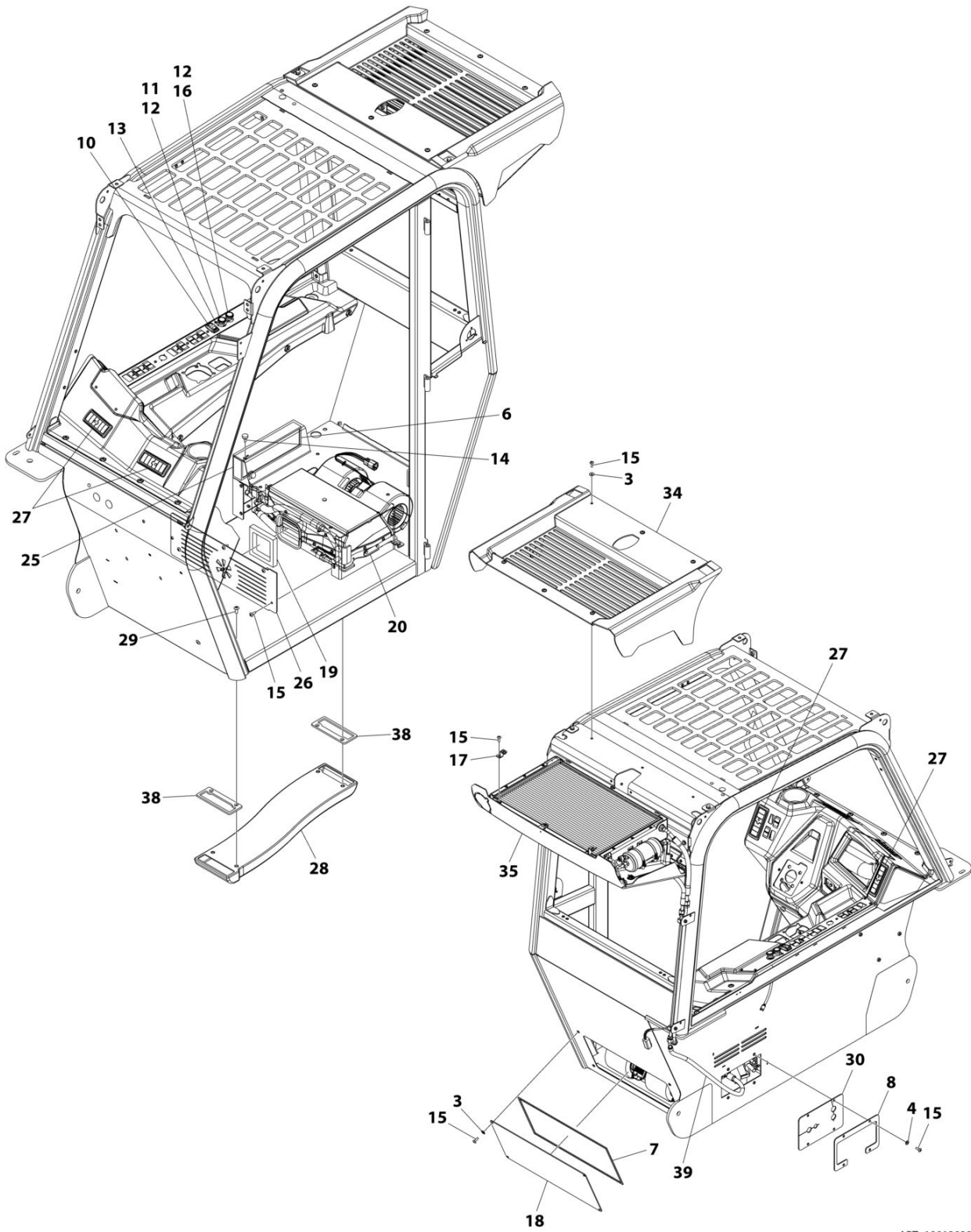
ART_1001292500

FIGURE 6-3. CAB HEATER INSTALLATION

ITEM	PART NUMBER	QTY	DESCRIPTION	REV
	1001292500	Ref	CAB HEATER INSTALLATION	C
3	4811900	8	Washer M8	
6	1001081375	1	Filter, Cab Air	
7	1001312962	1	Plate, Mounting	
8	1001113047	4.5 ft/ 1.4 m	Seal	
10	1001080494	1	Cover, Switch	
11	1001172547	1	Switch, HVAC	
12	1001172550	2	Knob, Control	
13	1001184975	1	Decal - HVAC	
14	1001208308	2	Thumbscrew M6 x 15	
15	1001272884	13	Bolt M6 x 20	
16	1001273883	1	Resistor, 10K Potentiometer	
17	1001292239	1	Cover	
18	1001292240	1	Seal, Duct	
19	1001292258	1	Panel	
21	1001292484	Ref	Heater Installation (See Separate Breakdown in this Section)	
24	1001292492	1	Cover, Filter	
25	1001292495	1	Cover, Heater (Front)	
26	1001294177	4	Vent, Diffuser	
27	1001295236	1	Duct, Lower	
28	1001295261	4	Screw M8 x 20	
33	1001306019	2	Seal, Duct (Lower)	

SECTION 6 - CAB

FIGURE 6-4. CAB HEATER/AC INSTALLATION



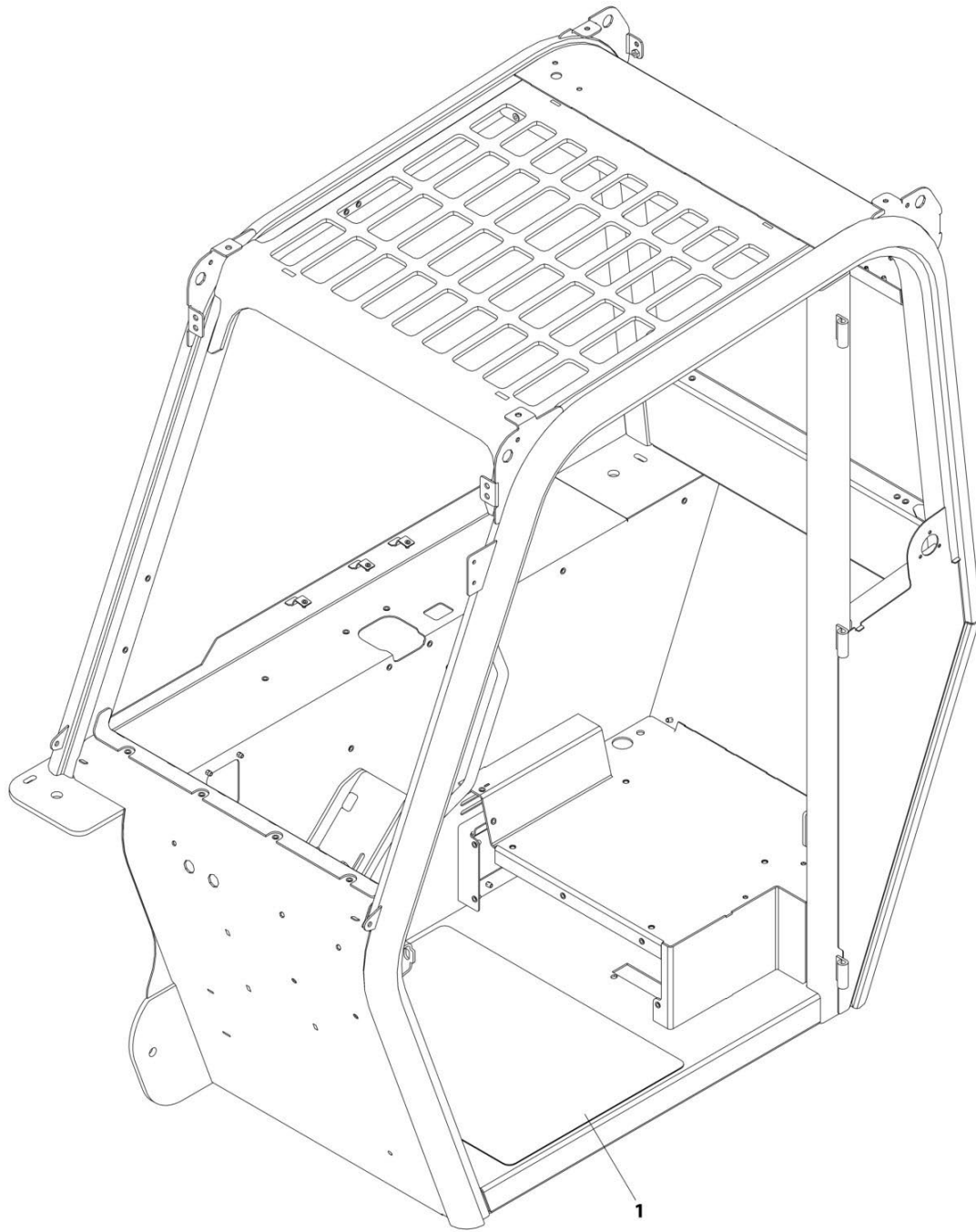
ART_1001292259

FIGURE 6-4. CAB HEATER/AC INSTALLATION

ITEM	PART NUMBER	QTY	DESCRIPTION	REV
	1001292259	Ref	CAB HEATER/AC INSTALLATION	C
3	4811702	10	Washer M6	
4	4811900	4	Washer M8	
6	1001081375	1	Filter, Cab Air	
7	1001113047	4.5 ft/ 1.4 m	Seal	
8	1001312962	1	Plate, Mounting	
10	1001160326	1	Switch, HVAC ON/OFF	
11	1001172547	1	Switch, HVAC 3 Speed	
12	1001172550	2	Knob, Control	
13	1001184975	1	Decal - HVAC	
14	1001208308	2	Thumbscrew M6 x 15	
15	1001272884	21	Bolt M6 x 20	
16	1001273883	1	Resistor, 10K Potentiometer	
17	1001292206	2	Bracket	
18	1001292239	1	Cover	
19	1001292240	1	Seal, Duct	
20	1001292254	Ref	Heater Installation (See Separate Breakdown in this Section)	
25	1001292492	1	Cover, Filter	
26	1001292495	1	Cover, Heater (Front)	
27	1001294177	4	Vent, Diffuser	
28	1001295236	1	Duct, Lower	
29	1001295261	4	Screw M8 x 20	
30	1001297246	1	Panel	
34	1001307296	1	Cover, Condenser (Upper)	
35	1001299925	Ref	A/C Condenser Installation (See Separate Breakdown in this Section)	
38	1001306019	2	Seal, Duct (Lower)	
39	1001312324	1	Hose	

SECTION 6 - CAB

FIGURE 6-5. CAB MAT INSTALLATION



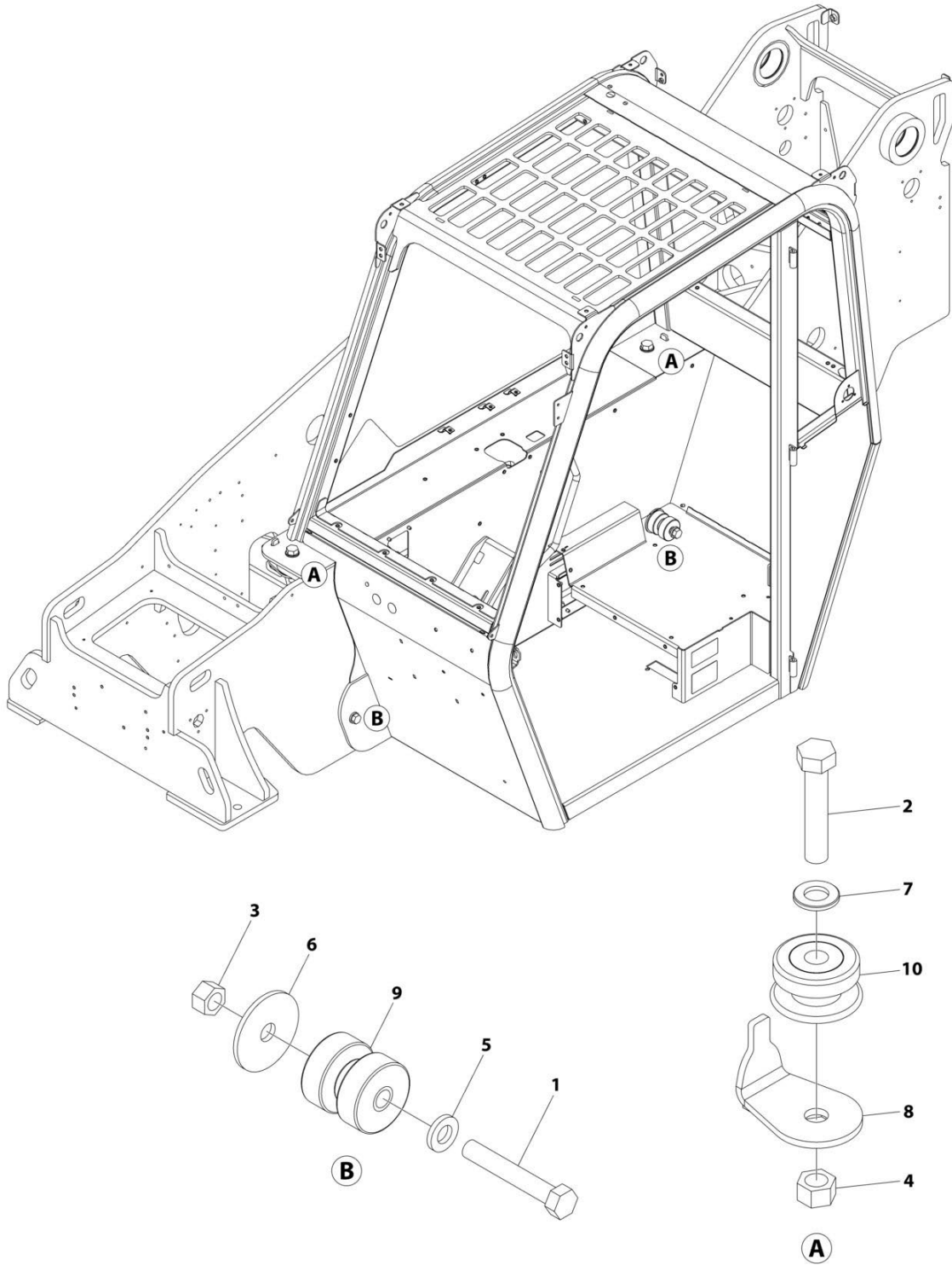
ART_1001297632

FIGURE 6-5. CAB MAT INSTALLATION

ITEM	PART NUMBER	QTY	DESCRIPTION	REV
1	1001297632 1001197217	Ref 1	CAB MAT INSTALLATION Mat, Floor (Non Skid)	A

SECTION 6 - CAB

FIGURE 6-6. CAB MOUNTS INSTALLATION



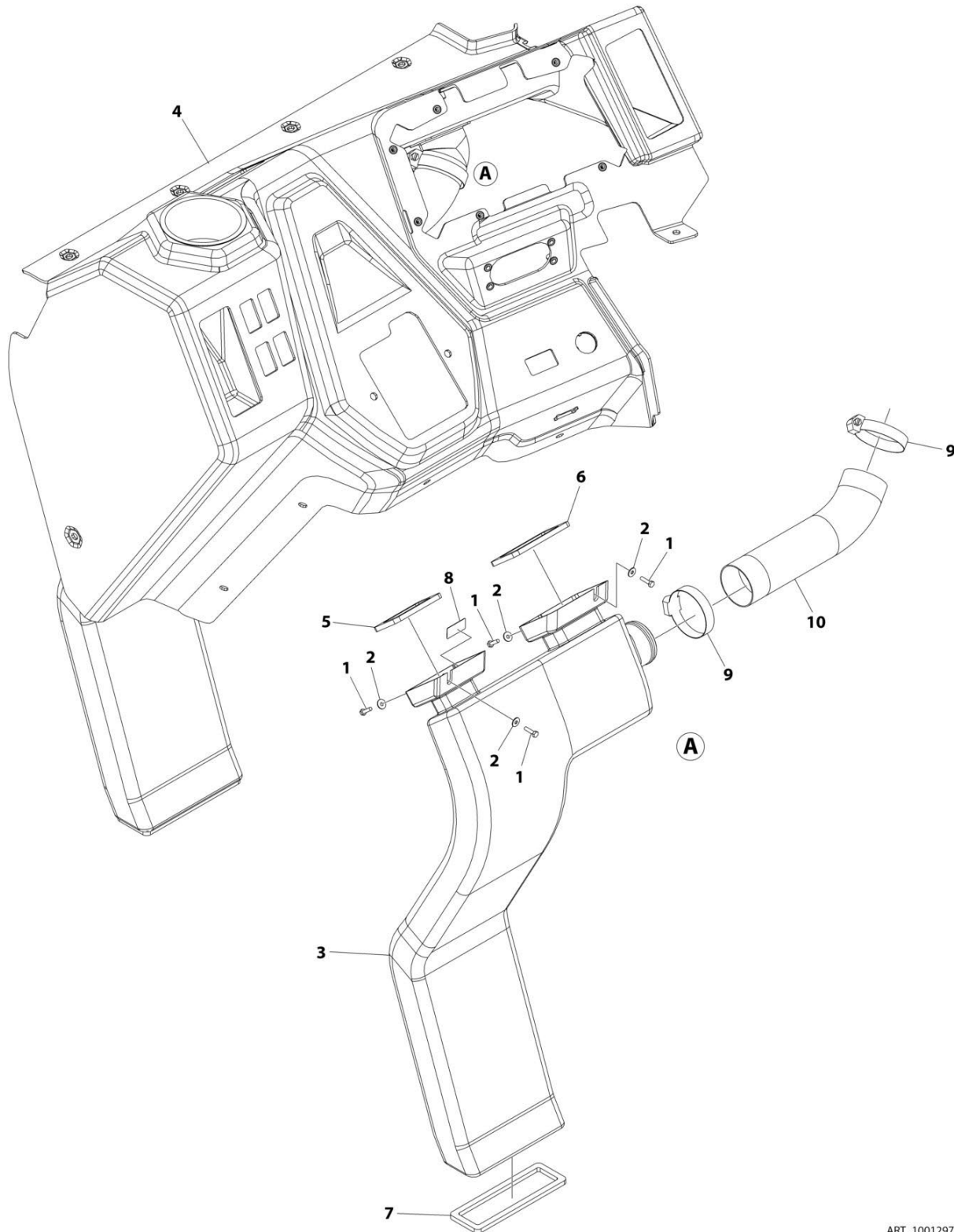
ART_1001296524

FIGURE 6-6. CAB MOUNTS INSTALLATION

ITEM	PART NUMBER	QTY	DESCRIPTION	REV
	1001296524	Ref	CAB MOUNTS INSTALLATION	B
1	0682032	2	Bolt 5/8 x 4	
2	0682230	2	Bolt 3/4 x 3-3/4	
3	3272001	2	Nut 5/8	
4	3272201	2	Nut 3/4	
5	4892000	2	Washer 5/8	
6	7300435	2	Washer	
7	90027473	2	Washer 3/4	
8	1001080992	2	Support	
9	1001188758	2	Mount, Isolator	
10	91403097	2	Mount, Isolator	

SECTION 6 - CAB

FIGURE 6-7. CAB DUCT INSTALLATION



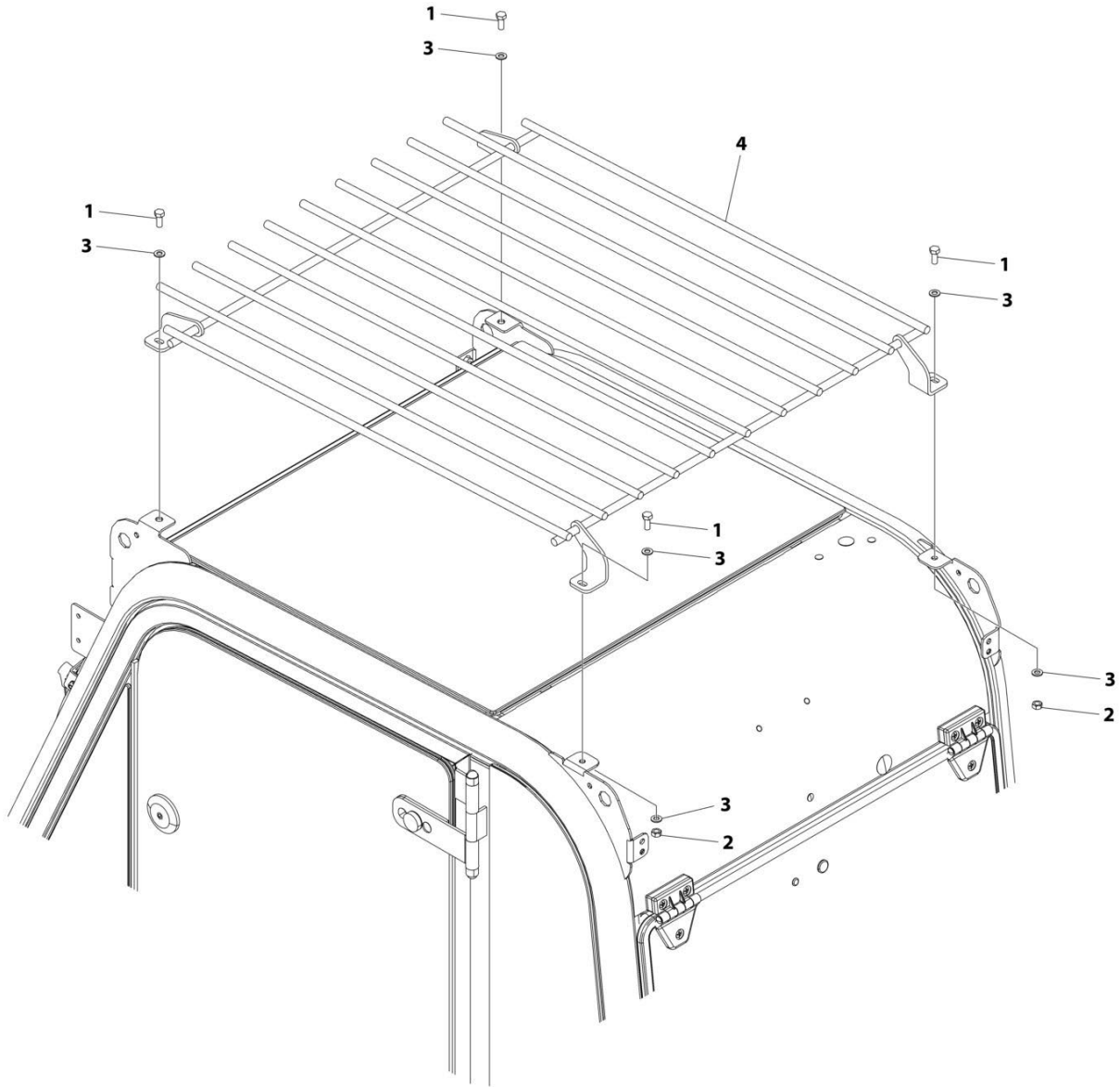
ART_1001297179

FIGURE 6-7. CAB DUCT INSTALLATION

ITEM	PART NUMBER	QTY	DESCRIPTION	REV
	1001297179	Ref	CAB DUCT INSTALLATION	C
1	0700408	4	Bolt M4 x 16	
2	1001091102	4	Washer M4	
3	1001295921	1	Duct (Upper)	
4	1001296928	1	Cover, Dash	
5	1001297180	1	Seal, Duct	
6	1001297181	1	Seal, Duct	
7	1001297183	1	Seal, Duct	
8	1001226481	1	Decal	
9	8405201	2	Clamp	
10	1001314937	1	Hose	

SECTION 6 - CAB

FIGURE 6-8. CAB GUARD INSTALLATION (TOP)



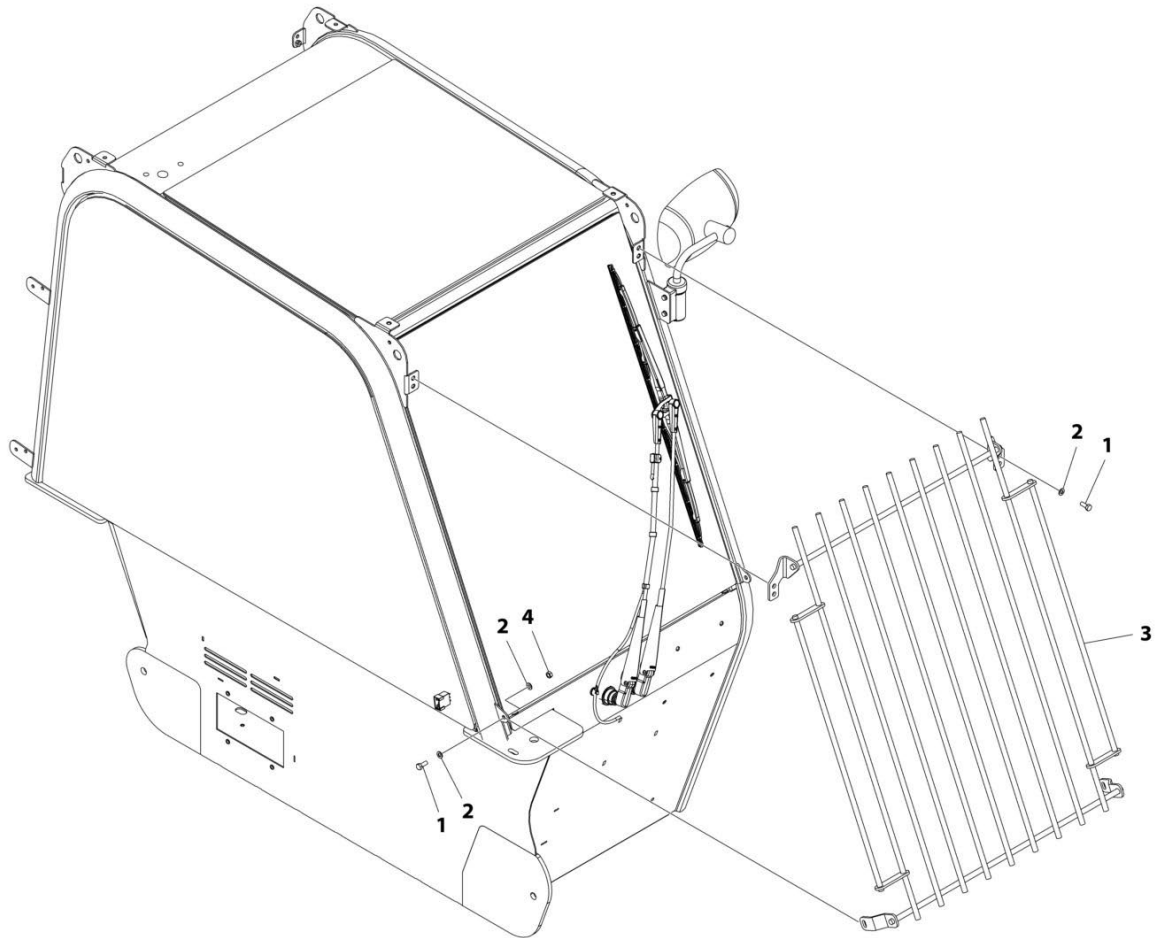
ART_1001297986

FIGURE 6-8. CAB GUARD INSTALLATION (TOP)

ITEM	PART NUMBER	QTY	DESCRIPTION	REV
	1001297986	Ref	CAB GUARD INSTALLATION (TOP)	B
1	0760810	4	Bolt M8 x 20	
2	3290801	2	Nut M8	
3	4811900	6	Washer M8	
4	1001297985	1	Guard, Cab Top	

SECTION 6 - CAB

FIGURE 6-9. CAB GUARD INSTALLATION (FRONT)



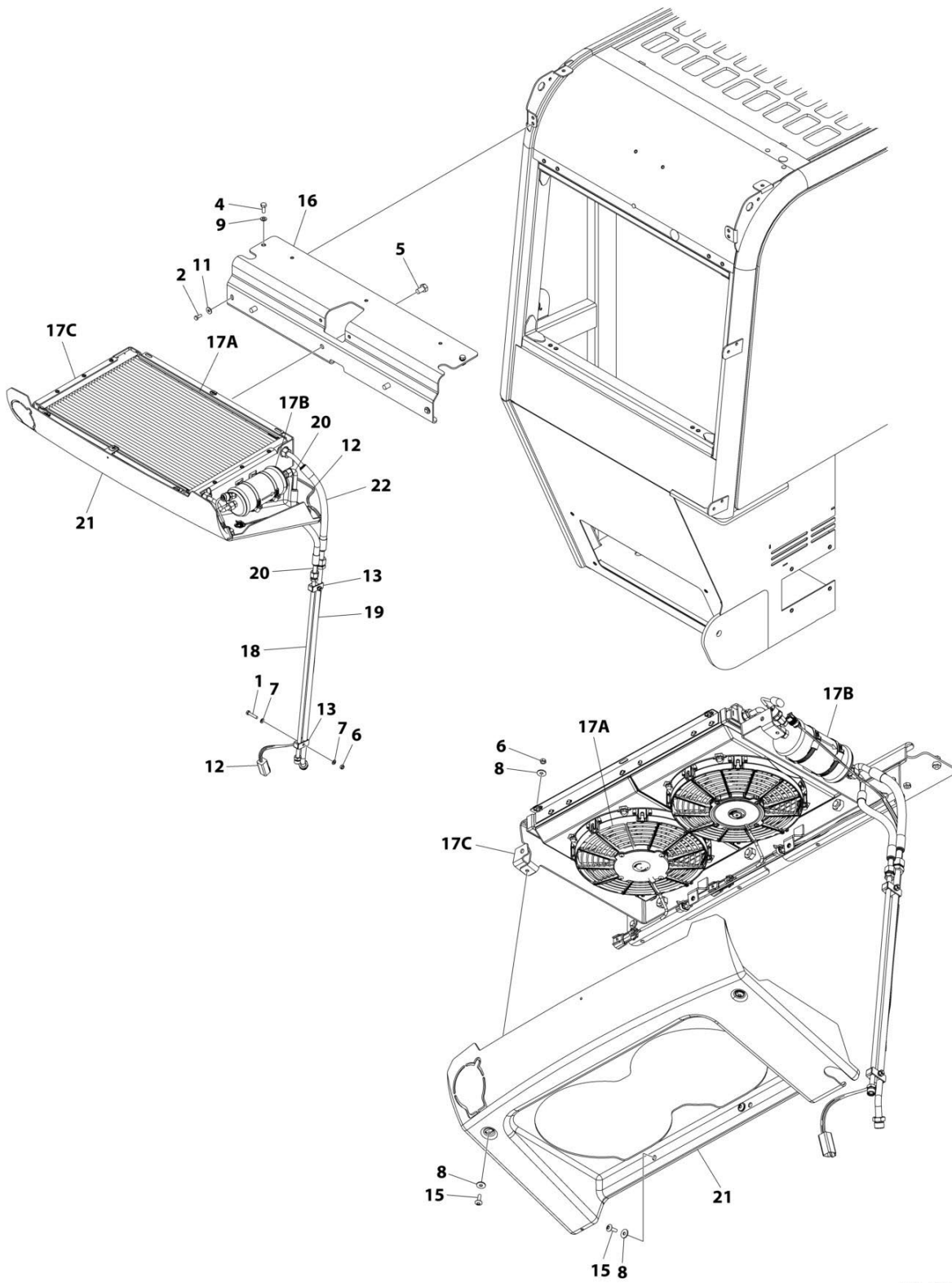
ART_1001298133

FIGURE 6-9. CAB GUARD INSTALLATION (FRONT)

ITEM	PART NUMBER	QTY	DESCRIPTION	REV
	1001298133	Ref	CAB GUARD INSTALLATION (FRONT)	B
1	0760810	6	Bolt M8 x 20	
2	4811900	8	Washer M8	
3	1001298132	1	Guard, Front Cab	
4	3290801	2	Nut M8	

SECTION 6 - CAB

FIGURE 6-10. AC CONDENSER INSTALLATION



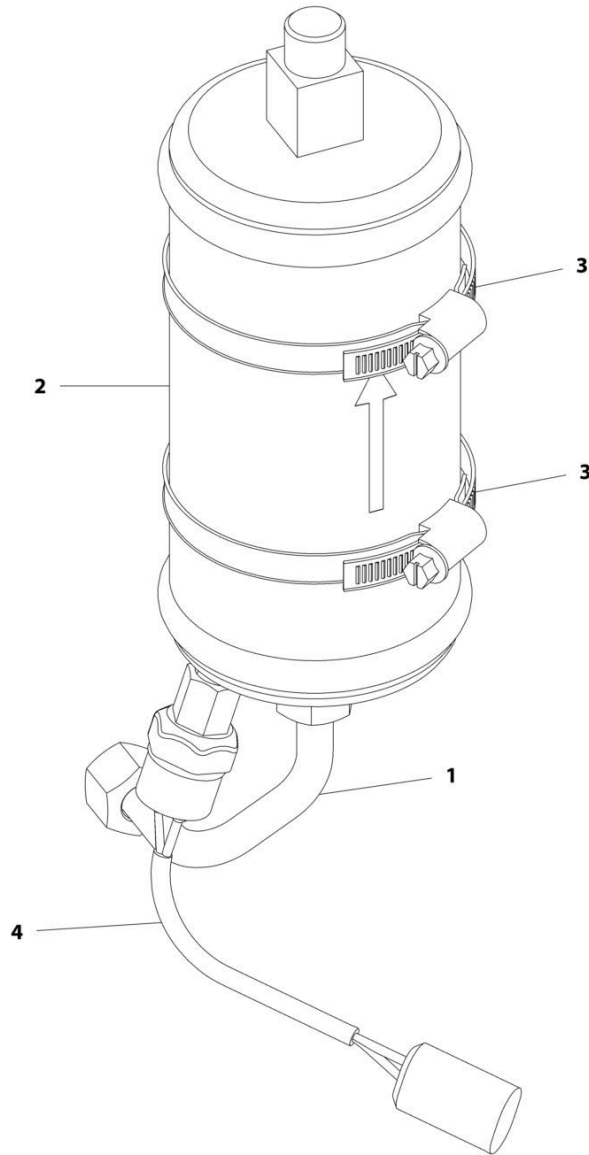
ART_1001299925

FIGURE 6-10. AC CONDENSER INSTALLATION

ITEM	PART NUMBER	QTY	DESCRIPTION	REV
	1001299925	Ref	AC CONDENSER INSTALLATION	C
1	0700614	2	Bolt M6 x 30	
2	0760608	2	Bolt M6 x 16	
4	0760810	2	Bolt M8 x 20	
5	0761210	3	Bolt M12 x 20	
6	3290601	4	Nut M6	
7	4811700	4	Washer M6	
8	4811702	6	Washer M6	
9	4811900	2	Washer M8	
11	1001150509	2	Washer	
12	1001169151	1	AC Harness (See Separate Breakdown in ELECTRICAL Section)	
13	1001237342	2	Support, Pipe	
15	1001272884	4	Bolt M6 x 20	
16	1001292202	1	Bracket	
17	1001292213	NSS	Condenser Sub Assembly (Not Shown) (Note: Purchase Individual Components)	
17A	1001167266	1	Condenser Assembly (See Separate Breakdown in this Section)	
17B	1001179130	1	Receiver/Drier Assembly (See Separate Breakdown in this Section)	
17C	1001292204	1	Bracket, Condenser Mount Assembly	
18	1001292845	1	Tube, AC Drier Outlet	
19	1001292868	1	Tube, Condenser Supply	
20	1001297723	1	Hose	
21	1001299803	1	Cover, Condenser (Lower)	
22	1001168330	1	Hose	

SECTION 6 - CAB

FIGURE 6-11. A/C RECEIVER DRIER



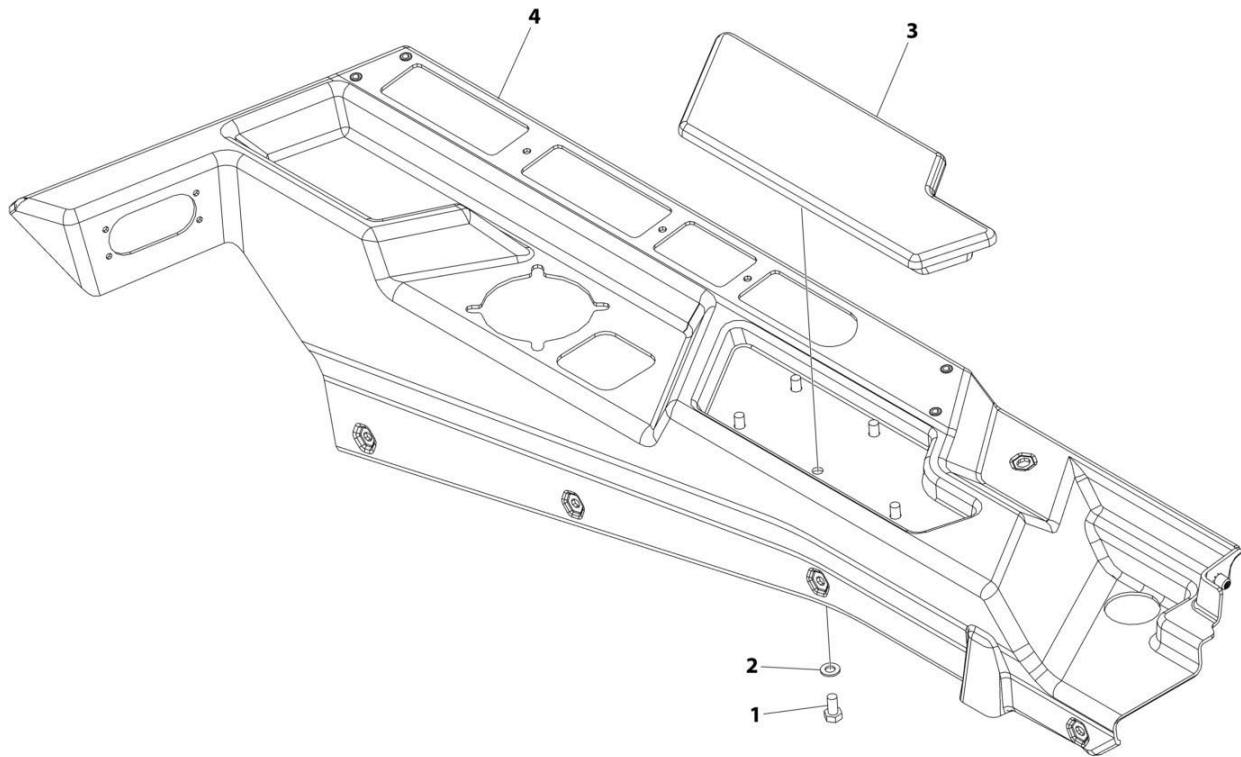
ART_1001179130-B

FIGURE 6-11. A/C RECEIVER DRIER

ITEM	PART NUMBER	QTY	DESCRIPTION	REV
	1001179130	Ref	A/C Receiver Drier	B
1	1001184403	1	Tube, Heater	
2	1001184404	1	Receiver, Heater Drier	
3	1001184405	2	Clamp	
4	1001184406	1	Connector, Heater	

SECTION 6 - CAB

FIGURE 6-12. ARMREST/CONSOLE INSTALLATION



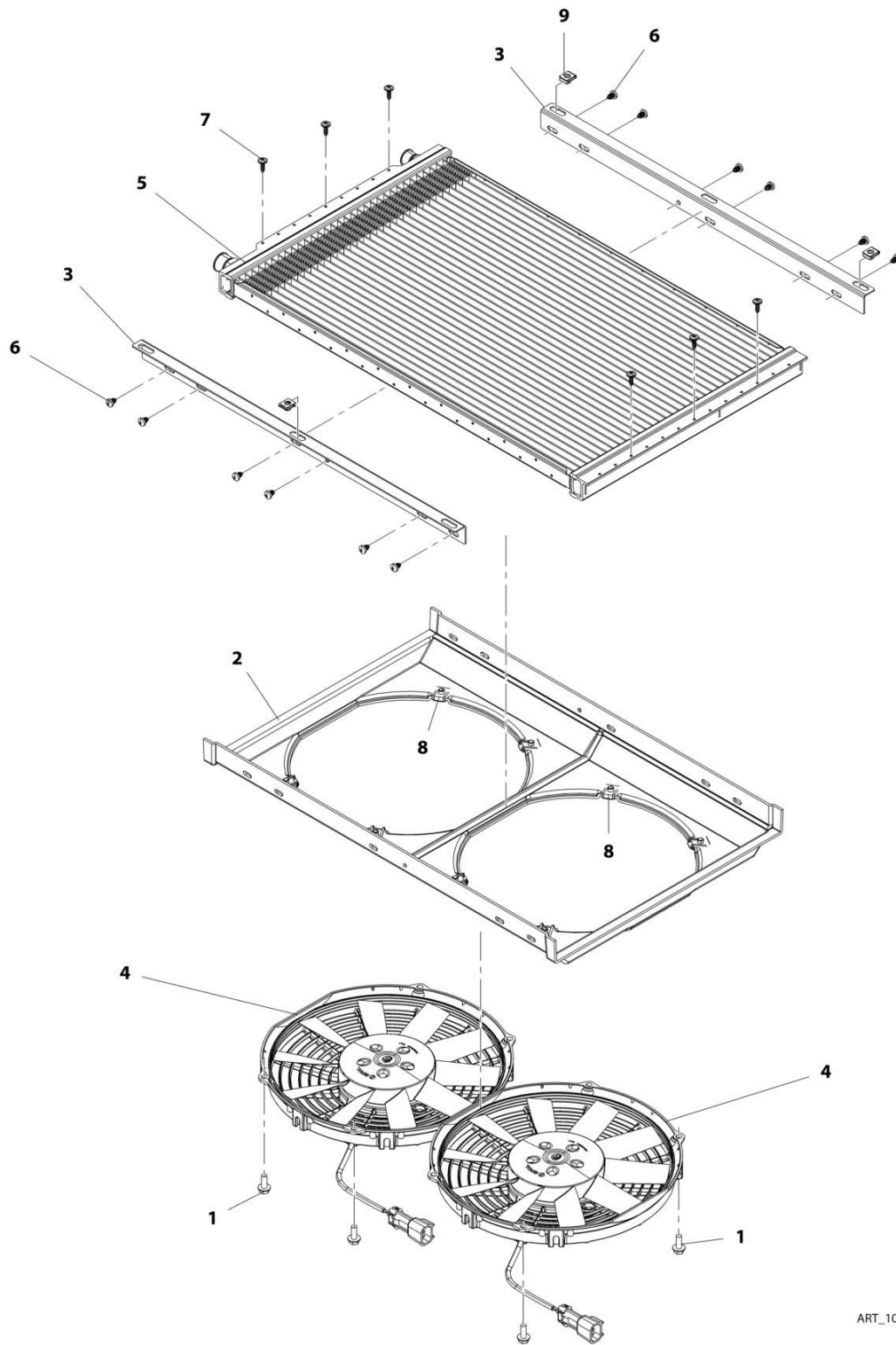
ART_1001297171

FIGURE 6-12. ARMREST/CONSOLE INSTALLATION

ITEM	PART NUMBER	QTY	DESCRIPTION	REV
	1001297171	Ref	ARMREST/CONSOLE INSTALLATION	B
1	0760808	5	Bolt M8 x 16	
2	4811900	5	Washer M8	
3	1001296785	1	Armrest	
4	1001310852	1	Console	

SECTION 6 - CAB

FIGURE 6-13. CONDENSER



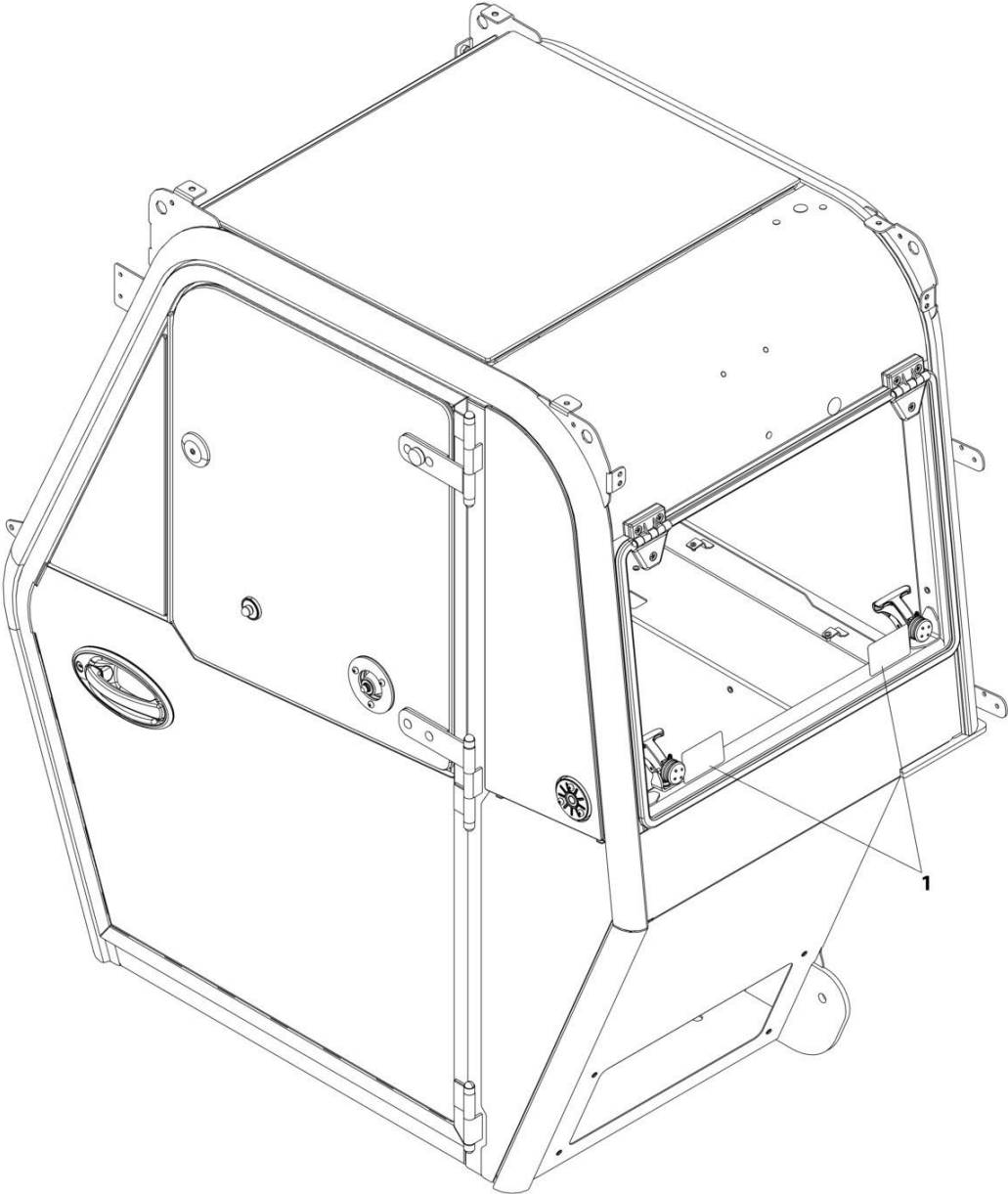
ART_1001167266-C

FIGURE 6-13. CONDENSER

ITEM	PART NUMBER	QTY	DESCRIPTION	REV
	1001167266	Ref	Condenser	C
1	5250608	8	Bolt, M6X16	
2	1001195342	1	Bracket, Condenser Fan Mount	
3	1001195343	2	Support, Condenser	
4	1001195345	2	Fan, Condenser	
5	1001195346	1	Condenser	
6	1001195385	12	Screw, M3.9X9.5	
7	1001195386	6	Screw, M4.2X16	
8	1001195437	8	Clip, M6X1	
9	1001195438	3	Clip, M6X1	

SECTION 6 - CAB

FIGURE 6-14. DECAL INSTALLATION - EMERGENCY EXIT



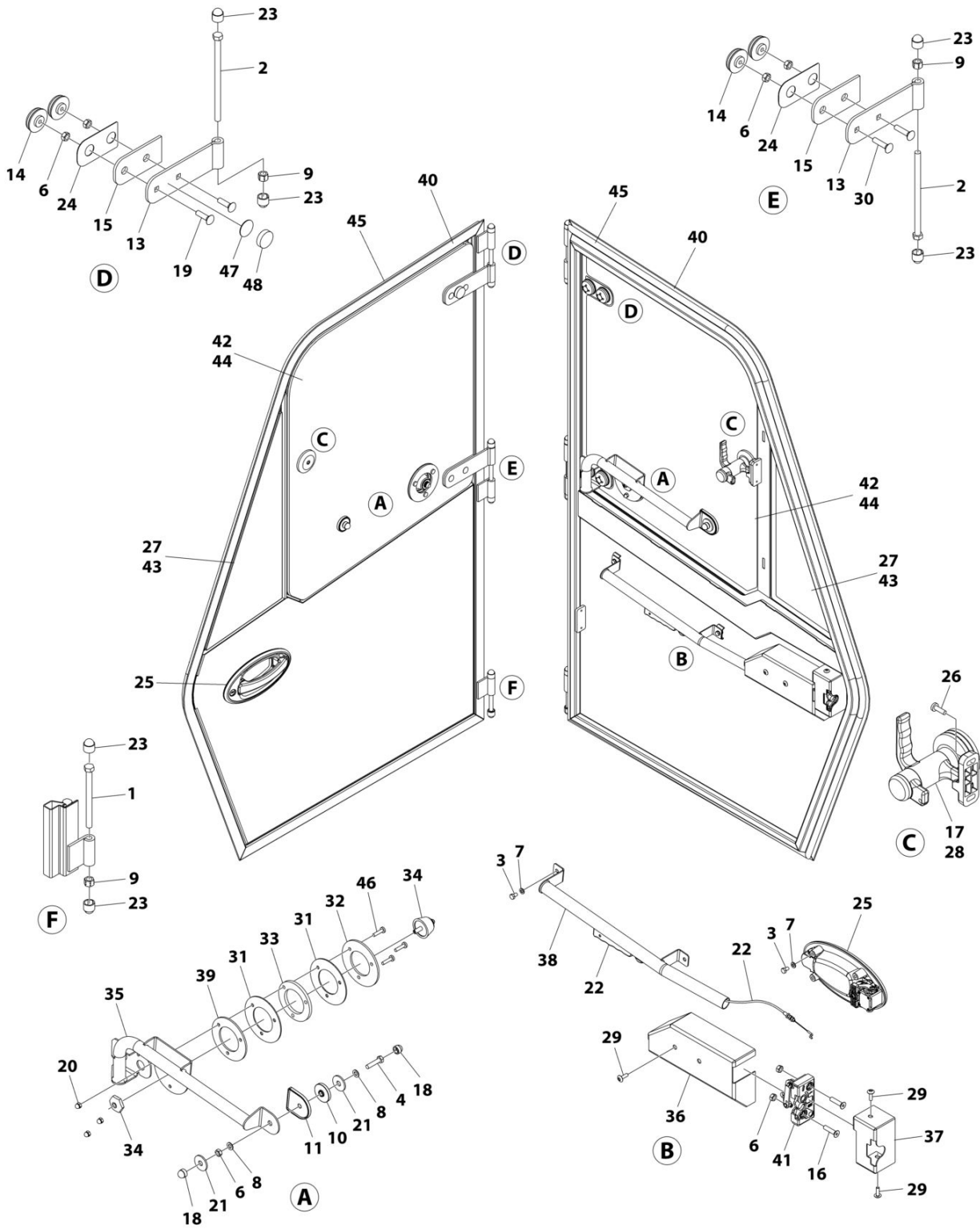
ART_1001297165

FIGURE 6-14. DECAL INSTALLATION - EMERGENCY EXIT

ITEM	PART NUMBER	QTY	DESCRIPTION	REV
1	1001297165 8005870	Ref 2	DECAL INSTALLATION - EMERGENCY EXIT Decal - Emergency Exit	A

SECTION 6 - CAB

FIGURE 6-15. DOOR ASSEMBLY - CAB



ART_1001293816

SECTION 6 - CAB

FIGURE 6-15. DOOR ASSEMBLY - CAB

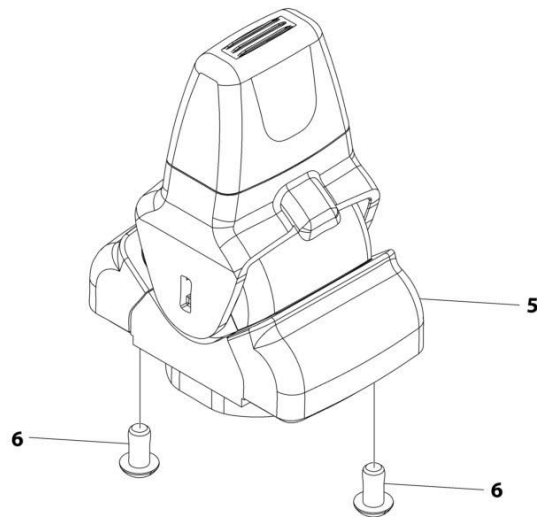
ITEM	PART NUMBER	QTY	DESCRIPTION	REV
	1001293816	Ref	DOOR ASSEMBLY - CAB	C
1	0641636	1	Bolt 3/8 x 4-1/2	
2	0641652	2	Bolt 3/8 x 6-1/2	
3	0760605	6	Bolt M6 x 10	
4	0760815	1	Bolt M8 x 35	
6	3290801	7	Nut M8	
7	4811700	6	Washer M6	
8	4811900	2	Washer M8	
9	8305603	3	Nut 3/8	
10	1001002953	1	Mount, Rubber	
11	1001002957	1	Mount, Latch	
13	1001081242	2	Hinge	
14	1001081246	4	Cap, Nut M6	
15	1001081266	2	Spacer	
16	1001094312	2	Screw M8 x 30 GRD 8	
17	1001095650	AR	Adhesive	
18	1001096365	2	Cap, Nut M8	
19	1001108575	2	Screw M8 x 30	
20	1001108603	3	Nut M6	
21	1001141246	2	Mount, Handle	
22	1001167958	1	Door Trigger Assembly	
22	1001167937	1	Mechanism, Trigger	
22	1001192644	1	Cable, Release	
23	1001182663	6	Cap	
24	1001182882	2	Shim	
25	1001192646	1	Handle, Door Exterior	
26	4010508002	2	Screw M5 x 16	
27	1001215531	1	Adhesive	
28	1001220260	1	Handle, Window Vent Latch	
29	1001272884	4	Bolt M6 x 20	
30	1001277374	2	Screw M8 x 35	
31	1001288301	2	Seal, Cab Striker	
32	1001288302	1	Plate, Cab Striker	
33	1001288303	1	Seal, Window Spacer	
34	1001288355	1	Striker Assembly	
35	1001293636	1	Handle, Window	
36	1001293782	1	Panel, Door Handle Cover	
37	1001293783	1	Panel, Door Latch Cover	
38	1001293812	1	Handle, Door Interior	
39	1001293817	1	Spacer, Striker Plate	
40	1001293925	1	Door	
41	1001293944	1	Door Latch Assembly	
41	1001192643	1	Mechanism, Latch	
41	1001293945	1	Link	
42	1001294223	1	Glass (Hinged)	
43	1001294242	1	Glass (Fixed)	
44	1001294253	1	Seal, Glass	
45	1001294257	1	Seal, Door	
46	4010612002	3	Screw M6 x 25	
47	1001271648	1	Tape, Adhesive	

SECTION 6 - CAB

ITEM	PART NUMBER	QTY	DESCRIPTION	REV
48	1001308129	1	Bumper	

SECTION 6 - CAB

FIGURE 6-16. ENGINE SPEED SET SWITCH INSTALLATION



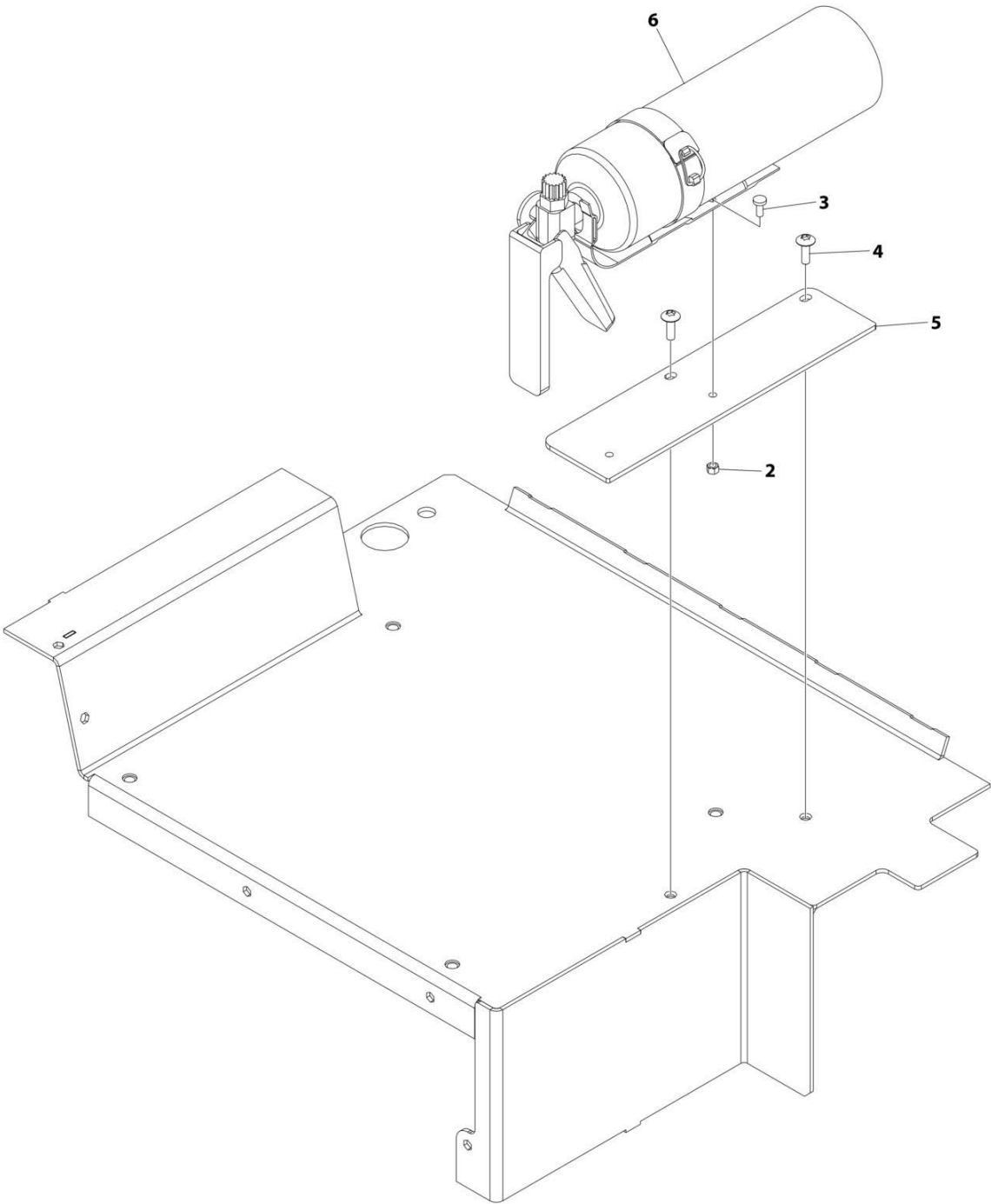
ART_1001299289

FIGURE 6-16. ENGINE SPEED SET SWITCH INSTALLATION

ITEM	PART NUMBER	QTY	DESCRIPTION	REV
	1001299289	Ref	ENGINE SPEED SET SWITCH INSTALLATION	C
5	1001306006	1	Joystick Engine Speed Assembly	
6	1001307474	2	Bolt M3 x 6	

SECTION 6 - CAB

FIGURE 6-17. FIRE EXTINGUISHER INSTALLATION



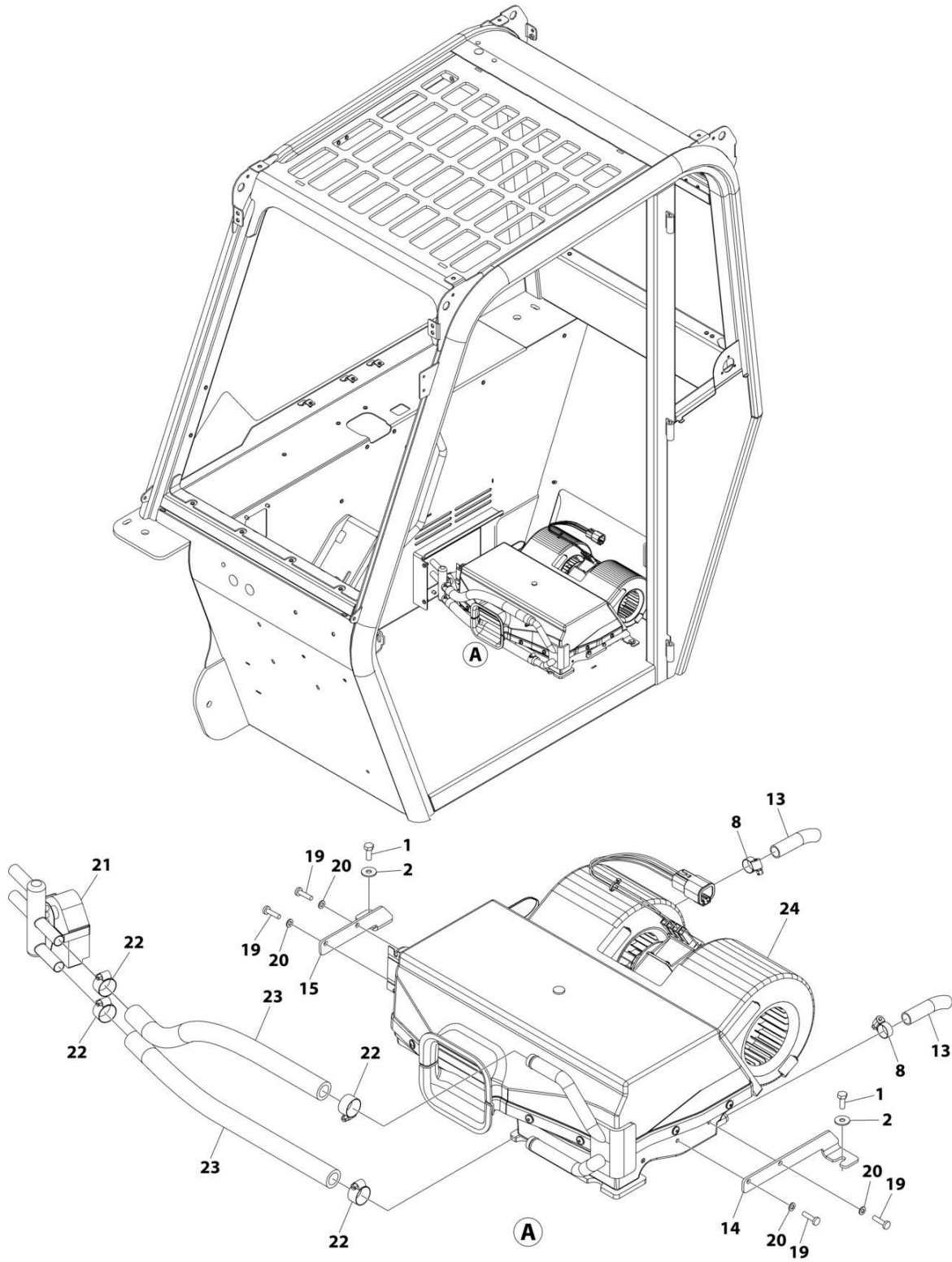
ART_1001292172

FIGURE 6-17. FIRE EXTINGUISHER INSTALLATION

ITEM	PART NUMBER	QTY	DESCRIPTION	REV
	1001292172	Ref	FIRE EXTINGUISHER INSTALLATION	B
2	3290507	2	Nut M5	
3	4010506	2	Screw M5 x 12	
4	1001272884	2	Bolt M6 x 20	
5	1001292171	1	Plate	
6	1001099699	1	Extinguisher, Fire	

SECTION 6 - CAB

FIGURE 6-18. HEATER INSTALLATION - HEAT/AC



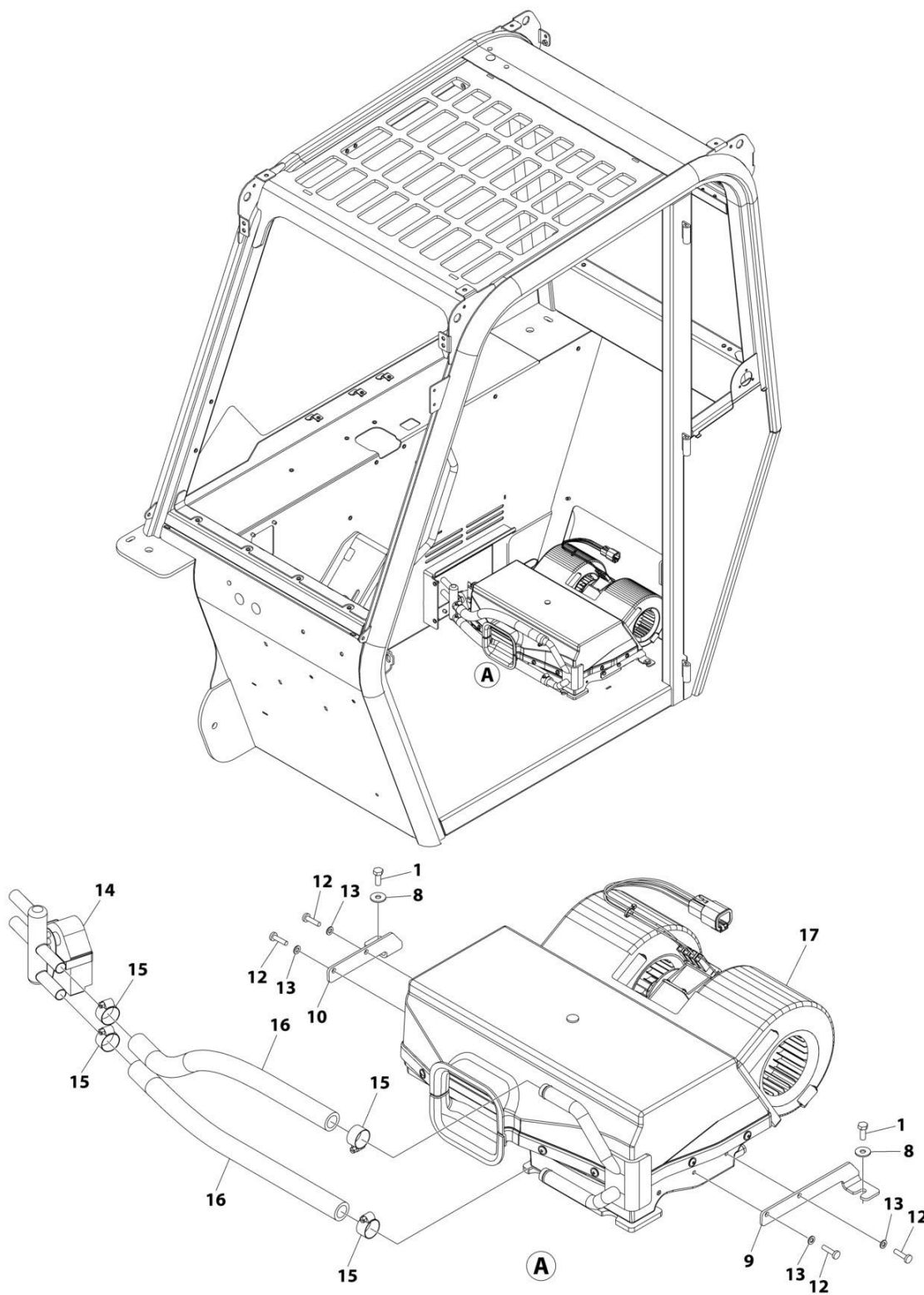
ART_1001292254

FIGURE 6-18. HEATER INSTALLATION - HEAT/AC

ITEM	PART NUMBER	QTY	DESCRIPTION	REV
	1001292254	Ref	HEATER INSTALLATION	E
1	0760608	2	Bolt M6 x 16	
2	4811702	2	Washer M6	
8	1320022	2	Clamp	
13	1001297411	2	Hose, Drain	
14	1001298944	1	Support (LH)	
15	1001299315	1	Support (RH)	
19	4010510	4	Screw M5 x 20	
20	4811600	4	Washer M5	
21	80383231	1	Valve, Heater Control	
22	8410009	4	Clamp	
23	1001292486	2	Hose, Heater Inlet	
24	1001311694	1	Heater Assembly (See Separate Breakdown in this Section)	

SECTION 6 - CAB

FIGURE 6-19. HEATER INSTALLATION - HEAT ONLY



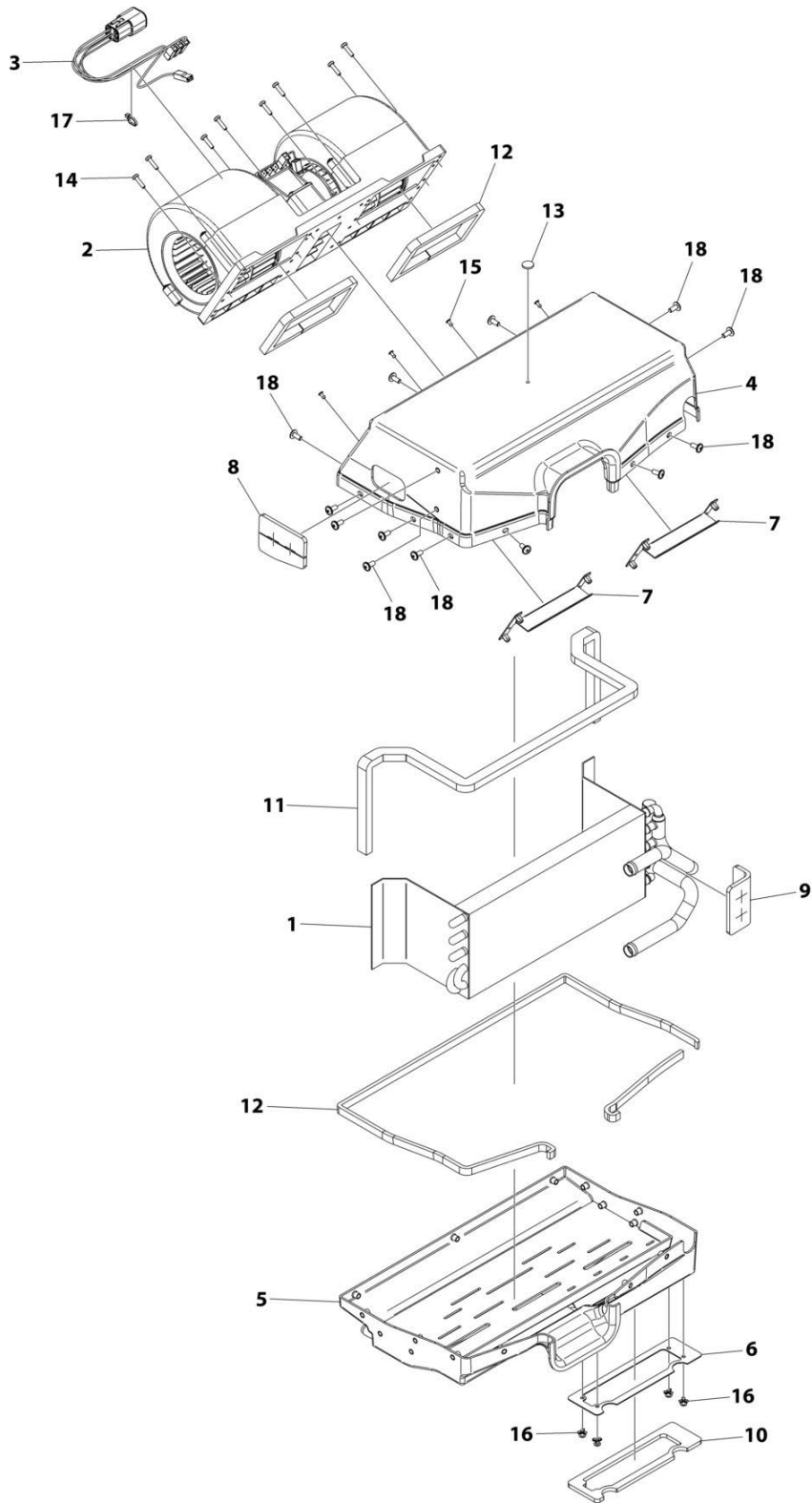
ART_1001292484

FIGURE 6-19. HEATER INSTALLATION - HEAT ONLY

ITEM	PART NUMBER	QTY	DESCRIPTION	REV
	1001292484	Ref	HEATER INSTALLATION	E
1	0760608	2	Bolt M6 x 16	
8	4811702	2	Washer M6	
9	1001298944	1	Support (LH)	
10	1001299315	1	Support (RH)	
12	4010510	4	Screw M5 x 20	
13	4811600	4	Washer M5	
14	80383231	1	Valve, Heater Control	
15	8410009	4	Clamp	
16	1001292486	2	Hose	
17	1001311693	1	Heater Assembly (See Separate Breakdown in this Section)	

SECTION 6 - CAB

FIGURE 6-20. HEATER ASSEMBLY - HEAT ONLY



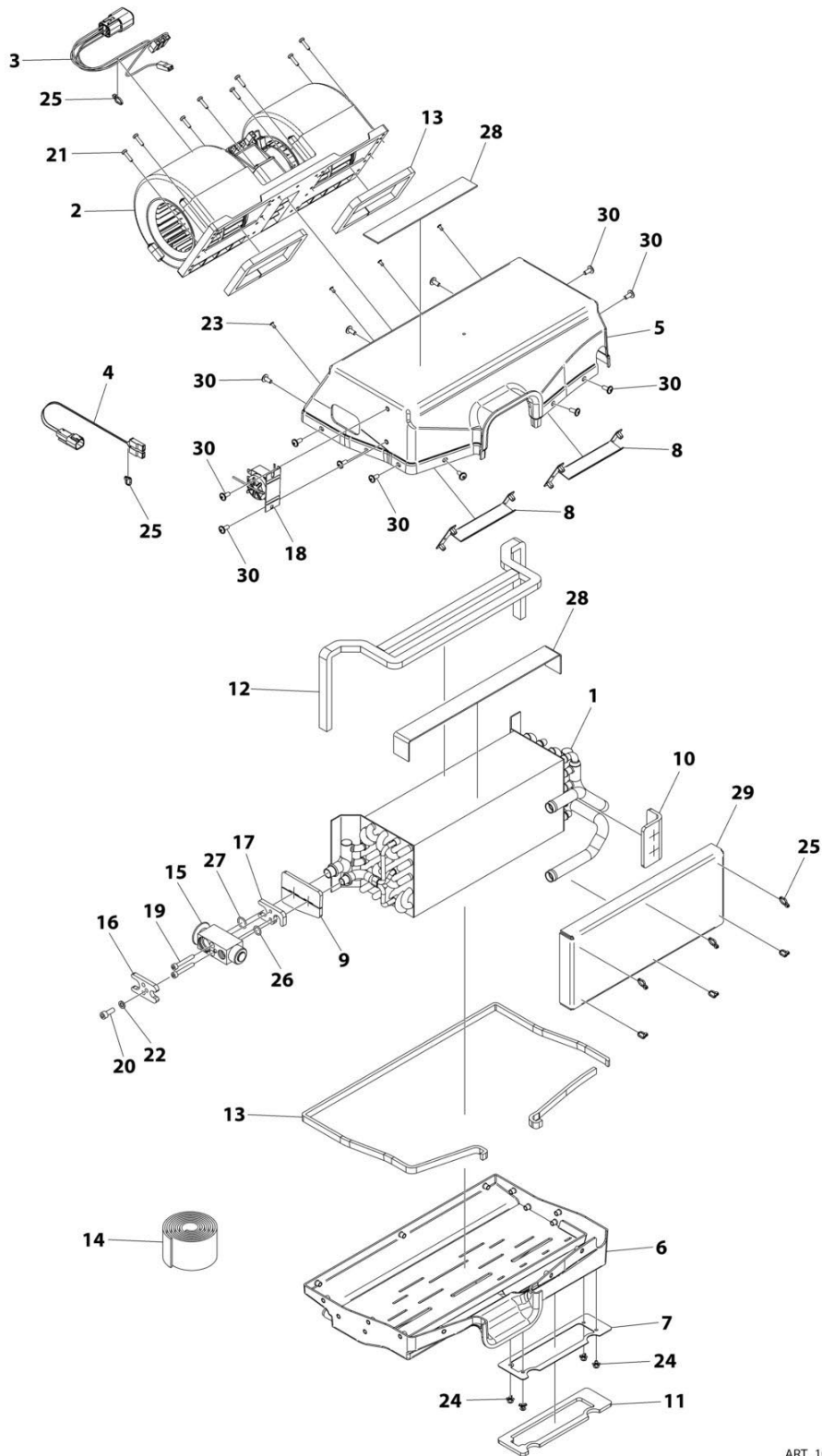
ART_1001311693

FIGURE 6-20. HEATER ASSEMBLY - HEAT ONLY

ITEM	PART NUMBER	QTY	DESCRIPTION	REV
	1001311693	Ref	HEATER ASSEMBLY	A
1	70032003	1	Heater Radiator	
2	70032004	1	Heater Motor	
3	70032005	1	Harness	
4	70032006	1	Top Cover	
5	70032007	1	Bottom Cover	
6	70032008	1	Gasket	
7	70032009	2	Deflector	
8	70032010	1	Side Cover	
9	70032011	1	Corner Cover	
10	70032012	1	Gasket Seal Plate	
11	70032013	1	Air Vent Seal	
12	70032014	2	Bottom Cover Seal	
13	70032015	1	Plug	
14	70032016	8	Screw	
15	70032017	4	Screw	
16	NSS	4	Rivet	
17	NSS	1	Tie-Strap	
18	70032018	13	Screw	

SECTION 6 - CAB

FIGURE 6-21. HEATER ASSEMBLY - HEAT/AC



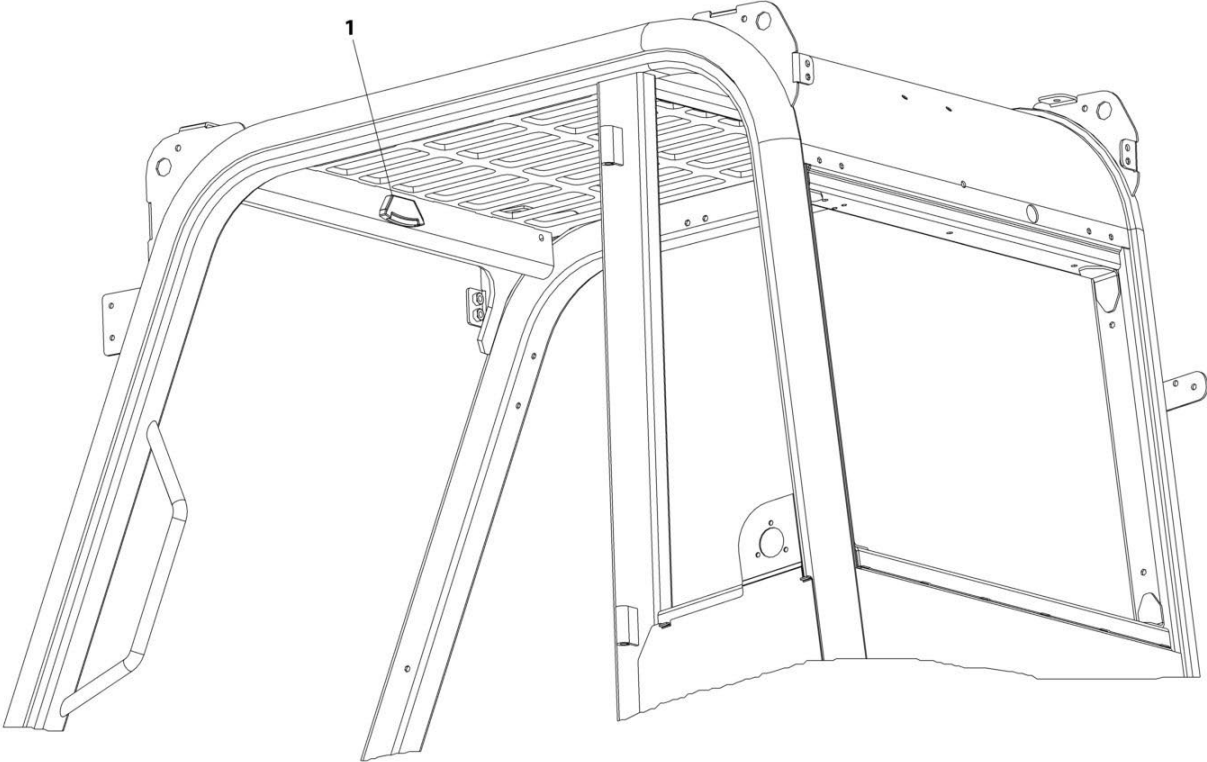
ART_1001311694

FIGURE 6-21. HEATER ASSEMBLY - HEAT/AC

ITEM	PART NUMBER	QTY	DESCRIPTION	REV
	1001311694	Ref	HEATER ASSEMBLY	A
1	70032019	1	Evaporator	
2	70032004	1	Heater Motor	
3	70032005	1	Harness	
4	70032020	1	Thermostat Harness	
5	70032006	1	Top Cover	
6	70032007	1	Bottom Cover	
7	70032008	1	Gasket	
8	70032009	2	Deflector	
9	70032010	1	Side Cover	
10	70032011	1	Corner Cover	
11	70032012	1	Gasket Seal Plate	
12	70032013	2	Air Vent Seal	
13	70032014	3	Bottom Cover Seal	
14	70032021	12 in/ 13 cm	Sealing Tape	
15	70032022	1	Expansion Valve	
16	70032023	1	Valve Mounting Plate	
17	70032024	1	Valve Mounting Plate	
18	70032025	1	Thermostat	
19	70032026	2	Screw	
20	70032027	1	Screw	
21	70032016	8	Screw	
22	70032028	1	Nut	
23	70032017	4	Screw	
24	NSS	4	Rivet	
25	NSS	8	Tie-Strap	
26	70032029	1	O-Ring	
27	70032030	1	O-Ring	
28	70032031	2	Gasket	
29	70032032	1	Anti-Drip Cover	
30	70032018	13	Screw	

SECTION 6 - CAB

FIGURE 6-22. LEVEL INDICATOR INSTALLATION



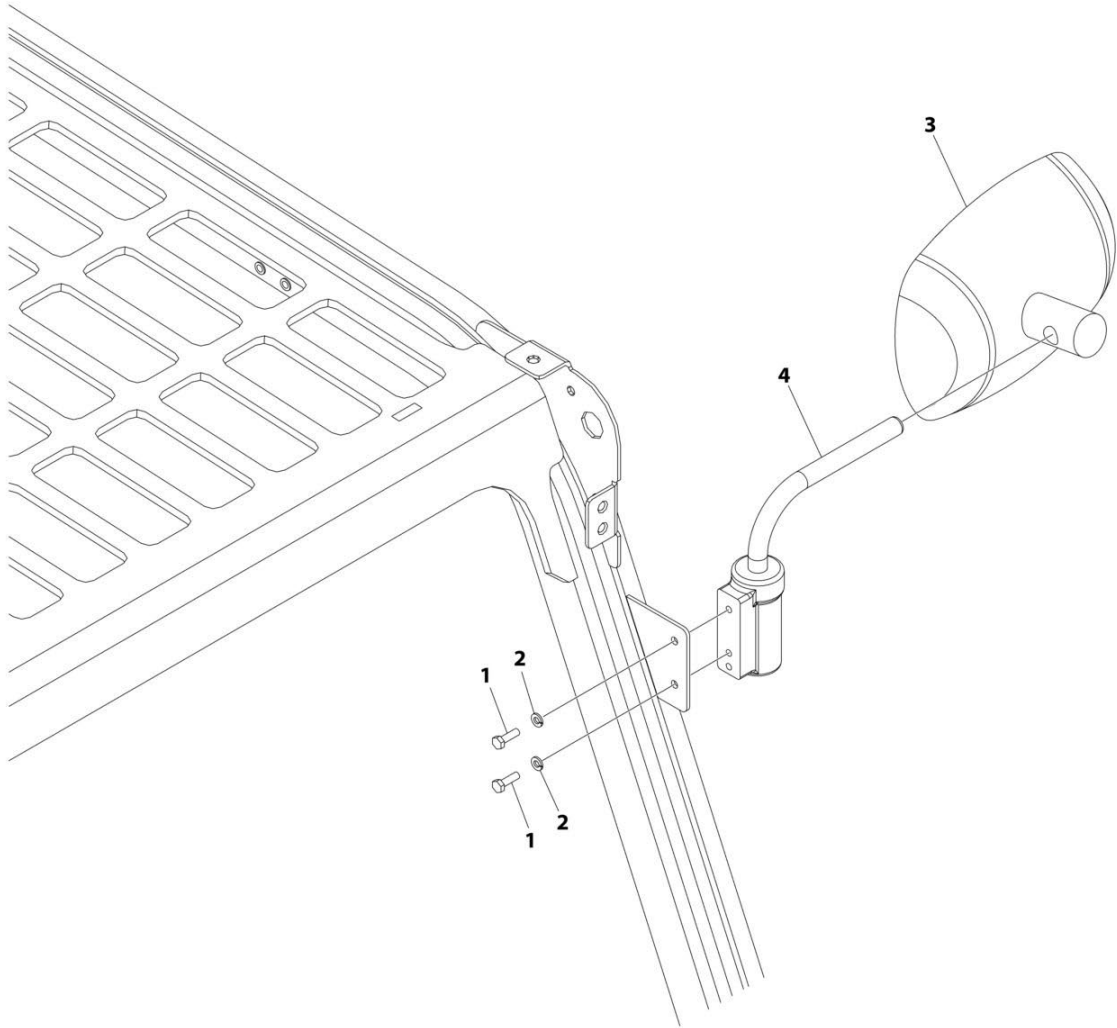
ART_1001297108

FIGURE 6-22. LEVEL INDICATOR INSTALLATION

ITEM	PART NUMBER	QTY	DESCRIPTION	REV
1	1001297108 8466306	Ref 1	LEVEL INDICATOR INSTALLATION Gage, Tilt Angle	A

SECTION 6 - CAB

FIGURE 6-23. MIRROR INSTALLATION



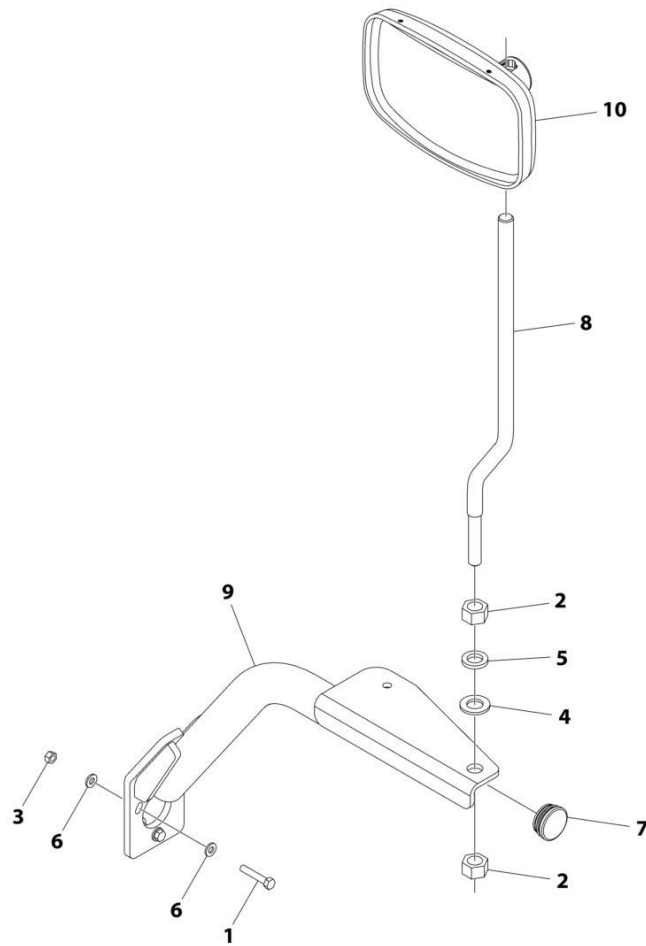
ART_1001297107

FIGURE 6-23. MIRROR INSTALLATION

ITEM	PART NUMBER	QTY	DESCRIPTION	REV
	1001297107	Ref	MIRROR INSTALLATION	A
1	0700610	2	Bolt M6 x 20	
2	8307024	2	Washer M6	
3	8866514	1	Mirror	
4	1001114675	1	Arm, Mirror	

SECTION 6 - CAB

FIGURE 6-24. MIRRORS INSTALLATION



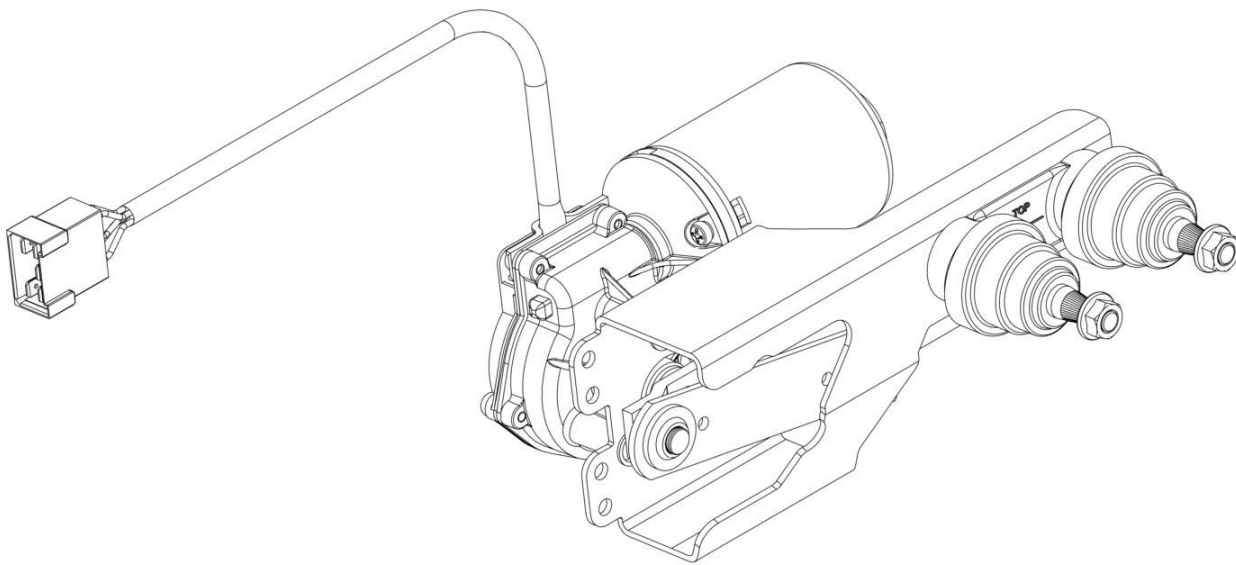
ART_1001292062

FIGURE 6-24. MIRRORS INSTALLATION

ITEM	PART NUMBER	QTY	DESCRIPTION	REV
	1001292062	Ref	MIRRORS INSTALLATION	A
1	0760816	3	Bolt M8 x 40	
2	3272201	2	Nut 3/4	
3	3290801	3	Nut M8	
4	4712200	1	Washer 3/4	
5	4762200	1	Washer 3/4	
6	4811900	6	Washer M8	
7	1001096913	1	Cap, Bracket	
8	1001144474	1	Bracket, Mirror	
9	1001190639	1	Bracket, Headlight (RH)	
10	1001191635	1	Mirror, Frame	

SECTION 6 - CAB

FIGURE 6-25. MOTOR ASSEMBLY - WIPER



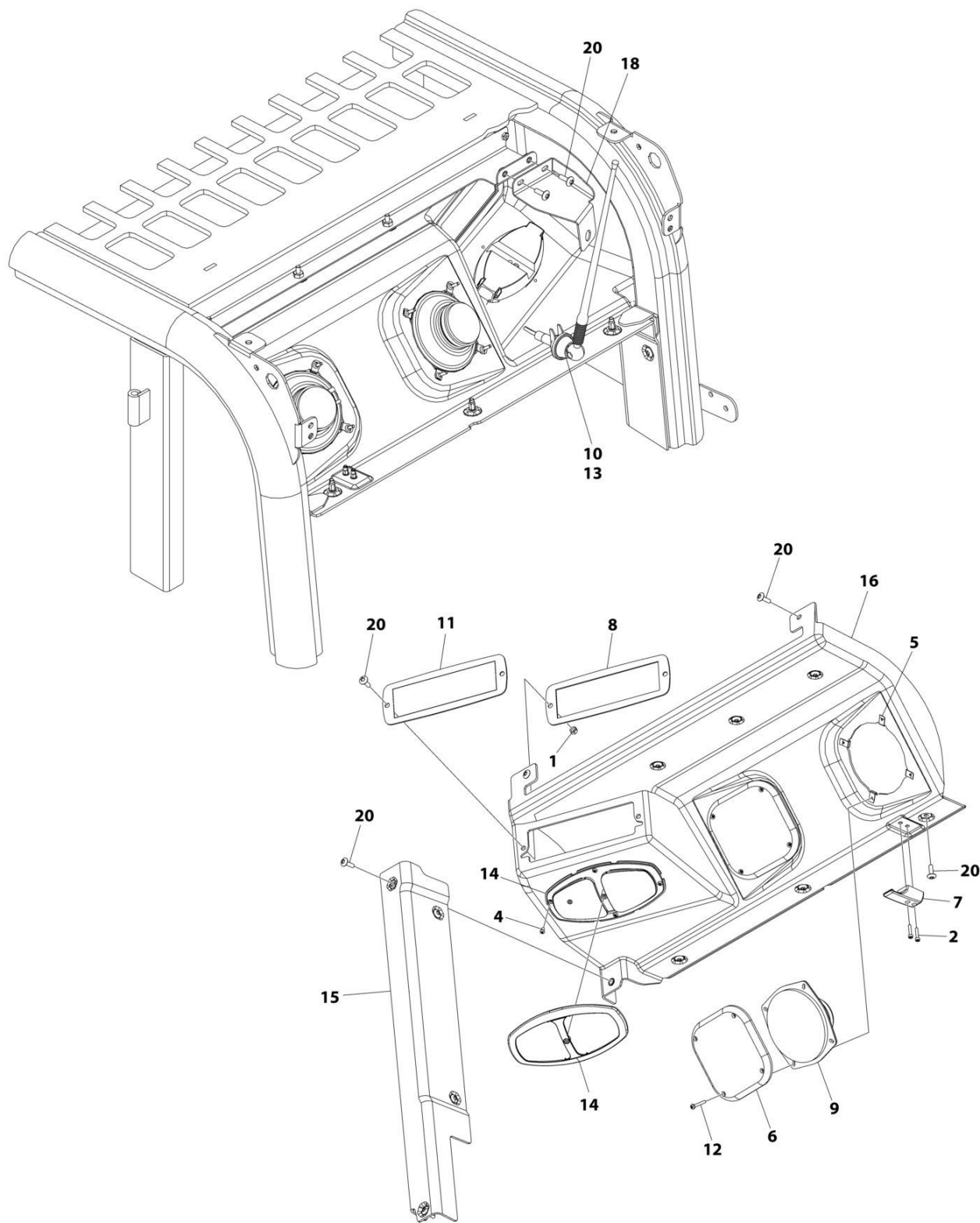
ART_1001283481

FIGURE 6-25. MOTOR ASSEMBLY - WIPER

ITEM	PART NUMBER	QTY	DESCRIPTION	REV
	1001283481 See Note	Ref Ref	MOTOR ASSEMBLY - WIPER Note: No Service Parts Available at Time of Printing	C

SECTION 6 - CAB

FIGURE 6-26. RADIO READY HEADLINER INSTALLATION



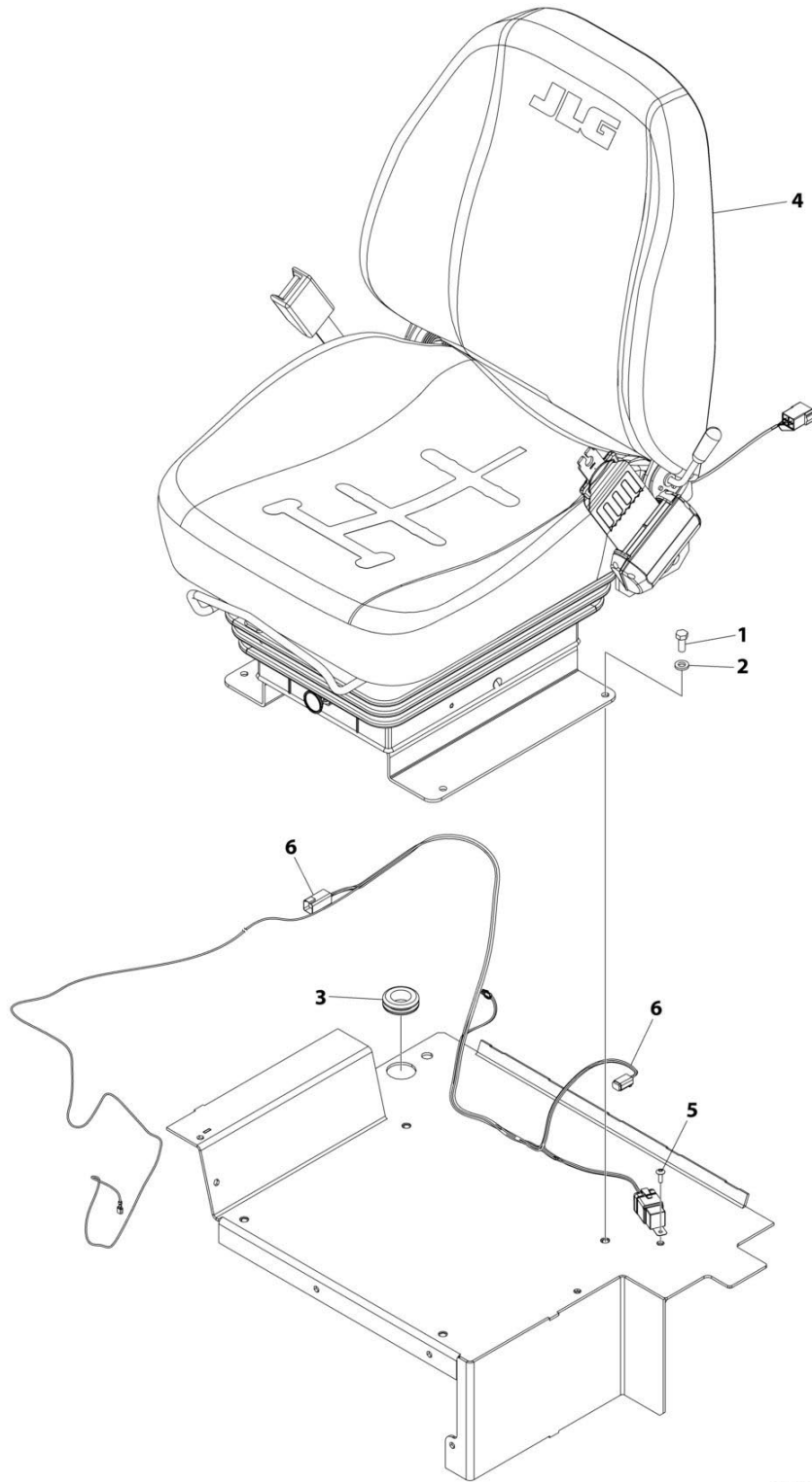
ART_1001298032

FIGURE 6-26. RADIO READY HEADLINER INSTALLATION

ITEM	PART NUMBER	QTY	DESCRIPTION	REV
	1001298032	Ref	RADIO READY HEADLINER INSTALLATION	B
1	3290605	2	Nut M6	
2	4031508	2	Capscrew M4 x 20	
4	7029486	4	Screw	
5	1001080947	8	Nut, Tinnerman M4	
6	1001080951	2	Cover, Speaker	
7	1001080953	1	Hook	
8	1001080955	1	Plate, Radio Mount	
9	1001080956	2	Speaker	
10	1001080959	1	Antenna	
11	1001080960	1	Plate, Cover	
12	1001108152	8	Screw M4 x 30	
13	1001116128	AR	Seal	
14	1001167015	1	Lamp, Dome	
15	1001297055	1	Cover, C-Pillar	
16	1001297404	1	Cover, Headliner	
18	1001297911	1	Bracket, Radio Support	
20	1001272884	16	Bolt M6 x 20	

SECTION 6 - CAB

FIGURE 6-27. SEAT INSTALLATION



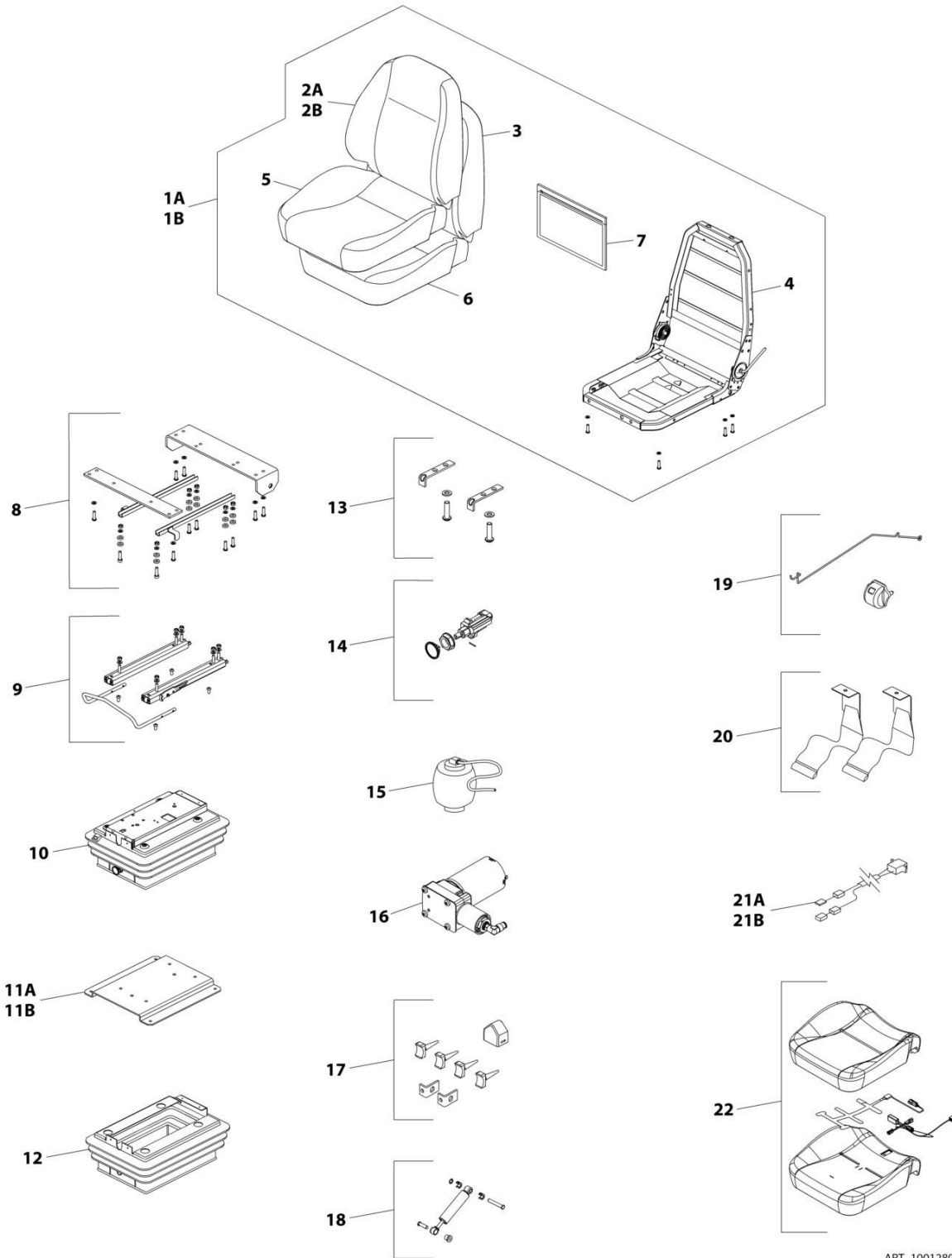
ART_1001296624

FIGURE 6-27. SEAT INSTALLATION

ITEM	PART NUMBER	QTY	DESCRIPTION	REV
	1001296624	Ref	SEAT INSTALLATION	B
1	0760810	4	Bolt M8 x 20	
2	5240800	4	Washer M8	
3	1001081049	1	Grommet	
4	1001280471	1	Seat Assembly (See Separate Breakdown in this Section)	
5	1001272884	1	Bolt M6 x 20	
6	1001296730	1	Seat Belt Alarm Harness (See Separate Breakdown in ELECTRICAL Section)	

SECTION 6 - CAB

FIGURE 6-28. SEAT ASSEMBLY (AIR SUSPENSION - STANDARD)



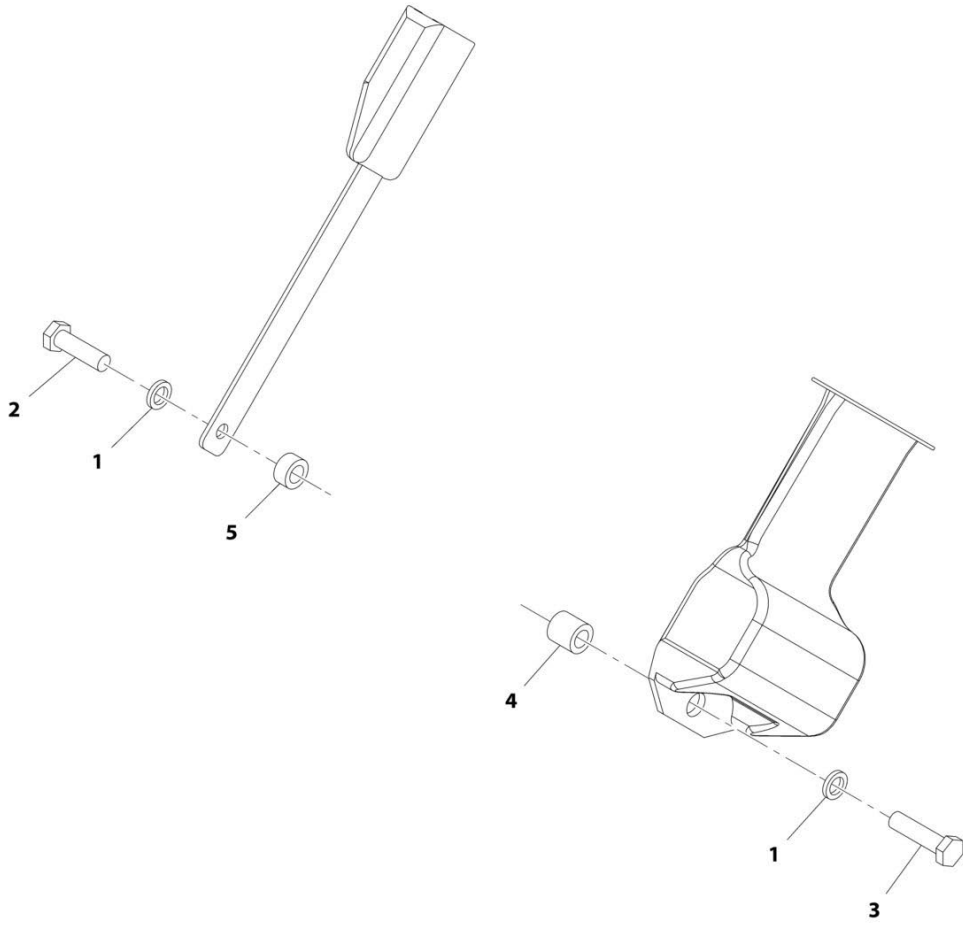
ART_1001280471

FIGURE 6-28. SEAT ASSEMBLY (AIR SUSPENSION - STANDARD)

ITEM	PART NUMBER	QTY	DESCRIPTION	REV
	1001280471	Ref	SEAT ASSEMBLY (AIR SUSPENSION - STANDARD)	B
1A	70031050	1	Cushion and Frame Assembly (Without Sensor) (Includes Items 2-7)	
1B	70031051	1	Cushion and Frame Assembly (With Sensor) (Includes Items 2-7)	
2A	70027399	1	Fabric, Seat Back (Without Sensor)	
2B	70031052	1	Fabric, Seat Back (With Sensor)	
3	80264002	1	Foam, Seat Back	
4	70021314	1	Frame, Seat Bottom and Back	
5	70027394	1	Fabric, Seat Bottom	
6	80264004	1	Foam, Seat Bottom	
7	70021316	1	Document Bag Kit	
8	70021317	1	Frame Mount Kit	
9	70021318	1	Fore/Aft Side Adjustment Kit	
10	70021319	1	Suspension Kit	
11A	70021320	1	Mounting Plate Kit (16.5mm Height)	
11B	70027395	1	Mounting Plate Kit (44.5mm Height)	
12	70021321	1	Cover, Suspension	
13	70021322	1	Side Rail Stop Kit	
14	70021323	1	Air Valve Kit	
15	70021324	1	Air Spring Kit	
16	70021325	1	Compressor Kit	
17	70021326	1	Limit Switches Kit	
18	70021327	1	Damper Kit	
19	70021328	1	Ride Indicator Kit	
20	70021329	1	Seatbelts Kit	
21A	70021330	1	Seat Adapter Harness (Without Sensor)	
21B	70031053	1	Seat Adapter Harness (With Sensor)	
22	70031054	1	Cover/Foam/Sensor Kit (Includes Items 5 & 6)	

SECTION 6 - CAB

FIGURE 6-29. SEAT BELT INSTALLATION (3IN)



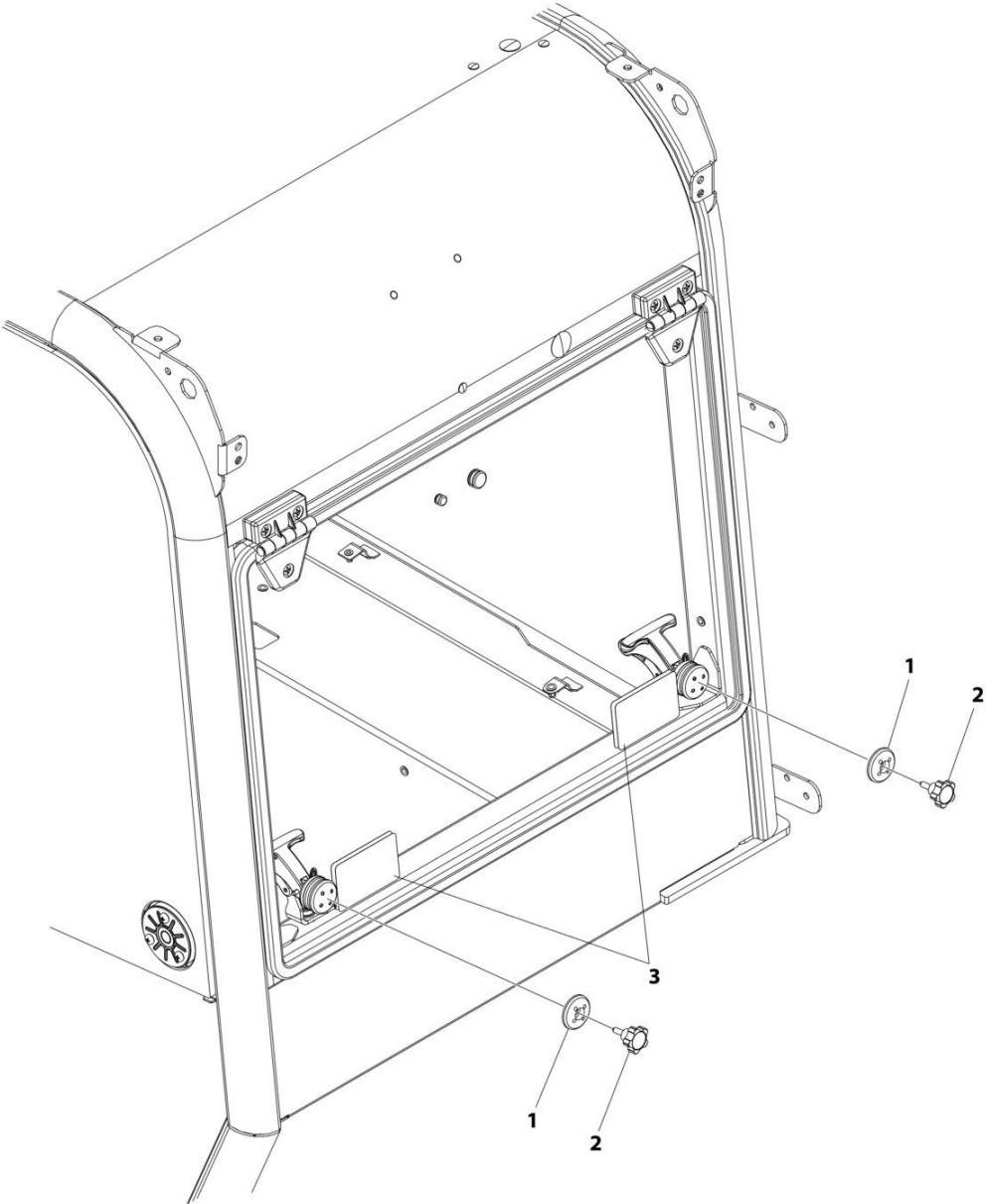
ART_1001006731-B

FIGURE 6-29. SEAT BELT INSTALLATION (3IN)

ITEM	PART NUMBER	QTY	DESCRIPTION	REV
	1001006731	Ref	Seat Belt Installation (3IN)	B
1	1001010646	2	Washer	
2	1001010647	1	Bolt	
3	1001010648	1	Bolt	
4	1001010649	1	Spacer	
5	1001010650	1	Spacer	

SECTION 6 - CAB

FIGURE 6-30. SECONDARY EXIT INSTALLATION (CA SPECS)



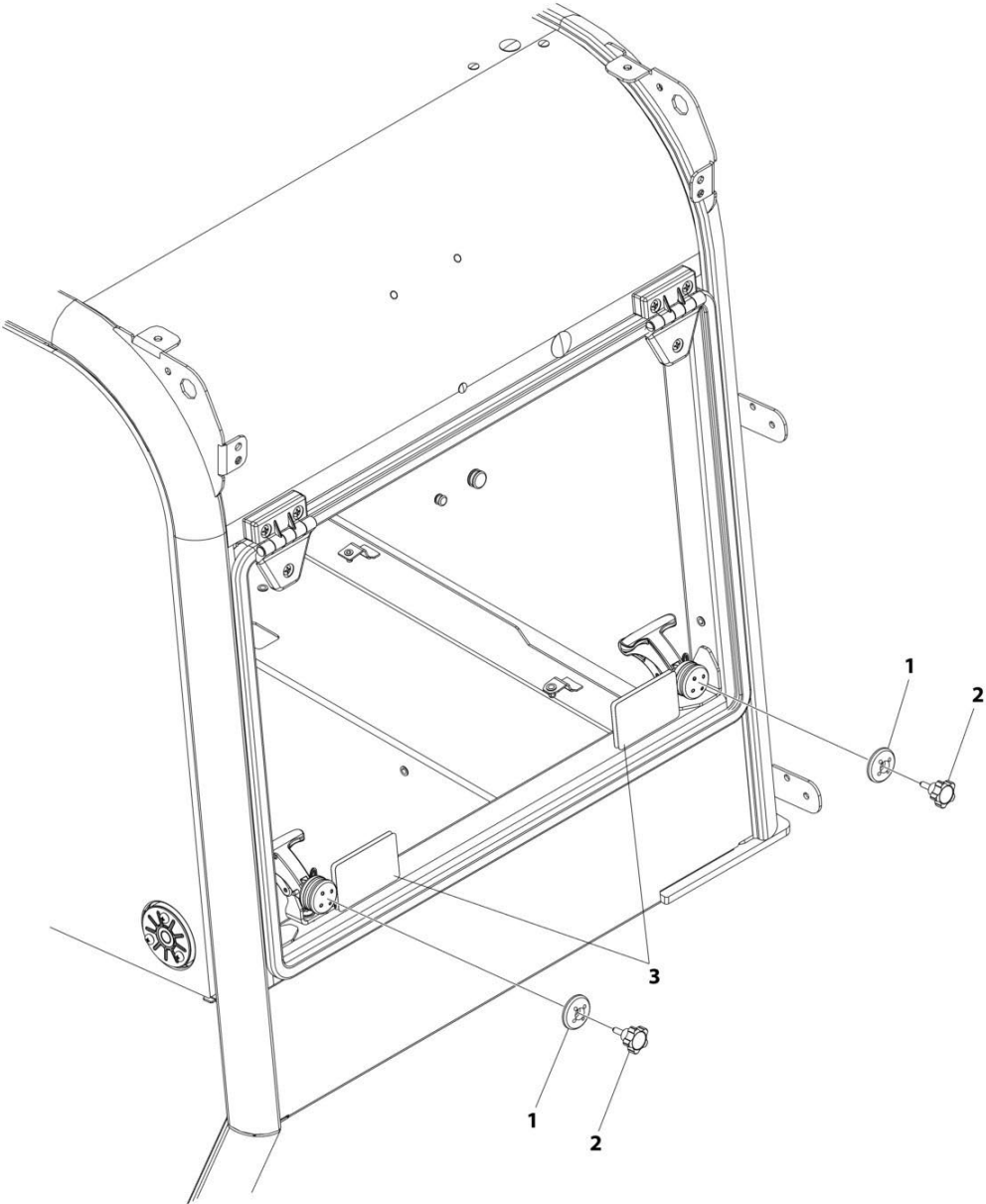
ART_1001299434

FIGURE 6-30. SECONDARY EXIT INSTALLATION (CA SPECS)

ITEM	PART NUMBER	QTY	DESCRIPTION	REV
	1001299434	Ref	SECONDARY EXIT INSTALLATION	A
1	1001179008	2	Cap	
2	1001179009	2	Knob	
3	1001204709	4	Decal - Emergency Exit	

SECTION 6 - CAB

FIGURE 6-31. SECONDARY EXIT INSTALLATION (ANSI SPECS)



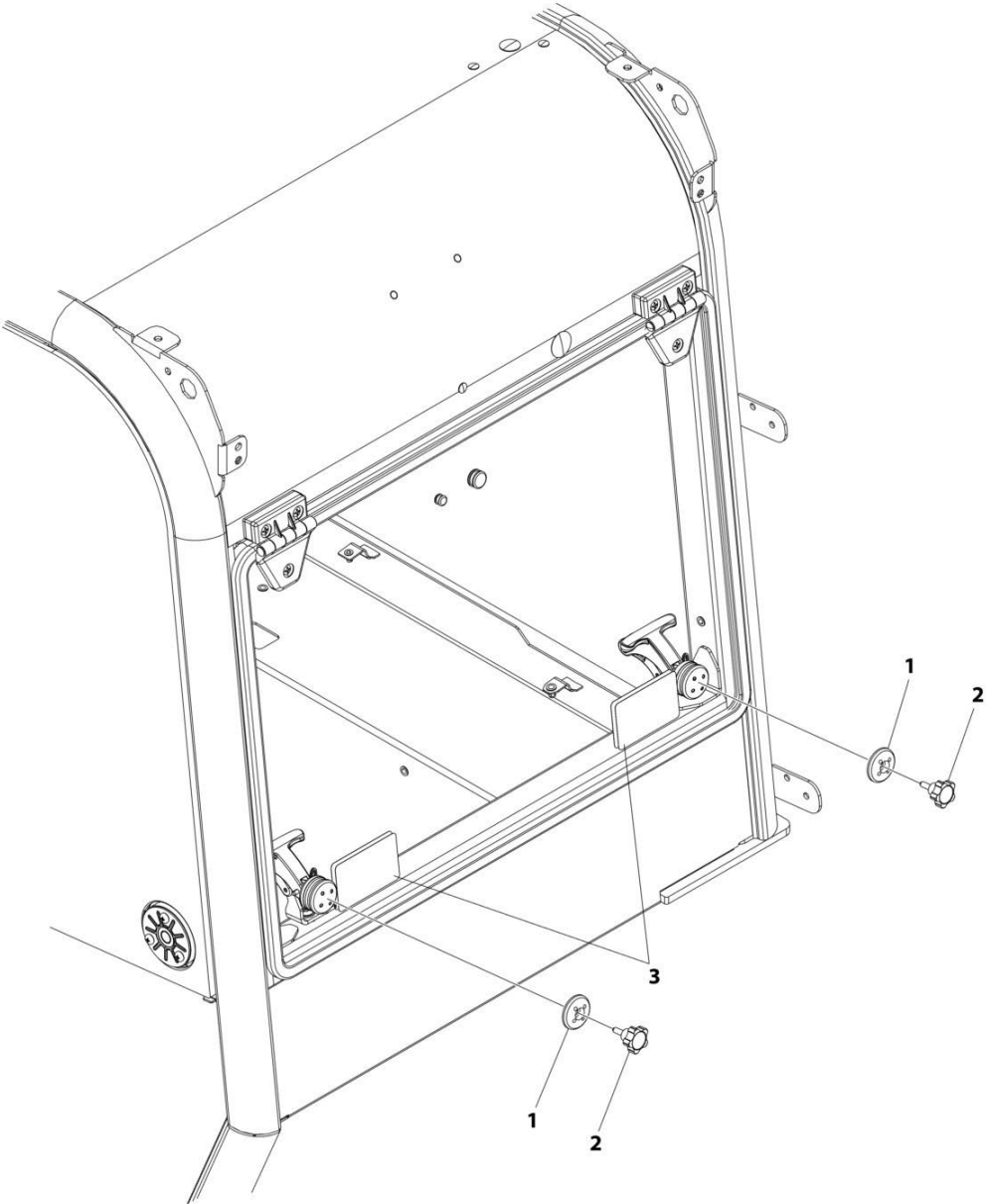
ART_1001299435

FIGURE 6-31. SECONDARY EXIT INSTALLATION (ANSI SPECS)

ITEM	PART NUMBER	QTY	DESCRIPTION	REV
	1001299435	Ref	SECONDARY EXIT INSTALLATION	A
1	1001179008	2	Cap	
2	1001179009	2	Knob	
3	1001212049	4	Decal - Emergency Exit	

SECTION 6 - CAB

FIGURE 6-32. SECONDARY EXIT INSTALLATION (ISO SPECS)



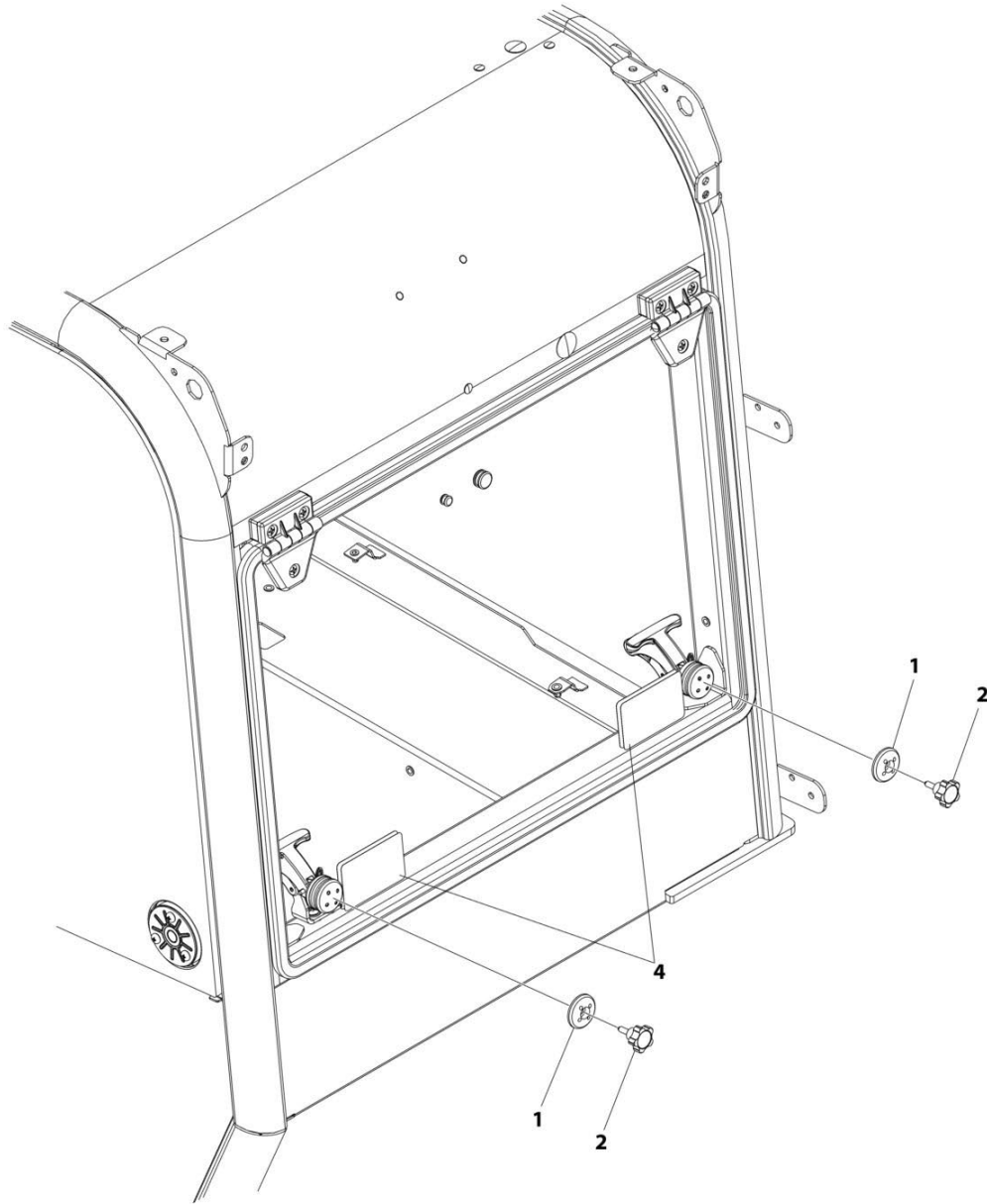
ART_1001301544

FIGURE 6-32. SECONDARY EXIT INSTALLATION (ISO SPECS)

ITEM	PART NUMBER	QTY	DESCRIPTION	REV
	1001301544	Ref	SECONDARY EXIT INSTALLATION	A
1	1001179008	2	Cap	
2	1001179009	2	Knob	
3	1001212050	4	Decal - Emergency Exit	

SECTION 6 - CAB

FIGURE 6-33. SECONDARY EXIT INSTALLATION (ENGLISH/SPANISH LANGUAGES)



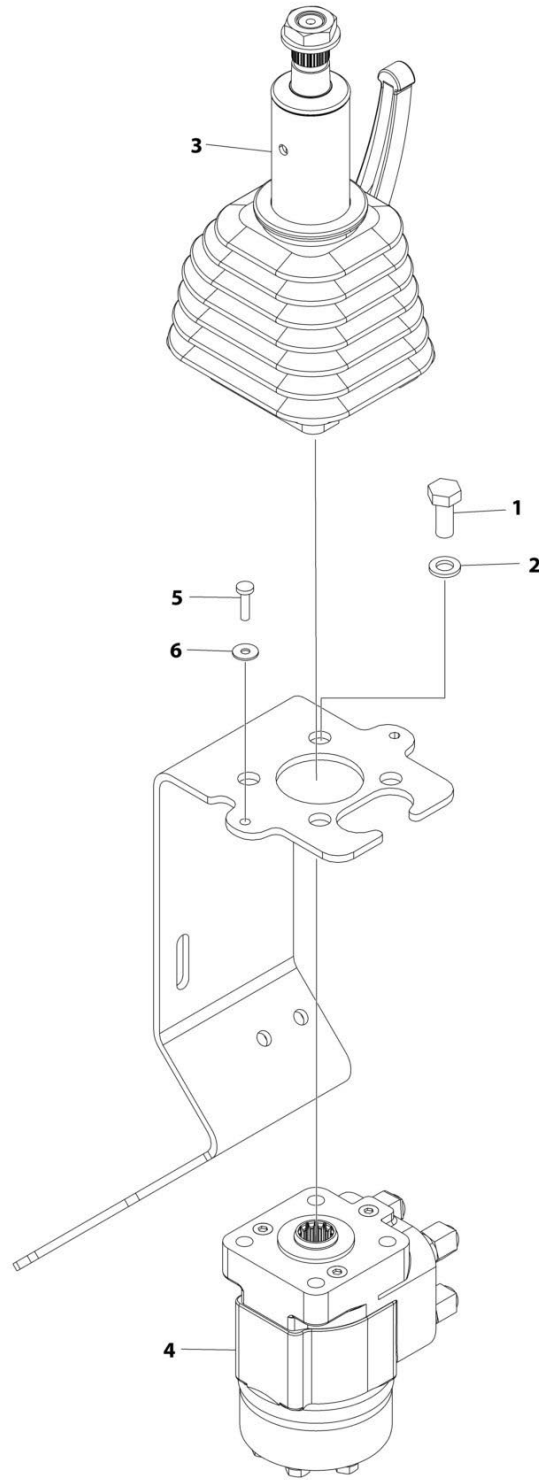
ART_1001301547

FIGURE 6-33. SECONDARY EXIT INSTALLATION (ENGLISH/SPANISH LANGUAGES)

ITEM	PART NUMBER	QTY	DESCRIPTION	REV
	1001301547	Ref	SECONDARY EXIT INSTALLATION	A
1	1001179008	2	Cap	
2	1001179009	2	Knob	
4	1001237845	4	Decal - Emergency Exit	

SECTION 6 - CAB

FIGURE 6-34. STEERING COLUMN INSTALLATION - TILT



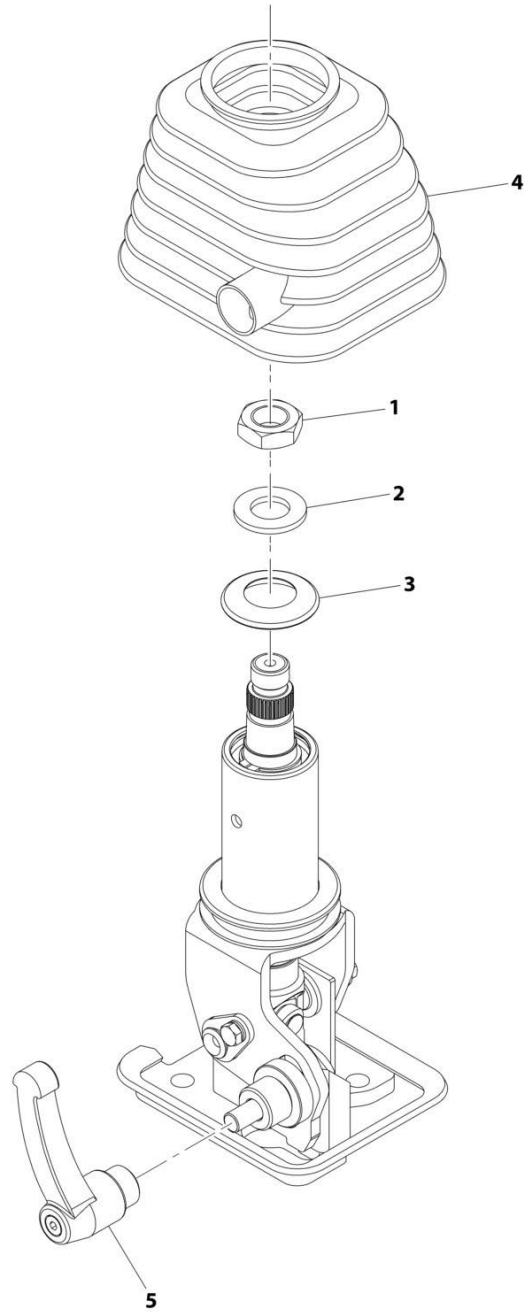
ART_1001294428

FIGURE 6-34. STEERING COLUMN INSTALLATION - TILT

ITEM	PART NUMBER	QTY	DESCRIPTION	REV
	1001294428	Ref	TILT STEERING COLUMN INSTALLATION	B
1	0761012	4	Bolt M10 x 25	
2	4832000	1	Washer M10	
3	1001080826	1	Column, Tilt Steering (See Separate Breakdown in this Section)	
4	1001293337	1	Valve, Steer (See Separate Breakdown in this Section)	
5	4010510002	2	Screw M5 x 20	
6	4811602001	2	Washer M5	

SECTION 6 - CAB

FIGURE 6-35. STEERING COLUMN ASSEMBLY - TILT



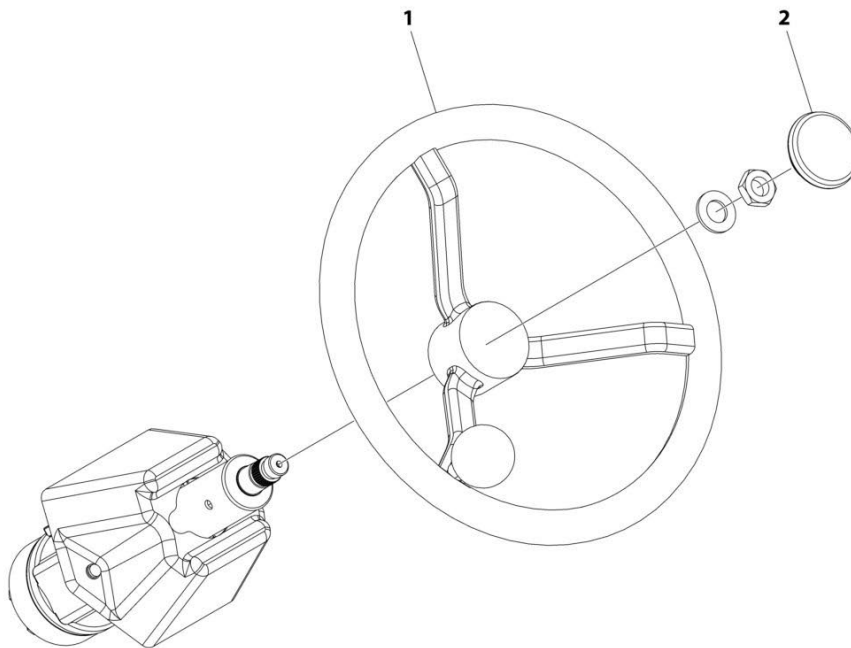
ART_1001080826-F

FIGURE 6-35. STEERING COLUMN ASSEMBLY - TILT

ITEM	PART NUMBER	QTY	DESCRIPTION	REV
	1001080826	Ref	Tilt Steering Column	F
1	70020923	1	Nut, M18-1-1/2	
2	70020924	1	Washer	
3	70020925	1	Rubber Cap	
4	70020926	1	Bellows	
5	70020927	1	Locking Handle	

SECTION 6 - CAB

FIGURE 6-36. STEERING WHEEL INSTALLATION



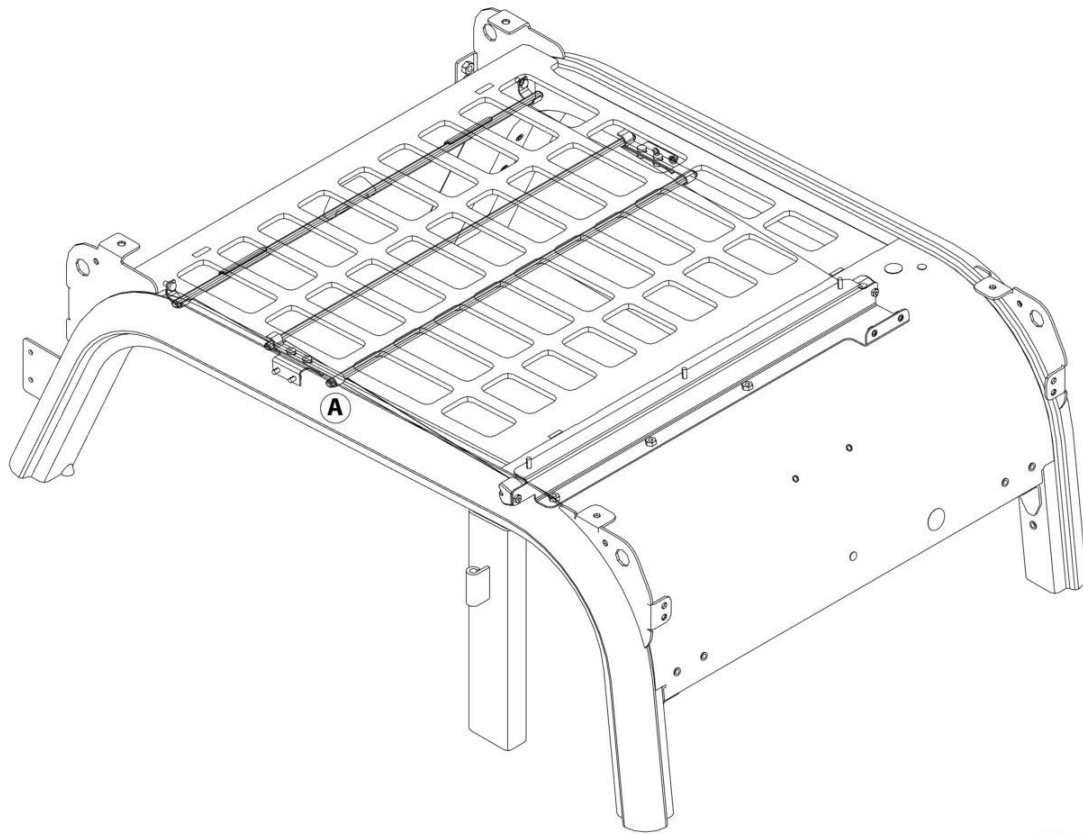
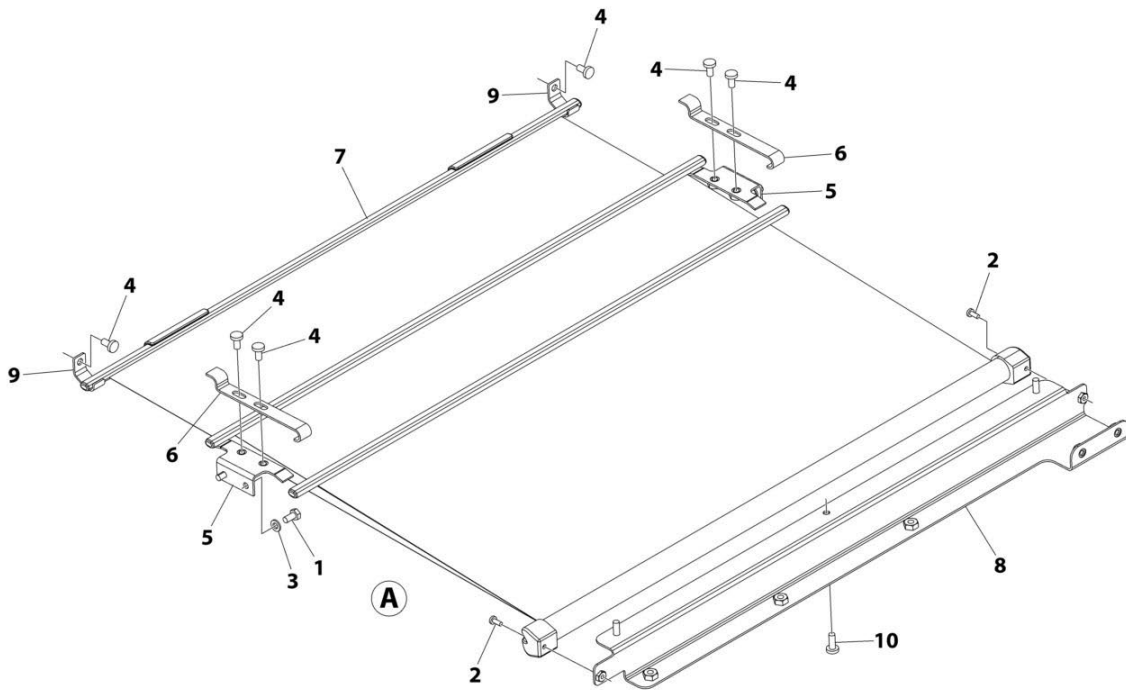
ART_1001298296

FIGURE 6-36. STEERING WHEEL INSTALLATION

ITEM	PART NUMBER	QTY	DESCRIPTION	REV
	1001298296	Ref	STEERING WHEEL INSTALLATION	B
1	1001080462	1	Wheel, Steering	
2	1001080463	1	Cap, Center	

SECTION 6 - CAB

FIGURE 6-37. SUN SCREEN INSTALLATION



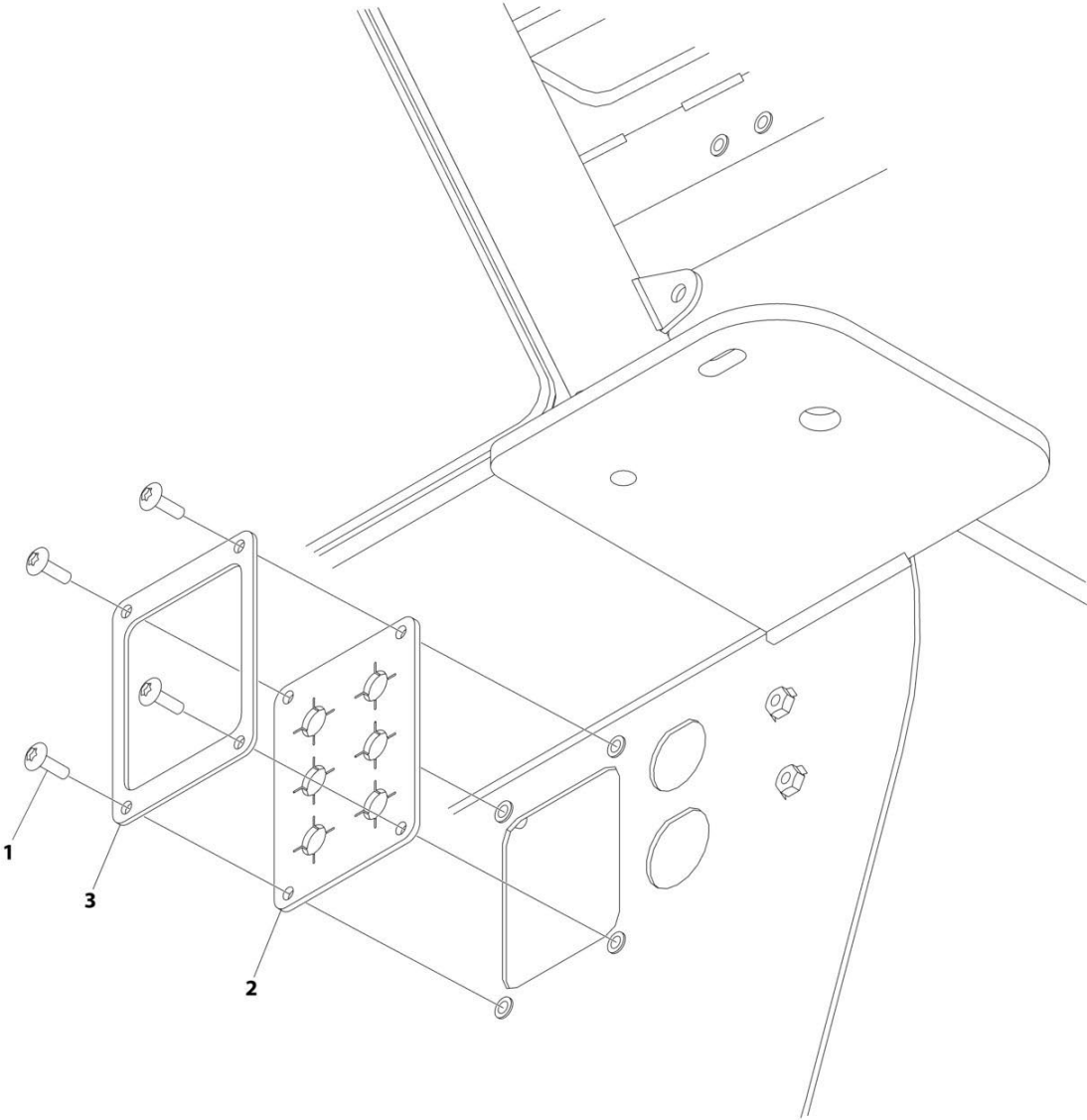
ART_1001294175

FIGURE 6-37. SUN SCREEN INSTALLATION

ITEM	PART NUMBER	QTY	DESCRIPTION	REV
	1001294175	Ref	SUN SCREEN INSTALLATION	A
1	0760606	4	Bolt M6 x 12	
2	4010405	2	Screw M4 x 10	
3	4811700	4	Washer M6	
4	1001099566	6	Screw M6 x 12	
5	1001166385	2	Bracket	
6	1001209463	2	Bracket	
7	1001294450	1	Sun Screen	
8	1001294452	1	Bracket	
9	1001294453	2	Bracket	
10	4010608002	3	Screw M6 x 16	

SECTION 6 - CAB

FIGURE 6-38. WASHER HOSE PASS THROUGH INSTALLATION



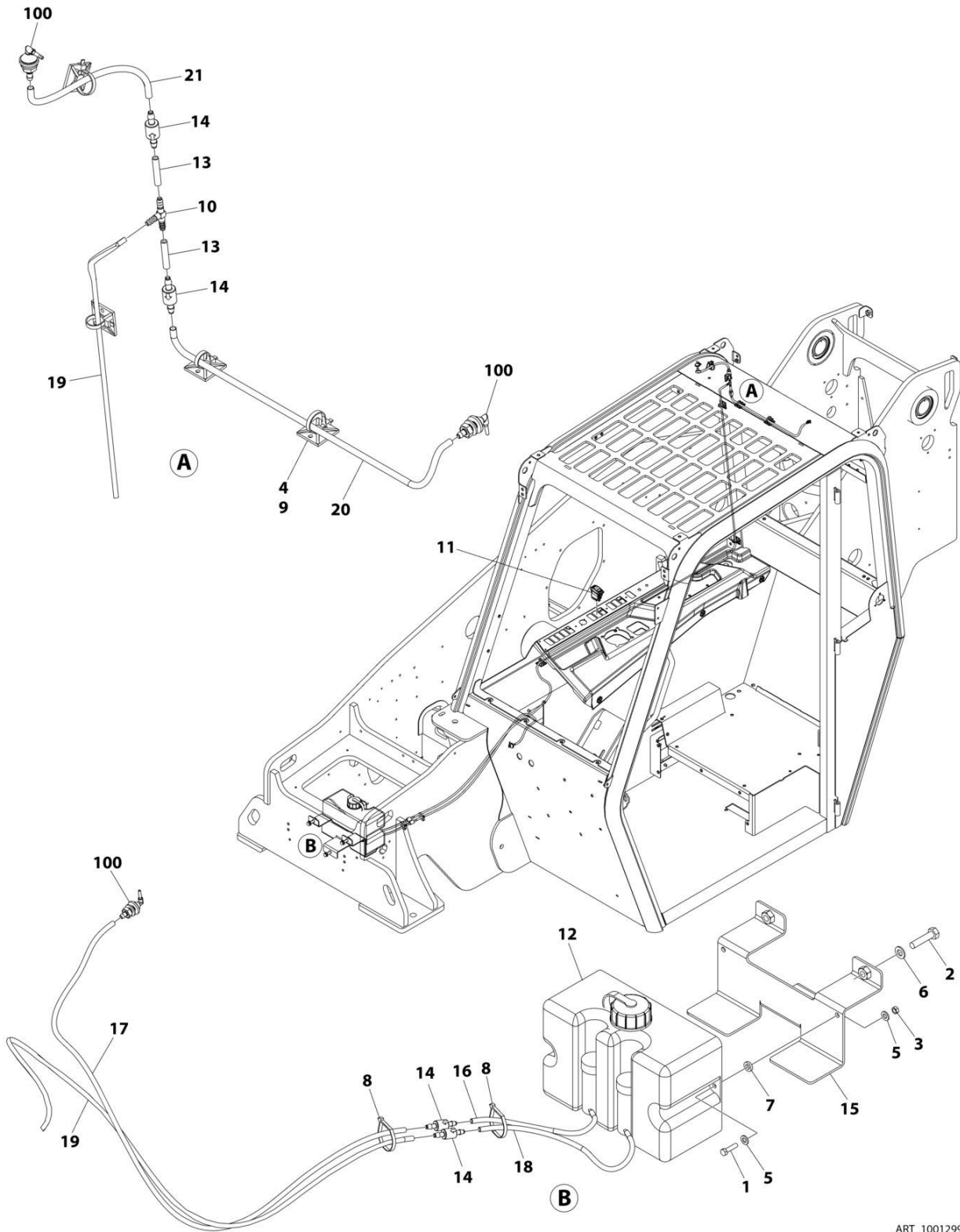
ART_1001299417

FIGURE 6-38. WASHER HOSE PASS THROUGH INSTALLATION

ITEM	PART NUMBER	QTY	DESCRIPTION	REV
	1001299417	Ref	HOSE PASS THROUGH INSTALLATION	A
1	1001272884	4	Screw M6 x 20	
2	1001298344	1	Panel	
3	1001298345	1	Plate, Trim	

SECTION 6 - CAB

FIGURE 6-39. WINDOW WASHER INSTALLATION



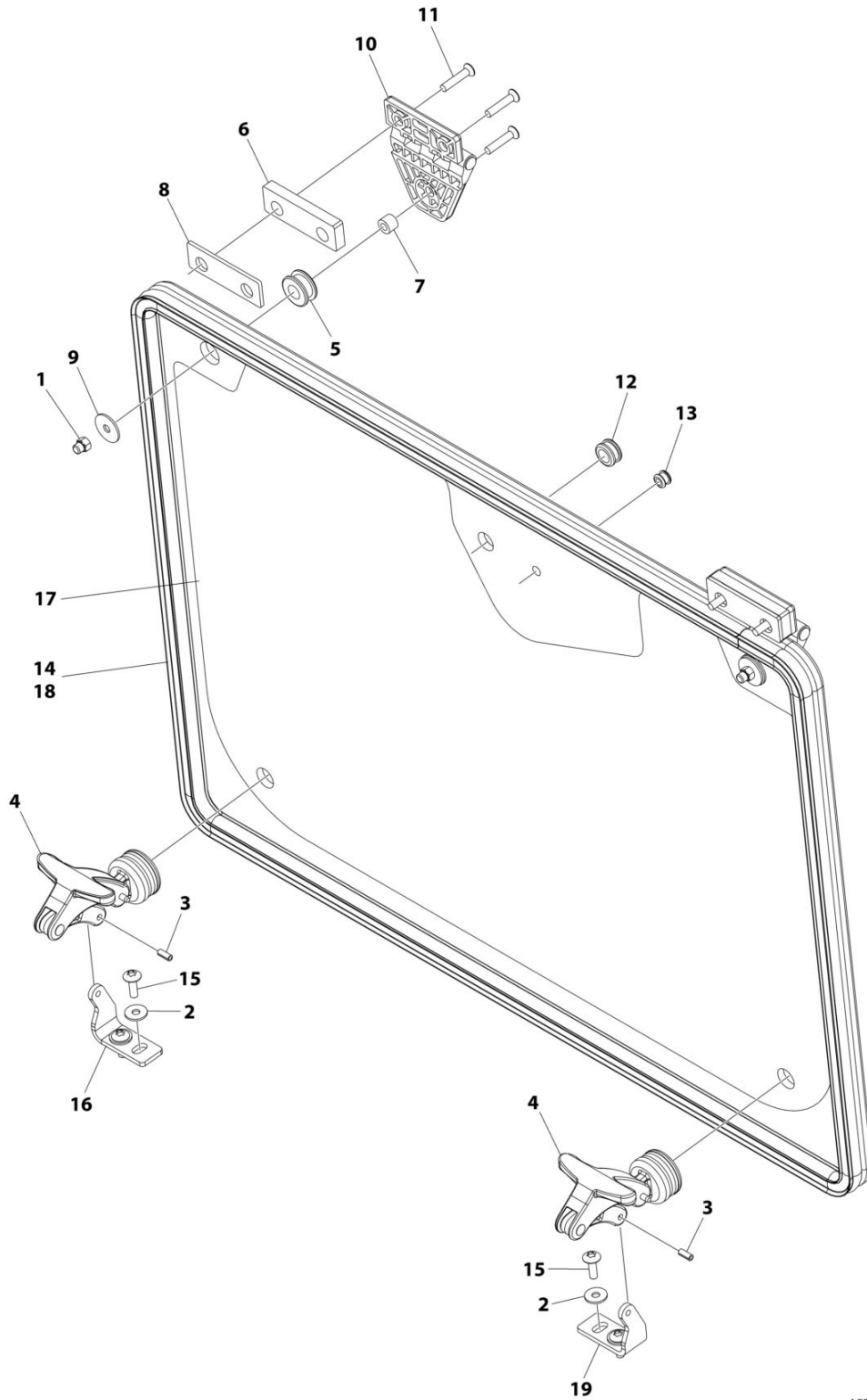
ART_1001299066

FIGURE 6-39. WINDOW WASHER INSTALLATION

ITEM	PART NUMBER	QTY	DESCRIPTION	REV
	1001299066	Ref	WINDOW WASHER INSTALLATION	C
1	0760510	2	Bolt M5 x 20	
2	0760815	3	Bolt M8 x 35	
3	3290501	2	Nut M5	
4	4460234	7	Mount, Tie-Strap	
5	4811700	4	Washer M6	
6	4811900	3	Washer M8	
7	5240600	2	Washer M6	
8	8584001	2	Tie-Wrap	
9	1001008559	7	Tie-Strap	
10	1001008742	1	Fitting, Tee	
11	1001080367	1	Switch, Front Washer	
12	1001165269	1	Tank, Washer	
13	1001165455	2	Hose	
14	1001201331	4	Valve, Check	
15	1001291762	1	Bracket	
16	1001299140	1	Hose	
17	1001299141	1	Hose	
18	1001299142	1	Hose	
19	1001299143	1	Hose	
20	1001299144	1	Hose	
21	1001299145	1	Hose	
100	1001090343	3	Nozzle, Spray	

SECTION 6 - CAB

FIGURE 6-40. WINDOW ASSEMBLY - REAR



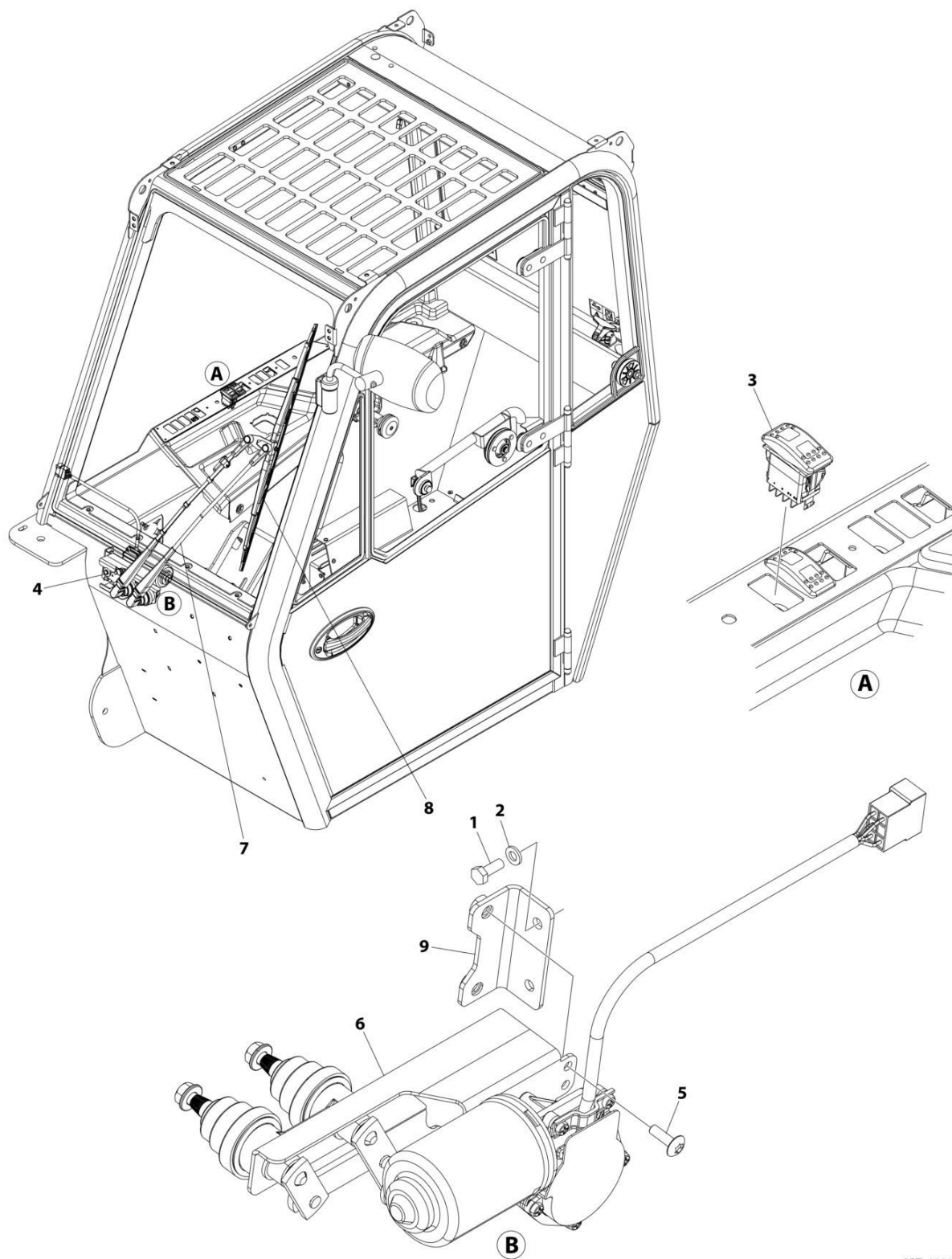
ART_1001293573

FIGURE 6-40. WINDOW ASSEMBLY - REAR

ITEM	PART NUMBER	QTY	DESCRIPTION	REV
	1001293573	Ref	WINDOW ASSEMBLY - REAR	B
1	3290606	2	Nut M6	
2	4811702	4	Washer M6	
3	1001003043	2	Pin	
4	1001005368	2	Latch	
5	1001081283	2	Grommet	
6	1001081284	2	Seal, Hinge	
7	1001081285	2	Sleeve	
8	1001081289	2	Pad, Mounting	
9	1001108552	2	Washer 1/4	
10	1001139568	2	Hinge	
11	1001149125	6	Screw M6 x 30	
12	1001171182	1	Grommet	
13	1001171183	1	Grommet	
14	1001302215	AR	Adhesive	
15	1001272884	4	Screw M6 x 20	
16	1001292295	1	Mount	
17	1001293567	1	Glass (Rear)	
18	1001293571	1	Seal	
19	1001295203	1	Mount	

SECTION 6 - CAB

FIGURE 6-41. WIPER INSTALLATION - FRONT



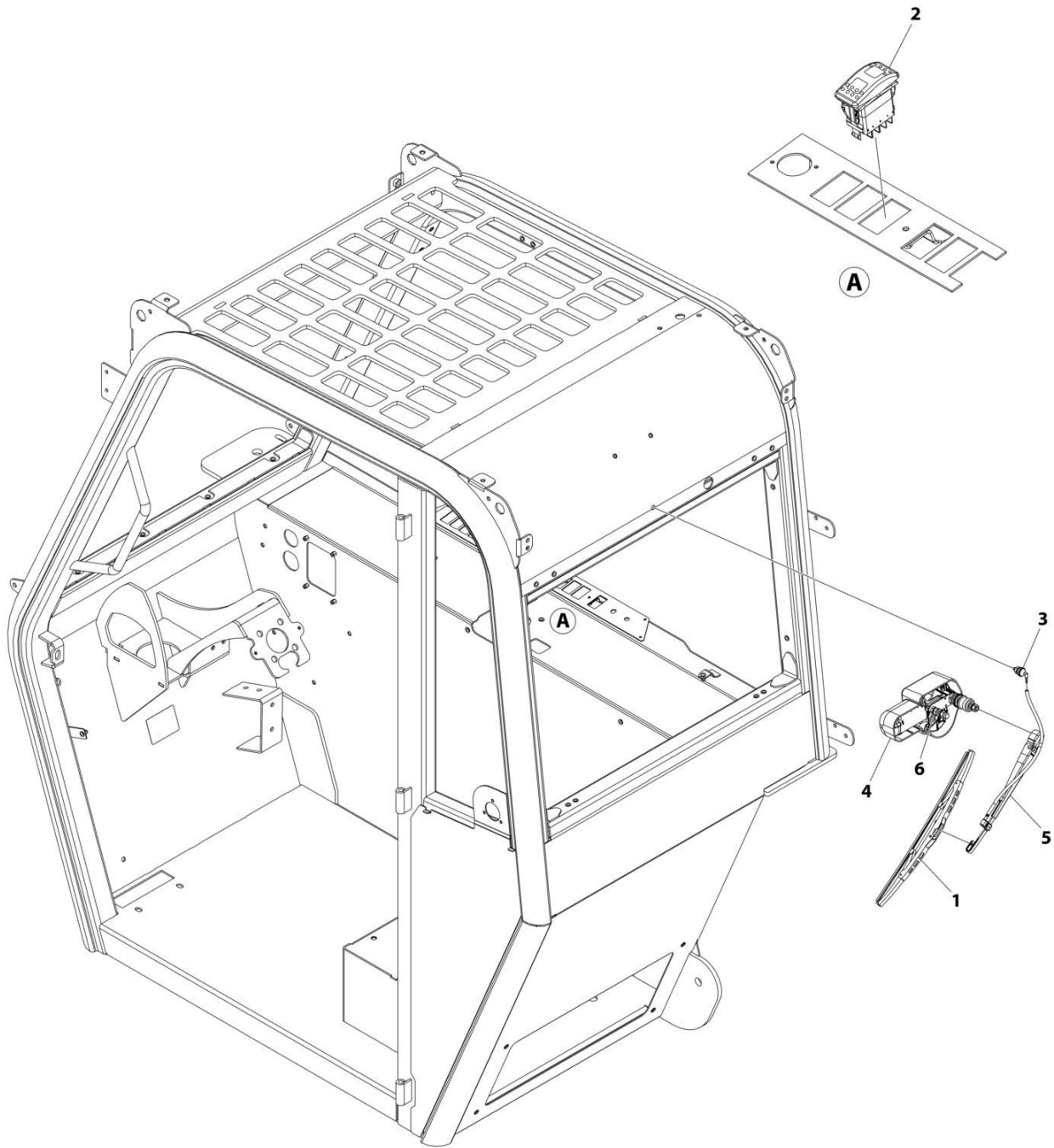
ART_1001291761

FIGURE 6-41. WIPER INSTALLATION - FRONT

ITEM	PART NUMBER	QTY	DESCRIPTION	REV
	1001291761	Ref	WIPER INSTALLATION - FRONT	B
1	0760608	2	Bolt M6 x 16	
2	4811700	2	Washer M6	
3	1001080368	1	Switch	
4	1001090343	1	Nozzle, Spray	
5	1001272884	2	Screw M6 x 20	
6	1001283481	1	Wiper Motor Assembly (See Separate Breakdown in this Section)	
7	1001283482	1	Arm, Wiper	
8	1001283530	1	Blade	
9	1001292252	1	Bracket	

SECTION 6 - CAB

FIGURE 6-42. WIPER INSTALLATION - REAR WINDOW



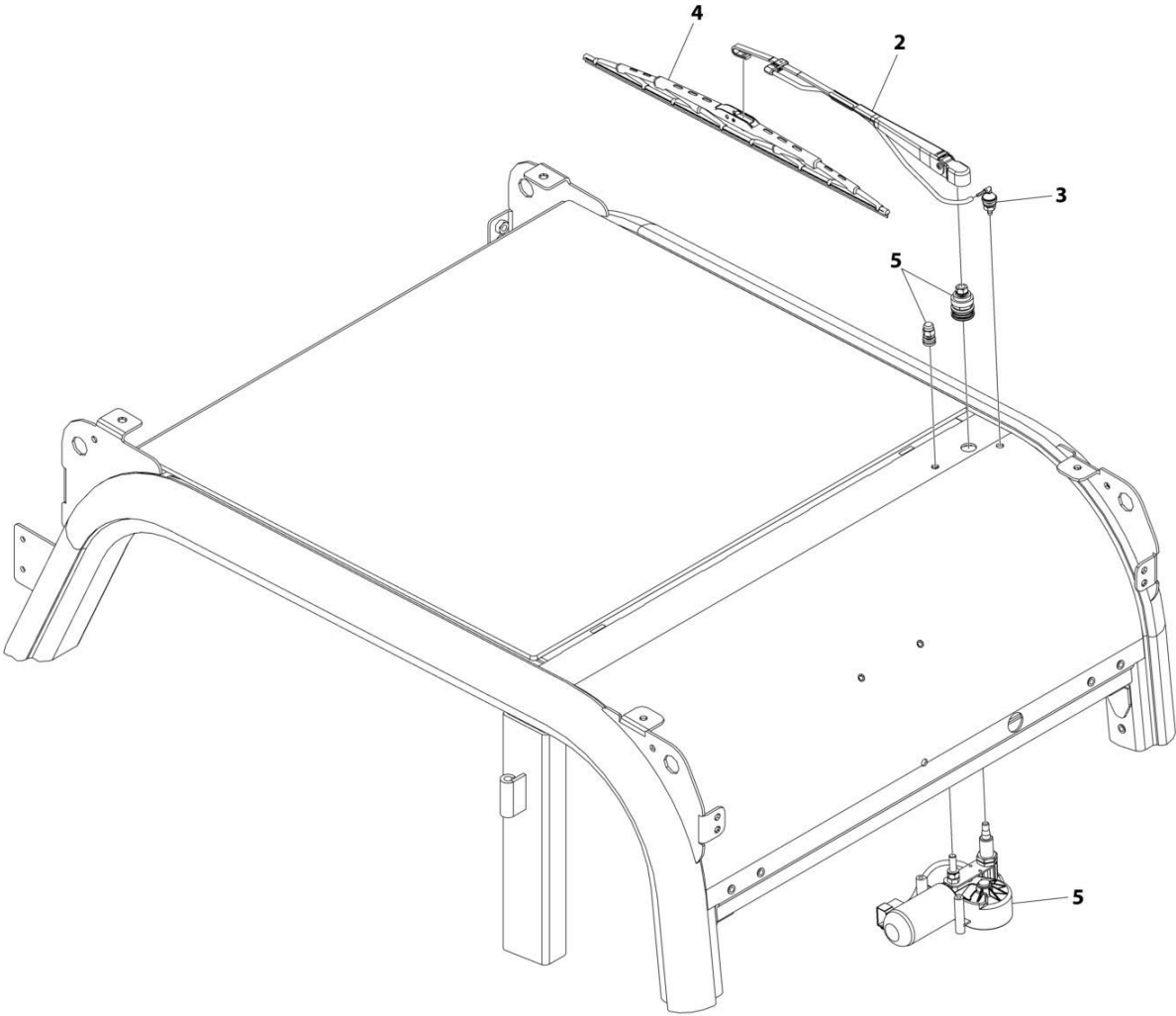
ART_1001296988

FIGURE 6-42. WIPER INSTALLATION - REAR WINDOW

ITEM	PART NUMBER	QTY	DESCRIPTION	REV
	1001296988	Ref	WIPER INSTALLATION - REAR WINDOW	C
1	4807718	1	Blade, Wiper	
2	1001080377	1	Switch, Wiper	
3	1001090343	1	Pipe, Connector	
4	1001139552	1	Motor, Wiper	
5	1001141312	1	Arm, Wiper	
6	3290801	1	Nut M8	

SECTION 6 - CAB

FIGURE 6-43. WIPER INSTALLATION - ROOF



ART_1001296989

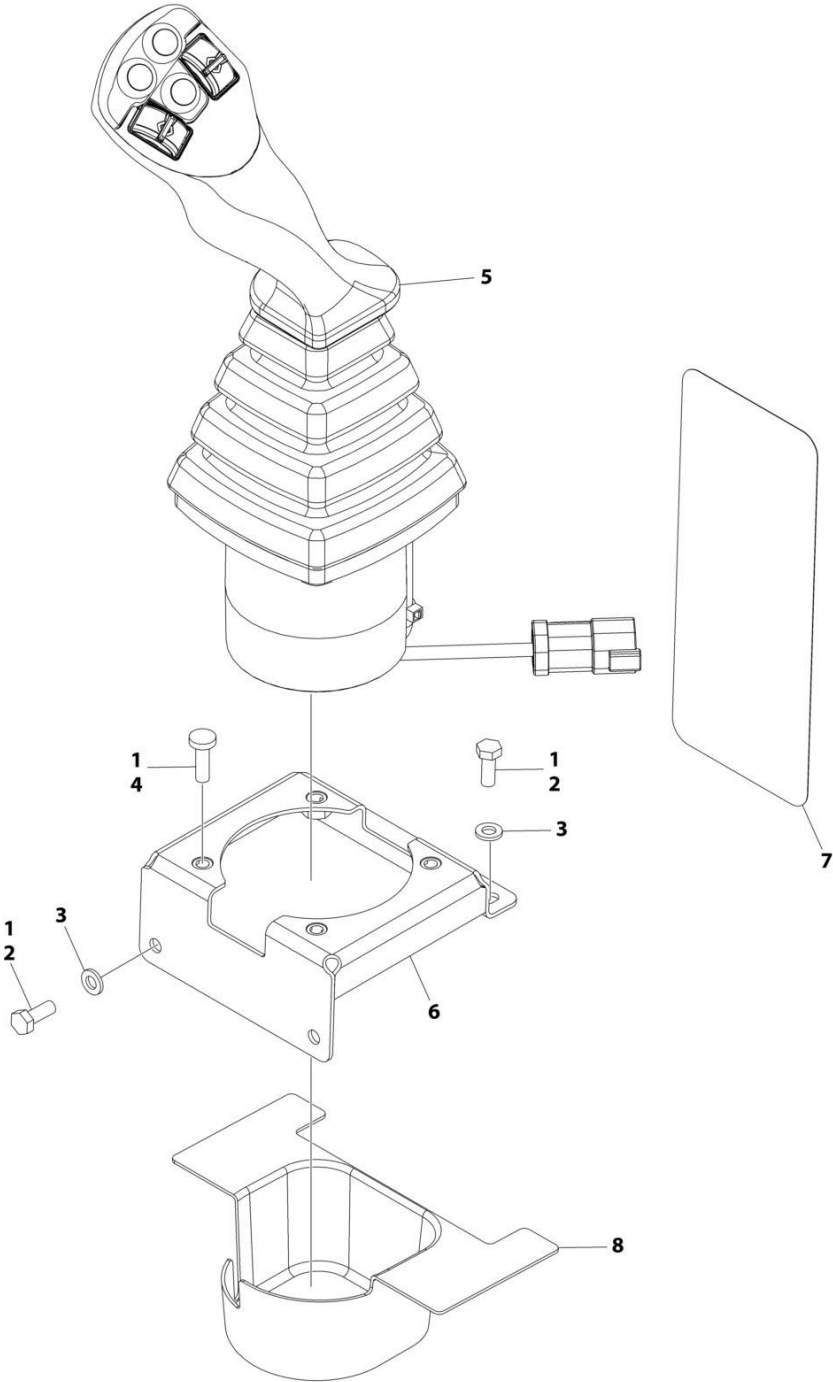
FIGURE 6-43. WIPER INSTALLATION - ROOF

ITEM	PART NUMBER	QTY	DESCRIPTION	REV
	1001296989	Ref	WIPER INSTALLATION - ROOF	D
2	1001283484	1	Arm, Wiper	
3	1001090343	1	Pipe, Connector	
4	1001283532	1	Blade, Wiper	
5	1001296992	1	Motor, Wiper	

SECTION 7 - CONTROLS

SECTION 7 - CONTROLS

FIGURE 7-1. JOYSTICK INSTALLATION



ART_1001296265

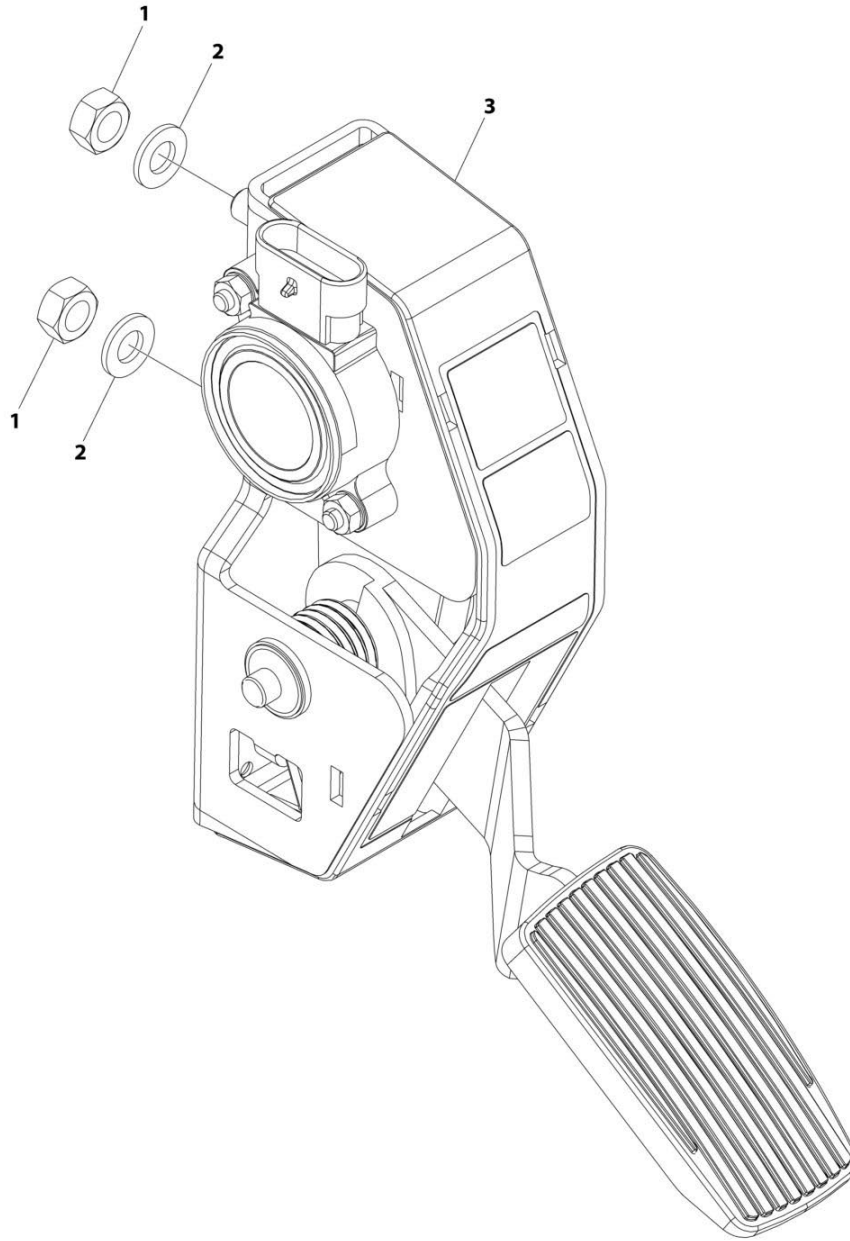
SECTION 7 - CONTROLS

FIGURE 7-1. JOYSTICK INSTALLATION

ITEM	PART NUMBER	QTY	DESCRIPTION	REV
	1001296265	Ref	JOYSTICK INSTALLATION	D
1	0100011	AR	Compound, Locking	
2	0760608	4	Bolt M6 x 16	
3	4811700	4	Washer M6	
4	4010610	4	Screw M6 x 20	
5	1001313261	1	Control, Joystick	
6	1001312694	1	Support, Joystick Mount	
7	1001302312	1	Decal - Joystick Control	
8	1001314048	1	Cover, Joystick	

SECTION 7 - CONTROLS

FIGURE 7-2. PEDAL INSTALLATION - ACCELERATOR



ART_1001297104

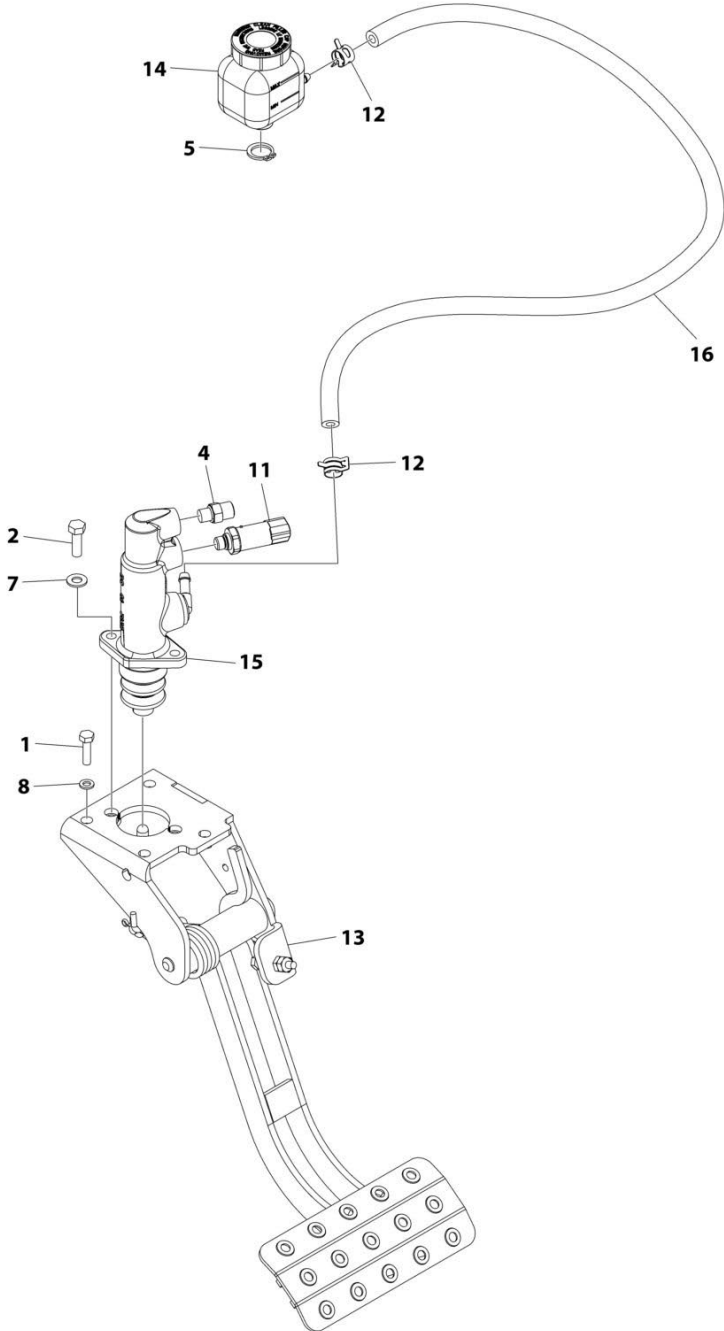
SECTION 7 - CONTROLS

FIGURE 7-2. PEDAL INSTALLATION - ACCELERATOR

ITEM	PART NUMBER	QTY	DESCRIPTION	REV
	1001297104	Ref	PEDAL INSTALLATION - ACCELERATOR	A
1	3290801	2	Nut M8	
2	4811900	2	Washer M8	
3	1001159028	1	Pedal, Accelerator	

SECTION 7 - CONTROLS

FIGURE 7-3. BRAKE PEDAL INSTALLATION



ART_1001294429

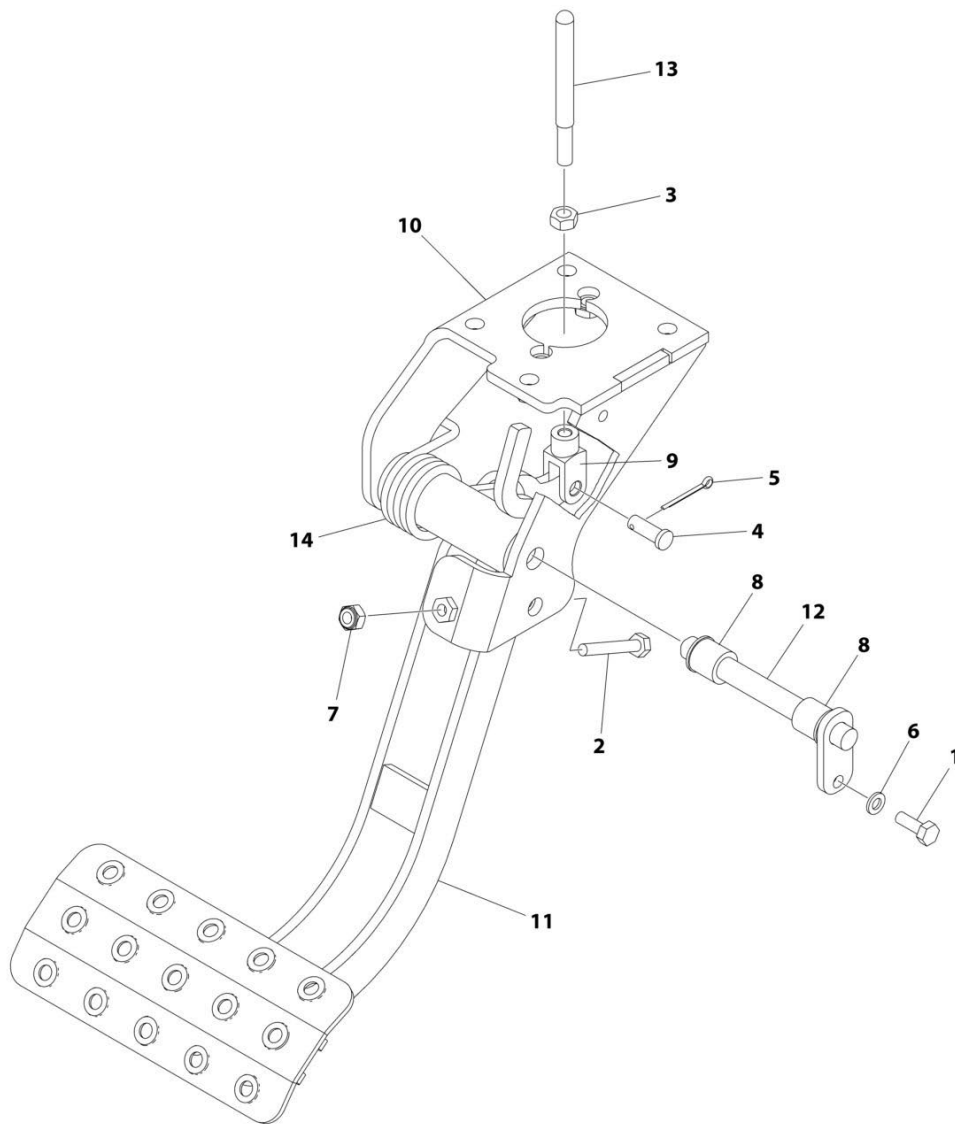
SECTION 7 - CONTROLS

FIGURE 7-3. BRAKE PEDAL INSTALLATION

ITEM	PART NUMBER	QTY	DESCRIPTION	REV
	1001294429	Ref	BRAKE PEDAL INSTALLATION	C
1	0641408	4	Bolt 1/4 x 1	
2	0641508	2	Bolt 5/16 x 1	
4	2110404	1	Fitting, Straight ORFS/ORB	
5	3760348	1	Ring, Retaining	
7	4711500	2	Washer 5/16	
8	4761400	4	Washer 1/4	
11	1001147340	1	Sensor, Pressure	
12	1001140296	2	Clamp	
13	1001308967	1	Brake Pedal Assembly (See Separate Breakdown in this Section)	
14	1001214220	1	Reservoir, Brake	
15	1001306401	1	Cylinder, Brake Master	
16	1001306595	1	Hose	
20	1001266920	1	Tie-Strap (Not Shown)	

SECTION 7 - CONTROLS

FIGURE 7-4. BRAKE PEDAL ASSEMBLY



ART_1001308967

SECTION 7 - CONTROLS

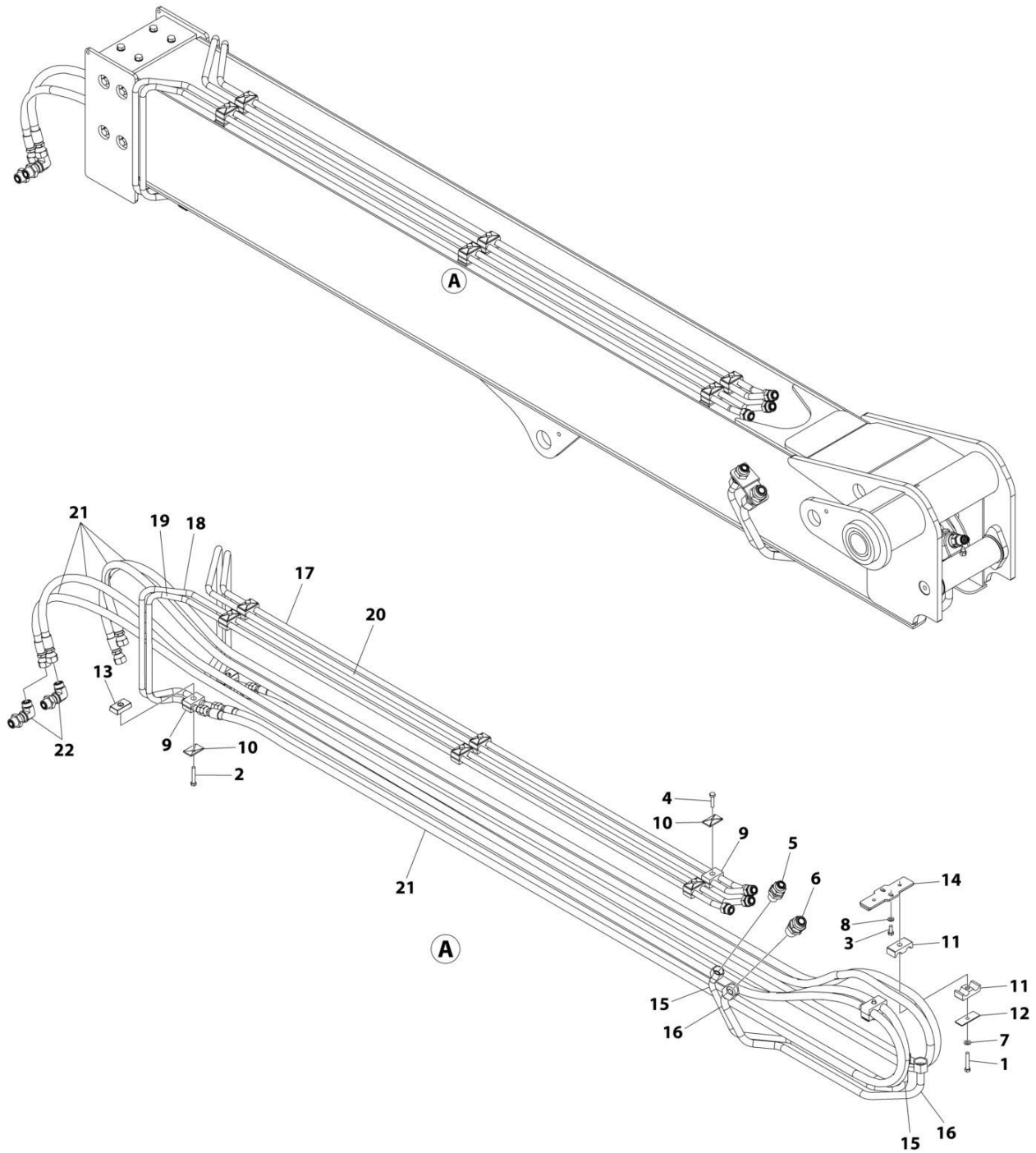
FIGURE 7-4. BRAKE PEDAL ASSEMBLY

ITEM	PART NUMBER	QTY	DESCRIPTION	REV
	1001308967	Ref	BRAKE PEDAL ASSEMBLY	A
1	0641406	1	Bolt 1/4 x 3/4	
2	0681414	1	Bolt 1/4 x 1 3/4	
3	3290801	1	Nut M8	
4	3430507	1	Pin, Clevis	
5	3450304	1	Pin, Cotter	
6	4761400	1	Washer 1/4	
7	88521304	1	Nut 1/4	
8	1001189738	2	Bearing	
9	1001189743	1	Universal Clevis Yoke	
10	1001189745	1	Mount, Weldment Pedal	
11	1001189803	1	Pedal, Weldment	
12	1001189850	1	Pin, Pedal Shaft	
13	1001308966	1	Push Rod	
14	1001189733	1	Pedal Spring	

SECTION 8 - HYDRAULIC CIRCUITS

SECTION 8 - HYDRAULIC CIRCUITS

FIGURE 8-1. BOOM HYDRAULIC INSTALLATION



ART_1001292159

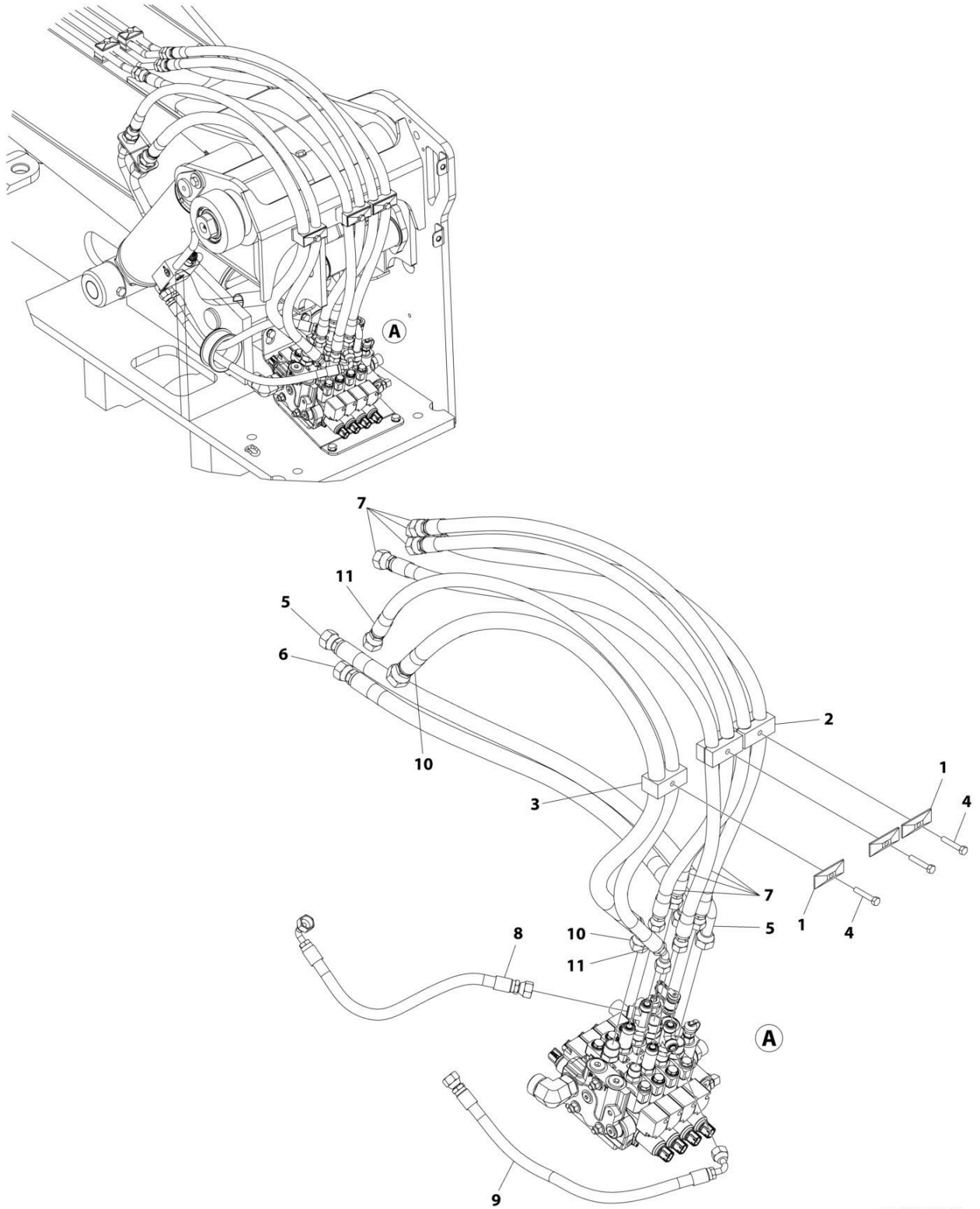
SECTION 8 - HYDRAULIC CIRCUITS

FIGURE 8-1. BOOM HYDRAULIC INSTALLATION

ITEM	PART NUMBER	QTY	DESCRIPTION	REV
	1001292159	Ref	BOOM HYDRAULIC INSTALLATION	C
1	0641516	2	Bolt 5/16 x 2	
2	0700818	2	Bolt M8 x 50	
3	0760810	2	Bolt M8 x 20	
4	0760815	6	Bolt M8 x 35	
5	2171110	1	Fitting, ORFS	
6	2171112	1	Fitting, ORFS	
7	4711500	2	Washer 5/16	
8	4811900	2	Washer M8	
9	8769122	8	Clamp	
10	8769123	8	Cover Plate	
11	77133136	2	Clamp	
12	77133137	2	Cover Plate	
13	1001080394	2	Spacer	
14	1001238317	1	Bracket	
15	1001292482	1	Tube	
16	1001292483	1	Tube	
17	1001295912	1	Tube	
18	1001295937	1	Tube	
19	1001295938	1	Tube	
20	1001295939	1	Tube	
21	1001247195	4	Hose	
22	2221290	2	Fitting, ORFS	

SECTION 8 - HYDRAULIC CIRCUITS

FIGURE 8-2. HOSE INSTALLATION - BOOM



ART_1001290198

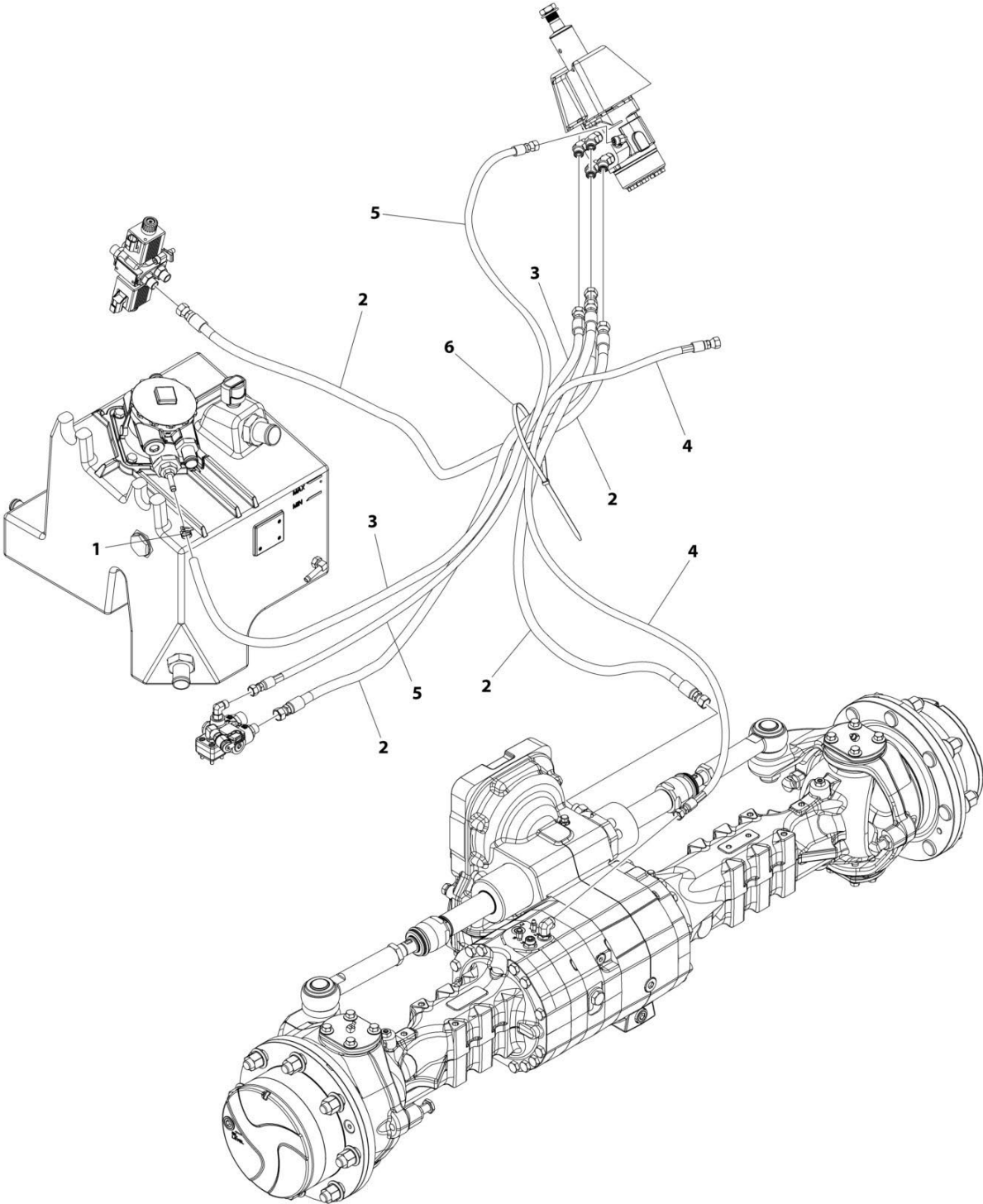
SECTION 8 - HYDRAULIC CIRCUITS

FIGURE 8-2. HOSE INSTALLATION - BOOM

ITEM	PART NUMBER	QTY	DESCRIPTION	REV
	1001290198	Ref	BOOM HYDRAULICS INSTALLATION	B
1	77133137	3	Cover Plate	
2	77323029	2	Clamp	
3	83663119	1	Clamp	
4	88201023	3	Bolt 5/16 x 1-3/4	
5	1001290449	1	Hose	
6	1001290450	1	Hose	
7	1001290453	4	Hose	
8	1001290455	1	Hose	
9	1001290456	1	Hose	
10	1001290459	1	Hose	
11	1001290460	1	Hose	

SECTION 8 - HYDRAULIC CIRCUITS

FIGURE 8-3. HOSE INSTALLATION - CAB



ART_1001290197

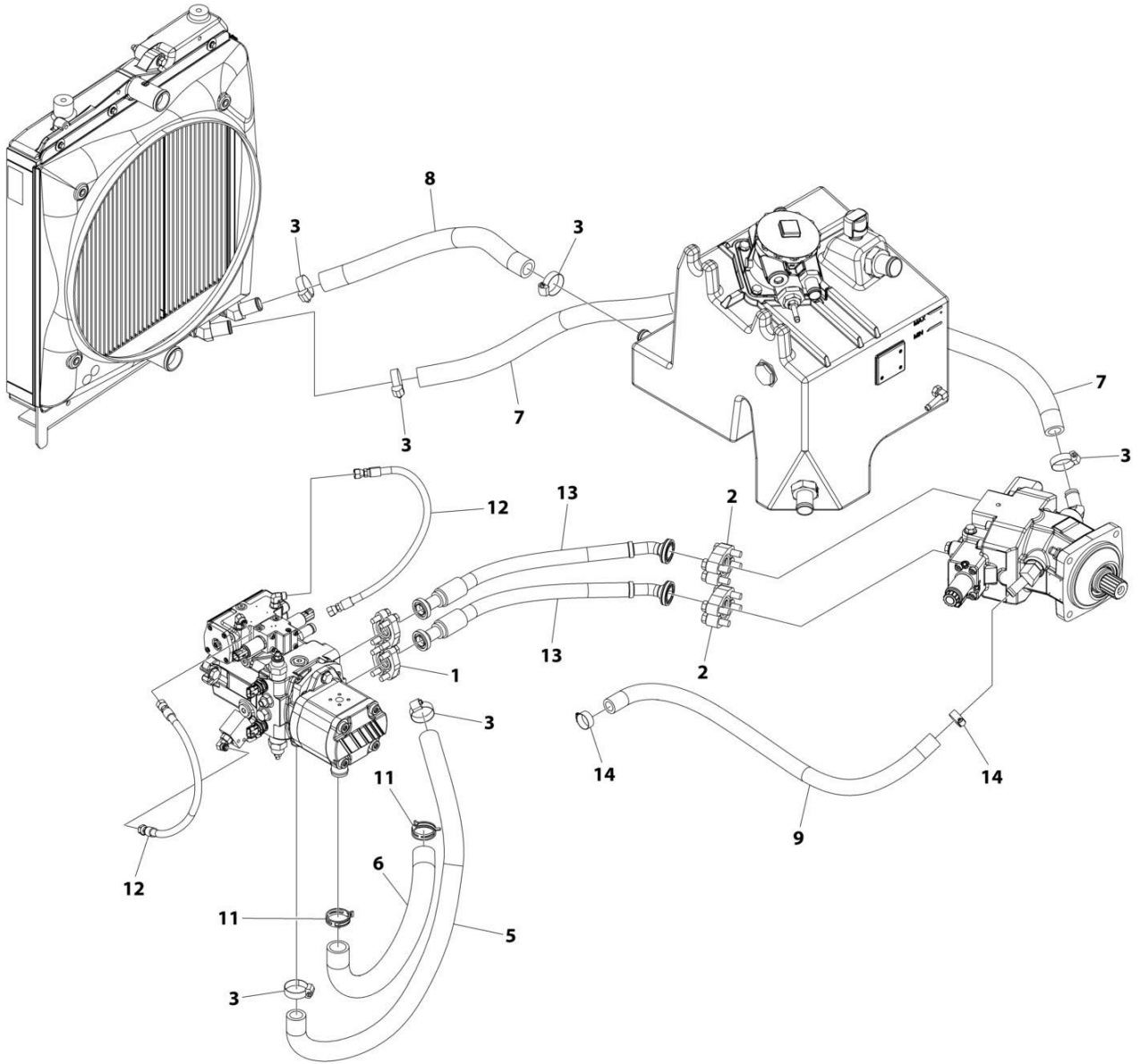
SECTION 8 - HYDRAULIC CIRCUITS

FIGURE 8-3. HOSE INSTALLATION - CAB

ITEM	PART NUMBER	QTY	DESCRIPTION	REV
	1001290197	Ref	CAB HYDRAULICS INSTALLATION	B
1	1001254357	1	Clamp	
2	1001290313	3	Hose	
3	1001290314	1	Hose	
4	1001290316	1	Hose	
5	1001290318	1	Hose	
6	1001266920	1	Tie-Strap	

SECTION 8 - HYDRAULIC CIRCUITS

FIGURE 8-4. HOSE INSTALLATION - ENGINE BAY



ART_1001290194

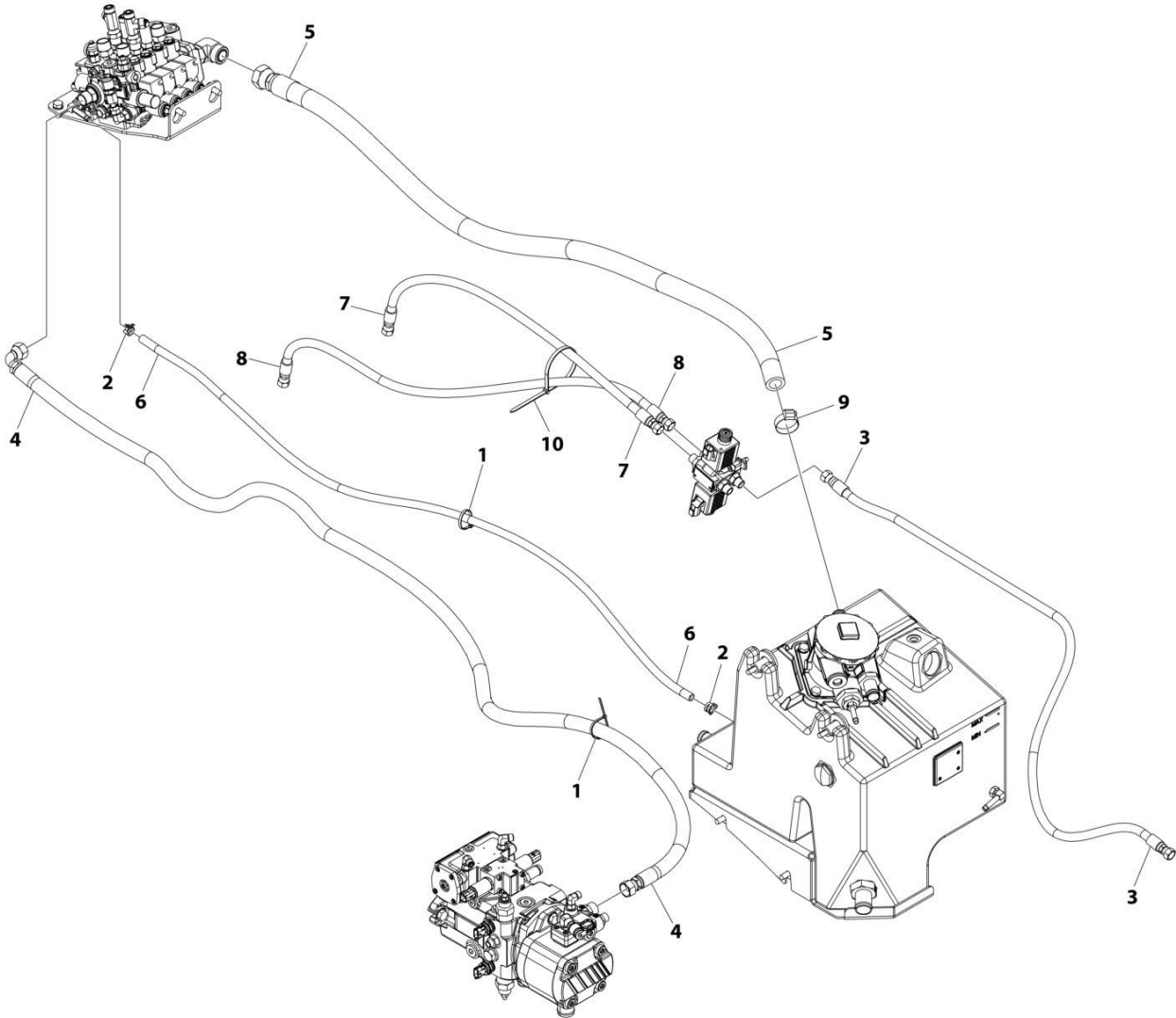
SECTION 8 - HYDRAULIC CIRCUITS

FIGURE 8-4. HOSE INSTALLATION - ENGINE BAY

ITEM	PART NUMBER	QTY	DESCRIPTION	REV
	1001290194	Ref	ENGINE BAY HYDRAULIC INSTALLATION	B
1	2171712	2	Flange Kit	
2	2171716	2	Flange Kit	
3	8405102	6	Clamp, Gear	
5	1001290167	1	Hose	
6	1001290168	1	Hose	
7	1001290170	1	Hose	
8	1001290171	1	Hose	
9	1001290173	1	Hose	
11	1001290651	2	Clamp	
12	1001295675	2	Hose	
13	1001290163	2	Hose	
14	8405007	2	Clamp, Gear	

SECTION 8 - HYDRAULIC CIRCUITS

FIGURE 8-5. HOSE INSTALLATION - FRAME



ART_1001290196

SECTION 8 - HYDRAULIC CIRCUITS

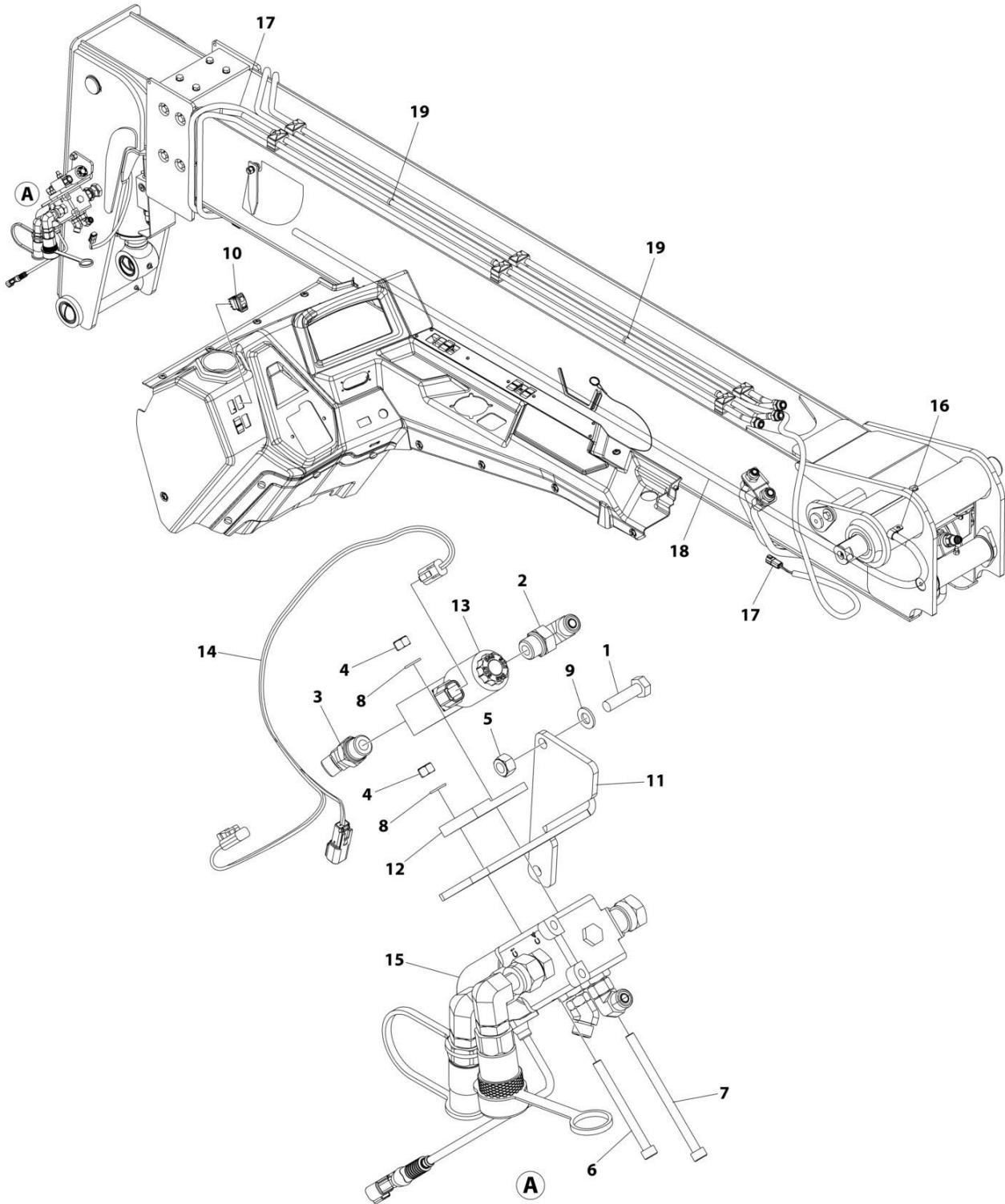
FIGURE 8-5. HOSE INSTALLATION - FRAME

ITEM	PART NUMBER	QTY	DESCRIPTION	REV
	1001290196	Ref	FRAME HYDRAULIC INSTALLATION	C
1	8584001	2	Tie-Wrap	
2	1001254357	2	Clamp	
3	1001290299	1	Hose	
4	1001306805	1	Hose	
5	1001290303	1	Hose	
6	1001290304	1	Hose	
7	1001290305	1	Hose	
8	1001290306	1	Hose	
9	8405102	1	Clamp, Gear	
10	1062255	1	Tie-Strap	

SECTION 9 - HYDRAULIC COMPONENTS

SECTION 9 - HYDRAULIC COMPONENTS

FIGURE 9-1. BOOM AUX HYDRAULIC INSTALLATION (UNIVERSAL COUPLER)



ART_1001292282

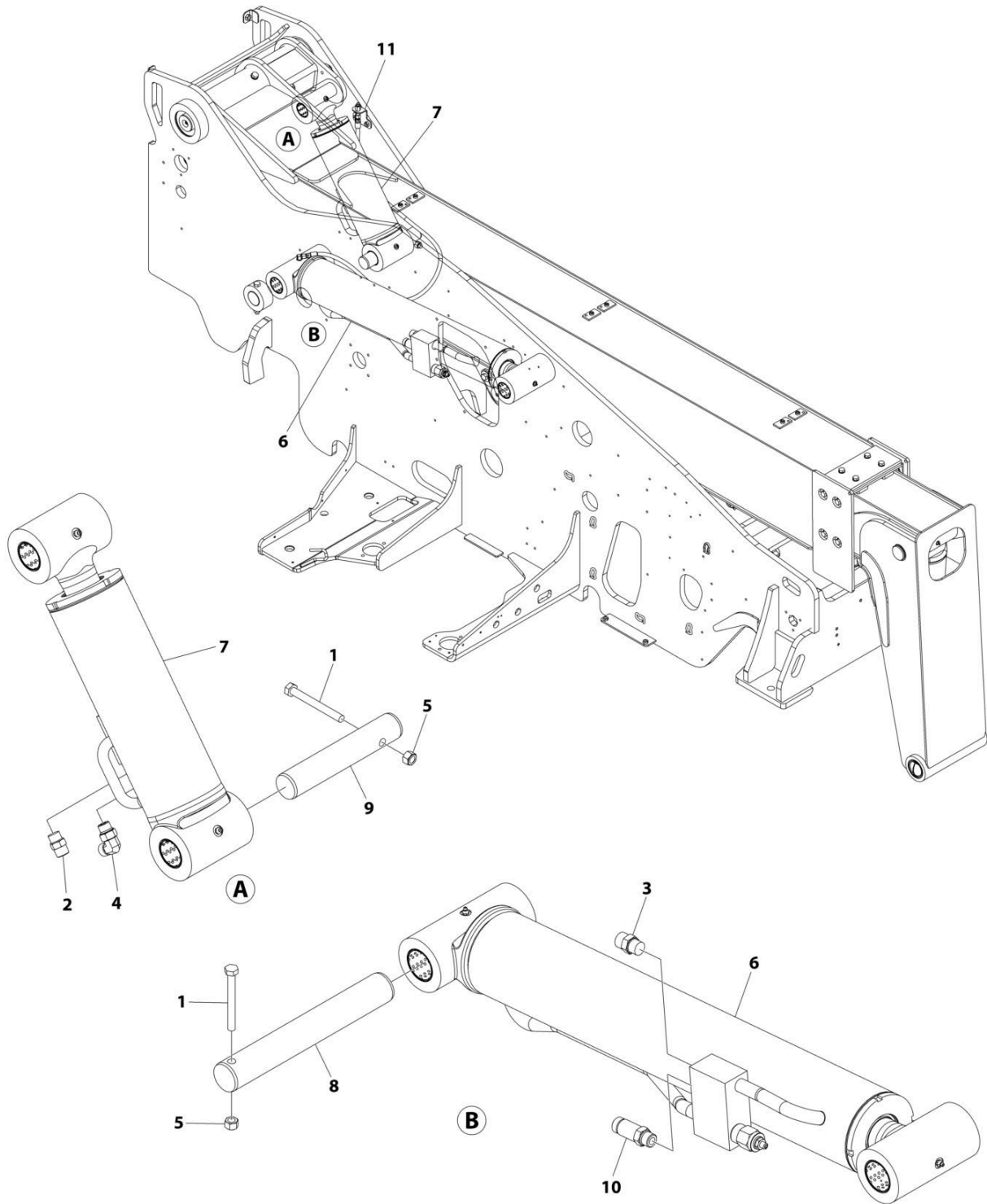
SECTION 9 - HYDRAULIC COMPONENTS

FIGURE 9-1. BOOM AUX HYDRAULIC INSTALLATION (UNIVERSAL COUPLER)

ITEM	PART NUMBER	QTY	DESCRIPTION	REV
	1001292282	Ref	DUAL COUPLER AUX HYDRAULIC INSTALLATION	B
1	0701016	2	Bolt M10 x 40	
2	2130608	1	Fitting, 90 ORFS/ORB	
3	2150608	1	Fitting, 45 ORFS/ORB	
4	3290805	2	Nut M8	
5	3291005	2	Nut M10	
6	4031922	1	Capscrew M8 x 90	
7	4031925	1	Capscrew M8 x 120	
8	4811900	2	Washer M8	
9	4812000	2	Washer M10	
10	1001080375	1	Switch	
11	1001100916	1	Bracket	
12	1001207768	1	Bracket	
13	1001207926	1	Valve, Block Assembly (See Separate Breakdown in this Section)	
14	1001209009	1	Harness, Valve Jumper (See Separate Breakdown in ELECTRICAL Section)	
15	1001292274	1	Valve Aux Hydraulic Installation (See Separate Breakdown in this Section)	
16	91043147	1	Clamp	
17	1001080397	1	Harness, Boom Aux (See Separate Breakdown in ELECTRICAL Section)	
18	1001232722	1	Hose	
19	90027187	AR	Tie-Strap	

SECTION 9 - HYDRAULIC COMPONENTS

FIGURE 9-2. CYLINDERS INSTALLATION



ART_1001294432

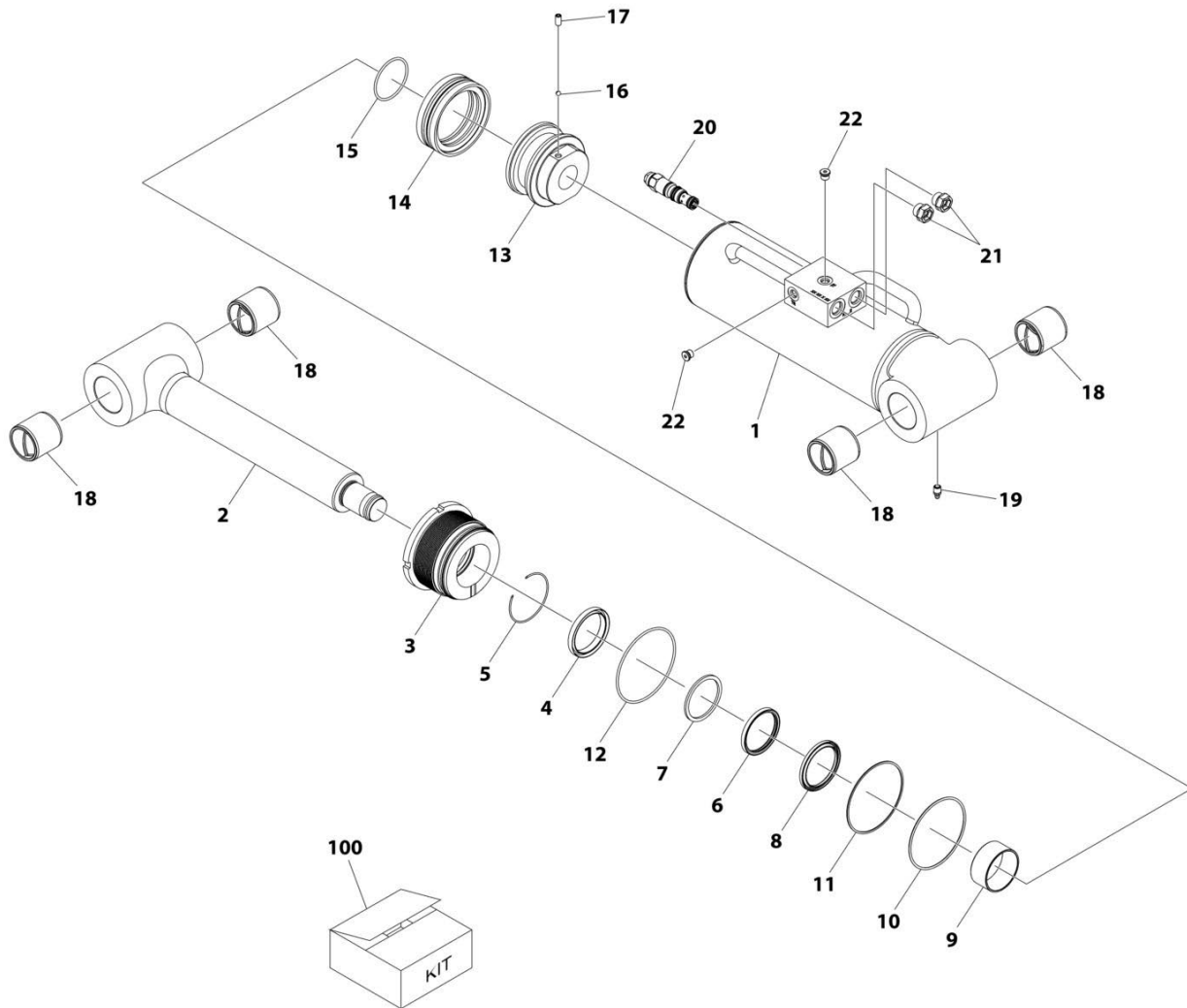
SECTION 9 - HYDRAULIC COMPONENTS

FIGURE 9-2. CYLINDERS INSTALLATION

ITEM	PART NUMBER	QTY	DESCRIPTION	REV
	1001294432	Ref	CYLINDERS INSTALLATION	C
1	0761228	2	Bolt M12 x 110	
2	2110808	1	Fitting, Straight ORFS/ORB	
3	2111010	1	Fitting, Straight ORFS/ORB	
4	2130808	1	Fitting, 90 ORFS/ORB	
5	3291205	2	Nut M12	
6	1001290097	1	Lift Cylinder Assembly (See Separate Breakdown in this Section)	
7	1001294843	1	Compensator Cylinder Assembly (See Separate Breakdown in this Section)	
8	1001296792	1	Pin	
9	1001296793	1	Pin	
10	2170110	1	Fitting, Straight ORFS/ORB	
11	1001312253	1	Remote Grease Installation (See Separate Breakdown in HYDRAULIC COMPONENTS Section)	

SECTION 9 - HYDRAULIC COMPONENTS

FIGURE 9-3. CYLINDER ASSEMBLY - COMP



ART_1001294843

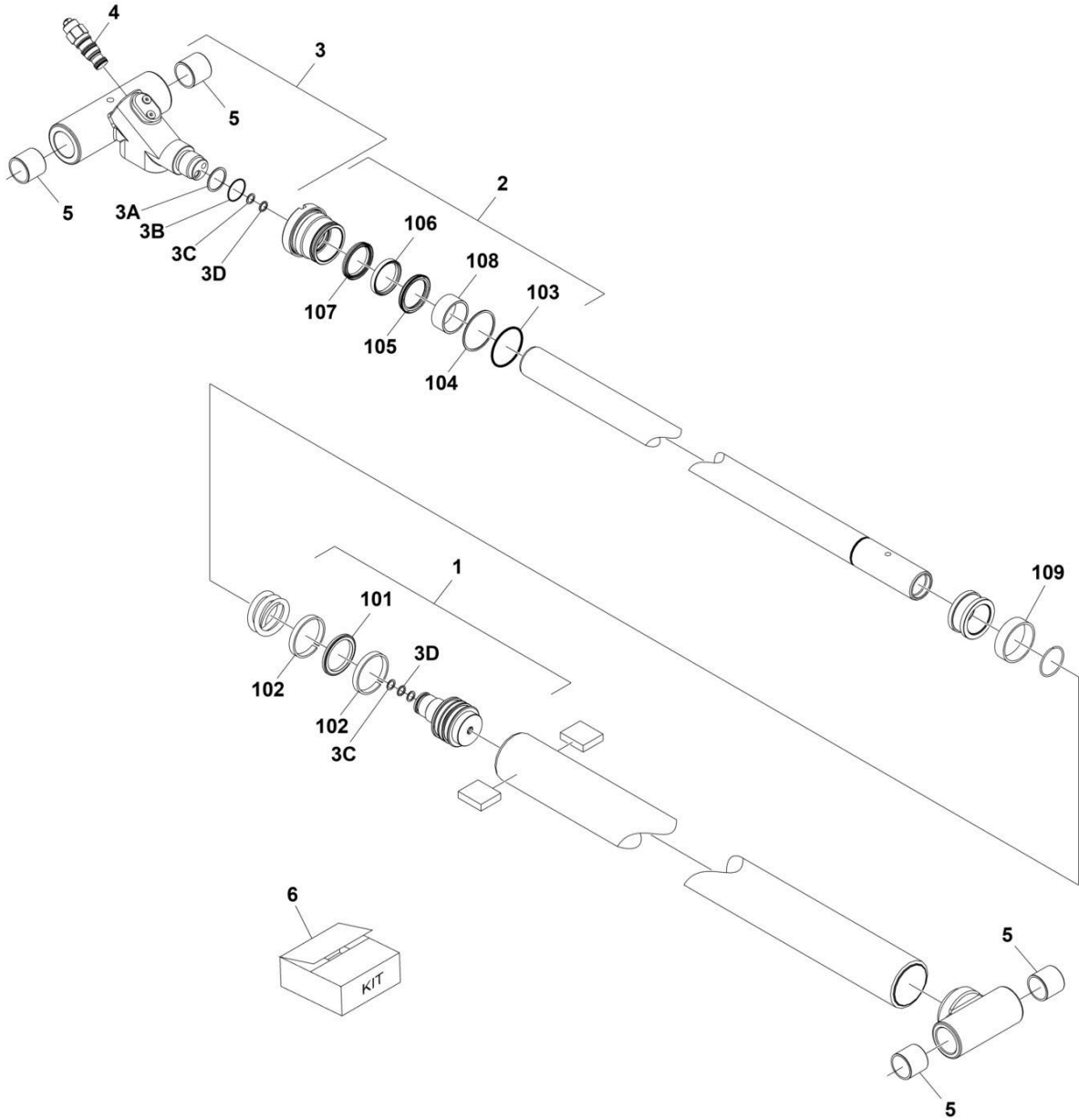
SECTION 9 - HYDRAULIC COMPONENTS

FIGURE 9-3. CYLINDER ASSEMBLY - COMP

ITEM	PART NUMBER	QTY	DESCRIPTION	REV
	1001294843	Ref	CYLINDER ASSEMBLY	D
		Ref	Note: Original Cylinder May Have Been Replaced with Service Replacement. Identify PN Stamped on Cylinder Before Ordering Parts.	
1	See Note	NSS	Barrel (Note: Use PN 1001294843)	
2	70031934	1	Rod	
3	70031935	1	Head	
4	See Note	NSS	Wiper (Note: Use Item 100)	
5	70027244	1	Ring, Retaining	
6	See Note	NSS	Seal, Rod (Note: Use Item 100)	
7	See Note	NSS	Ring, Back-Up (Note: Use Item 100)	
8	See Note	NSS	Ring, Buffer (Note: Use Item 100)	
9	70004637	1	Bearing	
10	See Note	NSS	O-Ring (Note: Use Item 100)	
11	See Note	NSS	Ring, Back-Up (Note: Use Item 100)	
12	See Note	NSS	O-Ring (Note: Use Item 100)	
13	70031936	1	Piston	
14	See Note	NSS	Seal, Piston (Note: Use Item 100)	
15	See Note	NSS	O-Ring (Note: Use Item 100)	
16	70022564	1	Ball	
17	70006596	1	Setscrew M8 x 12	
18	70027245	4	Bearing	
19	70026308	2	Fitting, Grease	
20	1001302107	1	Valve, Counterbalance	
21	70023372	2	Plug 3/4	
22	2220883	2	Plug 7/16	
100	70031937	1	Kit, Seal (Includes Items 4, 6-8, 10-12 & 14-15)	

SECTION 9 - HYDRAULIC COMPONENTS

FIGURE 9-4. CYLINDER ASSEMBLY - EXTEND/RETRACT



ART_1001201668

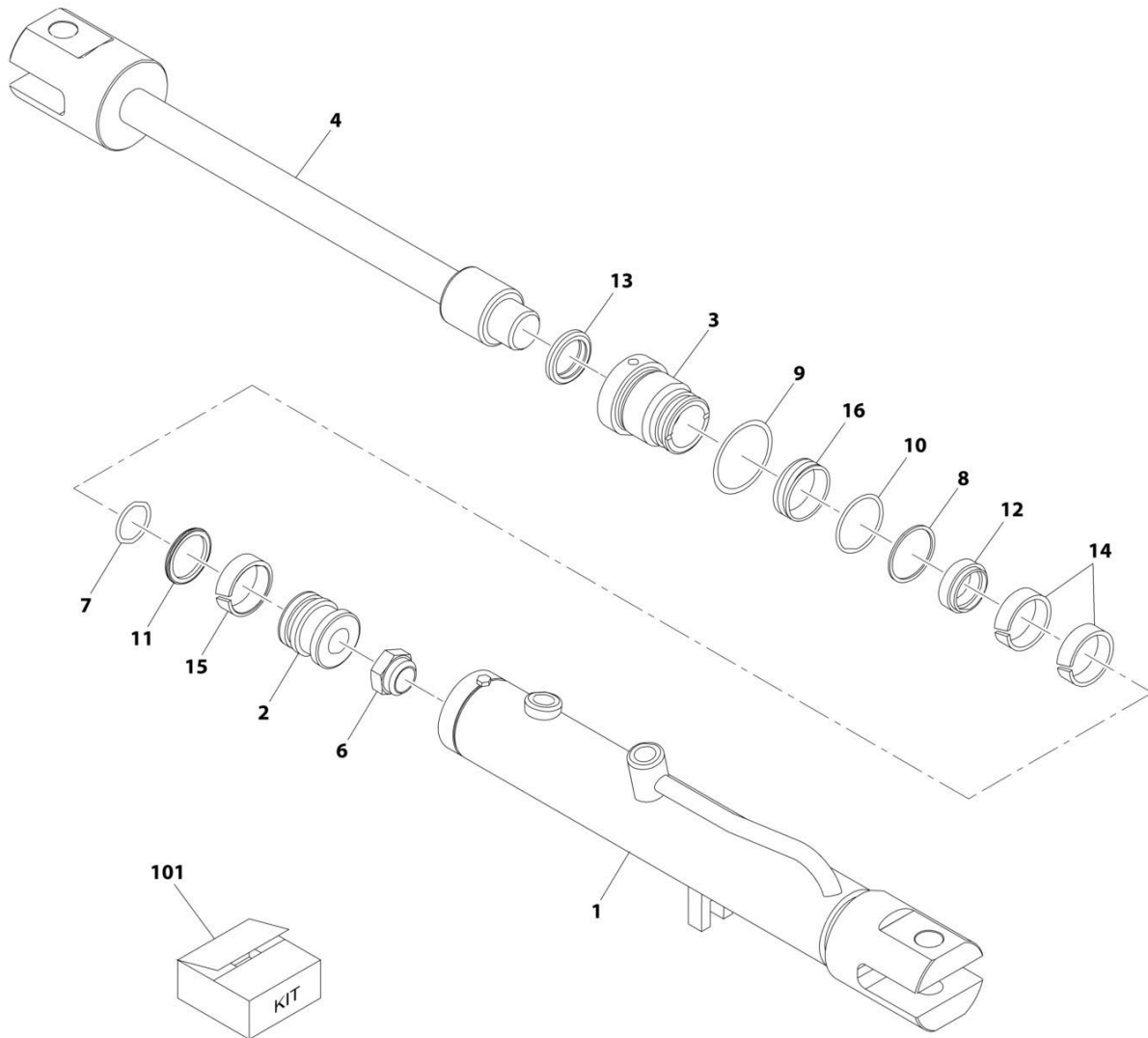
SECTION 9 - HYDRAULIC COMPONENTS

FIGURE 9-4. CYLINDER ASSEMBLY - EXTEND/RETRACT

ITEM	PART NUMBER	QTY	DESCRIPTION	REV
	1001201668	Ref	EXTEND/RETRACT CYLINDER	E
		Ref	Note: Original Cylinder May Have Been Replaced with Service Replacement. Identify PN Stamped on Cylinder Before Ordering Parts.	
1	70027610	1	Piston Assembly (Includes Items 101 & 102)	
2	70027611	1	Retainer Assembly (Includes Items 103-108)	
3	70027612	1	Rod Assembly	
3A	70030368	1	Ring, Back up	
3B	70030369	1	O-Ring	
3C	70030370	1	O-Ring	
3D	70030371	1	Ring, Back up	
4	1001301017	NLA	Valve, Counter Balance (Use PN 1001293720)	
4	1001293720	1	Valve, Counter Balance	
5	70029975	4	Bearing	
6	70027638	1	Seal Kit (Includes Items 101-109)	
101	Kit	1	Seal, Piston	
102	Kit	2	Ring, Wear	
103	Kit	1	O-Ring	
104	Kit	1	Ring, Back Up	
105	Kit	1	Ring, Buffer	
106	Kit	1	Seal, Rod	
107	Kit	1	Wiper	
108	Kit	1	Bushing	
109	Kit	1	Ring, Wear	

SECTION 9 - HYDRAULIC COMPONENTS

FIGURE 9-5. CYLINDER ASSEMBLY - FORK LOCKING



ART_1001080334-D

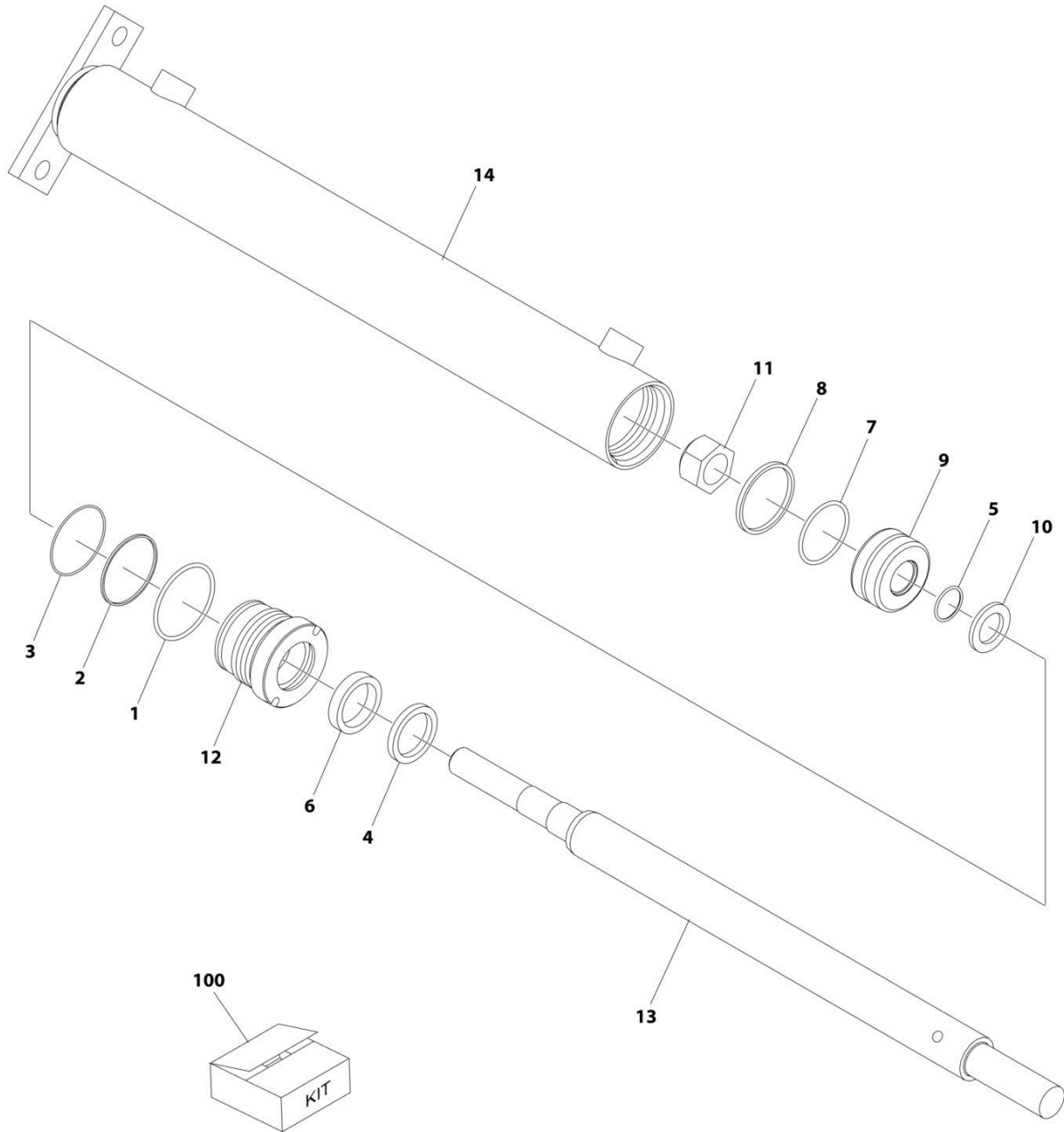
SECTION 9 - HYDRAULIC COMPONENTS

FIGURE 9-5. CYLINDER ASSEMBLY - FORK LOCKING

ITEM	PART NUMBER	QTY	DESCRIPTION	REV
	1001080334	Ref	Fork Locking Cylinder	D
		Ref	Note: Original Cylinder May Have Been Replaced with Service Replacement. Identify PN Stamped on Cylinder Before Ordering Parts.	
1	70021270	1	Case Assembly	
2	70021271	1	Piston	
3	70021272	1	Head Gland	
4	70021273	1	Rod	
6	70021275	1	Locknut	
7	Kit	1	O-Ring	
8	Kit	1	O-Ring	
9	Kit	1	O-Ring	
10	Kit	1	Back-Up Ring	
11	Kit	1	Diso-Pac	
12	Kit	1	Deep Z-Seal	
13	Kit	1	Rod Wiper	
14	Kit	2	Precision Wearband	
15	Kit	1	Precision Wearband	
16	Kit	1	Locking Insert	
101	70021276	1	Seal Kit, (includes items 7 thru 16)	

SECTION 9 - HYDRAULIC COMPONENTS

FIGURE 9-6. CYLINDER ASSEMBLY - FORK POSITIONING



ART_2717283

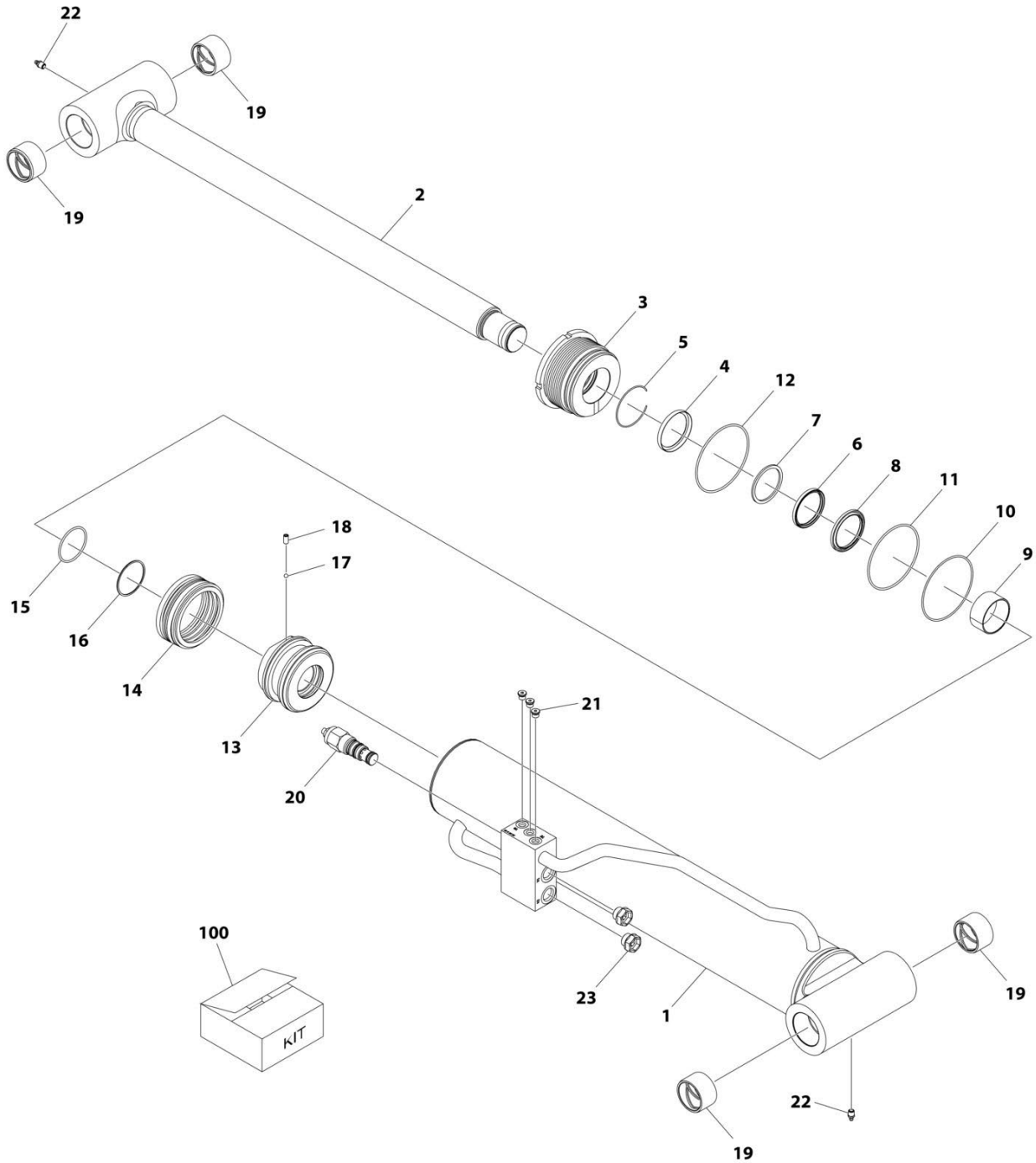
SECTION 9 - HYDRAULIC COMPONENTS

FIGURE 9-6. CYLINDER ASSEMBLY - FORK POSITIONING

ITEM	PART NUMBER	QTY	DESCRIPTION	REV
	2717283	Ref	FORK POSITIONING CYLINDER	B
		Ref	Note: Original Cylinder May Have Been Replaced with Service Replacement. Identify PN Stamped on Cylinder Before Ordering Parts.	
1	See Note	NSS	O-Ring (Use Item 100)	
2	See Note	NSS	Ring, Back-up (Use Item 100)	
3	See Note	NSS	O-Ring (Use Item 100)	
4	See Note	NSS	Seal (Use Item 100)	
5	See Note	NSS	O-Ring (Use Item 100)	
6	See Note	NSS	Seal (Use Item 100)	
7	See Note	NSS	O-Ring (Use Item 100)	
8	See Note	NSS	Seal (Use Item 100)	
9	70026771	1	Piston	
10	70026775	1	Washer	
11	70026770	1	Nut	
12	70026774	1	Head	
13	70026773	1	Rod	
14	See Note	NSS	Barrel (Note: Use PN 2717283)	
100	8036733	1	Seal Kit (includes items 1 thru 8)	

SECTION 9 - HYDRAULIC COMPONENTS

FIGURE 9-7. CYLINDER ASSEMBLY - LIFT



ART_1001290097

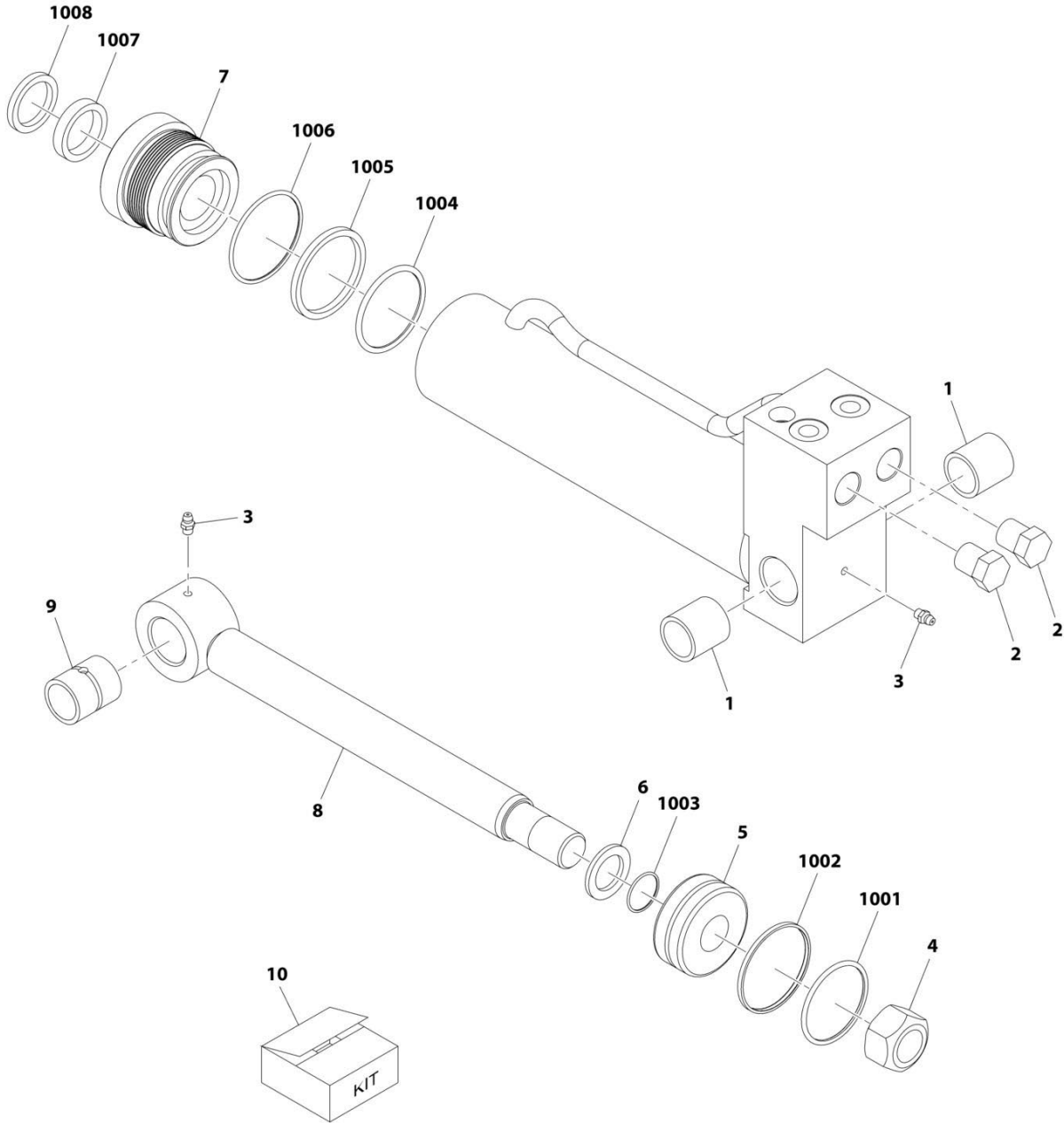
SECTION 9 - HYDRAULIC COMPONENTS

FIGURE 9-7. CYLINDER ASSEMBLY - LIFT

ITEM	PART NUMBER	QTY	DESCRIPTION	REV
	1001290097	Ref	CYLINDER ASSEMBLY	E
		Ref	Note: Original Cylinder May Have Been Replaced with Service Replacement. Identify PN Stamped on Cylinder Before Ordering Parts.	
1	See Note	NSS	Barrel (Note: Use PN 1001290097)	
2	70031938	1	Rod	
3	70031939	1	Head	
4	See Note	NSS	Wiper (Note: Use Item 100)	
5	70027244	1	Ring, Retaining	
6	See Note	NSS	Seal, Rod (Note: Use Item 100)	
7	See Note	NSS	Ring, Back-up (Note: Use Item 100)	
8	See Note	NSS	Ring, Buffer (Note: Use Item 100)	
9	70004637	1	Bearing	
10	See Note	NSS	O-Ring (Note: Use Item 100)	
11	See Note	NSS	Ring, Back-up (Note: Use Item 100)	
12	See Note	NSS	O-Ring (Note: Use Item 100)	
13	70031940	1	Piston	
14	See Note	NSS	Seal, Piston (Note: Use Item 100)	
15	See Note	NSS	O-Ring (Note: Use Item 100)	
16	See Note	NSS	Ring, Back-up (Note: Use Item 100)	
17	70022564	1	Ball	
18	70007246	1	Setscrew M8 x 16	
19	70031941	4	Bearing	
20	1001295772	1	Valve, Counterbalance	
21	2220883	3	Plug	
22	70026308	2	Fitting, Grease	
23	70005433	2	Plug 7/8	
100	70031942	1	Kit, Seal (Includes Items 4, 6-8, 10-12 & 14-16)	

SECTION 9 - HYDRAULIC COMPONENTS

FIGURE 9-8. CYLINDER ASSEMBLY - SIDE TILT CARRIAGE



ART_70021363-A

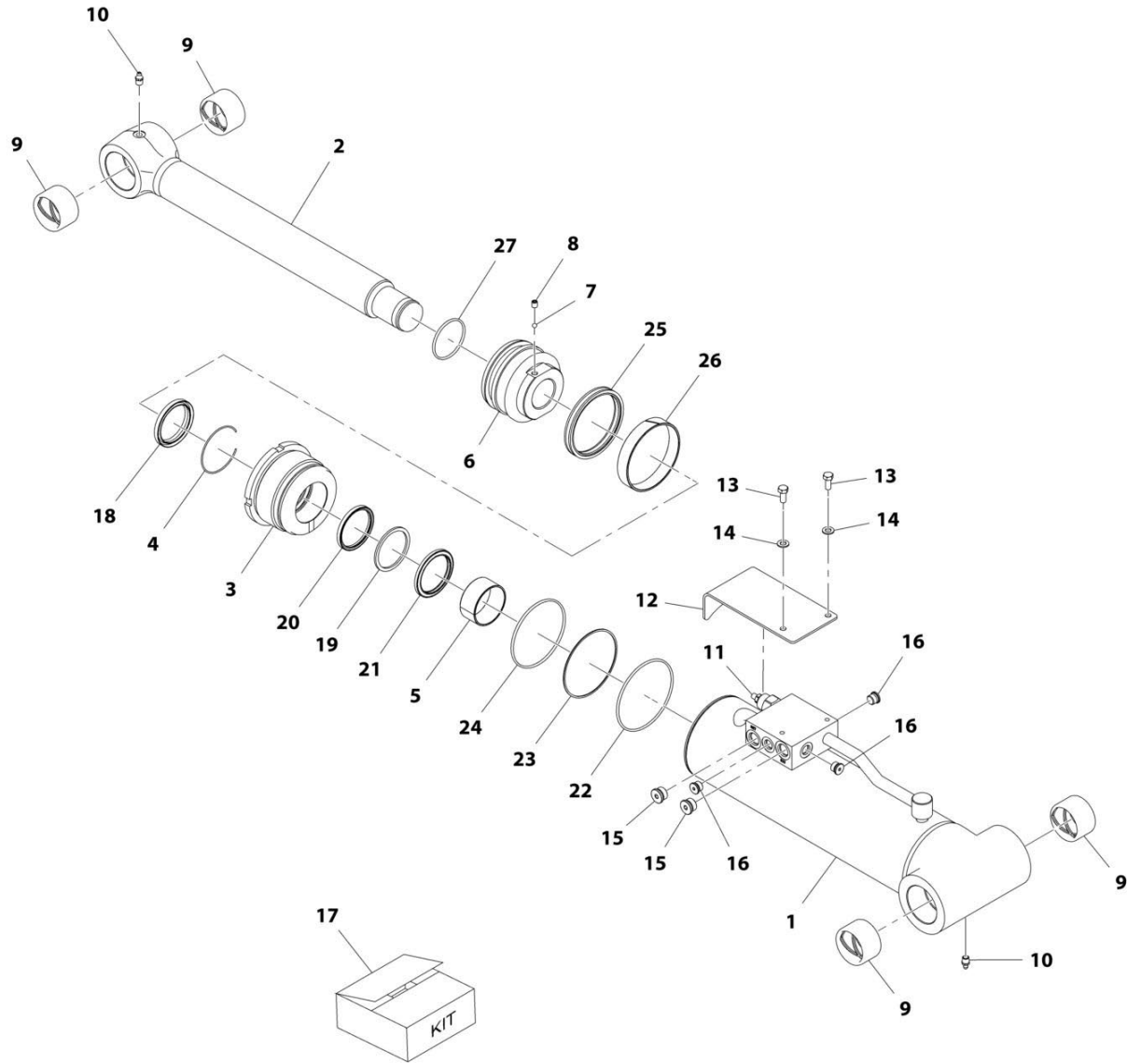
SECTION 9 - HYDRAULIC COMPONENTS

FIGURE 9-8. CYLINDER ASSEMBLY - SIDE TILT CARRIAGE

ITEM	PART NUMBER	QTY	DESCRIPTION	REV
	70021363	Ref	Side Tilt Carriage Cylinder	A
		Ref	Note: Original Cylinder May Have Been Replaced with Service Replacement. Identify PN Stamped on Cylinder Before Ordering Parts.	
1	70021448	2	Bushing	
2	70021464	2	Valve Cartridge	
3	90554045	2	Grease Fitting	
4	70021440	1	Nut	
5	70021451	1	Piston	
6	70021444	1	Washer	
7	70021446	1	Gland	
8	70029441	1	Rod	
9	70021447	1	Bushing	
10	70021452	1	Seal Kit, (includes items 1001 thru 1008)	
1001	Kit	1	Piston Ring	
1002	Kit	1	O-Ring	
1003	Kit	1	O-Ring	
1004	Kit	1	O-Ring	
1005	Kit	1	Back-Up Ring	
1006	Kit	1	O-Ring	
1007	Kit	1	Polypak, Type B	
1008	Kit	1	Rod Wiper	

SECTION 9 - HYDRAULIC COMPONENTS

FIGURE 9-9. CYLINDER ASSEMBLY - TILT



ART_1001200581

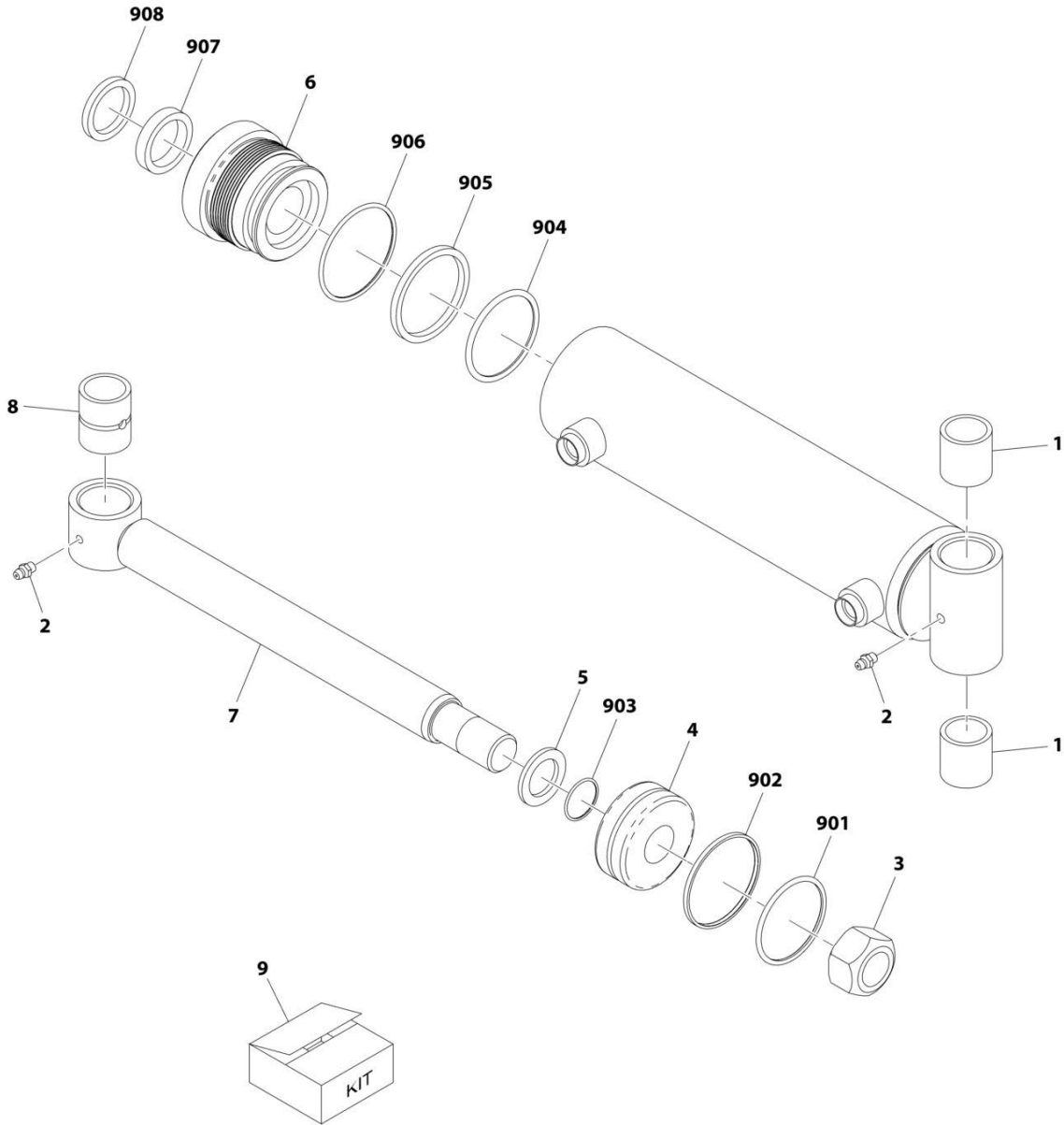
SECTION 9 - HYDRAULIC COMPONENTS

FIGURE 9-9. CYLINDER ASSEMBLY - TILT

ITEM	PART NUMBER	QTY	DESCRIPTION	REV
	1001200581	Ref	Tilt Cylinder	C
		Ref	Note: Original Cylinder May Have Been Replaced with Service Replacement. Identify PN Stamped on Cylinder Before Ordering Parts.	
1	70027252	1	Barrel Assembly	
2	70027253	1	Rod Assembly	
3	70027242	1	Gland	
4	70027244	1	Retain Ring	
5	70004637	1	Dry Bearing	
6	70027243	1	Piston	
7	70022564	1	Steel Ball	
8	70023369	1	Set Screw	
9	70027251	4	Bush	
10	70026308	2	Grease Nipple	
11	1001189888	NLA	Counter Balance Valve (Use PN 1001293720)	
11	1001293720	1	Counter Balance Valve	
12	70027254	1	Cover	
13	70027249	2	Hex Bolt	
14	70027250	2	Washer	
15	70023373	2	Hex Socket Plug	
16	70023371	3	Hex Socket Plug	
17	70027255	1	Seal Kit	
18	Kit	1	Dust Wiper	
19	Kit	1	Rod Seal	
20	Kit	1	Back Up Ring	
21	Kit	1	Buffer Ring	
22	Kit	1	O-Ring	
23	Kit	1	Back Up Ring	
24	Kit	1	O-Ring	
25	Kit	1	Piston Seal	
26	Kit	1	Wear Ring	
27	Kit	1	O-Ring	

SECTION 9 - HYDRAULIC COMPONENTS

FIGURE 9-10. CYLINDER ASSEMBLY - UNIVERSAL SIDE SHIFT



ART_70022108-A

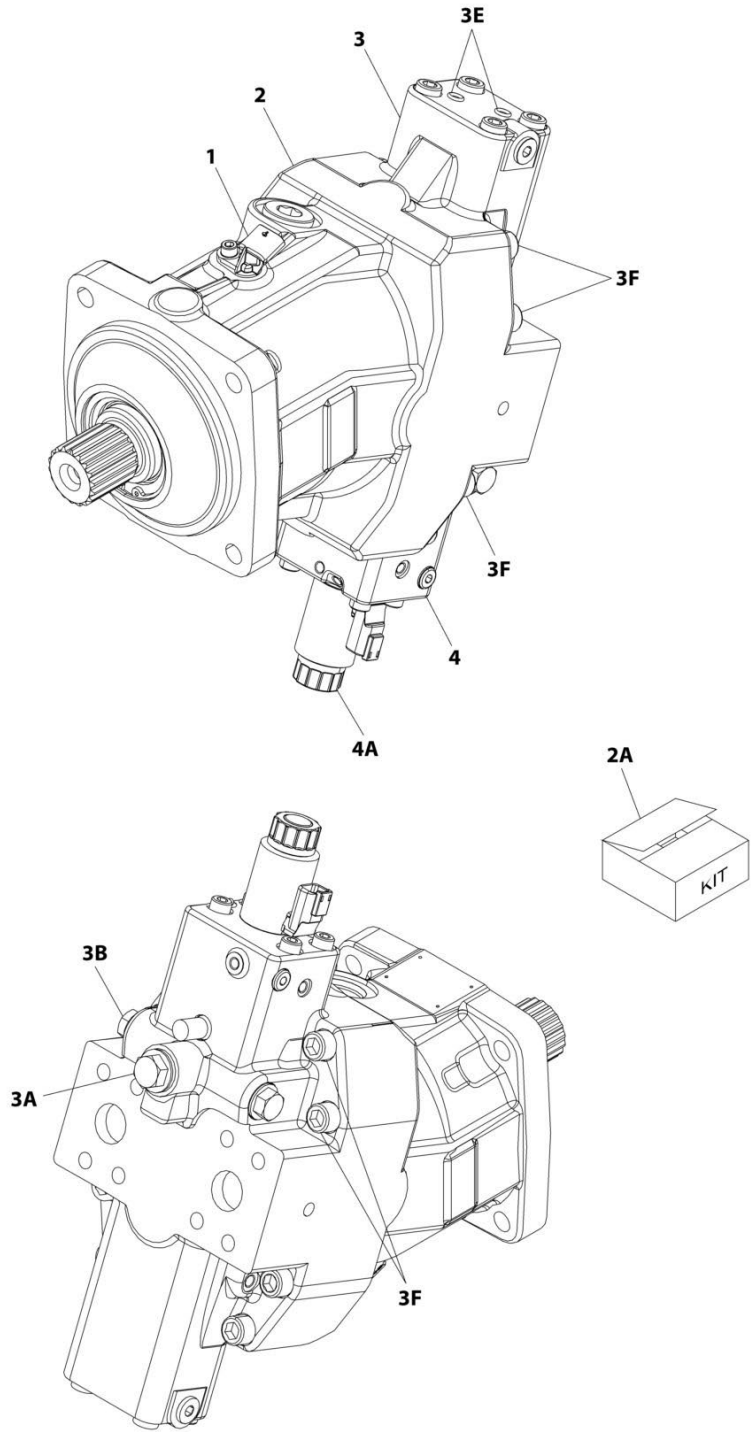
SECTION 9 - HYDRAULIC COMPONENTS

FIGURE 9-10. CYLINDER ASSEMBLY - UNIVERSAL SIDE SHIFT

ITEM	PART NUMBER	QTY	DESCRIPTION	REV
	70022108	Ref	Universal Side Shift Cylinder	A
		Ref	Note: Original Cylinder May Have Been Replaced with Service Replacement. Identify PN Stamped on Cylinder Before Ordering Parts.	
1	70021448	2	Bushing	
2	90554045	2	Grease Fitting	
3	70021440	1	Nut	
4	70021451	1	Piston	
5	70021444	1	Washer	
6	70021446	1	Gland	
7	70021462	1	Rod	
8	70021447	1	Bushing	
9	70021452	1	Seal Kit, (includes items 901 thru 908)	
901	Kit	1	O-Ring	
902	Kit	1	Back-up O-Ring	
903	Kit	1	O-Ring	
904	Kit	1	O-Ring	
905	Kit	1	O-Ring	
906	Kit	1	Seal	
907	Kit	1	O-Ring	
908	Kit	1	Seal	

SECTION 9 - HYDRAULIC COMPONENTS

FIGURE 9-11. DRIVE MOTOR ASSEMBLY



ART_1001286267

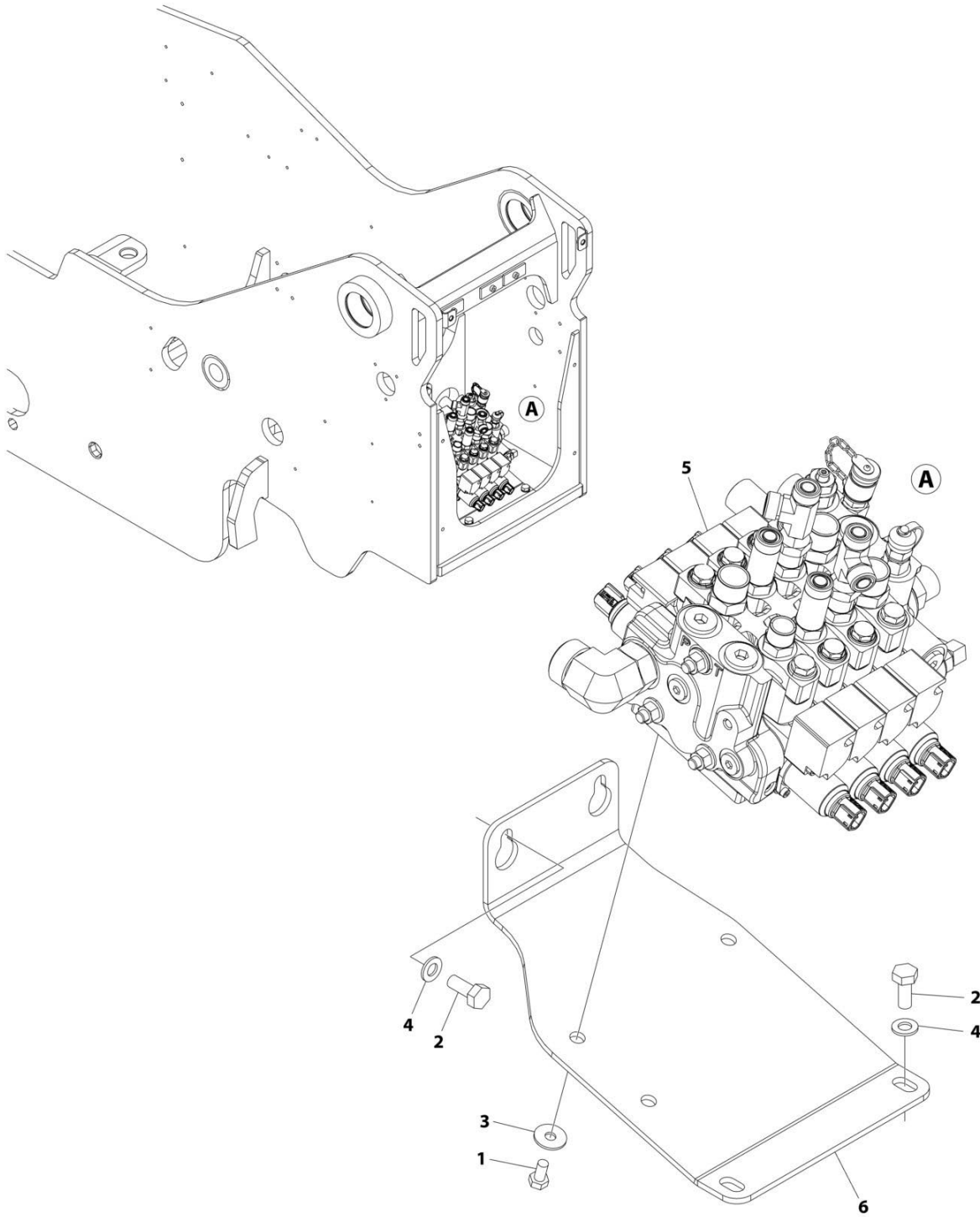
SECTION 9 - HYDRAULIC COMPONENTS

FIGURE 9-11. DRIVE MOTOR ASSEMBLY

ITEM	PART NUMBER	QTY	DESCRIPTION	REV
	1001286267	Ref	DRIVE MOTOR ASSEMBLY	C
1	1001287276	1	Sensor, Speed	
2	See Note	NSS	Housing Assembly (Note Use PN 1001286267)	
2A	70031925	1	Seal Kit - Housing	
3	See Note	NSS	Cover Plate Assembly (Note Use PN 1001286267)	
3A	70031926	1	Valve, Feed Pressure	
3B	70031927	1	Valve, Flushing	
3C	7028817	1	Capscrew (Internal - Not Shown)	
3D	70003340	1	Plug, Break-Off (Not Shown)	
3E	70031928	6	O-Ring (Under Cover Plates)	
3F	7028835	6	Capscrew	
4	70031929	1	Control Assembly	
4A	70003170	1	Solenoid	

SECTION 9 - HYDRAULIC COMPONENTS

FIGURE 9-12. MAIN CONTROL VALVE INSTALLATION



ART_1001290199

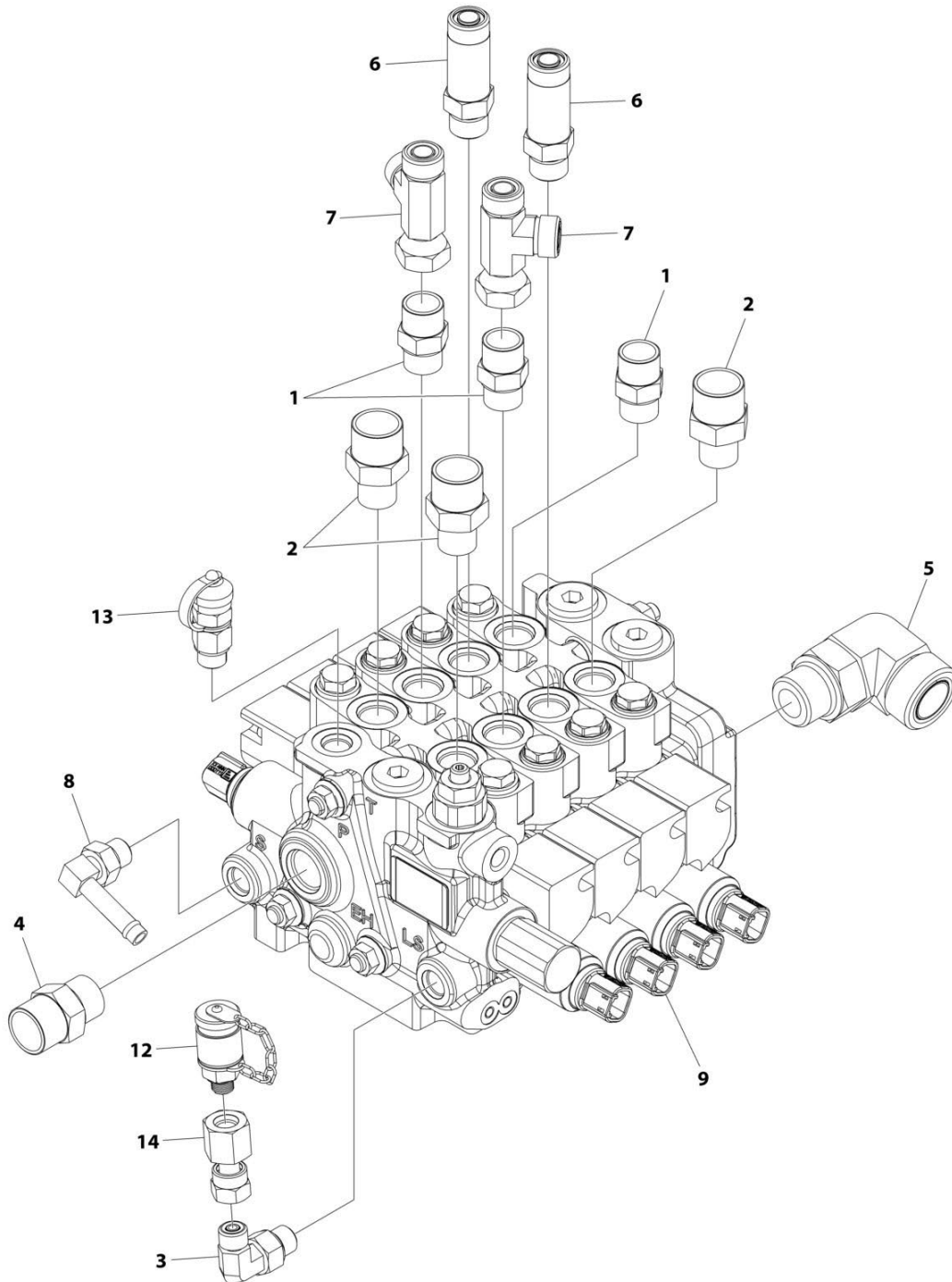
SECTION 9 - HYDRAULIC COMPONENTS

FIGURE 9-12. MAIN CONTROL VALVE INSTALLATION

ITEM	PART NUMBER	QTY	DESCRIPTION	REV
	1001290199	Ref	MAIN CONTROL VALVE INSTALLATION	B
1	0760808	3	Bolt M8 x 16	
2	0761012	4	Bolt M10 x 25	
3	4811902	3	Washer M8	
4	4812000	4	Washer M10	
5	1001293739	1	Main Control Valve Assembly (See Separate Breakdown in this Section)	
6	1001295385	1	Bracket	

SECTION 9 - HYDRAULIC COMPONENTS

FIGURE 9-13. MAIN CONTROL VALVE ASSEMBLY



ART_1001293739

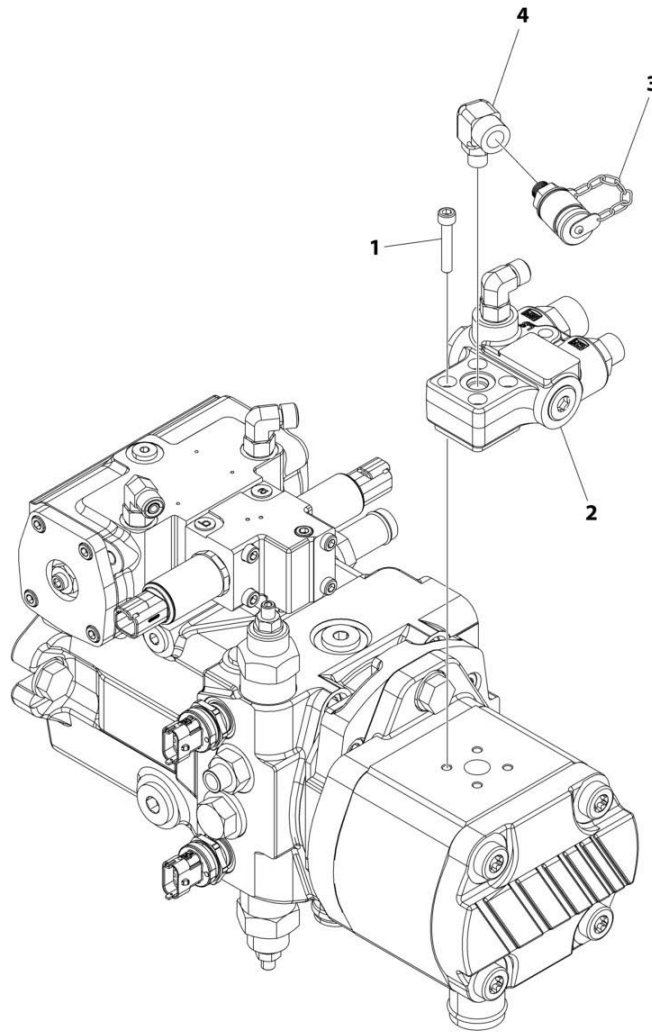
SECTION 9 - HYDRAULIC COMPONENTS

FIGURE 9-13. MAIN CONTROL VALVE ASSEMBLY

ITEM	PART NUMBER	QTY	DESCRIPTION	REV
	1001293739	Ref	MAIN CONTROL VALVE ASSEMBLY	C
1	2110808	3	Fitting, Straight ORFS/ORB	
2	2111008	3	Fitting, Straight ORFS/ORB	
3	2130406	1	Fitting, 90 ORFS/ORB	
4	2111010	1	Fitting, Straight ORFS/ORB	
5	2131612	1	Fitting, 90 ORFS/ORB	
6	2170108	2	Fitting, Straight ORFS/ORB	
7	2170708	2	Fitting, Tee ORFS/FSORFS/ORFS	
8	8430034	1	Fitting, 90	
9	1001291279	1	Valve, Main Control (See Separate Breakdown in HYDRAULIC COMPONENTS Section)	
12	2221086	1	Fitting, Test	
13	77133089	1	Mini Check	
14	1001301437	1	Fitting, Straight FSORFS/FORB	

SECTION 9 - HYDRAULIC COMPONENTS

FIGURE 9-14. PRIORITY VALVE INSTALLATION



ART_1001290219

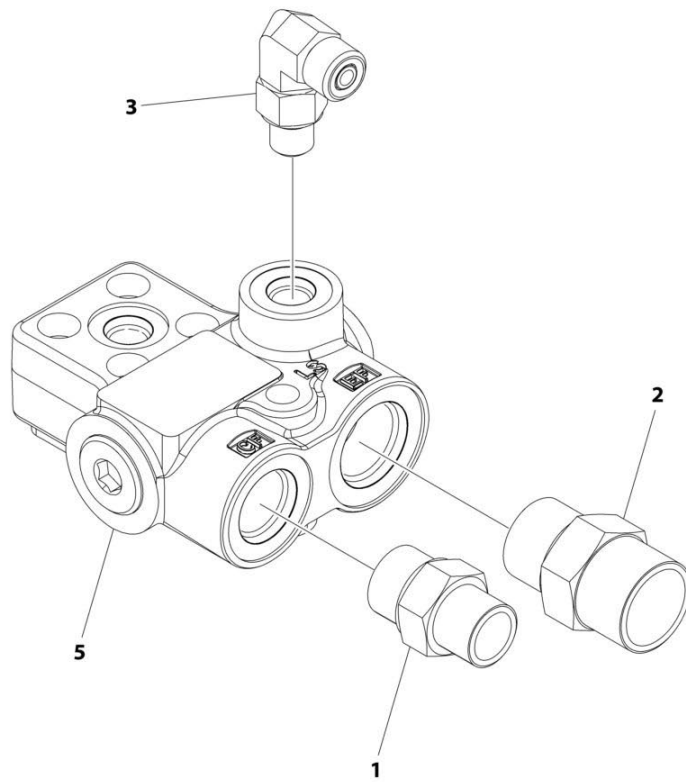
SECTION 9 - HYDRAULIC COMPONENTS

FIGURE 9-14. PRIORITY VALVE INSTALLATION

ITEM	PART NUMBER	QTY	DESCRIPTION	REV
	1001290219	Ref	PRIORITY VALVE INSTALLATION	B
1	4031711	4	Bolt M6 x 35	
2	1001290776	1	Priority Valve Assembly (See Separate Breakdown in this Section)	
3	2221086	1	Fitting, Test	
4	2221116	1	Fitting, 90	

SECTION 9 - HYDRAULIC COMPONENTS

FIGURE 9-15. PRIORITY VALVE ASSEMBLY



ART_1001290776

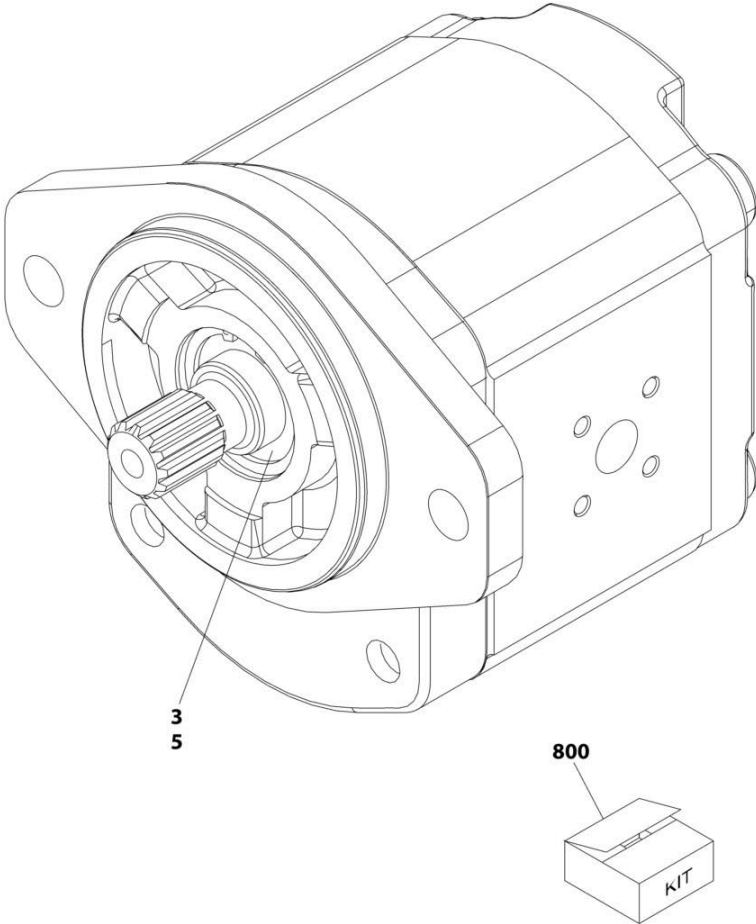
SECTION 9 - HYDRAULIC COMPONENTS

FIGURE 9-15. PRIORITY VALVE ASSEMBLY

ITEM	PART NUMBER	QTY	DESCRIPTION	REV
	1001290776	Ref	PRIORITY VALVE ASSEMBLY	B
1	2110608	1	Fitting, Straight ORFS/ORB	
2	2111010	1	Fitting, Straight ORFS/ORB	
3	2130404	1	Fitting, 90 ORFS/ORB	
5	1001290775	1	Valve, Priority Pumpsides	
5	70020575	1	O-Ring Kit	

SECTION 9 - HYDRAULIC COMPONENTS

FIGURE 9-16. PUMP ASSEMBLY



ART_1001291749

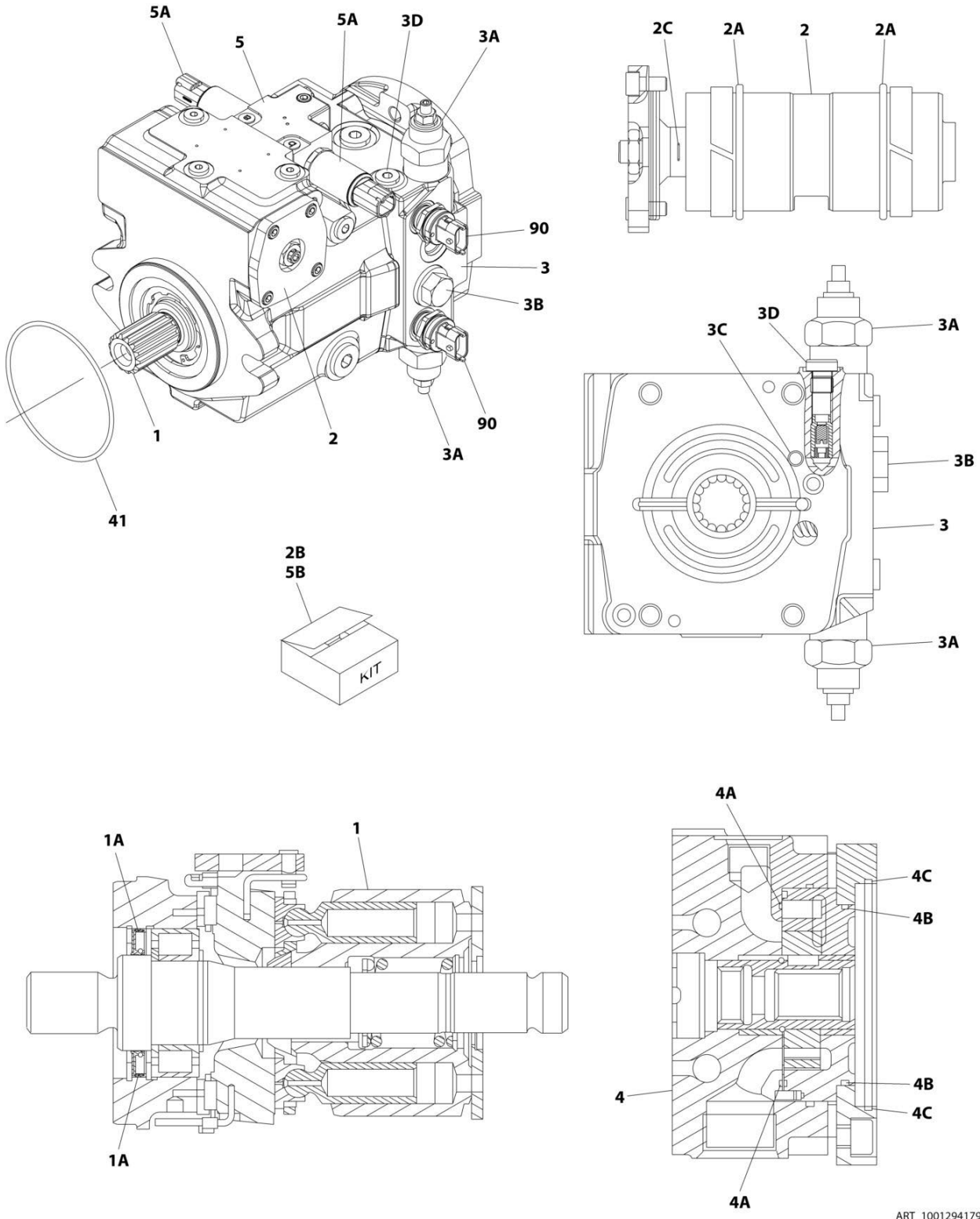
SECTION 9 - HYDRAULIC COMPONENTS

FIGURE 9-16. PUMP ASSEMBLY

ITEM	PART NUMBER	QTY	DESCRIPTION	REV
	1001291749	Ref	PUMP ASSEMBLY	C
	See Note	Ref	Note: No Other Service Parts Available at Time of Printing	
3	70031922	1	Seal	
5	70031923	1	Ring, Retaining	
800	70031924	1	Kit, Seal	

SECTION 9 - HYDRAULIC COMPONENTS

FIGURE 9-17. PUMP ASSEMBLY



ART_1001294179

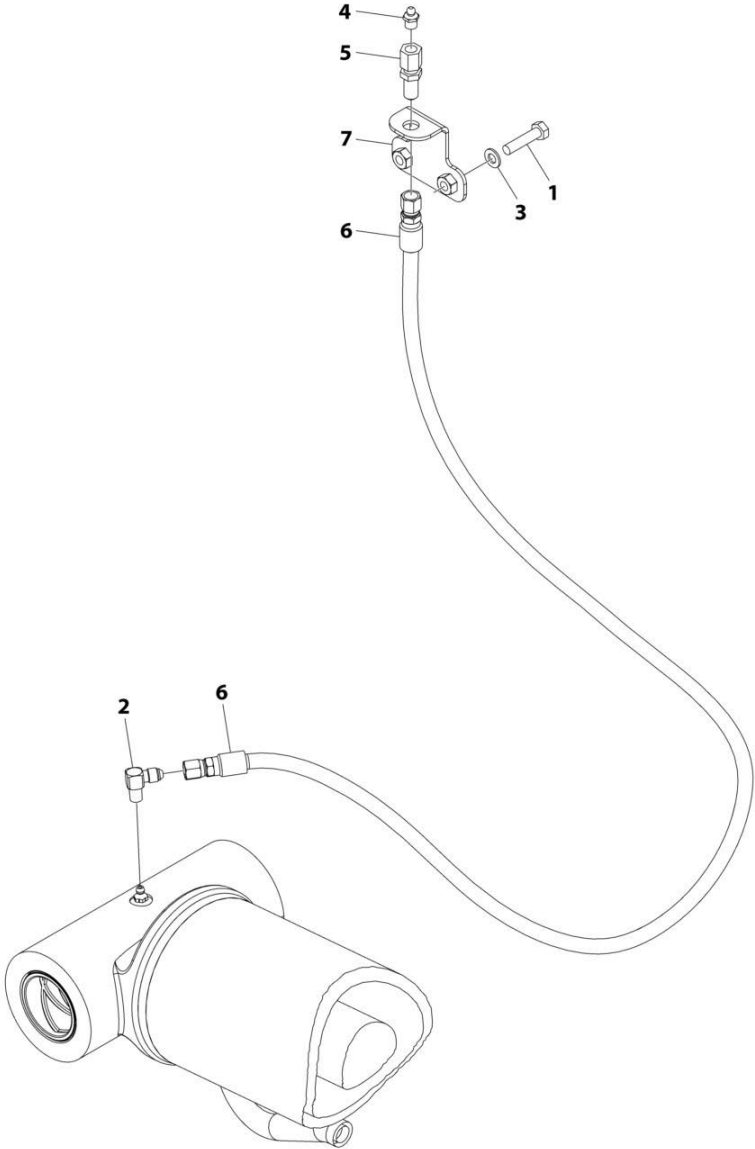
SECTION 9 - HYDRAULIC COMPONENTS

FIGURE 9-17. PUMP ASSEMBLY

ITEM	PART NUMBER	QTY	DESCRIPTION	REV
	1001294179	Ref	PUMP ASSEMBLY	B
1	70031895	1	Rotary Assembly	
1A	70031900	1	Seal, Lip	
2	70031896	1	Control Assembly	
2A	70031901	4	Seal, Piston (2 Per Piston)	
2B	70031902	2	Kit, Seal - Control (1 per Side)	
2C	7024072	2	O-Ring (Rod Seal)	
3	70031897	1	Connection Plate Assembly	
3A	70031531	2	Valve, Relief	
3A	7024075	2	O-Ring (Large) (1 per Valve)	
3A	7024072	2	O-Ring (Small) (1 per Valve)	
3A	7024076	2	Ring, Back up (1 per Valve) (Used with Large O-Ring)	
3B	70031532	1	Valve, Relief	
3B	7024077	1	O-Ring	
3B	70003172	1	Ring, Seal	
3C	70003340	1	Plug, Break-Off	
3D	80334079	1	Plug	
3E	7024908	1	O-Ring Between Connection Plate & Housing near Item 3D	
4	70031898	1	Internal Gear Assembly	
4A	7024080	1	Seal	
4B	7024081	1	O-Ring	
4C	70007178	1	O-Ring	
5	70031899	1	Control Module Assembly	
5A	70031904	2	Valve, Pressure Reducing	
5B	70031905	2	Kit, Seal - Valve	
5C	7024908	1	O-Ring Between Module & Housing (Not Shown)	
27	70003340	1	Plug, Break-Off (Not Shown)	
41	91144002	1	O-Ring	
90	70031104	NLA	Sensor, Pressure (Use PN 1001243960)	
90	1001243960	2	Sensor, Pressure	

SECTION 9 - HYDRAULIC COMPONENTS

FIGURE 9-18. REMOTE GREASE INSTALLATION



ART_1001312253

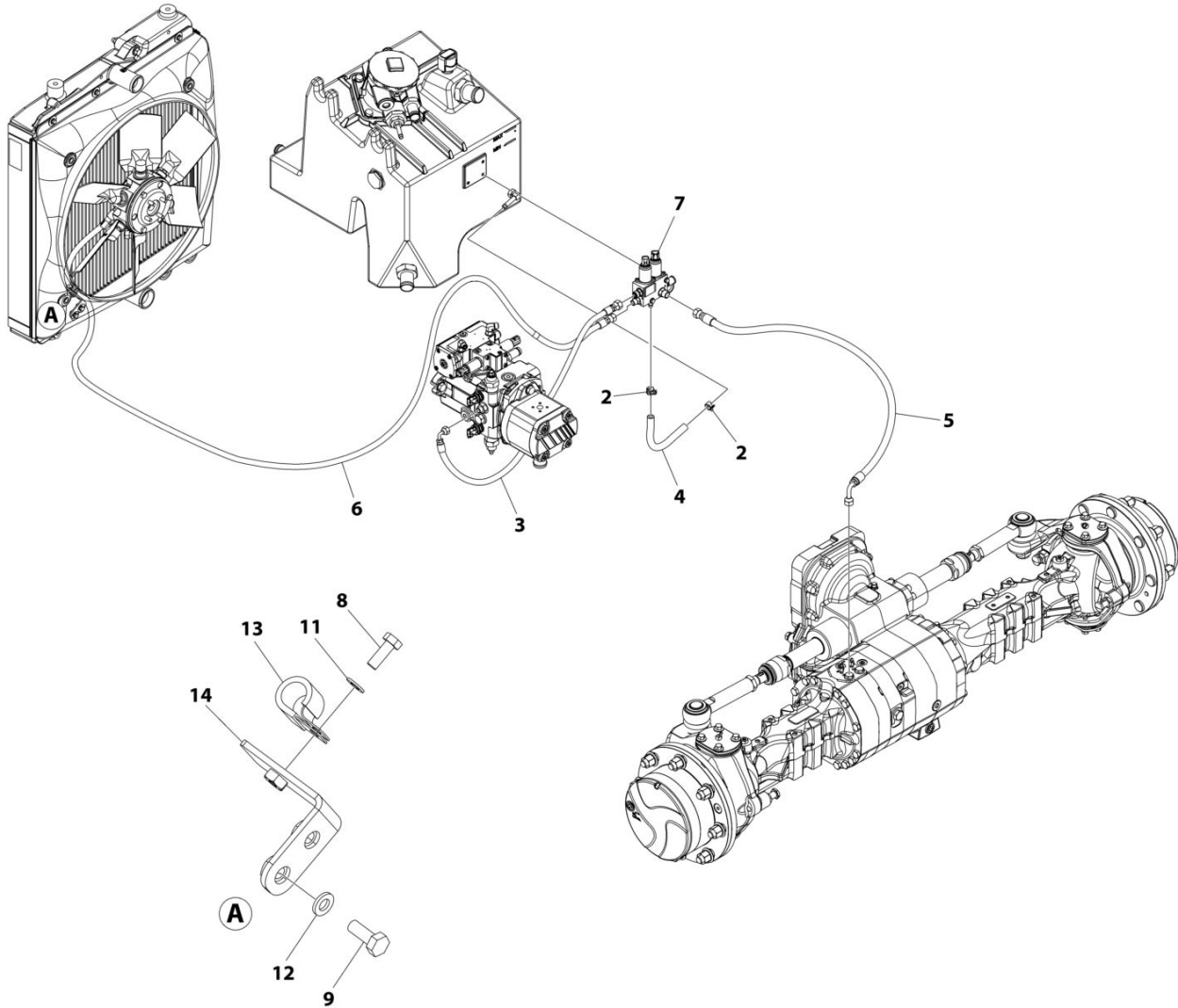
SECTION 9 - HYDRAULIC COMPONENTS

FIGURE 9-18. REMOTE GREASE INSTALLATION

ITEM	PART NUMBER	QTY	DESCRIPTION	REV
	1001312253	Ref	REMOTE GREASE INSTALLATION	A
1	0760815	2	Bolt M8 x 35	
2	2220612	1	Fitting, 90 JIC/NPTF	
3	4811900	2	Washer M8	
4	8520001	1	Fitting, Grease	
5	80623016	1	Fitting, Straight	
6	1001081413	1	Hose	
7	1001312278	1	Support, Hose	

SECTION 9 - HYDRAULIC COMPONENTS

FIGURE 9-19. SAHR BRAKE VALVE INSTALLATION



ART_1001294431

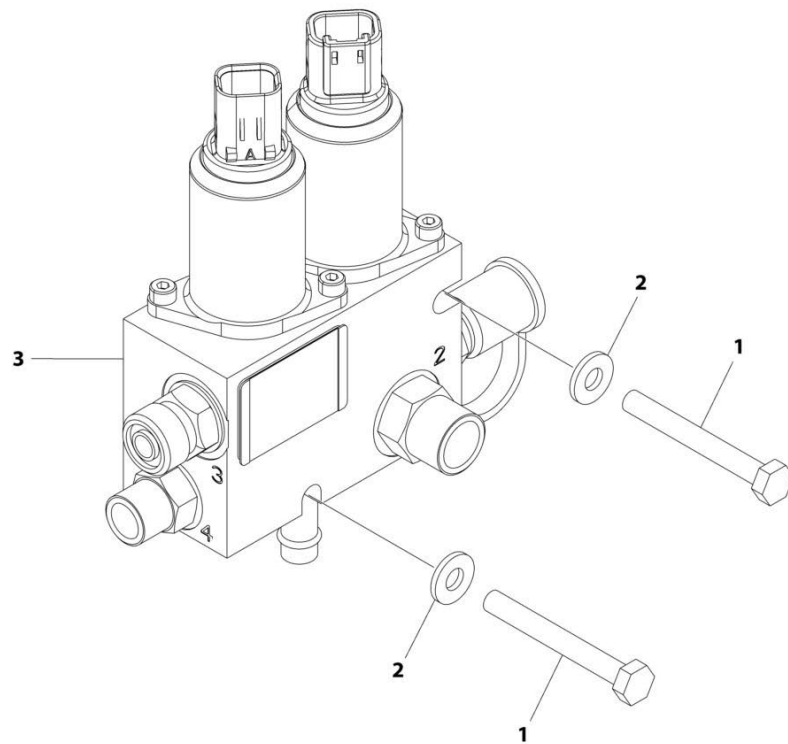
SECTION 9 - HYDRAULIC COMPONENTS

FIGURE 9-19. SAHR BRAKE VALVE INSTALLATION

ITEM	PART NUMBER	QTY	DESCRIPTION	REV
	1001294431	Ref	SAHR BRAKE VALVE INSTALLATION - REVERSING FAN	B
2	1001254357	2	Clamp	
3	1001290165	1	Hose	
4	1001290300	1	Hose	
5	1001290302	1	Hose	
6	1001318531	1	Hose	
7	1001294270	1	Sahr Valve and Reverse Fan (See Separate Breakdown in this Section)	
8	0760507	1	Bolt M5 x 14	
9	0760608	2	Bolt M6 x 16	
10	1062255	1	Tie-Strap (Not Shown)	
11	4811600	1	Washer M5	
12	4811700	2	Washer M6	
13	1001115620	1	Clamp	
14	1001318431	1	Bracket	

SECTION 9 - HYDRAULIC COMPONENTS

FIGURE 9-20. SAHR VALVE INSTALLATION



ART_1001294270

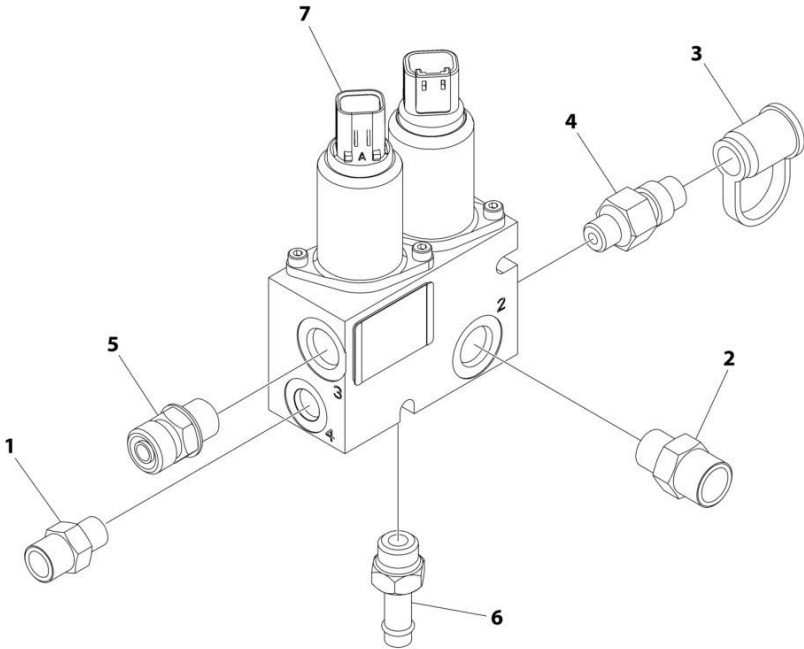
SECTION 9 - HYDRAULIC COMPONENTS

FIGURE 9-20. SAHR VALVE INSTALLATION

ITEM	PART NUMBER	QTY	DESCRIPTION	REV
	1001294270	Ref	SAHR VALVE AND REVERSE FAN INSTALLATION	A
1	0700618	2	Bolt M6 x 50	
2	4751200	2	Washer	
3	1001294269	1	Sahr Brake Valve - Reverse Fan and Fitting Assembly (See Separate Breakdown in this Section)	

SECTION 9 - HYDRAULIC COMPONENTS

FIGURE 9-21. SAHR BRAKE VALVE - REVERSE FAN AND FITTING ASSEMBLY



ART_1001294269

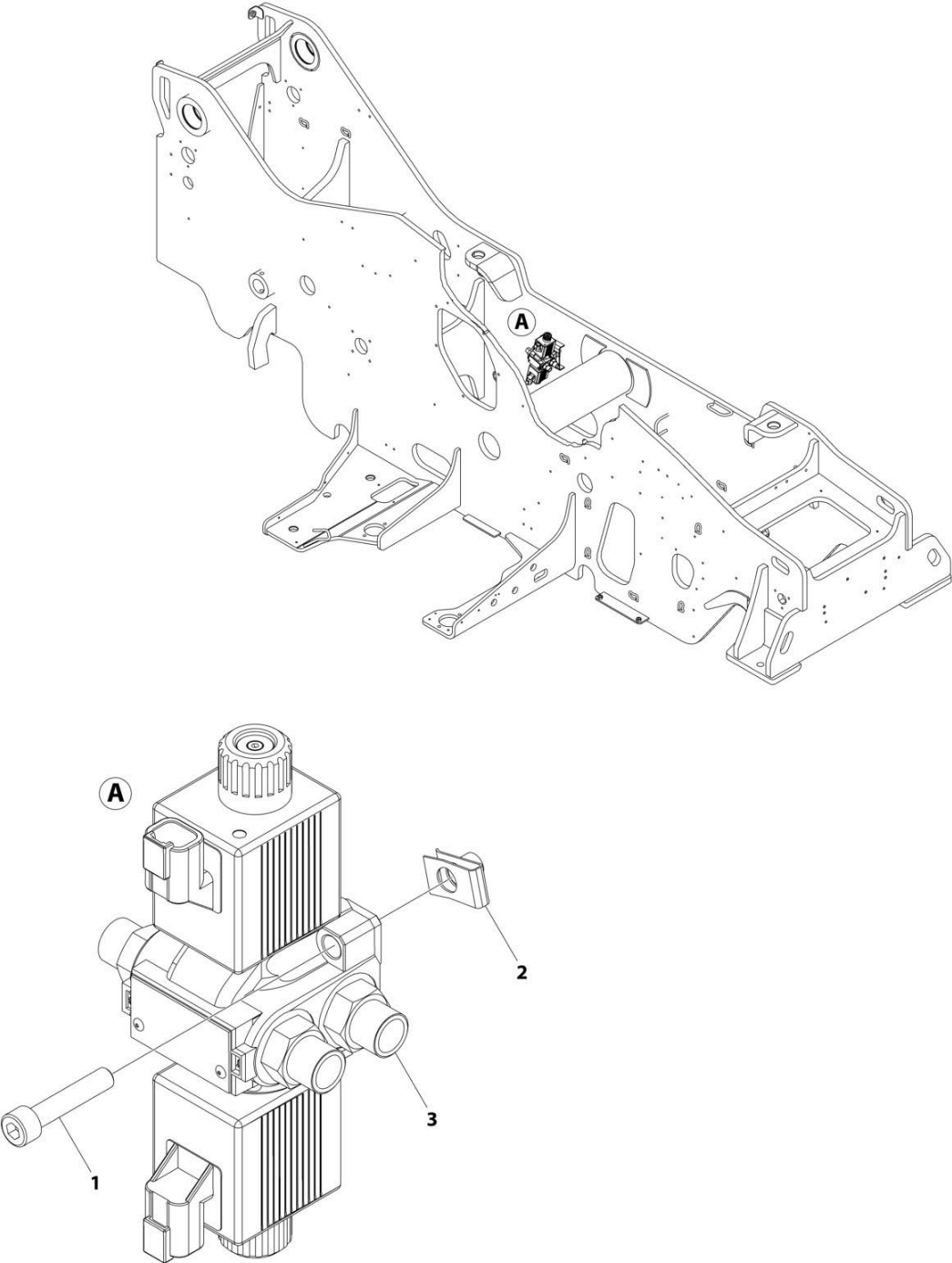
SECTION 9 - HYDRAULIC COMPONENTS

FIGURE 9-21. SAHR BRAKE VALVE - REVERSE FAN AND FITTING ASSEMBLY

ITEM	PART NUMBER	QTY	DESCRIPTION	REV
	1001294269	Ref	SAHR BRAKE VALVE - REVERSE FAN AND FITTING ASSEMBLY	A
1	2110404	1	Fitting, Straight ORFS/ORB	
2	2110606	1	Fitting, Straight ORFS/ORB	
3	8430032	1	Plug, Dust Cap	
4	8430033	1	Fitting, ORB	
5	80333184	1	Fitting, Check	
6	1001003589	1	Fitting, Straight BARB/ORB	
7	1001294268	1	Sahr Brake Value and Reverse Fan Assembly (See Separate Breakdown in this Section)	

SECTION 9 - HYDRAULIC COMPONENTS

FIGURE 9-22. STEERING SELECT VALVE INSTALLATION



ART_1001290200

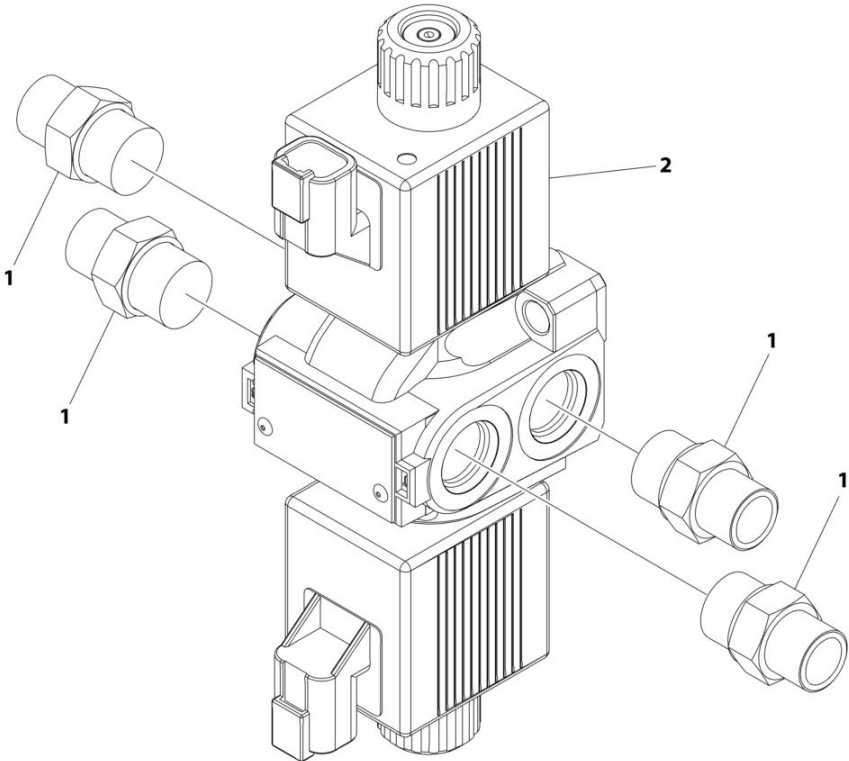
SECTION 9 - HYDRAULIC COMPONENTS

FIGURE 9-22. STEERING SELECT VALVE INSTALLATION

ITEM	PART NUMBER	QTY	DESCRIPTION	REV
	1001290200	Ref	STEERING SELECT VALVE INSTALLATION	B
1	4031912	2	Bolt M8 x 40	
2	8310686	2	Nut, Retainer M8	
3	1001293740	1	Steering Select Valve Assembly (See Separate Breakdown in this Section)	

SECTION 9 - HYDRAULIC COMPONENTS

FIGURE 9-23. STEERING SELECT VALVE ASSEMBLY



ART_1001293740

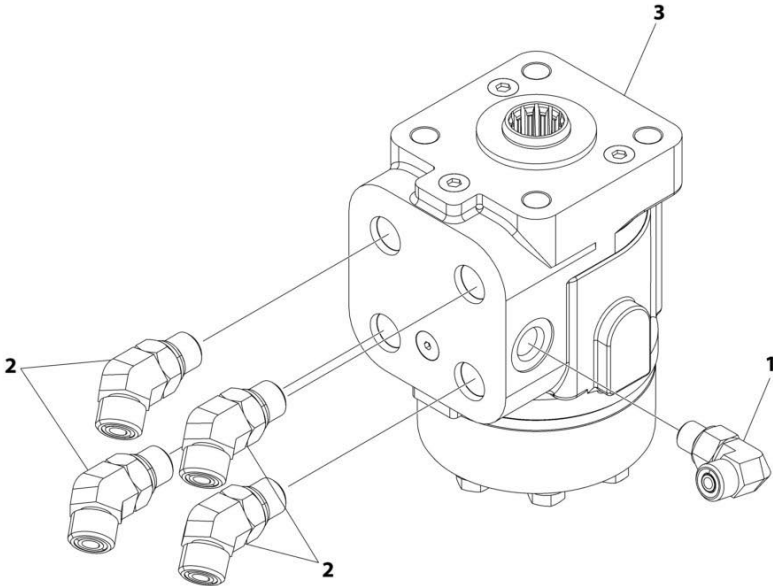
SECTION 9 - HYDRAULIC COMPONENTS

FIGURE 9-23. STEERING SELECT VALVE ASSEMBLY

ITEM	PART NUMBER	QTY	DESCRIPTION	REV
	1001293740	Ref	STEERING SELECT VALVE ASSEMBLY	A
1	2110608	4	Fitting, Straight ORFS/ORB	
2	1001153748	1	Valve, Steering Select (See Separate Breakdown in HYDRAULIC COMPONENTS Section)	

SECTION 9 - HYDRAULIC COMPONENTS

FIGURE 9-24. STEER VALVE ASSEMBLY



ART_1001293337

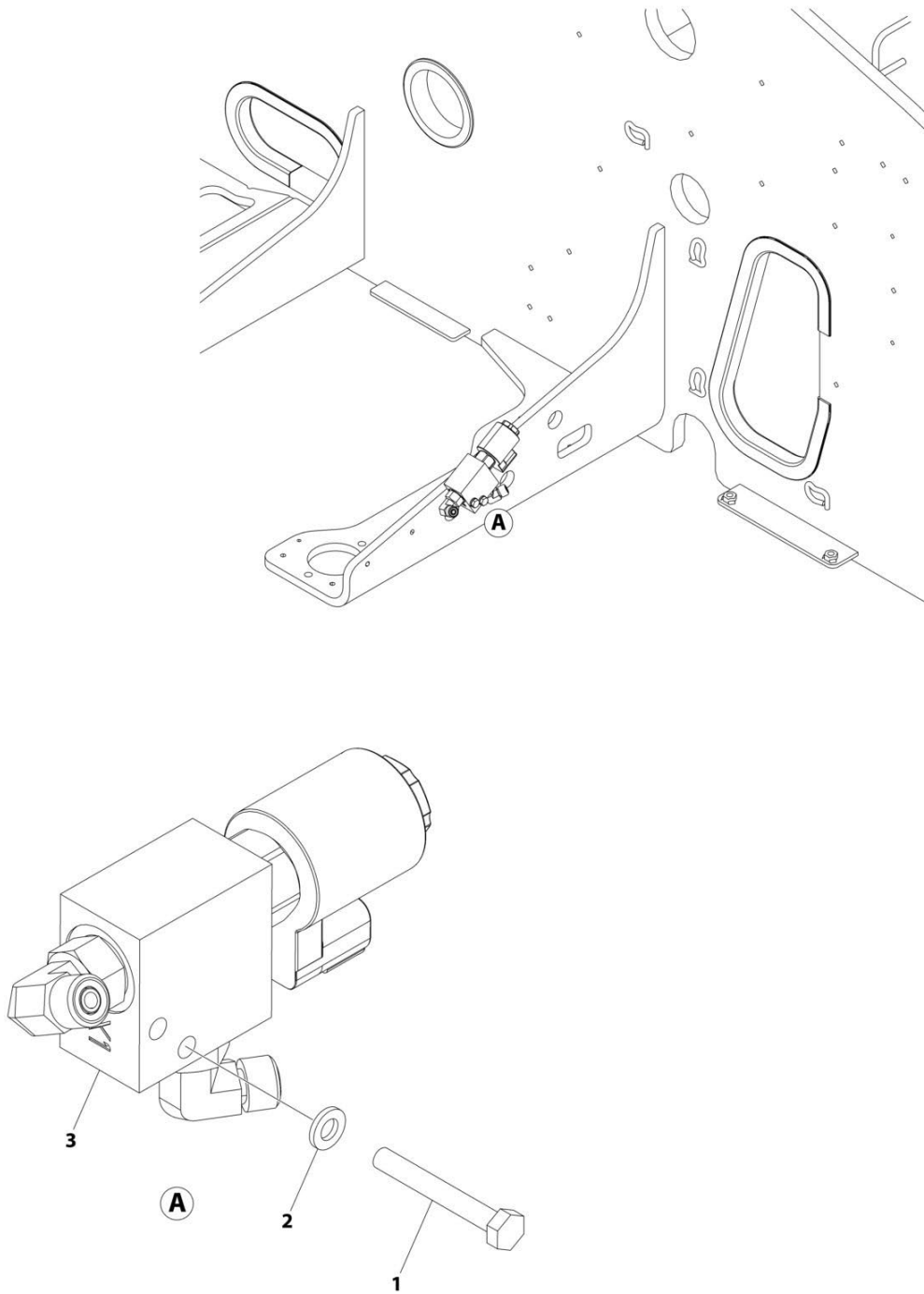
SECTION 9 - HYDRAULIC COMPONENTS

FIGURE 9-24. STEER VALVE ASSEMBLY

ITEM	PART NUMBER	QTY	DESCRIPTION	REV
	1001293337	Ref	STEER VALVE ASSEMBLY	A
1	2130404	1	Fitting, 90 ORFS/ORB	
2	2150606	4	Fitting, 45 ORFS/ORB	
3	1001290332	1	Valve, Steer	
3	70026401	1	O-Ring Kit	

SECTION 9 - HYDRAULIC COMPONENTS

FIGURE 9-25. WATCH DOG VALVE INSTALLATION



ART_1001295677

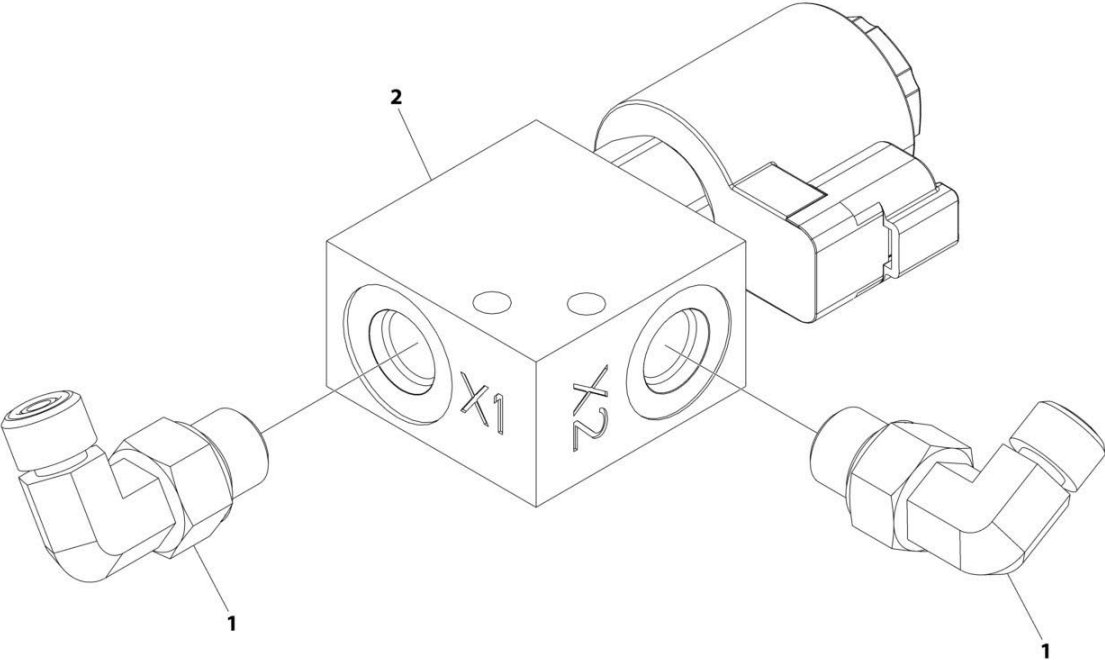
SECTION 9 - HYDRAULIC COMPONENTS

FIGURE 9-25. WATCH DOG VALVE INSTALLATION

ITEM	PART NUMBER	QTY	DESCRIPTION	REV
	1001295677	Ref	WATCH DOG VALVE INSTALLATION	A
1	0700617	2	Bolt M6 x 45	
2	4811700	2	Washer M6	
3	1001295676	1	Watch Dog Valve and Fitting Assembly (See Separate Breakdown in this Section)	

SECTION 9 - HYDRAULIC COMPONENTS

FIGURE 9-26. WATCH DOG VALVE AND FITTING ASSEMBLY



ART_1001295676

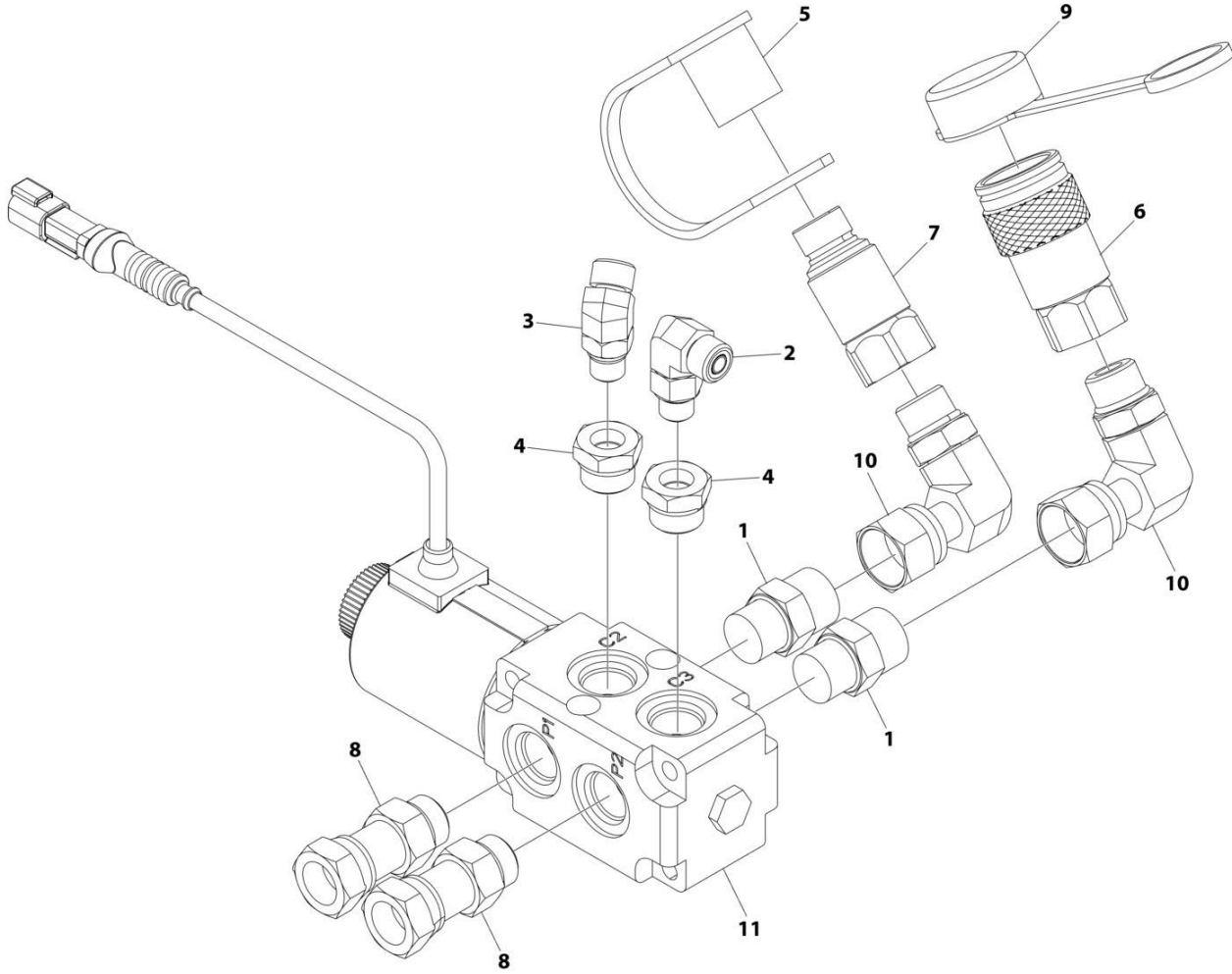
SECTION 9 - HYDRAULIC COMPONENTS

FIGURE 9-26. WATCH DOG VALVE AND FITTING ASSEMBLY

ITEM	PART NUMBER	QTY	DESCRIPTION	REV
	1001295676	Ref	WATCH DOG VALVE AND FITTING ASSEMBLY	A
1	2130406	2	Fitting, 90 ORFS/ORB	
2	1001275632	1	Valve, Watch Dog Assembly (See Separate Breakdown in HYDRAULIC COMPONENTS Section)	

SECTION 9 - HYDRAULIC COMPONENTS

FIGURE 9-27. VALVE AUX HYDRAULIC INSTALLATION



ART_1001292274

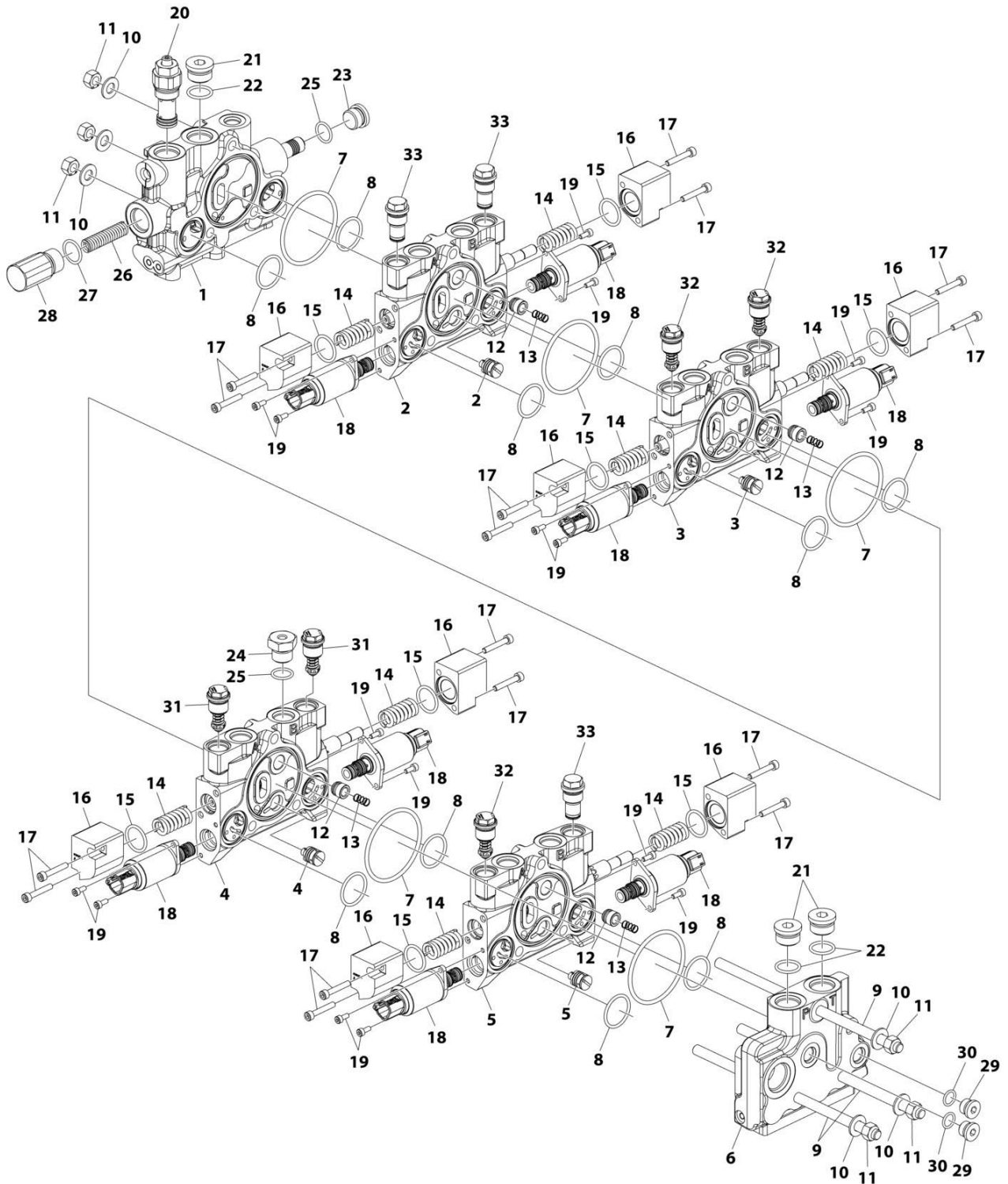
SECTION 9 - HYDRAULIC COMPONENTS

FIGURE 9-27. VALVE AUX HYDRAULIC INSTALLATION

ITEM	PART NUMBER	QTY	DESCRIPTION	REV
	1001292274	Ref	VALVE AUX HYDRAULIC INSTALLATION	A
1	2111010	2	Fitting, Straight ORFS/ORB	
2	2130606	1	Fitting, 90 ORFS/ORB	
3	2150606	1	Fitting, 45 ORFS/ORB	
4	2220218	2	Fitting, Straight FORB/ORB	
5	8420053	1	Cap, Dust	
6	1001001240	1	Fitting, Female Quick Disconnect	
7	1001001241	1	Fitting, Male Quick Disconnect	
8	1001001556	2	Fitting, Straight FSORFS/ORB	
9	1001001557	1	Plug, Dust	
10	1001090103	2	Fitting, 90	
11	1001104477	1	Valve, Divertor (See Separate Breakdown in HYDRAULIC COMPONENTS Section)	

SECTION 9 - HYDRAULIC COMPONENTS

FIGURE 9-28. VALVE ASSEMBLY - MAIN CONTROL VALVE



ART_1001291279

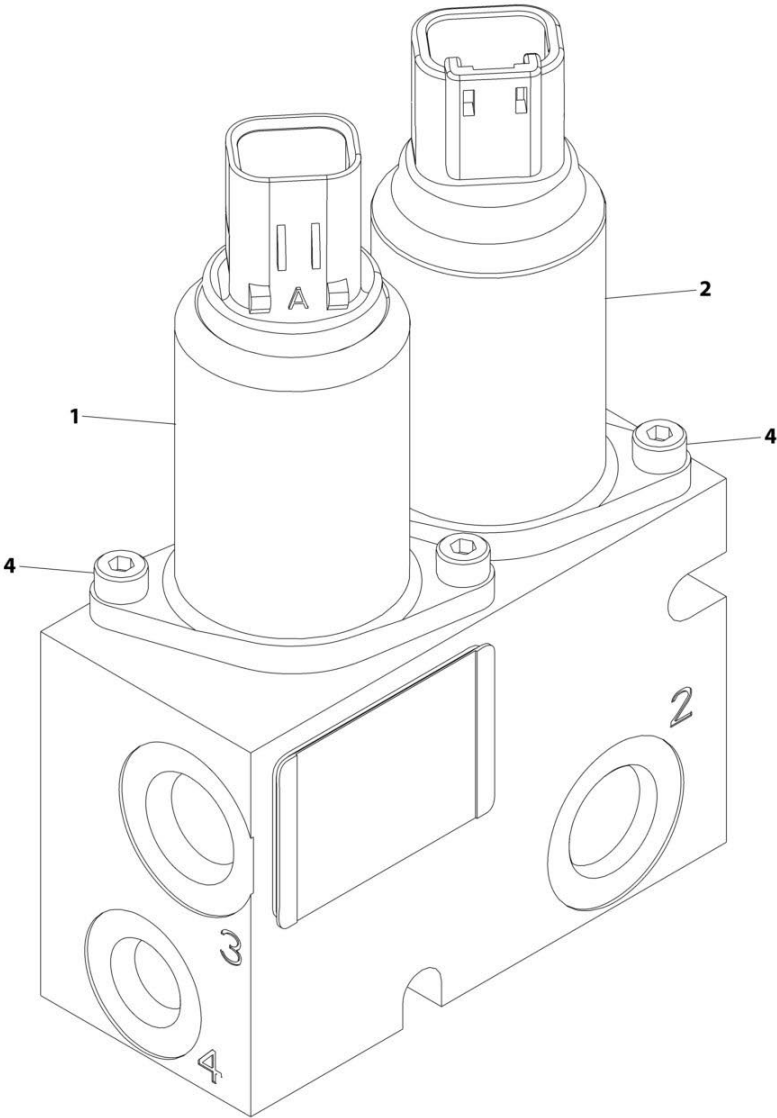
SECTION 9 - HYDRAULIC COMPONENTS

FIGURE 9-28. VALVE ASSEMBLY - MAIN CONTROL VALVE

ITEM	PART NUMBER	QTY	DESCRIPTION	REV
	1001291279	Ref	VALVE ASSEMBLY - MAIN CONTROL	C
1	70031943	1	Inlet Section	
2	70031944	1	Spool Section	
3	70031945	1	Spool Section	
4	70031946	1	Spool Section	
5	70031947	1	Spool Section	
6	70031948	1	Outlet Section	
7	70031224	5	O-Ring	
8	70030013	10	O-Ring	
9	70031225	3	Tie Rod	
10	70031226	6	Washer	
11	8035346	6	Nut	
12	10837929	4	Valve, Cartridge - Control	
13	10837937	4	Spring	
14	70031230	8	Spring	
15	70031231	8	O-Ring	
16	70031232	8	Cap	
17	70026658	16	Capscrew	
18	70029874	8	Coil	
19	70022014	16	Capscrew	
20	70028286	1	Valve, Cartridge - Drain	
21	70026653	3	Plug	
22	70026652	3	O-Ring	
23	8035382	1	Plug	
24	70031949	1	Plug	
25	70024202	2	O-Ring	
26	70031228	1	Spring	
27	70031950	1	O-Ring	
28	70031229	1	Plug	
29	70050475	2	Plug	
30	8036533	2	O-Ring	
31	70031233	2	Valve, Cartridge - Relief	
32	70031951	3	Valve, Cartridge - Relief	
33	70031234	3	Valve, Cartridge - Shut-Off	

SECTION 9 - HYDRAULIC COMPONENTS

FIGURE 9-29. VALVE ASSEMBLY - SAHR BRAKE VALVE AND REVERSE FAN



ART_1001294268

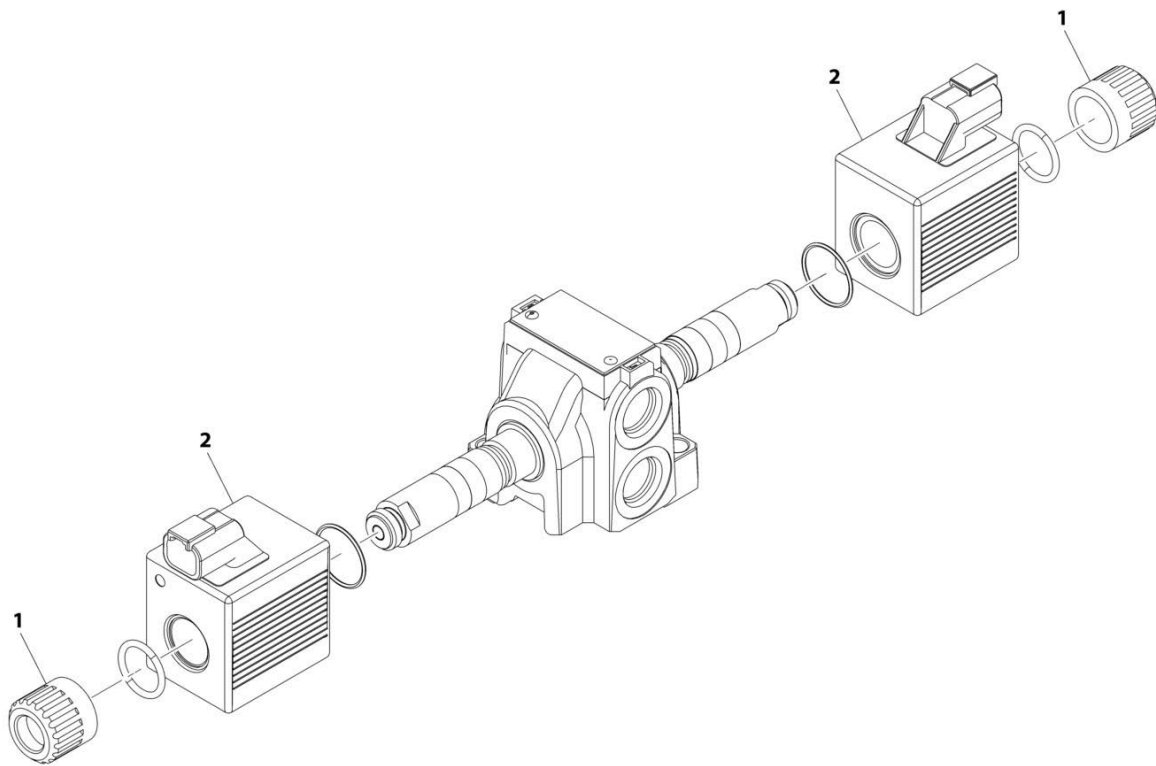
SECTION 9 - HYDRAULIC COMPONENTS

FIGURE 9-29. VALVE ASSEMBLY - SAHR BRAKE VALVE AND REVERSE FAN

ITEM	PART NUMBER	QTY	DESCRIPTION	REV
	1001294268	Ref	VALVE ASSEMBLY	B
1	70031998	1	Valve, Cartridge	
2	70031999	1	Valve, Cartridge	
4	70032000	4	Capscrew M4 x 70	

SECTION 9 - HYDRAULIC COMPONENTS

FIGURE 9-30. VALVE ASSEMBLY - STEERING SELECT



ART_1001153748-D

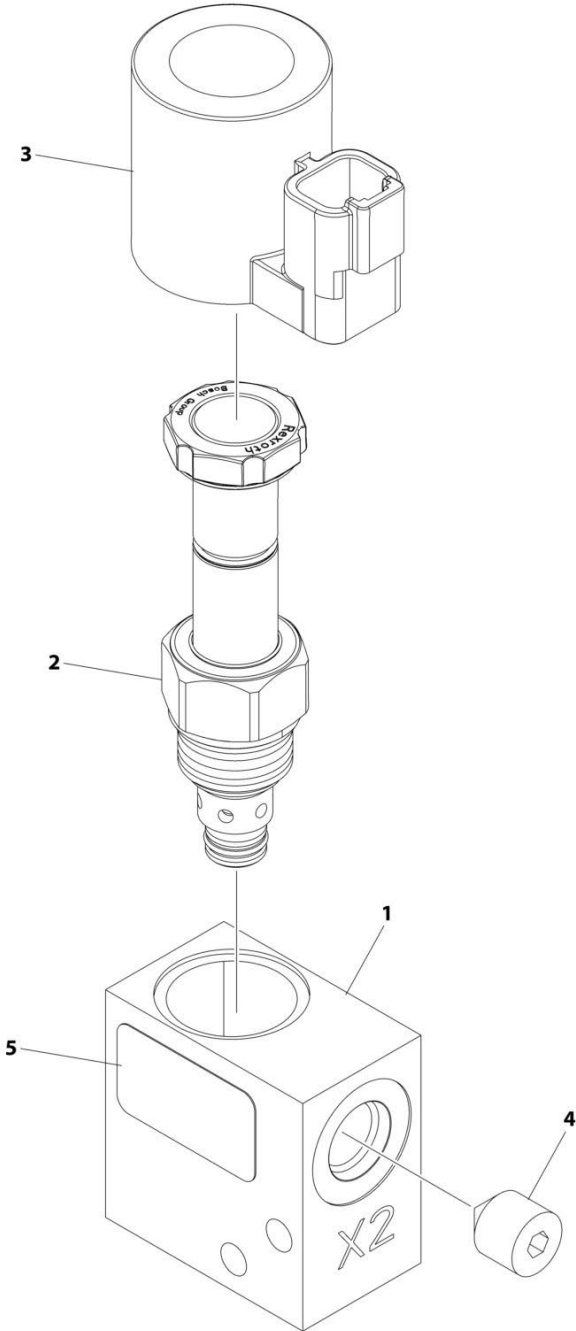
SECTION 9 - HYDRAULIC COMPONENTS

FIGURE 9-30. VALVE ASSEMBLY - STEERING SELECT

ITEM	PART NUMBER	QTY	DESCRIPTION	REV
	1001153748	Ref	Steering Select Valve	D
1	70020867	2	Nut, Coil	
2	70026582	2	Coil	

SECTION 9 - HYDRAULIC COMPONENTS

FIGURE 9-31. VALVE ASSEMBLY - WATCHDOG



ART_1001275632

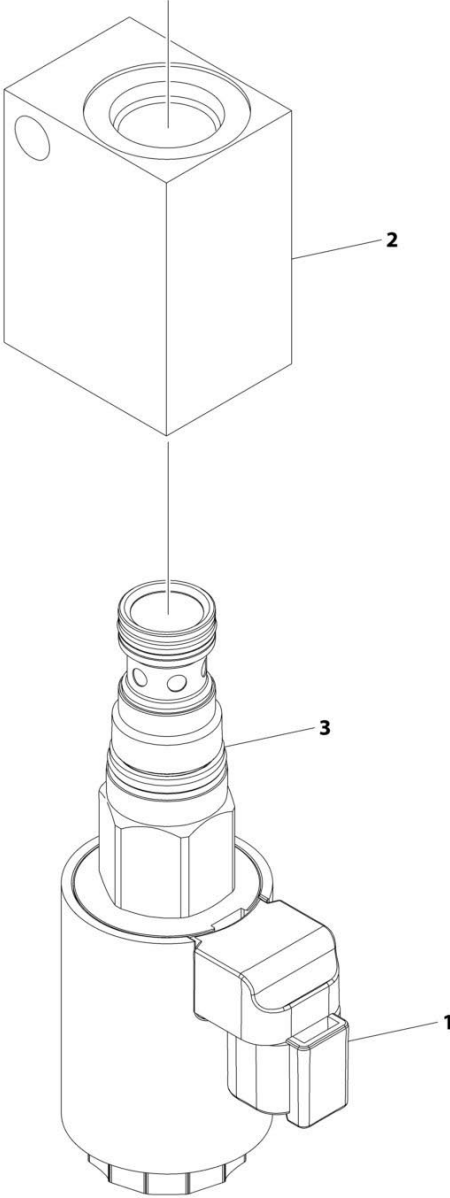
SECTION 9 - HYDRAULIC COMPONENTS

FIGURE 9-31. VALVE ASSEMBLY - WATCHDOG

ITEM	PART NUMBER	QTY	DESCRIPTION	REV
	1001275632	Ref	VALVE ASSEMBLY - WATCHDOG	A
1	See Note	NSS	Block (Note: Not Available for Purchase)	
2	70031265	1	Cartridge	
3	70007504	1	Coil	
4	7018936	1	Orifice	
5	See Note	NSS	Nameplate (Note: Not Available for Purchase)	

SECTION 9 - HYDRAULIC COMPONENTS

FIGURE 9-32. VALVE ASSEMBLY, - BLOCK



ART_1001207926_B

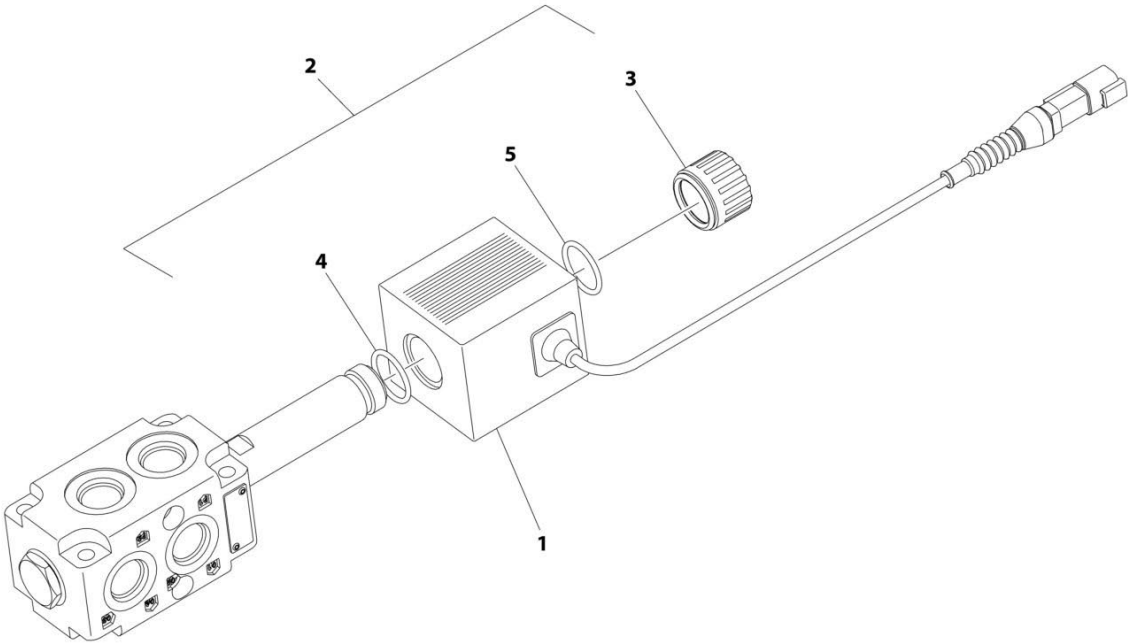
SECTION 9 - HYDRAULIC COMPONENTS

FIGURE 9-32. VALVE ASSEMBLY, - BLOCK

ITEM	PART NUMBER	QTY	DESCRIPTION	REV
	1001207926	Ref	VALVE BLOCK ASSEMBLY	B
1	1001264879	1	Coil	
2	1001207924	1	Manifold	
3	1001264878	1	Vale, Poppet	

SECTION 9 - HYDRAULIC COMPONENTS

FIGURE 9-33. VALVE, DIVERTER



ART_1001104477

SECTION 9 - HYDRAULIC COMPONENTS

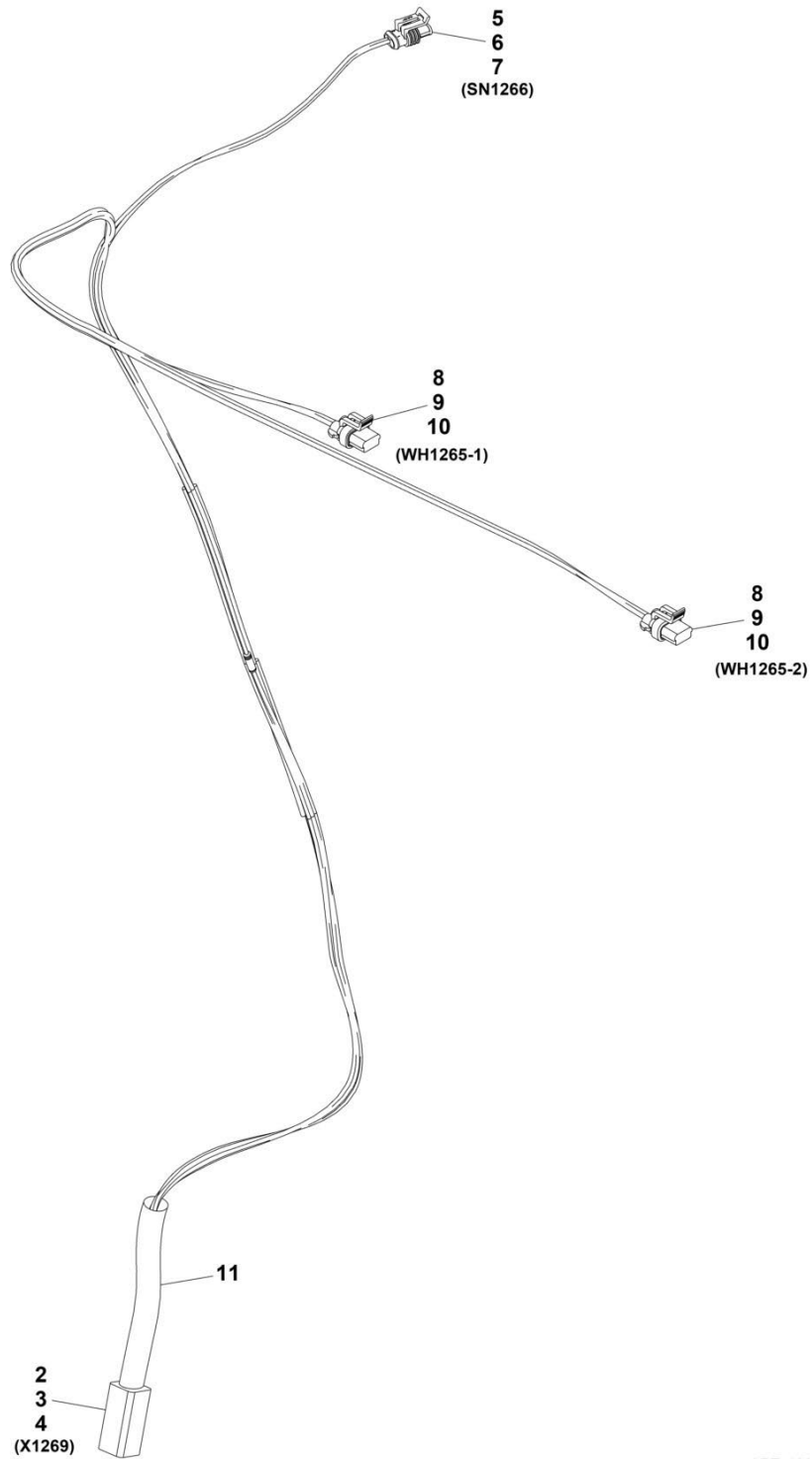
FIGURE 9-33. VALVE, DIVERTER

ITEM	PART NUMBER	QTY	DESCRIPTION	REV
	1001104477	Ref	DIVERTOR VALVE	D
1	70020764	1	Coil	
2	70021531	1	Retainer Kit (Includes Items 3-5)	
3	Kit	1	Nut	
4	Kit	1	O-Ring	
5	Kit	1	O-Ring	

SECTION 10 - ELECTRICAL

SECTION 10 - ELECTRICAL

FIGURE 10-1. A/C OPTION HARNESS



ART_1001169151

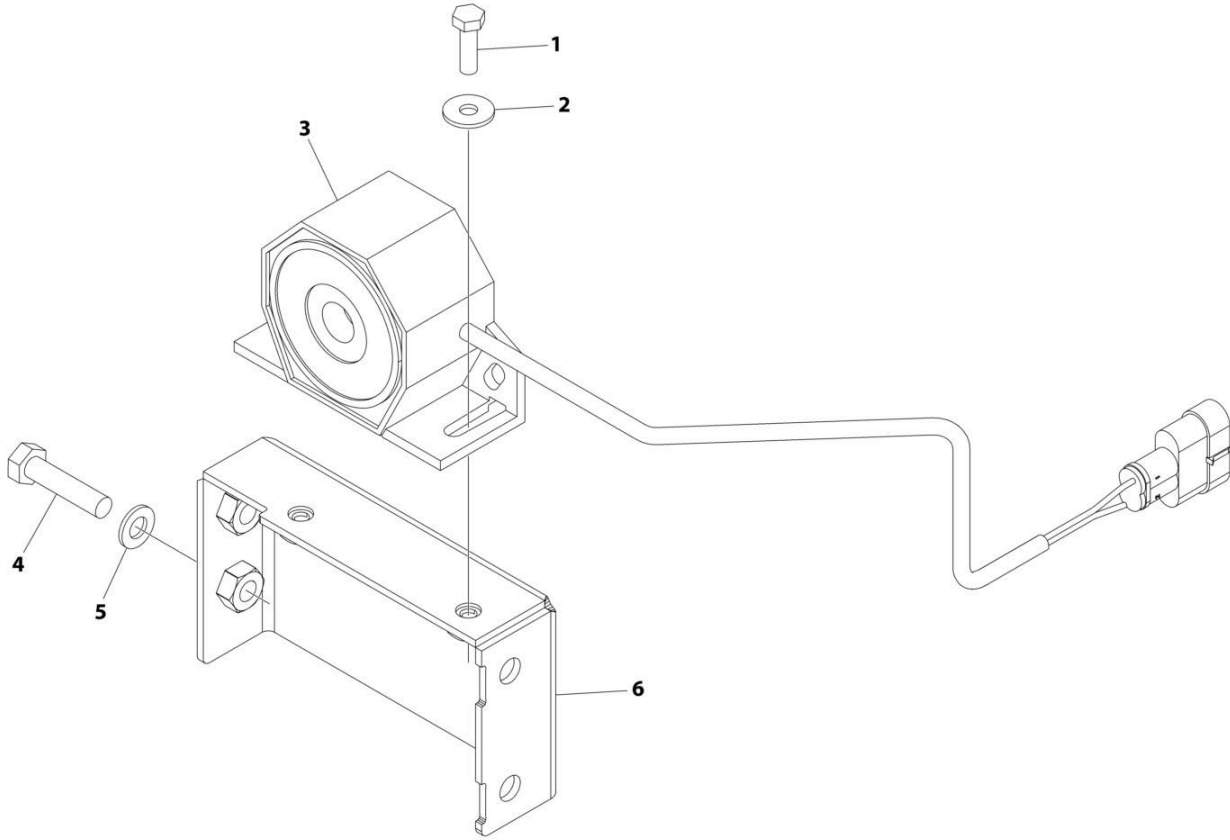
SECTION 10 - ELECTRICAL

FIGURE 10-1. A/C OPTION HARNESS

ITEM	PART NUMBER	QTY	DESCRIPTION	REV
	1001169151	Ref	A/C Option Harness	G
2	4460899	1	Connector	
3	4460941	4	Terminal	
4	4460464	2	Terminal	
5	4461118	1	Connector	
6	1001107854	2	Terminal	
7	1001116763	2	Seal	
8	1001117021	2	Connector	
9	1001116747	4	Terminal	
10	4460789	4	Seal	
11	70028546	1	Backshell	

SECTION 10 - ELECTRICAL

FIGURE 10-2. ALARM INSTALLATION - BACK UP



ART_1001292579

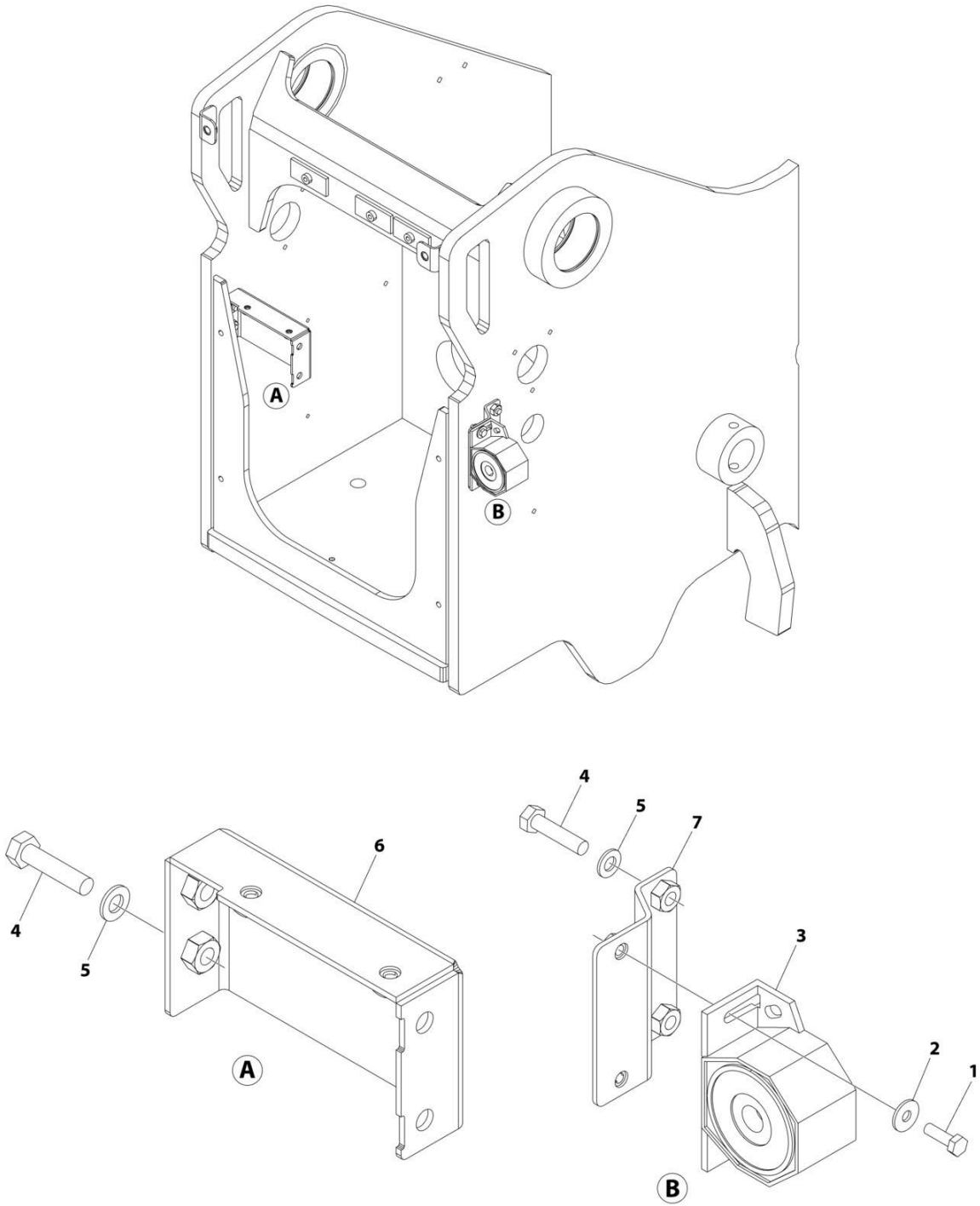
SECTION 10 - ELECTRICAL

FIGURE 10-2. ALARM INSTALLATION - BACK UP

ITEM	PART NUMBER	QTY	DESCRIPTION	REV
	1001292579	Ref	ALARM INSTALLATION - BACK UP	C
1	0700610	2	Bolt M6 x 20	
2	4811702	2	Washer M6	
3	1001101808	1	Alarm	
4	0700815	2	Bolt M8 x 35	
5	4811900	2	Washer M8	
6	1001307690	1	Bracket	

SECTION 10 - ELECTRICAL

FIGURE 10-3. ALARM INSTALLATION - WHITE NOISE



ART_1001298343

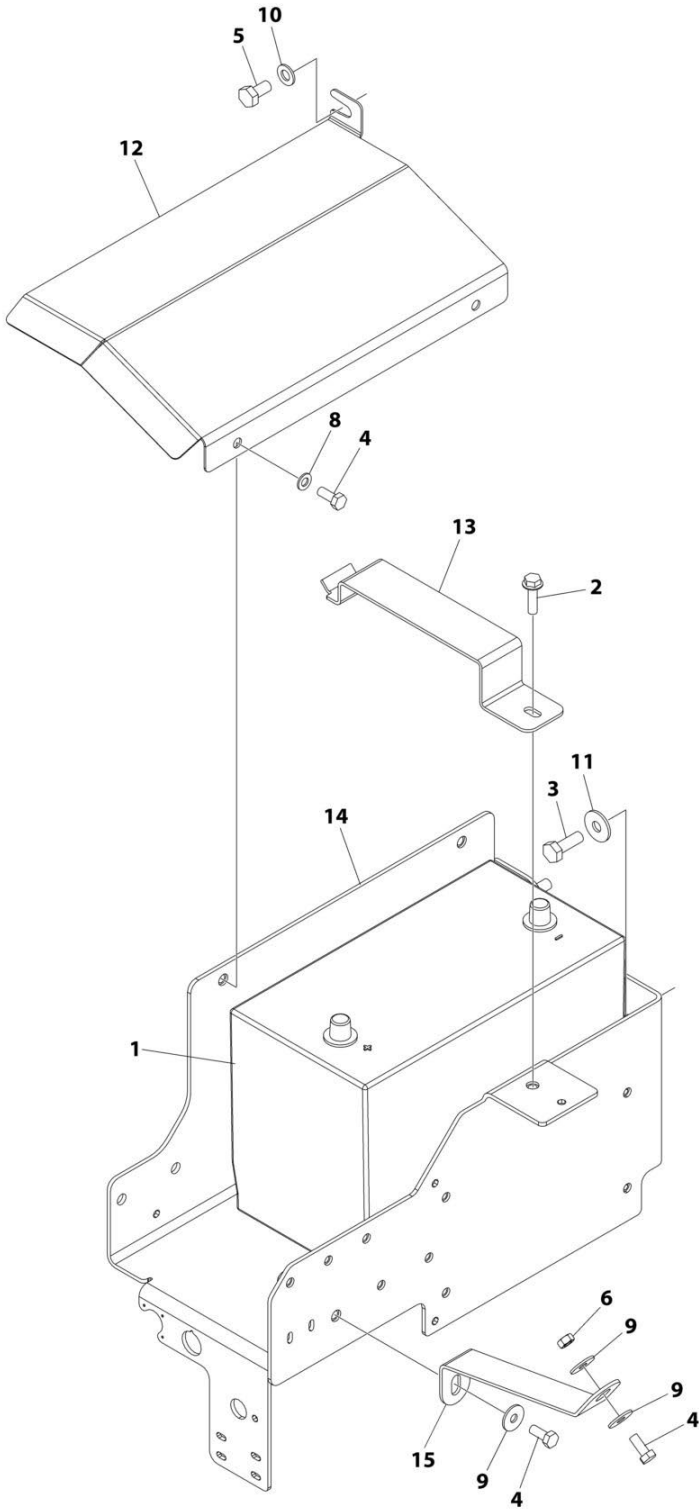
SECTION 10 - ELECTRICAL

FIGURE 10-3. ALARM INSTALLATION - WHITE NOISE

ITEM	PART NUMBER	QTY	DESCRIPTION	REV
	1001298343	Ref	ALARM INSTALLATION - WHITE NOISE	C
1	0700610	2	Bolt M6 x 20	
2	4811702	2	Washer M6	
3	1001165827	1	Alarm	
4	0700815	4	Bolt M8 x 35	
5	4811900	4	Washer M8	
6	1001307690	1	Bracket	
7	1001311733	1	Bracket	

SECTION 10 - ELECTRICAL

FIGURE 10-4. BATTERY INSTALLATION



ART_1001291010

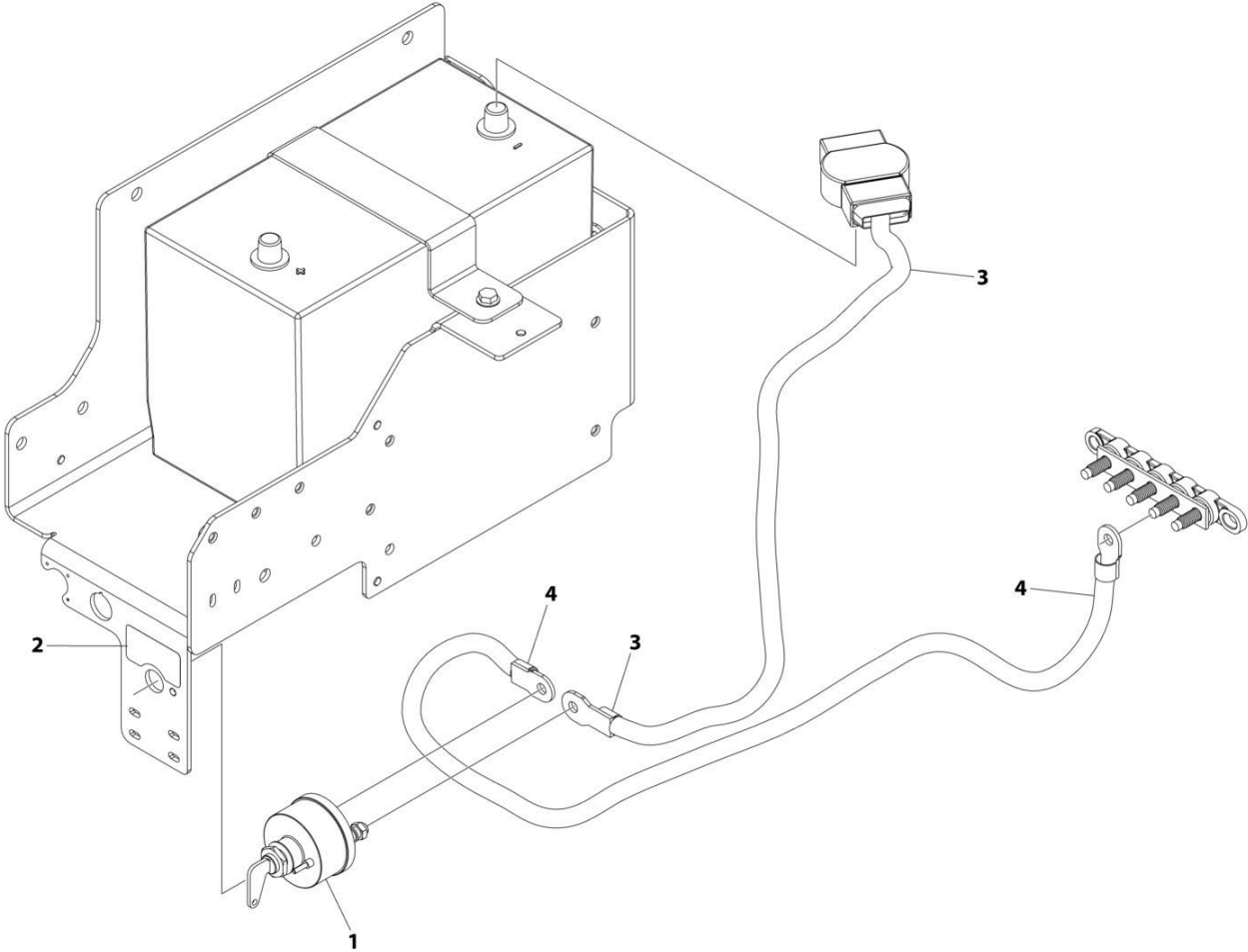
SECTION 10 - ELECTRICAL

FIGURE 10-4. BATTERY INSTALLATION

ITEM	PART NUMBER	QTY	DESCRIPTION	REV
	1001291010	Ref	BATTERY INSTALLATION	C
1	0400075	1	Battery 12V	
2	5200814	1	Bolt M8 x 30	
3	0701014	4	Bolt M10 x 30	
4	0760810	4	Bolt M8 x 20	
5	0761010	1	Bolt M10 x 20	
6	3290801	1	Nut M8	
8	4811900	2	Washer M8	
9	4811902	3	Washer M8	
10	4812000	1	Washer M10	
11	4812002	4	Washer M10	
12	1001291637	1	Plate	
13	1001291638	1	Plate	
14	1001293335	1	Bracket	
15	1001294244	1	Plate	

SECTION 10 - ELECTRICAL

FIGURE 10-5. BATTERY DISCONNECT INSTALLATION



ART_1001298215

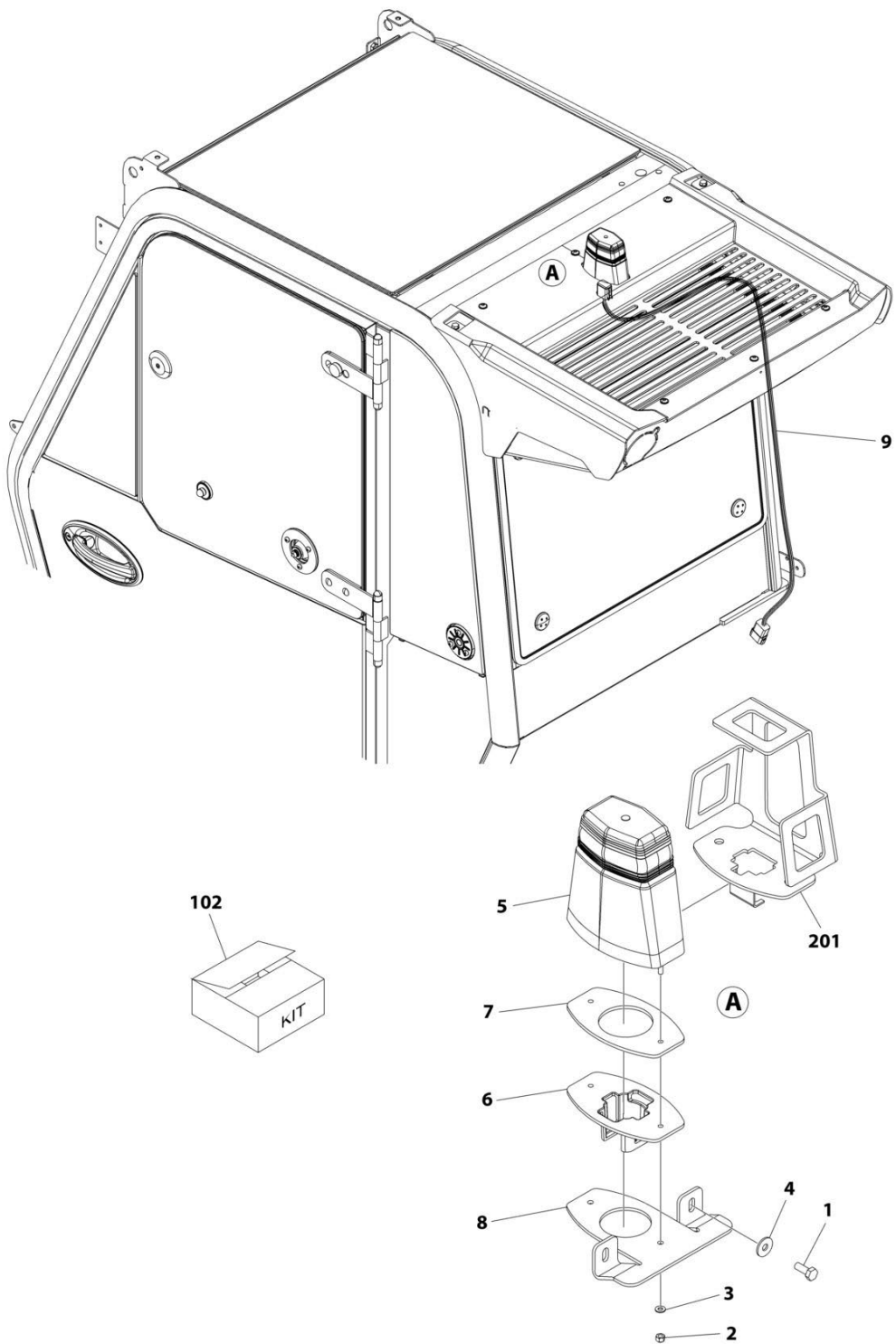
SECTION 10 - ELECTRICAL

FIGURE 10-5. BATTERY DISCONNECT INSTALLATION

ITEM	PART NUMBER	QTY	DESCRIPTION	REV
	1001298215	Ref	BATTERY DISCONNECT INSTALLATION	B
1	1001192142	1	Switch	
2	1001293310	1	Decal	
3	1001293896	1	Cable	
3	4460200	2	Terminal Ring	
3	8270147	1	Clamp	
3	1001145300	1	Boot	
4	1001293897	1	Cable	
4	4460200	2	Terminal Ring	

SECTION 10 - ELECTRICAL

FIGURE 10-6. BEACON INSTALLATION (WITH A/C)



ART_1001297764

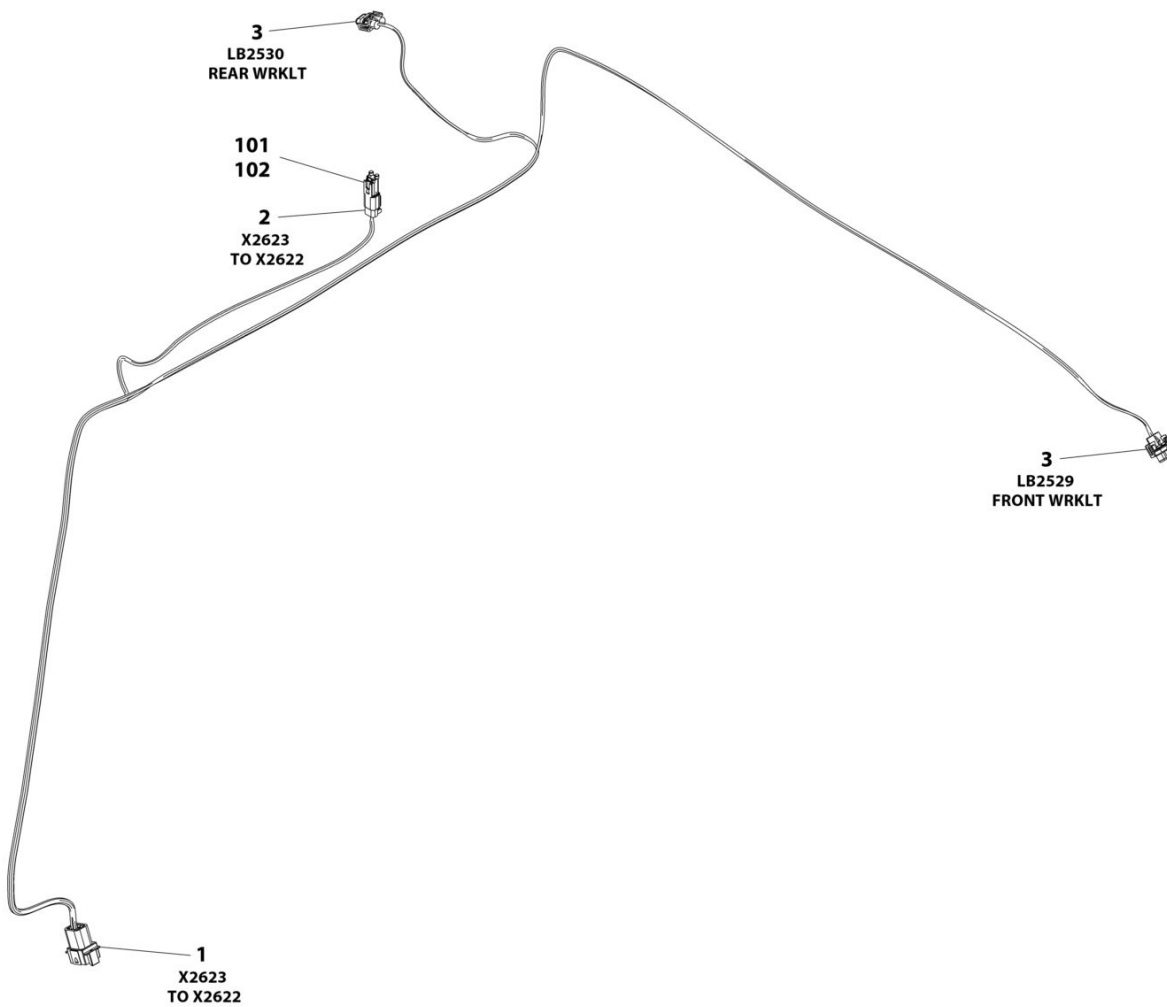
SECTION 10 - ELECTRICAL

FIGURE 10-6. BEACON INSTALLATION (WITH A/C)

ITEM	PART NUMBER	QTY	DESCRIPTION	REV
	1001297764	Ref	BEACON INSTALLATION (WITH A/C)	B
1	0760608	2	Bolt M6 x 16	
2	3290405	2	Nut M4	
3	4811400	2	Washer M4	
4	4811702	2	Washer M6	
5	1001280661	1	Control, Clearsky (Note: Re-calibration required when replaced)	
6	1001289648	1	Mount	
7	1001291056	1	Gasket	
8	1001297766	1	Bracket	
9	1001305556	1	Harness, Telematics Jumper (See Separate Breakdown in this Section)	
102	1001302422	1	Kit, Lens Replacement	
201	1001315050	1	Shield	

SECTION 10 - ELECTRICAL

FIGURE 10-7. BEACON WORKLIGHT HARNESS



ART_1001305555

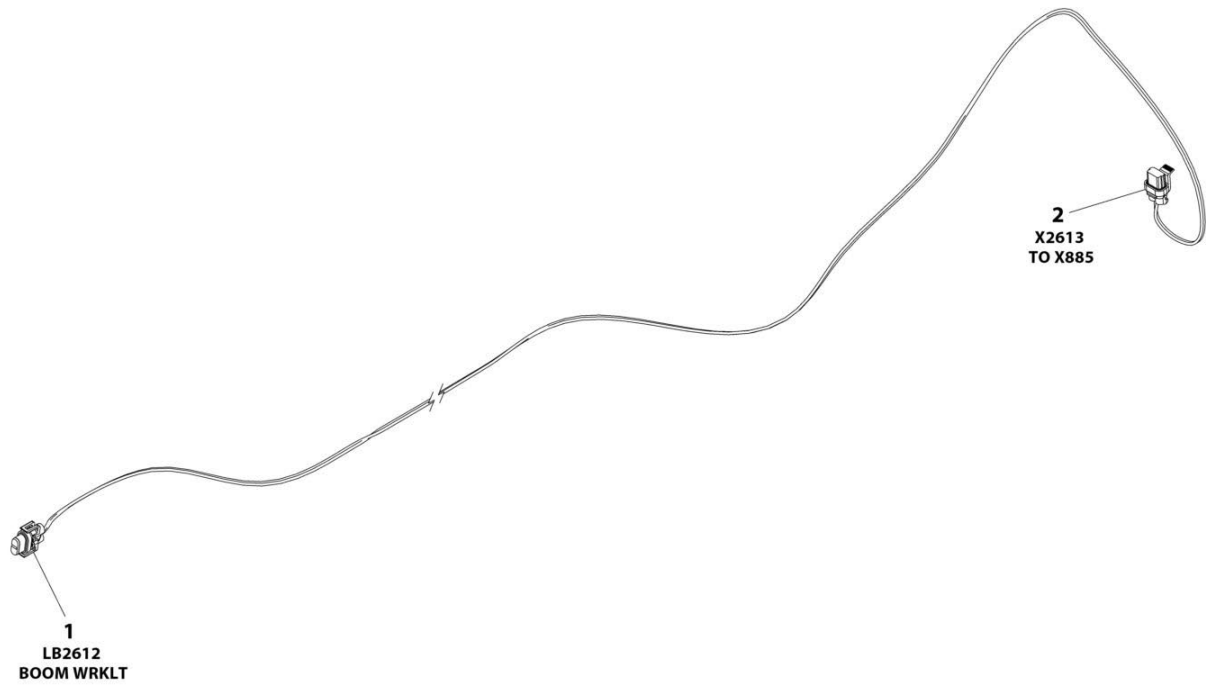
SECTION 10 - ELECTRICAL

FIGURE 10-7. BEACON WORKLIGHT HARNESS

ITEM	PART NUMBER	QTY	DESCRIPTION	REV
	1001305555	Ref	BEACON WORKLIGHT HARNESS	B
1	1001116813	1	Connector 8 Position	
1	4460464	6	Terminal	
1	4460466	2	Plug, Terminal	
2	4460891	1	Connector 2 Position	
2	4460465	2	Terminal	
3	4461115	2	Connector 2 Position	
3	4460746	4	Terminal	
101	4460466	2	Plug, Terminal	
102	4460897	1	Connector 2 Position	

SECTION 10 - ELECTRICAL

FIGURE 10-8. BOOM WORKLIGHT JUMPER HARNESS



ART_1001299133

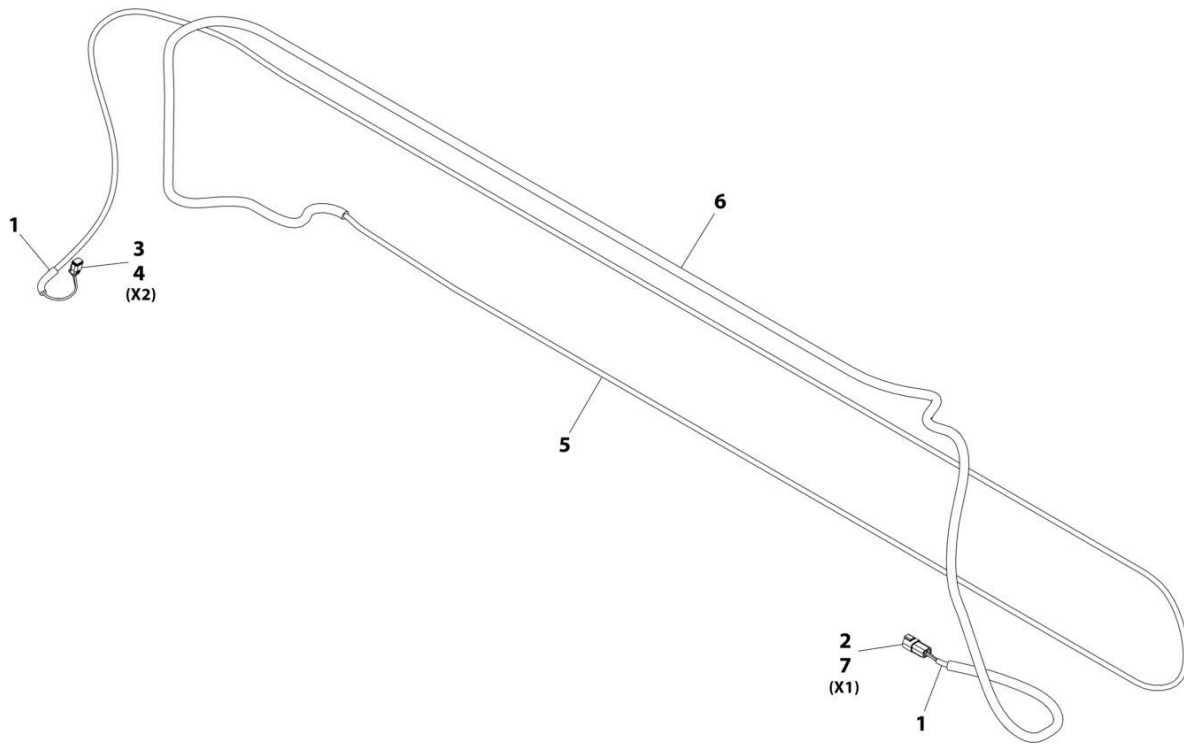
SECTION 10 - ELECTRICAL

FIGURE 10-8. BOOM WORKLIGHT JUMPER HARNESS

ITEM	PART NUMBER	QTY	DESCRIPTION	REV
	1001299133	Ref	BOOM WORKLIGHT JUMPER HARNESS	B
1	4461115	1	Connector 2 Position	
1	4460746	2	Terminal	
2	1001117021	1	Connector 2 Position	
2	4460746	2	Terminal	

SECTION 10 - ELECTRICAL

FIGURE 10-9. BOOM AUX HARNESS



ART_1001080397-B

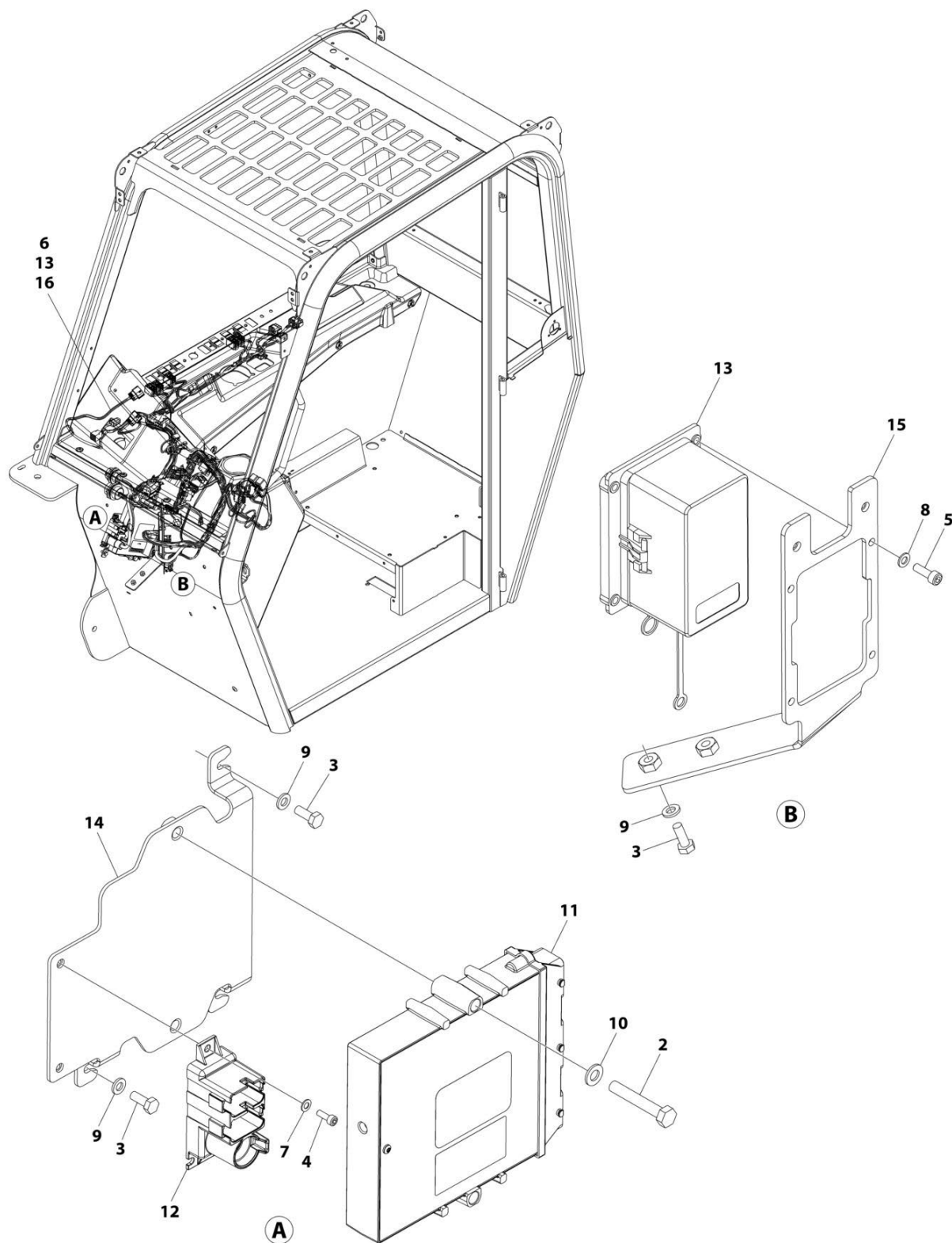
SECTION 10 - ELECTRICAL

FIGURE 10-9. BOOM AUX HARNESS

ITEM	PART NUMBER	QTY	DESCRIPTION	REV
	1001080397	Ref	Boom Aux Harness	B
1	2820171	0.25 ft	Heat Shrink, Insulate	
2	4460464	4	Terminal	
3	4460465	2	Terminal	
4	4460891	1	Connector	
5	4923141	34.83 ft	Wire, 4 Conductor 16 Ga Cable	
6	1001220853	14 ft	Loom, 3/8	
7	4460932	1	Connector	

SECTION 10 - ELECTRICAL

FIGURE 10-10. CAB ELECTRICAL INSTALLATION



ART_1001298488

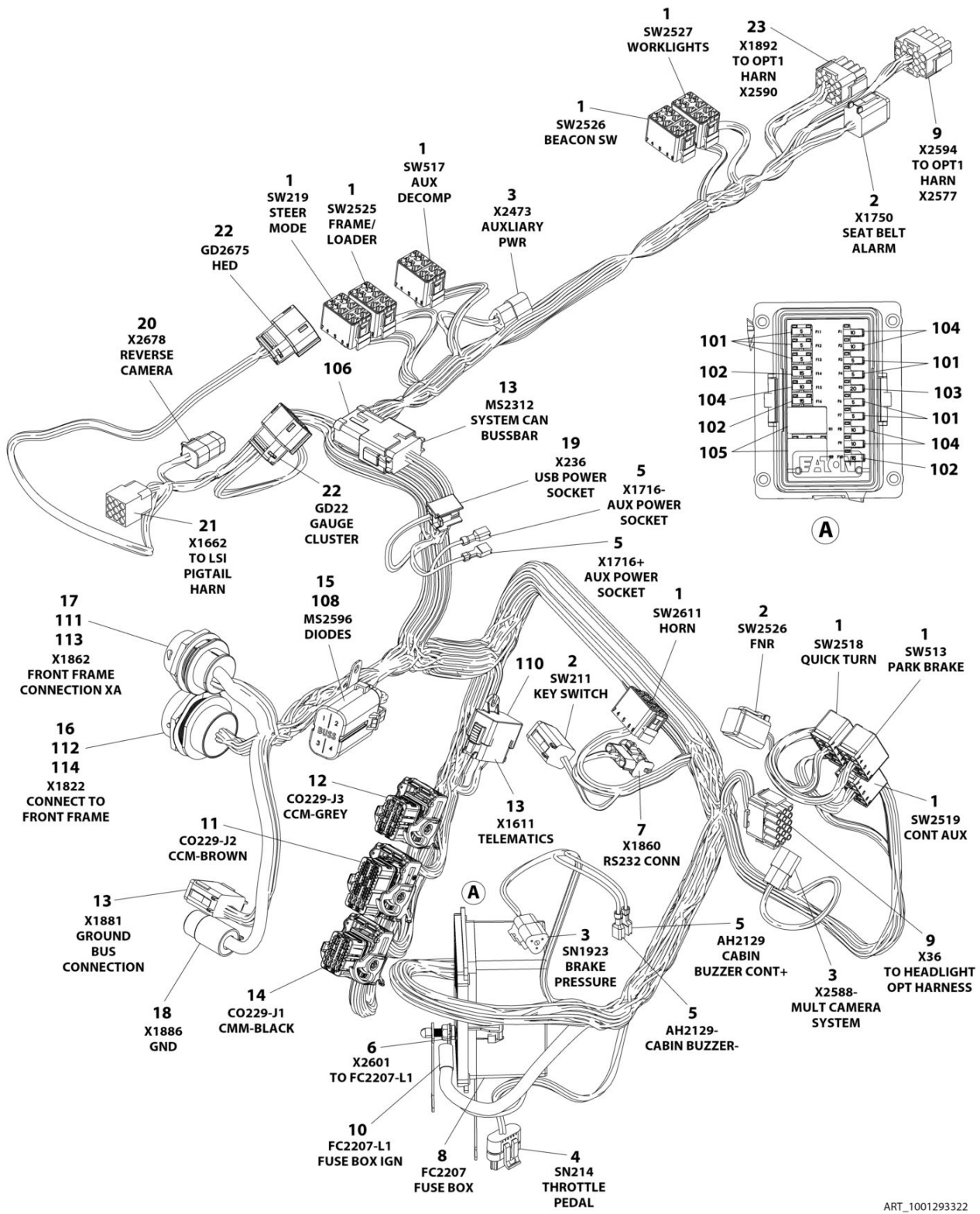
SECTION 10 - ELECTRICAL

FIGURE 10-10. CAB ELECTRICAL INSTALLATION

ITEM	PART NUMBER	QTY	DESCRIPTION	REV
	1001298488	Ref	CAB ELECTRICAL INSTALLATION	B
1	0100011	AR	Compound, Locking (Not Shown)	
2	0700818	2	Bolt M8 x 50	
3	0760608	5	Bolt M6 x 16	
4	4031506	2	Capscrew M4 x 12	
5	4031607	4	Capscrew M5 x 16	
6	4460234	8	Mount, Tie-Strap	
7	4811400	2	Washer M4	
8	4811600	4	Washer M5	
9	4811700	5	Washer M6	
10	4811900	2	Washer M8	
11	1001270466	1	Module, Control - Cab	
12	1001271293	1	Bussbar 24 Way	
13	1001293322	1	Cab Harness (See Separate Breakdown in this Section)	
14	1001297752	1	Bracket, Module	
15	1001298093	1	Bracket, Fuse Box	
16	1001008559	10	Tie-Strap	

SECTION 10 - ELECTRICAL

FIGURE 10-11. CAB HARNESS



ART_1001293322

SECTION 10 - ELECTRICAL

FIGURE 10-11. CAB HARNESS

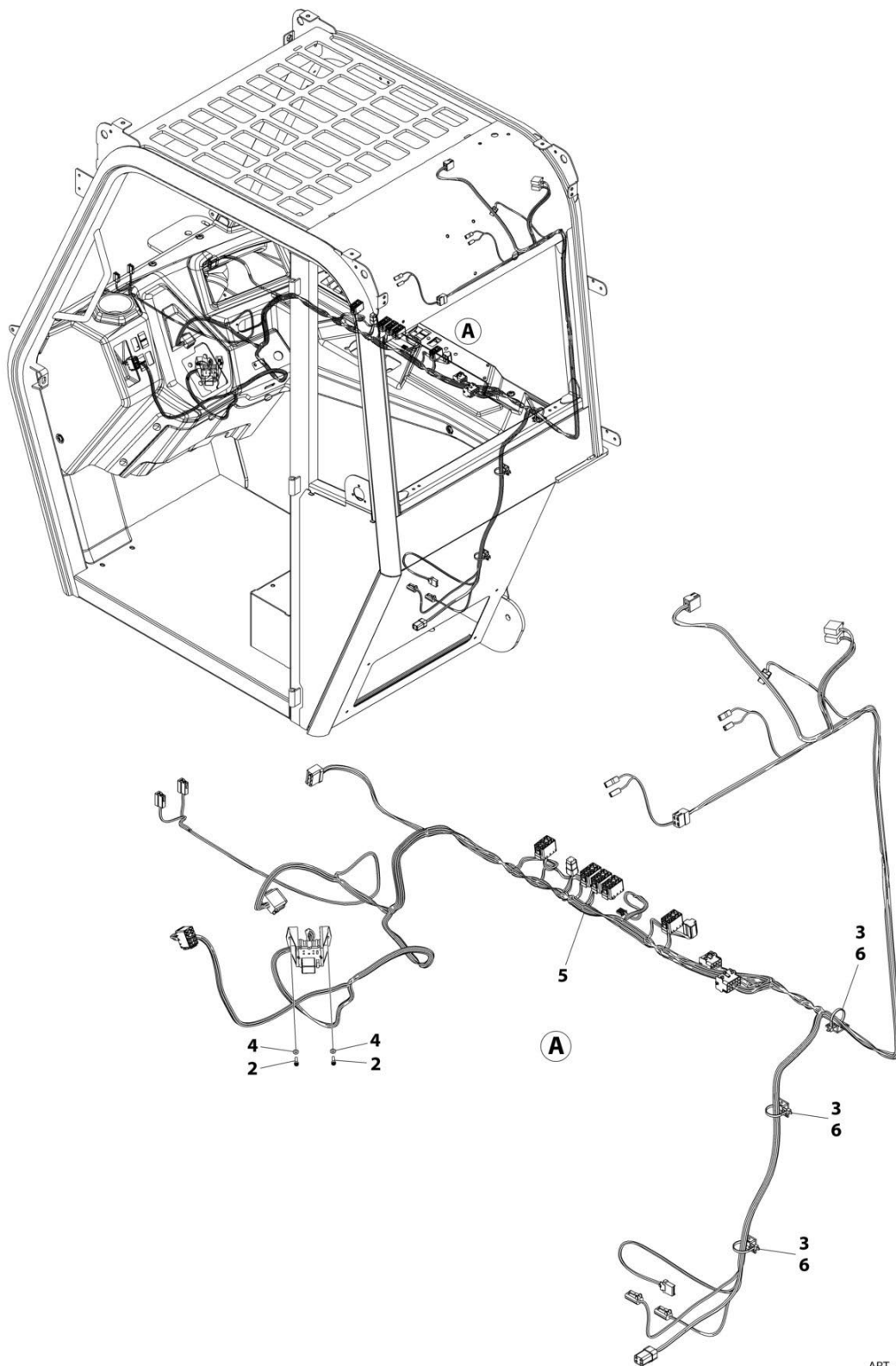
ITEM	PART NUMBER	QTY	DESCRIPTION	REV
	1001293322	Ref	CAB HARNESS	F
1	1001117081	9	Connector 8 Position	
1	1001104519	20	Terminal	
1	1001223455	47	Terminal	
2	4460894	3	Connector 6 Position	
2	4460465	14	Terminal	
2	4460466	4	Plug, Terminal	
3	4460539	3	Connector 3 Position	
3	4460465	9	Terminal	
4	1001230931	1	Connector 6 Position	
5	8220051	4	Coupler	
6	1001207171	1	Terminal, Ring	
7	1001119032	1	Connector 4 Position	
7	4460226	4	Terminal	
8	1001285586	1	Fuse Box	
9	4460434	2	Connector 15 Position	
9	4460226	24	Terminal	
10	8220116	1	Terminal, Ring	
11	1001160502	1	Connector 48 Position	
11	1001161098	2	Terminal	
11	1001161095	1	Terminal	
11	1001161097	25	Terminal	
11	1001161100	18	Plug, Terminal	
12	1001161959	1	Connector 32 Position	
12	1001161097	14	Terminal	
12	1001161100	18	Plug, Terminal	
13	4460933	3	Connector 12 Position	
13	4460465	25	Terminal	
13	4460466	11	Plug, Terminal	
14	1001160498	1	Connector 32 Position	
14	1001161098	2	Terminal	
14	1001161097	20	Terminal	
14	1001161100	8	Plug, Terminal	
15	1001184551	1	Connector 8 Position	
16	1001148106	1	Connector 23 Position	
16	4460465	19	Terminal	
16	4460466	4	Plug, Terminal	
17	1001118322	1	Connector 6 Position	
17	91013191	2	Terminal	
17	4460941	4	Terminal	
18	1001271411	1	Connector 1 Position	
19	1001118684	1	Connector 3 Position	
19	1001116754	2	Terminal	
20	4461216	1	Connector 6 Position	
20	1001126008	4	Terminal	
20	4460518	2	Plug, Terminal	
21	4460266	1	Connector 9 Position	
21	4460226	7	Terminal	
22	1001255772	2	Connector 12 Position	
22	1001162887	14	Terminal	

SECTION 10 - ELECTRICAL

ITEM	PART NUMBER	QTY	DESCRIPTION	REV
22	1001163340	10	Plug, Terminal	
23	4460343	1	Connector 12 Position	
23	4460267	6	Terminal	
23	4460226	2	Terminal	
101	8229242	7	Fuse 5Amp	
102	8229244	3	Fuse 15Amp	
103	8229246	1	Fuse 20Amp	
104	80983191	5	Fuse 10Amp	
105	1001095704	2	Relay 35Amp	
106	1001125677	1	Connector 12 Position	
108	1001177597	2	Module, Diode	
109	1001008559	1	Tie-Strap (Not Shown)	
110	1001215898	1	Connector, Dust Cap	
111	4460496	1	Terminal, Washer	
112	1001317865	1	Nut	
113	1001317866	1	Nut	
114	1001317867	1	Washer	

SECTION 10 - ELECTRICAL

FIGURE 10-12. CAB HARNESS (ENCLOSED CAB)



ART_1001299102

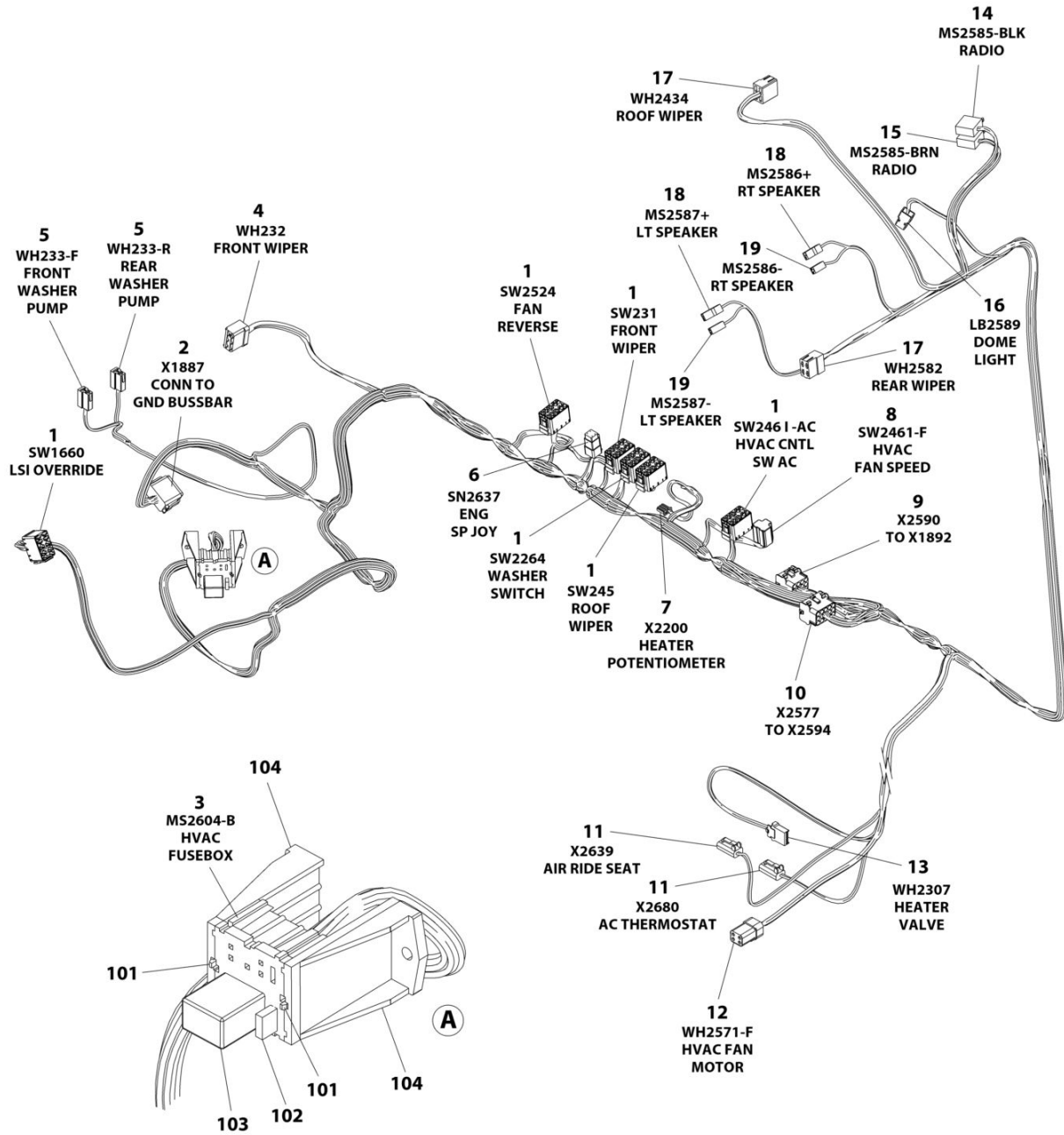
SECTION 10 - ELECTRICAL

FIGURE 10-12. CAB HARNESS (ENCLOSED CAB)

ITEM	PART NUMBER	QTY	DESCRIPTION	REV
	1001299102	Ref	CAB HARNESS INSTALLATION	C
1	0100011	AR	Compound, Locking (Not Shown)	
2	4031507	2	Capscrew M4 x 16	
3	4460234	3	Mount, Tie-Strap	
4	4811400	2	Washer M4	
5	1001297750	1	Cab Harness (See Separate Breakdown in this Section)	
6	1001008559	3	Tie-Strap	

SECTION 10 - ELECTRICAL

FIGURE 10-13. CAB HARNESS - OPTION



ART_1001297750

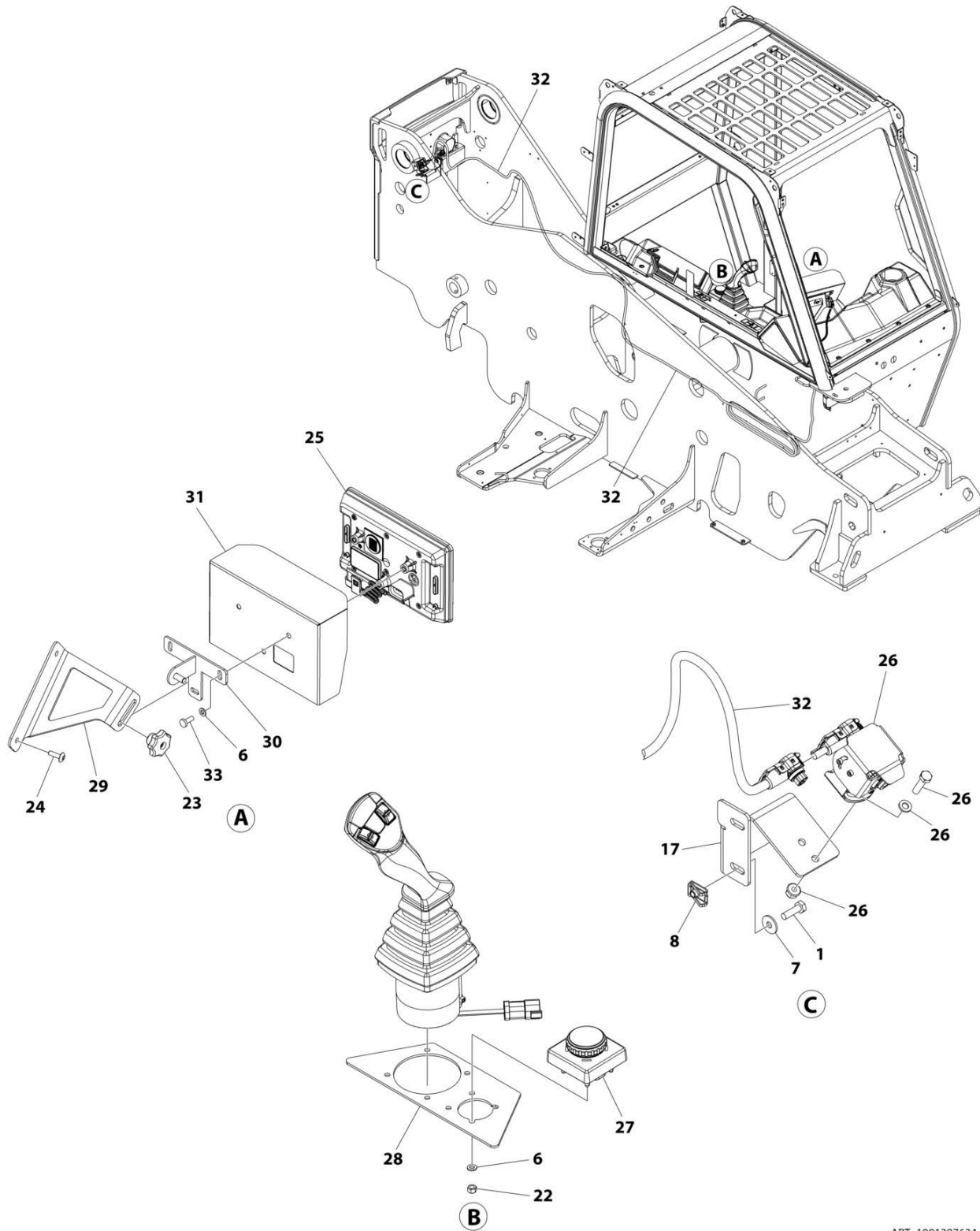
SECTION 10 - ELECTRICAL

FIGURE 10-13. CAB HARNESS - OPTION

ITEM	PART NUMBER	QTY	DESCRIPTION	REV
	1001297750	Ref	CAB HARNESS - OPTION	E
1	1001117081	6	Connector 10 Position	
1	1001104519	38	Terminal	
2	4460933	1	Connector 12 Position	
2	4490942	2	Terminal	
2	4460465	9	Terminal	
2	4460466	1	Plug, Terminal	
3	1001177198	1	Connector 16 Position	
4	1001116997	1	Connector 4 Position	
4	1001104519	6	Terminal	
5	4460994	2	Connector 2 Position	
5	1001104519	4	Terminal	
6	4461077	1	Connector 4 Position	
6	1001126008	4	Terminal	
7	1001184473	1	Connector 4 Position	
8	1001117080	1	Connector 5 Position	
8	1001104519	5	Terminal	
9	4460367	1	Connector 12 Position	
9	4460705	1	Terminal	
9	4460267	4	Terminal	
9	4460226	3	Terminal	
10	4460708	1	Connector 15 Position	
10	4460226	11	Terminal	
11	4460891	2	Connector 2 Position	
11	4460465	4	Terminal	
12	1001116810	1	Connector 4 Position	
12	4460509	4	Terminal	
13	1001197624	1	Connector 6 Position	
14	1001116985	1	Connector 8 Position	
14	4460889	3	Terminal	
15	1001116984	1	Connector 8 Position	
15	4460889	4	Terminal	
16	1001116991	1	Connector 2 Position	
16	1001104519	2	Terminal	
17	1001116986	2	Connector 4 Position	
17	1001104519	7	Terminal	
18	1001116995	2	Connector 1 Position	
18	1001236622	2	Terminal	
19	1001117002	2	Connector 1 Position	
19	1001116705	2	Terminal	
101	4461103	2	Lock, Wedge	
102	8229242	1	Fuse 5Amp	
103	1001095704	1	Relay	
104	1001200845	2	Bracket, Mounting	
105	683A0070	2	Connector (Not Shown)	

SECTION 10 - ELECTRICAL

FIGURE 10-14. CAMERA INSTALLATION - REVERSE



ART_1001297634

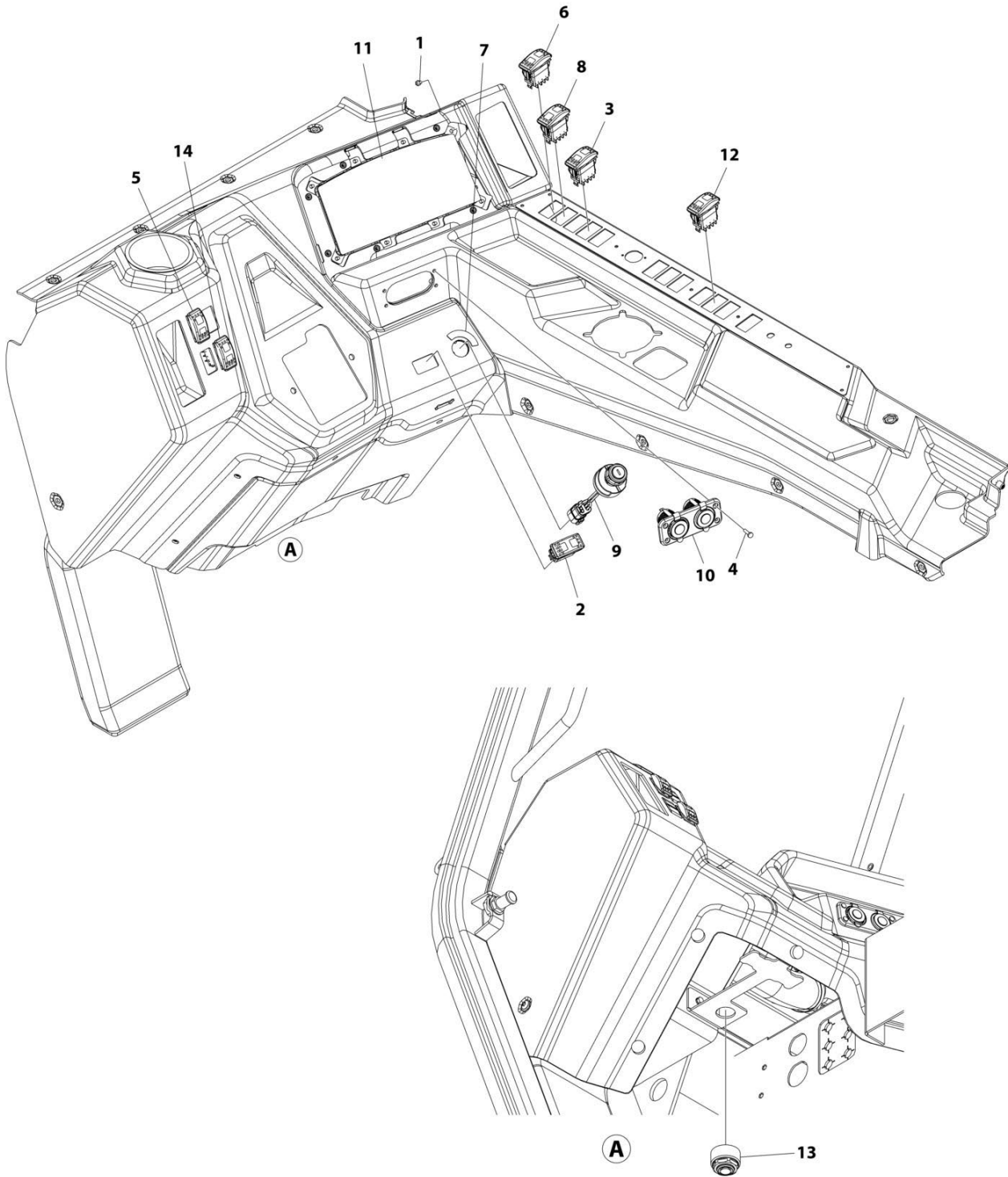
SECTION 10 - ELECTRICAL

FIGURE 10-14. CAMERA INSTALLATION - REVERSE

ITEM	PART NUMBER	QTY	DESCRIPTION	REV
	1001297634	Ref	CAMERA INSTALLATION - REVERSE	E
1	0700610	2	Bolt M6 x 20	
6	4811700	7	Washer M6	
7	4811702	2	Washer M6	
8	8305919	2	Nut, Retainer M6	
17	1001296510	1	Plate, Mounting	
22	3290605	4	Nut M6	
23	1001265007	1	Knob	
24	1001272884	2	Bolt M6 x 20	
25	1001309310	1	Module, Display	
26	1001309311	1	Camera	
27	1001309317	1	Control, Rotary	
28	1001310865	1	Cover	
29	1001311058	1	Bracket	
30	1001311059	1	Mount	
31	1001311062	1	Hood	
32	1001311809	1	Cable, Camera	
33	4010608002	3	Screw M6 x 16	

SECTION 10 - ELECTRICAL

FIGURE 10-15. DASH SWITCHES INSTALLATION



ART_1001298489

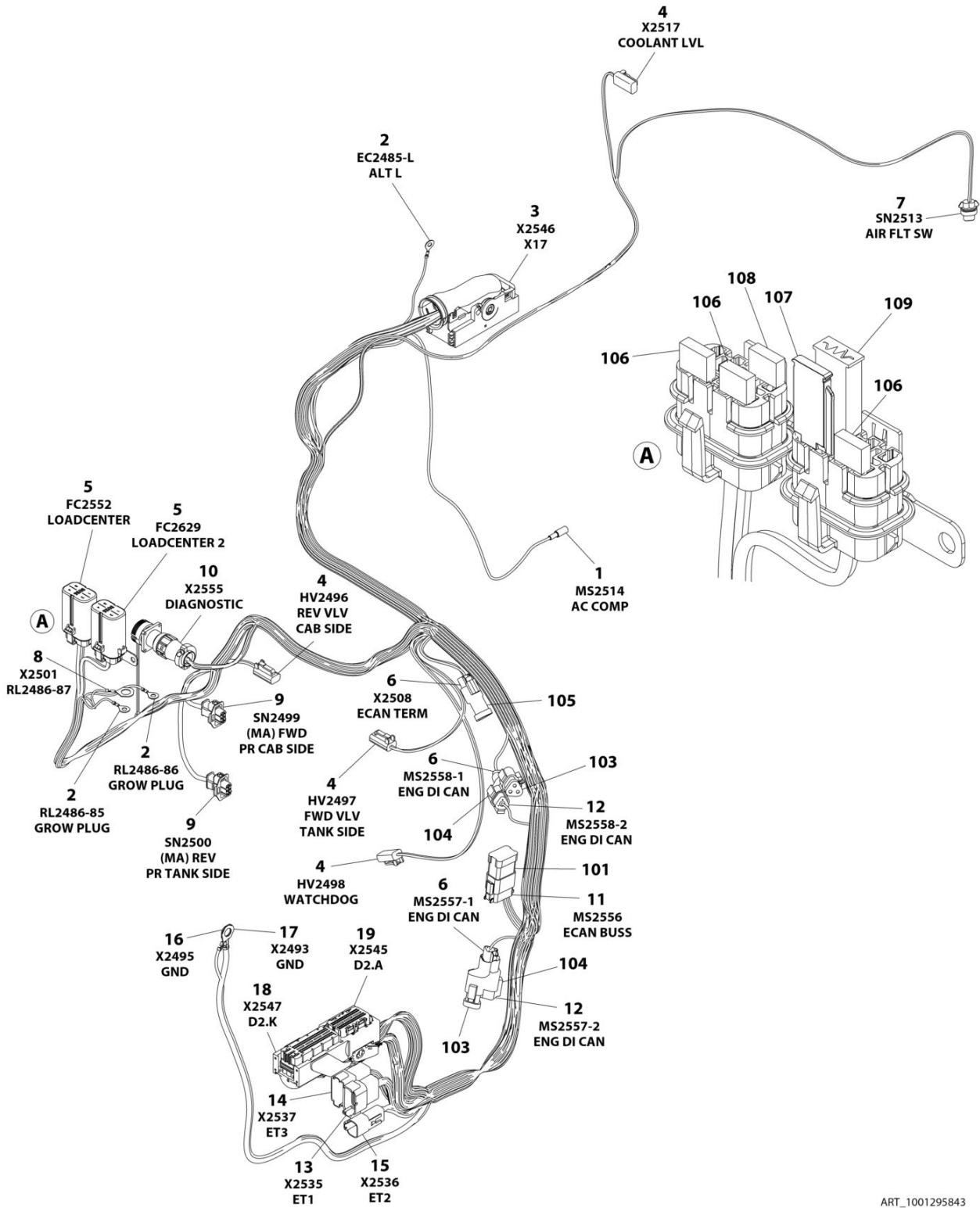
SECTION 10 - ELECTRICAL

FIGURE 10-15. DASH SWITCHES INSTALLATION

ITEM	PART NUMBER	QTY	DESCRIPTION	REV
	1001298489	Ref	DASH SWITCHES INSTALLATION	D
1	0760405	8	Bolt M4 x 10	
2	1001080371	1	Switch, Horn	
3	1001104654	1	Switch, Aux Decomp	
4	1001126837	4	Screw M4 x 16	
5	1001159753	1	Switch, Park Brake	
6	1001159849	1	Switch, Steer Select	
7	1001181531	1	Decal - Ignition Switch	
8	1001189898	1	Switch, Framer/Loader	
9	1001311740	1	Switch, Ignition	
9	1001311739	1	Keys, Ignition	
10	1001283424	1	Station, Dual Charger	
11	1001308193	1	Display	
12	1001299096	1	Switch, Beacon	
13	1001091751	1	Alarm	
14	1001159741	1	Switch, Cont Aux	

SECTION 10 - ELECTRICAL

FIGURE 10-16. ENGINE HARNESS



ART_1001295843

SECTION 10 - ELECTRICAL

FIGURE 10-16. ENGINE HARNESS

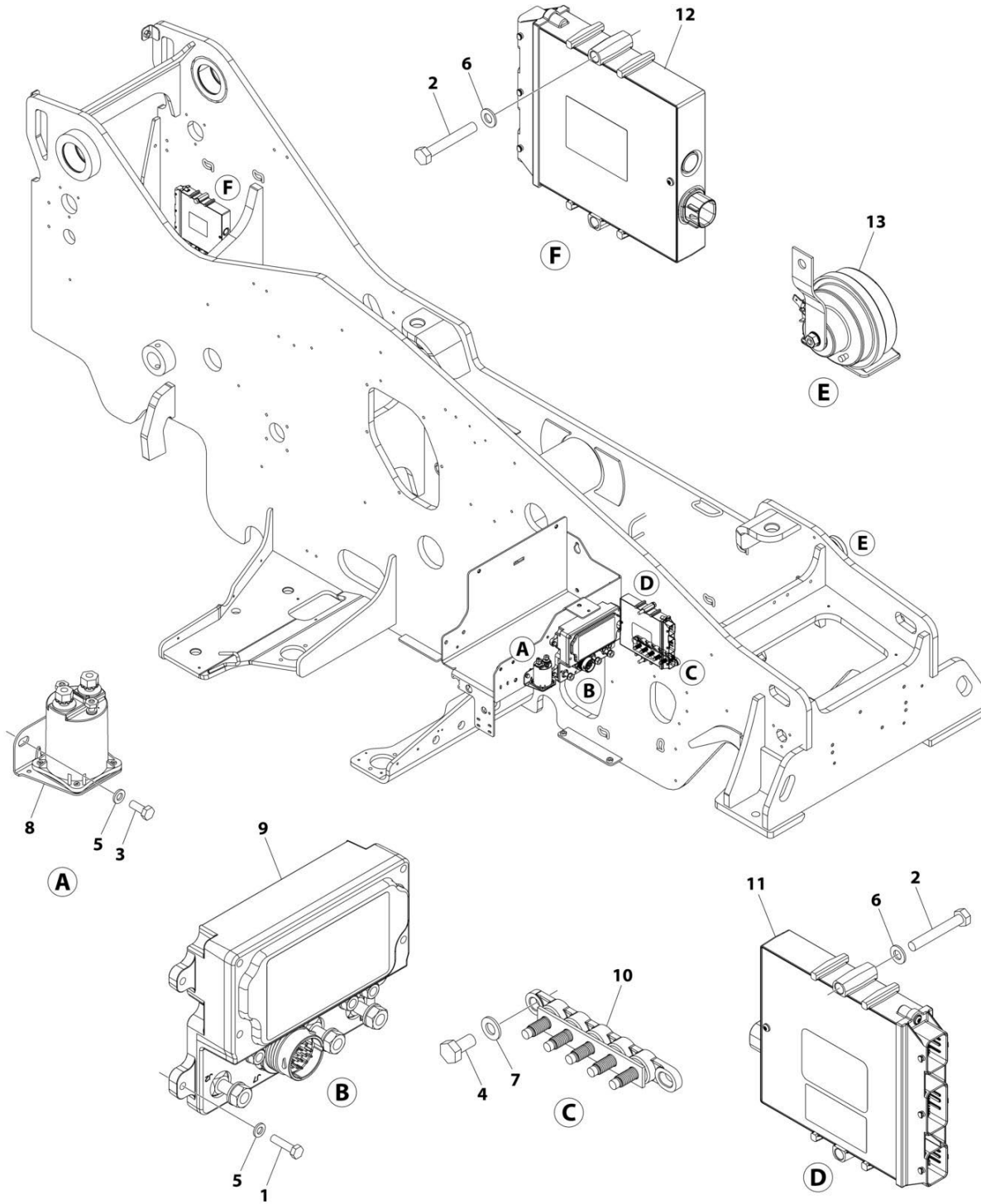
ITEM	PART NUMBER	QTY	DESCRIPTION	REV
	1001295843	Ref	ENGINE HARNESS - DEUTZ SC	E
1	1001246391	1	Connector 1 Position	
2	1001187070	3	Terminal, Ring	
3	1001126362	1	Connector 62 Position	
3	1001126351	36	Terminal	
3	4461008	26	Plug, Terminal	
4	4460891	4	Connector 2 Position	
4	4460465	8	Terminal	
5	1001184551	2	Connector 8 Position	
6	1001116812	3	Connector 3 Position	
6	4460465	6	Terminal	
6	4460466	3	Plug, Terminal	
7	1001209097	1	Connector 2 Position	
7	8220124	2	Terminal	
8	1001187077	1	Terminal, Ring	
9	1001126483	2	Connector 3 Position	
9	1001126484	6	Terminal	
10	2902443	1	Receptacle Kit	
10	4461071	8	Socket, Female	
10	4461072	1	Receptacle with Flange 8 Position	
10	4461073	1	Cap, Dust	
10	4461074	1	Shell, Black	
11	4460930	1	Connector 8 Position	
11	4460465	8	Terminal	
12	4460539	2	Connector 3 Position	
12	4460465	4	Terminal	
12	4460466	2	Plug, Terminal	
13	1001132169	1	Connector 12 Position	
13	4460917	11	Terminal (Gold)	
13	4460518	1	Plug, Terminal	
14	4460970	1	Connector 12 Position	
14	4460464	8	Terminal	
14	4460466	4	Plug, Terminal	
15	1001116811	1	Connector 4 Position	
15	1001150610	2	Terminal	
15	4460508	1	Terminal	
16	1001187078	1	Terminal, Ring	
17	1001187080	1	Terminal, Ring	
18	1001133173	1	Connector 94 Position	
18	1001126352	6	Terminal	
18	1001126351	18	Terminal	
18	4461008	70	Plug, Terminal	
19	1001294923	1	Connector 60 Position	
19	1001126351	34	Terminal	
19	4461008	26	Plug, Terminal	
101	4460984	1	Connector 8 Position	
102	1001008559	3	Tie-Strap (Not Shown)	
103	1001116815	2	Connector 3 Position	
104	4460945	2	Connector 3 Way	
105	4461070	1	Connector 3 Position	

SECTION 10 - ELECTRICAL

ITEM	PART NUMBER	QTY	DESCRIPTION	REV
106	8229242	3	Fuse 5Amp	
107	1001177597	1	Diode	
108	1001197719	1	Resistor 620 OHM, 0.5 Watt	
109	1001270952	1	Resistor 68 OHM	

SECTION 10 - ELECTRICAL

FIGURE 10-17. FRAME ELECTRICAL COMPONENTS INSTALLATION



ART_1001298335

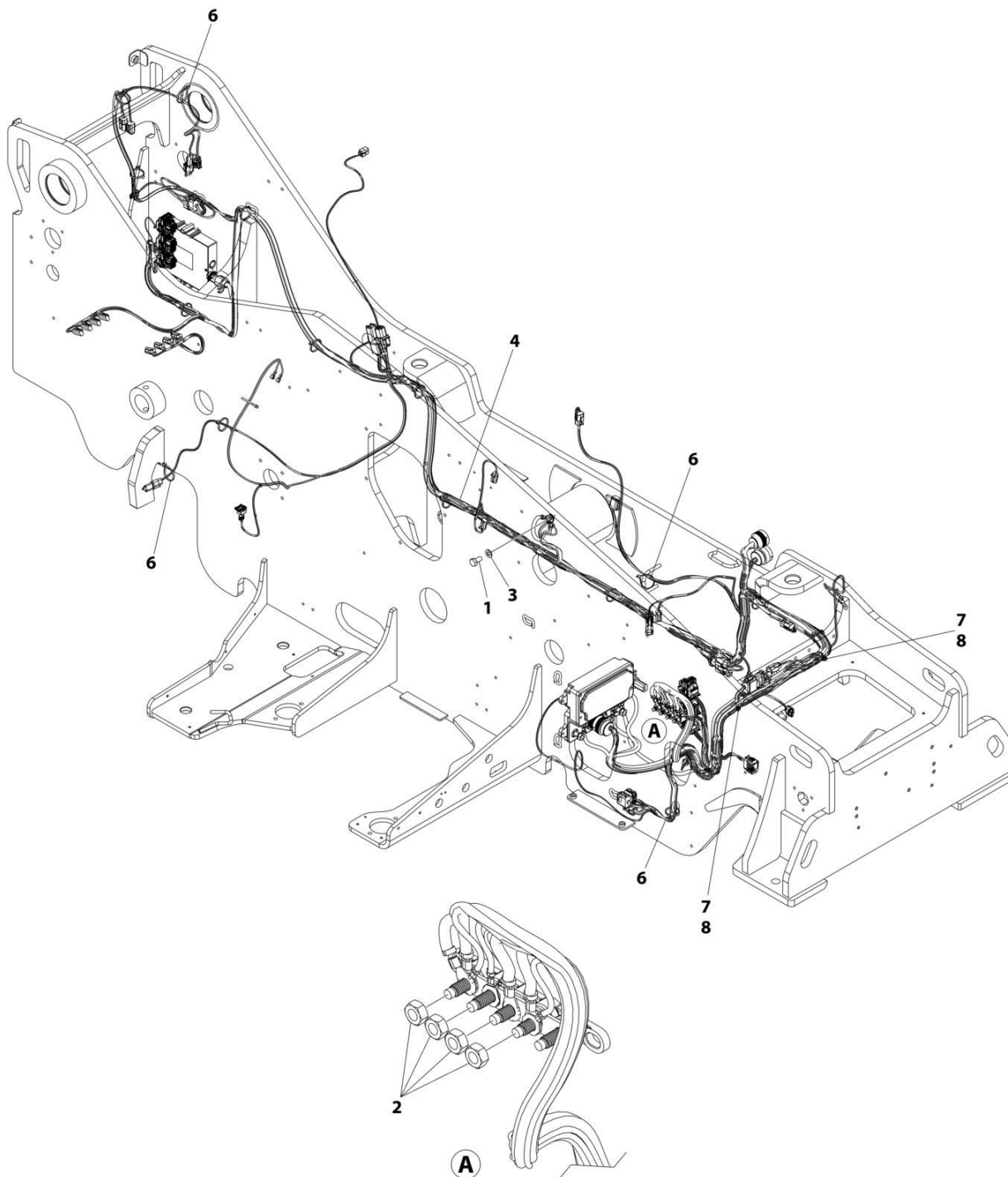
SECTION 10 - ELECTRICAL

FIGURE 10-17. FRAME ELECTRICAL COMPONENTS INSTALLATION

ITEM	PART NUMBER	QTY	DESCRIPTION	REV
	1001298335	Ref	FRAME ELECTRICAL COMPONENTS INSTALLATION	B
1	0700612	4	Bolt M6 x 25	
2	0700819	4	Bolt M8 x 55	
3	0760608	2	Bolt M6 x 16	
4	0761010	2	Bolt M10 x 20	
5	4811700	6	Washer M6	
6	4811900	4	Washer M8	
7	4812000	2	Washer M10	
8	1001117308	1	Contactora	
9	1001306044	1	Assembly, Power Distribution Box (See Separate Breakdown in this Section)	
10	1001181128	1	Bussbar	
11	1001270467	1	Module, Control - Front Frame	
12	1001270468	1	Module, Control - Rear Frame	
13	10713707	1	Horn	

SECTION 10 - ELECTRICAL

FIGURE 10-18. FRAME HARNESS INSTALLATION



ART_1001297546

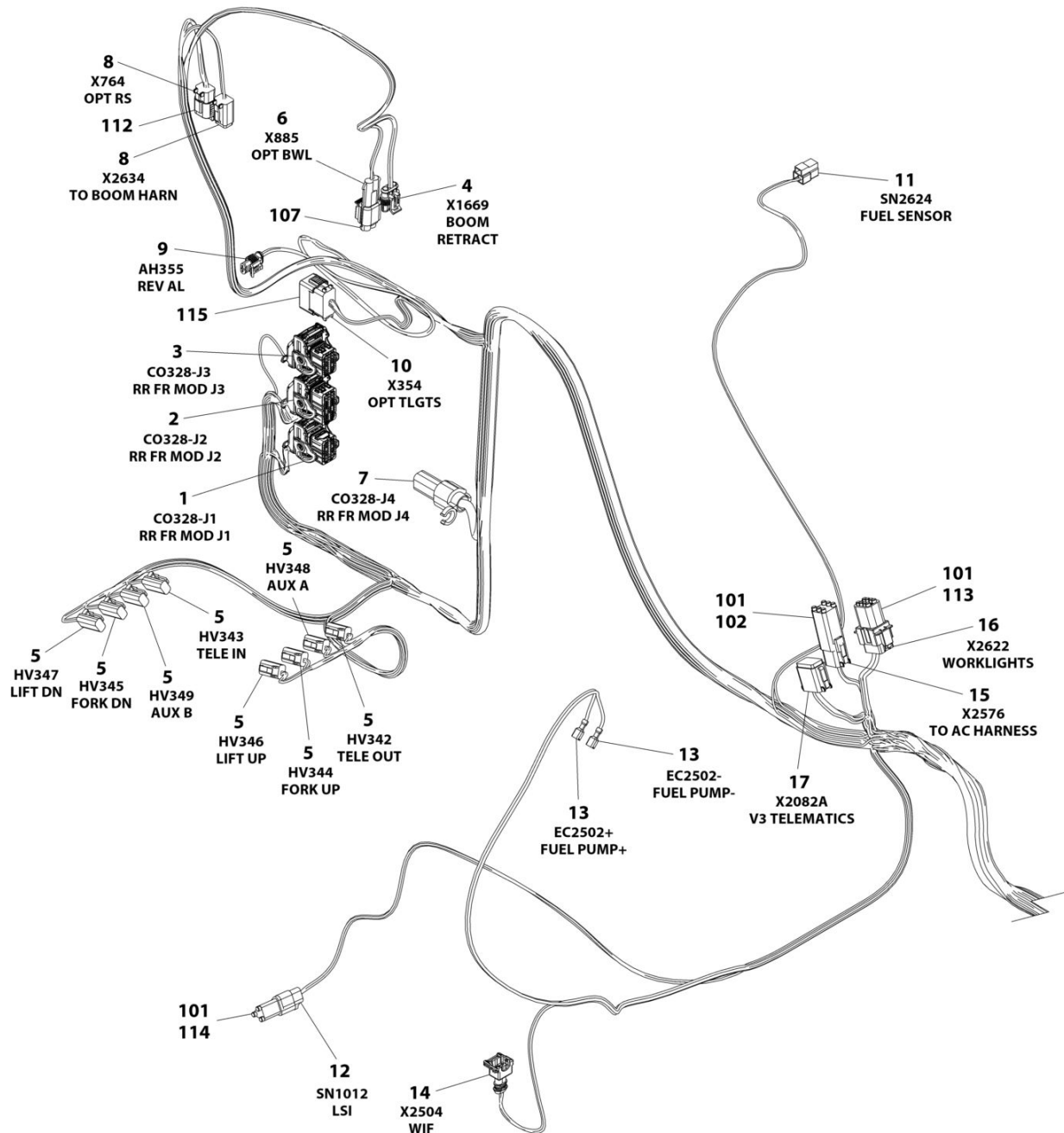
SECTION 10 - ELECTRICAL

FIGURE 10-18. FRAME HARNESS INSTALLATION

ITEM	PART NUMBER	QTY	DESCRIPTION	REV
	1001297546	Ref	FRAME HARNESS INSTALLATION	B
1	0761010	1	Bolt M10 x 20	
2	3291001	4	Nut M10	
3	4812000	1	Washer M10	
4	1001293325	1	Frame Harness (See Separate Breakdown in this Section)	
6	1001008559	21	Strap	
7	1001273793	4	Tie-Strap	
8	8584001	4	Tie Wrap	

SECTION 10 - ELECTRICAL

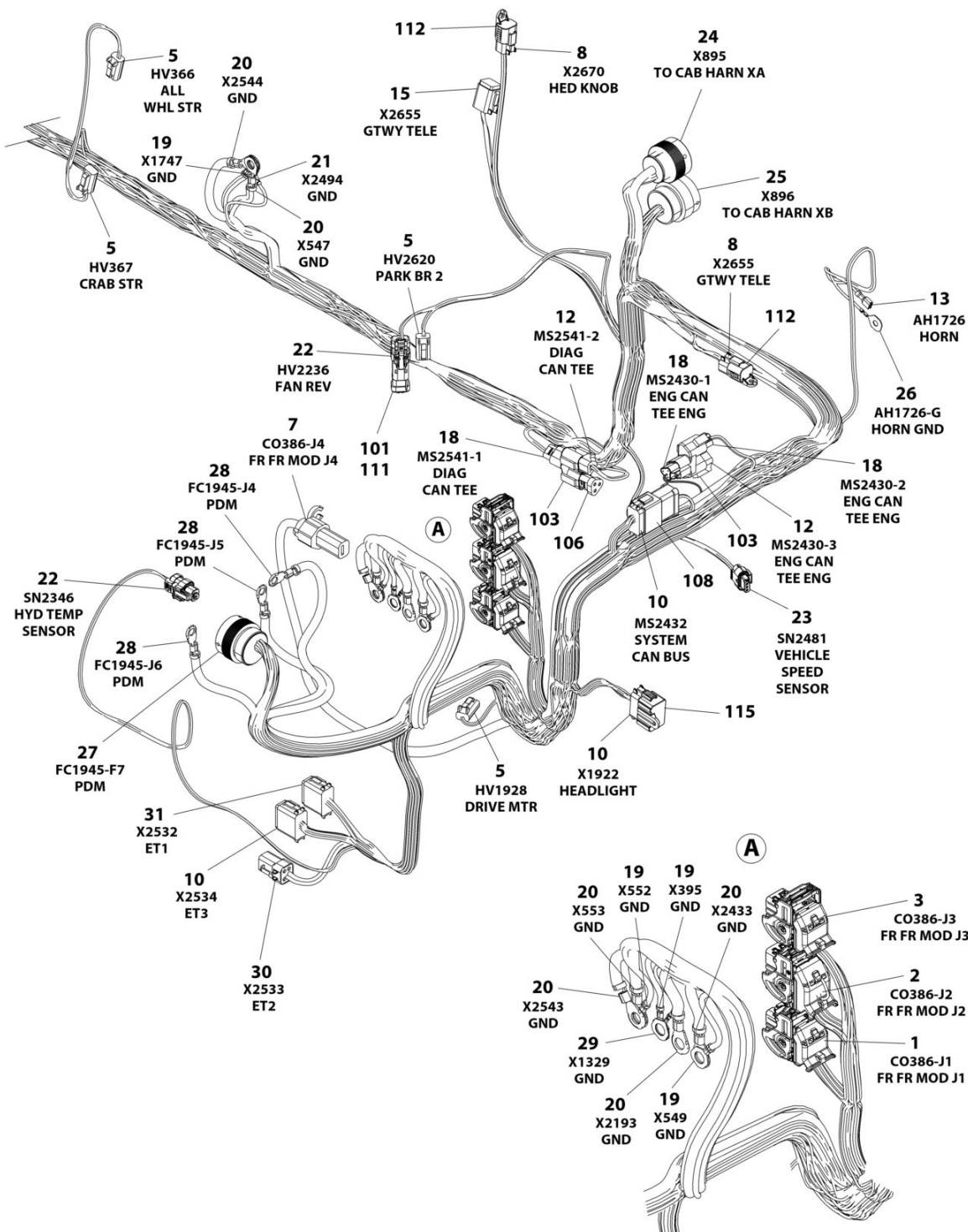
FIGURE 10-19. FRAME HARNESS



ART_1001293325_10F2

SECTION 10 - ELECTRICAL

FIGURE 10-20. FRAME HARNESS



ART_1001293325_2OF2

SECTION 10 - ELECTRICAL

FIGURE 10-20. FRAME HARNESS

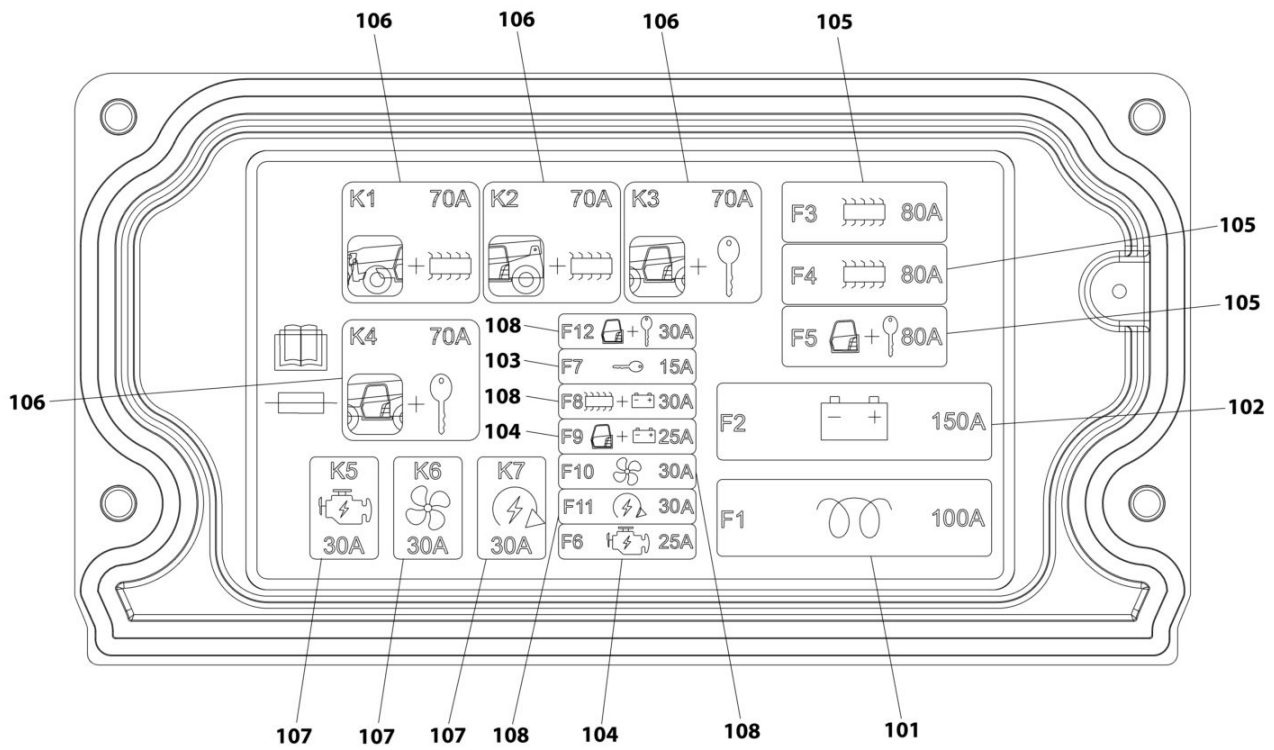
ITEM	PART NUMBER	QTY	DESCRIPTION	REV
	1001293325	Ref	FRAME HARNESS	F
1	1001160500	2	Connector 32 Position	
1	1001161095	14	Terminal	
1	1001161097	15	Terminal	
1	1001161100	35	Plug, Terminal	
1	643191201	2	Cover	
2	1001161963	2	Connector 48 Position	
2	1001161099	6	Terminal	
2	1001161098	3	Terminal	
2	1001161095	4	Terminal	
2	1001161097	35	Terminal	
2	1001161100	48	Plug, Terminal	
2	643191201	2	Cover	
3	1001161957	2	Connector 32 Position	
3	1001161097	14	Terminal	
3	1001161100	50	Plug, Terminal	
3	643191201	2	Cover	
4	4461262	1	Connector 3 Position	
4	1001107854	2	Terminal	
4	1001196589	1	Terminal	
5	4460891	12	Connector 2 Position	
5	4460465	24	Terminal	
6	1001117026	1	Connector 2 Position	
6	1001116745	2	Terminal	
7	1001160509	2	Connector 1 Position	
8	4460884	4	Connector 4 Position	
8	4460465	14	Terminal	
8	4460466	2	Plug, Terminal	
9	4461118	1	Connector 2 Position	
9	1001107854	2	Terminal	
10	4460933	4	Connector 12 Position	
10	4460465	42	Terminal	
10	4460466	6	Plug, Terminal	
11	1001116948	1	Connector 3 Position	
11	1001116699	2	Terminal	
12	4460539	3	Connector 3 Position	
12	4460465	7	Terminal	
12	4460466	2	Plug, Terminal	
13	8220051	3	Connector 1 Position	
14	1001116983	1	Connector 2 Position	
14	4460889	1	Terminal	
15	4460894	2	Connector 6 Position	
15	4490942	4	Terminal	
15	4460465	6	Terminal	
15	4460466	2	Plug, Terminal	
16	4460851	1	Connector 8 Position	
16	4460465	6	Terminal	
16	4460466	2	Plug, Terminal	
17	4460930	1	Connector 8 Position	
17	4460465	8	Terminal	

SECTION 10 - ELECTRICAL

ITEM	PART NUMBER	QTY	DESCRIPTION	REV
18	1001116812	3	Connector 3 Position	
18	4460465	6	Terminal	
18	4460466	3	Plug, Terminal	
19	1001187079	4	Terminal, Ring	
20	1001187076	6	Terminal, Ring	
21	1001187078	1	Terminal, Ring	
22	1001116950	2	Connector 2 Position	
22	4460465	4	Terminal	
23	1001285634	1	Connector 4 Position	
24	1001118323	1	Connector 6 Position	
24	91013192	2	Terminal	
24	4460942	4	Terminal	
25	1001147923	1	Connector 23 Position	
25	4460465	19	Terminal	
25	4460466	4	Plug, Terminal	
26	1001187073	1	Terminal, Ring	
27	1001165309	1	Connector 19 Position	
27	1001150611	2	Terminal	
27	4460509	6	Terminal	
27	4460465	9	Terminal	
27	4460466	2	Plug, Terminal	
28	1001187075	4	Terminal, Ring	
29	1001187077	1	Terminal, Ring	
30	1001116810	1	Connector 4 Position	
30	1001150611	2	Terminal	
30	4460509	1	Terminal	
31	1001116774	1	Connector 12 Position	
31	4460928	11	Terminal	
31	4460518	1	Plug, Terminal	
101	4460466	19	Terminal	
102	4460899	1	Terminal	
103	4460945	2	Receptacle 3-Way	
104	1001008559	6	Tie-Strap	
106	1001116815	1	Connector 3 Position	
107	1001117021	1	Connector 2 Position	
108	1001125677	1	Bussbar	
111	1001162515	1	Seal	
112	1001192401	3	Dust Cap	
113	1001116813	1	Connector 3 Position	
114	1001144147	1	Terminal	
115	1001215898	2	Dust Cap	

SECTION 10 - ELECTRICAL

FIGURE 10-21. FUSEBOX ASSEMBLY - FRAME



ART_1001306044

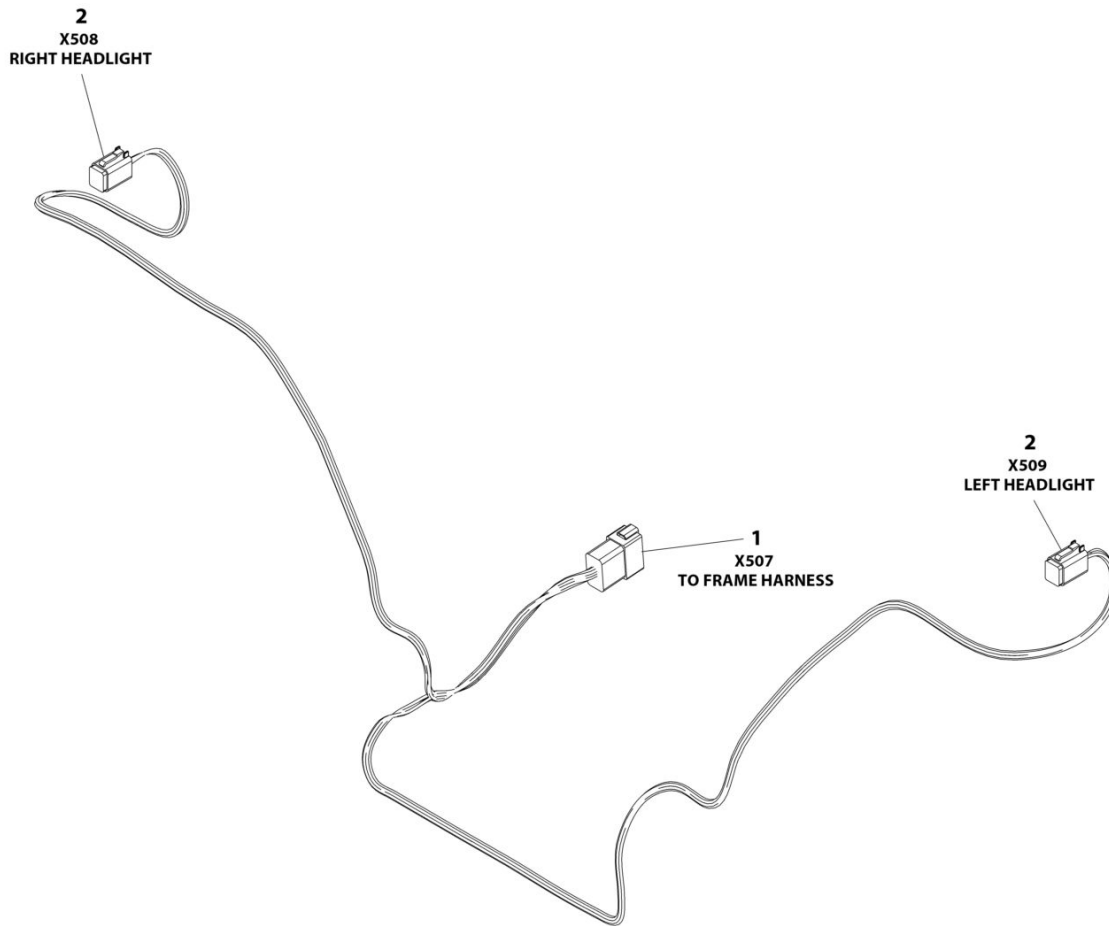
SECTION 10 - ELECTRICAL

FIGURE 10-21. FUSEBOX ASSEMBLY - FRAME

ITEM	PART NUMBER	QTY	DESCRIPTION	REV
	1001306044	Ref	FUSEBOX ASSEMBLY - FRAME	B
101	70026296	1	Fuse, 100AMP	
102	70031248	1	Fuse, 150AMP	
103	70031249	1	Fuse, 15AMP	
104	70031250	2	Fuse, 25AMP	
105	70026297	3	Fuse, 80AMP	
106	70025317	4	Relay, 70AMP	
107	70026295	3	Relay, 30AMP	
108	70031251	4	Fuse, 30AMP	

SECTION 10 - ELECTRICAL

FIGURE 10-22. HEADLIGHTS HARNESS



ART_1001297413

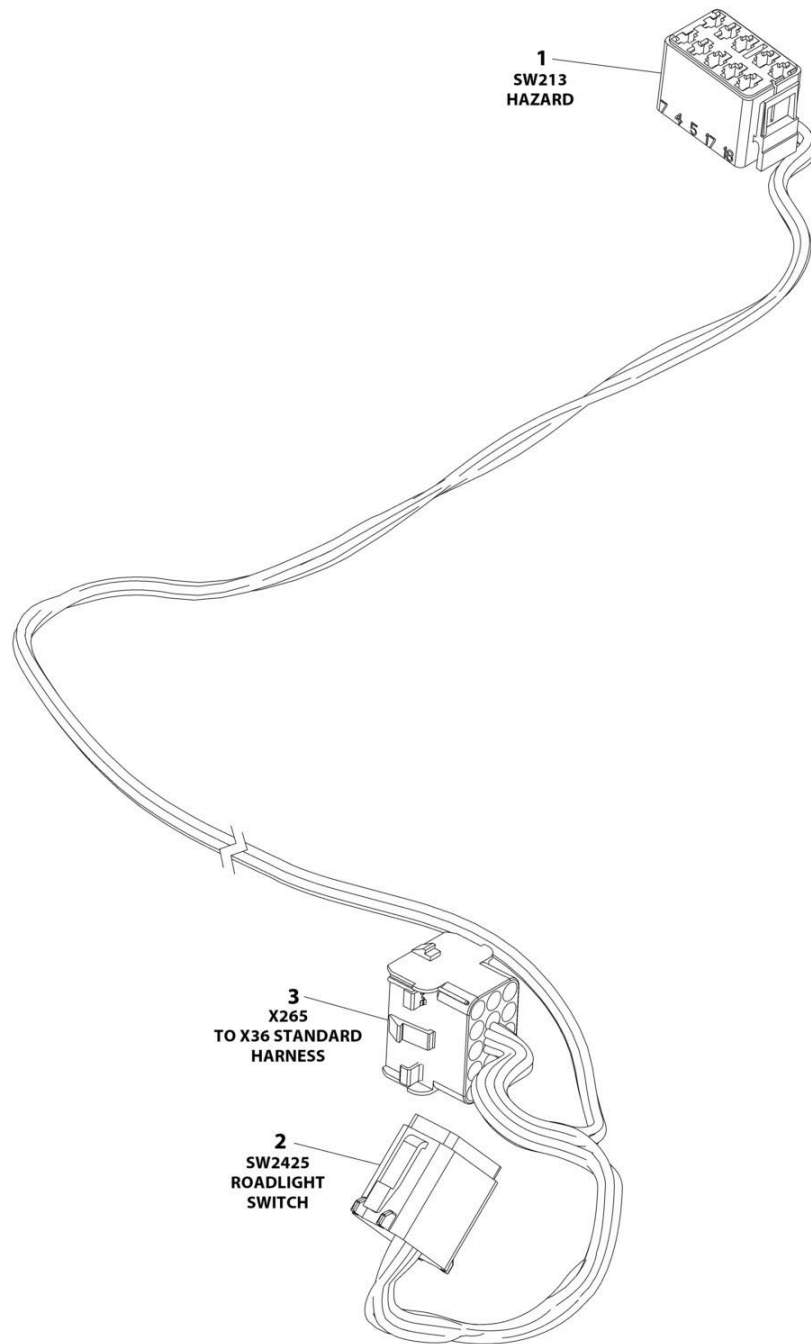
SECTION 10 - ELECTRICAL

FIGURE 10-22. HEADLIGHTS HARNESS

ITEM	PART NUMBER	QTY	DESCRIPTION	REV
	1001297413	Ref	HEADLIGHTS HARNESS	B
1	4460970	1	Connector 12 Position	
1	4460464	10	Terminal	
1	4460466	2	Plug, Terminal	
2	4460894	2	Connector 6 Position	
2	4460465	10	Terminal	
2	4460466	2	Plug, Terminal	

SECTION 10 - ELECTRICAL

FIGURE 10-23. HEADLIGHT/WORKLIGHT OPTIONAL HARNESS



ART_1001297844

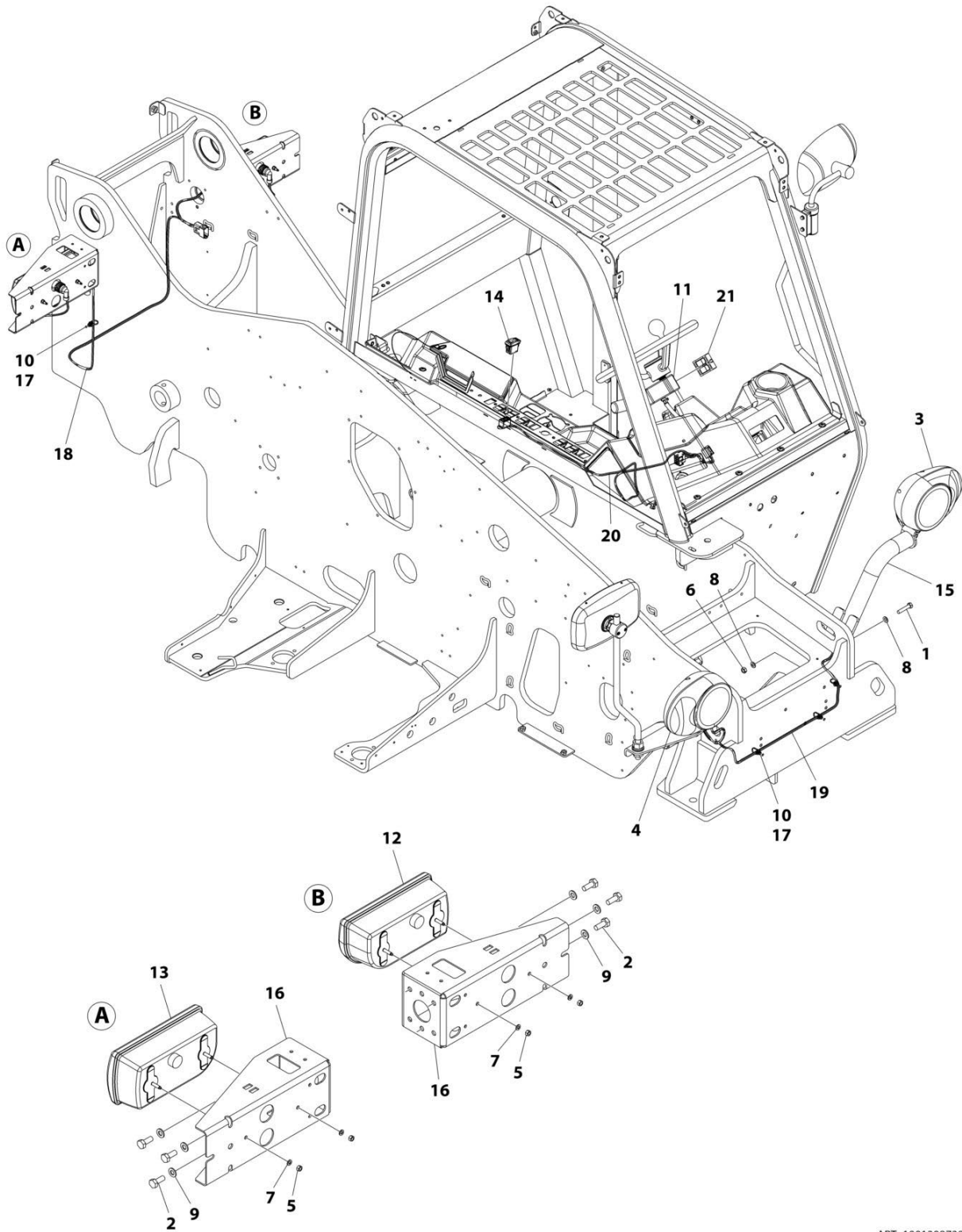
SECTION 10 - ELECTRICAL

FIGURE 10-23. HEADLIGHT/WORKLIGHT OPTIONAL HARNESS

ITEM	PART NUMBER	QTY	DESCRIPTION	REV
	1001297844	Ref	HEADLIGHT/WORKLIGHT OPTIONAL HARNESS	B
1	1001117079	1	Connector 10 Position	
1	1001104519	6	Terminal	
2	4460930	1	Connector 8 Position	
2	4460465	8	Terminal	
3	4460708	1	Connector 15 Position	
3	4460226	10	Terminal	

SECTION 10 - ELECTRICAL

FIGURE 10-24. LIGHTS - ROADLIGHTS INSTALLATION



ART_1001308738

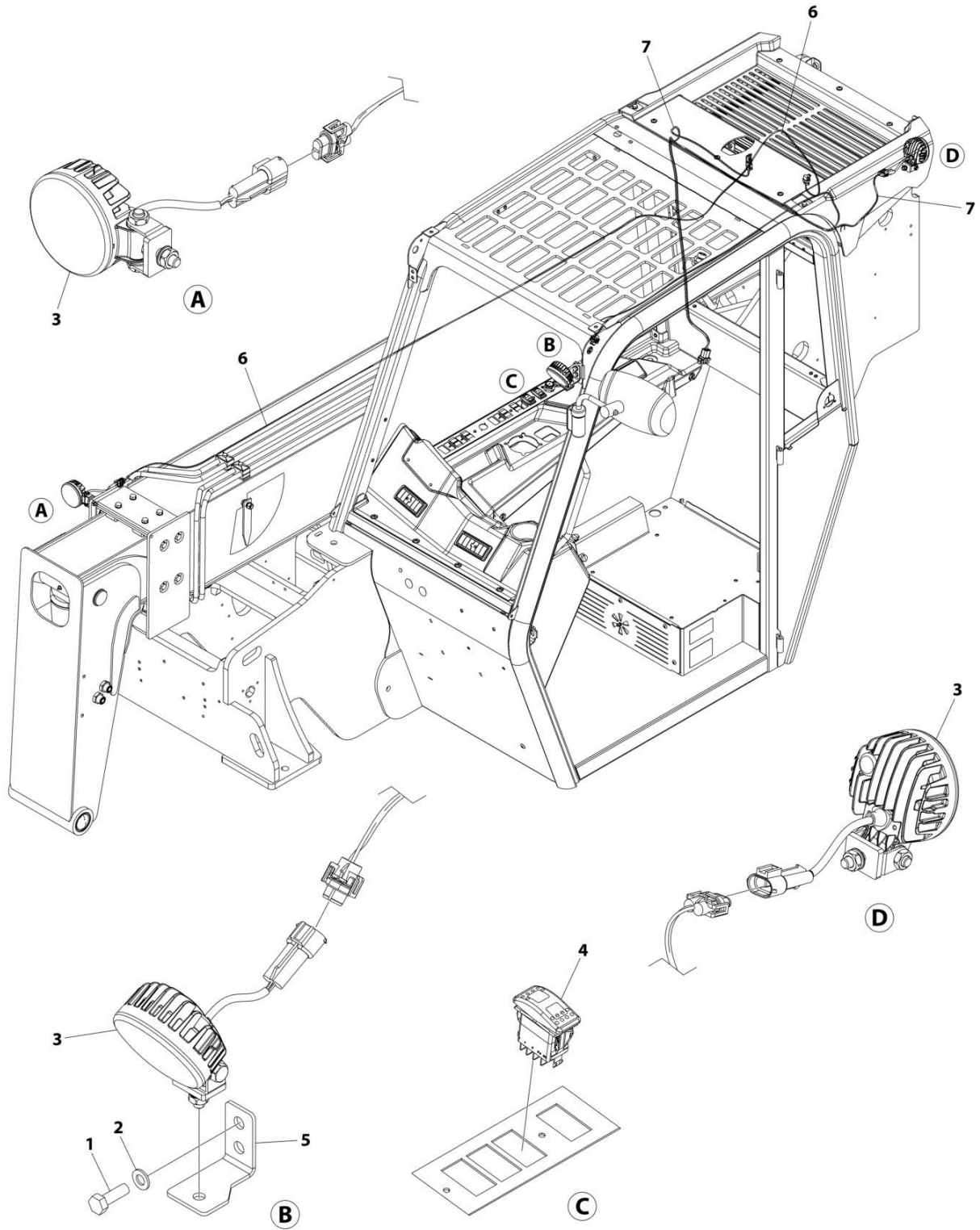
SECTION 10 - ELECTRICAL

FIGURE 10-24. LIGHTS - ROADLIGHTS INSTALLATION

ITEM	PART NUMBER	QTY	DESCRIPTION	REV
	1001308738	Ref	ROADLIGHTS INSTALLATION	A
1	0760816	3	Bolt M8 x 40	
2	0761012	6	Bolt M10 x 25	
3	2920207	1	Light, Driving (LH)	
4	2920208	1	Light, Driving (RH)	
5	3290607	4	Nut M6	
6	3290801	3	Nut M8	
7	4811700	4	Washer M6	
8	4811900	6	Washer M8	
9	4812000	6	Washer M10	
10	8584001	4	Tie-Strap	
11	1001080381	1	Switch, Turn Signal	
12	1001091715	1	Lamp, Rear (LH)	
13	1001091716	1	Lamp, Rear (RH)	
14	1001159734	1	Switch, Hazard	
15	1001190640	1	Bracket, Headlight (LH)	
16	1001196100	2	Bracket, Rear Light	
17	1001273793	4	Mount, Tie-Strap	
18	1001297412	1	Harness, Taillights (See Separate Breakdown in this Section)	
19	1001297413	1	Harness, Headlights (See Separate Breakdown in this Section)	
20	1001297844	1	Harness, Headlight/Worklight Optional (See Separate Breakdown in this Section)	
21	1001308739	1	Clamp, Steering Column	

SECTION 10 - ELECTRICAL

FIGURE 10-25. LIGHTS - WORKLIGHTS INSTALLATION



ART_1001299003

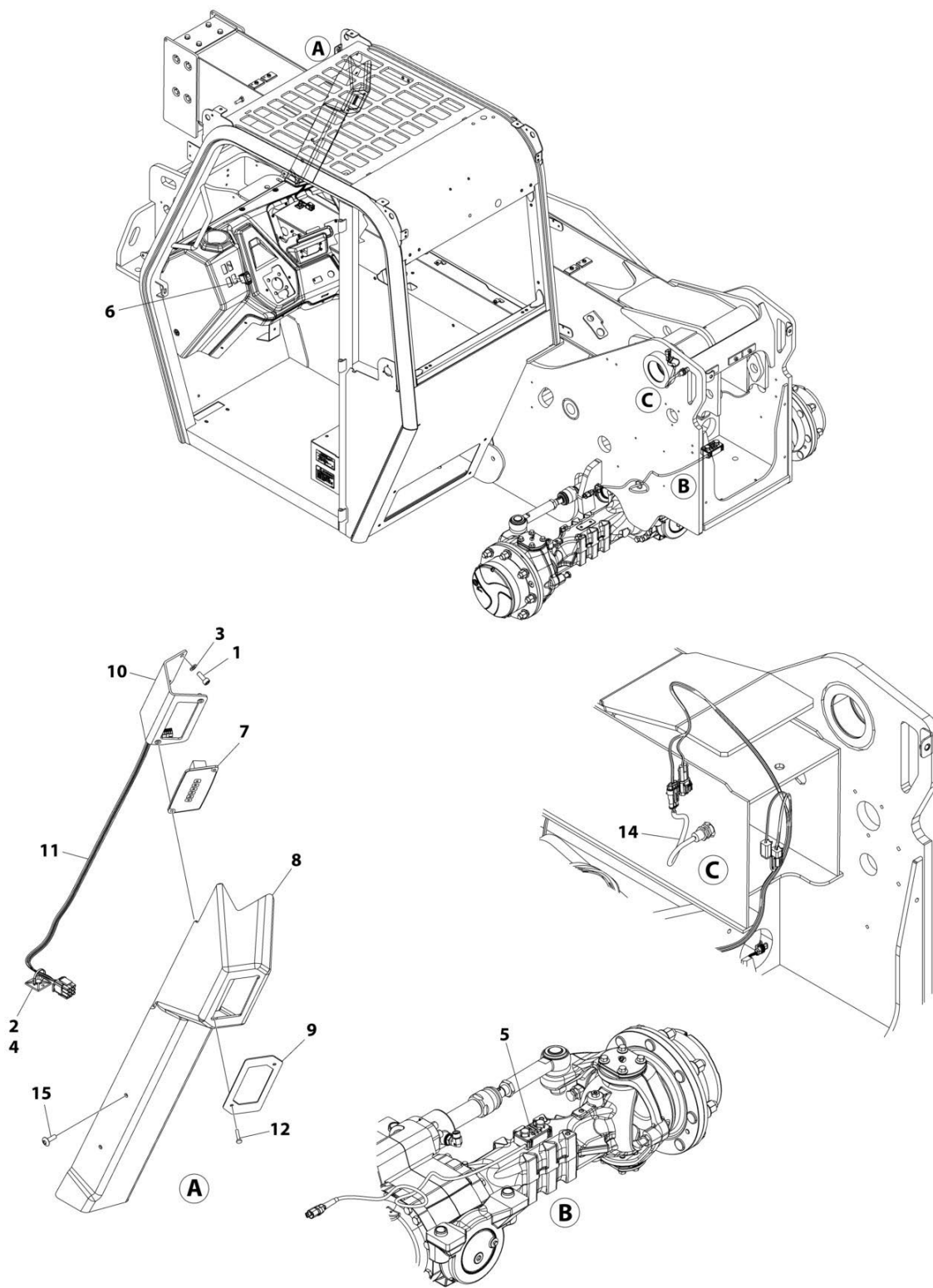
SECTION 10 - ELECTRICAL

FIGURE 10-25. LIGHTS - WORKLIGHTS INSTALLATION

ITEM	PART NUMBER	QTY	DESCRIPTION	REV
	1001299003	Ref	WORKLIGHTS INSTALLATION	D
1	0760812	2	Bolt M8 x 25	
2	4811900	2	Washer M8	
3	1001273635	3	Lamp, LED Worklight	
4	1001299654	1	Switch, Worklights	
5	1001299014	1	Plate, Support	
6	1001299133	1	Harness, Boom Worklight Jumper (See Separate Breakdown in this Section)	
7	1001305555	1	Harness, Beacon Worklight (See Separate Breakdown in this Section)	
8	1001008559	9	Tie-Strap	

SECTION 10 - ELECTRICAL

FIGURE 10-26. LSI INSTALLATION - ENCLOSED CAB



ART_1001298037

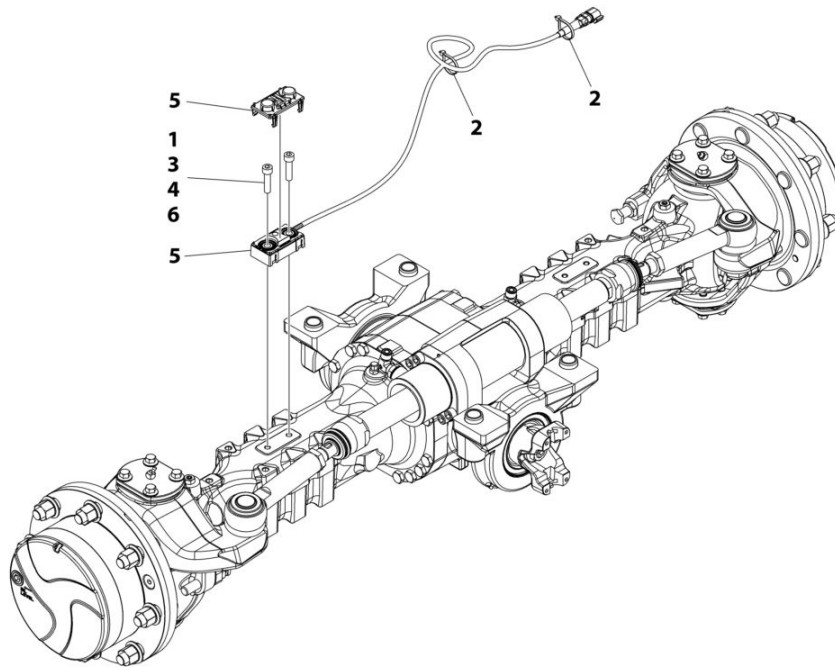
SECTION 10 - ELECTRICAL

FIGURE 10-26. LSI INSTALLATION - ENCLOSED CAB

ITEM	PART NUMBER	QTY	DESCRIPTION	REV
	1001298037	Ref	LSI INSTALLATION - ENCLOSED CAB	C
1	4031707	2	Bolt M6 x 16	
2	4460234	1	Mount, Tie-Strap	
3	4811700	2	Washer M6	
4	8584001	1	Tie-Wrap	
5	1001311386	1	LSI Sensor Installation (See Separate Breakdown in this Section)	
6	1001159742	1	Switch, LSI Override	
7	1001213752	1	LSI Display Assembly	
8	1001297402	1	Cover	
9	1001298074	1	Plate	
10	1001298076	1	Bracket	
11	1001298094	1	Harness, LSI Pigtail (See Separate Breakdown in this Section)	
12	4010410002	2	Screw M4 x 20	
13	1001008559	1	Strap, Cable (Not Shown)	
14	1001183024	1	Sensor, Proximity	
15	1001272884	2	Bolt M6 x 20	

SECTION 10 - ELECTRICAL

FIGURE 10-27. LSI SENSOR INSTALLATION



ART_1001311386

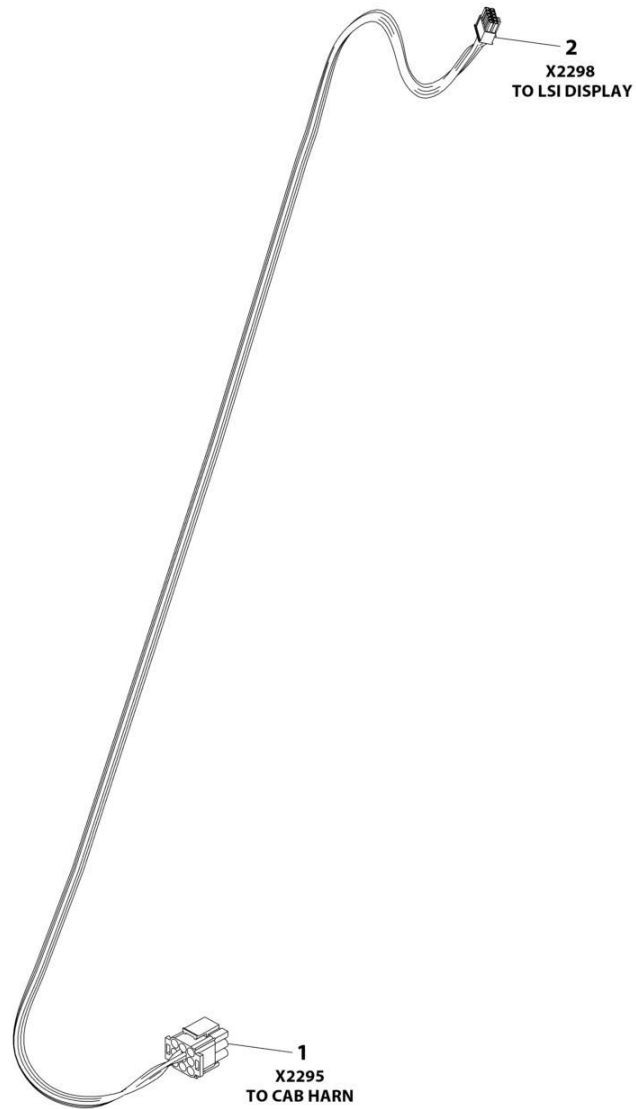
SECTION 10 - ELECTRICAL

FIGURE 10-27. LSI SENSOR INSTALLATION

ITEM	PART NUMBER	QTY	DESCRIPTION	REV
	1001311386	Ref	LSI SENSOR INSTALLATION	C
1	5272012	2	Bolt M10 x 40	
2	1001008559	2	Strap, Cable	
3	1001116128	AR	Seal	
4	1001125465	AR	Compound, Locking	
5	1001289105	1	Sensor, Rear Axle	
6	1001289296	AR	Compound, Locking	

SECTION 10 - ELECTRICAL

FIGURE 10-28. LSI PIGTAIL HARNESS



ART_1001298094

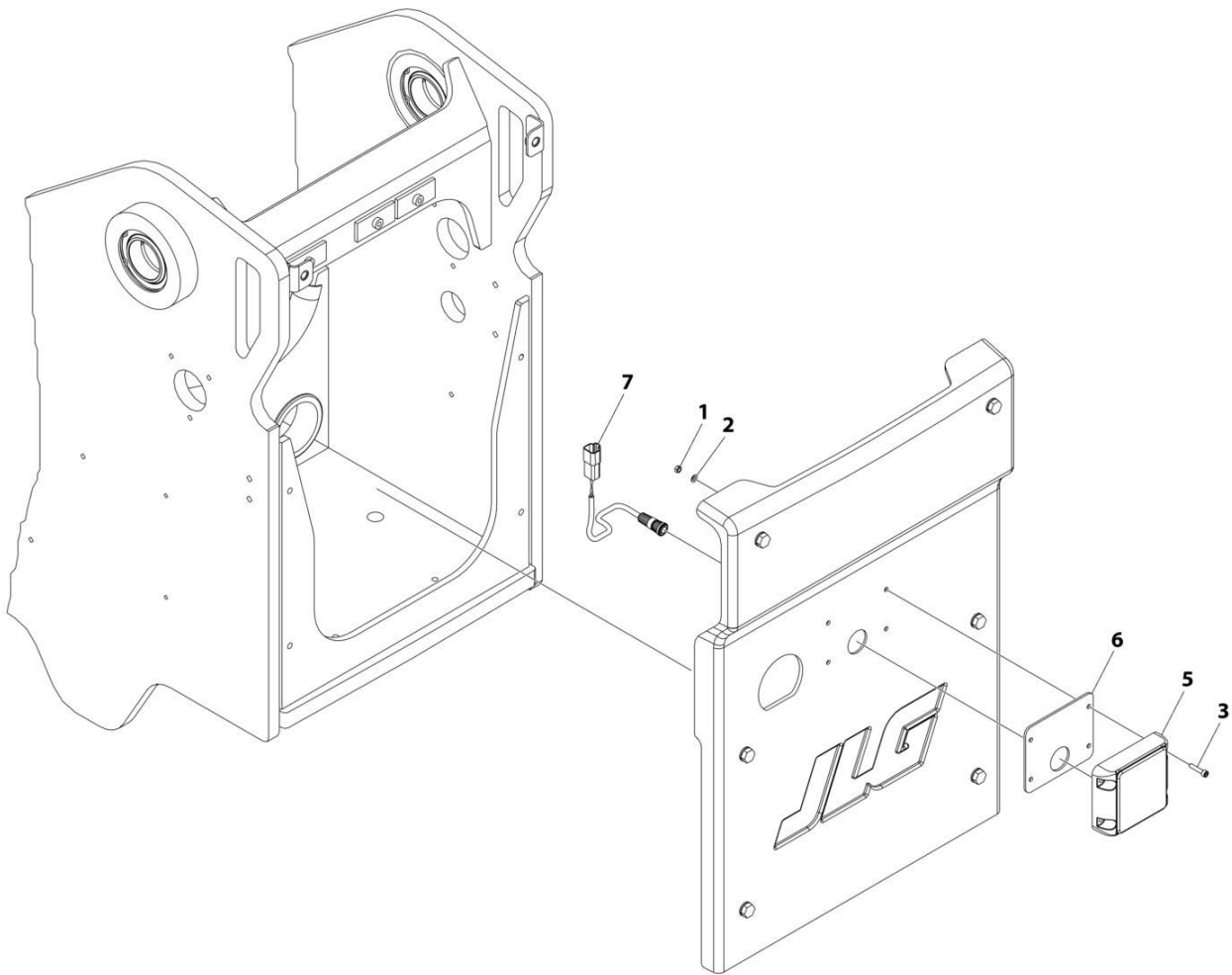
SECTION 10 - ELECTRICAL

FIGURE 10-28. LSI PIGTAIL HARNESS

ITEM	PART NUMBER	QTY	DESCRIPTION	REV
	1001298094	Ref	LSI PIGTAIL HARNESS	B
1	4460265	1	Connector 9 Position	
1	4460226	7	Terminal	
2	1001150735	1	Connector 10 Position	
2	1001150737	7	Terminal	

SECTION 10 - ELECTRICAL

FIGURE 10-29. REVERSE SENSING INSTALLATION



ART_1001292580

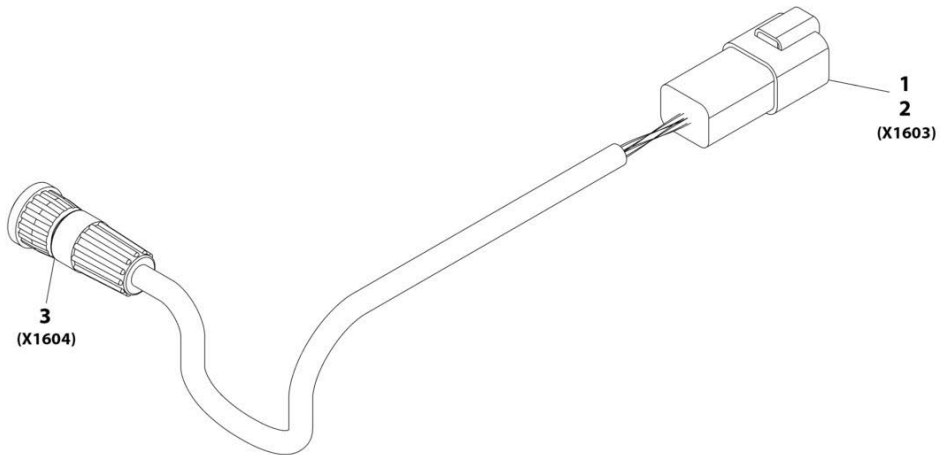
SECTION 10 - ELECTRICAL

FIGURE 10-29. REVERSE SENSING INSTALLATION

ITEM	PART NUMBER	QTY	DESCRIPTION	REV
	1001292580	Ref	REVERSE SENSING INSTALLATION	B
1	3290501	4	Nut M5	
2	4811600	4	Washer M5	
3	5271609	4	Capscrew M5 x 25	
5	1001247421	1	Sensor, Reverse	
6	1001251518	1	Plate	
7	1001175776	1	Reverse Sensor Harness (See Separate Breakdown in this Section)	

SECTION 10 - ELECTRICAL

FIGURE 10-30. REVERSE SENSOR HARNESS



ART_1001175776-C

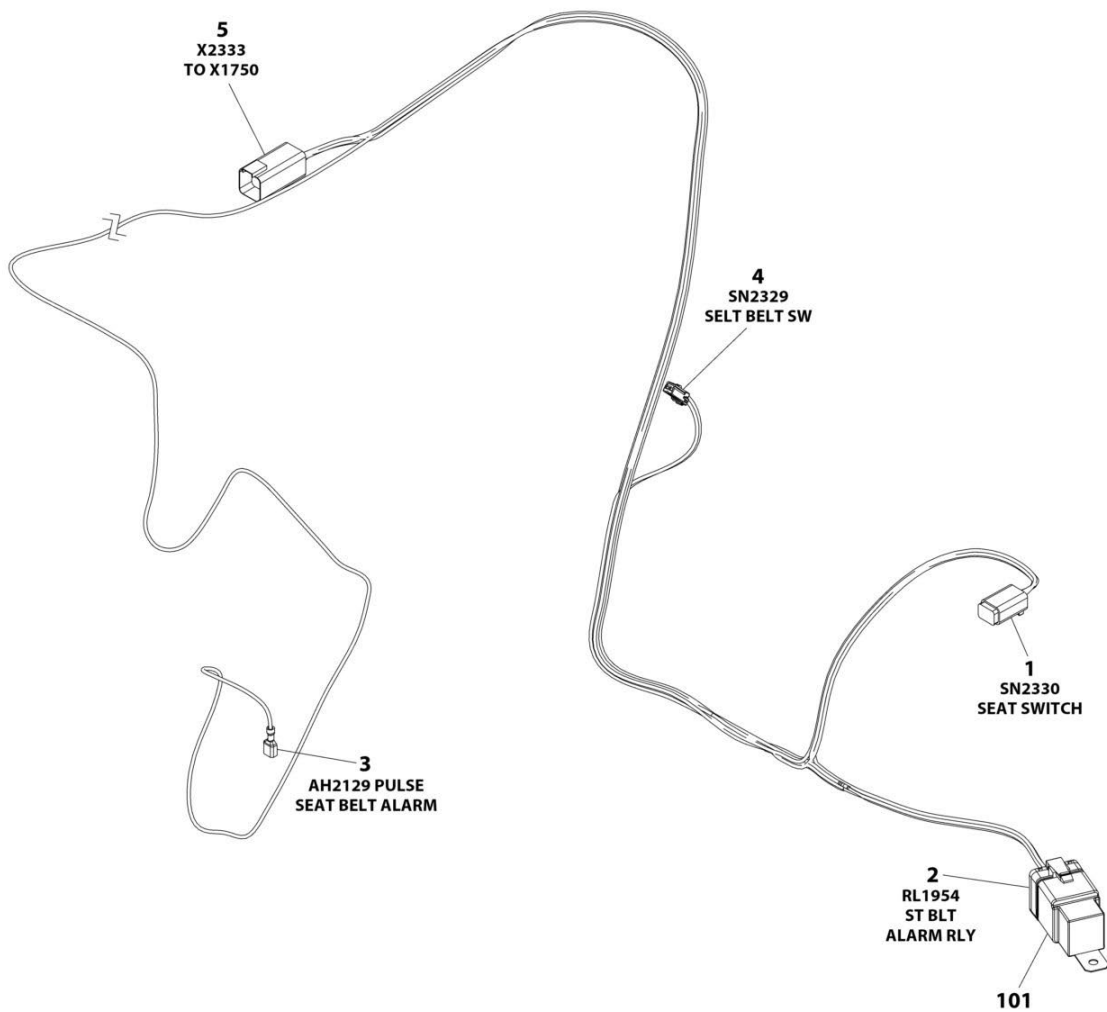
SECTION 10 - ELECTRICAL

FIGURE 10-30. REVERSE SENSOR HARNESS

ITEM	PART NUMBER	QTY	DESCRIPTION	REV
	1001175776	Ref	Reverse Sensor Harness	C
1	4460932	1	Connector	
2	4460464	4	Terminal	
3	1001175733	1	Connector	

SECTION 10 - ELECTRICAL

FIGURE 10-31. SEAT BELT ALARM HARNESS



ART_1001296730

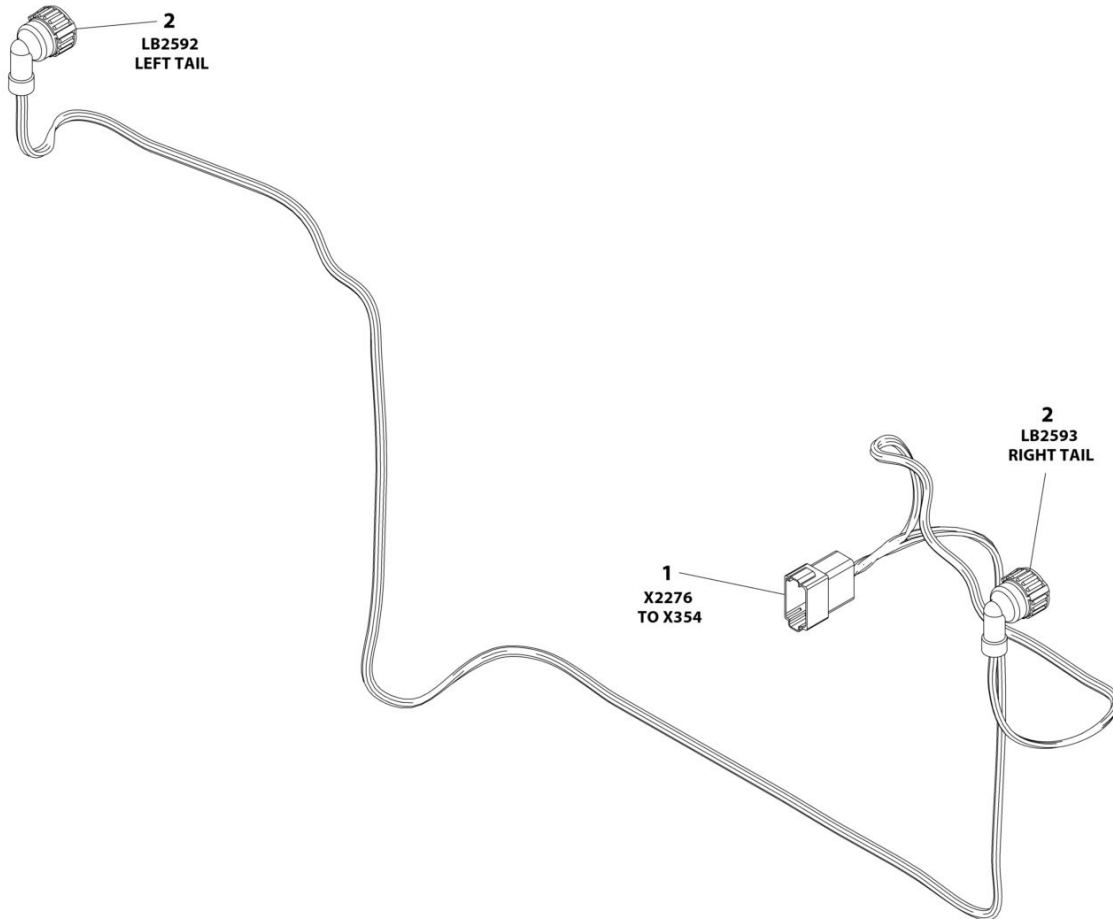
SECTION 10 - ELECTRICAL

FIGURE 10-31. SEAT BELT ALARM HARNESS

ITEM	PART NUMBER	QTY	DESCRIPTION	REV
	1001296730	Ref	SEAT BELT ALARM HARNESS	C
1	4460884	1	Connector 4 Position	
1	4460465	4	Terminal	
2	1001231398	1	Connector 5 Position	
3	1001194421	1	Terminal	
4	1001264844	1	Connector 2 Position	
5	4460899	1	Connector 6 Position	
5	4460464	5	Terminal	
5	4460466	1	Plug, Terminal	
101	3740080	1	Relay	

SECTION 10 - ELECTRICAL

FIGURE 10-32. TAILLIGHTS HARNESS



ART_1001297412

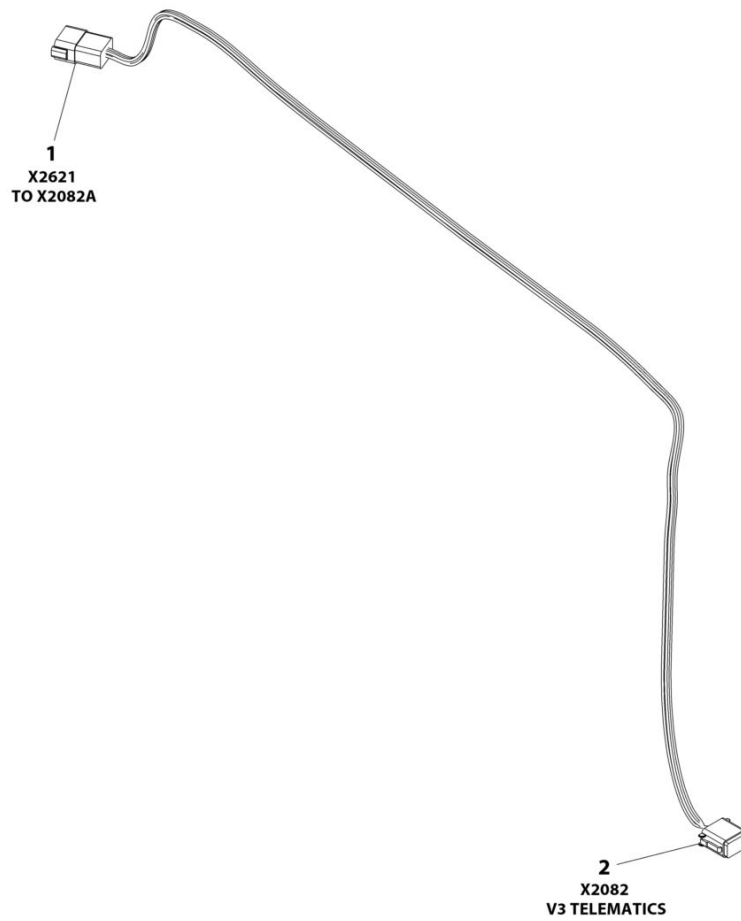
SECTION 10 - ELECTRICAL

FIGURE 10-32. TAILLIGHTS HARNESS

ITEM	PART NUMBER	QTY	DESCRIPTION	REV
	1001297412	Ref	TAILLIGHTS HARNESS	B
1	4460970	1	Connector 12 Position	
1	4460464	10	Terminal	
1	4460466	2	Plug, Terminal	
2	1001116996	2	Connector 7 Position	
2	1001118393	10	Terminal	
2	1001116696	4	Plug, Terminal	

SECTION 10 - ELECTRICAL

FIGURE 10-33. TELEMATICS JUMPER HARNESS



ART_1001305556

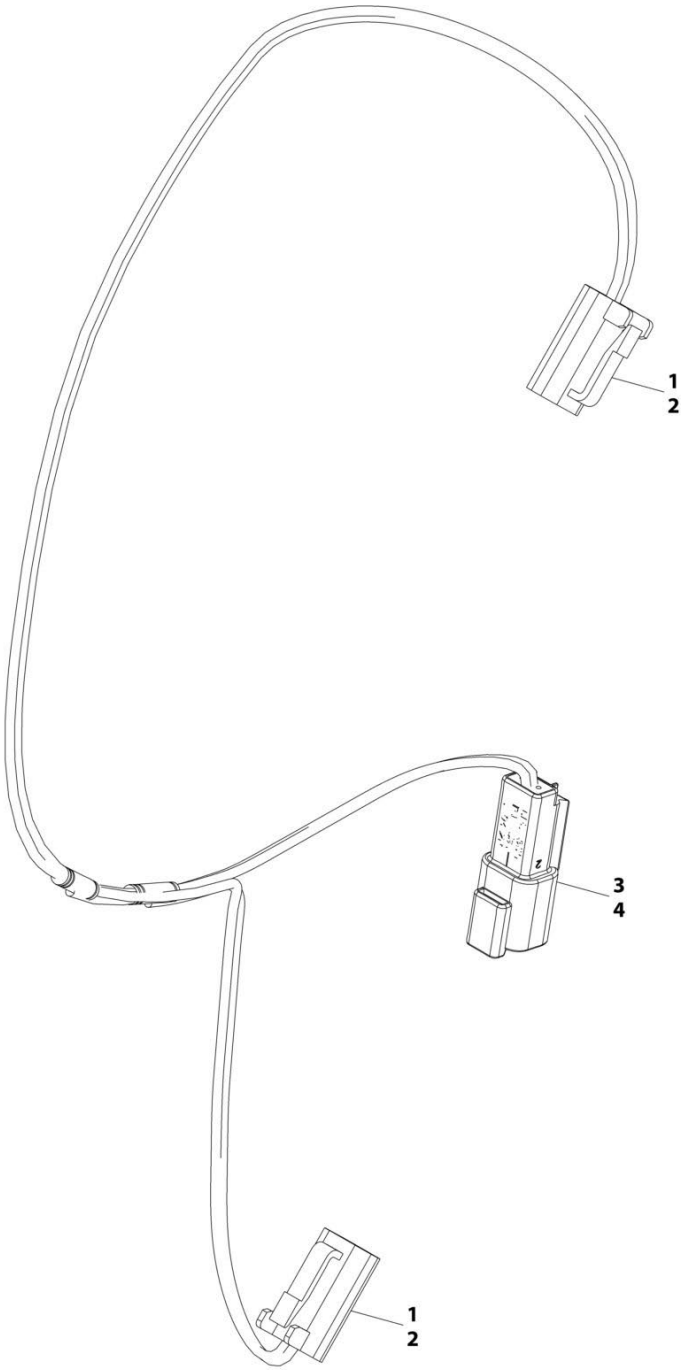
SECTION 10 - ELECTRICAL

FIGURE 10-33. TELEMATICS JUMPER HARNESS

ITEM	PART NUMBER	QTY	DESCRIPTION	REV
	1001305556	Ref	TELEMATICS JUMPER HARNESS	A
1	4460930	1	Connector 8 Position	
1	4460465	8	Terminal	
2	4460931	1	Connector 8 Position	
2	4460464	8	Terminal	

SECTION 10 - ELECTRICAL

FIGURE 10-34. VALVE JUMPER HARNESS



ART_1001209009-B

SECTION 10 - ELECTRICAL

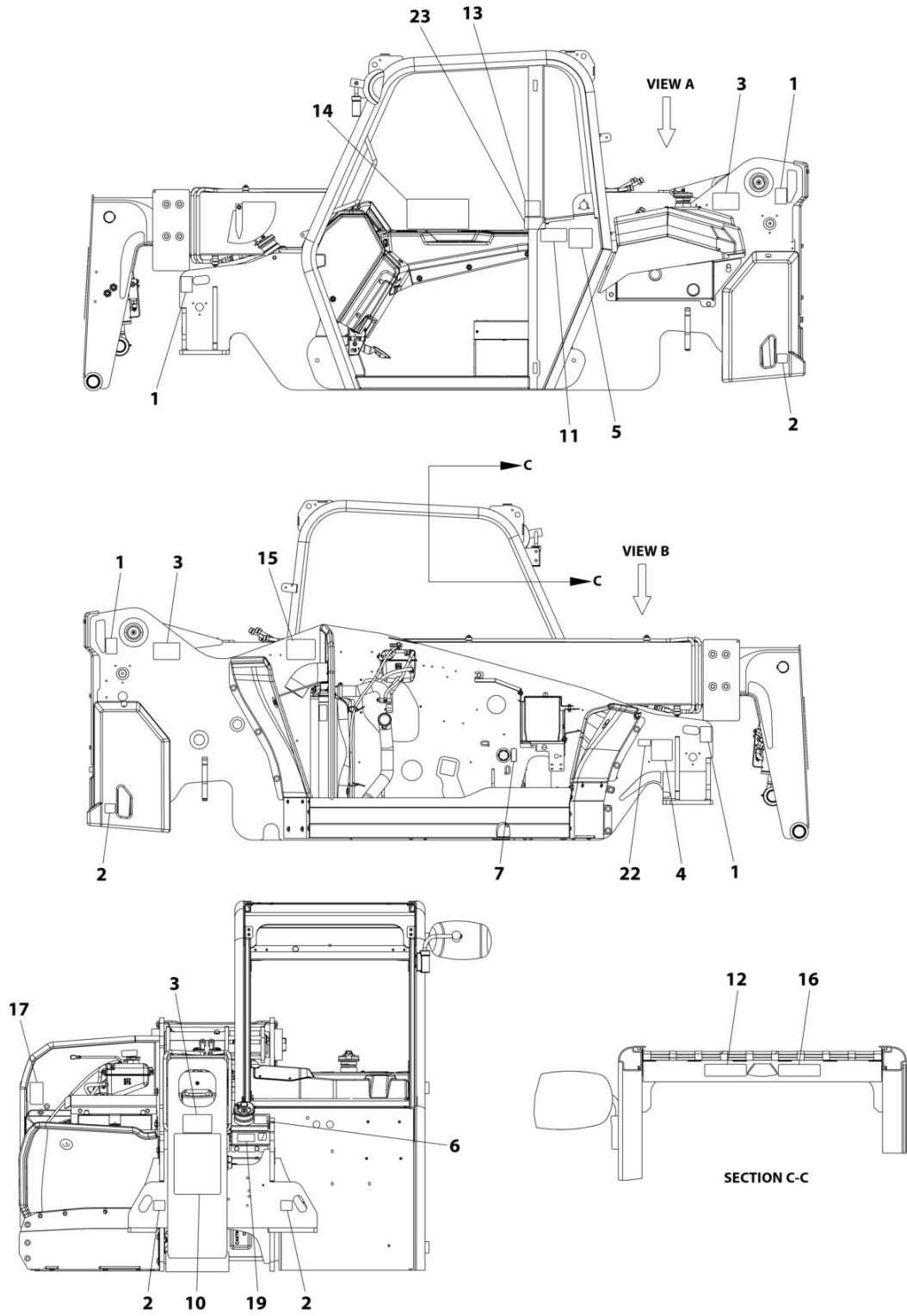
FIGURE 10-34. VALVE JUMPER HARNESS

ITEM	PART NUMBER	QTY	DESCRIPTION	REV
	1001209009	Ref	Valve Jumper Harness	B
1	4460891	1	Connector, (includes rear seal)	
2	4460465	2	Terminal	
3	4460891	1	Connector, (includes rear seal)	
4	4460465	2	Terminal	
5	4460897	1	Connector, (includes rear seal)	
6	4460464	2	Terminal	

SECTION 11 - DECALS

SECTION 11 - DECALS

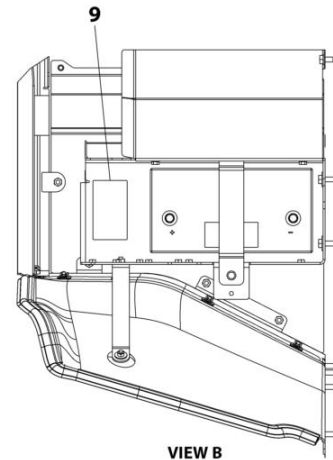
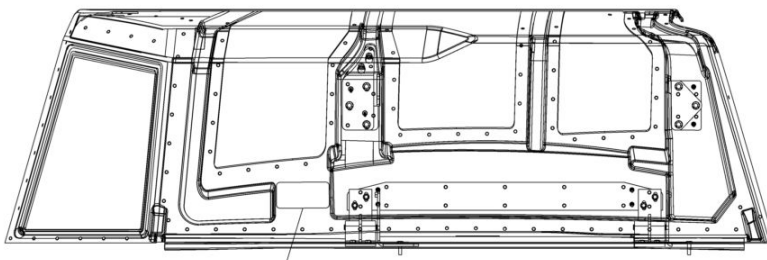
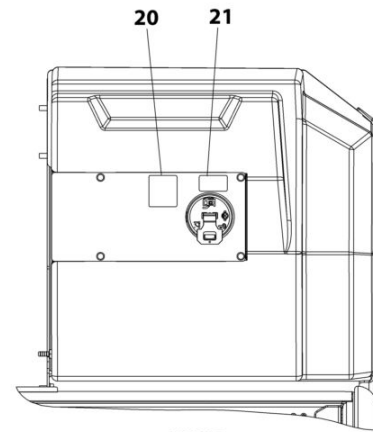
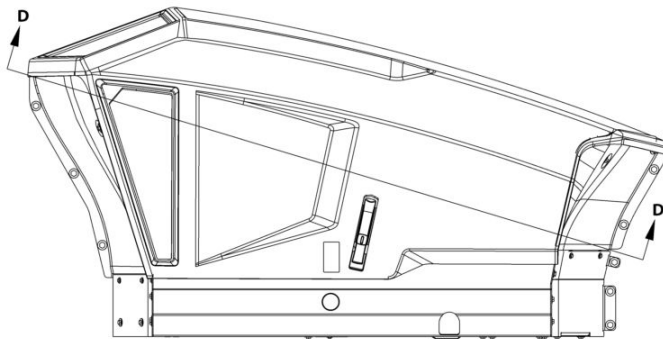
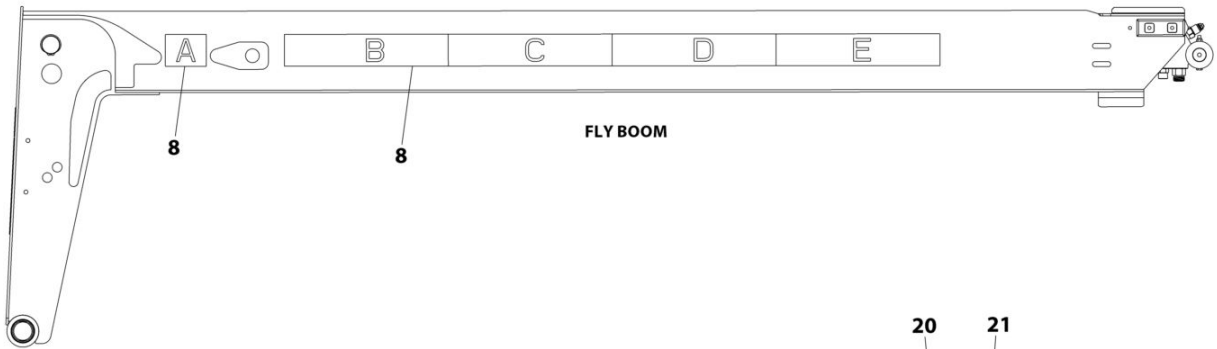
FIGURE 11-1. DECALS INSTALLATION - INFO (ANSI SPECS)



NOTE: SEE PAGE 20F2 FOR DETAIL VIEWS

ART_1001301759_10F2

SECTION 11 - DECALS



ART_1001301759_20F2

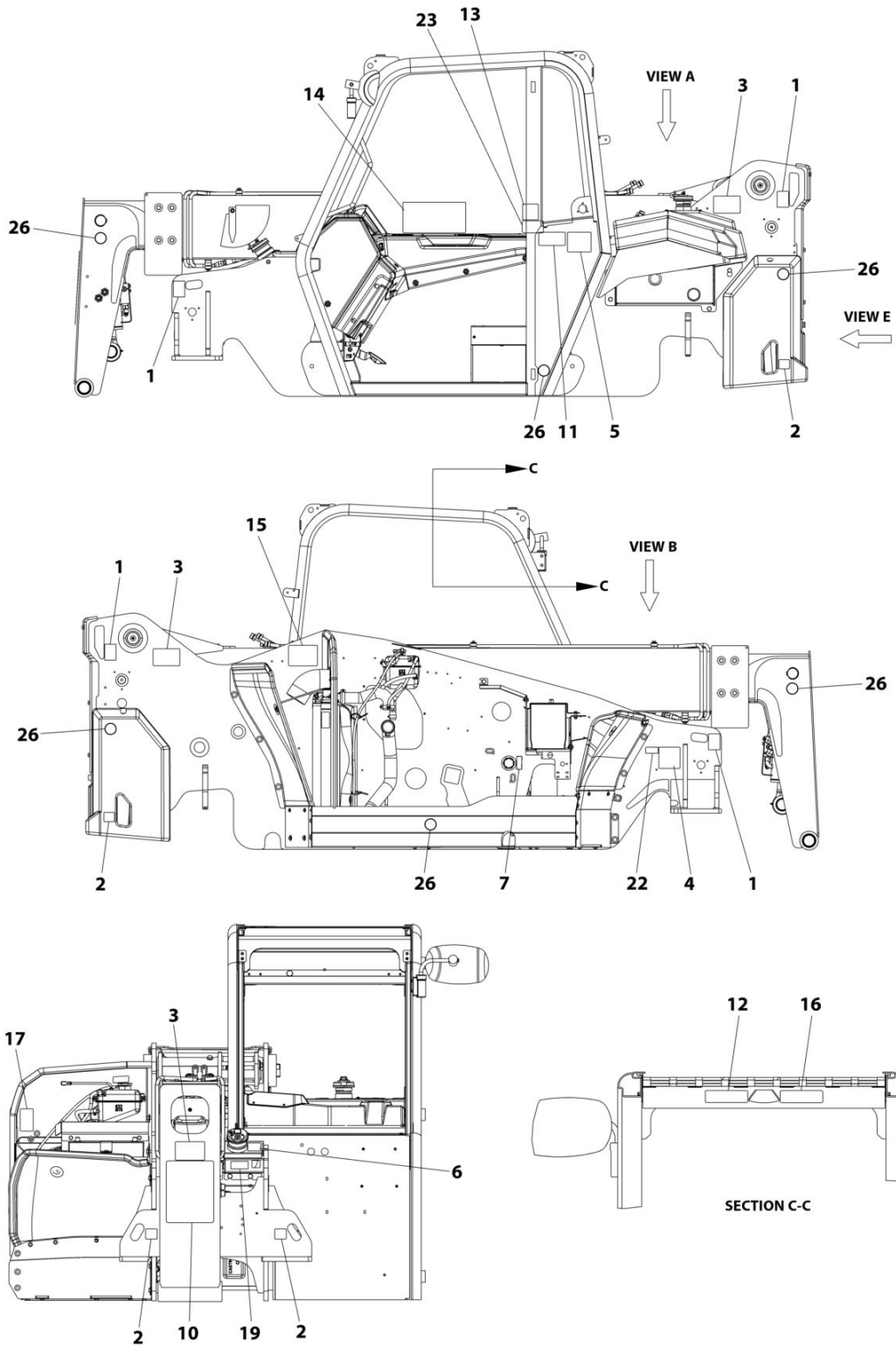
SECTION 11 - DECALS

FIGURE 11-1. DECALS INSTALLATION - INFO (ANSI SPECS)

ITEM	PART NUMBER	QTY	DESCRIPTION	REV
	1001301759	Ref	DECALS INSTALLATION - INFO (ANSI SPECS)	A
	1001305415	Ref	DECAL - CHART	D
1	1701500	4	Decal - Lift	
2	4109801	4	Decal - Tie Down Point	
3	1706302	3	Decal - Pinch Point	
4	See Note	NSS	Decal - Bar Code (Note: Not Available for Purchase)	
5	3251813	1	Decal - USA	
6	4100181	1	Decal - Hydraulic Oil Fill	
7	91563220	1	Decal - Oil Level	
8	1001099783	1	Decal - Boom Extend	
9	1706296	1	Decal - Battery Warning	
10	1706298	1	Decal - Carry Personnel	
11	1706768	1	Decal - No Riders	
12	1706850	1	Decal - Crush Hazard Warning	
13	1001200101	1	Decal - Manual Location	
14	1707078	1	Decal - Warning/Danger	
15	1706300	1	Decal - Ether Warning	
16	1706299	1	Decal - Electrocution Hazard	
17	1706301	1	Decal - Moving Parts	
18	1001139578	1	Decal - Hot Fluid Warning	
19	1001297049	1	Decal - Brake Fluid	
20	1001189017	1	Decal - Diesel Fuel Fill	
21	1001125387	1	Decal - Ultra Low Sulfur Diesel	
22	1001223453	1	Decal - ICES	
23	1001231801	1	Decal - Warning Prop 65	

SECTION 11 - DECALS

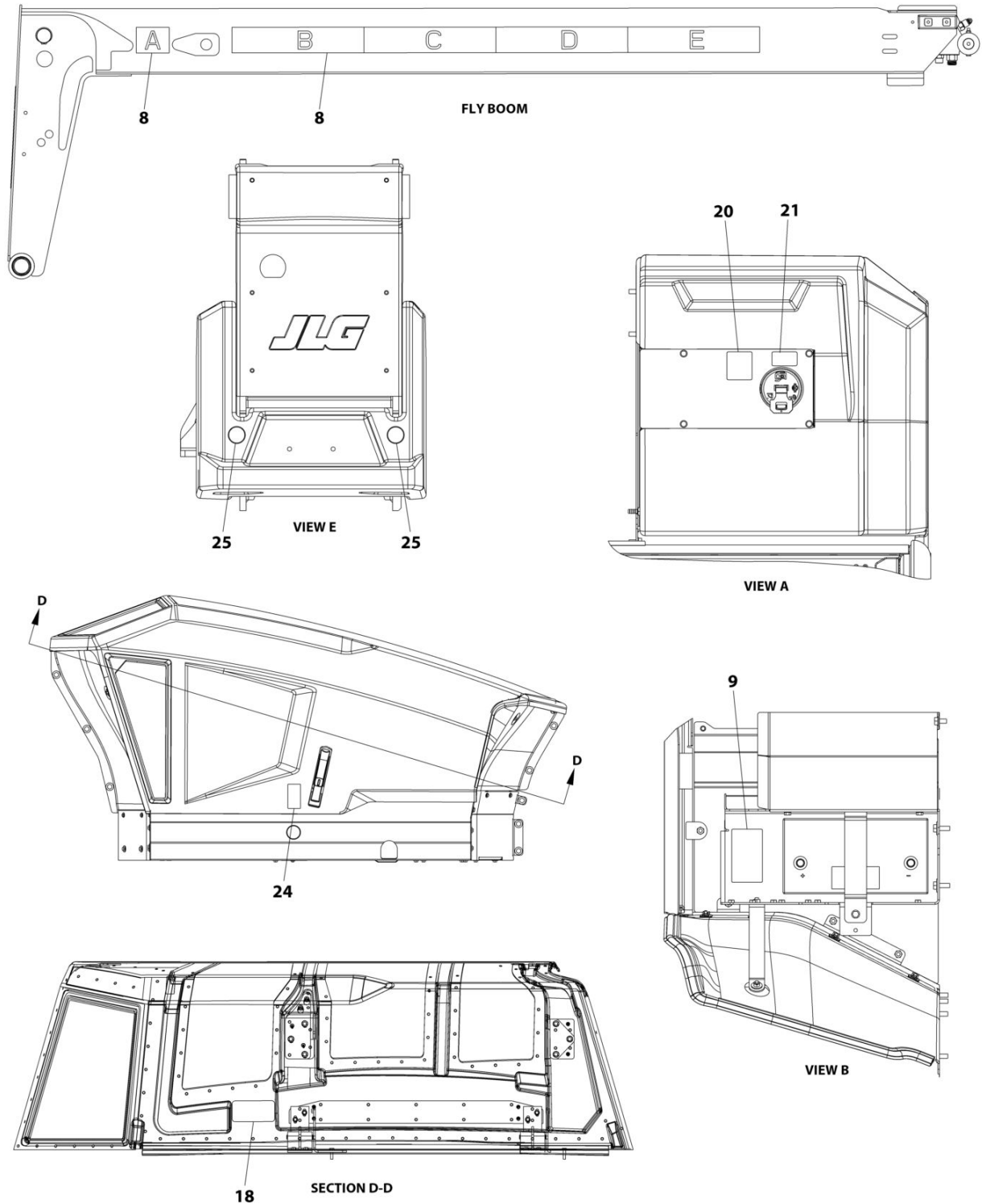
FIGURE 11-2. DECALS INSTALLATION - INFO (ISO SPECS)



NOTE: SEE PAGE 20F2 FOR DETAIL VIEWS

ART_1001301760_10F2

SECTION 11 - DECALS



ART_1001301760_20F2

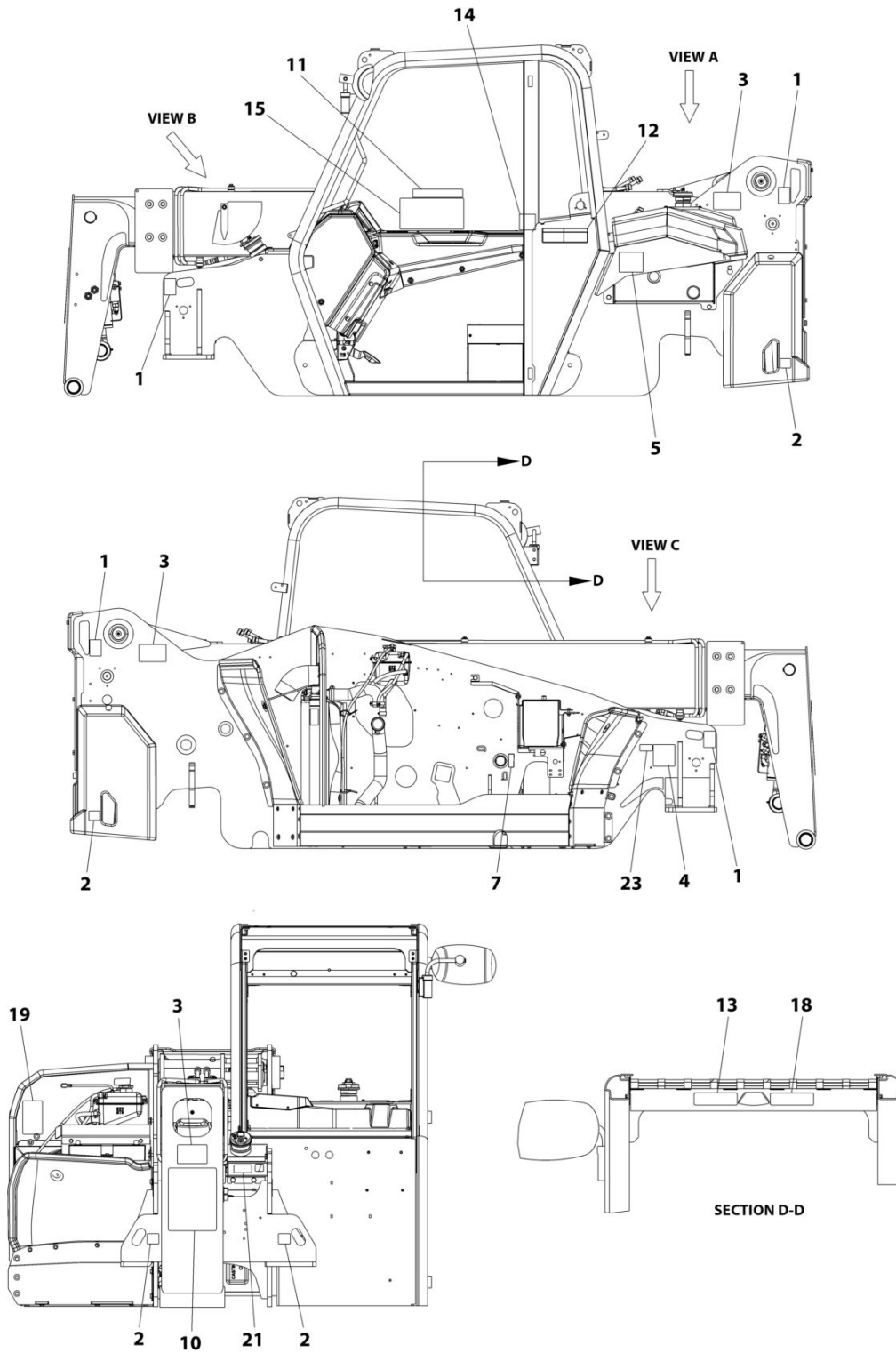
SECTION 11 - DECALS

FIGURE 11-2. DECALS INSTALLATION - INFO (ISO SPECS)

ITEM	PART NUMBER	QTY	DESCRIPTION	REV
	1001301760	Ref	DECALS INSTALLATION - INFO (ISO SPECS)	A
	1001305415	Ref	DECAL - CHART	D
1	1701500	4	Decal - Lift	
2	4109801	4	Decal - Tie Down Point	
3	1706292	3	Decal - Pinch Point	
4	See Note	NSS	Decal - Bar Code (Note: Not Available for Purchase)	
5	3251813	1	Decal - USA	
6	4100181	1	Decal - Hydraulic Oil Fill	
7	91563220	1	Decal - Oil Level	
8	1001099783	1	Decal - Boom Extend	
9	1706281	1	Decal - Battery Warning	
10	1706282	1	Decal - Carry Personnel	
11	1001092878	1	Decal - No Riders	
12	1001092877	1	Decal - Crush Hazard Warning	
13	1001200101	1	Decal - Manual Location	
14	1001101895	1	Decal - Warning	
15	1706098	1	Decal - Ether Warning	
16	1706284	1	Decal - Electrocutation Hazard	
17	1706285	1	Decal - Moving Parts	
18	1001139942	1	Decal - Hot Fluid Warning	
19	1001219211	1	Decal - Brake Fluid Spec	
20	1001189017	1	Decal - Diesel Fuel Fill	
24	8005670	1	Decal - Instruction	
25	3700015	2	Reflector, Rear	
26	3700016	6	Reflector, Rear	

SECTION 11 - DECALS

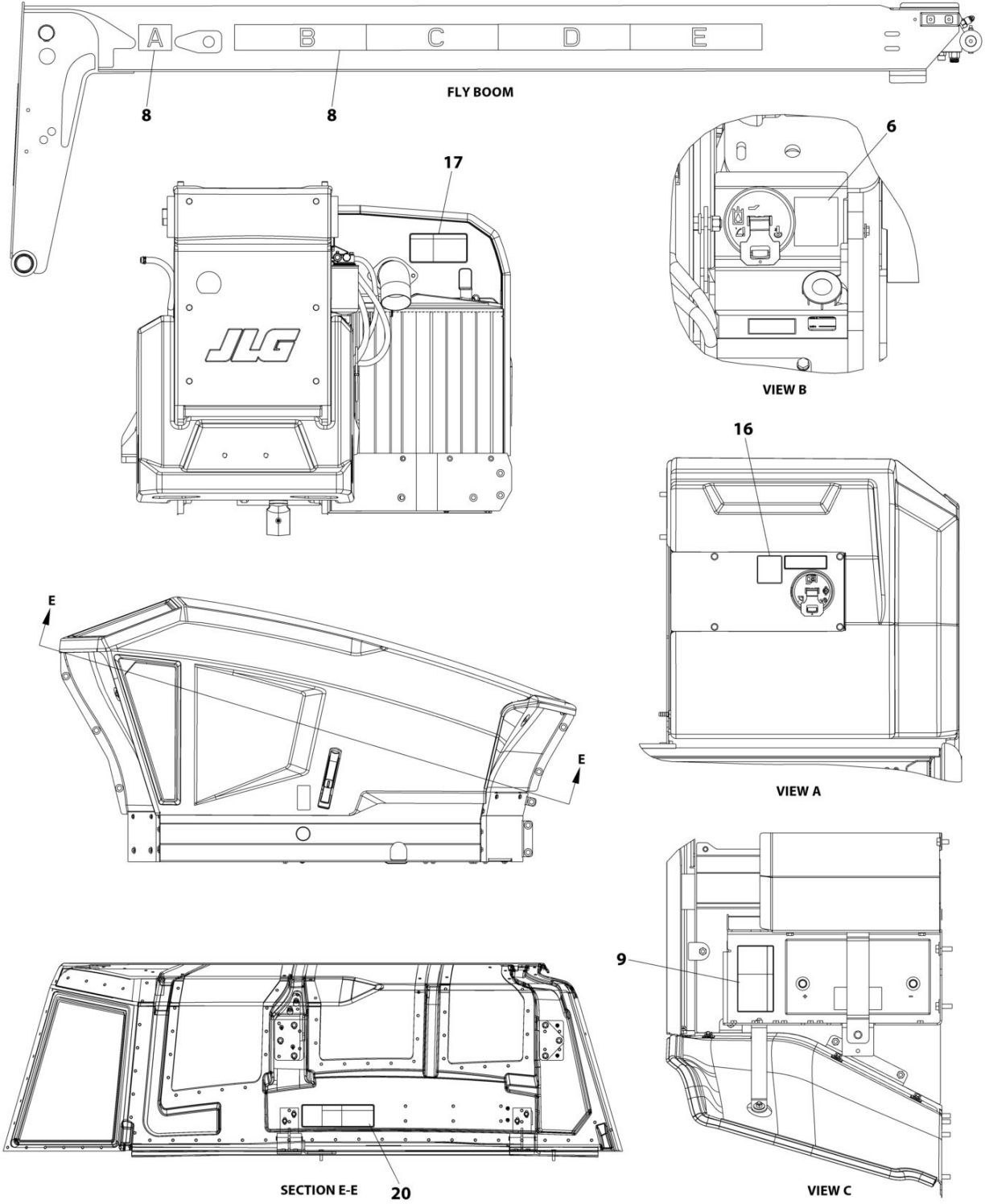
FIGURE 11-3. DECALS INSTALLATION - INFO (ENGLISH/FRENCH LANGUAGES)



NOTE: SEE PAGE 20F2 FOR DETAIL VIEWS

ART_1001301761_10F2

SECTION 11 - DECALS



ART_1001301761_20F2

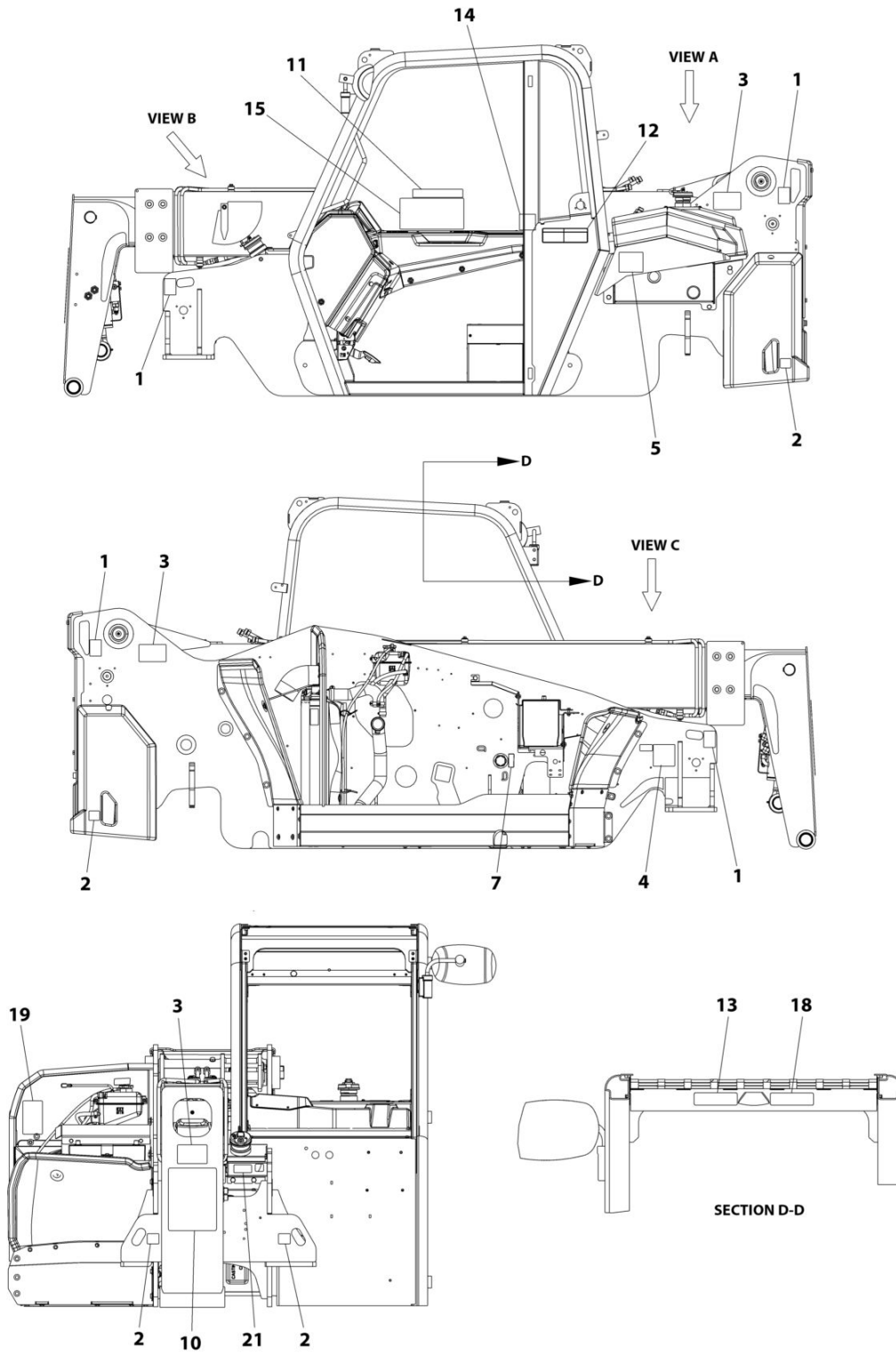
SECTION 11 - DECALS

FIGURE 11-3. DECALS INSTALLATION - INFO (ENGLISH/FRENCH LANGUAGES)

ITEM	PART NUMBER	QTY	DESCRIPTION	REV
	1001301761	Ref	DECALS INSTALLATION - INFO (ENGLISH/FRENCH LANGUAGES)	A
	1001302579	Ref	DECAL - CHART	D
1	1701500	4	Decal - Lift	
2	4109801	4	Decal - Tie Down Point	
3	1001163223	3	Decal - Pinch Point	
4	See Note	NSS	Decal - Bar Code (Note: Not Available for Purchase)	
5	3251813	1	Decal - USA	
6	4100181	1	Decal - Hydraulic Oil Fill	
7	91563220	1	Decal - Oil Level	
8	1001099783	1	Decal - Boom Extend	
9	1001163174	1	Decal - Battery Warning	
10	1001163206	1	Decal - Carry Personnel	
11	1001163285	1	Decal - Tipover Warning	
12	1001163300	1	Decal - No Riders	
13	1001163304	1	Decal - Crush Hazard Warning	
14	1001200101	1	Decal - Manual Location	
15	1001233558	1	Decal - Warning/Danger	
16	1001189017	1	Decal - Diesel Fuel Fill	
17	1001163212	1	Decal - No Ether Warning	
18	1001163210	1	Decal - Electrocution Hazard	
19	1001163222	1	Decal - Moving Parts	
20	1001163323	1	Decal - Hot Fluid Warning	
21	1001219211	1	Decal - Brake Fluid Spec	
23	1001223453	1	Decal - ICES	

SECTION 11 - DECALS

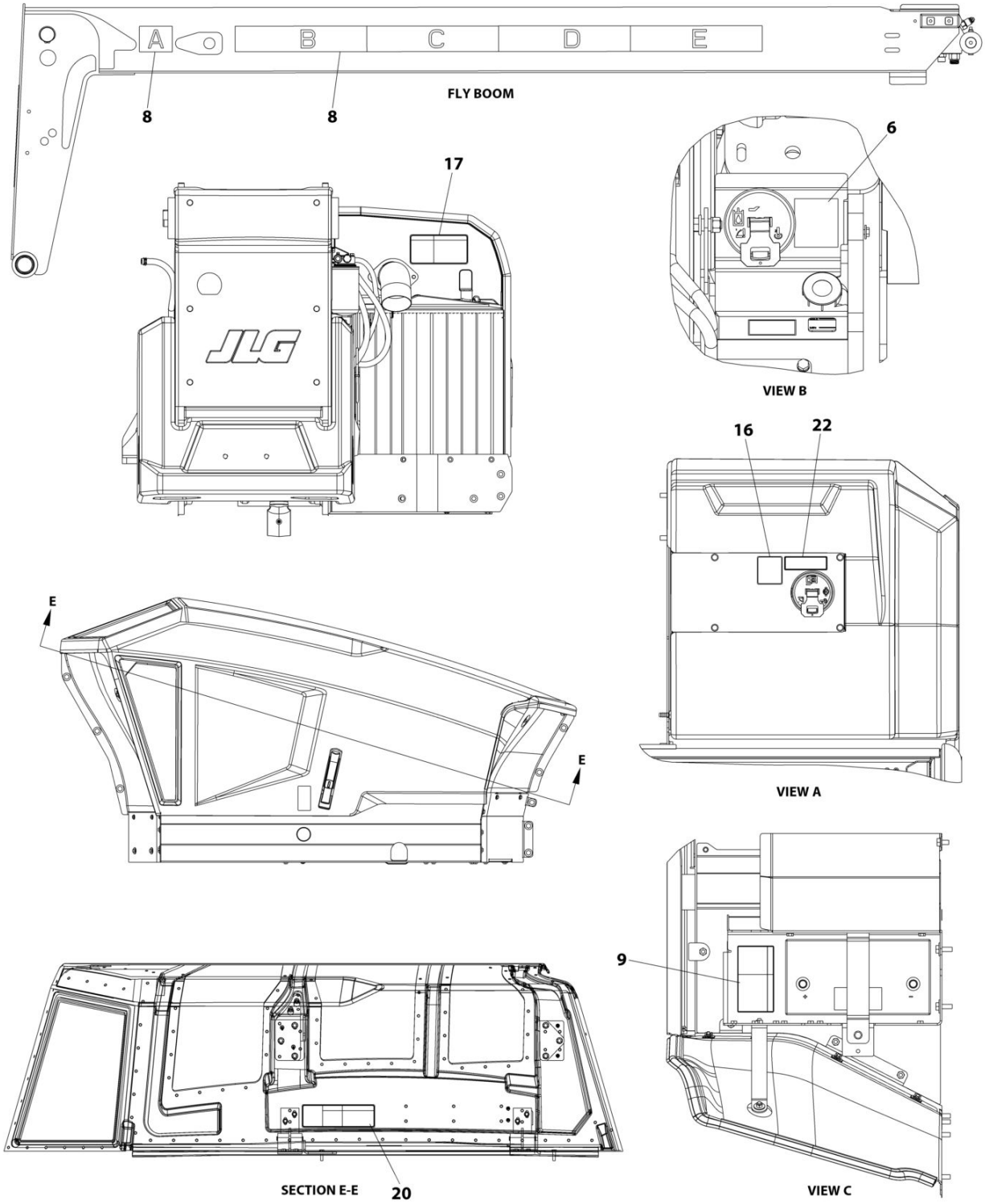
FIGURE 11-4. DECALS INSTALLATION - INFO (ENGLISH/SPANISH LANGUAGES)



NOTE: SEE PAGE 20F2 FOR DETAIL VIEWS

ART_1001302578_10F2

SECTION 11 - DECALS



ART_1001302578_20F2

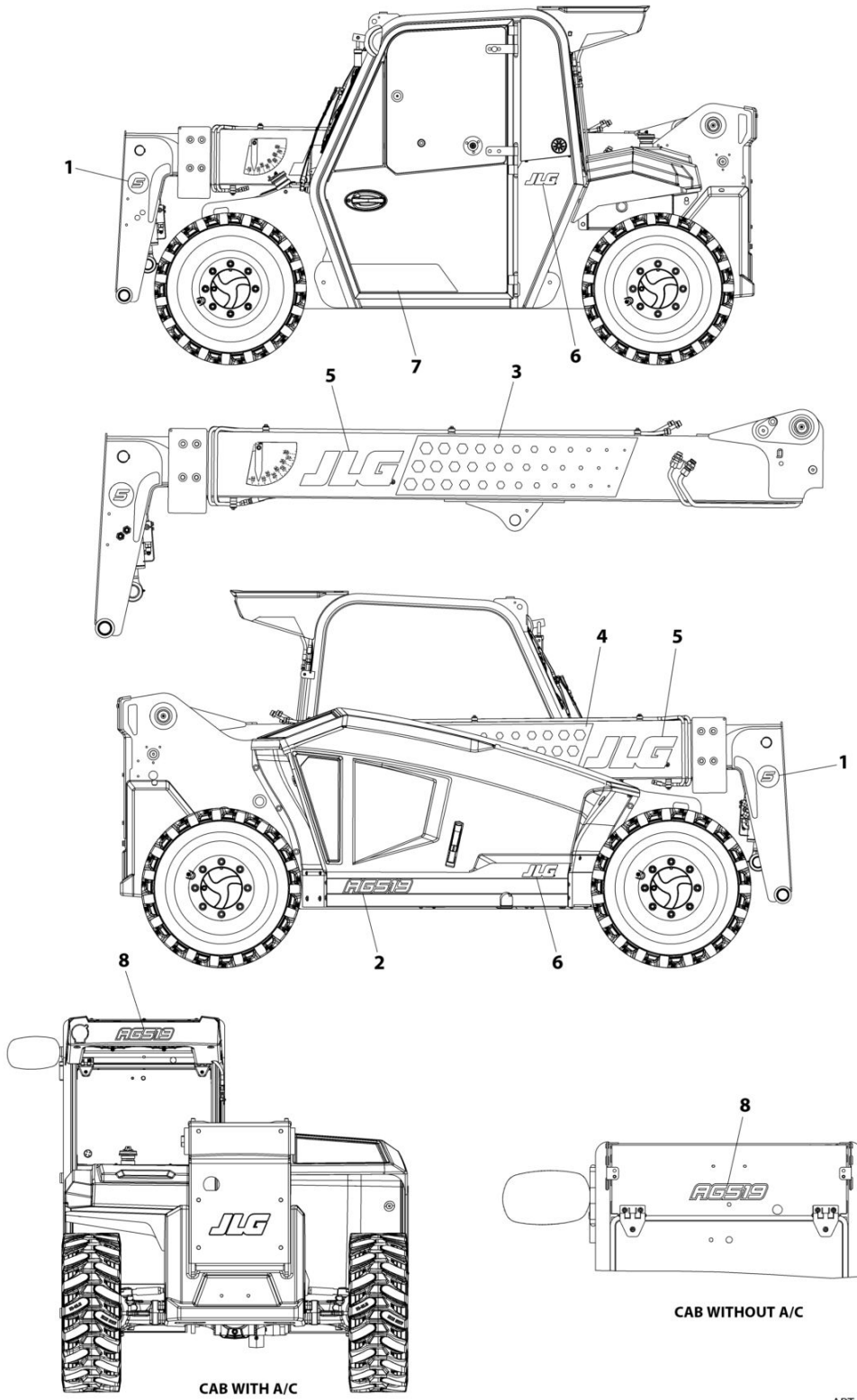
SECTION 11 - DECALS

FIGURE 11-4. DECALS INSTALLATION - INFO (ENGLISH/SPANISH LANGUAGES)

ITEM	PART NUMBER	QTY	DESCRIPTION	REV
	1001302578	Ref	DECALS INSTALLATION - INFO (ENGLISH/SPANISH LANGUAGES)	A
	1001302579	Ref	DECAL - CHART	D
1	1701500	4	Decal - Lift	
2	4109801	4	Decal - Tie Down Point	
3	1001235800	3	Decal - Pinch Point	
4	See Note	NSS	Decal - Bar Code (Note: Not Available for Purchase)	
5	3251813	1	Decal - USA	
6	4100181	1	Decal - Hydraulic Oil Fill	
7	91563220	1	Decal - Oil Level	
8	1001099783	1	Decal - Boom Extend	
9	1001235794	1	Decal - Battery Warning	
10	1001235796	1	Decal - Carry Personnel	
11	1001235801	1	Decal - Tipover Warning	
12	1001235802	1	Decal - No Riders	
13	1001235803	1	Decal - Crush Hazard Warning	
14	1001200101	1	Decal - Manual Location	
15	1001235809	1	Decal - Warning/Danger	
16	1001189017	1	Decal - Diesel Fuel Fill	
17	1001235798	1	Decal - Ether Starting Warning	
18	1001235797	1	Decal - Electrocution Hazard	
19	1001235799	1	Decal - Moving Parts	
20	1001235805	1	Decal - Hot Fluid Warning	
21	1001219211	1	Decal - Brake Fluid Spec	
22	1001235804	1	Decal - Ultra Low Sulfur Diesel	

SECTION 11 - DECALS

FIGURE 11-5. DECALS INSTALLATION - BRAND (CLOSED CAB)



ART_1001302485

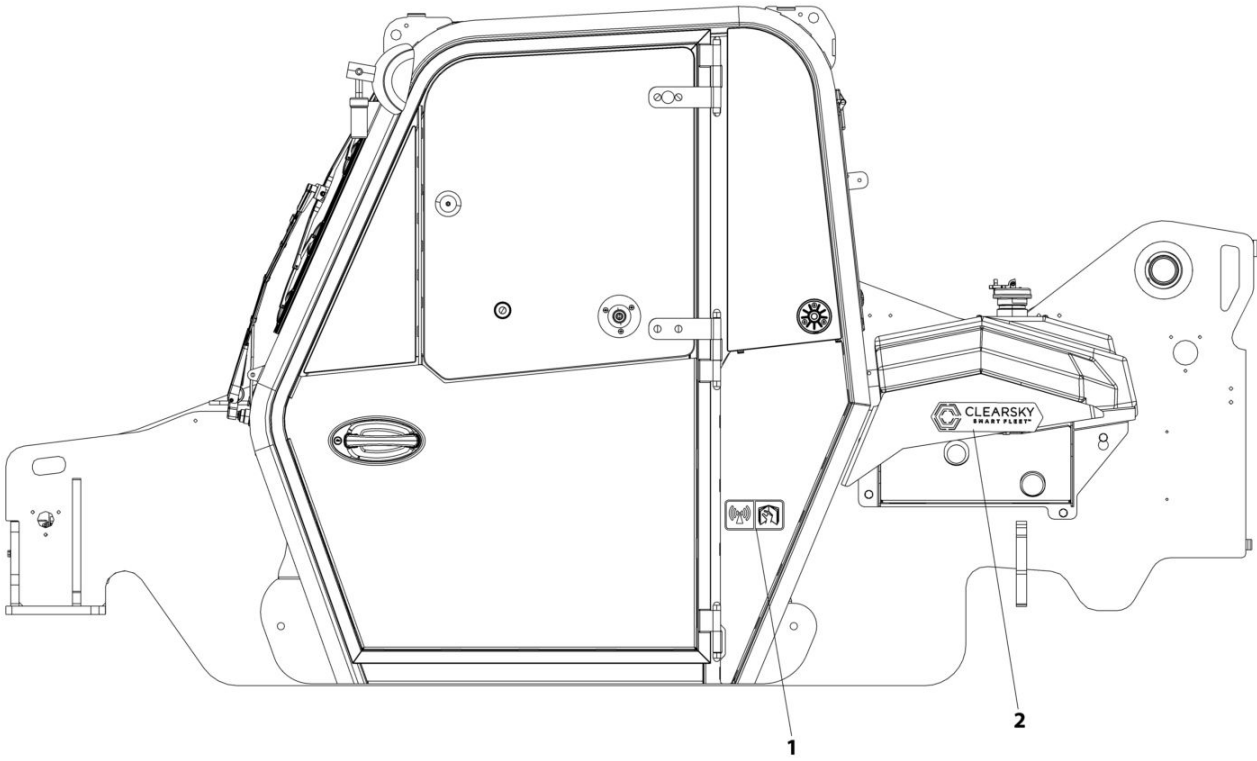
SECTION 11 - DECALS

FIGURE 11-5. DECALS INSTALLATION - BRAND (CLOSED CAB)

ITEM	PART NUMBER	QTY	DESCRIPTION	REV
	1001302485	Ref	DECALS INSTALLATION - BRAND (CLOSED CAB)	C
1	1001279175	2	Decal - Boom Head	
2	1001302374	1	Decal - Skirt	
3	1001302375	1	Decal - Boom Left	
4	1001302376	1	Decal - Boom Right	
5	1001302377	2	Decal - JLG Logo Large	
6	1001302378	2	Decal - JLG Logo Small	
7	1001302807	1	Decal - Door	
8	1001302987	1	Decal - Rear	

SECTION 11 - DECALS

FIGURE 11-6. DECALS INSTALLATION - CLEARSKY



ART_1001310863

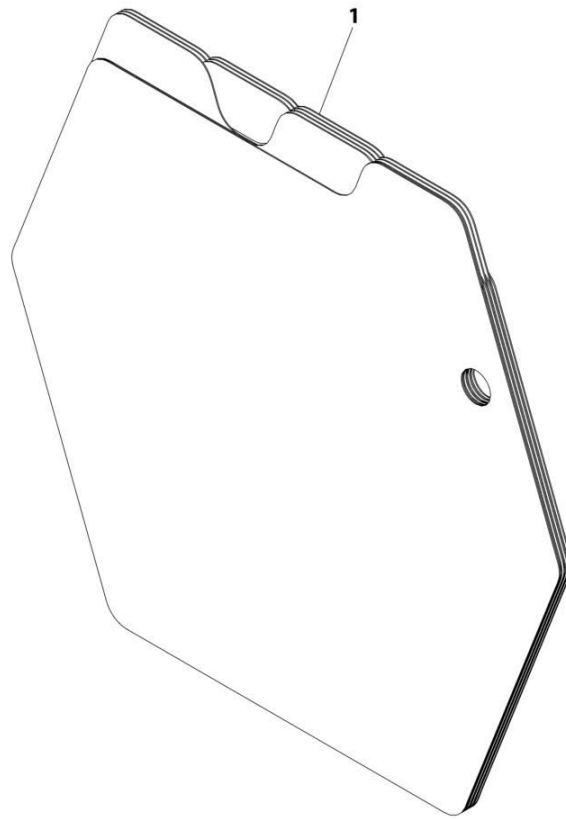
SECTION 11 - DECALS

FIGURE 11-6. DECALS INSTALLATION - CLEARSKY

ITEM	PART NUMBER	QTY	DESCRIPTION	REV
	1001310863	Ref	DECALS INSTALLATION - CLEARSKY	A
1	1001120989	1	Decal - Radio Frequency	
2	1001294815	1	Decal - Clearsky	

SECTION 11 - DECALS

FIGURE 11-7. LOAD CHART (ANSI SPECS)



ART_1001313101

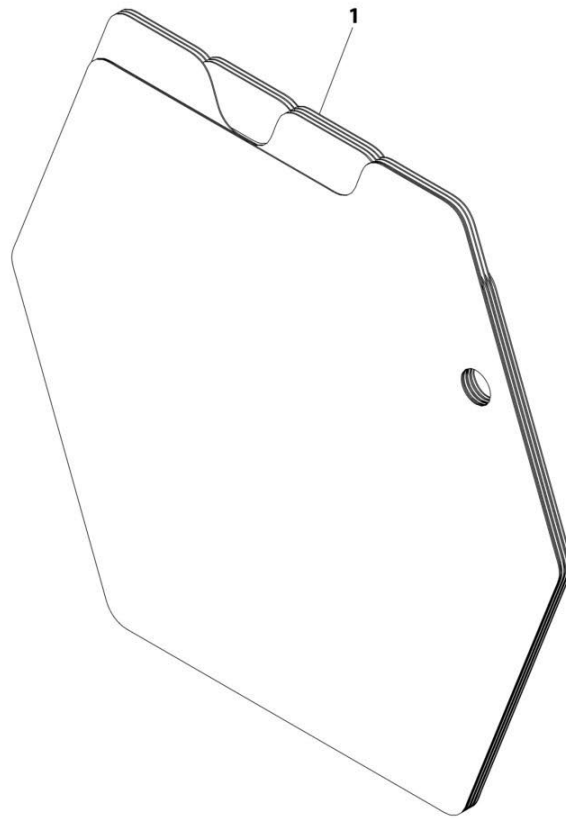
SECTION 11 - DECALS

FIGURE 11-7. LOAD CHART (ANSI SPECS)

ITEM	PART NUMBER	QTY	DESCRIPTION	REV
1	1001313101 See Note	Ref Ref	LOAD CHART (ANSI SPECS) Note: Sold as Assembly Only.	B

SECTION 11 - DECALS

FIGURE 11-8. LOAD CHART (METRIC SPECS)



ART_1001315086

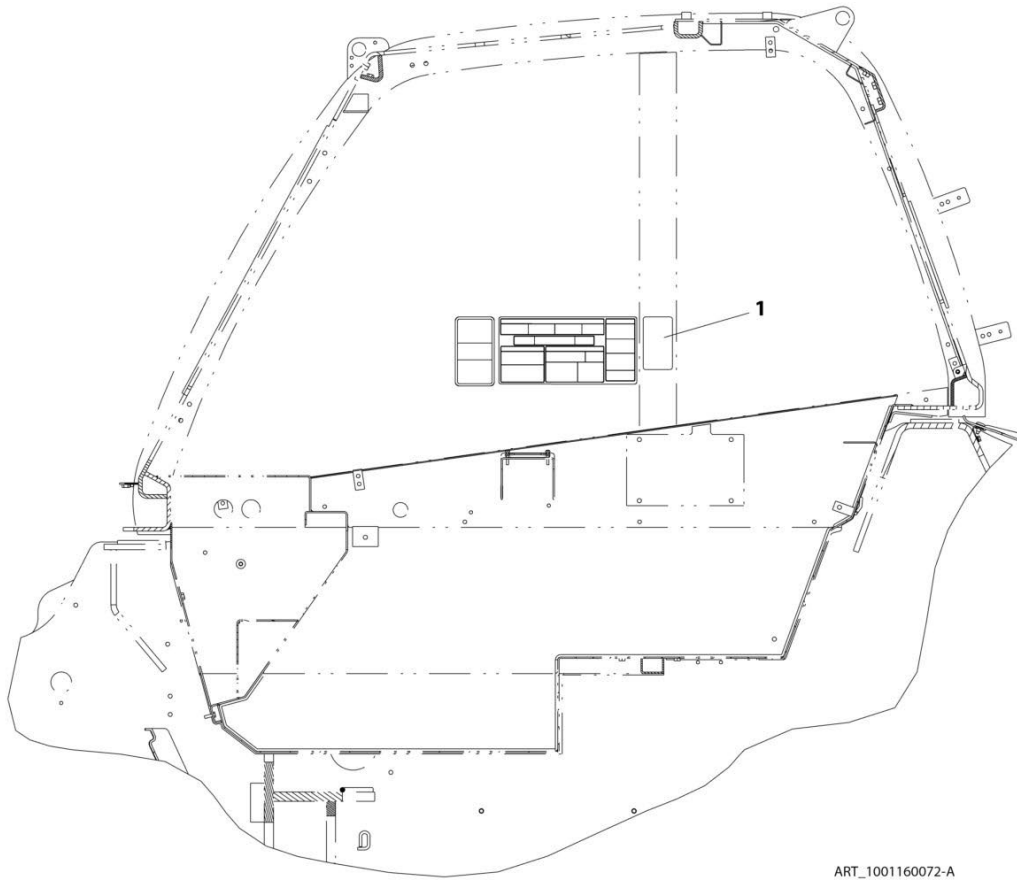
SECTION 11 - DECALS

FIGURE 11-8. LOAD CHART (METRIC SPECS)

ITEM	PART NUMBER	QTY	DESCRIPTION	REV
1	1001315086 See Note	Ref Ref	LOAD CHART (METRIC SPECS) Note: Sold as Assembly Only.	A

SECTION 11 - DECALS

FIGURE 11-9. REVERSE SENSOR SYSTEM DECAL (ENGLISH)



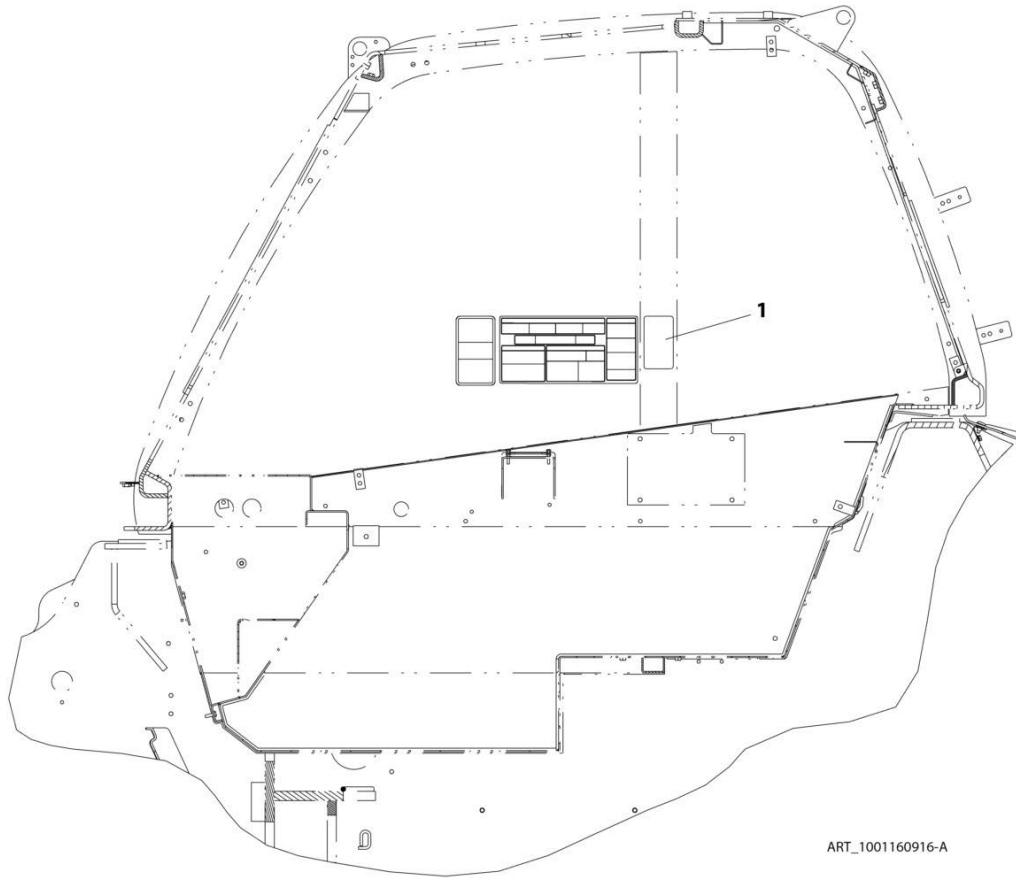
SECTION 11 - DECALS

FIGURE 11-9. REVERSE SENSOR SYSTEM DECAL (ENGLISH)

ITEM	PART NUMBER	QTY	DESCRIPTION	REV
1	1001160072	1	Reverse Sensor System Decal (English)	A

SECTION 11 - DECALS

FIGURE 11-10. REVERSE SENSOR SYSTEM DECAL (ISO)



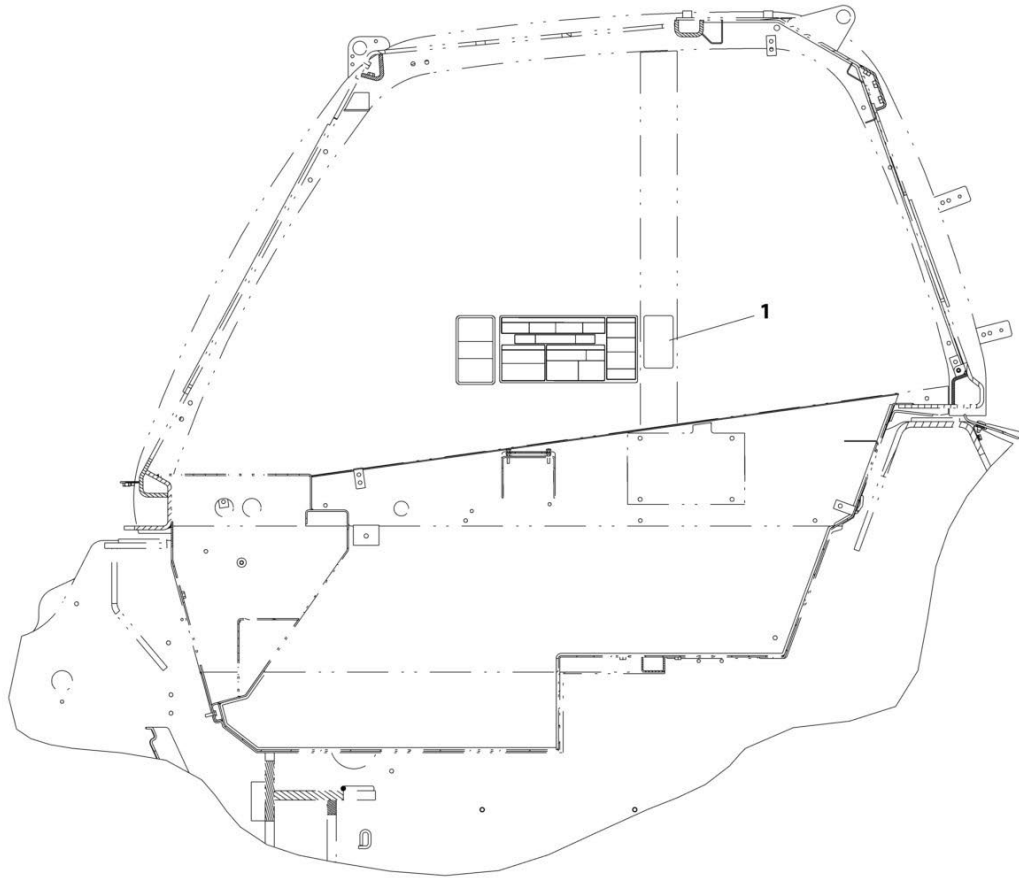
SECTION 11 - DECALS

FIGURE 11-10. REVERSE SENSOR SYSTEM DECAL (ISO)

ITEM	PART NUMBER	QTY	DESCRIPTION	REV
1	1001160916	1	Reverse Sensor System Decal (ISO)	A

SECTION 11 - DECALS

FIGURE 11-11. REVERSE SENSING SYSTEM DECAL, (ENGLISH/FRENCH)



ART_1001160945-A

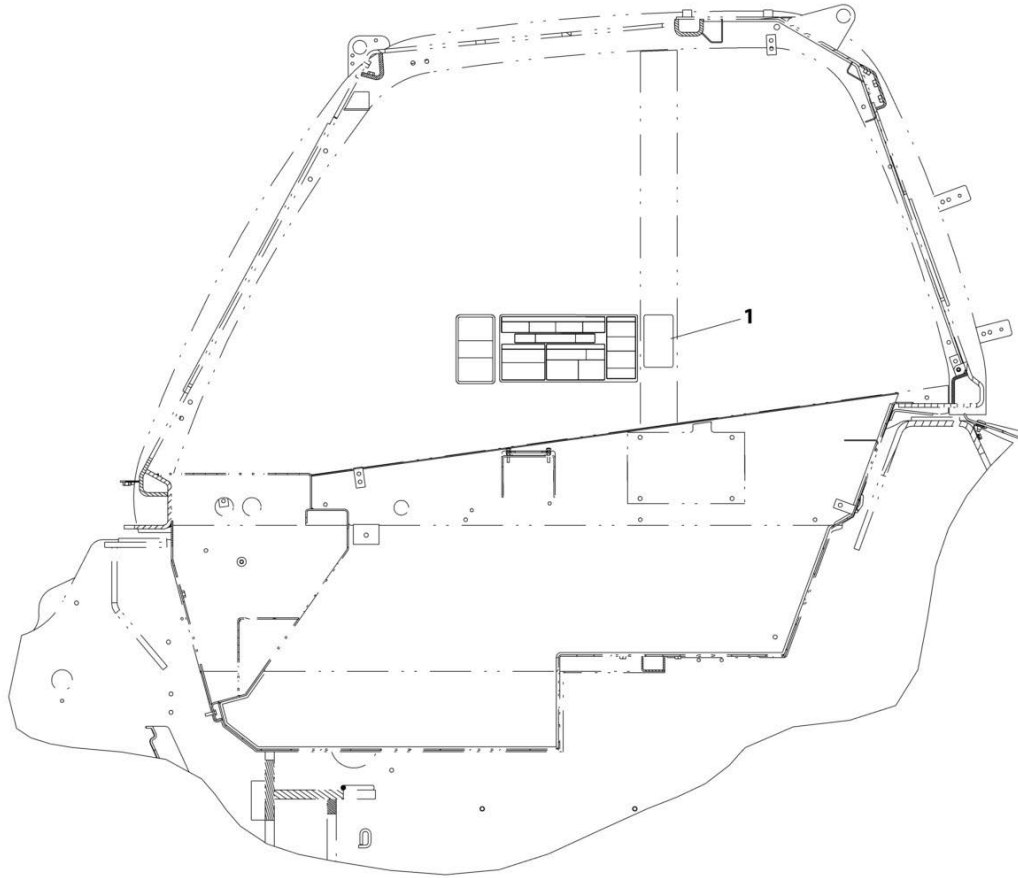
SECTION 11 - DECALS

FIGURE 11-11. REVERSE SENSING SYSTEM DECAL, (ENGLISH/FRENCH)

ITEM	PART NUMBER	QTY	DESCRIPTION	REV
1	1001160945	1	Reverse Sensor System Decal (ENGLISH/FRENCH)	A

SECTION 11 - DECALS

FIGURE 11-12. REVERSE SENSOR SYSTEM DECAL (ENGLISH/SPANISH)



ART_1001237846-A

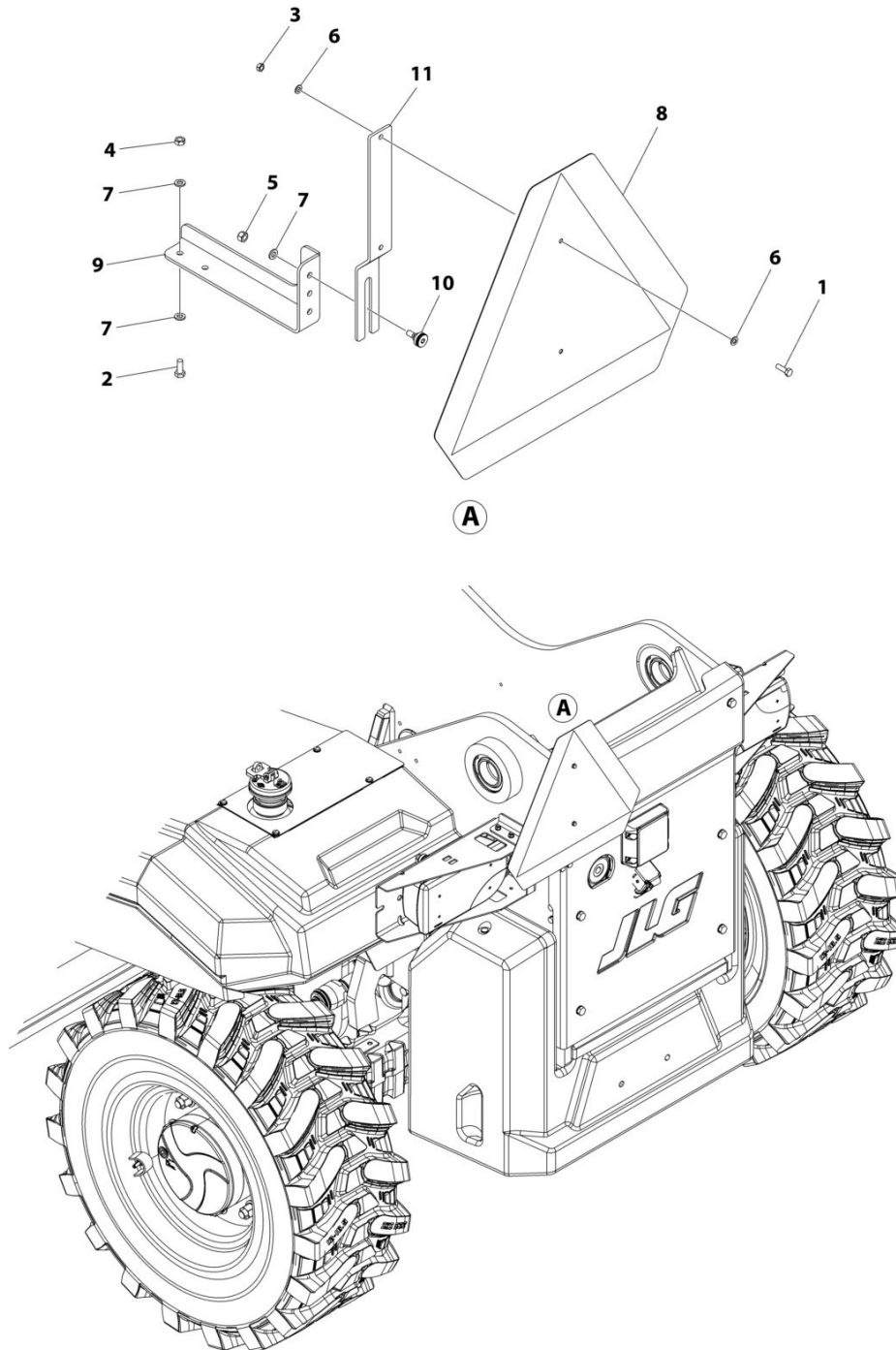
SECTION 11 - DECALS

FIGURE 11-12. REVERSE SENSOR SYSTEM DECAL (ENGLISH/SPANISH)

ITEM	PART NUMBER	QTY	DESCRIPTION	REV
1	1001237846	Ref	REVERSE SENSOR SYSTEM DECAL (ENGLISH/SPANISH LANGUAGES)	A

SECTION 11 - DECALS

FIGURE 11-13. TRIANGLE INSTALLATION - SLOW MOVING VEHICLE



ART_1001308574

SECTION 11 - DECALS

FIGURE 11-13. TRIANGLE INSTALLATION - SLOW MOVING VEHICLE

ITEM	PART NUMBER	QTY	DESCRIPTION	REV
	1001308574	Ref	TRIANGLE INSTALLATION - SLOW MOVING VEHICLE	A
1	0760508	2	Bolt M5 x 16	
2	0760608	2	Bolt M6 x 16	
3	3290501	2	Nut M5	
4	3290601	2	Nut M6	
5	3290605	2	Nut M6	
6	4811600	4	Washer M5	
7	4811700	6	Washer M6	
8	1001272882	1	Reflector, Red Triangle	
9	1001308573	1	Bracket	
10	1001308765	2	Screw M6 x 4	
11	1001308769	1	Plate	

SECTION 12 - RECOMMENDED SERVICE PARTS STOCK

SECTION 12 - RECOMMENDED SERVICE PARTS STOCK

SECTION 12 - RECOMMENDED SERVICE PARTS STOCK

FIGURE 12-1. RECOMMENDED SERVICE PARTS STOCK

ITEM	PART NUMBER	QTY	DESCRIPTION	REV
		Ref	Note: The following list will service one machine (built to current production per date on the front cover) with emergency repair parts which can be installed in the field. Parts from the list should be replaced when inventory is depleted to keep service parts stock supplied. For further information, contact your JLG dealer or the JLG Industries Parts Department.	
	1001264879	1	Coil (Valve Block Assembly)	
	70020764	1	Coil (Divertor Valve)	
	70031931	1	Coil (Brake Valve)	
	70007504	1	Coil (Watchdog valve)	
	70026582	1	Coil (Steering Select)	
	1001177597	1	Diode (Cab & Engine Harness)	
	70031028	1	Element, Filter (Hydraulic)	
	70031078	1	ELEMENT, PRIMARY AIR FILTER	
	70031079	1	ELEMENT, SECONDARY AIR FILTER	
	1001081375	1	FILTER,CAB AIR	
	1001162662	1	FILTER,BREATHER (Hydraulic)	
	8229242	2	Fuse, 5A (Frame Harness)	
	80983191	2	Fuse, 10A (Frame Harness)	
	8229244	2	Fuse, 15A (Frame Harness)	
	8229246	1	FUSE,20 AMP MINI	
	70026296	1	Fuse, 200AMP	
	70031248	1	Fuse, 150 AMP	
	70031249	1	Fuse, 15 AMP	
	70031250	1	Fuse, 25 AMP	
	70026297	1	Fuse, 80AMP	
	70031251	1	Fuse, 30 AMP	
	8342813	1	Key, Door (Door Assembly Installation)	
	1001311739	1	KEY,SWITCH IGNITION	
	2940074	1	Latch (Fork Mounted Platform)	
	3740080	1	Relay (A/C Condenser Installation, Frame Harness, Posi Air Shutoff & SC Frame)	
	1001095704	1	Relay, 35A (Frame Harness)	
	70025317	1	Relay, 70A	
	70026295	1	Relay, 35AMP	
	1001197965	1	Switch, Fuel Level Sensor	
	1001183024	1	SENSOR,PROXIMITY (LSI)	
	1001289105	1	SENSOR,REAR AXLE, LSI	
	1001247421	1	Sensor, Reverse Object (Reverse Sensing System Installation)	
	1001128478	1	Sensor, Temperature (Radiator)	
	1001104654	1	Switch, Auxiliary Decomp	
	1001299096	1	SWITCH,BEACON	
	1001159741	1	SWITCH,CONT AUX	
	1001192142	1	Switch, Disconnect (Battery Disconnect)	
	1001189898	1	SWITCH,FRAMER / LOADER	
	1001080380	1	Switch, FNR Shifter (Cab Common Installation)	
	1001080368	1	Switch, Front Wiper (Enclosed Cab)	
	1001080367	1	Switch, Front Windshield Washer (Enclosed Cab)	
	1001159734	1	Switch, Hazard Light (Roadlights)	
	1001080371	1	Switch, Horn (Cab Common Installation)	

SECTION 12 - RECOMMENDED SERVICE PARTS STOCK

ITEM	PART NUMBER	QTY	DESCRIPTION	REV
	1001172547	1	SWITCH,HVAC ROTARY 3 SPEED	
	1001160326	1	SWITCH,HVAC ON/OFF	
	1001159742	1	SWITCH,LSI OVERRIDE	
	1001311740	1	SWITCH,IGNITION	
	1001159753	1	SWITCH,PARK BRAKE	
	1001159849	1	SWITCH,STEER MODE	
	1001080375	1	Switch, Quick Coupler (Hydraulic Quick Switch Installation)	
	1001080377	1	Switch, Rear/Roof Wiper (Enclosed Cab)	
	1001080381	1	Switch, Turn Signal-Headlight (Roadlights)	
	1001299654	1	SWITCH,WORKLIGHTS	

SECTION 13 - SPECIAL OPTIONS/ACCESSORIES/KITS

SECTION 13 - SPECIAL OPTIONS/ACCESSORIES/KITS

SECTION 13 - SPECIAL OPTIONS/ACCESSORIES/KITS

FIGURE 13-1. SPECIAL OPTIONS/ACCESSORIES/KITS

ITEM	PART NUMBER	QTY	DESCRIPTION	REV
	1001130717	Ref	Service Kits	Z
	See Note	Ref	Note: This list is to accommodate machines ordered with special equipment. Options may not be applicable to all models. For more specific parts information contact JLG Parts Department.	
		Ref	SPECIAL OPTIONS/ACCESSORIES/KITS	
	1001298309	Ref	Electrical Sub - FAPL - Includes:	
	1001297546	Ref	Frame Wiring Installation (See Separate Breakdown in ELECTRICAL Section)	
	1001298335	Ref	Frame Electrical Installation (See Separate Breakdown in ELECTRICAL Section)	
	1001290358	Ref	Engine Sub -FAPL - HRC - Includes:	
	1001289554	Ref	Engine Assembly - HRC (See Separate Breakdown in ENGINE Section)	
	1001290366	Ref	Engine Mounts Installation (See Separate Breakdown in ENGINE Section)	
	1001290367	Ref	Engine Pump Adapter Installation (See Separate Breakdown in ENGINE Section)	
	1001290368	Ref	Engine Pumps Installation (See Separate Breakdown in ENGINE Section)	
	1001290369	Ref	Engine Fuel System Installation (See Separate Breakdown in ENGINE Section)	
	1001290371	Ref	Engine ECM Installation (See Separate Breakdown in ENGINE Section)	
	1001294732	Ref	Engine Air Intake Installation (See Separate Breakdown In ENGINE Section)	
	1001297602	Ref	Engine Electrical Installation (See Separate Breakdown in ENGINE Section)	
	1001311888	Ref	Engine Sub -FAPL - LRC - Includes:	
	1001290366	Ref	Engine Mounts Installation (See Separate Breakdown in ENGINE Section)	
	1001290367	Ref	Engine Pump Adapter Installation (See Separate Breakdown in ENGINE Section)	
	1001290368	Ref	Engine Pumps Installation (See Separate Breakdown in ENGINE Section)	
	1001290369	Ref	Engine Fuel System Installation (See Separate Breakdown in ENGINE Section)	
	1001290371	Ref	Engine ECM Installation (See Separate Breakdown in ENGINE Section)	
	1001293992	Ref	Engine Assembly - LRC (See Separate Breakdown in ENGINE Section)	
	1001294732	Ref	Engine Air Intake Installation (See Separate Breakdown In ENGINE Section)	
	1001297602	Ref	Engine Electrical Installation (See Separate Breakdown in ENGINE Section)	
	1001298024	Ref	Enclosure Installation Sub - FAPL - Includes:	
	1001296997	Ref	Hood Installation (See Separate Breakdown in FRAME AND ATTACHING PARTS Section)	
	1001297139	Ref	Enclosure Skirt Installation (See Separate Breakdown in FRAME AND ATTACHING PARTS Section)	
	1001298451	Ref	Hitch Installation	
	1001290202	Ref	Hydraulics Sub-FAPL - Includes:	
	1001290194	Ref	Hose Installation - Engine Bay (See Separate Breakdown in HYDRAULIC CIRCUITS Section)	

SECTION 13 - SPECIAL OPTIONS/ACCESSORIES/KITS

ITEM	PART NUMBER	QTY	DESCRIPTION	REV
	1001290196	Ref	Hose Installation - Frame (See Separate Breakdown in HYDRAULIC CIRCUITS Section)	
	1001290197	Ref	Hose Installation - Cab (See Separate Breakdown in HYDRAULIC CIRCUITS Section)	
	1001290198	Ref	Hose Installation - Boom (See Separate Breakdown in HYDRAULIC CIRCUITS Section)	
	1001290199	Ref	Valve Installation - Main Control (See Separate Breakdown in HYDRAULIC COMPONENTS Section)	
	1001290200	Ref	Valve Installation - Steer (See Separate Breakdown in HYDRAULIC COMPONENTS Section)	
	1001290219	Ref	Valve Installation - Priority (See Separate Breakdown in HYDRAULIC COMPONENTS Section)	
	1001295677	Ref	Valve Installation - Watchdog (See Separate Breakdown in HYDRAULIC COMPONENTS Section)	
	1001311649	Ref	NO REVERSE CAMERA INSTALLATION	
	1001296954	Ref	Closed Cab Sub - FAPL - Includes:	
	1001291761	Ref	Front Wiper Installation (See Separate Breakdown in the CAB Section)	
	1001297104	Ref	Accelerator Pedal Installation (See Separate Breakdown in the CONTROLS Section)	
	1001297107	Ref	Cab Side Mirror Installation (See Separate Breakdown in the CAB Section)	
	1001297108	Ref	Level Indicator Installation (See Separate Breakdown in the CAB Section)	
	1001297165	Ref	Rear Window Exit Decal Installation (See Separate Breakdown in the CAB Section)	
	1001298617	Ref	Closed Cab Glass Installation (See Separate Breakdown in the CAB Section)	
	1001299066	Ref	Washer Tank and Hoses Installation (See Separate Breakdown in the CAB Section)	
	1001299417	Ref	Hose Pass Through Installation (See Separate Breakdown in the CAB Section)	
	1001298028	Ref	Tanks Sub-FAPL - Includes:	
	1001290730	Ref	Hydraulic Tank Installation (See Separate Breakdown in FRAME AND ATTACHING PARTS Section)	
	1001295923	Ref	Fuel Tank Installation (See Separate Breakdown in FRAME AND ATTACHING PARTS Section)	

SECTION 13 - SPECIAL OPTIONS/ACCESSORIES/KITS

PART NUMBER INDEX

SECTION 13 - SPECIAL OPTIONS/ACCESSORIES/KITS

0100011..... 111, 293, 401, 407	0760815... 231, 281, 303, 349	1001080463 275	1001101895..... 464
0100019..... 183	0760816..... 43, 251, 435	1001080494 203, 207	1001104009..... 73
0400075..... 389	0761010. 17, 37, 39, 117, 389, 419, 421	1001080826 271, 273	1001104025..... 75
0641405..... 83	0761011 21	1001080947 255	1001104477..... 367, 379
0641406..... 299	0761012. 17, 19, 29, 107, 271, 337, 435	1001080951 255	1001104519..... 403, 409, 433
0641408..... 297	0761014 19	1001080953 255	1001104541..... 203
0641508..... 297	0761210 109, 221	1001080955 255	1001104654..... 413, 494
0641516..... 303	0761212 33	1001080956 255	1001107854..... 383, 425
0641628..... 47	0761218 117	1001080960 255	1001108152..... 255
0641636..... 231	0761228 45, 317	1001080992 213	1001108552..... 283
0641652..... 231	0761410 105	1001081049 257	1001108575..... 231
0681414 299	0770810 127	1001081242 231	1001108603..... 205, 231
0682032..... 213	0860520 83	1001081246 231	1001109365..... 205
0682230..... 213	1001001240 79, 367	1001081266 231	1001110544..... 105
0700408..... 215	1001001241 79, 367	1001081283 283	1001113047..... 207, 209
0700610..... 19, 249, 385, 387, 411	1001001556 367	1001081284 283	1001114675..... 249
0700612..... 115, 419	1001001557 367	1001081285 283	1001114803..... 117
0700614..... 221	1001002953 231	1001081289 283	1001115620..... 351
0700615..... 115	1001002957 231	1001081299K..... 19	1001116128..... 255, 441
0700617..... 363	1001003043 283	1001081333 179	1001116696..... 451
0700618..... 353	1001003305 109	1001081375 207, 209, 494	1001116699..... 425
0700814..... 23, 109, 133	1001003474 79	1001081413 349	1001116705..... 409
0700815..... 385, 387	1001003475 79	1001090103 367	1001116745..... 425
0700818..... 303, 401	1001003589 29, 355	1001090343 281, 285, 287, 289	1001116747..... 383
0700819..... 419	1001005368 283	1001091102 215	1001116754..... 403
0701012..... 25	1001006731 261	1001091715 435	1001116763..... 383
0701014..... 37, 109, 117, 389	1001008479 91	1001091716 435	1001116774..... 426
0701016..... 127, 315	1001008559 105, 281, 401, 404, 407, 415, 421, 426, 437, 439, 441	1001091751 413	1001116810..... 415
0701018..... 37, 127	1001008742 281	1001092481 65	1001116812..... 415, 426
0701020..... 25, 117	1001009094 91	1001092482 65	1001116813..... 395, 426
0701030..... 127	1001009163 29	1001092487 464	1001116815..... 415, 426
0701232..... 33	1001010646 261	1001092877 464	1001116848..... 425
0701627..... 77	1001010647 261	1001092878 464	1001116950..... 426
0702037..... 179	1001010648 261	1001093171 81	1001116983..... 425
0711214..... 113	1001010649 261	1001093826 51	1001116984..... 409
0711215..... 103	1001010650 261	1001093827 51	1001116985..... 409
0711216..... 113, 181	1001028264 15	1001094312 231	1001116986..... 409
0711217..... 103	1001028306 15	1001095301 109	1001116991..... 409
0711223..... 103	1001028308 15	1001095650 231	1001116995..... 409
0711226..... 103	1001061633 91	1001095704 404, 409, 494	1001116996..... 451
0711227..... 103	1001061660 91	1001095810 83	1001116997..... 409
0712029..... 179	1001061662 91	1001096019 69	1001117002..... 409
0720606..... 27	1001061891 91	1001096020 69	1001117021..... 383, 397, 426
0760405..... 413	1001061950 39	1001096021 67	1001117026..... 425
0760505..... 109	1001080050 47	1001096023 67	1001117079..... 433
0760507..... 351	1001080116 47	1001096024 69	1001117080..... 409
0760508..... 491	1001080117 47	1001096025 67	1001117081..... 403, 409
0760510..... 281	1001080152 35	1001096365 231	1001117308..... 419
0760505..... 109	1001080154 33	1001096584 37, 39	1001118322..... 403
0760605..... 231	1001080155 33	1001096585 37, 39	1001118323..... 426
0760606..... 277	1001080212 185	1001096913 251	1001118393..... 451
0760607..... 19	1001080334 323	1001097205 81	1001118684..... 403
0760608..... 25, 105, 203, 221, 239, 241, 285, 293, 351, 393, 401, 419, 491	1001080367 281, 494	1001097728 45	1001119032..... 403
0760610..... 117, 129	1001080368 285, 494	1001097729 45	1001120602..... 137
0760615..... 17	1001080371 413, 494	1001098769 41	1001120989..... 477
0760807..... 117	1001080375 315, 495	1001099458 85	1001125387..... 460
0760808..... 19, 225, 337	1001080377 287, 495	1001099566 277	1001125465..... 441
0760810 17, 19, 107, 117, 191, 217, 219, 221, 257, 303, 389	1001080380 494	1001099699 237	1001125677..... 404, 426
0760812..... 105, 437	1001080381 435, 495	1001099783 460, 464, 468, 472	1001126008..... 403, 409
0760814..... 103, 119	1001080391 37	1001100916 315	1001126351..... 415
	1001080394 303	1001101041 51	1001126352..... 415
	1001080397 315, 399	1001101042 51	1001126362..... 415
	1001080462 275	1001101808 385	1001126483..... 415
			1001126484..... 415

SECTION 13 - SPECIAL OPTIONS/ACCESSORIES/KITS

1001126837 203, 413	1001161957.....425	1001185073.....29, 113	1001207926 315, 377
1001128416 19	1001161959.....403	1001187070.....415	1001208308 203, 207, 209
1001128478 29, 494	1001161963.....425	1001187073.....426	1001209009 315, 455
1001130220 17	1001162515.....426	1001187075.....426	1001209097 415
1001130717 498	1001162662..... 29, 494	1001187076.....426	1001209463 277
1001132169 415	1001162887.....403	1001187077.....415, 426	1001212049 265
1001133173 415	1001162898..... 71	1001187078.....415, 426	1001212050 267
1001133793 109	1001163174.....468	1001187079.....426	1001212948 131
1001136975 109	1001163206.....468	1001187080.....415	1001213010 131
1001137106 45	1001163210.....468	1001188758.....213	1001213752 439
1001137296 137	1001163212.....468	1001189017.....460, 464, 468, 472	1001214220 297
1001139552 287	1001163222.....468	1001189733.....299	1001215531 205, 231
1001139568 283	1001163223.....468	1001189738.....299	1001215898 404, 426
1001139578 460	1001163285.....468	1001189743.....299	1001219211 464, 468, 472
1001139942 464	1001163300.....468	1001189745.....299	1001220260 231
1001139975 197, 199	1001163304.....468	1001189803.....299	1001220853 399
1001140296 297	1001163323.....468	1001189850.....299	1001223122 105
1001141246 231	1001163340.....404	1001189888.....331	1001223453 460, 468
1001141312 287	1001165269.....281	1001189898.....413, 494	1001223455 403
1001144147 426	1001165309.....426	1001190639.....251	1001225430 95, 99
1001144375 127	1001165455.....281	1001190640.....435	1001226481 215
1001144474 251	1001165827.....387	1001191635251	1001227091 127
1001144629J 83	1001166385.....277	1001192142391, 494	1001227802 205
1001145204 135	1001166715.....107	1001192309.....205	1001228860 43
1001145300 391	1001166718.....103	1001192364.....35, 41	1001230163 205
1001146588 105, 111, 121	1001167015.....255	1001192401.....426	1001230931 403
1001147340 297	1001167266.....221, 227	1001192643.....231	1001231398 449
1001147923 426	1001167937.....231	1001192644.....231	1001231801 460
1001148106 403	1001167958.....231	1001192646.....231	1001232351 197, 199
1001148802 205	1001168018.....103	1001193887.....43	1001232722 315
1001149125 283	1001168330.....221	1001194421.....449	1001233304 193
1001149125 283	1001169151.....221, 383	1001195342.....227	1001233305 195
1001150509 221	1001171179.....25	1001195343.....227	1001233558 468
1001150610 415	1001171182.....283	1001195345.....227	1001234507 193
1001150611 426	1001171183.....283	1001195346.....227	1001234973 185
1001150735 443	1001171808.....41	1001195385.....227	1001235014 183, 185
1001150737 443	1001172146.....25	1001195386.....227	1001235794 472
1001152730 137	1001172147.....25	1001195437.....227	1001235796 472
1001153748 359, 373	1001172178.....27	1001195438.....227	1001235797 472
1001155540 117	1001172547.....207, 209, 495	1001195587.....23	1001235798 472
1001158330 91	1001172550.....207, 209	1001196100.....435	1001235799 472
1001158331 91	1001175568.....109	1001196589.....425	1001235800 472
1001158336 91	1001175733.....447	1001197130.....179	1001235801 472
1001158352 45, 91	1001175776.....445, 447	1001197217.....211	1001235802 472
1001159028 295	1001177198.....409	1001197624.....409	1001235803 472
1001159734 435, 494	1001177597.....404, 416, 494	1001197719.....416	1001235804 472
1001159741 413, 494	1001178059.....91	1001197965.....27, 494	1001235805 472
1001159742 439, 495	1001179008.....263, 265, 267, 269	1001200101.....460, 464, 468, 472	1001235809 472
1001159753 413, 495	1001179009.....263, 265, 267, 269	1001200581.....35, 331	1001236316 187
1001159849 413, 495	1001179130.....221, 223	1001200796.....191	1001236319 189
1001160072 483	1001180306.....15, 17	1001200797.....191	1001236622 409
1001160326 209, 495	1001181128.....419	1001200845.....409	1001236666 187, 197
1001160498 403	1001181531.....413	1001201331.....281	1001236667 187, 199
1001160500 425	1001182663.....231	1001201668.....47, 321	1001236668 189
1001160502 403	1001182882.....231	1001202986.....137	1001236669 189
1001160509 425	1001183024.....439, 494	1001204128.....53	1001237342 221
1001160916 485	1001184403.....223	1001204129.....55	1001237845 269
1001160945 487	1001184404.....223	1001204130.....57	1001237846 489
1001161095 403, 425	1001184405.....223	1001204131.....59	1001238317 303
1001161097 403, 425	1001184406.....223	1001204132.....61	1001238560 83
1001161098 403, 425	1001184473.....409	1001204709.....263	1001238565 65, 67, 69, 83
1001161099 425	1001184551.....403, 415	1001207171.....403	1001238653 65
1001161100 403, 425	1001184975.....207, 209	1001207282.....27	1001238654 67
1001161604 91		1001207768.....315	1001238655 69
1001161606 91		1001207924.....377	
1001161607 91			
1001161759 45			

SECTION 13 - SPECIAL OPTIONS/ACCESSORIES/KITS

1001242508.....79	1001289296.....441	1001290775.....343	1001292505.....137
1001242509.....87	1001289554.....95, 498	1001290776.....341, 343	1001292506.....137
1001242510.....89	1001289648.....393	1001290892.....179	1001292579.....385
1001242511.....63	1001290097.....317, 327	1001290910.....103	1001292580.....445
1001242616.....51	1001290163.....309	1001290974.....109	1001292581.....45
1001242983.....95, 99	1001290165.....351	1001291010.....389	1001292845.....221
1001243960.....347	1001290167.....309	1001291012.....129	1001292868.....221
1001246391.....415	1001290168.....309	1001291056.....393	1001292990.....135
1001247195.....303	1001290170.....309	1001291159.....117	1001293018.....103
1001247421.....445, 494	1001290171.....309	1001291165.....117	1001293048.....77
1001251518.....445	1001290173.....309	1001291166.....117	1001293064.....77
1001254357.....307, 311, 351	1001290194.....309, 498	1001291167.....117	1001293180.....121
1001255772.....403	1001290196.....311, 499	1001291168.....117	1001293198.....205
1001256264.....23	1001290197.....307, 499	1001291169.....117	1001293253.....35, 47
1001257122.....137	1001290198.....305, 499	1001291170.....117	1001293272.....179
1001264368.....105	1001290199.....337, 499	1001291279.....339, 369	1001293273.....179
1001264844.....449	1001290200.....357, 499	1001291536.....113	1001293303.....111
1001264878.....377	1001290202.....498	1001291537.....113	1001293304.....117
1001264879.....377, 494	1001290219.....341, 499	1001291538.....125, 127	1001293310.....391
1001265007.....411	1001290243.....111	1001291573.....119	1001293317.....115
1001266920.....297, 307	1001290299.....311	1001291574.....119	1001293322.....401, 403
1001267976.....45	1001290300.....351	1001291637.....389	1001293325.....421, 425
1001270466.....401	1001290302.....351	1001291638.....389	1001293335.....389
1001270467.....419	1001290303.....311	1001291677.....33, 35	1001293337.....271, 361
1001270468.....419	1001290304.....311	1001291679.....37	1001293502.....205
1001270952.....416	1001290305.....311	1001291749.....113, 345	1001293503.....205
1001271293.....401	1001290306.....311	1001291761.....285, 499	1001293504.....205
1001271411.....403	1001290313.....307	1001291762.....281	1001293506.....205
1001271648.....231	1001290314.....307	1001291787.....35, 37	1001293567.....283
1001272297.....27	1001290316.....307	1001291863.....127	1001293571.....283
1001272336.....127	1001290318.....307	1001291864.....127	1001293573.....205, 283
1001272882.....491	1001290332.....361	1001292023.....39	1001293613.....205
1001272884.....203, 207, 209, 221, 231, 237, 255, 257, 279, 283, 285, 411, 439	1001290357.....179	1001292029.....35, 39	1001293614.....205
1001273635.....437	1001290358.....498	1001292062.....251	1001293615.....205
1001273793.....109, 421, 435	1001290359.....117	1001292149.....33	1001293636.....231
1001273883.....207, 209	1001290360.....119	1001292157.....15	1001293720.....321, 331
1001275632.....365, 375	1001290361.....137	1001292159.....35, 303	1001293739.....337, 339
1001277374.....231	1001290362.....127	1001292164.....33	1001293740.....357, 359
1001279175.....475	1001290364.....179, 181	1001292171.....237	1001293782.....231
1001280471.....257, 259	1001290365.....181	1001292172.....237	1001293783.....231
1001280661.....393	1001290366.....103, 498	1001292202.....221	1001293812.....231
1001283127.....127	1001290367.....111, 498	1001292204.....221	1001293816.....205, 231
1001283424.....413	1001290368.....113, 498	1001292206.....209	1001293817.....231
1001283481.....253, 285	1001290369.....109, 498	1001292213.....221	1001293891.....105
1001283482.....285	1001290371.....115, 498	1001292239.....207, 209	1001293892.....105
1001283484.....289	1001290373.....117, 129	1001292240.....207, 209	1001293893.....105
1001283530.....285	1001290374.....117, 131	1001292252.....285	1001293894.....105
1001283532.....289	1001290377.....133	1001292254.....209, 239	1001293895.....105
1001285382.....29	1001290379.....133	1001292258.....207	1001293896.....391
1001285586.....403	1001290380.....179	1001292259.....209	1001293897.....391
1001285634.....426	1001290386.....29	1001292260.....17	1001293898.....105
1001286267.....181, 335	1001290387.....29	1001292274.....315, 367	1001293925.....231
1001287276.....335	1001290449.....305	1001292282.....315	1001293944.....231
1001287856.....29	1001290450.....305	1001292283.....135	1001293945.....231
1001287951.....77	1001290453.....305	1001292295.....283	1001293992.....99, 498
1001287981.....205	1001290455.....305	1001292410.....43	1001294175.....277
1001288301.....231	1001290456.....305	1001292482.....303	1001294177.....207, 209
1001288302.....231	1001290459.....305	1001292483.....303	1001294179.....113, 347
1001288303.....231	1001290460.....305	1001292484.....207, 241	1001294223.....231
1001288355.....231	1001290494.....117, 139	1001292486.....239, 241	1001294242.....231
1001288356.....205	1001290625.....131	1001292492.....207, 209	1001294244.....389
1001289105.....441, 494	1001290626.....131	1001292495.....207, 209	1001294253.....231
	1001290627.....131	1001292500.....207	1001294257.....231
	1001290628.....131	1001292501.....109	1001294261.....181
	1001290629.....131	1001292502.....109	1001294263.....117
	1001290651.....309	1001292503.....109	1001294265.....29, 113
	1001290730.....25, 499	1001292504.....109	1001294268.....355, 371

SECTION 13 - SPECIAL OPTIONS/ACCESSORIES/KITS

1001294269 353, 355	1001296997..... 23, 498	1001298489..... 413	1001306805..... 311
1001294270 351, 353	1001297049..... 460	1001298617..... 205, 499	1001307296..... 209
1001294382 107, 123	1001297055..... 255	1001298844..... 43	1001307464..... 129
1001294428 271	1001297104..... 295, 499	1001298855..... 15	1001307474..... 235
1001294429 297	1001297107..... 249, 499	1001298944..... 239, 241	1001307690..... 385, 387
1001294431 351	1001297108..... 247, 499	1001299003..... 437	1001307731..... 127
1001294432 317	1001297139..... 19, 498	1001299014..... 437	1001308112..... 23
1001294450 277	1001297140..... 19	1001299066..... 281, 499	1001308129..... 232
1001294452 277	1001297141..... 19	1001299096..... 413, 494	1001308193..... 413
1001294453 277	1001297142..... 19	1001299102..... 407	1001308573..... 491
1001294732 107, 498	1001297143..... 19	1001299133..... 397, 437	1001308574..... 491
1001294733 107	1001297146..... 19	1001299140..... 281	1001308738..... 435
1001294734 107	1001297153..... 19	1001299141..... 281	1001308739..... 435
1001294735 107	1001297154..... 19	1001299142..... 281	1001308765..... 491
1001294746 15	1001297165..... 229, 499	1001299143..... 281	1001308769..... 491
1001294815 477	1001297171..... 203, 225	1001299144..... 281	1001308966..... 299
1001294823 15	1001297179..... 203, 215	1001299145..... 281	1001308967..... 297, 299
1001294843 317, 319	1001297180..... 215	1001299289..... 235	1001309310..... 411
1001294850 25	1001297181..... 215	1001299315..... 239, 241	1001309311..... 411
1001294923 415	1001297183..... 215	1001299417..... 279, 499	1001309317..... 411
1001295168 27	1001297194..... 25, 29	1001299434..... 263	1001310801..... 195
1001295169 21, 27	1001297246..... 209	1001299435..... 265	1001310810..... 195
1001295203 283	1001297252..... 29	1001299654..... 437, 495	1001310811..... 195
1001295212 135	1001297320..... 203	1001299765..... 45	1001310843..... 195
1001295236 207, 209	1001297323..... 203	1001299803..... 221	1001310852..... 225
1001295261 207, 209	1001297372..... 23	1001299925..... 209, 221	1001310863..... 477
1001295385 337	1001297402..... 439	1001300360..... 203	1001310865..... 411
1001295511 27	1001297404..... 255	1001301017..... 321	1001310866..... 203
1001295534 113	1001297411..... 239	1001301437..... 339	1001311058..... 411
1001295675 309	1001297412..... 435, 451	1001301544..... 267	1001311059..... 411
1001295676 363, 365	1001297413..... 431, 435	1001301547..... 269	1001311062..... 411
1001295677 363, 499	1001297546..... 421, 498	1001301592..... 77	1001311386..... 439, 441
1001295772 327	1001297602..... 105, 498	1001301759..... 460	1001311649..... 499
1001295843 105, 415	1001297632..... 211	1001301760..... 464	1001311693..... 241, 243
1001295912 303	1001297634..... 411	1001301761..... 468	1001311694..... 239, 245
1001295921 215	1001297723..... 221	1001302107..... 319	1001311733..... 387
1001295923 21, 499	1001297733..... 23	1001302215..... 283	1001311739..... 413, 494
1001295925 203	1001297750..... 407, 409	1001302312..... 293	1001311740..... 413, 495
1001295937 303	1001297752..... 401	1001302374..... 475	1001311809..... 411
1001295938 303	1001297764..... 393	1001302375..... 475	1001311888..... 498
1001295939 303	1001297766..... 393	1001302376..... 475	1001312253..... 317, 349
1001295940 21	1001297844..... 433, 435	1001302377..... 475	1001312278..... 349
1001296193 117	1001297911..... 255	1001302378..... 475	1001312321..... 125
1001296265 293	1001297985..... 217	1001302422..... 393	1001312324..... 209
1001296510 411	1001297986..... 217	1001302485..... 475	1001312694..... 293
1001296524 213	1001298024..... 498	1001302578..... 472	1001312962..... 207, 209
1001296572 17	1001298028..... 499	1001302579..... 468, 472	1001313101..... 479
1001296624 257	1001298032..... 255	1001302807..... 475	1001313261..... 293
1001296647 117	1001298037..... 439	1001302987..... 475	1001314048..... 293
1001296658 17	1001298074..... 439	1001303239..... 179	1001314937..... 215
1001296663 17	1001298076..... 439	1001303376..... 203	1001315050..... 393
1001296730 257, 449	1001298093..... 401	1001303704..... 21	1001315086..... 481
1001296785 225	1001298094..... 439, 443	1001304452..... 17	1001315382..... 191
1001296792 317	1001298109..... 205	1001305415..... 460, 464	1001317865..... 404
1001296793 317	1001298132..... 219	1001305555..... 395, 437	1001317866..... 404
1001296809 19	1001298133..... 219	1001305556..... 393, 453	1001317867..... 404
1001296879 203	1001298215..... 391	1001305564..... 125	1001318431..... 351
1001296894 203	1001298296..... 275	1001305565..... 125	1001318531..... 351
1001296906 25	1001298308..... 203	1001305566..... 125	1027049900..... 143, 145, 147, 149, 153, 157, 159, 179
1001296915 17	1001298309..... 498	1001306006..... 235	1034299800..... 161, 163, 165, 167, 171, 175, 177, 179
1001296928 215	1001298335..... 419, 498	1001306019..... 207, 209	1060379..... 83
1001296939 203	1001298343..... 387	1001306044..... 419, 429	1062255... 109, 125, 137, 311, 351
1001296954 499	1001298344..... 279	1001306401..... 297	
1001296975 23	1001298345..... 279	1001306405..... 25	
1001296988 287	1001298450..... 183	1001306549..... 103	
1001296989 289	1001298451..... 498	1001306587..... 25	
1001296992 289	1001298488..... 401	1001306595..... 297	

SECTION 13 - SPECIAL OPTIONS/ACCESSORIES/KITS

10713707.....	419	2221290.....	303	4031908.....	135	4461074.....	415
10725627.....	157	2580057.....	121	4031912.....	357	4461077.....	409
10837929.....	369	2600281.....	83	4031922.....	315	4461103.....	409
10837937.....	369	2717283.....	79, 325	4031925.....	315	4461115.....	395, 397
1320022.....	239	2820171.....	399	4032009.....	111	4461118.....	383, 425
1701500.....	460, 464, 468, 472	2902443.....	415	4060919.....	15	4461216.....	403
1701509.....	83	2920207.....	435	4100181 ...	460, 464, 468, 472	4461262.....	425
1702773.....	65, 67, 69	2920208.....	435	4105262.....	41	4490942.....	409, 425
1704277.....	83	2940074.....	83, 494	4109801 ...	460, 464, 468, 472	4640113.....	195
1704885.....	65, 67, 69	31200160.....	65	4109801 ...	460, 464, 468, 472	4640163.....	197, 199
1706098.....	464	31200386.....	69	4240084.....	191	4711400.....	83
1706281.....	464	31200387.....	67	4460200.....	391	4711400001.....	21
1706282.....	464	31200388.....	67	4460226 ...	403, 404, 409, 433, 443	4711500.....	297, 303
1706284.....	464	3251813 ...	460, 464, 468, 472	4460234 ...	281, 401, 407, 439	4712200.....	251
1706285.....	464	3272001.....	213	4460234 ...	281, 401, 407, 439	4740274.....	117
1706292.....	464	3272201.....	213, 251	4460265.....	443	4750600.....	27
1706296.....	460	3290405.....	393	4460266.....	403	4751200.....	353
1706298.....	460	3290501 ...	281, 445, 491	4460267.....	404, 409	4751600.....	21
1706299.....	460	3290507.....	237	4460343.....	404	4761400.....	297, 299
1706300.....	460	3290601.....	221, 491	4460367.....	409	4762200.....	251
1706301.....	460	3290605 ...	255, 411, 491	4460434.....	403	4807718.....	287
1706302.....	460	3290606.....	283	4460464 ...	383, 395, 399, 415, 431, 447, 449, 451, 453, 455	4811400.....	393, 401, 407
1706768.....	460	3290607.....	435	4460465 ...	395, 399, 403, 409, 415, 425, 426, 431, 433, 449, 453, 455	4811600.....	109, 239, 241, 351, 401, 445, 491
1706850.....	460	3290801 23, 43, 105, 117, 217, 219, 231, 251, 287, 295, 299, 389, 435		4460466 ...	395, 403, 409, 415, 425, 426, 431, 449, 451	4811602001.....	271
1706892.....	65	3290805.....	23, 103, 109, 119, 315	4460496.....	404	4811700.....	25, 105, 115, 117, 203, 221, 231, 277, 281, 285, 293, 351, 363, 401, 411, 419, 435, 439, 491
1707078.....	460	3291001.....	105, 421	4460508.....	415	4811702 17, 19, 129, 209, 221, 239, 241, 283, 385, 387, 393, 411	
2080040.....	83	3291005.....	41, 117, 127, 315	4460509.....	409, 426	4811900.. 17, 23, 43, 103, 105, 107, 109, 119, 127, 191, 207, 209, 217, 219, 221, 225, 231, 251, 281, 295, 303, 315, 349, 385, 387, 389, 401, 419, 435, 437	
2110404.....	297, 355	3291205.....	33, 45, 317	4460518 ...	403, 415, 426	4811902.....	19, 117, 133, 337, 389
2110408.....	113	3291605.....	77	4460539 ...	403, 415, 425	4812000.....	17, 21, 25, 29, 37, 39, 41, 107, 109, 127, 315, 337, 389, 419, 421, 435
2110606.....	355	3311405.....	83	4460705.....	409	4812002 19, 25, 117, 389	
2110608.....	343, 359	3331215.....	103	4460708.....	409, 433	4812100.....	33, 103, 109, 113, 181, 183
2110808.....	317, 339	3332011.....	179	4460746.....	395, 397	4812102.....	33
2111008.....	339	3391410.....	91	4460789.....	383	4831900.....	133
2111010.....	47, 317, 339, 343, 367	3421453.....	83	4460851.....	425	4832000.....	271
2111210.....	47	3430507.....	299	4460884.....	425, 449	4832100.....	117
2130404.....	113, 343, 361	3450304.....	299	4460889.....	409, 425	4892000.....	213
2130406.....	339, 365	3520072.....	83	4460891 ...	395, 399, 409, 415, 425, 455	4923141.....	399
2130604.....	45	3520198.....	83	4460894 ...	403, 425, 431	5200814.....	389
2130606.....	367	3700015.....	464	4460897.....	395, 455	5240600.....	281
2130608.....	315	3700016.....	464	4460899 ...	383, 426, 449	5240800.....	257
2130808.....	317	3740080.....	449, 494	4460917.....	415	5241200.....	103, 105
2131008.....	35	3760170.....	83	4460928.....	426	5250608.....	227
2131612.....	339	3760348.....	297	4460930 ...	415, 425, 433, 453	5271609.....	445
2144605.....	179	3820020.....	83	4460931.....	453	5272012.....	441
2145011.....	137	3900393.....	39	4460932.....	399, 447	643191201.....	425
2150606.....	361, 367	3951814.....	91	4460933 ...	403, 409, 425	683A0070.....	409
2150608.....	315	4010405.....	277	4460941.....	383, 403	70000345.....	95, 99
2160016.....	33	4010410002.....	439	4460942.....	426	70002718.....	96, 100
2170108.....	339	4010506.....	237	4460945.....	415, 426		
2170110.....	317	4010508002.....	231	4460970 ...	415, 431, 451		
2170708.....	339	4010510.....	239, 241	4460984.....	415		
2171110.....	303	4010510002.....	271	4460994.....	409		
2171112.....	303	4010608002 21, 277, 411		4461008.....	415		
2171712.....	309	4010610.....	293	4461070.....	415		
2171716.....	309	4010612002.....	205, 231	4461071.....	415		
2180896.....	181	4031205.....	105	4461072.....	415		
2220218.....	367	4031506.....	401	4461073.....	415		
2220221.....	29	4031507.....	407				
2220239.....	27	4031508.....	255				
2220240.....	29	4031607.....	401				
2220612.....	349	4031707.....	439				
2220883.....	319, 327	4031711.....	341				
2220921.....	29						
2221086.....	339, 341						
2221116.....	341						

SECTION 13 - SPECIAL OPTIONS/ACCESSORIES/KITS

70003170	335	70020764	379, 494	70021941	157	70026775	325
70003172	347	70020867	373	70021942	157	70027111	145
70003340	335, 347	70020923	273	70022014	369	70027114 .	149, 153, 167, 171
70004508	95, 99	70020924	273	70022097	73, 75	70027242	331
70004637 ..	319, 327, 331	70020925	273	70022102	73, 75	70027243	331
70005176	96, 100	70020926	273	70022103	73, 75	70027244 ..	319, 327, 331
70005184	95, 99	70020927	273	70022104	73, 75	70027245	319
70005433	327	70021076	165	70022105	73, 75	70027249	331
70005529	95, 99	70021147 .	145, 149, 153, 167, 171	70022106	73	70027250	331
70005931	95, 99	70021151 .	149, 153, 167, 171	70022107	75	70027251	331
70005941	96, 100	70021155 .	149, 153, 167, 171	70022108	75, 333	70027252	331
70005942	96, 100	70021196	165	70022110	75	70027253	331
70006596	319	70021198	177	70022111	75	70027254	331
70007178	347	70021200	177	70022112	75	70027255	331
70007246	327	70021221	147, 165	70022564 ...	319, 327, 331	70027283	79
70007325	95, 99	70021270	323	70023035	159, 175	70027315 .	149, 153, 167, 171
70007504	375, 494	70021271	323	70023036	159, 175	70027394	259
70007603	95, 99	70021272	323	70023369	331	70027395	259
70008296	95, 99	70021273	323	70023371	331	70027399	259
70008422	95, 99	70021275	323	70023372	319	70027610	321
70008435	95, 99	70021276	323	70023373	331	70027611	321
70020002	79	70021314	259	70024202	369	70027612	321
70020028	79	70021316	259	70024504	95, 99	70027638	321
70020230	147	70021317	259	70024507	95, 99	70027773	51
70020231	147	70021318	259	70024513	95, 99	70027774	51
70020232	147	70021319	259	70024522	165	70027775	51
70020233	147, 165	70021320	259	70024528	157	70027776	51
70020234	147, 165	70021321	259	70024866	147, 165	70027777	51
70020235	147	70021322	259	70024867	147	70027779	51
70020244	147, 165	70021323	259	70024873	147	70027780	51
70020245	147, 165	70021324	259	70024874	147	70027781	51
70020247 ..	147, 157, 165	70021325	259	70024878 ...	153, 167, 171	70027782	51
70020249	147, 165	70021326	259	70024881 ..	149, 153, 167, 171, 177	70027783	51
70020250	147	70021327	259	70024883 ..	149, 153, 167, 171	70027784	51
70020251	147, 165	70021328	259	70024888 ..	149, 153, 167, 171	70027786	51
70020252	147	70021329	259	70024905	96, 100	70027788	51
70020253	147	70021330	259	70024912	95, 99	70027789	51
70020255	147	70021338	73, 75	70024927	147, 165	70027793	51
70020256	147	70021343	73	70024928	165	70027858	147
70020257	147	70021345	73	70024929	165	70027859	147
70020258	147	70021346	73	70025130	95, 99	70027865	159, 175
70020259	147	70021347	73	70025142	95, 99	70027866	159, 175
70020260	147	70021348	73	70025144	95, 99	70027989	75
70020262	147	70021349	73, 75	70025181	95, 99	70028286	369
70020263	147	70021350	73, 75	70025242	95, 99	70028388	147
70020265	147	70021351	73, 75	70025317	429, 494	70028389	147, 172
70020266	147	70021363	73, 329	70025562 ..	149, 153, 167, 171	70028473 .	149, 153, 167, 171
70020267	147	70021397	75	70026210	95, 99	70028474 .	149, 153, 167, 171
70020269 ..	147, 159, 175	70021415	75, 79	70026263	157	70028486	79
70020273	157	70021440	79, 329, 333	70026295	429, 494	70028519	79
70020276	157	70021444	329, 333	70026296	429, 494	70028520	79
70020280	157	70021446	329, 333	70026297	429, 494	70028521	79
70020282	157	70021447	73, 75, 329, 333	70026308 ...	319, 327, 331	70028523	79
70020284	157	70021448	73, 75, 329, 333	70026401	361	70028524	79
70020285	157	70021451	329, 333	70026582	373, 494	70028525	79
70020288	165	70021452	329, 333	70026652	369	70028530	79
70020290	157	70021462	333	70026653	369	70028531	79
70020295	157	70021464	73, 329	70026658	369	70028535	177
70020296	157	70021466	73, 329	70026702	79	70028540	95, 99
70020297	157	70021531	379	70026770	325	70028546	383
70020298	157	70021928	147, 165	70026771	325	70028548	139
70020301	159, 175	70021929	147, 165	70026773	325	70028884	157
70020302	159, 175	70021940	157	70026774	325	70028989	95, 99
70020303	165						
70020346	165						
70020555	81						
70020575	343						

SECTION 13 - SPECIAL OPTIONS/ACCESSORIES/KITS

70029046.....79	70030235..... 157	70031924..... 345	70032015..... 243
70029052.....79	70030251 . 147, 149, 153, 167, 171	70031925..... 335	70032016..... 243, 245
70029267..... 147, 165	70030362..... 145	70031926..... 335	70032017..... 243, 245
70029269..... 149	70030368..... 321	70031927..... 335	70032018..... 243, 245
70029271.. 149, 153, 167, 171	70030369..... 321	70031928..... 335	70032019..... 245
70029272.. 149, 153, 167, 171	70030370..... 321	70031929..... 335	70032020..... 245
70029273.. 149, 153, 167, 171	70030371..... 321	70031931..... 494	70032021..... 245
70029274.. 149, 153, 167, 171	70030381..... 95, 99	70031932..... 111	70032022..... 245
70029276.. 149, 153, 167, 171	70030950..... 163	70031933..... 111	70032023..... 245
70029277.. 149, 153, 167, 171	70031028..... 29, 494	70031934..... 319	70032024..... 245
70029278.. 149, 153, 167, 171	70031050..... 259	70031935..... 319	70032025..... 245
70029280.. 149, 153, 167, 171	70031051..... 259	70031936..... 319	70032026..... 245
70029281.. 149, 153, 167, 171	70031052..... 259	70031937..... 319	70032027..... 245
70029282.. 149, 153, 167, 171	70031052..... 259	70031938..... 327	70032028..... 245
70029283.. 149, 153, 167, 171	70031053..... 259	70031939..... 327	70032029..... 245
70029284..... 153, 167	70031054..... 259	70031940..... 327	70032030..... 245
70029285.. 149, 153, 167, 171	70031078..... 123, 494	70031941..... 327	70032031..... 245
70029286..... 153, 171	70031079..... 123, 494	70031942..... 327	70032032..... 245
70029287..... 149, 167	70031104..... 347	70031943..... 369	70037787..... 51
70029288..... 149	70031143..... 95, 99	70031944..... 369	70050475..... 369
70029291.. 149, 153, 167, 171	70031144..... 95, 99	70031945..... 369	70050641..... 75
70029292.. 149, 153, 167, 171	70031192 . 149, 153, 167, 171	70031946..... 369	7016331..... 96, 100
70029293..... 157	70031224..... 369	70031947..... 369	7018936..... 375
70029294..... 157	70031225..... 369	70031948..... 369	7020465..... 96, 100
70029295..... 157	70031226..... 369	70031949..... 369	7024072..... 347
70029296..... 157	70031228..... 369	70031950..... 369	7024075..... 347
70029297..... 157	70031228..... 369	70031951..... 369	7024076..... 347
70029298..... 157	70031229..... 369	70031952..... 145	7024077..... 347
70029299..... 157	70031230..... 369	70031953..... 147	7024080..... 347
70029300..... 159, 175	70031231..... 369	70031954..... 147	7024081..... 347
70029301..... 159, 175	70031232..... 369	70031955..... 147	7024908..... 347
70029304..... 171	70031233..... 369	70031956..... 147	7028706... 145, 149, 153, 157, 163, 167, 171
70029309..... 63	70031234..... 369	70031957..... 147	7028733... 149, 153, 167, 171
70029310..... 63	70031248..... 429, 494	70031958..... 149, 153	7028817..... 335
70029313..... 63	70031249..... 429, 494	70031959..... 157	7028835..... 335
70029314..... 51	70031250..... 429, 494	70031960..... 157	7029486..... 255
70029315..... 51	70031251..... 429, 494	70031961..... 157	7029520..... 81
70029441..... 329	70031265..... 375	70031962..... 157	7029521..... 81, 87, 89
70029492..... 79	70031281 . 149, 153, 167, 171	70031965..... 96, 100	7029690..... 73, 75
70029495..... 79	70031475..... 95, 99	70031966..... 96, 100	7029691..... 73
70029496..... 79	70031531..... 347	70031967..... 95, 99	7029700..... 73
70029497..... 79	70031532..... 347	70031969..... 95, 99	7029705..... 73
70029498..... 87, 89	70031532..... 347	70031970..... 96, 100	7029711..... 73, 75
70029696..... 51	70031552..... 165	70031977..... 96, 100	7029713..... 73
70029697..... 51	70031563 . 150, 154, 168, 172	70031981..... 95, 99	7029714..... 75
70029698..... 51	70031895..... 347	70031985..... 95, 99	7124471..... 15
70029699..... 51	70031895..... 347	70031988..... 95, 99	7126182..... 37, 39
70029700..... 51	70031896..... 347	70031992..... 96, 100	7126662..... 39
70029874..... 369	70031897..... 347	70031993..... 95, 99	7139886..... 33
70029975..... 321	70031898..... 347	70031995..... 95, 99	7300032..... 37, 39
70030013..... 369	70031899..... 347	70031996..... 95, 99	7300034..... 37, 39
70030097..... 95, 99	70031900..... 347	70031997..... 95, 99	7300435..... 213
70030099..... 95, 99	70031901..... 347	70031998..... 95, 99	7300518..... 37, 39
	70031902..... 347	70031999..... 371	77133089..... 339
	70031904..... 347	70032000..... 371	77133136..... 303
	70031905..... 347	70032003..... 243	77133137..... 303, 305
	70031906..... 147, 165	70032004..... 243, 245	77323029..... 305
	70031907..... 165	70032005..... 243, 245	8000803..... 205
	70031908 . 149, 153, 167, 171	70032006..... 243, 245	8005079..... 179
	70031909.. 149, 153, 171	70032007..... 243, 245	8005670..... 464
	70031910 . 149, 153, 167, 171	70032008..... 243, 245	8005870..... 229
	70031911 . 149, 153, 167, 171	70032009..... 243, 245	80204012..... 167
	70031922..... 345	70032010..... 243, 245	80204065.. 149, 153, 167, 171
	70031923..... 345	70032011..... 243, 245	80204111..... 157
		70032012..... 243, 245	
		70032013..... 243, 245	
		70032014..... 243, 245	

SECTION 13 - SPECIAL OPTIONS/ACCESSORIES/KITS

80204117 . 149, 153, 157, 167, 171, 177	8270147 391	8584001.... 109, 131, 281, 311, 421, 435, 439	90554070 51
80204147 147	8278020 117	8642207 47	90554074 51
80204172 . 149, 153, 167, 171	8305603 231	8642224 35	90554080 81, 87, 89
80204178 147	8305645 47	86683211 119	91013191 403
80264002 259	8305919 19, 411	8769122 303	91013192 426
80264004 259	8307024 249	8769123 303	91043147 315
80333184 355	8310160 47	8770241 179	91144002 347
80333207 109	8310246 185	88201023 305	91403097 213
80334079 347	8310686 357	88261030 185	91474507 . 149, 153, 167, 171
8035346 369	8342813 494	88521206 185	91474512 .. 147, 153, 171
8035382 369	83663119 305	88521304 299	91474516 177
8036533 369	8405007 137, 309	8866514 249	91474579 . 149, 153, 167, 171
8036733 325	8405102 309, 311	88671001 35	91474585 . 149, 153, 167, 171
80383231 239, 241	8405104 25, 131	90027187 315	91513266 183
80384218 205	8405201 131, 215	90027473 213	91514118 183
80623016 349	8406105 109	90200003 77	91514154 157
80983191 404, 494	8410009 239, 241	90554016 .. 63, 73, 79, 87, 89	91514188 .. 145, 149, 163
8220051 403, 425	8410011 107	90554017 73, 75	91514189 . 149, 153, 167, 171
8220116 403	8410013 131	90554019 79	91563220 . 460, 464, 468, 472
8220124 415	8420053 367	90554020 73, 75	
8229242 ... 404, 409, 416, 494	8430032 355	90554042 51, 73, 75	
8229244 404, 494	8430033 355	90554045 329, 333	
8229246 404, 494	8430034 29, 339	90554065 73	
	8466306 247	90554067 51	
	8520001 349		



**Corporate Office
JLG Industries, Inc.
1 JLG Drive
McConnellsburg, PA 17233-9533 USA
☎ (717) 485-5161 (Corporate)
☎ (877) 554-5438 (Customer Support)
📠 (717) 485-6417**

**Visit our website for JLG Worldwide Locations.
www.jlg.com**



OSHKOSH™