

# ***SKYTRAK***<sup>®</sup>

---

## ***Illustrated Parts Manual***

***Model***  
***10042***

**PVC**  
**2105**

**P/N**  
**31211624**

**November 1, 2023 - Rev B**

---

***JLG***<sup>®</sup>  
An Oshkosh Corporation Company





## EFFECTIVITY PAGE

May 1, 2021 - A - Original Issue of Manual (Edited to B/M 1001169971 AU)

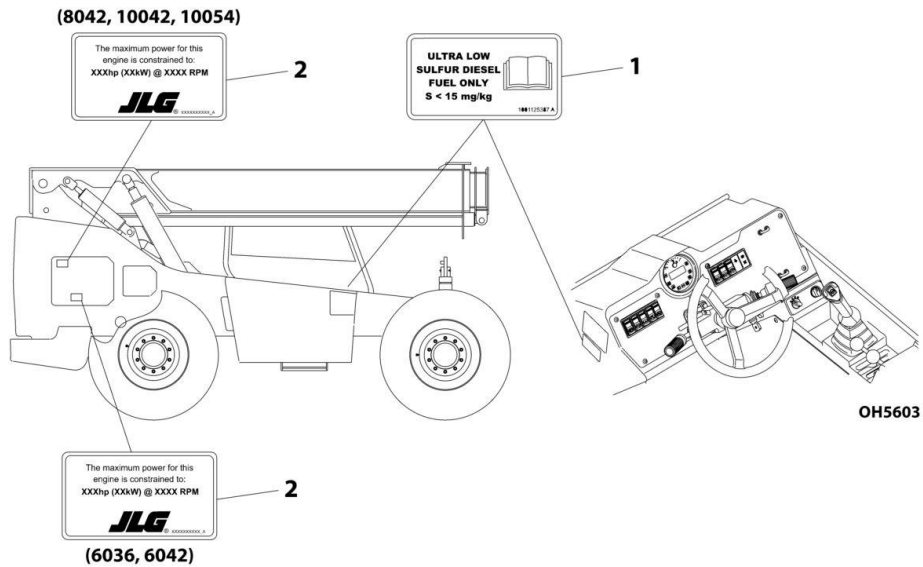
November 1, 2023 - B - Revised Manual (Edited to B/M 1001169971 AU)

## Machine Configuration

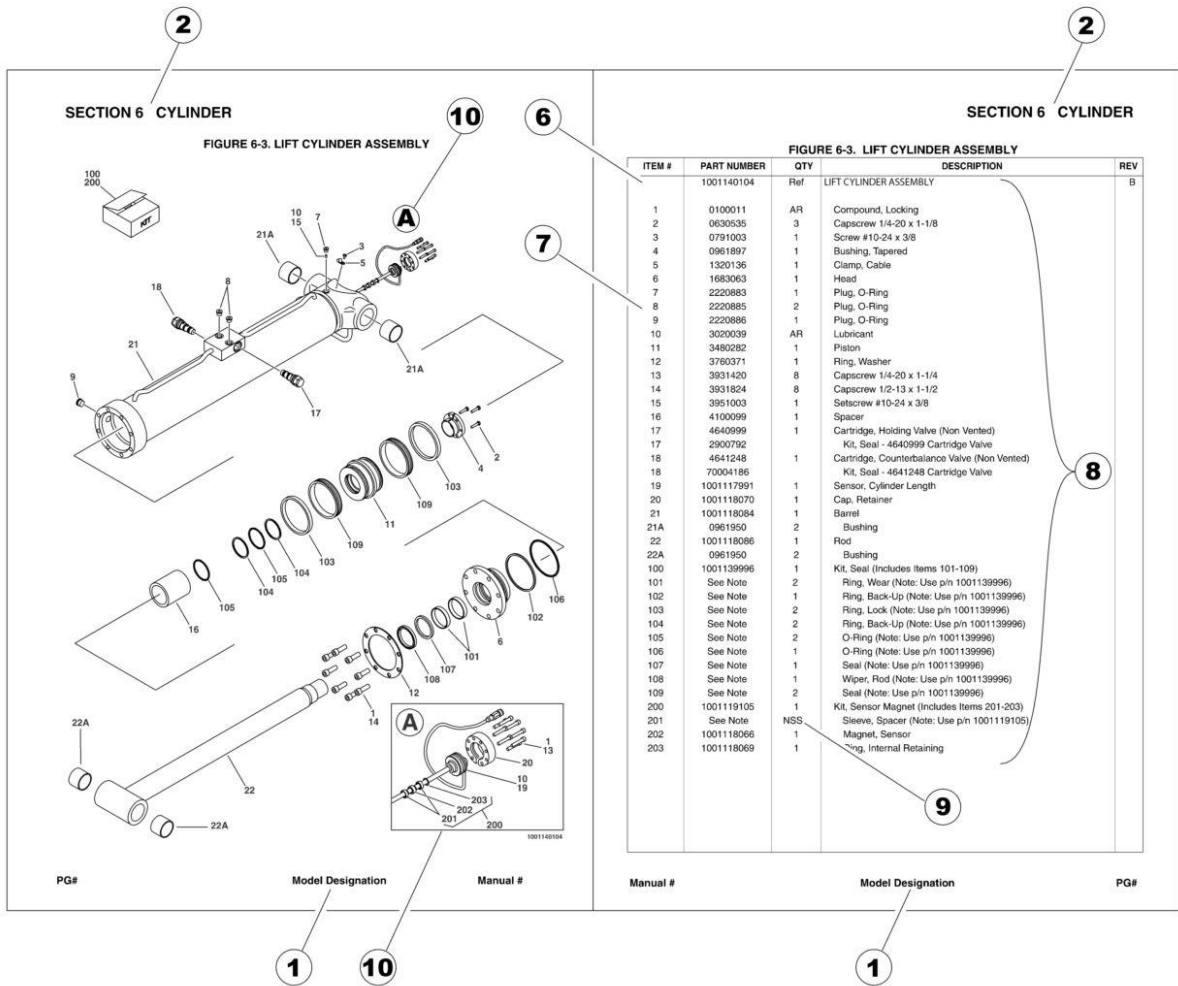
Two configurations of each machine are included in this manual. Determine if machine is equipped with Ultra Sulfur Fuel Decal (1) as indicated below.

- If equipped with the Ultra Low Sulfur decal, all specific references to this machine configuration will be referred to as Ultra Low Sulfur (ULS) from this point forward.
- If not equipped with the Ultra Low Sulfur decal, all specific references to this machine configuration will be referred to as Low Sulfur (LS) from this point forward.

Engine horsepower can be found on the decals (2) located inside the engine compartment doors.



# GENERAL INFORMATION



## 1) MACHINE IDENTIFICATION

Machines are identified by model and in some cases a combination of models, serial number (SN) or regional standard (i.e ANSI, CE, CSA). Components may also be identified by SN or manufacturer. Common components that may be identified by these characteristics are engines and hydraulic components.

## 2) PARTS MANUAL ORGANIZATION

Product information in this manual is organized under section titles. Frame, Cylinder, Hydraulic and Electrical are a few examples. Each section is organized by figure and page number. The information within the Figure is then organized by item number, part number, description and corresponding illustration (s).

## 3) TABLE OF CONTENTS (NOT SHOWN)

A table of contents is found toward the beginning of the manual. Figure number, description and page number are provided for quick reference to the page containing the related information.

## 4) RECOMMENDED SPARE PARTS (NOT SHOWN)

The Recommended Spare Parts List, located near the end of the manual, reference most frequently used maintenance parts.

## 5) PART NUMBER INDEX (NOT SHOWN)

A numerical index listing all part numbers and the corresponding page number(s) appears at the back of the manual.

# GENERAL INFORMATION

## 6) NON-SERVICED PARTS

In some instances, it is necessary to display non-serviced parts, assemblies or installations. In the case of assemblies and installations there will be a Ref in the Qty. column. In case of parts that are not available for service within assemblies or components, there will be a NSS (Not Sold Separately) or NLA (No Longer Available) listed in the Qty. column of the manual.

## 7) PARTS LIST ITEM NUMBERS

Numbers shown in the item# column correspond to numbers used in the associated illustration (s). Item numbers which are missing from the sequence in the parts list are not used on that page.

## 8) INDENTED PARTS DESCRIPTION

An indented part description is included in the item under which it is indented.

## 9) ABBREVIATION AND SYMBOLS

AC.....	Alternating Current	L.....	Liter
ADE.....	Advanced Design Electronics	LB(LBS).....	Pounds
AG.....	Agricultural	LCD.....	Liquid Crystal Display
ANSI.....	American National Standards Institute	LED.....	Light Emitting Diodes
AR.....	As Required	LH.....	Left Hand
ASSY.....	Assembly	LRC.....	Low Rated Countries
AUS.....	Australia	LSS.....	Load Sensing System
AUX.....	Auxiliary	M(m).....	Metric/Meter
AWG.....	American Wire Gauge	MM(mm).....	Milimeter
B/M.....	Bill of Material	mA.....	Miliamps
CAC.....	Charge Air Cooler	NLA.....	No Longer Available
CE.....	European Conformity	NPT.....	National Pipe Threads
CCW.....	Counter Clockwise	NSS.....	Not Sold Separately
CM.....	Centimeter	OD.....	Outside Diameter
CW.....	Clockwise	ORB.....	O-Ring Boss
CSA.....	Canadian Standards Association	ORFS.....	O-Ring Face Seal
CYL.....	Cylinder	OZ (oz).....	Ounces
DIA.....	Diameter	PG.....	Page
DC.....	Direct Current	PN.....	Part Number
DEF.....	Diesel Exhaust Fluid	QT(qt.).....	Quarts
EMS.....	Emergency Stop	QTY.....	Quantity
ENG.....	Engine	REF.....	Reference
FT(ft).....	Feet	REV.....	Revision Level
GA(Ga).....	Gauge	RH.....	Right Hand
HRC.....	High Rated Countries	SAE.....	Society of Automotive Engineers
HVAC.....	Heating, Ventilating, and Air Conditioning	SN.....	Serial Number
HYD.....	Hydraulic	SPEC(S).....	Specifications
Hz.....	Hertz	T/T.....	Turntable
ID.....	Inside Diameter	UGM.....	Universal Ground Module
IN.....	inches	V.....	Volts
ISO.....	International Organization for Standards	W.....	Watts
JIC.....	Joint Industry Council	#.....	Number
KG.....	Kilogram		

## 10) ILLUSTRATION REFERENCE LETTERS

When necessary, illustrations may contain reference letters that are intended to track information (i. e. hoses, harnesses) from one point to another or to track visual enlargement of components to show details that may be located in another area on the illustration.

*Note: Due to continuous product improvements, JLG Industries, Inc. reserves the right to make specification changes without prior notification. Contact JLG Industries, Inc. for updated information.*

# TABLE OF CONTENTS

SECTION 1 - FRAME AND ATTACHING PARTS.....	15
FIGURE 1-1. FRAME COMPONENTS INSTALLATION (74HP ULS) .....	16
FIGURE 1-2. FRAME COMPONENTS INSTALLATION (110HP LS).....	20
FIGURE 1-3. FRAME COMPONENTS INSTALLATION (110HP ULS) .....	24
FIGURE 1-4. DEF TANK ASSEMBLY (110HP ULS).....	28
FIGURE 1-5. DUST SHIELD INSTALLATION.....	30
FIGURE 1-6. FRAME COVERS INSTALLATION (74HP ULS).....	32
FIGURE 1-7. FRAME COVERS INSTALLATION (74HP WITH AIR SHUT OFF VALVE) .....	34
FIGURE 1-8. FRAME COVERS INSTALLATION (110HP LS) .....	36
FIGURE 1-9. FRAME COVERS INSTALLATION (110HP ULS).....	38
FIGURE 1-10. FRAME COVERS INSTALLATION (110HP ULS WITH AIR SHUT OFF VALVE) .....	40
FIGURE 1-11. OUTRIGGER INSTALLATION.....	42
FIGURE 1-12. OUTRIGGER MOUNTING INSTALLATION .....	44
FIGURE 1-13. OUTRIGGER SUB-ASSEMBLY .....	46
FIGURE 1-14. TANKS ASSEMBLY - HYDRAULIC/FUEL/DEF (74HP ULS) .....	48
FIGURE 1-15. TANKS INSTALLATION - HYDRAULIC/FUEL/DEF (110HP ULS) .....	50
FIGURE 1-16. TANKS ASSEMBLY - HYDRAULIC/FUEL (110HP ULS & LS).....	52
SECTION 2 - BOOM .....	55
FIGURE 2-1. BOOM INSTALLATION.....	56
FIGURE 2-2. BOOM AUXILIARY HYDRAULICS INSTALLATION (10042,6042,8042).....	60
FIGURE 2-3. EXTEND CHAIN ASSEMBLY (10042,6042,8042) .....	62
FIGURE 2-4. HOSE PULLEY ASSEMBLY .....	64
FIGURE 2-5. LOCK PIN ASSEMBLY .....	66
FIGURE 2-6. QUICK COUPLING ASSEMBLY.....	68
FIGURE 2-7. RETRACT CHAIN AND CLEVIS ASSEMBLY .....	70
SECTION 3 - ATTACHMENTS .....	73
FIGURE 3-1. BASKET, PERSONNEL - 4FT X 8FT DOMESTIC).....	74
FIGURE 3-2. BASKET, PERSONNEL - 4FT X 8FT (ISO) .....	76
FIGURE 3-3. BASKET, PERSONNEL - 4FT X 8FT (FRENCH) .....	78
FIGURE 3-4. BASKET, FORK MOUNTED .....	80
FIGURE 3-5. BOOM - ADJUSTABLE (CARRIAGE MOUNTED).....	82
FIGURE 3-6. BOOM - ADJUSTABLE (FORK MOUNTED) .....	84
FIGURE 3-7. BOOM - 3FT WITH WINCH .....	86
FIGURE 3-8. BOOM - 12FT WITH WINCH .....	88
FIGURE 3-9. BOOM - 2FT WITHOUT WINCH.....	90
FIGURE 3-10. BOOM - 15FT WITHOUT WINCH.....	92
FIGURE 3-11. BUCKET - 60IN (1.3 CU YD) (FORK MOUNTED) .....	94
FIGURE 3-12. BUCKET - 72IN (1.0 CU YD) .....	96
FIGURE 3-13. BUCKET - 96IN (1.5 CU YD) .....	98
FIGURE 3-14. BUCKET - 96IN GRAPPLE .....	100
FIGURE 3-15. BUCKET - 102IN (2.0 CU YD) .....	102
FIGURE 3-16. CARRIAGE ASSEMBLY - 48IN/12000# CAPACITY SIDE SHIFT .....	104
FIGURE 3-17. CARRIAGE ASSEMBLY - 50IN/10000# CAPACITY DUAL FORK POSITIONING.....	106

# TABLE OF CONTENTS

FIGURE 3-18. CARRIAGE ASSEMBLY - 50IN/12000# CAPACITY STANDARD .....	108
FIGURE 3-19. CARRIAGE ASSEMBLY - 50IN/12000# CAPACITY SIDE TILT .....	110
FIGURE 3-20. CARRIAGE ASSEMBLY - 60IN/12000# CAPACITY STANDARD .....	112
FIGURE 3-21. CARRIAGE ASSEMBLY - 60IN/12000# CAPACITY SIDE TILT .....	114
FIGURE 3-22. CARRIAGE ASSEMBLY - 72IN/10000# CAPACITY 90 DEGREE SWING .....	116
FIGURE 3-23. CARRIAGE ASSEMBLY - 72IN/12000# CAPACITY SIDE TILT .....	118
FIGURE 3-24. CARRIAGE ASSEMBLY - 72IN/15000# CAPACITY STANDARD .....	120
FIGURE 3-25. FORK 1.75X7X60 / 5400# CAPACITY .....	122
FIGURE 3-26. FORK 2X2X48 / 1940# CAPACITY .....	124
FIGURE 3-27. FORK 2.00X6X72 / 6610# CAPACITY .....	126
FIGURE 3-28. FORK 2.36X4X48 / 5475# CAPACITY .....	128
FIGURE 3-29. FORK 2.36X4X48 / 6850# CAPACITY .....	130
FIGURE 3-30. FORK 2.36X4X60 / 5000# CAPACITY .....	132
FIGURE 3-31. FORK 2.36X5X48 / 5000# CAPACITY .....	134
FIGURE 3-32. FORK 2.36X5X60 / 6850# CAPACITY .....	136
FIGURE 3-33. FORK 2.36X5X72 / 6850# CAPACITY .....	138
FIGURE 3-34. FORK 2.36X6X60 / 8150# CAPACITY .....	140
FIGURE 3-35. FORK EXTENSION - 90IN .....	142
FIGURE 3-36. FORK PIN LOCK INSTALLATION .....	144
FIGURE 3-37. HOOK, COUPLING .....	146
FIGURE 3-38. HOOK, CRANE .....	148
FIGURE 3-39. MAST, VERTICAL - 8FT .....	150
FIGURE 3-40. PIPE HANDLER .....	154
FIGURE 3-41. SHEET MATERIAL HANDLER .....	158
FIGURE 3-42. SHEET MATERIAL HANDLER FORK SUPPORT (LH) .....	160
FIGURE 3-43. SHEET MATERIAL HANDLER FORK SUPPORT (RH) .....	162
FIGURE 3-44. SWEEPER ASSEMBLY .....	164
FIGURE 3-45. SWEEPER ASSEMBLY - BODY .....	166
FIGURE 3-46. SWEEPER ASSEMBLY - CORE .....	168
FIGURE 3-47. SWEEPER ASSEMBLY - HOPPER .....	170
FIGURE 3-48. SWEEPER ASSEMBLY - IDLER .....	172
FIGURE 3-49. SWEEPER ASSEMBLY - HYDRAULIC SINGLE MOTOR ASSEMBLY .....	174
FIGURE 3-50. SWEEPER ASSEMBLY - MOTOR .....	176
FIGURE 3-51. TRASHER HOPPER .....	178
SECTION 4 - ENGINE AND ATTACHING PARTS .....	181
FIGURE 4-1. ENGINE INSTALLATION - 74HP (ULS) .....	182
FIGURE 4-2. ENGINE COMPONENTS - 74HP (ULS) .....	184
FIGURE 4-3. ENGINE INSTALLATION - 110HP (LS) .....	186
FIGURE 4-4. ENGINE COMPONENTS - 110HP (LS) .....	188
FIGURE 4-5. ENGINE INSTALLATION - 110HP (ULS) .....	190
FIGURE 4-6. ENGINE COMPONENTS - 110HP (ULS) .....	192
FIGURE 4-7. A/C COMPONENTS INSTALLATION - 74HP .....	194
FIGURE 4-8. A/C COMPONENTS INSTALLATION - 110HP .....	196
FIGURE 4-9. AIR CLEANER ASSEMBLY - 74HP & 110HP (ULS) .....	198
FIGURE 4-10. AIR CLEANER ASSEMBLY - 110HP (LS) .....	200

# TABLE OF CONTENTS

FIGURE 4-11. AIR CLEANER INSTALLATION - 74HP & 110HP (ULS).....	202
FIGURE 4-12. AIR CLEANER INSTALLATION - 110HP (LS).....	204
FIGURE 4-13. AIR INTAKE SHUT OFF VALVE INSTALLATION .....	206
FIGURE 4-14. BREATHER HEATER INSTALLATION - 74HP .....	208
FIGURE 4-15. COOLING INSTALLATION - 74HP (ULS).....	210
FIGURE 4-16. COOLING INSTALLATION - 110HP (ULS & LS).....	212
FIGURE 4-17. COOLING LINES INSTALLATION - 74HP & 110HP (ULS) .....	214
FIGURE 4-18. COOLING LINES INSTALLATION - 110HP (LS).....	216
FIGURE 4-19. DE-AERATION TANK ASSEMBLY - 74HP & 110HP (ULS).....	218
FIGURE 4-20. DEF SYSTEM INSTALLATION (ULS) .....	220
FIGURE 4-21. DEF COOLANT LINES INSTALLATION.....	222
FIGURE 4-22. DEF LINES INSTALLATION .....	224
FIGURE 4-23. DEF PUMP ASSEMBLY .....	226
FIGURE 4-24. EXHAUST INSTALLATION - 74HP (ULS) .....	228
FIGURE 4-25. EXHAUST INSTALLATION - 110HP (LS).....	230
FIGURE 4-26. EXHAUST INSTALLATION - 110HP (ULS) .....	232
FIGURE 4-27. FAN INSTALLATION - 74HP (ULS).....	234
FIGURE 4-28. FAN INSTALLATION - 110HP (ULS & LS) .....	236
FIGURE 4-29. FUEL LINES INSTALLATION - 74HP & 110HP (ULS) .....	238
FIGURE 4-30. FUEL LINES INSTALLATION - 110HP (LS) .....	240
FIGURE 4-31. ISOLATION COUPLER INSTALLATION - 74HP & 110HP (ULS & LS).....	242
FIGURE 4-32. RADIATOR ASSEMBLY - 74HP (ULS).....	244
FIGURE 4-33. RADIATOR ASSEMBLY - 110HP (ULS & LS).....	246
SECTION 5 - DRIVE TRAIN .....	249
FIGURE 5-1. TRANSMISSION INSTALLATION .....	250
FIGURE 5-2. TRANSMISSION ASSEMBLY .....	252
FIGURE 5-3. TRANSMISSION, ENGINE CONNECTION AND CONVERTER .....	254
FIGURE 5-4. TRANSMISSION, INPUT SHAFTS .....	256
FIGURE 5-5. TRANSMISSION, GEARBOX HOUSING .....	258
FIGURE 5-6. TRANSMISSION, COUPLING GROUP 1 .....	260
FIGURE 5-7. TRANSMISSION, COUPLING GROUP 2 .....	262
FIGURE 5-8. TRANSMISSION, COUPLING GROUP 3 .....	264
FIGURE 5-9. TRANSMISSION, COUPLING GROUP 4 .....	266
FIGURE 5-10. TRANSMISSION, REVERSING GEAR GROUP 1 .....	268
FIGURE 5-11. TRANSMISSION, REVERSING GEAR GROUP 2 .....	270
FIGURE 5-12. TRANSMISSION, OUTPUT .....	272
FIGURE 5-13. TRANSMISSION, CONTROL UNIT .....	274
FIGURE 5-14. TRANSMISSION, VALVE HOUSING ASSEMBLY .....	276
FIGURE 5-15. TRANSMISSION, VALVE BLOCK ASSEMBLY .....	280
FIGURE 5-16. TRANSMISSION, OIL PUMP AND FILTER.....	282
FIGURE 5-17. DRIVE SHAFT INSTALLATION.....	284
FIGURE 5-18. DRIVE SHAFT ASSEMBLY (INPUT).....	286
FIGURE 5-19. DRIVE SHAFT ASSEMBLY (FRONT) .....	288
FIGURE 5-20. DRIVE SHAFT ASSEMBLY (REAR).....	290
FIGURE 5-21. AXLE INSTALLATION (110HP) (10042,10054,8042).....	292

# TABLE OF CONTENTS

FIGURE 5-22. AXLE INSTALLATION (74HP).....	294
FIGURE 5-23. FRONT AXLE INSTALLATION (74HP) .....	296
FIGURE 5-24. FRONT AXLE - CENTRAL HOUSING (74HP) .....	298
FIGURE 5-25. FRONT AXLE - DIFFERENTIAL (74HP) .....	300
FIGURE 5-26. FRONT AXLE - HUB REDUCTION (74HP).....	302
FIGURE 5-27. FRONT AXLE - BRAKES (74HP) .....	306
FIGURE 5-28. FRONT AXLE - STEERING (74HP) .....	308
FIGURE 5-29. REAR AXLE INSTALLATION (74HP).....	310
FIGURE 5-30. REAR AXLE - CENTRAL HOUSING (74HP).....	312
FIGURE 5-31. REAR AXLE - DIFFERENTIAL (74HP).....	314
FIGURE 5-32. REAR AXLE - HUB REDUCTION (74HP) .....	316
FIGURE 5-33. REAR AXLE - BRAKES (74HP) .....	320
FIGURE 5-34. REAR AXLE - STEERING (74HP).....	322
FIGURE 5-35. FRONT AXLE INSTALLATION (110HP) .....	324
FIGURE 5-36. FRONT AXLE - CENTRAL HOUSING (110HP) .....	326
FIGURE 5-37. FRONT AXLE - DIFFERENTIAL (110HP) .....	328
FIGURE 5-38. FRONT AXLE - HUB REDUCTION (110HP).....	330
FIGURE 5-39. FRONT AXLE - BRAKES (110HP) .....	334
FIGURE 5-40. FRONT AXLE - STEERING (110HP) .....	336
FIGURE 5-41. REAR AXLE INSTALLATION (110HP).....	338
FIGURE 5-42. REAR AXLE - CENTRAL HOUSING (110HP).....	340
FIGURE 5-43. FRONT AXLE - DIFFERENTIAL (110HP) .....	342
FIGURE 5-44. REAR AXLE - HUB REDUCTION (110HP) .....	344
FIGURE 5-45. REAR AXLE - BRAKES (110HP) .....	348
FIGURE 5-46. REAR AXLE - STEERING (110HP).....	350
FIGURE 5-47. FENDER INSTALLATION .....	352
FIGURE 5-48. TIRE SET - 17.2-25 PNEUMATIC .....	354
FIGURE 5-49. TIRE SET - 17.2-25 FOAM-FILLED.....	356
FIGURE 5-50. TIRE SET - 18 X 625 (TURF AND SAND PNEUMATIC).....	358
FIGURE 5-51. TIRE SET - 360/85-28 SOLID .....	360
FIGURE 5-52. TIRE SET - 400/75-28 PNEUMATIC .....	362
FIGURE 5-53. TIRE SET - 400/75-28 PNEUMATIC NON-MARKING .....	364
FIGURE 5-54. TIRE SET - 400/75-28 FOAM-FILLED.....	366
FIGURE 5-55. TIRE SET - 400/75-28 FOAM-FILLED NON-MARKING.....	368
SECTION 6 - CAB .....	371
FIGURE 6-1. CAB INSTALLATION - OPEN .....	372
FIGURE 6-2. CAB ASSEMBLY - OPEN.....	376
FIGURE 6-3. CAB INSTALLATION - ENCLOSED WITH HEATER .....	378
FIGURE 6-4. CAB ASSEMBLY - ENCLOSED WITH HEATER .....	382
FIGURE 6-5. CAB ENCLOSURE WITH HEATER .....	384
FIGURE 6-6. CAB INSTALLATION - ENCLOSED WITH HEATER & AC.....	386
FIGURE 6-7. CAB ASSEMBLY - ENCLOSED WITH HEATER & AC .....	390
FIGURE 6-8. CAB ENCLOSURE WITH HEATER & AC .....	392
FIGURE 6-9. CAB DOOR ASSEMBLY .....	394
FIGURE 6-10. CAB MOUNTING HARDWARE INSTALLATION .....	396



# TABLE OF CONTENTS

FIGURE 6-11. CAB HEATER LINES INSTALLATION - HEATER ONLY .....	398
FIGURE 6-12. CAB HEATER LINES INSTALLATION - HEATER & AC .....	400
FIGURE 6-13. CAB SEAT ASSEMBLY .....	402
FIGURE 6-14. HEATER ASSEMBLY - FLOOR.....	404
FIGURE 6-15. HEATER BOX ASSEMBLY - HEATER & AC.....	406
FIGURE 6-16. HEATER BOX ASSEMBLY - HEATER ONLY .....	410
FIGURE 6-17. HEATER VALVE ASSEMBLY .....	412
FIGURE 6-18. REAR WINDOW INSTALLATION (ANSI ENGLISH).....	414
FIGURE 6-19. REAR WINDOW INSTALLATION (ENGLISH/SPANISH) .....	416
FIGURE 6-20. REAR WINDOW INSTALLATION (ENGLISH/SPANISH) .....	418
FIGURE 6-21. REAR WINDOW INSTALLATION (ISO) .....	420
FIGURE 6-22. SEAT BELT INSTALLATION (3 INCH) .....	422
FIGURE 6-23. SLIDER WINDOW ASSEMBLY (RH).....	424
FIGURE 6-24. SKYTRAK FIRE EXTINGUISHER INSTALLATION .....	426
FIGURE 6-25. WIPER INSTALLATION (FRONT) .....	428
FIGURE 6-26. WIPER INSTALLATION (SKYLIGHT).....	430
SECTION 7 - CONTROLS .....	433
FIGURE 7-1. AUXILIARY CONTROL ASSEMBLY.....	434
FIGURE 7-2. BRAKE ASSEMBLY.....	436
FIGURE 7-3. FRAME LEVEL CONTROL ASSEMBLY.....	438
FIGURE 7-4. SECONDARY CONTROLS INSTALLATION .....	440
SECTION 8 - HYDRAULIC CIRCUITS.....	443
FIGURE 8-1. AUXILIARY CONTROLS HYDRAULICS INSTALLATION .....	444
FIGURE 8-2. AXLE HYDRAULICS INSTALLATION .....	446
FIGURE 8-3. AXLE HYDRAULICS INSTALLATION - FRONT .....	448
FIGURE 8-4. AXLE HYDRAULICS INSTALLATION - REAR .....	450
FIGURE 8-5. AXLE PIN LUBE HYDRAULICS INSTALLATION .....	452
FIGURE 8-6. BULKHEAD (REAR) INSTALLATION.....	454
FIGURE 8-7. CAB HYDRAULICS INSTALLATION .....	456
FIGURE 8-8. CAB TO BRAKE HYDRAULICS INSTALLATION .....	458
FIGURE 8-9. CAB PILOT CONTROLS HYDRAULICS INSTALLATION .....	460
FIGURE 8-10. CAB PILOT JOYSTICK & FITTING ASSEMBLY .....	462
FIGURE 8-11. CAB TO STEERING HYDRAULICS INSTALLATION .....	464
FIGURE 8-12. CAB STEERING VALVE & FITTING ASSEMBLY .....	466
FIGURE 8-13. COOLER HYDRAULICS INSTALLATION .....	468
FIGURE 8-14. COOLER (TRANSMISSION) HYDRAULICS INSTALLATION .....	470
FIGURE 8-15. CYLINDER HYDRAULICS INSTALLATION - BOOM EXTEND.....	472
FIGURE 8-16. CYLINDER HYDRAULICS INSTALLATION - FRAME.....	474
FIGURE 8-17. FORK TILT HYDRAULICS INSTALLATION .....	476
FIGURE 8-18. FRAME HYDRAULICS INSTALLATION .....	478
FIGURE 8-19. MAIN CONTROL VALVE INSTALLATION.....	480
FIGURE 8-20. OUTRIGGER VALVE & FITTING ASSEMBLY .....	482
FIGURE 8-21. PUMP HYDRAULICS INSTALLATION .....	484
FIGURE 8-22. SECONDARY VALVE AND FITTING ASSEMBLY .....	486

# TABLE OF CONTENTS

SECTION 9 - HYDRAULIC COMPONENTS .....	489
FIGURE 9-1. CYLINDER ASSEMBLY - CARRIAGE SIDE SHIFT.....	490
FIGURE 9-2. CYLINDER ASSEMBLY - CARRIAGE SIDE TILT.....	492
FIGURE 9-3. CYLINDER ASSEMBLY - CARRIAGE SWING .....	494
FIGURE 9-4. CYLINDER ASSEMBLY - COMPENSATION.....	496
FIGURE 9-5. CYLINDER ASSEMBLY - EXTEND/RETRACT.....	498
FIGURE 9-6. CYLINDER ASSEMBLY - FORK POSITIONING.....	500
FIGURE 9-7. CYLINDER ASSEMBLY - FORK TILT.....	502
FIGURE 9-8. CYLINDER ASSEMBLY - FRAME LEVEL .....	504
FIGURE 9-9. CYLINDER ASSEMBLY - GRAPPLE BUCKET.....	506
FIGURE 9-10. CYLINDER ASSEMBLY - LIFT.....	508
FIGURE 9-11. CYLINDER ASSEMBLY - OUTRIGGER .....	510
FIGURE 9-12. CYLINDER ASSEMBLY - PIPE HANDLER.....	512
FIGURE 9-13. CYLINDER ASSEMBLY - STABLI-TRAK.....	514
FIGURE 9-14. JOYSTICK ASSEMBLY.....	516
FIGURE 9-15. VALVE ASSEMBLY - AIR SHUT OFF.....	518
FIGURE 9-16. VALVE ASSEMBLY - BRAKE .....	520
FIGURE 9-17. VALVE ASSEMBLY - CARRIAGE FORK POSITIONING.....	522
FIGURE 9-18. VALVE ASSEMBLY - CARRIAGE PIPE GRAPPLE .....	524
FIGURE 9-19. VALVE ASSEMBLY - FLOW DIVIDER.....	526
FIGURE 9-20. VALVE ASSEMBLY - MAIN CONTROL .....	528
FIGURE 9-21. VALVE ASSEMBLY - OUTRIGGER.....	530
FIGURE 9-22. VALVE ASSEMBLY - SECONDARY.....	532
FIGURE 9-23. VALVE SUB-ASSEMBLY - BRAKE.....	534
SECTION 10 - ELECTRICAL.....	537
FIGURE 10-1. ELECTRICAL INSTALLATION (74HP) (ULS) .....	538
FIGURE 10-2. ELECTRICAL INSTALLATION (110HP) (LS).....	542
FIGURE 10-3. ELECTRICAL INSTALLATION (110HP) (ULS) .....	546
FIGURE 10-4. AIR SHUT-OFF VALVE HARNESS - CAB.....	550
FIGURE 10-5. AIR SHUT-OFF VALVE HARNESS - ENGINE.....	552
FIGURE 10-6. BACKUP ALARM INSTALLATION .....	554
FIGURE 10-7. BACKUP ALARM INSTALLATION (WHITE NOISE) .....	556
FIGURE 10-8. BACKUP CAMERA HARNESS .....	558
FIGURE 10-9. BATTERY BLANKET INSTALLATION .....	560
FIGURE 10-10. BATTERY INSTALLATION.....	562
FIGURE 10-11. BREATHER HEATER INSTALLATION .....	564
FIGURE 10-12. CAB DISTRIBUTION HARNESS.....	566
FIGURE 10-13. CLEARSKY HARNESS - 3-WIRE .....	572
FIGURE 10-14. CLEARSKY INSTALLATION - CANBUS.....	574
FIGURE 10-15. CLEARSKY INSTALLATION - 3-WIRE (NORTH AMERICA).....	576
FIGURE 10-16. CLEARSKY INSTALLATION - 3-WIRE (CE).....	578
FIGURE 10-17. CLEARSKY HARNESS - CANBUS .....	580
FIGURE 10-18. CLEARSKY INSTALLATION - CANBUS (CE).....	582
FIGURE 10-19. COLD WEATHER PACKAGE (LS).....	584

# TABLE OF CONTENTS

FIGURE 10-20. COLD WEATHER PACKAGE (ULS).....	586
FIGURE 10-21. ENGINE HARNESS (74HP).....	588
FIGURE 10-22. ENGINE HARNESS (110HP LS) .....	594
FIGURE 10-23. ENGINE HARNESS (110HP ULS).....	598
FIGURE 10-24. HVAC HARNESS.....	606
FIGURE 10-25. LIGHTS - BEACON LIGHT HARNESS .....	608
FIGURE 10-26. LIGHTS - BEACON LIGHT INSTALLATION (ENCLOSED CAB).....	610
FIGURE 10-27. LIGHTS - BEACON LIGHT INSTALLATION (OPEN CAB) .....	612
FIGURE 10-28. LIGHTS - BOOM WORK LIGHT HARNESS .....	614
FIGURE 10-29. LIGHTS - LED WORK LIGHT PACKAGE INSTALLATION.....	616
FIGURE 10-30. LIGHTS - ROAD LIGHT ASSEMBLY (LH).....	618
FIGURE 10-31. LIGHTS - ROAD LIGHT ASSEMBLY (RH) .....	620
FIGURE 10-32. LIGHTS - ROAD LIGHT BRACKET ASSEMBLY (LH) .....	622
FIGURE 10-33. LIGHTS - ROAD LIGHT BRACKET ASSEMBLY (RH) .....	624
FIGURE 10-34. LIGHTS - ROADLIGHT PACKAGE INSTALLATION .....	626
FIGURE 10-35. LIGHTS - ROAD LIGHT WORK LIGHT HARNESS .....	628
FIGURE 10-36. LIGHTS - WORK LIGHT ASSEMBLY - LED (LH).....	630
FIGURE 10-37. LIGHTS - WORK LIGHT ASSEMBLY - LED (RH) .....	632
FIGURE 10-38. LIGHTS - WORK LIGHT OPTIONS HARNESS.....	634
FIGURE 10-39. OUTRIGGER HARNESS (10042).....	636
FIGURE 10-40. RELAY PANEL COVER INSTALLATION .....	638
FIGURE 10-41. RELAY PANEL INSTALLATION .....	640
FIGURE 10-42. REVERSE CAMERA.....	642
FIGURE 10-43. REVERSE SENSING HARNESS.....	644
FIGURE 10-44. REVERSE SENSING SYSTEM INSTALLATION.....	646
FIGURE 10-45. ROAD LIGHT OPTION HARNESS .....	648
FIGURE 10-46. TANK BLANKET INSTALLATION.....	650
FIGURE 10-47. TBAP HARNESS .....	652
FIGURE 10-48. WIPER HARNESS .....	654
SECTION 11 - DECALS.....	657
FIGURE 11-1. DECALS INSTALLATION - 74HP (ANSI SPECS) .....	658
FIGURE 11-2. DECALS INSTALLATION - 74HP (ENGLISH/FRENCH SPECS) .....	662
FIGURE 11-3. DECALS INSTALLATION - 74HP (ENGLISH/SPANISH SPECS) .....	666
FIGURE 11-4. DECALS INSTALLATION - 110HP LS (ISO DECALS).....	670
FIGURE 11-5. DECALS INSTALLATION - 110HP ULS (ANSI SPECS) .....	674
FIGURE 11-6. DECALS INSTALLATION - 110HP ULS (ENGLISH/FRENCH SPECS) .....	678
FIGURE 11-7. DECALS INSTALLATION - 110HP ULS (ENGLISH/SPANISH SPECS) .....	682
FIGURE 11-8. BOOM DECALS INSTALLATION .....	686
FIGURE 11-9. CLEARSKY DECALS INSTALLATION .....	688
FIGURE 11-10. LOAD CHART BOOKLET - (ANSI) .....	690
FIGURE 11-11. LOAD CHART BOOKLET - (ISO) .....	692
FIGURE 11-12. REVERSE SENSING SYSTEM DECAL INSTALLATION (ENGLISH).....	694
FIGURE 11-13. REVERSE SENSING SYSTEM DECAL INSTALLATION (ENGLISH/FRENCH).....	696
FIGURE 11-14. REVERSE SENSING SYSTEM DECAL INSTALLATION (ENGLISH/SPANISH).....	698
FIGURE 11-15. REVERSE SENSING SYSTEM DECAL INSTALLATION (ISO) .....	700

# TABLE OF CONTENTS

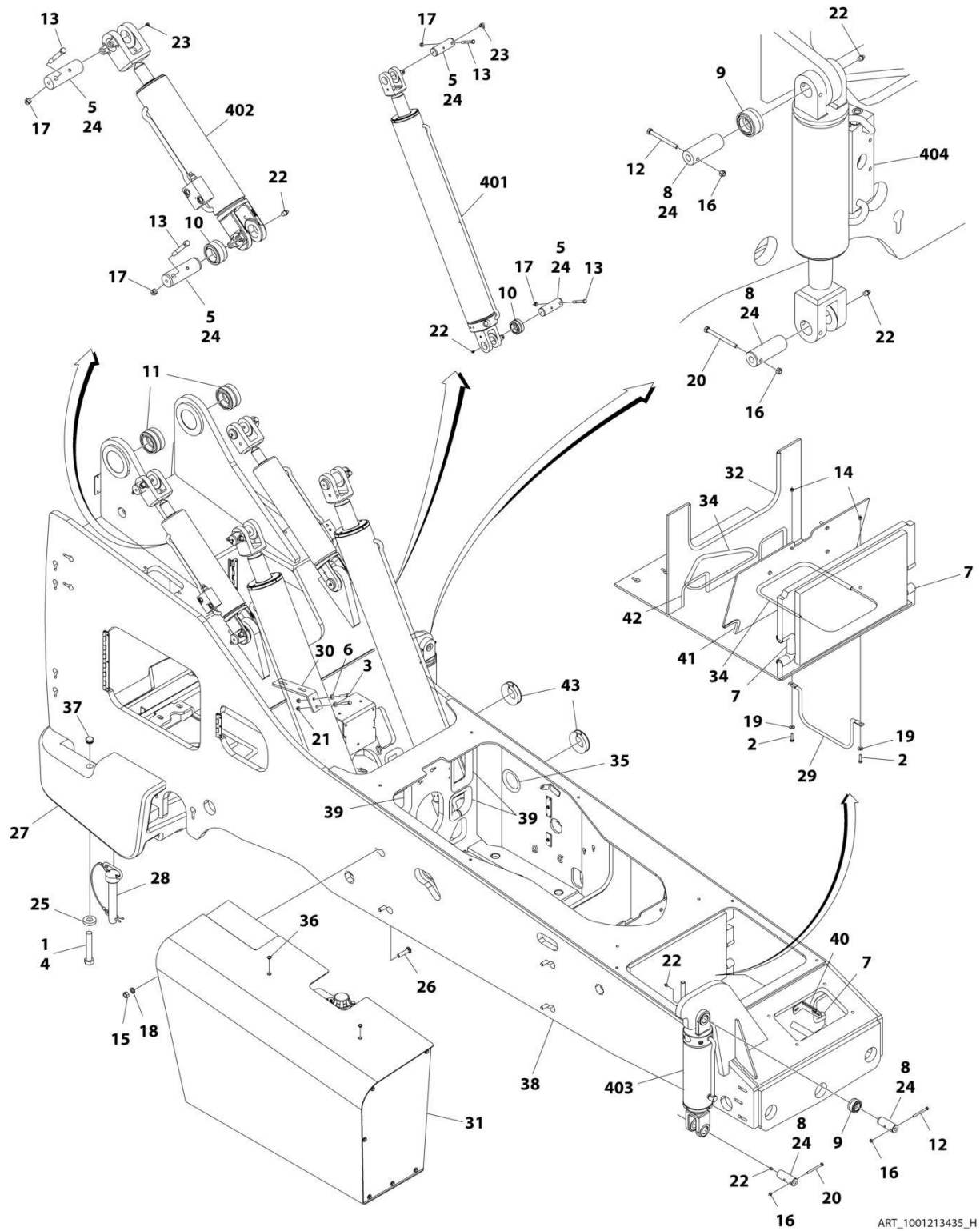
SECTION 12 - RECOMMENDED SERVICE PARTS STOCK.....	703
FIGURE 12-1. RECOMMENDED SERVICE PARTS STOCK.....	704
SECTION 13 - SPECIAL OPTIONS/ACCESSORIES/KITS.....	707
FIGURE 13-1. SPECIAL OPTIONS/ACCESSORIES/KITS.....	708
PART NUMBER INDEX.....	711

# SECTION 1 - FRAME AND ATTACHING PARTS

## SECTION 1 - FRAME AND ATTACHING PARTS

# SECTION 1 - FRAME AND ATTACHING PARTS

## FIGURE 1-1. FRAME COMPONENTS INSTALLATION (74HP ULS)



# SECTION 1 - FRAME AND ATTACHING PARTS

## FIGURE 1-1. FRAME COMPONENTS INSTALLATION (74HP ULS)

ITEM	PART NUMBER	QTY	DESCRIPTION	REV
	1001213435	Ref	Frame Components Installation, 74HP ULS	H
1	0100019	AR	Compound, Locking	
2	0641510	2	Bolt, 5/16 X 1	
3	0641618	2	Bolt, 3/8 X 2-1/4	
4	0682648	4	Bolt, 1 X 6	
5	3423227	8	Pin, Cylinder	
6	4891600	2	Washer, 3/8	
7	7124451	4	Conduit, 1X8	
8	7137142	4	Pin, Cylinder	
9	8050001	2	Bearing, Self-Align	
10	8065640	4	Bearing, Self-Align	
11	8065641	2	Bearing, Self-Align	
12	8303752	2	Bolt, 5/16 X 3-1/2	
13	8303782	8	Bolt, 1/2 X 4	
14	8305006	2	Nut 5/16	
15	8305014	4	Nut 5/8	
16	8305626	4	Nut 5/16	
17	8305644	8	Nut 1/2	
18	8307009	4	Washer 5/8	
19	8307203	2	Washer 5/16	
20	8310039	2	Bolt, 5/16 X 3-3/4	
21	8310522	2	Nut 3/8	
22	8520001	8	Fitting, Straight	
23	8520003	4	Fitting, 90	
24	8522012	AR	Lube, Anti-Seize	
25	80241137	4	Washer	
26	88411148	4	Bolt 5/8 X 2-3/4	
27	1001208664	NLA	Counterweight, Rear	
28	1001160250	1	Pin, Hitch	
29	1001165057	1	Bracket, Cab Hose	
30	1001166238	1	Bracket, Air Filter	
30	1001227211	Ref	Fuel/Hydraulic Tank Assembly (See Separate Breakdown in this Section)	
32	1001172658	1	Conduit, 1/2X41	
34	1001177190	2	Conduit, 1/2X28	
35	1001177192	1	Conduit, 1/2X12-1/2	
36	1001195826	2	Plug, 1/2	
37	1001195952	2	Plug, Tube	
38	1001201554	NLA	Weldment, Frame	
39	1001174227	7	Conduit, 1X21-1/2	
40	4060804	4 in	Flex-Trim	
41	4060805	6 in	Flex-Trim	
42	7124301	2	Conduit, 1/2X15-1/2	
43	7124471	2	Conduit, 1X12-1/2	
400	1001201692	Ref	Cylinder Kit (Not Shown)	C
401	1001256321	1	Cylinder, Compensation (See Separate Breakdown in HYDRAULIC COMPONENTS Section)	
402	1001189596	2	Cylinder, Compensation (See Separate Breakdown in HYDRAULIC COMPONENTS Section)	

## SECTION 1 - FRAME AND ATTACHING PARTS

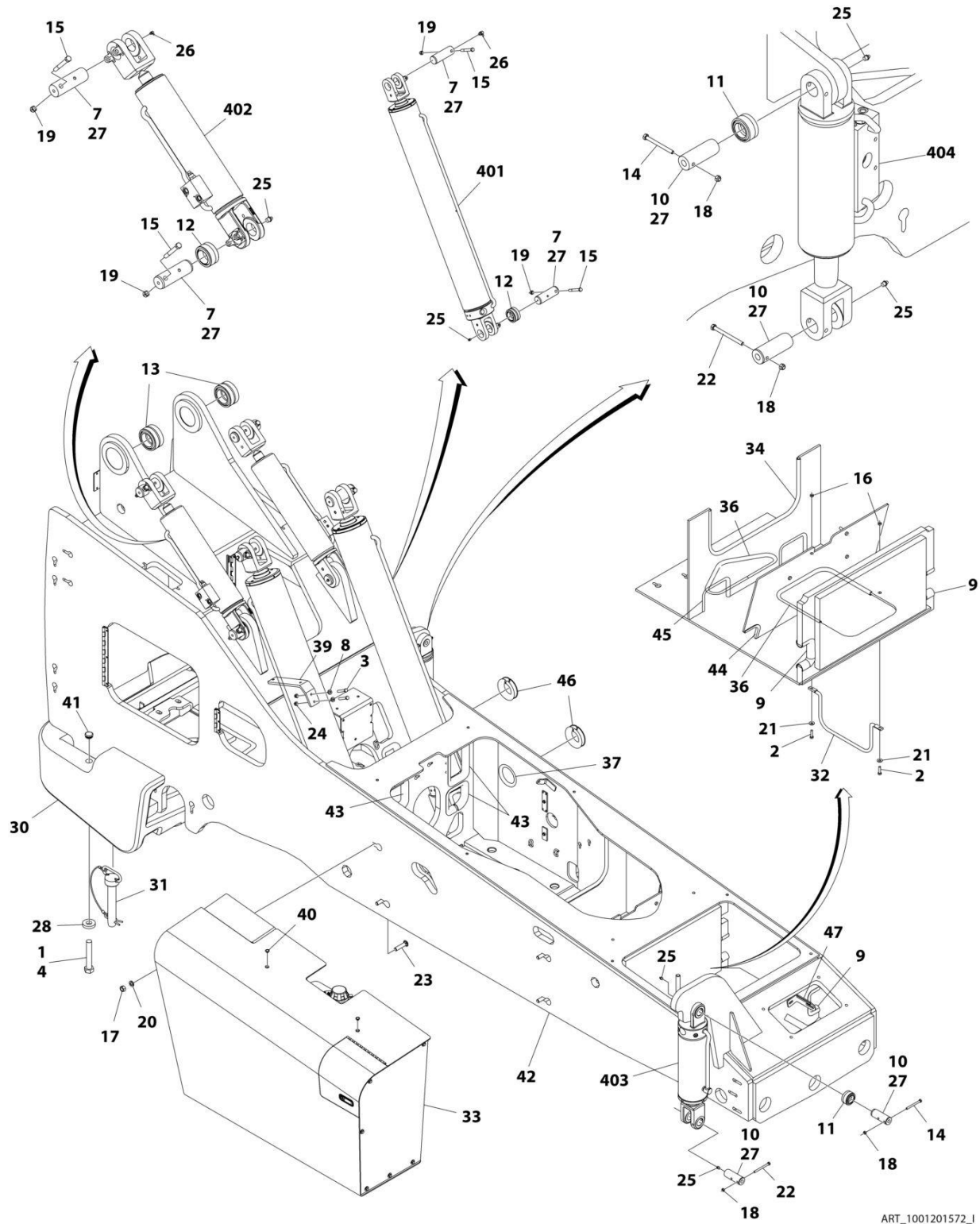
ITEM	PART NUMBER	QTY	DESCRIPTION	REV
403	1001180762	1	Cylinder, Frame Level (See Separate Breakdown in HYDRAULIC COMPONENTS Section)	
404	2717198	1	Cylinder, Stabil-Trak (See Separate Breakdown in HYDRAULIC COMPONENTS Section)	





# SECTION 1 - FRAME AND ATTACHING PARTS

## FIGURE 1-2. FRAME COMPONENTS INSTALLATION (110HP LS)



ART\_1001201572\_I

# SECTION 1 - FRAME AND ATTACHING PARTS

## FIGURE 1-2. FRAME COMPONENTS INSTALLATION (110HP LS)

ITEM	PART NUMBER	QTY	DESCRIPTION	REV
	1001201572	Ref	Frame Components Installation - 110HP LS	I
1	0100019	AR	Compound, Locking	
2	0641510	2	Bolt, 5/16 X 1	
3	0641618	2	Bolt, 3/8 X 2-1/4	
4	0682648	4	Bolt, 1 X 6	
7	3423227	8	Pin, Cylinder	
8	4891600	2	Washer, 3/8	
9	7124451	4	Conduit, 1X8	
10	7137142	4	Pin, Cylinder	
11	8050001	2	Bearing, Self-Align	
12	8065640	4	Bearing, Self-Align	
13	8065641	2	Bearing, Self-Align	
14	8303752	2	Bolt, 5/16 x 3-1/2	
15	8303782	8	Bolt, 1/2 X 4	
16	8305006	2	Nut 5/16	
17	8305014	4	Nut 5/8	
18	8305626	4	Nut 5/16	
19	8305644	8	Nut 1/2	
20	8307009	4	Washer 5/8	
21	8307203	2	Washer 5/16	
22	8310039	2	Bolt, 5/16 X 3-3/4	
23	88411148	4	Bolt 5/8 X 2-3/4	
24	8310522	2	Nut 3/8	
25	8520001	8	Fitting, Straight	
26	8520003	4	Fitting, 90	
27	8522012	AR	Lube, Anti-Seize	
28	80241137	4	Washer, Special	
30	1001208664	NLA	Counterweight, Rear	
31	1001160250	1	Pin, Hitch	
32	1001165057	1	Bracket, Cab Hose	
33	1001169466	1	Weldment, Fuel/Hydraulic/DEF Tank (See Separate Breakdown in this Section)	
34	1001172658	1	Conduit, 1/2X41	
36	1001177190	2	Conduit, 1/2X28	
37	1001177192	1	Conduit, 1/2X12-1/2	
39	1001190007	1	Bracket, Air Filter	
40	1001195826	2	Plug	
41	1001195952	2	Plug, Tube	
42	1001201554	NLA	Weldment, Frame	
43	1001174227	7	Conduit, 1X21-1/2	
44	4060805	6 in	Flex-Trim	
45	7124301	2	Conduit, 1/2X15-1/2	
46	7124471	2	Conduit, 1X12-1/2	
47	4060804	4 in	Flex-Trim	
400	1001201692	Ref	Cylinder Kit (Not Shown)	C
401	1001256321	2	Cylinder, Lift (See Separate Breakdown in HYDRAULIC COMPONENTS Section)	
402	1001189596	2	Cylinder, Compensation (See Separate Breakdown in HYDRAULIC COMPONENTS Section)	

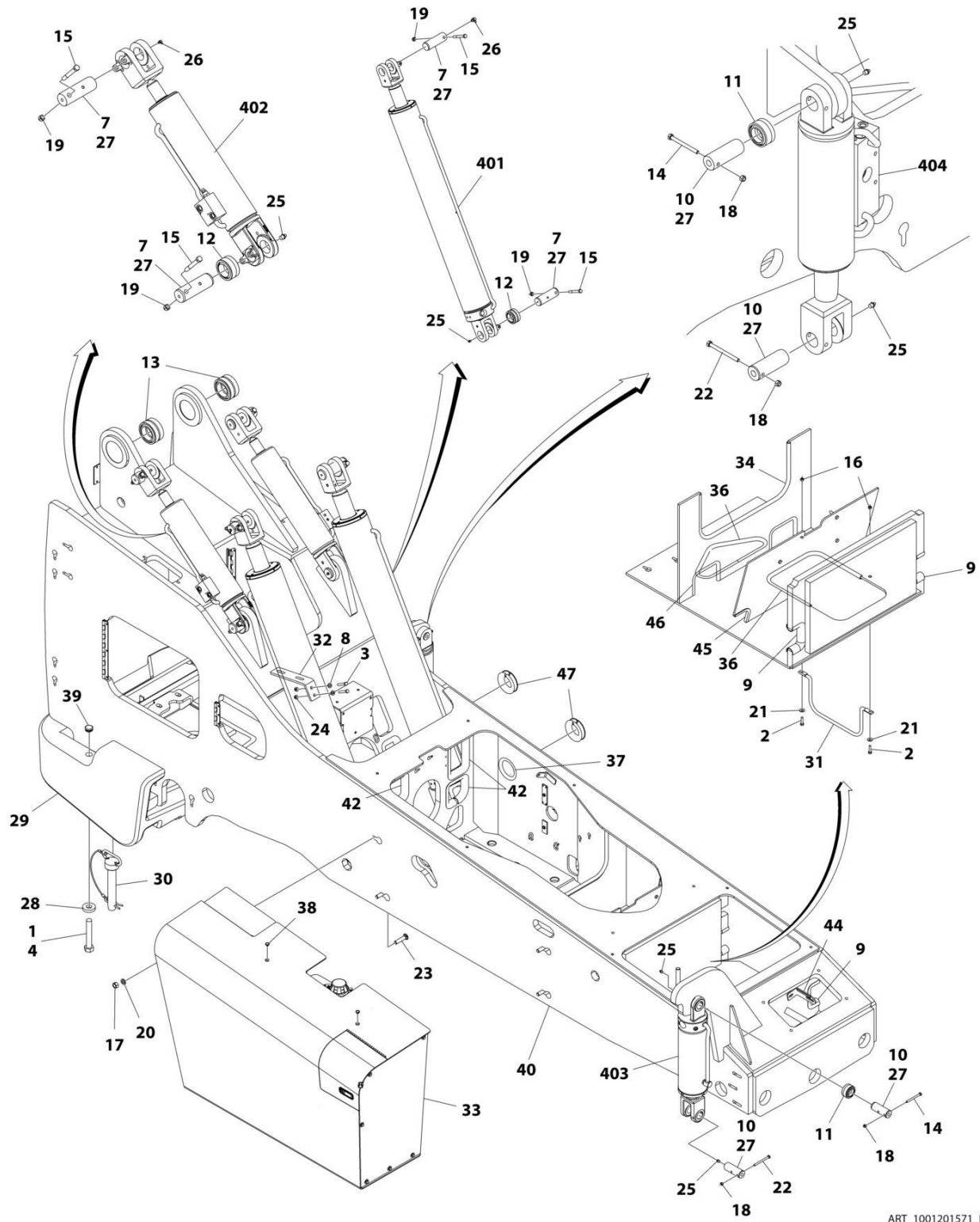
## SECTION 1 - FRAME AND ATTACHING PARTS

ITEM	PART NUMBER	QTY	DESCRIPTION	REV
403	1001180762	1	Cylinder, Frame Level (See Separate Breakdown in HYDRAULIC COMPONENTS Section)	
404	2717198	1	Cylinder, Stabil-Trak (See Separate Breakdown in HYDRAULIC COMPONENTS Section)	



# SECTION 1 - FRAME AND ATTACHING PARTS

## FIGURE 1-3. FRAME COMPONENTS INSTALLATION (110HP ULS)



ART\_1001201571\_I

# SECTION 1 - FRAME AND ATTACHING PARTS

## FIGURE 1-3. FRAME COMPONENTS INSTALLATION (110HP ULS)

ITEM	PART NUMBER	QTY	DESCRIPTION	REV
	1001201571	Ref	Frame Components Installation, 110HP ULS	I
1	0100019	AR	Compound, Locking	
2	0641510	2	Bolt, 5/16 X 1	
3	0641618	2	Bolt, 3/8 X 2-1/4	
4	0682648	4	Bolt, 1 X 6	
7	3423227	8	Pin, Cylinder	
8	4891600	2	Washer, 3/8	
9	7124451	4	Conduit, 1X8	
10	7137142	4	Pin, Cylinder	
11	8050001	2	Bearing, Self-Align	
12	8065640	4	Bearing, Self-Align	
13	8065641	2	Bearing, Self-Align	
14	8303752	2	Bolt, 5/16 X 3-1/2	
15	8303782	8	Bolt, 1/2 X 4	
16	8305006	2	Nut 5/16	
17	8305014	4	Nut 5/8	
18	8305626	4	Nut 5/16	
19	8305644	8	Nut 1/2	
20	8307009	4	Washer 5/8	
21	8307203	2	Washer 5/16	
22	8310039	2	Bolt 5/16 X 3-3/4	
23	88411148	4	Bolt 5/8 X 2-3/4	
24	8310522	2	Nut 3/8	
25	8520001	8	Fitting, Straight	
26	8520003	4	Fitting, 90	
27	8522012	AR	Lube, Anti-Seize	
28	80241137	4	Washer, Special	
29	1001208664	NLA	Counterweight, Rear	
30	1001160250	1	Pin, Hitch	
31	1001165057	1	Bracket, Cab Hose	
32	1001166238	1	Bracket, Air Filter	
33	1001169329	1	Installation, Hydraulic/Fuel/DEF Tank (See Separate Breakdown in this Section)	
34	1001172658	1	Conduit, 1/2X41	
36	1001177190	2	Conduit, 1/2X28	
37	1001177192	1	Conduit, 1/2X12-1/2	
38	1001195826	2	Plug, 1/2	
39	1001195952	2	Plug, Tube	
40	1001201554	NLA	Weldment, Frame	
42	1001174227	8	Conduit, 1X21-1/2	
44	4060804	4 in	Flex-Trim	
45	4060805	6 in	Flex-Trim	
46	7124301	2	Conduit, 1/2X15-1/2	
47	7124471	2	Conduit, 1X12-1/2	
400	1001201692	Ref	Cylinder Kit (Not Shown)	C
401	1001256321	2	Cylinder, Lift (See Separate Breakdown in HYDRAULIC COMPONENTS Section)	
402	1001189596	2	Cylinder, Compensation (See Separate Breakdown in HYDRAULIC COMPONENTS Section)	

## SECTION 1 - FRAME AND ATTACHING PARTS

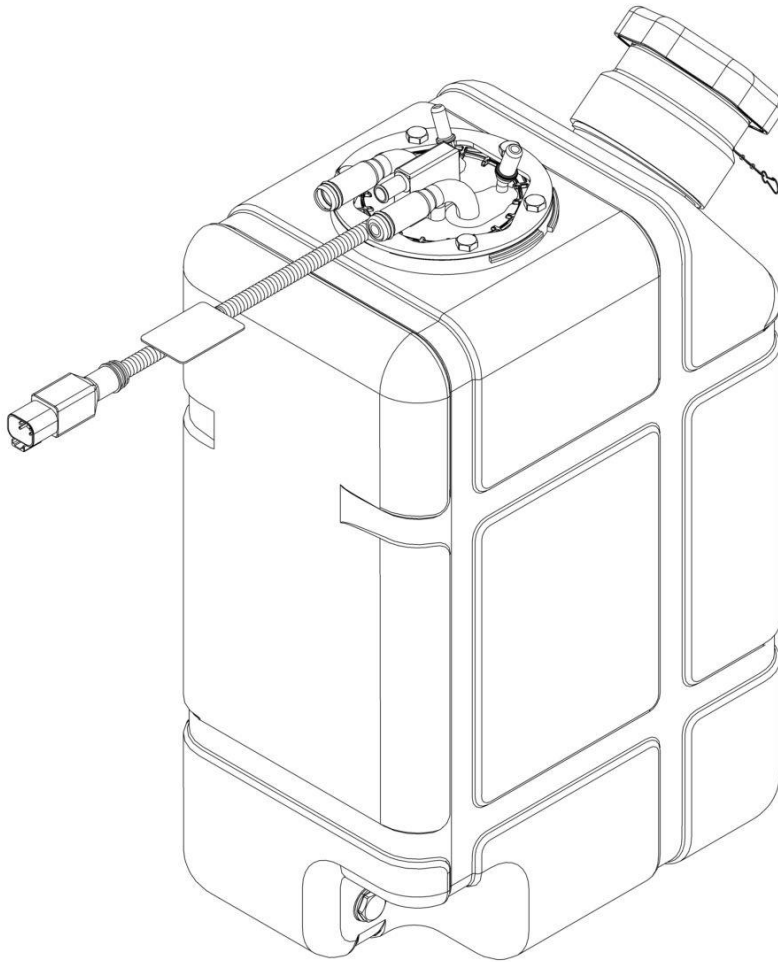
ITEM	PART NUMBER	QTY	DESCRIPTION	REV
403	1001180762	1	Cylinder, Frame Level (See Separate Breakdown in HYDRAULIC COMPONENTS Section)	
404	2717198	1	Cylinder, Stabil-Trak (See Separate Breakdown in HYDRAULIC COMPONENTS Section)	





# SECTION 1 - FRAME AND ATTACHING PARTS

FIGURE 1-4. DEF TANK ASSEMBLY (110HP ULS)



ART\_1001228986-A

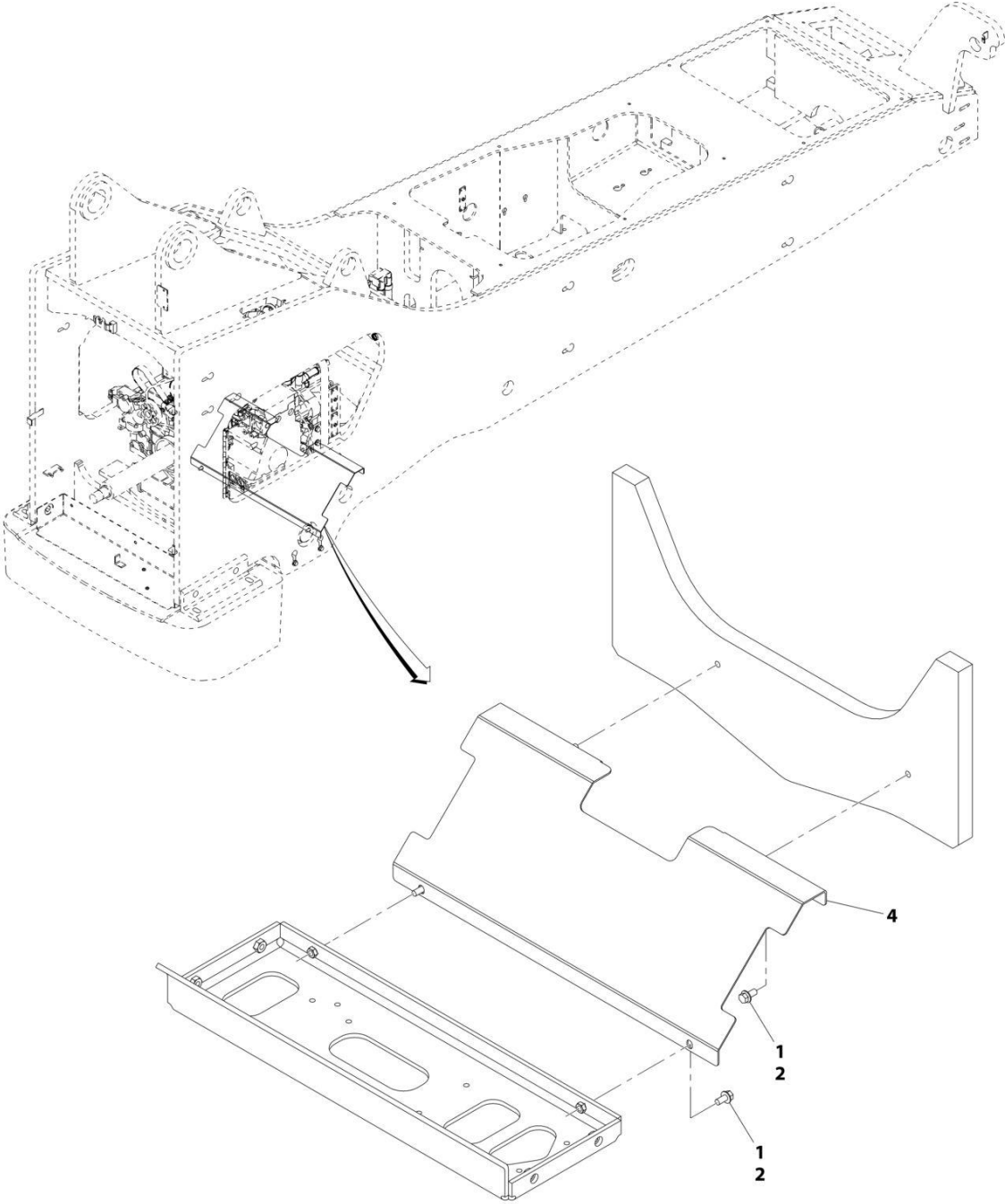
# SECTION 1 - FRAME AND ATTACHING PARTS

## FIGURE 1-4. DEF TANK ASSEMBLY (110HP ULS)

ITEM	PART NUMBER	QTY	DESCRIPTION	REV
	1001228986	1	DEF Tank Assembly, (Contact Cummins at 1-800-CUMMINS for all service if the DEF tank assembly is still within warranty. Warranty may be voided if service is conducted by anyone other than Cummins service personnel)	A

# SECTION 1 - FRAME AND ATTACHING PARTS

## FIGURE 1-5. DUST SHIELD INSTALLATION



ART\_1001127864-B

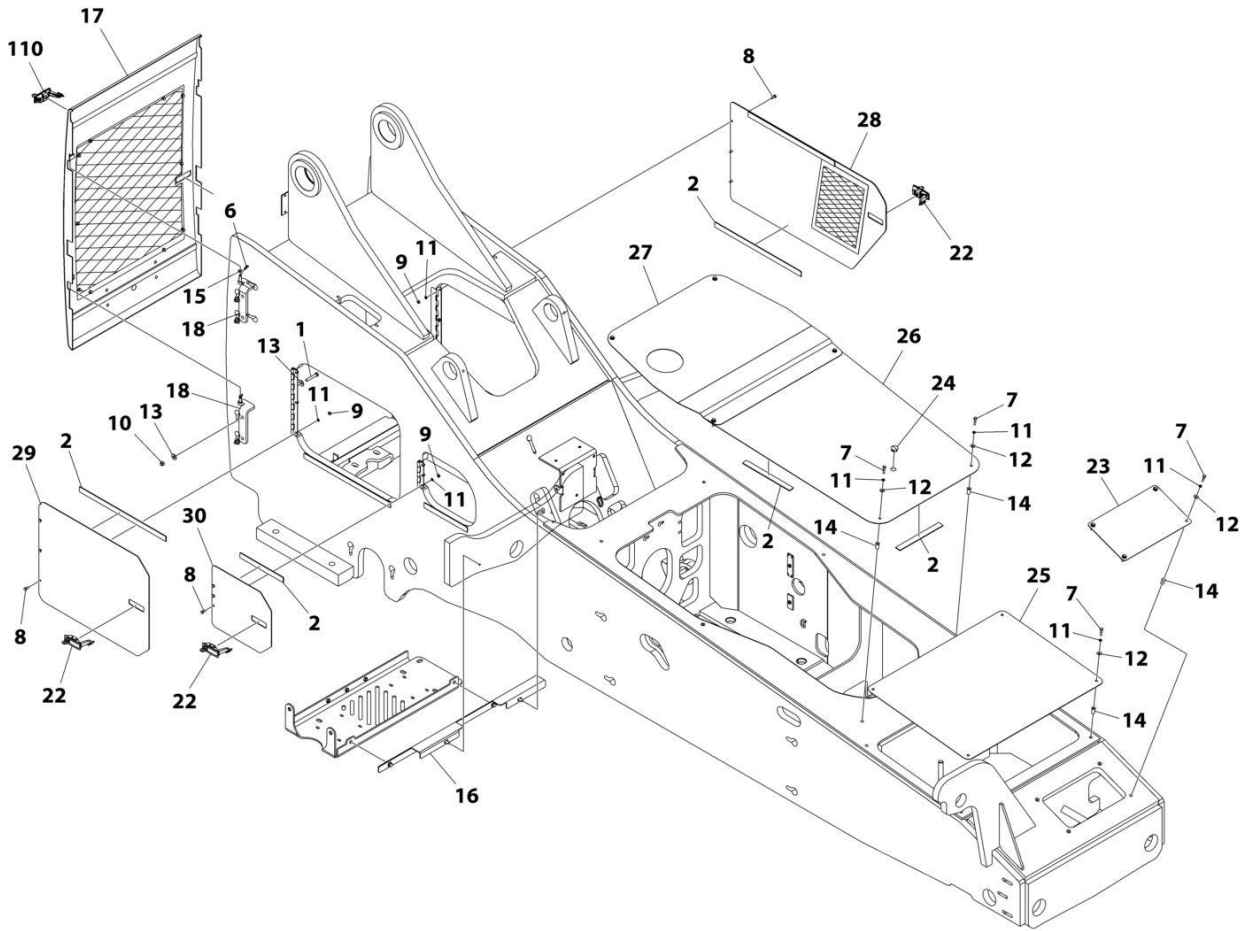
# SECTION 1 - FRAME AND ATTACHING PARTS

## FIGURE 1-5. DUST SHIELD INSTALLATION

ITEM	PART NUMBER	QTY	DESCRIPTION	REV
	1001127864	Ref	Dust Shield Installation	B
1	0100011	AR	Compound, Locking	
2	0791606	4	Bolt, 3/8-16X3/4	
4	1001127867	1	Panel, Dust Baffle Front	

# SECTION 1 - FRAME AND ATTACHING PARTS

## FIGURE 1-6. FRAME COVERS INSTALLATION (74HP ULS)



ART\_1001213432\_F

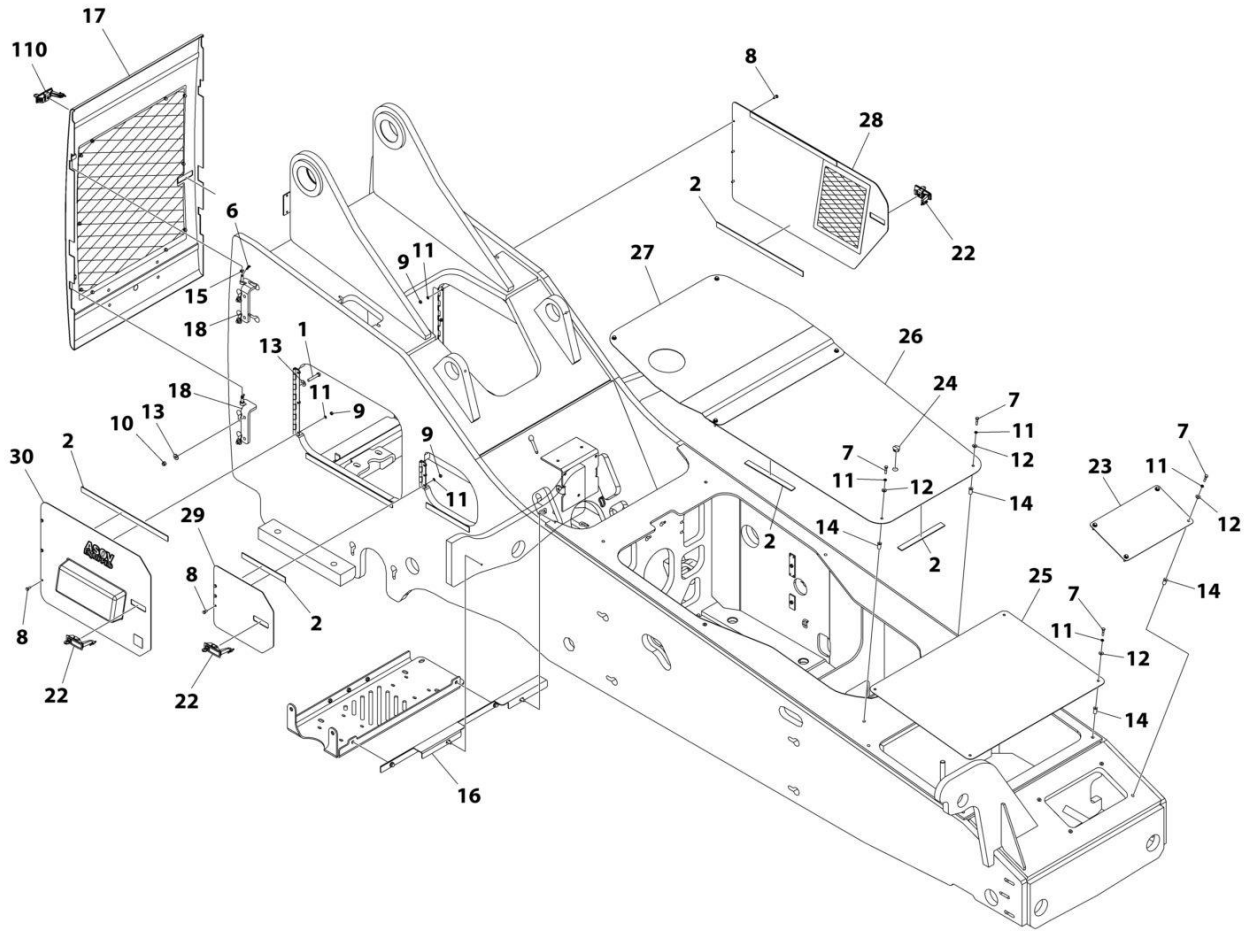
## SECTION 1 - FRAME AND ATTACHING PARTS

**FIGURE 1-6. FRAME COVERS INSTALLATION (74HP ULS)**

ITEM	PART NUMBER	QTY	DESCRIPTION	REV
	1001213432	Ref	FRAME COVERS INSTALLATION	F
1	0641618	4	Bolt 3/8 x 2-1/4	
2	4420037	190 in	Tape, Insulation	
6	8302470	2	Pin, Hair	
7	8303615	14	Bolt 1/4 x 1-1/4	
8	8303729	9	Bolt 1/4 x 5/8	
9	8305004	9	Nut 1/4	
10	8305645	4	Nut 3/8	
11	8307002	23	Washer 1/4	
12	8307202	14	Washer 1/4	
13	8307204	8	Washer 3/8	
14	8580420	14	Nut, Well	
15	10732150	2	Washer M10	
16	1001127864	1	Installation, Dust Shield (See Separate Breakdown in this Section)	
17	1001156283	1	Door, Rear (Includes Item 110)	O
18	1001159319	2	Mount, Rear Door	
22	1001190341	3	Latch, Adjustable Trigger	
23	1001192390	1	Cover, Front	
24	3520030	1	Plug	
25	7139047	1	Cover, Counterweight	
26	1001242035	1	Cover, Lower Transmission	
27	7139407	1	Cover, Upper Transmission	
28	1001169006	1	Panel, Left Side Access	
29	1001171384	1	Panel, Engine Access Right Side	
30	1001171385	1	Panel, Air Cleaner Access	
110	1001190341	1	Latch, Adjustable Trigger	

# SECTION 1 - FRAME AND ATTACHING PARTS

## FIGURE 1-7. FRAME COVERS INSTALLATION (74HP WITH AIR SHUT OFF VALVE)



ART\_1001228512\_F



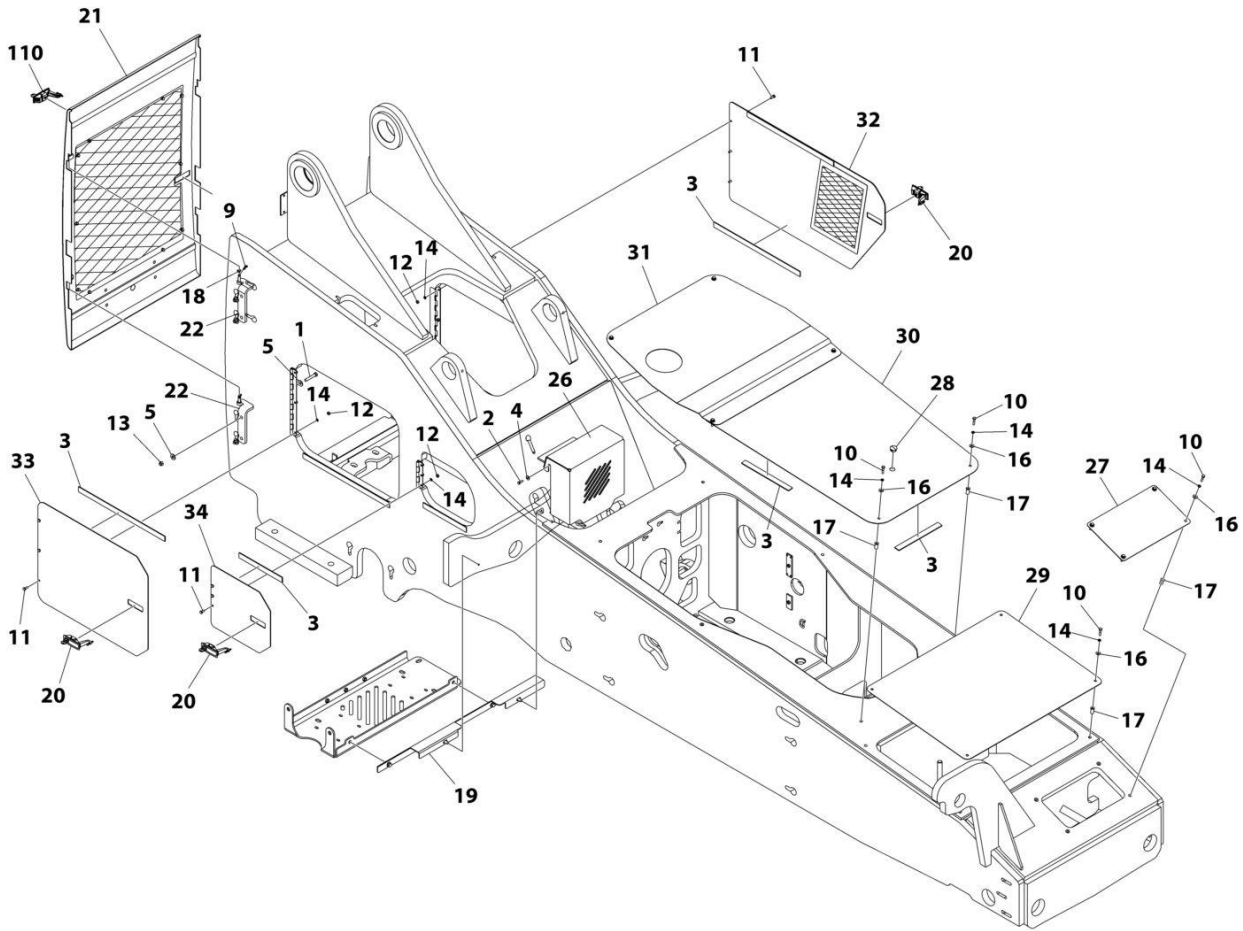
## SECTION 1 - FRAME AND ATTACHING PARTS

**FIGURE 1-7. FRAME COVERS INSTALLATION (74HP WITH AIR SHUT OFF VALVE)**

ITEM	PART NUMBER	QTY	DESCRIPTION	REV
	1001228512	Ref	FRAME COVERS INSTALLATION	F
1	0641618	4	Bolt 3/8 x 2-1/4	
2	4420037	190 in	Tape, Insulation	
6	8302470	2	Pin, Hair	
7	8303615	14	Bolt 1/4 x 1-1/4	
8	8303729	9	Bolt 1/4 x 5/8	
9	8305004	9	Nut 1/4	
10	8305645	4	Nut 3/8	
11	8307002	23	Washer 1/4	
12	8307202	14	Washer 1/4	
13	8307204	8	Washer 3/8	
14	8580420	14	Nut, Well	
15	10732150	2	Washer M10	
16	1001127864	1	Installation, Dust Shield (See Separate Breakdown in this Section)	
17	1001156283	1	Door, Rear (Includes Item 110)	O
18	1001159319	2	Mount, Rear Door	
22	1001190341	3	Latch, Adjustable Trigger	
23	1001192390	1	Cover, Front	
24	3520030	1	Plug	
25	7139047	1	Cover, Counterweight	
26	1001242035	1	Cover, Lower Transmission	
27	7139407	1	Cover, Upper Transmission	
28	1001169006	1	Panel, Left Side Access	
29	1001171385	1	Panel, Air Cleaner Access	
30	1001216291	1	Panel, Engine Access Right Side	
110	1001190341	1	Latch, Adjustable Trigger	

# SECTION 1 - FRAME AND ATTACHING PARTS

## FIGURE 1-8. FRAME COVERS INSTALLATION (110HP LS)



ART\_1001186537\_I

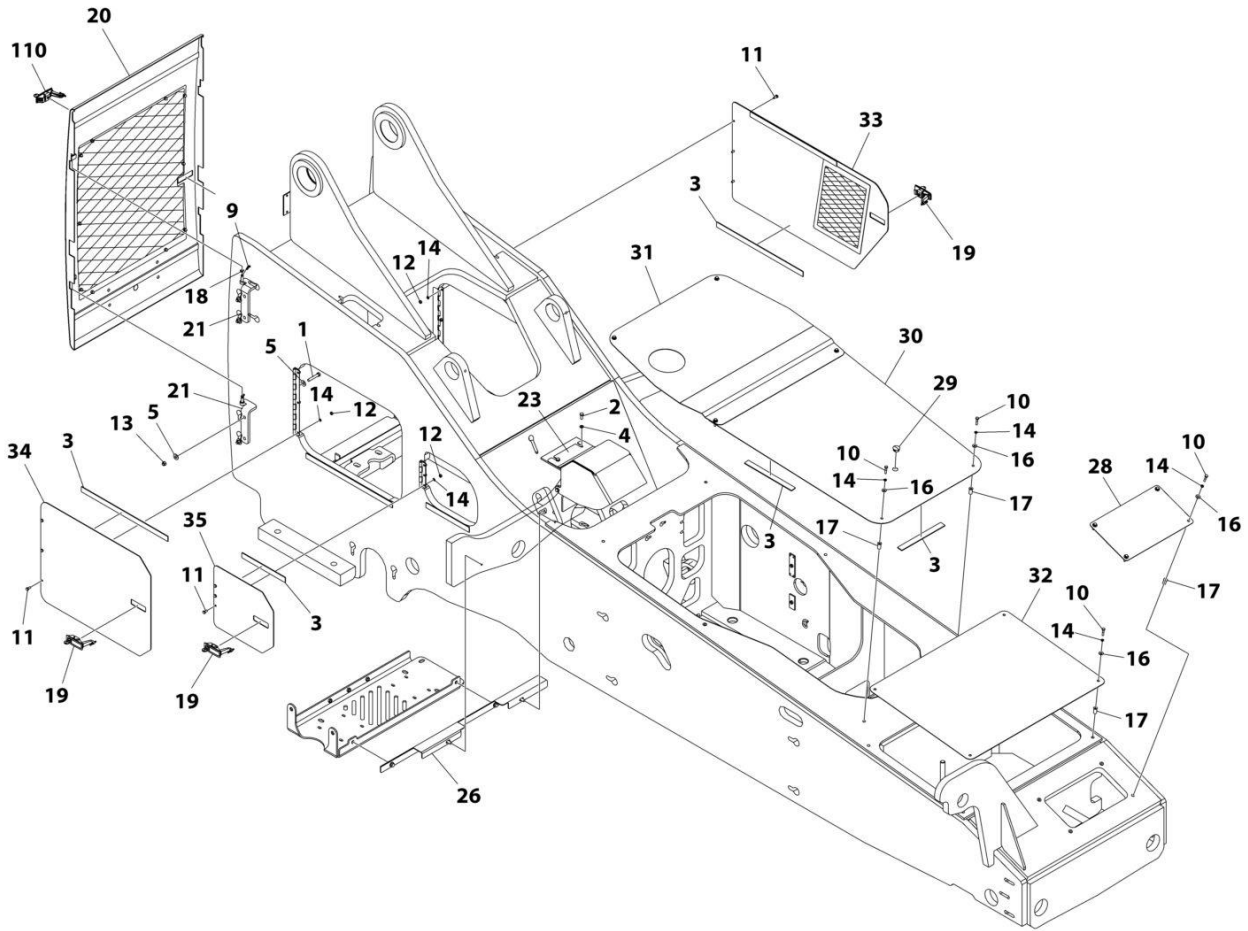
## SECTION 1 - FRAME AND ATTACHING PARTS

**FIGURE 1-8. FRAME COVERS INSTALLATION (110HP LS)**

ITEM	PART NUMBER	QTY	DESCRIPTION	REV
	1001186537	Ref	FRAME COVERS INSTALLATION	I
1	0641618	4	Bolt 3/8 x 2-1/4	
2	0760610	3	Bolt M6 x 20	
3	4420037	190 in	Tape, Insulation	
4	4811702	3	Washer M6	
5	8307204	8	Washer 3/8	
9	8302470	2	Pin, Hair	
10	8303615	14	Bolt 1/4 x 1-1/4	
11	8303729	9	Bolt 1/4 x 5/8	
12	8305004	9	Nut 1/4	
13	8305645	4	Nut 3/8	
14	8307002	23	Washer 1/4	
16	8307202	14	Washer 1/4	
17	8580420	14	Nut, Well	
18	10732150	2	Washer M10	
19	1001127864	1	Installation, Dust Shield (See Separate Breakdown in this Section)	
20	1001190341	3	Latch, Adjustable Trigger	
21	1001156283	1	Door, Rear (Includes Item 110)	O
22	1001159319	2	Mount, Rear Door	
26	1001211690	1	Bracket, ECM Cover	
27	1001192390	1	Cover, Front	
28	3520030	1	Plug	
29	7139047	1	Cover, Counterweight	
30	1001242035	1	Cover, Lower Transmission	
31	7139407	1	Cover, Upper Transmission	
32	1001169006	1	Panel, Left Side Access	
33	1001171384	1	Panel, Engine Access Right Side	
34	1001171385	1	Panel, Air Cleaner Access	
110	1001190341	1	Latch, Adjustable Trigger	

# SECTION 1 - FRAME AND ATTACHING PARTS

## FIGURE 1-9. FRAME COVERS INSTALLATION (110HP ULS)



ART\_1001166070\_J

## SECTION 1 - FRAME AND ATTACHING PARTS

**FIGURE 1-9. FRAME COVERS INSTALLATION (110HP ULS)**

ITEM	PART NUMBER	QTY	DESCRIPTION	REV
	1001166070	Ref	FRAME COVERS INSTALLATION	J
1	0641618	4	Bolt 3/8 x 2-1/4	
2	0760810	4	Bolt M8 x 20	
3	4420037	190 in	Tape, Insulation	
4	4811900	4	Washer M8	
5	8307204	8	Washer 3/8	
9	8302470	2	Pin, Hair	
10	8303615	14	Bolt 1/4 x 1-1/4	
11	8303729	9	Bolt 1/4 x 5/8	
12	8305004	9	Nut 1/4	
13	8305645	4	Nut 3/8	
14	8307002	23	Washer 1/4	
16	8307202	14	Washer 1/4	
17	8580420	14	Nut, Well	
18	10732150	2	Washer M10	
19	1001190341	3	Latch, Adjustable Trigger	
20	1001156283	1	Door, Rear (Includes Item 110)	O
21	1001159319	2	Mount, Rear Door	
23	1001169172	1	Cover, DEF Supply	
26	1001127864	1	Installation, Dust Shield (See Separate Breakdown in this Section)	
28	1001192390	1	Cover, Front	
29	3520030	1	Plug	
30	1001242035	1	Cover, Lower Transmission	
31	7139407	1	Cover, Upper Transmission	
32	7139047	1	Cover, Counterweight	
33	1001169006	1	Panel, Left Side Access	
34	1001171384	1	Panel, Engine Access Right Side	
35	1001171385	1	Panel, Air Cleaner Access	
110	1001190341	1	Latch, Adjustable Trigger	



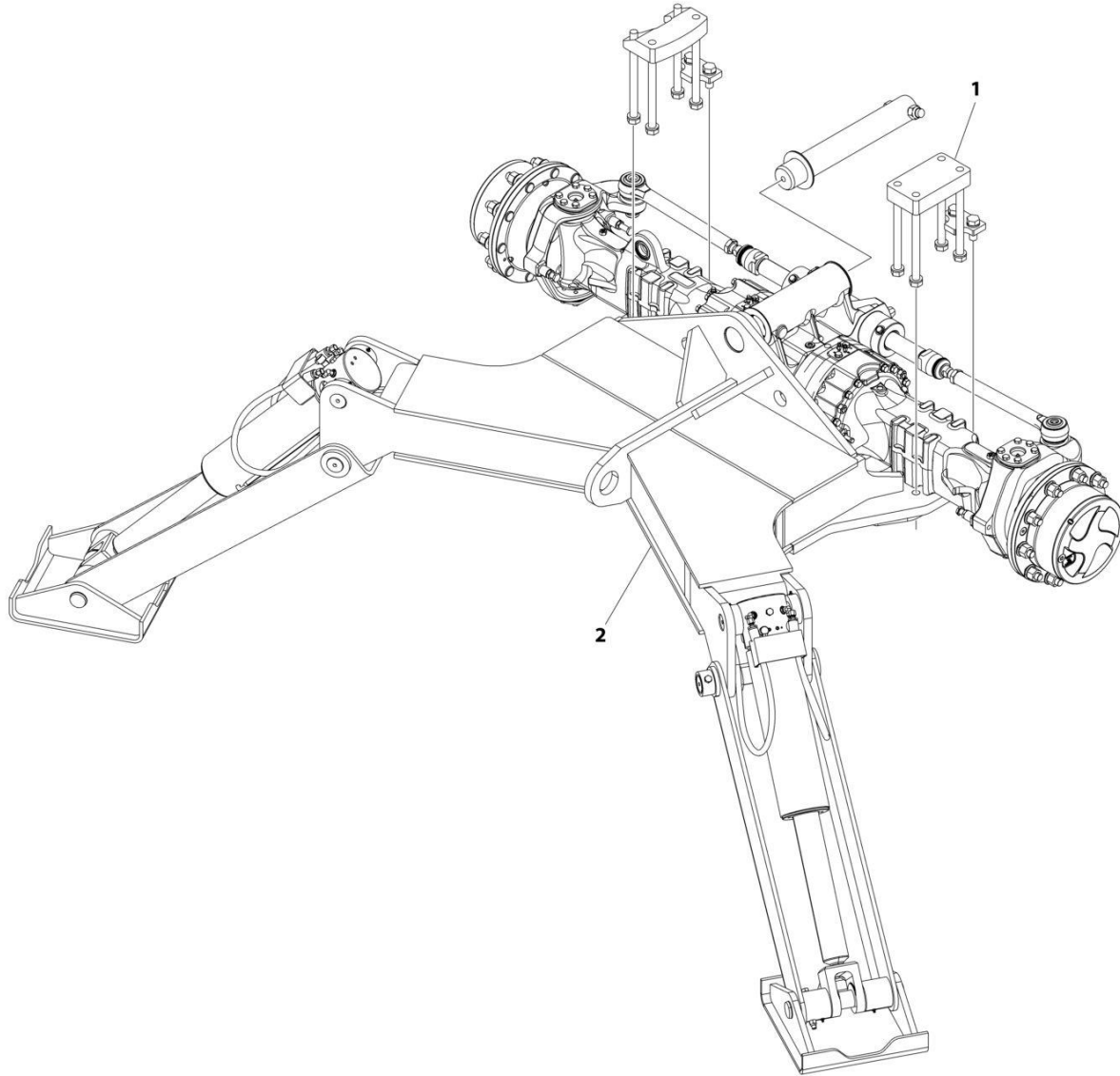
## SECTION 1 - FRAME AND ATTACHING PARTS

**FIGURE 1-10. FRAME COVERS INSTALLATION (110HP ULS WITH AIR SHUT OFF VALVE)**

ITEM	PART NUMBER	QTY	DESCRIPTION	REV
	1001227208	Ref	FRAME COVERS INSTALLATION	F
1	0641618	4	Bolt 3/8 x 2-1/4	
2	0760810	4	Bolt M8 x 20	
3	4420037	190 in	Tape, Insulation	
4	4811900	4	Washer M8	
5	8307204	8	Washer 3/8	
9	8302470	2	Pin, Hair	
10	8303615	14	Bolt 1/4 x 1-1/4	
11	8303729	9	Bolt 1/4 x 5/8	
12	8305004	9	Nut 1/4	
13	8305645	4	Nut 3/8	
14	8307002	23	Washer 1/4	
16	8307202	14	Washer 1/4	
17	8580420	14	Nut, Well	
18	10732150	2	Washer M10	
19	1001190341	3	Latch, Adjustable Trigger	
20	1001156283	1	Door, Rear (Includes Item 110)	O
21	1001159319	2	Mount, Rear Door	
23	1001169172	1	Cover, DEF Supply	
26	1001127864	1	Installation, Dust Shield (See Separate Breakdown in this Section)	
28	1001192390	1	Cover, Front	
29	3520030	1	Plug	
30	7139047	1	Cover, Counterweight	
31	1001242035	1	Cover, Lower Transmission	
32	7139407	1	Cover, Upper Transmission	
33	1001169006	1	Panel, Left Side Access	
34	1001171385	1	Panel, Air Cleaner Access	
35	1001216291	1	Panel, Engine Access Right Side	
110	1001190341	1	Latch, Adjustable Trigger	

# SECTION 1 - FRAME AND ATTACHING PARTS

## FIGURE 1-11. OUTRIGGER INSTALLATION



ART\_1001222495



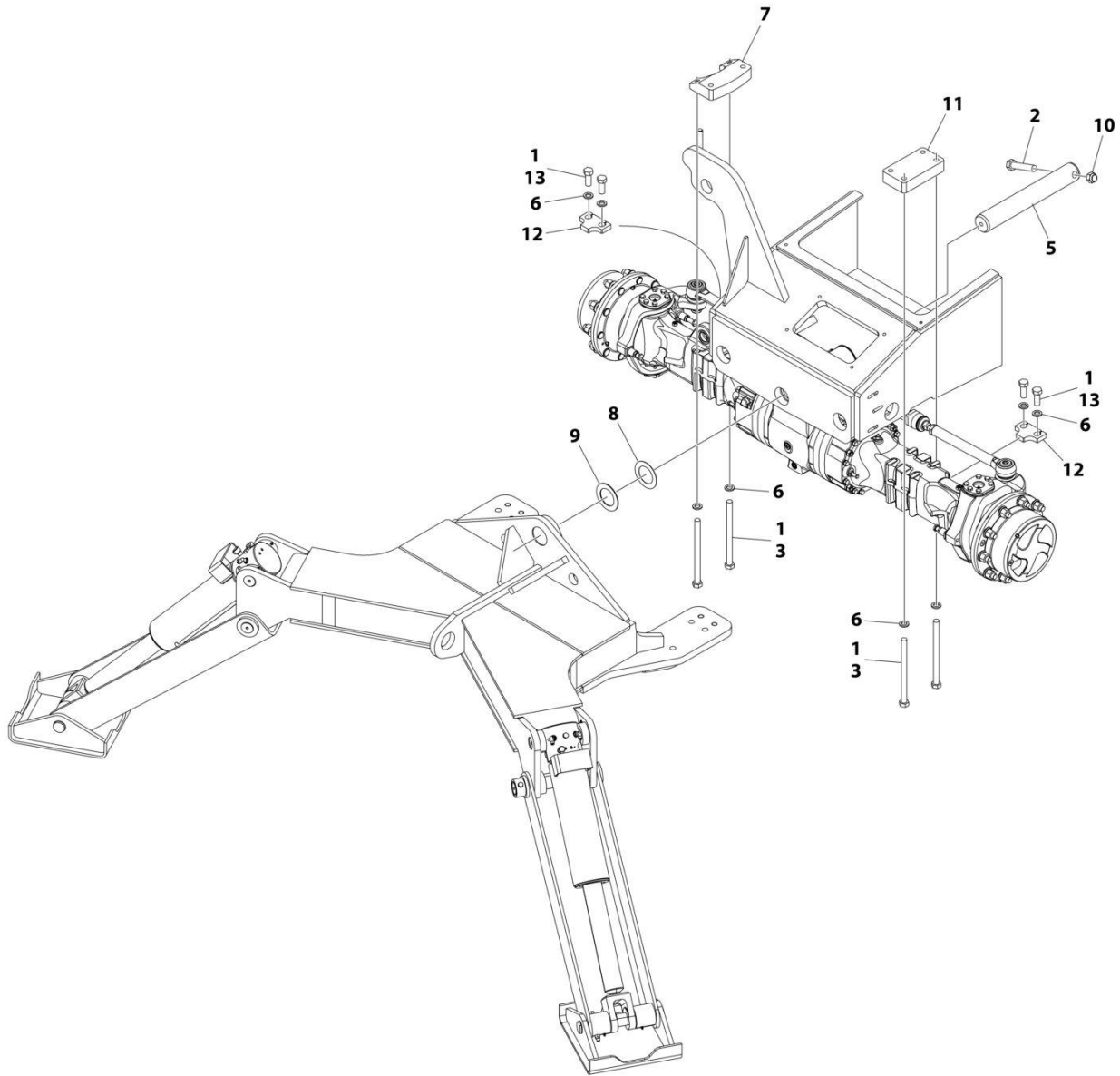
# SECTION 1 - FRAME AND ATTACHING PARTS

## FIGURE 1-11. OUTRIGGER INSTALLATION

ITEM	PART NUMBER	QTY	DESCRIPTION	REV
1	1001222495	Ref	Outrigger Installation	C
	1001222496	1	Installation, Outrigger Mounting (See Separate Breakdown in this Section)	
2	1001222497	1	Sub-Assembly, Outrigger (See Separate Breakdown in this Section)	

# SECTION 1 - FRAME AND ATTACHING PARTS

## FIGURE 1-12. OUTRIGGER MOUNTING INSTALLATION



ART\_1001222496

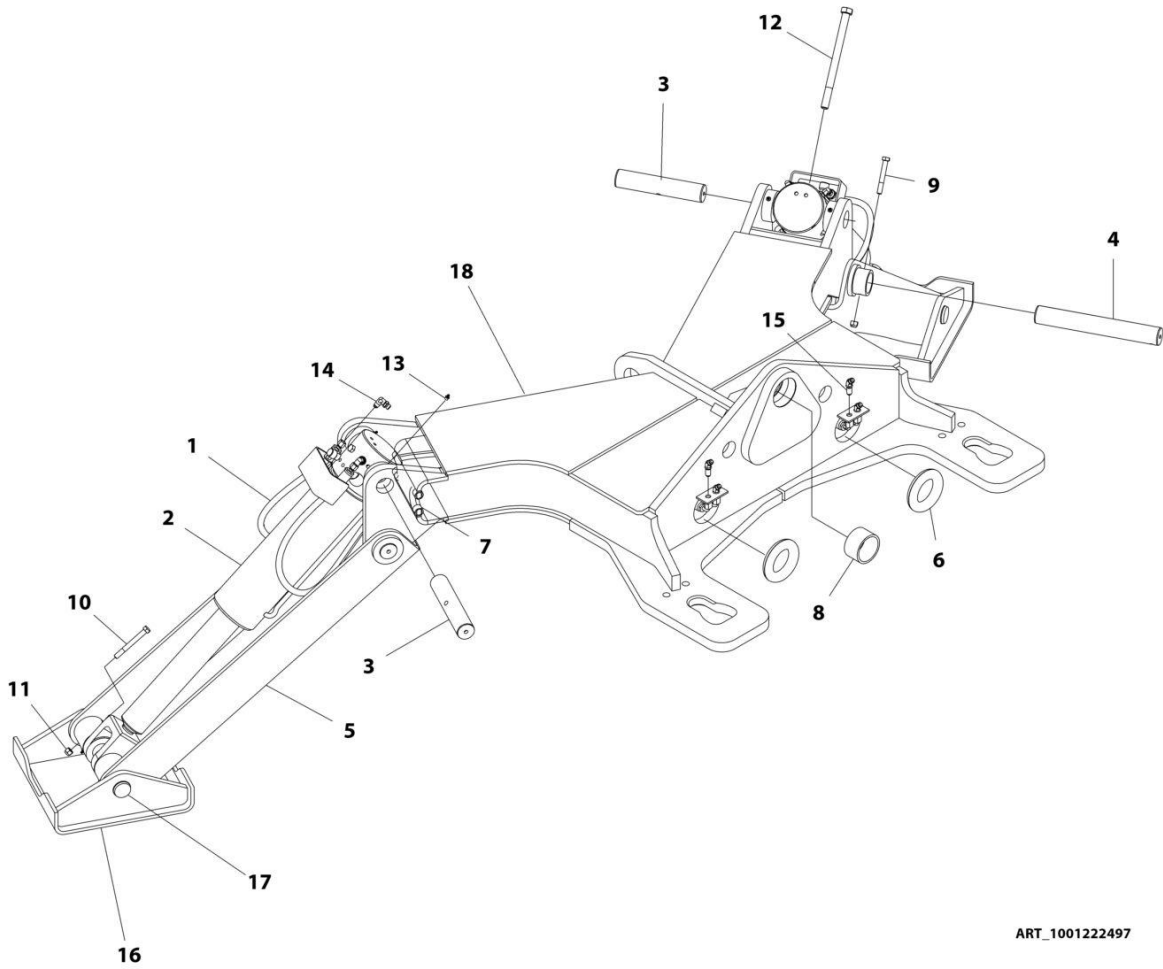
# SECTION 1 - FRAME AND ATTACHING PARTS

## FIGURE 1-12. OUTRIGGER MOUNTING INSTALLATION

ITEM	PART NUMBER	QTY	DESCRIPTION	REV
	1001222496	Ref	OUTRIGGER MOUNTING INSTALLATION	C
1	0100019	AR	Compound, Locking	
2	0642640	1	Bolt 1 x 5	
3	0682496	8	Bolt 7/8 x 12	
5	3423248	1	Pin, Axle/Outrigger	
6	4892400	12	Washer 7/8	
7	1001232517	1	Bracket, Outrigger Mounting	
8	8307912	AR	Washer, Shim	
9	8307913	AR	Washer, Shim	
10	8310116	1	Nut 1	
11	1001232518	1	Bracket, Outrigger Mounting	
12	1001244592	2	Stop, Block Outrigger	
13	0682418	4	Bolt 7/8 x 2-1/4	

# SECTION 1 - FRAME AND ATTACHING PARTS

## FIGURE 1-13. OUTRIGGER SUB-ASSEMBLY



ART\_1001222497

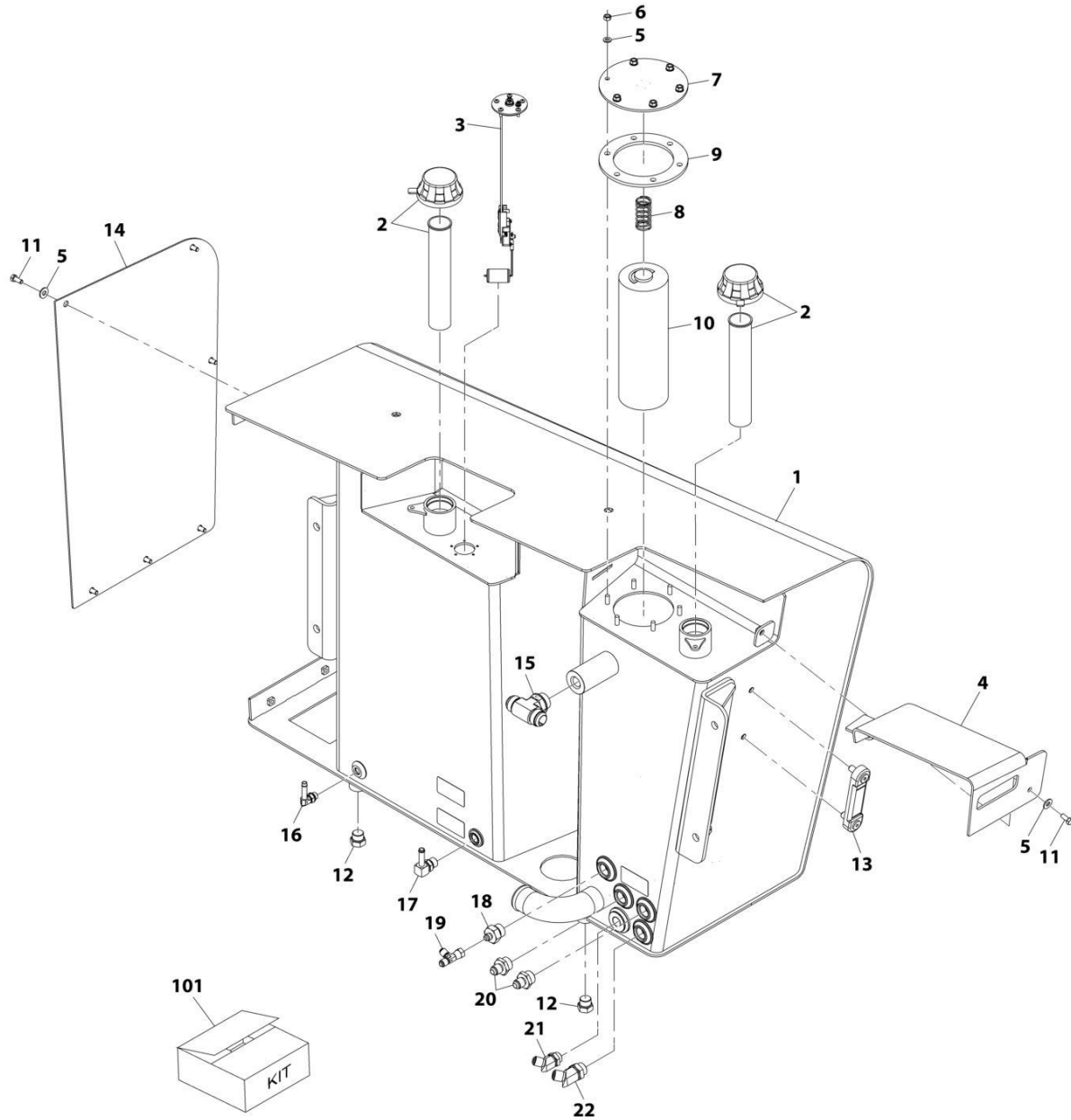
# SECTION 1 - FRAME AND ATTACHING PARTS

## FIGURE 1-13. OUTRIGGER SUB-ASSEMBLY

ITEM	PART NUMBER	QTY	DESCRIPTION	REV
	1001222497	Ref	OUTRIGGER SUB-ASSEMBLY	C
1	2716709	4	Hose	
2	2717201	2	Cylinder, Outrigger (See Separate Breakdown in HYDRAULIC COMPONENTS Section)	
3	7090871	2	Pin, Cylinder Pivot Outrigger	
4	7090891	2	Pin, Leg Pivot Outrigger	
5	7091373	2	Leg, Outrigger	
6	7124491	2	Conduit, 1X15-1/2	
7	7125801	4	Conduit, 3/4X4	
8	8065063	1	Bushing	
9	8303628	2	Bolt 1/2 X 3-3/4	
10	8303629	2	Bolt 1/2 X 4-1/2	
11	8305644	6	Nut 1/2	
12	8310151	2	Bolt 1/2 X 7	
13	8520013	12	Fitting, Straight Lube	
14	2220473	4	Adapter, 90	
15	8770189	4	Adapter, 45	
16	1001141892	2	Stabilizer, Pad Weld	
17	1001147515	2	Pin, Outrigger Shoe	
18	1001242920	1	Frame, Outrigger	

# SECTION 1 - FRAME AND ATTACHING PARTS

## FIGURE 1-14. TANKS ASSEMBLY - HYDRAULIC/FUEL/DEF (74HP ULS)



ART\_1001227211

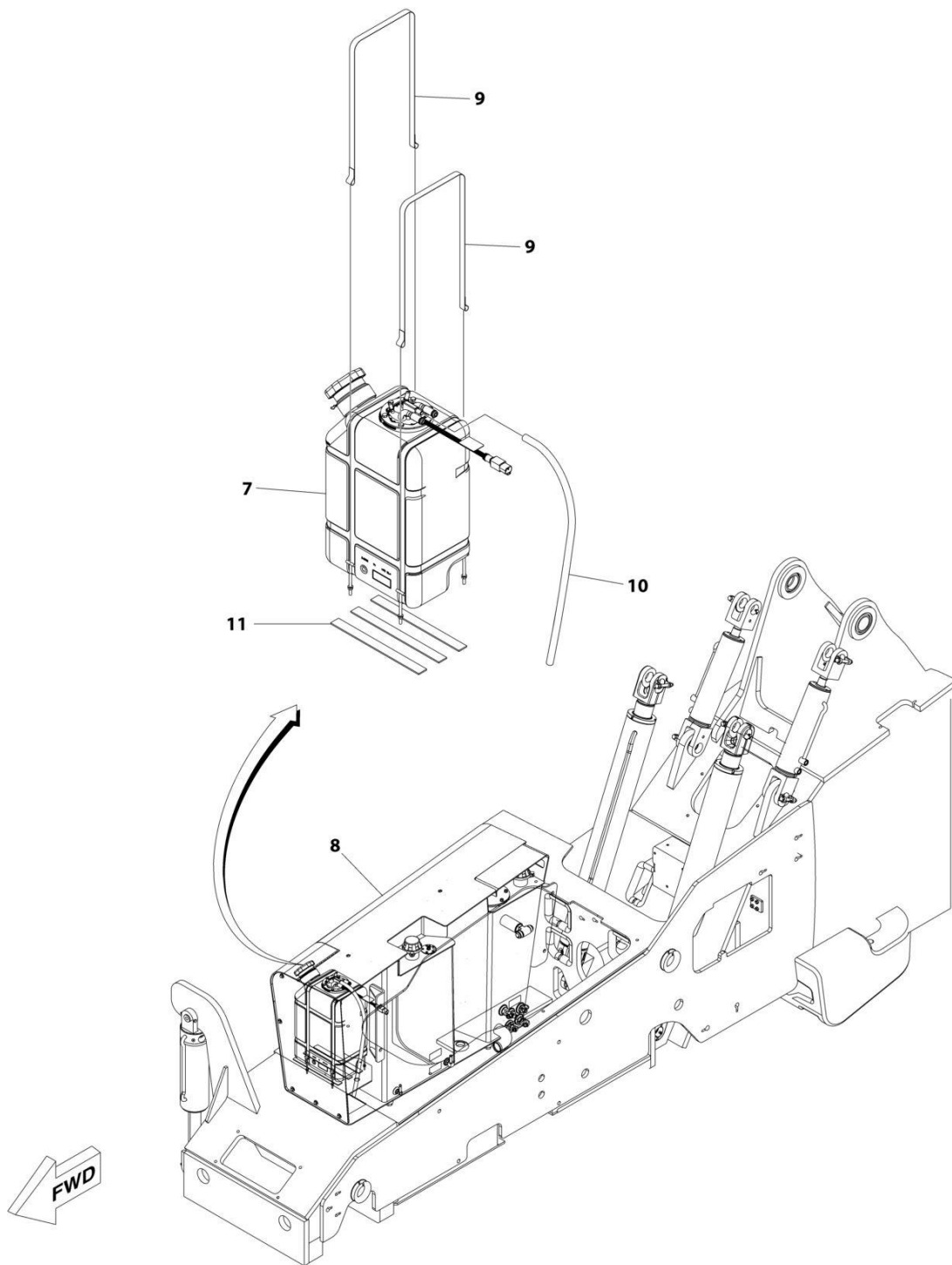
## SECTION 1 - FRAME AND ATTACHING PARTS

**FIGURE 1-14. TANKS ASSEMBLY - HYDRAULIC/FUEL/DEF (74HP ULS)**

ITEM	PART NUMBER	QTY	DESCRIPTION	REV
	1001227211	Ref	Hydraulic/Fuel Tank Assembly (ULS)	B
1	N.S.S.	1	Tank, Hydraulic/Fuel	
2	7139077	2	Filler/Breather	
3	1001145026	1	Sensor, Fuel	
4	1001199116	1	Panel, Hydraulic Fill Cover	
5	1001170329	13	Washer, Flat M8	
6	3300429	6	Nut 5/16	
7	1001199135	1	Assembly, Cover	
8	1001199136	1	Spring	
9	1001199177	1	Seal	
10	1001199205	1	Element, Filter	
11	8303697	7	Bolt 5/16 X 3/4	
12	2220239	2	Plug	
13	7024441	1	Gauge, Sight	
14	1001199181	1	Cover, DEF Tank	
15	8760552	1	Tee, Branch	
16	1001178776	1	Elbow, 90	
17	1001199210	1	Elbow, 90	
18	2220577	1	Adapter	
19	2220635	1	Tee, Run	
20	2220375	2	Adapter	
21	2220499	1	Elbow, 45	
22	8770048	1	Elbow, 45	
101	70024152	1	Kit, Filter (Includes Items 9 & 10)	

# SECTION 1 - FRAME AND ATTACHING PARTS

## FIGURE 1-15. TANKS INSTALLATION - HYDRAULIC/FUEL/DEF (110HP ULS)



ART\_1001169329\_F



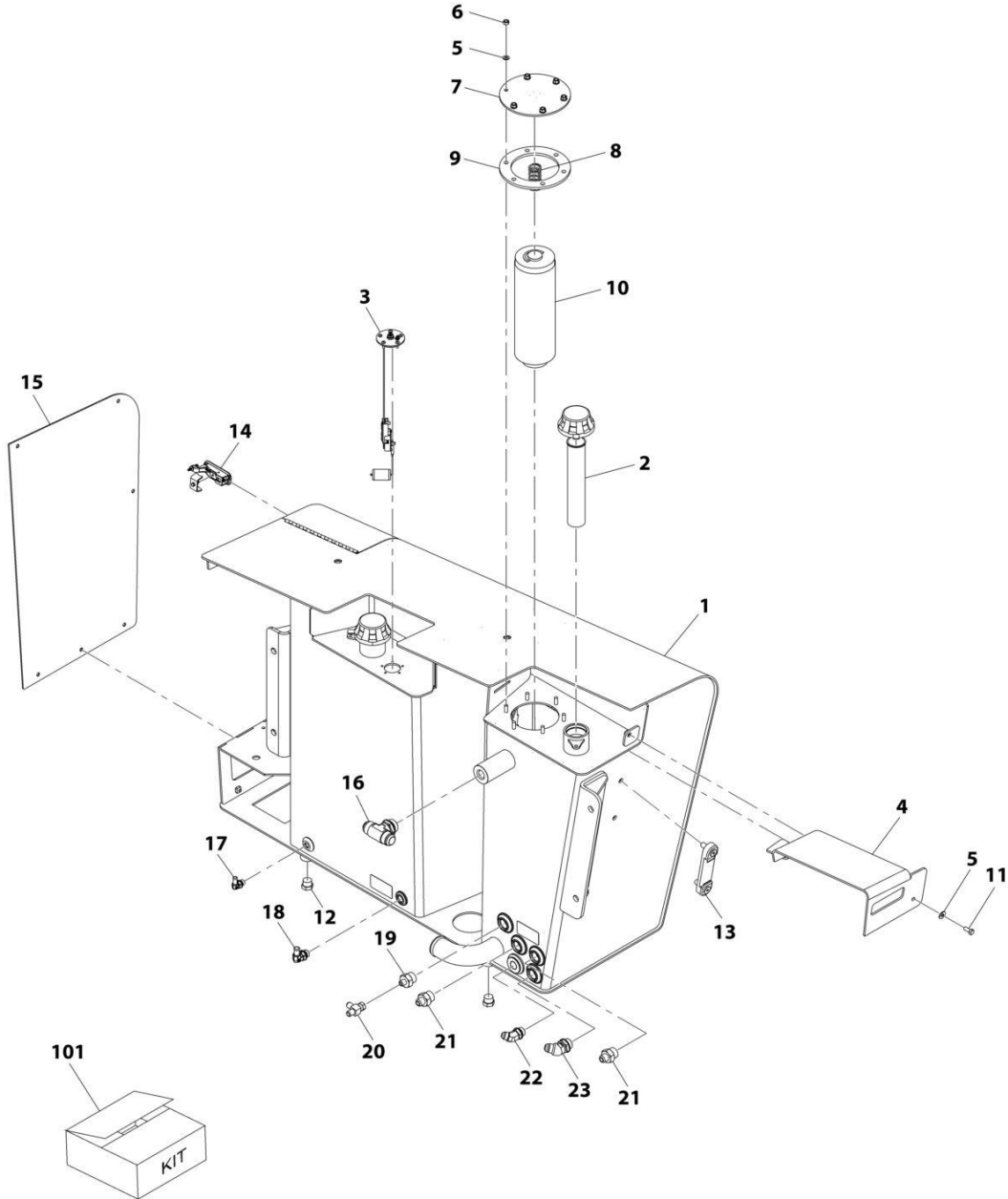
## SECTION 1 - FRAME AND ATTACHING PARTS

FIGURE 1-15. TANKS INSTALLATION - HYDRAULIC/FUEL/DEF (110HP ULS)

ITEM	PART NUMBER	QTY	DESCRIPTION	REV
	1001169329	Ref	TANK INSTALLATION - HYDRAULIC/FUEL/DEF	F
7	1001228986	1	DEF Tank (See Separate Breakdown in this Section)	
8	1001169466	1	Weldment, Fuel/Hydraulic Tank (See Separate Breakdown in this Section)	
9	1001170856	2	Strap, DEF Tank	
10	1001229095	1	Hose, DEF Tank Vent	
11	4420037	AR	Tape, Insulation	

# SECTION 1 - FRAME AND ATTACHING PARTS

FIGURE 1-16. TANKS ASSEMBLY - HYDRAULIC/FUEL (110HP ULS & LS)



ART\_1001169466

## SECTION 1 - FRAME AND ATTACHING PARTS

**FIGURE 1-16. TANKS ASSEMBLY - HYDRAULIC/FUEL (110HP ULS & LS)**

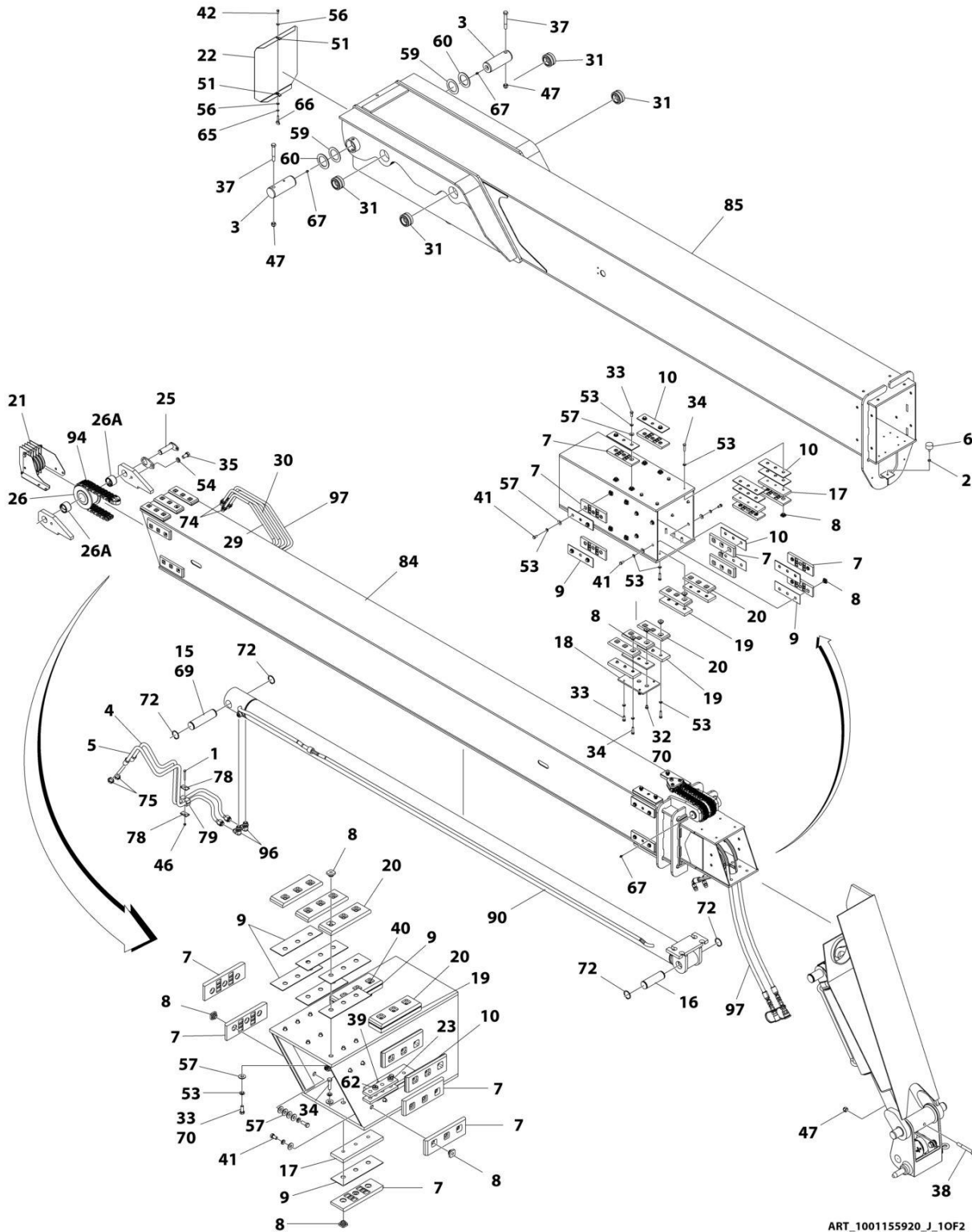
ITEM	PART NUMBER	QTY	DESCRIPTION	REV
	1001169466	Ref	Hydraulic/Fuel/DEF Tank Assembly (LS)	M
1	N.S.S.	1	Weldment, Hydraulic/Fuel Tank	
2	7139077	2	Filler/Breather	
3	1001145026	1	Sensor, Fuel	
4	1001199116	1	Panel, Hydraulic Fill Cover	
5	1001170329	7	Washer, Flat M8	
6	3300429	6	Nut, Hex 31-18	
7	1001199135	1	Assembly, Cover	
8	1001199136	1	Spring	
9	1001199177	1	Seal	
10	1001199205	1	Element, Filter	
11	8303697	1	Bolt, Hex Hd 5/16-18X3/4	
12	2220239	2	Plug	
13	7024441	1	Gauge, Sight	
14	1001199199	1	Latch	
15	1001199181	1	Cover, DEF Tank	
16	8760552	1	Tee, Branch	
17	1001178776	1	Elbow, 90	
18	1001199210	1	Elbow, 90	
19	2220577	1	Adapter	
20	2220635	1	Tee, Run	
21	2220375	2	Adapter	
22	2220499	1	Elbow, 45	
23	8770048	1	Elbow, 45	
101	70024152	1	Kit, Filter (Includes Items 9 & 10)	



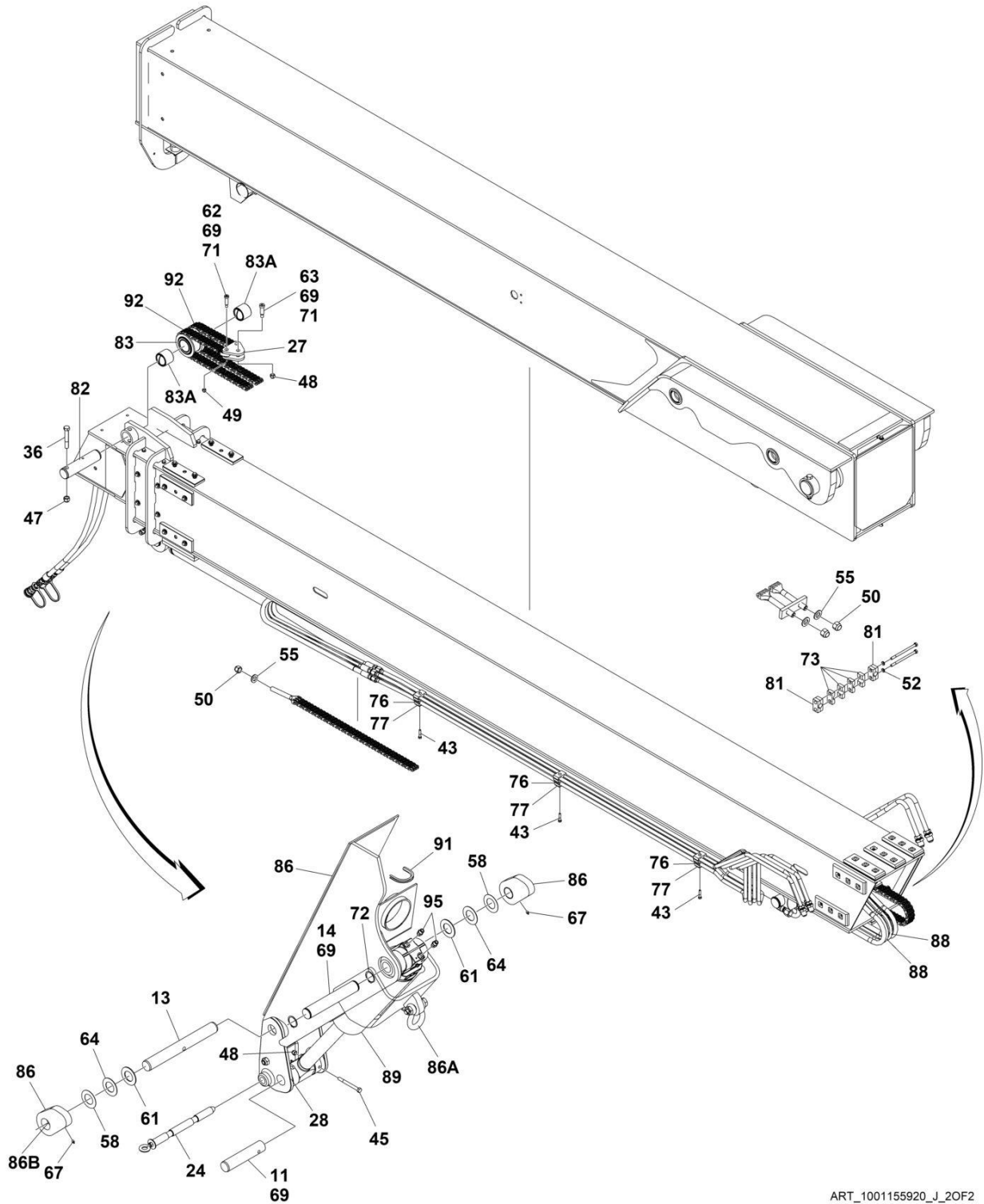
**SECTION 2 - BOOM**

# SECTION 2 - BOOM

## FIGURE 2-1. BOOM INSTALLATION



# SECTION 2 - BOOM



ART\_1001155920\_J\_2OF2

## SECTION 2 - BOOM

### FIGURE 2-1. BOOM INSTALLATION

ITEM	PART NUMBER	QTY	DESCRIPTION	REV
	1001155920	Ref	Boom Installation	J
1	0641520	1	Bolt, 5/16X2-1/2	
2	3311601	1	Nut, 3/8	
3	3423226	2	Pin, Boom Pivot	
4	3460383	1	Tube	
5	3460384	1	Tube	
6	5724622	1	Bumper, Rubber	
7	7079572	22	Pad, Wear	
8	7082311	73	Insert, Wear Pad	
9	7082342	AR	Shim, Wear Pad	
10	7082362	AR	Shim, Wear Pad	
11	7083992	1	Pin, Rod End	
13	7095352	1	Pin, Carriage Pivot	
14	7095522	1	Pin, Base End	
15	7096552	1	Pin, Base End	
16	7096562	1	Pin, Rod End	
17	7096702	4	Spacer, Wear Pad	
18	7096772	1	Spacer, Wear Pad	
19	7096882	6	Spacer, Wear Pad	
20	7111572	30	Pad, Wear	
21	7116733	1	Assembly, Hose Pulley (See Separate Breakdown in this Section)	
22	7116792	1	Cover	
23	7117031	2	Link	
24	7118892	1	Assembly, Lock Pin (See Separate Breakdown in this Section)	
25	7138977	1	Pin, Retract Chain Sheave	
26	7138986	1	Sheave, Retract Chain	
26A	7138979	2	Bushing	
27	7139180	2	Yoke, Extend Chain	
28	1001242996	1	Assembly, Quick Attach (See Separate Breakdown in this Section)	
29	7300672	1	Tube	
30	7300673	1	Tube	
31	8065640	4	Bearing, Self-Align	
32	8303041	3	Bolt, 3/8X1/2	
33	8303620	18	Bolt, 3/8X1	
34	8303621	18	Bolt, 3/8X1-1/2	
35	8303624	1	Bolt, 1/2X1	
36	8303634	1	Bolt, 5/8X4	
37	8303655	2	Bolt, 5/8X4-1/2	
38	8303666	1	Bolt, 5/8X5	
39	8303675	2	Bolt, 3/8X1-1/4	
40	8303679	6	Bolt, 3/8X1-3/4	
41	8303681	30	Bolt, 3/8X3/4	
42	8303697	1	Bolt, 5/16X3/4	
43	8303715	3	Bolt, 5/16X1-1/2	
45	8303772	1	Bolt, 1/2X5	
46	8305626	1	Nut 5/16	
47	8305643	4	Nut 5/8	
48	8305644	2	Nut 1/2	
49	8305645	4	Nut 3/8	

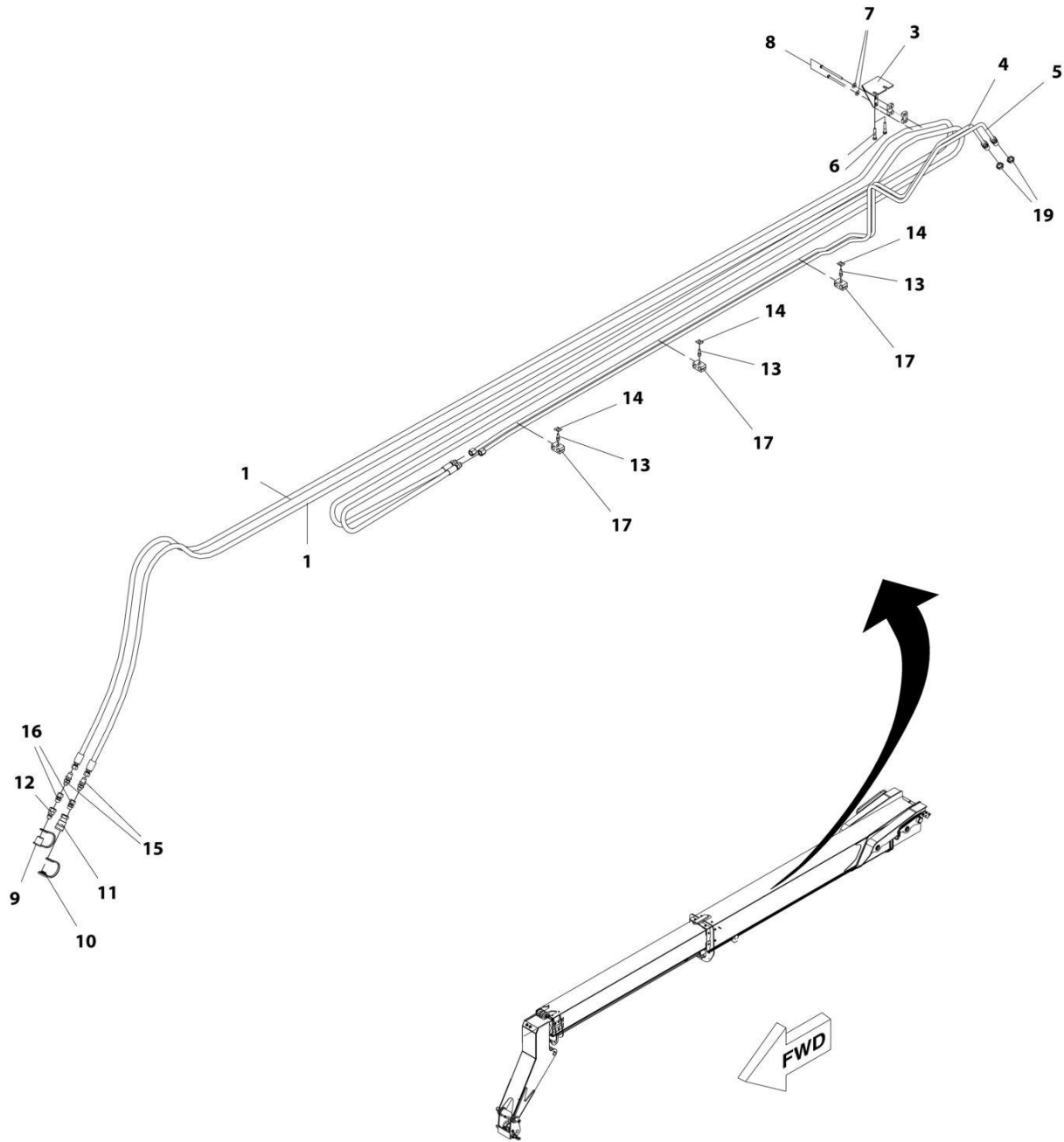


## SECTION 2 - BOOM

ITEM	PART NUMBER	QTY	DESCRIPTION	REV
50	8305646	3	Nut 3/4	
51	8305906	2	Nut, Retainer 5/16	
52	8307004	2	Washer 5/16	
53	8307005	74	Washer 3/8	
54	8307007	1	Washer 1/2	
55	8307104	3	Washer 3/4	
56	8307106	2	Washer 5/16	
57	8307204	52	Washer 3/8	
58	8307904	AR	Washer, Shim	
59	8307910	AR	Washer, Shim	
60	8307911	AR	Washer, Shim	
61	8307918	2	Washer, Shim	
62	8310019	4	Screw, Shoulder 1/2X1-1/2	
63	8310020	1	Screw, Shoulder 5/8X1-1/2	
64	8310093	AR	Washer, Shim	
65	8310431	1	Washer 5/16	
66	8310497	1	Screw, Thumb 5/16-18X1-1/2	
67	8520001	5	Fitting, Straight Lube	
69	8522012	AR	Lube, Anti-Seize	
70	8526007	AR	Compound, Thread Locking	
71	8526406	AR	Sealant, Varnish	
72	8642224	6	Ring, Retaining	
73	8750003	4	Clamp, Half 5/8	
74	8760465	2	Adapter, Bulkhead Nut	
75	8760468	2	Adapter, Bulkhead Nut	
76	8769122	3	Clamp Set, Twin	
77	8769123	3	Cover Plate, Twin	
78	8769128	2	Cover Plate, Twin	
79	8769139	1	Clamp Set, Twin	
81	8769161	2	Clamp, Half	
82	1001097735	1	Pin, Extend Chain Sheave	
83	1001101845	1	Sheave Assembly	
83A	7126662	2	Bushing	
84	1001155921	1	Boom, Second Section	
85	7302010	1	Boom, First Section	
86	1001210819	1	Boom, Fly (10042,8042)	
86A	1001204045	1	Clevis	
86B	7095312	2	Bushing	
88	2713452	2	Hose	
89	1001180763	1	Cylinder, Fork Tilt (See Separate Breakdown in HYDRAULIC COMPONENTS Section)	
90	1001156010	1	Cylinder, Extend/Retract (See Separate breakdown in HYDRAULIC COMPONENTS Section)	
91	7125811	1	Conduit	
92	7139690	2	Assembly, Extend Chain and Clevis (See Separate Breakdown in this Section)	
94	7139692	1	Assembly, Retract Chain and Clevis (See Separate Breakdown in this Section)	
95	2220373	2	Adapter, Straight	
96	2220578	2	Adapter, 90	
97	7300678	1	Installation, Boom Auxiliary Hydraulics (See Separate Breakdown in this Section)	

# SECTION 2 - BOOM

## FIGURE 2-2. BOOM AUXILIARY HYDRAULICS INSTALLATION (10042,6042,8042)



ART\_7300678\_E

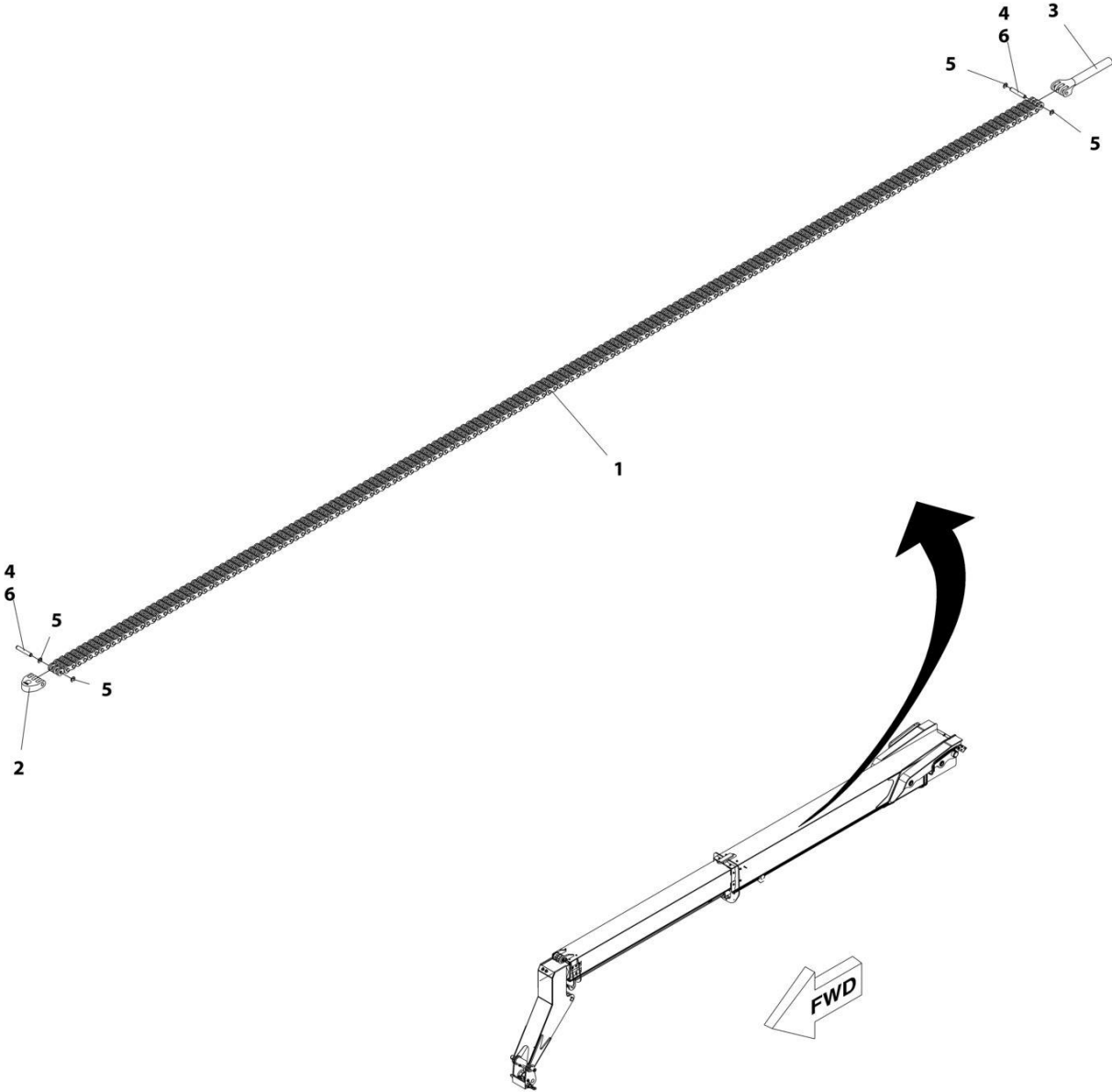
## SECTION 2 - BOOM

**FIGURE 2-2. BOOM AUXILIARY HYDRAULICS INSTALLATION (10042,6042,8042)**

ITEM	PART NUMBER	QTY	DESCRIPTION	REV
	7300678	Ref	Boom Auxiliary Hydraulics Installation	F
1	2713082	2	Hose	
3	7111402	1	Support, Hose Clamp	
4	7300674	1	Tube, Boom Auxiliary Inner	
5	7300675	1	Tube, Boom Auxiliary Outer	
6	8303622	2	Bolt, 3/8-16X2	
7	8307203	2	Washer, Plain 5/16	
8	8310081	2	Bolt, 5/16-18X5	
9	8420053	1	Cap, Dust	
10	8420055	1	Plug, Dust	
11	91403413	1	Adapter, Quick Disconnect	
12	91403414	1	Adapter, Quick Disconnect	
13	8750011	3	Bolt, Stacking 5/16	
14	8750017	3	Plate, Twin Clamp Locking	
15	2230025	2	Adapter, Bulkhead Straight	
16	2220651	2	Adapter, Straight	
17	8769122	3	Clamp Set, Twin 5/8	
18	8769161	2	Clamp, Half Single 3/4	
19	8760465	2	Adapter, Bulkhead Nut	
20	0761010	2	Bolt M10 x 20	
21	2221027	2	Fitting	
22	4812000	2	Washer M10	
23	1001272715	1	Plate	

**SECTION 2 - BOOM**

**FIGURE 2-3. EXTEND CHAIN ASSEMBLY (10042,6042,8042)**



ART\_7139690\_B

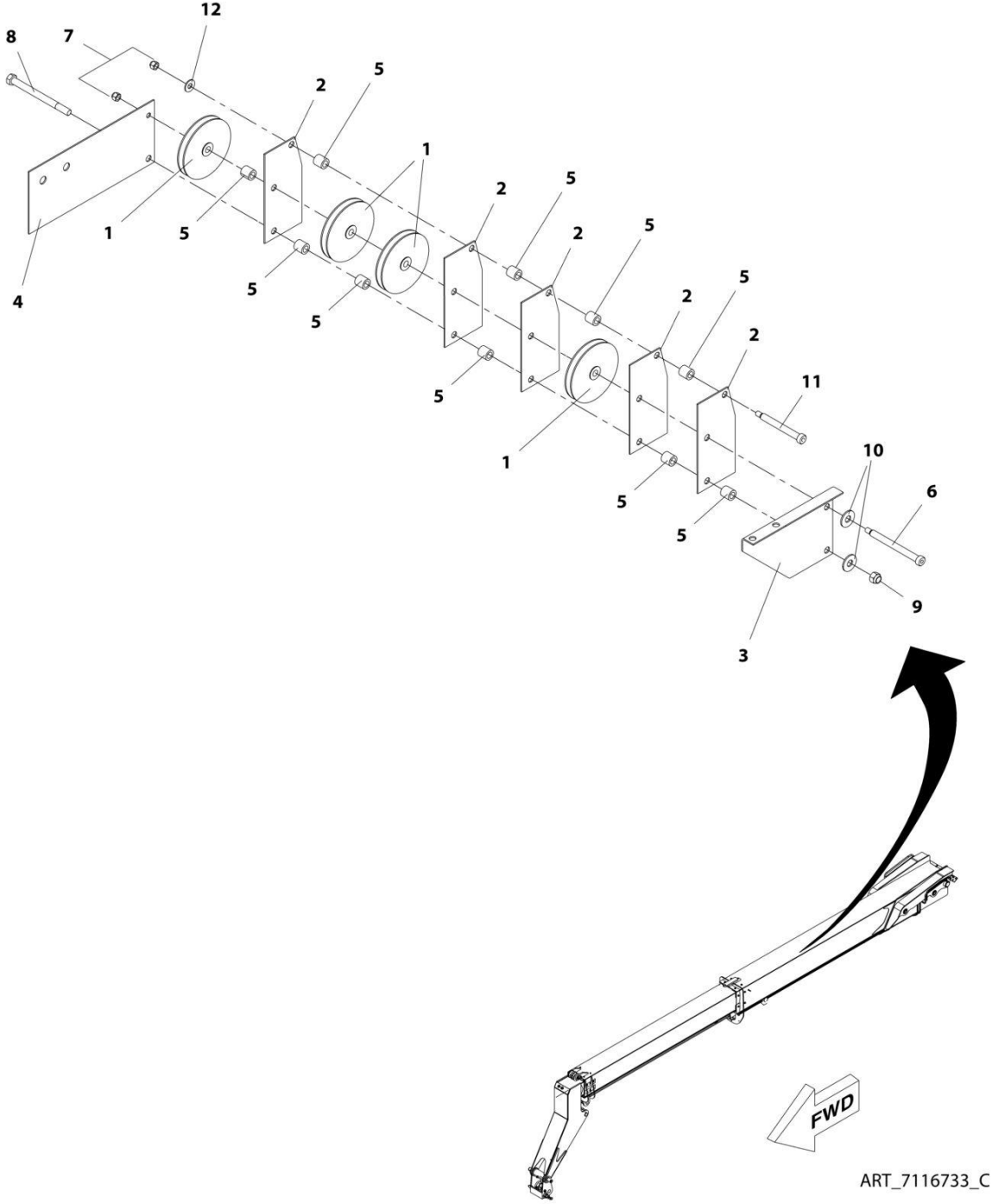
## SECTION 2 - BOOM

**FIGURE 2-3. EXTEND CHAIN ASSEMBLY (10042,6042,8042)**

ITEM	PART NUMBER	QTY	DESCRIPTION	REV
	7139690	Ref	Extend Chain Assembly	B
1	8127022	1	Chain, Leaf	
2	7139416	1	Clevis, Female Anchor	
3	7139032	1	Clevis, Female Anchor	
4	8124138	2	Pin, Chain Clevis	
5	8642237	4	Ring, Retaining	
6	8522012	AR	Lube, Anti-Seize	

SECTION 2 - BOOM

FIGURE 2-4. HOSE PULLEY ASSEMBLY



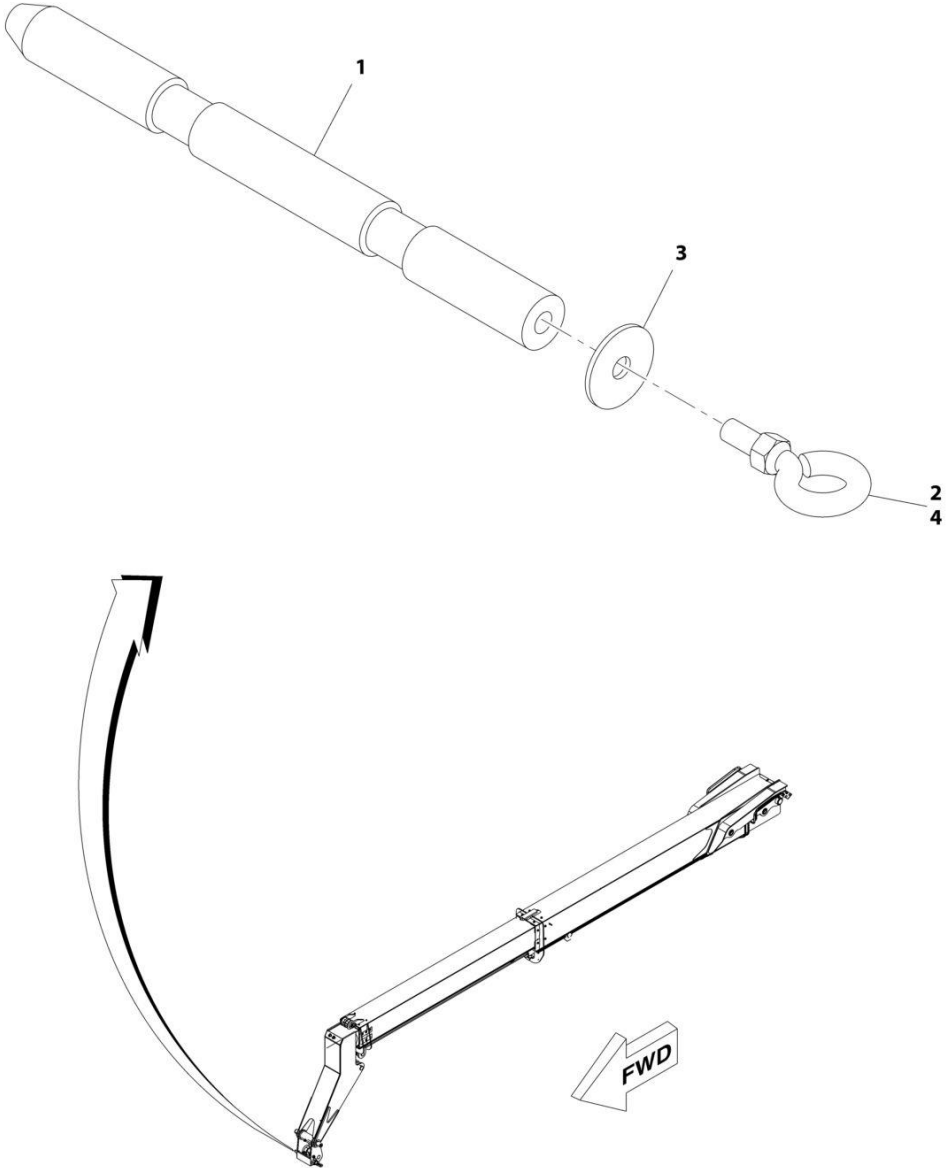
ART\_7116733\_C

FIGURE 2-4. HOSE PULLEY ASSEMBLY

ITEM	PART NUMBER	QTY	DESCRIPTION	REV
	7116733	Ref	Hose Pulley Assembly	C
1	7116812	4	Wheel, Roller	
2	7116642	5	Divider	
3	7116652	1	Bracket, RH	
4	7116662	1	Bracket, LH	
5	7116691	10	Spacer	
6	8310235	1	Screw, Shoulder 1/2X5	
7	8305645	2	Nut, Lock 3/8-16	
8	8310209	1	Bolt, 1/2-13X6	
9	8305644	1	Nut, Lock 1/2-13	
10	8307206	2	Washer, Plain 1/2	
11	8310245	1	Screw, Shoulder 1/2X4	
12	8307204	1	Washer, Plain 3/8	

**SECTION 2 - BOOM**

**FIGURE 2-5. LOCK PIN ASSEMBLY**



ART\_7118892-B

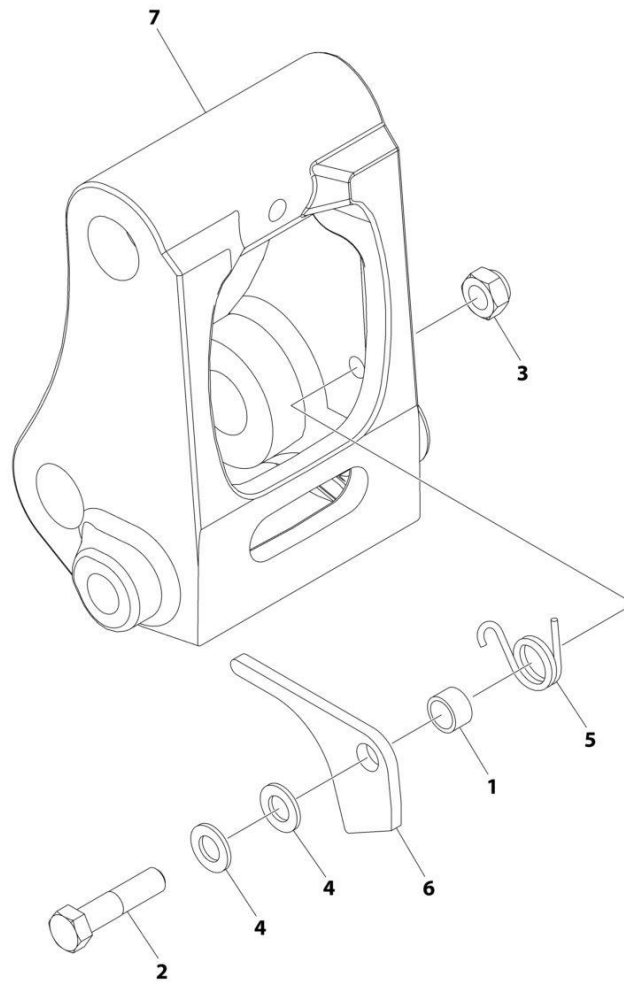


FIGURE 2-5. LOCK PIN ASSEMBLY

ITEM	PART NUMBER	QTY	DESCRIPTION	REV
	7118892	Ref	Lock Pin Assembly	B
1	7118882	1	Pin	
2	8310266	2	Bolt, Eye 1/2-13X2	
3	8310276	3	Washer	
4	8526007	AR	Compound, Locking	

## SECTION 2 - BOOM

FIGURE 2-6. QUICK COUPLING ASSEMBLY



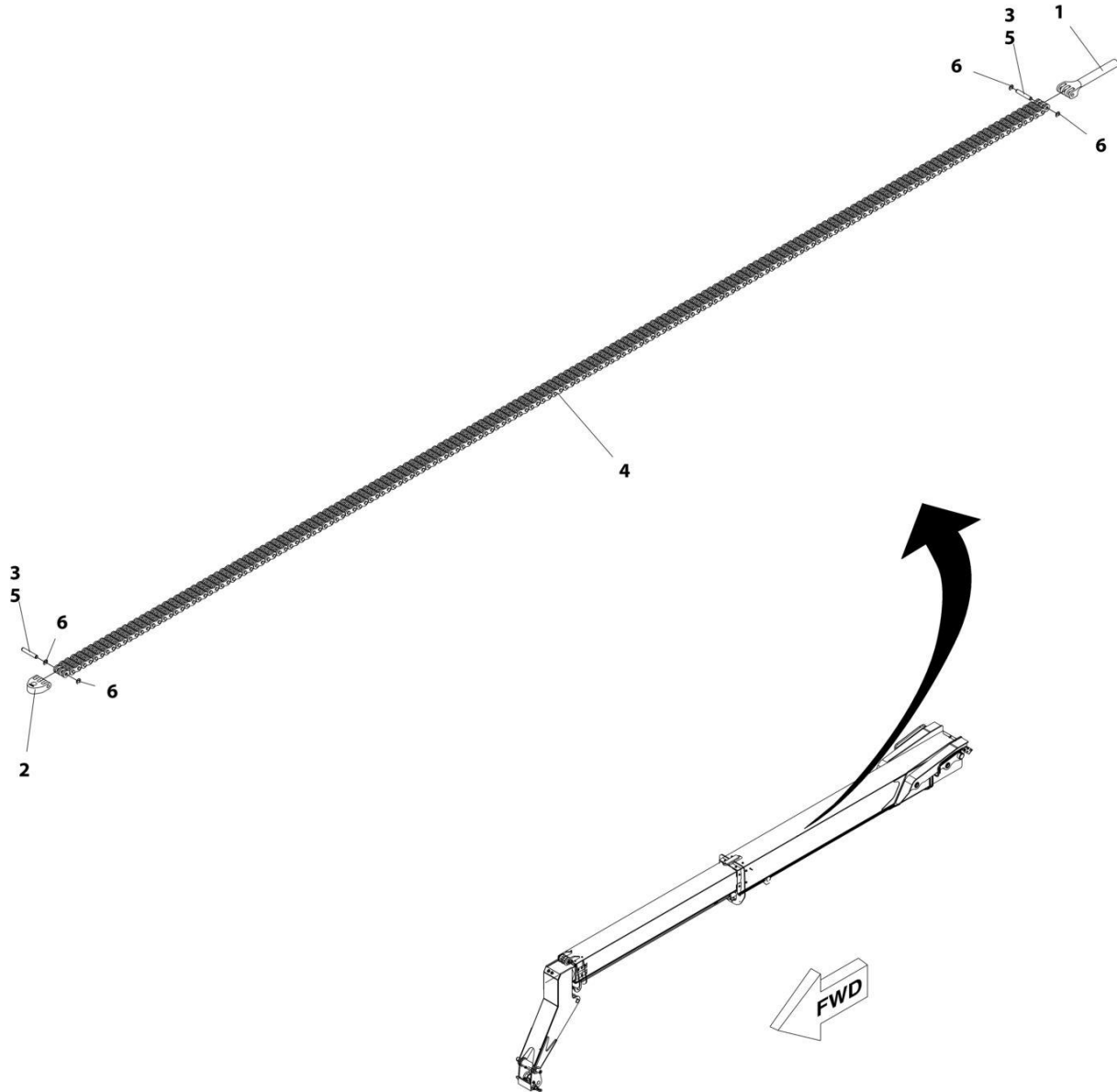
ART\_1001242996\_C

FIGURE 2-6. QUICK COUPLING ASSEMBLY

ITEM	PART NUMBER	QTY	DESCRIPTION	REV
	1001242996	Ref	COUPLER ASSEMBLY	C
1	7085571	1	Spacer	
2	8303640	1	Bolt	
3	8305619	1	Nut 3/4	
4	8307104	2	Washer 3/4	
5	1001243025	1	Spring, Torsion	
6	1001243026	1	Plate, Pin Latch	
7	1001243219	1	Coupler, Link	

# SECTION 2 - BOOM

## FIGURE 2-7. RETRACT CHAIN AND CLEVIS ASSEMBLY



ART\_7139692\_B

**FIGURE 2-7. RETRACT CHAIN AND CLEVIS ASSEMBLY**

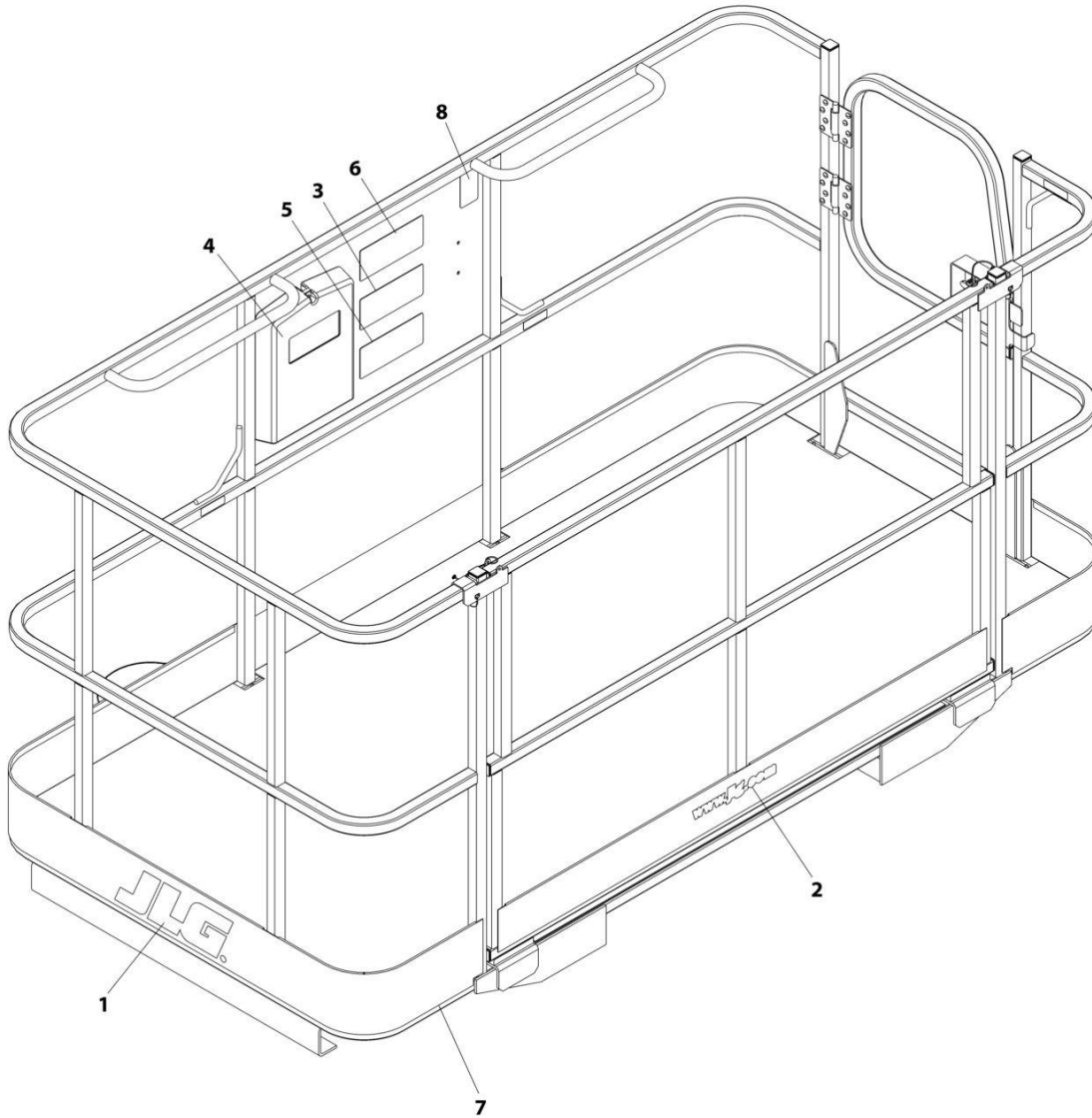
ITEM	PART NUMBER	QTY	DESCRIPTION	REV
	7139692	Ref	Chain and Clevis Assembly	B
1	7139032	1	Clevis, Female Anchor	
2	7139416	1	Clevis, Female Anchor	
3	8124138	2	Pin, Chain Clevis	
4	8127024	1	Chain, Leaf	
5	8522012	AR	Lube, Anti-Seize	
6	8642237	4	Ring, Retaining	



**SECTION 3 - ATTACHMENTS**

# SECTION 3 - ATTACHMENTS

## FIGURE 3-1. BASKET, PERSONNEL - 4FT X 8FT DOMESTIC)



ART\_1001238653-A



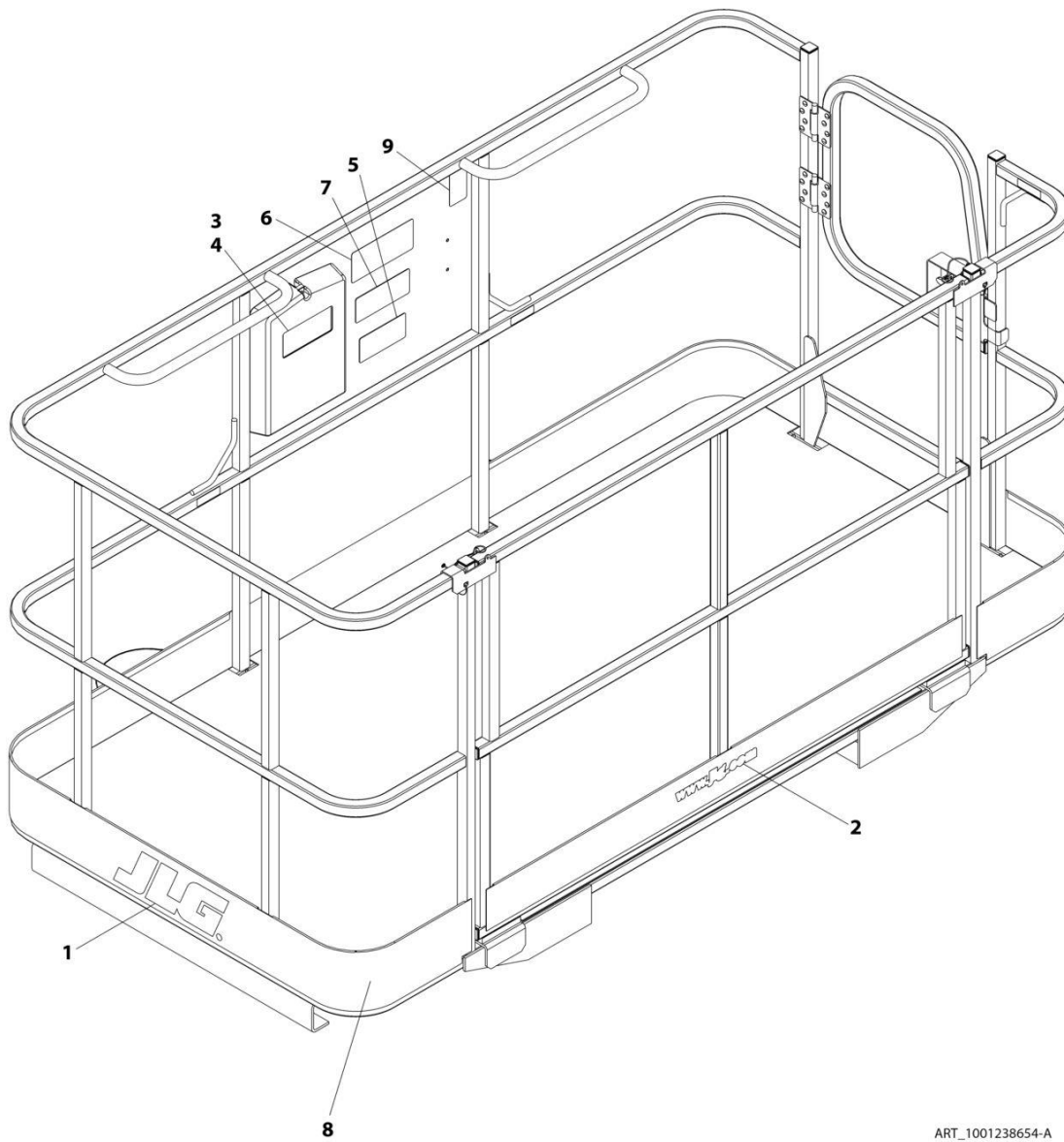
## SECTION 3 - ATTACHMENTS

**FIGURE 3-1. BASKET, PERSONNEL - 4FT X 8FT DOMESTIC)**

ITEM	PART NUMBER	QTY	DESCRIPTION	REV
	1001238653	Ref	FORK MOUNTED PLATFORM	B
1	1702773	2	Decal, JLG	
2	1704885	1	Decal, Website	
3	1706892	1	Decal, Platform Warning	
4	31200160	1	Manual, Personnel Work Platform Operation and Safety	
5	1001092481	1	Decal, Warning Attachment	
6	1001092482	1	Decal, Platform Capacity	
7	1001238565	1	Platform, Fork Mounted (See Separate Breakdown in this Section)	
8	See Note	NSS	SN Plate (Note: Stamped Part - Not Available for Purchase)	

# SECTION 3 - ATTACHMENTS

FIGURE 3-2. BASKET, PERSONNEL - 4FT X 8FT (ISO)



ART\_1001238654-A

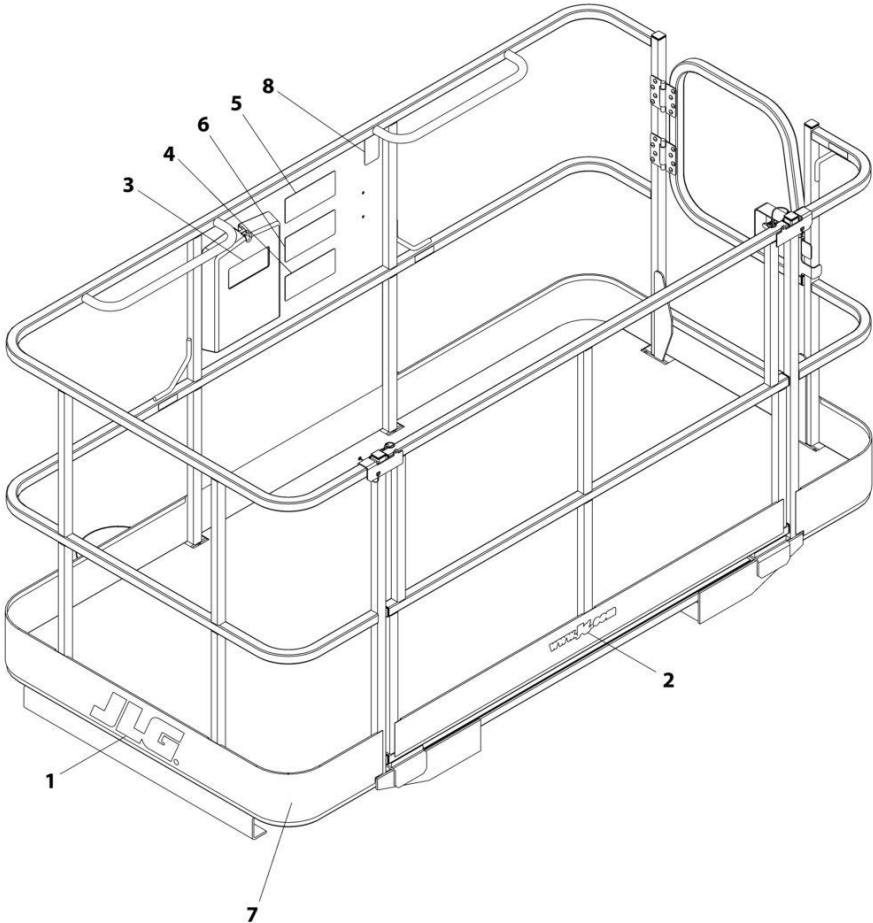
## SECTION 3 - ATTACHMENTS

**FIGURE 3-2. BASKET, PERSONNEL - 4FT X 8FT (ISO)**

ITEM	PART NUMBER	QTY	DESCRIPTION	REV
	1001238654	Ref	BASKET, PERSONNEL	B
1	1702773	2	Decal, JLG	
2	1704885	1	Decal, Website	
3	31200387	1	Manual, Operation and Safety, Spanish	
4	31200388	1	Manual, Operation and Safety, Portuguese	
5	1001096021	1	Decal, Warning Attachment	
6	1001096023	1	Decal, Platform Capacity	
7	1001096025	1	Decal, Platform Warning	
8	1001238565	1	Platform, Fork Mounted (ANSI) (See Separate Breakdown in this Section)	
9	See Note	NSS	SN Plate (Note: Stamped Part - Not Available for Purchase)	

**SECTION 3 - ATTACHMENTS**

**FIGURE 3-3. BASKET, PERSONNEL - 4FT X 8FT (FRENCH)**



ART\_1001238655-A

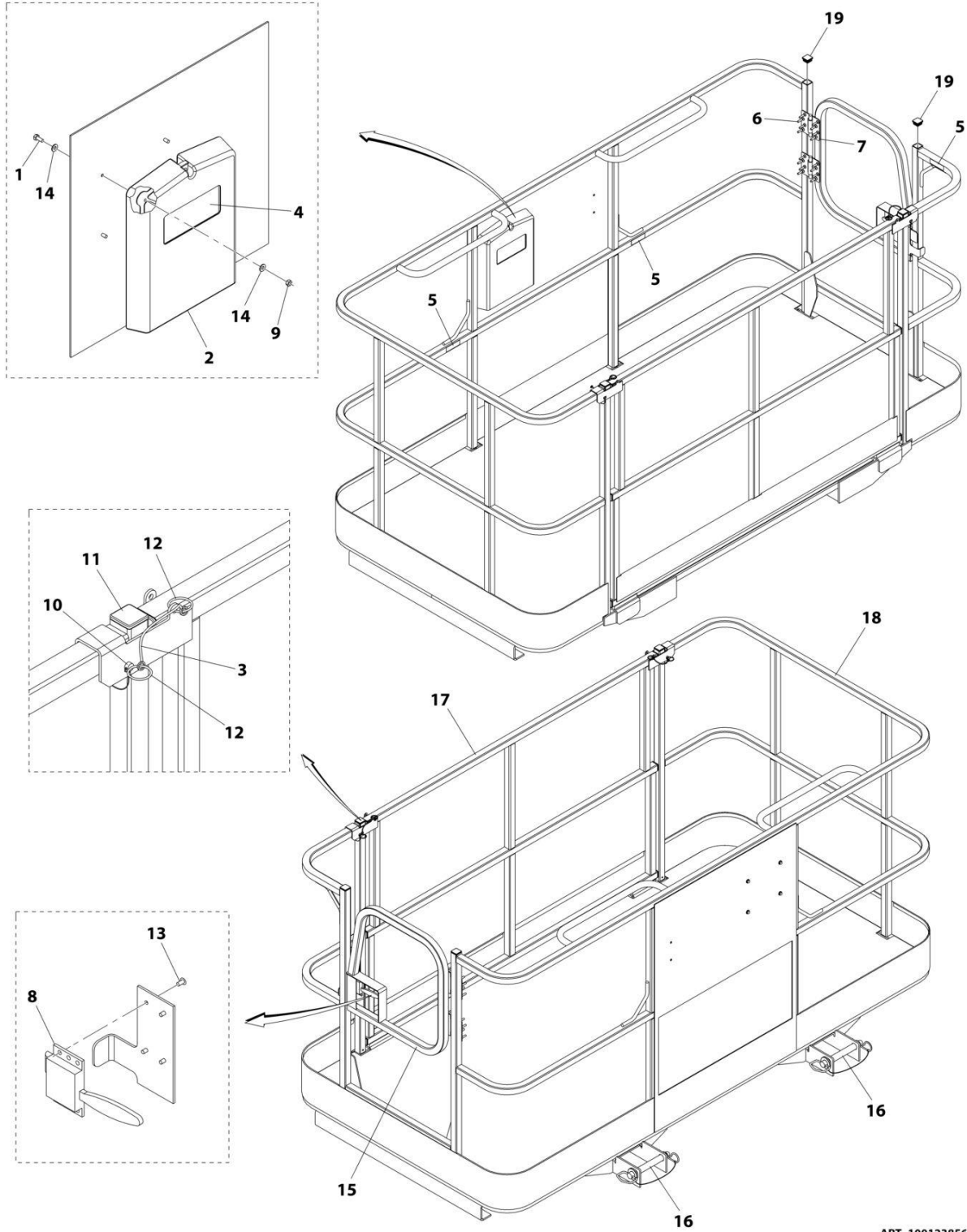
## SECTION 3 - ATTACHMENTS

**FIGURE 3-3. BASKET, PERSONNEL - 4FT X 8FT (FRENCH)**

ITEM	PART NUMBER	QTY	DESCRIPTION	REV
	1001238655	Ref	BASKET, PERSONNEL	B
1	1702773	2	Decal, JLG	
2	1704885	1	Decal, Website	
3	31200386	1	Manual, Operation and Safety (French)	
4	1001096019	1	Decal, Warning Attachment (French)	
5	1001096020	1	Decal, Platform Capacity (French)	
6	1001096024	1	Decal, Platform Warning (French)	
7	1001238565	1	Platform, Fork Mounted (ANSI) (See Separate Breakdown in this Section)	
8	See Note	NSS	SN Plate (Note: Stamped Part - Not Available for Purchase)	

# SECTION 3 - ATTACHMENTS

## FIGURE 3-4. BASKET, FORK MOUNTED



ART\_1001238565

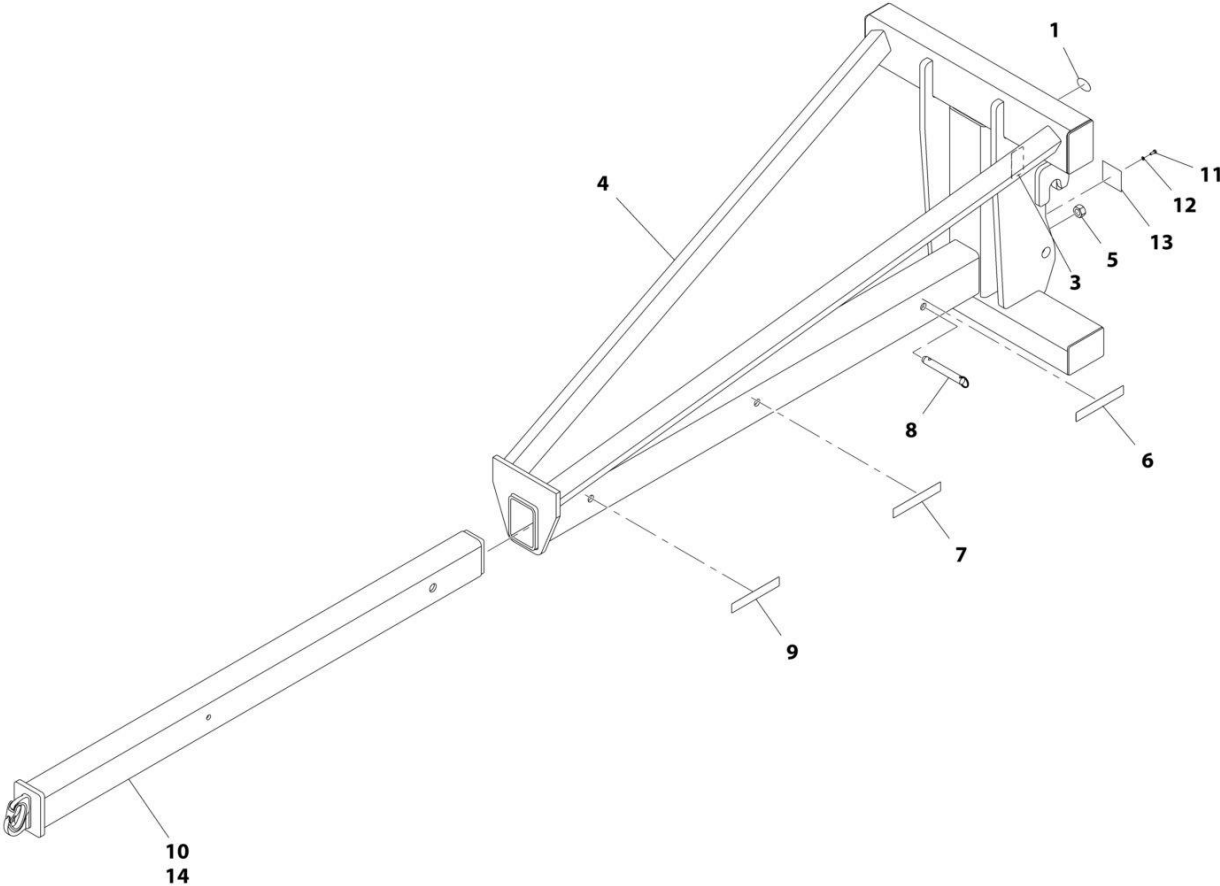
## SECTION 3 - ATTACHMENTS

### FIGURE 3-4. BASKET, FORK MOUNTED

ITEM	PART NUMBER	QTY	DESCRIPTION	REV
	1001238565	Ref	FORK MOUNTED PLATFORM ASSEMBLY	F
1	0641405	4	Bolt 1/4 x 5/8	
2	0860520	1	Box, Manual Storage	
3	1060379	2	Cable, Lanyard	
4	1701509	1	Decal, Manual	
5	1704277	3	Decal, Lanyard Attach	
6	2080040	16	Fastener	
7	2600281	2	Hinge	
8	2940074	1	Latch	
9	3311405	4	Nut 1/4	
10	3421453	2	Pin	
11	3520072	7	Plug	
12	3760170	4	Ring	
13	3820020	4	Rivet	
14	4711400	8	Washer 1/4	
15	1001144629J	1	Gate	
16	1001238560	2	Pin, Hitch	
17	1001095810	1	Gate	
18	See Note	NSS	Platform, Fork Mounted	
19	3520198	4	Plug	

**SECTION 3 - ATTACHMENTS**

**FIGURE 3-5. BOOM - ADJUSTABLE (CARRIAGE MOUNTED)**



ART\_1001176515-C



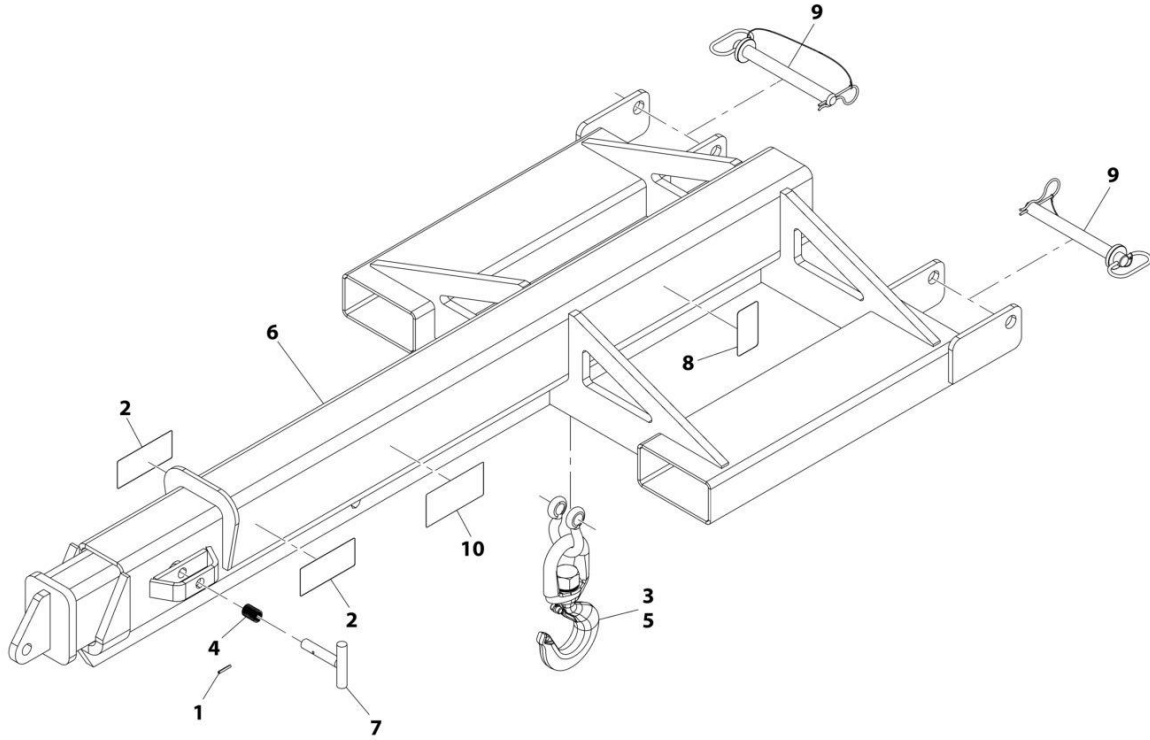
## SECTION 3 - ATTACHMENTS

**FIGURE 3-5. BOOM - ADJUSTABLE (CARRIAGE MOUNTED)**

ITEM	PART NUMBER	QTY	DESCRIPTION	REV
	1001176515	Ref	ADJUSTABLE TRUSS BOOM	C
1	90554016	1	Decal, Made in USA	
3	See Note	NSS	S/N Plate (Note: Stamped Part - Not Available for Purchase)	
4	See Note	NSS	Truss Boom (Note: Purchase Complete Assembly)	
5	70021440	1	Nut	
6	70024062	2	Decal, 4000 lbs cap	
7	70026944	2	Decal, 3000 lbs cap	
8	70026946	1	Pin	
9	70026699	2	Decal, 2000 lbs cap	
10	70026747	1	Seal	
11	90554033	1	Bolt 3/4 x 1/4	
12	90554034	1	Washer 1/4	
13	70026948	1	Plate, Stop	
14	70026949	1	Boom, Telescopic	

**SECTION 3 - ATTACHMENTS**

**FIGURE 3-6. BOOM - ADJUSTABLE (FORK MOUNTED)**



ART\_1001230241-H

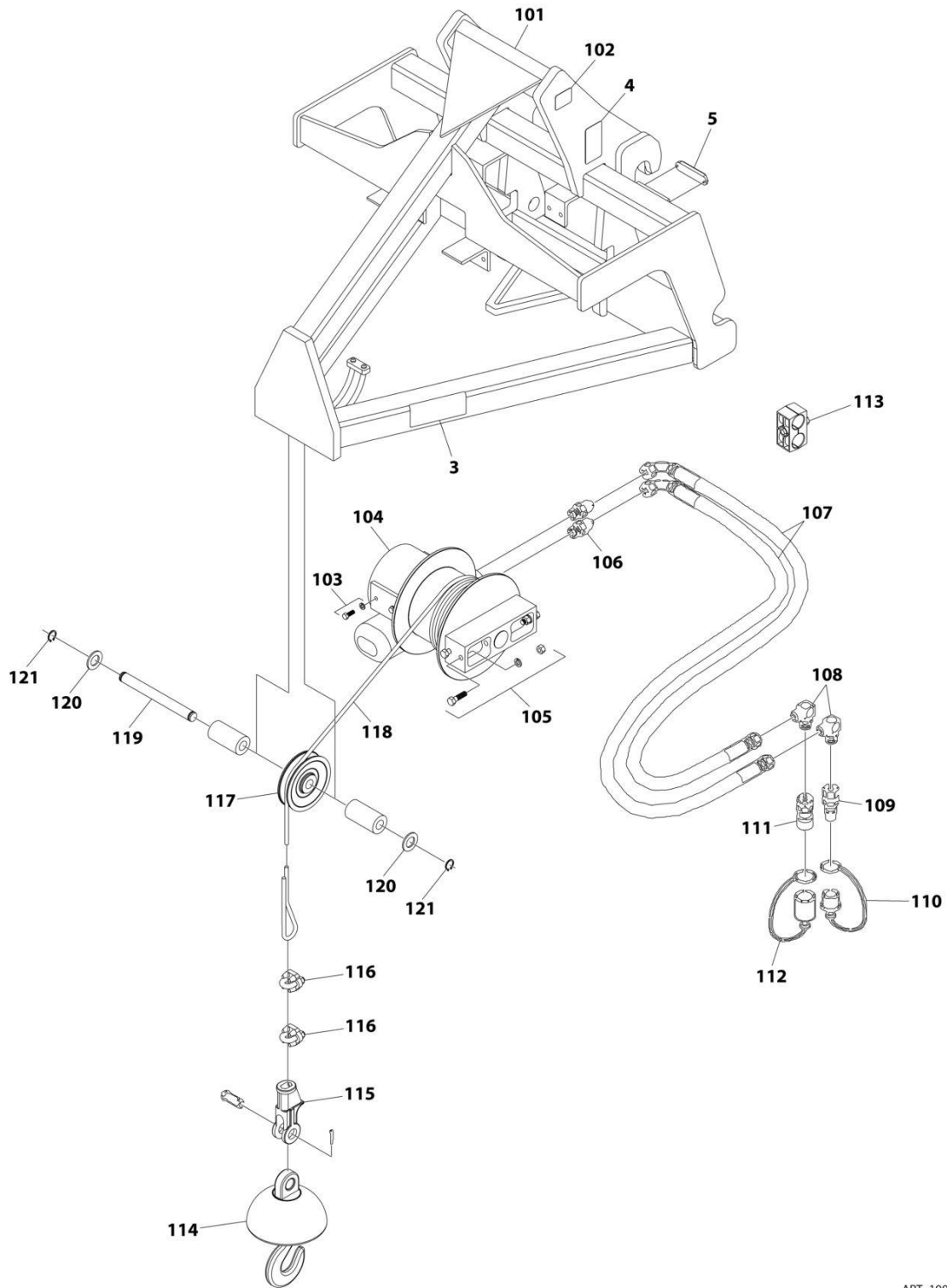
## SECTION 3 - ATTACHMENTS

### FIGURE 3-6. BOOM - ADJUSTABLE (FORK MOUNTED)

ITEM	PART NUMBER	QTY	DESCRIPTION	REV
	1001230241	Ref	Adjustable Truss Boom Installation (Fork Mounted)	J
1	3440620	1	Pin	
2	4110422	2	Decal, Danger Swinging Loads	
3	91403448	1	Hook, Swivel	
4	1001128890	1	Spring	
5	1001146160	1	Shackle	
6	See Note	NSS	Boom, Truss - Adjustable (Note: Purchase Complete Assembly)	
7	1001230239	1	Pin	
8	See Note	NSS	SN Plate (Note:Stamped Part - Not Available for Purchase)	
9	1001231692	2	Pin	
10	1001232500	1	Decal, Load Capacities	

# SECTION 3 - ATTACHMENTS

## FIGURE 3-7. BOOM - 3FT WITH WINCH



ART\_1001100967\_H

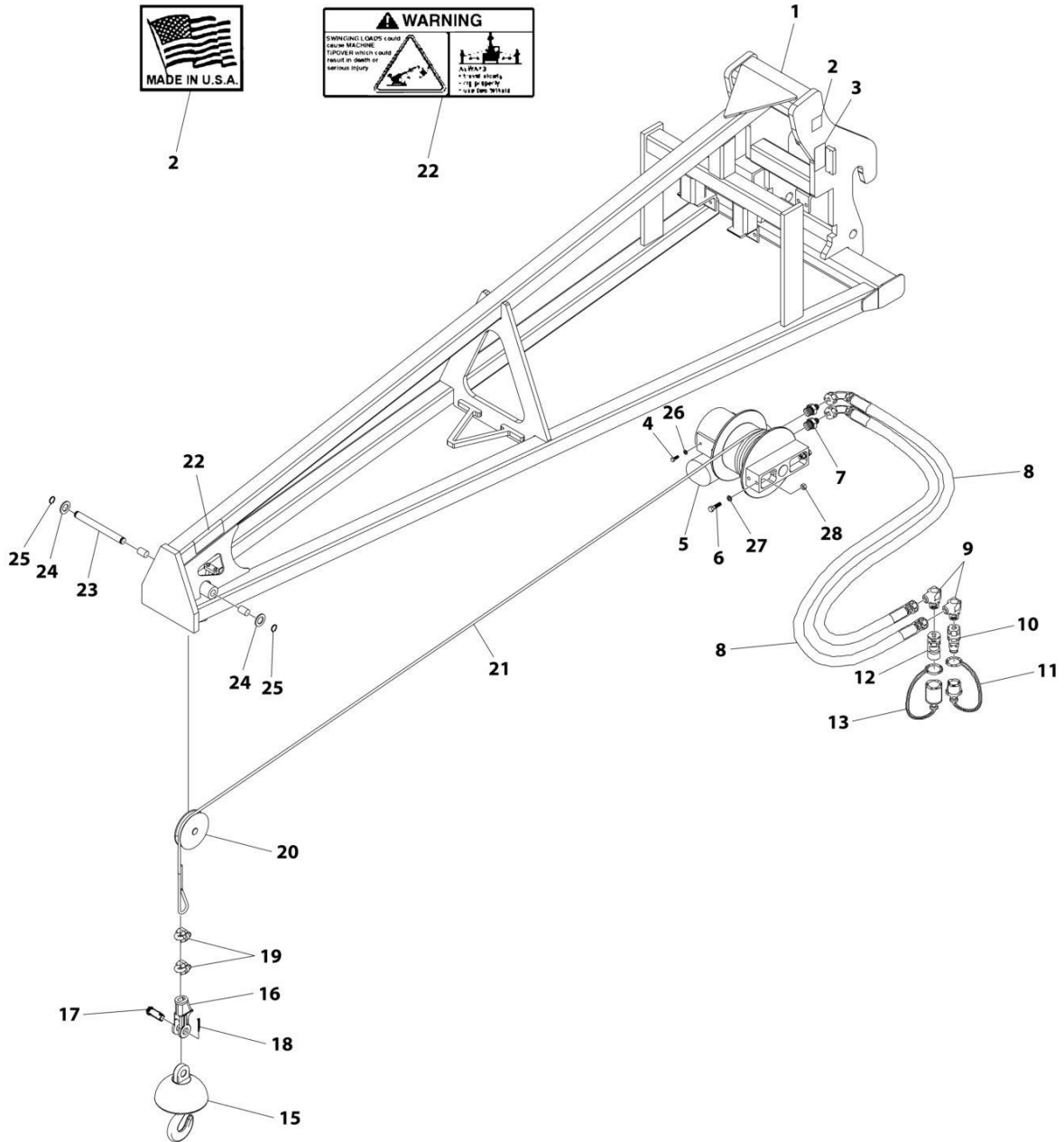
## SECTION 3 - ATTACHMENTS

**FIGURE 3-7. BOOM - 3FT WITH WINCH**

ITEM	PART NUMBER	QTY	DESCRIPTION	REV
	1001100967	Ref	TRUSS BOOM ASSEMBLY (3 FOOT WITH WINCH) (INCLUDES ITEMS 3, 4, 5 & 101 THRU 121)	H
3	4110422	2	Decal, Danger, Swinging Loads	
4	See Note	NSS	S/N Plate (Note: Stamped Part - Not Available for Purchase)	
5	1001227670	1	Tag, RFID	
101	See Note	NSS	Truss Boom Frame (Note: Purchase Complete Assembly)	
102	90554016	1	Decal	
103	70021349	4	Bolt	
103	90554042	4	Washer	
104	70021921	1	Winch, Truss Boom	
105	70024059	4	Bolt	
105	90554054	4	Nut	
105	90554020	4	Washer	
106	70021415	2	Fitting	
107	70021977	2	Hose 32in (Boom Front Disconnect)	
107	70031445	2	Hose 48in (Boom Side Disconnect)	
108	70022527	2	Fitting, 90	
109	91403414	1	Fitting, Straight	
110	8420053	1	Cap	
111	91403413	1	Fitting, Straight	
112	8420055	1	Plug	
113	70021387	1	Clamp	
114	70021978	1	Ball Swivel Safety Hook	
115	70021979	1	Assembly, Socket	
116	70022528	2	Clamp	
117	70021935	1	Pulley	
118	70022028	1	Cable	
119	70022529	1	Pin	
120	70027009	2	Washer	
121	70026698	2	Ring, Snap	

# SECTION 3 - ATTACHMENTS

## FIGURE 3-8. BOOM - 12FT WITH WINCH



ART\_1001099351

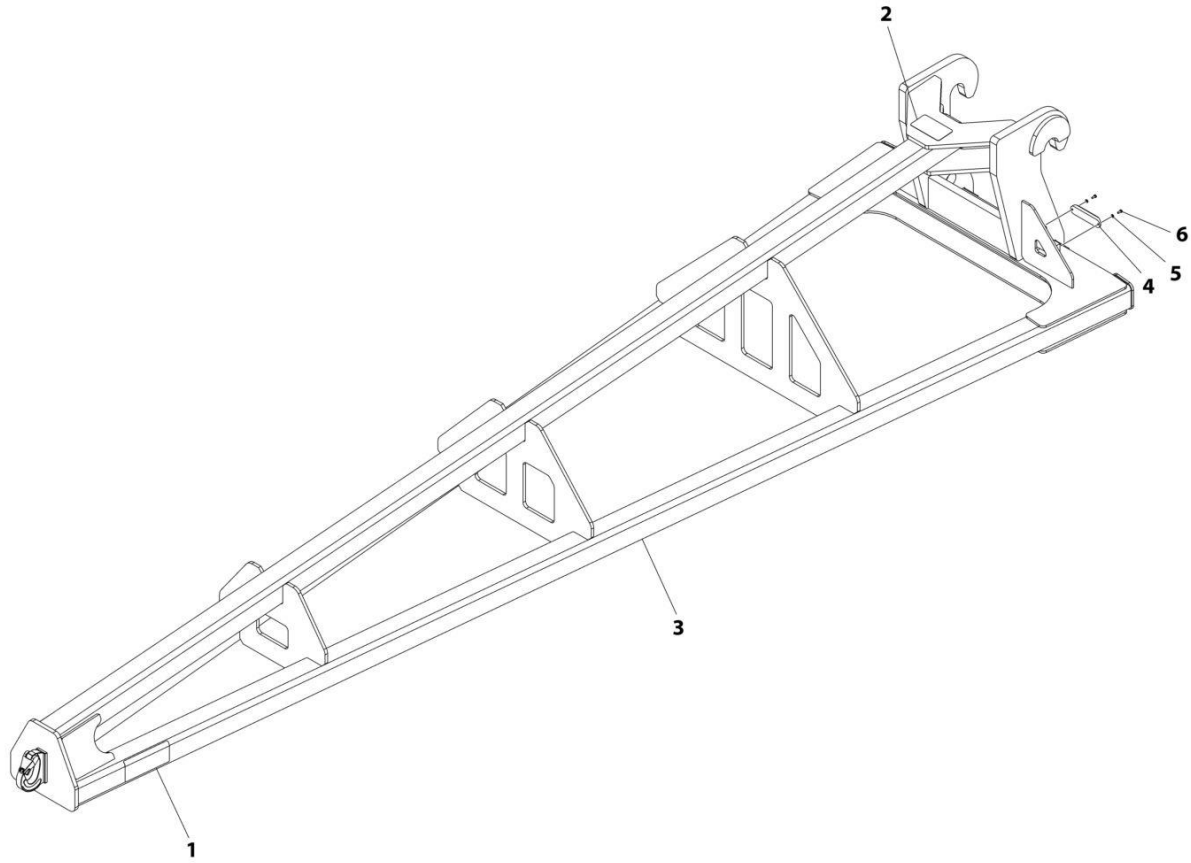
## SECTION 3 - ATTACHMENTS

### FIGURE 3-8. BOOM - 12FT WITH WINCH

ITEM	PART NUMBER	QTY	DESCRIPTION	REV
	1001099351	Ref	TRUSS BOOM (0.9 TON - 3.7M WITH WINCH)	L
1	See Note	NSS	Frame, Truss Boom (Note: Purchase Complete Assembly)	
2	90554016	1	Decal, Made in USA	
	See Note	NSS	S/N Plate (Note: Stamped Part - Not Available for Purchase)	
4	70021349	4	Bolt 3/8 x 1	
5	70021921	1	Motor, Truss Boom Winch	
6	70024059	2	Bolt 1/2 x 1-3/4	
7	70021415	2	Connector	
8	70021977	2	Hose 32in (Boom Front Disconnect)	
8	70031445	2	Hose 48in (Boom Side Disconnect)	
9	70022527	2	Fitting, 90	
10	7029692	1	Fitting, Straight	
11	90554062	1	Cap, Dust	
12	70021342	1	Fitting, Straight	
13	90554076	1	Cap, Dust	
15	70021978	1	Ball Swivel with Safety Hook	
16	70021979	1	Assembly, Socket (includes items 17 thru 18)	
17	See Note	NSS	Pin (Note: Use Item 16)	
18	See Note	NSS	Pin, Cotter (Note: Use Item 16)	
19	70022528	2	Clamp	
20	70021935	1	Pulley	
21	70022028	1	Cable	
22	4110422	2	Decal, Warning Swinging Loads	
23	70022529	1	Pin	
24	70024060	2	Washer	
25	70026698	2	Ring, Snap	
26	90554042	4	Washer 3/8	
27	90554020	2	Washer 1/2	
28	90554054	2	Nut 1/2	

# SECTION 3 - ATTACHMENTS

## FIGURE 3-9. BOOM - 2FT WITHOUT WINCH



ART\_1001099902\_H



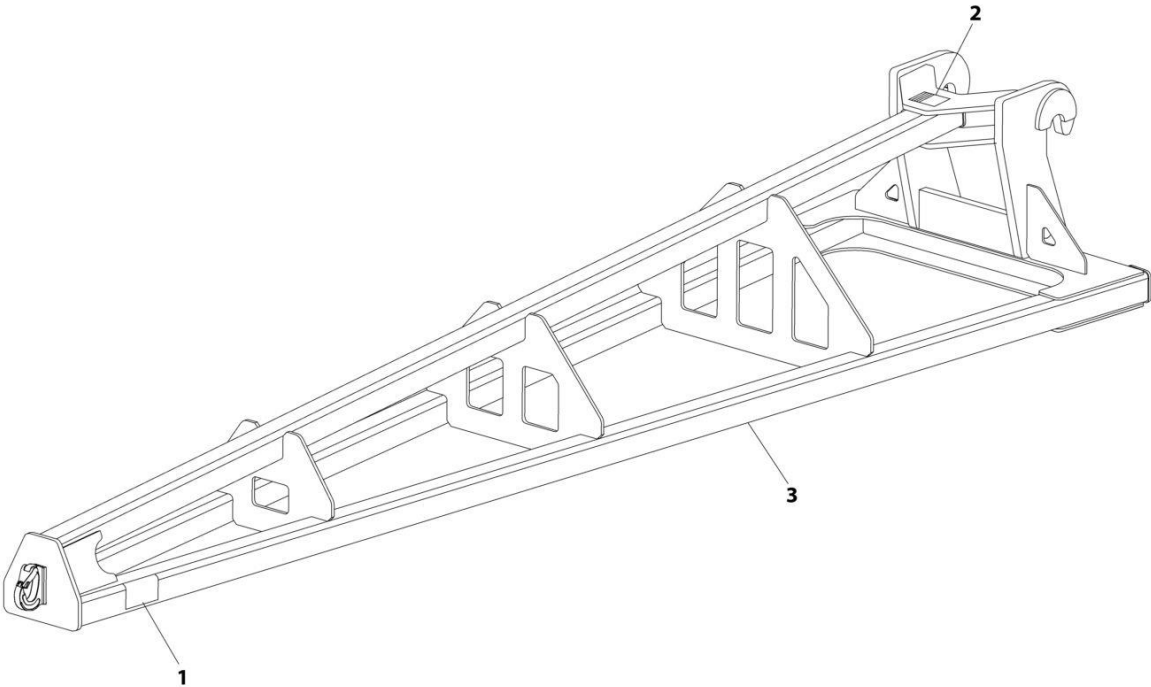
## SECTION 3 - ATTACHMENTS

### FIGURE 3-9. BOOM - 2FT WITHOUT WINCH

ITEM	PART NUMBER	QTY	DESCRIPTION	REV
	1001099902	Ref	TRUSS BOOM (0.9 TON - 3.7M)	H
1	4110422	2	Decal, Danger Swinging Loads	
2	See Note	NSS	SN Plate (Note:Stamped Part - Not Available for Purchase)	
3	See Note	NSS	Boom, Truss (Note: Purchase Complete Assembly)	
4	1001227670	1	Tag, RFID	
5	4811400	2	Washer M4	
6	0760405	2	Bolt M4 x 10	

**SECTION 3 - ATTACHMENTS**

**FIGURE 3-10. BOOM - 15FT WITHOUT WINCH**



ART\_1001099901

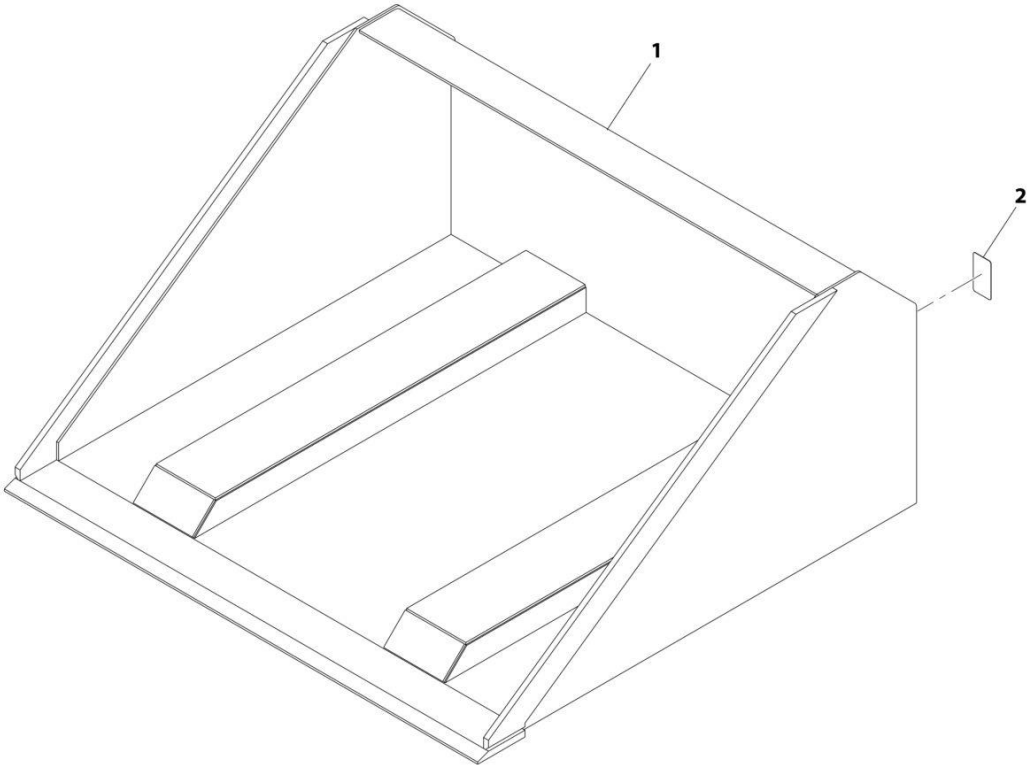
## SECTION 3 - ATTACHMENTS

### FIGURE 3-10. BOOM - 15FT WITHOUT WINCH

ITEM	PART NUMBER	QTY	DESCRIPTION	REV
	1001099901	Ref	TRUSS BOOM (15 FOOT)	F
1	4110422	2	Decal, Danger Swinging Loads	
2	See Note	NSS	S/N Plate (Note: Stamped Part - Not Available for Purchase)	
3	See Note	NSS	Boom, Truss (Note: Purchase Complete Assembly)	

**SECTION 3 - ATTACHMENTS**

**FIGURE 3-11. BUCKET - 60IN (1.3 CU YD) (FORK MOUNTED)**



ART\_1001195970-D

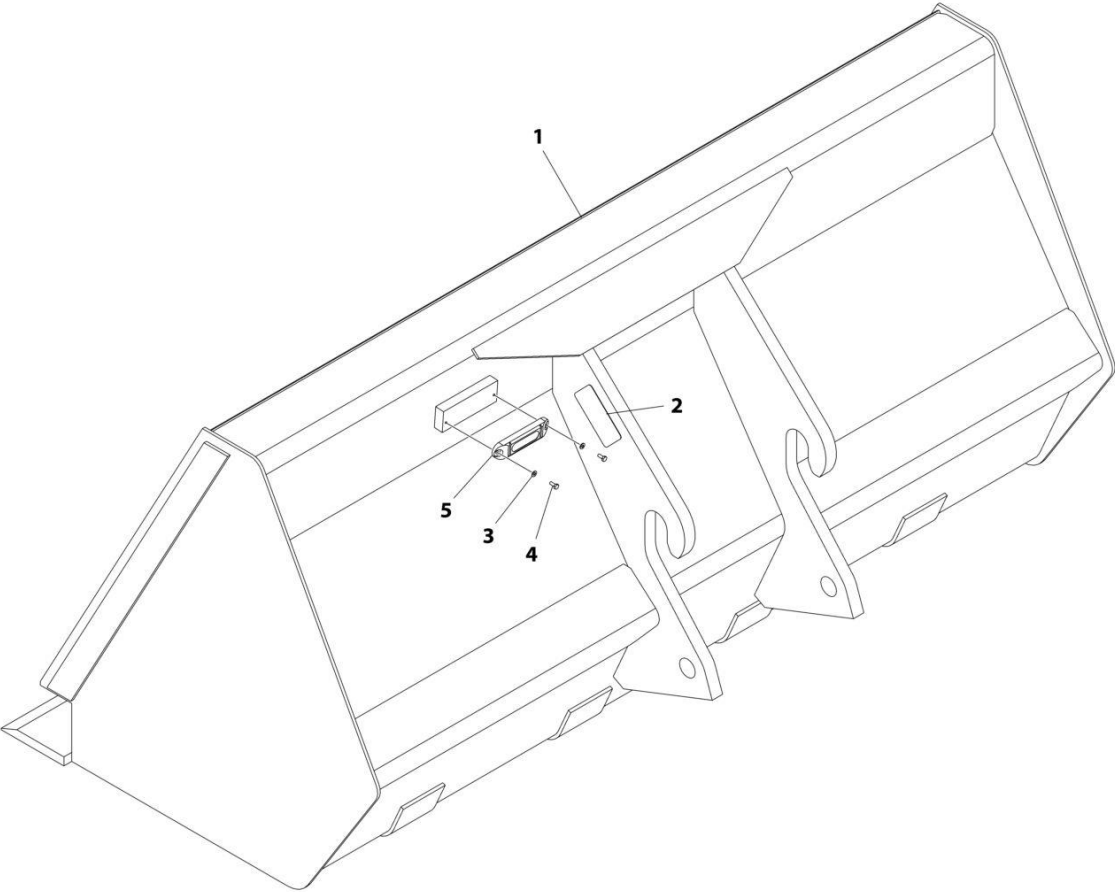
## SECTION 3 - ATTACHMENTS

**FIGURE 3-11. BUCKET - 60IN (1.3 CU YD) (FORK MOUNTED)**

ITEM	PART NUMBER	QTY	DESCRIPTION	REV
1	1001195970	Ref	Bucket 1.0 m <sup>3</sup> (Fork Mounted)	E
2	See Note	NSS	S/N Plate (Note: Stamped Part - Not Available for Purchase)	

**SECTION 3 - ATTACHMENTS**

**FIGURE 3-12. BUCKET - 72IN (1.0 CU YD)**



ART\_1001100822\_I

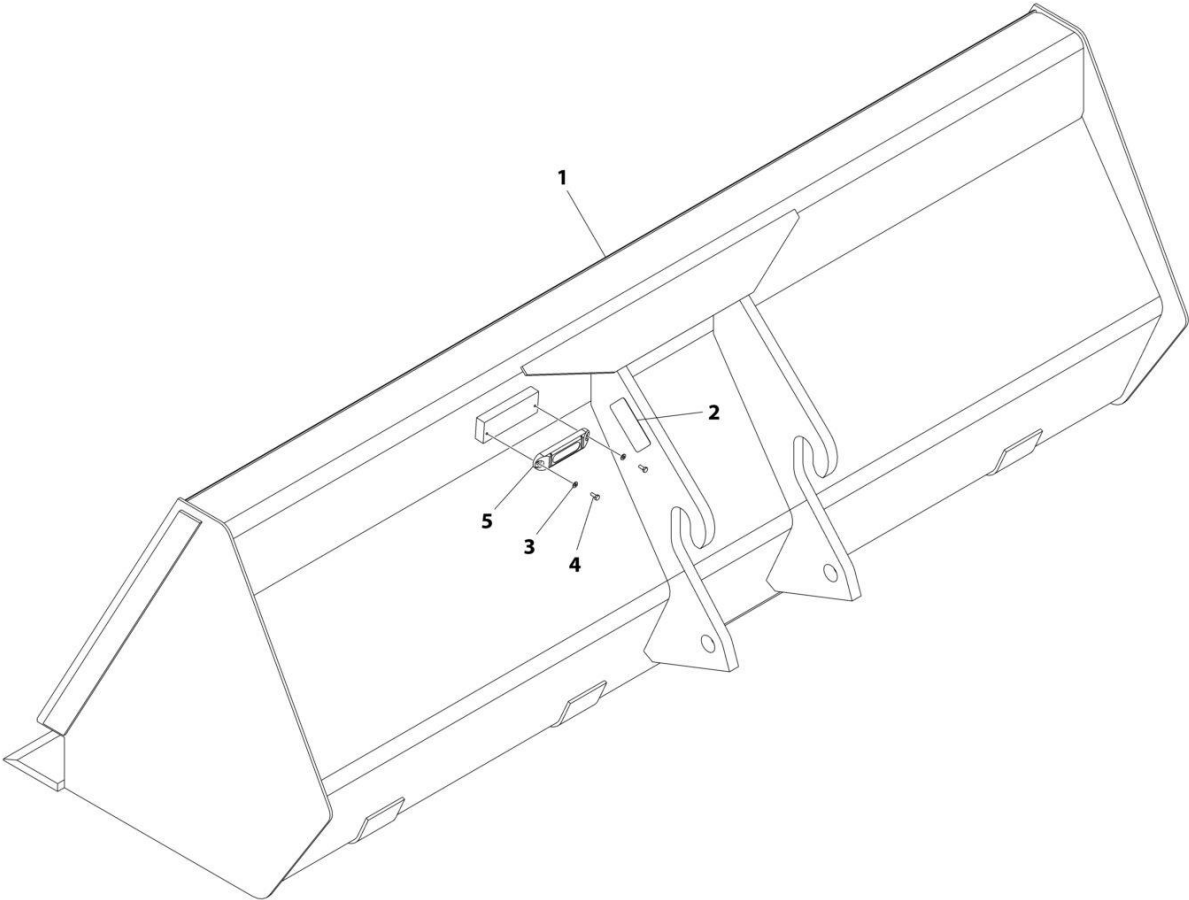
## SECTION 3 - ATTACHMENTS

### FIGURE 3-12. BUCKET - 72IN (1.0 CU YD)

ITEM	PART NUMBER	QTY	DESCRIPTION	REV
	1001100822	Ref	BUCKET 1.0 YD <sup>3</sup> (ANSI - JLG)	I
1	1001100265	1	Bucket Weldment	
2	See Note	NSS	SN Plate (Note:Stamped Part - Not Available for Purchase)	
3	4811400	2	Washer M4	
4	0760405	2	Bolt M4 x 10	
5	1001227670	1	Tag, RFID	

**SECTION 3 - ATTACHMENTS**

**FIGURE 3-13. BUCKET - 96IN (1.5 CU YD)**



ART\_1001100823\_I



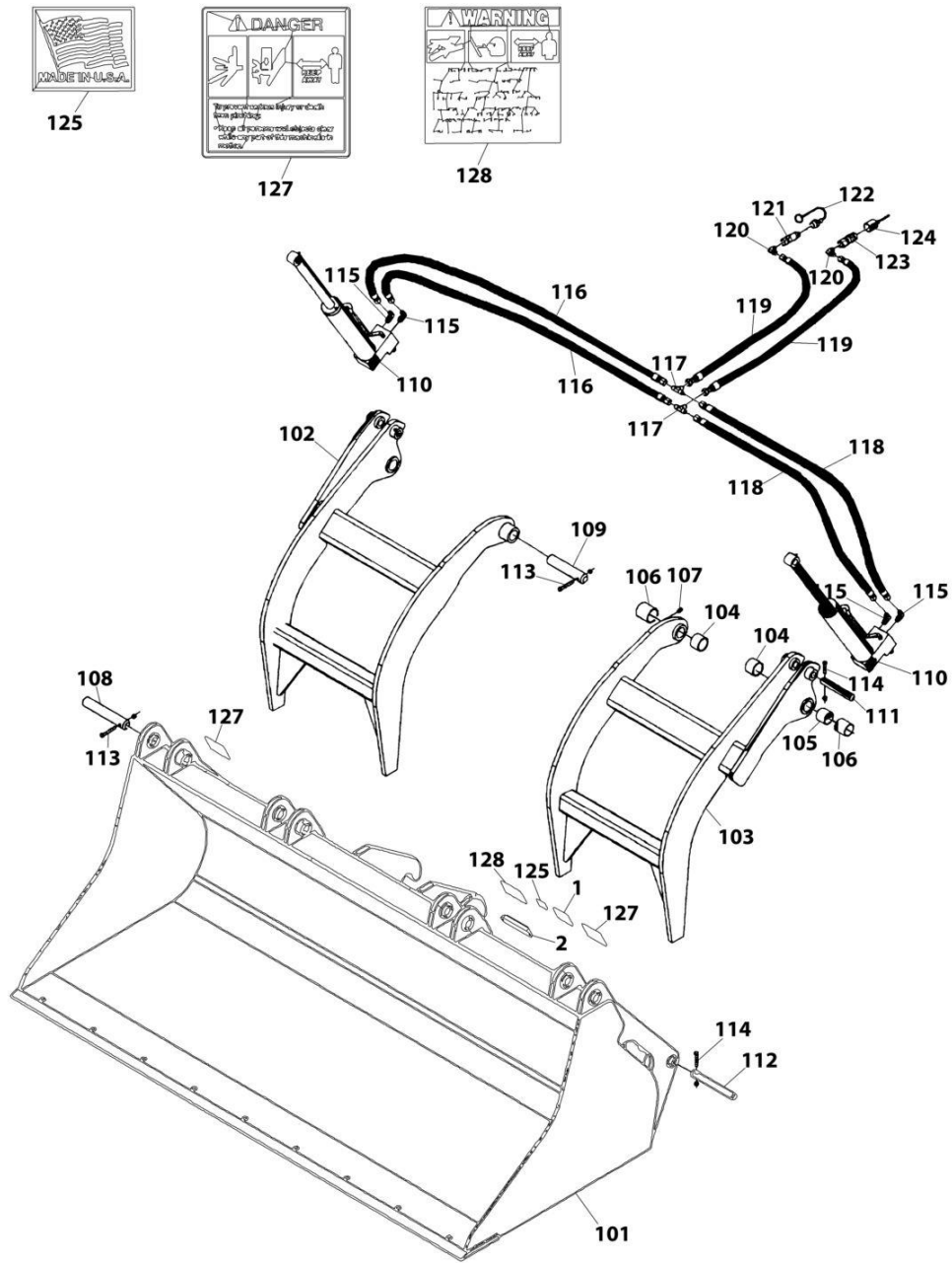
## SECTION 3 - ATTACHMENTS

**FIGURE 3-13. BUCKET - 96IN (1.5 CU YD)**

ITEM	PART NUMBER	QTY	DESCRIPTION	REV
	1001100823	Ref	BUCKET (1.15 M <sup>3</sup> )	I
1	1001100266	1	Bucket	
2	See Note	NSS	SN Plate (Note:Stamped Part - Not Available for Purchase)	
3	4811400	2	Washer M4	
4	0760405	2	Bolt M4 x 10	
5	1001227670	1	Tag, RFID	

# SECTION 3 - ATTACHMENTS

## FIGURE 3-14. BUCKET - 96IN GRAPPLE



ART\_0930020

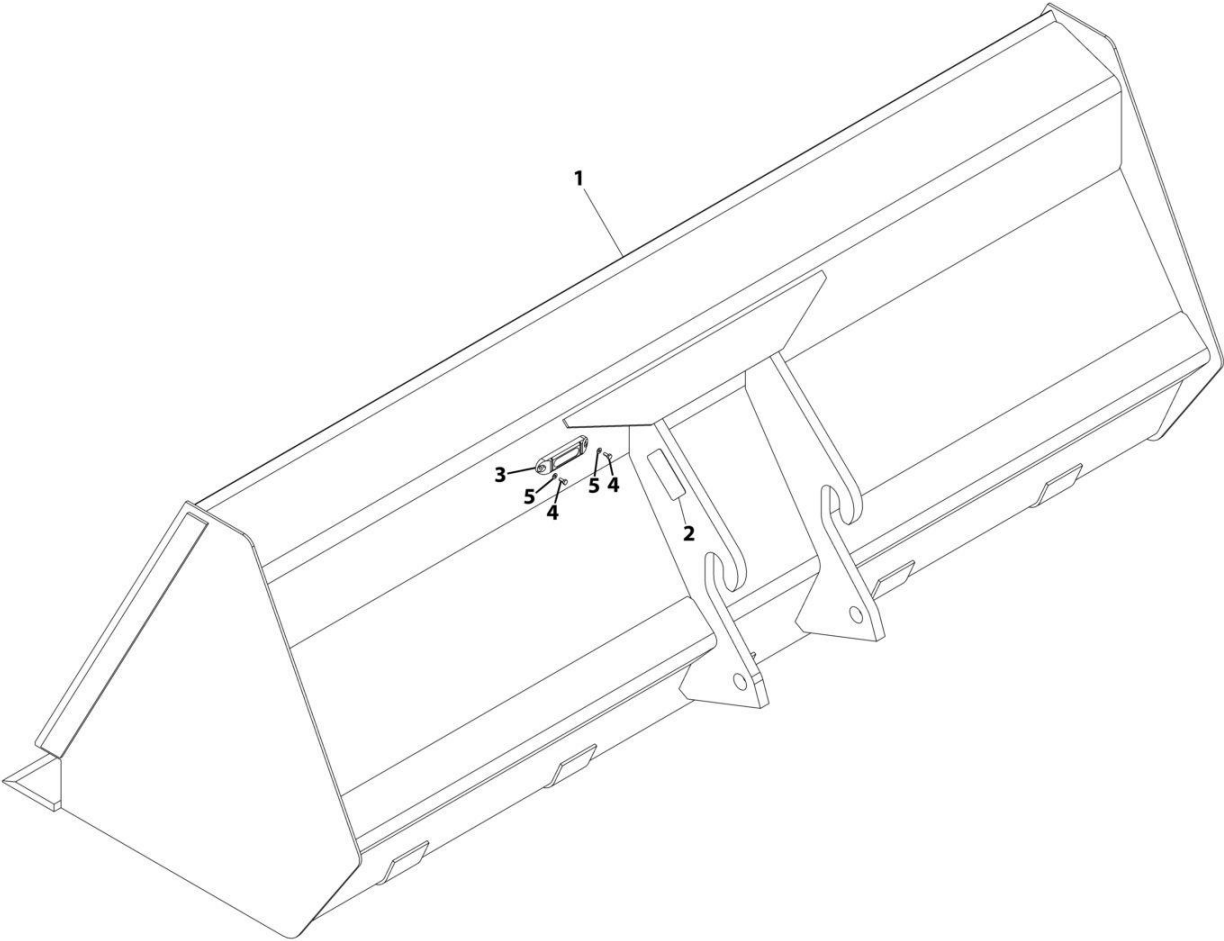
## SECTION 3 - ATTACHMENTS

### FIGURE 3-14. BUCKET - 96IN GRAPPLE

ITEM	PART NUMBER	QTY	DESCRIPTION	REV
	0930020	Ref	Multi-Purpose Grapple Bucket (2450 MM)	L
1	See Note	NSS	S/N Plate (Note: Stamped Part - Not Available for Purchase)	
2	1001227670	1	Tag, RFID	
101	N.S.S.	1	Bucket	
101	70021387	4	Clamp, Hose	
102	70021391	1	Hook, RH Grapple	
103	70021392	1	Hook, LH Grapple	
104	70021358	4	Bushing	
105	70021359	2	Spacer	
106	70021360	4	Bushing	
107	7029714	4	Fitting, Grease	
108	70021361	2	Pin	
109	70021362	2	Pin	
110	70021393	2	Cylinder, Grapple Bucket (See Separate Breakdown in HYDRAULIC COMPONENTS Section)	
111	70021364	2	Pin	
112	70021365	2	Pin	
113	70021366	4	Bolt, 3/8X2-3/4	
113	70021367	4	Nut 3/8	
114	70021399	4	Bolt, 3/8X2-1/4	
114	70021367	4	Nut, Lock 3/8	
115	90554065	4	Fitting, 90	
116	70021980	2	Hose	
117	70020562	2	Fitting, Tee	
118	70021981	2	Hose	
119	70021982	2	Hose 34in (Boom Front Disconnect)	
119	70031446	2	Hose 45in (Boom Side Disconnect)	
120	70022527	2	Fitting, 90	
121	7029692	1	Coupler	
122	90554062	1	Cover	
123	70021342	1	Coupler	
124	90554076	1	Cover	
125	90554016	1	Decal, Made in USA	
127	90554017	2	Decal, Danger Pinch Point	
128	90554018	1	Decal, Warning High Pressure	

**SECTION 3 - ATTACHMENTS**

**FIGURE 3-15. BUCKET - 102IN (2.0 CU YD)**



ART\_1001100824

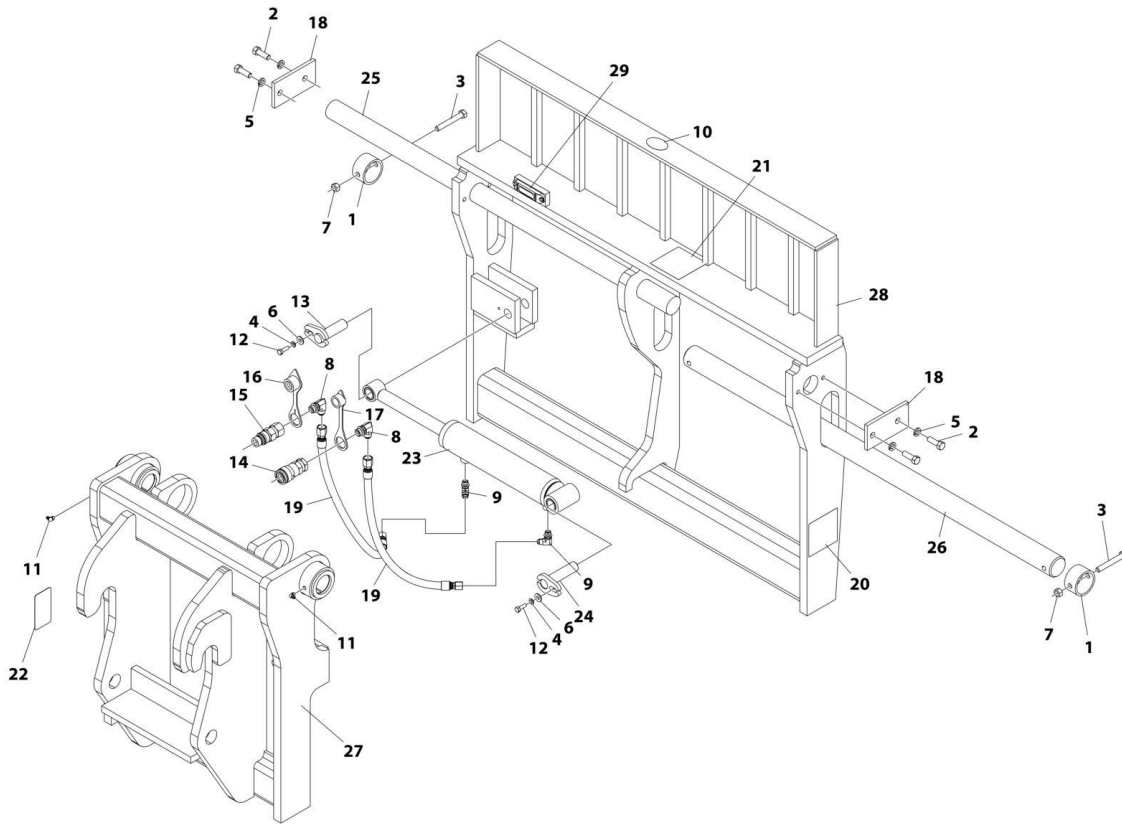
## SECTION 3 - ATTACHMENTS

**FIGURE 3-15. BUCKET - 102IN (2.0 CU YD)**

ITEM	PART NUMBER	QTY	DESCRIPTION	REV
	1001100824	Ref	Bucket (102 Inch)	H
1	1001100267	NLA	Bucket (Note: Purchase PN 1001100824)	
2	See Note	NSS	S/N Plate (Note: Stamped Part - Not Available for Purchase)	
3	1001227670	1	Tag, RFID	
4	0760405	2	Bolt M4 x 10	
5	4811400	2	Washer M4	

# SECTION 3 - ATTACHMENTS

## FIGURE 3-16. CARRIAGE ASSEMBLY - 48IN/12000# CAPACITY SIDE SHIFT



ART\_1001242644\_C

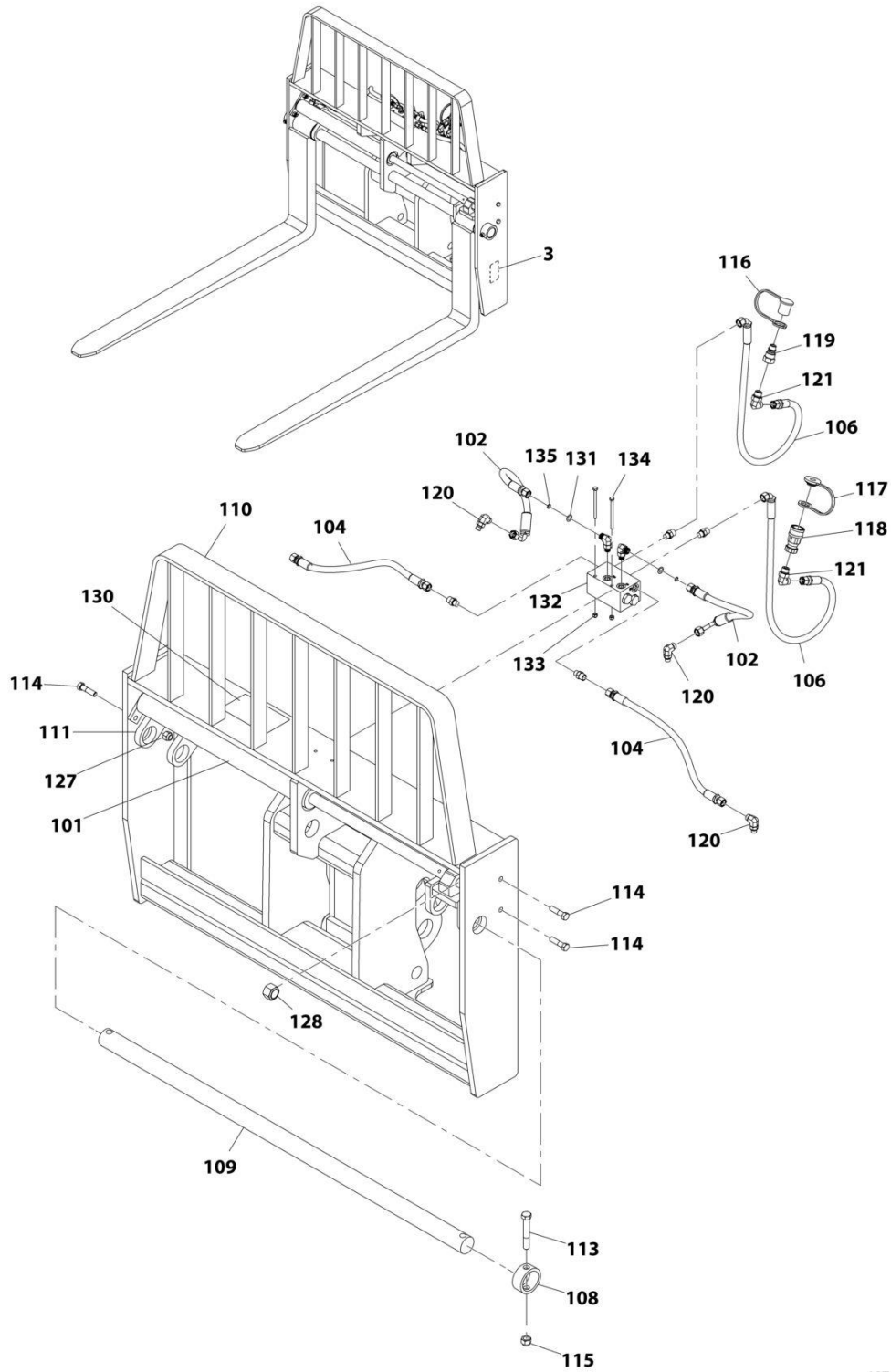
## SECTION 3 - ATTACHMENTS

**FIGURE 3-16. CARRIAGE ASSEMBLY - 48IN/12000# CAPACITY SIDE SHIFT**

ITEM	PART NUMBER	QTY	DESCRIPTION	REV
	1001242644	Ref	SIDE SHIFT CARRIAGE ASSEMBLY (48 INCH)	C
1	70020028	2	Bushing	
2	70021382	4	Bolt 1/2 x 1-1/2	
3	70020002	2	Bolt 1/2 x 4	
4	90554067	2	Washer 5/16	
5	90554020	4	Washer 1/2	
6	70021379	2	Washer	
7	70027642	2	Washer	
8	70030141	2	Elbow	
9	90554065	2	Elbow 90	
10	90554016	1	Decal - Made in USA	
11	70021389	2	Fitting 90	
12	70021378	2	Capscrew	
13	70021351	1	Pin	
14	91403413	1	Adapter	
15	91403414	1	Adapter	
16	8420053	1	Cap, Dust	
17	8420055	1	Plug, Dust	
18	70030142	2	Plate	
19	70030143	2	Hose 30in (Boom Front Disconnect)	
19	70031444	2	Hose 55in (Boom Side Disconnect)	
20	90554017	2	Decal - Danger Pinch Point	
21	7029711	1	Decal - High Pressure	
22	See Note	NSS	SN Plate (Note: Stamped Part - Not Available for Purchase)	
23	70021376	1	Cylinder Assembly (See Separate Breakdown in HYDRAULIC COMPONENTS Section)	
24	70021377	1	Pin	
25	70030144	1	Pin	
26	70030145	1	Pin	
27	See Note	NSS	Frame - Rear (Note: Purchase Complete Assembly)	
28	See Note	NSS	Frame - Front (Note: Purchase Complete Assembly)	
29	1001227670	1	Tag, RFID	

# SECTION 3 - ATTACHMENTS

## FIGURE 3-17. CARRIAGE ASSEMBLY - 50IN/10000# CAPACITY DUAL FORK POSITIONING



ART\_7301295-J



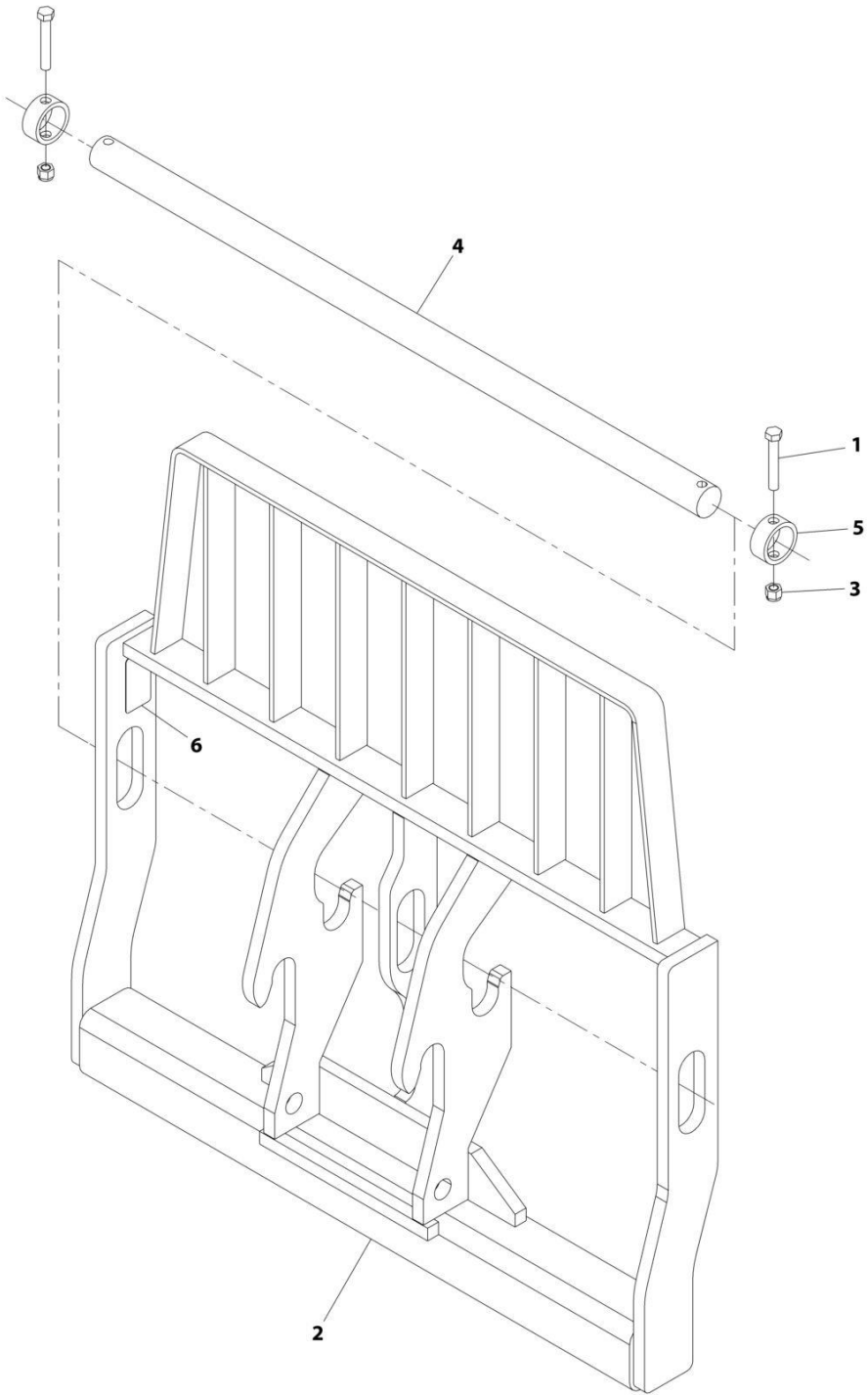
## SECTION 3 - ATTACHMENTS

**FIGURE 3-17. CARRIAGE ASSEMBLY - 50IN/10000# CAPACITY DUAL FORK POSITIONING**

ITEM	PART NUMBER	QTY	DESCRIPTION	REV
	7301295	Ref	FORK POSITIONING CARRIAGE (4.5 TON)	J
3	N.S.S.	1	S/N Plate	
101	2717283	2	Cylinder, Fork Positioning (See Separate Breakdown in HYDRAULIC COMPONENTS Section)	
102	2717160	2	Hose	
104	2717161	2	Hose	
106	2717162	1	Hose 36in (Boom Front Disconnect)	
106	70031443	1	Hose 44in (Boom Side Disconnect)	
108	90200003	2	Collar, Fork Pin	
109	90451058	1	Shaft, Fork	
110	N.S.S.	1	Weldment, Carriage	
111	N.S.S.	1	Weldment, Fork Adapter	
113	8303634	2	Bolt 5/8 x 4	
114	8303658	4	Bolt 1/2 x 2	
115	8305643	2	Nut 5/8	
116	8420053	1	Cap, Dust	
117	8420055	1	Plug, Dust	
118	91403413	1	Adapter, Quick Disconnect	
119	91403414	1	Adapter, Quick Disconnect	
120	2130606	4	Adapter, 90 Straight	
121	2130608	2	Adapter, 90 Straight	
127	8310302	4	Nut 1/2	
128	10705034	2	Nut 1	
130	4110473	1	Decal, Warning Route Hoses	
131	7139918	2	Disk, Orifice	
132	4641502	1	Assembly, Dual Fork Carriage Valve (See Separate Breakdown in HYDRAULIC COMPONENTS Section)	
133	8305624	2	Nut 1/4	
134	8310435	2	Bolt 1/4 x 3-3/4	
135	8630003	2	O-Ring	

**SECTION 3 - ATTACHMENTS**

**FIGURE 3-18. CARRIAGE ASSEMBLY - 50IN/12000# CAPACITY STANDARD**



ART\_1170021-H

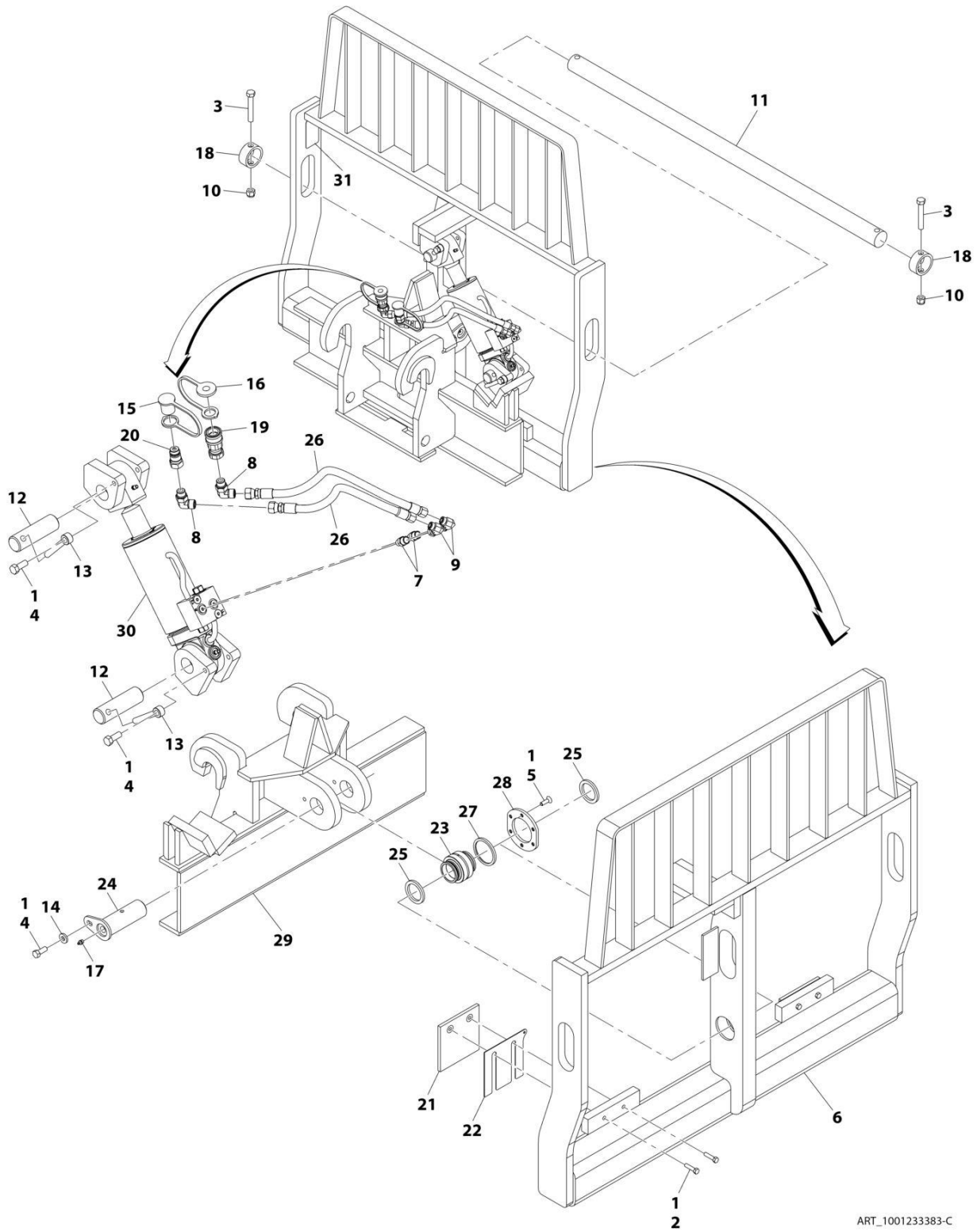
## SECTION 3 - ATTACHMENTS

**FIGURE 3-18. CARRIAGE ASSEMBLY - 50IN/12000# CAPACITY STANDARD**

ITEM	PART NUMBER	QTY	DESCRIPTION	REV
	1170021	Ref	Carriage Assembly (50 INCH)	H
1	0642032	2	Bolt, 5/8-11X4	
2	1170012	1	Weldment, Carriage	
3	3300240	2	Nut, Lock 5/8-11	
4	3423275	1	Pin, Fork	
5	90200003	2	Collar, Fork Pin	
6	See Note	NSS	S/N Plate (Note: Stamped Part - Not Available for Purchase)	

# SECTION 3 - ATTACHMENTS

## FIGURE 3-19. CARRIAGE ASSEMBLY - 50IN/12000# CAPACITY SIDE TILT



ART\_1001233383-C

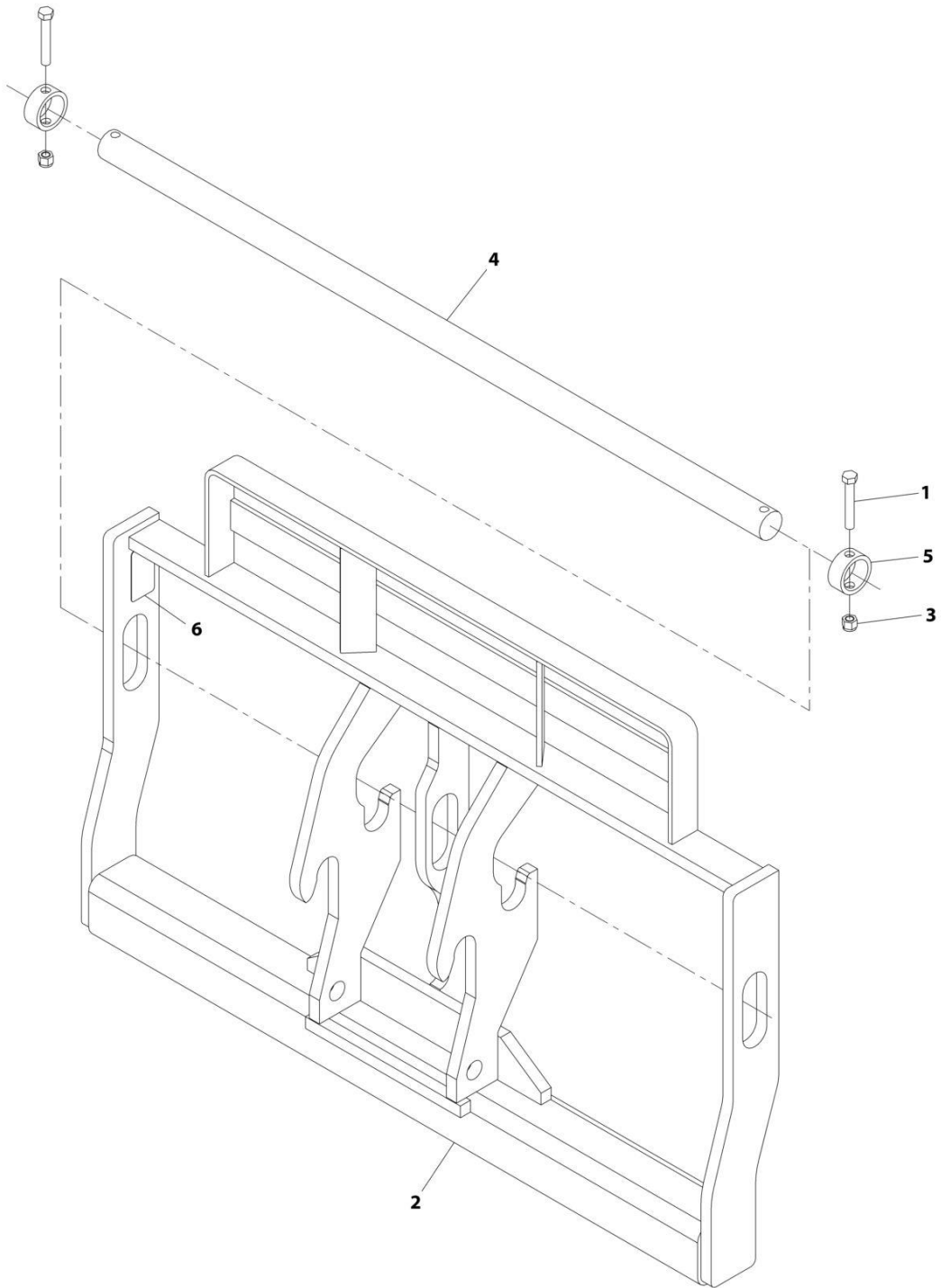
## SECTION 3 - ATTACHMENTS

**FIGURE 3-19. CARRIAGE ASSEMBLY - 50IN/12000# CAPACITY SIDE TILT**

ITEM	PART NUMBER	QTY	DESCRIPTION	REV
	1001233383	Ref	SIDE TILT CARRIAGE ASSEMBLY (50 INCH)	C
1	0100011	AR	Compound, Locking	
2	0641612	4	Bolt 3/8 x 1-1/2	
3	0642032	2	Bolt 5/8 x 4	
4	0681810	3	Bolt 1/2 x 1-1/4	
5	0741610	6	Screw 3/8 x 1.25	
6	See Note	NLA	Carriage (Note: Purchase Complete Assembly)	
7	2110606	2	Fitting, Straight ORFS	
8	2130808	2	Adapter, 90	
9	2172106	2	Fitting, 90 ORFS	
10	3300240	2	Nut 5/8	
11	3423275	1	Pin	
12	3423307	2	Pin	
13	3841203	2	Keeper	
14	4891800	1	Flatwasher	
15	8420053	1	Cap	
16	8420055	1	Plug	
17	88671001	1	Fitting, Grease	
18	90200003	2	Collar	
19	91403413	1	Fitting, Straight	
20	91403414	1	Fitting, Straight	
21	1001090063	2	Pad	
22	1001090064	AR	Shim	
23	1001090140	1	Bearing	
24	1001099113	1	Pin	
25	1001099115	2	Sleeve	
26	1001239734	2	Hose	
27	1001120914	1	Shim	
28	1001120915	1	Plate	
29	See Note	NSS	Carriage, Base Pivot (Note: Purchase Complete Assembly)	
30	1001163414	1	Cylinder, Side Tilt (See Separate Breakdown in HYDRAULIC COMPONENTS Section)	
31	See Note	NSS	S/N Plate (Note: Stamped Part - Not Available for Purchase)	

# SECTION 3 - ATTACHMENTS

FIGURE 3-20. CARRIAGE ASSEMBLY - 60IN/12000# CAPACITY STANDARD



ART\_1170024-H

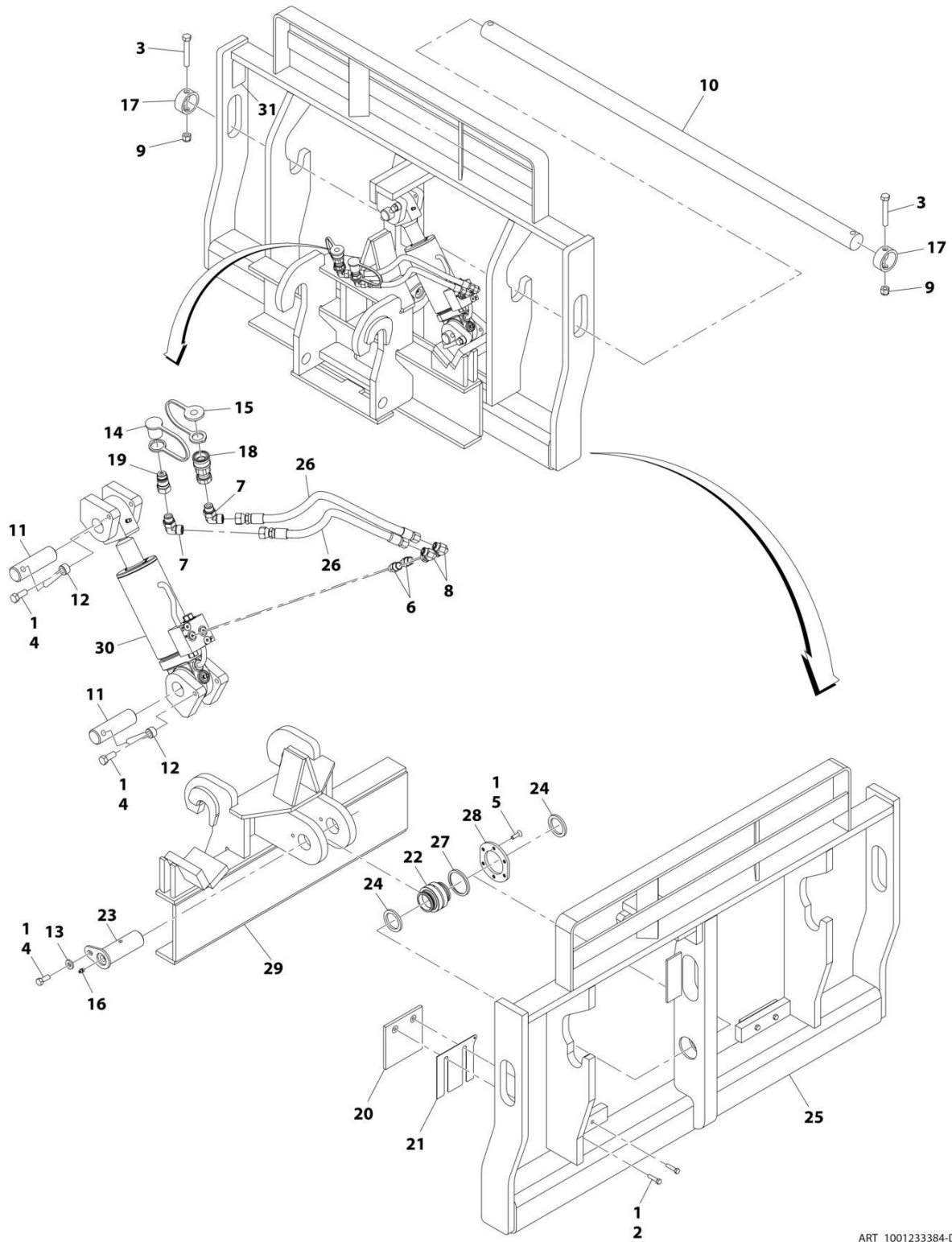
## SECTION 3 - ATTACHMENTS

**FIGURE 3-20. CARRIAGE ASSEMBLY - 60IN/12000# CAPACITY STANDARD**

ITEM	PART NUMBER	QTY	DESCRIPTION	REV
	1170024	Ref	Carriage Assembly (1524 MM)	H
1	0642032	2	Bolt 5/8 x 4	
2	See Note	NSS	Carriage (Note: Purchase Complete Assembly)	
3	3300240	2	Nut 5/8	
4	3423242	1	Pin	
5	90200003	2	Sleeve	
6	See Note	NSS	S/N Plate (Note: Stamped Part - Not Available for Purchase)	

# SECTION 3 - ATTACHMENTS

## FIGURE 3-21. CARRIAGE ASSEMBLY - 60IN/12000# CAPACITY SIDE TILT



ART\_1001233384-D



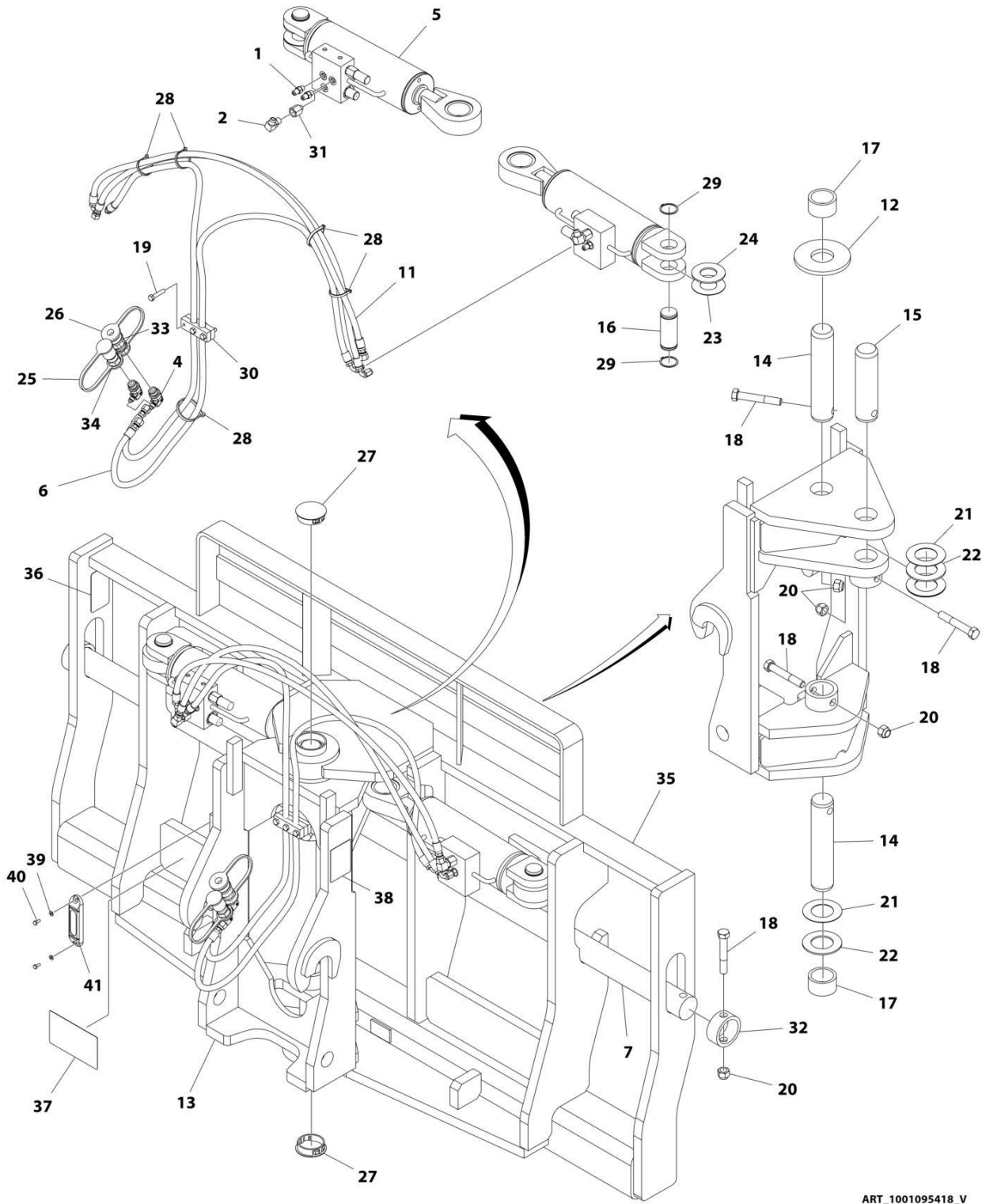
## SECTION 3 - ATTACHMENTS

**FIGURE 3-21. CARRIAGE ASSEMBLY - 60IN/12000# CAPACITY SIDE TILT**

ITEM	PART NUMBER	QTY	DESCRIPTION	REV
	1001233384	Ref	Side Tilt Carriage Assembly (60 Inch)	D
1	0100011	AR	Compound, Locking	
2	0641612	4	Bolt, 3/8X1-1/2	
3	0642032	2	Bolt, 5/8X4	
4	0681810	3	Bolt, 1/2X1-1/4	
5	0741610	6	Screw, 3/8X1-1/4	
6	2110606	2	Fitting, Straight	
7	2130808	2	Adapter, 90	
8	2172106	2	Fitting, 90	
9	3300240	2	Nut 5/8	
10	3423242	1	Pin	
11	3423307	2	Pin	
12	3841203	2	Keeper	
13	4891800	1	Washer	
14	8420053	1	Cap	
15	8420055	1	Plug	
16	88671001	1	Fitting, Grease	
17	90200003	2	Collar	
18	91403413	1	Fitting, Straight	
19	91403414	1	Fitting, Straight	
20	1001090063	2	Pad	
21	1001090064	AR	Shim	
22	1001090140	1	Bearing	
23	1001099113	1	Pin	
24	1001099115	2	Sleeve	
25	See Note	NSS	Carriage, Side tilt (Note: Purchase Complete Assembly)	
26	1001239734	2	Hose	
27	1001120914	1	Shim	
28	1001120915	1	Plate	
29	1001133072	1	Carriage, Base Pivot	
30	1001163414	1	Cylinder, Side Tilt (See Separate Breakdown in HYDRAULIC COMPONENTS Section)	
31	See Note	NSS	S/N Plate (Note: Stamped Part - Not Available for Purchase)	

# SECTION 3 - ATTACHMENTS

## FIGURE 3-22. CARRIAGE ASSEMBLY - 72IN/10000# CAPACITY 90 DEGREE SWING



ART\_1001095418\_V

## SECTION 3 - ATTACHMENTS

**FIGURE 3-22. CARRIAGE ASSEMBLY - 72IN/10000# CAPACITY 90 DEGREE SWING**

ITEM	PART NUMBER	QTY	DESCRIPTION	REV
	1001095418	Ref	CARRIAGE ASSEMBLY - SWING (72 INCH)	V
1	2220415	4	Fitting, Straight ORFS	
2	2220473	2	Fitting, 90 ORFS	
4	1001211139	2	Adapter, 90	
5	1001103182	1	Swing Carriage Cylinder (See Separate Breakdown in HYDRAULIC COMPONENTS Section)	
6	2717287	2	Hose 58IN (Boom Front Disconnect)	
6	1001301599	1	Hose 66IN (Boom Side Disconnect)	
6	1001301600	1	Hose 46IN (Boom Side Disconnect)	
7	3423276	1	Pin	
11	6604662	2	Hose	
12	7062922	1	Washer	
13	See Note	NSS	Pivot (Note: Purchase Complete Assembly)	
14	7110702	2	Pin	
15	7110712	1	Pin	
16	7110722	2	Pin	
17	8065062	2	Bushing	
18	8303634	5	Bolt 5/8 x 4	
19	8303715	3	Bolt 5/16 x 1-1/2	
20	8305643	5	Nut 5/8	
21	8307904	AR	Washer	
22	8307918	AR	Washer	
23	8310160	AR	Washer	
24	8310161	AR	Washer	
25	8420053	1	Cap	
26	8420055	1	Plug	
27	8580315	2	Plug	
28	8584001	5	Tie Wrap	
29	8642207	4	Ring, Retaining	
30	8769132	2	Clamp	
31	8770016	2	Fitting, Straight ORFS	
32	90200003	2	Collar	
33	91403413	1	Fitting, Straight ORFS	
34	91403414	1	Fitting, Straight	
35	See Note	NSS	Carriage (Note: Purchase Complete Assembly)	
36	See Note	NSS	SN Plate (Note: Stamped Part - Not Available for Purchase)	
37	1001110704	1	Decal, Warning Crushing Hazard	
38	1001111190	2	Decal, Warning	
39	4811400	2	Washer M4	
40	0760405	2	Bolt M4 x 10	
41	1001227670	1	Tag - RFID	



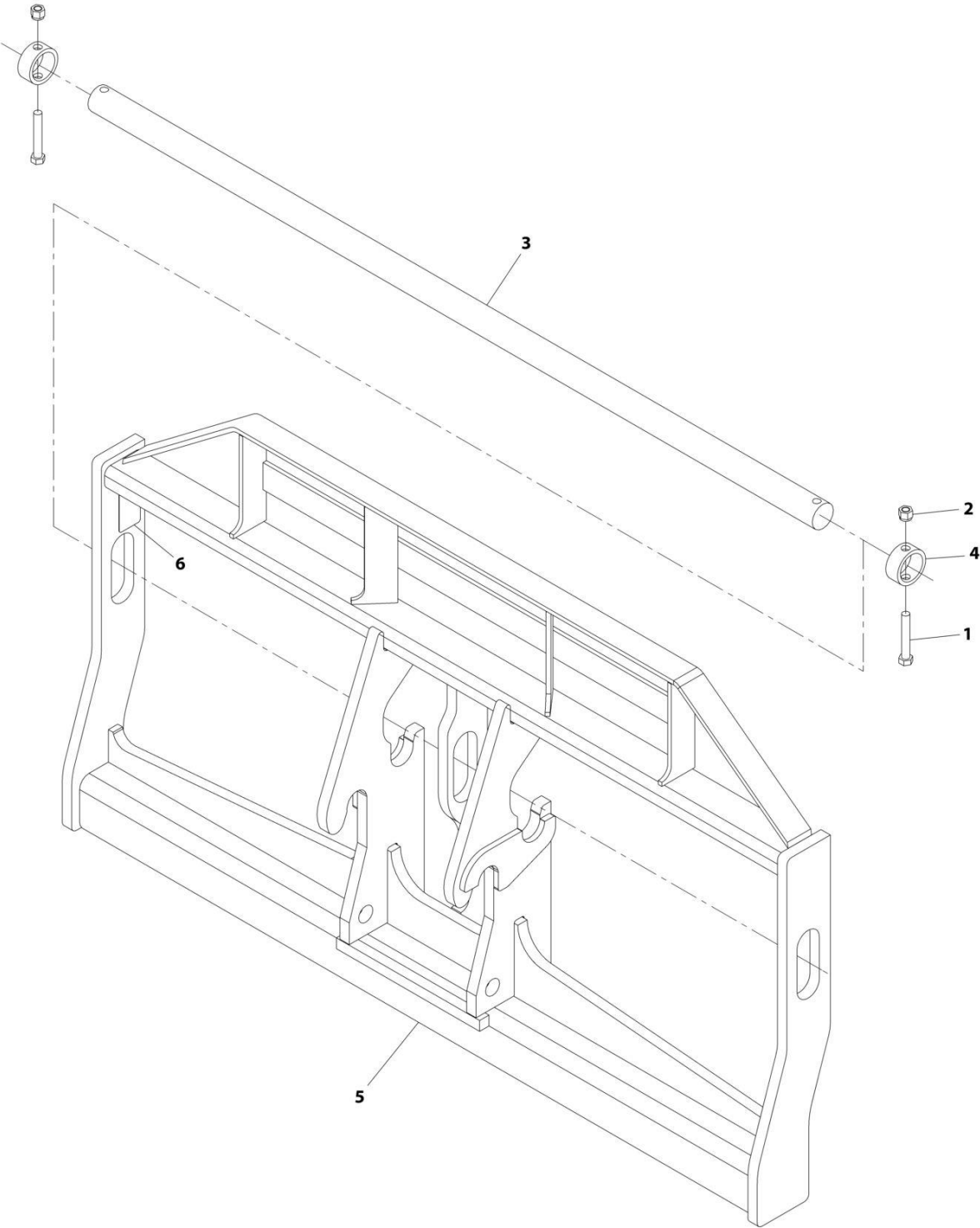
## SECTION 3 - ATTACHMENTS

**FIGURE 3-23. CARRIAGE ASSEMBLY - 72IN/12000# CAPACITY SIDE TILT**

ITEM	PART NUMBER	QTY	DESCRIPTION	REV
	1001233385	Ref	Side Tilt Carriage Assembly (72 Inch)	C
1	0100011	AR	Compound, Locking	
2	0641612	4	Bolt, 3/8X1-1/2	
3	0642032	2	Bolt, 5/8X4	
4	0681810	3	Bolt, 1/2X1-1/4	
5	0741610	6	Screw, 3/8X1-1/4	
6	See Note	NSS	Carriage, Side tilt (Note: Purchase Complet Assembly)	
7	2110606	2	Adapter, Straight	
8	2130808	2	Adapter, 90	
9	2172106	2	Adapter, 90	
10	3300240	2	Nut 5/8	
11	3423276	1	Pin, Fork	
12	3423307	2	Pin, Side Tilt Cylinder	
13	3841203	2	Keeper, Rod	
14	4891800	1	Washer, 1/2	
15	8420053	1	Cap, Dust	
16	8420055	1	Plug, Dust	
17	88671001	1	Fitting, Grease	
18	90200003	2	Collar, Fork Pin	
19	91403413	1	Adapter	
20	91403414	1	Adapter	
21	1001090063	2	Pad, Wear	
22	1001090064	AR	Shim, Wear Pad	
23	1001090140	1	Bearing, Side Tilt Spherical	
24	1001099113	1	Pin, Side Tilt Frame Pivot	
25	1001099115	2	Sleeve, Tilt Bearing Spacer	
26	1001239734	2	Hose	
27	1001120914	1	Shim, Bearing Retainer	
28	1001120915	1	Plate, Bearing Retainer	
29	1001133072	1	Carriage, Base Pivot	
30	1001163414	1	Cylinder, Side Tilt (See Separate Breakdown in HYDRAULIC COMPONENTS Section)	
31	See Note	NSS	S/N Plate (Note: Stamped Part - Not Available for Purchase)	

**SECTION 3 - ATTACHMENTS**

**FIGURE 3-24. CARRIAGE ASSEMBLY - 72IN/15000# CAPACITY STANDARD**



ART\_1001211516-D

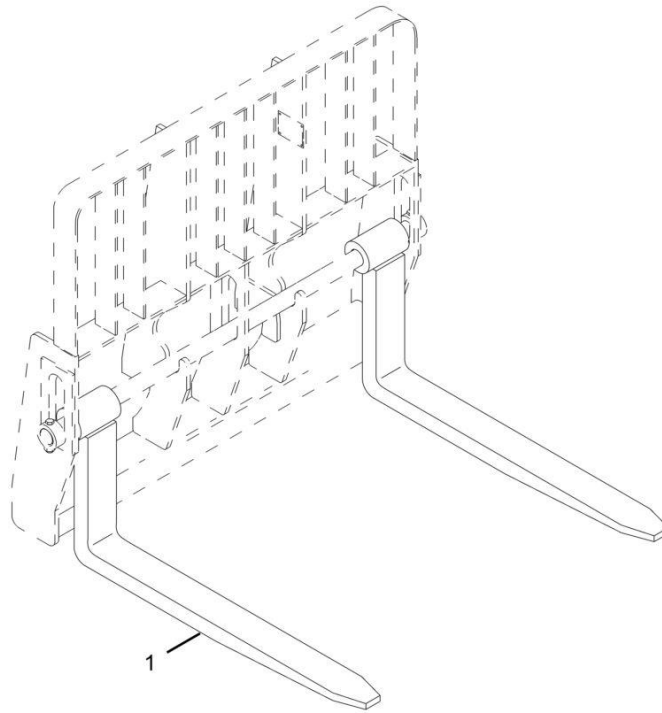
## SECTION 3 - ATTACHMENTS

**FIGURE 3-24. CARRIAGE ASSEMBLY - 72IN/15000# CAPACITY STANDARD**

ITEM	PART NUMBER	QTY	DESCRIPTION	REV
	1001211516	Ref	CARRIAGE ASSEMBLY (72 INCH)	D
1	0642032	2	Bolt 5/8 x 4	
2	3300240	2	Nut 5/8	
3	3423276	1	Pin	
4	90200003	2	Sleeve	
5	See Note	NSS	Carriage (Note: Purchase Complete Assembly)	
6	See Note	NSS	S/N Plate (Note: Stamped Part - Not Available for Purchase)	

# SECTION 3 - ATTACHMENTS

FIGURE 3-25. FORK 1.75X7X60 / 5400# CAPACITY



ART\_2340046



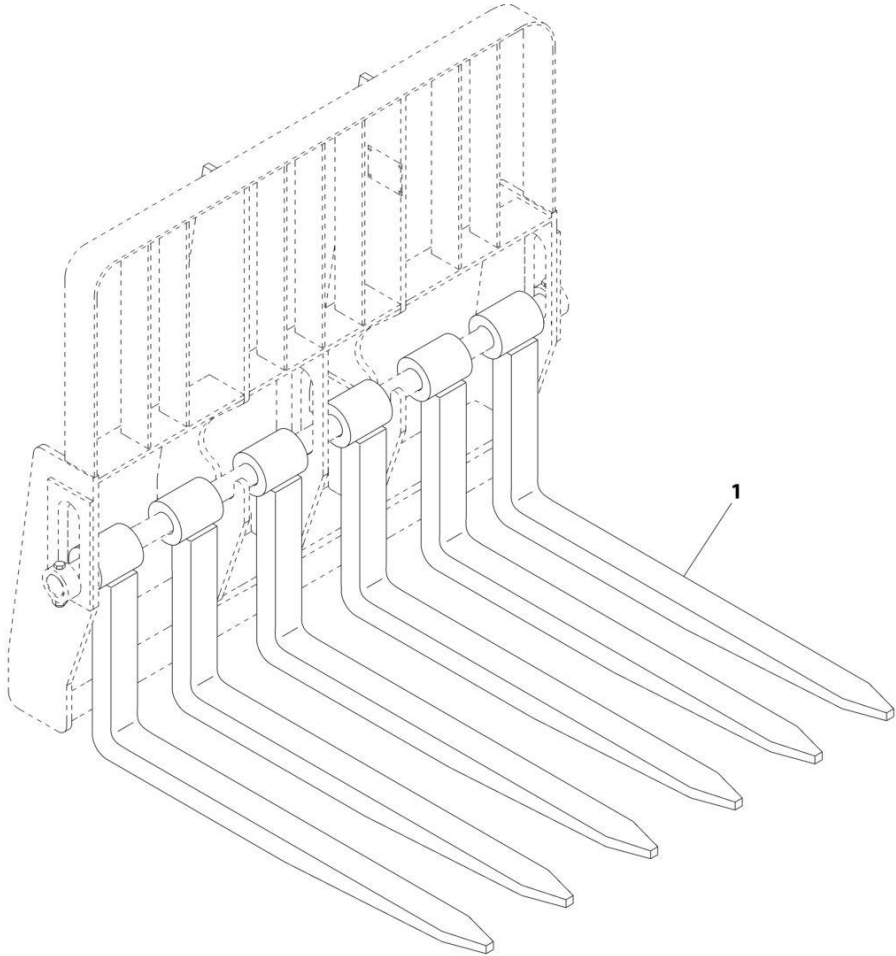
## SECTION 3 - ATTACHMENTS

**FIGURE 3-25. FORK 1.75X7X60 / 5400# CAPACITY**

ITEM	PART NUMBER	QTY	DESCRIPTION	REV
1	2340046	2	Dual Taper Fork (60X7X1.75)	
N1	Note	Ref	<b>FORKS RATED LESS THAN THE ATTACHMENT OR MACHINE'S CAPACITY DECREASES CAPACITY OF THE ATTACHMENT OR MACHINE TO THAT OF THE FORKS. FORKS RATED MORE THAN THE ATTACHMENT OR MACHINE'S CAPACITY DO NOT INCREASE ATTACHMENT OR MACHINE'S CAPACITY.</b>	
N2	Note	Ref	<b>PLEASE CONSULT JLG PARTS DEPARTMENT TO DETERMINE THE CORRECT FORKS APPLICABLE TO YOUR SPECIFIC CARRIAGE ASSEMBLY AND APPLICATION.</b>	

**SECTION 3 - ATTACHMENTS**

**FIGURE 3-26. FORK 2X2X48 / 1940# CAPACITY**



ART\_2340037

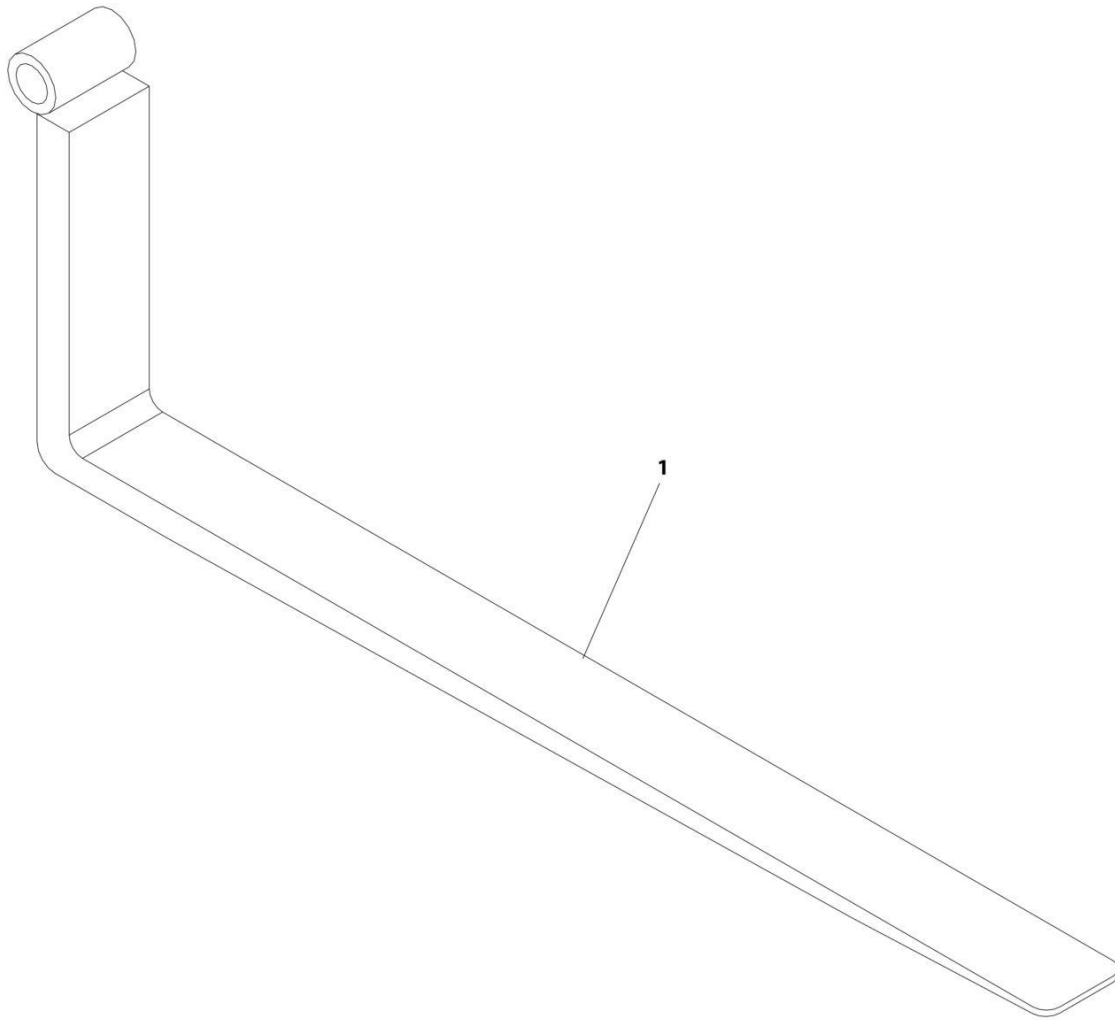
## SECTION 3 - ATTACHMENTS

**FIGURE 3-26. FORK 2X2X48 / 1940# CAPACITY**

ITEM	PART NUMBER	QTY	DESCRIPTION	REV
1	2340037	1	Cubing Fork (2.00X2X48)	A
	Note	Ref	<b>FORKS RATED LESS THAN THE ATTACHMENT OR MACHINE'S CAPACITY DECREASES CAPACITY OF THE ATTACHMENT OR MACHINE TO THAT OF THE FORKS. FORKS RATED MORE THAN THE ATTACHMENT OR MACHINE'S CAPACITY DO NOT INCREASE ATTACHMENT OR MACHINE'S CAPACITY.</b>	
	Note	Ref	<b>PLEASE CONSULT JLG PARTS DEPARTMENT TO DETERMINE THE CORRECT FORKS APPLICABLE TO YOUR SPECIFIC CARRIAGE ASSEMBLY AND APPLICATION.</b>	

# SECTION 3 - ATTACHMENTS

FIGURE 3-27. FORK 2.00X6X72 / 6610# CAPACITY



ART\_1001259206

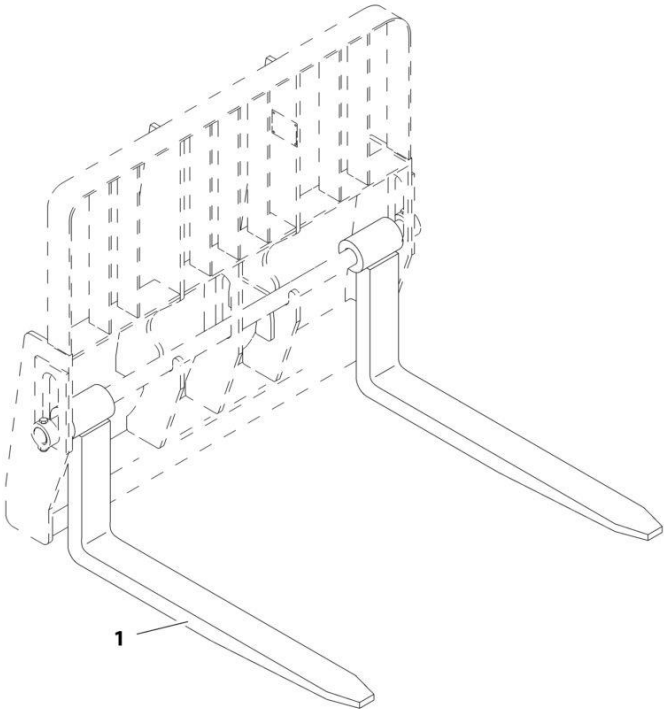
## SECTION 3 - ATTACHMENTS

**FIGURE 3-27. FORK 2.00X6X72 / 6610# CAPACITY**

ITEM	PART NUMBER	QTY	DESCRIPTION	REV
1	1001259206	2	Dual Taper Fork (2.00X6X72)	A
	Note	Ref	FORKS RATED LESS THAN THE ATTACHMENT OR MACHINE'S CAPACITY DECREASES CAPACITY OF THE ATTACHMENT OR MACHINE TO THAT OF THE FORKS. FORKS RATED MORE THAN THE ATTACHMENT OR MACHINE'S CAPACITY DO NOT INCREASE ATTACHMENT OR MACHINE'S CAPACITY.	
	Note	Ref	PLEASE CONSULT JLG PARTS DEPARTMENT TO DETERMINE THE CORRECT FORKS APPLICABLE TO YOUR SPECIFIC CARRIAGE ASSEMBLY AND APPLICATION.	

**SECTION 3 - ATTACHMENTS**

**FIGURE 3-28. FORK 2.36X4X48 / 5475# CAPACITY**



ART\_2340045

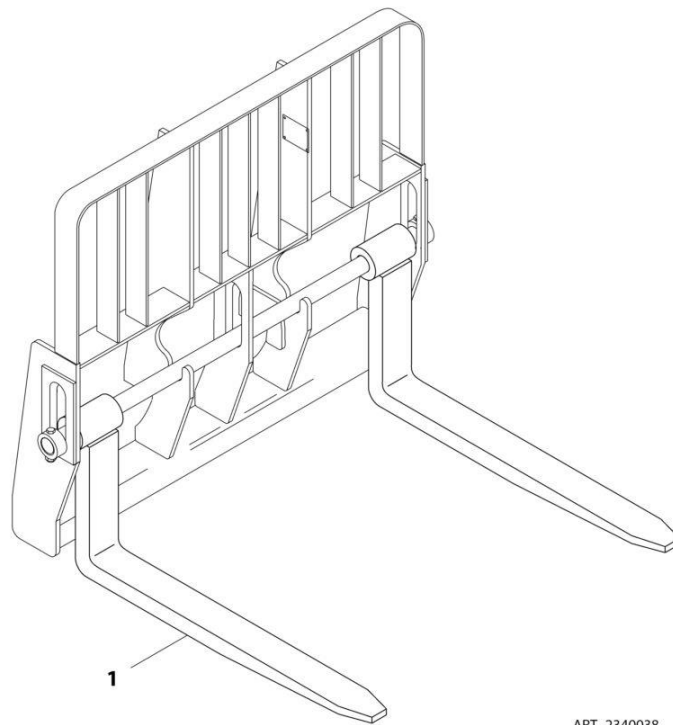
## SECTION 3 - ATTACHMENTS

**FIGURE 3-28. FORK 2.36X4X48 / 5475# CAPACITY**

ITEM	PART NUMBER	QTY	DESCRIPTION	REV
1	2340045	2	Pallet Fork (2.36X4X48)	
	Note	Ref	<b>FORKS RATED LESS THAN THE ATTACHMENT OR MACHINE'S CAPACITY DECREASES CAPACITY OF THE ATTACHMENT OR MACHINE TO THAT OF THE FORKS. FORKS RATED MORE THAN THE ATTACHMENT OR MACHINE'S CAPACITY DO NOT INCREASE ATTACHMENT OR MACHINE'S CAPACITY.</b>	
	Note	Ref	<b>PLEASE CONSULT JLG PARTS DEPARTMENT TO DETERMINE THE CORRECT FORKS APPLICABLE TO YOUR SPECIFIC CARRIAGE ASSEMBLY AND APPLICATION.</b>	

# SECTION 3 - ATTACHMENTS

FIGURE 3-29. FORK 2.36X4X48 / 6850# CAPACITY



ART\_2340038



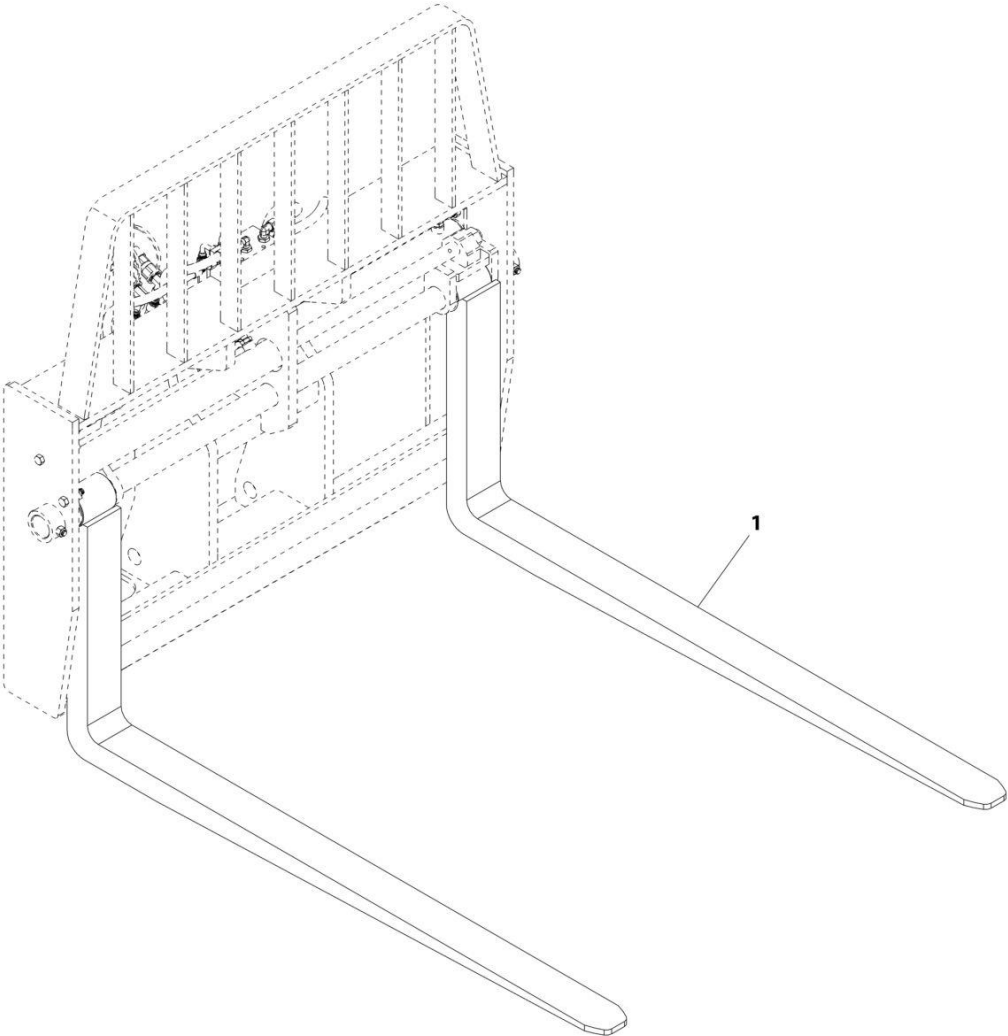
## SECTION 3 - ATTACHMENTS

**FIGURE 3-29. FORK 2.36X4X48 / 6850# CAPACITY**

ITEM	PART NUMBER	QTY	DESCRIPTION	REV
1	2340038	2	Pallet Fork (2.36X5X48)	B
	Note	Ref	<b>FORKS RATED LESS THAN THE ATTACHMENT OR MACHINE'S CAPACITY DECREASES CAPACITY OF THE ATTACHMENT OR MACHINE TO THAT OF THE FORKS. FORKS RATED MORE THAN THE ATTACHMENT OR MACHINE'S CAPACITY DO NOT INCREASE ATTACHMENT OR MACHINE'S CAPACITY.</b>	
	Note	Ref	<b>PLEASE CONSULT JLG PARTS DEPARTMENT TO DETERMINE THE CORRECT FORKS APPLICABLE TO YOUR SPECIFIC CARRIAGE ASSEMBLY AND APPLICATION.</b>	

**SECTION 3 - ATTACHMENTS**

**FIGURE 3-30. FORK 2.36X4X60 / 5000# CAPACITY**



ART\_1001227379

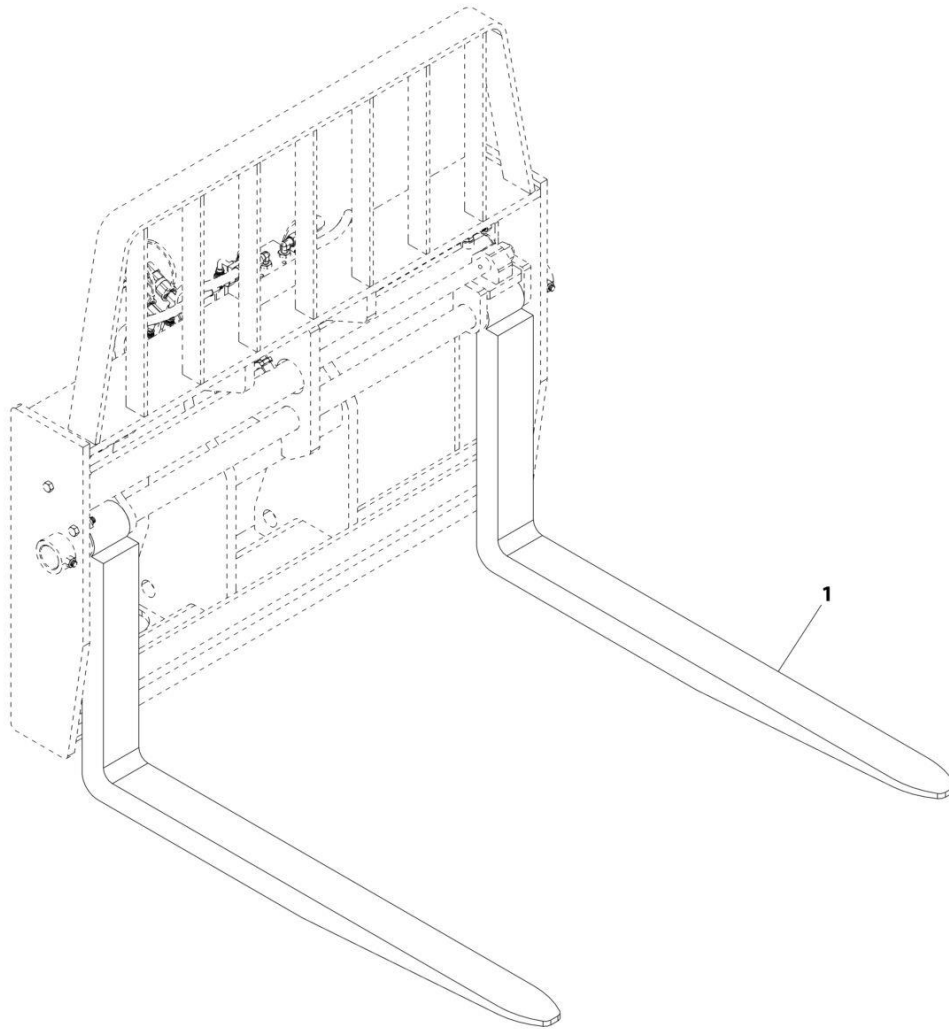
## SECTION 3 - ATTACHMENTS

**FIGURE 3-30. FORK 2.36X4X60 / 5000# CAPACITY**

ITEM	PART NUMBER	QTY	DESCRIPTION	REV
1	1001227379	2	Pallet Fork (2.36X4X60)	A
N1	Note	Ref	<b>FORKS RATED LESS THAN THE ATTACHMENT OR MACHINE'S CAPACITY DECREASES CAPACITY OF THE ATTACHMENT OR MACHINE TO THAT OF THE FORKS. FORKS RATED MORE THAN THE ATTACHMENT OR MACHINE'S CAPACITY DO NOT INCREASE ATTACHMENT OR MACHINE'S CAPACITY.</b>	
N2	Note	Ref	<b>PLEASE CONSULT JLG PARTS DEPARTMENT TO DETERMINE THE CORRECT FORKS APPLICABLE TO YOUR SPECIFIC CARRIAGE ASSEMBLY AND APPLICATION.</b>	

# SECTION 3 - ATTACHMENTS

FIGURE 3-31. FORK 2.36X5X48 / 5000# CAPACITY



ART\_7301408

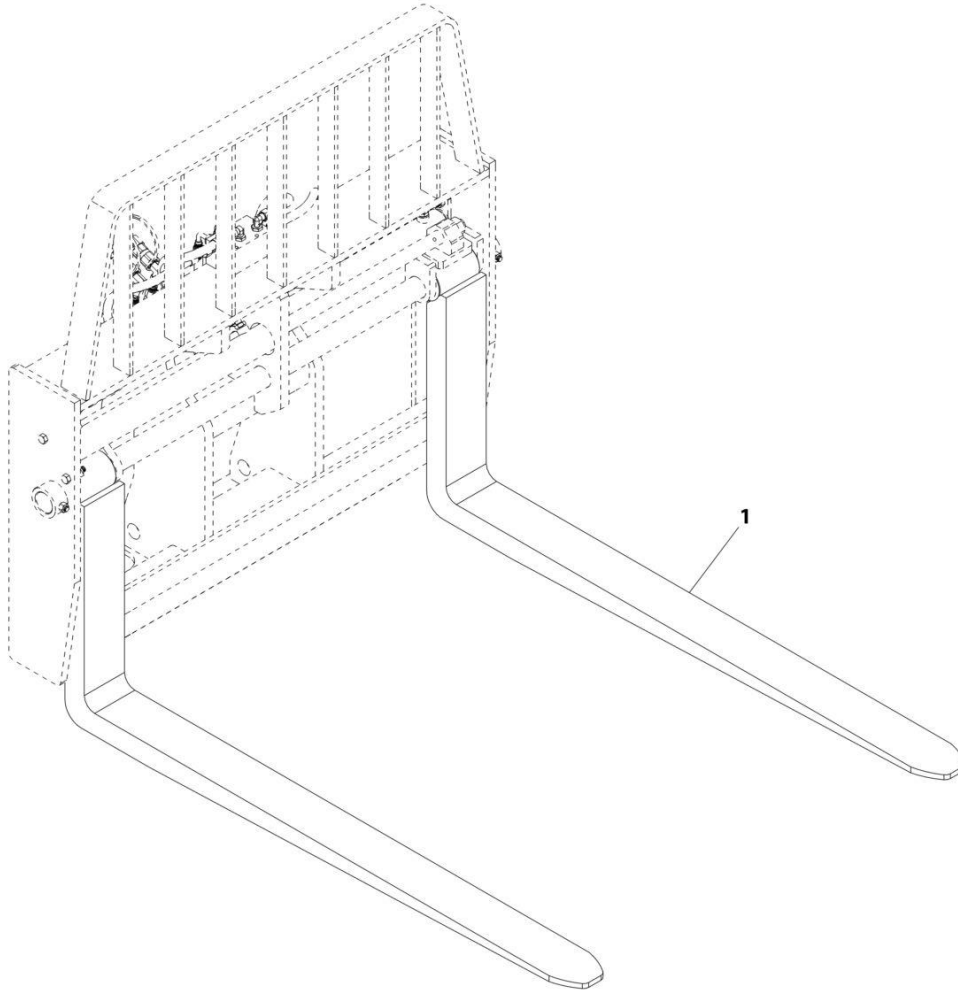
## SECTION 3 - ATTACHMENTS

**FIGURE 3-31. FORK 2.36X5X48 / 5000# CAPACITY**

ITEM	PART NUMBER	QTY	DESCRIPTION	REV
1	7301408	2	Pallet Fork (2.36X4X48)	D
N1	Note	Ref	<b>FORKS RATED LESS THAN THE ATTACHMENT OR MACHINE'S CAPACITY DECREASES CAPACITY OF THE ATTACHMENT OR MACHINE TO THAT OF THE FORKS. FORKS RATED MORE THAN THE ATTACHMENT OR MACHINE'S CAPACITY DO NOT INCREASE ATTACHMENT OR MACHINE'S CAPACITY.</b>	
N2	Note	Ref	<b>PLEASE CONSULT JLG PARTS DEPARTMENT TO DETERMINE THE CORRECT FORKS APPLICABLE TO YOUR SPECIFIC CARRIAGE ASSEMBLY AND APPLICATION.</b>	

# SECTION 3 - ATTACHMENTS

FIGURE 3-32. FORK 2.36X5X60 / 6850# CAPACITY



ART\_1001227382

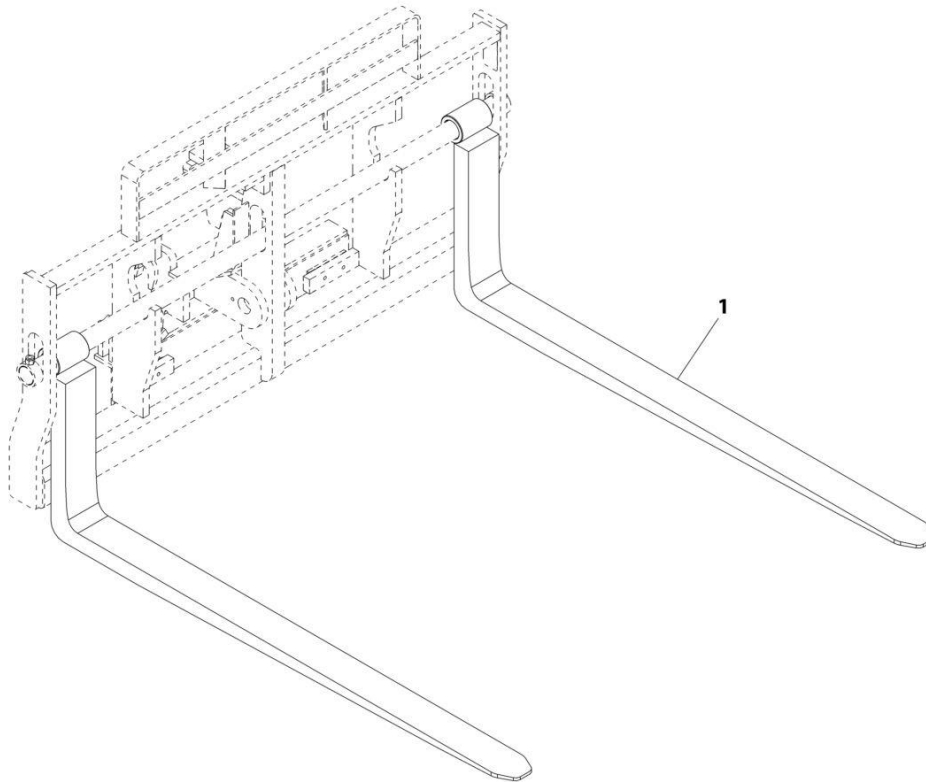
## SECTION 3 - ATTACHMENTS

**FIGURE 3-32. FORK 2.36X5X60 / 6850# CAPACITY**

ITEM	PART NUMBER	QTY	DESCRIPTION	REV
1	1001227382	1	Pallet Fork (2.36X5X60)	A
N1	Note	Ref	<b>FORKS RATED LESS THAN THE ATTACHMENT OR MACHINE'S CAPACITY DECREASES CAPACITY OF THE ATTACHMENT OR MACHINE TO THAT OF THE FORKS. FORKS RATED MORE THAN THE ATTACHMENT OR MACHINE'S CAPACITY DO NOT INCREASE ATTACHMENT OR MACHINE'S CAPACITY.</b>	
N2	Note	Ref	<b>PLEASE CONSULT JLG PARTS DEPARTMENT TO DETERMINE THE CORRECT FORKS APPLICABLE TO YOUR SPECIFIC CARRIAGE ASSEMBLY AND APPLICATION.</b>	

# SECTION 3 - ATTACHMENTS

FIGURE 3-33. FORK 2.36X5X72 / 6850# CAPACITY



ART\_1001232355



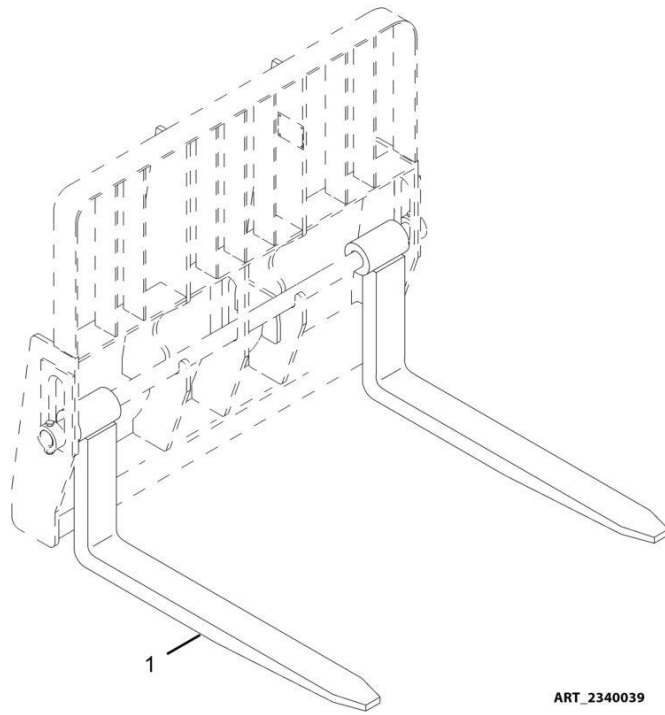
## SECTION 3 - ATTACHMENTS

**FIGURE 3-33. FORK 2.36X5X72 / 6850# CAPACITY**

ITEM	PART NUMBER	QTY	DESCRIPTION	REV
	1001232355	1 pr	Pallet Fork (2.36X5X72)	A
	Note	Ref	<b>FORKS RATED LESS THAN THE ATTACHMENT OR MACHINE'S CAPACITY DECREASES CAPACITY OF THE ATTACHMENT OR MACHINE TO THAT OF THE FORKS. FORKS RATED MORE THAN THE ATTACHMENT OR MACHINE'S CAPACITY DO NOT INCREASE ATTACHMENT OR MACHINE'S CAPACITY.</b>	
	Note	Ref	<b>PLEASE CONSULT JLG PARTS DEPARTMENT TO DETERMINE THE CORRECT FORKS APPLICABLE TO YOUR SPECIFIC CARRIAGE ASSEMBLY AND APPLICATION.</b>	

# SECTION 3 - ATTACHMENTS

FIGURE 3-34. FORK 2.36X6X60 / 8150# CAPACITY



ART\_2340039

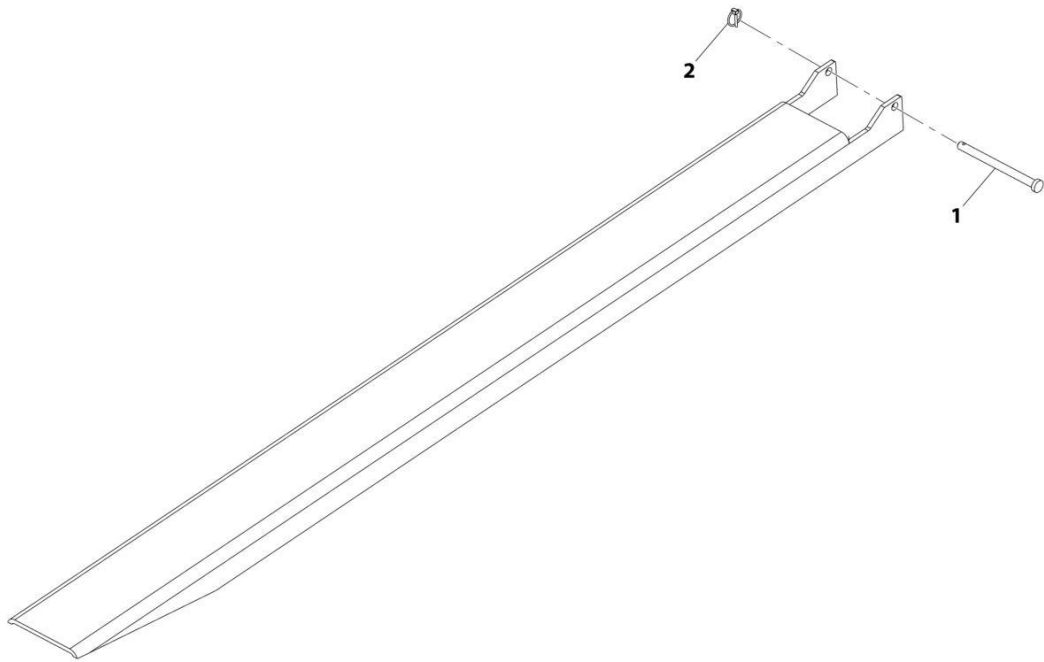
## SECTION 3 - ATTACHMENTS

**FIGURE 3-34. FORK 2.36X6X60 / 8150# CAPACITY**

ITEM	PART NUMBER	QTY	DESCRIPTION	REV
1	2340039	2	Lumber Fork (60X150X1524)	
	Note	Ref	<b>FORKS RATED LESS THAN THE ATTACHMENT OR MACHINE'S CAPACITY DECREASES CAPACITY OF THE ATTACHMENT OR MACHINE TO THAT OF THE FORKS. FORKS RATED MORE THAN THE ATTACHMENT OR MACHINE'S CAPACITY DO NOT INCREASE ATTACHMENT OR MACHINE'S CAPACITY.</b>	
	Note	Ref	<b>PLEASE CONSULT JLG PARTS DEPARTMENT TO DETERMINE THE CORRECT FORKS APPLICABLE TO YOUR SPECIFIC CARRIAGE ASSEMBLY AND APPLICATION.</b>	

# SECTION 3 - ATTACHMENTS

## FIGURE 3-35. FORK EXTENSION - 90IN



ART\_1001137512-D

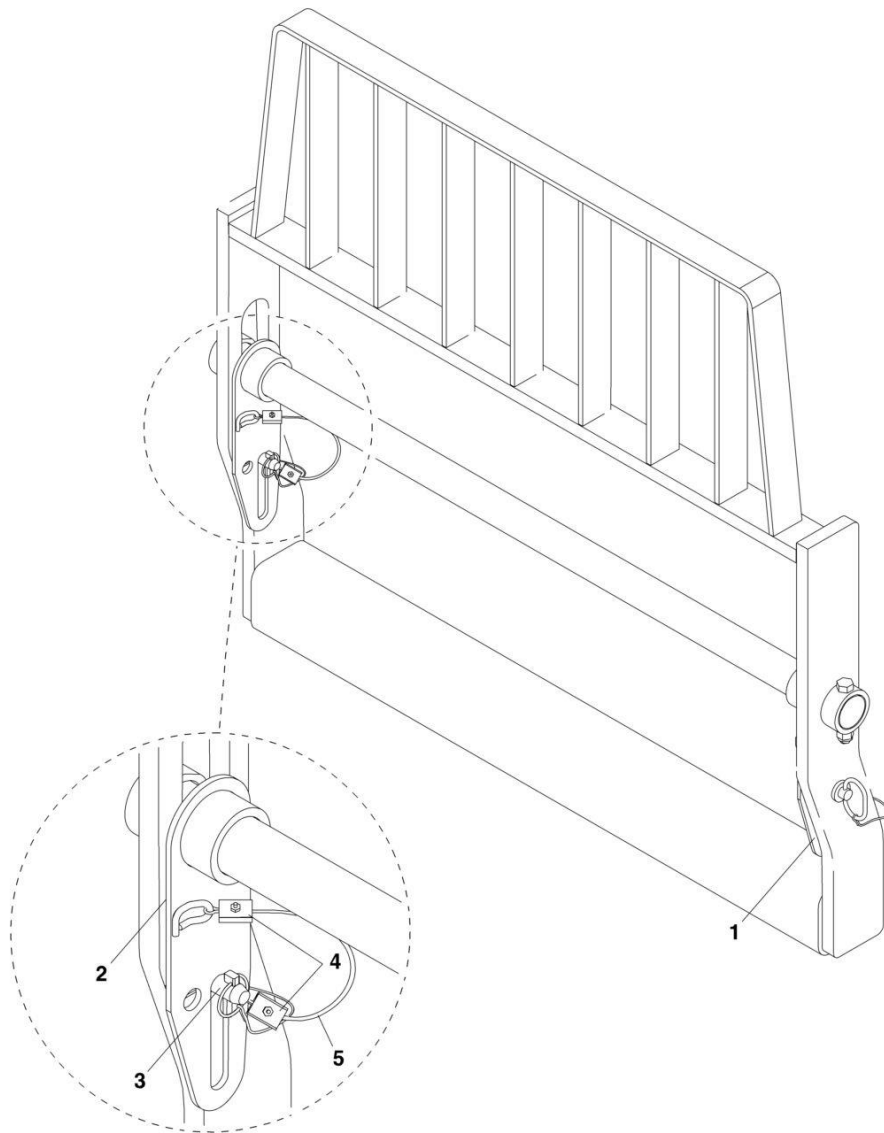
## SECTION 3 - ATTACHMENTS

### FIGURE 3-35. FORK EXTENSION - 90IN

ITEM	PART NUMBER	QTY	DESCRIPTION	REV
	1001137512	2	Fork Extensions (62X163X2286)	D
1	70024306	1	Pin	
2	70024307	1	Clip	

# SECTION 3 - ATTACHMENTS

## FIGURE 3-36. FORK PIN LOCK INSTALLATION



ART\_1001093465\_B

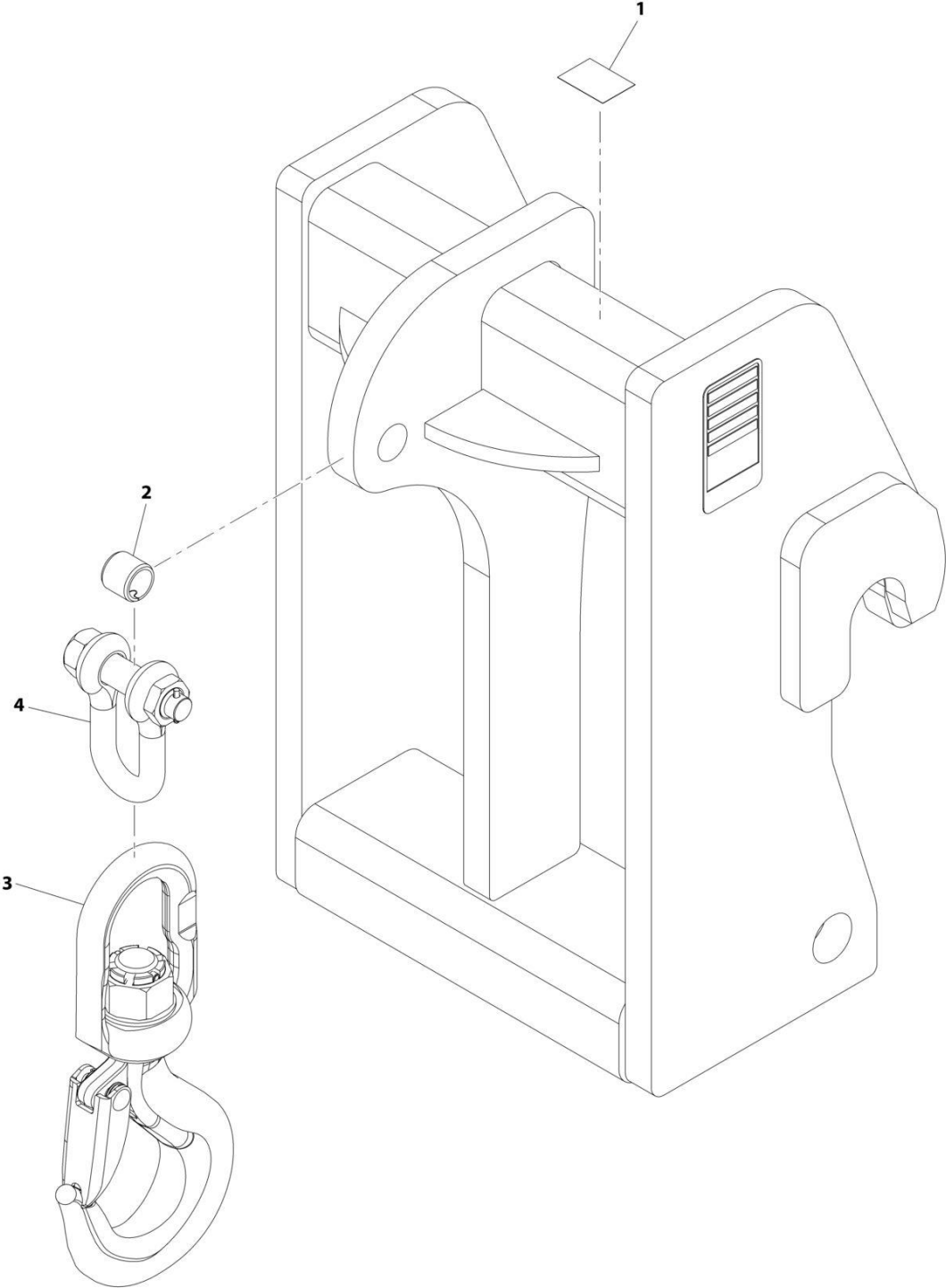
## SECTION 3 - ATTACHMENTS

### FIGURE 3-36. FORK PIN LOCK INSTALLATION

ITEM	PART NUMBER	QTY	DESCRIPTION	REV
	1001093465	Ref	Fork Pin Lock Installation	B
1	0240156	1	Lock, LH Fork Pin	
2	1001093273	1	Lock, RH Fork Pin	
3	1001093377	2	Pin, Hitch	
4	1001094830	4	Clamp	
5	1001094330	2	Lanyard	

**SECTION 3 - ATTACHMENTS**

**FIGURE 3-37. HOOK, COUPLING**



ART\_1001207606-C



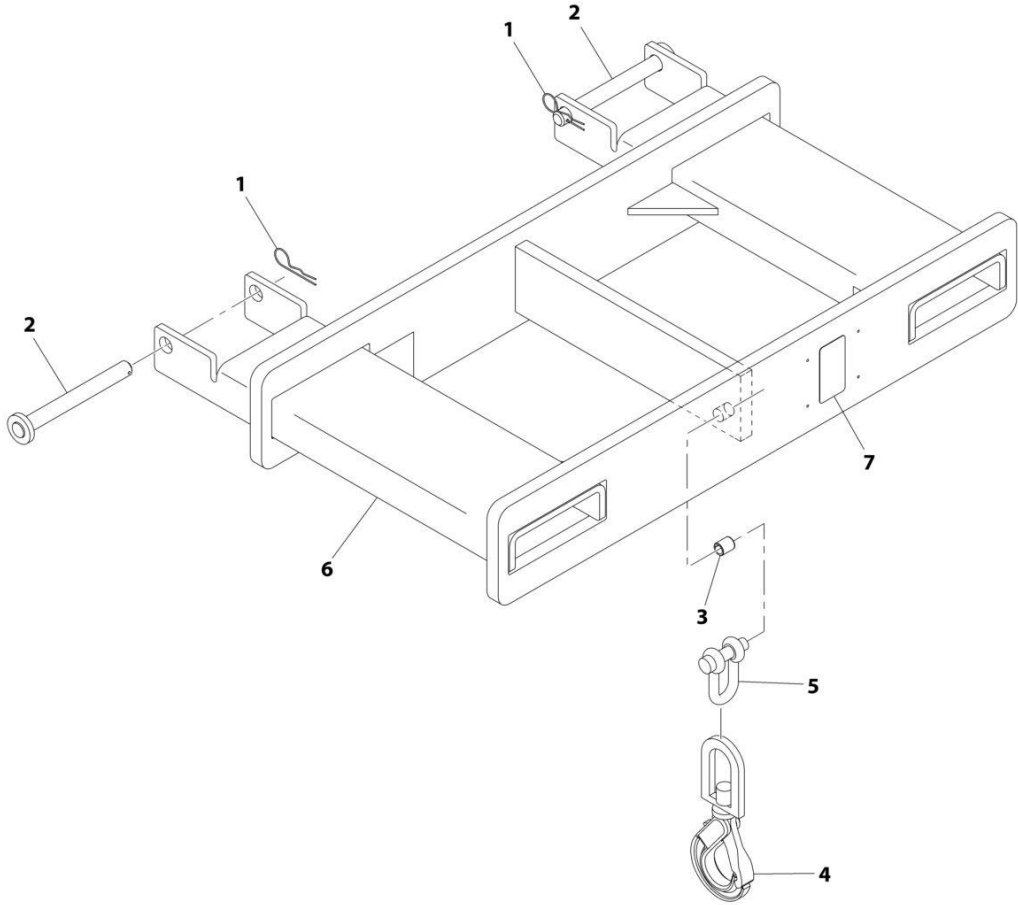
## SECTION 3 - ATTACHMENTS

### FIGURE 3-37. HOOK, COUPLING

ITEM	PART NUMBER	QTY	DESCRIPTION	REV
	1001207606	Ref	COUPLER MOUNTED HOOK	C
1	90554016	1	Decal	
2	70020555	1	Bushing	
3	70026745	1	Hook Swivel	
4	70026746	1	Shackle Chain	

**SECTION 3 - ATTACHMENTS**

**FIGURE 3-38. HOOK, CRANE**



ART\_1001097205-I

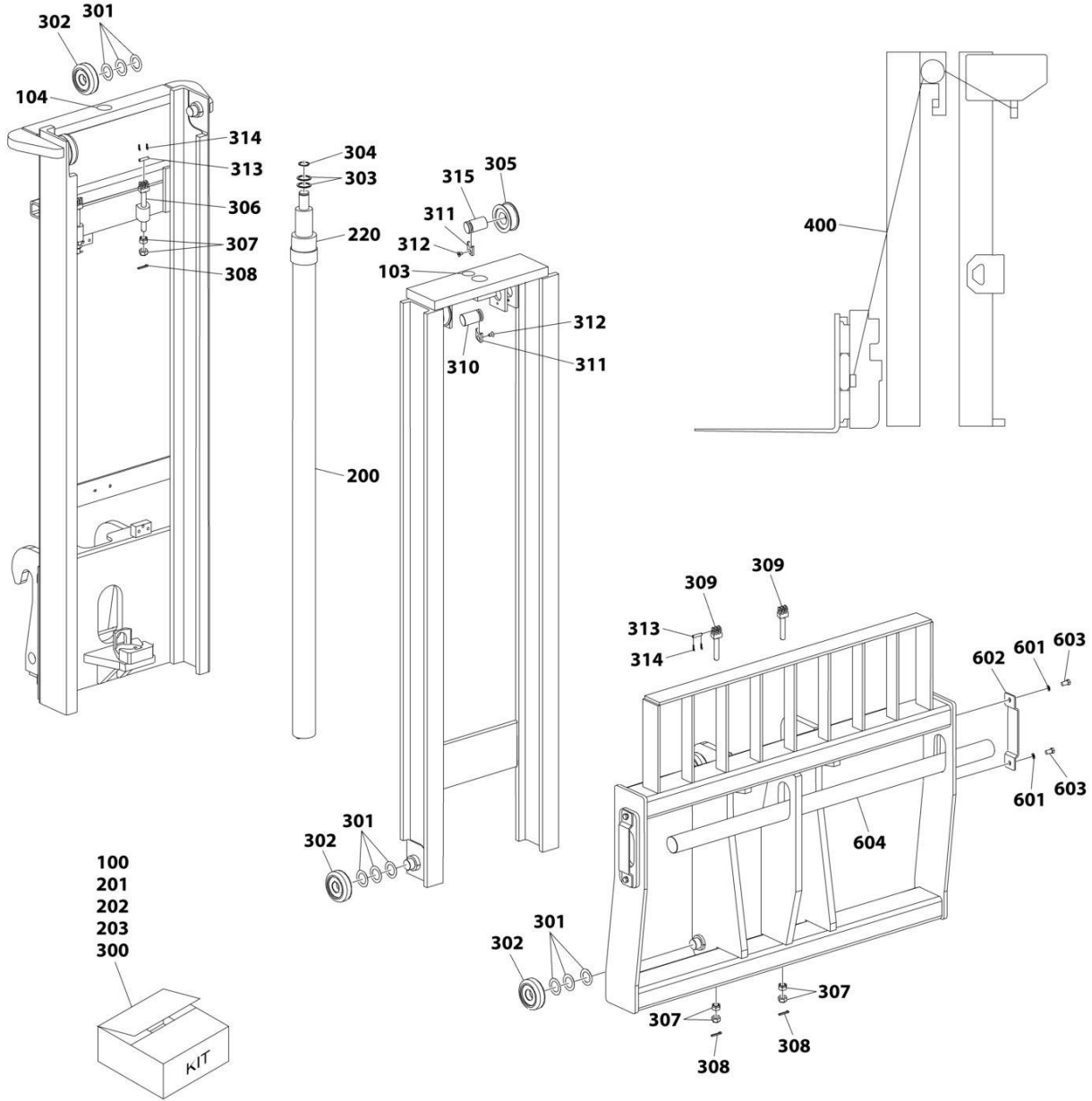
## SECTION 3 - ATTACHMENTS

### FIGURE 3-38. HOOK, CRANE

ITEM	PART NUMBER	QTY	DESCRIPTION	REV
	1001097205	Ref	Fork Mounted Hook (4 Ton)	J
1	7029520	2	Pin, Cotter	
2	1001093171	2	Pin	
3	70020555	1	Bushing	
4	90554080	1	Hook	
5	7029521	1	Shackle	
6	See Note	NSS	Frame, Hook (Note: Purchase Complete Assembly)	
7	See Note	NSS	S/N Plate (Note: Stamped Part - Not Available for Purchase)	

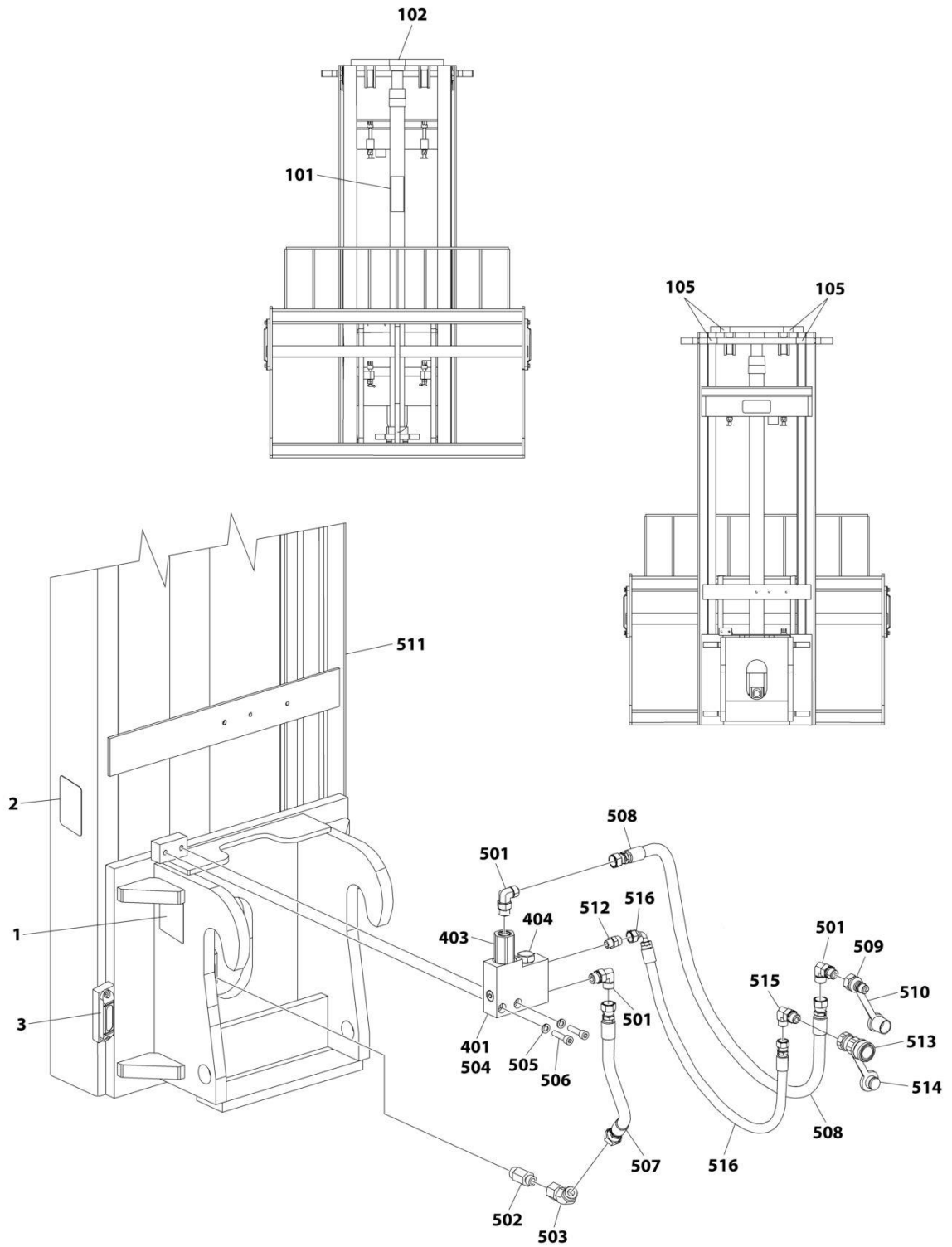
# SECTION 3 - ATTACHMENTS

## FIGURE 3-39. MAST, VERTICAL - 8FT



ART\_1001108668\_1OF2

# SECTION 3 - ATTACHMENTS



ART\_1001108668\_20F2

## SECTION 3 - ATTACHMENTS

**FIGURE 3-39. MAST, VERTICAL - 8FT**

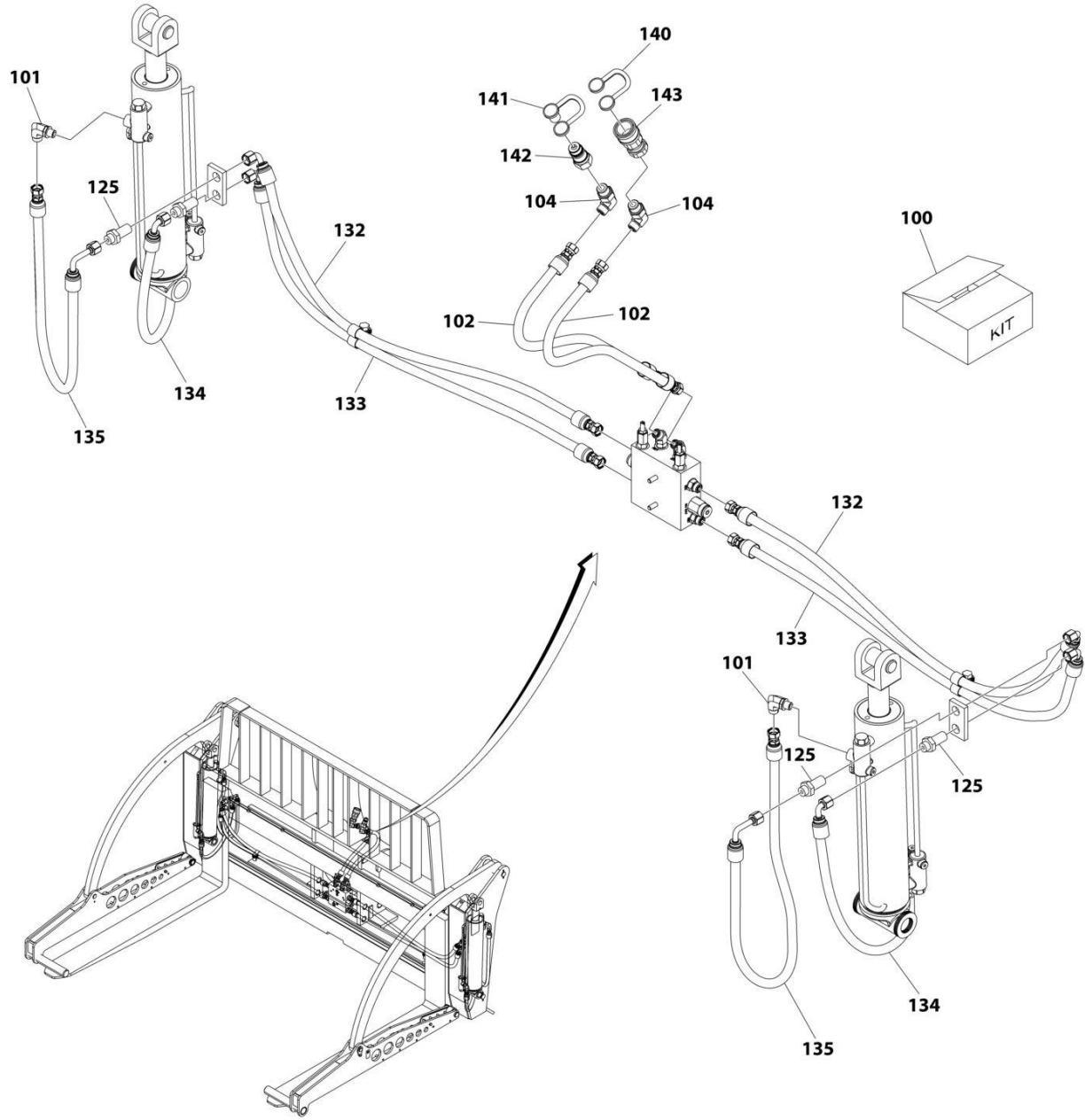
ITEM	PART NUMBER	QTY	DESCRIPTION	REV
	1001108668	Ref	MAST ASSEMBLY - 8FT	G
1	See Note	NSS	Nameplate, Serial Number (Note: Not Available for Purchase)	
2	1001111190	2	Decal - Warning	
3	1001227670	1	RFID Tag	
100	70023925	1	Decal Kit (includes items 1, Warning, No Step & Hose Routing Decals)	
101	See Note	NSS	Decal, Warning (Use Item 100)	
102	See Note	NSS	Decal, Warning (Use Item 100)	
103	See Note	NSS	Decal, No Step (Use Item 100)	
104	See Note	NSS	Decal, No Step (Use Item 100)	
105	See Note	NSS	Decal, Hands Off (Use Item 100)	
200	70023008	1	Cylinder Assembly - Lift (includes items 201-203 & 220. No Other Service Parts Available)	
201	70023005	1	Seal Kit - 70023008 Cylinder (includes Seals & Seal Retaining Hardware)	
202	70023006	1	Check Valve Kit (includes Mounting O-Rings & Hardware)	
203	70023007	1	Shim Kit (Includes items 303)	
220	70023004	1	Head/Retainer	
300	70023015	1	Mast Kit (includes items 100 & 301-315)	
301	70023014	24	Shim	
302	70022987	8	Bearing, Ball	
303	See Note	NLA	Shim (Note: Use item 203)	
304	70023016	1	Ring, Retaining	
305	70022969	2	Sheave	
306	70022960	2	Anchor, Chain	
307	70022957	8	Nut 5/8	
308	70022993	4	Pin, Cotter	
309	70022995	2	Anchor, Chain	
310	70022984	1	Shaft, Sheave	
311	70022970	2	Bar	
312	70023003	2	Screw	
313	70022994	4	Pin	
314	70022992	8	Pin, Cotter	
315	70022985	1	Shaft, Sheave	
400	70023009	2	Chain, Hoist	
401	70022932	1	Valve Assembly - Lowering Control	
403	70022931	1	Cartridge, Valve	
404	70023010	1	Cartridge, Valve	
501	70022934	3	Fitting, 90	
502	70022936	1	Fitting, Flow Limiter	
503	70022937	1	Fitting, 45	
504	70022932	1	Valve Assembly - Lowering Control (Note: Duplicate of Item 401 - Only Qty 1 Used)	
505	70022949	2	Washer, M10	
506	70022950	2	Bolt M10	
507	70022942	1	Hose	
508	70022952	1	Hose	
509	91403414	1	Fitting, Quick Disconnect Coupling (Male)	
510	91043126	1	Cap, Dust	
511	70023015	1	Mast Kit (Note: Duplicate of Item 300 - Only Qty 1 Used)	

## SECTION 3 - ATTACHMENTS

ITEM	PART NUMBER	QTY	DESCRIPTION	REV
512	70022939	1	Fitting, Straight	
513	91403413	1	Fitting, Quick Disconnect Coupling (Female)	
514	91043125	1	Cap, Dust	
515	70022935	1	Fitting, 90	
516	70022946	1	Hose	
601	70022949	4	Washer M10	
602	70022980	2	Keeper, Pin	
603	70022998	4	Bolt M10 x 20	
604	70022990	1	Pin, Fork	

# SECTION 3 - ATTACHMENTS

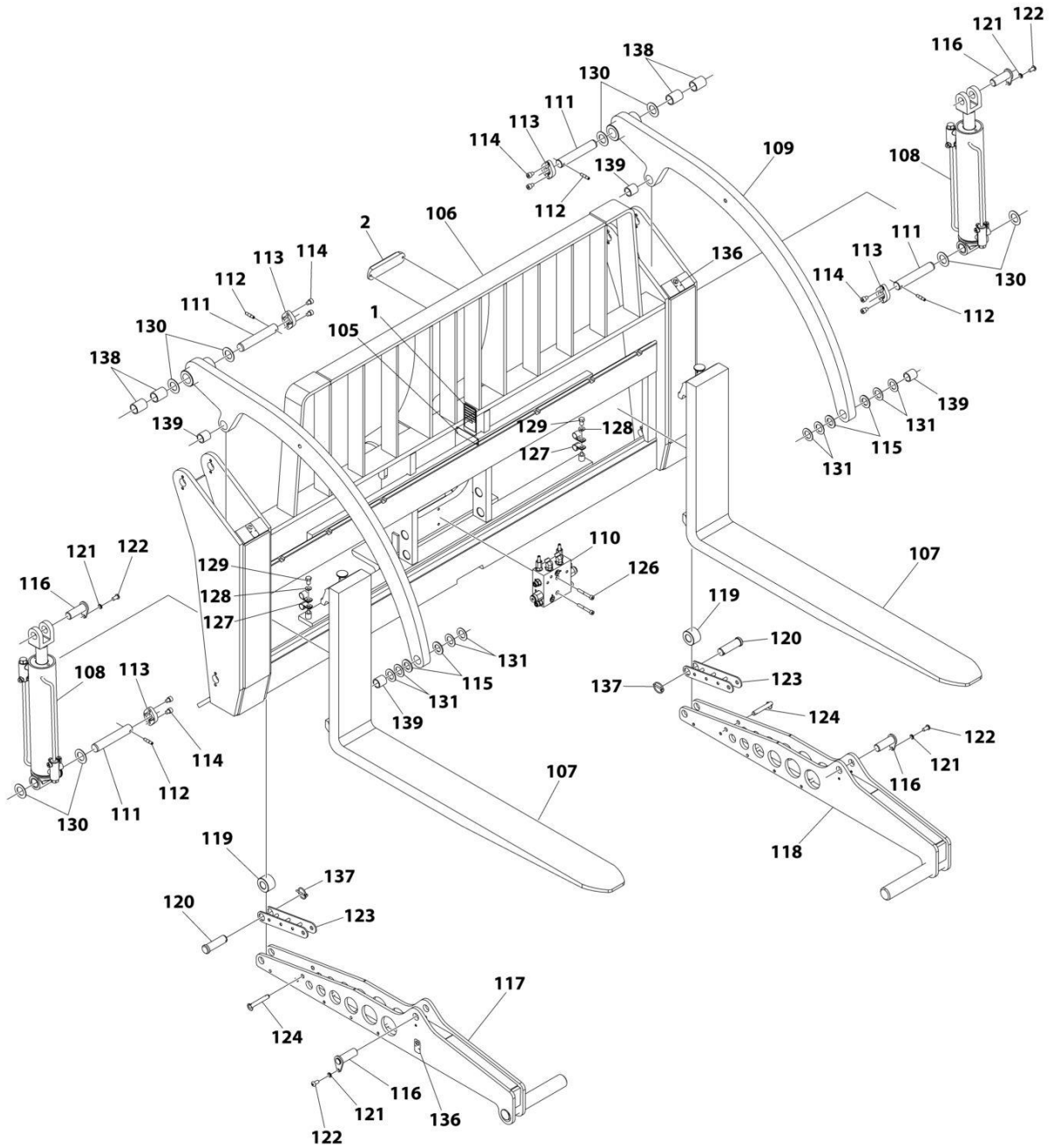
## FIGURE 3-40. PIPE HANDLER



ART\_1001142247\_1



# SECTION 3 - ATTACHMENTS



ART\_1001142247\_2

## SECTION 3 - ATTACHMENTS

### FIGURE 3-40. PIPE HANDLER

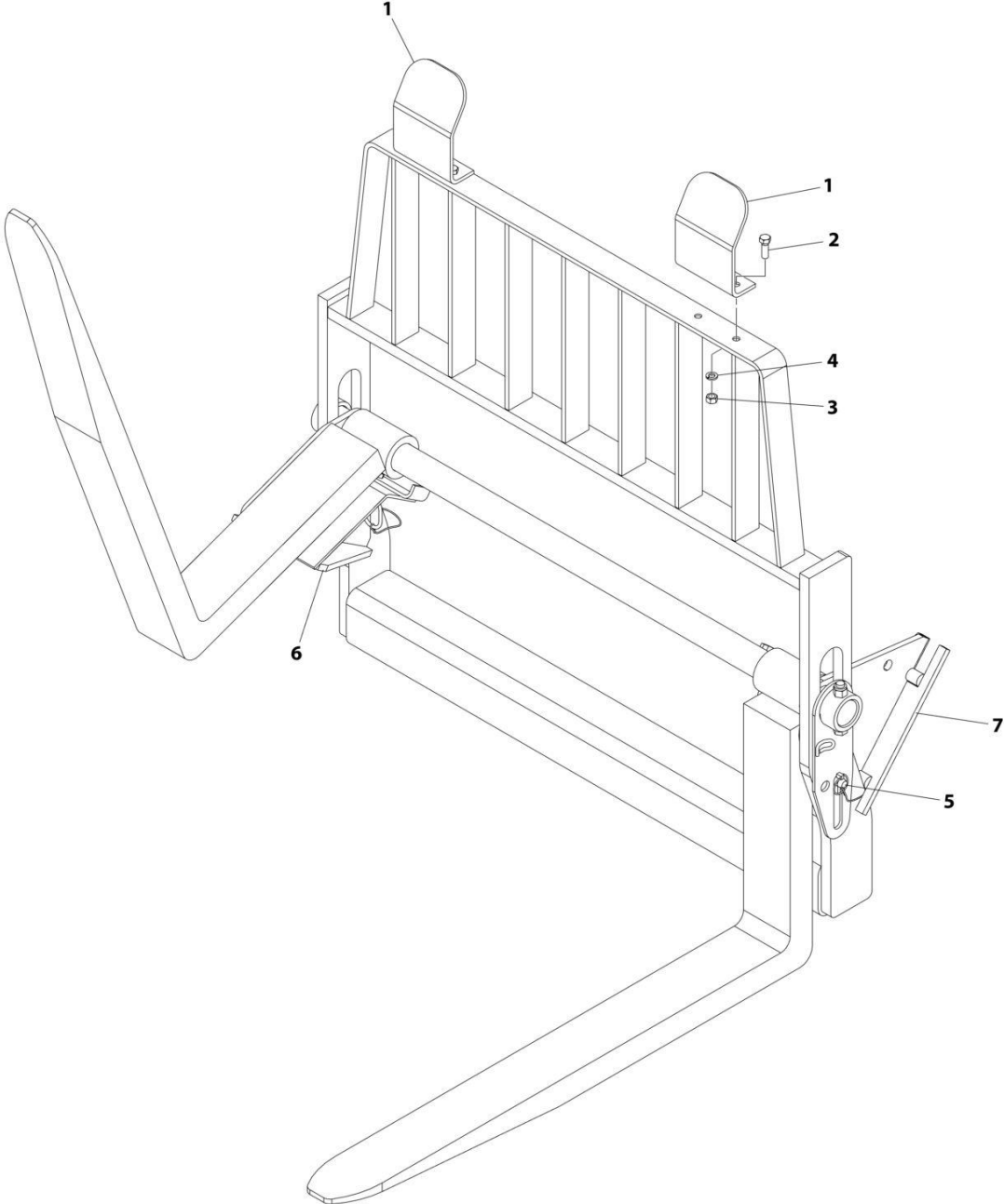
ITEM	PART NUMBER	QTY	DESCRIPTION	REV
	1001142247	Ref	PIPE HANDLER ASSEMBLY	G
1	See Note	NSS	JLG Plate (Note: Stamped Part - Not Available for Purchase)	
2	1001227670	1	Tag, RFID	
100	70026585	1	Disconnect & Hose Kit (Boom Front Disconnect) (Includes Items 101, 102, 104, 125, 132-135, 140-143)	
100	70031442	1	Disconnect Kit (Boom Side Disconnect) (Includes Items 102, 104, & 140-143)	
101	70024123	4	Fitting, 90	
102	70026347	2	Hose 20in (Boom Front Disconnect)	
102	70031448	2	Hose 44in (Boom Side Disconnect)	
104	70024550	2	Fitting, 90	
105	See Note	NSS	S/N Plate (Note: Stamped Part - Not Available for Purchase)	
106	See Note	NSS	Carriage (Note: Purchase Complete Assembly)	
107	70026586	2	Fork	
108	70026587	2	Cylinder, Pipe Handler (See Separate Breakdown in HYDRAULIC COMPONENTS Section)	
109	70026588	2	Arm	
110	70026589	1	Valve Assembly (See Separate Breakdown in HYDRAULIC CIRCUITS Section)	
111	70026470	4	Pin	
112	70026471	4	Pin Drive - Lock	
113	70026472	4	Retainer	
114	70026473	8	Capscrew, M10 x 12	
115	70026590	4	Thrust Washer	
116	70026591	4	Pin Weldment	
117	70026592	1	Contact Pad - RH	
118	70026593	1	Contact Pad - LH	
119	70026594	2	Roller	
120	70026595	2	Clevis Pin	
121	70026596	4	Lockwasher, M8	
122	70026597	4	Capscrew, M8 x 16	
123	70026598	2	Retainer	
124	70026599	2	Ring Detent Pin	
125	70023000	4	Fitting	
126	70026600	2	Capscrew, M8 x 60	
127	70026481	4	Hose Clamp	
128	70026482	2	Washer	
129	70022996	2	Capscrew, M10X16	
130	70026476	24	Shim	
131	70026601	8	Shim	
132	70026602	2	Hose	
133	70026603	2	Hose	
134	70026604	2	Hose	
135	70026605	2	Hose	
136	70024538	4	Warning Decal	
137	70026606	2	Lynch Pin, 3/16	
138	70026501	4	Bushing	
139	70026607	4	Bushing	
140	70026608	1	Plug	
141	70026609	1	Cap	

## SECTION 3 - ATTACHMENTS

ITEM	PART NUMBER	QTY	DESCRIPTION	REV
142	91403414	1	Coupler - Male	
143	91403413	1	Coupler - Female	

**SECTION 3 - ATTACHMENTS**

**FIGURE 3-41. SHEET MATERIAL HANDLER**



ART\_1001100227-B

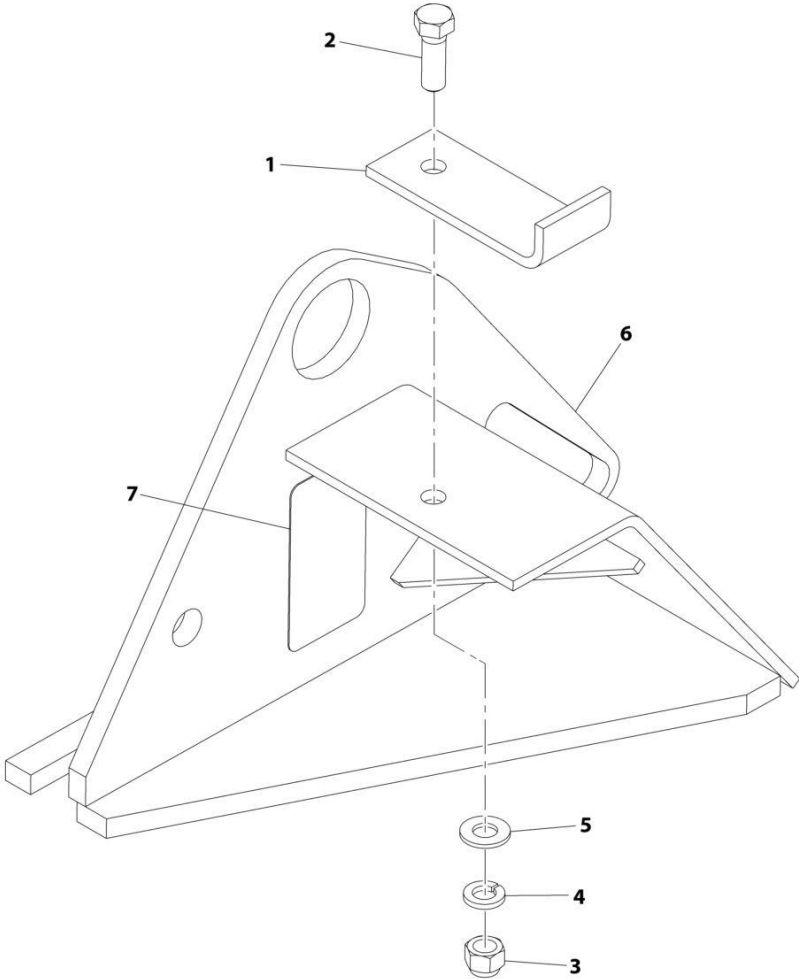
## SECTION 3 - ATTACHMENTS

### FIGURE 3-41. SHEET MATERIAL HANDLER

ITEM	PART NUMBER	QTY	DESCRIPTION	REV
	1001100227	Ref	Sheet Material Handler Installation	B
1	7112642	2	Extension, Backrest	
2	8303626	4	Bolt, 1/2-13X1-1/2	
3	8305012	4	Nut, 1/2-13	
4	8307007	4	Washer, Lock 1/2	
5	1001093377	2	Pin, Hitch	
6	1001101115	1	Assembly, RH Fork Support (See Separate Breakdown in this Section)	
7	1001101116	1	Assembly, LH Fork Support (See Separate Breakdown in this Section)	

**SECTION 3 - ATTACHMENTS**

**FIGURE 3-42. SHEET MATERIAL HANDLER FORK SUPPORT (LH)**



ART\_1001101116-E

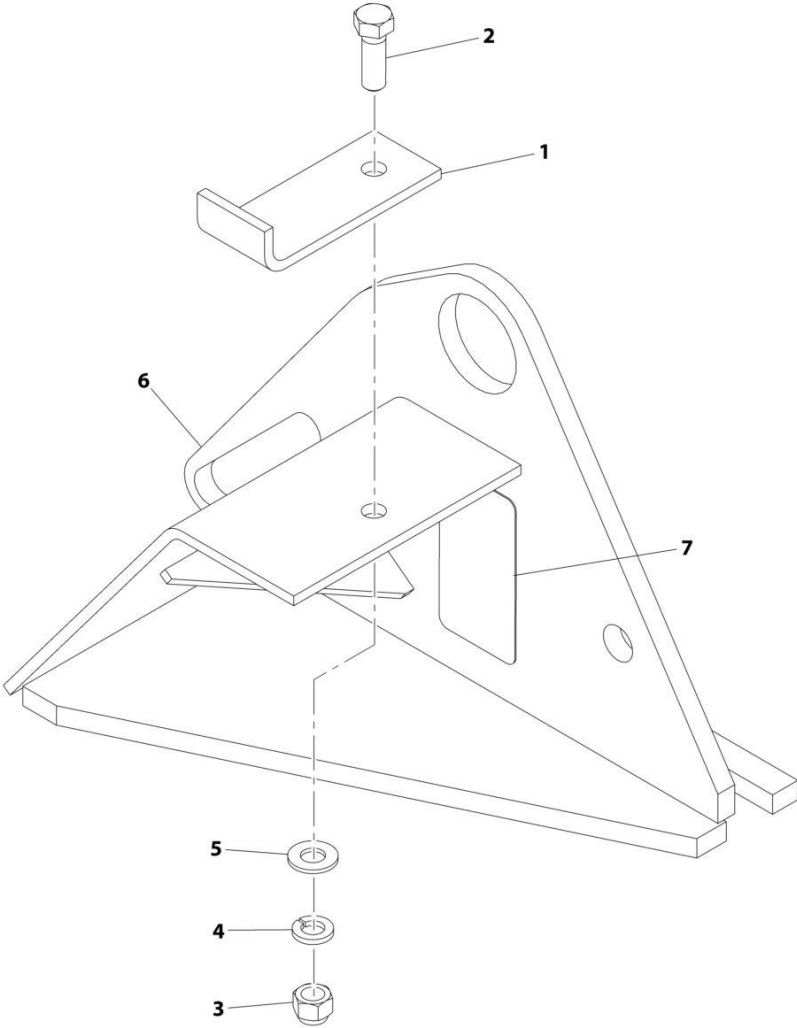
## SECTION 3 - ATTACHMENTS

### FIGURE 3-42. SHEET MATERIAL HANDLER FORK SUPPORT (LH)

ITEM	PART NUMBER	QTY	DESCRIPTION	REV
	1001101116	Ref	LH Fork Support Assembly	E
1	7114941	1	Bar, Lock	
2	8303626	1	Bolt, 1/2-13X1-1/2	
3	8305644	1	Nut, Lock 1/2-13	
4	8307007	1	Washer, Lock 1/2	
5	8307112	1	Washer, 1/2	
6	1001100229	1	Support, LH Fork	
7	N.S.S.	1	S/N Plate	

**SECTION 3 - ATTACHMENTS**

**FIGURE 3-43. SHEET MATERIAL HANDLER FORK SUPPORT (RH)**



ART\_1001101115-D



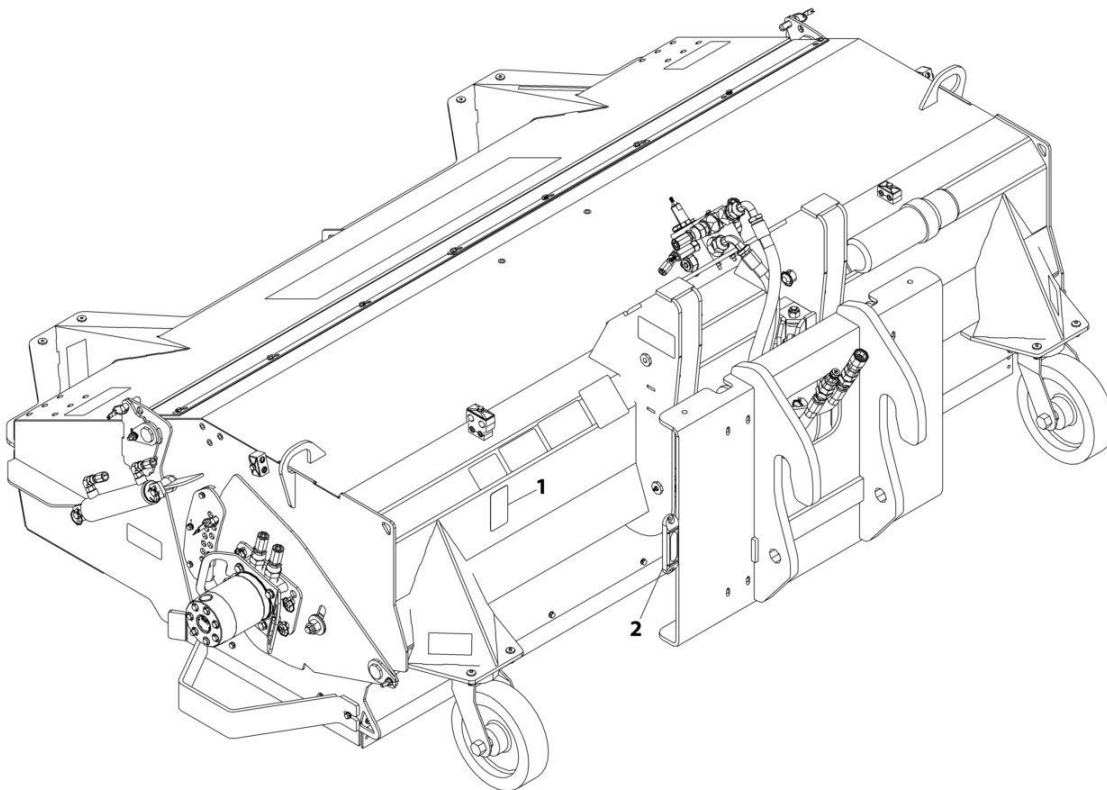
## SECTION 3 - ATTACHMENTS

**FIGURE 3-43. SHEET MATERIAL HANDLER FORK SUPPORT (RH)**

ITEM	PART NUMBER	QTY	DESCRIPTION	REV
	1001101115	Ref	RH Fork Support Assembly	D
1	7114941	1	Bar, Lock	
2	8303626	1	Bolt, 1/2-13X1-1/2	
3	8305644	1	Nut, Lock 1/2-13	
4	8307007	1	Washer, Lock 1/2	
5	8307112	1	Washer, 1/2	
6	1001100228	1	Support, RH Fork	
7	N.S.S.	1	S/N Plate	

# SECTION 3 - ATTACHMENTS

## FIGURE 3-44. SWEEPER ASSEMBLY



ART\_1001202904

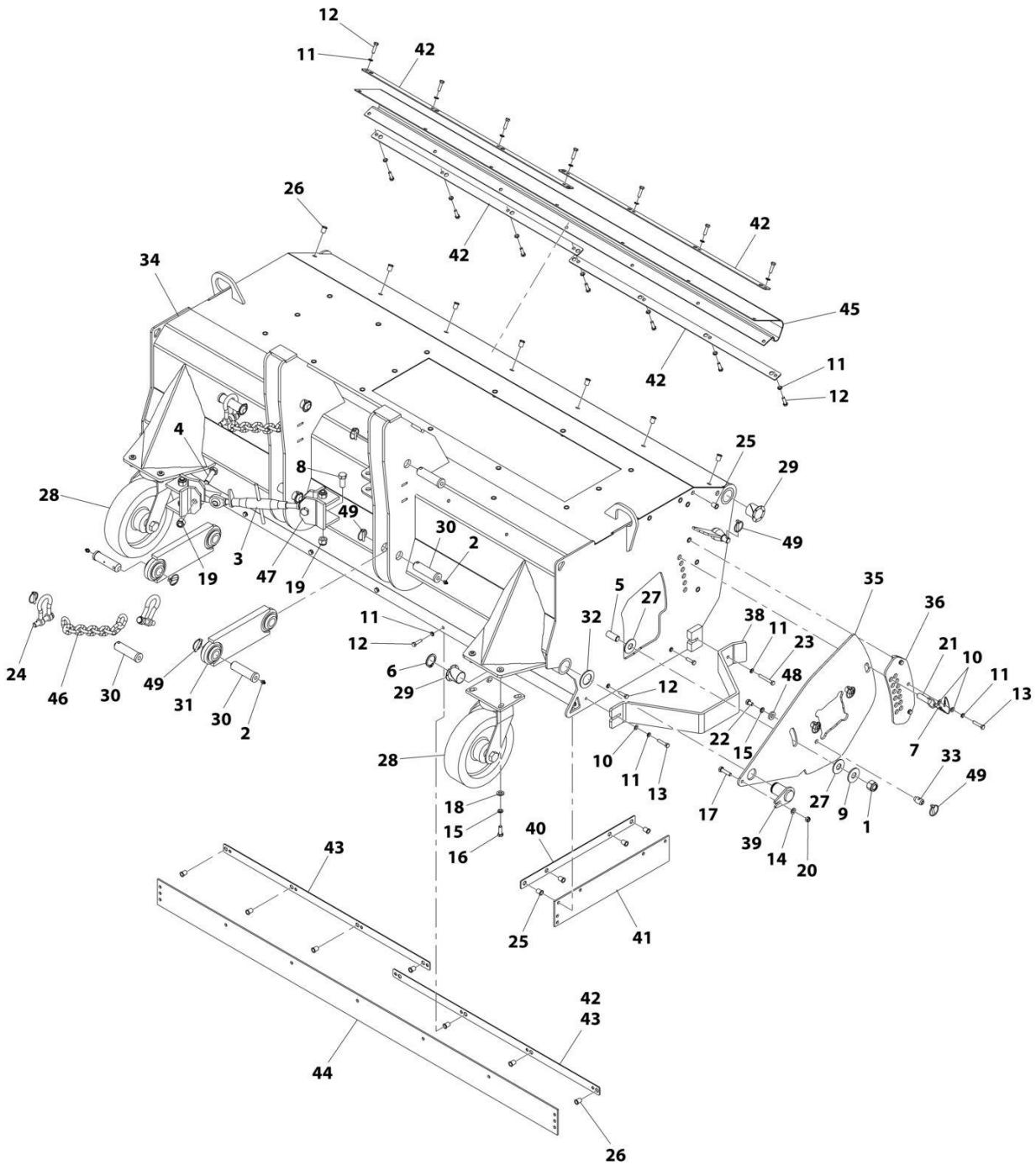
## SECTION 3 - ATTACHMENTS

**FIGURE 3-44. SWEEPER ASSEMBLY**

ITEM	PART NUMBER	QTY	DESCRIPTION	REV
	1001202904	Ref	Sweeper Assembly	D
1	See Note	NSS	S/N Plate (Note: Stamped Part - Not Available for Purchase)	
2	1001227670	1	Tag, RFID	
		Ref	Sweeper Assembly- Hopper (See Separate Breakdown in this Section)	
		Ref	Sweeper Assembly - Body (See Separate Breakdown in this Section)	
		Ref	Sweeper Assembly - Motor (See Separate Breakdown in this Section)	
		Ref	Sweeper Assembly - Idler (See Separate Breakdown in this Section)	
		Ref	Sweeper Assembly - Core (See Separate Breakdown in this Section)	
		Ref	Sweeper Assembly - Hydraulic Single Motor (See Separate Breakdown in this Section)	

# SECTION 3 - ATTACHMENTS

## FIGURE 3-45. SWEEPER ASSEMBLY - BODY



ART\_1001202904\_2-B

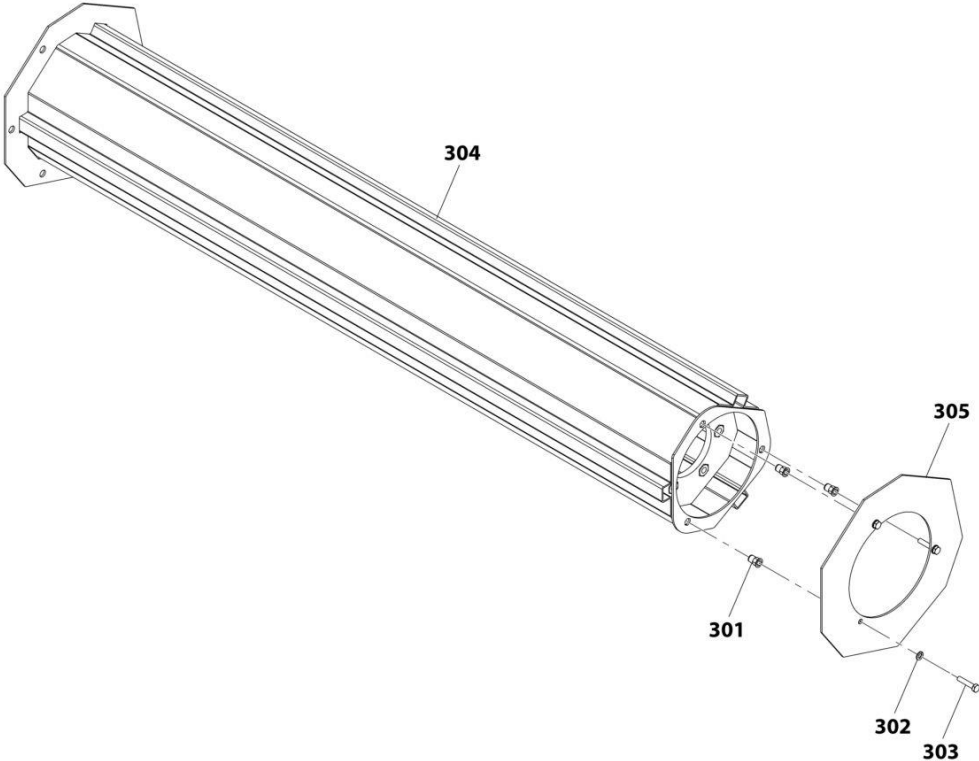
## SECTION 3 - ATTACHMENTS

**FIGURE 3-45. SWEEPER ASSEMBLY - BODY**

ITEM	PART NUMBER	QTY	DESCRIPTION	REV
	1001202904	Ref	SWEEPER ASSEMBLY - BODY	
1	70029720	2	Nut	
2	70029721	4	Fitting, Grease	
3	70029722	1	Toplink	
4	70029723	2	Screw	
5	70020004	2	Screw	
6	70029724	2	Ring, Snap	
7	70029725	2	Lanyard	
8	70029726	4	Screw	
9	70029728	2	Washer	
10	70029732	6	Washer	
11	70029734	38	Washer	
12	70029735	32	Screw	
13	70029736	4	Screw	
14	70029738	2	Washer	
15	70029739	14	Washer	
16	70029741	8	Screw	
17	70029742	2	Screw	
18	70029743	8	Washer	
19	70029745	6	Nut	
20	70029747	2	Nut	
21	70029729	2	Pin	
22	70029751	6	Screw	
23	70029752	2	Screw	
24	70029755	4	Shackle	
25	70029756	45	Nut	
26	70029757	25	Nut	
27	70029760	4	Washer	
28	70029762	2	Assembly, Caster	
29	70029764	4	Bearing	
30	70029765	8	Pin	
31	70029766	2	Link	
32	70029767	2	Washer	
33	70029768	6	Stud	
34	See Note	NSS	Body, Sweeper (Note: Purchase Complete Assembly)	
35	70029773	2	Plate	
36	70029774	2	Plate	
37	70029775	2	Plate	
38	70029776	2	Plate	
39	70029777	2	Pin	
40	70029778	2	Plate	
41	70029779	2	Flap	
42	70029780	6	Plate	
43	70029781	3	Plate	
44	70029784	1	Flap	
45	70029786	1	Flap	
46	70029788	2	Chain	
47	70029790	2	Toplink	
48	70029793	6	Washer	
49	70029794	16	Pin, Lynch	

**SECTION 3 - ATTACHMENTS**

**FIGURE 3-46. SWEEPER ASSEMBLY - CORE**



ART\_1001202904\_5-B

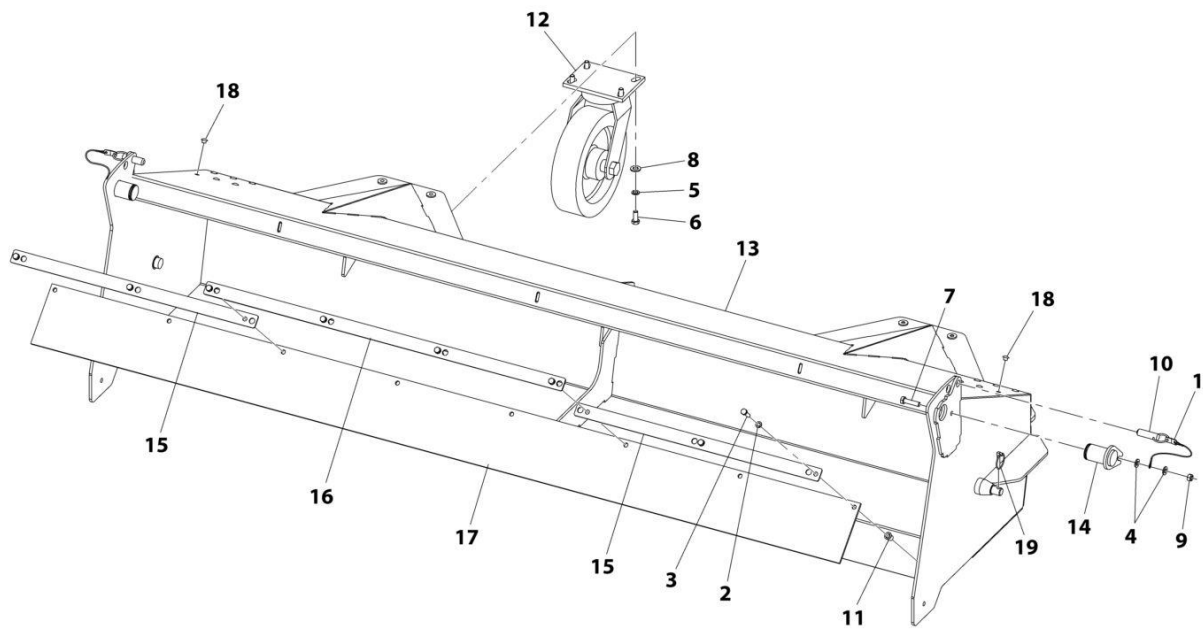
## SECTION 3 - ATTACHMENTS

### FIGURE 3-46. SWEEPER ASSEMBLY - CORE

ITEM	PART NUMBER	QTY	DESCRIPTION	REV
	1001202904	1	SWEEPER ASSEMBLY - CORE	
301	70029727	3	Nut	
302	70029730	3	Washer	
303	70029731	3	Screw	
304	70029782	1	Core	
305	70029783	1	Plate	

# SECTION 3 - ATTACHMENTS

## FIGURE 3-47. SWEEPER ASSEMBLY - HOPPER



ART\_1001202904\_1-B



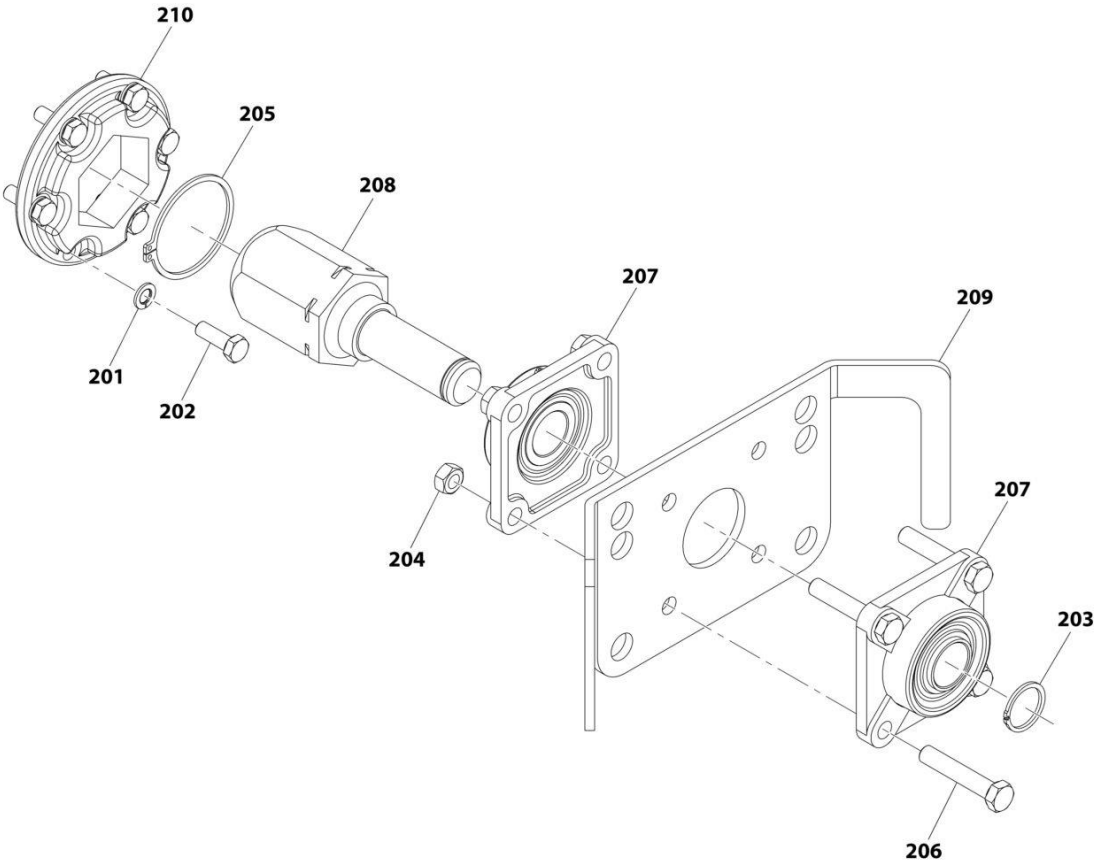
## SECTION 3 - ATTACHMENTS

**FIGURE 3-47. SWEEPER ASSEMBLY - HOPPER**

ITEM	PART NUMBER	QTY	DESCRIPTION	REV
	1001202904	Ref	SWEEPER ASSEMBLY - HOPPER	
1	70029725	2	Lanyard	
2	70029734	8	Washer	
3	70029735	8	Screw	
4	70029738	4	Washer	
5	70029739	8	Washer	
6	70029740	8	Screw	
7	70029742	2	Screw	
8	70029743	8	Washer	
9	70029747	2	Nut	
10	70029750	2	Pin	
11	70029756	8	Nut	
12	70029762	2	Assembly, Caster	
13	See Note	NSS	Hopper (Note: Purchase Complete Assembly)	
14	70029777	2	Pin	
15	70029780	2	Plate	
16	70029781	1	Plate	
17	70029785	1	Flap	
18	70029792	12	Plug	
19	70029794	2	Pin, Lynch	

**SECTION 3 - ATTACHMENTS**

**FIGURE 3-48. SWEEPER ASSEMBLY - IDLER**



ART\_1001202904\_4-B

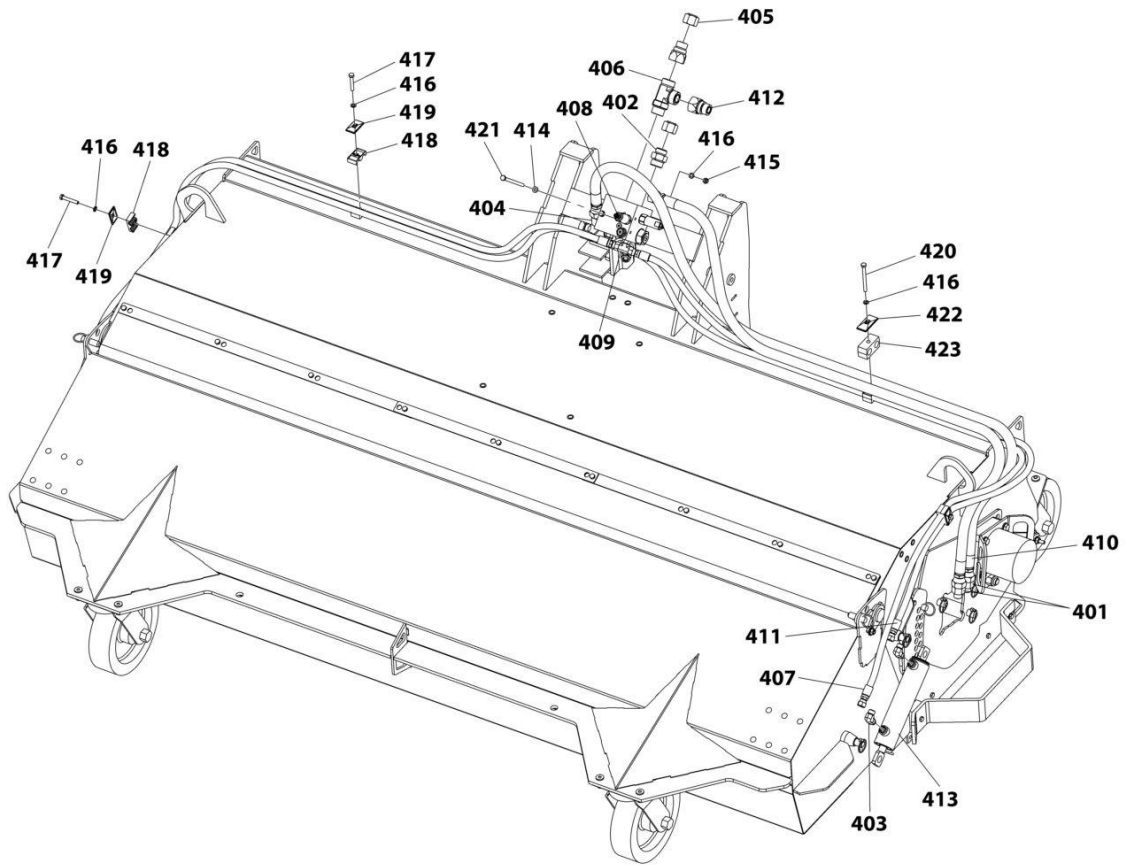
# SECTION 3 - ATTACHMENTS

## FIGURE 3-48. SWEEPER ASSEMBLY - IDLER

ITEM	PART NUMBER	QTY	DESCRIPTION	REV
	1001202904	Ref	SWEEPER ASSEMBLY - IDLER	
201	70029739	6	Washer	
202	70029741	6	Screw	
203	70029744	1	Ring, Snap	
204	70029746	4	Nut	
205	70029748	1	Ring, Snap	
206	70029749	4	Screw	
207	70029763	2	Bearing	
208	70029770	1	Hub	
209	70029787	1	Plate	
210	70029789	1	Plate	

# SECTION 3 - ATTACHMENTS

## FIGURE 3-49. SWEEPER ASSEMBLY - HYDRAULIC SINGLE MOTOR ASSEMBLY



ART\_1001202904\_6-B

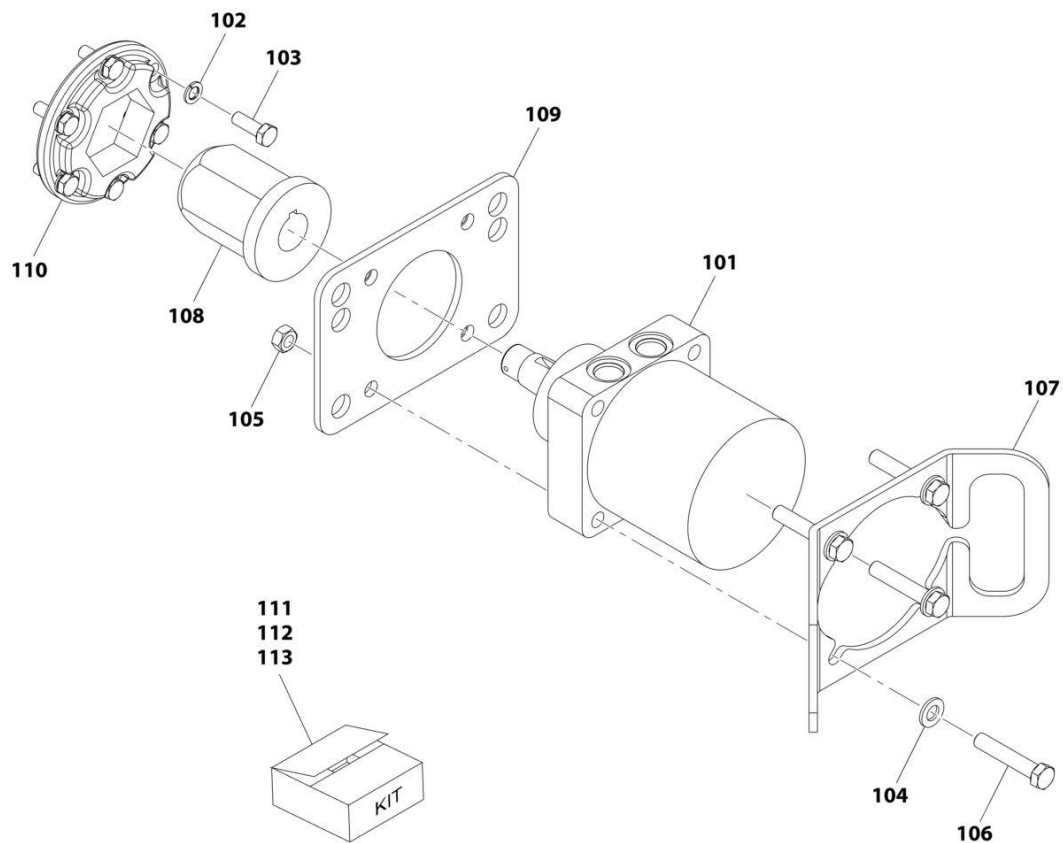
## SECTION 3 - ATTACHMENTS

**FIGURE 3-49. SWEEPER ASSEMBLY - HYDRAULIC SINGLE MOTOR ASSEMBLY**

ITEM	PART NUMBER	QTY	DESCRIPTION	REV
	1001202904	Ref	SWEEPER ASSEMBLY - HYDRAULICS	
401	70029704	2	Fitting	
402	70029705	1	Fitting	
403	70029706	4	Fitting, 90	
404	70029707	1	Fitting, 90	
405	70029708	2	Cap	
406	70029709	1	Fitting, Tee	
407	70029710	2	Hose	
408	70029711	1	Manifold	
409	70029712	2	Fitting, Tee	
410	70029713	2	Hose	
411	70029714	2	Hose	
412	70029715	2	Fitting	
413	70029716	2	Cylinder	
413	70029791	1	Kit, Seal	
414	70029732	2	Washer	
415	70029733	2	Nut	
416	70029734	6	Washer	
417	70029737	3	Screw	
418	70029753	8	Hose	
419	70029754	3	Cover	
420	70029758	1	Screw	
421	70029759	2	Screw	
422	70029795	1	Cover	
423	70029796	1	Cradle, Hose	

# SECTION 3 - ATTACHMENTS

## FIGURE 3-50. SWEEPER ASSEMBLY - MOTOR



ART\_1001202904\_3-B

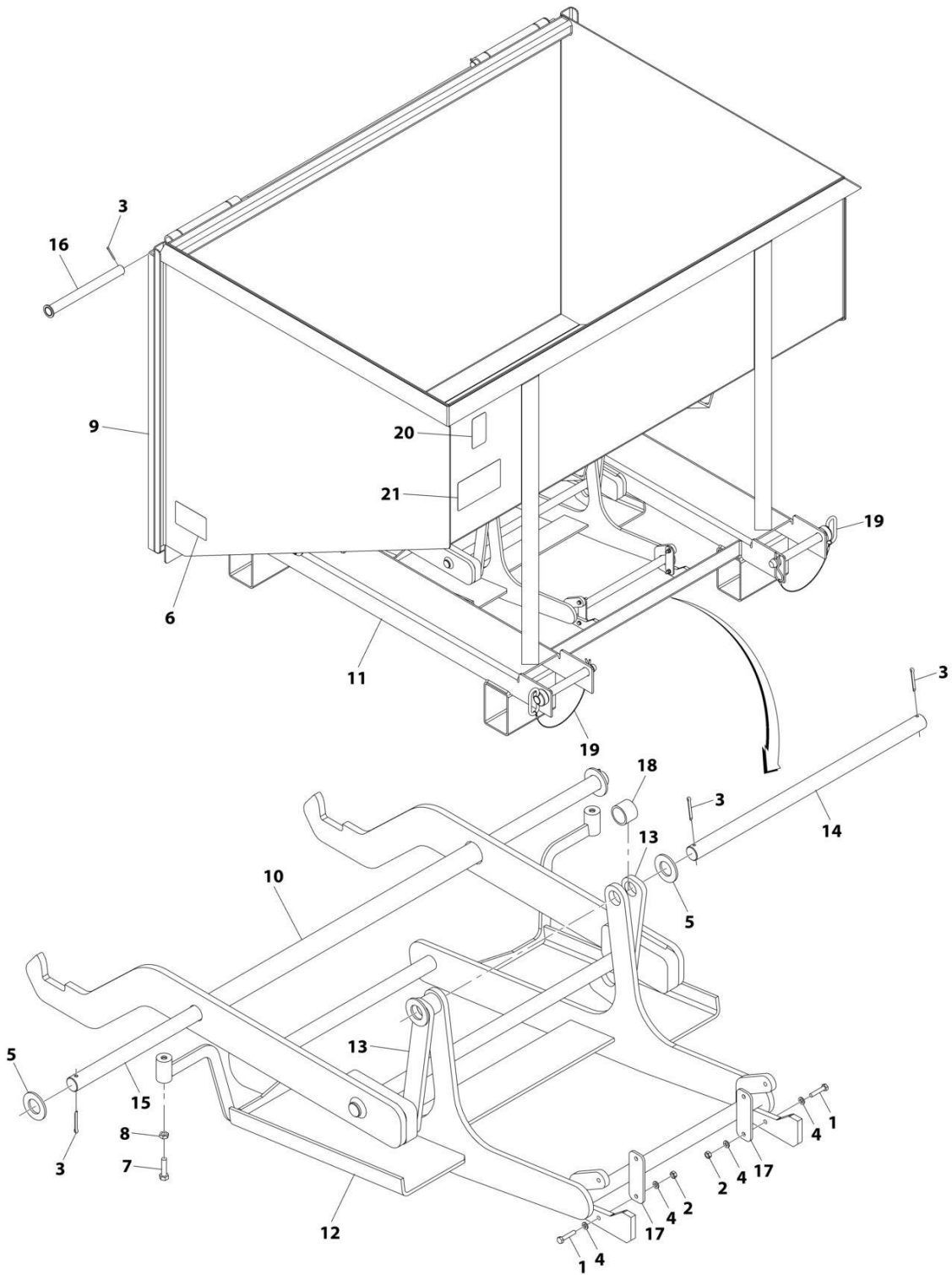
## SECTION 3 - ATTACHMENTS

**FIGURE 3-50. SWEEPER ASSEMBLY - MOTOR**

ITEM	PART NUMBER	QTY	DESCRIPTION	REV
	1001202904	Ref	SWEEPER ASSEMBLY - MOTOR	
101	70029717	1	Motor	
102	70029739	6	Washer	
103	70029741	6	Screw	
104	70029743	4	Washer	
105	70029746	4	Nut	
106	70029749	4	Screw	
107	70029769	1	Plate	
108	70029771	1	Hub	
109	70029772	1	Plate	
110	70029789	1	Plate	
111	70029719	1	Nut, Motor Shaft Lock	
112	70029718	1	Kit, Seal	
113	70029761	1	Key	

# SECTION 3 - ATTACHMENTS

## FIGURE 3-51. TRASHER HOPPER



ART\_1001238566-B



## SECTION 3 - ATTACHMENTS

### FIGURE 3-51. TRASHER HOPPER

ITEM	PART NUMBER	QTY	DESCRIPTION	REV
	1001238566	Ref	FORK MOUNTED TRASH HOPPER	C
1	0700614	4	Bolt M6 x 30	
2	3290601	4	Nut M6 x 1	
3	3391410	6	Pin	
4	4811700	8	Washer M6	
5	5242400	4	Washer M24	
6	1706302	2	Decal, Pinch Point	
7	0641510	2	Bolt 5/16 x 1-1/4	
8	3311502	2	Nut 5/16	
9	1001192711	1	Door Assembly	
10	1001192720	1	Hook Assembly	
11	See Note	NSS	Hopper, Trash (Note: Purchase Complete Assembly)	
12	1001192875	1	Tray Assembly	
13	1001192876	2	Arm, Swing	
14	1001192877	1	Rod, Swing	
15	1001238570	1	Bar	
16	1001193540	2	Pin	
17	1001193729	2	Plate	
18	1001198355	2	Spacer	
19	1001238560	2	Pin	
20	See Note	NSS	SN Plate (Note: Stamped Part - Not Available for Purchase)	
21	1001203503	1	Decal, Trash Hopper Operation	

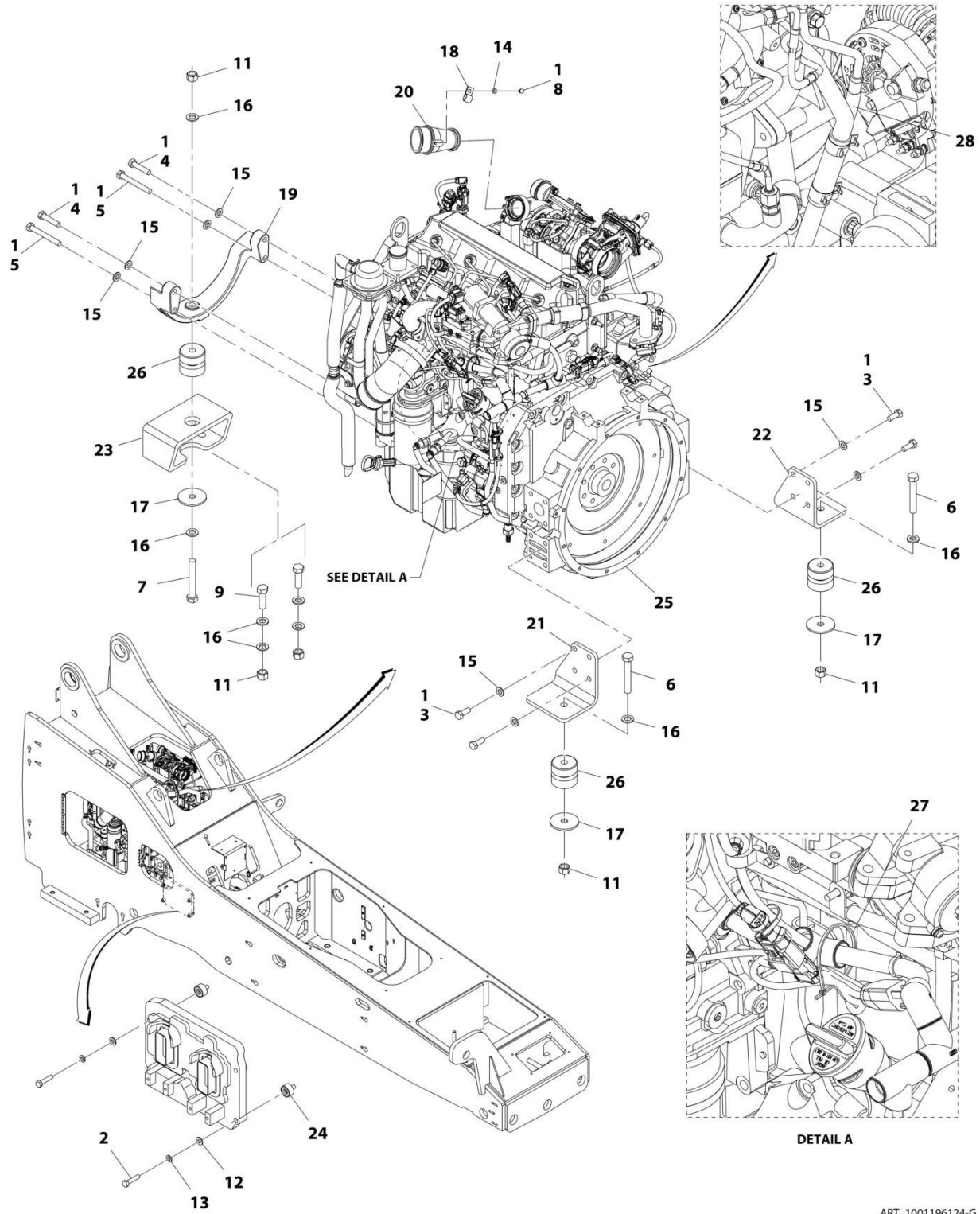


## **SECTION 4 - ENGINE AND ATTACHING PARTS**

## **SECTION 4 - ENGINE AND ATTACHING PARTS**

# SECTION 4 - ENGINE AND ATTACHING PARTS

## FIGURE 4-1. ENGINE INSTALLATION - 74HP (ULS)



ART\_1001196124-G

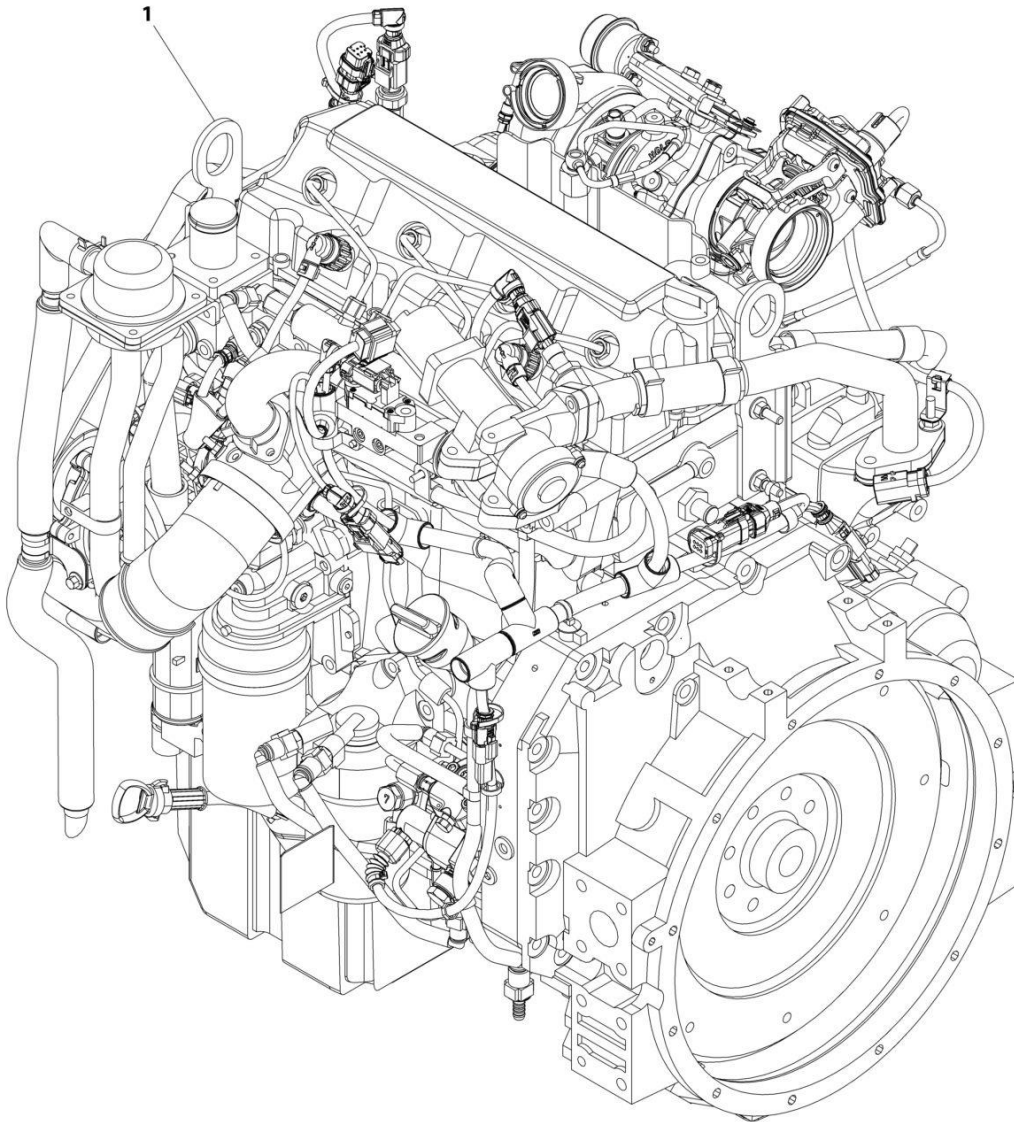
## SECTION 4 - ENGINE AND ATTACHING PARTS

**FIGURE 4-1. ENGINE INSTALLATION - 74HP (ULS)**

ITEM	PART NUMBER	QTY	DESCRIPTION	REV
	1001196124	Ref	Engine Installation, 74HP (if equipped for ULS)	G
1	0100011	AR	Compound, Locking	
2	0641511	4	Bolt, 5/16-18X1-3/8	
3	0711214	8	Bolt, M12X30	
4	0711219	2	Bolt, M12X55	
5	0711227	2	Bolt, M12X100	
6	0711627	2	Bolt, M16X100	
7	0711628	1	Bolt, M16X110	
8	0760605	1	Bolt, M6X10	
9	0771618	2	Bolt, M16X50	
11	3331615	5	Nut, Lock M16X12	
12	4711500	4	Washer, 5/16	
13	4761500	4	Washer, Lock 5/16	
14	4811700	1	Washer, M6	
15	4812100	12	Washer, M12	
16	4812300	8	Washer, M16	
17	7300435	3	Washer, Rebound	
18	8406112	1	Clip, Tube 5/8	
19	1001160116	1	Bracket, Engine Mount Casting	
20	1001161920	1	Adapter	
21	1001165517	1	Bracket, Engine Mount	
22	1001165518	1	Bracket, Engine Mount	
23	1001180473	1	Bracket, Rear Engine Mount	
24	1001186373	4	Mount, Isolator ECM	
25	1001196665	1	Engine (See Separate Breakdown in this Section)	
26	1001165660	3	Mount, Isolator Engine	
27	4240099	1	Strap, Tie	
28	7125871	1	Conduit 0.5X8	

## SECTION 4 - ENGINE AND ATTACHING PARTS

FIGURE 4-2. ENGINE COMPONENTS - 74HP (ULS)



ART\_1001196665

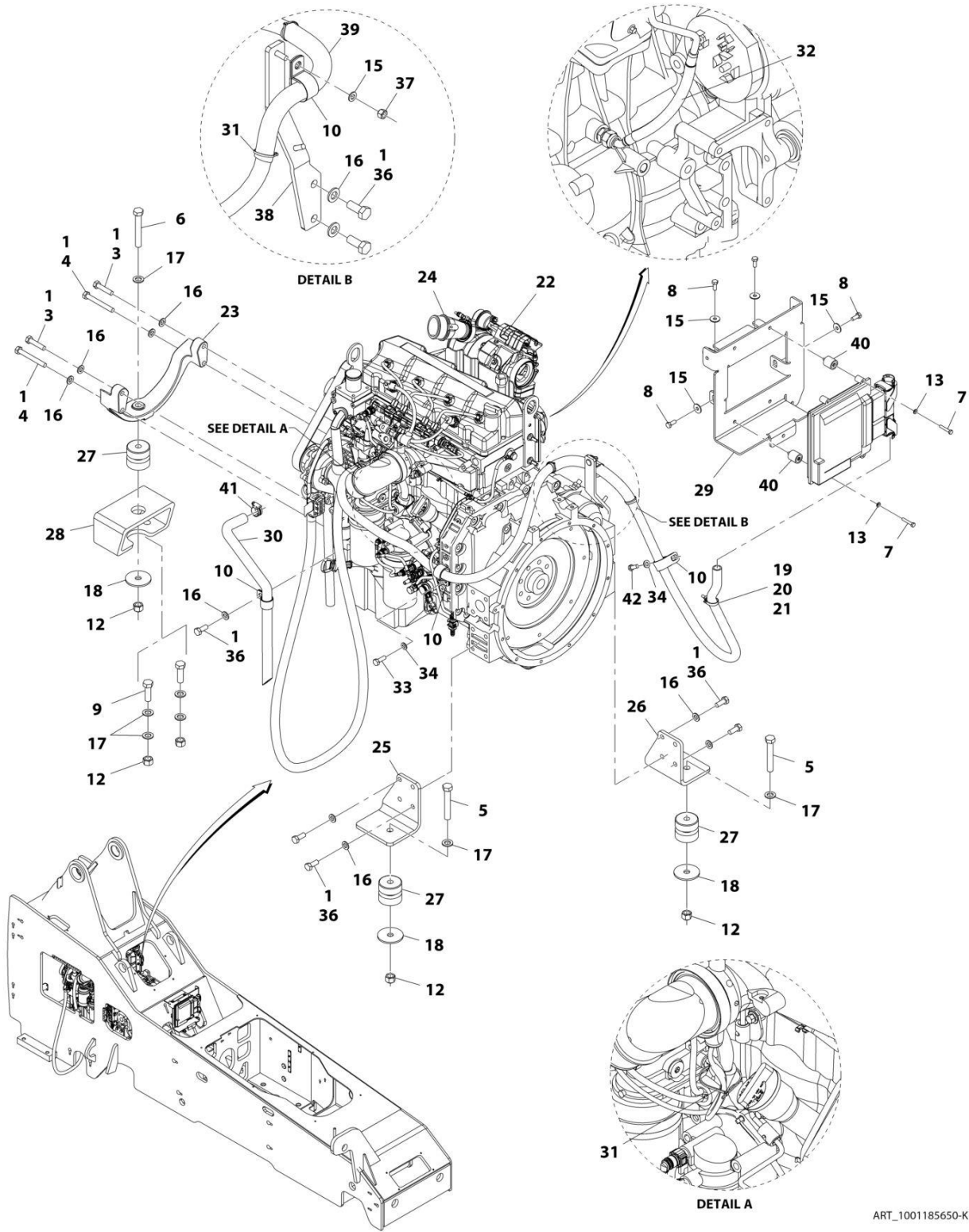
## SECTION 4 - ENGINE AND ATTACHING PARTS

**FIGURE 4-2. ENGINE COMPONENTS - 74HP (ULS)**

ITEM	PART NUMBER	QTY	DESCRIPTION	REV
1	1001196665	Ref	Engine, 74HP (if equipped for ULS)	O
	70026220	1	Assembly, Secondary Fuel Filter (includes filter head, seal and element)	
	70026453	1	Element, Fuel Filter	
	70026221	1	Head, Fuel Filter	
	70026222	1	Assembly, Flywheel Housing	
	70027281	1	Pan, Oil	
	70026224	1	Seal, Oil Pan	
	70026225	1	Plug, Oil Pan	
	70026226	1	Seal, Oil Pan Plug	
	1001128594	1	Starter	
	70026228	1	Filler Cap, Valve Cover	
	70026229	1	Fan Belt, V-Ribbed	
	70026230	1	Support, Fan	
	70026231	1	Pulley, Fan	
	70026232	1	Alternator	
	70028450	1	Assembly, Primary Fuel Filter	
	70026234	1	Element, Fuel Filter	
	70026235	1	Assembly, Dipstick Oil Level	
	70026241	1	Assembly, Fuel Filter Plug	
	70026237	1	Filter, Oil	
	70023933	1	O-Ring, Oil Pressure Switch	
	70041620	2	Ring, Retaining	
	70041616	1	Bolt	
	70041617	1	Bearing, Ball	
	70041619	1	Retainer, Fan Hub	
	1322039	1	Spacer, Fan Pilot	
	1321094	19	Screw	
	70024016	1	Cap, Side Oil Fill	
	70022634	1	Flywheel w/Ring Gear	
	70023736	1	Ring Gear, Flywheel	
	1322040	1	Plug, Flywheel	
	70031148	1	Sensor, Speed	

# SECTION 4 - ENGINE AND ATTACHING PARTS

## FIGURE 4-3. ENGINE INSTALLATION - 110HP (LS)



ART\_1001185650-K



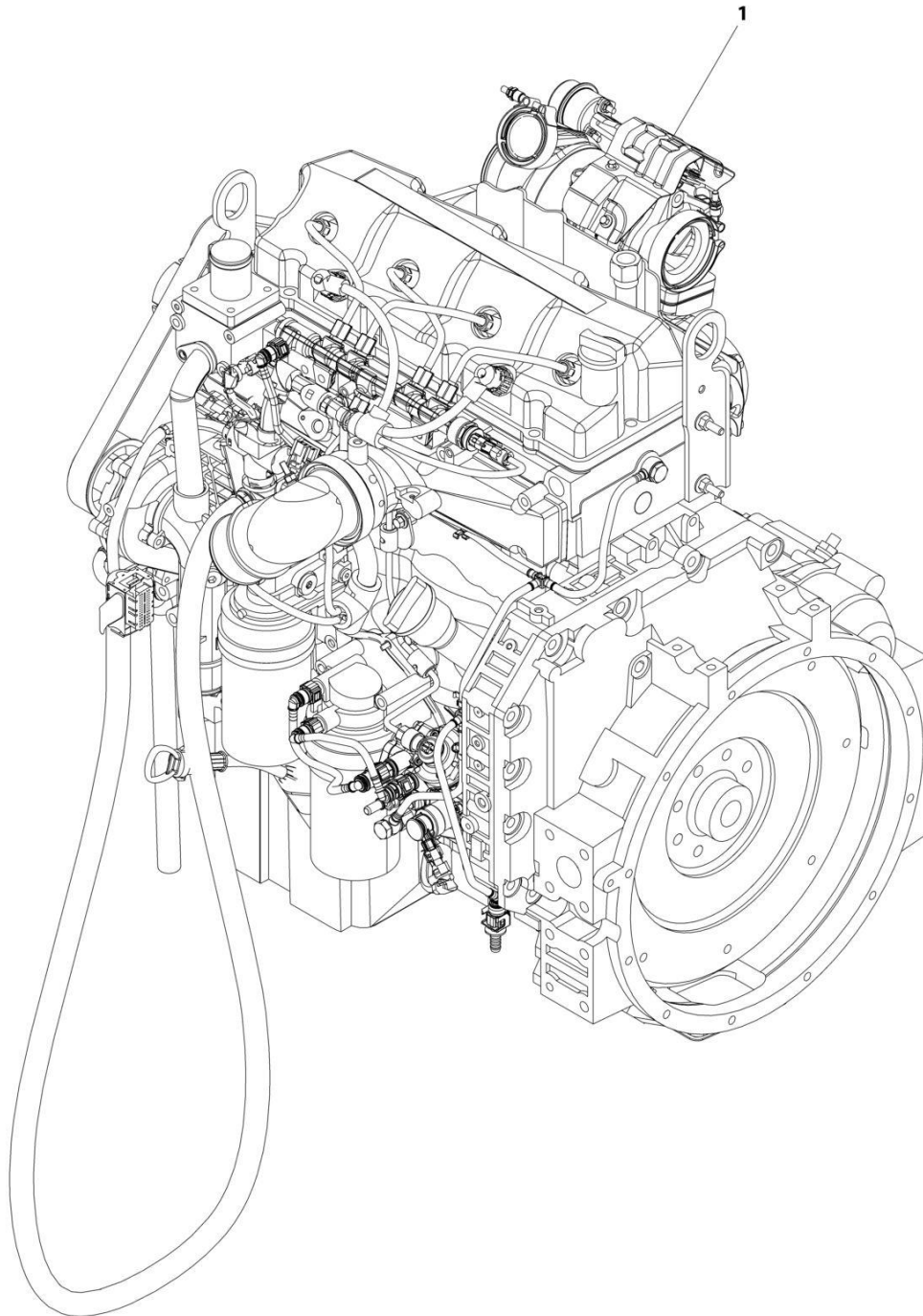
## SECTION 4 - ENGINE AND ATTACHING PARTS

**FIGURE 4-3. ENGINE INSTALLATION - 110HP (LS)**

ITEM	PART NUMBER	QTY	DESCRIPTION	REV
	1001185650	Ref	Engine Installation (if equipped for LS)	K
1	0100011	AR	Compound, Locking	
3	0711219	2	Bolt, M12X55	
4	0711227	2	Bolt, M12X100	
5	0711627	2	Bolt, M16X100	
6	0711628	1	Bolt, M16X110	
7	0760614	4	Bolt, M6X30	
8	0760810	4	Bolt, M8X20	
9	0771618	2	Bolt, M16X50	
10	8406303	4	Clip, Tube 1-3/16	
12	3331615	5	Nut, Lock M16X2	
13	4811700	4	Washer, M6	
15	4811902	5	Washer, M8	
16	4812100	15	Washer, M12	
17	4812300	7	Washer, M16	
18	7300435	3	Washer, Rebound	
19	8881800	1	Strap, Cable	
20	88261015	1	Bolt, 1/4-20X5/8	
21	1001138645	1	Mount, Cable Tie	
22	1001154790	1	Engine (See Separate Breakdown in this Section)	
23	1001160116	1	Bracket, Engine Mount Casting	
24	1001161920	1	Adapter	
25	1001165517	1	Bracket, Engine Mount	
26	1001165518	1	Bracket, Engine Mount	
27	1001165660	3	Mount, Isolator Engine	
28	1001180473	1	Bracket, Rear Engine Mount	
29	1001211688	1	Bracket, ECM Mount	
30	1001192134	1	Hose	
31	4240099	3	Strap, Tie	
32	7125871	1	Conduit	
33	0761014	1	Capscrew, 10X30	
34	4812000	2	Washer, M10	
36	0711214	11	Bolt, M12X30	
37	3290805	1	Nut, Lock M8X1-1/4	
38	1001197233	1	Bracket	
39	1001186718	1	Insulate, Heat Shield Tube	
40	1001211697	4	Mount, Isolator ECM	
41	1001173535	1	Clamp	
42	0641608	1	Bolt, 3/8-16X1	

## SECTION 4 - ENGINE AND ATTACHING PARTS

FIGURE 4-4. ENGINE COMPONENTS - 110HP (LS)



ART\_1001154790

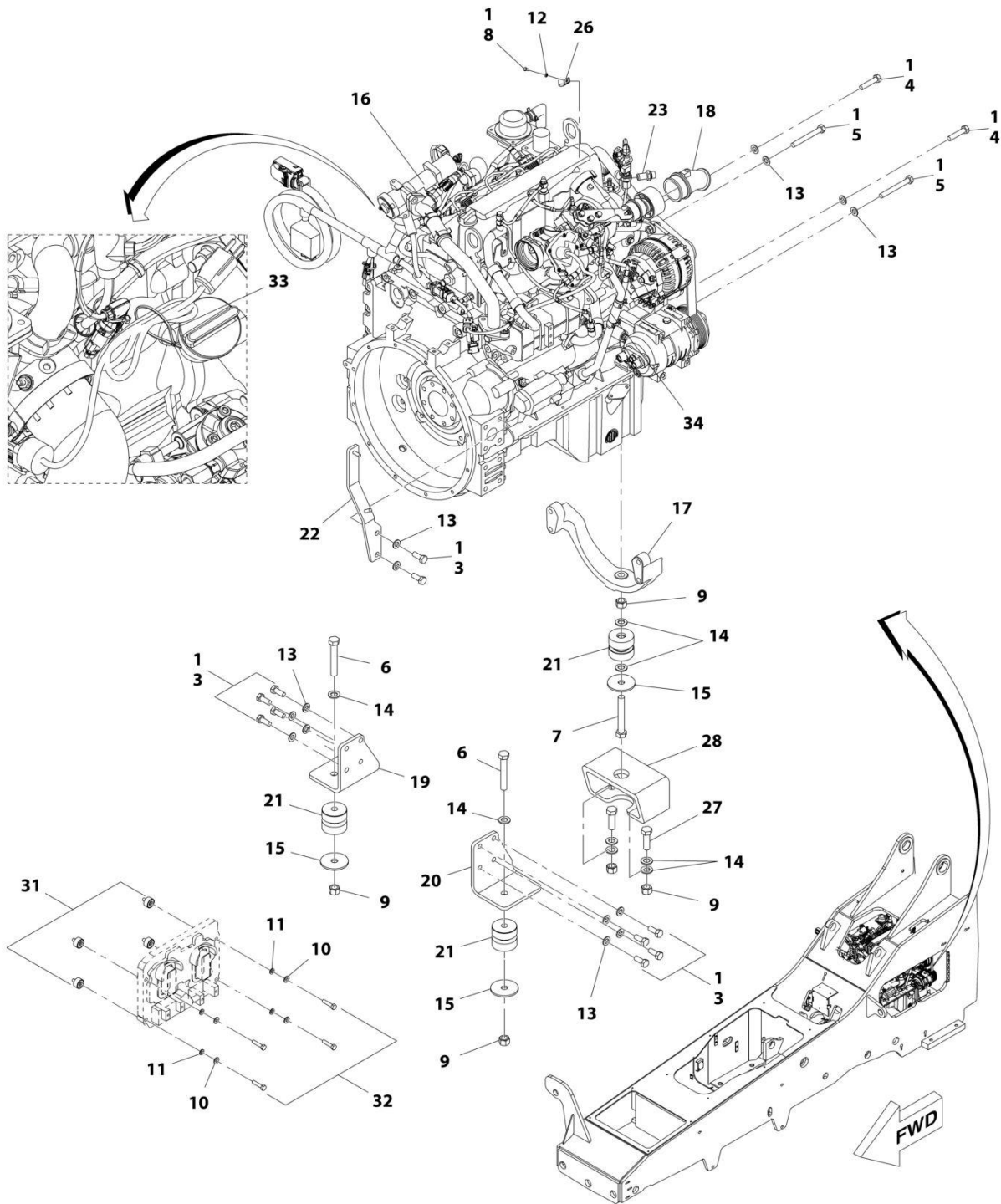
## SECTION 4 - ENGINE AND ATTACHING PARTS

**FIGURE 4-4. ENGINE COMPONENTS - 110HP (LS)**

ITEM	PART NUMBER	QTY	DESCRIPTION	REV
1	1001154790	Ref	3.8L Engine (LS)	L
	70026800	1	Fuel Filter Assembly	
	70026801	1	Fuel Filter Element	
	70026222	1	Assembly, Flywheel Housing	
	70027281	1	Pan, Oil	
	70026224	1	Seal, Oil Pan	
	70026225	1	Plug, Oil Pan	
	70026226	1	Seal, Oil Pan Plug	
	1001128594	1	Starter	
	70026228	1	Filler Cap, Valve Cover	
	70026229	1	Fan Belt, V-Ribbed	
	70026230	1	Support, Fan	
	70026231	1	Pulley, Fan	
	70026232	1	Alternator	
	70026233	1	Assembly, Primary Fuel Filter	
	70026234	1	Element, Fuel Filter	
	70026235	1	Assembly, Dipstick Oil Level	
	70026241	1	Assembly, Fuel Filter Plug	
	70026237	1	Filter, Oil	
	70041620	2	Ring, Retaining	
	70041616	1	Bolt	
	70041617	1	Bearing, Ball	
	70041619	1	Retainer, Fan Hub	
	1322039	1	Spacer, Fan Pilot	
	1321094	17	Screw	
	70024016	1	Cap, Side Oil Fill	
	70022634	1	Flywheel w/Ring Gear	
	70023736	1	Ring Gear, Flywheel	
	1322040	1	Plug, Flywheel	

# SECTION 4 - ENGINE AND ATTACHING PARTS

## FIGURE 4-5. ENGINE INSTALLATION - 110HP (ULS)



ART\_1001160845-L

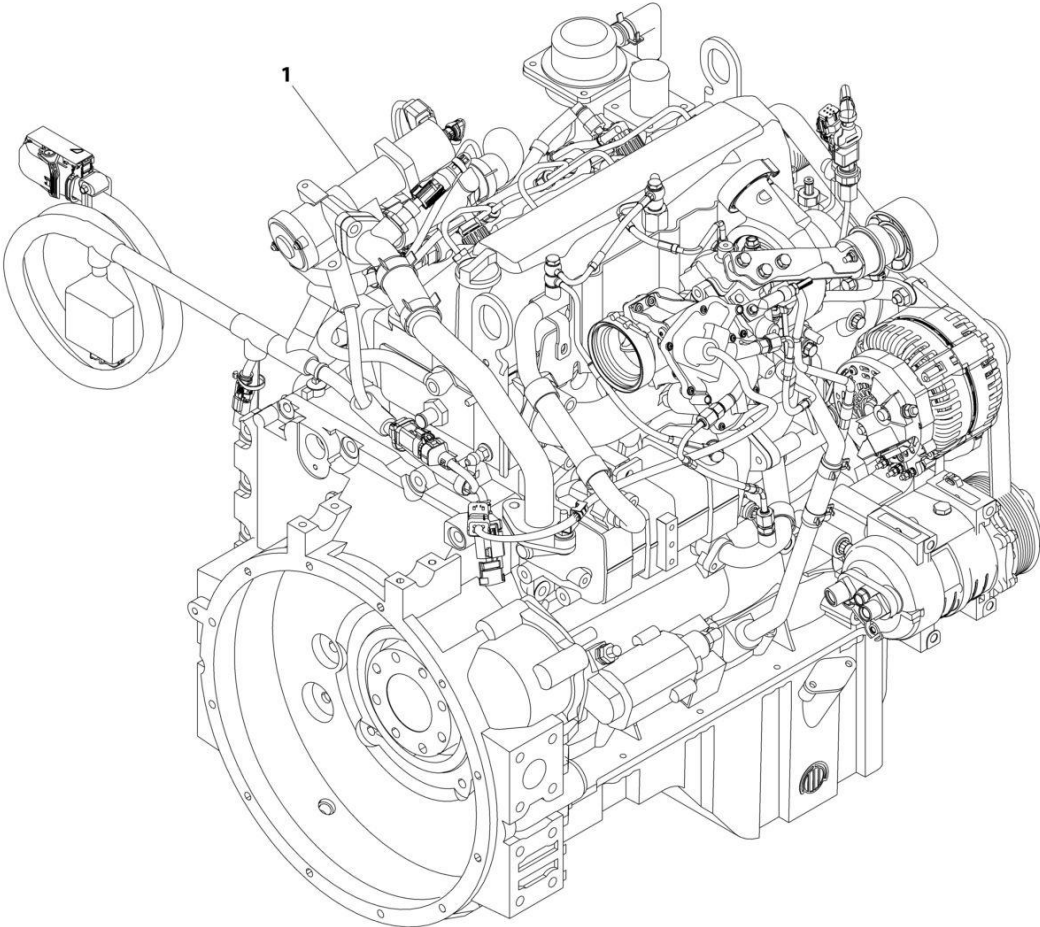
## SECTION 4 - ENGINE AND ATTACHING PARTS

**FIGURE 4-5. ENGINE INSTALLATION - 110HP (ULS)**

ITEM	PART NUMBER	QTY	DESCRIPTION	REV
	1001160845	Ref	Engine Installation, 110HP (if equipped for ULS)	L
1	0100011	AR	Compound, Locking	
3	0711214	10	Bolt, M12X30	
4	0711219	2	Bolt, M12X55	
5	0711227	2	Bolt, M12X100	
6	0711627	2	Bolt, 16-2X100	
7	0711628	1	Bolt, 16-2X110	
8	0760605	1	Bolt, M6X10	
9	3331615	5	Nut, Lock M16X2	
10	4711500	4	Washer, Plain 5/16	
11	4761500	4	Washer, Lock 5/16	
12	4811700	1	Washer, M6	
13	4812100	14	Washer, M12	
14	4812300	8	Washer, M16	
15	7300435	3	Washer, Rebound	
16	1001154511	1	Engine (ULS) (See Separate Breakdown in this Section)	
17	1001160116	1	Bracket, Engine Mount Casting	
18	1001161920	1	Adapter	
19	1001165517	1	Bracket, Engine Mount	
20	1001165518	1	Bracket, Engine Mount	
21	1001165660	3	Mount, Isolator Engine	
22	1001197233	1	Bracket, Hose Support	
23	1001168822	1	Fitting, Hose Barb	
26	8406112	1	Clip, Tube 5/8	
27	0771618	2	Bolt, M16X50	
28	1001180473	1	Bracket, Rear Engine Mount	
31	1001186373	4	Mount, Isolator ECM	
32	0641511	4	Bolt, 5/16-18X1-3/8	
33	4240099	1	Strap, Tie	
34	7125871	1	Conduit, 1/2X8	

**SECTION 4 - ENGINE AND ATTACHING PARTS**

**FIGURE 4-6. ENGINE COMPONENTS - 110HP (ULS)**



ART\_1001154511

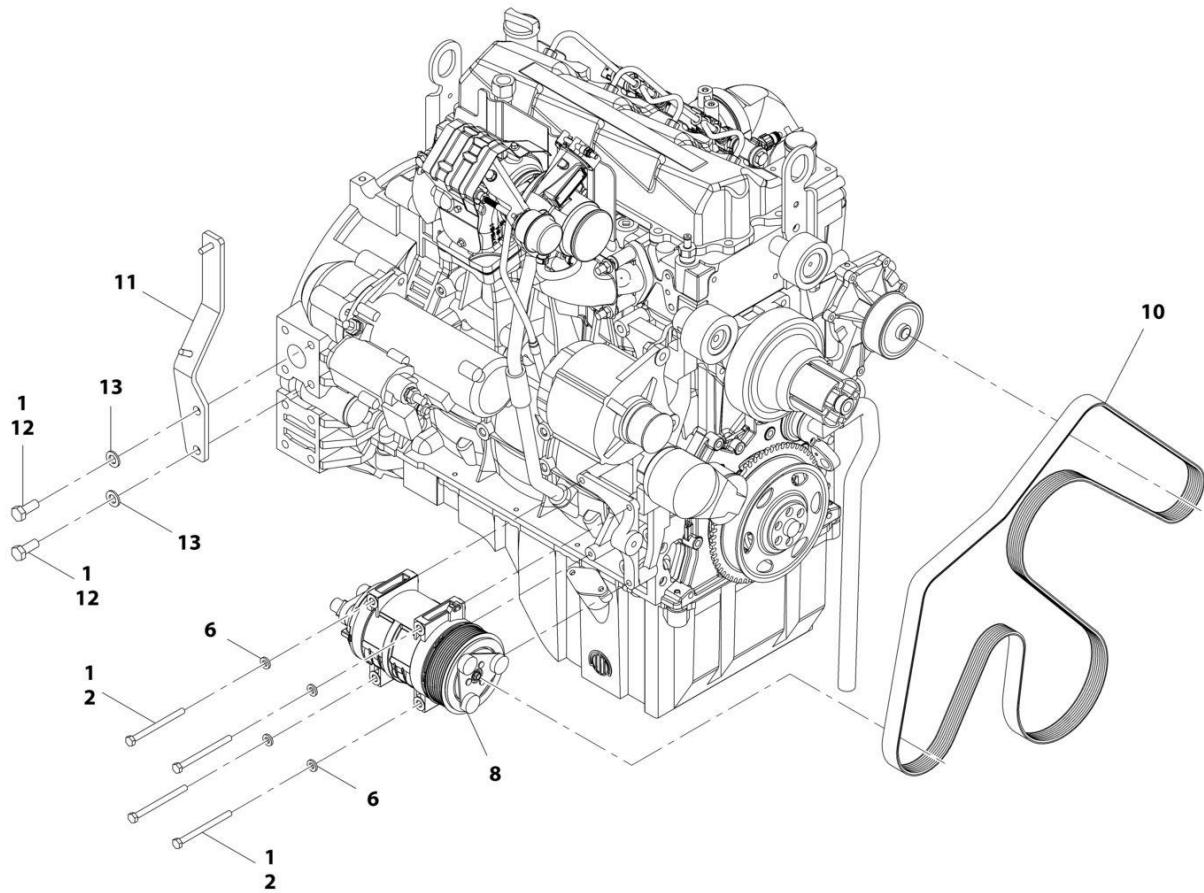
## SECTION 4 - ENGINE AND ATTACHING PARTS

**FIGURE 4-6. ENGINE COMPONENTS - 110HP (ULS)**

ITEM	PART NUMBER	QTY	DESCRIPTION	REV
1	1001154511	Ref	Engine, QSF 3.8L (if equipped for ULS)	W
	70026220	1	Assembly, Secondary Fuel Filter (includes shell, seal and cartridge)	
	70026453	1	Cartridge, Fuel Filter	
	70031350	1	Rail, Fuel	
	70031351	1	Sensor, Fuel Pressure	
	70031352	1	Valve, Fuel Pressure Relief Valve	
	70026223	1	Pan, Oil	
	70026224	1	Seal, Oil Pan	
	70026225	1	Plug, Oil Pan	
	70026226	1	Seal, Oil Pan Plug	
	1001128594	1	Starter	
	70026228	1	Filler Cap, Valve Cover	
	70026229	1	Fan Belt, V-Ribbed	
	70026230	1	Support, Fan	
	70026231	1	Pulley, Fan	
	70026232	1	Alternator	
	70028450	1	Assembly, Primary Fuel Filter, (includes filter head, seal and element)	
	70026235	1	Assembly, Dipstick Oil Level	
	70026236	1	Assembly, Block Heater	
	70026241	1	Assembly, Fuel Filter Plug	
	70026237	1	Filter, Oil	
	70023933	1	O-Ring, Oil Pressure Switch	
	70041620	2	Ring, Retaining	
	70041616	1	Bolt, Fan Drive	
	70041617	1	Bearing, Ball	
	70041619	1	Retainer, Fan Hub	
	1322039	1	Spacer, Fan Pilot	
	1321094	16	Bolt, Oil Pan	
	70024016	1	Cap, Side Oil Fill	
	70022634	1	Flywheel w/Ring Gear	
	70023736	1	Ring Gear, Flywheel	
	1322040	1	Plug, Flywheel	
	70030317	1	Connection, Fuel Actuator	
	70030347	1	Valve, Exhaust Throttle	
	70031380	1	Harness, ECM	

# SECTION 4 - ENGINE AND ATTACHING PARTS

## FIGURE 4-7. A/C COMPONENTS INSTALLATION - 74HP



ART\_1001190295-B



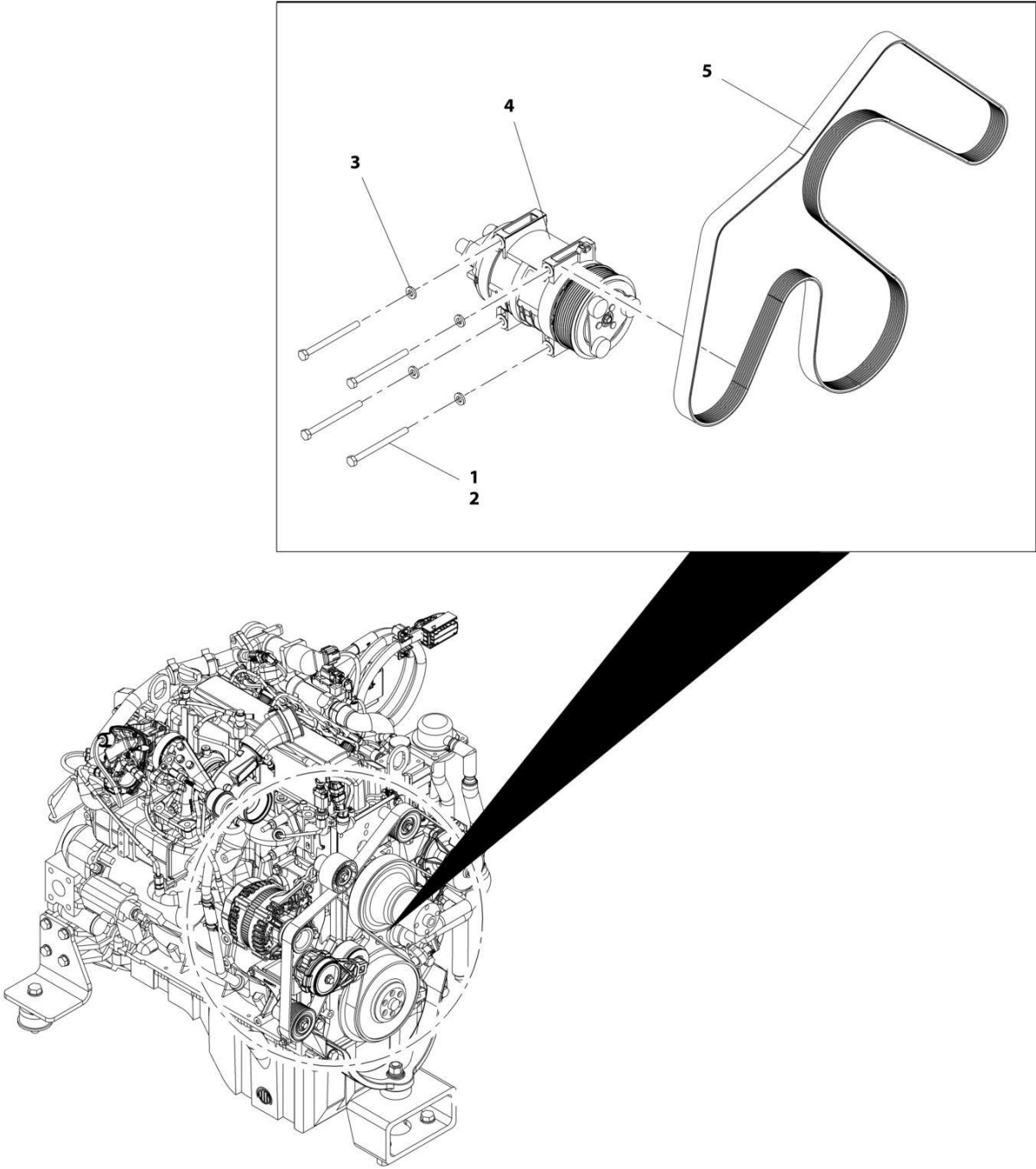
## SECTION 4 - ENGINE AND ATTACHING PARTS

FIGURE 4-7. A/C COMPONENTS INSTALLATION - 74HP

ITEM	PART NUMBER	QTY	DESCRIPTION	REV
	1001190295	Ref	A/C Components Installation (if equipped for LS)	B
1	0100011	AR	Compound, Locking	
2	0700827	4	Bolt, M8X100	
6	5240800	4	Washer, M8	
8	1001157663	1	Compressor, A/C	
10	1001167357	1	Belt	
11	1001197233	1	Bracket, AC Hose Support	
12	0711214	2	Bolt, M12X30	
13	4812100	2	Washer, M12	

# SECTION 4 - ENGINE AND ATTACHING PARTS

FIGURE 4-8. A/C COMPONENTS INSTALLATION - 110HP



ART\_1001166008\_A

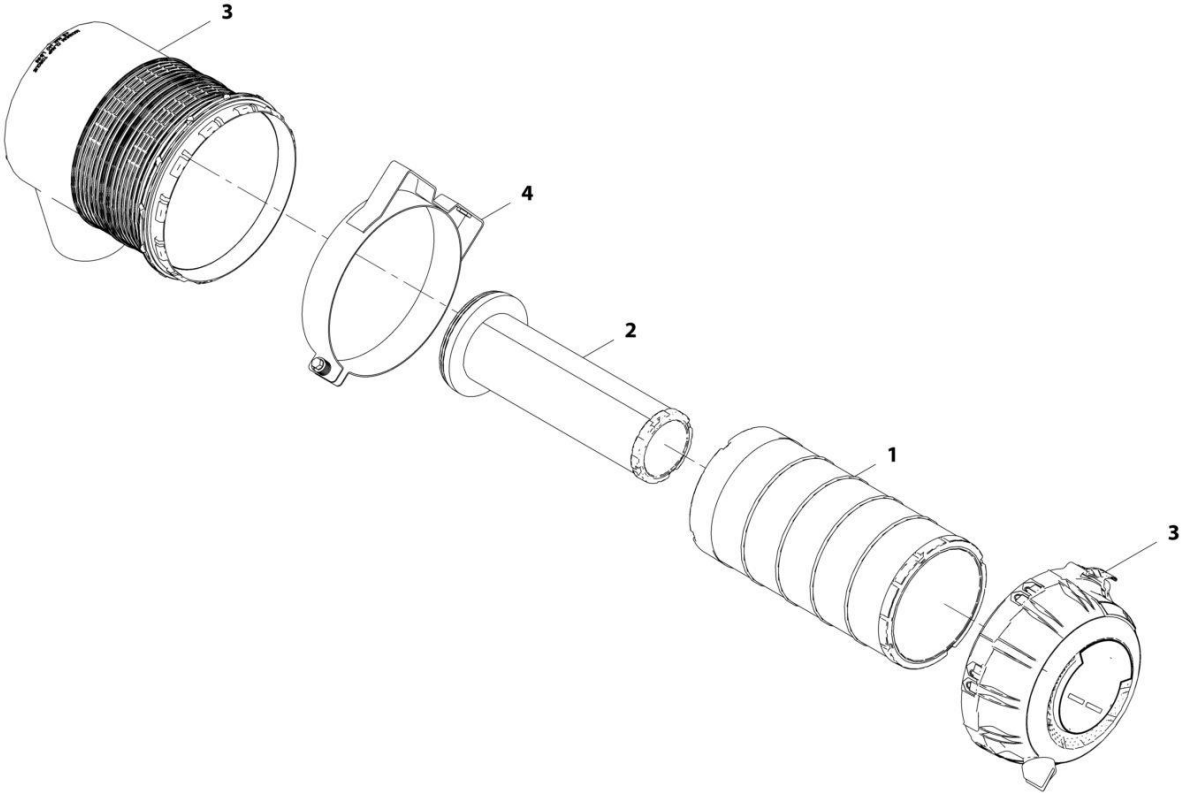
## SECTION 4 - ENGINE AND ATTACHING PARTS

FIGURE 4-8. A/C COMPONENTS INSTALLATION - 110HP

ITEM	PART NUMBER	QTY	DESCRIPTION	REV
	1001166008	Ref	A/C Components Installation	A
1	0100011	AR	Compound, Locking	
2	0700827	4	Bolt, M8X100	
3	5240800	4	Washer, M8	
4	1001157663	1	Compressor, A/C	
5	1001167357	1	Belt	

**SECTION 4 - ENGINE AND ATTACHING PARTS**

**FIGURE 4-9. AIR CLEANER ASSEMBLY - 74HP & 110HP (ULS)**



ART\_1001166566-G

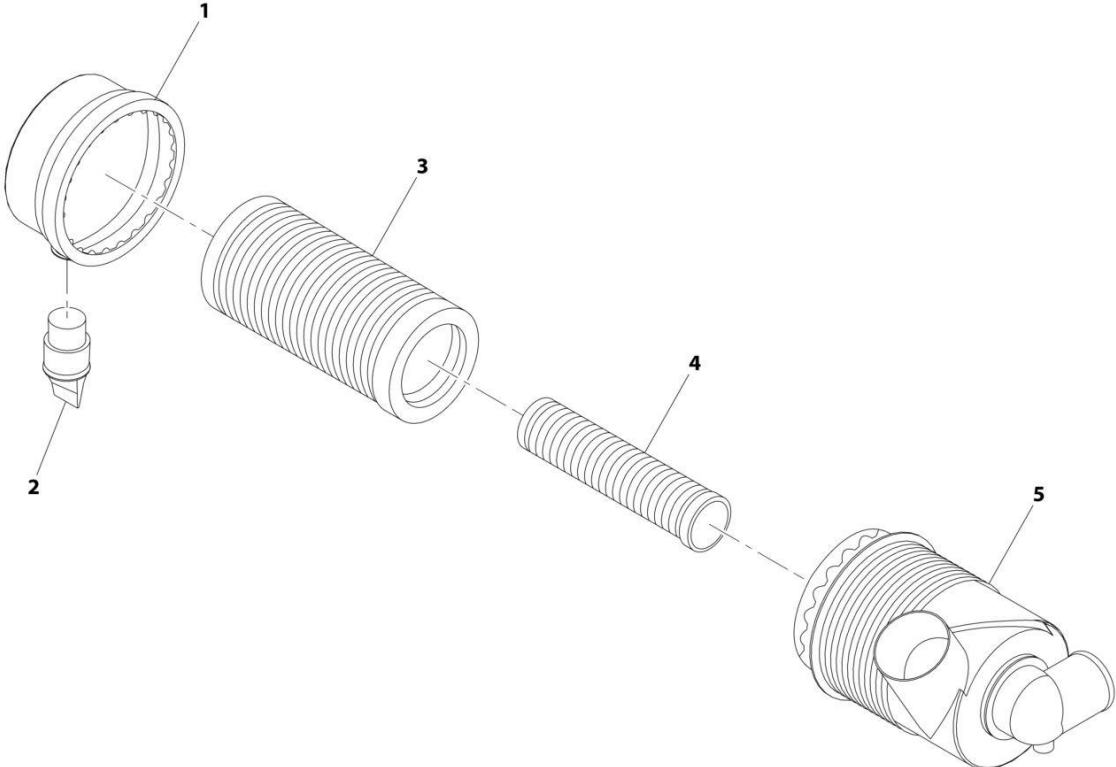
## SECTION 4 - ENGINE AND ATTACHING PARTS

FIGURE 4-9. AIR CLEANER ASSEMBLY - 74HP & 110HP (ULS)

ITEM	PART NUMBER	QTY	DESCRIPTION	REV
	1001166566	Ref	Air Cleaner Assembly (74.4KW)	G
1	70025852	1	Filter, Air Cylindrical Primary	
2	70025853	1	Filter, Air Cylindrical Secondary	
3	70026393	1	Cover, Air Cleaner	
4	70026394	1	Bracket, Mounting Band	

**SECTION 4 - ENGINE AND ATTACHING PARTS**

**FIGURE 4-10. AIR CLEANER ASSEMBLY - 110HP (LS)**



ART\_10268515-D

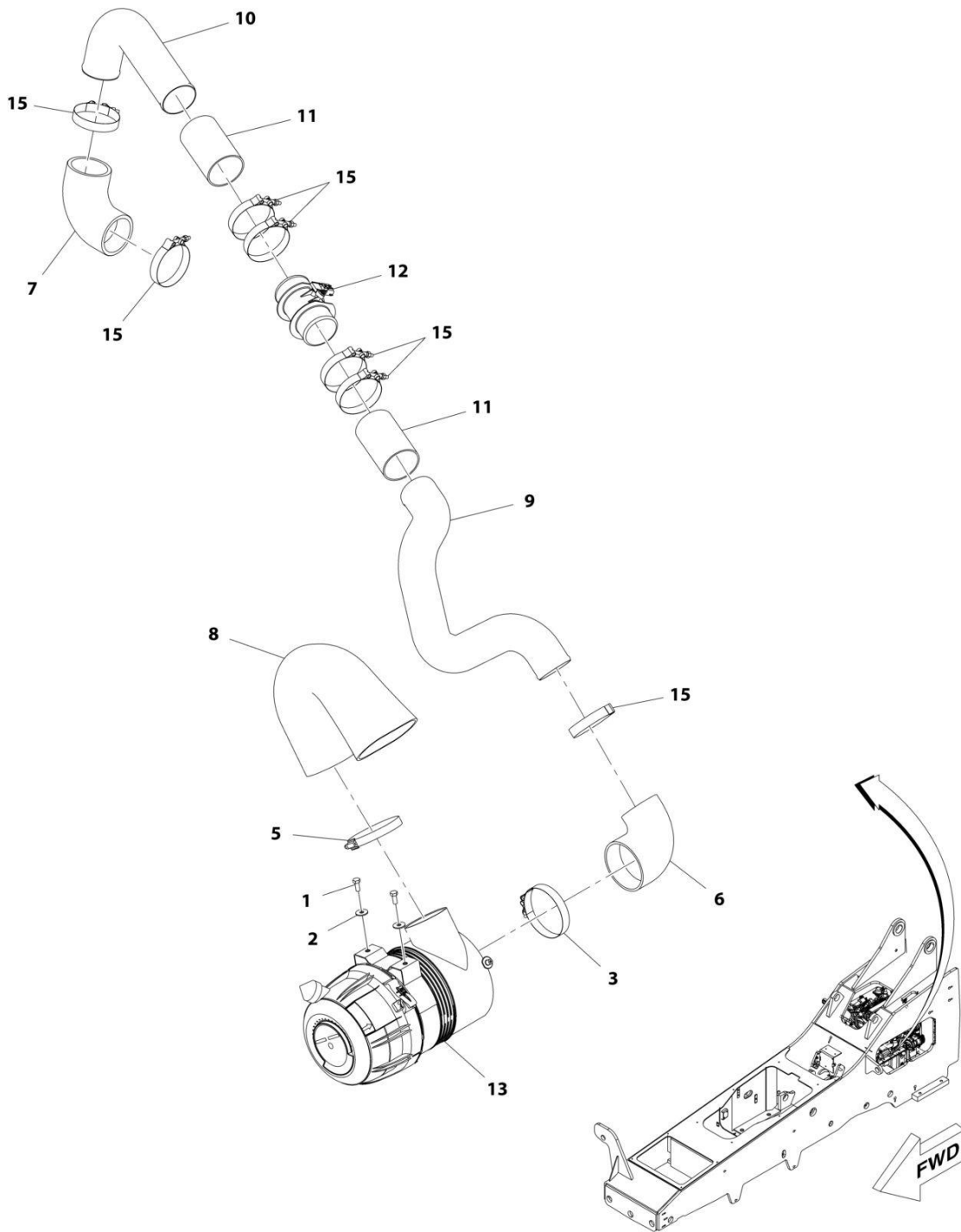
## SECTION 4 - ENGINE AND ATTACHING PARTS

FIGURE 4-10. AIR CLEANER ASSEMBLY - 110HP (LS)

ITEM	PART NUMBER	QTY	DESCRIPTION	REV
	10268515	Ref	Air Cleaner Assembly (if equipped for LS)	D
1	91364023	1	Cover Assembly	
2	80373094	1	Vacuator Valve	
3	1101312	1	Primary Filter Element	
4	1101313	1	Secondary Filter Element	
5	See Note	NSS	Air Cleaner Body (Note; Purchase Complete Assembly)	

# SECTION 4 - ENGINE AND ATTACHING PARTS

FIGURE 4-11. AIR CLEANER INSTALLATION - 74HP & 110HP (ULS)



ART\_1001165669-D



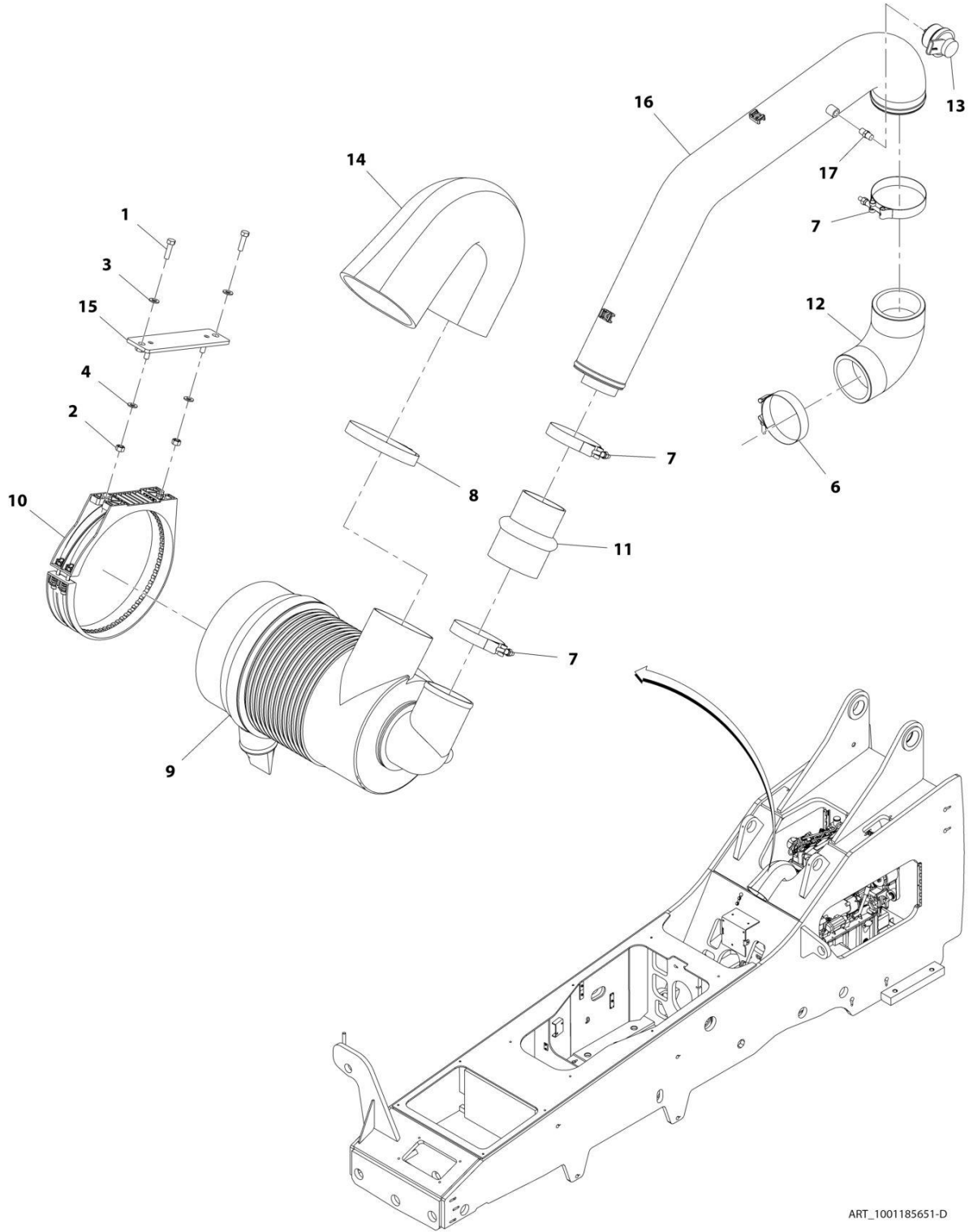
## SECTION 4 - ENGINE AND ATTACHING PARTS

**FIGURE 4-11. AIR CLEANER INSTALLATION - 74HP & 110HP (ULS)**

ITEM	PART NUMBER	QTY	DESCRIPTION	REV
	1001165669	Ref	Air Cleaner Installation (if equipped for ULS)	D
1	0760810	2	Bolt, M8X20	
2	4811902	2	Washer, M8	
3	8405404	1	Clamp, T-Bolt	
5	10719267	1	Clamp, Hose	
6	1001201831	1	Hose, Air Intake	
7	1001120083	1	Hose, Air Intake	
8	1001165818	1	Hose, Air Intake	
9	1001168051	1	Pipe, Air Intake	
10	1001168052	1	Pipe, Air Intake	
11	1001168053	2	Hose, Sleeve	
12	1001169077	1	Sensor, PRS Temperature	
13	1001166566	1	Assembly, Air Cleaner (See Separate Breakdown in this Section)	
15	8410007	7	Clamp, T-Bolt	

# SECTION 4 - ENGINE AND ATTACHING PARTS

## FIGURE 4-12. AIR CLEANER INSTALLATION - 110HP (LS)



ART\_1001185651-D

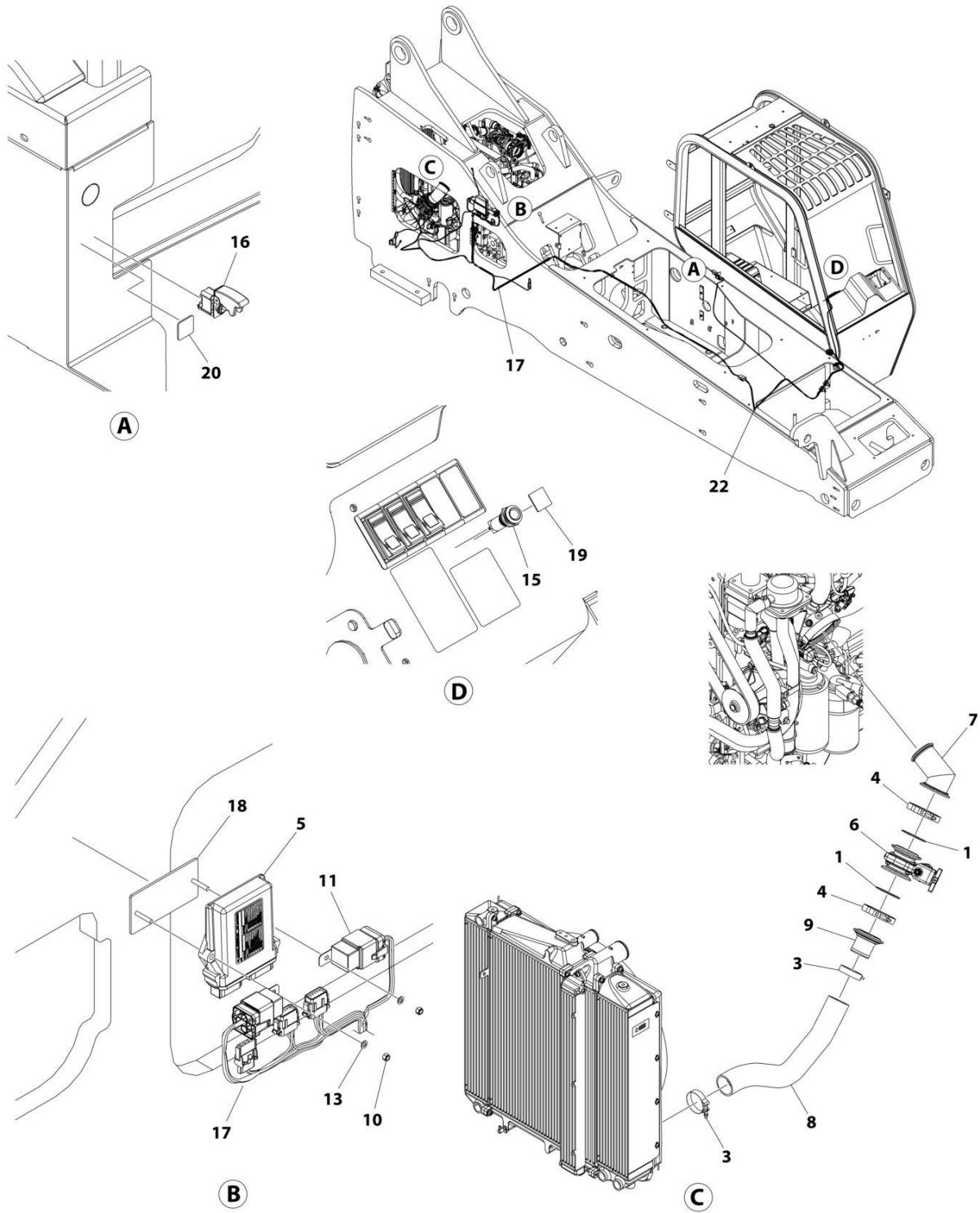
## SECTION 4 - ENGINE AND ATTACHING PARTS

**FIGURE 4-12. AIR CLEANER INSTALLATION - 110HP (LS)**

ITEM	PART NUMBER	QTY	DESCRIPTION	REV
	1001185651	Ref	Air Cleaner Installation (if equipped for LS)	D
1	0760815	2	Bolt, M8X35	
2	8305043	2	Nut, M8X1.25	
3	8307106	2	Washer, Plain 5/16	
4	8307222	2	Washer, Plain M8	
6	90028631	1	Clamp, T-Bolt	
7	8405307	3	Clamp, T-Bolt	
8	8410021	1	Clamp, T-Bolt	
9	10268515	1	Assembly, Air Cleaner (See Separate Breakdown in this Section)	
10	10268516	1	Band, Mounting	
11	91293003	1	Hose, Hump Reducer	
12	91083129	1	Elbow, Reducer	
13	1001166715	1	Restriction, Indicator	
14	1001190005	1	Hose, Air Intake	
15	1001190183	1	Bracket, Air Filter Band Mount	
16	1001212670	1	Pipe, Air Intake	
17	2180798	1	Fitting	

# SECTION 4 - ENGINE AND ATTACHING PARTS

## FIGURE 4-13. AIR INTAKE SHUT OFF VALVE INSTALLATION



ART\_1001202304\_F

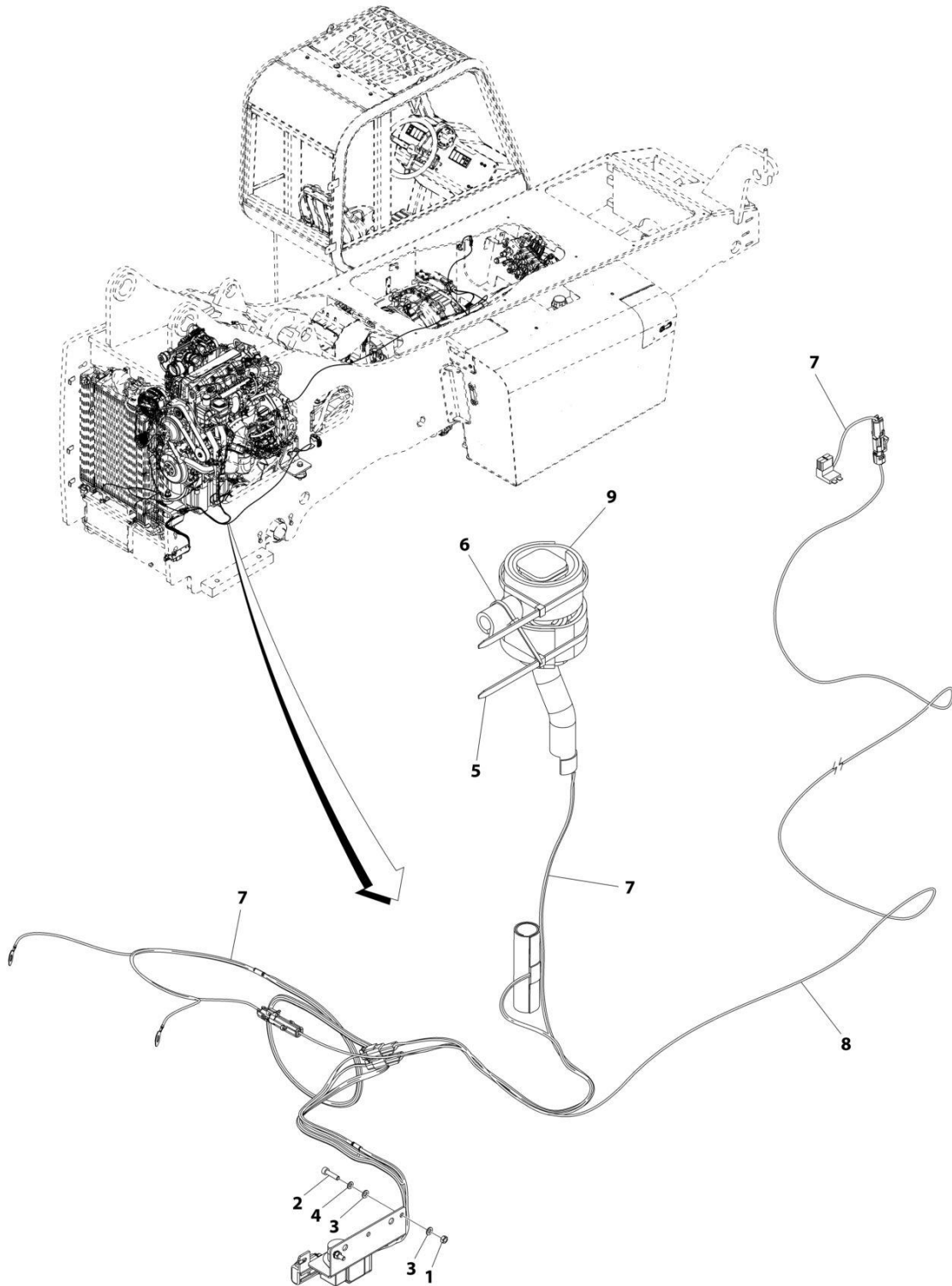
## SECTION 4 - ENGINE AND ATTACHING PARTS

**FIGURE 4-13. AIR INTAKE SHUT OFF VALVE INSTALLATION**

ITEM	PART NUMBER	QTY	DESCRIPTION	REV
	1001202304	Ref	Air Intake Shut Off Valve Installation	F
1	3790152	2	Ring	
3	8405212	2	Clamp	
4	1001202247	2	Clamp	
5	1001203181	1	Accessory, Control	
6	1001204032	1	Valve, Air Shut Off (See Separate Breakdown in HYDRAULIC COMPONENTS Section)	
7	1001206956	1	Pipe	
8	1001206983	1	Hose	
9	1001206985	1	Adapter	
10	3290505	2	Nut M5 Grade 8	
11	3740080	2	Relay	
13	4811600	2	Washer, M5	
14	91053419	AR	Strap, Cable (not shown)	
15	1001239539	1	Lamp	
16	1001215941	1	Switch	
17	1001216455	1	Harness, POSI Air Shut Off Valve T4F (See Separate Breakdown in ELECTRICAL Section)	
18	1001219082	1	Bracket	
19	1001227077	1	Decal, Air Shut Off	
20	1001227964	1	Decal, ASOV Test	
22	1001231560	1	Harness, POSI Air Shut Off Valve Cab (See Separate Breakdown in ELECTRICAL Section)	

# SECTION 4 - ENGINE AND ATTACHING PARTS

## FIGURE 4-14. BREATHER HEATER INSTALLATION - 74HP



ART\_1001232750-A

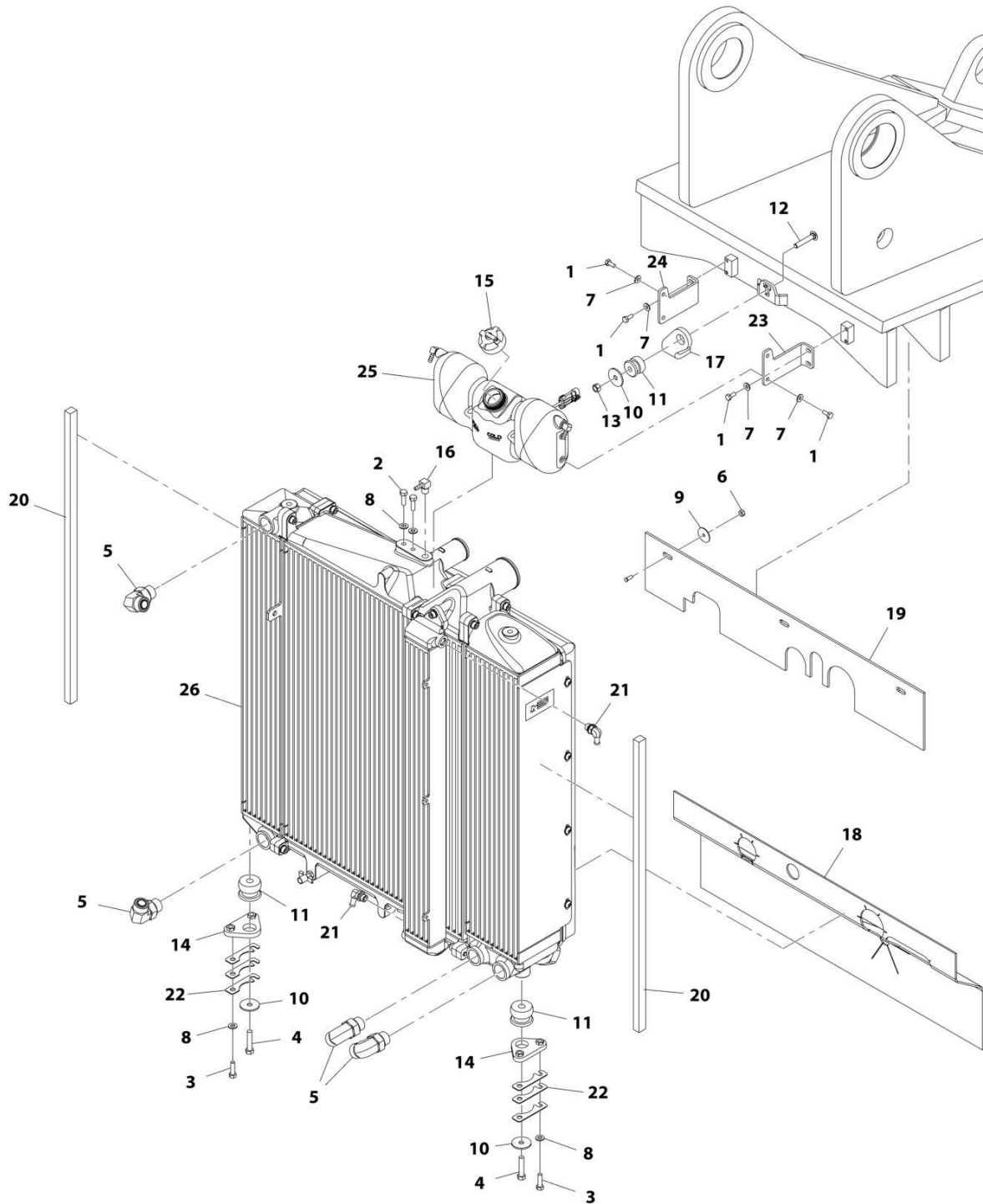
## SECTION 4 - ENGINE AND ATTACHING PARTS

FIGURE 4-14. BREATHER HEATER INSTALLATION - 74HP

ITEM	PART NUMBER	QTY	DESCRIPTION	REV
	1001232750	Ref	Heater Breather - 74 HP	A
1	3290501	2	Nut, M5X0.8	
2	4031608	2	Screw, M5X20	
3	4811600	4	Washer, M5	
4	4831600	2	Washer, Lock M5	
5	01043892	2	Strap, Tie	
6	86683122	1	Strap, Tie	
7	1001232439	1	Engine, Cummins Breather Kit	
8	1001232599	1	Harness, Cummins Breather Heater	
9	1001232624	1	Insulate, Cummins Insulation	

# SECTION 4 - ENGINE AND ATTACHING PARTS

## FIGURE 4-15. COOLING INSTALLATION - 74HP (ULS)



ART\_1001196737-E



## SECTION 4 - ENGINE AND ATTACHING PARTS

**FIGURE 4-15. COOLING INSTALLATION - 74HP (ULS)**

ITEM	PART NUMBER	QTY	DESCRIPTION	REV
	1001196737	Ref	Cooling Installation, 74HP	E
1	0641405	8	Bolt, 1/4-20X5/8	
2	0641508	2	Bolt, 5/16-18X1	
3	0641509	4	Bolt, 5/16-18X1-1/8	
4	0641614	2	Bolt, 3/8-16X1-3/4	
5	2131212	4	Adapter, 90	
6	3311401	3	Nut, 1/4-20	
7	4711400	8	Washer, 1/4	
8	4711500	6	Washer, 5/16	
9	4740362	3	Washer, Fender, 1/4	
10	7057141	3	Washer, Flat	
11	8278020	3	Mount, Rubber Isolator	
12	8310281	1	Bolt, Carriage 3/8-16X2-1/4	
13	8305008	1	Nut, 3/8-16	
14	1001120869	2	Bracket, Cooler Mount Lower	
15	1001128341	1	Cap, Deaeration Tank	
16	1001134488	1	Fitting, Barbed 90	
17	1001169059	1	Mount, Cooler Bracket	
18	1001170117	1	Panel, Air Dam	
19	1001170186	1	Panel, Air Dam Upper	
20	1001178582	2	Seal, Foam Gasket	
21	1001178776	2	Fitting, Hose Barb 90	
22	1001179845	6	Shim	
23	1001181584	1	Bracket, LH Tank	
24	1001181585	1	Bracket, RH Tank	
25	1001182255	1	Assembly, Deaeration Tank (See Separate Breakdown in this Section)	
26	1001197475	1	Assembly, Radiator (See Separate Breakdown in this Section)	



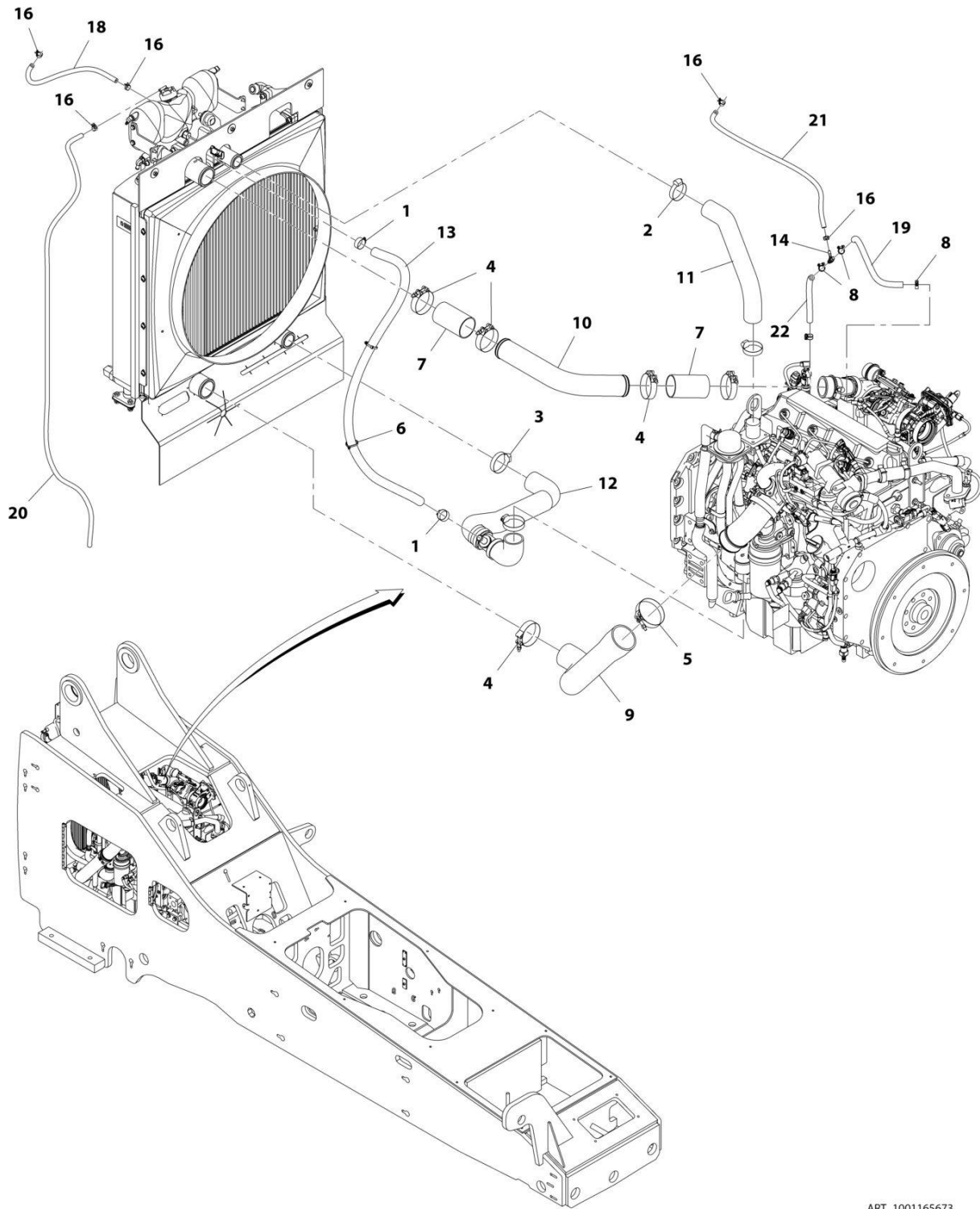
## SECTION 4 - ENGINE AND ATTACHING PARTS

**FIGURE 4-16. COOLING INSTALLATION - 110HP (ULS & LS)**

ITEM	PART NUMBER	QTY	DESCRIPTION	REV
	1001165670	Ref	Cooling Installation, 85HP	K
1	0641405	8	Bolt, 1/4-20X5/8	
2	0641508	2	Bolt, 5/16-18X1	
3	0641614	2	Bolt, 3/8-16X1-3/4	
4	2131212	4	Adapter, 90	
6	3311401	3	Nut, 1/4-20	
7	4711400	8	Washer, 1/4	
8	4711500	6	Washer, 5/16	
9	4740362	3	Washer, Fender 1/4	
10	7057141	3	Washer, Flat	
11	8278020	3	Mount, Rubber Isolator	
12	8310281	1	Bolt, Carriage 3/8-16X2-1/4	
13	8305008	1	Nut, 3/8-16	
16	1001178582	2	Seal, Foam Gasket	
17	1001120869	2	Bracket, Cooler Mount Lower	
19	1001128341	1	Cap, Deaeration Tank	
20	1001181584	1	Bracket, LH Tank	
21	1001181585	1	Bracket, RH Tank	
22	1001182255	1	Assembly, Deaeration Tank (See Separate Breakdown in this Section)	
23	1001178776	2	Fitting, Hose Barb 90	
24	1001168478	1	Assembly, Radiator (See Separate Breakdown in this Section)	
25	1001169059	1	Mount, Cooler Bracket	
26	1001170117	1	Panel, Air Dam	
27	1001170186	1	Panel, Air Dam Upper	
29	1001134488	1	Fitting, Barbed 90	
32	0641509	4	Bolt, 5/16-18X1-1/8	
33	1001179845	6	Shim	

# SECTION 4 - ENGINE AND ATTACHING PARTS

## FIGURE 4-17. COOLING LINES INSTALLATION - 74HP & 110HP (ULS)



ART\_1001165673

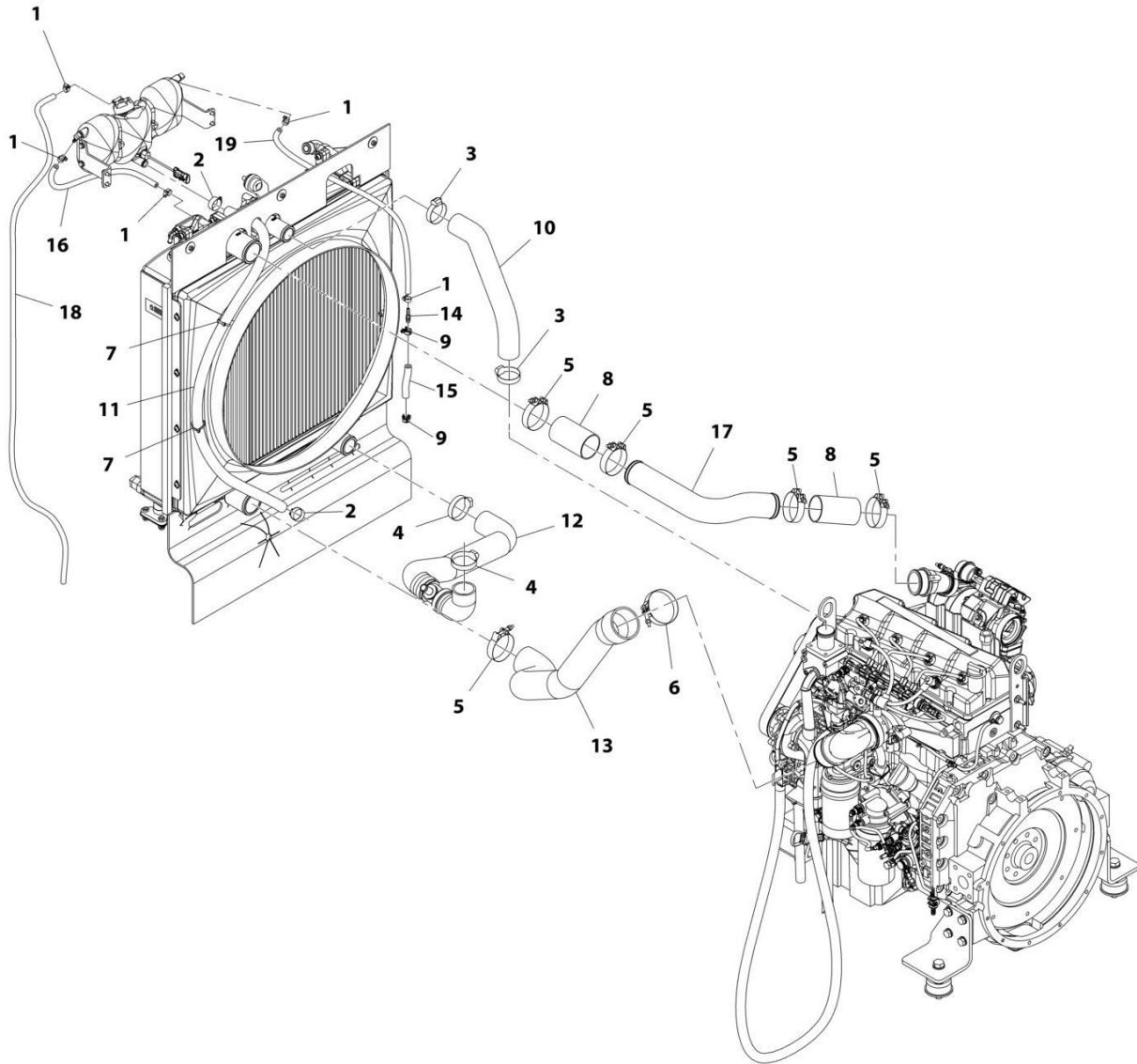
## SECTION 4 - ENGINE AND ATTACHING PARTS

**FIGURE 4-17. COOLING LINES INSTALLATION - 74HP & 110HP (ULS)**

ITEM	PART NUMBER	QTY	DESCRIPTION	REV
	1001165673	Ref	Plumbing Cooling Installation (if equipped for ULS)	1
1	8405007	2	Clamp, Gear 1-1/4	
2	8405104	2	Clamp, Gear 2-1/4	
3	8405201	2	Clamp, Gear 2-1/2	
4	8405212	5	Clamp, T-Bolt	
5	8405305	1	Clamp, T-Bolt	
6	1001004720	2	Strap, Cable	
7	1001114495	2	Hose, CAC Straight	
8	1001136975	4	Clamp, Fuel Hose	
9	1001201983	1	Hose, CAC Outlet	
10	1001169271	1	Pipe, CAC Inlet	
11	1001169272	1	Hose, Upper Radiator	
12	1001201945	1	Hose, Lower Radiator	
13	1001169274	1	Hose, Draw Down	
14	1001235725	1	Fitting, Union Tee	
16	1001213938	5	Clamp, Fuel Line	
18	1001203969	1	Hose, Vent Line	
19	1001203970	1	Hose, Vent Line	
20	1001204097	1	Hose, Vent Line	
21	1001204098	1	Hose, Vent Line	
22	1001204099	1	Hose, Vent Line	

# SECTION 4 - ENGINE AND ATTACHING PARTS

## FIGURE 4-18. COOLING LINES INSTALLATION - 110HP (LS)



ART\_1001185652-D

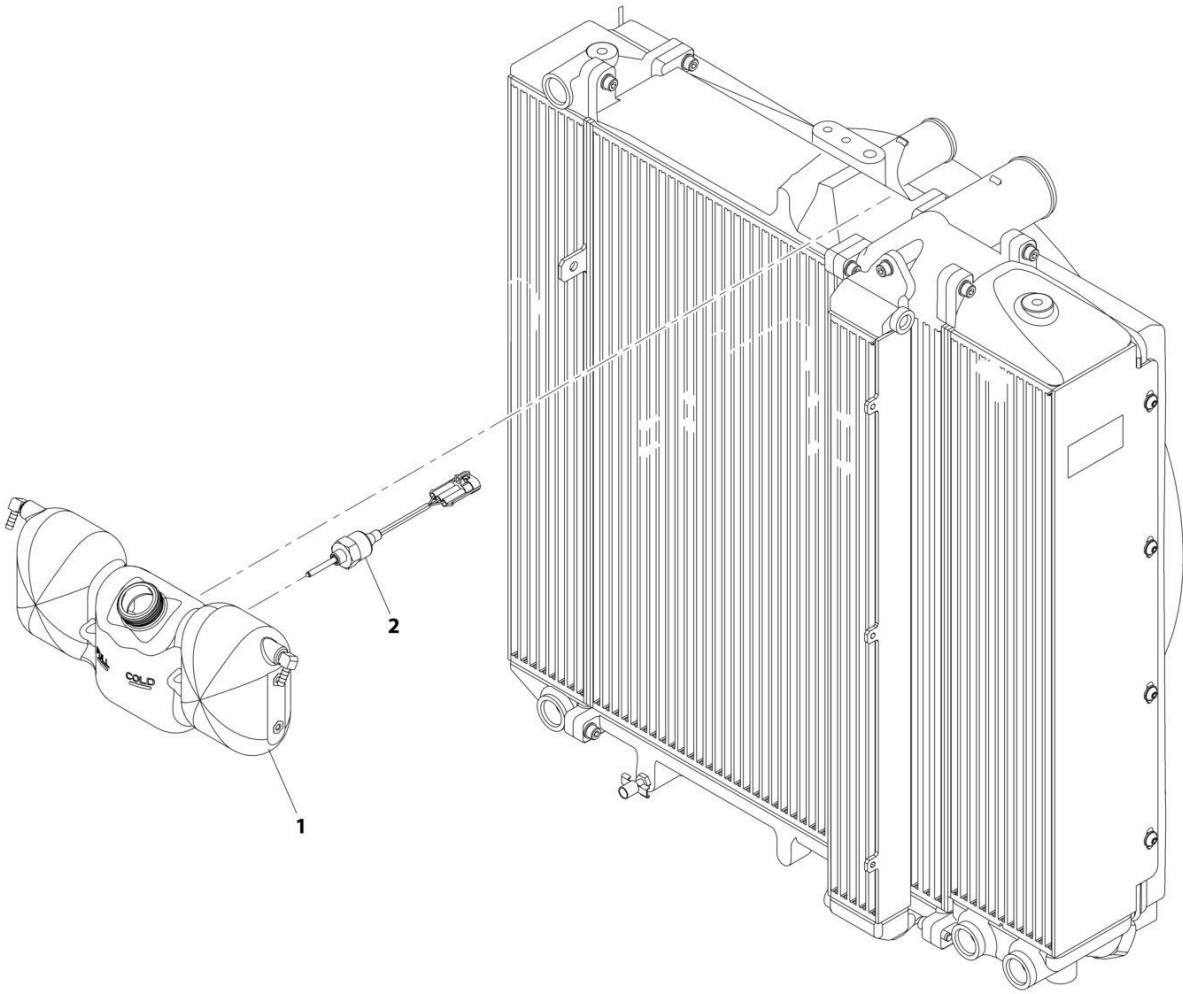
## SECTION 4 - ENGINE AND ATTACHING PARTS

**FIGURE 4-18. COOLING LINES INSTALLATION - 110HP (LS)**

ITEM	PART NUMBER	QTY	DESCRIPTION	REV
	1001185652	Ref	Plumbing Cooling Installation (if equipped for LS)	D
1	1320022	5	Clamp, Fuel Line	
2	8405007	2	Clamp, Gear 1-1/4	
3	8405104	2	Clamp, Gear 2-1/4	
4	8405201	2	Clamp, Gear 2-1/2	
5	8405212	5	Clamp, T-Bolt	
6	8405305	1	Clamp, T-Bolt	
7	1001004720	2	Strap, Cable	
8	1001114495	2	Hose, CAC Straight	
9	1001136975	2	Clamp, Fuel Hose	
10	1001169272	1	Hose, Upper Radiator	
11	1001169274	1	Hose, Draw Down	
12	1001201945	1	Hose, Lower Radiator	
13	1001189318	1	Hose, CAC Outlet	
14	1001189602	1	Fitting, Union Tee	
15	1001189712	1	Hose, Vent Line 3/8	
16	1001203969	1	Hose, Vent 1/4	
17	1001189715	1	Pipe, CAC Inlet	
18	1001204097	1	Hose, Vent 1/4	
19	1001204098	1	Hose, Vent 1/4	

**SECTION 4 - ENGINE AND ATTACHING PARTS**

**FIGURE 4-19. DE-AERATION TANK ASSEMBLY - 74HP & 110HP (ULS)**



ART\_1001182255-K



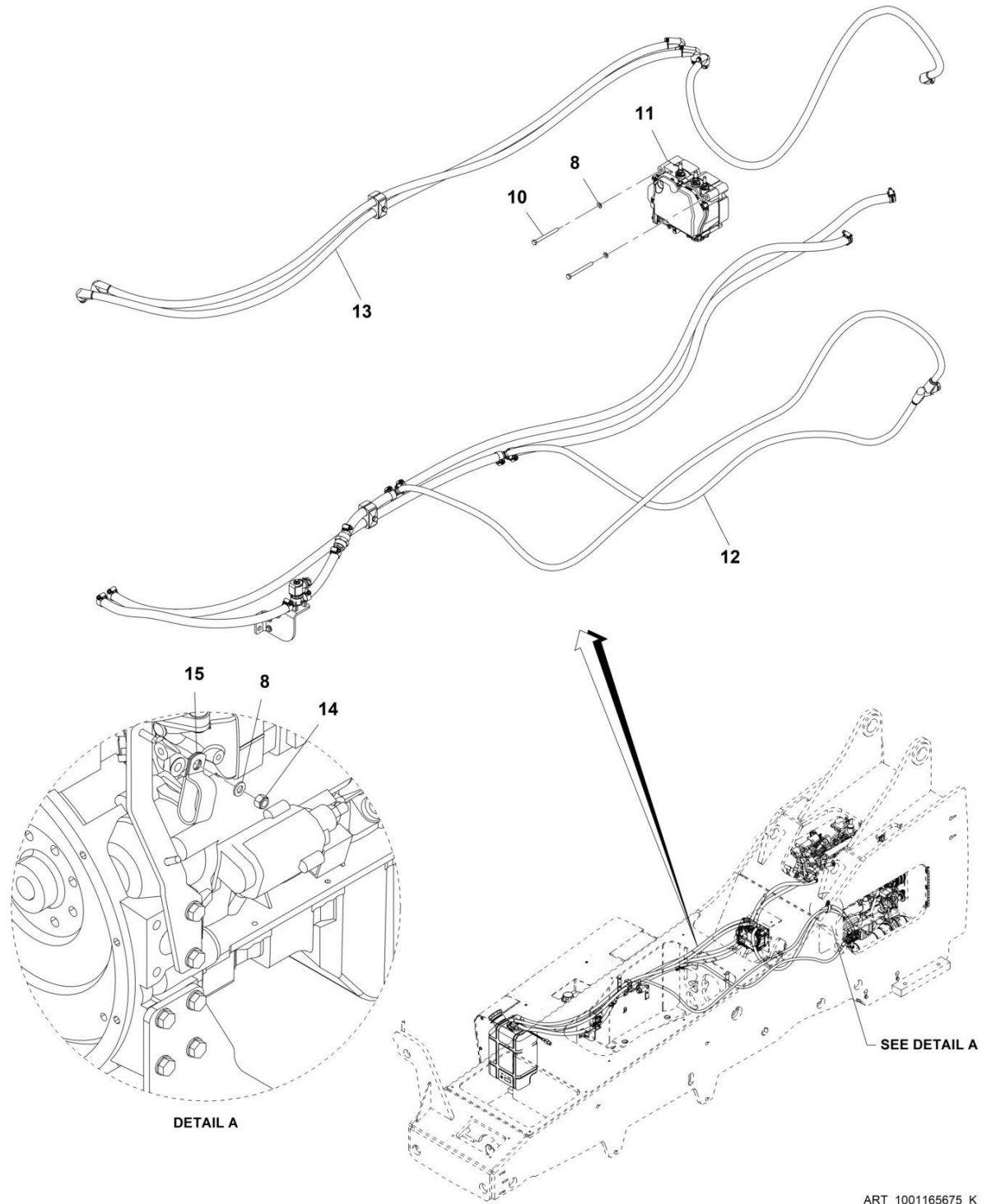
## SECTION 4 - ENGINE AND ATTACHING PARTS

FIGURE 4-19. DE-AERATION TANK ASSEMBLY - 74HP & 110HP (ULS)

ITEM	PART NUMBER	QTY	DESCRIPTION	REV
	1001182255	Ref	Deaeration Tank Assembly	K
1	1001153912	1	Tank, Deaeration	
2	1001245478	1	Sensor, Coolant Level	

# SECTION 4 - ENGINE AND ATTACHING PARTS

## FIGURE 4-20. DEF SYSTEM INSTALLATION (ULS)



ART\_1001165675\_K

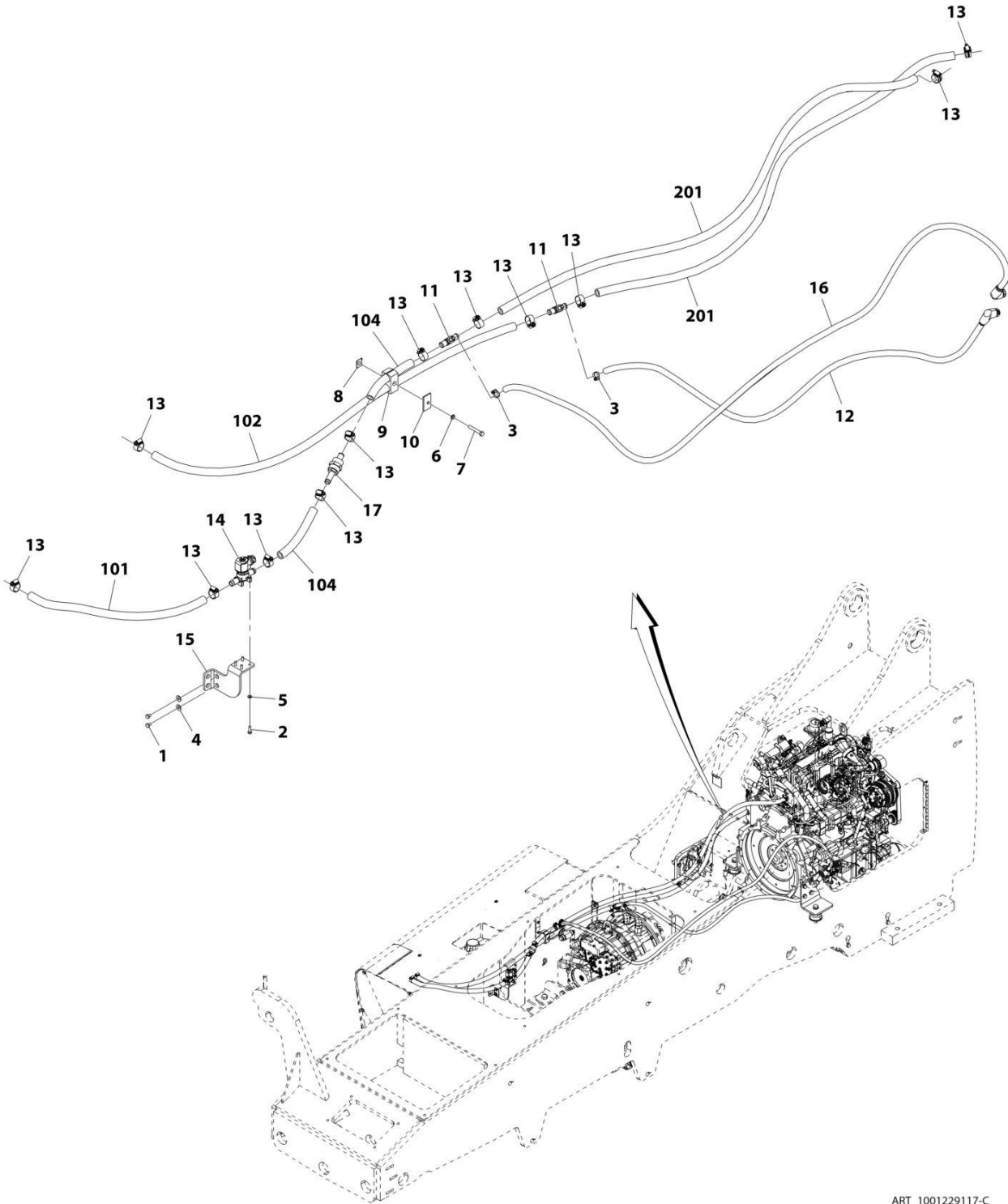
## SECTION 4 - ENGINE AND ATTACHING PARTS

FIGURE 4-20. DEF SYSTEM INSTALLATION (ULS)

ITEM	PART NUMBER	QTY	DESCRIPTION	REV
	1001165675	Ref	DEF System Installation (if equipped for ULS)	K
8	4811900	4	Washer, M8	
10	8310424	3	Bolt, M8X90	
11	1001213210	Ref	DEF Pump Assembly (See Separate Breakdown in this Section)	
12	1001229117	Ref	DEF Coolant Lines Installation (Not Shown -See separate Breakdown in this Section)	
13	1001229025	Ref	DEF Lines Installation (Not Shown - See separate Breakdown in this Section)	
14	3290805	1	Nut, Lock M8X1-1/4	
15	1001181899	1	Clamp	

# SECTION 4 - ENGINE AND ATTACHING PARTS

## FIGURE 4-21. DEF COOLANT LINES INSTALLATION



ART\_1001229117-C

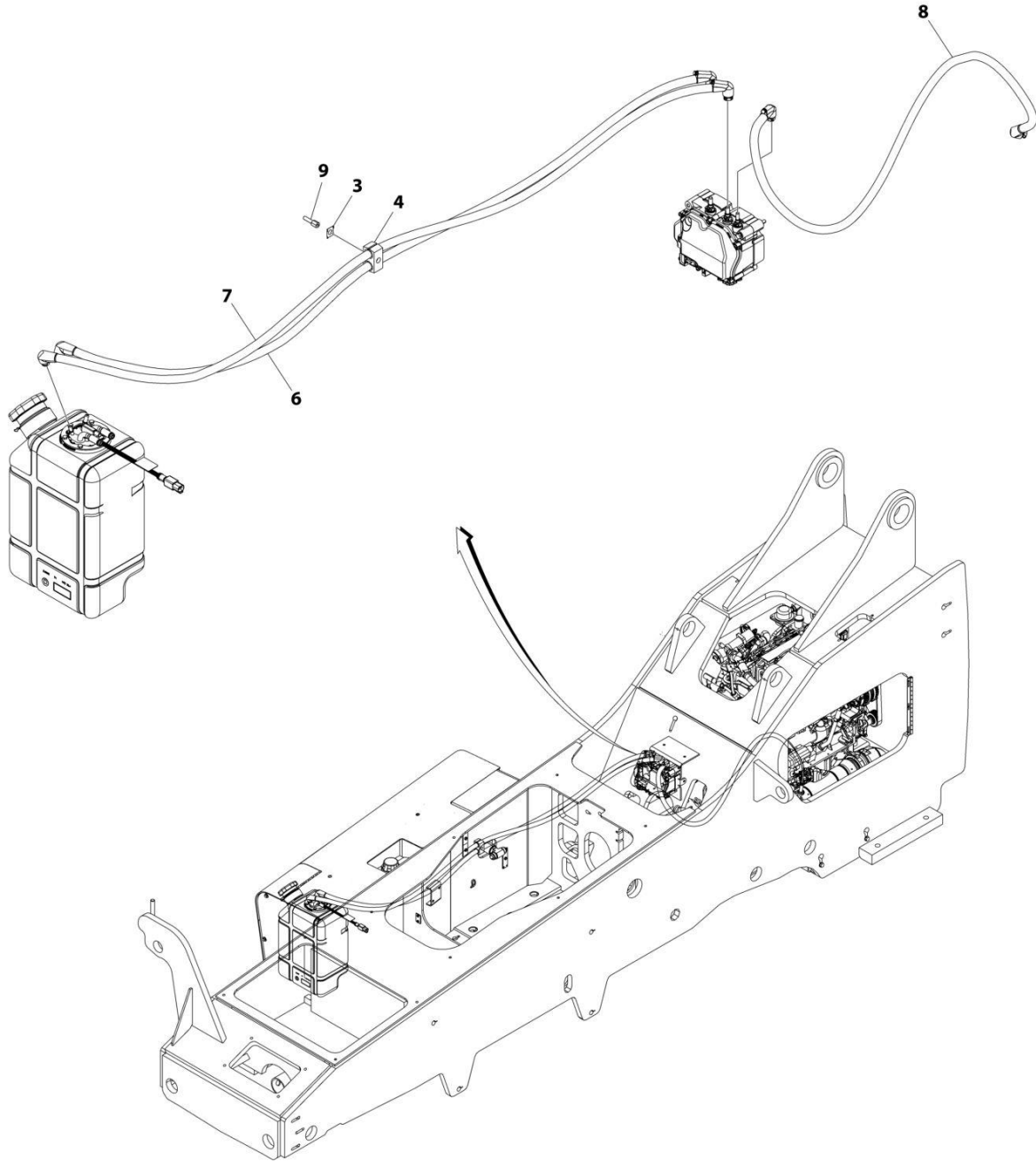
## SECTION 4 - ENGINE AND ATTACHING PARTS

**FIGURE 4-21. DEF COOLANT LINES INSTALLATION**

ITEM	PART NUMBER	QTY	DESCRIPTION	REV
	1001229117	Ref	DEF Coolant Lines Installation	C
1	0641403	2	Bolt, 1/4X3/8	
2	0760610	4	Bolt, M6X20	
3	1320032	2	Clamp, Fuel Line	
4	4751400	2	Washer, 1/4	
5	4811700	4	Washer, M6	
6	8307004	1	Washer 5/16	
7	8310009	1	Bolt, 5/16X2	
8	8750017	1	Plate, Locking	
9	8769127	1	Clamp Set, Twin	
10	8769128	1	Plate, Twin Cover	
11	1001162212	2	Fitting, Hose Barb Tee	
12	1001169001	1	Hose	
13	1001173535	12	Clamp	
14	1001199670	1	Valve, Coolant Control	
15	1001199951	1	Bracket, Valve Mount	
16	1001224096	1	Hose	
17	1001228872	1	Filter, Coolant Screen	
101	1001171472	1	Hose	
102	1001171473	1	Hose	
103	1001229210	2	Hose	
201	1001171474	2	Hose	

# SECTION 4 - ENGINE AND ATTACHING PARTS

## FIGURE 4-22. DEF LINES INSTALLATION



ART\_1001229025\_D

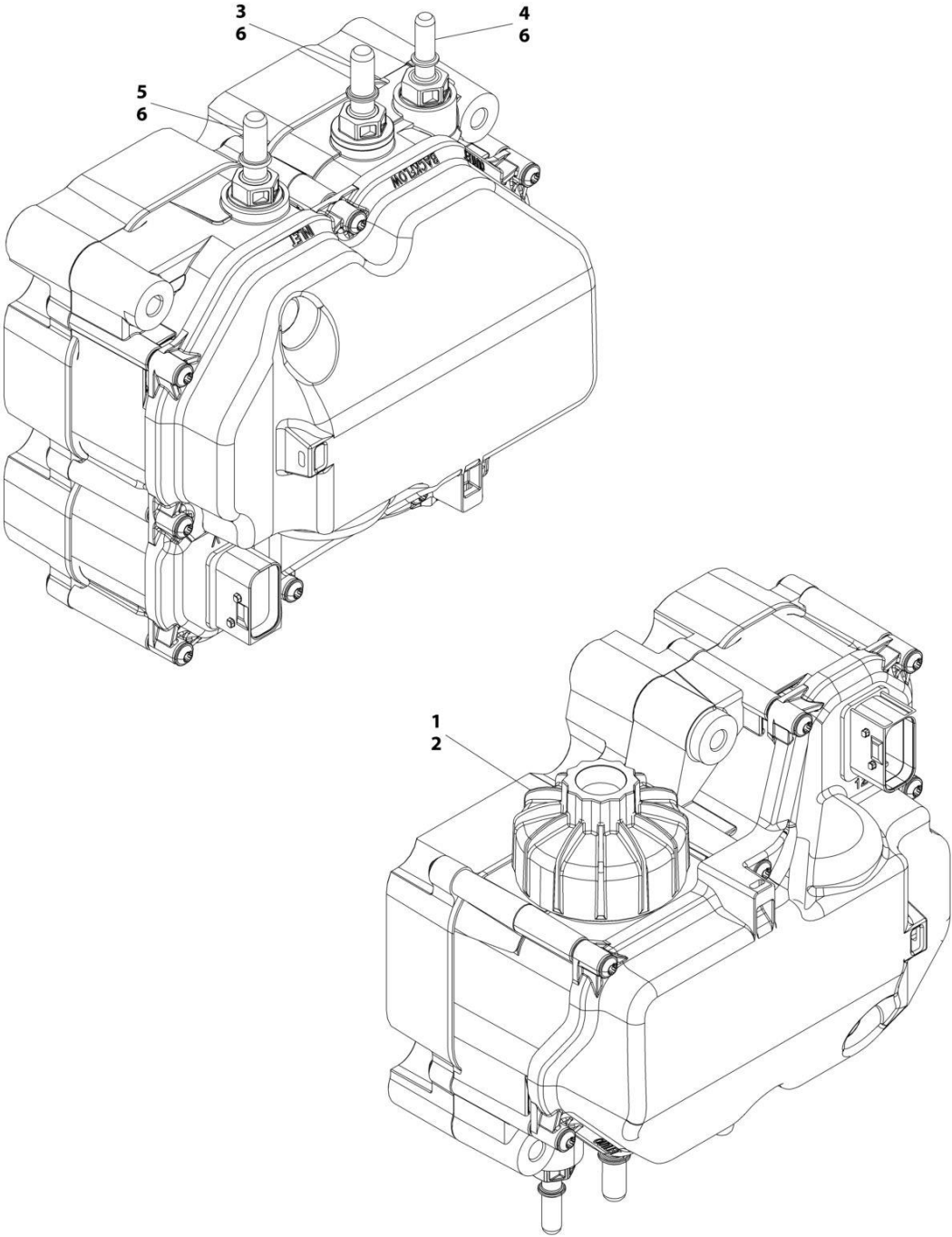
## SECTION 4 - ENGINE AND ATTACHING PARTS

FIGURE 4-22. DEF LINES INSTALLATION

ITEM	PART NUMBER	QTY	DESCRIPTION	REV
	1001229025	Ref	DEF Lines Installation	D
3	8750017	1	Plate, Locking	
4	8769127	1	Clamp Set, Twin	
6	1001229023	1	Hose	
7	1001229024	1	Hose	
8	1001168859	1	Hose	
9	8750012	1	Bolt, Stacking	

# SECTION 4 - ENGINE AND ATTACHING PARTS

FIGURE 4-23. DEF PUMP ASSEMBLY



ART\_1001213210-A



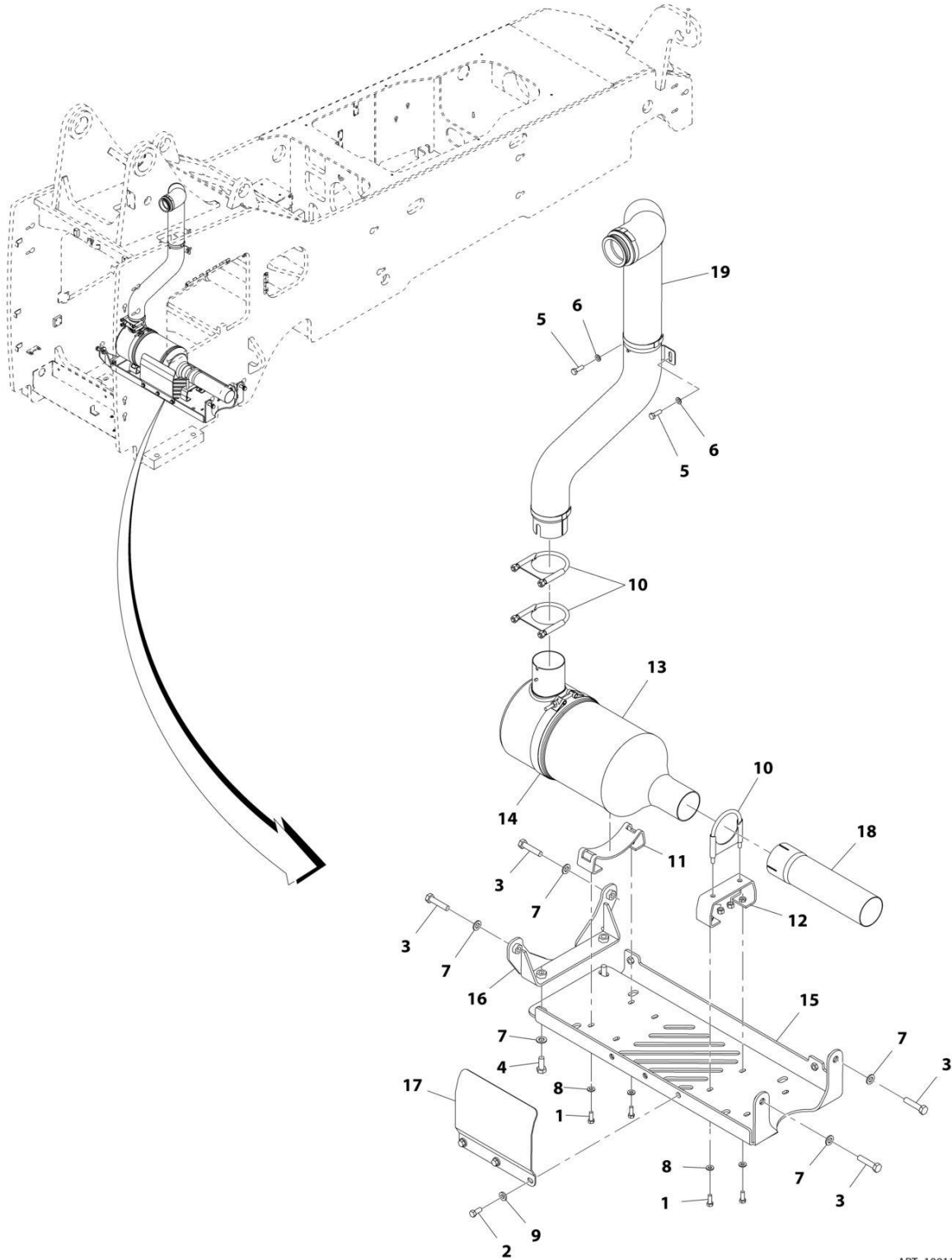
## SECTION 4 - ENGINE AND ATTACHING PARTS

FIGURE 4-23. DEF PUMP ASSEMBLY

ITEM	PART NUMBER	QTY	DESCRIPTION	REV
	1001213210	Ref	DEF Module Pump	B
1	70026248	1	Kit, Filter	
2	70026247	1	Cap, Filter	
3	70027705	1	Connector, Male (Backflow)	
4	70026245	1	Connector, Male (Outlet)	
5	70026244	1	Connector, Male (Inlet)	
6	70027706	3	Gasket, Circular (O-Ring)	

# SECTION 4 - ENGINE AND ATTACHING PARTS

## FIGURE 4-24. EXHAUST INSTALLATION - 74HP (ULS)



ART\_1001196125-B

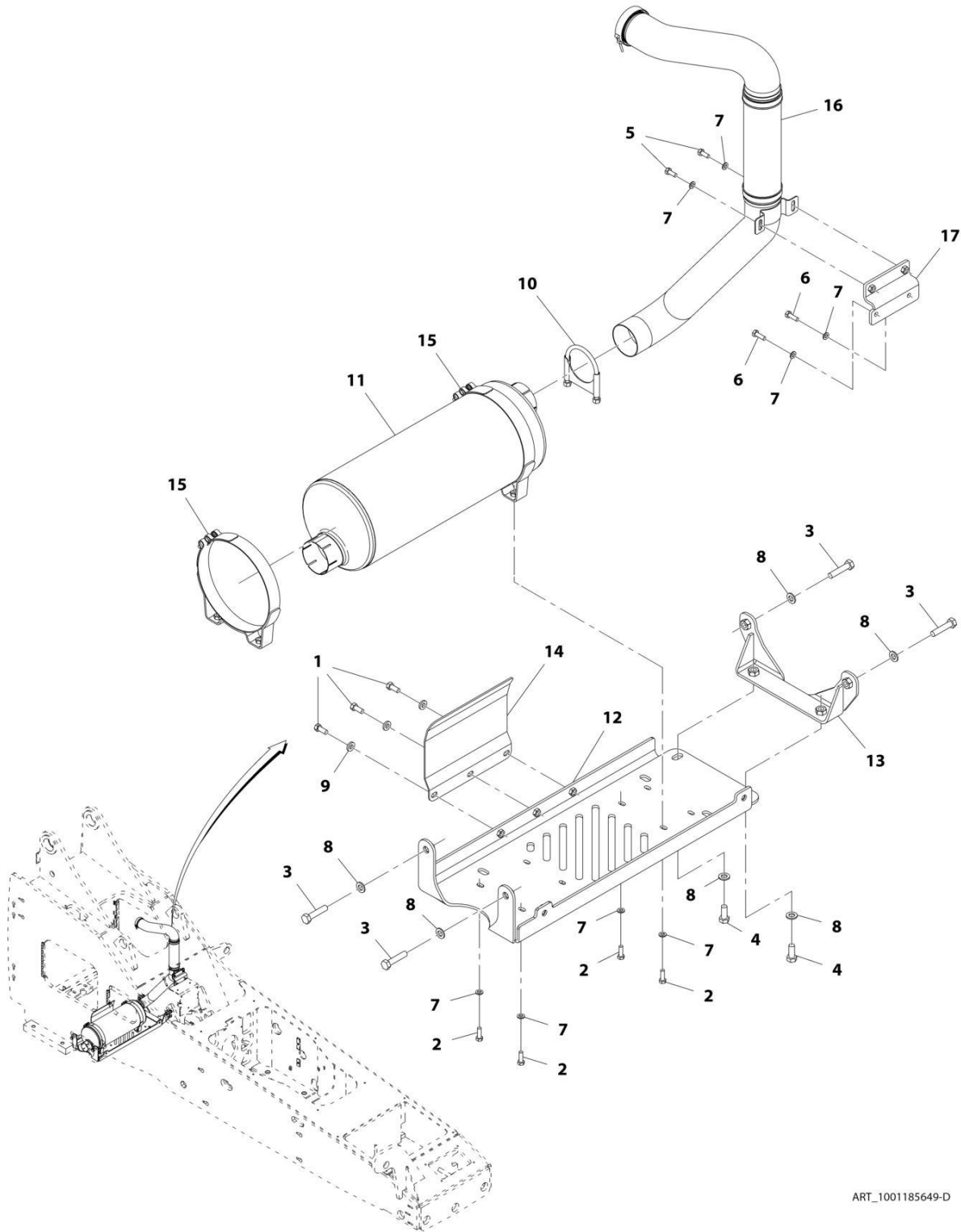
## SECTION 4 - ENGINE AND ATTACHING PARTS

**FIGURE 4-24. EXHAUST INSTALLATION - 74HP (ULS)**

ITEM	PART NUMBER	QTY	DESCRIPTION	REV
	1001196125	Ref	Exhaust Installation, 74HP (if equipped for ULS)	B
1	0641507	4	Bolt, 5/16-18X7/8	
2	0641607	3	Bolt, 3/8-16X7/8	
3	0701219	4	Bolt, M12X55	
4	0711214	2	Bolt, M12X30	
5	0760812	2	Bolt, M8X25	
6	4811900	2	Washer, M8	
7	4812100	6	Washer, M12	
8	4891500	4	Washer, 5/16	
9	4891600	3	Washer, 3/8	
10	24921332	3	Clamp	
11	1001128363	1	Bracket	
12	1001128364	1	Bracket	
13	1001128714	1	Muffler	
14	1001128901	1	Strap	
15	1001166935	1	Bracket	
16	1001169057	1	Bracket	
17	1001174327	1	Shield	
18	1001196396	1	Pipe, Exhaust	
19	1001196397	1	Pipe, Exhaust	

# SECTION 4 - ENGINE AND ATTACHING PARTS

## FIGURE 4-25. EXHAUST INSTALLATION - 110HP (LS)



ART\_1001185649-D

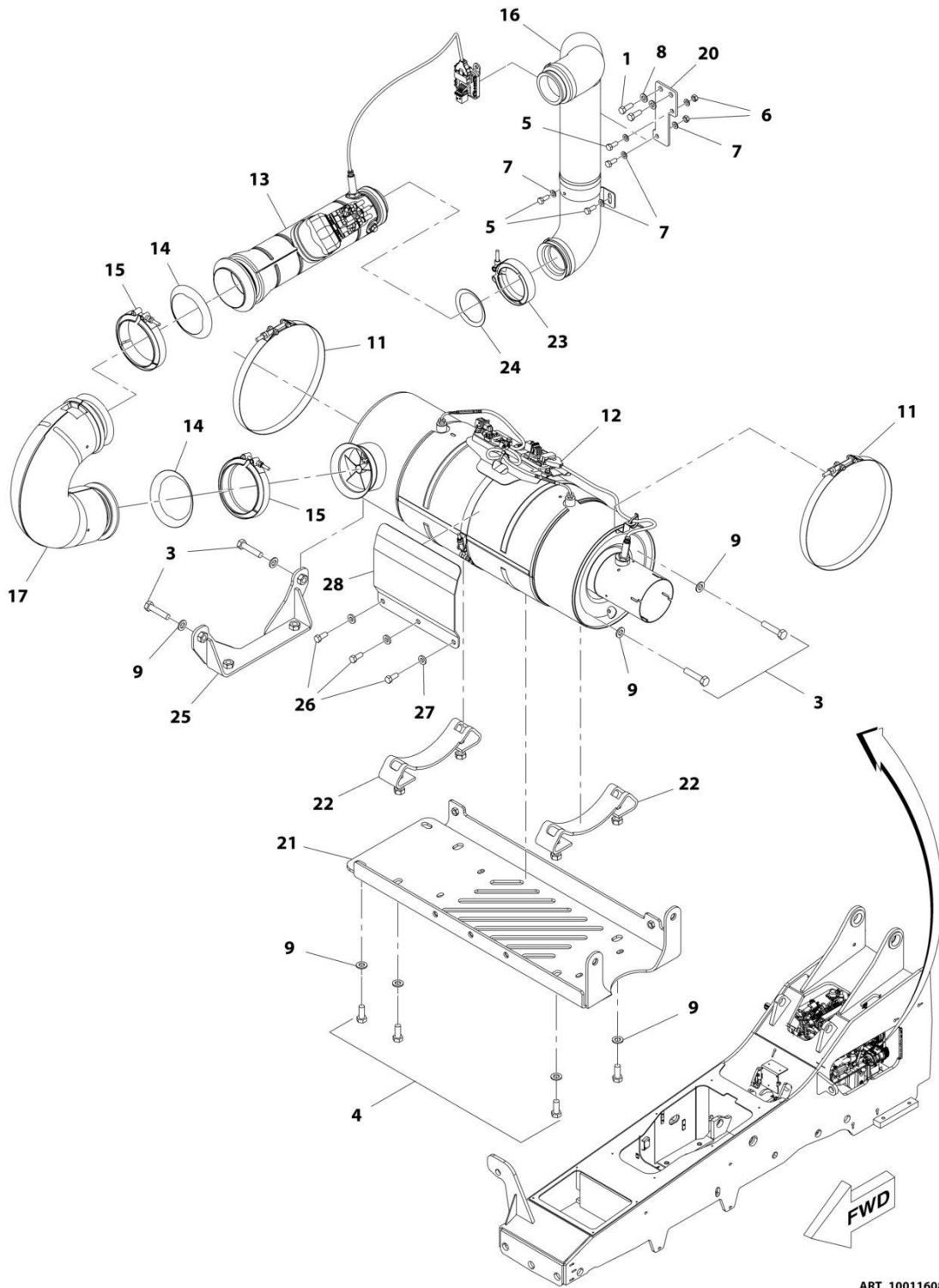
## SECTION 4 - ENGINE AND ATTACHING PARTS

**FIGURE 4-25. EXHAUST INSTALLATION - 110HP (LS)**

ITEM	PART NUMBER	QTY	DESCRIPTION	REV
	1001185649	Ref	Exhaust Installation, 85HP (if equipped for LS)	D
1	0641607	3	Bolt, 3/8-16X7/8	
2	0700812	4	Bolt, M8X25	
3	0701219	4	Bolt, M12X55	
4	0711214	2	Bolt, M12X30, Grade 10.9	
5	0760810	2	Bolt, M8X20	
6	0760812	2	Bolt, M8X25	
7	4811900	8	Washer, M8	
8	4812100	6	Washer, M12	
9	4891600	3	Washer, 3/8	
10	24921332	1	Clamp	
11	91163035	1	Muffler	
12	1001166935	1	Bracket	
13	1001169057	1	Bracket	
14	1001174327	1	Shield	
15	1001180227	2	Muffler, Band Clamp	
16	1001190962	1	Pipe, Exhaust	
17	1001190990	1	Bracket, Exhaust Support	

# SECTION 4 - ENGINE AND ATTACHING PARTS

## FIGURE 4-26. EXHAUST INSTALLATION - 110HP (ULS)



ART\_1001160844\_H

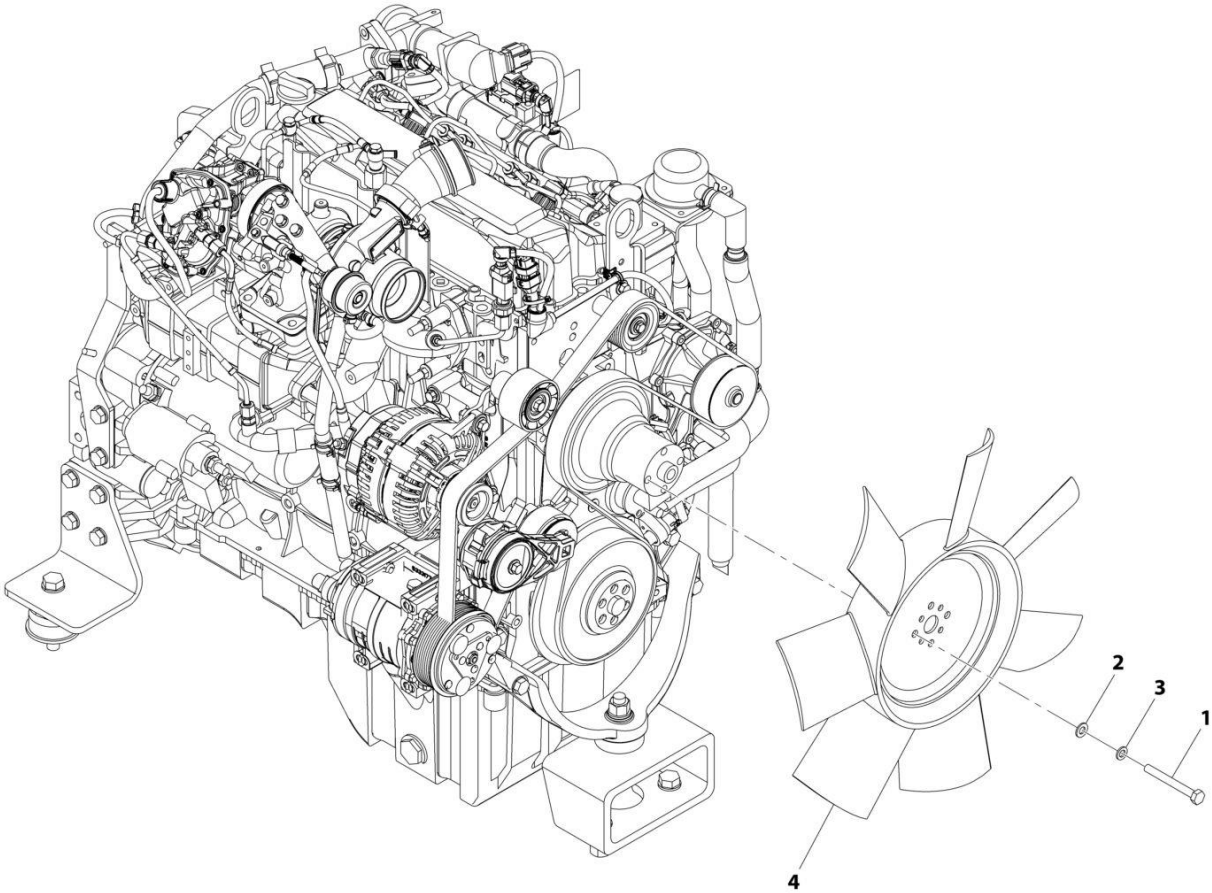
## SECTION 4 - ENGINE AND ATTACHING PARTS

**FIGURE 4-26. EXHAUST INSTALLATION - 110HP (ULS)**

ITEM	PART NUMBER	QTY	DESCRIPTION	REV
	1001160844	Ref	EXHAUST INSTALLATION - 110HP (ULS)	H
1	0641608	2	Bolt 3/8-16 x 1	
3	0701219	4	Bolt M12 x 55	
4	0711214	6	Bolt M12 x 30, Grade 10.9	
5	0760810	4	Bolt M8 x 20	
6	3290801	2	Nut M8 x 1-1/4	
7	4811900	6	Washer M8	
8	4812000	2	Washer M10	
9	4812100	10	Washer M12	
11	1001159932	2	Strap, Clamp	
12	1001160782	1	Muffler, After-Treatment	
13	1001164404	1	Muffler, Decomposition Reactor Tube	
14	1001164837	2	Seal, Gasket	
15	1001164838	2	Clamp, V-Band	
16	1001183811	1	Pipe, Exhaust	
17	1001165609	1	Pipe, Exhaust	
20	1001166693	1	Bracket	
21	1001166935	1	Bracket	
22	1001166976	2	Bracket	
23	1001167167	1	Clamp, V-Band	
24	1001167168	1	Seal, Gasket	
25	1001169057	1	Bracket	
26	0641607	3	Bolt 3/8-16 x 7/8	
27	4891600	3	Washer 3/8	
28	1001174327	1	Shield	

# SECTION 4 - ENGINE AND ATTACHING PARTS

FIGURE 4-27. FAN INSTALLATION - 74HP (ULS)



ART\_1001196736-C



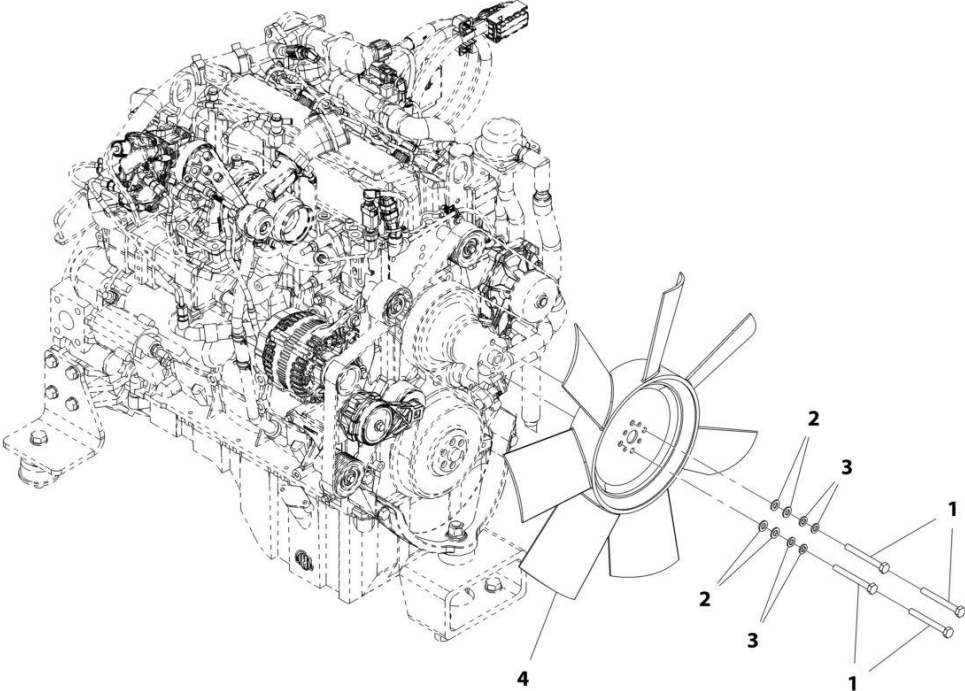
## SECTION 4 - ENGINE AND ATTACHING PARTS

FIGURE 4-27. FAN INSTALLATION - 74HP (ULS)

ITEM	PART NUMBER	QTY	DESCRIPTION	REV
	1001196736	Ref	Fan Installation, 74HP	C
1	0701026	4	Bolt, M10X90	
2	4812000	4	Washer, M10	
3	4832000	4	Washer, Lock M10	
4	1001210351	1	Fan	

**SECTION 4 - ENGINE AND ATTACHING PARTS**

**FIGURE 4-28. FAN INSTALLATION - 110HP (ULS & LS)**



ART\_1001165668-B

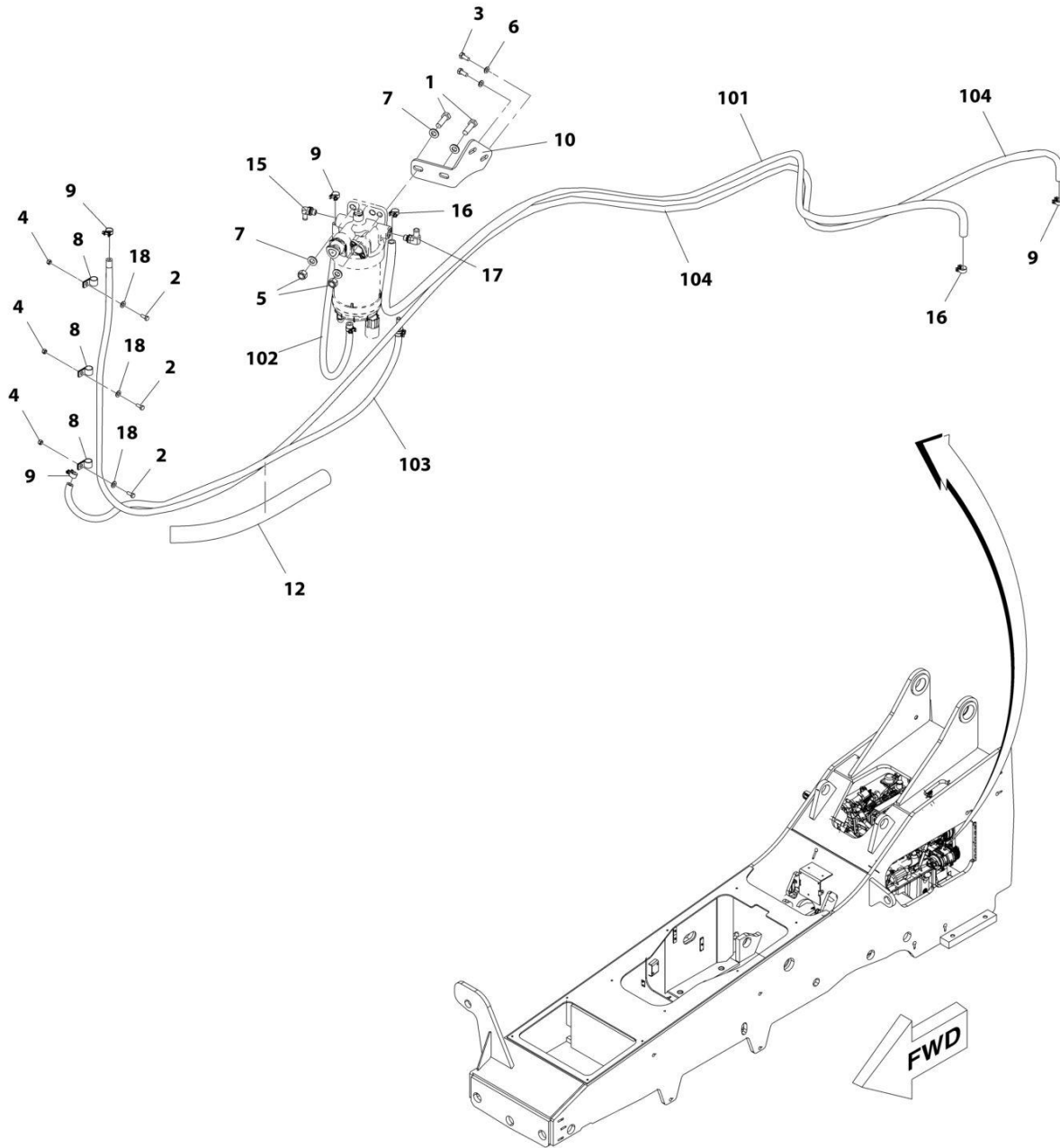
## SECTION 4 - ENGINE AND ATTACHING PARTS

FIGURE 4-28. FAN INSTALLATION - 110HP (ULS & LS)

ITEM	PART NUMBER	QTY	DESCRIPTION	REV
	1001165668	Ref	Fan Installation, 85HP	B
1	0701026	4	Bolt, M10X90	
2	4812000	4	Washer, M10	
3	4832000	4	Washer, Lock M10	
4	1001174822	1	Fan	

# SECTION 4 - ENGINE AND ATTACHING PARTS

FIGURE 4-29. FUEL LINES INSTALLATION - 74HP & 110HP (ULS)



ART\_1001165672-H

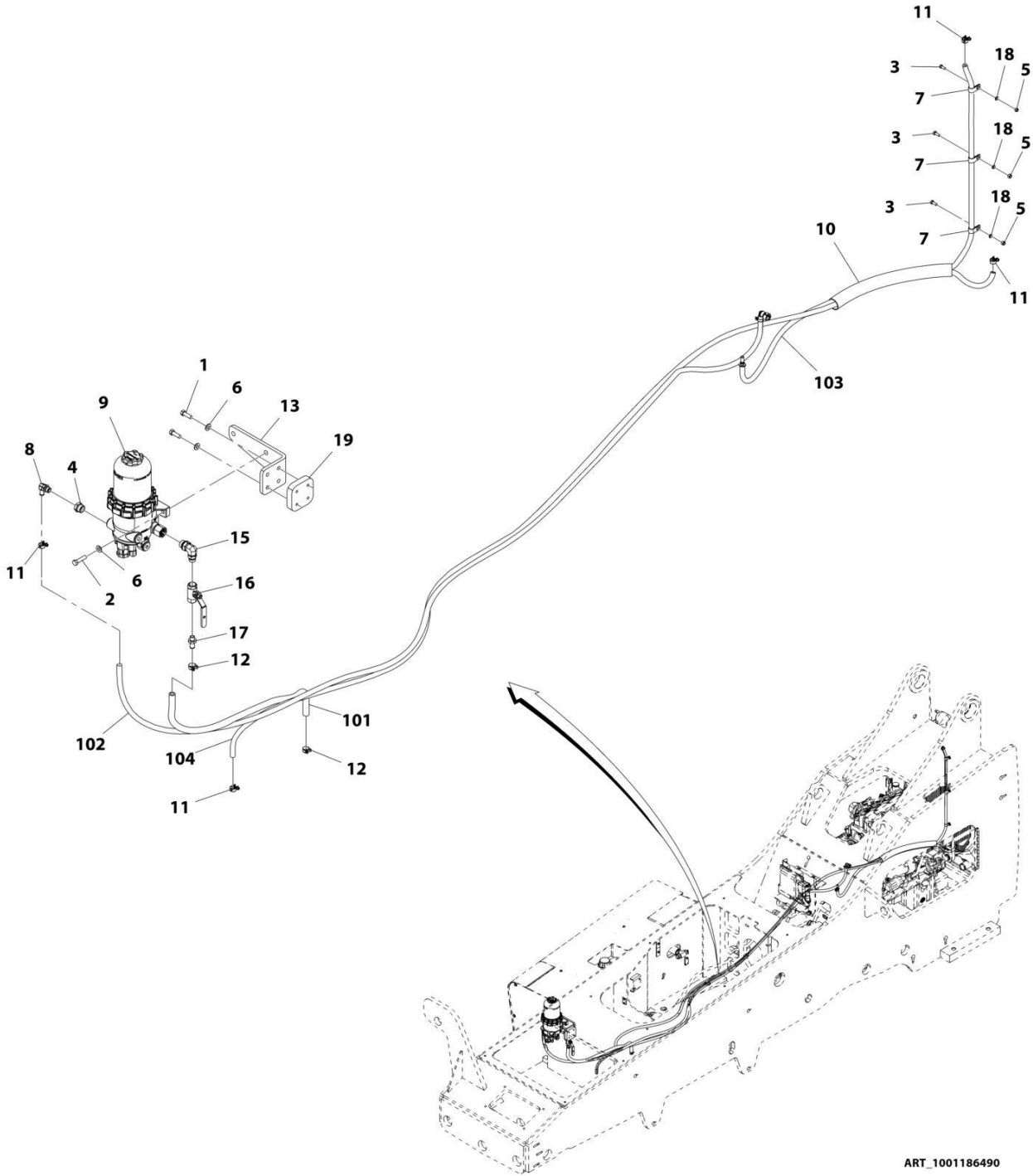
## SECTION 4 - ENGINE AND ATTACHING PARTS

**FIGURE 4-29. FUEL LINES INSTALLATION - 74HP & 110HP (ULS)**

ITEM	PART NUMBER	QTY	DESCRIPTION	REV
	1001165672	Ref	Fuel Plumbing Installation (if equipped for ULS)	H
1	0701216	2	Bolt, M12X40	
2	0760608	3	Bolt, M6X16	
3	0761012	2	Bolt, M10X25	
4	3290605	3	Nut, Lock M6X1	
5	3291205	2	Nut, Lock M12X1-3/4	
6	4812000	2	Washer, M10	
7	4812100	4	Washer, M12	
8	8406112	3	Clip, Tube 5/8	
9	1001136975	5	Clamp, Fuel Hose	
10	1001182603	1	Bracket, Filter Mount	
12	1001136358	1	Sleeve, Abrasion	
15	1001182094	1	Adapter, Banjo M14X3/8	
16	1001175568	2	Clip, Hose	
17	1001179375	1	Adapter, Banjo M14X1/2	
18	4811700	3	Washer, M6	
101	1001171802	1	Hose	
102	1001171803	1	Hose	
103	1001201111	1	Hose	
104	1001171805	1	Hose	

# SECTION 4 - ENGINE AND ATTACHING PARTS

## FIGURE 4-30. FUEL LINES INSTALLATION - 110HP (LS)



ART\_1001186490

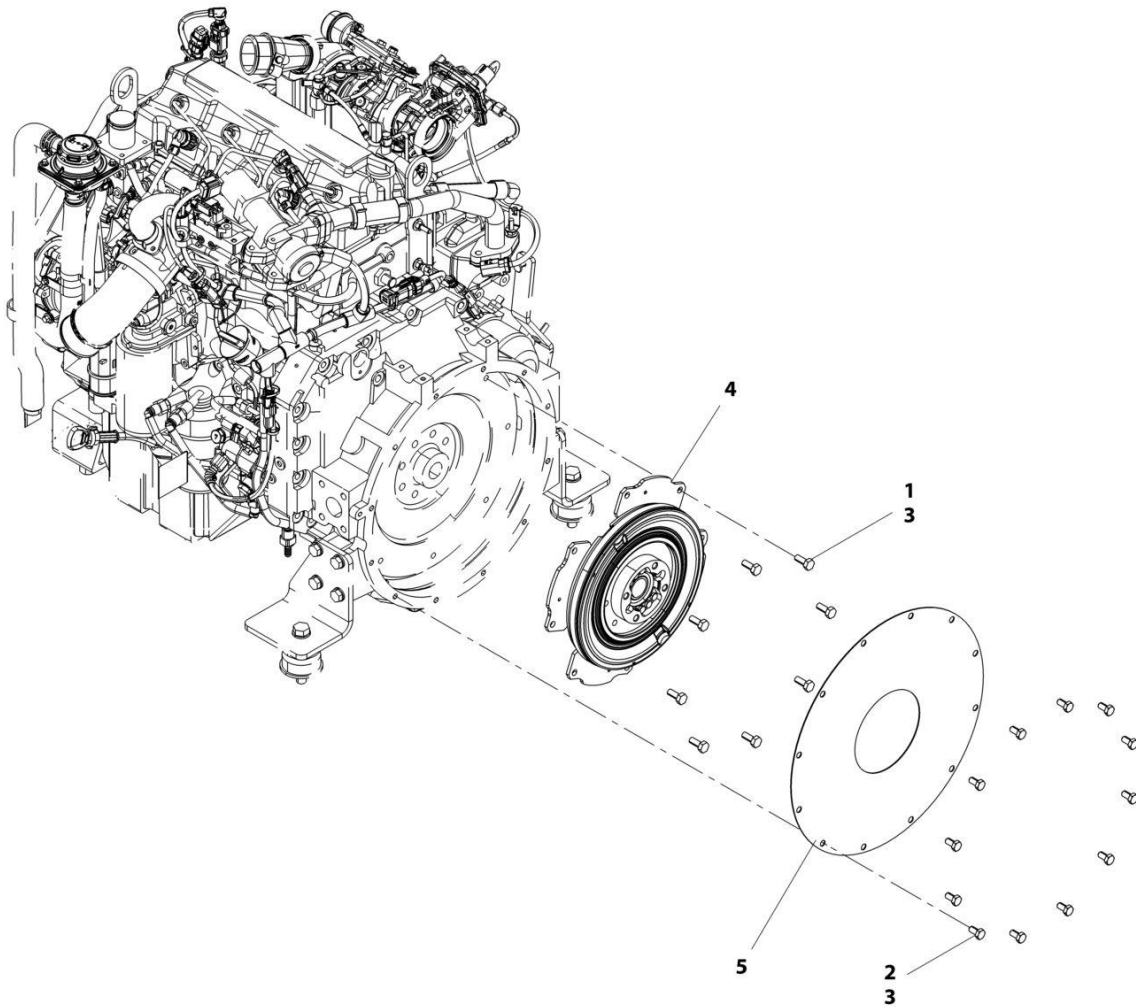
## SECTION 4 - ENGINE AND ATTACHING PARTS

**FIGURE 4-30. FUEL LINES INSTALLATION - 110HP (LS)**

ITEM	PART NUMBER	QTY	DESCRIPTION	REV
	1001186490	Ref	Fuel Plumbing Installation (if equipped for LS)	J
1	0641609	4	Bolt, 3/8-16X1-1/8	
2	0641612	2	Bolt, 3/8-16X1-1/2	
3	0760608	3	Bolt, M6X16	
4	2220218	1	Adapter, Straight	
5	3290605	3	Nut, Lock M6X1	
6	4711600	6	Washer, 3/8	
7	8406112	3	Clip, Tube 5/8	
8	1001178776	1	Elbow, 90	
9	1001133534	1	Filter, Fuel	
10	1001136358	1	Sleeve, Abrasion	
11	1001136975	4	Clamp, Fuel Hose	
12	1001175568	2	Clip, Hose	
13	1001190349	1	Bracket, Support	
15	1001190629	1	Adapter, 90	
16	1001190630	1	Valve Shutoff, Female	
17	1001190631	1	Fitting, Hose Barb	
18	4811600	3	Washer, M6	
19	1001190344	1	Bracket	
100	1001190372	1	Hose Kit (Not Shown)	
101	1001190370	1	Hose	
102	1001190371	1	Hose	
103	1001201111	1	Hose	
104	1001171805	1	Hose	

# SECTION 4 - ENGINE AND ATTACHING PARTS

FIGURE 4-31. ISOLATION COUPLER INSTALLATION - 74HP & 110HP (ULS & LS)



ART\_1001166229\_B



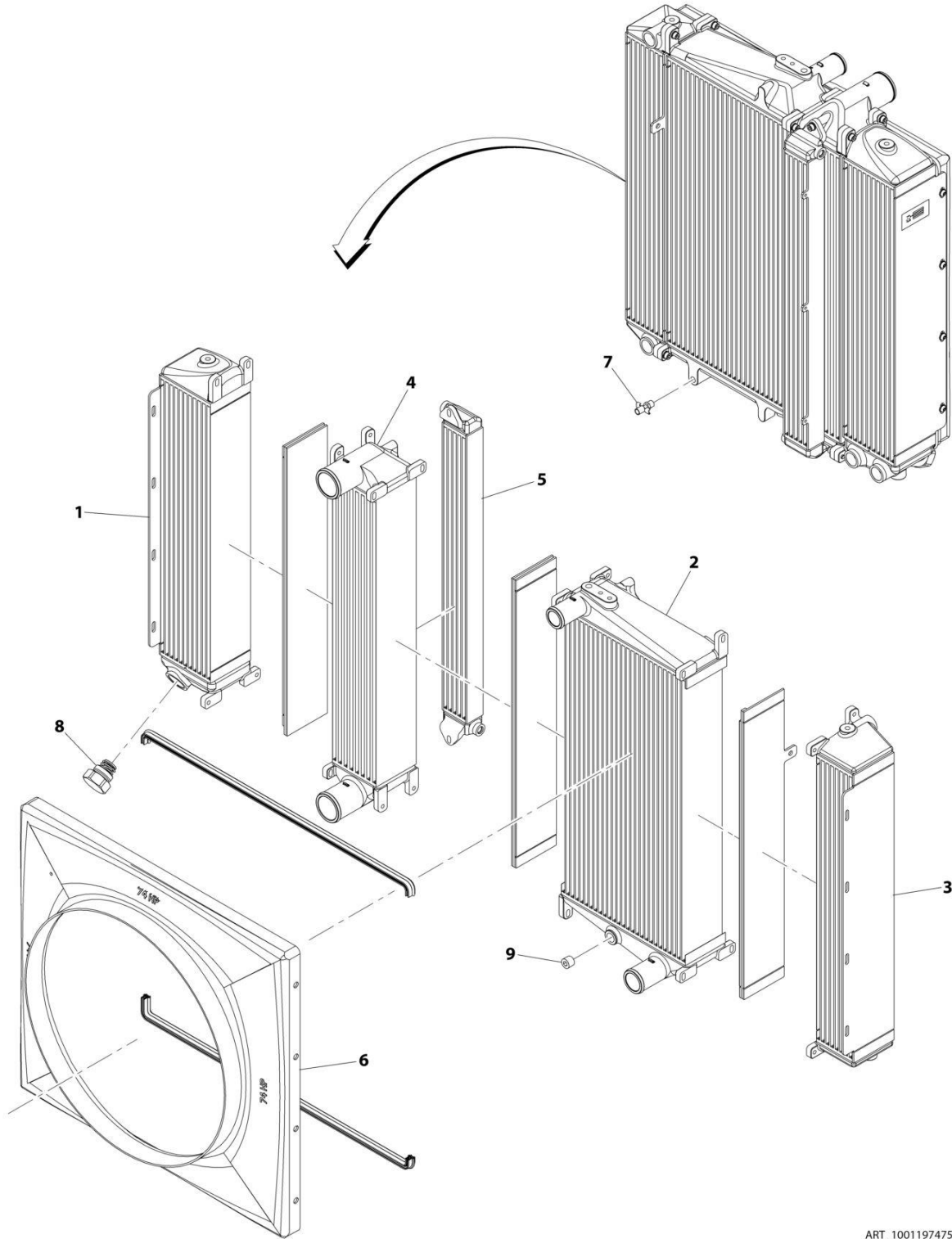
## SECTION 4 - ENGINE AND ATTACHING PARTS

FIGURE 4-31. ISOLATION COUPLER INSTALLATION - 74HP & 110HP (ULS & LS)

ITEM	PART NUMBER	QTY	DESCRIPTION	REV
	1001166229	Ref	Isolation Coupler Installation	B
1	0761012	8	Bolt, M10X25	
2	8303784	12	Bolt, M10X20	
3	8526007	AR	Compound, Locking	
4	1001180244	1	Coupling, Torsion Damper	
5	1001185071	1	Panel, Isolation Coupler	

# SECTION 4 - ENGINE AND ATTACHING PARTS

## FIGURE 4-32. RADIATOR ASSEMBLY - 74HP (ULS)



ART\_1001197475-D

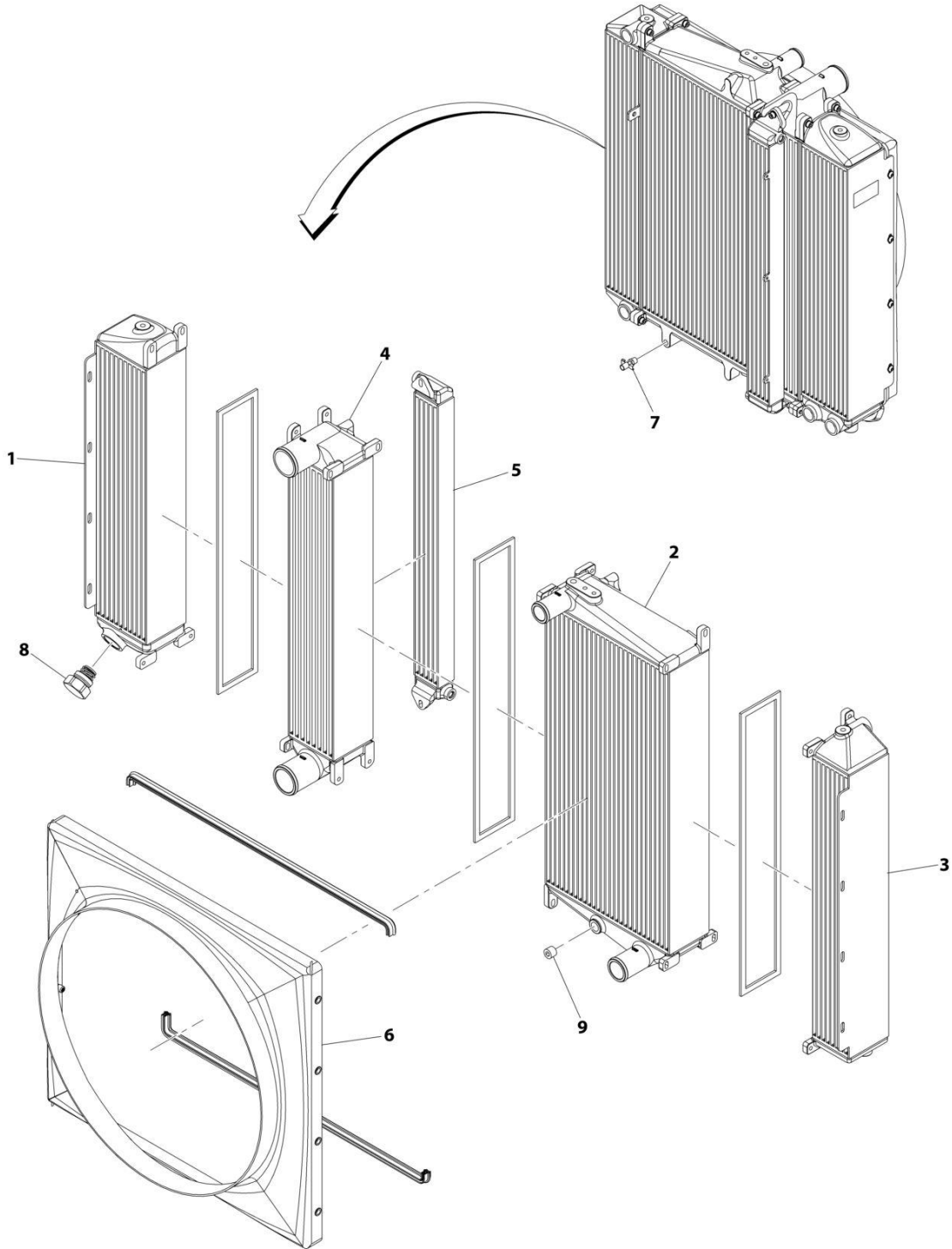
## SECTION 4 - ENGINE AND ATTACHING PARTS

FIGURE 4-32. RADIATOR ASSEMBLY - 74HP (ULS)

ITEM	PART NUMBER	QTY	DESCRIPTION	REV
	1001197475	Ref	Radiator Assembly (74HP)	D
1	70026075	1	Transmission Oil Cooler	
2	70026076	1	Radiator	
3	70026077	1	Hydraulic Oil Cooler	
4	70026078	1	Charge Air Cooler	
5	70026079	1	Fuel Cooler	
6	70027094	1	Fan Shroud	
7	70026081	1	Petcock	
8	70026082	1	Valve, Bypass	
9	70026083	1	Plug, Hex	

# SECTION 4 - ENGINE AND ATTACHING PARTS

FIGURE 4-33. RADIATOR ASSEMBLY - 110HP (ULS & LS)



ART\_1001168478

## SECTION 4 - ENGINE AND ATTACHING PARTS

FIGURE 4-33. RADIATOR ASSEMBLY - 110HP (ULS & LS)

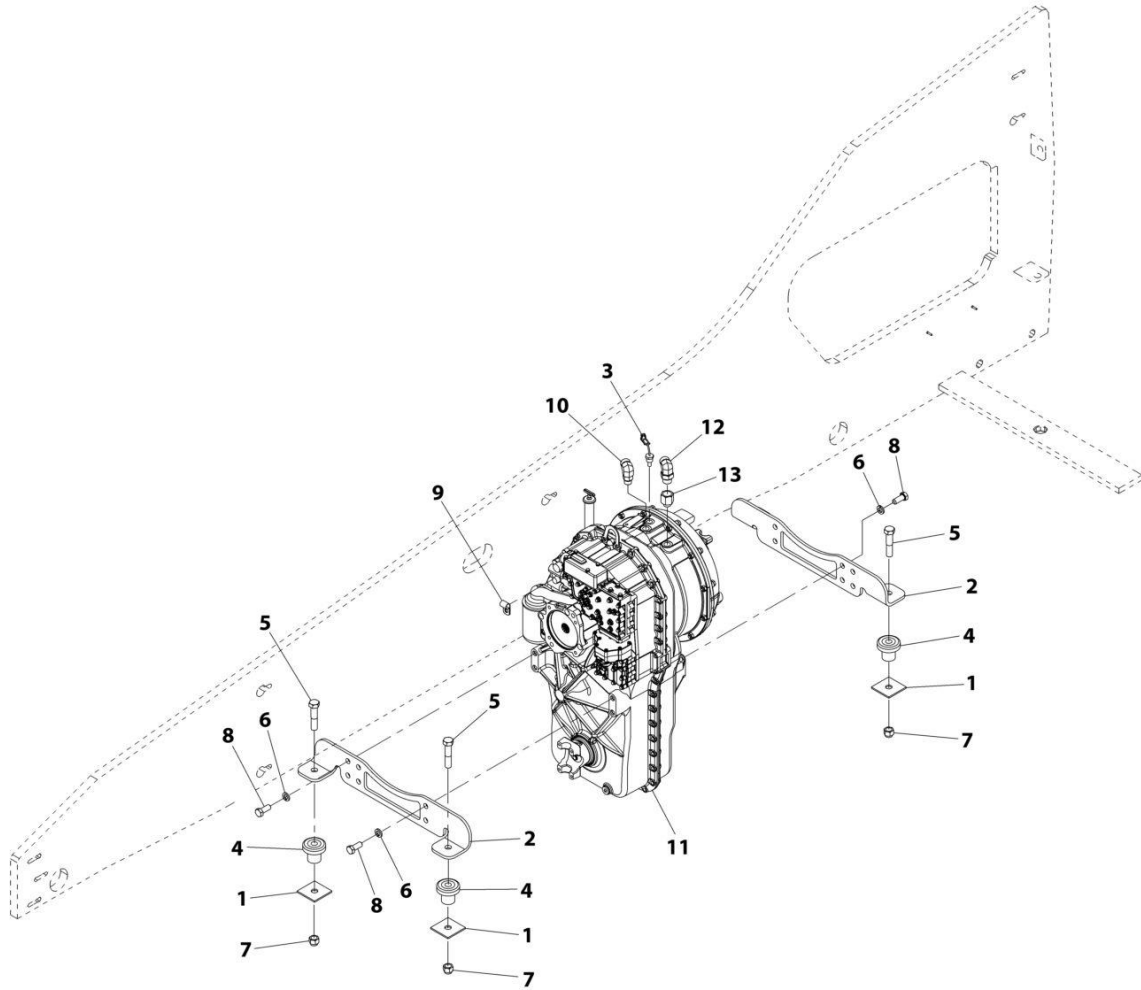
ITEM	PART NUMBER	QTY	DESCRIPTION	REV
	1001168478	Ref	Radiator Assembly	F
1	70026075	1	Transmission Oil Cooler	
2	70026076	1	Radiator	
3	70026077	1	Hydraulic Oil Cooler	
4	70026078	1	Charge Air Cooler	
5	70026079	1	Fuel Cooler	
6	70026080	1	Shroud, Fan	
7	70026081	1	Petcock	
8	70026082	1	Valve, Bypass	
9	70026083	1	Plug, Hex	



**SECTION 5 - DRIVE TRAIN**

# SECTION 5 - DRIVE TRAIN

## FIGURE 5-1. TRANSMISSION INSTALLATION



ART\_1001108524-B



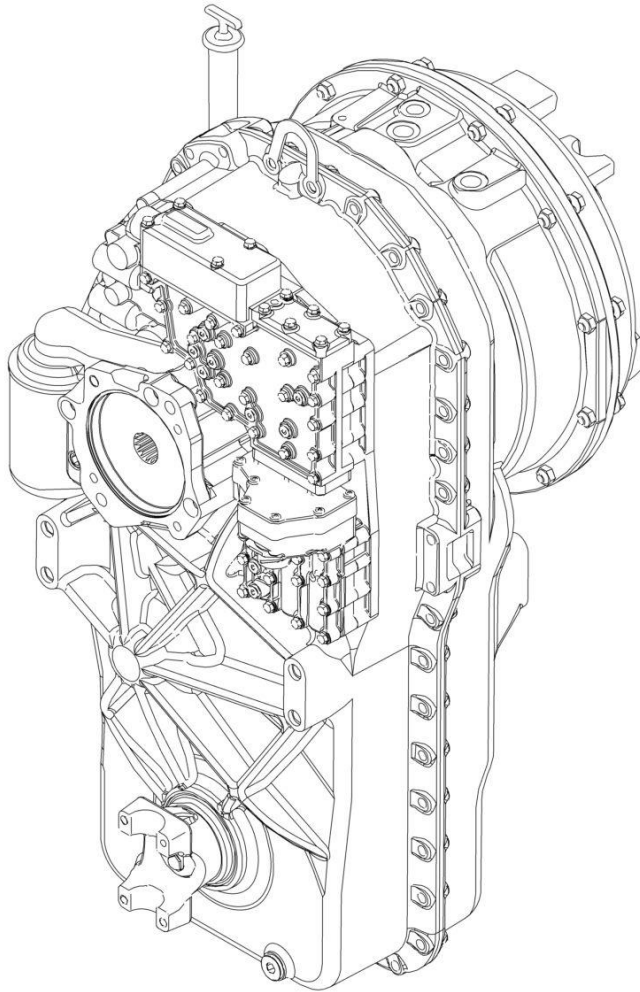
## SECTION 5 - DRIVE TRAIN

### FIGURE 5-1. TRANSMISSION INSTALLATION

ITEM	PART NUMBER	QTY	DESCRIPTION	REV
	1001108524	Ref	Transmission Installation	B
1	7054351	4	Washer, Rebound	
2	7138634	2	Bracket, Transmission Mount	
3	8223232	1	Switch, Transmission Temperature	
4	91403097	4	Mount, Rubber	
5	8303724	4	Bolt, 3/4-10X3-1/2	
6	8307049	8	Washer, Lock M16	
7	8310067	4	Nut, Lock 3/4-10	
8	8310215	8	Bolt, M16X40	
9	8406105	1	Clip, Tube	
10	2131210	1	Adapter, 90	
11	8841036	1	Transmission, 4-Speed (See Separate Breakdown in this Section)	
12	2131212	1	Adapter, 90	
13	8760548	1	Adapter, Straight	

## SECTION 5 - DRIVE TRAIN

FIGURE 5-2. TRANSMISSION ASSEMBLY



ART\_8841036\_1-C

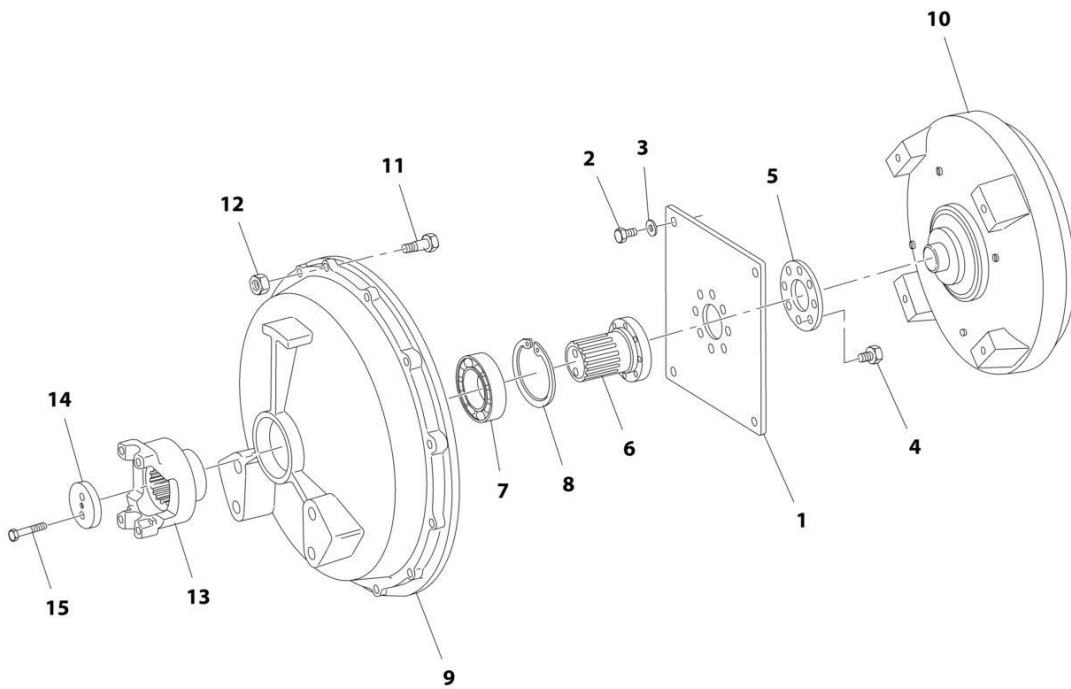
## SECTION 5 - DRIVE TRAIN

**FIGURE 5-2. TRANSMISSION ASSEMBLY**

ITEM	PART NUMBER	QTY	DESCRIPTION	REV
	8841036	Ref	TRANSMISSION ASSEMBLY	C
		Ref	Transmission - Engine Connection and Converter (See Separate Breakdown in this Section)	
		Ref	Transmission - Input Shafts (See Separate Breakdown in this Section)	
		Ref	Transmission - Gearbox Housing (See Separate Breakdown in this Section)	
		Ref	Transmission - Coupling Group 1 (See Separate Breakdown in this Section)	
		Ref	Transmission - Coupling Group 2 (See Separate Breakdown in this Section)	
		Ref	Transmission - Coupling Group 3 (See Separate Breakdown in this Section)	
		Ref	Transmission - Coupling Group 4 (See Separate Breakdown in this Section)	
		Ref	Transmission - Reversing Gear Group 1 (See Separate Breakdown in this Section)	
		Ref	Transmission - Reversing Gear Group 2 (See Separate Breakdown in this Section)	
		Ref	Transmission - Output (See Separate Breakdown in this Section)	
		Ref	Transmission - Control Unit (See Separate Breakdown in this Section)	
		Ref	Transmission - Valve Housing Assembly (See Separate Breakdown in this Section)	
		Ref	Transmission - Valve Block Assembly (See Separate Breakdown in this Section)	
		Ref	Transmission - Oil Pump and Filter (See Separate Breakdown in this Section)	

# SECTION 5 - DRIVE TRAIN

## FIGURE 5-3. TRANSMISSION, ENGINE CONNECTION AND CONVERTER



ART\_8841036\_2-C

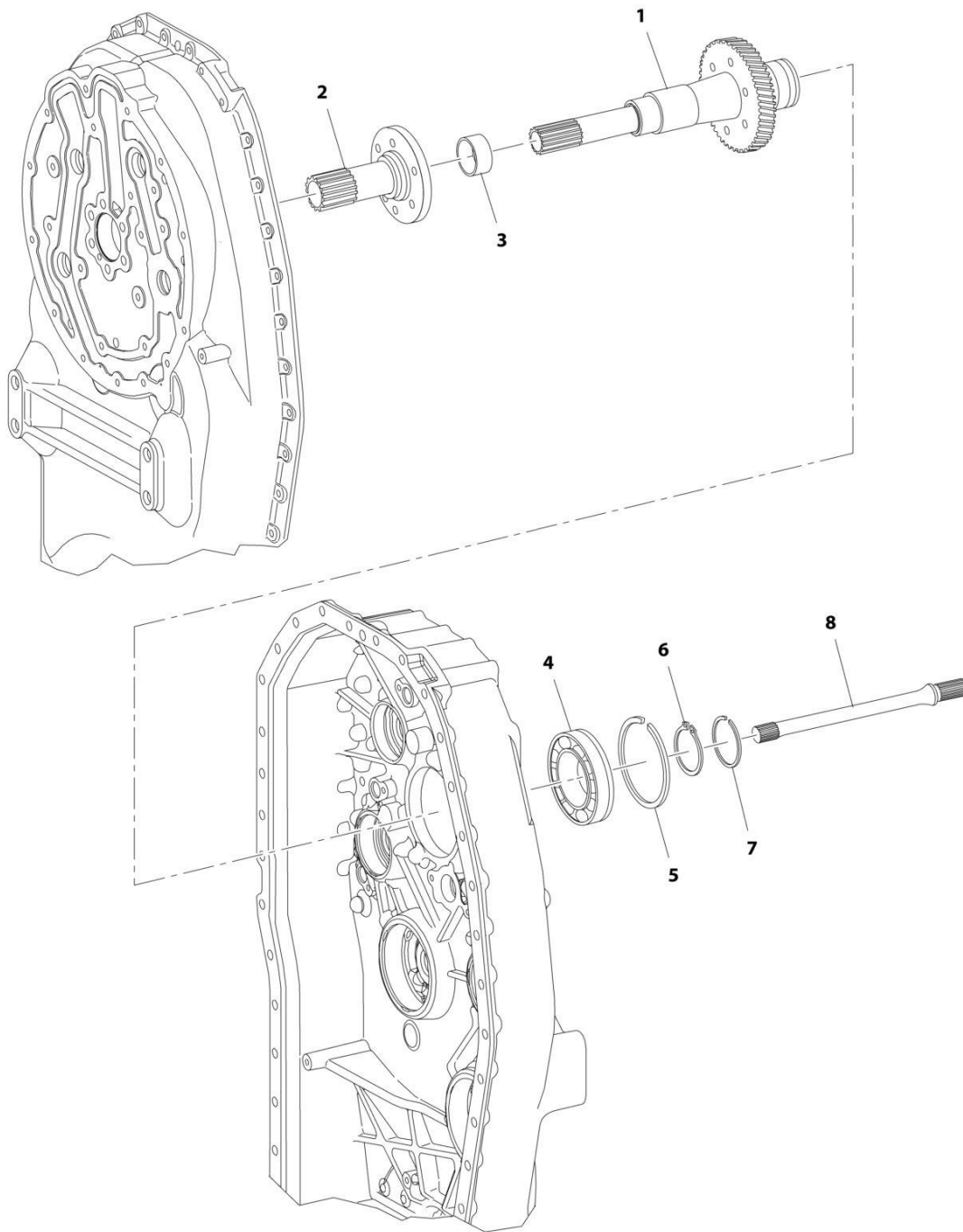
## SECTION 5 - DRIVE TRAIN

**FIGURE 5-3. TRANSMISSION, ENGINE CONNECTION AND CONVERTER**

ITEM	PART NUMBER	QTY	DESCRIPTION	REV
	8841036	Ref	TRANSMISSION - ENGINE CONNECTION AND CONVERTER	
1	1319203	1	Diaphragm	
2	1319204	4	Bolt, M10X18	
3	10732095	4	Washer	
4	10731702	8	Bolt, M10X16	
5	1319213	1	Washer	
6	70023482	1	Shaft, Input	
7	1319209	1	Bearing, Ball	
8	1319210	1	Ring, Retaining	
9	8036021	1	Cover	
10	8036022	1	Converter	
11	10731748	12	Bolt, M10X45	
12	10731751	12	Nut, M10	
13	1319211	1	Yoke, End	
14	1319205	1	Washer	
15	70023483	2	Bolt	

# SECTION 5 - DRIVE TRAIN

## FIGURE 5-4. TRANSMISSION, INPUT SHAFTS



ART\_8841036\_3-C

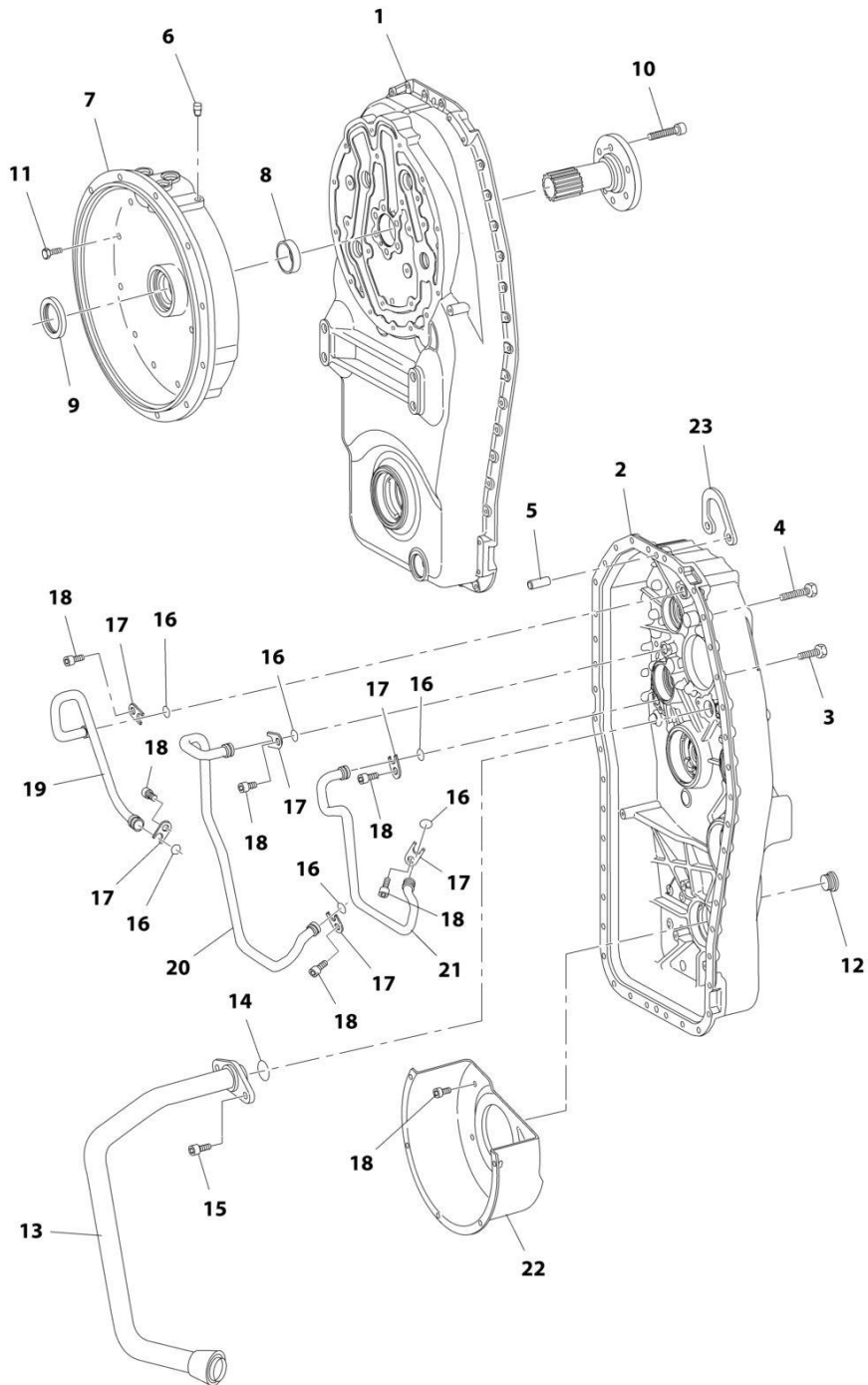
## SECTION 5 - DRIVE TRAIN

### FIGURE 5-4. TRANSMISSION, INPUT SHAFTS

ITEM	PART NUMBER	QTY	DESCRIPTION	REV
	8841036	Ref	TRANSMISSION - INPUT SHAFTS	
1	8036023	1	Shaft, Turbine	
2	1319557	1	Shaft, Stator	
3	1319558	1	Bushing, Bearing	
4	1319563	1	Bearing, Ball	
5	10731913	1	Ring, Snap	
6	80304405	1	Ring, Retaining	
7	1319565	1	Ring, Piston	
8	1319566	1	Shaft, Central	

# SECTION 5 - DRIVE TRAIN

## FIGURE 5-5. TRANSMISSION, GEARBOX HOUSING



ART\_8841036\_4-C



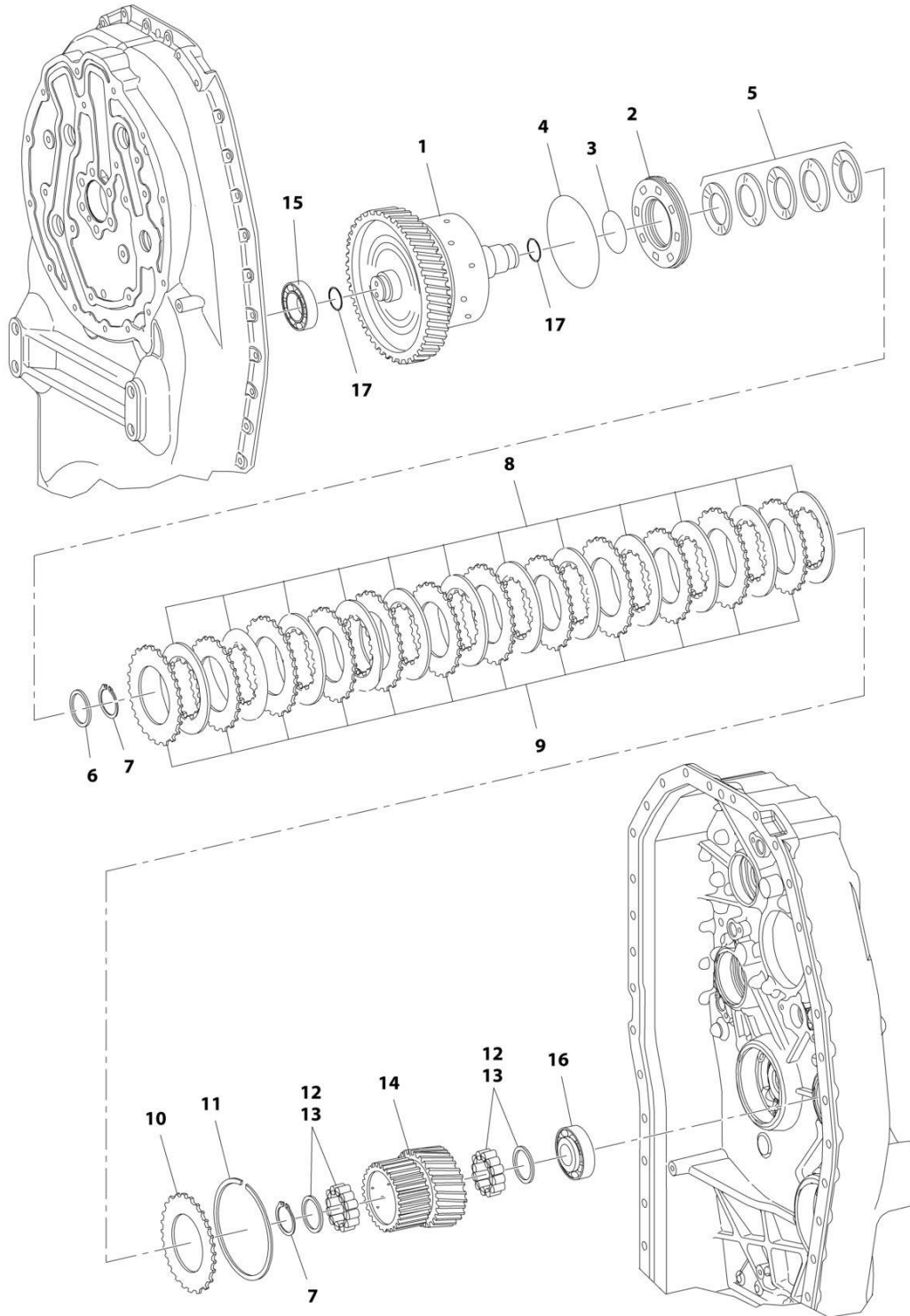
## SECTION 5 - DRIVE TRAIN

**FIGURE 5-5. TRANSMISSION, GEARBOX HOUSING**

ITEM	PART NUMBER	QTY	DESCRIPTION	REV
	8841036	Ref	TRANSMISSION - GEARBOX HOUSING	
1	8036024	1	Housing I	
2	8036025	1	Housing II	
3	1319569	36	Bolt, M10X30	
4	1319570	6	Bolt, M10X50	
5	1319571	2	Pin, Cylindrical M6X24	
6	10731744	1	Breather	
7	1319574	1	Bell, Converter	
8	1319575	1	Bushing, Bearing	
9	1319576	1	Seal, Shaft	
10	1319577	6	Screw, M10X50	
11	1319569	23	Bolt, M10X30	
12	70023404	1	Plug, Screw	
13	8036026	1	Pipe, Oil Suction	
14	70023885	1	O-Ring	
15	1319582	2	Screw, M8X20	
16	1319583	6	O-Ring	
17	1319584	6	Plate, Fixing	
18	1319585	11	Screw, M8X16	
19	1319586	1	Pipe	
20	1319587	1	Pipe	
21	8036027	1	Pipe	
22	8036028	1	Sheet, Screen	
23	1319590	1	Bracket	

# SECTION 5 - DRIVE TRAIN

## FIGURE 5-6. TRANSMISSION, COUPLING GROUP 1



ART\_8841036\_5-C

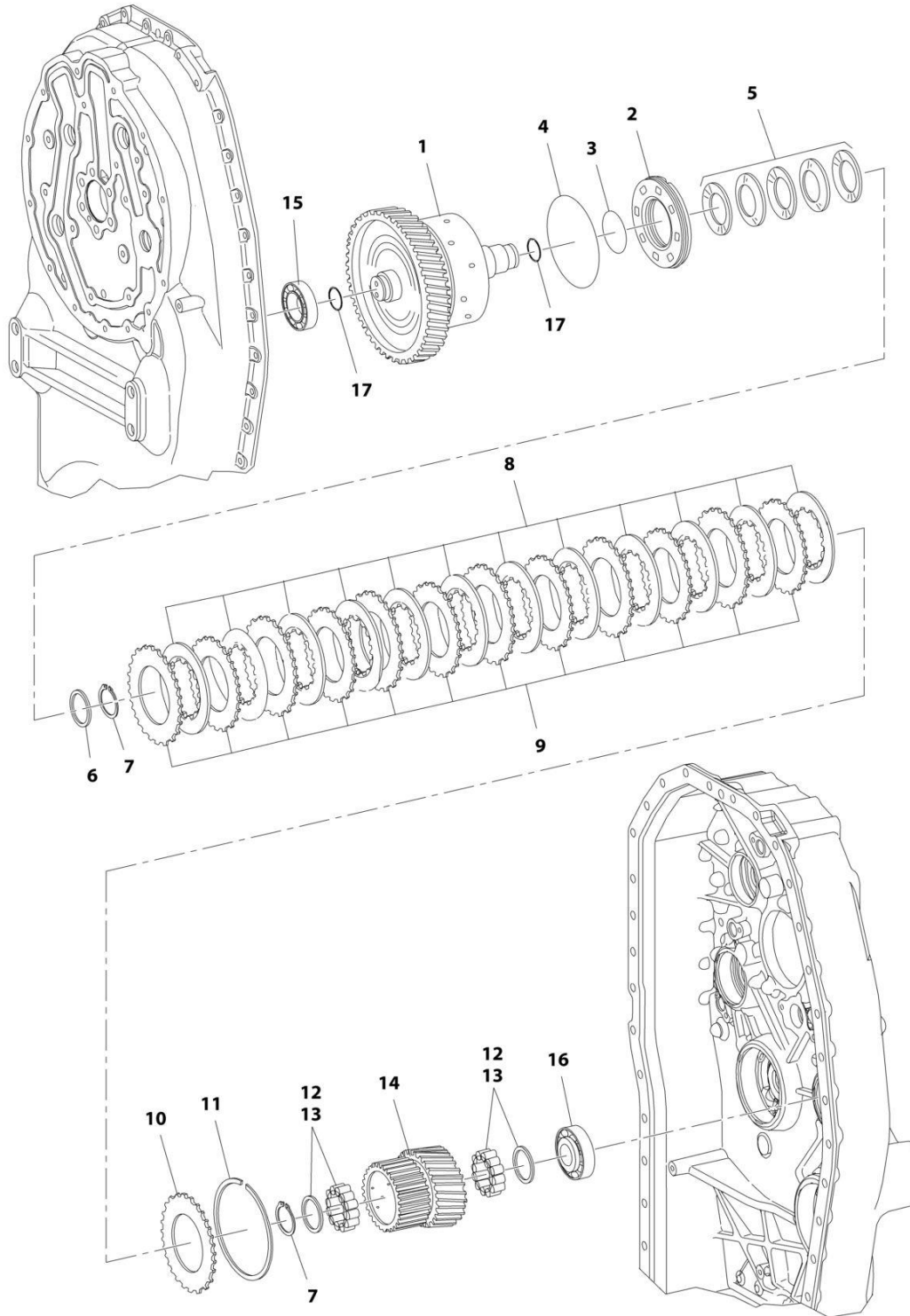
## SECTION 5 - DRIVE TRAIN

**FIGURE 5-6. TRANSMISSION, COUPLING GROUP 1**

ITEM	PART NUMBER	QTY	DESCRIPTION	REV
	8841036	Ref	TRANSMISSION - COUPLING GROUP 1	
1	1319591	1	Coupling	
2	1319592	1	Piston	
3	1319593	1	O-Ring, 52X3	
4	1319594	1	O-Ring, 115X3	
5	1319595	5	Spring, Cup	
6	1319596	1	Shim	
7	10731845	2	Ring, Retaining	
8	7026758	12	Disc, Inner Clutch	
9	7026759	12	Disc, Outer Clutch	
10	7026760	1	Shim, End	
11	1319600	1	Ring, Snap 4	
11	1319601	1	Ring, Snap 3-1/2	
11	1319602	1	Ring, Snap 3	
11	1319603	1	Ring, Snap 2-1/2	
11	1319604	1	Ring, Snap 2	
12	1319605	2	Cage, Roller	
13	1319606	2	Cage, Roller	
14	1319607	1	Carrier, Disc	
15	1319608	1	Bearing, Roller	
16	1319609	1	Bearing, Roller	
16	1319610	1	Bearing, Roller	
16	1319611	1	Bearing, Roller	
17	1319612	2	Ring, Piston 30X2	

# SECTION 5 - DRIVE TRAIN

## FIGURE 5-7. TRANSMISSION, COUPLING GROUP 2



ART\_8841036\_6-C

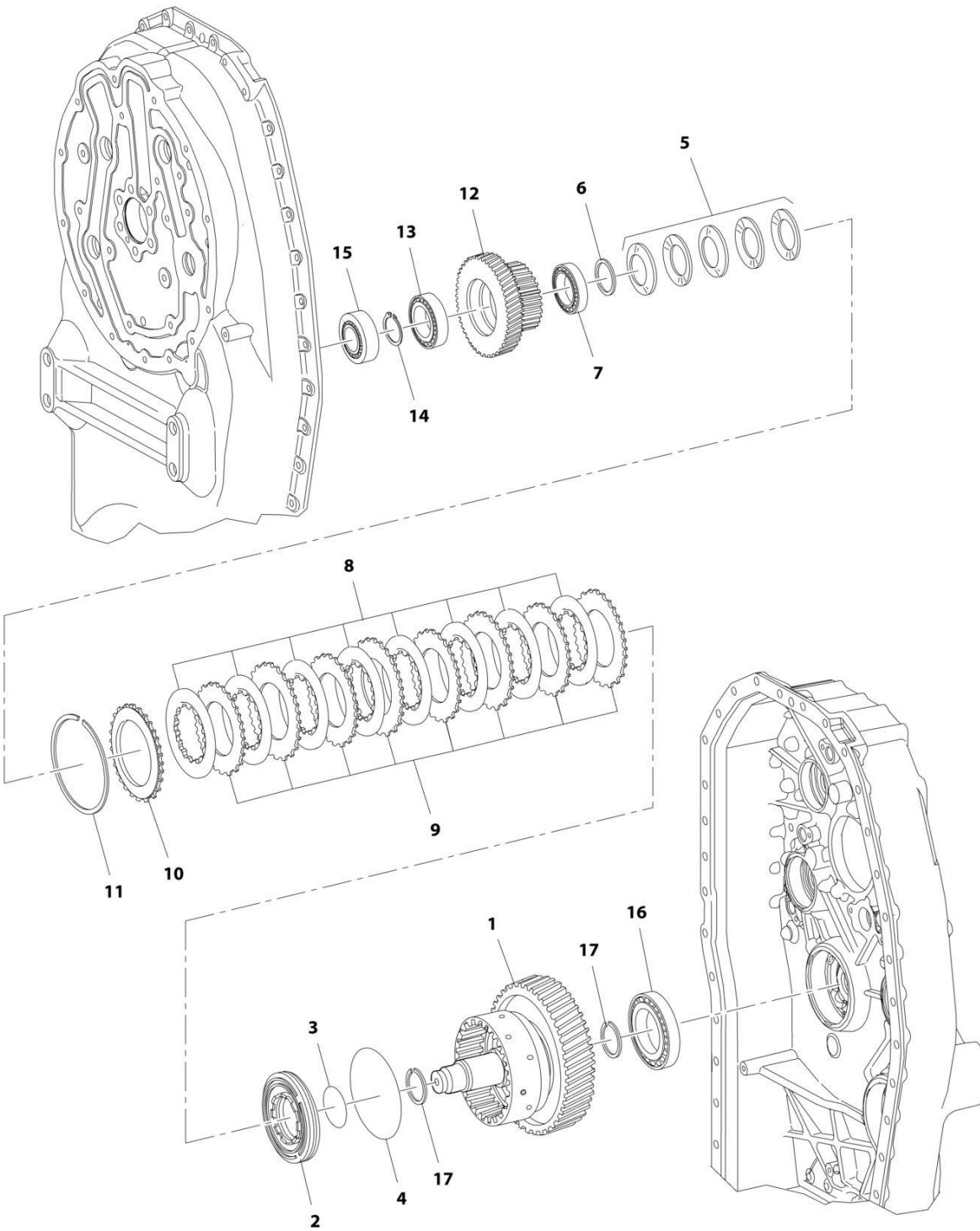
## SECTION 5 - DRIVE TRAIN

**FIGURE 5-7. TRANSMISSION, COUPLING GROUP 2**

ITEM	PART NUMBER	QTY	DESCRIPTION	REV
	8841036	Ref	TRANSMISSION - COUPLING GROUP 2	
1	1319613	1	Coupling	
2	8036029	1	Piston	
3	1319593	1	O-Ring, 52X3	
4	1319594	1	O-Ring, 115X3	
5	1319595	5	Spring, Cup	
6	1319596	1	Shim	
7	10731845	2	Ring, Retaining	
8	7026758	8	Disc, Inner Clutch	
9	7026759	8	Disc, Outer Clutch	
10	7026760	1	Shim, End	
11	1319600	1	Ring, Snap 4	
11	1319601	1	Ring, Snap 3-1/2	
11	1319602	1	Ring, Snap 3	
11	1319603	1	Ring, Snap 2-1/2	
11	1319604	1	Ring, Snap 2	
12	1319605	2	Cage, Roller	
13	1319606	2	Cage, Roller	
14	1319614	1	Carrier, Disc	
15	1319615	1	Bearing, Roller	
16	8036190	1	Assembly, Roller Bearing	
16	7029532	1	Ring, Outer	
16	7029533	1	Ring, Inner	
17	1319612	2	Ring, Piston 30X2	

# SECTION 5 - DRIVE TRAIN

## FIGURE 5-8. TRANSMISSION, COUPLING GROUP 3



ART\_8841036\_7-C

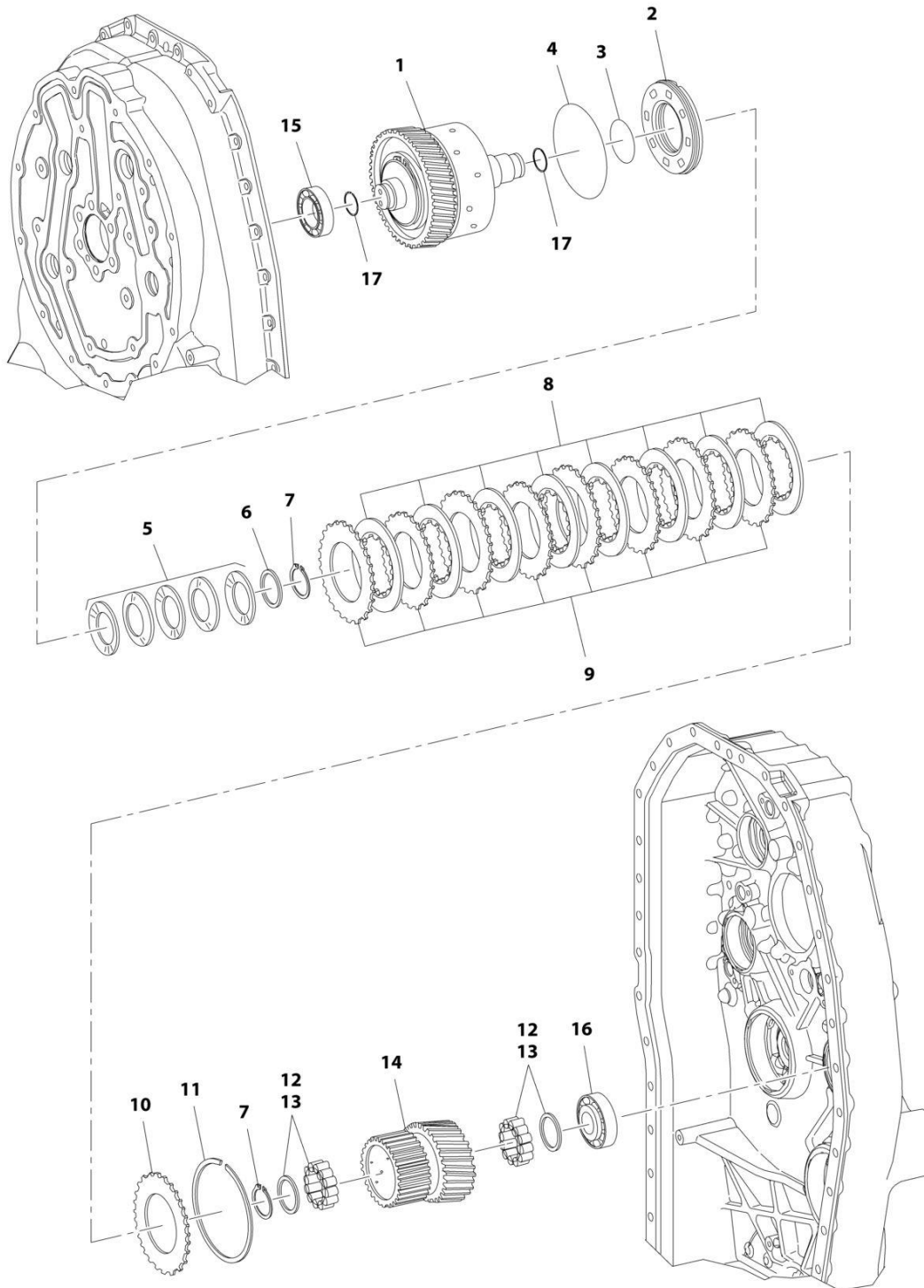
## SECTION 5 - DRIVE TRAIN

**FIGURE 5-8. TRANSMISSION, COUPLING GROUP 3**

ITEM	PART NUMBER	QTY	DESCRIPTION	REV
	8841036	Ref	TRANSMISSION - COUPLING GROUP 3	
1	1319616	1	Coupling	
2	8036029	1	Piston	
3	1319593	1	O-Ring, 52X3	
4	1319594	1	O-Ring, 115X3	
5	1319595	5	Spring, Cup	
6	1319617	1	Shim, Support	
7	1319618	1	Bearing, Roller	
8	7026758	8	Disc, Inner Clutch	
9	7026759	8	Disc, Outer Clutch	
10	7026760	1	Shim, End	
11	1319600	1	Ring, Snap 4	
11	1319601	1	Ring, Snap 3-1/2	
11	1319602	1	Ring, Snap 3	
11	1319603	1	Ring, Snap 2-1/2	
11	1319604	1	Ring, Snap 2	
12	1319619	1	Carrier, Disc	
13	1319620	1	Bearing, Roller	
14	1319621	1	Ring, Retaining 3.2	
14	1319622	1	Ring, Retaining 3.1	
14	1319623	1	Ring, Retaining 3	
14	1319624	1	Ring, Retaining 2.9	
14	1319625	1	Ring, Retaining 2.8	
14	1319626	1	Ring, Retaining 2.7	
14	1319627	1	Ring, Retaining 2.6	
14	1319628	1	Ring, Retaining 2.5	
14	1319629	1	Ring, Retaining 2.4	
14	1319630	1	Ring, Retaining 2.3	
14	1319631	1	Ring, Retaining 2.2	
14	1319632	1	Ring, Retaining 2.1	
15	8036190	1	Assembly, Roller Bearing	
15	7029532	1	Ring, Outer	
15	7029533	1	Ring, Inner	
16	1319633	1	Bearing, Roller	
17	1319612	2	Ring, Piston 30X2	

# SECTION 5 - DRIVE TRAIN

## FIGURE 5-9. TRANSMISSION, COUPLING GROUP 4



ART\_8841036\_8-C



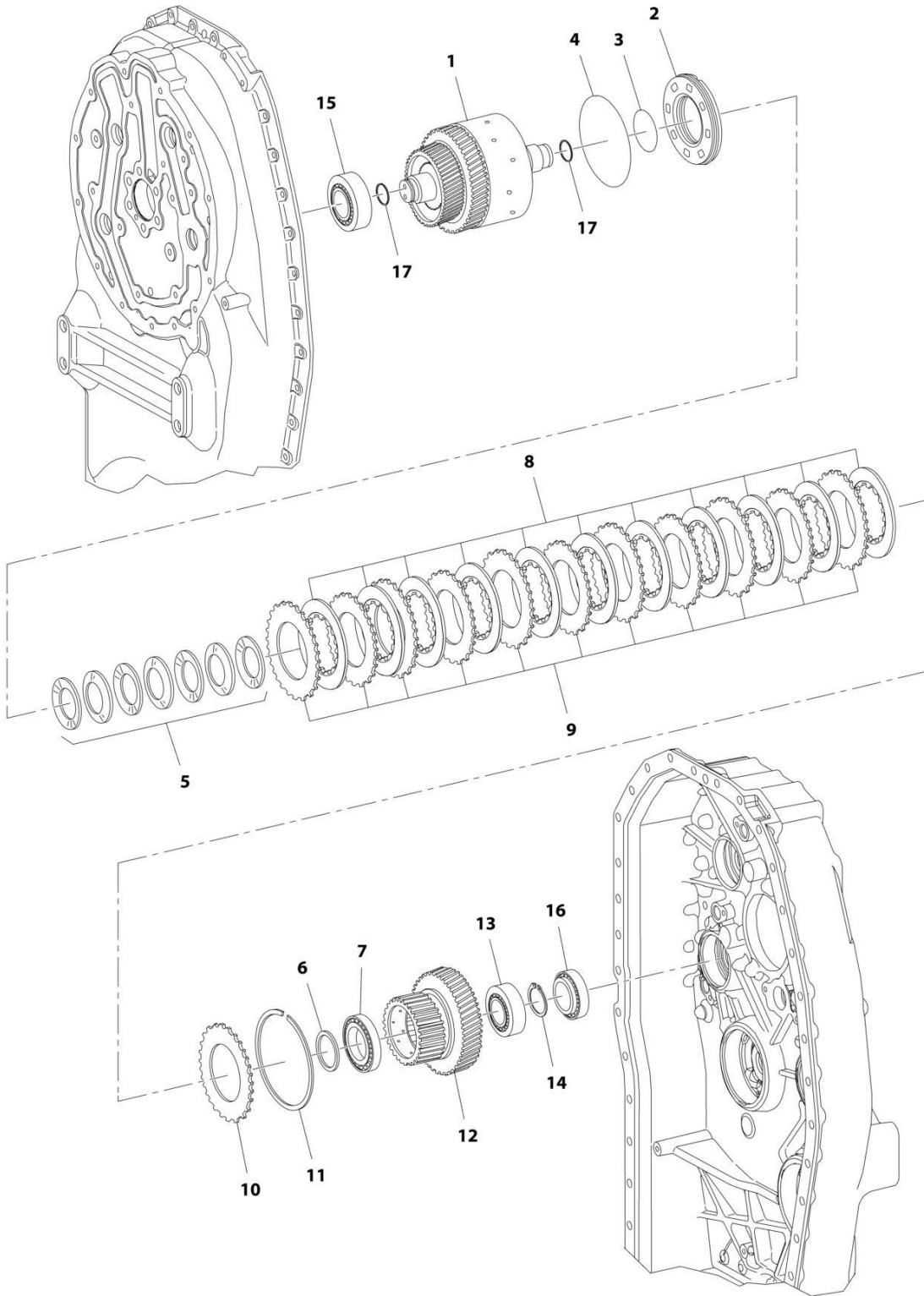
## SECTION 5 - DRIVE TRAIN

**FIGURE 5-9. TRANSMISSION, COUPLING GROUP 4**

ITEM	PART NUMBER	QTY	DESCRIPTION	REV
	8841036	Ref	TRANSMISSION - COUPLING GROUP 4	
1	1319634	1	Coupling	
2	8036029	1	Piston	
3	1319593	1	O-Ring, 52X3	
4	1319594	1	O-Ring, 115X3	
5	1319595	5	Spring, Cup	
6	1319596	1	Shim	
7	10731845	2	Ring, Retaining	
8	7026758	8	Disc, Inner Clutch	
9	7026759	8	Disc, Outer Clutch	
10	7026760	1	Shim, End	
11	1319600	1	Ring, Snap 4	
11	1319601	1	Ring, Snap 3-1/2	
11	1319602	1	Ring, Snap 3	
11	1319603	1	Ring, Snap 2-1/2	
11	1319604	1	Ring, Snap 2	
12	1319605	2	Cage, Roller	
13	1319606	2	Cage, Roller	
14	1319635	1	Carrier, Disc	
15	1319615	1	Bearing, Roller	
16	1319636	1	Bearing, Roller	
17	1319612	2	Ring, Piston 30X2	

# SECTION 5 - DRIVE TRAIN

## FIGURE 5-10. TRANSMISSION, REVERSING GEAR GROUP 1



ART\_8841036\_9-C

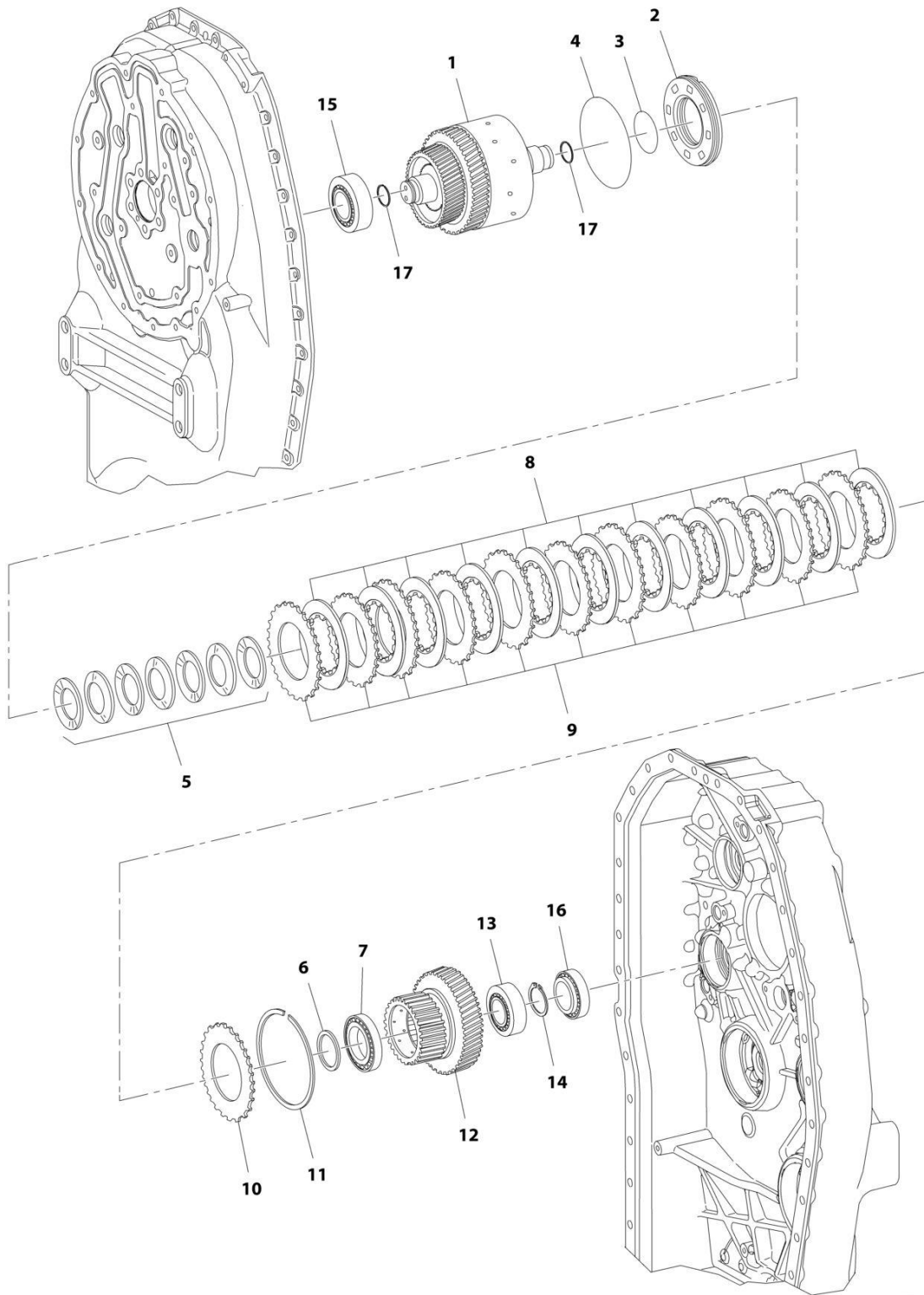
## SECTION 5 - DRIVE TRAIN

**FIGURE 5-10. TRANSMISSION, REVERSING GEAR GROUP 1**

ITEM	PART NUMBER	QTY	DESCRIPTION	REV
	8841036	Ref	TRANSMISSION - REVERSE GEAR GROUP 1	
1	1319637	1	Coupling	
2	8036029	1	Piston	
3	1319593	1	O-Ring, 52X3	
4	1319594	1	O-Ring, 115X3	
5	1319595	7	Spring, Cup	
6	1319617	1	Shim, Support	
7	1319618	1	Bearing, Roller	
8	7026758	11	Disc, Inner Clutch	
9	7026759	11	Disc, Outer Clutch	
10	7026760	1	Shim, End	
11	1319600	1	Ring, Snap 4	
11	1319601	1	Ring, Snap 3-1/2	
11	1319602	1	Ring, Snap 3	
11	1319603	1	Ring, Snap 2-1/2	
11	1319604	1	Ring, Snap 2	
12	1319638	1	Disc, Carrier	
13	1319620	1	Bearing, Roller	
14	1319621	1	Ring, Retaining 3.2	
14	1319622	1	Ring, Retaining 3.1	
14	1319623	1	Ring, Retaining 3	
14	1319624	1	Ring, Retaining 2.9	
14	1319625	1	Ring, Retaining 2.8	
14	1319626	1	Ring, Retaining 2.7	
14	1319627	1	Ring, Retaining 2.6	
14	1319628	1	Ring, Retaining 2.5	
14	1319629	1	Ring, Retaining 2.4	
14	1319630	1	Ring, Retaining 2.3	
14	1319631	1	Ring, Retaining 2.2	
14	1319632	1	Ring, Retaining 2.1	
15	1319615	1	Bearing, Roller	
16	1319636	1	Bearing, Roller	
17	1319612	2	Ring, Piston 30X2	

# SECTION 5 - DRIVE TRAIN

## FIGURE 5-11. TRANSMISSION, REVERSING GEAR GROUP 2



ART\_8841036\_10-C

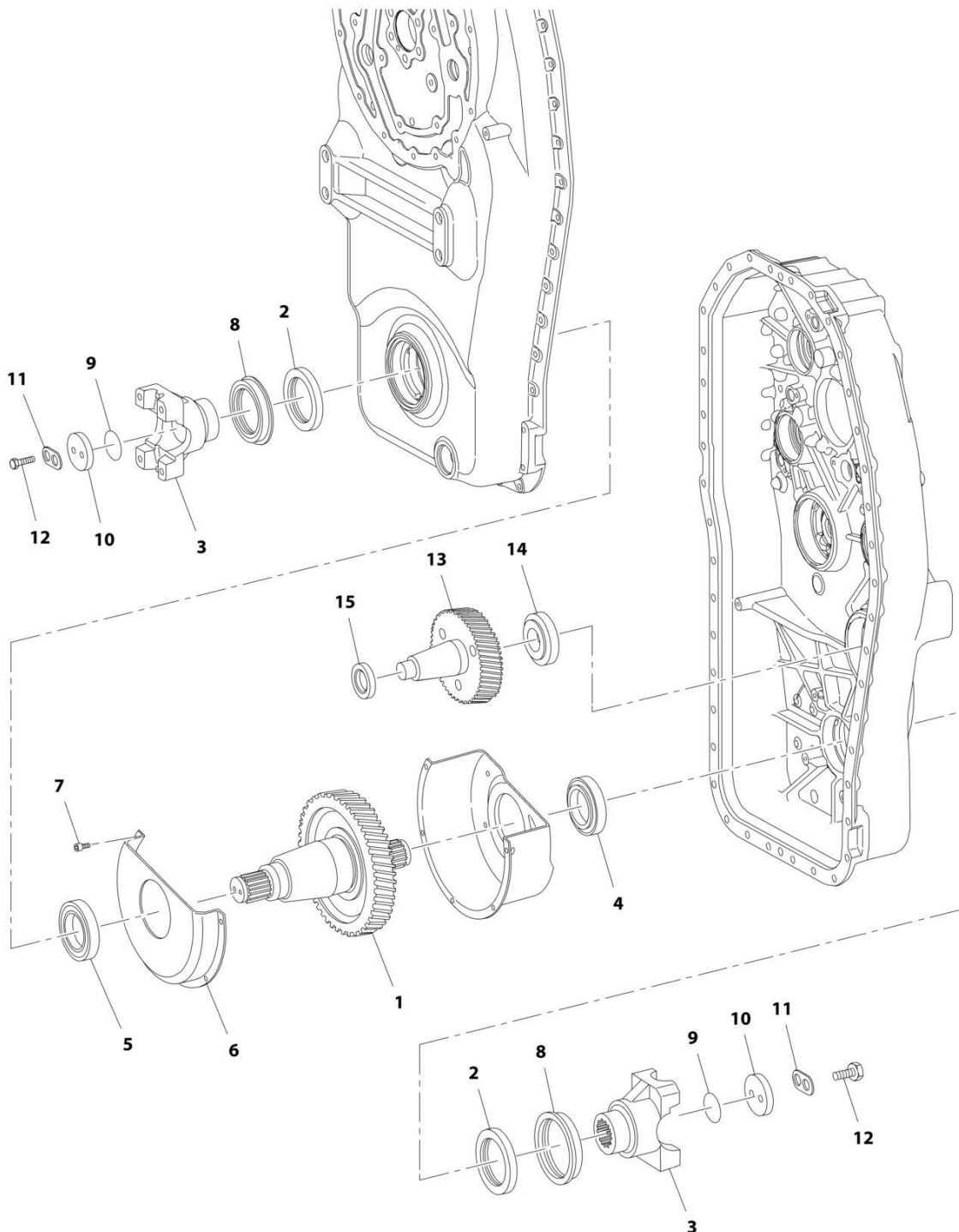
## SECTION 5 - DRIVE TRAIN

**FIGURE 5-11. TRANSMISSION, REVERSING GEAR GROUP 2**

ITEM	PART NUMBER	QTY	DESCRIPTION	REV
	8841036	Ref	TRANSMISSION - REVERSING GEAR GROUP 2	
1	1319639	1	Coupling	
2	8036029	1	Piston	
3	1319593	1	O-Ring, 52X3	
4	1319594	1	O-Ring, 115X3	
5	1319595	7	Spring, Cup	
6	1319617	1	Shim, Support	
7	1319618	1	Bearing, Roller	
8	7026758	11	Disc, Inner Clutch	
9	7026759	11	Disc, Outer Clutch	
10	7026760	1	Shim, End	
11	1319600	1	Ring, Snap 4	
11	1319601	1	Ring, Snap 3-1/2	
11	1319602	1	Ring, Snap 3	
11	1319603	1	Ring, Snap 2-1/2	
11	1319604	1	Ring, Snap 2	
12	1319638	1	Disc, Carrier	
13	1319620	1	Bearing, Roller	
14	1319621	1	Ring, Retaining 3.2	
14	1319622	1	Ring, Retaining 3.1	
14	1319623	1	Ring, Retaining 3	
14	1319624	1	Ring, Retaining 2.9	
14	1319625	1	Ring, Retaining 2.8	
14	1319626	1	Ring, Retaining 2.7	
14	1319627	1	Ring, Retaining 2.6	
14	1319628	1	Ring, Retaining 2.5	
14	1319629	1	Ring, Retaining 2.4	
14	1319630	1	Ring, Retaining 2.3	
14	1319631	1	Ring, Retaining 2.2	
14	1319632	1	Ring, Retaining 2.1	
15	1319608	1	Bearing, Roller	
16	1319636	1	Bearing, Roller	
17	1319612	2	Ring, Piston 30X2	

# SECTION 5 - DRIVE TRAIN

## FIGURE 5-12. TRANSMISSION, OUTPUT



ART\_8841036\_11-C

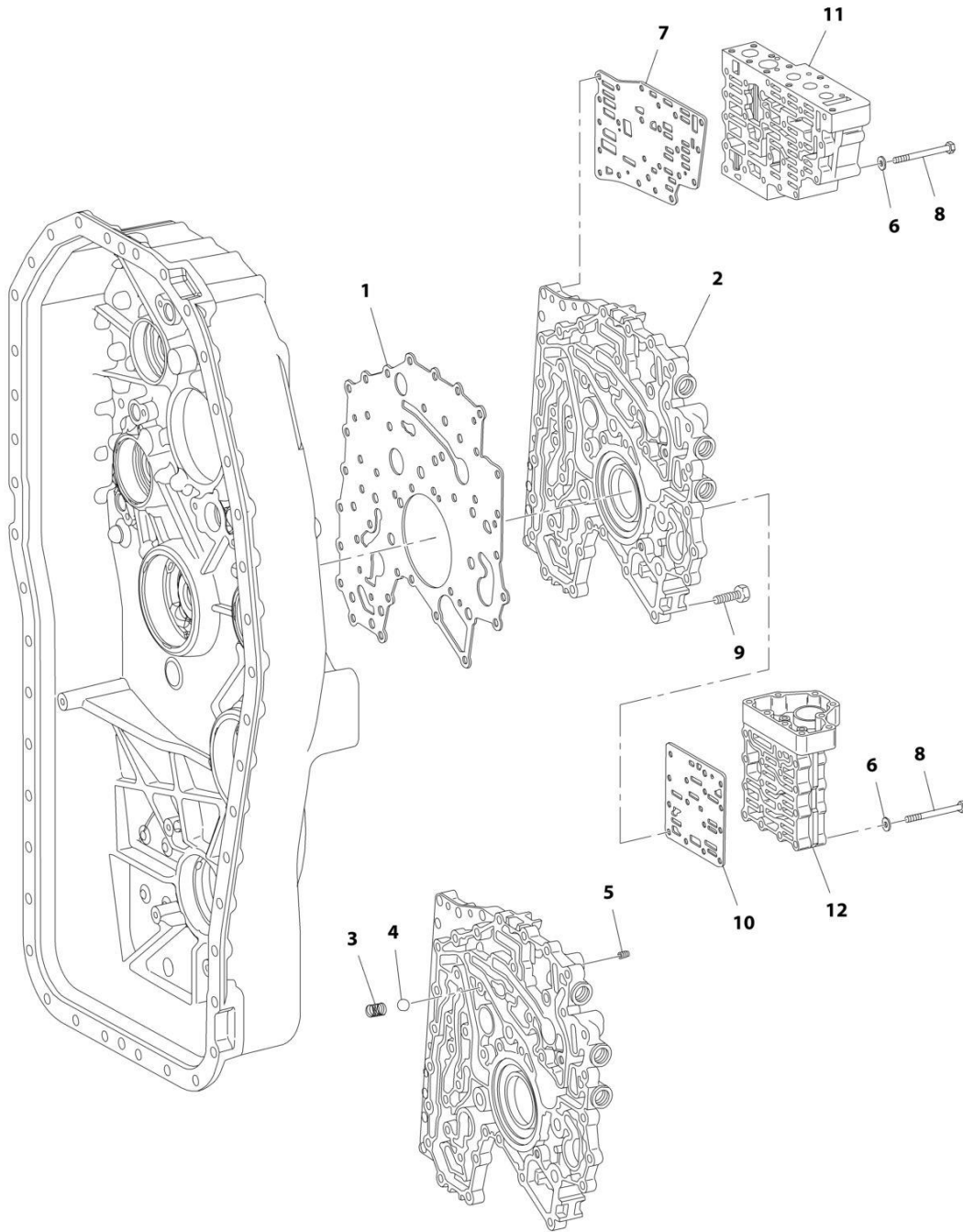
## SECTION 5 - DRIVE TRAIN

### FIGURE 5-12. TRANSMISSION, OUTPUT

ITEM	PART NUMBER	QTY	DESCRIPTION	REV
	8841036	Ref	TRANSMISSION - OUTPUT	
1	8036030	1	Shaft, Output	
2	1319641	2	Seal, Shaft	
3	7027273	2	Flange, Output	
4	N.S.S.	1	Assembly, Roller Bearing	
4	70020430	1	Cup, Bearing	
4	70020431	1	Cone, Bearing	
5	1319643	1	Bearing, Roller	
6	8036031	1	Sheet, Screen	
7	1319646	5	Bolt, M6X10	
8	1319647	2	Sheet, Screen	
9	10839156	2	O-Ring	
10	1319648	2	Washer, M10	
11	1319649	2	Washer, Tab	
12	10731959	4	Bolt, M8X25	
13	8036032	1	Shaft, Intermediate	
14	1319633	1	Bearing, Roller	
15	8036190	1	Assembly, Roller Bearing	
15	7029532	1	Ring, Outer	
15	7029533	1	Ring, Inner	

# SECTION 5 - DRIVE TRAIN

## FIGURE 5-13. TRANSMISSION, CONTROL UNIT



ART\_8841036\_12-C



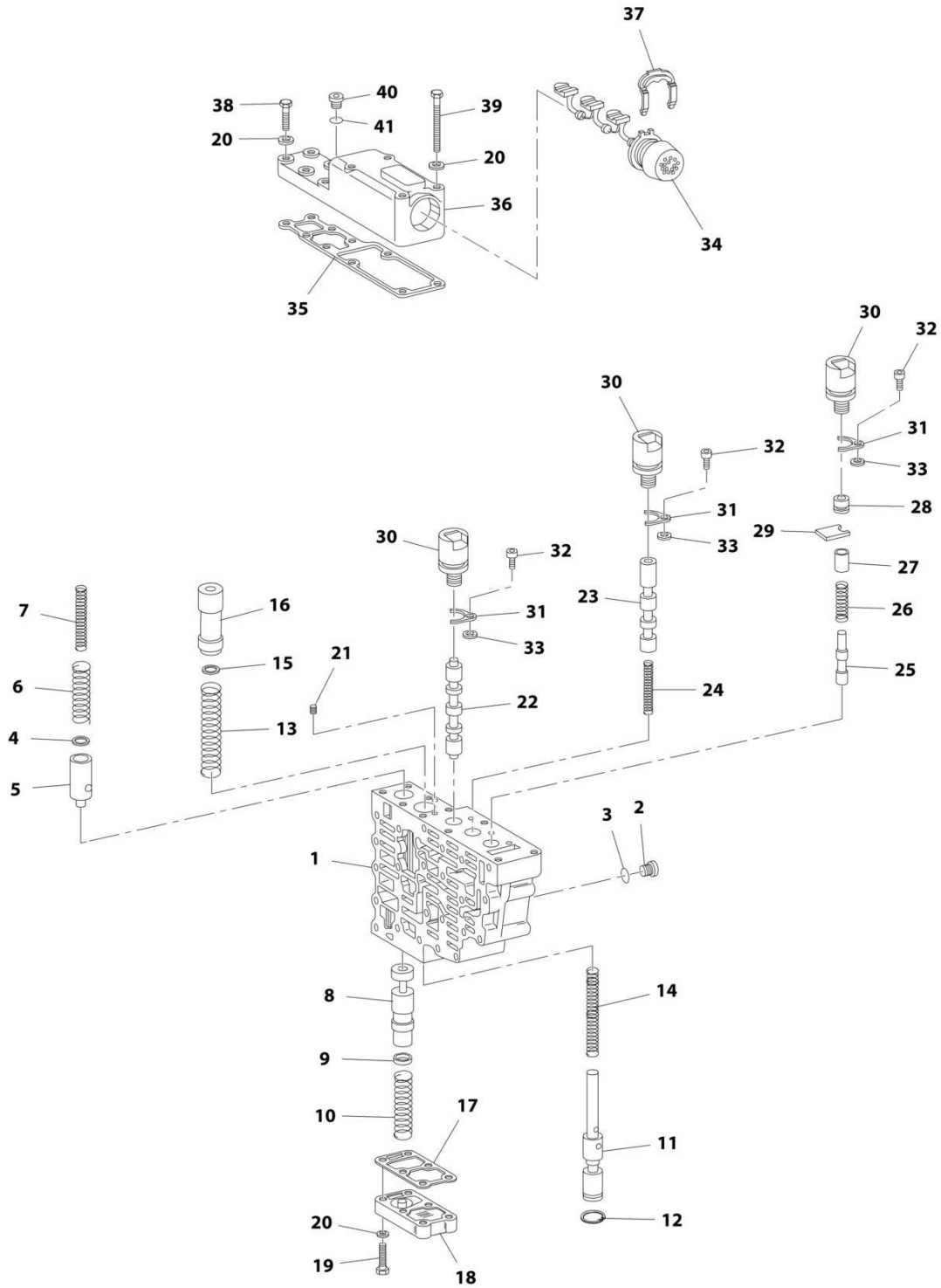
## SECTION 5 - DRIVE TRAIN

**FIGURE 5-13. TRANSMISSION, CONTROL UNIT**

ITEM	PART NUMBER	QTY	DESCRIPTION	REV
	8841036	Ref	TRANSMISSION - CONTROL UNIT	
1	1319650	1	Gasket	
2	8036033	1	Plate, Duct	
3	10732072	1	Spring, Compression	
4	10732071	1	Ball	
5	1319652	1	Orifice	
6	1319661	19	Washer, 6.4	
7	70020425	1	Plate, Intermediate	
8	7029037	19	Bolt, M6X60	
9	1319659	43	Screw, Torx M8X30	
10	70020426	1	Plate, Intermediate	
11		Ref	Housing, Valve (See Separate Breakdown in this Section)	
12		Ref	Block, Valve (See Separate Breakdown in this Section)	

# SECTION 5 - DRIVE TRAIN

## FIGURE 5-14. TRANSMISSION, VALVE HOUSING ASSEMBLY



ART\_8841036\_13-C

## SECTION 5 - DRIVE TRAIN

**FIGURE 5-14. TRANSMISSION, VALVE HOUSING ASSEMBLY**

ITEM	PART NUMBER	QTY	DESCRIPTION	REV
	8841036	Ref	TRANSMISSION - VALVE HOUSING ASSEMBLY	
	8036040	Ref	Valve Housing Assembly	
1	1319671	1	Housing, Valve	
2	1319670	7	Plug, Screw M10X1	
3	10731709	7	O-Ring	
4	8036036	1	Washer, 1	
5	7029039	1	Piston	
6	1319673	1	Spring, Compression	
7	8036038	1	Spring, Compression	
8	1319674	1	Piston	
9	1319675	1	Washer, 3.6	
9	1319676	1	Washer, 3.2	
9	1319677	1	Washer, 2.8	
9	1319678	1	Washer, 2.4	
9	1319679	1	Washer, 2	
10	1319680	1	Spring, Compression	
11	1319681	1	Control, Piston	
12	1319682	1	Washer, Lock 12	
13	1319683	1	Spring, Compression	
14	1319684	1	Spring, Compression	
15	1319685	1	Washer, 2	
15	1319686	1	Washer, 1	
15	1319687	1	Washer, 0.5	
15	1319688	1	Washer, 0.3	
15	1319689	1	Washer, 0.2	
16	1319690	1	Piston	
17	1319691	1	Seal	
18	1319692	1	Cover	
19	1319693	6	Bolt, M6X25	
20	1319661	16	Washer, 6.4	
21	1319652	1	Orifice	
22	1319694	1	Valve	
23	1319695	1	Piston	
24	1319696	1	Spring, Compression	
25	1319697	1	Piston	
26	1319698	1	Spring, Compression	
27	1319699	1	Spacer, Sleeve	
28	1319700	1	Plug	
29	1319701	1	Plate, Fixing	
30	1319702	3	Valve, Solenoid	
31	10732063	3	Plate, Fixing	
32	1319703	3	Bolt, M5X12	
33	10732064	3	Washer, 2	
34	1319704	1	Harness, Wiring	
35	1319705	1	Seal	
36	8036039	1	Cover	
37	1319707	1	Clamp, Retaining	
38	1319693	6	Bolt, M6X25	
39	7029037	4	Bolt, M6X60	
40	1319670	1	Plug, Screw M10X1	

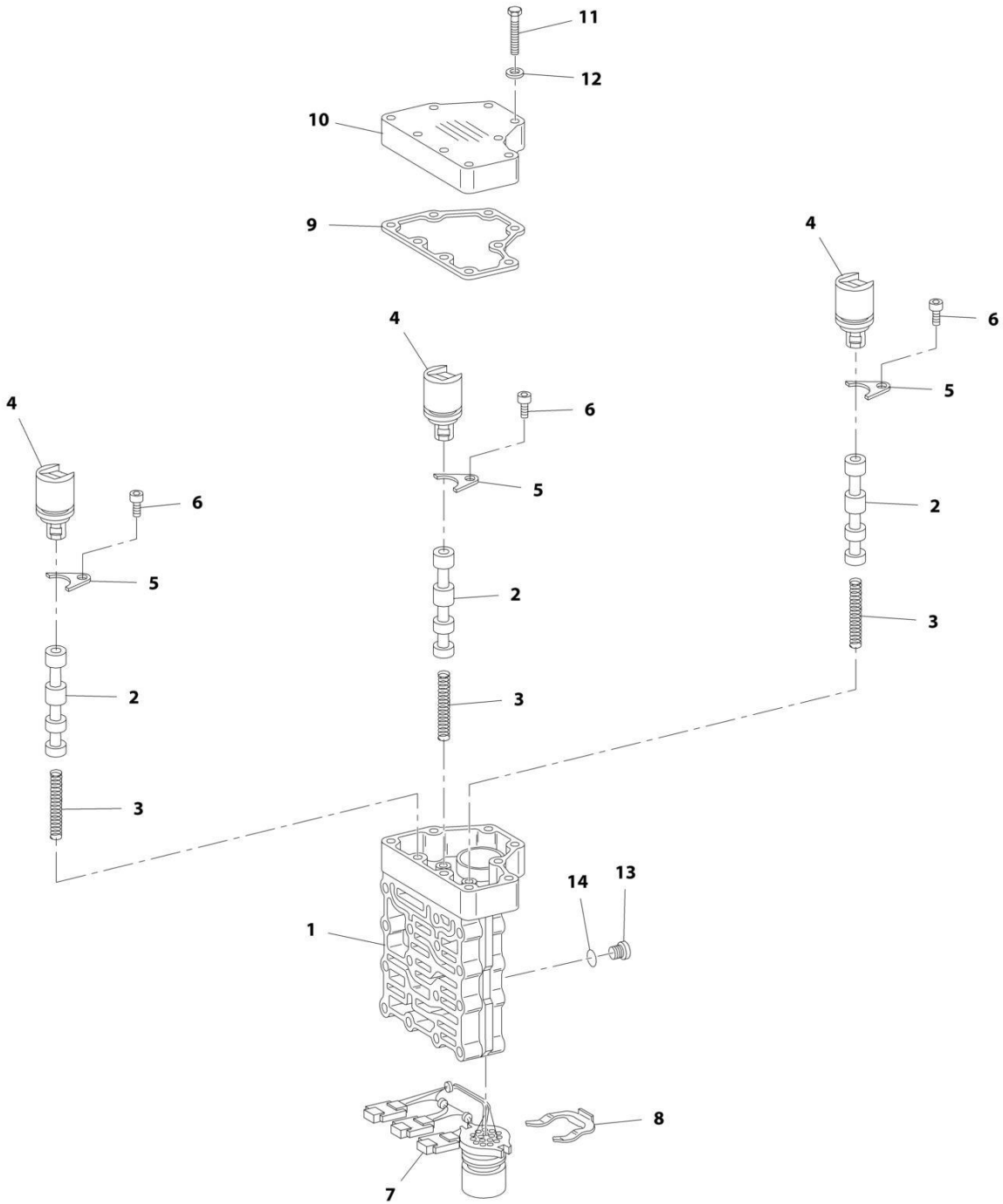
## SECTION 5 - DRIVE TRAIN

ITEM	PART NUMBER	QTY	DESCRIPTION	REV
41	10731709	1	O-Ring	



# SECTION 5 - DRIVE TRAIN

## FIGURE 5-15. TRANSMISSION, VALVE BLOCK ASSEMBLY



ART\_8841036\_14-C

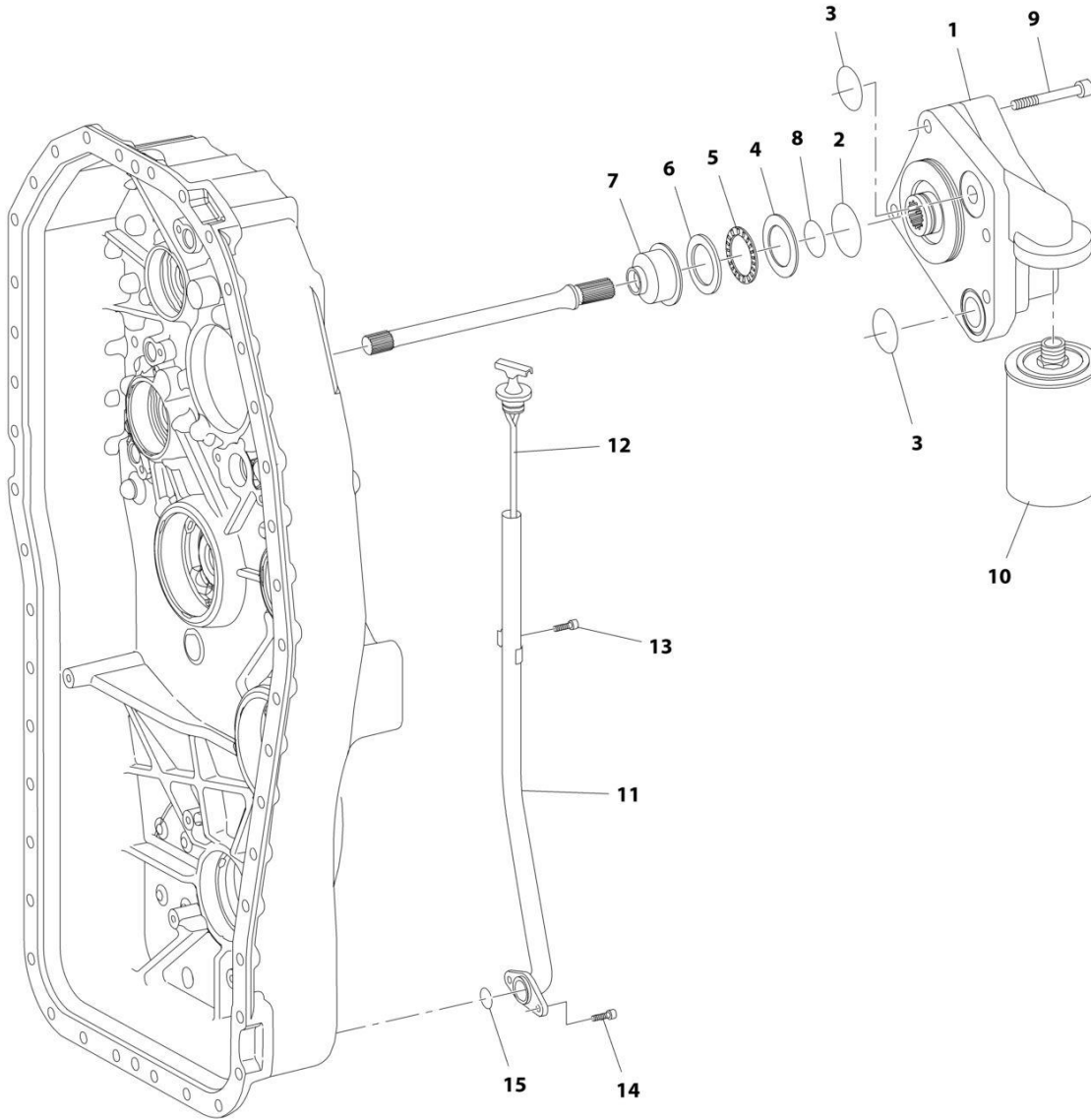
## SECTION 5 - DRIVE TRAIN

**FIGURE 5-15. TRANSMISSION, VALVE BLOCK ASSEMBLY**

ITEM	PART NUMBER	QTY	DESCRIPTION	REV
	8841036	Ref	TRANSMISSION - VALVE BLOCK ASSEMBLY	
	1319717	Ref	Valve Block Assembly	
1	70020427	1	Block, Valve	
2	1319710	3	Piston	
3	1319696	3	Spring, Compression	
4	1319702	3	Valve, Solenoid	
5	10732063	3	Plate, Fixing	
6	1319703	3	Bolt, M5X12	
7	1319711	1	Harness, Wiring	
8	1319707	1	Clamp, Retaining	
9	1319712	1	Gasket	
10	1319713	1	Cover	
11	1319714	9	Bolt, M5X32	
12	1319715	9	Washer, 5.3	
13	1319670	3	Plug, Screw M10X1	
14	10731709	3	O-Ring	

# SECTION 5 - DRIVE TRAIN

## FIGURE 5-16. TRANSMISSION, OIL PUMP AND FILTER



ART\_8841036\_15-C



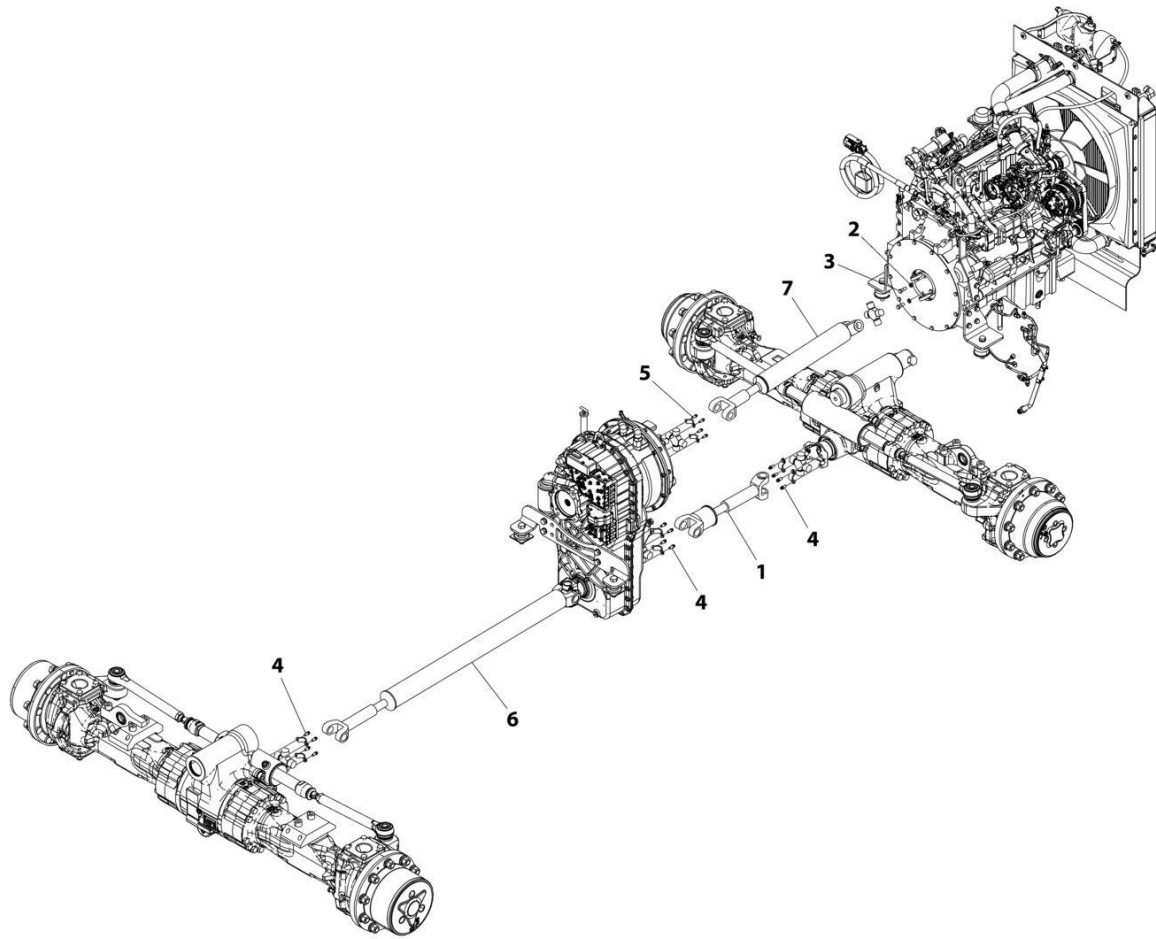
## SECTION 5 - DRIVE TRAIN

**FIGURE 5-16. TRANSMISSION, OIL PUMP AND FILTER**

ITEM	PART NUMBER	QTY	DESCRIPTION	REV
	8841036	Ref	TRANSMISSION - OIL PUMP AND FILTER	
1	1319718	1	Pump	
1	7029417	1	O-Ring, (between pump halves), (not shown)	
2	8036250	1	O-Ring	
3	1319719	2	O-Ring	
4	1319720	1	Washer, Axial 40X60X1	
5	1319721	1	Cage, Axial Needle	
6	1319722	1	Disc, Angle	
7	1319723	1	Sleeve, Stop	
8	1319724	1	O-Ring	
9	1319725	4	Bolt, M12X115	
10	1319726	1	Filter, Transmission Oil	
11	8036041	1	Tube, Dipstick	
12	8036042	1	Dipstick	
13	1319585	1	Screw, M8X16	
14	1319582	1	Screw, M8X20	
15	70023885	1	O-Ring	

# SECTION 5 - DRIVE TRAIN

## FIGURE 5-17. DRIVE SHAFT INSTALLATION



ART\_1001223727

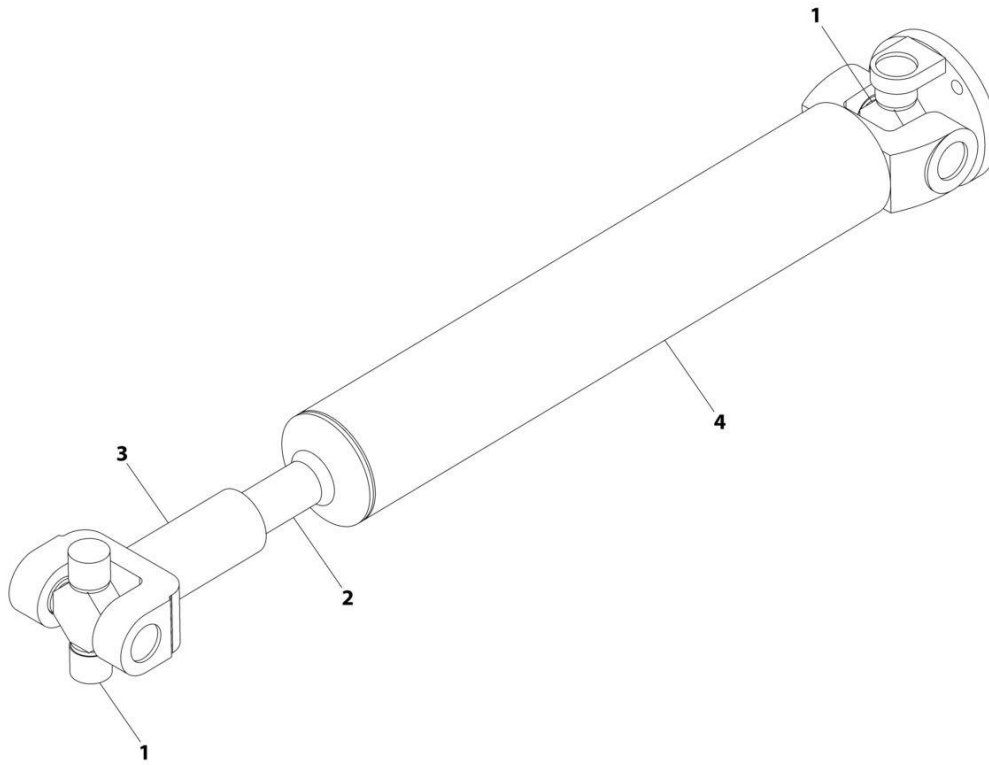
## SECTION 5 - DRIVE TRAIN

### FIGURE 5-17. DRIVE SHAFT INSTALLATION

ITEM	PART NUMBER	QTY	DESCRIPTION	REV
	1001223727	Ref	DRIVESHAFT INSTALLATION	B
1	7138639	1	Drive Shaft Assembly (Rear) See Separate Breakdown in this Section)	
2	8307006	4	Washer 7/16	
3	8310425	4	Bolt 7/16X1-1/4, Grade 8	
4	8880218-OM	4	Kit, Strap	
5	8880219-OM	1	Kit, Strap	
6	1001222870	1	Drive Shaft Assembly (Front) See Separate Breakdown in this Section)	
7	1001127784	1	Drive Shaft Assembly (Input) See Separate Breakdown in this Section)	

# SECTION 5 - DRIVE TRAIN

## FIGURE 5-18. DRIVE SHAFT ASSEMBLY (INPUT)



ART\_1001127784-C

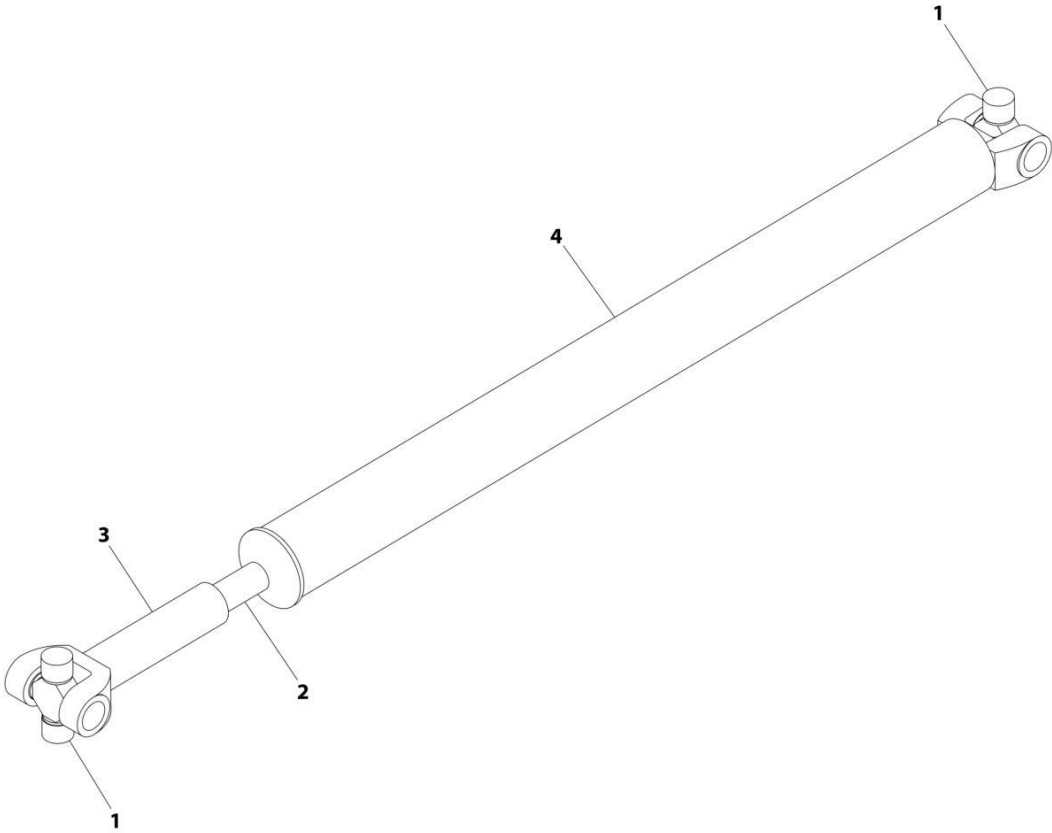
## SECTION 5 - DRIVE TRAIN

**FIGURE 5-18. DRIVE SHAFT ASSEMBLY (INPUT)**

ITEM	PART NUMBER	QTY	DESCRIPTION	REV
	1001127784	Ref	Drive Shaft Input Assembly	C
1	1101841	2	Kit, Cross and Bearing	
2	8035109	1	Kit, Dust Cap	
3	See Note	NSS	Joint, Slip (Note: Purchase Complete Assembly)	
4	See Note	NSS	Shaft, Yoke (Note: Purchase Complete Assembly)	

**SECTION 5 - DRIVE TRAIN**

**FIGURE 5-19. DRIVE SHAFT ASSEMBLY (FRONT)**



ART\_1001222870

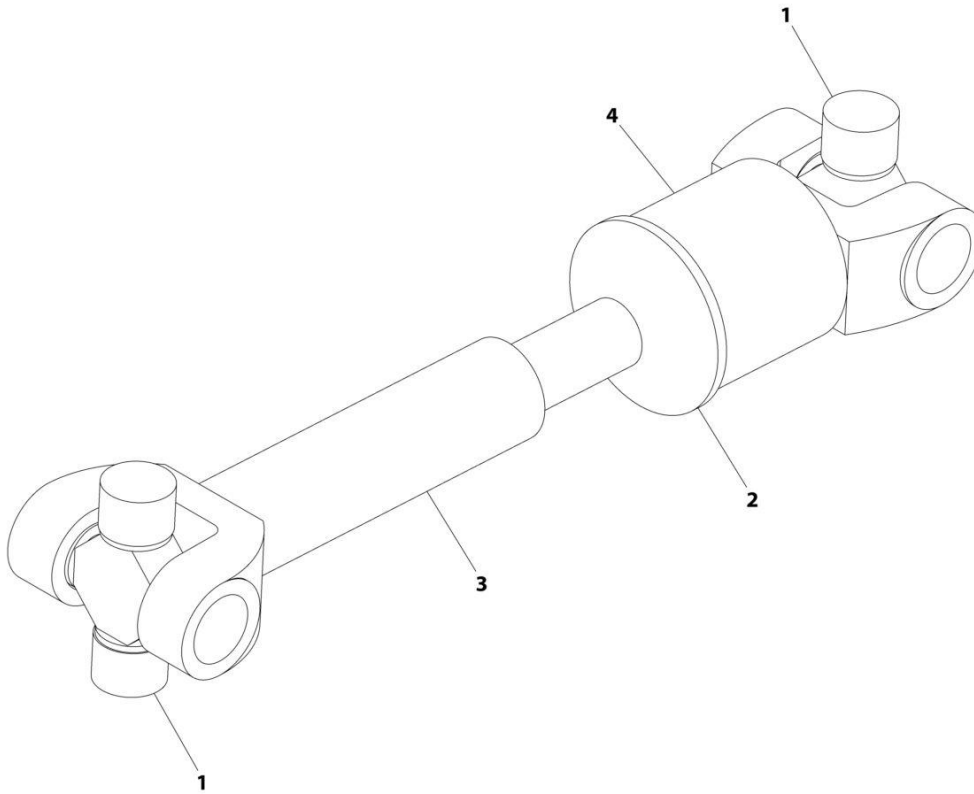
## SECTION 5 - DRIVE TRAIN

### FIGURE 5-19. DRIVE SHAFT ASSEMBLY (FRONT)

ITEM	PART NUMBER	QTY	DESCRIPTION	REV
	1001222870	Ref	Front Drive Shaft Assembly	E
1	7026911	1	Kit, Cross and Bearing (two required per drive shaft)	
2	8035109	2	Kit, Dust Cap (one required per drive shaft)	
3	See Note	NSS	Joint, Slip (Note: Purchase Complete Assembly)	
4	See Note	NSS	Shaft, Yoke (Note: Purchase Complete Assembly)	

# SECTION 5 - DRIVE TRAIN

## FIGURE 5-20. DRIVE SHAFT ASSEMBLY (REAR)



ART\_7138639\_G



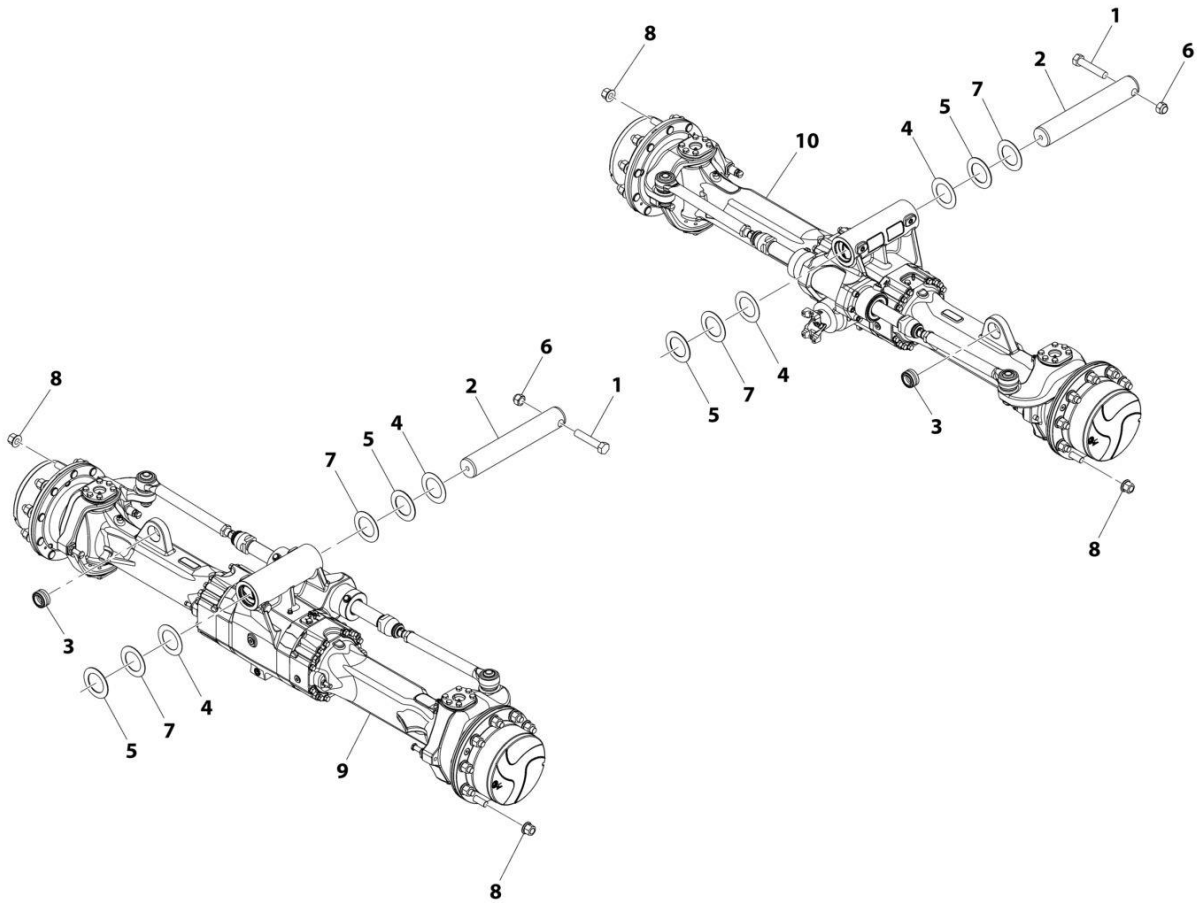
## SECTION 5 - DRIVE TRAIN

**FIGURE 5-20. DRIVE SHAFT ASSEMBLY (REAR)**

ITEM	PART NUMBER	QTY	DESCRIPTION	REV
	7138639	Ref	Rear Drive Shaft Assembly	G
1	7026911	1	Kit, Cross and Bearing (two required per drive shaft)	
2	8035109	2	Kit, Dust Cap (one required per drive shaft)	
3	N.S.S.	2	Joint, Slip	
4	N.S.S.	2	Shaft, Yoke	

# SECTION 5 - DRIVE TRAIN

FIGURE 5-21. AXLE INSTALLATION (110HP) (10042,10054,8042)



ART\_1001222211

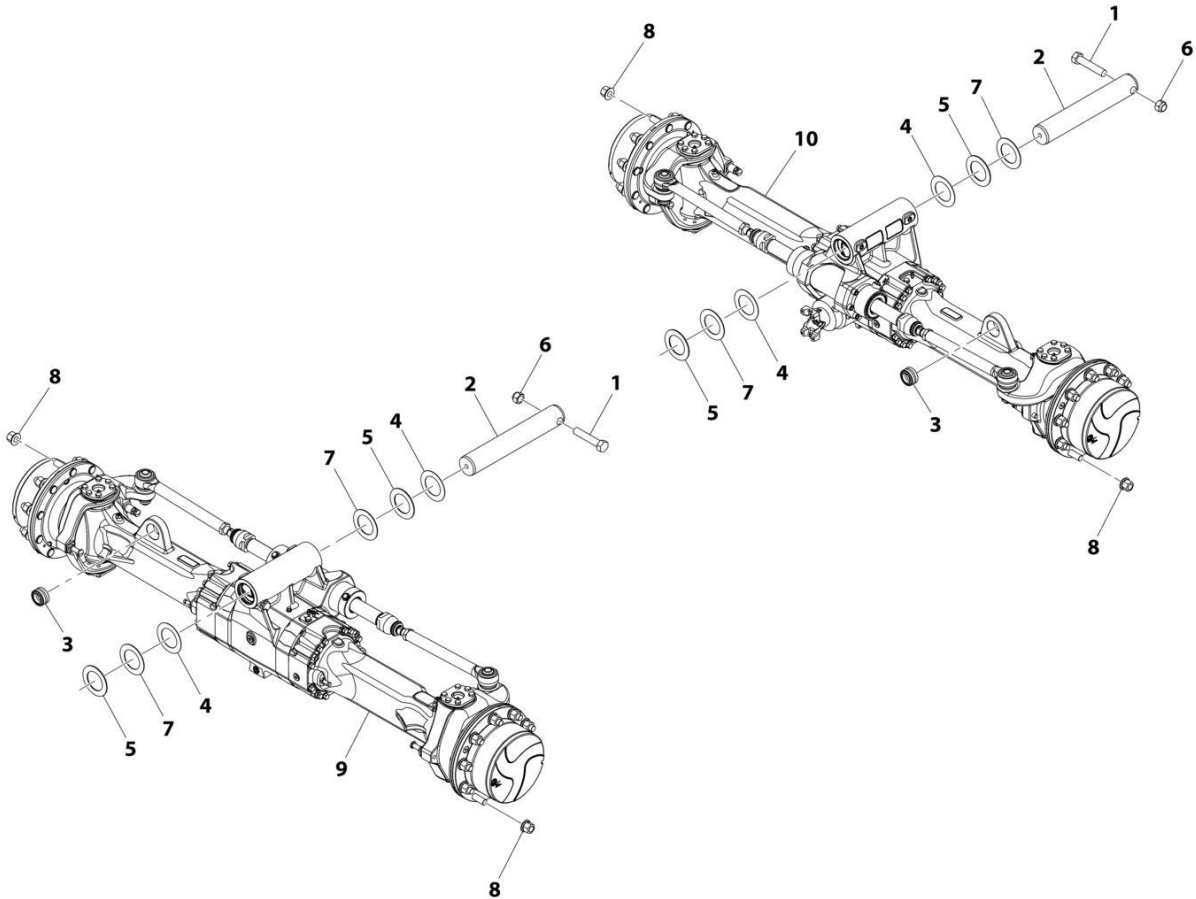
## SECTION 5 - DRIVE TRAIN

**FIGURE 5-21. AXLE INSTALLATION (110HP) (10042,10054,8042)**

ITEM	PART NUMBER	QTY	DESCRIPTION	REV
	1001222211	Ref	Axle Installation (110HP)	D
1	0642640	2	Bolt, 1X5	
2	3423254	2	Axle Pivot Pin,	
3	8050001	2	Bearing	
4	1001245213	4	Shim Axle, 0.060	
5	1001245215	4	Shim Axle, 0.120	
6	8310116	2	Hex Locknut, 1-8	
7	1001245214	4	Shim Axle, 0.090	
8	91403193	40	Lug Nut, M22X1-1/2	
9	1001220490	1	Front Axle (See Separate Breakdown in this Section)	
10	1001220491	1	Rear Axle (See Separate Breakdown in this Section)	

**SECTION 5 - DRIVE TRAIN**

**FIGURE 5-22. AXLE INSTALLATION (74HP)**



ART\_1001229921

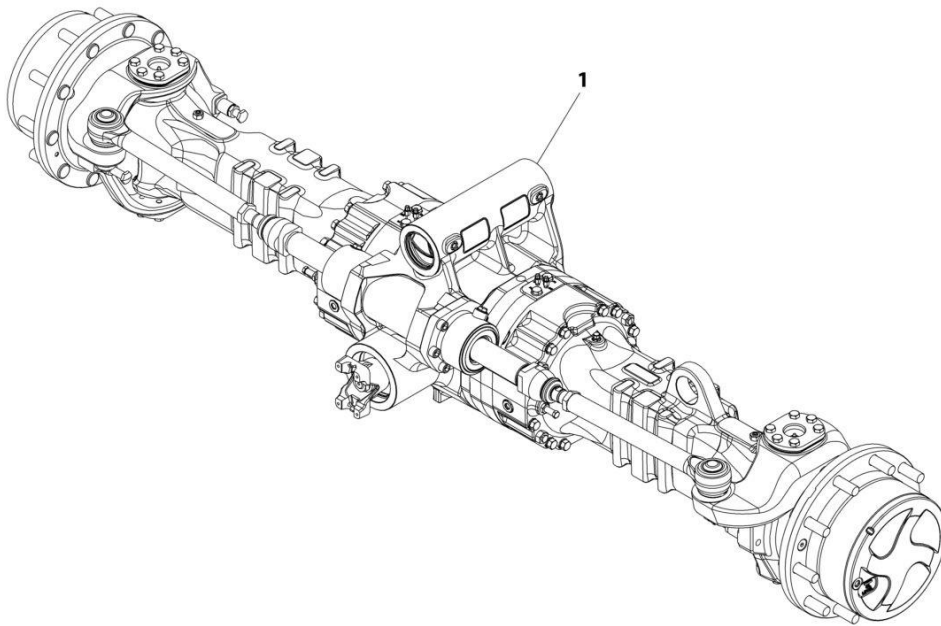
## SECTION 5 - DRIVE TRAIN

**FIGURE 5-22. AXLE INSTALLATION (74HP)**

ITEM	PART NUMBER	QTY	DESCRIPTION	REV
	1001229921	Ref	Axle Installation, 74HP	C
1	0642640	2	Bolt, 1X5	
2	3423254	2	Pin, Axle Pivot	
3	8050001	2	Bearing, Self-Align	
4	1001245213	AR	Washer, Shim 0.06	
5	1001245214	AR	Washer, Shim 0.09	
6	8310116	2	Nut 1	
7	1001245215	AR	Washer, Shim 0.12	
8	91403193	40	Nut, Lug M22X1-1/2	
	1005798200	1	Installation, Front Axle, 74HP - 10042/10054 (See Separate Breakdown in this Section)	
	1005798300	1	Installation, Rear Axle, 74HP - 10042/10054 (See Separate Breakdown in this Section)	

## SECTION 5 - DRIVE TRAIN

FIGURE 5-23. FRONT AXLE INSTALLATION (74HP)



ART\_1005798200\_E

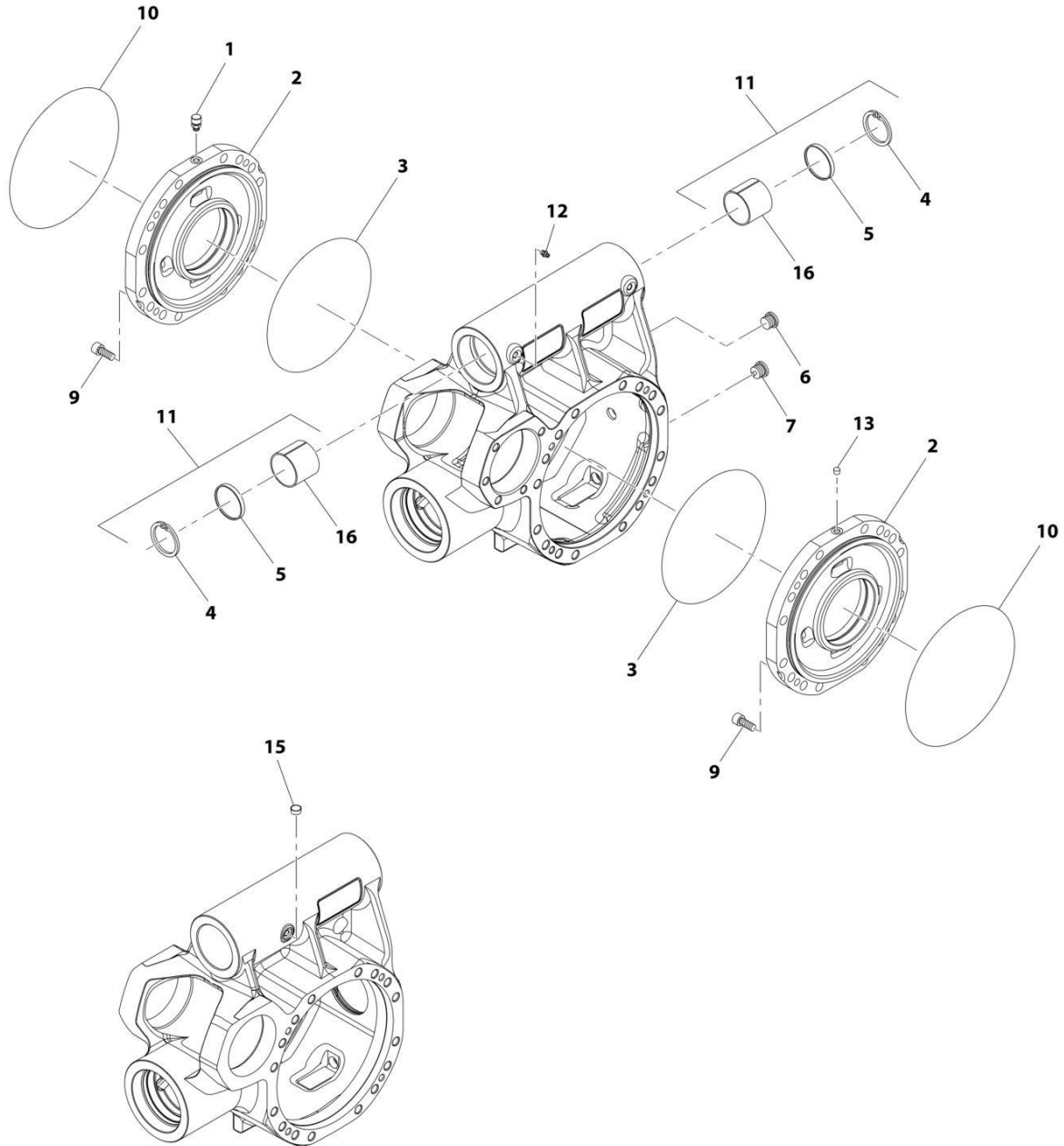
## SECTION 5 - DRIVE TRAIN

**FIGURE 5-23. FRONT AXLE INSTALLATION (74HP)**

ITEM	PART NUMBER	QTY	DESCRIPTION	REV
1	1005798200	Ref	Front Axle	E
		Ref	Front Axle, Central Housing (See Separate Breakdown in this Section)	
		Ref	Front Axle, Differential (See Separate Breakdown in this Section)	
		Ref	Front Axle, Hub Reduction (See Separate Breakdown in this Section)	
		Ref	Front Axle, Brakes (See Separate Breakdown in this Section)	
		Ref	Front Axle, Steering (See Separate Breakdown in this Section)	

# SECTION 5 - DRIVE TRAIN

## FIGURE 5-24. FRONT AXLE - CENTRAL HOUSING (74HP)



ART\_1005798200-1



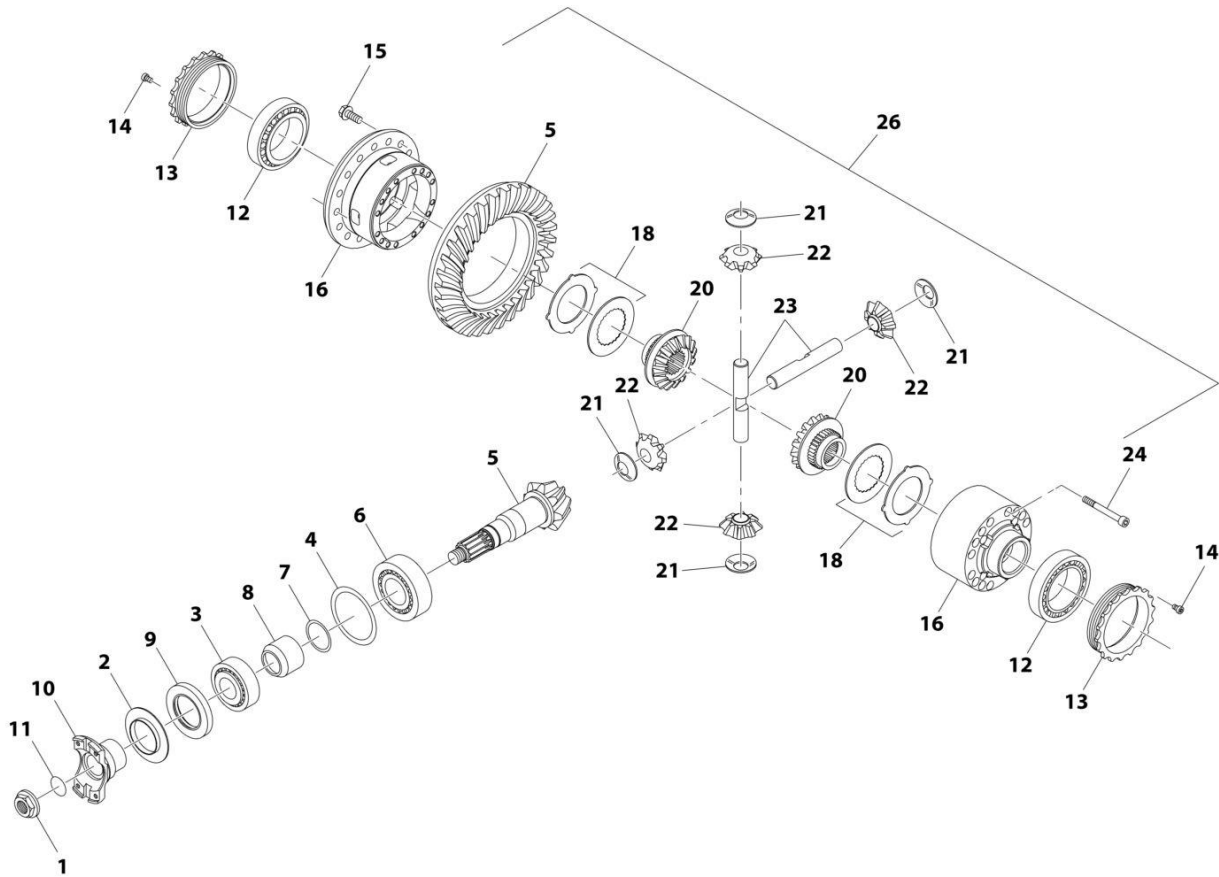
## SECTION 5 - DRIVE TRAIN

**FIGURE 5-24. FRONT AXLE - CENTRAL HOUSING (74HP)**

ITEM	PART NUMBER	QTY	DESCRIPTION	REV
	1005798200	Ref	FRONT AXLE, CENTRAL HOUSING	E
1	91474512	1	Vent	
2	7029288	2	Intermediate Cover	
3	80204002	2	O-Ring	
4	70028939	2	Ring	
5	70028974	2	Seal	
6	70028389	1	Plug	
7	70028388	1	Plug	
9	91514101	8	Bolt	
10	91514089	2	O-Ring	
11	70029482	1	Housing	
12	70024881	2	Grease Fitting	
13	80204012	1	Plug	
15	70028938	1	Plug	
16	70028886	2	Thrust Bushing	

# SECTION 5 - DRIVE TRAIN

## FIGURE 5-25. FRONT AXLE - DIFFERENTIAL (74HP)



ART\_1005798200-2

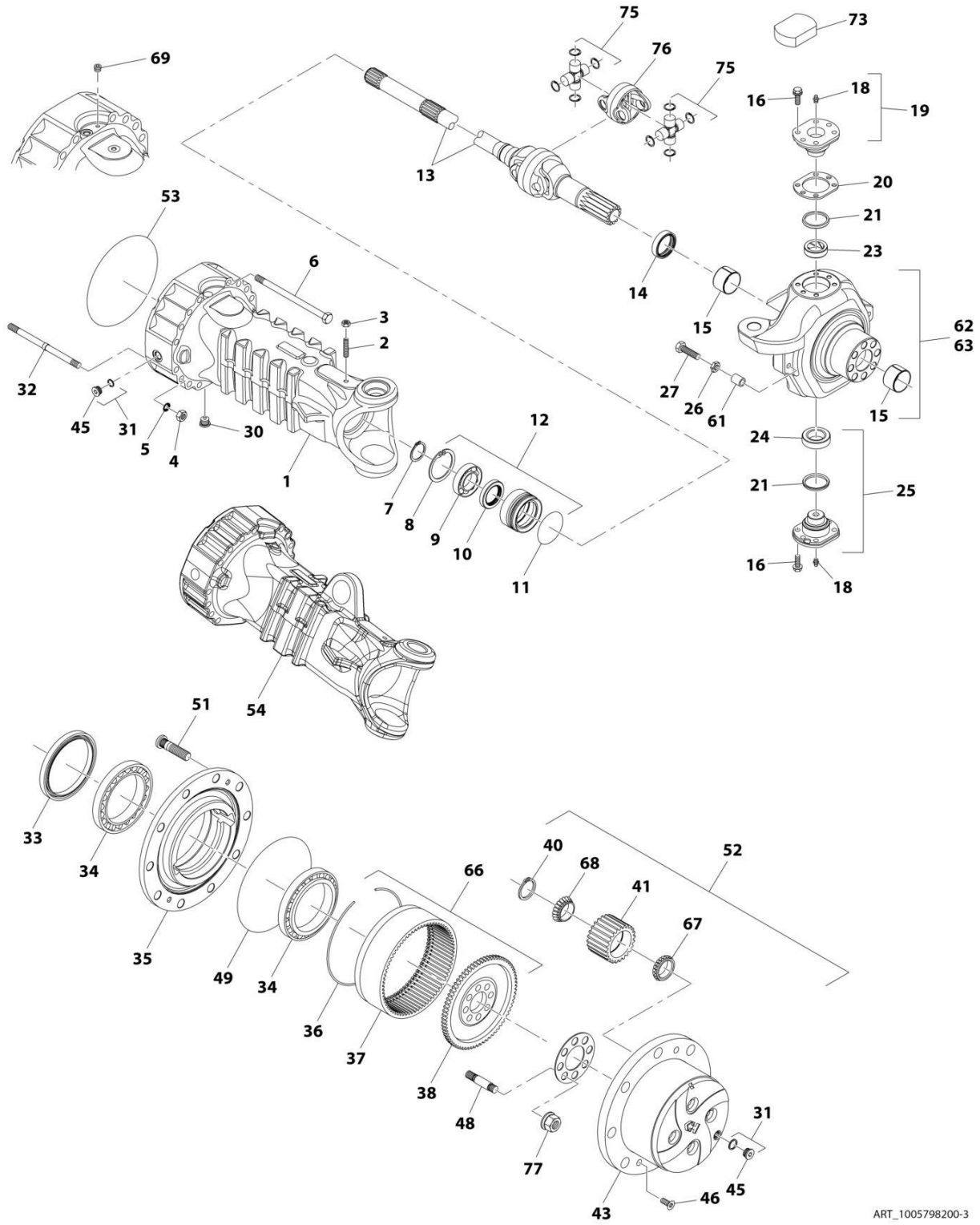
## SECTION 5 - DRIVE TRAIN

**FIGURE 5-25. FRONT AXLE - DIFFERENTIAL (74HP)**

ITEM	PART NUMBER	QTY	DESCRIPTION	REV
	1005798200	Ref	FRONT AXLE, DIFFERENTIAL	E
1	80204043	1	Nut	
2	91514130	1	Cover Plate	
3	80204048	1	Taper Roller Bearing	
4	70029483	1	Shim Kit	
5	70028391	1	Bevel Gear Set	
6	80204035	1	Taper Roller Bearing	
7	70023494	1	Ring	
8	70022140	1	Spacer	
9	70025887	1	Seal	
10	91514131	1	Flange	
11	10725554	1	O-Ring	
12	80204033	2	Taper Roller Bearing	
13	91514133	2	Ring Nut	
14	91514134	2	Bolt	
15	70025562	16	Bolt	
16	70024004	1	Differential Carrier	
18	70026750	2	Clutch Disc	
20	70025856	2	Gear, Differential Side	
21	70027105	4	Friction Washer	
22	70025339	4	Differential Pinion	
23	70023490	2	Differential Shaft	
24	91514143	15	Bolt	
26	70028390	1	Differential	

# SECTION 5 - DRIVE TRAIN

## FIGURE 5-26. FRONT AXLE - HUB REDUCTION (74HP)



ART\_1005798200-3

## SECTION 5 - DRIVE TRAIN

**FIGURE 5-26. FRONT AXLE - HUB REDUCTION (74HP)**

ITEM	PART NUMBER	QTY	DESCRIPTION	REV
	1005798200	Ref	FRONT AXLE, HUB REDUCTION	E
1	70029484	1	Axle Case	
2	91514081	2	Bolt	
3	91514082	2	Nut	
4	91514083	8	Nut	
5	91514084	8	Washer	
6	7029309	24	Bolt	
7	80204071	2	Circlip	
8	80204005	2	Circlip	
9	91514146	2	Bearing, Ball	
10	91514147	2	Seal	
11	91514148	2	O-Ring	
12	91514149	2	Reduction Bushing	
13	70026066	2	Double Universal Joint	
14	70025857	2	Seal	
15	91514111	2	Thrust Bushing	
16	70025562	24	Bolt	
18	70024881	4	Grease Fitting	
19	70028890	2	Pivot Pin	
20	70025561	1	Shim Kit	
21	7028716	4	Dust Seal	
23	7028714	2	Bushing	
24	91514095	2	Bearing	
25	70028891	2	Pivot Pin	
26	80204065	4	Nut	
27	70028975	4	Bolt	
30	70028388	2	Plug	
31	91514188	2	Plug	
32	70024851	8	Stud	
33	70026002	2	Seal	
34	80204076	4	Tapered Roller Bearing	
35	91514174	2	Wheel Hub	
36	91514175	2	Circlip	
37	70024147	2	Ring Gear	
38	91514177	2	Ring Gear Support	
40	70028926	8	Snap Ring	
41	70028924	8	Planet Gear	
43	70029486	2	Planet Gear Carrier	
45	70028389	2	Plug	
46	91514189	4	Bolt, Countersunk	
48	91514180	16	Stud	
49	91514181	2	O-Ring	
51	91514183	20	Wheel Stud	
52	70029454	2	Planet Gear Carrier Assembly	
53	91514089	2	O-Ring	
54	70029544	1	Axle Case	
61	7029311	4	Spacer	
62	70029488	1	Steering Case Assembly (LF)	
63	70029489	1	Steering Case Assembly (RF)	
66	70024146	2	Ring Gear Support Kit	

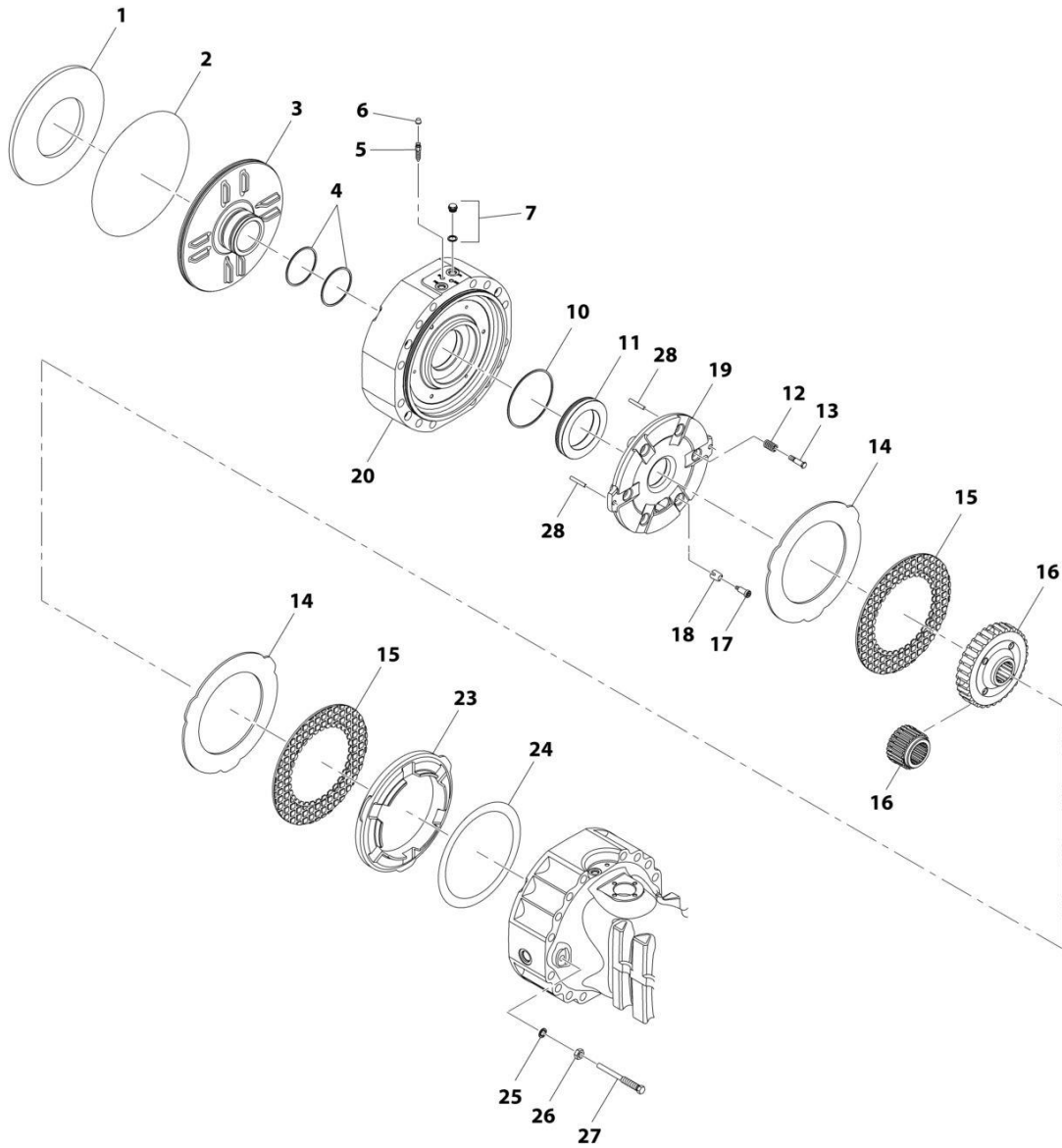
## SECTION 5 - DRIVE TRAIN

ITEM	PART NUMBER	QTY	DESCRIPTION	REV
67	70028923	8	Tapered Roller Bearing	
68	70028922	8	Tapered Roller Bearing	
69	80204012	2	Plug	
73	70028392	2	Cover	
75	70023829	2	Joint Cross	
76	70023116	1	Center Body	
77	70029545	16	Nut	



# SECTION 5 - DRIVE TRAIN

## FIGURE 5-27. FRONT AXLE - BRAKES (74HP)



ART\_1005798200-4



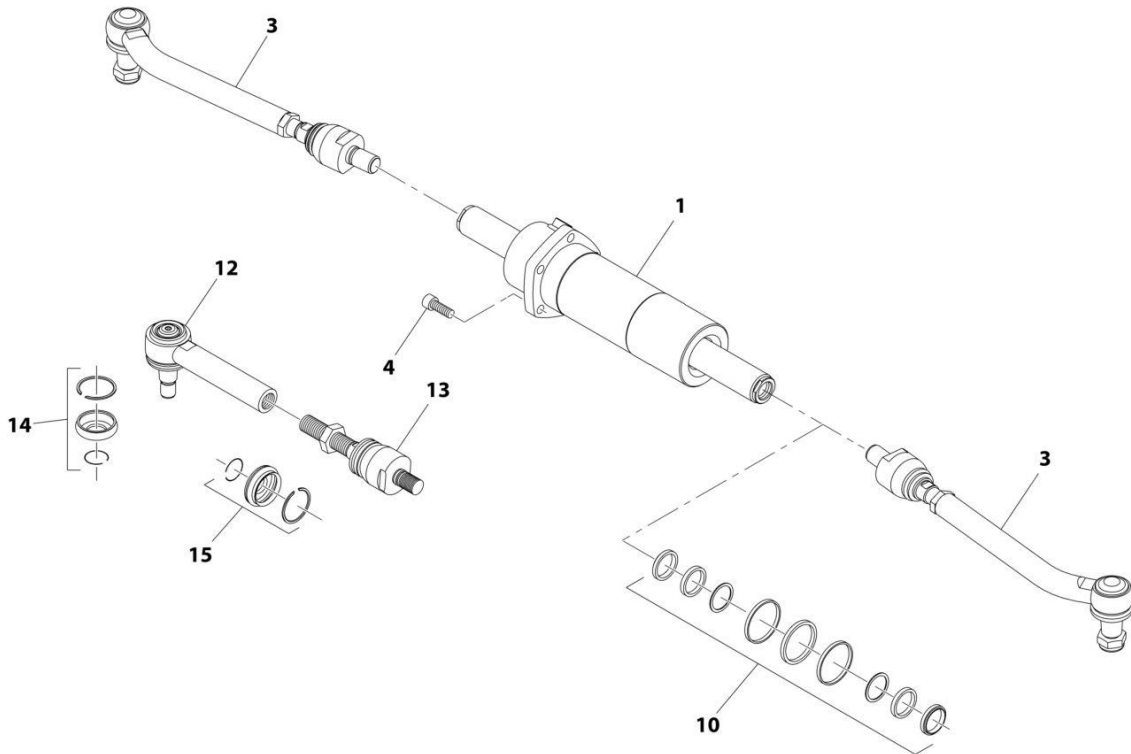
## SECTION 5 - DRIVE TRAIN

**FIGURE 5-27. FRONT AXLE - BRAKES (74HP)**

ITEM	PART NUMBER	QTY	DESCRIPTION	REV
	1005798200	Ref	FRONT AXLE, BRAKES	E
1	91514151	2	Belleville Washer	
2	91514089	2	O-Ring	
3	70027092	2	Piston	
4	70026262	4	Seal	
5	80204281	4	Bleeding Bolt	
6	80204117	4	Plug	
7	91514154	4	Bolt	
10	70026263	2	Seal	
11	70027796	2	Piston	
12	91514159	6	Spring	
13	70024210	6	Adjusting Bolt	
14	70027022	6	Intermediate Brake Disc	
15	7029735	6	Brake Disc	
16	7029734	2	Reduction Bushing	
17	7029787	6	Adjusting Bolt	
18	70027317	6	Spring	
19	70024849	2	Disc, Intermediate Brake	
20	70024848	2	Cover	
23	70026264	2	Spacer	
24	70025970	1	Shim	
25	80204108	4	Lockwasher	
26	80204060	4	Nut	
27	70024213	4	Bolt, M22 x 245/2	
28	70024215	4	Dowel	

# SECTION 5 - DRIVE TRAIN

## FIGURE 5-28. FRONT AXLE - STEERING (74HP)



ART\_1005798200-5

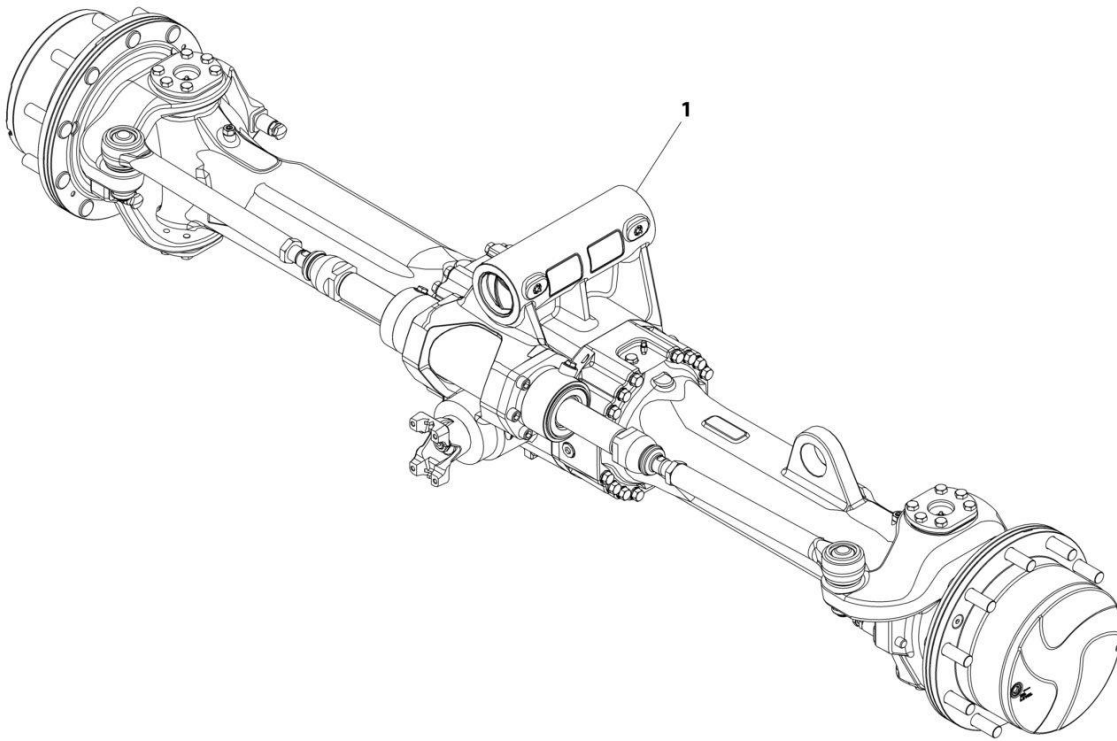
## SECTION 5 - DRIVE TRAIN

### FIGURE 5-28. FRONT AXLE - STEERING (74HP)

ITEM	PART NUMBER	QTY	DESCRIPTION	REV
	1005798200	Ref	FRONT AXLE, STEERING	E
1	70028947	1	Cylinder	
3	70028948	2	Tie Rod	
4	80204144	5	Cylinder Bolt	
10	7029127	1	Seal Kit	
12	70028949	1	Joint, 90	
13	70028950	1	Axial Joint Shaft	
14	70028951	1	Rubber Boot and Locking Ring Kit	
15	70028952	1	Rubber Boot and Locking Ring Kit	

## SECTION 5 - DRIVE TRAIN

FIGURE 5-29. REAR AXLE INSTALLATION (74HP)



ART\_1005798300

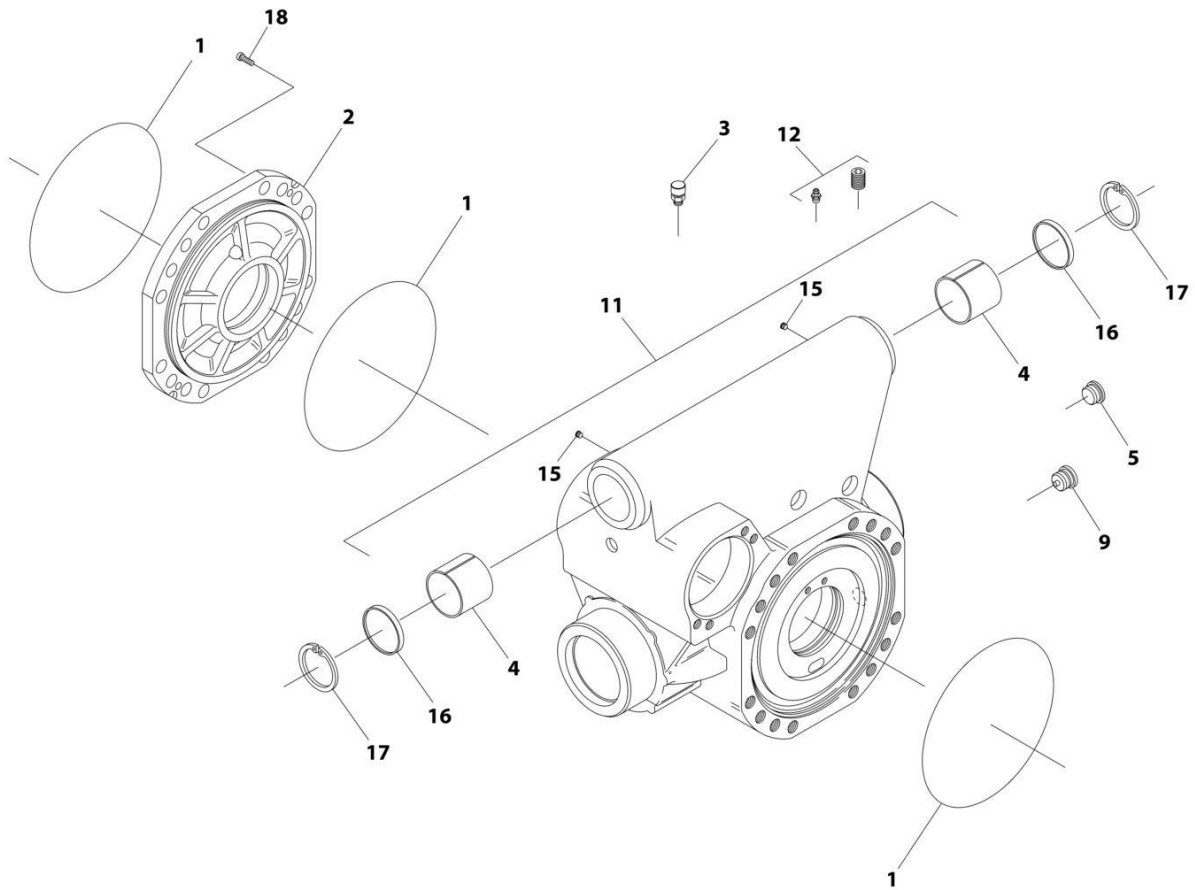
## SECTION 5 - DRIVE TRAIN

**FIGURE 5-29. REAR AXLE INSTALLATION (74HP)**

ITEM	PART NUMBER	QTY	DESCRIPTION	REV
	1005798300	Ref	Rear Axle Installation	D
		Ref	Rear Axle, Central Housing (See Separate Breakdown in this Section)	
		Ref	Rear Axle, Differential (See Separate Breakdown in this Section)	
		Ref	Rear Axle, Hub Reduction (See Separate Breakdown in this Section)	
		Ref	Rear Axle, Brakes (See Separate Breakdown in this Section)	
		Ref	Rear Axle, Steering (See Separate Breakdown in this Section)	

# SECTION 5 - DRIVE TRAIN

## FIGURE 5-30. REAR AXLE - CENTRAL HOUSING (74HP)



ART\_1005798100\_1

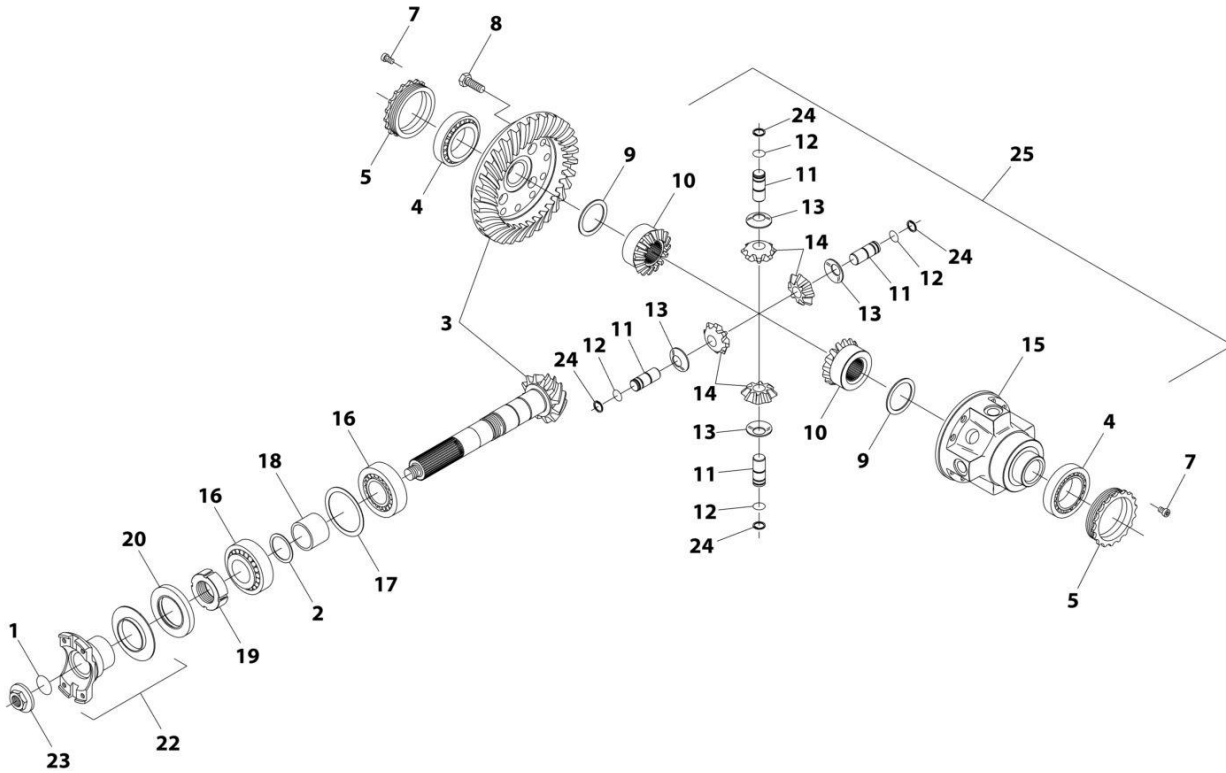
## SECTION 5 - DRIVE TRAIN

**FIGURE 5-30. REAR AXLE - CENTRAL HOUSING (74HP)**

ITEM	PART NUMBER	QTY	DESCRIPTION	REV
	1005798300	Ref	REAR AXLE, CENTRAL HOUSING	D
1	91474507	3	O-Ring	
2	70024519	1	Cover	
3	91474512	1	Vent	
4	70028886	2	Thrust Bushing	
5	91514188	1	Plug	
9	7028706	1	Magnet Plug	
11	N.S.S.	1	Housing	
12	70024881	2	Fitting, Grease	
15	70028938	2	Plug	
16	70028974	2	Seal	
17	70028939	2	Ring	
18	91474591	4	Bolt	

# SECTION 5 - DRIVE TRAIN

## FIGURE 5-31. REAR AXLE - DIFFERENTIAL (74HP)



ART\_1005798300\_2



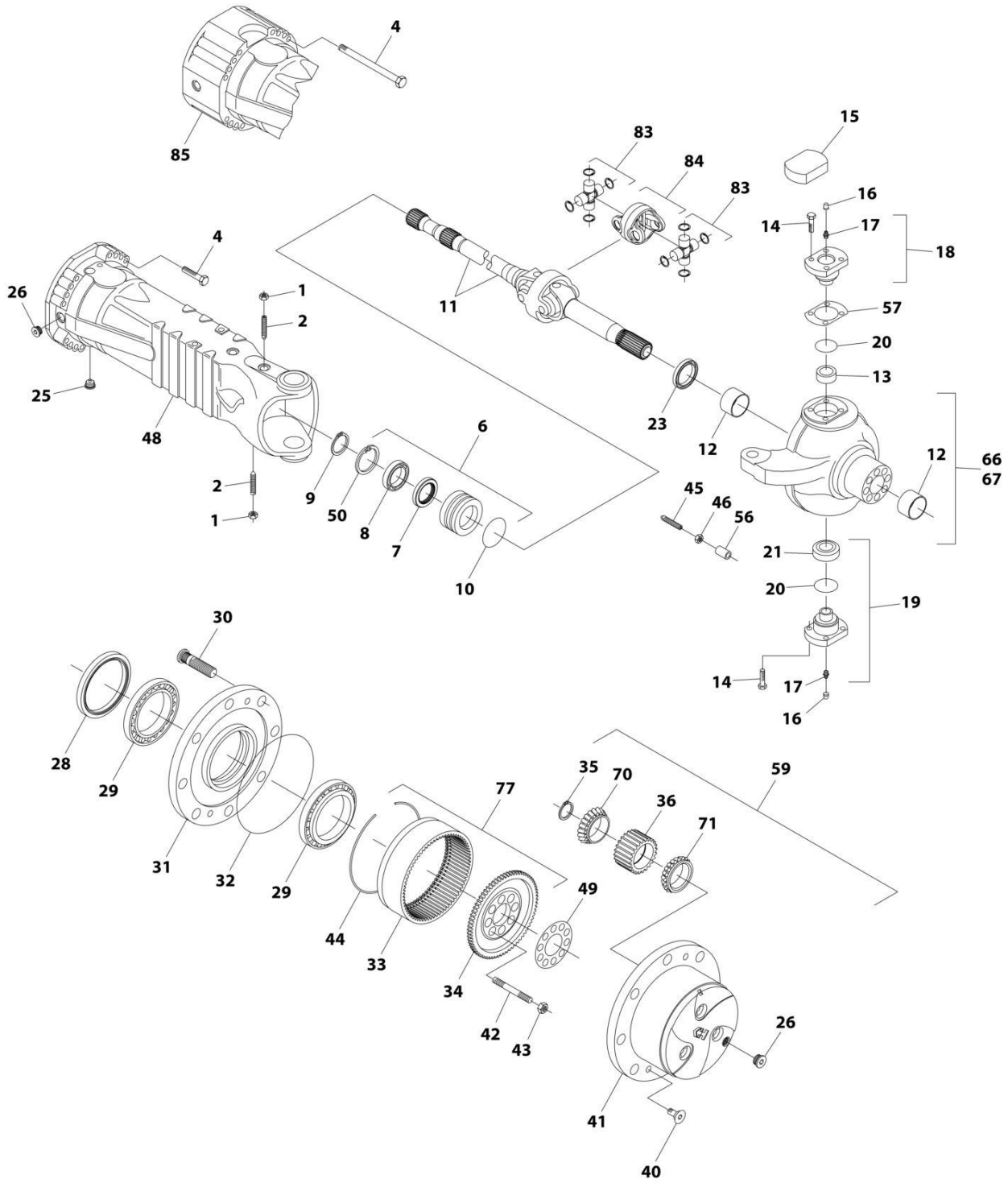
## SECTION 5 - DRIVE TRAIN

**FIGURE 5-31. REAR AXLE - DIFFERENTIAL (74HP)**

ITEM	PART NUMBER	QTY	DESCRIPTION	REV
	1005798300	Ref	REAR AXLE, DIFFERENTIAL	D
1	91474529	1	O-Ring	
2	70025556	1	Shim Kit	
3	70026139	1	Bevel Gear Set	
4	70028471	2	Bearing, Taper Roller	
5	91474547	2	Nut, Ring	
7	91514134	2	Bolt	
8	70025562	12	Bolt	
9	91474593	2	Washer, Friction	
10	70025569	2	Gear, Differential Side	
11	7029131	4	Pin	
12	91474551	4	Circlip	
13	91474553	4	Washer, Friction	
14	70025570	4	Pinion, Differential	
15	91474595	1	Carrier, Differential	
16	3968141	2	Bearing, Taper Roller	
17	70025555	1	Shim Kit	
18	91474539	1	Spacer	
19	91474533	1	Nut, Ring	
20	70024522	1	Seal	
22	70022797	1	Flange	
23	70026631	1	Nut	
24	91474550	4	Circlip	
25	70021140	1	Kit, Differential (Includes Items 9-15 & 24)	

# SECTION 5 - DRIVE TRAIN

## FIGURE 5-32. REAR AXLE - HUB REDUCTION (74HP)



ART\_1005798300\_3

## SECTION 5 - DRIVE TRAIN

**FIGURE 5-32. REAR AXLE - HUB REDUCTION (74HP)**

ITEM	PART NUMBER	QTY	DESCRIPTION	REV
	1005798300	Ref	REAR AXLE, HUB REDUCTION	D
1	91514082	2	Nut	
2	91514081	2	Bolt	
4	70022799	32	Bolt	
6	91514149	2	Reduction Bushing (Includes Items 7, 8, 10 & 50)	
7	91514147	2	Seal	
8	91514146	2	Ball Bearing	
9	80204071	2	Circlip	
10	91514148	2	O-Ring	
11	70026803	2	Joint & Shaft, Double Universal	
12	91514111	2	Bushing, Thrust	
13	7028714	2	Bushing	
14	70025562	24	Bolt	
15	70028392	2	Cover	
16	80204117	2	Plug	
17	70024881	4	Fitting, Grease	
18	70028890	2	Pivot Pin	
19	70028891	2	Pivot Pin	
20	7028716	4	Seal, Dust	
21	91514095	2	Bearing	
23	70026238	2	Seal	
25	7028706	4	Plug, Magnet	
26	91514188	2	Plug	
28	7028721	2	Seal	
29	91474576	4	Bearing	
30	91514183	20	Wheel Stud	
31	7028722	2	Wheel Hub	
32	91514181	2	O-Ring	
33	70029546	2	Gear, Ring	
34	70026812	2	Support, Ring Gear	
35	70028925	3	Circlip	
36	70028941	6	Differential Pinion	
40	91514189	4	Bolt, Countersunk	
41	N.S.S.	1	Planet Gear Carrier (Use Item 59)	
42	70027315	16	Stud	
43	91474584	16	Nut	
44	91514175	2	Circlip	
45	70028975	4	Bolt	
46	80204065	4	Nut	
48	70028976	1	Case, Axle	
49	70026622	2	Plate, Locking	
50	80204005	2	Circlip	
56	7029311	2	Spacer	
57	70025561	1	Kit, Shim	
59	70028881	2	Kit, Planet Gear	
66	70029471	1	Steering Case (LR)	
67	70029472	1	Steering Case (RR)	
70	7028731	6	Bearing	
71	7028732	NLA	Bearing (Use/Order both PN 70031458 & 70031459 as Replacement)	

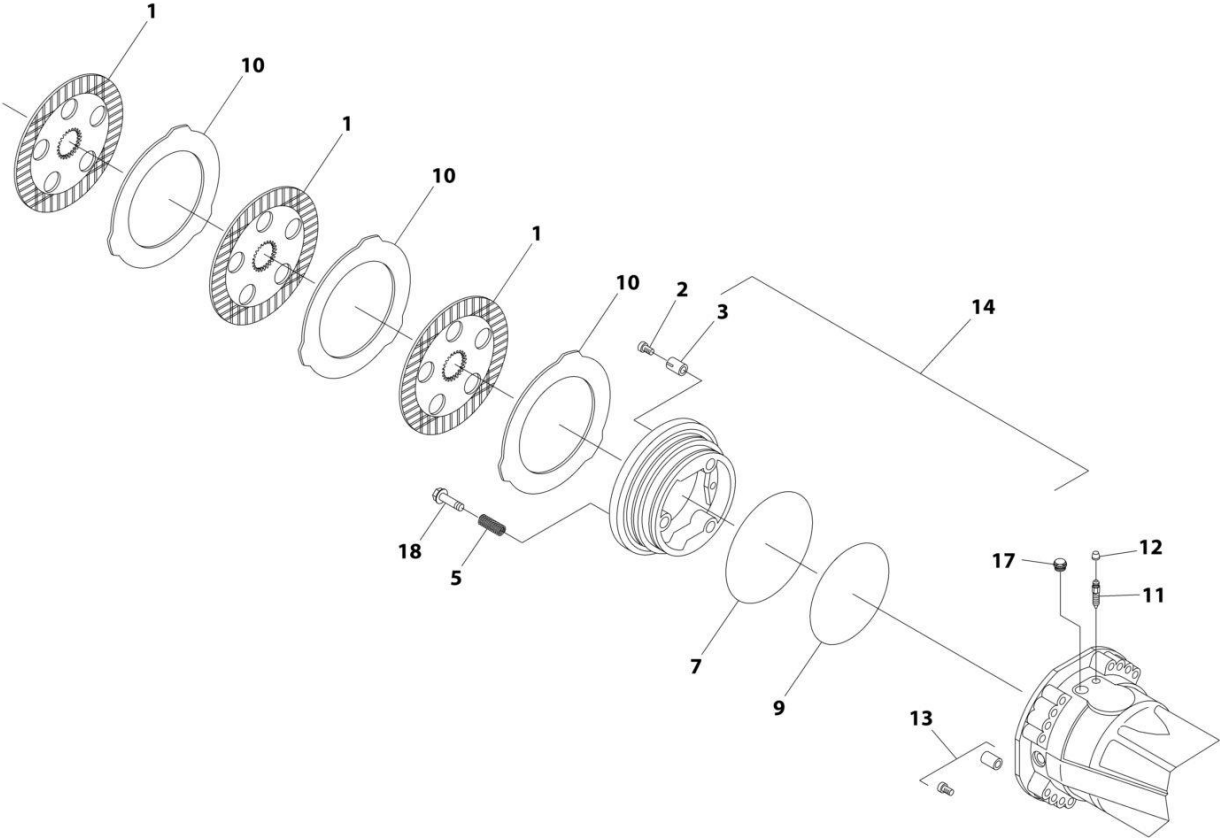
## SECTION 5 - DRIVE TRAIN

ITEM	PART NUMBER	QTY	DESCRIPTION	REV
71	70031458	6	Bearing	
71	70031459	6	Bearing	
77	70029547	1	Gear Ring Kit	
83	70028943	2	Cross Joint	
84	70028944	1	Center Section Joint	
85	70028977	1	Case, Axle	



**SECTION 5 - DRIVE TRAIN**

**FIGURE 5-33. REAR AXLE - BRAKES (74HP)**



ART\_1005798300\_4

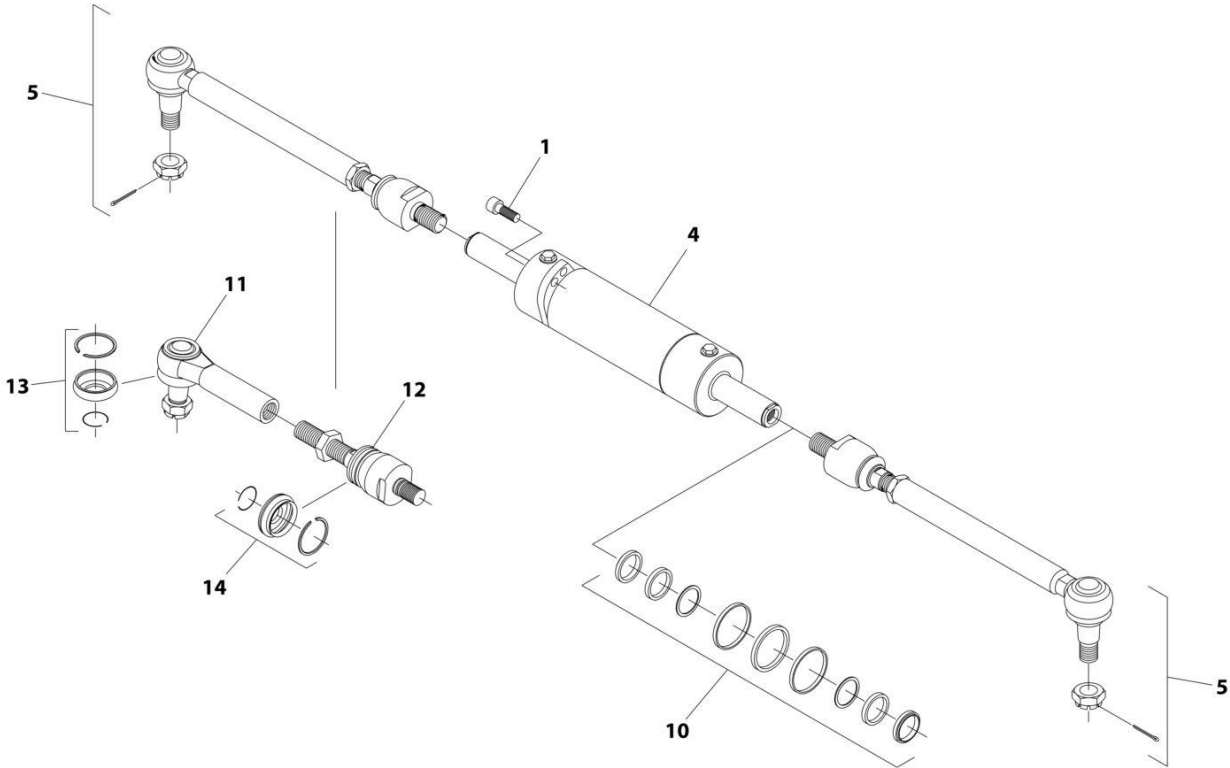
## SECTION 5 - DRIVE TRAIN

**FIGURE 5-33. REAR AXLE - BRAKES (74HP)**

ITEM	PART NUMBER	QTY	DESCRIPTION	REV
	1005798300	Ref	REAR AXLES, BRAKES	D
1	91474568	8	Disc	
2	7029786	6	Adjusting Bolt	
3	70027317	6	Spring	
5	91514159	6	Spring	
7	70025821	2	O-Ring	
9	70025822	2	O-Ring	
10	70025823	10	Disc, Intermediate Brake	
11	80204281	2	Bolt, Bleeding	
12	80204117	2	Plug	
13	70021613	2	Bolt	
14	70027772	2	Piston	
17	91514154	2	Bolt	
18	70024210	6	Bolt	

**SECTION 5 - DRIVE TRAIN**

**FIGURE 5-34. REAR AXLE - STEERING (74HP)**



ART\_1005798300\_5



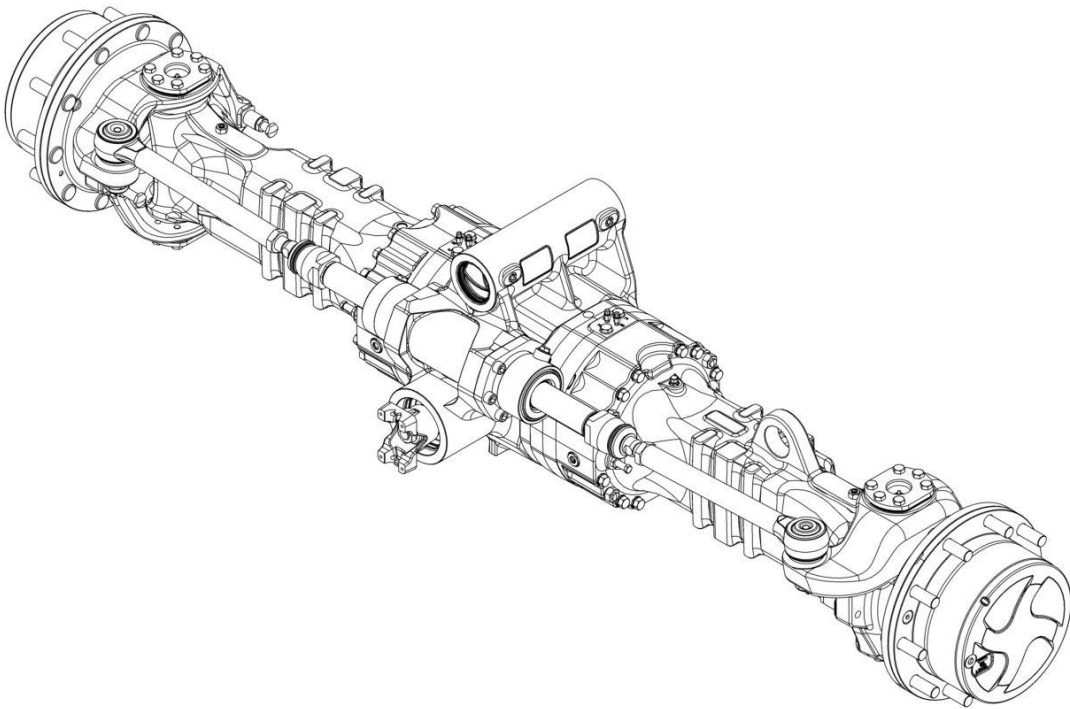
## SECTION 5 - DRIVE TRAIN

### FIGURE 5-34. REAR AXLE - STEERING (74HP)

ITEM	PART NUMBER	QTY	DESCRIPTION	REV
	1005798300	Ref	REAR AXLE, STEERING	D
1	80204144	5	Bolt	
4	70028947	1	Cylinder	
5	70028948	2	Tie Rod	
10	7029127	1	Kit, Seal	
11	70028949	1	Joint, 90	
12	70028950	1	Axial Joint Shaft	
13	70028951	1	Rubber Boot and Locking Ring Kit	
14	70028952	1	Rubber Boot and Locking Ring Kit	

## SECTION 5 - DRIVE TRAIN

FIGURE 5-35. FRONT AXLE INSTALLATION (110HP)



ART\_1001220490

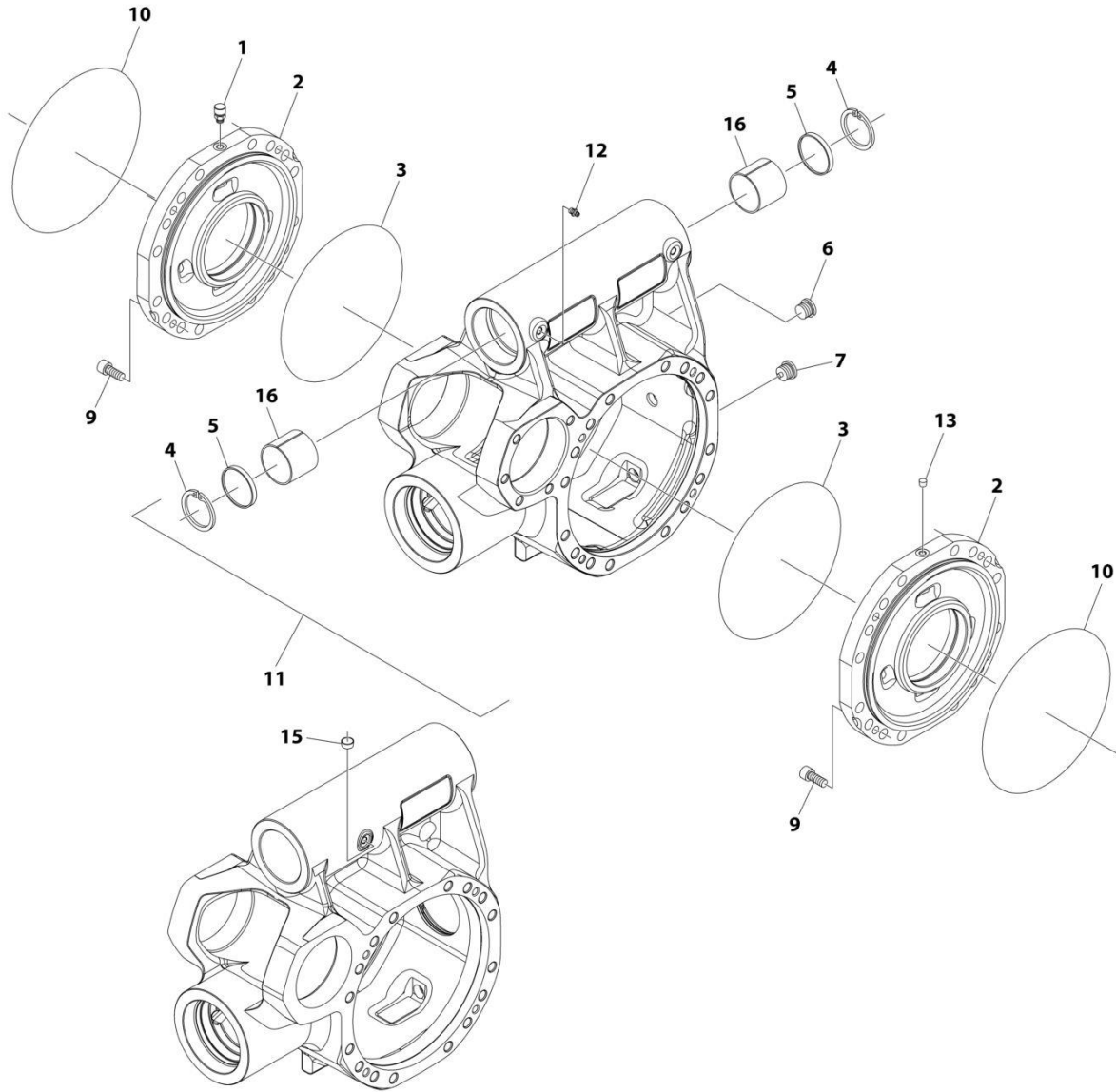
## SECTION 5 - DRIVE TRAIN

**FIGURE 5-35. FRONT AXLE INSTALLATION (110HP)**

ITEM	PART NUMBER	QTY	DESCRIPTION	REV
	1001220490	Ref	Front Axle	F
		Ref	Front Axle, Central Housing (See Separate Breakdown in this Section)	
		Ref	Front Axle, Differential (See Separate Breakdown in this Section)	
		Ref	Front Axle, Hub Reduction (See Separate Breakdown in this Section)	
		Ref	Front Axle, Brakes (See Separate Breakdown in this Section)	
		Ref	Front Axle, Steering (See Separate Breakdown in this Section)	

# SECTION 5 - DRIVE TRAIN

## FIGURE 5-36. FRONT AXLE - CENTRAL HOUSING (110HP)



ART\_1001220490\_1

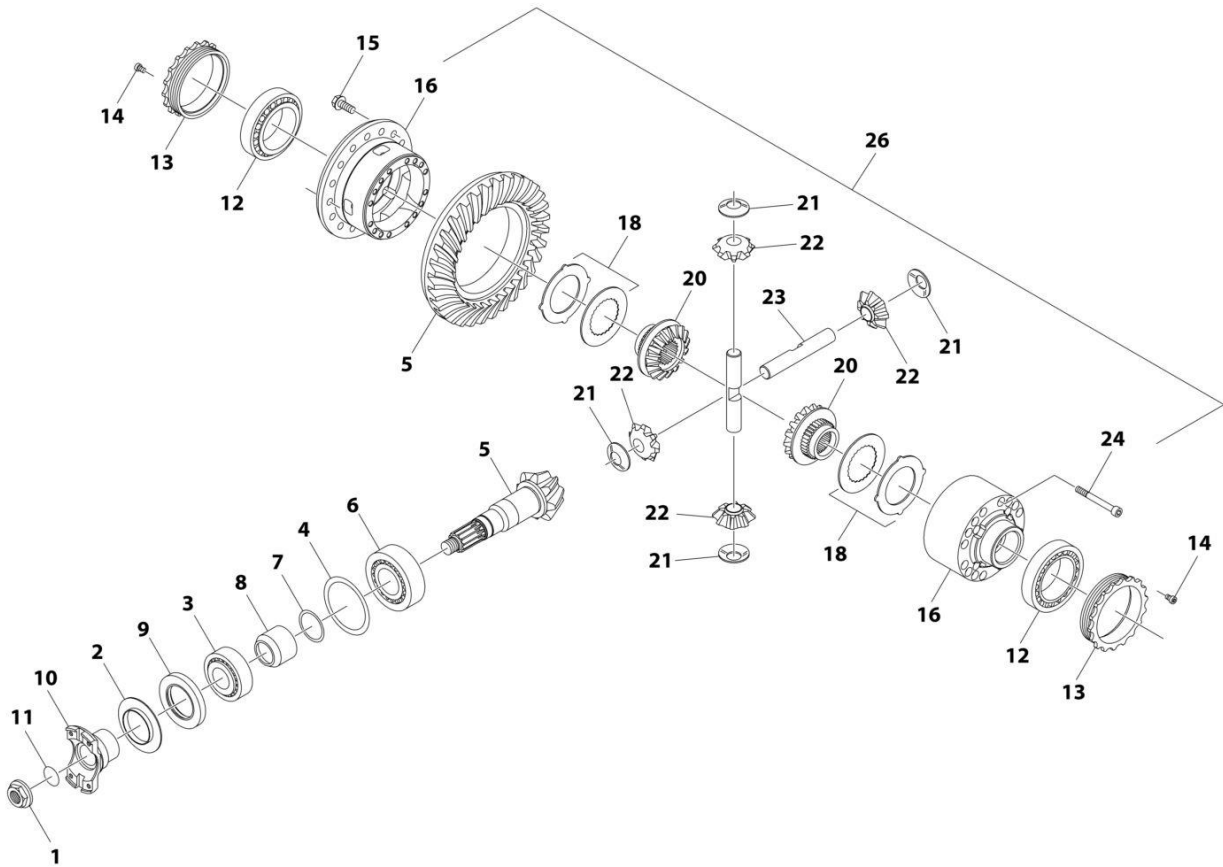
## SECTION 5 - DRIVE TRAIN

**FIGURE 5-36. FRONT AXLE - CENTRAL HOUSING (110HP)**

ITEM	PART NUMBER	QTY	DESCRIPTION	REV
	1001220490	Ref	FRONT AXLE, CENTRAL HOUSING	F
1	91474512	1	Vent	
2	7029288	2	Intermediate Cover	
3	80204002	2	O-Ring	
4	70028939	2	Ring	
5	70028974	2	Seal	
6	70028389	1	Plug	
7	70028388	1	Plug	
9	91514101	8	Bolt	
10	91514089	2	O-Ring	
11	70029482	1	Housing	
12	70024881	2	Grease Fitting	
13	80204012	1	Plug	
15	70028938	1	Plug	
16	70028886	2	Thrust Bushing	

# SECTION 5 - DRIVE TRAIN

## FIGURE 5-37. FRONT AXLE - DIFFERENTIAL (110HP)



ART\_1001220490\_2

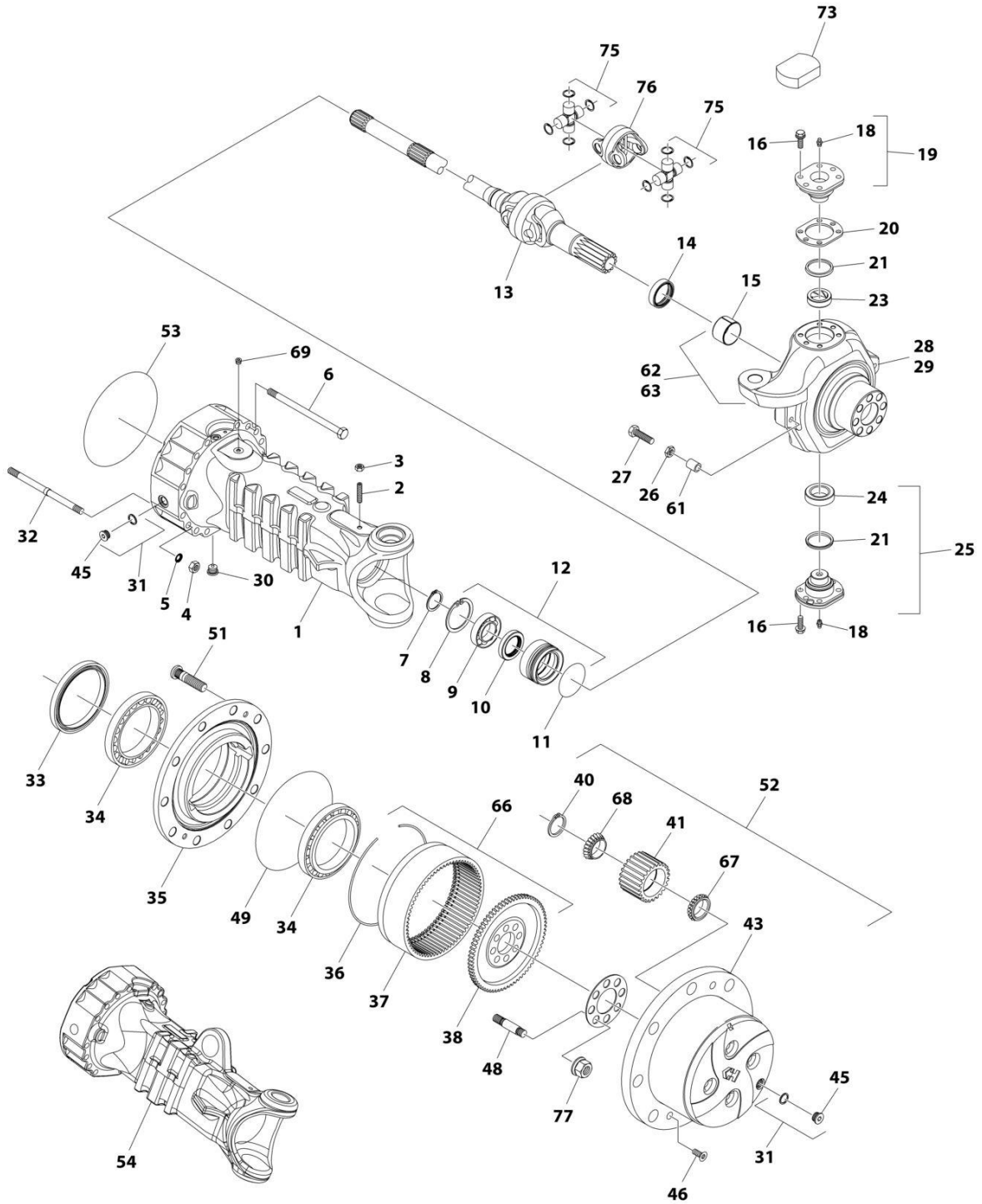
## SECTION 5 - DRIVE TRAIN

**FIGURE 5-37. FRONT AXLE - DIFFERENTIAL (110HP)**

ITEM	PART NUMBER	QTY	DESCRIPTION	REV
	1001220490	Ref	FRONT AXLE, DIFFERENTIAL	F
1	80204043	1	Nut	
2	91514130	1	Cover Plate	
3	80204048	1	Taper Roller Bearing	
4	70029483	1	Shim Kit	
5	70026255	1	Bevel Gear Set	
6	80204035	1	Taper Roller Bearing	
7	70023494	1	Ring	
8	70022140	1	Spacer	
9	70025887	1	Seal	
10	91514131	1	Flange	
11	10725554	1	O-Ring	
12	80204033	2	Taper Roller Bearing	
13	91514133	2	Ring Nut	
14	91514134	2	Bolt	
15	70025562	16	Bolt	
16	70024004	1	Differential Carrier	
18	70026750	2	Clutch Disc	
20	70025856	2	Gear, Differential Side	
21	70027105	4	Friction Washer	
22	70025339	4	Differential Pinion	
23	70023490	2	Differential Shaft	
24	91514143	15	Bolt	
26	70028390	1	Differential	

# SECTION 5 - DRIVE TRAIN

## FIGURE 5-38. FRONT AXLE - HUB REDUCTION (110HP)



ART\_1001220490\_3



## SECTION 5 - DRIVE TRAIN

**FIGURE 5-38. FRONT AXLE - HUB REDUCTION (110HP)**

ITEM	PART NUMBER	QTY	DESCRIPTION	REV
	1001220490	Ref	FRONT AXLE, HUB REDUCTION	F
1	70029484	1	Axle Case	
2	91514081	2	Bolt	
3	91514082	2	Nut	
4	91514083	8	Nut	
5	91514084	8	Washer	
6	7029309	24	Bolt	
7	80204071	2	Circlip	
8	80204005	2	Circlip	
9	91514146	2	Ball Bearing	
10	91514147	2	Seal	
11	91514148	2	O-Ring	
12	91514149	2	Reduction Bushing	
13	70026066	2	Double Universal Joint	
14	70025857	2	Seal	
15	91514111	2	Thrust Bushing	
16	70025562	24	Bolt	
18	70024881	4	Grease Fitting	
19	70028890	2	Pivot Pin	
20	70025561	1	Shim Kit	
21	7028716	4	Dust Seal	
23	7028714	2	Bushing	
24	91514095	2	Bearing	
25	70028891	2	Pivot Pin	
26	80204065	4	Nut	
27	70028975	4	Bolt	
28	N.S.S.	1	Steering Case (RF, LR)	
29	N.S.S.	1	Steering Case (LF, RR)	
30	70028388	2	Plug	
31	91514188	2	Plug With Sealing Washer	
32	70024851	8	Stud	
33	70026002	2	Seal	
34	80204076	4	Tapered Roller Bearing	
35	91514174	2	Wheel Hub	
36	91514175	2	Circlip	
37	70024147	2	Ring Gear	
38	91514177	2	Ring Gear Support	
40	70028926	8	Snap Ring	
41	70028924	8	Differential Pinion	
43	70029486	2	Planet Gear Carrier	
45	70028389	2	Plug	
46	91514189	4	Bolt, Countersunk	
48	91514180	16	Stud	
49	91514181	2	O-Ring	
51	91514183	20	Wheel Stud	
52	70029454	2	Planet Gear Carrier Assembly	
53	91514089	2	O-Ring	
54	70028892	1	Axle Case	
61	7029311	4	Spacer	
62	70029489	1	Steering Case Assembly (RF, LR) (includes items 15 & 28)	

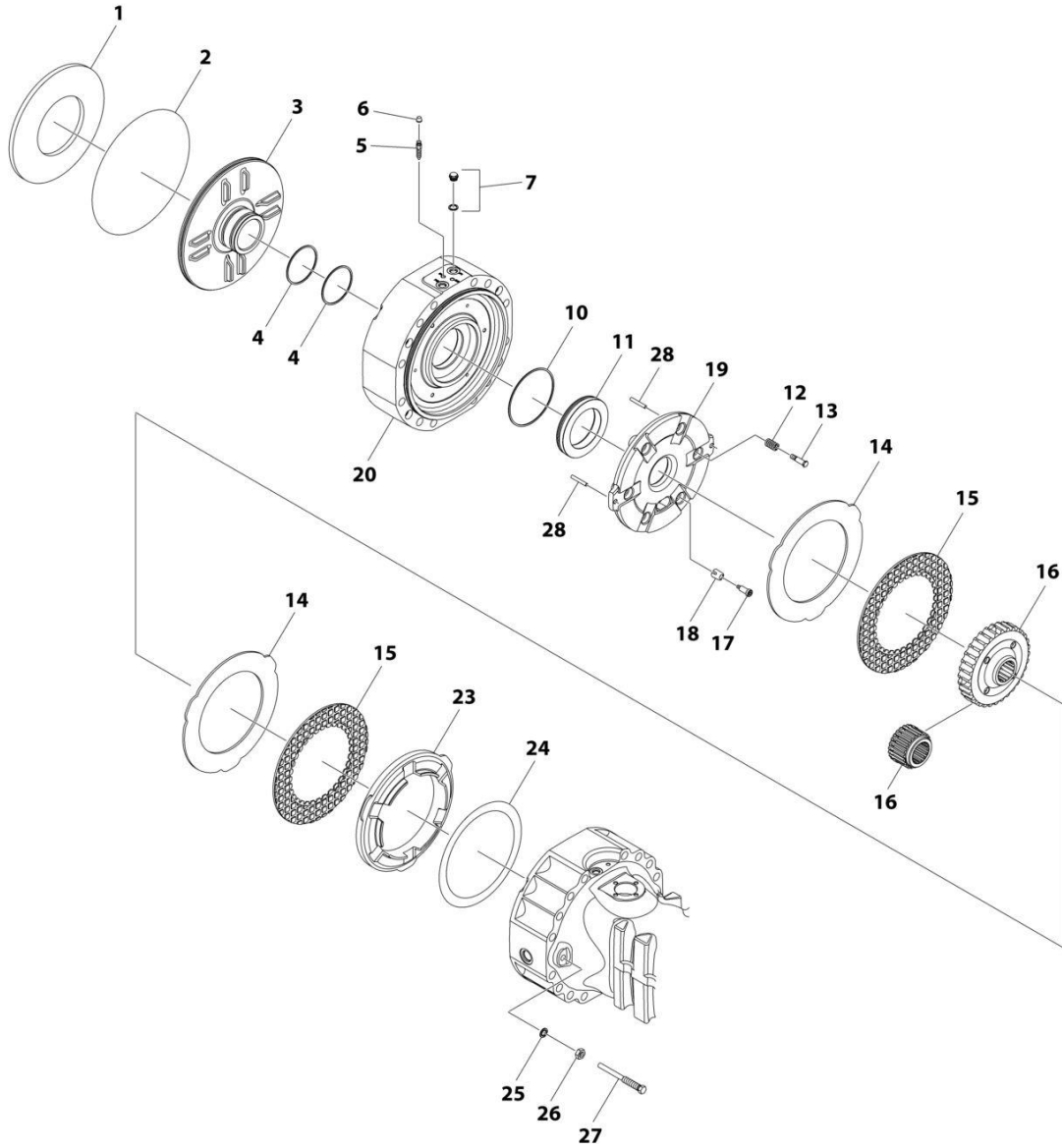
## SECTION 5 - DRIVE TRAIN

ITEM	PART NUMBER	QTY	DESCRIPTION	REV
63	70029488	1	Steering Case Assembly (LF, RR) (includes items 15 & 29)	
66	70024146	2	Ring Gear Support Kit (includes items 36 thru 38)	
67	70028923	8	Tapered Roller Bearing	
68	70028922	8	Tapered Roller Bearing	
69	80204012	2	Plug	
73	70028392	2	Cover	
75	70023829	2	Joint Cross	
76	70023116	1	Center Body	
77	70029545	16	Nut	



# SECTION 5 - DRIVE TRAIN

## FIGURE 5-39. FRONT AXLE - BRAKES (110HP)



ART\_1001220490\_4

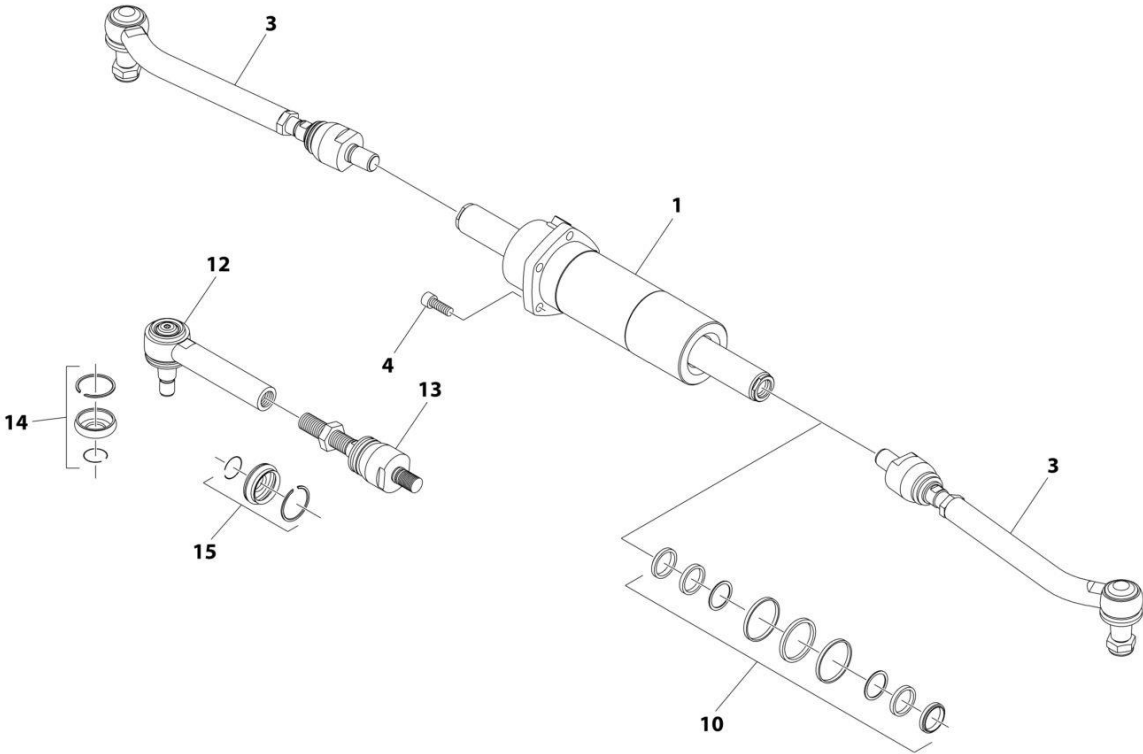
## SECTION 5 - DRIVE TRAIN

**FIGURE 5-39. FRONT AXLE - BRAKES (110HP)**

ITEM	PART NUMBER	QTY	DESCRIPTION	REV
	1001220490	Ref	FRONT AXLE, BRAKES	F
1	91514151	2	Belleville Washer	
2	91514089	2	O-Ring	
3	70027092	2	Piston	
4	70026262	4	Seal	
5	10725627	4	Bleeding Bolt	
6	80204117	4	Plug	
7	91514154	4	Plug With Seal	
10	70026263	2	O-Ring	
11	70027796	2	Piston	
12	91514159	6	Spring	
13	70024210	6	Adjusting Bolt	
14	70027022	6	Intermediate Brake Disc	
15	7029735	6	Brake Disc	
16	7029734	2	Reduction Bushing	
17	7029787	6	Adjusting Bolt	
18	70027317	6	Spring	
19	70024849	2	Disc, Intermediate Brake	
20	70024848	2	Cover	
23	70026264	2	Spacer	
24	70025970	1	Shim	
25	80204108	4	Lockwasher	
26	80204060	4	Nut	
27	70024213	4	Bolt	
28	70024215	4	Dowel	

**SECTION 5 - DRIVE TRAIN**

**FIGURE 5-40. FRONT AXLE - STEERING (110HP)**



ART\_1001220490\_5

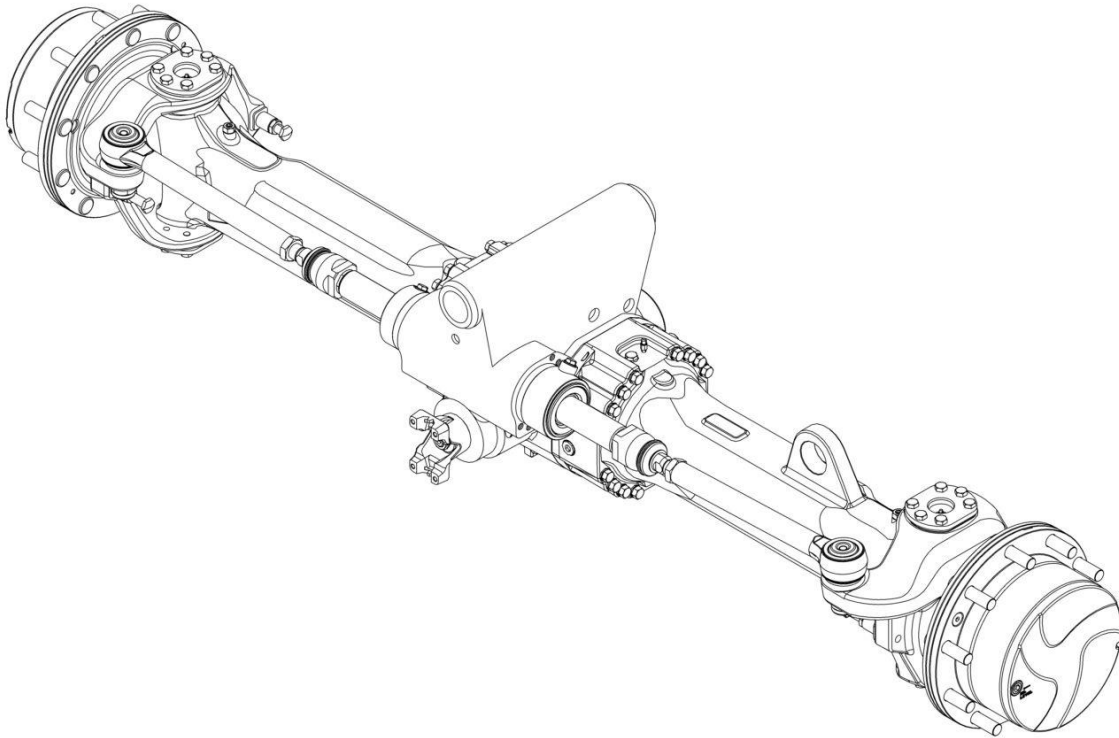
## SECTION 5 - DRIVE TRAIN

### FIGURE 5-40. FRONT AXLE - STEERING (110HP)

ITEM	PART NUMBER	QTY	DESCRIPTION	REV
	1001220490	Ref	FRONT AXLE, STEERING	F
1	70028947	1	Cylinder	
3	70028948	2	Tie Rod	
4	80204144	5	Cylinder Bolt	
10	7029127	1	Seal Kit	
12	70028949	1	Joint, 90	
13	70028950	1	Axial Joint Shaft	
14	70028951	1	Rubber Boot and Locking Ring Kit	
15	70028952	1	Rubber Boot and Locking Ring Kit	

## SECTION 5 - DRIVE TRAIN

FIGURE 5-41. REAR AXLE INSTALLATION (110HP)



ART\_1001220491



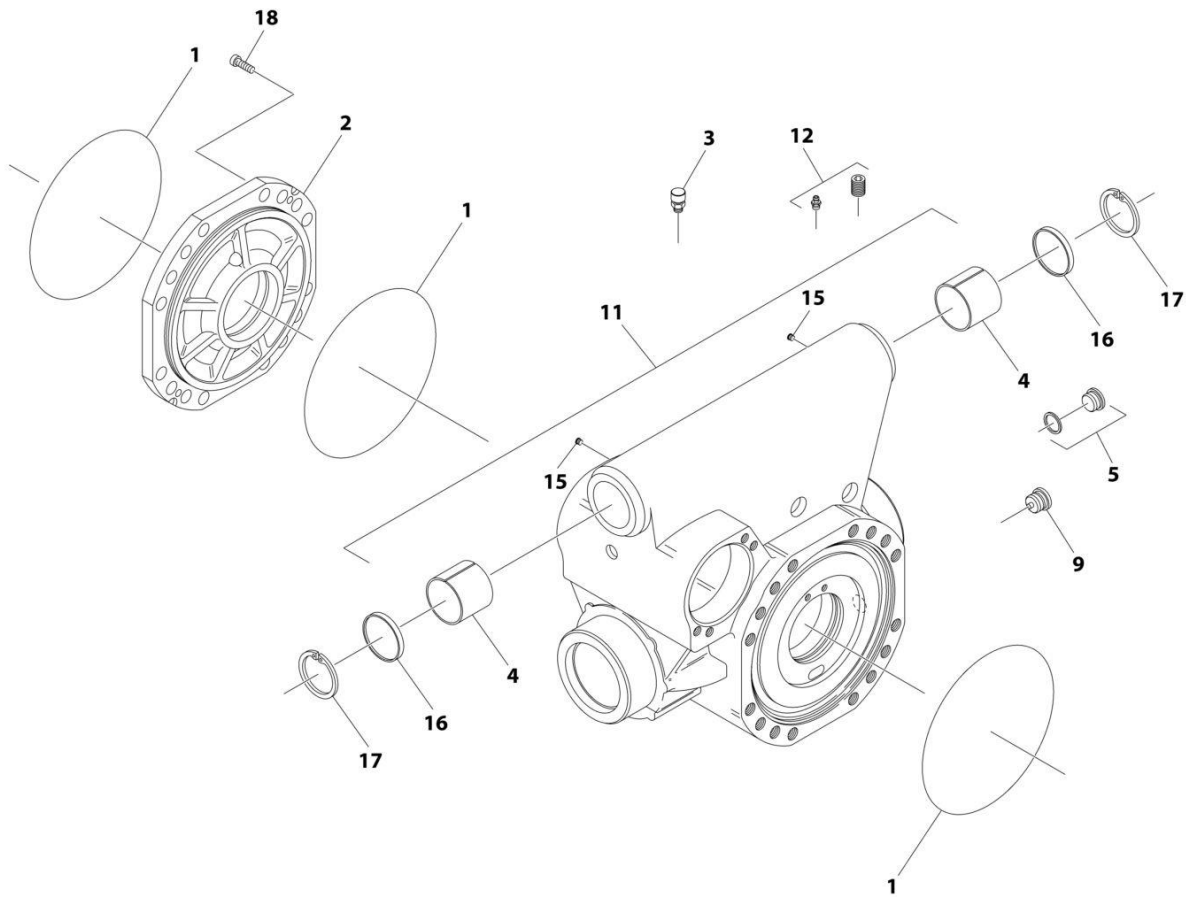
## SECTION 5 - DRIVE TRAIN

### FIGURE 5-41. REAR AXLE INSTALLATION (110HP)

ITEM	PART NUMBER	QTY	DESCRIPTION	REV
	1001220491	Ref	Rear Axle Installation	E
		Ref	Rear Axle, Central Housing (See Separate Breakdown in this Section)	
		Ref	Rear Axle, Differential (See Separate Breakdown in this Section)	
		Ref	Rear Axle, Hub Reduction (See Separate Breakdown in this Section)	
		Ref	Rear Axle, Brakes (See Separate Breakdown in this Section)	
		Ref	Rear Axle, Steering (See Separate Breakdown in this Section)	

# SECTION 5 - DRIVE TRAIN

## FIGURE 5-42. REAR AXLE - CENTRAL HOUSING (110HP)



ART\_1001220491\_1

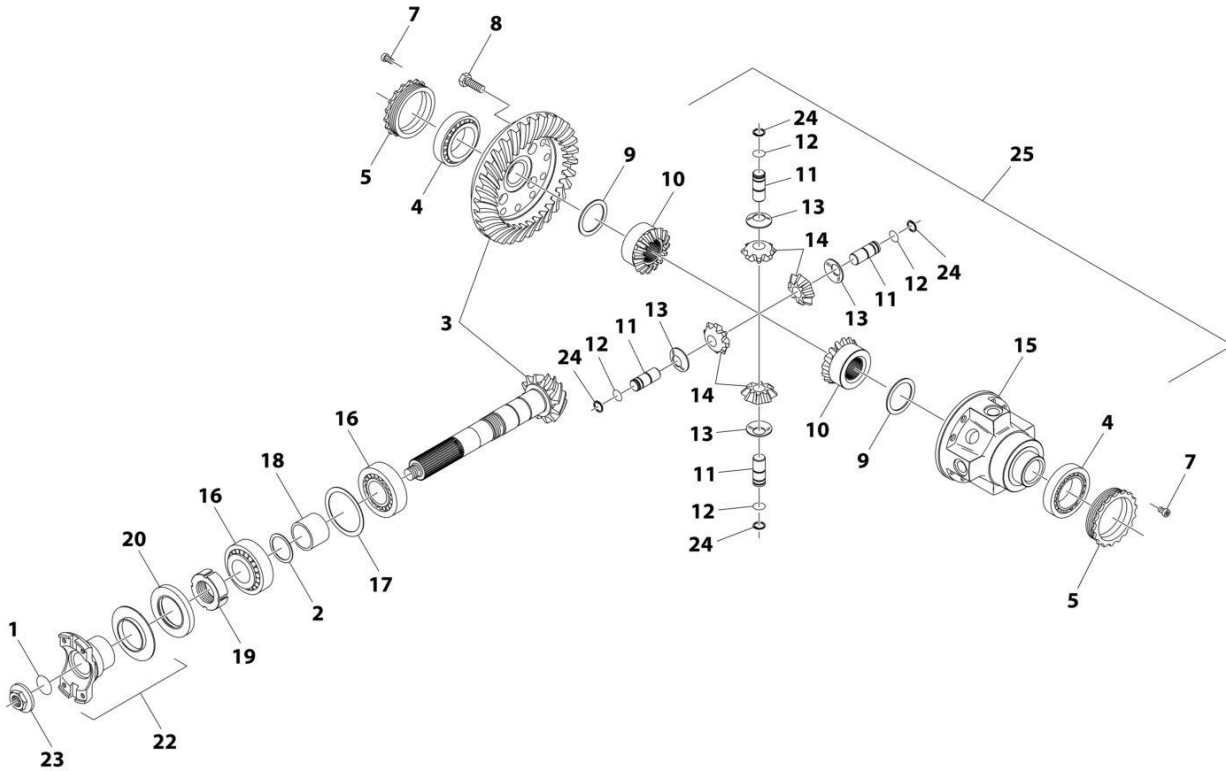
## SECTION 5 - DRIVE TRAIN

**FIGURE 5-42. REAR AXLE - CENTRAL HOUSING (110HP)**

ITEM	PART NUMBER	QTY	DESCRIPTION	REV
	1001220491	Ref	REAR AXLE, CENTRAL HOUSING	E
1	91474507	3	O-Ring	
2	70024519	1	Cover	
3	91474512	1	Vent	
4	70028886	2	Thrust Bushing	
5	91514188	1	Plug With Seal Washer	
9	7028706	1	Magnet Plug	
11	N.S.S.	1	Housing	
12	70024881	2	Fitting, Grease	
15	70028938	2	Plug	
16	70028974	2	Seal	
17	70028939	2	Ring	
18	91474591	4	Bolt	

# SECTION 5 - DRIVE TRAIN

## FIGURE 5-43. FRONT AXLE - DIFFERENTIAL (110HP)



ART\_1001220491\_2

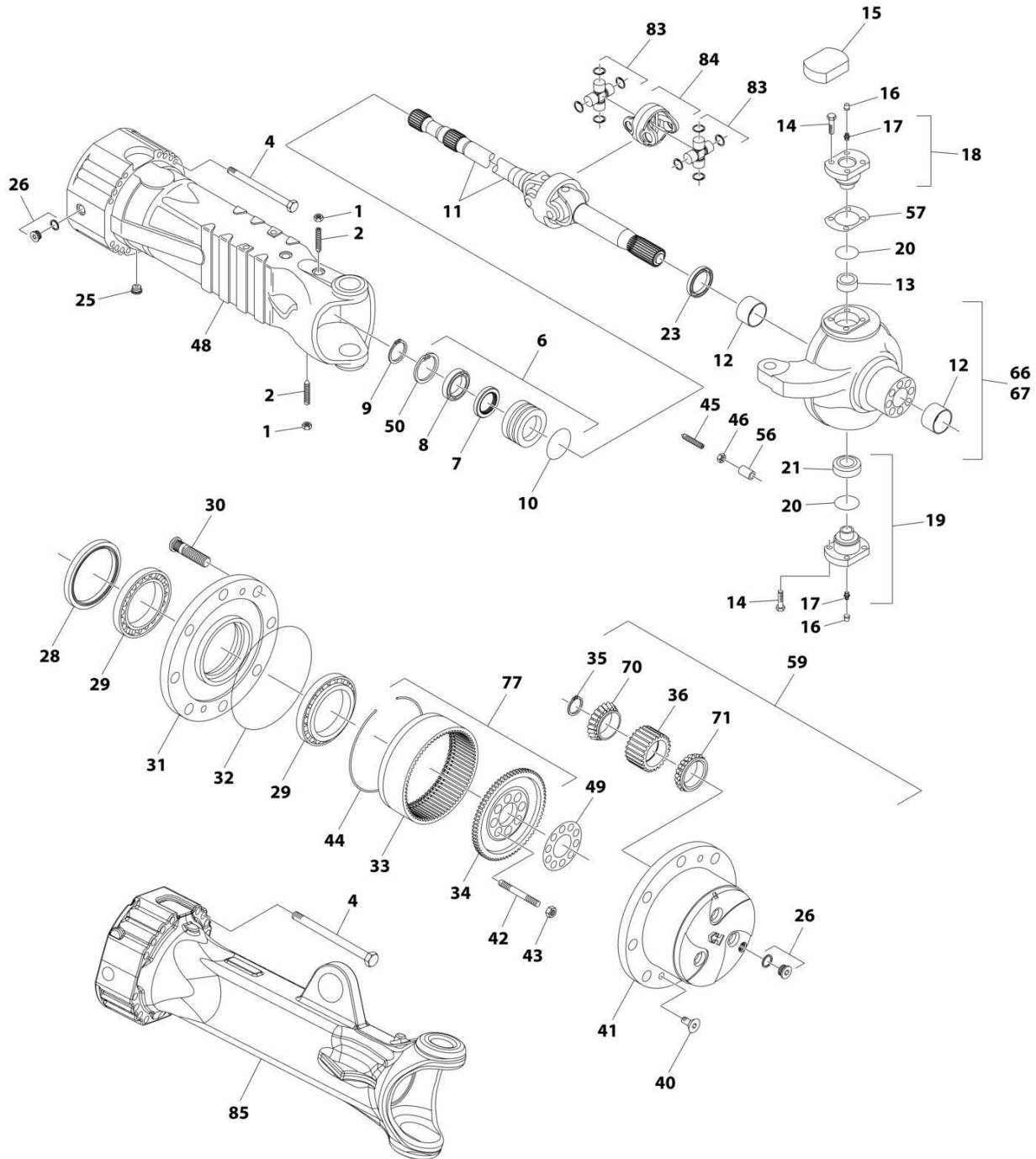
## SECTION 5 - DRIVE TRAIN

**FIGURE 5-43. FRONT AXLE - DIFFERENTIAL (110HP)**

ITEM	PART NUMBER	QTY	DESCRIPTION	REV
	1001220491	Ref	REAR AXLE, DIFFERENTIAL	E
1	91474529	1	O-Ring	
2	70025556	1	Shim Kit	
3	70028997	1	Bevel Gear Set	
4	70028471	2	Bearing, Taper Roller	
5	91474547	2	Nut, Ring	
7	91514134	2	Bolt	
8	70025562	12	Bolt	
9	91474593	2	Washer, Friction	
10	70025569	2	Gear, Differential Side	
11	7029131	4	Pin	
12	91474551	4	Circlip	
13	91474553	4	Washer, Friction	
14	70025570	4	Pinion, Differential	
15	91474595	1	Carrier, Differential	
16	3968141	2	Bearing, Taper Roller	
17	70025555	1	Shim Kit	
18	91474539	1	Spacer	
19	91474533	1	Nut, Ring	
20	70024522	1	Seal	
22	70022797	1	Flange	
23	70026631	1	Nut	
24	91474550	4	Circlip	
25	70021140	1	Kit, Differential (includes items 9 thru 15 & 24)	

# SECTION 5 - DRIVE TRAIN

## FIGURE 5-44. REAR AXLE - HUB REDUCTION (110HP)



ART\_1001220491\_3

## SECTION 5 - DRIVE TRAIN

**FIGURE 5-44. REAR AXLE - HUB REDUCTION (110HP)**

ITEM	PART NUMBER	QTY	DESCRIPTION	REV
	1001220491	Ref	REAR AXLE, HUB REDUCTION	E
1	91514082	2	Nut	
2	91514081	2	Bolt	
4	70022799	32	Bolt	
6	91514149	2	Kit, Reduction Bushing (includes items 7, 8, 10 & 50)	
7	91514147	2	Seal	
8	91514146	2	Ball Bearing	
9	80204071	2	Circlip	
10	91514148	2	O-Ring	
11	70026803	2	Joint & Shaft, Double Universal	
12	91514111	2	Bushing, Thrust	
13	7028714	2	Bushing	
14	70025562	24	Bolt	
15	70028392	2	Cover	
16	80204117	2	Plug	
17	70024881	4	Fitting, Grease	
18	70028890	2	Pivot Pin	
19	70028891	2	Pivot Pin	
20	7028716	4	Seal, Dust	
21	91514095	2	Bearing	
23	70026238	2	Seal	
25	7028706	4	Plug, Magnet	
26	91514188	2	Plug With Sealing Washer	
28	7028721	2	Seal	
29	91474576	4	Bearing	
30	91514183	20	Wheel Stud	
31	7028722	2	Wheel Hub	
32	91514181	2	O-Ring	
33	70029546	2	Gear, Ring	
34	70026812	2	Support, Ring Gear	
35	70028925	6	Circlip	
36	70028941	6	Differential Pinion	
40	91514189	4	Bolt, Countersunk	
41	70028881	1	Planet Gear Carrier	
42	70027315	16	Stud	
43	91474584	16	Nut	
44	91514175	2	Circlip	
45	70028975	4	Bolt	
46	80204065	4	Nut	
48	70028976	1	Case, Axle	
49	70026622	2	Plate, Locking	
50	80204005	2	Circlip	
56	7029311	4	Spacer	
57	70025561	1	Kit, Shim	
59	70028881	2	Kit, Planet Gear (includes items 35, 36, 41, 70 & 71)	
66	70029471	1	Steering Case (LR) (includes item 12)	
67	70029472	1	Steering Case (RR) (includes item 12)	
70	7028731	6	Bearing	
71	7028732	6	Bearing	
77	70029547	2	Kit, Gear Ring (includes items 22, 34 & 44)	

## SECTION 5 - DRIVE TRAIN

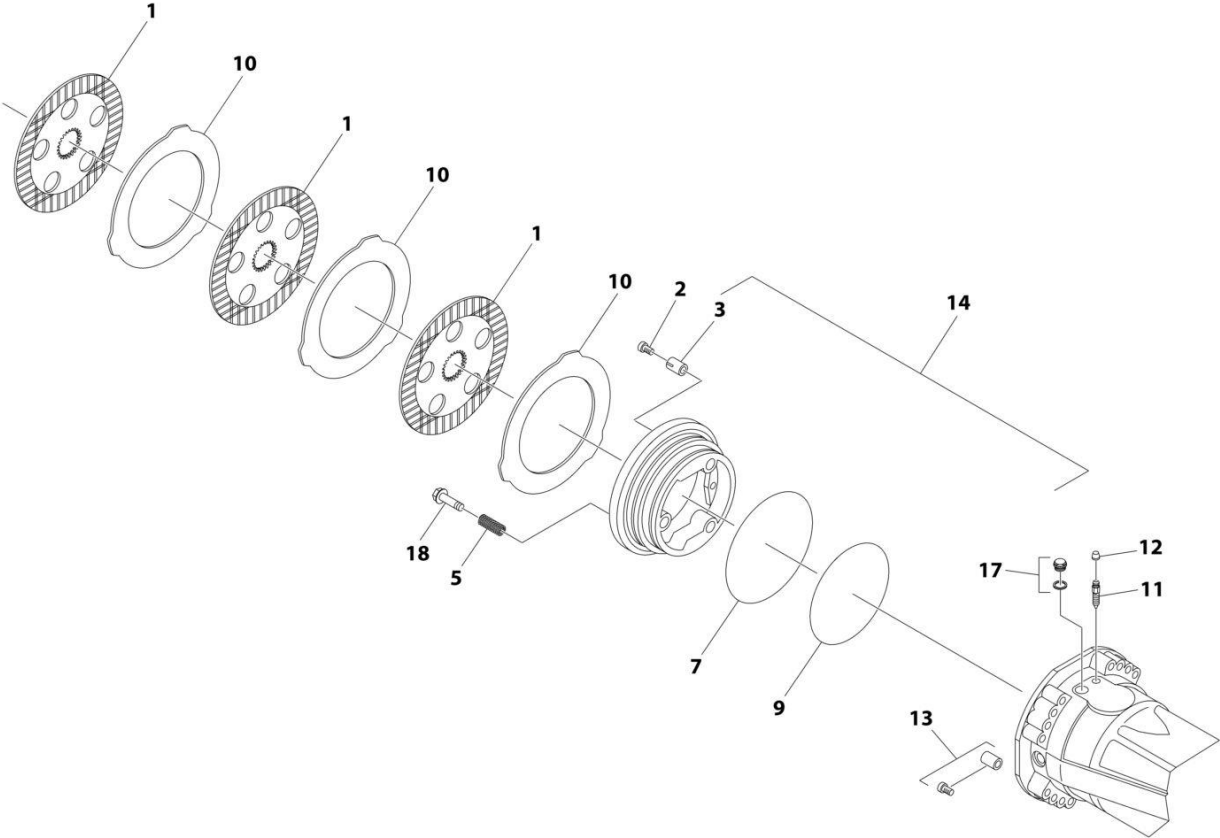
ITEM	PART NUMBER	QTY	DESCRIPTION	REV
83	70028943	2	Cross Joint	
84	70028944	1	Center Section Joint	
85	70028977	1	Case, Axle	





**SECTION 5 - DRIVE TRAIN**

**FIGURE 5-45. REAR AXLE - BRAKES (110HP)**



ART\_1001220491\_4

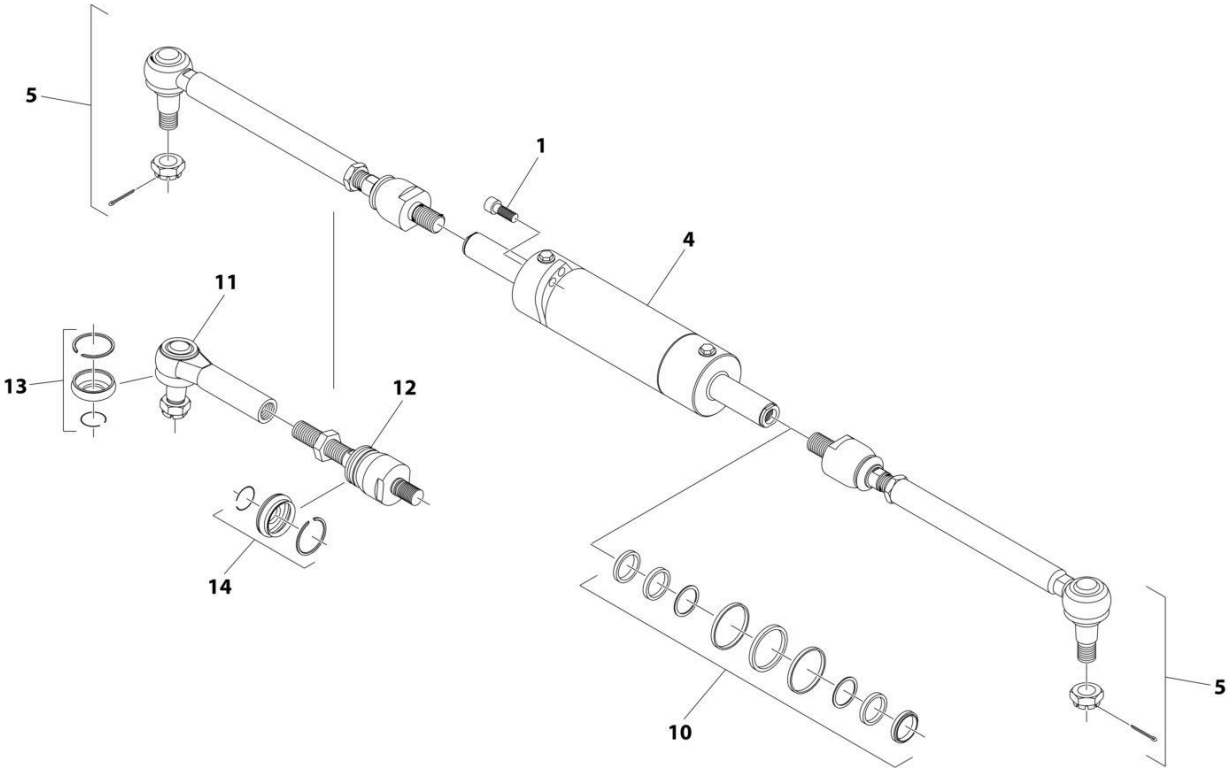
## SECTION 5 - DRIVE TRAIN

**FIGURE 5-45. REAR AXLE - BRAKES (110HP)**

ITEM	PART NUMBER	QTY	DESCRIPTION	REV
	1001220491	Ref	REAR AXLES, BRAKES	E
1	91474568	6	Disc	
2	7029786	6	Adjusting Bolt	
3	70027317	6	Spring	
5	91514159	6	Spring	
7	70025821	2	O-Ring	
9	70025822	2	O-Ring	
10	70025823	8	Disc, Intermediate Brake	
11	10725627	2	Bolt, Bleeding	
12	80204117	2	Plug	
13	70021613	2	Bolt	
14	N.S.S.	2	Piston	
17	91514154	2	Plug With Seal Washer	
18	70024210	6	Bolt	

**SECTION 5 - DRIVE TRAIN**

**FIGURE 5-46. REAR AXLE - STEERING (110HP)**



ART\_1001220491\_5

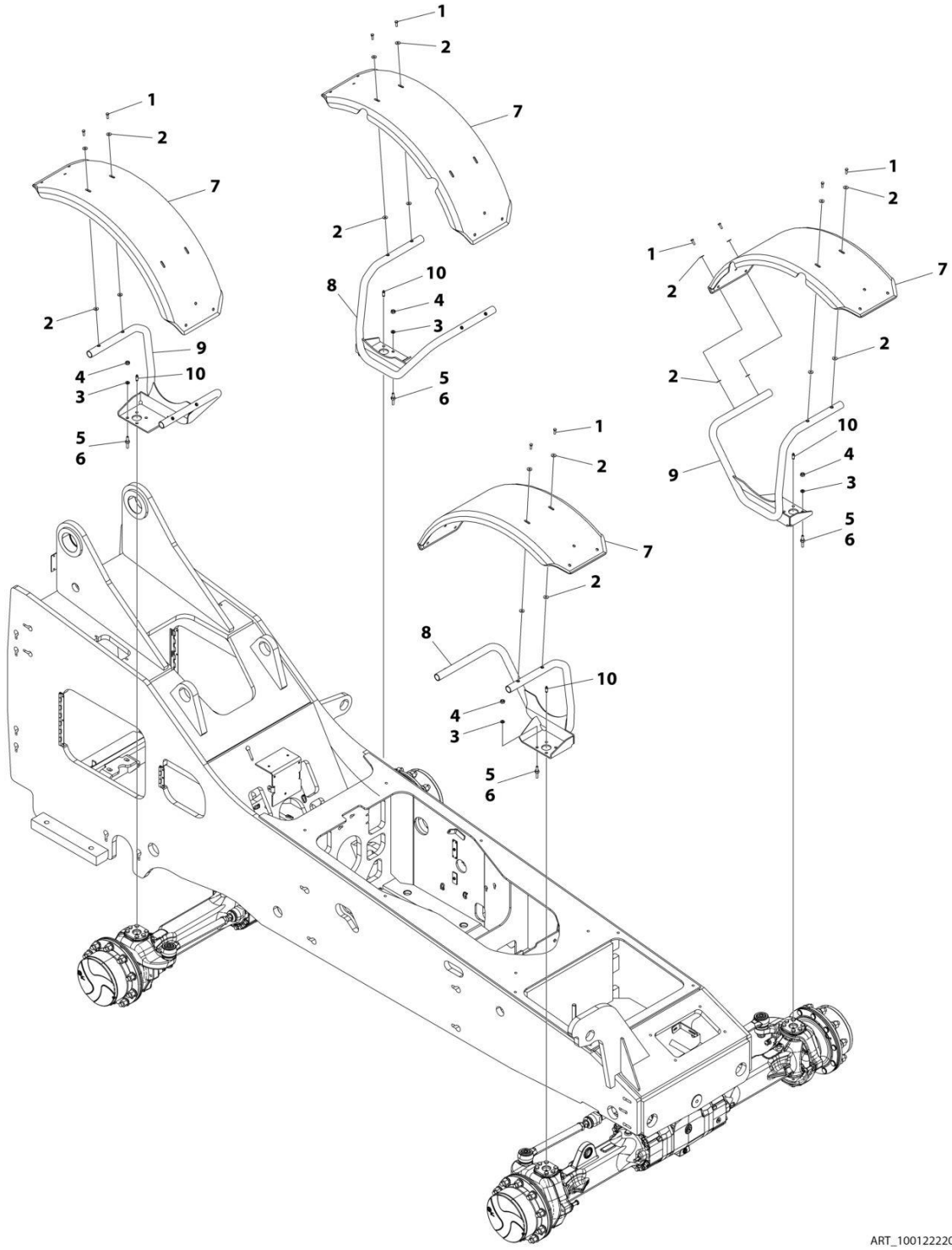
## SECTION 5 - DRIVE TRAIN

### FIGURE 5-46. REAR AXLE - STEERING (110HP)

ITEM	PART NUMBER	QTY	DESCRIPTION	REV
	1001220491	Ref	REAR AXLE, STEERING	E
1	80204144	5	Bolt	
4	70028947	1	Cylinder	
5	70028948	2	Tie Rod	
10	7029127	1	Kit, Seal	
11	70028949	1	Joint, 90	
12	70028950	1	Axial Joint Shaft	
13	70028951	1	Rubber Boot and Locking Ring Kit	
14	70028952	1	Rubber Boot and Locking Ring Kit	

# SECTION 5 - DRIVE TRAIN

## FIGURE 5-47. FENDER INSTALLATION



ART\_1001222200

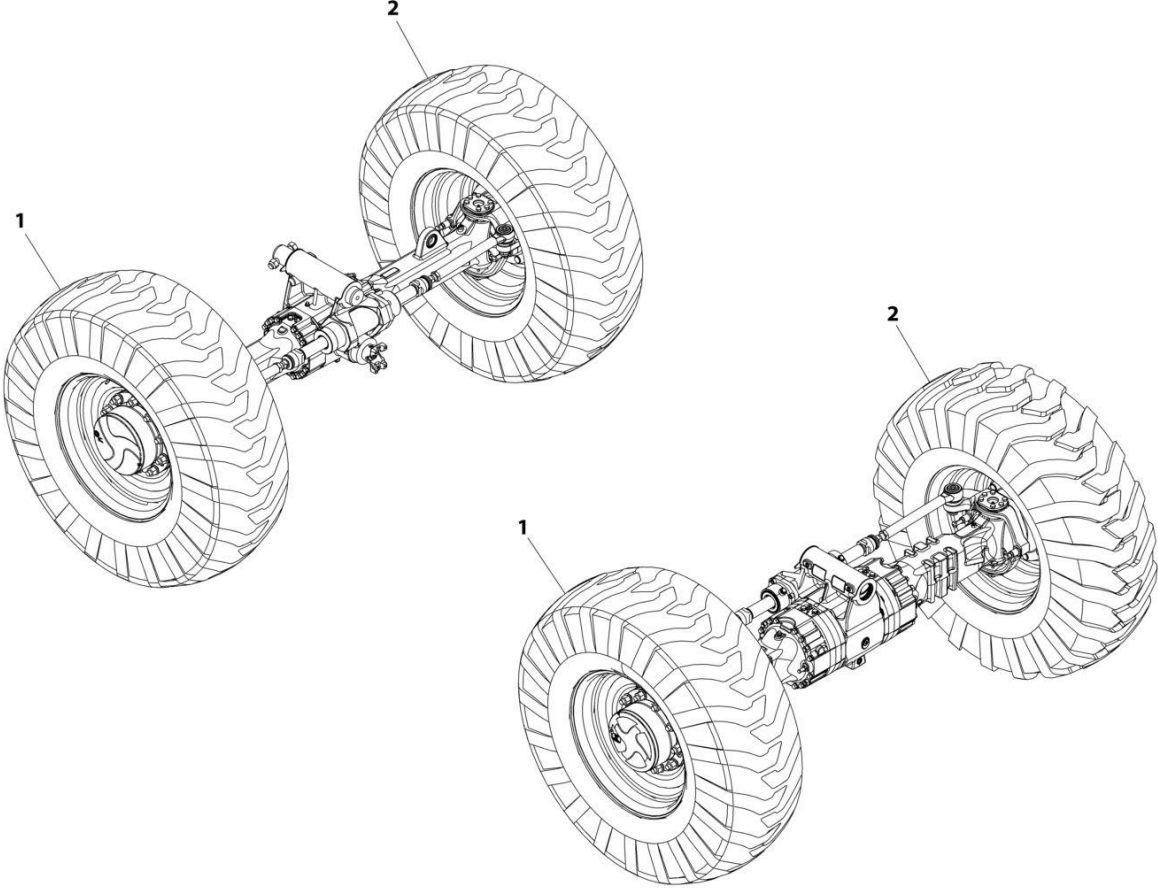
## SECTION 5 - DRIVE TRAIN

### FIGURE 5-47. FENDER INSTALLATION

ITEM	PART NUMBER	QTY	DESCRIPTION	REV
	1001222200	Ref	Fender Installation	D
1	0760812	16	Capscrew, M8X25	
2	4811902	32	Washer	
3	83191010	16	Washer, Lock M12	
4	91513266	16	Nut, M12	
5	91514118	16	Stud, Fender	
6	1001095650	AR	Adhesive	
7	1001154055	4	Fender	
8	1001222203	2	Bracket, Fender	
9	1001222717	2	Bracket, Fender	
10	1001225317	4	Fitting, Grease	

**SECTION 5 - DRIVE TRAIN**

**FIGURE 5-48. TIRE SET - 17.2-25 PNEUMATIC**



ART\_1001222217-C



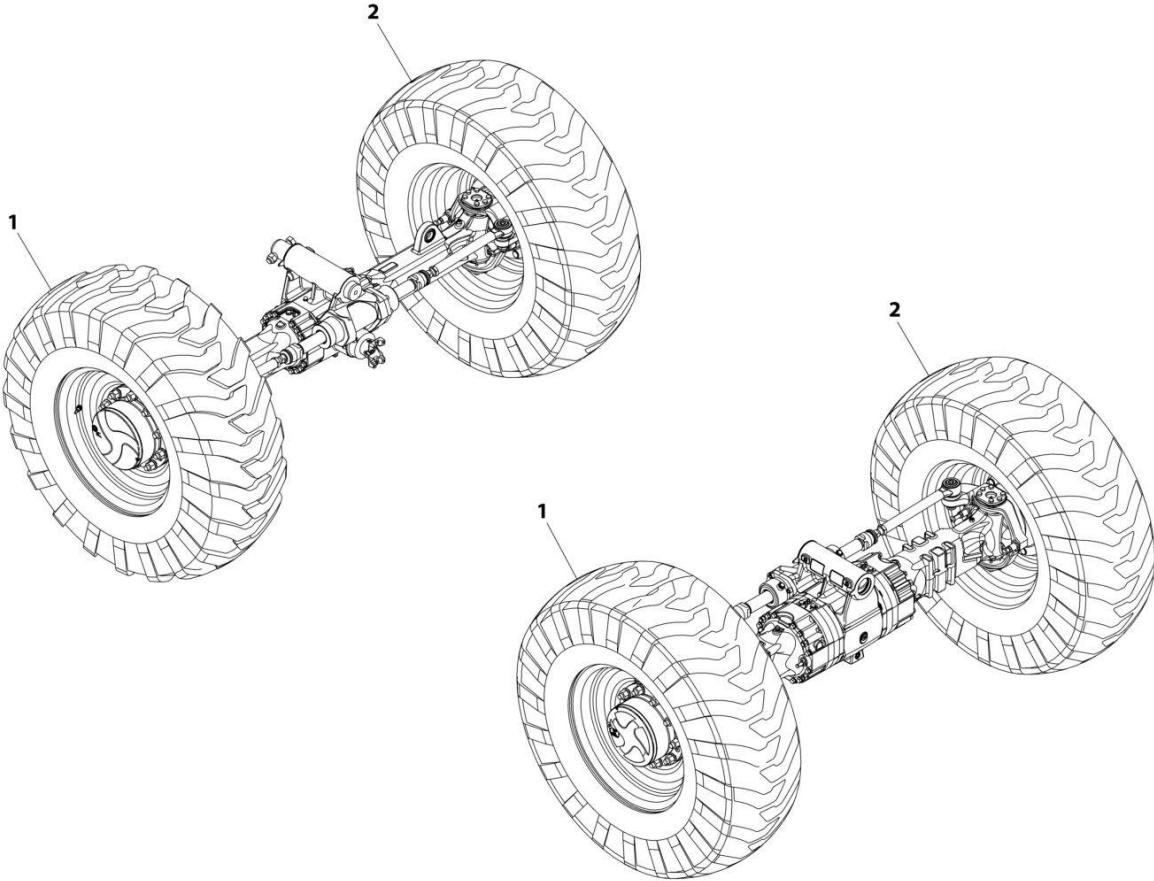
## SECTION 5 - DRIVE TRAIN

**FIGURE 5-48. TIRE SET - 17.2-25 PNEUMATIC**

ITEM	PART NUMBER	QTY	DESCRIPTION	REV
	1001222217	Ref	Tire Set, 17.5-25 Pneumatic	C
1	1001152415	2	Tire and Wheel Assembly (RH)	
1	91563250	2	Wheel (1 per assembly)	
1	8780039	2	Tire 17.2-25 16 Ply (1 per assembly)	
1	91083385	2	Valve, Air (1 per assembly)	
2	1001152416	2	Tire and Wheel Assembly (LH)	
2	91563250	2	Wheel (1 per assembly)	
2	8780039	2	Tire 17.2-25 16 Ply (1 per assembly)	
2	91083385	2	Valve, Air (1 per assembly)	

**SECTION 5 - DRIVE TRAIN**

**FIGURE 5-49. TIRE SET - 17.2-25 FOAM-FILLED**



ART\_1001222218-C

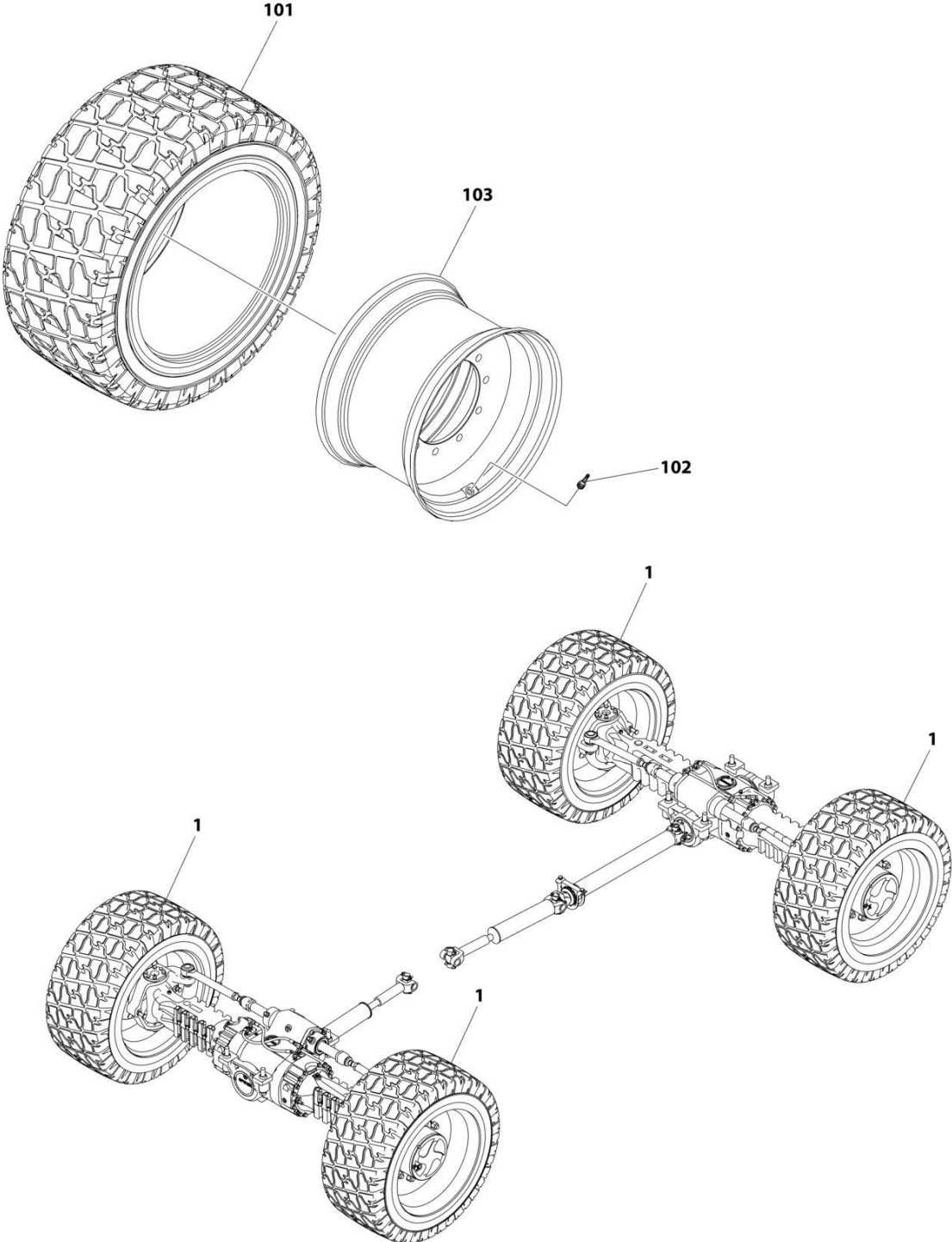
## SECTION 5 - DRIVE TRAIN

**FIGURE 5-49. TIRE SET - 17.2-25 FOAM-FILLED**

ITEM	PART NUMBER	QTY	DESCRIPTION	REV
	1001222218	Ref	Tire Set, 17.5-25 Foam-Filled	C
		Ref	<b>Note: Assemblies require ballast/foam filling to manufacture's specifications prior to installing on machine. Refer to Operation &amp; Safety or Service &amp; Maintenance Manuals.</b>	
		Ref	<b>Purchase individual tire and/or wheel only if able to foam fill tire &amp; wheel assembly, otherwise purchase complete assembly.</b>	
1	91565040	2	Tire and Wheel Assembly (RH)	
1	91563250	2	Wheel (1 per assembly)	
1	4520527	2	Tire 17.5-25 12 Ply (1 per assembly)	
1	91083385	2	Valve, Air (1 per assembly)	
2	91565039	2	Tire and Wheel Assembly (LH)	
2	91563250	2	Wheel (1 per assembly)	
2	4520527	2	Tire 17.5-25 12 Ply (1 per assembly)	
2	91083385	2	Valve, Air (1 per assembly)	

**SECTION 5 - DRIVE TRAIN**

**FIGURE 5-50. TIRE SET - 18 X 625 (TURF AND SAND PNEUMATIC)**



ART\_1001252986

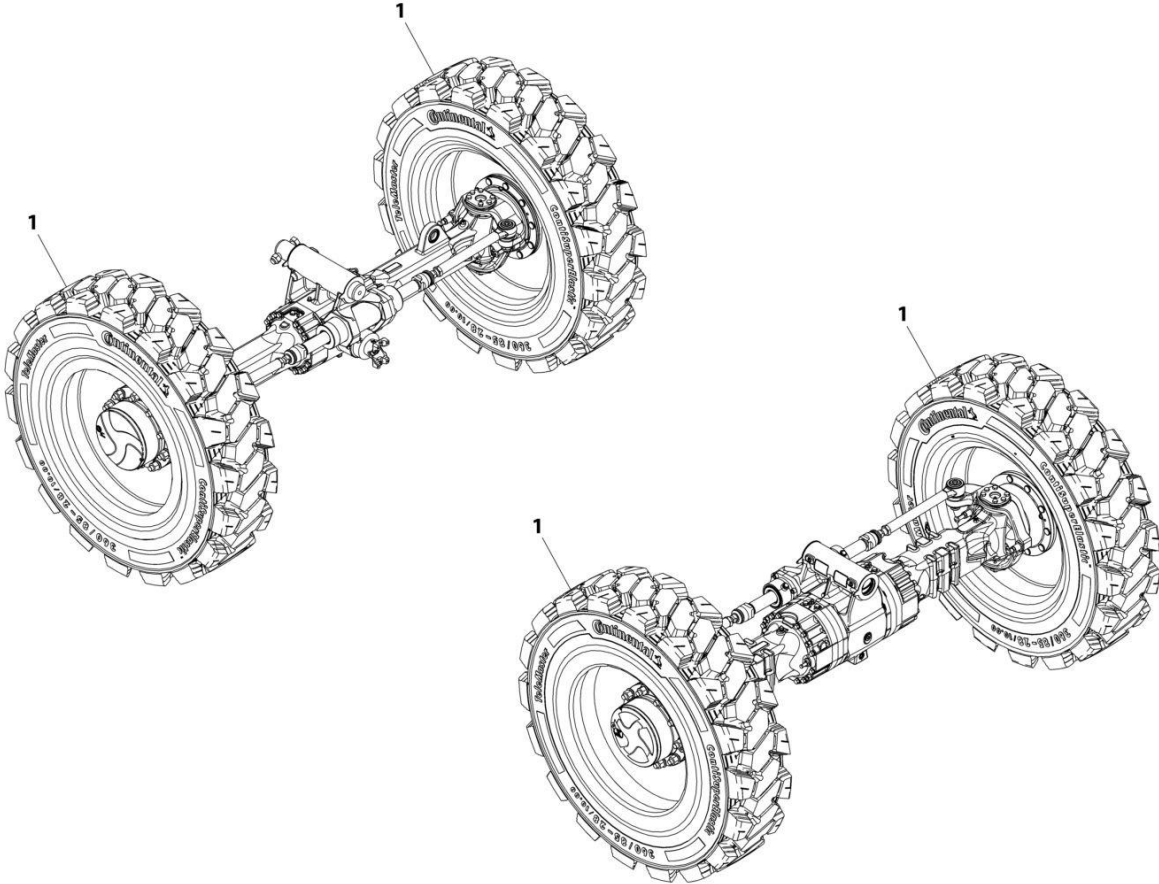
## SECTION 5 - DRIVE TRAIN

**FIGURE 5-50. TIRE SET - 18 X 625 (TURF AND SAND PNEUMATIC)**

ITEM	PART NUMBER	QTY	DESCRIPTION	REV
	1001252986	Ref	TIRE SET - 18 X 625 (TURF PNEUMATIC)	B
1	1001259635	4	Tire and Wheel Assembly	
101	4520356	4	Tire - 18 x 625 Turf/Sand (1 per assembly)	
102	4641122	4	Valve, Air (1 per assembly)	
103	1001246001	4	Wheel (1 per assembly)	

**SECTION 5 - DRIVE TRAIN**

**FIGURE 5-51. TIRE SET - 360/85-28 SOLID**



ART\_1001222221-C

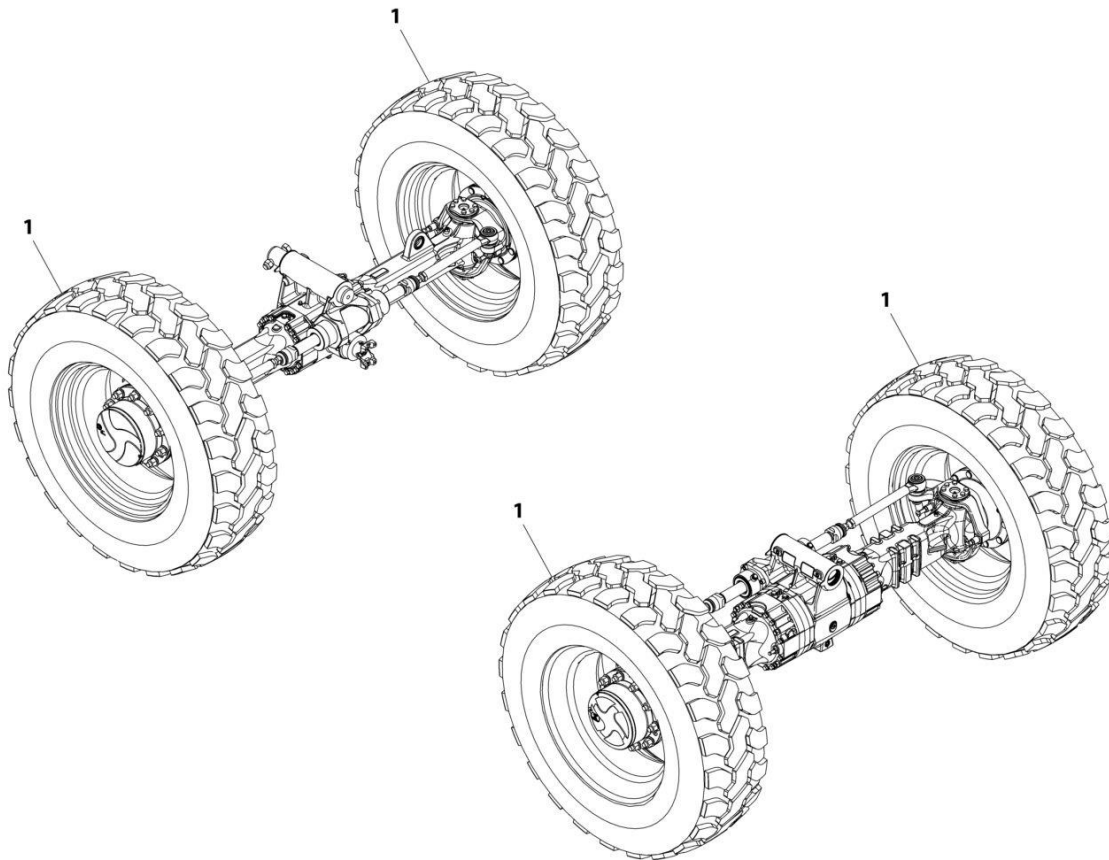
## SECTION 5 - DRIVE TRAIN

### FIGURE 5-51. TIRE SET - 360/85-28 SOLID

ITEM	PART NUMBER	QTY	DESCRIPTION	REV
1	1001222221	Ref	Tire Set, 360/85-28 Solid	C
	1001213200J	4	Tire, 360/85-28 Solid	

# SECTION 5 - DRIVE TRAIN

## FIGURE 5-52. TIRE SET - 400/75-28 PNEUMATIC



ART\_1001222219-B



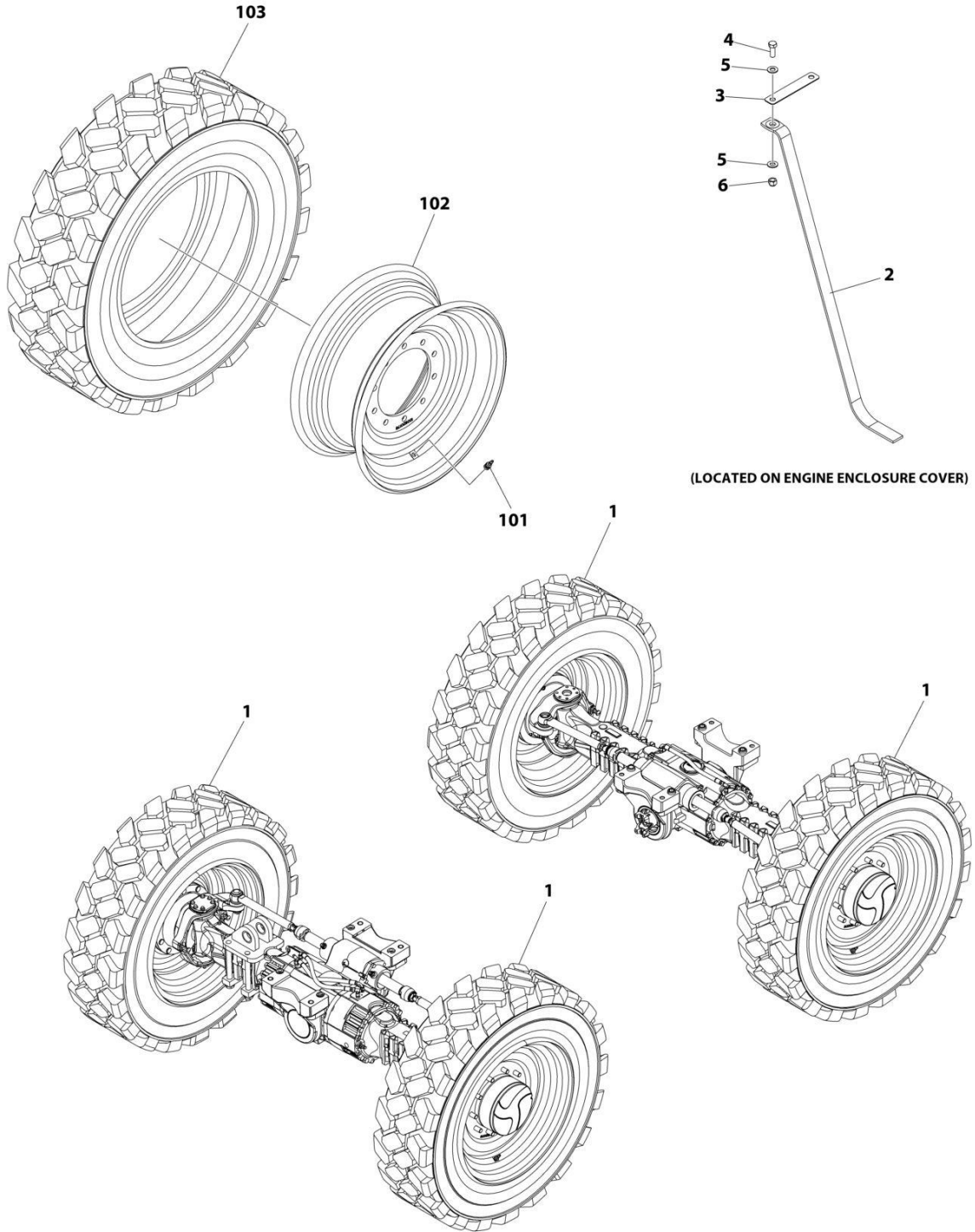
## SECTION 5 - DRIVE TRAIN

### FIGURE 5-52. TIRE SET - 400/75-28 PNEUMATIC

ITEM	PART NUMBER	QTY	DESCRIPTION	REV
	1001222219	Ref	Tire Set, 400/75-28 Pneumatic	B
1	1001121103	4	Tire and Wheel Assembly	
1	8786514	4	Valve, Air (1 per assembly)	
1	1001120178	4	Wheel (1 per assembly)	
1	1001120179	4	Tire 400/75-28 (1 per assembly)	

# SECTION 5 - DRIVE TRAIN

## FIGURE 5-53. TIRE SET - 400/75-28 PNEUMATIC NON-MARKING



ART\_1001241848

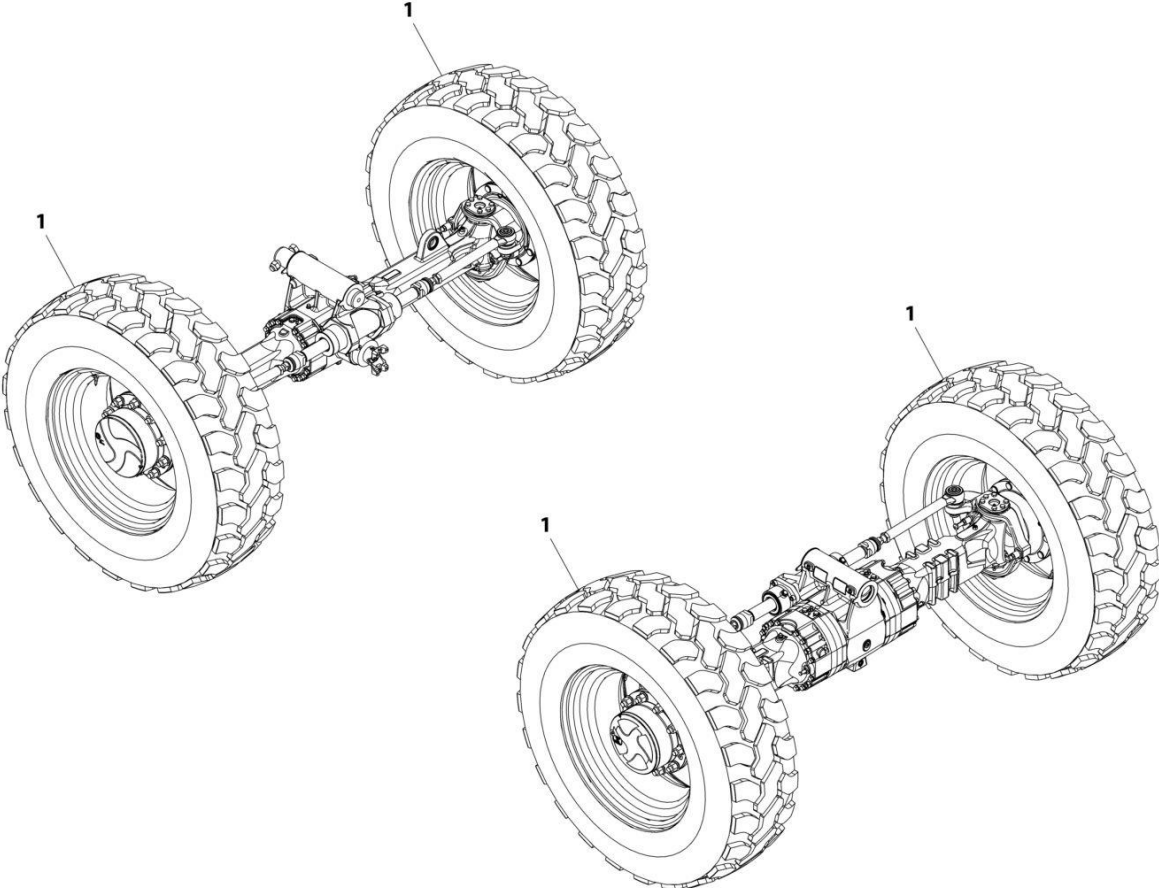
## SECTION 5 - DRIVE TRAIN

**FIGURE 5-53. TIRE SET - 400/75-28 PNEUMATIC NON-MARKING**

ITEM	PART NUMBER	QTY	DESCRIPTION	REV
	1001241848	Ref	TIRE/WHEEL SET - 400/75-28 - PNEUMATIC NON MARKING	B
1	1001241841	4	Assembly, Tire and Wheel - 400/75-28 - Pneumatic Non-Marking (See Items 101-103)	
2	1001275637	1	Strap, Anti-Static	
3	1001275638	1	Bracket	
4	8303620	1	Bolt 3/8 x 1	
5	8307110	2	Washer 3/8	
6	8305645	1	Nut 3/8	
	1001241841	Ref	ASSEMBLY, TIRE AND WHEEL - 400/75-28 - PNEUMATIC NON-MARKING	A
101	8786514	4	Valve, Air (1 per assembly)	
102	1001120178	4	Wheel (1 per assembly)	
103	1001241837	4	Tire 400/75-28 Non-Marking (1 per assembly)	

**SECTION 5 - DRIVE TRAIN**

**FIGURE 5-54. TIRE SET - 400/75-28 FOAM-FILLED**



ART\_1001222220-B

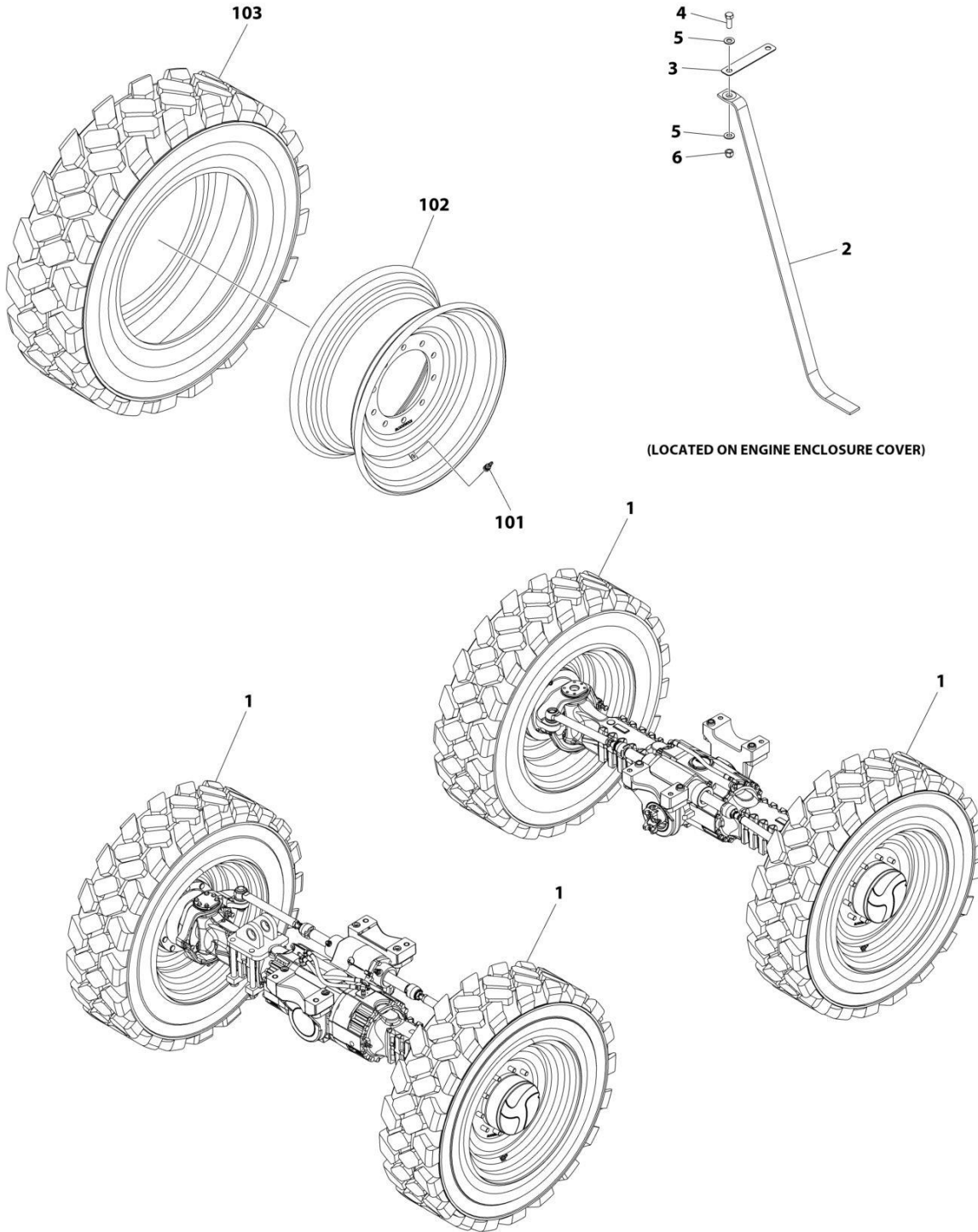
## SECTION 5 - DRIVE TRAIN

**FIGURE 5-54. TIRE SET - 400/75-28 FOAM-FILLED**

ITEM	PART NUMBER	QTY	DESCRIPTION	REV
	1001222220	Ref	Tire Set, 400/75-28 Foam-Filled	B
		Ref	<b>Note: Assemblies require ballast/foam filling to manufacture's specifications prior to installing on machine. Refer to Operation &amp; Safety or Service &amp; Maintenance Manuals.</b>	
		Ref	<b>Purchase individual tire and/or wheel only if able to foam fill tire &amp; wheel assembly, otherwise purchase complete assembly.</b>	
1	1001121105	4	Tire and Wheel Assembly	
1	8786514	4	Valve, Air (1 per assembly)	
1	1001120178	4	Wheel (1 per assembly)	
1	1001120179	4	Tire 400/75-28 (1 per assembly)	

# SECTION 5 - DRIVE TRAIN

## FIGURE 5-55. TIRE SET - 400/75-28 FOAM-FILLED NON-MARKING



ART\_1001241849

## SECTION 5 - DRIVE TRAIN

**FIGURE 5-55. TIRE SET - 400/75-28 FOAM-FILLED NON-MARKING**

ITEM	PART NUMBER	QTY	DESCRIPTION	REV
	1001241849	Ref	TIRE/WHEEL SET 400/75-28 - FOAM FILLED NON MARKING	B
		Ref	Note: Assemblies require ballast/foam filling to manufacture's specifications prior to installing on machine. Refer to Operation & Safety or Service & Maintenance Manuals.	
		Ref	Purchase individual tire and/or wheel only if able to foam fill tire & wheel assembly, otherwise purchase complete assembly.	
1	1001241842	4	Tire and Wheel Assembly (See Items 101-103)	
2	1001275637	1	Strap, Anti-Static	
3	1001275638	1	Bracket	
4	8303620	1	Bolt 3/8 x 1	
5	8307110	2	Washer 3/8	
6	8305645	1	Nut 3/8	
	1001241842	Ref	TIRE AND WHEEL ASSEMBLY	A
101	8786514	4	Valve, Air (1 per assembly)	
102	1001120178	4	Wheel (1 per assembly)	
103	1001241837	4	Tire 400/75-28 Non-Marking (1 per assembly)	

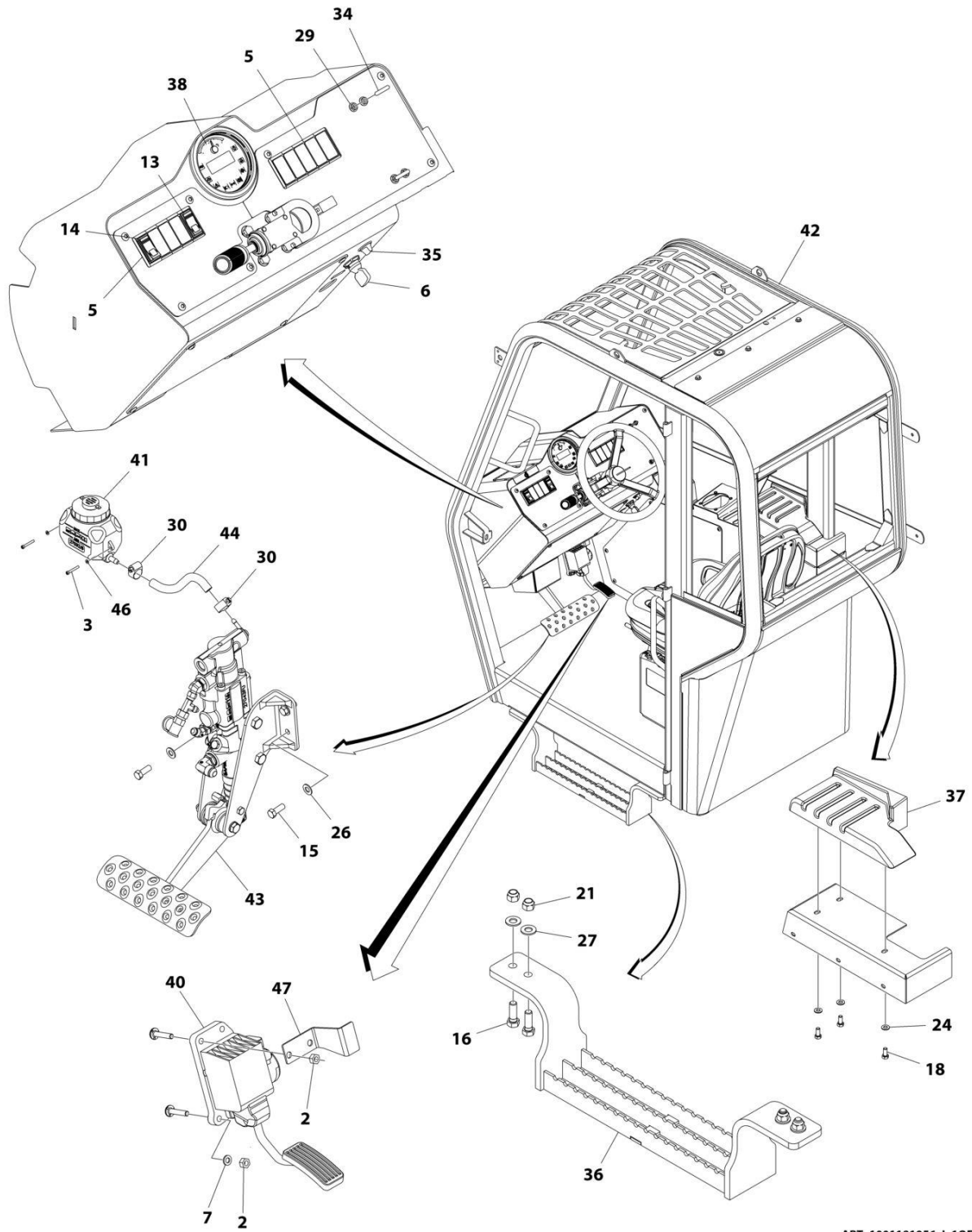




**SECTION 6 - CAB**

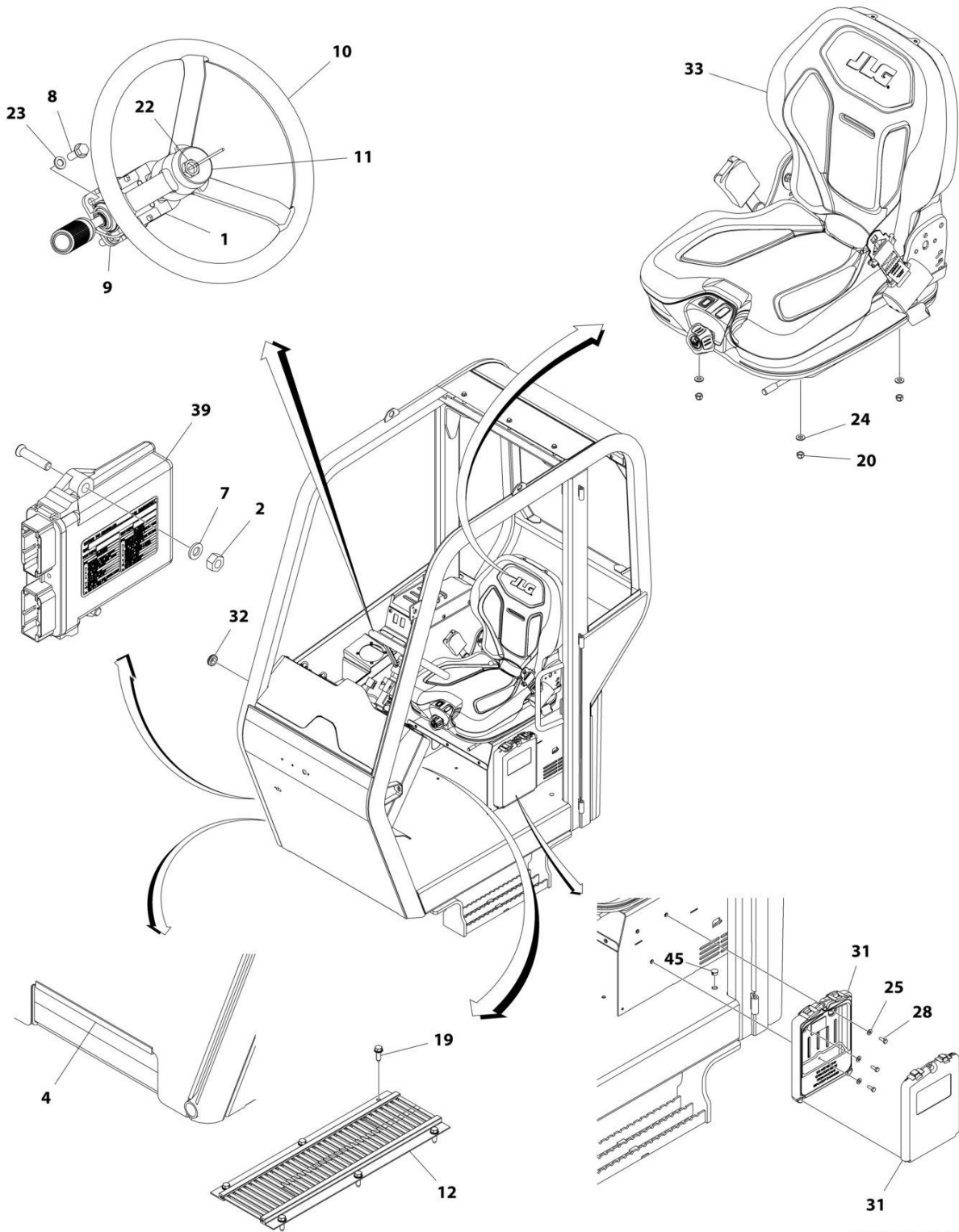
# SECTION 6 - CAB

## FIGURE 6-1. CAB INSTALLATION - OPEN



ART\_1001181956\_I\_10F2

# SECTION 6 - CAB



ART\_1001181956\_I\_20F2

## SECTION 6 - CAB

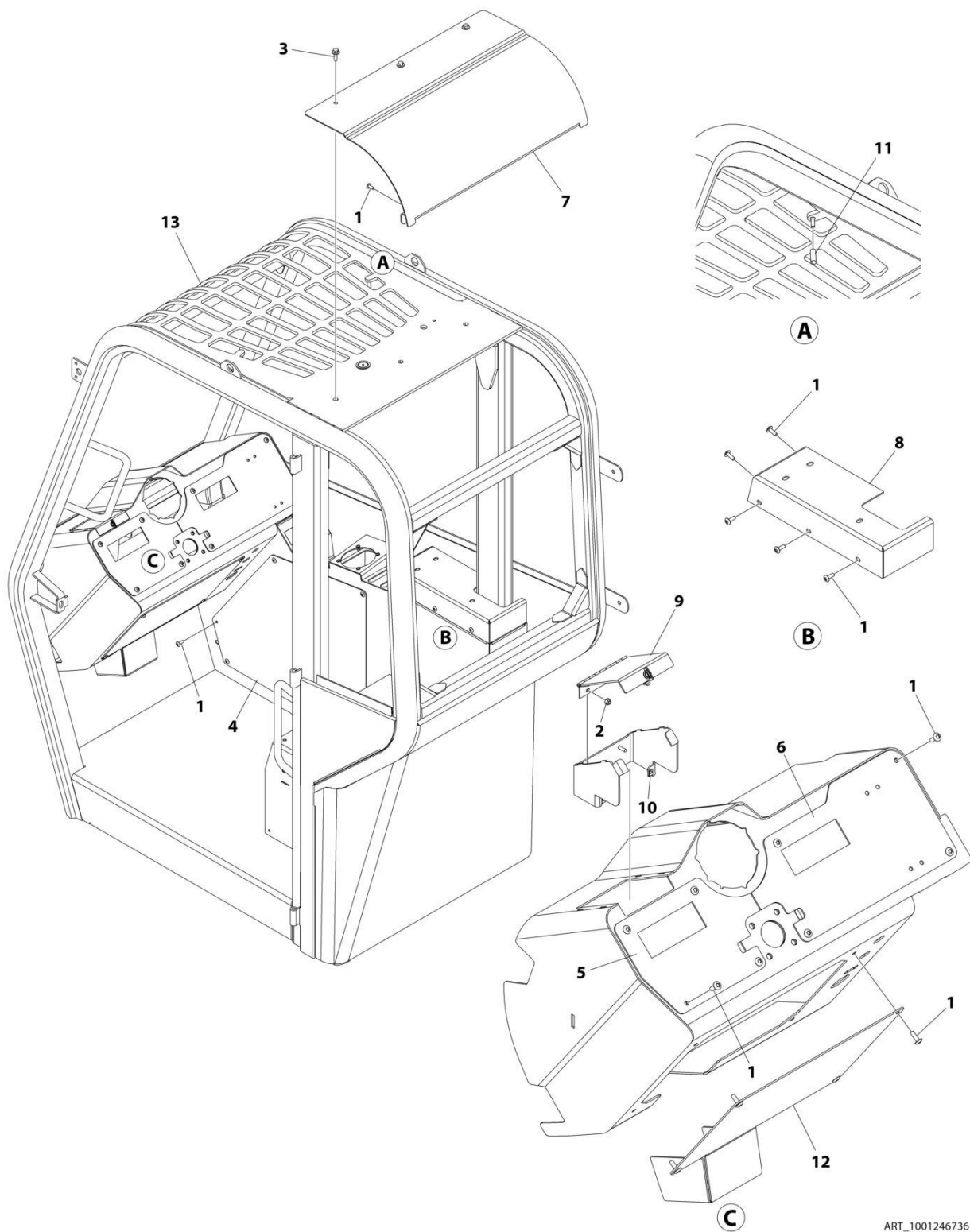
### FIGURE 6-1. CAB INSTALLATION - OPEN

ITEM	PART NUMBER	QTY	DESCRIPTION	REV
	1001181956	Ref	OPEN CAB INSTALLATION	I
1	1600429	1	Selector, Transmission Control	
2	3311401	5	Nut 1/4	
3	3930610	2	Bolt #6 x 5/8	
4	4060806	11 in	Flex-Trim	
5	4360569	2	Switch, Bezel	
6	4360690	1	Switch, Ignition	
6	8035807	1	Key (with cover)	
7	4761400	3	Washer 1/4	
8	5251014	4	Bolt M10 x 30	
9	7138833	1	Column, Steering	
10	7138836	1	Wheel, Steering	
11	7138878	1	Button, Horn	
12	7138944	2	Strips, Brush	
13	8223037	1	Switch, Steer Select	
14	8223054	1	Switch, Park Brake	
15	8303620	4	Bolt 3/8 x 1	
16	8303626	4	Bolt 1/2 x 1-1/2	
18	8303697	3	Bolt 5/16 x 3/4	
19	8303982	6	Screw 1/4 x 3/4	
20	8305626	4	Nut 5/16	
21	8305644	4	Nut 1/2	
22	8305916	1	Nut, Steering Column	
23	8307023	4	Washer M10	
24	8307106	7	Washer 5/16	
25	8307109	3	Washer 1/4	
26	8307110	4	Washer 3/8	
27	8307112	4	Washer 1/2	
28	8310026	3	Bolt 1/4 x 3/4	
29	8310382	8	Nut 1/4	
30	1320022	2	Clamp, Fuel Line	
31	8990147	1	Holder, Manual	
32	1001081049	1	Grommet, Split	
33	1001190229	1	Seat, Cab (See Separate Breakdown in this Section)	
34	1001102844	2	U-Bolt 1/4 x 1-1/4	
35	1001114867	1	Socket, 12V Power Point	
36	1001256519	1	Mount, Cab Step	
37	1001159878	1	Support, Armrest	
38	1001170738	1	Gauge	
39	1001210703	1	Controller	
40	1001264554	1	Accelerator (Note: No Serviceable Parts - Purchase Complete Assembly)	
41	1001183164	1	Reservoir, Brake Valve	
42	1001246736	1	Cab, Open (See Separate Breakdown in this Section)	
43	1001223052	1	Assembly, Brake (See Separate Breakdown in CONTROLS Section)	
44	1001201658	1	Hose	
45	1001207963	1	Plug, 5/8	
46	4710600	2	Washer	
47	1001265914	1	Cover, Pedal	



# SECTION 6 - CAB

## FIGURE 6-2. CAB ASSEMBLY - OPEN



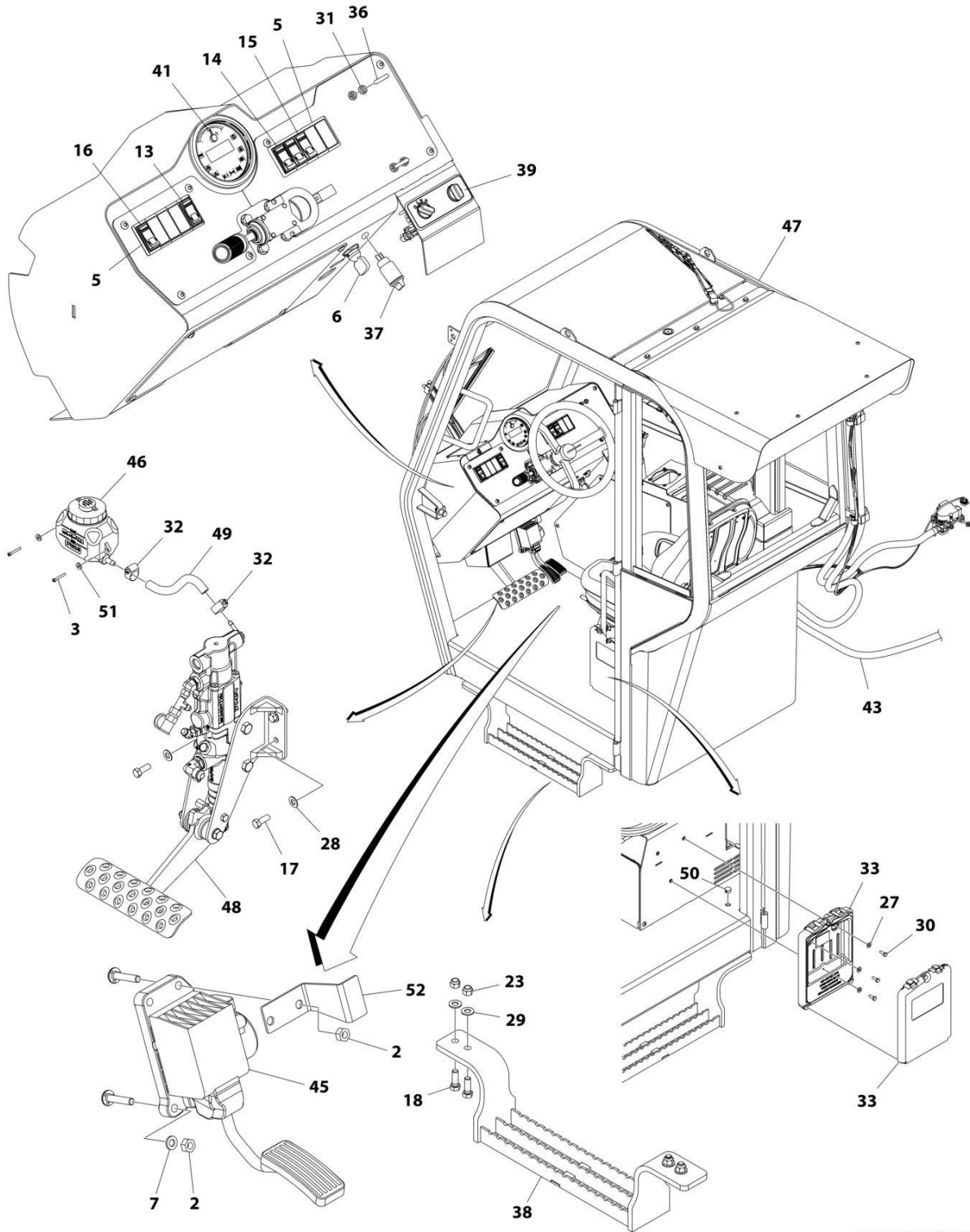
ART\_1001246736

FIGURE 6-2. CAB ASSEMBLY - OPEN

ITEM	PART NUMBER	QTY	DESCRIPTION	REV
	1001246736	Ref	CAB OPEN	D
1	8303034	25	Screw 1/4 x 3/4	
2	8310085	2	Nut M10	
3	1001149227	3	Screw 5/16 x 1	
4	1001160788	1	Panel, RH Console Access Plate	
5	1001160790	1	Panel, LH Dash Cover	
6	1001160791	1	Panel, RH Dash Cover	
7	1001160815	1	Panel, Roof Cover	
8	1001165617	1	Assembly, Side Console Access Panel	
9	1001202189	1	Door, Brake Reservoir	
10	1001202202	2	Nut	
11	1001202615	2	Cap, Silicon Stud Cover	
12	1001202746	1	Panel, Brake Access Plate	
13	1001246735	1	Cab Weldment	

# SECTION 6 - CAB

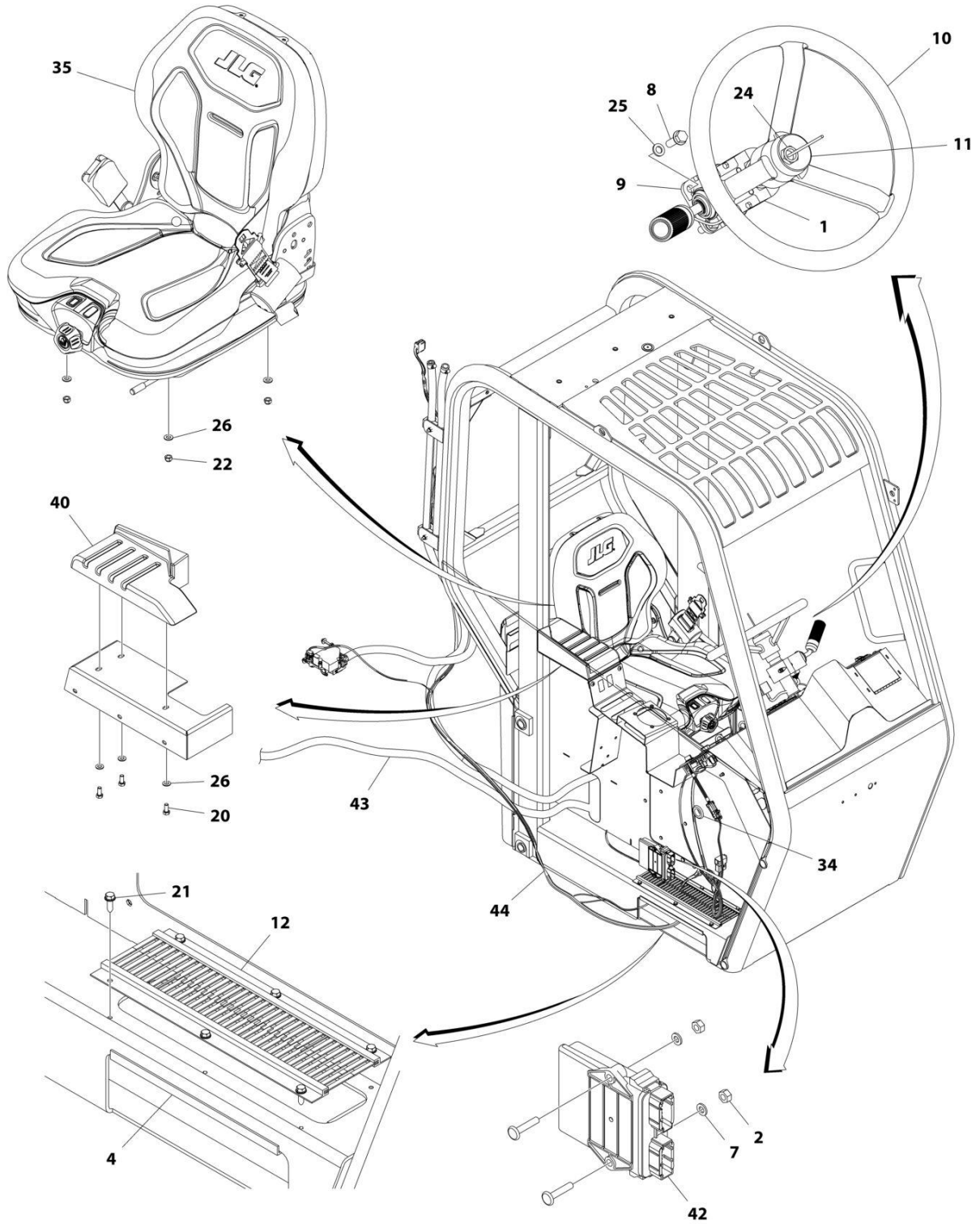
## FIGURE 6-3. CAB INSTALLATION - ENCLOSED WITH HEATER



ART\_1001185776\_I\_10F2



# SECTION 6 - CAB



ART\_1001185776\_L\_20F2

## SECTION 6 - CAB

**FIGURE 6-3. CAB INSTALLATION - ENCLOSED WITH HEATER**

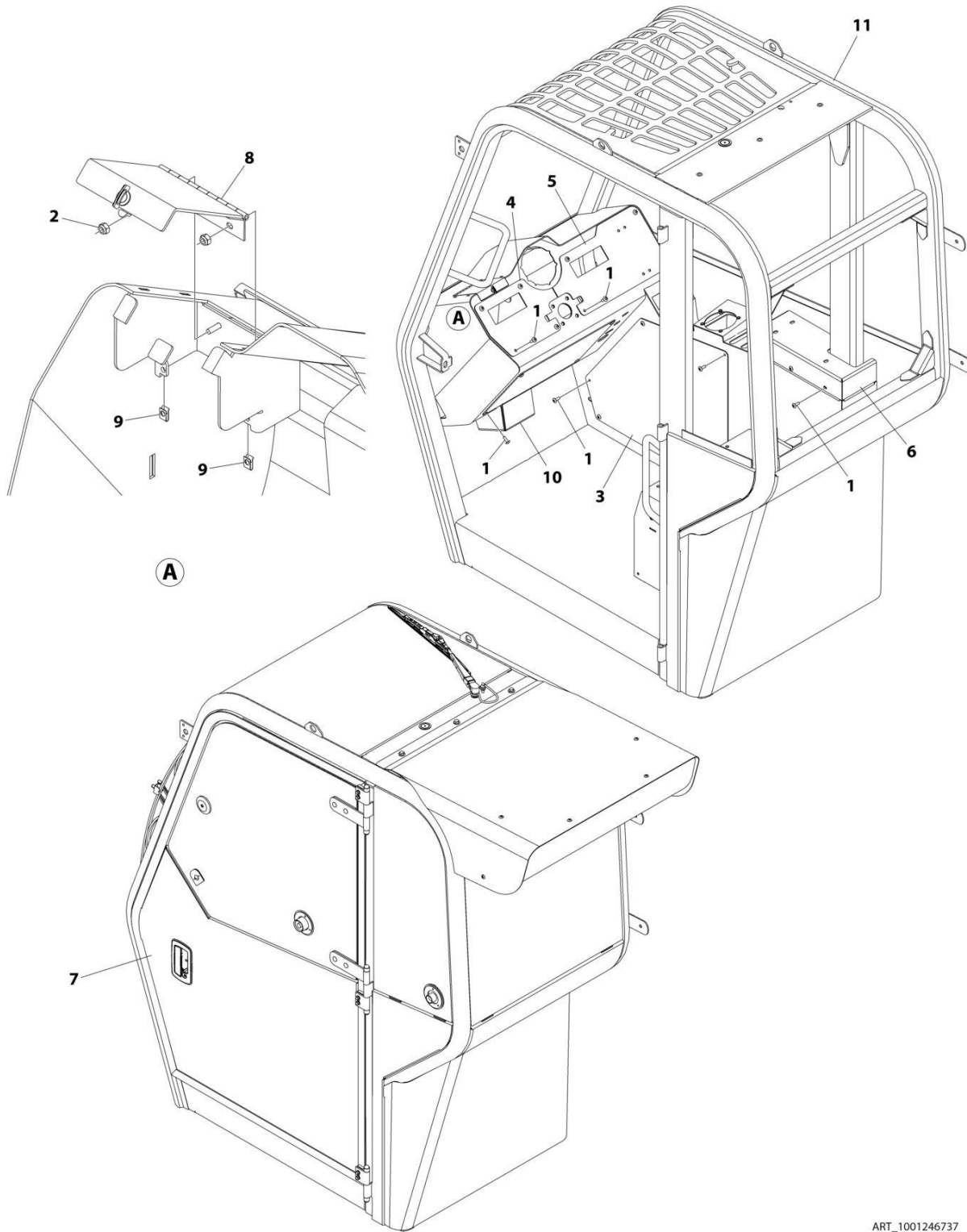
ITEM	PART NUMBER	QTY	DESCRIPTION	REV
	1001185776	Ref	ENCLOSED CAB WITH HEATER INSTALLATION	I
1	1600429	1	Selector, Transmission Control	
2	3311401	5	Nut 1/4	
3	3930610	2	Bolt 6 x 5/8	
4	4060806	11 in	Shield, Flex Trim, 5/16	
5	4360569	2	Switch, Bezel	
6	4360690	1	Switch, Ignition	
6	8035807	1	Key (with cover)	
7	4761400	3	Washer 1/4	
8	5251014	4	Bolt M10 x 30	
9	7138833	1	Column, Steering	
10	7138836	1	Wheel, Steering	
11	7138878	1	Button, Horn	
12	7138944	2	Strips, Brush	
13	8223037	1	Switch, Steer Select	
14	8223043	2	Switch, Windscreen Wiper	
15	8223044	1	Switch, Windscreen Washer	
16	8223054	1	Switch, Park Brake	
17	8303620	4	Bolt 3/8 x 1	
18	8303626	4	Bolt 1/2 x 1-1/2	
20	8303697	3	Bolt 5/16 x 3/4	
21	8303982	6	Screw 1/4 x 3/4	
22	8305626	4	Nut 5/16	
23	8305644	4	Nut 1/2	
24	8305916	1	Nut, Steering Column	
25	8307023	4	Washer M10	
26	8307106	7	Washer 5/16	
27	8307109	3	Washer 1/4	
28	8307110	4	Washer 3/8	
29	8307112	4	Washer 1/2	
30	8310026	3	Bolt 1/4 x 3/4	
31	8310382	8	Nut 1/4	
32	1320022	2	Clamp, Fuel Line	
33	8990147	1	Holder, Manual	
34	1001081049	1	Grommet, Split	
35	1001190229	1	Seat, Cab (See Separate Breakdown in this Section)	
36	1001102844	2	Bolt 1/4 x 1-1/4	
37	1001114867	1	Socket, 12V Power Point	
38	1001256519	1	Mount, Cab Step	
39	1001159850	1	Panel, Heater Control	
40	1001159878	1	Support, Armrest	
41	1001170738	1	Gauge	
42	1001210703	1	Controller	
43	1001171807	1	Installation, Cab Heater Lines (See Separate Breakdown in this Section)	
44	1001178347	1	Harness, HVAC (See Separate Breakdown in ELECTRICAL Section)	
45	1001264554	1	Accelerator (Note: No Serviceable Parts - Purchase Complete Assembly)	
46	1001183164	1	Reservoir, Brake Valve	

## SECTION 6 - CAB

ITEM	PART NUMBER	QTY	DESCRIPTION	REV
47	1001246737	1	Cab, Enclosed with Heater (See Separate Breakdown in this Section)	
48	1001223052	1	Assembly, Brake (See Separate Breakdown in CONTROLS Section)	
49	1001201658	1	Hose	
50	1001207963	1	Plug, 5/8	
51	4710600	2	Washer #6	
52	1001265914	1	Cover, Pedal	

# SECTION 6 - CAB

## FIGURE 6-4. CAB ASSEMBLY - ENCLOSED WITH HEATER



ART\_1001246737

FIGURE 6-4. CAB ASSEMBLY - ENCLOSED WITH HEATER

ITEM	PART NUMBER	QTY	DESCRIPTION	REV
	1001246737	Ref	CAB ENCLOSED WITH HEATER	G
1	8303034	22	Screw 1/4 x 3/4	
2	8310085	2	Nut	
3	1001160788	1	Panel, RH Console Access Plate	
4	1001160790	1	Panel, LH Dash Cover	
5	1001160791	1	Panel, RH Dash Cover	
6	1001165617	1	Assembly, Side Console Access Panel	
7	1001165823	1	Enclosure, Cab (See Separate Breakdown in this Section)	
8	1001202189	1	Door, Brake Reservoir	
9	1001202202	2	Nut	
10	1001202746	1	Panel, Brake Access Plate	
11	See Note	NSS	Cab (Purchase Complete Assembly)	

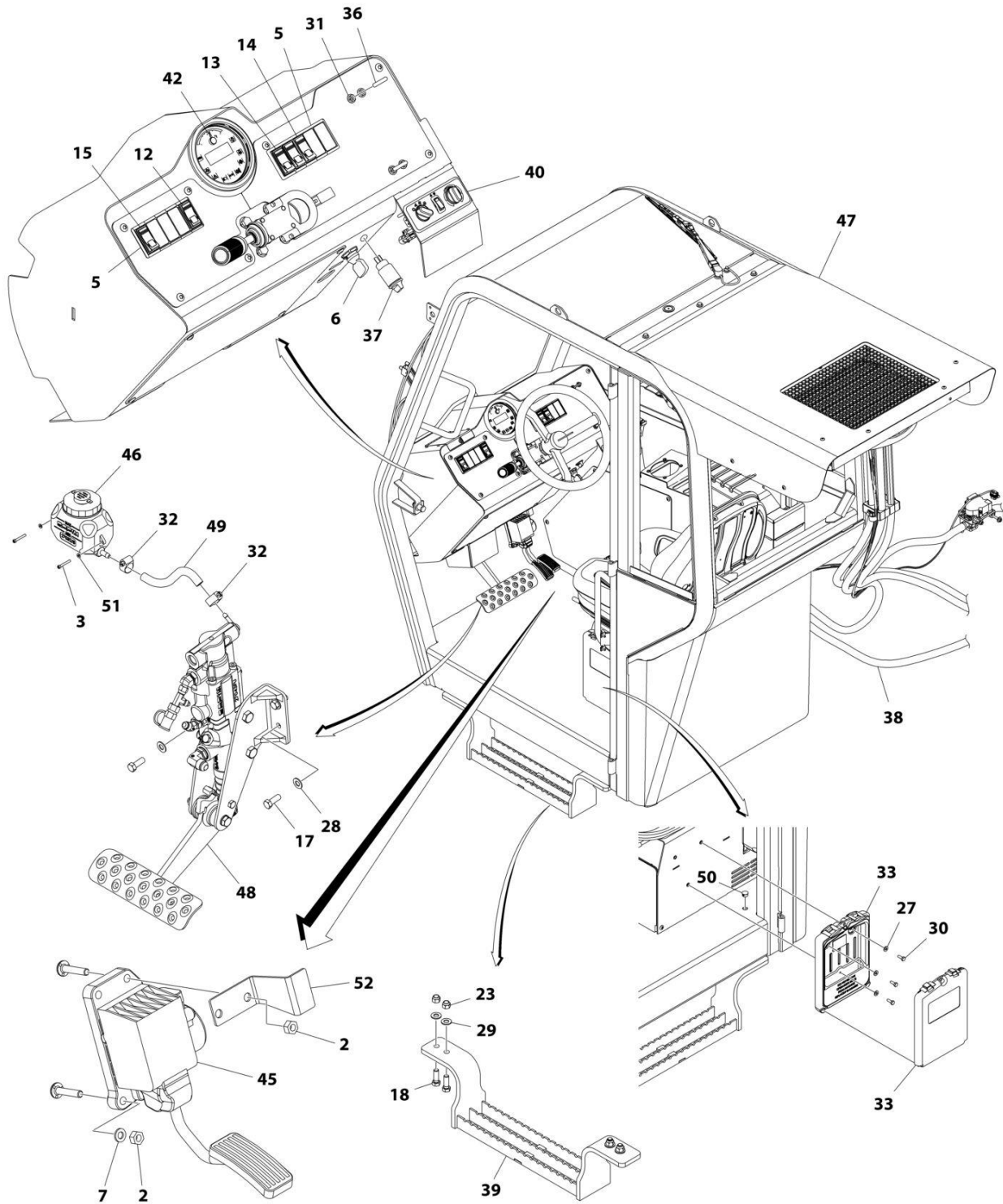


FIGURE 6-5. CAB ENCLOSURE WITH HEATER

ITEM	PART NUMBER	QTY	DESCRIPTION	REV
	1001165823	Ref	CAB ENCLOSURE	0
1	91404298	3	Rivet	
2	1001109478	1	Latch, Striker	
3	1001181968	13	Mould, Setting Block	
4	91404301	1	Hammer, Emergency	
5	4711400	2	Washer 1/4	
6	8303034	33	Screw 1/4 x 3/4	
7	8305624	4	Nut 1/4	
8	8307112	1	Washer 1/2	
9	8310109	1	Nut 7/164	
10	91404299	1	Decal, Escape	
11	1001081049	4	Grommet, Split	
12	1001111112	1	Tank, Window Washer Fluid	
12	70025480	1	Pump, Reservoir	
13	1001149227	3	Screw 5/16 x 1	
14	1001159856	1	Heater Assembly - Floor (See Separate Breakdown in this Section)	
15	1001159860	1	HVAC Assembly - Roof Top (See Separate Breakdown in this Section)	
16	1001160785	2	Duct, HVAC	
17	1001178349	1	Harness, Wiper (See Separate Breakdown in ELECTRICAL Section)	
18	1001164282	1	Hood, Top	
19	1001164284	1	Hood, Bottom	
20	1001164717	1	Panel, Floor Heater Access	
21	1001165806	1	Door, Cab (See Separate Breakdown in this Section)	
22	1001008742	1	Coupling, Tee	
23	1001081243	1	Retainer, Door Window Hold	
24	0630464	1	Screw #10 x 1/2	
25	82033997	168 in	Hose, Washer Fluid	
26	8036050	1	Window, RH Slider (See Separate Breakdown in this Section)	
27	7138958	1	Glass, Skylight	
28	1001181707	1	Window, Rear	
29	8036056	1	Assembly, Front Wiper (See Separate Breakdown in this Section)	
30	1001181893	1	Window, LH Rear	
31	1001181903	1	Window, Windshield	
32	1001182091	1	Duct, Wire	
33	1001182470	1	Wiper, Skylight (See Separate Breakdown in this Section)	
34	1001177746	AR	Compound, Locking	
35	4060803	16.5 in	Flex-Trim	
36	80384218	1	Strap, Door	
37	1001196128	2	Bracket, Strap Holder	
38	1001197098	2	Screw #10 x 3/8	
39	1001197099	2	Screw #10 x 5/8	

# SECTION 6 - CAB

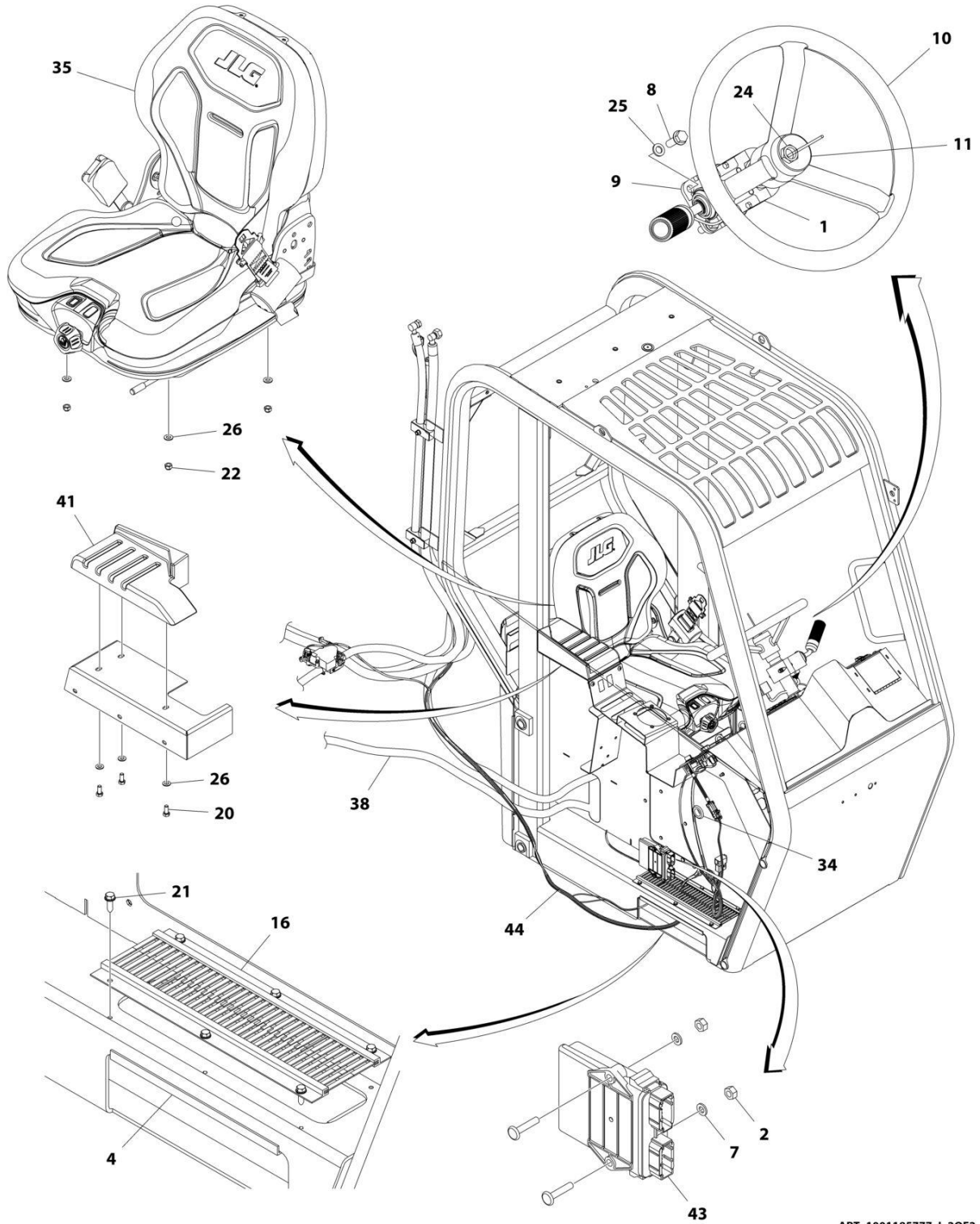
## FIGURE 6-6. CAB INSTALLATION - ENCLOSED WITH HEATER & AC



ART\_1001185777\_I\_10F2



# SECTION 6 - CAB



ART\_1001185777\_I\_20F2

## SECTION 6 - CAB

**FIGURE 6-6. CAB INSTALLATION - ENCLOSED WITH HEATER & AC**

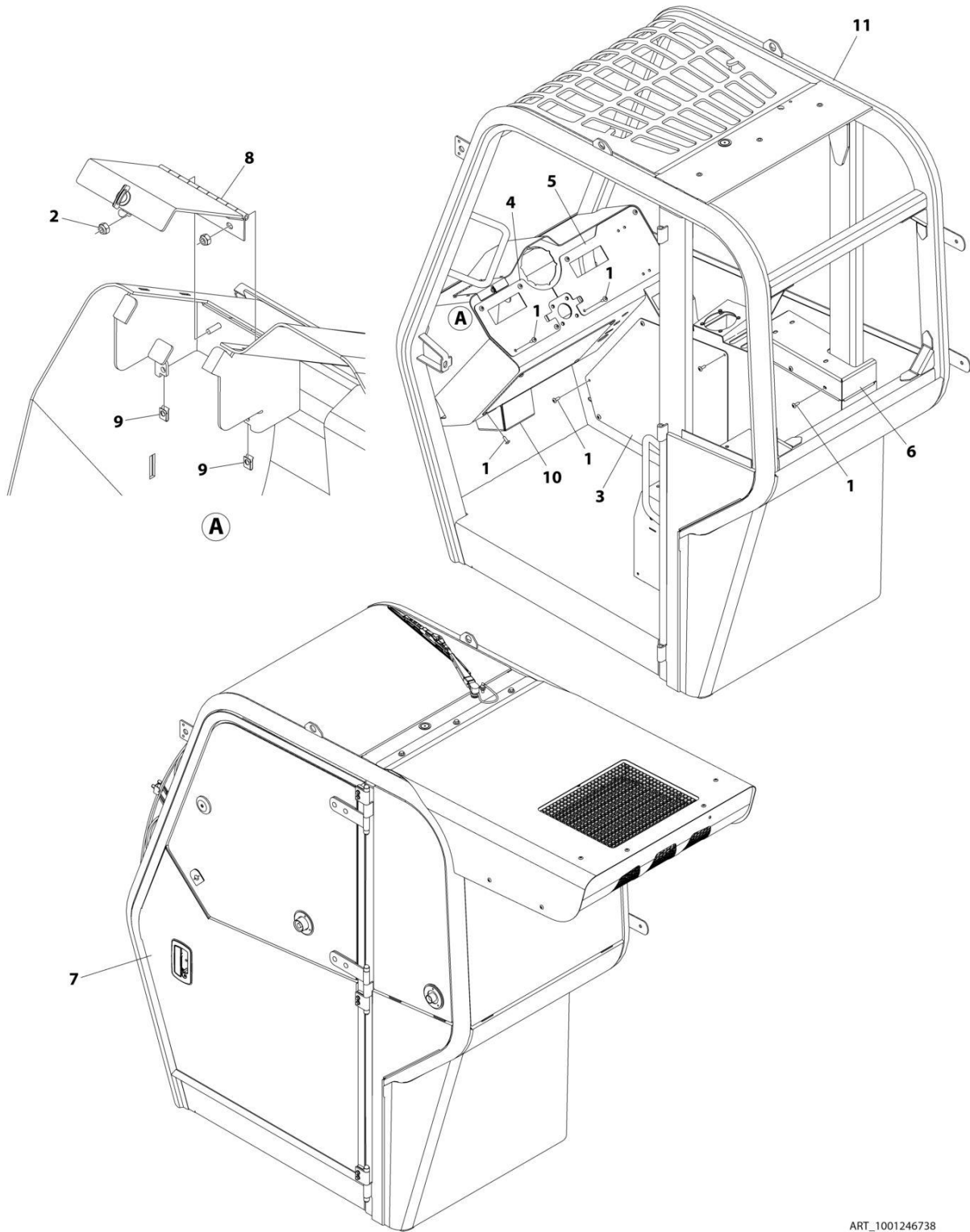
ITEM	PART NUMBER	QTY	DESCRIPTION	REV
	1001185777	Ref	ENCLOSED CAB WITH HEATER/AC INSTALLATION	I
1	1600429	1	Selector, Transmission Control	
2	3311401	5	Nut 1/4	
3	3930610	2	Bolt #6 x 5/8	
4	4060806	11 in	Shield, Flex Trim 5/16	
5	4360569	2	Switch, Bezel	
6	4360690	1	Switch, Ignition	
7	4761400	3	Washer 1/4	
8	5251014	4	Bolt M10 x 30	
9	7138833	1	Column, Steering	
10	7138836	1	Wheel, Steering	
11	7138878	1	Button, Horn	
12	8223037	1	Switch, Steer Select	
13	8223043	2	Switch, Windscreen Wiper	
14	8223044	1	Switch, Windscreen Washer	
15	8223054	1	Switch, Park Brake	
16	7138944	2	Strips, Brush	
17	8303620	4	Bolt 3/8 x 1	
18	8303626	4	Bolt 1/2 x 1-1/2	
20	8303697	3	Bolt 5/16 x 3/4	
21	8303982	6	Screw 1/4 x 3/4	
22	8305626	4	Nut 5/16	
23	8305644	4	Nut 1/2	
24	8305916	1	Nut, Steering Column	
25	8307023	4	Washer M10	
26	8307106	7	Washer 5/16	
27	8307109	3	Washer 1/4	
28	8307110	4	Washer 3/8	
29	8307112	4	Washer 1/2	
30	8310026	3	Bolt 1/4 x 3/4	
31	8310382	8	Nut 1/4	
32	1320022	2	Clamp, Fuel Line	
33	8990147	1	Holder, Manual	
34	1001081049	1	Grommet	
35	1001190229	1	Seat, Cab (See Separate Breakdown in this Section)	
36	1001102844	2	U-Bolt 1/4 x 1-1/4	
37	1001114867	1	Socket, 12V Power Point	
38	1001171806	1	Installation, Cab Heater/AC Lines (See Separate Breakdown in this Section)	
39	1001256519	1	Mount, Cab Step	
40	1001159851	1	Panel, HVAC Control	
40	1001204362	1	Switch, Fan	
40	7301265	1	Switch, A/C	
41	1001159878	1	Support, Armrest	
42	1001170738	1	Gauge	
43	1001210703	1	Controller	
44	1001178347	1	Harness, HVAC (See Separate Breakdown in ELECTRICAL Section)	
45	1001264554	1	Accelerator (Note: No Serviceable Parts - Purchase Complete Assembly)	

## SECTION 6 - CAB

ITEM	PART NUMBER	QTY	DESCRIPTION	REV
46	1001183164	1	Reservoir, Brake Valve	
47	1001246738	1	Cab, Enclosed with Heater/AC (See Separate Breakdown in this Section)	
48	1001223052	1	Assembly, Brake (See Separate Breakdown in CONTROLS Section)	
49	1001201658	1	Hose	
50	1001207963	1	Plug, 5/8	
51	4710600	2	Washer #6	
52	1001265914	1	Cover, Pedal	

# SECTION 6 - CAB

## FIGURE 6-7. CAB ASSEMBLY - ENCLOSED WITH HEATER & AC



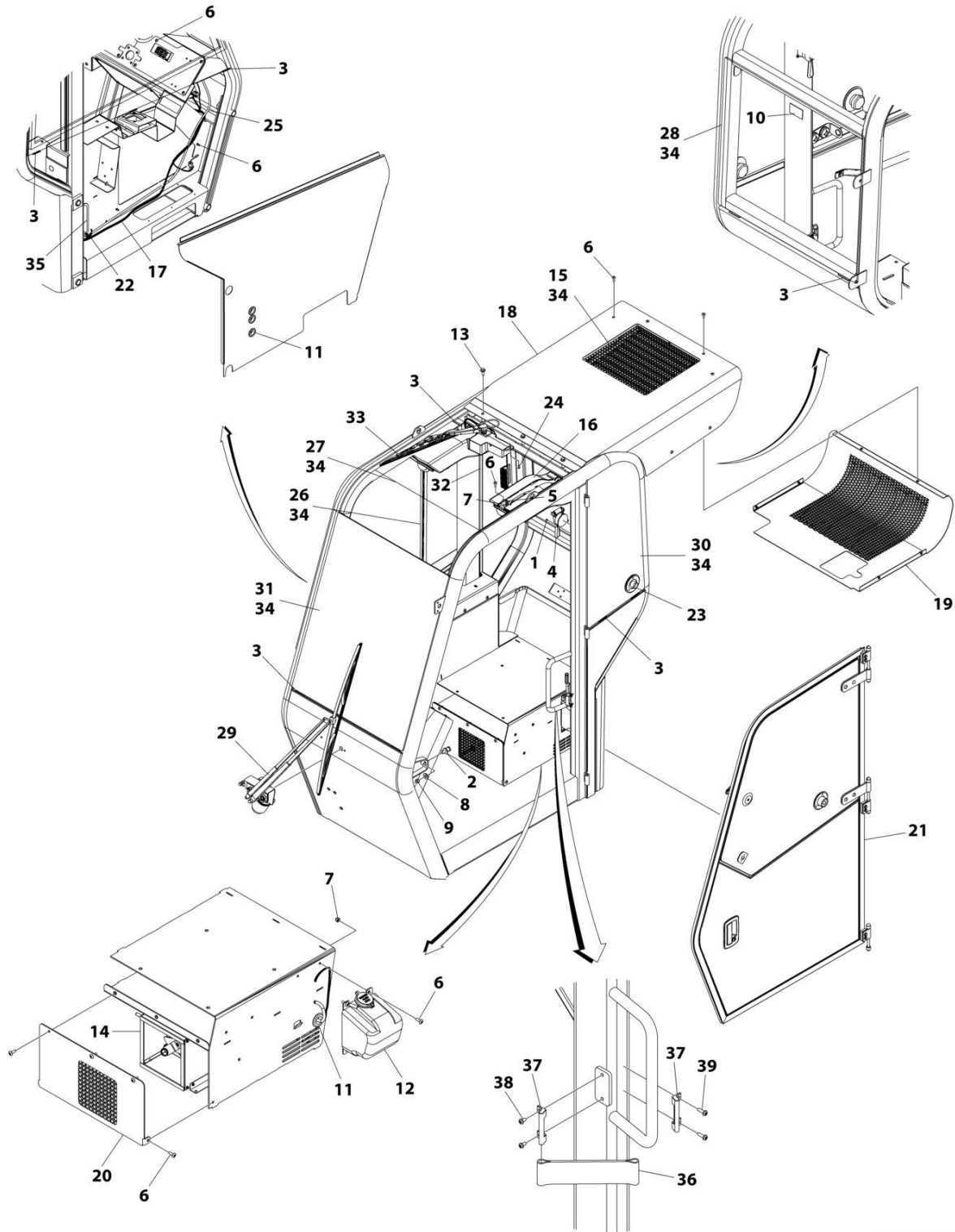
ART\_1001246738

**SECTION 6 - CAB****FIGURE 6-7. CAB ASSEMBLY - ENCLOSED WITH HEATER & AC**

<b>ITEM</b>	<b>PART NUMBER</b>	<b>QTY</b>	<b>DESCRIPTION</b>	<b>REV</b>
	1001246738	Ref	CAB ENCLOSED WITH HEATER/AC	F
1	8303034	22	Screw 1/4 x 3/4	
2	8310085	2	Nut	
3	1001160788	1	Panel, RH Console Access Plate	
4	1001160790	1	Panel, LH Dash Cover	
5	1001160791	1	Panel, RH Dash Cover	
6	1001165617	1	Assembly, Side Console Access Panel	
7	1001168066	1	Enclosure, Cab HVAC (See Separate Breakdown in this Section)	
8	1001202189	1	Door, Brake Reservoir	
9	1001202202	2	Nut M6	
10	1001202746	1	Panel, Brake Access Plate	
11	1001246735	1	Cab Weldment	

# SECTION 6 - CAB

## FIGURE 6-8. CAB ENCLOSURE WITH HEATER & AC



ART\_1001168066

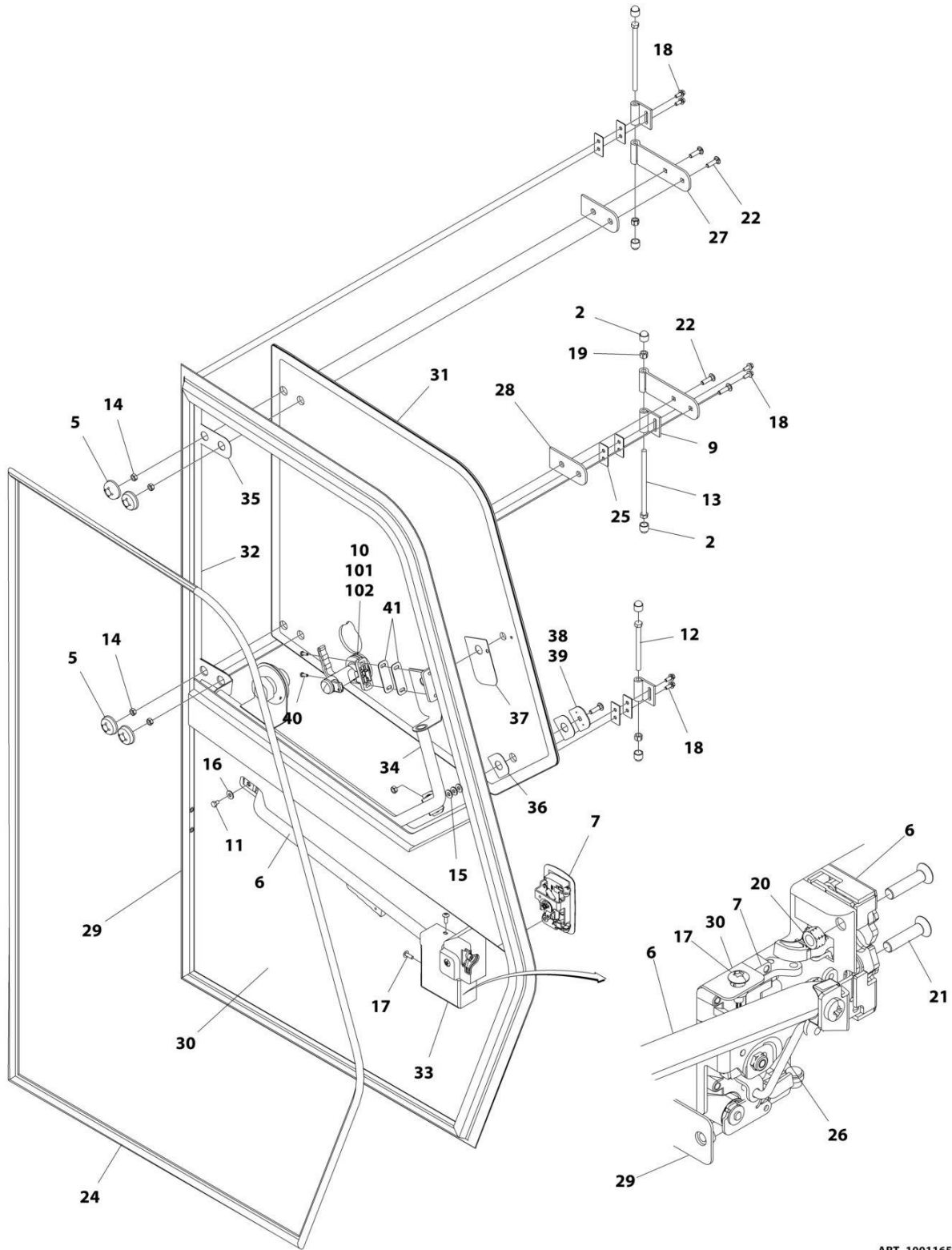
**SECTION 6 - CAB**

**FIGURE 6-8. CAB ENCLOSURE WITH HEATER & AC**

ITEM	PART NUMBER	QTY	DESCRIPTION	REV
	1001168066	Ref	CAB HVAC ENCLOSURE	0
1	91404298	3	Rivet	
2	1001109478	1	Latch, Striker	
3	1001181968	13	Mould, Setting Block	
4	91404301	1	Hammer, Emergency	
5	4711400	2	Washer 1/4	
6	8303034	35	Screw 1/4 x 3/4	
7	8305624	4	Nut 1/4	
8	8307112	1	Washer 1/2	
9	8310109	1	Nut 7/16	
10	91404299	1	Decal, Escape	
11	1001081049	4	Grommet, Split	
12	1001111112	1	Tank, Window Washer Fluid	
12	70025480	1	Pump, Reservoir	
13	1001149227	3	Screw 5/16 x 1	
14	1001159856	1	Heater, Floor (See Separate Breakdown in this Section)	
15	1001159861	1	Box, Roof (See Separate Breakdown in this Section)	
16	1001160785	2	Duct, HVAC	
17	1001178349	1	Harness, Wiper (See Separate Breakdown in ELECTRICAL Section)	
18	1001164096	1	Hood, Top	
19	1001164099	1	Hood, Bottom	
20	1001164717	1	Panel, Floor Heater Access	
21	1001165806	1	Door, Cab (See Separate Breakdown in this Section)	
22	1001008742	1	Coupling, Tee	
23	1001081243	1	Retainer, Door Window Hold	
24	0630464	1	Screw #10 x 1/2	
25	82033997	168 in	Hose, Washer Fluid	
26	8036050	1	Window, RH Slider (See Separate Breakdown in this Section)	
27	7138958	1	Glass, Skylight	
28	1001181707	1	Window, Rear	
29	8036056	1	Assembly, Front Wiper (See Separate Breakdown in this Section)	
30	1001181893	1	Window, LH Rear	
31	1001181903	1	Window, Windshield	
32	1001182091	1	Duct, Wire	
33	1001182470	1	Wiper, Skylight (See Separate Breakdown in this Section)	
34	1001177746	AR	Compound, Locking	
35	4060803	16.5 in	Flex-Trim	
36	80384218	1	Strap, Door	
37	1001196128	2	Bracket, strap Holder	
38	1001197098	2	Screw #10 x 3/8	
39	1001197099	2	Screw #10 x 5/8	

# SECTION 6 - CAB

## FIGURE 6-9. CAB DOOR ASSEMBLY



ART\_1001165806

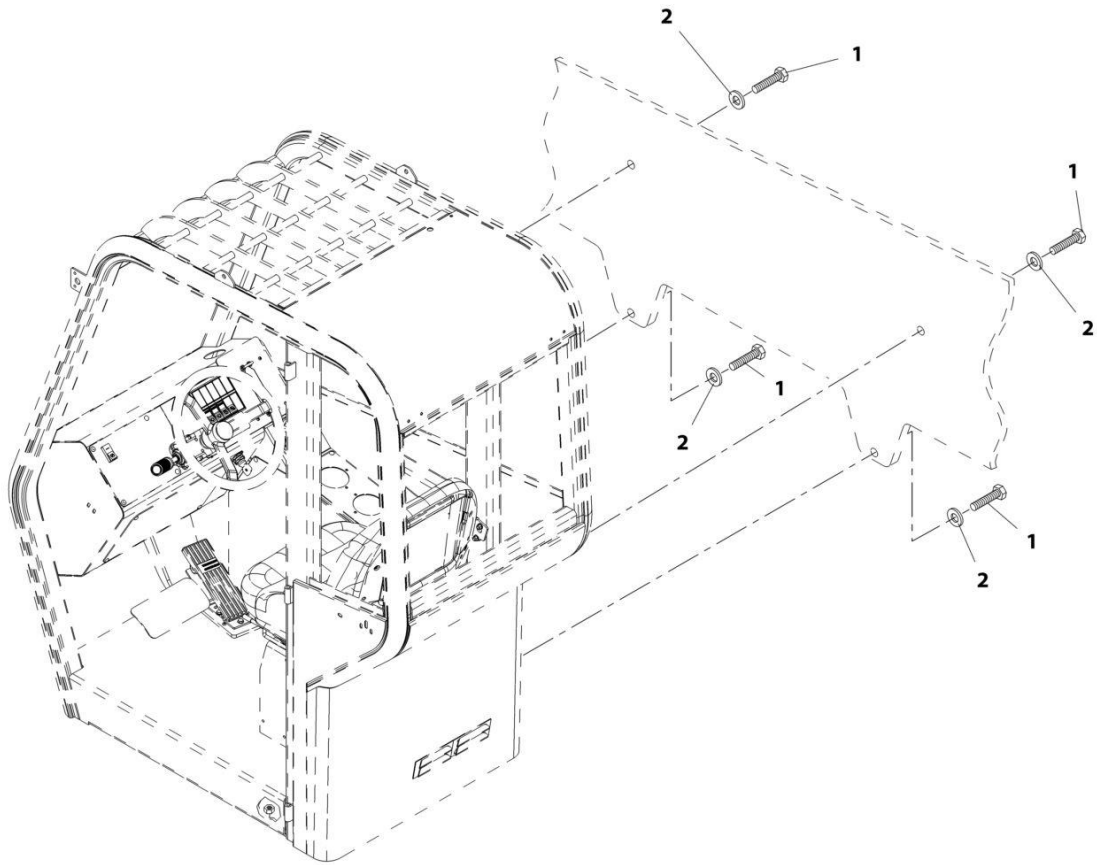


FIGURE 6-9. CAB DOOR ASSEMBLY

ITEM	PART NUMBER	QTY	DESCRIPTION	REV
	1001165806	Ref	CAB DOOR	I
1	1001183104	2	Fastener, Latch	
2	1001182663	6	Cap, Hex Dome	
5	1001081246	5	Cap, Nut M6	
6	1001081247	1	Handle, Interior Cab Door	
7	1001081241	1	Handle, Exterior Cab Door	
7	70021948	1	Key, Cab Door	
9	1001183209	3	Hinge, Slotted	
10	1001220260	1	Handle, Window	
11	0641403	1	Bolt 1/4 x 3/8	
12	0641636	1	Bolt 3/8 x 4-1/2	
13	0641652	2	Bolt 3/8 x 6-1/2	
14	3290801	5	Nut M8	
15	4711500	3	Washer 5/16	
16	4751400	1	Washer 1/4	
17	8303034	2	Screw 1/4 x 3/4	
18	8303119	6	Screw 1/4 x 5/8	
19	8305603	3	Nut 3/8	
20	8305638	2	Nut M8	
21	1001094312	2	Screw M8 x 30	
22	1001108575	5	Screw M8 x 30	
24	1001182408	1	Seal, Door	
25	1001182135	6	Shim, Door Hinge	
26	1001182514	1	Linkage, Exterior Latch	
27	1001081242	2	Hinge, Door	
28	1001081266	2	Spacer, Hinge	
29	1001182842	1	Weldment, Door	
30	1001182800	1	Foam, Door	
31	1001182808	1	Glass, Door	
32	1001182810	1	Seal, Glass	
33	1001182865	1	Cover, Latch	
34	1001182871	1	Handle, Door Glass	
35	1001182882	2	Shim, Hinge	
36	1001182883	2	Shim, Handle	
37	1001182884	1	Shim, Handle Latch	
38	1001183084	1	Plate, Window	
39	1001177746	1	Compound, Locking	
40	1001197099	2	Screw 1/4 x 5/8	
41	1001265272	AR	Shim	
101	1001165276	1	Striker Plate	
102	1001165275	1	Window Latch	
103	1001169787	1	Latch Seal (not shown)	
201	1001280231	1	Door Window Kit (Includes Items 5, 10, 14, 15, 22, 27, 28, 31, 32, 34-41 & Window Lock)	

# SECTION 6 - CAB

## FIGURE 6-10. CAB MOUNTING HARDWARE INSTALLATION



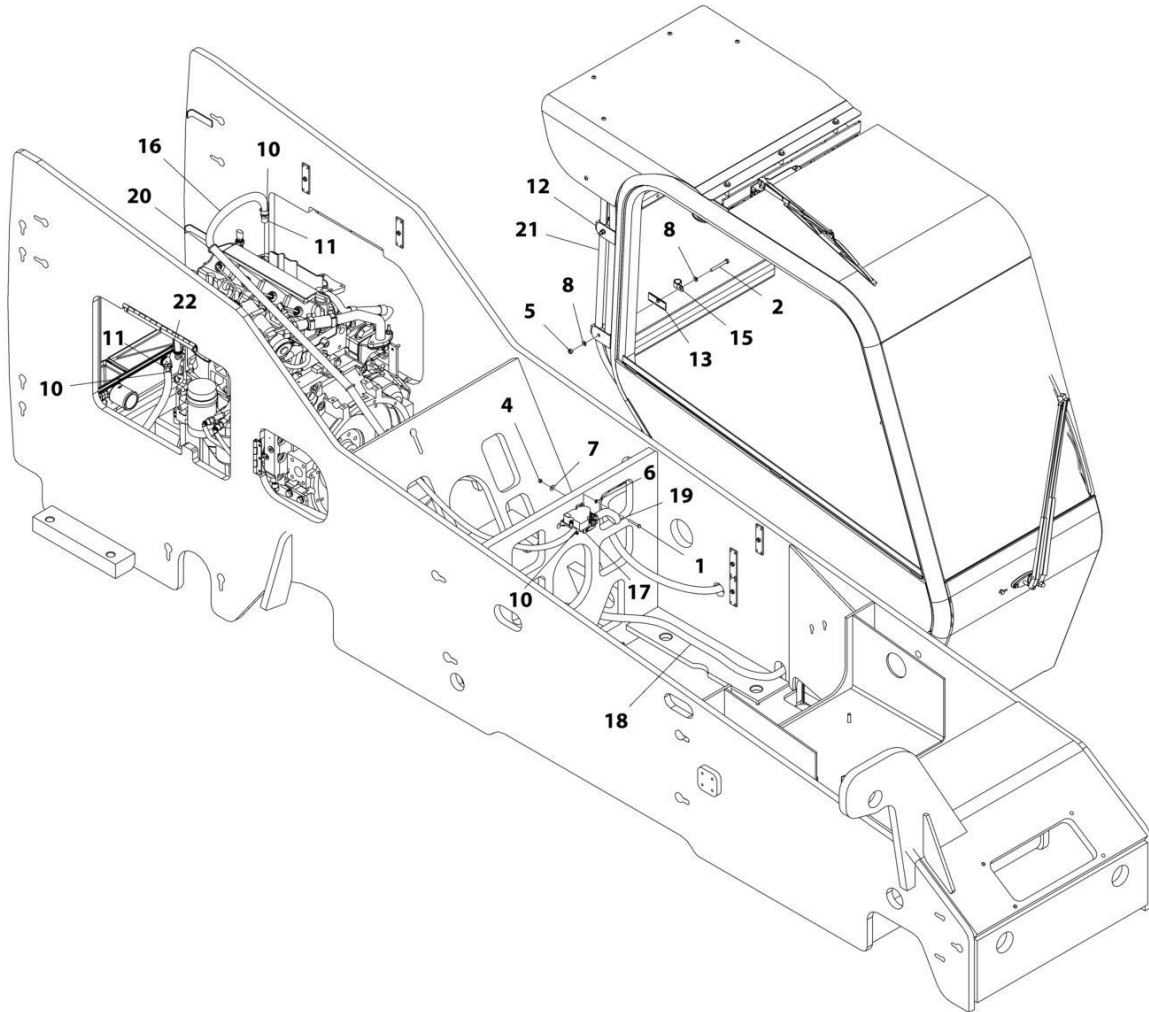
ART\_713882\_AA

**FIGURE 6-10. CAB MOUNTING HARDWARE INSTALLATION**

<b>ITEM</b>	<b>PART NUMBER</b>	<b>QTY</b>	<b>DESCRIPTION</b>	<b>REV</b>
	7138882	Ref	Cab Installation	AA
1	8310493	4	Bolt, 7/8-9X5-1/2, Grade 8	
2	8307011	4	Washer, Lock 7/8	

# SECTION 6 - CAB

## FIGURE 6-11. CAB HEATER LINES INSTALLATION - HEATER ONLY



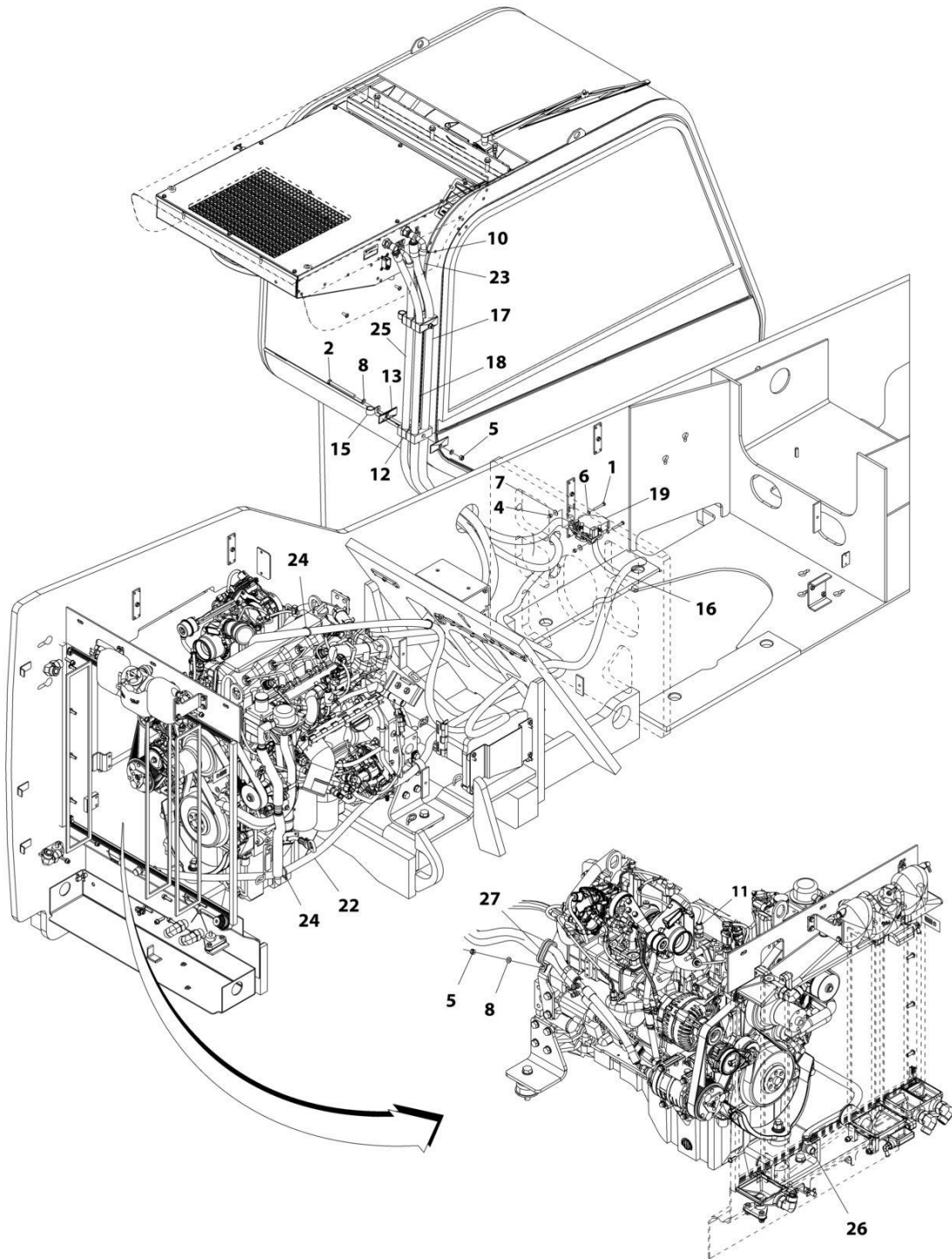
ART\_1001171807-D

FIGURE 6-11. CAB HEATER LINES INSTALLATION - HEATER ONLY

ITEM	PART NUMBER	QTY	DESCRIPTION	REV
	1001171807	Ref	Cab Heater Lines Installation	G
1	0700617	2	Bolt, M6X45	
2	0700822	2	Bolt, M8X70	
4	3290605	2	Nut, Lock M6X1	
5	3290805	2	Nut, Lock M8X1-1/4	
6	4811700	2	Washer, M6	
7	4811702	2	Washer, M6	
8	4811900	4	Washer, M8	
10	8405007	8	Clamp, Gear	
11	8430048	2	Reducer, Hose Barb	
12	77133133	2	Clamp, Twin	
13	77133134	2	Clamp, Cover Plate	
15	91043147	2	Clamp, Support	
16	1001158404	1	Hose, Cab Heater	
17	1001159844	1	Valve, Heater (See Separate Breakdown in this section)	
18	1001172537	1	Hose, Heater Return	
19	1001172561	1	Hose, Heater Send Valve to Roof	
20	8584001	4	Wrap, Tie	
21	1001173217	1	Hose, Heater Roof to Floor	
22	1001179229	1	Fitting, 45	

# SECTION 6 - CAB

## FIGURE 6-12. CAB HEATER LINES INSTALLATION - HEATER & AC



ART\_1001171806-J

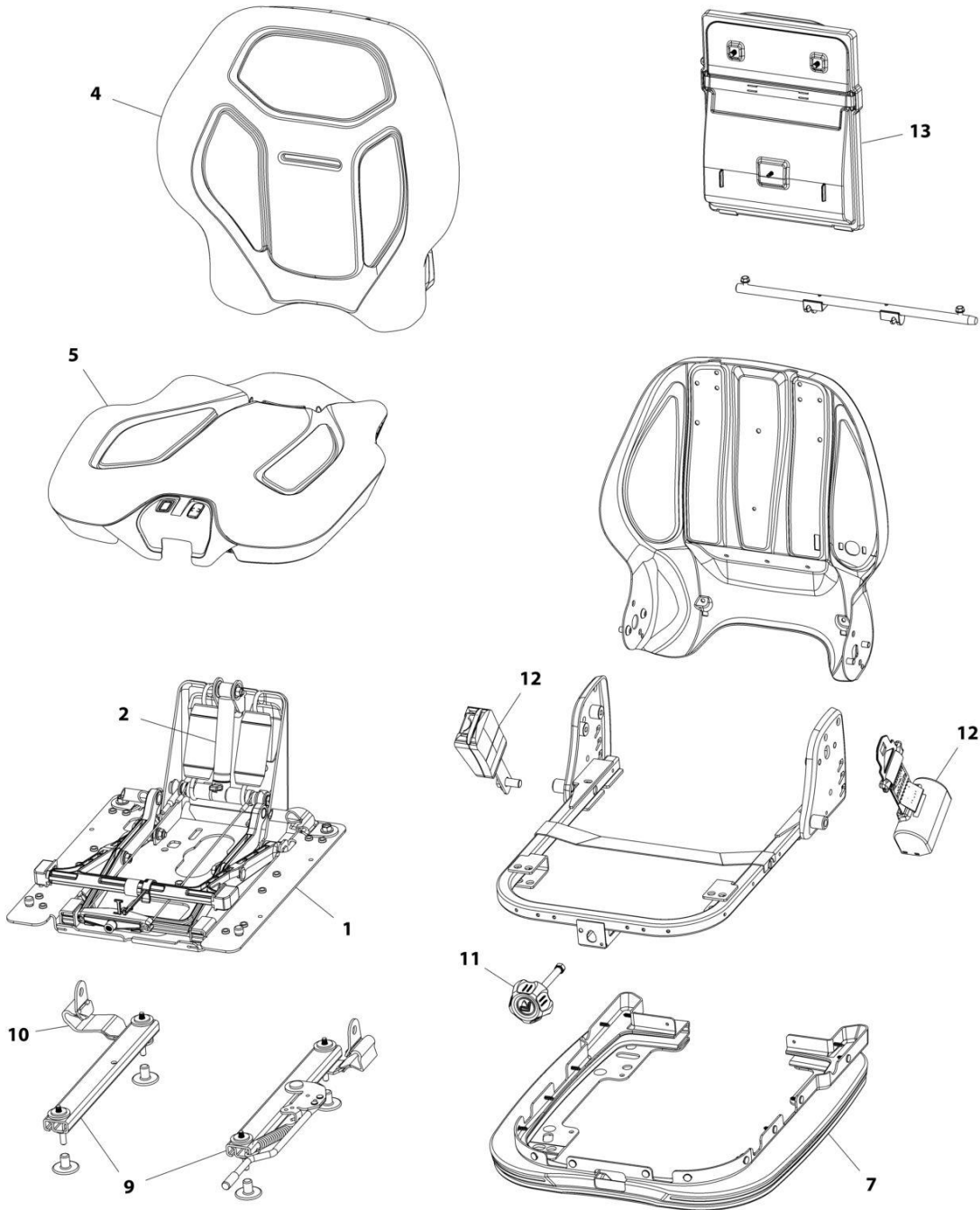
## SECTION 6 - CAB

**FIGURE 6-12. CAB HEATER LINES INSTALLATION - HEATER & AC**

ITEM	PART NUMBER	QTY	DESCRIPTION	REV
	1001171806	Ref	Cab Heater/AC Lines Installation	J
1	0700617	2	Bolt, M6X45	
2	0700828	2	Bolt, M8X110	
4	3290605	2	Nut, Lock M6X1	
5	3290805	3	Nut, Lock M8X1-1/4	
6	4811700	2	Washer, M6	
7	4811702	2	Washer, M6	
8	4811900	5	Washer, M8	
10	8405007	8	Clamp, Gear	
11	8430048	2	Reducer, Hose Barb	
12	77133133	4	Clamp, Twin	
13	77133134	4	Clamp, Cover Plate	
15	91043147	2	Clamp, Support	
16	1001158404	1	Hose, Cab Heater	
17	1001182798	1	Hose, A/C Compressor Suction	
18	1001182723	1	Hose, A/C Compressor Discharge	
19	1001159844	1	Valve, Heater (See Separate Breakdown in this section)	
22	1001172537	1	Hose, Heater Return	
23	1001172561	1	Hose, Heater Send Valve to Roof	
24	8584001	4	Wrap, Tie	
25	1001173217	1	Hose, Heater Roof to Floor	
26	1001179229	1	Fitting, 45	
27	1001164196	1	Clamp	

# SECTION 6 - CAB

## FIGURE 6-13. CAB SEAT ASSEMBLY



ART\_1001190229-E

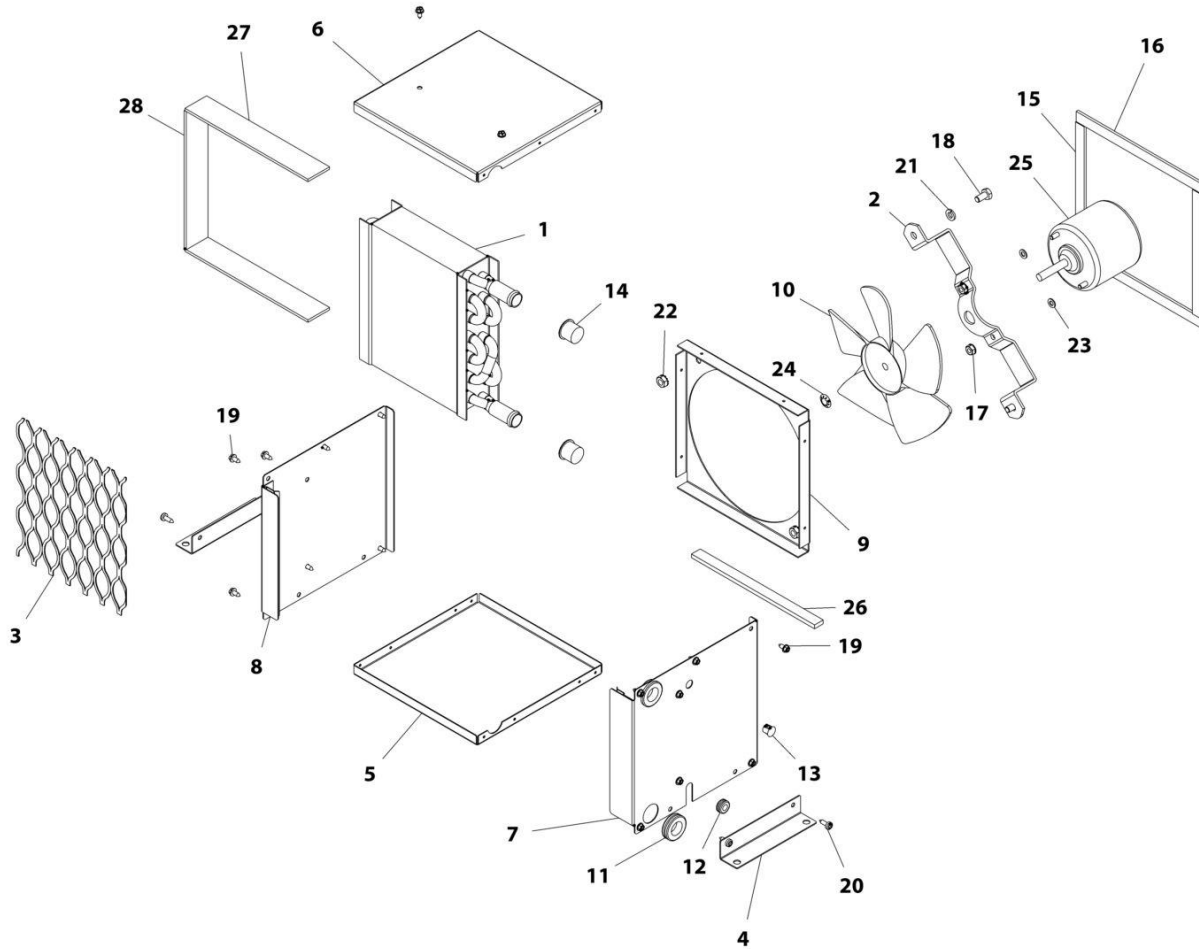


FIGURE 6-13. CAB SEAT ASSEMBLY

ITEM	PART NUMBER	QTY	DESCRIPTION	REV
	1001190229	Ref	Cab Seat	E
1	70027024	1	Suspension Assembly Kit	
2	70027025	1	Spring Saddle Assembly Kit	
4	70027026	1	Back Cushion Kit	
5	70027028	1	Seat Cushion Assembly Kit	
7	70027030	1	Boot Kit	
9	7026798	1	Adjuster Kit	
10	70027032	1	Tether strap	
11	70027033	1	Weight adjust knob kit	
12	70027034	2	Seat belt kit	
13	70027035	1	Document box kit	

# SECTION 6 - CAB

## FIGURE 6-14. HEATER ASSEMBLY - FLOOR



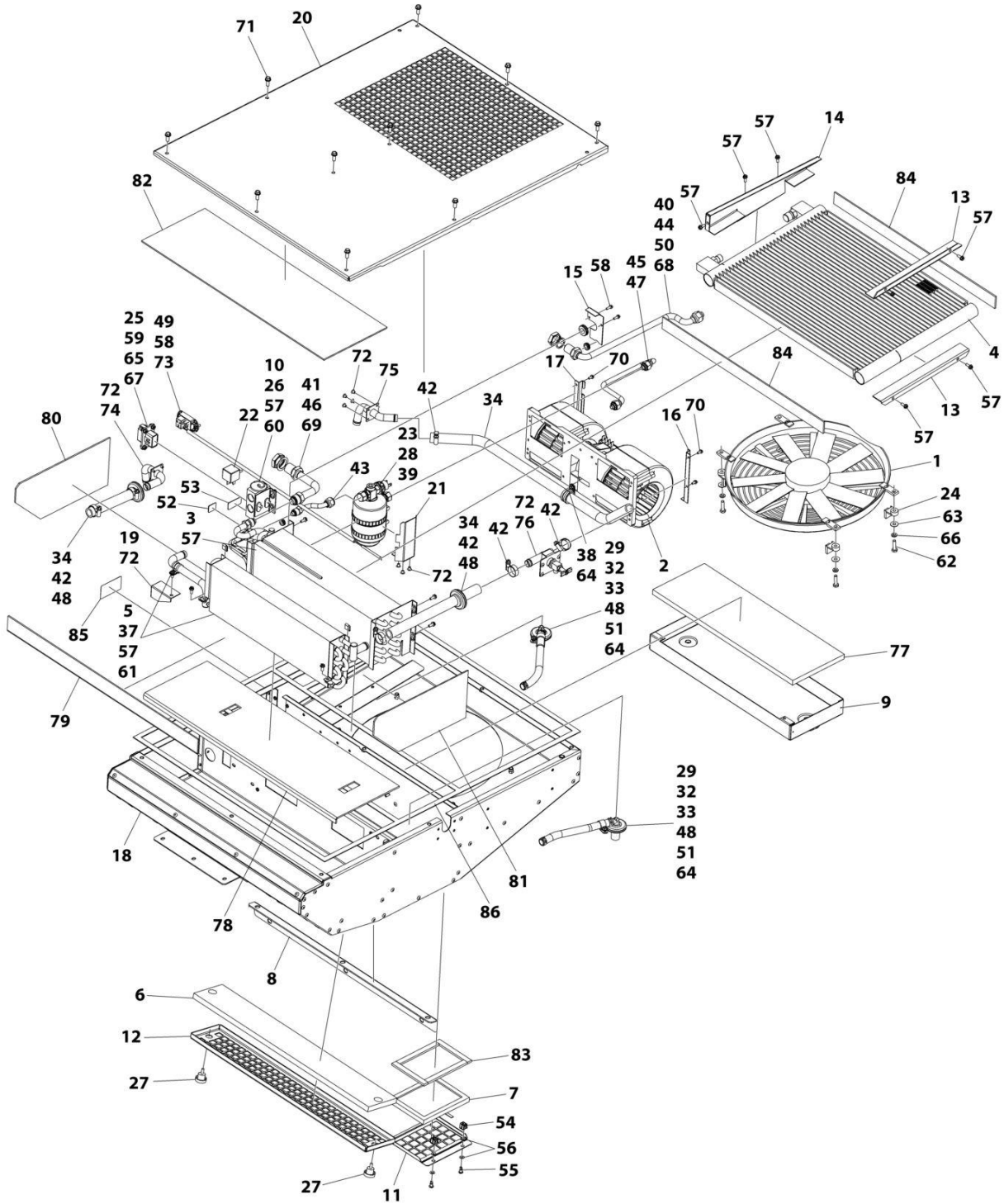
ART\_1001159856-D

FIGURE 6-14. HEATER ASSEMBLY - FLOOR

ITEM	PART NUMBER	QTY	DESCRIPTION	REV
	1001159856	Ref	Floor Heater	D
1	70026100	1	Coil, Heater	
2	70026101	1	Bracket, Motor	
3	70026102	1	Protector, Coil	
4	70026103	2	Bracket, Mounting	
5	70026104	1	Casing, Bottom	
6	70026105	1	Casing, Top	
7	70026106	1	Casing, RH Side	
8	70026107	1	Casing, LH Side	
9	70026108	1	Mount, Fan	
10	70026109	1	Fan	
11	70026110	2	Grommet	
12	70026111	1	Grommet, 3/8	
13	70026112	1	Plug, Hole 3/8	
14	70026113	2	Plug, 3/8	
15	70026114	2	Foam, 1/4X158	
16	70026114	2	Foam, 1/4X184	
17	70026115	2	Nut, 10-32	
18	70026116	2	Screw, 1/4-20X1/2	
19	70026117	16	Screw, 8X3/8	
20	70024855	4	Screw, Tap 8X1/2	
21	70026118	2	Lockwasher, 1/4	
22	70026119	2	Nut, Kep 1/4-20	
23	70026120	2	Washer, M5	
24	70026121	1	Retainer	
25	70026122	1	Motor Assembly, 12V	
26	70026123	1	Foam, 3/16X180	
27	70026124	2	Foam, 1/4X180	
28	70026124	1	Foam, 1/4X175	

# SECTION 6 - CAB

## FIGURE 6-15. HEATER BOX ASSEMBLY - HEATER & AC



ART\_1001159861

**SECTION 6 - CAB**

**FIGURE 6-15. HEATER BOX ASSEMBLY - HEATER & AC**

ITEM	PART NUMBER	QTY	DESCRIPTION	REV
	1001159861	Ref	ROOF BOX HVAC	B
1	70026945	1	Assembly, Fan	
2	70026978	1	Blower	
3	70026979	1	Coil, Evaporator	
4	70026980	1	Condenser	
5	70026981	1	Coil, Heater	
6	70026982	1	Filter, Air	
7	70026983	1	Filter, Air	
8	70030281	1	Bracket	
9	70029822	1	Pan, Drain	
10	NPN	1	Bracket	
11	70029823	1	Cover	
12	70029824	1	Cover	
13	NPN	2	Rail, Condenser	
14	NPN	1	Bracket, Condenser	
15	70031394	1	Bracket	
16	70029827	1	Bracket, Blower	
17	70029828	1	Bracket, Blower	
18	NPN	1	Housing	
19	70029829	1	Bracket	
20	70031395	1	Cover	
21	70031396	1	Bracket	
22	70026986	1	Relay	
23	70026854	1	Sensor, Pressure	
24	70029981	4	Mount, Fan	
25	70031397	1	Harness, Wiring	
26	70020876	1	Valve, Block	
27	8036726	2	Knob	
28	70026984	1	Drier, Receiver	
29	7029412	AR	Hose	
32	7029413	2	Fitting, 90	
33	7029415	4	Clamp	
34	70031398	AR	Hose	
37	70026987	1	Clamp	
38	70026988	1	Clamp	
39	70026989	2	Clamp	
40	70031402	1	Nut #8	
41	70031403	1	Nut #10	
42	70026990	6	Clamp	
43	70028782	1	Tube	
44	70028781	1	Tube	
45	70028780	1	Tube	
46	70028779	1	Tube	
47	70031404	1	Grommet	
48	70031405	4	Grommet	
49	70026111	1	Grommet	
50	70031406	1	Grommet	
51	NPN	2	Clamp	
52	70029832	1	Cover, In	
53	70029833	1	Cover, Out	

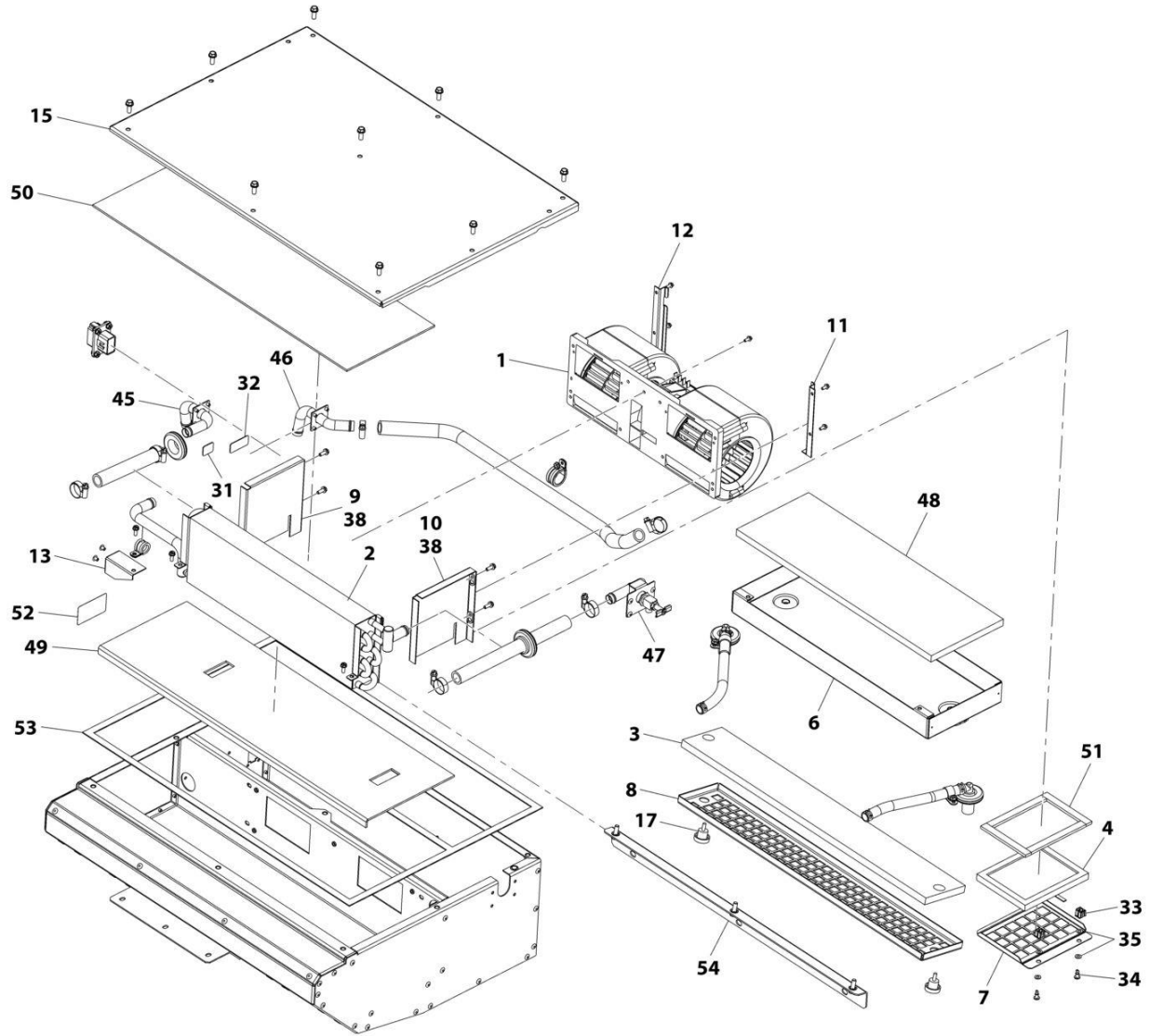
## SECTION 6 - CAB

ITEM	PART NUMBER	QTY	DESCRIPTION	REV
54	70029834	2	Connector	
55	70029835	2	Screw	
56	70029836	4	Washer	
57	NPN	16	Bolt #10 x 1/2	
58	NPN	5	Bolt #8 x 1/2	
59	NPN	8	Washer #8	
60	NPN	2	Bolt 1/4 x 1-1/2	
61	70029837	2	Clip	
62	NPN	4	Bolt 1/4 x 1	
63	NPN	6	Washer 1/4	
64	NPN	3	Nut #10	
65	NPN	4	Nut #8	
66	70029984	4	Washer 1/4	
67	NPN	4	Bolt #8 x 1/2	
68	70031413	1	Washer	
69	70031414	1	Washer	
70	NPN	5	Bolt #8 x 3/8	
71	NPN	10	Bolt 1/4 x 5/8	
72	NPN	17	Rivet	
73	70026985	1	Thermostat	
74	70029838	1	Tube	
75	70029839	1	Tube	
76	70026991	1	Valve, Bleeder	
77	70029840	1	Foam	
78	70029841	1	Foam	
79	70031420	1	Foam	
80	70031421	1	Foam	
81	70031422	1	Foam	
82	70029842	1	Foam	
83	70026123	1	Insulation	
84	70026124	2	Foam	
85	NPN	1	Decal	
86	70029843	1	Foam	



# SECTION 6 - CAB

## FIGURE 6-16. HEATER BOX ASSEMBLY - HEATER ONLY



ART\_1001159860-B

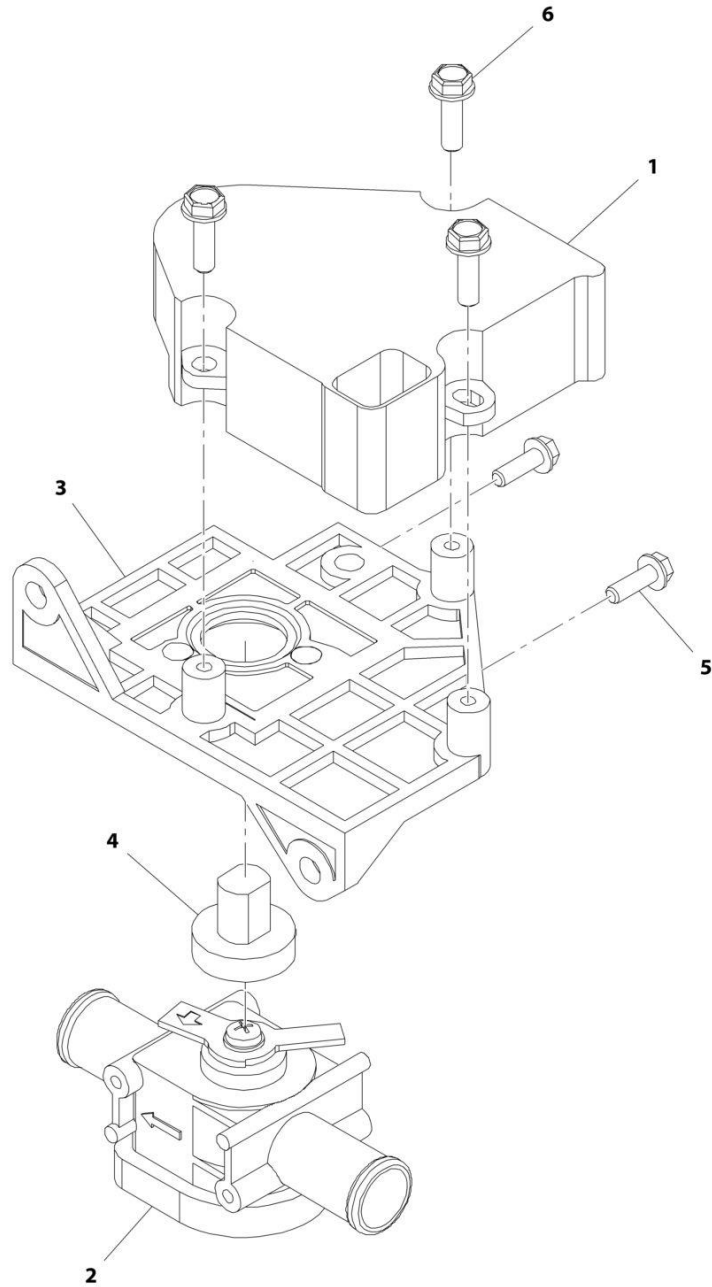


FIGURE 6-16. HEATER BOX ASSEMBLY - HEATER ONLY

ITEM	PART NUMBER	QTY	DESCRIPTION	REV
	1001159860	Ref	Roof Heater Box	B
1	70026978	1	Blower, 12V	
2	70026981	1	Heater Coil	
3	70026982	1	Air Filter	
4	70026983	1	Air Filter	
6	70029822	1	Drain Pan	
7	70029823	1	Cover, Air Filter	
8	70029824	1	Cover, Air Filter	
9	70029825	1	Bracket, Coil (R)	
10	70029826	1	Bracket, Coil (L)	
11	70029827	1	Bracket, Blower	
12	70029828	1	Bracket, Blower	
13	70029829	1	Support Bracket	
15	70029830	1	Cover	
16	70029831	1	Harness (not shown)	
17	8036726	2	Knob	
31	70029832	1	Overlay In	
32	70029833	1	Overlay Out	
33	70029834	2	Receptacle	
34	70029835	2	Stud, Oval Slotted	
35	70029836	4	Retainer	
38	70029837	2	Panel, Coil Clip	
45	70029838	1	Tube Assembly	
46	70029839	1	Tube Assembly	
47	70026991	1	Valve, Bleeder	
48	70029840	1	Foam	
49	70029841	1	Foam, Closed Cell	
50	70029842	1	Foam, Closed Cell	
51	70026123	1	Foam, 3/16X180	
52	See Note	1	Foam 456mm	
53	70029843	1	Foam, Closed Cell	
54	70029844	1	Bracket Assembly	

# SECTION 6 - CAB

## FIGURE 6-17. HEATER VALVE ASSEMBLY



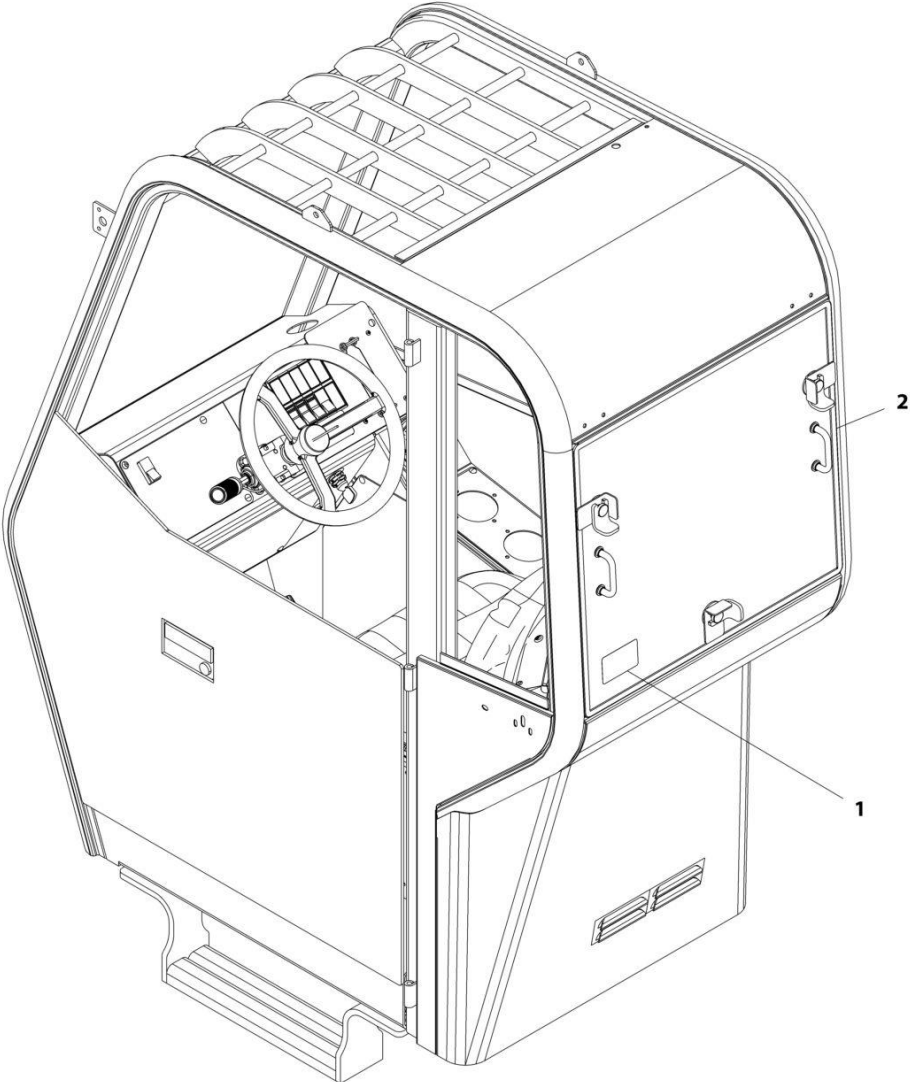
ART\_1001159844-C

FIGURE 6-17. HEATER VALVE ASSEMBLY

ITEM	PART NUMBER	QTY	DESCRIPTION	REV
	1001159844	Ref	Heater Valve	C
1	70026088	1	Motor Actuator, 12V	
2	70026089	1	Assembly, Heater Valve	
3	70026090	1	Assembly, Valve Bracket	
4	70026091	1	Adapter, Shaft	
5	70026092	2	Screw, 8-18X1/2	
6	70026093	3	Screw, 10-16X5/8	

**SECTION 6 - CAB**

**FIGURE 6-18. REAR WINDOW INSTALLATION (ANSI ENGLISH)**



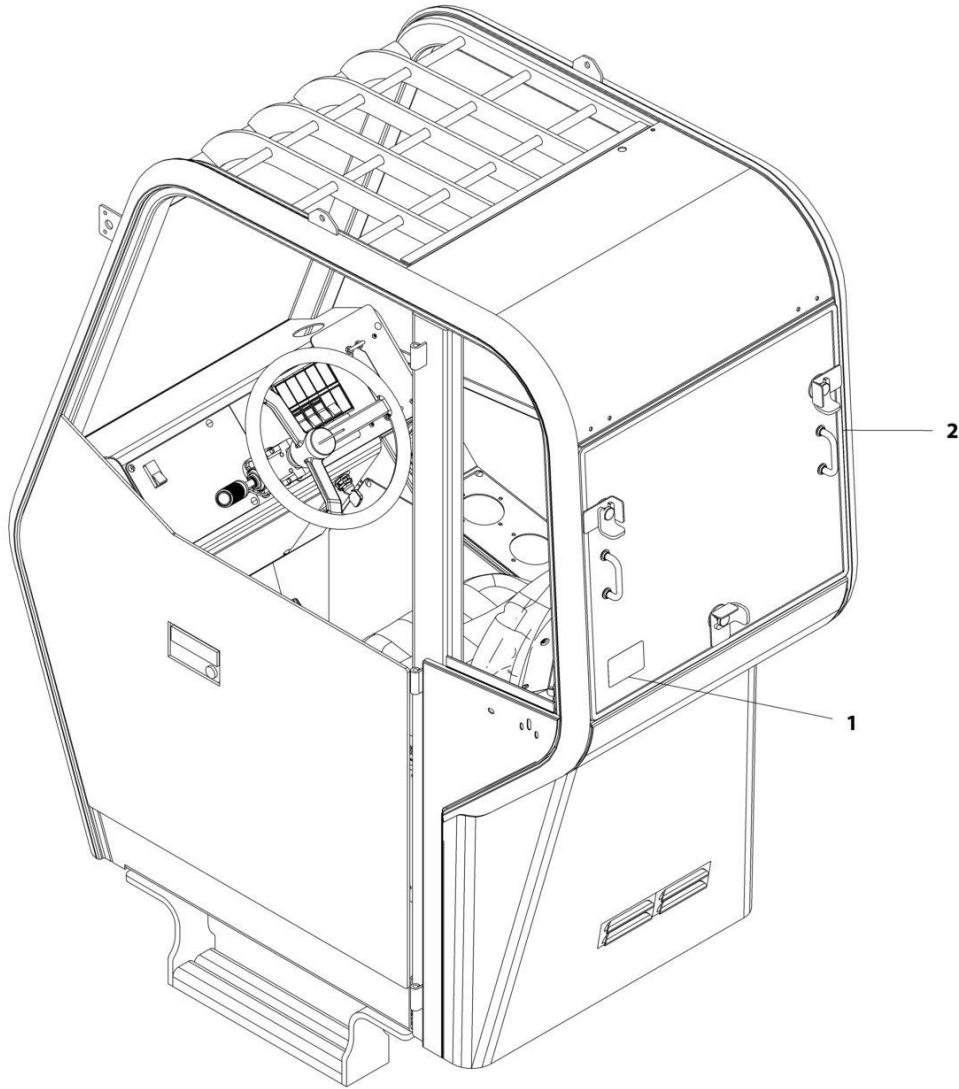
ART\_1001162806-A

**FIGURE 6-18. REAR WINDOW INSTALLATION (ANSI ENGLISH)**

<b>ITEM</b>	<b>PART NUMBER</b>	<b>QTY</b>	<b>DESCRIPTION</b>	<b>REV</b>
	1001162806	Ref	Rear Dropout Window Installation (ANSI)	A
1	1001160071	2	Decal, Rear Emergency Exit	
2	1001162804	1	Window, Rear Dropout	

# SECTION 6 - CAB

## FIGURE 6-19. REAR WINDOW INSTALLATION (ENGLISH/SPANISH)



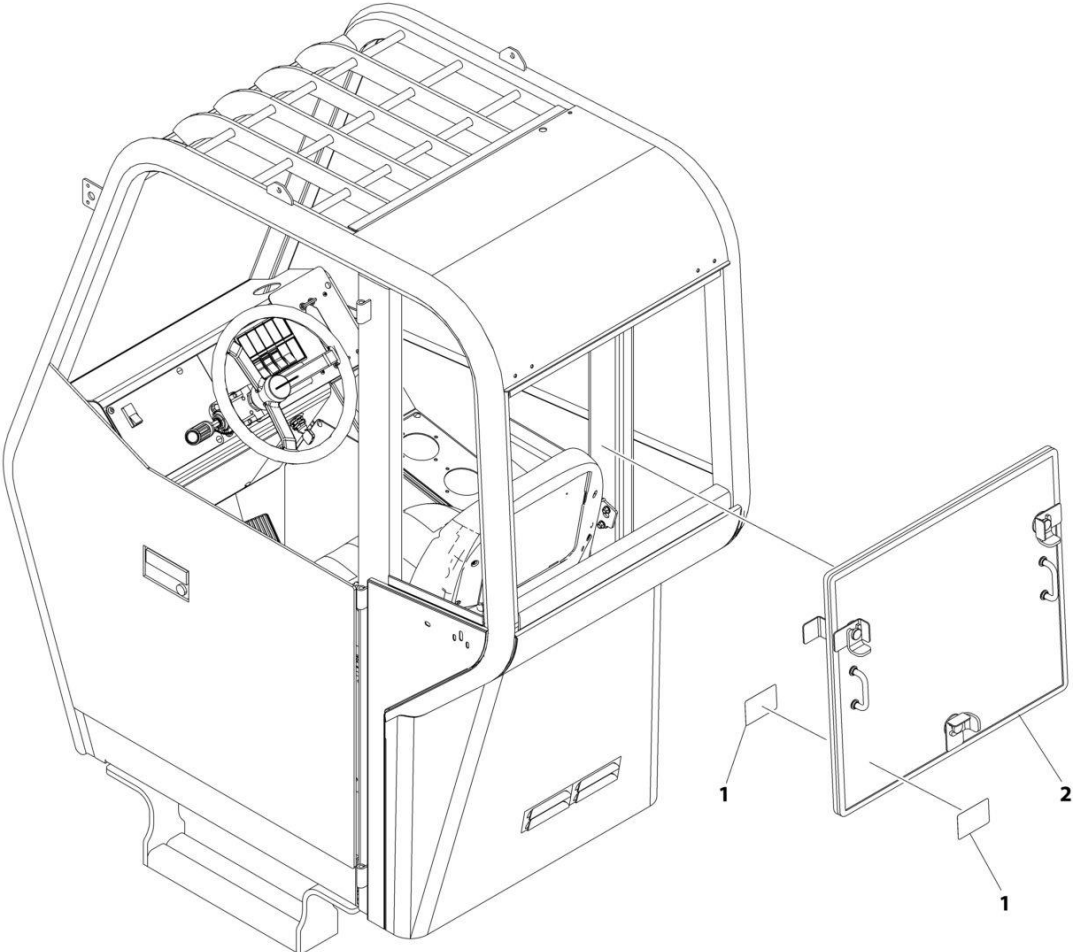
ART\_1001167250-A

**FIGURE 6-19. REAR WINDOW INSTALLATION (ENGLISH/SPANISH)**

<b>ITEM</b>	<b>PART NUMBER</b>	<b>QTY</b>	<b>DESCRIPTION</b>	<b>REV</b>
	1001167250	Ref	Rear Dropout Window Installation (ENGLISH/FRENCH)	A
1	1001160787	2	Decal, Rear Emergency Exit	
2	1001162804	1	Window, Rear Dropout	

**SECTION 6 - CAB**

**FIGURE 6-20. REAR WINDOW INSTALLATION (ENGLISH/SPANISH)**



ART\_1001242916

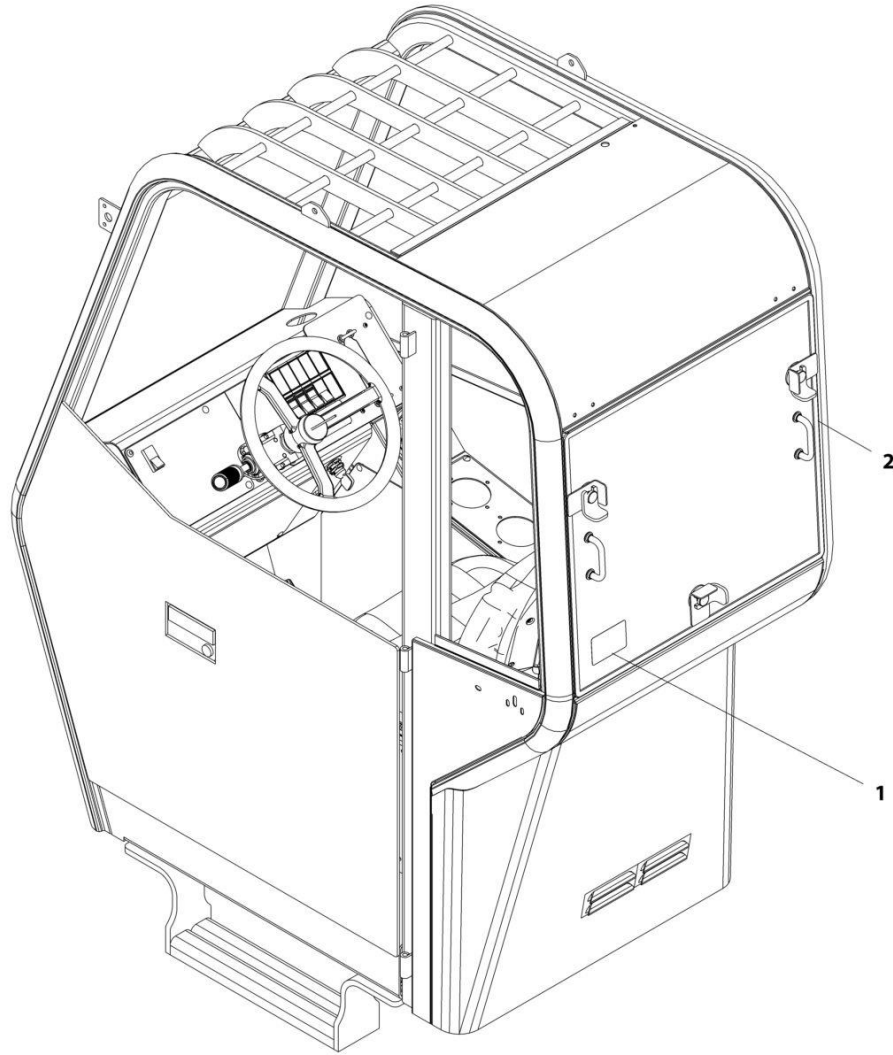


**FIGURE 6-20. REAR WINDOW INSTALLATION (ENGLISH/SPANISH)**

<b>ITEM</b>	<b>PART NUMBER</b>	<b>QTY</b>	<b>DESCRIPTION</b>	<b>REV</b>
	1001242916	Ref	REAR WINDOW EXIT INSTALLATION (ENG/SP)	B
1	1001273850	2	Decal, Rear Window Entry/Exit	
2	1001162804	1	Window	

# SECTION 6 - CAB

## FIGURE 6-21. REAR WINDOW INSTALLATION (ISO)



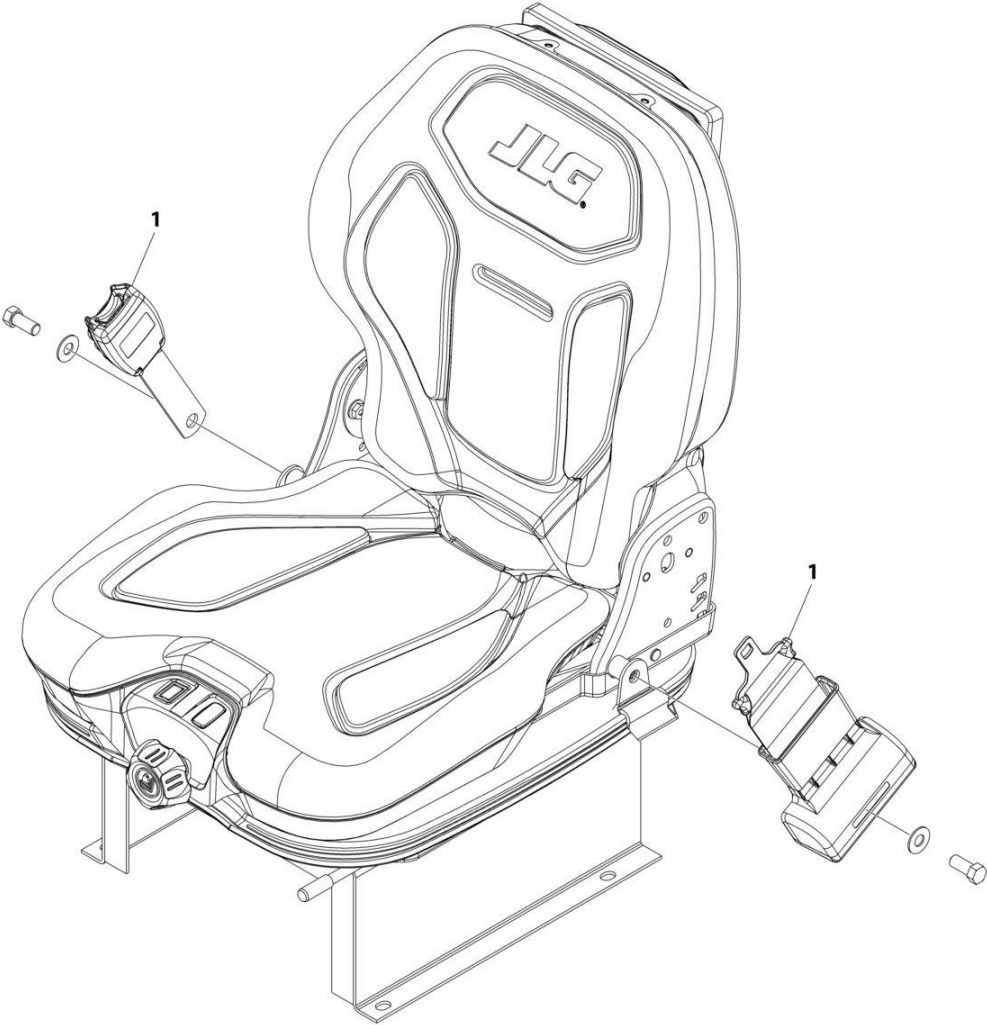
ART\_1001167251-A

**FIGURE 6-21. REAR WINDOW INSTALLATION (ISO)**

<b>ITEM</b>	<b>PART NUMBER</b>	<b>QTY</b>	<b>DESCRIPTION</b>	<b>REV</b>
	1001167251	Ref	Rear Dropout Window Installation (ISO)	A
1	1001160912	2	Decal, Rear Emergency Exit	
2	1001162804	1	Window, Rear Dropout	

**SECTION 6 - CAB**

**FIGURE 6-22. SEAT BELT INSTALLATION (3 INCH)**



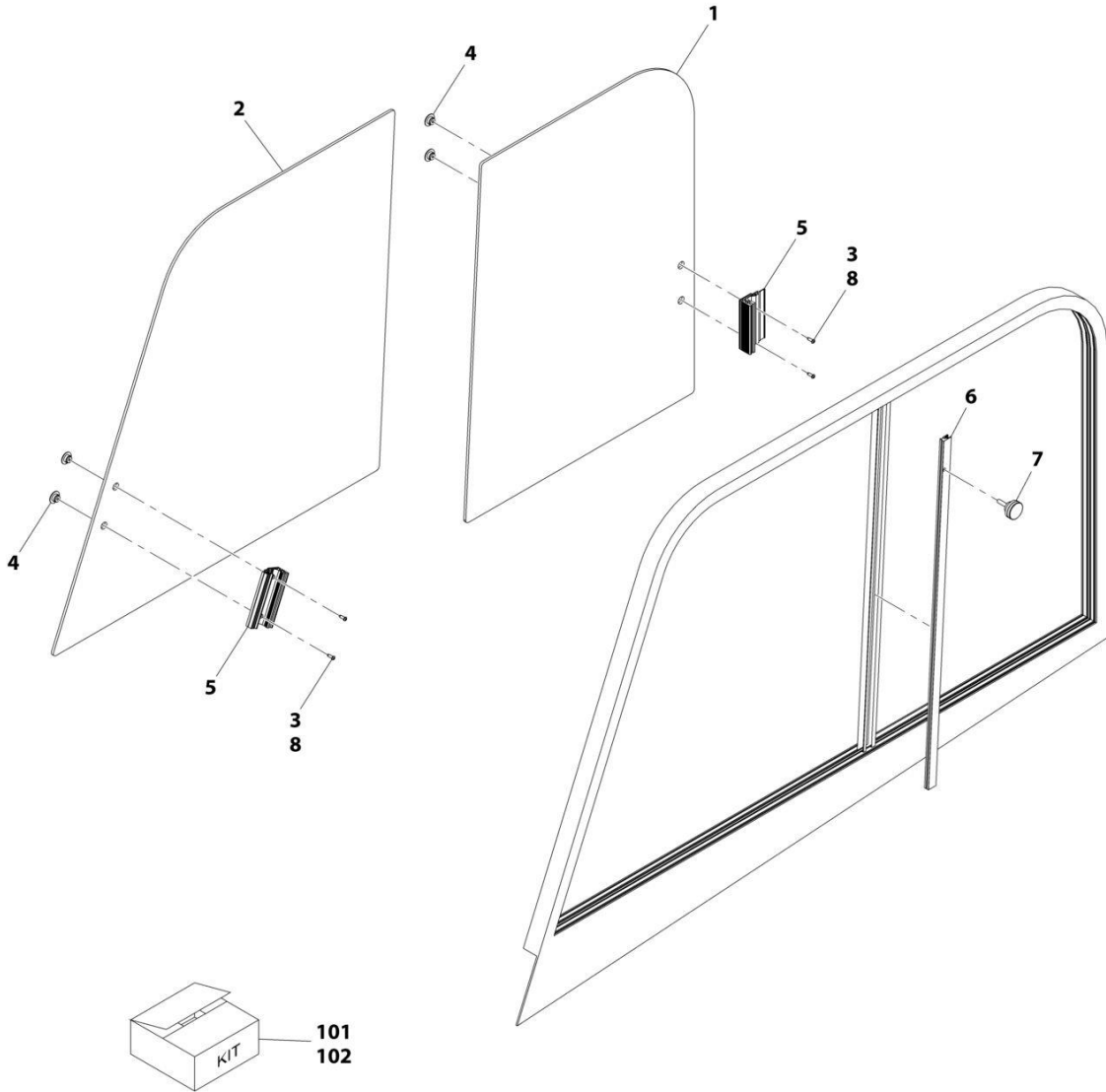
ART\_1001258245

**FIGURE 6-22. SEAT BELT INSTALLATION (3 INCH)**

<b>ITEM</b>	<b>PART NUMBER</b>	<b>QTY</b>	<b>DESCRIPTION</b>	<b>REV</b>
	1001258245	Ref	Seat Belt Installation (3in Width)	B
1	1001258244	1	Seat Belt (3in) (Black Strap)	
1	1001275933	1	Seat Belt (3in) (Orange Strap)	

**SECTION 6 - CAB**

**FIGURE 6-23. SLIDER WINDOW ASSEMBLY (RH)**



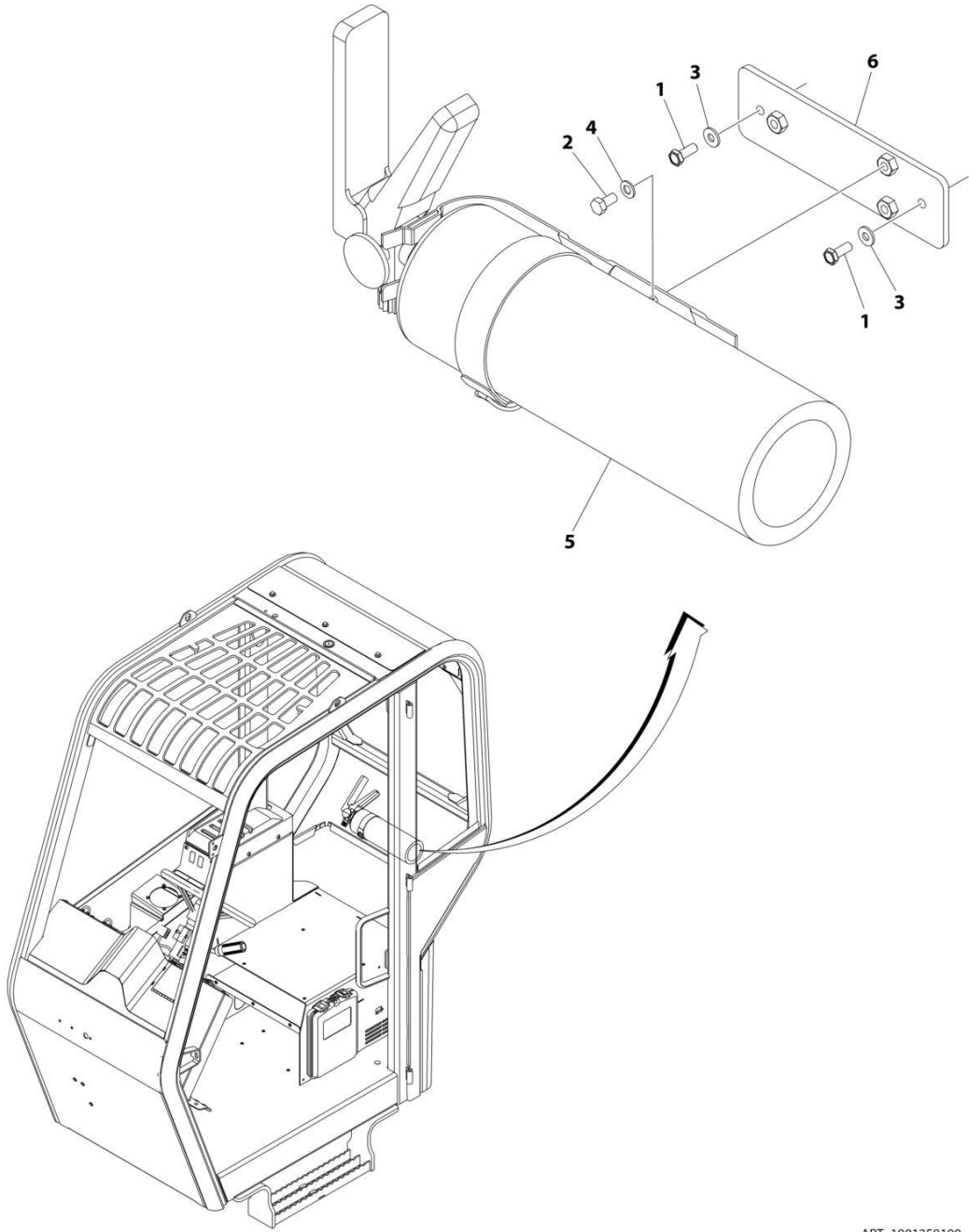
ART\_8036050-B

FIGURE 6-23. SLIDER WINDOW ASSEMBLY (RH)

ITEM	PART NUMBER	QTY	DESCRIPTION	REV
	8036050	Ref	RH Slider Window	B
1	8036197	1	Glass, Rear Slide	
2	8036196	1	Glass, Front Slide	
3	Kit	NSS	Capscrew (Use Item 101)	
4	Kit	NSS	Spacer (Use Item 101)	
5	Kit	NSS	Latch (Use Item 101)	
6	Kit	NSS	Block, Lock (Use Item 102)	
7	Kit	NSS	Assembly, Knob (Use Item 102)	
8	8035523	AR	Compound, Locking	
101	80384445	1	Latch Assembly Kit (with Latch & Slider - Worthington Windows) (includes items 3 thru 5)	
101	8036199	1	Latch Assembly Kit (with Two Latches - Young Windows) (includes items 3 thru 5)	
102	8036198	1	Friction Lock Assembly Kit (includes items 6 & 7)	

# SECTION 6 - CAB

## FIGURE 6-24. SKYTRAK FIRE EXTINGUISHER INSTALLATION



ART\_1001258100

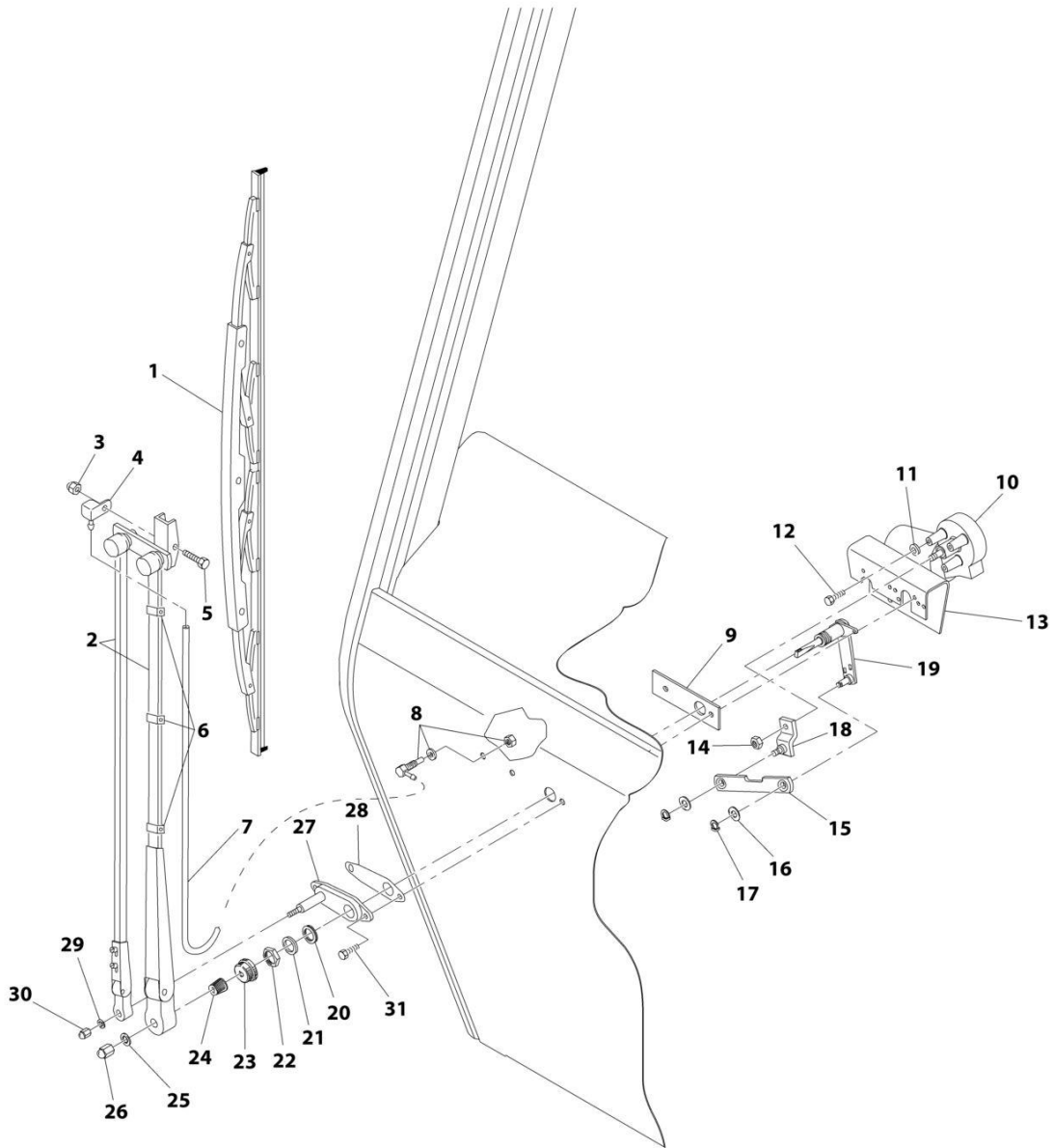


FIGURE 6-24. SKYTRAK FIRE EXTINGUISHER INSTALLATION

ITEM	PART NUMBER	QTY	DESCRIPTION	REV
	1001258100	Ref	Skytrak Fire Extinguisher Installation	A
1	0721004	2	Screw M10X1/2	
2	0760505	3	Bolt M5X10	
3	4750800	2	Washer M8	
4	4811600	3	Washer M5	
5	1001099699	1	Extinguisher, Fire with Bracket	
5	1001100082	1	Bracket	
6	1001241305	1	Bracket	

# SECTION 6 - CAB

## FIGURE 6-25. WIPER INSTALLATION (FRONT)



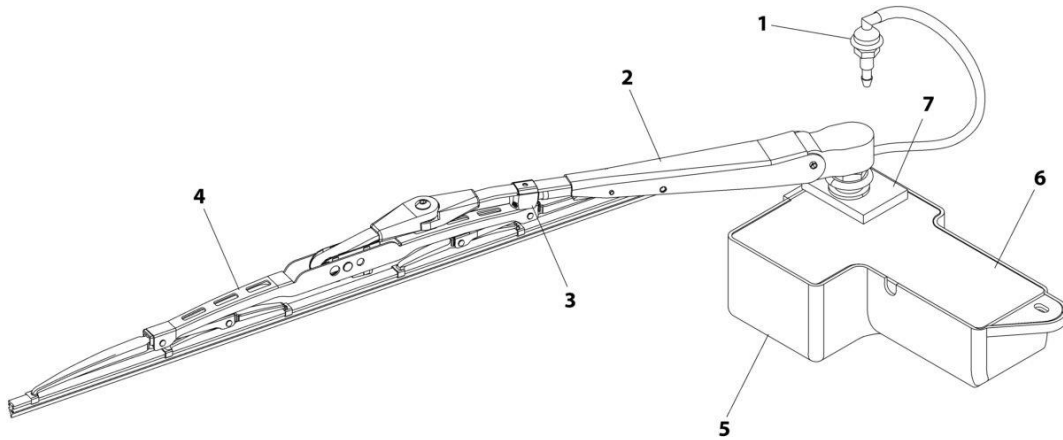
ART\_8036056-A

FIGURE 6-25. WIPER INSTALLATION (FRONT)

ITEM	PART NUMBER	QTY	DESCRIPTION	REV
	8036056	Ref	Front Wiper Assembly	A
1	80384213	1	Blade, Wiper	
2	8035393	1	Assembly, Wiper Arm	
3	N.S.S.	1	Nut, Lock	
4	N.S.S.	1	Nozzle, Sprayer	
5	N.S.S.	1	Bolt	
6	N.S.S.	3	Clip, Hose	
7	N.S.S.	1	Hose	
8	1001081310	1	Adaptor, Wet Arm	
9	8036100	1	Spacer, Front Wiper Motor	
10	7029860	1	Motor, Wiper 12V	
11	N.S.S.	3	Washer, 5/16	
12	N.S.S.	3	Bolt, 1/4-28X1	
13	N.S.S.	1	Bracket, Wiper Motor	
14	N.S.S.	1	Nut	
15	8035409	1	Link, Connecting	
16	N.S.S.	2	Washer, 0.56X0.251X0.015	
17	N.S.S.	2	Clip, Spring	
18	8035411	1	Drive, Wiper Arm	
19	8036099	1	Assembly, Wiper Shaft and Pivot	
20	N.S.S.	1	Washer, Rubber	
21	N.S.S.	1	Washer, Metal	
22	N.S.S.	1	Nut, Jam 11/16-18	
23	N.S.S.	1	Cap, Rubber	
24	N.S.S.	1	Driver, Knurled	
25	N.S.S.	1	Washer, Lock 3/8	
26	N.S.S.	1	Nut, Acorn 1/4-28	
27	8034815	1	Assembly, Panto Adaptor	
28	N.S.S.	1	Gasket	
29	N.S.S.	1	Washer, Lock 1/4	
30	N.S.S.	1	Nut, Acorn 1/4-28	
31	80384207	2	Bolt, 1/4-28X3/4	

# SECTION 6 - CAB

## FIGURE 6-26. WIPER INSTALLATION (SKYLIGHT)



ART\_1001182470

FIGURE 6-26. WIPER INSTALLATION (SKYLIGHT)

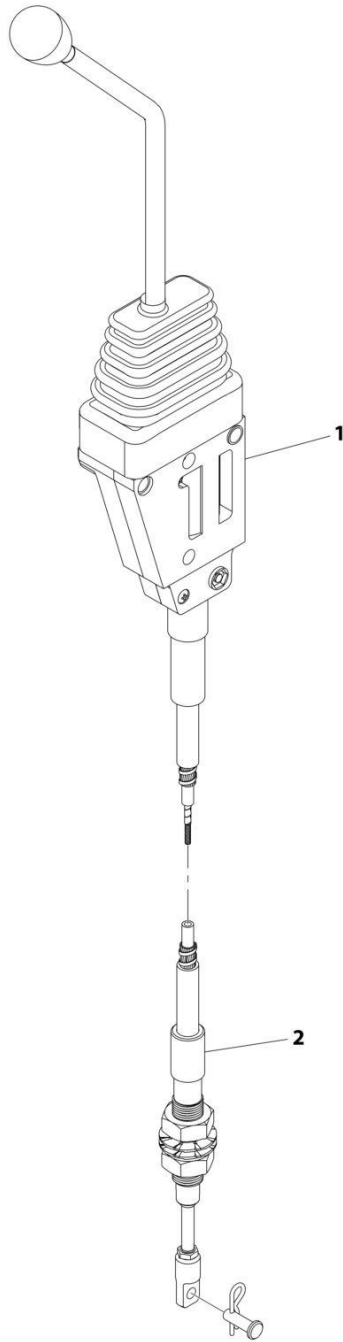
ITEM	PART NUMBER	QTY	DESCRIPTION	REV
	1001182470	Ref	SKYLIGHT WIPER ASSEMBLY	B
1	1001081310	1	Adaptor, Wet Arm	
2	8035500	1	Arm, Wiper	
3	8035499	1	Arm, Wet Kit	
4	8035498	1	Blade, Wiper	
5	70020652	1	Motor, Wiper	
6	8035493	1	Cover, Wiper	
7	70026352	1	Block, Skylight Wiper Motor	



**SECTION 7 - CONTROLS**

# SECTION 7 - CONTROLS

## FIGURE 7-1. AUXILIARY CONTROL ASSEMBLY



ART\_1001244652



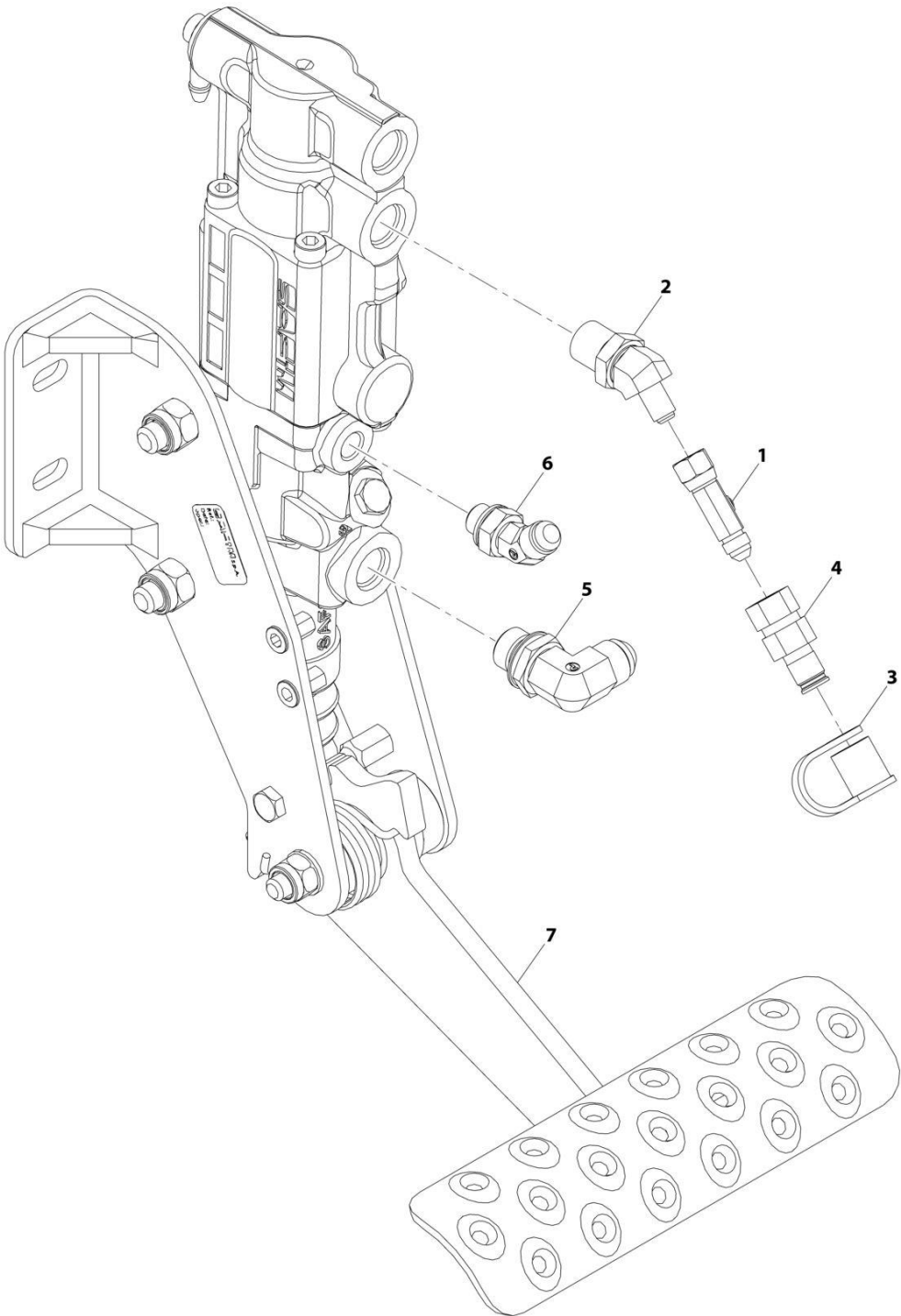
## SECTION 7 - CONTROLS

FIGURE 7-1. AUXILIARY CONTROL ASSEMBLY

ITEM	PART NUMBER	QTY	DESCRIPTION	REV
	1001244652	Ref	Auxiliary Control	C
1	1001173581	1	Control	
2	1001244654	1	Cable	

**SECTION 7 - CONTROLS**

**FIGURE 7-2. BRAKE ASSEMBLY**



ART\_1001223052-A

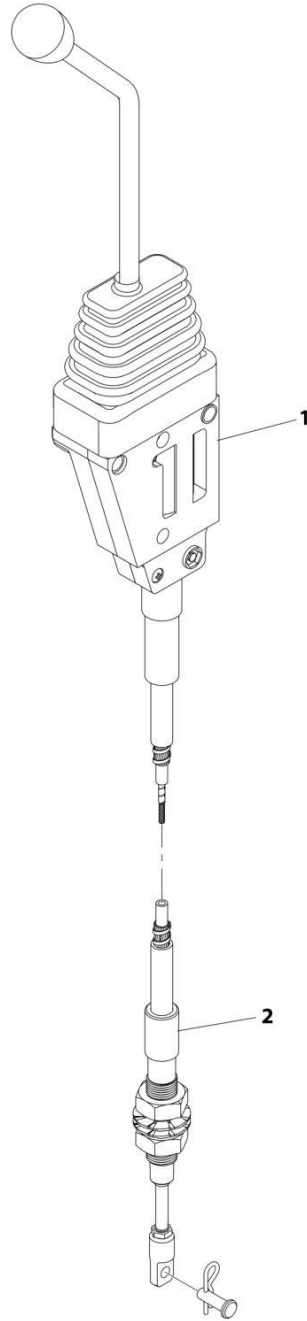
## SECTION 7 - CONTROLS

### FIGURE 7-2. BRAKE ASSEMBLY

ITEM	PART NUMBER	QTY	DESCRIPTION	REV
	1001223052	Ref	Brake Assembly - Safim	A
1	2220605	1	Adapter	
2	2221344	1	Adapter	
3	8430032	1	Plug, Dust Cap	
4	10727374	1	Adapter	
5	91473086	1	Adapter	
6	1001183341	1	Adapter	
7	1001223050	1	Installation, Hydraulic Brake Valve (See Separate Breakdown in HYDRAULIC CIRCUITS Section)	

# SECTION 7 - CONTROLS

## FIGURE 7-3. FRAME LEVEL CONTROL ASSEMBLY



ART\_1001244653

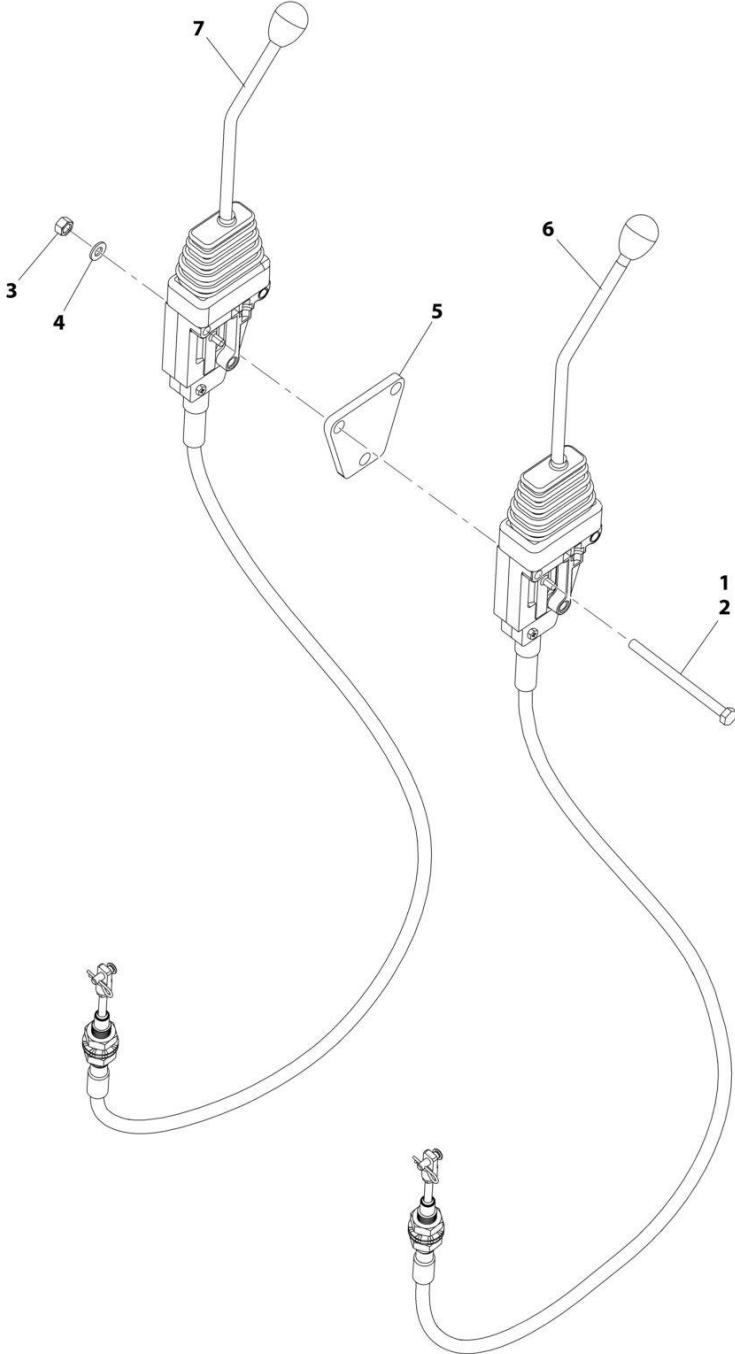
## SECTION 7 - CONTROLS

FIGURE 7-3. FRAME LEVEL CONTROL ASSEMBLY

ITEM	PART NUMBER	QTY	DESCRIPTION	REV
	1001244653	Ref	Frame Level Control	C
1	1001173582	1	Control	
2	1001244654	1	Cable	

**SECTION 7 - CONTROLS**

**FIGURE 7-4. SECONDARY CONTROLS INSTALLATION**



ART\_1001244650

## SECTION 7 - CONTROLS

**FIGURE 7-4. SECONDARY CONTROLS INSTALLATION**

ITEM	PART NUMBER	QTY	DESCRIPTION	REV
	1001244650	Ref	Secondary Controls Installation	C
1	0100011	AR	Compound, Locking	
2	0700828	3	Bolt, M8X110	
3	8305043	3	Nut, M8X1-1/4	
4	8307222	3	Washer, Plain M8	
5	1001174340	1	Bracket, Control Spacer Plate	
6	1001244652	1	Auxiliary Control Assembly	
6	1001173581	1	Control, Auxiliary	
6	1001244654	1	Cable, Auxiliary Control	
7	1001244653	1	Frame Level Control Assembly	
7	1001173582	1	Control, Frame Level	
7	1001244654	1	Cable, Frame Level	

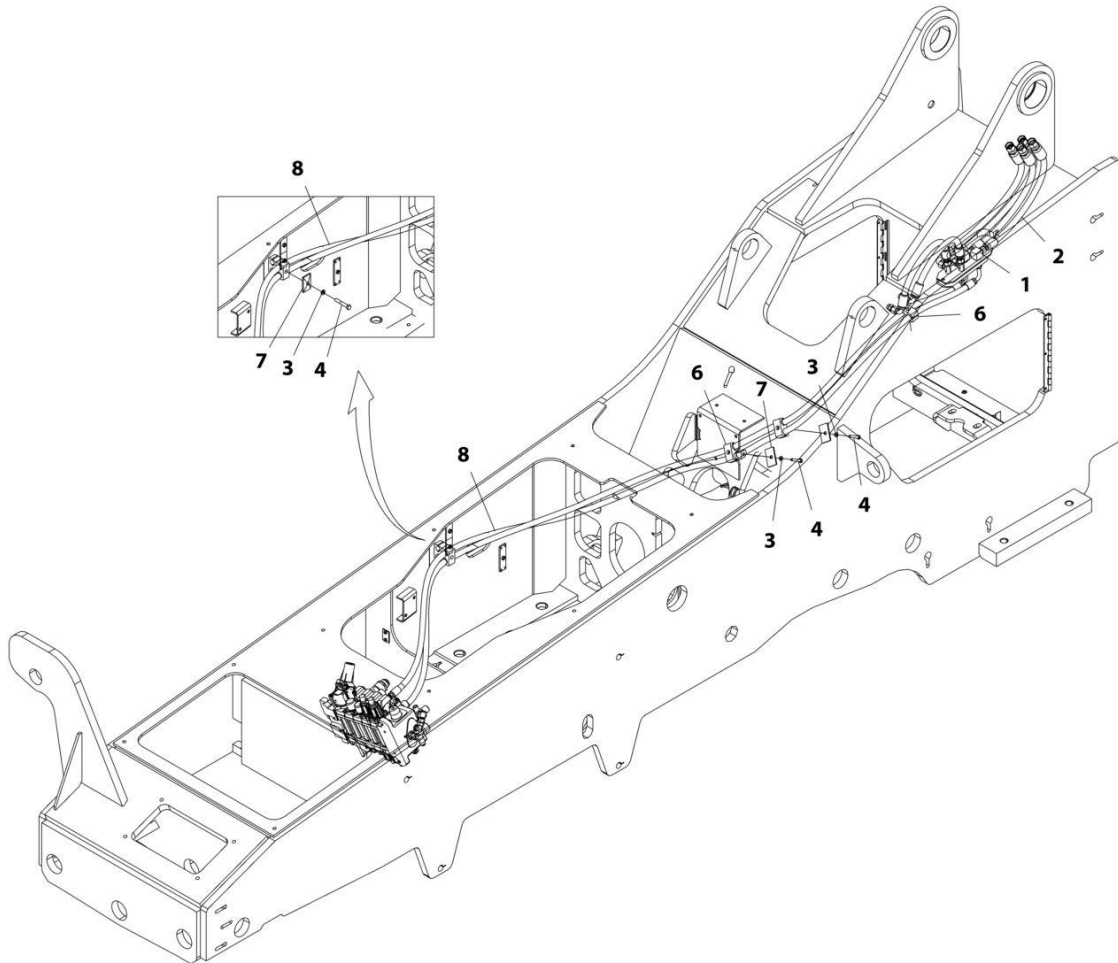




**SECTION 8 - HYDRAULIC CIRCUITS**

# SECTION 8 - HYDRAULIC CIRCUITS

## FIGURE 8-1. AUXILIARY CONTROLS HYDRAULICS INSTALLATION



ART\_1001158041\_J

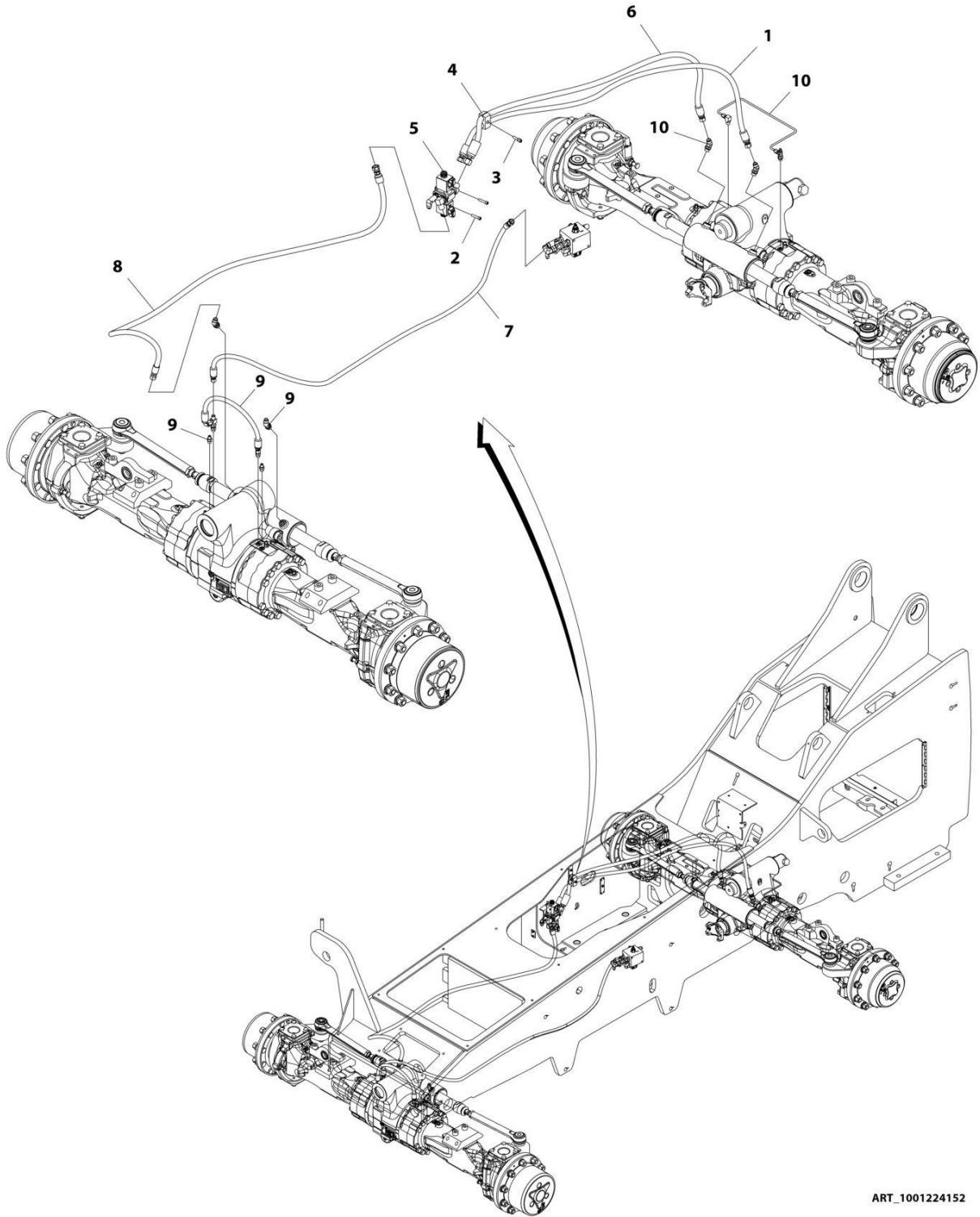
## SECTION 8 - HYDRAULIC CIRCUITS

FIGURE 8-1. AUXILIARY CONTROLS HYDRAULICS INSTALLATION

ITEM	PART NUMBER	QTY	DESCRIPTION	REV
	1001158041	Ref	Auxiliary Controls Hydraulic Installation	J
1	2230044	2	Adapter, Bulkhead 90 JIC	
2	1001245061	2	Hose 26 in/ 66cm	
2	2716713	2	Hose 30 in/ 76cm	
3	8307004	3	Washer 5/16	
4	8310009	3	Bolt 5/16X2	
5	8750012	1	Bolt, Stacking (Not Shown)	
6	8750027	4	Clamp Set, Twin	
7	8769128	3	Cover Plate, Twin	
8	1001245060	2	Hose	

# SECTION 8 - HYDRAULIC CIRCUITS

## FIGURE 8-2. AXLE HYDRAULICS INSTALLATION



ART\_1001224152

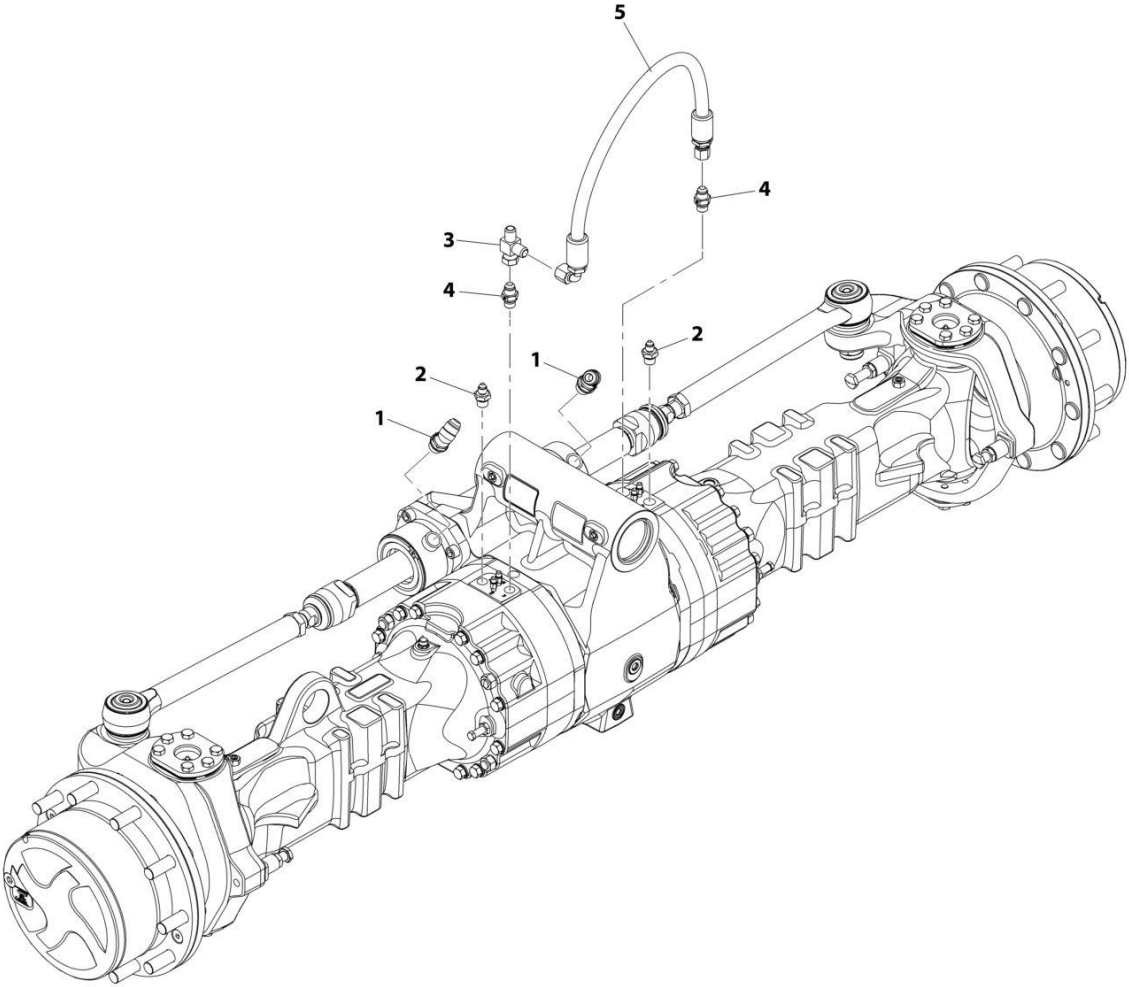
## SECTION 8 - HYDRAULIC CIRCUITS

### FIGURE 8-2. AXLE HYDRAULICS INSTALLATION

ITEM	PART NUMBER	QTY	DESCRIPTION	REV
	1001224152	Ref	Axle Hydraulic Installation	B
	1001201991	Ref	Axle Hydraulic Installation	C
1	2716673	1	Hose	
2	8304608	2	Screw, 5/16-18X1-1/2	
3	8750012	1	Bolt, Stacking	
4	8750027	1	Clamp Set, Twin	
5	1001172784	1	Assembly, Steer Select Valve (See STEER SELECT VALVE ASSEMBLY for Breakdown)	
6	1001178224	1	Hose	
7	1001194620	1	Hose	
8	1001194745	1	Hose	
9	1001224459	1	Assembly, Front Axle Hydraulic (See FRONT AXLE HYDRAULIC ASSEMBLY for Breakdown)	
10	1001224460	1	Assembly, Rear Axle Hydraulic (See REAR AXLE HYDRAULIC ASSEMBLY for Breakdown)	

# SECTION 8 - HYDRAULIC CIRCUITS

## FIGURE 8-3. AXLE HYDRAULICS INSTALLATION - FRONT



ART\_1001224459-C

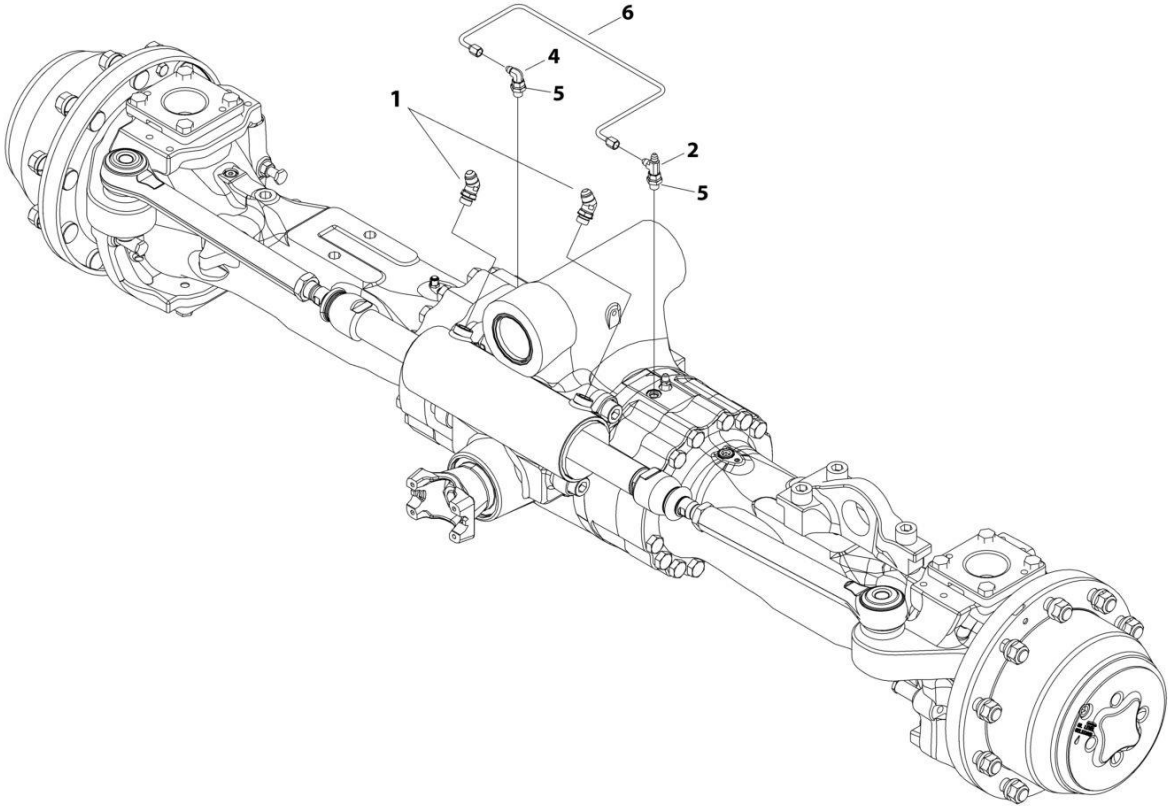
## SECTION 8 - HYDRAULIC CIRCUITS

### FIGURE 8-3. AXLE HYDRAULICS INSTALLATION - FRONT

ITEM	PART NUMBER	QTY	DESCRIPTION	REV
	1001224459	Ref	Front Axle Hydraulic Assembly	C
1	2220500	2	Adapter, Straight	
2	1001227636	2	Adapter, Straight	
3	2220635	1	Adapter, Run Tee	
4	8770064	2	Fitting	
5	1001224467	1	Hose Assembly	

**SECTION 8 - HYDRAULIC CIRCUITS**

**FIGURE 8-4. AXLE HYDRAULICS INSTALLATION - REAR**



ART\_1001224460



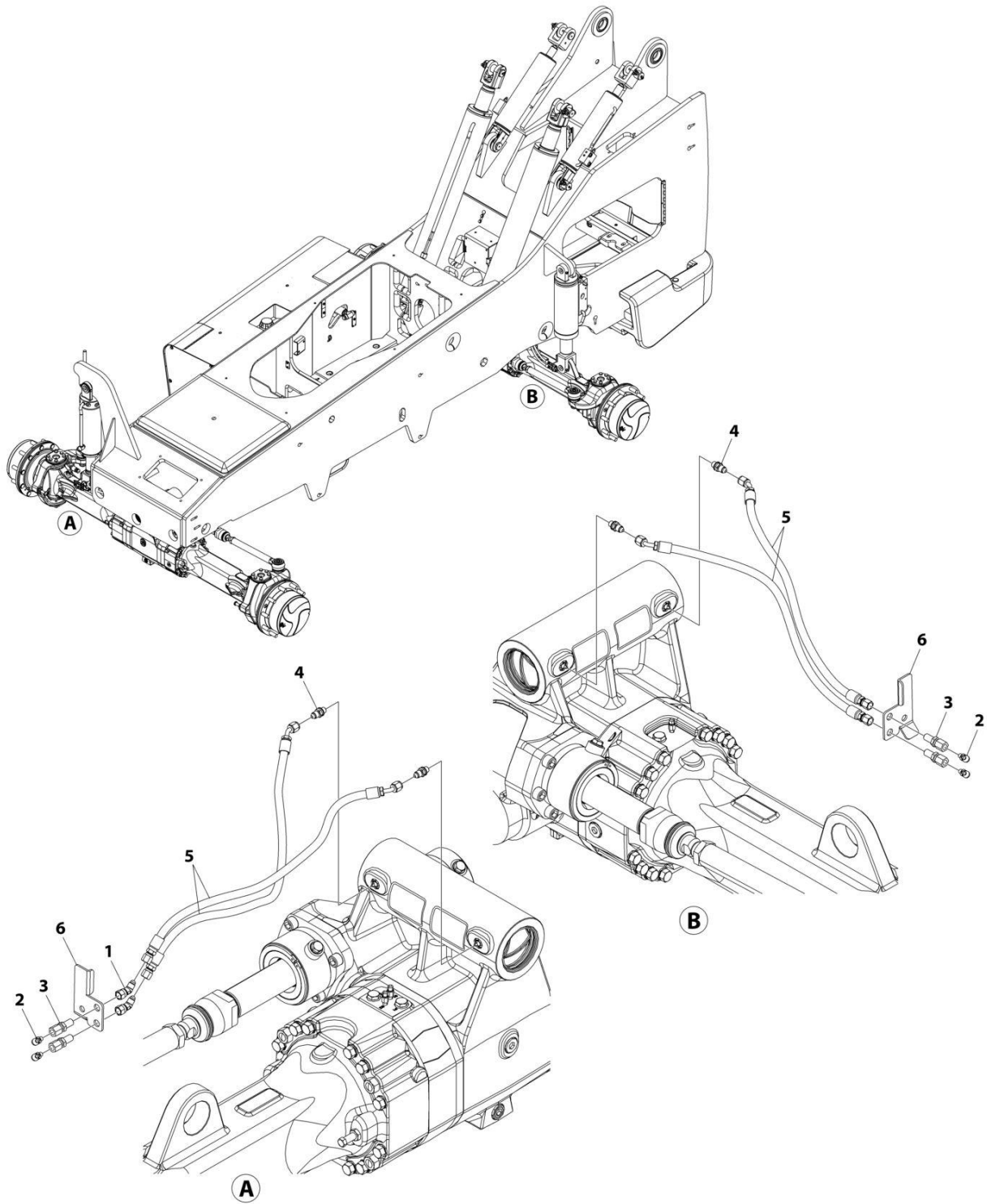
## SECTION 8 - HYDRAULIC CIRCUITS

### FIGURE 8-4. AXLE HYDRAULICS INSTALLATION - REAR

ITEM	PART NUMBER	QTY	DESCRIPTION	REV
	1001224460	Ref	Rear Axle Hydraulic Assembly	C
1	2220500	2	Fitting, 45 JIC/ORB	
2	2220605	1	Fitting, Tee JIC/FSJIC/JIC	
4	2220654	1	Fitting, 90 JIC/FSJIC	
5	1001227636	2	Fitting, Straight JIC/MMP	
6	1001224471	1	Tube	

# SECTION 8 - HYDRAULIC CIRCUITS

## FIGURE 8-5. AXLE PIN LUBE HYDRAULICS INSTALLATION



ART\_1001224150

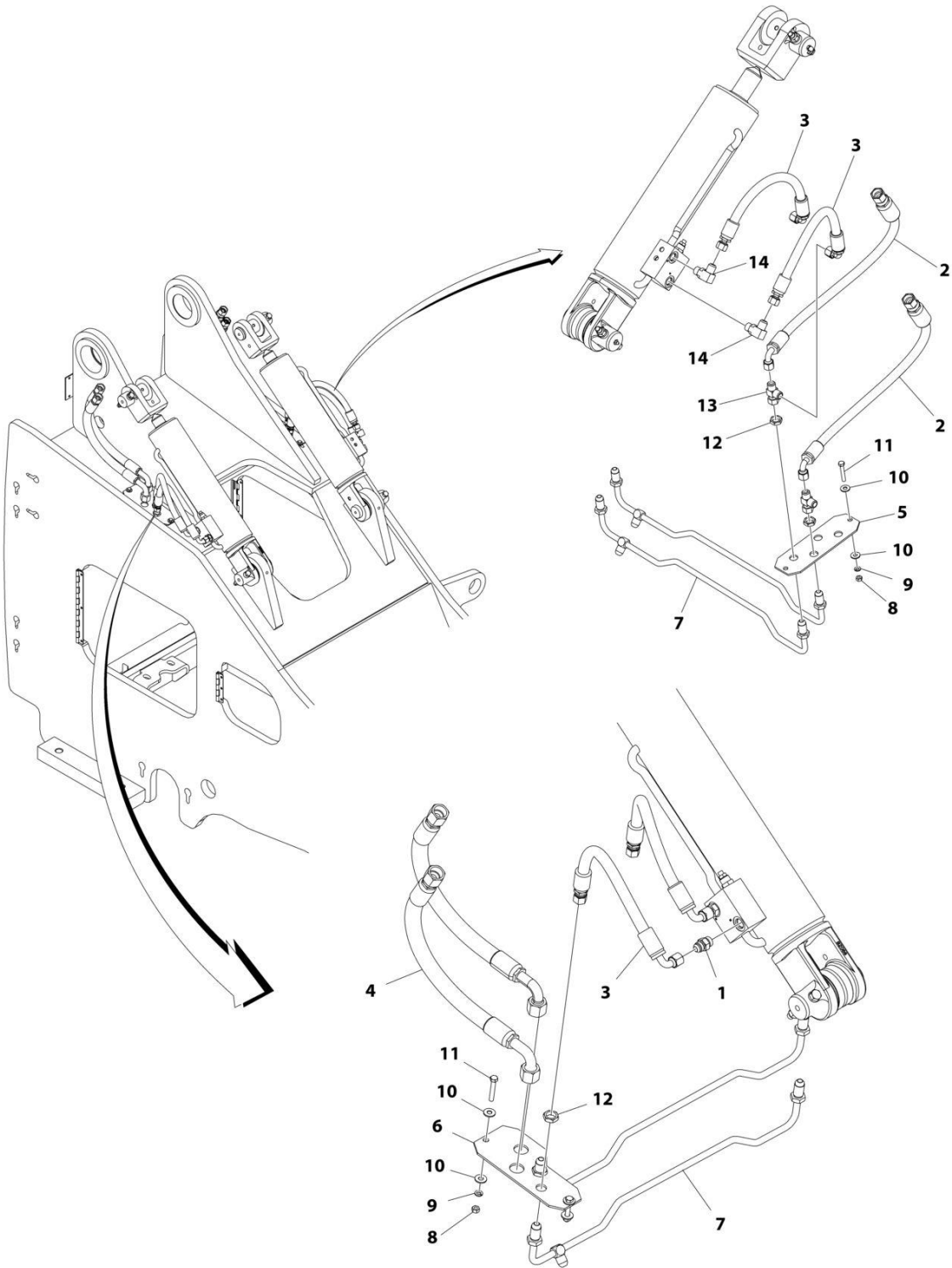
## SECTION 8 - HYDRAULIC CIRCUITS

### FIGURE 8-5. AXLE PIN LUBE HYDRAULICS INSTALLATION

ITEM	PART NUMBER	QTY	DESCRIPTION	REV
	1001224150	Ref	Axle Pin Lube Kit Installation	B
1	2220677	2	Adapter, 45	
2	8520003	4	Fitting, 90 Lube	
3	80623016	4	Adapter, Bulkhead Straight	
4	1001107589	4	Adapter, Straight	
5	1001226795	4	Hose, Lubrication	
6	1001224242	2	Bracket, Hose	

# SECTION 8 - HYDRAULIC CIRCUITS

## FIGURE 8-6. BULKHEAD (REAR) INSTALLATION



ART\_1001196392\_F

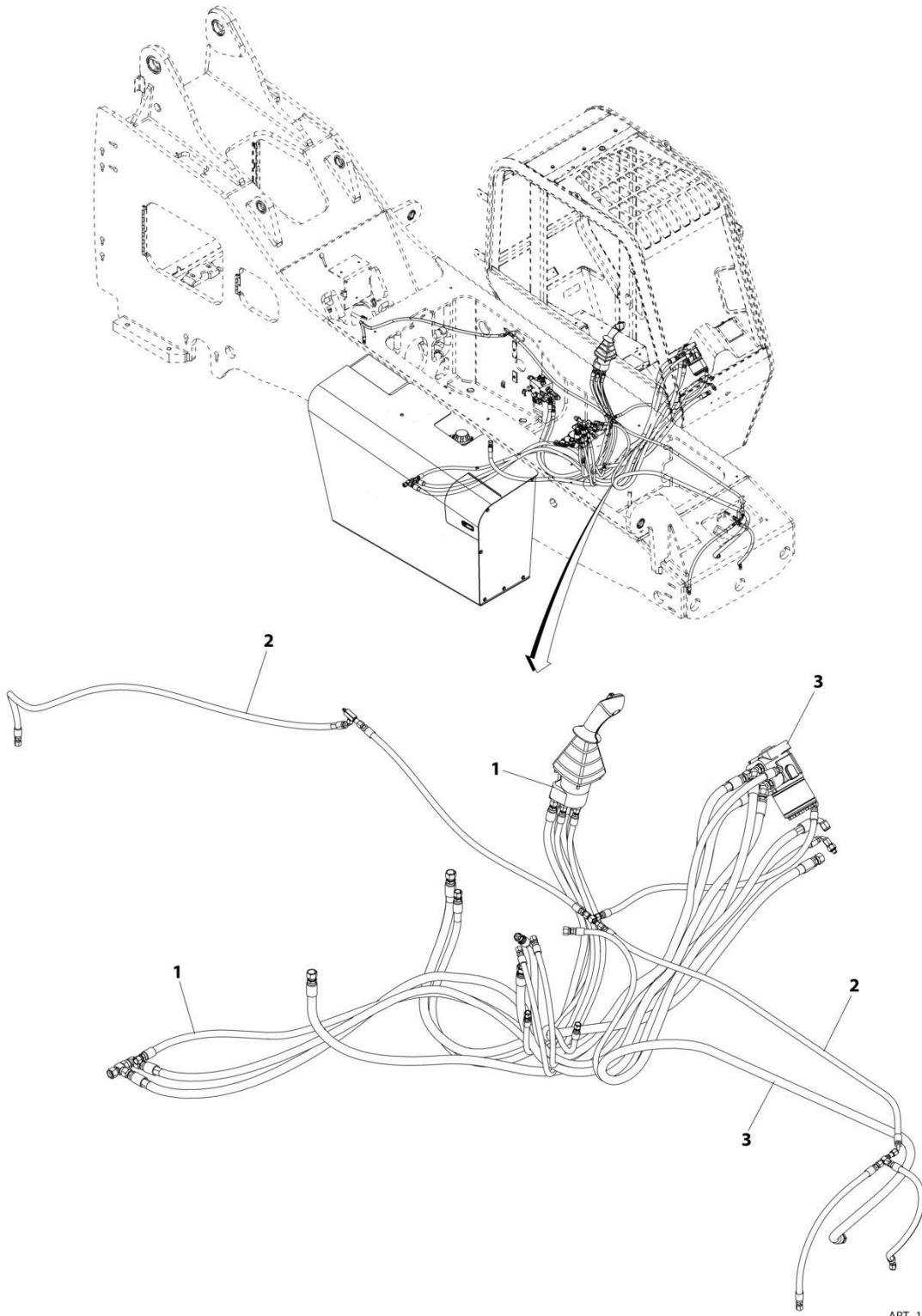
## SECTION 8 - HYDRAULIC CIRCUITS

**FIGURE 8-6. BULKHEAD (REAR) INSTALLATION**

ITEM	PART NUMBER	QTY	DESCRIPTION	REV
	1001196392	Ref	Rear Bulkhead Installation	F
1	2220373	2	Adapter, Straight JIC	
2	1001245068	2	Hose 30 in/ 76cm	
2	2716714	2	Hose 34 in/ 86cm	
3	2716715	4	Hose	
4	1001245067	2	Hose 26 in/ 66cm	
4	2755060	2	Hose 32 in/ 81cm	
5	7139504	1	Plate, Bulkhead	
6	7139505	1	Plate, Bulkhead	
7	1001257571	1	Tube	
8	8305006	4	Nut 5/16	
9	8307004	4	Washer 5/16	
10	8307203	8	Washer 5/16	
11	8310009	4	Bolt 5/16X2	
12	8760463	4	Fitting Nut	
13	2220385	1	Fitting Tee	
14	2220596	2	Fitting 90, JIC/ORB	

# SECTION 8 - HYDRAULIC CIRCUITS

## FIGURE 8-7. CAB HYDRAULICS INSTALLATION



ART\_1001244357-A

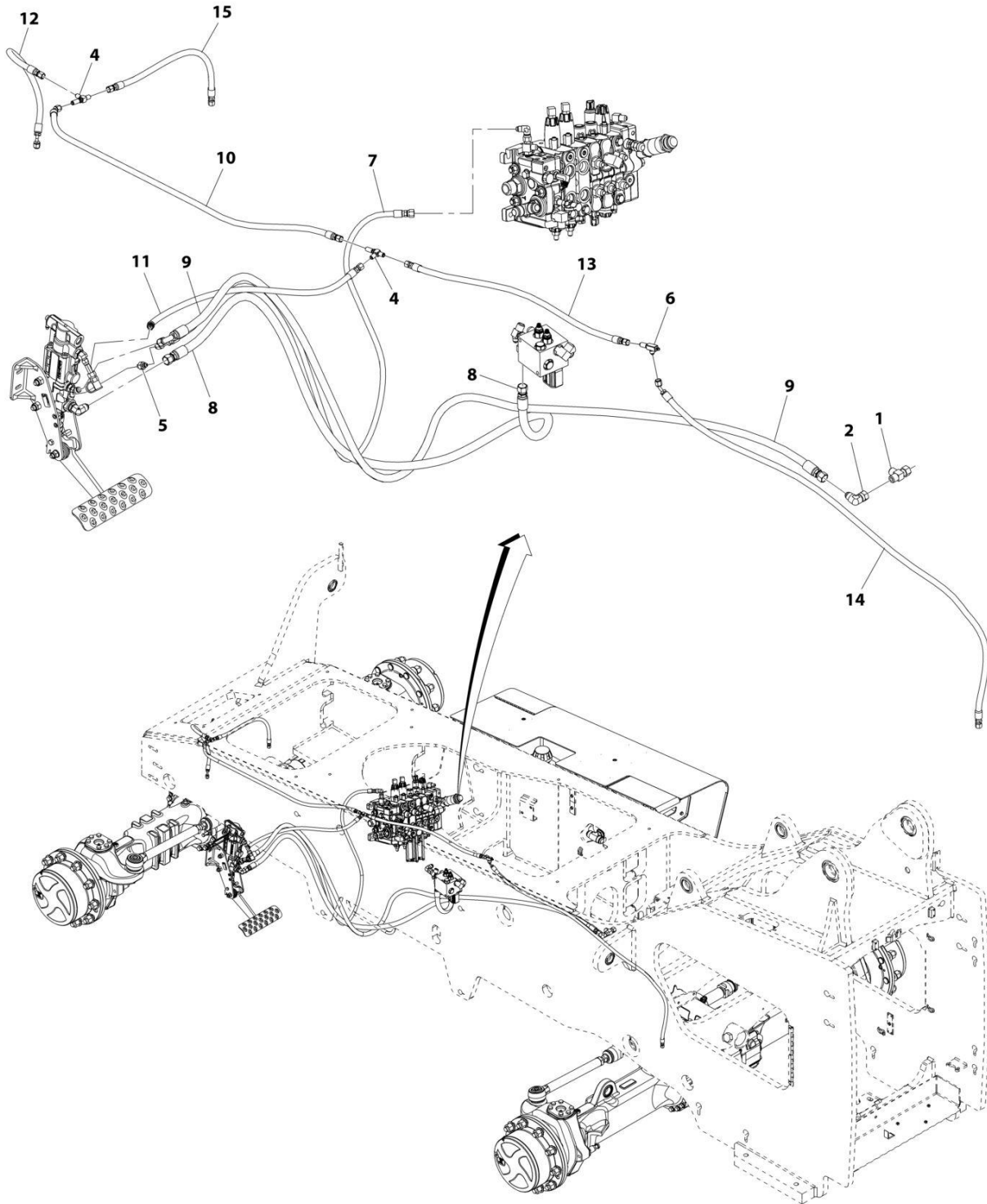
## SECTION 8 - HYDRAULIC CIRCUITS

### FIGURE 8-7. CAB HYDRAULICS INSTALLATION

ITEM	PART NUMBER	QTY	DESCRIPTION	REV
1	1001244357	Ref	Cab Hydraulics Installation	A
	1001158786	Ref	Pilot Controls Installation (See Separate Breakdown in this Section)	
2	1001245054	Ref	Brake Hydraulic Installation (See Separate Breakdown in this Section)	
3	1001245057	Ref	Steering Hydraulic Installation (See Separate Breakdown in this Section)	

# SECTION 8 - HYDRAULIC CIRCUITS

## FIGURE 8-8. CAB TO BRAKE HYDRAULICS INSTALLATION



ART\_1001245054-B



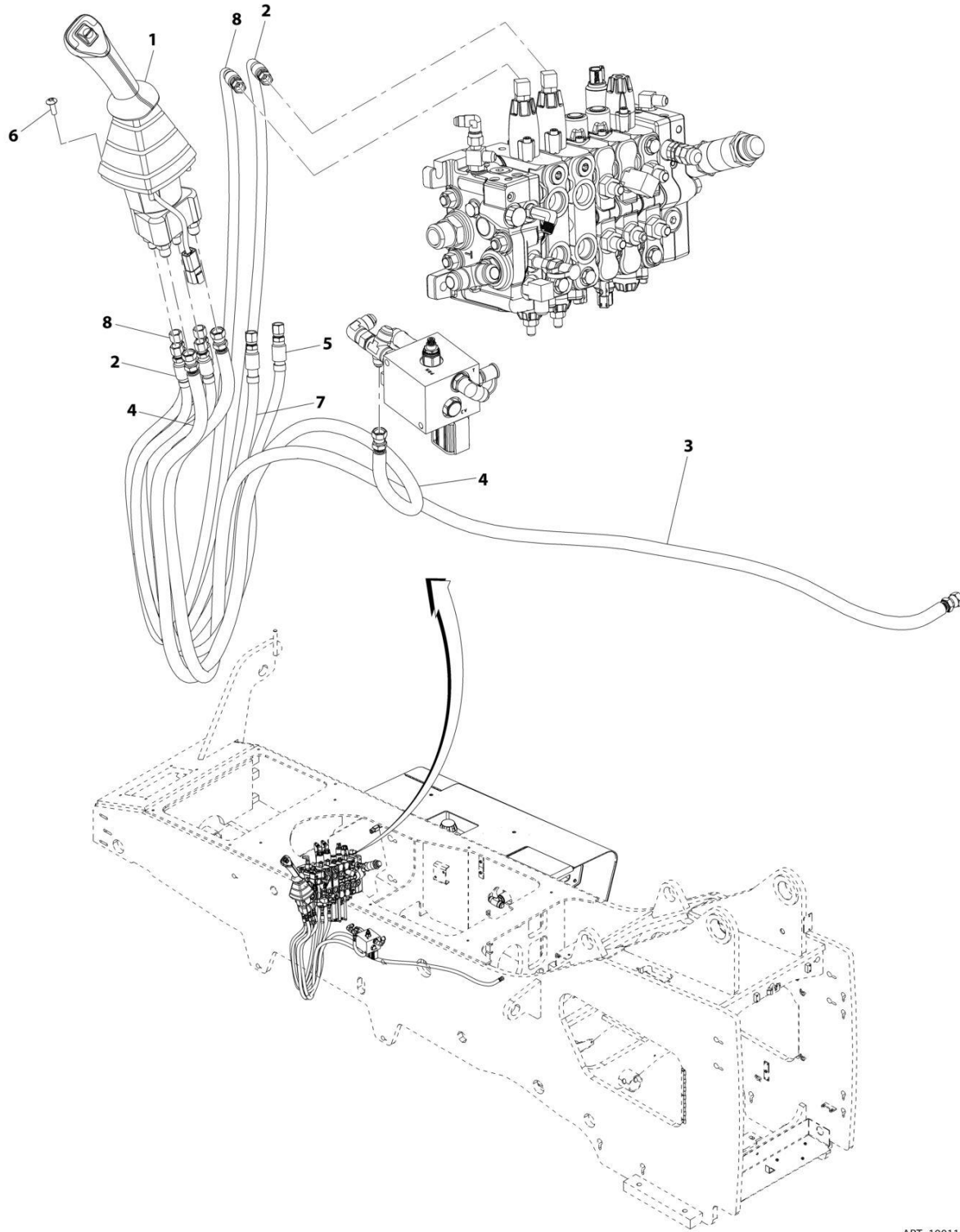
## SECTION 8 - HYDRAULIC CIRCUITS

### FIGURE 8-8. CAB TO BRAKE HYDRAULICS INSTALLATION

ITEM	PART NUMBER	QTY	DESCRIPTION	REV
	1001245054	Ref	Hydraulic Brake Installation	C
1	2220385	1	Adapter, Run Tee	
2	8765204	1	Adapter, Straight	
4	10728823	2	Bulkhead Connector Tee	
5	1001183370	1	Check Valve	
6	1001201734	1	Brake Bleeder Tee, Manifold	
7	1001244980	1	Hose Assembly	
8	1001201737	1	Hose Assembly	
9	1001201738	1	Hose Assembly	
10	1001210093	1	Hose Assembly	
11	1001210859	1	Hose Assembly	
12	1001210860	1	Hose Assembly	
13	1001210862	1	Hose Assembly	
14	1001210863	1	Hose Assembly	
15	1001219045	1	Hose Assembly	

# SECTION 8 - HYDRAULIC CIRCUITS

## FIGURE 8-9. CAB PILOT CONTROLS HYDRAULICS INSTALLATION



ART\_1001158786-G

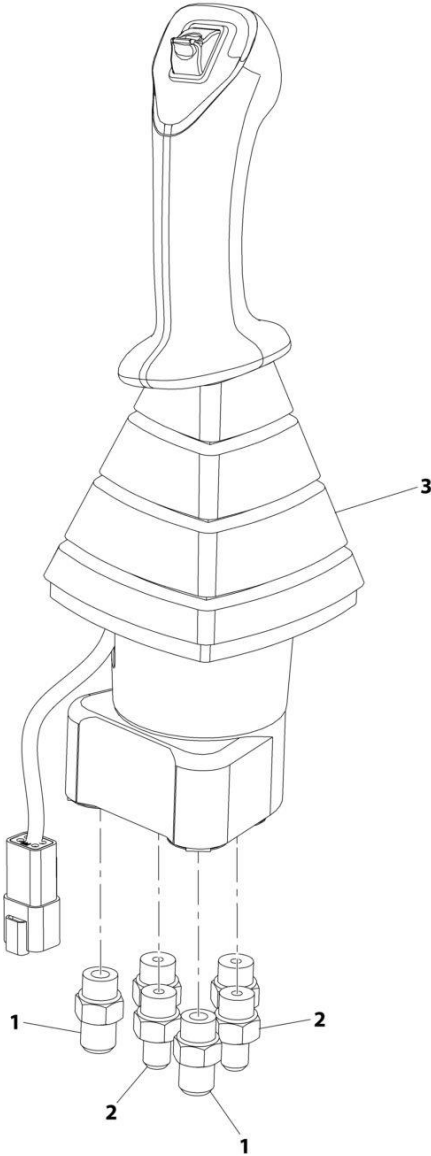
## SECTION 8 - HYDRAULIC CIRCUITS

**FIGURE 8-9. CAB PILOT CONTROLS HYDRAULICS INSTALLATION**

ITEM	PART NUMBER	QTY	DESCRIPTION	REV
	1001158786	Ref	Pilot Controls Installation	G
1	1001158004	1	Assembly, Pilot Joystick (See Separate Breakdown in this Section)	
2	1001252971	1	Hose	
3	1001254099	1	Hose	
4	1001158398	1	Hose	
5	1001252970	1	Hose	
6	8303034	4	Screw, 1/4-20X3/4	
7	1001252968	1	Hose	
8	1001252969	1	Hose	

**SECTION 8 - HYDRAULIC CIRCUITS**

**FIGURE 8-10. CAB PILOT JOYSTICK & FITTING ASSEMBLY**



ART\_1001158004-B

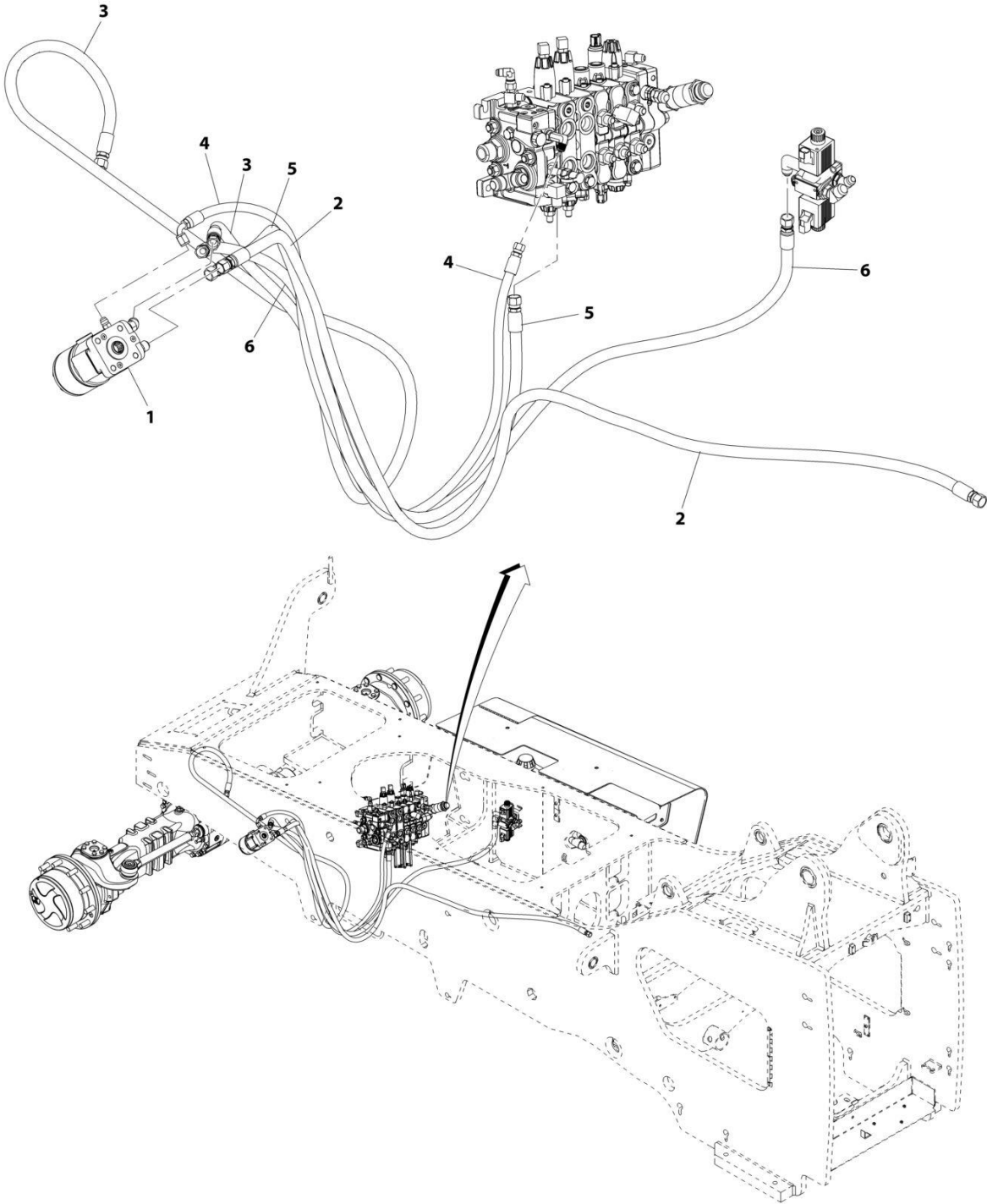
## SECTION 8 - HYDRAULIC CIRCUITS

**FIGURE 8-10. CAB PILOT JOYSTICK & FITTING ASSEMBLY**

ITEM	PART NUMBER	QTY	DESCRIPTION	REV
	1001158004	Ref	Pilot Joystick & Fitting Assembly	B
1	2220371	2	Adapter, Straight JIC	
2	2220582	4	Adapter, Straight JIC	
3	1001158002	1	Control & Fittings Assembly - Pilot Joystick (See Separate Breakdown in CONTROLS Section)	

# SECTION 8 - HYDRAULIC CIRCUITS

## FIGURE 8-11. CAB TO STEERING HYDRAULICS INSTALLATION



ART\_1001245057-B

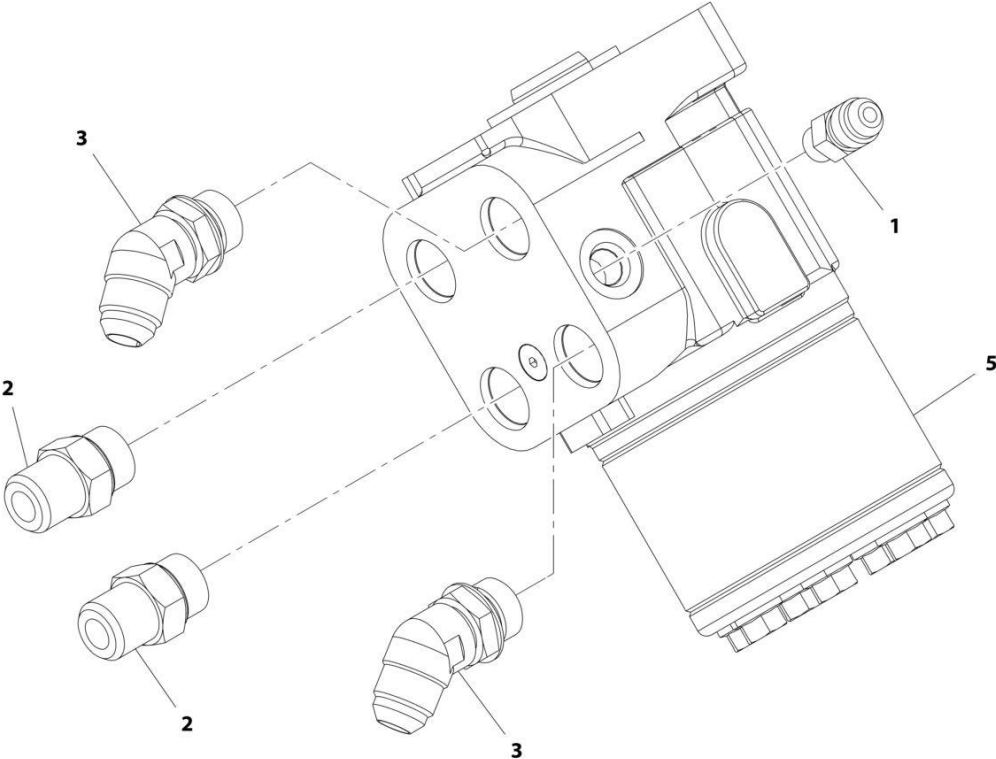
## SECTION 8 - HYDRAULIC CIRCUITS

### FIGURE 8-11. CAB TO STEERING HYDRAULICS INSTALLATION

ITEM	PART NUMBER	QTY	DESCRIPTION	REV
	1001245057	Ref	Hydraulic Steering Installation	B
1	1001158528	1	Steering Valve Installation (See Separate Breakdown in this Section)	
2	1001245058	1	Hose Assembly	
3	1001157102	1	Hose Assembly	
4	1001158357	1	Hose Assembly	
5	1001171786	1	Hose Assembly	
6	1001173177	1	Hose Assembly	

**SECTION 8 - HYDRAULIC CIRCUITS**

**FIGURE 8-12. CAB STEERING VALVE & FITTING ASSEMBLY**



ART\_1001158528-C



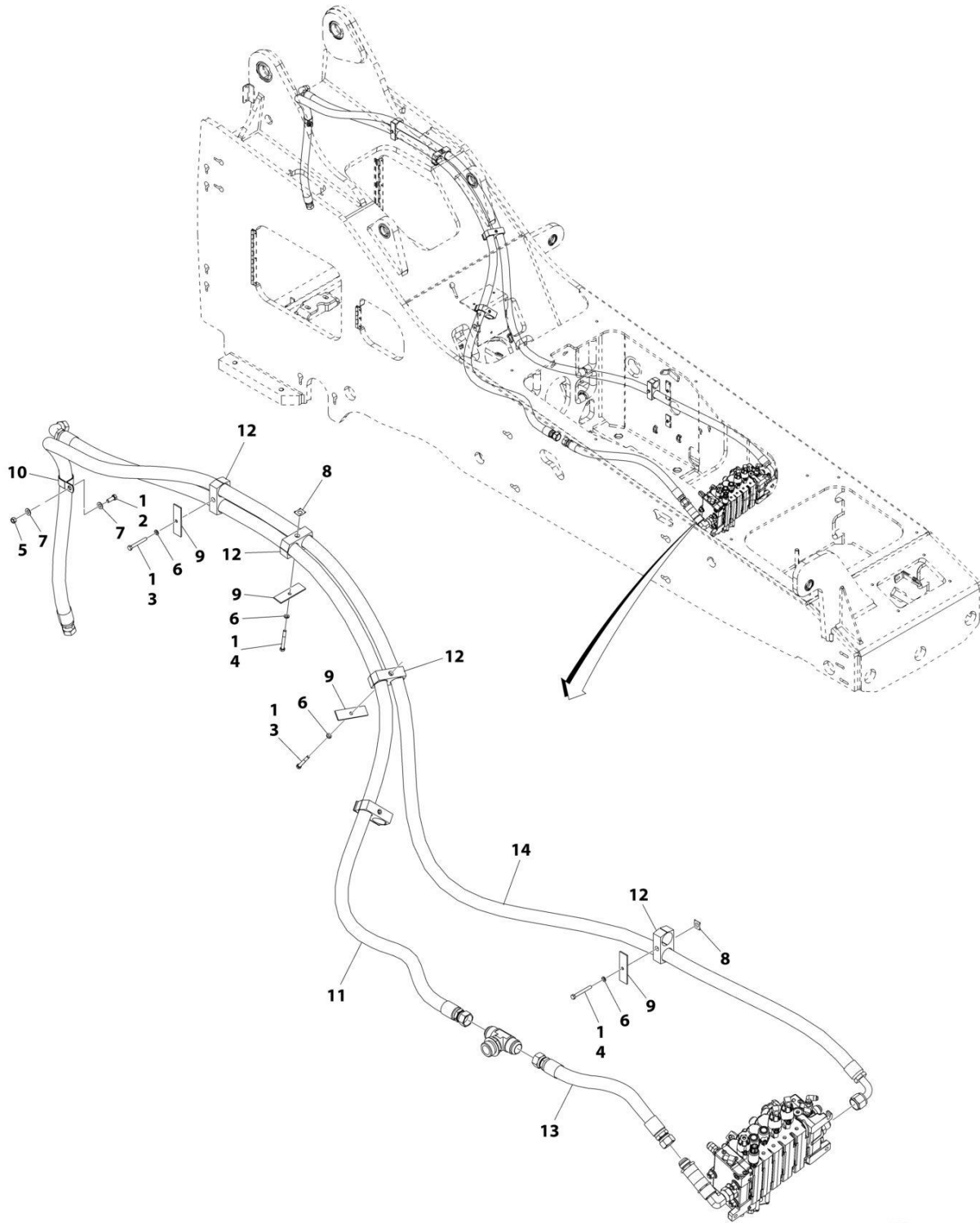
## SECTION 8 - HYDRAULIC CIRCUITS

### FIGURE 8-12. CAB STEERING VALVE & FITTING ASSEMBLY

ITEM	PART NUMBER	QTY	DESCRIPTION	REV
	1001158528	1	Steering Valve & Fitting Assembly	C
1	2220603	1	Adapter, Straight JIC	
2	2220373	2	Adapter, Straight JIC	
3	2220500	2	Adapter, 45 JIC	
5	1001158527	1	Valve, Steering	
5	70026401	1	Seal Kit - Steering Valve	

# SECTION 8 - HYDRAULIC CIRCUITS

## FIGURE 8-13. COOLER HYDRAULICS INSTALLATION



ART\_1001244308-B

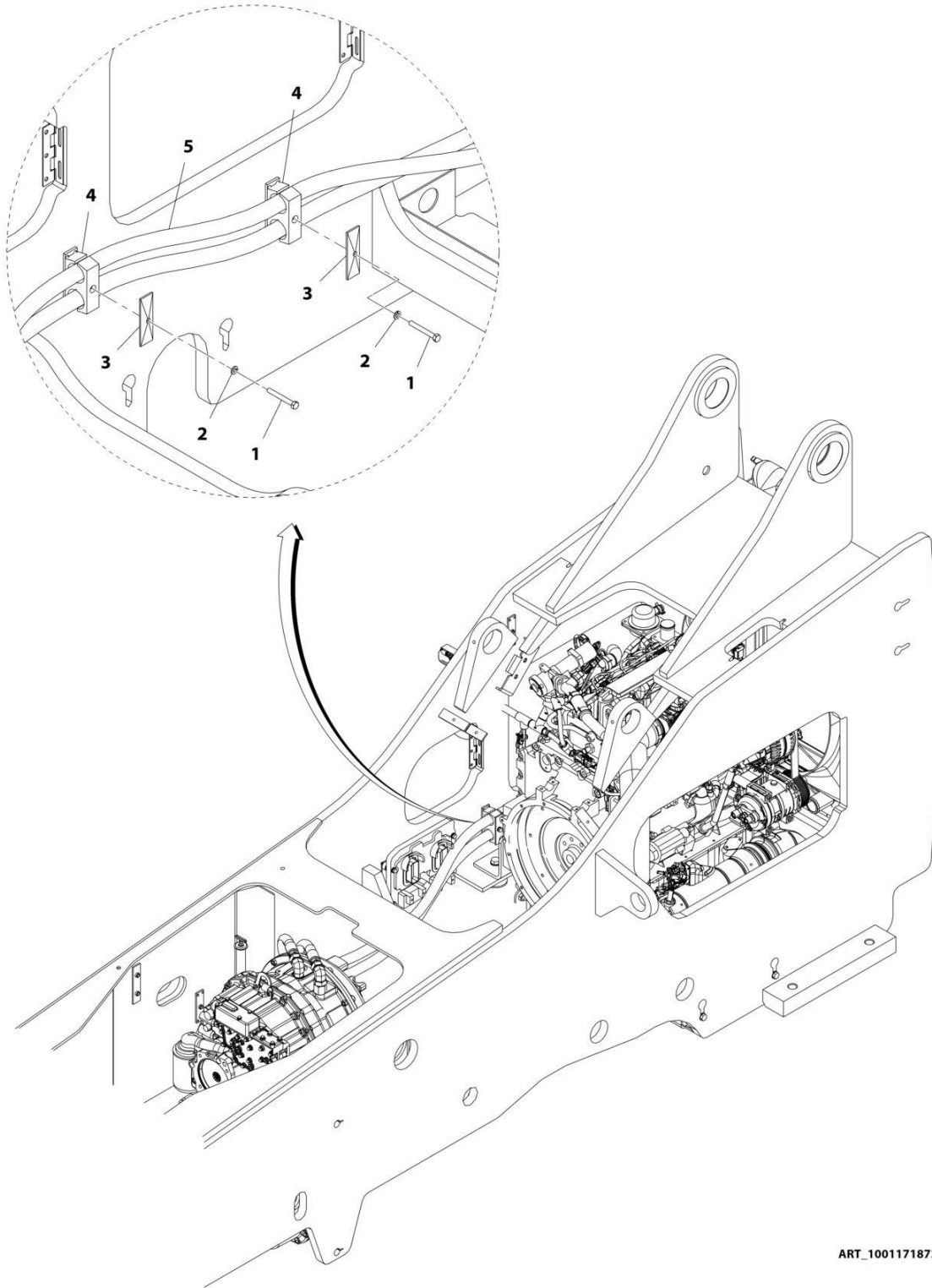
## SECTION 8 - HYDRAULIC CIRCUITS

### FIGURE 8-13. COOLER HYDRAULICS INSTALLATION

ITEM	PART NUMBER	QTY	DESCRIPTION	REV
	1001244308	Ref	Hydraulic Cooler Plumbing Installation	B
1	0100011	AR	Compound, Locking	
2	8303620	1	Bolt, 3/8X1	
3	8303757	3	Bolt, 5/16X2-1/2	
4	8303766	2	Bolt, 5/16X2-3/4	
5	8305008	1	Nut, 3/8	
6	8307004	5	Washer	
7	8307110	2	Washer	
8	8750017	2	Locking Plate	
9	8750025	5	Cover Plate, Twin	
10	85841150	1	Clamp, Support	
11	1001177753	1	Hose Assembly	
12	1001196109	5	Clamp, Twin Hose	
13	1001244306	1	Hose	
14	1001244307	1	Hose	

# SECTION 8 - HYDRAULIC CIRCUITS

## FIGURE 8-14. COOLER (TRANSMISSION) HYDRAULICS INSTALLATION



ART\_1001171873-C

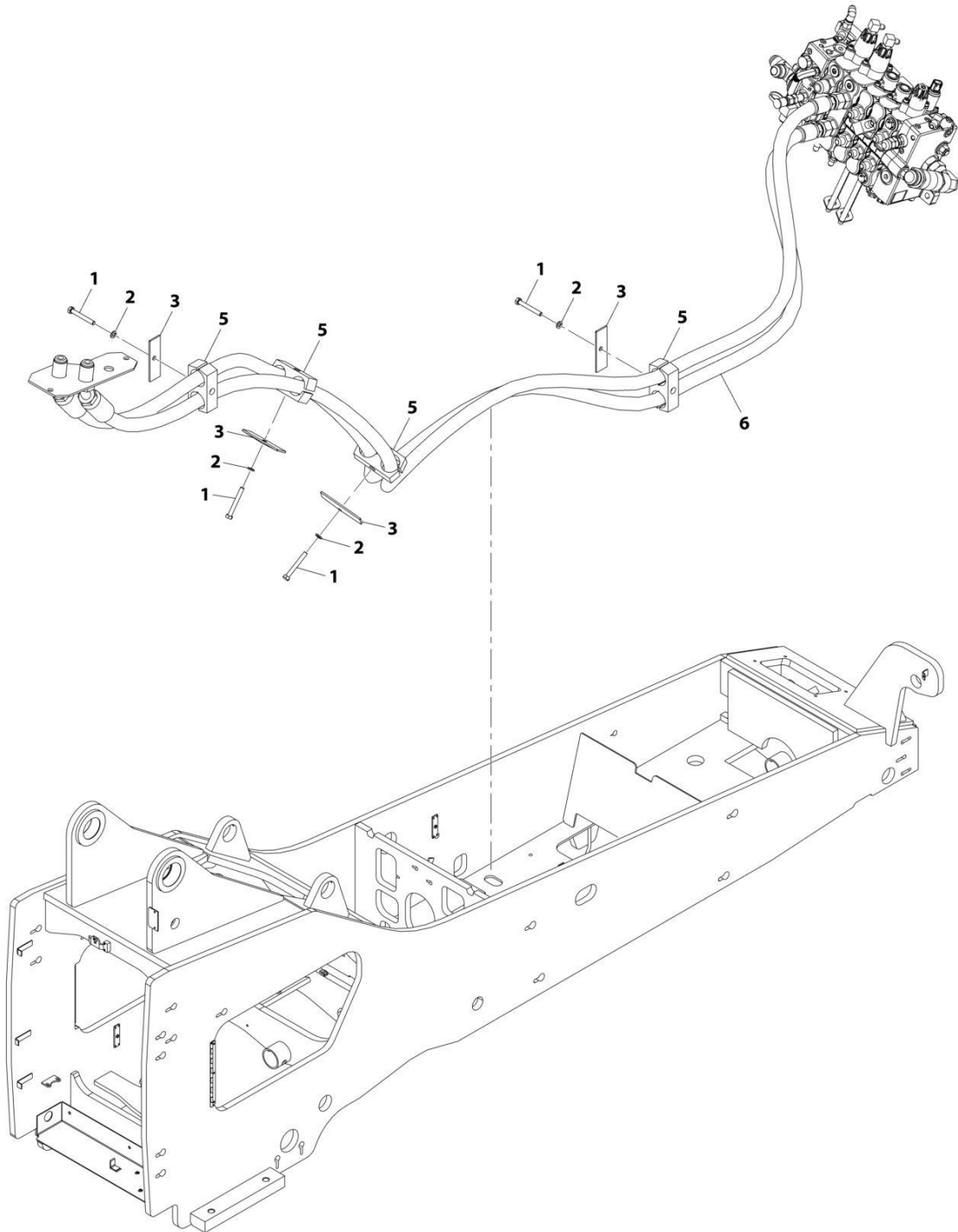
## SECTION 8 - HYDRAULIC CIRCUITS

**FIGURE 8-14. COOLER (TRANSMISSION) HYDRAULICS INSTALLATION**

ITEM	PART NUMBER	QTY	DESCRIPTION	REV
	1001171873	Ref	Hydraulic Transmission Cooler Plumbing Installation	C
1	8303757	2	Bolt, 5/16X2-1/2	
2	8307004	2	Washer, Lock 5/16	
3	8750025	2	Cover Plate, Twin	
4	8750040	2	Clamp Set, Twin	
5	1001171986	2	Hose	

# SECTION 8 - HYDRAULIC CIRCUITS

## FIGURE 8-15. CYLINDER HYDRAULICS INSTALLATION - BOOM EXTEND



ART\_1001158046-E

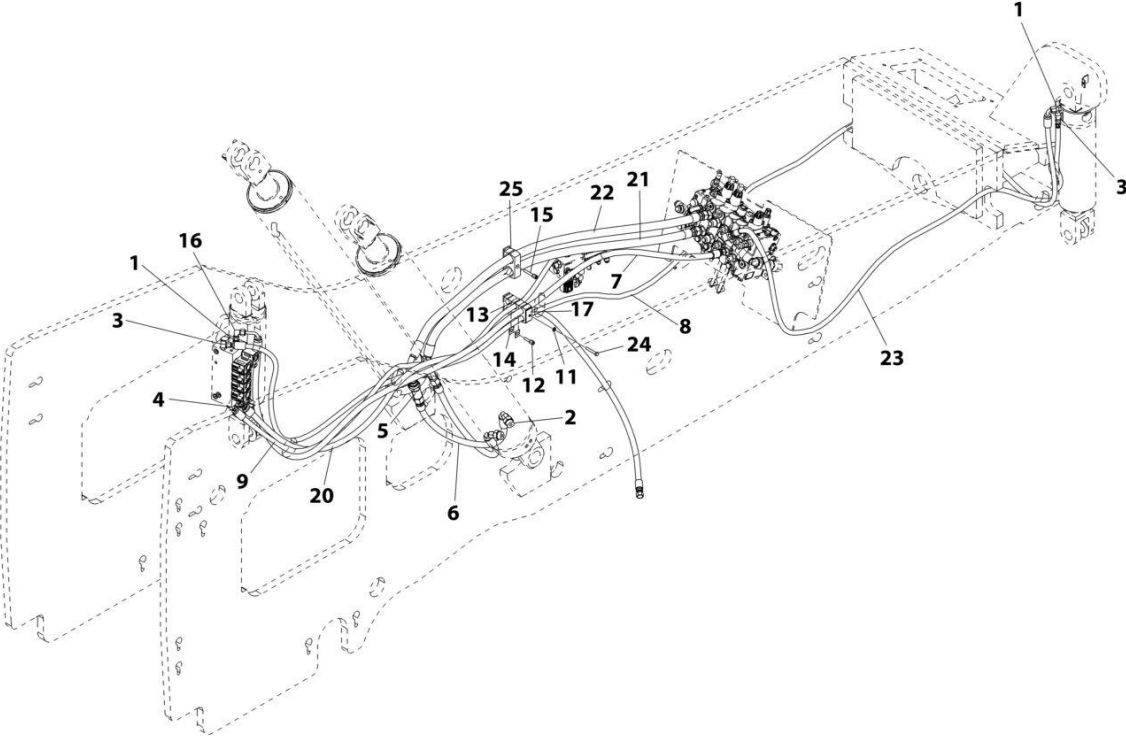
## SECTION 8 - HYDRAULIC CIRCUITS

### FIGURE 8-15. CYLINDER HYDRAULICS INSTALLATION - BOOM EXTEND

ITEM	PART NUMBER	QTY	DESCRIPTION	REV
	1001158046	Ref	Extend Cylinder Installation	E
1	8303757	4	Bolt, 5/16-18X2-1/2	
2	8307004	4	Washer, Lock 5/16	
3	8750025	4	Cover Plate, Twin	
5	8750040	4	Clamp Set, Twin	
6	1001171190	2	Hose	

**SECTION 8 - HYDRAULIC CIRCUITS**

**FIGURE 8-16. CYLINDER HYDRAULICS INSTALLATION - FRAME**



ART\_1001173841-G



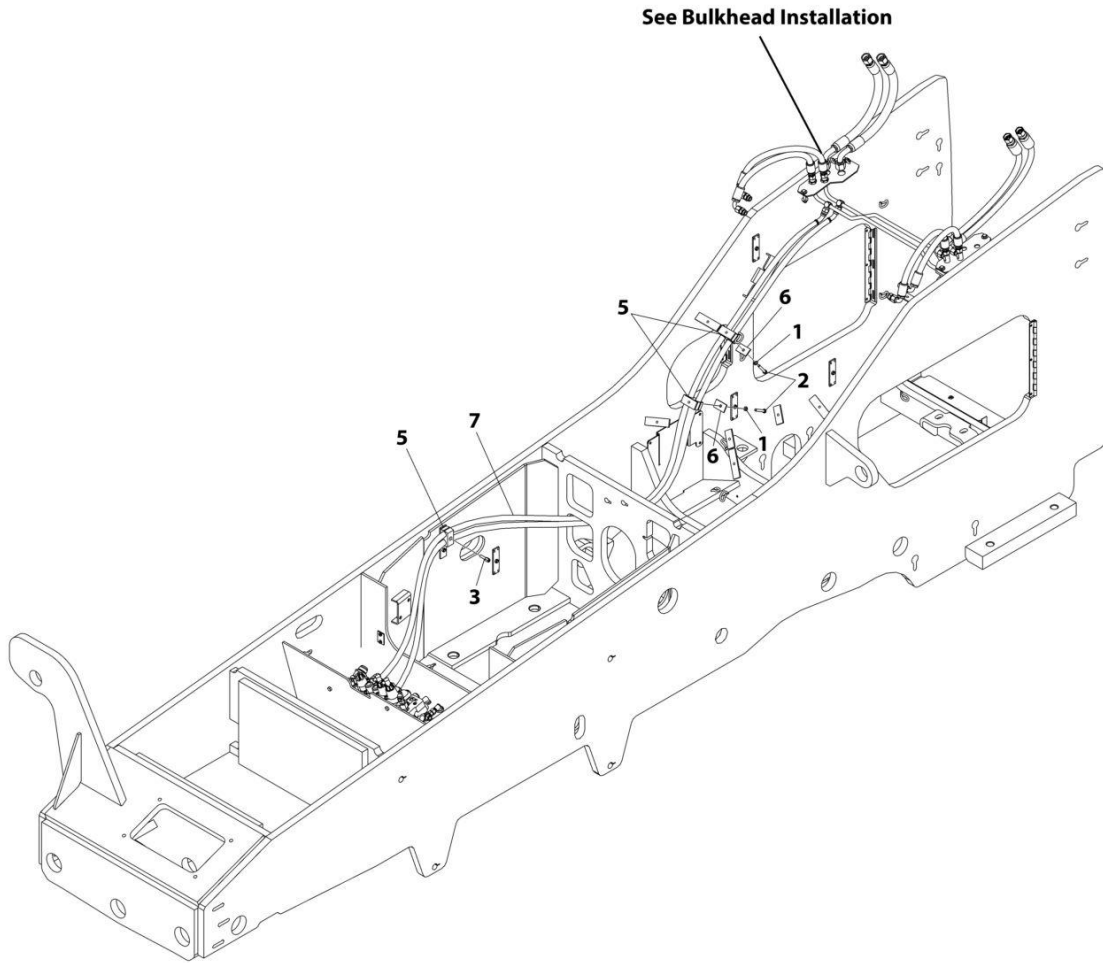
## SECTION 8 - HYDRAULIC CIRCUITS

**FIGURE 8-16. CYLINDER HYDRAULICS INSTALLATION - FRAME**

ITEM	PART NUMBER	QTY	DESCRIPTION	REV
	1001173841	Ref	Hydraulic Frame Cylinders Installation	G
1	2220371	2	Adapter, Straight	
2	2220375	2	Adapter, Straight	
3	2220473	2	Adapter, 90	
4	2220501	2	Adapter, 45	
5	2220695	2	Adapter, Branch Tee	
6	2716675	2	Hose	
7	2716686	1	Hose	
8	2716688	1	Hose	
9	2716691	1	Hose	
11	8307004	1	Washer, Lock 5/16	
12	8750012	1	Bolt, Stacking	
13	8750027	2	Clamp Set, Twin	
14	8750017	2	Plate, Twin Clamp Locking	
15	8750026	1	Bolt, Stacking	
16	8760268	1	Adapter, 90	
17	8769128	1	Cover Plate, Twin	
20	1001202384	1	Hose	
21	1001171191	1	Hose	
22	1001171193	1	Hose	
23	1001171194	1	Hose	
24	8310009	1	Bolt, 5/16X2	
25	8750040	1	Clamp Set, Twin	

# SECTION 8 - HYDRAULIC CIRCUITS

## FIGURE 8-17. FORK TILT HYDRAULICS INSTALLATION



ART\_1001158040

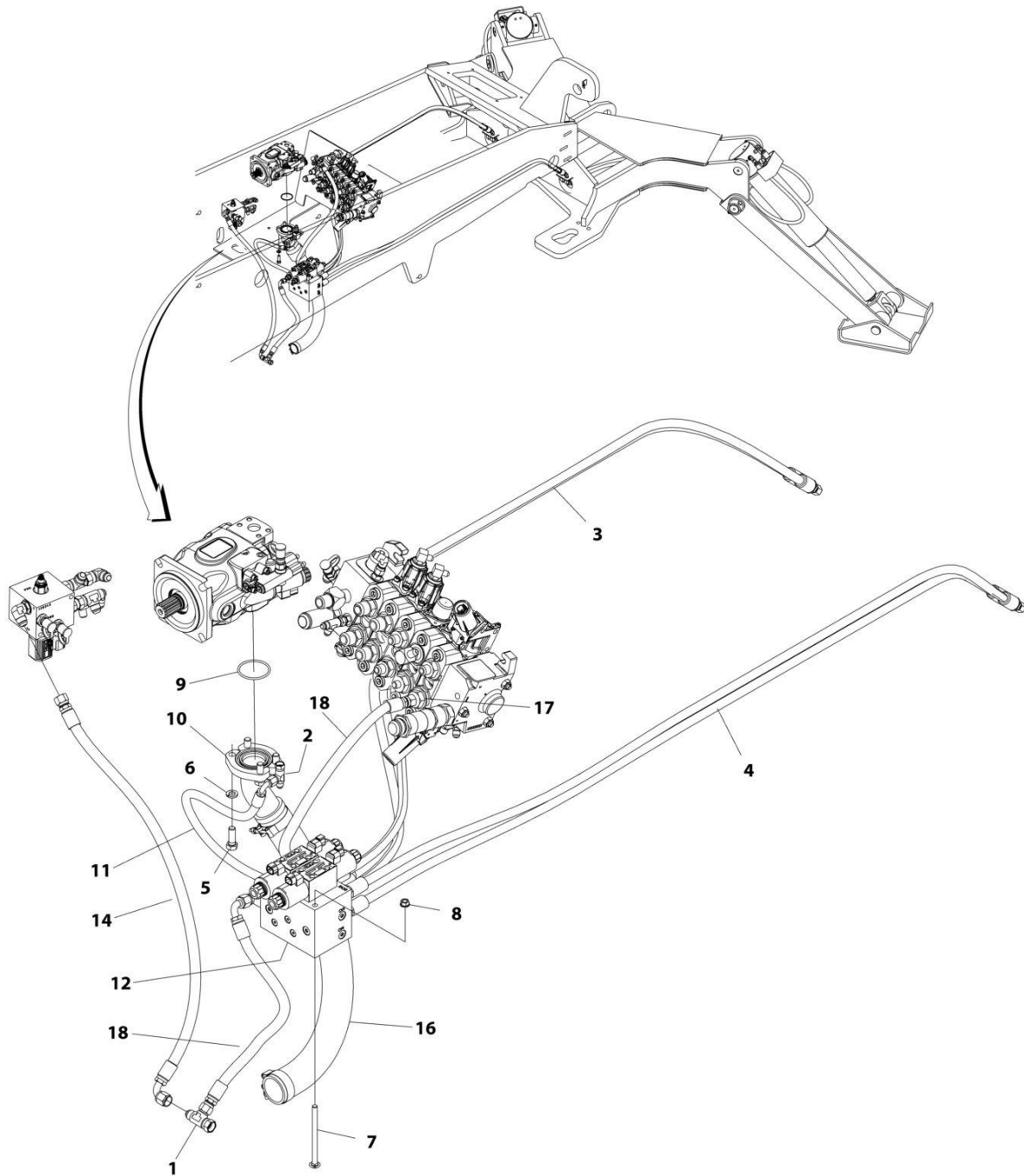
## SECTION 8 - HYDRAULIC CIRCUITS

### FIGURE 8-17. FORK TILT HYDRAULICS INSTALLATION

ITEM	PART NUMBER	QTY	DESCRIPTION	REV
	1001158040	Ref	HYDRAULIC FORK TILT INSTALLATION	G
1	8307004	2	Washer 5/16	
2	8310009	2	Bolt 5/16 x 2	
3	8750012	1	Bolt, Stacking	
5	8750027	3	Clamp Set, Twin	
6	8769128	2	Cover Plate, Twin	
7	1001171188	2	Hose	

# SECTION 8 - HYDRAULIC CIRCUITS

## FIGURE 8-18. FRAME HYDRAULICS INSTALLATION



ART\_1001224171

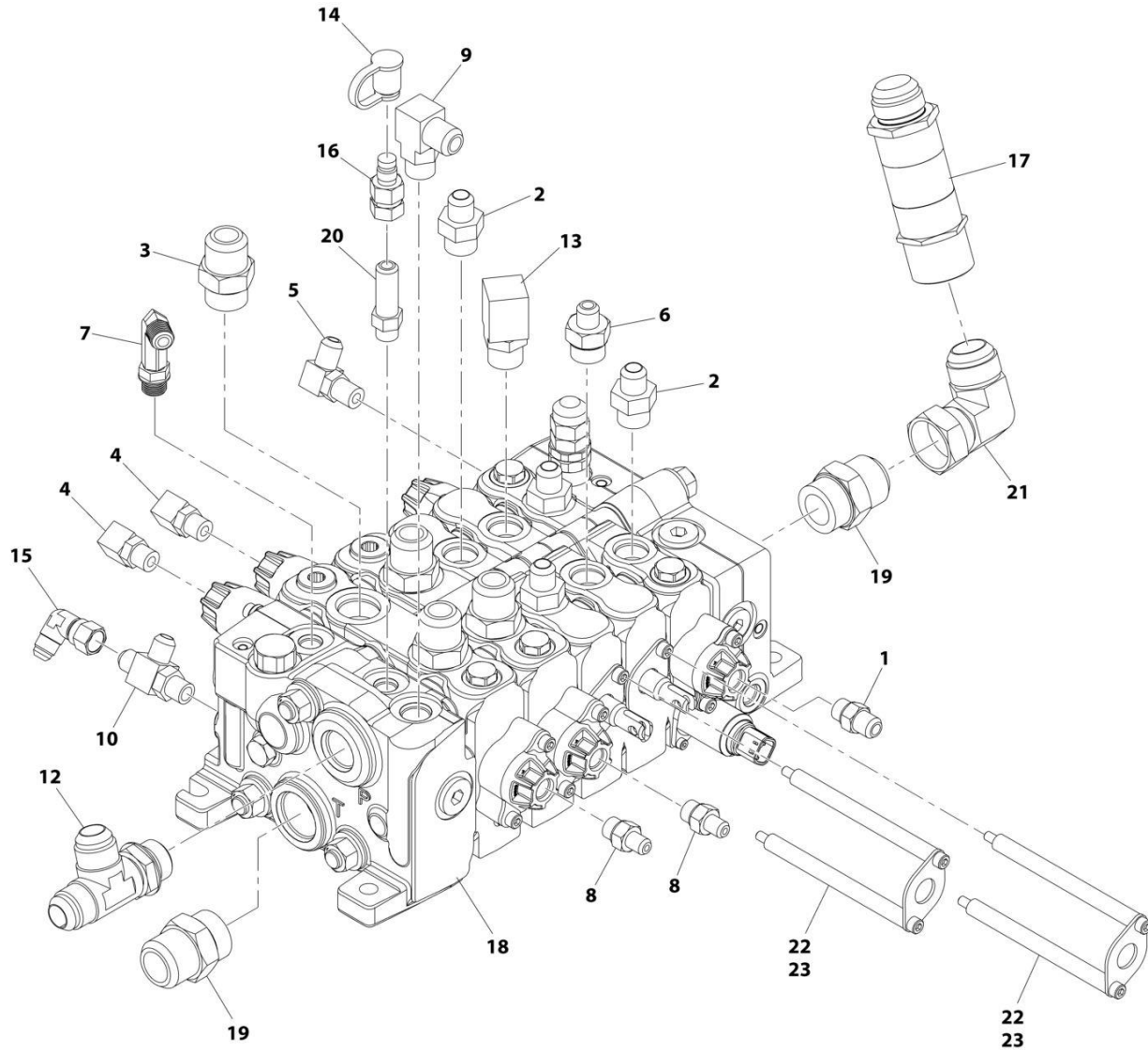
## SECTION 8 - HYDRAULIC CIRCUITS

**FIGURE 8-18. FRAME HYDRAULICS INSTALLATION**

ITEM	PART NUMBER	QTY	DESCRIPTION	REV
	1001224171	Ref	Frame Hydraulics Installation	E
1	2220385	1	Fitting, Tee JIC/FSJIC/JIC	
2	2220635	1	Fitting, Tee JIC/FSJIC/JIC	
3	1001245070	2	Hose	
4	2716665	2	Hose	
5	8303626	4	Bolt, 1/2-13X1-1/2	
6	8307007	4	Washer, Lock 1/2	
7	8310478	2	Bolt, 3/8-16X5-1/2	
8	8310522	2	Nut, Flange 3/8-16	
9	8640208	1	O-Ring	
10	8546407	2	Flange Half	
11	1001158576	1	Hose	
12	1001158611	1	Assembly, Outrigger Valve (See Separate Breakdown in this Section)	
14	1001119610	1	Hose	
16	1001227508	1	Hose	
17	2220374	1	Fitting, Straight JIC/ORB	
18	1001244871	2	Hose	

# SECTION 8 - HYDRAULIC CIRCUITS

## FIGURE 8-19. MAIN CONTROL VALVE INSTALLATION



ART\_1001243411-C

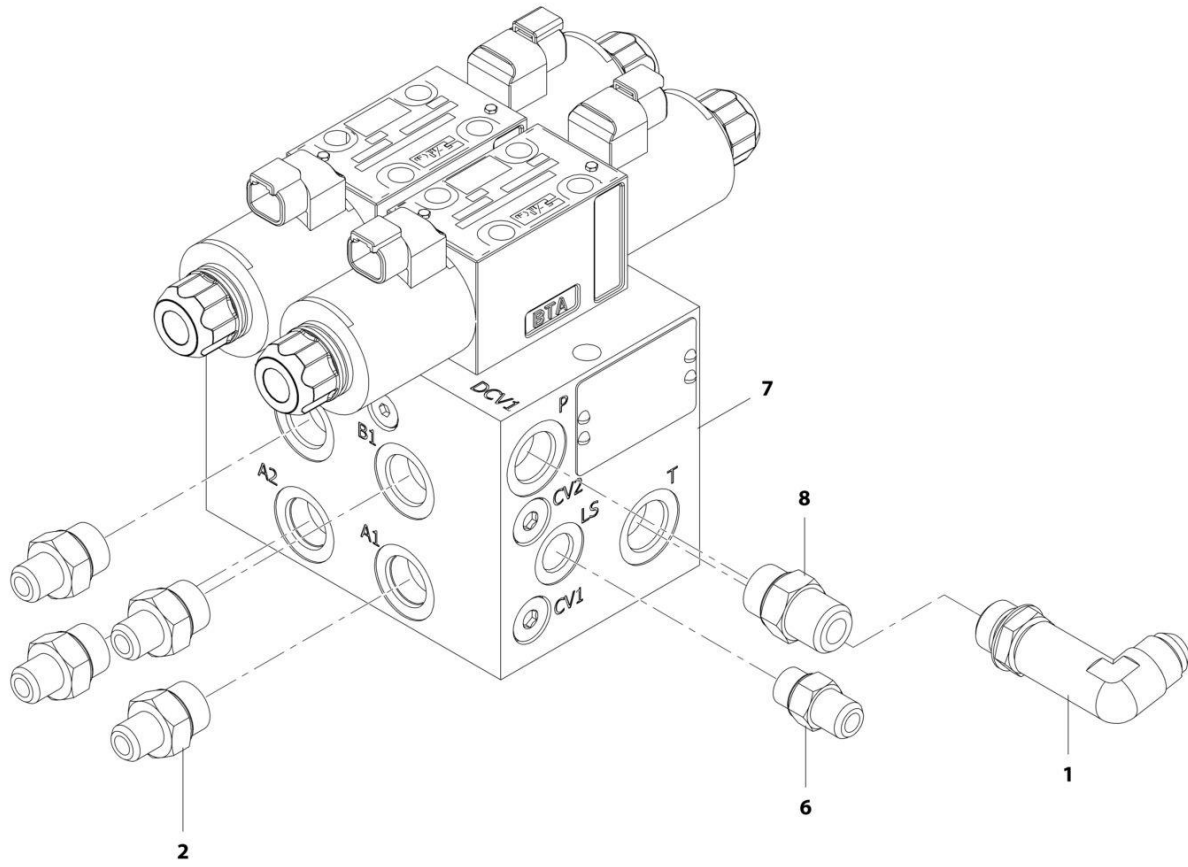
## SECTION 8 - HYDRAULIC CIRCUITS

**FIGURE 8-19. MAIN CONTROL VALVE INSTALLATION**

ITEM	PART NUMBER	QTY	DESCRIPTION	REV
	1001243411	Ref	Main Control Valve & Fittings Sub-Assembly	C
1	2220371	1	Adapter	
2	2220374	4	Adapter	
3	2220451	4	Adapter	
4	2220472	2	Adapter	
5	2220473	1	Adapter	
6	2220497	1	Adapter	
7	2220819	1	Adapter	
8	2220582	2	Adapter	
9	2220596	1	Adapter	
10	2220606	1	Adapter	
12	2220738	1	Adapter	
13	2220828	1	Adapter	
14	8430032	1	Plug	
15	8760268	1	Adapter	
16	8430046	1	Adapter	
17	1001174375	1	Valve, Check	
18	1001242925	1	Valve, Main Control Valve Assembly (See Separate Breakdown in HYDRAULIC COMPONENTS SECTION)	
19	2220377	2	Adapter	
20	2220998	1	Adapter	
21	2220878	1	Adapter	
22	1001254386	2	Mount, Cable Control	
23	0100011	AR	Compound, Locking	

# SECTION 8 - HYDRAULIC CIRCUITS

## FIGURE 8-20. OUTRIGGER VALVE & FITTING ASSEMBLY



ART\_1001158611\_E



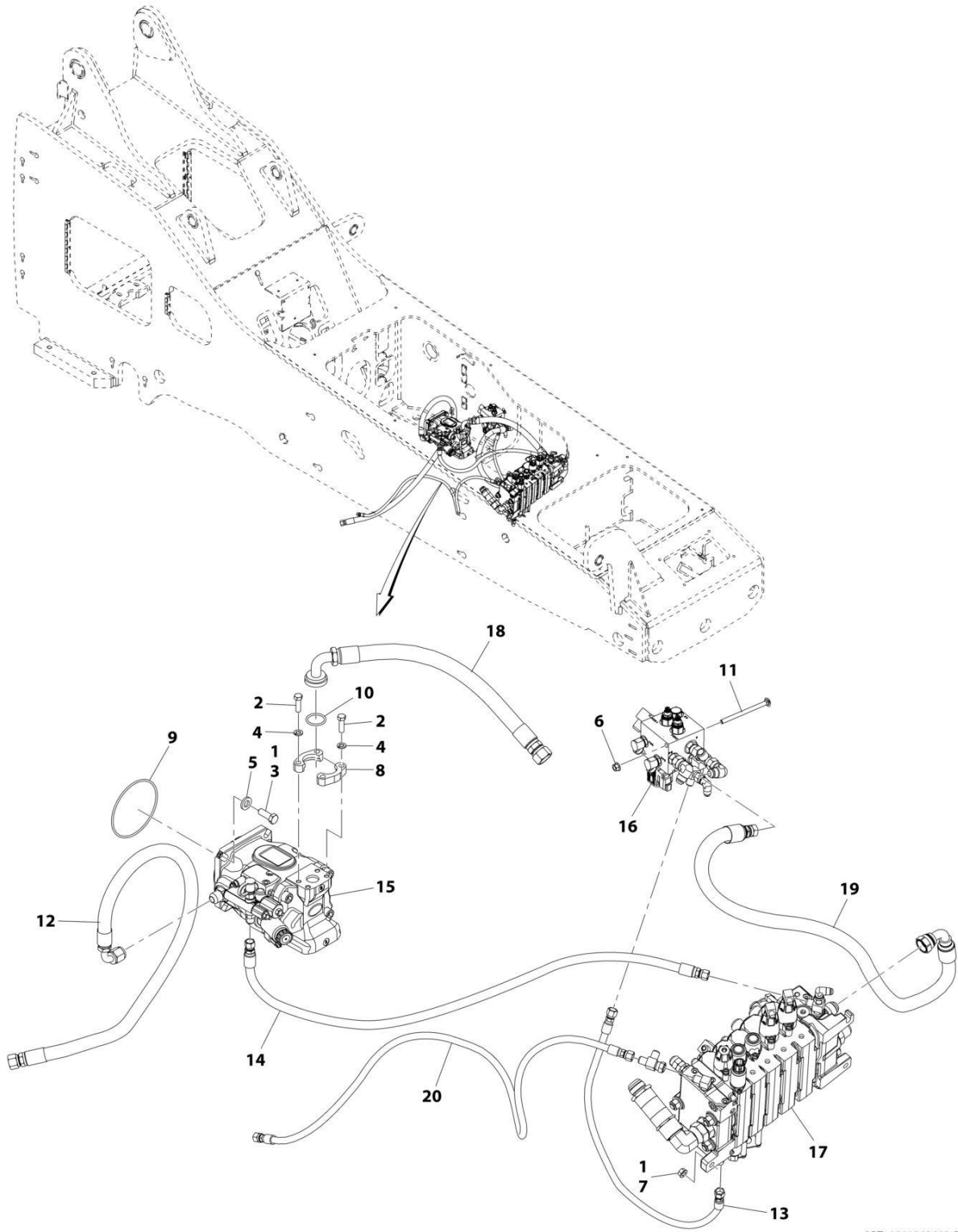
## SECTION 8 - HYDRAULIC CIRCUITS

### FIGURE 8-20. OUTRIGGER VALVE & FITTING ASSEMBLY

ITEM	PART NUMBER	QTY	DESCRIPTION	REV
	1001158611	1	Outrigger Valve & Fitting Assembly	E
1	2220474	1	Adapter, Long 90	
2	2220372	4	Adapter, Straight JIC	
6	2220371	1	Adapter, Straight JIC	
7	1001256316	1	Valve, Outrigger (See Separate Breakdown in HYDRAULIC COMPONENTS SECTION)	
8	2220373	1	Adapter, Straight JIC	

# SECTION 8 - HYDRAULIC CIRCUITS

## FIGURE 8-21. PUMP HYDRAULICS INSTALLATION



ART\_1001243412-B

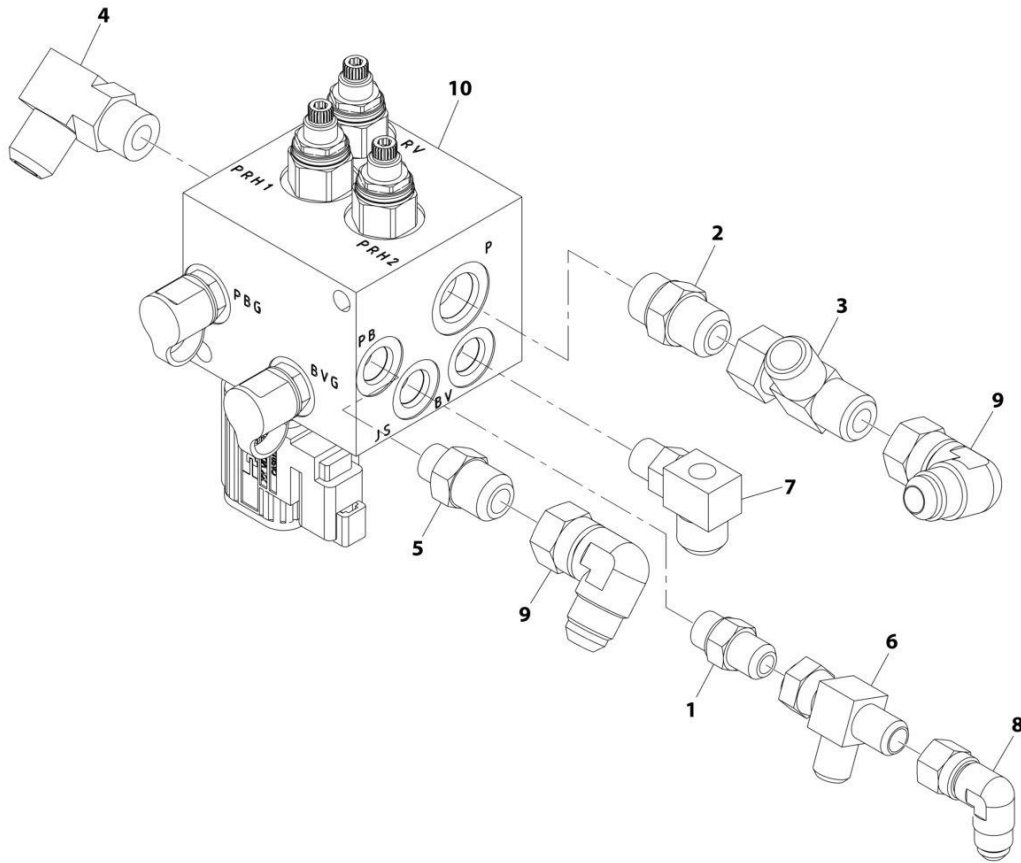
## SECTION 8 - HYDRAULIC CIRCUITS

**FIGURE 8-21. PUMP HYDRAULICS INSTALLATION**

ITEM	PART NUMBER	QTY	DESCRIPTION	REV
	1001243412	Ref	Hydraulic Pump Installation	C
1	0100011	AR	Compound, Locking	
2	8303675	4	Screw, 3/8 x 1-1/4	
3	8303519	4	Screw, M12 x 1-3/4	
4	8307005	4	Washer	
5	8310356	4	Washer	
6	8310420	2	Nut	
7	8310522	3	Nut	
8	8530030	2	Flange	
9	8630019	1	O-Ring	
10	8640123	1	O-Ring	
11	1001163685	2	Bolt, 5/16-18 x 4-1/2	
12	1001168451	1	Hose Assembly	
13	1001194592	1	Hose Assembly	
14	1001198684	1	Hose Assembly	
15	1001251426	1	Piston Pump Installation	
16	1001247171	1	Valve & Fitting Assembly - Secondary (See Separate Breakdown in this Section)	
17	1001243411	1	Valve & Fitting Assembly - Main (See Separate Breakdown in this Section)	
18	1001244278	1	Hose Assembly	
19	1001247654	1	Hose Assembly	
20	1001244302	1	Hose Assembly	

# SECTION 8 - HYDRAULIC CIRCUITS

## FIGURE 8-22. SECONDARY VALVE AND FITTING ASSEMBLY



ART\_1001247171-B

## SECTION 8 - HYDRAULIC CIRCUITS

**FIGURE 8-22. SECONDARY VALVE AND FITTING ASSEMBLY**

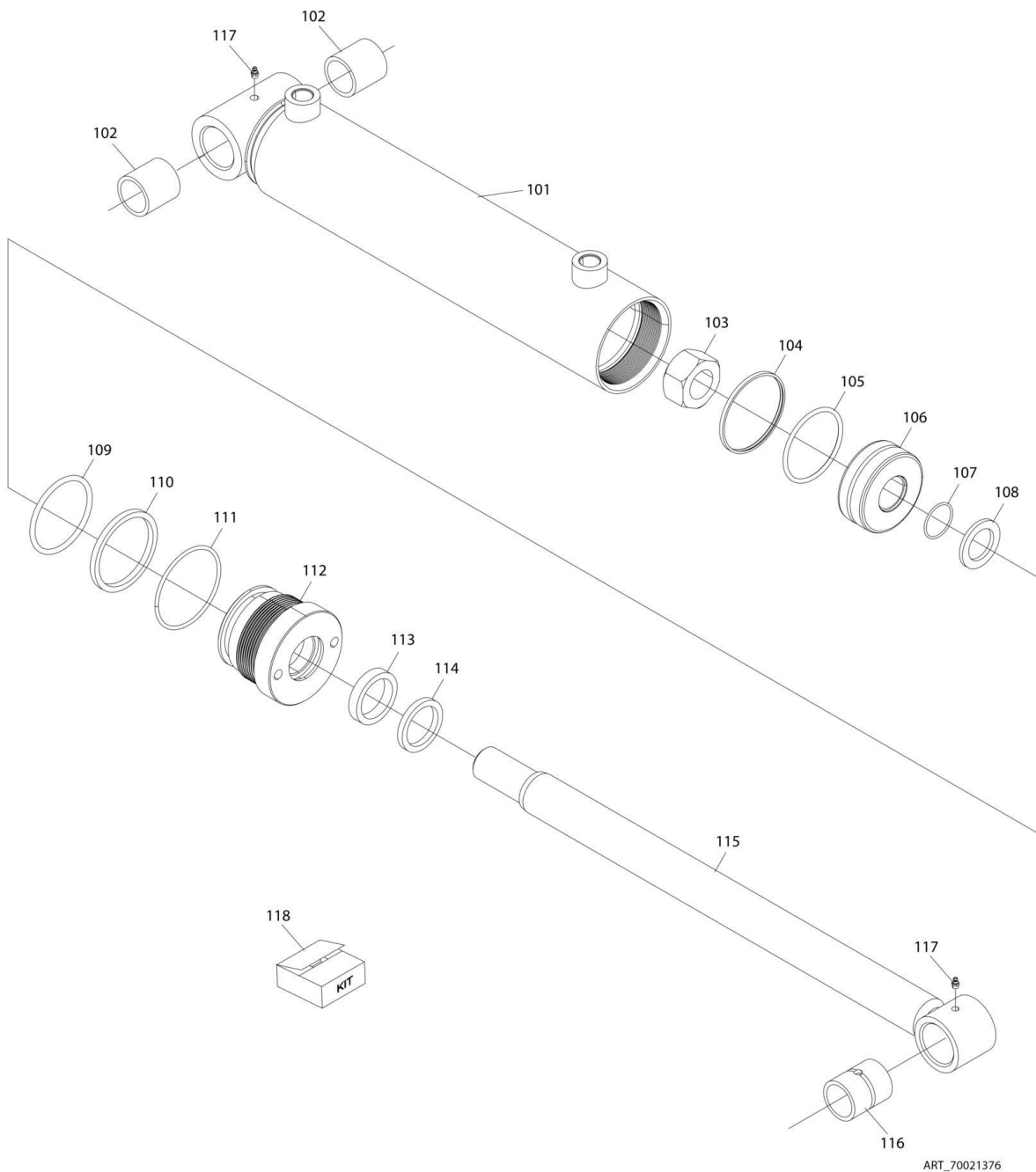
ITEM	PART NUMBER	QTY	DESCRIPTION	REV
	1001247171	Ref	Secondary Valve & Fittings Installation	B
1	2220371	1	Fitting, Straight JIC/ORB	
2	2220373	1	Fitting, Straight JIC/ORB	
3	2220385	1	Fitting, Tee JIC/FSJIC/JIC	
4	2220596	1	Fitting, 90 JIC/ORB	
5	2220600	1	Fitting, Straight ORB	
6	2220635	1	Fitting, Tee FM SW x JIC x JIC	
7	2220726	1	Fitting, 90 JIC/ORB	
8	8760268	1	Fitting, 90 JIC/FSJIC	
9	8765204	2	Fitting, 90 JIC/FSJIC	
10	1001266771	1	Valve Assembly - Secondary (See Separate Breakdown in HYDRAULIC COMPONENTS Section)	



**SECTION 9 - HYDRAULIC COMPONENTS**

# SECTION 9 - HYDRAULIC COMPONENTS

## FIGURE 9-1. CYLINDER ASSEMBLY - CARRIAGE SIDE SHIFT



ART\_70021376



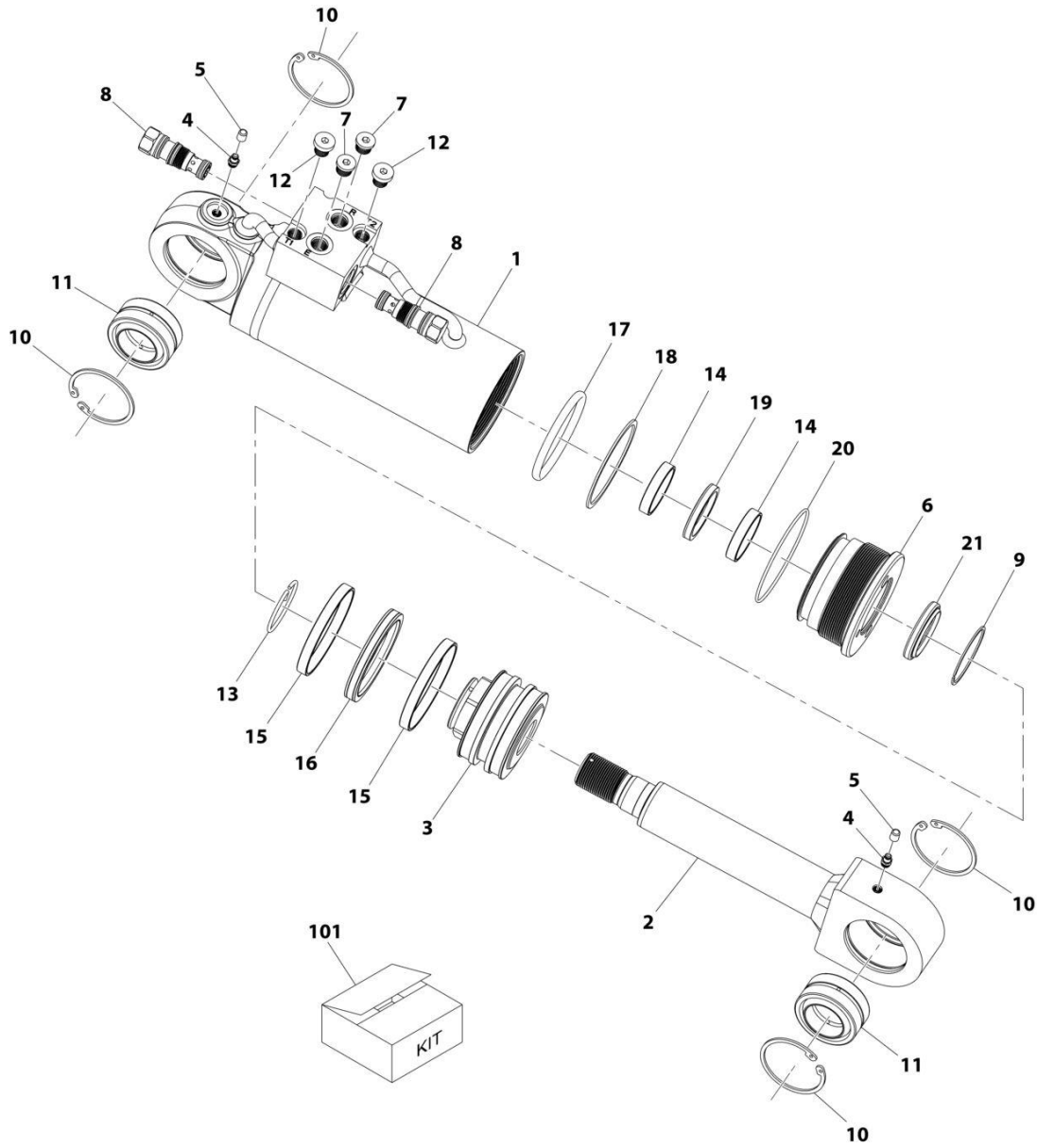
## SECTION 9 - HYDRAULIC COMPONENTS

**FIGURE 9-1. CYLINDER ASSEMBLY - CARRIAGE SIDE SHIFT**

ITEM	PART NUMBER	QTY	DESCRIPTION	REV
	70021376	1	Cylinder Assembly, Side Shift Carriage 12K	
		Ref	Note: Original Cylinder May Have Been Replaced with Service Replacement. Identify PN Stamped on Cylinder Before Ordering Parts.	
101	See Note	NSS	Barrel (Note: Use PN 70021376)	
102	70021448	2	Bushing	
103	70021440	1	Nut	
104	See Note	NSS	Ring, Piston (Note Use Item 118)	
105	See Note	NSS	O-Ring (Note: Use Item 118)	
106	70021451	1	Piston	
107	See Note	NSS	O-Ring (Note: Use Item 118)	
108	70021444	1	Spacer, Sheave	
109	See Note	NSS	O-Ring (Note: Use Item 118)	
110	See Note	NSS	Washer, Back-Up (Note: Use Item 118)	
111	See Note	NSS	O-Ring (Note: Use Item 118)	
112	70021446	1	Head	
113	See Note	NSS	Seal (Note: Use Item 118)	
114	See Note	NSS	Wiper, Rod (Note: Use Item 118)	
115	70021445	1	Rod	
116	70021447	1	Bushing	
117	90554045	2	Grease Fitting	
118	70021452	1	Seal Kit, (includes items 104, 105, 107, 109, 110, 111, 113 & 114)	

# SECTION 9 - HYDRAULIC COMPONENTS

## FIGURE 9-2. CYLINDER ASSEMBLY - CARRIAGE SIDE TILT



ART\_1001163414-A

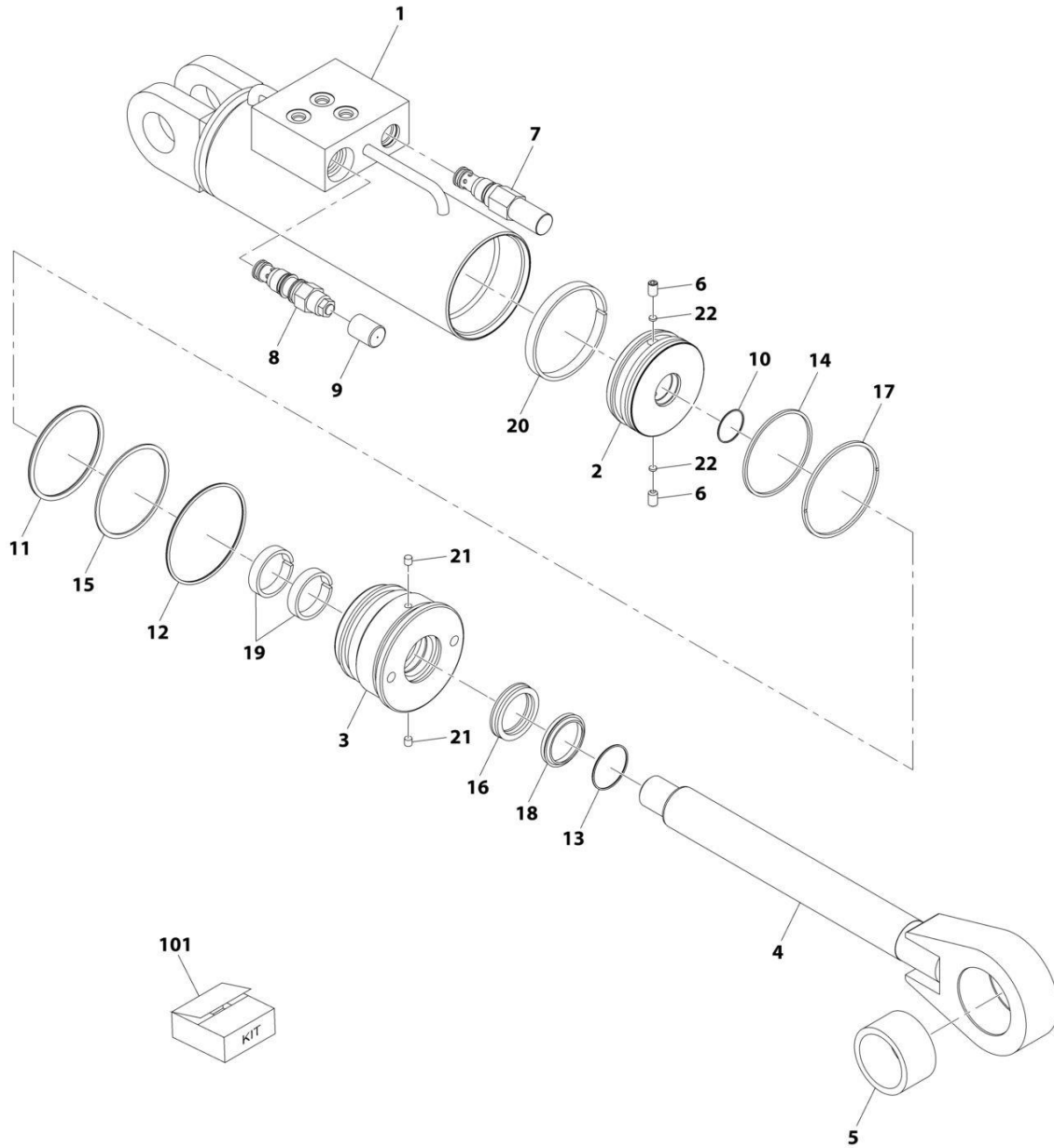
## SECTION 9 - HYDRAULIC COMPONENTS

### FIGURE 9-2. CYLINDER ASSEMBLY - CARRIAGE SIDE TILT

ITEM	PART NUMBER	QTY	DESCRIPTION	REV
	1001163414	Ref	Side Tilt Cylinder	A
		Ref	<b>Note: Original Cylinder May Have Been Replaced with Service Replacement. Identify PN Stamped on Cylinder Before Ordering Parts.</b>	
1	70026056	1	Barrel	
2	70026057	1	Rod	
3	70026058	1	Piston	
4	70025606	2	Nipple, Grease	
5	70024020	2	Fitting, Grease	
6	70003849	1	Head	
7	70025959	2	Plug	
8	70026059	2	Valve, Check	
9	70002219	1	Ring, Retaining	
10	70026060	4	Ring, Retaining	
11	70026061	2	Bearing	
12	70024262	2	Plug	
13	70002224	1	Ring, Lock	
14	Kit	NSS	Ring, Rod Bearing (Note: Use Item 101)	
15	Kit	NSS	Ring, Piston Bearing (Note: Use Item 101)	
16	Kit	NSS	Seal, Piston (Note: Use Item 101)	
17	Kit	NSS	O-Ring (Note: Use Item 101)	
18	Kit	NSS	Ring, Back-Up (Note: Use Item 101)	
19	Kit	NSS	Seal, Rod (Note: Use Item 101)	
20	Kit	NSS	O-Ring (Note: Use Item 101)	
21	Kit	NSS	Seal, Wiper (Note: Use Item 101)	
101	70026062	1	Kit, Seal (includes items 14 thru 21)	

# SECTION 9 - HYDRAULIC COMPONENTS

## FIGURE 9-3. CYLINDER ASSEMBLY - CARRIAGE SWING



ART\_1001103182-B

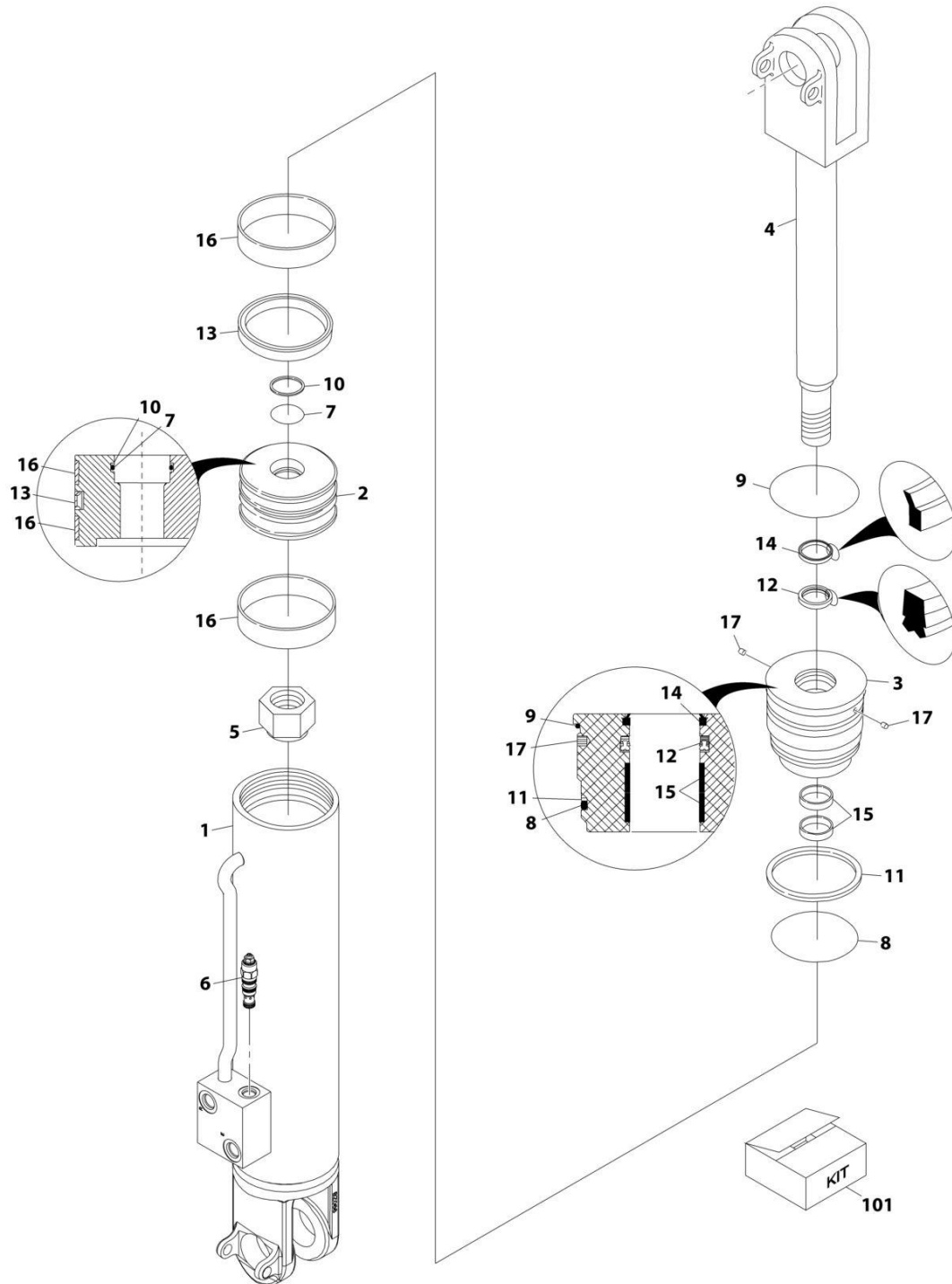
## SECTION 9 - HYDRAULIC COMPONENTS

**FIGURE 9-3. CYLINDER ASSEMBLY - CARRIAGE SWING**

ITEM	PART NUMBER	QTY	DESCRIPTION	REV
	1001103182	Ref	Swing Carriage Cylinder	B
1	70022044	1	Barrel	
2	8035863	1	Piston	
3	8035862	1	Head	
4	70022045	1	Rod	
5	70022046	1	Bearing	
6	8035536	2	Setscrew 5/16X1/2	
7	70020428	1	Valve, Relief	
7	7024574	1	Kit, Seal	
8	8033786	1	Valve, Counterbalance	
8	8205655	1	Kit, Seal	
9	70021812	1	Tamper-proof Cap	
10	See Note	NSS	O-Ring (Note: Use Item 101)	
11	See Note	NSS	O-Ring (Note: Use Item 101)	
12	See Note	NSS	O-Ring (Note: Use Item 101)	
13	See Note	NSS	O-Ring (Note: Use Item 101)	
14	See Note	NSS	Ring, Square (Note: Use Item 101)	
15	See Note	NSS	Ring, Backup (Note: Use Item 101)	
16	See Note	NSS	Seal (Note: Use Item 101)	
17	See Note	NSS	Seal, Piston (Note: Use Item 101)	
18	See Note	NSS	Wiper, Rod (Note: Use Item 101)	
19	See Note	NSS	Ring, Wear (Note: Use Item 101)	
20	See Note	NSS	Ring, Wear (Note: Use Item 101)	
21	See Note	NSS	Insert (Note: Use Item 101)	
22	See Note	NSS	Insert (Note: Use Item 101)	
101	2915023	1	Kit, Seal (includes items 11 thru 22)	

# SECTION 9 - HYDRAULIC COMPONENTS

## FIGURE 9-4. CYLINDER ASSEMBLY - COMPENSATION



ART\_1001189596

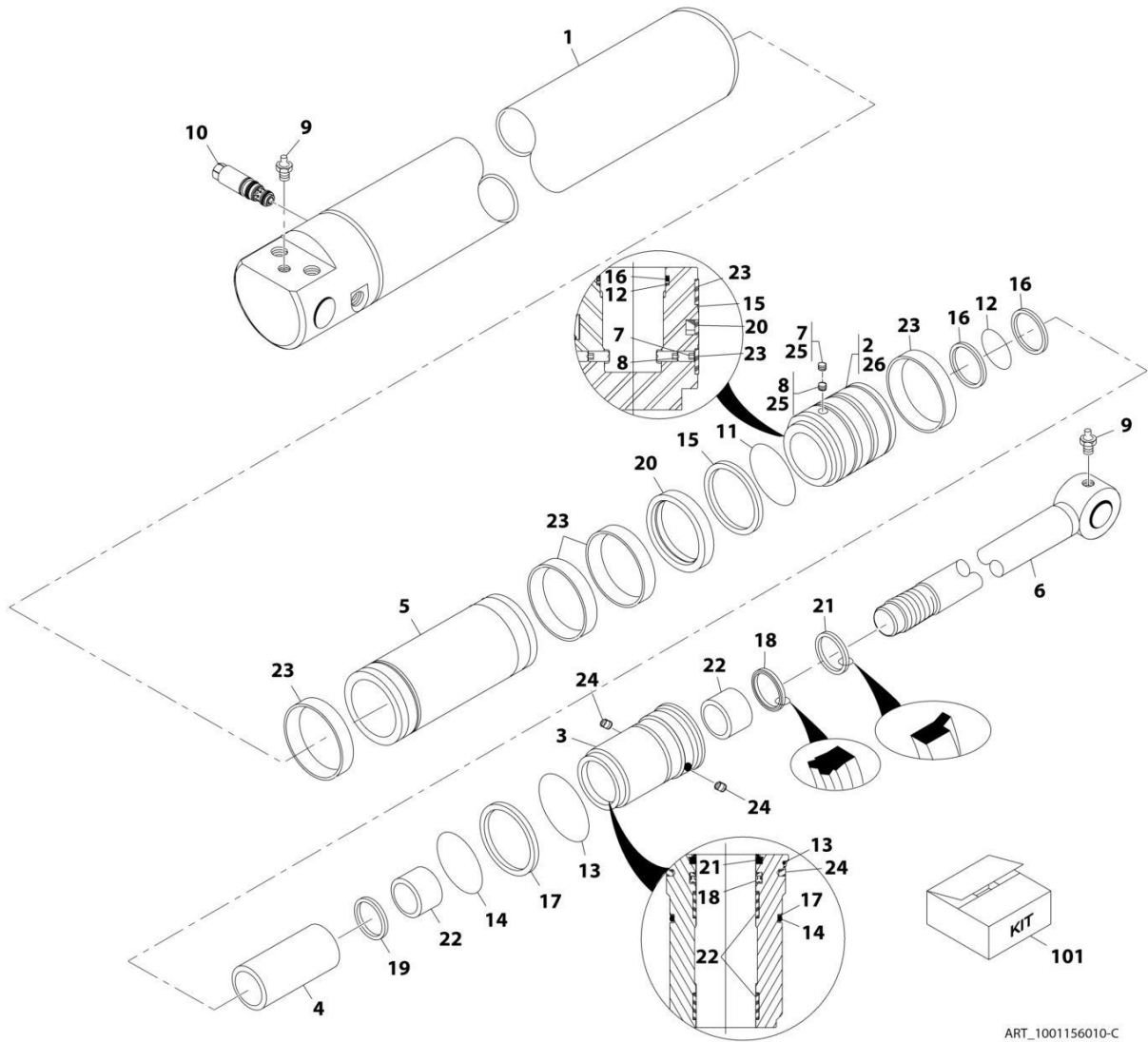
## SECTION 9 - HYDRAULIC COMPONENTS

### FIGURE 9-4. CYLINDER ASSEMBLY - COMPENSATION

ITEM	PART NUMBER	QTY	DESCRIPTION	REV
	1001189596	Ref	Compensation Cylinder	E
		Ref	<b>Note: Original Cylinder May Have Been Replaced with Service Replacement. Identify PN Stamped on Cylinder Before Ordering Parts.</b>	
1	70026742	1	Tube, Cylinder	
2	8035613	1	Piston	
3	8035612	1	Gland, Head	
4	8035611	1	Rod	
5	8035547	1	Nut, Lock	
6	1001232216	1	Counterbalance Valve	
7	Kit	1	O-Ring	
8	Kit	1	O-Ring	
9	Kit	1	O-Ring	
10	Kit	1	Ring, Backup	
11	Kit	1	Ring, Backup	
12	Kit	1	Z-Seal, Deep	
13	Kit	1	T-Seal, Capped	
14	Kit	1	Wiper, Seal	
15	Kit	1	Wearband	
16	Kit	1	Wearband	
17	Kit	2	Insert, Locking	
101	8034695	1	Seal Kit, (includes items 6 thru 17)	

# SECTION 9 - HYDRAULIC COMPONENTS

## FIGURE 9-5. CYLINDER ASSEMBLY - EXTEND/RETRACT



ART\_1001156010-C



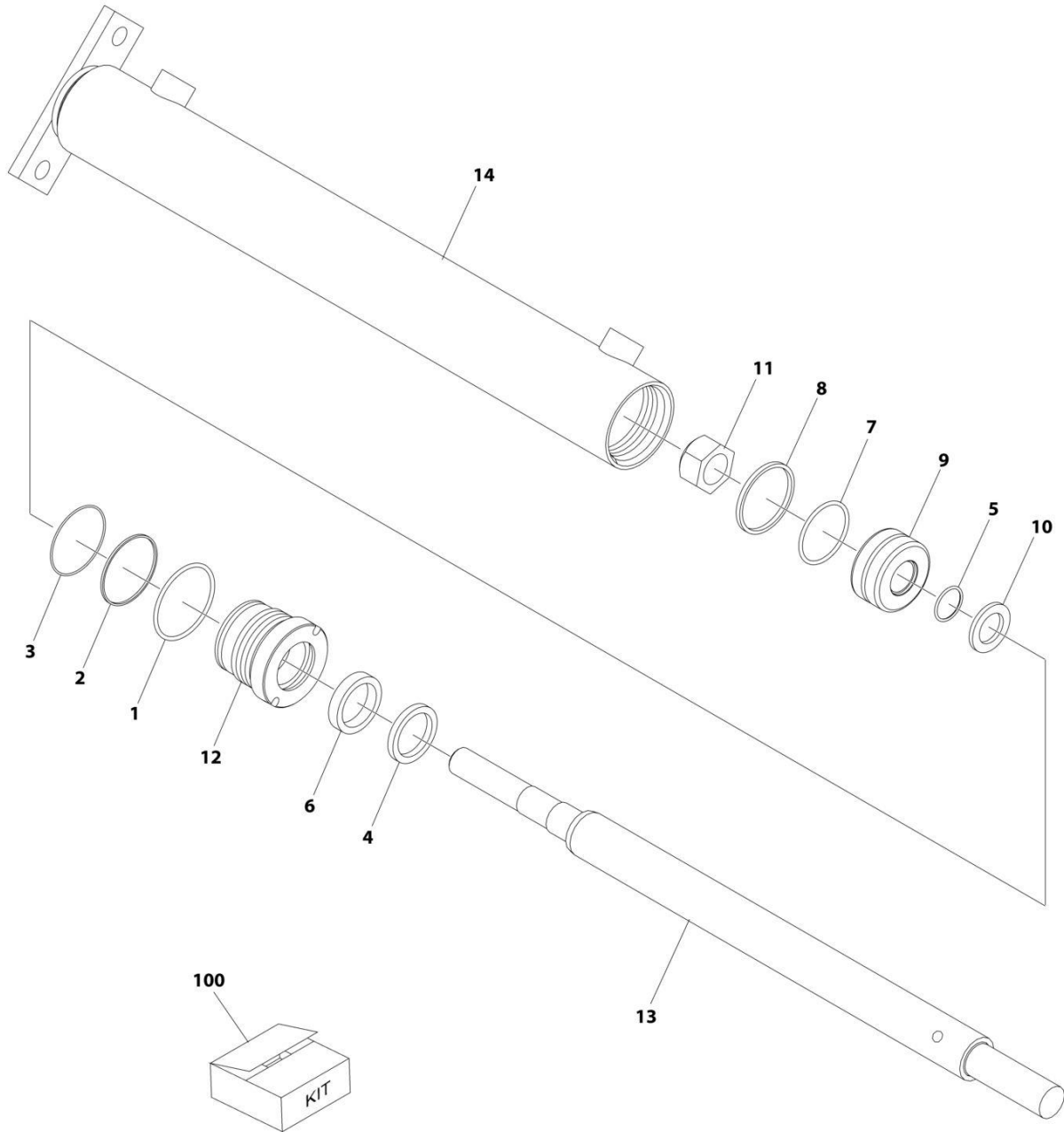
## SECTION 9 - HYDRAULIC COMPONENTS

**FIGURE 9-5. CYLINDER ASSEMBLY - EXTEND/RETRACT**

ITEM	PART NUMBER	QTY	DESCRIPTION	REV
	1001156010	Ref	Extend/Retract Cylinder	C
		Ref	Note: Original Cylinder May Have Been Replaced with Service Replacement. Identify PN Stamped on Cylinder Before Ordering Parts.	
1	70026036	1	Weldment, Tube	
2	8035800	1	Piston	
3	8035539	1	Gland, Head	
4	8035616	1	Spacer, Rod	
5	7026579	1	Spacer	
6	8035615	1	Weldment, Rod	
7	8035536	1	Screw 5/16 X 1/2	
8	8035315	1	Screw 5/16 X 5/8	
9	70020375	2	Fitting, Straight Lube	
10	1001170316	1	Valve, Counterbalance	
11	Kit	1	O-Ring	
12	Kit	1	O-Ring	
13	Kit	1	O-Ring	
14	Kit	1	O-Ring	
15	Kit	1	Ring, Square	
16	Kit	2	Ring, Backup	
17	Kit	1	Ring, Backup	
18	Kit	1	U-Cup	
19	Kit	1	Seal, Buffer	
20	Kit	1	Seal, Piston	
21	Kit	1	Seal, Wiper	
22	Kit	2	Wearband, Precision	
23	Kit	4	Wearband, Precision	
24	Kit	2	Insert, Locking	
25	8526007	AR	Compound, Locking	
26	8526011	AR	Compound, Locking	
101	70026038	1	Kit, Seal (includes items 11 thru 24)	

# SECTION 9 - HYDRAULIC COMPONENTS

## FIGURE 9-6. CYLINDER ASSEMBLY - FORK POSITIONING



ART\_2717283

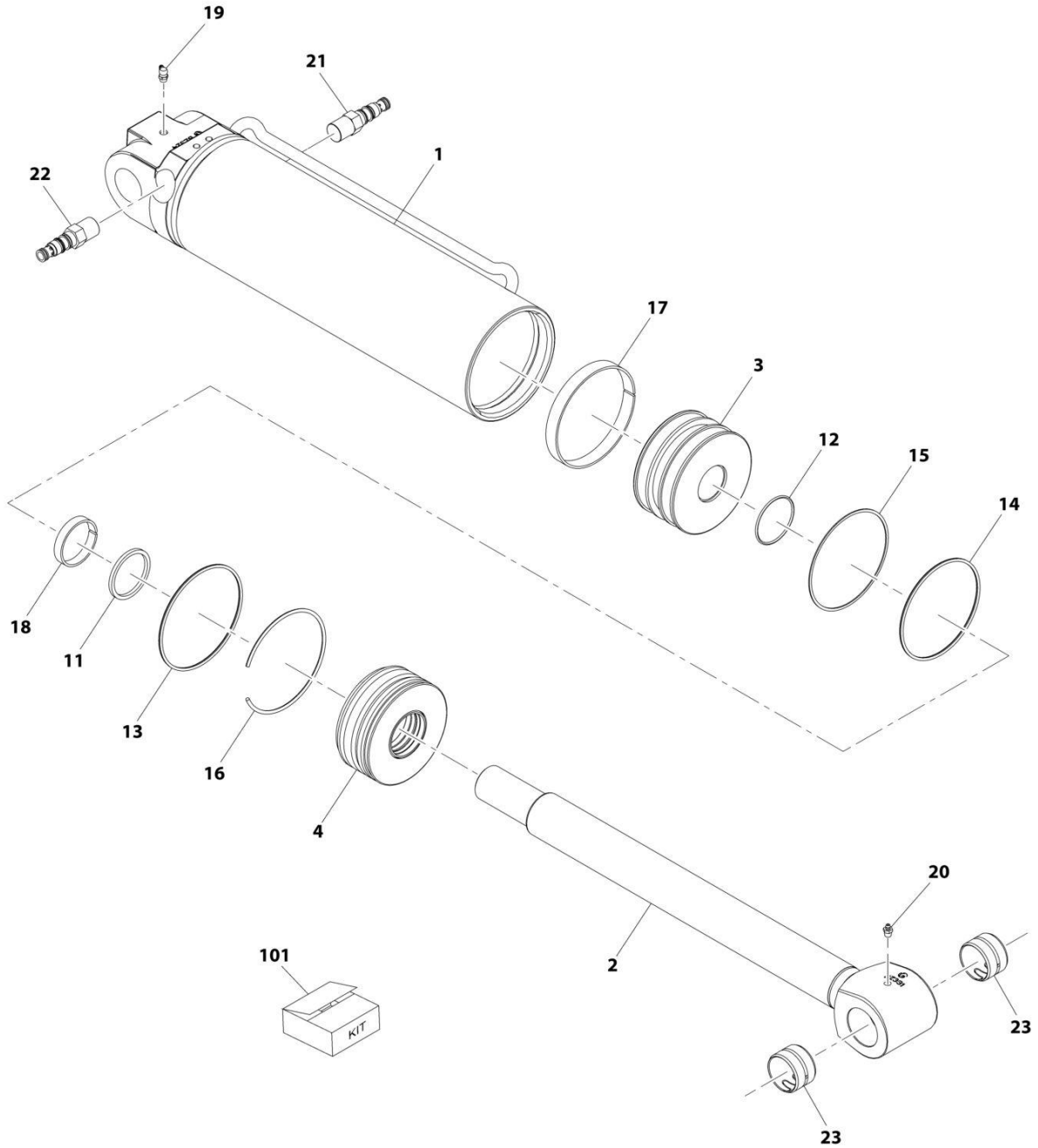
## SECTION 9 - HYDRAULIC COMPONENTS

### FIGURE 9-6. CYLINDER ASSEMBLY - FORK POSITIONING

ITEM	PART NUMBER	QTY	DESCRIPTION	REV
	2717283	Ref	FORK POSITIONING CYLINDER	B
		Ref	<b>Note: Original Cylinder May Have Been Replaced with Service Replacement. Identify PN Stamped on Cylinder Before Ordering Parts.</b>	
1	See Note	NSS	O-Ring (Use Item 100)	
2	See Note	NSS	Ring, Back-up (Use Item 100)	
3	See Note	NSS	O-Ring (Use Item 100)	
4	See Note	NSS	Seal (Use Item 100)	
5	See Note	NSS	O-Ring (Use Item 100)	
6	See Note	NSS	Seal (Use Item 100)	
7	See Note	NSS	O-Ring (Use Item 100)	
8	See Note	NSS	Seal (Use Item 100)	
9	70026771	1	Piston	
10	70026775	1	Washer	
11	70026770	1	Nut	
12	70026774	1	Head	
13	70026773	1	Rod	
14	See Note	NSS	Barrel (Note: Use PN 2717283)	
100	8036733	1	Seal Kit (includes items 1 thru 8)	

# SECTION 9 - HYDRAULIC COMPONENTS

## FIGURE 9-7. CYLINDER ASSEMBLY - FORK TILT



ART\_1001180763-B

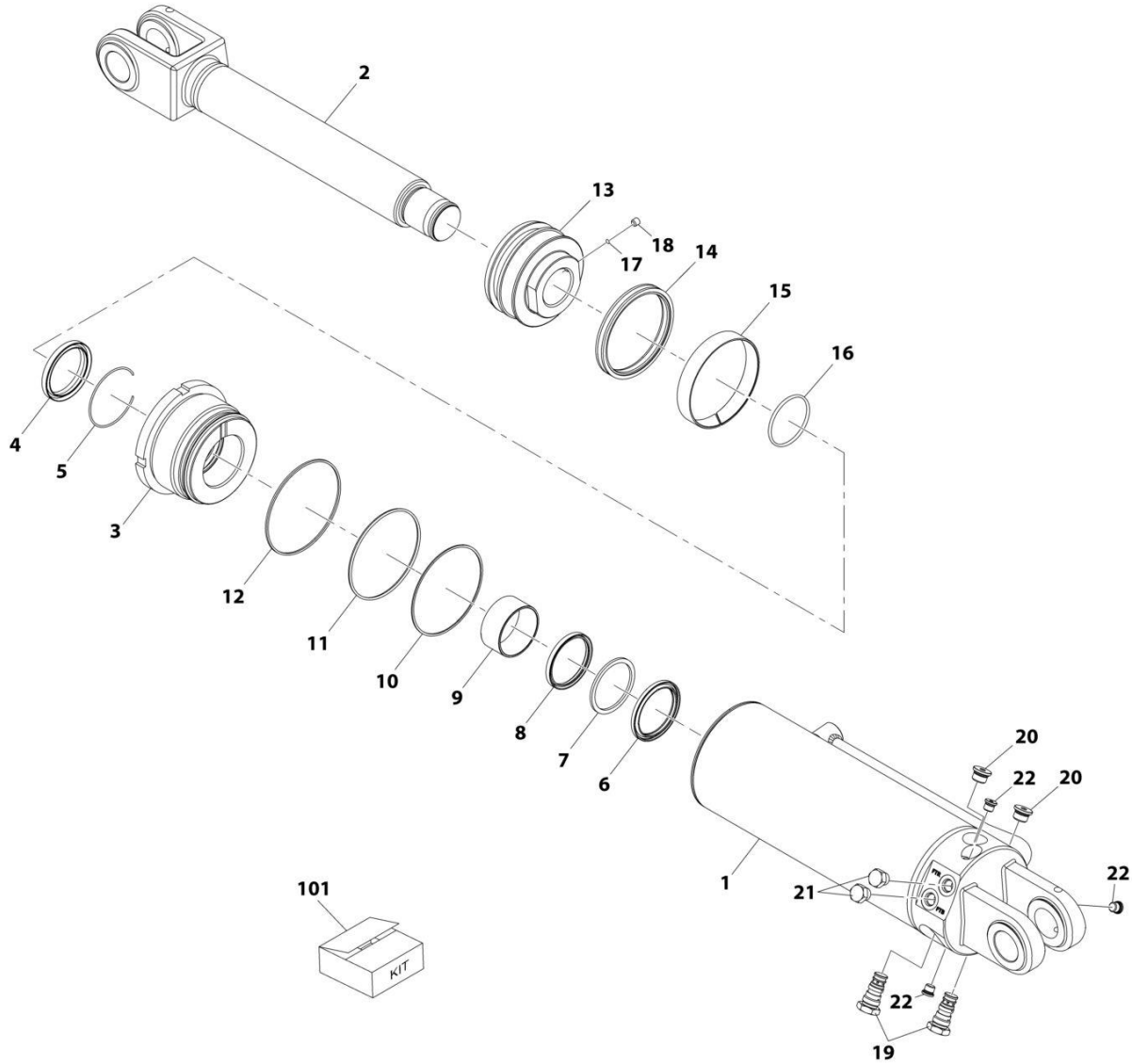
## SECTION 9 - HYDRAULIC COMPONENTS

### FIGURE 9-7. CYLINDER ASSEMBLY - FORK TILT

ITEM	PART NUMBER	QTY	DESCRIPTION	REV
	1001180763	Ref	FORK TILT CYLINDER ASSEMBLY	B
		Ref	Note: Original Cylinder May Have Been Replaced with Service Replacement. Identify PN Stamped on Cylinder Before Ordering Parts.	
1		Ref	Barrel (Note: Use PN 1001180763)	
2	70028402	1	Rod	
3	70028403	1	Piston	
4	70028404	1	Head	
7	3951404	1	Setscrew 1/4 x 1/2 (Not Shown - Used With Item 3 Piston)	
8	Kit	NSS	Seal, Piston (Not Shown) (Use Item 101)	
9	Kit	NSS	Ring (Not Shown) (Use Item 101)	
10	Kit	NSS	Wiper (Not Shown) (Use Item 101)	
11	Kit	NSS	Seal, Rod (Use Item 101)	
12	Kit	NSS	O-Ring (Use Item 101)	
13	Kit	NSS	O-Ring (Use Item 101)	
14	Kit	NSS	O-Ring (Use Item 101)	
15	Kit	NSS	Ring, Backup (Use Item 101)	
16	Kit	NSS	Ring, Backup (Use Item 101)	
17	Kit	NSS	Wearband for the Piston (Use Item 101)	
18	Kit	NSS	Wearband for the Gland (Use Item 101)	
19	70028407	1	Fitting, Grease (90)	
20	70020375	1	Fitting, Grease (Straight)	
21	8035321	1	Cartridge, Counterbalance Valve	
22	8036750	1	Cartridge, Check Valve	
23	70031092	2	Bushing	
101	70028408	1	Seal Kit - 1001180763 Cylinder (includes items 8 thru 18)	

# SECTION 9 - HYDRAULIC COMPONENTS

## FIGURE 9-8. CYLINDER ASSEMBLY - FRAME LEVEL



ART\_1001180762-C

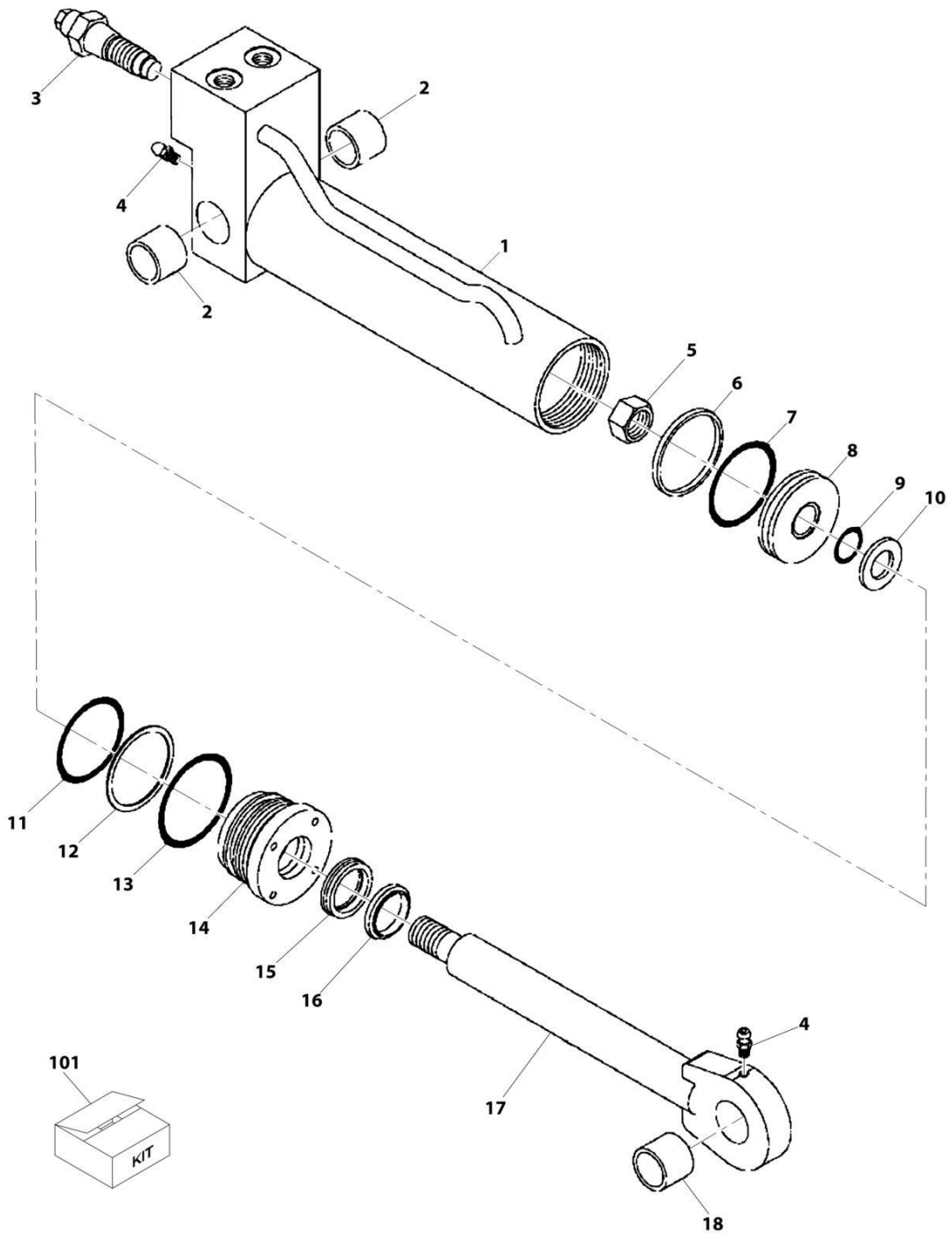
## SECTION 9 - HYDRAULIC COMPONENTS

### FIGURE 9-8. CYLINDER ASSEMBLY - FRAME LEVEL

ITEM	PART NUMBER	QTY	DESCRIPTION	REV
	1001180762	Ref	Frame Level Cylinder Assembly	C
		Ref	Note: Original Cylinder May Have Been Replaced with Service Replacement. Identify PN Stamped on Cylinder Before Ordering Parts.	
1	70027689	1	Barrel	
2	70027690	1	Rod	
3	70027691	1	Head	
4	Kit	NSS	Wiper (Note: Use Item 101)	
5	70027244	1	Ring, Retaining	
6	Kit	NSS	Seal, Rod (Note: Use Item 101)	
7	Kit	NSS	Ring, Back-Up (Note: Use Item 101)	
8	Kit	NSS	Ring, Buffer (Note: Use Item 101)	
9	70004637	1	Ring, Wear	
10	Kit	NSS	O-Ring (Note: Use Item 101)	
11	Kit	NSS	Ring, Back-Up (Note: Use Item 101)	
12	Kit	NSS	O-Ring (Note: Use Item 101)	
13	70027692	1	Piston	
14	Kit	NSS	Seal, Piston (Note: Use Item 101)	
15	Kit	NSS	Ring, Wear (Note: Use Item 101)	
16	Kit	NSS	O-Ring	
17	70022564	1	Ball	
18	70022563	1	Setscrew	
19	70027693	2	Valve, Check	
20	70027694	2	Plug	
21	70027695	2	Plug	
22	2220883	3	Plug	
101	70027696	1	Seal Kit (Includes Items 4,6-8, 10-12 & 14-16)	

# SECTION 9 - HYDRAULIC COMPONENTS

## FIGURE 9-9. CYLINDER ASSEMBLY - GRAPPLE BUCKET



ART\_70021393-A



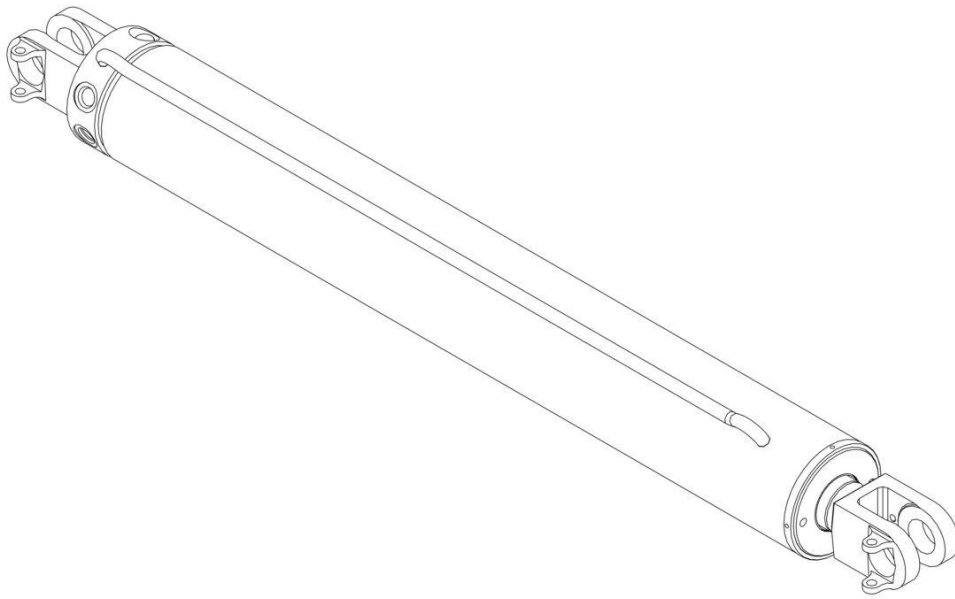
## SECTION 9 - HYDRAULIC COMPONENTS

**FIGURE 9-9. CYLINDER ASSEMBLY - GRAPPLE BUCKET**

ITEM	PART NUMBER	QTY	DESCRIPTION	REV
	70021393	Ref	Grapple Bucket Cylinder	A
		Ref	Note: Original Cylinder May Have Been Replaced with Service Replacement. Identify PN Stamped on Cylinder Before Ordering Parts.	
1	70021465	1	Barrel	
2	70021448	2	Bushing	
3	70021464	2	Cartridge, Valve	
4	90554045	2	Fitting, Grease	
5	70021440	1	Nut	
6	Kit	NSS	Ring, Piston (Note: Use Item 101)	
7	Kit	NSS	O-Ring (Note: Use Item 101)	
8	70021451	1	Piston	
9	Kit	NSS	O-Ring (Note: Use Item 101)	
10	70021444	1	Washer	
11	Kit	NSS	O-Ring (Note: Use Item 101)	
12	Kit	NSS	Washer, Back-Up (Note: Use Item 101)	
13	Kit	NSS	O-Ring (Note: Use Item 101)	
14	70021446	1	Head	
15	Kit	NSS	Seal, Poly-Pak (Note: Use Item 101)	
16	Kit	NSS	Wiper, Rod (Note: Use Item 101)	
17	70021466	1	Rod	
18	70021447	1	Bushing	
101	70021452	1	Kit, Seal (includes items 6, 7, 9, 11 thru 13, 15 & 16)	

# SECTION 9 - HYDRAULIC COMPONENTS

FIGURE 9-10. CYLINDER ASSEMBLY - LIFT



ART\_1001256321

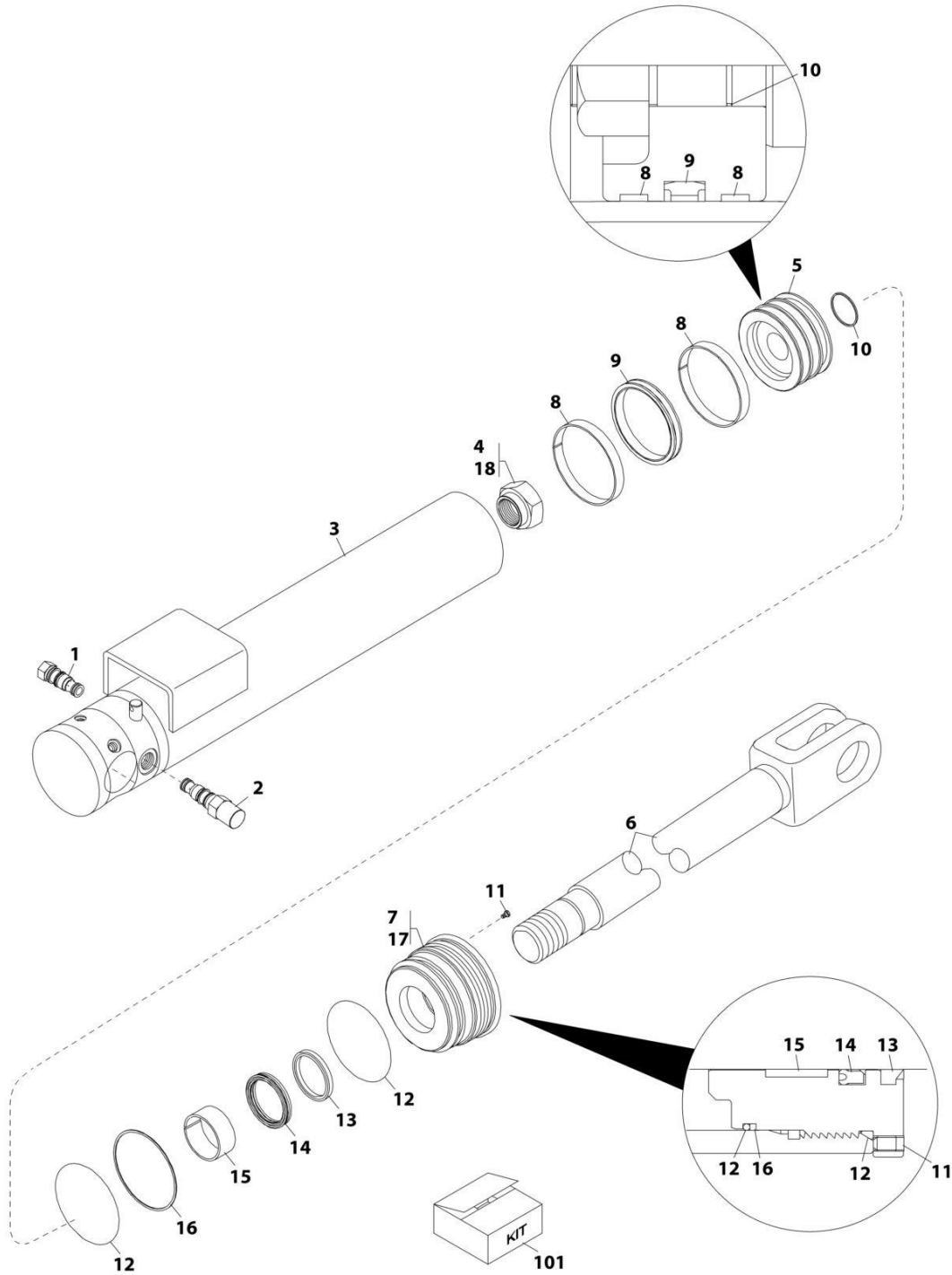
## SECTION 9 - HYDRAULIC COMPONENTS

### FIGURE 9-10. CYLINDER ASSEMBLY - LIFT

ITEM	PART NUMBER	QTY	DESCRIPTION	REV
	1001256321	Ref	Cylinder Assembly - Lift	A
		Ref	Note: Original Cylinder May Have Been Replaced with Service Replacement. Identify PN Stamped on Cylinder Before Ordering Parts.	
		Ref	Note: No Other Service Parts Available	
1	70026025	1	Seal Kit	
2	1001254411	1	Valve, Counterbalance	

# SECTION 9 - HYDRAULIC COMPONENTS

## FIGURE 9-11. CYLINDER ASSEMBLY - OUTRIGGER



ART\_2717201-E

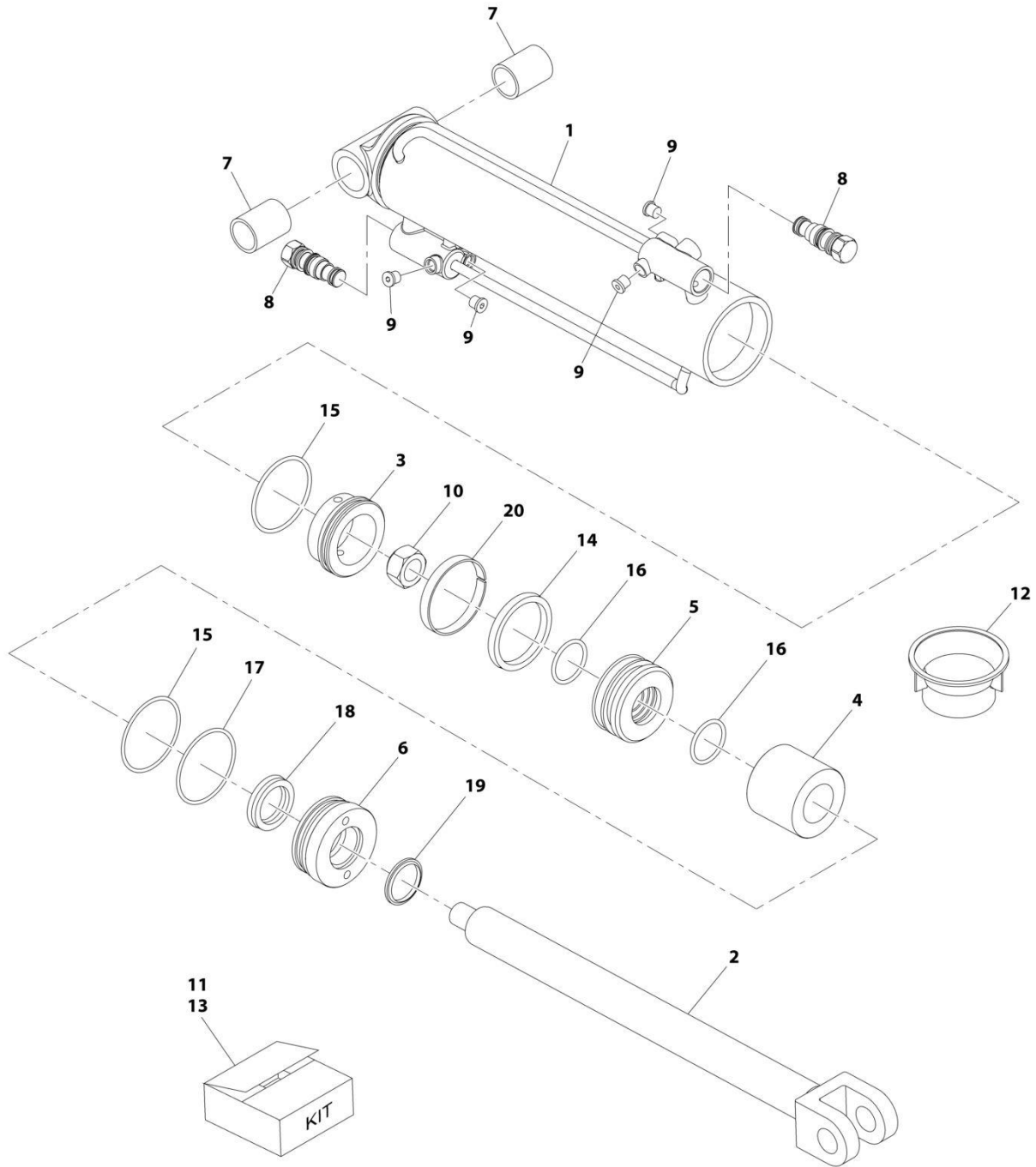
## SECTION 9 - HYDRAULIC COMPONENTS

**FIGURE 9-11. CYLINDER ASSEMBLY - OUTRIGGER**

ITEM	PART NUMBER	QTY	DESCRIPTION	REV
	2717201	Ref	Outrigger Cylinder	E
		Ref	Note: Original Cylinder May Have Been Replaced with Service Replacement. Identify PN Stamped on Cylinder Before Ordering Parts.	
1	8036750	1	Valve, PO Check	
	2900770	1	Kit, Seal	
2	8036732	1	Valve, Counterbalance, 1000 PSI	
	8035327	1	Kit, Seal	
3	70020658	1	Assembly, Barrel	
4	8036825	1	Nut, Lock 1-1/2-12	
5	8036837	1	Piston	
6	8036838	1	Weldment, Rod	
7	8036839	1	Gland, Head	
8	Kit	2	Wearband, Precision	
9	Kit	1	T-Seal, Capped	
10	Kit	1	O-Ring	
11	8036811	1	Screw, 1/4-20X3/8	
12	Kit	2	O-Ring	
13	Kit	1	Ring, Wiper	
14	Kit	1	Z-Seal	
15	Kit	1	Wearband, Precision	
16	Kit	1	Ring, Backup	
17	8526007	AR	Compound, Locking	
18	8526011	AR	Compound, Locking	
101	8036784	2	Kit, Seal (includes items 8 thru 10 & 12 thru 16)	

# SECTION 9 - HYDRAULIC COMPONENTS

## FIGURE 9-12. CYLINDER ASSEMBLY - PIPE HANDLER



ART\_70026587

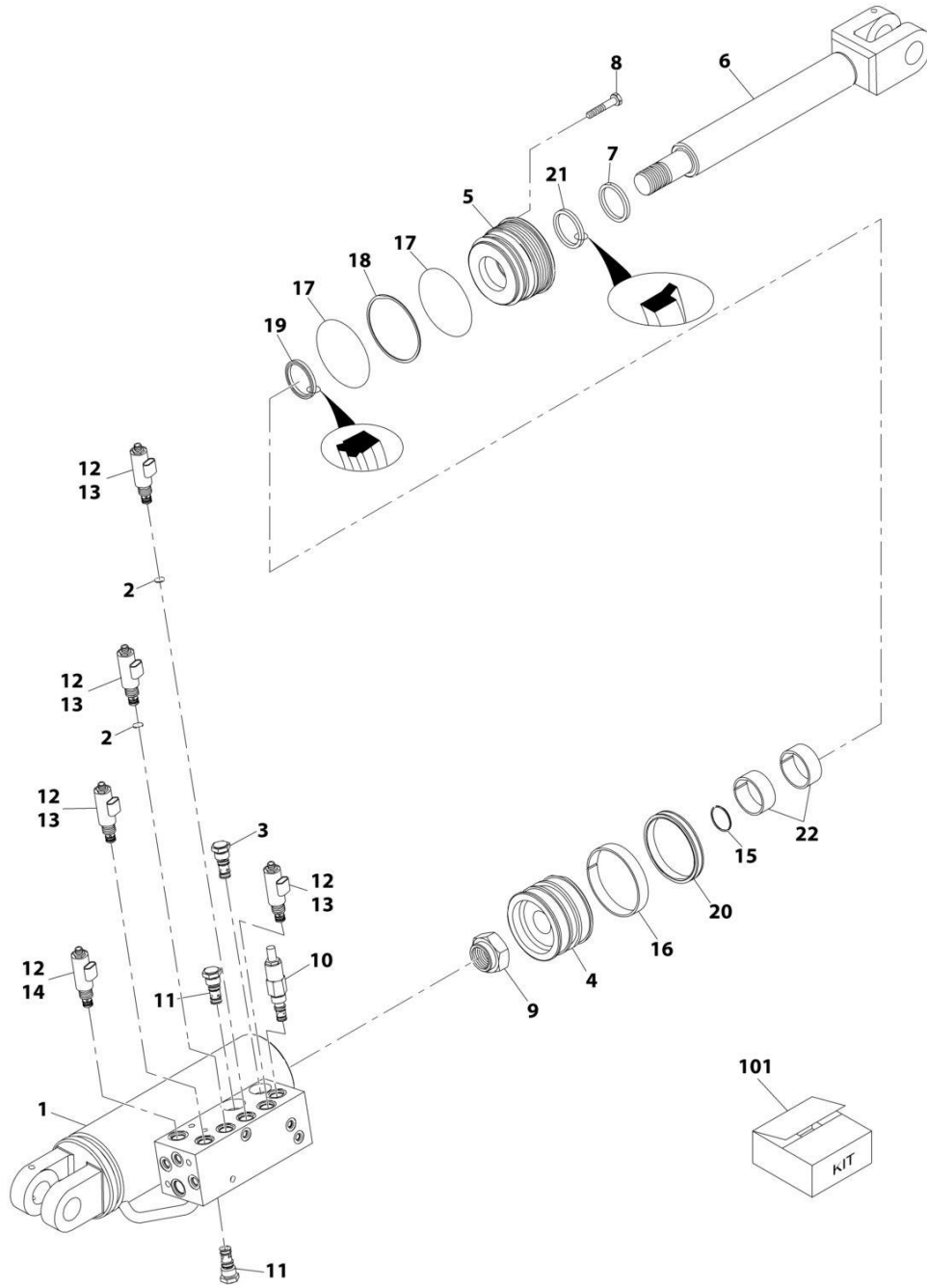
## SECTION 9 - HYDRAULIC COMPONENTS

**FIGURE 9-12. CYLINDER ASSEMBLY - PIPE HANDLER**

ITEM	PART NUMBER	QTY	DESCRIPTION	REV
	70026587	Ref	Pipe Handler Cylinder	
		Ref	Note: Original Cylinder May Have Been Replaced with Service Replacement. Identify PN Stamped on Cylinder Before Ordering Parts.	
1	70026495	1	Barrel	
2	70026610	1	Rod	
3	70026497	1	Spacer	
4	70026611	1	Spacer	
5	70026499	1	Piston	
6	70026500	1	Retainer	
7	70026501	2	Bushing	
8	70026502	2	Valve, Check	
9	70024129	4	Fitting, 4	
10	70026503	1	Nut	
11	70024734	1	Kit, Check Valve Service	
12	70026505	1	Seal Loader	
13	70026506	1	Seal Kit (includes items 14 thru 20)	
14	Kit	AR	Seal (Note: Use Item 13)	
15	Kit	AR	O-Ring (Note: Use Item 13)	
16	Kit	AR	O-Ring (Note: Use Item 13)	
17	Kit	AR	Ring, Back-up (Note: Use Item 13)	
18	Kit	AR	Seal (Note: Use Item 13)	
19	Kit	AR	Wiper (Note: Use Item 13)	
20	Kit	AR	Ring, Wear (Note: Use Item 13)	

# SECTION 9 - HYDRAULIC COMPONENTS

## FIGURE 9-13. CYLINDER ASSEMBLY - STABLI-TRAK



ART\_2717198-E



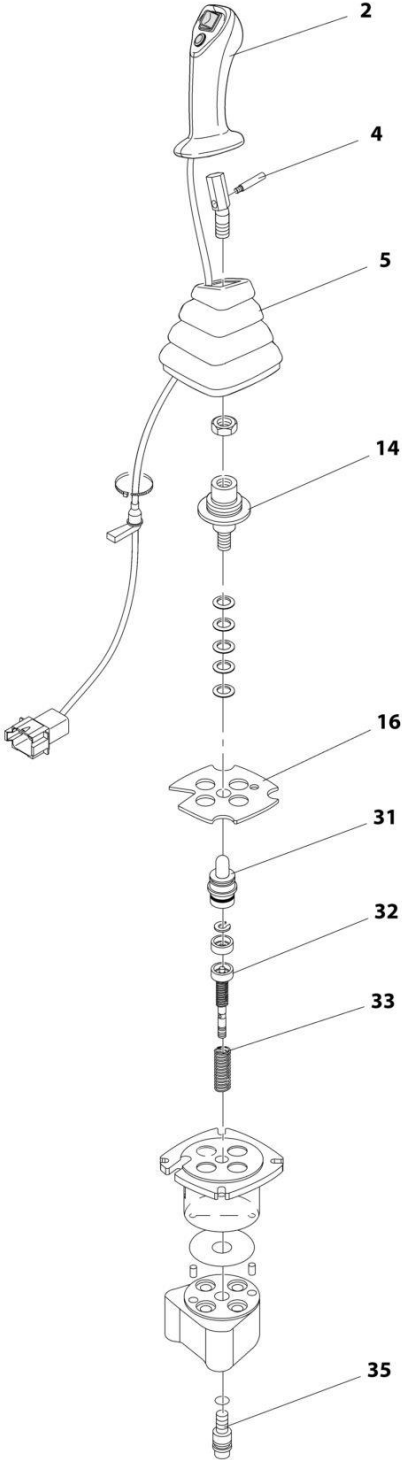
## SECTION 9 - HYDRAULIC COMPONENTS

### FIGURE 9-13. CYLINDER ASSEMBLY - STABLI-TRAK

ITEM	PART NUMBER	QTY	DESCRIPTION	REV
	2717198	Ref	Stabil-Trak Cylinder	E
		Ref	<b>Note: Original Cylinder May Have Been Replaced with Service Replacement. Identify PN Stamped on Cylinder Before Ordering Parts.</b>	
1	N.S.S.	NSS	Barrel (Note Use PN 2717198)	
2	8035781	2	Orifice	
3	8036582	1	Valve, Check	
3	7017496	1	Kit, Seal	
4	8036826	1	Piston	
5	8036828	1	Guide	
6	8036827	1	Rod	
7	7029153	1	O-Ring	
8	8036811	1	Setscrew, Set 1/4X3/8	
9	8036825	1	Nut 1-1/2	
10	8035282	1	Valve, Pressure Reducing	
10	8032994	1	Kit, Seal	
11	8035281	2	Valve, Check	
11	8036192	2	Kit, Seal	
12	7029246	5	Coil, Solenoid	
13	8036581	4	Valve, Solenoid	
13	7017496	4	Seal Kit - 8036581 Valve	
14	8036580	1	Valve, Solenoid	
14	7012903	1	Seal Kit - 8036580 Valve	
15	Kit	NSS	O-Ring (Note: Use Item 101)	
16	Kit	NSS	Ring, Wear (Note: Use Item 101)	
17	Kit	NSS	O-Ring (Note: Use Item 101)	
18	Kit	NSS	Ring, Back-Up (Note: Use Item 101)	
19	Kit	NSS	Z-Seal (Note: Use Item 101)	
20	Kit	NSS	T-Seal (Note: Use Item 101)	
21	Kit	NSS	Ring, Wiper (Note: Use Item 101)	
22	Kit	NSS	Ring, Wear	
101	8036747	1	Kit, Seal (includes items 15 thru 22)	

**SECTION 9 - HYDRAULIC COMPONENTS**

**FIGURE 9-14. JOYSTICK ASSEMBLY**



ART\_1001158002-B

## SECTION 9 - HYDRAULIC COMPONENTS

FIGURE 9-14. JOYSTICK ASSEMBLY

ITEM	PART NUMBER	QTY	DESCRIPTION	REV
	1001158002	Ref	Pilot Joystick Control	B
2	70026097	1	Handle	
4	91404011	1	Kit, Bent Lever	
5	80364095	1	Boot, Rubber	
14	80264138	1	Kit, Cardan	
16	91404013	1	Plate, Retaining	
31	91304025	2	Kit, Plunger (set of two)	
32	70026098	4	Unit, Regulating	
33	91514225	1	Spring, Return (set of four)	
35	91404326	1	Kit, Seal	



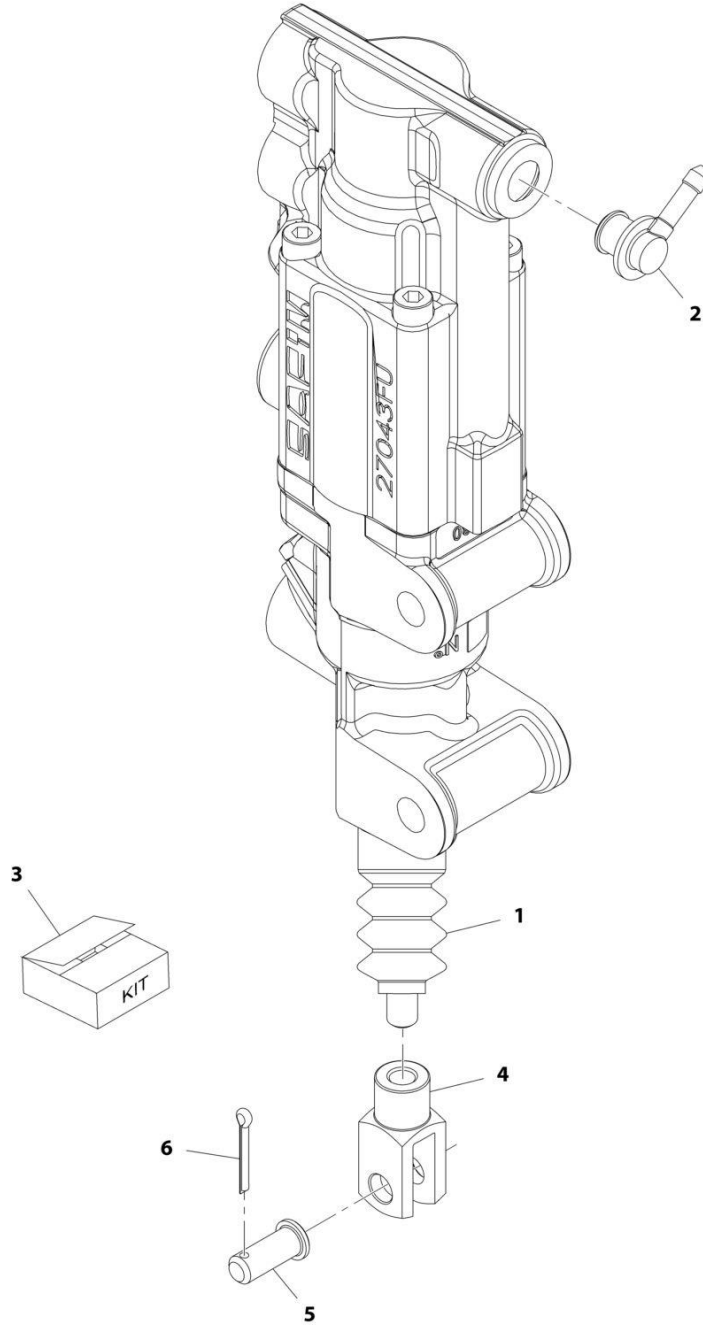
## SECTION 9 - HYDRAULIC COMPONENTS

FIGURE 9-15. VALVE ASSEMBLY - AIR SHUT OFF

ITEM	PART NUMBER	QTY	DESCRIPTION	REV
	1001204032	Ref	Air Shut Off Valve	C
1	70028514	1	Kit, Solenoid 12V (Includes Solenoid, Coil, O-Ring)	
2	70028515	1	Kit, Switch (Includes Ball Switch & O-Ring)	
3	70028516	1	Kit, Flange and Hardware (Includes Flanges (Male & Female) & Mounting Hardware)	
4	70028517	1	Kit, Handle (Includes Handle & Pin)	

# SECTION 9 - HYDRAULIC COMPONENTS

## FIGURE 9-16. VALVE ASSEMBLY - BRAKE



ART\_1001201721-D

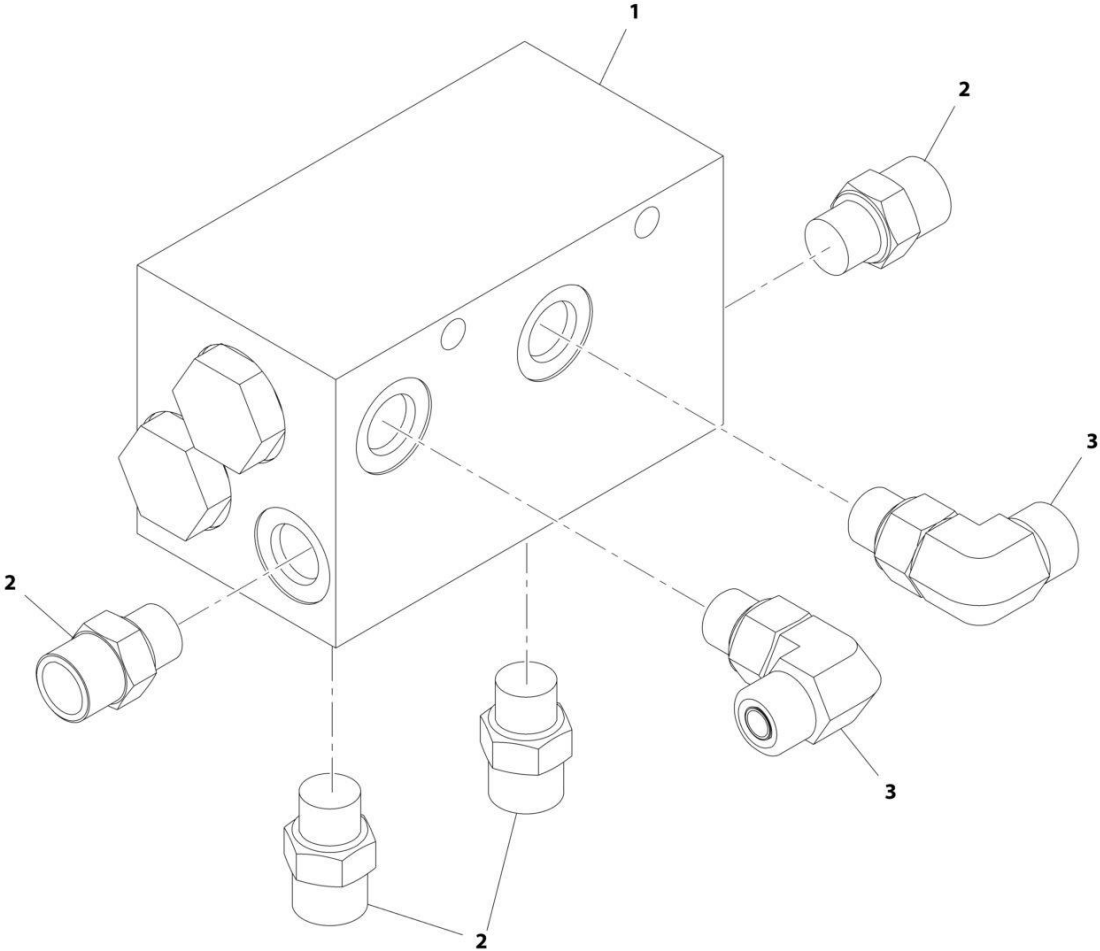
## SECTION 9 - HYDRAULIC COMPONENTS

FIGURE 9-16. VALVE ASSEMBLY - BRAKE

ITEM	PART NUMBER	QTY	DESCRIPTION	REV
	1001201721	Ref	Brake Valve	D
1	70025859	1	Dust Cover	
2	70027275	1	Reservoir Joint	
3	70027276	1	Seal Kit	
4	70022650	1	Yoke	
5	70020743	1	Pin, Yoke	
6	70020745	1	Pin, Cotter	

**SECTION 9 - HYDRAULIC COMPONENTS**

**FIGURE 9-17. VALVE ASSEMBLY - CARRIAGE FORK POSITIONING**



ART\_4641502-B



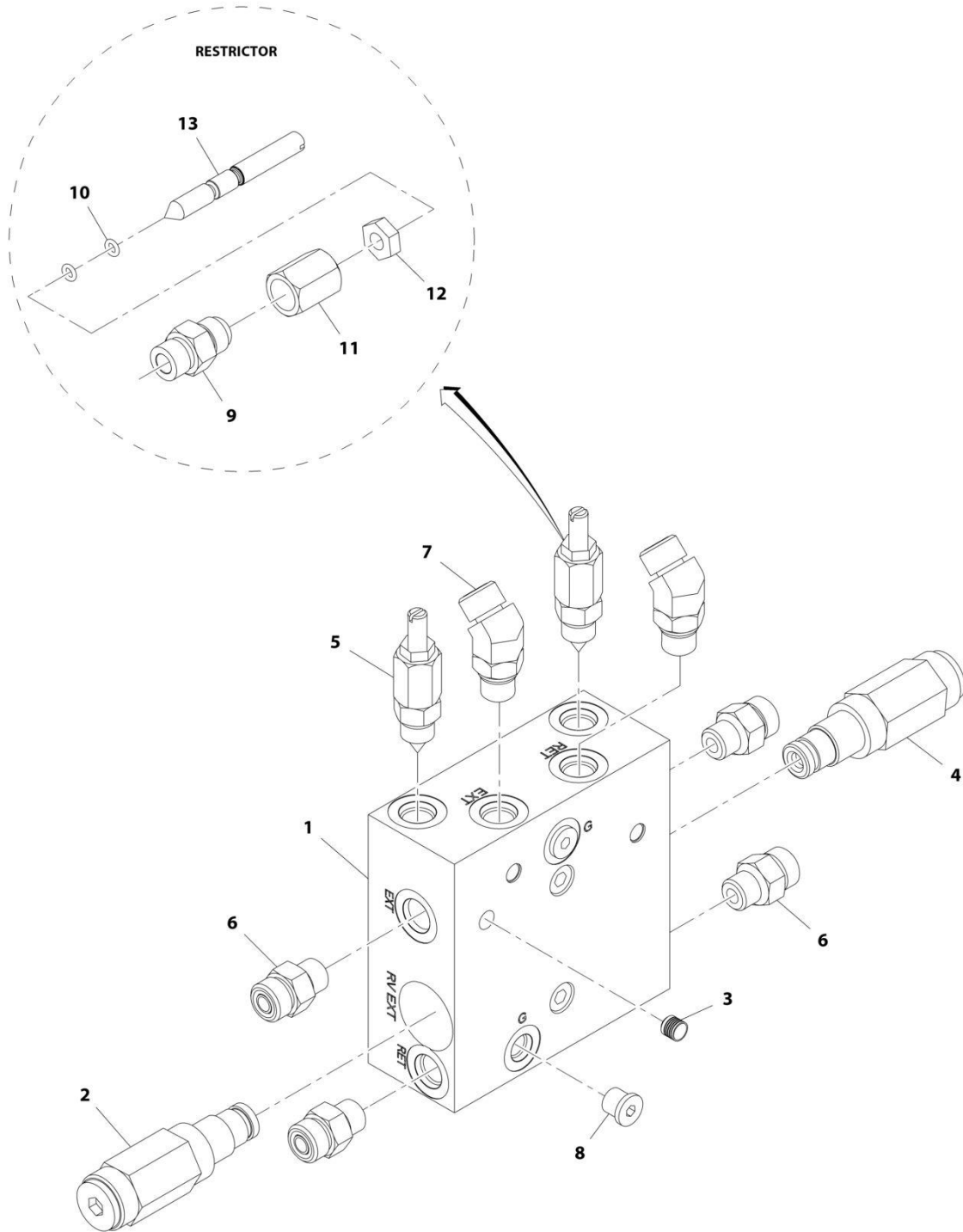
## SECTION 9 - HYDRAULIC COMPONENTS

**FIGURE 9-17. VALVE ASSEMBLY - CARRIAGE FORK POSITIONING**

ITEM	PART NUMBER	QTY	DESCRIPTION	REV
	4641502	Ref	Dual Fork Carriage Valve Assembly	B
1	4641501	1	Valve, Flow Divider (See Separate Breakdown in this Section)	
2	2110606	4	Fitting, Straight ORFS	
3	2130606	2	Fitting, 90	

# SECTION 9 - HYDRAULIC COMPONENTS

## FIGURE 9-18. VALVE ASSEMBLY - CARRIAGE PIPE GRAPPLE



ART\_70026589

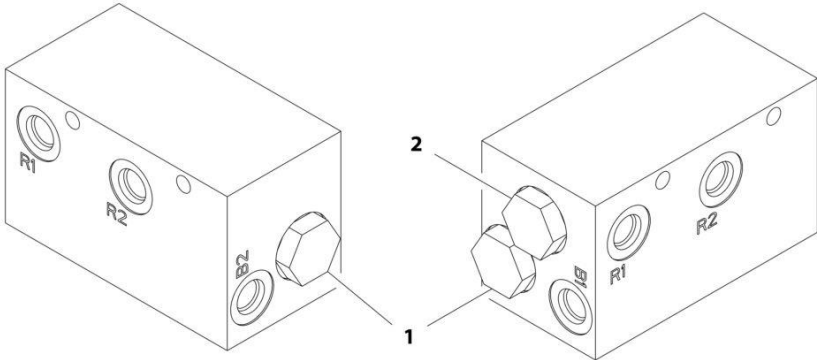
## SECTION 9 - HYDRAULIC COMPONENTS

**FIGURE 9-18. VALVE ASSEMBLY - CARRIAGE PIPE GRAPPLE**

ITEM	PART NUMBER	QTY	DESCRIPTION	REV
	70026589	Ref	Valve Assembly	
1	70026612	NLA	Manifold (Purchase Complete Assembly)	
2	70026613	1	Cartridge	
3	70026614	4	Plug	
4	70026478	1	Cartridge	
5	70026615	2	Restrictor	
6	70024130	4	Fitting	
7	70026616	2	Fitting	
8	70024129	2	Plug	
9	70026617	1	Fitting	
10	70026618	2	O-Ring	
11	70026619	1	Cap	
12	70026620	1	Jam Nut	
13	70026621	1	Plunger	

**SECTION 9 - HYDRAULIC COMPONENTS**

**FIGURE 9-19. VALVE ASSEMBLY - FLOW DIVIDER**



ART\_4641501-A

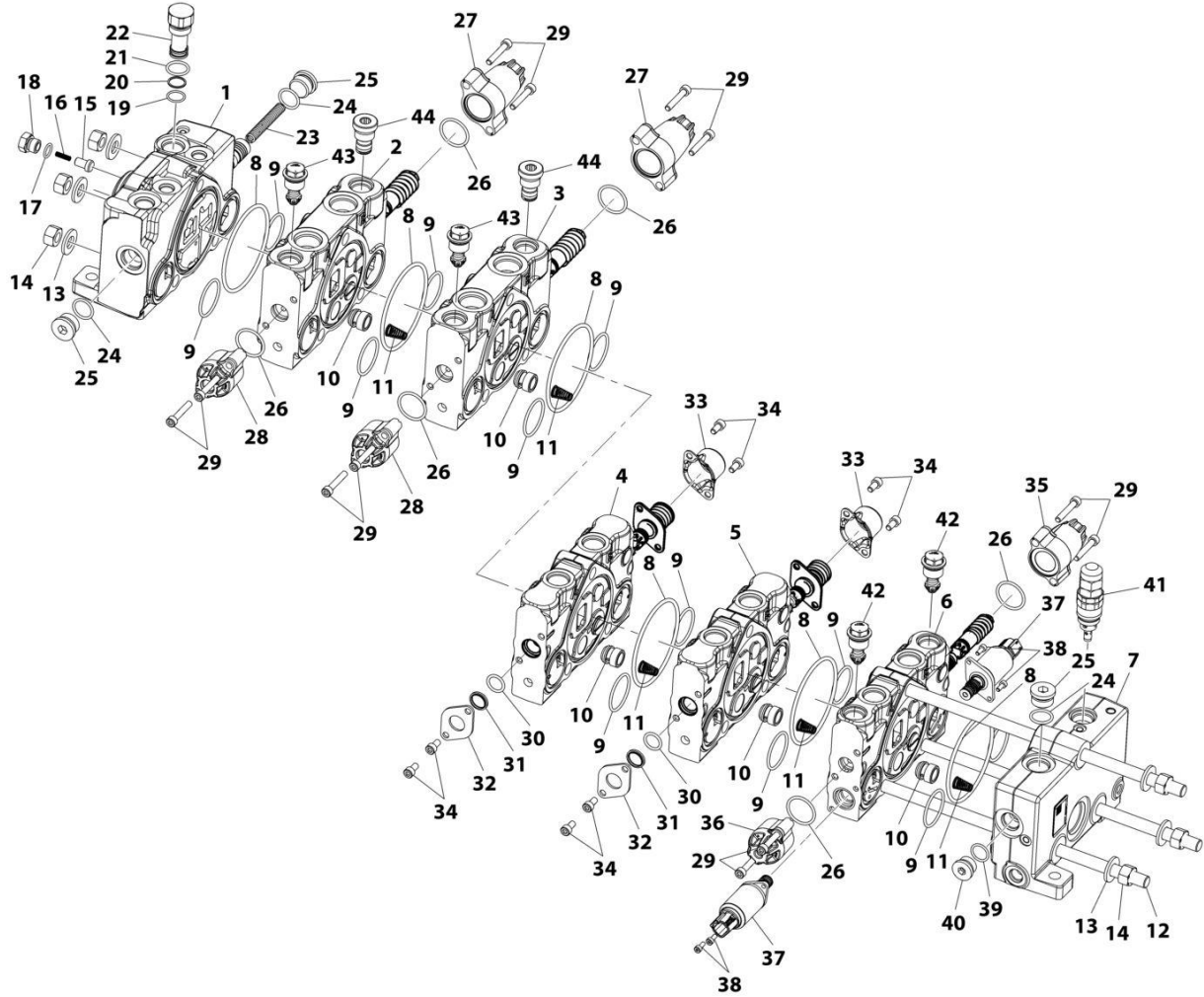
## SECTION 9 - HYDRAULIC COMPONENTS

FIGURE 9-19. VALVE ASSEMBLY - FLOW DIVIDER

ITEM	PART NUMBER	QTY	DESCRIPTION	REV
	4641501	Ref	Flow Divider Valve	A
1	70023928	2	Valve, Check	
2	70023929	1	Valve, Cartridge	

# SECTION 9 - HYDRAULIC COMPONENTS

## FIGURE 9-20. VALVE ASSEMBLY - MAIN CONTROL



ART\_1001242925

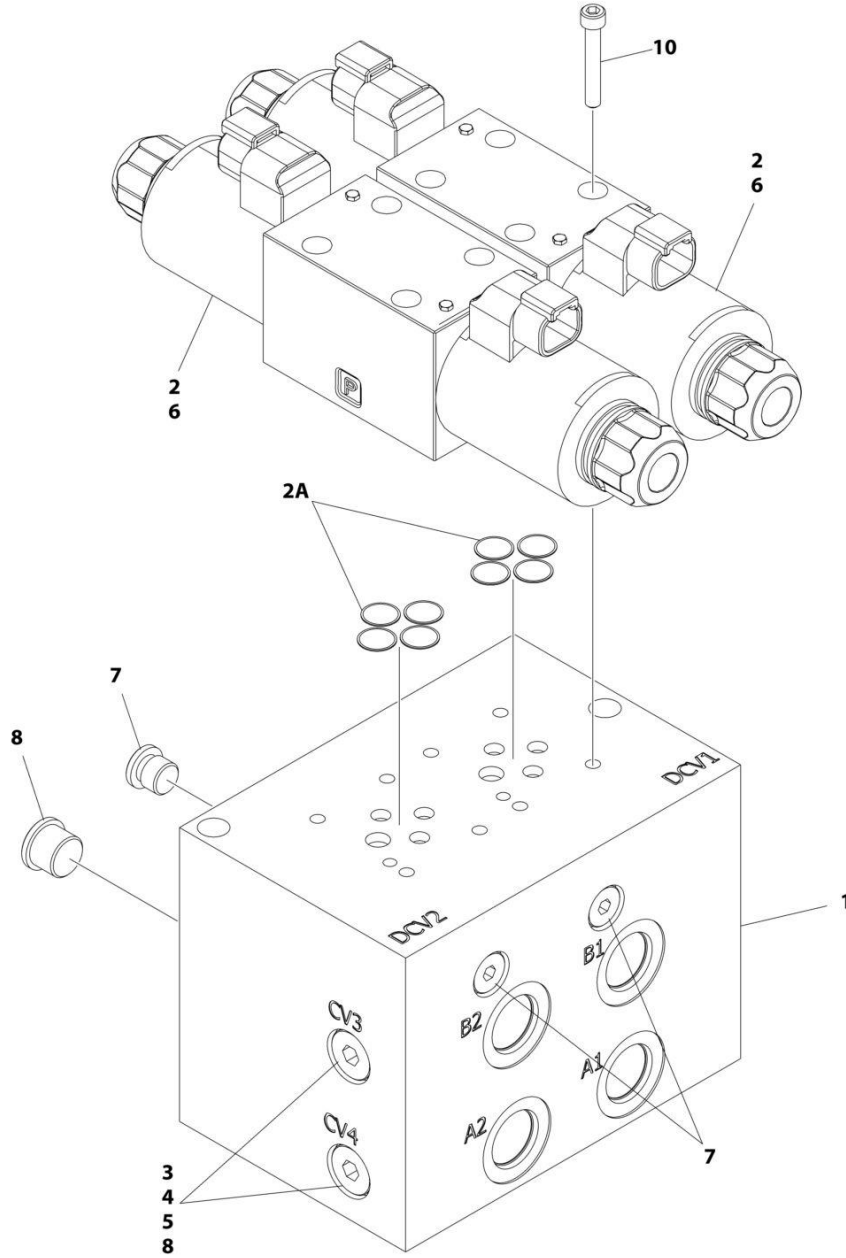
## SECTION 9 - HYDRAULIC COMPONENTS

**FIGURE 9-20. VALVE ASSEMBLY - MAIN CONTROL**

ITEM	PART NUMBER	QTY	DESCRIPTION	REV
	1001242925	Ref	MAIN CONTROL VALVE	F
1	70030023	1	Inlet Section Assembly	
2	70030001	1	Lift Section Assembly	
3	70030002	1	Extend/Retract Section Assembly	
4	70030003	1	Aux Section Assembly	
5	70030004	1	Sway Section Assembly	
6	70030005	1	Tilt Section Assembly	
7	70030006	1	Outlet Section Assembly	
8	8034697	6	O-Ring	
9	70030007	12	O-Ring	
10	8903015	5	Poppet CV	
11	70030012	5	Spring	
12	70030038	3	Tie Rod	
13	70030039	6	Washer	
14	8035347	6	Nut	
15	70030009	1	Poppet, CV	
16	70030010	1	Spring	
17	70030040	1	O-Ring	
18	70030011	1	Plug	
19	70026370	1	O-Ring	
20	70026376	1	Back-Up Ring	
21	10837928	1	O-Ring	
22	70030041	1	Drain Regulator Assembly	
23	70030008	1	Spring	
24	70026652	3	O-Ring	
25	70026653	3	Plug	
26	70030013	6	O-Ring	
27	70030015	2	Spool Cap	
28	70030014	2	Spool Cap	
29	70030016	12	Screw	
30	8037109	2	O-Ring	
31	70030018	2	Wiper	
32	70030017	2	Sealing Plate	
33	70030019	2	Cap Spool	
34	70026133	8	Screw	
35	70030021	1	Spool Cap	
36	70030020	1	Spool Cap	
37	70029874	2	Valve, Solenoid Cartridge	
38	70022014	4	Screw	
39	70024202	1	O-Ring	
40	8035382	1	Plug Assembly	
41	70030022	1	Valve Assembly, LS Relief	
42	70027134	2	Valve Assembly, Relief	
43	70025982	2	Valve Assembly, Relief	
44	70022008	2	Shut-Off Plug Assembly	

# SECTION 9 - HYDRAULIC COMPONENTS

## FIGURE 9-21. VALVE ASSEMBLY - OUTRIGGER



ART\_1001256316



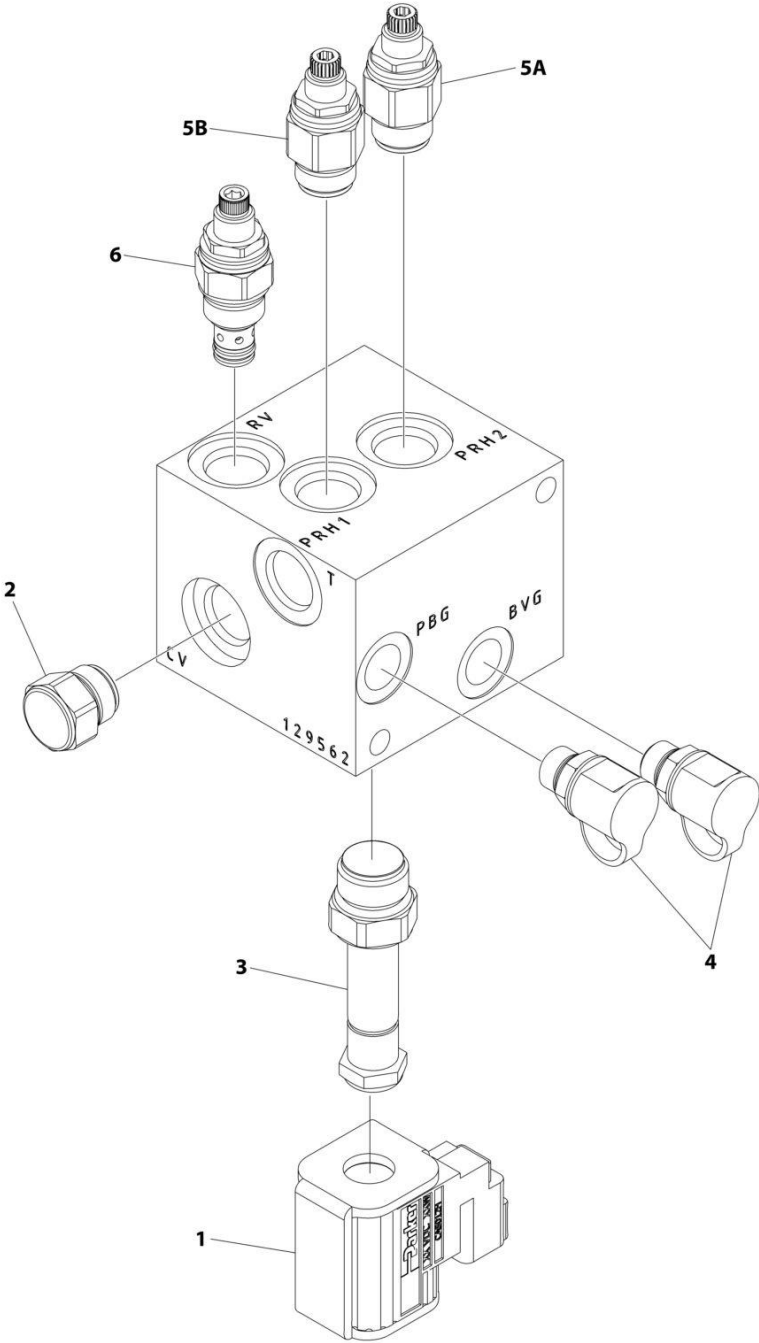
## SECTION 9 - HYDRAULIC COMPONENTS

**FIGURE 9-21. VALVE ASSEMBLY - OUTRIGGER**

ITEM	PART NUMBER	QTY	DESCRIPTION	REV
	1001256316	Ref	Outrigger Valve	A
1		Ref	Manifold	
2	70026564	2	Valve, Directional Control, (includes o-rings)	
2A	7010746	4	O-Ring	
3	70023506	4	Bearing, Ball	
4	70023507	4	Spring	
5	70023508	4	Retainer	
6	70023509	2	Orifice	
7	8032790	6	Plug	
8	2220885	6	Plug	
10	70029798	8	Capscrew M10X215	

**SECTION 9 - HYDRAULIC COMPONENTS**

**FIGURE 9-22. VALVE ASSEMBLY - SECONDARY**



ART\_1001266771

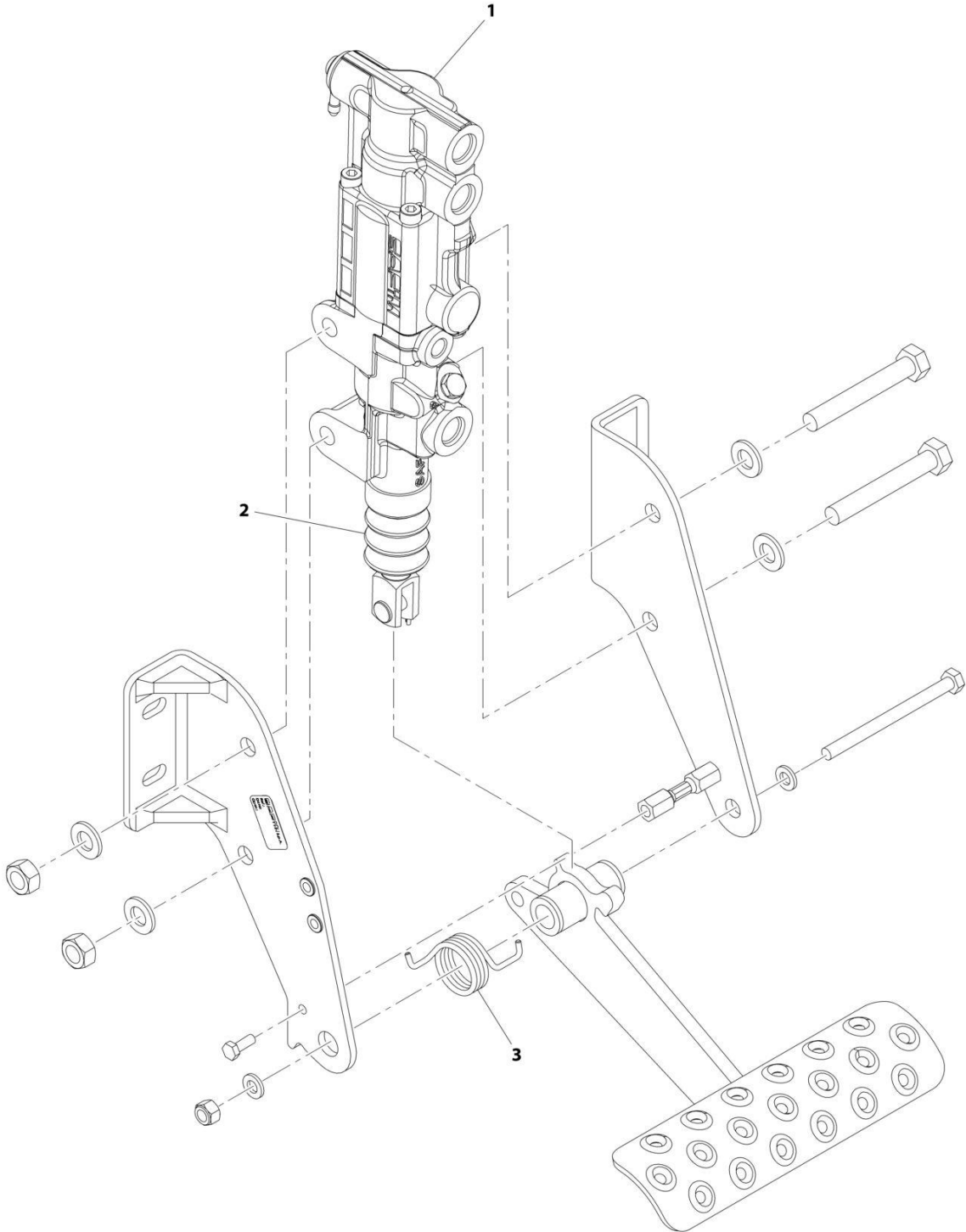
## SECTION 9 - HYDRAULIC COMPONENTS

**FIGURE 9-22. VALVE ASSEMBLY - SECONDARY**

ITEM	PART NUMBER	QTY	DESCRIPTION	REV
	1001266771	Ref	VALVE ASSEMBLY - SECONDARY	B
1	70026085	1	Coil	
2	91474023	1	Cartridge, Check Valve	
	7010769	1	Seal Kit - 91474023 Valve	
3	70026087	1	Cartridge, Solenoid Less Coil	
	8032695	1	Seal Kit - 70026087 Valve	
4	See Note	N.S.S.	Fitting, Straight	
5A	70029558	1	Cartridge, Pressure Relief Valve	
	8032694	1	Seal Kit - 70029558 Valve	
5B	70029584	1	Cartridge, Pressure Relief Valve	
	8032694	1	Seal Kit - 70029584 Valve	
6	70030292	1	Cartridge, Pressure Relief Valve	
	7010769	1	Seal Kit - 70030292 Valve	

# SECTION 9 - HYDRAULIC COMPONENTS

## FIGURE 9-23. VALVE SUB-ASSEMBLY - BRAKE



ART\_1001223050-B

## SECTION 9 - HYDRAULIC COMPONENTS

FIGURE 9-23. VALVE SUB-ASSEMBLY - BRAKE

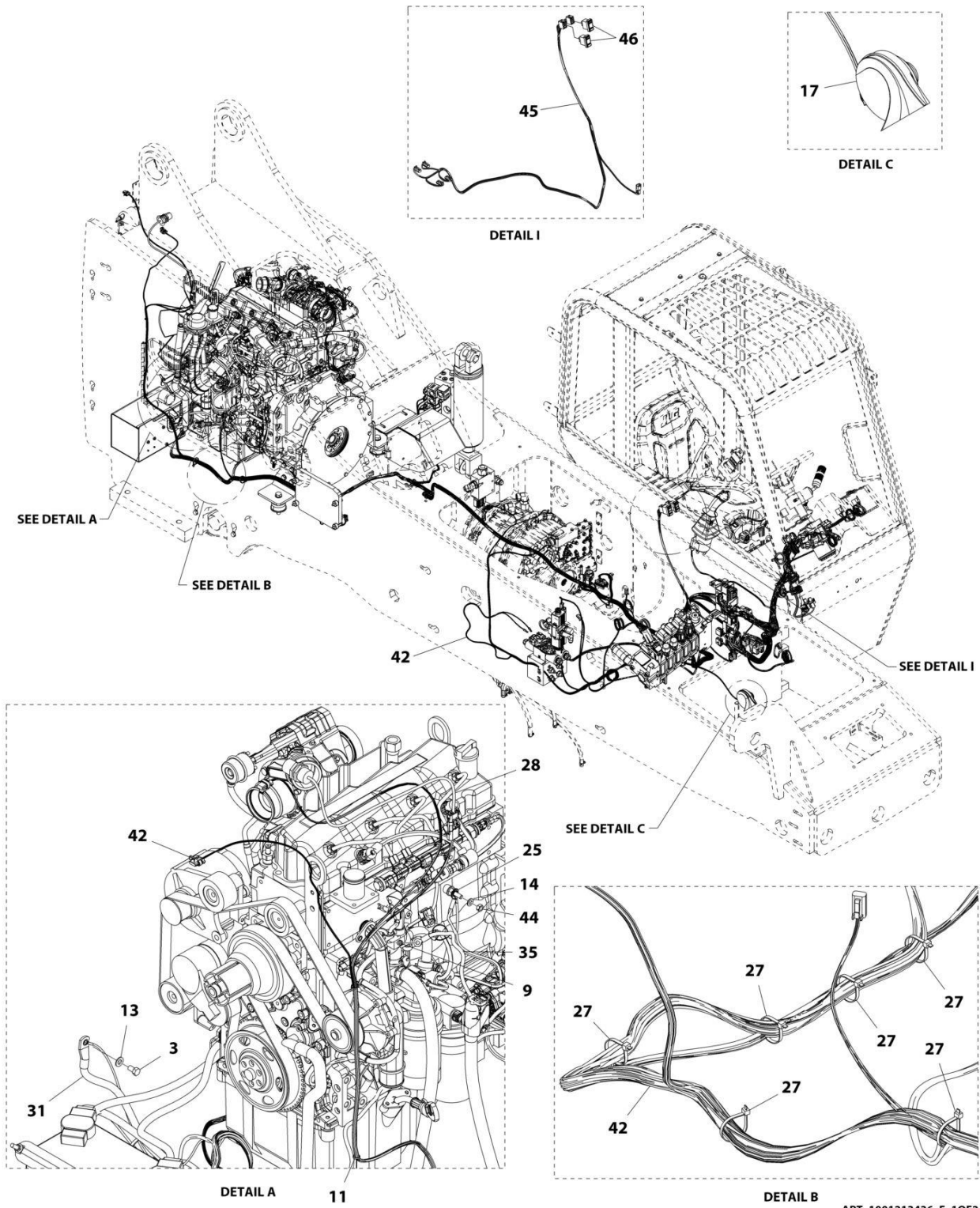
ITEM	PART NUMBER	QTY	DESCRIPTION	REV
1	1001223050	Ref	Hydraulic Brake Valve Installation	C
	1001201721	1	Brake Valve (See Separate Breakdown in HYDRAULIC COMPONENTS Section)	
2	70025859	1	Dust Cover	
3	70028547	1	Spring, Return	



**SECTION 10 - ELECTRICAL**

# SECTION 10 - ELECTRICAL

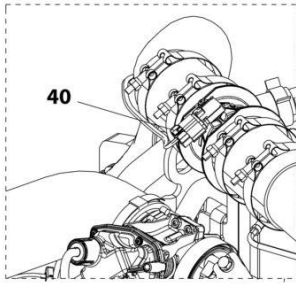
## FIGURE 10-1. ELECTRICAL INSTALLATION (74HP) (ULS)



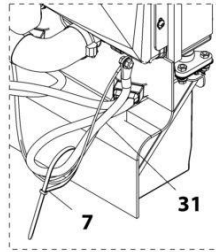
ART\_1001213436\_F\_10F2



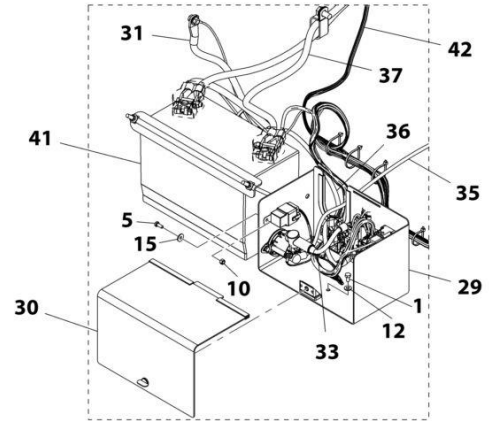
# SECTION 10 - ELECTRICAL



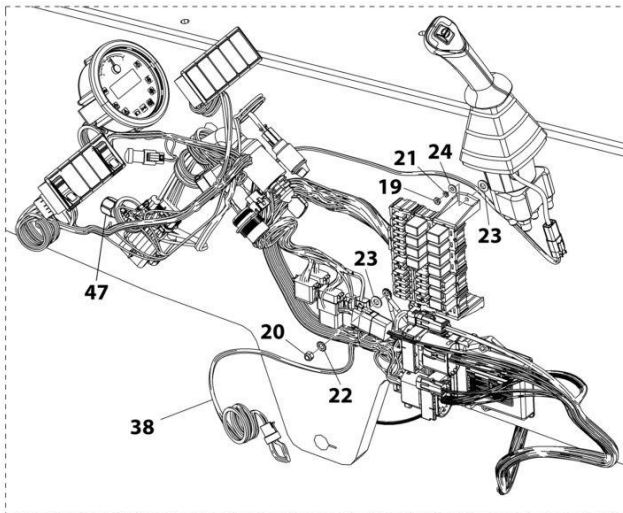
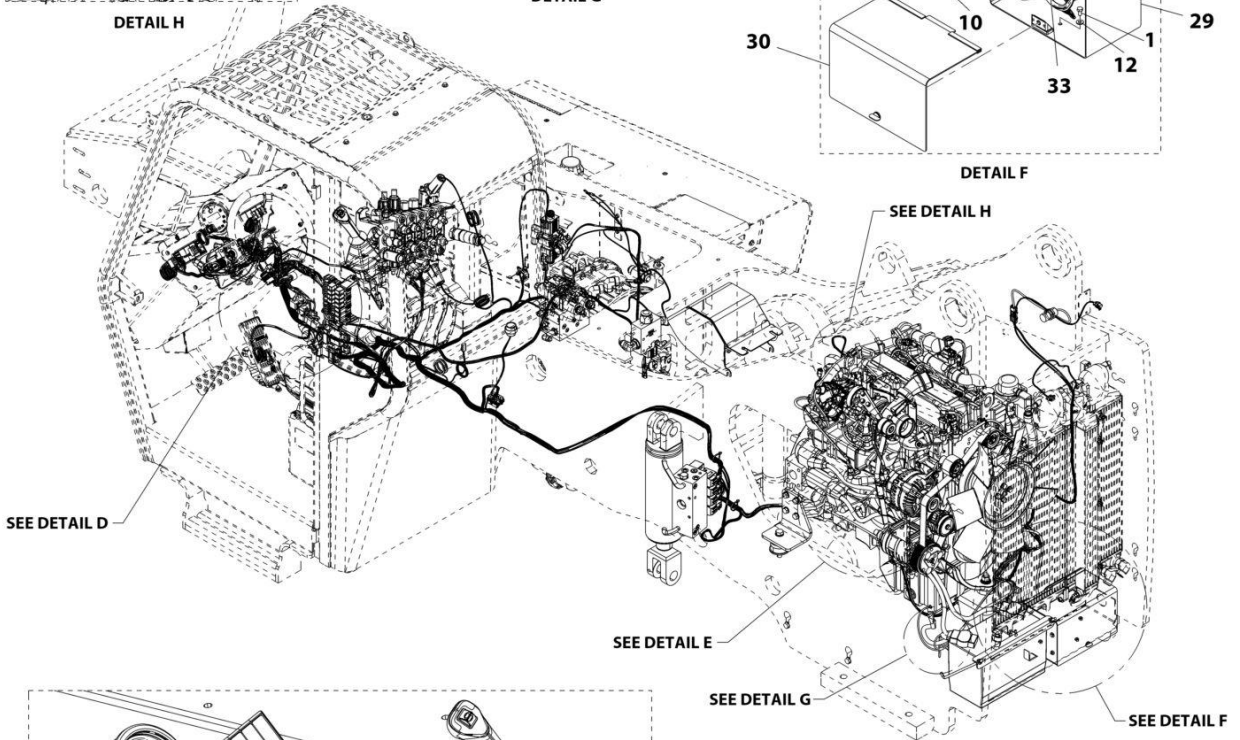
DETAIL H



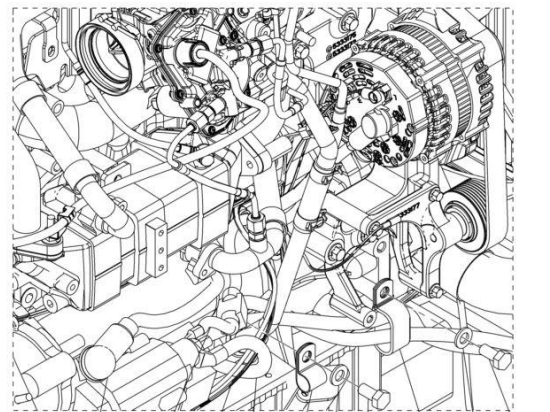
DETAIL G



DETAIL F



DETAIL D



DETAIL E

ART\_1001213436\_F\_20F2

# SECTION 10 - ELECTRICAL

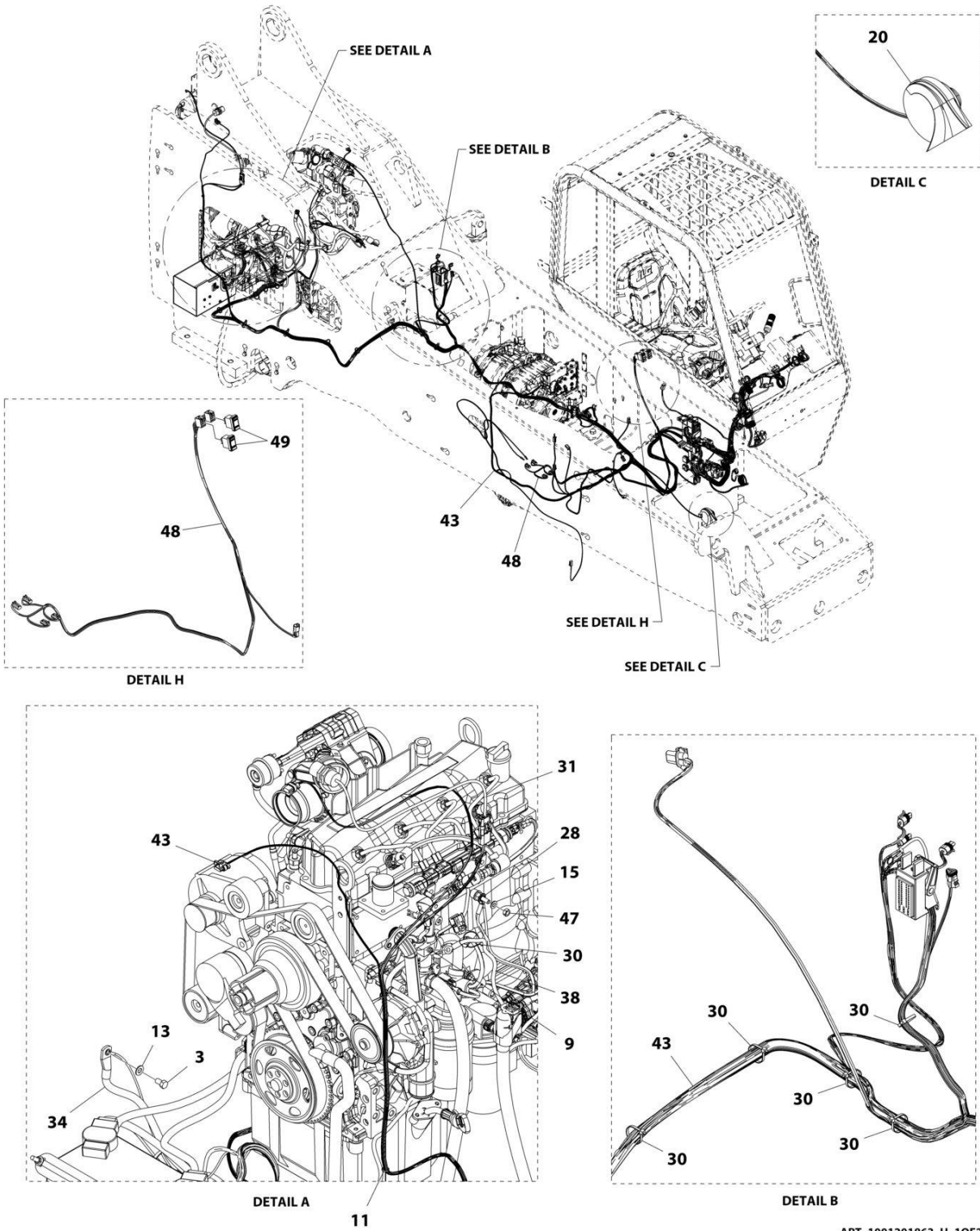
## FIGURE 10-1. ELECTRICAL INSTALLATION (74HP) (ULS)

ITEM	PART NUMBER	QTY	DESCRIPTION	REV
	1001213436	Ref	Electrical Installation, 74HP	F
1	0641404	3	Bolt, 1/4X1/2	
3	0641605	1	Bolt, 3/8X5/8	
5	8303545	1	Bolt, M6X1X14	
6	0761212	2	Bolt, M12X25	
7	1062255	1	Tie-Strap	
9	3290601	1	Nut, M6	
10	3290605	1	Nut M6	
11	4240017	2	Tie-Strap	
12	4711400	3	Washer, 1/4	
13	4711600	1	Washer, 3/8	
14	4811900	1	Washer, M8	
15	4811702	1	Washer, M6	
16	4812100	2	Washer, M12	
17	8270620	1	Horn, Signal	
19	8305002	3	Nut #10	
20	8305624	2	Nut 1/4	
21	8307003	3	Washer, Lock M10	
22	8307027	4	Washer, Lock 5/16	
23	8307106	5	Washer, 5/16	
24	8307111	3	Washer, M10	
25	8310046	1	Washer, Lock M10	
26	8406105	1	Clip Tube	
27	8584001	12	Wrap, Tie	
28	1001130307	1	Sensor, Boom	
29	1001170233	1	Installation, Relay Panel (See Separate Breakdown in this Section)	
30	1001170234	1	Assembly, Relay Panel Cover (See Separate Breakdown in this Section)	
31	1001171234	1	Cable, Battery Negative	
32	1001171236	1	Cable, Starter Ground	
33	1001171237	1	Cable, Grid Heater to Fuse Power	
34	1001171238	1	Cable, Alternator Power	
35	1001171239	1	Cable, Grid Heater Power	
36	1001171633	1	Cable, Buss Power	
37	1001171757	1	Cable, Starter Power	
38	1001178285	1	Harness, Cab Power Distribution (See Separate Breakdown in this Section)	
39	1001181899	1	Clamp	
40	1001184835	1	Harness, TBAP (See Separate Breakdown in this Section)	
41	1001186841	1	Installation, Battery (See Separate Breakdown in this Section)	
42	1001199889	1	Harness, Engine (See Separate Breakdown in this Section)	
44	3290801	1	Nut, M8X1.25	
45	1001177778	1	Outrigger Harness (See Separate Breakdown in this Section)	
46	1001170269	1	Switch, Outrigger	
47	1001250700	1	Switch, Pressure	



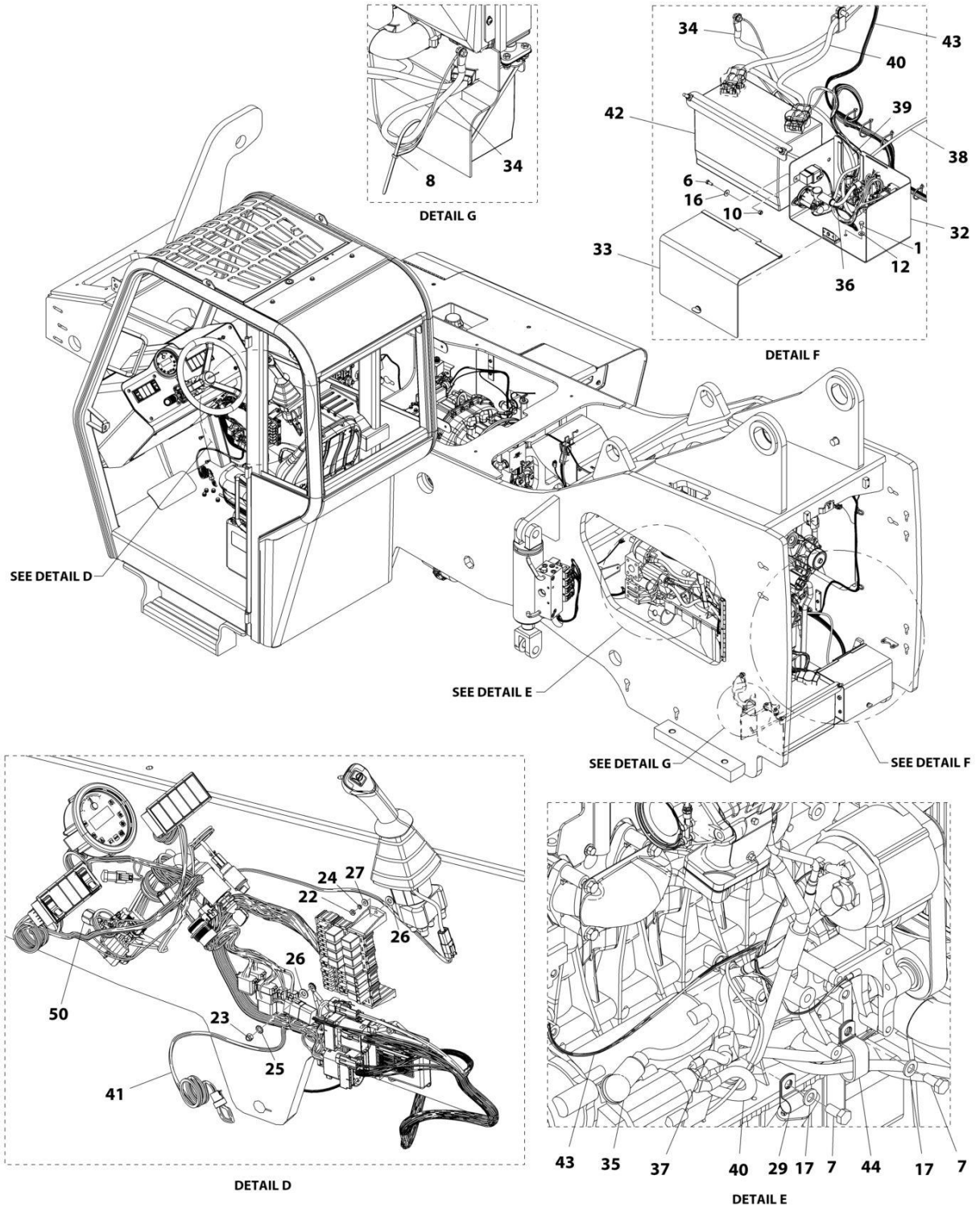
# SECTION 10 - ELECTRICAL

## FIGURE 10-2. ELECTRICAL INSTALLATION (110HP) (LS)



ART\_1001201863\_H\_10F2

# SECTION 10 - ELECTRICAL



ART\_1001201863\_H\_20F2

# SECTION 10 - ELECTRICAL

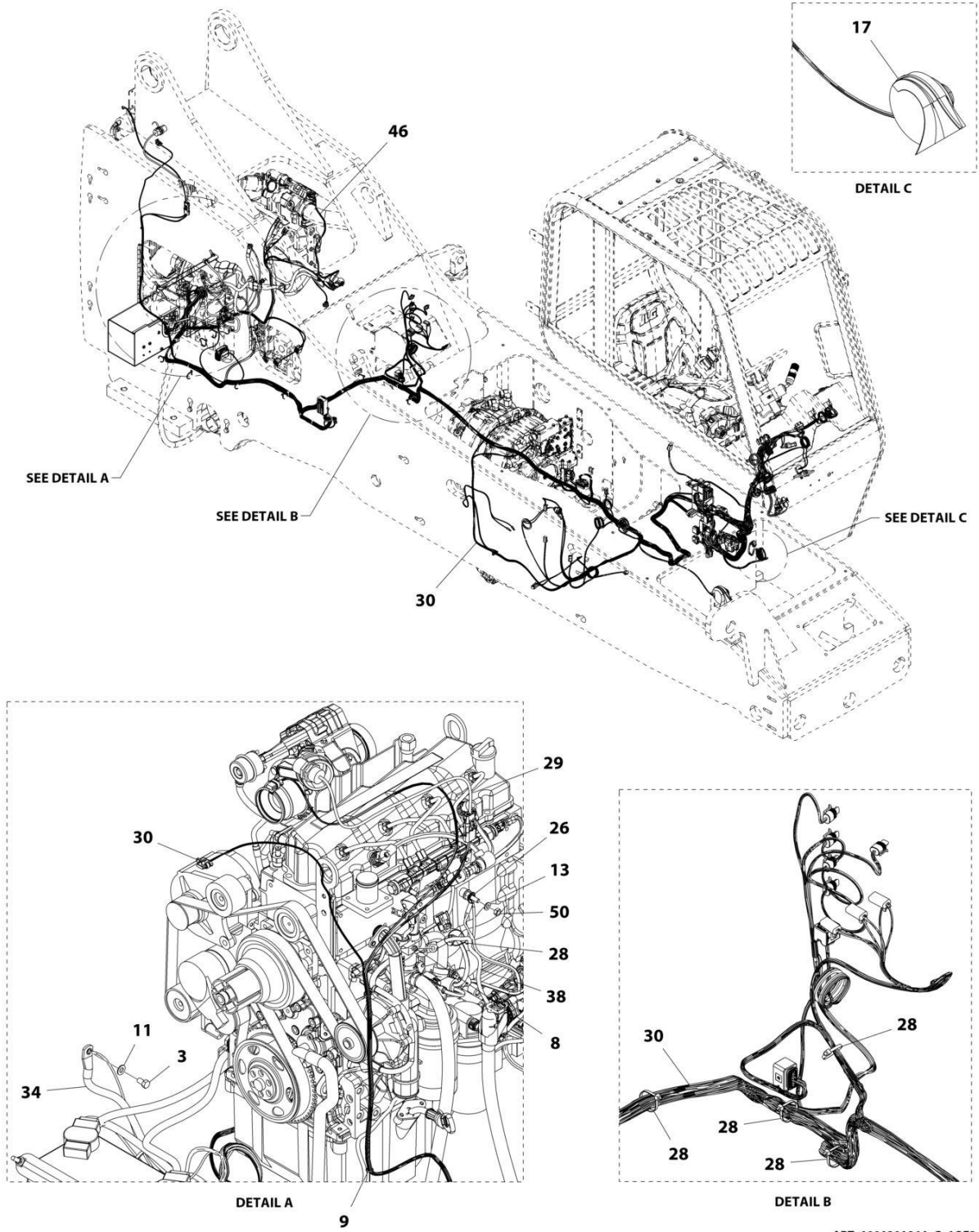
## FIGURE 10-2. ELECTRICAL INSTALLATION (110HP) (LS)

ITEM	PART NUMBER	QTY	DESCRIPTION	REV
	1001201863	Ref	Electrical Installation - 110HP (LS)	H
1	0641404	3	Bolt, 1/4X1/2	
3	0641605	1	Bolt, 3/8X5/8	
6	8303545	1	Bolt, M6X1X14	
7	0761212	2	Bolt, M12X25	
8	1062255	1	Strap, Tie	
9	3290601	1	Nut, M6	
10	3290605	1	Nut, Lock M6	
11	4240017	2	Tie-Strap	
12	4711400	3	Washer, 1/4	
13	4711600	1	Washer, 3/8	
15	4811900	1	Washer, M8	
16	4811702	1	Washer, M6	
17	4812100	2	Washer, M12	
20	8270620	1	Horn, Signal	
22	8305002	3	Nut, 10-24	
23	8305624	2	Nut, Lock 1/4-20	
24	8307003	3	Washer, Lock M10	
25	8307027	4	Washer, Lock 5/16	
26	8307106	5	Washer, 5/16	
27	8307111	3	Washer, M10	
28	8310046	1	Washer, Lock M10	
29	8406105	1	Clip Tube	
30	8584001	13	Wrap, Tie	
31	1001130307	1	Sensor, Boom	
32	1001170233	1	Installation, Relay Panel (See Separate Breakdown in this Section)	
33	1001170234	1	Assembly, Relay Panel Cover (See Separate Breakdown in this Section)	
34	1001171234	1	Cable, Battery Negative	
35	1001171236	1	Cable, Starter Ground	
36	1001171237	1	Cable, Grid Heater to Fuse Power	
37	1001171238	1	Cable, Alternator Power	
38	1001171239	1	Cable, Grid Heater Power	
39	1001171633	1	Cable, Buss Power	
40	1001171757	1	Cable, Starter Power	
41	1001178285	1	Harness, Cab Power Distribution (See Separate Breakdown in this Section)	
42	1001186841	1	Installation, Battery (See Separate Breakdown in this Section)	
43	1001189488	1	Engine Harness (See Separate Breakdown in this Section)	
44	1001181899	1	Clamp	
47	3290801	1	Nut, M8X1.25	
48	1001177778	1	Outrigger Harness (See Separate Breakdown in this Section)	
49	1001170269	1	Switch, Outrigger	
50	1001250700	1	Switch, Pressure	



# SECTION 10 - ELECTRICAL

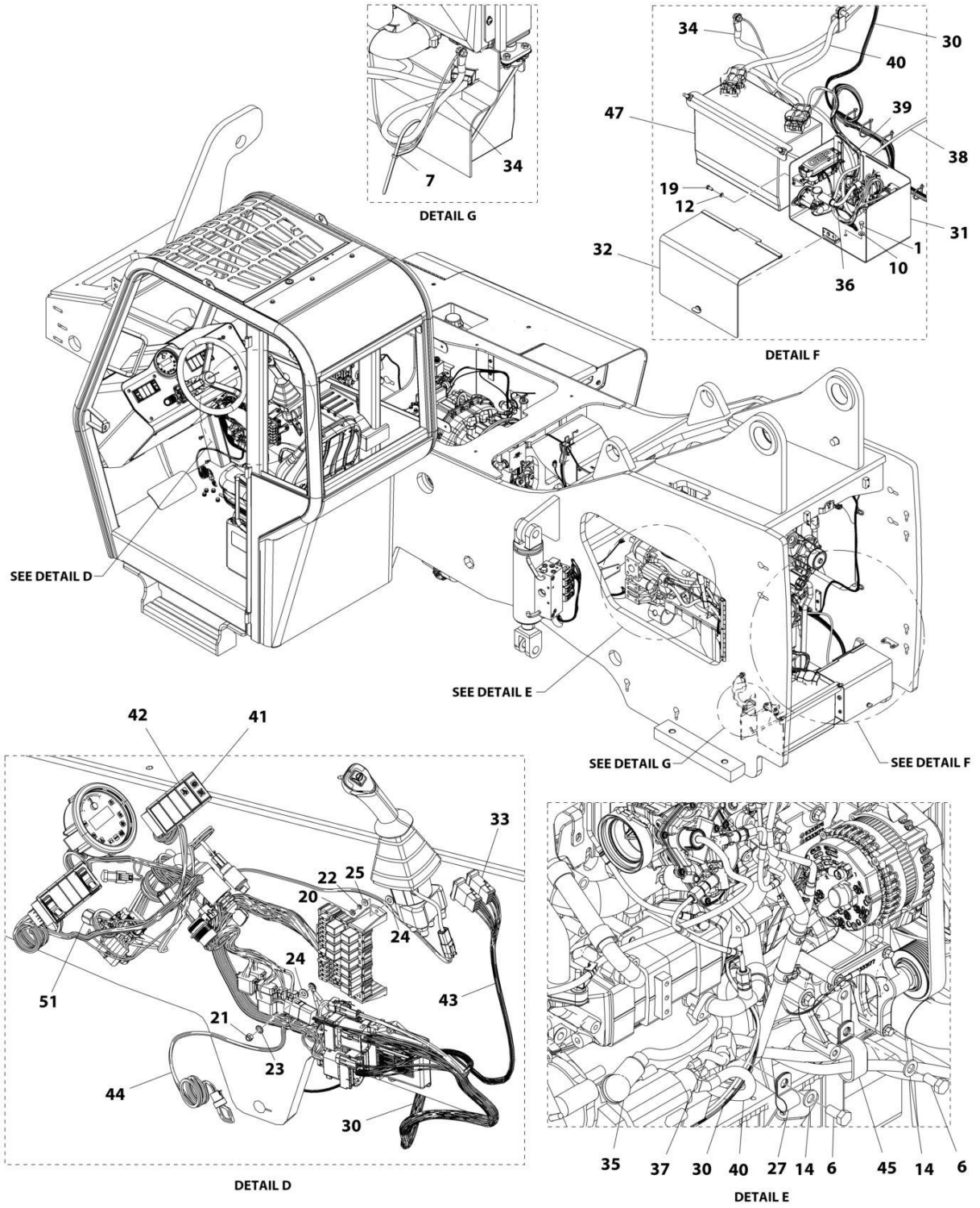
## FIGURE 10-3. ELECTRICAL INSTALLATION (110HP) (ULS)



ART\_1001201864\_G\_10F2



# SECTION 10 - ELECTRICAL



ART\_1001201864\_G\_20F2

## SECTION 10 - ELECTRICAL

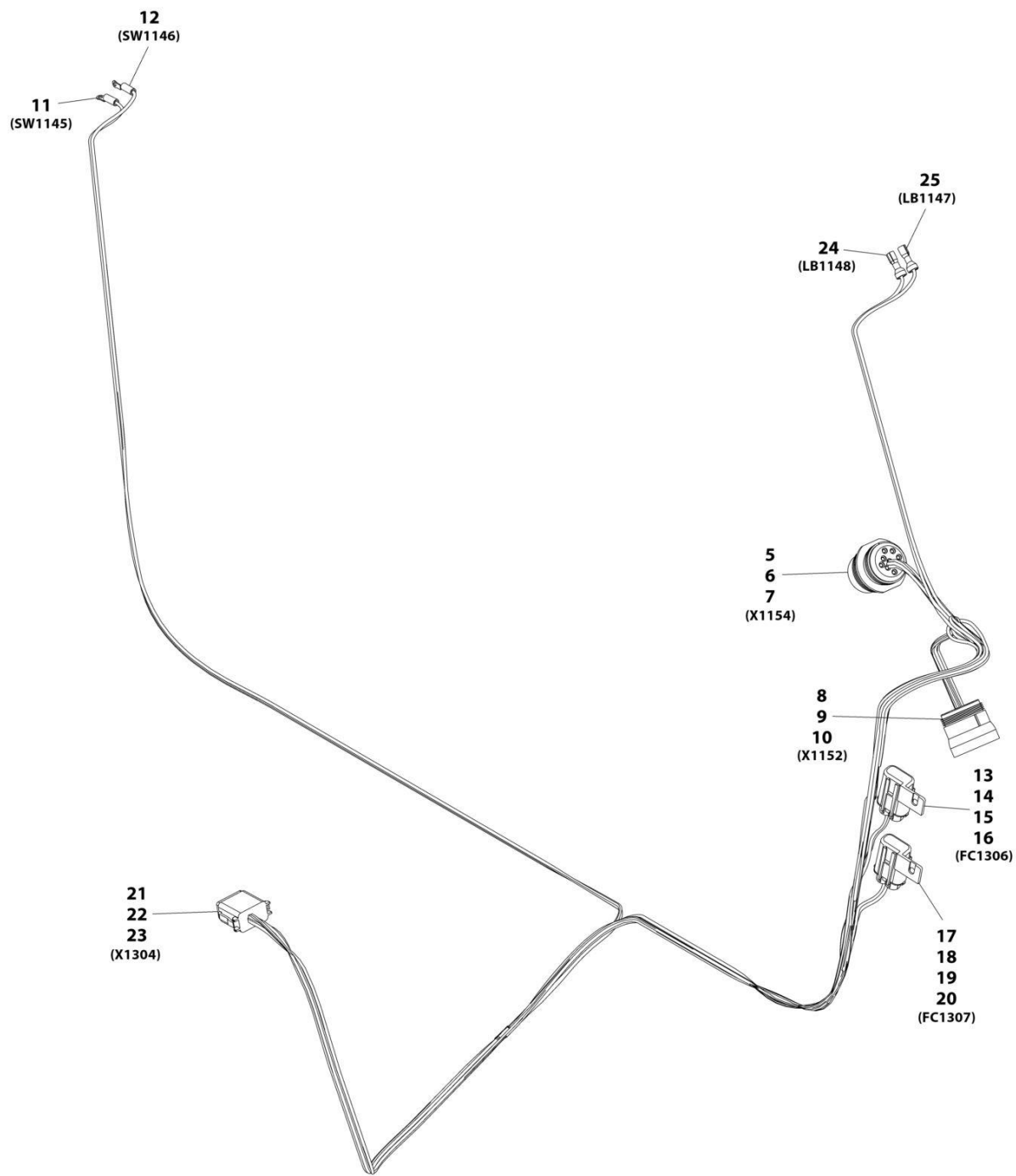
**FIGURE 10-3. ELECTRICAL INSTALLATION (110HP) (ULS)**

ITEM	PART NUMBER	QTY	DESCRIPTION	REV
	1001201864	Ref	Electrical Installation, 110HP (if equipped for ULS)	G
1	0641404	3	Bolt, 1/4X1/2	
3	0641605	1	Bolt, 3/8X5/8	
6	0761212	2	Bolt, M12X25	
7	1062255	1	Strap, Tie	
8	3290601	1	Nut, M6X1	
9	4240017	2	Tie-Strap	
10	4711400	3	Washer, 1/4	
11	4711600	1	Washer, 3/8	
12	4811700	2	Washer, M6	
13	4811900	1	Washer, M8	
14	4812100	2	Washer, M12	
17	8270620	1	Horn, Signal	
19	8303545	2	Screw, M6X1X14	
20	8305002	3	Screw, M6X1X14	
21	8305624	2	Nut 1/4	
22	8307003	3	Washer, Lock M10	
23	8307027	4	Washer, Lock 5/16	
24	8307106	5	Washer, 5/16	
25	8307111	3	Washer, M10	
26	8310046	1	Washer, Lock M10	
27	8406105	1	Clip Tube	
28	8584001	13	Wrap, Tie	
29	1001130307	1	Sensor, Boom	
30	1001169620	1	Harness, Engine (See Separate Breakdown in this Section)	
31	1001170233	1	Installation, Relay Panel (See Separate Breakdown in this Section)	
32	1001170234	1	Assembly, Relay Panel Cover (See Separate Breakdown in this Section)	
33	1001170269	2	Switch, Outtrigger	
34	1001171234	1	Cable, Battery Negative	
35	1001171236	1	Cable, Starter Ground	
36	1001171237	1	Cable, Grid Heater to Fuse Power	
37	1001171238	1	Cable, Alternator Power	
38	1001171239	1	Cable, Grid Heater Power	
39	1001171633	1	Cable, Buss Power	
40	1001171757	1	Cable, Starter Power	
41	1001172135	1	Indicator, Engine	
42	1001172136	1	Indicator, Hest	
43	1001177778	1	Harness, Outtrigger (See Separate Breakdown in this Section)	
44	1001178285	1	Harness, Cab Power Distribution (See Separate Breakdown in this Section)	
45	1001181899	1	Clamp	
46	1001184835	1	Harness, TBAP (See Separate Breakdown in this Section)	
47	1001186841	1	Installation, Battery (See Separate Breakdown in this Section)	
50	3290801	1	Nut, M8X1.25	
51	1001250700	1	Switch, Pressure	



# SECTION 10 - ELECTRICAL

## FIGURE 10-4. AIR SHUT-OFF VALVE HARNESS - CAB



ART\_1001231560-C

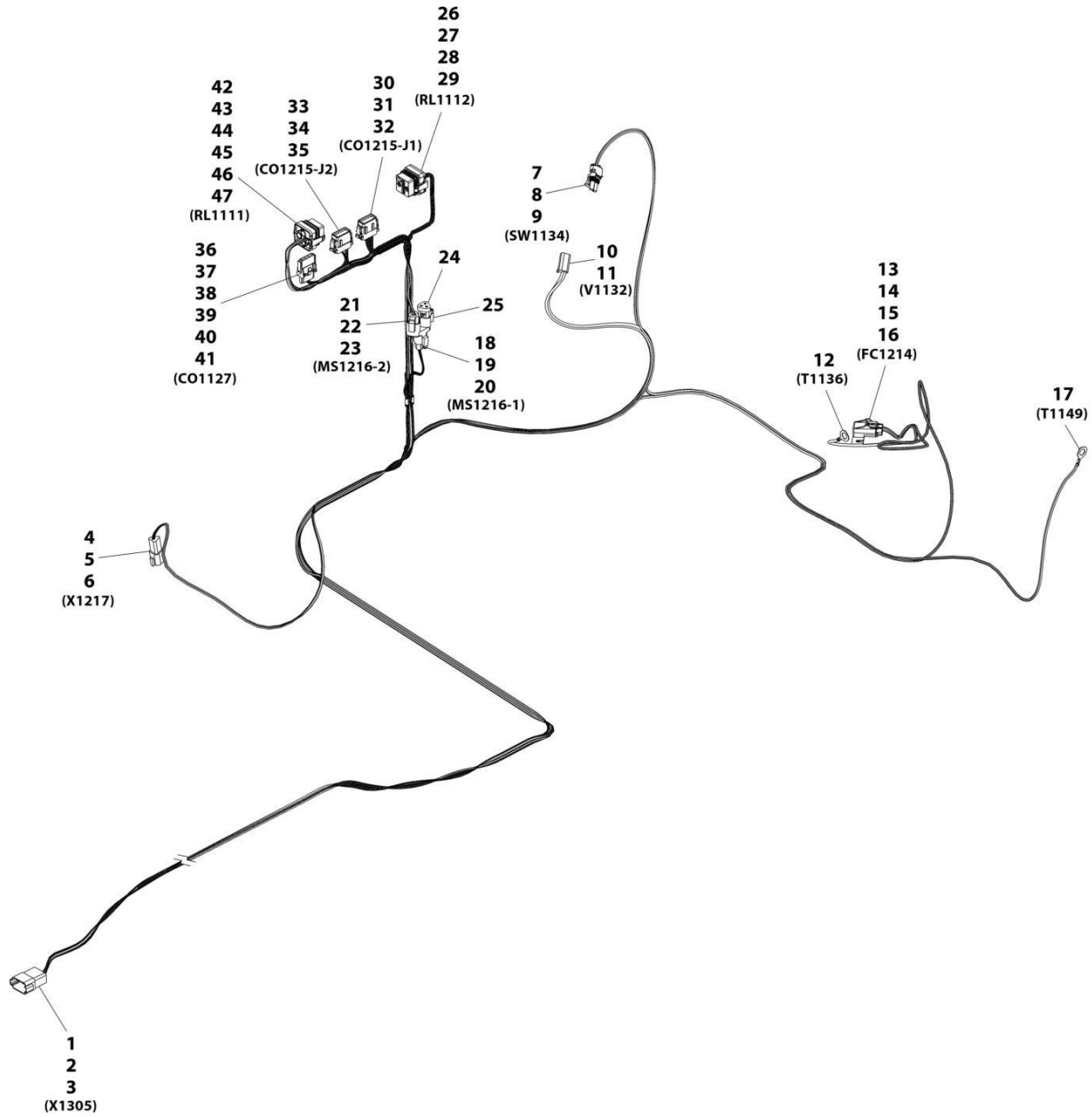
## SECTION 10 - ELECTRICAL

**FIGURE 10-4. AIR SHUT-OFF VALVE HARNESS - CAB**

ITEM	PART NUMBER	QTY	DESCRIPTION	REV
	1001231560	Ref	POSI Air Shut Off Valve Cab, Harness	C
5	1001112612	1	Connector	
6	4460464	6	Terminal	
7	4460466	3	Plug	
8	1001116945	1	Connector	
9	4460465	6	Terminal	
10	4460466	3	Plug	
11	8220035	1	Terminal, Ring	
12	8220035	1	Terminal, Ring	
13	1001231397	1	Connector	
14	8229261	1	Fuse 5A	
15	1001231400	2	Terminal	
16	1001231404	2	Plug	
17	1001231397	1	Connector	
18	8229234	1	Fuse 10A	
19	1001231400	2	Terminal	
20	1001231404	2	Plug	
21	4460930	1	Connector	
22	4460465	6	Terminal	
23	4460466	2	Plug	
24	8220108	1	Connector	
25	8220108	1	Connector	

# SECTION 10 - ELECTRICAL

## FIGURE 10-5. AIR SHUT-OFF VALVE HARNESS - ENGINE



ART\_1001216455

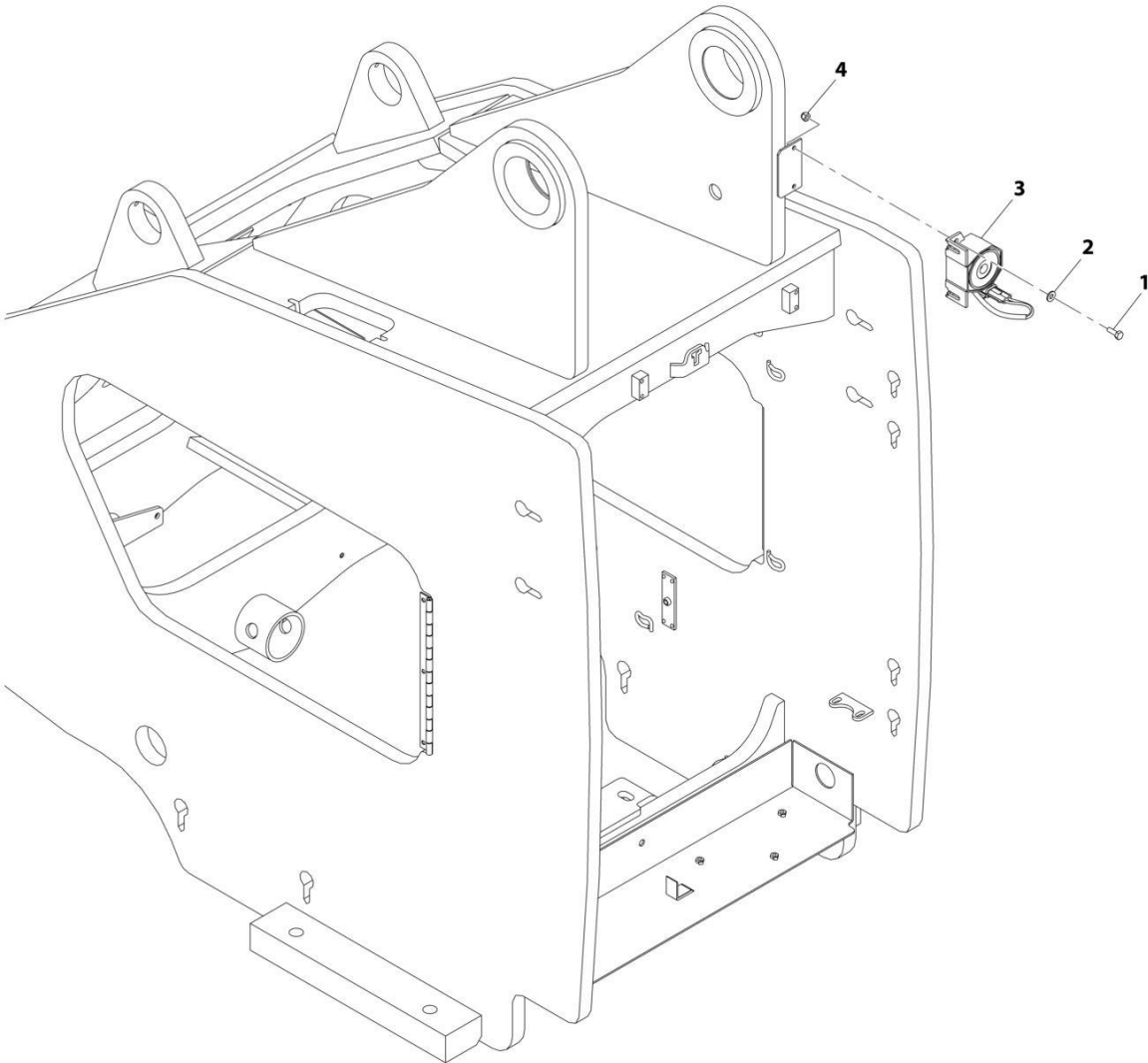
## SECTION 10 - ELECTRICAL

**FIGURE 10-5. AIR SHUT-OFF VALVE HARNESS - ENGINE**

ITEM	PART NUMBER	QTY	DESCRIPTION	REV
	1001216455	Ref	POSI Air Shut Off Valve T4F, Harness	F
1	4460931	1	Connector	
2	4460464	6	Terminal	
3	4460466	2	Plug	
4	1001144147	1	Connector	
5	4460464	2	Terminal	
6	4460466	1	Plug	
7	4460742	1	Connector	
8	4460475	2	Terminal	
9	4460458	2	Seal	
10	4460891	1	Connector	
11	1001157890	2	Terminal	
12	1001187078	1	Terminal, Ring	
13	1001231397	1	Connector	
14	8229235	1	Fuse 20A	
15	1001231401	2	Terminal	
16	1001230402	2	Seal	
17	1001187078	1	Connector	
18	1001116812	1	Connector	
19	4460465	2	Terminal	
20	4460466	1	Plug	
21	4460539	1	Connector	
22	4460465	2	Terminal	
23	4460466	1	Plug	
24	1001116815	1	Connector, 3 Pin	
25	4460945	1	Terminal, 3 Way "T" Receptacle	
26	1001231398	1	Connector	
27	1001231400	4	Terminal	
28	1001231406	1	Plug	
29	1001231404	4	Seal	
30	1001116808	1	Connector	
31	1001126008	9	Terminal	
32	4460518	3	Plug	
33	1001116774	1	Connector	
34	4460518	8	Plug	
35	1001126008	4	Terminal	
36	4460761	1	Connector	
37	4460321	1	Connector - 4 Position	
38	4460809	4	Plug	
39	1001118378	4	Terminal	
40	1001143551	1	Seal	
41	1001218358	1	Lanyard, Rope	
42	1001231398	1	Connector	
43	1001231401	2	Terminal	
44	1001231400	2	Terminal	
45	1001231406	1	Plug	
46	1001231402	2	Seal	
47	1001231404	2	Seal	

**SECTION 10 - ELECTRICAL**

**FIGURE 10-6. BACKUP ALARM INSTALLATION**



ART\_1001206542-A



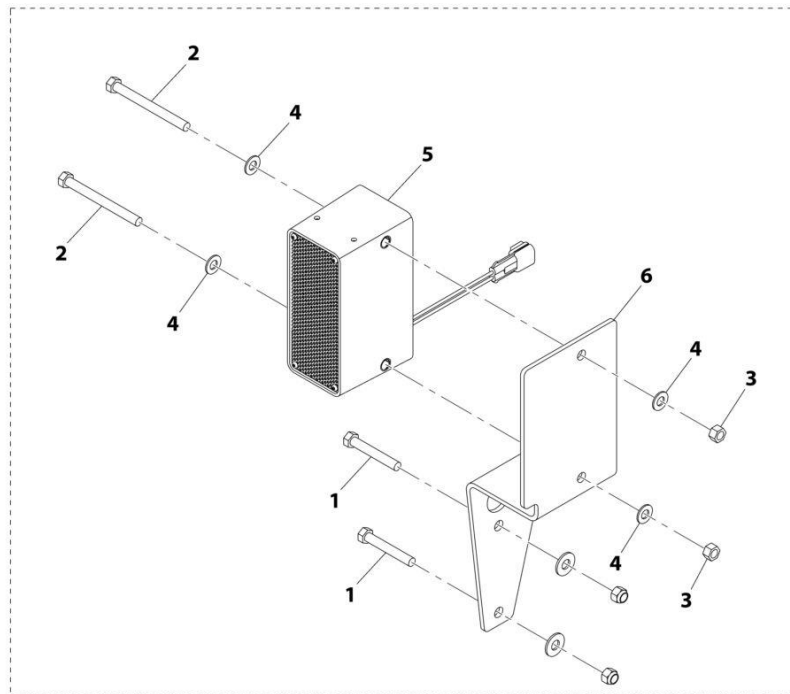
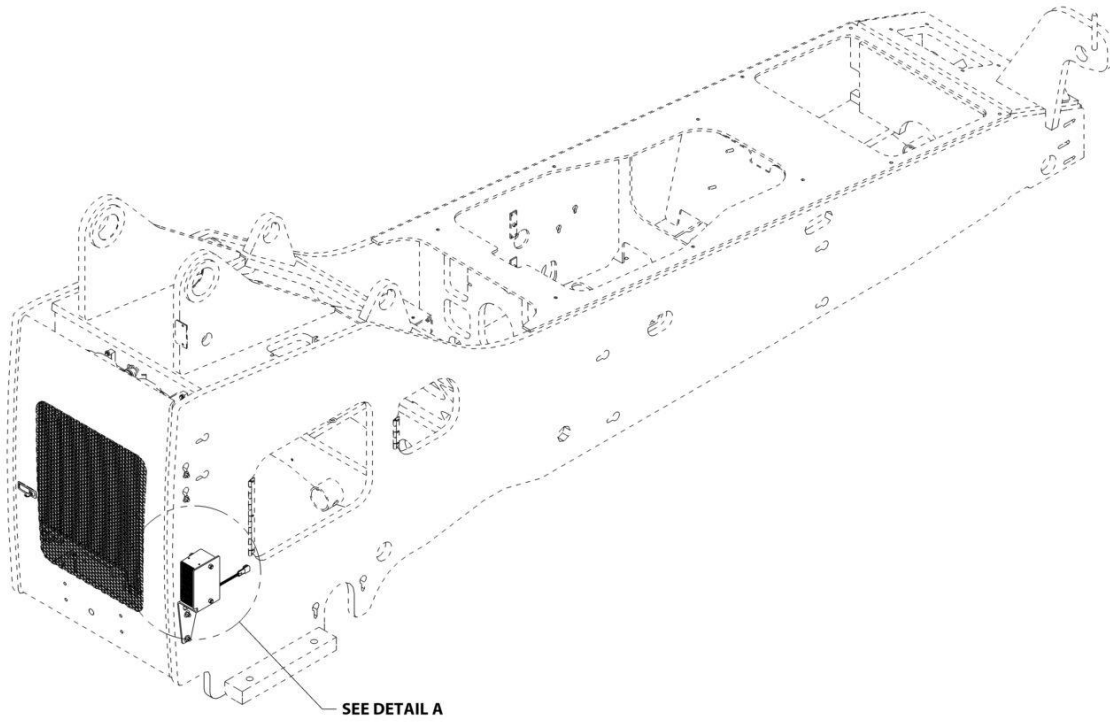
## SECTION 10 - ELECTRICAL

### FIGURE 10-6. BACKUP ALARM INSTALLATION

ITEM	PART NUMBER	QTY	DESCRIPTION	REV
	1001206542	Ref	Back-Up Alarm Installation	A
1	0641406	2	Bolt 1/4X3/4	
2	4711400	2	Washer 1/4	
3	8270621	1	Alarm, Back-Up	
4	8305624	2	Nut 1/4	

# SECTION 10 - ELECTRICAL

## FIGURE 10-7. BACKUP ALARM INSTALLATION (WHITE NOISE)



DETAIL A

ART\_1001206543-A

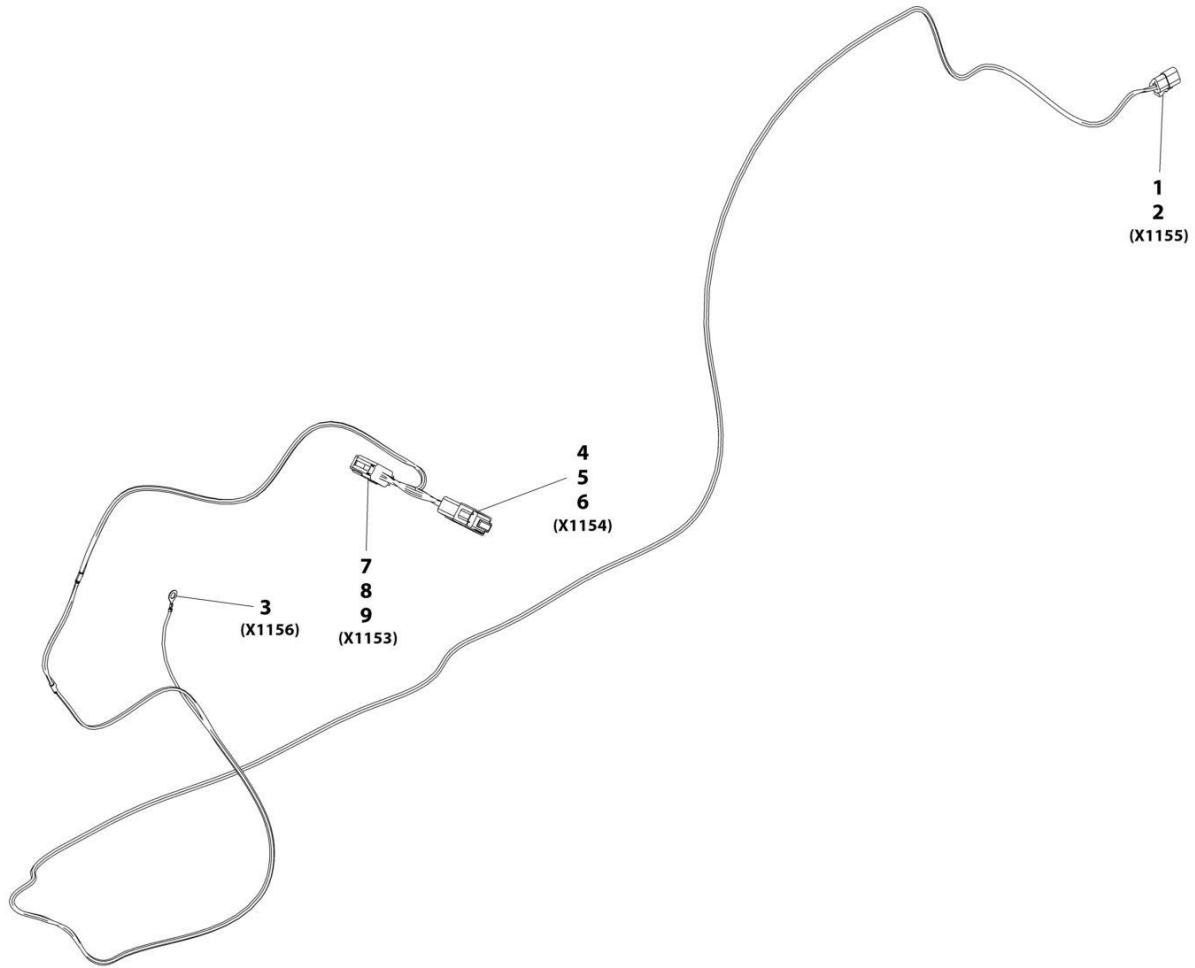
## SECTION 10 - ELECTRICAL

**FIGURE 10-7. BACKUP ALARM INSTALLATION (WHITE NOISE)**

ITEM	PART NUMBER	QTY	DESCRIPTION	REV
	1001206543	Ref	Back-Up Alarm Installation (White Noise)	A
1	0641620	2	Bolt 3/82-1/2	
2	0641632	2	Bolt 3/8X4	
3	3311605	2	Nut 3/8	
4	4711600	4	Washer 3/8	
5	1001198728	1	Alarm	
6	1001213574	1	Bracket	

# SECTION 10 - ELECTRICAL

## FIGURE 10-8. BACKUP CAMERA HARNESS



ART\_1001233976-A

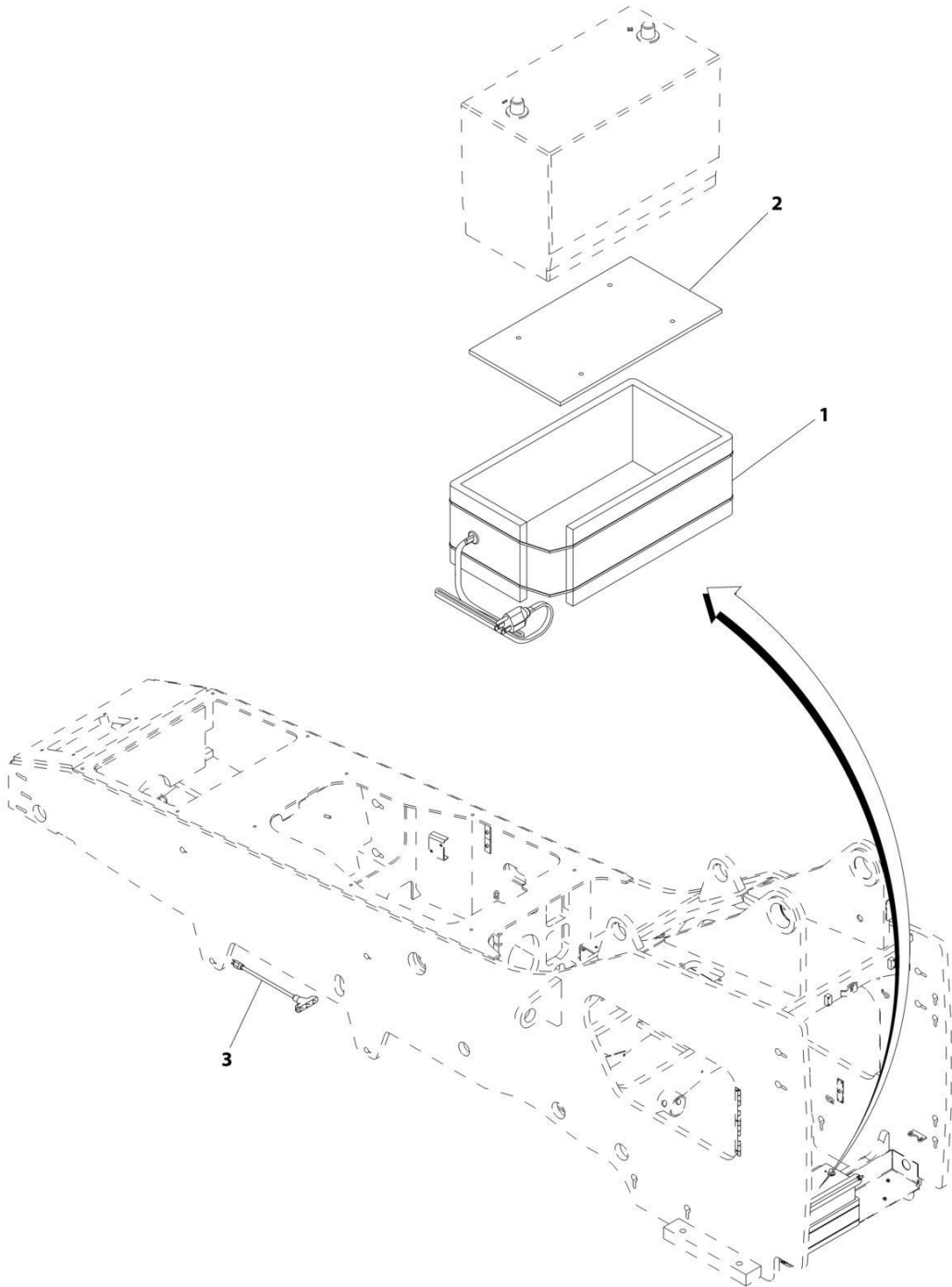
## SECTION 10 - ELECTRICAL

### FIGURE 10-8. BACKUP CAMERA HARNESS

ITEM	PART NUMBER	QTY	DESCRIPTION	REV
	1001233976	Ref	Skytrak Rear Camera Option Harness	A
1	4460539	1	Connector	
2	4460465	3	Terminal	
3	1001207173	1	Terminal, Ring	
4	4460970	1	Connector	
5	4460464	9	Terminal	
6	4460466	3	Plug	
7	4460933	1	Connector	
8	4460465	9	Terminal	
9	4460466	3	Plug	

**SECTION 10 - ELECTRICAL**

**FIGURE 10-9. BATTERY BLANKET INSTALLATION**



ART\_1001234216-A

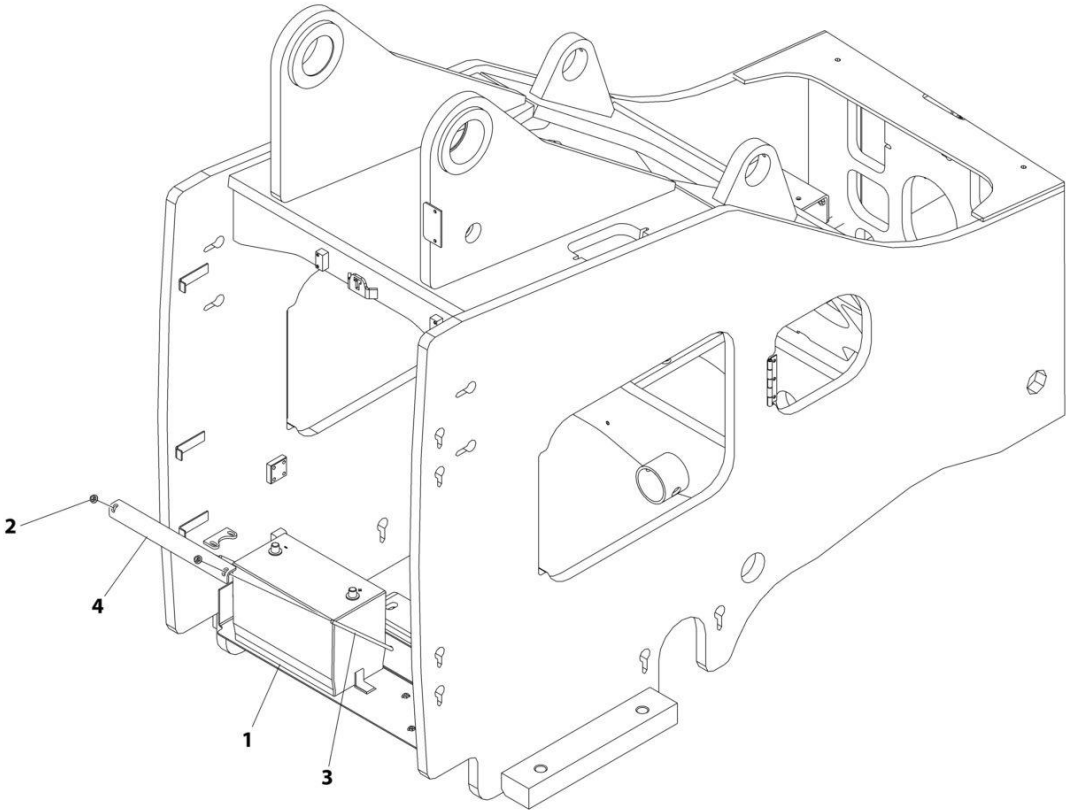
## SECTION 10 - ELECTRICAL

### FIGURE 10-9. BATTERY BLANKET INSTALLATION

ITEM	PART NUMBER	QTY	DESCRIPTION	REV
	1001234216	Ref	Battery Blanket Installation	A
1	1001093564	1	Battery Heater	
2	1001119278	1	Battery Insulate	
3	1060626	1	3 Way Plug	

**SECTION 10 - ELECTRICAL**

**FIGURE 10-10. BATTERY INSTALLATION**



ART\_1001186841



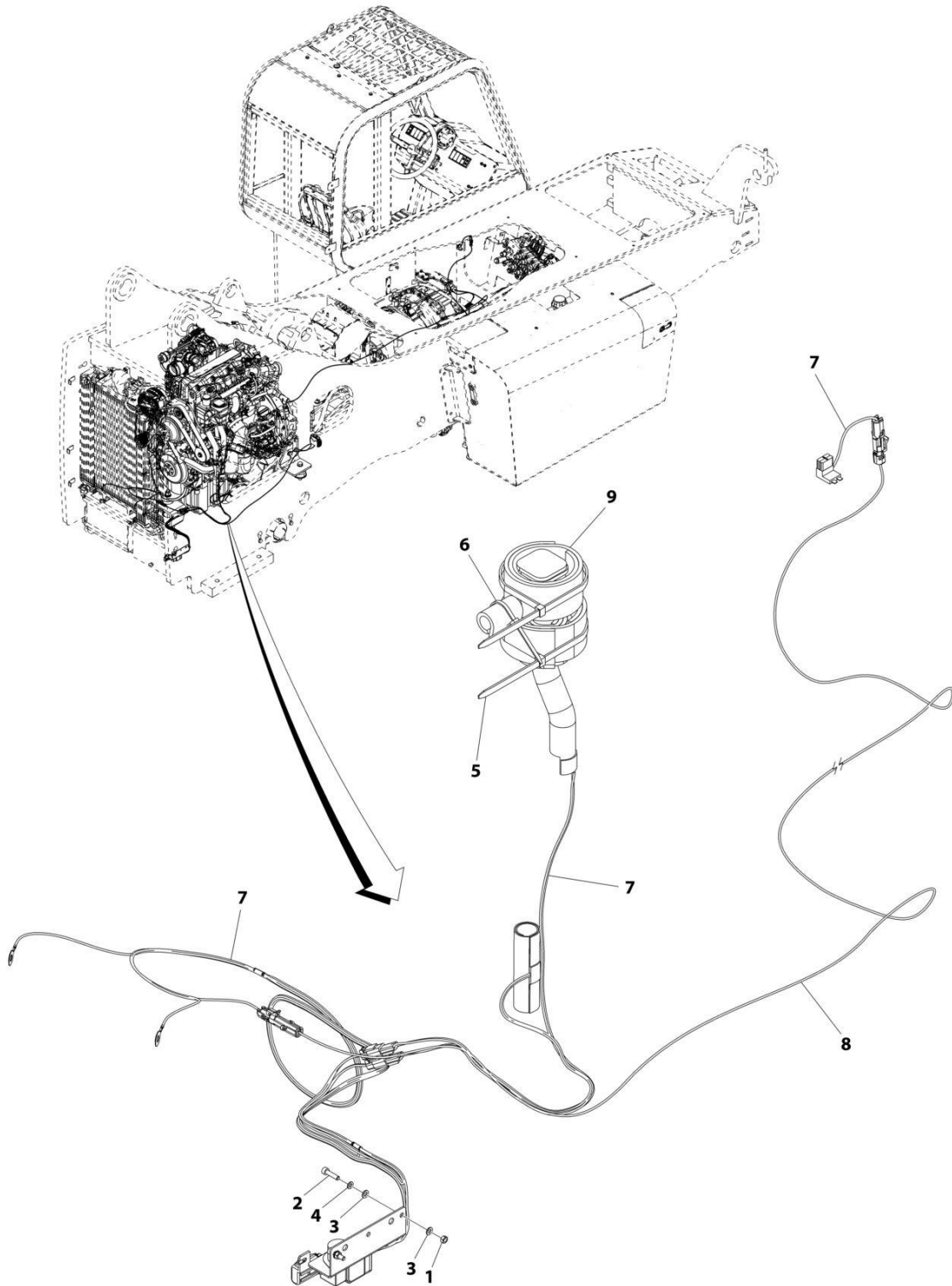
## SECTION 10 - ELECTRICAL

### FIGURE 10-10. BATTERY INSTALLATION

ITEM	PART NUMBER	QTY	DESCRIPTION	REV
	1001186841	Ref	Battery Installation	B
1	0400075	1	Battery, 12V	
2	77143006	2	Nut 5/16	
3	91081640	2	Bolt, Battery Hold Down	
4	1001258991	1	Plate, Battery Hold Down	

# SECTION 10 - ELECTRICAL

## FIGURE 10-11. BREATHER HEATER INSTALLATION



ART\_1001232750-A

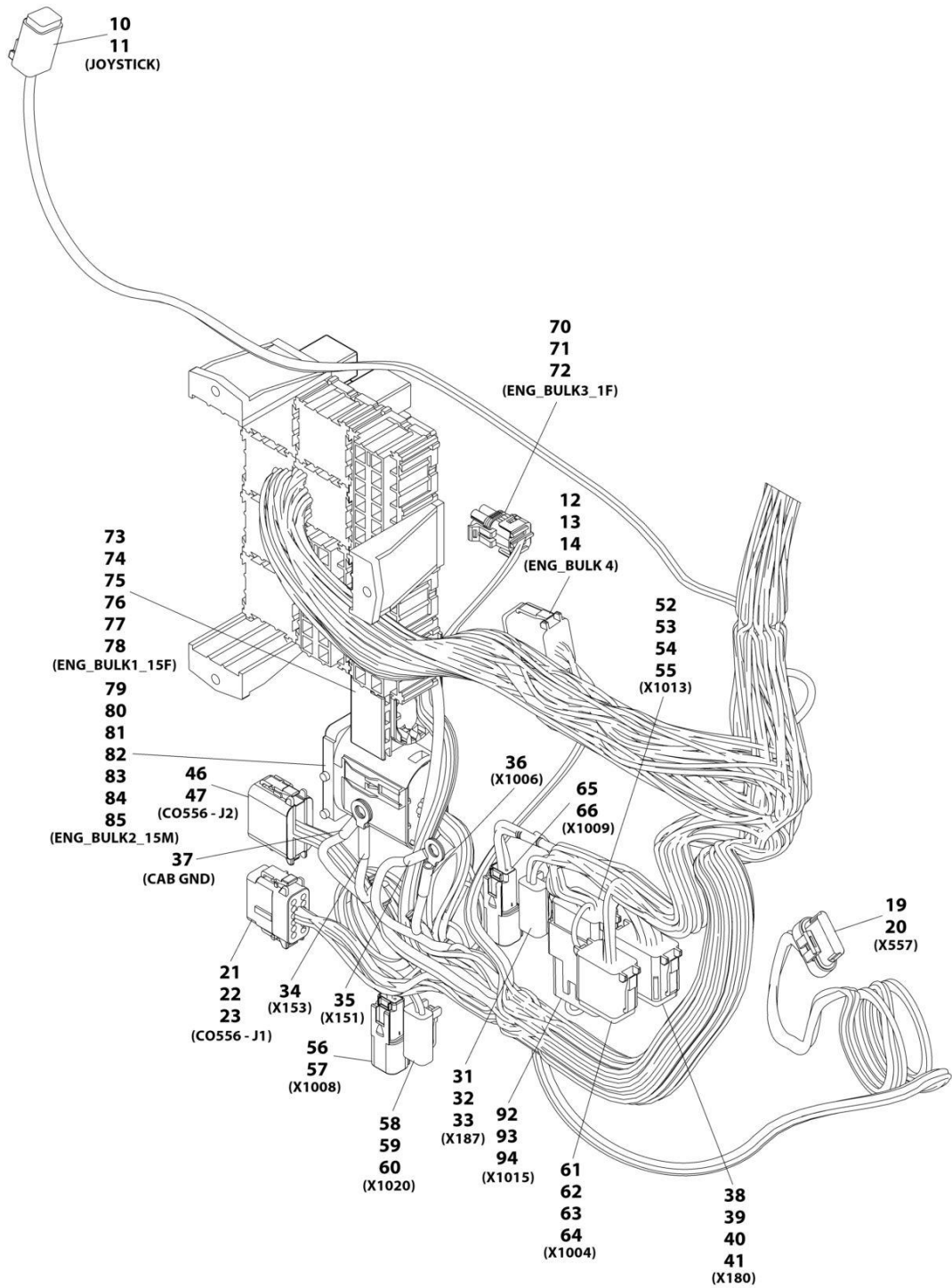
## SECTION 10 - ELECTRICAL

### FIGURE 10-11. BREATHER HEATER INSTALLATION

ITEM	PART NUMBER	QTY	DESCRIPTION	REV
	1001232750	Ref	Heater Breather - 74 HP	A
1	3290501	2	Nut, M5X0.8	
2	4031608	2	Screw, M5X20	
3	4811600	4	Washer, M5	
4	4831600	2	Washer, Lock M5	
5	01043892	2	Strap, Tie	
6	86683122	1	Strap, Tie	
7	1001232439	1	Engine, Cummins Breather Kit	
8	1001232599	1	Harness, Cummins Breather Heater	
9	1001232624	1	Insulate, Cummins Insulation	

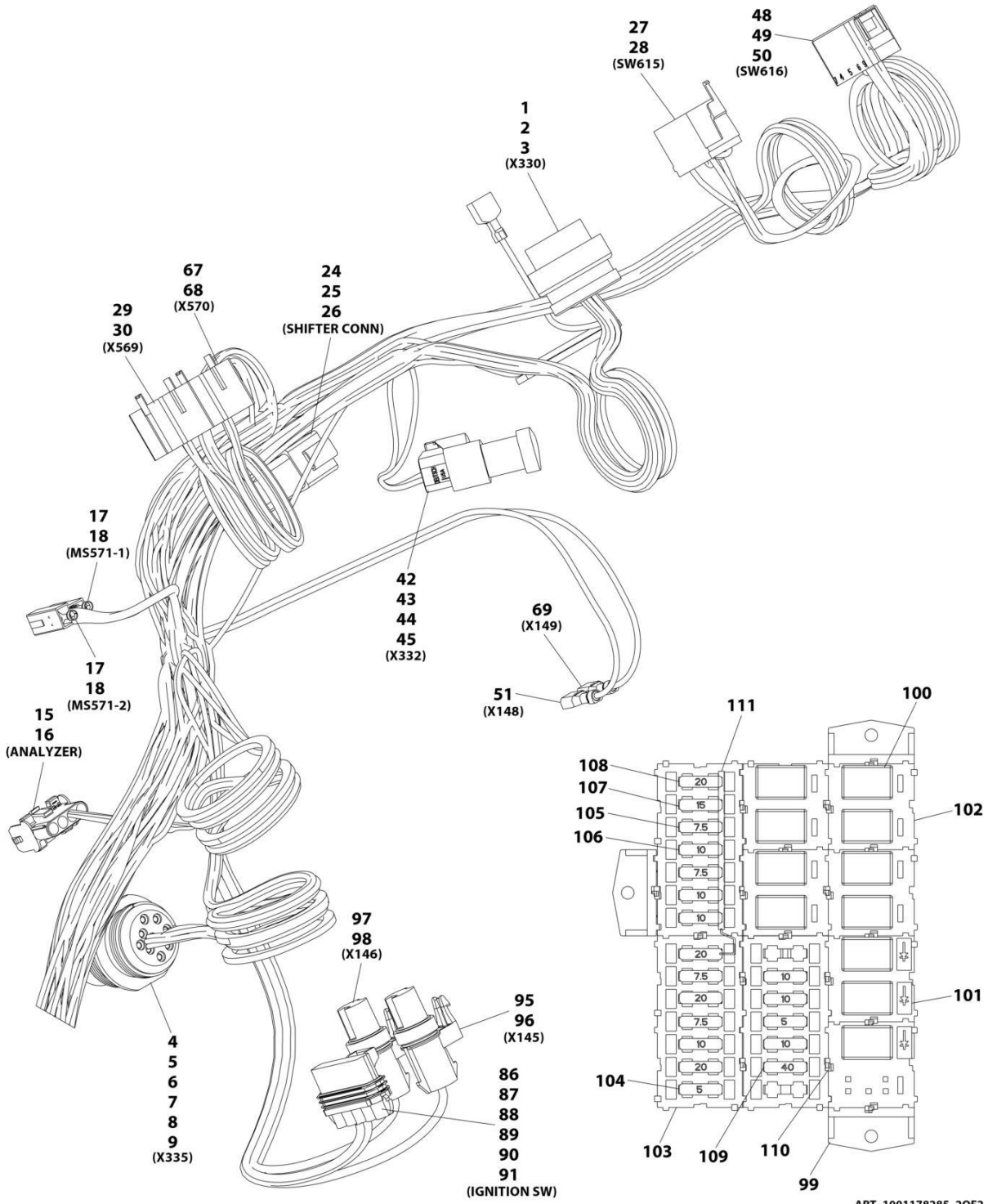
# SECTION 10 - ELECTRICAL

## FIGURE 10-12. CAB DISTRIBUTION HARNESS



ART\_1001178285\_10F2

# SECTION 10 - ELECTRICAL



ART\_1001178285\_20F2

# SECTION 10 - ELECTRICAL

## FIGURE 10-12. CAB DISTRIBUTION HARNESS

ITEM	PART NUMBER	QTY	DESCRIPTION	REV
	1001178285	Ref	Cab Power Distribution Harness	O
1	4460872	1	Connector	
2	4460871	10	Terminal, Socket	
3	4460905	4	Plug, Seal	
4	1001112612	1	Connector	
5	1001149712	1	Cap	
6	1001125784	1	Lockwasher	
7	1001125785	1	Nut	
8	4460464	6	Terminal	
9	4460466	3	Plug	
10	4460884	1	Connector	
11	4460465	4	Terminal	
12	4460930	1	Connector	
13	4460465	6	Terminal	
14	4460466	2	Plug	
15	4460761	1	Connector	
16	1001118378	4	Terminal	
17	4460994	2	Connector	
18	1001200833	4	Terminal	
19	1001230931	1	Connector	
20	1001116748	6	Terminal	
21	1001116808	1	Connector	
22	1001126008	10	Terminal, Socket	
23	4460518	2	Terminal, Plug	
24	4460970	1	Connector	
25	4460464	9	Terminal	
26	4460466	3	Plug	
27	8220904	1	Connector	
28	4460419	6	Terminal	
29	1001117119	1	Connector	
30	1001159186	4	Terminal	
31	4460891	1	Connector	
32	1001157890	1	Terminal	
33	4460942	1	Terminal	
34	1001117106	1	Terminal, Ring	
35	1001117106	1	Terminal, Ring	
36	1001117106	1	Terminal, Ring	
37	1001117106	1	Terminal, Ring	
38	4460836	1	Connector	
39	4460509	5	Terminal, Socket	
40	4460465	6	Terminal	
41	4460466	1	Plug	
42	1001116812	1	Connector	
43	4461070	1	Connector	
44	4460465	2	Terminal	
45	4460466	1	Plug	
46	1001116774	1	Connector	
47	1001126008	12	Terminal, Socket	
48	8220904	1	Connector	
49	4460419	8	Terminal	

## SECTION 10 - ELECTRICAL

ITEM	PART NUMBER	QTY	DESCRIPTION	REV
50	1001195760	2	Terminal	
51	8220051	1	Terminal	
52	4460933	1	Connector	
53	1001003174	3	Terminal, Socket	
54	4460465	7	Terminal	
55	4460466	2	Terminal	
56	4460897	1	Connector	
57	4460464	2	Terminal	
58	4460891	1	Connector	
59	4460465	1	Terminal	
60	1001157890	1	Terminal	
61	4460930	1	Connector	
62	4460465	3	Terminal	
63	1001157890	2	Terminal	
64	4460466	3	Plug	
65	4461017	1	Connector	
66	4460508	2	Terminal, Socket	
67	1001117119	1	Connector	
68	1001159186	2	Terminal	
69	8220051	1	Terminal	
70	80963061	1	Connector	
71	4460790	4	Terminal, Socket	
72	8220089	4	Seal	
73	8220927	1	Connector	
74	1001116726	10	Terminal	
75	8220097	4	Terminal	
76	8220098	1	Terminal	
77	4460458	14	Seal	
78	4460789	1	Seal	
79	8220929	1	Connector	
80	1001116745	3	Terminal	
81	8220162	3	Terminal	
82	1001116729	8	Terminal	
83	1001116727	1	Plug	
84	4460458	11	Seal	
85	80963067	3	Seal	
86	1001121726	1	Connector	
87	8220125	2	Terminal	
88	8220089	2	Seal	
89	1001116726	1	Terminal	
90	4460458	1	Seal	
91	1001116727	2	Plug	
92	4460970	1	Connector	
93	4460466	6	Terminal	
94	4460464	6	Terminal	
95	1001121728	1	Connector, Packard Female, 1POS	
96	1001121730	1	Terminal	
97	1001121728	1	Connector, Packard Female, 1POS	
98	1001121730	1	Terminal	
99	1001200845	3	Leg, Mounting	
100	1001205172	11	Relay, Micro 280, 12V, 35 Amp	

## SECTION 10 - ELECTRICAL

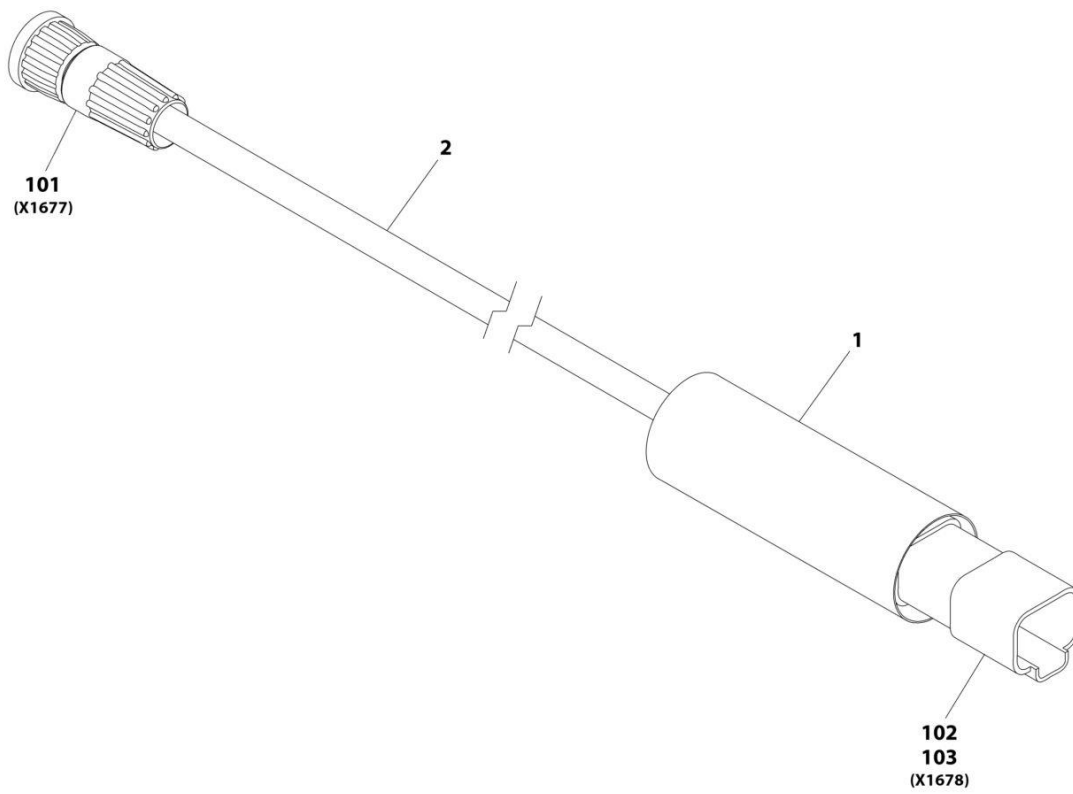
ITEM	PART NUMBER	QTY	DESCRIPTION	REV
101	1001129285	3	Fuse, Mini Diode	
102	1001177198	6	Module, 2 Fuse	
103	1001187952	3	Assembly, Electrical	
104	8229261	2	Fuse, Type 5 A	
105	8229233	4	Fuse, Type 7.5 A	
106	8229234	7	Fuse, Type 10 A	
107	8229237	1	Fuse, Type 15 A	
108	8229235	4	Fuse, Type 20 A	
109	8229238	1	Fuse, Type 40 A	
110	4461103	17	Relay, Locking Wedge	
111	1001210779	1	Terminal	
112	1001116710	43	Terminal	
113	1001116712	12	Terminal	
114	1001210779	1	Terminal	
115	1001192050	10	Terminal	
116	1001210776	4	Terminal	
117	1001192049	11	Terminal	
118	1001210778	2	Terminal	
119	1001210777	8	Terminal	





# SECTION 10 - ELECTRICAL

## FIGURE 10-13. CLEARSKY HARNESS - 3-WIRE



ART\_1001227066-A

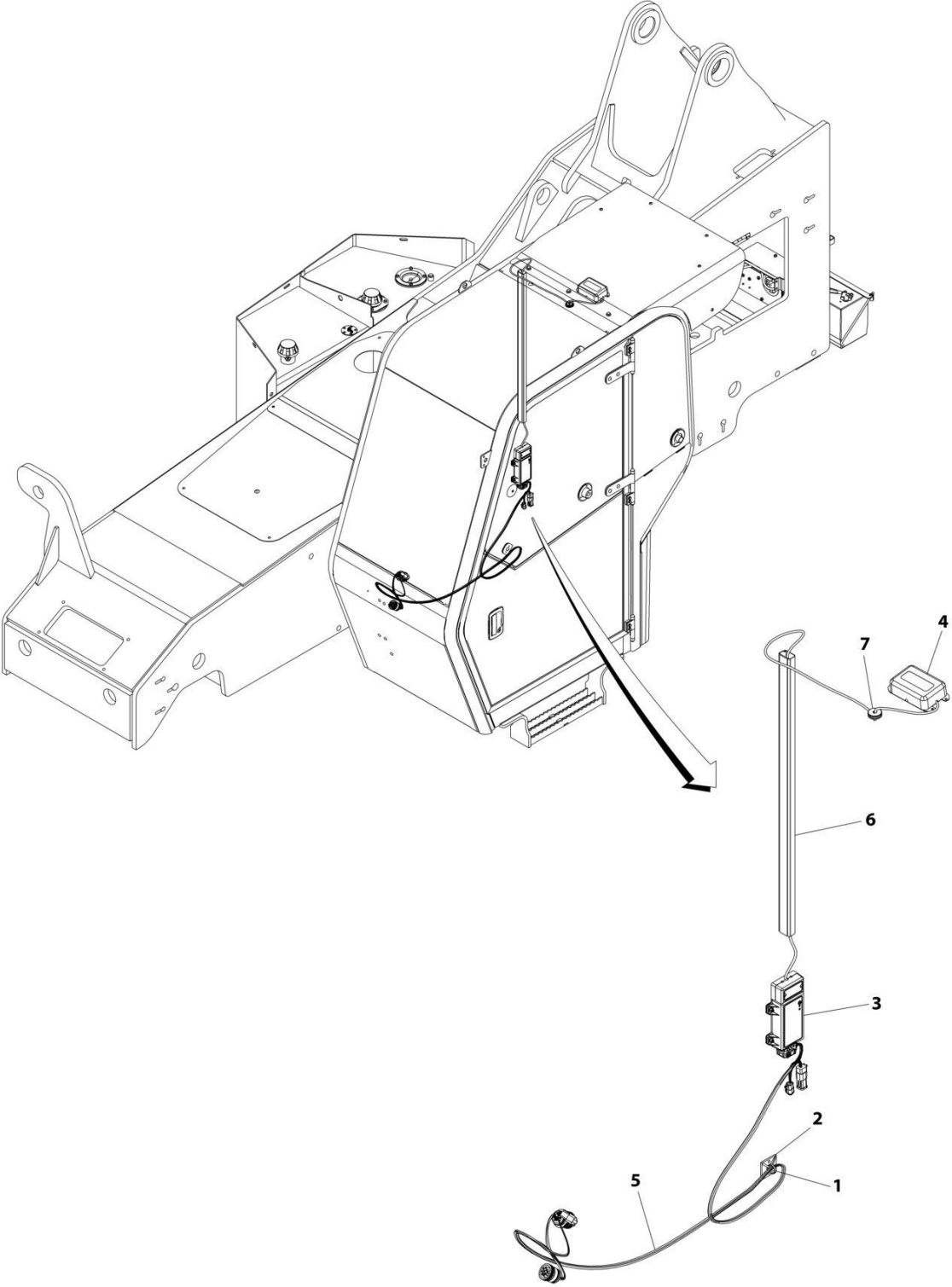
## SECTION 10 - ELECTRICAL

### FIGURE 10-13. CLEARSKY HARNESS - 3-WIRE

ITEM	PART NUMBER	QTY	DESCRIPTION	REV
	1001227066	Ref	CLEARSKY TELEMATICS HARNESS	A
1	1001226400	0.33 ft	Insulate, Heat Shrink	
2	1001227068	3.3 ft	Cable	
101	1001227266	1	Connector	
102	1001129407	1	Connector	
103	4460464	4	Terminal	

**SECTION 10 - ELECTRICAL**

**FIGURE 10-14. CLEARSKY INSTALLATION - CANBUS**



ART\_1001227459\_E

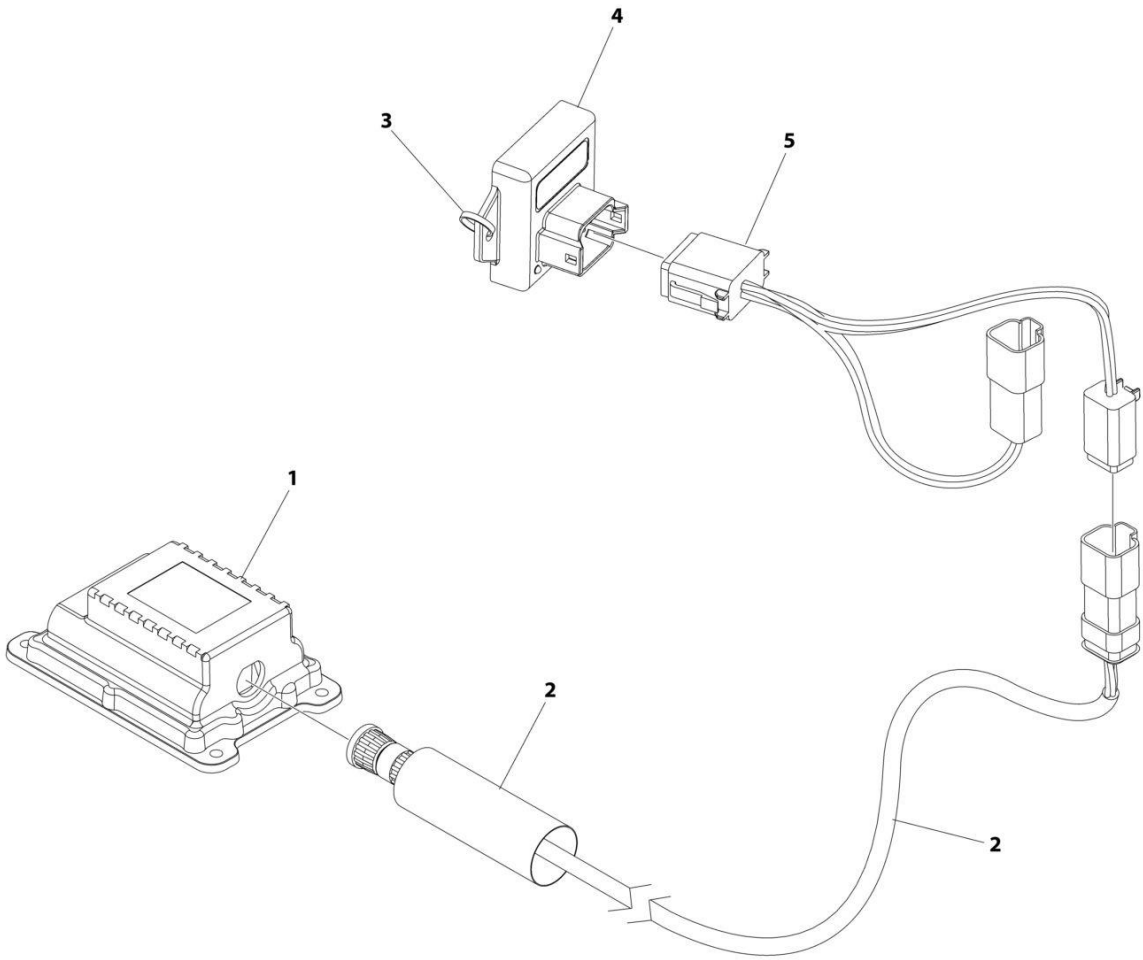
## SECTION 10 - ELECTRICAL

### FIGURE 10-14. CLEARSKY INSTALLATION - CANBUS

ITEM	PART NUMBER	QTY	DESCRIPTION	REV
	1001227459	Ref	CLEARSKY INSTALLATION	E
1	4240032	AR	Tie-Strap	
2	4460234	AR	Mount, Tie-Strap	
3	1001262322	1	Module (4G)	
4	1001262327	1	Antenna (4G)	
5	1001226856	1	Harness, Clearsky (See Separate Breakdown in this Section)	
6	1001182091	1	Duct, Wire	
7	1001195913	1	Grommet	

**SECTION 10 - ELECTRICAL**

**FIGURE 10-15. CLEARSKY INSTALLATION - 3-WIRE (NORTH AMERICA)**



ART\_1001229107

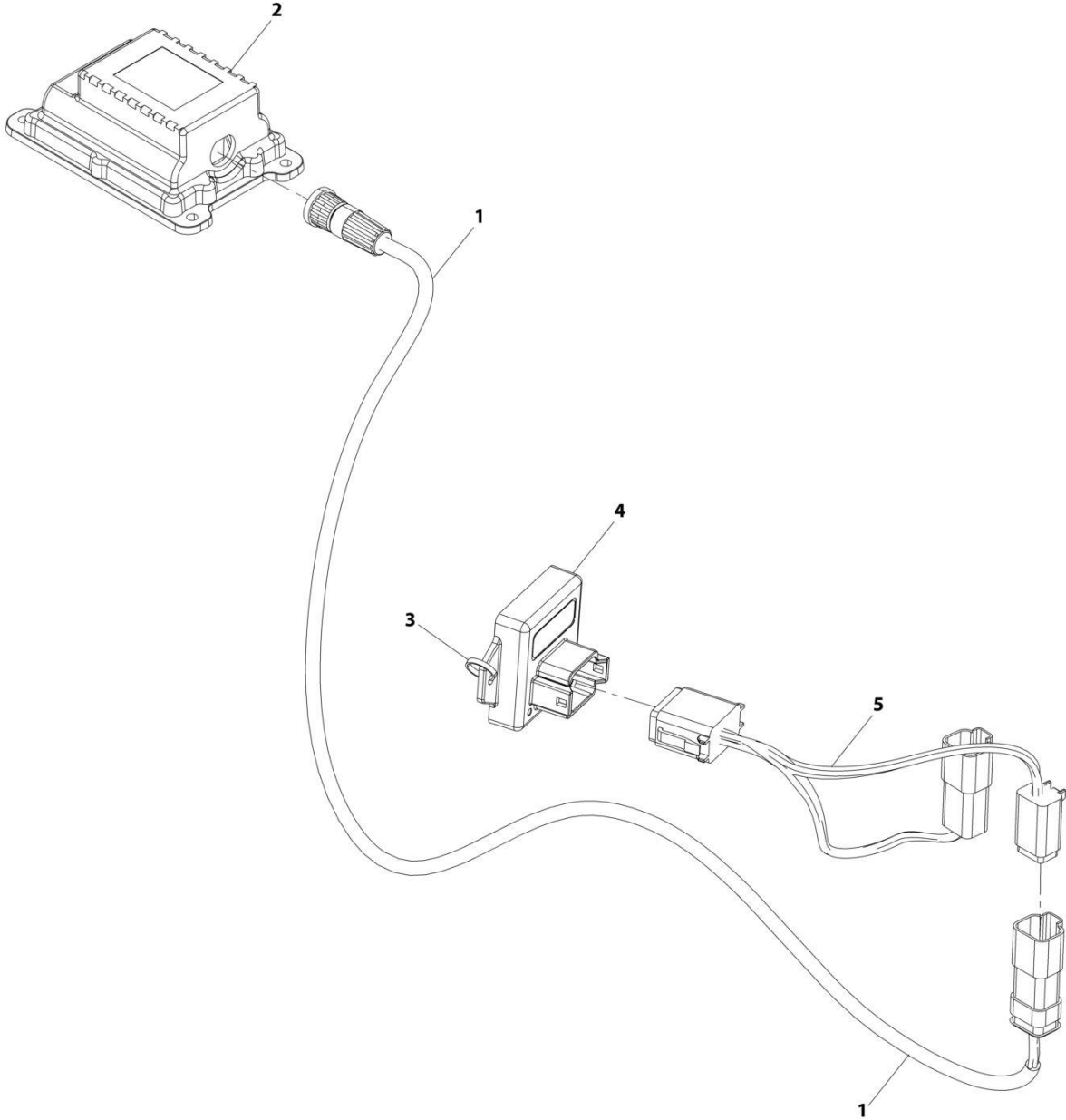
## SECTION 10 - ELECTRICAL

**FIGURE 10-15. CLEARSKY INSTALLATION - 3-WIRE (NORTH AMERICA)**

ITEM	PART NUMBER	QTY	DESCRIPTION	REV
	1001229107	Ref	CLEARSKY INSTALLATION 3-WIRE	D
1	1001226328	1	Module, 3W TCU	
2	1001227066	1	Telematics ClearSky Harness (See Separate Breakdown in this Section)	
3	4240032	AR	Tie-Strap	
4	1001262960	1	Voltage Regulator	
5	1001262963	1	Harness, Xirgo Jumper	

**SECTION 10 - ELECTRICAL**

**FIGURE 10-16. CLEARSKY INSTALLATION - 3-WIRE (CE)**



ART\_1001233237



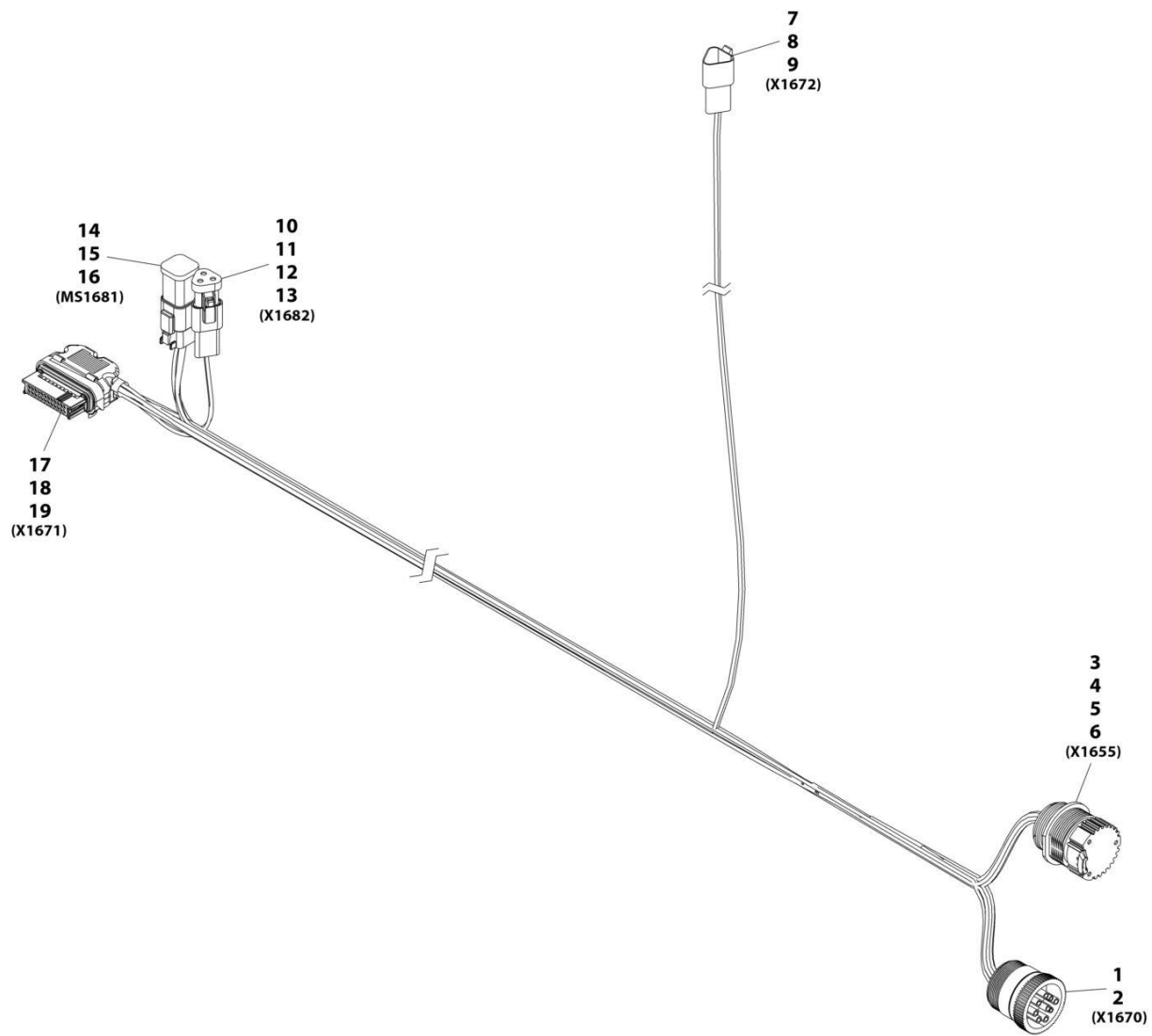
## SECTION 10 - ELECTRICAL

### FIGURE 10-16. CLEARSKY INSTALLATION - 3-WIRE (CE)

ITEM	PART NUMBER	QTY	DESCRIPTION	REV
	1001233237	Ref	Clearsky Installation 3-Wire (CE)	E
1	1001227066	1	Telematics Harness (See Separate Breakdown in this Section)	
2	1001233236	1	Module, 3W TCU	
3	4240032	AR	Tie Strap	
4	1001262960	1	Voltage Regulator	
5	1001262963	1	Harness, Xirgo Jumper	

# SECTION 10 - ELECTRICAL

## FIGURE 10-17. CLEARSKY HARNESS - CANBUS



ART\_1001226856-A

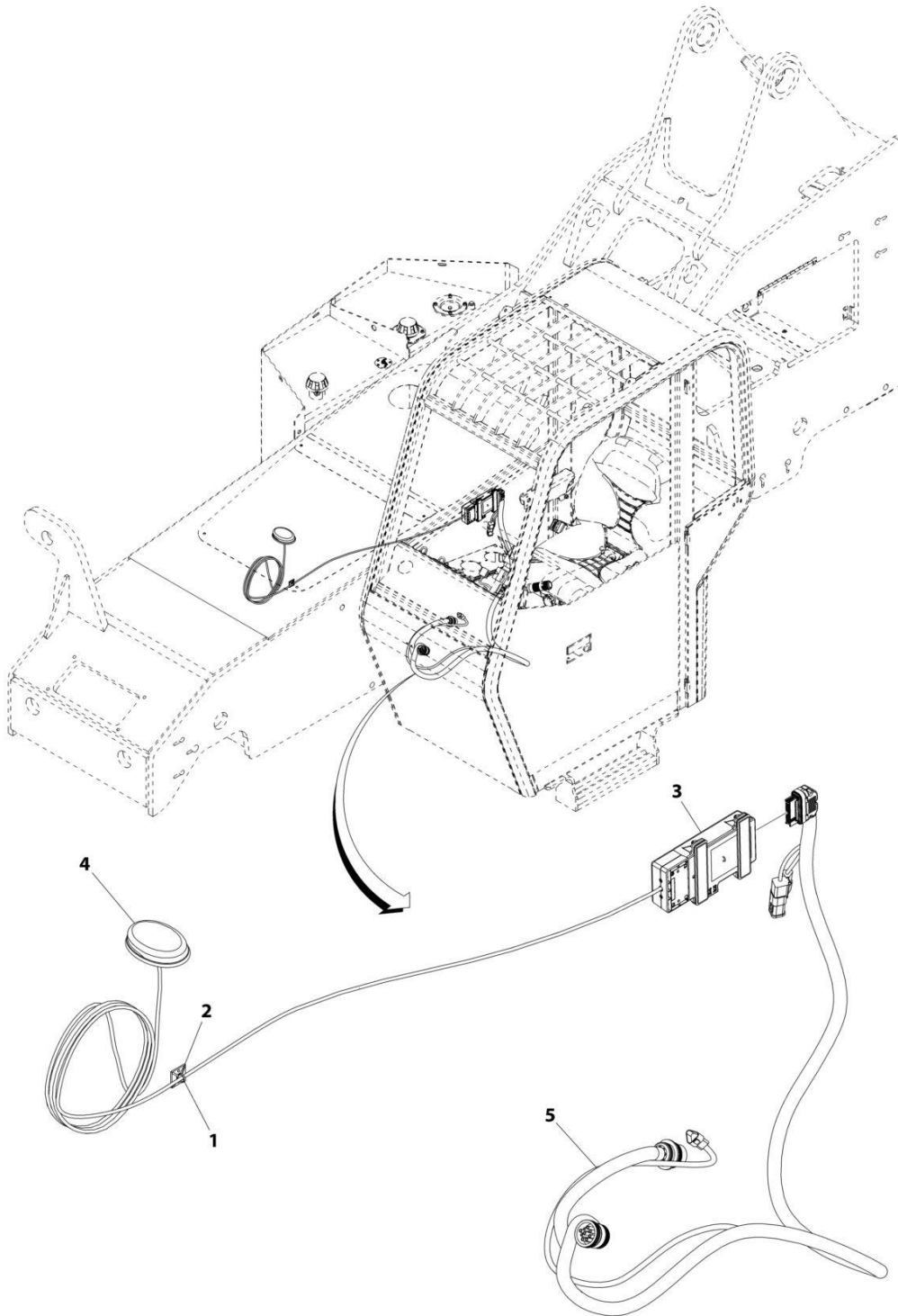
## SECTION 10 - ELECTRICAL

**FIGURE 10-17. CLEARSKY HARNESS - CANBUS**

ITEM	PART NUMBER	QTY	DESCRIPTION	REV
	1001226856	Ref	Clearsky Telematics Harness	A
1	1001112796	1	Connector	
2	4460465	9	Terminal	
3	1001112612	1	Connector	
4	1001149712	1	Cap	
5	1001116693	6	Terminal	
6	4460466	3	Plug	
7	1001144147	1	Connector	
8	4460464	2	Terminal	
9	4460466	1	Plug	
10	1001144147	1	Connector	
11	1001116815	1	Plug	
12	4460464	2	Terminal	
13	4460466	1	Plug	
14	4460894	1	Connector	
15	1001226541	1	Bussbar	
16	4460465	6	Terminal	
17	1001226636	1	Connector	
18	1001116731	16	Plug	
19	1001226637	8	Terminal	

# SECTION 10 - ELECTRICAL

## FIGURE 10-18. CLEARSKY INSTALLATION - CANBUS (CE)



ART\_1001239250-A

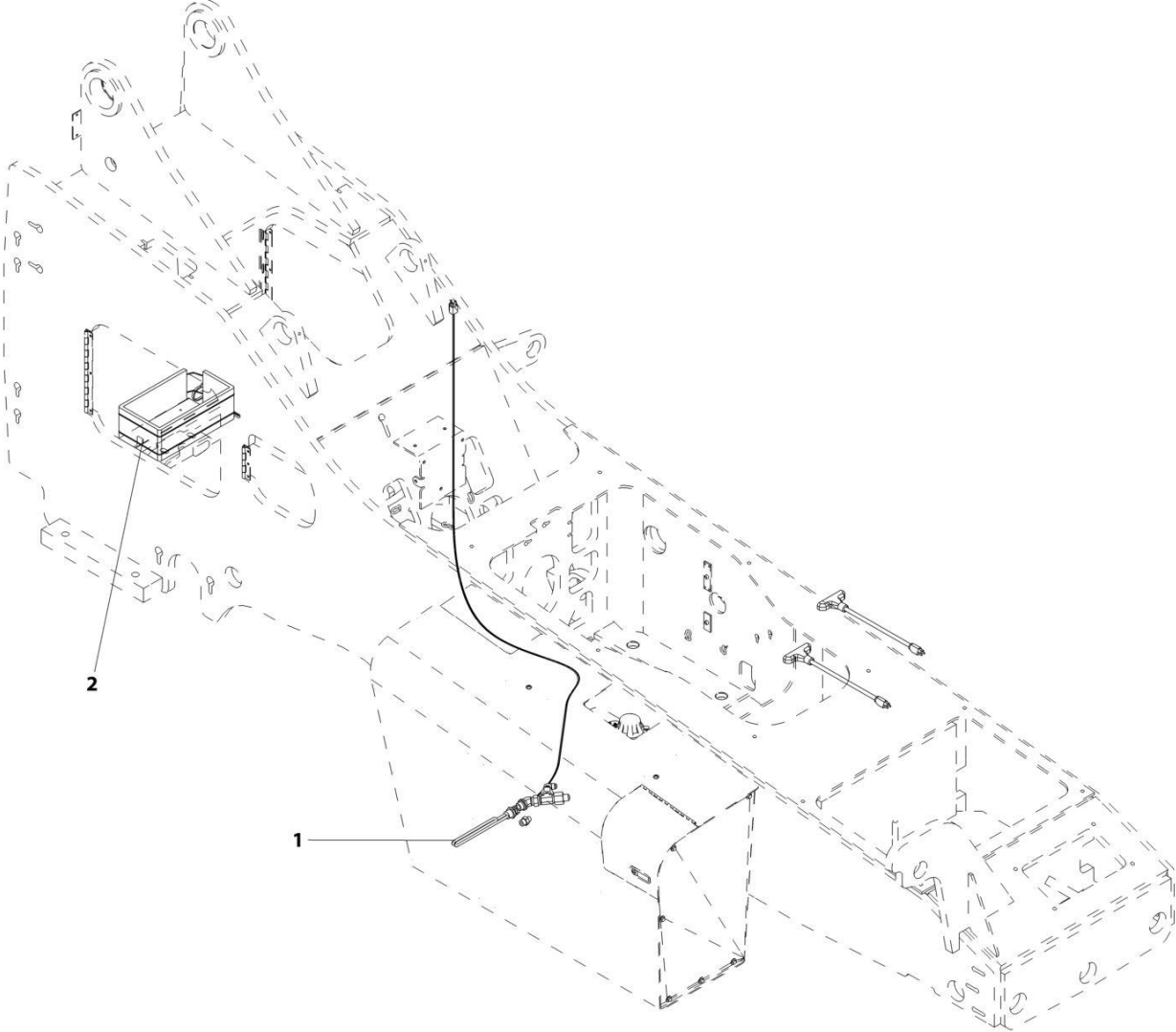
## SECTION 10 - ELECTRICAL

**FIGURE 10-18. CLEARSKY INSTALLATION - CANBUS (CE)**

ITEM	PART NUMBER	QTY	DESCRIPTION	REV
	1001239250	Ref	Clearsky Installation (CE)	A
1	4240032	AR	Tie-Strap	
2	4460234	AR	Mount, Tie-Strap	
3	1001228954	1	Module	
4	1001226799	1	Antenna	
5	1001226856	1	Harness, Clearsky (See Separate Breakdown in this Section)	

**SECTION 10 - ELECTRICAL**

**FIGURE 10-19. COLD WEATHER PACKAGE (LS)**



ART\_1001239958-A

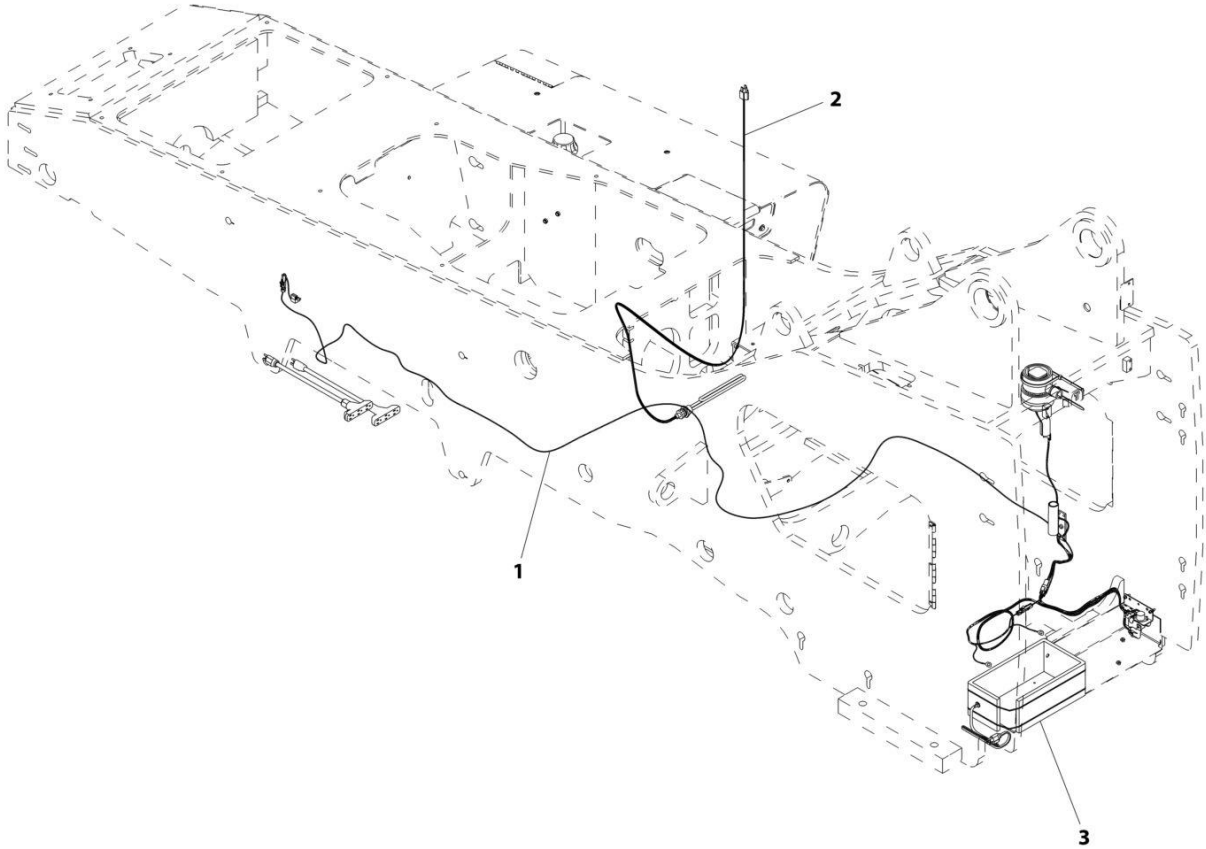
## SECTION 10 - ELECTRICAL

### FIGURE 10-19. COLD WEATHER PACKAGE (LS)

ITEM	PART NUMBER	QTY	DESCRIPTION	REV
1	1001239958	Ref	Arctic Weather Package Installation (LS)	A
	1001233964	Ref	Installation, Tank Heater (See Separate Breakdown in this Section)	
2	1001234216	Ref	Installation, Battery Blanket (See Separate Breakdown in this Section)	

**SECTION 10 - ELECTRICAL**

**FIGURE 10-20. COLD WEATHER PACKAGE (ULS)**



ART\_1001234530-A



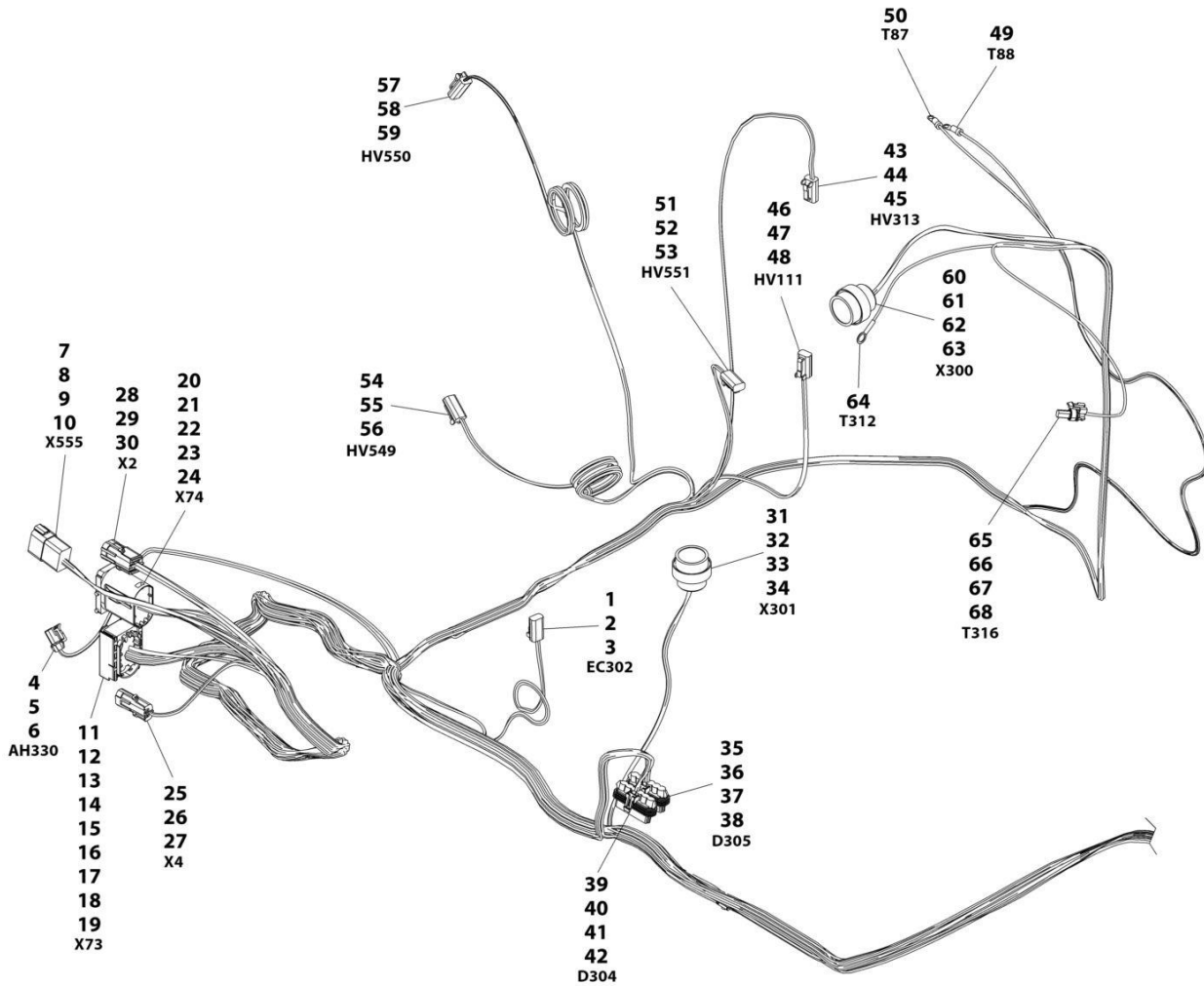
## SECTION 10 - ELECTRICAL

### FIGURE 10-20. COLD WEATHER PACKAGE (ULS)

ITEM	PART NUMBER	QTY	DESCRIPTION	REV
1	1001234530	Ref	Arctic Weather Package Installation (ULS)	A
	1001232750	Ref	Heater, Breather (See Separate Breakdown in Engine And Attaching Parts Section)	
2	1001233964	Ref	Installation, Tank Heater (See Separate Breakdown in this Section)	
3	1001234216	Ref	Installation, Battery Blanket (See Separate Breakdown in this Section)	

# SECTION 10 - ELECTRICAL

## FIGURE 10-21. ENGINE HARNESS (74HP)



ART\_1001199889\_1OF2



# SECTION 10 - ELECTRICAL

## FIGURE 10-21. ENGINE HARNESS (74HP)

ITEM	PART NUMBER	QTY	DESCRIPTION	REV
	1001199889	Ref	ENGINE HARNESS 74HP (IF EQUIPPED FOR ULS)	I
1	4460891	1	Connector	
2	80604018	1	Lock, Wedge	
3	4460465	2	Terminal	
4	1001117068	1	Connector	
5	8220124	2	Terminal	
6	80963067	2	Seal	
6	4460608	2	Seal	
7	4460931	1	Connector	
8	91503106	1	Lock, Wedge	
9	4460464	4	Terminal	
10	4460466	4	Plug	
11	8220927	1	Connector	
12	70024256	1	Lock, Slide	
13	70024255	1	Seal, Connector	
14	70024254	1	Lock, Secondary	
15	8220097	10	Terminal	
16	4460458	10	Seal	
17	8220098	3	Terminal	
18	80963067	3	Seal	
19	1001116727	2	Plug	
20	8220929	1	Connector	
21	70024253	1	Lock, Secondary	
22	1001116745	1	Terminal	
23	1001116729	14	Terminal	
24	4460458	15	Seal	
25	4461157	1	Connector	
26	4460475	2	Terminal	
27	4460458	2	Seal	
28	80963062	1	Connector	
29	4460850	4	Terminal	
30	80963067	4	Seal	
31	8220536	1	Connector	
32	1001116758	12	Plug	
33	1001116757	4	Terminal	
34	1001189875	4	Seal	
35	4460744	1	Connector	
36	1001116728	4	Terminal	
37	1001116727	2	Plug	
38	8220081	4	Seal	
39	4460744	1	Connector	
40	1001116728	4	Terminal	
41	1001116727	2	Plug	
42	8220081	4	Seal	
43	4460891	1	Connector	
44	80604018	1	Lock, Wedge	
45	4460465	2	Terminal	
46	4460891	1	Connector	
47	80604018	1	Lock, Wedge	
48	4460465	2	Terminal	

## SECTION 10 - ELECTRICAL

ITEM	PART NUMBER	QTY	DESCRIPTION	REV
49	4460042	1	Terminal, Ring	
50	4460042	1	Terminal, Ring	
51	4460891	1	Connector	
52	80604018	1	Lock, Wedge	
53	4460465	2	Terminal	
54	4460891	1	Connector	
55	80604018	1	Lock, Wedge	
56	4460465	2	Terminal	
57	4460891	1	Connector	
58	80604018	1	Lock, Wedge	
59	4460465	2	Terminal	
60	8220536	1	Connector	
61	1001116757	4	Terminal	
62	1001116758	12	Plug	
63	1001189875	4	Seal	
64	4460256	1	Terminal, Ring	
65	1001119004	1	Connector	
66	8220889	1	Lock, Secondary	
67	1001116728	1	Terminal	
68	4460458	1	Seal	
69	1001167641	1	Connector	
70	1001167643	1	Cover	
71	1001167644	1	Lock, Secondary	
72	1001167646	1	Lock, Secondary	
73	1001167647	1	Boot, Rubber	
74	1001167648	10	Terminal	
75	1001167650	75	Plug	
76	1001167649	11	Terminal	
77	4460955	1	Connector	
78	1001116748	2	Terminal	
79	4460955	1	Connector	
80	1001116748	2	Terminal	
81	4460955	1	Connector	
82	1001116748	2	Terminal	
83	4460955	1	Connector	
84	1001116748	2	Terminal	
85	4460955	1	Connector	
86	1001116748	2	Terminal	
87	4461095	1	Connector	
88	4460465	2	Terminal	
89	4460466	1	Plug	
90	4460019	1	Terminal, Ring	
91	4460891	1	Connector	
92	80604018	1	Lock, Wedge	
93	4460465	2	Terminal	
94	8220164	2	Terminal, Ring	
95	4460019	1	Terminal, Ring	
96	1001145707	1	Connector	
97	1001116732	4	Terminal	
98	1001117070	1	Connector	
99	1001116734	2	Terminal	

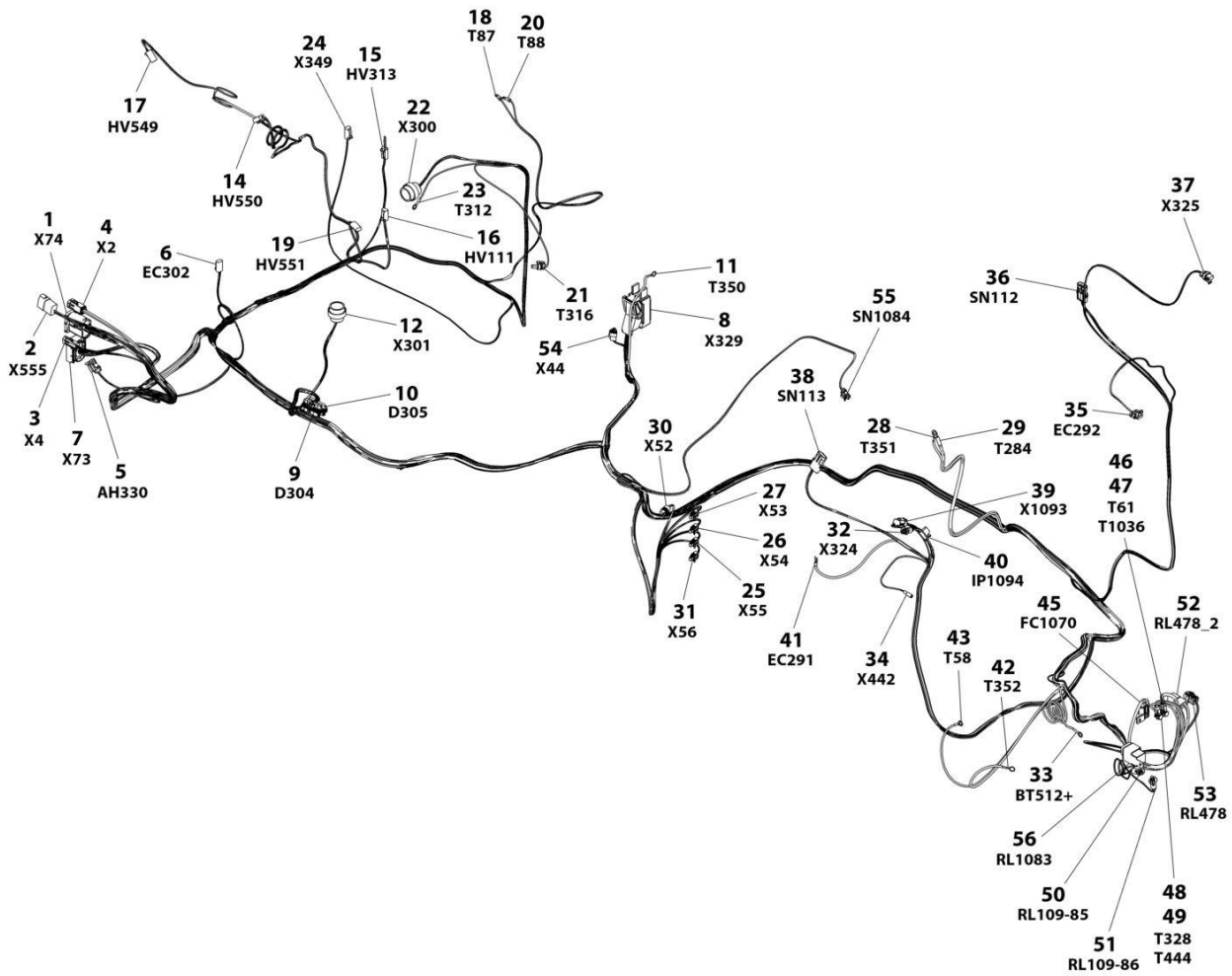
## SECTION 10 - ELECTRICAL

ITEM	PART NUMBER	QTY	DESCRIPTION	REV
100	4460247	1	Terminal, Ring	
101	1001195057	1	Red Boot	
102	4460247	1	Terminal, Ring	
103	1001195055	1	Red Boot	
104	4460312	1	Terminal, Ring	
105	4460312	1	Terminal, Ring	
106	1001195087	1	Red Boot	
110	4460312	1	Terminal, Ring	
111	1001116950	1	Connector	
112	4460465	2	Terminal	
113	4460312	2	Terminal, Ring	
114	1001195087	1	Red Boot	
115	4460019	1	Terminal, Ring	
115	4460312	1	Terminal, Ring	
116	4460019	1	Terminal, Ring	
117	4460019	1	Terminal, Ring	
118	4460476	1	Connector	
119	4460475	3	Terminal	
120	4460458	3	Seal	
121	1001125027	1	Connector	
122	70026217	1	Lock, Secondary	
123	8220124	3	Terminal	
124	4460608	3	Seal	
125	8220058	1	Terminal, Ring	
126	1001195055	1	Red Boot	
132	2400060	1	Fuse Holder	
133	8229242	1	Fuse 5A	
134	4460476	1	Connector	
135	4460475	3	Terminal	
136	4460458	3	Seal	
137	1001117111	1	Terminal, Fork	
138	1001117125	1	Terminal, Snap Plug	
138	1001246391	1	Terminal, Snap Plug	
139	1001117021	1	Connector	
140	1001116728	2	Terminal	
141	8220081	2	Seal	
142	1001117103	1	Connector	
143	7026404	1	Lock, Connector	
144	1001121730	2	Terminal	
145	8220160	2	Seal	
146	4460884	1	Connector	
147	80604021	1	Lock, Wedge	
148	1001157890	1	Terminal	
149	1001116692	2	Terminal	
150	4460466	1	Plug	
151	1001192401	1	Dust Cap	



# SECTION 10 - ELECTRICAL

## FIGURE 10-22. ENGINE HARNESS (110HP LS)



ART\_1001189488



## SECTION 10 - ELECTRICAL

### FIGURE 10-22. ENGINE HARNESS (110HP LS)

ITEM	PART NUMBER	QTY	DESCRIPTION	REV
	1001189488	Ref	ENGINE HARNESS	K
1	8220929	1	Connector	
	1001116745	1	Terminal	
	1001116729	14	Terminal	
	4460458	15	Seal	
2	4460931	1	Connector	
	80604024	1	Lock, Wedge	
	4460464	4	Terminal	
	4460466	4	Plug	
3	4461157	1	Connector	
	4460475	2	Terminal	
	4460458	2	Seal	
4	80963062	1	Connector	
	4460850	4	Terminal	
	80963067	4	Seal	
5	1001117068	1	Connector	
	8220124	2	Terminal	
	80963067	2	Seal	
6	4460891	1	Connector	
	80604018	1	Lock, Wedge	
	4460465	2	Terminal	
7	8220927	1	Connector	
	8220097	12	Terminal	
	8220098	2	Terminal	
	1001116727	1	Plug	
	4460458	11	Seal	
	80963067	2	Seal	
	1001189877	1	Seal	
8	1001133173	1	Connector	
	1001138643	6	Terminal	
	1001126356	77	Terminal	
	1001138642	8	Terminal	
	1001126351	3	Terminal	
	1001126353	6	Seal	
9	4460744	1	Connector	
	1001116728	4	Terminal	
	1001116727	2	Plug	
	8220081	4	Seal	
10	4460744	1	Connector	
	1001116728	4	Terminal	
	1001116727	2	Plug	
	8220081	4	Seal	
11	4460019	1	Terminal, Ring	
12	8220536	1	Connector	
	1001116758	12	Plug	
	1001116757	4	Terminal	
	1001189875	4	Seal	
14	4460891	1	Connector	
	80604018	1	Lock, Wedge	
	4460465	2	Terminal	

## SECTION 10 - ELECTRICAL

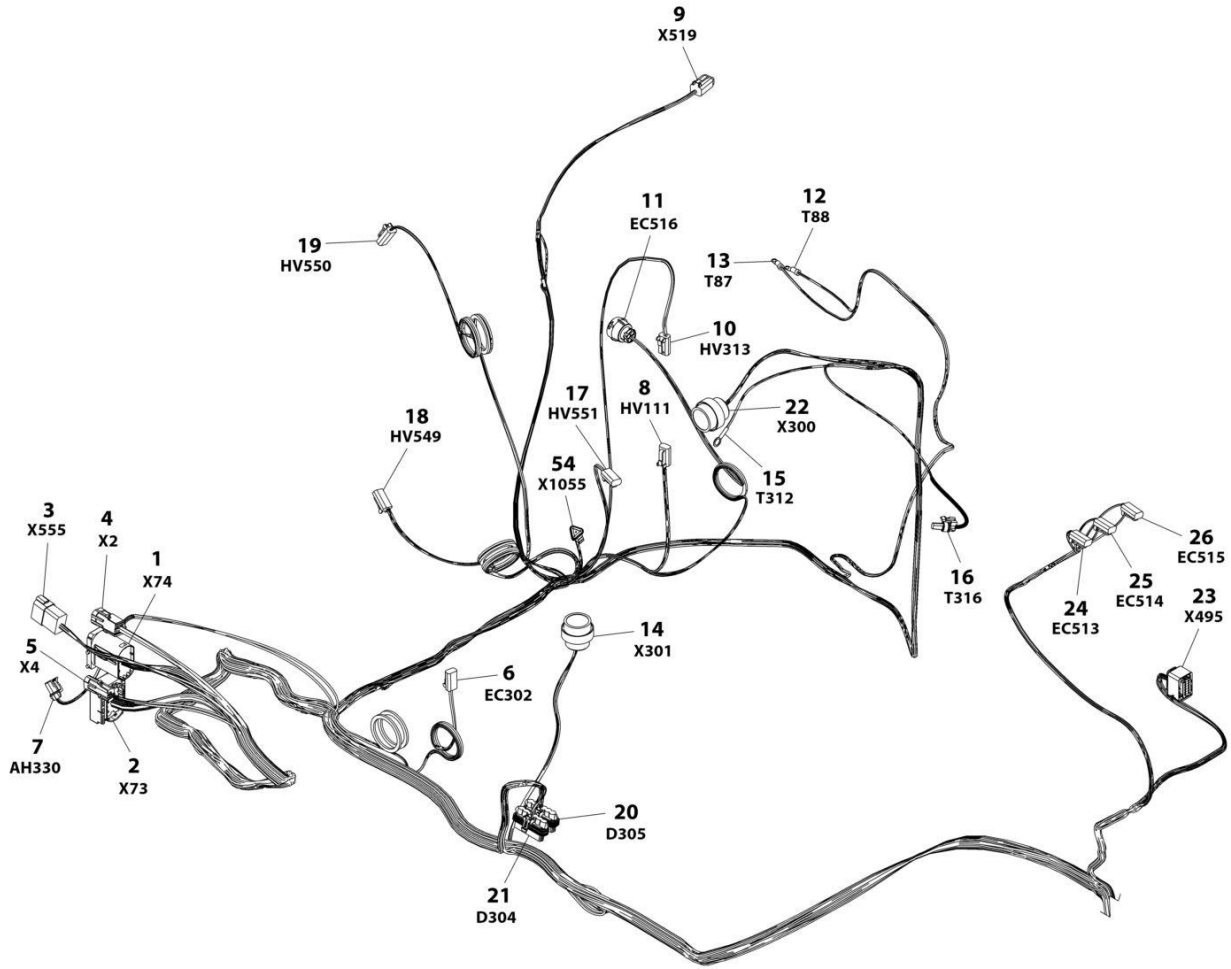
ITEM	PART NUMBER	QTY	DESCRIPTION	REV
15	4460891	1	Connector	
	80604018	1	Lock, Wedge	
	4460465	2	Terminal	
16	4460891	1	Connector	
	80604018	1	Lock, Wedge	
	4460465	2	Terminal	
17	4460891	1	Connector	
	80604018	1	Lock, Wedge	
	4460465	2	Terminal	
18	4460042	1	Terminal, Ring	
19	4460891	1	Connector	
	80604018	1	Lock, Wedge	
	4460465	2	Terminal	
20	4460042	1	Terminal, Ring	
21	1001119004	1	Connector	
	1001116728	1	Terminal	
	4460458	1	Seal	
22	8220536	1	Connector	
	1001116757	4	Terminal	
	1001116758	12	Plug	
	1001189875	4	Seal	
23	4460256	1	Terminal, Ring	
24	4460891	1	Connector	
	80604018	1	Lock, Wedge	
	4460465	2	Terminal	
25	4460955	1	Connector	
	1001116748	2	Terminal	
26	4460955	1	Connector	
	1001116748	2	Terminal	
27	4460955	1	Connector	
	1001116748	2	Terminal	
28	4460019	1	Terminal, Ring	
29	8220164	1	Terminal, Ring	
30	4460955	1	Connector	
	1001116748	2	Terminal	
31	4460955	1	Connector	
	1001116748	2	Terminal	
32	8220058	1	Terminal, Ring	
33	4460019	1	Terminal, Ring	
34	1001117125	1	Terminal, Snap Plug	
35	1001125027	1	Connector	
	8220124	3	Terminal	
	4460608	3	Seal	
36	4460476	1	Connector	
	4460475	3	Terminal	
	4460458	3	Seal	
37	1001117021	1	Connector	
	1001116728	2	Terminal	
	8220081	2	Seal	
38	4460476	1	Connector	
	4460475	3	Terminal	

## SECTION 10 - ELECTRICAL

ITEM	PART NUMBER	QTY	DESCRIPTION	REV
	4460458	3	Seal	
39	4460884	1	Connector	
	80604021	1	Lock, Wedge	
	4460465	3	Terminal	
	4460466	1	Plug	
	1001192401	1	Dust Cap	
40	2400060	1	Fuse Holder	
41	4460142	1	Connector	
	1001117111	1	Terminal	
42	4460019	1	Terminal, Ring	
43	4460019	1	Terminal, Ring	
45	1001117070	1	Connector	
	1001116734	2	Terminal	
46	4460312	1	Terminal, Ring	
	1001195087	1	Red Boot	
47	4460312	2	Terminal, Ring	
48	4460312	2	Terminal, Ring	
	1001195087	1	Red Boot	
49	4460312	1	Terminal, Ring	
50	4460247	1	Terminal, Ring	
	1001195057	1	Black Boot	
51	4460247	1	Terminal, Ring	
	1001195055	1	Red Boot	
52	1001117103	1	Connector	
	1001121730	2	Terminal	
53	1001116950	1	Connector	
	4460465	2	Terminal	
54	4461095	1	Plug	
	4461070	1	Connector	
	4460465	2	Terminal	
	4460466	1	Terminal	
55	1001209097	1	Connector	
	8220124	2	Terminal	
56	1001145707	1	Connector	
	1001116732	4	Terminal	

# SECTION 10 - ELECTRICAL

## FIGURE 10-23. ENGINE HARNESS (110HP ULS)



ART\_1001169620\_10F2



# SECTION 10 - ELECTRICAL

## FIGURE 10-23. ENGINE HARNESS (110HP ULS)

ITEM	PART NUMBER	QTY	DESCRIPTION	REV
	1001169620	Ref	ENGINE HARNESS	O
1	8220929	1	Connector	
	70024253	1	Lock, Secondary	
	1001116745	1	Terminal	
	4460458	14	Seal	
	1001116729	13	Terminal	
	1001116727	1	Plug	
2	8220927	1	Connector	
	70024256	1	Lock, Slide	
	70024255	1	Seal, Connector	
	70024254	1	Lock, Secondary	
	8220097	11	Terminal	
	4460458	11	Seal	
	8220098	3	Terminal	
	80963067	3	Seal	
	1001116727	1	Plug	
3	4460931	1	Connector	
	80604024	1	Lock, Wedge	
	4460464	6	Terminal	
	4460466	2	Plug	
4	80963062	1	Connector	
	4460850	4	Terminal	
	80963067	4	Seal	
5	4461157	1	Connector	
	4460475	2	Terminal	
	4460458	2	Seal	
6	4460891	1	Connector	
	80604018	1	Lock, Wedge	
	4460465	2	Terminal	
7	1001117068	1	Connector	
	8220124	2	Terminal	
	80963067	2	Seal	
	4460608	2	Seal	
8	4460891	1	Connector	
	80604018	1	Lock, Wedge	
	4460465	2	Terminal	
9	4460884	1	Connector	
	80604021	1	Lock, Wedge	
	4460465	4	Terminal	
10	4460891	1	Connector	
	80604018	1	Lock, Wedge	
	4460465	2	Terminal	
	4460458	2	Seal	
11	1001167620	1	Connector	
	1001176004	2	Terminal	
	1001167624	2	Plug	
	1001176002	2	Seal	
12	4460042	1	Terminal, Ring	
13	4460042	1	Terminal, Ring	
14	8220536	1	Connector	

## SECTION 10 - ELECTRICAL

ITEM	PART NUMBER	QTY	DESCRIPTION	REV
	1001116757	12	Terminal	
	1001116758	3	Plug	
	1001189875	4	Seal	
15	4460256	1	Terminal, Ring	
16	1001119004	1	Connector	
	8220889	1	Lock, Secondary Terminal	
	1001116728	1	Terminal	
	4460458	1	Seal	
17	4460891	1	Connector	
	80604018	1	Lock, Wedge	
	4460465	2	Terminal	
18	4460891	1	Connector	
	80604018	1	Lock, Wedge	
	4460465	2	Terminal	
19	4460891	1	Connector	
	80604018	1	Lock, Wedge	
	4460465	2	Terminal	
20	4460744	1	Connector	
	1001116728	4	Terminal	
	8220081	4	Seal	
	4460458	4	Seal	
	8220375	1	CAP,EXTENDED CLEAR VES-PAC	
	8220366	1	Diode Board Flyback	
21	1001116727	2	Plug	
	4460744	1	Connector	
	1001116728	4	Terminal	
	8220081	4	Seal	
	4460458	4	Seal	
	1001116727	2	Plug	
	8220366	1	Diode Board Flyback	
	8220375	1	CAP,EXTENDED CLEAR VES-PAC	
22	8220536	1	Connector	
	1001116757	4	Terminal	
	1001116758	12	Plug	
	1001189875	4	Seal	
23	1001165194	1	Connector	
	1001166556	10	Terminal	
	1001126391	2	Terminal	
	1001126393	10	Seal	
24	4460891	1	Connector	
	80604018	1	Lock, Wedge	
	4460465	2	Terminal	
25	4460891	1	Connector	
	80604018	1	Lock, Wedge	
	4460465	2	Terminal	
26	4460891	1	Connector	
	80604018	1	Lock, Wedge	
	4460465	2	Terminal	
27	4460955	1	Connector	
	1001116748	2	Terminal	
28	4460955	1	Connector	

## SECTION 10 - ELECTRICAL

ITEM	PART NUMBER	QTY	DESCRIPTION	REV
	1001116748	2	Terminal	
29	4460955	1	Connector	
	1001116748	2	Terminal	
30	4460955	1	Connector	
	1001116748	2	Terminal	
31	4460955	1	Connector	
	1001116748	2	Terminal	
32	1001176935	1	Connector	
	1001166704	4	Terminal	
	4461006	4	Seal	
33	1001167641	1	Connector	
	1001167643	1	Cover	
	1001167644	1	Lock, Secondary	
	1001167646	1	Relief, Strain	
	1001167647	1	Boot, Rubber	
	1001167648	12	Terminal	
	1001167650	54	Plug	
	1001167649	30	Terminal	
34	4461095	1	Connector	
	4461070	1	Attach Mating Connector	
	4460465	2	Terminal	
	4460466	1	Terminal	
35	4460019	1	Terminal, Ring	
36	4460891	1	Connector	
	80604018	1	Lock, Wedge	
	4460465	2	Terminal	
37	1001125083	1	Connector	
	1001125085	1	Terminal	
	1001125089	1	Terminal	
38	8220164	2	Terminal, Ring	
39	4460019	1	Terminal, Ring	
40	1001167617	1	Connector	
	4460746	22	Terminal	
	1001116727	24	Plug	
	1001189877	2	Seal	
	8220089	1	Seal	
	4460458	19	Seal	
	8220125	2	Terminal	
	80963067	2	Seal	
	1001187512	1	Decal	
	1001187513	1	Decal	
	1001095704	5	Relay	
	8229244	2	Fuse, 15 Amp	
41	4460312	2	Terminal, Ring	
	1001195087	1	Red Boot	
42	4460312	1	Terminal, Ring	
43	1001117103	1	Connector	
	7026404	1	Lock, Connector	
	1001121730	2	Terminal	
	8220160	2	Seal	
44	4460312	1	Terminal, Ring	



## SECTION 10 - ELECTRICAL

ITEM	PART NUMBER	QTY	DESCRIPTION	REV
45	1001116950	1	Connector	
	4460465	2	Terminal	
	1001118390	2	Terminal	
46	4460312	2	Terminal, Ring	
	1001195087	1	Red Boot	
47	4460247	1	Terminal, Ring	
	1001195055	1	Red Boot	
48	4460247	1	Terminal, Ring	
	1001195087	1	Black Boot	
49	1001117070	1	Connector	
	1001116734	2	Terminal	
50	4460312	1	Terminal, Ring	
	4460019	1	Terminal, Ring	
51	4460019	1	Terminal, Ring	
52	4460019	1	Terminal, Ring	
53	1001176935	1	Connector	
	1001166704	4	Terminal	
	4461006	4	Seal	
54	4461095	1	Connector	
	4461070	1	Attach Mating Connector	
	4460465	2	Terminal	
	4460466	1	Plug	
55	1001167528	1	Connector	
	1001166704	4	Terminal	
	4461006	4	Seal	
56	8220058	1	Terminal, Ring	
	1001195055	1	Red Boot	
57	1001117125	1	Terminal, Snap Plug	
	1001246391	1	Terminal, Snap Plug	
58	1001117111	1	Terminal, Fork	
59	1001126487	1	Connector	
	1001126484	2	Terminal	
	4461006	2	Seal	
60	4460476	1	Connector	
	4460475	3	Terminal	
	4460458	3	Seal	
61	1001125027	1	Connector	
	70026217	1	Lock, Secondary	
	8220124	3	Terminal	
	4460608	3	Seal	
62	1001237778	3	Seal	
	4460476	1	Connector	
	4460475	3	Terminal	
	4460458	3	Seal	
63	1001117021	1	Connector	
	1001116728	2	Terminal	
	8220081	2	Seal	
64	4460884	1	Connector	
	1001192401	1	Dust Cap	
	1001157890	1	Terminal	
	1001116692	2	Terminal	

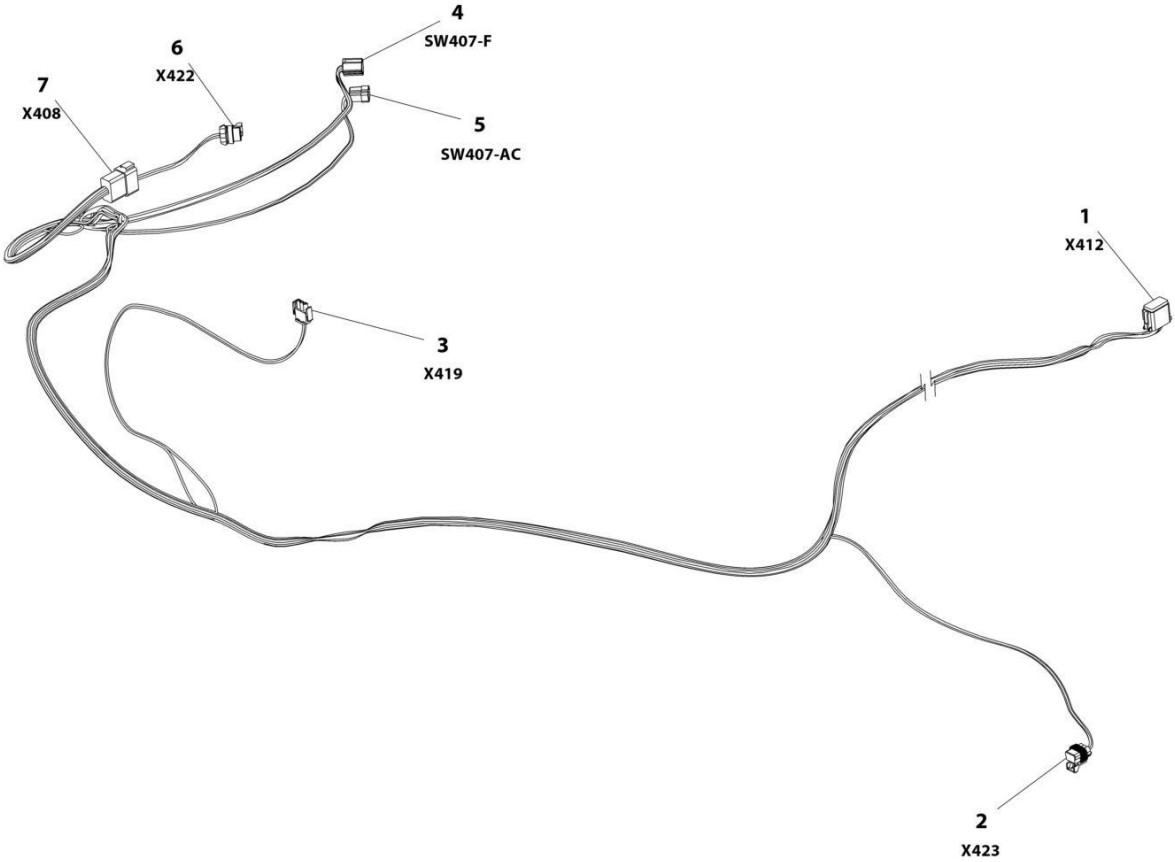
## SECTION 10 - ELECTRICAL

ITEM	PART NUMBER	QTY	DESCRIPTION	REV
65	4460466	1	Plug	
	2400066	1	Connector	
	2400060	1	Fuseholder	
	8229242	1	Fuse, 5 Amp	



**SECTION 10 - ELECTRICAL**

**FIGURE 10-24. HVAC HARNESS**



ART\_1001178347-E

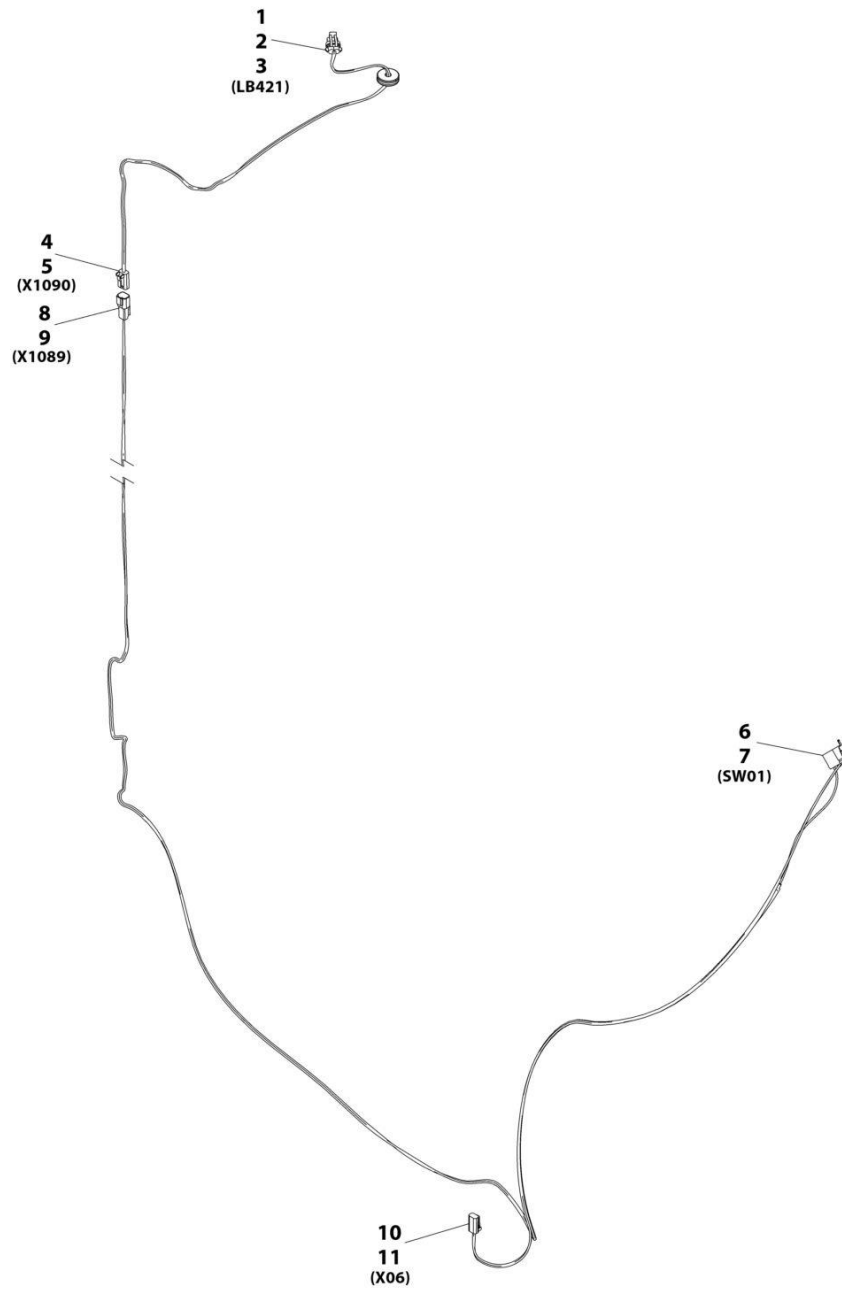
## SECTION 10 - ELECTRICAL

### FIGURE 10-24. HVAC HARNESS

ITEM	PART NUMBER	QTY	DESCRIPTION	REV
	1001178347	Ref	HVAC Harness	E
1	4460933	1	Connector	
	80604016	1	Lock, Wedge	
	4460942	9	Terminal	
	4460465	2	Terminal	
	4460466	1	Terminal	
2	8220895	1	Connector	
	70026216	1	Lock, Secondary	
	8220124	3	Terminal	
	1001116751	3	Terminal, Plug	
3	4460326	1	Connector	
	4460268	2	Terminal	
4	1001117080	1	Connector	
	1001116723	5	Terminal	
5	1001117059	1	Connector	
	1001116736	3	Terminal	
6	1001125027	1	Connector	
	70026217	1	Lock, Secondary	
	8220124	3	Terminal	
7	4460950	1	Connector	
	80363179	1	Lock, Wedge	
	1001157891	5	Terminal	
	4460464	6	Terminal	
	4460466	1	Terminal	

# SECTION 10 - ELECTRICAL

## FIGURE 10-25. LIGHTS - BEACON LIGHT HARNESS



ART\_1001178345-H

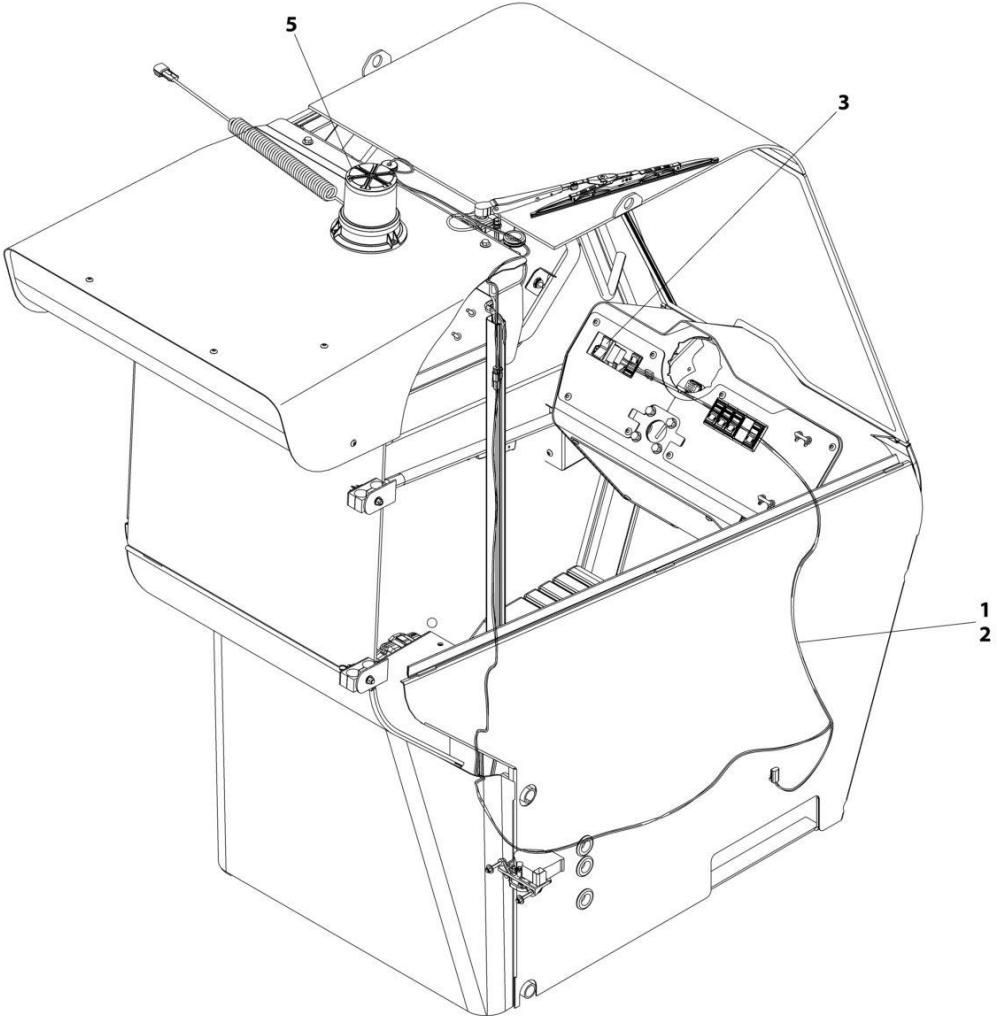
## SECTION 10 - ELECTRICAL

### FIGURE 10-25. LIGHTS - BEACON LIGHT HARNESS

ITEM	PART NUMBER	QTY	DESCRIPTION	REV
	1001178345	Ref	Beacon Option Harness	H
1	1001117021	1	Connector	
2	1001116728	2	Terminal	
3	4460458	2	Seal	
4	4460891	1	Connector	
5	4460465	2	Terminal	
6	8220904	1	Connector	
7	4460419	5	Terminal	
8	4460897	1	Connector	
9	4460464	2	Terminal	
10	4460891	1	Connector	
11	4460465	2	Terminal	

**SECTION 10 - ELECTRICAL**

**FIGURE 10-26. LIGHTS - BEACON LIGHT INSTALLATION (ENCLOSED CAB)**



ART\_1001161213\_G



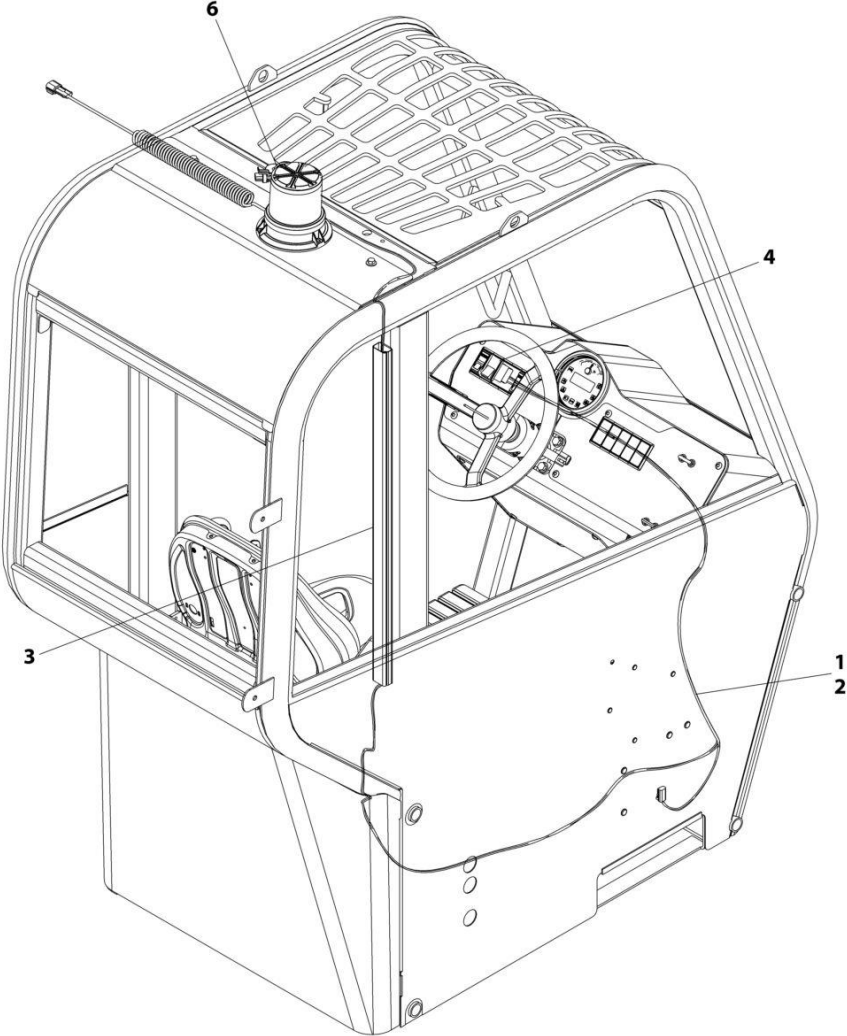
## SECTION 10 - ELECTRICAL

**FIGURE 10-26. LIGHTS - BEACON LIGHT INSTALLATION (ENCLOSED CAB)**

ITEM	PART NUMBER	QTY	DESCRIPTION	REV
	1001161213	Ref	LIGHTS - BEACON LIGHT INSTALLATION (ENCLOSED CAB)	G
1	0100009	AR	Sealant	
2	1001178345	1	Harness, Beacon Option (See Separate Breakdown in this Section)	
3	8223038	1	Switch, Beacon	
5	1001271586	1	Light, Rotating Beacon	

**SECTION 10 - ELECTRICAL**

**FIGURE 10-27. LIGHTS - BEACON LIGHT INSTALLATION (OPEN CAB)**



ART\_1001161212\_I

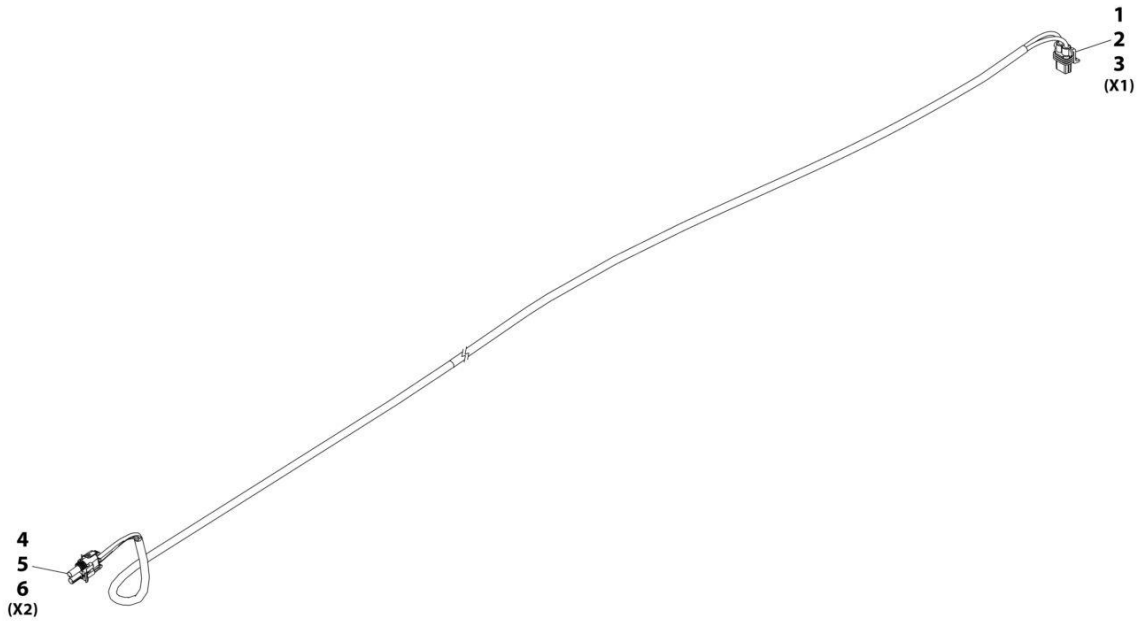
## SECTION 10 - ELECTRICAL

**FIGURE 10-27. LIGHTS - BEACON LIGHT INSTALLATION (OPEN CAB)**

ITEM	PART NUMBER	QTY	DESCRIPTION	REV
	1001161212	Ref	LIGHTS - BEACON LIGHT INSTALLATION (OPEN CAB)	I
1	0100009	AR	Sealant	
2	1001178345	1	Harness, Beacon Option (See Separate Breakdown in this Section)	
3	1001182091	1	Duct, Upper Wire	
4	8223038	1	Switch, Beacon	
6	1001271586	1	Light, Rotating Beacon	

# SECTION 10 - ELECTRICAL

## FIGURE 10-28. LIGHTS - BOOM WORK LIGHT HARNESS



ART\_1001238111

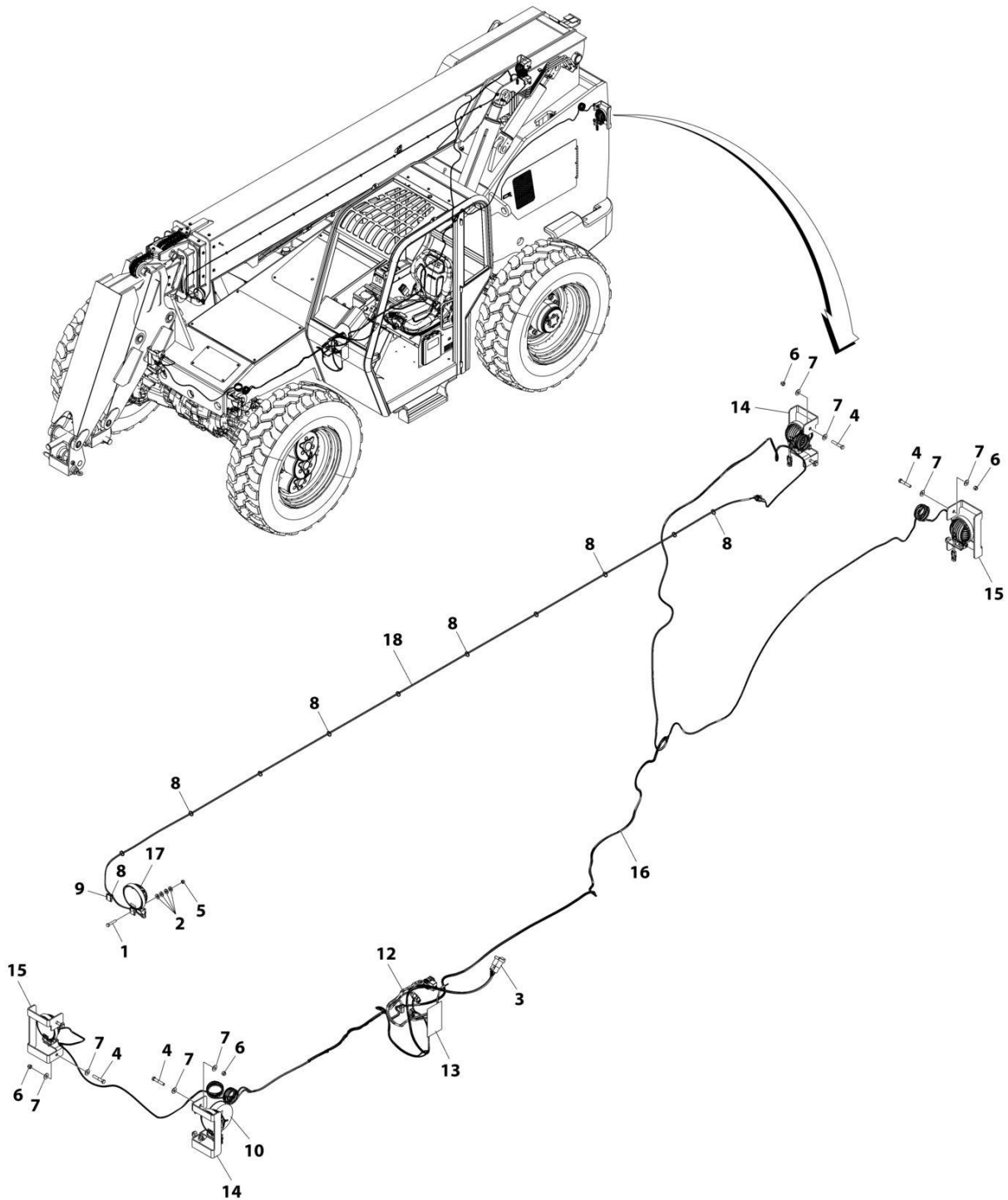
## SECTION 10 - ELECTRICAL

### FIGURE 10-28. LIGHTS - BOOM WORK LIGHT HARNESS

ITEM	PART NUMBER	QTY	DESCRIPTION	REV
	1001238111	Ref	Boom Worklight Harness	B
1	1001117021	1	Connector	
2	1001116747	2	Terminal	
3	4460789	2	Seal	
4	4460742	1	Connector	
5	4460457	2	Terminal	
6	4460789	2	Seal	

# SECTION 10 - ELECTRICAL

## FIGURE 10-29. LIGHTS - LED WORK LIGHT PACKAGE INSTALLATION



ART\_1001237847

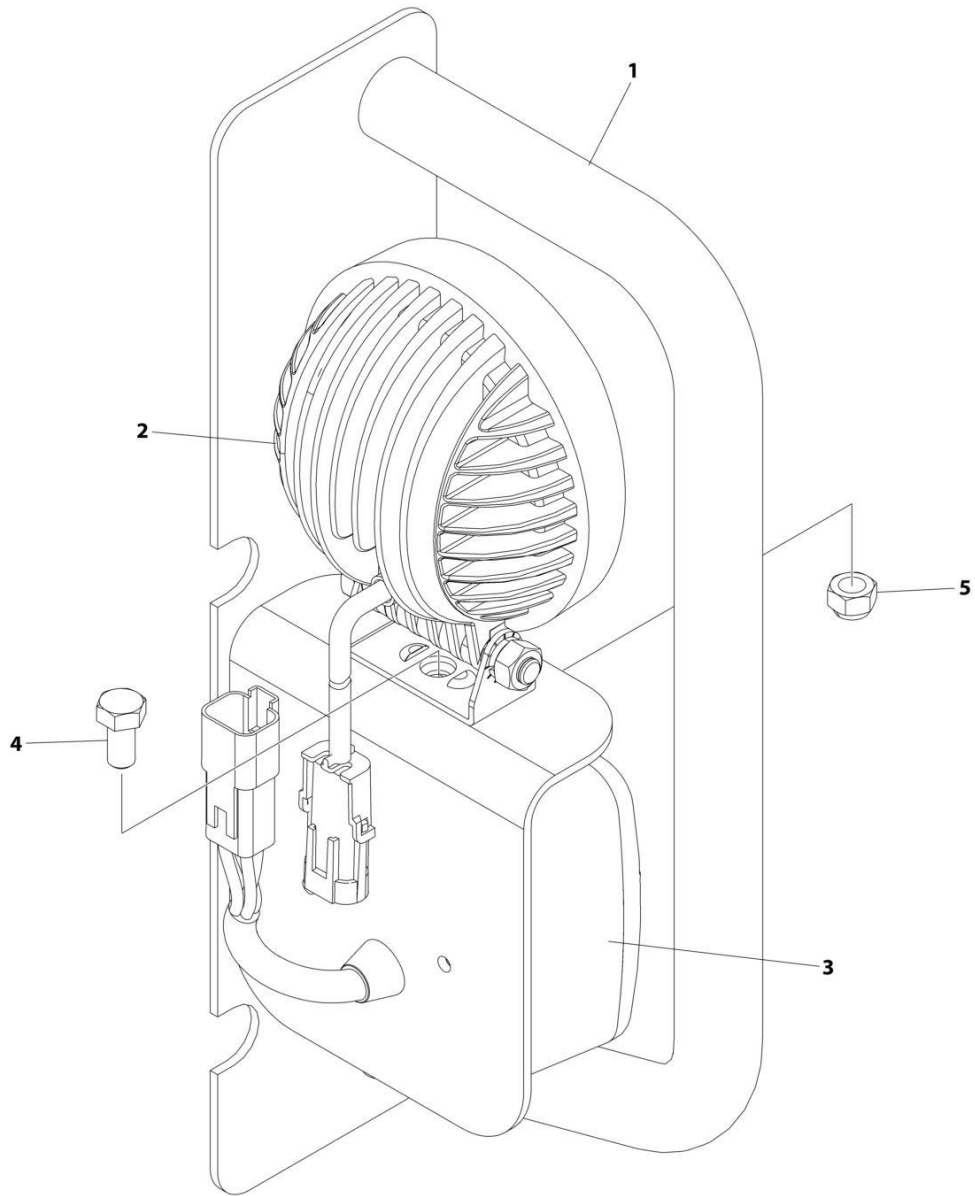
## SECTION 10 - ELECTRICAL

**FIGURE 10-29. LIGHTS - LED WORK LIGHT PACKAGE INSTALLATION**

ITEM	PART NUMBER	QTY	DESCRIPTION	REV
	1001237847	Ref	LIGHTS - LED WORK LIGHT PACKAGE INSTALLATION	C
1	0641514	1	Bolt 5/16 x 1-3/8	
2	4891600	AR	Washer 3/8	
3	8223059	1	Switch, Work Light	
4	8303771	8	Bolt 3/8 x 2-1/4	
5	8305626	1	Nut 5/16	
6	8305645	8	Nut 3/8	
7	8307204	16	Washer 3/8	
8	8584001	AR	Wrap, Tie	
9	8584018	4	Mount, Tie-Strap	
10	7124471	1	Conduit, 1 x 12.5	
11	88501005	AR	Nut 5/16	
12	1001205248	1	Harness, Roadlight Worklight (See Separate Breakdown in this Section)	
13	1001205264	1	Decal, Light Fuse Panel	
14	1001237853	2	Assembly, LED RH Worklight (See Separate Breakdown in this Section)	
15	1001237854	2	Assembly, LED LH Worklight (See Separate Breakdown in this Section)	
16	1001238199	1	Harness, Work Light Option (See Separate Breakdown in this Section)	
17	1001176337	1	Lamp, LED Worklight	
18	1001238111	1	Harness, Boom Worklight (See Separate Breakdown in this Section)	

# SECTION 10 - ELECTRICAL

## FIGURE 10-30. LIGHTS - ROAD LIGHT ASSEMBLY (LH)



ART\_1001251270



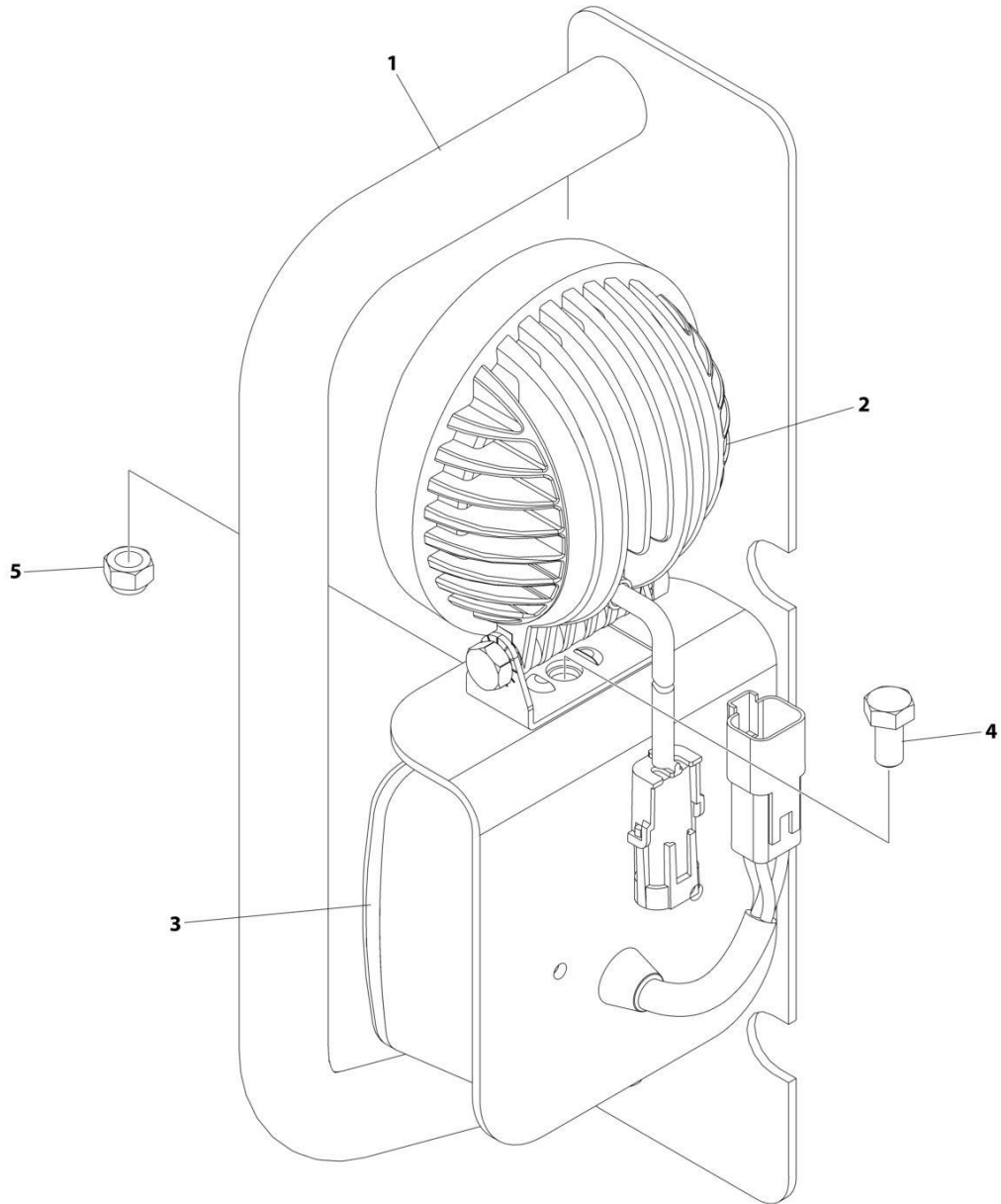
## SECTION 10 - ELECTRICAL

### FIGURE 10-30. LIGHTS - ROAD LIGHT ASSEMBLY (LH)

ITEM	PART NUMBER	QTY	DESCRIPTION	REV
	1001251270	Ref	LH ROADLIGHT ASSEMBLY	A
1	7150681	1	Assembly, LH Roadlight Bracket	
2	1001176337	1	Lamp, LED Worklight	
3	7150690	1	Light, Tail/Indicator	
4	8303745	1	Bolt 5/16 x 5/8	
5	8305626	1	Nut 5/16	

# SECTION 10 - ELECTRICAL

## FIGURE 10-31. LIGHTS - ROAD LIGHT ASSEMBLY (RH)



ART\_1001251271

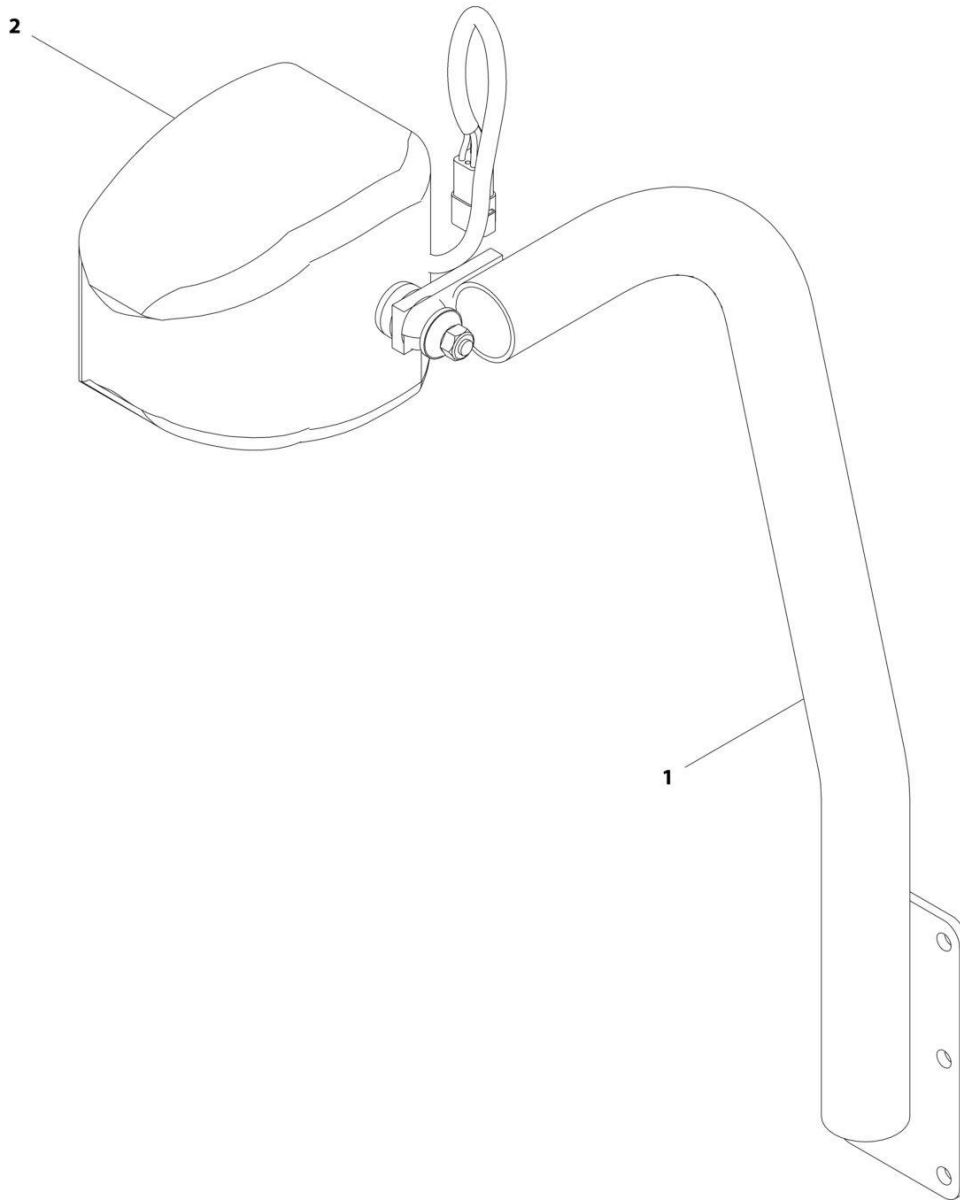
## SECTION 10 - ELECTRICAL

### FIGURE 10-31. LIGHTS - ROAD LIGHT ASSEMBLY (RH)

ITEM	PART NUMBER	QTY	DESCRIPTION	REV
	1001251271	Ref	RH ROADLIGHT ASSEMBLY	A
1	7150680	1	Assembly, RH Roadlight Bracket	
2	1001176337	1	Lamp, LED Worklight	
3	7150690	1	Light, Tail/Indicator	
4	8303745	1	Bolt 5/16 x 5/8	
5	8305626	1	Nut 5/16	

# SECTION 10 - ELECTRICAL

FIGURE 10-32. LIGHTS - ROAD LIGHT BRACKET ASSEMBLY (LH)



ART\_7150699-B

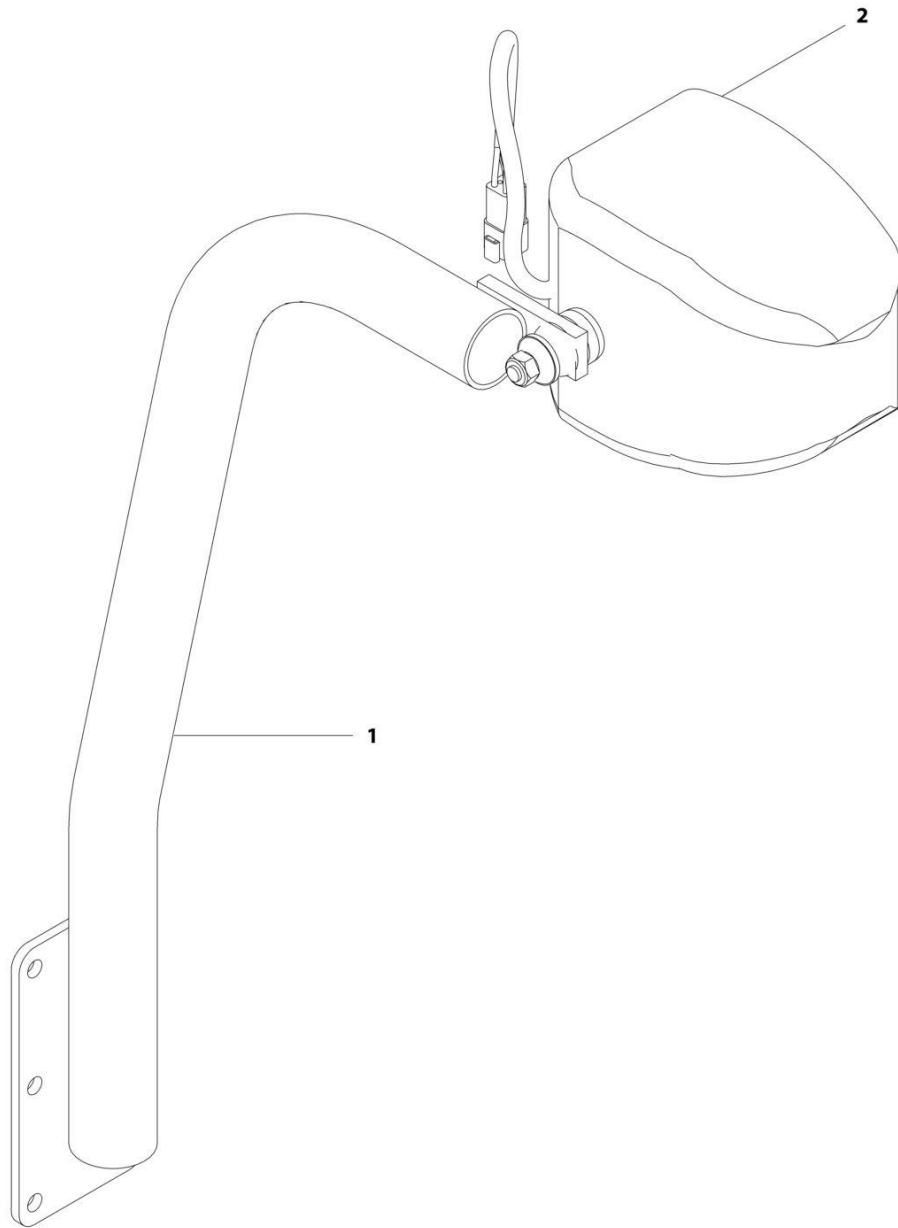
## SECTION 10 - ELECTRICAL

### FIGURE 10-32. LIGHTS - ROAD LIGHT BRACKET ASSEMBLY (LH)

ITEM	PART NUMBER	QTY	DESCRIPTION	REV
	7150699	Ref	LH Roadlight Bracket Assembly	B
1	7150685	1	Bracket, LH Roadlight	
2	7150702	1	Roadlight, LH Front	
2	8036216	6	Screw, Headlight Lens	
2	8036212	1	Lens, Headlight	
2	8036213	1	Bulb, Headlight 12V, 60/55W	
2	8036214	1	Bulb, Blinker 12V, 5W	
2	8036215	1	Harness, Wiring (includes 6-way connector)	
2	8036209	1	Lens, Left Amber Headlight	

# SECTION 10 - ELECTRICAL

FIGURE 10-33. LIGHTS - ROAD LIGHT BRACKET ASSEMBLY (RH)



ART\_7150716-B

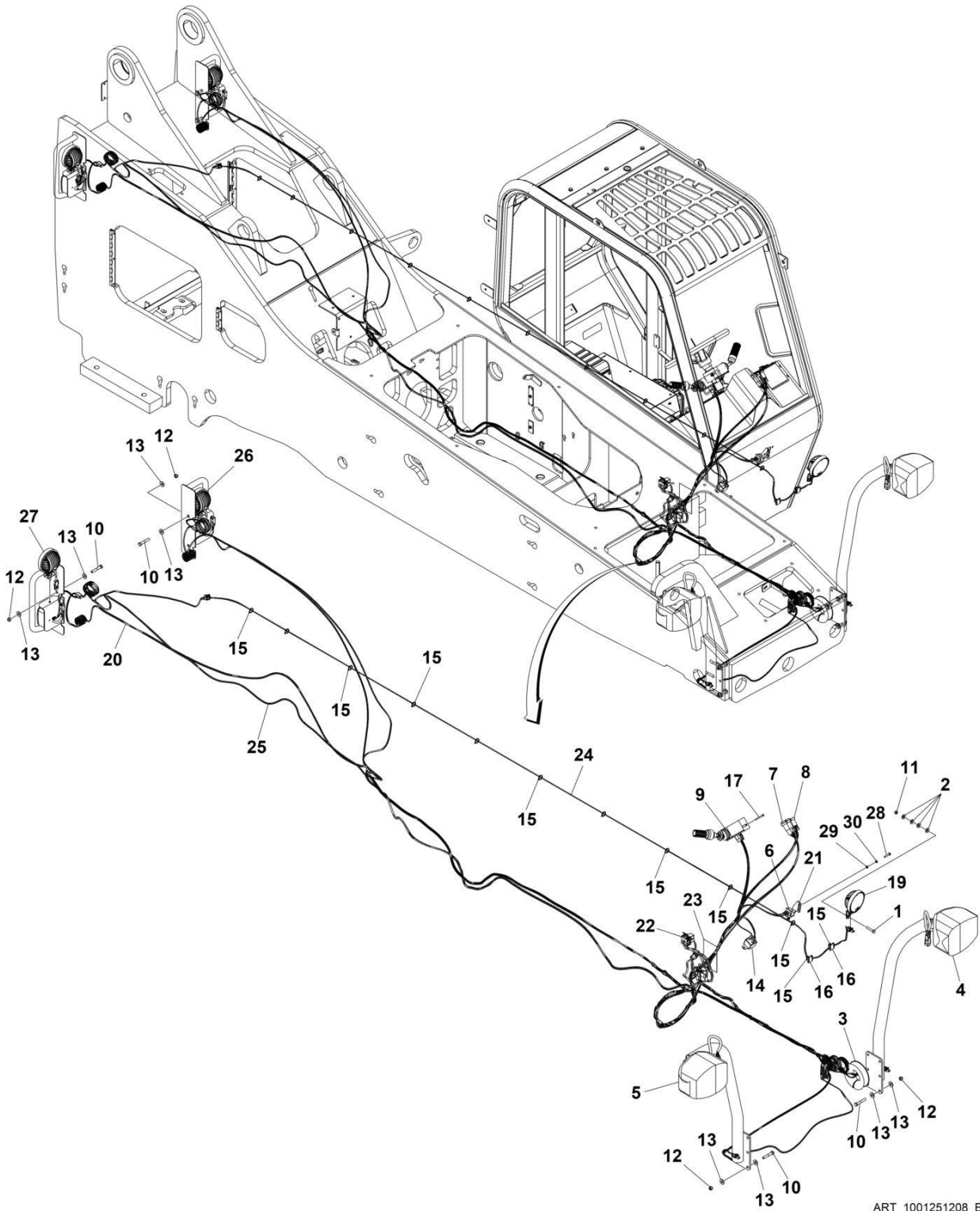
## SECTION 10 - ELECTRICAL

### FIGURE 10-33. LIGHTS - ROAD LIGHT BRACKET ASSEMBLY (RH)

ITEM	PART NUMBER	QTY	DESCRIPTION	REV
	7150716	Ref	RH Roadlight Bracket Assembly	B
1	7150717	1	Bracket, RH Roadlight	
2	7150703	1	Roadlight, LH Front	
2	8036210	1	Lens, Right Amber Headlight	
2	8036216	6	Screw, Headlight Lens	
2	8036212	1	Lens, Headlight	
2	8036213	1	Bulb, Headlight, 12V, 60/55W	
2	8036214	1	Bulb, Blinker 12V, 5W	
2	8036215	1	Harness, Wiring (includes 6-way connector)	

# SECTION 10 - ELECTRICAL

## FIGURE 10-34. LIGHTS - ROADLIGHT PACKAGE INSTALLATION



ART\_1001251208\_E



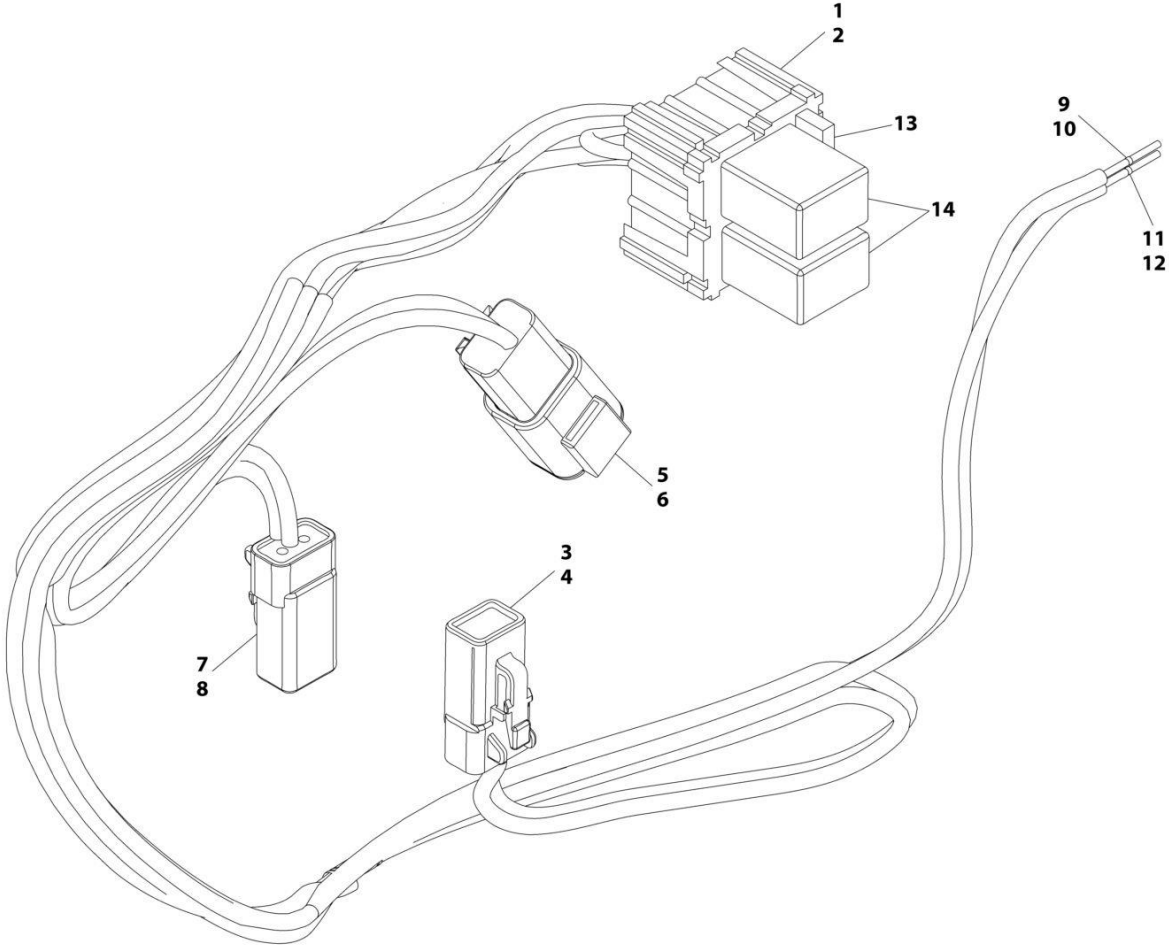
## SECTION 10 - ELECTRICAL

**FIGURE 10-34. LIGHTS - ROADLIGHT PACKAGE INSTALLATION**

ITEM	PART NUMBER	QTY	DESCRIPTION	REV
	1001251208	Ref	ROADLIGHT PACKAGE INSTALLATION	E
1	0641520	1	Bolt 5/16 x 2-1/2	
2	1001305569	1	Spacer	
2	1001173257	1	Spacer Block	
3	7124471	2	Conduit 1 x 12.5	
4	7150699	1	Assembly, LH Roadlight Bracket (See Separate Breakdown in this Section)	
5	7150716	1	Assembly, RH Roadlight Bracket (See Separate Breakdown in this Section)	
6	8223025	1	Switch, Brake Lights	
7	8223059	1	Switch, Work Light	
8	8223060	1	Switch, Hazard	
9	8223073	1	Control, Turn Signal	
10	8303771	10	Bolt 3/8 x 2-1/4	
11	8305626	1	Nut 5/16	
12	8305645	10	Nut 3/8	
13	8307204	20	Washer 3/8	
14	8500203	NLA	Flasher, Hazard Warning 12V	
14	80983168	1	Flasher, Hazard Warning 12V	
15	8584001	12	Wrap, Tie	
16	8584018	2	Mount, Cable Tie	
17	88211516	2	Screw M10	
19	1001273636	1	Lamp, LED Worklight	
20	1001296148	1	Harness, Road Light Option	
21	1001201752	1	Bracket, Brake Switch	
22	1001205248	1	Harness, Roadlight Worklight (See Separate Breakdown in this Section)	
23	1001205264	1	Decal, Light Fuse Panel	
24	1001238111	1	Harness, Boom Worklight (See Separate Breakdown in this Section)	
25	1001238199	1	Harness, Work Light Option (See Separate Breakdown in this Section)	
26	1001251270	1	Assembly, LH Roadlight (See Separate Breakdown in this Section)	
27	1001251271	1	Assembly, RH Roadlight (See Separate Breakdown in this Section)	
28	0700614	2	Bolt M6 x 30	
29	4811700	2	Washer M6	
30	4831700	2	Washer M6	
31	7150685	1	Road Light Brake Assembly (LH)	
32	7150717	1	Road Light Bracket Assembly	
33	1001244593	1	Lamp (RH)	
34	1001244594	1	Lamp (LH)	

**SECTION 10 - ELECTRICAL**

**FIGURE 10-35. LIGHTS - ROAD LIGHT WORK LIGHT HARNESS**



ART\_1001205248\_A

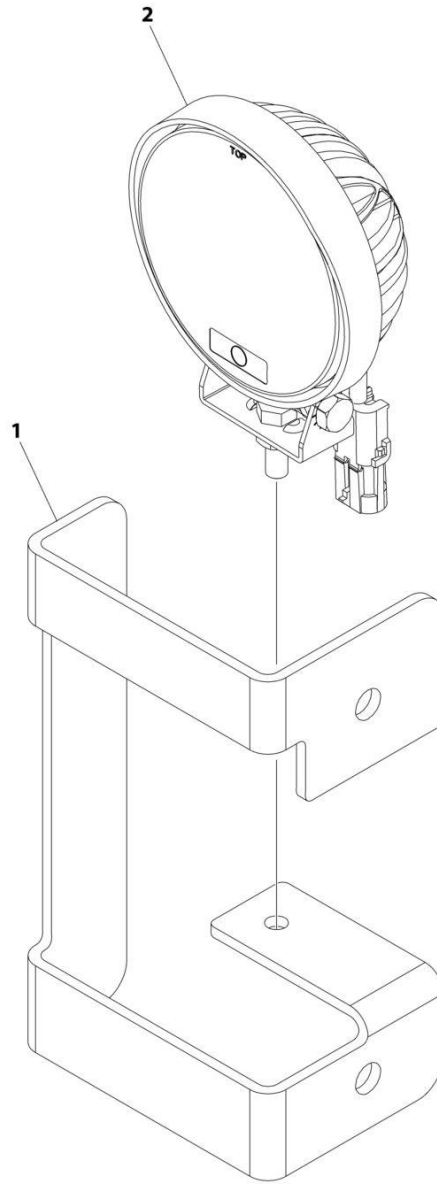
## SECTION 10 - ELECTRICAL

### FIGURE 10-35. LIGHTS - ROAD LIGHT WORK LIGHT HARNESS

ITEM	PART NUMBER	QTY	DESCRIPTION	REV
	1001205248	Ref	Roadlight Worklight Harness	A
1	1001177198	1	Connector	
2	1001116712	12	Terminal	
3	4461018	1	Connector	
4	4460509	2	Terminal	
5	4461017	1	Connector	
6	4460508	2	Terminal	
7	4461018	1	Connector	
8	4460509	2	Terminal	
9	4460790	1	Terminal, Socket	
10	8220089	1	Seal	
11	4460790	1	Terminal, Socket	
12	8220089	1	Seal	
13	8229245	2	Fuse 30Amp	
14	1001205172	2	Relay	

# SECTION 10 - ELECTRICAL

FIGURE 10-36. LIGHTS - WORK LIGHT ASSEMBLY - LED (LH)



ART\_1001237854

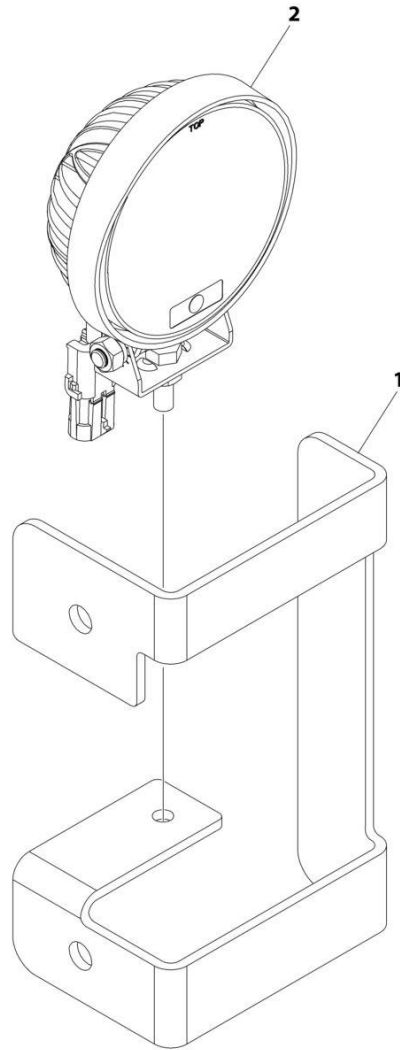
## SECTION 10 - ELECTRICAL

**FIGURE 10-36. LIGHTS - WORK LIGHT ASSEMBLY - LED (LH)**

ITEM	PART NUMBER	QTY	DESCRIPTION	REV
	1001237854	Ref	LIGHTS - WORK LIGHT ASSEMBLY - LED (LH)	A
1	1001097080	1	Bracket, LH Worklight Mount	
2	1001176337	1	Lamp, LED Worklight	

# SECTION 10 - ELECTRICAL

FIGURE 10-37. LIGHTS - WORK LIGHT ASSEMBLY - LED (RH)



ART\_1001237853

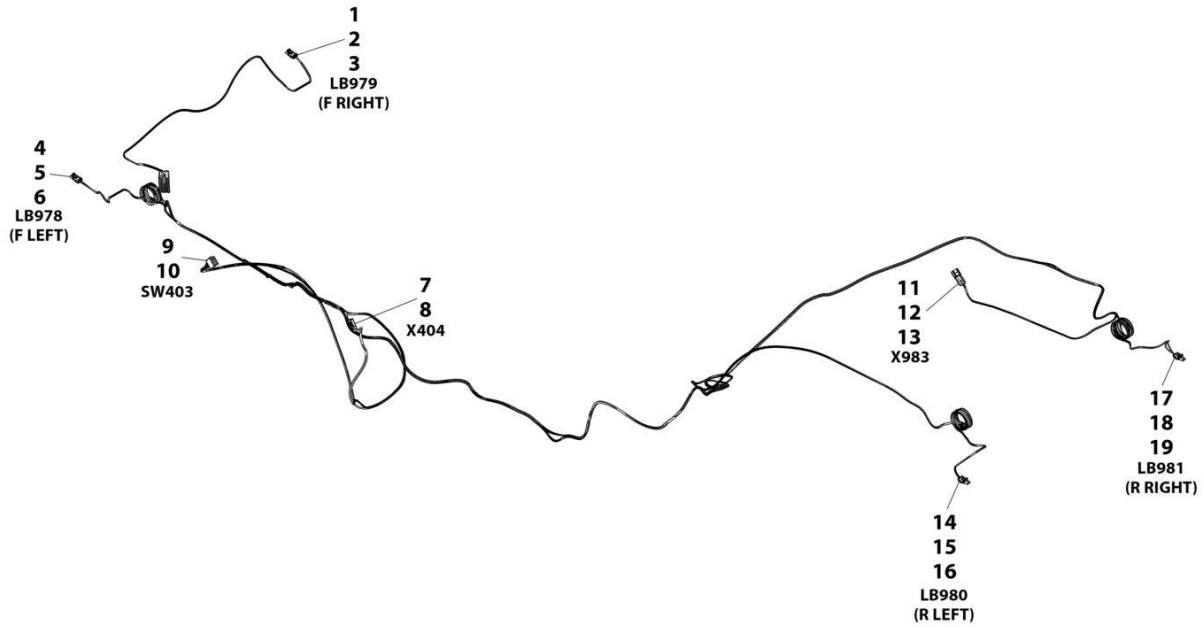
## SECTION 10 - ELECTRICAL

**FIGURE 10-37. LIGHTS - WORK LIGHT ASSEMBLY - LED (RH)**

ITEM	PART NUMBER	QTY	DESCRIPTION	REV
	1001237853	Ref	LIGHTS - WORK LIGHT ASSEMBLY - LED (RH)	A
1	1001097079	1	Bracket, RH Worklight Mount	
2	1001176337	1	Lamp, LED Worklight	

# SECTION 10 - ELECTRICAL

## FIGURE 10-38. LIGHTS - WORK LIGHT OPTIONS HARNESS



ART\_1001238199-A



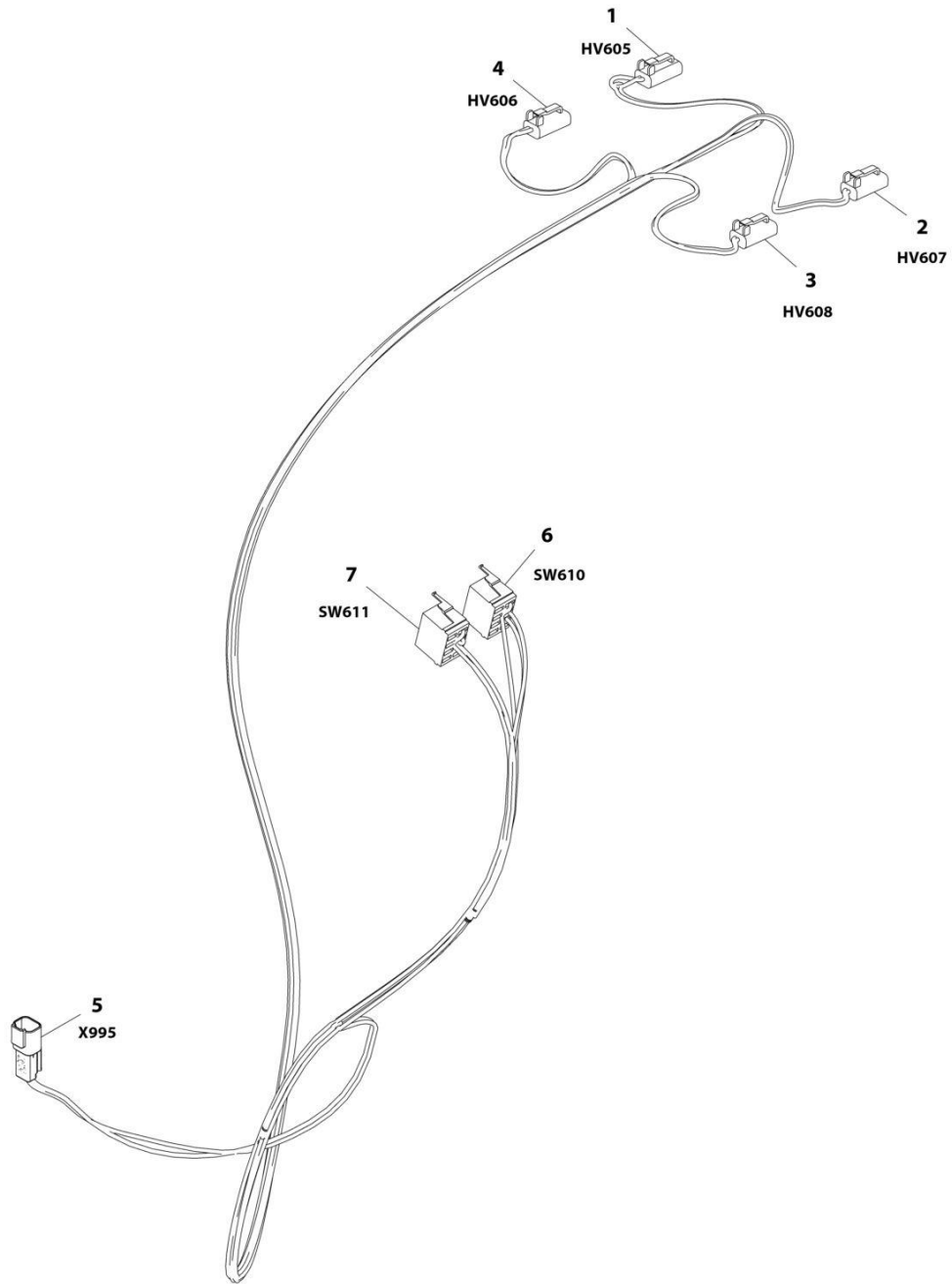
## SECTION 10 - ELECTRICAL

**FIGURE 10-38. LIGHTS - WORK LIGHT OPTIONS HARNESS**

ITEM	PART NUMBER	QTY	DESCRIPTION	REV
	1001238199	Ref	Work Lighting Option Harness	A
1	4460742	1	Connector	
2	4460457	2	Terminal	
3	4460789	2	Seal	
4	4460742	1	Connector	
5	4460457	2	Terminal	
6	4460789	2	Seal	
7	4461018	1	Connector	
8	4460509	2	Terminal	
9	8220904	1	Connector	
10	4460419	6	Terminal	
11	1001117026	1	Connector	
12	1001116729	2	Terminal	
13	8220081	2	Seal	
14	4460742	1	Connector	
15	4460457	2	Terminal	
16	4460789	2	Seal	
17	4460742	1	Connector	
18	4460457	2	Terminal	
19	4460457	2	Seal	

# SECTION 10 - ELECTRICAL

## FIGURE 10-39. OUTRIGGER HARNESS (10042)



ART\_100117778

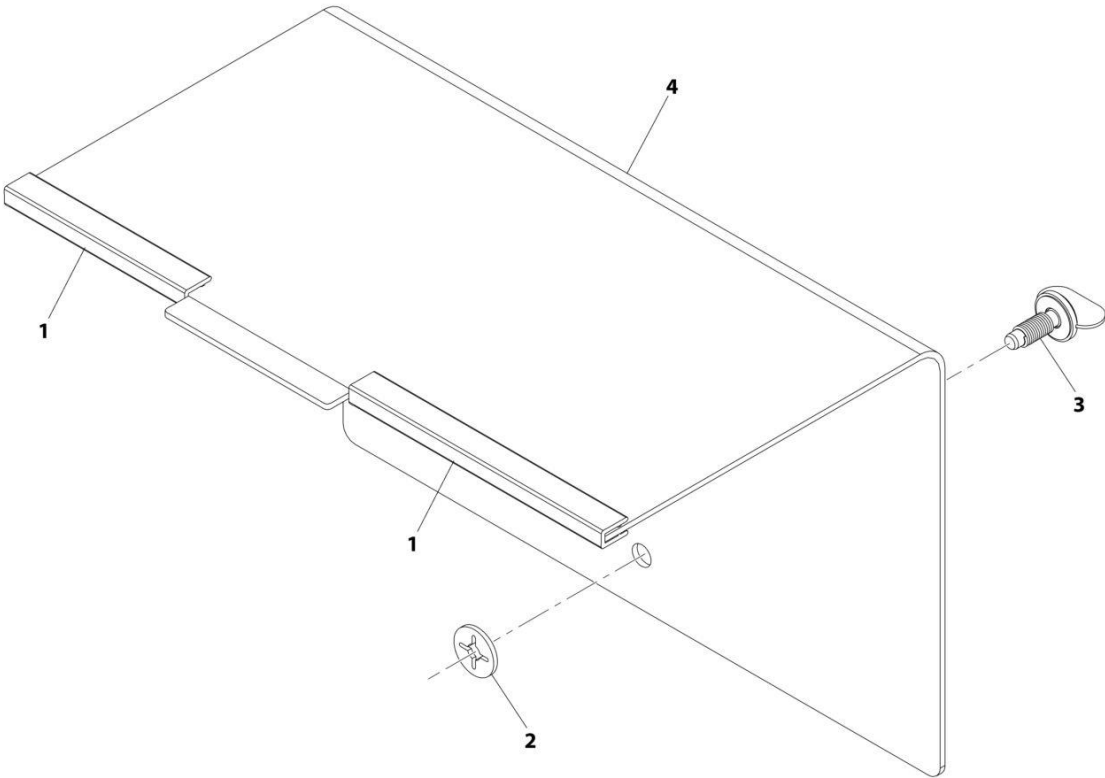
## SECTION 10 - ELECTRICAL

**FIGURE 10-39. OUTRIGGER HARNESS (10042)**

ITEM	PART NUMBER	QTY	DESCRIPTION	REV
	1001177778	Ref	Outrigger Harness	D
1	4460891	1	Connector	
	80604018	1	Lock, Wedge	
	4460465	2	Terminal	
2	4460891	1	Connector	
	80604018	1	Lock, Wedge	
	4460465	2	Terminal	
3	4460891	1	Connector	
	80604018	1	Lock, Wedge	
	4460465	2	Terminal	
4	4460891	1	Connector	
	80604018	1	Lock, Wedge	
	4460465	2	Terminal	
5	4460897	1	Connector	
	80604017	1	Lock, Wedge	
	4460464	1	Terminal	
	4460941	1	Terminal	
6	8220904	1	Connector	
	4460419	5	Terminal	
7	8220904	1	Connector	
	4460419	5	Terminal	

**SECTION 10 - ELECTRICAL**

**FIGURE 10-40. RELAY PANEL COVER INSTALLATION**



ART\_1001170234-B

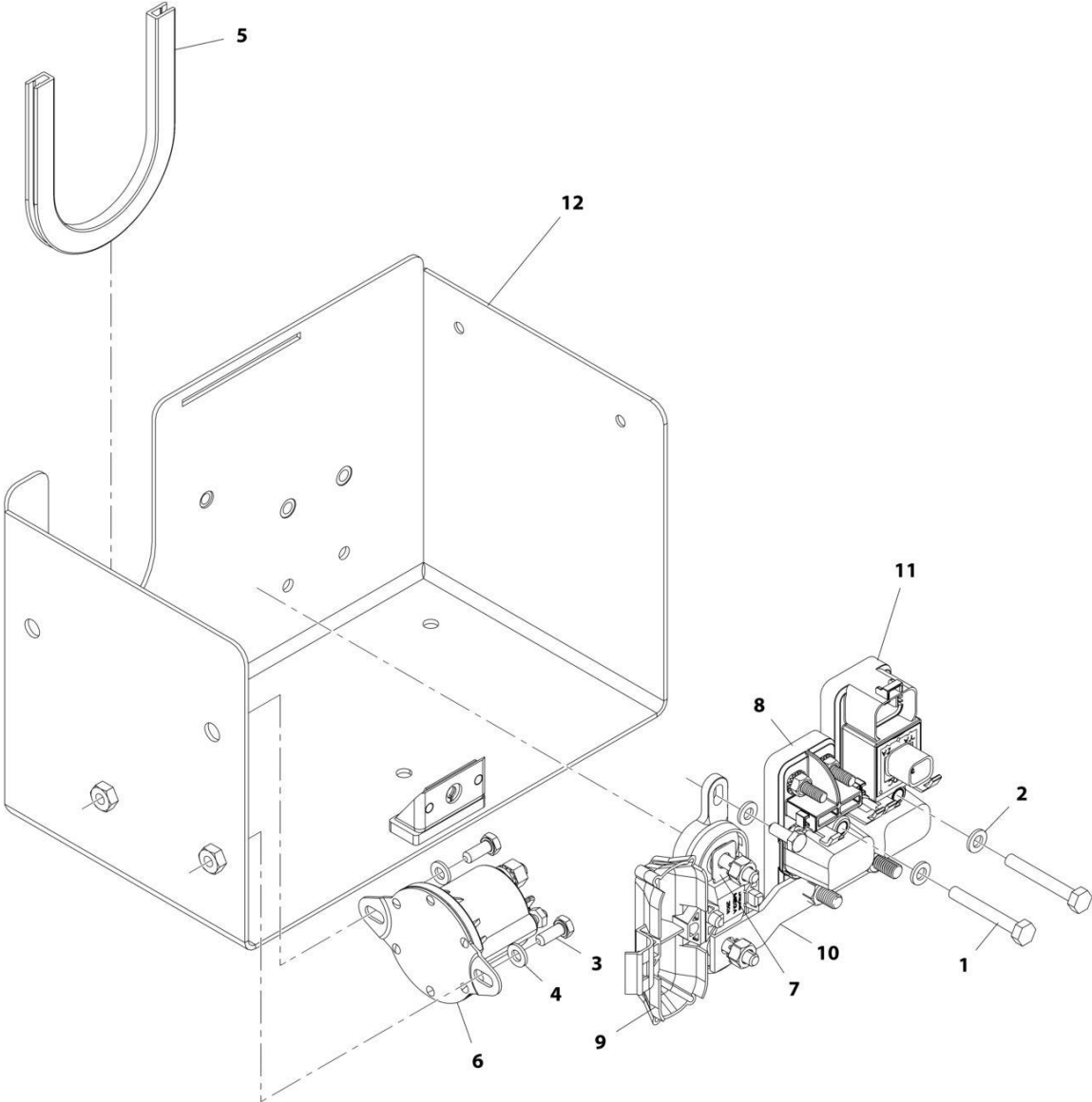
## SECTION 10 - ELECTRICAL

### FIGURE 10-40. RELAY PANEL COVER INSTALLATION

ITEM	PART NUMBER	QTY	DESCRIPTION	REV
	1001170234	Ref	Relay Panel Cover Assembly	B
1	90206196	220 mm	Trim, Vinyl Edge	
2	1001135770	1	Washer, Push-On Retainer	
3	1001135777	1	Screw, Fastener Assembly Wing Head	
4	1001170235	1	Cover, Relay Panel	

**SECTION 10 - ELECTRICAL**

**FIGURE 10-41. RELAY PANEL INSTALLATION**



ART\_1001170233-F

## SECTION 10 - ELECTRICAL

**FIGURE 10-41. RELAY PANEL INSTALLATION**

ITEM	PART NUMBER	QTY	DESCRIPTION	REV
	1001170233	Ref	Relay Panel Installation	F
1	0641415	2	Bolt 1/4X1-7/8	
2	4761400	2	Washer 1/4	
3	8303545	4	Bolt M6X14	
4	8307219	4	Washer M6	
5	90206196	257 mm	Trim, Vinyl Edge	
6	1001186417	1	Relay, 150 Amp	
7	1001118245	1	Fuse, 250 Amp	
8	1001127699	1	Fuse, Power Module	
9	1001127700	1	Holder, AMG Fuse	
10	1001129615	1	Bar, Buss Connector	
11	1001184316	1	Relay, Power Module	
12	1001170230	1	Bracket, Relay Mount	





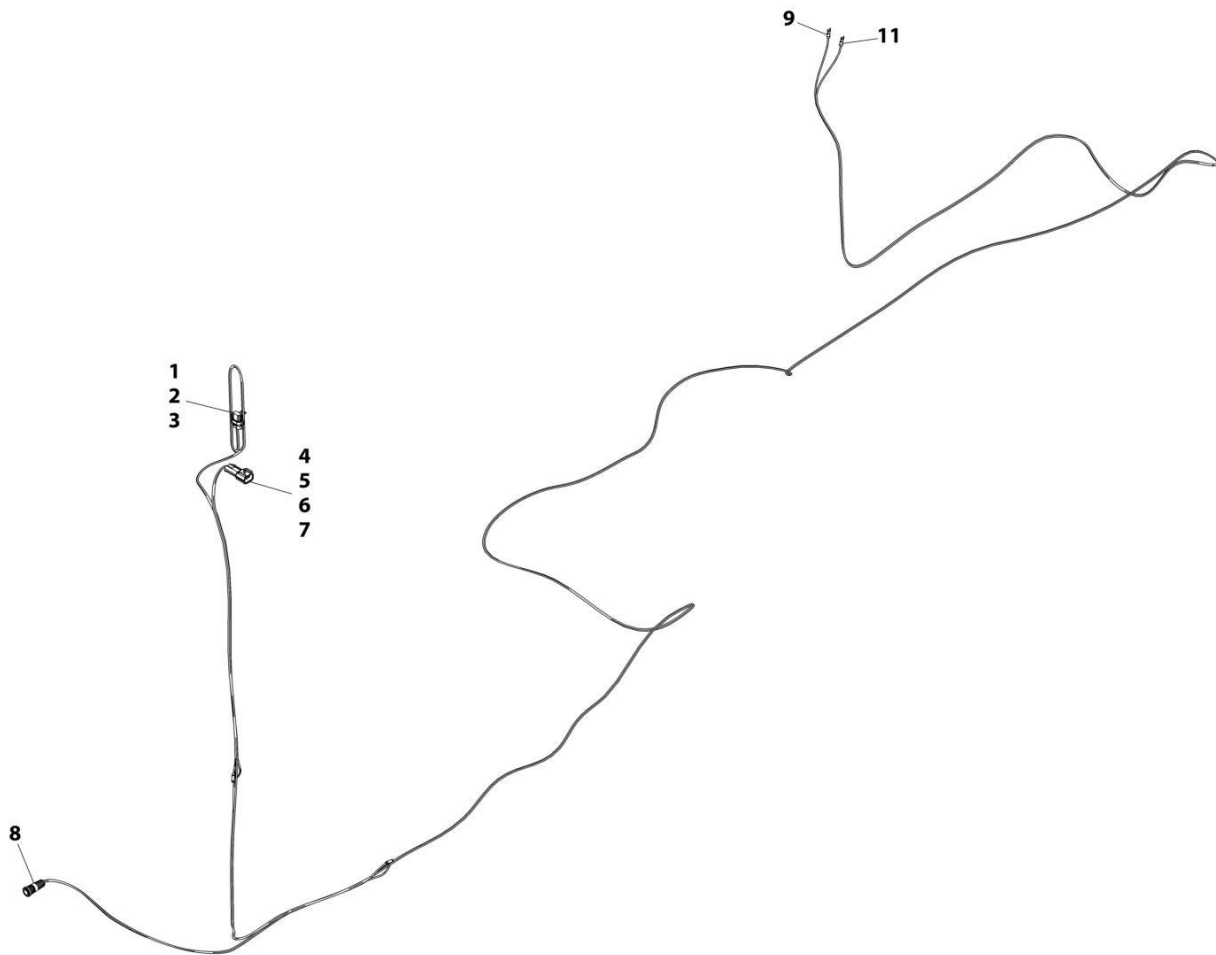
## SECTION 10 - ELECTRICAL

### FIGURE 10-42. REVERSE CAMERA

ITEM	PART NUMBER	QTY	DESCRIPTION	REV
	1001265982	Ref	SKYTRAK BACKUP CAMERA INSTALLATION	A
1	0641410	4	Bolt 1/4 x 1	
2	3311401	1	Nut 1/4	
3	3931012	2	Capscrew, #10 x 3/4	
4	4240032	1	Tie-Strap	
5	4460234	1	Mount, Tie-Strap	
6	4711000	2	Washer M10	
7	4711400	8	Washer 1/4	
8	8303771	1	Bolt 3/8 x 2-1/4	
9	8305004	5	Nut 1/4	
10	8305645	2	Nut 3/8	
11	8307204	4	Washer 3/8	
12	8406010	1	Clip	
13	1001204692	1	Bracket	
14	1001233174	1	Camera, Rear View	
15	1001233217	1	Bracket, Monitor Mount	
16	1001233434	1	Harness, Extension Cable Camera	
17	1001233828	1	Bracket, Camera Mount	
18	1001233976	1	Harness, Rear Camera Option (See Separate Breakdown in this Section)	
19	1001264534	1	Camera (LH)	
19	70031717	1	Cable, Camera	
20	1001264536	1	Camera (RH)	
20	70031717	1	Cable, Camera	
21	1001265679	1	Bracket, Camera (LH)	
22	1001265680	1	Bracket, Camera (RH)	
23	1001265979	1	Harness, Extension (LH)	
24	1001265980	1	Harness, Extension (RH)	
25	1001265986	1	Monitor, Display	
26	1001265987	1	Harness, Monitor/Display	

# SECTION 10 - ELECTRICAL

## FIGURE 10-43. REVERSE SENSING HARNESS



ART\_1001189886-B

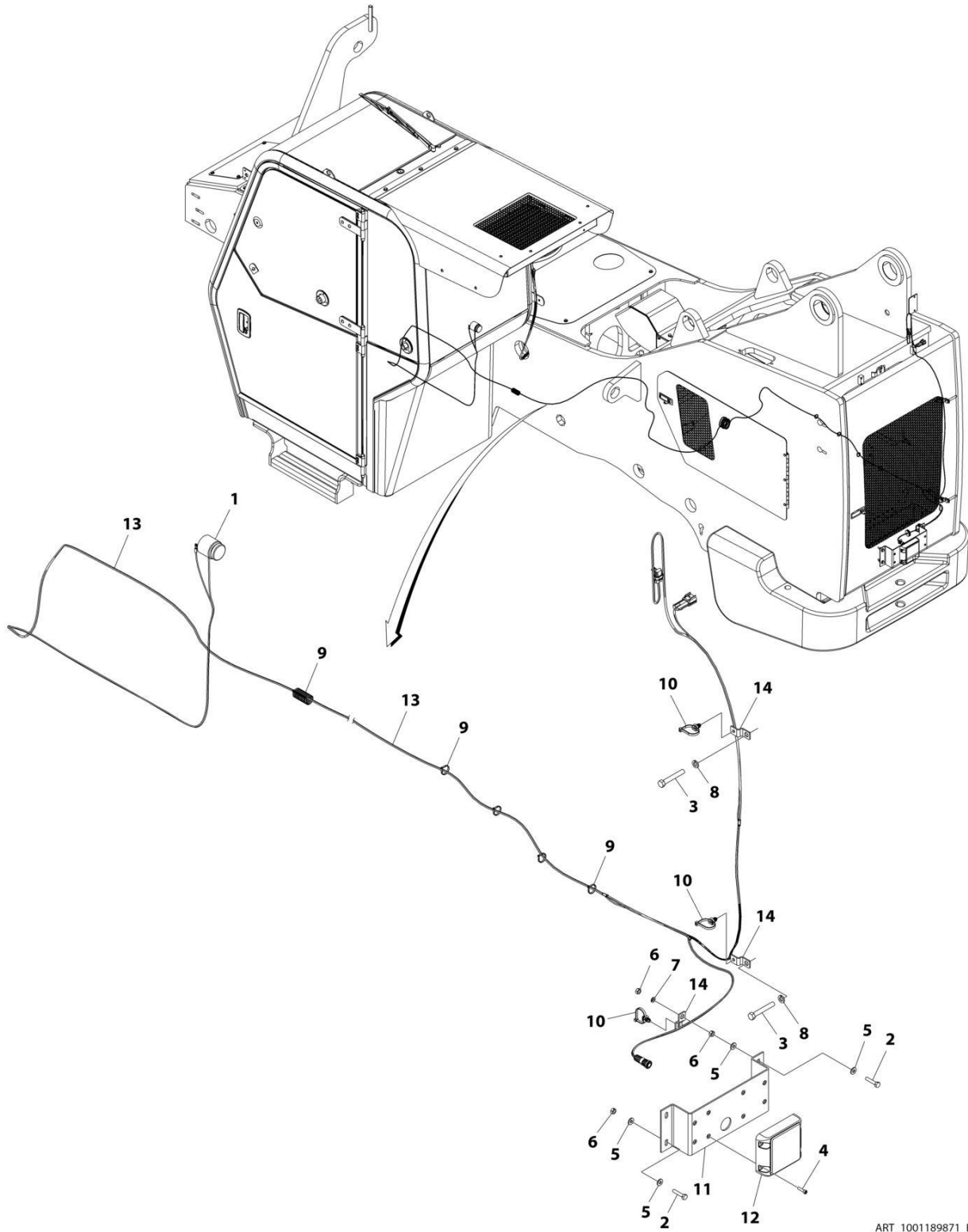
## SECTION 10 - ELECTRICAL

### FIGURE 10-43. REVERSE SENSING HARNESS

ITEM	PART NUMBER	QTY	DESCRIPTION	REV
	1001189886	Ref	Reverse Sensor Harness	B
1	1001117021	1	Connector	
2	1001116728	2	Terminal	
3	4460458	2	Seal	
4	1001117026	1	Connector	
5	8220890	1	Lock, Secondary	
6	1001116745	2	Terminal	
7	4460458	2	Seal	
8	1001175733	1	Connector	
9	4460183	1	Fork Terminal	
11	4460183	1	Fork Terminal	

# SECTION 10 - ELECTRICAL

## FIGURE 10-44. REVERSE SENSING SYSTEM INSTALLATION



ART\_1001189871\_B

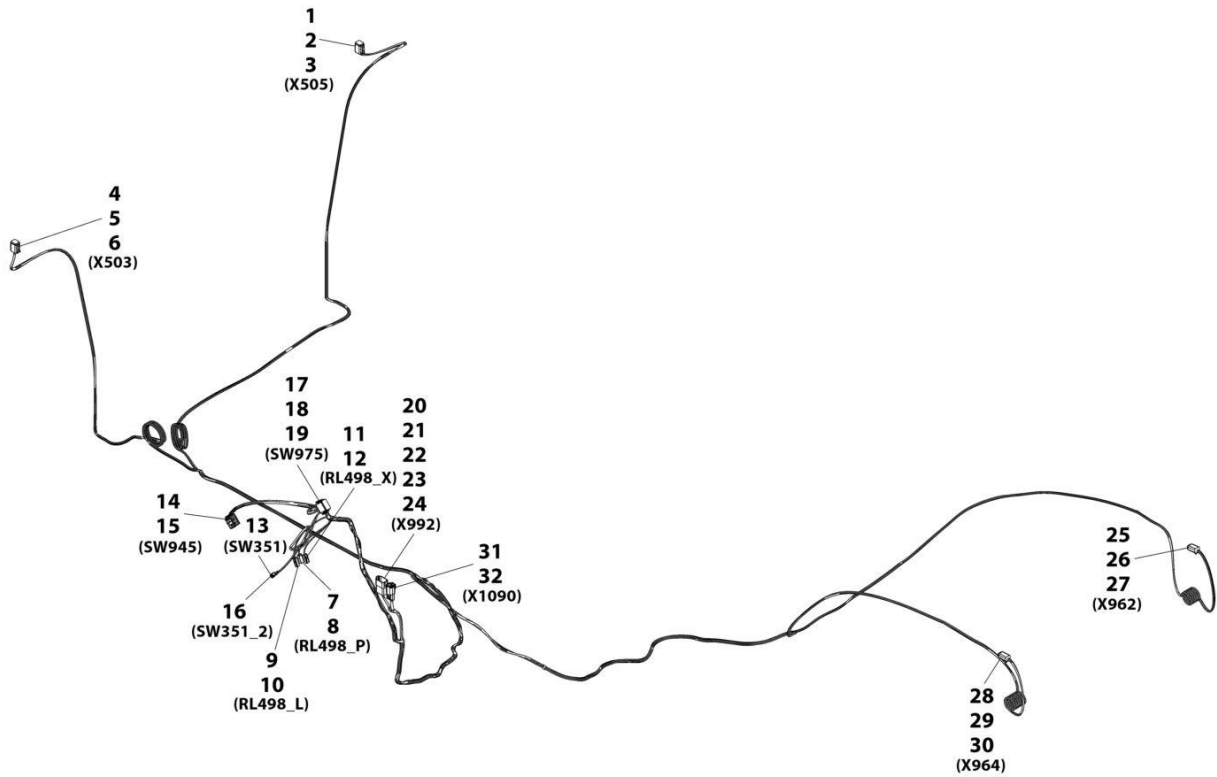
## SECTION 10 - ELECTRICAL

**FIGURE 10-44. REVERSE SENSING SYSTEM INSTALLATION**

ITEM	PART NUMBER	QTY	DESCRIPTION	REV
	1001189871	Ref	REVERSE SENSOR INSTALLATION	B
1	0140011	1	Audible, Signal Device	
2	0641410	4	Bolt 1/4 x 1	
3	0641620	2	Bolt 3/8 x 2	
4	3931012	4	Capscrew #10 x 3/4	
5	4711400	8	Washer 1/4	
6	8305004	5	Nut 1/4	
7	8307002	1	Washer 1/4	
8	8307005	2	Washer 3/8	
9	8584001	AR	Wrap, Tie 3/16	
10	1001004720	3	Strap, Cable	
11	1001154375	1	Bracket	
12	1001247421	1	Control, Reverse Sensor	
13	1001189886	1	Harness, Reverse Sensor (See Separate Breakdown in this Section)	
14	1001204692	3	Bracket	

# SECTION 10 - ELECTRICAL

## FIGURE 10-45. ROAD LIGHT OPTION HARNESS



ART\_1001178346-H

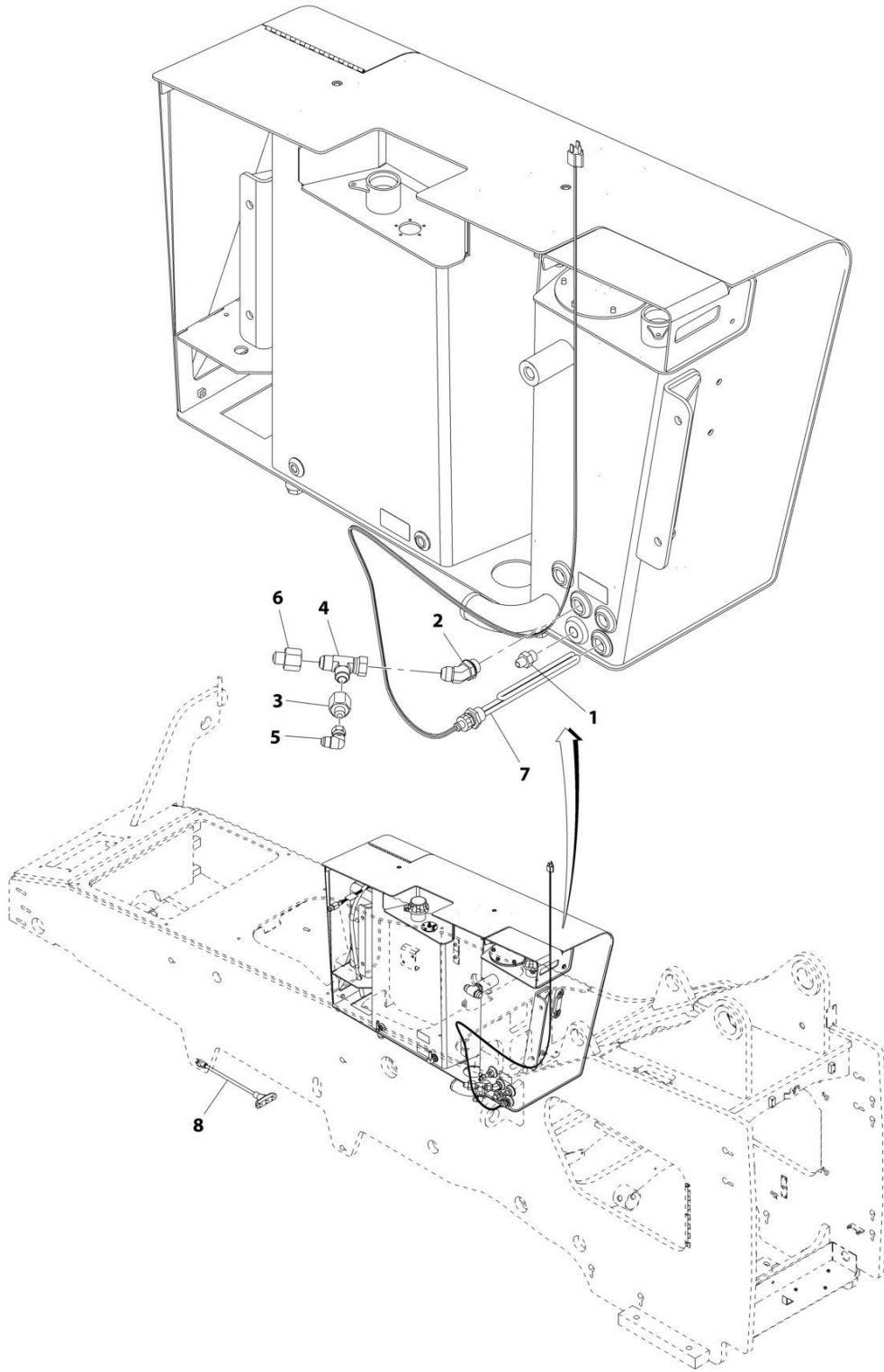
## SECTION 10 - ELECTRICAL

### FIGURE 10-45. ROAD LIGHT OPTION HARNESS

ITEM	PART NUMBER	QTY	DESCRIPTION	REV
	1001178346	Ref	ROAD LIGHT OPTION HARNESS	H
1	4460894	1	Connector	
2	4460465	5	Terminal	
3	4460466	1	Plug	
4	4460894	1	Connector	
5	4460465	5	Terminal	
6	4460466	1	Plug	
7	7116572	1	Connector	
8	1001116736	1	Terminal	
9	7116572	1	Connector	
10	1001116736	1	Terminal	
11	7116572	1	Connector	
12	1001116736	1	Terminal	
13	8220051	1	Terminal, Ring	
14	1001117079	1	Connector	
15	4460419	9	Terminal	
16	8220051	1	Terminal, Ring	
17	4460933	1	Connector	
18	4460465	8	Terminal	
19	4460466	4	Plug	
20	4460931	1	Connector	
21	4460466	3	Plug	
22	4460464	2	Terminal	
23	1001157891	2	Terminal	
24	4460941	1	Terminal	
25	4460884	1	Connector	
26	4460465	3	Terminal	
27	4460942	1	Terminal	
28	4460884	1	Connector	
29	4460465	3	Terminal	
30	4460942	1	Terminal	
31	4461017	1	Connector	
32	4460508	2	Terminal	

# SECTION 10 - ELECTRICAL

## FIGURE 10-46. TANK BLANKET INSTALLATION



ART\_1001233964-A



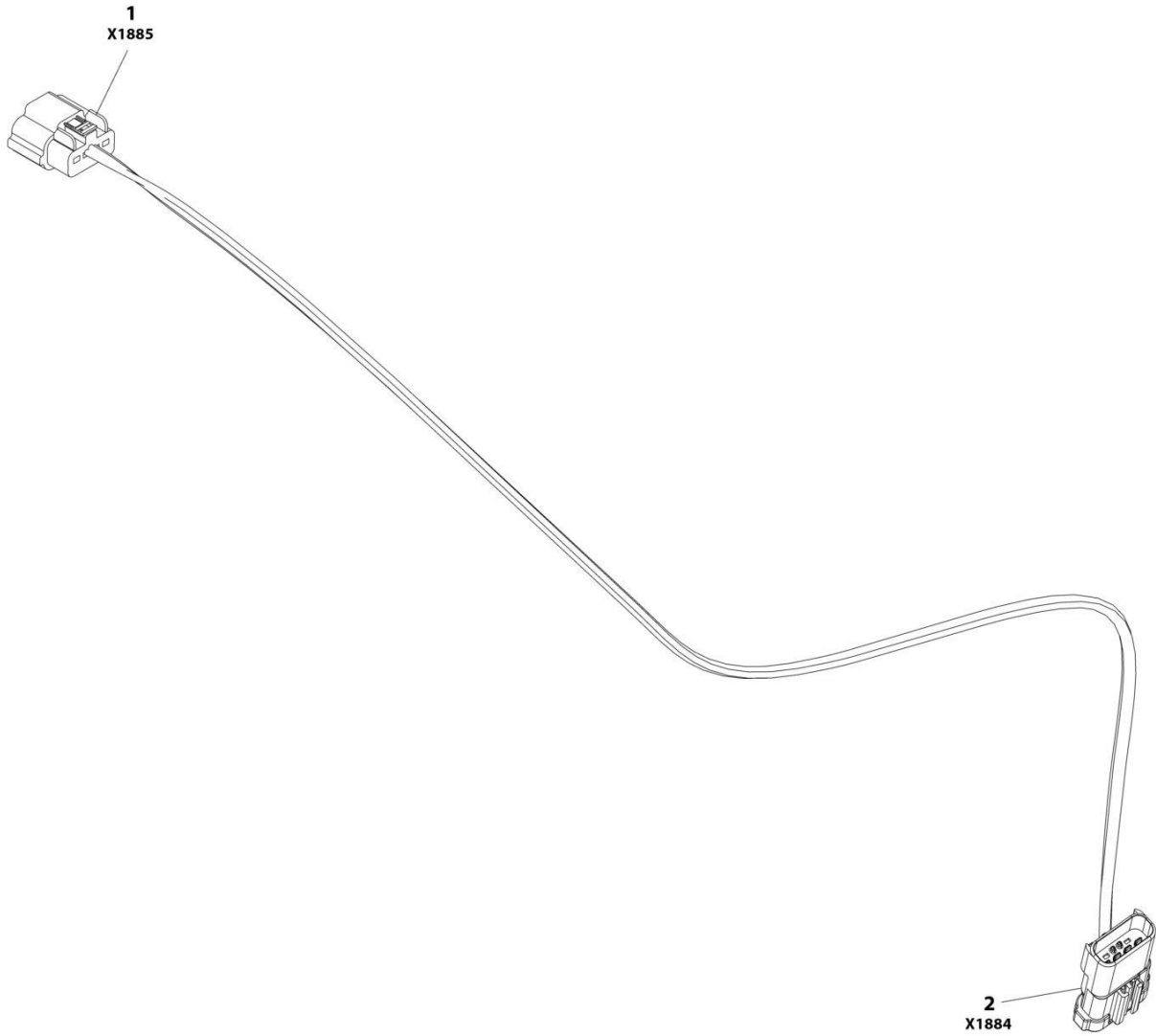
## SECTION 10 - ELECTRICAL

### FIGURE 10-46. TANK BLANKET INSTALLATION

ITEM	PART NUMBER	QTY	DESCRIPTION	REV
	1001233964	Ref	Hydraulic Tank Heater Installation	A
1	2220374	1	Connector	
2	2220498	1	Adapter, 45	
3	2220622	1	Reducer	
4	2220700	1	Tee Fitting	
5	8765204	1	Elbow	
6	1001094696	1	Adapter	
7	1001105886	1	Immersion Heater	
8	1060626	1	3 Way Plug	

# SECTION 10 - ELECTRICAL

## FIGURE 10-47. TBAP HARNESS



ART\_1001184835

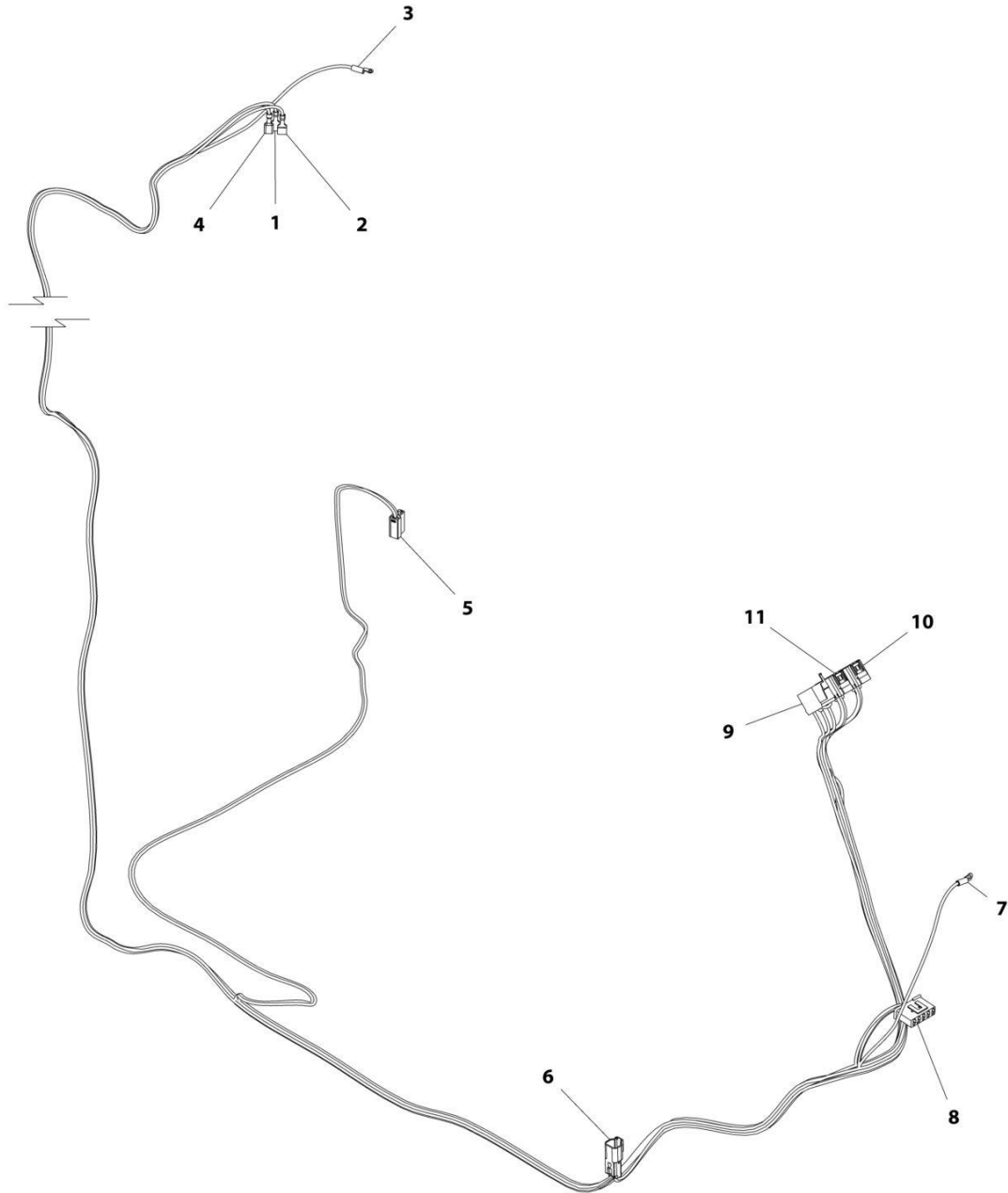
# SECTION 10 - ELECTRICAL

## FIGURE 10-47. TBAP HARNESS

ITEM	PART NUMBER	QTY	DESCRIPTION	REV
1	1001184835	Ref	TBAP Harness	C
	10011184495	1	Connector	
	1001260509	4	Terminal	
	1001184496	4	Seal	
2	1001184491	1	Connector	
	1001184493	4	Terminal	

# SECTION 10 - ELECTRICAL

## FIGURE 10-48. WIPER HARNESS



ART\_1001178349-D

## SECTION 10 - ELECTRICAL

### FIGURE 10-48. WIPER HARNESS

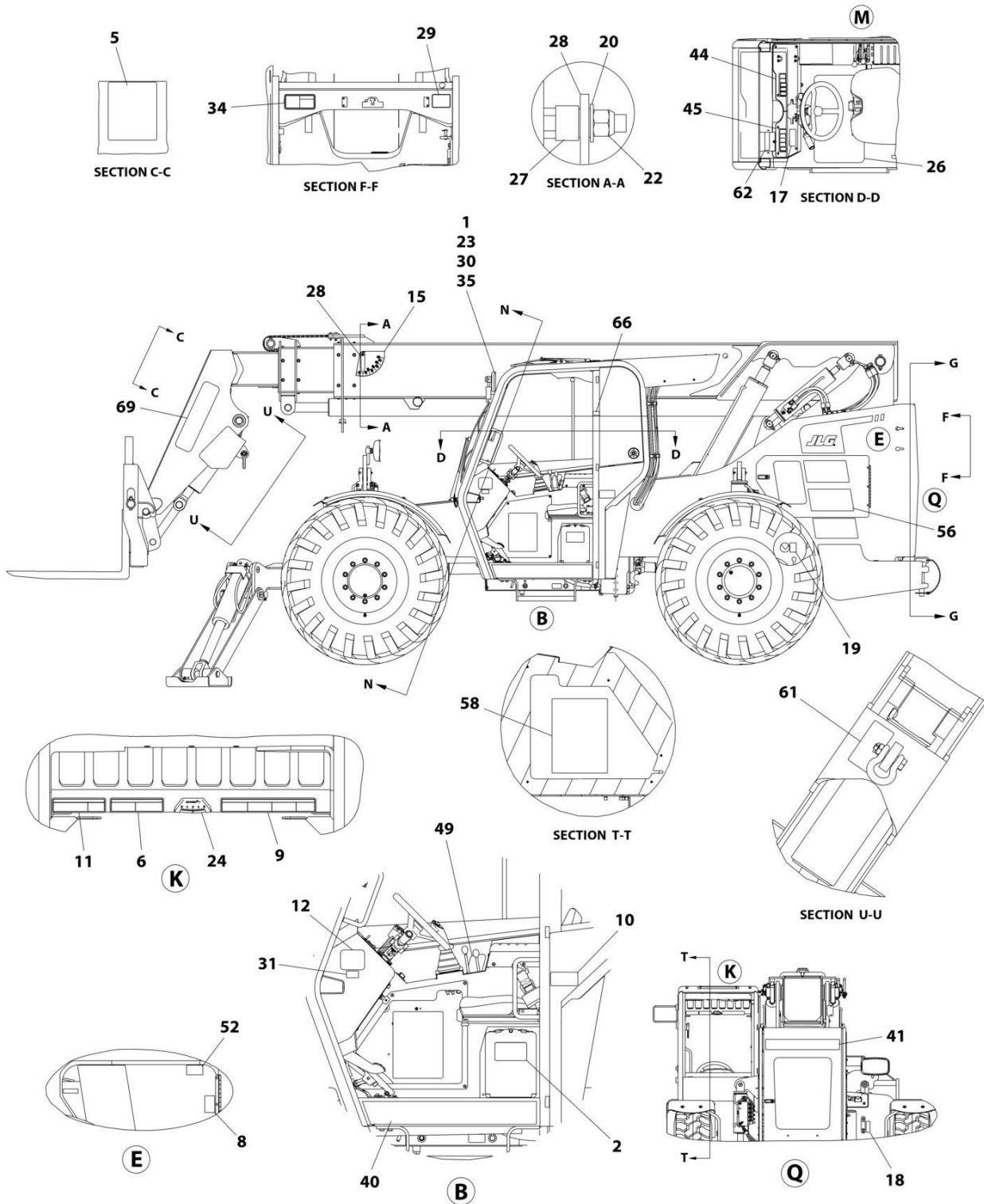
ITEM	PART NUMBER	QTY	DESCRIPTION	REV
	1001178349	Ref	Wiper Harness	D
1	8220051	1	Terminal	
2	8220051	1	Terminal	
3	8220035	1	Terminal, Ring	
4	8220051	1	Terminal	
5	4460994	1	Housing, Terminal	
	1001169816	2	Terminal	
6	4460897	1	Connector	
	80604017	1	Lock, Wedge	
	4460464	2	Terminal	
7	8220007	1	Terminal, Ring	
8	1001127066	1	Connector	
	1001116720	3	Terminal	
9	8220904	1	Connector	
	4460419	5	Terminal	
10	1001117081	1	Connector	
	4460419	9	Terminal	
11	1001117081	1	Connector	
	4460419	9	Terminal	



**SECTION 11 - DECALS**

# SECTION 11 - DECALS

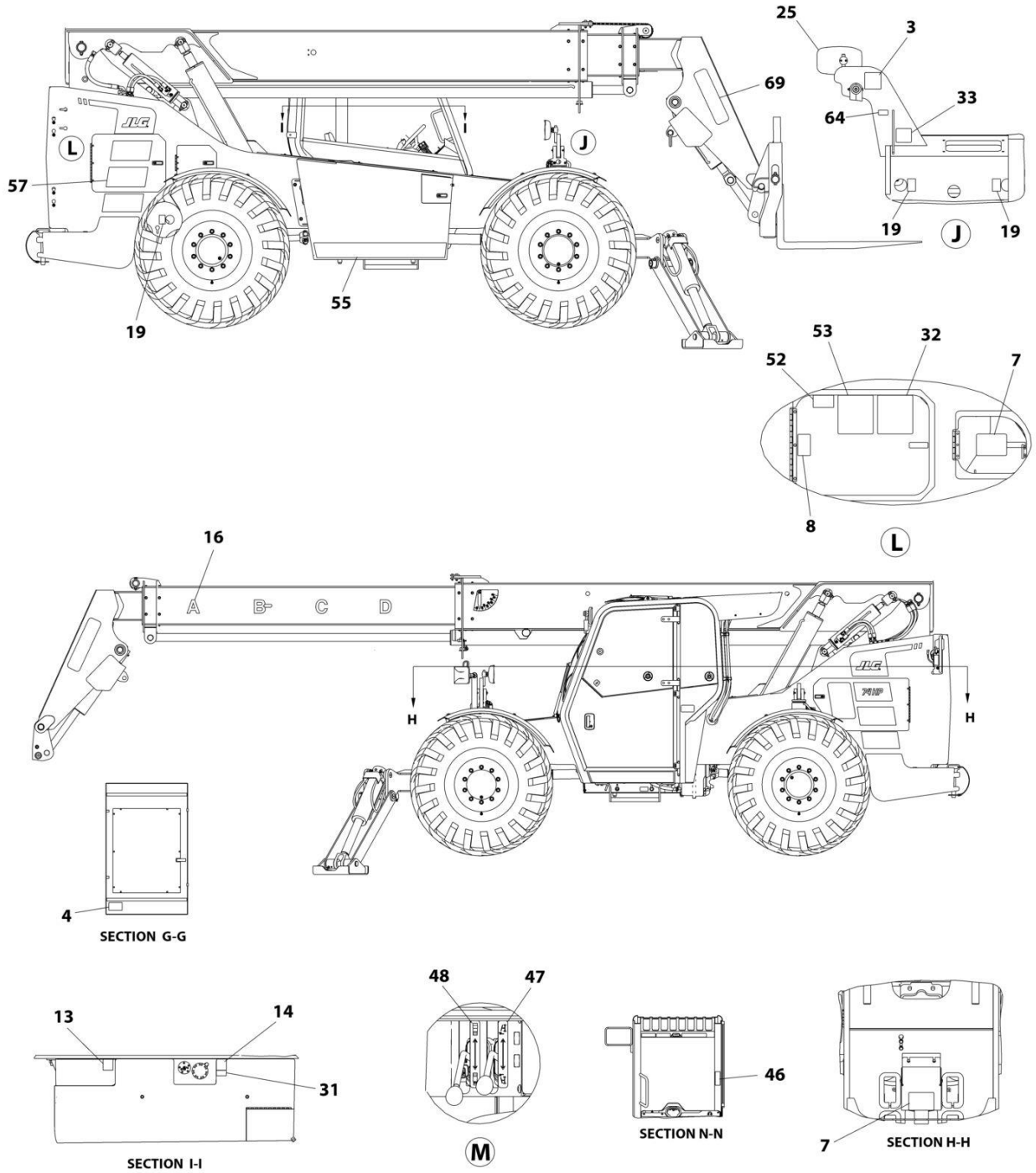
## FIGURE 11-1. DECALS INSTALLATION - 74HP (ANSI SPECS)



ART\_1001213437\_L\_10F2



# SECTION 11 - DECALS



ART\_1001213437\_L\_2OF2

# SECTION 11 - DECALS

**FIGURE 11-1. DECALS INSTALLATION - 74HP (ANSI SPECS)**

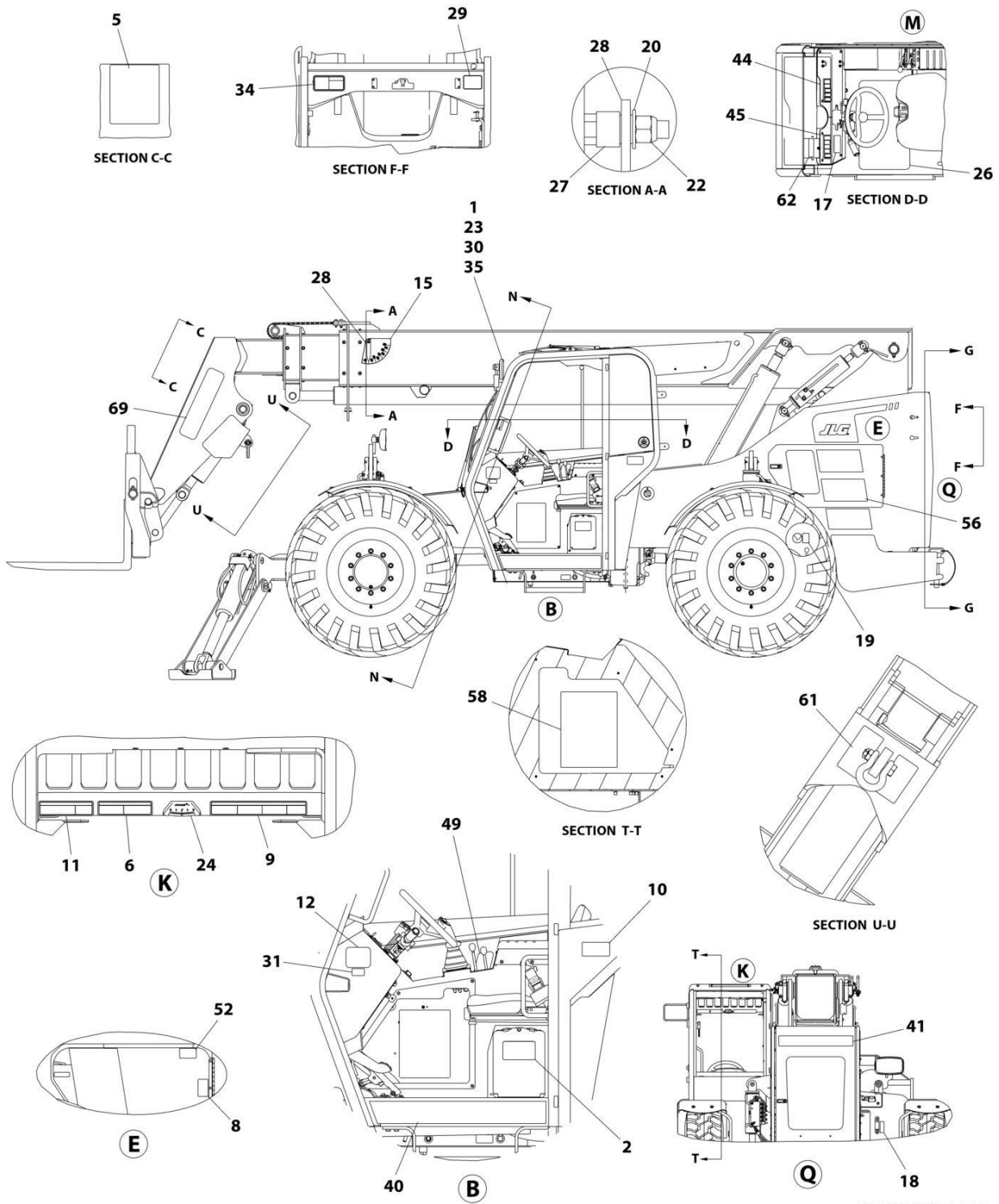
ITEM	PART NUMBER	QTY	DESCRIPTION	REV
	1001213437	Ref	DECALS INSTALLATION - 74HP (ANSI SPECS)	L
1	0700610	2	Bolt M6 x 20	
2	1701640	1	Decal, Manual	
3	See Note	NSS	Decal, Bar Code (Note: Not Available for Purchase)	
4	1706296	1	Decal, Battery Warning (ANSI)	
5	1706298	1	Decal, Carry Personnel	
6	1706299	1	Decal, Contacting Power Lines Warning	
7	1706300	2	Decal, Ether Warning	
8	1706301	2	Decal, Keep Clear of Rotating Parts Warning	
9	1706306	1	Decal, Tip Over Warning	
10	1706768	1	Decal, No Riders	
11	1706850	1	Decal, Crush Hazard Warning	
12	3251813	1	Decal, USA	
13	4100181	1	Decal, Hydraulic Oil Fill	
14	1001189017	1	Decal, Diesel Fuel Fill	
15	4105262	1	Decal, Boom Angle Indicator	
16	4107442	1	Decal, Boom Extend Letters	
17	4107971	1	Decal, Outrigger Contact (10042,10054)	
18	4108302	1	Decal, Hydraulic Oil Level	
19	1702300	4	Decal, Tie Down	
20	4711600	1	Washer 3/8	
22	8305645	1	Locknut 3/8	
23	8307024	2	Washer, Lock M6	
24	8466306	1	Gage, Tilt Angle	
25	1001191635	1	Mirror, RH	
26	10139087	1	Tread, Safety	
27	1001096404	1	Sleeve, Angle Indicator Spacer	
28	1001098769	1	Plate, Book Angle Indicator	
29	1001109053	1	Decal, Coolant Fill	
30	1001114675	1	Arm, Mirror	
31	1001125387	2	Decal, Ultra Low Sulfur Fuel	
32	1001191995	1	Decal, Lubrication Chart (10042)	
33	1001131271	1	Decal, Telehandlers Patent	
34	1001139578	1	Decal, Hot Fluid Warning	
35	1001148177	1	Mirror, Rectangular	
40	1001259302	1	Decal, Cab Side	
41	1001263821	1	Decal, Rear Door	
44	1001158272	1	Decal, RH Overlay	
45	1001158319	1	Decal, LH Overlay	
46	1001162734	1	Decal, Joystick Control	
47	1001162735	1	Decal, Sway Control	
48	1001162736	1	Decal, Auxiliary Control	
49	1001162737	1	Decal, Outrigger Control (10042,10054)	
52	1001202626	2	Decal, 74HP	
53	1001202627	1	Decal, Maintenance Chart	
55	1001259303	1	Decal, Tank Side	
56	1001259305	1	Decal, Left Side Stripe	
57	1001259306	1	Decal, Right Side Stripe	
58	1001189327	1	Decal, Main Fuse Panel	
61	1001207217	1	Decal, Danger Swinging Load	

## SECTION 11 - DECALS

ITEM	PART NUMBER	QTY	DESCRIPTION	REV
62	1001218659	1	Decal, Brake Fluid Spec	
64	1001223453	1	Decal, ICES (CAN)	
66	1001231801	1	Decal, Warning PROP 65 Diesel	
69	1001263590	2	Decal, Model Boom Head	

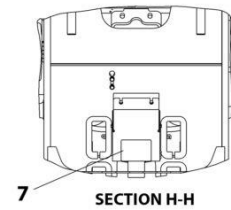
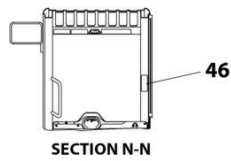
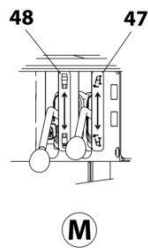
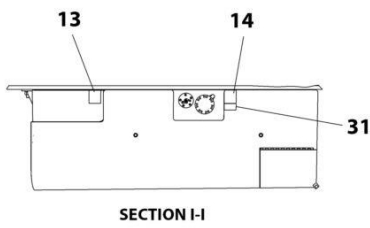
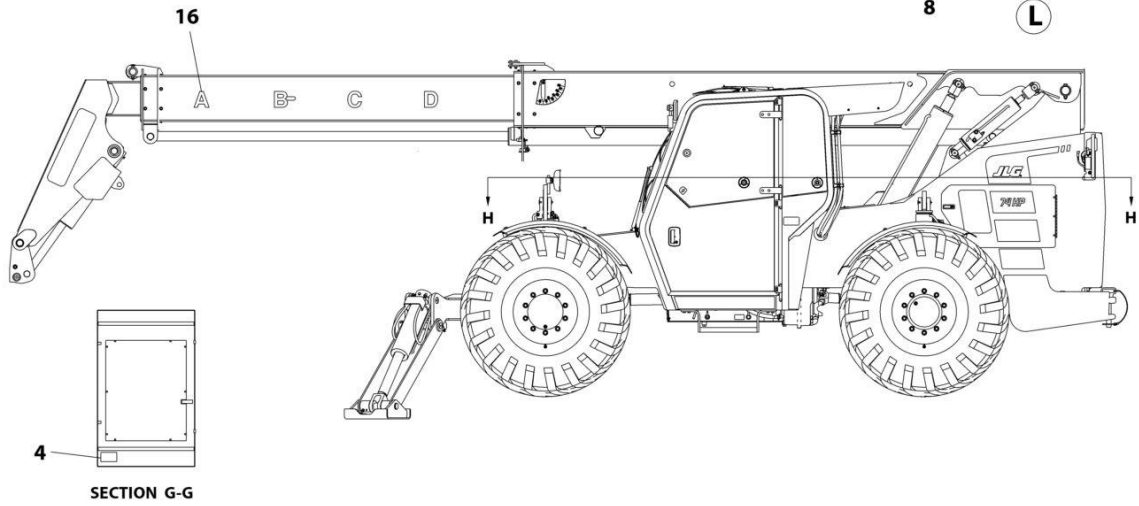
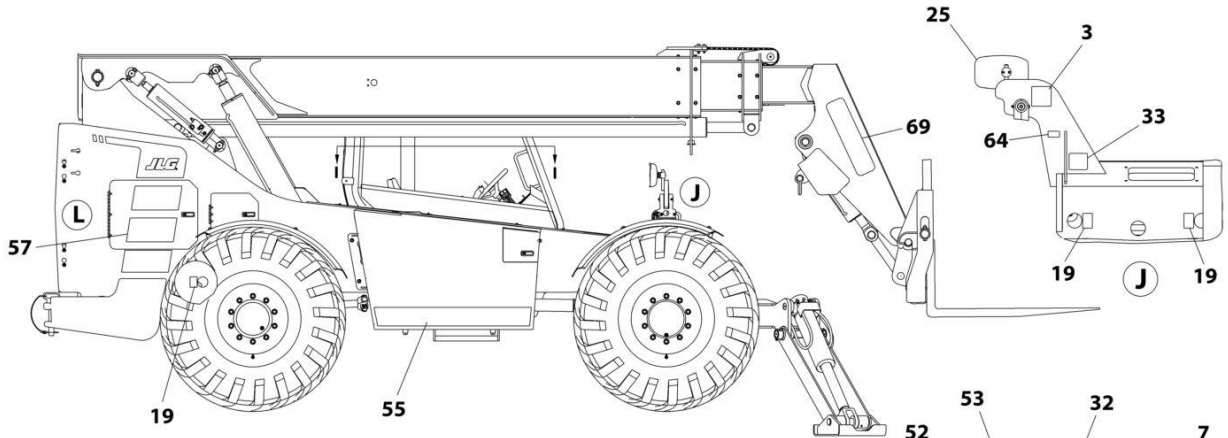
# SECTION 11 - DECALS

## FIGURE 11-2. DECALS INSTALLATION - 74HP (ENGLISH/FRENCH SPECS)



ART\_1001213438\_L\_10F2

# SECTION 11 - DECALS



ART\_1001213438\_L\_20F2

## SECTION 11 - DECALS

FIGURE 11-2. DECALS INSTALLATION - 74HP (ENGLISH/FRENCH SPECS)

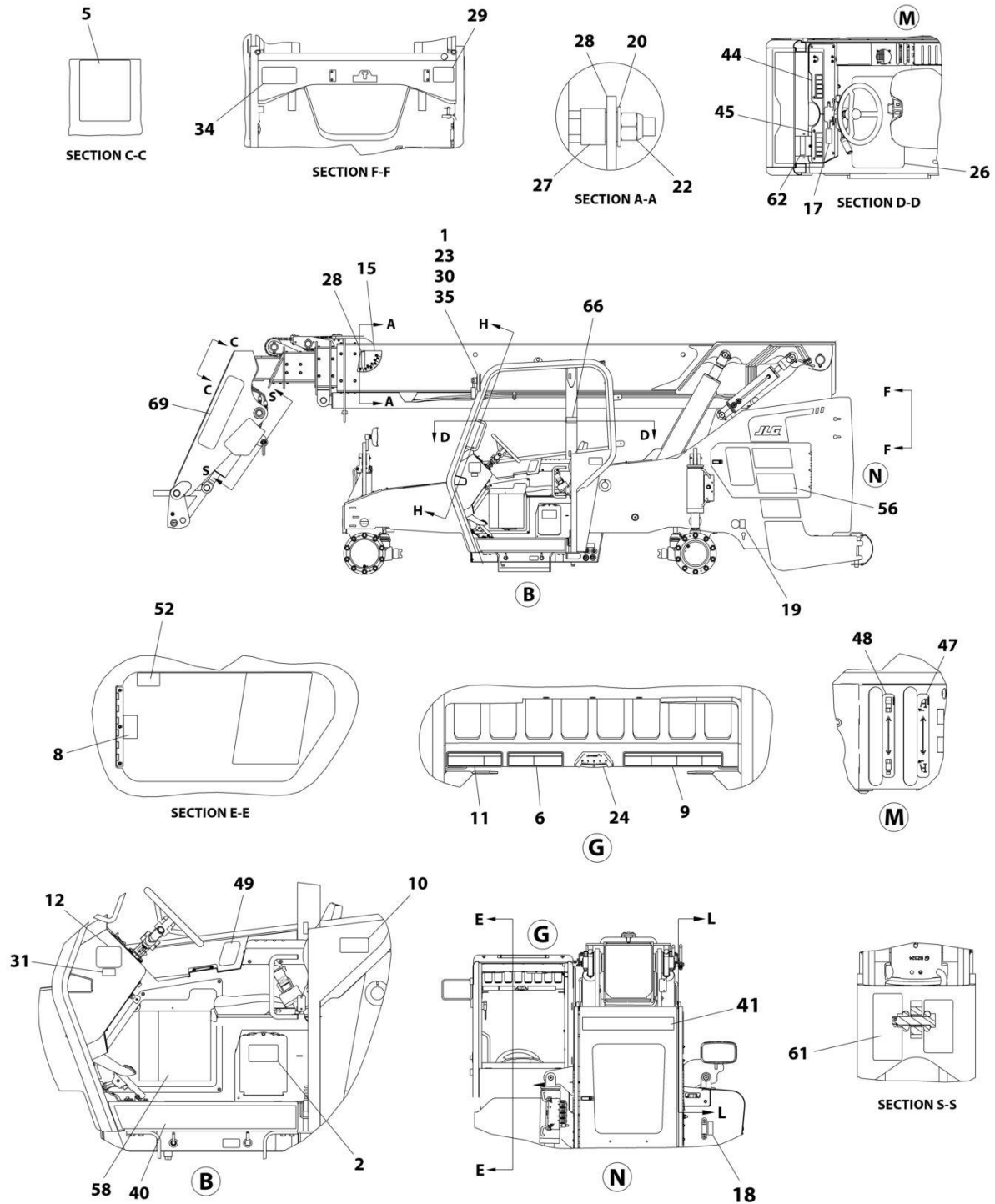
ITEM	PART NUMBER	QTY	DESCRIPTION	REV
	1001213438	Ref	DECALS INSTALLATION - 74HP (ENGLISH/FRENCH SPECS)	L
1	0700610	2	Bolt M6 x 20	
2	1701640	1	Decal, Manual	
3	See Note	NSS	Decal, Bar Code (Note: Not Available for Purchase)	
4	1001163174	1	Decal, Battery Warning (CAN)	
5	1001163206	1	Decal, Carry Personnel (CAN)	
6	1001163210	1	Decal, Electrocutation Hazard (CAN)	
7	1001163212	2	Decal, Ether Starting Warning (CAN)	
8	1001163222	2	Decal, Keep Clear of Rotating Parts (CAN)	
9	1001163285	1	Decal, Tip Over Warning (CAN)	
10	1001163300	1	Decal, No Riders (CAN)	
11	1001163304	1	Decal, Crush Hazard Warning (CAN)	
12	3251813	1	Decal, USA	
13	4100181	1	Decal, Hydraulic Oil Fill	
14	1001189017	1	Decal, Diesel Fuel Fill	
15	4105262	1	Decal, Boom Angle Indicator	
16	4107442	1	Decal, Boom Extend Letters	
17	1001187239	1	Decal, Outrigger (ENG/FR)	
18	4108302	1	Decal, Hydraulic Oil Level	
19	1702300	4	Decal, Tie Down	
20	4711600	1	Washer 3/8	
22	8305645	1	Locknut 3/8	
23	8307024	2	Washer, Lock M6	
24	8466306	1	Gage, Tilt Angle	
25	1001191635	1	Mirror, RH	
26	10139087	1	Tread, Safety	
27	1001096404	1	Sleeve, Angle Indicator Spacer	
28	1001098769	1	Plate, Boom Angle Indicator	
29	1001109053	1	Decal, Coolant Fill	
30	1001114675	1	Arm, Mirror	
31	1001163355	2	Decal, Ultra Low Sulfur Fuel (CAN)	
32	1001191995	1	Decal, Lubrication Chart (10042)	
33	1001131271	1	Decal, Telehandlers Patent	
34	1001163323	1	Decal, Hot Fluid Warning (CAN)	
35	1001148177	1	Mirror, Rectangular	
40	1001259302	1	Decal, Cab Side	
41	1001263821	1	Decal, Rear Door	
44	1001180175	1	Decal, RH Overlay	
45	1001180176	1	Decal, LH Overlay	
46	1001162734	1	Decal, Joystick Control	
47	1001162735	1	Decal, Sway Control	
48	1001162736	1	Decal, Auxiliary Control	
49	1001162737	1	Decal, Outrigger Control (10042,10054)	
52	1001202626	2	Decal, 74HP	
53	1001202627	1	Decal, Maintenance Chart	
55	1001259303	1	Decal, Tank Side	
56	1001259305	1	Decal, Left Side Stripe	
57	1001259306	1	Decal, Right Side Stripe	
58	1001189327	1	Decal, Main Fuse Panel	
61	1001211278	1	Decal, Swinging Load Decal Kit (CAN)	

## SECTION 11 - DECALS

ITEM	PART NUMBER	QTY	DESCRIPTION	REV
62	1001219211	1	Decal, Brake Fluid Spec	
64	1001223453	1	Decal, ICES (CAN)	
69	1001263590	2	Decal, Model Boom Head	

# SECTION 11 - DECALS

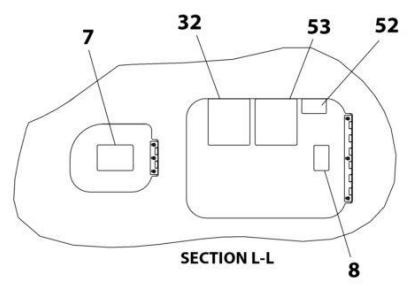
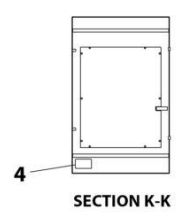
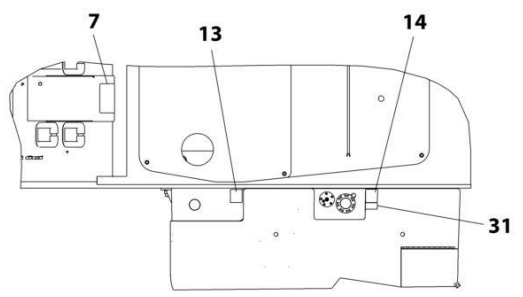
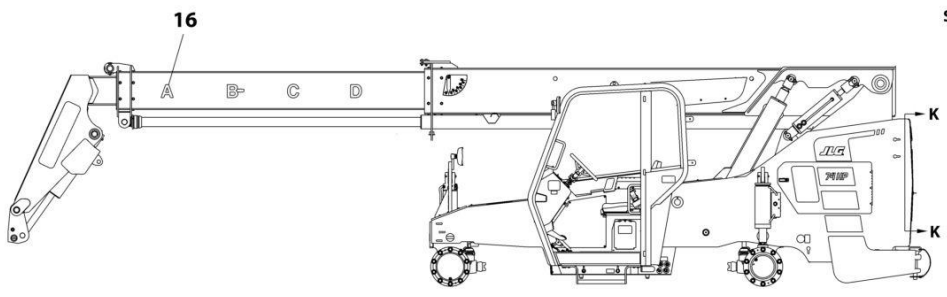
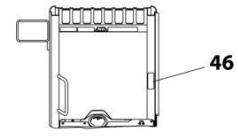
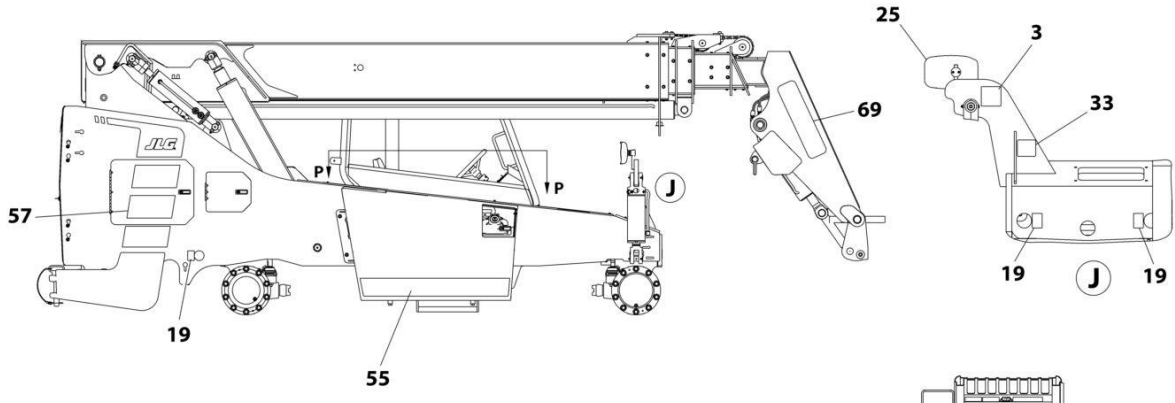
FIGURE 11-3. DECALS INSTALLATION - 74HP (ENGLISH/SPANISH SPECS)



ART\_1001242637\_F\_10F2



# SECTION 11 - DECALS



ART\_1001242637\_F\_2OF2

# SECTION 11 - DECALS

**FIGURE 11-3. DECALS INSTALLATION - 74HP (ENGLISH/SPANISH SPECS)**

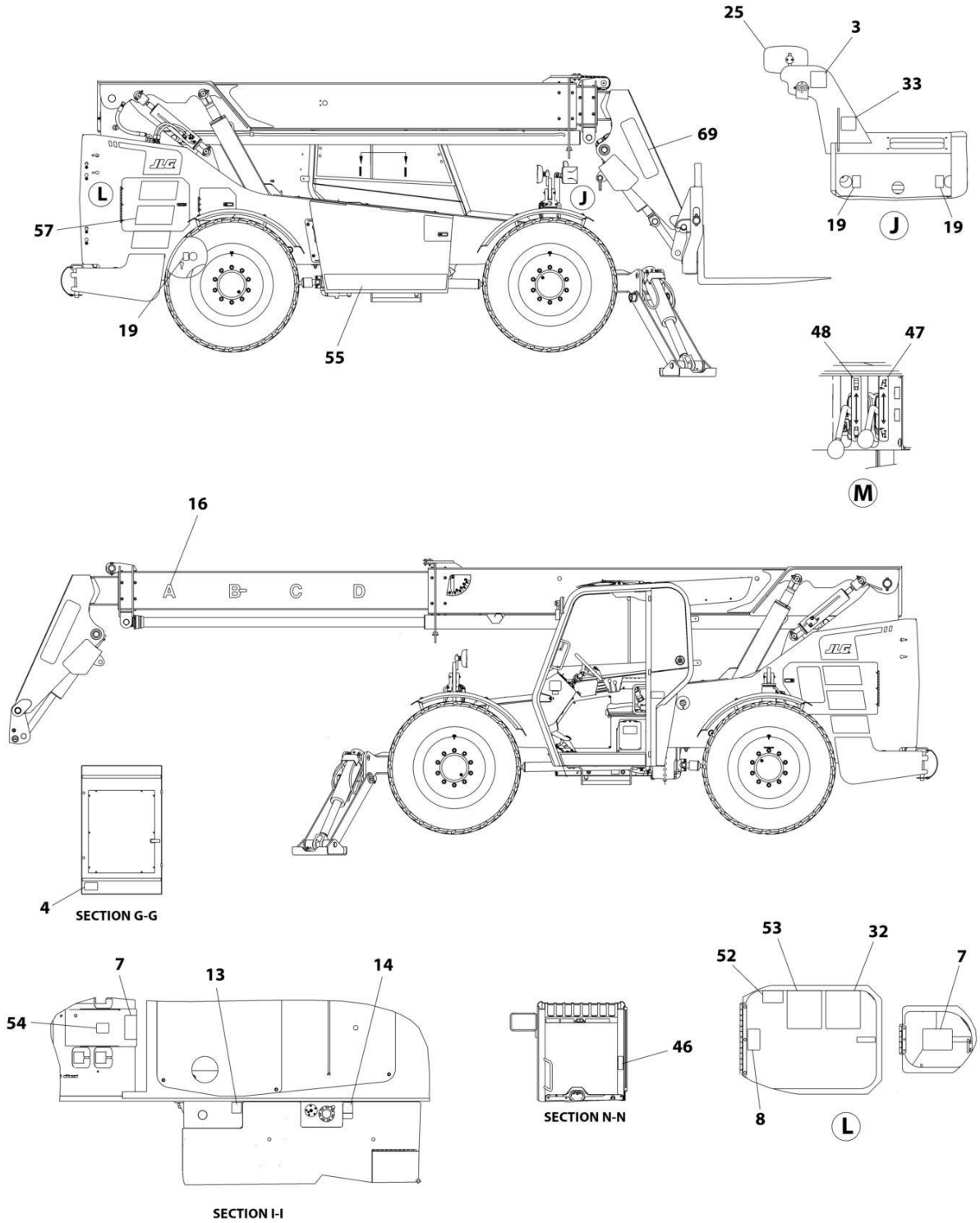
ITEM	PART NUMBER	QTY	DESCRIPTION	REV
	1001242637	Ref	DECALS INSTALLATION - 74HP (ENGLISH/SPANISH SPECS)	F
1	0700610	2	Bolt M6 x 20	
2	1701640	1	Decal, Manual	
3	See Note	NSS	Decal, Bar Code (Note: Not Available for Purchase)	
4	1001235794	1	Decal, Battery Warning (SPAN)	
5	1001235796	1	Decal, Carry Personnel (SPAN)	
6	1001235797	1	Decal, Electrocutation Hazard (SPAN)	
7	1001235798	2	Decal, Warning No Either (SPAN)	
8	1001235799	2	Decal, Moving Parts (SPAN)	
9	1001235801	1	Decal, Tipover Warning	
10	1001235802	1	Decal, No Riders	
11	1001235803	1	Decal, Warning Crushing Hazard (SPAN)	
12	3251813	1	Decal, USA	
13	4100181	1	Decal, Hydraulic Oil Fill	
14	1001189017	1	Decal, Diesel Fuel Fill	
15	4105262	1	Decal, Boom Angle Indicator	
16	4107442	1	Decal, Boom Extend Letters	
17	1001242122	1	Decal, Outrigger (ENG/SPAN)	
18	4108302	1	Decal, Hydraulic Oil Level	
19	1702300	4	Decal, Tie Down	
20	4711600	1	Washer 3/8	
22	8305645	1	Locknut 3/8	
23	8307024	2	Washer, Lock M6	
24	8466306	1	Gage, Tilt Angle	
25	1001191635	1	Mirror, RH	
26	10139087	1	Tread, Safety	
27	1001096404	1	Sleeve, Angle Indicator Spacer	
28	1001098769	1	Plate, Boom Angle Indicator	
29	1001109053	1	Decal, Coolant Fill	
30	1001114675	1	Arm, Mirror	
31	1001235804	2	Decal, Ultra Low Sulfur Fuel (SPAN)	
32	1001191995	1	Decal, Lubrication Chart (10042)	
33	1001131271	1	Decal, Telehandlers Patent	
34	1001235805	1	Decal, Hot Fluid Warning	
35	1001148177	1	Mirror, Rectangular	
40	1001259302	1	Decal, Cab Side	
41	1001263821	1	Decal, Rear Door	
44	1001242172	1	Decal, RH Overlay	
45	1001242173	1	Decal, LH Overlay	
46	1001162734	1	Decal, Joystick Control	
47	1001162735	1	Decal, Sway Control	
48	1001162736	1	Decal, Auxiliary Control	
49	1001162737	1	Decal, Outrigger Control	
52	1001236313	2	Decal, MCO 74HP (SPAN)	
53	1001202627	1	Decal, Maintenance Chart	
55	1001259303	1	Decal, Tank Side	
56	1001259305	1	Decal, Left Side Stripe	
57	1001259306	1	Decal, Right Side Stripe	
58	1001189327	1	Decal, Main Fuse Panel	
61	1001246078	1	Decal, Danger Swinging Load Boom (SPAN)	

## SECTION 11 - DECALS

ITEM	PART NUMBER	QTY	DESCRIPTION	REV
62	1001219211	1	Decal, Brake Fluid Spec	
66	1001242179	1	Decal, Danger Swinging Load Boom Head (SPAN)	
69	1001263590	2	Decal, Model Boom Head	



# SECTION 11 - DECALS



ART\_1001166114\_K\_20F2

# SECTION 11 - DECALS

**FIGURE 11-4. DECALS INSTALLATION - 110HP LS (ISO DECALS)**

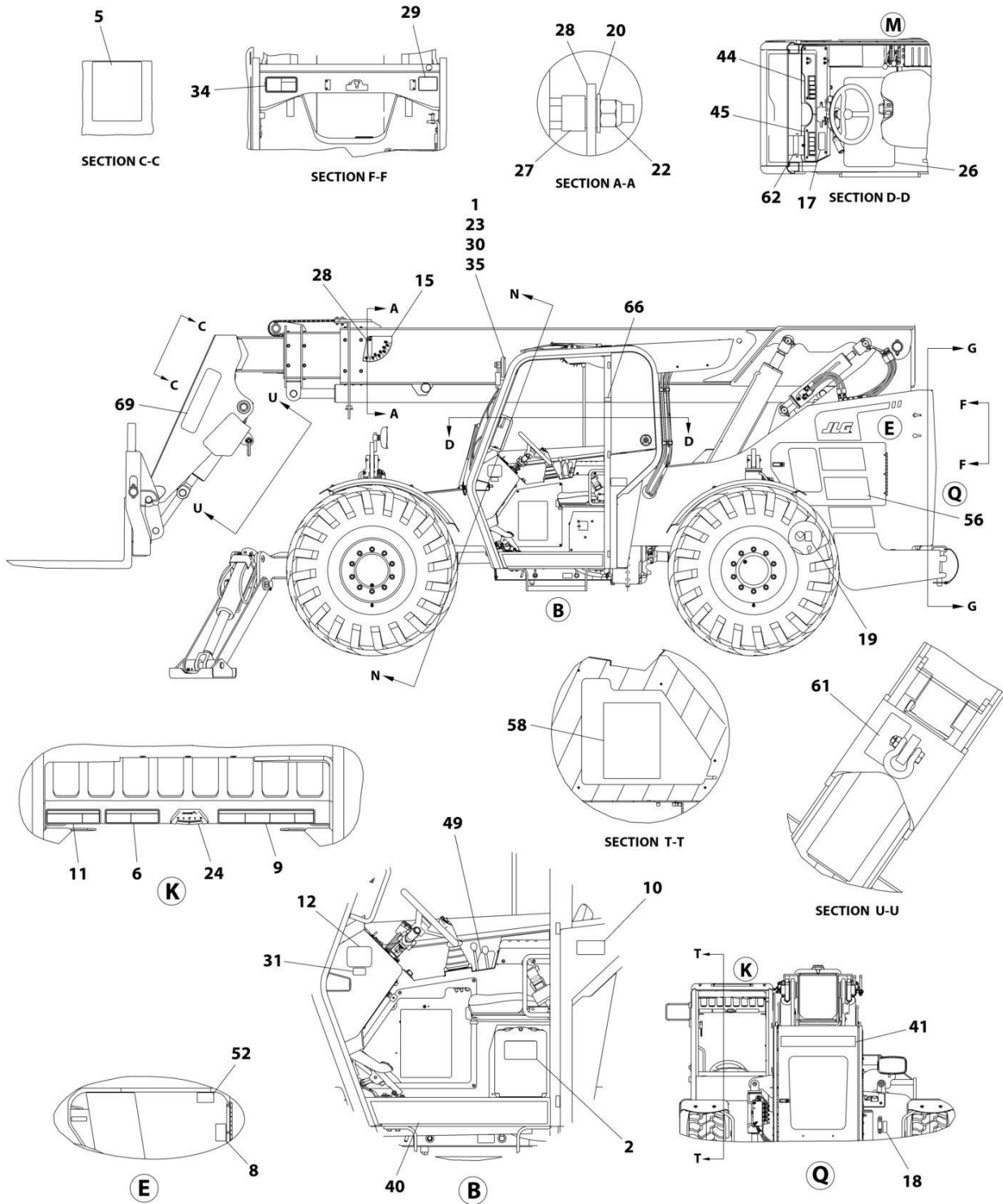
ITEM	PART NUMBER	QTY	DESCRIPTION	REV
	1001166114	Ref	Decal Installation (ISO)	K
1	0700610	2	Bolt, M6X20	
2	1701640	1	Decal, Manual	
3	See Note	NSS	Decal, Bar Code (Note: Not Available for Purchase)	
4	1706281	1	Decal, Battery Warning	
5	1706282	1	Decal, Carry Personnel	
6	1706284	1	Decal, Electrocution Hazard	
7	1706098	2	Decal, Ether Warning	
8	1706285	2	Decal, Moving Parts	
9	1706288	1	Decal, Tipover Warning	
10	1001092878	1	Decal, No Riders	
11	1001092877	1	Decal, Crush Hazard Warning	
12	3251813	1	Decal, USA	
13	4100181	1	Decal, Hydraulic Oil Fill	
14	1001189017	1	Decal, Diesel Fuel Fill	
15	4105262	1	Decal, Boom Angle Indicator	
16	4107442	1	Decal, Boom Extend Letters	
17	1706279	1	Decal, Warning Outrigger Contact, ISO	
18	4108302	1	Decal, Hydraulic Oil Level	
19	1702300	4	Decal, Tie Down	
20	4711600	1	Washer, 3/8	
22	8305645	1	Nut, Lock 3/8	
23	8307024	2	Washer, Lock M6	
24	8466306	1	Gage, Tilt Angle	
25	1001191635	1	Mirror, RH	
26	10139087	1	Tread, Safety	
27	1001096404	1	Sleeve, Angle Indicator Spacer	
28	1001098769	1	Plate, Boom Angle Indicator	
29	1001109053	1	Decal, Coolant Fill	
30	1001114675	1	Arm, Mirror	
32	1001191995	1	Decal, Lubrication Chart (10042)	
33	1001131271	1	Decal, Telehandlers Patent	
34	1001139942	1	Decal, Hot Fluid Warning	
35	1001148177	1	Mirror, Rectangular	
40	1001259302	1	Decal, Cab Side	
41	1001263821	1	Decal, Rear Door	
44	1001158321	1	Decal, Overlay RH (ISO)	
45	1001158320	1	Decal, Overlay LH (ISO)	
46	1001162734	1	Decal, Joystick Control	
47	1001162735	1	Decal, Sway Control	
48	1001162736	1	Decal, Auxiliary Control	
49	1001162737	1	Decal, Outrigger Control (10042,10054)	
52	1001173422	2	Decal, MCO 110HP	
53	1001202627	1	Decal, Maintenance Charts	
54	1001142452	1	Decal, No Step	
55	1001259303	1	Decal, Tank Side	
56	1001259305	1	Decal, Left Side Stripe	
57	1001259306	1	Decal, Right Side Stripe	
58	1001189327	1	Decal, Main Fuse Panel	
61	1001207218	1	Decal, Danger Swinging Load	

## SECTION 11 - DECALS

ITEM	PART NUMBER	QTY	DESCRIPTION	REV
62	1001219211	1	Decal, Brake Fluid Spec	
69	1001263590	1	Decal, Model Boom Head	

# SECTION 11 - DECALS

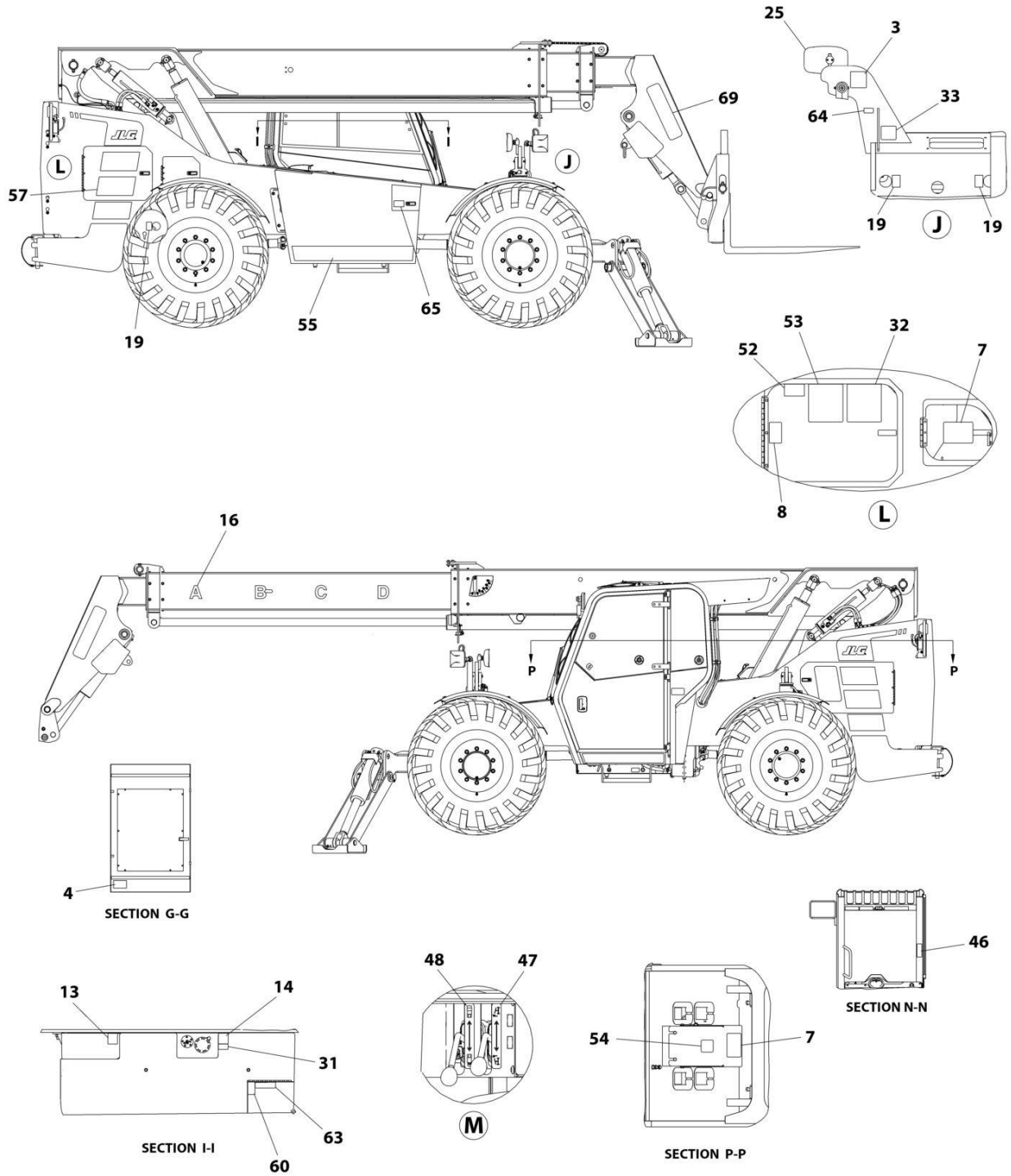
## FIGURE 11-5. DECALS INSTALLATION - 110HP ULS (ANSI SPECS)



ART\_1001166112\_N\_10F2



# SECTION 11 - DECALS



ART\_1001166112\_N\_20F2

# SECTION 11 - DECALS

**FIGURE 11-5. DECALS INSTALLATION - 110HP ULS (ANSI SPECS)**

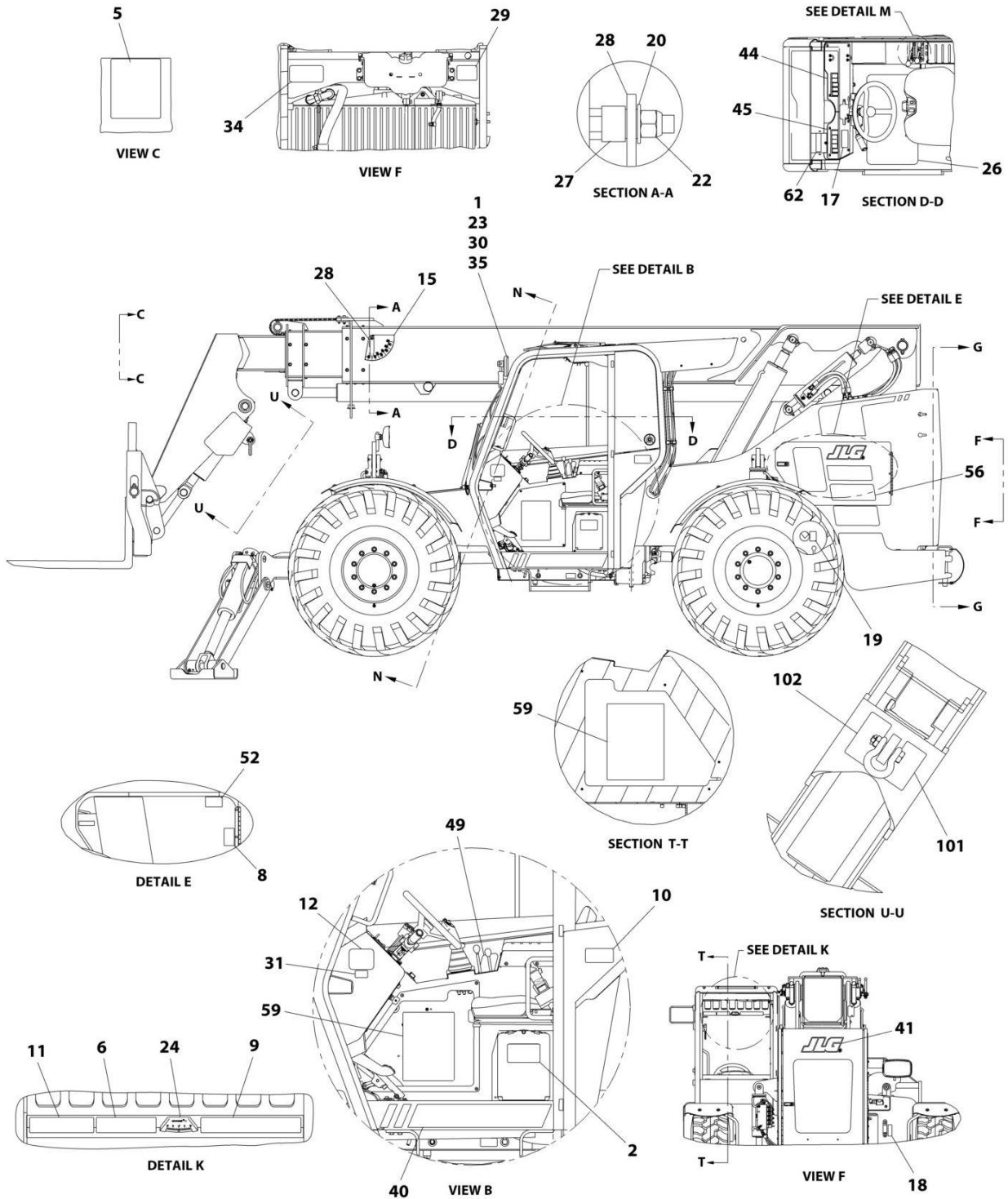
ITEM	PART NUMBER	QTY	DESCRIPTION	REV
	1001166112	Ref	Decal Installation (ANSI) 110HP	N
1	0700610	2	Bolt, M6X20	
2	1701640	1	Decal, Manual	
3	See Note	NSS	Decal, Bar Code (Note: Not Available for Purchase)	
4	1706296	1	Decal, Battery Warning (ANSI)	
5	1706298	1	Decal, Carry Personnel	
6	1706299	1	Decal, Contacting Power Lines Warning	
7	1706300	2	Decal, Ether Warning	
8	1706301	2	Decal, Keep Clear of Rotating Parts Warning	
9	1706306	1	Decal, Tip Over Warning	
10	1706768	1	Decal, No Riders	
11	1706850	1	Decal, Crush Hazard Warning	
12	3251813	1	Decal, USA	
13	4100181	1	Decal, Hydraulic Oil Fill	
14	1001189017	1	Decal, Diesel Fuel Fill	
15	4105262	1	Decal, Boom Angle Indicator	
16	4107442	1	Decal, Boom Extend Letters	
17	4107971	1	Decal, Outrigger Contact (10042,10054)	
18	4108302	1	Decal, Hydraulic Oil Level	
19	1702300	4	Decal, Tie Down	
20	4711600	1	Washer, 3/8	
22	8305645	1	Nut, Lock 3/8	
23	8307024	2	Washer, Lock M6	
24	8466306	1	Gage, Tilt Angle	
25	1001191635	1	Mirror, RH	
26	10139087	1	Tread, Safety	
27	1001096404	1	Sleeve, Angle Indicator Spacer	
28	1001098769	1	Plate, Book Angle Indicator	
29	1001109053	1	Decal, Coolant Fill	
30	1001114675	1	Arm, Mirror	
31	1001125387	2	Decal, Ultra Low Sulfur Fuel	
32	1001191995	1	Decal, Lubrication Chart (10042)	
33	1001131271	1	Decal, Telehandlers Patent	
34	1001139578	1	Decal, Hot Fluid Warning	
35	1001148177	1	Mirror, Rectangular	
40	1001259302	1	Decal, Cab Side	
41	1001263821	1	Decal, Rear Door	
44	1001158272	1	Decal, RH Overlay	
45	1001158319	1	Decal, LH Overlay	
46	1001162734	1	Decal, Joystick Control	
47	1001162735	1	Decal, Sway Control	
48	1001162736	1	Decal, Auxiliary Control	
49	1001162737	1	Decal, Outrigger Control (10042,10054)	
52	1001173422	2	Decal, MCO 110HP	
53	1001174152	1	Decal, Maintenance Chart	
54	1001142452	1	Decal, No Step	
55	1001259303	1	Decal, Tank Side	
56	1001259305	1	Decal, Left Side Stripe	
57	1001259306	1	Decal, Right Side Stripe	
58	1001189327	1	Decal, Main Fuse Panel	

## SECTION 11 - DECALS

ITEM	PART NUMBER	QTY	DESCRIPTION	REV
60	1001196806	1	Decal, Diesel Exhaust Fluid	
61	1001207217	1	Decal, Danger Swinging Load	
62	1001218659	1	Decal, Brake Fluid Spec	
63	1001219212	1	Decal, DEF Fluid	
64	1001223453	1	Decal, ICES (CAN)	
65	1001230307	1	Decal, Cummins DEF Service	
66	1001231801	1	Decal, Warning Prop 65 Diesel	
69	1001263590	2	Decal, Model Boom Head	

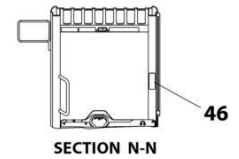
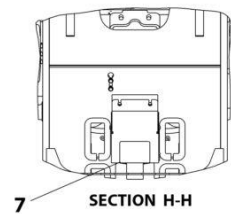
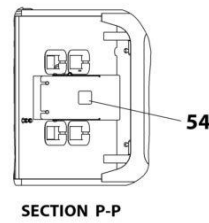
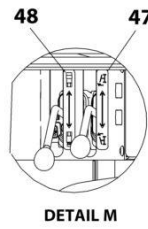
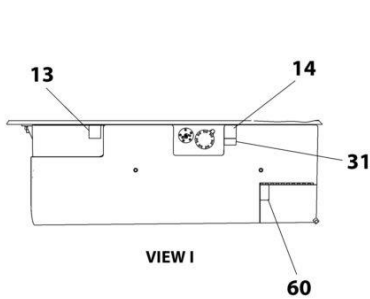
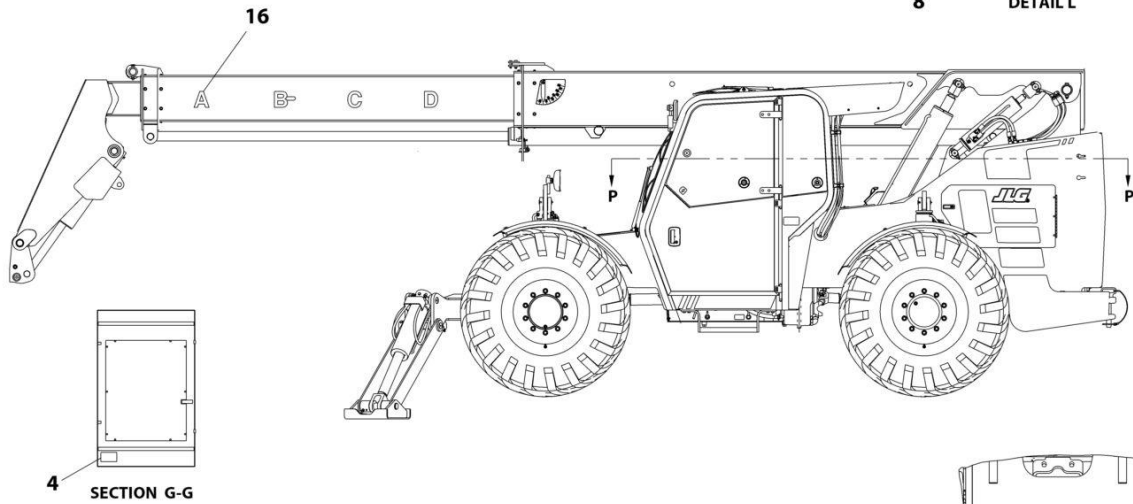
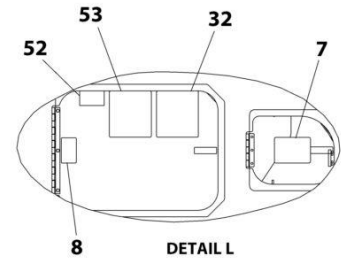
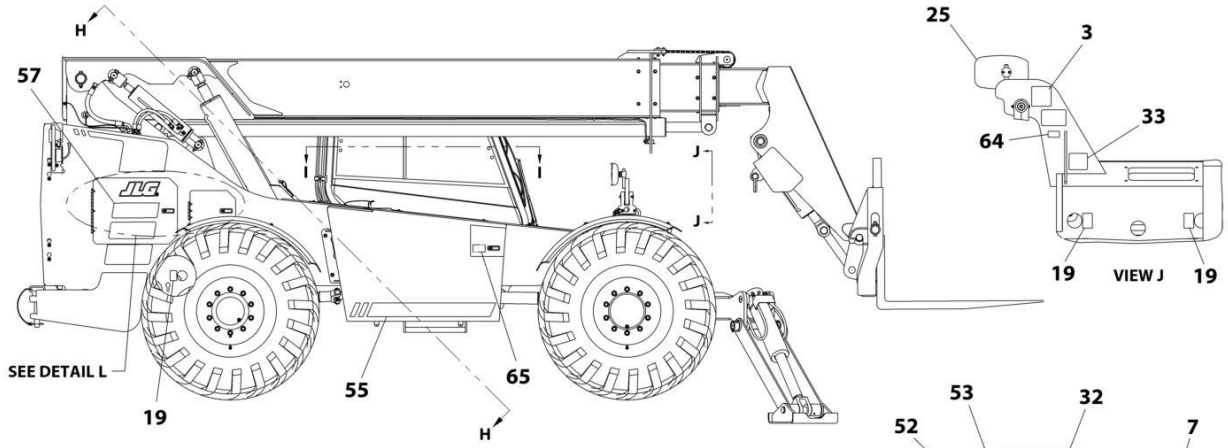
# SECTION 11 - DECALS

FIGURE 11-6. DECALS INSTALLATION - 110HP ULS (ENGLISH/FRENCH SPECS)



ART\_1001166113\_N\_10F2

# SECTION 11 - DECALS



ART\_1001166113\_N\_20F2

# SECTION 11 - DECALS

**FIGURE 11-6. DECALS INSTALLATION - 110HP ULS (ENGLISH/FRENCH SPECS)**

ITEM	PART NUMBER	QTY	DESCRIPTION	REV
	1001166113	Ref	Decal Installation (ENGLISH/FRENCH) 110HP	N
1	0700610	2	Bolt, M6X20	
2	1701640	1	Decal, Manual	
3	See Note	NSS	Decal, Bar Code (Note: Not Available for Purchase)	
4	1001163174	1	Decal, Battery Warning (CAN)	
5	1001163206	1	Decal, Carry Personnel (CAN)	
6	1001163210	1	Decal, Electrocution Hazard (CAN)	
7	1001163212	2	Decal, Ether Starting Warning (CAN)	
8	1001163222	2	Decal, Keep Clear of Rotating Parts (CAN)	
9	1001163285	1	Decal, Tip Over Warning (CAN)	
10	1001163300	1	Decal, No Riders (CAN)	
11	1001163304	1	Decal, Crush Hazard Warning (CAN)	
12	3251813	1	Decal, USA	
13	4100181	1	Decal, Hydraulic Oil Fill	
14	1001189017	1	Decal, Diesel Fuel Fill	
15	4105262	1	Decal, Boom Angle Indicator	
16	4107442	1	Decal, Boom Extend Letters	
17	1001187239	1	Decal, Outrigger (ENG/FR)	
18	4108302	1	Decal, Hydraulic Oil Level	
19	1702300	4	Decal, Tie Down	
20	4711600	1	Washer, 3/8	
22	8305645	1	Nut, Lock 3/8	
23	8307024	2	Washer, Lock M6	
24	8466306	1	Gage, Tilt Angle	
25	1001191635	1	Mirror, RH	
26	10139087	1	Tread, Safety	
27	1001096404	1	Sleeve, Angle Indicator Spacer	
28	1001098769	1	Plate, Boom Angle Indicator	
29	1001109053	1	Decal, Coolant Fill	
30	1001114675	1	Arm, Mirror	
31	1001163355	2	Decal, Ultra Low Sulfur Fuel (CAN)	
32	1001191995	1	Decal, Lubrication Chart (10042)	
33	1001131271	1	Decal, Telehandlers Patent	
34	1001163323	1	Decal, Hot Fluid Warning (CAN)	
35	1001148177	1	Mirror, Rectangular	
40	1001157273	1	Decal, Cab (10042)	
41	1001157274	1	Decal, Rear Door JLG Logo	
44	1001180175	1	Decal, RH Overlay	
45	1001180176	1	Decal, LH Overlay	
46	1001162734	1	Decal, Joystick Control	
47	1001162735	1	Decal, Sway Control	
48	1001162736	1	Decal, Auxiliary Control	
49	1001162737	1	Decal, Outrigger Control (10042,10054)	
52	1001173422	2	Decal, MCO 110HP	
53	1001174152	1	Decal, Maintenance Chart	
54	1001142452	1	Decal, No Step	
55	1001179354	1	Decal, Tank (10042)	
56	1001179380	1	Decal, LH Rear Frame Stripe	
57	1001179381	1	Decal, RH Rear Frame Stripe	
59	1001189327	1	Decal, Main Fuse Panel	

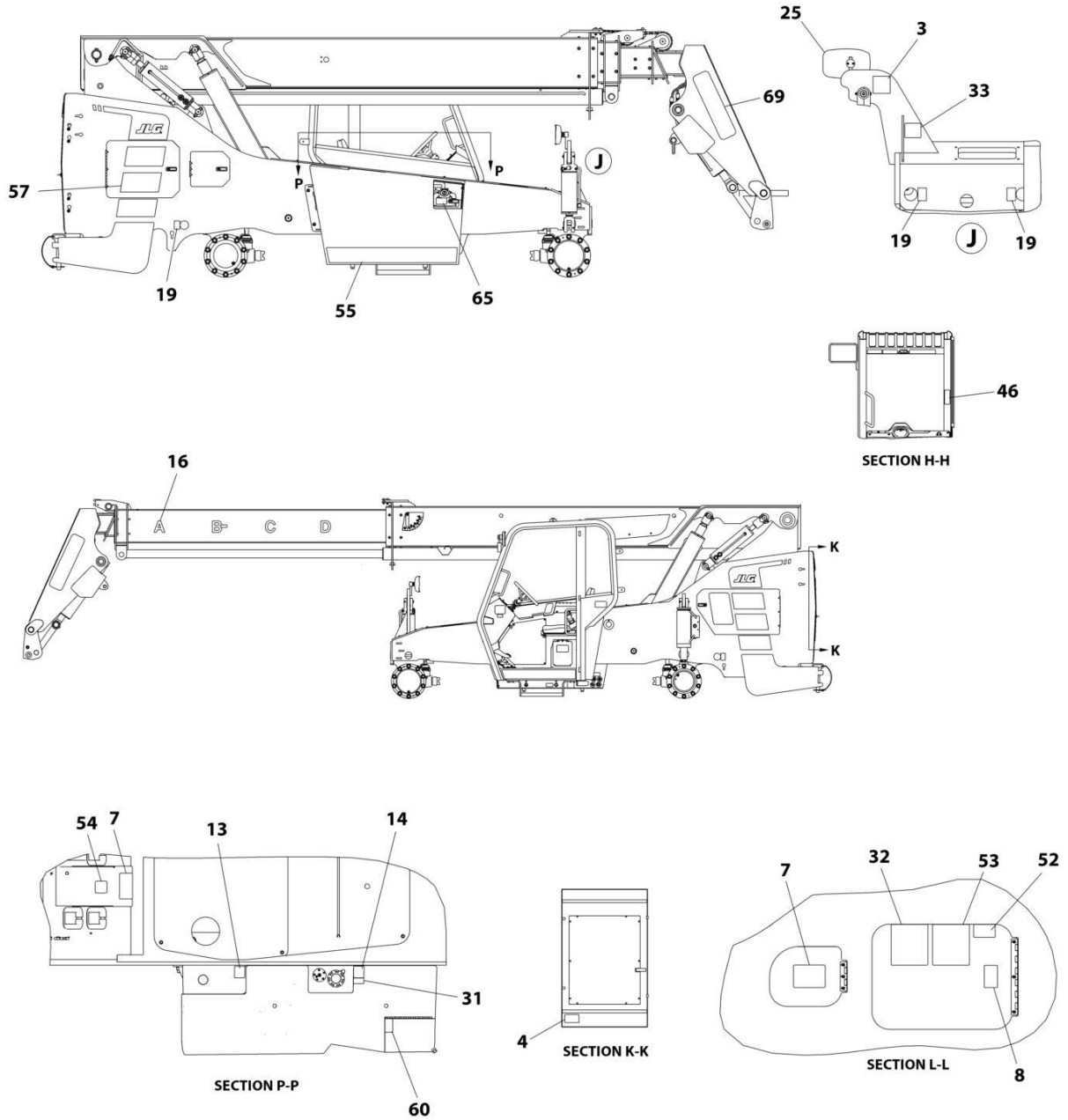
## SECTION 11 - DECALS

ITEM	PART NUMBER	QTY	DESCRIPTION	REV
60	1001196806	1	Decal, Diesel Exhaust Fluid	
62	1001219211	1	Decal, Brake Fluid Spec	
64	1001223453	1	Decal, ICES (CAN)	
65	1001230309	1	Decal, EN/FR Cummins DEF Tank Service	
101	1001210581	1	Decal, Danger Swing Load Boom Head	
102	1001210582	1	Decal, Capacity Rating Boom Head	





# SECTION 11 - DECALS



ART\_1001242636\_D\_20F2

# SECTION 11 - DECALS

**FIGURE 11-7. DECALS INSTALLATION - 110HP ULS (ENGLISH/SPANISH SPECS)**

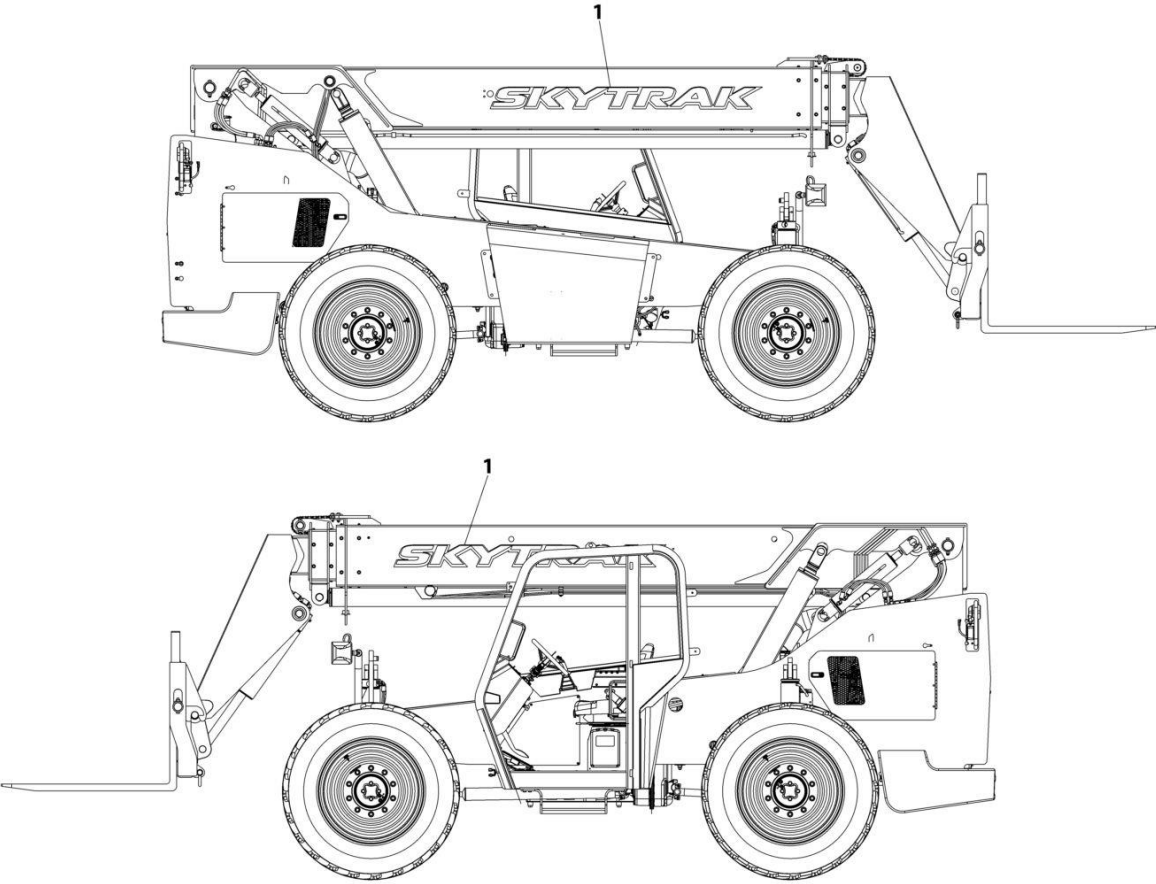
ITEM	PART NUMBER	QTY	DESCRIPTION	REV
	1001242636	Ref	Decal Installation (ENG/SPAN) 110HP	D
1	0700610	2	Bolt, M6X20	
2	1701640	1	Decal, Manual	
3	See Note	NSS	Decal, Bar Code (Note: Not Available for Purchase)	
4	1001235794	1	Decal, Battery Warning (SPAN)	
5	1001235796	1	Decal, Carry Personnel (SPAN)	
6	1001235797	1	Decal, Electrocutation Hazard (SPAN)	
7	1001235798	2	Decal, Warning No Either (SPAN)	
8	1001235799	2	Decal, Moving Parts (SPAN)	
9	1001235801	1	Decal, Tipover Warning	
10	1001235802	1	Decal, No Riders	
11	1001235803	1	Decal, Warning Crushing Hazard (SPAN)	
12	3251813	1	Decal, USA	
13	4100181	1	Decal, Hydraulic Oil Fill	
14	1001189017	1	Decal, Diesel Fuel Fill	
15	4105262	1	Decal, Boom Angle Indicator	
16	4107442	1	Decal, Boom Extend Letters	
17	1001242122	1	Decal, Outrigger (ENG/SPAN)	
18	4108302	1	Decal, Hydraulic Oil Level	
19	1702300	4	Decal, Tie Down	
20	4711600	1	Washer, 3/8	
22	8305645	1	Nut, Lock 3/8	
23	8307024	2	Washer, Lock M6	
24	8466306	1	Gage, Tilt Angle	
25	1001191635	1	Mirror, RH	
26	10139087	1	Tread, Safety	
27	1001096404	1	Sleeve, Angle Indicator Spacer	
28	1001098769	1	Plate, Boom Angle Indicator	
29	1001109053	1	Decal, Coolant Fill	
30	1001114675	1	Arm, Mirror	
31	1001235804	2	Decal, Ultra Low Sulfur Fuel (SPAN)	
32	1001191995	1	Decal, Lubrication Chart (10042)	
33	1001131271	1	Decal, Telehandlers Patent	
34	1001235805	1	Decal, Hot Fluid Warning	
35	1001148177	1	Mirror, Rectangular	
40	1001259302	1	Decal, Cab Side	
41	1001263821	1	Decal, Rear Door	
44	1001242172	1	Decal, RH Overlay	
45	1001242173	1	Decal, LH Overlay	
46	1001162734	1	Decal, Joystick Control	
47	1001162735	1	Decal, Sway Control	
48	1001162736	1	Decal, Auxiliary Control	
49	1001162737	1	Decal, Outrigger Control	
52	1001236312	2	Decal, MCO 110HP	
53	1001174152	1	Decal, Maintenance Chart	
54	1001142452	1	Decal, No Step	
55	1001259303	1	Decal, Tank Side	
56	1001259305	1	Decal, Left Side Stripe	
57	1001259306	1	Decal, Right Side Stripe	
58	1001189327	1	Decal, Main Fuse Panel	

## SECTION 11 - DECALS

ITEM	PART NUMBER	QTY	DESCRIPTION	REV
60	1001196806	1	Decal, Diesel Exhaust Fluid	
61	1001246078	1	Decal, Danger Swinging Load Boom (SPAN)	
62	1001219211	1	Decal, Brake Fluid Spec	
65	1001242181	1	Decal, EN/FR Cummins DEF Tank Service	
68	1001242179	1	Decal, Danger Swinging Load Boom Head (SPAN)	
69	1001263590	2	Decal, Model Boom Head	

**SECTION 11 - DECALS**

**FIGURE 11-8. BOOM DECALS INSTALLATION**



ART\_1001157277-A

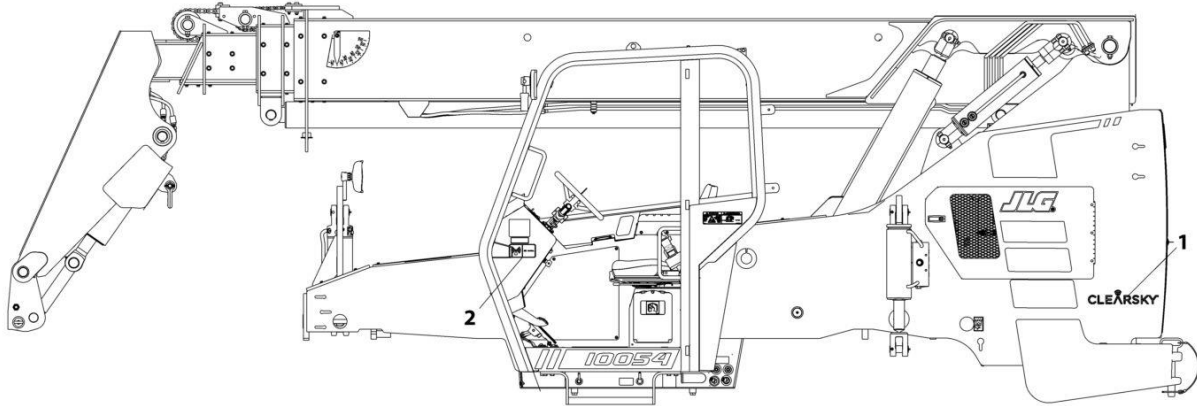
## SECTION 11 - DECALS

### FIGURE 11-8. BOOM DECALS INSTALLATION

ITEM	PART NUMBER	QTY	DESCRIPTION	REV
1	1001157277	Ref	Boom Decal Installation	A
	1001157275	2	Decal, Boom SkyTrak	

# SECTION 11 - DECALS

## FIGURE 11-9. CLEARSKY DECALS INSTALLATION



ART\_1001229708-B

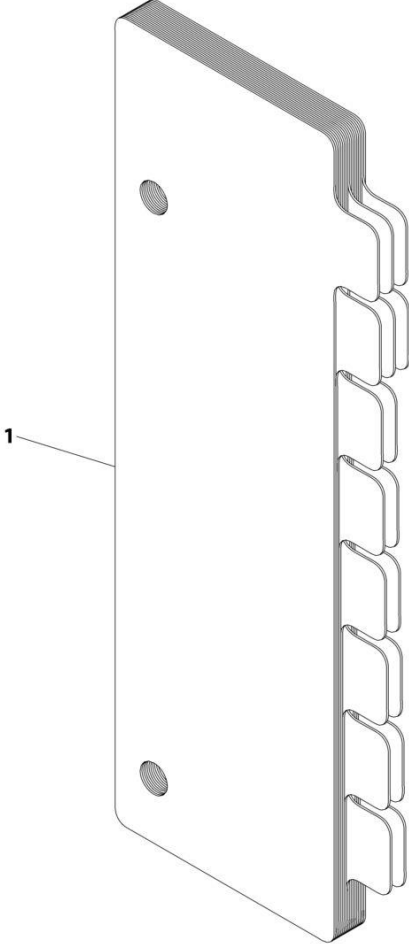
## SECTION 11 - DECALS

### FIGURE 11-9. CLEARSKY DECALS INSTALLATION

ITEM	PART NUMBER	QTY	DESCRIPTION	REV
	1001229708	Ref	Clearsky Decal Installation	C
1	1001294815	1	Decal - ClearSky	
2	1001120989	1	Radio Frequency Decal	

**SECTION 11 - DECALS**

**FIGURE 11-10. LOAD CHART BOOKLET - (ANSI)**



ART\_1001211873



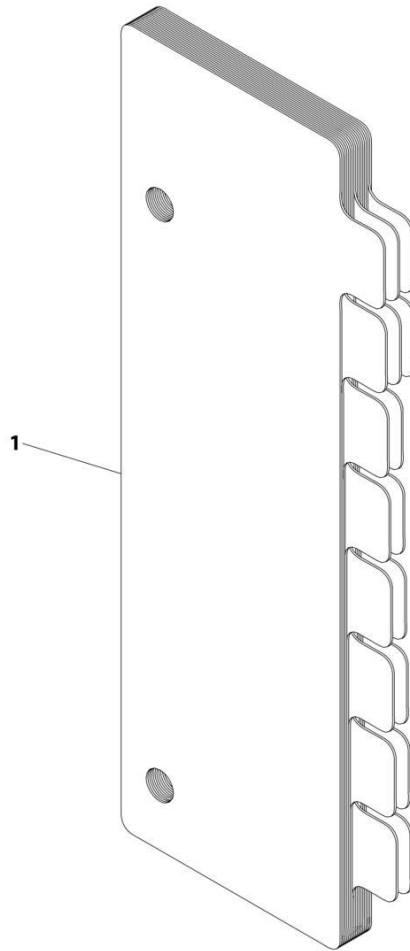
## SECTION 11 - DECALS

**FIGURE 11-10. LOAD CHART BOOKLET - (ANSI)**

ITEM	PART NUMBER	QTY	DESCRIPTION	REV
1	1001211873	1	Capacity Chart (ANSI)	

# SECTION 11 - DECALS

FIGURE 11-11. LOAD CHART BOOKLET - (ISO)



ART\_1001211874

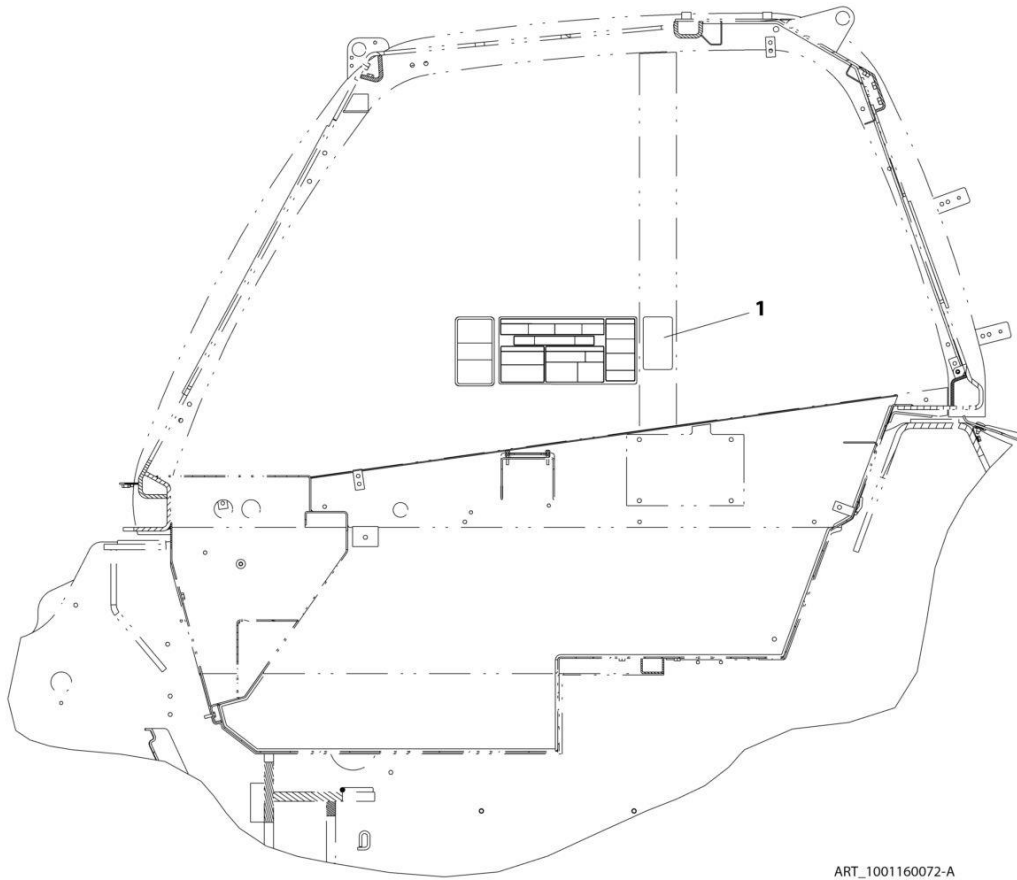
## SECTION 11 - DECALS

FIGURE 11-11. LOAD CHART BOOKLET - (ISO)

ITEM	PART NUMBER	QTY	DESCRIPTION	REV
1	1001211874	1	Capacity Chart (ISO)	

# SECTION 11 - DECALS

## FIGURE 11-12. REVERSE SENSING SYSTEM DECAL INSTALLATION (ENGLISH)



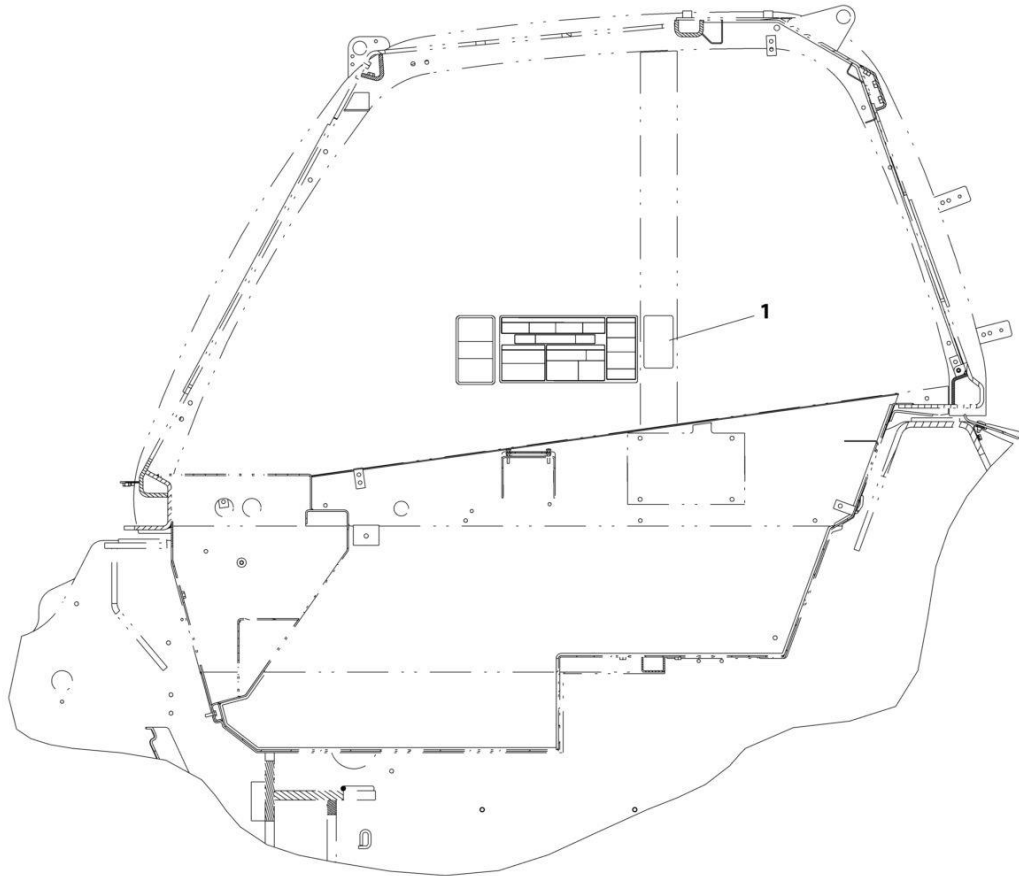
## SECTION 11 - DECALS

**FIGURE 11-12. REVERSE SENSING SYSTEM DECAL INSTALLATION (ENGLISH)**

ITEM	PART NUMBER	QTY	DESCRIPTION	REV
1	1001160072	1	Reverse Sensor System Decal (English)	A

# SECTION 11 - DECALS

FIGURE 11-13. REVERSE SENSING SYSTEM DECAL INSTALLATION (ENGLISH/FRENCH)



ART\_1001160945-A

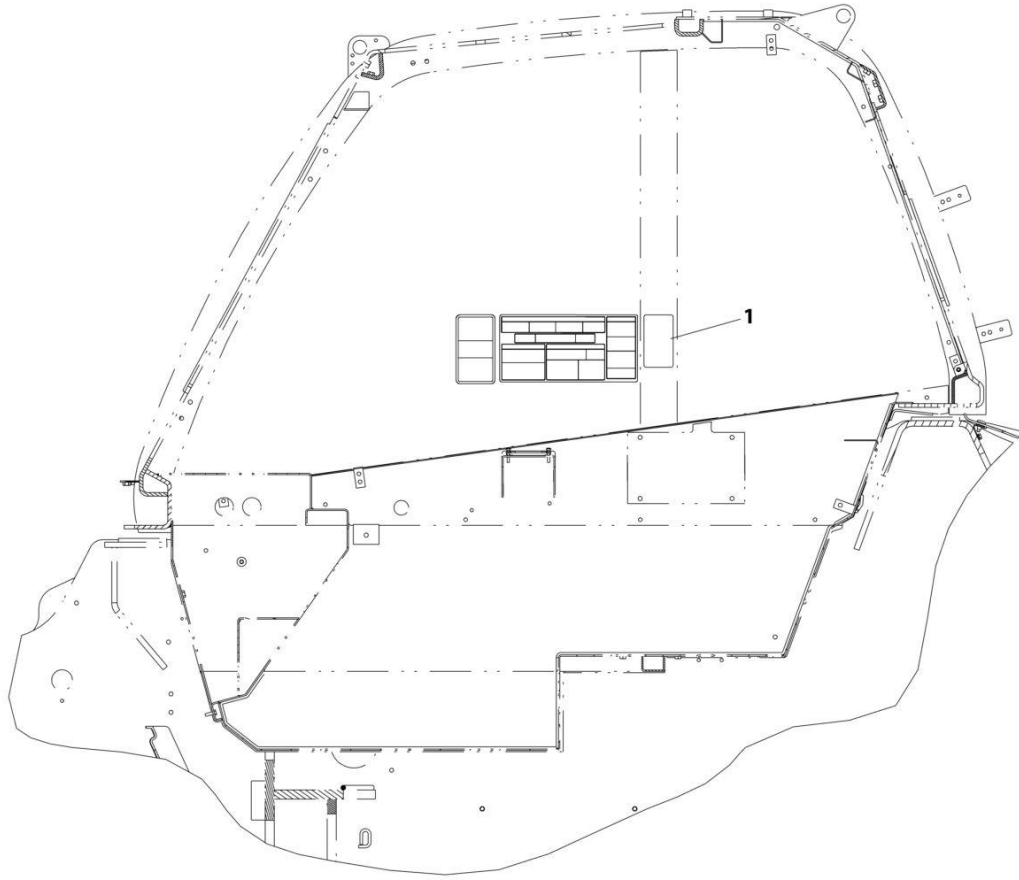
## SECTION 11 - DECALS

**FIGURE 11-13. REVERSE SENSING SYSTEM DECAL INSTALLATION (ENGLISH/FRENCH)**

ITEM	PART NUMBER	QTY	DESCRIPTION	REV
1	1001160945	1	Reverse Sensor System Decal (ENGLISH/FRENCH)	A

# SECTION 11 - DECALS

FIGURE 11-14. REVERSE SENSING SYSTEM DECAL INSTALLATION (ENGLISH/SPANISH)



ART\_1001237846-A



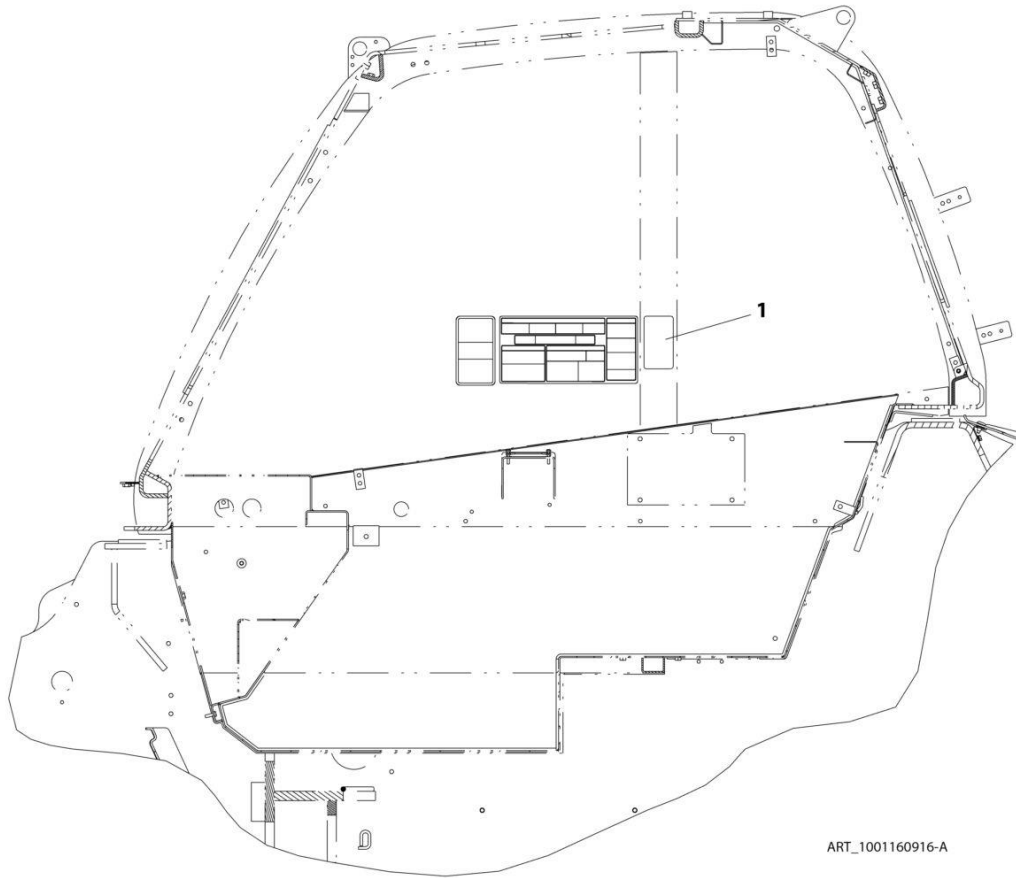
## SECTION 11 - DECALS

**FIGURE 11-14. REVERSE SENSING SYSTEM DECAL INSTALLATION (ENGLISH/SPANISH)**

ITEM	PART NUMBER	QTY	DESCRIPTION	REV
1	1001237846	Ref	REVERSE SENSOR SYSTEM DECAL (ENGLISH/SPANISH LANGUAGES)	A

# SECTION 11 - DECALS

## FIGURE 11-15. REVERSE SENSING SYSTEM DECAL INSTALLATION (ISO)



## SECTION 11 - DECALS

**FIGURE 11-15. REVERSE SENSING SYSTEM DECAL INSTALLATION (ISO)**

ITEM	PART NUMBER	QTY	DESCRIPTION	REV
1	1001160916	1	Reverse Sensor System Decal (ISO)	A



## **SECTION 12 - RECOMMENDED SERVICE PARTS STOCK**

## **SECTION 12 - RECOMMENDED SERVICE PARTS STOCK**

## SECTION 12 - RECOMMENDED SERVICE PARTS STOCK

FIGURE 12-1. RECOMMENDED SERVICE PARTS STOCK

ITEM	PART NUMBER	QTY	DESCRIPTION	REV
		Ref	Note: The following list will service one machine (built to current production per date on the front cover) with emergency repair parts which can be installed in the field. Parts from the list should be replaced when inventory is depleted to keep service parts stock supplied. For further information, contact your JLG dealer or the JLG Industries Parts Department.	
	7139077	1	Breather (Hydraulic Tank)	
	70026085	1	Coil (Secondary Valve)	
	7029246	1	Coil, Solenoid (Stabli-Trak)	
	1001203181	1	Control, Accessory (ASOV)	
	1001210703	1	Control, Cab	
	1001247421	1	Control, Reverse Sensor	
	1001173581	1	Controller, Auxiliary (Secondary Controls)	
	1001173582	1	Controller, Frame Level	
	1001158002	1	Controller, Pilot Joystick	
	1600429	1	Controller, Transmission	
	8223073	1	Controller, Turn Signal	
	1001199205	12	Element, Filter (Hydraulic Tank)	
	8229261	2	Fuse, 5A (ASOV, Cab Distribution Harness)	
	8229233	2	Fuse, 7.5A (Cab Distribution Harness)	
	8229234	2	Fuse, 10A (ASOV, Cab Distribution Harness)	
	8229237	2	Fuse, 15A (Cab Distribution Harness)	
	8229235	2	Fuse, 20A (ASOV & Cab Distribution Harness)	
	8229238	2	Fuse, 40A (Cab Distribution Harness)	
	1001118245	2	Fuse, 250A (Relay Panel)	
	1001129285	2	Fuse, Mini Diode (Cab Distribution Harness)	
	1001127699	2	Fuse, Power Module (Relay Panel)	
		Ref	Engine - 74HP ULS	
	70025852	12	Filter, Air Cylindrical Primary	
	70025853	12	Filter, Air Cylindrical Secondary	
	70026234	12	Filter, Fuel Primary	
	70026453	12	Filter, Fuel Secondary	
	70026237	12	Filter, Oil	
	8229242	2	Fuse, 5A	
		Ref	Engine - 110HP LS	
	70025852	12	Filter, Air Cylindrical Primary	
	70025853	12	Filter, Air Cylindrical Secondary	
	1001133534	12	Filter, Fuel	
	70026234	12	Filter, Fuel Primary	
	70026801	12	Filter, Fuel Secondary	
	70026237	12	Filter, Oil	
	8229242	2	Fuse, 5A	
	8229244	2	Fuse, 15A	
	1001095704	1	Relay	
		Ref	Engine - 110HP ULS	
	1101312	12	Filter, Air Primary	
	1101313	12	Filter, Air Secondary	
	70026234	12	Filter, Fuel Primary	
	70026453	12	Filter, Fuel Secondary	

## SECTION 12 - RECOMMENDED SERVICE PARTS STOCK

ITEM	PART NUMBER	QTY	DESCRIPTION	REV
	70026237	12	Filter, Oil	
	8035807	1	Key (Ignition Switch)	
	70021948	1	Key, Cab Door	
	2940074	1	Latch (Fork Mounted Basket)	
	1001228954	1	Module (ClearSky - CE)	
	1001262322	1	Module (Clearsky)	
	1001233236	1	Module, 3W TCU (Clearsky - CE)	
	1001226328	1	Module, 3W TCU (Clearsky)	
	70026986	1	Relay, 12V 30/40A (Heater & AC)	
	1001186417	1	Relay, 150 Amp (Relay Panel)	
	3740080	1	Relay (ASOV)	
	1001205172	1	Relay, Micro 280, 12V, 35 Amp (Cab Distribution Harness)	
	1001184316	1	Relay, Power Module (Relay Panel)	
	1001130307	1	Sensor, Boom	
	1001245478	1	Sensor, Coolant Level (ULS Engines De-Aeration Tank)	
	1001145026	1	Sensor, Fuel (Fuel Tank)	
	1001250700	1	Sensor, Pressure (Electrical Installation)	
	70026854	1	Sensor, Pressure (Heater & AC)	
	1001169077	1	Sensor, PRS Temperature (ULS Engines Air Cleaner)	
	1001215941	1	Switch (ASOV)	
	8223038	1	Switch, Beacon	
	8223025	1	Switch, Brake Lights (Roadlight Package)	
	8223060	1	Switch, Hazard (Roadlight Package)	
	7138878	1	Switch, Horn	
	4360690	1	Switch, Ignition	
	1001170269	1	Switch, Outrigger	
	8223054	1	Switch, Park Brake	
	8223037	1	Switch, Steer Select	
	8223044	1	Switch, Windscreen Washer (Enclosed Cab)	
	8223043	1	Switch, Windscreen Wiper (Enclosed Cab)	
	8223059	1	Switch, Work Light (Roadlight Package)	





**SECTION 13 - SPECIAL OPTIONS/ACCESSORIES/KITS**

**SECTION 13 - SPECIAL OPTIONS/ACCESSORIES/KITS**

## SECTION 13 - SPECIAL OPTIONS/ACCESSORIES/KITS

FIGURE 13-1. SPECIAL OPTIONS/ACCESSORIES/KITS

ITEM	PART NUMBER	QTY	DESCRIPTION	REV
	See Note	Ref	Note: This list is to accommodate machines ordered with special equipment. Options may not be applicable to all models. For more specific parts information contact JLG Parts Department.	
		Ref	SPECIAL OPTIONS/ACCESSORIES/KITS	
	1001273266	Ref	Accelerator Extension Harness (for Accelerator 1001264554) (Note: Verify cab power harness version before purchasing)	
	1001273267	Ref	Accelerator Extension Harness (for Accelerator 1001180555) (Note: Verify cab power harness version before purchasing)	
	1001243577	Ref	Access Control Kit	
	1001214789	Ref	Aftermarket Kits	O
	1001195606	Ref	Anti-Stall kit	
	1001239455	Ref	Backup Camera Kit	
	1001109532	Ref	Baffle Kit	
	1001214398	Ref	Battery Disconnect Kit	
	1001126387	Ref	Bearing Retainer Kit	
	1001171117	Ref	Brake Valve Fittings Kit	
	8024032	Ref	Boom Chain Kit - Extend	
	8024033	Ref	Boom Chain Kit - Retract	
	7131633	Ref	Boom Pivot Replacement Kit (LH)	
	7131643	Ref	Boom Pivot Replacement Kit (RH)	
	2915208	Ref	Boom Pivot Replacement Kit	
	2910995	Ref	Boom Wear Pads Kit	
	1001167009	Ref	Brake Inlet pressure Kit	
	1001201455	Ref	Cab A/C Kit	
	1001154226	Ref	Cab Cooler Vent Kit	
	1001280231	Ref	Cab Door Window Kit	
	1001201453	Ref	Cab Enclosure Kit	
	1001193427	Ref	Cab Enclosure Kit with Heater	
	1001193428	Ref	Cab Enclosure Kit with HVAC	
	1001202258	Ref	Cab Door Bumpers Kit	
	1001201456	Ref	Cab Heater Kit	
	1001201454	Ref	Cab HVAC Kit	
	1001162831	Ref	Cab Window Dropout Kit (ANSI)	
	1001162832	Ref	Cab Window Dropout Kit (English/French)	
	1001162833	Ref	Cab Window Dropout Kit (ISO)	
	1001268341	Ref	Camera Kit - Multi-View Rear	
	1001243183	Ref	ClearSky Telematics Kit - Canbus (North America)	
	1001243184	Ref	ClearSky Telematics Kit - Canbus (CE)	
	1001238933	Ref	Cold Weather Kit (ULS)	
	1001242195	Ref	Cold Weather Kit (LS)	
	1001262154	Ref	Decal Kit	
		Ref	Electrical Connector Kits	
	1001148902	Ref	Amp/Tyco Electrical Connectors	
	1001148903	Ref	Deutsch DT Electrical Connectors	
	1001148904	Ref	Deutsch HD Electrical Connectors	
	1001148905	Ref	Packard Electrical Connectors	
	1001148906	Ref	Various Electrical Connectors	
	1001196127	Ref	Engine FAPL - 74HP ULS	
	1001165489	Ref	Engine FAPL - 110HP ULS	

## SECTION 13 - SPECIAL OPTIONS/ACCESSORIES/KITS

ITEM	PART NUMBER	QTY	DESCRIPTION	REV
	1001166034	Ref	Engine FAPL - 110HP LS	
	1001177168	Ref	Engine Removal Brackets Kit	
	1001258010	Ref	Fender Kit	
	1001199737	Ref	Filter Kit - 500Hour	
	1001199738	Ref	Filter Kit - 1000Hour	
	1001193364	Ref	Fire Extinguisher Kit	
	1001239988	Ref	Fire Extinguisher Kit	
	1001203742	Ref	Frame Leveling/Tilt Kit	
	1001224161	Ref	Hydraulic Circuit FAPL	C
	1001253916	Ref	Latch Catch Kit (ANSI)	
	1001201459	Ref	Lights - Beacon Lights Kit	
	1001201458	Ref	Lights - Roadlights Kit (Safim Brakes)	
	1001213944	Ref	Lights - Roadlights Kit (Eaton Brakes)	
	1001238893	Ref	Lights - Worklight Kit (LED)	
	1001188068	Ref	Luk Coupler Kit	
	1001253829	Ref	Reverse Sensing System Kit	
	1001130717	Ref	Service Kits	Y
	1001265373	Ref	Skytrak Telematics Harness Kit	
	1001196630	Ref	Steer Kit - Orbital	
	1001274718	Ref	Tire Kit (Set of 4) Solid 13x24 Directional	
	1001274257	Ref	Tire Kit (Set of 4) Solid 13x28 Directional	
	1001274302	Ref	Tire Kit (Set of 4) Solid 13x28 Non-Directional	
	1001274721	Ref	Tire Kit (Set of 4) Solid 14x24 Directional	
	1001248572	Ref	Tire Kit (Set of 4) G2 14x24 Foam-Filled	
	1001248573	Ref	Tire Kit (Set of 4) G2 14x24 Pneumatic	
	1001274305	Ref	Tire Kit (Set of 4) Solid 14x28 Directional	
	1001274307	Ref	Tire Kit (Set of 4) Solid 14x28 Non-Directional	
		Ref	Tools for Service	
	1001249695	Ref	Analyzer and Cable Kit	
	1001249941	Ref	Analyzer and Cable Kit (Battery Powered)	
	70022871	Ref	Counter Support, ZF Transmission	
	7002821	Ref	Crimper, Wire	
	70023174	Ref	Eye Bolt Assortment, ZF Transmission	
	70022872	Ref	Internal Extractor, 45-58mm, ZF Transmission	
	7002823	Ref	Pin Extractor - Universal (For Electrical Connectors with Pins and Sockets)	
	4460510	Ref	Pin Extractor - 12-14 Gauge (For Removal of Pin/Sockets from Deutsch Connectors)	
	4460467	Ref	Pin Extractor - 16-18 Gauge (For Removal of Pin/Sockets from Deutsch Connectors)	
	7016654	Ref	Screwdriver, Magnetic	
	7002822	Ref	Screwdriver, Potentiometer	
	7004275	Ref	Seal Tool 1in (For Cylinders)	
	7004276	Ref	Seal Tool 1-1/2in (For Cylinders)	
	70026448	Ref	Spanner Wrench	
	7002828	Ref	Stripper, Wire	
	70010239	Ref	Two-Armed Puller, 160-150mm, ZF Transmission	
	1001116482	Ref	Transmission Shift Kit - 3SPD ZF	
	1001262436	Ref	Turf Tire Kit	
	1001262959	Ref	Voltage Regulator Relocation Kit (for ClearSky)	
	1001200204	Ref	White Noise Alarm Kit	
	1001213885	Ref	White Noise Alarm Kit	



# SECTION 13 - SPECIAL OPTIONS/ACCESSORIES/KITS

## PART NUMBER INDEX

## SECTION 13 - SPECIAL OPTIONS/ACCESSORIES/KITS

0100009.....611, 613	0760608 ..... 239, 241	1001099115 ..... 111, 115,	100116748.....568, 591,
0100011.....31, 111, 115,	0760610 ..... 37, 223	119	596, 601, 602
119, 183, 187, 191,	0760614 ..... 187	1001099351 ..... 89	100116751.....607
195, 197, 441, 469,	076081039, 41, 187, 203,	1001099699 ..... 427	100116757.....590, 591,
481, 485	231, 233	1001099901 ..... 93	595, 596, 601
0100019.....17, 21, 25, 45	0760812.... 229, 231, 353	1001099902 ..... 91	100116758.....590, 591,
01043892.....209, 565	0760815 ..... 205	1001100082 ..... 427	595, 596, 601
0140011 .....647	0761010 ..... 61	1001100227 ..... 159	100116774.....553, 568
0240156 .....145	0761012 ..... 239, 243	1001100228 ..... 163	100116808.....553, 568
0400075.....563	0761014 ..... 187	1001100229 ..... 161	100116812.....553, 568
0630464.....385, 393	0761212 .... 540, 544, 548	1001100265 ..... 97	100116815.....553, 581
0641403.....223, 395	0771618 .... 183, 187, 191	1001100266 ..... 99	100116945.....551
0641404.....540, 544, 548	0791606 ..... 31	1001100267 ..... 103	100116950.....592, 597,
0641405.....81, 211, 213	0860520 ..... 81	1001100822 ..... 97	603
0641406.....555	0930020 ..... 101	1001100823 ..... 99	100117021.....592, 596,
0641410 .....643, 647	1001003174 ..... 569	1001100824 ..... 103	603, 609, 615, 645
0641415.....641	1001004720 ..... 215, 217,	1001100967 ..... 87	100117026.....635, 645
0641507 .....229	647	1001101115 ..... 159, 163	100117059.....607
0641508.....211, 213	1001008742 ..... 385, 393	1001101116 ..... 159, 161	100117068.....590, 595,
0641509.....211, 213	1001081049 ..... 374, 380,	1001101845 ..... 59	600
0641510... 17, 21, 25, 179	385, 388, 393	1001102844 ..... 374, 380,	100117070.....591, 597,
0641511 ..... 183, 191	1001081241 ..... 395	388	603
0641514 .....617	1001081242 ..... 395	1001103182 ..... 117, 495	100117079.....649
0641520 .....58, 627	1001081243 ..... 385, 393	1001105886 ..... 651	100117080.....607
0641605.....540, 544, 548	1001081246 ..... 395	1001107589 ..... 453	100117081.....655
0641607.....229, 231, 233	1001081247 ..... 395	1001108524 ..... 251	100117103.....592, 597,
0641608.....187, 233	1001081266 ..... 395	1001108575 ..... 395	602
0641609.....241	1001081310 ..... 429, 431	1001108668 ..... 152	100117106.....568
0641612.... 111, 115, 119,	1001090063 ..... 111, 115,	1001109053 ..... 660, 664,	100117111.....592, 597,
241	119	668, 672, 676, 680, 684	603
0641614.....211, 213	1001090064 ..... 111, 115,	1001109478 ..... 385, 393	100117119.....568, 569
0641618.... 17, 21, 25, 33,	119	1001109532 ..... 708	100117125.....592, 596,
35, 37, 39, 41	1001090140 ..... 111, 115,	1001110704 ..... 117	603
0641620 .....557, 647	119	1001111112 ..... 385, 393	100118245.....641, 704
0641632 .....557	1001092481 ..... 75	1001111190 ..... 117, 152	100118378.....553, 568
0641636 .....395	1001092482 ..... 75	1001112612 ..... 551, 568,	100118390.....603
0641652 .....395	1001092877 ..... 672	581	1001184495.....653
0642032.... 109, 111, 113,	1001092878 ..... 672	1001112796 ..... 581	100119004.....591, 596,
115, 119, 121	1001093171 ..... 149	1001114495 ..... 215, 217	601
0642640.....45, 293, 295	1001093273 ..... 145	1001114675 ..... 660, 664,	1001119278.....561
0681810..... 111, 115, 119	1001093377 ..... 145, 159	668, 672, 676, 680, 684	1001119610.....479
0682418 .....45	1001093465 ..... 145	1001114867 ..... 374, 380,	1001120083.....203
0682496 .....45	1001093564 ..... 561	388	1001120178.....363, 365,
0682648 ..... 17, 21, 25	1001094312 ..... 395	1001116482 ..... 709	367, 369
0700610.... 660, 664, 668,	1001094330 ..... 145	1001116692 ..... 592, 603	1001120179.....363, 367
672, 676, 680, 684	1001094696 ..... 651	1001116693 ..... 581	1001120869.....211, 213
0700614 .....179, 627	1001094830 ..... 145	1001116710 ..... 570	1001120914.....111, 115,
0700617 .....399, 401	1001095418 ..... 117	1001116712 ..... 570, 629	119
0700812 .....231	1001095650 ..... 353	1001116720 ..... 655	1001120915.....111, 115,
0700822 .....399	1001095704 ..... 602, 704	1001116723 ..... 607	119
0700827 ..... 195, 197	1001095810 ..... 81	1001116726 ..... 569	1001120989.....689
0700828 .....401, 441	1001096019 ..... 79	1001116727 ..... 569, 590,	1001121103.....363
0701026 .....235, 237	1001096020 ..... 79	595, 600, 601, 602	1001121105.....367
0701216 .....239	1001096021 ..... 77	1001116728 ..... 590, 591,	1001121726.....569
0701219.....229, 231, 233	1001096023 ..... 77	592, 595, 596, 601,	1001121728.....569
0711214.... 183, 187, 191,	1001096024 ..... 79	603, 609, 645	1001121730.....569, 592,
195, 229, 231, 233	1001096025 ..... 77	1001116729 ..... 569, 590,	597, 602
0711219..... 183, 187, 191	1001096404 ..... 660, 664,	595, 600, 635	1001125027.....592, 596,
0711227 ..... 183, 187, 191	668, 672, 676, 680, 684	1001116731 ..... 581	603, 607
0711627 ..... 183, 187, 191	1001097079 ..... 633	1001116732 ..... 591, 597	1001125083.....602
0711628 ..... 183, 187, 191	1001097080 ..... 631	1001116734 ..... 591, 597,	1001125085.....602
0721004 .....427	1001097205 ..... 149	603	1001125089.....602
0741610..... 111, 115, 119	1001097735 ..... 59	1001116736 ..... 607, 649	1001125387.....660, 676
0760405...91, 97, 99, 103,	1001098769 ..... 660, 664,	1001116745 ..... 569, 590,	1001125784.....568
117	668, 672, 676, 680, 684	595, 600, 645	1001125785.....568
0760505 .....427	1001099113 ..... 111, 115,	1001116747 ..... 615	1001126008.....553, 568
0760605 ..... 183, 191	119		1001126351.....595

## SECTION 13 - SPECIAL OPTIONS/ACCESSORIES/KITS

1001126353..... 595	1001152416..... 355	1001160815..... 377	1001165806..... 385, 393, 395
1001126356..... 595	1001153912..... 219	1001160844..... 233	1001165818..... 203
1001126387..... 708	1001154055..... 353	1001160845..... 191	1001165823..... 383, 385
1001126391..... 601	1001154226..... 708	1001160912..... 421	1001166008..... 197
1001126393..... 601	1001154375..... 647	1001160916..... 701	1001166034..... 709
1001126484..... 603	1001154511..... 191, 193	1001160945..... 697	1001166070..... 39
1001126487..... 603	1001154790..... 187, 189	1001161212..... 613	1001166112..... 676
1001127066..... 655	1001155920..... 58	1001161213..... 611	1001166113..... 680
1001127699..... 641, 704	1001155921..... 59	1001161920..... 183, 187, 191	1001166114..... 672
1001127700..... 641	1001156010..... 59, 499	1001162212..... 223	1001166229..... 243
1001127784..... 285, 287	1001156283..... 33, 35, 37, 39, 41	1001162734..... 660, 664, 668, 672, 676, 680, 684	1001166238..... 17, 25
1001127864..... 31, 33, 35, 37, 39, 41	1001157102..... 465	1001162735..... 660, 664, 668, 672, 676, 680, 684	1001166556..... 601
1001127867..... 31	1001157273..... 680	1001162736..... 660, 664, 668, 672, 676, 680, 684	1001166566..... 199, 203
1001128341..... 211, 213	1001157274..... 680	1001162737..... 660, 664, 668, 672, 676, 680, 684	1001166693..... 233
1001128363..... 229	1001157275..... 687	1001162804..... 415, 417, 419, 421	1001166704..... 602, 603
1001128364..... 229	1001157277..... 687	1001162806..... 415	1001166715..... 205
1001128594..... 185, 189, 193	1001157663..... 195, 197	1001162831..... 708	1001166935..... 229, 231, 233
1001128714..... 229	1001157890..... 553, 568, 569, 592, 603	1001162832..... 708	1001166976..... 233
1001128890..... 85	1001157891..... 607, 649	1001162833..... 708	1001167009..... 708
1001128901..... 229	1001158002..... 463, 517, 704	1001163174..... 664, 680	1001167167..... 233
1001129285..... 570, 704	1001158004..... 461, 463	1001163206..... 664, 680	1001167168..... 233
1001129407..... 573	1001158040..... 477	1001163210..... 664, 680	1001167250..... 417
1001129615..... 641	1001158041..... 445	1001163212..... 664, 680	1001167251..... 421
1001130307..... 540, 544, 548, 705	1001158046..... 473	1001163222..... 664, 680	1001167357..... 195, 197
1001130717..... 709	1001158272..... 660, 676	1001163285..... 664, 680	1001167528..... 603
1001131271..... 660, 664, 668, 672, 676, 680, 684	1001158319..... 660, 676	1001163300..... 664, 680	1001167617..... 602
1001133072..... 115, 119	1001158320..... 672	1001163304..... 664, 680	1001167620..... 600
1001133173..... 595	1001158321..... 672	1001163323..... 664, 680	1001167624..... 600
1001133534..... 241, 704	1001158357..... 465	1001163355..... 664, 680	1001167641..... 591, 602
1001134488..... 211, 213	1001158398..... 461	1001163414..... 111, 115, 119, 493	1001167643..... 591, 602
1001135770..... 639	1001158404..... 399, 401	1001163685..... 485	1001167644..... 591, 602
1001135777..... 639	1001158527..... 467	1001164096..... 393	1001167646..... 591, 602
1001136358..... 239, 241	1001158528..... 465, 467	1001164099..... 393	1001167647..... 591, 602
1001136975..... 215, 217, 239, 241	1001158576..... 479	1001164196..... 401	1001167648..... 591, 602
1001137512..... 143	1001158611..... 479, 483	1001164282..... 385	1001167649..... 591, 602
1001138642..... 595	1001158786..... 457, 461	1001164284..... 385	1001167650..... 591, 602
1001138643..... 595	1001159186..... 568, 569	1001164404..... 233	1001168051..... 203
1001138645..... 187	1001159319..... 33, 35, 37, 39, 41	1001164717..... 385, 393	1001168052..... 203
1001139578..... 660, 676	1001159844..... 399, 401, 413	1001164837..... 233	1001168053..... 203
1001139942..... 672	1001159850..... 380	1001164838..... 233	1001168066..... 391, 393
1001141892..... 47	1001159851..... 388	1001165057..... 17, 21, 25	1001168451..... 485
1001142247..... 156	1001159856..... 385, 393, 405	1001165194..... 601	1001168478..... 213, 247
1001142452..... 672, 676, 680, 684	1001159860..... 385, 411	1001165275..... 395	1001168822..... 191
1001143551..... 553	1001159861..... 393, 407	1001165276..... 395	1001168859..... 225
1001144147..... 553, 581	1001159878..... 374, 380, 388	1001165489..... 708	1001169001..... 223
1001144629J..... 81	1001159932..... 233	1001165517..... 183, 187, 191	1001169006..... 33, 35, 37, 39, 41
1001145026..... 49, 53, 705	1001160071..... 415	1001165518..... 183, 187, 191	1001169057..... 229, 231, 233
1001145707..... 591, 597	1001160072..... 695	1001165609..... 233	1001169059..... 211, 213
1001146160..... 85	1001160116..... 183, 187, 191	1001165617..... 377, 383, 391	1001169077..... 203, 705
1001147515..... 47	1001160250..... 17, 21, 25	1001165660..... 183, 187, 191	1001169172..... 39, 41
1001148177..... 660, 664, 668, 672, 676, 680, 684	1001160782..... 233	1001165668..... 237	1001169271..... 215
1001148902..... 708	1001160785..... 385, 393	1001165669..... 203	1001169272..... 215, 217
1001148903..... 708	1001160787..... 417	1001165670..... 213	1001169274..... 215, 217
1001148904..... 708	1001160788..... 377, 383, 391	1001165672..... 239	1001169329..... 25, 51
1001148905..... 708	1001160790..... 377, 383, 391	1001165673..... 215	1001169466..... 21, 51, 53
1001148906..... 708	1001160791..... 377, 383, 391	1001165675..... 221	1001169620..... 548, 600
1001149227..... 377, 385, 393			1001169787..... 395
1001149712..... 568, 581			1001169816..... 655
1001152415..... 355			1001170117..... 211, 213
			1001170186..... 211, 213
			1001170230..... 641
			1001170233..... 540, 544, 548, 641

## SECTION 13 - SPECIAL OPTIONS/ACCESSORIES/KITS

1001170234.....540, 544, 548, 639	1001174375 ..... 481	1001182663 ..... 395	1001190295.....195
1001170235.....639	1001174822 ..... 237	1001182723 ..... 401	1001190341....33, 35, 37, 39, 41
1001170269.....540, 544, 548, 705	1001175568 ..... 239, 241	1001182798 ..... 401	1001190344.....241
1001170316.....499	1001175733 ..... 645	1001182800 ..... 395	1001190349.....241
1001170329.....49, 53	1001176002 ..... 600	1001182808 ..... 395	1001190370.....241
1001170738.....374, 380, 388	1001176004 ..... 600	1001182810 ..... 395	1001190371.....241
1001170856.....51	1001176337 .... 617, 619, 621, 631, 633	1001182842 ..... 395	1001190372.....241
1001171117 ..... 708	1001176515 ..... 83	1001182865 ..... 395	1001190629.....241
1001171188 ..... 477	1001176935 ..... 602, 603	1001182871 ..... 395	1001190630.....241
1001171190 ..... 473	1001177168 ..... 709	1001182882 ..... 395	1001190631.....241
1001171191 ..... 475	1001177190 .... 17, 21, 25	1001182883 ..... 395	100119062.....231
1001171193 ..... 475	1001177192 .... 17, 21, 25	1001182884 ..... 395	1001190990.....231
1001171194 ..... 475	1001177198 ..... 570, 629	1001183084 ..... 395	1001191635..... 660, 664, 668, 672, 676, 680, 684
1001171234.....540, 544, 548	1001177746 .... 385, 393, 395	1001183104 ..... 395	1001191995..... 660, 664, 668, 672, 676, 680, 684
1001171236.....540, 544, 548	1001177753 ..... 469	1001183164 .... 374, 380, 389	1001192049.....570
1001171237 .....540, 544, 548	1001177778 .... 540, 544, 548, 637	1001183209 ..... 395	1001192050.....570
1001171238.....540, 544, 548	1001178224 ..... 447	1001183341 ..... 437	1001192134.....187
1001171239.....540, 544, 548	1001178285 ..... 540, 544, 548, 568	1001183370 ..... 459	1001192390....33, 35, 37, 39, 41
1001171384.....33, 37, 39	1001178345 .... 609, 611, 613	1001183811 ..... 233	1001192401.....592, 597, 603
1001171385....33, 35, 37, 39, 41	1001178346 ..... 649	1001184316 ..... 641, 705	1001192711.....179
1001171472.....223	1001178347 .... 380, 388, 607	1001184491 ..... 653	1001192720.....179
1001171473.....223	1001178349 .... 385, 393, 655	1001184493 ..... 653	1001192875.....179
1001171474.....223	1001178582 ..... 211, 213	1001184496 ..... 653	1001192876.....179
1001171633.....540, 544, 548	1001178776 . 49, 53, 211, 213, 241	1001184835 .... 540, 548, 653	1001192877.....179
1001171757 .....540, 544, 548	1001179229 ..... 399, 401	1001185071 ..... 243	1001193364.....709
1001171786 .....465	1001179354 ..... 680	1001185649 ..... 231	1001193427.....708
1001171802.....239	1001179375 ..... 239	1001185650 ..... 187	1001193428.....708
1001171803.....239	1001179381 ..... 680	1001185651 ..... 205	1001193540.....179
1001171805.....239, 241	1001179381 ..... 680	1001185652 ..... 217	1001193729.....179
1001171806.....388, 401	1001179845 ..... 211, 213	1001185776 ..... 380	1001194592.....485
1001171807 .....380, 399	1001180175 ..... 664, 680	1001185777 ..... 388	1001194620.....447
1001171873.....471	1001180176 ..... 664, 680	1001186373 ..... 183, 191	1001194745.....447
1001171986.....471	1001180227 ..... 231	1001186417 ..... 641, 705	1001195055.....592, 597, 603
1001172135.....548	1001180244 ..... 243	1001186490 ..... 241	1001195057.....592, 597
1001172136.....548	1001180473 .... 183, 187, 191	1001186537 ..... 37	1001195087.....592, 597, 602, 603
1001172537 .....399, 401	1001180762 .. 18, 22, 26, 505	1001186718 ..... 187	1001195606.....708
1001172561 .....399, 401	1001180763 ..... 59, 503	1001186841 .... 540, 544, 548, 563	1001195760.....569
1001172658 .... 17, 21, 25	1001181584 ..... 211, 213	1001187078 ..... 553	1001195826.... 17, 21, 25
1001172784 .....447	1001181585 ..... 211, 213	1001187239 ..... 664, 680	1001195913.....575
1001173177 .....465	1001181707 ..... 385, 393	1001187512 ..... 602	1001195952.... 17, 21, 25
1001173217 .....399, 401	1001181893 ..... 385, 393	1001187513 ..... 602	1001195970.....95
1001173257 .....627	1001181899 .... 221, 540, 544, 548	1001187952 ..... 570	1001196109.....469
1001173422 .....672, 676, 680	1001181903 ..... 385, 393	1001188068 ..... 709	1001196124.....183
1001173535..... 187, 223	1001181956 ..... 374	1001189017 .... 660, 664, 668, 672, 676, 680, 684	1001196125.....229
1001173581 .....435, 441, 704	1001181968 ..... 385, 393	1001189318 ..... 217	1001196127.....708
1001173582 .....439, 441, 704	1001182091 .... 385, 393, 575, 613	1001189327 .... 660, 664, 668, 672, 676, 680, 684	1001196128.....385, 393
1001173841 .....475	1001182094 ..... 239	1001189488 ..... 544, 595	1001196392.....455
1001174152.....676, 680, 684	1001182135 ..... 395	1001189596 ... 17, 21, 25, 497	1001196396.....229
1001174227 .... 17, 21, 25	1001182255 .... 211, 213, 219	1001189602 ..... 217	1001196397.....229
1001174327 .....229, 231, 233	1001182408 ..... 395	1001189712 ..... 217	1001196630.....709
1001174340.....441	1001182470 .... 385, 393, 431	1001189715 ..... 217	1001196665..... 183, 185
	1001182514 ..... 395	1001189871 ..... 647	1001196736.....235
	1001182603 ..... 239	1001189875 .... 590, 591, 595, 596, 601	1001196737.....211
		1001189877 ..... 595, 602	1001196806.....677, 681, 685
		1001189886 ..... 645, 647	1001197098.....385, 393
		1001190005 ..... 205	1001197099.....385, 393, 395
		1001190007 ..... 21	1001197233..... 187, 191, 195
		1001190183 ..... 205	
		1001190229 .... 374, 380, 388, 403	



## SECTION 13 - SPECIAL OPTIONS/ACCESSORIES/KITS

1001197475 ..... 211, 245	1001204097.....215, 217	1001219211.....665, 669, 673, 681, 685	1001229023 ..... 225
1001198355 ..... 179	1001204098.....215, 217	1001219212.....677	1001229024 ..... 225
1001198684 ..... 485	1001204099.....215	1001220260.....395	1001229025 ..... 221, 225
1001198728 ..... 557	1001204362.....388	1001220490.....293, 325, 327, 329, 331, 335, 337	1001229095 ..... 51
1001199116 ..... 49, 53	1001204692.....643, 647	1001220491.....293, 339, 341, 343, 345, 349, 351	1001229107 ..... 577
1001199135 ..... 49, 53	1001205172.....569, 629, 705	1001222200.....353	1001229117 ..... 221, 223
1001199136 ..... 49, 53	1001205248.....617, 627, 629	1001222203.....353	1001229210 ..... 223
1001199177 ..... 49, 53	1001205264.....617, 627	1001222211.....293	1001229708 ..... 689
1001199181 ..... 49, 53	1001206542.....555	1001222217.....355	1001229921 ..... 295
1001199199 ..... 53	1001206543.....557	1001222218.....357	1001230239 ..... 85
1001199205 .. 49, 53, 704	1001206956.....207	1001222219.....363	1001230241 ..... 85
1001199210 ..... 49, 53	1001206983.....207	1001222220.....367	1001230307 ..... 677
1001199670 ..... 223	1001206985.....207	1001222221.....361	1001230309 ..... 681
1001199737 ..... 709	1001207173.....559	1001222495.....43	1001230402 ..... 553
1001199738 ..... 709	1001207217.....660, 677	1001222496.....43, 45	1001230931 ..... 568
1001199889 ..... 540, 590	1001207218.....672	1001222497.....43, 47	1001231397 ..... 551, 553
1001199951 ..... 223	1001207606.....147	1001222717 .....353	1001231398 ..... 553
1001200204 ..... 709	1001207963.....374, 381, 389	1001222870.....285, 289	1001231400 ..... 551, 553
1001200833 ..... 568	1001208664.....17, 21, 25	1001223050.....437, 535	1001231401 ..... 553
1001200845 ..... 569	1001209097.....597	1001223052.....374, 381, 389, 437	1001231402 ..... 553
1001201111 ..... 239, 241	1001210093.....459	1001223453.....661, 665, 677, 681	1001231404 ..... 551, 553
1001201453 ..... 708	1001210351.....235	1001223727 .....285	1001231406 ..... 553
1001201454 ..... 708	1001210581.....681	1001224096.....223	1001231560 ..... 207, 551
1001201455 ..... 708	1001210582.....681	1001224150.....453	1001231692 ..... 85
1001201456 ..... 708	1001210703.....374, 380, 388, 704	1001224152.....447	1001231801 ..... 661, 677
1001201458 ..... 709	1001210776.....570	1001224161.....709	1001232216 ..... 497
1001201459 ..... 709	1001210777.....570	1001224171 .....479	1001232355 ..... 139
1001201554 .... 17, 21, 25	1001210778.....570	1001224242.....453	1001232439 ..... 209, 565
1001201571 ..... 25	1001210779.....570	1001224459.....447, 449	1001232500 ..... 85
1001201572 ..... 21	1001210819.....59	1001224460.....447, 451	1001232517 ..... 45
1001201658 .... 374, 381, 389	1001210859.....459	1001224467.....449	1001232518 ..... 45
1001201692 .... 17, 21, 25	1001210860.....459	1001224471.....451	1001232599 ..... 209, 565
1001201721 ..... 521, 535	1001210862.....459	1001225317.....353	1001232624 ..... 209, 565
1001201734 ..... 459	1001210863.....459	1001226328.....577, 705	1001232750 ..... 209, 565, 587
1001201737 ..... 459	1001211139.....117	1001226400.....573	1001233174 ..... 643
1001201738 ..... 459	1001211278.....664	1001226541.....581	1001233217 ..... 643
1001201752 ..... 627	1001211516.....121	1001226636.....581	1001233236 ..... 579, 705
1001201831 ..... 203	1001211688.....187	1001226637.....581	1001233237 ..... 579
1001201863 ..... 544	1001211690.....37	1001226795.....453	1001233383 ..... 111
1001201864 ..... 548	1001211697.....187	1001226799.....583	1001233384 ..... 115
1001201945 ..... 215, 217	1001211873.....691	1001226856.....575, 581, 583	1001233385 ..... 119
1001201983 ..... 215	1001211874.....693	1001227066.....573, 577, 579	1001233434 ..... 643
1001201991 ..... 447	1001212670.....205	1001227068.....573	1001233828 ..... 643
1001202189 .... 377, 383, 391	1001213200J.....361	1001227077 .....207	1001233964 .... 585, 587, 651
1001202202 .... 377, 383, 391	1001213210.....221, 227	1001227208 .....41	1001233976 ..... 559, 643
1001202247 ..... 207	1001213432.....33	1001227211 .....17, 49	1001234216 ..... 561, 585, 587
1001202258 ..... 708	1001213435.....17	1001227266.....573	1001234530 ..... 587
1001202304 ..... 207	1001213436.....540	1001227379.....133	1001235725 ..... 215
1001202384 ..... 475	1001213437.....660	1001227382.....137	1001235794 ..... 668, 684
1001202615 ..... 377	1001213438.....664	1001227459.....575	1001235796 ..... 668, 684
1001202626 ..... 660, 664	1001213574.....557	1001227508.....479	1001235797 ..... 668, 684
1001202627 .... 660, 664, 668, 672	1001213885.....709	1001227636.....449, 451	1001235798 ..... 668, 684
1001202746 .... 377, 383, 391	1001213938.....215	1001227670....87, 91, 97, 99, 101, 103, 105, 117, 152, 156, 165	1001235799 ..... 668, 684
1001202904 .... 165, 167, 169, 171, 173, 175, 177	1001213944.....709	1001228512.....35	1001235801 ..... 668, 684
1001203181 ..... 207, 704	1001214398.....708	1001228872.....223	1001235802 ..... 668, 684
1001203503 ..... 179	1001214789.....708	1001228954.....583, 705	1001235805 ..... 668, 684
1001203742 ..... 709	1001215941.....207, 705	1001228986.....29, 51	1001236312 ..... 684
1001203969 ..... 215, 217	1001216291.....35, 41		1001236313 ..... 668
1001203970 ..... 215	1001216455.....207, 553		1001237778 ..... 603
1001204032 ..... 207, 519	1001218358.....553		1001237846 ..... 699
1001204045 ..... 59	1001218659.....661, 677		1001237847 ..... 617
	1001219045.....459		1001237853 ..... 617, 633
	1001219082.....207		

## SECTION 13 - SPECIAL OPTIONS/ACCESSORIES/KITS

1001237854.....617, 631	1001245054 ..... 457, 459	1001262436 ..... 709	10731751.....255
1001238111.....615, 617, 627	1001245057 ..... 457, 465	1001262959 ..... 709	10731845...261, 263, 267
1001238199.....617, 627, 635	1001245058 ..... 465	1001262960 ..... 577, 579	10731913.....257
1001238560.....81, 179	1001245060 ..... 445	1001262963 ..... 577, 579	10731959.....273
1001238565.....75, 77, 79, 81	1001245061 ..... 445	1001263590 ..... 661, 665, 669, 673, 677, 685	10732063.....277, 281
1001238566.....179	1001245067 ..... 455	1001263821 ..... 660, 664, 668, 672, 676, 684	10732064.....277
1001238570.....179	1001245068 ..... 455	1001264534 ..... 643	10732071.....275
1001238653.....75	1001245070 ..... 479	1001264536 ..... 643	10732072.....275
1001238654.....77	1001245213 ..... 293, 295	1001264554 ..... 374, 380, 388	10732095.....255
1001238655.....79	1001245214 ..... 293, 295	1001265272 ..... 395	10732150..33, 35, 37, 39, 41
1001238893.....709	1001245215 ..... 293, 295	1001265373 ..... 709	10837928.....529
1001238933.....708	1001245478 ..... 219, 705	1001265679 ..... 643	10839156.....273
1001239250.....583	1001246001 ..... 359	1001265680 ..... 643	1101312.....201, 704
1001239455.....708	1001246078 ..... 668, 685	1001265914 ..... 374, 381, 389	1101313.....201, 704
1001239539.....207	1001246391 ..... 592, 603	1001265979 ..... 643	1101841.....287
1001239734.....111, 115, 119	1001246735 ..... 377, 391	1001265980 ..... 643	1170012.....109
1001239958.....585	1001246736 ..... 374, 377	1001265982 ..... 643	1170021.....109
1001239988.....709	1001246737 ..... 381, 383	1001265986 ..... 643	1170024.....113
1001241305.....427	1001246738 ..... 389, 391	1001265987 ..... 643	1319203.....255
1001241837 ..... 365, 369	1001247171 ..... 485, 487	1001265988 ..... 643	1319204.....255
1001241841 ..... 365	1001247421 ..... 647, 704	1001265986 ..... 643	1319205.....255
1001241842 ..... 369	1001247654 ..... 485	1001265987 ..... 643	1319209.....255
1001241848 ..... 365	1001248572 ..... 709	1001266771 ..... 487, 533	1319210.....255
1001241849 ..... 369	1001248573 ..... 709	1001268341 ..... 708	1319211.....255
1001242035.....33, 35, 37, 39, 41	1001249695 ..... 709	1001271586 ..... 611, 613	1319213.....255
1001242122 ..... 668, 684	1001249941 ..... 709	1001272715 ..... 61	1319557.....257
1001242172 ..... 668, 684	1001250700 ..... 540, 544, 548, 705	1001273266 ..... 708	1319558.....257
1001242173 ..... 668, 684	1001251208 ..... 627	1001273267 ..... 708	1319563.....257
1001242179 ..... 669, 685	1001251270 ..... 619, 627	1001273636 ..... 627	1319565.....257
1001242181 ..... 685	1001251271 ..... 621, 627	1001273850 ..... 419	1319566.....257
1001242195 ..... 708	1001251426 ..... 485	1001274257 ..... 709	1319569.....259
1001242636 ..... 684	1001252968 ..... 461	1001274302 ..... 709	1319570.....259
1001242637 ..... 668	1001252969 ..... 461	1001274305 ..... 709	1319571.....259
1001242644 ..... 105	1001252970 ..... 461	1001274307 ..... 709	1319574.....259
1001242916 ..... 419	1001252971 ..... 461	1001274718 ..... 709	1319575.....259
1001242920 ..... 47	1001252986 ..... 359	1001274721 ..... 709	1319576.....259
1001242925 ..... 481, 529	1001253829 ..... 709	1001275637 ..... 365, 369	1319577.....259
1001242996 ..... 58, 69	1001253916 ..... 709	1001275638 ..... 365, 369	1319582.....259, 283
1001243025 ..... 69	1001254099 ..... 461	1001275933 ..... 423	1319583.....259
1001243026 ..... 69	1001254386 ..... 481	1001280231 ..... 395, 708	1319584.....259
1001243183 ..... 708	1001254411 ..... 509	1001294815 ..... 689	1319585.....259, 283
1001243184 ..... 708	1001256316 ..... 483, 531	1001296148 ..... 627	1319586.....259
1001243219 ..... 69	1001256321 .. 17, 21, 25, 509	1001301599 ..... 117	1319587.....259
1001243411 ..... 481, 485	1001256519 ..... 374, 380, 388	1001301600 ..... 117	1319590.....259
1001243412 ..... 485	1001257571 ..... 455	1001305569 ..... 627	1319591.....261
1001243577 ..... 708	1001258010 ..... 709	1005798200 ..... 295, 297, 299, 301, 303, 307, 309	1319592.....261
1001244278 ..... 485	1001258100 ..... 427	1005798300 ..... 295, 311, 313, 315, 317, 321, 323	1319593...261, 263, 265, 267, 269, 271
1001244302 ..... 485	1001258244 ..... 423	10139087 . 660, 664, 668, 672, 676, 680, 684	1319594...261, 263, 265, 267, 269, 271
1001244306 ..... 469	1001258245 ..... 423	10268515 ..... 201, 205	1319595...261, 263, 265, 267, 269, 271
1001244307 ..... 469	1001258991 ..... 563	10268516 ..... 205	1319596...261, 263, 267
1001244308 ..... 469	1001259206 ..... 127	1060379 ..... 81	1319600...261, 263, 265, 267, 269, 271
1001244357 ..... 457	1001259302 ..... 660, 664, 668, 672, 676, 684	1060626 ..... 561, 651	1319601...261, 263, 265, 267, 269, 271
1001244592 ..... 45	1001259303 ..... 660, 664, 668, 672, 676, 684	1062255 ..... 540, 544, 548	1319602...261, 263, 265, 267, 269, 271
1001244593 ..... 627	1001259305 ..... 660, 664, 668, 672, 676, 684	10705034 ..... 107	1319603...261, 263, 265, 267, 269, 271
1001244594 ..... 627	1001259306 ..... 660, 664, 668, 672, 676, 684	10719267 ..... 203	1319604...261, 263, 265, 267, 269, 271
1001244650 ..... 441	1001259635 ..... 359	10725554 ..... 301, 329	1319605...261, 263, 267
1001244652 ..... 435, 441	1001260509 ..... 653	10725627 ..... 335, 349	1319606...261, 263, 267
1001244653 ..... 439, 441	1001262154 ..... 708	10727374 ..... 437	1319607.....261
1001244654 ..... 435, 439, 441	1001262322 ..... 575, 705	10728823 ..... 459	
1001244871 ..... 479	1001262327 ..... 575	10731702 ..... 255	
1001244980 ..... 459		10731709 .. 277, 278, 281	
		10731744 ..... 259	
		10731748 ..... 255	

## SECTION 13 - SPECIAL OPTIONS/ACCESSORIES/KITS

1319608 ..... 261, 271	1319695 ..... 277	2131210.....251	2716673 ..... 447
1319609 ..... 261	1319696 ..... 277, 281	2131212.....211, 213, 251	2716675 ..... 475
1319610 ..... 261	1319697 ..... 277	2172106.....111, 115, 119	2716686 ..... 475
1319611 ..... 261	1319698 ..... 277	2180798.....205	2716688 ..... 475
1319612 ... 261, 263, 265, 267, 269, 271	1319699 ..... 277	2220218.....241	2716691 ..... 475
1319613 ..... 263	1319700 ..... 277	2220239.....49, 53	2716709 ..... 47
1319614 ..... 263	1319701 ..... 277	2220371....463, 475, 481, 483, 487	2716713 ..... 445
1319615 .... 263, 267, 269	1319702 ..... 277, 281	2220372.....483	2716714 ..... 455
1319616 ..... 265	1319703 ..... 277, 281	2220373.....59, 455, 467, 483, 487	2716715 ..... 455
1319617 .... 265, 269, 271	1319704 ..... 277	2220374....479, 481, 651	2717160 ..... 107
1319618 .... 265, 269, 271	1319705 ..... 277	2220375.....49, 53, 475	2717161 ..... 107
1319619 ..... 265	1319707 ..... 277, 281	2220377.....481	2717162 ..... 107
1319620 .... 265, 269, 271	1319710 ..... 281	2220385....455, 459, 479, 487	2717198 ...18, 22, 26, 515
1319621 .... 265, 269, 271	1319711 ..... 281	2220415.....117	2717201 ..... 47, 511
1319622 .... 265, 269, 271	1319712 ..... 281	2220451.....481	2717283 ..... 107, 501
1319623 .... 265, 269, 271	1319713 ..... 281	2220472.....481	2717287 ..... 117
1319624 .... 265, 269, 271	1319714 ..... 281	2220473.....47, 117, 475, 481	2755060 ..... 455
1319625 .... 265, 269, 271	1319715 ..... 281	2220474.....483	2900770 ..... 511
1319626 .... 265, 269, 271	1319717 ..... 281	2220497.....481	2910995 ..... 708
1319627 .... 265, 269, 271	1319718 ..... 283	2220498.....651	2915023 ..... 495
1319628 .... 265, 269, 271	1319719 ..... 283	2220499.....49, 53	2915208 ..... 708
1319629 .... 265, 269, 271	1319720 ..... 283	2220500....449, 451, 467	2940074 ..... 81, 705
1319630 .... 265, 269, 271	1319721 ..... 283	2220501.....475	31200160 ..... 75
1319631 .... 265, 269, 271	1319722 ..... 283	2220577 ..... 49, 53	31200386 ..... 79
1319632 .... 265, 269, 271	1319723 ..... 283	2220582.....59	31200387 ..... 77
1319633 ..... 265, 273	1319724 ..... 283	2220582.....463, 481	31200388 ..... 77
1319634 ..... 267	1319725 ..... 283	2220596....455, 481, 487	3251813 ... 660, 664, 668, 672, 676, 680, 684
1319635 ..... 267	1319726 ..... 283	2220600.....487	3290501 ..... 209, 565
1319636 .... 267, 269, 271	1320022 ... 217, 374, 380, 388	2220603.....467	3290505 ..... 207
1319637 ..... 269	1320032 ..... 223	2220605.....437, 451	3290601 ... 179, 540, 544, 548
1319638 ..... 269, 271	1321094 .... 185, 189, 193	2220606.....481	3290605 ... 239, 241, 399, 401, 540, 544
1319639 ..... 271	1322039 .... 185, 189, 193	2220622.....651	3290801 ... 233, 395, 540, 544, 548
1319641 ..... 273	1322040 .... 185, 189, 193	2220635 49, 53, 449, 479, 487	3290805 ... 187, 221, 399, 401
1319643 ..... 273	1600429 ... 374, 380, 388, 704	2220651.....61	3291205 ..... 239
1319646 ..... 273	1701509 ..... 81	2220654.....451	3300240 ... 109, 111, 113, 115, 119, 121
1319648 ..... 273	1701640 ... 660, 664, 668, 672, 676, 680, 684	2220677 ..... 453	3300429 ..... 49, 53
1319649 ..... 273	1702300 ... 660, 664, 668, 672, 676, 680, 684	2220695.....475	3311401 ... 211, 213, 374, 380, 388, 643
1319650 ..... 275	1702773 ..... 75, 77, 79	2220700.....651	3311405 ..... 81
1319652 ..... 275, 277	1704277 ..... 81	2220726.....487	3311502 ..... 179
1319659 ..... 275	1704885 ..... 75, 77, 79	2220738.....481	3311601 ..... 58
1319661 ..... 275, 277	1706098 ..... 672	2220819.....481	3311605 ..... 557
1319670 ..... 277, 281	1706279 ..... 672	2220828.....481	3331615 .... 183, 187, 191
1319671 ..... 277	1706281 ..... 672	2220878.....481	3391410 ..... 179
1319673 ..... 277	1706282 ..... 672	2220883.....505	3421453 ..... 81
1319674 ..... 277	1706284 ..... 672	2220885.....531	3423226 ..... 58
1319675 ..... 277	1706285 ..... 672	2220998.....481	3423227 ..... 17, 21, 25
1319676 ..... 277	1706288 ..... 672	2221027 ..... 61	3423242 ..... 113, 115
1319677 ..... 277	1706296 ..... 660, 676	2221344.....437	3423248 ..... 45
1319678 ..... 277	1706298 ..... 660, 676	2230025.....61	3423254 ..... 293, 295
1319679 ..... 277	1706299 ..... 660, 676	2230044.....445	3423275 ..... 109, 111
1319680 ..... 277	1706300 ..... 660, 676	2340037.....125	3423276 .... 117, 119, 121
1319681 ..... 277	1706301 ..... 660, 676	2340038.....131	3423307 .... 111, 115, 119
1319682 ..... 277	1706302 ..... 179	2340039.....141	3440620 ..... 85
1319683 ..... 277	1706306 ..... 660, 676	2340045.....129	3460383 ..... 58
1319684 ..... 277	1706768 ..... 660, 676	2340046.....123	3460384 ..... 58
1319685 ..... 277	1319687 ..... 277	2400060....592, 597, 604	3520030 ... 33, 35, 37, 39, 41
1319686 ..... 277	1319688 ..... 277	2400066.....604	3520072 ..... 81
1319687 ..... 277	1319689 ..... 277	24921332.....229, 231	3520198 ..... 81
1319688 ..... 277	1319690 ..... 277	2600281.....81	3740080 ..... 207, 705
1319689 ..... 277	1319691 ..... 277	2713082.....61	
1319690 ..... 277	1319692 ..... 277	2713452.....59	
1319691 ..... 277	1319693 ..... 277	2716665.....479	
1319692 ..... 277	1319694 ..... 277		
1319693 ..... 277			
1319694 ..... 277			

## SECTION 13 - SPECIAL OPTIONS/ACCESSORIES/KITS

3760170.....81	600, 602, 603, 604, 607, 649	4711600 ... 241, 540, 544, 548, 557, 660, 664, 668, 672, 676, 680, 684	70021358.....101
3790152.....207		4740362 ..... 211, 213	70021359.....101
3820020.....81	4460467 ..... 709	4750800 ..... 427	70021360.....101
3841203..... 111, 115, 119	4460475 ... 553, 590, 592, 595, 596, 600, 603	4751400 ..... 223, 395	70021361.....101
3930610..... 374, 380, 388	4460476 .... 592, 596, 603	4761400 ... 374, 380, 388, 641	70021362.....101
3931012..... 643, 647	4460508 .... 569, 629, 649	4761500 ..... 183, 191	70021364.....101
3951404.....503	4460510 ..... 709	4811400 . 91, 97, 99, 103, 117	70021365.....101
3968141.....315, 343	4460518 ..... 553, 568	4811600 ... 207, 209, 241, 427, 565	70021366.....101
4031608.....209, 565	4460539 ..... 553, 559	4811700 ... 179, 183, 187, 191, 223, 239, 399, 401, 548, 627	70021367.....101
4060803.....385, 393	4460608 ... 590, 592, 596, 600, 603	4811702 .... 37, 399, 401, 540, 544	70021376..... 105, 491
4060804..... 17, 21, 25	4460742 .... 553, 615, 635	4811900 39, 41, 221, 229, 231, 233, 399, 401, 540, 544, 548	70021377.....105
4060805..... 17, 21, 25	4460744 .... 590, 595, 601	4811902 .... 187, 203, 353	70021378.....105
4060806..... 374, 380, 388	4460746 ..... 602	4812000 .... 61, 187, 233, 235, 237, 239	70021379.....105
4100181.... 660, 664, 668, 672, 676, 680, 684	4460761 ..... 553, 568	4812100 ... 183, 187, 191, 195, 229, 231, 233, 239, 540, 544, 548	70021382.....105
4105262.... 660, 664, 668, 672, 676, 680, 684	4460789 .... 569, 615, 635	4831600 ..... 209, 565	70021387..... 87, 101
4107442.... 660, 664, 668, 672, 676, 680, 684	4460790 ..... 569, 629	4831700 ..... 627	70021389.....105
4107971 ..... 660, 676	4460809 ..... 553	4832000 ..... 235, 237	70021391.....101
4108302.... 660, 664, 668, 672, 676, 680, 684	4460836 ..... 568	4891500 ..... 229	70021392.....101
4110422.... 85, 87, 89, 91, 93	4460850 ... 590, 595, 600	4891600 . 17, 21, 25, 229, 231, 233, 617	70021393..... 101, 507
4110473..... 107	4460871 ..... 568	4891800 .... 111, 115, 119	70021399.....101
4240017 .... 540, 544, 548	4460882 ..... 568	4892400 ..... 45	70021415..... 87, 89
4240032.... 575, 577, 579, 583, 643	4460884 ... 568, 592, 597, 600, 603, 649	5240800 ..... 195, 197	70021440..... 83, 491, 507
4240099.... 183, 187, 191	4460891 ... 553, 568, 569, 590, 591, 595, 596, 600, 601, 602, 609, 637	5242400 ..... 179	70021444..... 491, 507
4360569.... 374, 380, 388	4460894 ..... 581, 649	5251014 .... 374, 380, 388	70021445..... 491
4360690.... 374, 380, 388, 705	4460897 ... 569, 609, 637, 655	5724622 ..... 58	70021446..... 491, 507
4420037 .... 33, 35, 37, 39, 41, 51	4460905 ..... 568	6604662 ..... 117	70021447..... 491, 507
4460019.... 591, 592, 595, 596, 597, 602, 603	4460930 .... 551, 568, 569	70002219 ..... 493	70021448..... 491, 507
4460042.... 591, 596, 600	4460931 ... 553, 590, 595, 600, 649	70002224 ..... 493	70021451..... 491, 507
4460142.....597	4460933 ... 559, 569, 607, 649	70003849 ..... 493	70021452..... 491, 507
4460183.....645	4460941 ..... 637, 649	70004637 ..... 505	70021464.....507
4460234.... 575, 583, 643	4460942 .... 568, 607, 649	70010239 ..... 709	70021465.....507
4460247 .... 592, 597, 603	4460945 ..... 553	70020002 ..... 105	70021466.....507
4460256.... 591, 596, 601	4460950 ..... 607	70020004 ..... 167	70021613..... 321, 349
4460268.....607	4460955 ... 591, 596, 601, 602	70020028 ..... 105	70021812.....495
4460312.... 592, 597, 602, 603	4460970 .... 559, 568, 569	70020375 ..... 499, 503	70021921..... 87, 89
4460321.....553	4460994 ..... 568, 655	70020425 ..... 275	70021935..... 87, 89
4460326.....607	4461006 ..... 602, 603	70020426 ..... 275	70021948..... 395, 705
4460419.... 568, 609, 635, 637, 649, 655	4461017 ... 569, 629, 649	70020427 ..... 281	70021977..... 87, 89
4460457.....615, 635	4461018 ..... 629, 635	70020428 ..... 495	70021978..... 87, 89
4460458.... 553, 569, 590, 591, 592, 595, 596, 597, 600, 601, 602, 603, 609, 645	4461070 ... 568, 597, 602, 603	70020430 ..... 273	70021979..... 87, 89
4460464.... 551, 553, 559, 568, 569, 573, 581, 590, 595, 600, 607, 609, 637, 649, 655	4461095 ... 591, 597, 602, 603	70020431 ..... 273	70021980.....101
4460465.... 551, 553, 559, 568, 569, 581, 590, 591, 592, 595, 596, 597, 600, 601, 602, 603, 607, 609, 637, 649	4461103 ..... 570	70020555 ..... 147, 149	70021981.....101
4460466.... 551, 553, 559, 568, 569, 581, 590, 591, 592, 595, 597,	4461157 ... 590, 595, 600	70020562 ..... 101	70021982.....101
	4520356 ..... 359	70020652 ..... 431	70022008..... 529
	4520527 ..... 357	70020658 ..... 511	70022014..... 529
	4641122 ..... 359	70020743 ..... 521	70022028..... 87, 89
	4641501 ..... 523, 527	70020745 ..... 521	70022044..... 495
	4641502 ..... 107, 523	70020876 ..... 407	70022045..... 495
	4710600 .... 374, 381, 389	70021140 ..... 315, 343	70022046..... 495
	4711000 ..... 643	70021342 ..... 89, 101	70022140..... 301, 329
	4711400 .... 81, 211, 213, 385, 393, 540, 544, 548, 555, 643, 647	70021349 ..... 87, 89	700222527..... 87, 89, 101
	4711500 ... 183, 191, 211, 213, 395	70021351 ..... 105	700222528..... 87, 89
			70022529..... 87, 89
			70022563.....505
			70022564.....505
			70022634... 185, 189, 193
			70022650.....521
			70022797..... 315, 343
			70022799..... 317, 345
			70022871.....709
			70022872.....709
			70022931.....152
			70022932.....152
			70022934.....152
			70022935.....153
			70022936.....152
			70022937.....152

## SECTION 13 - SPECIAL OPTIONS/ACCESSORIES/KITS

70022939 .....	153	70024215 .....	307, 335	70026090.....	413	70026393.....	199
70022942 .....	152	70024253 .....	590, 600	70026091.....	413	70026394.....	199
70022946 .....	153	70024254 .....	590, 600	70026092.....	413	70026401.....	467
70022949 .....	152, 153	70024255 .....	590, 600	70026093.....	413	70026448.....	709
70022950 .....	152	70024256 .....	590, 600	70026097.....	517	70026453..	185, 193, 704
70022952 .....	152	70024262 .....	493	70026098.....	517	70026470.....	156
70022957 .....	152	70024306 .....	143	70026100.....	405	70026471.....	156
70022960 .....	152	70024307 .....	143	70026101.....	405	70026472.....	156
70022969 .....	152	70024519 .....	313, 341	70026102.....	405	70026473.....	156
70022970 .....	152	70024522 .....	315, 343	70026103.....	405	70026476.....	156
70022980 .....	153	70024538 .....	156	70026104.....	405	70026478.....	525
70022984 .....	152	70024550 .....	156	70026105.....	405	70026481.....	156
70022985 .....	152	70024734 .....	513	70026106.....	405	70026482.....	156
70022987 .....	152	70024848 .....	307, 335	70026107.....	405	70026495.....	513
70022990 .....	153	70024849 .....	307, 335	70026108.....	405	70026497.....	513
70022992 .....	152	70024851 .....	303, 331	70026109.....	405	70026499.....	513
70022993 .....	152	70024855 .....	405	70026110.....	405	70026500.....	513
70022994 .....	152	70024881 .....	299, 303, 313, 317, 327, 331, 341, 345	70026111.....	405, 407	70026501.....	156, 513
70022995 .....	152	70025339 .....	301, 329	70026112.....	405	70026502.....	513
70022996 .....	156	70025480 .....	385, 393	70026113.....	405	70026503.....	513
70022998 .....	153	70025555 .....	315, 343	70026114.....	405	70026505.....	513
70023000 .....	156	70025556 .....	315, 343	70026115.....	405	70026506.....	513
70023003 .....	152	70025561 .....	303, 317, 331, 345	70026116.....	405	70026564.....	531
70023004 .....	152	70025562 .....	301, 303, 315, 317, 329, 331, 343, 345	70026117.....	405	70026585.....	156
70023005 .....	152	70025569 .....	315, 343	70026118.....	405	70026586.....	156
70023006 .....	152	70025570 .....	315, 343	70026119.....	405	70026587.....	156, 513
70023007 .....	152	70025606 .....	493	70026120.....	405	70026588.....	156
70023008 .....	152	70025821 .....	321, 349	70026121.....	405	70026589.....	156, 525
70023009 .....	152	70025822 .....	321, 349	70026122.....	405	70026590.....	156
70023010 .....	152	70025823 .....	321, 349	70026123... ..	405, 408, 411	70026591.....	156
70023014 .....	152	70025852 .....	199, 704	70026124.....	405, 408	70026592.....	156
70023015 .....	152	70025853 .....	199, 704	70026133.....	529	70026593.....	156
70023016 .....	152	70025856 .....	301, 329	70026139.....	315	70026594.....	156
70023116 .....	304, 332	70025857 .....	303, 331	70026216.....	607	70026595.....	156
70023174 .....	709	70025859 .....	521, 535	70026217... ..	592, 603, 607	70026596.....	156
70023404 .....	259	70025887 .....	301, 329	70026220.....	185, 193	70026597.....	156
70023482 .....	255	70025959 .....	493	70026221.....	185	70026598.....	156
70023483 .....	255	70025970 .....	307, 335	70026222.....	185, 189	70026599.....	156
70023490 .....	301, 329	70025982 .....	529	70026223.....	193	70026600.....	156
70023494 .....	301, 329	70026002 .....	303, 331	70026224... ..	185, 189, 193	70026601.....	156
70023506 .....	531	70026025 .....	509	70026225... ..	185, 189, 193	70026602.....	156
70023507 .....	531	70026036 .....	499	70026226... ..	185, 189, 193	70026603.....	156
70023508 .....	531	70026038 .....	499	70026228... ..	185, 189, 193	70026604.....	156
70023509 .....	531	70026056 .....	493	70026229... ..	185, 189, 193	70026605.....	156
70023736 .....	185, 189, 193	70026057 .....	493	70026230... ..	185, 189, 193	70026606.....	156
70023829 .....	304, 332	70026058 .....	493	70026231... ..	185, 189, 193	70026607.....	156
70023885 .....	259, 283	70026059 .....	493	70026232... ..	185, 189, 193	70026608.....	156
70023925 .....	152	70026060 .....	493	70026233.....	189	70026609.....	156
70023928 .....	527	70026061 .....	493	70026234... ..	185, 189, 704	70026610.....	513
70023929 .....	527	70026062 .....	493	70026235... ..	185, 189, 193	70026611.....	513
70023933 .....	185, 193	70026066 .....	303, 331	70026236.....	193	70026612.....	525
70024004 .....	301, 329	70026075 .....	245, 247	70026237... ..	185, 189, 193, 704, 705	70026613.....	525
70024016 .....	185, 189, 193	70026076 .....	245, 247	70026238.....	317, 345	70026614.....	525
70024020 .....	493	70026077 .....	245, 247	70026241... ..	185, 189, 193	70026615.....	525
70024059 .....	87, 89	70026078 .....	245, 247	70026244.....	227	70026616.....	525
70024060 .....	89	70026079 .....	245, 247	70026245.....	227	70026617.....	525
70024062 .....	83	70026080 .....	247	70026247.....	227	70026618.....	525
70024123 .....	156	70026081 .....	245, 247	70026248.....	227	70026619.....	525
70024129 .....	513, 525	70026082 .....	245, 247	70026255.....	329	70026620.....	525
70024130 .....	525	70026083 .....	245, 247	70026262.....	307, 335	70026621.....	525
70024146 .....	303, 332	70026085 .....	533, 704	70026263.....	307, 335	70026622.....	317, 345
70024147 .....	303, 331	70026087 .....	533	70026264.....	307, 335	70026631.....	315, 343
70024152 .....	49, 53	70026088 .....	413	70026267.....	156	70026652.....	529
70024202 .....	529	70026089 .....	413	70026347.....	156	70026653.....	529
70024210 .....	307, 321, 335, 349			70026352.....	431	70026698.....	87, 89
70024213 .....	307, 335			70026370.....	529	70026699.....	83
				70026376.....	529	70026742.....	497

## SECTION 13 - SPECIAL OPTIONS/ACCESSORIES/KITS

70026745.....147	70027796..... 307, 335	70028997 ..... 343	70029754.....175
70026746.....147	7002821 ..... 709	70029454 ..... 303, 331	70029755.....167
70026747..... 83	7002822 ..... 709	70029471 ..... 317, 345	70029756..... 167, 171
70026750.....301, 329	7002823 ..... 709	70029472 ..... 317, 345	70029757.....167
70026770.....501	7002828 ..... 709	70029482 ..... 299, 327	70029758.....175
70026771.....501	70028388 . 299, 303, 327, 331	70029483 ..... 301, 329	70029759.....175
70026773.....501	70028389 . 299, 303, 327, 331	70029484 ..... 303, 331	70029760.....167
70026774.....501	70028390 ..... 301, 329	70029486 ..... 303, 331	70029761.....177
70026775.....501	70028391 ..... 301	70029488 ..... 303, 332	70029762..... 167, 171
70026800.....189	70028392 . 304, 317, 332, 345	70029489 ..... 303, 331	70029763.....173
70026801..... 189, 704	70028402 ..... 503	70029544 ..... 303	70029764.....167
70026803..... 317, 345	70028403 ..... 503	70029545 ..... 304, 332	70029765.....167
70026812..... 317, 345	70028404 ..... 503	70029546 ..... 317, 345	70029766.....167
70026854.....407, 705	70028407 ..... 503	70029547 ..... 318, 345	70029767.....167
70026944..... 83	70028408 ..... 503	70029558 ..... 533	70029768.....167
70026945.....407	70028450 ..... 185, 193	70029584 ..... 533	70029769.....177
70026946..... 83	70028471 ..... 315, 343	70029704 ..... 175	70029770.....173
70026948..... 83	70028514 ..... 519	70029705 ..... 175	70029771.....177
70026949..... 83	70028515 ..... 519	70029706 ..... 175	70029772.....177
70026978.....407, 411	70028516 ..... 519	70029707 ..... 175	70029773.....167
70026979.....407	70028517 ..... 519	70029708 ..... 175	70029774.....167
70026980.....407	70028547 ..... 535	70029709 ..... 175	70029775.....167
70026981.....407, 411	70028779 ..... 407	70029710 ..... 175	70029776.....167
70026982.....407, 411	70028780 ..... 407	70029711 ..... 175	70029777..... 167, 171
70026983.....407, 411	70028781 ..... 407	70029712 ..... 175	70029778.....167
70026984.....407	70028782 ..... 407	70029713 ..... 175	70029779.....167
70026985.....408	70028881 ..... 317, 345	70029714 ..... 175	70029780..... 167, 171
70026986.....407, 705	70028886 . 299, 313, 327, 341	70029715 ..... 175	70029781..... 167, 171
70026987.....407	70028890 . 303, 317, 331, 345	70029716 ..... 175	70029782.....169
70026988.....407	70028891 . 303, 317, 331, 345	70029717 ..... 177	70029783.....169
70026989.....407	70028892 ..... 331	70029718 ..... 177	70029784.....167
70026990.....407	70028922 ..... 304, 332	70029719 ..... 177	70029785.....171
70026991.....408, 411	70028923 ..... 304, 332	70029720 ..... 167	70029786.....167
70027009..... 87	70028924 ..... 303, 331	70029721 ..... 167	70029787.....173
70027022..... 307, 335	70028925 ..... 317, 345	70029722 ..... 167	70029788.....167
70027024.....403	70028926 ..... 303, 331	70029723 ..... 167	70029789..... 173, 177
70027025.....403	70028938 . 299, 313, 327, 341	70029724 ..... 167	70029790.....167
70027026.....403	70028939 . 299, 313, 327, 341	70029725 ..... 167, 171	70029791.....175
70027028.....403	70028941 ..... 317, 345	70029726 ..... 167	70029792.....171
70027030.....403	70028943 ..... 318, 346	70029727 ..... 169	70029793.....167
70027032.....403	70028944 ..... 318, 346	70029728 ..... 167	70029794..... 167, 171
70027033.....403	70028947 . 309, 323, 337, 351	70029729 ..... 167	70029795.....175
70027034.....403	70028948 . 309, 323, 337, 351	70029730 ..... 169	70029796.....175
70027035.....403	70028949 . 309, 323, 337, 351	70029731 ..... 169	70029798.....531
70027092..... 307, 335	70028950 . 309, 323, 337, 351	70029732 ..... 167, 175	70029822.....407, 411
70027094.....245	70028951 . 309, 323, 337, 351	70029733 ..... 175	70029823.....407, 411
70027105..... 301, 329	70028952 . 309, 323, 337, 351	70029734 .. 167, 171, 175	70029824.....407, 411
70027134.....529	70028954 . 309, 323, 337, 351	70029735 ..... 167, 171	70029825.....411
70027244.....505	70028955 . 309, 323, 337, 351	70029736 ..... 167	70029826.....411
70027275.....521	70028957 . 309, 323, 337, 351	70029737 ..... 175	70029827..... 407, 411
70027276.....521	70028958 . 309, 323, 337, 351	70029738 ..... 167, 171	70029828..... 407, 411
70027281..... 185, 189	70028974 . 299, 313, 327, 341	70029739 . 167, 171, 173, 177	70029829..... 407, 411
70027315..... 317, 345	70028975 . 303, 317, 331, 345	70029740 ..... 171	70029830.....411
70027317..307, 321, 335, 349	70028976 ..... 317, 345	70029741 .. 167, 173, 177	70029831.....411
70027642..... 105	70028977 ..... 318, 346	70029742 ..... 167, 171	70029832..... 407, 411
70027689.....505		70029743 .. 167, 171, 177	70029833..... 407, 411
70027690.....505		70029744 ..... 173	70029834..... 408, 411
70027691.....505		70029745 ..... 167	70029835..... 408, 411
70027692.....505		70029746 ..... 173, 177	70029836..... 408, 411
70027693.....505		70029747 ..... 167, 171	70029837..... 408, 411
70027694.....505		70029748 ..... 173	70029838..... 408, 411
70027695.....505		70029749 ..... 173, 177	70029839..... 408, 411
70027696.....505		70029750 ..... 171	70029840..... 408, 411
70027705.....227		70029751 ..... 167	70029841..... 408, 411
70027706.....227		70029752 ..... 167	70029842..... 408, 411
70027772.....321		70029753 ..... 175	70029843..... 408, 411
			70029844.....411

## SECTION 13 - SPECIAL OPTIONS/ACCESSORIES/KITS

70029874	529	70031459	318	7082311	58	7139505	455
70029981	407	70031717	643	7082342	58	7139690	59, 63
70029984	408	70041616 .. 185, 189, 193		7082362	58	7139692	59, 71
70030001	529	70041617 .. 185, 189, 193		7083992	58	7139918	107
70030002	529	70041619 .. 185, 189, 193		7085571	69	7150680	621
70030003	529	70041620 .. 185, 189, 193		7090871	47	7150681	619
70030004	529	7004275	709	7090891	47	7150685	623, 627
70030005	529	7004276	709	7091373	47	7150690	619, 621
70030006	529	7010746	531	7095312	59	7150699	623, 627
70030007	529	7010769	533	7095352	58	7150702	623
70030008	529	7012903	515	7095522	58	7150703	625
70030009	529	7016654	709	7096552	58	7150716	625, 627
70030010	529	7017496	515	7096562	58	7150717	625, 627
70030011	529	7024441	49, 53	7096702	58	7300435	183, 187, 191
70030012	529	7024574	495	7096772	58	7300672	58
70030013	529	7026404	592, 602	7096882	58	7300673	58
70030014	529	7026579	499	7110702	117	7300674	61
70030015	529	7026758 ... 261, 263, 265, 267, 269, 271		7110712	117	7300675	61
70030016	529	7026759 ... 261, 263, 265, 267, 269, 271		7110722	117	7300678	59, 61
70030017	529	7026760 ... 261, 263, 265, 267, 269, 271		7111402	61	7301265	388
70030018	529	7026798	403	7111572	58	7301295	107
70030019	529	7026911	289, 291	7112642	159	7301408	135
70030020	529	7027273	273	7114941	161, 163	7302010	59
70030021	529	7028706 ... 313, 317, 341, 345		7116572	649	77133133	399, 401
70030022	529	7028714 ... 303, 317, 331, 345		7116642	65	77133134	399, 401
70030023	529	7028716 ... 303, 317, 331, 345		7116652	65	77143006	563
70030038	529	7028721	317, 345	7116662	65	80204002	299, 327
70030039	529	7028722	317, 345	7116691	65	80204005	303, 317, 331, 345
70030040	529	7028731	317, 345	7116733	58, 65	80204012	299, 304, 327, 332
70030041	529	7028732	317, 345	7116792	58	80204033	301, 329
70030141	105	7029037	275, 277	7116812	65	80204035	301, 329
70030142	105	7029039	277	7117031	58	80204043	301, 329
70030143	105	7029127 ... 309, 323, 337, 351		7118882	67	80204048	301, 329
70030144	105	7029131	315, 343	7118892	58, 67	80204060	307, 335
70030145	105	7029153	515	7124301	17, 21, 25	80204065	303, 317, 331, 345
70030281	407	7029246	515, 704	7124451	17, 21, 25	80204071	303, 317, 331, 345
70030292	533	7029288	299, 327	7124471 .. 17, 21, 25, 617, 627		80204076	303, 331
70030317	193	7029309	303, 331	7124491	47	80204108	307, 335
70030347	193	7029311 ... 303, 317, 331, 345		7125801	47	80204117	307, 317, 321, 335, 345, 349
70031092	503	7029412	407	7125811	59	80204144	309, 323, 337, 351
70031148	185	7029413	407	7125871	183, 187, 191	80204281	307, 321
70031350	193	7029415	407	7126662	59	8024032	708
70031351	193	7029417	283	7131633	708	8024033	708
70031352	193	7029520	149	7131643	708	80241137	17, 21, 25
70031380	193	7029521	149	7137142	17, 21, 25	80264138	517
70031394	407	7029532 ... 263, 265, 273		7138634	251	80304405	257
70031395	407	7029533 ... 263, 265, 273		7138639	285, 291	8032694	533
70031396	407	7029692	89, 101	7138639	285, 291	8032695	533
70031397	407	7029711	105	7138833	374, 380, 388	8032790	531
70031398	407	7029714	101	7138836	374, 380, 388	8032994	515
70031402	407	7029734	307, 335	7138878	374, 380, 388, 705	8033786	495
70031403	407	7029735	307, 335	7138882	397	8034695	497
70031404	407	7029786	321, 349	7138944	374, 380, 388	8034697	529
70031405	407	7029787	307, 335	7138958	385, 393	8034815	429
70031406	407	7029860	429	7138977	58	8035109	287, 289, 291
70031413	408	7054351	251	7138979	58	8035281	515
70031414	408	7057141	211, 213	7138986	58	8035282	515
70031420	408	7062922	117	7139032	63, 71	8035315	499
70031421	408	7079572	58	7139047	33, 35, 37, 39, 41	8035321	503
70031422	408			7139077	49, 53, 704	8035327	511
70031442	156			7139180	58	8035347	529
70031443	107			7139407	33, 35, 37, 39, 41		
70031444	105			7139416	63, 71		
70031445	87, 89			7139504	455		
70031446	101						
70031448	156						
70031458	318						

## SECTION 13 - SPECIAL OPTIONS/ACCESSORIES/KITS

8035382.....	529	8036733.....	501	8220904 ...	568, 609, 635, 637, 655	8303766.....	469
8035393.....	429	8036747.....	515	8220927 ...	569, 590, 595, 600	8303771.....	617, 627, 643
8035409.....	429	8036750.....	503, 511	8220929 ...	569, 590, 595, 600	8303772.....	58
8035411.....	429	8036784.....	511	8223025.....	627, 705	8303782.....	17, 21, 25
8035493.....	431	8036811.....	511, 515	8223037 ...	374, 380, 388, 705	8303784.....	243
8035498.....	431	8036825.....	511, 515	8223038 ....	611, 613, 705	8303982.....	374, 380, 388
8035499.....	431	8036826.....	515	8223043 ....	380, 388, 705	8304608.....	447
8035500.....	431	8036827.....	515	8223044 ....	380, 388, 705	8305002.....	540, 544, 548
8035523.....	425	8036828.....	515	8223054 ...	374, 380, 388, 705	8305004.....	33, 35, 37, 39, 41, 643, 647
8035536.....	495, 499	8036837.....	511	8223059 ....	617, 627, 705	8305006... ..	17, 21, 25, 455
8035539.....	499	8036838.....	511	8223060.....	627, 705	8305008.....	211, 213, 469
8035547.....	497	8036839.....	511	8223073.....	627, 704	8305012.....	159
8035611.....	497	8037109.....	529	8223232.....	251	8305014.....	17, 21, 25
8035612.....	497	80373094.....	201	8229233.....	570, 704	8305043.....	205, 441
8035613.....	497	80384207.....	429	8229234 ....	551, 570, 704	8305603.....	395
8035615.....	499	80384213.....	429	8229235 ....	553, 570, 704	8305619.....	69
8035616.....	499	80384218.....	385, 393	8229237.....	570, 704	8305624....	107, 385, 393, 540, 544, 548, 555
8035781.....	515	80384445.....	425	8229242 ....	592, 604, 704	8305626....	17, 21, 25, 58, 374, 380, 388, 617, 619, 621, 627
8035800.....	499	8050001 .	17, 21, 25, 293, 295	8229244.....	602, 704	8305638.....	395
8035807.....	374, 380, 705	80604016.....	607	8229245.....	629	8305643.....	58, 107, 117
8035862.....	495	80604017.....	637, 655	8229261 ....	551, 570, 704	8305644....	17, 21, 25, 47, 58, 65, 161, 163, 374, 380, 388
8035863.....	495	80604018 .	590, 591, 595, 596, 600, 601, 602, 637	8270620 ....	540, 544, 548	8305645....	33, 35, 37, 39, 41, 58, 65, 365, 369, 617, 627, 643, 660, 664, 668, 672, 676, 680, 684
8036021.....	255	80604021 ..	592, 597, 600	8270621.....	555	8305646.....	59
8036022.....	255	80604024.....	595, 600	8278020.....	211, 213	8305906.....	59
8036023.....	257	80623016.....	453	8302470 ...	33, 35, 37, 39, 41	8305916.....	374, 380, 388
8036024.....	259	8065062.....	117	8303034 ...	377, 383, 385, 391, 393, 395, 461	8307002....	33, 35, 37, 39, 41, 647
8036025.....	259	8065063.....	47	8303041.....	58	8307003.....	540, 544, 548
8036026.....	259	8065640 ....	17, 21, 25, 58	8303119.....	395	8307004.....	59, 223, 445, 455, 469, 471, 473, 475, 477
8036027.....	259	8065641.....	17, 21, 25	8303519.....	485	8307005.....	59, 485, 647
8036028.....	259	80963061.....	569	8303545 ...	540, 544, 548, 641	8307006.....	285
8036029....	263, 265, 267, 269, 271	80963062 ..	590, 595, 600	8303615 ...	33, 35, 37, 39, 41	8307007.....	59, 159, 161, 163, 479
8036030.....	273	80963067 .	569, 590, 595, 600, 602	8303620 ....	58, 365, 369, 374, 380, 388, 469	8307009.....	17, 21, 25
8036031.....	273	80983168.....	627	8303621.....	58	8307011.....	397
8036032.....	273	8124138.....	63, 71	8303622.....	61	8307023.....	374, 380, 388
8036033.....	275	8127022.....	63	8303624.....	58	8307024....	660, 664, 668, 672, 676, 680, 684
8036036.....	277	8127024.....	71	8303626 ...	159, 161, 163, 374, 380, 388, 479	8307027.....	540, 544, 548
8036038.....	277	82033997.....	385, 393	8303628.....	47	8307049.....	251
8036039.....	277	8205655.....	495	8303629.....	47	8307104.....	59, 69
8036040.....	277	8220007.....	655	8303634.....	58, 107, 117	8307106.....	59, 205, 374, 380, 388, 540, 544, 548
8036041.....	283	8220035.....	551, 655	8303640.....	69	8307109.....	374, 380, 388
8036042.....	283	8220051 ...	569, 649, 655	8303655.....	58	8307110....	365, 369, 374, 380, 388, 469
8036050....	385, 393, 425	8220058 ....	592, 596, 603	8303658.....	107	8307111.....	540, 544, 548
8036056....	385, 393, 429	8220081 ...	590, 592, 595, 596, 601, 603, 635	8303666.....	58	8307112....	161, 163, 374, 380, 385, 388, 393
8036099.....	429	8220089 ....	569, 602, 629	8303675.....	58, 485	8307202....	33, 35, 37, 39, 41
8036100.....	429	8220097 ...	569, 590, 595, 600	8303679.....	58	8307203....	17, 21, 25, 61, 455
8036190....	263, 265, 273	8220098 ...	569, 590, 595, 600	8303681.....	58		
8036192.....	515	8220108.....	551	8303697 .	49, 53, 58, 374, 380, 388		
8036196.....	425	8220124 ...	590, 592, 595, 596, 597, 600, 603, 607	8303715.....	58, 117		
8036197.....	425	8220125.....	569, 602	8303724.....	251		
8036198.....	425	8220160.....	592, 602	8303729 ...	33, 35, 37, 39, 41		
8036199.....	425	8220162.....	569	8303745.....	619, 621		
8036209.....	623	8220164 ....	591, 596, 602	8303752.....	17, 21, 25		
8036210.....	625	8220366.....	601	8303757 ....	469, 471, 473		
8036212.....	623, 625	8220375.....	601				
8036213.....	623, 625	8220536 ...	590, 591, 595, 596, 600, 601				
8036214.....	623, 625	8220889.....	591, 601				
8036215.....	623, 625	8220890.....	645				
8036216.....	623, 625	8220895.....	607				
8036250.....	283						
80363179.....	607						
80364095.....	517						
8036580.....	515						
8036581.....	515						
8036582.....	515						
8036726.....	407, 411						
8036732.....	511						



## SECTION 13 - SPECIAL OPTIONS/ACCESSORIES/KITS

8307204 ... 33, 35, 37, 39, 41, 59, 65, 617, 627, 643	8420055 61, 87, 105, 107, 111, 115, 117, 119	8786514....363, 365, 367, 369	91474529..... 315, 343
8307206 ..... 65	8430032 ..... 437, 481	88211516.....627	91474533..... 315, 343
8307219 ..... 641	8430046 ..... 481	88261015.....187	91474539..... 315, 343
8307222 ..... 205, 441	8430048 ..... 399, 401	8841036....251, 253, 255, 257, 259, 261, 263, 265, 267, 269, 271, 273, 275, 277, 281, 283	91474547..... 315, 343
8307904 ..... 59, 117	8466306 ... 660, 664, 668, 672, 676, 680, 684	8841148.....17, 21, 25	91474550..... 315, 343
8307910 ..... 59	8500203 ..... 627	88501005.....617	91474551..... 315, 343
8307911 ..... 59	8520001 ... 17, 21, 25, 59	88671001... 111, 115, 119	91474553..... 315, 343
8307912 ..... 45	8520003 .. 17, 21, 25, 453	8880218-OM.....285	91474568..... 321, 349
8307913 ..... 45	8520013 ..... 47	8880219-OM.....285	91474576..... 317, 345
8307918 ..... 59, 117	8522012 ... 17, 21, 25, 59, 63, 71	8881800.....187	91474584..... 317, 345
8310009 ... 223, 445, 455, 475, 477	8526007 59, 67, 243, 499, 511	8903015.....529	91474591..... 313, 341
8310019 ..... 59	8526011 ..... 499, 511	8990147....374, 380, 388	91474593..... 315, 343
8310020 ..... 59	8526406 ..... 59	90028631.....205	91474595..... 315, 343
8310026 .... 374, 380, 388	8530030 ..... 485	90200003..107, 109, 111, 113, 115, 117, 119, 121	91503106..... 590
8310039 ..... 17, 21, 25	8546407 ..... 479	90206196.....639, 641	91513266..... 353
8310046 .... 540, 544, 548	8580315 ..... 117	90451058.....107	91514081. 303, 317, 331, 345
8310067 ..... 251	8580420 ... 33, 35, 37, 39, 41	90554016 83, 87, 89, 101, 105, 147	91514082. 303, 317, 331, 345
8310081 ..... 61	8584001 ... 117, 399, 401, 540, 544, 548, 617, 627, 647	90554017.....101, 105	91514083..... 303, 331
8310085 .... 377, 383, 391	8584018 ..... 617, 627	90554018.....101	91514084..... 303, 331
8310093 ..... 59	85841150 ..... 469	90554020.....87, 89, 105	91514089. 299, 303, 307, 327, 331, 335
8310109 ..... 385, 393	8630003 ..... 107	90554033.....83	91514095. 303, 317, 331, 345
8310116 ..... 45, 293, 295	8630019 ..... 485	90554034.....83	91514101..... 299, 327
8310151 ..... 47	8640123 ..... 485	90554042.....87, 89	91514111. 303, 317, 331, 345
8310160 ..... 117	8640208 ..... 479	90554045.....491, 507	91514118..... 353
8310161 ..... 117	8642207 ..... 117	90554054.....87, 89	91514130..... 301, 329
8310209 ..... 65	8642207 ..... 117	90554062.....89, 101	91514131..... 301, 329
8310215 ..... 251	8642224 ..... 59	90554065.....101, 105	91514133..... 301, 329
8310235 ..... 65	8642237 ..... 63, 71	90554067.....105	91514134. 301, 315, 329, 343
8310245 ..... 65	86683122 ..... 209, 565	90554076.....89, 101	91514143..... 301, 329
8310266 ..... 67	8750003 ..... 59	90554080.....149	91514146. 303, 317, 331, 345
8310276 ..... 67	8750011 ..... 61	91043125.....153	91514147. 303, 317, 331, 345
8310281 ..... 211, 213	8750012 ... 225, 445, 447, 475, 477	91043126.....152	91514148. 303, 317, 331, 345
8310302 ..... 107	8750017 .... 61, 223, 225, 469, 475	91043147.....399, 401	91514149. 303, 317, 331, 345
8310356 ..... 485	8750025 ... 469, 471, 473	91053419.....207	91514151..... 307, 335
8310382 .... 374, 380, 388	8750026 ..... 475	91081640.....563	91514154. 307, 321, 335, 349
8310420 ..... 485	8750027 ... 445, 447, 475, 477	91083129.....205	91514159. 307, 321, 335, 349
8310424 ..... 221	8750040 .... 471, 473, 475	91083385.....355, 357	91514174..... 303, 331
8310425 ..... 285	8760268 .... 475, 481, 487	91163035.....231	91514175. 303, 317, 331, 345
8310431 ..... 59	8760463 ..... 455	91293003.....205	91514177..... 303, 331
8310435 ..... 107	8760465 ..... 59, 61	91304025.....517	91514180..... 303, 331
8310478 ..... 479	8760468 ..... 59	91364023.....201	91514181. 303, 317, 331, 345
8310493 ..... 397	8760548 ..... 251	91403097.....251	91514183. 303, 317, 331, 345
8310497 ..... 59	8760552 ..... 49, 53	91403193.....293, 295	91514188. 303, 313, 317, 331, 341, 345
8310522. 17, 21, 25, 479, 485	8765204 ... 459, 487, 651	91403413.....61, 87, 105, 107, 111, 115, 117, 119, 153, 157	91514189. 303, 317, 331, 345
83191010 ..... 353	8769122 ..... 59, 61	91403414.....61, 87, 105, 107, 111, 115, 117, 119, 152, 157	91514225..... 517
8405007 ... 215, 217, 399, 401	8769123 ..... 59	91403448.....85	91563250..... 355, 357
8405104 ..... 215, 217	8769127 ..... 223, 225	91404011.....517	91565039..... 357
8405201 ..... 215, 217	8769128 .... 59, 223, 445, 475, 477	91404013.....517	91565040..... 357
8405212 .... 207, 215, 217	8769132 ..... 117	91404298.....385, 393	
8405305 ..... 215, 217	8769139 ..... 59	91404299.....385, 393	
8405307 ..... 205	8769161 ..... 59, 61	91404301.....385, 393	
8405404 ..... 203	8770016 ..... 117	91404326.....517	
8406010 ..... 643	8770048 ..... 49, 53	91473086.....437	
8406105 ... 251, 540, 544, 548	8770064 ..... 449	91474023.....533	
8406112 ... 183, 191, 239, 241	8770189 ..... 47	91474507.....313, 341	
8406303 ..... 187	8780039 ..... 355	91474512..299, 313, 327, 341	
8410007 ..... 203			
8410021 ..... 205			
8420053 61, 87, 105, 107, 111, 115, 117, 119			



**Corporate Office**  
**JLG Industries, Inc.**  
**1 JLG Drive**  
**McConnellsburg, PA 17233-9533 USA**  
☎ **(717) 485-5161 (Corporate)**  
☎ **(877) 554-5438 (Customer Support)**  
📠 **(717) 485-6417**

**Visit our website for JLG Worldwide Locations.**  
**[www.jlg.com](http://www.jlg.com)**



**OSHKOSH™**