

# ***SKYTRAK***<sup>®</sup>

---

## **Illustrated Parts Manual**

# **12054**

**PVC 2405**

**3122310400**

**December 10, 2024 - Rev D**

**English (en-US)**

---



## **EFFECTIVITY PAGE**

May 1, 2024 - A - Original Issue of Manual (Edited to B/M 1001239973 Revision AB)

September 1, 2024 - B - Revised Manual (Edited to B/M 1001239973 Revision AB)

November 4, 2024 - C - Revised Manual (Edited to B/M 1001239973 Revision AE)

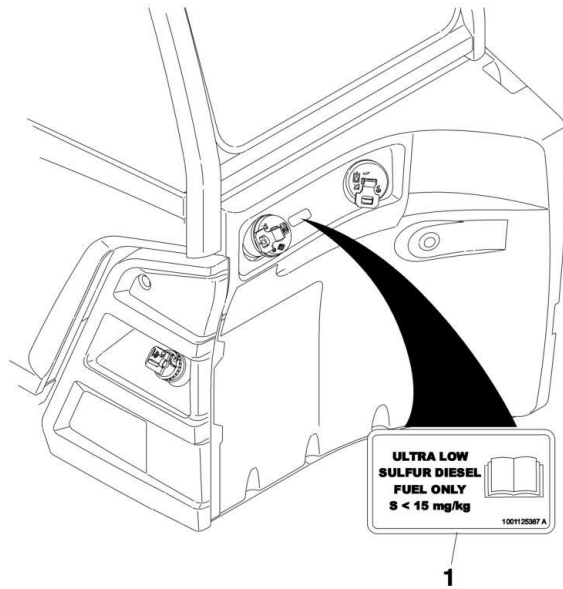
December 10, 2024 - D - Revised Manual (Edited to B/M 1001239973 Revision AE)

## Machine Configuration

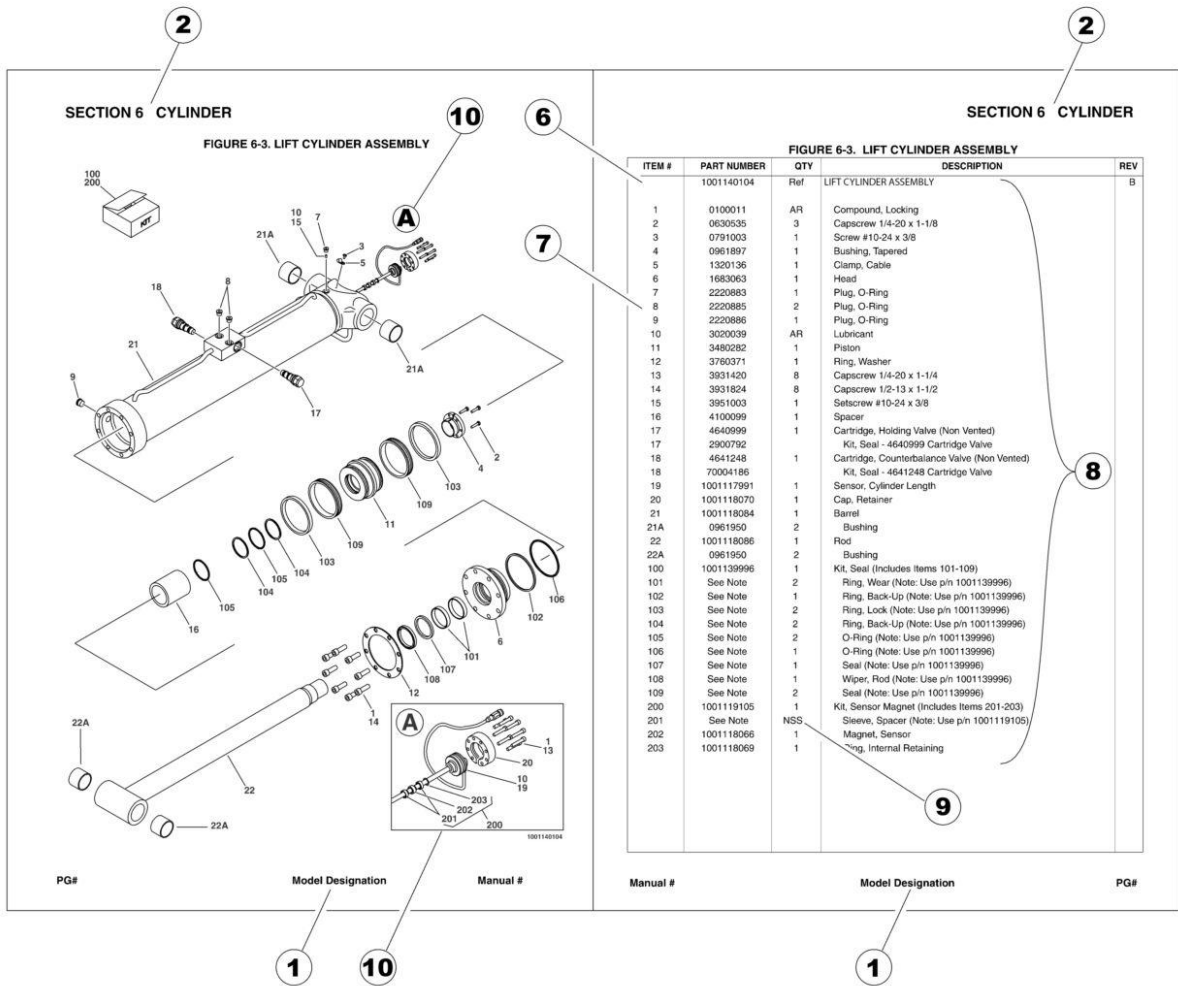
---

Two configurations of each machine are included in this manual. Determine if machine is equipped with Ultra Sulfur Fuel Decal (1) as indicated below.

- If equipped with the Ultra Low Sulfur decal, all specific references to this machine configuration will be referred to as Ultra Low Sulfur (ULS) from this point forward.
- If not equipped with the Ultra Low Sulfur decal, all specific references to this machine configuration will be referred to as Low Sulfur (LS) from this point forward.



# GENERAL INFORMATION



## 1) MACHINE IDENTIFICATION

Machines are identified by model and in some cases a combination of models, serial number (SN) or regional standard (i.e ANSI, CE, CSA). Components may also be identified by SN or manufacturer. Common components that may be identified by these characteristics are engines and hydraulic components.

## 2) PARTS MANUAL ORGANIZATION

Product information in this manual is organized under section titles. Frame, Cylinder, Hydraulic and Electrical are a few examples. Each section is organized by figure and page number. The information within the Figure is then organized by item number, part number, description and corresponding illustration (s).

## 3) TABLE OF CONTENTS (NOT SHOWN)

A table of contents is found toward the beginning of the manual. Figure number, description and page number are provided for quick reference to the page containing the related information.

## 4) RECOMMENDED SPARE PARTS (NOT SHOWN)

The Recommended Spare Parts List, located near the end of the manual, reference most frequently used maintenance parts.

## 5) PART NUMBER INDEX (NOT SHOWN)

A numerical index listing all part numbers and the corresponding page number(s) appears at the back of the manual.

# GENERAL INFORMATION

## 6) NON-SERVICED PARTS

In some instances, it is necessary to display non-serviced parts, assemblies or installations. In the case of assemblies and installations there will be a Ref in the Qty. column. In case of parts that are not available for service within assemblies or components, there will be a NSS (Not Sold Separately) or NLA (No Longer Available) listed in the Qty. column of the manual.

## 7) PARTS LIST ITEM NUMBERS

Numbers shown in the item# column correspond to numbers used in the associated illustration (s). Item numbers which are missing from the sequence in the parts list are not used on that page.

## 8) INDENTED PARTS DESCRIPTION

An indented part description is included in the item under which it is indented.

## 9) ABBREVIATION AND SYMBOLS

AC.....	Alternating Current	L.....	Liter
ADE.....	Advanced Design Electronics	LB(LBS).....	Pounds
AG.....	Agricultural	LCD.....	Liquid Crystal Display
ANSI.....	American National Standards Institute	LED.....	Light Emitting Diodes
AR.....	As Required	LH.....	Left Hand
ASSY.....	Assembly	LRC.....	Low Rated Countries
AUS.....	Australia	LSS.....	Load Sensing System
AUX.....	Auxiliary	M(m).....	Metric/Meter
AWG.....	American Wire Gauge	MM(mm).....	Milimeter
B/M.....	Bill of Material	mA.....	Miliamps
CAC.....	Charge Air Cooler	NLA.....	No Longer Available
CE.....	European Conformity	NPT.....	National Pipe Threads
CCW.....	Counter Clockwise	NSS.....	Not Sold Separately
CM.....	Centimeter	OD.....	Outside Diameter
CW.....	Clockwise	ORB.....	O-Ring Boss
CSA.....	Canadian Standards Association	ORFS.....	O-Ring Face Seal
CYL.....	Cylinder	OZ (oz).....	Ounces
DIA.....	Diameter	PG.....	Page
DC.....	Direct Current	PN.....	Part Number
DEF.....	Diesel Exhaust Fluid	QT(qt.).....	Quarts
EMS.....	Emergency Stop	QTY.....	Quantity
ENG.....	Engine	REF.....	Reference
FT(ft).....	Feet	REV.....	Revision Level
GA(Ga).....	Gauge	RH.....	Right Hand
HRC.....	High Rated Countries	SAE.....	Society of Automotive Engineers
HVAC.....	Heating, Ventilating, and Air Conditioning	SN.....	Serial Number
HYD.....	Hydraulic	SPEC(S).....	Specifications
Hz.....	Hertz	T/T.....	Turntable
ID.....	Inside Diameter	UGM.....	Universal Ground Module
IN.....	inches	V.....	Volts
ISO.....	International Organization for Standards	W.....	Watts
JIC.....	Joint Industry Council	#.....	Number
KG.....	Kilogram		

## 10) ILLUSTRATION REFERENCE LETTERS

When necessary, illustrations may contain reference letters that are intended to track information (i. e. hoses, harnesses) from one point to another or to track visual enlargement of components to show details that may be located in another area on the illustration.

*Note: Due to continuous product improvements, JLG Industries, Inc. reserves the right to make specification changes without prior notification. Contact JLG Industries, Inc. for updated information.*

# TABLE OF CONTENTS

SECTION 1 - FRAME AND ATTACHING PARTS.....	15
FIGURE 1-1. FRAME COMPONENTS INSTALLATION .....	16
FIGURE 1-2. COUNTERWEIGHT INSTALLATION.....	18
FIGURE 1-3. FRAME COVERS INSTALLATION.....	20
FIGURE 1-4. FRAME COVERS INSTALLATION.....	22
FIGURE 1-5. DUST SHIELD INSTALLATION.....	24
FIGURE 1-6. OUTRIGGER INSTALLATION.....	26
FIGURE 1-7. OUTRIGGER SUB-ASSEMBLY INSTALLATION.....	28
FIGURE 1-8. OUTRIGGER MOUNTING INSTALLATION .....	30
SECTION 2 - BOOM.....	33
FIGURE 2-1. BOOM INSTALLATION.....	34
FIGURE 2-2. BOOM ASSEMBLY.....	36
FIGURE 2-3. FOURTH BOOM SECTION ASSEMBLY .....	40
FIGURE 2-4. THIRD BOOM SECTION ASSEMBLY.....	42
FIGURE 2-5. SECOND BOOM SECTION ASSEMBLY.....	44
FIGURE 2-6. FIRST BOOM SECTION ASSEMBLY.....	46
FIGURE 2-7. EXTEND CHAIN ASSEMBLY .....	48
FIGURE 2-8. RETRACT CHAIN ASSEMBLY.....	50
FIGURE 2-9. EXTEND CHAIN ASSEMBLY .....	52
FIGURE 2-10. RETRACT CHAIN AND CLEVIS ASSEMBLY .....	54
FIGURE 2-11. HOSE AND CARRIER ASSEMBLY.....	56
FIGURE 2-12. HOSE PULLY ASSEMBLY .....	58
FIGURE 2-13. MECHANICAL BOOM ANGLE INDICATOR.....	60
FIGURE 2-14. COUPLER ASSEMBLY .....	62
FIGURE 2-15. BOOM PROP INSTALLATION .....	64
FIGURE 2-16. BOOM PROP BRACKET INSTALLATION.....	66
SECTION 3 - ATTACHMENTS .....	69
FIGURE 3-1. BASKET, PERSONNEL (1.2MX2.4M) (DOMESTIC).....	70
FIGURE 3-2. BASKET, PERSONNEL (1.2MX2.4M) (ISO).....	72
FIGURE 3-3. BASKET, PERSONNEL (1.2MX2.4M) (FRENCH LANGUAGE) .....	74
FIGURE 3-4. BASKET ASSEMBLY.....	76
FIGURE 3-5. BOOM (8FT) .....	78
FIGURE 3-6. BOOM - ADJUSTABLE.....	82
FIGURE 3-7. BOOM - ADJUSTABLE (FORK MOUNTED) .....	84
FIGURE 3-8. BOOM - 3FT WITH WINCH .....	86
FIGURE 3-9. BOOM - 12FT WITH WINCH .....	88
FIGURE 3-10. BOOM - 12FT WITHOUT WINCH.....	90
FIGURE 3-11. BOOM - 15FT WITHOUT WINCH.....	92
FIGURE 3-12. BUCKET (GRAPPLE MULTI-PURPOSE).....	94
FIGURE 3-13. BUCKET (60 INCH) FORK MOUNTED) .....	96
FIGURE 3-14. BUCKET (72 INCH) .....	98
FIGURE 3-15. BUCKET (96 INCH) .....	100
FIGURE 3-16. BUCKET (102 INCH) .....	102

# TABLE OF CONTENTS

FIGURE 3-17. SIDE SHIFT CARRIAGE ASSEMBLY (48 INCH 12K) .....	104
FIGURE 3-18. CARRIAGE ASSEMBLY (50 INCH 12K) .....	106
FIGURE 3-19. CARRIAGE (50 INCH 12K) (DUAL FORK).....	108
FIGURE 3-20. SIDE TILT CARRIAGE ASSEMBLY (50 INCH).....	110
FIGURE 3-21. CARRIAGE ASSEMBLY (60 INCH 12K) .....	112
FIGURE 3-22. SIDE TILT CARRIAGE ASSEMBLY (60 INCH).....	114
FIGURE 3-23. CARRIAGE ASSEMBLY (72 INCH 12K) .....	116
FIGURE 3-24. SIDE TILT CARRIAGE ASSEMBLY (72 INCH).....	118
FIGURE 3-25. CARRIAGE ASSEMBLY - 72IN/10000# CAPACITY 90 DEGREE SWING.....	120
FIGURE 3-26. CARRIAGE ASSEMBLY – 96IN/12000 CAPACITY STANDARD (SN 0160130479 to Present) .....	122
FIGURE 3-27. FORK - BLOCKING (50X50X1220MM).....	124
FIGURE 3-28. FORK - LUMBER (50X180X1540MM).....	126
FIGURE 3-29. FORK - LUMBER (60X150X1524MM).....	128
FIGURE 3-30. FORK - LUMBER (2.00X6X72) .....	130
FIGURE 3-31. FORK - PALLET (2.36X5X48).....	132
FIGURE 3-32. FORK - PALLET (2.36X5X72).....	134
FIGURE 3-33. FORK 2.36X5X96/12000# CAPACITY (SN 0160130479 to Present).....	136
FIGURE 3-34. FORK - PALLET (60X125X1524MM) .....	138
FIGURE 3-35. FORK CLAMPS INSTALLATION .....	140
FIGURE 3-36. FORK EXTENSIONS (62X163X2286MM).....	142
FIGURE 3-37. FORK PIN LOCK INSTALLATION .....	144
FIGURE 3-38. HOOK - CRANE .....	146
FIGURE 3-39. HOOK - FRAME MOUNTED (4T).....	148
FIGURE 3-40. PIPE GRAPPLE .....	150
FIGURE 3-41. SWEEPER ASSEMBLY .....	154
FIGURE 3-42. SWEEPER - HOPPER .....	156
FIGURE 3-43. SWEEPER - BODY .....	158
FIGURE 3-44. SWEEPER - MOTOR .....	160
FIGURE 3-45. SWEEPER - IDLER.....	162
FIGURE 3-46. SWEEPER - CORE .....	164
FIGURE 3-47. SWEEPER - HYDRAULIC LINES .....	166
FIGURE 3-48. TRASH HOPPER (FORK MOUNTED .....	168
SECTION 4 - ENGINE AND ATTACHING PARTS.....	171
FIGURE 4-1. ENGINE PACKAGE INSTALLATION (74HP ULS).....	172
FIGURE 4-2. ENGINE PACKAGE INSTALLATION (130HP ULS).....	174
FIGURE 4-3. ENGINE PACKAGE INSTALLATION (130HP LS) .....	176
FIGURE 4-4. ENGINE INSTALLATION (74HP ULS) .....	178
FIGURE 4-5. ENGINE INSTALLATION (130HP ULS) .....	180
FIGURE 4-6. ENGINE INSTALLATION (130HP LS).....	182
FIGURE 4-7. ENGINE COMPONENTS (74HP ULS).....	184
FIGURE 4-8. ENGINE COMPONENTS (130HP ULS).....	186
FIGURE 4-9. ENGINE COMPONENTS (130HP LS).....	188
FIGURE 4-10. FAN INSTALLATION (74HP).....	190
FIGURE 4-11. FAN INSTALLATION (130HP).....	192
FIGURE 4-12. AIR CLEANER ASSEMBLY (74HP ULS) .....	194



# TABLE OF CONTENTS

FIGURE 4-13. AIR CLEANER ASSEMBLY (130HP ULS).....	196
FIGURE 4-14. AIR CLEANER ASSEMBLY (130HP LS) .....	198
FIGURE 4-15. AIR CLEANER ASSEMBLY (130HP LS) .....	200
FIGURE 4-16. COOLING INSTALLATION (74HP).....	202
FIGURE 4-17. COOLING INSTALLATION (130HP).....	204
FIGURE 4-18. RADIATOR ASSEMBLY (74HP).....	206
FIGURE 4-19. RADIATOR ASSEMBLY (130HP).....	208
FIGURE 4-20. FUEL PLUMBING INSTALLATION (ULS) .....	210
FIGURE 4-21. FUEL PLUMBING INSTALLATION (LS).....	212
FIGURE 4-22. PLUMBING COOLING INSTALLATION (ULS).....	214
FIGURE 4-23. PLUMBING COOLING INSTALLATION (LS).....	216
FIGURE 4-24. AFTERTREATMENT INSTALLATION (ULS).....	218
FIGURE 4-25. EXHAUST INSTALLATION (74HP) .....	220
FIGURE 4-26. EXHAUST INSTALLATION (130HP) .....	222
FIGURE 4-27. DEF SYSTEM INSTALLATION (ULS) .....	224
FIGURE 4-28. DEF MODULE PUMP .....	226
FIGURE 4-29. DEF COOLANT LINES INSTALLATION.....	228
FIGURE 4-30. DEF LINES INSTALLATION .....	230
FIGURE 4-31. PUMP COUPLER INSTALLATION.....	232
FIGURE 4-32. A/C COMPONENTS INSTALLATION (74HP).....	234
FIGURE 4-33. A/C COMPONENTS INSTALLATION (130HP).....	236
FIGURE 4-34. AIR INTAKE SHUT OFF VALVE INSTALLATION .....	238
FIGURE 4-35. HEATER BREATHER .....	240
SECTION 5 - DRIVE TRAIN .....	243
FIGURE 5-1. TRANSMISSION INSTALLATION .....	244
FIGURE 5-2. TRANSMISSION, 4-SPEED .....	246
FIGURE 5-3. TRANSMISSION, ENGINE CONNECTION AND CONVERTER .....	248
FIGURE 5-4. TRANSMISSION, INPUT SHAFTS .....	250
FIGURE 5-5. TRANSMISSION, GEARBOX HOUSING .....	252
FIGURE 5-6. TRANSMISSION, COUPLING GROUP 1 .....	254
FIGURE 5-7. TRANSMISSION, COUPLING GROUP 2 .....	256
FIGURE 5-8. TRANSMISSION, COUPLING GROUP 3 .....	258
FIGURE 5-9. TRANSMISSION, COUPLING GROUP 4 .....	260
FIGURE 5-10. TRANSMISSION, REVERSING GEAR GROUP 1 .....	262
FIGURE 5-11. TRANSMISSION, REVERSING GEAR GROUP 2 .....	264
FIGURE 5-12. TRANSMISSION, OUTPUT .....	266
FIGURE 5-13. TRANSMISSION, CONTROL UNIT .....	268
FIGURE 5-14. TRANSMISSION, VALVE HOUSING ASSEMBLY .....	270
FIGURE 5-15. TRANSMISSION, VALVE BLOCK ASSEMBLY .....	274
FIGURE 5-16. TRANSMISSION, OIL PUMP AND FILTER.....	276
FIGURE 5-17. DRIVETRAIN INSTALLATION.....	278
FIGURE 5-18. DRIVESHAFTS INSTALLATION.....	280
FIGURE 5-19. DRIVE SHAFT IMPUT .....	282
FIGURE 5-20. AXLE INSTALLATION .....	284
FIGURE 5-21. FRONT AXLE - CENTRAL HOUSING .....	286

# TABLE OF CONTENTS

FIGURE 5-22. FRONT AXLE - DIFFERENTIAL .....	288
FIGURE 5-23. FRONT AXLE - HUB REDUCTION .....	290
FIGURE 5-24. FRONT AXLE - BRAKES .....	294
FIGURE 5-25. FRONT AXLE - STEERING.....	296
FIGURE 5-26. REAR AXLE - CENTRAL HOUSING .....	298
FIGURE 5-27. REAR AXLE - DIFFERENTIAL.....	300
FIGURE 5-28. REAR AXLE - HUB REDUCTION .....	302
FIGURE 5-29. REAR AXLE - BRAKES.....	306
FIGURE 5-30. REAR AXLE - STEERING.....	308
FIGURE 5-31. TIRE SET, 14.00-24 FOAM .....	310
FIGURE 5-32. TIRE SET, 17.5-25 PNEUMATIC G-2 .....	312
FIGURE 5-33. TIRE SET, 17.5-25 FOAM G-2 .....	314
FIGURE 5-34. TIRE SET, 18 X 625 TURF/SAND.....	316
FIGURE 5-35. TIRE SET, 360/85-28 SOLID.....	318
FIGURE 5-36. TIRE SET, 400/75-28 PNEUMATIC .....	320
FIGURE 5-37. TIRE SET, 400/75-28 PNEUMATIC (NON-MARKING) .....	322
FIGURE 5-38. TIRE SET, 400/75-28 FOAM .....	324
FIGURE 5-39. TIRE SET, 400/75-28 FOAM (NON-MARKING).....	326
FIGURE 5-40. TIRE SET, 14-28 SOLID (DIRECTIONAL) .....	328
FIGURE 5-41. TIRE SET, 14-24 SOLID (NON-DIRECTIONAL) .....	330
FIGURE 5-42. TIRE SET, 14-24 SOLID (DIRECTIONAL) .....	332
FIGURE 5-43. TIRE SET, 14-24 SOLID.....	334
FIGURE 5-44. FENDER INSTALLATION .....	336
SECTION 6 - CAB .....	339
FIGURE 6-1. CAB INSTALLATION.....	340
FIGURE 6-2. CAB INSTALLATION - OPEN CAB (ORANGE SEAT BELT) .....	342
FIGURE 6-3. OPEN CAB SEAT BELT ENG INSTALLATION.....	346
FIGURE 6-4. CAB ASSEMBLY - OPEN.....	350
FIGURE 6-5. CAB INSTALLATION - ENCLOSED CAB WITH HEATER (ORANGE SEAT BELT).....	352
FIGURE 6-6. CAB INSTALLATION - CLOSED CAB WITH HEATER .....	356
FIGURE 6-7. CAB ASSEMBLY - ENCLOSED WITH HEATER & BREAK RESERVOIR .....	360
FIGURE 6-8. CAB ENCLOSURE .....	362
FIGURE 6-9. ROOF HEATER BOX .....	364
FIGURE 6-10. CAB HEATER LINES INSTALLATION .....	366
FIGURE 6-11. CAB INSTALLATION - ENCLOSED CAB WITH HEATER/AC (ORANGE SEAT BELT) .....	368
FIGURE 6-12. CLOSED CAB WITH HVAC INSTALLATION .....	372
FIGURE 6-13. CAB ASSEMBLY - ENCLOSED WITH HEATER & AC WITH BREAK RESERVOIR .....	376
FIGURE 6-14. CAB HVAC ENCLOSURE .....	378
FIGURE 6-15. ROOF BOX HVAC.....	380
FIGURE 6-16. FLOOR HEATER.....	384
FIGURE 6-17. CAB DOOR ASSEMBLY .....	386
FIGURE 6-18. RH SLIDER WINDOW.....	388
FIGURE 6-19. FRONT WIPER ASSEMBLY .....	390
FIGURE 6-20. SKYLIGHT WIPER ASSEMBLY .....	392
FIGURE 6-21. CAB HEATER/AC LINES INSTALLATION.....	394

# TABLE OF CONTENTS

FIGURE 6-22. HEATER VALVE .....	396
FIGURE 6-23. CAB SEAT (ORANGE SEAT BELT) .....	398
FIGURE 6-24. SEAT ASSEMBLY - VINYL.....	400
FIGURE 6-25. SEAT BELT INSTALLATION (3IN) .....	404
FIGURE 6-26. REAR DROPOUT WINDOW INSTALLATION (ANSI) .....	406
FIGURE 6-27. REAR DROPOUT WINDOW INSTALLATION (ENGLISH/FRENCH) .....	408
FIGURE 6-28. REAR DROPOUT WINDOW INSTALLATION (ISO).....	410
FIGURE 6-29. REAR DROPOUT WINDOW INSTALLATION (ENGLISH/SPANISH) .....	412
FIGURE 6-30. MIRROR INSTALLATION.....	414
FIGURE 6-31. FIRE EXTINGUISHER INSTALLATION.....	416
SECTION 7 - CONTROLS .....	419
FIGURE 7-1. SECONDARY CONTROLS INSTALLATION .....	420
FIGURE 7-2. PILOT JOYSTICK CONTROL.....	422
FIGURE 7-3. BRAKE ASSEMBLY - SAFIM .....	424
SECTION 8 - HYDRAULIC CIRCUITS.....	427
FIGURE 8-1. HYDRAULIC INSTALLATION.....	428
FIGURE 8-2. AUXILIARY HYDRAULICS INSTALLATION.....	430
FIGURE 8-3. AXLE HYDRAULIC INSTALLATION.....	432
FIGURE 8-4. AXLE HYDRAULIC ASSEMBLY (FRONT) .....	434
FIGURE 8-5. AXLE HYDRAULIC ASSEMBLY (REAR).....	436
FIGURE 8-6. AXLE PIN LUBE KIT INSTALLATION.....	438
FIGURE 8-7. BRAKE HYDRAULICS INSTALLATION .....	440
FIGURE 8-8. BRAKE VALVE INSTALLATION.....	442
FIGURE 8-9. BULKHEAD INSTALLATION (REAR).....	444
FIGURE 8-10. CAB HYDRAULICS INSTALLATION .....	446
FIGURE 8-11. CAB PILOT CONTROLS INSTALLATION .....	448
FIGURE 8-12. CAB PILOT JOYSTICK CONTROL ASSEMBLY .....	450
FIGURE 8-13. COOLER HYDRAULIC PLUMBING INSTALLATION .....	452
FIGURE 8-14. COOLER HYDRAULICS PLUMBING INSTALLATION - TRANSMISSION .....	454
FIGURE 8-15. CYLINDER INSTALLATION - EXTEND.....	456
FIGURE 8-16. CYLINDER INSTALLATION - EXTEND LOCKOUT.....	458
FIGURE 8-17. CYLINDERS HYDRAULICS INSTALLATION - FRAME .....	460
FIGURE 8-18. FORK TILT HYDRAULICS INSTALLATION .....	462
FIGURE 8-19. FRAME HYDRAULICS INSTALLATION .....	464
FIGURE 8-20. FRAME SECONDARY VALVE & FITTINGS SUB-ASSEMBLY .....	466
FIGURE 8-21. MAIN CONTROL VALVE & FITTINGS SUB-ASSEMBLY.....	468
FIGURE 8-22. OUTRIGGER & FITINGS SUB-VALVE ASSEMBLY.....	470
FIGURE 8-23. PISTON PUMP INSTALLATION.....	472
FIGURE 8-24. PUMP HYDRAULICS INSTALLATION .....	474
FIGURE 8-25. STEERING HYDRAULICS INSTALLATION .....	476
FIGURE 8-26. STEERING VALVE INSTALLATION.....	478
SECTION 9 - HYDRAULIC COMPONENTS.....	481
FIGURE 9-1. CYLINDER GROUP INSTALLATION .....	482

# TABLE OF CONTENTS

FIGURE 9-2. CYLINDER - BUCKET (GRAPPLE).....	484
FIGURE 9-3. CYLINDER - CARRIAGE (DUAL FORK).....	486
FIGURE 9-4. CYLINDER - CARRIAGE (SIDE SHIFT).....	488
FIGURE 9-5. CYLINDER - CARRIAGE (SWING).....	490
FIGURE 9-6. CYLINDER - COMPENSATION.....	492
FIGURE 9-7. CYLINDER - LIFT.....	494
FIGURE 9-8. CYLINDER - EXTEND/RETRACT.....	496
FIGURE 9-9. CYLINDER - FRAME LEVEL.....	498
FIGURE 9-10. CYLINDER - OUTRIGGER.....	500
FIGURE 9-11. CYLINDER - PIPE HANDLER.....	502
FIGURE 9-12. CYLINDER - SIDE TILT.....	504
FIGURE 9-13. CYLINDER - STABIL-TRAK.....	506
FIGURE 9-14. CYLINDER - TILT.....	508
FIGURE 9-15. PUMP - PISTON.....	510
FIGURE 9-16. TANK INSTALLATION (74HP ULS).....	512
FIGURE 9-17. TANK ASSEMBLY - HYDRAULIC FUEL (74HP ULS).....	514
FIGURE 9-18. TANK INSTALLATION (130HP ULS).....	516
FIGURE 9-19. TANK INSTALLATION - HYDRAULIC/FUEL/DEF (130HP ULS).....	518
FIGURE 9-20. TANK - DEF TANK (130HP ULS).....	520
FIGURE 9-21. TANK INSTALLATION (130HP LS).....	522
FIGURE 9-22. TANK ASSEMBLY - HYDRAULIC/FUEL/DEF (130HP LS).....	524
FIGURE 9-23. VALVE - AIR SHUT OFF.....	526
FIGURE 9-24. VALVE - BRAKE.....	528
FIGURE 9-25. VALVE - FRAME SECONDARY CONTROL.....	530
FIGURE 9-26. VALVE - MAIN CONTROL.....	532
FIGURE 9-27. VALVE - OUTRIGGER.....	534
FIGURE 9-28. VALVE - PIPE GRAPPLE.....	536
FIGURE 9-29. VALVE AND FITTING SUB-ASSEMBLY - STEERING SELECT.....	538
SECTION 10 - ELECTRICAL.....	541
FIGURE 10-1. ELECTRICAL INSTALLATION (74HP ULS).....	542
FIGURE 10-2. ELECTRICAL INSTALLATION (130HP ULS).....	546
FIGURE 10-3. ELECTRICAL INSTALLATION (130HP LS).....	550
FIGURE 10-4. AIR SHUT OFF VALVE ENGINE HARNESS.....	554
FIGURE 10-5. AIR SHUT OFF VALVE CAB HARNESS.....	556
FIGURE 10-6. ALARM INSTALLATION - BACK-UP.....	558
FIGURE 10-7. ALARM INSTALLATION - BACK-UP (WHITE NOISE).....	560
FIGURE 10-8. BATTERY INSTALLATION.....	562
FIGURE 10-9. BATTERY BLANKET INSTALLATION.....	564
FIGURE 10-10. BOOM EXTEND HARNESS.....	566
FIGURE 10-11. CAB POWER DISTRIBUTION HARNESS.....	568
FIGURE 10-12. CAB POWER DISTRIBUTION HARNESS.....	574
FIGURE 10-13. GAUGE CLUSTER JUMPER HARNESS.....	578
FIGURE 10-14. CLEARSKY CANBUS TELEMATICS INSTALLATION.....	580
FIGURE 10-15. CLEARSKY INSTALLATION CANBUS (ANSI).....	582
FIGURE 10-16. CLEARSKY INSTALLATION CANBUS (CE).....	584

# TABLE OF CONTENTS

FIGURE 10-17. CLEARSKYTELEMATICS HARNESS .....	586
FIGURE 10-18. CLEARSKY TELEMATICS HARNESS .....	588
FIGURE 10-19. CLEARSKYTELEMATICS GATEWAY HARNESS .....	590
FIGURE 10-20. CLEARSKY HARNESS.....	592
FIGURE 10-21. CLEARSKY TELEMATICS 3-WIRE INSTALLATION.....	594
FIGURE 10-22. CLEARSKY TELEMATICS 3-WIRE HARNESS.....	596
FIGURE 10-23. CLEARSKY V3 INSTALLATION - CLOSED CAB.....	598
FIGURE 10-24. CLEARSKY V3 INSTALLATION - OPEN CAB .....	600
FIGURE 10-25. COLD WEATHER PACKAGE INSTALLATION (74HP ULS) .....	602
FIGURE 10-26. COLD WEATHER PACKAGE INSTALLATION (130HP LS).....	604
FIGURE 10-27. ENGINE HARNESS, 74HP ULS .....	606
FIGURE 10-28. ENGINE HARNESS - 130HP ULS.....	612
FIGURE 10-29. ENGINE HARNESS 130HP LS.....	620
FIGURE 10-30. HVAC HARNESS.....	624
FIGURE 10-31. LIGHTS - BEACON INSTALLATION (ENCLOSED CAB) .....	626
FIGURE 10-32. LIGHTS - BEACON INSTALLATION (OPEN CAB).....	628
FIGURE 10-33. BEACON OPTION HARNESS.....	630
FIGURE 10-34. ROADLIGHT PACKAGE INSTALLATION .....	632
FIGURE 10-35. LIGHTS - ROADLIGHT ASSEMBLY (LH).....	634
FIGURE 10-36. LIGHTS - ROADLIGHT ASSEMBLY (RH) .....	636
FIGURE 10-37. LIGHTS - ROADLIGHT BRACKET ASSEMBLY (LH) .....	638
FIGURE 10-38. LIGHTS - ROADLIGHT BRACKET ASSEMBLY (RH) .....	640
FIGURE 10-39. LIGHTS - ROADLIGHT WORKLIGHT HARNESS .....	642
FIGURE 10-40. LIGHTS - ROADLIGHT OPTION HARNESS .....	644
FIGURE 10-41. LIGHTS - WORKLIGHT PACKAGE INSTALLATION (LED) .....	646
FIGURE 10-42. LIGHTS - WORKLIGHT ASSEMBLY - LED (RH) .....	648
FIGURE 10-43. LIGHTS - WORKLIGHT ASSEMBLY - LED (LH).....	650
FIGURE 10-44. LIGHTS - WORK LIGHT OPTION HARNESS .....	652
FIGURE 10-45. LIGHTS - WORKLIGHT BOOM HARNESS .....	654
FIGURE 10-46. LOGIC HARNESS.....	656
FIGURE 10-47. RELAY PANEL INSTALLATION .....	658
FIGURE 10-48. REVERSE CAMERA.....	660
FIGURE 10-49. MULTI VIEW CAMERA INSTALLATION .....	662
FIGURE 10-50. REVERSE SENSOR SYSTEM INSTALLATION.....	664
FIGURE 10-51. RELAY PANEL COVER ASSEMBLY.....	666
FIGURE 10-52. REVERSE CAMERA OPTION HARNESS.....	668
FIGURE 10-53. REVERSE SENSOR INSTALLATION .....	670
FIGURE 10-54. REVERSE SENSOR HARNESS.....	672
FIGURE 10-55. TANK HEATER INSTALLATION - HYDRAULIC TANK .....	674
FIGURE 10-56. TBAP HARNESS .....	676
FIGURE 10-57. WIPER HARNESS.....	678
FIGURE 10-58. SEAT BELT ALARM HARNESS .....	680
FIGURE 10-59. TELEMATICS GATEWAY PLUS .....	682
SECTION 11 - DECALS.....	685
FIGURE 11-1. DECALS INSTALLATION (74HP) (ANSI) .....	686

# TABLE OF CONTENTS

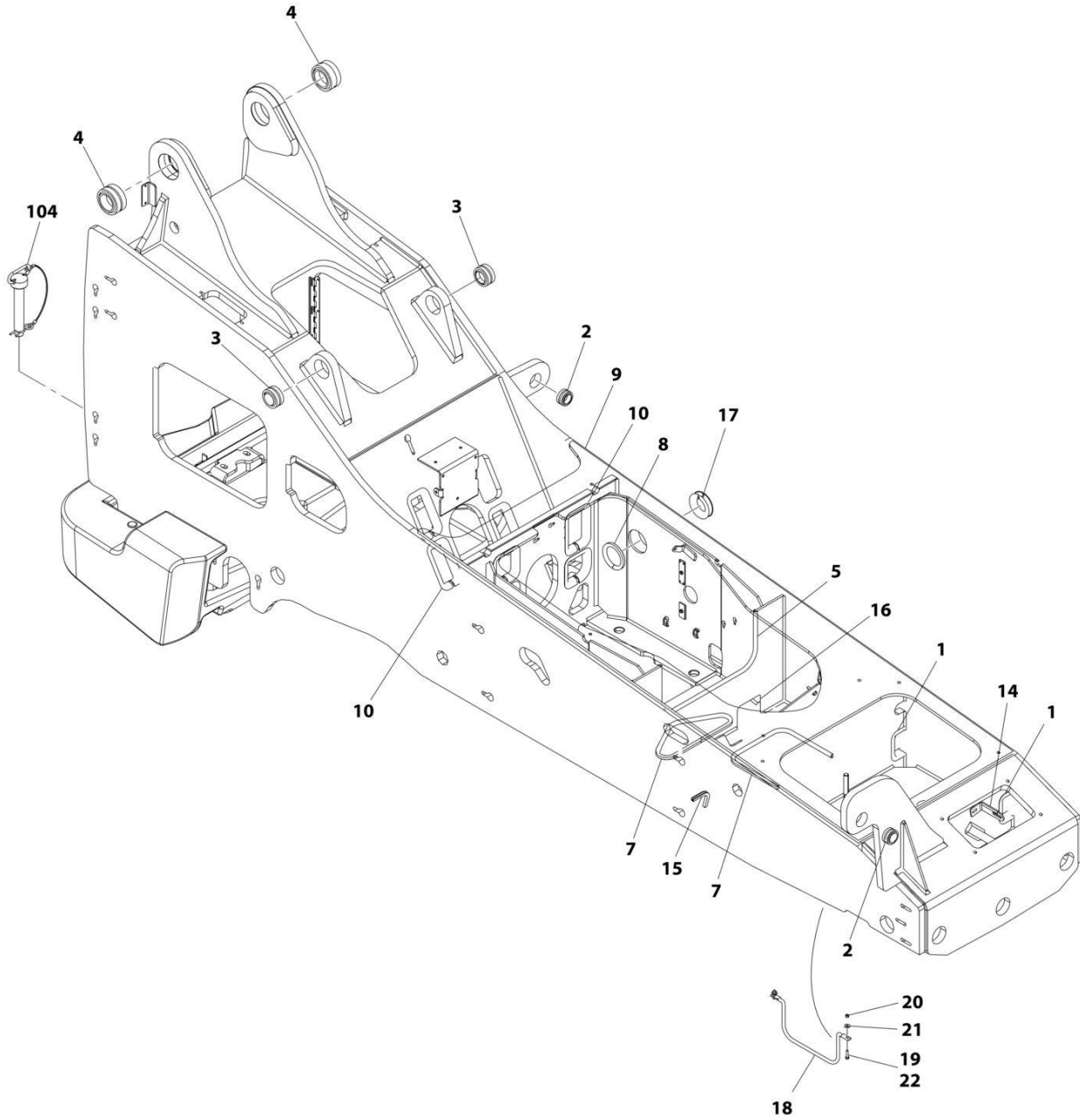
FIGURE 11-2. DECAL INSTALLATION HRC 7HP .....	690
FIGURE 11-3. DECALS INSTALLATION (74HP) (ENGLISH/FRENCH).....	694
FIGURE 11-4. DECALS INSTALLATION (74HP) (ENGLISH/SPANISH).....	698
FIGURE 11-5. DECALS INSTALLATION (130HP) (ANSI).....	702
FIGURE 11-6. DECALS INSTALLATION (130HP) (ENGLISH/FRENCH).....	706
FIGURE 11-7. DECALS INSTALLATION (130HP) (ENGLISH/SPANISH).....	710
FIGURE 11-8. DECALS INSTALLATION (130HP) (ISO).....	714
FIGURE 11-9. DECAL INSTALLATION HRC 110HP.....	718
FIGURE 11-10. DECAL INSTALLATION (BRAND AND MODELS).....	722
FIGURE 11-11. BOOM DECALS INSTALLATION (PVC 2011) .....	724
FIGURE 11-12. CLEARSKY DECALS INSTALLATION.....	726
FIGURE 11-13. LOADCHART BOOKLET (ANSI).....	728
FIGURE 11-14. LOADCHART BOOKLET (ISO) .....	730
FIGURE 11-15. REVERSE SENSOR SYSTEM DECAL (ENGLISH).....	732
FIGURE 11-16. REVERSE SENSOR SYSTEM DECAL (ENGLISH/FRENCH).....	734
FIGURE 11-17. REVERSE SENSOR SYSTEM DECAL (ENGLISH/SPANISH) .....	736
FIGURE 11-18. REVERSE SENSOR SYSTEM DECAL (ISO) .....	738
SECTION 12 - RECOMMENDED SERVICE PARTS STOCK.....	741
FIGURE 12-1. RECOMMENDED SERVICE PARTS STOCK.....	742
SECTION 13 - SPECIAL OPTIONS/ACCESSORIES/KITS.....	745
FIGURE 13-1. SPECIAL OPTIONS/ACCESSORIES/KITS.....	746
PART NUMBER INDEX.....	749

## **SECTION 1 - FRAME AND ATTACHING PARTS**

## **SECTION 1 - FRAME AND ATTACHING PARTS**

# SECTION 1 - FRAME AND ATTACHING PARTS

## FIGURE 1-1. FRAME COMPONENTS INSTALLATION



ART\_1001241711-B



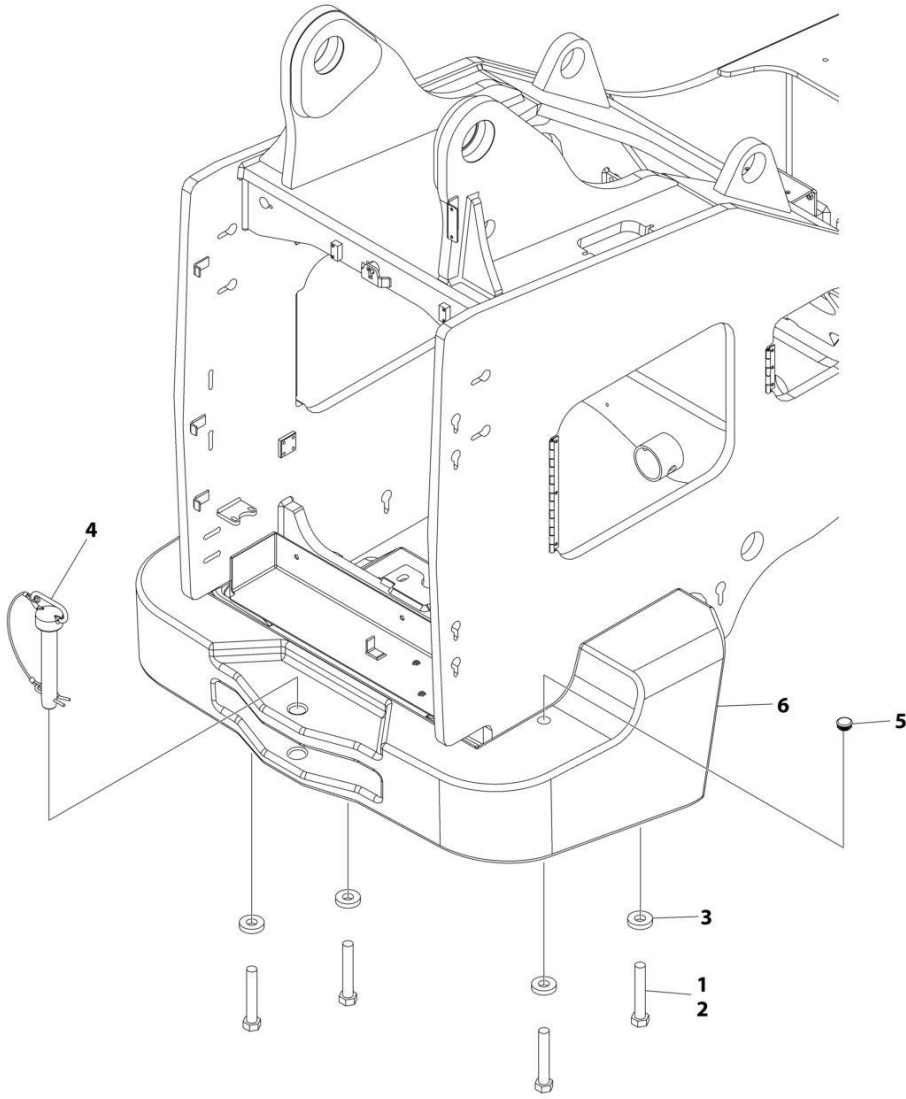
# SECTION 1 - FRAME AND ATTACHING PARTS

## FIGURE 1-1. FRAME COMPONENTS INSTALLATION

ITEM	PART NUMBER	QTY	DESCRIPTION	REV
	1001241711	Ref	Frame Components Installation	B
1	7124451	4	Conduit, 1X8	
2	8050001	2	Bearing, Self-Align	
3	8065640	4	Bearing, Self-Align	
4	8065641	2	Bearing, Self-Align	
5	1001172658	1	Conduit, 1/2X41	
7	1001177190	2	Conduit, 1/2X28	
8	1001177192	1	Conduit, 1/2X12-1/2	
9	N.S.S.	1	Weldment, Frame	
10	1001174227	7	Conduit, 1X21-1/2	
14	4060804	4 in	Shield, Flex Trim 3/16	
15	4060805	6 in	Shield, Flex Trim 1/4	
16	7124301	2	Conduit, 1/2X15-1/2	
17	7124471	2	Conduit, 1X12-1/2	
18	1001165057	1	Bracket, Cab Hose	
19	0641510	2	Bolt, 5/16-18X1	
20	8305006	2	Nut, Hex 5/16-18	
21	8307203	2	Washer, Plain 5/16	
22	0100011	AR	Compound, Locking	

# SECTION 1 - FRAME AND ATTACHING PARTS

## FIGURE 1-2. COUNTERWEIGHT INSTALLATION



ART\_1001246923

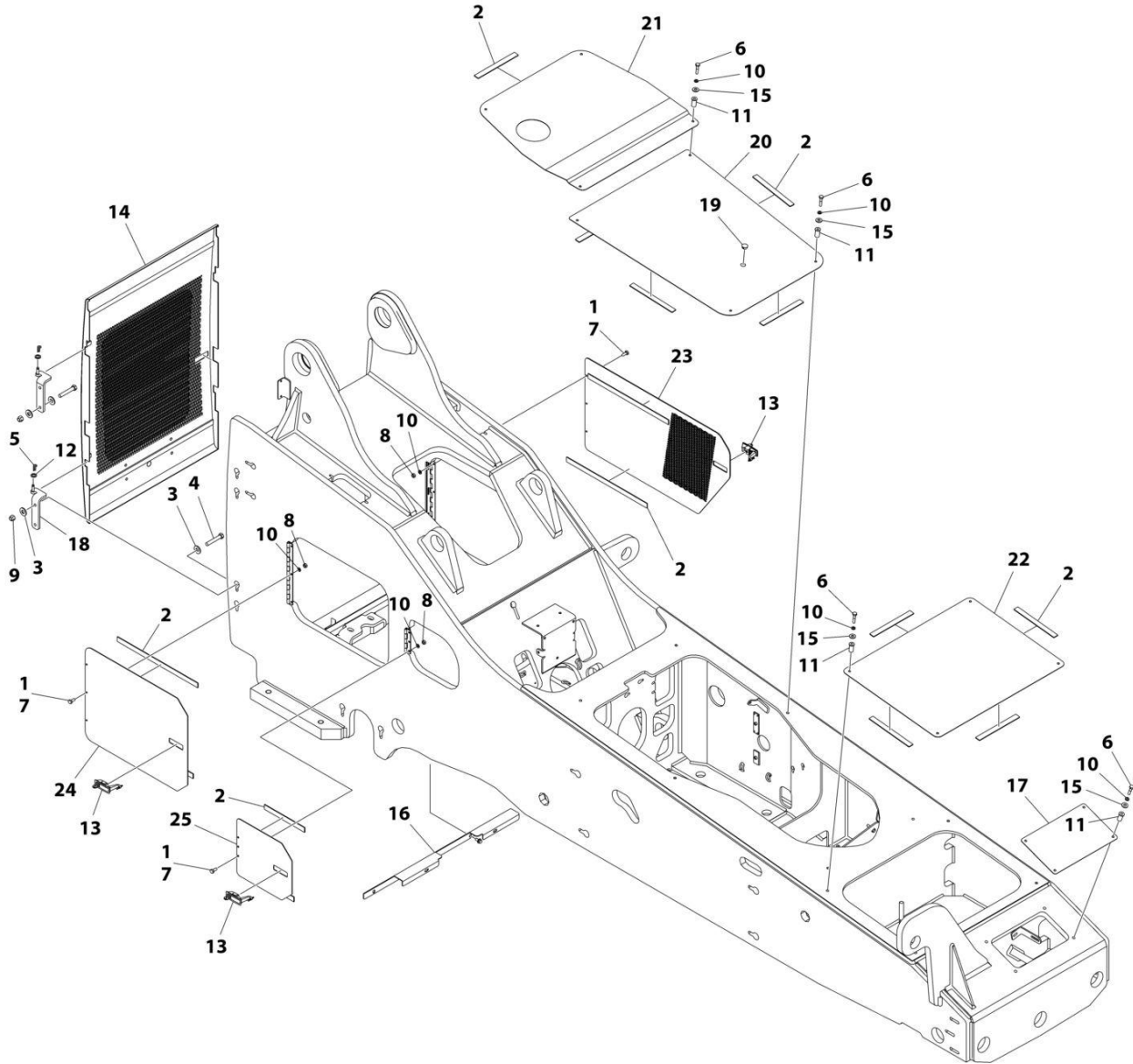
# SECTION 1 - FRAME AND ATTACHING PARTS

## FIGURE 1-2. COUNTERWEIGHT INSTALLATION

ITEM	PART NUMBER	QTY	DESCRIPTION	REV
	1001246923	Ref	COUNTERWEIGHT INSTALLATION	B
1	0100019	AR	Compound, Locking	
2	0682648	4	Bolt 1 x 6 Grade 8	
3	80241137	4	Washer	
4	1001160250	1	Pin, Hitch	
5	1001195952	2	Plug	
6	1001246922	1	Counterweight	

# SECTION 1 - FRAME AND ATTACHING PARTS

## FIGURE 1-3. FRAME COVERS INSTALLATION



ART\_1001242031

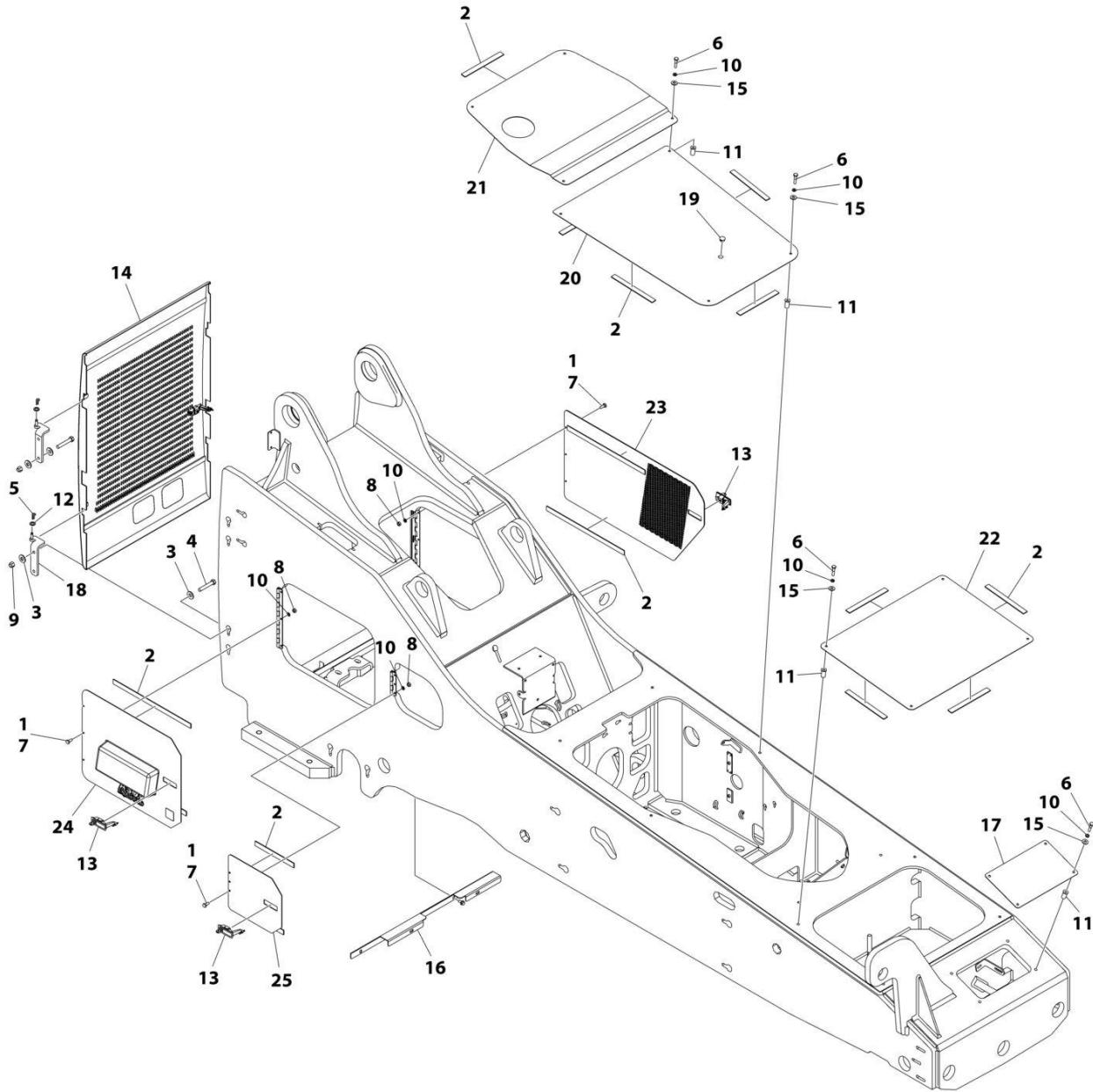
# SECTION 1 - FRAME AND ATTACHING PARTS

## FIGURE 1-3. FRAME COVERS INSTALLATION

ITEM	PART NUMBER	QTY	DESCRIPTION	REV
	1001242031	Ref	FRAME COVERS INSTALLATION	D
1	0100011	AR	Compound, Locking	
2	4420037	190 in	Tape, Insulation	
3	8307204	8	Washer 3/8	
4	0641618	4	Bolt 3/8 x 2-1/4	
5	8302470	2	Pin, Hair	
6	8303615	14	Bolt 1/4 x 1-1/4	
7	8303729	9	Bolt 1/4 x 5/8	
8	8305004	9	Nut 1/4	
9	8305645	4	Nut 3/8	
10	8307002	23	Washer 1/4	
11	8580420	14	Nut, Well	
12	10732150	2	Washer M10	
13	1001190341	3	Latch, Adjustable Trigger	
14	1001242032	1	Assembly, Rear Door	
15	8307202	14	Washer 1/4	
16	1001127864	1	Installation, Dust Shield (See Separate Breakdown in this Section)	
17	1001192390	1	Cover, Front	
18	1001159319	2	Mount, Rear Door	
19	3520030	1	Plug, Hole	
20	1001242035	1	Cover, Lower Transmission	
21	7139407	1	Cover, Upper Transmission	
22	7139047	1	Cover, Counterweight	
23	1001169006	1	Panel, Left Side Access	
24	1001171384	1	Panel, Engine Access Right Side	
25	1001171385	1	Panel, Air Cleaner Access	

# SECTION 1 - FRAME AND ATTACHING PARTS

## FIGURE 1-4. FRAME COVERS INSTALLATION



ART\_1001244085\_F

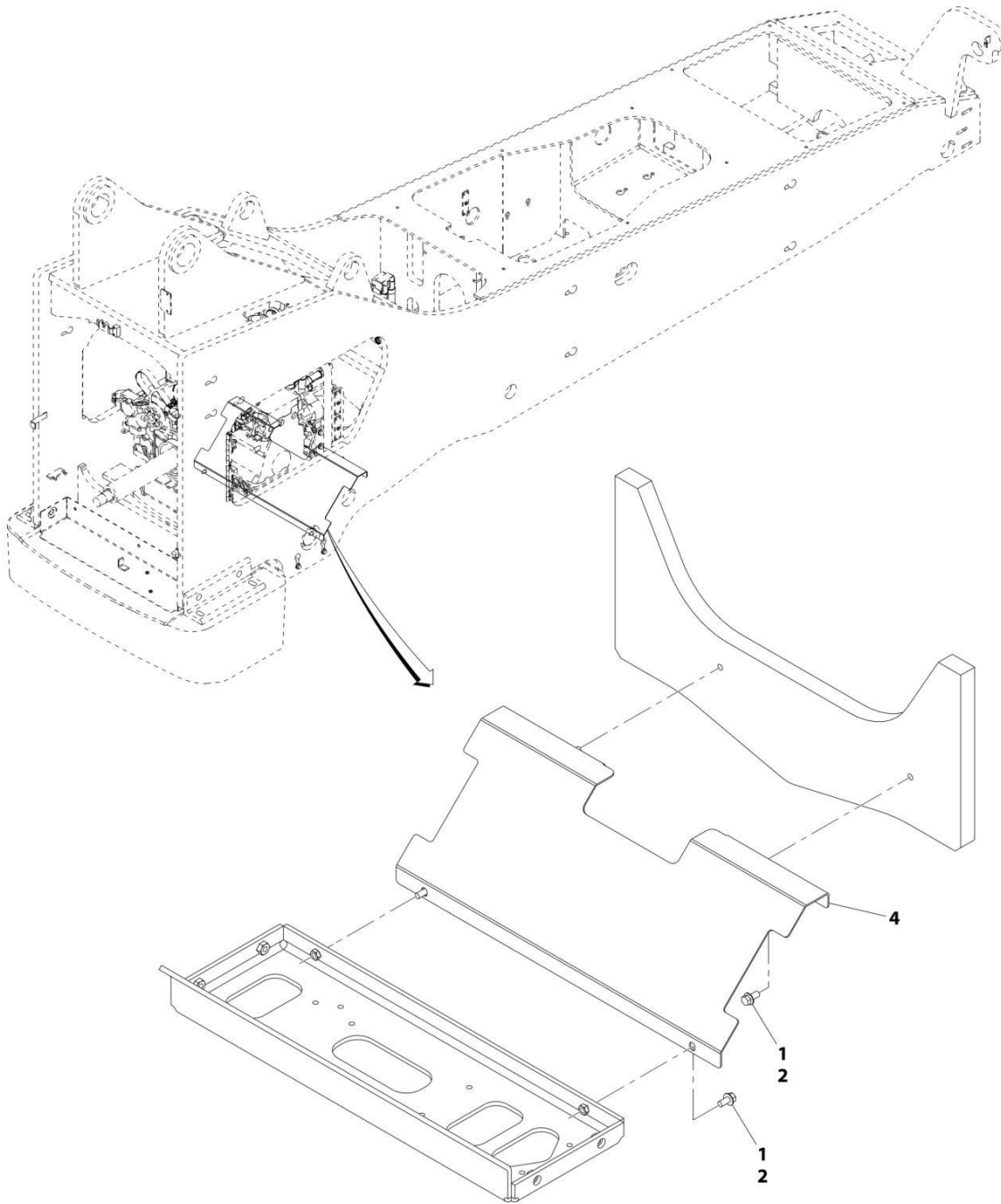
# SECTION 1 - FRAME AND ATTACHING PARTS

## FIGURE 1-4. FRAME COVERS INSTALLATION

ITEM	PART NUMBER	QTY	DESCRIPTION	REV
	1001244085	Ref	FRAME COVERS INSTALLATION	F
1	0100011	AR	Compound, Locking	
2	4420037	190 in	Tape, Insulation	
3	8307204	8	Washer 3/8	
4	0641618	4	Bolt 3/8 x 2-1/4	
5	8302470	2	Pin, Hair	
6	8303615	14	Bolt 1/4 x 1-1/4	
7	8303729	9	Bolt 1/4 x 5/8	
8	8305004	9	Nut 1/4	
9	8305645	4	Nut 3/8	
10	8307002	23	Washer 1/4	
11	8580420	14	Nut, Well	
12	10732150	2	Washer M10	
13	1001190341	3	Latch, Adjustable Trigger	
14	1001284867	1	Assembly, Door Rear	
15	8307202	14	Washer 1/4	
16	1001127864	1	Installation, Dust Shield (See Separate Breakdown in this Section)	
17	1001192390	1	Cover, Front	
18	1001159319	2	Mount, Rear Door	
19	3520030	1	Plug, Hole	
20	1001242035	1	Cover, Lower Transmission	
21	7139407	1	Cover, Upper Transmission	
22	7139047	1	Cover, Counterweight	
23	1001169006	1	Panel, Left Side Access	
24	1001216291	1	Panel, Engine Access Right Side	
25	1001171385	1	Panel, Air Cleaner Access	

# SECTION 1 - FRAME AND ATTACHING PARTS

## FIGURE 1-5. DUST SHIELD INSTALLATION



ART\_1001127864-B



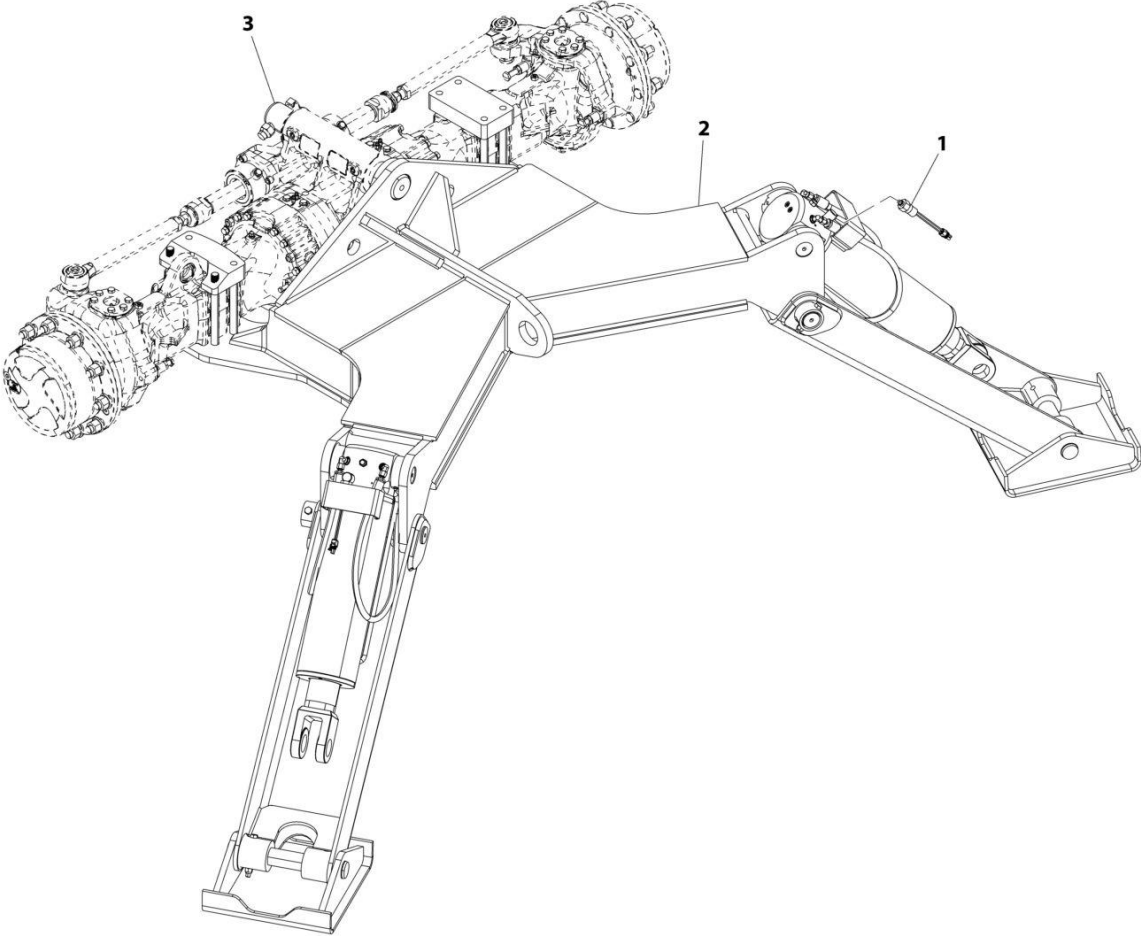
# SECTION 1 - FRAME AND ATTACHING PARTS

## FIGURE 1-5. DUST SHIELD INSTALLATION

ITEM	PART NUMBER	QTY	DESCRIPTION	REV
	1001127864	Ref	Dust Shield Installation	B
1	0100011	AR	Compound, Locking	
2	0791606	4	Bolt, 3/8-16X3/4	
4	1001127867	1	Panel, Dust Baffle Front	

**SECTION 1 - FRAME AND ATTACHING PARTS**

**FIGURE 1-6. OUTRIGGER INSTALLATION**



ART\_1001242960-B

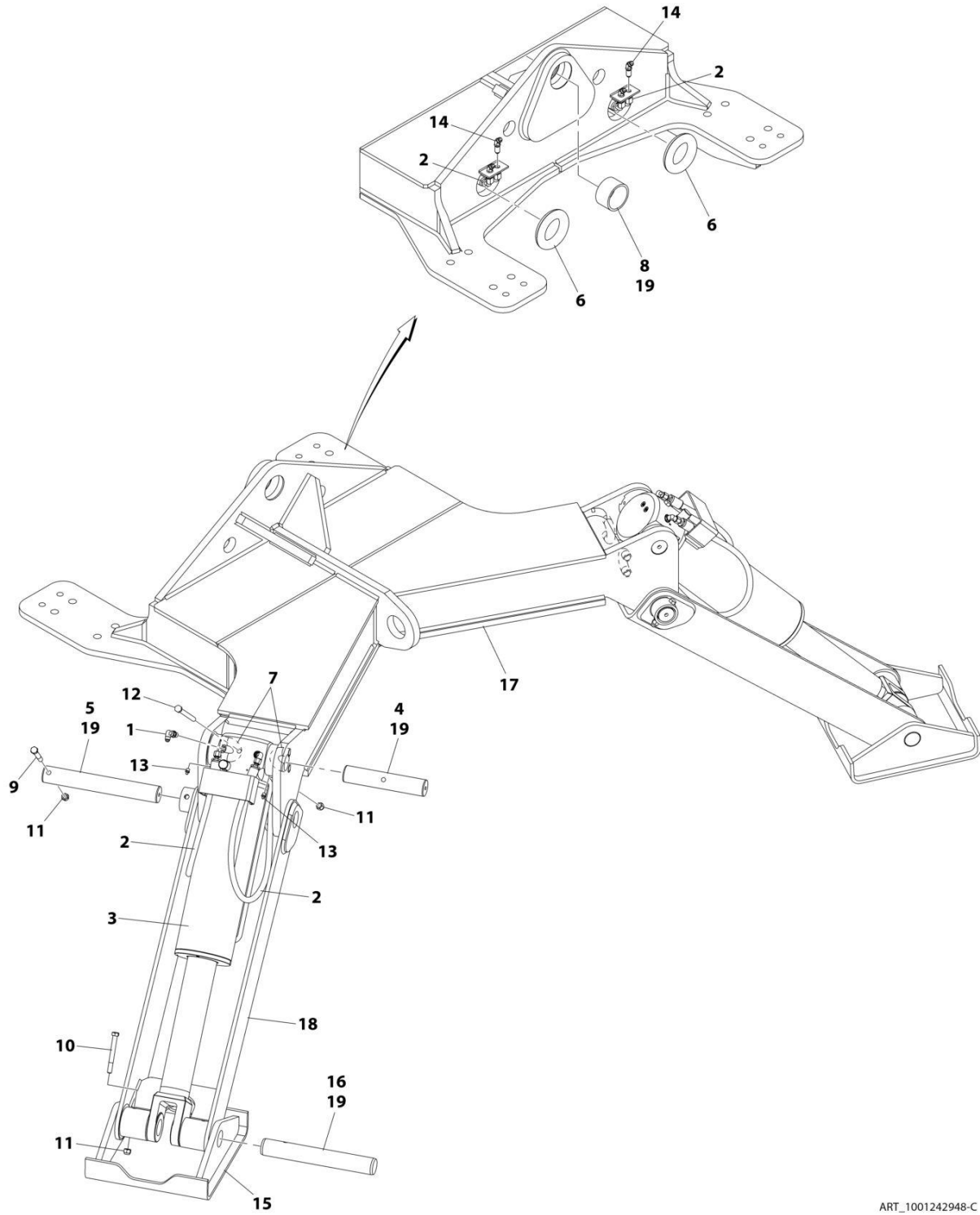
# SECTION 1 - FRAME AND ATTACHING PARTS

## FIGURE 1-6. OUTRIGGER INSTALLATION

ITEM	PART NUMBER	QTY	DESCRIPTION	REV
1	1001242960	Ref	Outrigger Installation	B
1	8223536	2	Switch, Pressure	
2	1001242948	1	Installation, Outriggers Sub-Assembly (See Separate Breakdown in this Section)	
3	1001242959	1	Installation, Outriggers Mounting (See Separate Breakdown in this Section)	

# SECTION 1 - FRAME AND ATTACHING PARTS

## FIGURE 1-7. OUTRIGGER SUB-ASSEMBLY INSTALLATION



ART\_1001242948-C

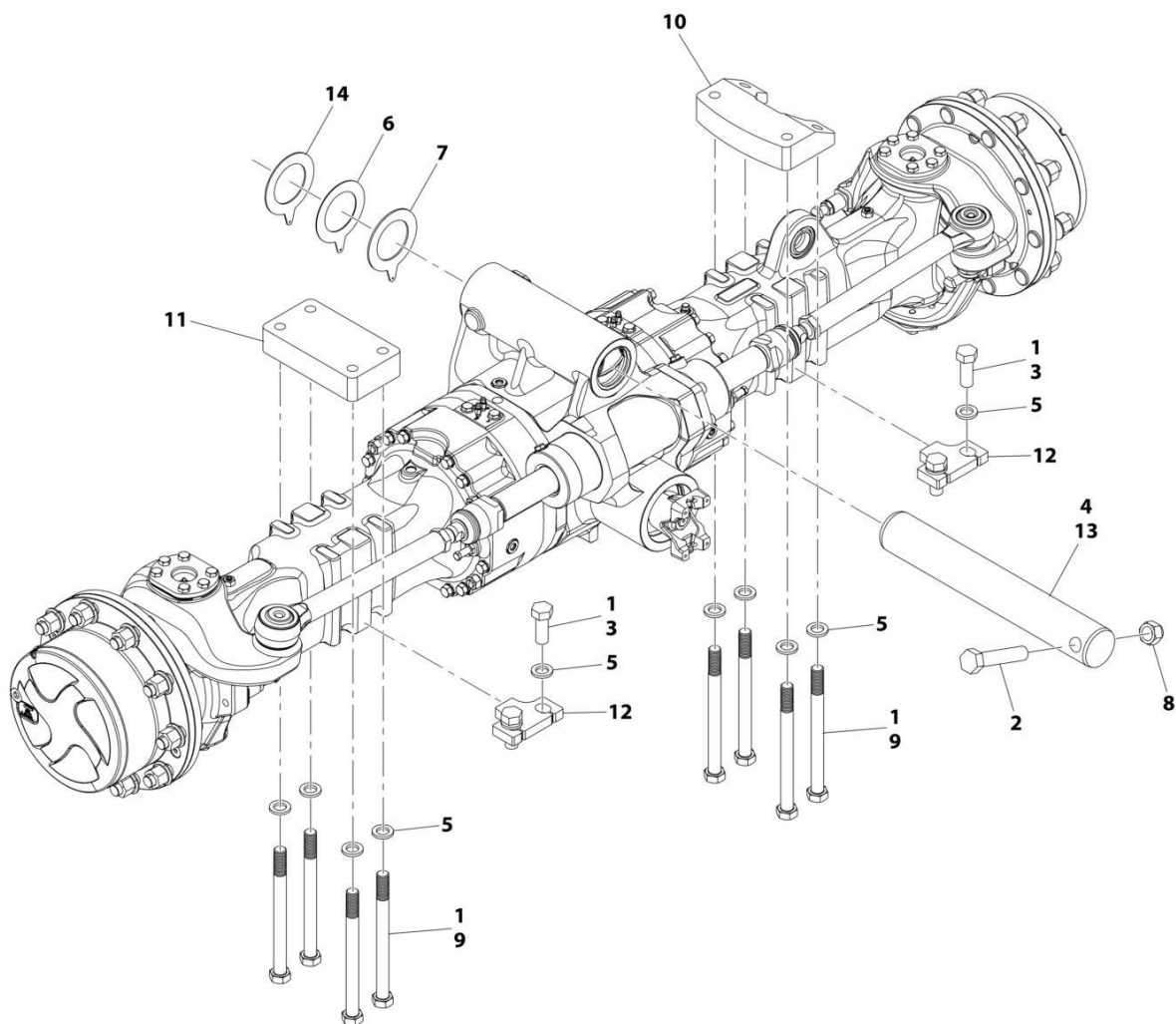
# SECTION 1 - FRAME AND ATTACHING PARTS

## FIGURE 1-7. OUTRIGGER SUB-ASSEMBLY INSTALLATION

ITEM	PART NUMBER	QTY	DESCRIPTION	REV
	1001242948	Ref	Outrigger Sub-Assembly Installation	C
1	2220473	4	Adapter, 90	
2	2716709	4	Hose	
3	1001239183	2	Cylinder, Outrigger (See Separate Breakdown in HYDRAULIC COMPONENTS Section)	
4	7090871	2	Pin, Cylinder Pivot Outrigger	
5	7090891	2	Pin, Leg Pivot Outrigger	
6	7124491	2	Conduit, 1X15-1/2	
7	7125801	4	Conduit, 3/4X4	
8	8065063	1	Bushing	
9	8303628	2	Bolt, 1/2-13X3-3/4	
10	8303629	2	Bolt, 1/2-13X4-1/2	
11	8305644	6	Nut, Lock 1/2-13	
12	0641864	2	Bolt	
13	8520001	8	Fitting, Straight Lube 1/8	
14	8770189	4	Adapter, 45	
15	1001141892	2	Stabilizer, Pad Weld	
16	1001147515	2	Pin, Outrigger Shoe	
17	1001242920	1	Weldment, Stabilizer Frame	
18	1001244577	2	Weldment, Stabilizer Leg	
19	8522012	AR	Lube, Anti-Seize	

# SECTION 1 - FRAME AND ATTACHING PARTS

## FIGURE 1-8. OUTRIGGER MOUNTING INSTALLATION



ART\_1001242959-C

# SECTION 1 - FRAME AND ATTACHING PARTS

## FIGURE 1-8. OUTRIGGER MOUNTING INSTALLATION

ITEM	PART NUMBER	QTY	DESCRIPTION	REV
	1001242959	Ref	Outrigger Mounting Installation	C
1	0100019	AR	Compound, Locking	
2	0642640	1	Bolt, 1-8X5	
3	0682418	4	Bolt, 7/8-9X2	
4	3423248	1	Pin, Axle/Outrigger	
5	4892400	12	Washer	
6	1001245213	AR	Washer, Shim 0.06	
7	1001245215	AR	Washer, Shim 0.12	
8	8310116	1	Nut, Lock 1-8	
9	1001250165	8	Bolt	
10	1001232517	1	Brace	
11	1001232518	1	Brace	
12	1001244592	2	Stop, Block Outrigger	
13	8522012	AR	Lube, Anti-Seize	
14	1001245214	AR	Washer, Shim 0.09	

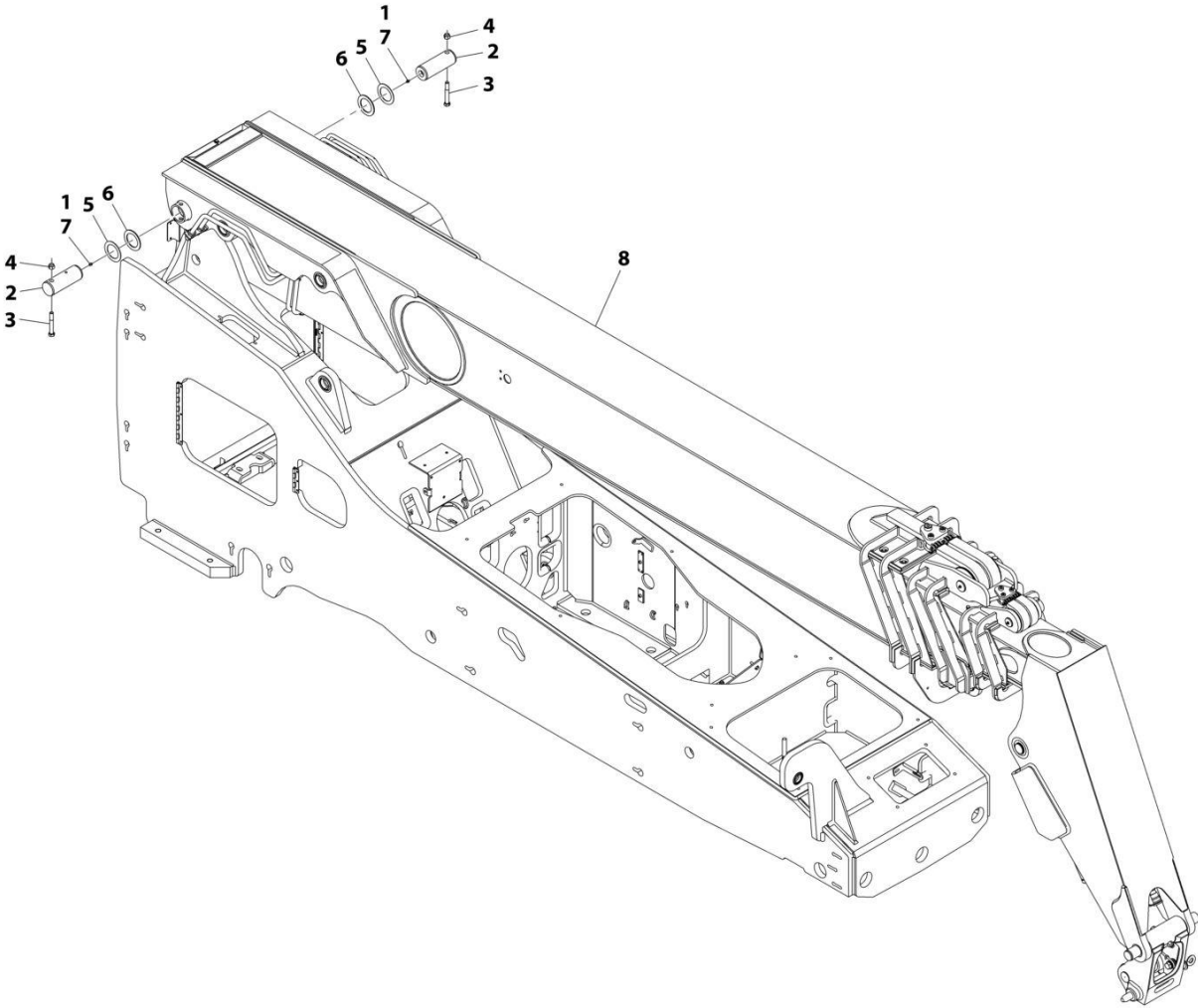




**SECTION 2 - BOOM**

**SECTION 2 - BOOM**

**FIGURE 2-1. BOOM INSTALLATION**



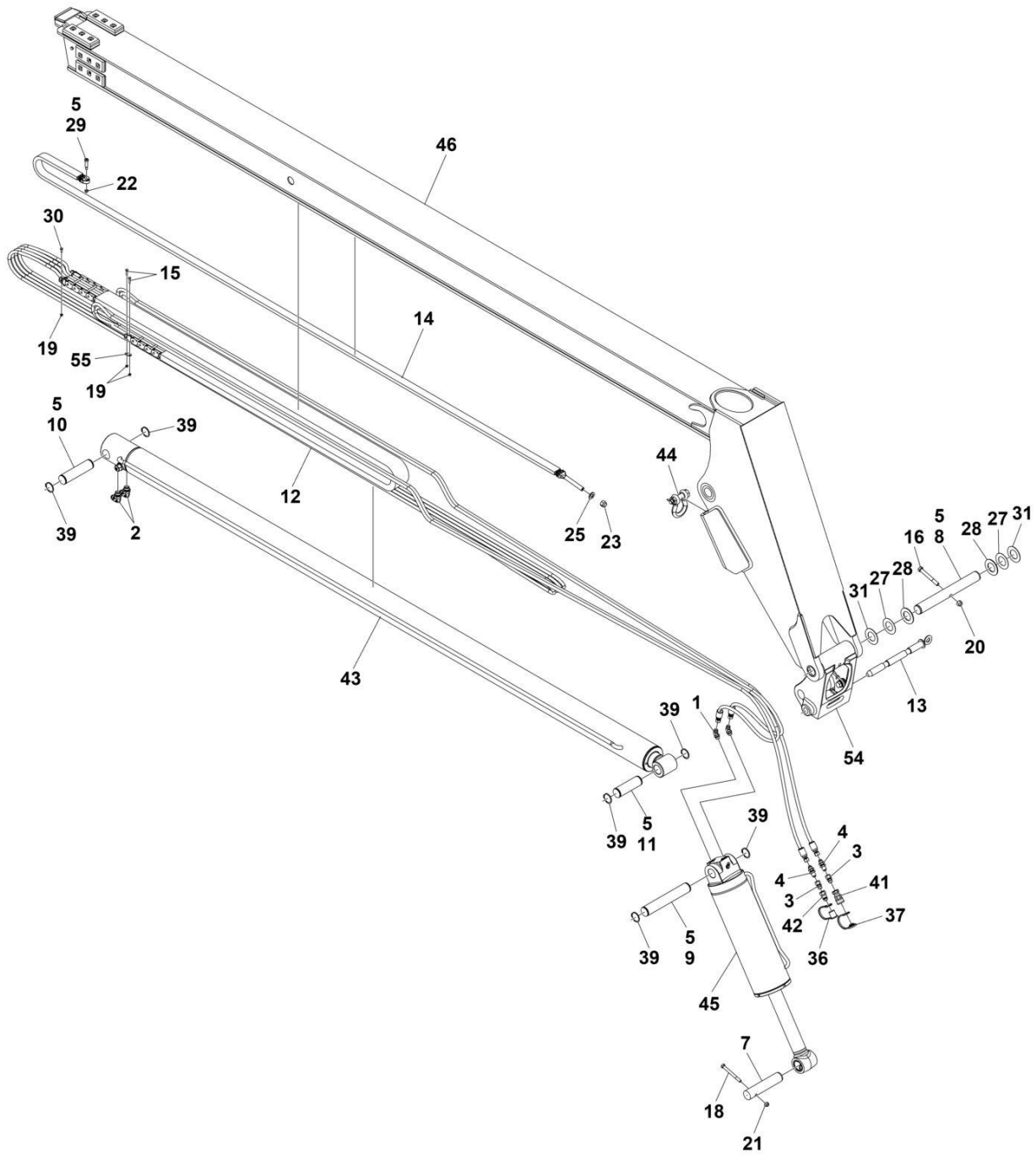
ART\_1001239473-A

FIGURE 2-1. BOOM INSTALLATION

ITEM	PART NUMBER	QTY	DESCRIPTION	REV
	1001239473	Ref	Boom Installation	A
1	3020039	AR	Lube	
2	3423226	2	Pin, Boom Pivot	
3	8303655	2	Bolt, 5/8-11X4-1/2	
4	8305643	2	Nut, Lock 5/8-11	
5	8307910	AR	Washer, Shim	
6	8307911	AR	Washer, Shim	
7	8520013	2	Fitting, Straight Lube 1/8	
8	1001239474	1	Boom, Assembly (See Separate Breakdown in this Section)	

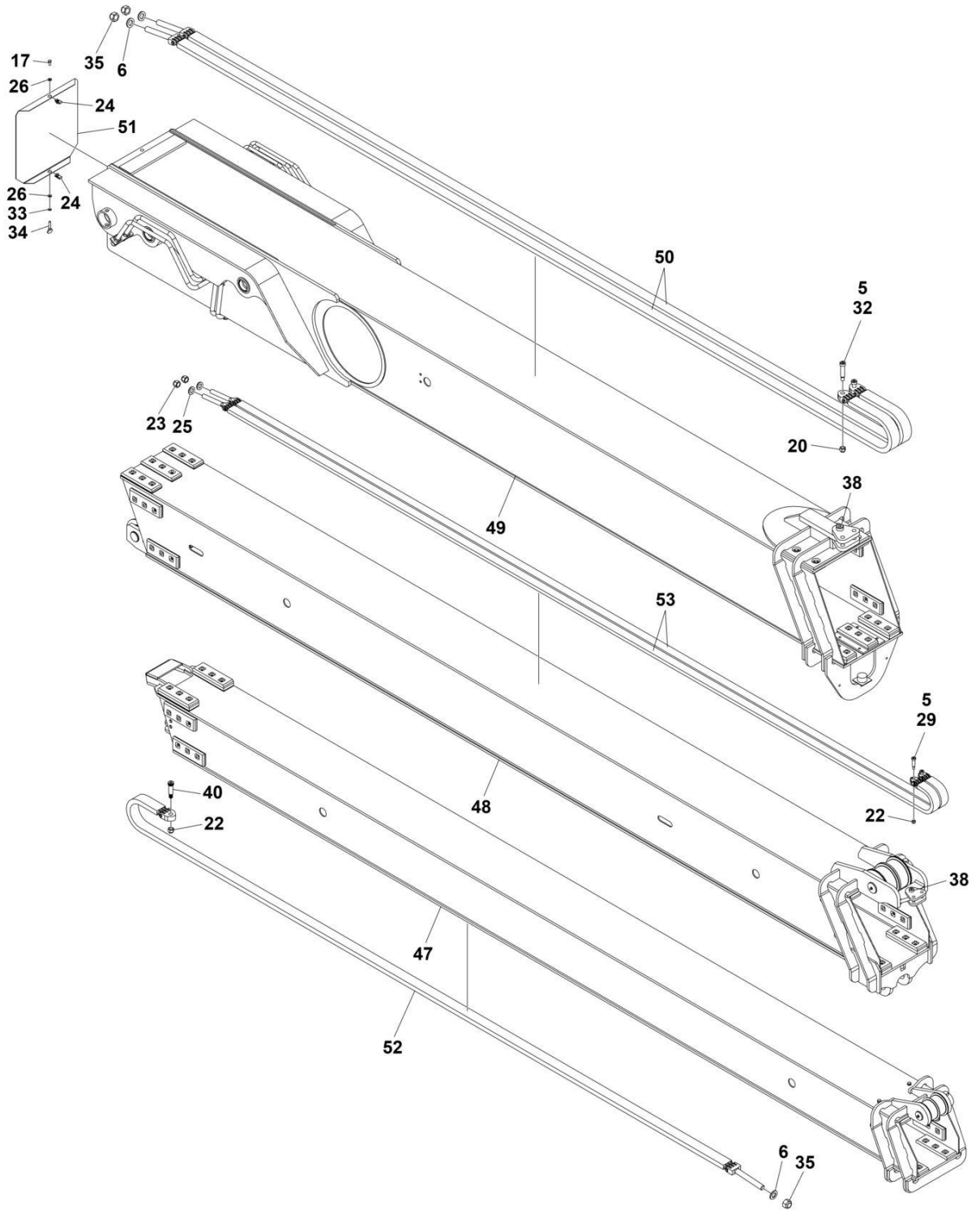
# SECTION 2 - BOOM

## FIGURE 2-2. BOOM ASSEMBLY



ART\_1001239474\_E\_1OF2

# SECTION 2 - BOOM



ART\_1001239474\_E\_20F2

## SECTION 2 - BOOM

### FIGURE 2-2. BOOM ASSEMBLY

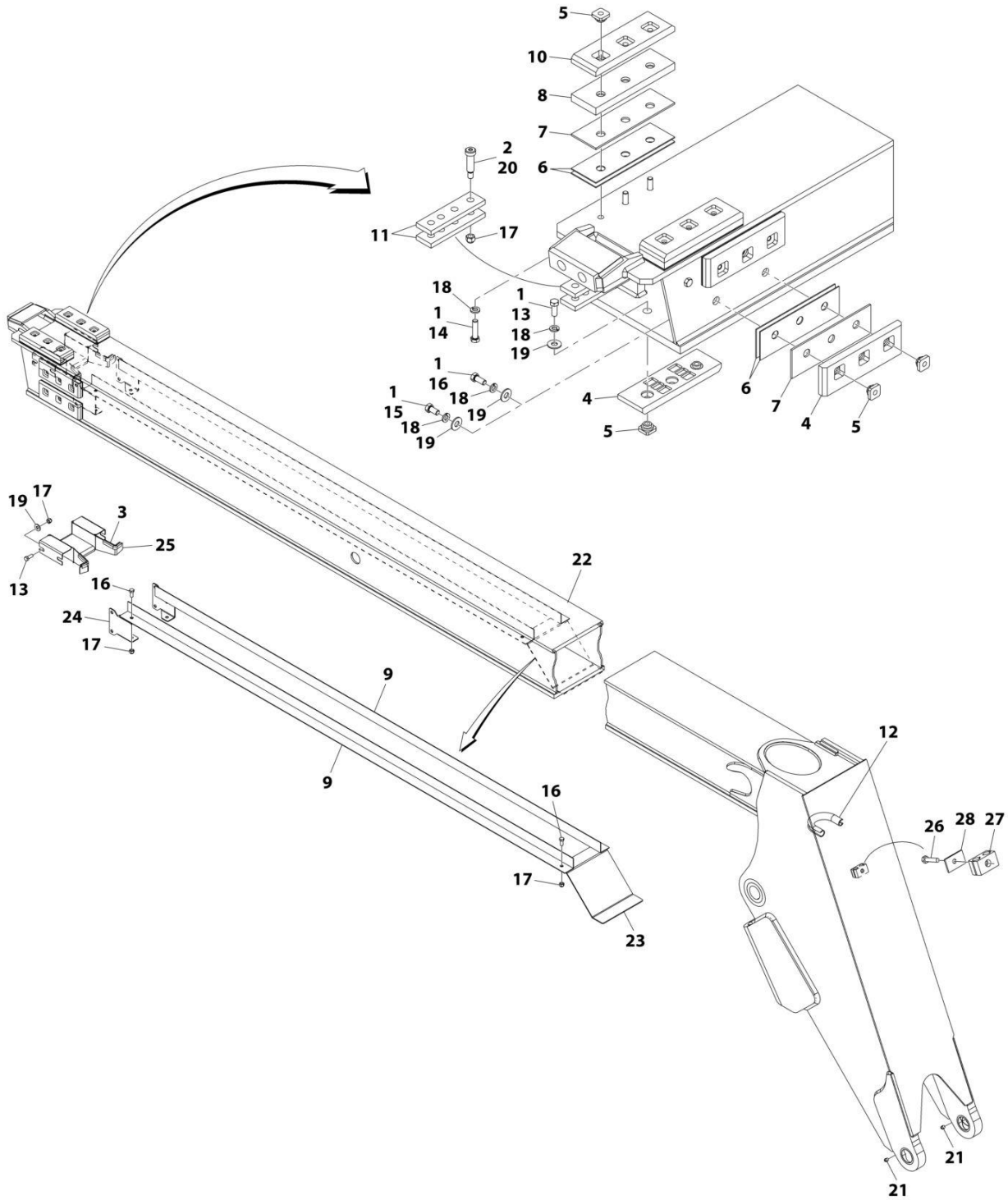
ITEM	PART NUMBER	QTY	DESCRIPTION	REV
	1001239474	Ref	Boom Assembly	E
1	2220500	2	Adapter, 45	
2	2220578	2	Adapter, 90	
3	2220651	2	Adapter, Bulkhead Straight	
4	2230025	2	Adapter, Bulkhead Straight	
5	3020039	AR	Lube	
6	4812700	3	Washer	
7	7083992	1	Pin, Rod End	
8	7095352	1	Pin, Carriage Pivot	
9	7095522	1	Pin, Base End	
10	7096552	1	Pin, Base End	
11	7096562	1	Pin, Rod End	
12	7112452	1	Assembly, Hose and Carrier (See Separate Breakdown in this Section)	
13	7118892	1	Assembly, Lock Pin	
14	7139692	1	Assembly, Retract Chain and Clevis (See Separate Breakdown in this Section)	
15	0641409	4	Bolt, 1/4X1-1/8	
16	8303666	1	Bolt, 5/8-11X5	
17	8303697	1	Bolt, 5/16-18X3/4	
18	8303772	1	Bolt, 1/2-13X5	
19	8305624	8	Nut, Lock 1/4-20	
20	8305643	4	Nut, Lock 5/8-11	
21	8305644	1	Nut, Lock 1/2-13	
22	8305645	3	Nut, Lock 3/8-16	
23	8305646	3	Nut, Lock 3/4-16	
24	8305906	2	Nut, Retainer 5/16-18	
25	8307104	3	Washer, Plain 3/4	
26	8307106	2	Washer, Plain 5/16	
27	8307904	AR	Washer, Shim	
28	8307918	2	Washer, Shim	
29	8310019	3	Screw, Shoulder 1/2X1-1/2X3/8-16	
30	8310026	4	Bolt, 1/4-20X3/4	
31	8310093	AR	Washer, Shim	
32	8310205	2	Bolt, Shoulder 3/4X2-1/2X5/8-11	
33	8310431	1	Washer, Lock 5/16	
34	8310497	1	Screw, Thumb 5/16-18X1-1/2	
35	8310672	3	Nut	
36	8420053	1	Cap, Dust	
37	8420055	1	Plug, Dust	
38	8526406	AR	Sealant, Varnish	
39	8642224	6	Ring, Retaining	
40	88251074	1	Bolt	
41	91403413	1	Adapter, Quick Disconnect	
42	91403414	1	Adapter, Quick Disconnect	
43	1001156009	1	Extend/Retract Cylinder (See Separate Breakdown in HYDRAULIC COMPONENTS Section)	
44	1001204045	1	Clevis, Bolt	
45	1001258911	1	Tilt Cylinder (See Separate Breakdown in HYDRAULIC COMPONENTS Section)	

## SECTION 2 - BOOM

ITEM	PART NUMBER	QTY	DESCRIPTION	REV
46	1001239475	1	Assembly, Fourth Boom Section (See Separate Breakdown in this Section)	
47	1001239476	1	Assembly, Third Boom Section (See Separate Breakdown in this Section)	
48	1001239477	1	Assembly, Second Boom Section (See Separate Breakdown in this Section)	
49	1001239478	1	Assembly, First Boom Section (See Separate Breakdown in this Section)	
50	1001241567	2	Chain	
51	1001242311	1	Cover Plate	
52	1001242608	1	Chain	
53	1001242923	2	Chain	
54	1001242996	1	Assembly, Coupler (See Separate Breakdown in this Section)	
55	1001258779	AR	Washer	
56	0761010	1	Bolt M10 x 20	
57	2221027	1	Fitting	
58	4812000	1	Washer M10	
59	1001272715	1	Plate	

# SECTION 2 - BOOM

## FIGURE 2-3. FOURTH BOOM SECTION ASSEMBLY



ART\_1001239475-B



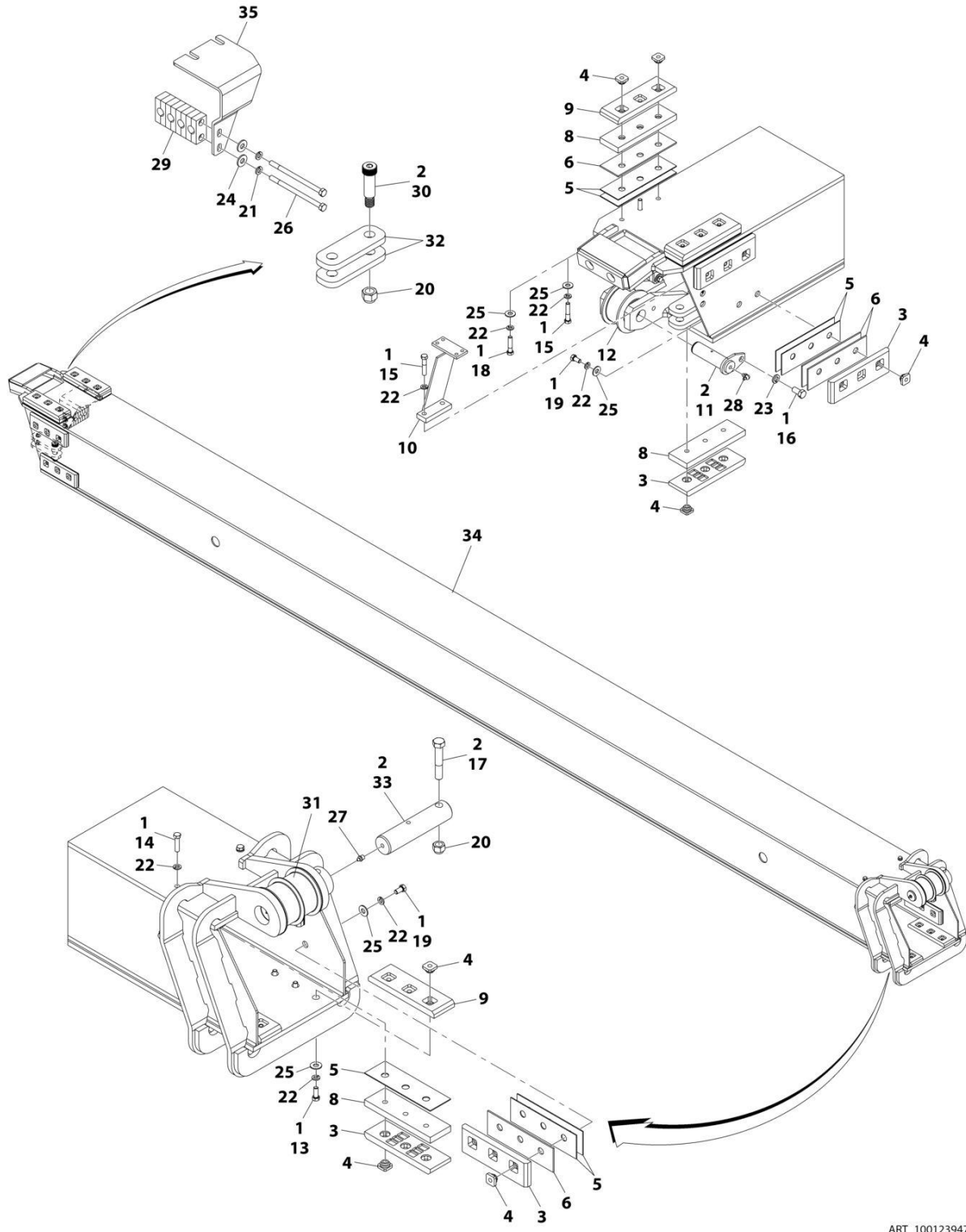
## SECTION 2 - BOOM

**FIGURE 2-3. FOURTH BOOM SECTION ASSEMBLY**

ITEM	PART NUMBER	QTY	DESCRIPTION	REV
	1001239475	Ref	Fourth Boom Section Assembly	B
1	0100011	AR	Compound, Locking	
2	3020039	AR	Lube	
3	5746411	150 mm	Moulding	
4	7079572	5	Pad, Wear	
5	7082311	16	Insert, Wear Pad	
6	7082342	AR	Shim, Wear Pad	
7	7082362	AR	Shim, Wear Pad	
8	7096882	2	Spacer, Wear Pad	
9	7110172	2	Guide, Hose Carrier	
10	7111572	2	Pad, Wear	
11	7117031	2	Link	
12	7125811	1	Conduit, 3/4X8	
13	8303620	4	Bolt, 3/8-16X1	
14	8303621	6	Bolt, 3/8-16X1-1/2	
15	8303681	2	Bolt, 3/8-16X3/4	
16	8303738	10	Bolt, 3/8-16X7/8	
17	8305645	7	Nut, Lock 3/8-16	
18	8307005	16	Washer, Lock 3/8	
19	8307204	12	Washer, 3/8	
20	8310019	1	Screw, Shoulder 1/2X1-1/2X3/8-16	
21	8520001	2	Fitting, Straight Lube 1/8	
22	1001242203	1	Boom, Fourth Section	
23	1001242303	1	Bracket, Hose Support	
24	1001242305	2	Bracket, Hose Side Support	
25	1001248777	1	Bracket, Hose Carrier Support	
26	0641511	1	Bolt, 5/16-18X1-3/8	
27	8769122	1	Clamp Set, Twin 5/8	
28	8769123	1	Cover Plate, Twin	

# SECTION 2 - BOOM

## FIGURE 2-4. THIRD BOOM SECTION ASSEMBLY



ART\_1001239476-B

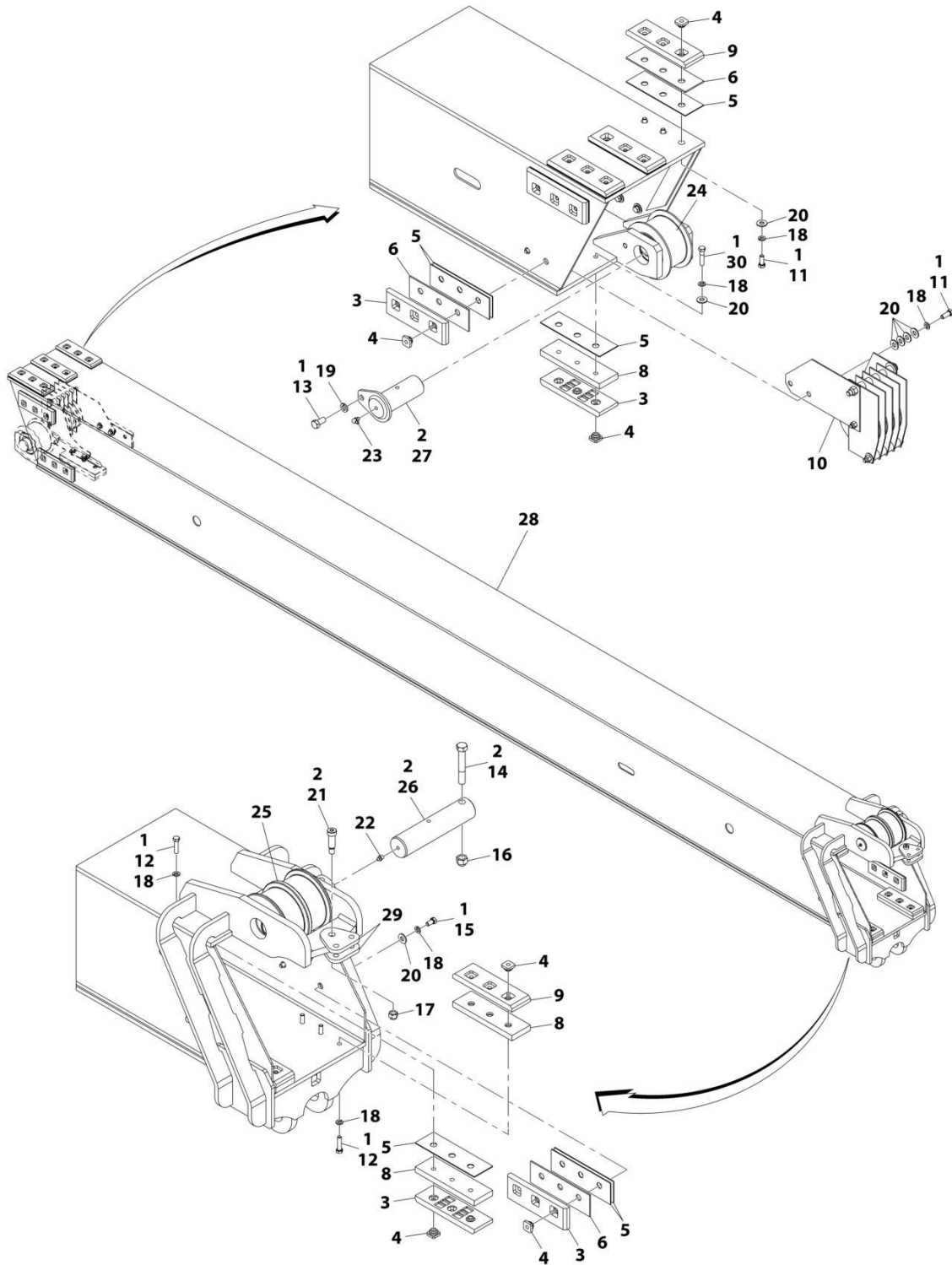
## SECTION 2 - BOOM

**FIGURE 2-4. THIRD BOOM SECTION ASSEMBLY**

ITEM	PART NUMBER	QTY	DESCRIPTION	REV
	1001239476	Ref	Third Boom Section Assembly	B
1	0100011	AR	Compound, Locking	
2	3020039	AR	Lube	
3	7079572	11	Pad, Wear	
4	7082311	34	Insert, Wear Pad	
5	7082342	AR	Shim, Wear Pad	
6	7082362	AR	Shim, Wear Pad	
8	7096882	5	Spacer, Wear Pad	
9	7111572	4	Pad, Wear	
10	7112732	1	Support, Hose Clamp	
11	7138977	1	Pin, Retract Chain Sheave	
12	7138986	1	Sheave, Retract Chain	
13	8303620	6	Bolt, 3/8-16X1	
14	8303621	4	Bolt, 3/8-16X1-1/2	
15	8303622	4	Bolt, 3/8-16X2	
16	8303624	1	Bolt, 1/2-13X1	
17	8303633	1	Bolt	
18	8303679	4	Bolt, 3/8-16X1-3/4	
19	8303681	16	Bolt, 3/8-16X3/4	
20	8305643	2	Nut, Lock 5/8-11	
21	8307004	2	Washer, Lock 5/16	
22	8307005	34	Washer, Lock 3/8	
23	8307007	1	Washer, Lock 1/2	
24	8307203	2	Washer, 5/16	
25	8307204	28	Washer, 3/8	
26	8310081	2	Bolt, 5/16-18X5	
27	8520001	1	Fitting, Straight Lube 1/8	
28	8520003	1	Fitting, 90 Lube 1/8	
29	8750003	8	Clamp, Half 5/8	
31	1001168567	1	Roller, Extend Chain	
31	0440296	2	Bearing	
32	1001241369	2	Chain, Retract Anchor	
33	1001241541	1	Pin, Extended	
34	1001242070	1	Boom, Third Section	
35	1001242583	1	Bracket, Hose Clamp	

# SECTION 2 - BOOM

## FIGURE 2-5. SECOND BOOM SECTION ASSEMBLY



ART\_1001239477-B

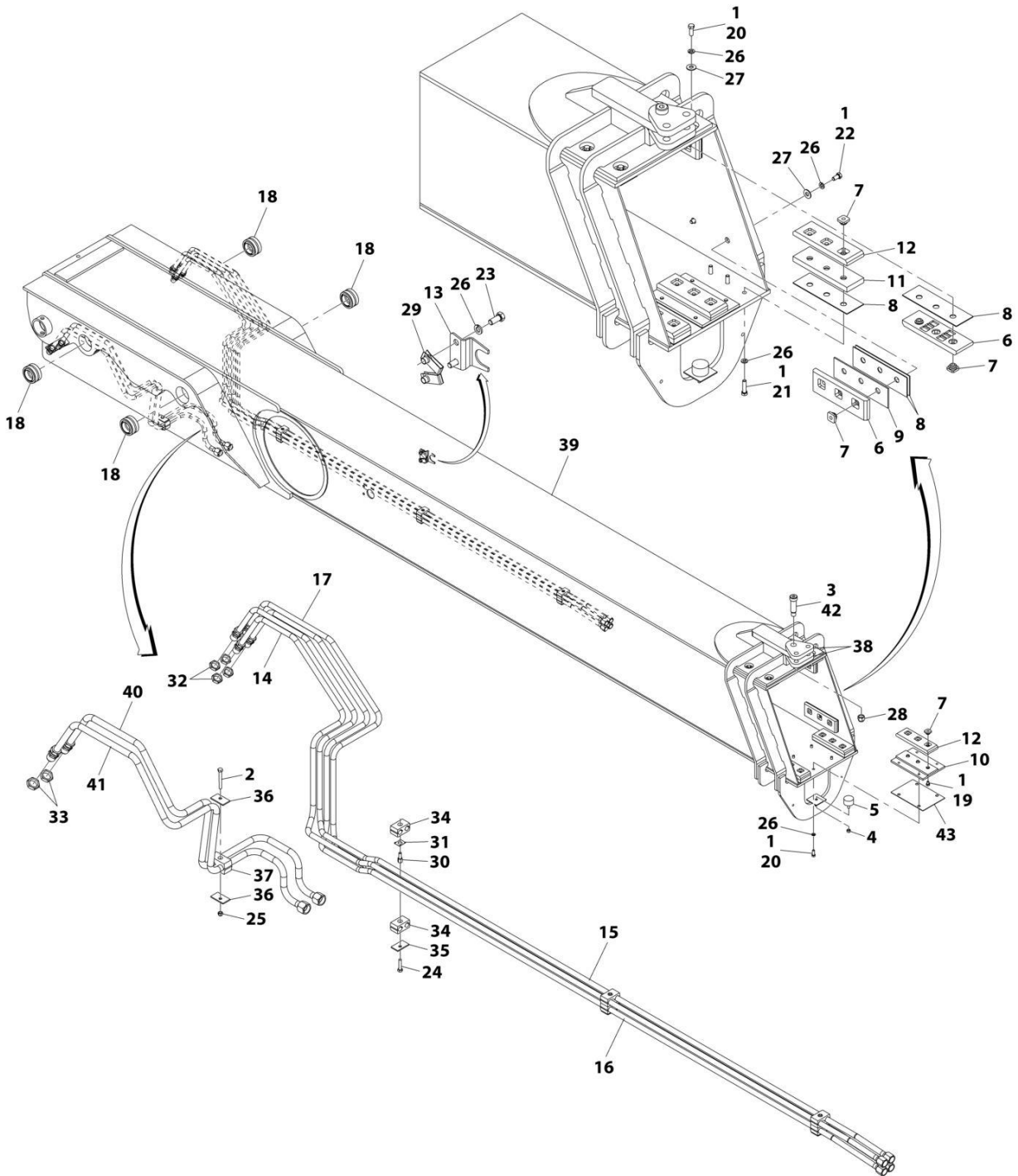
## SECTION 2 - BOOM

**FIGURE 2-5. SECOND BOOM SECTION ASSEMBLY**

ITEM	PART NUMBER	QTY	DESCRIPTION	REV
	1001239477	Ref	Second Boom Section Assembly	B
1	0100011	AR	Compound, Locking	
2	3020039	AR	Lube	
3	7079572	11	Pad, Wear	
4	7082311	36	Insert, Wear Pad	
5	7082342	AR	Shim, Wear Pad	
6	7082362	AR	Shim, Wear Pad	
8	7096882	5	Spacer, Wear Pad	
9	7111572	5	Pad, Wear	
10	7116733	1	Assembly, Hose Pulley (See Separate Breakdown in this Section)	
11	8303620	10	Bolt, 3/8-16X1	
12	8303621	10	Bolt, 3/8-16X1-1/2	
13	8303624	1	Bolt, 1/2-13X1	
14	8303634	1	Bolt, 5/8-11X4	
15	8303681	14	Bolt, 3/8-16X3/4	
16	8305643	1	Nut, Lock 5/8-11	
17	8305644	1	Nut, Lock 1/2-13	
18	8307005	36	Washer, Lock 3/8	
19	8307007	1	Washer, Lock 1/2	
20	8307204	34	Washer, Plain 3/8	
21	8310020	1	Screw, Shoulder 5/8X1-1/2X1/2-13	
22	8520001	1	Fitting, Straight Lube 1/8	
23	8520003	1	Fitting, 90 Lube 1/8	
24	1001101867	1	Sheave with Bushings	
24	7117502	2	Bushing	
25	1001168286	1	Roller, Extend Chain with Bushings	
25	1001167025	2	Bushing	
26	1001241438	1	Pin, Extended	
27	1001241480	1	Pin, Retract Weldment	
28	1001242051	1	Boom, Second Section	
29	1001242310	2	Bracket, Sheave	
30	8303679	2	Bolt, 3/8-16X1-3/4	

# SECTION 2 - BOOM

## FIGURE 2-6. FIRST BOOM SECTION ASSEMBLY



ART\_1001239478-B

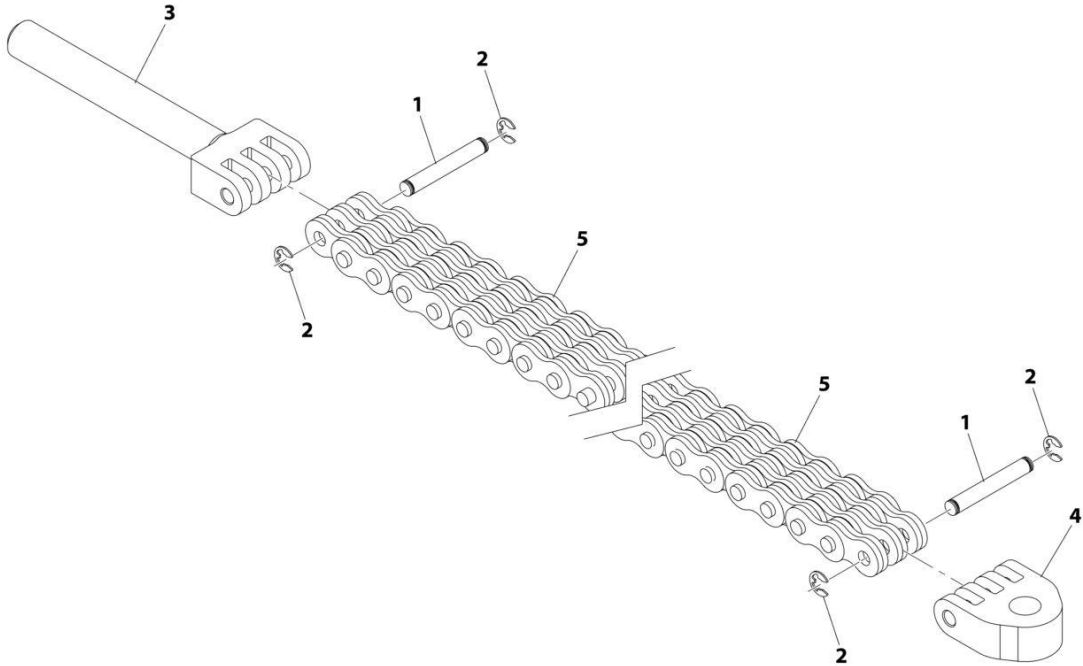
## SECTION 2 - BOOM

**FIGURE 2-6. FIRST BOOM SECTION ASSEMBLY**

ITEM	PART NUMBER	QTY	DESCRIPTION	REV
	1001239478	Ref	First Boom Section Assembly	B
1	0100011	AR	Compound, Locking	
2	0641520	1	Bolt, 5/16-18X2-1/2	
3	3020039	AR	Lube	
4	3311601	1	Nut, 3/8-16	
5	5724622	1	Bumper, Rubber	
6	7079572	6	Pad, Wear	
7	7082311	21	Insert, Wear Pad	
8	7082342	AR	Shim, Wear Pad	
9	7082362	AR	Shim, Wear Pad	
10	7096772	1	Spacer, Wear Pad	
11	7096882	2	Spacer, Wear Pad	
12	7111572	3	Pad, Wear	
13	7138468	1	Clip	
14	7300672	1	Tube	
15	7300673	1	Tube	
16	7300674	1	Tube	
17	7300675	1	Tube	
18	8065640	4	Bearing, Spherical	
19	8303041	3	Bolt, 3/8-16X1/2	
20	8303620	8	Bolt, 3/8-16X1	
21	8303621	6	Bolt, 3/8-16X1-1/2	
22	8303681	8	Bolt, 3/8-16X3/4	
23	8303738	2	Bolt, 3/8-16X7/8	
24	0641511	3	Bolt, 5/16-18X1-3/8	
25	8305626	1	Nut, Lock 5/16-18	
26	8307005	24	Washer, Lock 3/8	
27	8307204	12	Washer, 3/8	
28	8310067	1	Nut, Lock 3/4-10	
29	8310113	2	Nut, Cage 3/8-16	
30	8750011	3	Bolt, Stacking 5/16	
31	8750017	3	Plate, Twin Clamp Locking	
32	8760465	4	Adapter, Bulkhead Nut	
33	8760468	2	Adapter, Bulkhead Nut	
34	8769122	6	Clamp Set, Twin 5/8	
35	8769123	3	Cover Plate, Twin	
36	8769128	2	Cover Plate, Twin	
37	8769139	1	Clamp Set, Twin 3/4	
38	1001241368	2	Bracket, Sheave	
39	1001242036	1	Boom, First Section	
40	1001242308	1	Pipe, Telescopic Extend	
41	1001242309	1	Pipe, Telescopic Retract	
42	1001242316	1	Bolt	
43	1001250718	1	Shim, Wear Pad	

**SECTION 2 - BOOM**

**FIGURE 2-7. EXTEND CHAIN ASSEMBLY**



ART\_1001241567-A

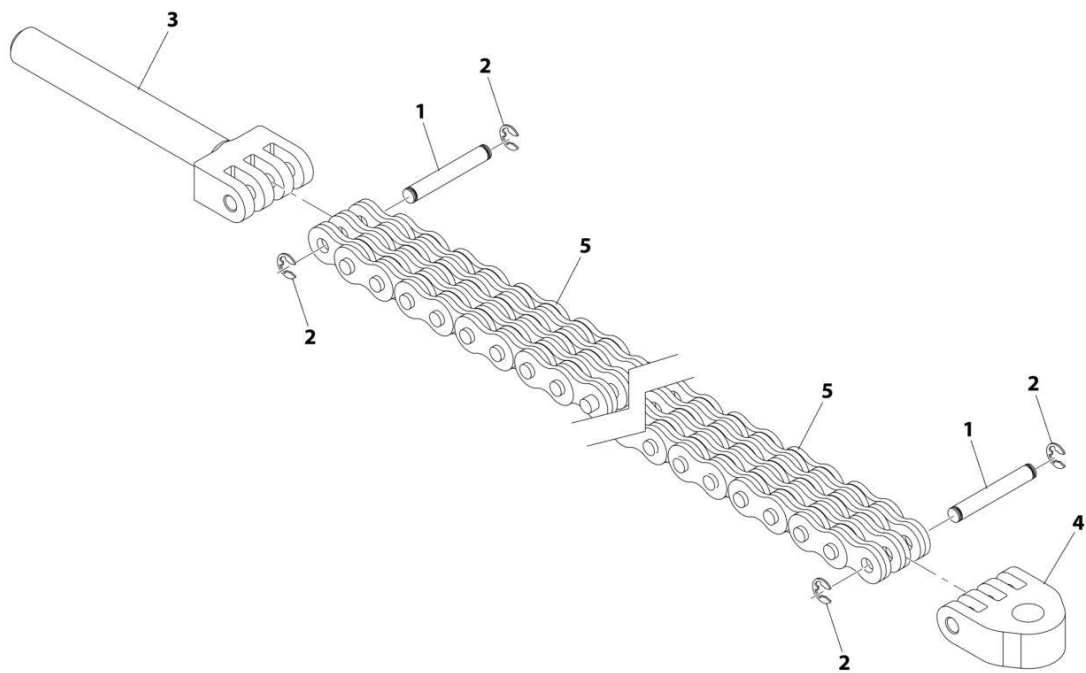


FIGURE 2-7. EXTEND CHAIN ASSEMBLY

ITEM	PART NUMBER	QTY	DESCRIPTION	REV
	1001241567	Ref	Extend Chain Assembly	A
1	1001163841	2	Pin, Chain Clevis	
2	1001164039	4	Ring, External	
3	1001165590	1	Clevis Chain	
4	1001239967	1	Clevis Chain	
5	1001241549	1	Chain	

# SECTION 2 - BOOM

## FIGURE 2-8. RETRACT CHAIN ASSEMBLY



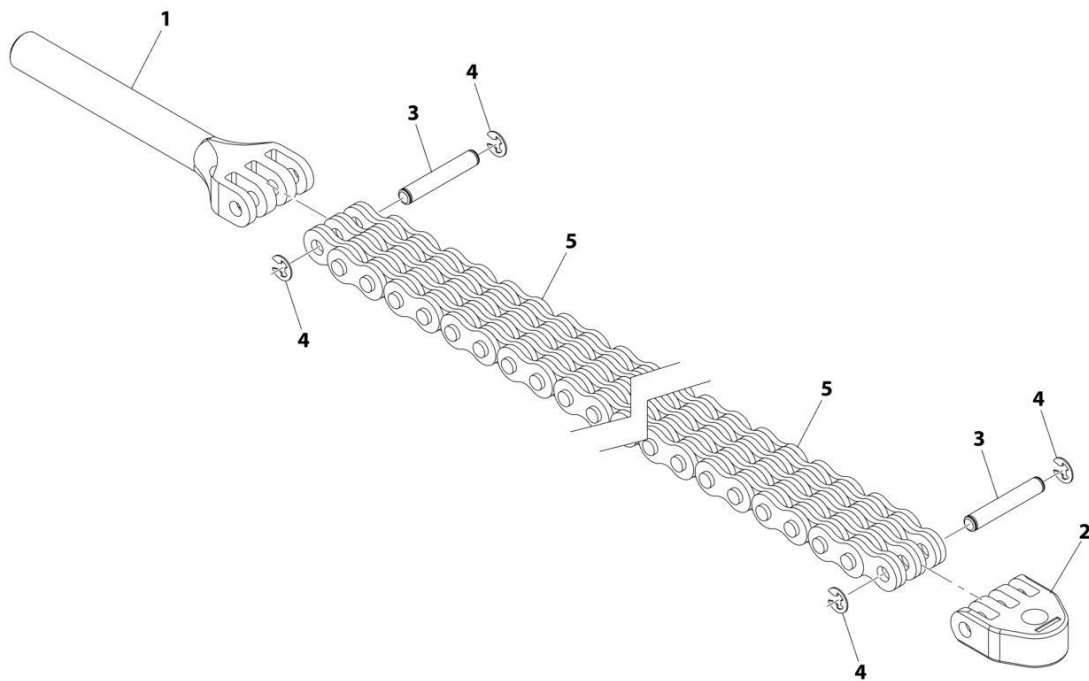
ART\_1001242608-B

FIGURE 2-8. RETRACT CHAIN ASSEMBLY

ITEM	PART NUMBER	QTY	DESCRIPTION	REV
	1001242608	Ref	Retract Chain Assembly	B
1	1001163841	2	Pin, Chain Clevis	
2	1001164039	4	Ring, External	
3	1001165590	1	Chain Clevis	
4	1001239967	1	Chain Clevis	
5	1001242609	1	Chain	

# SECTION 2 - BOOM

## FIGURE 2-9. EXTEND CHAIN ASSEMBLY



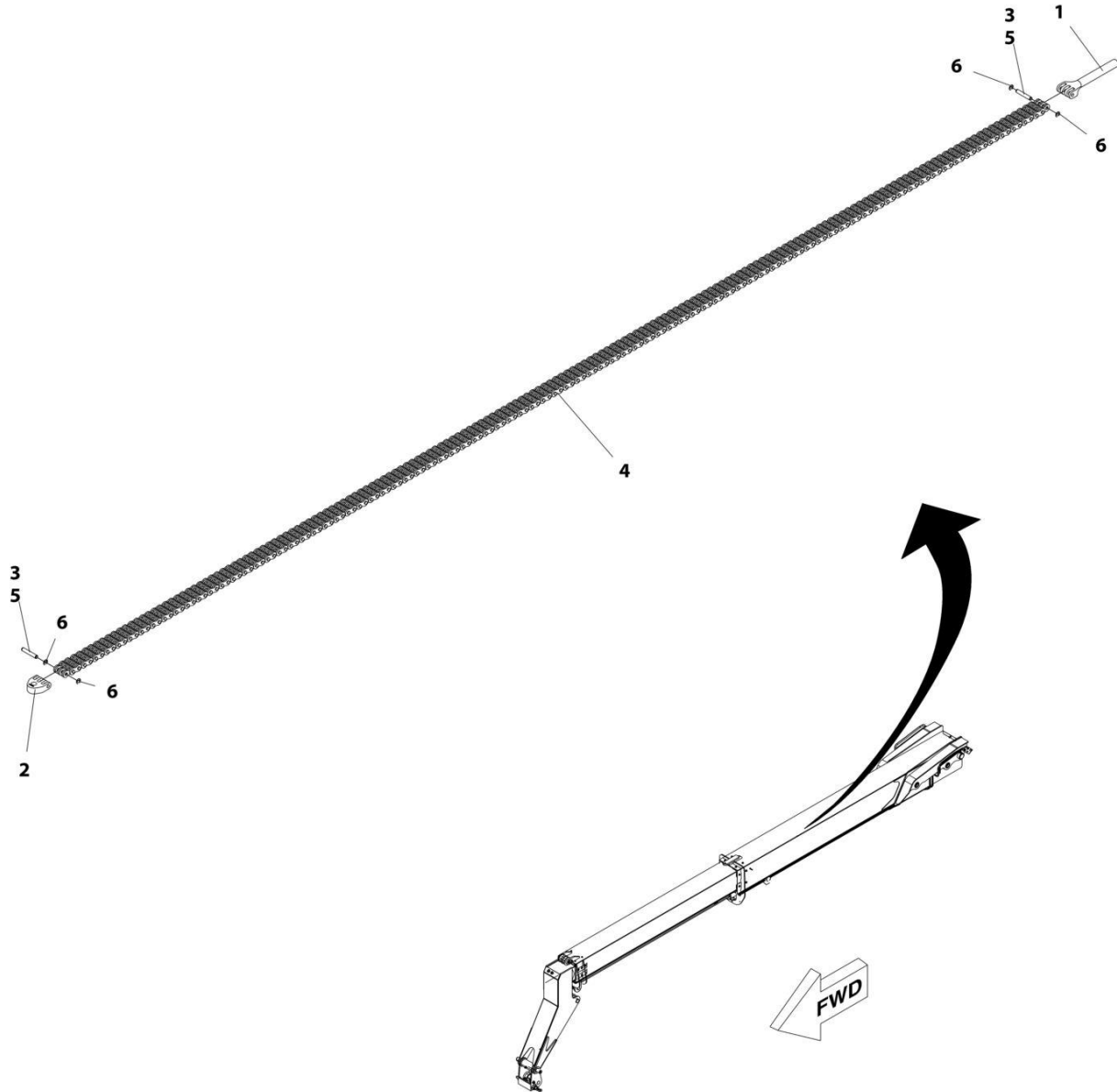
ART\_1001242923-A

FIGURE 2-9. EXTEND CHAIN ASSEMBLY

ITEM	PART NUMBER	QTY	DESCRIPTION	REV
	1001242923	Ref	Extend Chain Assembly	A
1	7139032	1	Clevis, Female Anchor	
2	7139416	1	Clevis, Female Anchor	
3	8124138	2	Pin, Chain Clevis	
4	8642237	4	Ring, Retaining	
5	1001242924	1	Chain	

# SECTION 2 - BOOM

## FIGURE 2-10. RETRACT CHAIN AND CLEVIS ASSEMBLY



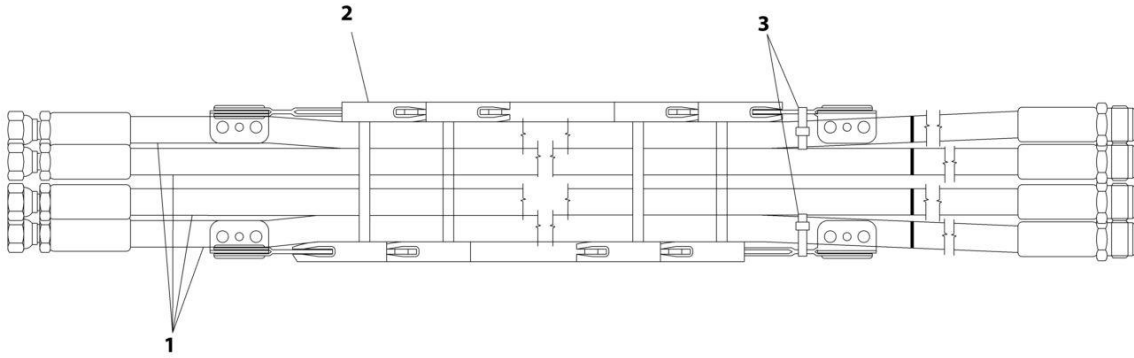
ART\_7139692\_B

**FIGURE 2-10. RETRACT CHAIN AND CLEVIS ASSEMBLY**

ITEM	PART NUMBER	QTY	DESCRIPTION	REV
	7139692	Ref	Chain and Clevis Assembly	B
1	7139032	1	Clevis, Female Anchor	
2	7139416	1	Clevis, Female Anchor	
3	8124138	2	Pin, Chain Clevis	
4	8127024	1	Chain, Leaf	
5	8522012	AR	Lube, Anti-Seize	
6	8642237	4	Ring, Retaining	

## SECTION 2 - BOOM

FIGURE 2-11. HOSE AND CARRIER ASSEMBLY



ART\_7112452-G

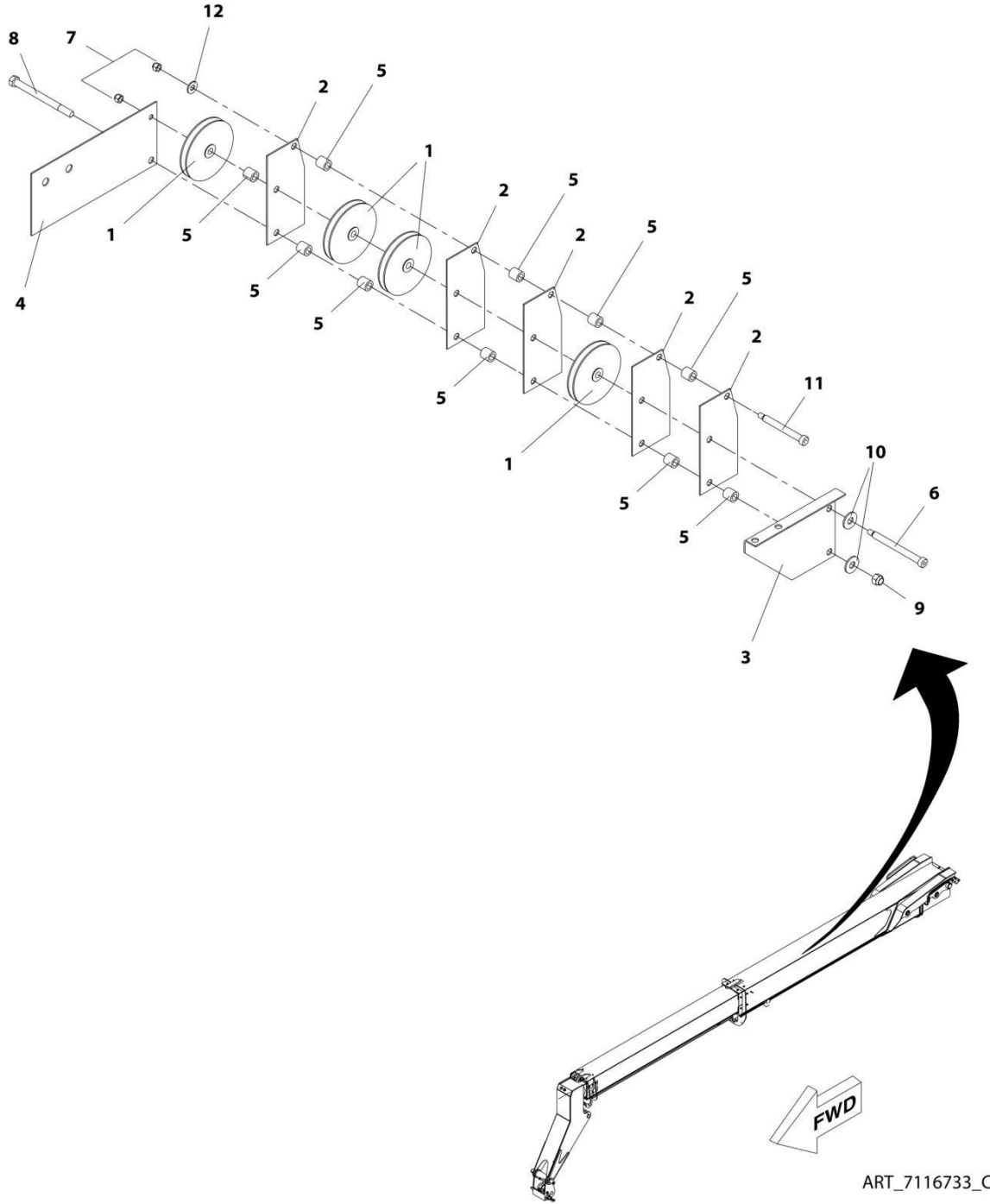


**FIGURE 2-11. HOSE AND CARRIER ASSEMBLY**

<b>ITEM</b>	<b>PART NUMBER</b>	<b>QTY</b>	<b>DESCRIPTION</b>	<b>REV</b>
	7112452	Ref	Hose and Carrier Assembly	G
1	2713642	4	Hose	
2	8584021	1	Carrier, Hose	
3	8584001	2	Wrap, Tie 3/16	

# SECTION 2 - BOOM

## FIGURE 2-12. HOSE PULLEY ASSEMBLY



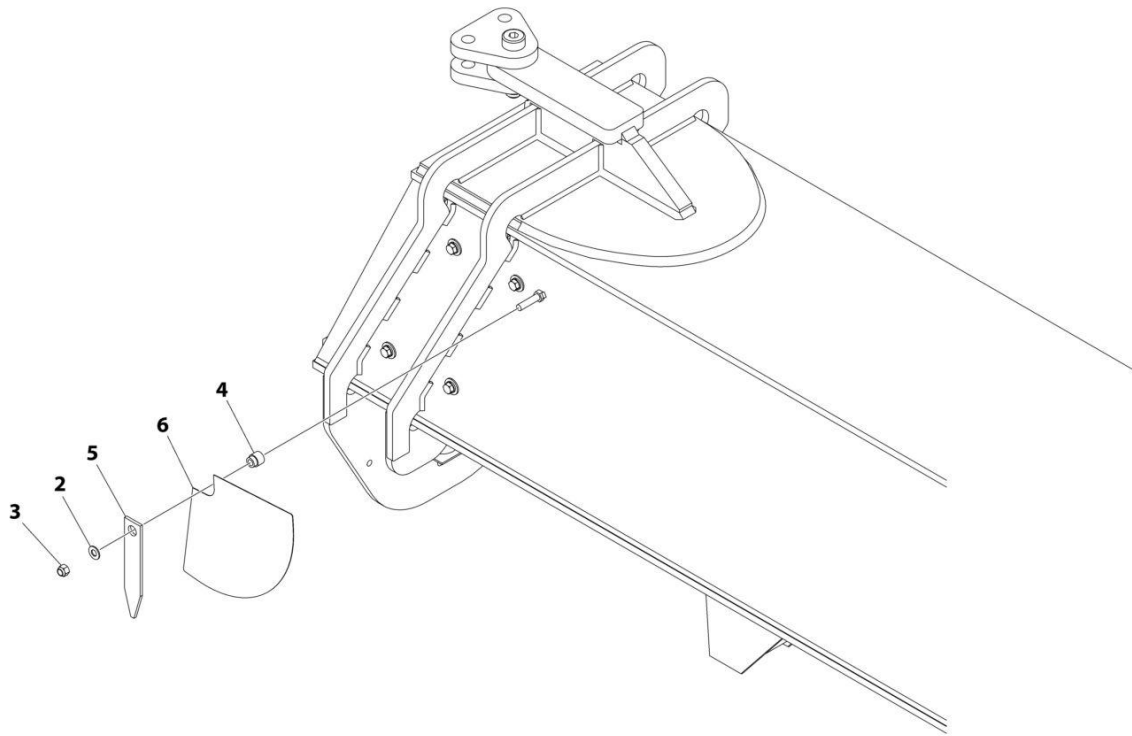
ART\_7116733\_C

FIGURE 2-12. HOSE PULLY ASSEMBLY

ITEM	PART NUMBER	QTY	DESCRIPTION	REV
	7116733	Ref	Hose Pulley Assembly	C
1	7116812	4	Wheel, Roller	
2	7116642	5	Divider	
3	7116652	1	Bracket, RH	
4	7116662	1	Bracket, LH	
5	7116691	10	Spacer	
6	8310235	1	Screw, Shoulder 1/2X5	
7	8305645	2	Nut, Lock 3/8-16	
8	8310209	1	Bolt, 1/2-13X6	
9	8305644	1	Nut, Lock 1/2-13	
10	8307206	2	Washer, Plain 1/2	
11	8310245	1	Screw, Shoulder 1/2X4	
12	8307204	1	Washer, Plain 3/8	

## SECTION 2 - BOOM

FIGURE 2-13. MECHANICAL BOOM ANGLE INDICATOR



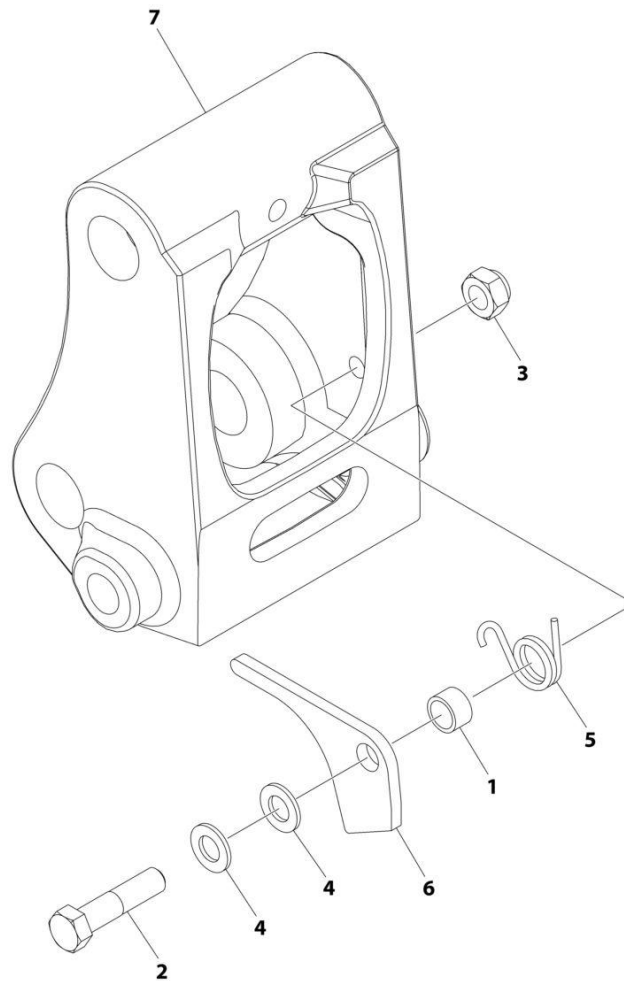
ART\_1001242682\_C

FIGURE 2-13. MECHANICAL BOOM ANGLE INDICATOR

ITEM	PART NUMBER	QTY	DESCRIPTION	REV
	1001242682	Ref	Mechanical Boom Angle Indicator	C
2	4711600	1	Washer, 3/8	
3	8305645	1	Nut, Lock 3/8-16	
4	1001096404	1	Sleeve, Angle Indicator Spacer	
5	1001098769	1	Plate, Boom Angle Indicator	
6	4105262	1	Decal, Boom Angle Indicator	

## SECTION 2 - BOOM

FIGURE 2-14. COUPLER ASSEMBLY



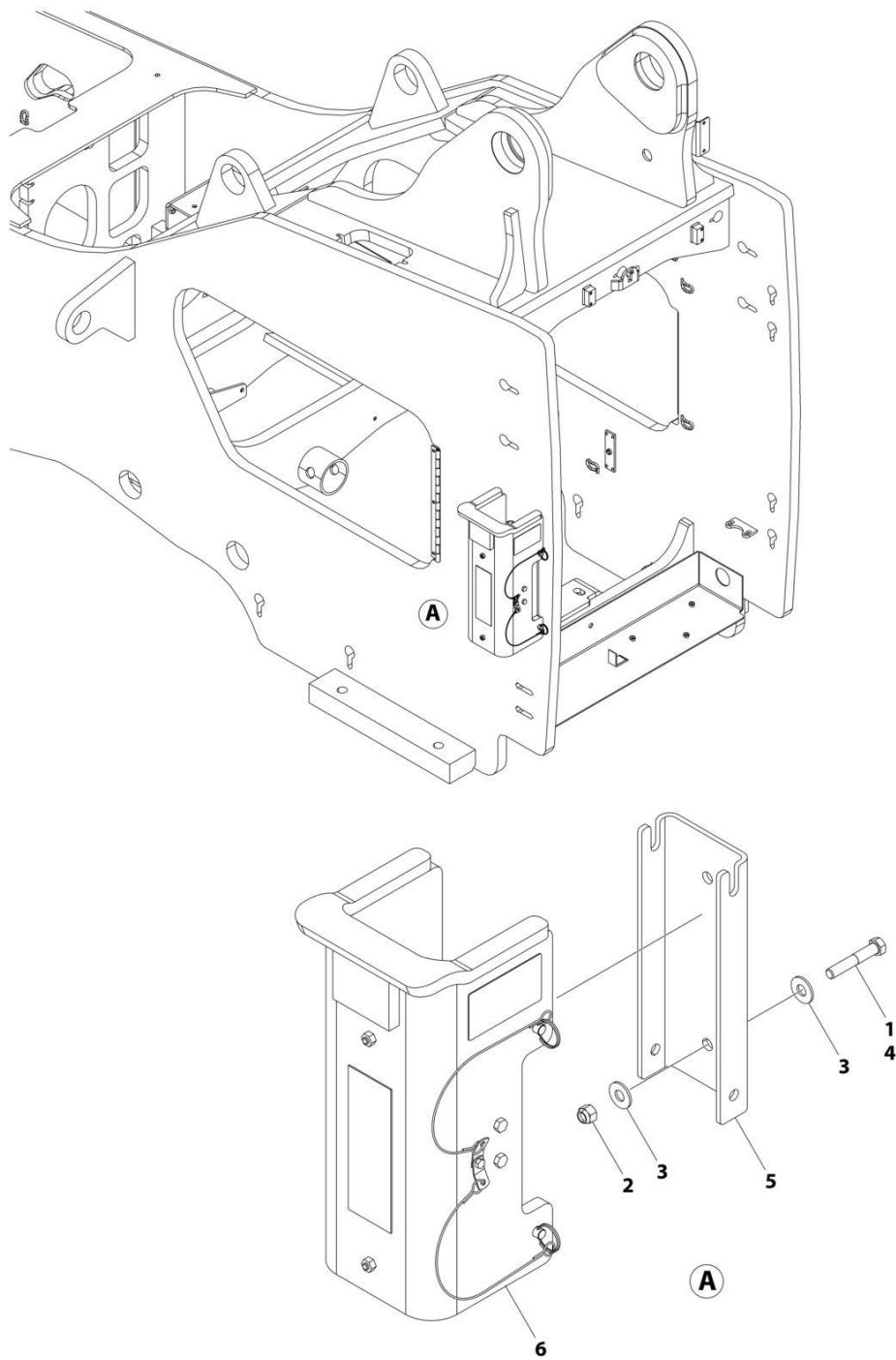
ART\_1001242996\_C

FIGURE 2-14. COUPLER ASSEMBLY

ITEM	PART NUMBER	QTY	DESCRIPTION	REV
	1001242996	Ref	COUPLER ASSEMBLY	C
1	7085571	1	Spacer	
2	8303640	1	Bolt	
3	8305619	1	Nut 3/4	
4	8307104	2	Washer 3/4	
5	1001243025	1	Spring, Torsion	
6	1001243026	1	Plate, Pin Latch	
7	1001243219	1	Coupler, Link	

# SECTION 2 - BOOM

## FIGURE 2-15. BOOM PROP INSTALLATION



ART\_1001284459

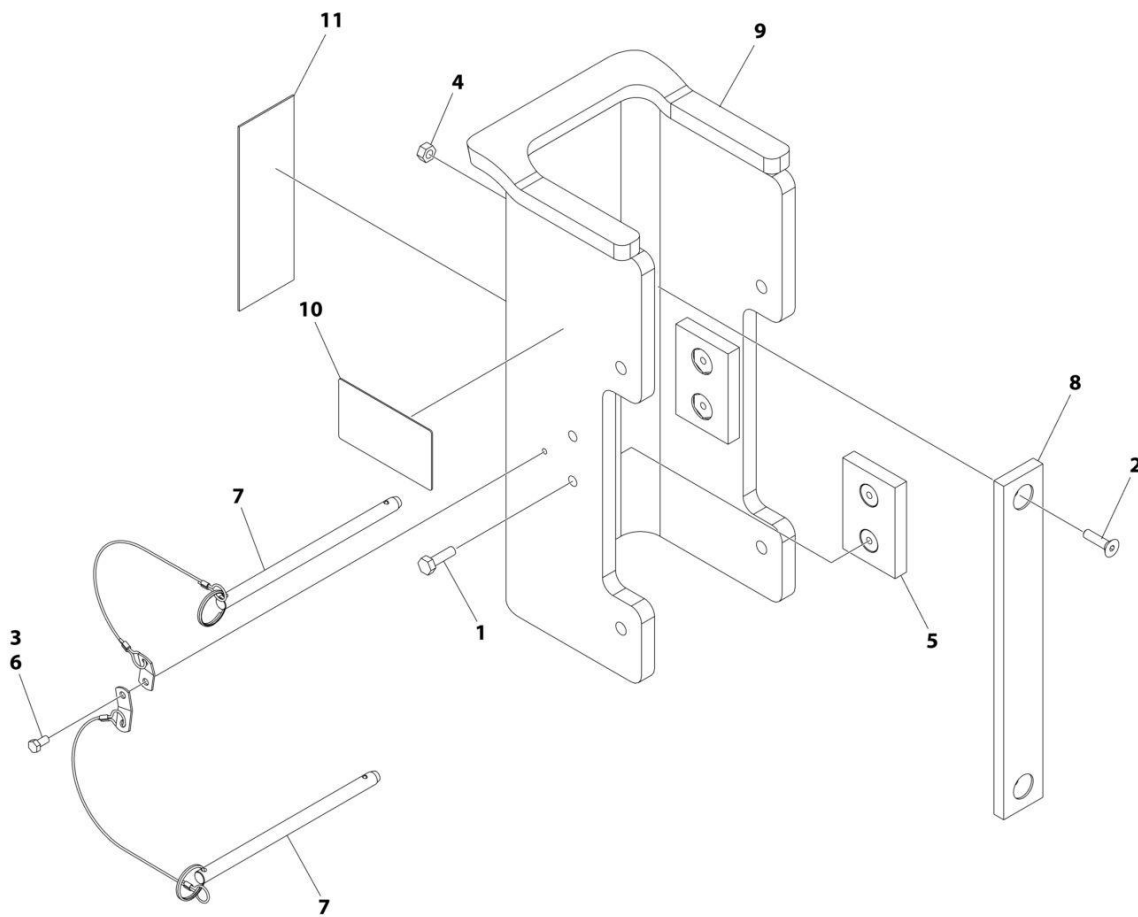


FIGURE 2-15. BOOM PROP INSTALLATION

ITEM	PART NUMBER	QTY	DESCRIPTION	REV
	1001284459	Ref	BOOM PROP INSTALLATION	A
1	8303771	2	Bolt 3/8 x 2-1/4	
2	8305645	2	Nut 3/8	
3	8307204	4	Washer 3/8	
4	1001095650	AR	Adhesive	
5	1001284436	1	Plate	
6	1001284460	1	Bracket, Boom Prop (See Separate Breakdown in this Section)	

# SECTION 2 - BOOM

## FIGURE 2-16. BOOM PROP BRACKET INSTALLATION



ART\_1001284460

FIGURE 2-16. BOOM PROP BRACKET INSTALLATION

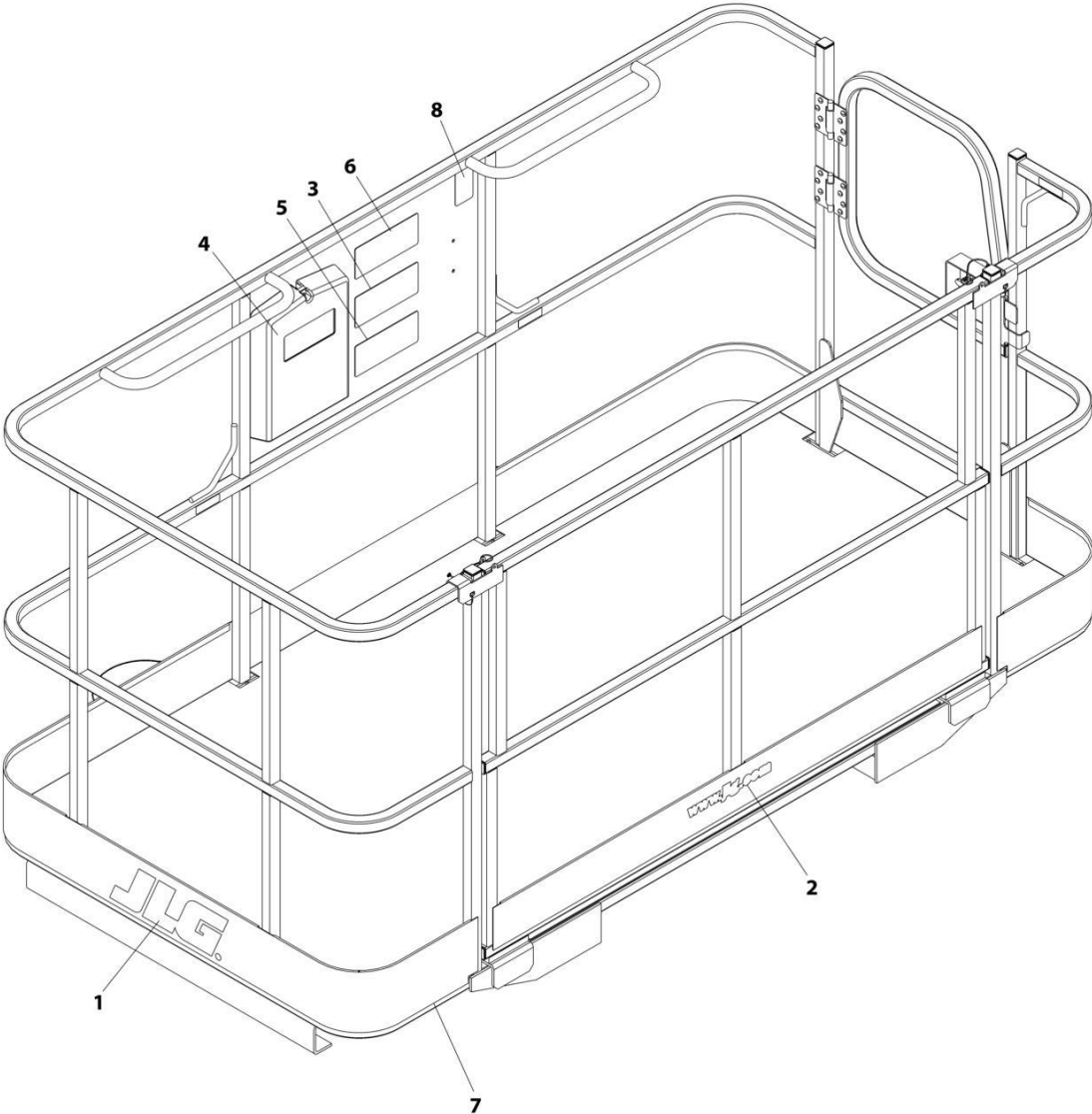
ITEM	PART NUMBER	QTY	DESCRIPTION	REV
	1001284460	Ref	BOOM PROP BRACKET INSTALLATION	A
1	0641407	4	Bolt 1/4 x 7/8	
2	0741408	2	Screw 1/4 x 1	
3	0760505	1	Bolt M5 x 10	
4	3311405	2	Nut 1/4	
5	3340829	2	Pad	
6	1001095650	AR	Adhesive	
7	1001284433	2	Pin, Ball Locking	
8	1001284447	1	Pad	
9	1001284461	1	Bracket	
10	1001288418	1	Decal - Boom Prop	
11	1001292608	1	Decal - Warning Boom Prop	



**SECTION 3 - ATTACHMENTS**

**SECTION 3 - ATTACHMENTS**

**FIGURE 3-1. BASKET, PERSONNEL (1.2MX2.4M) (DOMESTIC)**



ART\_1001238653-A

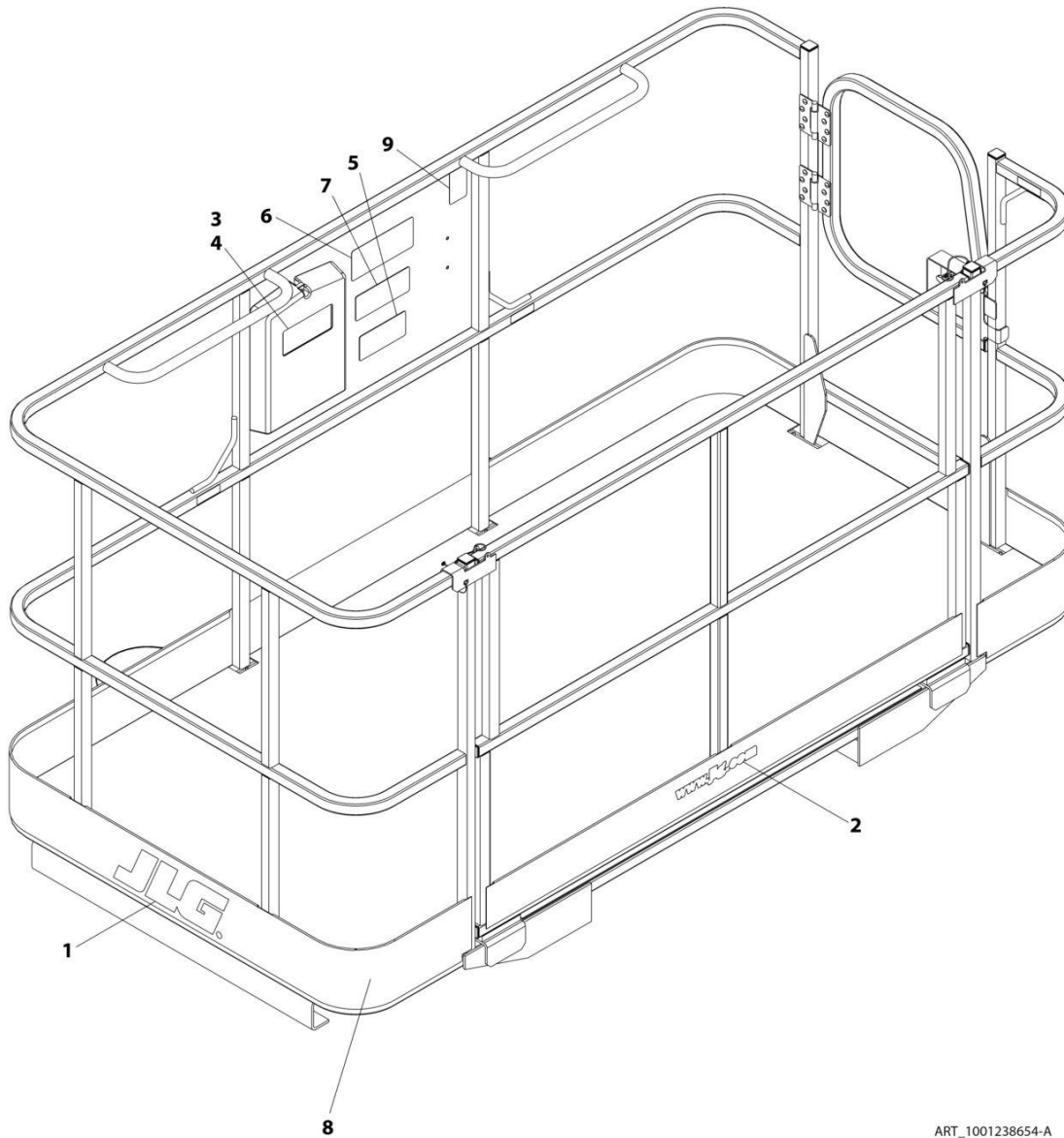
## SECTION 3 - ATTACHMENTS

**FIGURE 3-1. BASKET, PERSONNEL (1.2MX2.4M) (DOMESTIC)**

ITEM	PART NUMBER	QTY	DESCRIPTION	REV
	1001238653	Ref	FORK MOUNTED PLATFORM	B
1	1702773	2	Decal, JLG	
2	1704885	1	Decal, Website	
3	1706892	1	Decal, Platform Warning	
4	31200160	1	Manual, Personnel Work Platform Operation and Safety	
5	1001092481	1	Decal, Warning Attachment	
6	1001092482	1	Decal, Platform Capacity	
7	1001238565	1	Platform, Fork Mounted (See Separate Breakdown in this Section)	
8	See Note	NSS	SN Plate (Note: Stamped Part - Not Available for Purchase)	

# SECTION 3 - ATTACHMENTS

## FIGURE 3-2. BASKET, PERSONNEL (1.2MX2.4M) (ISO)



ART\_1001238654-A



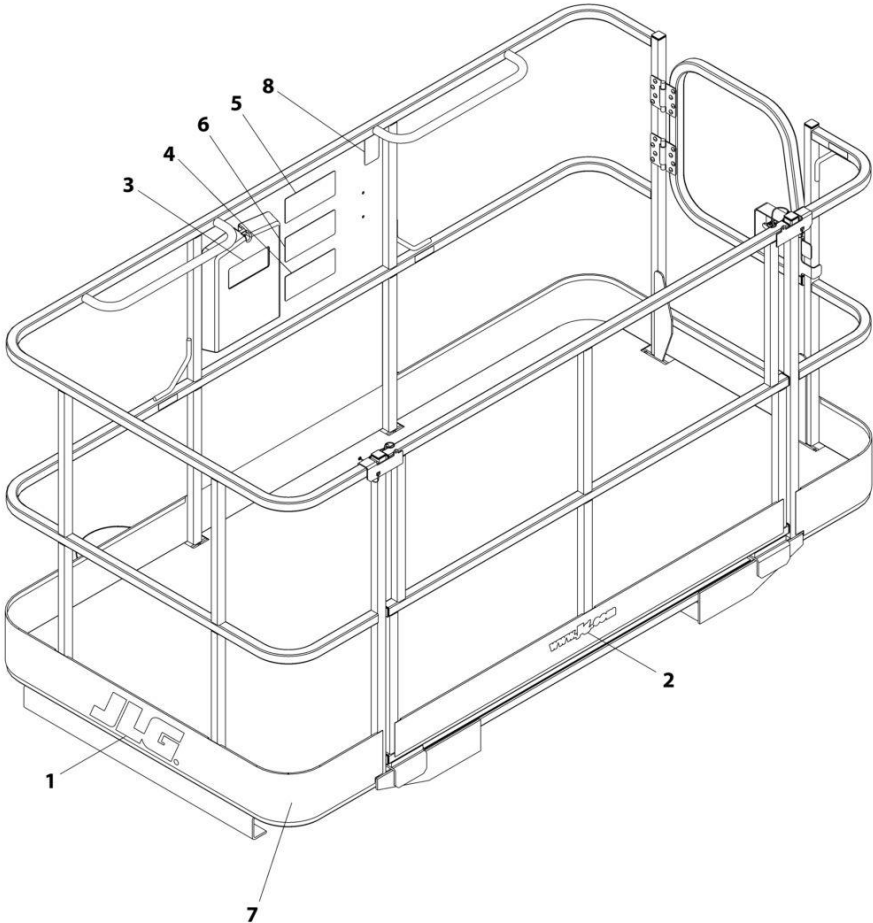
## SECTION 3 - ATTACHMENTS

**FIGURE 3-2. BASKET, PERSONNEL (1.2MX2.4M) (ISO)**

ITEM	PART NUMBER	QTY	DESCRIPTION	REV
	1001238654	Ref	BASKET, PERSONNEL	B
1	1702773	2	Decal, JLG	
2	1704885	1	Decal, Website	
3	31200387	1	Manual, Operation and Safety, Spanish	
4	31200388	1	Manual, Operation and Safety, Portuguese	
5	1001096021	1	Decal, Warning Attachment	
6	1001096023	1	Decal, Platform Capacity	
7	1001096025	1	Decal, Platform Warning	
8	1001238565	1	Platform, Fork Mounted (ANSI) (See Separate Breakdown in this Section)	
9	See Note	NSS	SN Plate (Note: Stamped Part - Not Available for Purchase)	

**SECTION 3 - ATTACHMENTS**

**FIGURE 3-3. BASKET, PERSONNEL (1.2MX2.4M) (FRENCH LANGUAGE)**



ART\_1001238655-A

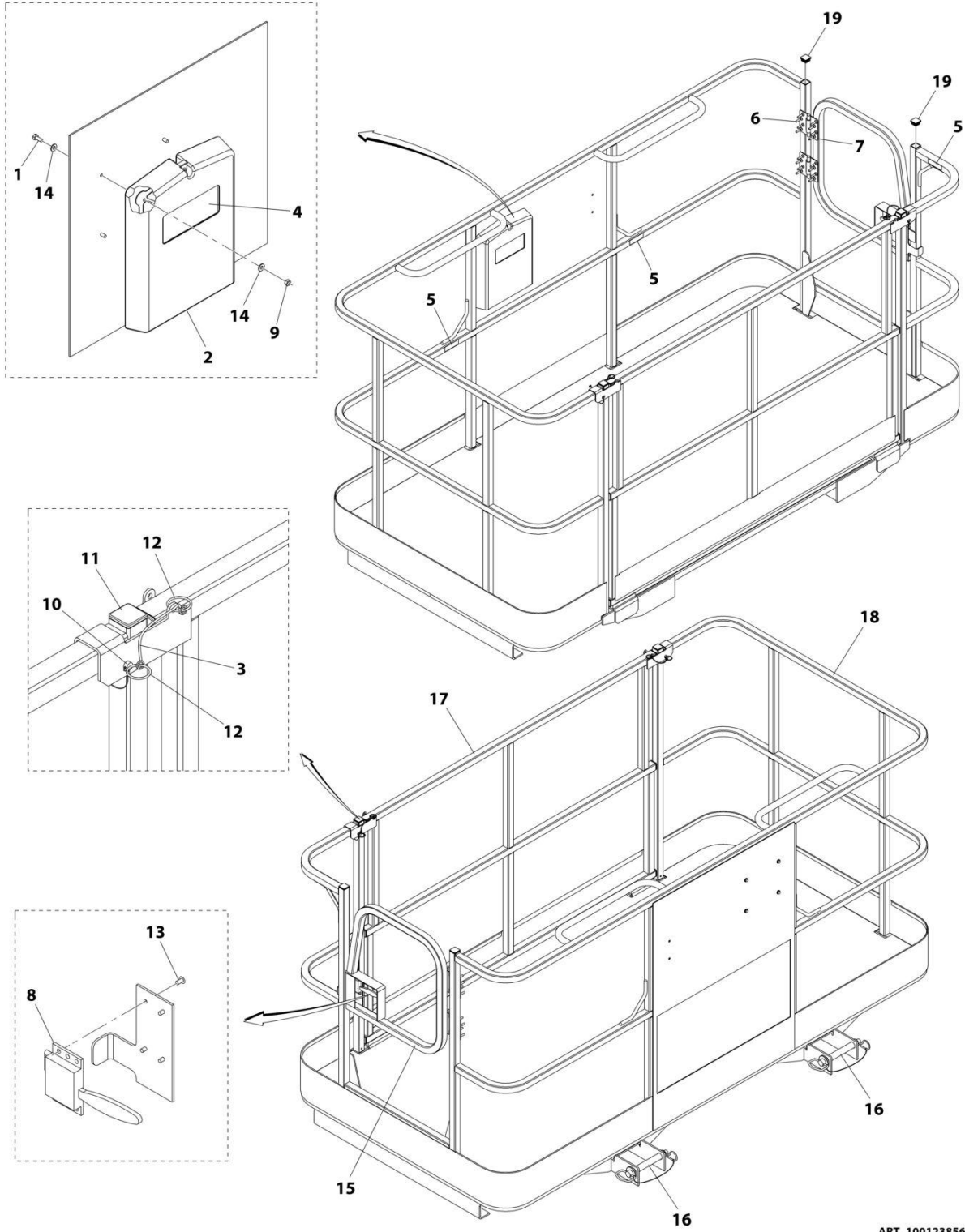
## SECTION 3 - ATTACHMENTS

**FIGURE 3-3. BASKET, PERSONNEL (1.2MX2.4M) (FRENCH LANGUAGE)**

ITEM	PART NUMBER	QTY	DESCRIPTION	REV
	1001238655	Ref	BASKET, PERSONNEL	B
1	1702773	2	Decal, JLG	
2	1704885	1	Decal, Website	
3	31200386	1	Manual, Operation and Safety (French)	
4	1001096019	1	Decal, Warning Attachment (French)	
5	1001096020	1	Decal, Platform Capacity (French)	
6	1001096024	1	Decal, Platform Warning (French)	
7	1001238565	1	Platform, Fork Mounted (ANSI) (See Separate Breakdown in this Section)	
8	See Note	NSS	SN Plate (Note: Stamped Part - Not Available for Purchase)	

# SECTION 3 - ATTACHMENTS

## FIGURE 3-4. BASKET ASSEMBLY



ART\_1001238565

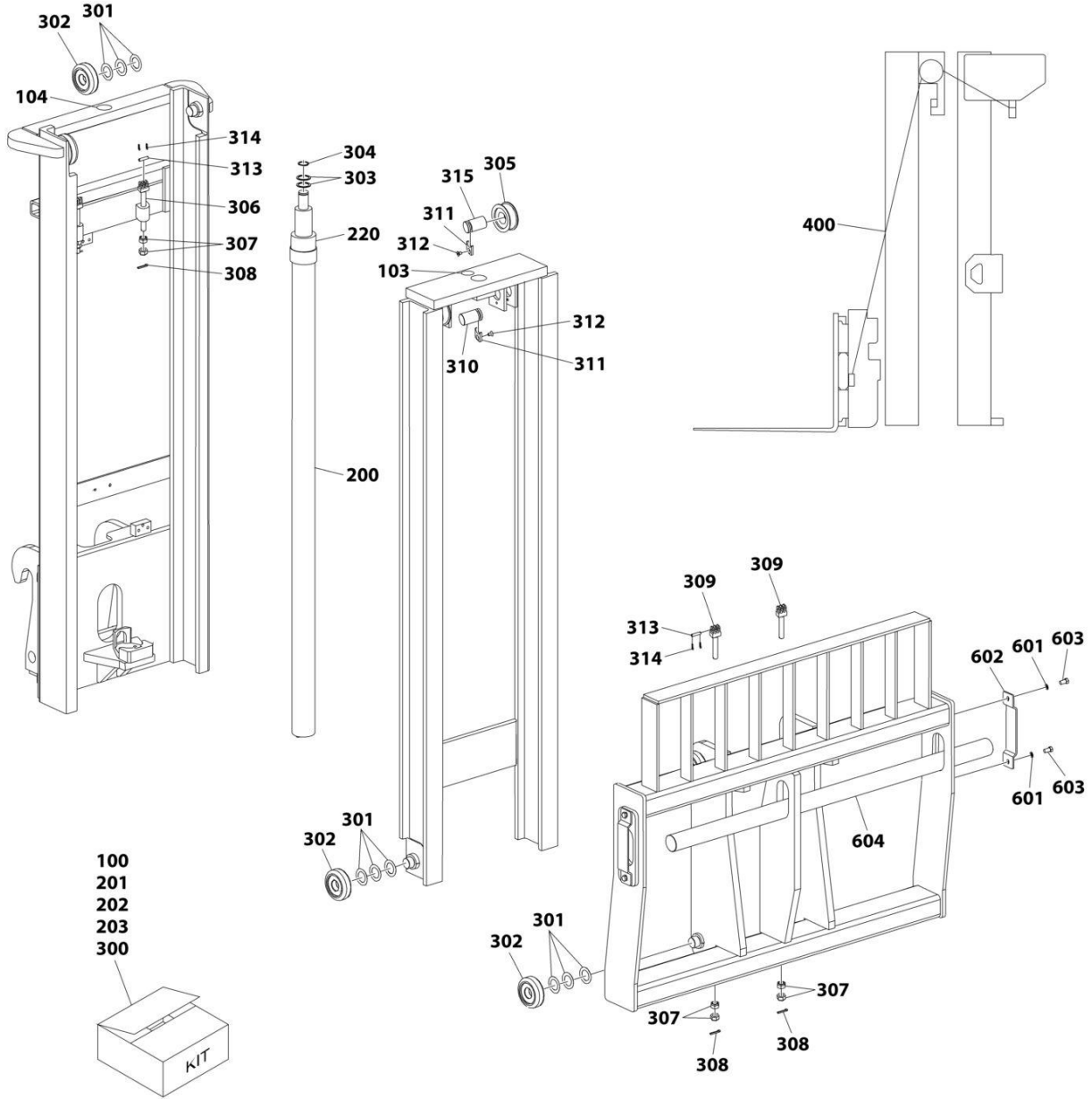
## SECTION 3 - ATTACHMENTS

### FIGURE 3-4. BASKET ASSEMBLY

ITEM	PART NUMBER	QTY	DESCRIPTION	REV
	1001238565	Ref	FORK MOUNTED PLATFORM ASSEMBLY	F
1	0641405	4	Bolt 1/4 x 5/8	
2	0860520	1	Box, Manual Storage	
3	1060379	2	Cable, Lanyard	
4	1701509	1	Decal, Manual	
5	1704277	3	Decal, Lanyard Attach	
6	2080040	16	Fastener	
7	2600281	2	Hinge	
8	2940074	1	Latch	
9	3311405	4	Nut 1/4	
10	3421453	2	Pin	
11	3520072	7	Plug	
12	3760170	4	Ring	
13	3820020	4	Rivet	
14	4711400	8	Washer 1/4	
15	1001144629J	1	Gate	
16	1001238560	2	Pin, Hitch	
17	1001095810	1	Gate	
18	See Note	NSS	Platform, Fork Mounted	
19	3520198	4	Plug	

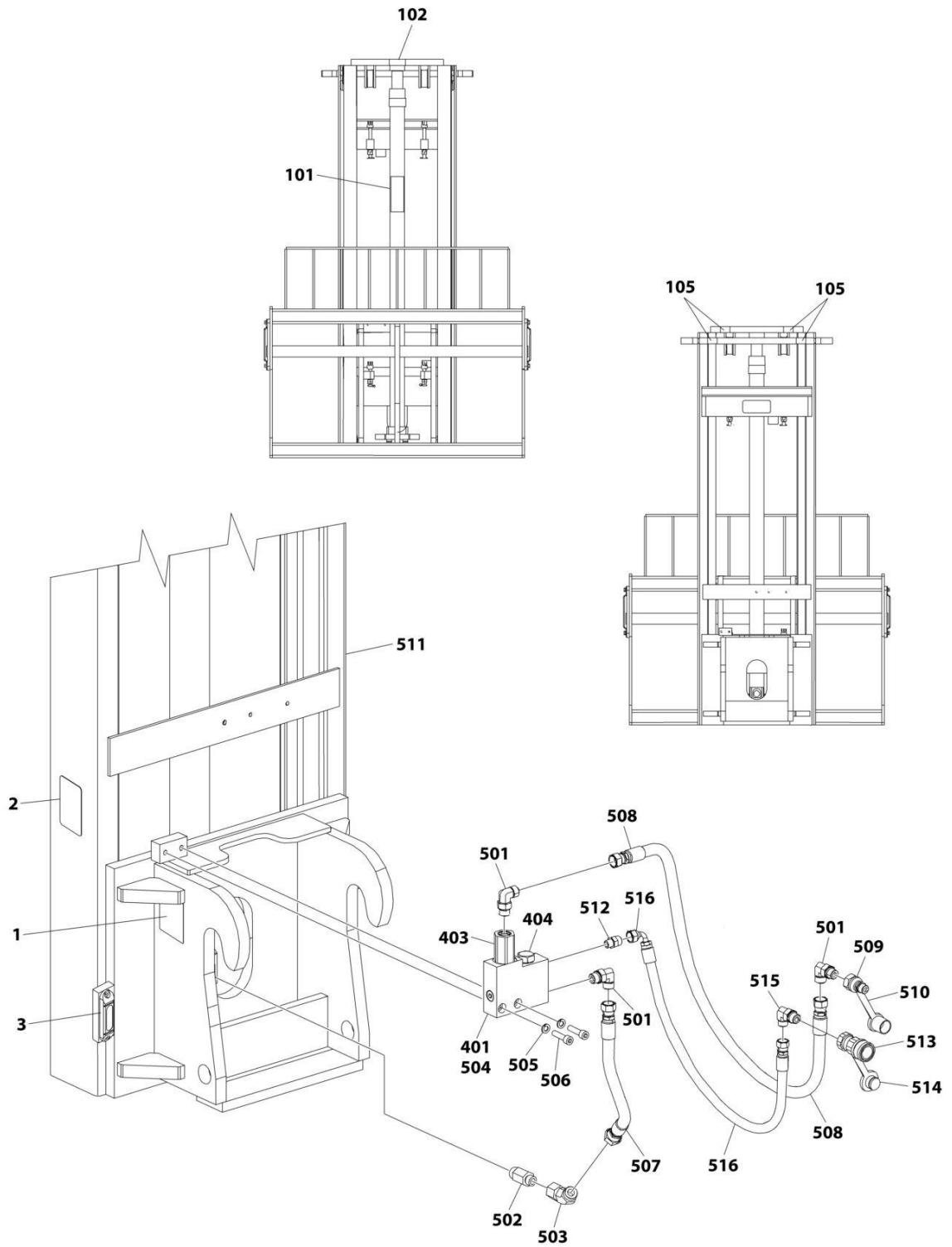
# SECTION 3 - ATTACHMENTS

## FIGURE 3-5. BOOM (8FT)



ART\_1001108668\_1OF2

# SECTION 3 - ATTACHMENTS



ART\_1001108668\_20F2

## SECTION 3 - ATTACHMENTS

### FIGURE 3-5. BOOM (8FT)

ITEM	PART NUMBER	QTY	DESCRIPTION	REV
	1001108668	Ref	MAST ASSEMBLY - 8FT	G
1	See Note	NSS	Nameplate, Serial Number (Note: Not Available for Purchase)	
2	1001111190	2	Decal - Warning	
3	1001227670	1	RFID Tag	
100	70023925	1	Decal Kit (includes items 1, Warning, No Step & Hose Routing Decals)	
101	See Note	NSS	Decal, Warning (Use Item 100)	
102	See Note	NSS	Decal, Warning (Use Item 100)	
103	See Note	NSS	Decal, No Step (Use Item 100)	
104	See Note	NSS	Decal, No Step (Use Item 100)	
105	See Note	NSS	Decal, Hands Off (Use Item 100)	
200	70023008	1	Cylinder Assembly - Lift (includes items 201-203 & 220. No Other Service Parts Available)	
201	70023005	1	Seal Kit - 70023008 Cylinder (includes Seals & Seal Retaining Hardware)	
202	70023006	1	Check Valve Kit (includes Mounting O-Rings & Hardware)	
203	70023007	1	Shim Kit (Includes items 303)	
220	70023004	1	Head/Retainer	
300	70023015	1	Mast Kit (includes items 100 & 301-315)	
301	70023014	24	Shim	
302	70022987	8	Bearing, Ball	
303	See Note	NLA	Shim (Note: Use item 203)	
304	70023016	1	Ring, Retaining	
305	70022969	2	Sheave	
306	70022960	2	Anchor, Chain	
307	70022957	8	Nut 5/8	
308	70022993	4	Pin, Cotter	
309	70022995	2	Anchor, Chain	
310	70022984	1	Shaft, Sheave	
311	70022970	2	Bar	
312	70023003	2	Screw	
313	70022994	4	Pin	
314	70022992	8	Pin, Cotter	
315	70022985	1	Shaft, Sheave	
400	70023009	2	Chain, Hoist	
401	70022932	1	Valve Assembly - Lowering Control	
403	70022931	1	Cartridge, Valve	
404	70023010	1	Cartridge, Valve	
501	70022934	3	Fitting, 90	
502	70022936	1	Fitting, Flow Limiter	
503	70022937	1	Fitting, 45	
504	70022932	1	Valve Assembly - Lowering Control (Note: Duplicate of Item 401 - Only Qty 1 Used)	
505	70022949	2	Washer, M10	
506	70022950	2	Bolt M10	
507	70022942	1	Hose	
508	70022952	1	Hose	
509	91403414	1	Fitting, Quick Disconnect Coupling (Male)	
510	91043126	1	Cap, Dust	
511	70023015	1	Mast Kit (Note: Duplicate of Item 300 - Only Qty 1 Used)	

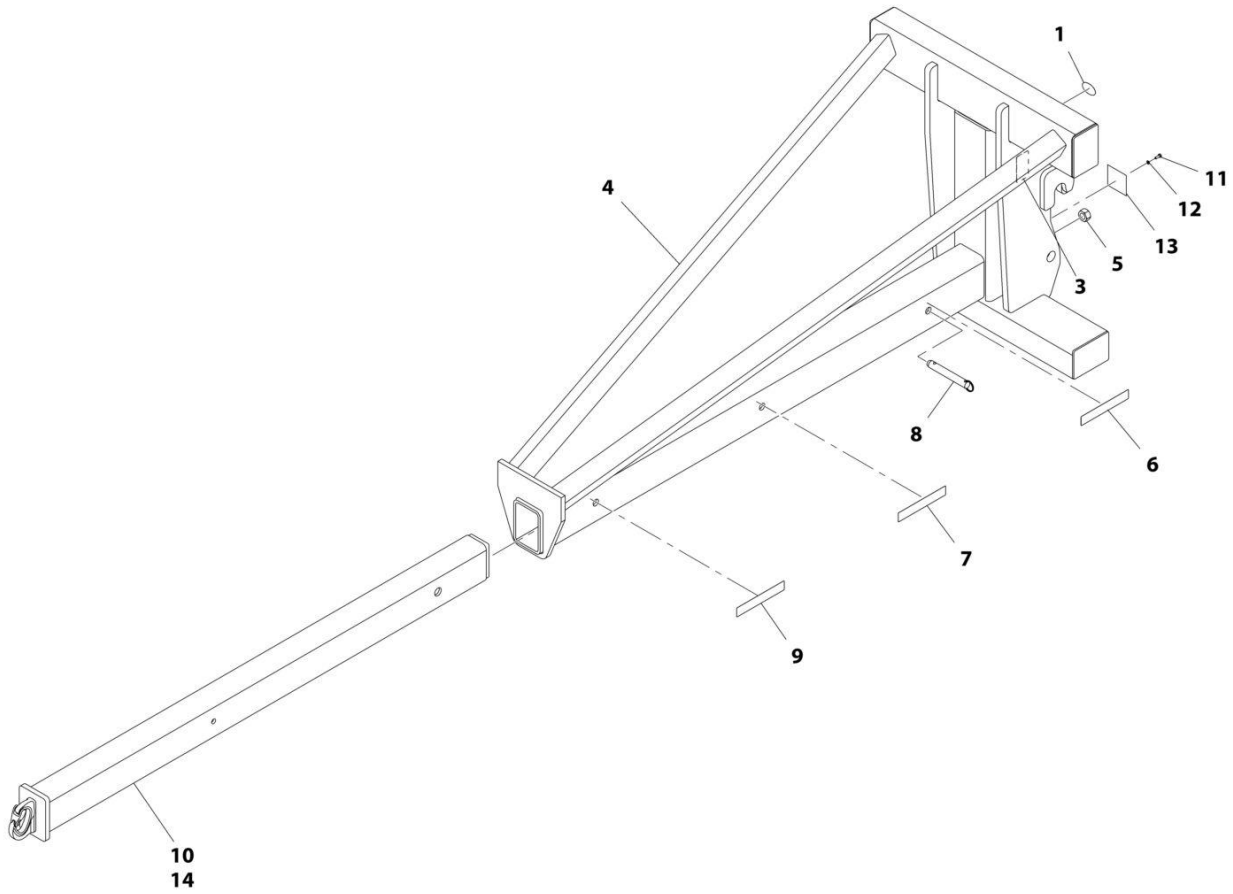


## SECTION 3 - ATTACHMENTS

ITEM	PART NUMBER	QTY	DESCRIPTION	REV
512	70022939	1	Fitting, Straight	
513	91403413	1	Fitting, Quick Disconnect Coupling (Female)	
514	91043125	1	Cap, Dust	
515	70022935	1	Fitting, 90	
516	70022946	1	Hose	
601	70022949	4	Washer M10	
602	70022980	2	Keeper, Pin	
603	70022998	4	Bolt M10 x 20	
604	70022990	1	Pin, Fork	

# SECTION 3 - ATTACHMENTS

## FIGURE 3-6. BOOM - ADJUSTABLE



ART\_1001176515-C

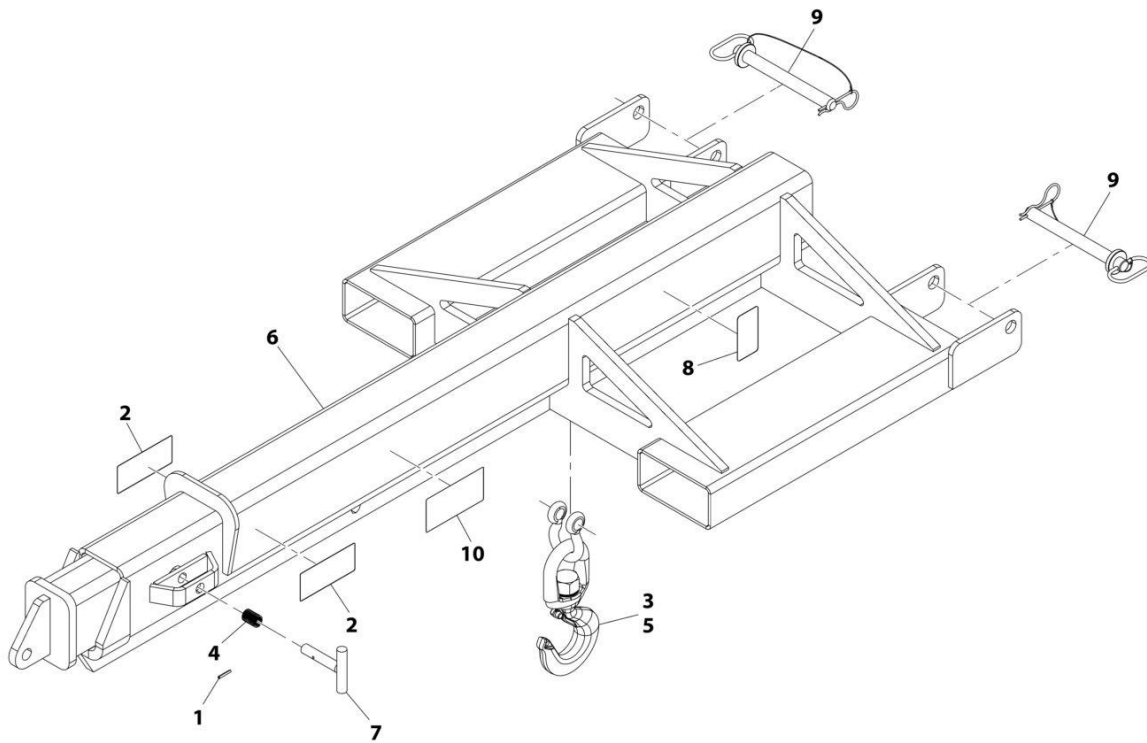
## SECTION 3 - ATTACHMENTS

### FIGURE 3-6. BOOM - ADJUSTABLE

ITEM	PART NUMBER	QTY	DESCRIPTION	REV
	1001176515	Ref	ADJUSTABLE TRUSS BOOM	C
1	90554016	1	Decal, Made in USA	
3	See Note	NSS	S/N Plate (Note: Stamped Part - Not Available for Purchase)	
4	See Note	NSS	Truss Boom (Note: Purchase Complete Assembly)	
5	70021440	1	Nut	
6	70024062	2	Decal, 4000 lbs cap	
7	70026944	2	Decal, 3000 lbs cap	
8	70026946	1	Pin	
9	70026699	2	Decal, 2000 lbs cap	
10	70026747	1	Seal	
11	90554033	1	Bolt 3/4 x 1/4	
12	90554034	1	Washer 1/4	
13	70026948	1	Plate, Stop	
14	70026949	1	Boom, Telescopic	

# SECTION 3 - ATTACHMENTS

## FIGURE 3-7. BOOM - ADJUSTABLE (FORK MOUNTED)



ART\_1001230241-H

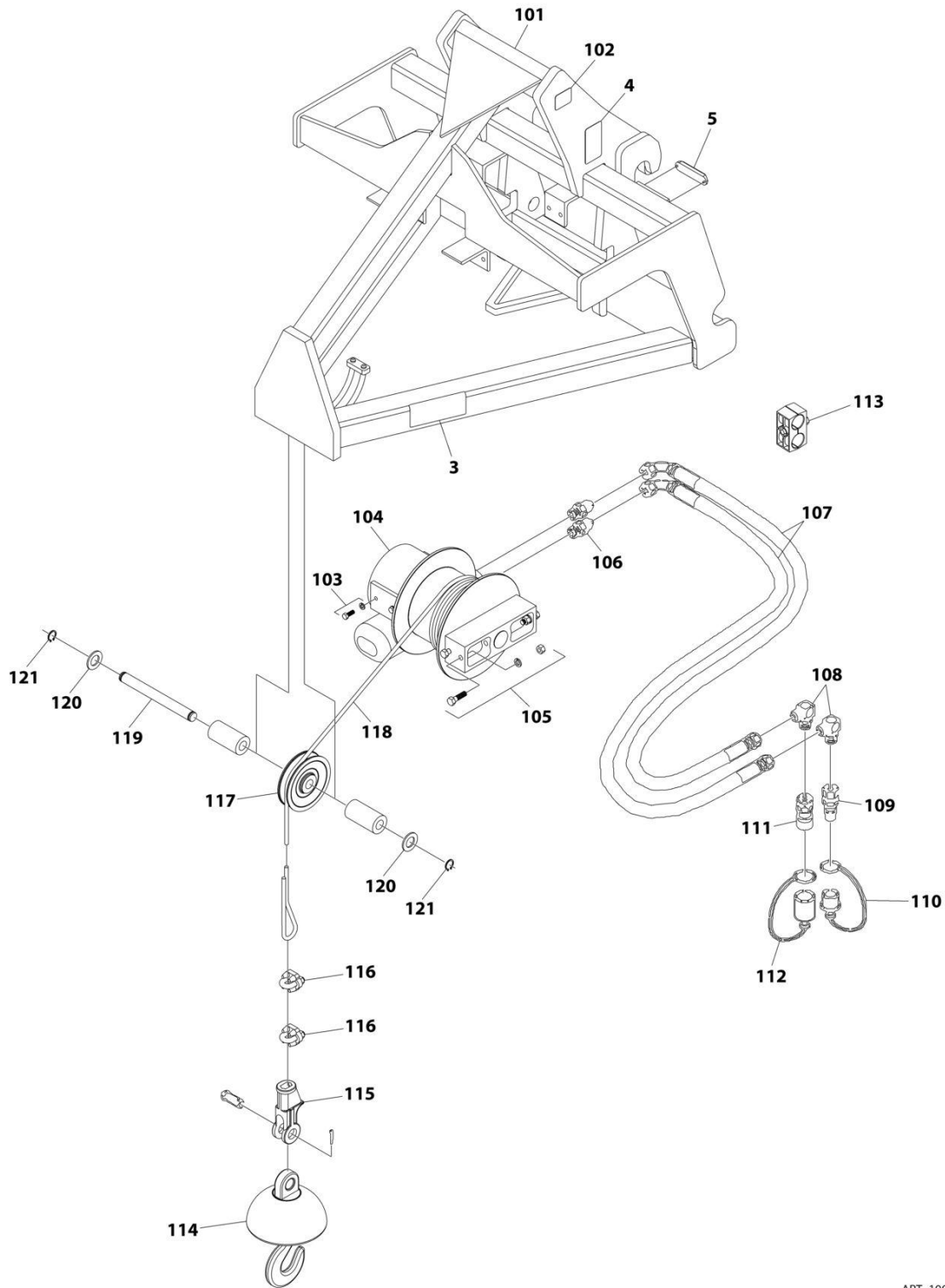
## SECTION 3 - ATTACHMENTS

**FIGURE 3-7. BOOM - ADJUSTABLE (FORK MOUNTED)**

ITEM	PART NUMBER	QTY	DESCRIPTION	REV
	1001230241	Ref	Adjustable Truss Boom Installation (Fork Mounted)	J
1	3440620	1	Pin	
2	4110422	2	Decal, Danger Swinging Loads	
3	91403448	1	Hook, Swivel	
4	1001128890	1	Spring	
5	1001146160	1	Shackle	
6	See Note	NSS	Boom, Truss - Adjustable (Note: Purchase Complete Assembly)	
7	1001230239	1	Pin	
8	See Note	NSS	SN Plate (Note:Stamped Part - Not Available for Purchase)	
9	1001231692	2	Pin	
10	1001232500	1	Decal, Load Capacities	

# SECTION 3 - ATTACHMENTS

## FIGURE 3-8. BOOM - 3FT WITH WINCH



ART\_1001100967\_H

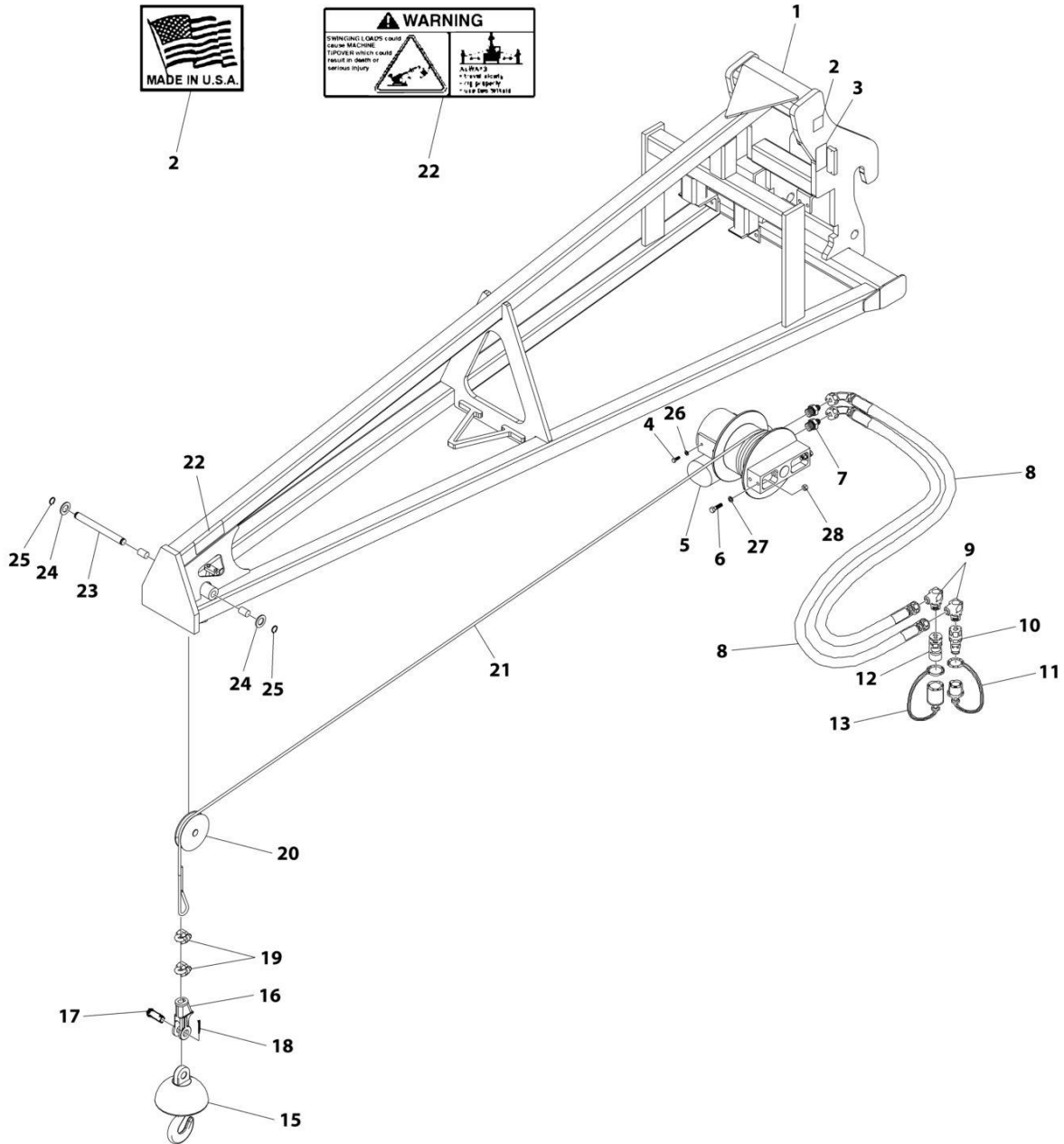
## SECTION 3 - ATTACHMENTS

**FIGURE 3-8. BOOM - 3FT WITH WINCH**

ITEM	PART NUMBER	QTY	DESCRIPTION	REV
	1001100967	Ref	TRUSS BOOM ASSEMBLY (3 FOOT WITH WINCH) (INCLUDES ITEMS 3, 4, 5 & 101 THRU 121)	H
3	4110422	2	Decal, Danger, Swinging Loads	
4	See Note	NSS	S/N Plate (Note: Stamped Part - Not Available for Purchase)	
5	1001227670	1	Tag, RFID	
101	See Note	NSS	Truss Boom Frame (Note: Purchase Complete Assembly)	
102	90554016	1	Decal	
103	70021349	4	Bolt	
103	90554042	4	Washer	
104	70021921	1	Winch, Truss Boom	
105	70024059	4	Bolt	
105	90554054	4	Nut	
105	90554020	4	Washer	
106	70021415	2	Fitting	
107	70021977	2	Hose 32in (Boom Front Disconnect)	
107	70031445	2	Hose 48in (Boom Side Disconnect)	
108	70022527	2	Fitting, 90	
109	91403414	1	Fitting, Straight	
110	8420053	1	Cap	
111	91403413	1	Fitting, Straight	
112	8420055	1	Plug	
113	70021387	1	Clamp	
114	70021978	1	Ball Swivel Safety Hook	
115	70021979	1	Assembly, Socket	
116	70022528	2	Clamp	
117	70021935	1	Pulley	
118	70022028	1	Cable	
119	70022529	1	Pin	
120	70027009	2	Washer	
121	70026698	2	Ring, Snap	

# SECTION 3 - ATTACHMENTS

## FIGURE 3-9. BOOM - 12FT WITH WINCH



ART\_1001099351



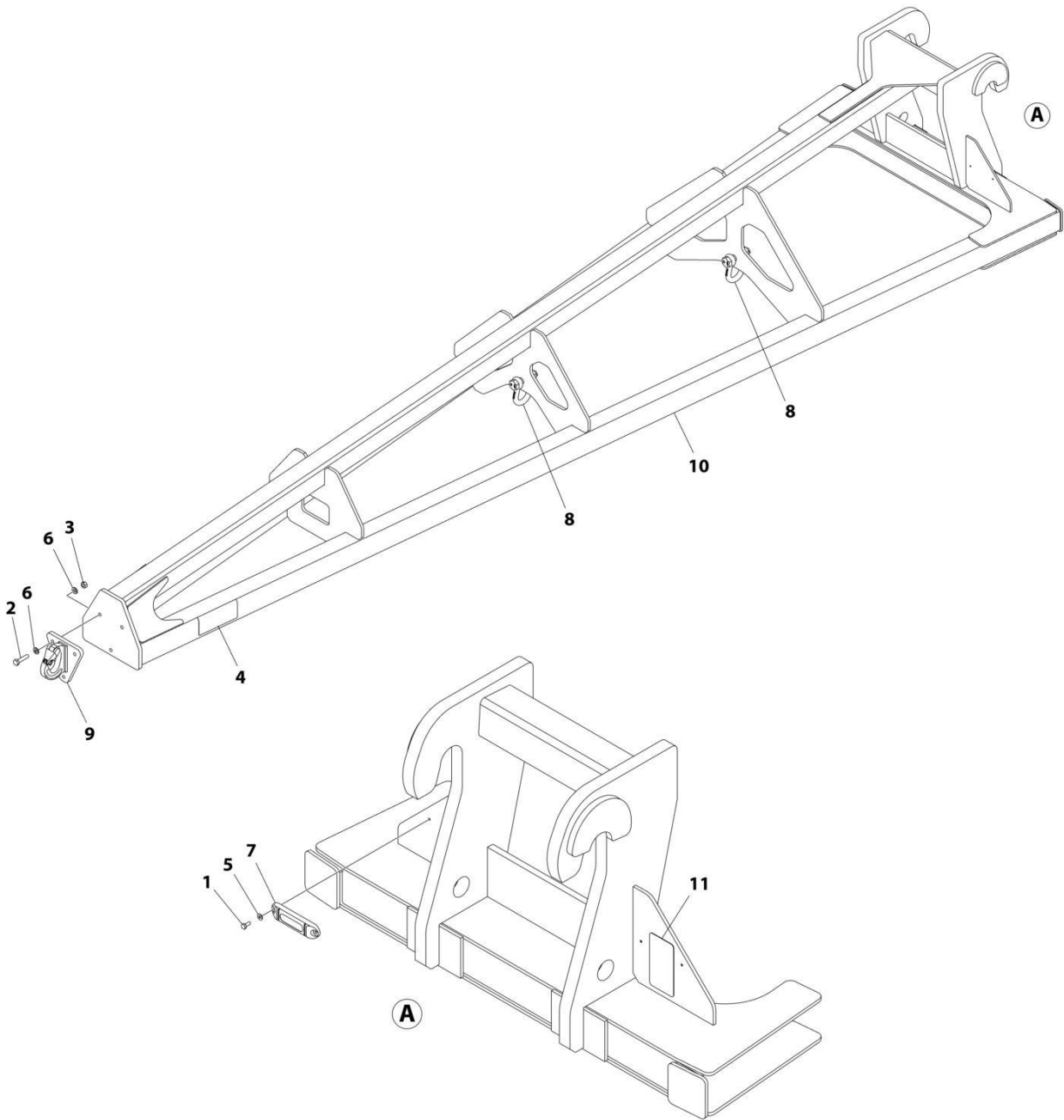
## SECTION 3 - ATTACHMENTS

### FIGURE 3-9. BOOM - 12FT WITH WINCH

ITEM	PART NUMBER	QTY	DESCRIPTION	REV
	1001099351	Ref	TRUSS BOOM (0.9 TON - 3.7M WITH WINCH)	L
1	See Note	NSS	Frame, Truss Boom (Note: Purchase Complete Assembly)	
2	90554016	1	Decal, Made in USA	
	See Note	NSS	S/N Plate (Note: Stamped Part - Not Available for Purchase)	
4	70021349	4	Bolt 3/8 x 1	
5	70021921	1	Motor, Truss Boom Winch	
6	70024059	2	Bolt 1/2 x 1-3/4	
7	70021415	2	Connector	
8	70021977	2	Hose 32in (Boom Front Disconnect)	
8	70031445	2	Hose 48in (Boom Side Disconnect)	
9	70022527	2	Fitting, 90	
10	7029692	1	Fitting, Straight	
11	90554062	1	Cap, Dust	
12	70021342	1	Fitting, Straight	
13	90554076	1	Cap, Dust	
15	70021978	1	Ball Swivel with Safety Hook	
16	70021979	1	Assembly, Socket (includes items 17 thru 18)	
17	See Note	NSS	Pin (Note: Use Item 16)	
18	See Note	NSS	Pin, Cotter (Note: Use Item 16)	
19	70022528	2	Clamp	
20	70021935	1	Pulley	
21	70022028	1	Cable	
22	4110422	2	Decal, Warning Swinging Loads	
23	70022529	1	Pin	
24	70024060	2	Washer	
25	70026698	2	Ring, Snap	
26	90554042	4	Washer 3/8	
27	90554020	2	Washer 1/2	
28	90554054	2	Nut 1/2	

# SECTION 3 - ATTACHMENTS

## FIGURE 3-10. BOOM - 12FT WITHOUT WINCH



ART\_1001275853

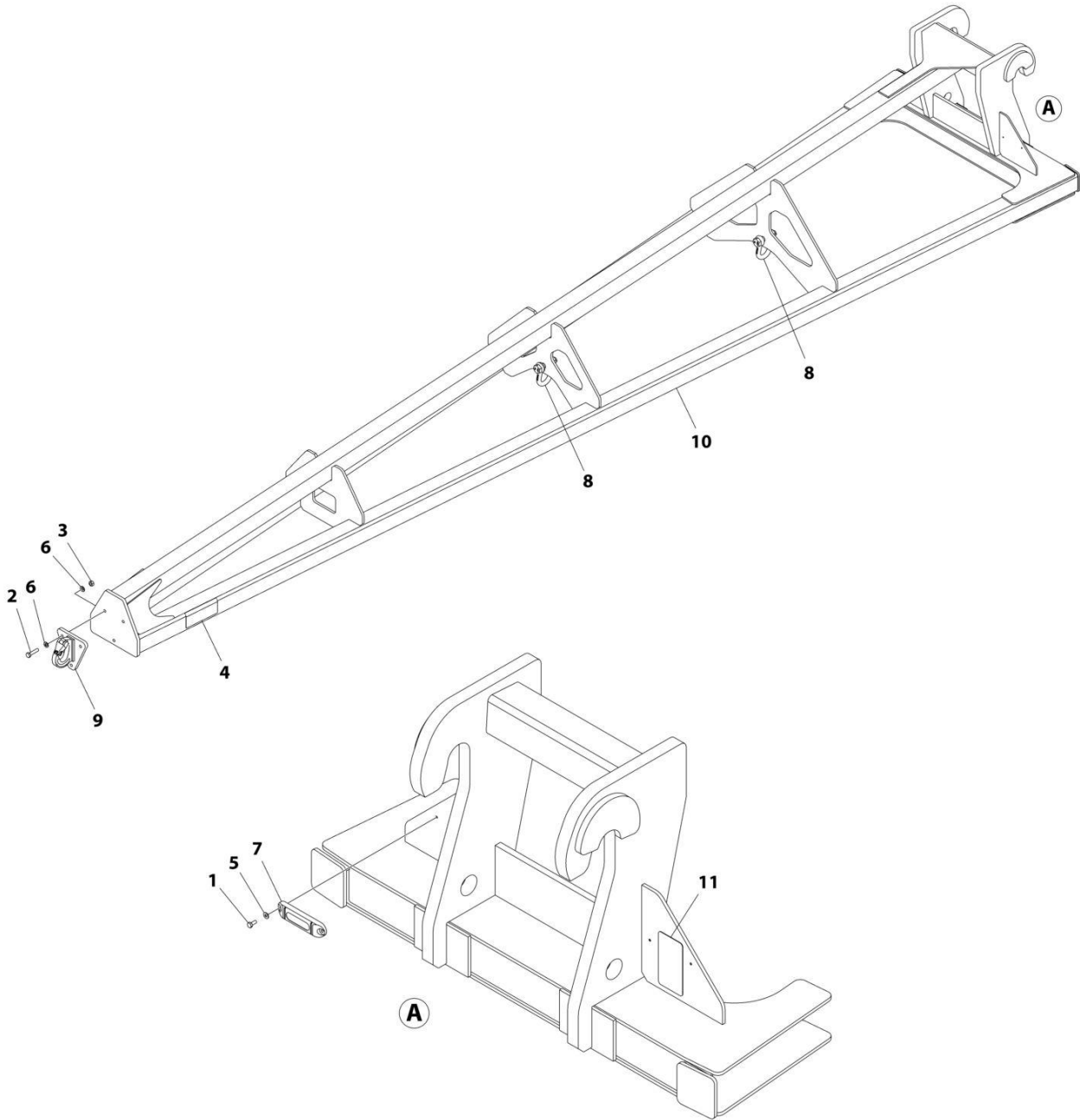
## SECTION 3 - ATTACHMENTS

**FIGURE 3-10. BOOM - 12FT WITHOUT WINCH**

ITEM	PART NUMBER	QTY	DESCRIPTION	REV
	1001275853	Ref	BOOM - 12FT WITHOUT WINCH	D
1	0760405	2	Bolt M4 x 10	
2	0761017	3	Bolt M10 x 45	
3	3291007	3	Nut M10	
4	4110422	2	Decal, Danger Swinging Loads	
5	4811400	2	Washer M4	
6	5241000	6	Washer M10	
7	1001227670	1	Tag, RFID	
8	1001287742	2	Clevis	
9	1001275841	1	Hook	
10	See Note	NSS	Boom, Truss (Note: Purchase Complete Assembly)	
11	See Note	NSS	SN Plate (Note: Stamped Part - Not Available for Purchase)	

# SECTION 3 - ATTACHMENTS

## FIGURE 3-11. BOOM - 15FT WITHOUT WINCH



ART\_1001275852

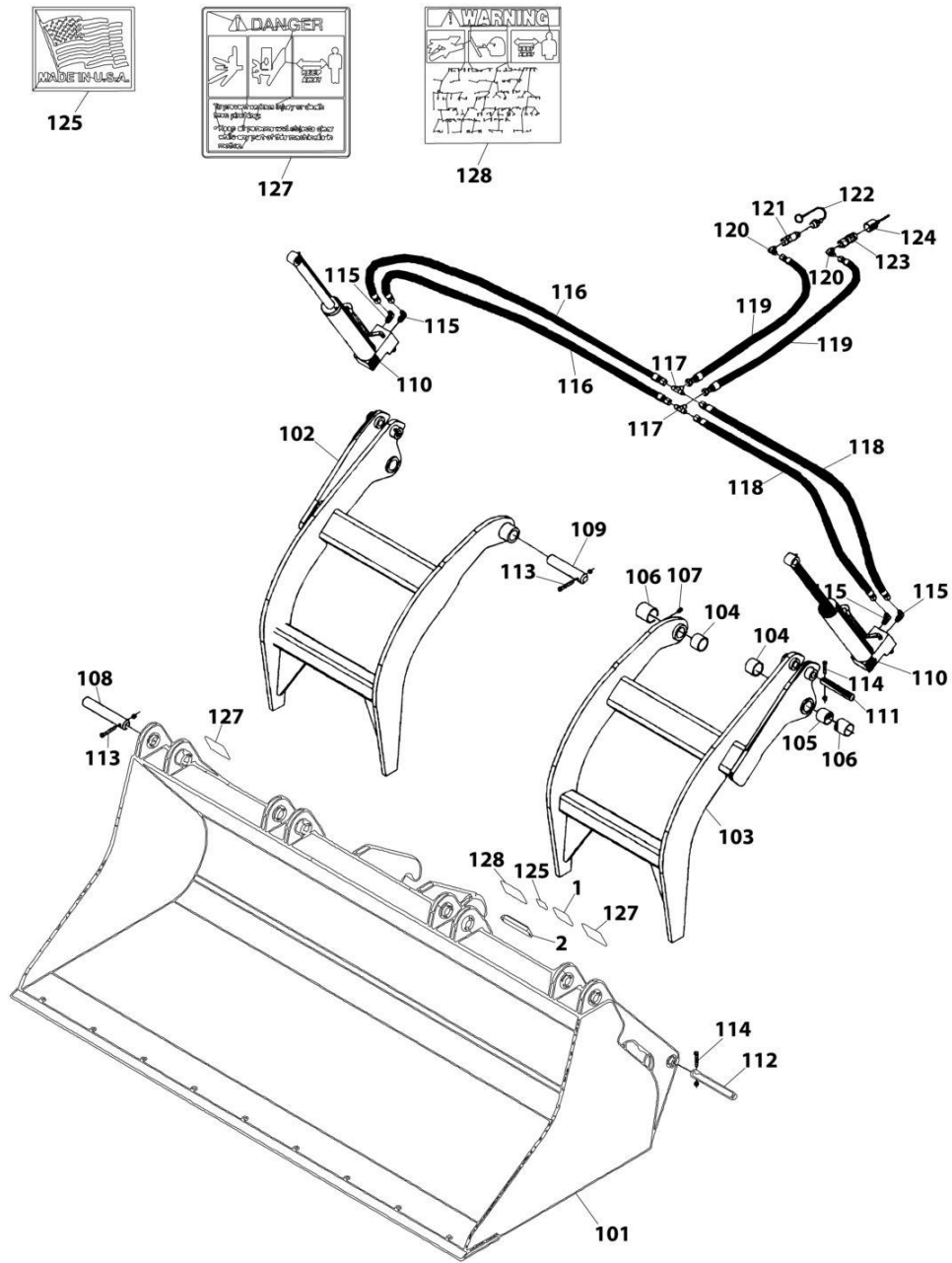
## SECTION 3 - ATTACHMENTS

**FIGURE 3-11. BOOM - 15FT WITHOUT WINCH**

ITEM	PART NUMBER	QTY	DESCRIPTION	REV
	1001275852	Ref	BOOM - 15FT WITHOUT WINCH	D
1	0760405	2	Bolt M4 x 10	
2	0761017	3	Bolt M10 x 45	
3	3291007	3	Nut M10	
4	4110422	2	Decal, Danger Swinging Loads	
5	4811400	2	Washer M4	
6	5241000	6	Washer M10	
7	1001227670	1	Tag, RFID	
8	1001287742	2	Clevis	
9	1001275841	1	Hook	
10	See Note	NSS	Boom, Truss (Note: Purchase Complete Assembly)	
11	See Note	NSS	SN Plate (Note: Stamped Part - Not Available for Purchase)	

# SECTION 3 - ATTACHMENTS

## FIGURE 3-12. BUCKET (GRAPPLE MULTI-PURPOSE)



ART\_0930020

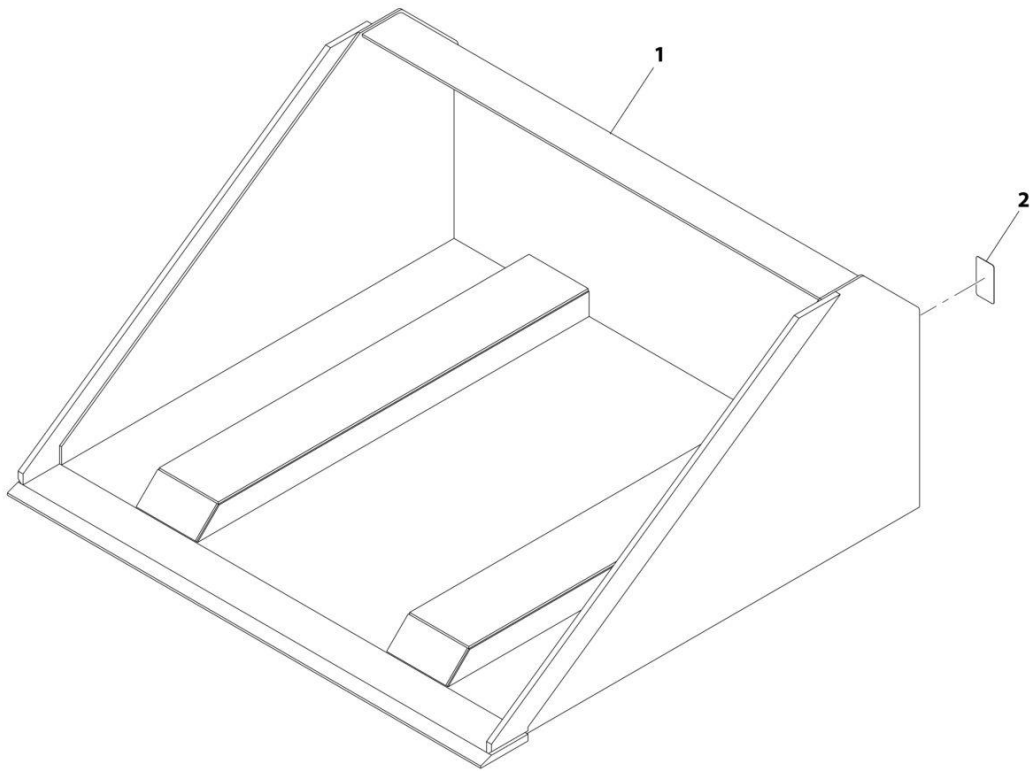
## SECTION 3 - ATTACHMENTS

**FIGURE 3-12. BUCKET (GRAPPLE MULTI-PURPOSE)**

ITEM	PART NUMBER	QTY	DESCRIPTION	REV
	0930020	Ref	Multi-Purpose Grapple Bucket (2450 MM)	L
1	See Note	NSS	S/N Plate (Note: Stamped Part - Not Available for Purchase)	
2	1001227670	1	Tag, RFID	
101	N.S.S.	1	Bucket	
101	70021387	4	Clamp, Hose	
102	70021391	1	Hook, RH Grapple	
103	70021392	1	Hook, LH Grapple	
104	70021358	4	Bushing	
105	70021359	2	Spacer	
106	70021360	4	Bushing	
107	7029714	4	Fitting, Grease	
108	70021361	2	Pin	
109	70021362	2	Pin	
110	70021393	2	Cylinder, Grapple Bucket (See Separate Breakdown in HYDRAULIC COMPONENTS Section)	
111	70021364	2	Pin	
112	70021365	2	Pin	
113	70021366	4	Bolt, 3/8X2-3/4	
113	70021367	4	Nut 3/8	
114	70021399	4	Bolt, 3/8X2-1/4	
114	70021367	4	Nut, Lock 3/8	
115	90554065	4	Fitting, 90	
116	70021980	2	Hose	
117	70020562	2	Fitting, Tee	
118	70021981	2	Hose	
119	70021982	2	Hose 34in (Boom Front Disconnect)	
119	70031446	2	Hose 45in (Boom Side Disconnect)	
120	70022527	2	Fitting, 90	
121	7029692	1	Coupler	
122	90554062	1	Cover	
123	70021342	1	Coupler	
124	90554076	1	Cover	
125	90554016	1	Decal, Made in USA	
127	90554017	2	Decal, Danger Pinch Point	
128	90554018	1	Decal, Warning High Pressure	

# SECTION 3 - ATTACHMENTS

## FIGURE 3-13. BUCKET (60 INCH) FORK MOUNTED)



ART\_1001195970-D



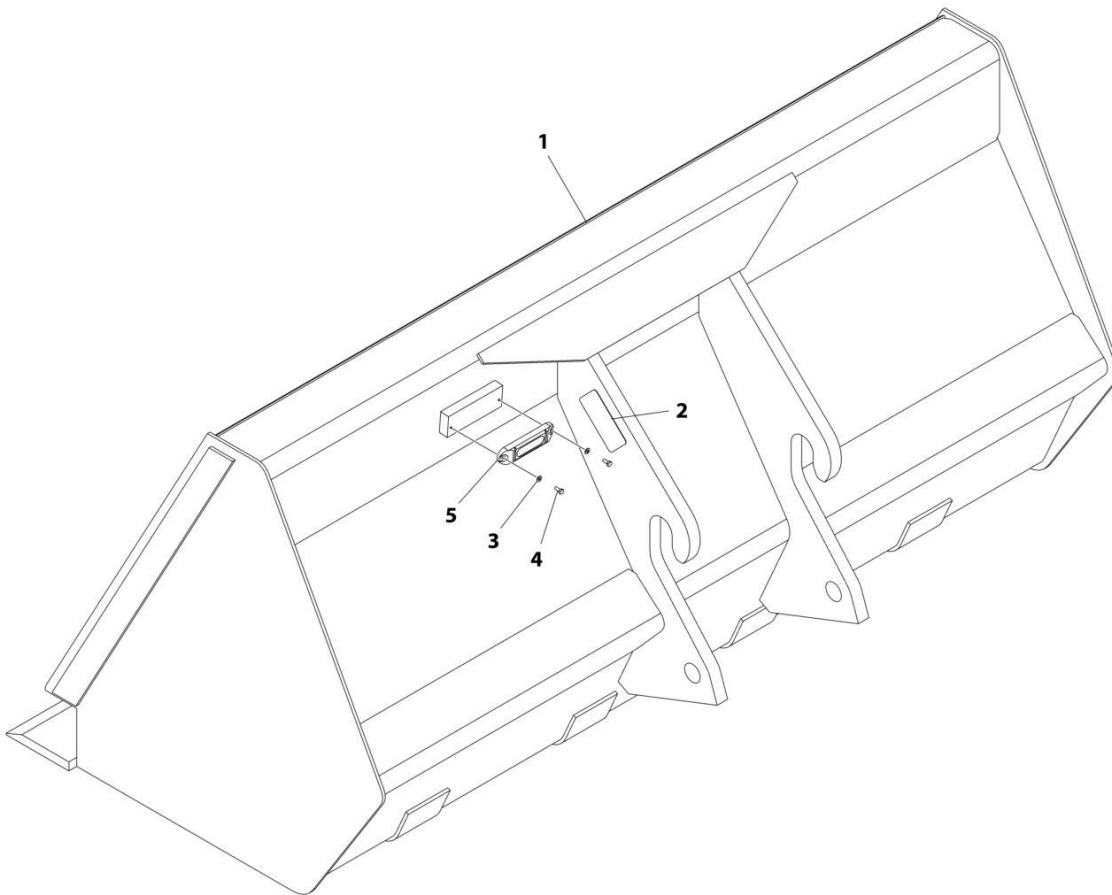
## SECTION 3 - ATTACHMENTS

**FIGURE 3-13. BUCKET (60 INCH) FORK MOUNTED)**

ITEM	PART NUMBER	QTY	DESCRIPTION	REV
1	1001195970	Ref	Bucket 1.0 m <sup>3</sup> (Fork Mounted)	E
2	See Note	NSS	S/N Plate (Note: Stamped Part - Not Available for Purchase)	

# SECTION 3 - ATTACHMENTS

## FIGURE 3-14. BUCKET (72 INCH)



ART\_1001100822\_I

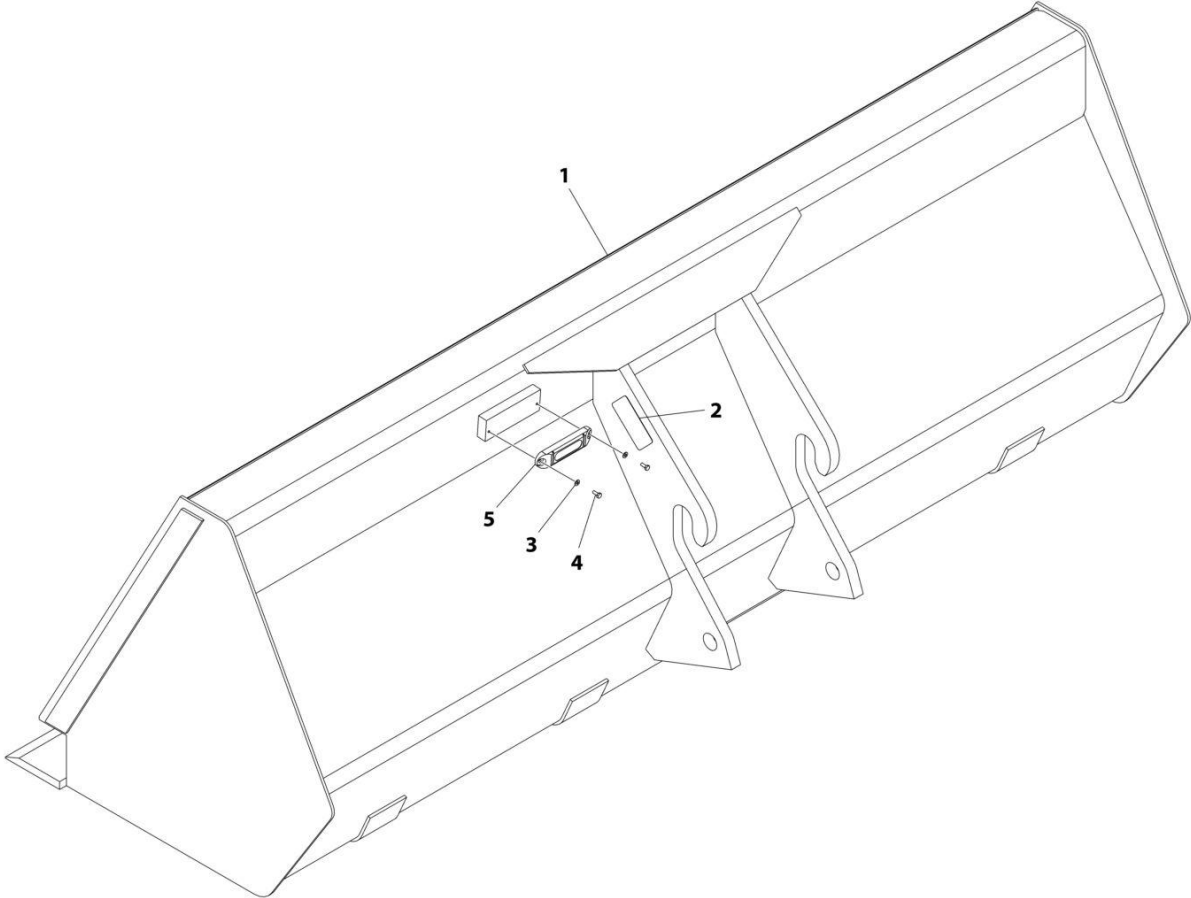
## SECTION 3 - ATTACHMENTS

### FIGURE 3-14. BUCKET (72 INCH)

ITEM	PART NUMBER	QTY	DESCRIPTION	REV
	1001100822	Ref	BUCKET 1.0 YD <sup>3</sup> (ANSI - JLG)	I
1	1001100265	1	Bucket Weldment	
2	See Note	NSS	SN Plate (Note:Stamped Part - Not Available for Purchase)	
3	4811400	2	Washer M4	
4	0760405	2	Bolt M4 x 10	
5	1001227670	1	Tag, RFID	

**SECTION 3 - ATTACHMENTS**

**FIGURE 3-15. BUCKET (96 INCH)**



ART\_1001100823\_I

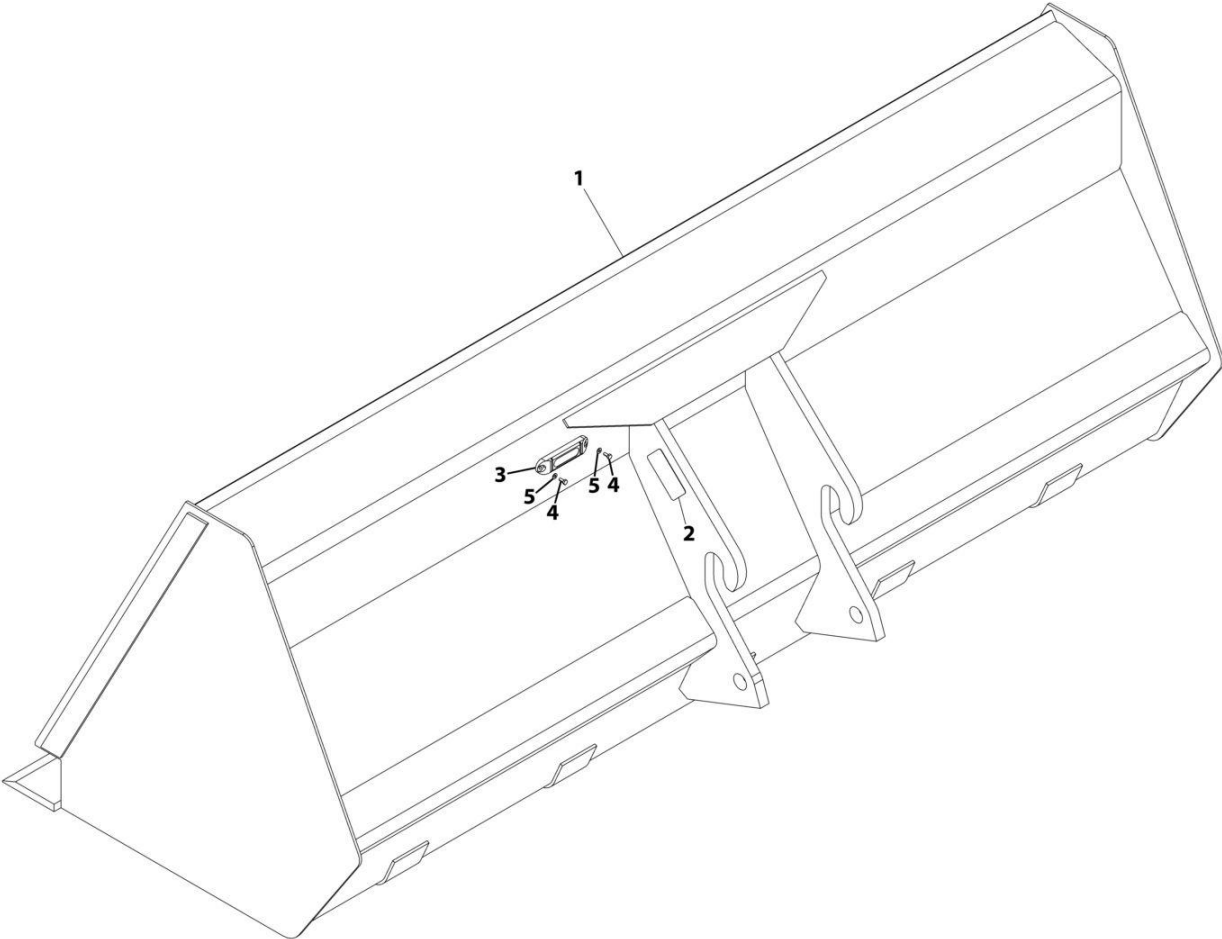
## SECTION 3 - ATTACHMENTS

### FIGURE 3-15. BUCKET (96 INCH)

ITEM	PART NUMBER	QTY	DESCRIPTION	REV
	1001100823	Ref	BUCKET (1.15 M <sup>3</sup> )	I
1	1001100266	1	Bucket	
2	See Note	NSS	SN Plate (Note:Stamped Part - Not Available for Purchase)	
3	4811400	2	Washer M4	
4	0760405	2	Bolt M4 x 10	
5	1001227670	1	Tag, RFID	

**SECTION 3 - ATTACHMENTS**

**FIGURE 3-16. BUCKET (102 INCH)**



ART\_1001100824

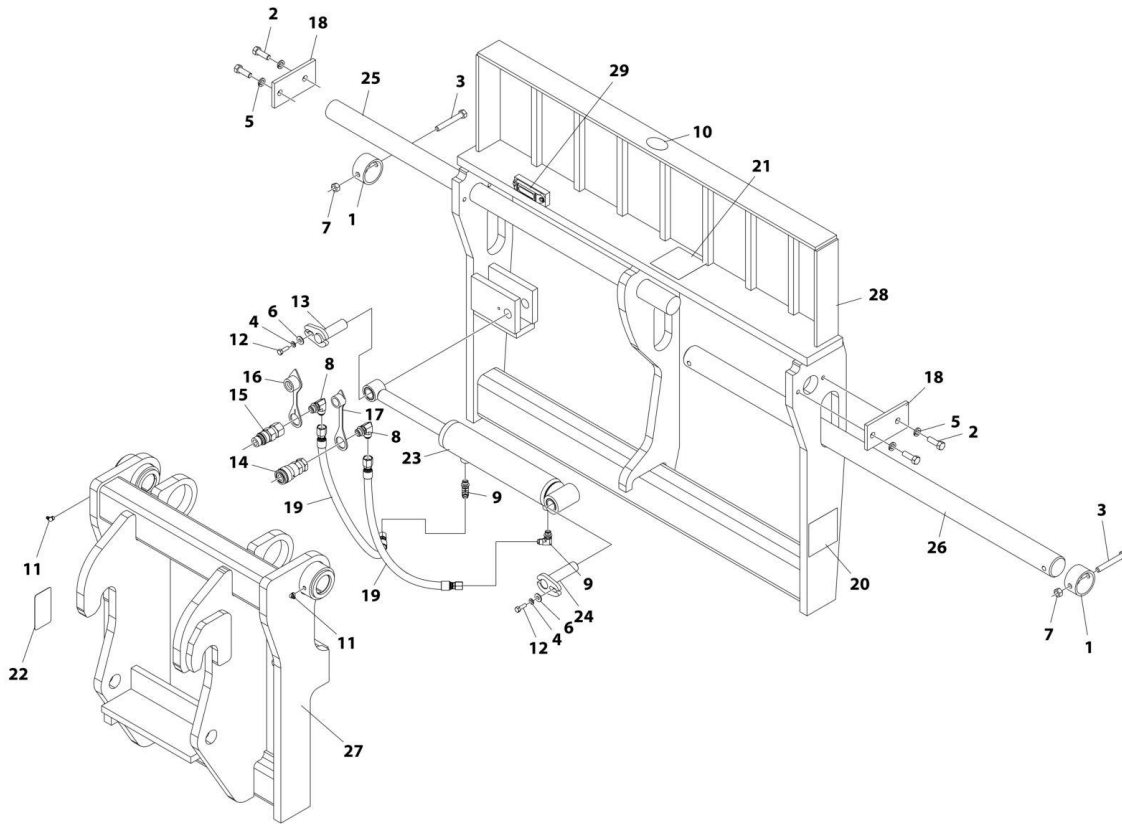
# SECTION 3 - ATTACHMENTS

## FIGURE 3-16. BUCKET (102 INCH)

ITEM	PART NUMBER	QTY	DESCRIPTION	REV
	1001100824	Ref	Bucket (102 Inch)	H
1	1001100267	NLA	Bucket (Note: Purchase PN 1001100824)	
2	See Note	NSS	S/N Plate (Note: Stamped Part - Not Available for Purchase)	
3	1001227670	1	Tag, RFID	
4	0760405	2	Bolt M4 x 10	
5	4811400	2	Washer M4	

# SECTION 3 - ATTACHMENTS

## FIGURE 3-17. SIDE SHIFT CARRIAGE ASSEMBLY (48 INCH 12K)



ART\_1001242644\_C



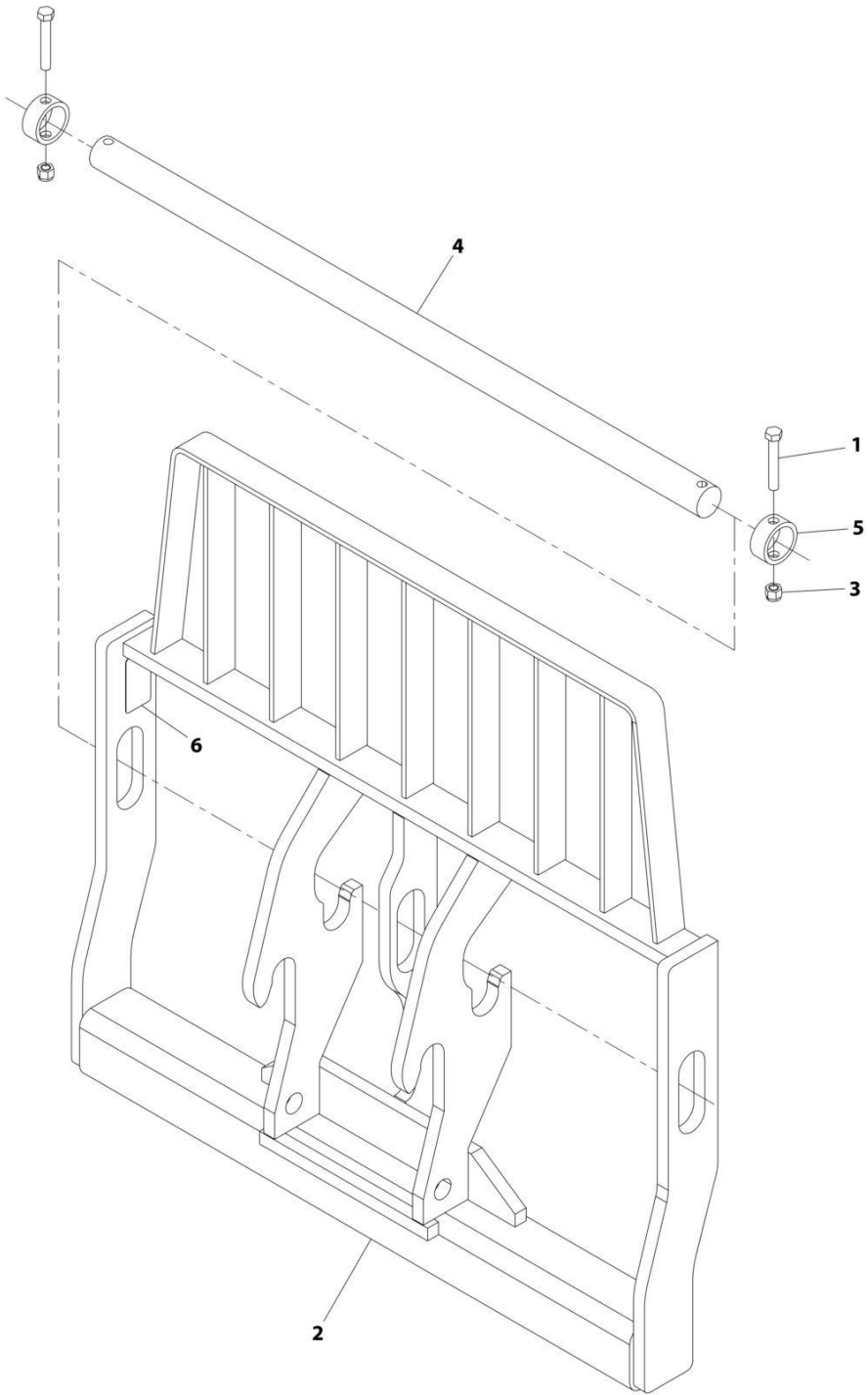
## SECTION 3 - ATTACHMENTS

**FIGURE 3-17. SIDE SHIFT CARRIAGE ASSEMBLY (48 INCH 12K)**

ITEM	PART NUMBER	QTY	DESCRIPTION	REV
	1001242644	Ref	SIDE SHIFT CARRIAGE ASSEMBLY (48 INCH)	C
1	70020028	2	Bushing	
2	70021382	4	Bolt 1/2 x 1-1/2	
3	70020002	2	Bolt 1/2 x 4	
4	90554067	2	Washer 5/16	
5	90554020	4	Washer 1/2	
6	70021379	2	Washer	
7	70027642	2	Washer	
8	70030141	2	Elbow	
9	90554065	2	Elbow 90	
10	90554016	1	Decal - Made in USA	
11	70021389	2	Fitting 90	
12	70021378	2	Capscrew	
13	70021351	1	Pin	
14	91403413	1	Adapter	
15	91403414	1	Adapter	
16	8420053	1	Cap, Dust	
17	8420055	1	Plug, Dust	
18	70030142	2	Plate	
19	70030143	2	Hose 30in (Boom Front Disconnect)	
19	70031444	2	Hose 55in (Boom Side Disconnect)	
20	90554017	2	Decal - Danger Pinch Point	
21	7029711	1	Decal - High Pressure	
22	See Note	NSS	SN Plate (Note: Stamped Part - Not Available for Purchase)	
23	70021376	1	Cylinder Assembly (See Separate Breakdown in HYDRAULIC COMPONENTS Section)	
24	70021377	1	Pin	
25	70030144	1	Pin	
26	70030145	1	Pin	
27	See Note	NSS	Frame - Rear (Note: Purchase Complete Assembly)	
28	See Note	NSS	Frame - Front (Note: Purchase Complete Assembly)	
29	1001227670	1	Tag, RFID	

**SECTION 3 - ATTACHMENTS**

**FIGURE 3-18. CARRIAGE ASSEMBLY (50 INCH 12K)**



ART\_1170021-H

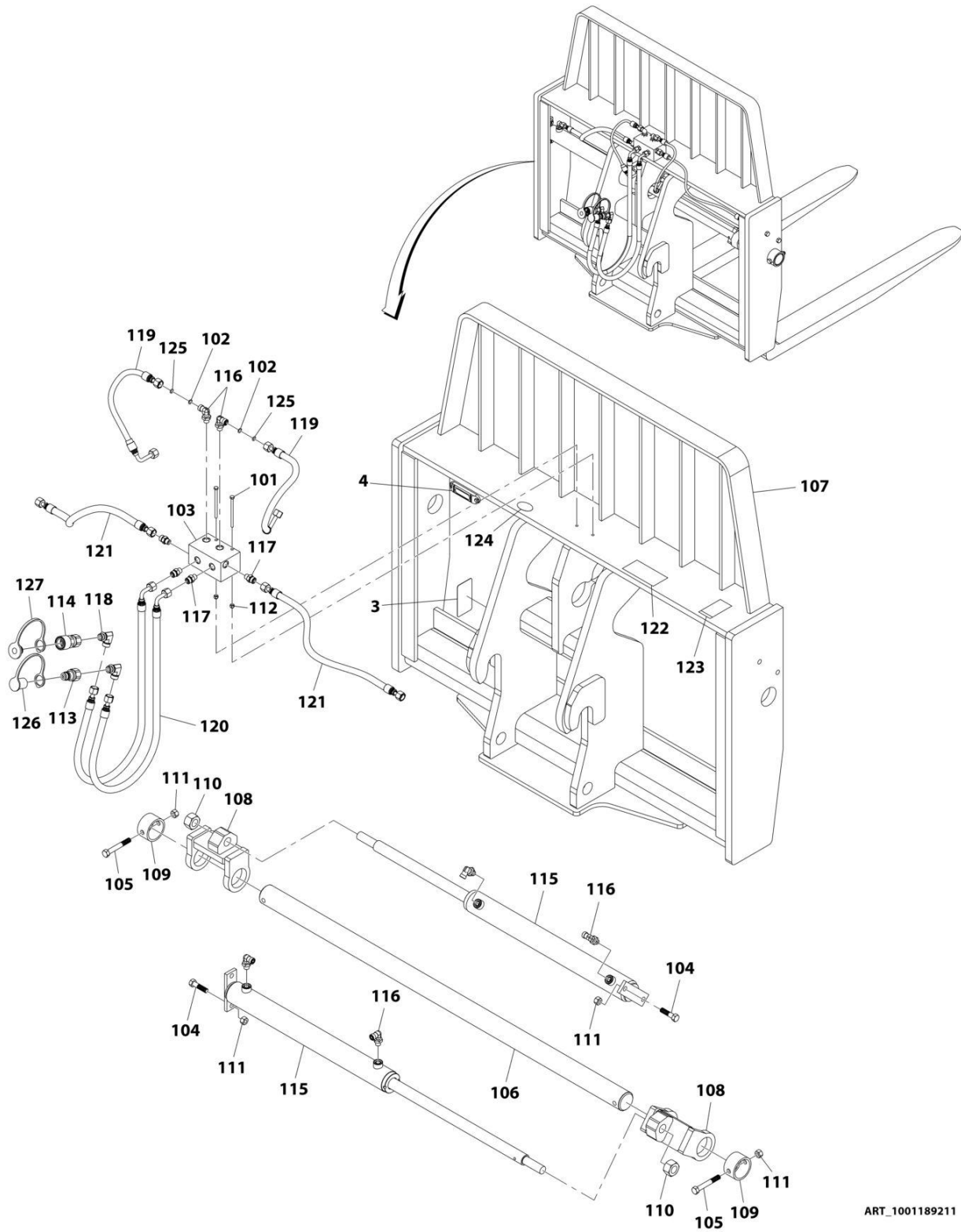
## SECTION 3 - ATTACHMENTS

**FIGURE 3-18. CARRIAGE ASSEMBLY (50 INCH 12K)**

ITEM	PART NUMBER	QTY	DESCRIPTION	REV
	1170021	Ref	Carriage Assembly (50 INCH)	H
1	0642032	2	Bolt, 5/8-11X4	
2	1170012	1	Weldment, Carriage	
3	3300240	2	Nut, Lock 5/8-11	
4	3423275	1	Pin, Fork	
5	90200003	2	Collar, Fork Pin	
6	See Note	NSS	S/N Plate (Note: Stamped Part - Not Available for Purchase)	

# SECTION 3 - ATTACHMENTS

## FIGURE 3-19. CARRIAGE (50 INCH 12K) (DUAL FORK)



ART\_1001189211

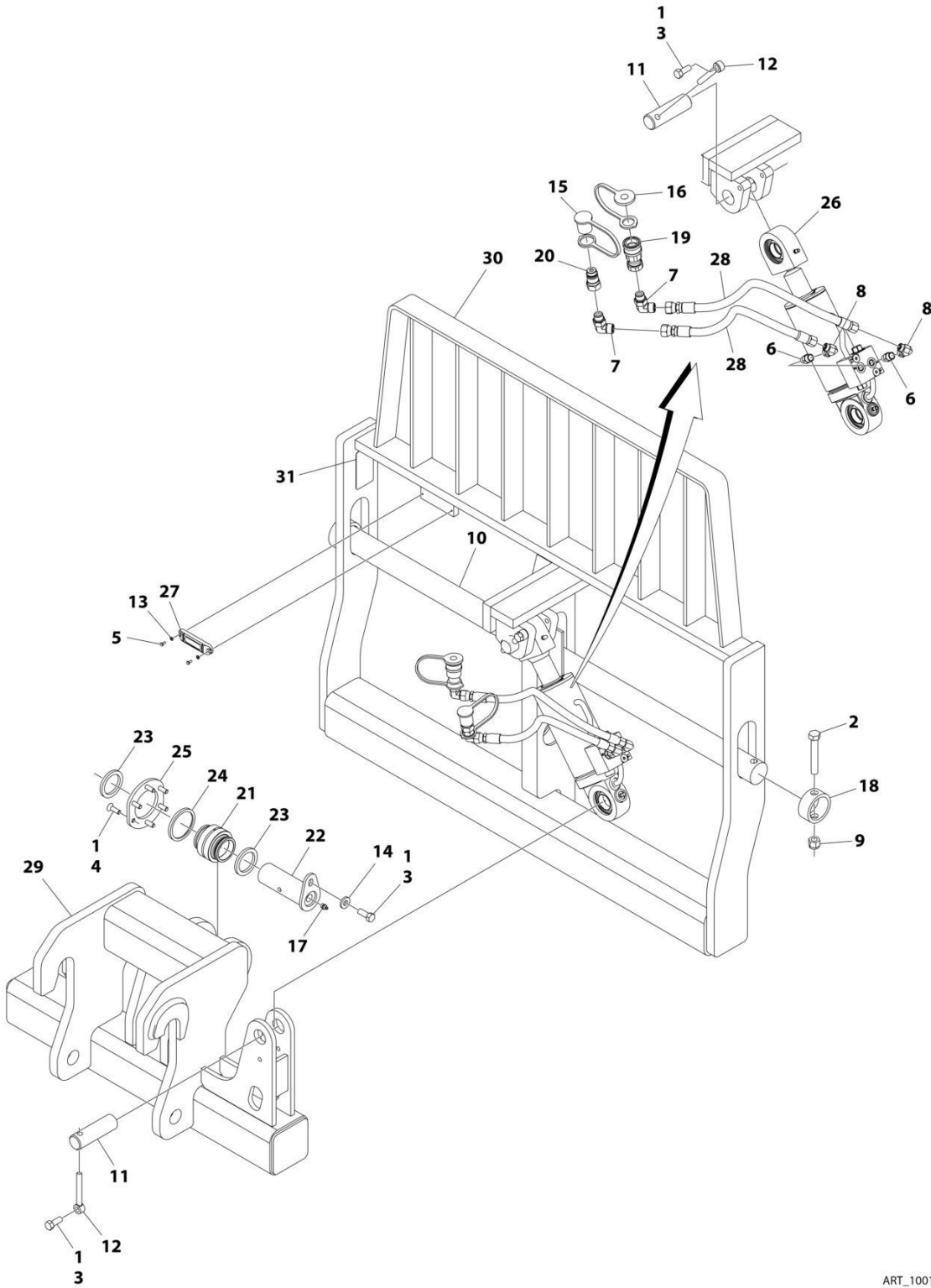
## SECTION 3 - ATTACHMENTS

**FIGURE 3-19. CARRIAGE (50 INCH 12K) (DUAL FORK)**

ITEM	PART NUMBER	QTY	DESCRIPTION	REV
	1001189211	Ref	DUAL FORK POSITIONING CARRIAGE ASSEMBLY (50 INCH)	F
3	See Note	NSS	S/N Plate (Note: Stamped Part - Not Available for Purchase)	
4	1001227670	1	Tag. RFID	
101	70028519	2	Bolt	
102	70028520	2	Orifice	
103	70028521	1	Valve	
104	90554019	4	Bolt	
105	70020002	2	Bolt	
106	70027283	1	Pin Fork	
107	See Note	NSS	Carriage (Note: Purchase Complete Assembly)	
108	70028522	2	Weldment, Fork Adapter	
109	70020028	2	Bushing	
110	70021440	2	Nut	
111	70028523	6	Nut	
112	70028524	2	Nut	
113	91403414	1	Adapter, Male Quick Disconnect	
114	91403413	1	Adapter, Female Quick Disconnect	
115	2717283	2	Cylinder, Dual Fork (See Separate Breakdown in HYDRAUIC COMPONENTS Section)	
116	70028525	6	Elbow, 90	
117	70028486	4	Fitting	
118	70028526	2	Elbow, 90	
119	70028527	2	Hose	
120	70028528	2	Hose 36in (Boom Front Disconnect)	
120	70031443	2	Hose 44in (Boom Side Disconnect)	
121	70028529	2	Hose	
122	70028530	1	Decal, Hose Routing	
123	See Note	NSS	S/N Plate (Note: Stamped Part - Not Available for Purchase)	
124	90554016	1	Decal	
125	70028531	2	O-Ring	
126	8420055	1	Plug, Dust	
127	8420053	1	Cap, Dust	

# SECTION 3 - ATTACHMENTS

## FIGURE 3-20. SIDE TILT CARRIAGE ASSEMBLY (50 INCH)



ART\_1001277290

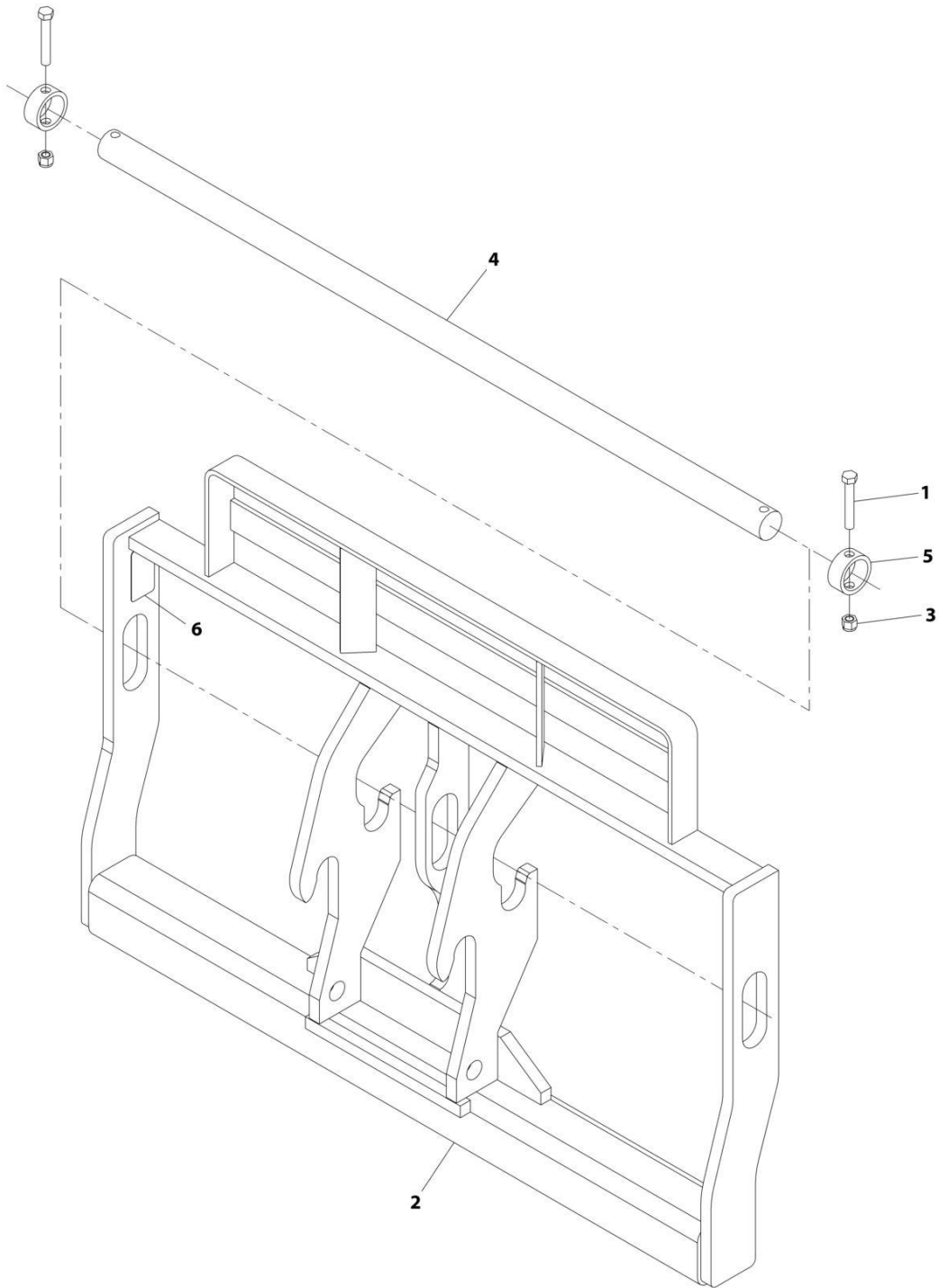
## SECTION 3 - ATTACHMENTS

**FIGURE 3-20. SIDE TILT CARRIAGE ASSEMBLY (50 INCH)**

ITEM	PART NUMBER	QTY	DESCRIPTION	REV
	1001277290	Ref	SIDE TILT CARRIAGE ASSEMBLY (50 INCH)	A
1	0100011	AR	Compound, Locking	
2	0642032	2	Bolt 5/8 x 4	
3	0681810	3	Bolt 1/2 x 1-1/4	
4	0741610	6	Screw 3/8 x 1-1/4	
5	0760405	2	Bolt M4 x 10	
6	2110606	2	Fitting, Straight ORFS	
7	2130808	2	Fitting, 90 ORFS	
8	2172106	2	Fitting, 90 ORFS	
9	3300240	2	Nut 5/8	
10	3423275	1	Pin	
11	3423307	2	Pin	
12	3841203	2	Keeper	
13	4811400	2	Washer M4	
14	4891800	1	Washer	
15	8420053	1	Cap	
16	8420055	1	Plug	
17	88671001	1	Fitting, Grease	
18	90200003	2	Collar	
19	91403413	1	Fitting, Straight	
20	91403414	1	Fitting, Straight	
21	1001090140	1	Bearing	
22	1001099113	1	Pin	
23	1001099115	2	Sleeve	
24	1001120914	1	Shim	
25	1001120915	1	Plate	
26	1001163414	1	Cylinder, Side Tilt (See Separate Breakdown in HYDRAULIC COMPONENTS Section)	
27	1001227670	1	Tag, RFID	
28	1001239734	2	Hose	
29	See Note	NSS	Carriage, Base Plate (Note: Purchase Complete Assembly)	
30	See Note	NSS	Carriage (Note: Purchase Complete Assembly)	
31	See Note	NSS	SN Plate (Note: Stamped Part - Not Available for Purchase)	

# SECTION 3 - ATTACHMENTS

## FIGURE 3-21. CARRIAGE ASSEMBLY (60 INCH 12K)



ART\_1170024-H



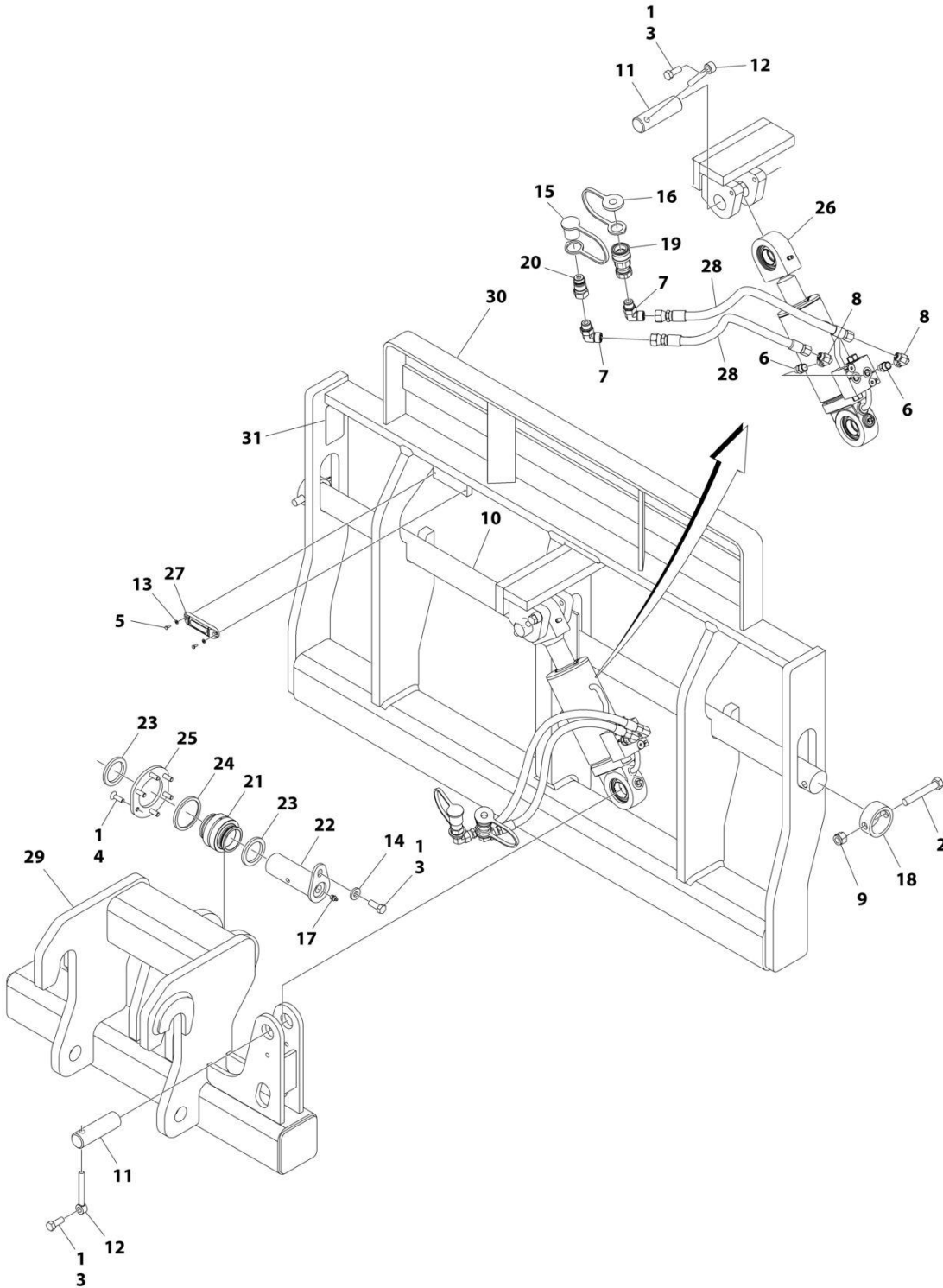
## SECTION 3 - ATTACHMENTS

### FIGURE 3-21. CARRIAGE ASSEMBLY (60 INCH 12K)

ITEM	PART NUMBER	QTY	DESCRIPTION	REV
	1170024	Ref	Carriage Assembly (1524 MM)	H
1	0642032	2	Bolt 5/8 x 4	
2	See Note	NSS	Carriage (Note: Purchase Complete Assembly)	
3	3300240	2	Nut 5/8	
4	3423242	1	Pin	
5	90200003	2	Sleeve	
6	See Note	NSS	S/N Plate (Note: Stamped Part - Not Available for Purchase)	

# SECTION 3 - ATTACHMENTS

## FIGURE 3-22. SIDE TILT CARRIAGE ASSEMBLY (60 INCH)



ART\_1001277338

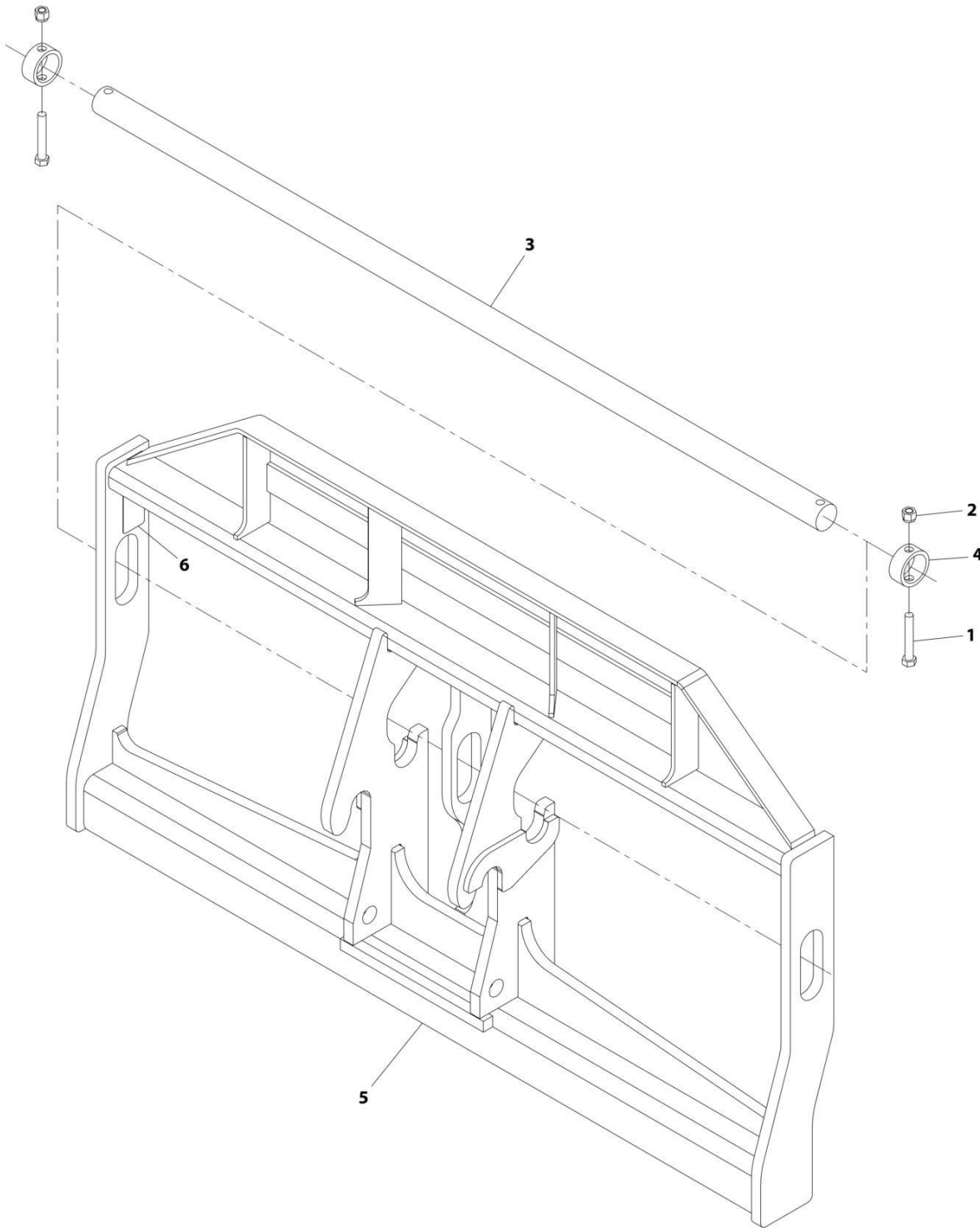
## SECTION 3 - ATTACHMENTS

**FIGURE 3-22. SIDE TILT CARRIAGE ASSEMBLY (60 INCH)**

ITEM	PART NUMBER	QTY	DESCRIPTION	REV
	1001277338	Ref	SIDE TILT CARRIAGE ASSEMBLY (60 INCH)	A
1	0100011	AR	Compound, Locking	
2	0642032	2	Bolt 5/8 x 4	
3	0681810	3	Bolt 1/2 x 1-1/4	
4	0741610	6	Screw 3/8 x 1-1/4	
5	0760405	2	Bolt M4 x 10	
6	2110606	2	Fitting, Straight	
7	2130808	2	Fitting, 90 ORFS	
8	2172106	2	Fitting, 90 ORFS	
9	3300240	2	Nut 5/8	
10	3423242	1	Pin	
11	3423307	2	Pin	
12	3841203	2	Keeper	
13	4811400	2	Washer M4	
14	4891800	1	Washer	
15	8420053	1	Cap	
16	8420055	1	Plug	
17	88671001	1	Fitting, Grease	
18	90200003	2	Collar	
19	91403413	1	Fitting, Straight	
20	91403414	1	Fitting, Straight	
21	1001090140	1	Bearing	
22	1001099113	1	Pin	
23	1001099115	2	Sleeve	
24	1001120914	1	Shim	
25	1001120915	1	Plate	
26	1001163414	1	Cylinder, Side Tilt (See Separate Breakdown in HYDRAULIC COMPONENTS Section)	
27	1001227670	1	Tag, RFID	
28	1001239734	2	Hose	
29	See Note	NSS	Carriage, Base Plate (Note: Purchase Complete Assembly)	
30	See Note	NSS	Carriage, Side Tilt (Note: Purchase Complete Assembly)	
31	See Note	NSS	SN Plate (Note: Stamped Part - Not Available for Purchase)	

**SECTION 3 - ATTACHMENTS**

**FIGURE 3-23. CARRIAGE ASSEMBLY (72 INCH 12K)**



ART\_1001211516-D

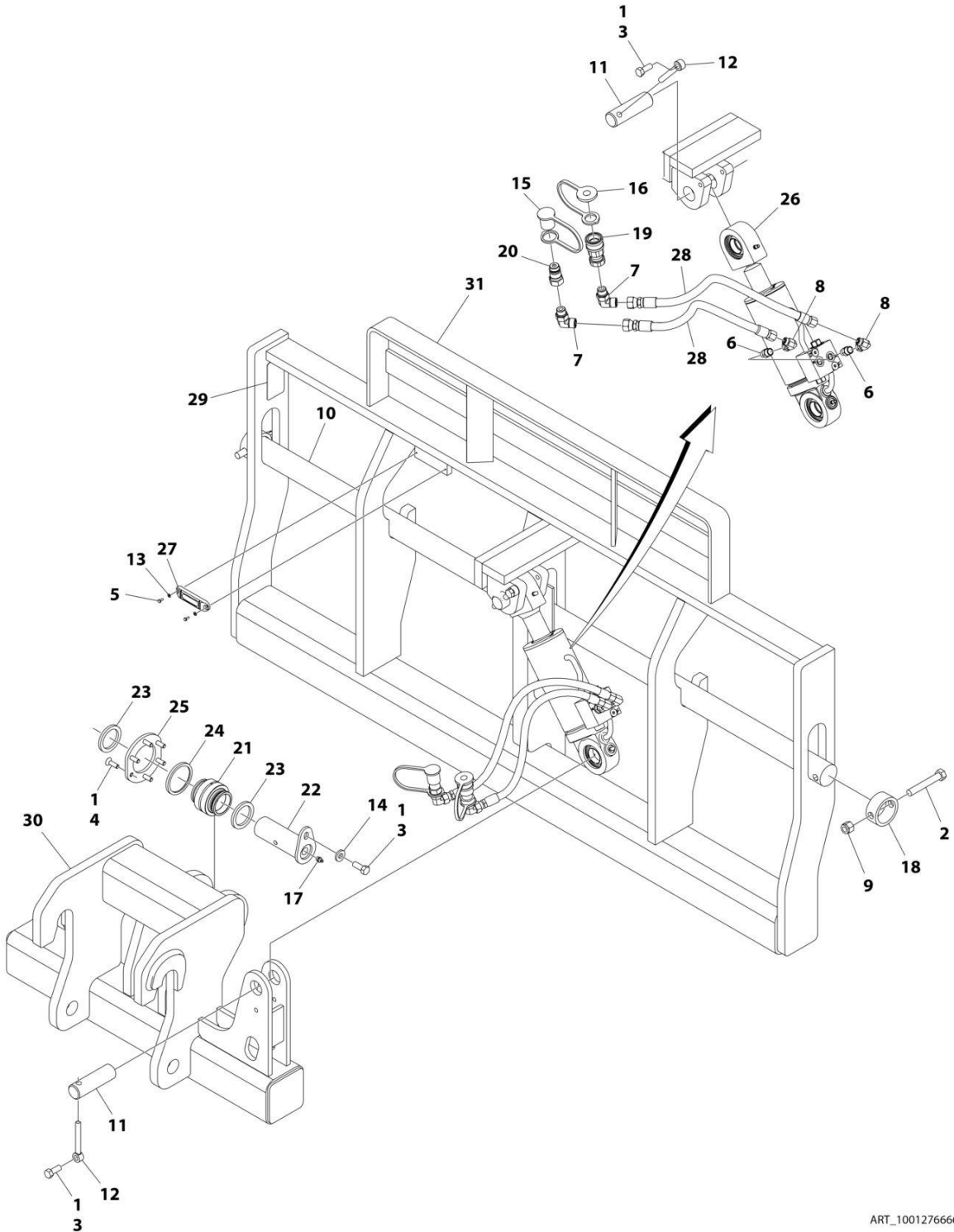
## SECTION 3 - ATTACHMENTS

### FIGURE 3-23. CARRIAGE ASSEMBLY (72 INCH 12K)

ITEM	PART NUMBER	QTY	DESCRIPTION	REV
	1001211516	Ref	CARRIAGE ASSEMBLY (72 INCH)	D
1	0642032	2	Bolt 5/8 x 4	
2	3300240	2	Nut 5/8	
3	3423276	1	Pin	
4	90200003	2	Sleeve	
5	See Note	NSS	Carriage (Note: Purchase Complete Assembly)	
6	See Note	NSS	S/N Plate (Note: Stamped Part - Not Available for Purchase)	

# SECTION 3 - ATTACHMENTS

## FIGURE 3-24. SIDE TILT CARRIAGE ASSEMBLY (72 INCH)



ART\_1001276666

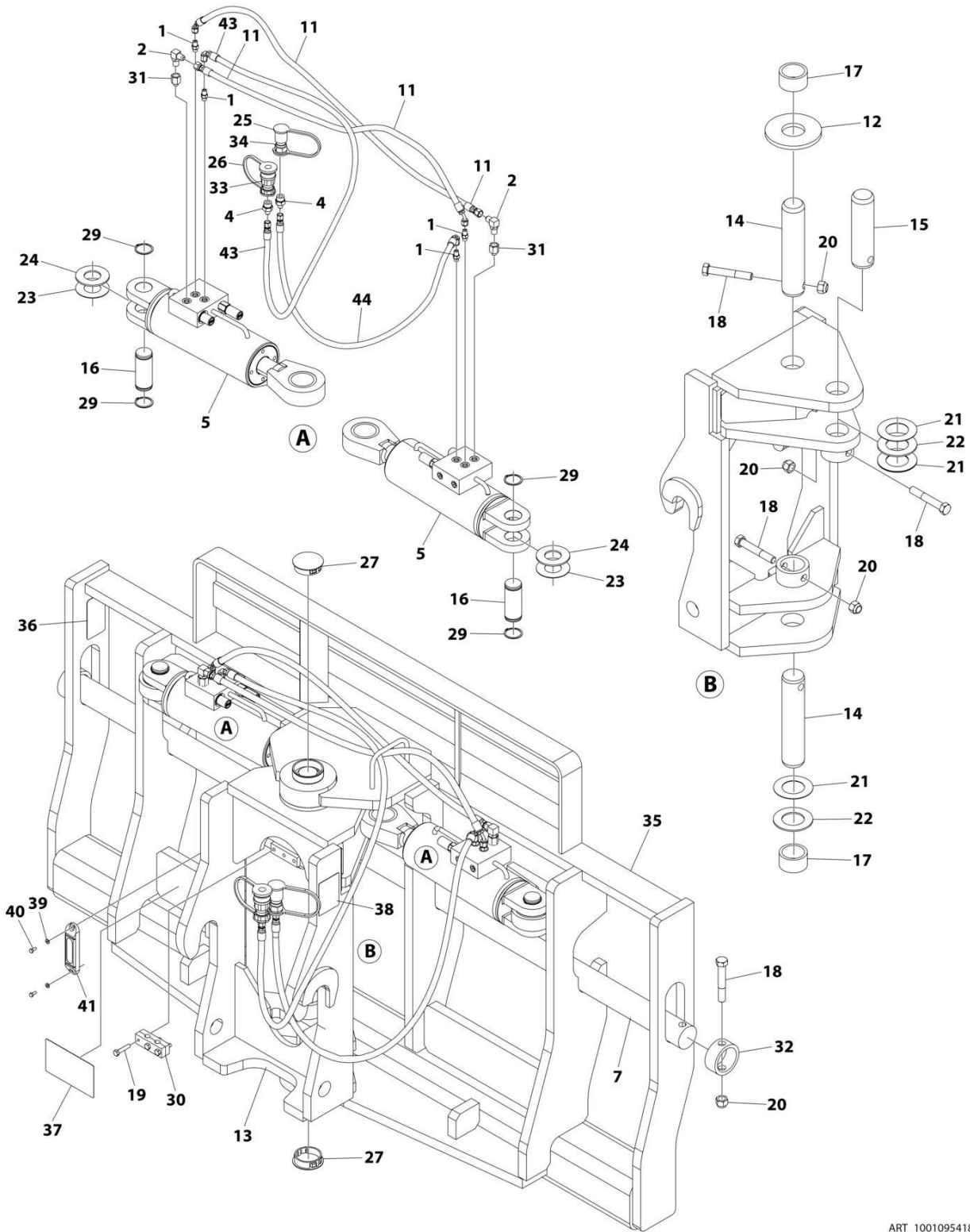
## SECTION 3 - ATTACHMENTS

**FIGURE 3-24. SIDE TILT CARRIAGE ASSEMBLY (72 INCH)**

ITEM	PART NUMBER	QTY	DESCRIPTION	REV
	1001276666	Ref	SIDE TILT CARRIAGE ASSEMBLY (72 INCH)	A
1	0100011	AR	Compound, Locking	
2	0642032	2	Bolt 5/8 x 4	
3	0681810	3	Bolt 1/2 x 1-1/4	
4	0741610	6	Screw 3/8 x 1-1/4	
5	0760405	2	Bolt M4 x 10	
6	2110606	2	Fitting, Straight	
7	2130808	2	Fitting, 90 ORFS	
8	2172106	2	Fitting, 90 ORFS	
9	3300240	2	Nut 5/8	
10	3423276	1	Pin, Fork	
11	3423307	2	Pin, Side Tilt Cylinder	
12	3841203	2	Keeper, Rod	
13	4811400	2	Washer M4	
14	4891800	1	Washer 1/2	
15	8420053	1	Cap, Dust	
16	8420055	1	Plug, Dust	
17	88671001	1	Fitting, Grease	
18	90200003	2	Collar, Fork Pin	
19	91403413	1	Fitting, Straight	
20	91403414	1	Fitting, Straight	
21	1001090140	1	Bearing, Side Tilt Spherical	
22	1001099113	1	Pin, Side Tilt Frame Pivot	
23	1001099115	2	Sleeve, Tilt Bearing Spacer	
24	1001120914	1	Shim, Bearing Retainer	
25	1001120915	1	Plate, Bearing Retainer	
26	1001163414	1	Cylinder, Side Tilt (See Separate Breakdown in HYDRAULIC COMPONENTS Section)	
27	1001227670	1	Tag, RFID	
28	1001239734	2	Hose	
29	See Note	NSS	SN Plate (Note: Stamped Part - Not Available for Purchase)	
30	See Note	NSS	Carriage, Base Plate (Note: Purchase Complete Assembly)	
31	See Note	NSS	Carriage, Side Tilt (Note: Purchase Complete Assembly)	

# SECTION 3 - ATTACHMENTS

## FIGURE 3-25. CARRIAGE ASSEMBLY - 72IN/10000# CAPACITY 90 DEGREE SWING



ART\_1001095418\_Y



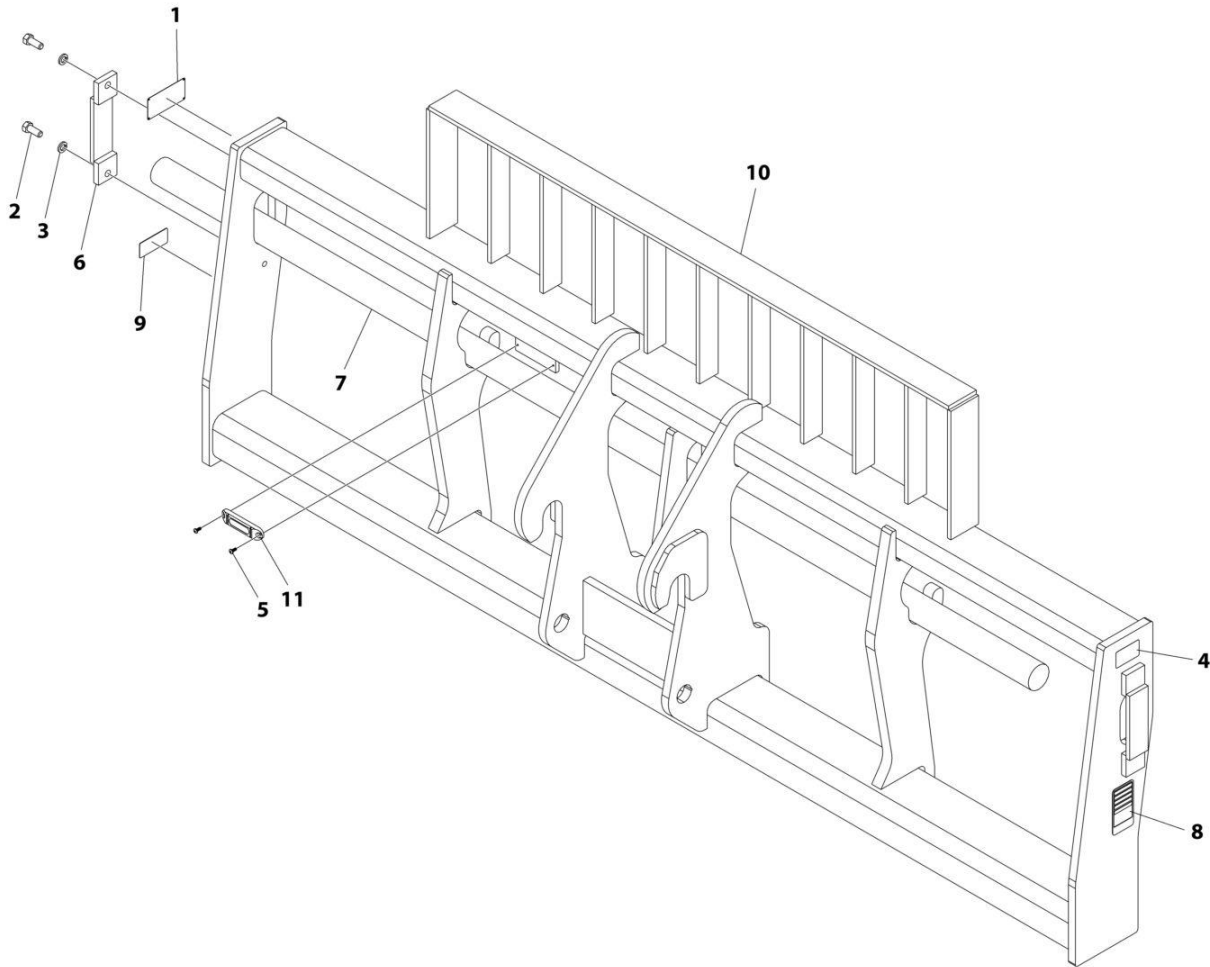
## SECTION 3 - ATTACHMENTS

**FIGURE 3-25. CARRIAGE ASSEMBLY - 72IN/10000# CAPACITY 90 DEGREE SWING**

ITEM	PART NUMBER	QTY	DESCRIPTION	REV
	1001095418	Ref	CARRIAGE ASSEMBLY - SWING (72 INCH)	Y
1	2220415	4	Fitting, Straight ORFS	
2	2220473	2	Fitting, 90 ORFS	
4	2220468	2	Fitting, Straight JIC/ORB	
5	1001293182	2	Swing Carriage Cylinder (See Separate Breakdown in HYDRAULIC COMPONENTS Section)	
7	3423276	1	Pin	
11	1001286534	2	Hose	
12	7062922	1	Washer	
13	See Note	NSS	Pivot (Note: Purchase Complete Assembly)	
14	7110702	2	Pin	
15	7110712	1	Pin	
16	7110722	2	Pin	
17	8065062	2	Bushing	
18	8303634	5	Bolt 5/8 x 4	
19	8303715	3	Bolt 5/16 x 1-1/2	
20	8305643	5	Nut 5/8	
21	8307904	AR	Washer	
22	8307918	AR	Washer	
23	8310160	AR	Washer	
24	8310161	AR	Washer	
25	8420053	1	Cap	
26	8420055	1	Plug	
27	8580315	2	Plug	
29	8642207	4	Ring, Retaining	
30	8769132	2	Clamp	
31	8770016	2	Fitting, Straight ORFS	
32	90200003	2	Collar	
33	91403413	1	Fitting, Straight ORFS	
34	91403414	1	Fitting, Straight	
35	See Note	NSS	Carriage (Note: Purchase Complete Assembly)	
36	See Note	NSS	SN Plate (Note: Stamped Part - Not Available for Purchase)	
37	1001110704	1	Decal, Warning Crushing Hazard	
38	1001111190	2	Decal, Warning	
39	4811400	2	Washer M4	
40	0760405	2	Bolt M4 x 10	
41	1001227670	1	Tag - RFID	
42	1062255	AR	Tie-Strap (Not Shown)	
43	1001301599	1	Hose	
44	1001301600	1	Hose	

# SECTION 3 - ATTACHMENTS

FIGURE 3-26. CARRIAGE ASSEMBLY – 96IN/12000 CAPACITY STANDARD (SN 0160130479 to Present)



ART\_1001278571

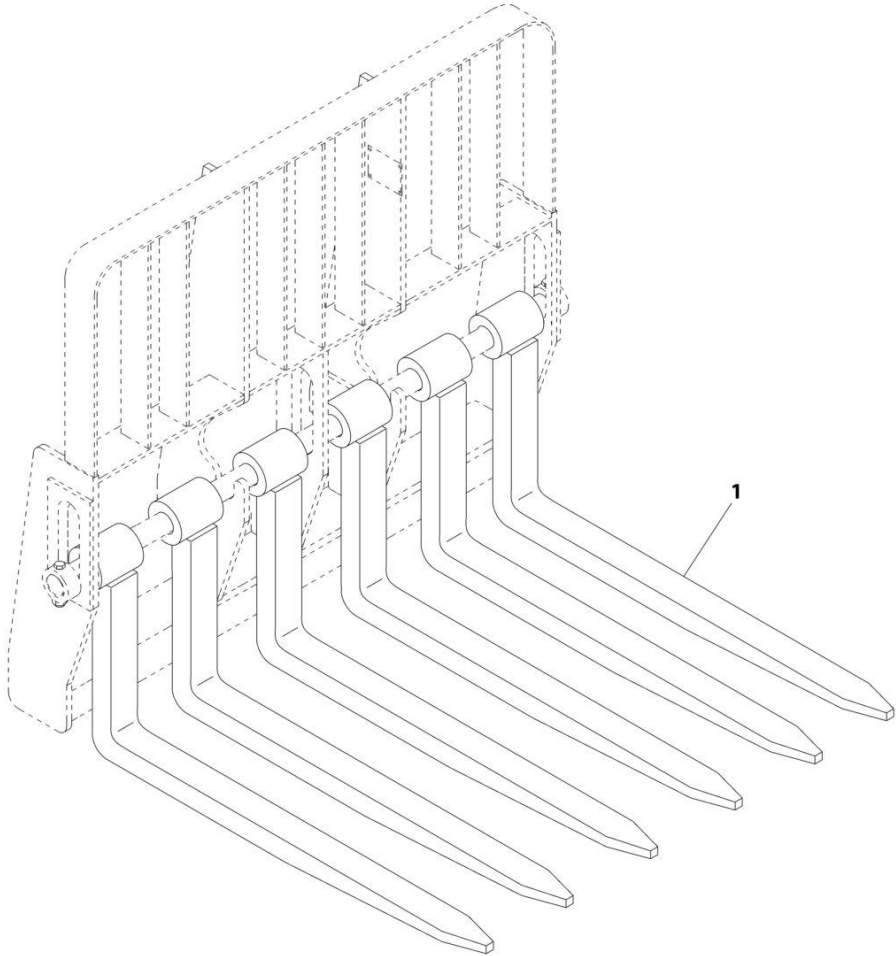
## SECTION 3 - ATTACHMENTS

**FIGURE 3-26. CARRIAGE ASSEMBLY – 96IN/12000 CAPACITY STANDARD (SN 0160130479 to Present)**

ITEM	PART NUMBER	QTY	DESCRIPTION	REV
	1001278571	Ref	CARRIAGE ASSEMBLY	A
1	See Note	NSS	Tag, Paladin SN (Note: Not Available for Purchase)	
2	7029691	2	Bolt 1/2 x 1-1/4	
3	90554020	2	Washer 1/2	
4	90554016	1	Decal - Made in USA	
5	70028554	2	Screw M14 x 14	
6	7029690	1	Retainer	
7	70031722	1	Pin	
8	See Note	NSS	Plate, JLG SN (Note: Not Available for Purchase)	
9	70031723	1	Decal - Warning Prop 65	
10	See Note	NSS	Frame (Note: Purchase Complete Assembly)	
11	1001227670	1	Tag, Refid	

**SECTION 3 - ATTACHMENTS**

**FIGURE 3-27. FORK - BLOCKING (50X50X1220MM)**



ART\_2340037

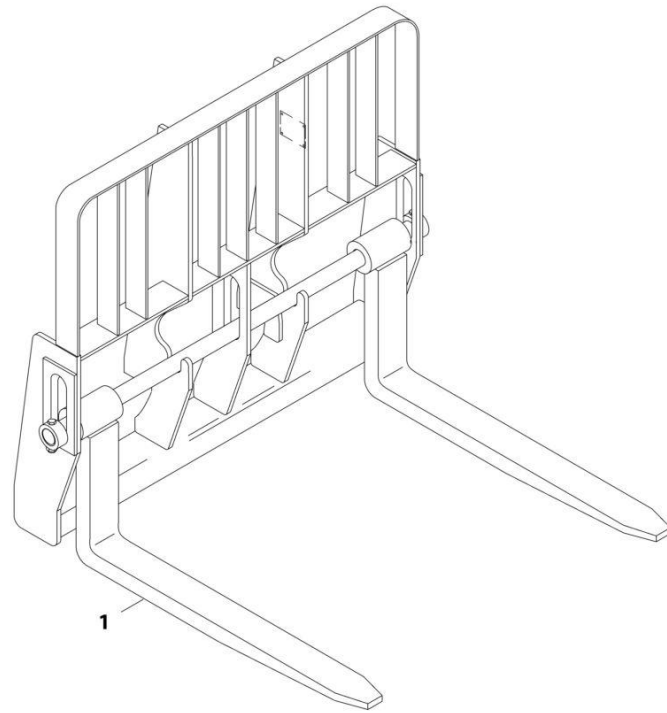
## SECTION 3 - ATTACHMENTS

**FIGURE 3-27. FORK - BLOCKING (50X50X1220MM)**

ITEM	PART NUMBER	QTY	DESCRIPTION	REV
1	2340037	1	Cubing Fork (2.00X2X48)	A
	Note	Ref	<b>FORKS RATED LESS THAN THE ATTACHMENT OR MACHINE'S CAPACITY DECREASES CAPACITY OF THE ATTACHMENT OR MACHINE TO THAT OF THE FORKS. FORKS RATED MORE THAN THE ATTACHMENT OR MACHINE'S CAPACITY DO NOT INCREASE ATTACHMENT OR MACHINE'S CAPACITY.</b>	
	Note	Ref	<b>PLEASE CONSULT JLG PARTS DEPARTMENT TO DETERMINE THE CORRECT FORKS APPLICABLE TO YOUR SPECIFIC CARRIAGE ASSEMBLY AND APPLICATION.</b>	

## SECTION 3 - ATTACHMENTS

FIGURE 3-28. FORK - LUMBER (50X180X1540MM)



ART\_1001097110-A

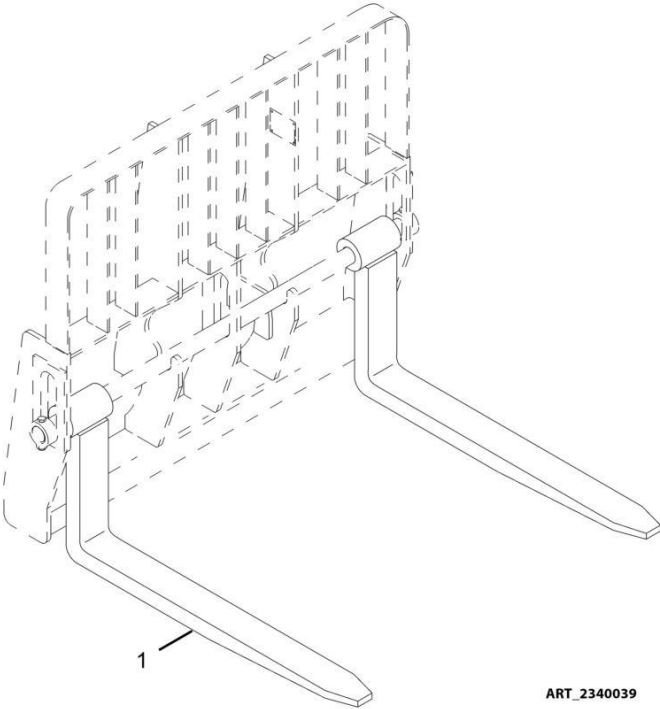
## SECTION 3 - ATTACHMENTS

**FIGURE 3-28. FORK - LUMBER (50X180X1540MM)**

ITEM	PART NUMBER	QTY	DESCRIPTION	REV
1	1001097110	2	Lumber Fork (2.00X7X60)	A
	Note	Ref	<b>FORKS RATED LESS THAN THE ATTACHMENT OR MACHINE'S CAPACITY DECREASES CAPACITY OF THE ATTACHMENT OR MACHINE TO THAT OF THE FORKS. FORKS RATED MORE THAN THE ATTACHMENT OR MACHINE'S CAPACITY DO NOT INCREASE ATTACHMENT OR MACHINE'S CAPACITY.</b>	
	Note	Ref	<b>PLEASE CONSULT JLG PARTS DEPARTMENT TO DETERMINE THE CORRECT FORKS APPLICABLE TO YOUR SPECIFIC CARRIAGE ASSEMBLY AND APPLICATION.</b>	

**SECTION 3 - ATTACHMENTS**

**FIGURE 3-29. FORK - LUMBER (60X150X1524MM)**



ART\_2340039



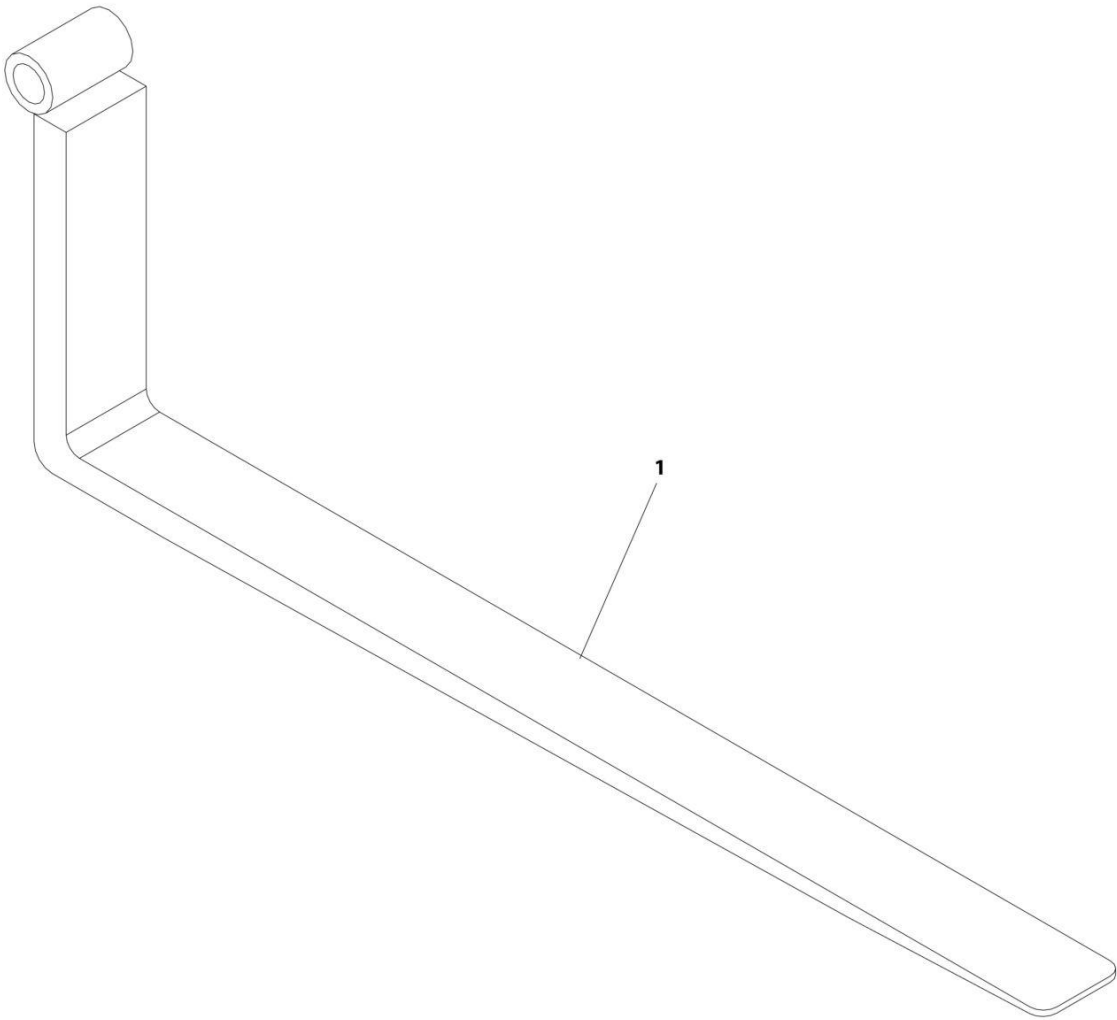
## SECTION 3 - ATTACHMENTS

**FIGURE 3-29. FORK - LUMBER (60X150X1524MM)**

ITEM	PART NUMBER	QTY	DESCRIPTION	REV
1	2340039	2	Lumber Fork (60X150X1524)	
	Note	Ref	<b>FORKS RATED LESS THAN THE ATTACHMENT OR MACHINE'S CAPACITY DECREASES CAPACITY OF THE ATTACHMENT OR MACHINE TO THAT OF THE FORKS. FORKS RATED MORE THAN THE ATTACHMENT OR MACHINE'S CAPACITY DO NOT INCREASE ATTACHMENT OR MACHINE'S CAPACITY.</b>	
	Note	Ref	<b>PLEASE CONSULT JLG PARTS DEPARTMENT TO DETERMINE THE CORRECT FORKS APPLICABLE TO YOUR SPECIFIC CARRIAGE ASSEMBLY AND APPLICATION.</b>	

**SECTION 3 - ATTACHMENTS**

**FIGURE 3-30. FORK - LUMBER (2.00X6X72)**



ART\_1001259206

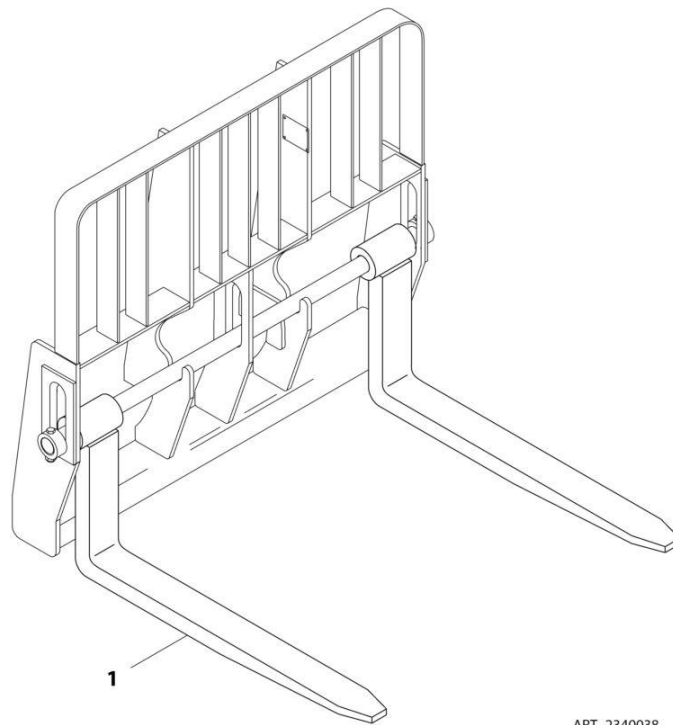
## SECTION 3 - ATTACHMENTS

**FIGURE 3-30. FORK - LUMBER (2.00X6X72)**

ITEM	PART NUMBER	QTY	DESCRIPTION	REV
1	1001259206	2	Dual Taper Fork (2.00X6X72)	A
	Note	Ref	FORKS RATED LESS THAN THE ATTACHMENT OR MACHINE'S CAPACITY DECREASES CAPACITY OF THE ATTACHMENT OR MACHINE TO THAT OF THE FORKS. FORKS RATED MORE THAN THE ATTACHMENT OR MACHINE'S CAPACITY DO NOT INCREASE ATTACHMENT OR MACHINE'S CAPACITY.	
	Note	Ref	PLEASE CONSULT JLG PARTS DEPARTMENT TO DETERMINE THE CORRECT FORKS APPLICABLE TO YOUR SPECIFIC CARRIAGE ASSEMBLY AND APPLICATION.	

## SECTION 3 - ATTACHMENTS

FIGURE 3-31. FORK - PALLET (2.36X5X48)



ART\_2340038

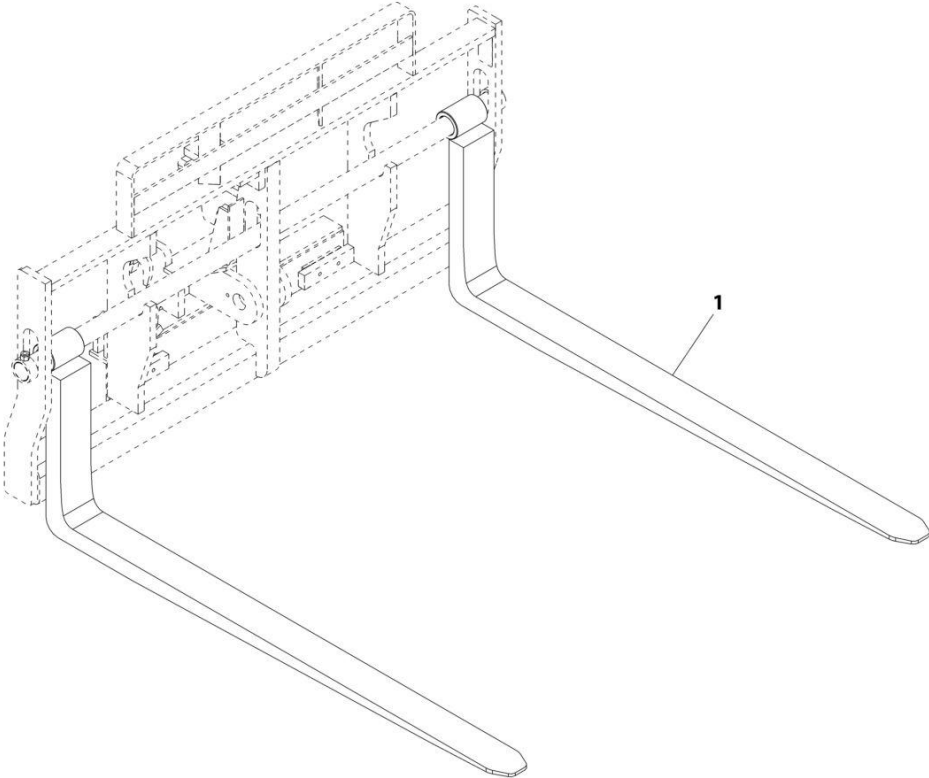
## SECTION 3 - ATTACHMENTS

**FIGURE 3-31. FORK - PALLET (2.36X5X48)**

ITEM	PART NUMBER	QTY	DESCRIPTION	REV
1	2340038	2	Pallet Fork (2.36X5X48)	B
	Note	Ref	<b>FORKS RATED LESS THAN THE ATTACHMENT OR MACHINE'S CAPACITY DECREASES CAPACITY OF THE ATTACHMENT OR MACHINE TO THAT OF THE FORKS. FORKS RATED MORE THAN THE ATTACHMENT OR MACHINE'S CAPACITY DO NOT INCREASE ATTACHMENT OR MACHINE'S CAPACITY.</b>	
	Note	Ref	<b>PLEASE CONSULT JLG PARTS DEPARTMENT TO DETERMINE THE CORRECT FORKS APPLICABLE TO YOUR SPECIFIC CARRIAGE ASSEMBLY AND APPLICATION.</b>	

**SECTION 3 - ATTACHMENTS**

**FIGURE 3-32. FORK - PALLET (2.36X5X72)**



ART\_1001232355

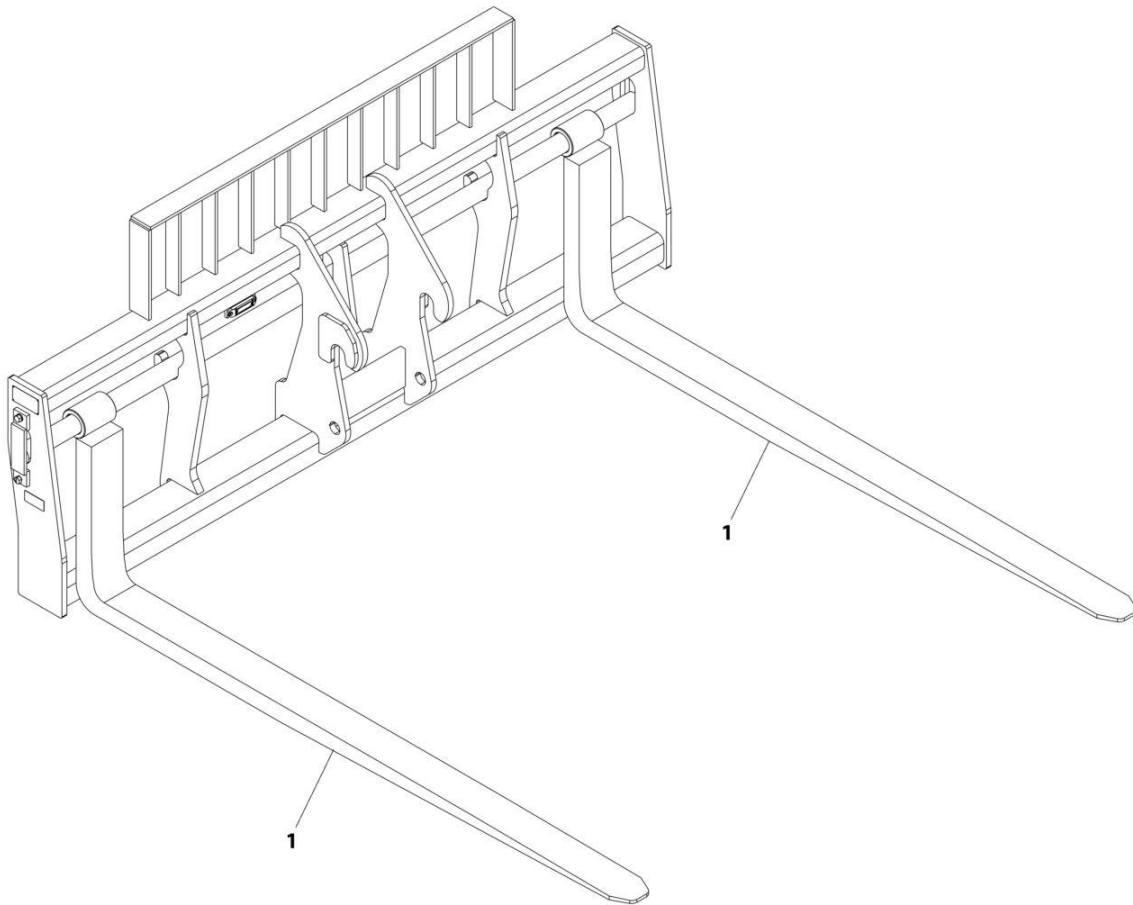
## SECTION 3 - ATTACHMENTS

**FIGURE 3-32. FORK - PALLET (2.36X5X72)**

ITEM	PART NUMBER	QTY	DESCRIPTION	REV
	1001232355	1 pr	Pallet Fork (2.36X5X72)	A
	Note	Ref	<b>FORKS RATED LESS THAN THE ATTACHMENT OR MACHINE'S CAPACITY DECREASES CAPACITY OF THE ATTACHMENT OR MACHINE TO THAT OF THE FORKS. FORKS RATED MORE THAN THE ATTACHMENT OR MACHINE'S CAPACITY DO NOT INCREASE ATTACHMENT OR MACHINE'S CAPACITY.</b>	
	Note	Ref	<b>PLEASE CONSULT JLG PARTS DEPARTMENT TO DETERMINE THE CORRECT FORKS APPLICABLE TO YOUR SPECIFIC CARRIAGE ASSEMBLY AND APPLICATION.</b>	

## SECTION 3 - ATTACHMENTS

FIGURE 3-33. FORK 2.36X5X96/12000# CAPACITY (SN 0160130479 to Present)



ART\_1001278908



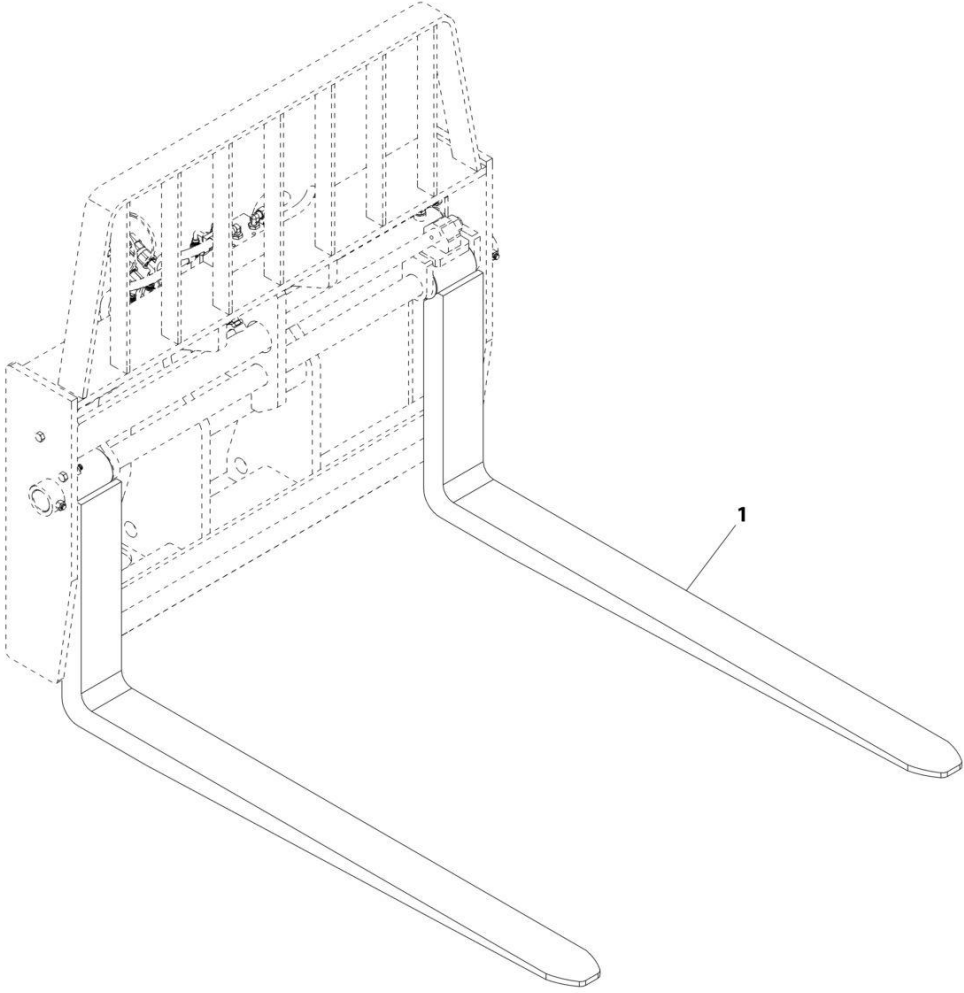
## SECTION 3 - ATTACHMENTS

**FIGURE 3-33. FORK 2.36X5X96/12000# CAPACITY (SN 0160130479 to Present)**

ITEM	PART NUMBER	QTY	DESCRIPTION	REV
1	1001278908	2	LUMBER FORK (60X30X1500)	A
	Note	Ref	FORKS RATED LESS THAN THE ATTACHMENT OR MACHINE'S CAPACITY DECREASES CAPACITY OF THE ATTACHMENT OR MACHINE TO THAT OF THE FORKS. FORKS RATED MORE THAN THE ATTACHMENT OR MACHINE'S CAPACITY DO NOT INCREASE ATTACHMENT OR MACHINE'S CAPACITY.	
	Note	Ref	PLEASE CONSULT JLG PARTS DEPARTMENT TO DETERMINE THE CORRECT FORKS APPLICABLE TO YOUR SPECIFIC CARRIAGE ASSEMBLY AND APPLICATION.	

**SECTION 3 - ATTACHMENTS**

**FIGURE 3-34. FORK - PALLET (60X125X1524MM)**



ART\_1001227382

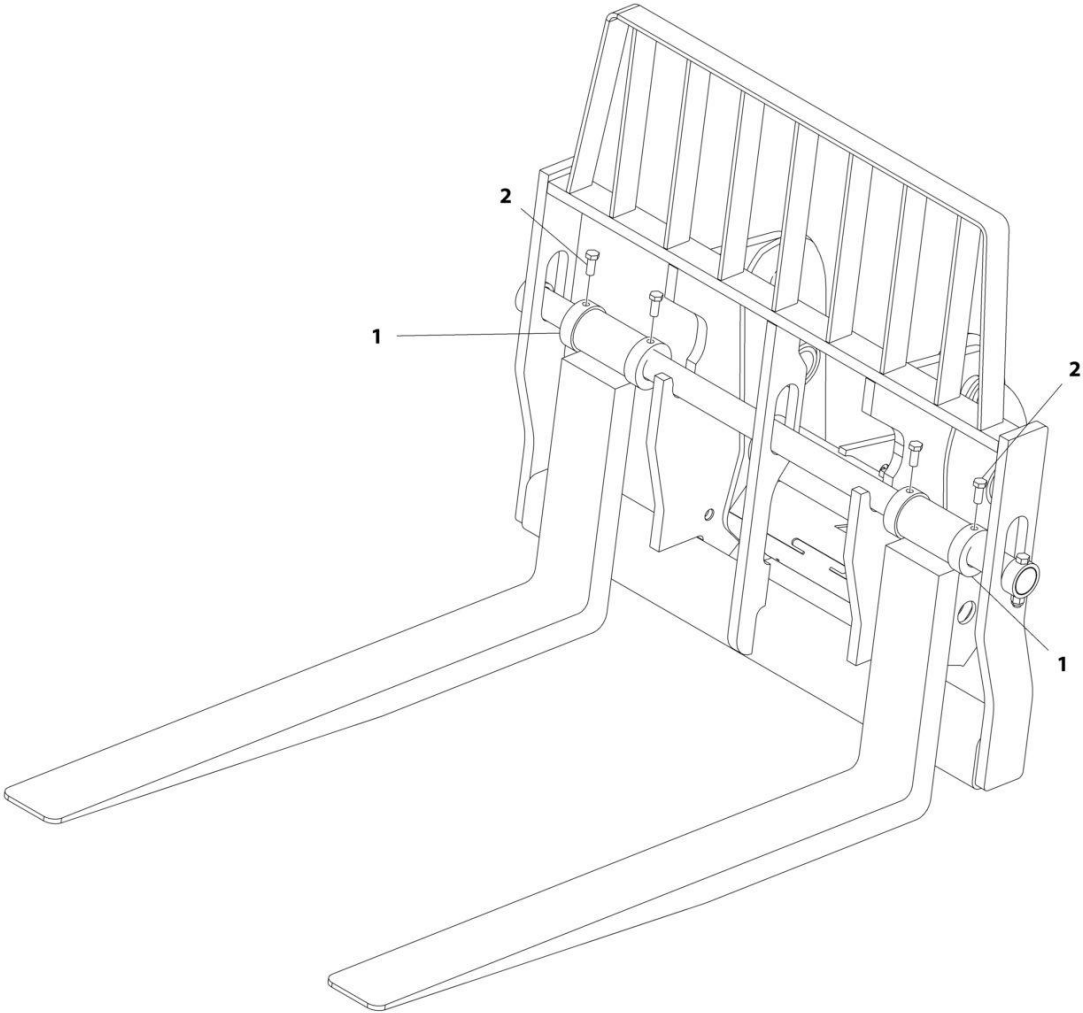
## SECTION 3 - ATTACHMENTS

**FIGURE 3-34. FORK - PALLET (60X125X1524MM)**

ITEM	PART NUMBER	QTY	DESCRIPTION	REV
1	1001227382	1	Pallet Fork (2.36X5X60)	A
N1	Note	Ref	<b>FORKS RATED LESS THAN THE ATTACHMENT OR MACHINE'S CAPACITY DECREASES CAPACITY OF THE ATTACHMENT OR MACHINE TO THAT OF THE FORKS. FORKS RATED MORE THAN THE ATTACHMENT OR MACHINE'S CAPACITY DO NOT INCREASE ATTACHMENT OR MACHINE'S CAPACITY.</b>	
N2	Note	Ref	<b>PLEASE CONSULT JLG PARTS DEPARTMENT TO DETERMINE THE CORRECT FORKS APPLICABLE TO YOUR SPECIFIC CARRIAGE ASSEMBLY AND APPLICATION.</b>	

**SECTION 3 - ATTACHMENTS**

**FIGURE 3-35. FORK CLAMPS INSTALLATION**



ART\_1001094134-A

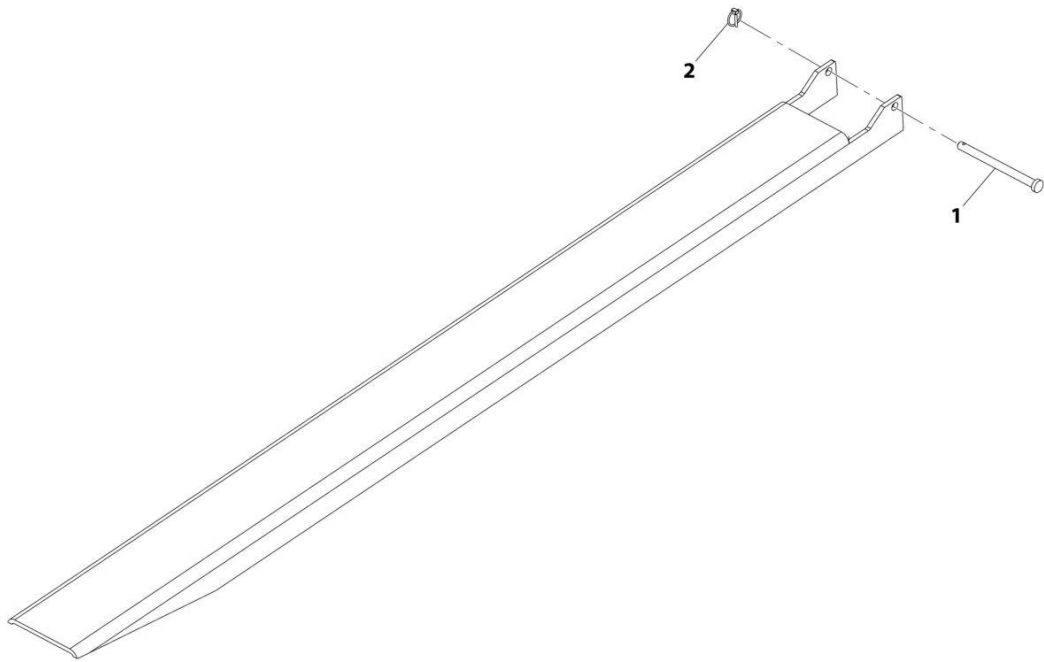
# SECTION 3 - ATTACHMENTS

## FIGURE 3-35. FORK CLAMPS INSTALLATION

ITEM	PART NUMBER	QTY	DESCRIPTION	REV
	1001094134	Ref	Fork Clamps Installation	A
1	1001094136	4	Clamp, Fork	
2	10700681	4	Bolt, 0.625-18X1.5	

# SECTION 3 - ATTACHMENTS

FIGURE 3-36. FORK EXTENSIONS (62X163X2286MM)



ART\_1001137512-D

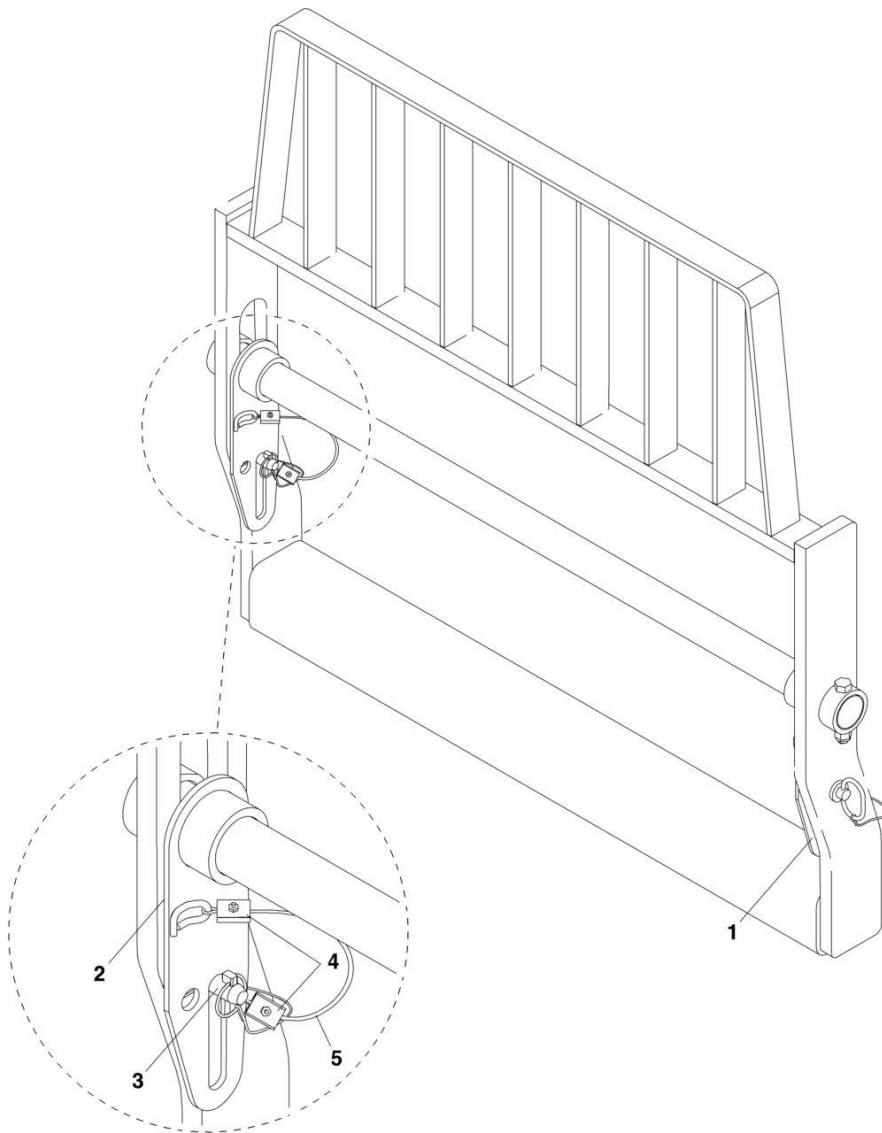
## SECTION 3 - ATTACHMENTS

**FIGURE 3-36. FORK EXTENSIONS (62X163X2286MM)**

ITEM	PART NUMBER	QTY	DESCRIPTION	REV
	1001137512	2	Fork Extensions (62X163X2286)	D
1	70024306	1	Pin	
2	70024307	1	Clip	

# SECTION 3 - ATTACHMENTS

## FIGURE 3-37. FORK PIN LOCK INSTALLATION



ART\_1001093465\_B



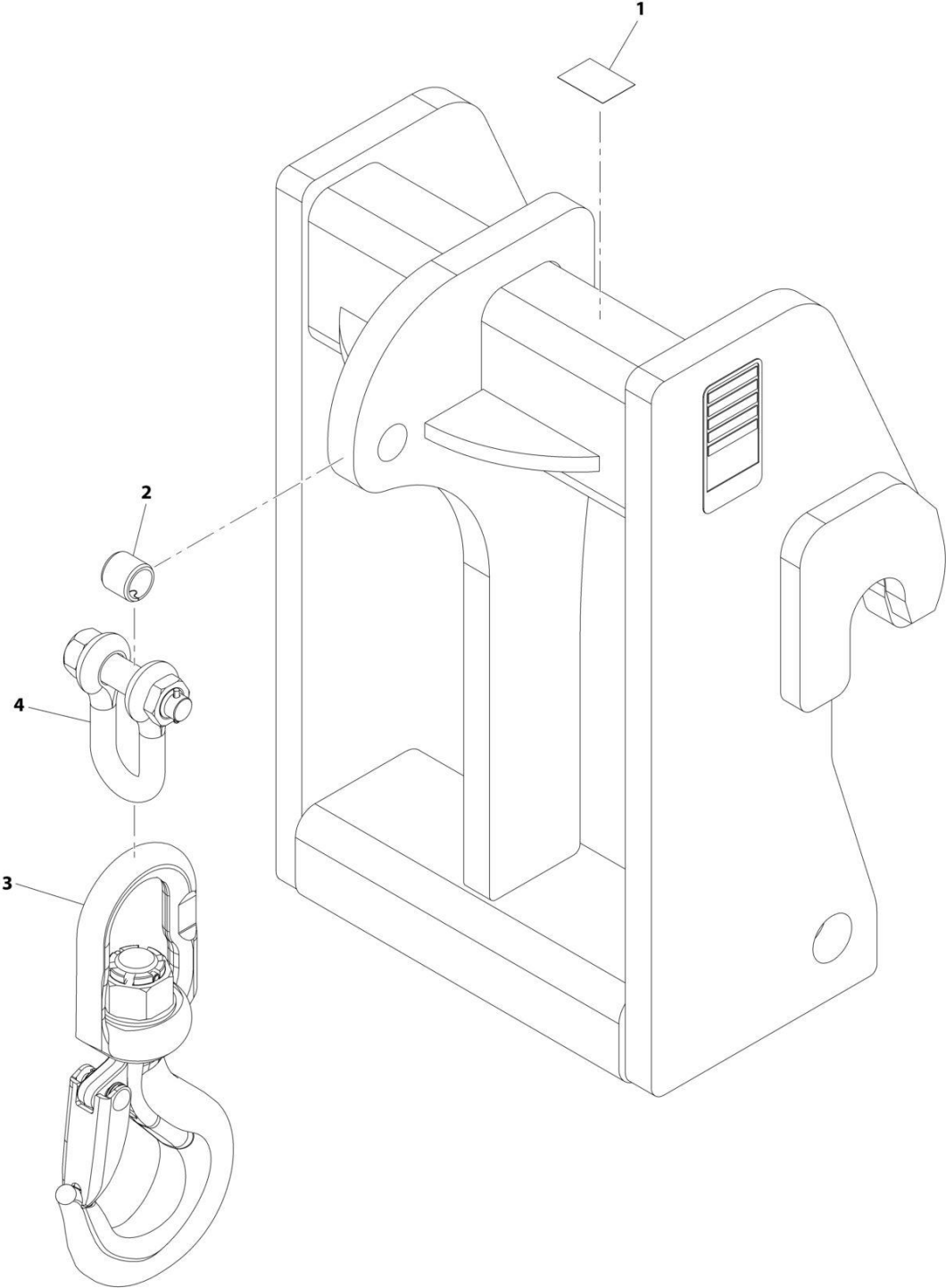
## SECTION 3 - ATTACHMENTS

### FIGURE 3-37. FORK PIN LOCK INSTALLATION

ITEM	PART NUMBER	QTY	DESCRIPTION	REV
	1001093465	Ref	Fork Pin Lock Installation	B
1	0240156	1	Lock, LH Fork Pin	
2	1001093273	1	Lock, RH Fork Pin	
3	1001093377	2	Pin, Hitch	
4	1001094830	4	Clamp	
5	1001094330	2	Lanyard	

**SECTION 3 - ATTACHMENTS**

**FIGURE 3-38. HOOK - CRANE**



ART\_1001207606-C

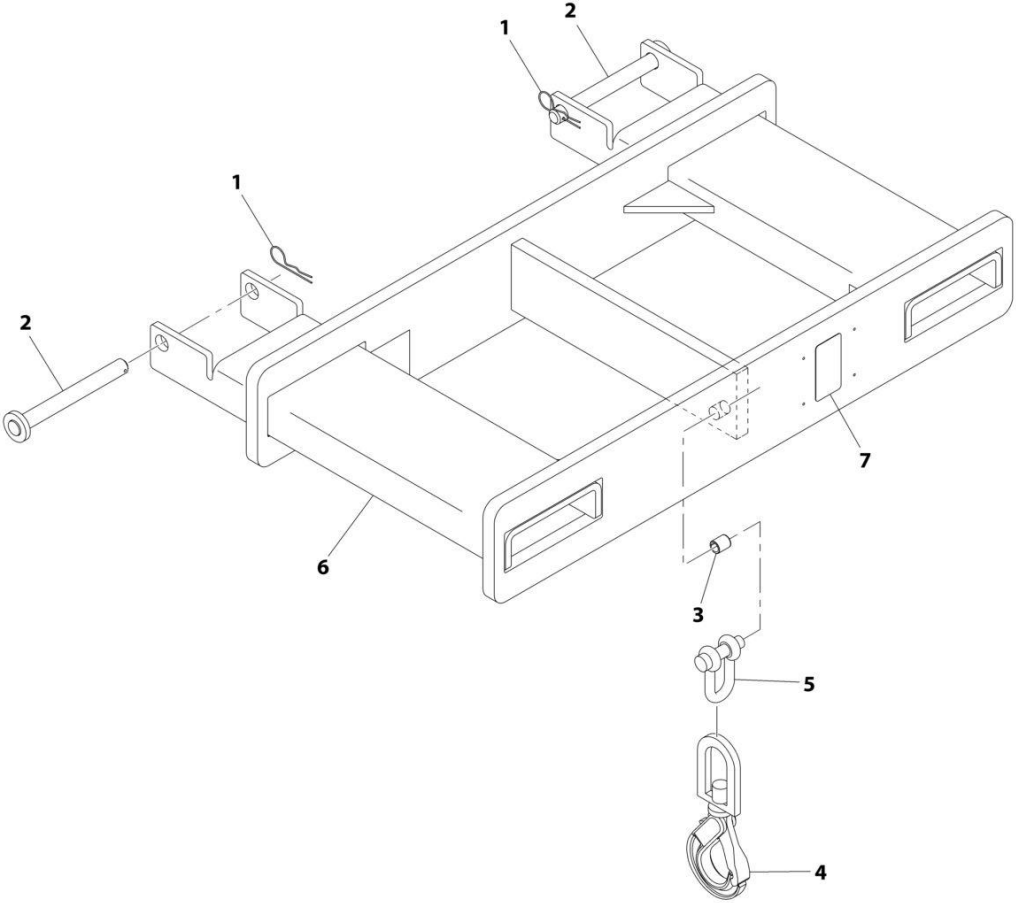
## SECTION 3 - ATTACHMENTS

### FIGURE 3-38. HOOK - CRANE

ITEM	PART NUMBER	QTY	DESCRIPTION	REV
	1001207606	Ref	COUPLER MOUNTED HOOK	C
1	90554016	1	Decal	
2	70020555	1	Bushing	
3	70026745	1	Hook Swivel	
4	70026746	1	Shackle Chain	

**SECTION 3 - ATTACHMENTS**

**FIGURE 3-39. HOOK - FRAME MOUNTED (4T)**



ART\_1001097205-I

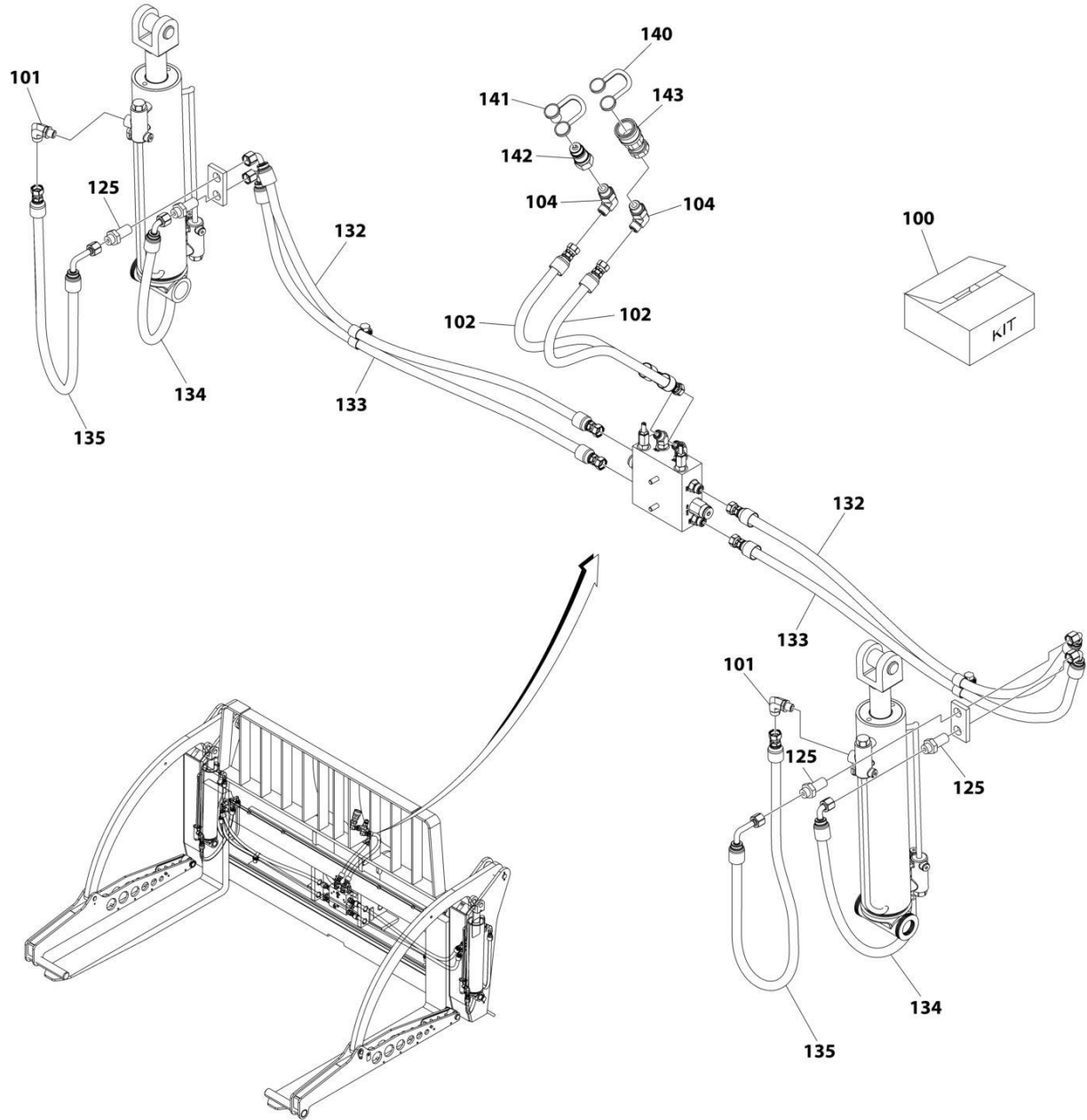
## SECTION 3 - ATTACHMENTS

### FIGURE 3-39. HOOK - FRAME MOUNTED (4T)

ITEM	PART NUMBER	QTY	DESCRIPTION	REV
	1001097205	Ref	Fork Mounted Hook (4 Ton)	J
1	7029520	2	Pin, Cotter	
2	1001093171	2	Pin	
3	70020555	1	Bushing	
4	90554080	1	Hook	
5	7029521	1	Shackle	
6	See Note	NSS	Frame, Hook (Note: Purchase Complete Assembly)	
7	See Note	NSS	S/N Plate (Note: Stamped Part - Not Available for Purchase)	

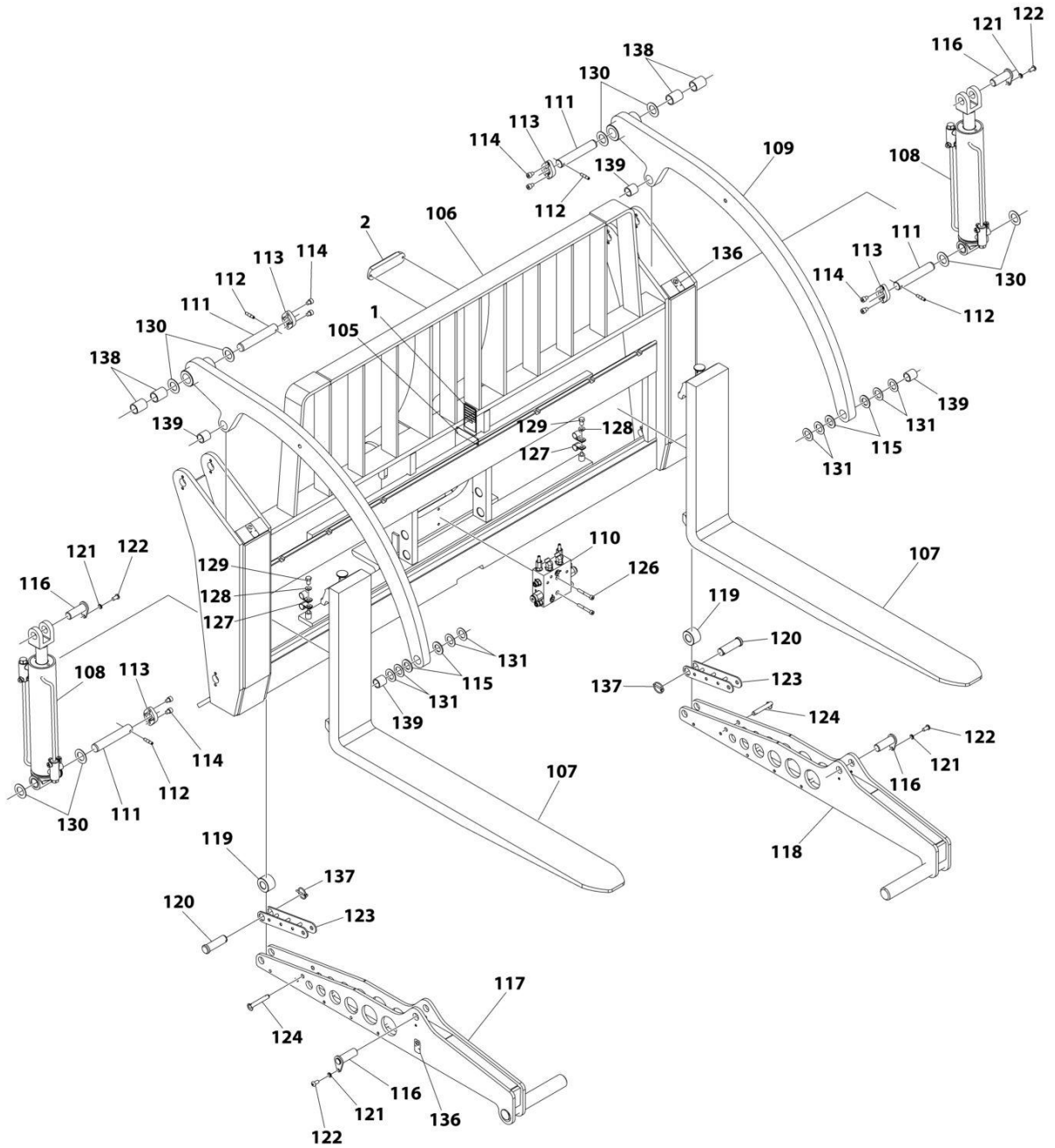
# SECTION 3 - ATTACHMENTS

## FIGURE 3-40. PIPE GRAPPLE



ART\_1001142247\_1

# SECTION 3 - ATTACHMENTS



ART\_1001142247\_2

## SECTION 3 - ATTACHMENTS

### FIGURE 3-40. PIPE GRAPPLE

ITEM	PART NUMBER	QTY	DESCRIPTION	REV
	1001142247	Ref	PIPE HANDLER ASSEMBLY	G
1	See Note	NSS	JLG Plate (Note: Stamped Part - Not Available for Purchase)	
2	1001227670	1	Tag, RFID	
100	70026585	1	Disconnect & Hose Kit (Boom Front Disconnect) (Includes Items 101, 102, 104, 125, 132-135, 140-143)	
100	70031442	1	Disconnect Kit (Boom Side Disconnect) (Includes Items 102, 104, & 140-143)	
101	70024123	4	Fitting, 90	
102	70026347	2	Hose 20in (Boom Front Disconnect)	
102	70031448	2	Hose 44in (Boom Side Disconnect)	
104	70024550	2	Fitting, 90	
105	See Note	NSS	S/N Plate (Note: Stamped Part - Not Available for Purchase)	
106	See Note	NSS	Carriage (Note: Purchase Complete Assembly)	
107	70026586	2	Fork	
108	70026587	2	Cylinder, Pipe Handler (See Separate Breakdown in HYDRAULIC COMPONENTS Section)	
109	70026588	2	Arm	
110	70026589	1	Valve Assembly (See Separate Breakdown in HYDRAULIC CIRCUITS Section)	
111	70026470	4	Pin	
112	70026471	4	Pin Drive - Lock	
113	70026472	4	Retainer	
114	70026473	8	Capscrew, M10 x 12	
115	70026590	4	Thrust Washer	
116	70026591	4	Pin Weldment	
117	70026592	1	Contact Pad - RH	
118	70026593	1	Contact Pad - LH	
119	70026594	2	Roller	
120	70026595	2	Clevis Pin	
121	70026596	4	Lockwasher, M8	
122	70026597	4	Capscrew, M8 x 16	
123	70026598	2	Retainer	
124	70026599	2	Ring Detent Pin	
125	70023000	4	Fitting	
126	70026600	2	Capscrew, M8 x 60	
127	70026481	4	Hose Clamp	
128	70026482	2	Washer	
129	70022996	2	Capscrew, M10X16	
130	70026476	24	Shim	
131	70026601	8	Shim	
132	70026602	2	Hose	
133	70026603	2	Hose	
134	70026604	2	Hose	
135	70026605	2	Hose	
136	70024538	4	Warning Decal	
137	70026606	2	Lynch Pin, 3/16	
138	70026501	4	Bushing	
139	70026607	4	Bushing	
140	70026608	1	Plug	
141	70026609	1	Cap	

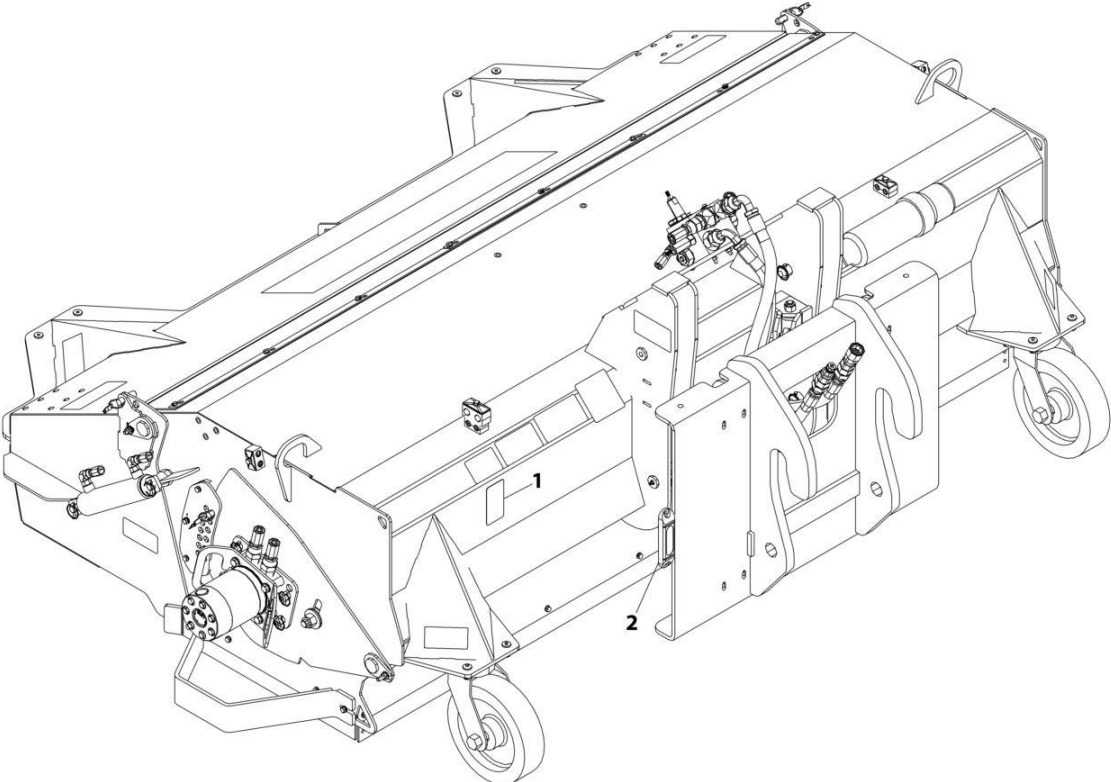


## SECTION 3 - ATTACHMENTS

ITEM	PART NUMBER	QTY	DESCRIPTION	REV
142	91403414	1	Coupler - Male	
143	91403413	1	Coupler - Female	

**SECTION 3 - ATTACHMENTS**

**FIGURE 3-41. SWEEPER ASSEMBLY**



ART\_1001202904

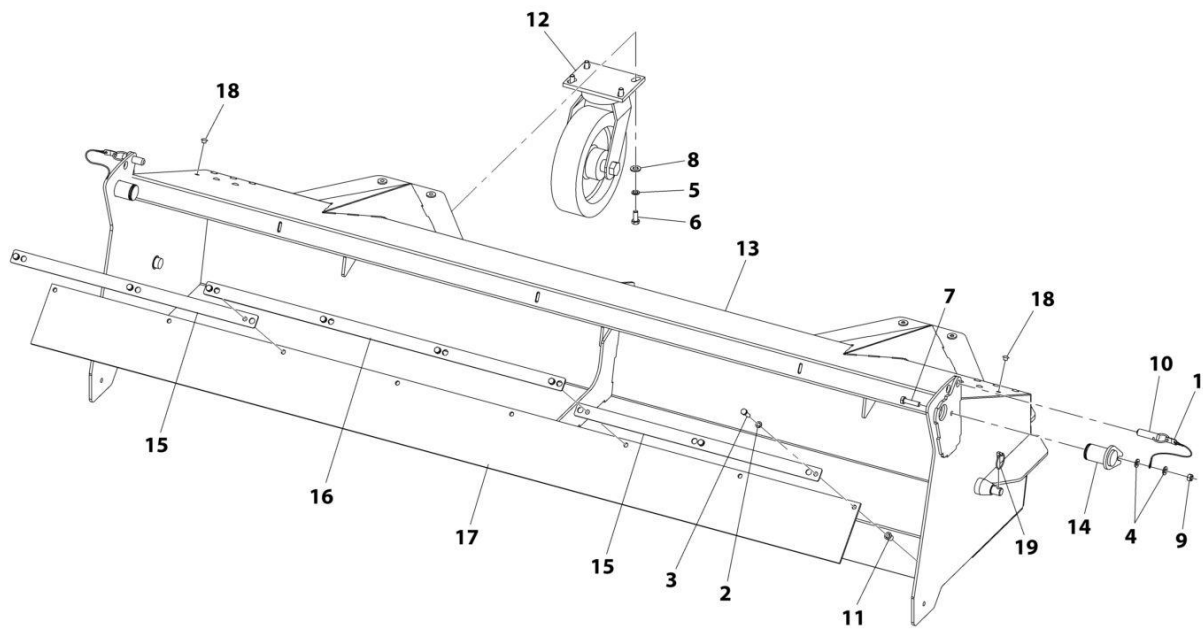
## SECTION 3 - ATTACHMENTS

**FIGURE 3-41. SWEEPER ASSEMBLY**

ITEM	PART NUMBER	QTY	DESCRIPTION	REV
	1001202904	Ref	Sweeper Assembly	D
1	See Note	NSS	S/N Plate (Note: Stamped Part - Not Available for Purchase)	
2	1001227670	1	Tag, RFID	
		Ref	Sweeper Assembly- Hopper (See Separate Breakdown in this Section)	
		Ref	Sweeper Assembly - Body (See Separate Breakdown in this Section)	
		Ref	Sweeper Assembly - Motor (See Separate Breakdown in this Section)	
		Ref	Sweeper Assembly - Idler (See Separate Breakdown in this Section)	
		Ref	Sweeper Assembly - Core (See Separate Breakdown in this Section)	
		Ref	Sweeper Assembly - Hydraulic Single Motor (See Separate Breakdown in this Section)	

# SECTION 3 - ATTACHMENTS

## FIGURE 3-42. SWEEPER - HOPPER



ART\_1001202904\_1-B

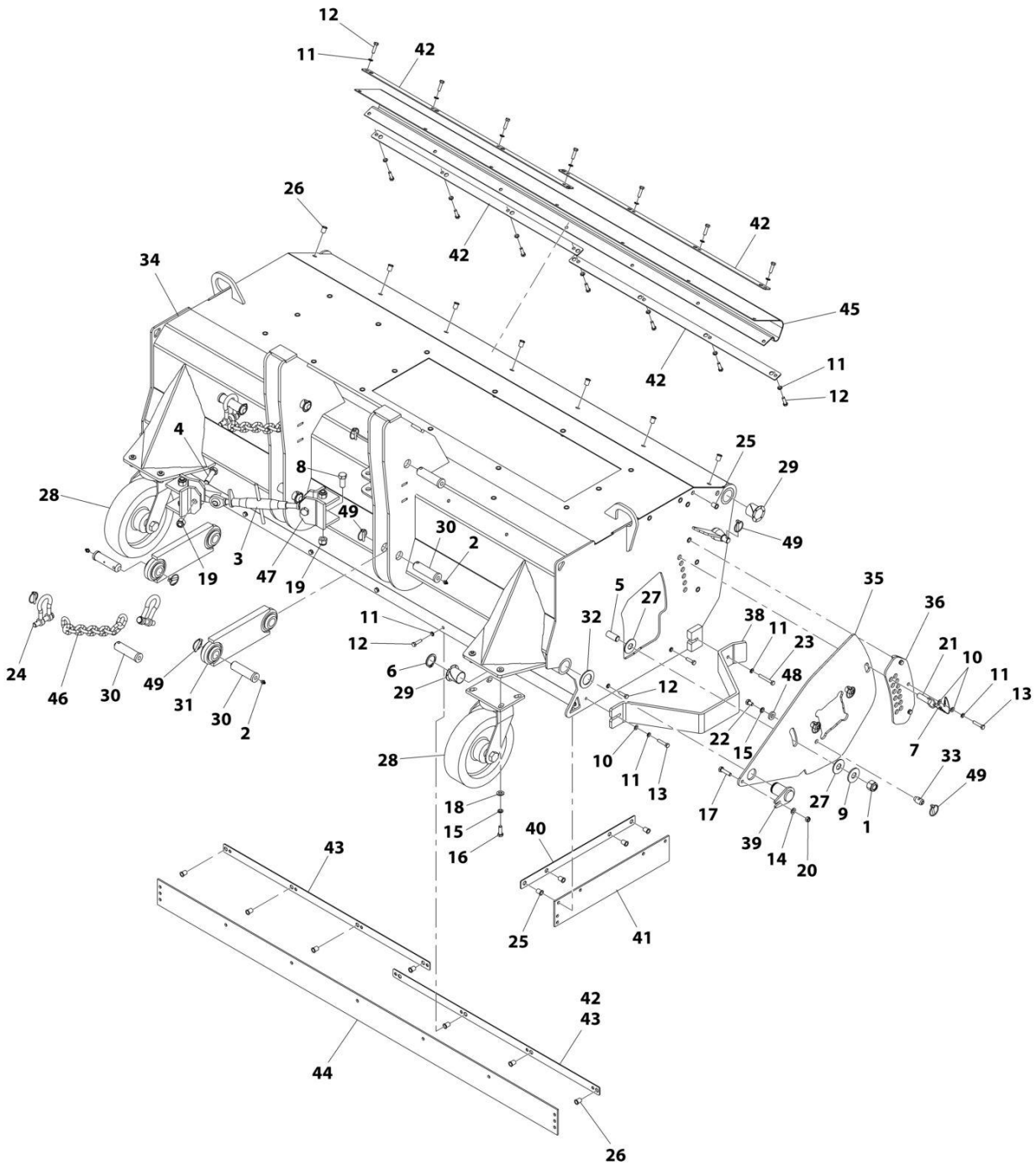
## SECTION 3 - ATTACHMENTS

### FIGURE 3-42. SWEEPER - HOPPER

ITEM	PART NUMBER	QTY	DESCRIPTION	REV
	1001202904	Ref	SWEEPER ASSEMBLY - HOPPER	
1	70029725	2	Lanyard	
2	70029734	8	Washer	
3	70029735	8	Screw	
4	70029738	4	Washer	
5	70029739	8	Washer	
6	70029740	8	Screw	
7	70029742	2	Screw	
8	70029743	8	Washer	
9	70029747	2	Nut	
10	70029750	2	Pin	
11	70029756	8	Nut	
12	70029762	2	Assembly, Caster	
13	See Note	NSS	Hopper (Note: Purchase Complete Assembly)	
14	70029777	2	Pin	
15	70029780	2	Plate	
16	70029781	1	Plate	
17	70029785	1	Flap	
18	70029792	12	Plug	
19	70029794	2	Pin, Lynch	

# SECTION 3 - ATTACHMENTS

## FIGURE 3-43. SWEEPER - BODY



ART\_1001202904\_2-B

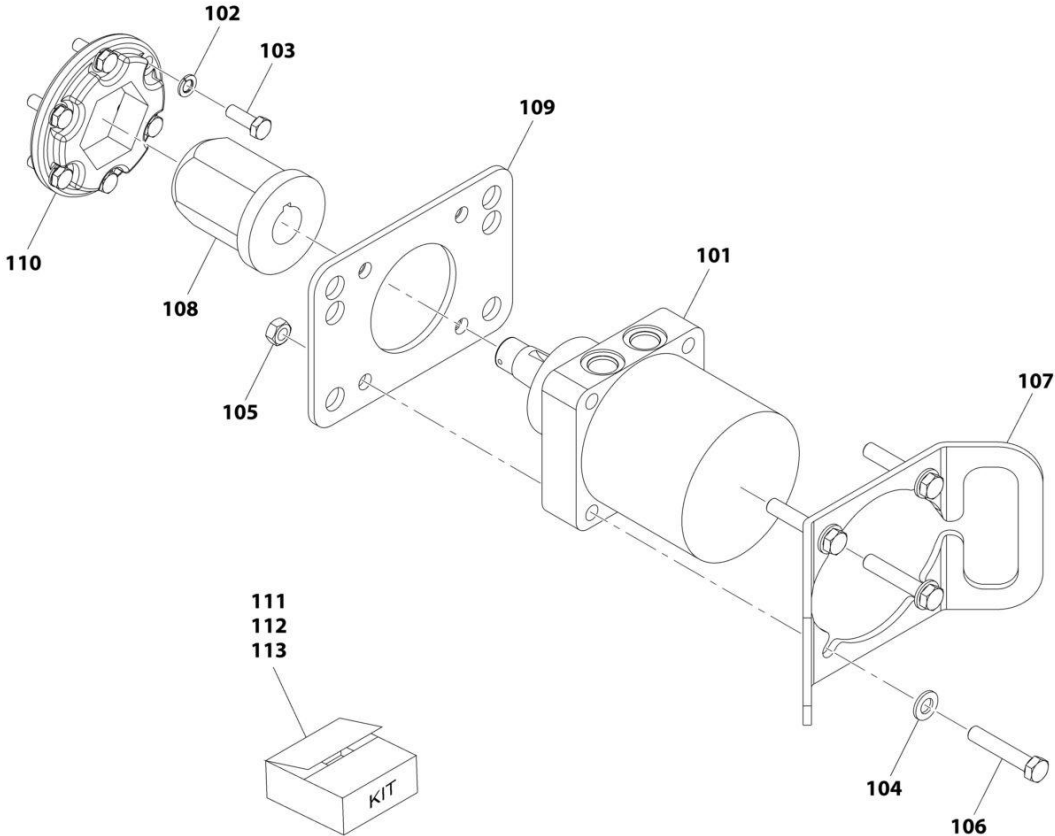
## SECTION 3 - ATTACHMENTS

### FIGURE 3-43. SWEEPER - BODY

ITEM	PART NUMBER	QTY	DESCRIPTION	REV
	1001202904	Ref	SWEEPER ASSEMBLY - BODY	
1	70029720	2	Nut	
2	70029721	4	Fitting, Grease	
3	70029722	1	Toplink	
4	70029723	2	Screw	
5	70020004	2	Screw	
6	70029724	2	Ring, Snap	
7	70029725	2	Lanyard	
8	70029726	4	Screw	
9	70029728	2	Washer	
10	70029732	6	Washer	
11	70029734	38	Washer	
12	70029735	32	Screw	
13	70029736	4	Screw	
14	70029738	2	Washer	
15	70029739	14	Washer	
16	70029741	8	Screw	
17	70029742	2	Screw	
18	70029743	8	Washer	
19	70029745	6	Nut	
20	70029747	2	Nut	
21	70029729	2	Pin	
22	70029751	6	Screw	
23	70029752	2	Screw	
24	70029755	4	Shackle	
25	70029756	45	Nut	
26	70029757	25	Nut	
27	70029760	4	Washer	
28	70029762	2	Assembly, Caster	
29	70029764	4	Bearing	
30	70029765	8	Pin	
31	70029766	2	Link	
32	70029767	2	Washer	
33	70029768	6	Stud	
34	See Note	NSS	Body, Sweeper (Note: Purchase Complete Assembly)	
35	70029773	2	Plate	
36	70029774	2	Plate	
37	70029775	2	Plate	
38	70029776	2	Plate	
39	70029777	2	Pin	
40	70029778	2	Plate	
41	70029779	2	Flap	
42	70029780	6	Plate	
43	70029781	3	Plate	
44	70029784	1	Flap	
45	70029786	1	Flap	
46	70029788	2	Chain	
47	70029790	2	Toplink	
48	70029793	6	Washer	
49	70029794	16	Pin, Lynch	

**SECTION 3 - ATTACHMENTS**

**FIGURE 3-44. SWEEPER - MOTOR**



ART\_1001202904\_3-B



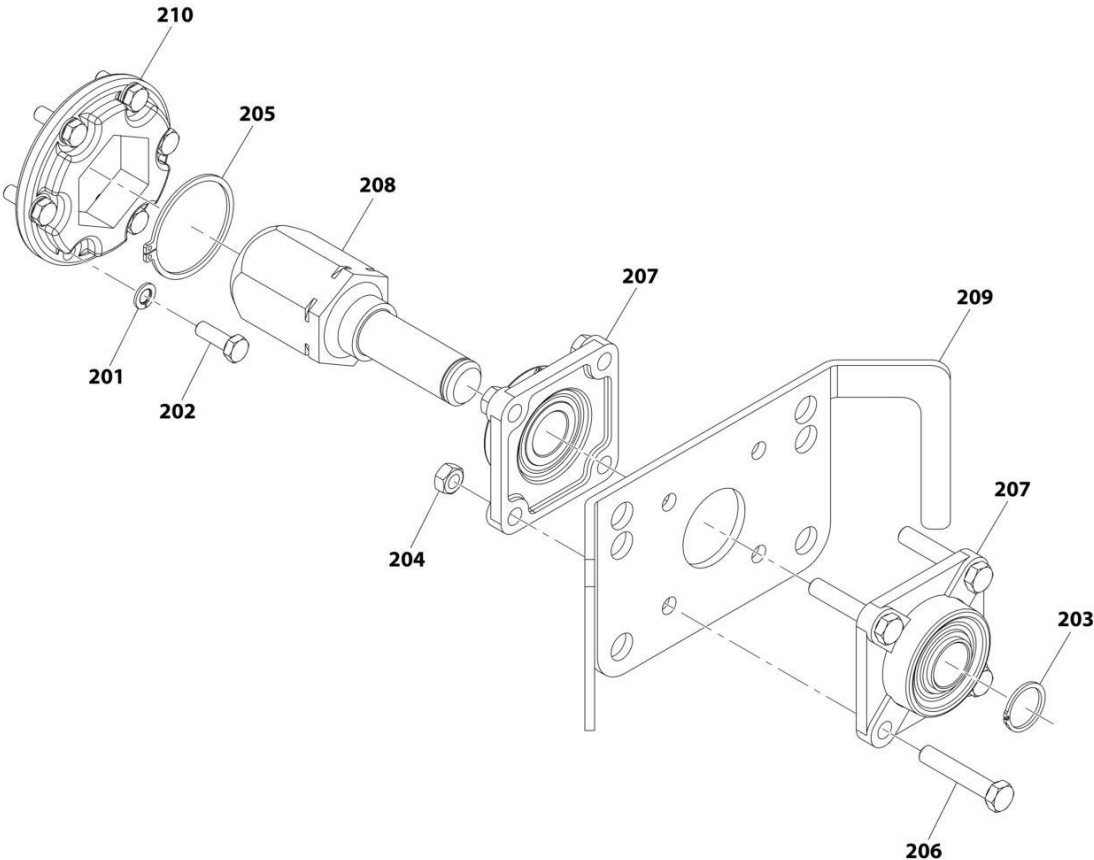
# SECTION 3 - ATTACHMENTS

## FIGURE 3-44. SWEEPER - MOTOR

ITEM	PART NUMBER	QTY	DESCRIPTION	REV
	1001202904	Ref	SWEEPER ASSEMBLY - MOTOR	
101	70029717	1	Motor	
102	70029739	6	Washer	
103	70029741	6	Screw	
104	70029743	4	Washer	
105	70029746	4	Nut	
106	70029749	4	Screw	
107	70029769	1	Plate	
108	70029771	1	Hub	
109	70029772	1	Plate	
110	70029789	1	Plate	
111	70029719	1	Nut, Motor Shaft Lock	
112	70029718	1	Kit, Seal	
113	70029761	1	Key	

**SECTION 3 - ATTACHMENTS**

**FIGURE 3-45. SWEEPER - IDLER**



ART\_1001202904\_4-B

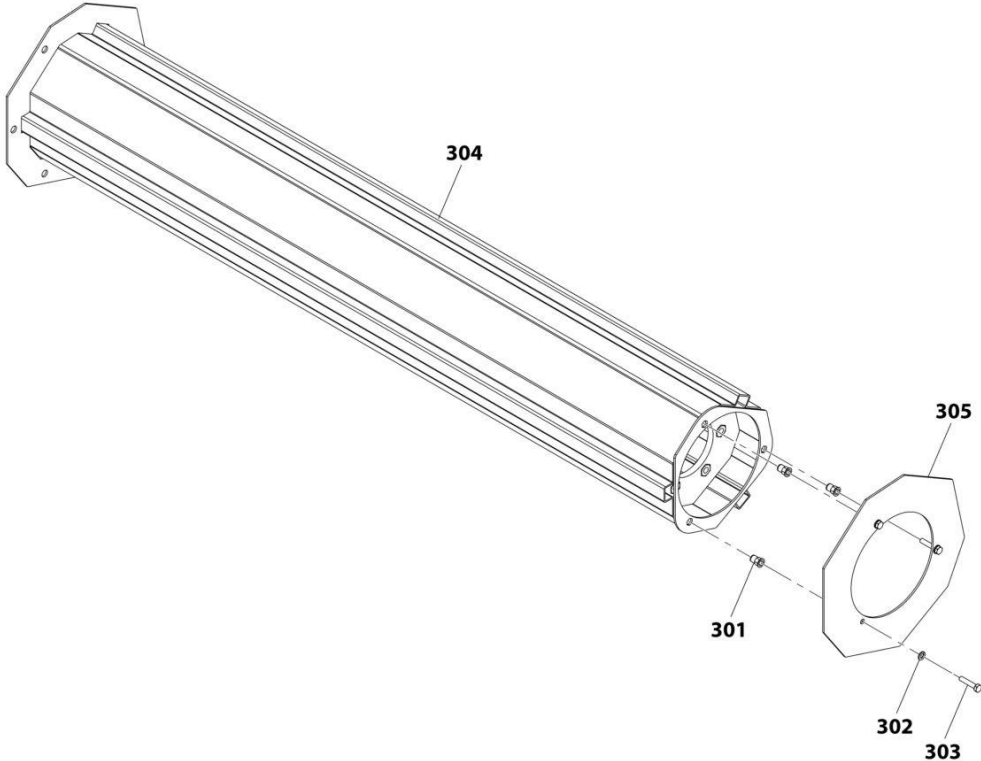
## SECTION 3 - ATTACHMENTS

### FIGURE 3-45. SWEEPER - IDLER

ITEM	PART NUMBER	QTY	DESCRIPTION	REV
	1001202904	Ref	SWEEPER ASSEMBLY - IDLER	
201	70029739	6	Washer	
202	70029741	6	Screw	
203	70029744	1	Ring, Snap	
204	70029746	4	Nut	
205	70029748	1	Ring, Snap	
206	70029749	4	Screw	
207	70029763	2	Bearing	
208	70029770	1	Hub	
209	70029787	1	Plate	
210	70029789	1	Plate	

**SECTION 3 - ATTACHMENTS**

**FIGURE 3-46. SWEEPER - CORE**



ART\_1001202904\_5-B

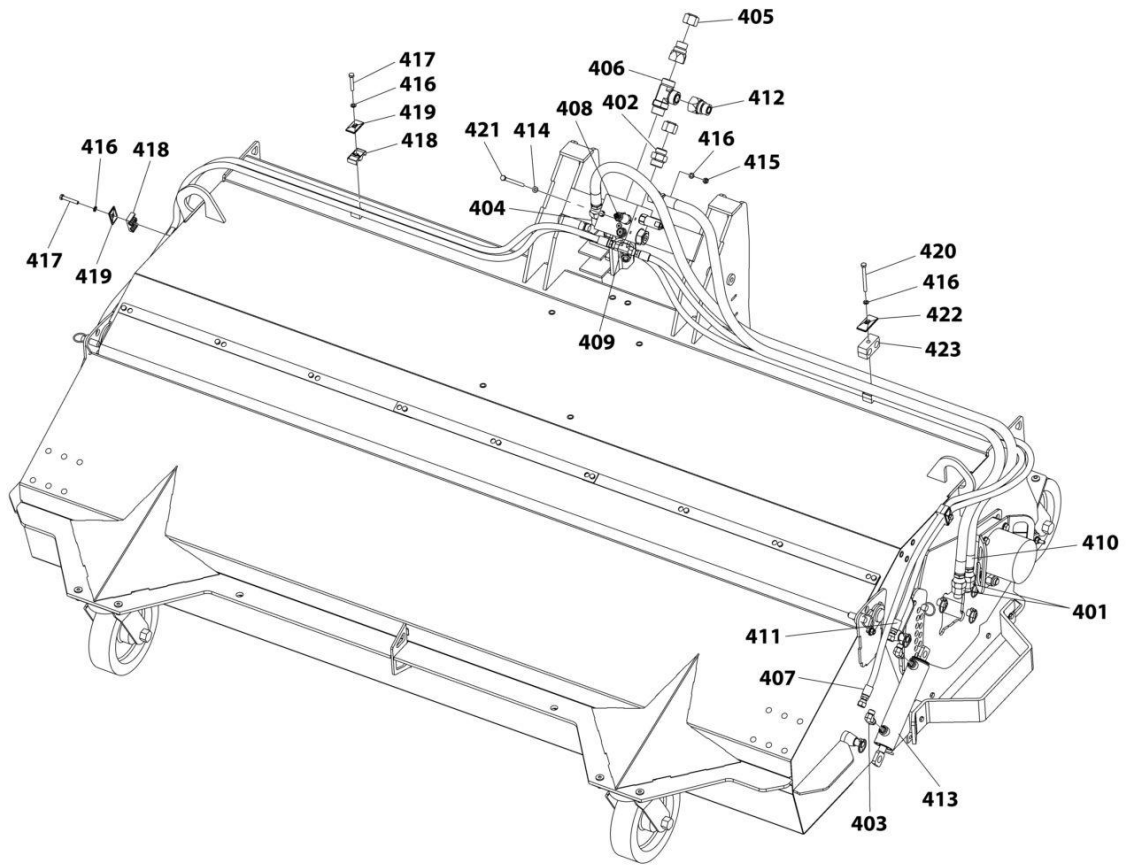
# SECTION 3 - ATTACHMENTS

## FIGURE 3-46. SWEEPER - CORE

ITEM	PART NUMBER	QTY	DESCRIPTION	REV
	1001202904	1	SWEEPER ASSEMBLY - CORE	
301	70029727	3	Nut	
302	70029730	3	Washer	
303	70029731	3	Screw	
304	70029782	1	Core	
305	70029783	1	Plate	

# SECTION 3 - ATTACHMENTS

## FIGURE 3-47. SWEEPER - HYDRAULIC LINES



ART\_1001202904\_6-B

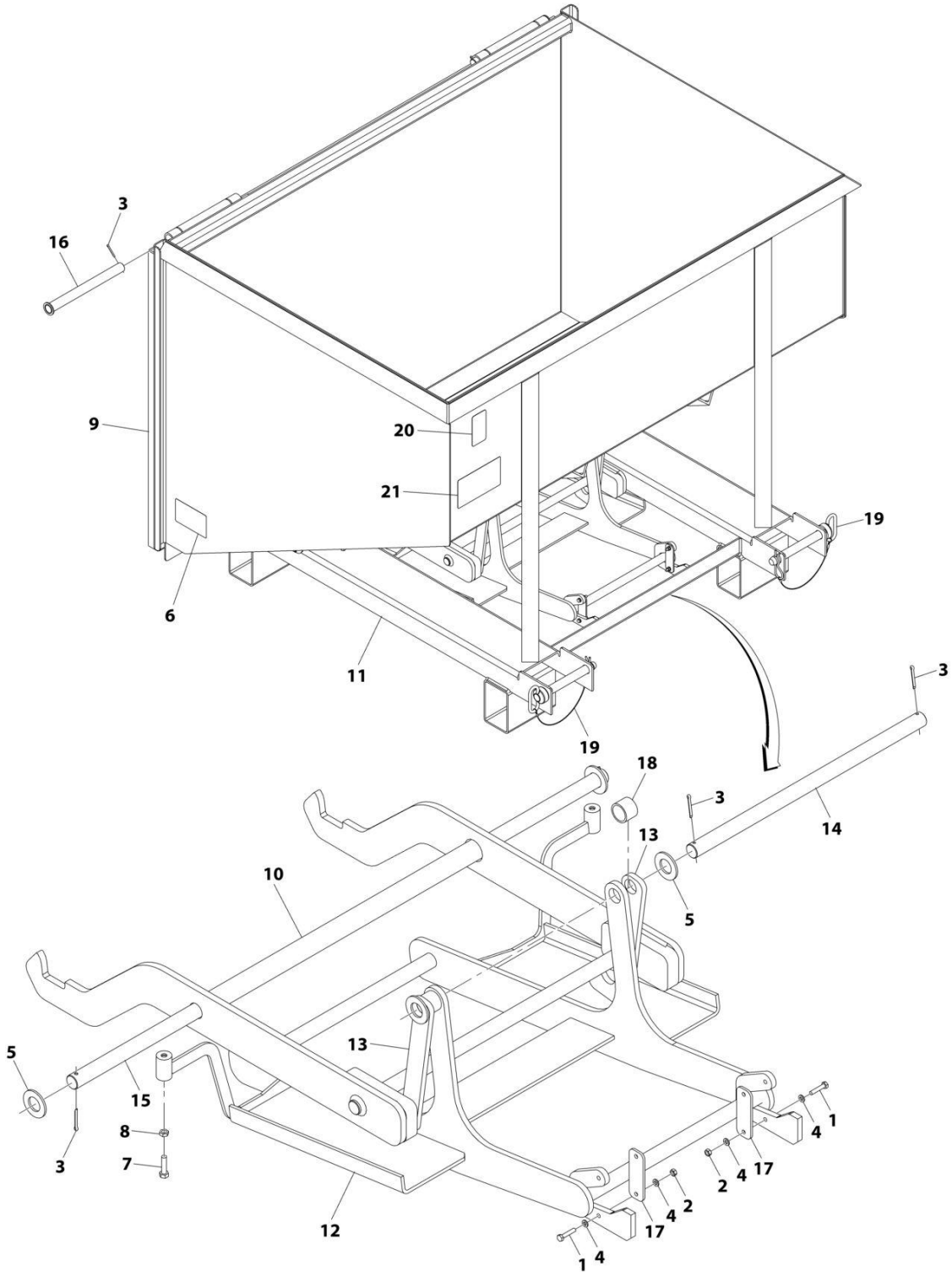
## SECTION 3 - ATTACHMENTS

**FIGURE 3-47. SWEEPER - HYDRAULIC LINES**

ITEM	PART NUMBER	QTY	DESCRIPTION	REV
	1001202904	Ref	SWEEPER ASSEMBLY - HYDRAULICS	
401	70029704	2	Fitting	
402	70029705	1	Fitting	
403	70029706	4	Fitting, 90	
404	70029707	1	Fitting, 90	
405	70029708	2	Cap	
406	70029709	1	Fitting, Tee	
407	70029710	2	Hose	
408	70029711	1	Manifold	
409	70029712	2	Fitting, Tee	
410	70029713	2	Hose	
411	70029714	2	Hose	
412	70029715	2	Fitting	
413	70029716	2	Cylinder	
413	70029791	1	Kit, Seal	
414	70029732	2	Washer	
415	70029733	2	Nut	
416	70029734	6	Washer	
417	70029737	3	Screw	
418	70029753	8	Hose	
419	70029754	3	Cover	
420	70029758	1	Screw	
421	70029759	2	Screw	
422	70029795	1	Cover	
423	70029796	1	Cradle, Hose	

# SECTION 3 - ATTACHMENTS

## FIGURE 3-48. TRASH HOPPER (FORK MOUNTED)



ART\_1001238566-B



## SECTION 3 - ATTACHMENTS

**FIGURE 3-48. TRASH HOPPER (FORK MOUNTED**

ITEM	PART NUMBER	QTY	DESCRIPTION	REV
	1001238566	Ref	FORK MOUNTED TRASH HOPPER	C
1	0700614	4	Bolt M6 x 30	
2	3290601	4	Nut M6 x 1	
3	3391410	6	Pin	
4	4811700	8	Washer M6	
5	5242400	4	Washer M24	
6	1706302	2	Decal, Pinch Point	
7	0641510	2	Bolt 5/16 x 1-1/4	
8	3311502	2	Nut 5/16	
9	1001192711	1	Door Assembly	
10	1001192720	1	Hook Assembly	
11	See Note	NSS	Hopper, Trash (Note: Purchase Complete Assembly)	
12	1001192875	1	Tray Assembly	
13	1001192876	2	Arm, Swing	
14	1001192877	1	Rod, Swing	
15	1001238570	1	Bar	
16	1001193540	2	Pin	
17	1001193729	2	Plate	
18	1001198355	2	Spacer	
19	1001238560	2	Pin	
20	See Note	NSS	SN Plate (Note: Stamped Part - Not Available for Purchase)	
21	1001203503	1	Decal, Trash Hopper Operation	

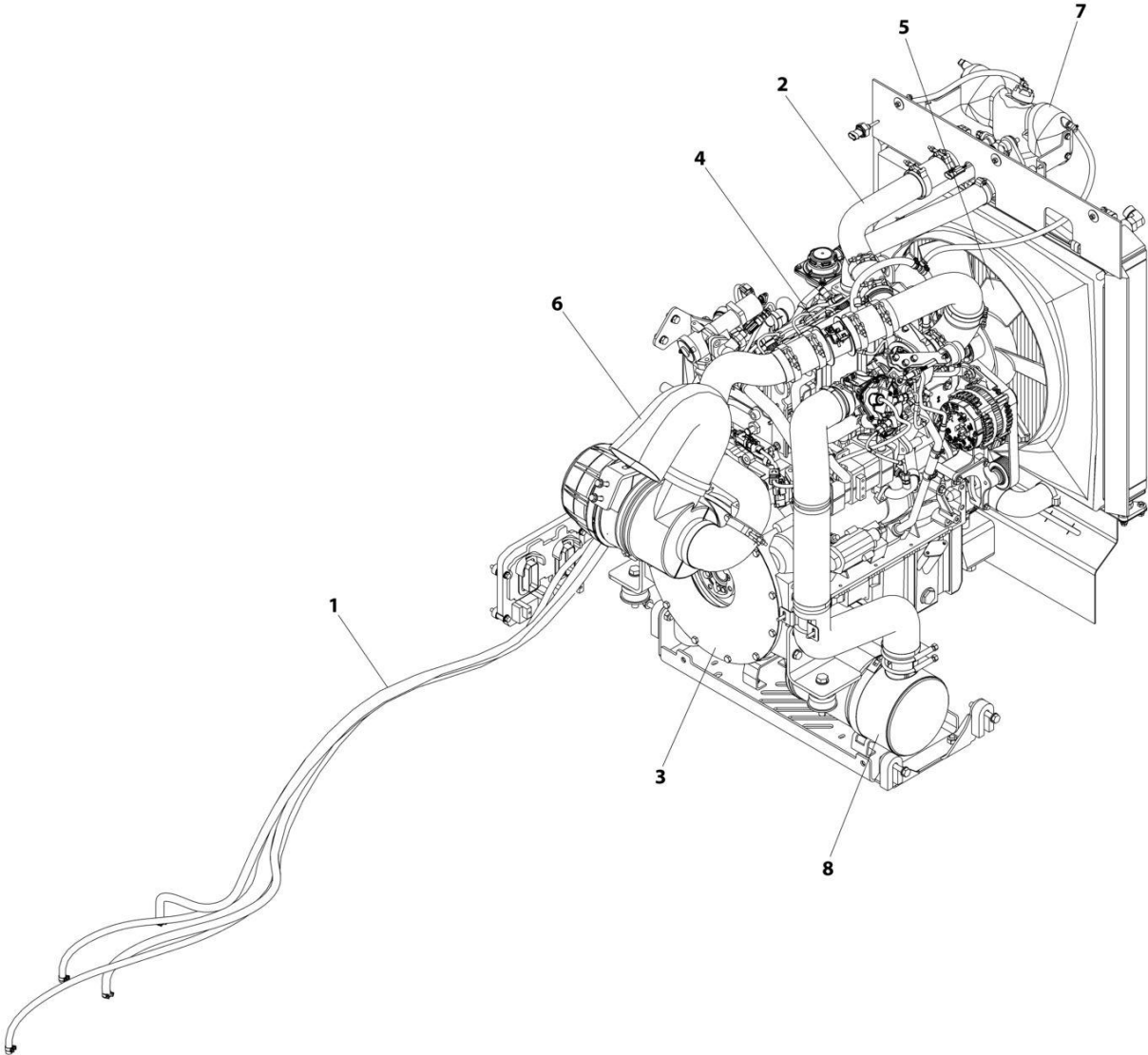


## **SECTION 4 - ENGINE AND ATTACHING PARTS**

## **SECTION 4 - ENGINE AND ATTACHING PARTS**

# SECTION 4 - ENGINE AND ATTACHING PARTS

## FIGURE 4-1. ENGINE PACKAGE INSTALLATION (74HP ULS)



ART\_1001243880-A

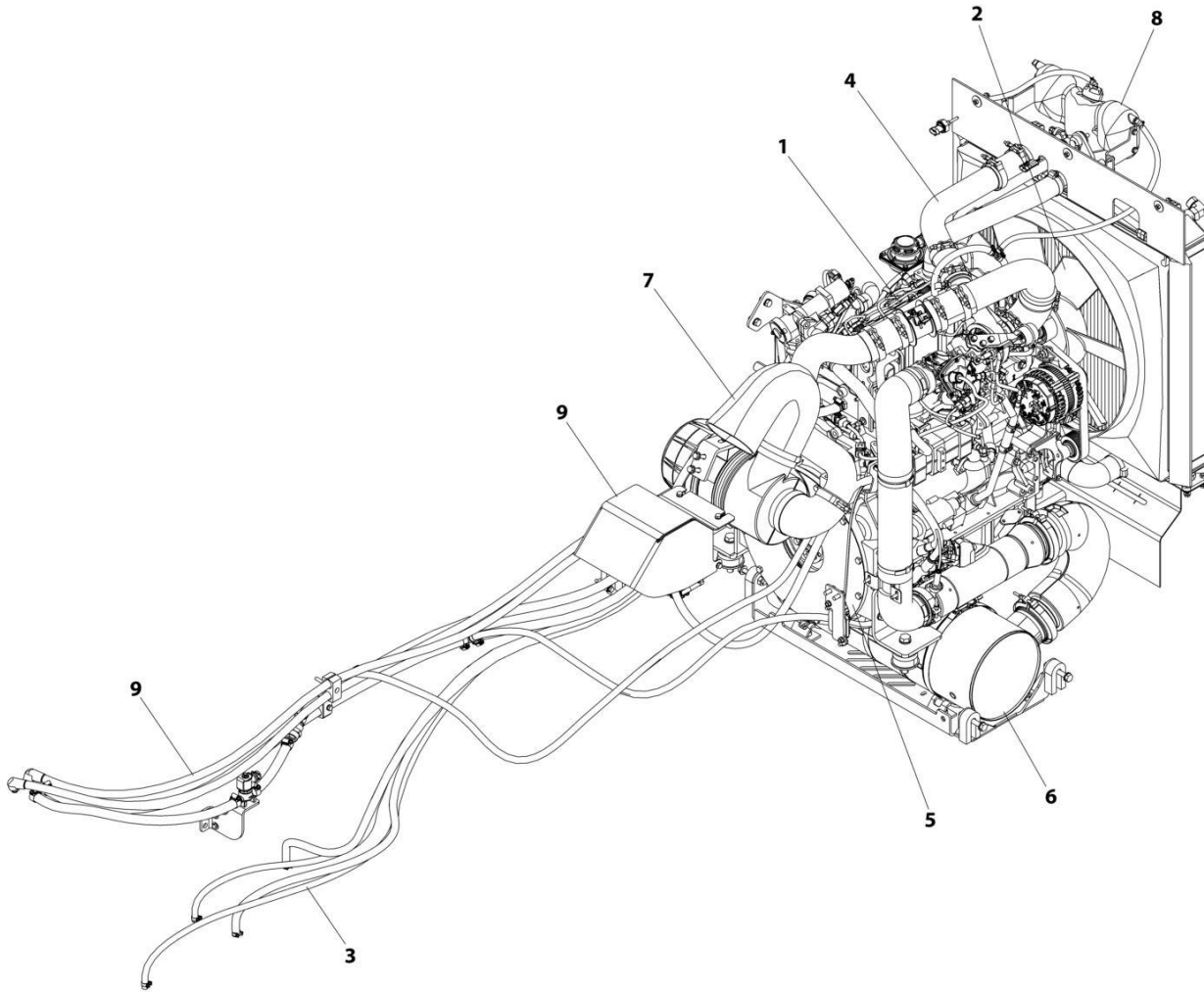
## SECTION 4 - ENGINE AND ATTACHING PARTS

### FIGURE 4-1. ENGINE PACKAGE INSTALLATION (74HP ULS)

ITEM	PART NUMBER	QTY	DESCRIPTION	REV
1	1001243880	Ref	Engine Package Installation (74HP)	A
	1001165672	Ref	Installation, Fuel Plumbing (ULS) (See Separate Breakdown in this Section)	
2	1001165673	Ref	Installation, Plumbing Cooling (ULS) (See Separate Breakdown in this Section)	
3	1001166229	Ref	Installation, Pump Coupler (See Separate Breakdown in this Section)	
4	1001196124	Ref	Installation, Engine (74HP) (See Separate Breakdown in this Section)	
5	1001196736	Ref	Installation, Fan (74HP) (See Separate Breakdown in this Section)	
6	1001243882	Ref	Installation, Air Cleaner (ULS) (See Separate Breakdown in this Section)	
7	1001243887	Ref	Installation, Cooling (74HP) (See Separate Breakdown in this Section)	
8	1001243888	Ref	Installation, Exhaust (74HP) (See Separate Breakdown in this Section)	

# SECTION 4 - ENGINE AND ATTACHING PARTS

## FIGURE 4-2. ENGINE PACKAGE INSTALLATION (130HP ULS)



ART\_1001243783-A

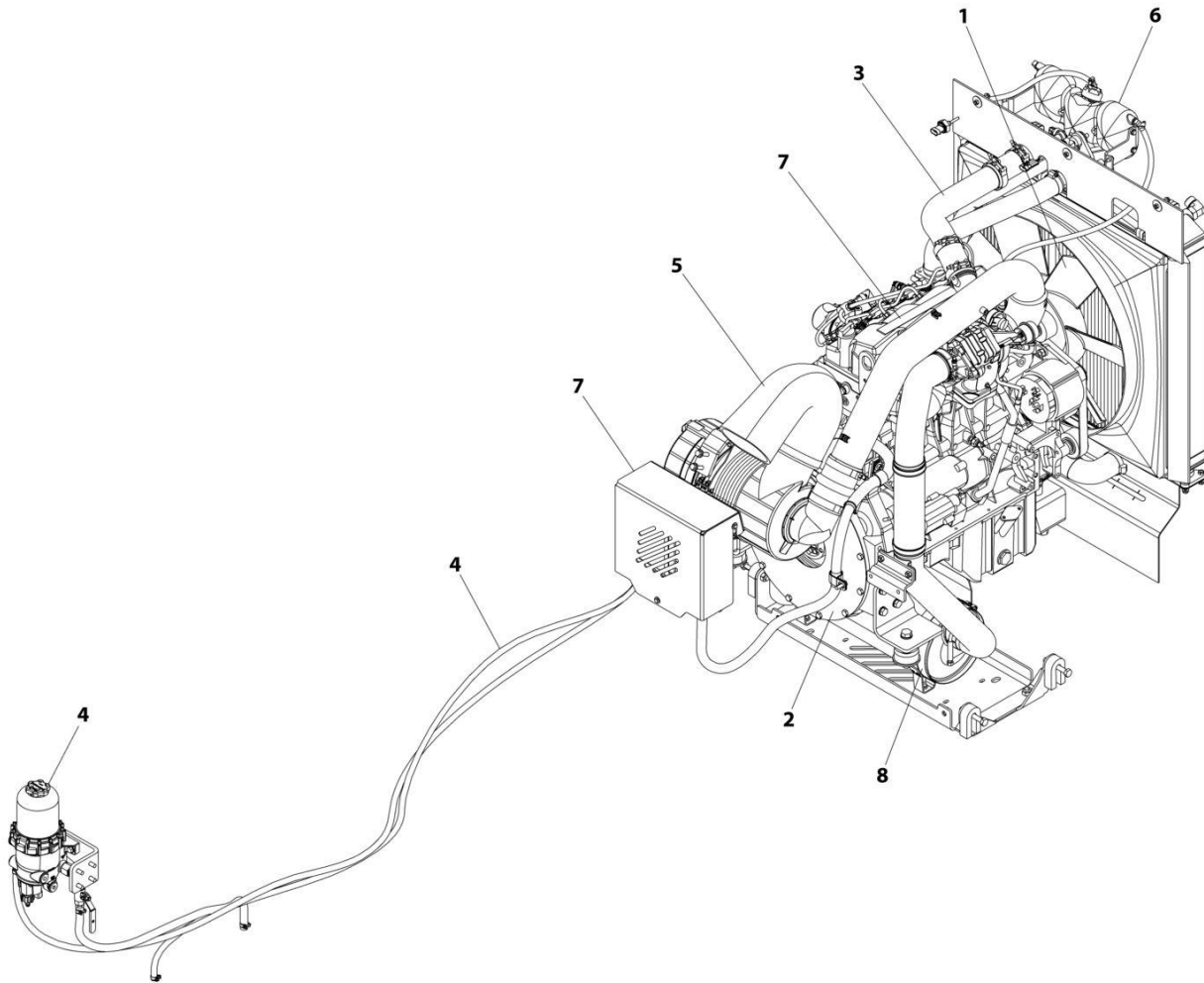
## SECTION 4 - ENGINE AND ATTACHING PARTS

**FIGURE 4-2. ENGINE PACKAGE INSTALLATION (130HP ULS)**

ITEM	PART NUMBER	QTY	DESCRIPTION	REV
1	1001243783	Ref	Engine Package Installation (ULS)	A
	1001160845	Ref	Installation, Engine (ULS) (See Separate Breakdown in this Section)	
2	1001165668	Ref	Installation, Fan (130HP) (See Separate Breakdown in this Section)	
3	1001165672	Ref	Installation, Fuel Plumbing (ULS) (See Separate Breakdown in this Section)	
4	1001165673	Ref	Installation, Plumbing Cooling (ULS) (See Separate Breakdown in this Section)	
5	1001166229	Ref	Installation, Pump Coupler (See Separate Breakdown in this Section)	
6	1001243881	Ref	Installation, After-treatment (ULS) (See Separate Breakdown in this Section)	
7	1001243882	Ref	Installation, Air Cleaner (ULS) (See Separate Breakdown in this Section)	
8	1001243884	Ref	Installation, Cooling (130HP) (See Separate Breakdown in this Section)	
9	1001243885	Ref	Installation, DEF System (ULS) (See Separate Breakdown in this Section)	

# SECTION 4 - ENGINE AND ATTACHING PARTS

FIGURE 4-3. ENGINE PACKAGE INSTALLATION (130HP LS)



ART\_1001243879-A



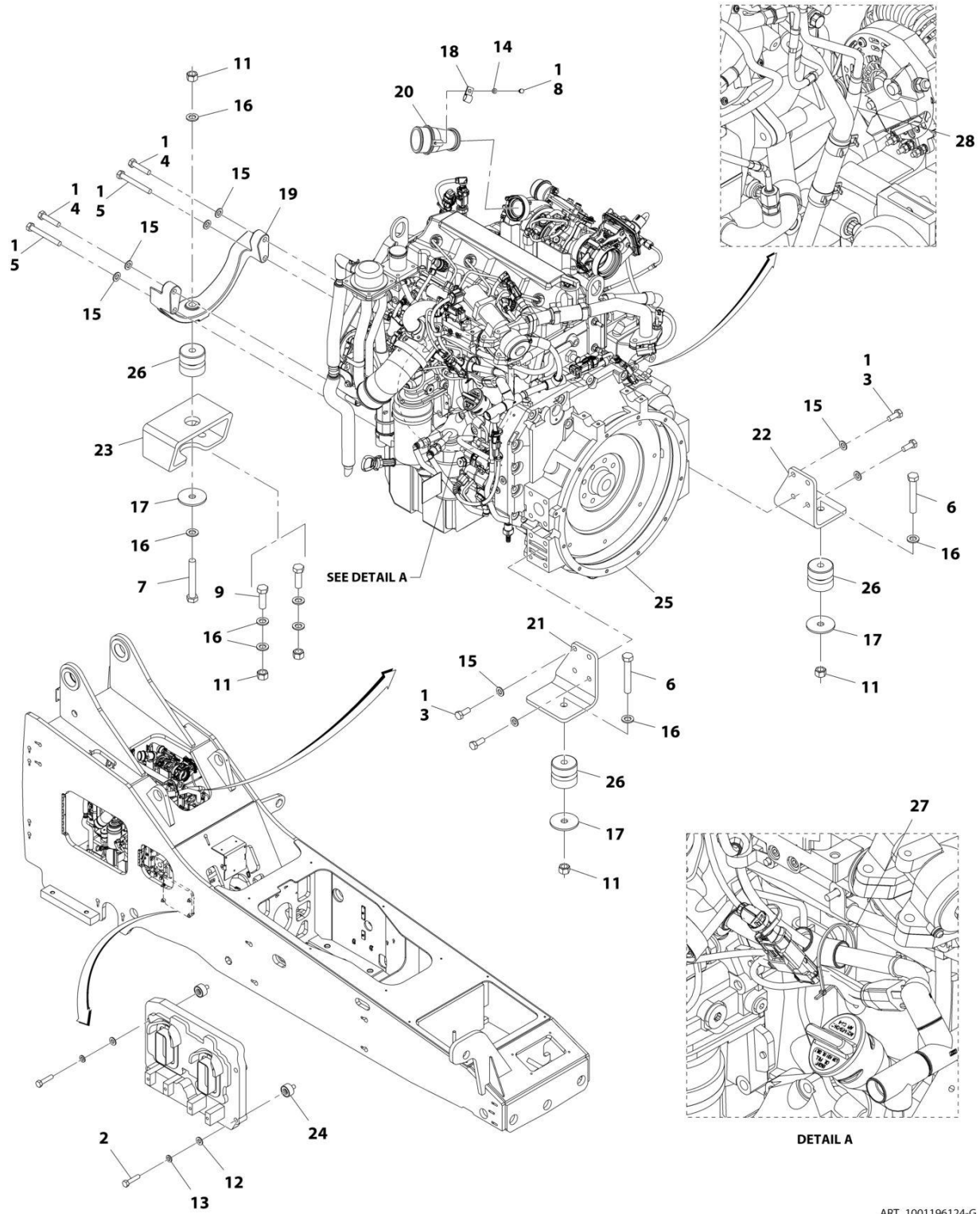
## SECTION 4 - ENGINE AND ATTACHING PARTS

**FIGURE 4-3. ENGINE PACKAGE INSTALLATION (130HP LS)**

ITEM	PART NUMBER	QTY	DESCRIPTION	REV
1	1001243879	Ref	Engine Package Installation (LS)	A
	1001165668	Ref	Installation, Fan (130HP) (See Separate Breakdown in this Section)	
2	1001166229	Ref	Installation, Pump Coupler (See Separate Breakdown in this Section)	
3	1001185652	Ref	Installation, Plumbing Cooling (LS) (See Separate Breakdown in this Section)	
4	1001186490	Ref	Installation, Fuel Plumbing (LS) (See Separate Breakdown in this Section)	
5	1001243883	Ref	Installation, Air Cleaner (LS) (See Separate Breakdown in this Section)	
6	1001243884	Ref	Installation, Cooling (130HP) (See Separate Breakdown in this Section)	
7	1001243886	Ref	Installation, Engine (LS) (See Separate Breakdown in this Section)	
8	1001243889	Ref	Installation, Exhaust (130HP) (See Separate Breakdown in this Section)	

# SECTION 4 - ENGINE AND ATTACHING PARTS

## FIGURE 4-4. ENGINE INSTALLATION (74HP ULS)



ART\_1001196124-G

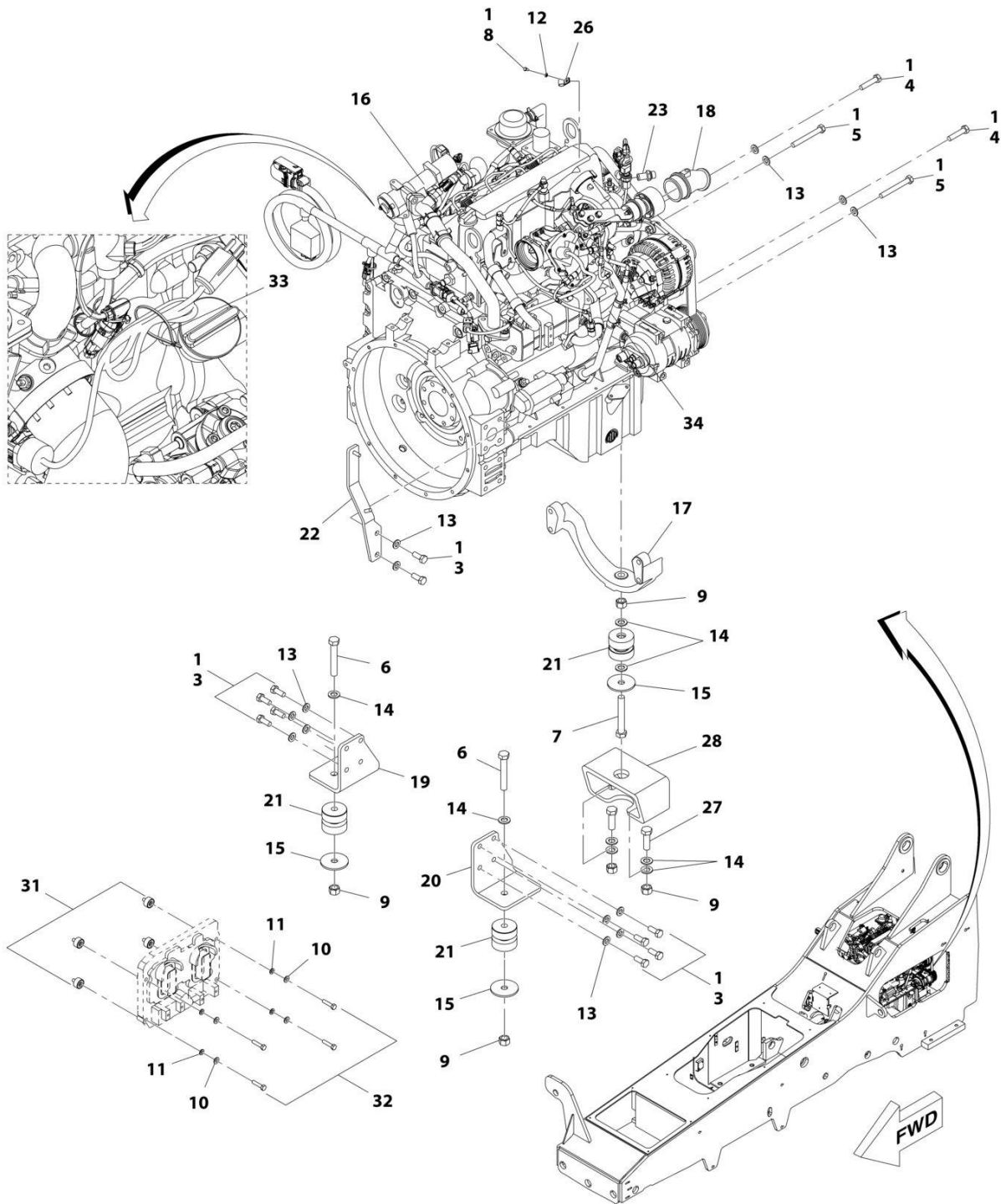
## SECTION 4 - ENGINE AND ATTACHING PARTS

**FIGURE 4-4. ENGINE INSTALLATION (74HP ULS)**

ITEM	PART NUMBER	QTY	DESCRIPTION	REV
	1001196124	Ref	Engine Installation, 74HP (if equipped for ULS)	G
1	0100011	AR	Compound, Locking	
2	0641511	4	Bolt, 5/16-18X1-3/8	
3	0711214	8	Bolt, M12X30	
4	0711219	2	Bolt, M12X55	
5	0711227	2	Bolt, M12X100	
6	0711627	2	Bolt, M16X100	
7	0711628	1	Bolt, M16X110	
8	0760605	1	Bolt, M6X10	
9	0771618	2	Bolt, M16X50	
11	3331615	5	Nut, Lock M16X12	
12	4711500	4	Washer, 5/16	
13	4761500	4	Washer, Lock 5/16	
14	4811700	1	Washer, M6	
15	4812100	12	Washer, M12	
16	4812300	8	Washer, M16	
17	7300435	3	Washer, Rebound	
18	8406112	1	Clip, Tube 5/8	
19	1001160116	1	Bracket, Engine Mount Casting	
20	1001161920	1	Adapter	
21	1001165517	1	Bracket, Engine Mount	
22	1001165518	1	Bracket, Engine Mount	
23	1001180473	1	Bracket, Rear Engine Mount	
24	1001186373	4	Mount, Isolator ECM	
25	1001196665	1	Engine (See Separate Breakdown in this Section)	
26	1001165660	3	Mount, Isolator Engine	
27	4240099	1	Strap, Tie	
28	7125871	1	Conduit 0.5X8	

# SECTION 4 - ENGINE AND ATTACHING PARTS

## FIGURE 4-5. ENGINE INSTALLATION (130HP ULS)



ART\_1001160845-L

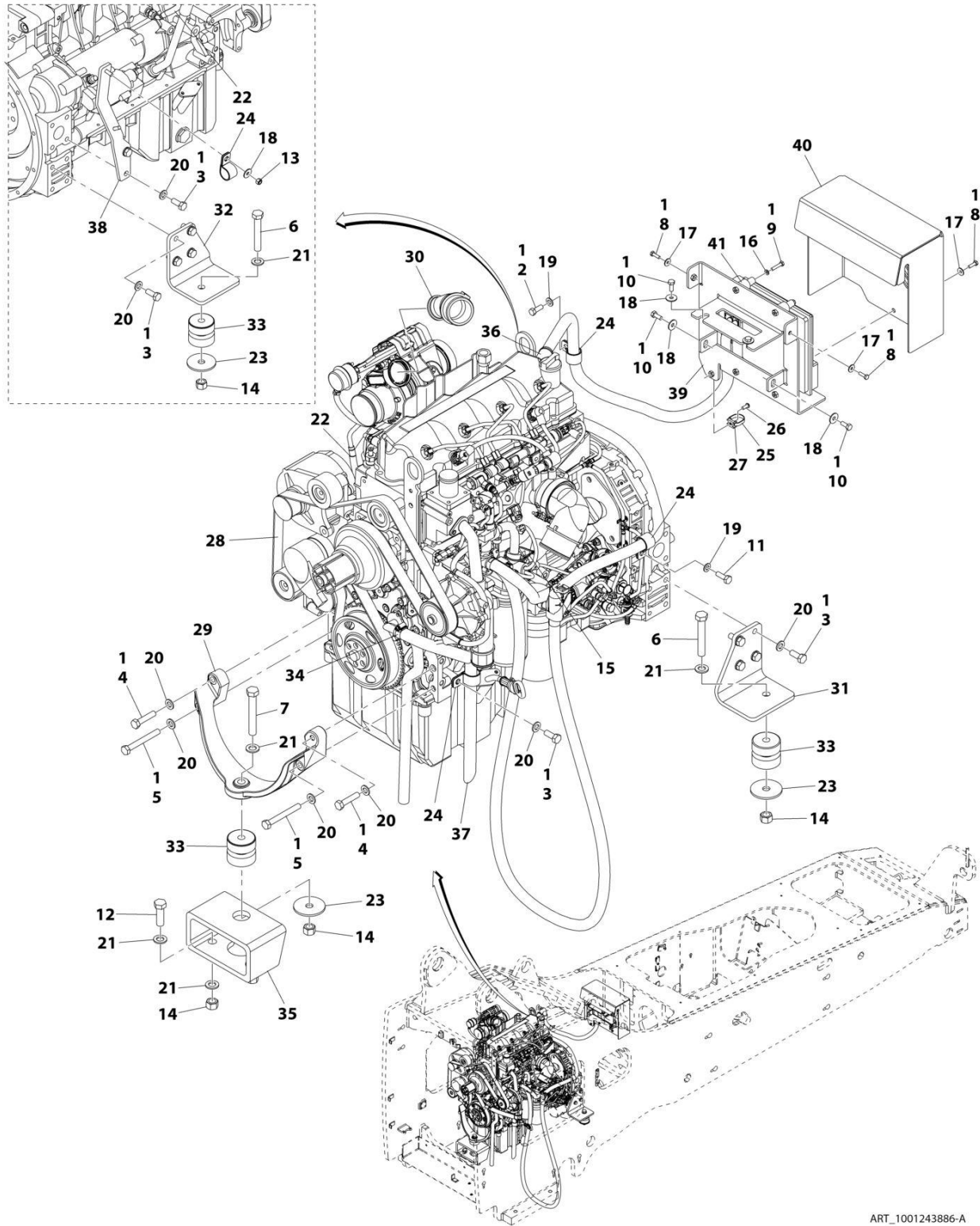
## SECTION 4 - ENGINE AND ATTACHING PARTS

**FIGURE 4-5. ENGINE INSTALLATION (130HP ULS)**

ITEM	PART NUMBER	QTY	DESCRIPTION	REV
	1001160845	Ref	Engine Installation, 110HP (if equipped for ULS)	L
1	0100011	AR	Compound, Locking	
3	0711214	10	Bolt, M12X30	
4	0711219	2	Bolt, M12X55	
5	0711227	2	Bolt, M12X100	
6	0711627	2	Bolt, 16-2X100	
7	0711628	1	Bolt, 16-2X110	
8	0760605	1	Bolt, M6X10	
9	3331615	5	Nut, Lock M16X2	
10	4711500	4	Washer, Plain 5/16	
11	4761500	4	Washer, Lock 5/16	
12	4811700	1	Washer, M6	
13	4812100	14	Washer, M12	
14	4812300	8	Washer, M16	
15	7300435	3	Washer, Rebound	
16	1001154511	1	Engine (ULS) (See Separate Breakdown in this Section)	
17	1001160116	1	Bracket, Engine Mount Casting	
18	1001161920	1	Adapter	
19	1001165517	1	Bracket, Engine Mount	
20	1001165518	1	Bracket, Engine Mount	
21	1001165660	3	Mount, Isolator Engine	
22	1001197233	1	Bracket, Hose Support	
23	1001168822	1	Fitting, Hose Barb	
26	8406112	1	Clip, Tube 5/8	
27	0771618	2	Bolt, M16X50	
28	1001180473	1	Bracket, Rear Engine Mount	
31	1001186373	4	Mount, Isolator ECM	
32	0641511	4	Bolt, 5/16-18X1-3/8	
33	4240099	1	Strap, Tie	
34	7125871	1	Conduit, 1/2X8	

# SECTION 4 - ENGINE AND ATTACHING PARTS

## FIGURE 4-6. ENGINE INSTALLATION (130HP LS)



ART\_1001243886-A

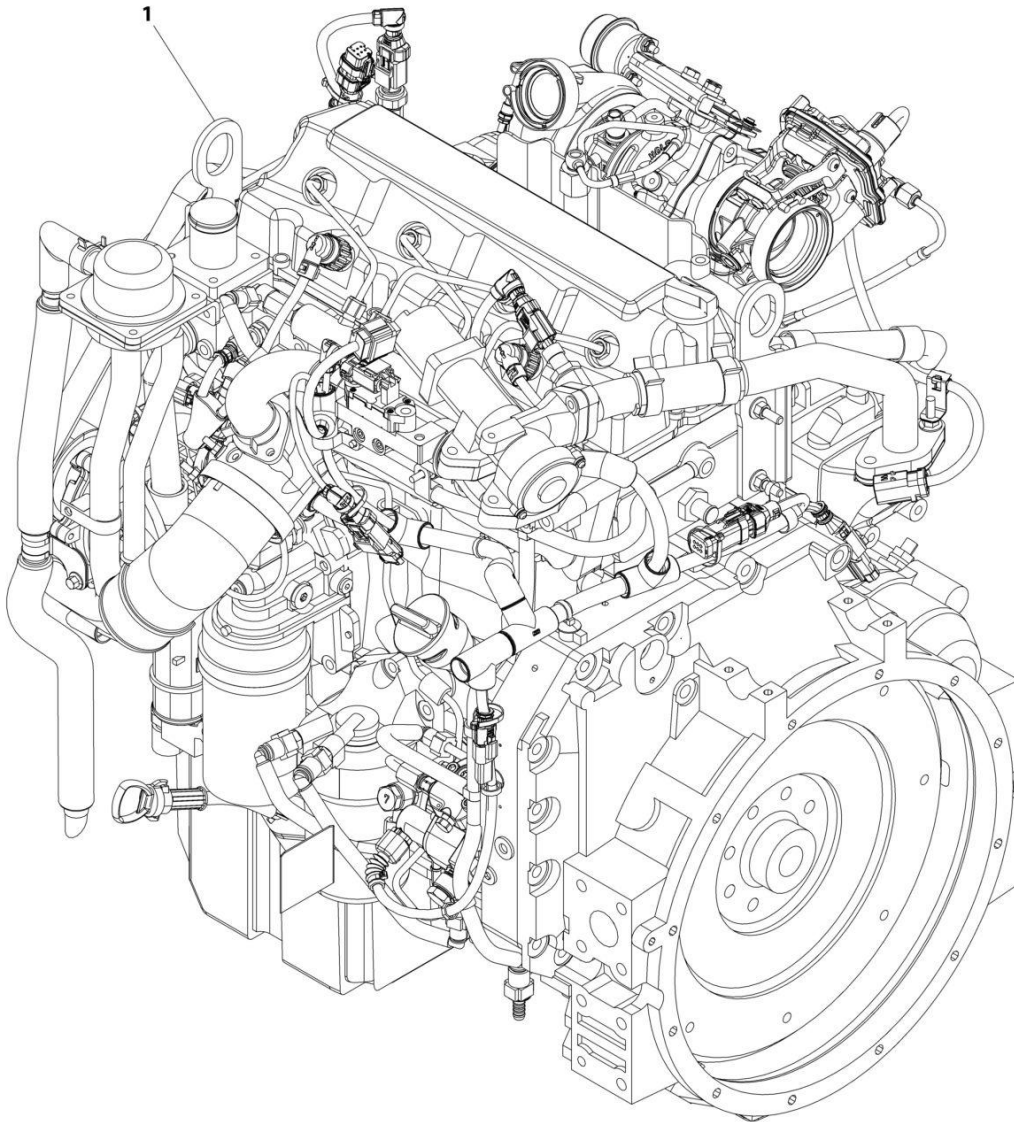
## SECTION 4 - ENGINE AND ATTACHING PARTS

**FIGURE 4-6. ENGINE INSTALLATION (130HP LS)**

ITEM	PART NUMBER	QTY	DESCRIPTION	REV
	1001243886	Ref	Engine Installation (LS)	A
1	0100011	AR	Compound, Locking	
2	0641608	1	Bolt, M8X1	
3	0711214	11	Bolt, M12X30	
4	0711219	2	Bolt, M12X55	
5	0711227	2	Bolt, M12X100	
6	0711627	2	Bolt, M16X100	
7	0711628	1	Bolt, M16X110	
8	0760610	3	Bolt, M6X20	
9	0760614	4	Bolt, M6X30	
10	0760810	4	Bolt, M8X20	
11	0761014	1	Bolt, M10X30	
12	0771618	2	Bolt, M16X50	
13	3290805	1	Nut, Lock M8	
14	3331615	5	Nut	
15	4240099	3	Strap, Cable	
16	4811700	4	Washer, M6	
17	4811702	3	Washer, M6	
18	4811902	5	Washer, M8	
19	4812000	2	Washer, M10	
20	4812100	15	Washer, M12	
21	4812300	7	Washer, M16	
22	7125871	1	Conduit	
23	7300435	3	Washer, Rebound	
24	8406303	4	Clip, Tube 1-3/16	
25	8881800	1	Strap, Cable	
26	88261015	1	Bolt, 1/4X5/8	
27	1001138645	1	Mount, Cable Tie	
28	1001154790	1	Engine (See Separate Breakdown in this Section)	
29	1001160116	1	Bracket, Engine Mount Casting	
30	1001161920	1	Adapter	
31	1001165517	1	Bracket, Engine Mount	
32	1001165518	1	Bracket, Engine Mount	
33	1001165660	3	Mount, Isolator Engine	
34	1001173535	1	Clamp	
35	1001180473	1	Bracket, Rear Engine Mount	
36	1001186718	1	Insulate, Heat Shield Tube	
37	1001192134	1	Hose	
38	1001197233	1	Bracket	
39	1001211688	1	Bracket, ECM Mount	
40	1001211690	1	Bracket, ECM Cover	
41	1001211697	4	Mount, Isolator ECM	

## SECTION 4 - ENGINE AND ATTACHING PARTS

FIGURE 4-7. ENGINE COMPONENTS (74HP ULS)



ART\_1001196665



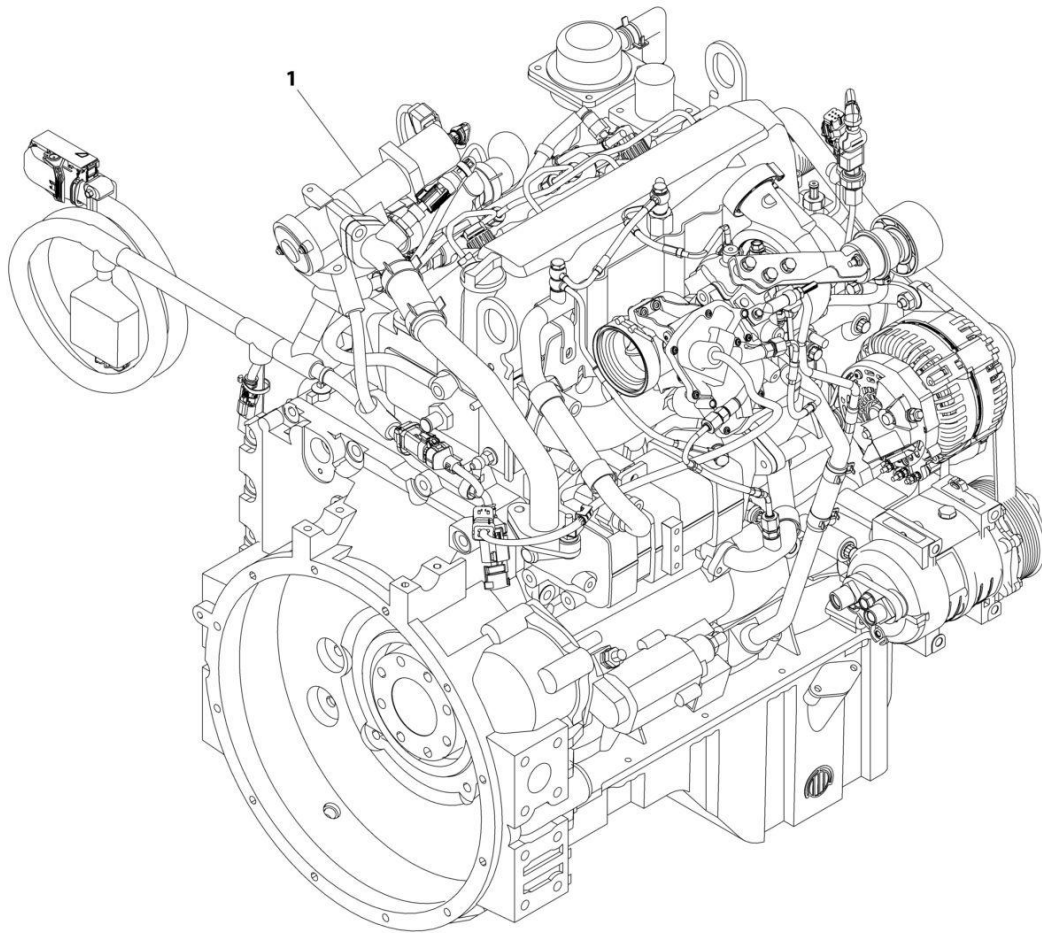
## SECTION 4 - ENGINE AND ATTACHING PARTS

**FIGURE 4-7. ENGINE COMPONENTS (74HP ULS)**

ITEM	PART NUMBER	QTY	DESCRIPTION	REV
1	1001196665	Ref	Engine, 74HP (if equipped for ULS)	O
	70026220	1	Assembly, Secondary Fuel Filter (includes filter head, seal and element)	
	70026453	1	Element, Fuel Filter	
	70026221	1	Head, Fuel Filter	
	70026222	1	Assembly, Flywheel Housing	
	70027281	1	Pan, Oil	
	70026224	1	Seal, Oil Pan	
	70026225	1	Plug, Oil Pan	
	70026226	1	Seal, Oil Pan Plug	
	1001128594	1	Starter	
	70026228	1	Filler Cap, Valve Cover	
	70026229	1	Fan Belt, V-Ribbed	
	70026230	1	Support, Fan	
	70026231	1	Pulley, Fan	
	70026232	1	Alternator	
	70028450	1	Assembly, Primary Fuel Filter	
	70026234	1	Element, Fuel Filter	
	70026235	1	Assembly, Dipstick Oil Level	
	70026241	1	Assembly, Fuel Filter Plug	
	70026237	1	Filter, Oil	
	70023933	1	O-Ring, Oil Pressure Switch	
	70041620	2	Ring, Retaining	
	70041616	1	Bolt	
	70041617	1	Bearing, Ball	
	70041619	1	Retainer, Fan Hub	
	1322039	1	Spacer, Fan Pilot	
	1321094	19	Screw	
	70024016	1	Cap, Side Oil Fill	
	70022634	1	Flywheel w/Ring Gear	
	70023736	1	Ring Gear, Flywheel	
	1322040	1	Plug, Flywheel	
	70031148	1	Sensor, Speed	

## SECTION 4 - ENGINE AND ATTACHING PARTS

FIGURE 4-8. ENGINE COMPONENTS (130HP ULS)



ART\_1001154511

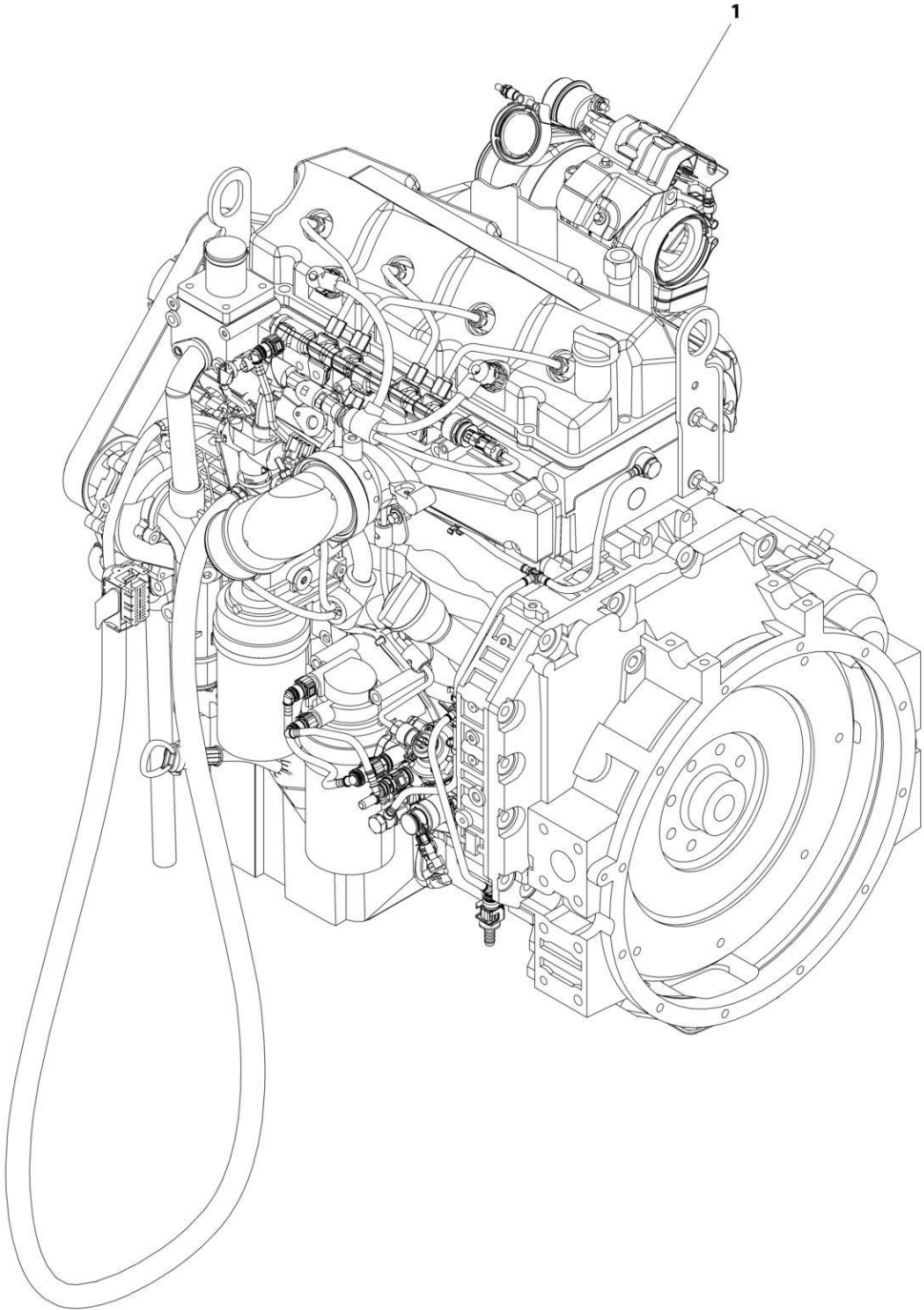
## SECTION 4 - ENGINE AND ATTACHING PARTS

**FIGURE 4-8. ENGINE COMPONENTS (130HP ULS)**

ITEM	PART NUMBER	QTY	DESCRIPTION	REV
1	1001154511	Ref	Engine, QSF 3.8L (if equipped for ULS)	W
	70026220	1	Assembly, Secondary Fuel Filter (includes shell, seal and cartridge)	
	70026453	1	Cartridge, Fuel Filter	
	70031350	1	Rail, Fuel	
	70031351	1	Sensor, Fuel Pressure	
	70031352	1	Valve, Fuel Pressure Relief Valve	
	70026223	1	Pan, Oil	
	70026224	1	Seal, Oil Pan	
	70026225	1	Plug, Oil Pan	
	70026226	1	Seal, Oil Pan Plug	
	1001128594	1	Starter	
	70026228	1	Filler Cap, Valve Cover	
	70026229	1	Fan Belt, V-Ribbed	
	70026230	1	Support, Fan	
	70026231	1	Pulley, Fan	
	70026232	1	Alternator	
	70028450	1	Assembly, Primary Fuel Filter, (includes filter head, seal and element)	
	70026235	1	Assembly, Dipstick Oil Level	
	70026236	1	Assembly, Block Heater	
	70026241	1	Assembly, Fuel Filter Plug	
	70026237	1	Filter, Oil	
	70023933	1	O-Ring, Oil Pressure Switch	
	70041620	2	Ring, Retaining	
	70041616	1	Bolt, Fan Drive	
	70041617	1	Bearing, Ball	
	70041619	1	Retainer, Fan Hub	
	1322039	1	Spacer, Fan Pilot	
	1321094	16	Bolt, Oil Pan	
	70024016	1	Cap, Side Oil Fill	
	70022634	1	Flywheel w/Ring Gear	
	70023736	1	Ring Gear, Flywheel	
	1322040	1	Plug, Flywheel	
	70030317	1	Connection, Fuel Actuator	
	70030347	1	Valve, Exhaust Throttle	
	70031380	1	Harness, ECM	

**SECTION 4 - ENGINE AND ATTACHING PARTS**

**FIGURE 4-9. ENGINE COMPONENTS (130HP LS)**



ART\_1001154790

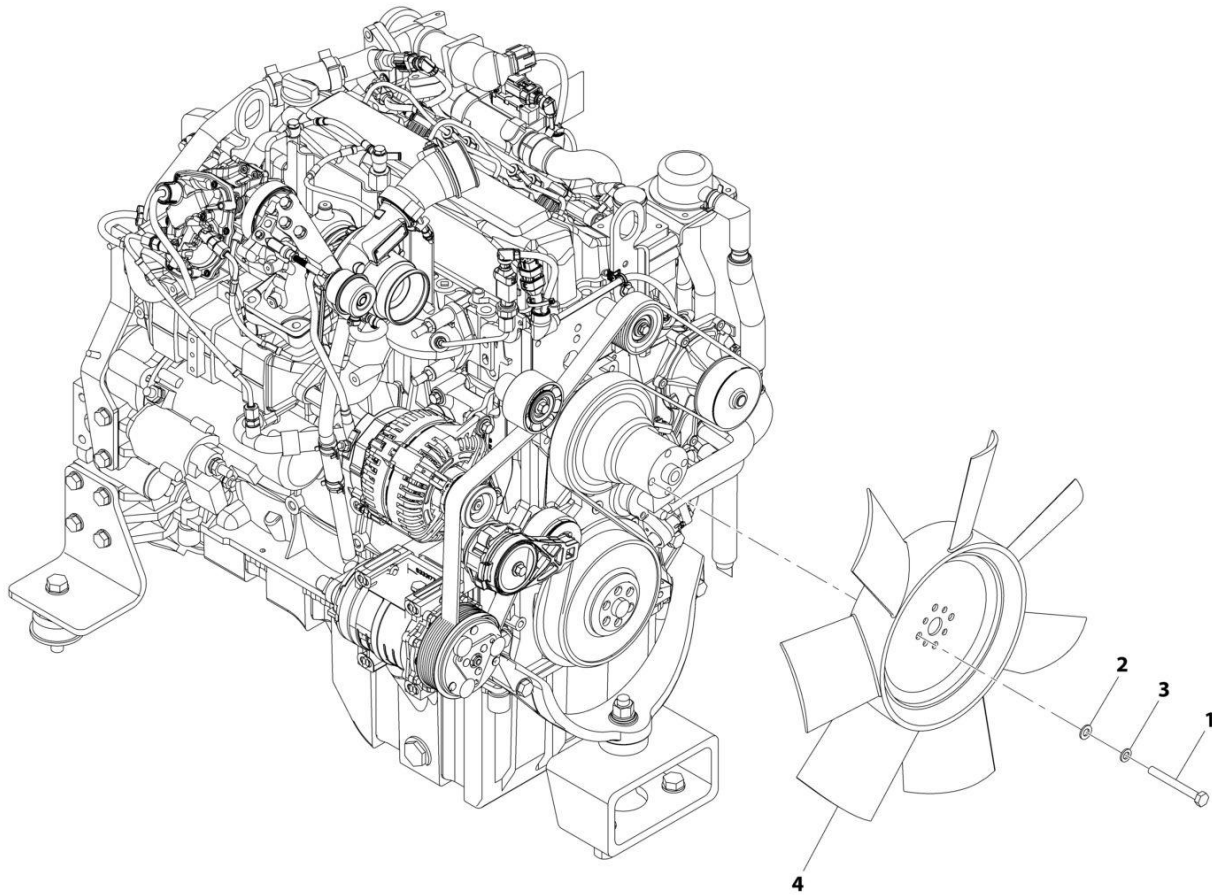
## SECTION 4 - ENGINE AND ATTACHING PARTS

**FIGURE 4-9. ENGINE COMPONENTS (130HP LS)**

ITEM	PART NUMBER	QTY	DESCRIPTION	REV
1	1001154790	Ref	3.8L Engine (LS)	L
	70026800	1	Fuel Filter Assembly	
	70026801	1	Fuel Filter Element	
	70026222	1	Assembly, Flywheel Housing	
	70027281	1	Pan, Oil	
	70026224	1	Seal, Oil Pan	
	70026225	1	Plug, Oil Pan	
	70026226	1	Seal, Oil Pan Plug	
	1001128594	1	Starter	
	70026228	1	Filler Cap, Valve Cover	
	70026229	1	Fan Belt, V-Ribbed	
	70026230	1	Support, Fan	
	70026231	1	Pulley, Fan	
	70026232	1	Alternator	
	70026233	1	Assembly, Primary Fuel Filter	
	70026234	1	Element, Fuel Filter	
	70026235	1	Assembly, Dipstick Oil Level	
	70026241	1	Assembly, Fuel Filter Plug	
	70026237	1	Filter, Oil	
	70041620	2	Ring, Retaining	
	70041616	1	Bolt	
	70041617	1	Bearing, Ball	
	70041619	1	Retainer, Fan Hub	
	1322039	1	Spacer, Fan Pilot	
	1321094	17	Screw	
	70024016	1	Cap, Side Oil Fill	
	70022634	1	Flywheel w/Ring Gear	
	70023736	1	Ring Gear, Flywheel	
	1322040	1	Plug, Flywheel	

# SECTION 4 - ENGINE AND ATTACHING PARTS

## FIGURE 4-10. FAN INSTALLATION (74HP)



ART\_1001196736-C

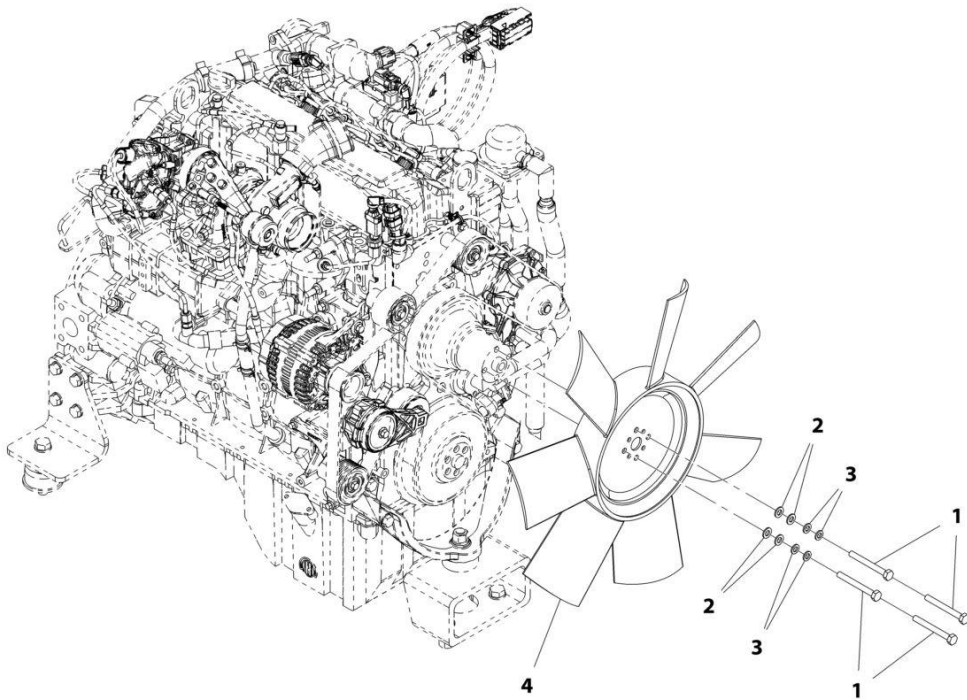
## SECTION 4 - ENGINE AND ATTACHING PARTS

FIGURE 4-10. FAN INSTALLATION (74HP)

ITEM	PART NUMBER	QTY	DESCRIPTION	REV
	1001196736	Ref	Fan Installation, 74HP	C
1	0701026	4	Bolt, M10X90	
2	4812000	4	Washer, M10	
3	4832000	4	Washer, Lock M10	
4	1001210351	1	Fan	

# SECTION 4 - ENGINE AND ATTACHING PARTS

## FIGURE 4-11. FAN INSTALLATION (130HP)



ART\_1001165668-B



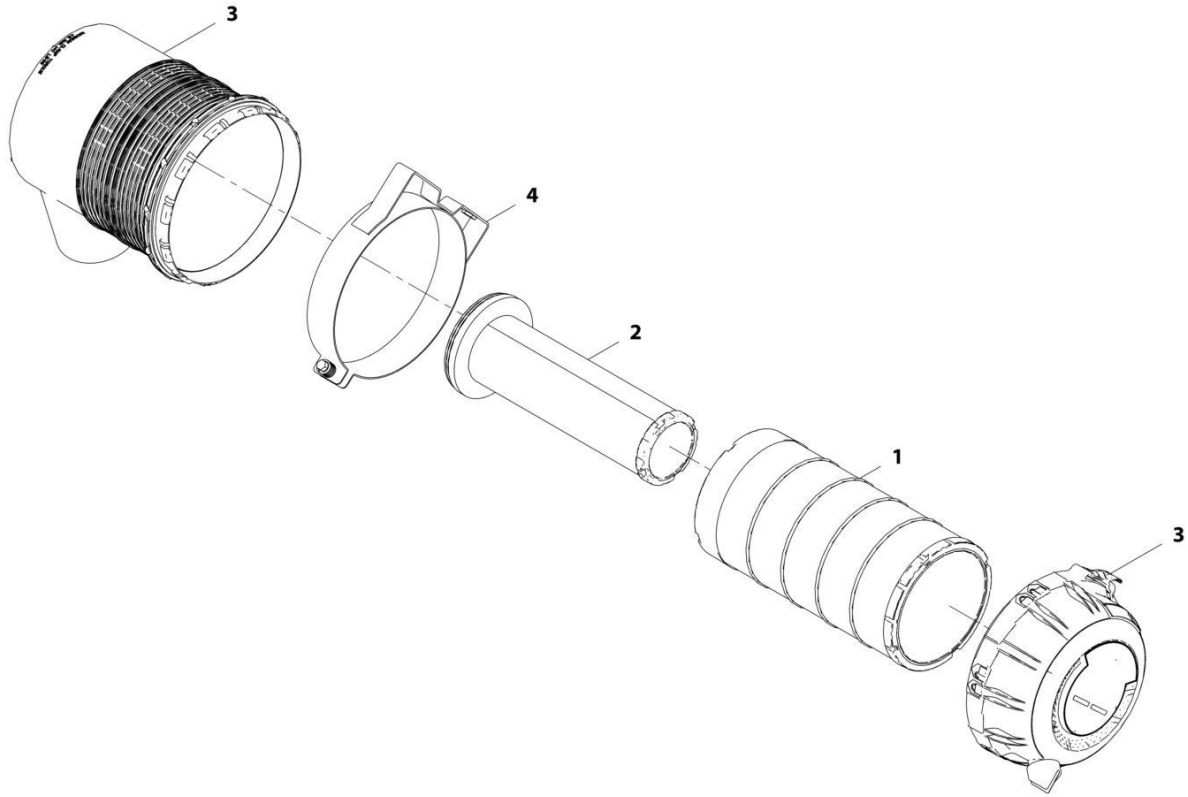
## SECTION 4 - ENGINE AND ATTACHING PARTS

FIGURE 4-11. FAN INSTALLATION (130HP)

ITEM	PART NUMBER	QTY	DESCRIPTION	REV
	1001165668	Ref	Fan Installation, 85HP	B
1	0701026	4	Bolt, M10X90	
2	4812000	4	Washer, M10	
3	4832000	4	Washer, Lock M10	
4	1001174822	1	Fan	

# SECTION 4 - ENGINE AND ATTACHING PARTS

FIGURE 4-12. AIR CLEANER ASSEMBLY (74HP ULS)



ART\_1001166566-G

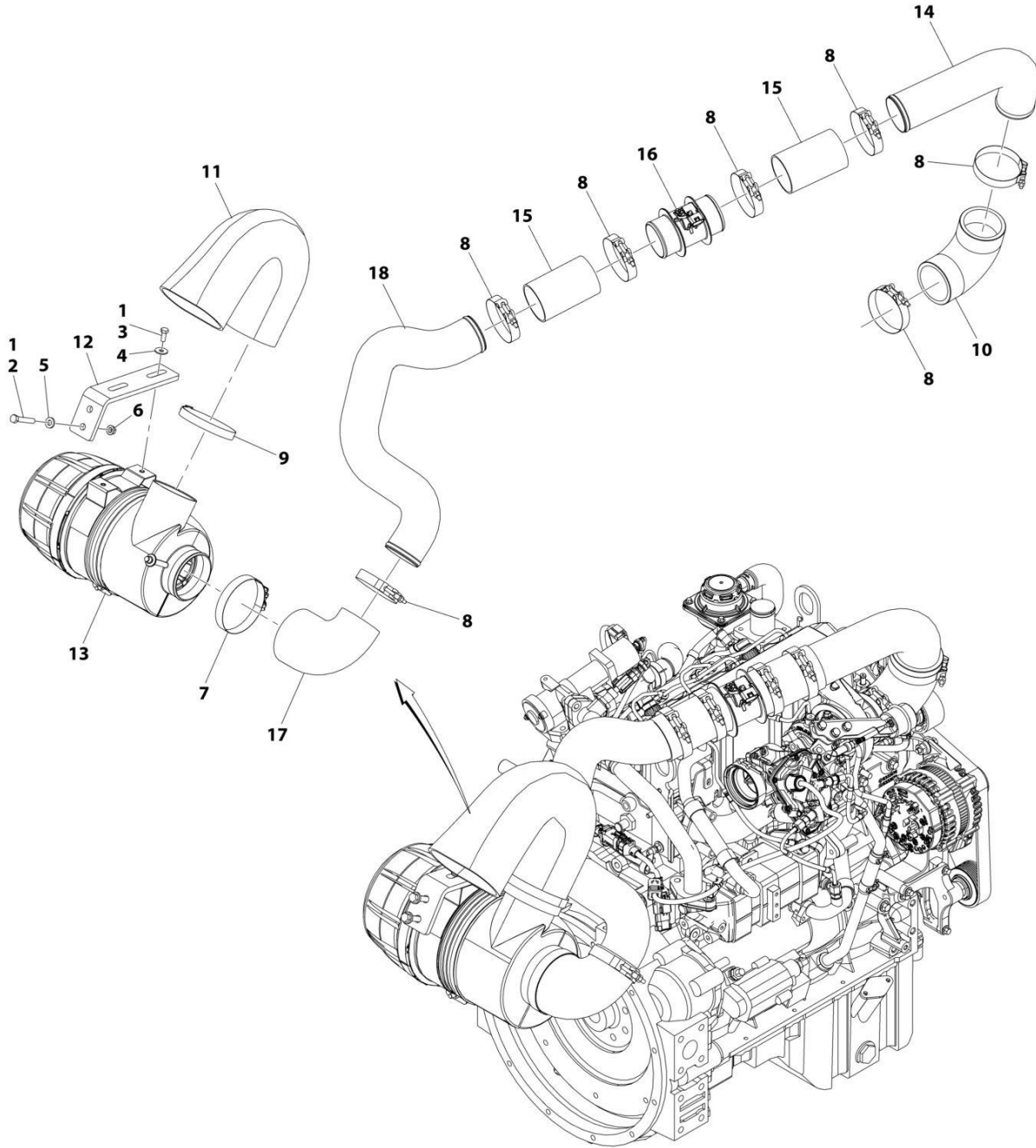
## SECTION 4 - ENGINE AND ATTACHING PARTS

FIGURE 4-12. AIR CLEANER ASSEMBLY (74HP ULS)

ITEM	PART NUMBER	QTY	DESCRIPTION	REV
	1001166566	Ref	Air Cleaner Assembly (74.4KW)	G
1	70025852	1	Filter, Air Cylindrical Primary	
2	70025853	1	Filter, Air Cylindrical Secondary	
3	70026393	1	Cover, Air Cleaner	
4	70026394	1	Bracket, Mounting Band	

# SECTION 4 - ENGINE AND ATTACHING PARTS

## FIGURE 4-13. AIR CLEANER ASSEMBLY (130HP ULS)



ART\_1001243882-C

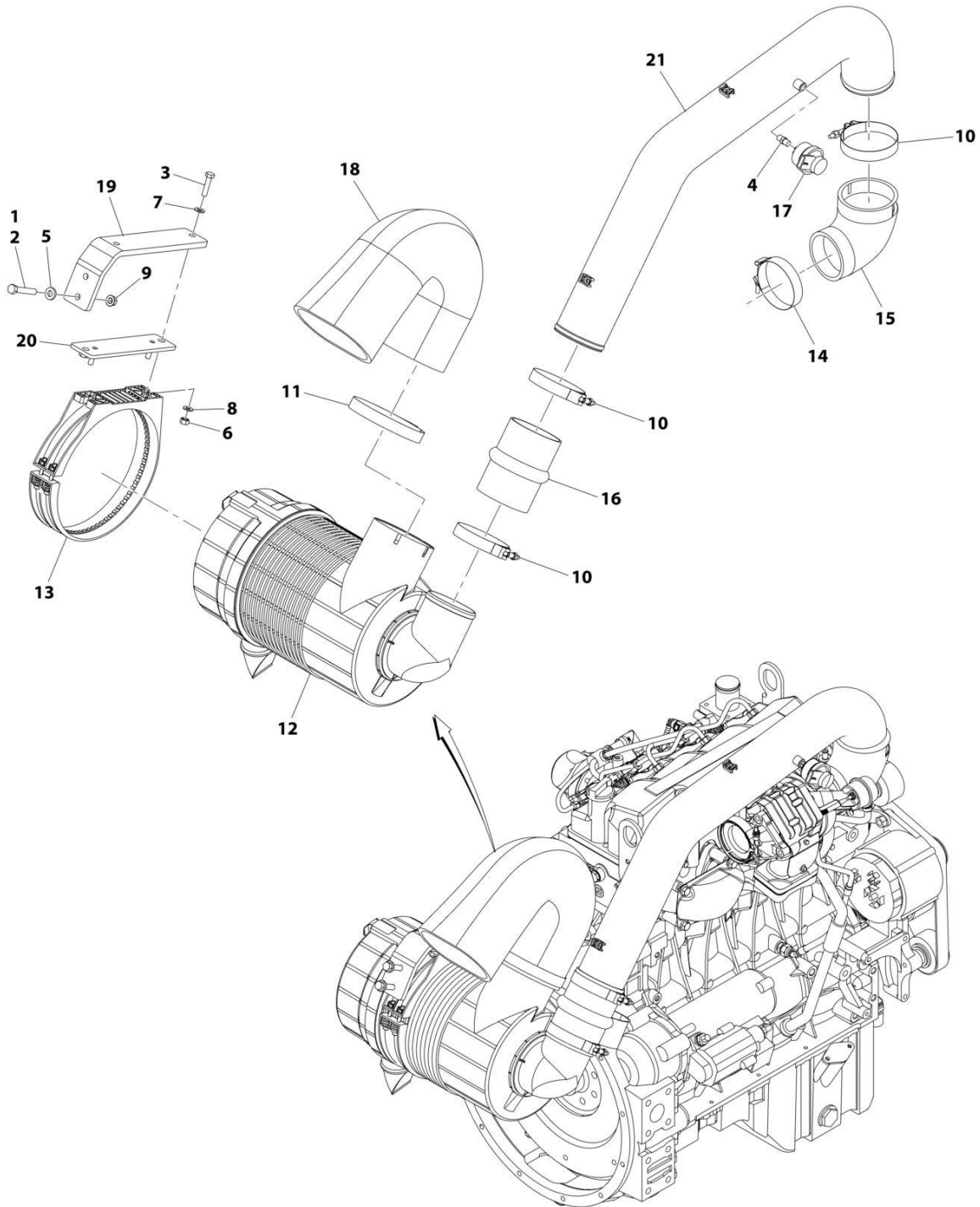
## SECTION 4 - ENGINE AND ATTACHING PARTS

**FIGURE 4-13. AIR CLEANER ASSEMBLY (130HP ULS)**

ITEM	PART NUMBER	QTY	DESCRIPTION	REV
	1001243882	Ref	Air Cleaner Installation (ULS)	C
1	0100011	AR	Compound, Locking	
2	0641618	2	Bolt, 3/8X2-1/4	
3	0760810	2	Bolt, M8X20	
4	4811902	2	Washer, M8	
5	4891600	2	Washer, 3/8	
6	8310522	2	Nut, Flange 3/8-16	
7	8405404	1	Clamp, T-Bolt	
8	8410007	7	Clamp, T-Bolt	
9	10719267	1	Clamp, Hose	
10	1001120083	1	Hose, Air Intake	
11	1001165818	1	Hose, Air Intake	
12	1001166238	1	Bracket, Air Filter	
13	1001166566	1	Assembly, Air Cleaner (See Breakdown Breakdown in this Section)	
14	1001168052	1	Pipe, Air Intake	
15	1001168053	2	Hose, Sleeve	
16	1001169077	1	Sensor, PRS Temperature	
17	1001201831	1	Hose, Air Intake	
18	1001242986	1	Pipe, Air Intake	

# SECTION 4 - ENGINE AND ATTACHING PARTS

## FIGURE 4-14. AIR CLEANER ASSEMBLY (130HP LS)



ART\_1001243883-A

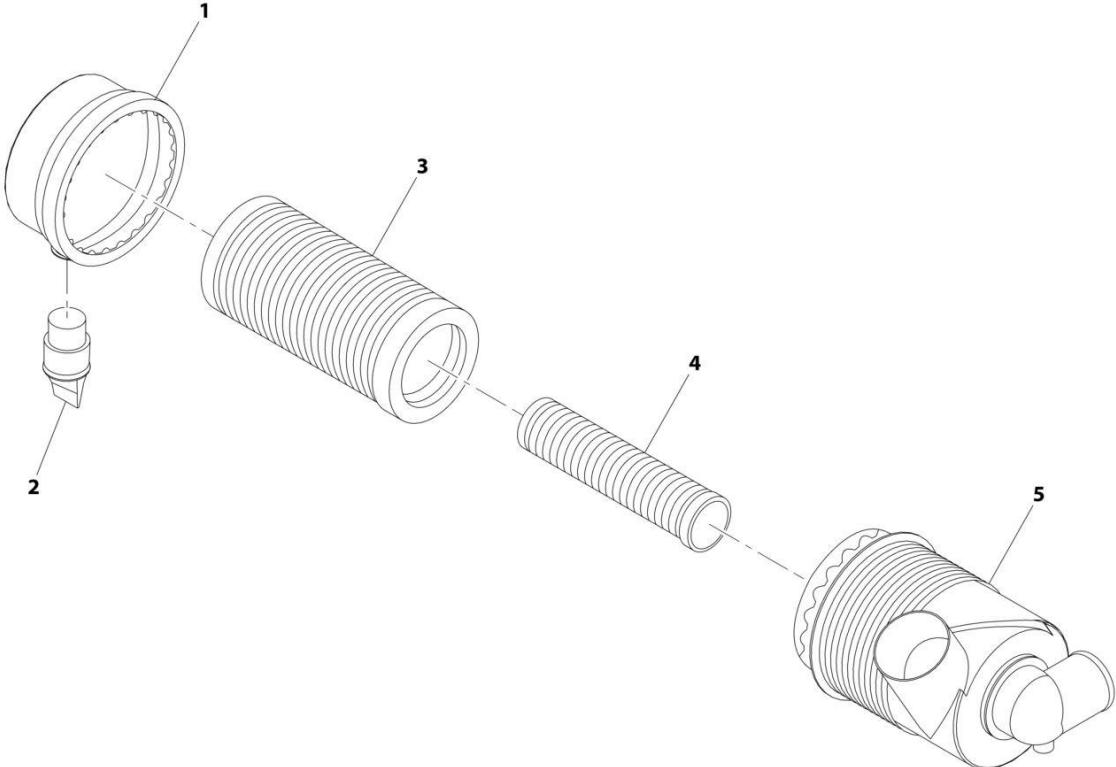
## SECTION 4 - ENGINE AND ATTACHING PARTS

**FIGURE 4-14. AIR CLEANER ASSEMBLY (130HP LS)**

ITEM	PART NUMBER	QTY	DESCRIPTION	REV
	1001243883	Ref	Air Cleaner Installation (LS)	A
1	0100011	AR	Compound, Locking	
2	0641618	2	Bolt, 3/8X2-1/4	
3	0760815	2	Bolt, M8X15	
4	2180798	1	Fitting	
5	4891600	2	Washer, 3/8	
6	8305043	2	Nut, M8X1.25	
7	8307106	2	Washer, Plain 5/16	
8	8307222	2	Washer, Plain M8	
9	8310522	2	Nut, Flange 3/8-16	
10	8405307	3	Clamp, T-Bolt	
11	8410021	1	Clamp, T-Bolt	
12	10268515	1	Assembly, Air Cleaner (See Separate Breakdown in this Section)	
13	10268516	1	Band, Mounting	
14	90028631	1	Clamp, T-Bolt	
15	91083129	1	Elbow, Reducer	
16	91293003	1	Hose, Hump Reducer	
17	1001166715	1	Restriction, Indicator	
18	1001190005	1	Hose, Air Intake	
19	1001190007	1	Bracket, Air Filter	
20	1001190183	1	Bracket, Air Filter	
21	1001212670	1	Pipe, Air Intake	

**SECTION 4 - ENGINE AND ATTACHING PARTS**

**FIGURE 4-15. AIR CLEANER ASSEMBLY (130HP LS)**



ART\_10268515-D



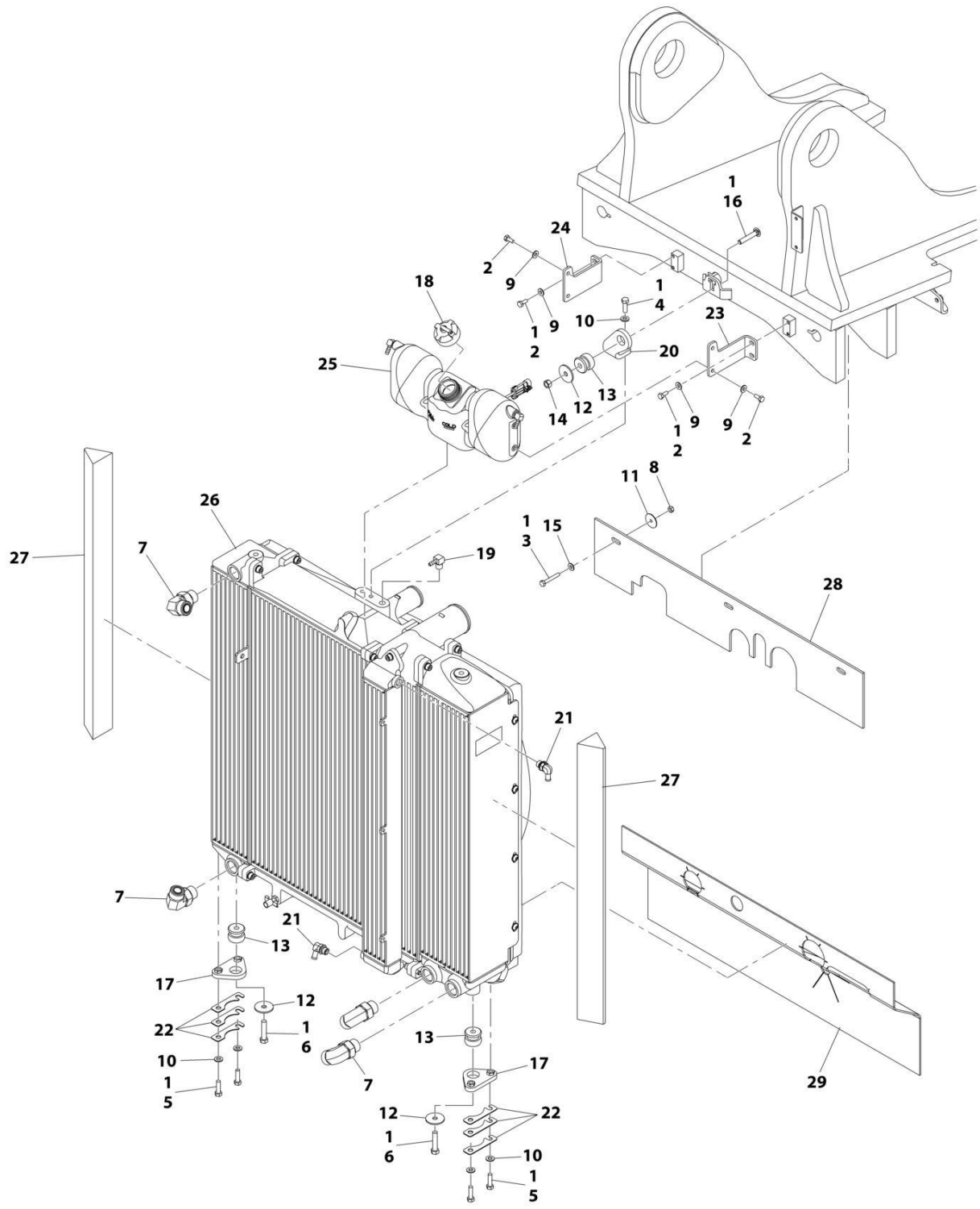
## SECTION 4 - ENGINE AND ATTACHING PARTS

FIGURE 4-15. AIR CLEANER ASSEMBLY (130HP LS)

ITEM	PART NUMBER	QTY	DESCRIPTION	REV
	10268515	Ref	Air Cleaner Assembly (if equipped for LS)	D
1	91364023	1	Cover Assembly	
2	80373094	1	Vacuator Valve	
3	1101312	1	Primary Filter Element	
4	1101313	1	Secondary Filter Element	
5	See Note	NSS	Air Cleaner Body (Note; Purchase Complete Assembly)	

# SECTION 4 - ENGINE AND ATTACHING PARTS

## FIGURE 4-16. COOLING INSTALLATION (74HP)



ART\_1001243887-A

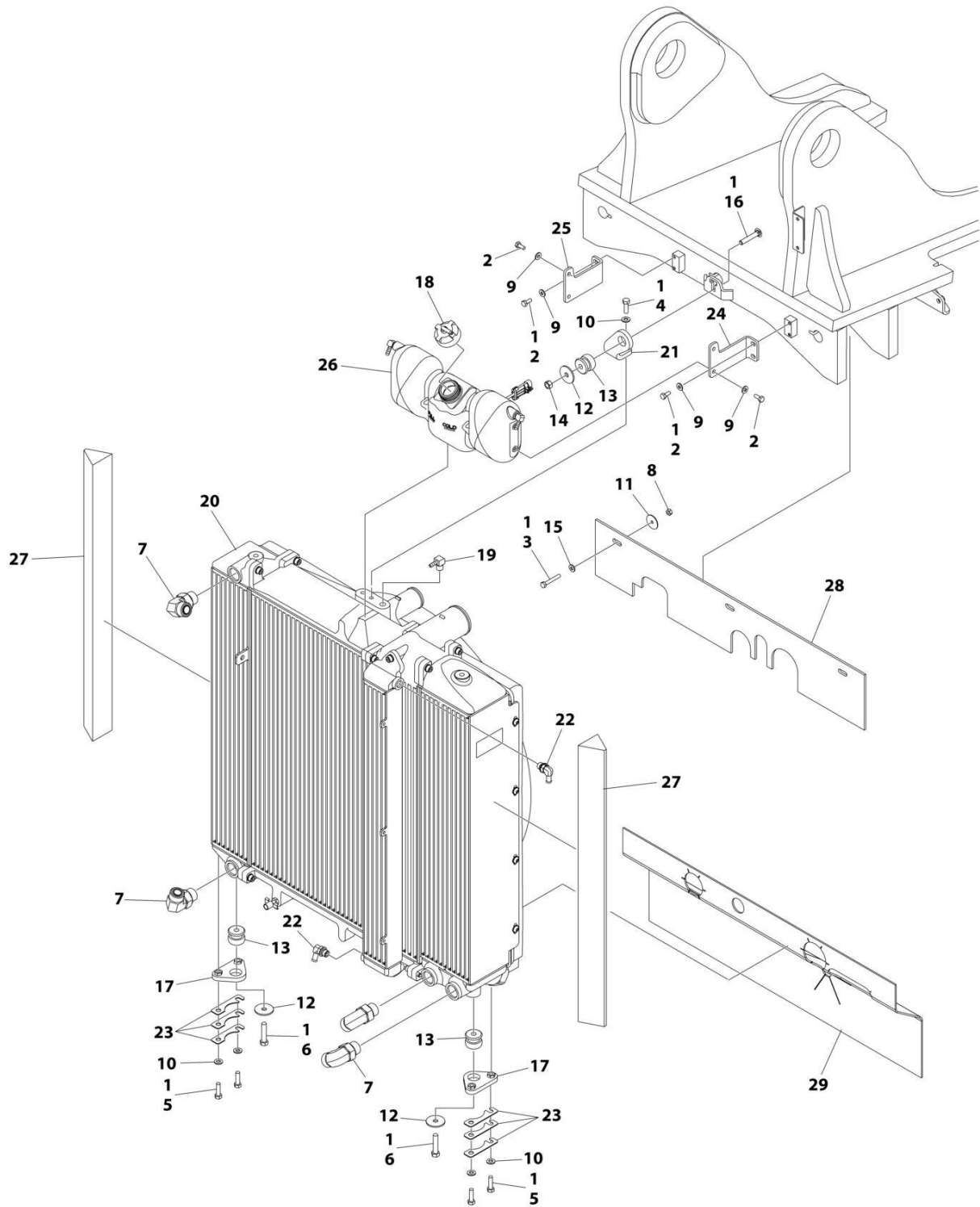
## SECTION 4 - ENGINE AND ATTACHING PARTS

**FIGURE 4-16. COOLING INSTALLATION (74HP)**

ITEM	PART NUMBER	QTY	DESCRIPTION	REV
	1001243887	Ref	Cooling Installation (74HP)	A
1	0100011	AR	Compound, Locking	
2	0641405	8	Bolt, 1/4X5/8	
3	0641414	3	Bolt, 1/4X1-3/4	
4	0641508	2	Bolt, 5/16X1	
5	0641509	4	Bolt, 5/16X1-1/8	
6	0641614	2	Bolt, 3/8X1-3/4	
7	2131212	4	Adapter, 90	
8	3311401	3	Nut, 1/4	
9	4711400	8	Washer, 1/4	
10	4711500	6	Washer, 5/16	
11	4740362	3	Washer, Fender 1/4	
12	7057141	3	Washer, Flat	
13	8278020	3	Mount, Rubber Isolator	
14	8305008	1	Nut, 3/8	
15	8307109	3	Washer, 1/4	
16	8310281	1	Bolt, Carriage 3/8X2-1/4	
17	1001120869	2	Bracket, Cooler Mount Lower	
18	1001128341	1	Cap, Deaeration Tank	
19	1001134488	1	Fitting, Barbed 90	
20	1001169059	1	Mount, Cooler Bracket	
21	1001178776	2	Fitting, Hose Barb 90	
22	1001179845	6	Shim	
23	1001181584	1	Bracket, LH Tank	
24	1001181585	1	Bracket, RH Tank	
25	1001182255	1	Tank, Deaeration	
25	1001245478	1	Sensor, Coolant Level	
26	1001197475	1	Assembly, Radiator (See Separate Breakdown in this Section)	
27	1001244608	2	Seal, Foam	
28	1001244616	1	Panel, Air Dam Upper	
29	1001244617	1	Panel, Air Dam Lower	

# SECTION 4 - ENGINE AND ATTACHING PARTS

## FIGURE 4-17. COOLING INSTALLATION (130HP)



ART\_1001243884\_C

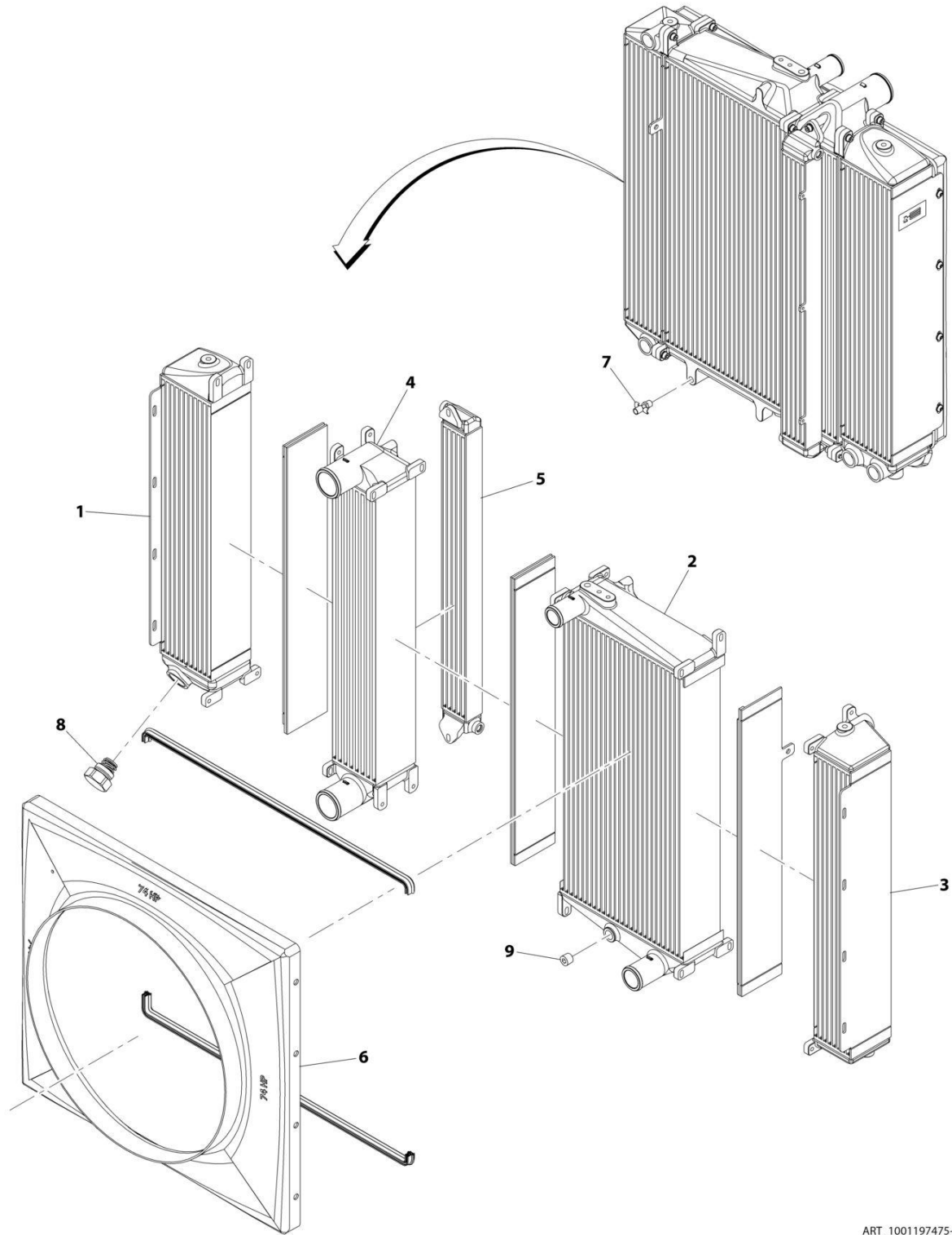
## SECTION 4 - ENGINE AND ATTACHING PARTS

**FIGURE 4-17. COOLING INSTALLATION (130HP)**

ITEM	PART NUMBER	QTY	DESCRIPTION	REV
	1001243884	Ref	Cooling Installation (130HP)	C
1	0100011	AR	Compound, Locking	
2	0641405	8	Bolt, 1/4X5/8	
3	0641414	3	Bolt, 1/4X1-3/4	
4	0641508	2	Bolt, 5/16X1	
5	0641510	4	Bolt, 5/16x 1-1/4	
6	0641614	2	Bolt, 3/8X1-3/4	
7	2131212	4	Adapter, 90	
8	3311401	3	Nut, 1/4	
9	4711400	8	Washer, 1/4	
10	4711500	6	Washer, 5/16	
11	4740362	3	Washer, Fender 1/4	
12	7057141	3	Washer, Flat	
13	8278020	3	Mount, Rubber Isolator	
14	8305008	1	Nut, 3/8	
15	8307109	3	Washer, 1/4	
16	8310281	1	Bolt, Carriage 3/8X2-1/4	
17	1001120869	2	Bracket, Cooler Mount Lower	
18	1001128341	1	Cap, Deaeration Tank	
19	1001134488	1	Fitting, Barbed 90	
20	1001168478	1	Assembly, Radiator (See Separate Breakdown in this Section)	
21	1001169059	1	Mount, Cooler Bracket	
22	1001178776	2	Fitting, Hose Barb 90	
23	1001179845	6	Shim	
24	1001181584	1	Bracket, LH Tank	
25	1001181585	1	Bracket, RH Tank	
26	1001182255	1	Tank, Deaeration	
26	1001245478	1	Sensor, Coolant Level	
27	1001244608	2	Seal, Foam	
28	1001244616	1	Panel, Air Dam Upper	
29	1001244617	1	Panel, Air Dam Lower	

# SECTION 4 - ENGINE AND ATTACHING PARTS

## FIGURE 4-18. RADIATOR ASSEMBLY (74HP)



ART\_1001197475-D

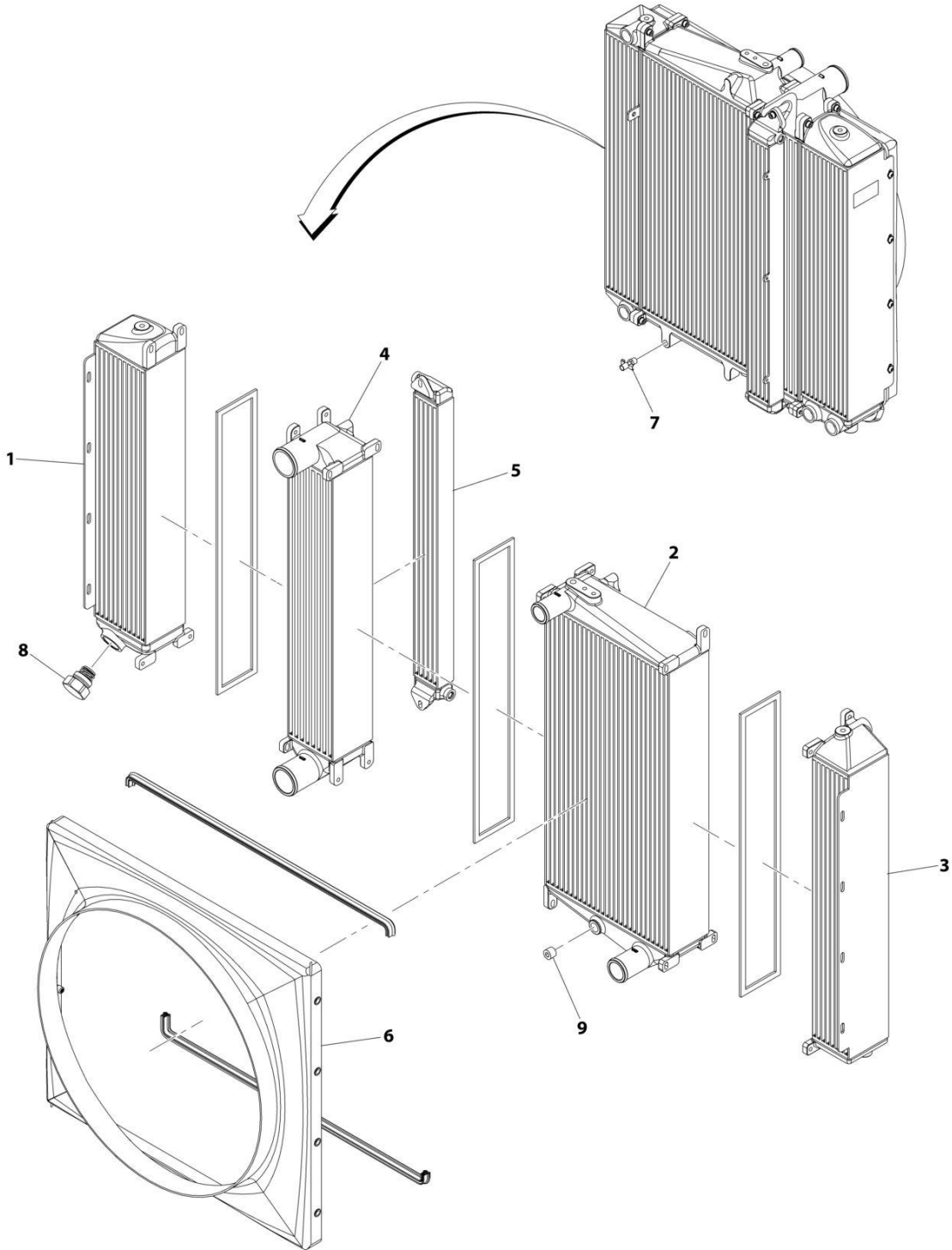
## SECTION 4 - ENGINE AND ATTACHING PARTS

FIGURE 4-18. RADIATOR ASSEMBLY (74HP)

ITEM	PART NUMBER	QTY	DESCRIPTION	REV
	1001197475	Ref	Radiator Assembly (74HP)	D
1	70026075	1	Transmission Oil Cooler	
2	70026076	1	Radiator	
3	70026077	1	Hydraulic Oil Cooler	
4	70026078	1	Charge Air Cooler	
5	70026079	1	Fuel Cooler	
6	70027094	1	Fan Shroud	
7	70026081	1	Petcock	
8	70026082	1	Valve, Bypass	
9	70026083	1	Plug, Hex	

# SECTION 4 - ENGINE AND ATTACHING PARTS

## FIGURE 4-19. RADIATOR ASSEMBLY (130HP)



ART\_1001168478



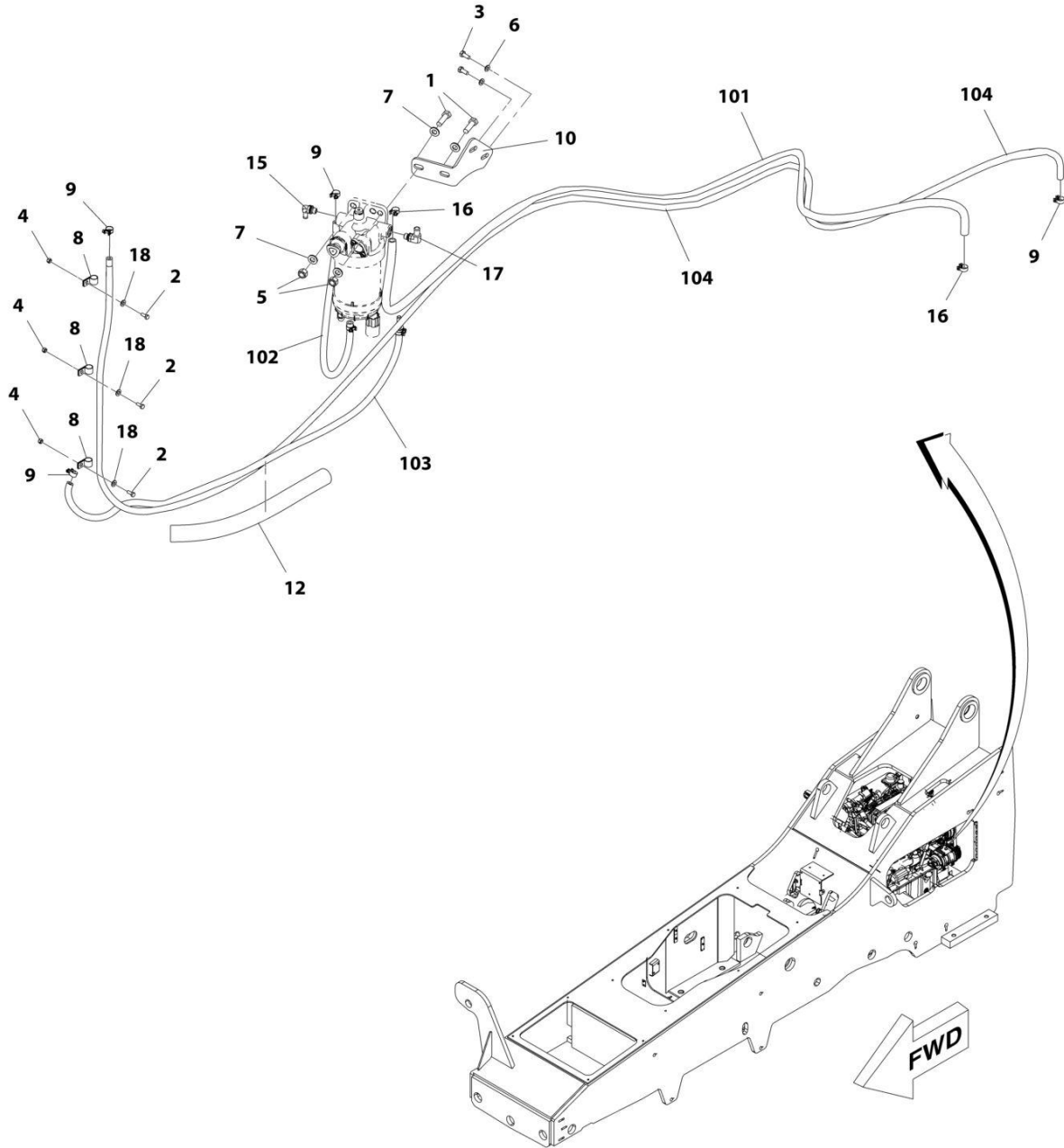
## SECTION 4 - ENGINE AND ATTACHING PARTS

FIGURE 4-19. RADIATOR ASSEMBLY (130HP)

ITEM	PART NUMBER	QTY	DESCRIPTION	REV
	1001168478	Ref	Radiator Assembly	F
1	70026075	1	Transmission Oil Cooler	
2	70026076	1	Radiator	
3	70026077	1	Hydraulic Oil Cooler	
4	70026078	1	Charge Air Cooler	
5	70026079	1	Fuel Cooler	
6	70026080	1	Shroud, Fan	
7	70026081	1	Petcock	
8	70026082	1	Valve, Bypass	
9	70026083	1	Plug, Hex	

# SECTION 4 - ENGINE AND ATTACHING PARTS

## FIGURE 4-20. FUEL PLUMBING INSTALLATION (ULS)



ART\_1001165672-H

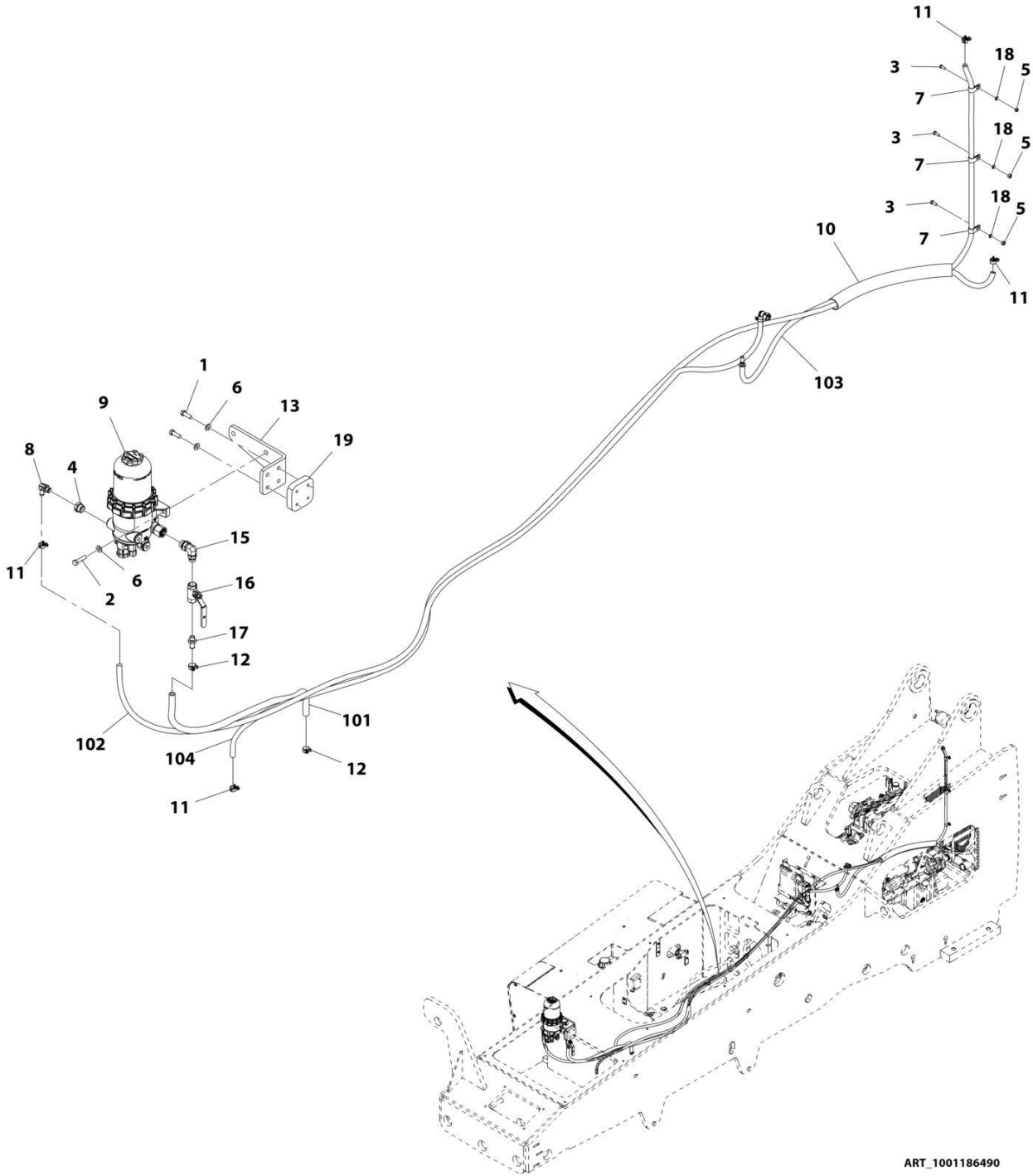
## SECTION 4 - ENGINE AND ATTACHING PARTS

### FIGURE 4-20. FUEL PLUMBING INSTALLATION (ULS)

ITEM	PART NUMBER	QTY	DESCRIPTION	REV
	1001165672	Ref	Fuel Plumbing Installation (if equipped for ULS)	H
1	0701216	2	Bolt, M12X40	
2	0760608	3	Bolt, M6X16	
3	0761012	2	Bolt, M10X25	
4	3290605	3	Nut, Lock M6X1	
5	3291205	2	Nut, Lock M12X1-3/4	
6	4812000	2	Washer, M10	
7	4812100	4	Washer, M12	
8	8406112	3	Clip, Tube 5/8	
9	1001136975	5	Clamp, Fuel Hose	
10	1001182603	1	Bracket, Filter Mount	
12	1001136358	1	Sleeve, Abrasion	
15	1001182094	1	Adapter, Banjo M14X3/8	
16	1001175568	2	Clip, Hose	
17	1001179375	1	Adapter, Banjo M14X1/2	
18	4811700	3	Washer, M6	
101	1001171802	1	Hose	
102	1001171803	1	Hose	
103	1001201111	1	Hose	
104	1001171805	1	Hose	

# SECTION 4 - ENGINE AND ATTACHING PARTS

## FIGURE 4-21. FUEL PLUMBING INSTALLATION (LS)



ART\_1001186490

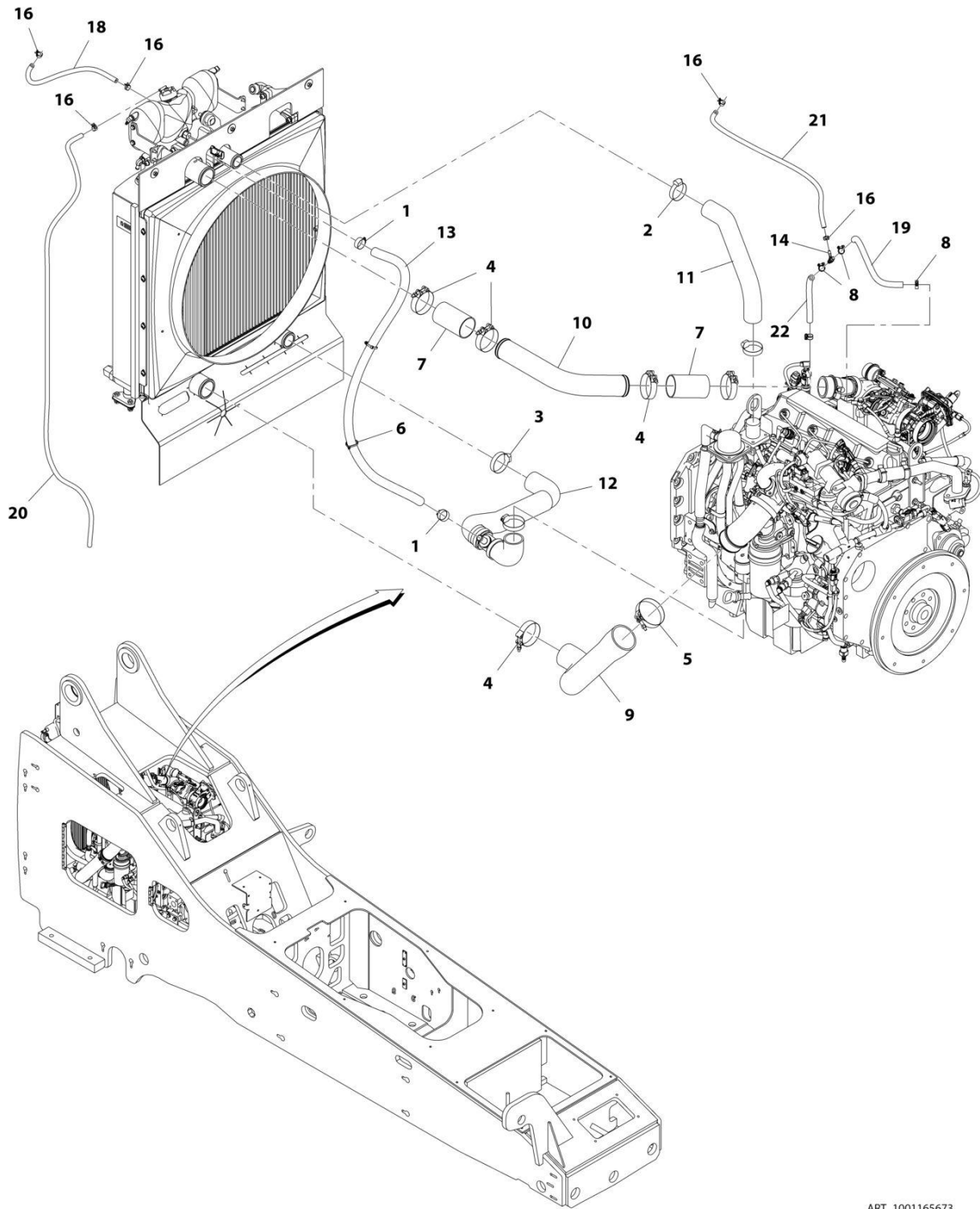
## SECTION 4 - ENGINE AND ATTACHING PARTS

**FIGURE 4-21. FUEL PLUMBING INSTALLATION (LS)**

ITEM	PART NUMBER	QTY	DESCRIPTION	REV
	1001186490	Ref	Fuel Plumbing Installation (if equipped for LS)	J
1	0641609	4	Bolt, 3/8-16X1-1/8	
2	0641612	2	Bolt, 3/8-16X1-1/2	
3	0760608	3	Bolt, M6X16	
4	2220218	1	Adapter, Straight	
5	3290605	3	Nut, Lock M6X1	
6	4711600	6	Washer, 3/8	
7	8406112	3	Clip, Tube 5/8	
8	1001178776	1	Elbow, 90	
9	1001133534	1	Filter, Fuel	
10	1001136358	1	Sleeve, Abrasion	
11	1001136975	4	Clamp, Fuel Hose	
12	1001175568	2	Clip, Hose	
13	1001190349	1	Bracket, Support	
15	1001190629	1	Adapter, 90	
16	1001190630	1	Valve Shutoff, Female	
17	1001190631	1	Fitting, Hose Barb	
18	4811600	3	Washer, M6	
19	1001190344	1	Bracket	
100	1001190372	1	Hose Kit (Not Shown)	
101	1001190370	1	Hose	
102	1001190371	1	Hose	
103	1001201111	1	Hose	
104	1001171805	1	Hose	

# SECTION 4 - ENGINE AND ATTACHING PARTS

## FIGURE 4-22. PLUMBING COOLING INSTALLATION (ULS)



ART\_1001165673

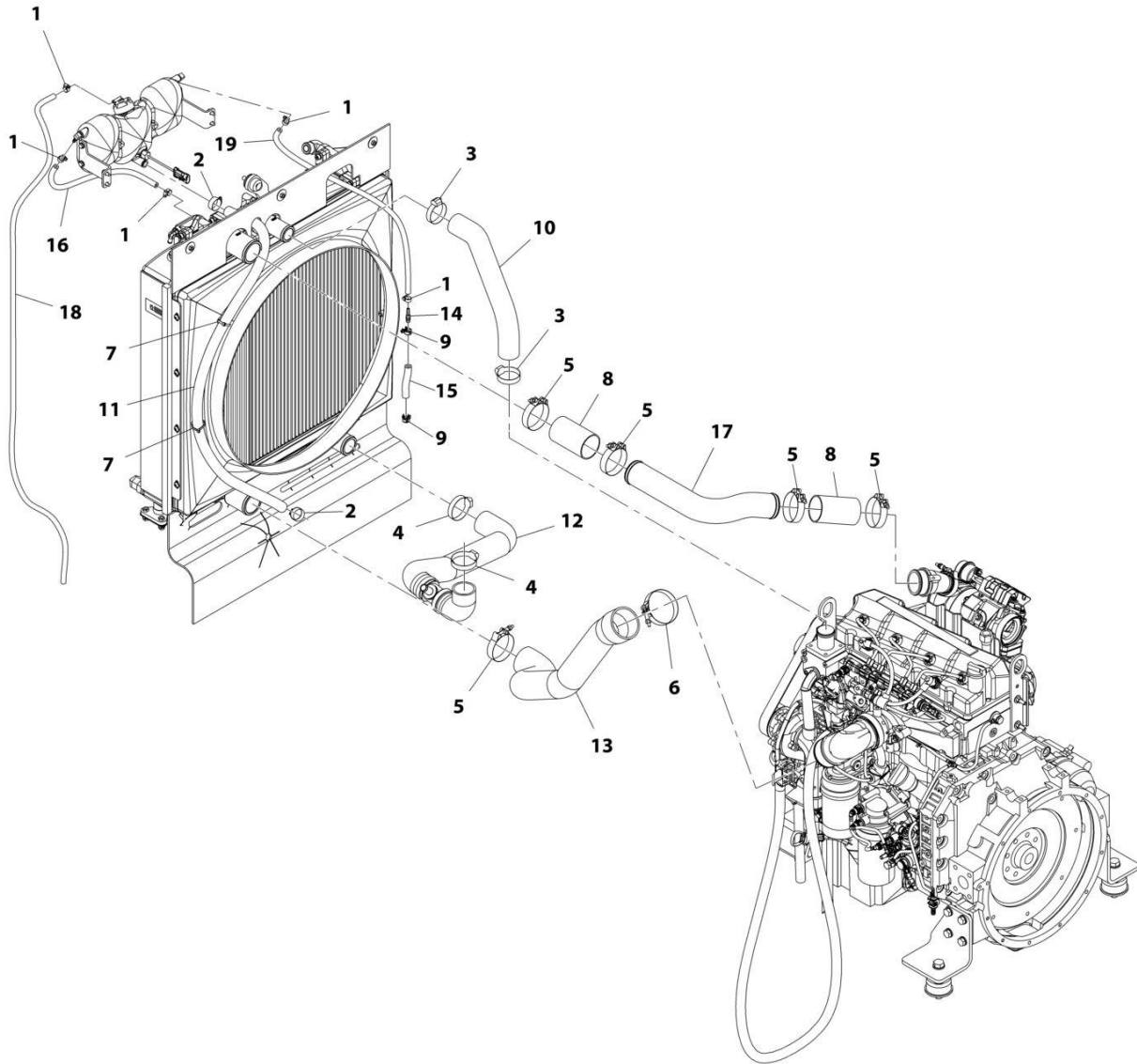
## SECTION 4 - ENGINE AND ATTACHING PARTS

**FIGURE 4-22. PLUMBING COOLING INSTALLATION (ULS)**

ITEM	PART NUMBER	QTY	DESCRIPTION	REV
	1001165673	Ref	Plumbing Cooling Installation (if equipped for ULS)	1
1	8405007	2	Clamp, Gear 1-1/4	
2	8405104	2	Clamp, Gear 2-1/4	
3	8405201	2	Clamp, Gear 2-1/2	
4	8405212	5	Clamp, T-Bolt	
5	8405305	1	Clamp, T-Bolt	
6	1001004720	2	Strap, Cable	
7	1001114495	2	Hose, CAC Straight	
8	1001136975	4	Clamp, Fuel Hose	
9	1001201983	1	Hose, CAC Outlet	
10	1001169271	1	Pipe, CAC Inlet	
11	1001169272	1	Hose, Upper Radiator	
12	1001201945	1	Hose, Lower Radiator	
13	1001169274	1	Hose, Draw Down	
14	1001235725	1	Fitting, Union Tee	
16	1001213938	5	Clamp, Fuel Line	
18	1001203969	1	Hose, Vent Line	
19	1001203970	1	Hose, Vent Line	
20	1001204097	1	Hose, Vent Line	
21	1001204098	1	Hose, Vent Line	
22	1001204099	1	Hose, Vent Line	

# SECTION 4 - ENGINE AND ATTACHING PARTS

## FIGURE 4-23. PLUMBING COOLING INSTALLATION (LS)



ART\_1001185652-D



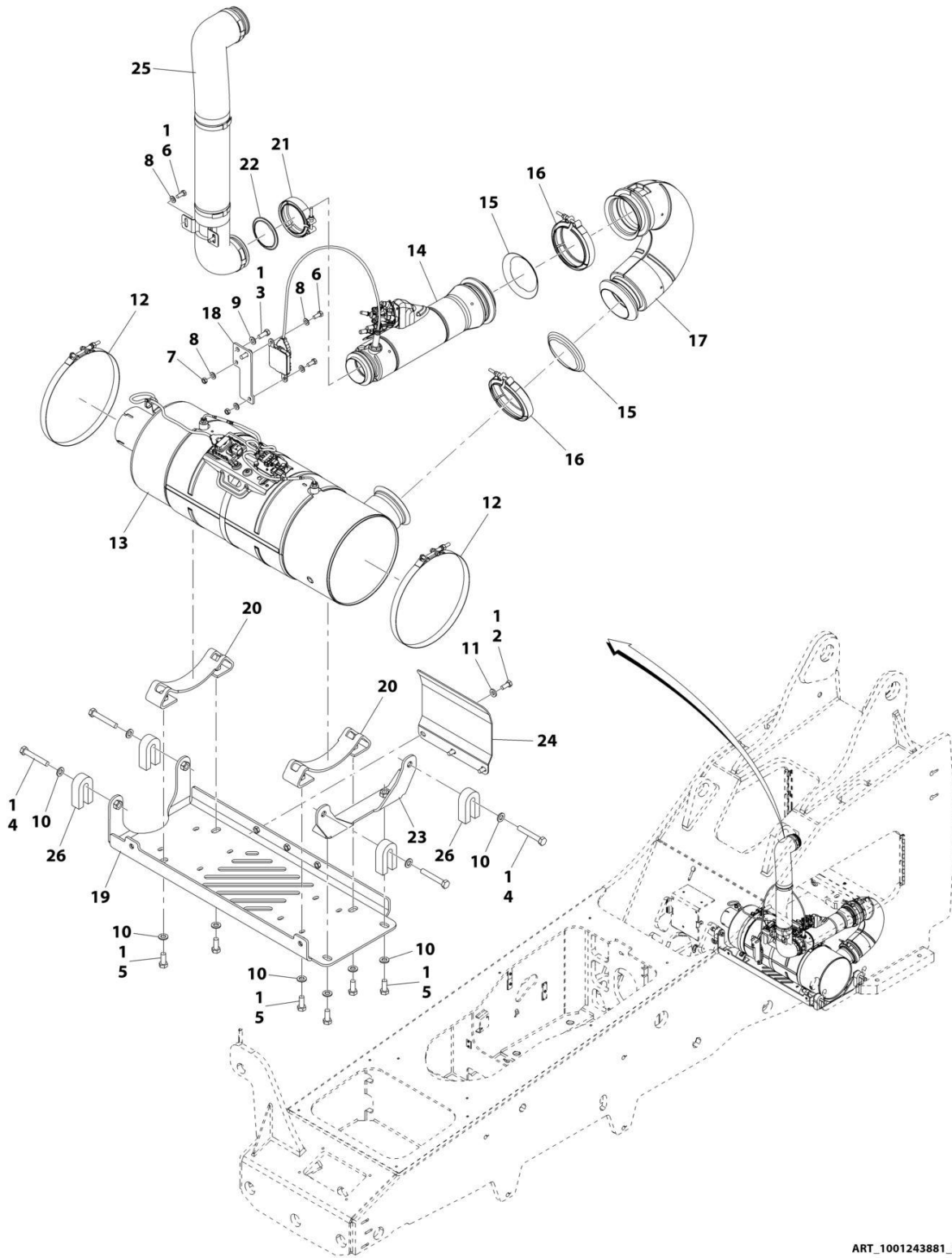
## SECTION 4 - ENGINE AND ATTACHING PARTS

**FIGURE 4-23. PLUMBING COOLING INSTALLATION (LS)**

ITEM	PART NUMBER	QTY	DESCRIPTION	REV
	1001185652	Ref	Plumbing Cooling Installation (if equipped for LS)	D
1	1320022	5	Clamp, Fuel Line	
2	8405007	2	Clamp, Gear 1-1/4	
3	8405104	2	Clamp, Gear 2-1/4	
4	8405201	2	Clamp, Gear 2-1/2	
5	8405212	5	Clamp, T-Bolt	
6	8405305	1	Clamp, T-Bolt	
7	1001004720	2	Strap, Cable	
8	1001114495	2	Hose, CAC Straight	
9	1001136975	2	Clamp, Fuel Hose	
10	1001169272	1	Hose, Upper Radiator	
11	1001169274	1	Hose, Draw Down	
12	1001201945	1	Hose, Lower Radiator	
13	1001189318	1	Hose, CAC Outlet	
14	1001189602	1	Fitting, Union Tee	
15	1001189712	1	Hose, Vent Line 3/8	
16	1001203969	1	Hose, Vent 1/4	
17	1001189715	1	Pipe, CAC Inlet	
18	1001204097	1	Hose, Vent 1/4	
19	1001204098	1	Hose, Vent 1/4	

# SECTION 4 - ENGINE AND ATTACHING PARTS

## FIGURE 4-24. AFTERTREATMENT INSTALLATION (ULS)



ART\_1001243881\_B

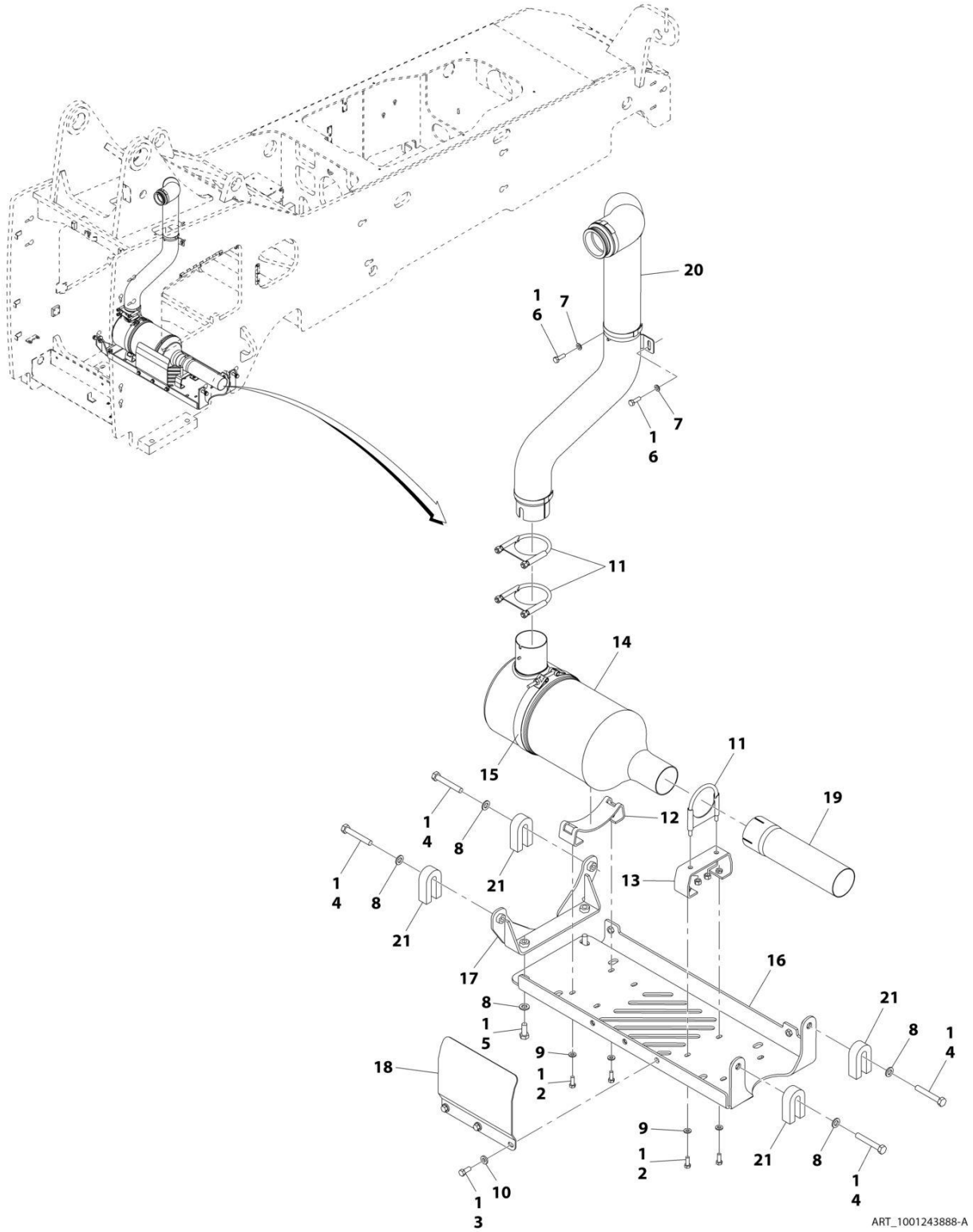
## SECTION 4 - ENGINE AND ATTACHING PARTS

**FIGURE 4-24. AFTERTREATMENT INSTALLATION (ULS)**

ITEM	PART NUMBER	QTY	DESCRIPTION	REV
	1001243881	Ref	Aftertreatment Installation (ULS)	B
1	0100011	AR	Compound, Locking	
2	0641607	3	Capscrew, 3/8-16X7/8	
3	0641608	2	Bolt, 3/8-16X1	
4	0701224	4	Bolt, M12X80	
5	0711214	6	Bolt, M12X30	
6	0760810	4	Bolt, M8X20	
7	3290801	2	Nut, M8X1-1/4	
8	4811900	6	Washer, M8	
9	4812000	2	Washer, M10	
10	4812100	10	Washer, M12	
11	4891600	3	Washer, 3/8	
12	1001159932	2	Strap, Clamp	
13	1001160782	1	Muffler, After-Treatment	
14	1001164404	1	Muffler, Decomposition Reactor Tube	
15	1001241318	2	Seal, Gasket	
16	1001241482	2	Clamp, V-Band	
17	1001165609	1	Pipe, Exhaust	
18	1001166693	1	Bracket	
19	1001166935	1	Bracket	
20	1001166976	2	Bracket	
21	1001167167	1	Clamp, V-Band	
22	1001167168	1	Seal, Gasket	
23	1001169057	1	Bracket	
24	1001174327	1	Shield	
25	1001183811	1	Pipe, Exhaust	
26	1001244277	4	Spacer	

# SECTION 4 - ENGINE AND ATTACHING PARTS

## FIGURE 4-25. EXHAUST INSTALLATION (74HP)



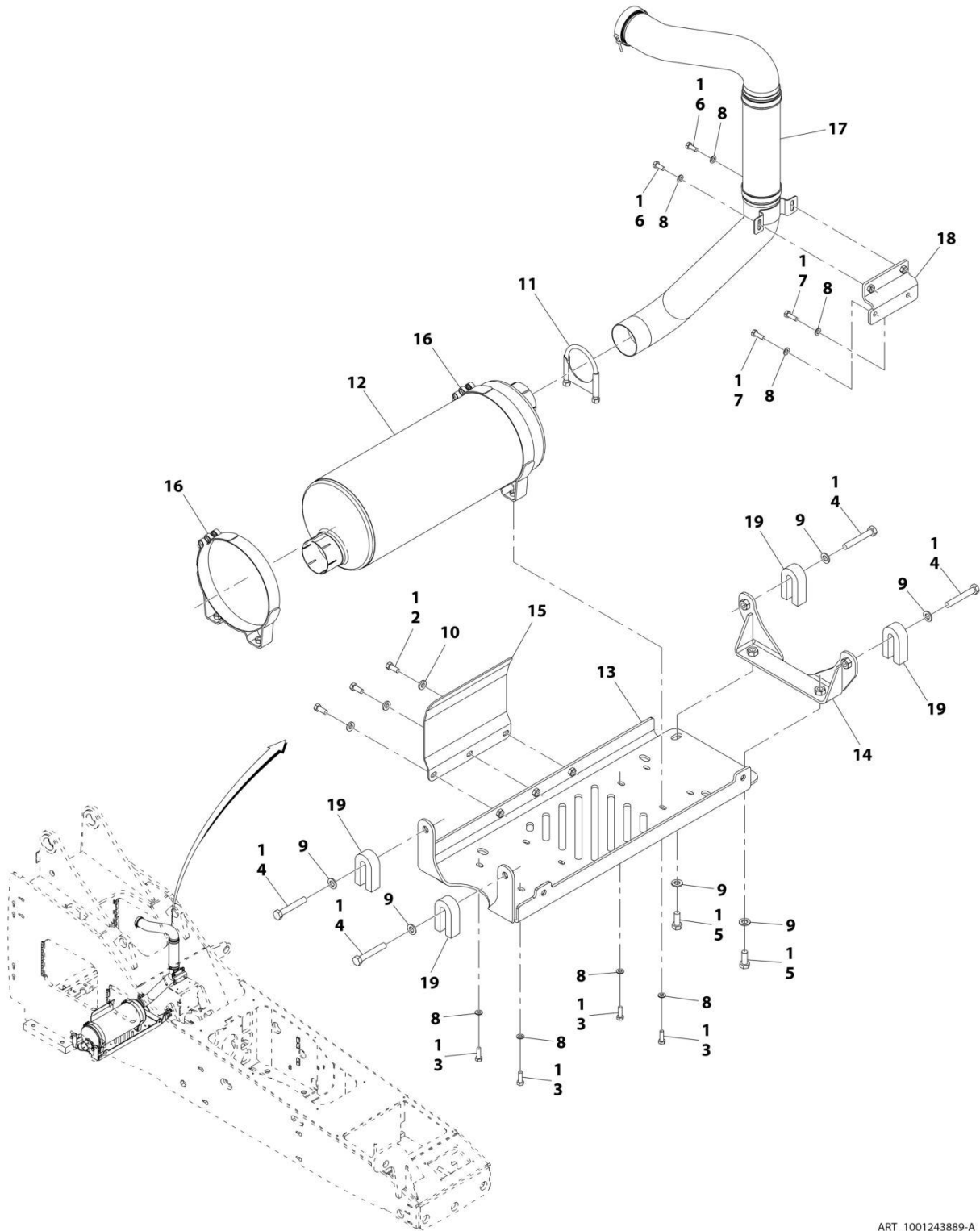
## SECTION 4 - ENGINE AND ATTACHING PARTS

**FIGURE 4-25. EXHAUST INSTALLATION (74HP)**

ITEM	PART NUMBER	QTY	DESCRIPTION	REV
	1001243888	Ref	Exhaust Installation (74HP)	A
1	0100011	AR	Compound, Locking	
2	0641507	4	Bolt, 5/16-18X7/8	
3	0641607	3	Bolt, 3/8-16X7/8	
4	0701224	4	Bolt, M12X80	
5	0711214	2	Bolt, M12X30	
6	0760812	2	Bolt, M8X25	
7	4811900	2	Washer, M8	
8	4812100	6	Washer, M12	
9	4891500	4	Washer, 5/16	
10	4891600	3	Washer, 3/8	
11	24921332	3	Clamp	
12	1001128363	1	Bracket	
13	1001128364	1	Bracket	
14	1001128714	1	Muffler	
15	1001128901	1	Strap	
16	1001166935	1	Bracket	
17	1001169057	1	Bracket	
18	1001174327	1	Shield	
19	1001196396	1	Pipe, Exhaust	
20	1001196397	1	Pipe, Exhaust	
21	1001244277	4	Spacer	

# SECTION 4 - ENGINE AND ATTACHING PARTS

## FIGURE 4-26. EXHAUST INSTALLATION (130HP)



ART\_1001243889-A

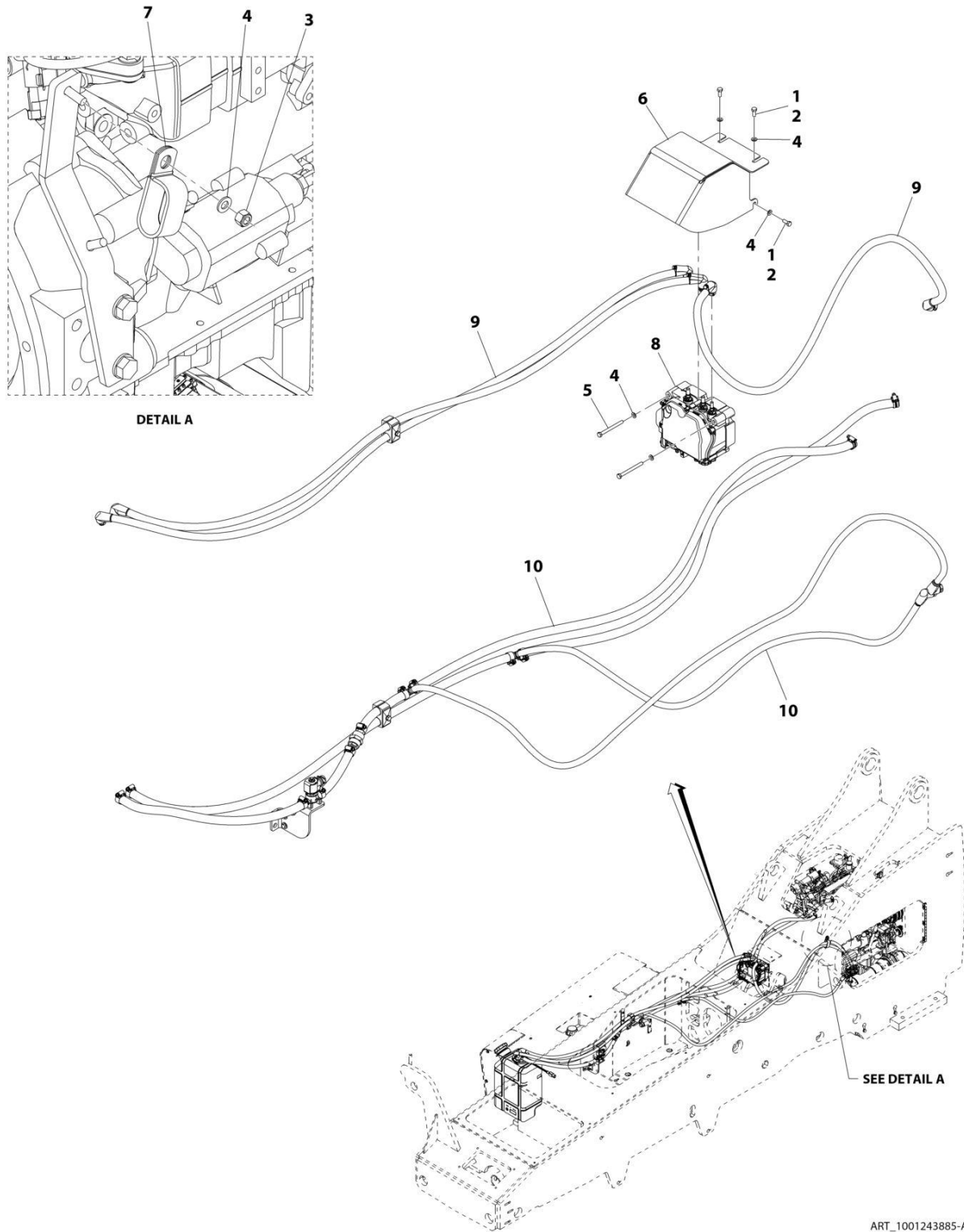
## SECTION 4 - ENGINE AND ATTACHING PARTS

**FIGURE 4-26. EXHAUST INSTALLATION (130HP)**

ITEM	PART NUMBER	QTY	DESCRIPTION	REV
	1001243889	Ref	Exhaust Installation (130HP)	A
1	0100011	AR	Compound, Locking	
2	0641607	3	Bolt, 3/8-16X7/8	
3	0700812	4	Bolt, M8X25	
4	0701224	4	Bolt, M12X80	
5	0711214	2	Bolt, M12X30	
6	0760810	2	Bolt, M8X20	
7	0760812	2	Bolt, M8X25	
8	4811900	8	Washer, M8	
9	4812100	6	Washer, M12	
10	4891600	3	Washer, 3/8	
11	24921332	1	Clamp	
12	91163035	1	Muffler	
13	1001166935	1	Bracket	
14	1001169057	1	Bracket	
15	1001174327	1	Shield	
16	1001180227	2	Muffler, Band Clamp	
17	1001190962	1	Pipe, Exhaust	
18	1001190990	1	Bracket, Exhaust Support	
19	1001244277	4	Spacer	

# SECTION 4 - ENGINE AND ATTACHING PARTS

## FIGURE 4-27. DEF SYSTEM INSTALLATION (ULS)



ART\_1001243885-A



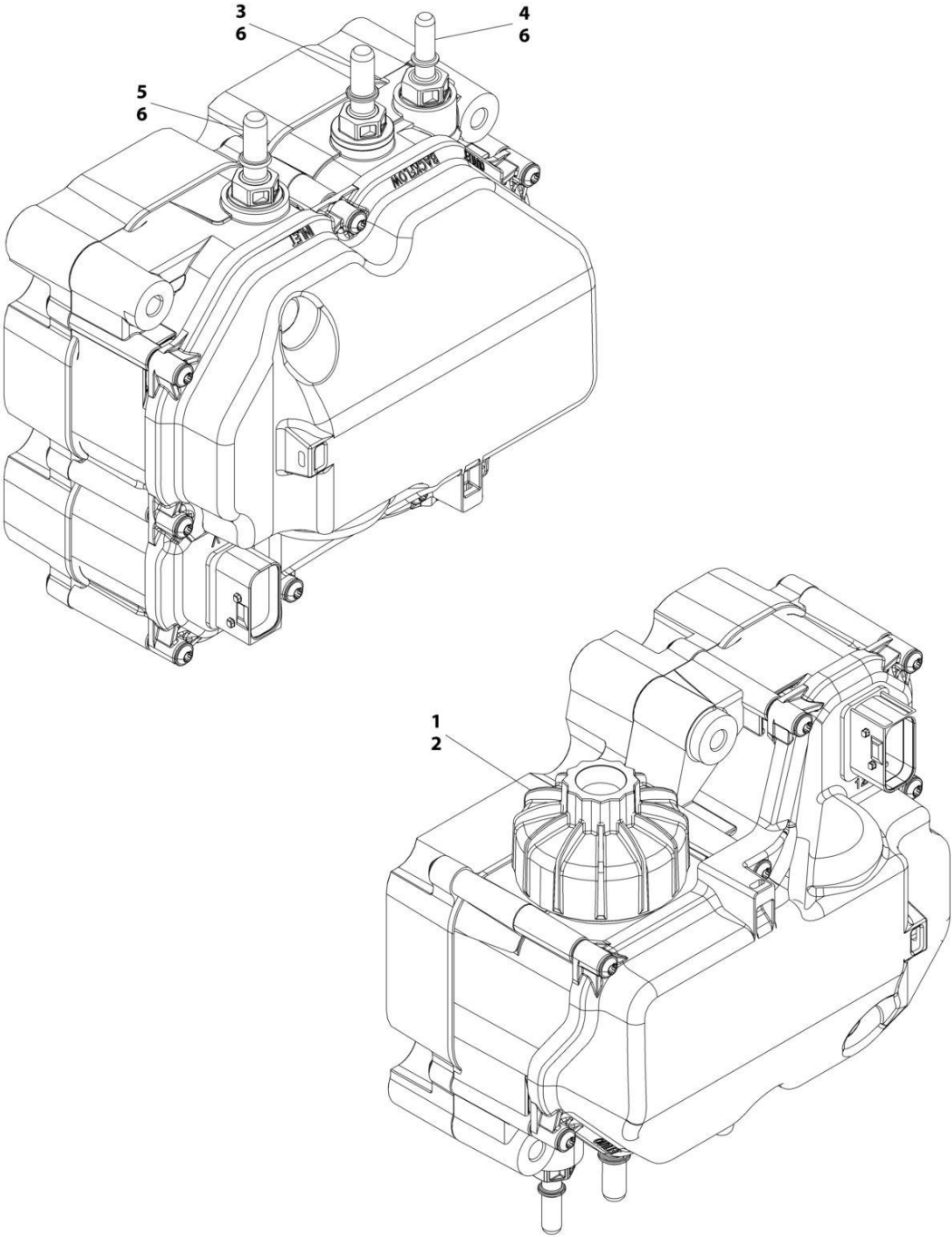
## SECTION 4 - ENGINE AND ATTACHING PARTS

FIGURE 4-27. DEF SYSTEM INSTALLATION (ULS)

ITEM	PART NUMBER	QTY	DESCRIPTION	REV
	1001243885	Ref	DEF System Installation (ULS)	B
1	0100011	AR	Compound, Locking	
2	0760810	4	Bolt, M8X20	
3	3290805	1	Nut, Lock M8X1-1/4	
4	4811900	8	Washer, M8	
5	8310424	3	Bolt, M8X90	
6	1001169172	1	Cover, DEF Supply	
7	1001181899	1	Clamp	
8	1001213210	1	DEF Module Pump (See Separate Breakdown in this Section)	
9	1001229025	1	Installation, DEF Lines (See Separate Breakdown in this Section)	
10	1001229117	1	Installation, DEF Coolant Lines (See Separate Breakdown in this Section)	

# SECTION 4 - ENGINE AND ATTACHING PARTS

## FIGURE 4-28. DEF MODULE PUMP



ART\_1001213210-A

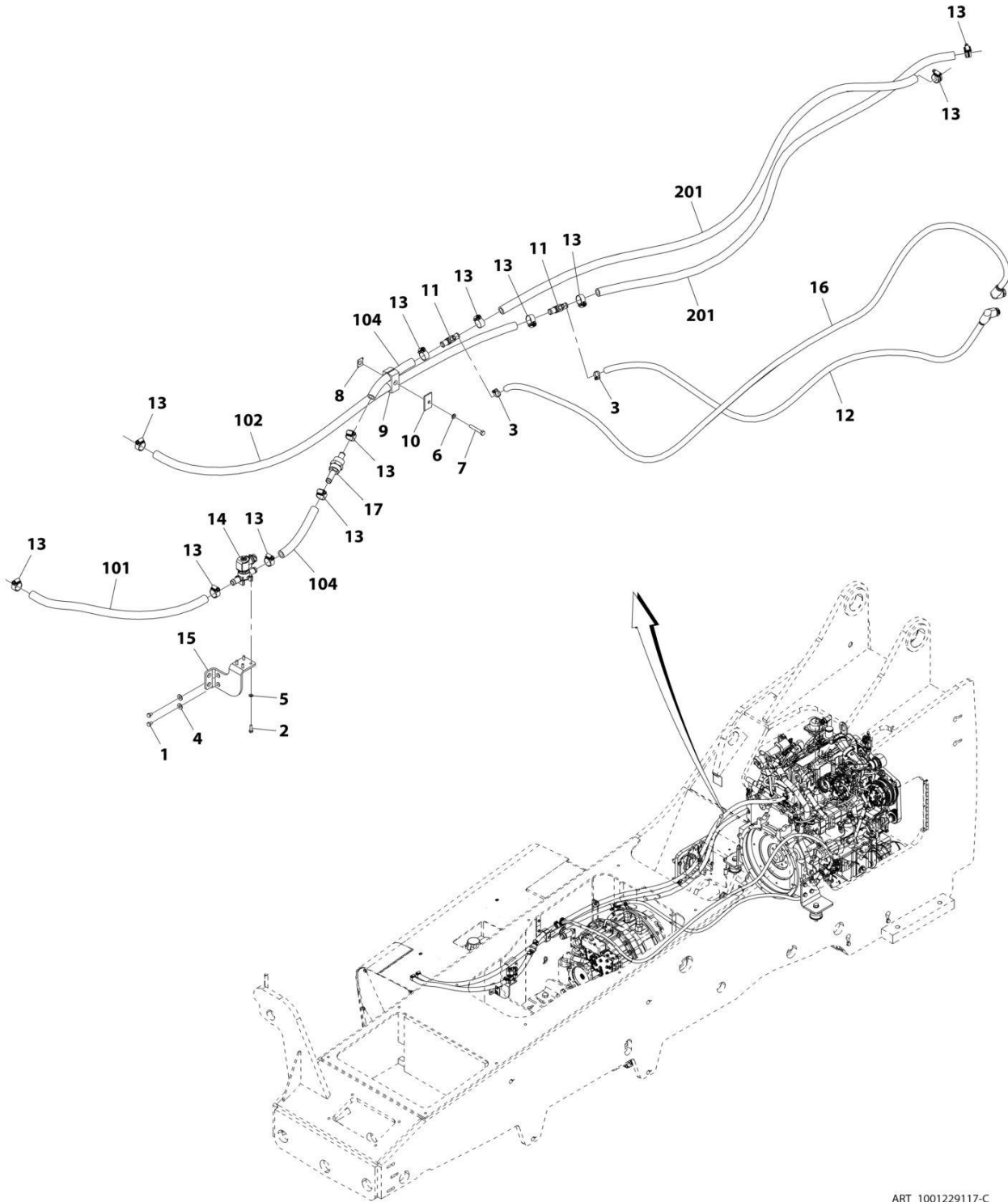
## SECTION 4 - ENGINE AND ATTACHING PARTS

FIGURE 4-28. DEF MODULE PUMP

ITEM	PART NUMBER	QTY	DESCRIPTION	REV
	1001213210	Ref	DEF Module Pump	B
1	70026248	1	Kit, Filter	
2	70026247	1	Cap, Filter	
3	70027705	1	Connector, Male (Backflow)	
4	70026245	1	Connector, Male (Outlet)	
5	70026244	1	Connector, Male (Inlet)	
6	70027706	3	Gasket, Circular (O-Ring)	

# SECTION 4 - ENGINE AND ATTACHING PARTS

## FIGURE 4-29. DEF COOLANT LINES INSTALLATION



ART\_1001229117-C

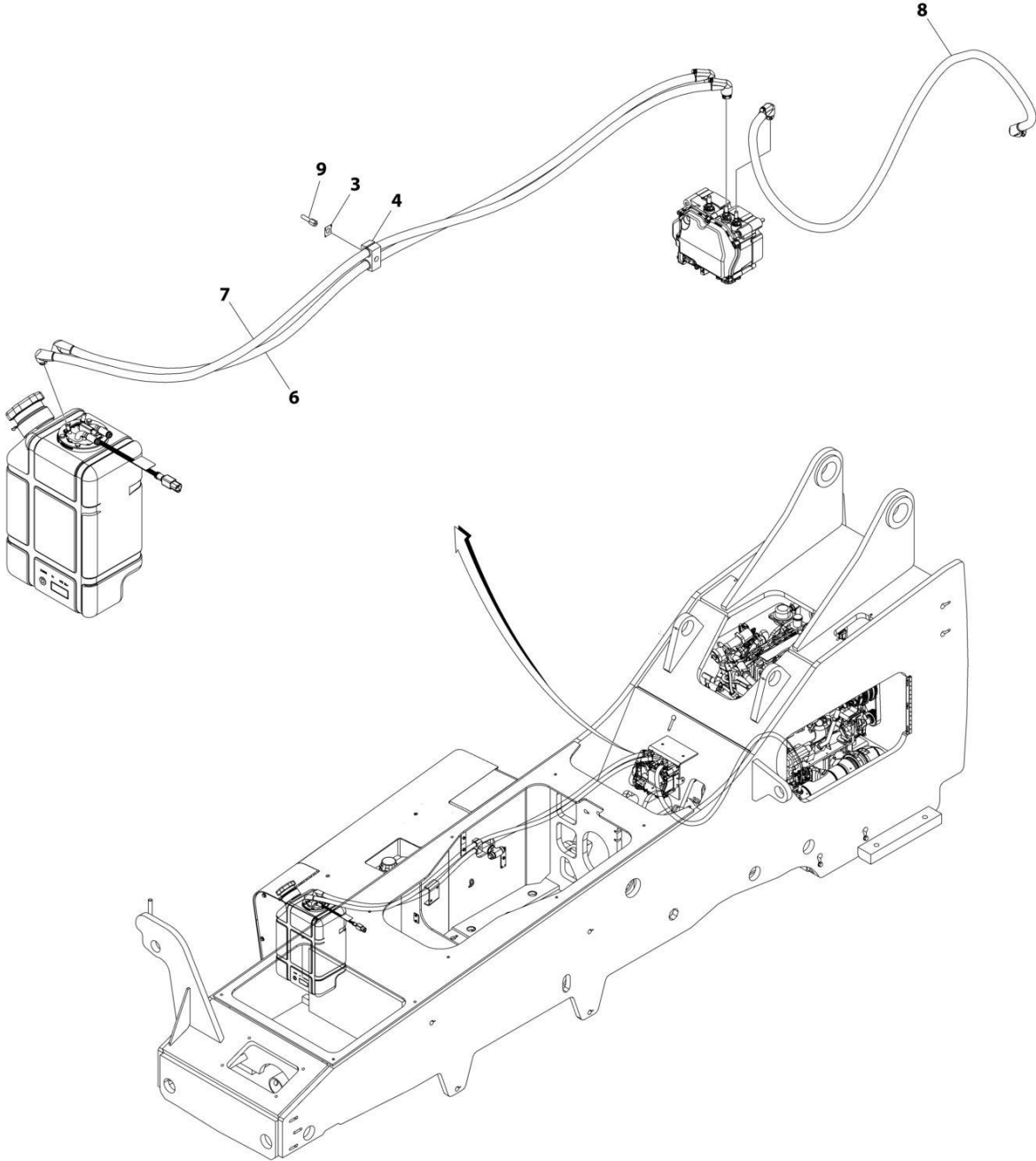
## SECTION 4 - ENGINE AND ATTACHING PARTS

**FIGURE 4-29. DEF COOLANT LINES INSTALLATION**

ITEM	PART NUMBER	QTY	DESCRIPTION	REV
	1001229117	Ref	DEF Coolant Lines Installation	C
1	0641403	2	Bolt, 1/4X3/8	
2	0760610	4	Bolt, M6X20	
3	1320032	2	Clamp, Fuel Line	
4	4751400	2	Washer, 1/4	
5	4811700	4	Washer, M6	
6	8307004	1	Washer 5/16	
7	8310009	1	Bolt, 5/16X2	
8	8750017	1	Plate, Locking	
9	8769127	1	Clamp Set, Twin	
10	8769128	1	Plate, Twin Cover	
11	1001162212	2	Fitting, Hose Barb Tee	
12	1001169001	1	Hose	
13	1001173535	12	Clamp	
14	1001199670	1	Valve, Coolant Control	
15	1001199951	1	Bracket, Valve Mount	
16	1001224096	1	Hose	
17	1001228872	1	Filter, Coolant Screen	
101	1001171472	1	Hose	
102	1001171473	1	Hose	
103	1001229210	2	Hose	
201	1001171474	2	Hose	

# SECTION 4 - ENGINE AND ATTACHING PARTS

## FIGURE 4-30. DEF LINES INSTALLATION



ART\_1001229025\_D

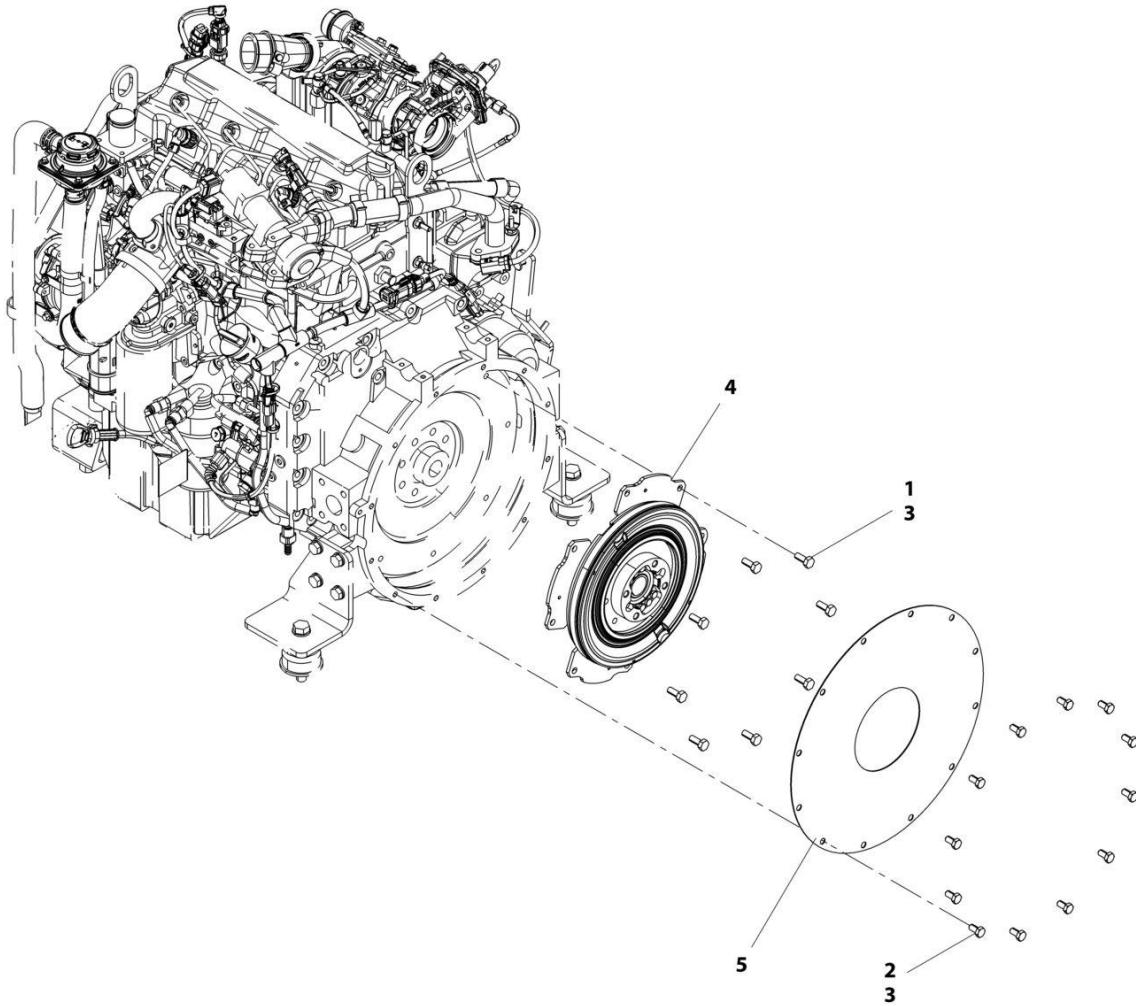
## SECTION 4 - ENGINE AND ATTACHING PARTS

FIGURE 4-30. DEF LINES INSTALLATION

ITEM	PART NUMBER	QTY	DESCRIPTION	REV
	1001229025	Ref	DEF Lines Installation	D
3	8750017	1	Plate, Locking	
4	8769127	1	Clamp Set, Twin	
6	1001229023	1	Hose	
7	1001229024	1	Hose	
8	1001168859	1	Hose	
9	8750012	1	Bolt, Stacking	

# SECTION 4 - ENGINE AND ATTACHING PARTS

## FIGURE 4-31. PUMP COUPLER INSTALLATION



ART\_1001166229\_B



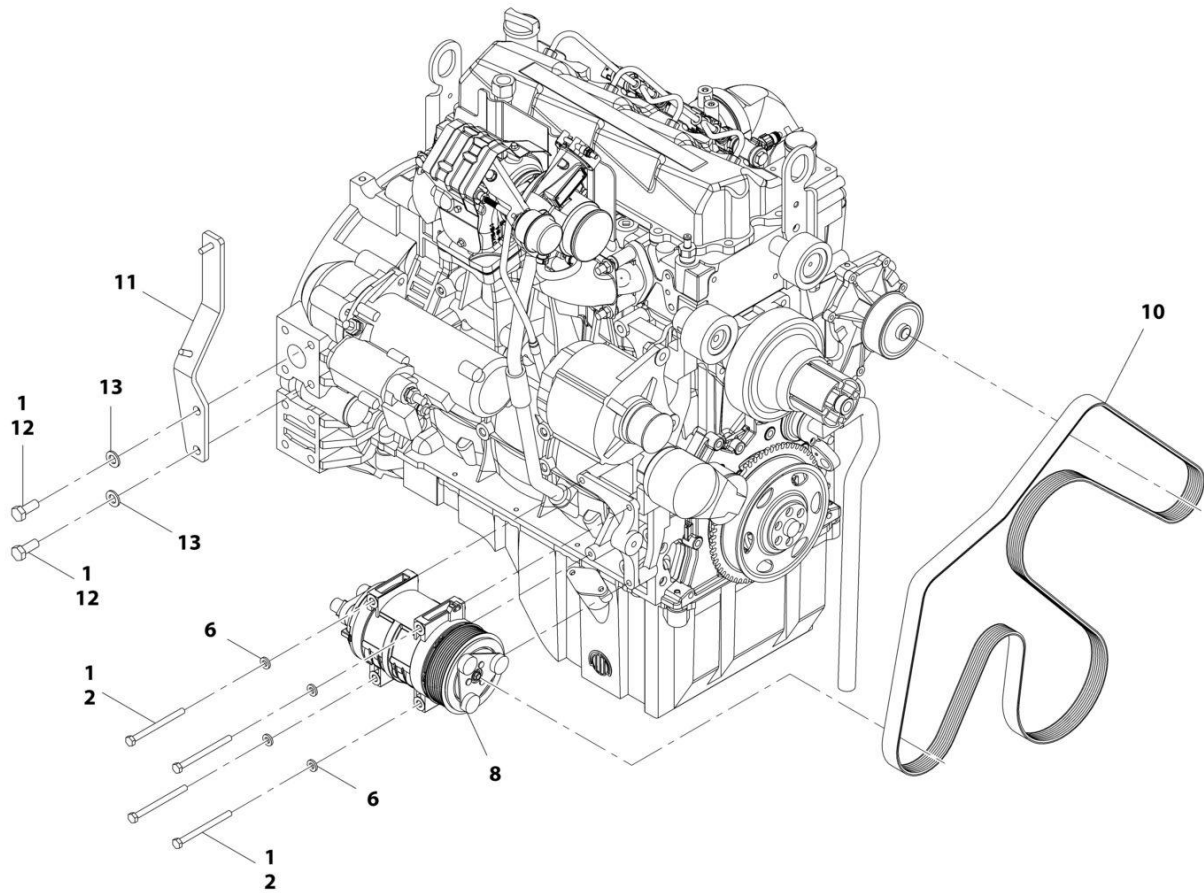
## SECTION 4 - ENGINE AND ATTACHING PARTS

### FIGURE 4-31. PUMP COUPLER INSTALLATION

ITEM	PART NUMBER	QTY	DESCRIPTION	REV
	1001166229	Ref	Isolation Coupler Installation	B
1	0761012	8	Bolt, M10X25	
2	8303784	12	Bolt, M10X20	
3	8526007	AR	Compound, Locking	
4	1001180244	1	Coupling, Torsion Damper	
5	1001185071	1	Panel, Isolation Coupler	

# SECTION 4 - ENGINE AND ATTACHING PARTS

## FIGURE 4-32. A/C COMPONENTS INSTALLATION (74HP)



ART\_1001190295-B

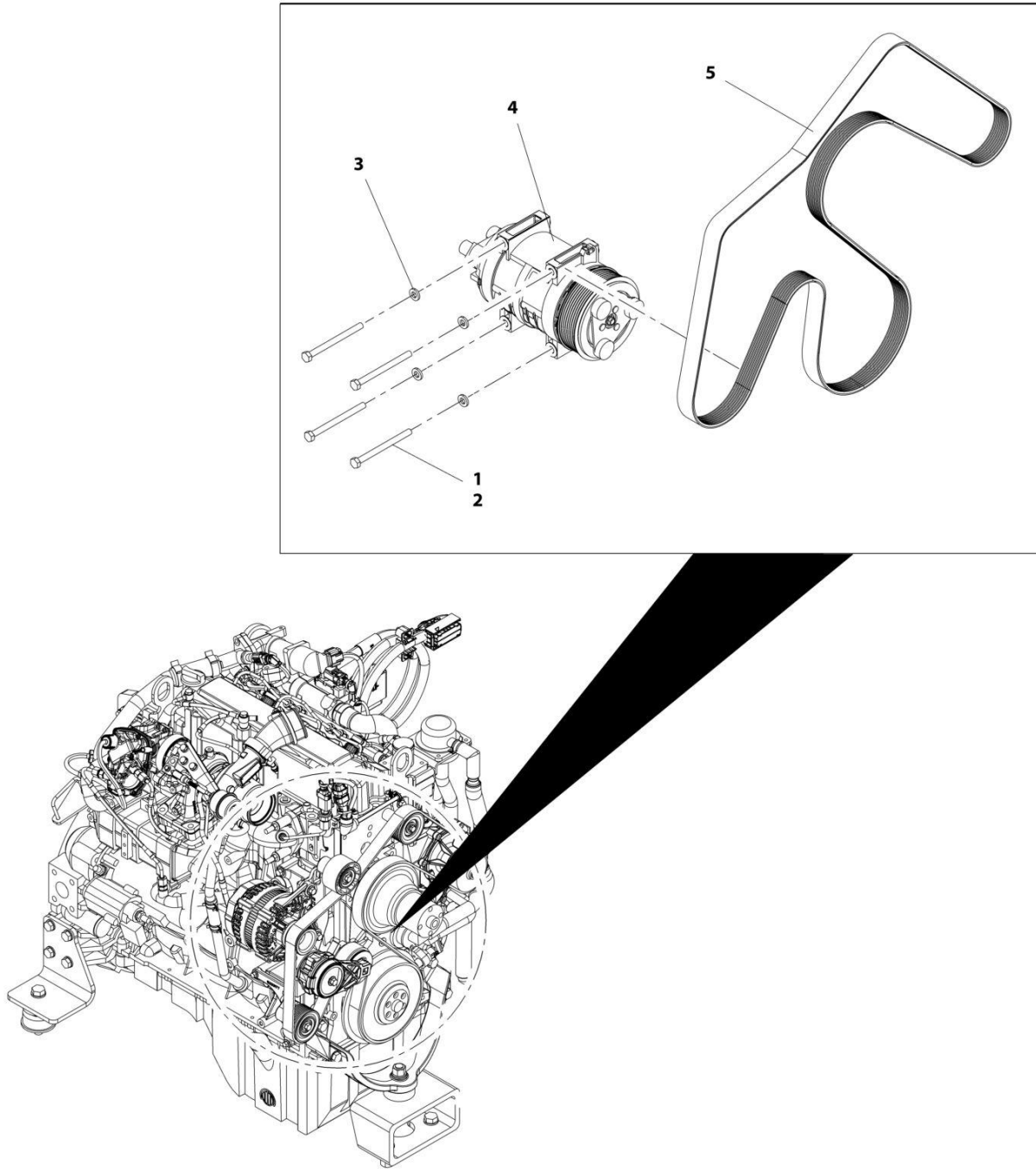
## SECTION 4 - ENGINE AND ATTACHING PARTS

FIGURE 4-32. A/C COMPONENTS INSTALLATION (74HP)

ITEM	PART NUMBER	QTY	DESCRIPTION	REV
	1001190295	Ref	A/C Components Installation (if equipped for LS)	B
1	0100011	AR	Compound, Locking	
2	0700827	4	Bolt, M8X100	
6	5240800	4	Washer, M8	
8	1001157663	1	Compressor, A/C	
10	1001167357	1	Belt	
11	1001197233	1	Bracket, AC Hose Support	
12	0711214	2	Bolt, M12X30	
13	4812100	2	Washer, M12	

# SECTION 4 - ENGINE AND ATTACHING PARTS

FIGURE 4-33. A/C COMPONENTS INSTALLATION (130HP)



ART\_1001166008\_A

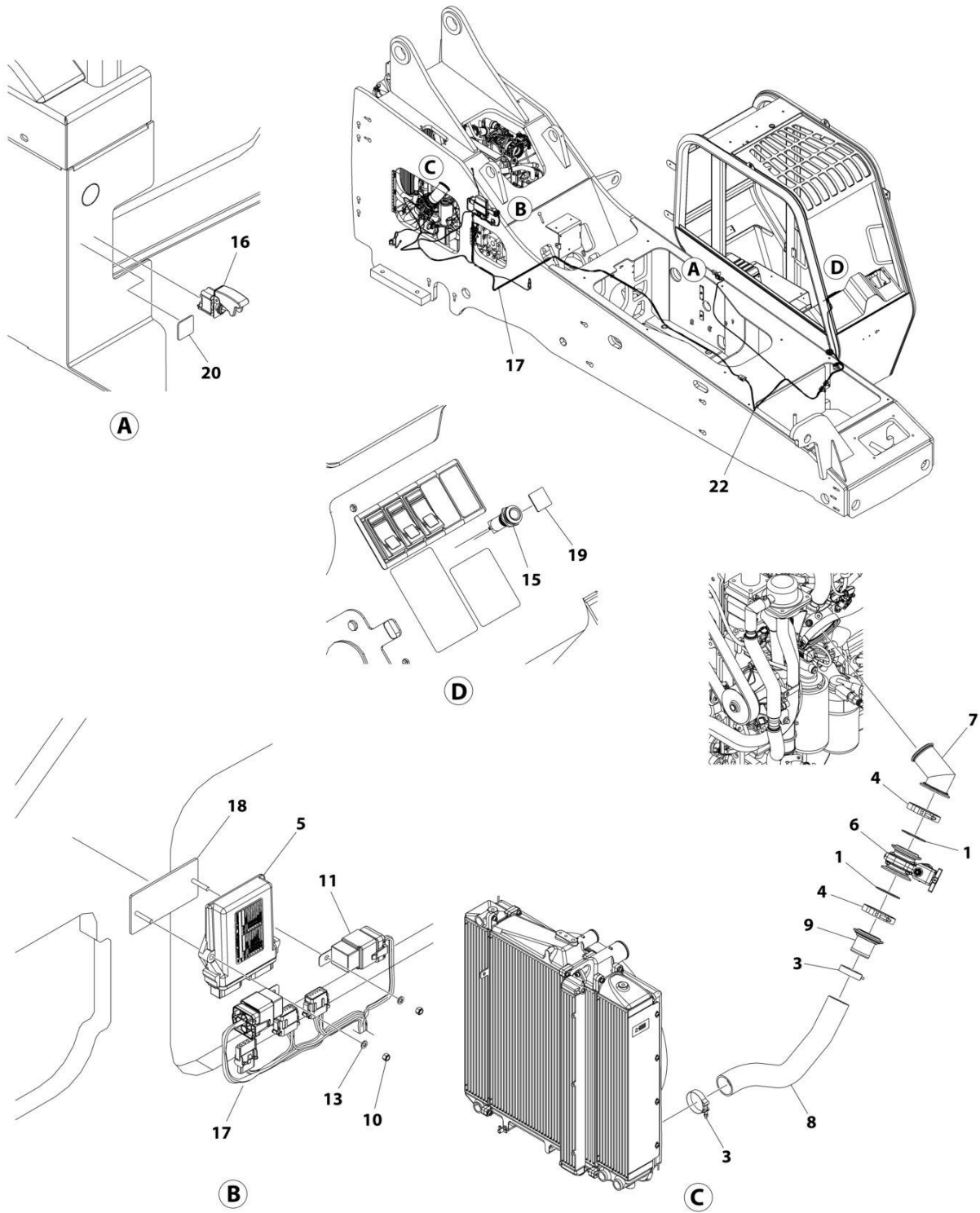
## SECTION 4 - ENGINE AND ATTACHING PARTS

FIGURE 4-33. A/C COMPONENTS INSTALLATION (130HP)

ITEM	PART NUMBER	QTY	DESCRIPTION	REV
	1001166008	Ref	A/C Components Installation	A
1	0100011	AR	Compound, Locking	
2	0700827	4	Bolt, M8X100	
3	5240800	4	Washer, M8	
4	1001157663	1	Compressor, A/C	
5	1001167357	1	Belt	

# SECTION 4 - ENGINE AND ATTACHING PARTS

## FIGURE 4-34. AIR INTAKE SHUT OFF VALVE INSTALLATION



ART\_1001202304\_F

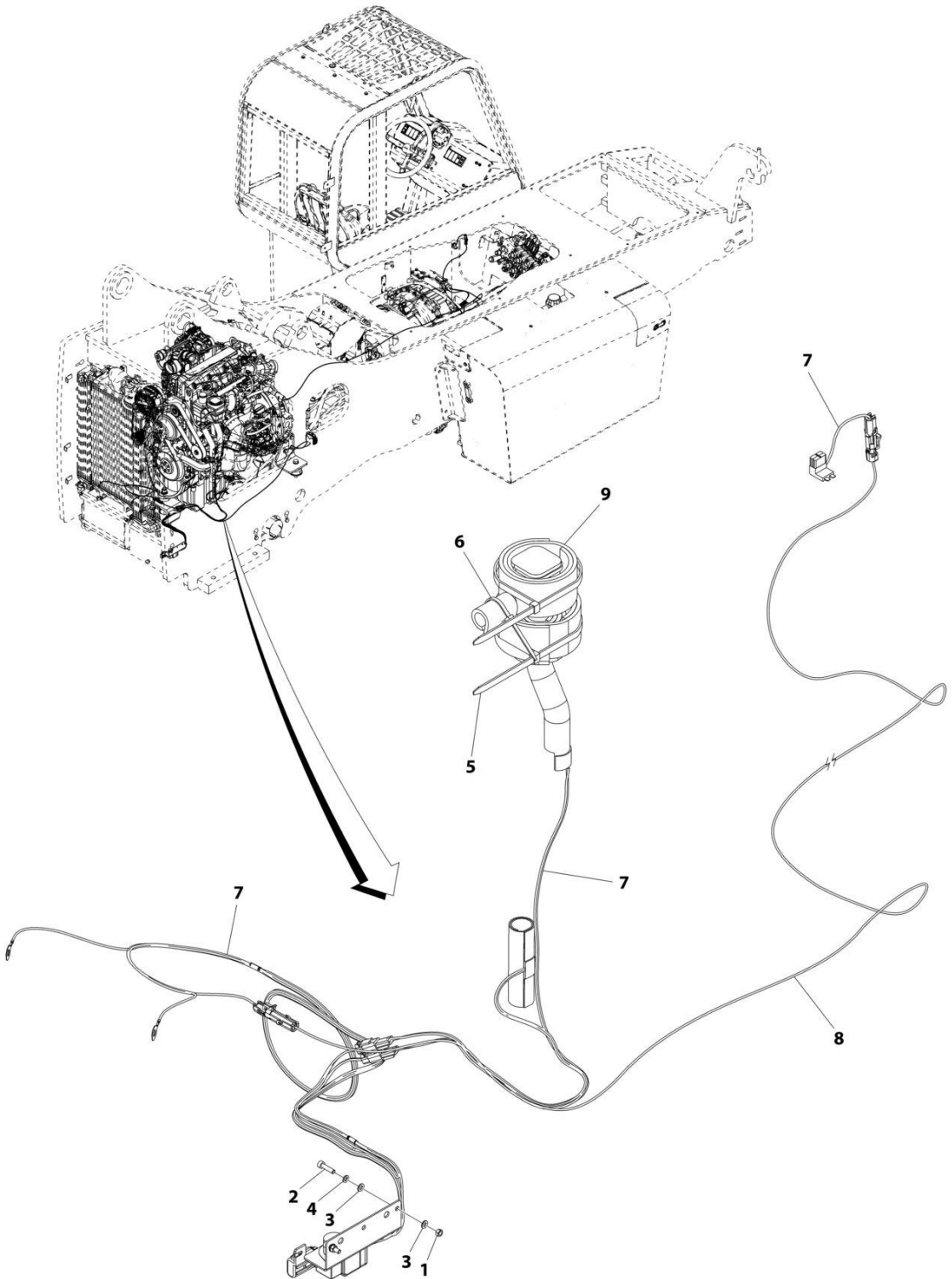
## SECTION 4 - ENGINE AND ATTACHING PARTS

**FIGURE 4-34. AIR INTAKE SHUT OFF VALVE INSTALLATION**

ITEM	PART NUMBER	QTY	DESCRIPTION	REV
	1001202304	Ref	Air Intake Shut Off Valve Installation	F
1	3790152	2	Ring	
3	8405212	2	Clamp	
4	1001202247	2	Clamp	
5	1001203181	1	Accessory, Control	
6	1001204032	1	Valve, Air Shut Off (See Separate Breakdown in HYDRAULIC COMPONENTS Section)	
7	1001206956	1	Pipe	
8	1001206983	1	Hose	
9	1001206985	1	Adapter	
10	3290505	2	Nut M5 Grade 8	
11	3740080	2	Relay	
13	4811600	2	Washer, M5	
14	91053419	AR	Strap, Cable (not shown)	
15	1001239539	1	Lamp	
16	1001215941	1	Switch	
17	1001216455	1	Harness, POSI Air Shut Off Valve T4F (See Separate Breakdown in ELECTRICAL Section)	
18	1001219082	1	Bracket	
19	1001227077	1	Decal, Air Shut Off	
20	1001227964	1	Decal, ASOV Test	
22	1001231560	1	Harness, POSI Air Shut Off Valve Cab (See Separate Breakdown in ELECTRICAL Section)	

**SECTION 4 - ENGINE AND ATTACHING PARTS**

**FIGURE 4-35. HEATER BREATHER**



ART\_1001232750-A



## SECTION 4 - ENGINE AND ATTACHING PARTS

### FIGURE 4-35. HEATER BREATHER

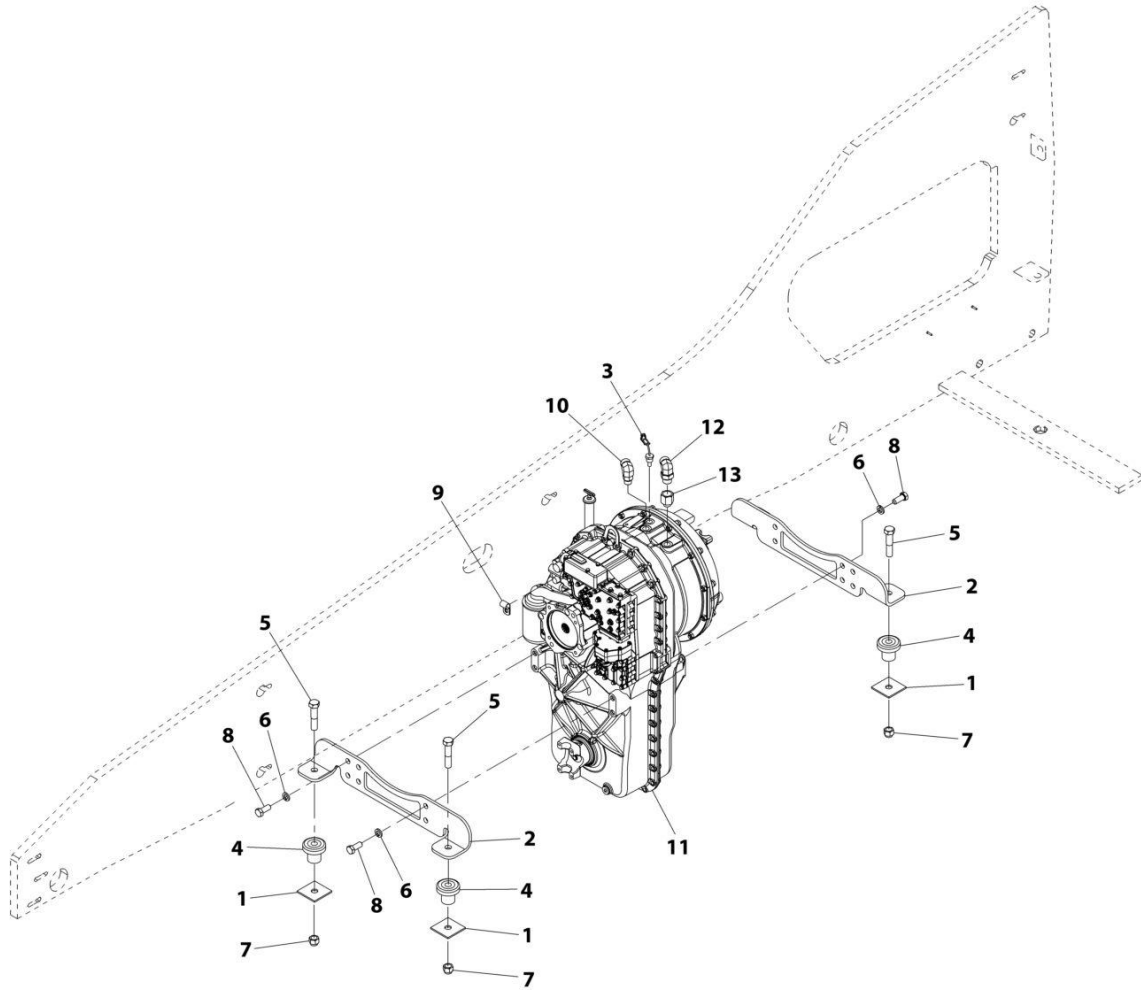
ITEM	PART NUMBER	QTY	DESCRIPTION	REV
	1001232750	Ref	Heater Breather - 74 HP	A
1	3290501	2	Nut, M5X0.8	
2	4031608	2	Screw, M5X20	
3	4811600	4	Washer, M5	
4	4831600	2	Washer, Lock M5	
5	01043892	2	Strap, Tie	
6	86683122	1	Strap, Tie	
7	1001232439	1	Engine, Cummins Breather Kit	
8	1001232599	1	Harness, Cummins Breather Heater	
9	1001232624	1	Insulate, Cummins Insulation	



**SECTION 5 - DRIVE TRAIN**

# SECTION 5 - DRIVE TRAIN

## FIGURE 5-1. TRANSMISSION INSTALLATION



ART\_1001108524-B

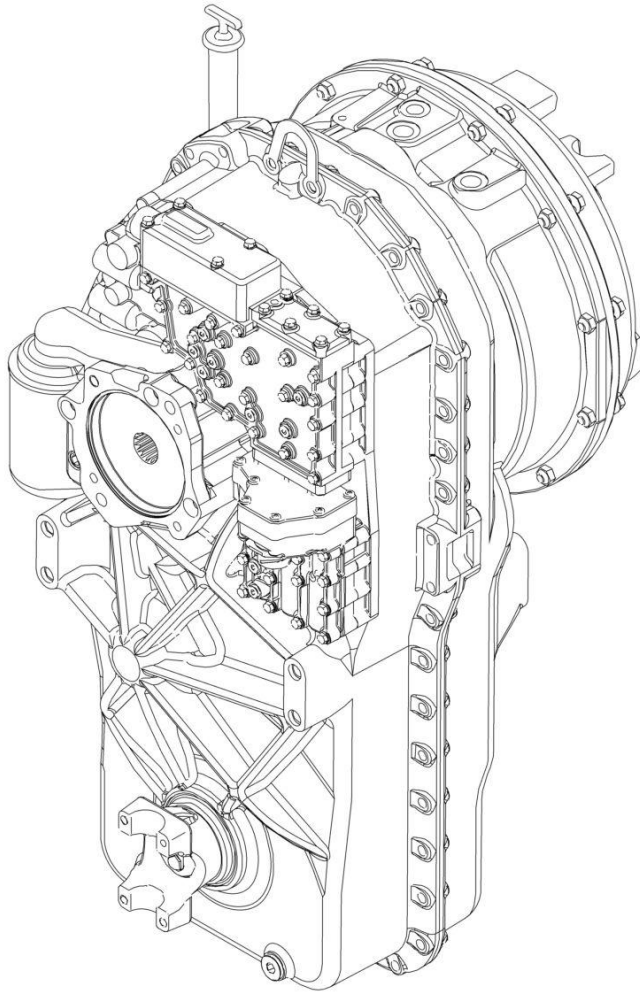
## SECTION 5 - DRIVE TRAIN

**FIGURE 5-1. TRANSMISSION INSTALLATION**

ITEM	PART NUMBER	QTY	DESCRIPTION	REV
	1001108524	Ref	Transmission Installation	B
1	7054351	4	Washer, Rebound	
2	7138634	2	Bracket, Transmission Mount	
3	8223232	1	Switch, Transmission Temperature	
4	91403097	4	Mount, Rubber	
5	8303724	4	Bolt, 3/4-10X3-1/2	
6	8307049	8	Washer, Lock M16	
7	8310067	4	Nut, Lock 3/4-10	
8	8310215	8	Bolt, M16X40	
9	8406105	1	Clip, Tube	
10	2131210	1	Adapter, 90	
11	8841036	1	Transmission, 4-Speed (See Separate Breakdown in this Section)	
12	2131212	1	Adapter, 90	
13	8760548	1	Adapter, Straight	

## SECTION 5 - DRIVE TRAIN

FIGURE 5-2. TRANSMISSION, 4-SPEED



ART\_8841036\_1-C

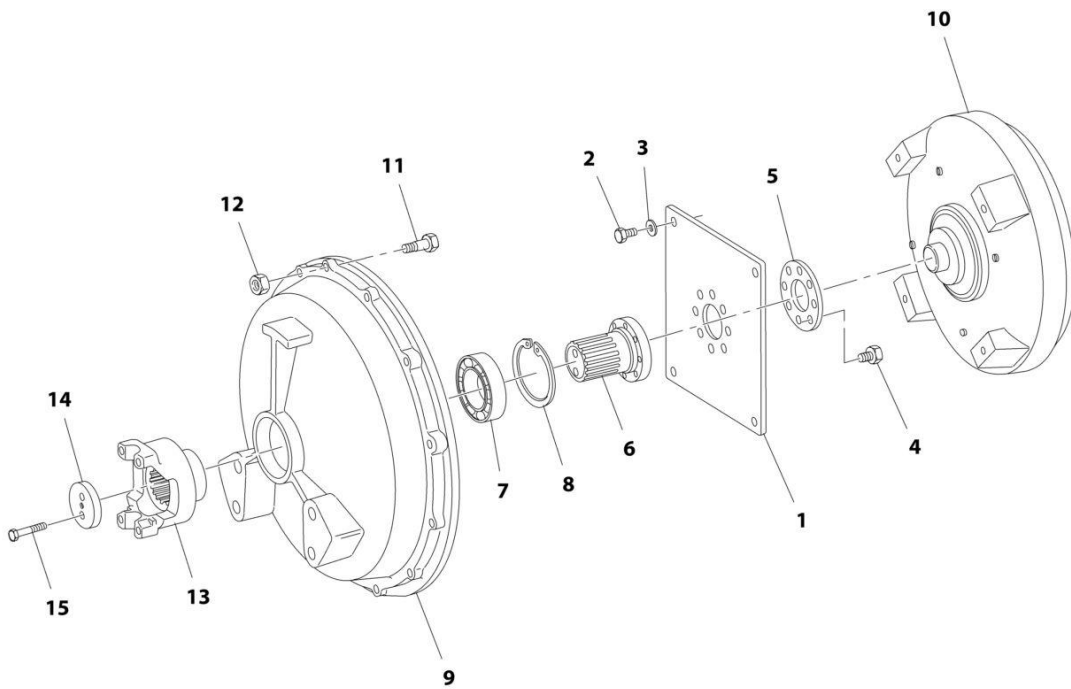
## SECTION 5 - DRIVE TRAIN

**FIGURE 5-2. TRANSMISSION, 4-SPEED**

ITEM	PART NUMBER	QTY	DESCRIPTION	REV
	8841036	Ref	TRANSMISSION ASSEMBLY	C
		Ref	Transmission - Engine Connection and Converter (See Separate Breakdown in this Section)	
		Ref	Transmission - Input Shafts (See Separate Breakdown in this Section)	
		Ref	Transmission - Gearbox Housing (See Separate Breakdown in this Section)	
		Ref	Transmission - Coupling Group 1 (See Separate Breakdown in this Section)	
		Ref	Transmission - Coupling Group 2 (See Separate Breakdown in this Section)	
		Ref	Transmission - Coupling Group 3 (See Separate Breakdown in this Section)	
		Ref	Transmission - Coupling Group 4 (See Separate Breakdown in this Section)	
		Ref	Transmission - Reversing Gear Group 1 (See Separate Breakdown in this Section)	
		Ref	Transmission - Reversing Gear Group 2 (See Separate Breakdown in this Section)	
		Ref	Transmission - Output (See Separate Breakdown in this Section)	
		Ref	Transmission - Control Unit (See Separate Breakdown in this Section)	
		Ref	Transmission - Valve Housing Assembly (See Separate Breakdown in this Section)	
		Ref	Transmission - Valve Block Assembly (See Separate Breakdown in this Section)	
		Ref	Transmission - Oil Pump and Filter (See Separate Breakdown in this Section)	

# SECTION 5 - DRIVE TRAIN

## FIGURE 5-3. TRANSMISSION, ENGINE CONNECTION AND CONVERTER



ART\_8841036\_2-C



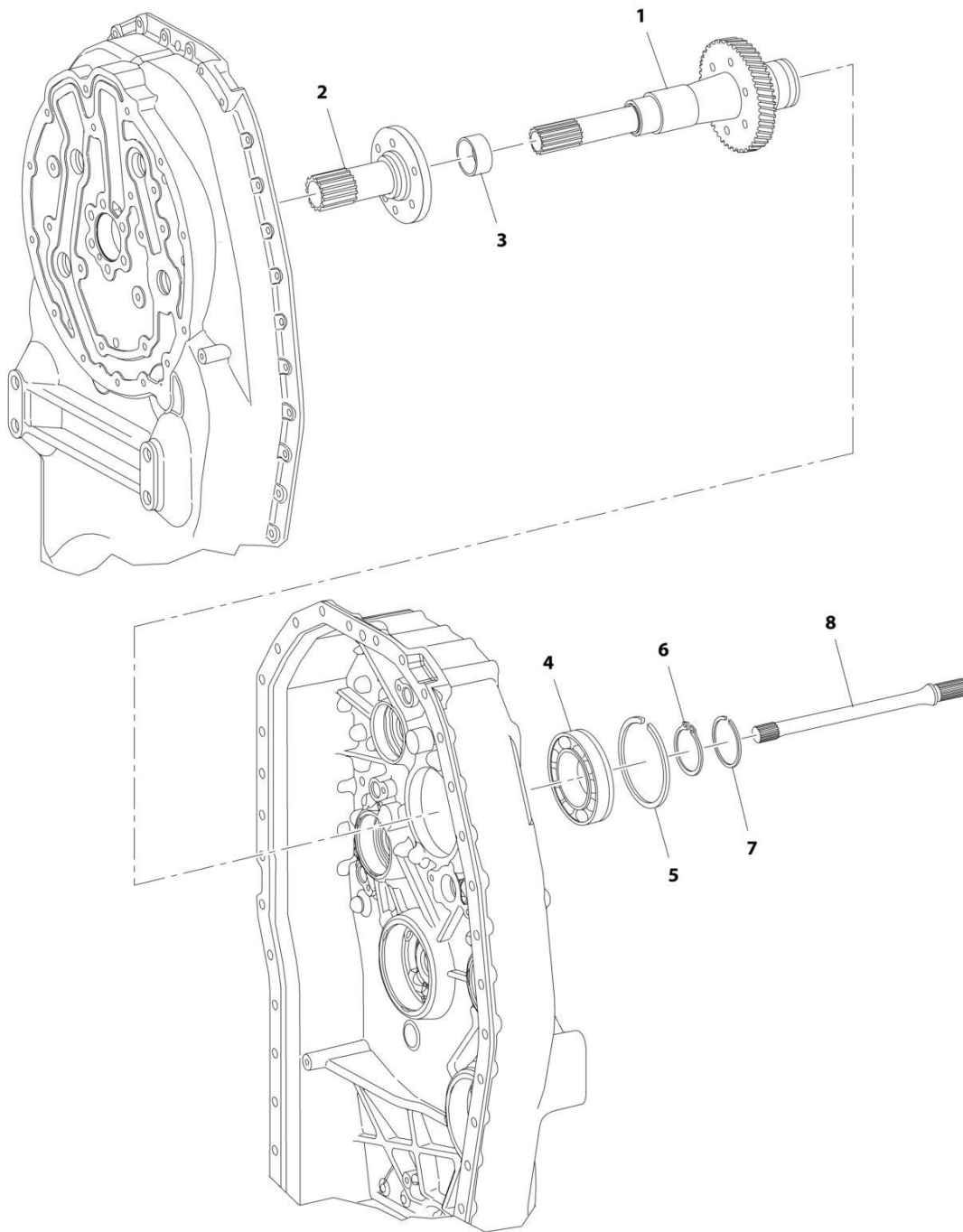
## SECTION 5 - DRIVE TRAIN

**FIGURE 5-3. TRANSMISSION, ENGINE CONNECTION AND CONVERTER**

ITEM	PART NUMBER	QTY	DESCRIPTION	REV
	8841036	Ref	TRANSMISSION - ENGINE CONNECTION AND CONVERTER	
1	1319203	1	Diaphragm	
2	1319204	4	Bolt, M10X18	
3	10732095	4	Washer	
4	10731702	8	Bolt, M10X16	
5	1319213	1	Washer	
6	70023482	1	Shaft, Input	
7	1319209	1	Bearing, Ball	
8	1319210	1	Ring, Retaining	
9	8036021	1	Cover	
10	8036022	1	Converter	
11	10731748	12	Bolt, M10X45	
12	10731751	12	Nut, M10	
13	1319211	1	Yoke, End	
14	1319205	1	Washer	
15	70023483	2	Bolt	

# SECTION 5 - DRIVE TRAIN

## FIGURE 5-4. TRANSMISSION, INPUT SHAFTS



ART\_8841036\_3-C

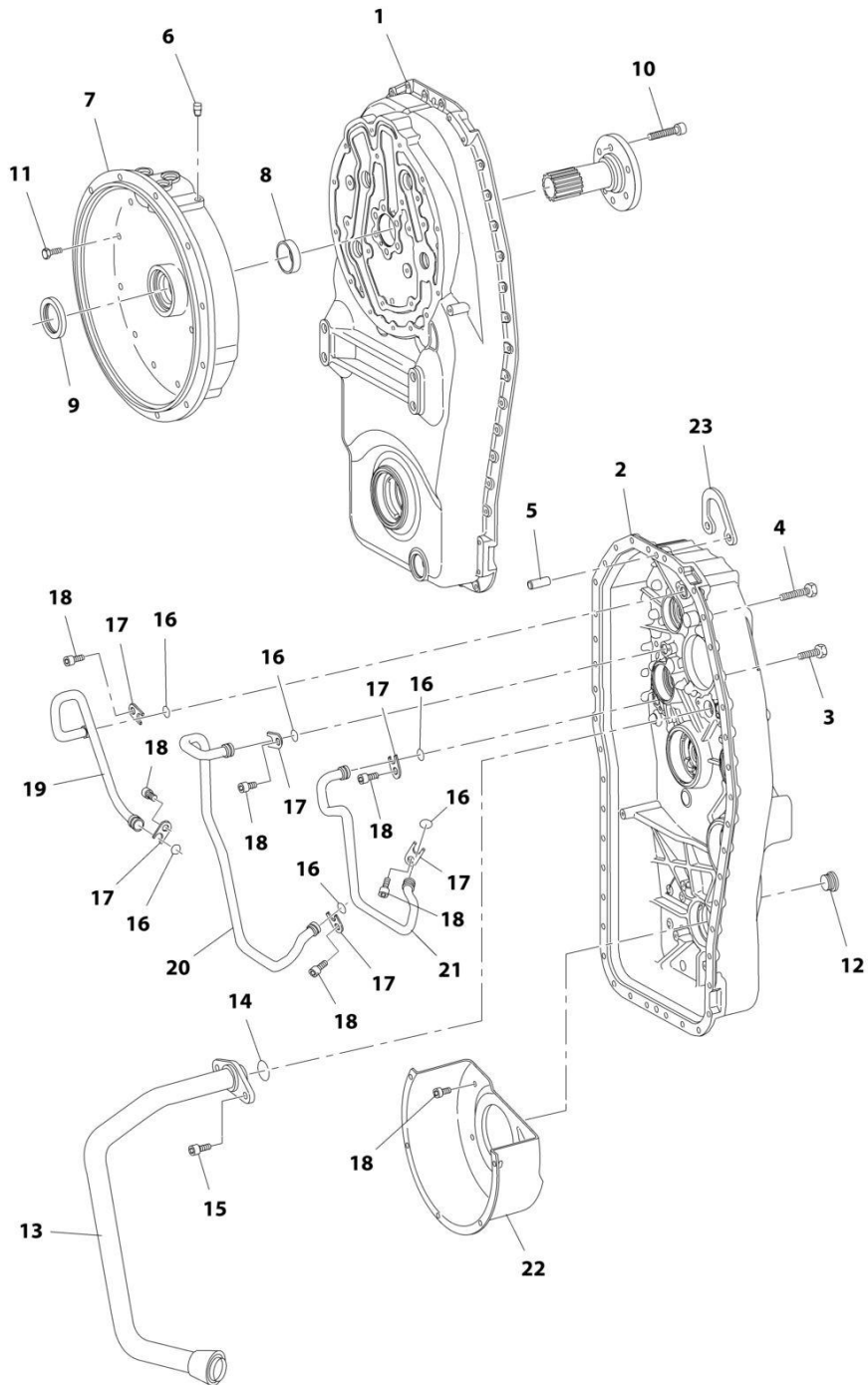
## SECTION 5 - DRIVE TRAIN

### FIGURE 5-4. TRANSMISSION, INPUT SHAFTS

ITEM	PART NUMBER	QTY	DESCRIPTION	REV
	8841036	Ref	TRANSMISSION - INPUT SHAFTS	
1	8036023	1	Shaft, Turbine	
2	1319557	1	Shaft, Stator	
3	1319558	1	Bushing, Bearing	
4	1319563	1	Bearing, Ball	
5	10731913	1	Ring, Snap	
6	80304405	1	Ring, Retaining	
7	1319565	1	Ring, Piston	
8	1319566	1	Shaft, Central	

# SECTION 5 - DRIVE TRAIN

## FIGURE 5-5. TRANSMISSION, GEARBOX HOUSING



ART\_8841036\_4-C

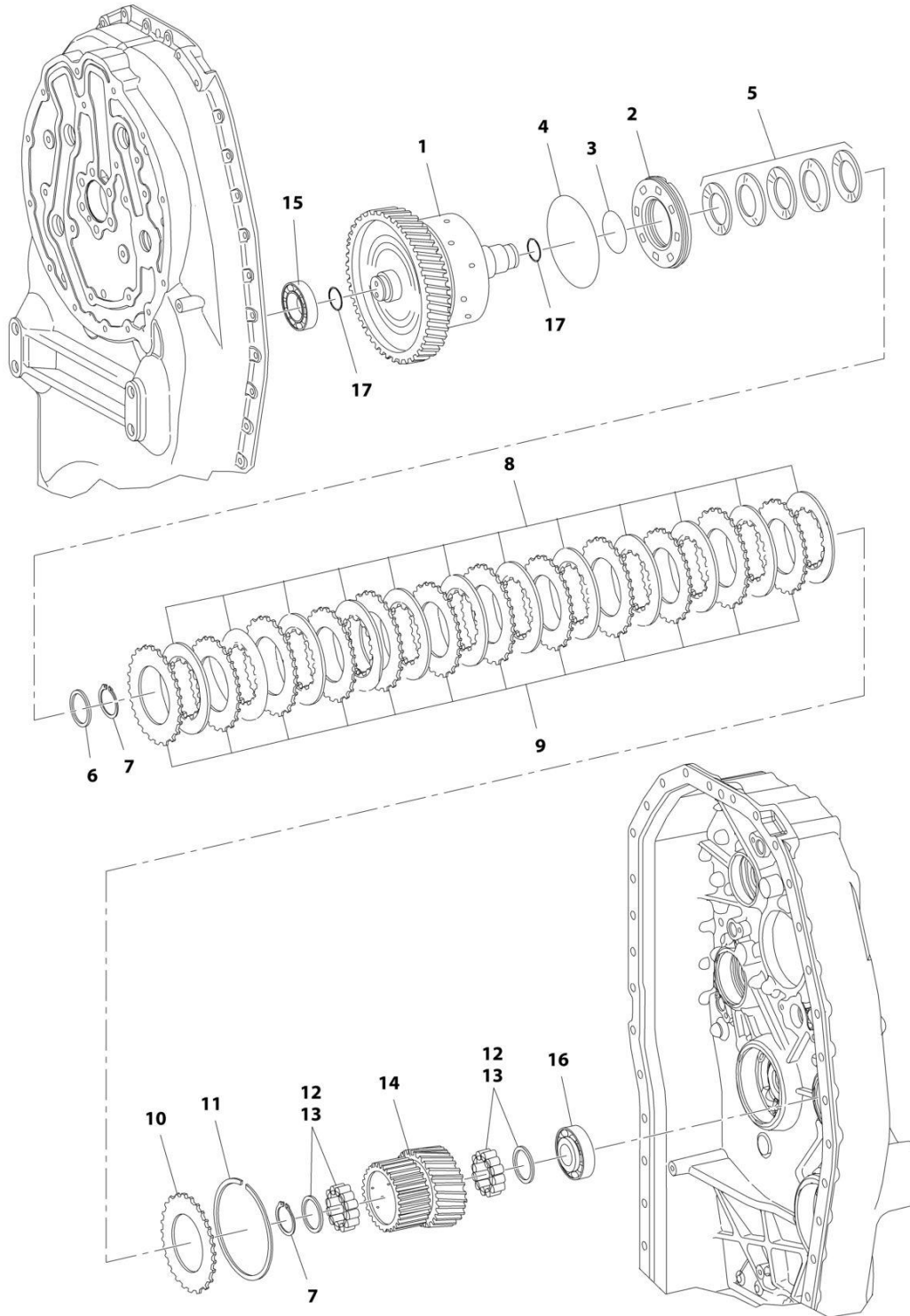
## SECTION 5 - DRIVE TRAIN

**FIGURE 5-5. TRANSMISSION, GEARBOX HOUSING**

ITEM	PART NUMBER	QTY	DESCRIPTION	REV
	8841036	Ref	TRANSMISSION - GEARBOX HOUSING	
1	8036024	1	Housing I	
2	8036025	1	Housing II	
3	1319569	36	Bolt, M10X30	
4	1319570	6	Bolt, M10X50	
5	1319571	2	Pin, Cylindrical M6X24	
6	10731744	1	Breather	
7	1319574	1	Bell, Converter	
8	1319575	1	Bushing, Bearing	
9	1319576	1	Seal, Shaft	
10	1319577	6	Screw, M10X50	
11	1319569	23	Bolt, M10X30	
12	70023404	1	Plug, Screw	
13	8036026	1	Pipe, Oil Suction	
14	70023885	1	O-Ring	
15	1319582	2	Screw, M8X20	
16	1319583	6	O-Ring	
17	1319584	6	Plate, Fixing	
18	1319585	11	Screw, M8X16	
19	1319586	1	Pipe	
20	1319587	1	Pipe	
21	8036027	1	Pipe	
22	8036028	1	Sheet, Screen	
23	1319590	1	Bracket	

# SECTION 5 - DRIVE TRAIN

## FIGURE 5-6. TRANSMISSION, COUPLING GROUP 1



ART\_8841036\_5-C

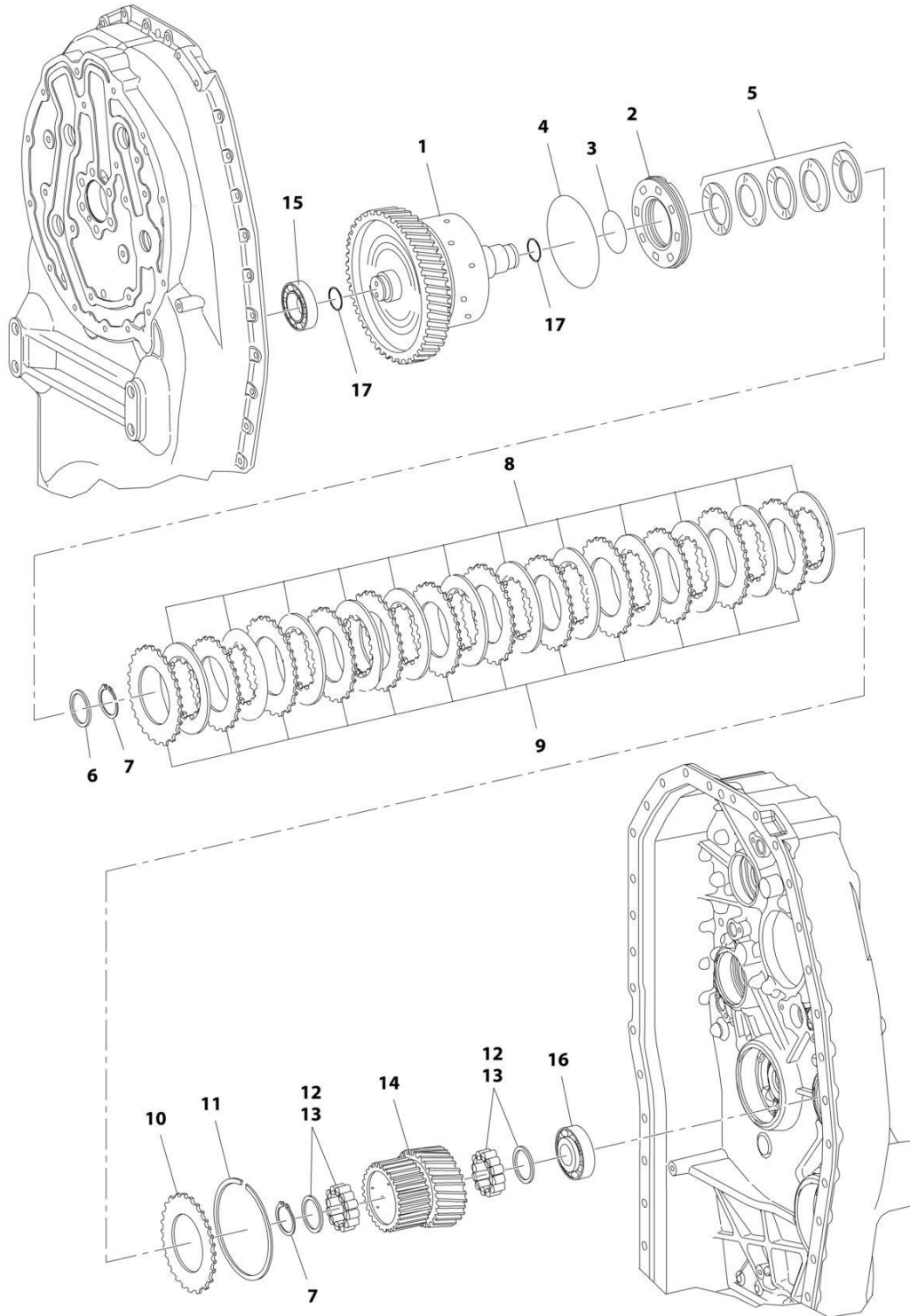
## SECTION 5 - DRIVE TRAIN

**FIGURE 5-6. TRANSMISSION, COUPLING GROUP 1**

ITEM	PART NUMBER	QTY	DESCRIPTION	REV
	8841036	Ref	TRANSMISSION - COUPLING GROUP 1	
1	1319591	1	Coupling	
2	1319592	1	Piston	
3	1319593	1	O-Ring, 52X3	
4	1319594	1	O-Ring, 115X3	
5	1319595	5	Spring, Cup	
6	1319596	1	Shim	
7	10731845	2	Ring, Retaining	
8	7026758	12	Disc, Inner Clutch	
9	7026759	12	Disc, Outer Clutch	
10	7026760	1	Shim, End	
11	1319600	1	Ring, Snap 4	
11	1319601	1	Ring, Snap 3-1/2	
11	1319602	1	Ring, Snap 3	
11	1319603	1	Ring, Snap 2-1/2	
11	1319604	1	Ring, Snap 2	
12	1319605	2	Cage, Roller	
13	1319606	2	Cage, Roller	
14	1319607	1	Carrier, Disc	
15	1319608	1	Bearing, Roller	
16	1319609	1	Bearing, Roller	
16	1319610	1	Bearing, Roller	
16	1319611	1	Bearing, Roller	
17	1319612	2	Ring, Piston 30X2	

# SECTION 5 - DRIVE TRAIN

## FIGURE 5-7. TRANSMISSION, COUPLING GROUP 2



ART\_8841036\_6-C



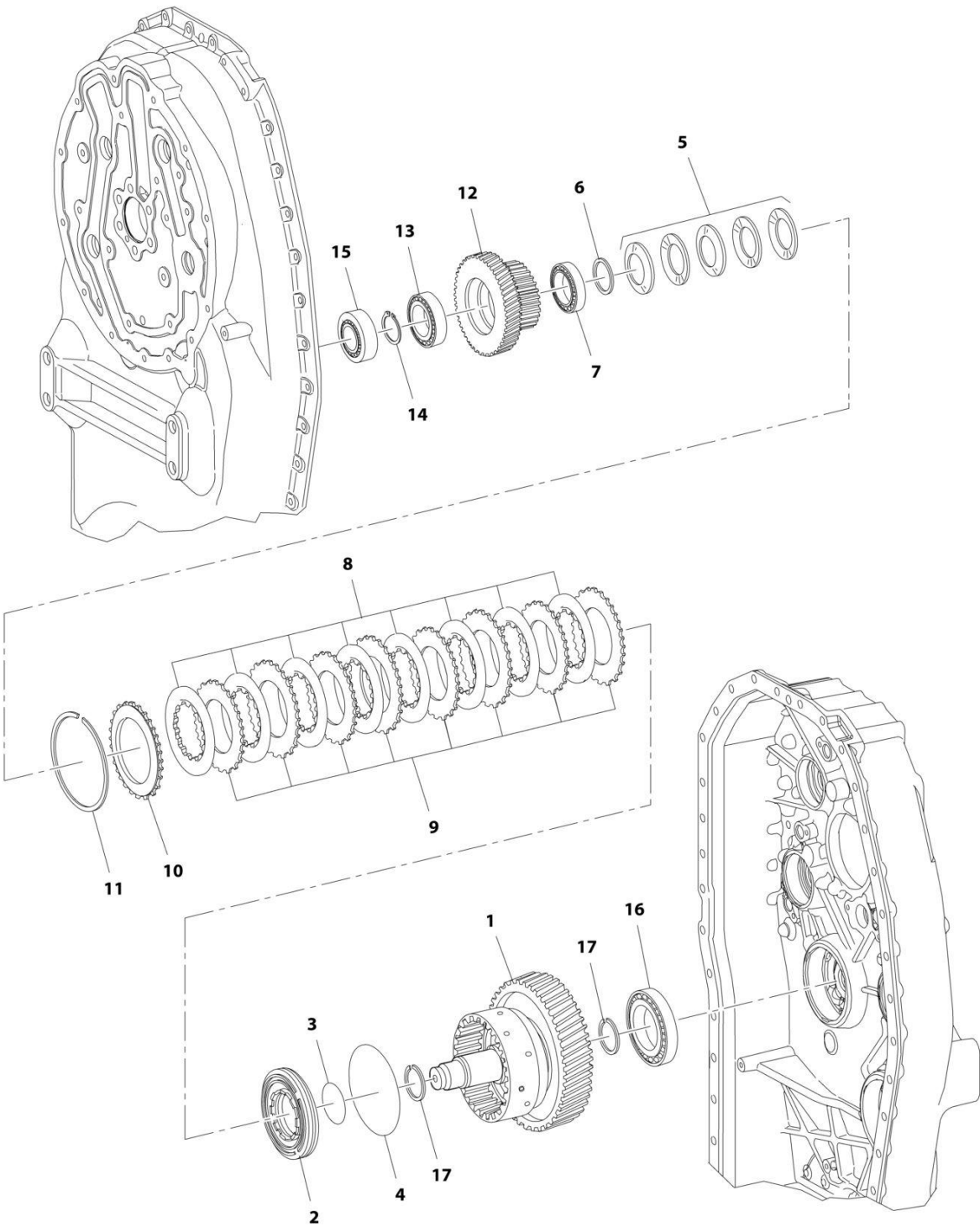
## SECTION 5 - DRIVE TRAIN

**FIGURE 5-7. TRANSMISSION, COUPLING GROUP 2**

ITEM	PART NUMBER	QTY	DESCRIPTION	REV
	8841036	Ref	TRANSMISSION - COUPLING GROUP 2	
1	1319613	1	Coupling	
2	8036029	1	Piston	
3	1319593	1	O-Ring, 52X3	
4	1319594	1	O-Ring, 115X3	
5	1319595	5	Spring, Cup	
6	1319596	1	Shim	
7	10731845	2	Ring, Retaining	
8	7026758	8	Disc, Inner Clutch	
9	7026759	8	Disc, Outer Clutch	
10	7026760	1	Shim, End	
11	1319600	1	Ring, Snap 4	
11	1319601	1	Ring, Snap 3-1/2	
11	1319602	1	Ring, Snap 3	
11	1319603	1	Ring, Snap 2-1/2	
11	1319604	1	Ring, Snap 2	
12	1319605	2	Cage, Roller	
13	1319606	2	Cage, Roller	
14	1319614	1	Carrier, Disc	
15	1319615	1	Bearing, Roller	
16	8036190	1	Assembly, Roller Bearing	
16	7029532	1	Ring, Outer	
16	7029533	1	Ring, Inner	
17	1319612	2	Ring, Piston 30X2	

# SECTION 5 - DRIVE TRAIN

## FIGURE 5-8. TRANSMISSION, COUPLING GROUP 3



ART\_8841036\_7-C

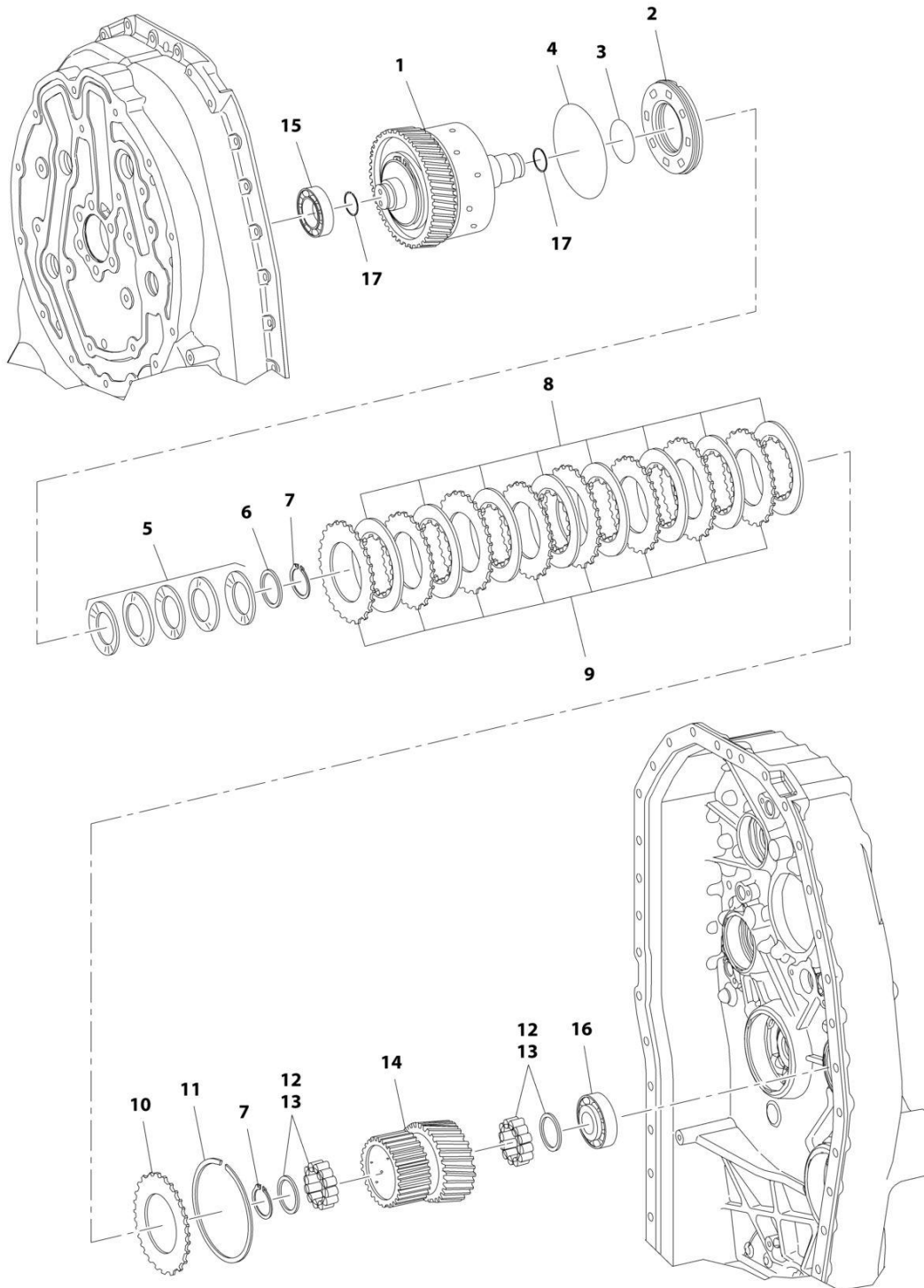
## SECTION 5 - DRIVE TRAIN

**FIGURE 5-8. TRANSMISSION, COUPLING GROUP 3**

ITEM	PART NUMBER	QTY	DESCRIPTION	REV
	8841036	Ref	TRANSMISSION - COUPLING GROUP 3	
1	1319616	1	Coupling	
2	8036029	1	Piston	
3	1319593	1	O-Ring, 52X3	
4	1319594	1	O-Ring, 115X3	
5	1319595	5	Spring, Cup	
6	1319617	1	Shim, Support	
7	1319618	1	Bearing, Roller	
8	7026758	8	Disc, Inner Clutch	
9	7026759	8	Disc, Outer Clutch	
10	7026760	1	Shim, End	
11	1319600	1	Ring, Snap 4	
11	1319601	1	Ring, Snap 3-1/2	
11	1319602	1	Ring, Snap 3	
11	1319603	1	Ring, Snap 2-1/2	
11	1319604	1	Ring, Snap 2	
12	1319619	1	Carrier, Disc	
13	1319620	1	Bearing, Roller	
14	1319621	1	Ring, Retaining 3.2	
14	1319622	1	Ring, Retaining 3.1	
14	1319623	1	Ring, Retaining 3	
14	1319624	1	Ring, Retaining 2.9	
14	1319625	1	Ring, Retaining 2.8	
14	1319626	1	Ring, Retaining 2.7	
14	1319627	1	Ring, Retaining 2.6	
14	1319628	1	Ring, Retaining 2.5	
14	1319629	1	Ring, Retaining 2.4	
14	1319630	1	Ring, Retaining 2.3	
14	1319631	1	Ring, Retaining 2.2	
14	1319632	1	Ring, Retaining 2.1	
15	8036190	1	Assembly, Roller Bearing	
15	7029532	1	Ring, Outer	
15	7029533	1	Ring, Inner	
16	1319633	1	Bearing, Roller	
17	1319612	2	Ring, Piston 30X2	

# SECTION 5 - DRIVE TRAIN

## FIGURE 5-9. TRANSMISSION, COUPLING GROUP 4



ART\_8841036\_8-C

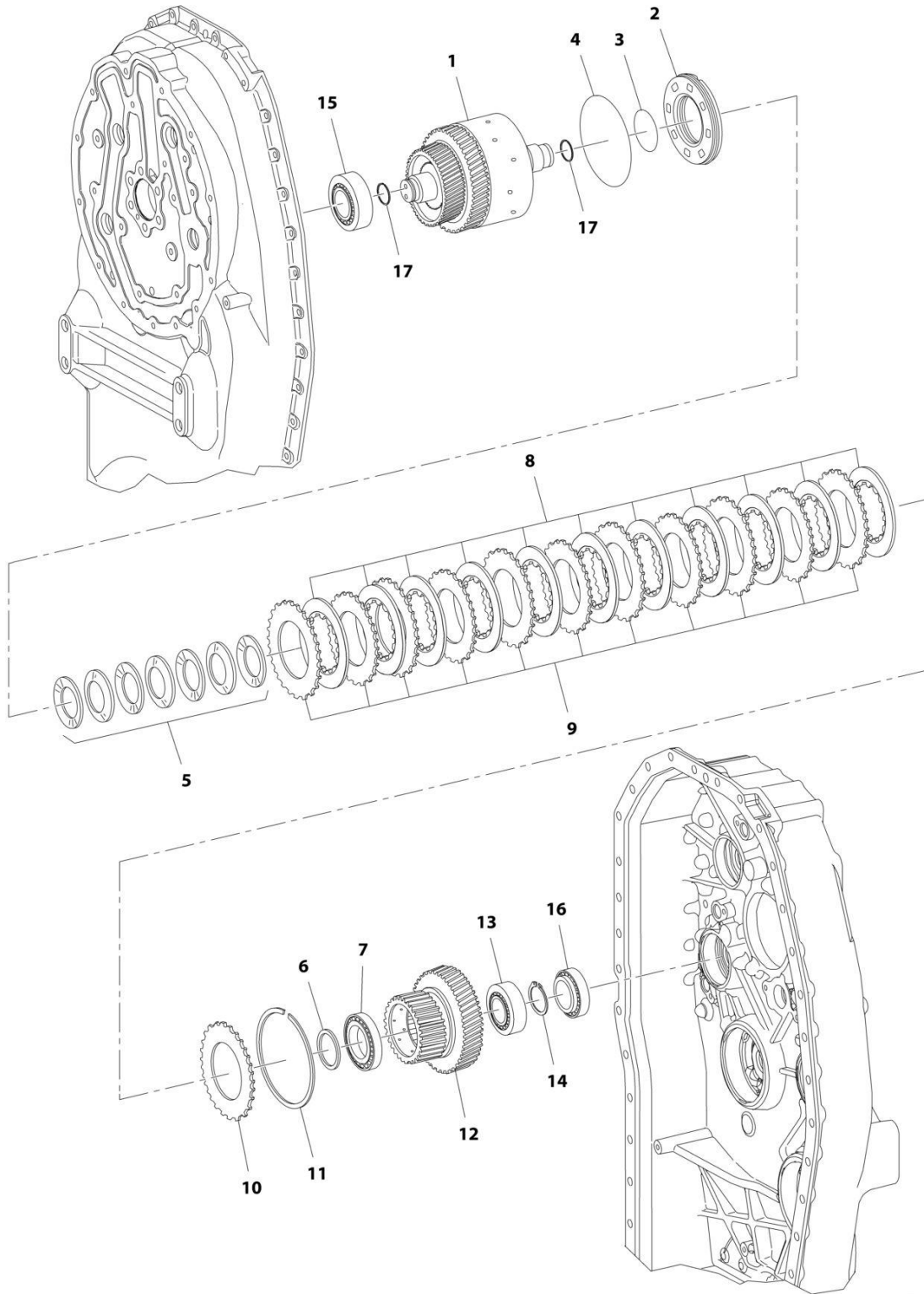
## SECTION 5 - DRIVE TRAIN

**FIGURE 5-9. TRANSMISSION, COUPLING GROUP 4**

ITEM	PART NUMBER	QTY	DESCRIPTION	REV
	8841036	Ref	TRANSMISSION - COUPLING GROUP 4	
1	1319634	1	Coupling	
2	8036029	1	Piston	
3	1319593	1	O-Ring, 52X3	
4	1319594	1	O-Ring, 115X3	
5	1319595	5	Spring, Cup	
6	1319596	1	Shim	
7	10731845	2	Ring, Retaining	
8	7026758	8	Disc, Inner Clutch	
9	7026759	8	Disc, Outer Clutch	
10	7026760	1	Shim, End	
11	1319600	1	Ring, Snap 4	
11	1319601	1	Ring, Snap 3-1/2	
11	1319602	1	Ring, Snap 3	
11	1319603	1	Ring, Snap 2-1/2	
11	1319604	1	Ring, Snap 2	
12	1319605	2	Cage, Roller	
13	1319606	2	Cage, Roller	
14	1319635	1	Carrier, Disc	
15	1319615	1	Bearing, Roller	
16	1319636	1	Bearing, Roller	
17	1319612	2	Ring, Piston 30X2	

# SECTION 5 - DRIVE TRAIN

## FIGURE 5-10. TRANSMISSION, REVERSING GEAR GROUP 1



ART\_8841036\_9-C

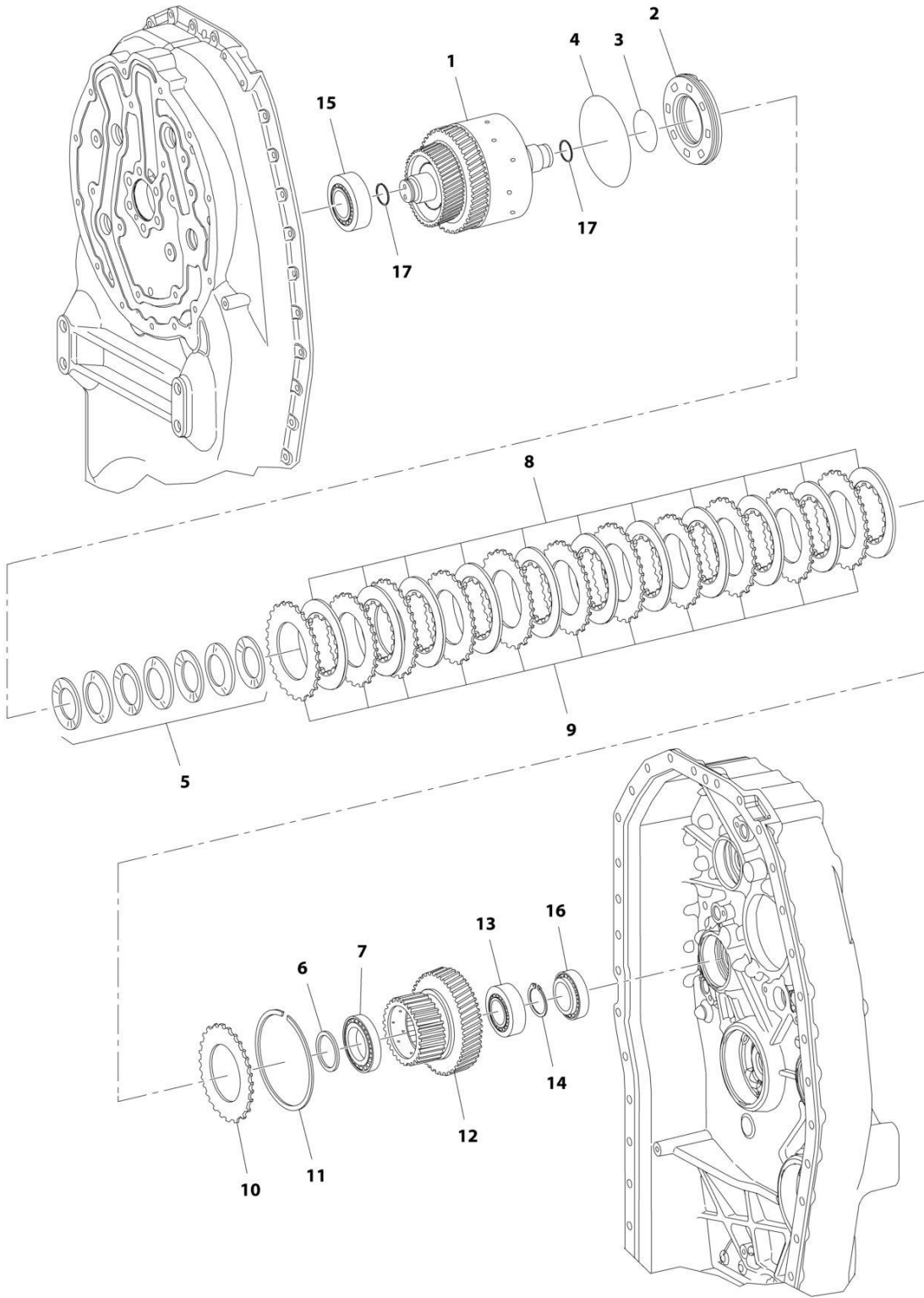
## SECTION 5 - DRIVE TRAIN

**FIGURE 5-10. TRANSMISSION, REVERSING GEAR GROUP 1**

ITEM	PART NUMBER	QTY	DESCRIPTION	REV
	8841036	Ref	TRANSMISSION - REVERSE GEAR GROUP 1	
1	1319637	1	Coupling	
2	8036029	1	Piston	
3	1319593	1	O-Ring, 52X3	
4	1319594	1	O-Ring, 115X3	
5	1319595	7	Spring, Cup	
6	1319617	1	Shim, Support	
7	1319618	1	Bearing, Roller	
8	7026758	11	Disc, Inner Clutch	
9	7026759	11	Disc, Outer Clutch	
10	7026760	1	Shim, End	
11	1319600	1	Ring, Snap 4	
11	1319601	1	Ring, Snap 3-1/2	
11	1319602	1	Ring, Snap 3	
11	1319603	1	Ring, Snap 2-1/2	
11	1319604	1	Ring, Snap 2	
12	1319638	1	Disc, Carrier	
13	1319620	1	Bearing, Roller	
14	1319621	1	Ring, Retaining 3.2	
14	1319622	1	Ring, Retaining 3.1	
14	1319623	1	Ring, Retaining 3	
14	1319624	1	Ring, Retaining 2.9	
14	1319625	1	Ring, Retaining 2.8	
14	1319626	1	Ring, Retaining 2.7	
14	1319627	1	Ring, Retaining 2.6	
14	1319628	1	Ring, Retaining 2.5	
14	1319629	1	Ring, Retaining 2.4	
14	1319630	1	Ring, Retaining 2.3	
14	1319631	1	Ring, Retaining 2.2	
14	1319632	1	Ring, Retaining 2.1	
15	1319615	1	Bearing, Roller	
16	1319636	1	Bearing, Roller	
17	1319612	2	Ring, Piston 30X2	

# SECTION 5 - DRIVE TRAIN

## FIGURE 5-11. TRANSMISSION, REVERSING GEAR GROUP 2



ART\_8841036\_10-C



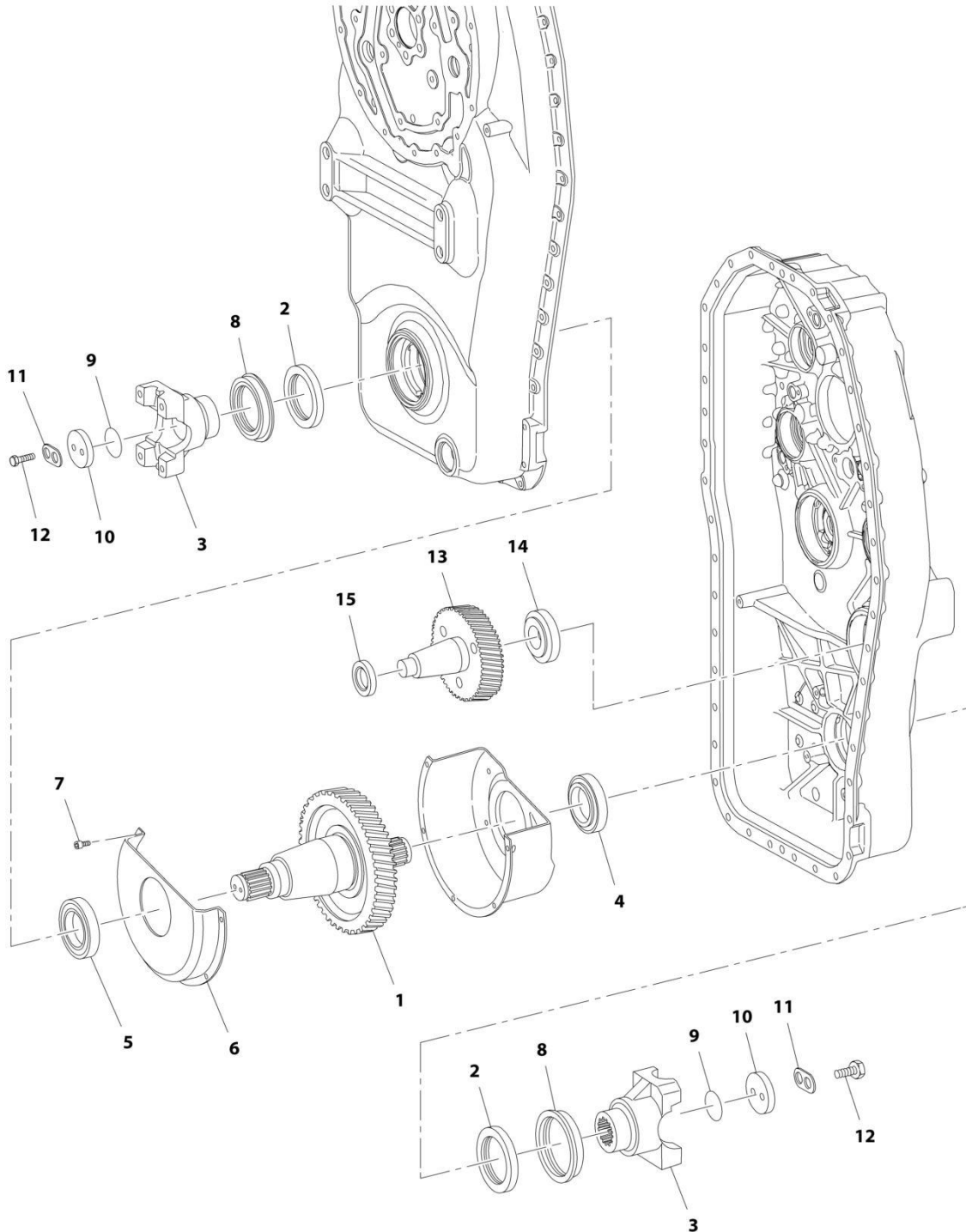
## SECTION 5 - DRIVE TRAIN

**FIGURE 5-11. TRANSMISSION, REVERSING GEAR GROUP 2**

ITEM	PART NUMBER	QTY	DESCRIPTION	REV
	8841036	Ref	TRANSMISSION - REVERSING GEAR GROUP 2	
1	1319639	1	Coupling	
2	8036029	1	Piston	
3	1319593	1	O-Ring, 52X3	
4	1319594	1	O-Ring, 115X3	
5	1319595	7	Spring, Cup	
6	1319617	1	Shim, Support	
7	1319618	1	Bearing, Roller	
8	7026758	11	Disc, Inner Clutch	
9	7026759	11	Disc, Outer Clutch	
10	7026760	1	Shim, End	
11	1319600	1	Ring, Snap 4	
11	1319601	1	Ring, Snap 3-1/2	
11	1319602	1	Ring, Snap 3	
11	1319603	1	Ring, Snap 2-1/2	
11	1319604	1	Ring, Snap 2	
12	1319638	1	Disc, Carrier	
13	1319620	1	Bearing, Roller	
14	1319621	1	Ring, Retaining 3.2	
14	1319622	1	Ring, Retaining 3.1	
14	1319623	1	Ring, Retaining 3	
14	1319624	1	Ring, Retaining 2.9	
14	1319625	1	Ring, Retaining 2.8	
14	1319626	1	Ring, Retaining 2.7	
14	1319627	1	Ring, Retaining 2.6	
14	1319628	1	Ring, Retaining 2.5	
14	1319629	1	Ring, Retaining 2.4	
14	1319630	1	Ring, Retaining 2.3	
14	1319631	1	Ring, Retaining 2.2	
14	1319632	1	Ring, Retaining 2.1	
15	1319608	1	Bearing, Roller	
16	1319636	1	Bearing, Roller	
17	1319612	2	Ring, Piston 30X2	

# SECTION 5 - DRIVE TRAIN

## FIGURE 5-12. TRANSMISSION, OUTPUT



ART\_8841036\_11-C

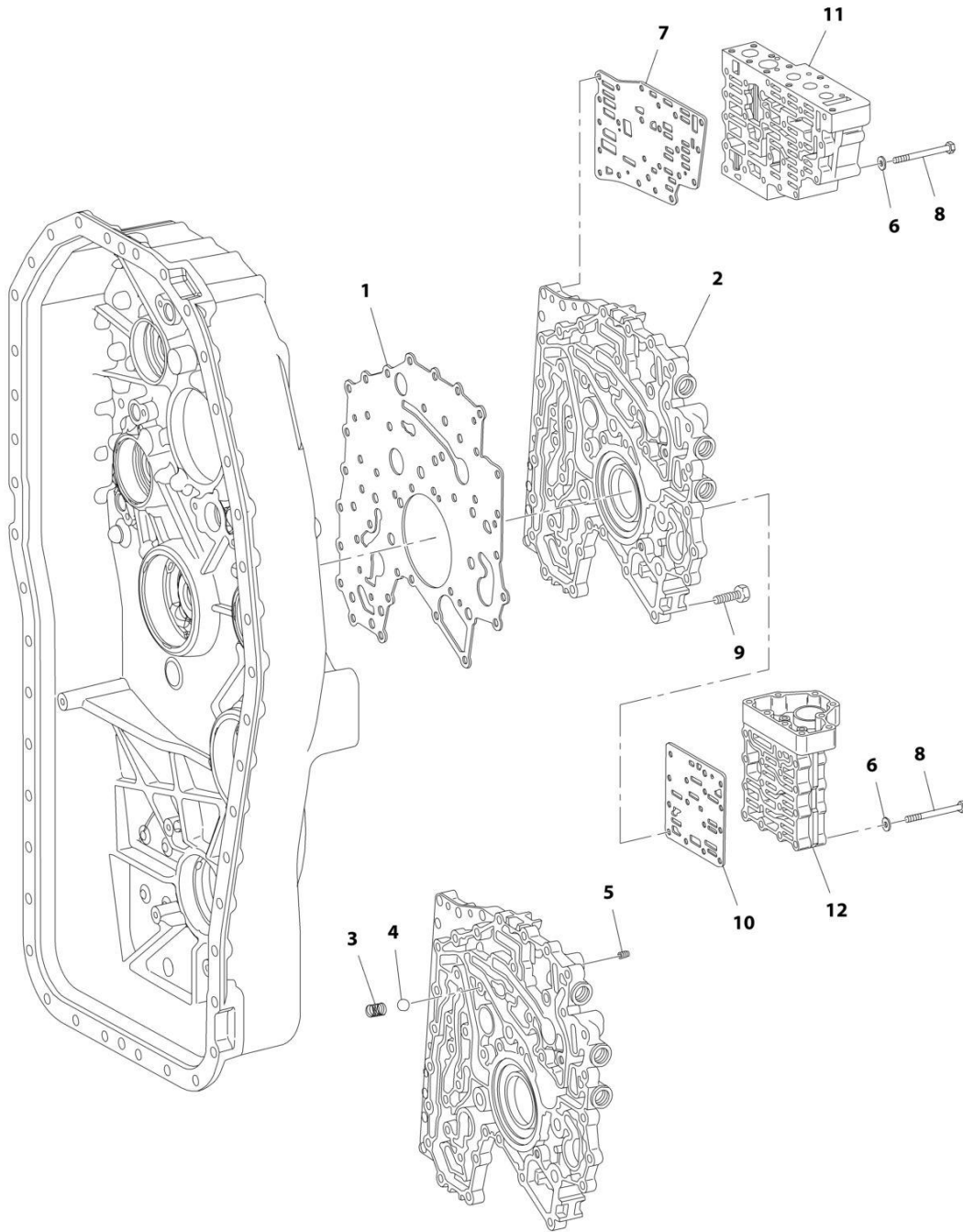
## SECTION 5 - DRIVE TRAIN

### FIGURE 5-12. TRANSMISSION, OUTPUT

ITEM	PART NUMBER	QTY	DESCRIPTION	REV
	8841036	Ref	TRANSMISSION - OUTPUT	
1	8036030	1	Shaft, Output	
2	1319641	2	Seal, Shaft	
3	7027273	2	Flange, Output	
4	N.S.S.	1	Assembly, Roller Bearing	
4	70020430	1	Cup, Bearing	
4	70020431	1	Cone, Bearing	
5	1319643	1	Bearing, Roller	
6	8036031	1	Sheet, Screen	
7	1319646	5	Bolt, M6X10	
8	1319647	2	Sheet, Screen	
9	10839156	2	O-Ring	
10	1319648	2	Washer, M10	
11	1319649	2	Washer, Tab	
12	10731959	4	Bolt, M8X25	
13	8036032	1	Shaft, Intermediate	
14	1319633	1	Bearing, Roller	
15	8036190	1	Assembly, Roller Bearing	
15	7029532	1	Ring, Outer	
15	7029533	1	Ring, Inner	

# SECTION 5 - DRIVE TRAIN

## FIGURE 5-13. TRANSMISSION, CONTROL UNIT



ART\_8841036\_12-C

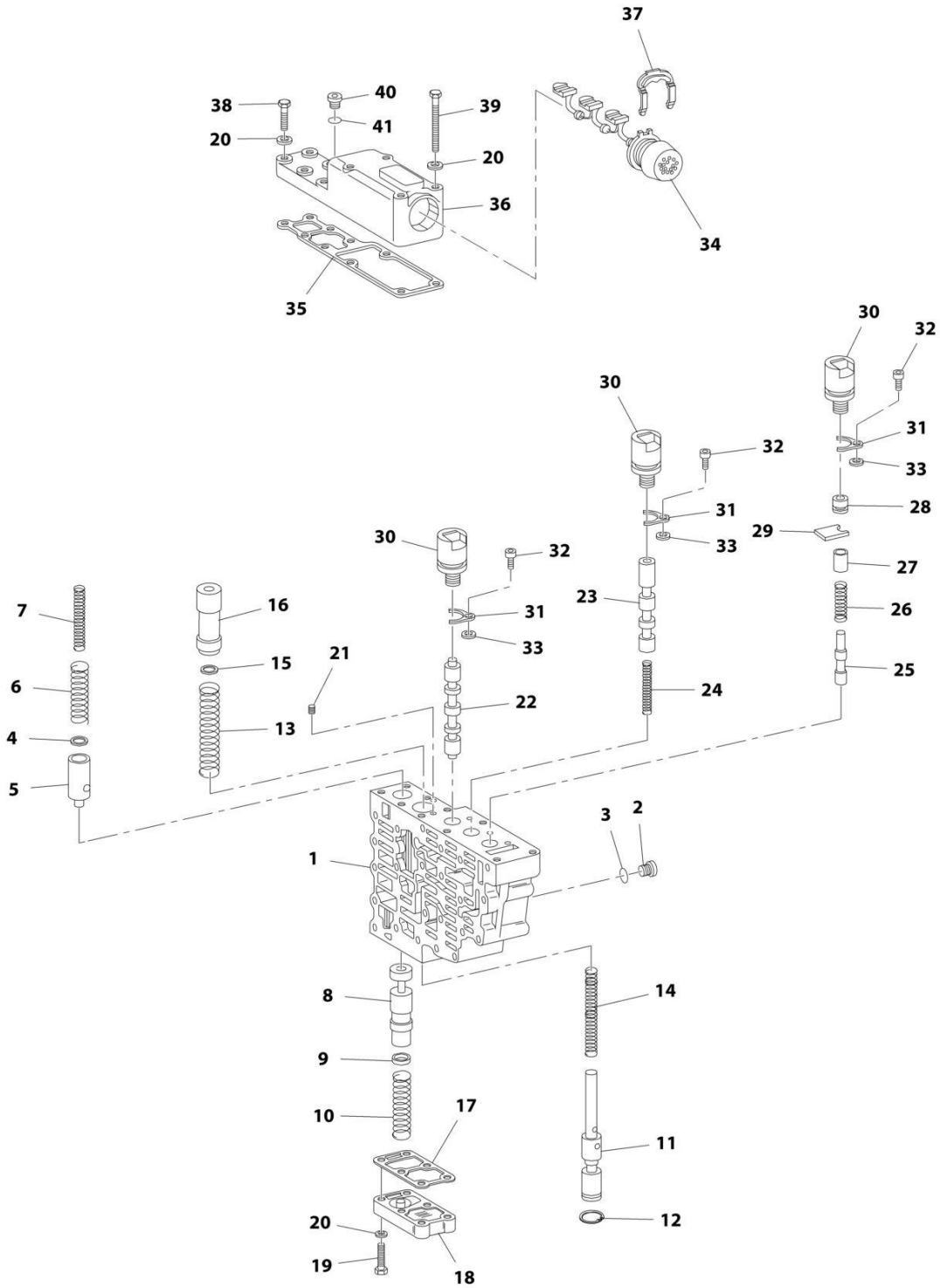
## SECTION 5 - DRIVE TRAIN

**FIGURE 5-13. TRANSMISSION, CONTROL UNIT**

ITEM	PART NUMBER	QTY	DESCRIPTION	REV
	8841036	Ref	TRANSMISSION - CONTROL UNIT	
1	1319650	1	Gasket	
2	8036033	1	Plate, Duct	
3	10732072	1	Spring, Compression	
4	10732071	1	Ball	
5	1319652	1	Orifice	
6	1319661	19	Washer, 6.4	
7	70020425	1	Plate, Intermediate	
8	7029037	19	Bolt, M6X60	
9	1319659	43	Screw, Torx M8X30	
10	70020426	1	Plate, Intermediate	
11		Ref	Housing, Valve (See Separate Breakdown in this Section)	
12		Ref	Block, Valve (See Separate Breakdown in this Section)	

# SECTION 5 - DRIVE TRAIN

## FIGURE 5-14. TRANSMISSION, VALVE HOUSING ASSEMBLY



ART\_8841036\_13-C

## SECTION 5 - DRIVE TRAIN

**FIGURE 5-14. TRANSMISSION, VALVE HOUSING ASSEMBLY**

ITEM	PART NUMBER	QTY	DESCRIPTION	REV
	8841036	Ref	TRANSMISSION - VALVE HOUSING ASSEMBLY	
	8036040	Ref	Valve Housing Assembly	
1	1319671	1	Housing, Valve	
2	1319670	7	Plug, Screw M10X1	
3	10731709	7	O-Ring	
4	8036036	1	Washer, 1	
5	7029039	1	Piston	
6	1319673	1	Spring, Compression	
7	8036038	1	Spring, Compression	
8	1319674	1	Piston	
9	1319675	1	Washer, 3.6	
9	1319676	1	Washer, 3.2	
9	1319677	1	Washer, 2.8	
9	1319678	1	Washer, 2.4	
9	1319679	1	Washer, 2	
10	1319680	1	Spring, Compression	
11	1319681	1	Control, Piston	
12	1319682	1	Washer, Lock 12	
13	1319683	1	Spring, Compression	
14	1319684	1	Spring, Compression	
15	1319685	1	Washer, 2	
15	1319686	1	Washer, 1	
15	1319687	1	Washer, 0.5	
15	1319688	1	Washer, 0.3	
15	1319689	1	Washer, 0.2	
16	1319690	1	Piston	
17	1319691	1	Seal	
18	1319692	1	Cover	
19	1319693	6	Bolt, M6X25	
20	1319661	16	Washer, 6.4	
21	1319652	1	Orifice	
22	1319694	1	Valve	
23	1319695	1	Piston	
24	1319696	1	Spring, Compression	
25	1319697	1	Piston	
26	1319698	1	Spring, Compression	
27	1319699	1	Spacer, Sleeve	
28	1319700	1	Plug	
29	1319701	1	Plate, Fixing	
30	1319702	3	Valve, Solenoid	
31	10732063	3	Plate, Fixing	
32	1319703	3	Bolt, M5X12	
33	10732064	3	Washer, 2	
34	1319704	1	Harness, Wiring	
35	1319705	1	Seal	
36	8036039	1	Cover	
37	1319707	1	Clamp, Retaining	
38	1319693	6	Bolt, M6X25	
39	7029037	4	Bolt, M6X60	
40	1319670	1	Plug, Screw M10X1	

## SECTION 5 - DRIVE TRAIN

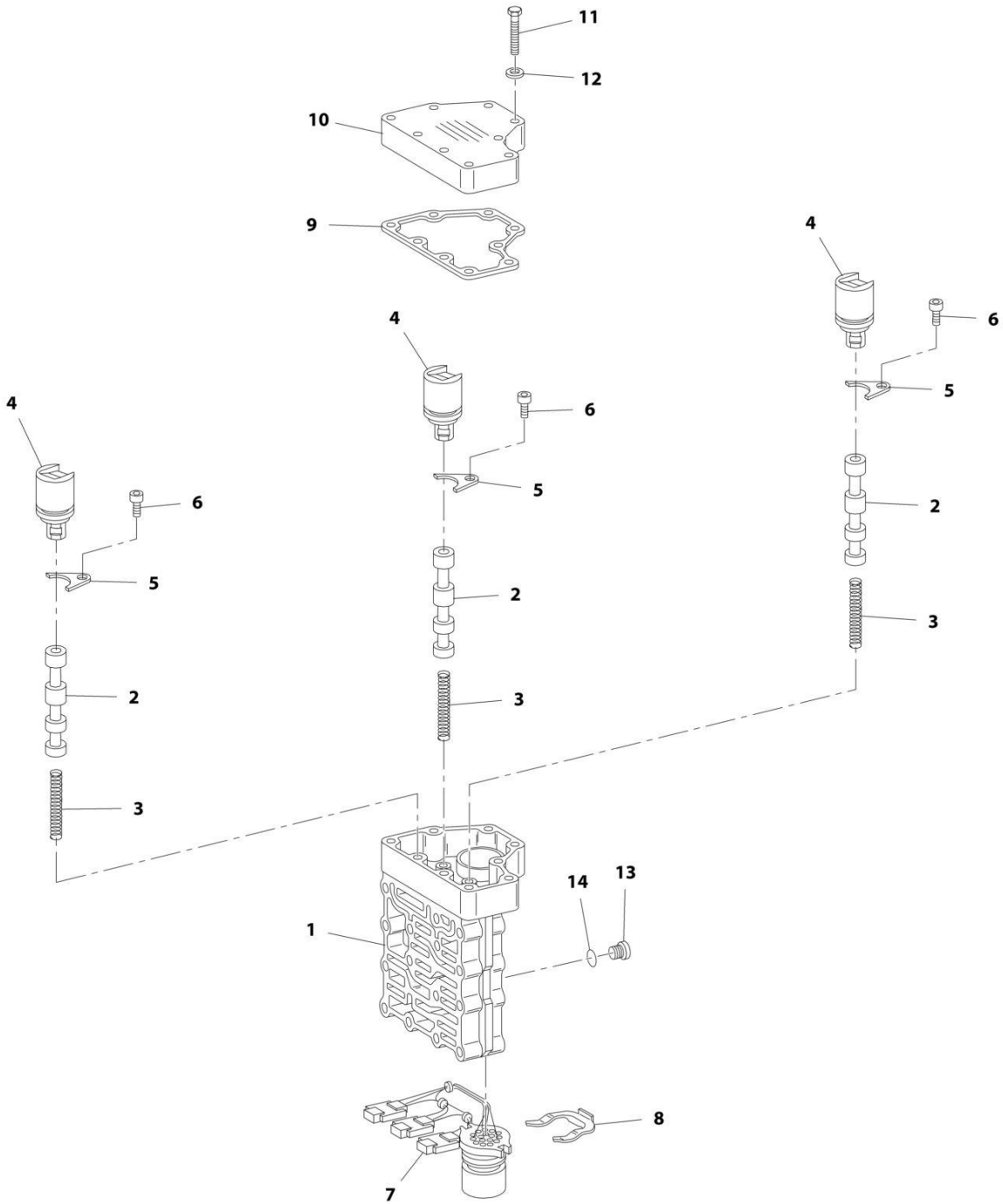
ITEM	PART NUMBER	QTY	DESCRIPTION	REV
41	10731709	1	O-Ring	





# SECTION 5 - DRIVE TRAIN

## FIGURE 5-15. TRANSMISSION, VALVE BLOCK ASSEMBLY



ART\_8841036\_14-C

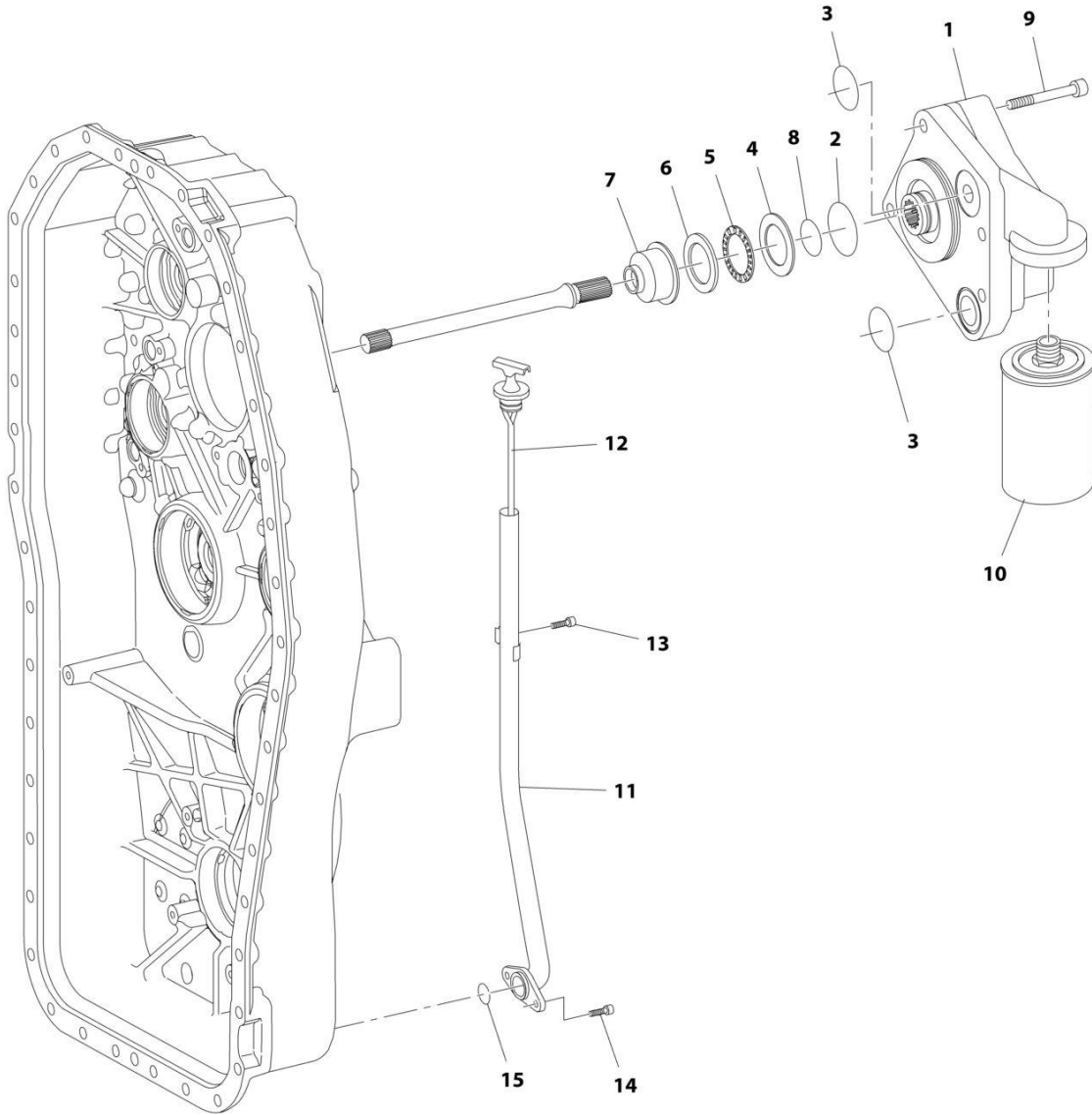
## SECTION 5 - DRIVE TRAIN

**FIGURE 5-15. TRANSMISSION, VALVE BLOCK ASSEMBLY**

ITEM	PART NUMBER	QTY	DESCRIPTION	REV
	8841036	Ref	TRANSMISSION - VALVE BLOCK ASSEMBLY	
	1319717	Ref	Valve Block Assembly	
1	70020427	1	Block, Valve	
2	1319710	3	Piston	
3	1319696	3	Spring, Compression	
4	1319702	3	Valve, Solenoid	
5	10732063	3	Plate, Fixing	
6	1319703	3	Bolt, M5X12	
7	1319711	1	Harness, Wiring	
8	1319707	1	Clamp, Retaining	
9	1319712	1	Gasket	
10	1319713	1	Cover	
11	1319714	9	Bolt, M5X32	
12	1319715	9	Washer, 5.3	
13	1319670	3	Plug, Screw M10X1	
14	10731709	3	O-Ring	

# SECTION 5 - DRIVE TRAIN

## FIGURE 5-16. TRANSMISSION, OIL PUMP AND FILTER



ART\_8841036\_15-C

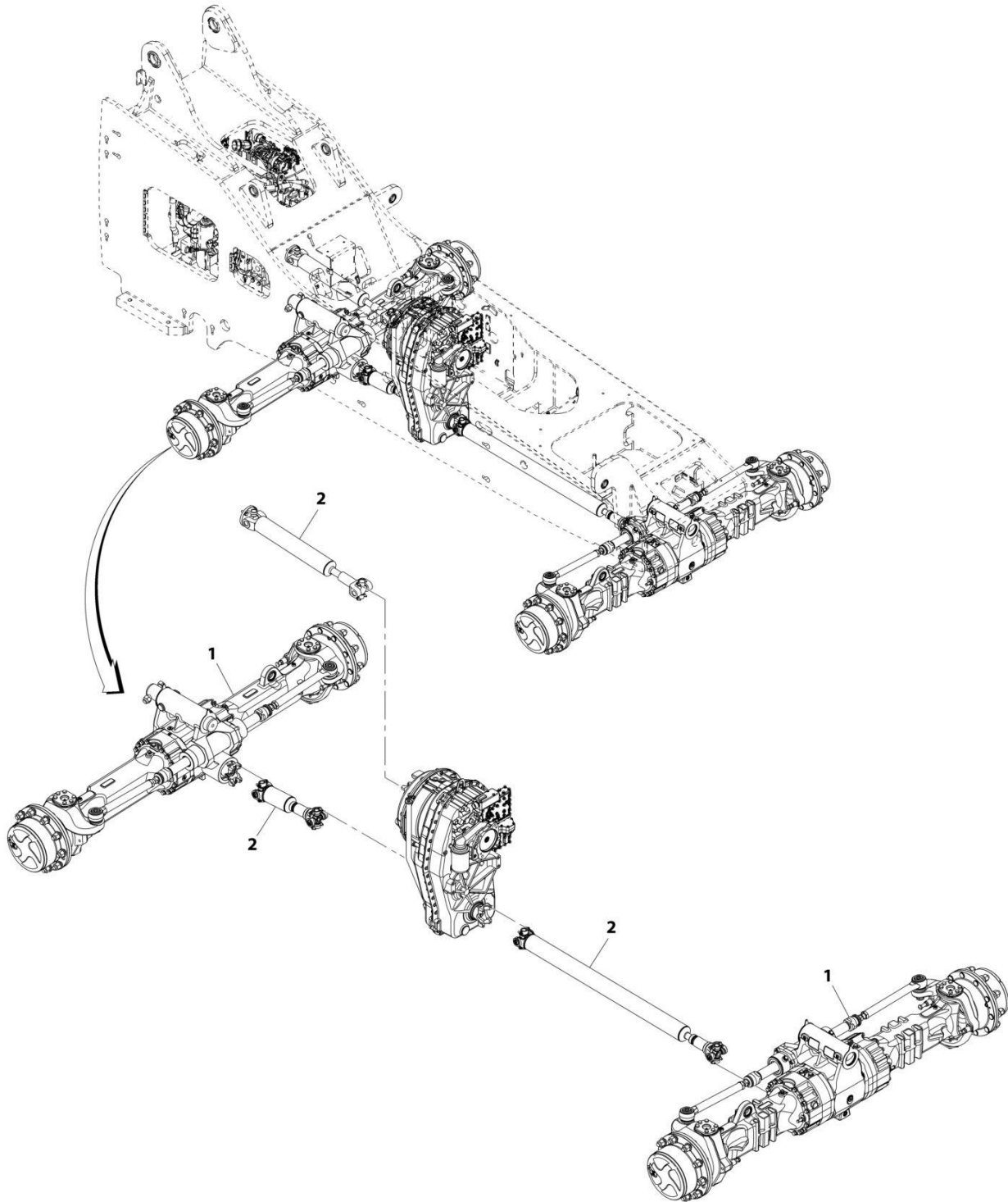
## SECTION 5 - DRIVE TRAIN

**FIGURE 5-16. TRANSMISSION, OIL PUMP AND FILTER**

ITEM	PART NUMBER	QTY	DESCRIPTION	REV
	8841036	Ref	TRANSMISSION - OIL PUMP AND FILTER	
1	1319718	1	Pump	
1	7029417	1	O-Ring, (between pump halves), (not shown)	
2	8036250	1	O-Ring	
3	1319719	2	O-Ring	
4	1319720	1	Washer, Axial 40X60X1	
5	1319721	1	Cage, Axial Needle	
6	1319722	1	Disc, Angle	
7	1319723	1	Sleeve, Stop	
8	1319724	1	O-Ring	
9	1319725	4	Bolt, M12X115	
10	1319726	1	Filter, Transmission Oil	
11	8036041	1	Tube, Dipstick	
12	8036042	1	Dipstick	
13	1319585	1	Screw, M8X16	
14	1319582	1	Screw, M8X20	
15	70023885	1	O-Ring	

# SECTION 5 - DRIVE TRAIN

## FIGURE 5-17. DRIVETRAIN INSTALLATION



ART\_1001242748-A

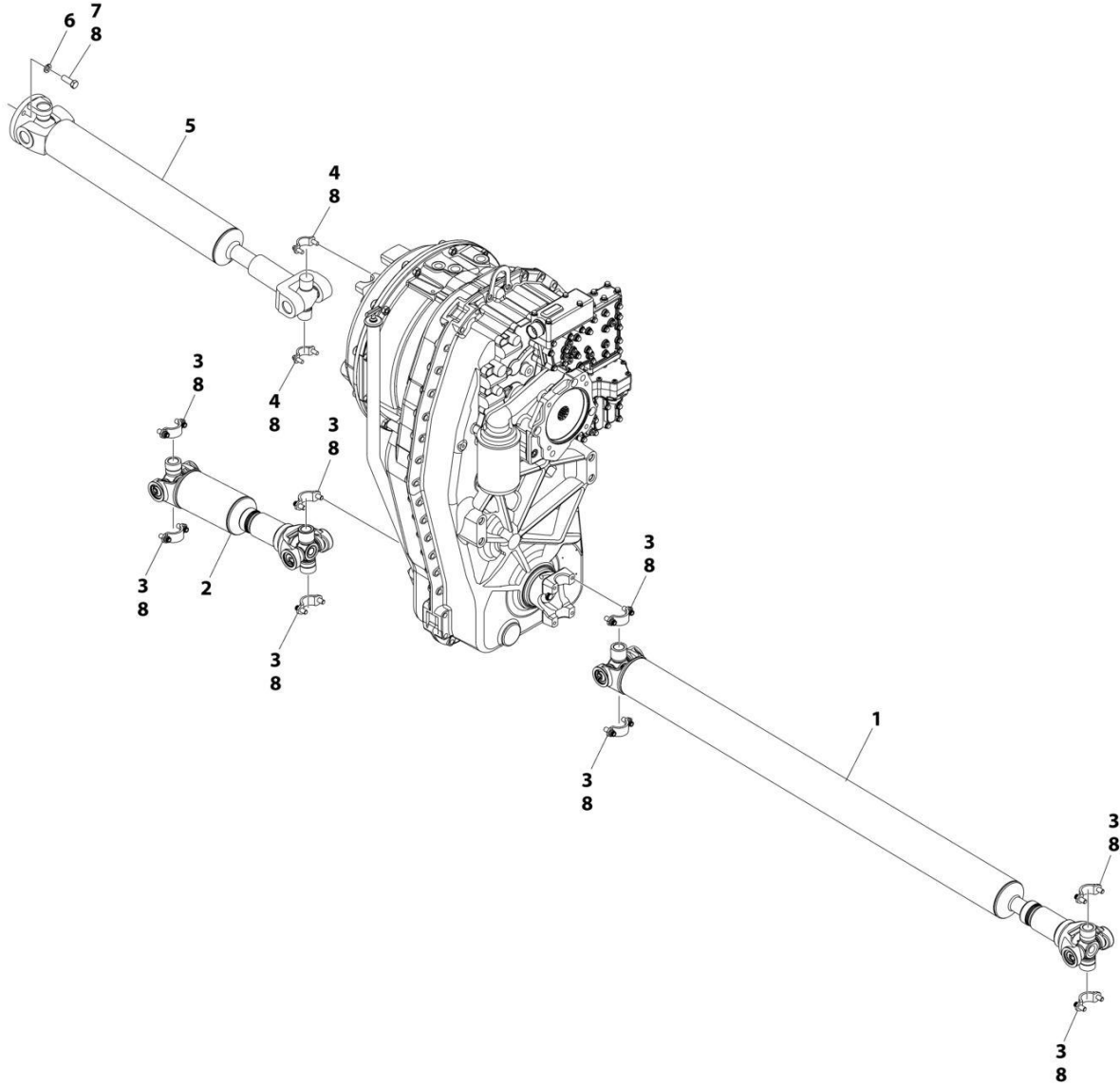
## SECTION 5 - DRIVE TRAIN

FIGURE 5-17. DRIVETRAIN INSTALLATION

ITEM	PART NUMBER	QTY	DESCRIPTION	REV
	1001242748	Ref	Drivetrain Installation	A
1	1001242749	1	Installation, Axle (See Separate Breakdown in this Section)	
2	1001242750	1	Installation, Driveshafts (See Separate Breakdown in this Section)	

# SECTION 5 - DRIVE TRAIN

## FIGURE 5-18. DRIVESHAFTS INSTALLATION



ART\_1001242750



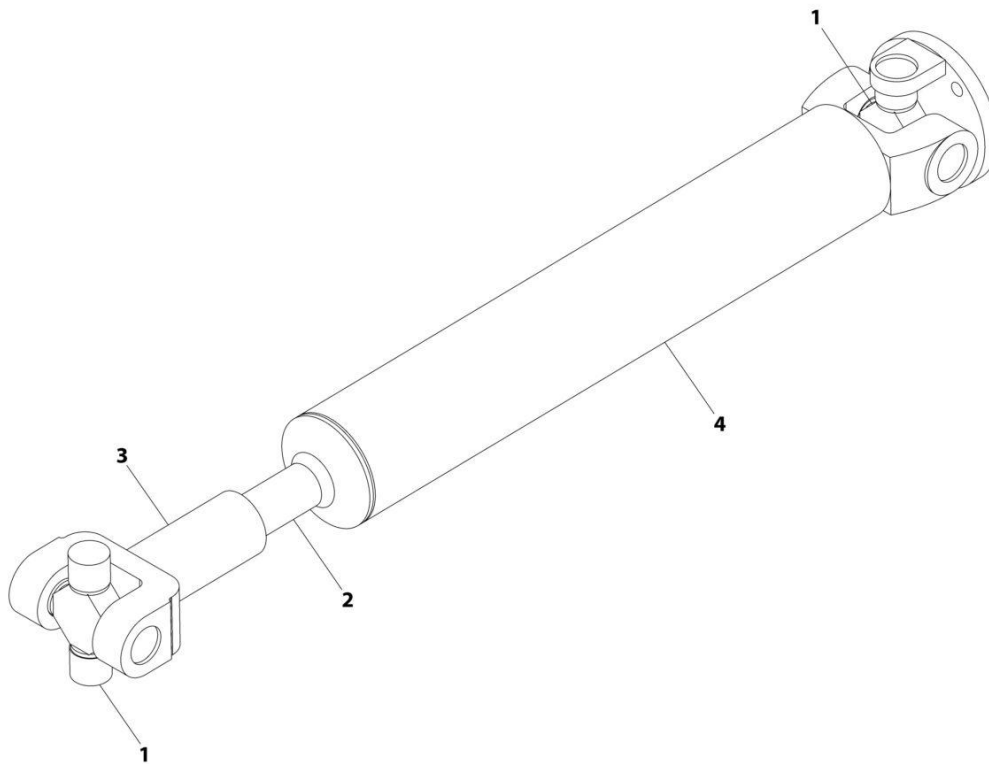
## SECTION 5 - DRIVE TRAIN

### FIGURE 5-18. DRIVESHAFTS INSTALLATION

ITEM	PART NUMBER	QTY	DESCRIPTION	REV
	1001242750	Ref	DRIVESHAFTS INSTALLATION	C
1	1001222870	1	Shaft, Front Drive	
2	1023036000	1	Shaft, Rear Drive	
3	8880218-OM	4	Strap Kit	
4	8880219-OM	1	Strap Kit	
5	1001127784	1	Shaft, Input (See Separate Breakdown in this Section)	
6	8307006	4	Washer	
7	8310425	4	Bolt 5/16 x 1-1/4 Grade 8	
8	0100011	AR	Compound, Locking	

# SECTION 5 - DRIVE TRAIN

## FIGURE 5-19. DRIVE SHAFT INPUT



ART\_1001127784-C

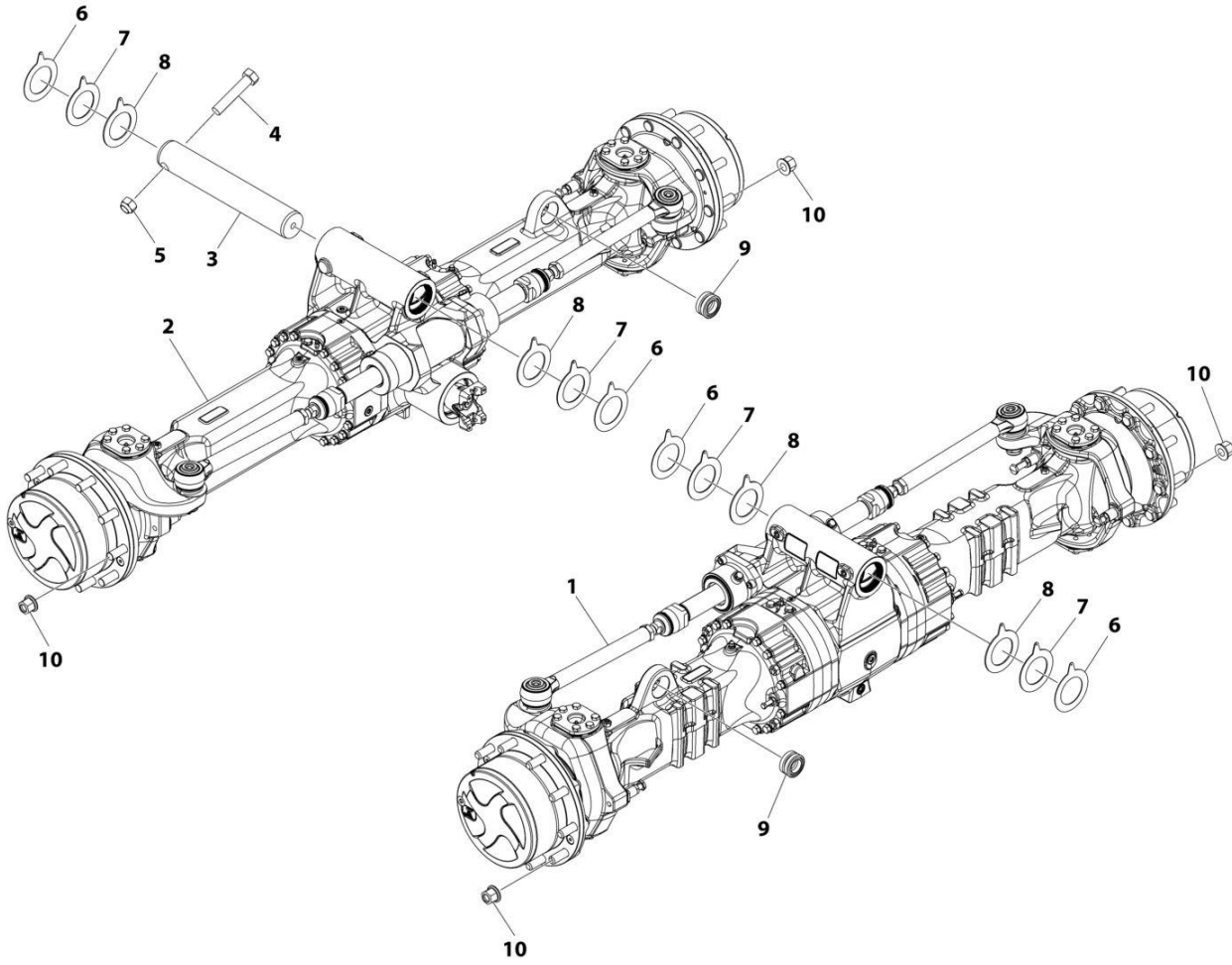
## SECTION 5 - DRIVE TRAIN

### FIGURE 5-19. DRIVE SHAFT INPUT

ITEM	PART NUMBER	QTY	DESCRIPTION	REV
	1001127784	Ref	Drive Shaft Input Assembly	C
1	1101841	2	Kit, Cross and Bearing	
2	8035109	1	Kit, Dust Cap	
3	See Note	NSS	Joint, Slip (Note: Purchase Complete Assembly)	
4	See Note	NSS	Shaft, Yoke (Note: Purchase Complete Assembly)	

# SECTION 5 - DRIVE TRAIN

## FIGURE 5-20. AXLE INSTALLATION



ART\_1001242749\_F

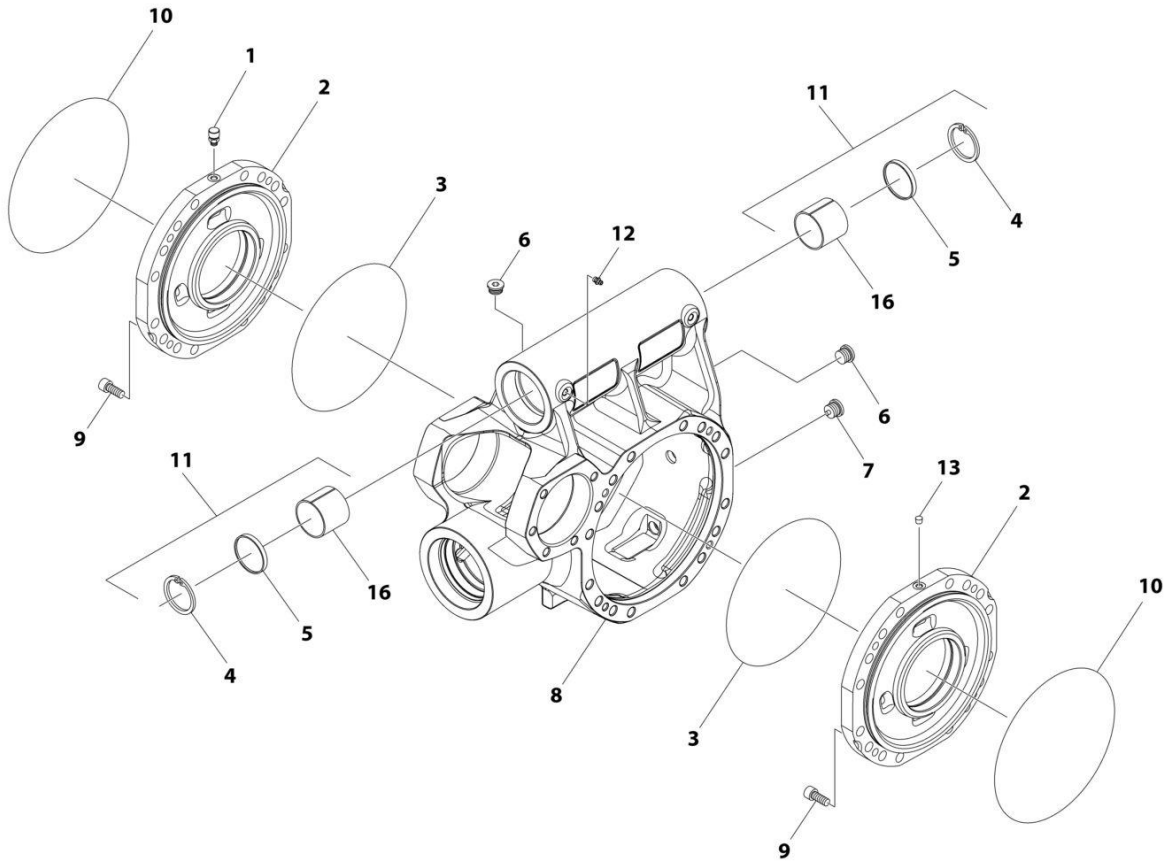
## SECTION 5 - DRIVE TRAIN

### FIGURE 5-20. AXLE INSTALLATION

ITEM	PART NUMBER	QTY	DESCRIPTION	REV
	1001242749	Ref	AXLE INSTALLATION	F
1	1001288143	1	Front Axle (See Separate Breakdown in this Section)	
2	1010278300	1	Rear Axle (See Separate Breakdown in this Section)	
3	3423254	1	Pin	
4	0642640	1	Bolt	
5	8310116	1	Nut	
6	1001245213	AR	Shim	
7	1001245214	AR	Shim	
8	1001245215	AR	Shim	
9	8050001	2	Bearing, Self-Align	
10	91403193	40	Nut M22 x 1-1/2	

# SECTION 5 - DRIVE TRAIN

## FIGURE 5-21. FRONT AXLE - CENTRAL HOUSING



ART\_1001288143\_10F5

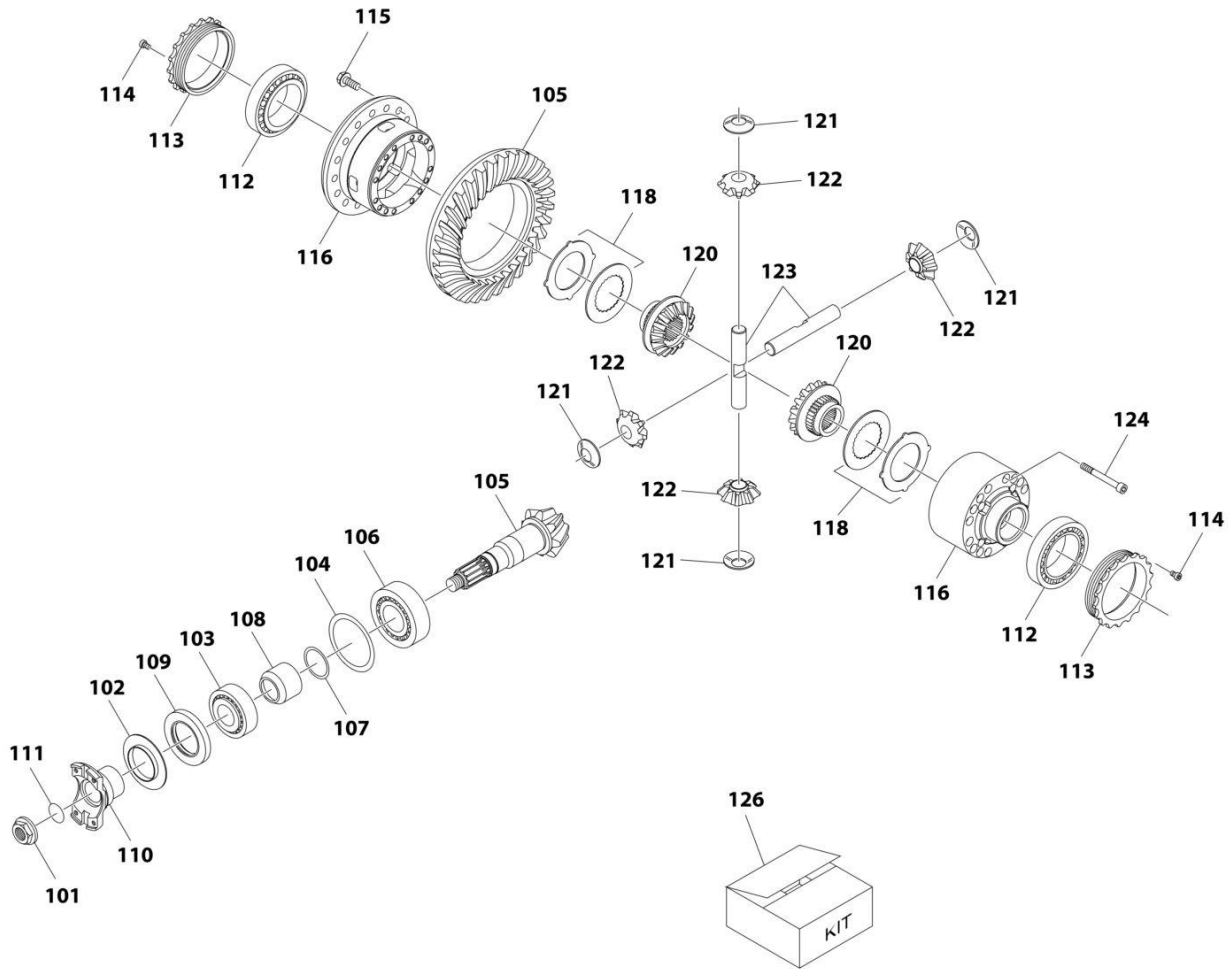
## SECTION 5 - DRIVE TRAIN

**FIGURE 5-21. FRONT AXLE - CENTRAL HOUSING**

ITEM	PART NUMBER	QTY	DESCRIPTION	REV
	1001288143	Ref	AXLE ASSEMBLY - CENTRAL HOUSING	A
1	91474512	1	Vent	
2	7029288	2	Cover, Intermediate	
3	80204002	2	O-Ring	
4	70028939	2	Ring	
5	70028974	2	Seal	
6	70028389	2	Plug	
7	70028388	1	Plug	
9	91514101	8	Bolt	
10	91514089	2	O-Ring	
11	70029482	1	Housing (Includes Items 4, 5 & 16)	
12	70024881	2	Fitting, Grease	
13	80204012	1	Plug	
16	70028886	2	Bushing	

# SECTION 5 - DRIVE TRAIN

## FIGURE 5-22. FRONT AXLE - DIFFERENTIAL



ART\_1001288143\_2OF5



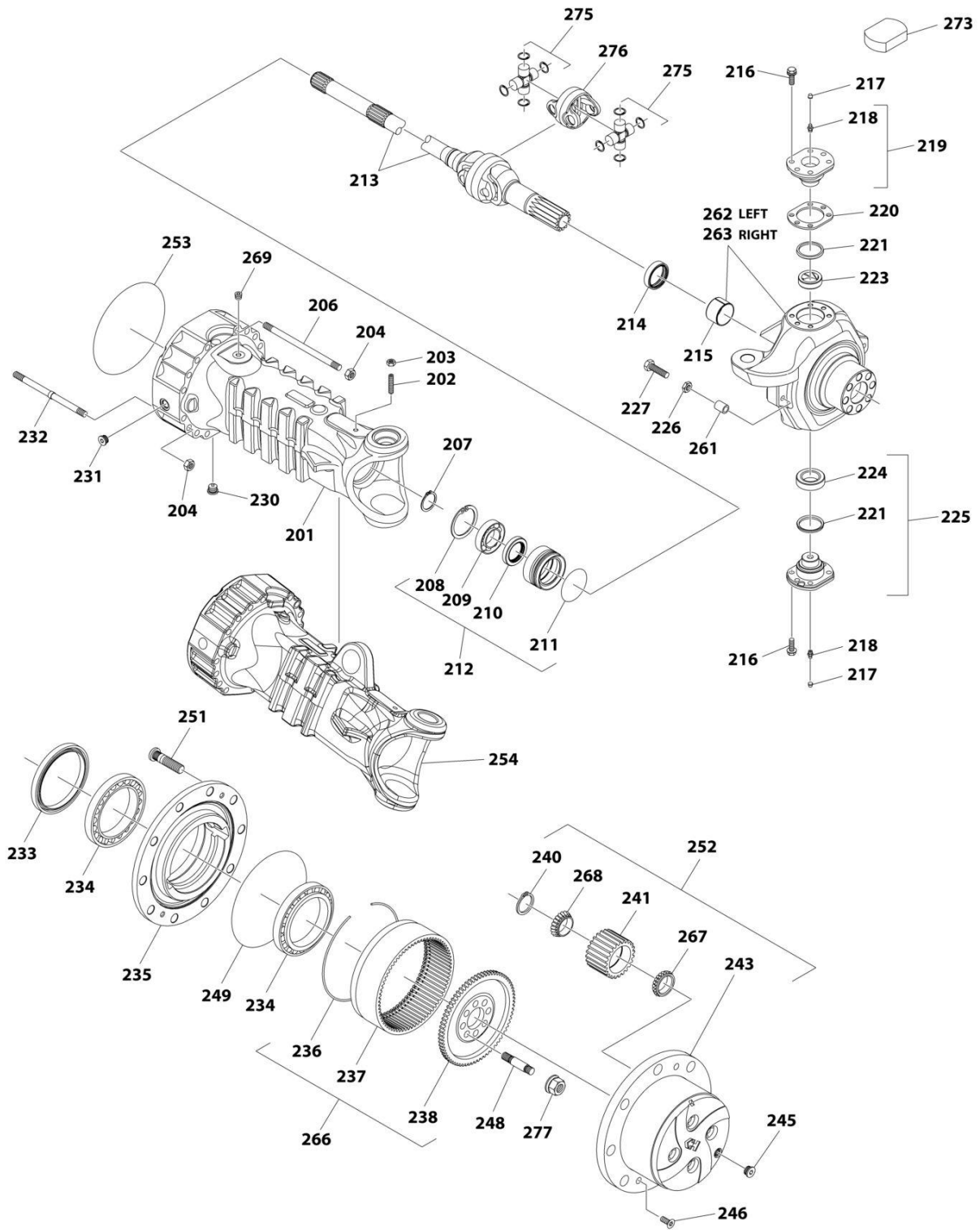
## SECTION 5 - DRIVE TRAIN

### FIGURE 5-22. FRONT AXLE - DIFFERENTIAL

ITEM	PART NUMBER	QTY	DESCRIPTION	REV
	1001288143	Ref	AXLE ASSEMBLY - DIFFERENTIAL	A
101	80204043	1	Nut	
102	91514130	1	Plate, Cover	
103	70030024	1	Bearing	
104	70023469	1	Kit, Shim	
105	70028391	1	Bevel Gear Set	
106	80204035	1	Bearing	
107	70023494	1	Kit, Ring	
108	70022140	1	Spacer	
109	70025887	1	Seal	
110	91514131	1	Flange	
111	10725554	1	O-Ring	
112	80204033	2	Bearing	
113	91514133	2	Nut	
114	91514134	2	Bolt	
115	70025562	16	Bolt	
116	See Note	NSS	Carrier (Note: Use Item 126)	
118	70031912	2	Disc	
120	70031913	2	Gear, Side	
121	70031914	4	Washer	
122	70025339	4	Pinion	
123	70023490	2	Shaft	
124	91514143	15	Bolt	
126	70031915	1	Kit, Differential (Includes Items 116, 118 & 120-124)	

# SECTION 5 - DRIVE TRAIN

## FIGURE 5-23. FRONT AXLE - HUB REDUCTION



ART\_1001288143\_30F5

## SECTION 5 - DRIVE TRAIN

### FIGURE 5-23. FRONT AXLE - HUB REDUCTION

ITEM	PART NUMBER	QTY	DESCRIPTION	REV
	1001288143	Ref	AXLE ASSEMBLY - HUB REDUCTION	A
201	70029484	1	Case (Without Lug)	
202	91514081	2	Bolt	
203	91514082	2	Nut	
204	91514083	8	Nut	
206	7029309	24	Bolt	
207	80204071	2	Circlip	
208	80204005	2	Circlip	
209	70031916	2	Bearing	
210	91514147	2	Seal	
211	91514148	2	O-Ring	
212	70031449	2	Bushing (Includes Items 208-211)	
213	70031046	2	Joint, Universal	
214	70025857	2	Seal	
215	70031917	2	Bushing	
216	70025562	24	Bolt	
217	80204117	4	Plug	
218	70024881	4	Fitting, Grease	
219	70028890	2	Pin, Pivot	
220	70025561	1	Kit, Shim	
221	7028716	2	Seal, Dust	
223	7028714	2	Bushing	
224	91514095	2	Bearing	
225	70028891	2	Pin, Pivot (Includes Items 221 & 224)	
226	80204065	4	Nut	
227	70028975	4	Bolt, Steering Adjust	
230	70028388	2	Plug	
231	91514188	2	Plug	
232	70024851	8	Stud	
233	70026002	2	Seal	
234	70029485	4	Bearing	
235	91514174	2	Hub	
236	91514175	2	Circlip	
237	70024147	2	Gear, Ring	
238	91514177	2	Support, Ring Gear	
240	70028926	8	Ring, Retaining	
241	70028924	8	Pinion	
243	70029486	2	Carrier, Planet Gear	
245	70028389	2	Plug	
246	91514189	4	Bolt	
248	91514180	16	Stud	
249	91514181	2	O-Ring	
251	70030365	20	Stud, Wheel	
252	70029454	2	Carrier, Planet Gear (Includes Items 240, 241, 243, 267 & 268)	
253	91514089	2	O-Ring	
254	70029544	1	Case With Lug	
261	7029311	4	Spacer	
262	70031918	1	Case, Steering (LH Lug) (Includes Item 215)	
263	70031919	1	Case, Steering (RH Lug) (Includes Item 215)	
266	70024146	2	Support, Ring Gear (Includes Items 236-238)	

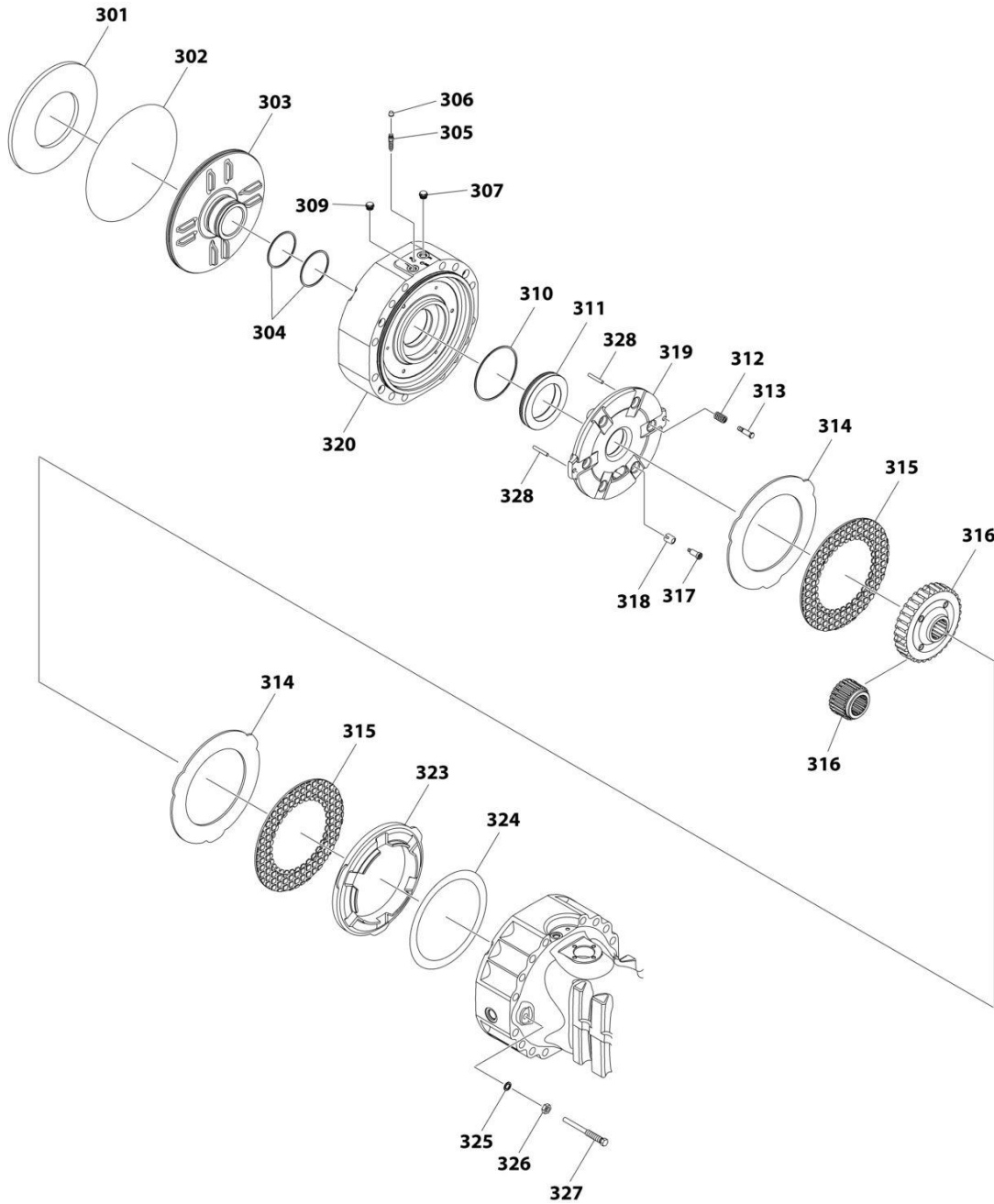
## SECTION 5 - DRIVE TRAIN

ITEM	PART NUMBER	QTY	DESCRIPTION	REV
267	70028923	8	Bearing	
268	70028922	8	Bearing	
269	80204012	2	Plug	
273	70028392	2	Cover	
275	70023829	2	Cross, Joint	
276	70023116	1	Center, Joint	
277	70029545	16	Nut	



# SECTION 5 - DRIVE TRAIN

## FIGURE 5-24. FRONT AXLE - BRAKES



ART\_1001288143\_4OF5

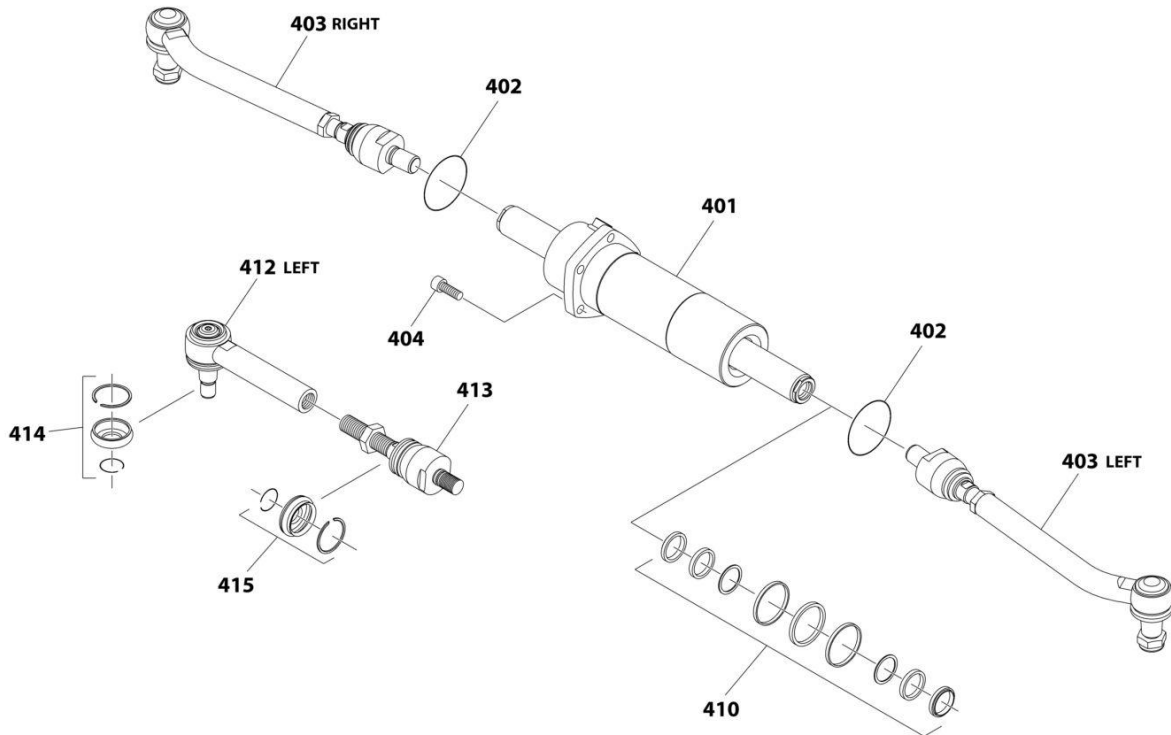
## SECTION 5 - DRIVE TRAIN

### FIGURE 5-24. FRONT AXLE - BRAKES

ITEM	PART NUMBER	QTY	DESCRIPTION	REV
	1001288143	Ref	AXLE ASSEMBLY - BRAKES	A
301	91514151	2	Spring	
302	91514089	2	O-Ring	
303	70027092	2	Piston	
304	70026262	4	Seal	
305	10725627	4	Bolt, Bleeding	
306	80204117	4	Plug	
307	91514154	2	Plug	
309	91514154	2	Plug	
310	70026263	2	Seal	
311	70027796	2	Piston	
312	91514159	6	Spring	
313	70024210	6	Bolt	
314	70027022	6	Disc, Intermediate Brake	
315	7029735	6	Disc, Brake	
316	7029734	2	Bushing	
317	7029787	6	Bolt	
318	70027317	6	Spring	
319	70024849	2	Disc, Intermediate Brake	
320	70024848	2	Cover	
323	70026264	2	Spacer	
324	70025970	1	Kit, Shim	
325	80204108	4	Washer	
326	80204060	4	Nut	
327	70024213	4	Bolt	
328	70024215	4	Pin	

# SECTION 5 - DRIVE TRAIN

## FIGURE 5-25. FRONT AXLE - STEERING



ART\_1001288143\_SOF5



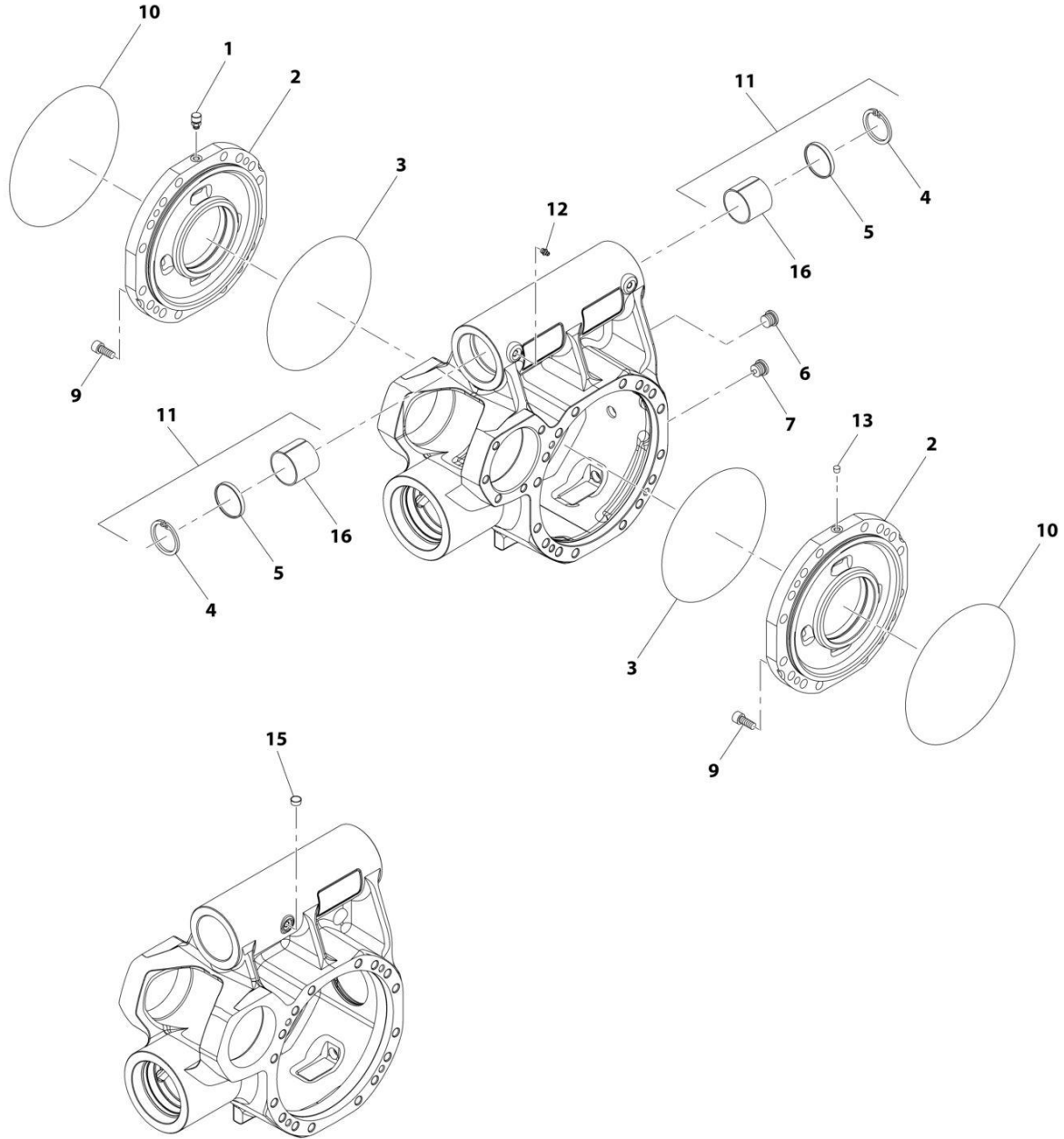
## SECTION 5 - DRIVE TRAIN

### FIGURE 5-25. FRONT AXLE - STEERING

ITEM	PART NUMBER	QTY	DESCRIPTION	REV
	1001288143	Ref	AXLE ASSEMBLY - STEERING	A
401	70031920	1	Cylinder	
402	80204143	2	O-RING	
403	70028948	2	Tie-Rod	
404	80204144	5	Bolt	
410	70031921	1	Kit, Seal - Cylinder	
412	70028949	1	Tie-Rod, 90 Joint	
413	70028950	1	Joint, Tie-Rod	
414	70028951	1	Kit, Rubber Boot and Locking Ring	
415	70028952	1	Kit, Rubber Boot and Locking Ring	

# SECTION 5 - DRIVE TRAIN

## FIGURE 5-26. REAR AXLE - CENTRAL HOUSING



ART\_1010278300-1

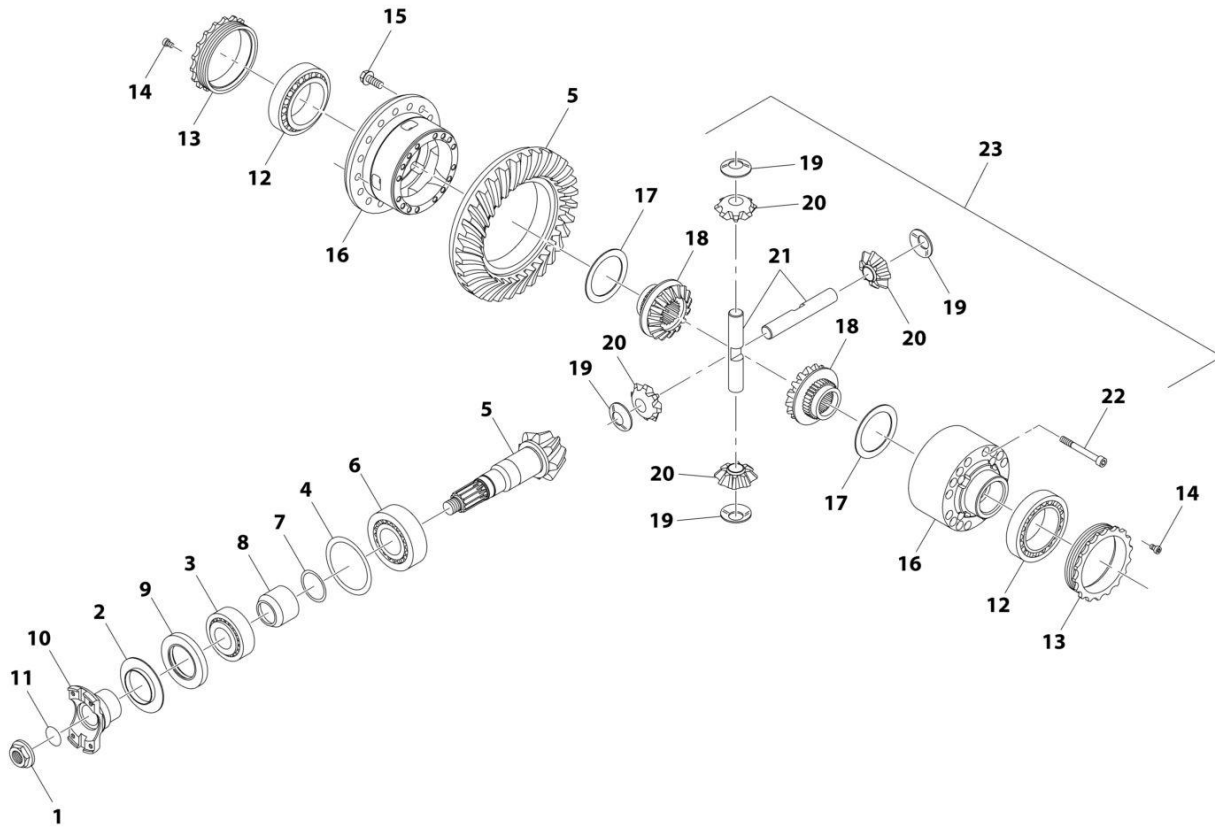
## SECTION 5 - DRIVE TRAIN

**FIGURE 5-26. REAR AXLE - CENTRAL HOUSING**

ITEM	PART NUMBER	QTY	DESCRIPTION	REV
	1010278300	Ref	REAR AXLE, CENTRAL HOUSING	C
1	91474512	1	Vent	
2	7029288	2	Intermediate Cover	
3	80204002	2	O-Ring	
4	70028939	2	Ring	
5	70028974	2	Seal	
6	70028389	1	Plug	
7	70028388	1	Plug	
9	91514101	8	Bolt	
10	91514089	2	O-Ring	
11	70029482	1	Housing	
12	70024881	2	Grease Fitting	
13	80204012	1	Plug	
15	70028938	1	Plug	
16	70028886	2	Thrust Bushing	

# SECTION 5 - DRIVE TRAIN

## FIGURE 5-27. REAR AXLE - DIFFERENTIAL



ART\_1010278300-2

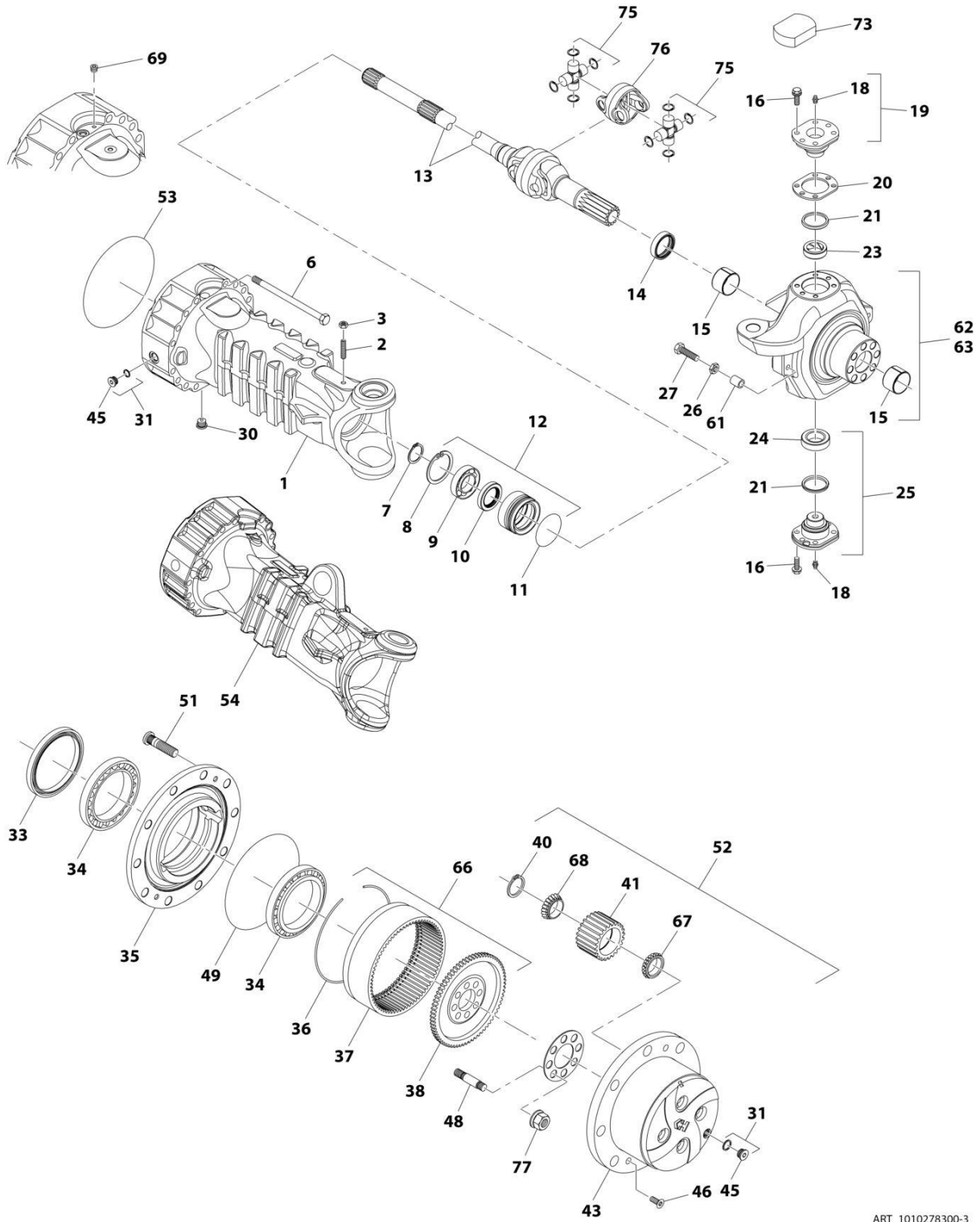
## SECTION 5 - DRIVE TRAIN

### FIGURE 5-27. REAR AXLE - DIFFERENTIAL

ITEM	PART NUMBER	QTY	DESCRIPTION	REV
	1010278300	Ref	REAR AXLE, DIFFERENTIAL	C
1	80204043	1	Nut	
2	91514130	1	Cover Plate	
3	80204048	1	Taper Roller Bearing	
4	70029483	1	Shim Kit	
5	70028399	1	Bevel Gear Set	
6	80204035	1	Taper Roller Bearing	
7	70023494	1	Ring	
8	70022140	1	Spacer	
9	70025887	1	Seal	
10	91514131	1	Flange	
11	10725554	1	O-Ring	
12	80204033	2	Taper Roller Bearing	
13	91514133	2	Ring Nut	
14	91514134	2	Bolt	
15	70025562	16	Bolt	
16	70025337	1	Differential Carrier	
17	70023493	2	Friction Washer	
18	70025338	2	Differential Side Gear	
19	70027105	4	Friction Washer	
20	70025339	4	Differential Pinion	
21	70023490	2	Differential Shaft	
22	70023489	15	Bolt	
23	70028398	1	Differential Kit	

# SECTION 5 - DRIVE TRAIN

## FIGURE 5-28. REAR AXLE - HUB REDUCTION



ART\_1010278300-3

## SECTION 5 - DRIVE TRAIN

**FIGURE 5-28. REAR AXLE - HUB REDUCTION**

ITEM	PART NUMBER	QTY	DESCRIPTION	REV
	1010278300	Ref	REAR AXLE, HUB REDUCTION	C
1	70029850	1	Axle Case	
2	91514081	2	Bolt	
3	91514082	2	Nut	
6	70028397	32	Bolt	
7	80204071	2	Circlip	
8	80204005	2	Circlip	
9	91514146	2	Ball Bearing	
10	91514147	2	Seal	
11	91514148	2	O-Ring	
12	91514149	2	Reduction Bushing	
13	70026066	2	Double Universal Joint	
14	70025857	2	Seal	
15	91514111	2	Thrust Bushing	
16	70025562	24	Bolt	
18	70024881	4	Grease Fitting	
19	70028890	2	Pivot Pin	
20	70025561	1	Shim Kit	
21	7028716	4	Dust Seal	
23	7028714	2	Bushing	
24	91514095	2	Bearing	
25	70028891	2	Pivot Pin	
26	80204065	4	Nut	
27	70028975	4	Bolt	
30	70028388	2	Plug	
31	91514188	2	Plug	
33	70026002	2	Seal	
34	80204076	4	Taper Roller Bearing	
35	91514174	2	Wheel Hub	
36	91514175	2	Circlip	
37	70024147	2	Ring Gear	
38	91514177	2	Ring Gear Support	
40	70028926	8	Snap Ring	
41	70028924	8	Planet Gear	
43	70029486	2	Planet Gear Carrier	
45	70028389	2	Plug	
46	91514189	4	Bolt, Countersunk	
48	91514180	16	Stud	
49	91514181	2	O-Ring	
51	91514183	20	Wheel Stud	
52	70029454	2	Planet Gear Carrier Assembly	
53	91514089	2	O-Ring	
54	70029851	1	Axle Case	
61	7029311	4	Spacer	
62	70029488	1	Steering Case Assembly (LF)	
63	70029489	1	Steering Case Assembly (RF)	
66	70024146	2	Ring Gear Support Kit	
67	70028923	8	Tapered Roller Bearing	
68	70028922	8	Tapered Roller Bearing	
69	80204012	2	Plug	

## SECTION 5 - DRIVE TRAIN

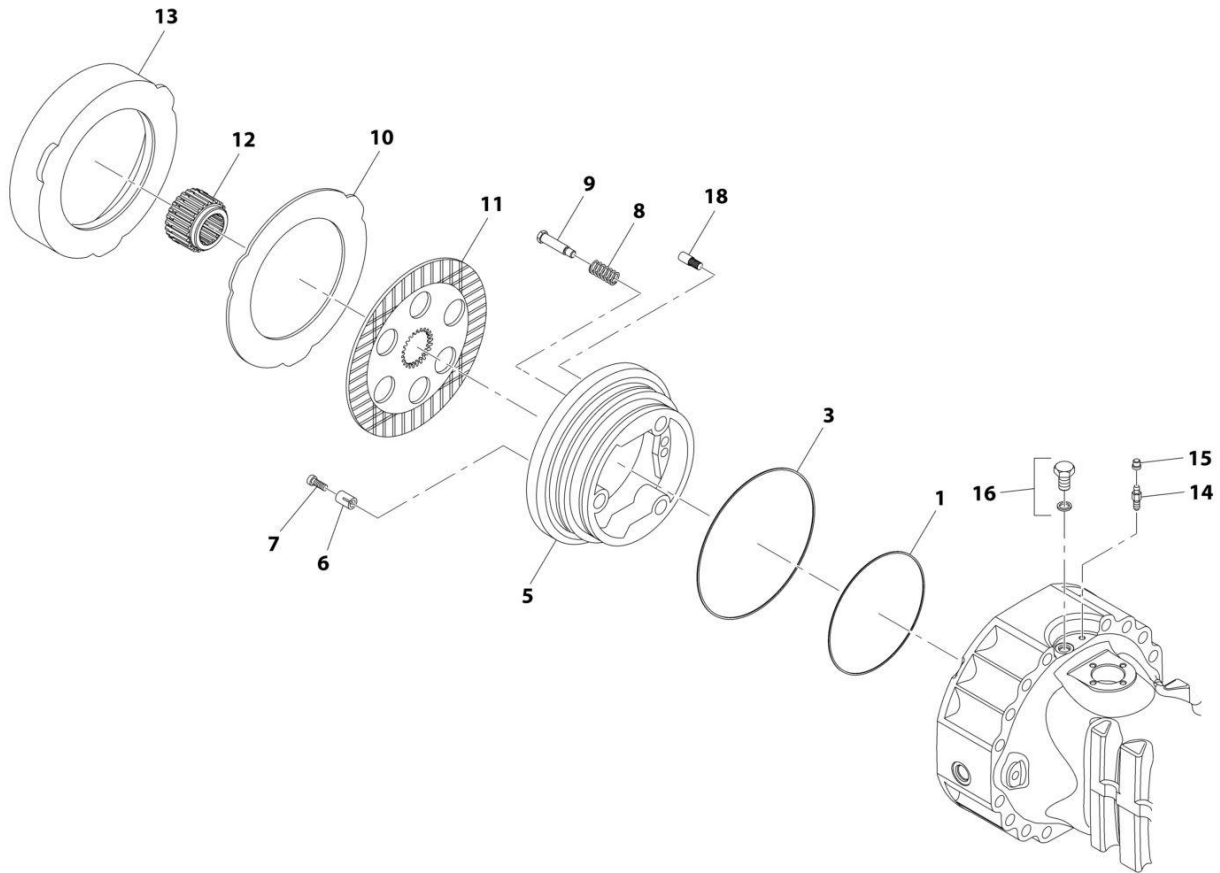
ITEM	PART NUMBER	QTY	DESCRIPTION	REV
73	70028392	2	Cover	
75	70023829	2	Cross Kit	
76	70023116	1	Center Body	
77	70029545	16	Nut	





# SECTION 5 - DRIVE TRAIN

## FIGURE 5-29. REAR AXLE - BRAKES



ART\_1010278300-4

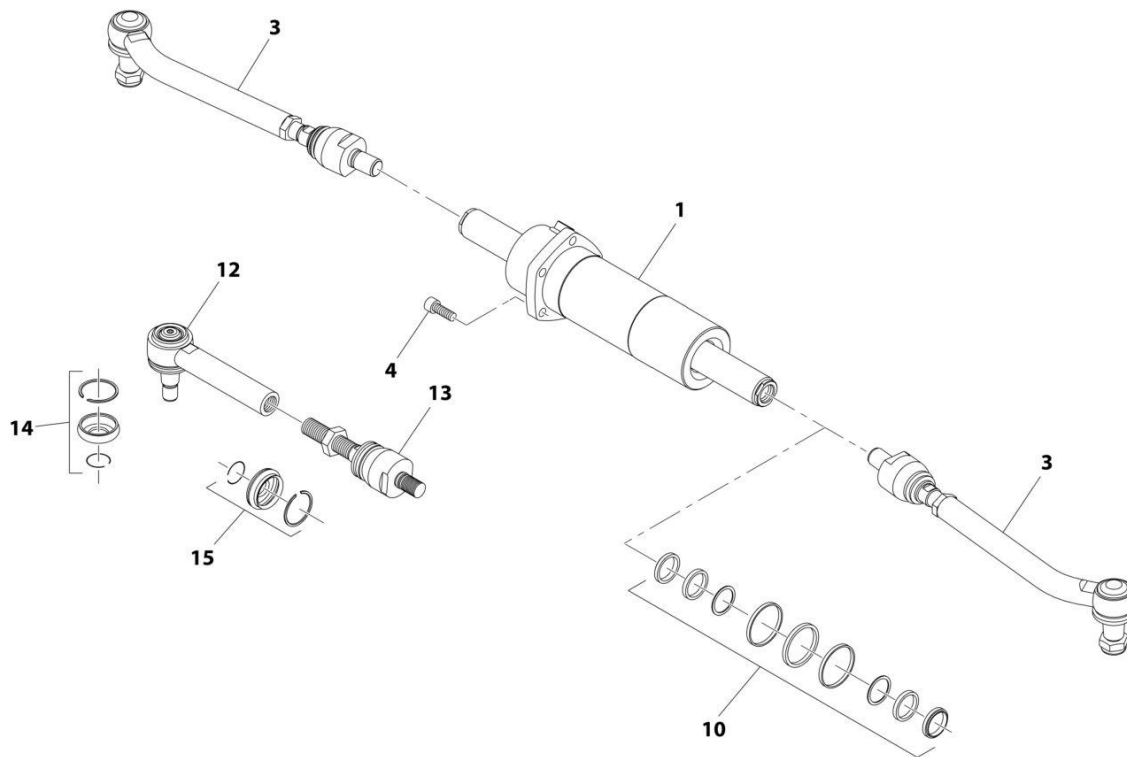
## SECTION 5 - DRIVE TRAIN

### FIGURE 5-29. REAR AXLE - BRAKES

ITEM	PART NUMBER	QTY	DESCRIPTION	REV
	1010278300	Ref	REAR AXLES, BRAKES	C
1	70026747	2	Seal	
3	70026748	2	Seal	
5	70024216	2	Piston	
6	70027317	6	Spring	
7	7029786	6	Adjusting Bolt	
8	91514159	6	Spring	
9	70024210	6	Adjusting Bolt	
10	70027022	4	Intermediate Brake Disc	
11	7029735	4	Brake Disc	
12	7029734	2	Reduction Bushing	
13	70029852	2	Spacer	
14	10725627	2	Bleeding Bolt	
15	80204117	2	Plug	
16	91514154	2	Bolt	
18	70021613	2	Pilot Body	

# SECTION 5 - DRIVE TRAIN

## FIGURE 5-30. REAR AXLE - STEERING



ART\_1010278300-5

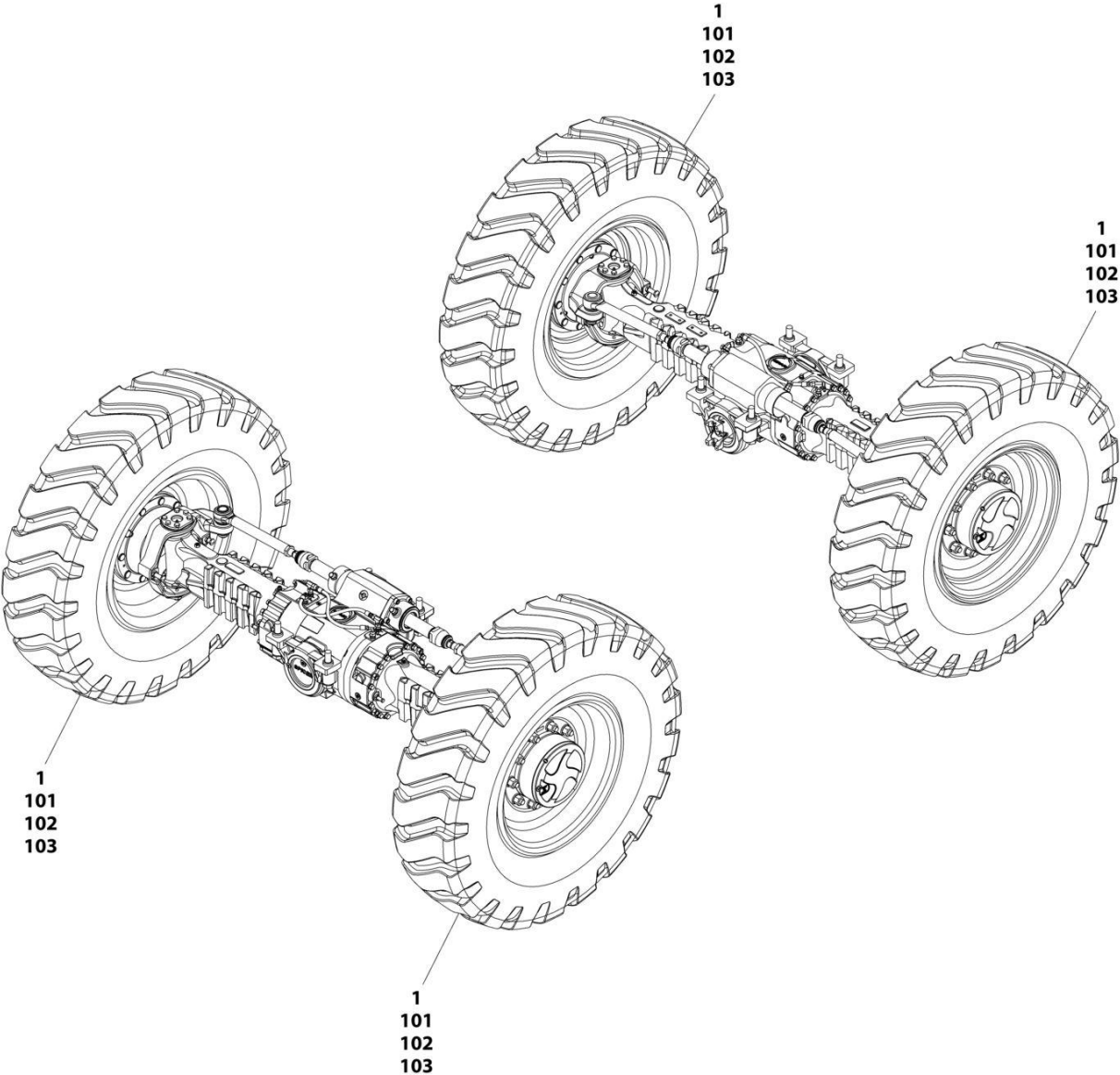
## SECTION 5 - DRIVE TRAIN

### FIGURE 5-30. REAR AXLE - STEERING

ITEM	PART NUMBER	QTY	DESCRIPTION	REV
	1010278300	Ref	REAR AXLE, STEERING	C
1	70028947	1	Cylinder	
3	70028948	2	Tie Rod	
4	80204144	5	Cylinder Bolt	
10	7029127	1	Seal Kit	
12	70028949	1	Joint, 90	
13	70028950	1	Axial Joint Shaft	
14	70028951	1	Rubber Boot and Locking Ring Kit	
15	70028952	1	Rubber Boot and Locking Ring Kit	

**SECTION 5 - DRIVE TRAIN**

**FIGURE 5-31. TIRE SET, 14.00-24 FOAM**



ART\_1001264713

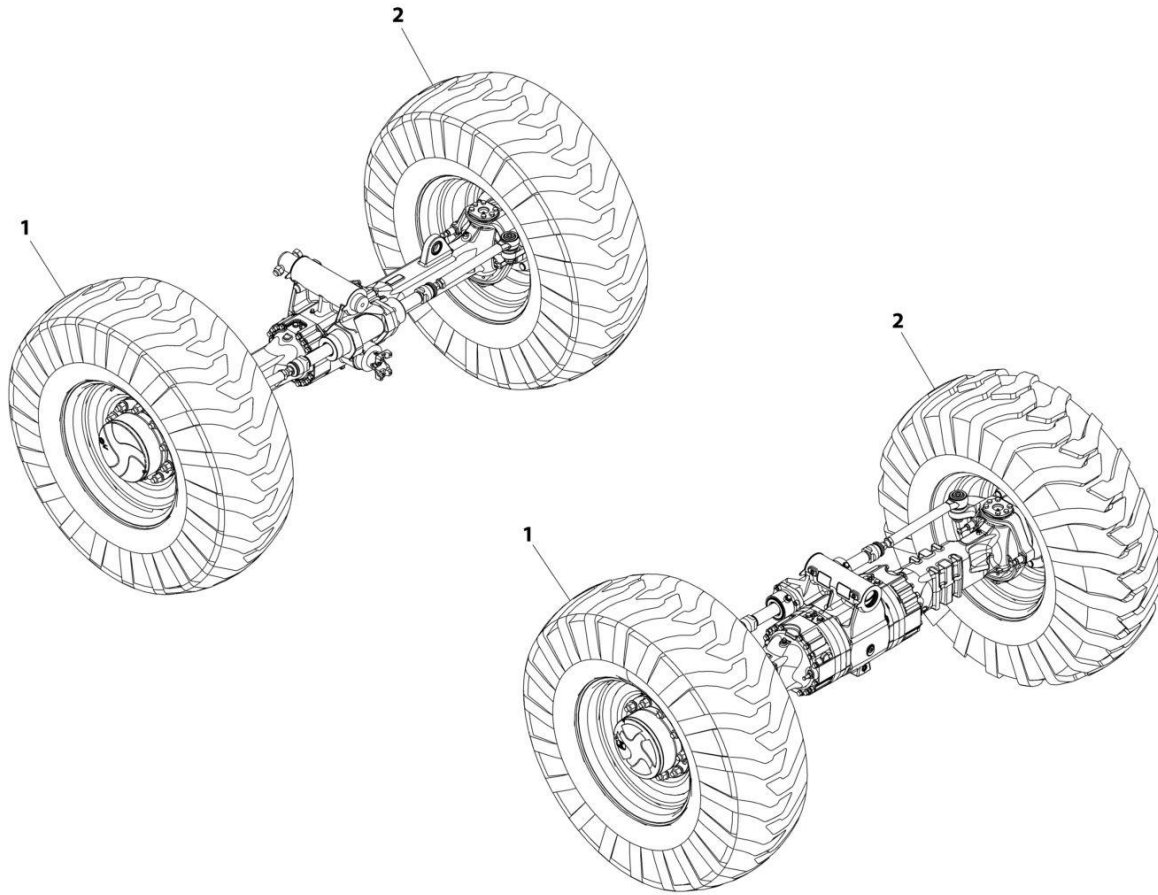
## SECTION 5 - DRIVE TRAIN

**FIGURE 5-31. TIRE SET, 14.00-24 FOAM**

ITEM	PART NUMBER	QTY	DESCRIPTION	REV
	1001264713	Ref	TIRE WHEEL SET - 14.00-24 - FOAM-FILLED	A
		Ref	<b>Note: Assemblies require ballast/foam filling to manufacture's specifications prior to installing on machine. Refer to Operation &amp; Safety or Service &amp; Maintenance Manuals.</b>	
		Ref	<b>Purchase individual tire and/or wheel only if able to foam fill tire &amp; wheel assembly, otherwise purchase complete assembly.</b>	
1	1001264700	4	Tire and Wheel Assembly	
101	8786514	4	Valve, Air (1 per assembly)	
102	91473206	4	Wheel (1 per assembly)	
103	1001263011	4	Tire 14.00-24 (1 per assembly)	

# SECTION 5 - DRIVE TRAIN

FIGURE 5-32. TIRE SET, 17.5-25 PNEUMATIC G-2



ART\_1001222217-C



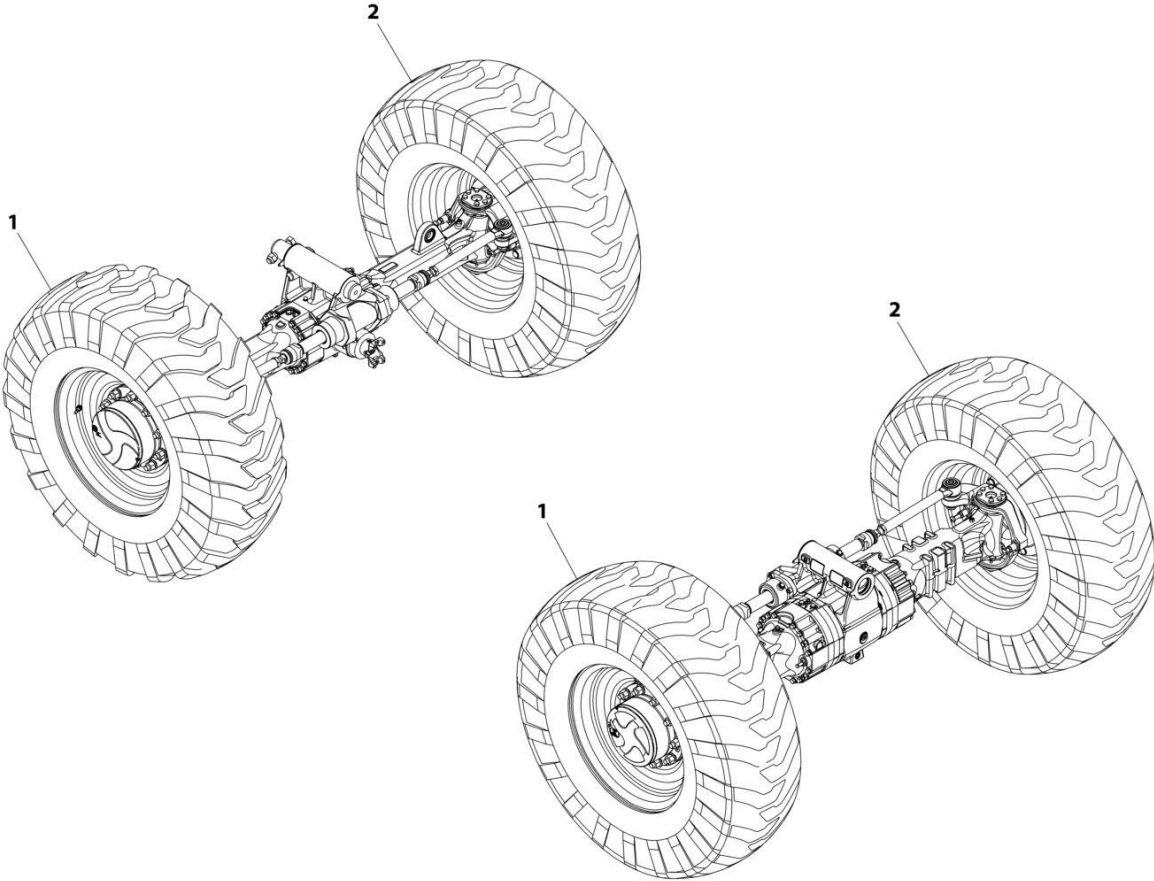
## SECTION 5 - DRIVE TRAIN

**FIGURE 5-32. TIRE SET, 17.5-25 PNEUMATIC G-2**

ITEM	PART NUMBER	QTY	DESCRIPTION	REV
	1001222217	Ref	Tire Set, 17.5-25 Pneumatic	C
1	1001152415	2	Tire and Wheel Assembly (RH)	
1	91563250	2	Wheel (1 per assembly)	
1	8780039	2	Tire 17.2-25 16 Ply (1 per assembly)	
1	91083385	2	Valve, Air (1 per assembly)	
2	1001152416	2	Tire and Wheel Assembly (LH)	
2	91563250	2	Wheel (1 per assembly)	
2	8780039	2	Tire 17.2-25 16 Ply (1 per assembly)	
2	91083385	2	Valve, Air (1 per assembly)	

**SECTION 5 - DRIVE TRAIN**

**FIGURE 5-33. TIRE SET, 17.5-25 FOAM G-2**



ART\_1001222218-C

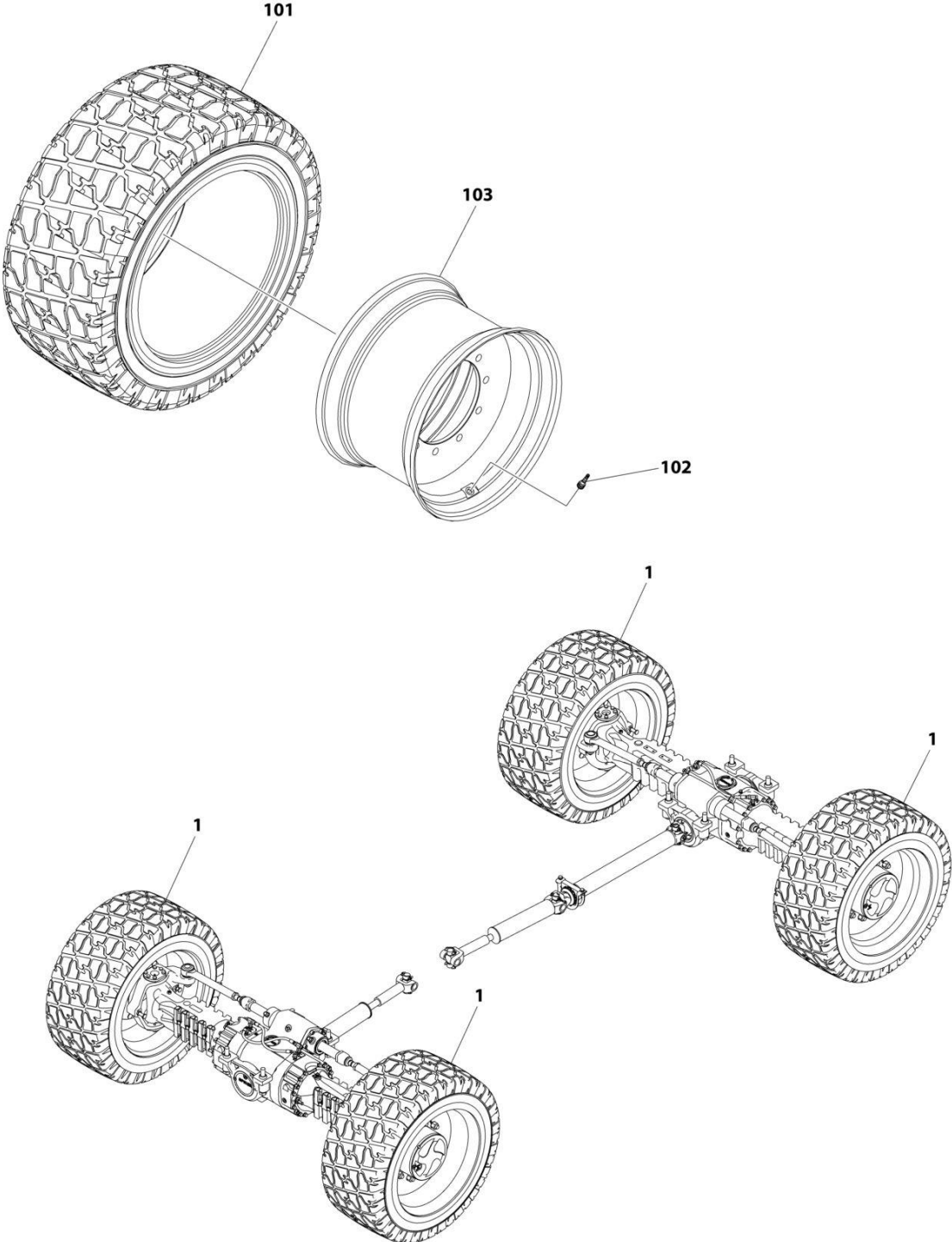
## SECTION 5 - DRIVE TRAIN

**FIGURE 5-33. TIRE SET, 17.5-25 FOAM G-2**

ITEM	PART NUMBER	QTY	DESCRIPTION	REV
	1001222218	Ref	Tire Set, 17.5-25 Foam-Filled	C
		Ref	<b>Note: Assemblies require ballast/foam filling to manufacture's specifications prior to installing on machine. Refer to Operation &amp; Safety or Service &amp; Maintenance Manuals.</b>	
		Ref	<b>Purchase individual tire and/or wheel only if able to foam fill tire &amp; wheel assembly, otherwise purchase complete assembly.</b>	
1	91565040	2	Tire and Wheel Assembly (RH)	
1	91563250	2	Wheel (1 per assembly)	
1	4520527	2	Tire 17.5-25 12 Ply (1 per assembly)	
1	91083385	2	Valve, Air (1 per assembly)	
2	91565039	2	Tire and Wheel Assembly (LH)	
2	91563250	2	Wheel (1 per assembly)	
2	4520527	2	Tire 17.5-25 12 Ply (1 per assembly)	
2	91083385	2	Valve, Air (1 per assembly)	

**SECTION 5 - DRIVE TRAIN**

**FIGURE 5-34. TIRE SET, 18 X 625 TURF/SAND**



ART\_1001252986

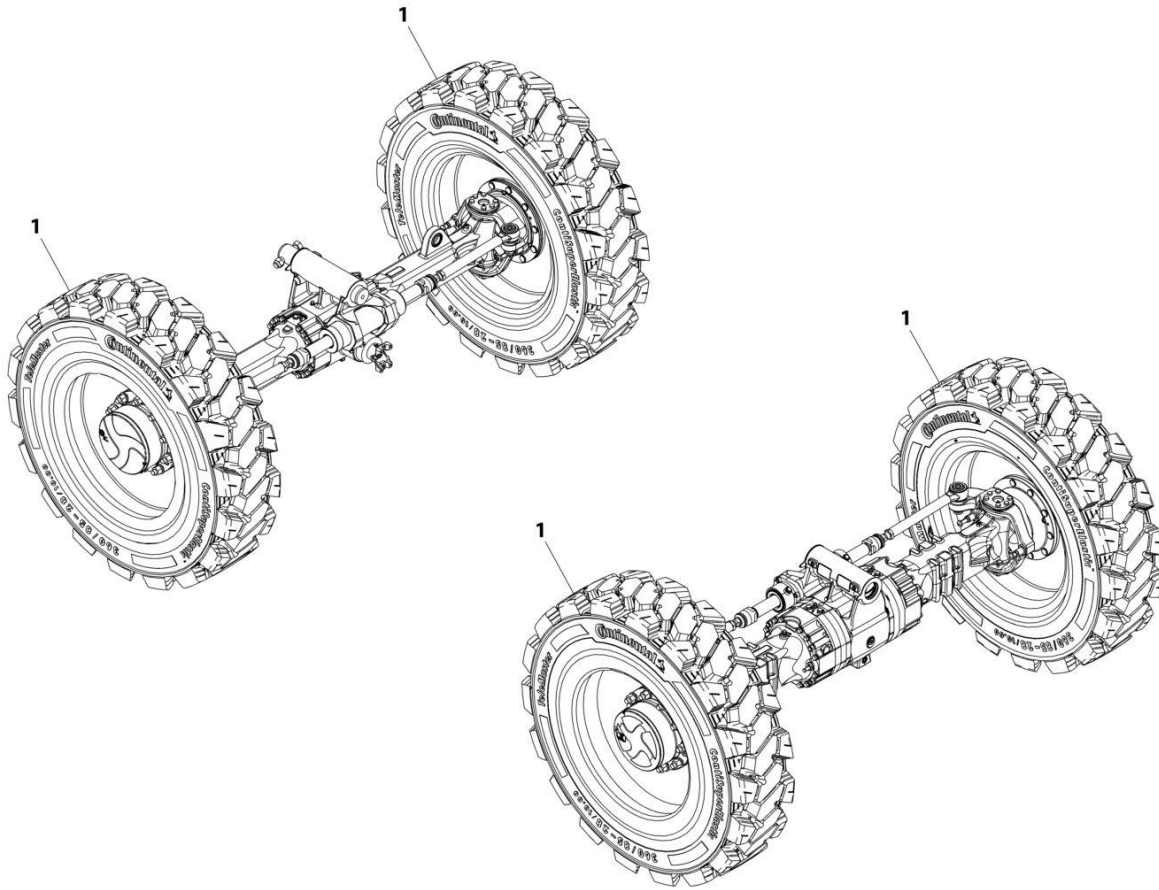
## SECTION 5 - DRIVE TRAIN

### FIGURE 5-34. TIRE SET, 18 X 625 TURF/SAND

ITEM	PART NUMBER	QTY	DESCRIPTION	REV
	1001252986	Ref	TIRE SET - 18 X 625 (TURF PNEUMATIC)	B
1	1001259635	4	Tire and Wheel Assembly	
101	4520356	4	Tire - 18 x 625 Turf/Sand (1 per assembly)	
102	4641122	4	Valve, Air (1 per assembly)	
103	1001246001	4	Wheel (1 per assembly)	

# SECTION 5 - DRIVE TRAIN

## FIGURE 5-35. TIRE SET, 360/85-28 SOLID



ART\_1001222221-C

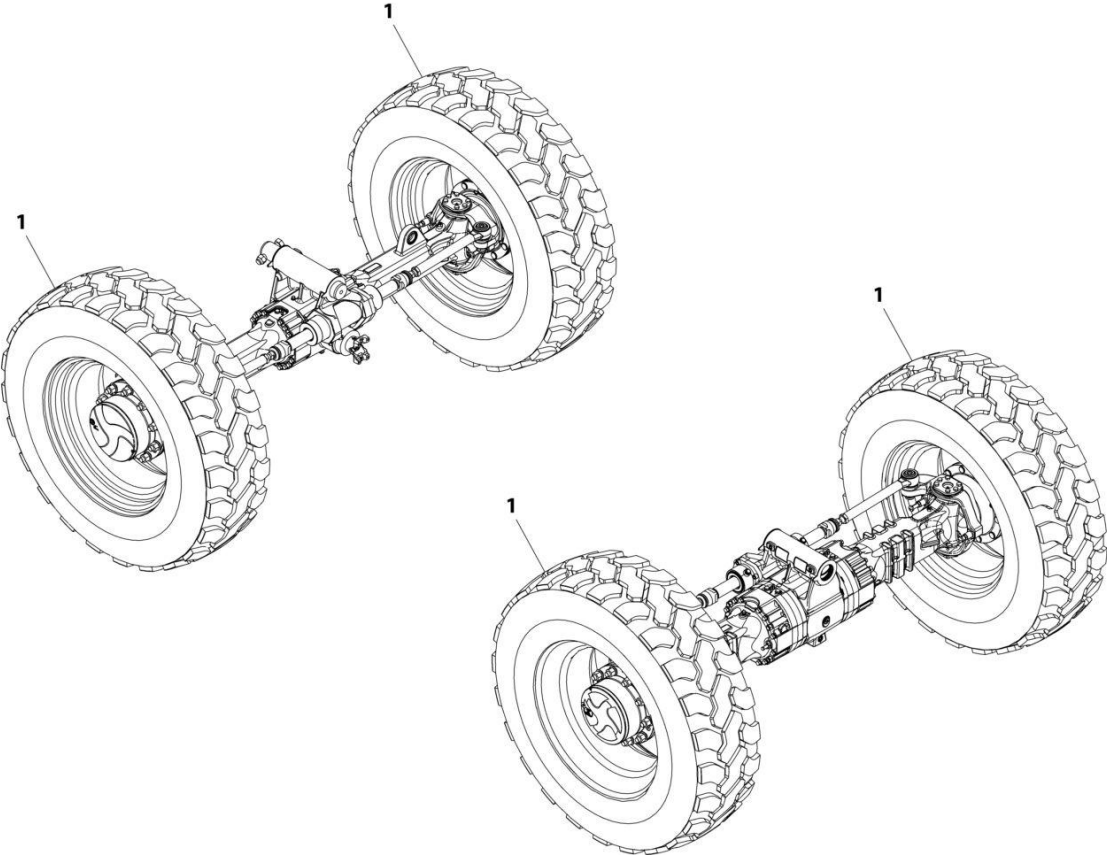
## SECTION 5 - DRIVE TRAIN

**FIGURE 5-35. TIRE SET, 360/85-28 SOLID**

ITEM	PART NUMBER	QTY	DESCRIPTION	REV
1	1001222221	Ref	Tire Set, 360/85-28 Solid	C
	1001213200J	4	Tire, 360/85-28 Solid	

**SECTION 5 - DRIVE TRAIN**

**FIGURE 5-36. TIRE SET, 400/75-28 PNEUMATIC**



ART\_1001222219-B



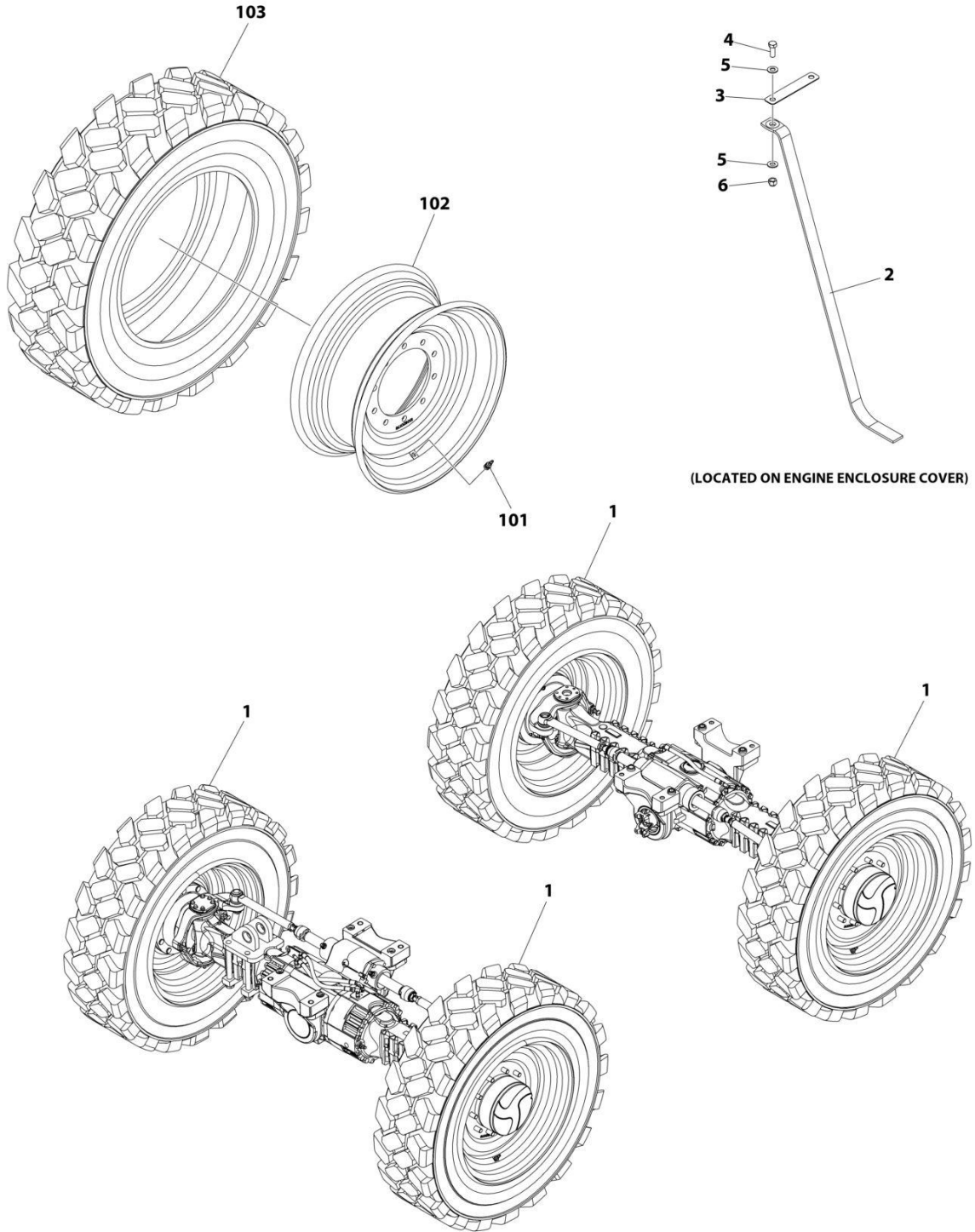
## SECTION 5 - DRIVE TRAIN

**FIGURE 5-36. TIRE SET, 400/75-28 PNEUMATIC**

ITEM	PART NUMBER	QTY	DESCRIPTION	REV
	1001222219	Ref	Tire Set, 400/75-28 Pneumatic	B
1	1001121103	4	Tire and Wheel Assembly	
1	8786514	4	Valve, Air (1 per assembly)	
1	1001120178	4	Wheel (1 per assembly)	
1	1001120179	4	Tire 400/75-28 (1 per assembly)	

# SECTION 5 - DRIVE TRAIN

## FIGURE 5-37. TIRE SET, 400/75-28 PNEUMATIC (NON-MARKING)



ART\_1001241848

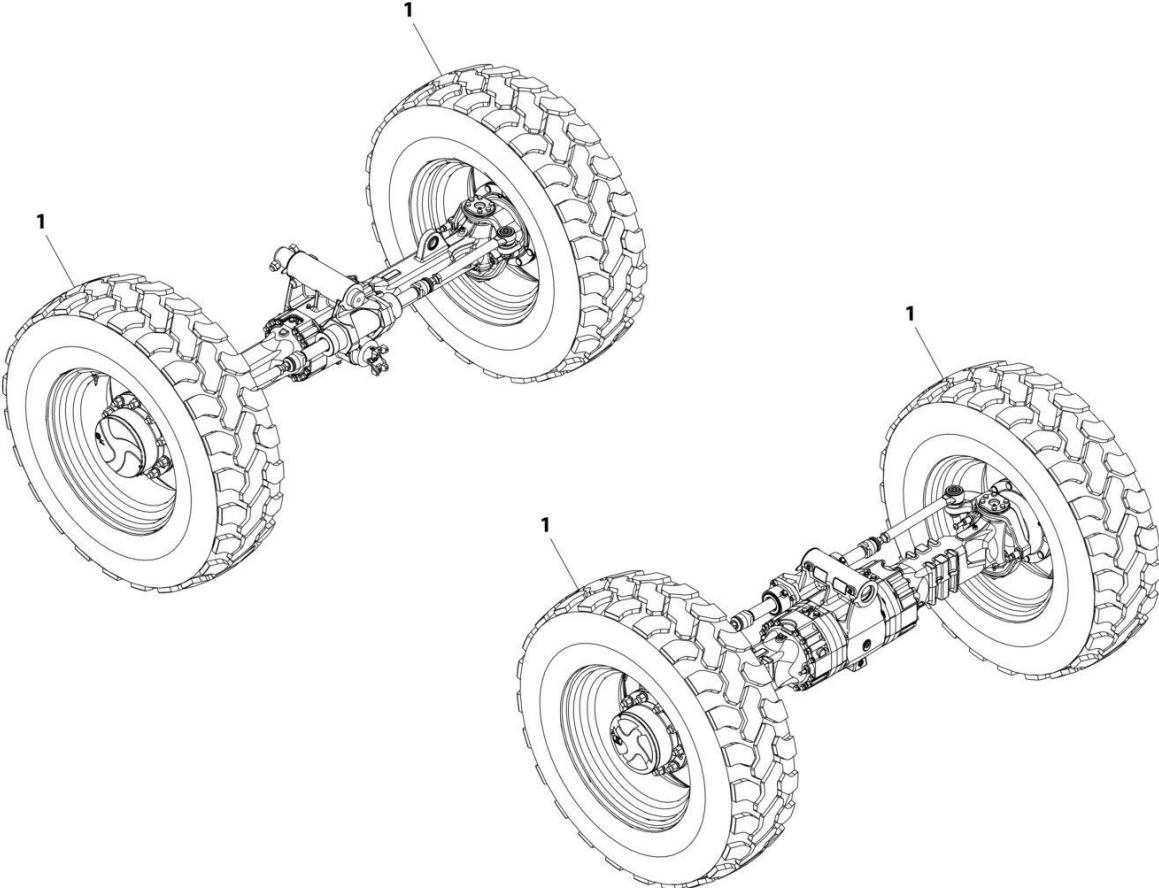
## SECTION 5 - DRIVE TRAIN

**FIGURE 5-37. TIRE SET, 400/75-28 PNEUMATIC (NON-MARKING)**

ITEM	PART NUMBER	QTY	DESCRIPTION	REV
	1001241848	Ref	TIRE/WHEEL SET - 400/75-28 - PNEUMATIC NON MARKING	B
1	1001241841	4	Assembly, Tire and Wheel - 400/75-28 - Pneumatic Non-Marking (See Items 101-103)	
2	1001275637	1	Strap, Anti-Static	
3	1001275638	1	Bracket	
4	8303620	1	Bolt 3/8 x 1	
5	8307110	2	Washer 3/8	
6	8305645	1	Nut 3/8	
	1001241841	Ref	ASSEMBLY, TIRE AND WHEEL - 400/75-28 - PNEUMATIC NON-MARKING	A
101	8786514	4	Valve, Air (1 per assembly)	
102	1001120178	4	Wheel (1 per assembly)	
103	1001241837	4	Tire 400/75-28 Non-Marking (1 per assembly)	

**SECTION 5 - DRIVE TRAIN**

**FIGURE 5-38. TIRE SET, 400/75-28 FOAM**



ART\_1001222220-B

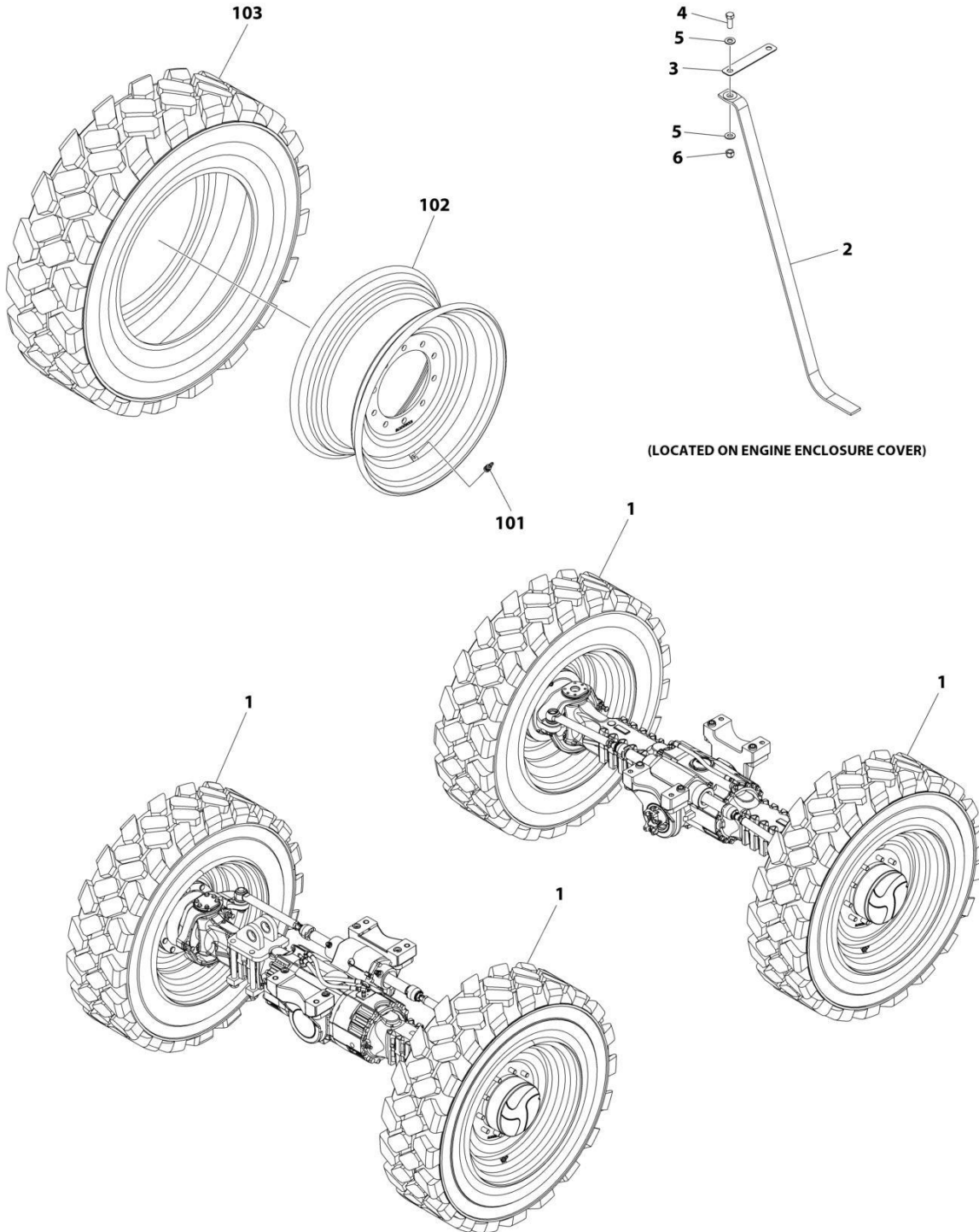
## SECTION 5 - DRIVE TRAIN

**FIGURE 5-38. TIRE SET, 400/75-28 FOAM**

ITEM	PART NUMBER	QTY	DESCRIPTION	REV
	1001222220	Ref	Tire Set, 400/75-28 Foam-Filled	B
		Ref	<b>Note: Assemblies require ballast/foam filling to manufacture's specifications prior to installing on machine. Refer to Operation &amp; Safety or Service &amp; Maintenance Manuals.</b>	
		Ref	<b>Purchase individual tire and/or wheel only if able to foam fill tire &amp; wheel assembly, otherwise purchase complete assembly.</b>	
1	1001121105	4	Tire and Wheel Assembly	
1	8786514	4	Valve, Air (1 per assembly)	
1	1001120178	4	Wheel (1 per assembly)	
1	1001120179	4	Tire 400/75-28 (1 per assembly)	

# SECTION 5 - DRIVE TRAIN

## FIGURE 5-39. TIRE SET, 400/75-28 FOAM (NON-MARKING)



ART\_1001241849

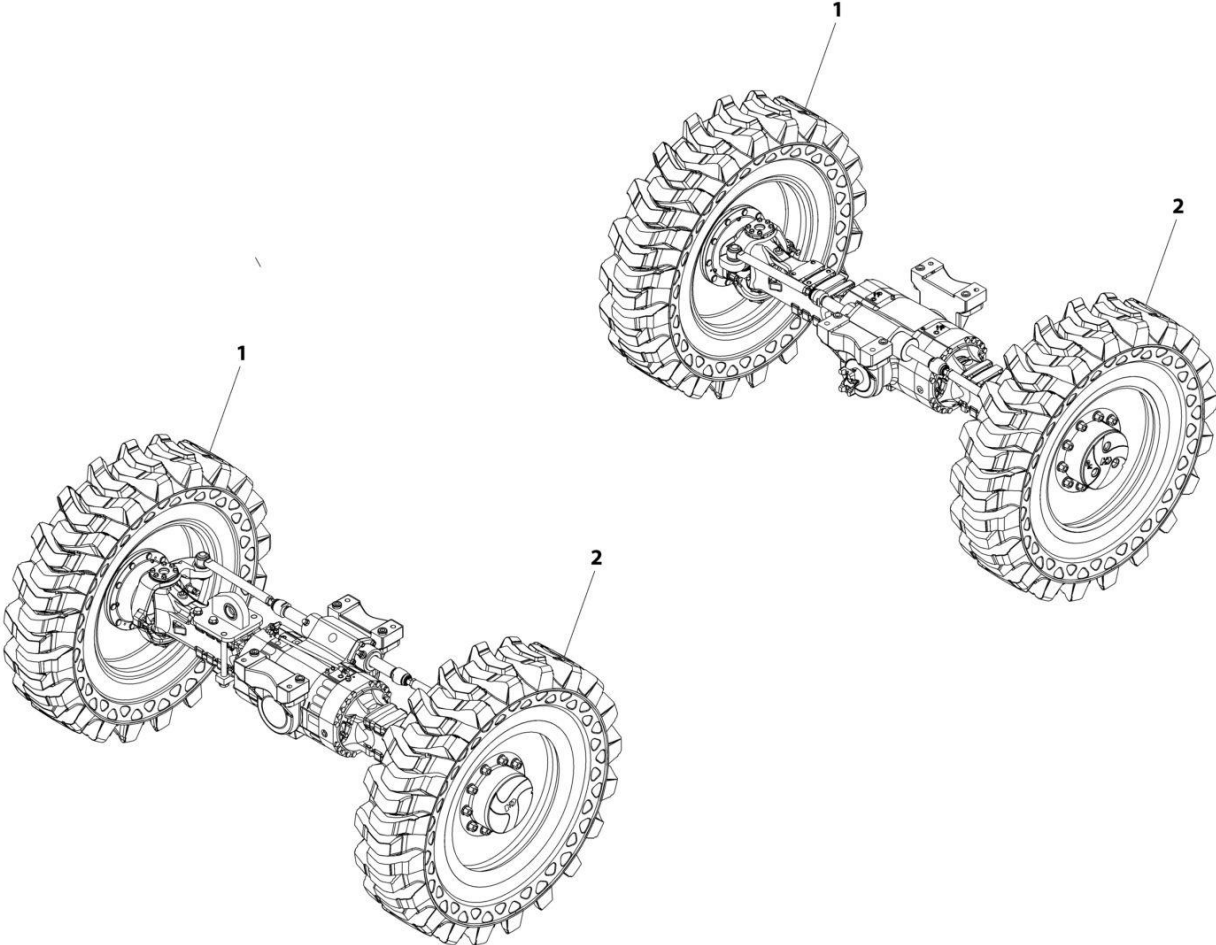
## SECTION 5 - DRIVE TRAIN

**FIGURE 5-39. TIRE SET, 400/75-28 FOAM (NON-MARKING)**

ITEM	PART NUMBER	QTY	DESCRIPTION	REV
	1001241849	Ref	TIRE/WHEEL SET 400/75-28 - FOAM FILLED NON MARKING	B
		Ref	Note: Assemblies require ballast/foam filling to manufacture's specifications prior to installing on machine. Refer to Operation & Safety or Service & Maintenance Manuals.	
		Ref	Purchase individual tire and/or wheel only if able to foam fill tire & wheel assembly, otherwise purchase complete assembly.	
1	1001241842	4	Tire and Wheel Assembly (See Items 101-103)	
2	1001275637	1	Strap, Anti-Static	
3	1001275638	1	Bracket	
4	8303620	1	Bolt 3/8 x 1	
5	8307110	2	Washer 3/8	
6	8305645	1	Nut 3/8	
	1001241842	Ref	TIRE AND WHEEL ASSEMBLY	A
101	8786514	4	Valve, Air (1 per assembly)	
102	1001120178	4	Wheel (1 per assembly)	
103	1001241837	4	Tire 400/75-28 Non-Marking (1 per assembly)	

**SECTION 5 - DRIVE TRAIN**

**FIGURE 5-40. TIRE SET, 14-28 SOLID (DIRECTIONAL)**



ART\_1001274305



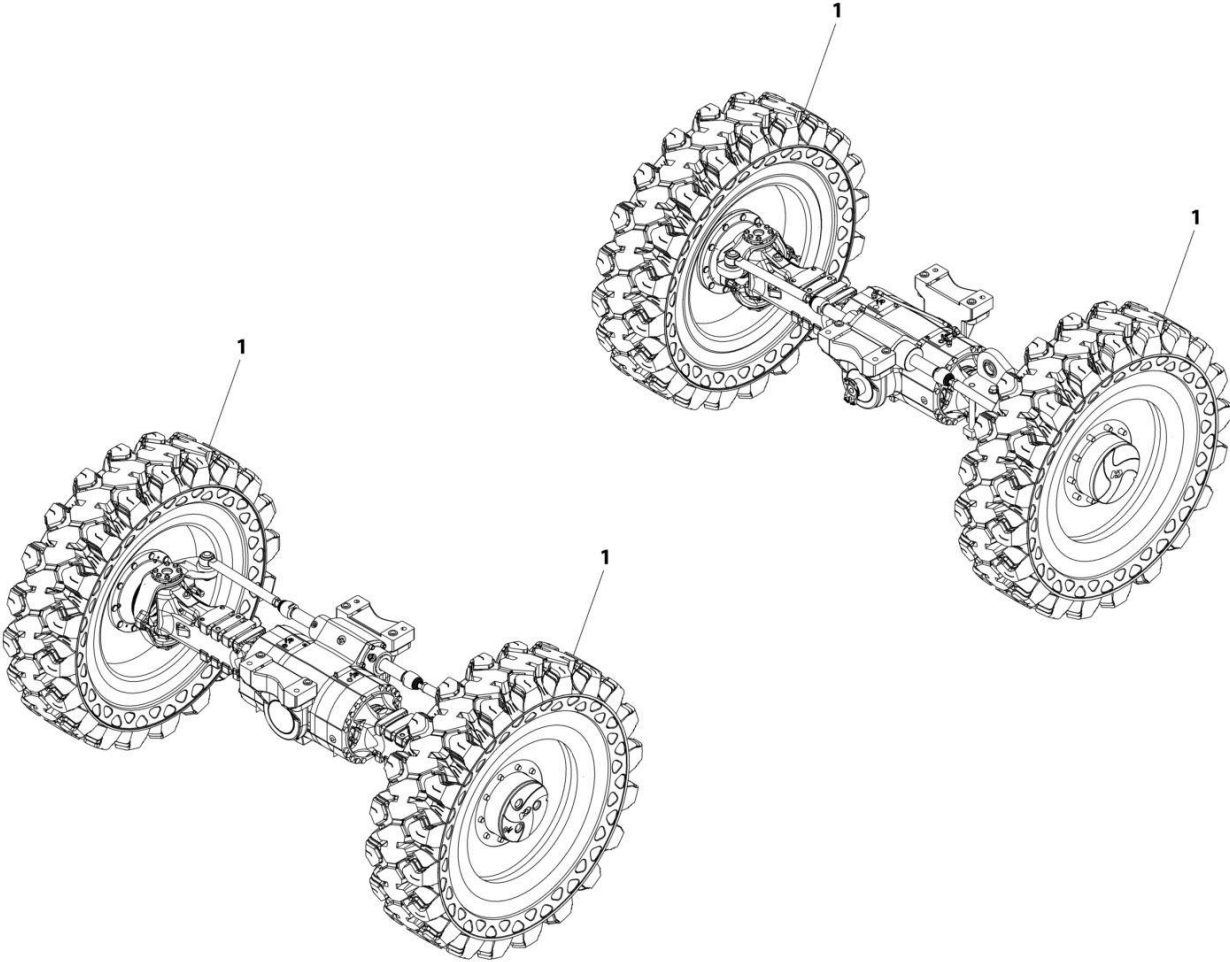
## SECTION 5 - DRIVE TRAIN

**FIGURE 5-40. TIRE SET, 14-28 SOLID (DIRECTIONAL)**

ITEM	PART NUMBER	QTY	DESCRIPTION	REV
	1001274305	Ref	TIRE/WHEEL SET 14-28 SOLIDBOSS (DIRECTIONAL)	A
1	1001274303	2	Tire/Wheel Left 14X28 - Solid	
2	1001274304	2	Tire/Wheel Right 14X28 - Solid	

**SECTION 5 - DRIVE TRAIN**

**FIGURE 5-41. TIRE SET, 14-24 SOLID (NON-DIRECTIONAL)**



ART\_1001274307

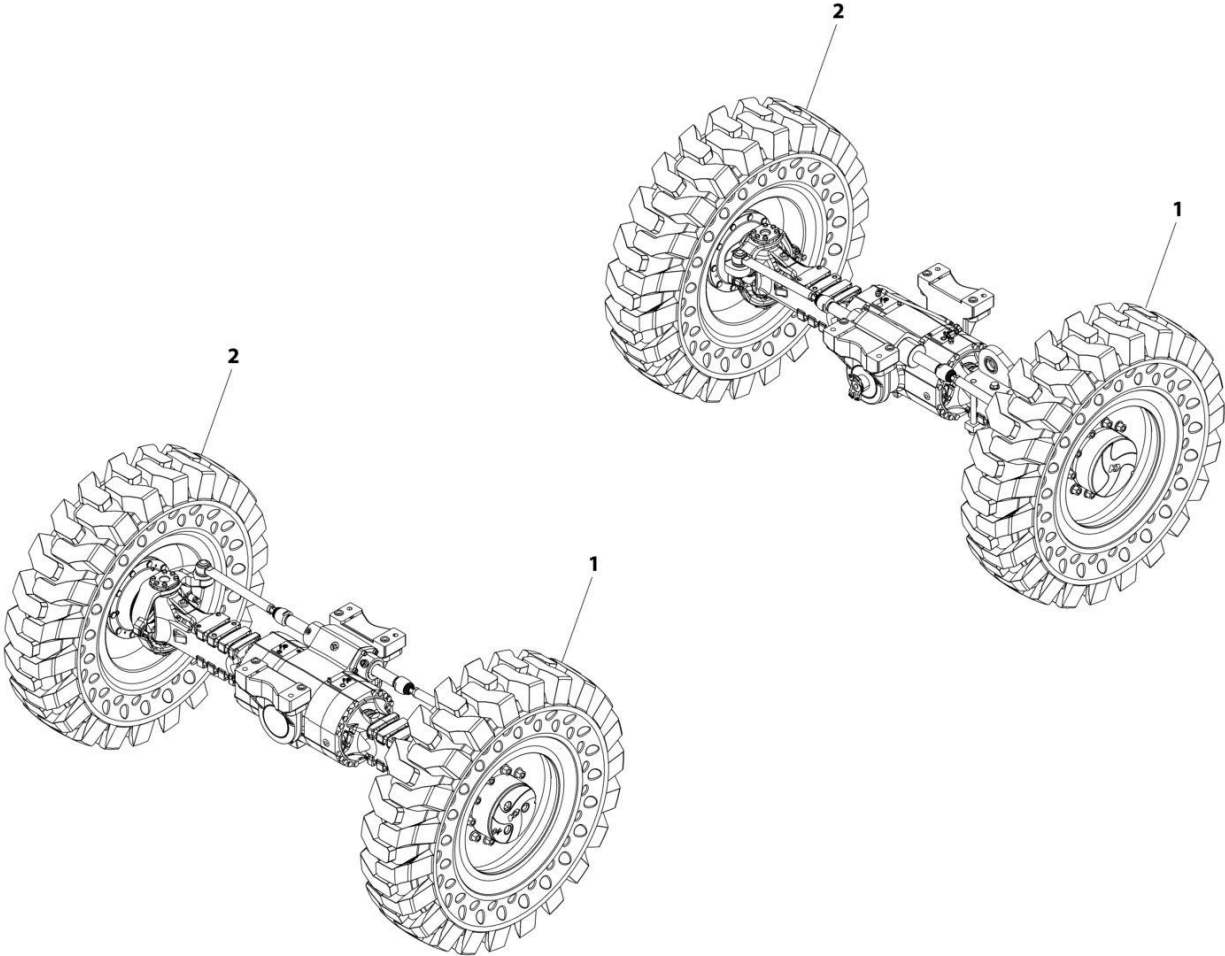
## SECTION 5 - DRIVE TRAIN

**FIGURE 5-41. TIRE SET, 14-24 SOLID (NON-DIRECTIONAL)**

ITEM	PART NUMBER	QTY	DESCRIPTION	REV
1	1001274307	Ref	TIRE/WHEEL SET 14-28 SOLIDBOSS (NON-DIRECTIONAL)	A
	1001274306	4	Tire/Wheel 14X28 - Solid	

**SECTION 5 - DRIVE TRAIN**

**FIGURE 5-42. TIRE SET, 14-24 SOLID (DIRECTIONAL)**



ART\_1001274721

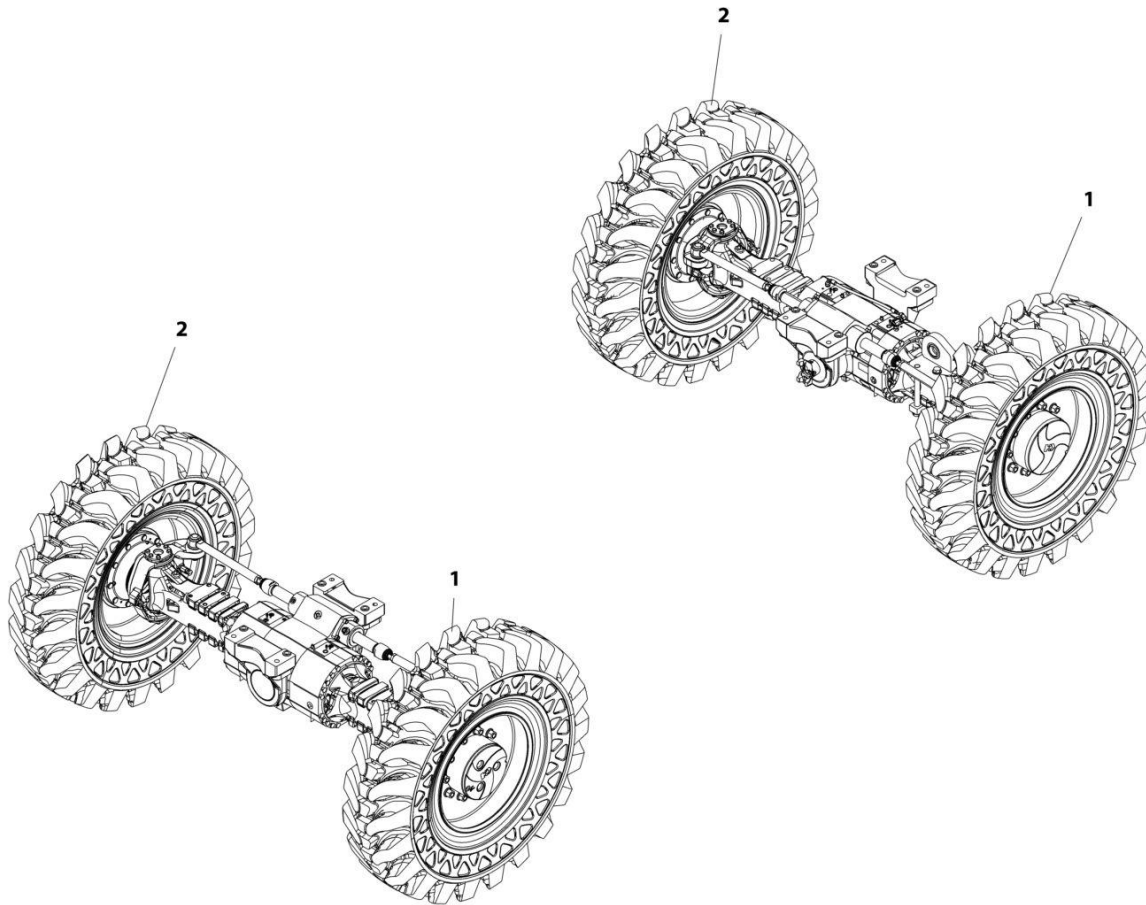
## SECTION 5 - DRIVE TRAIN

**FIGURE 5-42. TIRE SET, 14-24 SOLID (DIRECTIONAL)**

ITEM	PART NUMBER	QTY	DESCRIPTION	REV
	1001274721	Ref	TIRE/WHEEL SET 14-24 SOLIDBOSS (DIRECTIONAL)	A
1	1001274719	2	Tire/Wheel Left 14X24 - Solid	
2	1001274720	2	Tire/Wheel Right 14X24 - Solid	

# SECTION 5 - DRIVE TRAIN

FIGURE 5-43. TIRE SET, 14-24 SOLID



ART\_1001151108-A

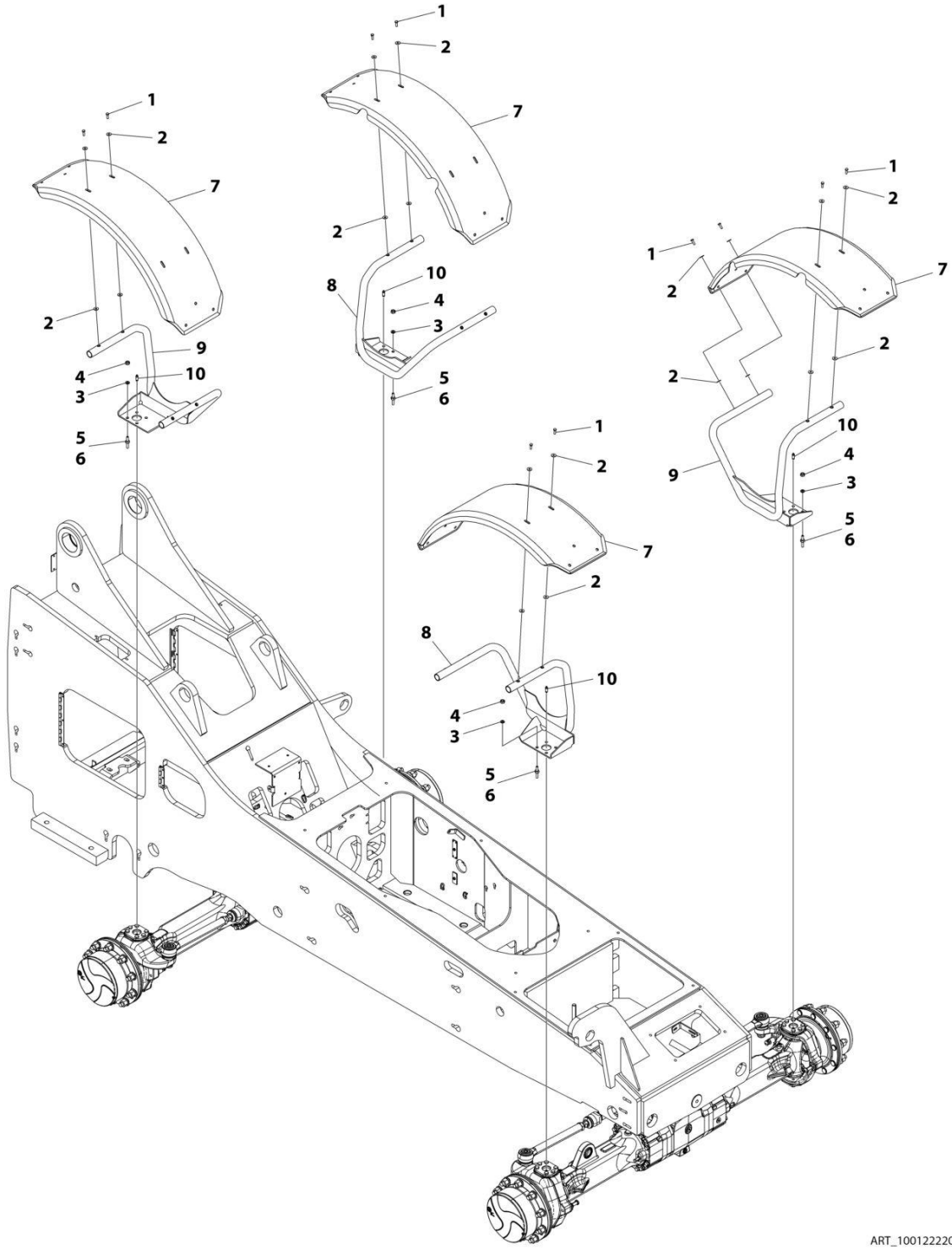
## SECTION 5 - DRIVE TRAIN

### FIGURE 5-43. TIRE SET, 14-24 SOLID

ITEM	PART NUMBER	QTY	DESCRIPTION	REV
	1001151108	1	Tire/Wheel Set 14-24 - Solid	A
1	1001151101	2	Tire/Wheel Left 14-24 .219 - Offset	
2	1001151102	2	Tire/Wheel Right 14-24 .219 - Offset	

# SECTION 5 - DRIVE TRAIN

## FIGURE 5-44. FENDER INSTALLATION



ART\_1001222200



## SECTION 5 - DRIVE TRAIN

### FIGURE 5-44. FENDER INSTALLATION

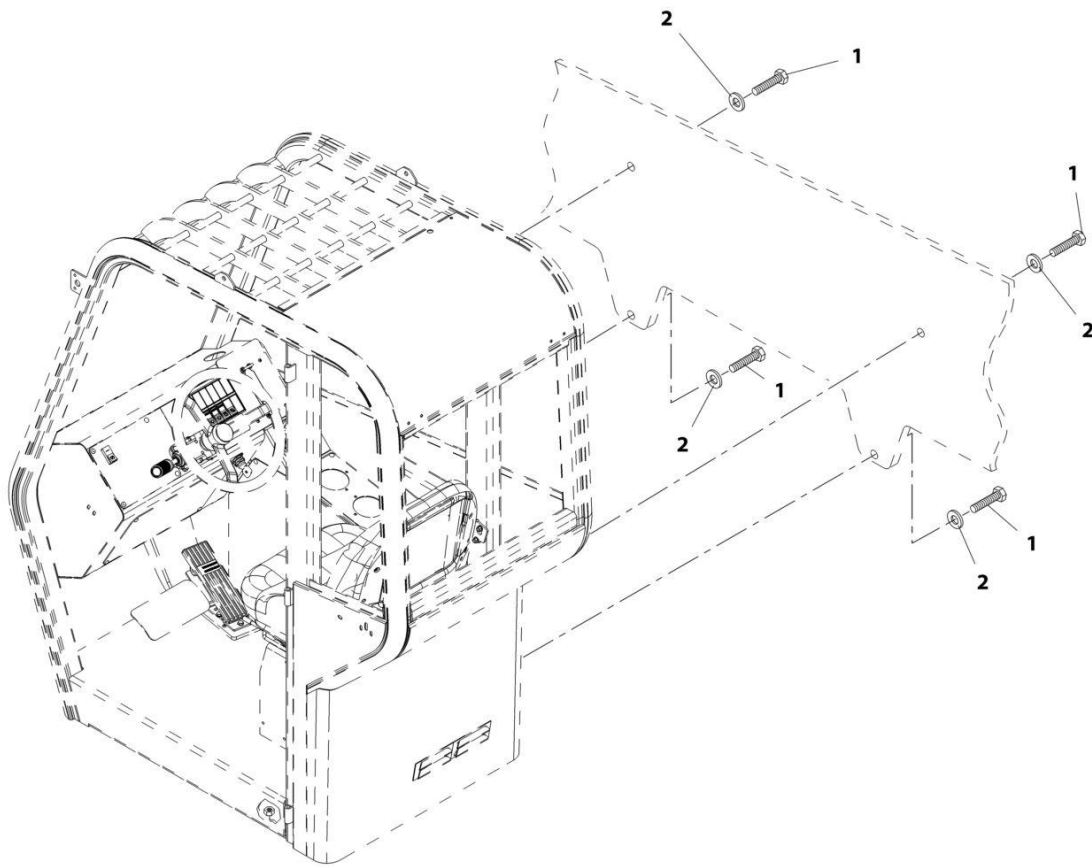
ITEM	PART NUMBER	QTY	DESCRIPTION	REV
	1001222200	Ref	Fender Installation	D
1	0760812	16	Capscrew, M8X25	
2	4811902	32	Washer	
3	83191010	16	Washer, Lock M12	
4	91513266	16	Nut, M12	
5	91514118	16	Stud, Fender	
6	1001095650	AR	Adhesive	
7	1001154055	4	Fender	
8	1001222203	2	Bracket, Fender	
9	1001222717	2	Bracket, Fender	
10	1001225317	4	Fitting, Grease	



**SECTION 6 - CAB**

# SECTION 6 - CAB

## FIGURE 6-1. CAB INSTALLATION



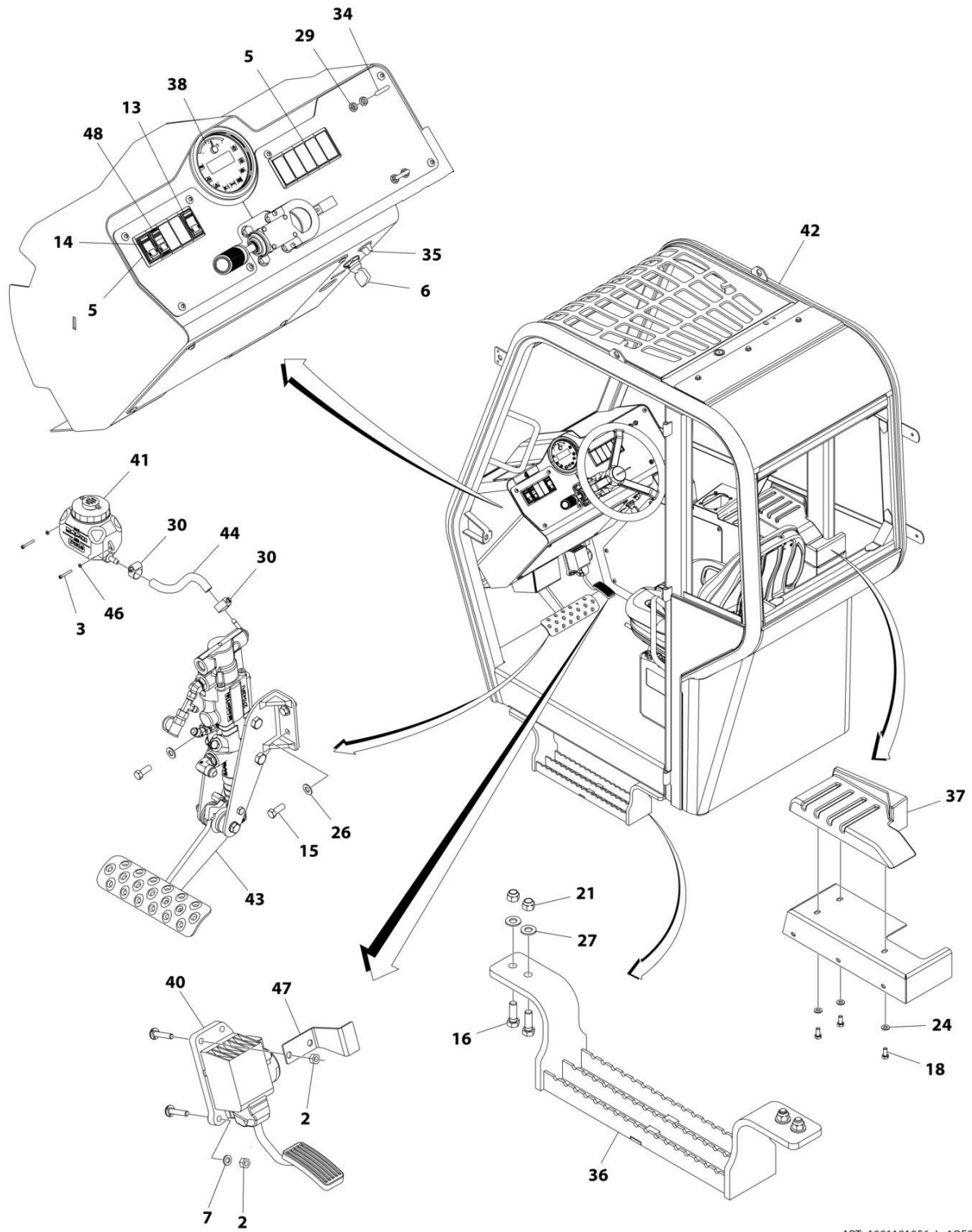
ART\_713882\_AA

**FIGURE 6-1. CAB INSTALLATION**

<b>ITEM</b>	<b>PART NUMBER</b>	<b>QTY</b>	<b>DESCRIPTION</b>	<b>REV</b>
	7138882	Ref	Cab Installation	AA
1	8310493	4	Bolt, 7/8-9X5-1/2, Grade 8	
2	8307011	4	Washer, Lock 7/8	

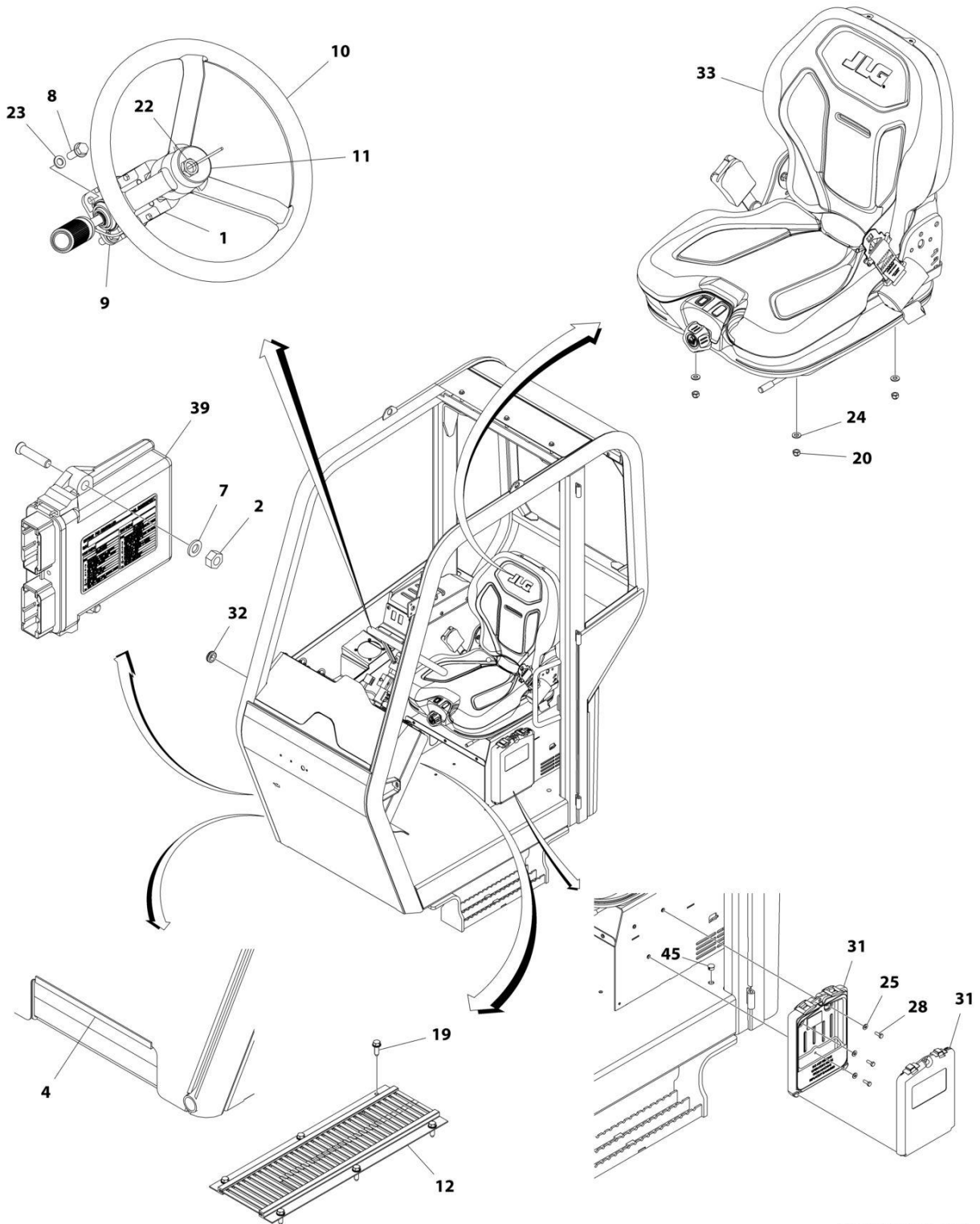
# SECTION 6 - CAB

## FIGURE 6-2. CAB INSTALLATION - OPEN CAB (ORANGE SEAT BELT)



ART\_1001181956\_L\_10F2

# SECTION 6 - CAB



ART\_1001181956\_L\_20F2

## SECTION 6 - CAB

**FIGURE 6-2. CAB INSTALLATION - OPEN CAB (ORANGE SEAT BELT)**

ITEM	PART NUMBER	QTY	DESCRIPTION	REV
	1001181956	Ref	OPEN CAB INSTALLATION	L
1	1600429	1	Selector, Transmission Control	
2	3311401	5	Nut 1/4	
3	3930610	2	Bolt #6 x 5/8	
4	4060806	11 in	Flex-Trim	
5	4360569	2	Switch, Bezel	
6	4360690	1	Switch, Ignition	
6	8035807	1	Key (with cover)	
7	4761400	3	Washer 1/4	
8	5251014	4	Bolt M10 x 30	
9	7138833	1	Column, Steering	
10	7138836	1	Wheel, Steering	
11	7138878	1	Button, Horn	
12	7138944	2	Strips, Brush	
13	8223037	1	Switch, Steer Select	
14	8223054	1	Switch, Park Brake	
15	8303620	4	Bolt 3/8 x 1	
16	8303626	4	Bolt 1/2 x 1-1/2	
18	8303697	3	Bolt 5/16 x 3/4	
19	8303982	6	Screw 1/4 x 3/4	
20	8305626	4	Nut 5/16	
21	8305644	4	Nut 1/2	
22	8305916	1	Nut, Steering Column	
23	8307023	4	Washer M10	
24	8307106	7	Washer 5/16	
25	8307109	3	Washer 1/4	
26	8307110	4	Washer 3/8	
27	8307112	4	Washer 1/2	
28	8310026	3	Bolt 1/4 x 3/4	
29	8310382	8	Nut 1/4	
30	1320022	2	Clamp, Fuel Line	
31	8990147	1	Holder, Manual	
32	1001081049	1	Grommet, Split	
33	1001275934	1	Seat, Cab (See Separate Breakdown in this Section)	
34	1001102844	2	U-Bolt 1/4 x 1-1/4	
35	1001114867	1	Socket, 12V Power Point	
36	1001256519	1	Mount, Cab Step	
37	1001159878	1	Support, Armrest	
38	1001170738	NLA	Gauge	
38	1001299548	1	Gauge	
39	1001292279	1	Controller	
40	1001264554	1	Accelerator (Note: No Serviceable Parts - Purchase Complete Assembly)	
41	1001183164	1	Reservoir, Brake Valve	
42	1001246736	1	Cab, Open (See Separate Breakdown in this Section)	
43	1001223052	1	Assembly, Brake (See Separate Breakdown in CONTROLS Section)	
44	1001201658	1	Hose	
45	1001207963	1	Plug, 5/8	
46	4710600	2	Washer	

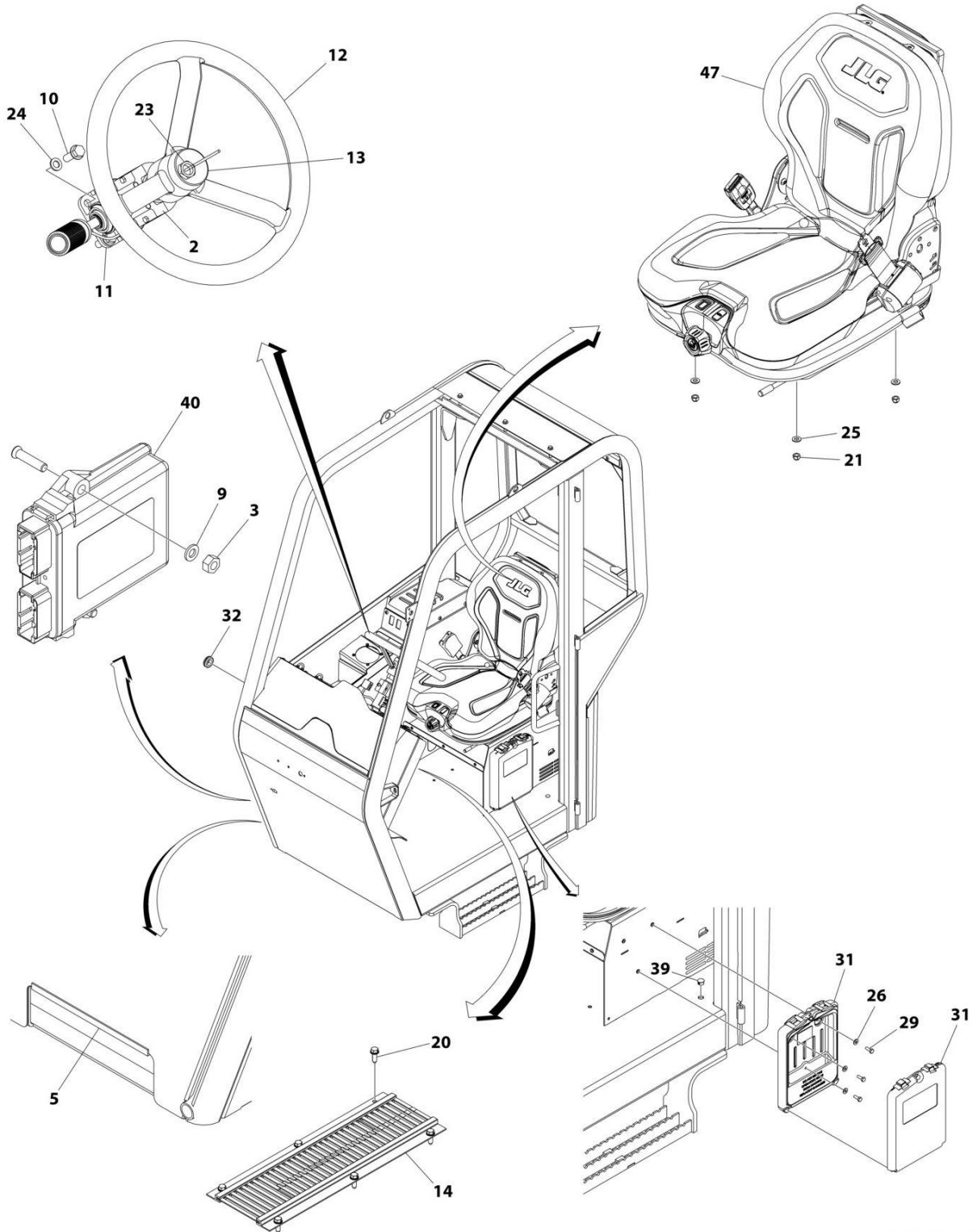


## SECTION 6 - CAB

ITEM	PART NUMBER	QTY	DESCRIPTION	REV
47	1001265914	1	Cover, Pedal	
48	1001289539	1	Switch, Beacon	
49	1001284403	1	Harness, Beacon Option (Not Shown) (See Separate Breakdown in ELECTRICAL Section)	
50	1001182091	1	Duct, Wire (Not Shown)	



# SECTION 6 - CAB



ART\_1001290540\_20F2

## SECTION 6 - CAB

**FIGURE 6-3. OPEN CAB SEAT BELT ENG INSTALLATION**

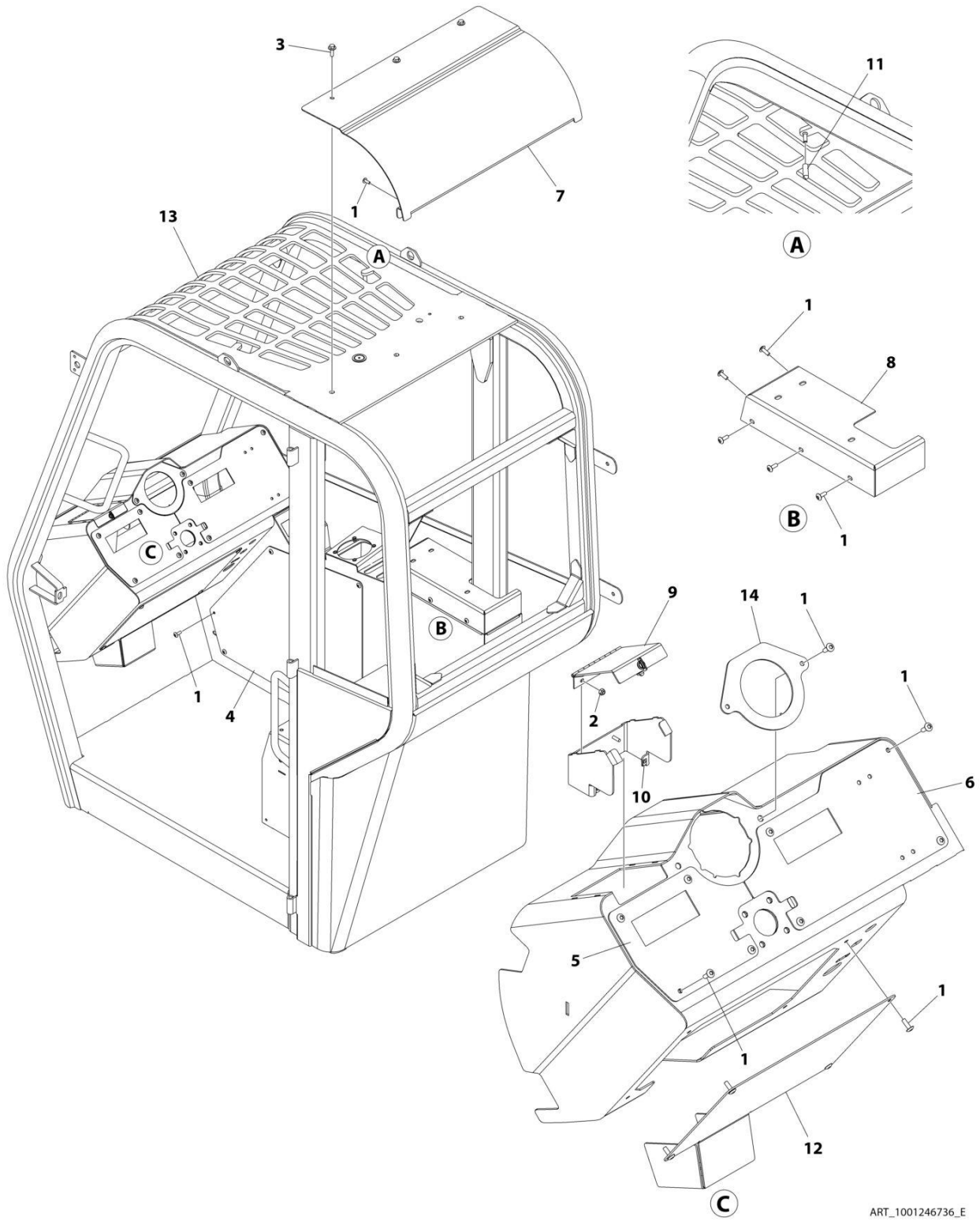
ITEM	PART NUMBER	QTY	DESCRIPTION	REV
	1001290540	Ref	OPEN CAB SEAT BELT ENG INSTALLATION	D
1	1320022	2	Clamp, Fuel Line	
2	1600429	1	Selector, Transmission Control	
3	3311401	5	Nut 1/4	
4	3930610	2	Bolt #6 x 5/8	
5	4060806	11 in	Flex-Trim	
6	4360569	2	Switch, Bezel	
7	4360690	1	Switch, Ignition	
7	8035807	1	Key (with cover)	
8	4710600	2	Washer	
9	4761400	3	Washer 1/4	
10	5251014	4	Bolt M10 x 30	
11	7138833	1	Column, Steering	
12	7138836	1	Wheel, Steering	
13	7138878	1	Button, Horn	
14	7138944	2	Strips, Brush	
15	8223037	1	Switch, Steer Select	
16	8223054	1	Switch, Park Brake	
17	8303620	4	Bolt 3/8 x 1	
18	8303626	4	Bolt 1/2 x 1-1/2	
19	8303697	3	Bolt 5/16 x 3/4	
20	8303982	6	Screw 1/4 x 3/4	
21	8305626	4	Nut 5/16	
22	8305644	4	Nut 1/2	
23	8305916	1	Nut, Steering Column	
24	8307023	4	Washer M10	
25	8307106	7	Washer 5/16	
26	8307109	3	Washer 1/4	
27	8307110	4	Washer 3/8	
28	8307112	4	Washer 1/2	
29	8310026	3	Bolt 1/4 x 3/4	
30	8310382	8	Nut 1/4	
31	8990147	1	Holder, Manual	
32	1001081049	1	Grommet, Split	
33	1001102844	2	U-Bolt 1/4 x 1-1/4	
34	1001114867	1	Socket, 12V Power Point	
35	1001159878	1	Support, Armrest	
36	1001170738	NLA	Gauge	
36	1001299548	1	Gauge	
37	1001183164	1	Reservoir, Brake Valve	
38	1001201658	1	Hose	
39	1001207963	1	Plug, 5/8	
40	1001292279	1	Controller	
41	1001223052	1	Assembly, Brake (See Separate Breakdown in CONTROLS Section)	
42	1001246736	1	Cab, Open	
43	1001256519	1	Mount, Cab Step	
44	1001264554	1	Accelerator (Note: No Serviceable Parts - Purchase Complete Assembly)	
45	1001265914	1	Cover, Pedal	

**SECTION 6 - CAB**

<b>ITEM</b>	<b>PART NUMBER</b>	<b>QTY</b>	<b>DESCRIPTION</b>	<b>REV</b>
46	1001266488	1	Lamp, LED Indicator	
47	1001275931	1	Seat, Suspension (See Separate Breakdown in this Section)	
48	1001288679	1	Harness, Seat Belt Alarm (Not Shown) (See Separate Breakdown in ELECTRICAL Section)	
49	1001289539	1	Beacon Switch	
50	1001284403	1	Harness, Beacon Option (Not Shown) (See Separate Breakdown in ELECTRICAL Section)	
51	1001182091	1	Duct, Wire (Not Shown)	

# SECTION 6 - CAB

## FIGURE 6-4. CAB ASSEMBLY - OPEN



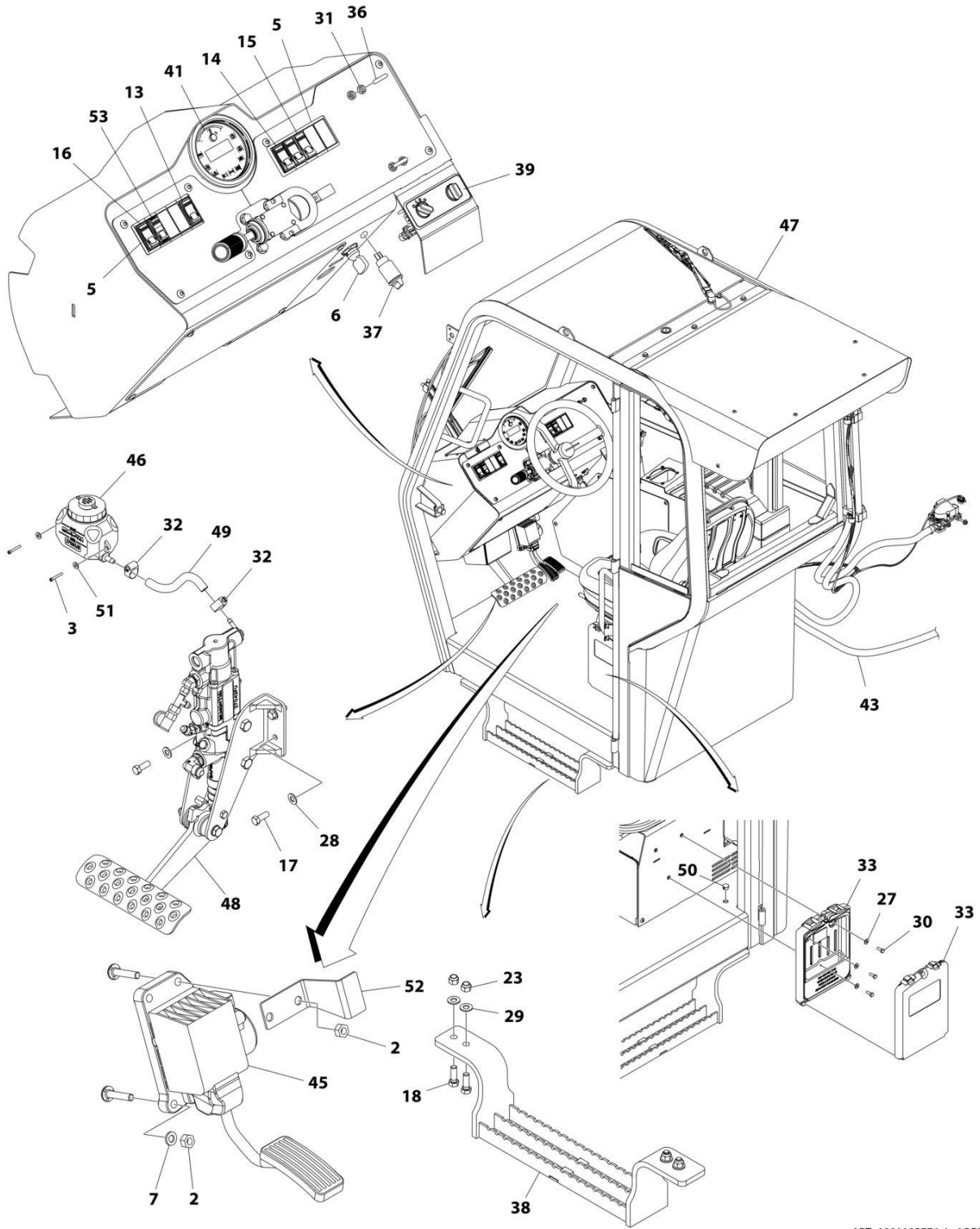
ART\_1001246736\_E

FIGURE 6-4. CAB ASSEMBLY - OPEN

ITEM	PART NUMBER	QTY	DESCRIPTION	REV
	1001246736	Ref	CAB OPEN	E
1	8303034	27	Screw 1/4 x 3/4	
2	8310085	2	Nut M10	
3	1001149227	3	Screw 5/16 x 1	
4	1001160788	1	Panel, RH Console Access Plate	
5	1001160790	1	Panel, LH Dash Cover	
6	1001160791	1	Panel, RH Dash Cover	
7	1001160815	1	Panel, Roof Cover	
8	1001165617	1	Assembly, Side Console Access Panel	
9	1001202189	1	Door, Brake Reservoir	
10	1001202202	2	Nut	
11	1001202615	2	Cap, Silicon Stud Cover	
12	1001202746	1	Panel, Brake Access Plate	
13	1001246735	1	Cab Weldment	
14	1001301624	1	Panel, Dash Gauge	

# SECTION 6 - CAB

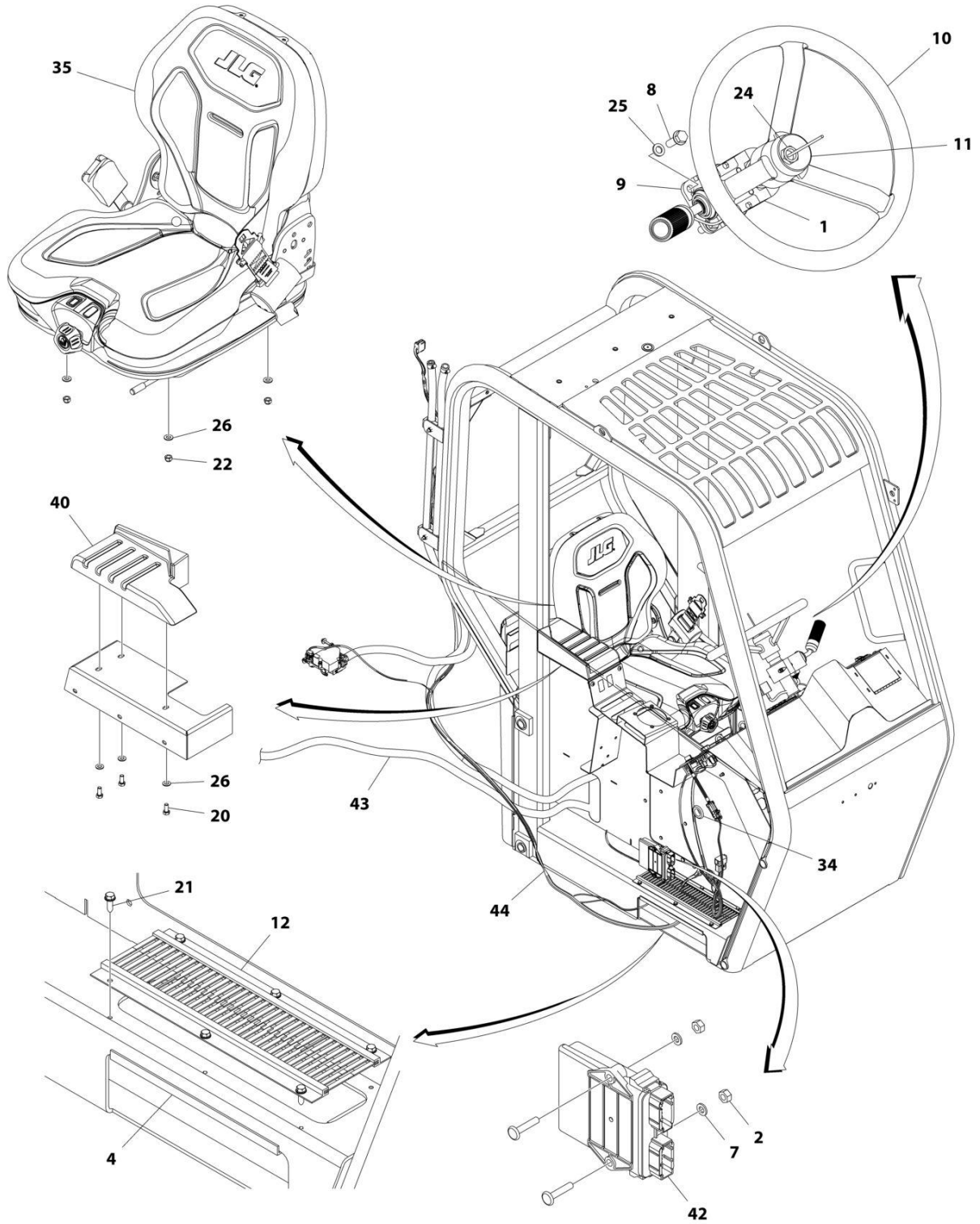
## FIGURE 6-5. CAB INSTALLATION - ENCLOSED CAB WITH HEATER (ORANGE SEAT BELT)



ART\_1001185776\_L\_10F2



# SECTION 6 - CAB



ART\_1001185776\_L\_20F2

## SECTION 6 - CAB

**FIGURE 6-5. CAB INSTALLATION - ENCLOSED CAB WITH HEATER (ORANGE SEAT BELT)**

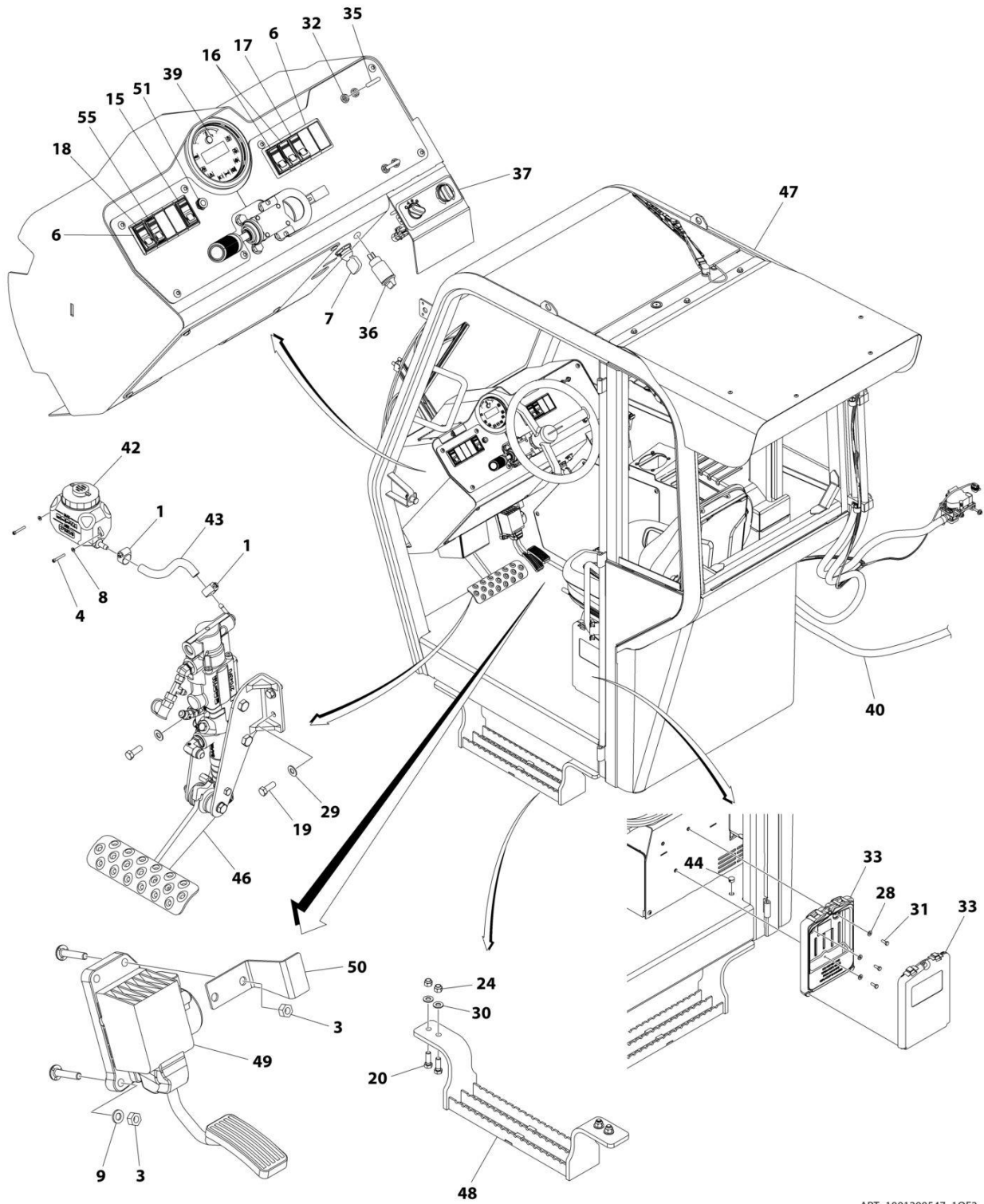
ITEM	PART NUMBER	QTY	DESCRIPTION	REV
	1001185776	Ref	ENCLOSED CAB WITH HEATER INSTALLATION	L
1	1600429	1	Selector, Transmission Control	
2	3311401	5	Nut 1/4	
3	3930610	2	Bolt 6 x 5/8	
4	4060806	11 in	Shield, Flex Trim, 5/16	
5	4360569	2	Switch, Bezel	
6	4360690	1	Switch, Ignition	
6	8035807	1	Key (with cover)	
7	4761400	3	Washer 1/4	
8	5251014	4	Bolt M10 x 30	
9	7138833	1	Column, Steering	
10	7138836	1	Wheel, Steering	
11	7138878	1	Button, Horn	
12	7138944	2	Strips, Brush	
13	8223037	1	Switch, Steer Select	
14	8223043	2	Switch, Windscreen Wiper	
15	8223044	1	Switch, Windscreen Washer	
16	8223054	1	Switch, Park Brake	
17	8303620	4	Bolt 3/8 x 1	
18	8303626	4	Bolt 1/2 x 1-1/2	
20	8303697	3	Bolt 5/16 x 3/4	
21	8303982	6	Screw 1/4 x 3/4	
22	8305626	4	Nut 5/16	
23	8305644	4	Nut 1/2	
24	8305916	1	Nut, Steering Column	
25	8307023	4	Washer M10	
26	8307106	7	Washer 5/16	
27	8307109	3	Washer 1/4	
28	8307110	4	Washer 3/8	
29	8307112	4	Washer 1/2	
30	8310026	3	Bolt 1/4 x 3/4	
31	8310382	8	Nut 1/4	
32	1320022	2	Clamp, Fuel Line	
33	8990147	1	Holder, Manual	
34	1001081049	1	Grommet, Split	
35	1001275934	1	Seat, Cab (See Separate Breakdown in this Section)	
36	1001102844	2	Bolt 1/4 x 1-1/4	
37	1001114867	1	Socket, 12V Power Point	
38	1001256519	1	Mount, Cab Step	
39	1001159850	1	Panel, Heater Control	
40	1001159878	1	Support, Armrest	
41	1001170738	NLA	Gauge	
41	1001299548	1	Gauge	
42	1001292279	1	Controller	
43	1001171807	1	Installation, Cab Heater Lines (See Separate Breakdown in this Section)	
44	1001178347	1	Harness, HVAC (See Separate Breakdown in ELECTRICAL Section)	
45	1001264554	1	Accelerator (Note: No Serviceable Parts - Purchase Complete Assembly)	

**SECTION 6 - CAB**

<b>ITEM</b>	<b>PART NUMBER</b>	<b>QTY</b>	<b>DESCRIPTION</b>	<b>REV</b>
46	1001183164	1	Reservoir, Brake Valve	
47	1001246737	1	Cab, Enclosed with Heater (See Separate Breakdown in this Section)	
48	1001223052	1	Assembly, Brake (See Separate Breakdown in CONTROLS Section)	
49	1001201658	1	Hose	
50	1001207963	1	Plug, 5/8	
51	4710600	2	Washer #6	
52	1001265914	1	Cover, Pedal	
53	1001289539	1	Switch, Beacon	
54	1001284403	1	Harness, Beacon Option (Not Shown) (See Separate Breakdown in ELECTRICAL Section)	

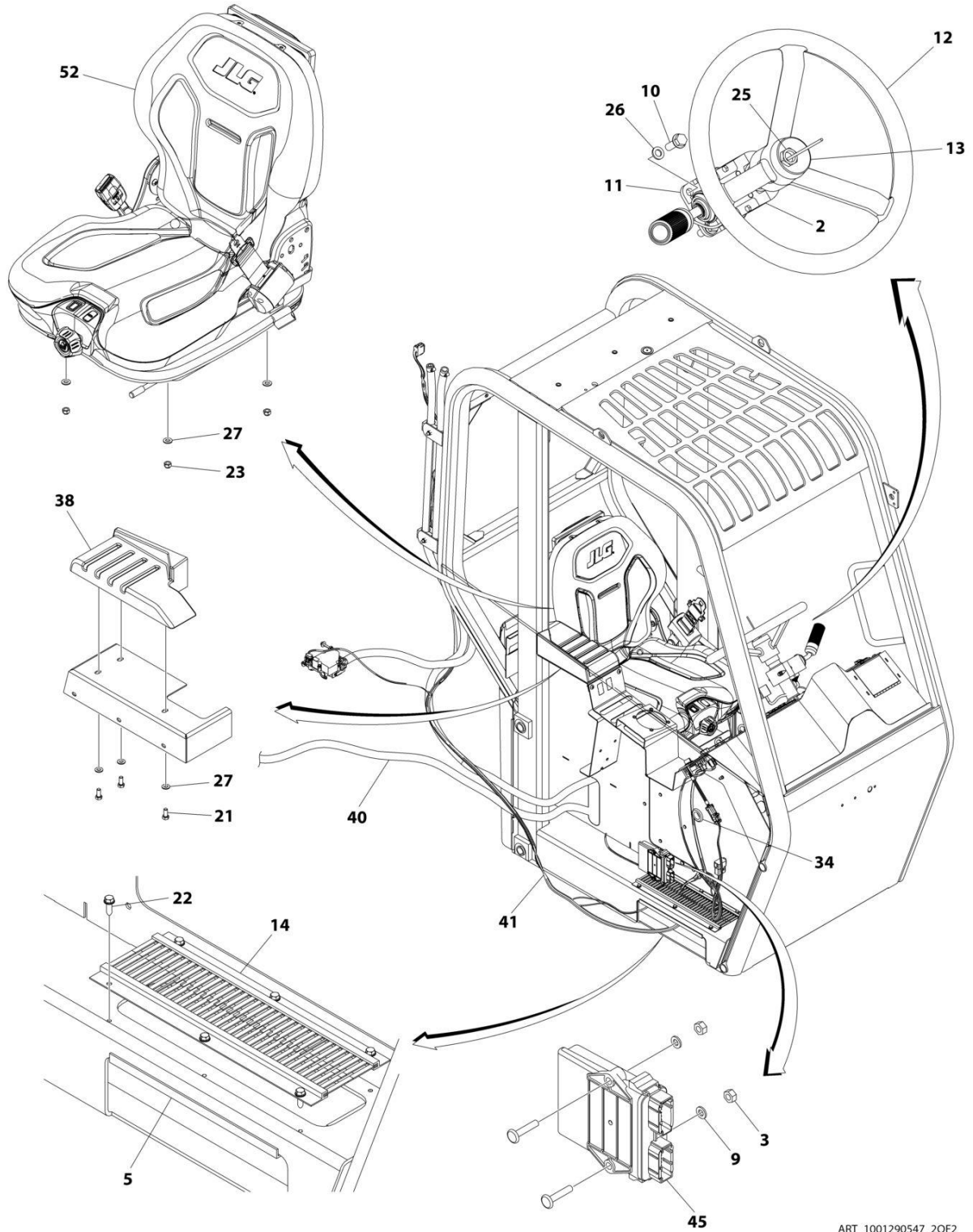
# SECTION 6 - CAB

## FIGURE 6-6. CAB INSTALLATION - CLOSED CAB WITH HEATER



ART\_1001290547\_10F2

# SECTION 6 - CAB



ART\_1001290547\_20F2

## SECTION 6 - CAB

**FIGURE 6-6. CAB INSTALLATION - CLOSED CAB WITH HEATER**

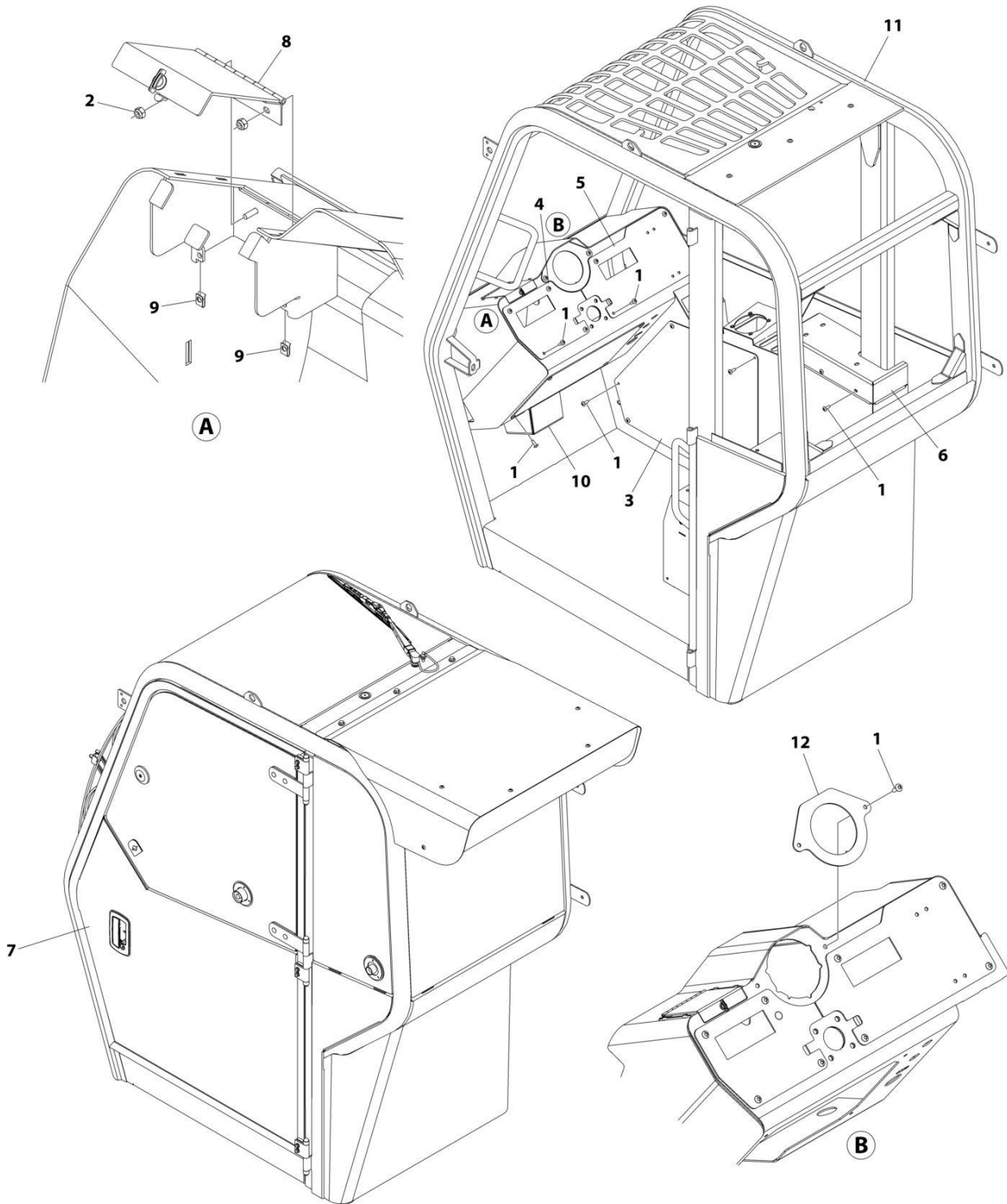
ITEM	PART NUMBER	QTY	DESCRIPTION	REV
	1001290547	Ref	CLOSED CAB WITH HEAT INSTALLATION	D
1	1320022	2	Clamp, Fuel Line	
2	1600429	1	Selector, Transmission Control	
3	3311401	5	Nut 1/4	
4	3930610	2	Bolt #6 x 5/8	
5	4060806	11 in	Shield, Flex Trim 5/16	
6	4360569	2	Switch, Bezel	
7	4360690	1	Switch, Ignition	
7	8035807	1	Key (with cover)	
8	4710600	2	Washer #6	
9	4761400	3	Washer 1/4	
10	5251014	4	Bolt M10 x 30	
11	7138833	1	Column, Steering	
12	7138836	1	Wheel, Steering	
13	7138878	1	Button, Horn	
14	7138944	2	Strips, Brush	
15	8223037	1	Switch, Steer Select	
16	8223043	2	Switch, Windscreen Wiper	
17	8223044	1	Switch, Windscreen Washer	
18	8223054	1	Switch, Park Brake	
19	8303620	4	Bolt 3/8 x 1	
20	8303626	4	Bolt 1/2 x 1-1/2	
21	8303697	3	Bolt 5/16 x 3/4	
22	8303982	6	Screw 1/4 x 3/4	
23	8305626	4	Nut 5/16	
24	8305644	4	Nut 1/2	
25	8305916	1	Nut, Steering Column	
26	8307023	4	Washer M10	
27	8307106	7	Washer 5/16	
28	8307109	3	Washer 1/4	
29	8307110	4	Washer 3/8	
30	8307112	4	Washer 1/2	
31	8310026	3	Bolt 1/4 x 3/4	
32	8310382	8	Nut 1/4	
33	8990147	1	Holder, Manual	
34	1001081049	1	Grommet	
35	1001102844	2	U-Bolt 1/4 x 1-1/4	
36	1001114867	1	Socket, 12V Power Point	
37	1001159850	1	Panel, Heater Control	
38	1001159878	1	Support, Armrest	
39	1001170738	NLA	Gauge	
39	1001299548	1	Gauge	
40	1001171807	1	Installation, Cab Heater Lines (See Separate Breakdown in this Section)	
41	1001178347	1	Harness, HVAC (See Separate Breakdown in ELECTRICAL Section)	
42	1001183164	1	Reservoir, Brake Valve	
43	1001201658	1	Hose	
44	1001207963	1	Plug, 5/8	
45	1001292279	1	Controller	

**SECTION 6 - CAB**

<b>ITEM</b>	<b>PART NUMBER</b>	<b>QTY</b>	<b>DESCRIPTION</b>	<b>REV</b>
46	1001223052	1	Assembly, Brake (See Separate Breakdown in CONTROLS Section)	
47	1001246737	1	Cab, Enclosed with Heater (See Separate Breakdown in this Section)	
48	1001256519	1	Mount, Cab Step	
49	1001264554	1	Accelerator (Note: No Serviceable Parts - Purchase Complete Assembly)	
50	1001265914	1	Cover, Pedal	
51	1001266488	1	Lamp, LED Indicator	
52	1001275931	1	Seat, Suspension (See Separate Breakdown in this Section)	
53	1001288679	1	Harness, Seat Belt Alarm (Not Shown) (See Separate Breakdown in ELECTRICAL Section)	
54	1001284403	1	Harness, Beacon Option (Not Shown) (See Separate Breakdown in ELECTRICAL Section)	
55	1001289539	1	Beacon Switch	

# SECTION 6 - CAB

## FIGURE 6-7. CAB ASSEMBLY - ENCLOSED WITH HEATER & BREAK RESERVOIR



ART\_1001246737\_H



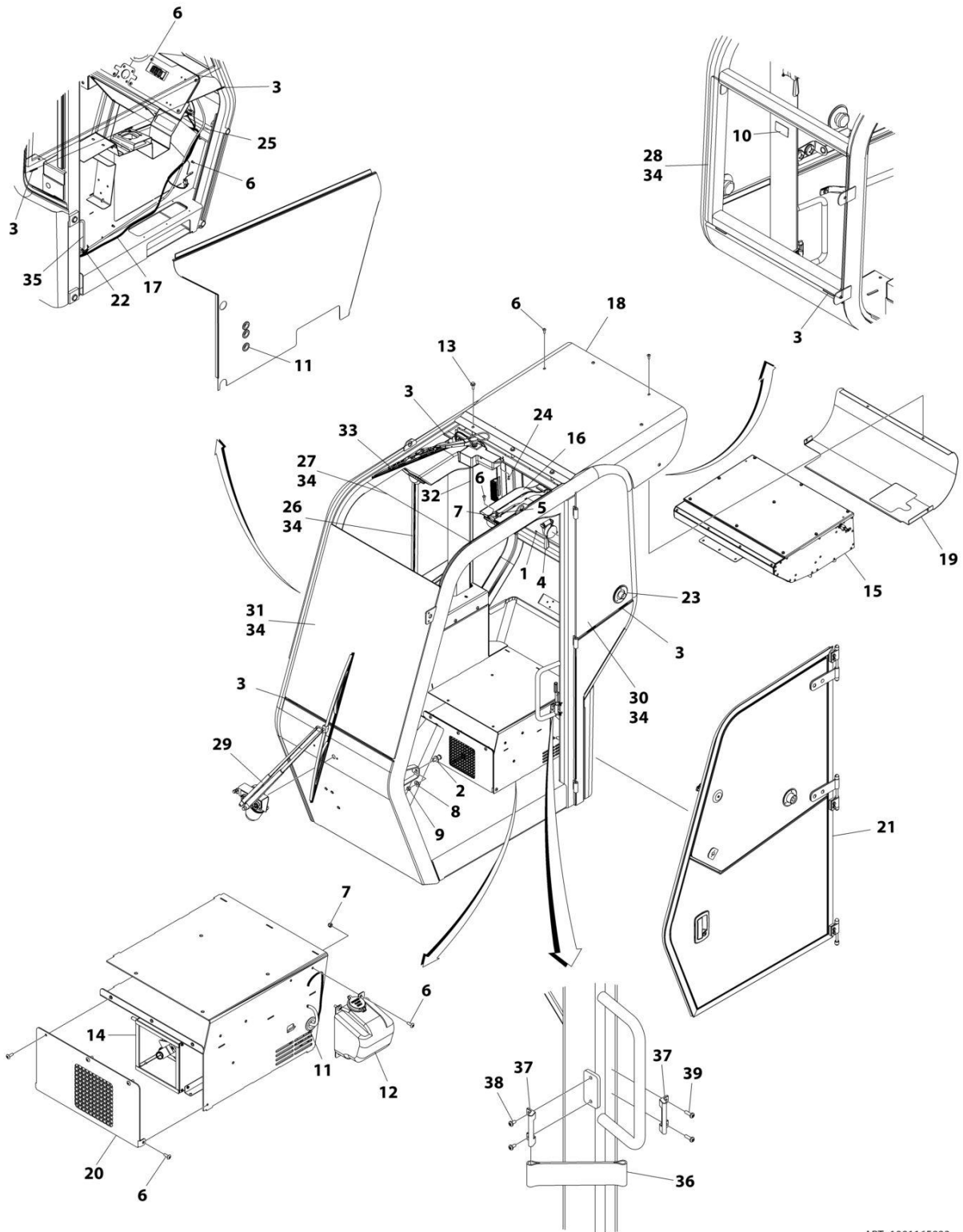
## SECTION 6 - CAB

**FIGURE 6-7. CAB ASSEMBLY - ENCLOSED WITH HEATER & BREAK RESERVOIR**

ITEM	PART NUMBER	QTY	DESCRIPTION	REV
	1001246737	Ref	CAB ENCLOSED WITH HEATER	H
1	8303034	24	Screw 1/4 x 3/4	
2	8310085	2	Nut	
3	1001160788	1	Panel, RH Console Access Plate	
4	1001160790	1	Panel, LH Dash Cover	
5	1001160791	1	Panel, RH Dash Cover	
6	1001165617	1	Assembly, Side Console Access Panel	
7	1001165823	1	Enclosure, Cab (See Separate Breakdown in this Section)	
8	1001202189	1	Door, Brake Reservoir	
9	1001202202	2	Nut	
10	1001202746	1	Panel, Brake Access Plate	
11	See Note	NSS	Cab (Purchase Complete Assembly)	
12	1001301624	1	Panel, Dash Gauge	

# SECTION 6 - CAB

## FIGURE 6-8. CAB ENCLOSURE



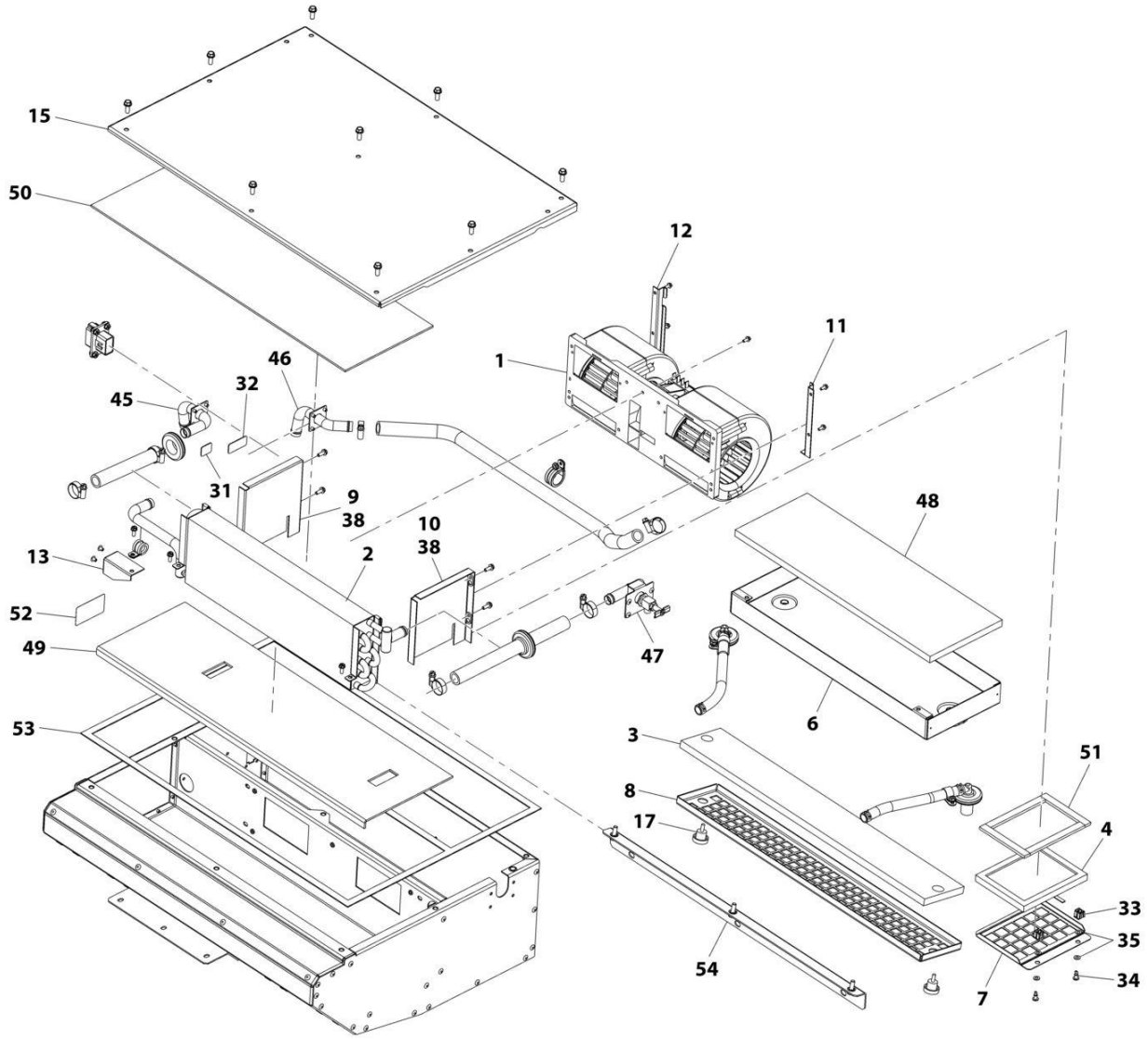
ART\_1001165823

FIGURE 6-8. CAB ENCLOSURE

ITEM	PART NUMBER	QTY	DESCRIPTION	REV
	1001165823	Ref	CAB ENCLOSURE	0
1	91404298	3	Rivet	
2	1001109478	1	Latch, Striker	
3	1001181968	13	Mould, Setting Block	
4	91404301	1	Hammer, Emergency	
5	4711400	2	Washer 1/4	
6	8303034	33	Screw 1/4 x 3/4	
7	8305624	4	Nut 1/4	
8	8307112	1	Washer 1/2	
9	8310109	1	Nut 7/164	
10	91404299	1	Decal, Escape	
11	1001081049	4	Grommet, Split	
12	1001111112	1	Tank, Window Washer Fluid	
12	70025480	1	Pump, Reservoir	
13	1001149227	3	Screw 5/16 x 1	
14	1001159856	1	Heater Assembly - Floor (See Separate Breakdown in this Section)	
15	1001159860	1	HVAC Assembly - Roof Top (See Separate Breakdown in this Section)	
16	1001160785	2	Duct, HVAC	
17	1001178349	1	Harness, Wiper (See Separate Breakdown in ELECTRICAL Section)	
18	1001164282	1	Hood, Top	
19	1001164284	1	Hood, Bottom	
20	1001164717	1	Panel, Floor Heater Access	
21	1001165806	1	Door, Cab (See Separate Breakdown in this Section)	
22	1001008742	1	Coupling, Tee	
23	1001081243	1	Retainer, Door Window Hold	
24	0630464	1	Screw #10 x 1/2	
25	82033997	168 in	Hose, Washer Fluid	
26	8036050	1	Window, RH Slider (See Separate Breakdown in this Section)	
27	7138958	1	Glass, Skylight	
28	1001181707	1	Window, Rear	
29	8036056	1	Assembly, Front Wiper (See Separate Breakdown in this Section)	
30	1001181893	1	Window, LH Rear	
31	1001181903	1	Window, Windshield	
32	1001182091	1	Duct, Wire	
33	1001182470	1	Wiper, Skylight (See Separate Breakdown in this Section)	
34	1001177746	AR	Compound, Locking	
35	4060803	16.5 in	Flex-Trim	
36	80384218	1	Strap, Door	
37	1001196128	2	Bracket, Strap Holder	
38	1001197098	2	Screw #10 x 3/8	
39	1001197099	2	Screw #10 x 5/8	

# SECTION 6 - CAB

## FIGURE 6-9. ROOF HEATER BOX



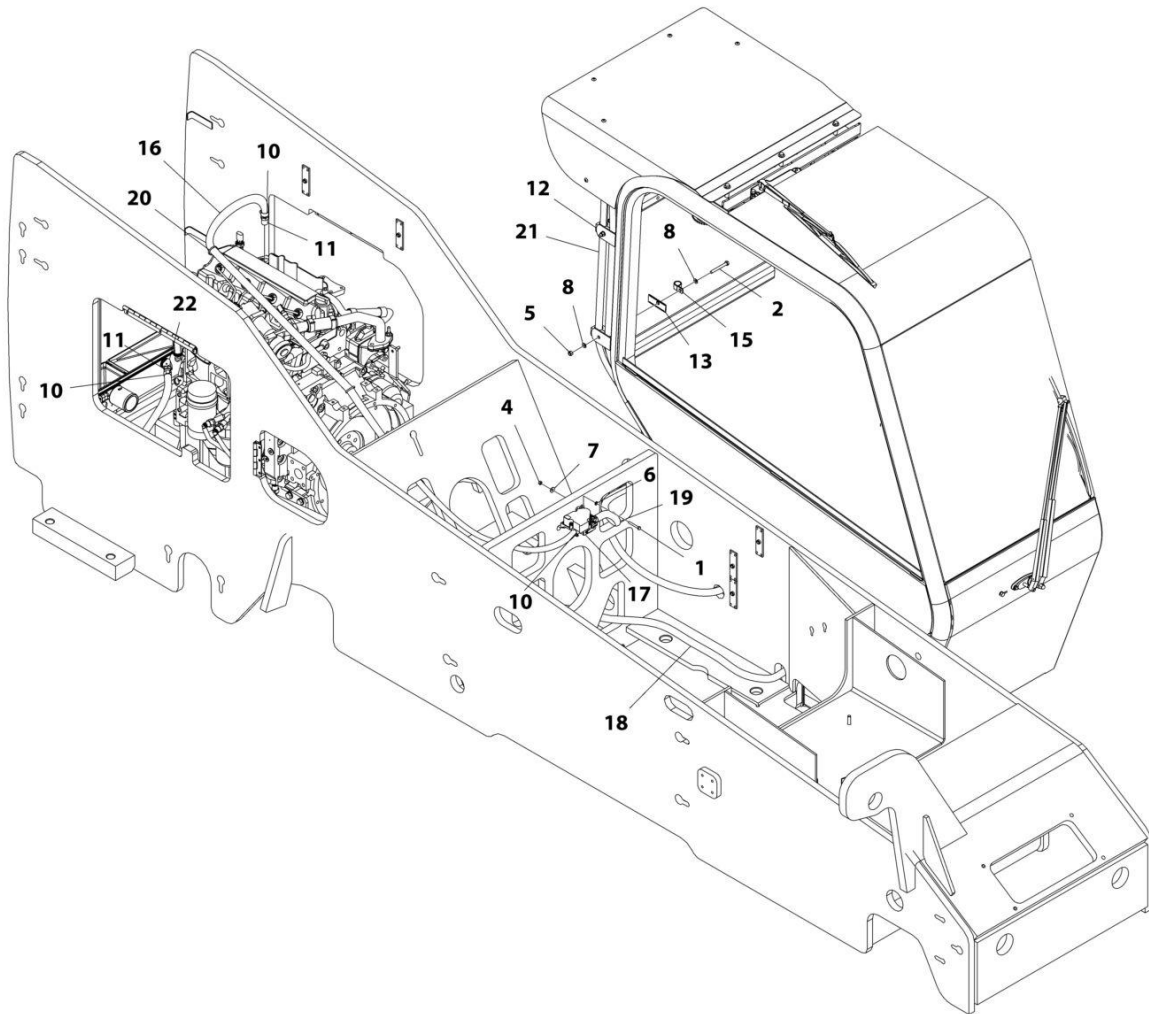
ART\_1001159860-B

FIGURE 6-9. ROOF HEATER BOX

ITEM	PART NUMBER	QTY	DESCRIPTION	REV
	1001159860	Ref	Roof Heater Box	B
1	70026978	1	Blower, 12V	
2	70026981	1	Heater Coil	
3	70026982	1	Air Filter	
4	70026983	1	Air Filter	
6	70029822	1	Drain Pan	
7	70029823	1	Cover, Air Filter	
8	70029824	1	Cover, Air Filter	
9	70029825	1	Bracket, Coil (R)	
10	70029826	1	Bracket, Coil (L)	
11	70029827	1	Bracket, Blower	
12	70029828	1	Bracket, Blower	
13	70029829	1	Support Bracket	
15	70029830	1	Cover	
16	70029831	1	Harness (not shown)	
17	8036726	2	Knob	
31	70029832	1	Overlay In	
32	70029833	1	Overlay Out	
33	70029834	2	Receptacle	
34	70029835	2	Stud, Oval Slotted	
35	70029836	4	Retainer	
38	70029837	2	Panel, Coil Clip	
45	70029838	1	Tube Assembly	
46	70029839	1	Tube Assembly	
47	70026991	1	Valve, Bleeder	
48	70029840	1	Foam	
49	70029841	1	Foam, Closed Cell	
50	70029842	1	Foam, Closed Cell	
51	70026123	1	Foam, 3/16X180	
52	See Note	1	Foam 456mm	
53	70029843	1	Foam, Closed Cell	
54	70029844	1	Bracket Assembly	

# SECTION 6 - CAB

## FIGURE 6-10. CAB HEATER LINES INSTALLATION



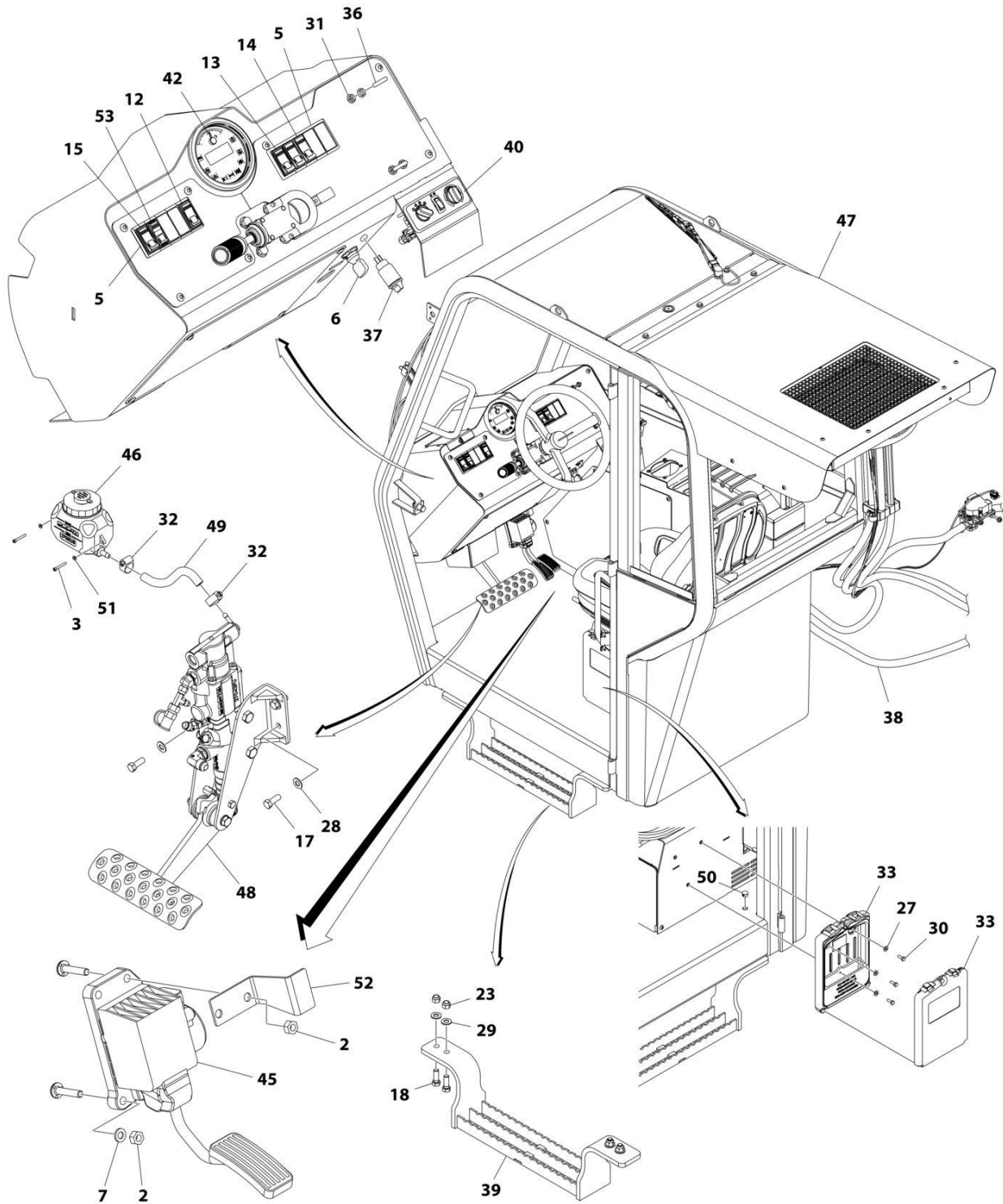
ART\_1001171807-D

FIGURE 6-10. CAB HEATER LINES INSTALLATION

ITEM	PART NUMBER	QTY	DESCRIPTION	REV
	1001171807	Ref	Cab Heater Lines Installation	G
1	0700617	2	Bolt, M6X45	
2	0700822	2	Bolt, M8X70	
4	3290605	2	Nut, Lock M6X1	
5	3290805	2	Nut, Lock M8X1-1/4	
6	4811700	2	Washer, M6	
7	4811702	2	Washer, M6	
8	4811900	4	Washer, M8	
10	8405007	8	Clamp, Gear	
11	8430048	2	Reducer, Hose Barb	
12	77133133	2	Clamp, Twin	
13	77133134	2	Clamp, Cover Plate	
15	91043147	2	Clamp, Support	
16	1001158404	1	Hose, Cab Heater	
17	1001159844	1	Valve, Heater (See Separate Breakdown in this section)	
18	1001172537	1	Hose, Heater Return	
19	1001172561	1	Hose, Heater Send Valve to Roof	
20	8584001	4	Wrap, Tie	
21	1001173217	1	Hose, Heater Roof to Floor	
22	1001179229	1	Fitting, 45	

# SECTION 6 - CAB

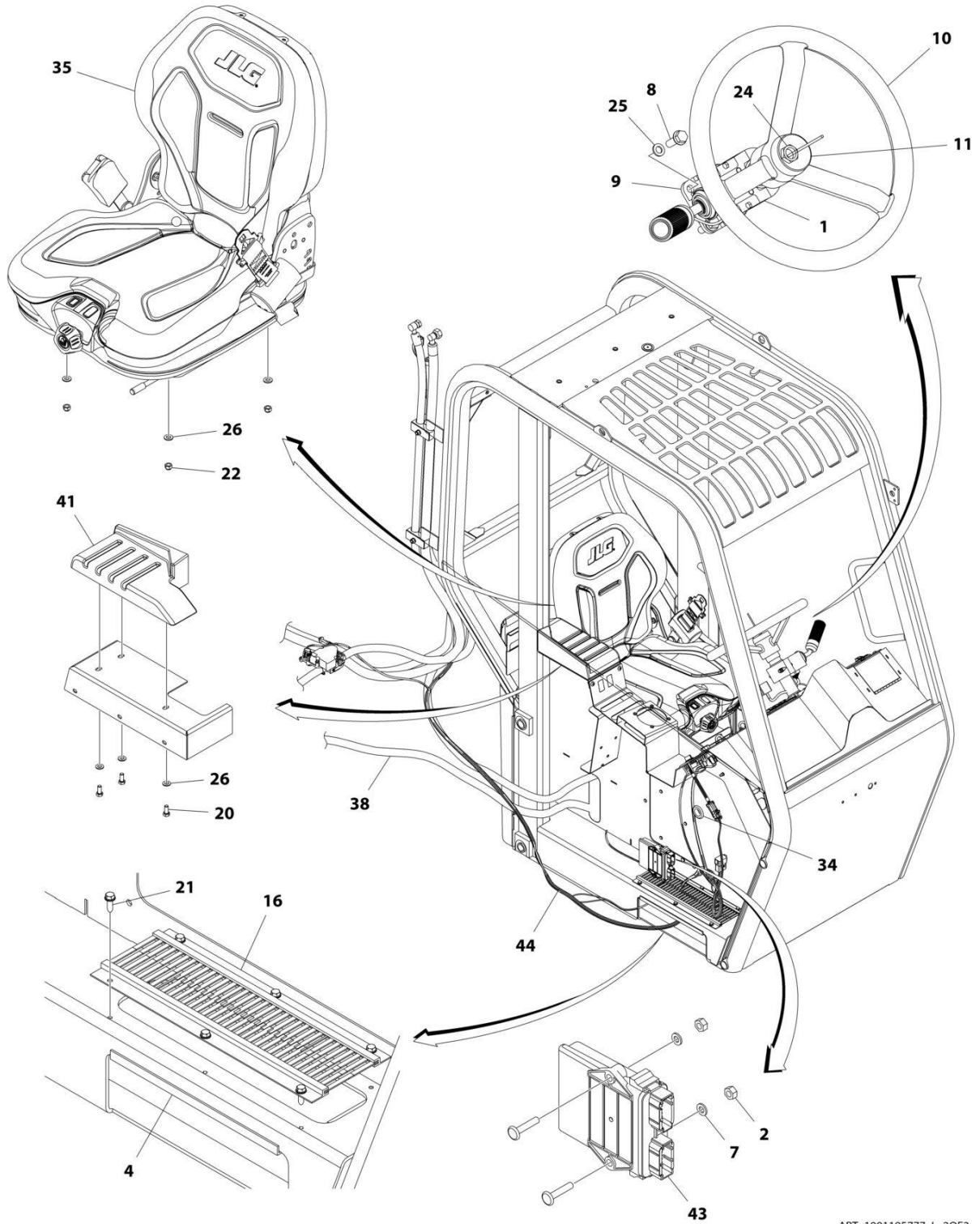
## FIGURE 6-11. CAB INSTALLATION - ENCLOSED CAB WITH HEATER/AC (ORANGE SEAT BELT)



ART\_1001185777\_L\_10F2



# SECTION 6 - CAB



ART\_1001185777\_L\_2OF2

## SECTION 6 - CAB

**FIGURE 6-11. CAB INSTALLATION - ENCLOSED CAB WITH HEATER/AC (ORANGE SEAT BELT)**

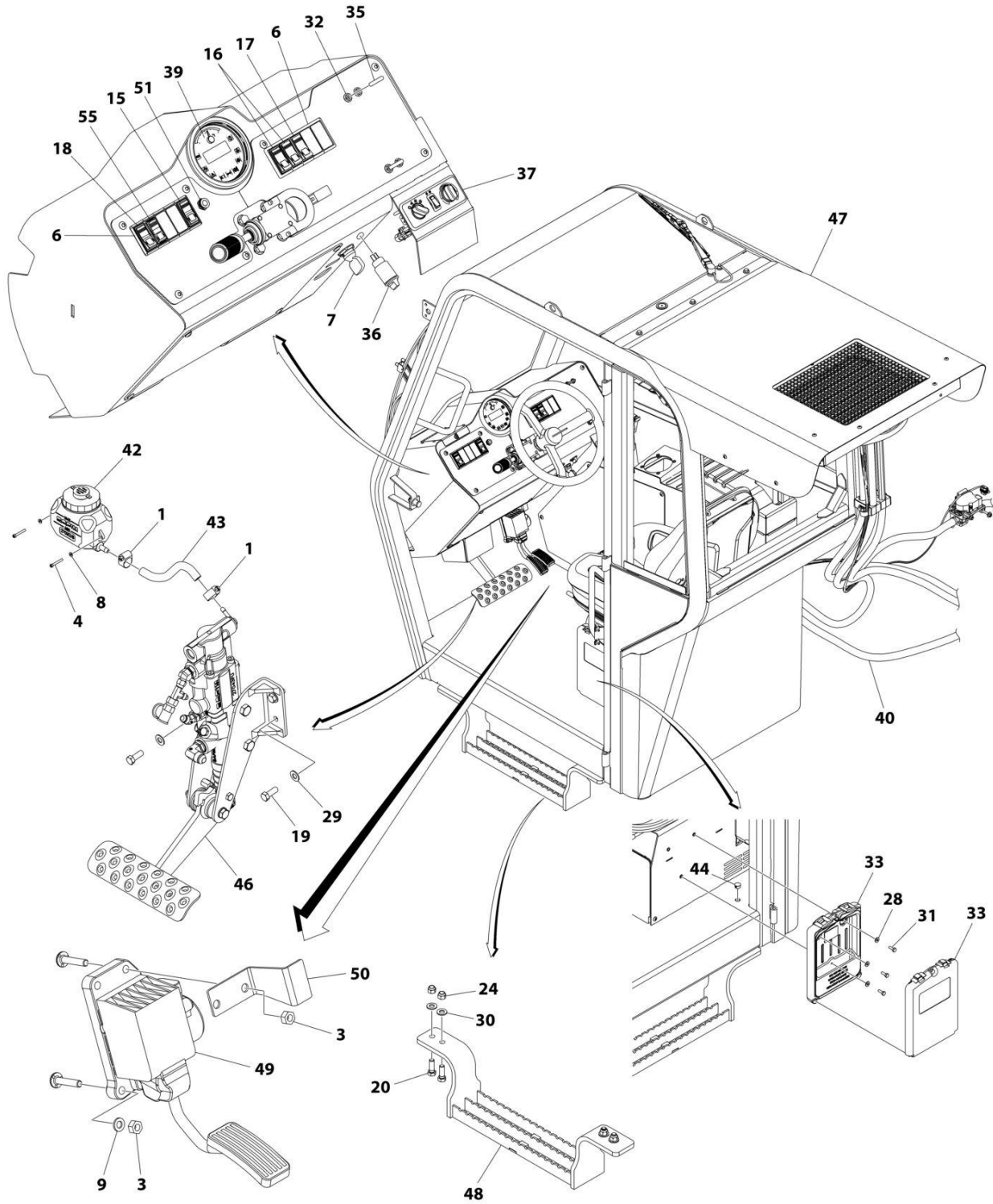
ITEM	PART NUMBER	QTY	DESCRIPTION	REV
	1001185777	Ref	ENCLOSED CAB WITH HEATER/AC INSTALLATION	L
1	1600429	1	Selector, Transmission Control	
2	3311401	5	Nut 1/4	
3	3930610	2	Bolt #6 x 5/8	
4	4060806	11 in	Shield, Flex Trim 5/16	
5	4360569	2	Switch, Bezel	
6	4360690	1	Switch, Ignition	
7	4761400	3	Washer 1/4	
8	5251014	4	Bolt M10 x 30	
9	7138833	1	Column, Steering	
10	7138836	1	Wheel, Steering	
11	7138878	1	Button, Horn	
12	8223037	1	Switch, Steer Select	
13	8223043	2	Switch, Windscreen Wiper	
14	8223044	1	Switch, Windscreen Washer	
15	8223054	1	Switch, Park Brake	
16	7138944	2	Strips, Brush	
17	8303620	4	Bolt 3/8 x 1	
18	8303626	4	Bolt 1/2 x 1-1/2	
20	8303697	3	Bolt 5/16 x 3/4	
21	8303982	6	Screw 1/4 x 3/4	
22	8305626	4	Nut 5/16	
23	8305644	4	Nut 1/2	
24	8305916	1	Nut, Steering Column	
25	8307023	4	Washer M10	
26	8307106	7	Washer 5/16	
27	8307109	3	Washer 1/4	
28	8307110	4	Washer 3/8	
29	8307112	4	Washer 1/2	
30	8310026	3	Bolt 1/4 x 3/4	
31	8310382	8	Nut 1/4	
32	1320022	2	Clamp, Fuel Line	
33	8990147	1	Holder, Manual	
34	1001081049	1	Grommet	
35	1001275934	1	Seat, Cab (See Separate Breakdown in this Section)	
36	1001102844	2	U-Bolt 1/4 x 1-1/4	
37	1001114867	1	Socket, 12V Power Point	
38	1001171806	1	Installation, Cab Heater/AC Lines (See Separate Breakdown in this Section)	
39	1001256519	1	Mount, Cab Step	
40	1001159851	1	Panel, HVAC Control	
40	1001204362	1	Switch, Fan	
40	7301265	1	Switch, A/C	
41	1001159878	1	Support, Armrest	
42	1001170738	NLA	Gauge	
42	1001299548	1	Gauge	
43	1001292279	1	Controller	
44	1001178347	1	Harness, HVAC (See Separate Breakdown in ELECTRICAL Section)	

**SECTION 6 - CAB**

<b>ITEM</b>	<b>PART NUMBER</b>	<b>QTY</b>	<b>DESCRIPTION</b>	<b>REV</b>
45	1001264554	1	Accelerator (Note: No Serviceable Parts - Purchase Complete Assembly)	
46	1001183164	1	Reservoir, Brake Valve	
47	1001246738	1	Cab, Enclosed with Heater/AC (See Separate Breakdown in this Section)	
48	1001223052	1	Assembly, Brake (See Separate Breakdown in CONTROLS Section)	
49	1001201658	1	Hose	
50	1001207963	1	Plug, 5/8	
51	4710600	2	Washer #6	
52	1001265914	1	Cover, Pedal	
53	1001289539	1	Switch, Beacon	
54	1001284403	1	Harness, Beacon Option (Not Shown) (See Separate Breakdown in ELECTRICAL Section)	

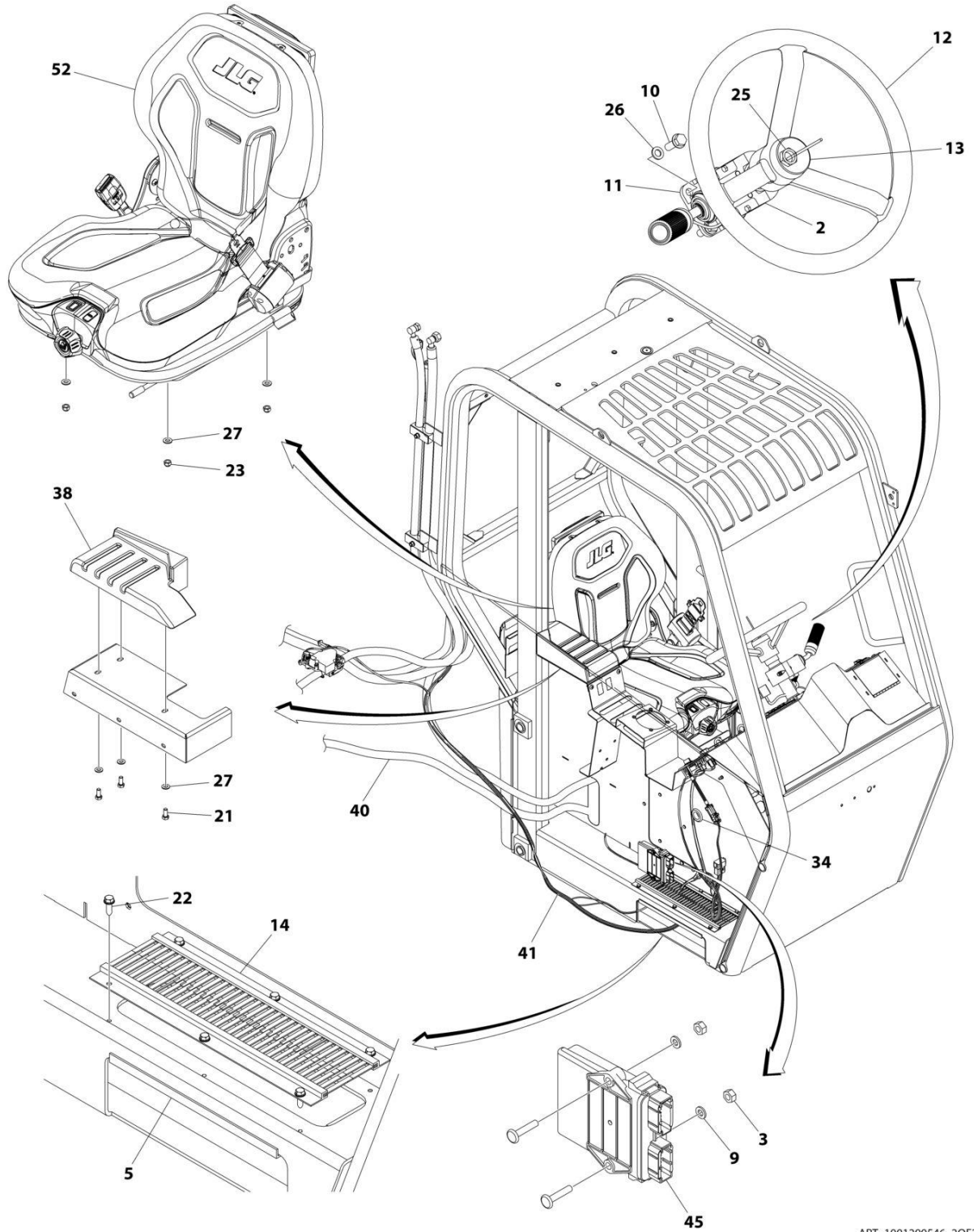
# SECTION 6 - CAB

## FIGURE 6-12. CLOSED CAB WITH HVAC INSTALLATION



ART\_1001290546\_10F2

# SECTION 6 - CAB



ART\_1001290546\_20F2

## SECTION 6 - CAB

**FIGURE 6-12. CLOSED CAB WITH HVAC INSTALLATION**

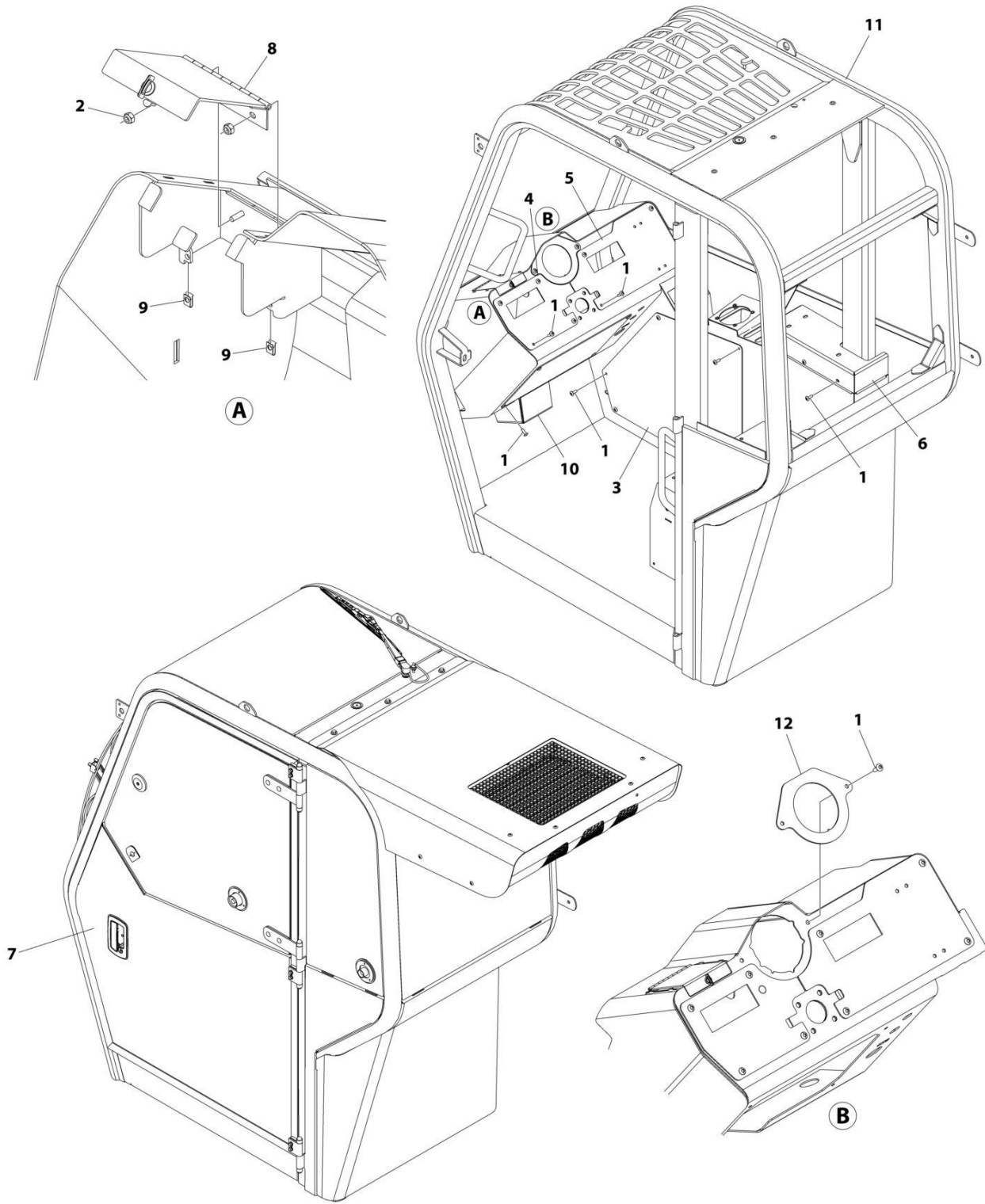
ITEM	PART NUMBER	QTY	DESCRIPTION	REV
	1001290546	Ref	CLOSED CAB WITH HVAC INSTALLATION	D
1	1320022	2	Clamp, Fuel Line	
2	1600429	1	Selector, Transmission Control	
3	3311401	5	Nut 1/4	
4	3930610	2	Bolt #6 x 5/8	
5	4060806	11 in	Shield, Flex Trim 5/16	
6	4360569	2	Switch, Bezel	
7	4360690	1	Switch, Ignition	
7	8035807	1	Key (with cover)	
8	4710600	2	Washer #6	
9	4761400	3	Washer 1/4	
10	5251014	4	Bolt M10 x 30	
11	7138833	1	Column, Steering	
12	7138836	1	Wheel, Steering	
13	7138878	1	Button, Horn	
14	7138944	2	Strips, Brush	
15	8223037	1	Switch, Steer Select	
16	8223043	2	Switch, Windscreen Wiper	
17	8223044	1	Switch, Windscreen Washer	
18	8223054	1	Switch, Park Brake	
19	8303620	4	Bolt 3/8 x 1	
20	8303626	4	Bolt 1/2 x 1-1/2	
21	8303697	3	Bolt 5/16 x 3/4	
22	8303982	6	Screw 1/4 x 3/4	
23	8305626	4	Nut 5/16	
24	8305644	4	Nut 1/2	
25	8305916	1	Nut, Steering Column	
26	8307023	4	Washer M10	
27	8307106	7	Washer 5/16	
28	8307109	3	Washer 1/4	
29	8307110	4	Washer 3/8	
30	8307112	4	Washer 1/2	
31	8310026	3	Bolt 1/4 x 3/4	
32	8310382	8	Nut 1/4	
33	8990147	1	Holder, Manual	
34	1001081049	1	Grommet	
35	1001102844	2	U-Bolt 1/4 x 1-1/4	
36	1001114867	1	Socket, 12V Power Point	
37	1001159851	1	Panel, HVAC Control	
37	1001204362	1	Switch, Fan	
37	7301265	1	Switch, A/C	
38	1001159878	1	Support, Armrest	
39	1001170738	NLA	Gauge	
39	1001299548	1	Gauge	
40	1001171806	1	Installation, Cab Heater/AC Lines (See Separate Breakdown in this Section)	
41	1001178347	1	Harness, HVAC (See Separate Breakdown in ELECTRICAL Section)	
42	1001183164	1	Reservoir, Brake Valve	
43	1001201658	1	Hose	

**SECTION 6 - CAB**

<b>ITEM</b>	<b>PART NUMBER</b>	<b>QTY</b>	<b>DESCRIPTION</b>	<b>REV</b>
44	1001207963	1	Plug, 5/8	
45	1001292279	1	Controller	
46	1001223052	1	Assembly, Brake (See Separate Breakdown in CONTROLS Section)	
47	1001246738	1	Cab, Enclosed with Heater/AC (See Separate Breakdown in this Section)	
48	1001256519	1	Mount, Cab Step	
49	1001264554	1	Accelerator (Note: No Serviceable Parts - Purchase Complete Assembly)	
50	1001265914	1	Cover, Pedal	
51	1001266488	1	Lamp, LED Indicator	
52	1001275931	1	Seat, Suspension (See Separate Breakdown in this Section)	
53	1001288679	1	Harness, Seat Belt Alarm (Not Shown) (See Separate Breakdown in ELECTRICAL Section)	
54	1001284403	1	Harness, Beacon Option (Not Shown) (See Separate Breakdown in ELECTRICAL Section)	
55	1001289539	1	Beacon Switch	

# SECTION 6 - CAB

FIGURE 6-13. CAB ASSEMBLY - ENCLOSED WITH HEATER & AC WITH BREAK RESERVOIR



ART\_1001246738\_G



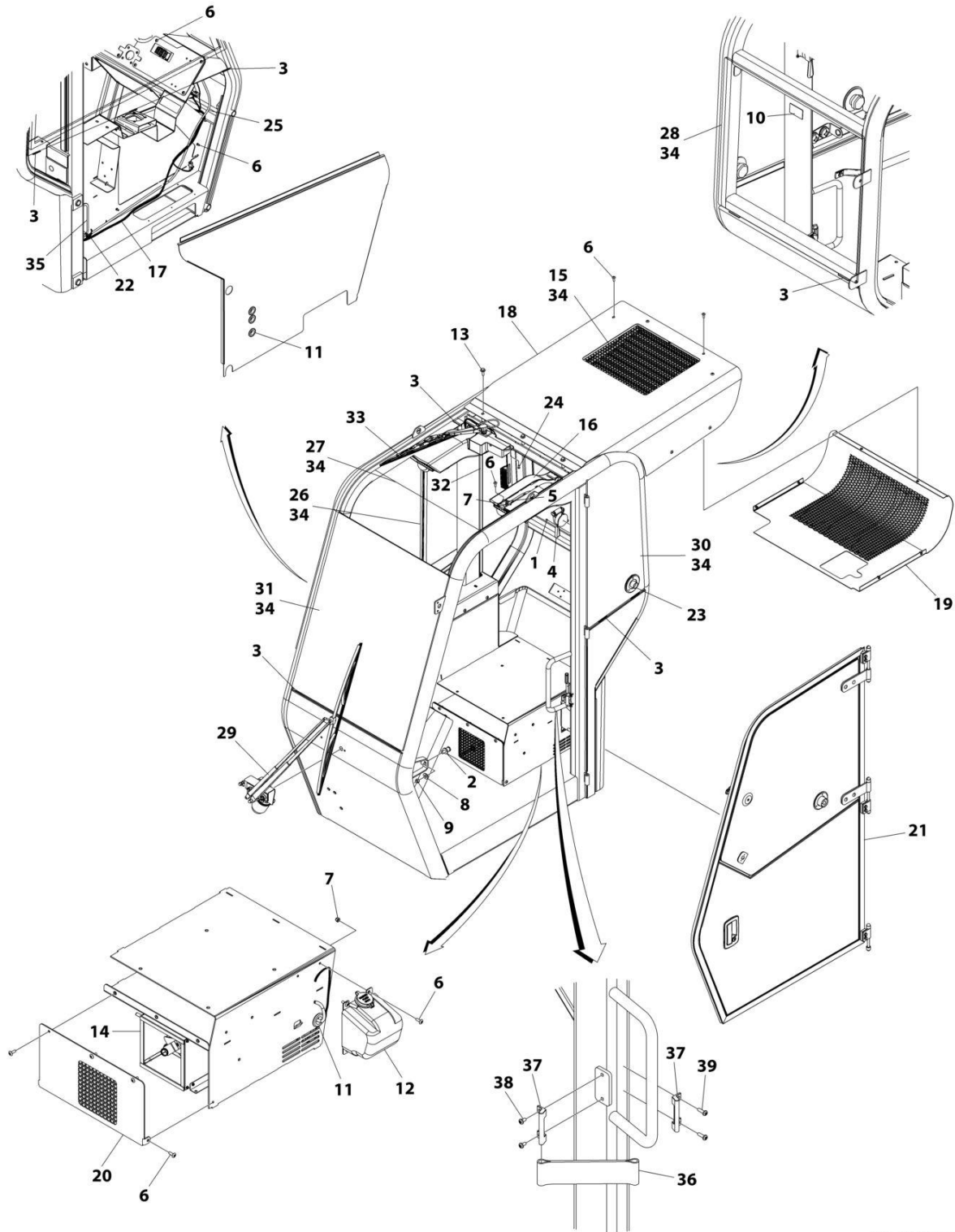
## SECTION 6 - CAB

**FIGURE 6-13. CAB ASSEMBLY - ENCLOSED WITH HEATER & AC WITH BREAK RESERVOIR**

ITEM	PART NUMBER	QTY	DESCRIPTION	REV
	1001246738	Ref	CAB ENCLOSED WITH HEATER/AC	G
1	8303034	24	Screw 1/4 x 3/4	
2	8310085	2	Nut	
3	1001160788	1	Panel, RH Console Access Plate	
4	1001160790	1	Panel, LH Dash Cover	
5	1001160791	1	Panel, RH Dash Cover	
6	1001165617	1	Assembly, Side Console Access Panel	
7	1001168066	1	Enclosure, Cab HVAC (See Separate Breakdown in this Section)	
8	1001202189	1	Door, Brake Reservoir	
9	1001202202	2	Nut M6	
10	1001202746	1	Panel, Brake Access Plate	
11	1001246735	1	Cab Weldment	
12	1001301624	1	Panel, Dash Gauge	

# SECTION 6 - CAB

## FIGURE 6-14. CAB HVAC ENCLOSURE



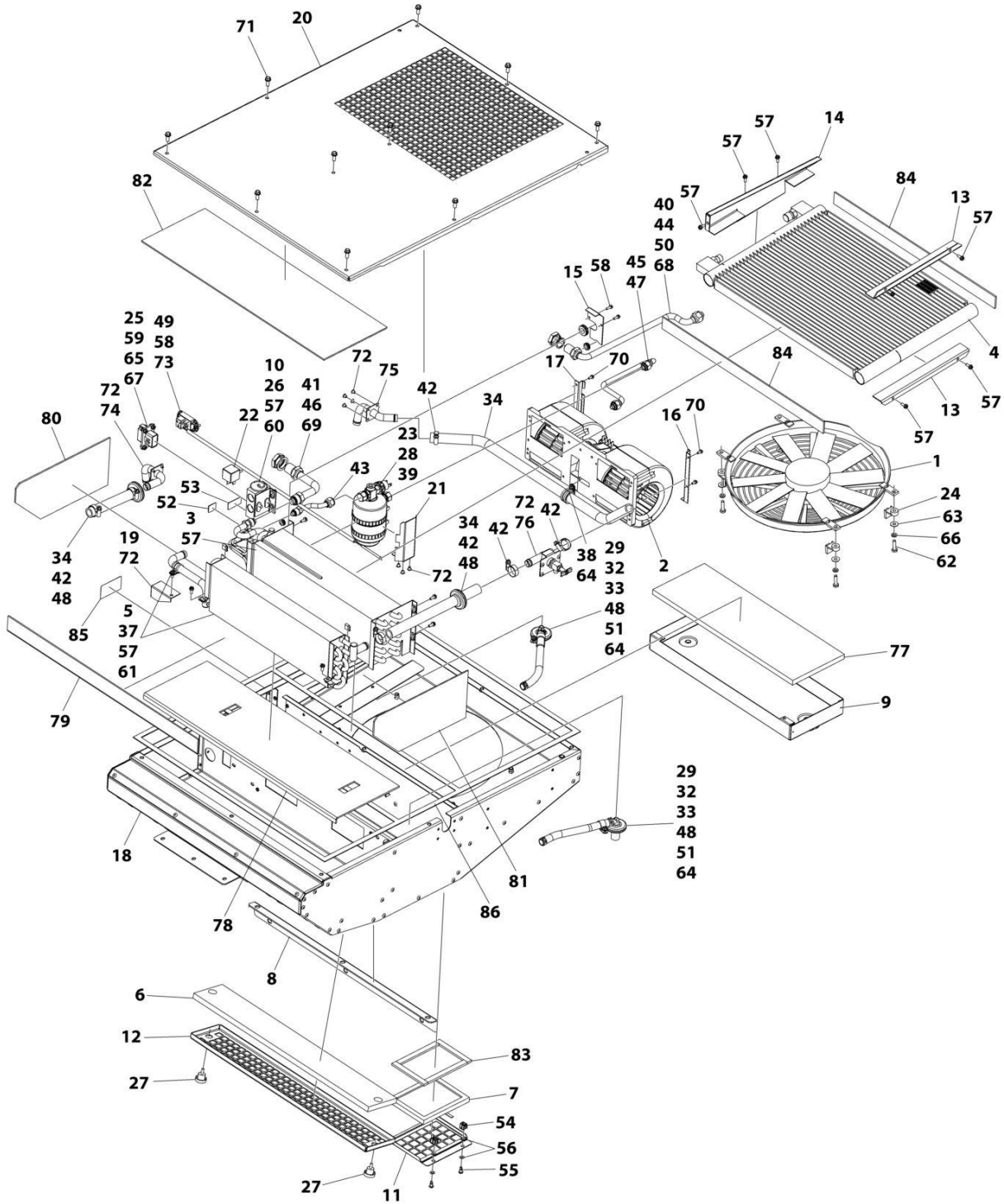
ART\_1001168066

FIGURE 6-14. CAB HVAC ENCLOSURE

ITEM	PART NUMBER	QTY	DESCRIPTION	REV
	1001168066	Ref	CAB HVAC ENCLOSURE	0
1	91404298	3	Rivet	
2	1001109478	1	Latch, Striker	
3	1001181968	13	Mould, Setting Block	
4	91404301	1	Hammer, Emergency	
5	4711400	2	Washer 1/4	
6	8303034	35	Screw 1/4 x 3/4	
7	8305624	4	Nut 1/4	
8	8307112	1	Washer 1/2	
9	8310109	1	Nut 7/16	
10	91404299	1	Decal, Escape	
11	1001081049	4	Grommet, Split	
12	1001111112	1	Tank, Window Washer Fluid	
12	70025480	1	Pump, Reservoir	
13	1001149227	3	Screw 5/16 x 1	
14	1001159856	1	Heater, Floor (See Separate Breakdown in this Section)	
15	1001159861	1	Box, Roof (See Separate Breakdown in this Section)	
16	1001160785	2	Duct, HVAC	
17	1001178349	1	Harness, Wiper (See Separate Breakdown in ELECTRICAL Section)	
18	1001164096	1	Hood, Top	
19	1001164099	1	Hood, Bottom	
20	1001164717	1	Panel, Floor Heater Access	
21	1001165806	1	Door, Cab (See Separate Breakdown in this Section)	
22	1001008742	1	Coupling, Tee	
23	1001081243	1	Retainer, Door Window Hold	
24	0630464	1	Screw #10 x 1/2	
25	82033997	168 in	Hose, Washer Fluid	
26	8036050	1	Window, RH Slider (See Separate Breakdown in this Section)	
27	7138958	1	Glass, Skylight	
28	1001181707	1	Window, Rear	
29	8036056	1	Assembly, Front Wiper (See Separate Breakdown in this Section)	
30	1001181893	1	Window, LH Rear	
31	1001181903	1	Window, Windshield	
32	1001182091	1	Duct, Wire	
33	1001182470	1	Wiper, Skylight (See Separate Breakdown in this Section)	
34	1001177746	AR	Compound, Locking	
35	4060803	16.5 in	Flex-Trim	
36	80384218	1	Strap, Door	
37	1001196128	2	Bracket, strap Holder	
38	1001197098	2	Screw #10 x 3/8	
39	1001197099	2	Screw #10 x 5/8	

# SECTION 6 - CAB

## FIGURE 6-15. ROOF BOX HVAC



ART\_1001159861

FIGURE 6-15. ROOF BOX HVAC

ITEM	PART NUMBER	QTY	DESCRIPTION	REV
	1001159861	Ref	ROOF BOX HVAC	B
1	70026945	1	Assembly, Fan	
2	70026978	1	Blower	
3	70026979	1	Coil, Evaporator	
4	70026980	1	Condenser	
5	70026981	1	Coil, Heater	
6	70026982	1	Filter, Air	
7	70026983	1	Filter, Air	
8	70030281	1	Bracket	
9	70029822	1	Pan, Drain	
10	NPN	1	Bracket	
11	70029823	1	Cover	
12	70029824	1	Cover	
13	NPN	2	Rail, Condenser	
14	NPN	1	Bracket, Condenser	
15	70031394	1	Bracket	
16	70029827	1	Bracket, Blower	
17	70029828	1	Bracket, Blower	
18	NPN	1	Housing	
19	70029829	1	Bracket	
20	70031395	1	Cover	
21	70031396	1	Bracket	
22	70026986	1	Relay	
23	70026854	1	Sensor, Pressure	
24	70029981	4	Mount, Fan	
25	70031397	1	Harness, Wiring	
26	70020876	1	Valve, Block	
27	8036726	2	Knob	
28	70026984	1	Drier, Receiver	
29	7029412	AR	Hose	
32	7029413	2	Fitting, 90	
33	7029415	4	Clamp	
34	70031398	AR	Hose	
37	70026987	1	Clamp	
38	70026988	1	Clamp	
39	70026989	2	Clamp	
40	70031402	1	Nut #8	
41	70031403	1	Nut #10	
42	70026990	6	Clamp	
43	70028782	1	Tube	
44	70028781	1	Tube	
45	70028780	1	Tube	
46	70028779	1	Tube	
47	70031404	1	Grommet	
48	70031405	4	Grommet	
49	70026111	1	Grommet	
50	70031406	1	Grommet	
51	NPN	2	Clamp	
52	70029832	1	Cover, In	
53	70029833	1	Cover, Out	

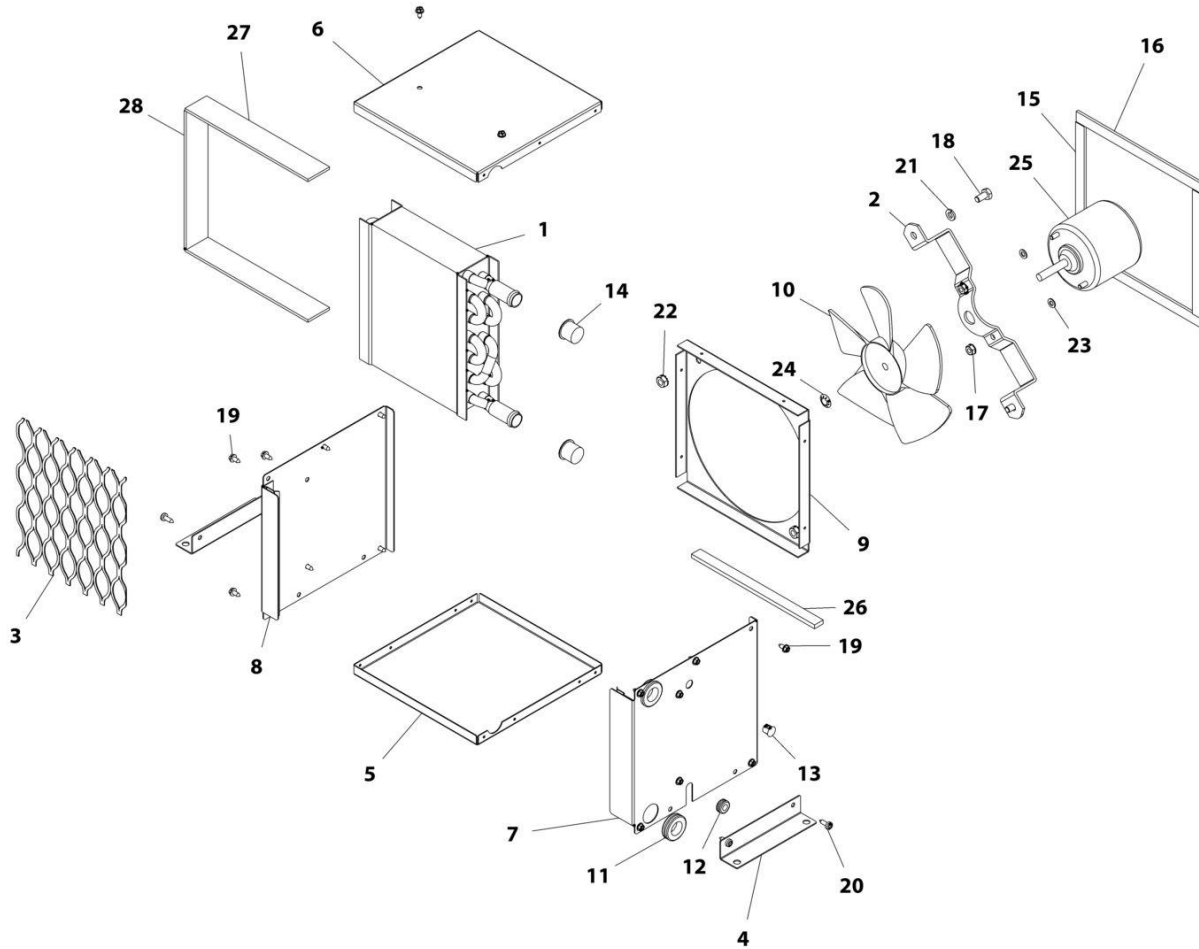
## SECTION 6 - CAB

ITEM	PART NUMBER	QTY	DESCRIPTION	REV
54	70029834	2	Connector	
55	70029835	2	Screw	
56	70029836	4	Washer	
57	NPN	16	Bolt #10 x 1/2	
58	NPN	5	Bolt #8 x 1/2	
59	NPN	8	Washer #8	
60	NPN	2	Bolt 1/4 x 1-1/2	
61	70029837	2	Clip	
62	NPN	4	Bolt 1/4 x 1	
63	NPN	6	Washer 1/4	
64	NPN	3	Nut #10	
65	NPN	4	Nut #8	
66	70029984	4	Washer 1/4	
67	NPN	4	Bolt #8 x 1/2	
68	70031413	1	Washer	
69	70031414	1	Washer	
70	NPN	5	Bolt #8 x 3/8	
71	NPN	10	Bolt 1/4 x 5/8	
72	NPN	17	Rivet	
73	70026985	1	Thermostat	
74	70029838	1	Tube	
75	70029839	1	Tube	
76	70026991	1	Valve, Bleeder	
77	70029840	1	Foam	
78	70029841	1	Foam	
79	70031420	1	Foam	
80	70031421	1	Foam	
81	70031422	1	Foam	
82	70029842	1	Foam	
83	70026123	1	Insulation	
84	70026124	2	Foam	
85	NPN	1	Decal	
86	70029843	1	Foam	



# SECTION 6 - CAB

## FIGURE 6-16. FLOOR HEATER



ART\_1001159856-D

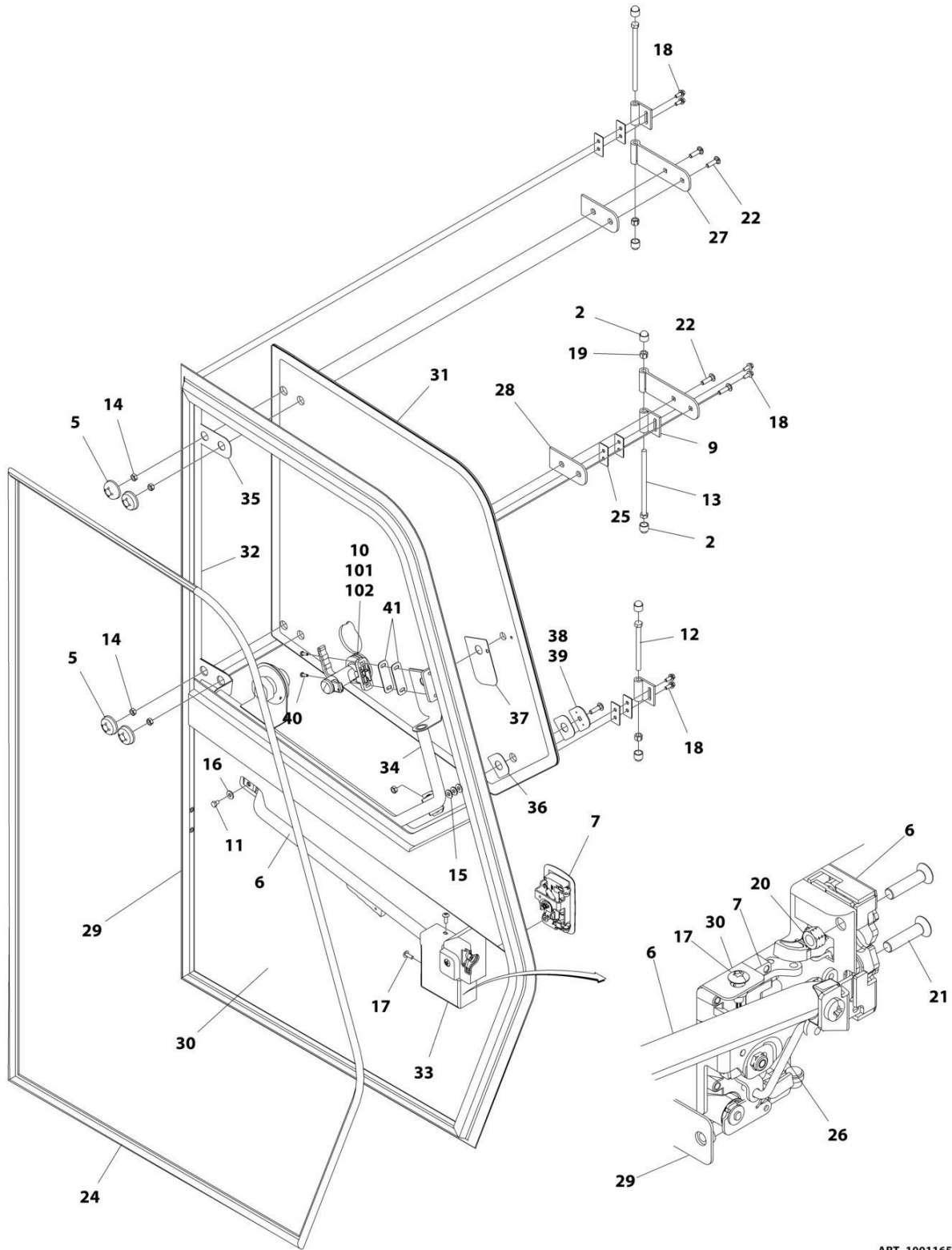


FIGURE 6-16. FLOOR HEATER

ITEM	PART NUMBER	QTY	DESCRIPTION	REV
	1001159856	Ref	Floor Heater	D
1	70026100	1	Coil, Heater	
2	70026101	1	Bracket, Motor	
3	70026102	1	Protector, Coil	
4	70026103	2	Bracket, Mounting	
5	70026104	1	Casing, Bottom	
6	70026105	1	Casing, Top	
7	70026106	1	Casing, RH Side	
8	70026107	1	Casing, LH Side	
9	70026108	1	Mount, Fan	
10	70026109	1	Fan	
11	70026110	2	Grommet	
12	70026111	1	Grommet, 3/8	
13	70026112	1	Plug, Hole 3/8	
14	70026113	2	Plug, 3/8	
15	70026114	2	Foam, 1/4X158	
16	70026114	2	Foam, 1/4X184	
17	70026115	2	Nut, 10-32	
18	70026116	2	Screw, 1/4-20X1/2	
19	70026117	16	Screw, 8X3/8	
20	70024855	4	Screw, Tap 8X1/2	
21	70026118	2	Lockwasher, 1/4	
22	70026119	2	Nut, Kep 1/4-20	
23	70026120	2	Washer, M5	
24	70026121	1	Retainer	
25	70026122	1	Motor Assembly, 12V	
26	70026123	1	Foam, 3/16X180	
27	70026124	2	Foam, 1/4X180	
28	70026124	1	Foam, 1/4X175	

# SECTION 6 - CAB

## FIGURE 6-17. CAB DOOR ASSEMBLY



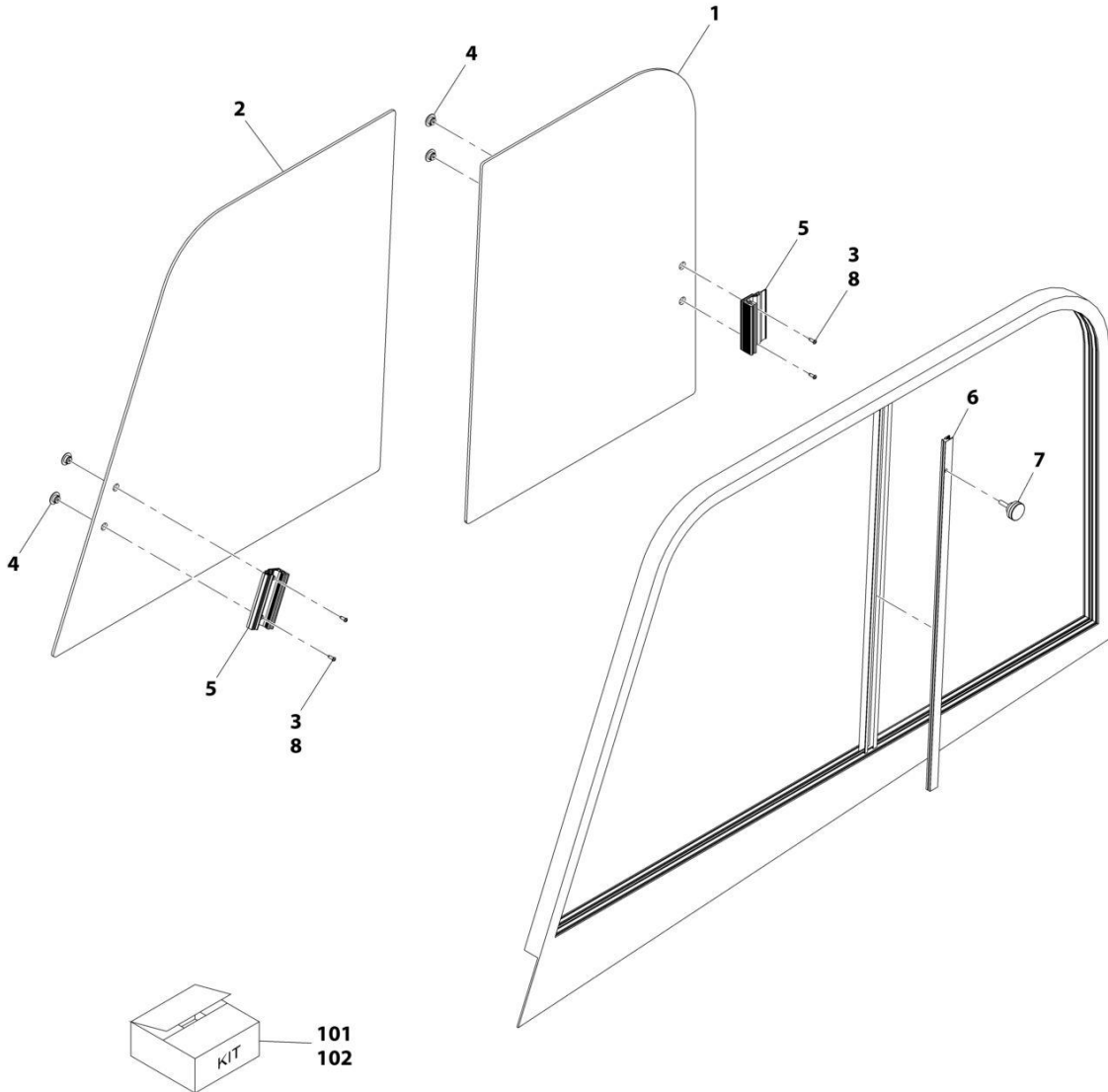
ART\_1001165806

FIGURE 6-17. CAB DOOR ASSEMBLY

ITEM	PART NUMBER	QTY	DESCRIPTION	REV
	1001165806	Ref	CAB DOOR	I
1	1001183104	2	Fastener, Latch	
2	1001182663	6	Cap, Hex Dome	
5	1001081246	5	Cap, Nut M6	
6	1001081247	1	Handle, Interior Cab Door	
7	1001081241	1	Handle, Exterior Cab Door	
7	70021948	1	Key, Cab Door	
9	1001183209	3	Hinge, Slotted	
10	1001220260	1	Handle, Window	
11	0641403	1	Bolt 1/4 x 3/8	
12	0641636	1	Bolt 3/8 x 4-1/2	
13	0641652	2	Bolt 3/8 x 6-1/2	
14	3290801	5	Nut M8	
15	4711500	3	Washer 5/16	
16	4751400	1	Washer 1/4	
17	8303034	2	Screw 1/4 x 3/4	
18	8303119	6	Screw 1/4 x 5/8	
19	8305603	3	Nut 3/8	
20	8305638	2	Nut M8	
21	1001094312	2	Screw M8 x 30	
22	1001108575	5	Screw M8 x 30	
24	1001182408	1	Seal, Door	
25	1001182135	6	Shim, Door Hinge	
26	1001182514	1	Linkage, Exterior Latch	
27	1001081242	2	Hinge, Door	
28	1001081266	2	Spacer, Hinge	
29	1001182842	1	Weldment, Door	
30	1001182800	1	Foam, Door	
31	1001182808	1	Glass, Door	
32	1001182810	1	Seal, Glass	
33	1001182865	1	Cover, Latch	
34	1001182871	1	Handle, Door Glass	
35	1001182882	2	Shim, Hinge	
36	1001182883	2	Shim, Handle	
37	1001182884	1	Shim, Handle Latch	
38	1001183084	1	Plate, Window	
39	1001177746	1	Compound, Locking	
40	1001197099	2	Screw 1/4 x 5/8	
41	1001265272	AR	Shim	
101	1001165276	1	Striker Plate	
102	1001165275	1	Window Latch	
103	1001169787	1	Latch Seal (not shown)	
201	1001280231	1	Door Window Kit (Includes Items 5, 10, 14, 15, 22, 27, 28, 31, 32, 34-41 & Window Lock)	

**SECTION 6 - CAB**

**FIGURE 6-18. RH SLIDER WINDOW**



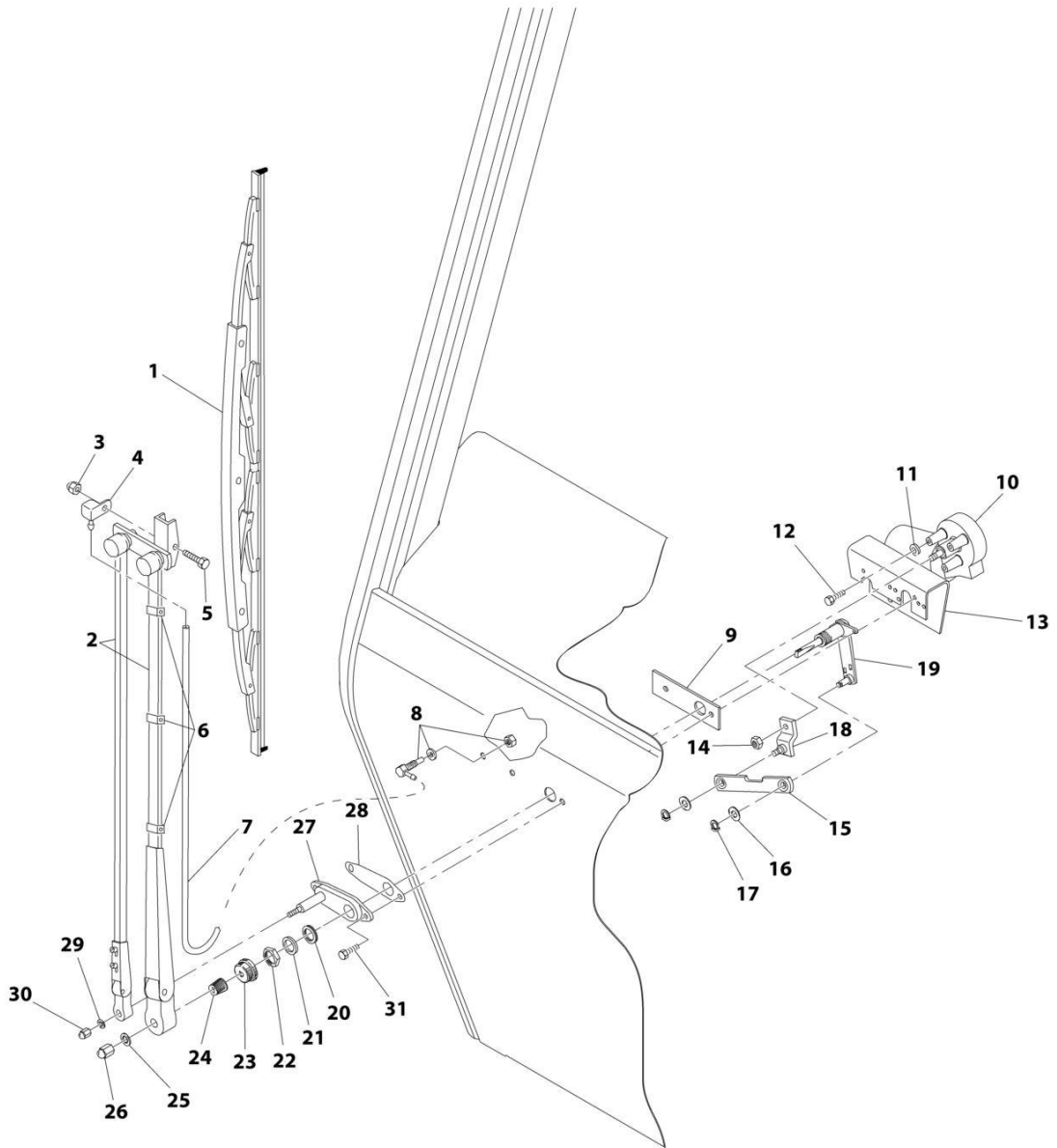
ART\_8036050-B

FIGURE 6-18. RH SLIDER WINDOW

ITEM	PART NUMBER	QTY	DESCRIPTION	REV
	8036050	Ref	RH Slider Window	B
1	8036197	1	Glass, Rear Slide	
2	8036196	1	Glass, Front Slide	
3	Kit	NSS	Capscrew (Use Item 101)	
4	Kit	NSS	Spacer (Use Item 101)	
5	Kit	NSS	Latch (Use Item 101)	
6	Kit	NSS	Block, Lock (Use Item 102)	
7	Kit	NSS	Assembly, Knob (Use Item 102)	
8	8035523	AR	Compound, Locking	
101	80384445	1	Latch Assembly Kit (with Latch & Slider - Worthington Windows) (includes items 3 thru 5)	
101	8036199	1	Latch Assembly Kit (with Two Latches - Young Windows) (includes items 3 thru 5)	
102	8036198	1	Friction Lock Assembly Kit (includes items 6 & 7)	

# SECTION 6 - CAB

## FIGURE 6-19. FRONT WIPER ASSEMBLY



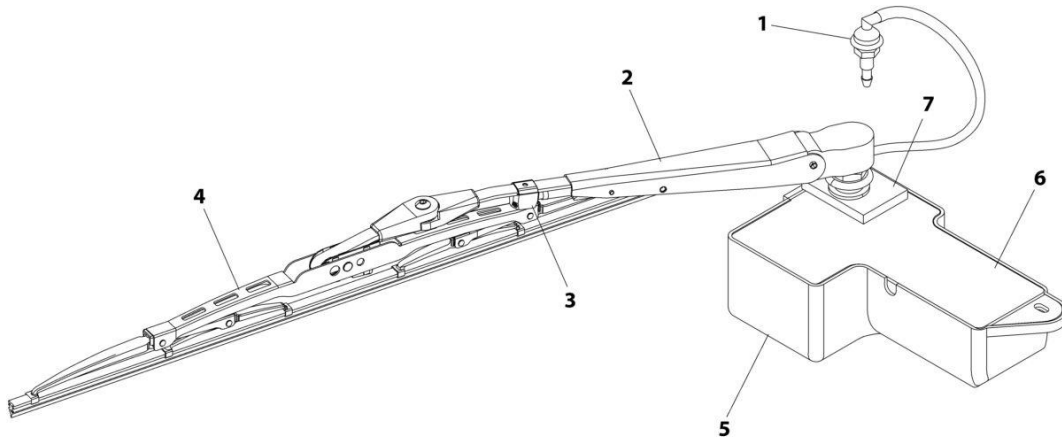
ART\_8036056-A

FIGURE 6-19. FRONT WIPER ASSEMBLY

ITEM	PART NUMBER	QTY	DESCRIPTION	REV
	8036056	Ref	Front Wiper Assembly	A
1	80384213	1	Blade, Wiper	
2	8035393	1	Assembly, Wiper Arm	
3	N.S.S.	1	Nut, Lock	
4	N.S.S.	1	Nozzle, Sprayer	
5	N.S.S.	1	Bolt	
6	N.S.S.	3	Clip, Hose	
7	N.S.S.	1	Hose	
8	1001081310	1	Adaptor, Wet Arm	
9	8036100	1	Spacer, Front Wiper Motor	
10	7029860	1	Motor, Wiper 12V	
11	N.S.S.	3	Washer, 5/16	
12	N.S.S.	3	Bolt, 1/4-28X1	
13	N.S.S.	1	Bracket, Wiper Motor	
14	N.S.S.	1	Nut	
15	8035409	1	Link, Connecting	
16	N.S.S.	2	Washer, 0.56X0.251X0.015	
17	N.S.S.	2	Clip, Spring	
18	8035411	1	Drive, Wiper Arm	
19	8036099	1	Assembly, Wiper Shaft and Pivot	
20	N.S.S.	1	Washer, Rubber	
21	N.S.S.	1	Washer, Metal	
22	N.S.S.	1	Nut, Jam 11/16-18	
23	N.S.S.	1	Cap, Rubber	
24	N.S.S.	1	Driver, Knurled	
25	N.S.S.	1	Washer, Lock 3/8	
26	N.S.S.	1	Nut, Acorn 1/4-28	
27	8034815	1	Assembly, Panto Adaptor	
28	N.S.S.	1	Gasket	
29	N.S.S.	1	Washer, Lock 1/4	
30	N.S.S.	1	Nut, Acorn 1/4-28	
31	80384207	2	Bolt, 1/4-28X3/4	

# SECTION 6 - CAB

## FIGURE 6-20. SKYLIGHT WIPER ASSEMBLY



ART\_1001182470

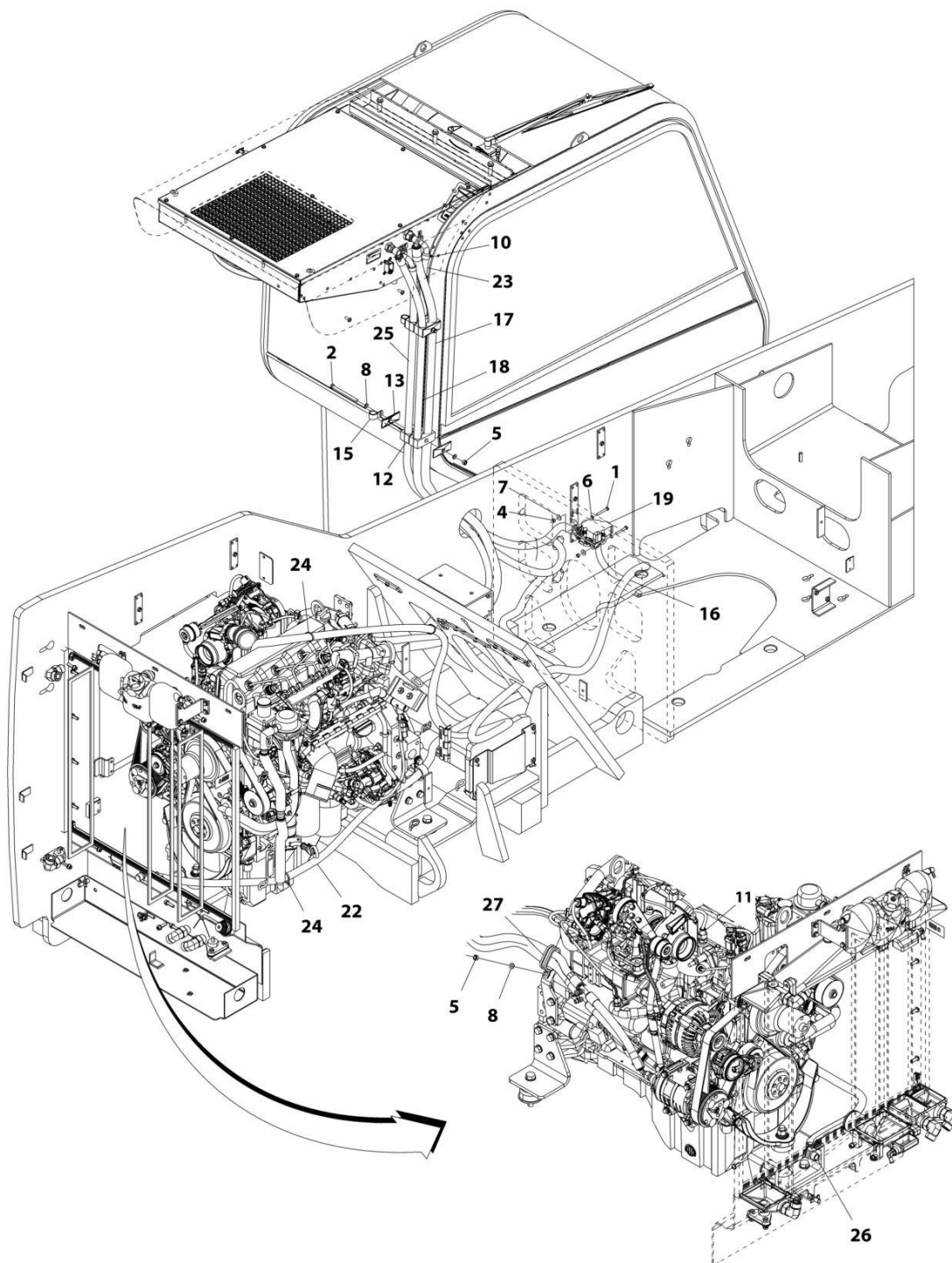


FIGURE 6-20. SKYLIGHT WIPER ASSEMBLY

ITEM	PART NUMBER	QTY	DESCRIPTION	REV
	1001182470	Ref	SKYLIGHT WIPER ASSEMBLY	B
1	1001081310	1	Adaptor, Wet Arm	
2	8035500	1	Arm, Wiper	
3	8035499	1	Arm, Wet Kit	
4	8035498	1	Blade, Wiper	
5	70020652	1	Motor, Wiper	
6	8035493	1	Cover, Wiper	
7	70026352	1	Block, Skylight Wiper Motor	

# SECTION 6 - CAB

## FIGURE 6-21. CAB HEATER/AC LINES INSTALLATION



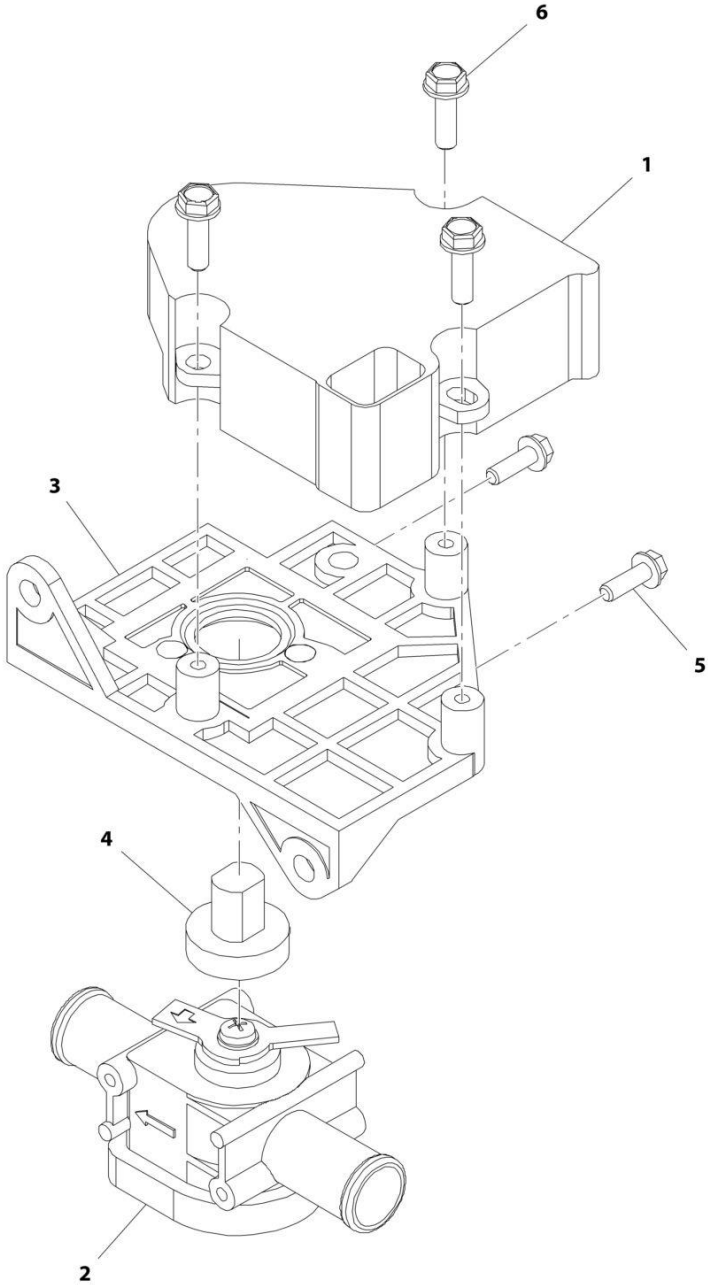
ART\_1001171806-J

FIGURE 6-21. CAB HEATER/AC LINES INSTALLATION

ITEM	PART NUMBER	QTY	DESCRIPTION	REV
	1001171806	Ref	Cab Heater/AC Lines Installation	J
1	0700617	2	Bolt, M6X45	
2	0700828	2	Bolt, M8X110	
4	3290605	2	Nut, Lock M6X1	
5	3290805	3	Nut, Lock M8X1-1/4	
6	4811700	2	Washer, M6	
7	4811702	2	Washer, M6	
8	4811900	5	Washer, M8	
10	8405007	8	Clamp, Gear	
11	8430048	2	Reducer, Hose Barb	
12	77133133	4	Clamp, Twin	
13	77133134	4	Clamp, Cover Plate	
15	91043147	2	Clamp, Support	
16	1001158404	1	Hose, Cab Heater	
17	1001182798	1	Hose, A/C Compressor Suction	
18	1001182723	1	Hose, A/C Compressor Discharge	
19	1001159844	1	Valve, Heater (See Separate Breakdown in this section)	
22	1001172537	1	Hose, Heater Return	
23	1001172561	1	Hose, Heater Send Valve to Roof	
24	8584001	4	Wrap, Tie	
25	1001173217	1	Hose, Heater Roof to Floor	
26	1001179229	1	Fitting, 45	
27	1001164196	1	Clamp	

**SECTION 6 - CAB**

**FIGURE 6-22. HEATER VALVE**



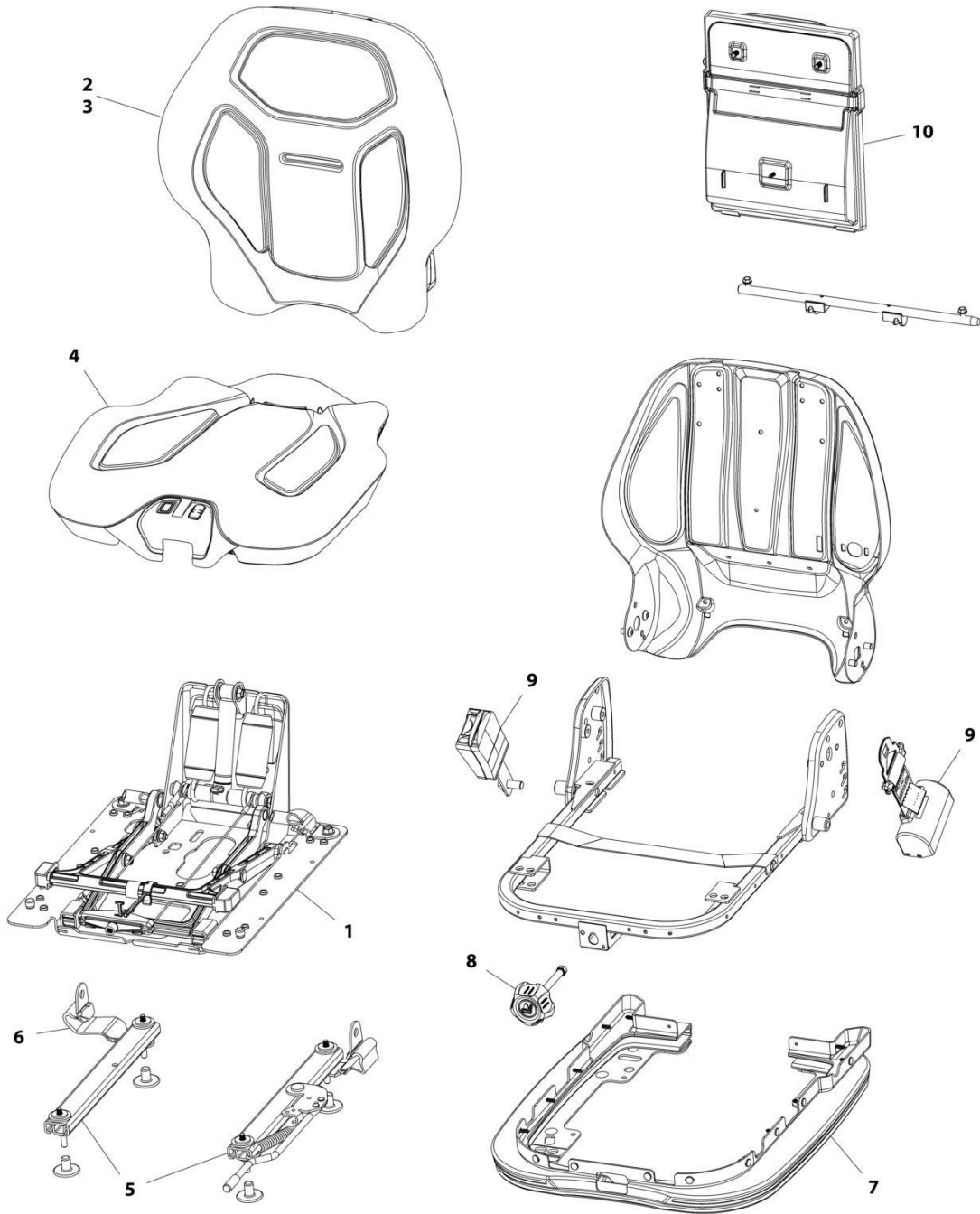
ART\_1001159844-C

FIGURE 6-22. HEATER VALVE

ITEM	PART NUMBER	QTY	DESCRIPTION	REV
	1001159844	Ref	Heater Valve	C
1	70026088	1	Motor Actuator, 12V	
2	70026089	1	Assembly, Heater Valve	
3	70026090	1	Assembly, Valve Bracket	
4	70026091	1	Adapter, Shaft	
5	70026092	2	Screw, 8-18X1/2	
6	70026093	3	Screw, 10-16X5/8	

# SECTION 6 - CAB

## FIGURE 6-23. CAB SEAT (ORANGE SEAT BELT)



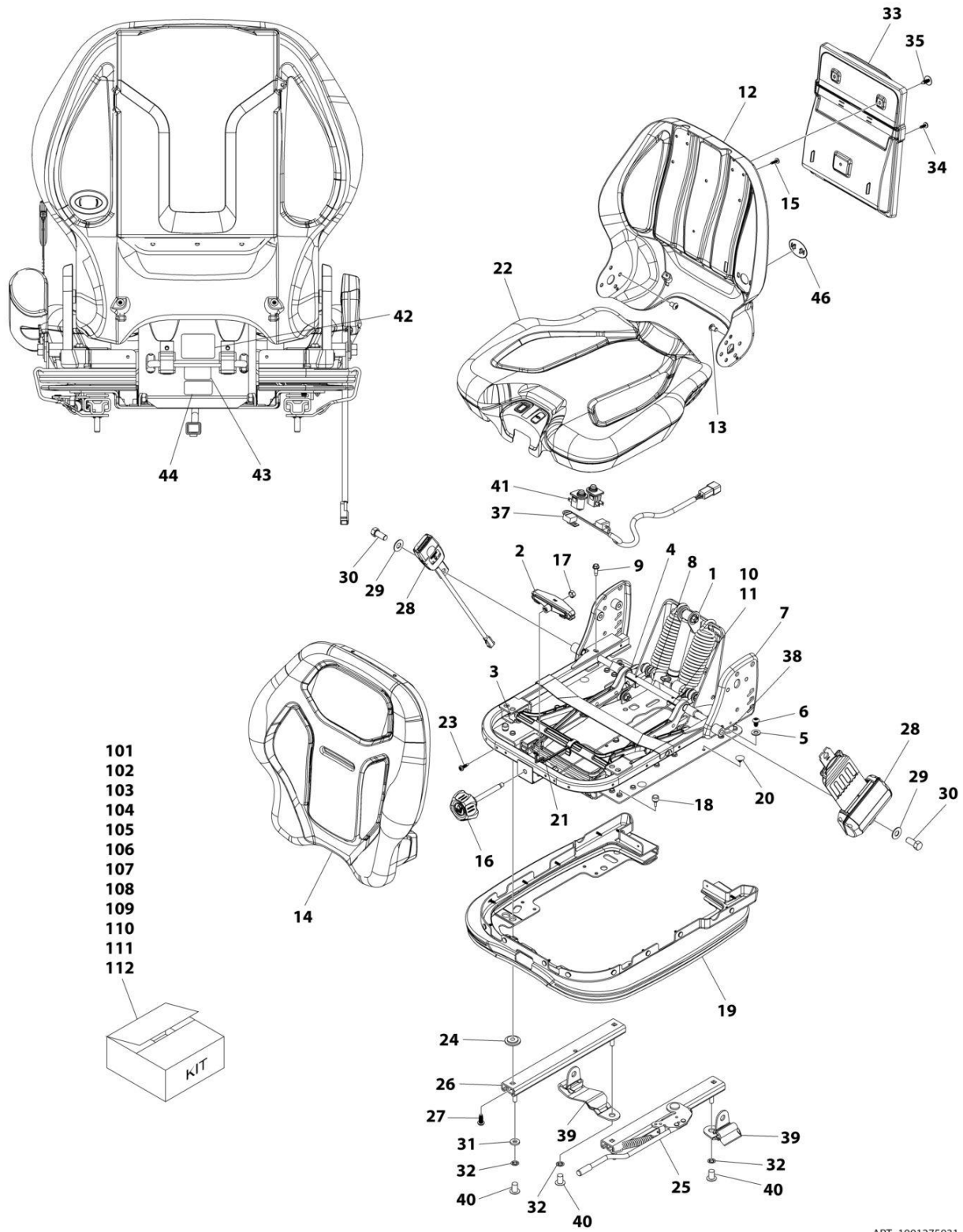
ART\_1001275934

FIGURE 6-23. CAB SEAT (ORANGE SEAT BELT)

ITEM	PART NUMBER	QTY	DESCRIPTION	REV
	1001275934	Ref	SEAT INSTALLATION	C
1	70027024	1	Suspension Kit	
2	70027026	1	Back Cushion Kit (JLG)	
3	70027027	1	Back Cushion Kit (CAT)	
4	70027028	1	Seat Cushion Kit	
5	7026798	1	Adjuster Kit	
6	70027032	1	Tether strap	
7	70027030	1	Boot Kit	
8	70027033	1	Weight Adjust Knob Kit	
9	1001275933	1	Seat Belt	
10	70027035	1	Document box Kit	

# SECTION 6 - CAB

## FIGURE 6-24. SEAT ASSEMBLY - VINYL



ART\_1001275931



FIGURE 6-24. SEAT ASSEMBLY - VINYL

ITEM	PART NUMBER	QTY	DESCRIPTION	REV
	1001275931	Ref	SEAT ASSEMBLY	D
1	See Note	NSS	Suspension Assembly (Note: Use Item 101)	
2	70032194	1	York Weight Adjust	
3	See Note	NSS	Block, Bearing (Note: Use Item 101)	
4	See Note	NSS	Bearing (Note: Use Item 101)	
5	See Note	NSS	Washer (Note: Use Item 101)	
6	See Note	NSS	Screw 5/16 x 1/2 (Note: Use Item 101)	
7	See Note	NSS	Frame (Note: Use Item 101)	
8	See Note	NSS	Shaft (Note: Use Item 105)	
9	See Note	NSS	Screw 1/4 x 3/4 (Note: Use Item 105)	
10	See Note	NSS	Bearing Spring Arm Assembly (Note: Use Item 105)	
11	See Note	NSS	Screw #10 (Note: Use Item 105)	
12	See Note	NSS	Pan, Backrest (Note: Use Item 102)	
13	See Note	NSS	Screw M8 x 12 (Note: Use Item 102)	
14	See Note	NSS	Cushion, Back (Note: Use Item 102)	
15	See Note	NSS	Screw #8 (Note: Use Item 102)	
16	See Note	NSS	Knob, Weight Adjust (Note: Use Item 110)	
17	See Note	NSS	Nut (Note: Use Item 110)	
18	See Note	NSS	Bumper (Note: Use Item 104)	
19	See Note	NSS	Boot with Clips (Note: Use Item 104)	
20	See Note	NSS	Clip, Tree (Note: Use Item 104)	
21	70032199	1	Indicator, Ride	
22	See Note	NSS	Cushion, Assembly (Note: Use Item 103)	
23	See Note	NSS	Screw (Note: Use Item 103)	
24	See Note	NSS	Spacer (Note: Use Item 106)	
25	See Note	NSS	Adjuster (Note: Use Item 106)	
26	See Note	NSS	Slave, Adjuster (Note: Use Item 106)	
27	See Note	NSS	Screw 5/16 x 3/4 (Note: Use Item 106)	
28	See Note	NSS	Seat Belt Set with Switch (Note: Use Item 112)	
29	See Note	NSS	Washer (Note: Use Item 112)	
30	See Note	NSS	Bolt 7/16 (Note: Use Item 112)	
31	See Note	NSS	Washer (Note: Use Item 106)	
32	See Note	NSS	Nut, Push (Note: Use Item 106)	
33	See Note	NSS	Box, Literature (Note: Use Item 111)	
34	See Note	NSS	Clip (Note: Use Item 111)	
35	See Note	NSS	Clip (Note: Use Item 111)	
36	See Note	NSS	Grease (Not Shown) (Note: Supply Locally)	
37	70032197	1	Harness (Note: Use Item 109)	
38	See Note	NSS	Tag, Serial (Note: Not Available for Purchase)	
39	See Note	NSS	Tether (Note: Use Item 107)	
39	See Note	NSS	Tether (Note: Use Item 107)	
40	See Note	NSS	Protector, Thread (Note: Not Available for Purchase)	
41	70028972	2	Switch, Snap Mount	
42	70032200	1	Decal	
43	See Note	NSS	Tag, Serial (Note: Not Available for Purchase)	
44	See Note	NSS	Label (Note: Not Available for Purchase)	
45	See Note	NSS	Tie-Strap (Note: Supply Locally)	
46	70032201	1	Cover, Lumbar	
101	70027024	1	Kit, Suspension Base (Includes Items 1, 3-7)	
102	70027026	1	Back Cushion (Includes Items 12-15)	

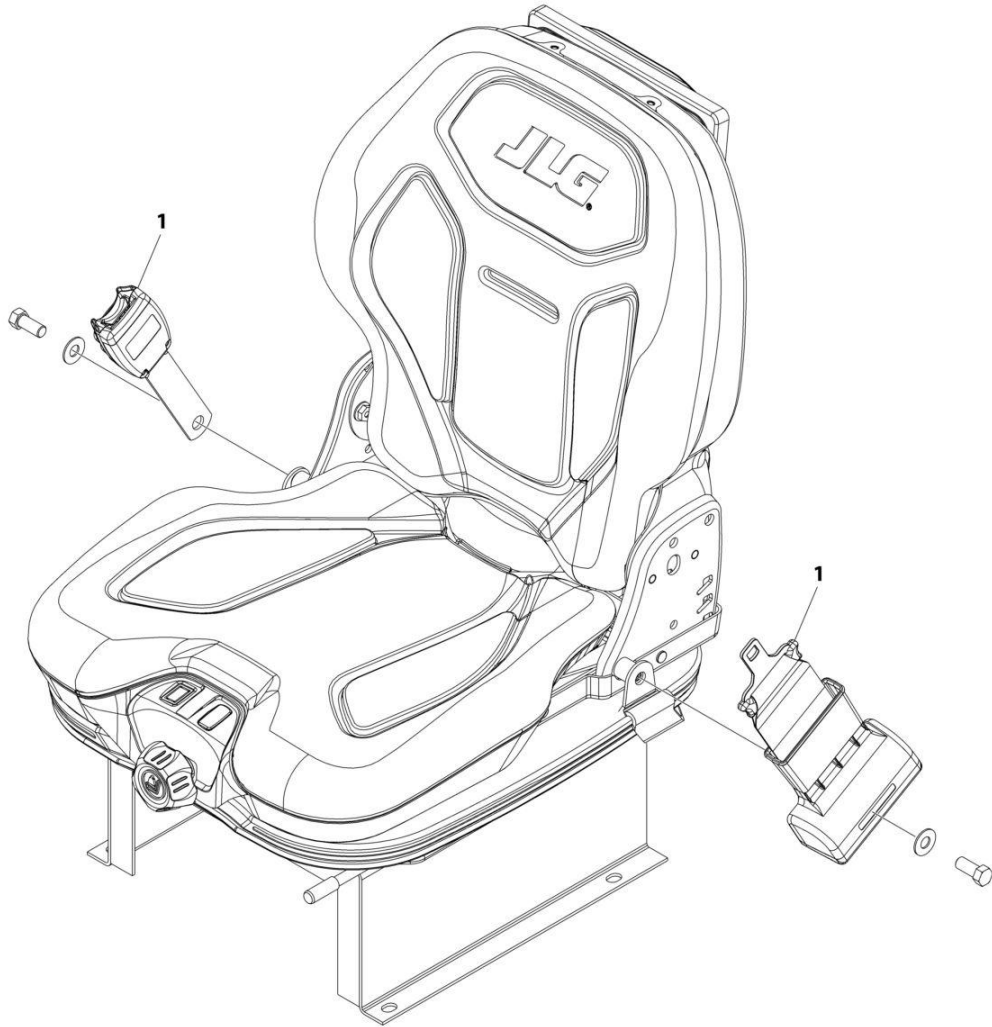
## SECTION 6 - CAB

ITEM	PART NUMBER	QTY	DESCRIPTION	REV
103	70032195	1	Seat Cushion (Includes Items 22 & 23)	
104	70027030	1	Boot (Includes Items 18-20)	
105	70032196	1	Load Shaft (Includes Items 8-11)	
106	7026798	1	Adjuster (Includes Items 24-27 & 31-32)	
107	70027032	1	Tether Strap (Includes Item 39)	
108	70024425	1	Water Drain	
109	70032197	1	Wire Harness (Includes Item 37)	
110	70027033	1	Weight Adjust Knob (Includes Items 16 & 17)	
111	70027035	1	Literature Box (Includes Items 33-35)	
112	70032198	1	Seat Belt (Includes Items 28-30)	



# SECTION 6 - CAB

## FIGURE 6-25. SEAT BELT INSTALLATION (3IN)



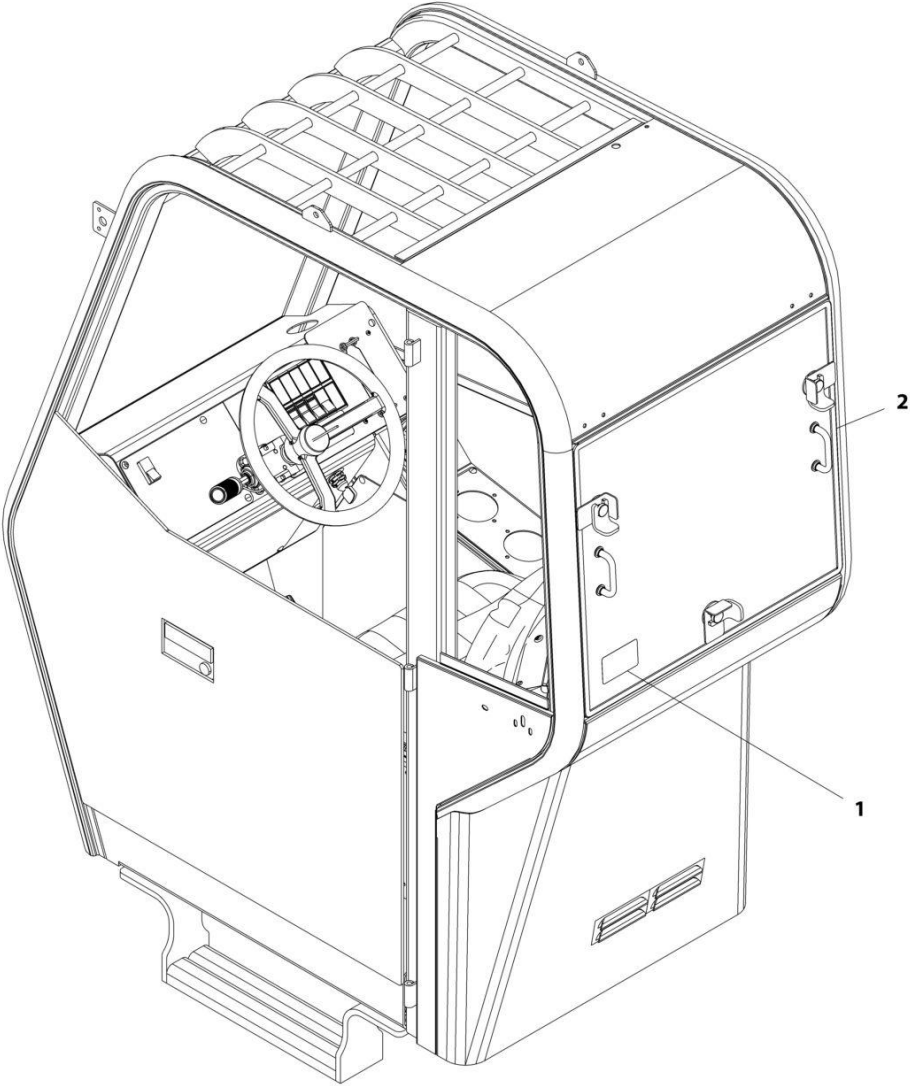
ART\_1001258245

**FIGURE 6-25. SEAT BELT INSTALLATION (3IN)**

<b>ITEM</b>	<b>PART NUMBER</b>	<b>QTY</b>	<b>DESCRIPTION</b>	<b>REV</b>
	1001258245	Ref	Seat Belt Installation (3in Width)	B
1	1001258244	1	Seat Belt (3in) (Black Strap)	
1	1001275933	1	Seat Belt (3in) (Orange Strap)	

**SECTION 6 - CAB**

**FIGURE 6-26. REAR DROPOUT WINDOW INSTALLATION (ANSI)**



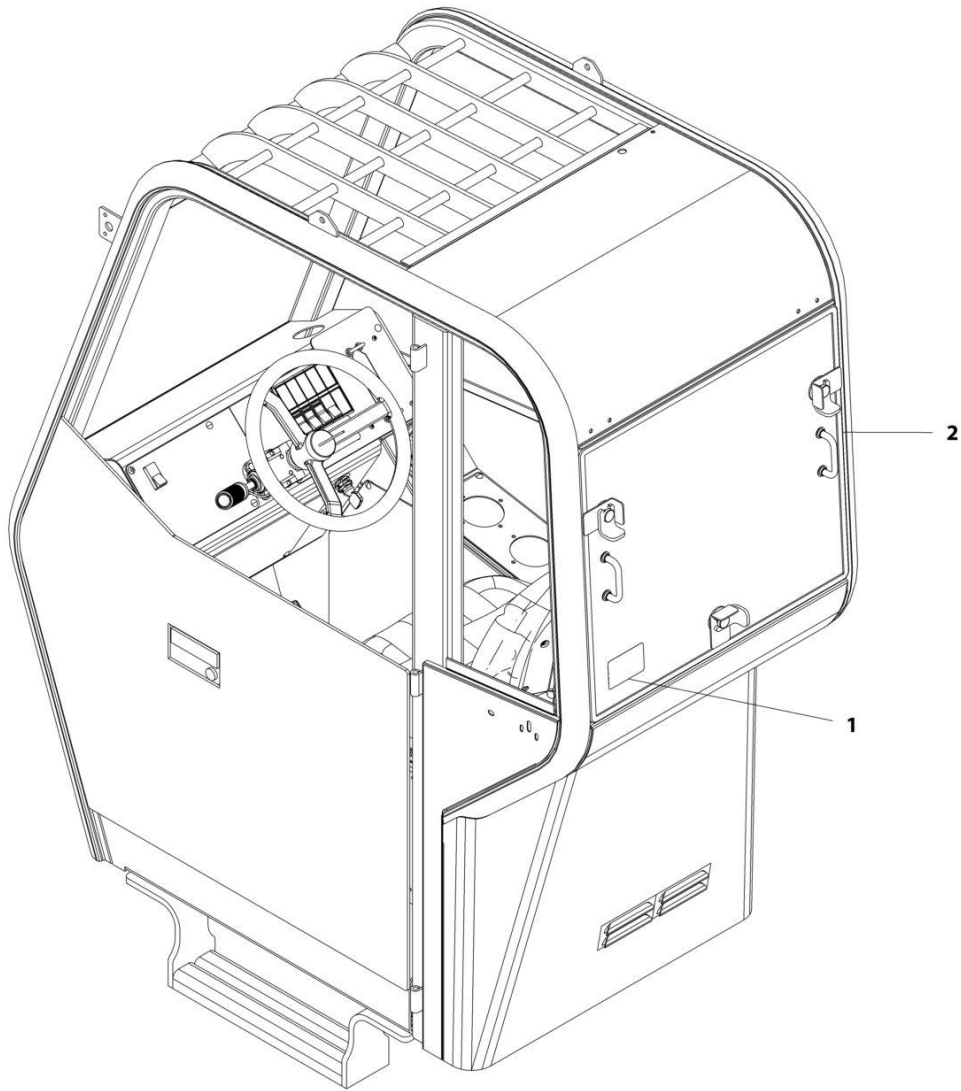
ART\_1001162806-A

**FIGURE 6-26. REAR DROPOUT WINDOW INSTALLATION (ANSI)**

<b>ITEM</b>	<b>PART NUMBER</b>	<b>QTY</b>	<b>DESCRIPTION</b>	<b>REV</b>
	1001162806	Ref	Rear Dropout Window Installation (ANSI)	A
1	1001160071	2	Decal, Rear Emergency Exit	
2	1001162804	1	Window, Rear Dropout	

## SECTION 6 - CAB

FIGURE 6-27. REAR DROPOUT WINDOW INSTALLATION (ENGLISH/FRENCH)



ART\_1001167250-A

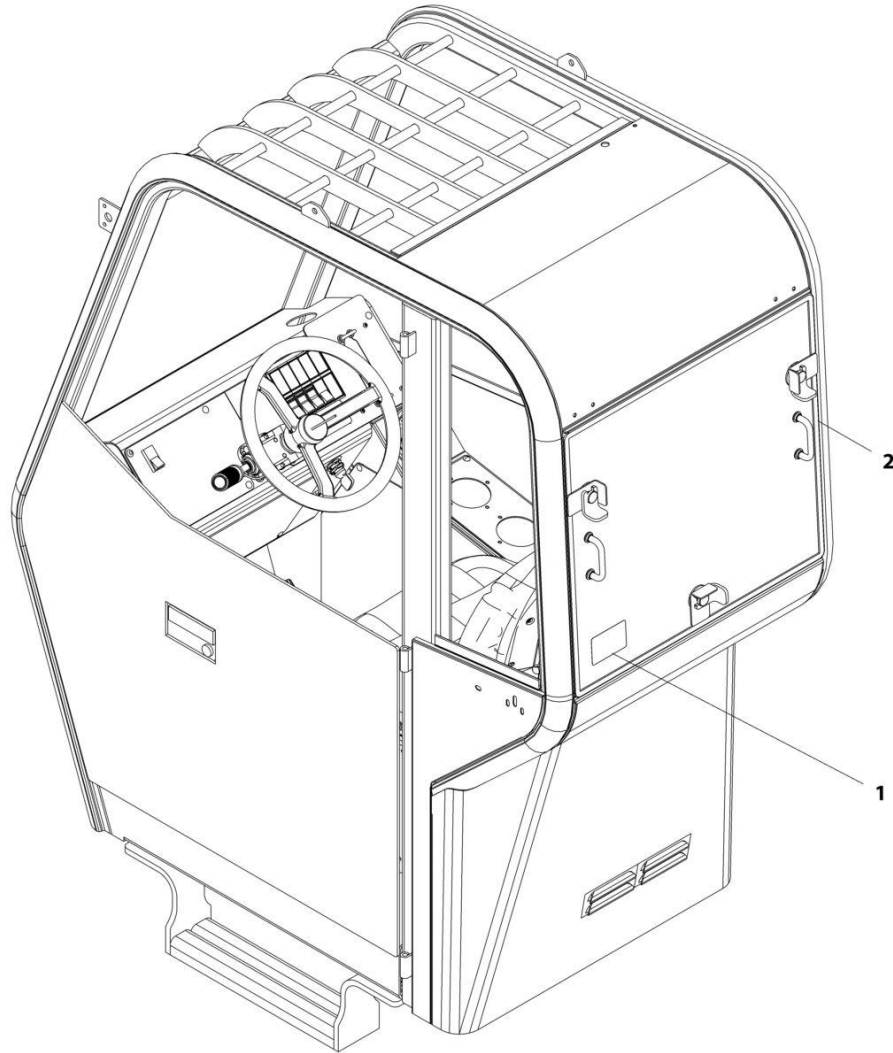


**FIGURE 6-27. REAR DROPOUT WINDOW INSTALLATION (ENGLISH/FRENCH)**

<b>ITEM</b>	<b>PART NUMBER</b>	<b>QTY</b>	<b>DESCRIPTION</b>	<b>REV</b>
	1001167250	Ref	Rear Dropout Window Installation (ENGLISH/FRENCH)	A
1	1001160787	2	Decal, Rear Emergency Exit	
2	1001162804	1	Window, Rear Dropout	

## SECTION 6 - CAB

FIGURE 6-28. REAR DROPOUT WINDOW INSTALLATION (ISO)



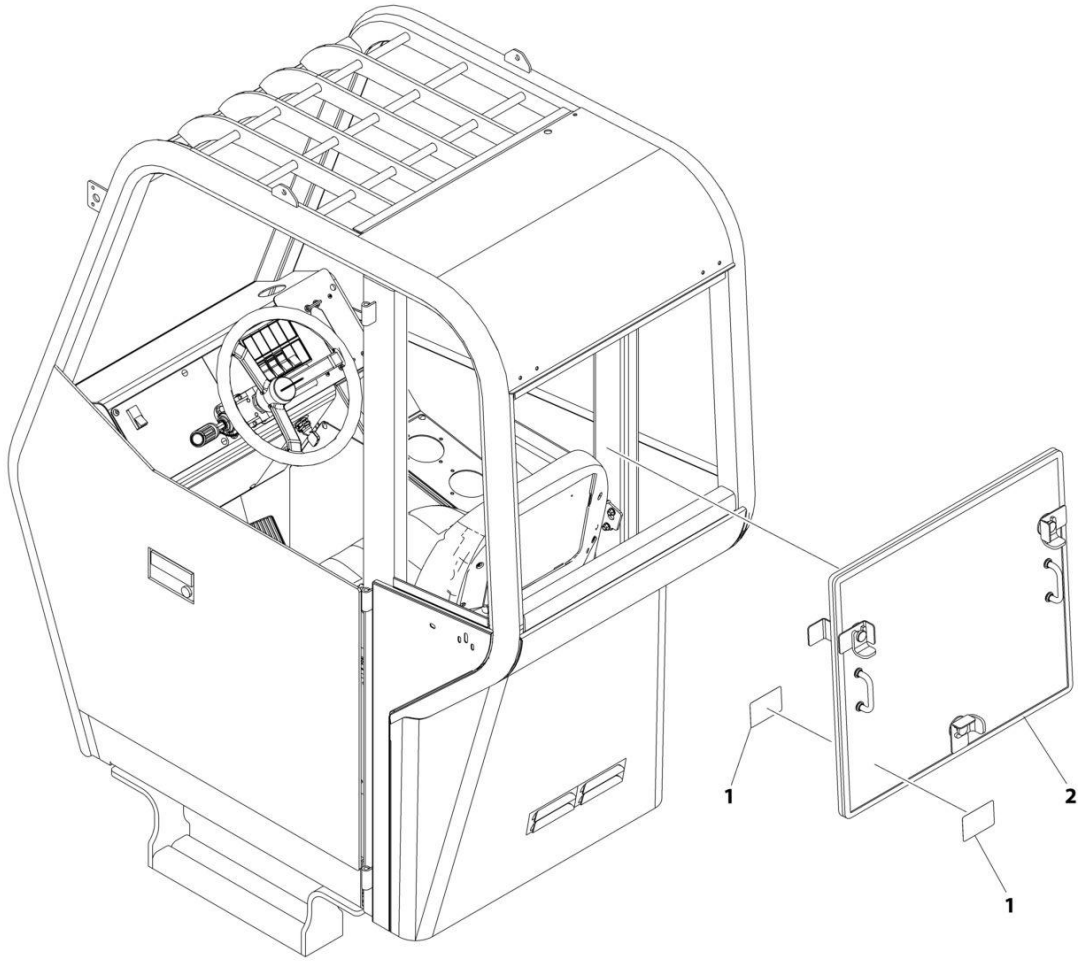
ART\_1001167251-A

**FIGURE 6-28. REAR DROPOUT WINDOW INSTALLATION (ISO)**

<b>ITEM</b>	<b>PART NUMBER</b>	<b>QTY</b>	<b>DESCRIPTION</b>	<b>REV</b>
	1001167251	Ref	Rear Dropout Window Installation (ISO)	A
1	1001160912	2	Decal, Rear Emergency Exit	
2	1001162804	1	Window, Rear Dropout	

# SECTION 6 - CAB

## FIGURE 6-29. REAR DROPOUT WINDOW INSTALLATION (ENGLISH/SPANISH)



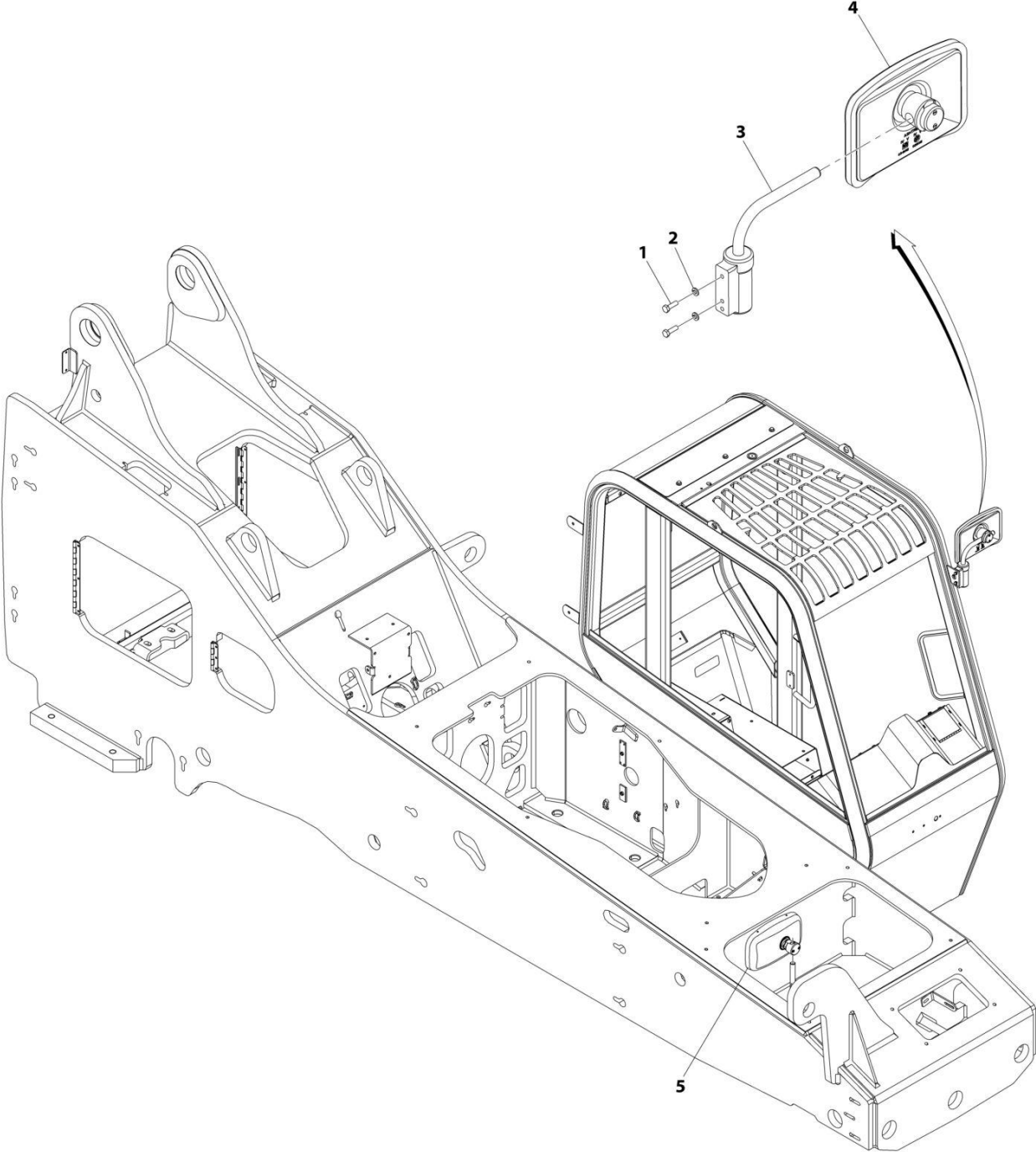
ART\_1001242916

**FIGURE 6-29. REAR DROPOUT WINDOW INSTALLATION (ENGLISH/SPANISH)**

<b>ITEM</b>	<b>PART NUMBER</b>	<b>QTY</b>	<b>DESCRIPTION</b>	<b>REV</b>
	1001242916	Ref	REAR WINDOW EXIT INSTALLATION (ENG/SP)	B
1	1001273850	2	Decal, Rear Window Entry/Exit	
2	1001162804	1	Window	

**SECTION 6 - CAB**

**FIGURE 6-30. MIRROR INSTALLATION**



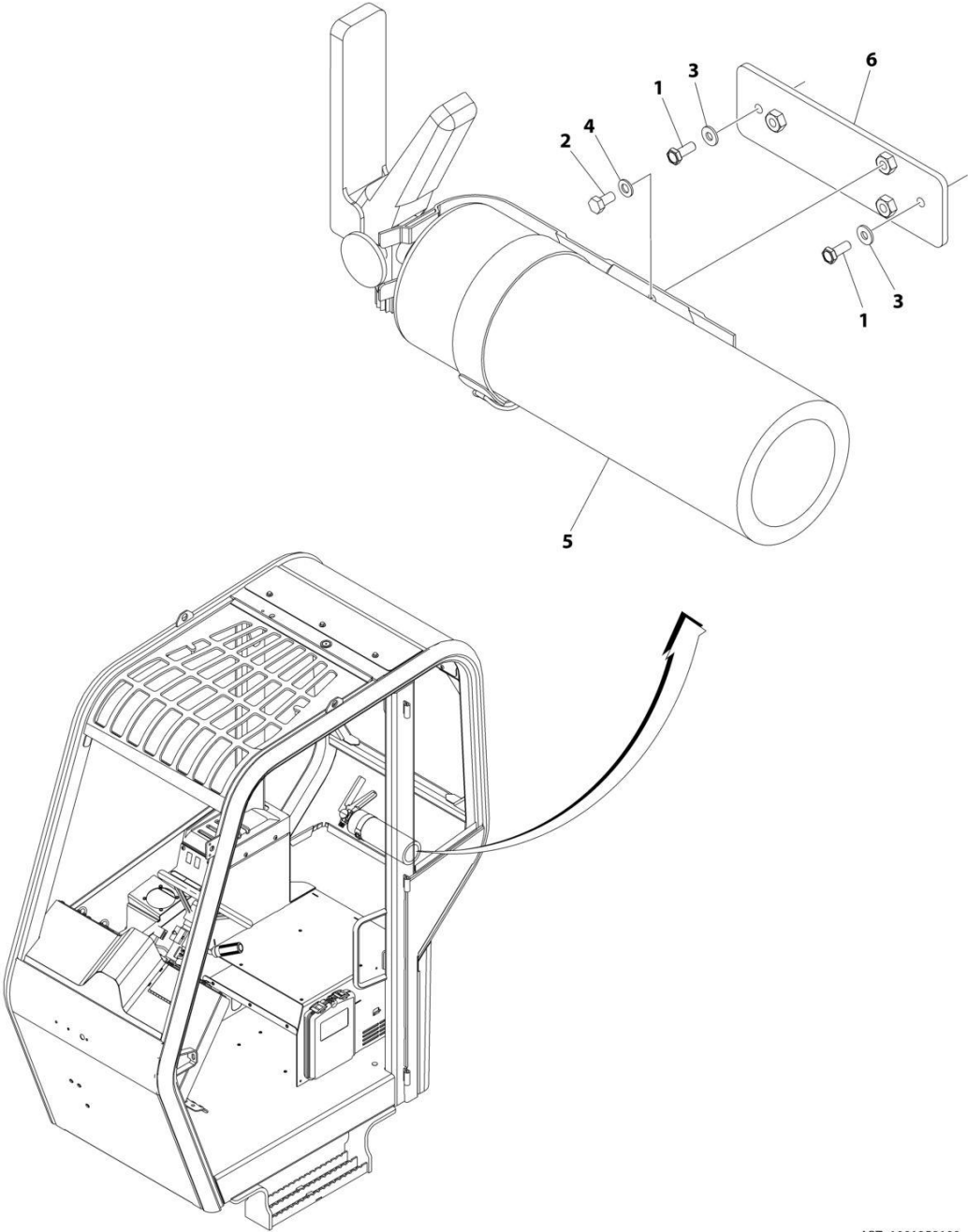
ART\_1001242926-A

FIGURE 6-30. MIRROR INSTALLATION

ITEM	PART NUMBER	QTY	DESCRIPTION	REV
	1001242926	Ref	Mirror Installation	A
1	0700610	2	Capscrew, M6 x 20	
2	8307024	2	Washer, M6	
3	1001114675	1	Arm, Mirror	
4	1001148177	1	Mirror, Rectangular	
5	1001191635	1	Mirror Assembly, RH	

**SECTION 6 - CAB**

**FIGURE 6-31. FIRE EXTINGUISHER INSTALLATION**



ART\_1001258100



FIGURE 6-31. FIRE EXTINGUISHER INSTALLATION

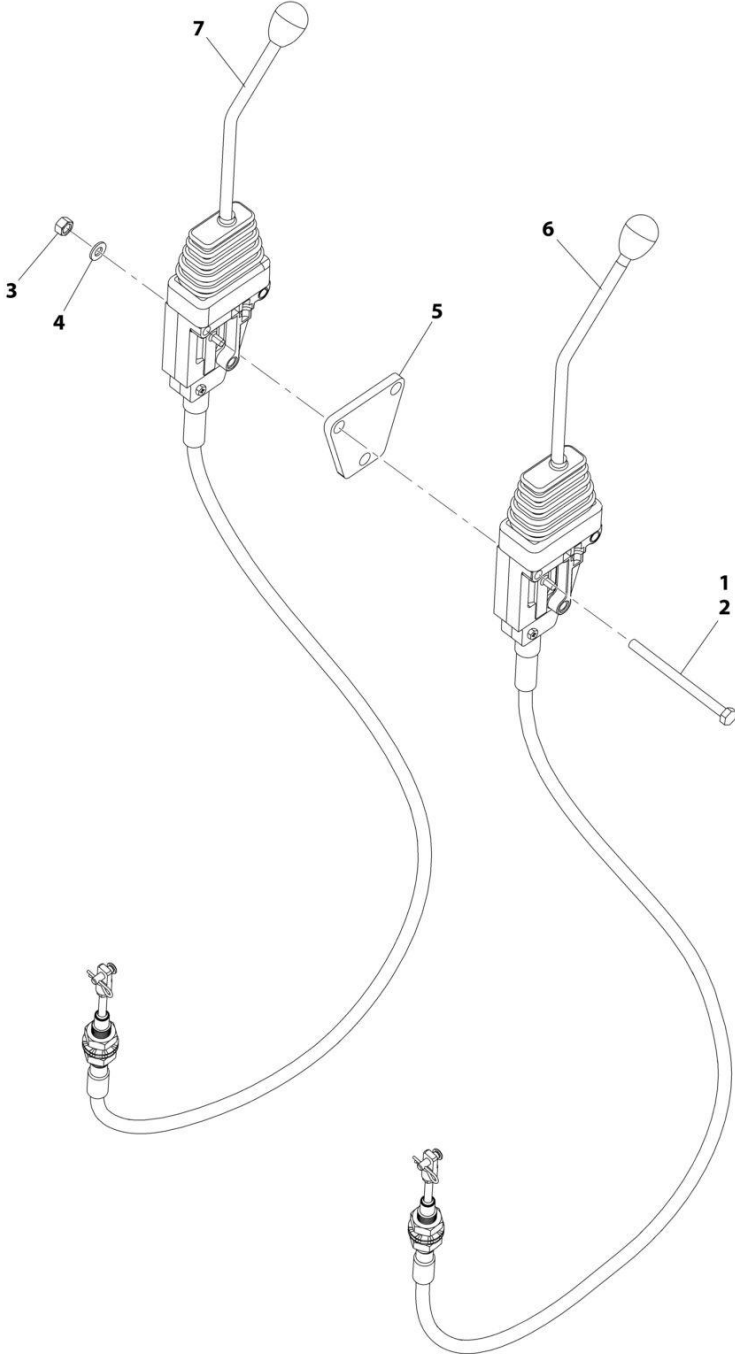
ITEM	PART NUMBER	QTY	DESCRIPTION	REV
	1001258100	Ref	Skytrak Fire Extinguisher Installation	A
1	0721004	2	Screw M10X1/2	
2	0760505	3	Bolt M5X10	
3	4750800	2	Washer M8	
4	4811600	3	Washer M5	
5	1001099699	1	Extinguisher, Fire with Bracket	
5	1001100082	1	Bracket	
6	1001241305	1	Bracket	



**SECTION 7 - CONTROLS**

**SECTION 7 - CONTROLS**

**FIGURE 7-1. SECONDARY CONTROLS INSTALLATION**



ART\_1001244650

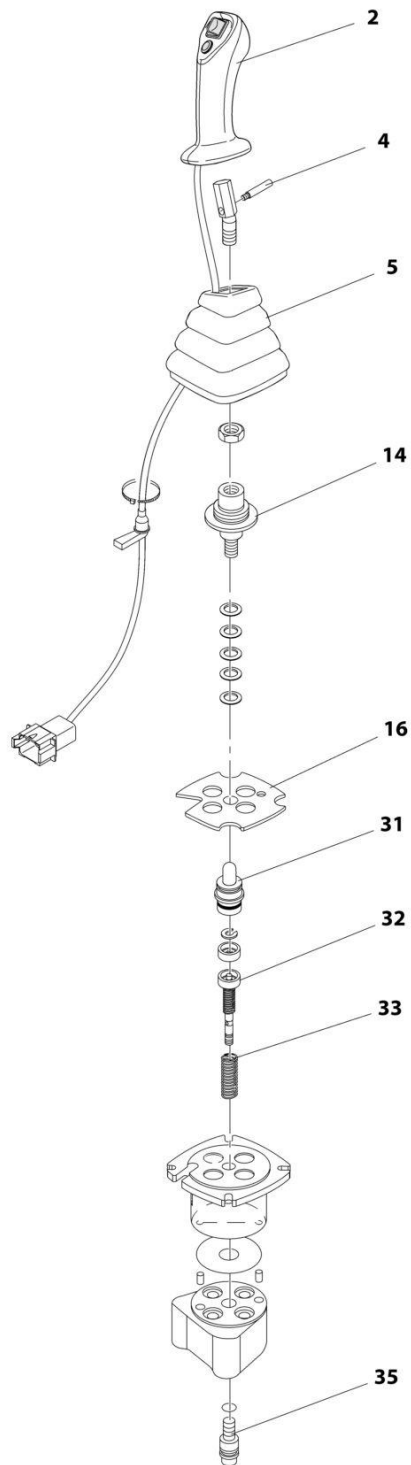
## SECTION 7 - CONTROLS

**FIGURE 7-1. SECONDARY CONTROLS INSTALLATION**

ITEM	PART NUMBER	QTY	DESCRIPTION	REV
	1001244650	Ref	Secondary Controls Installation	C
1	0100011	AR	Compound, Locking	
2	0700828	3	Bolt, M8X110	
3	8305043	3	Nut, M8X1-1/4	
4	8307222	3	Washer, Plain M8	
5	1001174340	1	Bracket, Control Spacer Plate	
6	1001244652	1	Auxiliary Control Assembly	
6	1001173581	1	Control, Auxiliary	
6	1001244654	1	Cable, Auxiliary Control	
7	1001244653	1	Frame Level Control Assembly	
7	1001173582	1	Control, Frame Level	
7	1001244654	1	Cable, Frame Level	

# SECTION 7 - CONTROLS

## FIGURE 7-2. PILOT JOYSTICK CONTROL



ART\_1001158002-B

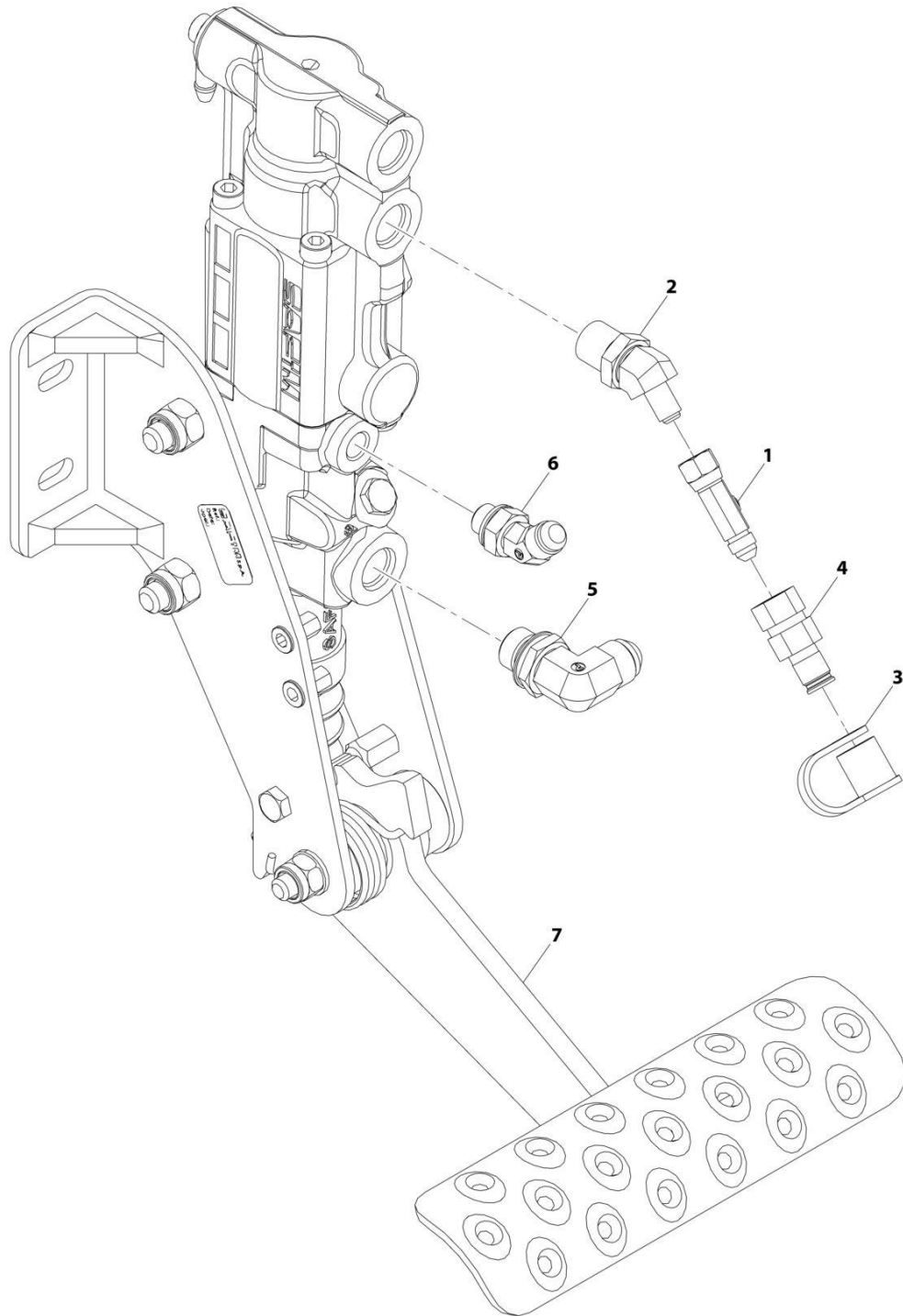
## SECTION 7 - CONTROLS

### FIGURE 7-2. PILOT JOYSTICK CONTROL

ITEM	PART NUMBER	QTY	DESCRIPTION	REV
	1001158002	Ref	Pilot Joystick Control	B
2	70026097	1	Handle	
4	91404011	1	Kit, Bent Lever	
5	80364095	1	Boot, Rubber	
14	80264138	1	Kit, Cardan	
16	91404013	1	Plate, Retaining	
31	91304025	2	Kit, Plunger (set of two)	
32	70026098	4	Unit, Regulating	
33	91514225	1	Spring, Return (set of four)	
35	91404326	1	Kit, Seal	

# SECTION 7 - CONTROLS

## FIGURE 7-3. BRAKE ASSEMBLY - SAFIM



ART\_1001223052-A



## SECTION 7 - CONTROLS

### FIGURE 7-3. BRAKE ASSEMBLY - SAFIM

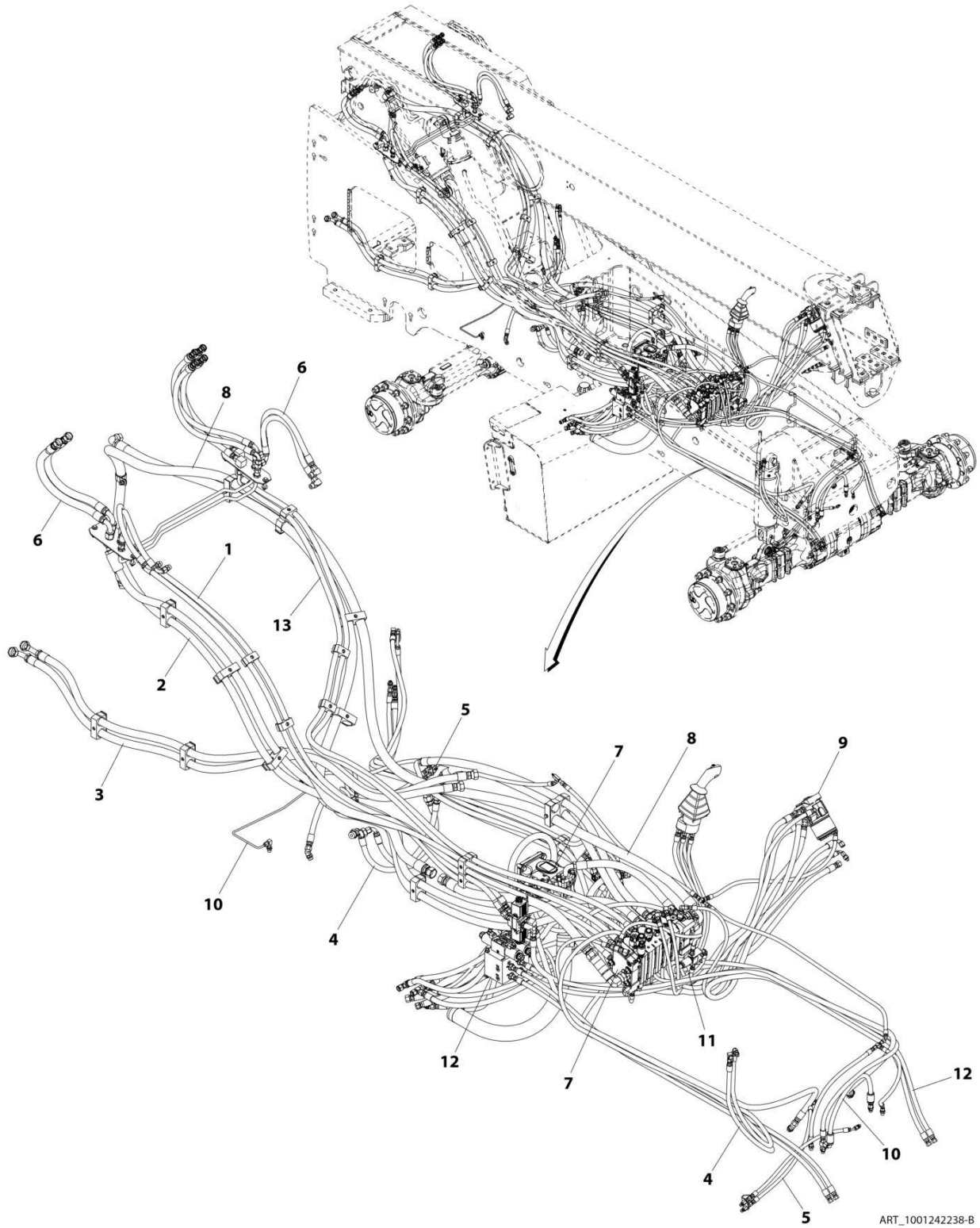
ITEM	PART NUMBER	QTY	DESCRIPTION	REV
	1001223052	Ref	Brake Assembly - Safim	A
1	2220605	1	Adapter	
2	2221344	1	Adapter	
3	8430032	1	Plug, Dust Cap	
4	10727374	1	Adapter	
5	91473086	1	Adapter	
6	1001183341	1	Adapter	
7	1001223050	1	Installation, Hydraulic Brake Valve (See Separate Breakdown in HYDRAULIC CIRCUITS Section)	



**SECTION 8 - HYDRAULIC CIRCUITS**

# SECTION 8 - HYDRAULIC CIRCUITS

## FIGURE 8-1. HYDRAULIC INSTALLATION



ART\_1001242238-B

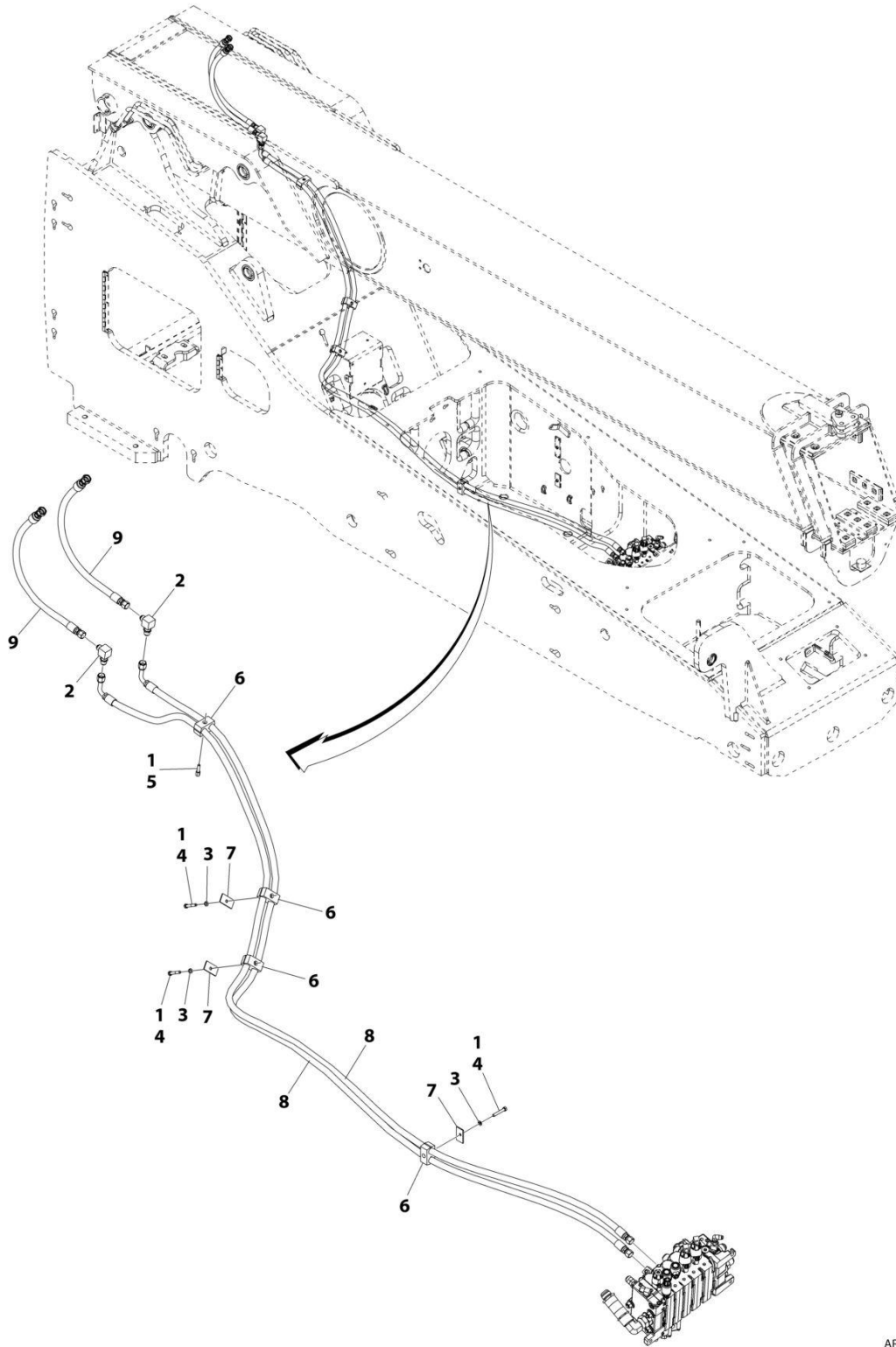
## SECTION 8 - HYDRAULIC CIRCUITS

### FIGURE 8-1. HYDRAULIC INSTALLATION

ITEM	PART NUMBER	QTY	DESCRIPTION	REV
	1001242238	Ref	Hydraulic Installation	B
1	1001158040	Ref	Fork Tilt Hydraulic Installation (See Separate Breakdown in this Section)	
2	1001158046	Ref	Extend Cylinder Installation (See Separate Breakdown in this Section)	
3	1001171873	Ref	Transmission Cooler Hydraulic Plumbing Installation (See Separate Breakdown in this Section)	
4	1001173841	Ref	Frame Cylinders Hydraulic Installation (See Separate Breakdown in this Section)	
5	1001250818	Ref	Axle Pin Lube Kit Installation (See Separate Breakdown in this Section)	
6	1001242243	Ref	Rear Bulkhead Installation (See Separate Breakdown in this Section)	
7	1001243412	Ref	Pump Hydraulic Installation (See Separate Breakdown in this Section)	
8	1001244308	Ref	Cooler Hydraulic Plumbing Installation (See Separate Breakdown in this Section)	
9	1001244357	Ref	Cab Hydraulics Installation (See Separate Breakdown in this Section)	
10	1001244530	Ref	Axle Hydraulic Installation (See Separate Breakdown in this Section)	
11	1001244610	Ref	Extend Cylinder Lockout Installation (See Separate Breakdown in this Section)	
12	1001244867	Ref	Frame Hydraulics Installation (See Separate Breakdown in this Section)	
13	1001245059	Ref	Auxiliary Hydraulics Installation (See Separate Breakdown in this Section)	

# SECTION 8 - HYDRAULIC CIRCUITS

## FIGURE 8-2. AUXILIARY HYDRAULICS INSTALLATION



ART\_1001245059-A

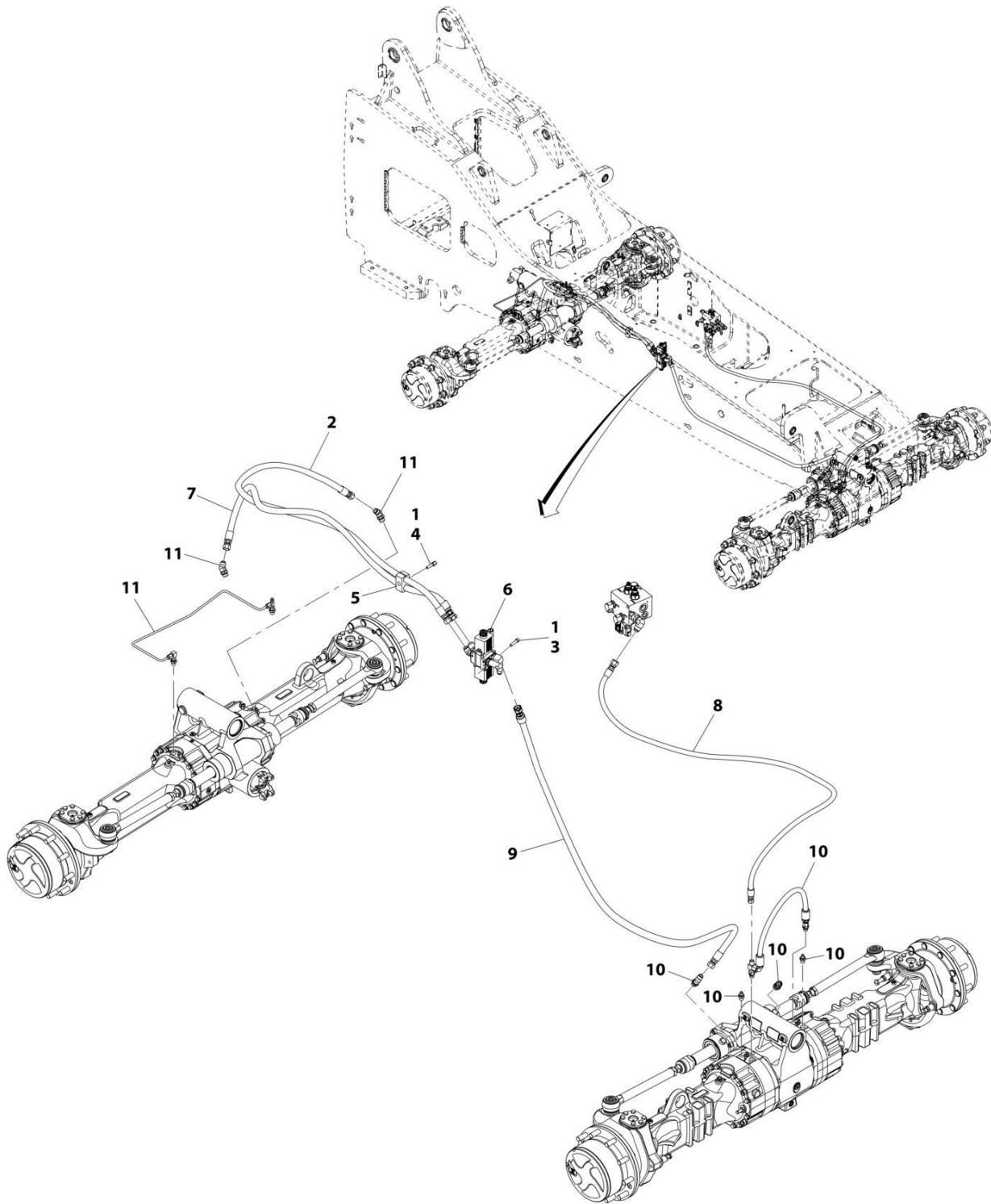
## SECTION 8 - HYDRAULIC CIRCUITS

### FIGURE 8-2. AUXILIARY HYDRAULICS INSTALLATION

ITEM	PART NUMBER	QTY	DESCRIPTION	REV
	1001245059	Ref	Auxiliary Hydraulics Installation	A
1	0100011	AR	Compound, Locking	
2	2230044	2	Adapter, JIC	
3	8307004	3	Washer	
4	8310009	3	Bolt, 5/16-18X2	
5	8750012	1	Bolt, Stacking	
6	8750027	4	Clamp Set, Twin	
7	8769128	3	Cover Plate, Twin	
8	1001245060	2	Hose Assembly	
9	1001245061	2	Hose Assembly	

# SECTION 8 - HYDRAULIC CIRCUITS

## FIGURE 8-3. AXLE HYDRAULIC INSTALLATION



ART\_1001244530-A



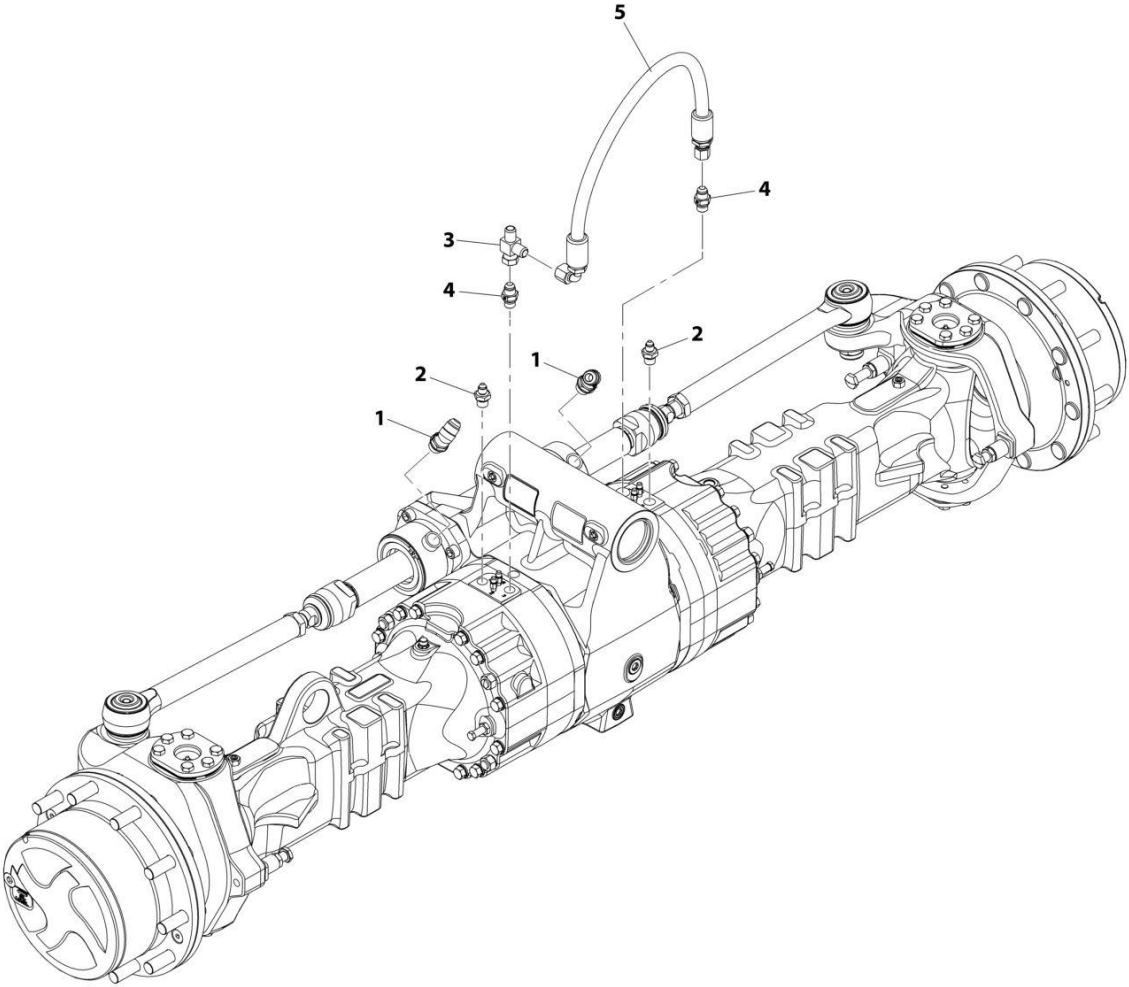
## SECTION 8 - HYDRAULIC CIRCUITS

### FIGURE 8-3. AXLE HYDRAULIC INSTALLATION

ITEM	PART NUMBER	QTY	DESCRIPTION	REV
	1001244530	Ref	Axle Hydraulic Installation	A
1	0100011	AR	Compound, Locking	
2	2716673	1	Hose	
3	8304608	2	Screw, 5/16X1-1/2	
4	8750012	1	Bolt	
5	8750027	1	Clamp Set	
6	1001172784	1	Valve Assembly	
7	1001178224	1	Hose Assembly	
8	1001194620	1	Hose Assembly	
9	1001194745	1	Hose Assembly	
10	1001224459	1	Front Hydraulic Assembly, Axle (See Separate Breakdown in this Section)	
11	1001244504	1	Rear Hydraulic Assembly, Axle (See Separate Breakdown in this Section)	

**SECTION 8 - HYDRAULIC CIRCUITS**

**FIGURE 8-4. AXLE HYDRAULIC ASSEMBLY (FRONT)**



ART\_1001224459-C

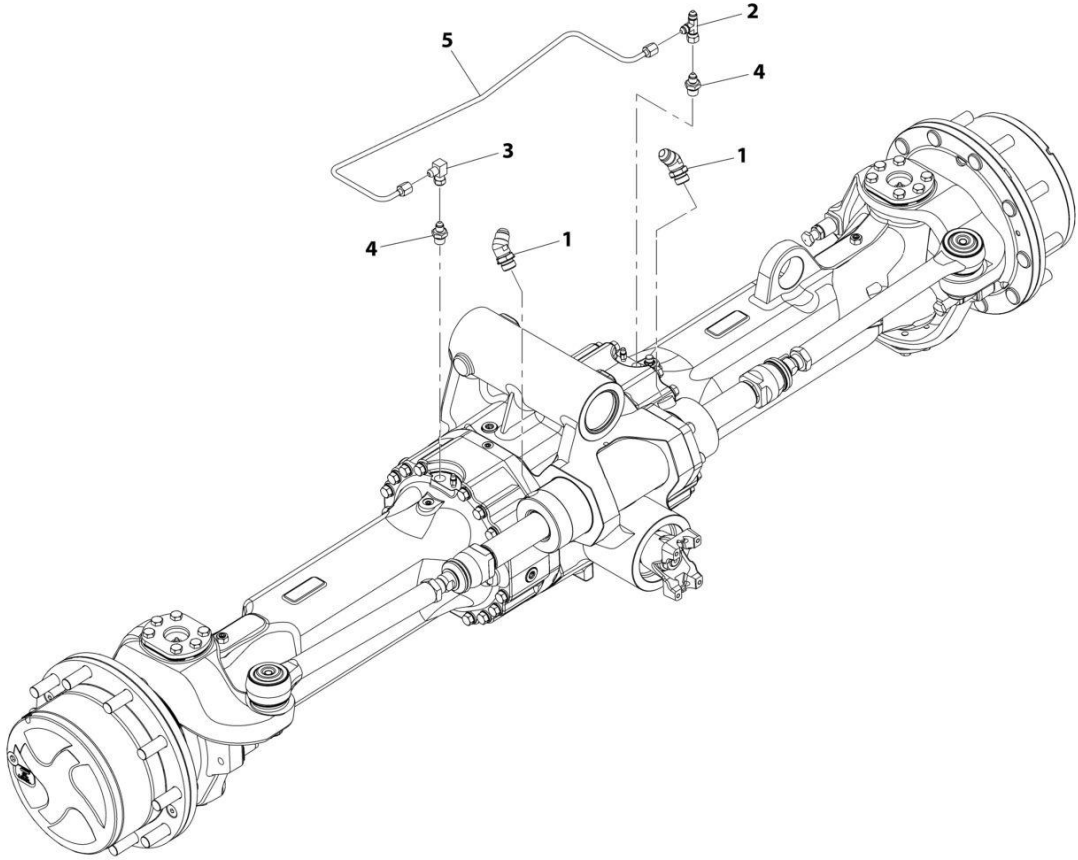
## SECTION 8 - HYDRAULIC CIRCUITS

**FIGURE 8-4. AXLE HYDRAULIC ASSEMBLY (FRONT)**

ITEM	PART NUMBER	QTY	DESCRIPTION	REV
	1001224459	Ref	Front Axle Hydraulic Assembly	C
1	2220500	2	Adapter, Straight	
2	1001227636	2	Adapter, Straight	
3	2220635	1	Adapter, Run Tee	
4	8770064	2	Fitting	
5	1001224467	1	Hose Assembly	

**SECTION 8 - HYDRAULIC CIRCUITS**

**FIGURE 8-5. AXLE HYDRAULIC ASSEMBLY (REAR)**



ART\_1001244504-A

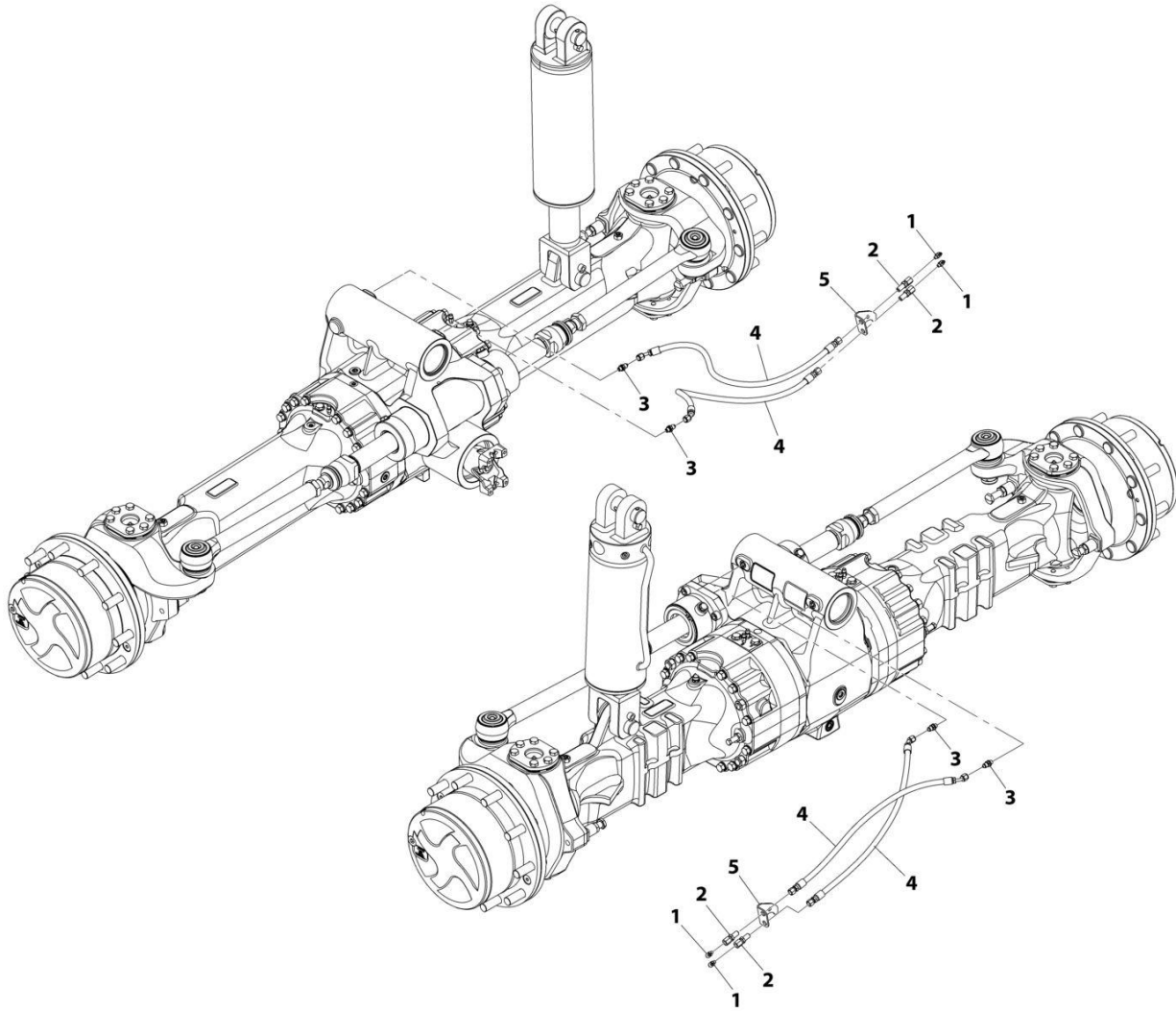
## SECTION 8 - HYDRAULIC CIRCUITS

**FIGURE 8-5. AXLE HYDRAULIC ASSEMBLY (REAR)**

ITEM	PART NUMBER	QTY	DESCRIPTION	REV
	1001244504	Ref	Rear Axle Hydraulic Installation	A
1	2220500	2	Adapter, Straight	
2	2220605	1	Fitting, Tee	
3	2220654	1	Adapter, Straight	
4	1001227636	2	Adapter, Straight	
5	1001244505	1	Pipe Rear Axle Brake	

# SECTION 8 - HYDRAULIC CIRCUITS

## FIGURE 8-6. AXLE PIN LUBE KIT INSTALLATION



ART\_1001250818-A

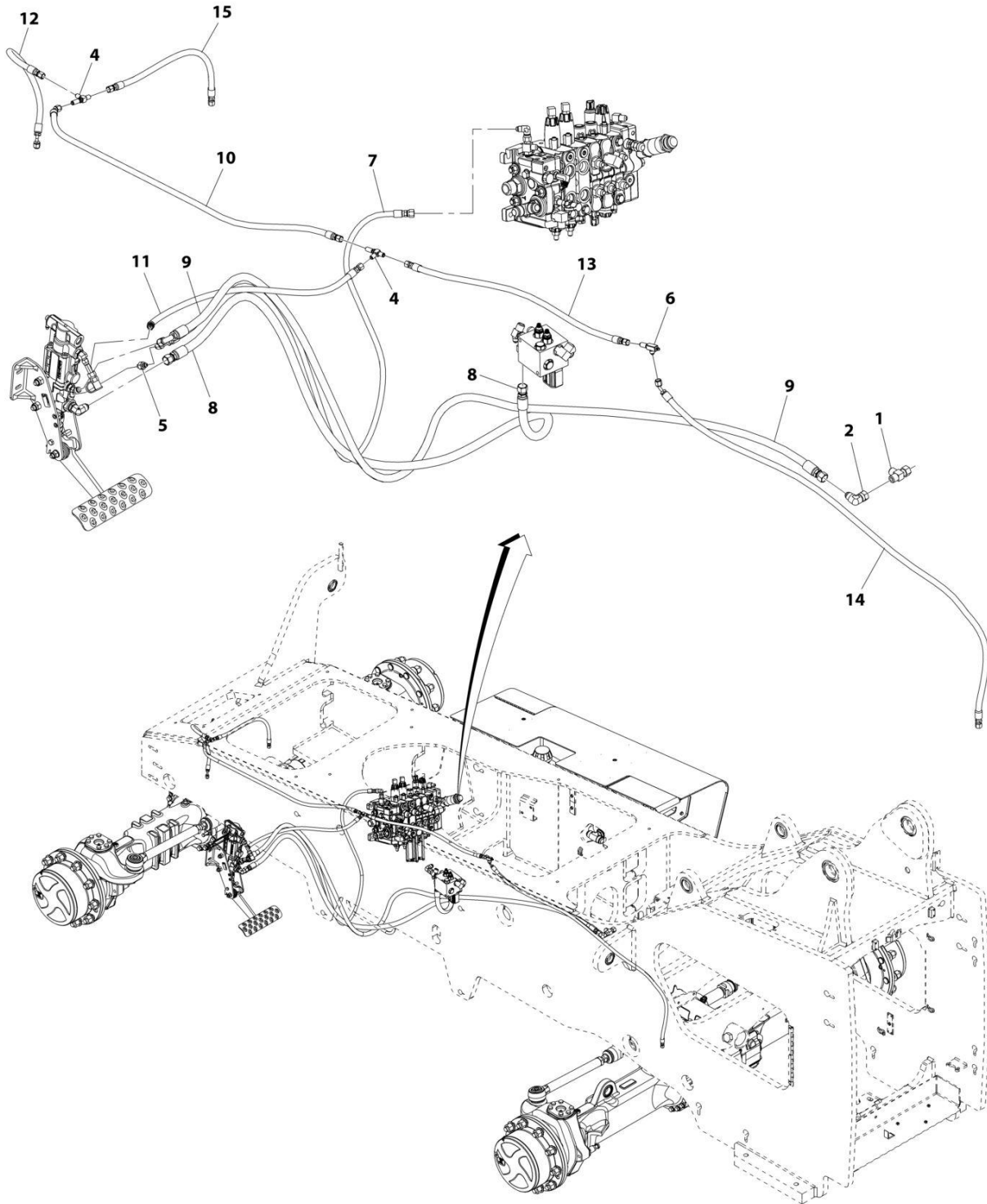
## SECTION 8 - HYDRAULIC CIRCUITS

### FIGURE 8-6. AXLE PIN LUBE KIT INSTALLATION

ITEM	PART NUMBER	QTY	DESCRIPTION	REV
	1001250818	Ref	Axle Pin Lube Kit Installation	A
1	8520003	4	Fitting Lube	
2	80623016	4	Adapter, JIC	
3	1001107589	4	Adapter, Straight JIC	
4	1001226795	4	Hose Assembly	
5	1001250506	2	Bracket, Grease	

# SECTION 8 - HYDRAULIC CIRCUITS

## FIGURE 8-7. BRAKE HYDRAULICS INSTALLATION



ART\_1001245054-B



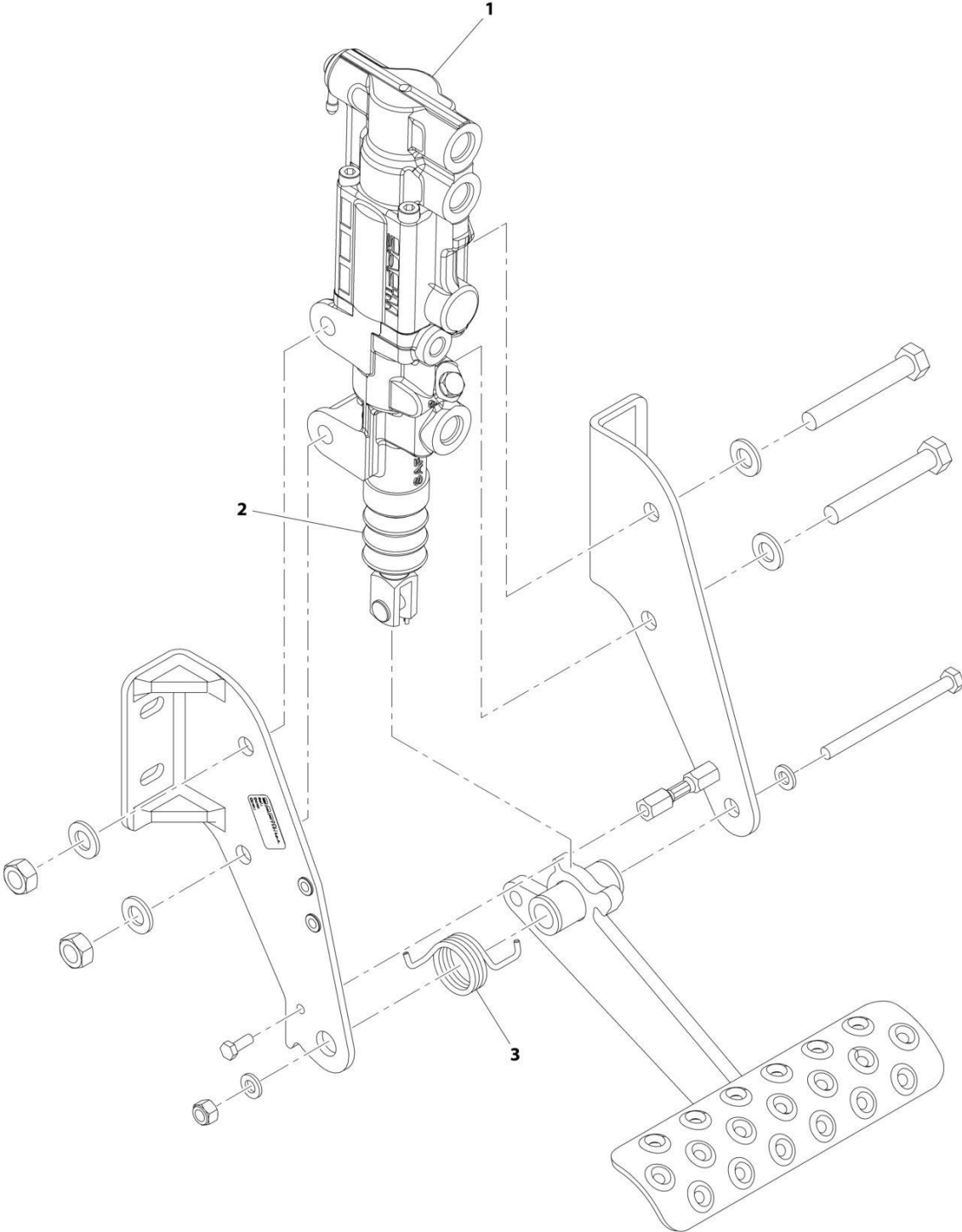
## SECTION 8 - HYDRAULIC CIRCUITS

### FIGURE 8-7. BRAKE HYDRAULICS INSTALLATION

ITEM	PART NUMBER	QTY	DESCRIPTION	REV
	1001245054	Ref	Hydraulic Brake Installation	C
1	2220385	1	Adapter, Run Tee	
2	8765204	1	Adapter, Straight	
4	10728823	2	Bulkhead Connector Tee	
5	1001183370	1	Check Valve	
6	1001201734	1	Brake Bleeder Tee, Manifold	
7	1001244980	1	Hose Assembly	
8	1001201737	1	Hose Assembly	
9	1001201738	1	Hose Assembly	
10	1001210093	1	Hose Assembly	
11	1001210859	1	Hose Assembly	
12	1001210860	1	Hose Assembly	
13	1001210862	1	Hose Assembly	
14	1001210863	1	Hose Assembly	
15	1001219045	1	Hose Assembly	

**SECTION 8 - HYDRAULIC CIRCUITS**

**FIGURE 8-8. BRAKE VALVE INSTALLATION**



ART\_1001223050-B

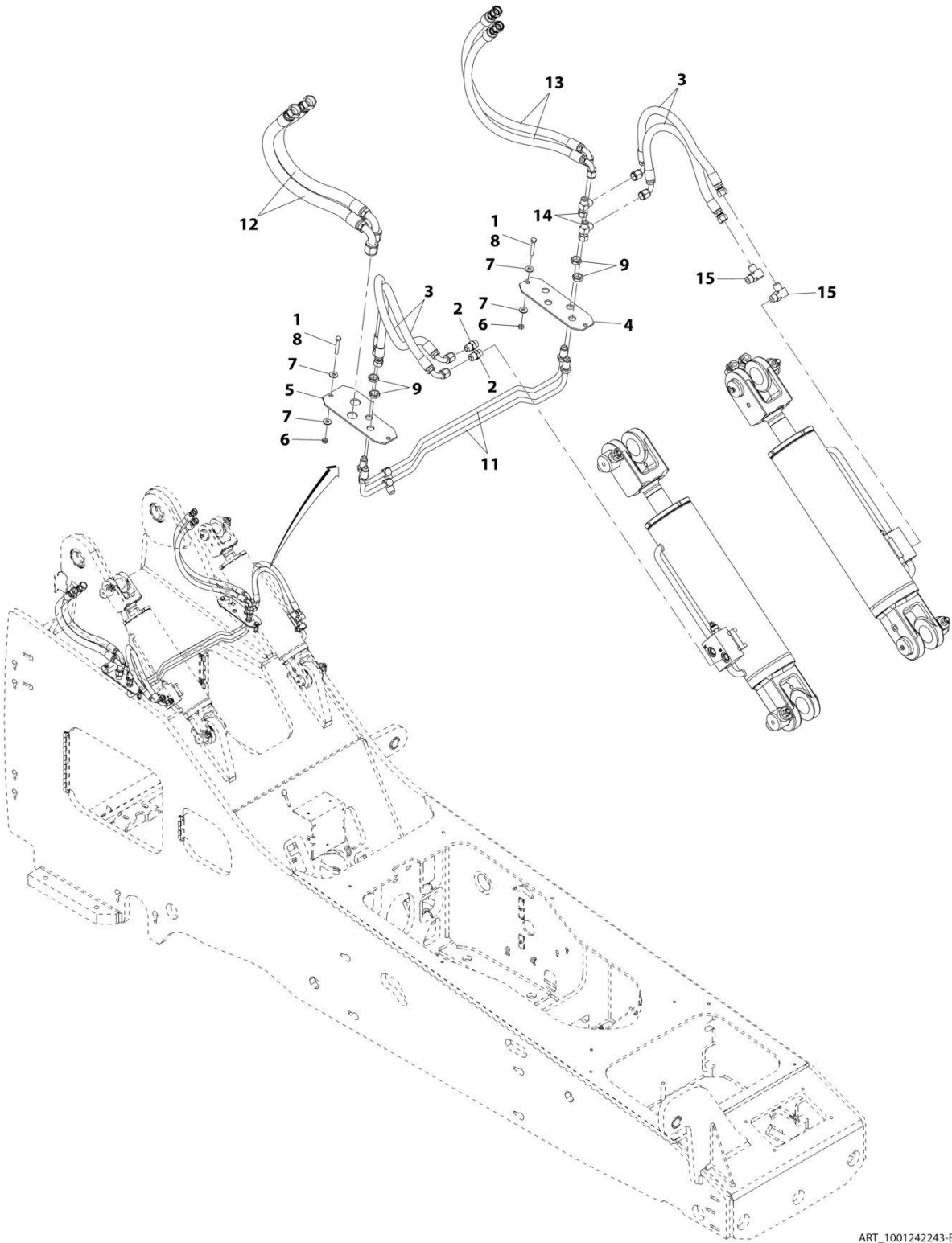
## SECTION 8 - HYDRAULIC CIRCUITS

### FIGURE 8-8. BRAKE VALVE INSTALLATION

ITEM	PART NUMBER	QTY	DESCRIPTION	REV
1	1001223050	Ref	Hydraulic Brake Valve Installation	C
	1001201721	1	Brake Valve (See Separate Breakdown in HYDRAULIC COMPONENTS Section)	
2	70025859	1	Dust Cover	
3	70028547	1	Spring, Return	

# SECTION 8 - HYDRAULIC CIRCUITS

## FIGURE 8-9. BULKHEAD INSTALLATION (REAR)



ART\_1001242243-B

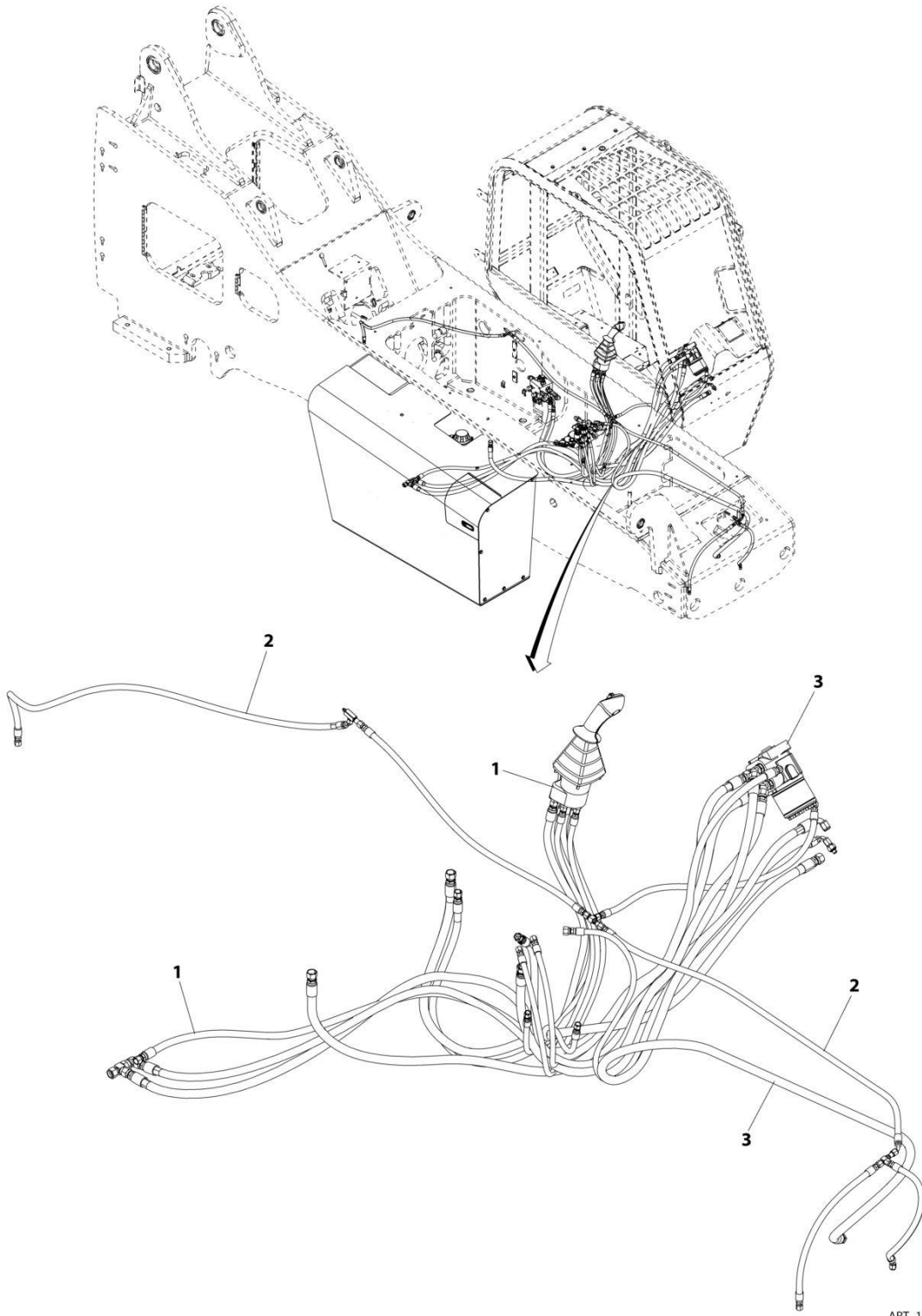
## SECTION 8 - HYDRAULIC CIRCUITS

**FIGURE 8-9. BULKHEAD INSTALLATION (REAR)**

ITEM	PART NUMBER	QTY	DESCRIPTION	REV
	1001242243	Ref	Rear Bulkhead Installation	B
1	0100011	AR	Compound, Locking	
2	2220373	2	Adapter, Straight JIC	
3	2716715	4	Hose	
4	7139504	1	Sheet, Bulkhead	
5	7139505	1	Sheet, Bulkhead	
6	8305006	4	Nut 5/16	
7	8307203	8	Washer	
8	8310009	4	Bolt, 5/16x2	
9	8760463	4	Adapter, Bulkhead Nut	
11	1001246550	2	Manifold, Comp Cylinder Cross Cover	
12	1001245067	2	Hose Assembly	
13	1001245068	2	Hose Assembly	
14	2220385	2	Adapter, Run Tee	
15	2220596	2	Adapter, Straight JIC	

# SECTION 8 - HYDRAULIC CIRCUITS

## FIGURE 8-10. CAB HYDRAULICS INSTALLATION



ART\_1001244357-A

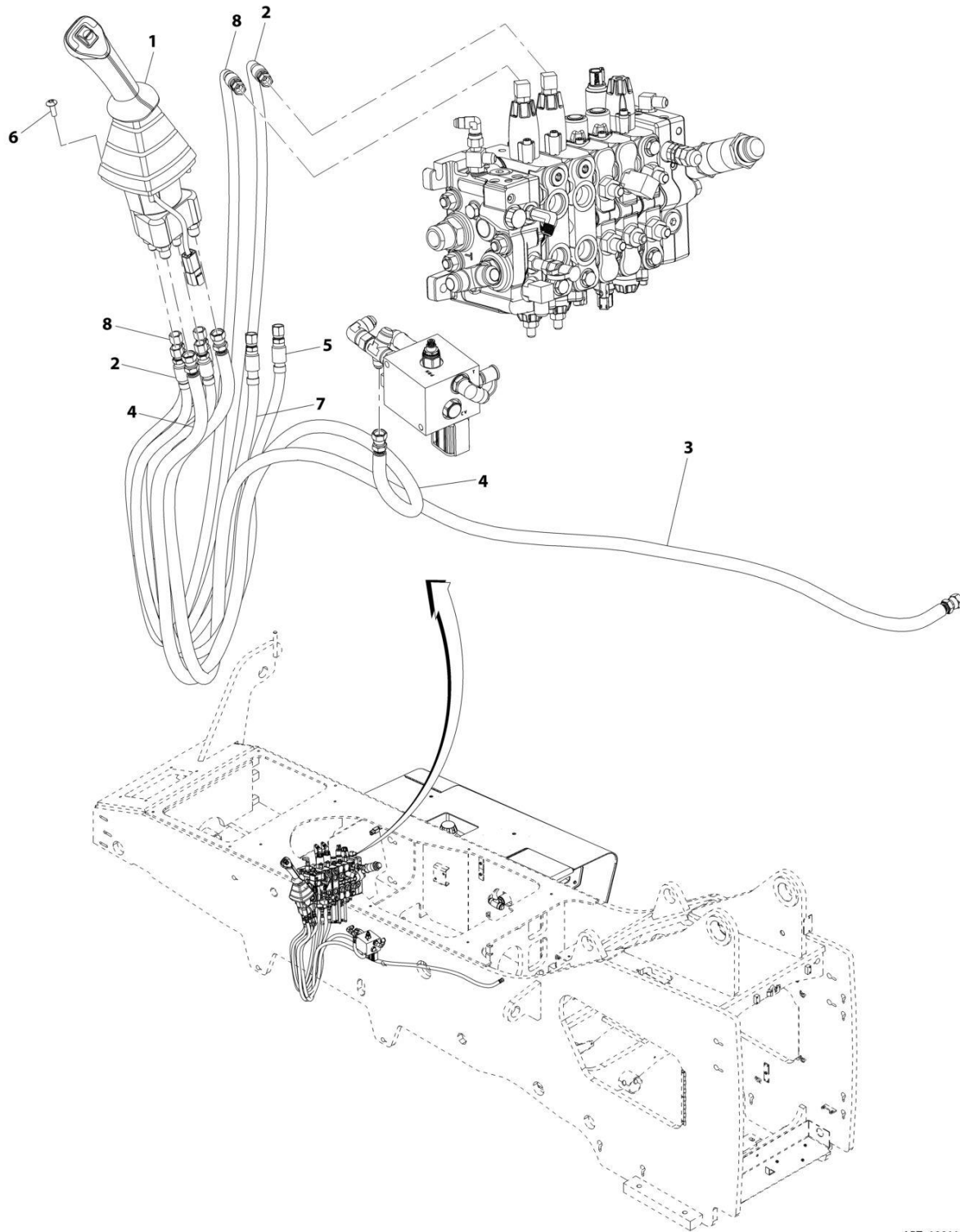
## SECTION 8 - HYDRAULIC CIRCUITS

### FIGURE 8-10. CAB HYDRAULICS INSTALLATION

ITEM	PART NUMBER	QTY	DESCRIPTION	REV
1	1001244357	Ref	Cab Hydraulics Installation	A
	1001158786	Ref	Pilot Controls Installation (See Separate Breakdown in this Section)	
2	1001245054	Ref	Brake Hydraulic Installation (See Separate Breakdown in this Section)	
3	1001245057	Ref	Steering Hydraulic Installation (See Separate Breakdown in this Section)	

# SECTION 8 - HYDRAULIC CIRCUITS

## FIGURE 8-11. CAB PILOT CONTROLS INSTALLATION



ART\_1001158786-G



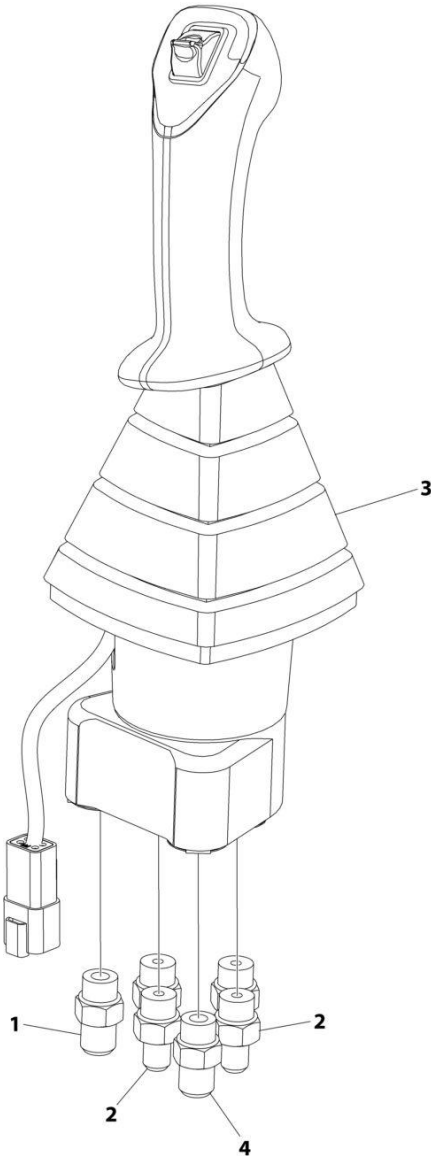
## SECTION 8 - HYDRAULIC CIRCUITS

### FIGURE 8-11. CAB PILOT CONTROLS INSTALLATION

ITEM	PART NUMBER	QTY	DESCRIPTION	REV
	1001158786	Ref	Pilot Controls Installation	G
1	1001158004	1	Assembly, Pilot Joystick (See Separate Breakdown in this Section)	
2	1001252971	1	Hose	
3	1001254099	1	Hose	
4	1001158398	1	Hose	
5	1001252970	1	Hose	
6	8303034	4	Screw, 1/4-20X3/4	
7	1001252968	1	Hose	
8	1001252969	1	Hose	

# SECTION 8 - HYDRAULIC CIRCUITS

## FIGURE 8-12. CAB PILOT JOYSTICK CONTROL ASSEMBLY



ART\_1001158004\_C

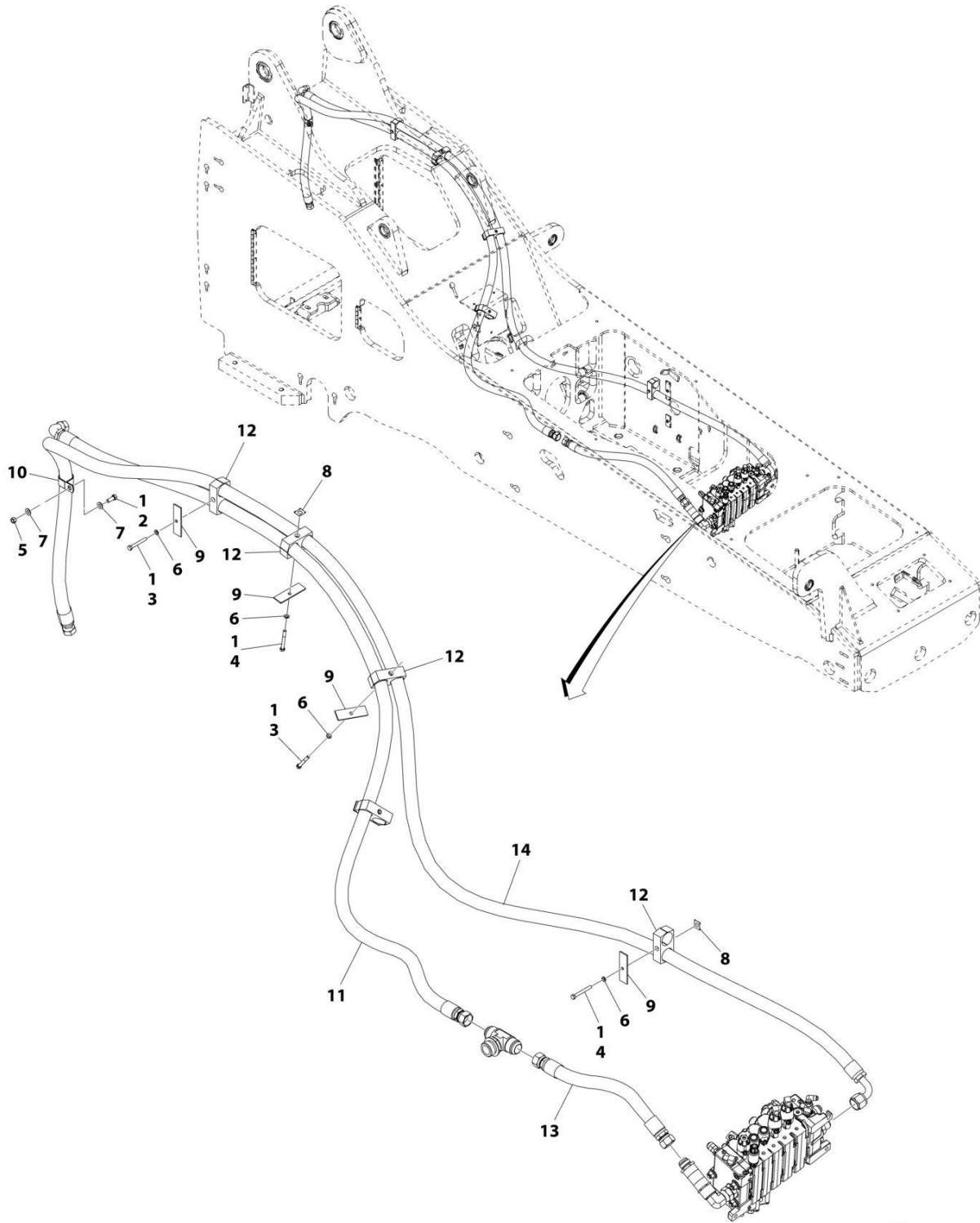
## SECTION 8 - HYDRAULIC CIRCUITS

**FIGURE 8-12. CAB PILOT JOYSTICK CONTROL ASSEMBLY**

ITEM	PART NUMBER	QTY	DESCRIPTION	REV
	1001158004	Ref	PILOT JOYSTICK & FITTING ASSEMBLY	C
1	2220371	1	Adapter, Straight JIC	
2	2220582	4	Adapter, Straight JIC	
3	1001158002	1	Control & Fittings Assembly - Pilot Joystick (See Separate Breakdown in CONTROLS Section)	
4	1001282050	1	Adapter, Straight JIC	

# SECTION 8 - HYDRAULIC CIRCUITS

## FIGURE 8-13. COOLER HYDRAULIC PLUMBING INSTALLATION



ART\_1001244308-B

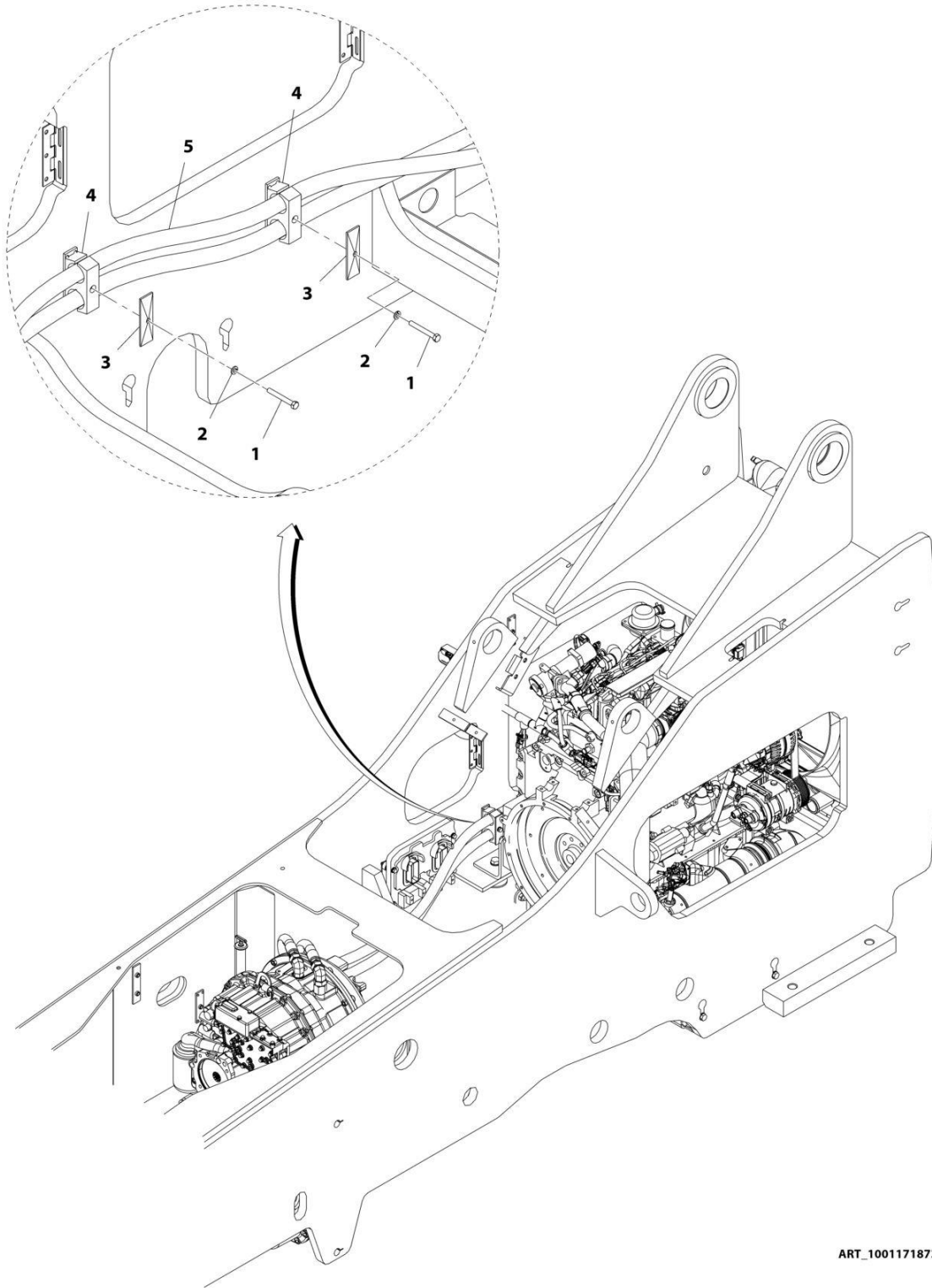
## SECTION 8 - HYDRAULIC CIRCUITS

### FIGURE 8-13. COOLER HYDRAULIC PLUMBING INSTALLATION

ITEM	PART NUMBER	QTY	DESCRIPTION	REV
	1001244308	Ref	Hydraulic Cooler Plumbing Installation	B
1	0100011	AR	Compound, Locking	
2	8303620	1	Bolt, 3/8X1	
3	8303757	3	Bolt, 5/16X2-1/2	
4	8303766	2	Bolt, 5/16X2-3/4	
5	8305008	1	Nut, 3/8	
6	8307004	5	Washer	
7	8307110	2	Washer	
8	8750017	2	Locking Plate	
9	8750025	5	Cover Plate, Twin	
10	85841150	1	Clamp, Support	
11	1001177753	1	Hose Assembly	
12	1001196109	5	Clamp, Twin Hose	
13	1001244306	1	Hose	
14	1001244307	1	Hose	

# SECTION 8 - HYDRAULIC CIRCUITS

## FIGURE 8-14. COOLER HYDRAULICS PLUMBING INSTALLATION - TRANSMISSION



ART\_1001171873-C

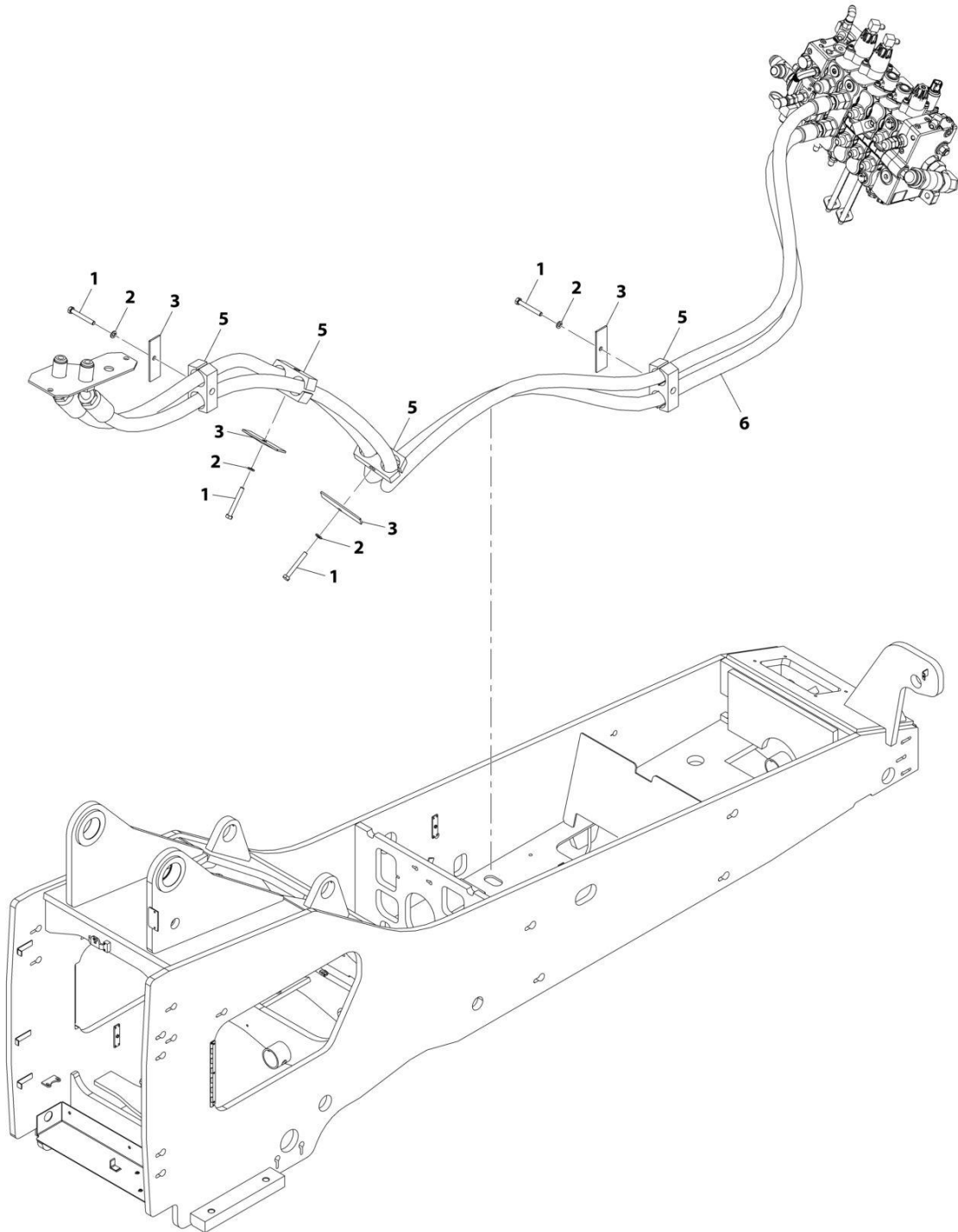
## SECTION 8 - HYDRAULIC CIRCUITS

**FIGURE 8-14. COOLER HYDRAULICS PLUMBING INSTALLATION - TRANSMISSION**

ITEM	PART NUMBER	QTY	DESCRIPTION	REV
	1001171873	Ref	Hydraulic Transmission Cooler Plumbing Installation	C
1	8303757	2	Bolt, 5/16X2-1/2	
2	8307004	2	Washer, Lock 5/16	
3	8750025	2	Cover Plate, Twin	
4	8750040	2	Clamp Set, Twin	
5	1001171986	2	Hose	

# SECTION 8 - HYDRAULIC CIRCUITS

## FIGURE 8-15. CYLINDER INSTALLATION - EXTEND



ART\_1001158046-E



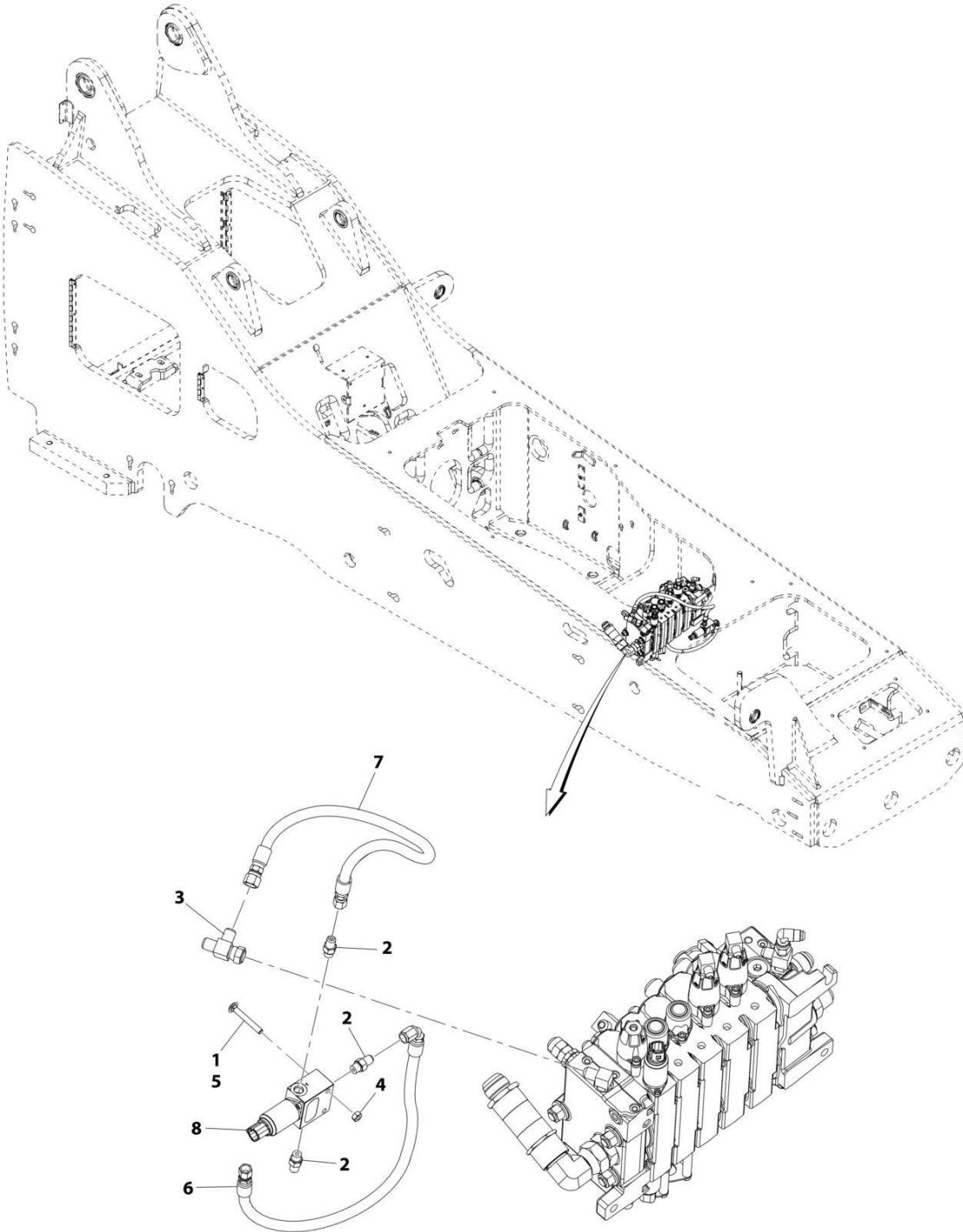
## SECTION 8 - HYDRAULIC CIRCUITS

### FIGURE 8-15. CYLINDER INSTALLATION - EXTEND

ITEM	PART NUMBER	QTY	DESCRIPTION	REV
	1001158046	Ref	Extend Cylinder Installation	E
1	8303757	4	Bolt, 5/16-18X2-1/2	
2	8307004	4	Washer, Lock 5/16	
3	8750025	4	Cover Plate, Twin	
5	8750040	4	Clamp Set, Twin	
6	1001171190	2	Hose	

# SECTION 8 - HYDRAULIC CIRCUITS

## FIGURE 8-16. CYLINDER INSTALLATION - EXTEND LOCKOUT



ART\_1001244610-B

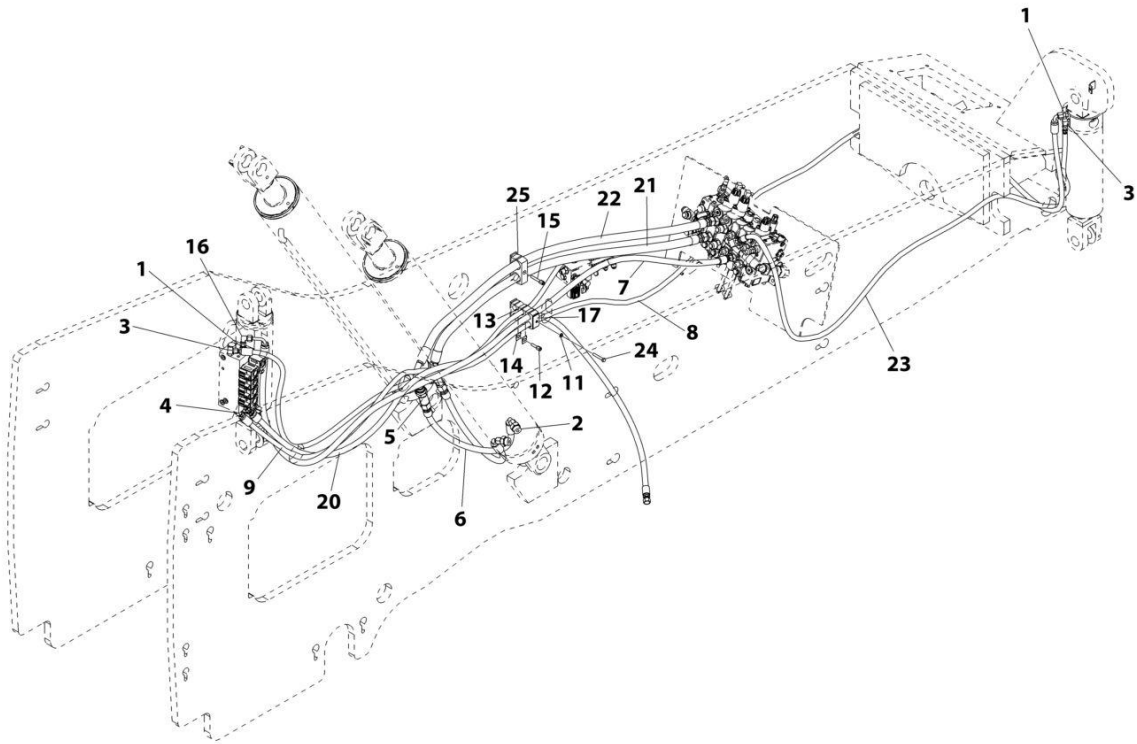
## SECTION 8 - HYDRAULIC CIRCUITS

### FIGURE 8-16. CYLINDER INSTALLATION - EXTEND LOCKOUT

ITEM	PART NUMBER	QTY	DESCRIPTION	REV
	1001244610	Ref	Extend Cylinder Lockout Installation	B
1	0100011	AR	Compound, Locking	
2	2220415	3	Adapter, Straight	
3	2220635	1	Adapter, Run Tee	
4	8305004	2	Nut	
5	8310576	2	Bolt, Carriage	
6	1001244359	1	Hose Assembly	
7	1001244361	1	Hose Assembly	
8	1001245158	1	Valve, 2 Position/ 3 Port	
8	70030036	1	Valve, Solenoid	
8	70030037	2	Screw	

# SECTION 8 - HYDRAULIC CIRCUITS

## FIGURE 8-17. CYLINDERS HYDRAULICS INSTALLATION - FRAME



ART\_1001173841-G

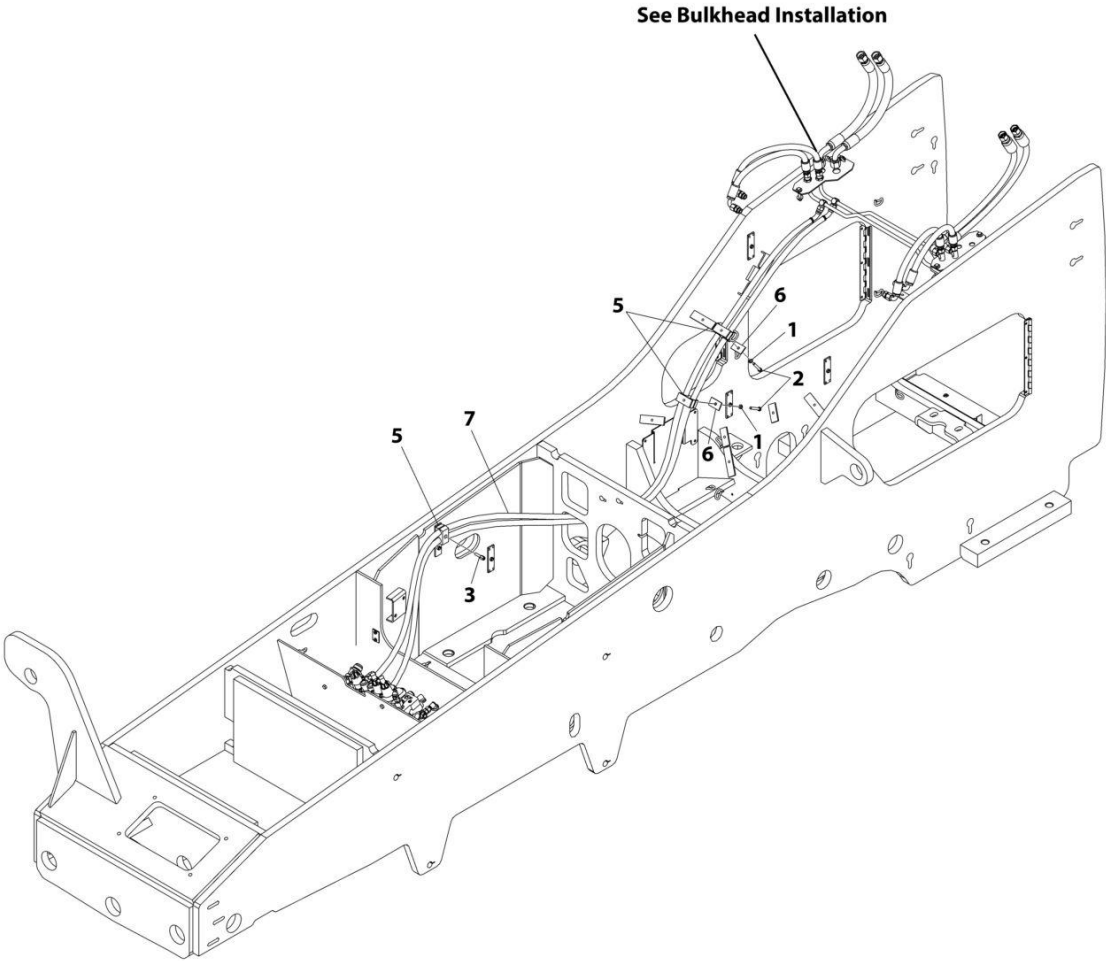
## SECTION 8 - HYDRAULIC CIRCUITS

**FIGURE 8-17. CYLINDERS HYDRAULICS INSTALLATION - FRAME**

ITEM	PART NUMBER	QTY	DESCRIPTION	REV
	1001173841	Ref	Hydraulic Frame Cylinders Installation	G
1	2220371	2	Adapter, Straight	
2	2220375	2	Adapter, Straight	
3	2220473	2	Adapter, 90	
4	2220501	2	Adapter, 45	
5	2220695	2	Adapter, Branch Tee	
6	2716675	2	Hose	
7	2716686	1	Hose	
8	2716688	1	Hose	
9	2716691	1	Hose	
11	8307004	1	Washer, Lock 5/16	
12	8750012	1	Bolt, Stacking	
13	8750027	2	Clamp Set, Twin	
14	8750017	2	Plate, Twin Clamp Locking	
15	8750026	1	Bolt, Stacking	
16	8760268	1	Adapter, 90	
17	8769128	1	Cover Plate, Twin	
20	1001202384	1	Hose	
21	1001171191	1	Hose	
22	1001171193	1	Hose	
23	1001171194	1	Hose	
24	8310009	1	Bolt, 5/16X2	
25	8750040	1	Clamp Set, Twin	

**SECTION 8 - HYDRAULIC CIRCUITS**

**FIGURE 8-18. FORK TILT HYDRAULICS INSTALLATION**



ART\_1001158040

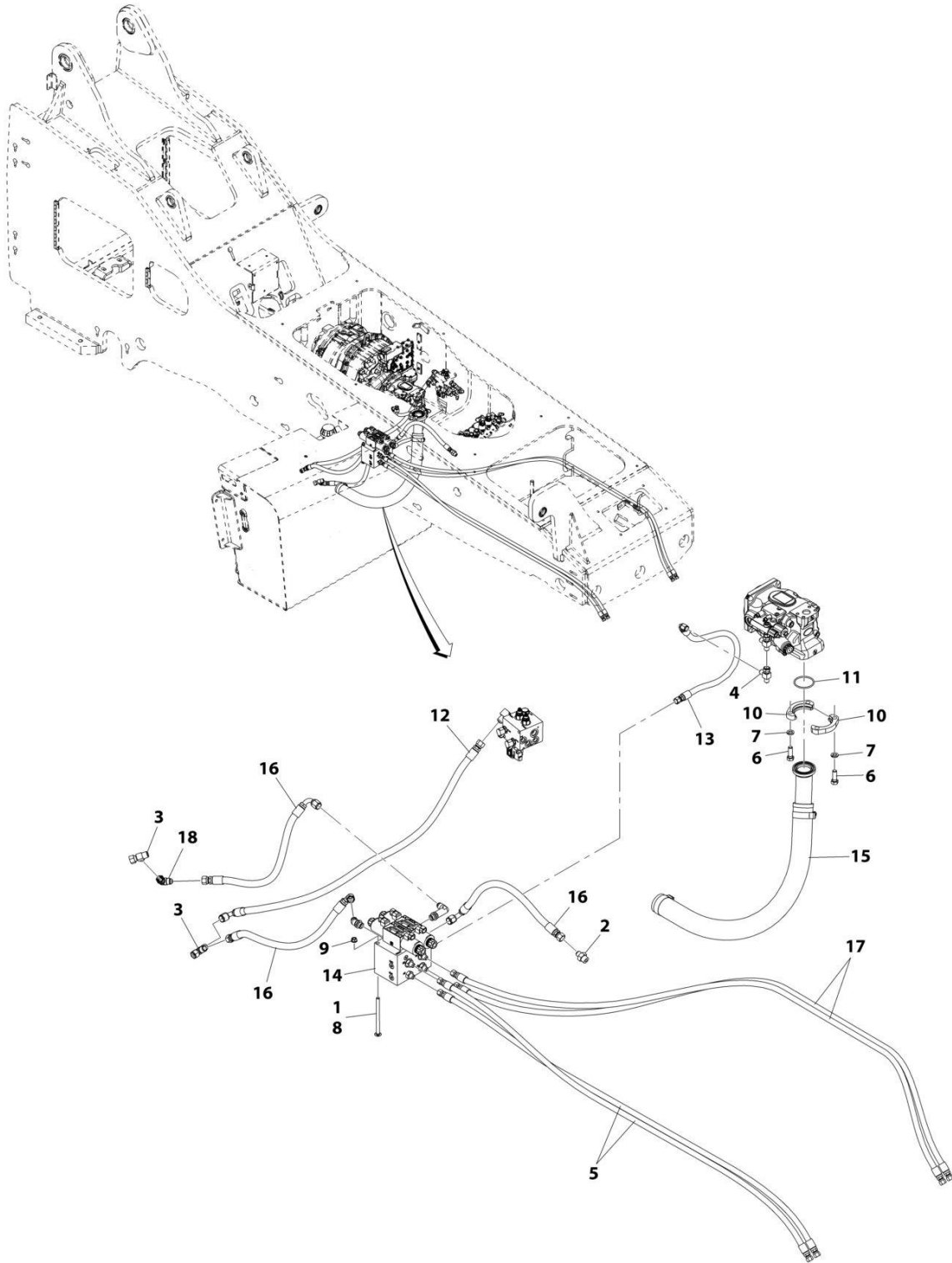
## SECTION 8 - HYDRAULIC CIRCUITS

### FIGURE 8-18. FORK TILT HYDRAULICS INSTALLATION

ITEM	PART NUMBER	QTY	DESCRIPTION	REV
	1001158040	Ref	HYDRAULIC FORK TILT INSTALLATION	G
1	8307004	2	Washer 5/16	
2	8310009	2	Bolt 5/16 x 2	
3	8750012	1	Bolt, Stacking	
5	8750027	3	Clamp Set, Twin	
6	8769128	2	Cover Plate, Twin	
7	1001171188	2	Hose	

# SECTION 8 - HYDRAULIC CIRCUITS

## FIGURE 8-19. FRAME HYDRAULICS INSTALLATION



ART\_1001244867-B



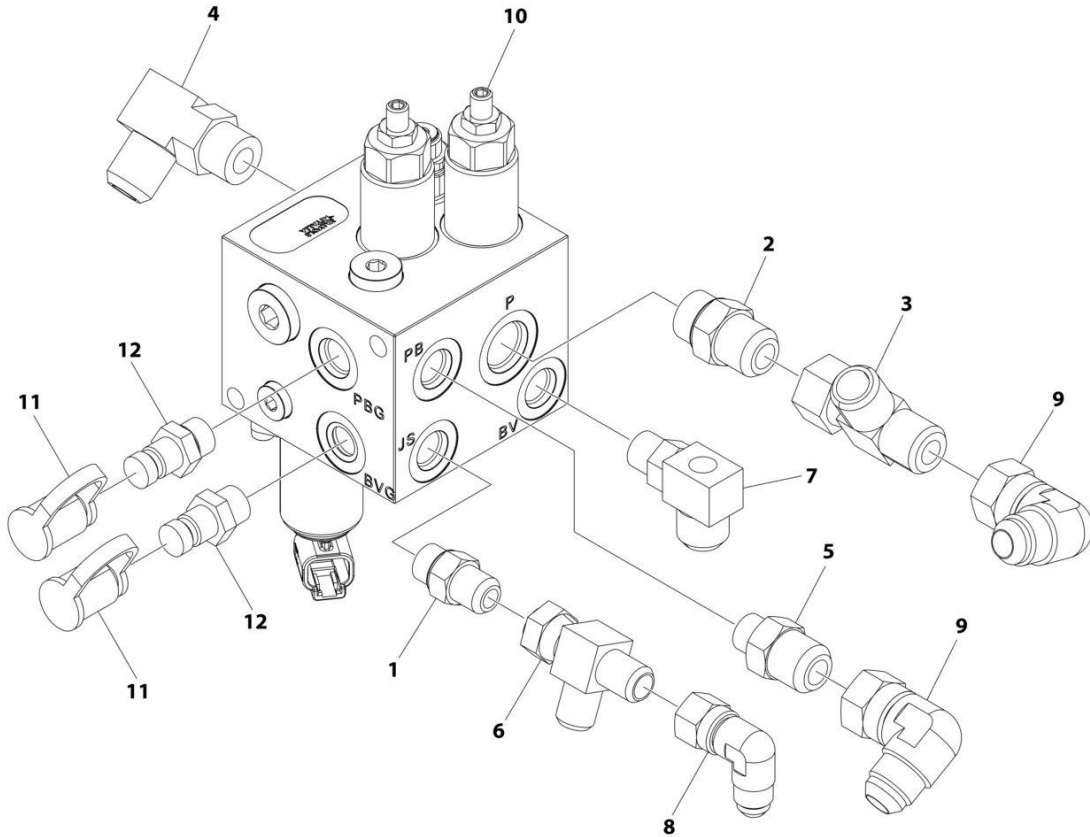
## SECTION 8 - HYDRAULIC CIRCUITS

**FIGURE 8-19. FRAME HYDRAULICS INSTALLATION**

ITEM	PART NUMBER	QTY	DESCRIPTION	REV
	1001244867	Ref	Frame Hydraulics Installation	B
1	0100011	AR	Compound, Locking	
2	2220374	1	Adapter	
3	2220385	2	Adapter	
4	2220635	1	Adapter	
5	2716665	2	Hose	
6	8303626	4	Bolt, 1/2-13X1-1/2	
7	8307007	4	Washer, Lock 1/2	
8	8310478	2	Bolt, 3/8-16X10	
9	8310522	2	Nut, Flange 3/8-16	
10	8546407	1	Flange Half	
11	8640208	1	O-Ring	
12	1001119610	1	Hose	
13	1001158576	1	Hose	
14	1001257141	1	Valve & Fittings Sub-Assembly - Outrigger (See Separate Breakdown in this Section)	
15	1001227508	1	Hose	
16	1001244871	3	Hose	
17	1001245070	2	Hose	
18	8765204	1	Adapter	

# SECTION 8 - HYDRAULIC CIRCUITS

## FIGURE 8-20. FRAME SECONDARY VALVE & FITTINGS SUB-ASSEMBLY



ART\_1001247171\_C

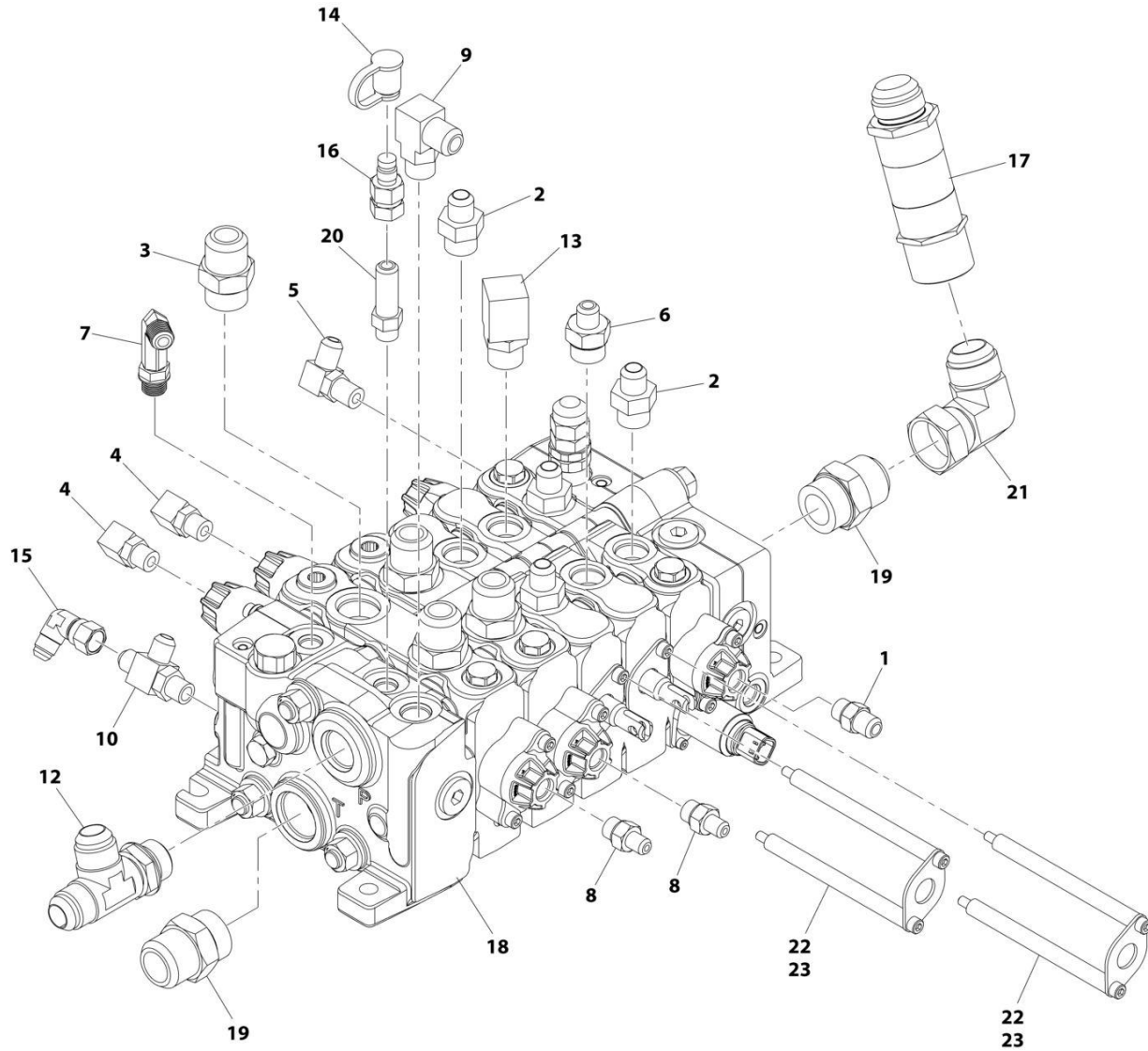
## SECTION 8 - HYDRAULIC CIRCUITS

**FIGURE 8-20. FRAME SECONDARY VALVE & FITTINGS SUB-ASSEMBLY**

ITEM	PART NUMBER	QTY	DESCRIPTION	REV
	1001247171	Ref	SECONDARY VALVE AND FITTING ASSEMBLY	C
1	2220371	1	Fitting, Straight JIC/ORB	
2	2220373	1	Fitting, Straight JIC/ORB	
3	2220385	1	Fitting, Tee JIC/FSJIC/JIC	
4	2220596	1	Fitting, 90 JIC/ORB	
5	2220600	1	Fitting, Straight ORB	
6	2220635	1	Fitting, Tee FM SW x JIC x JIC	
7	2220726	1	Fitting, 90 JIC/ORB	
8	8760268	1	Fitting, 90 JIC/FSJIC	
9	8765204	2	Fitting, 90 JIC/FSJIC	
10	1001302359	1	Valve Assembly - Secondary (See Separate Breakdown in HYDRAULIC COMPONENTS Section)	
11	8430032	2	Plug, Dust Cap	
12	1001003590	2	Fitting, Straight ORB	

# SECTION 8 - HYDRAULIC CIRCUITS

## FIGURE 8-21. MAIN CONTROL VALVE & FITTINGS SUB-ASSEMBLY



ART\_1001243411-C

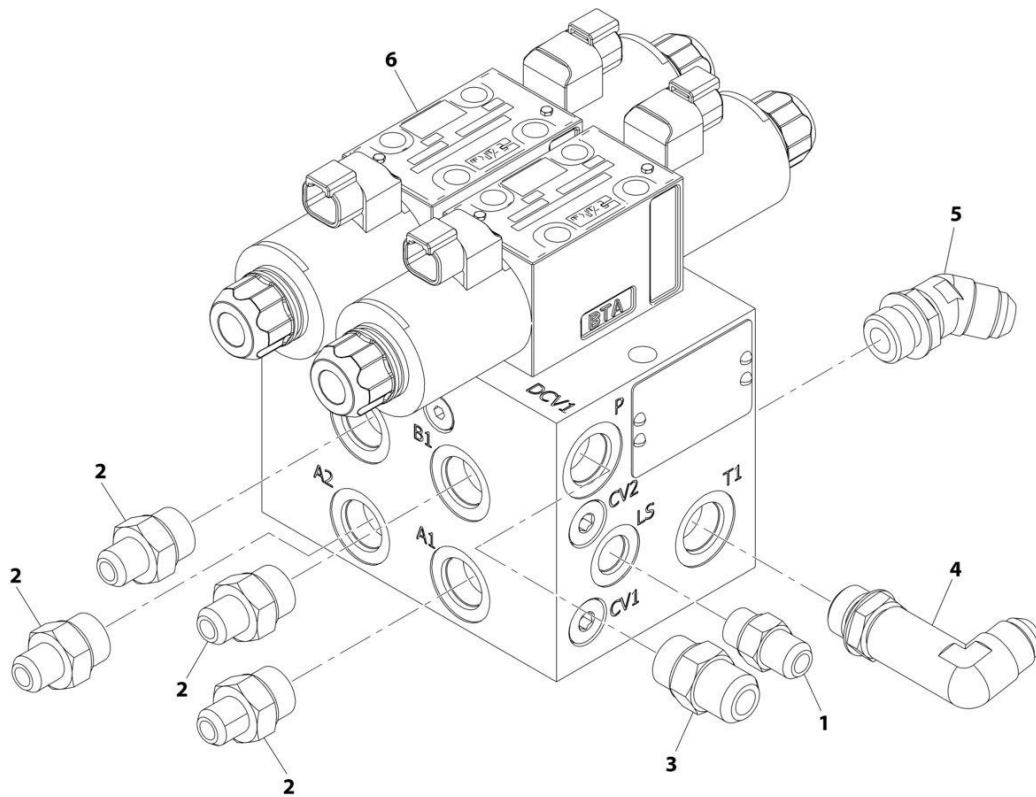
## SECTION 8 - HYDRAULIC CIRCUITS

**FIGURE 8-21. MAIN CONTROL VALVE & FITTINGS SUB-ASSEMBLY**

ITEM	PART NUMBER	QTY	DESCRIPTION	REV
	1001243411	Ref	Main Control Valve & Fittings Sub-Assembly	C
1	2220371	1	Adapter	
2	2220374	4	Adapter	
3	2220451	4	Adapter	
4	2220472	2	Adapter	
5	2220473	1	Adapter	
6	2220497	1	Adapter	
7	2220819	1	Adapter	
8	2220582	2	Adapter	
9	2220596	1	Adapter	
10	2220606	1	Adapter	
12	2220738	1	Adapter	
13	2220828	1	Adapter	
14	8430032	1	Plug	
15	8760268	1	Adapter	
16	8430046	1	Adapter	
17	1001174375	1	Valve, Check	
18	1001242925	1	Valve, Main Control Valve Assembly (See Separate Breakdown in HYDRAULIC COMPONENTS SECTION)	
19	2220377	2	Adapter	
20	2220998	1	Adapter	
21	2220878	1	Adapter	
22	1001254386	2	Mount, Cable Control	
23	0100011	AR	Compound, Locking	

# SECTION 8 - HYDRAULIC CIRCUITS

## FIGURE 8-22. OUTRIGGER & FITINGS SUB-VALVE ASSEMBLY



ART\_1001257141-A

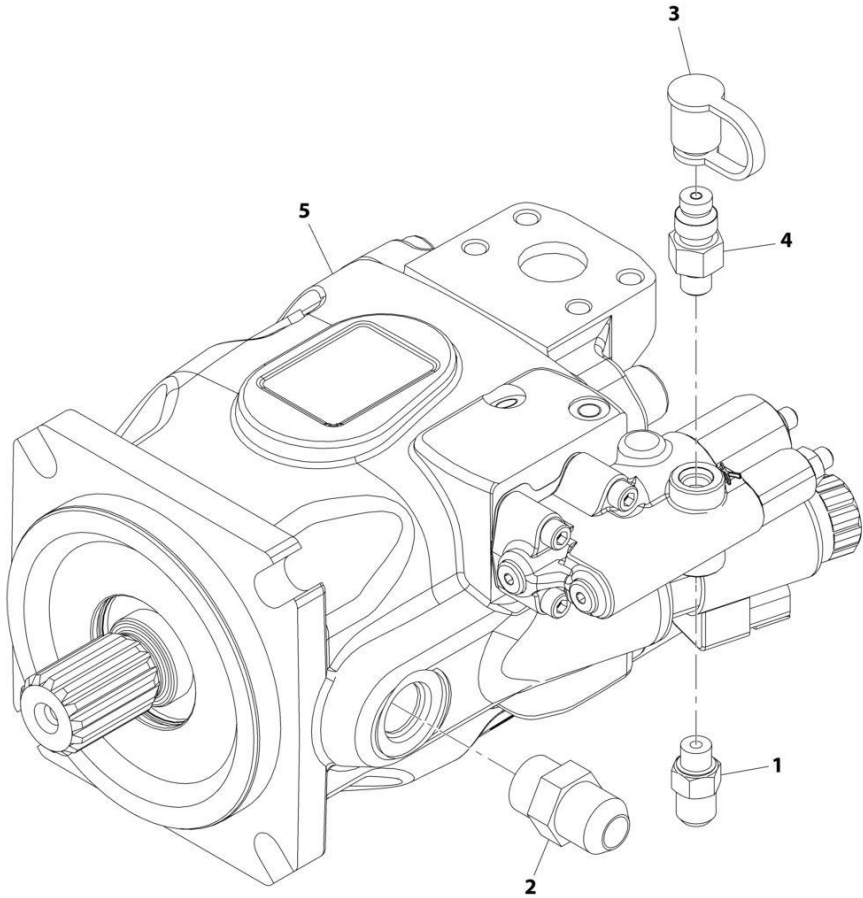
## SECTION 8 - HYDRAULIC CIRCUITS

### FIGURE 8-22. OUTRIGGER & FITINGS SUB-VALVE ASSEMBLY

ITEM	PART NUMBER	QTY	DESCRIPTION	REV
	1001257141	Ref	Outrigger Valve & Fittings Sub-Assembly	A
1	2220371	1	Adapter, Straight JIC	
2	2220372	4	Adapter, Straight JIC	
3	2220373	1	Adapter, Straight JIC	
4	2220474	1	Adapter, 90	
5	2220500	1	Adapter, 45	
6	1001247857	1	Valve Assembly - Outrigger (See Separate Breakdown in HYDRAULIC COMPONENTS Section)	

**SECTION 8 - HYDRAULIC CIRCUITS**

**FIGURE 8-23. PISTON PUMP INSTALLATION**



ART\_1001251426-A



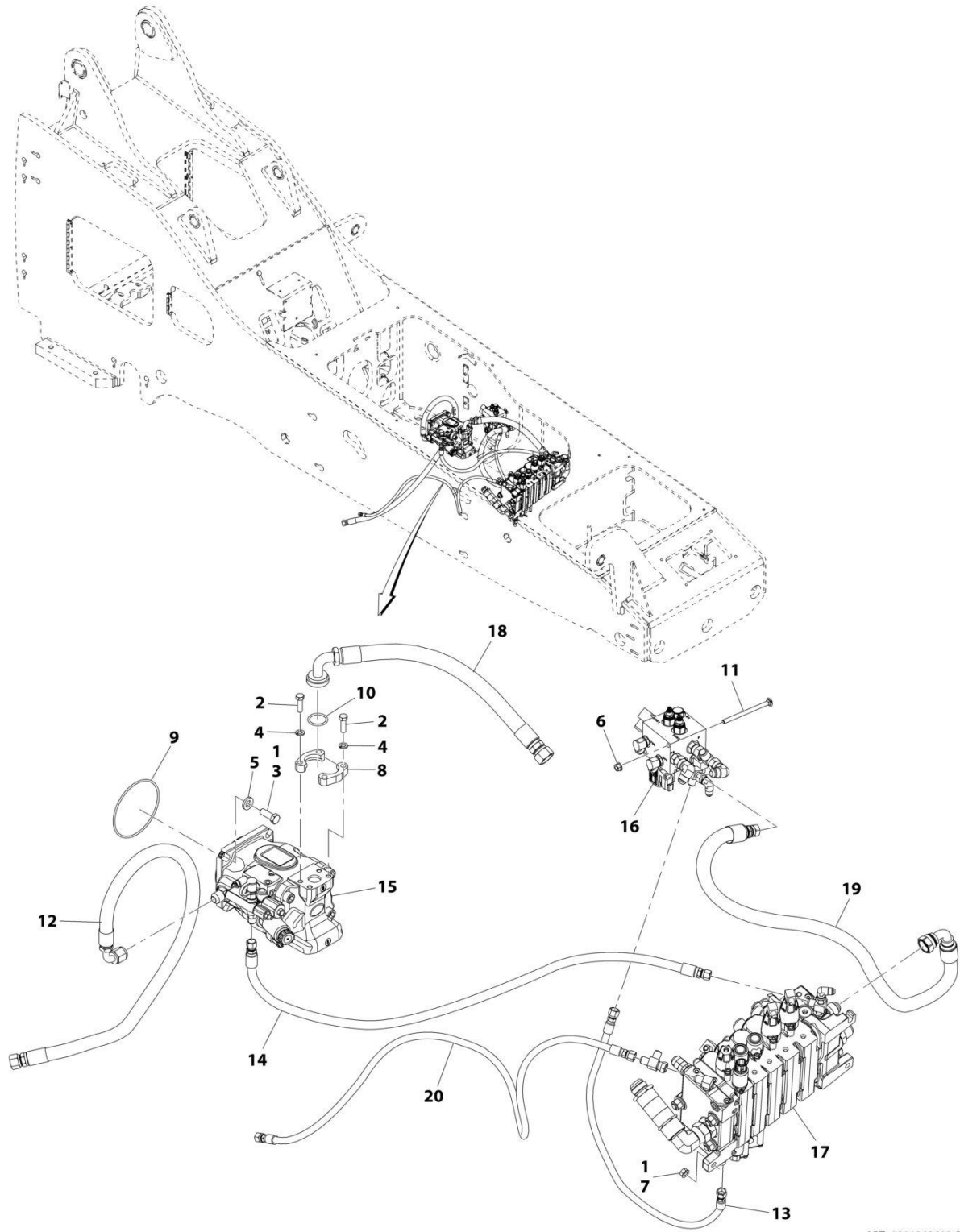
## SECTION 8 - HYDRAULIC CIRCUITS

### FIGURE 8-23. PISTON PUMP INSTALLATION

ITEM	PART NUMBER	QTY	DESCRIPTION	REV
	1001251426	Ref	Piston Pump Installation	A
1	2220603	1	Adapter, Straight	
2	2220947	1	Adapter, Straight	
3	8430032	1	Cap Dust	
4	8430033	1	Adapter	
5	1001251423	1	Pump, Piston (See Separate Breakdown in HYDRAULIC COMPONENTS Section)	

# SECTION 8 - HYDRAULIC CIRCUITS

## FIGURE 8-24. PUMP HYDRAULICS INSTALLATION



ART\_1001243412-B

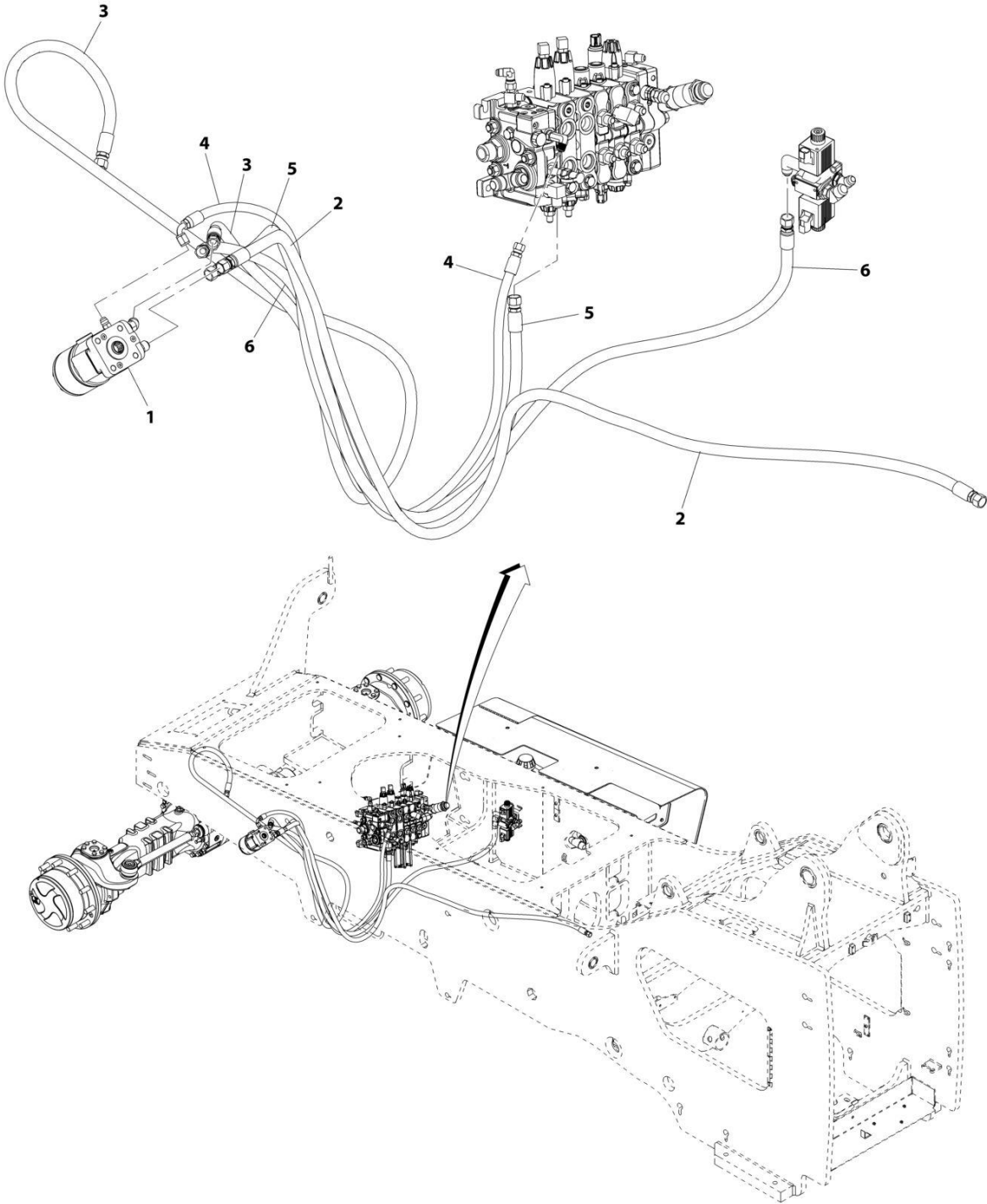
## SECTION 8 - HYDRAULIC CIRCUITS

### FIGURE 8-24. PUMP HYDRAULICS INSTALLATION

ITEM	PART NUMBER	QTY	DESCRIPTION	REV
	1001243412	Ref	Hydraulic Pump Installation	C
1	0100011	AR	Compound, Locking	
2	8303675	4	Screw, 3/8 x 1-1/4	
3	8303519	4	Screw, M12 x 1-3/4	
4	8307005	4	Washer	
5	8310356	4	Washer	
6	8310420	2	Nut	
7	8310522	3	Nut	
8	8530030	2	Flange	
9	8630019	1	O-Ring	
10	8640123	1	O-Ring	
11	1001163685	2	Bolt, 5/16-18 x 4-1/2	
12	1001168451	1	Hose Assembly	
13	1001194592	1	Hose Assembly	
14	1001198684	1	Hose Assembly	
15	1001251426	1	Piston Pump Installation	
16	1001247171	1	Valve & Fitting Assembly - Secondary (See Separate Breakdown in this Section)	
17	1001243411	1	Valve & Fitting Assembly - Main (See Separate Breakdown in this Section)	
18	1001244278	1	Hose Assembly	
19	1001247654	1	Hose Assembly	
20	1001244302	1	Hose Assembly	

# SECTION 8 - HYDRAULIC CIRCUITS

## FIGURE 8-25. STEERING HYDRAULICS INSTALLATION



ART\_1001245057-B

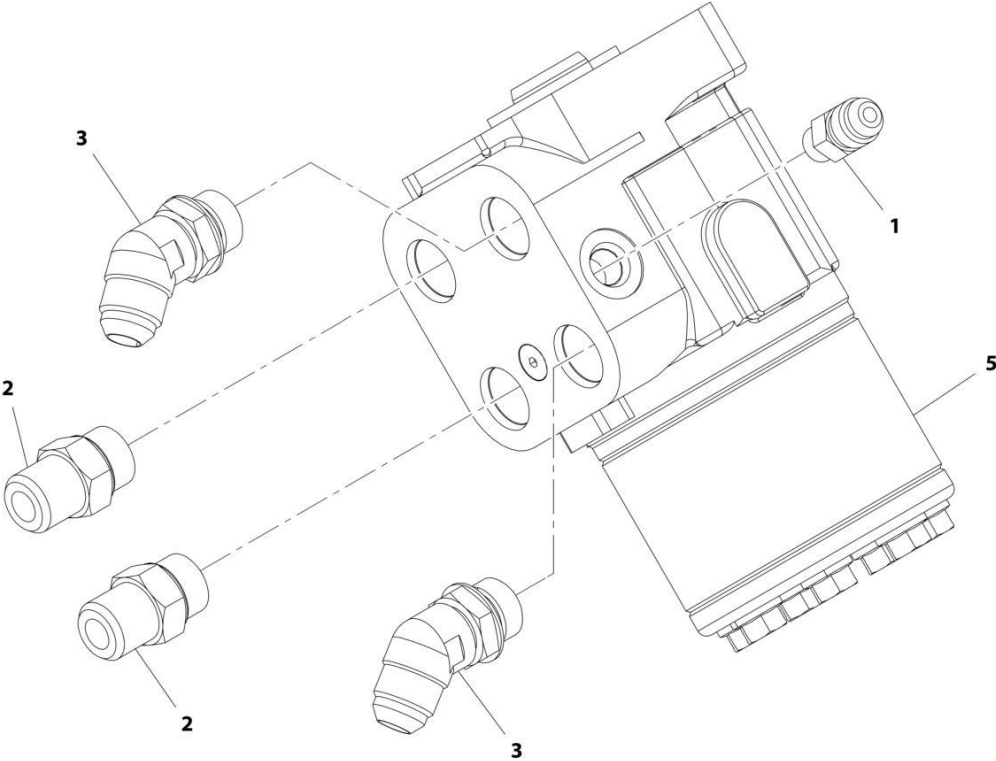
## SECTION 8 - HYDRAULIC CIRCUITS

### FIGURE 8-25. STEERING HYDRAULICS INSTALLATION

ITEM	PART NUMBER	QTY	DESCRIPTION	REV
	1001245057	Ref	Hydraulic Steering Installation	B
1	1001158528	1	Steering Valve Installation (See Separate Breakdown in this Section)	
2	1001245058	1	Hose Assembly	
3	1001157102	1	Hose Assembly	
4	1001158357	1	Hose Assembly	
5	1001171786	1	Hose Assembly	
6	1001173177	1	Hose Assembly	

**SECTION 8 - HYDRAULIC CIRCUITS**

**FIGURE 8-26. STEERING VALVE INSTALLATION**



ART\_1001158528-C

## SECTION 8 - HYDRAULIC CIRCUITS

### FIGURE 8-26. STEERING VALVE INSTALLATION

ITEM	PART NUMBER	QTY	DESCRIPTION	REV
	1001158528	1	Steering Valve & Fitting Assembly	C
1	2220603	1	Adapter, Straight JIC	
2	2220373	2	Adapter, Straight JIC	
3	2220500	2	Adapter, 45 JIC	
5	1001158527	1	Valve, Steering	
5	70026401	1	Seal Kit - Steering Valve	

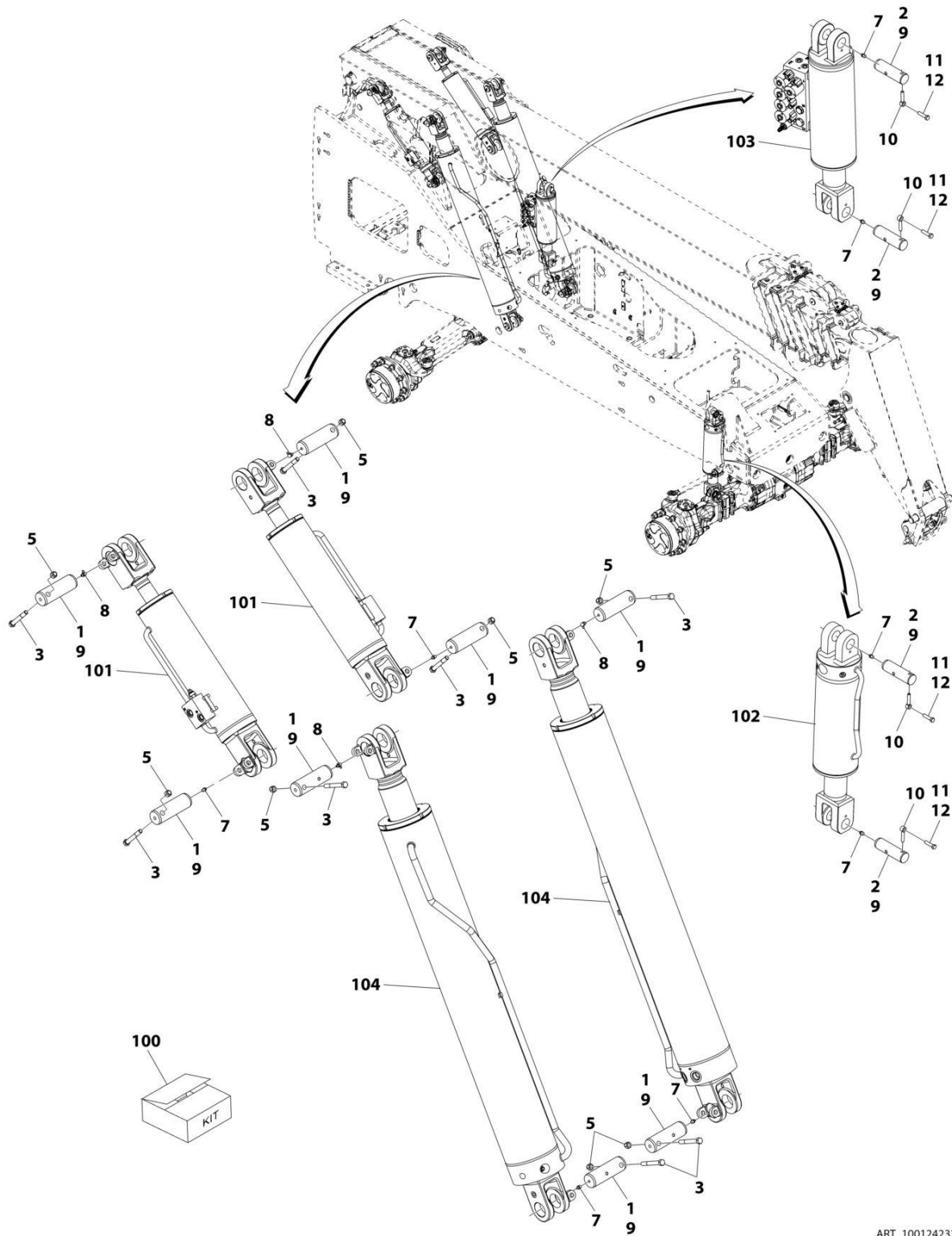




**SECTION 9 - HYDRAULIC COMPONENTS**

# SECTION 9 - HYDRAULIC COMPONENTS

## FIGURE 9-1. CYLINDER GROUP INSTALLATION



ART\_1001242327-C

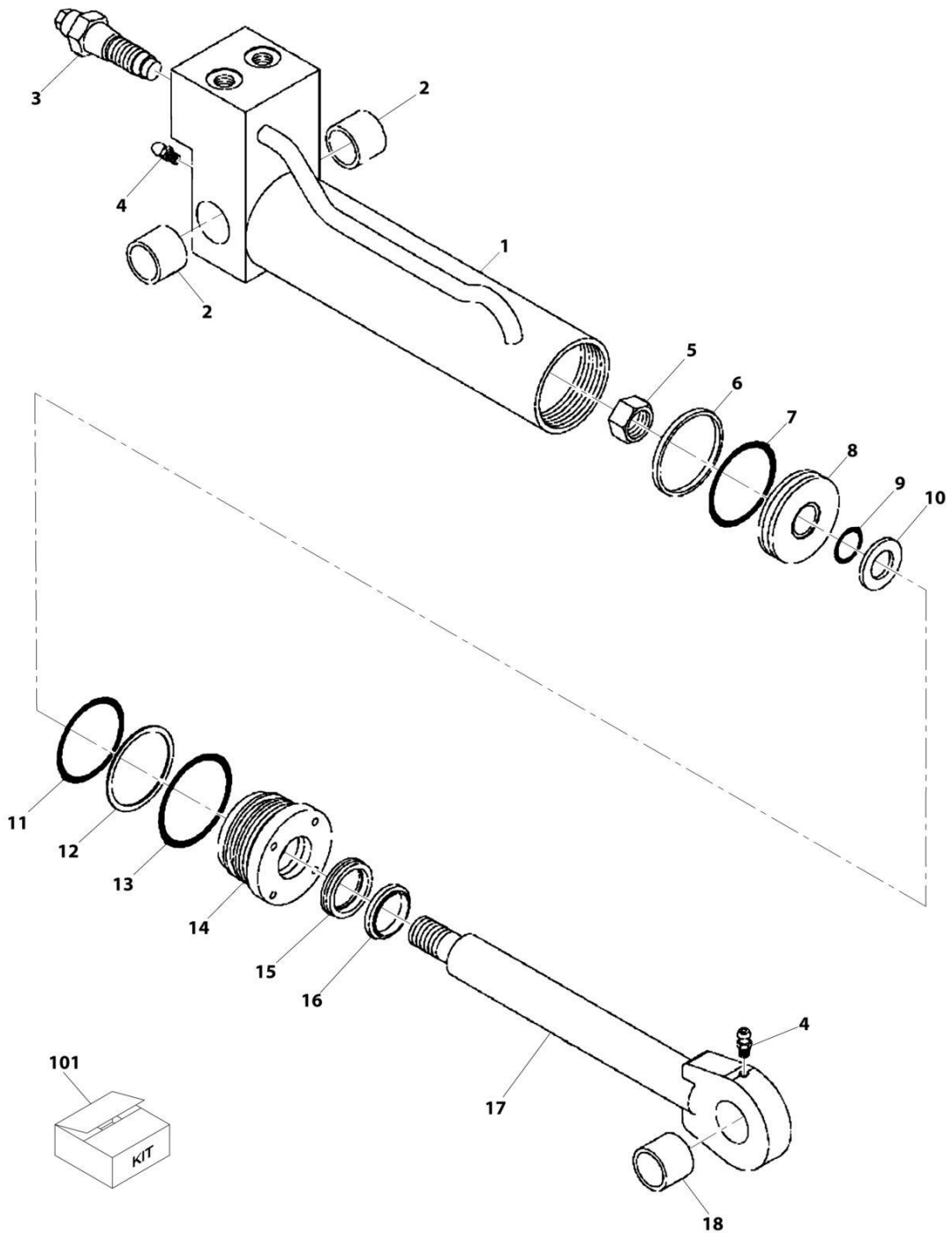
## SECTION 9 - HYDRAULIC COMPONENTS

**FIGURE 9-1. CYLINDER GROUP INSTALLATION**

ITEM	PART NUMBER	QTY	DESCRIPTION	REV
	1001242327	Ref	Cylinder Group Installation	C
1	3423227	8	Pin	
2	1001250505	4	Pin	
3	8303782	8	Bolt, 1/2-13X4	
5	8305644	8	Nut	
7	8520001	8	Fitting, Straight Lube 1/8	
8	8520003	4	Fitting, 90 Lube 1/8	
9	8522012	AR	Lube	
10	3841520	4	Keeper	
11	8303621	4	Screw 3/8 x 3/2	
12	0100011	AR	Compound, Locking	
100	1001245093	1	Cylinder Kit	
101	1001242688	2	Compensation Cylinder	
102	1001239181	1	Frame Level Cylinder	
103	1001239182	1	Stabil-Trak Cylinder	
104	1001239179	2	Lift Cylinder	

# SECTION 9 - HYDRAULIC COMPONENTS

## FIGURE 9-2. CYLINDER - BUCKET (GRAPPLE)



ART\_70021393-A

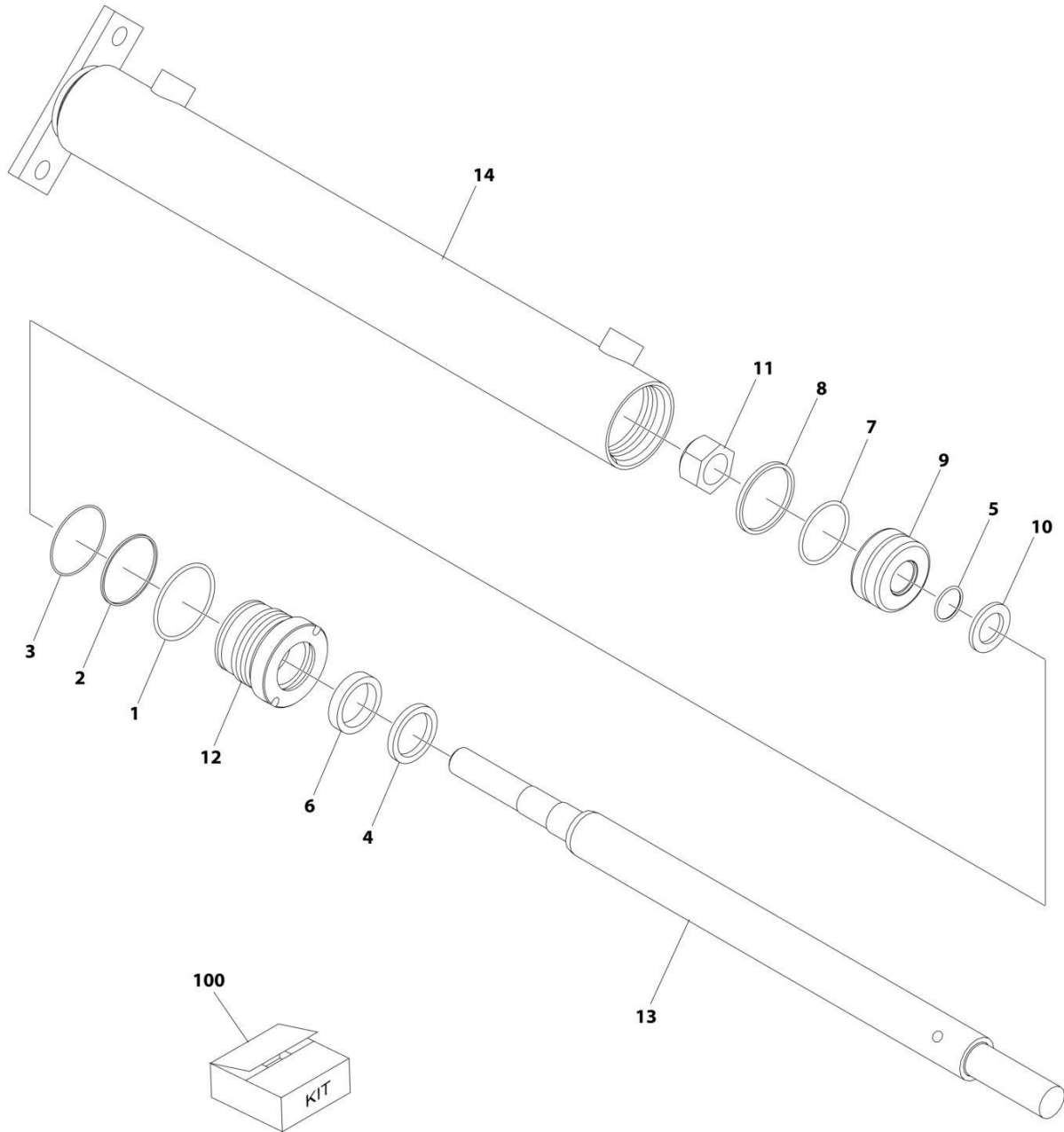
## SECTION 9 - HYDRAULIC COMPONENTS

### FIGURE 9-2. CYLINDER - BUCKET (GRAPPLE)

ITEM	PART NUMBER	QTY	DESCRIPTION	REV
	70021393	Ref	Grapple Bucket Cylinder	A
		Ref	Note: Original Cylinder May Have Been Replaced with Service Replacement. Identify PN Stamped on Cylinder Before Ordering Parts.	
1	70021465	1	Barrel	
2	70021448	2	Bushing	
3	70021464	2	Cartridge, Valve	
4	90554045	2	Fitting, Grease	
5	70021440	1	Nut	
6	Kit	NSS	Ring, Piston (Note: Use Item 101)	
7	Kit	NSS	O-Ring (Note: Use Item 101)	
8	70021451	1	Piston	
9	Kit	NSS	O-Ring (Note: Use Item 101)	
10	70021444	1	Washer	
11	Kit	NSS	O-Ring (Note: Use Item 101)	
12	Kit	NSS	Washer, Back-Up (Note: Use Item 101)	
13	Kit	NSS	O-Ring (Note: Use Item 101)	
14	70021446	1	Head	
15	Kit	NSS	Seal, Poly-Pak (Note: Use Item 101)	
16	Kit	NSS	Wiper, Rod (Note: Use Item 101)	
17	70021466	1	Rod	
18	70021447	1	Bushing	
101	70021452	1	Kit, Seal (includes items 6, 7, 9, 11 thru 13, 15 & 16)	

# SECTION 9 - HYDRAULIC COMPONENTS

## FIGURE 9-3. CYLINDER - CARRIAGE (DUAL FORK)



ART\_2717283

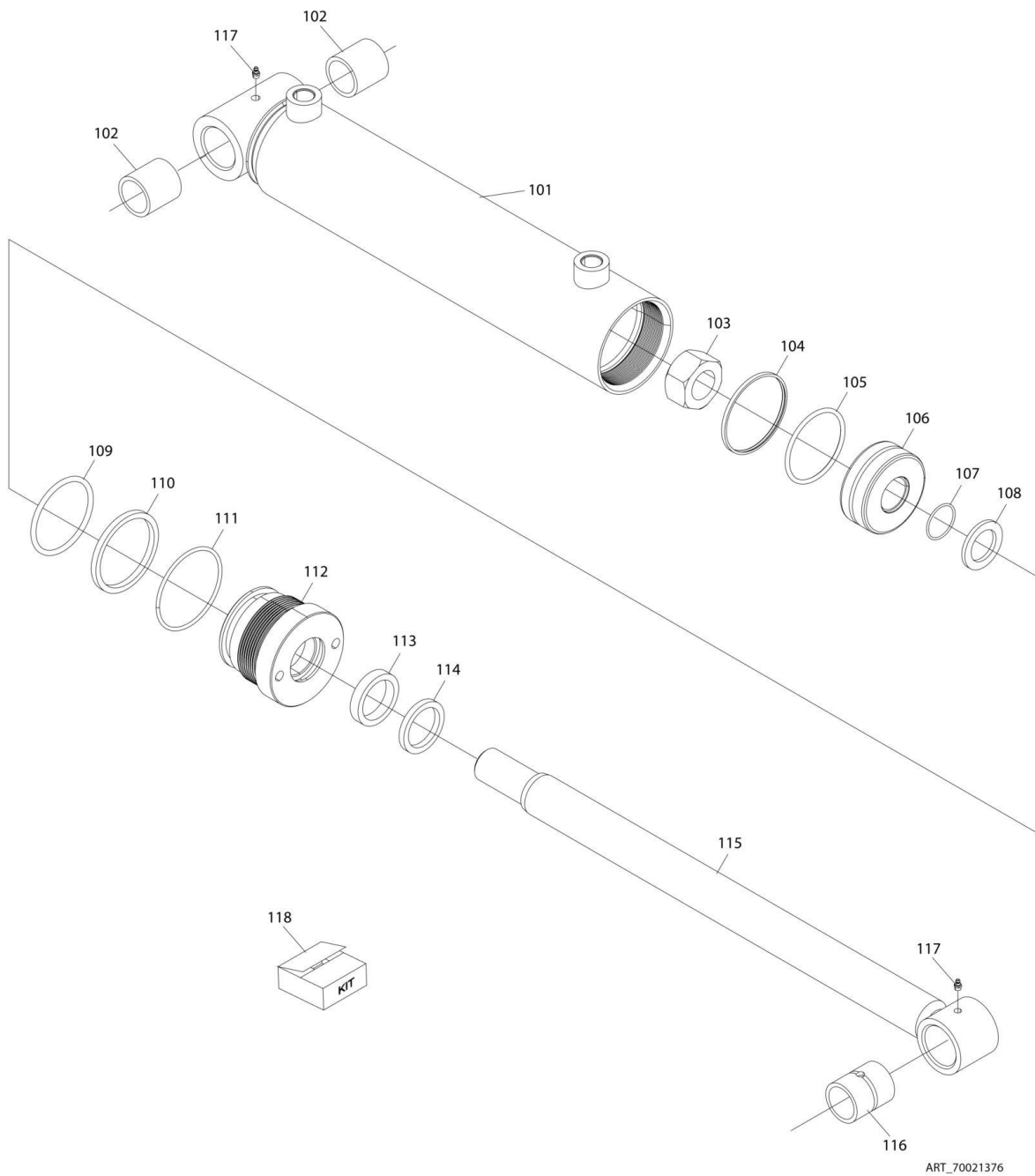
## SECTION 9 - HYDRAULIC COMPONENTS

**FIGURE 9-3. CYLINDER - CARRIAGE (DUAL FORK)**

ITEM	PART NUMBER	QTY	DESCRIPTION	REV
	2717283	Ref	FORK POSITIONING CYLINDER	B
		Ref	<b>Note: Original Cylinder May Have Been Replaced with Service Replacement. Identify PN Stamped on Cylinder Before Ordering Parts.</b>	
1	See Note	NSS	O-Ring (Use Item 100)	
2	See Note	NSS	Ring, Back-up (Use Item 100)	
3	See Note	NSS	O-Ring (Use Item 100)	
4	See Note	NSS	Seal (Use Item 100)	
5	See Note	NSS	O-Ring (Use Item 100)	
6	See Note	NSS	Seal (Use Item 100)	
7	See Note	NSS	O-Ring (Use Item 100)	
8	See Note	NSS	Seal (Use Item 100)	
9	70026771	1	Piston	
10	70026775	1	Washer	
11	70026770	1	Nut	
12	70026774	1	Head	
13	70026773	1	Rod	
14	See Note	NSS	Barrel (Note: Use PN 2717283)	
100	8036733	1	Seal Kit (includes items 1 thru 8)	

# SECTION 9 - HYDRAULIC COMPONENTS

## FIGURE 9-4. CYLINDER - CARRIAGE (SIDE SHIFT)



ART\_70021376



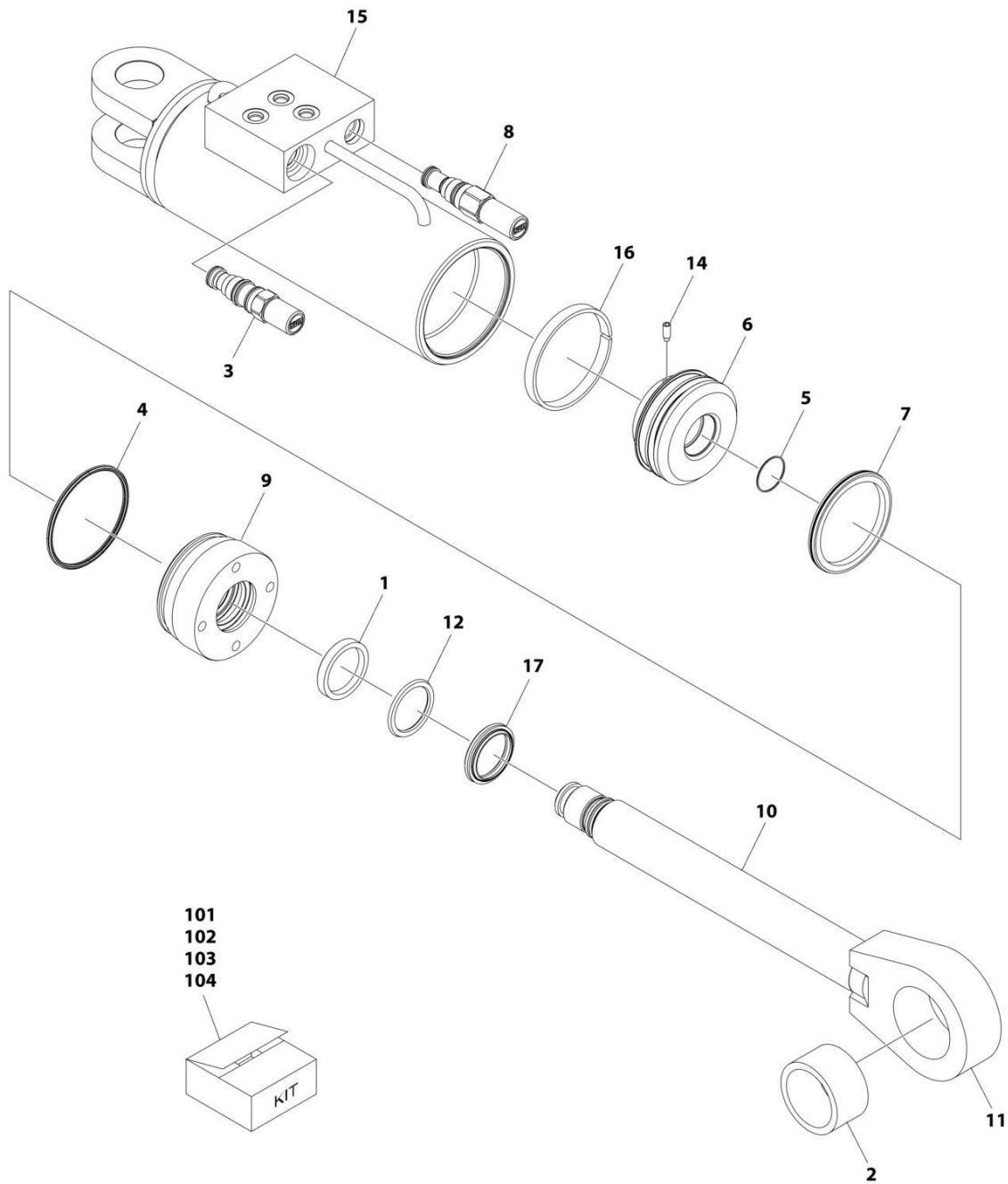
## SECTION 9 - HYDRAULIC COMPONENTS

**FIGURE 9-4. CYLINDER - CARRIAGE (SIDE SHIFT)**

ITEM	PART NUMBER	QTY	DESCRIPTION	REV
	70021376	1	Cylinder Assembly, Side Shift Carriage 12K	
		Ref	Note: Original Cylinder May Have Been Replaced with Service Replacement. Identify PN Stamped on Cylinder Before Ordering Parts.	
101	See Note	NSS	Barrel (Note: Use PN 70021376)	
102	70021448	2	Bushing	
103	70021440	1	Nut	
104	See Note	NSS	Ring, Piston (Note Use Item 118)	
105	See Note	NSS	O-Ring (Note: Use Item 118)	
106	70021451	1	Piston	
107	See Note	NSS	O-Ring (Note: Use Item 118)	
108	70021444	1	Spacer, Sheave	
109	See Note	NSS	O-Ring (Note: Use Item 118)	
110	See Note	NSS	Washer, Back-Up (Note: Use Item 118)	
111	See Note	NSS	O-Ring (Note: Use Item 118)	
112	70021446	1	Head	
113	See Note	NSS	Seal (Note: Use Item 118)	
114	See Note	NSS	Wiper, Rod (Note: Use Item 118)	
115	70021445	1	Rod	
116	70021447	1	Bushing	
117	90554045	2	Grease Fitting	
118	70021452	1	Seal Kit, (includes items 104, 105, 107, 109, 110, 111, 113 & 114)	

# SECTION 9 - HYDRAULIC COMPONENTS

## FIGURE 9-5. CYLINDER - CARRIAGE (SWING)



ART\_1001293182

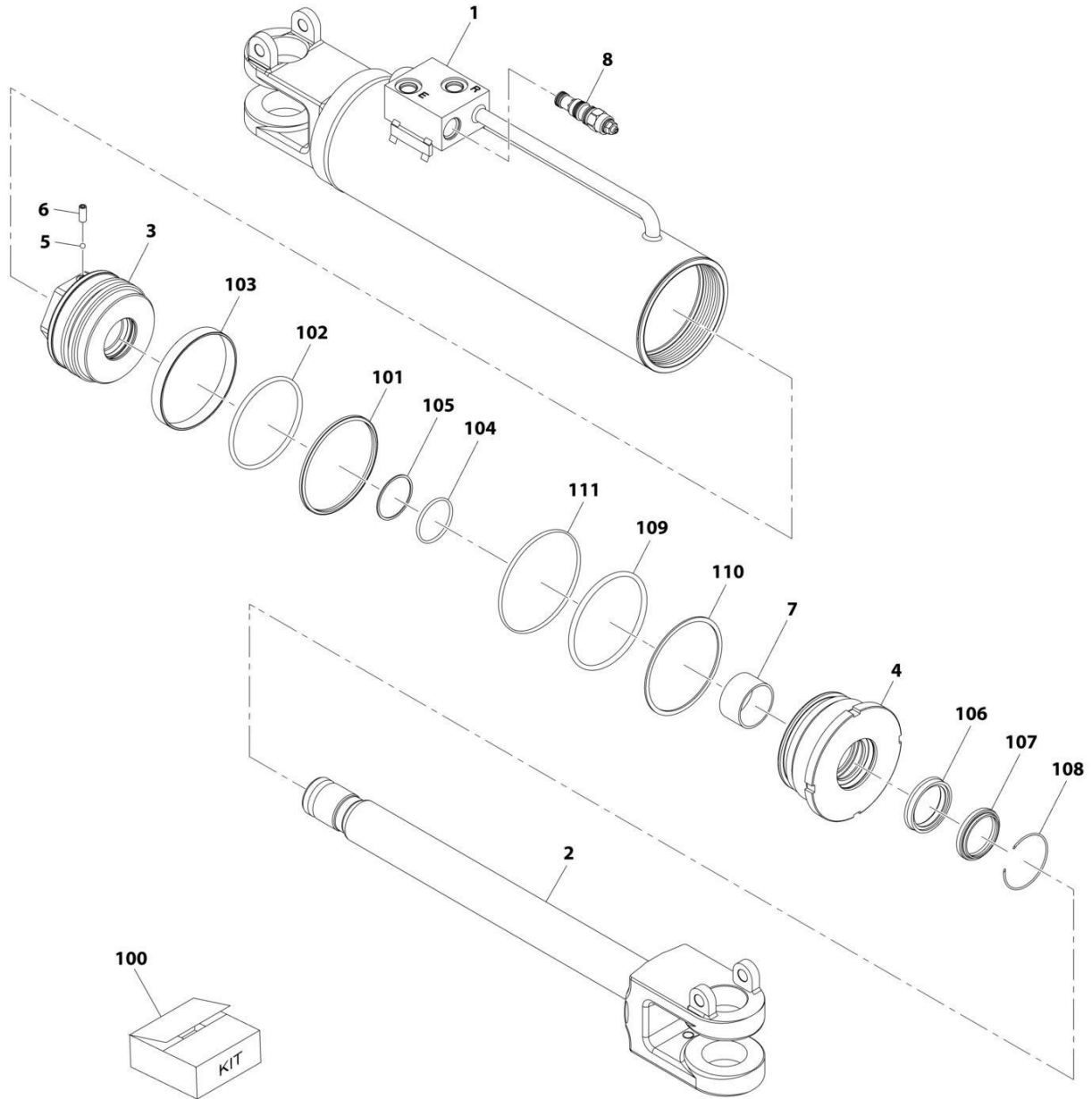
## SECTION 9 - HYDRAULIC COMPONENTS

### FIGURE 9-5. CYLINDER - CARRIAGE (SWING)

ITEM	PART NUMBER	QTY	DESCRIPTION	REV
	1001293182	Ref	SWING CARRIAGR CYLINDER	A
		Ref	Note: Original Cylinder May Have Been Replaced with Service Replacement. Identify PN Stamped on Cylinder Before Ordering Parts.	
1	See Note	NSS	Ring, Buffer (Note: Use Item 101 or 102)	
2	70031329	1	Bushing (Note: Use Item 104)	
3	8033786	1	Valve, Counterbalance	
4	See Note	NSS	Seal, Head (Note: Use Item 101 or 102)	
5	See Note	NSS	O-Ring (Note: Use Item 101)	
6	See Note	NSS	Piston (Note: Use Item 103)	
7	See Note	NSS	Seal, Piston (Note: Use Item 101 or 103)	
8	8902842	1	Valve, Relief	
9	See Note	NSS	Retainer (Note: Use Item 102)	
10	See Note	NSS	Rod (Note: Use Item 104)	
11	See Note	NSS	Rod End (Note: Use Item 104)	
12	See Note	NSS	Seal, Rod (Note: Use Item 101 or 102)	
14	See Note	NSS	Setscrew (Note: Use Item 103)	
15	See Note	NSS	Shell Assembly (Note: No Service Parts Available)	
16	See Note	NSS	Ring, Wear (Note: Use Items 101 or 103)	
17	See Note	NSS	Wiper (Note: Use Items 101 or 102)	
101	70031325	1	Seal Kit (Includes Items # 1, 4-5, 7, 12, 16 & 17)	
102	70031326	1	Retainer Kit (Includes Items # 1, 4, 9, 12 & 17)	
103	70031327	1	Piston Kit ( Includes Items # 6-7, 14 & 16)	
104	70031328	1	Rod Service Kit ( Includes Items # 2 & 10-11)	

# SECTION 9 - HYDRAULIC COMPONENTS

## FIGURE 9-6. CYLINDER - COMPENSATION



ART\_1001242688-E

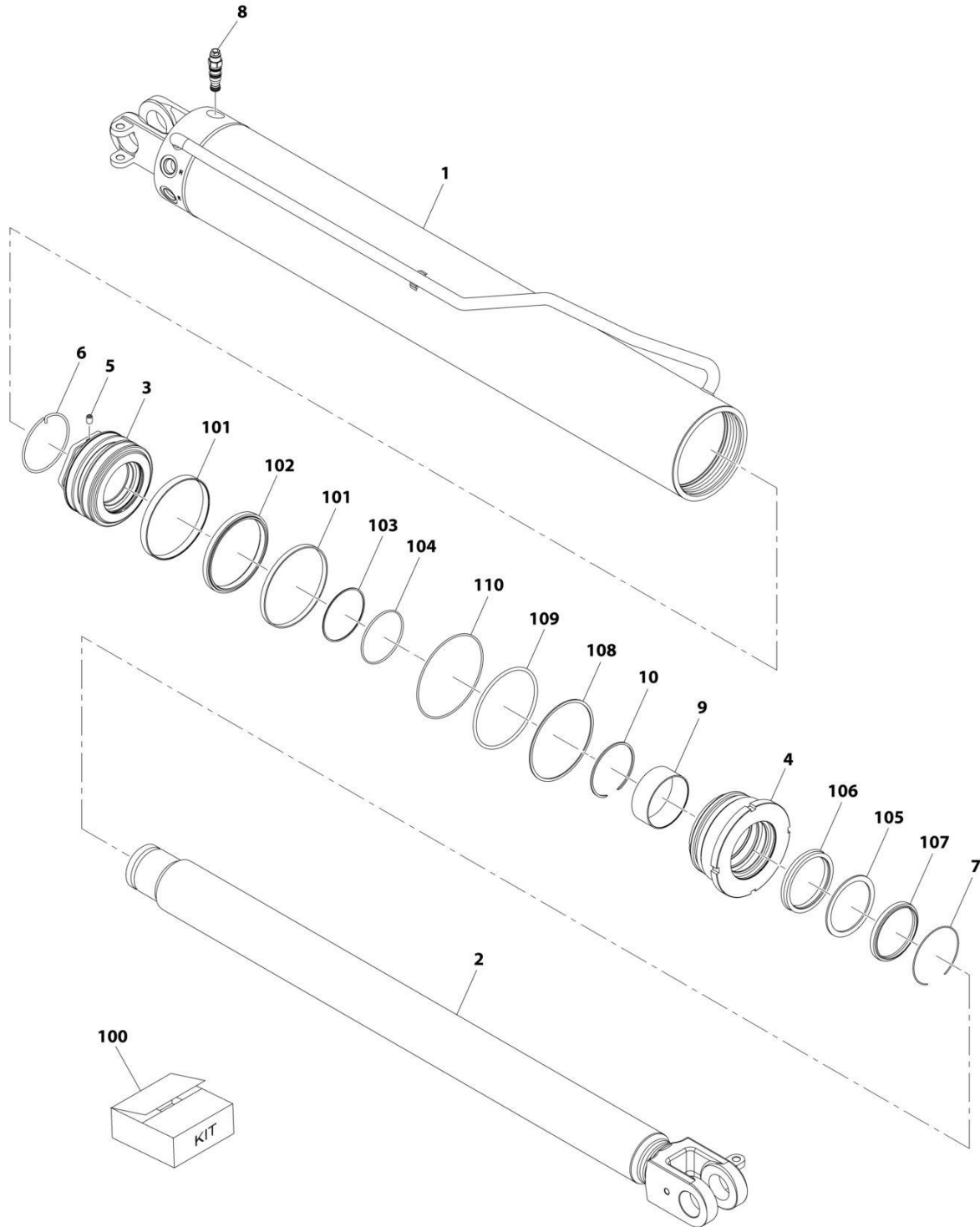
## SECTION 9 - HYDRAULIC COMPONENTS

### FIGURE 9-6. CYLINDER - COMPENSATION

ITEM	PART NUMBER	QTY	DESCRIPTION	REV
	1001242688	Ref	Compensation Cylinder	H
		Ref	<b>Note: Original Cylinder May Have Been Replaced with Service Replacement. Identify PN Stamped on Cylinder Before Ordering Parts.</b>	
1	N.S.S.	1	Barrel	
2	70029590	1	Rod	
3	70029574	1	Piston	
4	70029575	1	Head End Cover	
5	70029576	1	Steel Ball	
6	70029577	1	Set Screw	
7	70029578	1	Bushing	
8	1001255574	1	Counterbalance Valve	
8	70028164	1	Seal Kit, CB Valve	
100	70029579	1	Seal Kit (Includes Items 101 thru 111)	
101	N.S.S.	1	Piston Seal	
102	N.S.S.	1	O-Ring	
103	N.S.S.	1	Piston Bearing	
104	N.S.S.	1	O-Ring	
105	N.S.S.	1	Back-Up Ring	
106	N.S.S.	1	Rod Seal	
107	N.S.S.	1	Wiper	
108	N.S.S.	1	Snap Ring	
109	N.S.S.	1	O-Ring	
110	N.S.S.	1	Back-Up Ring	
111	N.S.S.	1	O-Ring	

# SECTION 9 - HYDRAULIC COMPONENTS

## FIGURE 9-7. CYLINDER - LIFT



ART\_1001239179-D

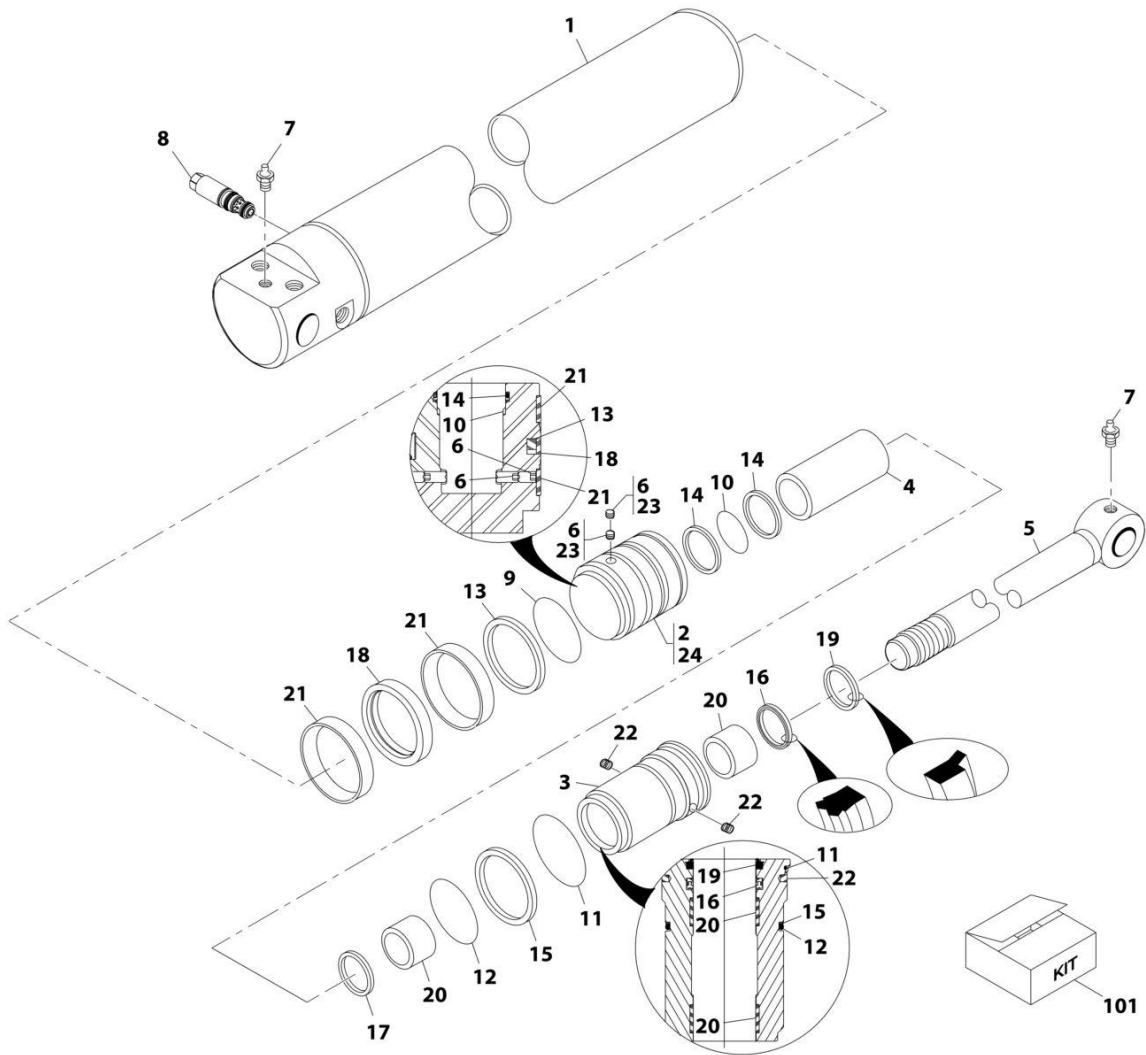
## SECTION 9 - HYDRAULIC COMPONENTS

### FIGURE 9-7. CYLINDER - LIFT

ITEM	PART NUMBER	QTY	DESCRIPTION	REV
	1001239179	Ref	Lift Cylinder	D
		Ref	<b>Note: Original Cylinder May Have Been Replaced with Service Replacement. Identify PN Stamped on Cylinder Before Ordering Parts.</b>	
1	N.S.S.	1	Barrel	
2	70029589	1	Rod	
3	70029559	1	Piston	
4	70029560	1	Head End Cover	
5	70029561	1	Set Screw	
6	70029562	1	Snap Ring	
7	70029563	1	Snap Ring	
8	1001254411	1	Counterbalance Valve (Note: No Seal Kit Available)	
9	70029564	1	Bushing	
10	70029565	1	Snap Ring	
100	70029566	1	Seal Kit	
101	N.S.S.	2	Piston Bearing	
102	N.S.S.	1	Piston Seal	
103	N.S.S.	1	Back-Up Ring	
104	N.S.S.	1	O-Ring	
105	N.S.S.	1	Back-Up Ring	
106	N.S.S.	1	Rod Seal	
107	N.S.S.	1	Wiper	
108	N.S.S.	1	Back-Up Ring	
109	N.S.S.	1	O-Ring	
110	N.S.S.	1	O-Ring	

# SECTION 9 - HYDRAULIC COMPONENTS

## FIGURE 9-8. CYLINDER - EXTEND/RETRACT



ART\_1001156009-D



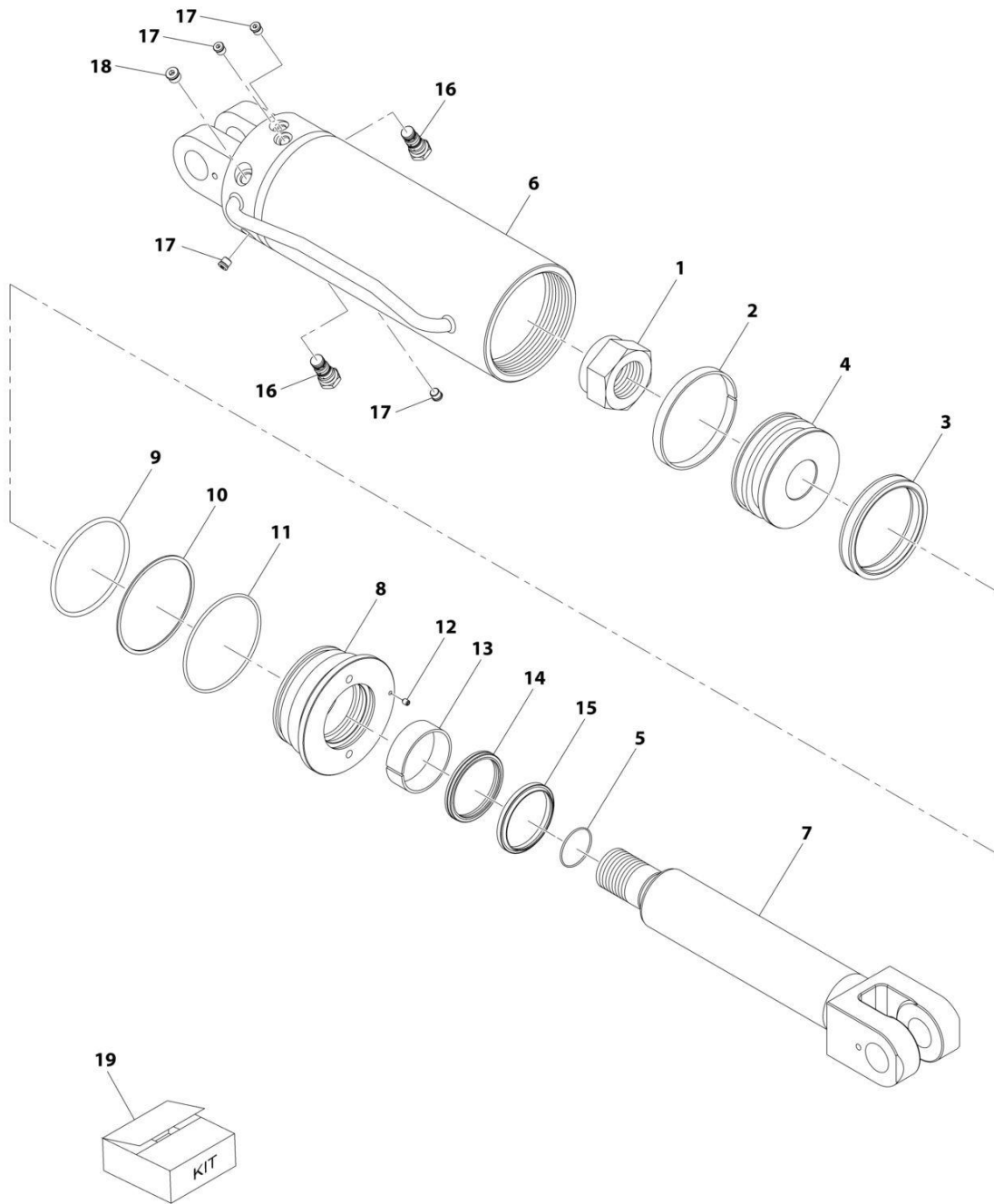
## SECTION 9 - HYDRAULIC COMPONENTS

### FIGURE 9-8. CYLINDER - EXTEND/RETRACT

ITEM	PART NUMBER	QTY	DESCRIPTION	REV
	1001156009	Ref	Extend/Retract Cylinder	D
		Ref	Note: Original Cylinder May Have Been Replaced with Service Replacement. Identify PN Stamped on Cylinder Before Ordering Parts.	
1	70026036	1	Barrel	
2	70026039	1	Piston	
3	70026040	1	Head	
4	70026041	1	Spacer, Rod	
5	70026042	1	Rod	
6	8035536	2	Screw, 5/16-18X1/2	
7	70020375	2	Fitting, Straight Lube	
8	1001170316	1	Cartridge, Counterbalance Valve	
9	Kit	1	O-Ring	
10	Kit	1	O-Ring	
11	Kit	1	O-Ring	
12	Kit	1	O-Ring	
13	Kit	1	Ring, Square	
14	Kit	2	Ring, Backup	
15	Kit	1	Ring, Backup	
16	Kit	1	U-Cup	
17	Kit	1	Seal, Buffer	
18	Kit	1	Seal, Piston	
19	Kit	1	Seal, Wiper	
20	Kit	2	Ring, Wear	
21	Kit	2	Ring, Wear	
22	Kit	2	Insert, Locking	
23	8526007	AR	Compound, Locking	
24	8526011	AR	Compound, Locking	
101	70026043	1	Kit, Seal (includes items 9 thru 22)	

# SECTION 9 - HYDRAULIC COMPONENTS

## FIGURE 9-9. CYLINDER - FRAME LEVEL



ART\_1001239181-H

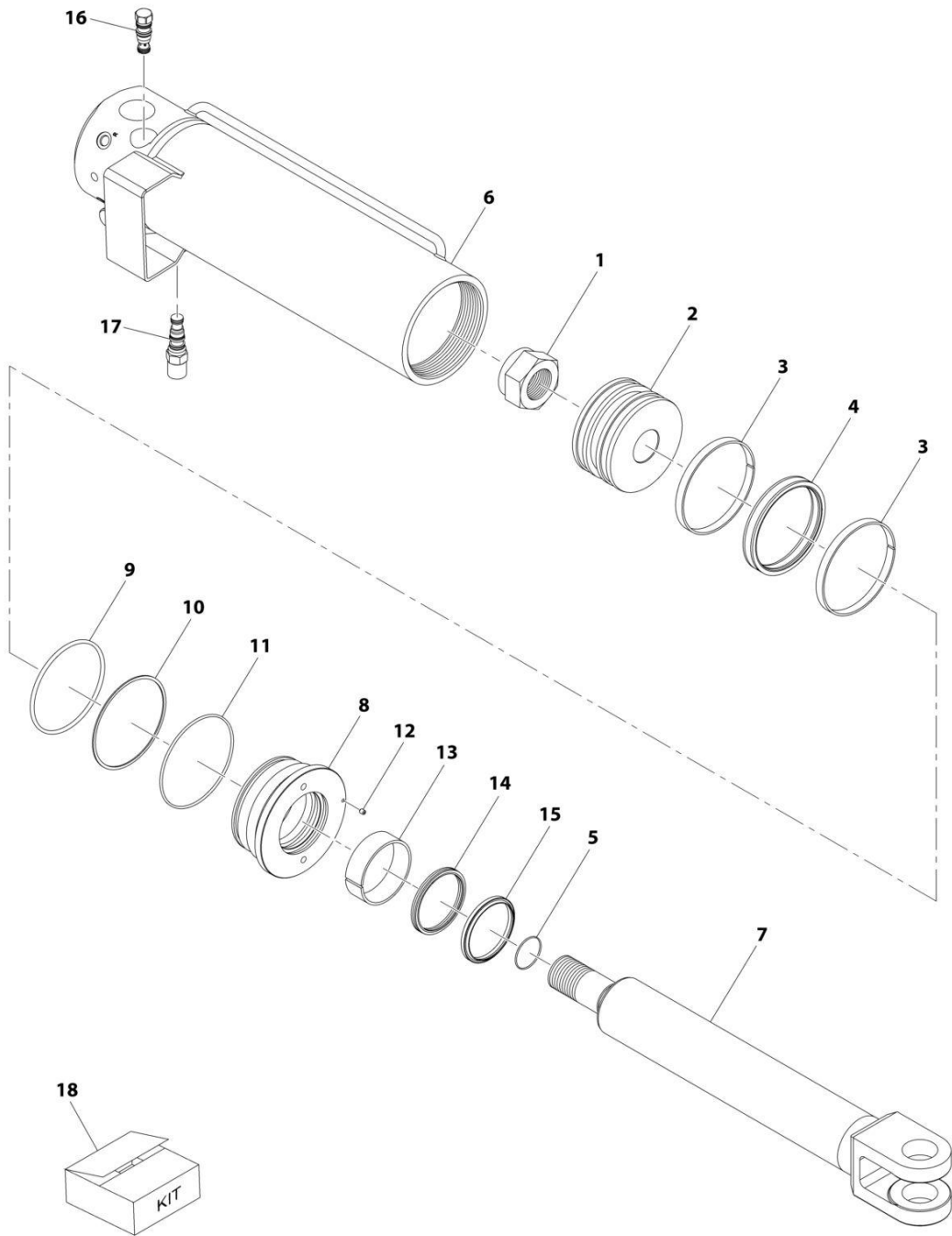
## SECTION 9 - HYDRAULIC COMPONENTS

### FIGURE 9-9. CYLINDER - FRAME LEVEL

ITEM	PART NUMBER	QTY	DESCRIPTION	REV
	1001239181	Ref	Frame Level Cylinder	H
		Ref	<b>Note: Original Cylinder May Have Been Replaced with Service Replacement. Identify PN Stamped on Cylinder Before Ordering Parts.</b>	
1	70006285	1	Lock Nut	
2	N.S.S.	1	Wear Ring	
3	N.S.S.	1	Capped T-Seal	
4	70029883	1	Piston	
5	N.S.S.	1	O-Ring	
6	N.S.S.	1	Barrel Assembly	
7	70029884	1	Rod	
8	70029885	1	Rod Guide	
9	N.S.S.	1	O-Ring	
10	N.S.S.	1	Back-Up Ring	
11	N.S.S.	1	O-Ring	
12	70028161	1	Set Screw	
13	N.S.S.	1	Wear Ring	
14	N.S.S.	1	Z-Seal	
15	N.S.S.	1	Wiper	
16	70027693	2	Check Valve	
17	70029886	4	Plug	
18	70029887	1	Plug	
19	70029888	1	Seal Kit (Includes Items 2, 3, 5, 6, 9, 10, 11, 13, 14 & 15)	

# SECTION 9 - HYDRAULIC COMPONENTS

## FIGURE 9-10. CYLINDER - OUTRIGGER



ART\_1001239183-E

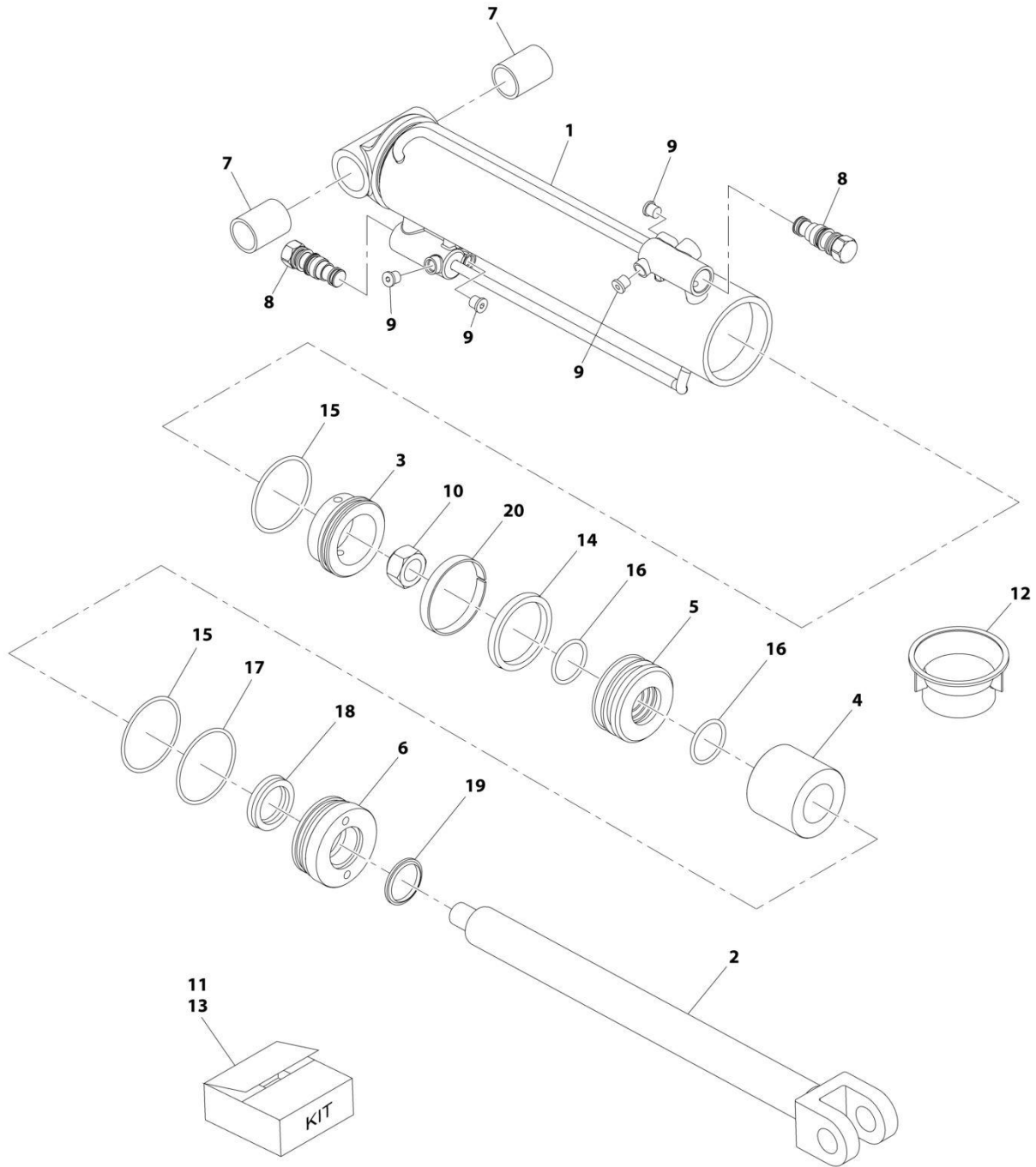
## SECTION 9 - HYDRAULIC COMPONENTS

### FIGURE 9-10. CYLINDER - OUTRIGGER

ITEM	PART NUMBER	QTY	DESCRIPTION	REV
	1001239183	Ref	Outrigger Cylinder	E
		Ref	<b>Note: Original Cylinder May Have Been Replaced with Service Replacement. Identify PN Stamped on Cylinder Before Ordering Parts.</b>	
1	70006285	1	Lock Nut	
2	70029896	1	Piston	
3	N.S.S.	2	Wear Ring	
4	N.S.S.	1	Capped T-Seal	
5	N.S.S.	1	O-Ring	
6	N.S.S.	1	Barrel Assembly	
7	70029897	1	Rod	
8	70029898	1	Rod Guide	
9	N.S.S.	1	O-Ring	
10	N.S.S.	1	Back-Up Ring	
11	N.S.S.	1	O-Ring	
12	70028161	1	Set Screw	
13	N.S.S.	1	Wear Ring	
14	N.S.S.	1	Z-Seal	
15	N.S.S.	1	Wiper	
16	4640438	1	Cartridge, Check Valve	
16	2900770	1	Seal Kit - 4640438 Valve	
17	8036732	1	Cartridge, Counterbalance Valve	
17	2900770	1	Seal Kit - 8036732 Valve	
18	70029974	1	Seal Kit (Includes Items 3 thru 6, 9, 10, 11, 13, 14 & 15)	

# SECTION 9 - HYDRAULIC COMPONENTS

## FIGURE 9-11. CYLINDER - PIPE HANDLER



ART\_70026587

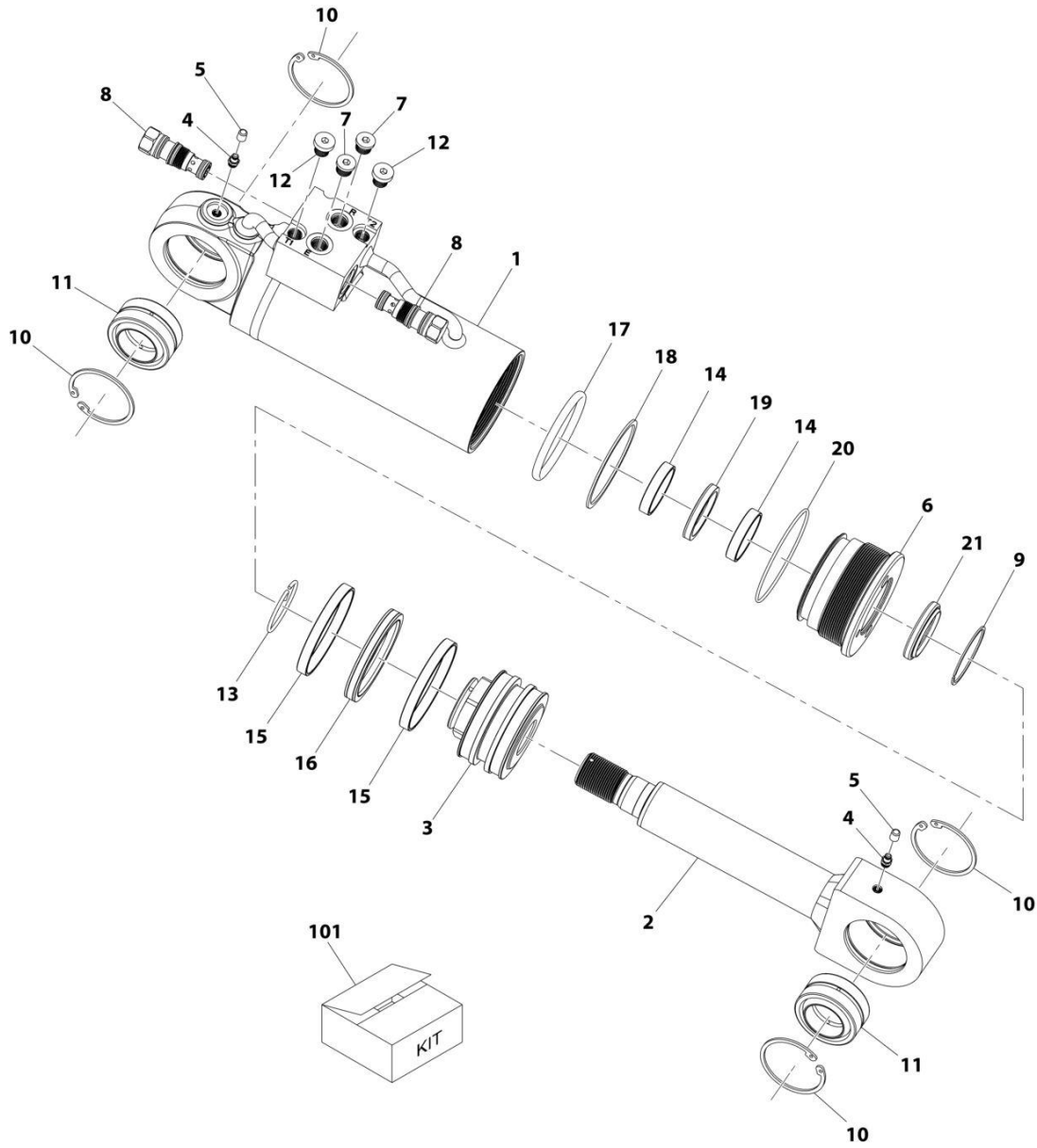
## SECTION 9 - HYDRAULIC COMPONENTS

### FIGURE 9-11. CYLINDER - PIPE HANDLER

ITEM	PART NUMBER	QTY	DESCRIPTION	REV
	70026587	Ref	Pipe Handler Cylinder	
		Ref	Note: Original Cylinder May Have Been Replaced with Service Replacement. Identify PN Stamped on Cylinder Before Ordering Parts.	
1	70026495	1	Barrel	
2	70026610	1	Rod	
3	70026497	1	Spacer	
4	70026611	1	Spacer	
5	70026499	1	Piston	
6	70026500	1	Retainer	
7	70026501	2	Bushing	
8	70026502	2	Valve, Check	
9	70024129	4	Fitting, 4	
10	70026503	1	Nut	
11	70024734	1	Kit, Check Valve Service	
12	70026505	1	Seal Loader	
13	70026506	1	Seal Kit (includes items 14 thru 20)	
14	Kit	AR	Seal (Note: Use Item 13)	
15	Kit	AR	O-Ring (Note: Use Item 13)	
16	Kit	AR	O-Ring (Note: Use Item 13)	
17	Kit	AR	Ring, Back-up (Note: Use Item 13)	
18	Kit	AR	Seal (Note: Use Item 13)	
19	Kit	AR	Wiper (Note: Use Item 13)	
20	Kit	AR	Ring, Wear (Note: Use Item 13)	

# SECTION 9 - HYDRAULIC COMPONENTS

## FIGURE 9-12. CYLINDER - SIDE TILT



ART\_1001163414-A



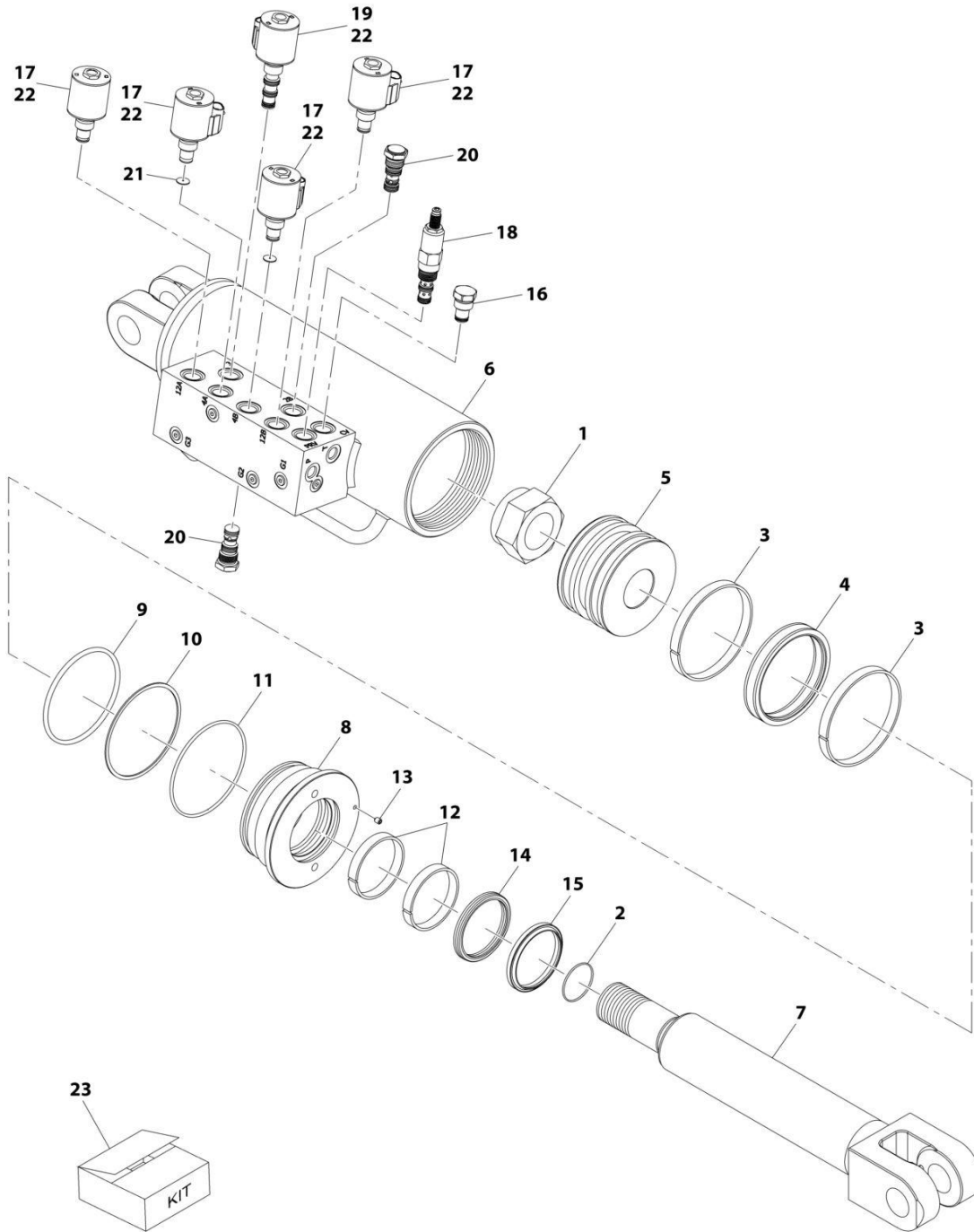
## SECTION 9 - HYDRAULIC COMPONENTS

### FIGURE 9-12. CYLINDER - SIDE TILT

ITEM	PART NUMBER	QTY	DESCRIPTION	REV
	1001163414	Ref	Side Tilt Cylinder	A
		Ref	<b>Note: Original Cylinder May Have Been Replaced with Service Replacement. Identify PN Stamped on Cylinder Before Ordering Parts.</b>	
1	70026056	1	Barrel	
2	70026057	1	Rod	
3	70026058	1	Piston	
4	70025606	2	Nipple, Grease	
5	70024020	2	Fitting, Grease	
6	70003849	1	Head	
7	70025959	2	Plug	
8	70026059	2	Valve, Check	
9	70002219	1	Ring, Retaining	
10	70026060	4	Ring, Retaining	
11	70026061	2	Bearing	
12	70024262	2	Plug	
13	70002224	1	Ring, Lock	
14	Kit	NSS	Ring, Rod Bearing (Note: Use Item 101)	
15	Kit	NSS	Ring, Piston Bearing (Note: Use Item 101)	
16	Kit	NSS	Seal, Piston (Note: Use Item 101)	
17	Kit	NSS	O-Ring (Note: Use Item 101)	
18	Kit	NSS	Ring, Back-Up (Note: Use Item 101)	
19	Kit	NSS	Seal, Rod (Note: Use Item 101)	
20	Kit	NSS	O-Ring (Note: Use Item 101)	
21	Kit	NSS	Seal, Wiper (Note: Use Item 101)	
101	70026062	1	Kit, Seal (includes items 14 thru 21)	

# SECTION 9 - HYDRAULIC COMPONENTS

## FIGURE 9-13. CYLINDER - STABIL-TRAK



ART\_1001239182-G

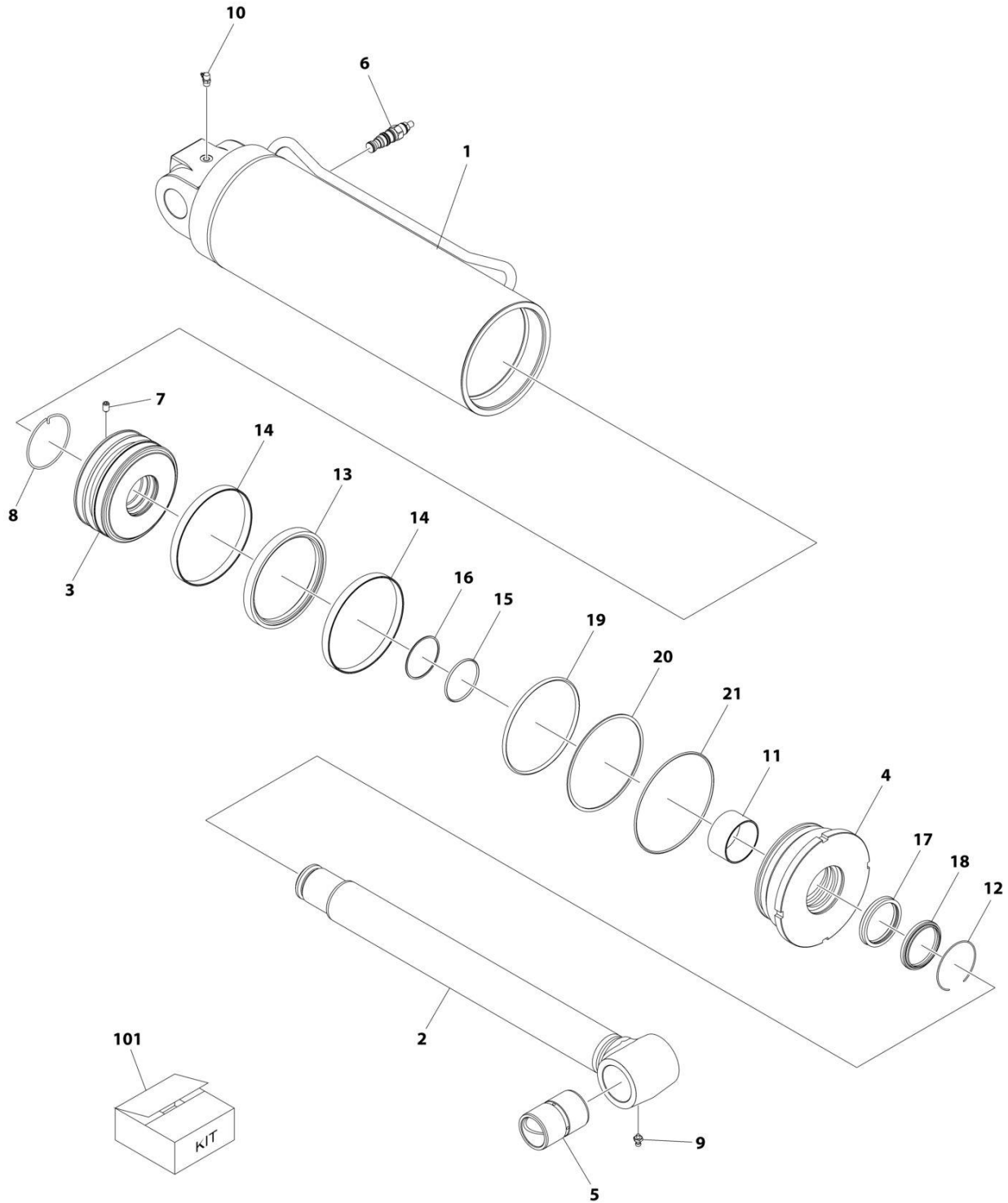
## SECTION 9 - HYDRAULIC COMPONENTS

### FIGURE 9-13. CYLINDER - STABIL-TRAK

ITEM	PART NUMBER	QTY	DESCRIPTION	REV
	1001239182	Ref	Stabil-Trak Cylinder	G
		Ref	<b>Note: Original Cylinder May Have Been Replaced with Service Replacement. Identify PN Stamped on Cylinder Before Ordering Parts.</b>	
1	70006285	1	Lock Nut	
2	N.S.S.	1	O-Ring	
3	N.S.S.	2	Wear Ring	
4	N.S.S.	1	Capped T-Seal	
5	70029893	1	Piston	
6	N.S.S.	1	Barrel Assembly	
7	70029894	1	Rod	
8	70029885	1	Rod Guide	
9	N.S.S.	1	O-Ring	
10	N.S.S.	1	Back-Up Ring	
11	N.S.S.	1	O-Ring	
12	N.S.S.	2	Wear Ring	
13	70028161	1	Set Screw	
14	N.S.S.	1	Z-Seal	
15	N.S.S.	1	Wiper	
16	8036582	1	Valve, Check	
17	8036581	4	Valve, Cartridge	
18	8035282	1	Pres Reducing Valve	
19	8036580	1	Valve, Cartridge	
19	7012903	1	Seal Kit - 8036580 Valve	
20	8035281	2	Valve, Pilot	
21	8035781	2	Orifice Disc	
22	7029246	5	Solenoid Coil	
23	70029895	1	Seal Kit (Includes Items 2, 3, 4, 9 thru 11, 14 & 15)	

# SECTION 9 - HYDRAULIC COMPONENTS

## FIGURE 9-14. CYLINDER - TILT



ART\_1001258911

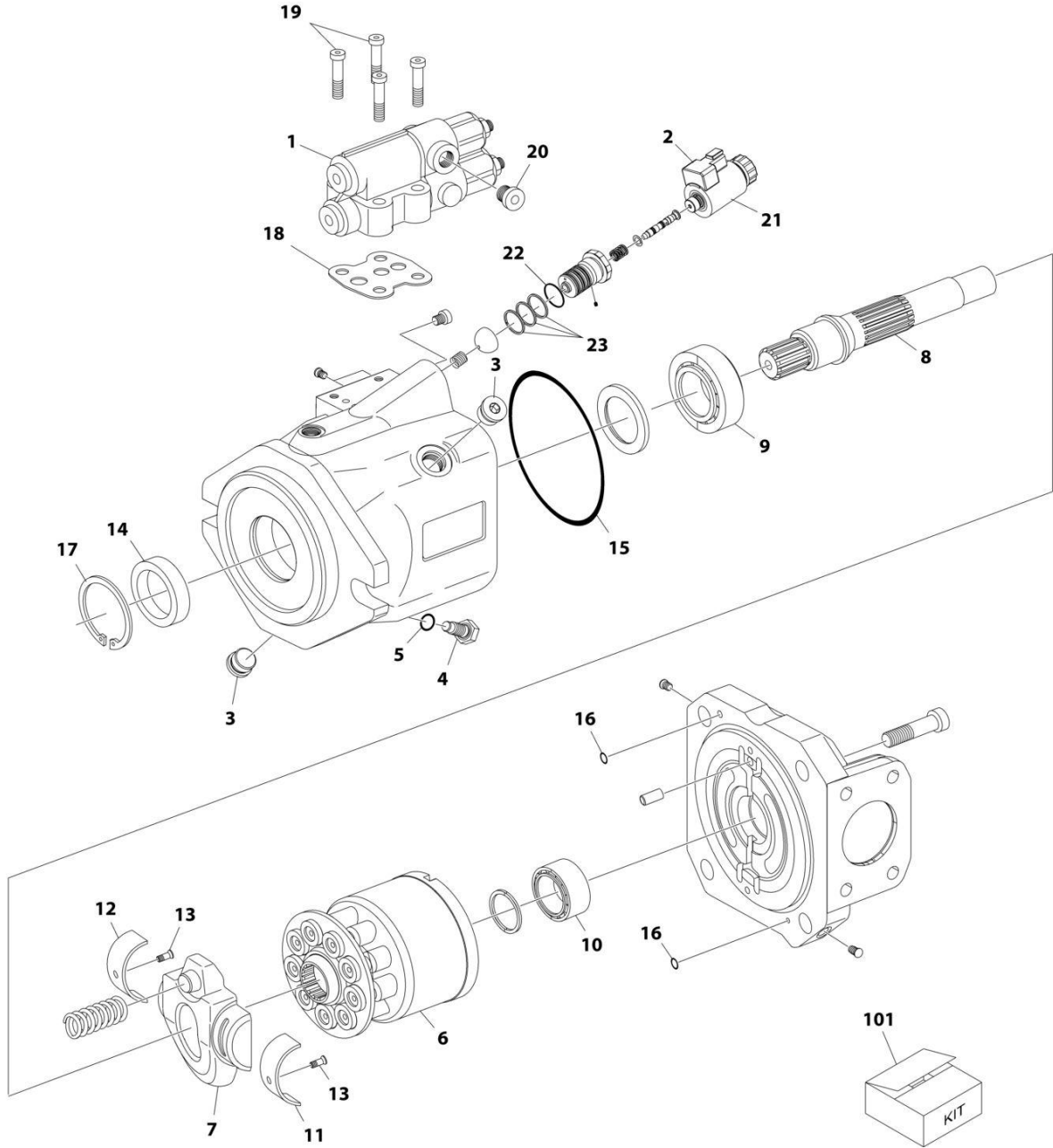
## SECTION 9 - HYDRAULIC COMPONENTS

### FIGURE 9-14. CYLINDER - TILT

ITEM	PART NUMBER	QTY	DESCRIPTION	REV
	1001258911	Ref	Tilt Cylinder	A
		Ref	Note: Original Cylinder May Have Been Replaced with Service Replacement. Identify PN Stamped on Cylinder Before Ordering Parts.	
1	N.S.S.	1	Barrel	
2	70029590	1	Rod	
3	70029567	1	Piston	
4	70029568	1	Head End Cover	
5	70029569	1	Bushing	
6	8035321	1	Counterbalance Valve	
6	8035327	1	Seal Kit, Cb Valve	
7	70029561	1	Set Screw	
8	70029570	1	Snap Ring	
9	8520013	1	Grease Nipple, Str	
10	8520021	1	Grease Nipple, 90 Deg	
11	70029571	1	Bushing	
12	70029572	1	Snap Ring	
13	N.S.S.	1	Piston Seal	
14	N.S.S.	2	Piston Bearing	
15	N.S.S.	1	O-Ring	
16	N.S.S.	1	Back-Up Ring	
17	N.S.S.	1	Rod Seal	
18	N.S.S.	1	Wiper	
19	N.S.S.	1	O-Ring	
20	N.S.S.	1	Back-Up Ring	
21	N.S.S.	1	O-Ring	
101	70029573	1	Seal Kit, (includes items 13 Thru 21)	

# SECTION 9 - HYDRAULIC COMPONENTS

## FIGURE 9-15. PUMP - PISTON



ART\_1001251423\_C

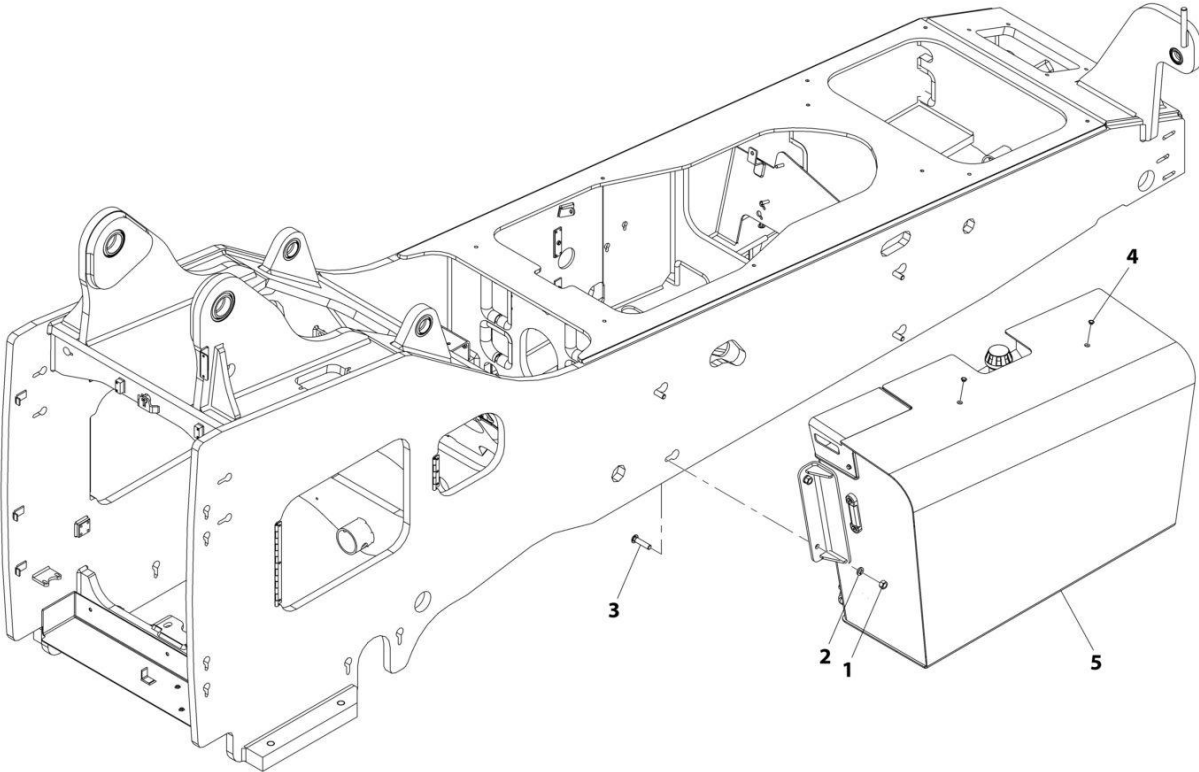
## SECTION 9 - HYDRAULIC COMPONENTS

### FIGURE 9-15. PUMP - PISTON

ITEM	PART NUMBER	QTY	DESCRIPTION	REV
	1001251423	Ref	PISTON PUMP	C
1	70003738	1	Control Valve	
2	70024186	1	Control Valve	
3	70024407	2	Plug	
4	70024408	1	Stop Screw	
4	See Note	NSS	O-Ring (Note: Use Item 101)	
6	70024411	1	Rotary Group	
7	70024412	1	Swash Plate	
8	7024939	1	Drive Shaft	
9	7024943	1	Bearing	
10	7024944	1	Bearing	
11	70024414	1	Bearing-Liner	
12	70024415	1	Bearing-Liner	
13	7024953	2	Screw	
14	80634004	1	Shaft Seal	
15	See Note	NSS	O-Ring (Note: Use Item 101)	
16	See Note	NSS	Seal (Note: Use Item 101)	
17	80334277	1	Ring, Retaining	
18	70021867	1	Gasket	
19	7024954	4	Capscrew	
20	70024416	1	Plug	
21	70025897	1	Solenoid	
22	See Note	NSS	O-Ring (Note: Use Item 101)	
23	See Note	NSS	R-Ring (Note: Use Item 101)	
101	70024189	1	Seal Kit (Includes Items 5, 15,16,22 & 23)	

**SECTION 9 - HYDRAULIC COMPONENTS**

**FIGURE 9-16. TANK INSTALLATION (74HP ULS)**



ART\_1001242910-B



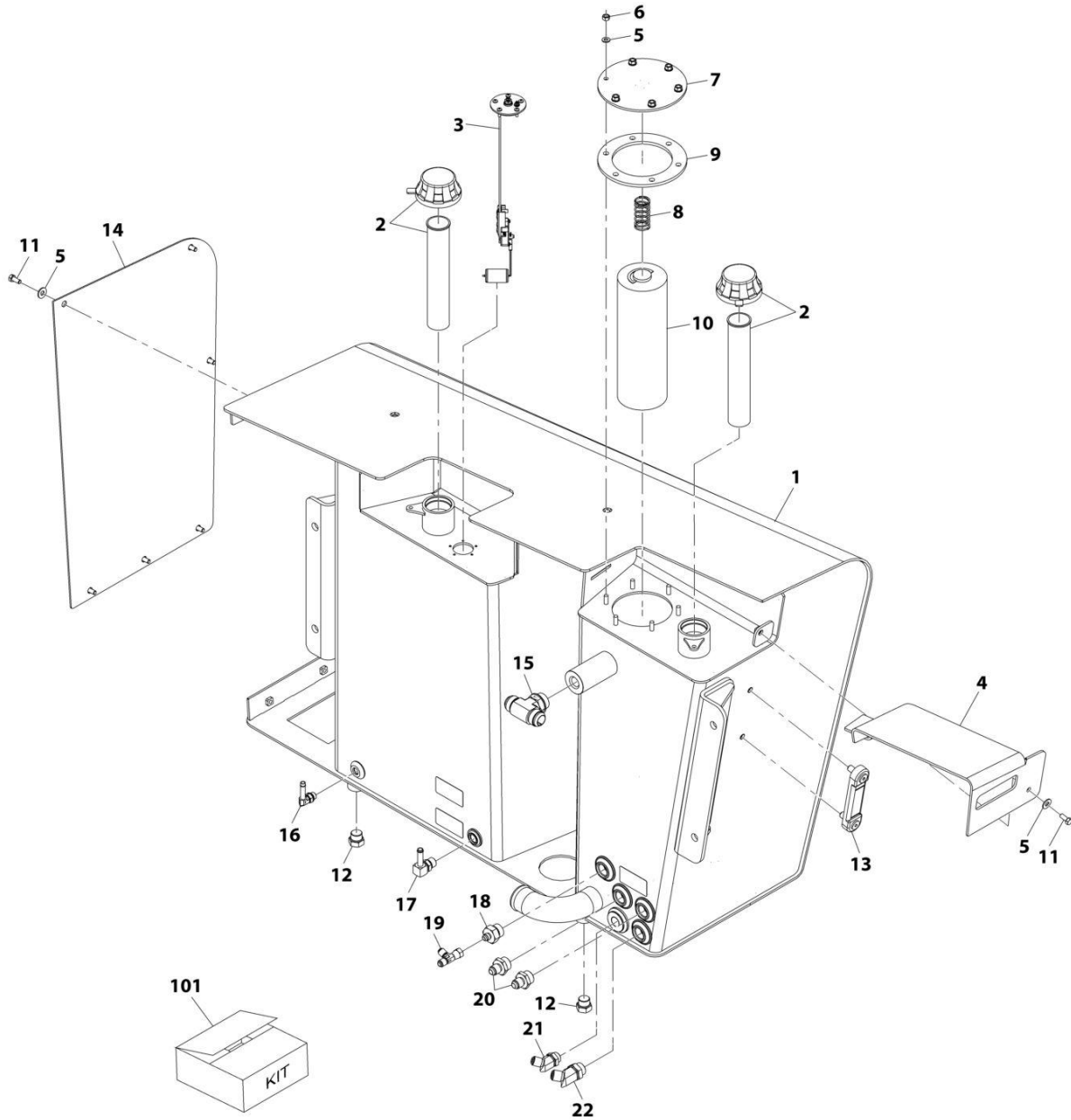
## SECTION 9 - HYDRAULIC COMPONENTS

FIGURE 9-16. TANK INSTALLATION (74HP ULS)

ITEM	PART NUMBER	QTY	DESCRIPTION	REV
	1001242910	Ref	Tank Installation (74HP)	B
1	8305014	4	Nut	
2	8307009	4	Washer	
3	88411148	4	Bolt	
4	1001195826	2	Plug	
5	1001227211	1	Tank Assembly (See Separate Breakdown in this Section)	

# SECTION 9 - HYDRAULIC COMPONENTS

FIGURE 9-17. TANK ASSEMBLY - HYDRAULIC FUEL (74HP ULS)



ART\_1001227211

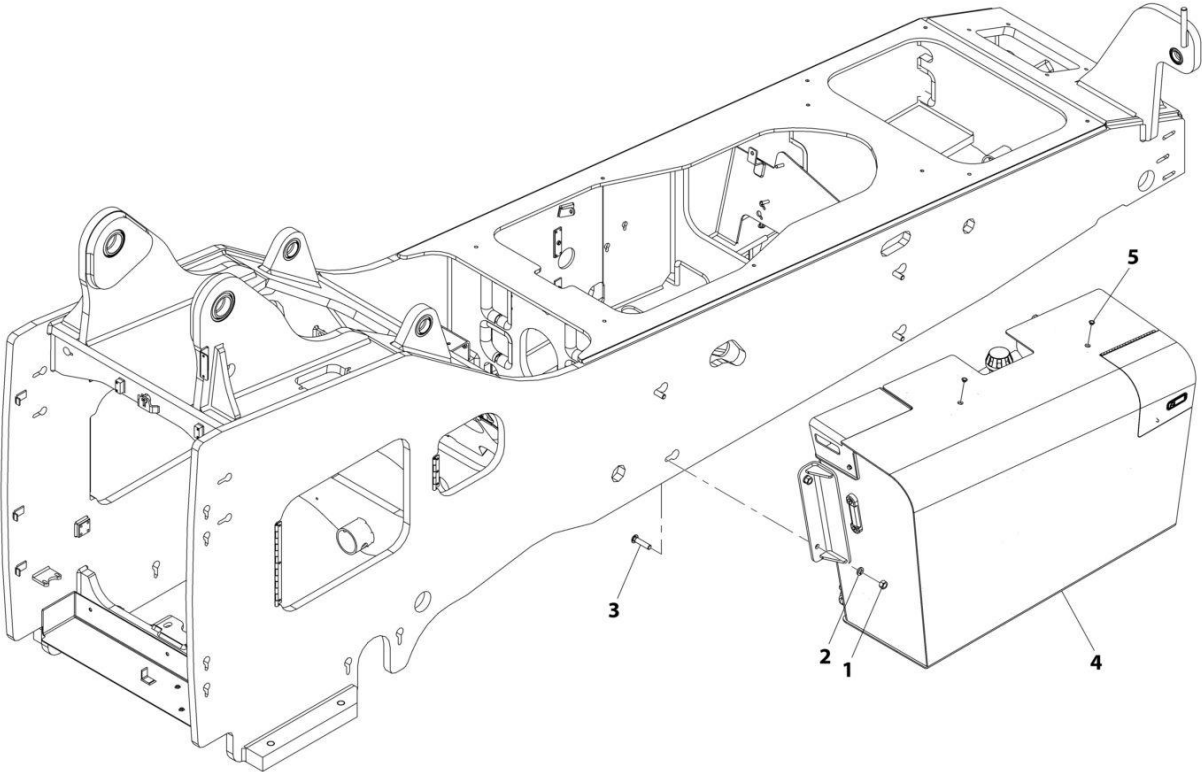
## SECTION 9 - HYDRAULIC COMPONENTS

**FIGURE 9-17. TANK ASSEMBLY - HYDRAULIC FUEL (74HP ULS)**

ITEM	PART NUMBER	QTY	DESCRIPTION	REV
	1001227211	Ref	Hydraulic/Fuel Tank Assembly (ULS)	B
1	N.S.S.	1	Tank, Hydraulic/Fuel	
2	7139077	2	Filler/Breather	
3	1001145026	1	Sensor, Fuel	
4	1001199116	1	Panel, Hydraulic Fill Cover	
5	1001170329	13	Washer, Flat M8	
6	3300429	6	Nut 5/16	
7	1001199135	1	Assembly, Cover	
8	1001199136	1	Spring	
9	1001199177	1	Seal	
10	1001199205	1	Element, Filter	
11	8303697	7	Bolt 5/16 X 3/4	
12	2220239	2	Plug	
13	7024441	1	Gauge, Sight	
14	1001199181	1	Cover, DEF Tank	
15	8760552	1	Tee, Branch	
16	1001178776	1	Elbow, 90	
17	1001199210	1	Elbow, 90	
18	2220577	1	Adapter	
19	2220635	1	Tee, Run	
20	2220375	2	Adapter	
21	2220499	1	Elbow, 45	
22	8770048	1	Elbow, 45	
101	70024152	1	Kit, Filter (Includes Items 9 & 10)	

**SECTION 9 - HYDRAULIC COMPONENTS**

**FIGURE 9-18. TANK INSTALLATION (130HP ULS)**



ART\_1001242755-B

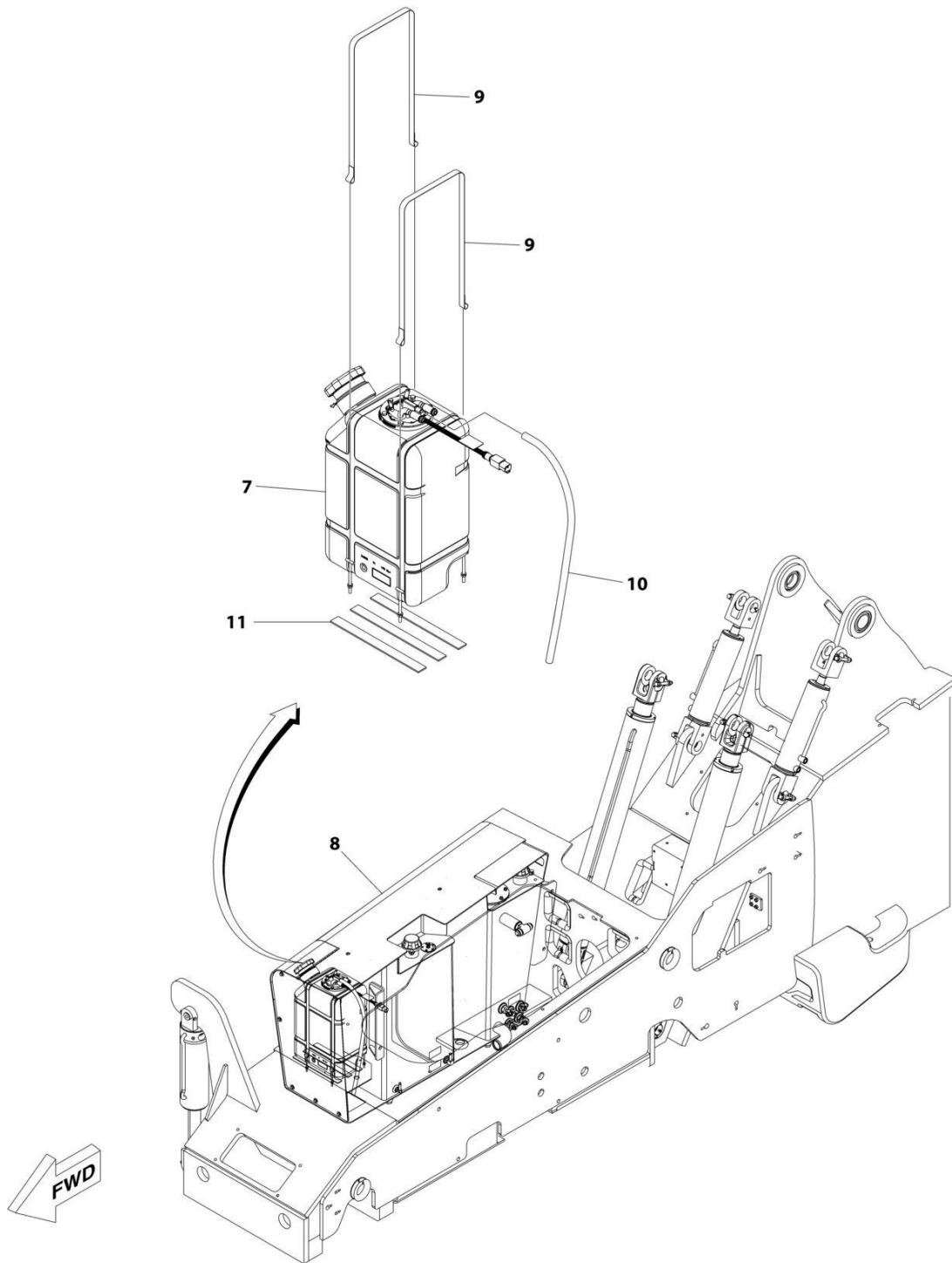
## SECTION 9 - HYDRAULIC COMPONENTS

**FIGURE 9-18. TANK INSTALLATION (130HP ULS)**

ITEM	PART NUMBER	QTY	DESCRIPTION	REV
	1001242755	Ref	Tank Installation (ULS)	B
1	8305014	4	Nut	
2	8307009	4	Washer	
3	88411148	4	Bolt	
4	1001169329	1	Hydraulic/Fuel/DEF Tank Installation (See Separate breakdown in this Section)	
5	1001195826	2	Plug	

# SECTION 9 - HYDRAULIC COMPONENTS

FIGURE 9-19. TANK INSTALLATION - HYDRAULIC/FUEL/DEF (130HP ULS)



ART\_1001169329\_F

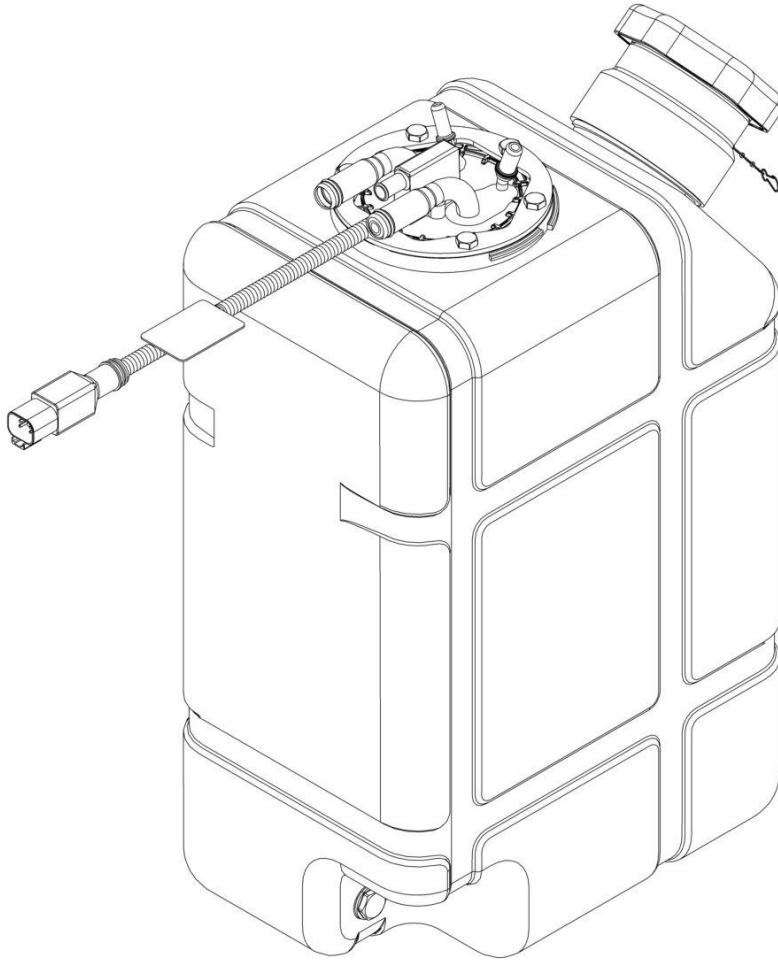
## SECTION 9 - HYDRAULIC COMPONENTS

**FIGURE 9-19. TANK INSTALLATION - HYDRAULIC/FUEL/DEF (130HP ULS)**

ITEM	PART NUMBER	QTY	DESCRIPTION	REV
	1001169329	Ref	TANK INSTALLATION - HYDRAULIC/FUEL/DEF	F
7	1001228986	1	DEF Tank (See Separate Breakdown in this Section)	
8	1001169466	1	Weldment, Fuel/Hydraulic Tank (See Separate Breakdown in this Section)	
9	1001170856	2	Strap, DEF Tank	
10	1001229095	1	Hose, DEF Tank Vent	
11	4420037	AR	Tape, Insulation	

## SECTION 9 - HYDRAULIC COMPONENTS

FIGURE 9-20. TANK - DEF TANK (130HP ULS)



ART\_1001228986-A



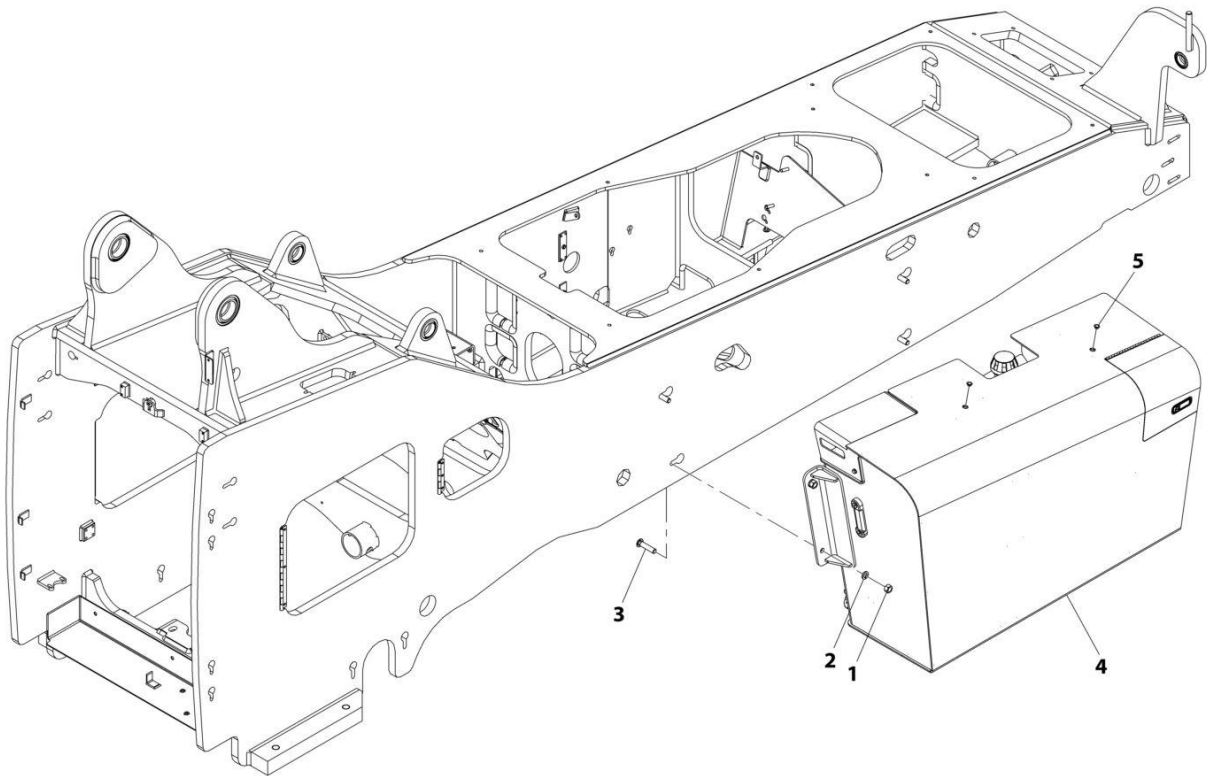
## SECTION 9 - HYDRAULIC COMPONENTS

**FIGURE 9-20. TANK - DEF TANK (130HP ULS)**

ITEM	PART NUMBER	QTY	DESCRIPTION	REV
	1001228986	1	DEF Tank Assembly, (Contact Cummins at 1-800-CUMMINS for all service if the DEF tank assembly is still within warranty. Warranty may be voided if service is conducted by anyone other than Cummins service personnel)	A

# SECTION 9 - HYDRAULIC COMPONENTS

## FIGURE 9-21. TANK INSTALLATION (130HP LS)



ART\_1001242909-B

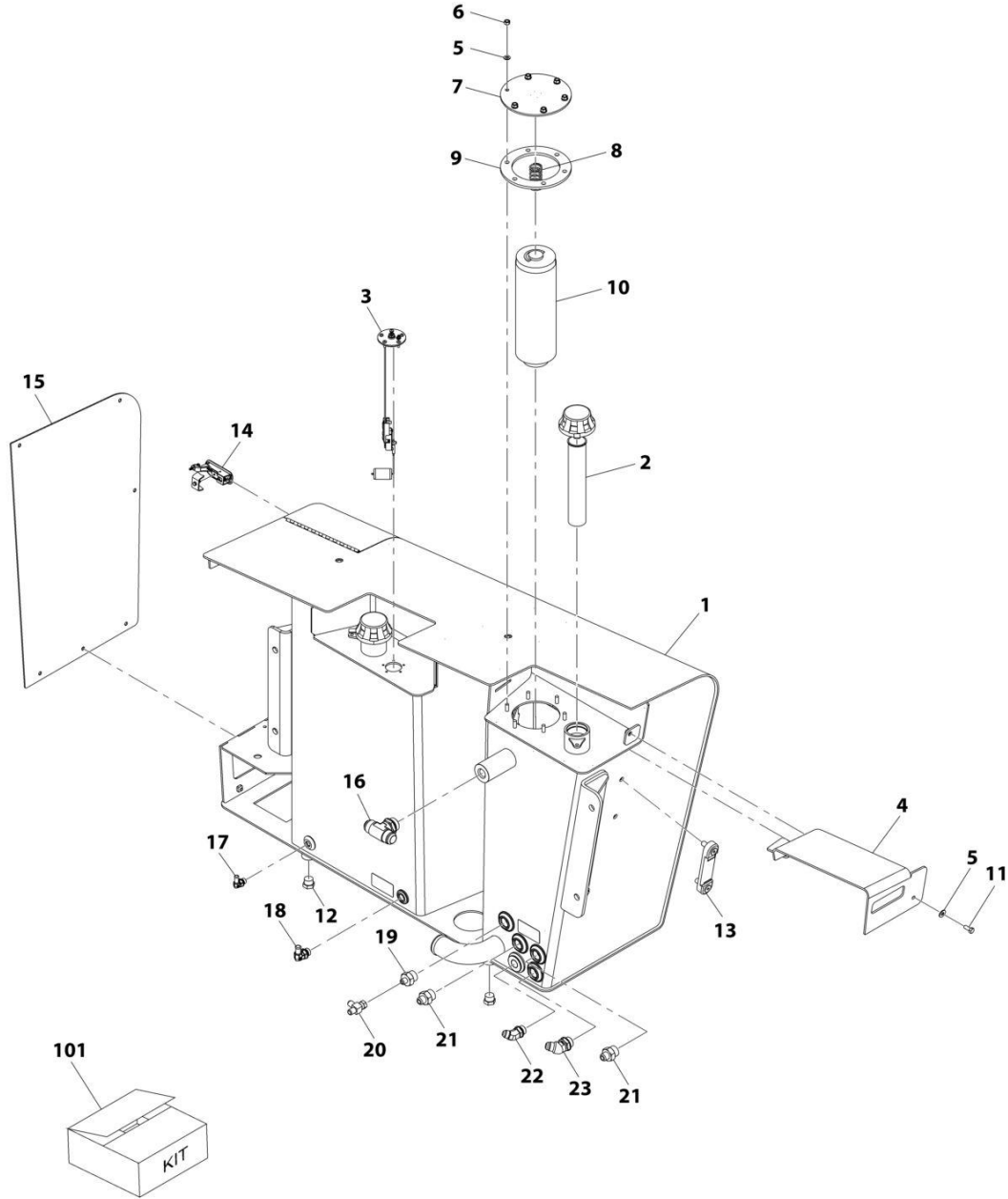
## SECTION 9 - HYDRAULIC COMPONENTS

FIGURE 9-21. TANK INSTALLATION (130HP LS)

ITEM	PART NUMBER	QTY	DESCRIPTION	REV
	1001242909	Ref	Tank Installation (LS)	B
1	8305014	4	Nut	
2	8307009	4	Washer	
3	88411148	4	Bolt	
4	1001169466	1	Hydraulic/Fuel/DEF Tank Installation (See Separate Breakdown in this Section)	
5	1001195826	2	Plug	

# SECTION 9 - HYDRAULIC COMPONENTS

FIGURE 9-22. TANK ASSEMBLY - HYDRAULIC/FUEL/DEF (130HP LS)



ART\_1001169466

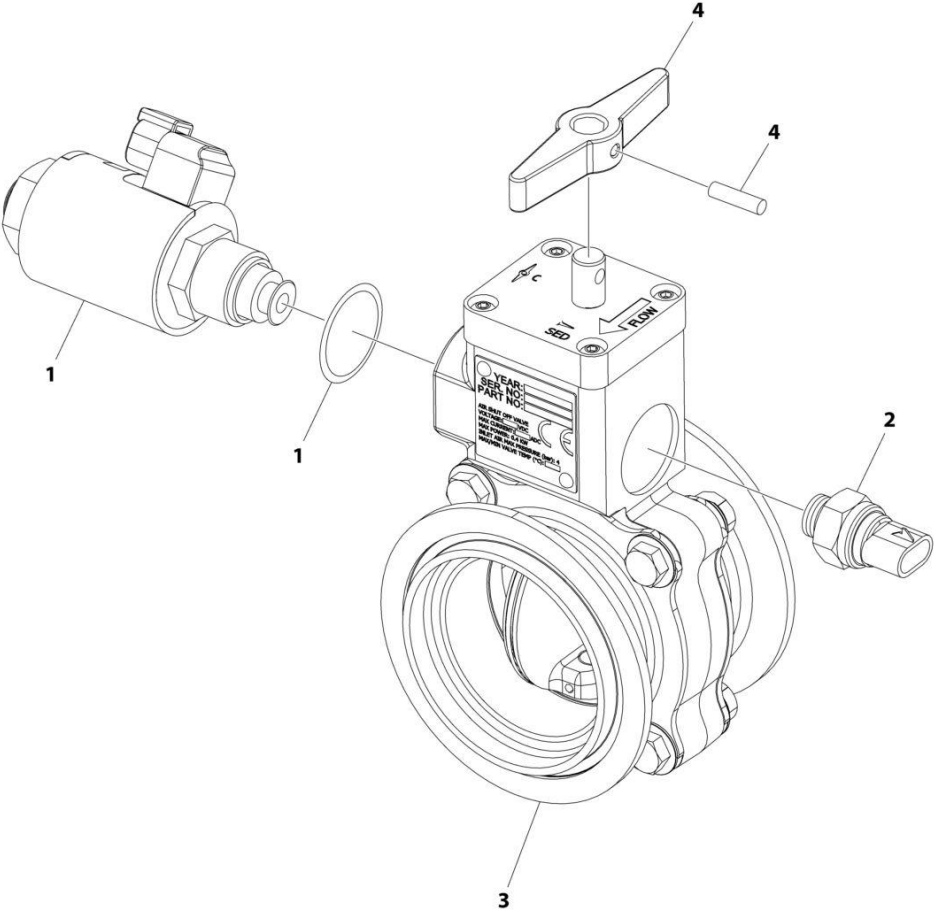
## SECTION 9 - HYDRAULIC COMPONENTS

**FIGURE 9-22. TANK ASSEMBLY - HYDRAULIC/FUEL/DEF (130HP LS)**

ITEM	PART NUMBER	QTY	DESCRIPTION	REV
	1001169466	Ref	Hydraulic/Fuel/DEF Tank Assembly (LS)	M
1	N.S.S.	1	Weldment, Hydraulic/Fuel Tank	
2	7139077	2	Filler/Breather	
3	1001145026	1	Sensor, Fuel	
4	1001199116	1	Panel, Hydraulic Fill Cover	
5	1001170329	7	Washer, Flat M8	
6	3300429	6	Nut, Hex 31-18	
7	1001199135	1	Assembly, Cover	
8	1001199136	1	Spring	
9	1001199177	1	Seal	
10	1001199205	1	Element, Filter	
11	8303697	1	Bolt, Hex Hd 5/16-18X3/4	
12	2220239	2	Plug	
13	7024441	1	Gauge, Sight	
14	1001199199	1	Latch	
15	1001199181	1	Cover, DEF Tank	
16	8760552	1	Tee, Branch	
17	1001178776	1	Elbow, 90	
18	1001199210	1	Elbow, 90	
19	2220577	1	Adapter	
20	2220635	1	Tee, Run	
21	2220375	2	Adapter	
22	2220499	1	Elbow, 45	
23	8770048	1	Elbow, 45	
101	70024152	1	Kit, Filter (Includes Items 9 & 10)	

# SECTION 9 - HYDRAULIC COMPONENTS

FIGURE 9-23. VALVE - AIR SHUT OFF



ART\_1001204032\_C

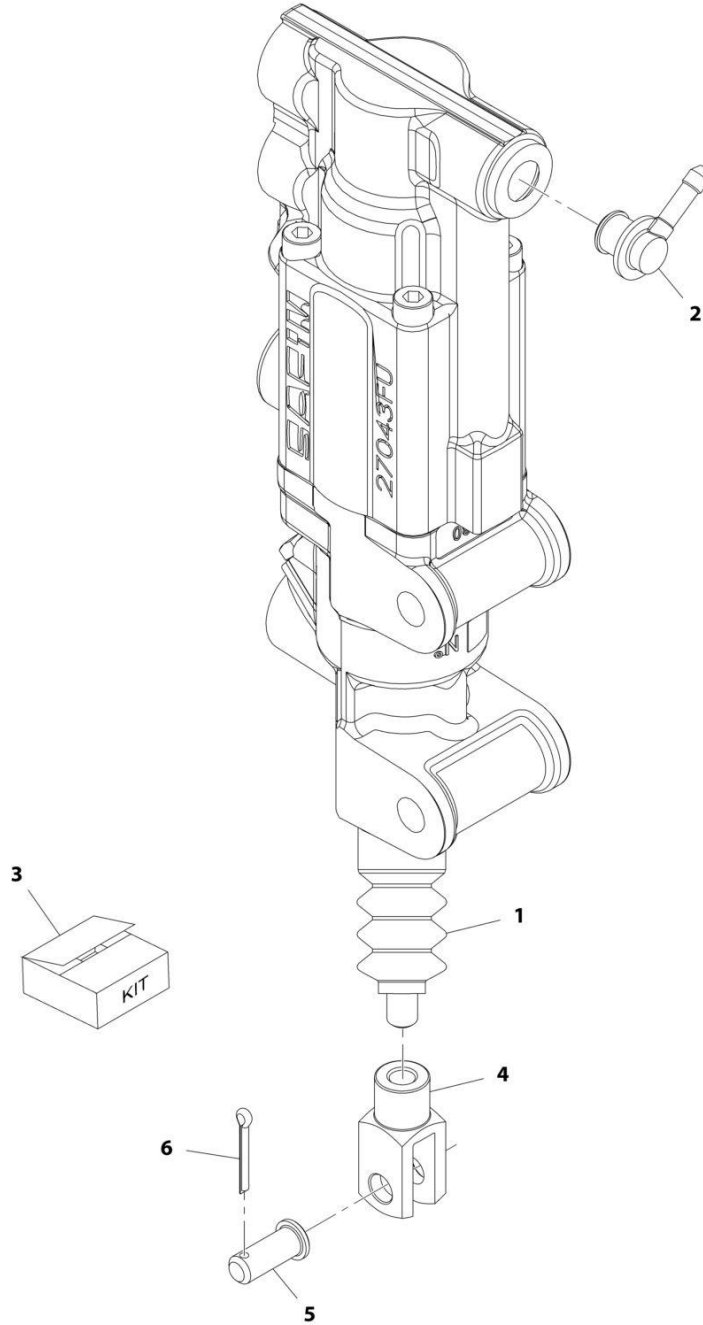
## SECTION 9 - HYDRAULIC COMPONENTS

FIGURE 9-23. VALVE - AIR SHUT OFF

ITEM	PART NUMBER	QTY	DESCRIPTION	REV
	1001204032	Ref	Air Shut Off Valve	C
1	70028514	1	Kit, Solenoid 12V (Includes Solenoid, Coil, O-Ring)	
2	70028515	1	Kit, Switch (Includes Ball Switch & O-Ring)	
3	70028516	1	Kit, Flange and Hardware (Includes Flanges (Male & Female) & Mounting Hardware)	
4	70028517	1	Kit, Handle (Includes Handle & Pin)	

# SECTION 9 - HYDRAULIC COMPONENTS

## FIGURE 9-24. VALVE - BRAKE



ART\_1001201721-D



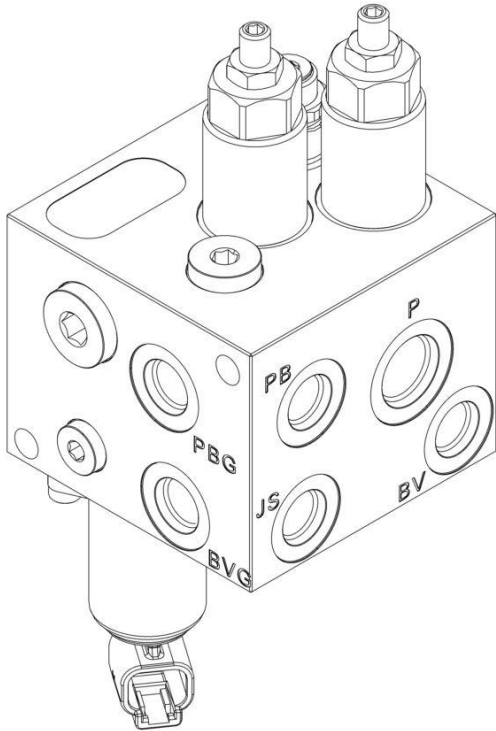
## SECTION 9 - HYDRAULIC COMPONENTS

### FIGURE 9-24. VALVE - BRAKE

ITEM	PART NUMBER	QTY	DESCRIPTION	REV
	1001201721	Ref	Brake Valve	D
1	70025859	1	Dust Cover	
2	70027275	1	Reservoir Joint	
3	70027276	1	Seal Kit	
4	70022650	1	Yoke	
5	70020743	1	Pin, Yoke	
6	70020745	1	Pin, Cotter	

**SECTION 9 - HYDRAULIC COMPONENTS**

**FIGURE 9-25. VALVE - FRAME SECONDARY CONTROL**



ART\_1001302359

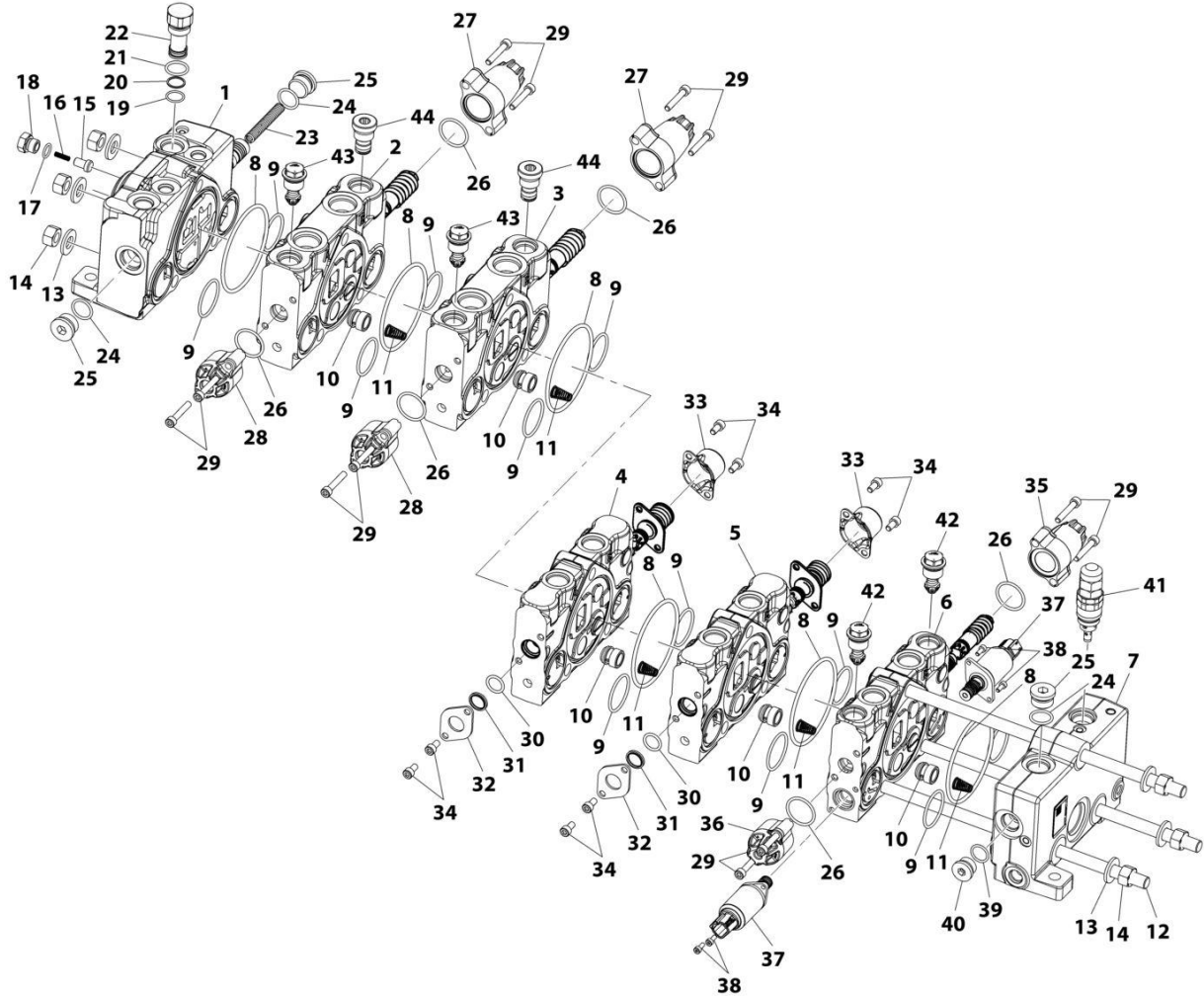
## SECTION 9 - HYDRAULIC COMPONENTS

FIGURE 9-25. VALVE - FRAME SECONDARY CONTROL

ITEM	PART NUMBER	QTY	DESCRIPTION	REV
1	1001302359 See Note	Ref Ref	VALVE ASSEMBLY - SECONDARY Note: No Service Parts Available at Time of Printing	B

# SECTION 9 - HYDRAULIC COMPONENTS

## FIGURE 9-26. VALVE - MAIN CONTROL



ART\_1001242925

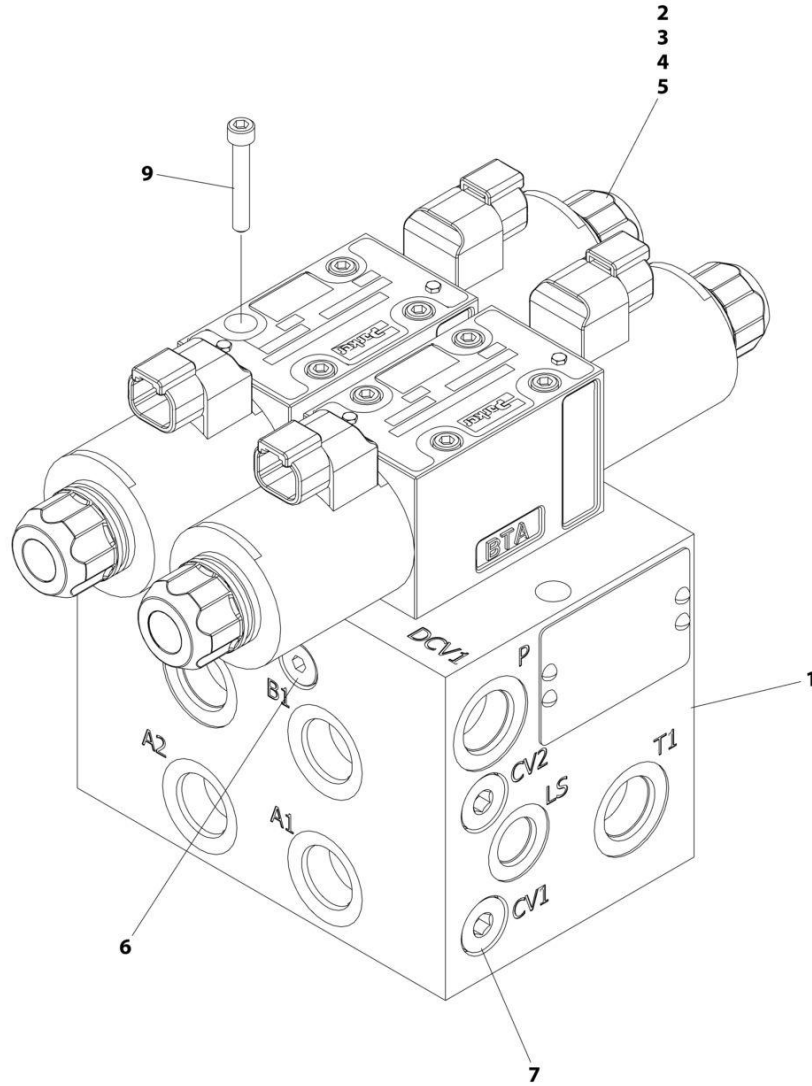
## SECTION 9 - HYDRAULIC COMPONENTS

### FIGURE 9-26. VALVE - MAIN CONTROL

ITEM	PART NUMBER	QTY	DESCRIPTION	REV
	1001242925	Ref	MAIN CONTROL VALVE	F
1	70030023	1	Inlet Section Assembly	
2	70030001	1	Lift Section Assembly	
3	70030002	1	Extend/Retract Section Assembly	
4	70030003	1	Aux Section Assembly	
5	70030004	1	Sway Section Assembly	
6	70030005	1	Tilt Section Assembly	
7	70030006	1	Outlet Section Assembly	
8	8034697	6	O-Ring	
9	70030007	12	O-Ring	
10	8903015	5	Poppet CV	
11	70030012	5	Spring	
12	70030038	3	Tie Rod	
13	70030039	6	Washer	
14	8035347	6	Nut	
15	70030009	1	Poppet, CV	
16	70030010	1	Spring	
17	70030040	1	O-Ring	
18	70030011	1	Plug	
19	70026370	1	O-Ring	
20	70026376	1	Back-Up Ring	
21	10837928	1	O-Ring	
22	70030041	1	Drain Regulator Assembly	
23	70030008	1	Spring	
24	70026652	3	O-Ring	
25	70026653	3	Plug	
26	70030013	6	O-Ring	
27	70030015	2	Spool Cap	
28	70030014	2	Spool Cap	
29	70030016	12	Screw	
30	8037109	2	O-Ring	
31	70030018	2	Wiper	
32	70030017	2	Sealing Plate	
33	70030019	2	Cap Spool	
34	70026133	8	Screw	
35	70030021	1	Spool Cap	
36	70030020	1	Spool Cap	
37	70029874	2	Valve, Solenoid Cartridge	
38	70022014	4	Screw	
39	70024202	1	O-Ring	
40	8035382	1	Plug Assembly	
41	70030022	1	Valve Assembly, LS Relief	
42	70027134	2	Valve Assembly, Relief	
43	70025982	2	Valve Assembly, Relief	
44	70022008	2	Shut-Off Plug Assembly	

# SECTION 9 - HYDRAULIC COMPONENTS

## FIGURE 9-27. VALVE - OUTRIGGER



ART\_1001247857

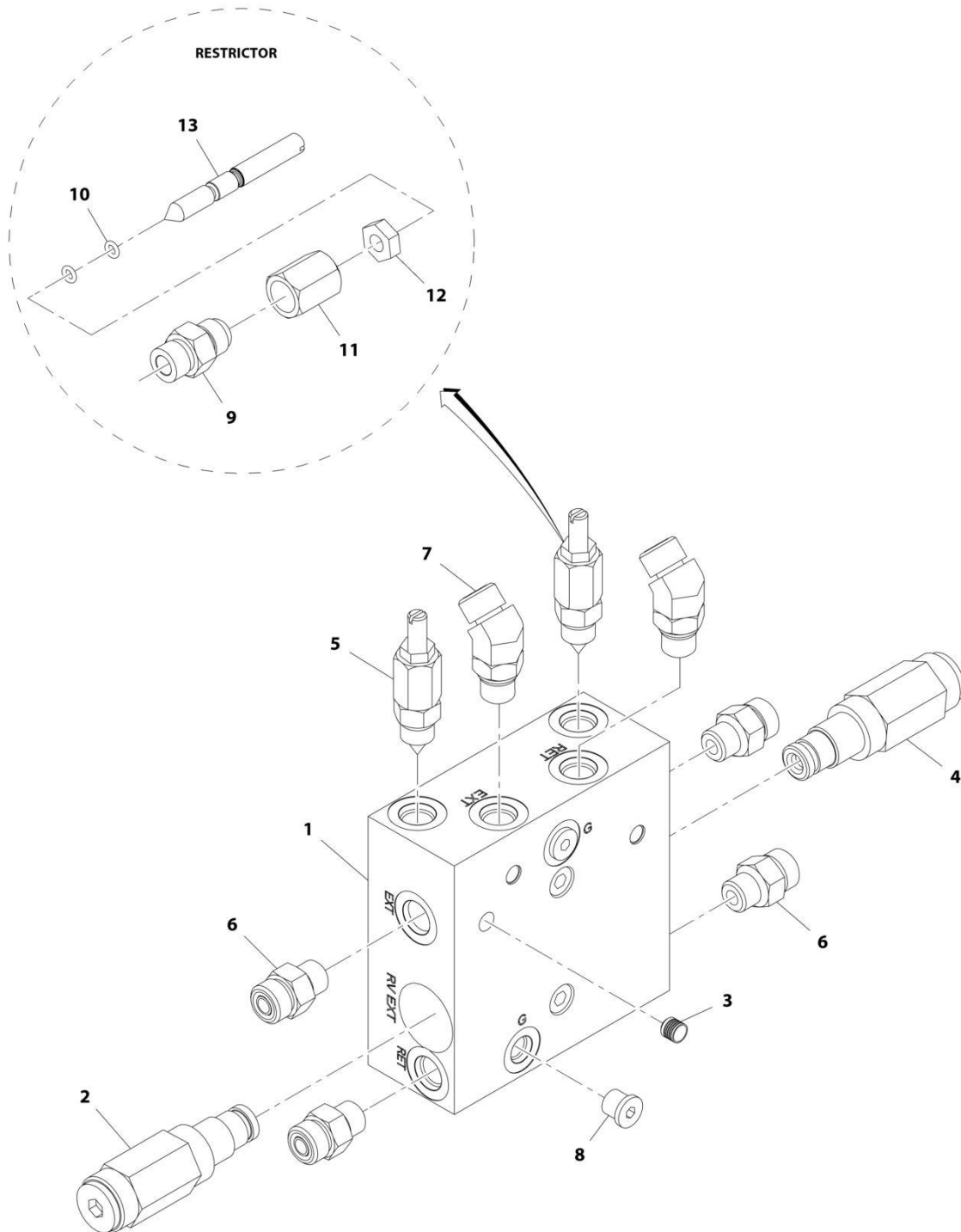
## SECTION 9 - HYDRAULIC COMPONENTS

### FIGURE 9-27. VALVE - OUTRIGGER

ITEM	PART NUMBER	QTY	DESCRIPTION	REV
	1001247857	Ref	OUTRIGGER VALVE	A
1	See Note	NSS	Manifold	
2	70026564	2	Directional Control Valve	
3	70023506	4	Ball Bearing	
4	70023507	4	Spring	
5	70023508	4	Retainer	
6	2220883	5	Plug #4	
7	2220885	6	Plug #6	
8	91474028	2	Expander Plug (Not Shown)	
9	70029798	8	Capscrew	

# SECTION 9 - HYDRAULIC COMPONENTS

## FIGURE 9-28. VALVE - PIPE GRAPPLE



ART\_70026589



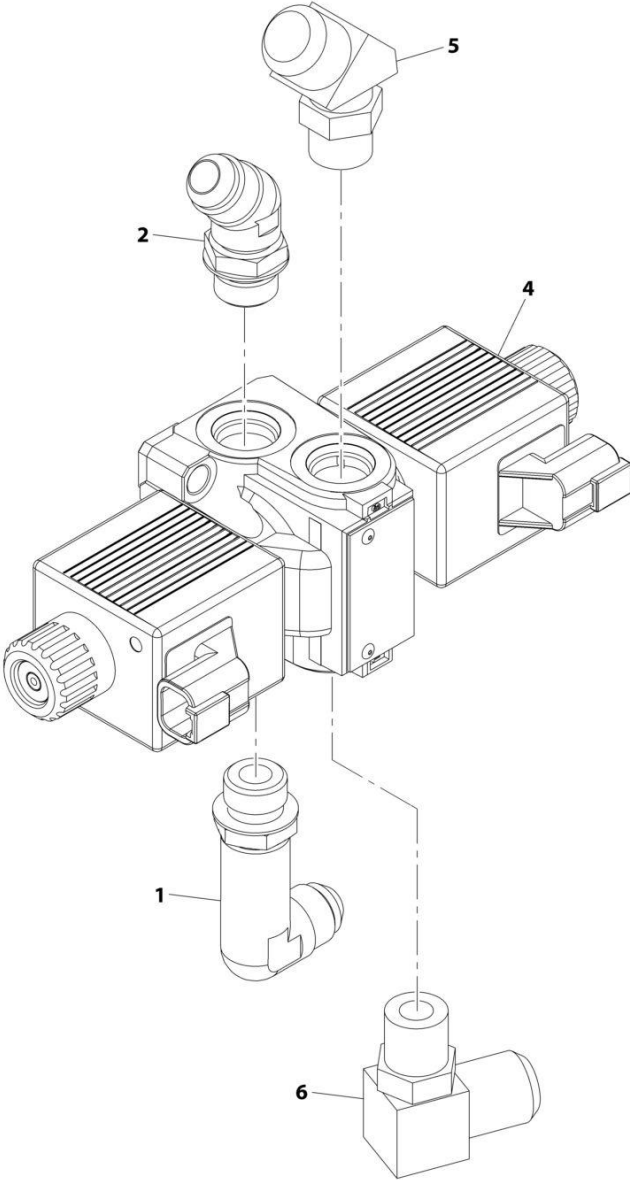
## SECTION 9 - HYDRAULIC COMPONENTS

### FIGURE 9-28. VALVE - PIPE GRAPPLE

ITEM	PART NUMBER	QTY	DESCRIPTION	REV
	70026589	Ref	Valve Assembly	
1	70026612	NLA	Manifold (Purchase Complete Assembly)	
2	70026613	1	Cartridge	
3	70026614	4	Plug	
4	70026478	1	Cartridge	
5	70026615	2	Restrictor	
6	70024130	4	Fitting	
7	70026616	2	Fitting	
8	70024129	2	Plug	
9	70026617	1	Fitting	
10	70026618	2	O-Ring	
11	70026619	1	Cap	
12	70026620	1	Jam Nut	
13	70026621	1	Plunger	

# SECTION 9 - HYDRAULIC COMPONENTS

FIGURE 9-29. VALVE AND FITTING SUB-ASSEMBLY - STEERING SELECT



ART\_1001172784-F

## SECTION 9 - HYDRAULIC COMPONENTS

**FIGURE 9-29. VALVE AND FITTING SUB-ASSEMBLY - STEERING SELECT**

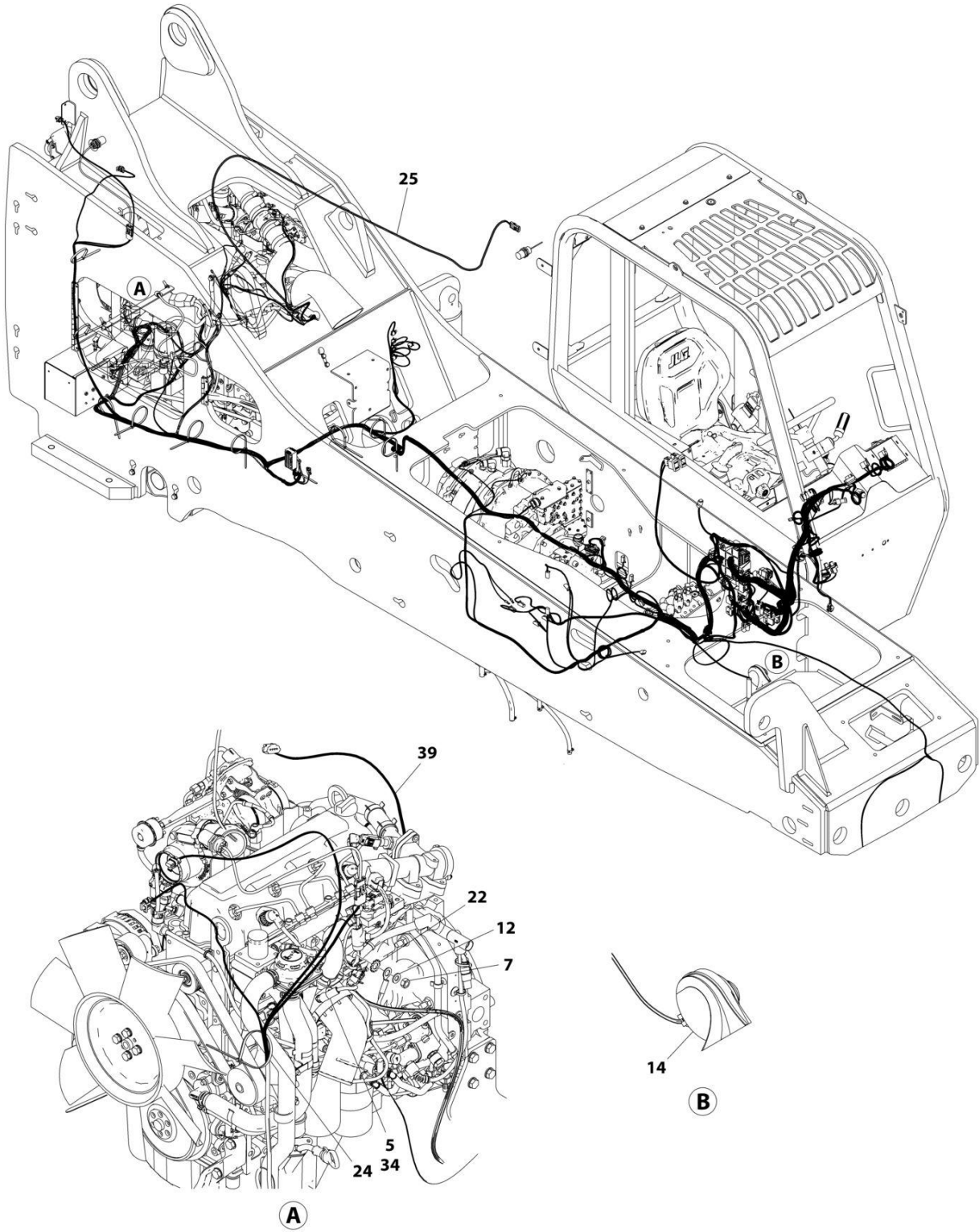
ITEM	PART NUMBER	QTY	DESCRIPTION	REV
	1001172784	Ref	Steer Select Valve Assembly	F
1	2220474	1	Adapter, Long 90	
2	2220500	1	Adapter, 45	
4	1001153748	1	Valve, Steer Select	
4	70020867	2	Coil Nut/Seal Kit	
4	70026582	2	Coil	
5	2220950	1	Adapter, 45	
6	2221042	1	Adapter, 90	



**SECTION 10 - ELECTRICAL**

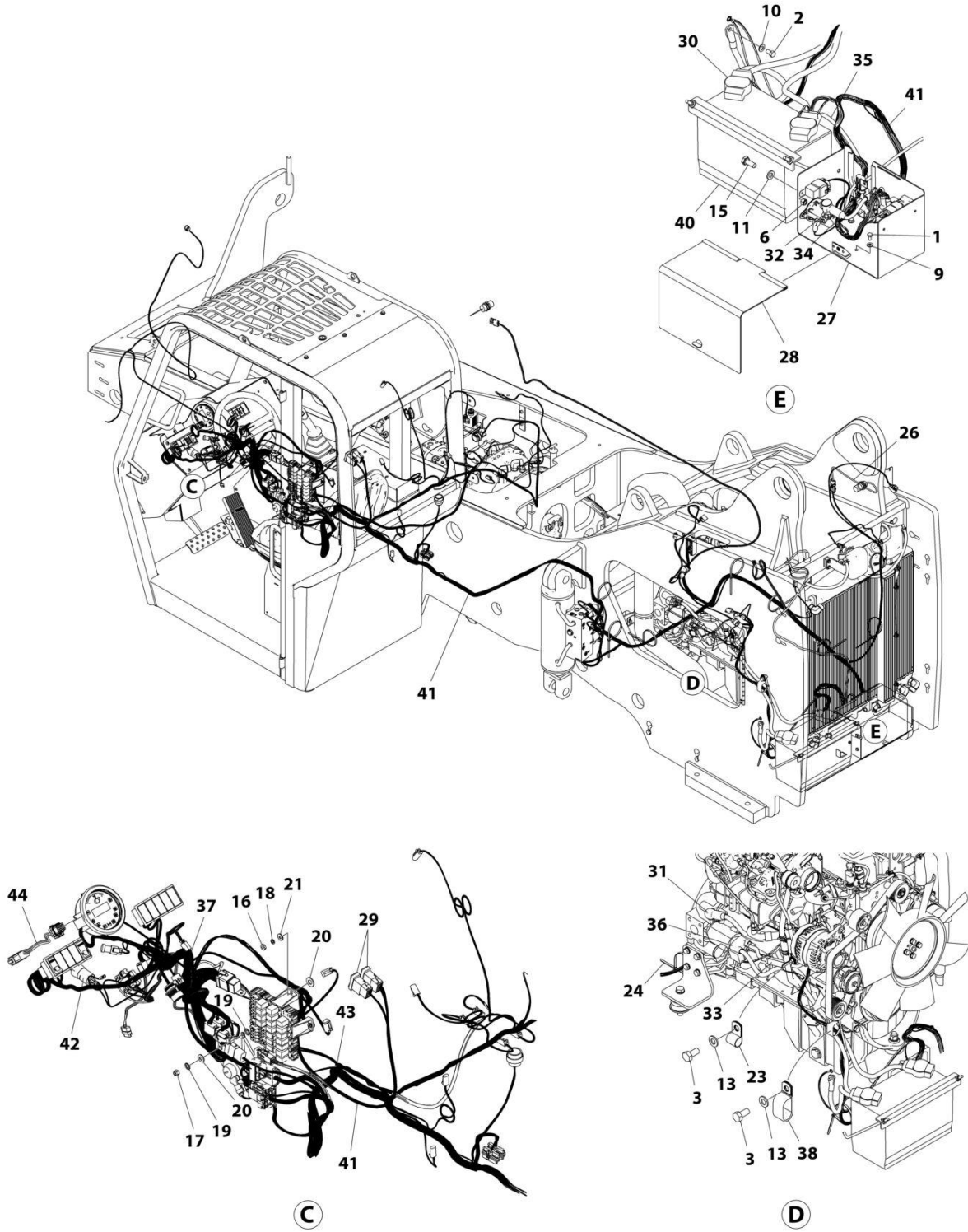
# SECTION 10 - ELECTRICAL

## FIGURE 10-1. ELECTRICAL INSTALLATION (74HP ULS)



ART\_1001252321\_D\_10F2

# SECTION 10 - ELECTRICAL



ART\_1001252321\_D\_20F2

# SECTION 10 - ELECTRICAL

## FIGURE 10-1. ELECTRICAL INSTALLATION (74HP ULS)

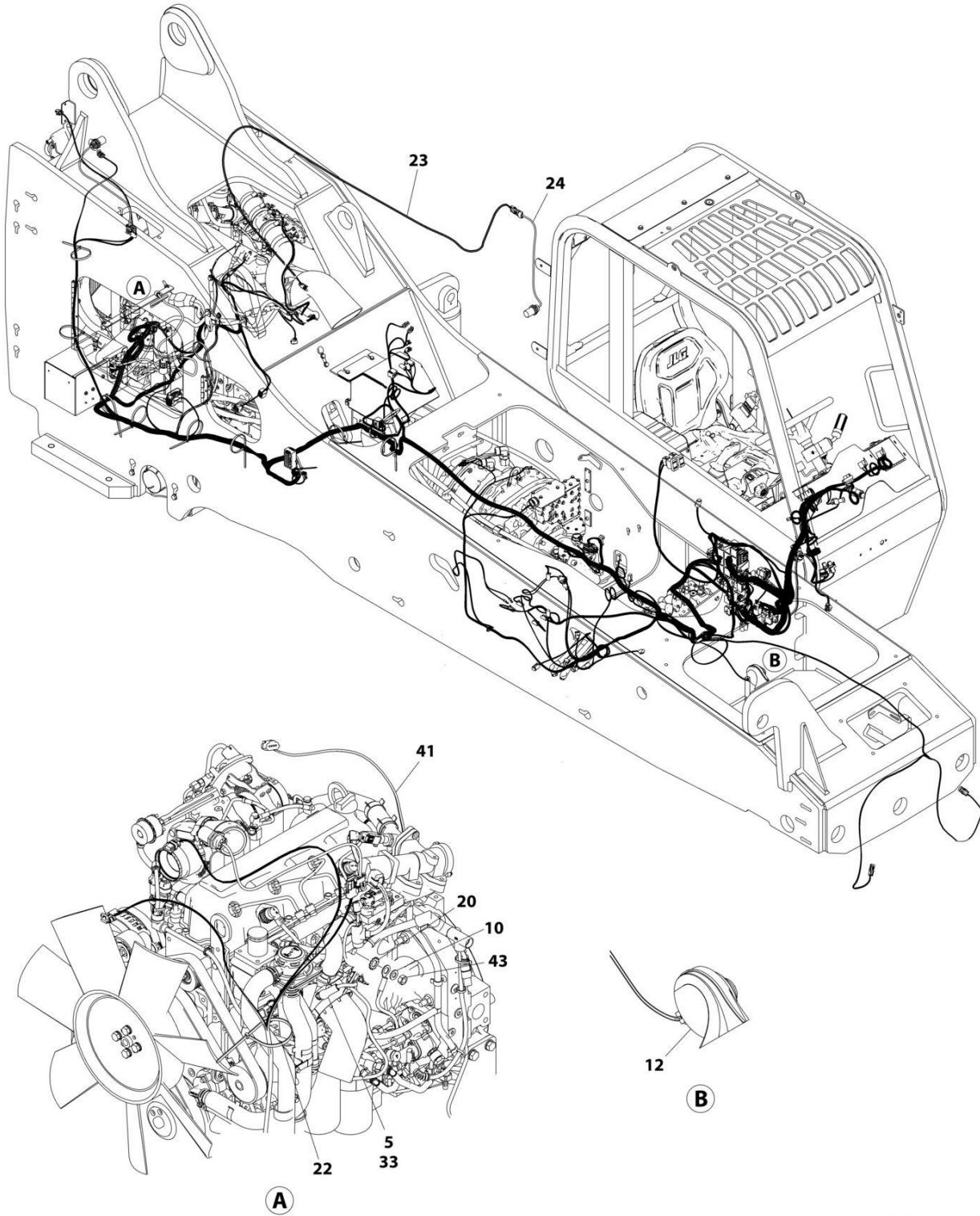
ITEM	PART NUMBER	QTY	DESCRIPTION	REV
	1001252321	Ref	ELECTRICAL INSTALLATION (74HP) (ULS)	D
1	0641404	3	Bolt 1/4X1/2	
2	0641605	1	Bolt 3/8X5/8	
3	0761212	2	Bolt M12X25	
5	3290601	1	Nut M6	
6	3290605	1	Nut M6	
7	3290801	1	Nut M8	
9	4711400	3	Washer 1/4	
10	4711600	1	Washer 3/8	
11	4811702	1	Washer M6	
12	4811900	1	Washer, M8	
13	4812100	2	Washer M12	
14	8270620	1	Horn, Signal	
15	8303545	1	Bolt M6X14	
16	8305002	4	Nut #10	
17	8305624	2	Nut 1/4	
18	8307003	4	Washer M10	
19	8307027	4	Washer 5/16	
20	8307106	6	Washer 5/16	
21	8307111	4	Washer M10	
22	8310046	1	Washer M10	
23	8406105	1	Clip, Tube	
24	8584001	13	Wrap, Tie	
25	1001127226	1	Harness, Boom Extend (See Separate Breakdown in this Section)	
26	1001130307	2	Sensor, Boom	
27	1001170233	1	Installation, Relay Panel (See Separate Breakdown in this Section)	
28	1001170234	1	Assembly, Relay Panel Cover (See Separate Breakdown in this Section)	
29	1001170269	2	Switch, Outtrigger	
30	1001171234	1	Cable, Battery Negative	
31	1001171236	1	Cable, Starter Ground	
32	1001171237	1	Cable, Grid Heater to Fuse Power	
33	1001171238	1	Cable, Alternator Power	
34	1001171239	1	Cable, Grid Heater Power	
35	1001171633	1	Cable, Buss Power	
36	1001171757	1	Cable, Starter Power	
37	1001299369	1	Harness, Cab Power Distribution (See Separate Breakdown in this Section)	
38	1001181899	1	Clamp	
39	1001184835	1	Harness, TBAP (See Separate Breakdown in this Section)	
40	1001186841	1	Installation, Battery (See Separate Breakdown in this Section)	
41	1001199889	1	Engine Harness (See Separate Breakdown in this Section)	
42	1001250700	1	Switch, Pressure	
43	1001251503	1	Harness, Logic (See Separate Breakdown in this Section)	
44	1001301880	1	Gauge Cluster Jumper Harness (See Separate Breakdown in this Section)	





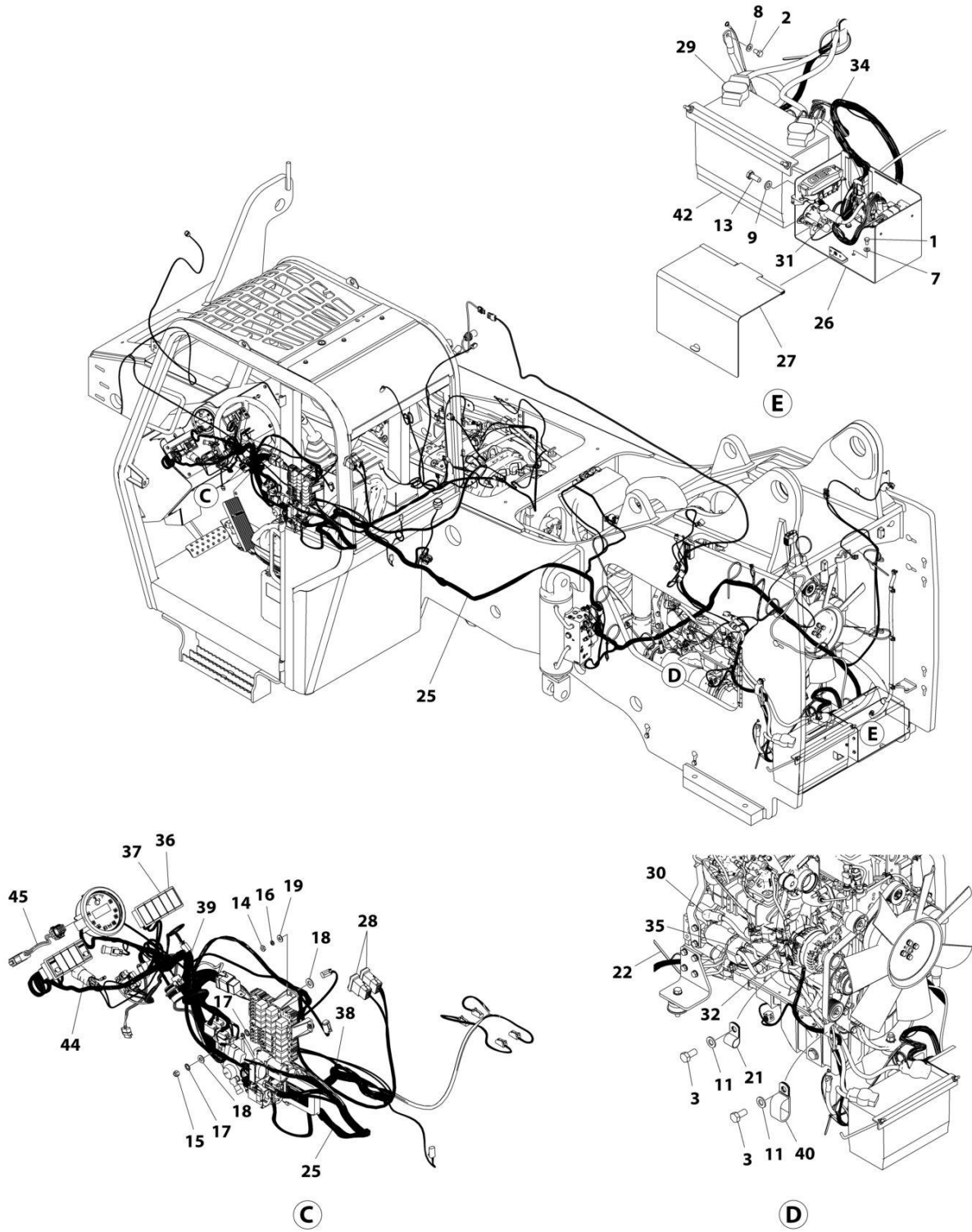
# SECTION 10 - ELECTRICAL

## FIGURE 10-2. ELECTRICAL INSTALLATION (130HP ULS)



ART\_1001252320\_D\_10F2

# SECTION 10 - ELECTRICAL



ART\_1001252320\_D\_20F2

# SECTION 10 - ELECTRICAL

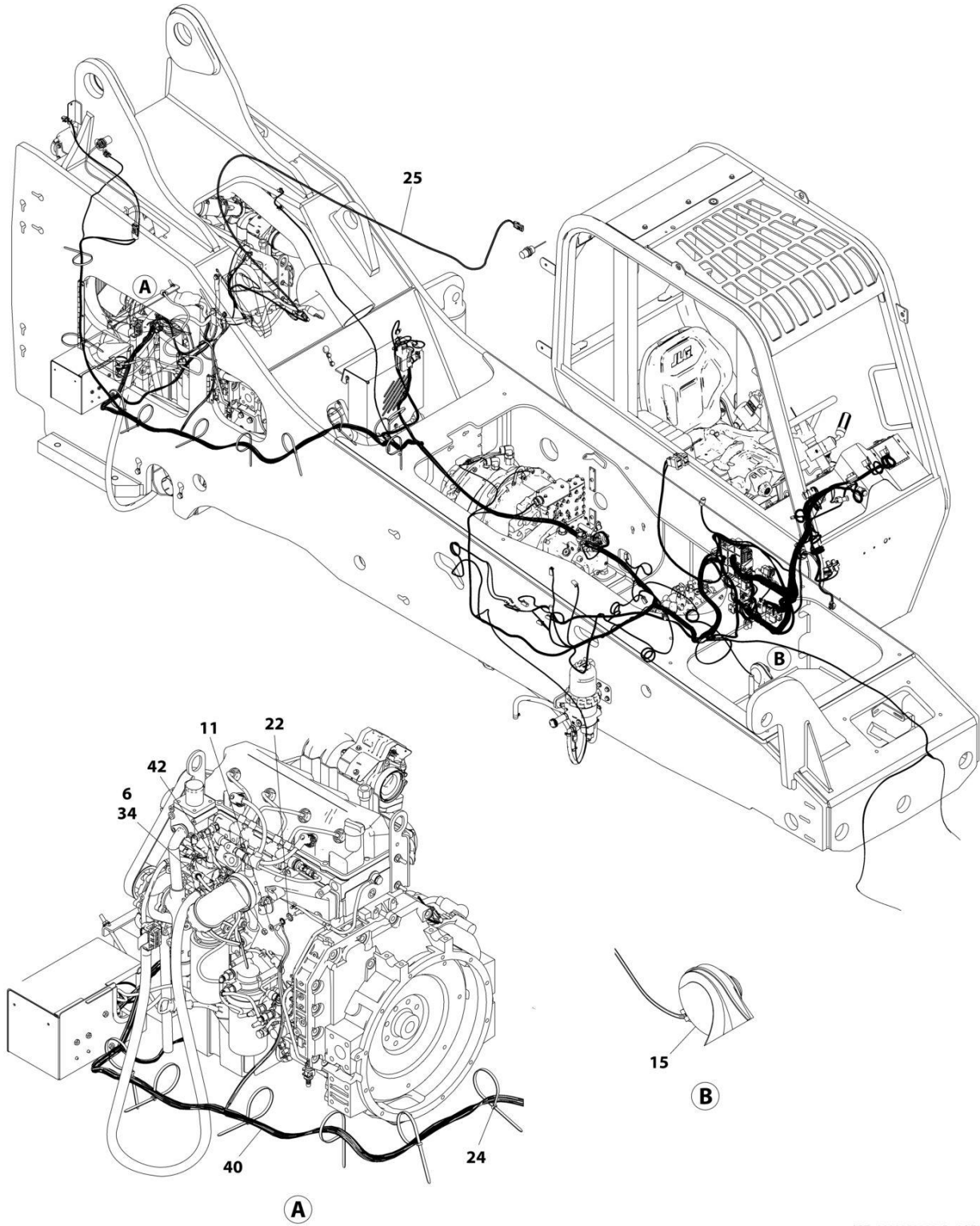
## FIGURE 10-2. ELECTRICAL INSTALLATION (130HP ULS)

ITEM	PART NUMBER	QTY	DESCRIPTION	REV
	1001252320	Ref	ELECTRICAL INSTALLATION (ULS)	D
1	0641404	3	Bolt 1/4X1/2	
2	0641605	1	Bolt 3/8X5/8	
3	0761212	2	Bolt M12X25	
5	3290601	1	Nut M6X1	
7	4711400	3	Washer 1/4	
8	4711600	1	Washer 3/8	
9	4811700	2	Washer M6	
10	4811900	1	Washer, M8	
11	4812100	2	Washer, M12	
12	8270620	1	Horn, Signal	
13	8303545	2	Bolt M6X14	
14	8305002	4	Nut #10	
15	8305624	2	Nut 1/4	
16	8307003	4	Washer M10	
17	8307027	4	Washer 5/16	
18	8307106	6	Washer 5/16	
19	8307111	4	Washer M10	
20	8310046	1	Washer M10	
21	8406105	1	Clip, Tube	
22	8584001	14	Wrap, Tie	
23	1001127226	1	Boom Extend Harness (See Separate Breakdown in this Section)	
24	1001130307	2	Sensor, Boom	
25	1001169620	1	Harness, Engine (See Separate Breakdown in this Section)	
26	1001170233	1	Installation, Relay Panel (See Separate Breakdown in this Section)	
27	1001170234	1	Assembly, Relay Panel Cover (See Separate Breakdown in this Section)	
28	1001170269	2	Switch, Outtrigger	
29	1001171234	1	Cable, Battery Negative	
30	1001171236	1	Cable, Starter Ground	
31	1001171237	1	Cable, Grid Heater to Fuse Power	
32	1001171238	1	Cable, Alternator Power	
33	1001171239	1	Cable, Grid Heater Power	
34	1001171633	1	Cable, Buss Power	
35	1001171757	1	Cable, Starter Power	
36	1001172135	1	Indicator, Engine	
37	1001172136	1	Indicator, Hest	
38	1001251503	1	Logic Harness (See Separate Breakdown in this Section)	
39	1001299369	1	Harness, Cab Power Distribution (See Separate Breakdown in this Section)	
40	1001181899	1	Clamp	
41	1001184835	1	Harness, TBAP (See Separate Breakdown in this Section)	
42	1001186841	1	Installation, Battery (See Separate Breakdown in this Section)	
43	3290801	1	Nut M8	
44	1001250700	1	Switch, Pressure	
45	1001301880	1	Gauge Cluster Jumper Harness (See Separate Breakdown in this Section)	



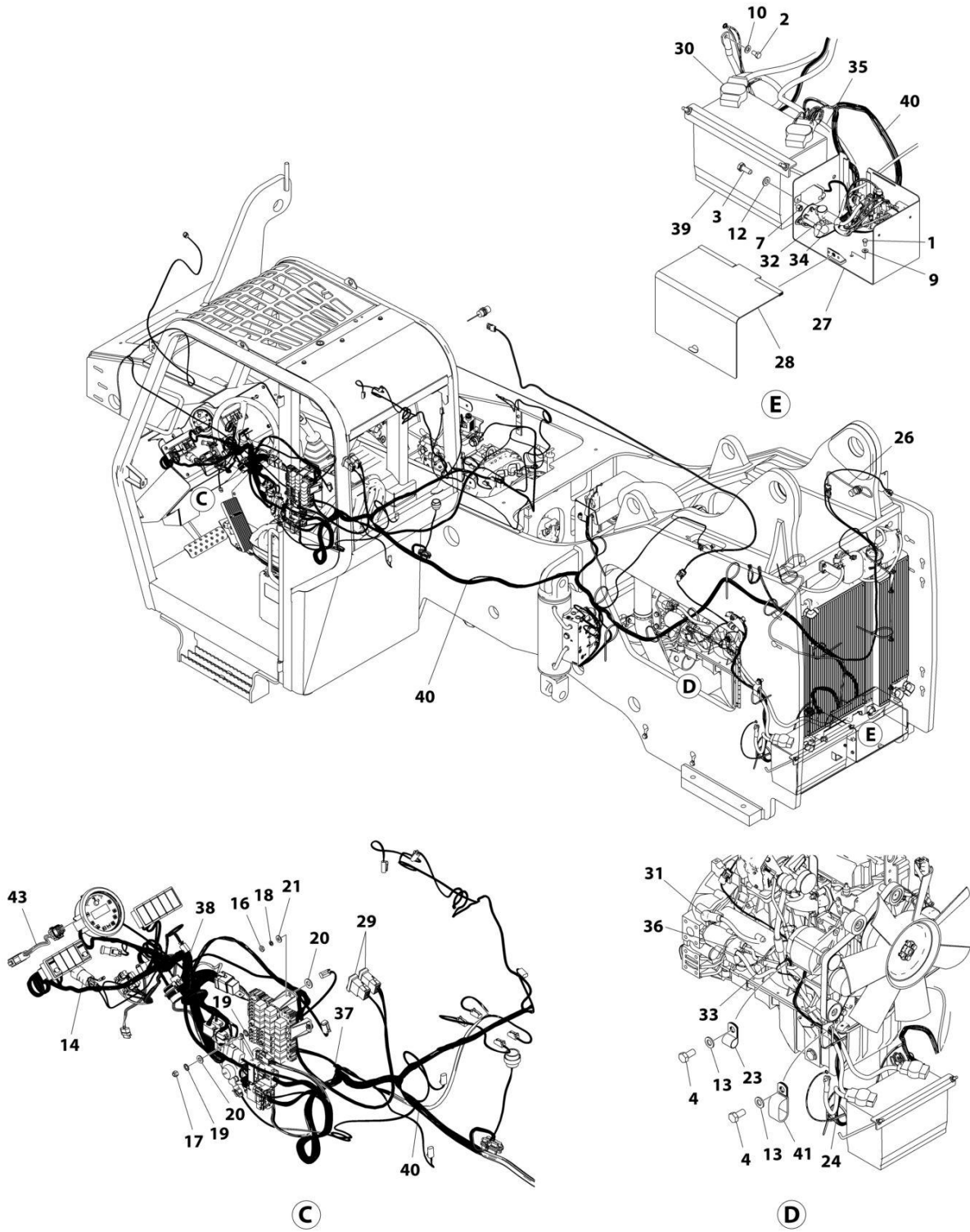
# SECTION 10 - ELECTRICAL

## FIGURE 10-3. ELECTRICAL INSTALLATION (130HP LS)



ART\_1001252322\_D\_10F2

# SECTION 10 - ELECTRICAL



ART\_1001252322\_D\_20F2

## SECTION 10 - ELECTRICAL

FIGURE 10-3. ELECTRICAL INSTALLATION (130HP LS)

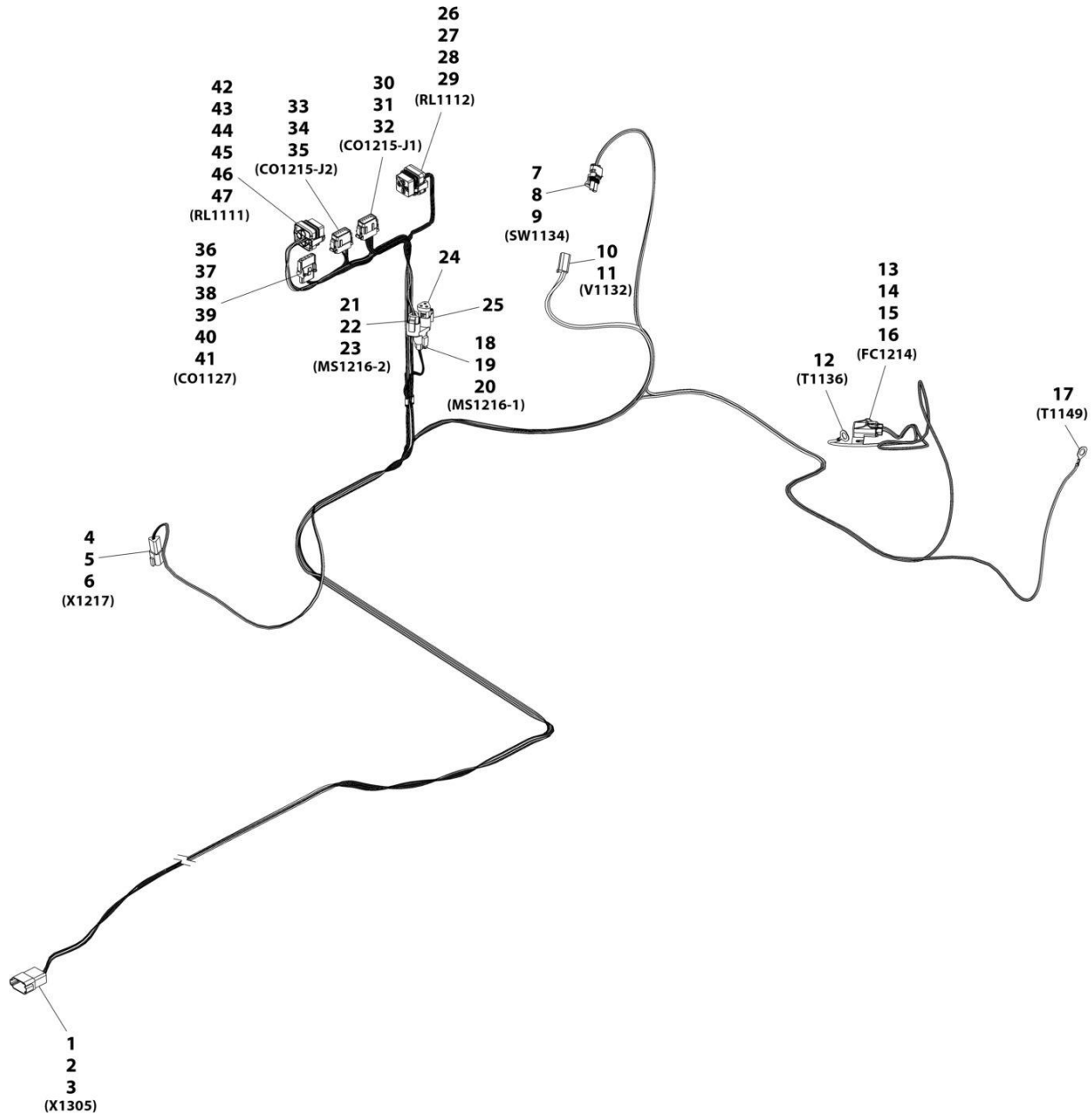
ITEM	PART NUMBER	QTY	DESCRIPTION	REV
	1001252322	Ref	ELECTRICAL INSTALLATION (LS)	D
1	0641404	3	Bolt 1/4X1/2	
2	0641605	1	Bolt 3/8X5/8	
3	8303545	1	Bolt M6X14	
4	0761212	2	Bolt, M12X25	
6	3290601	1	Nut M6	
7	3290605	1	Nut M6	
9	4711400	3	Washer 1/4	
10	4711600	1	Washer 3/8	
11	4811900	1	Washer M8	
12	4811702	1	Washer, M6	
13	4812100	2	Washer M12	
14	1001250700	1	Switch, Pressure	
15	8270620	1	Horn, Signal	
16	8305002	4	Nut #10	
17	8305624	2	Nut 1/4	
18	8307003	4	Washer M10	
19	8307027	4	Washer 5/16	
20	8307106	6	Washer 5/16	
21	8307111	4	Washer M10	
22	8310046	1	Washer M10	
23	8406105	1	Clip, Tube	
24	8584001	14	Wrap, Tie	
25	1001127226	1	Harness, Boom Extend (See Separate Breakdown in this Section)	
26	1001130307	2	Sensor, Boom	
27	1001170233	1	Installation, Relay Panel (See Separate Breakdown in this Section)	
28	1001170234	1	Assembly, Relay Panel Cover (See Separate Breakdown in this Section)	
29	1001170269	2	Switch, Outrigger	
30	1001171234	1	Cable, Battery Negative	
31	1001171236	1	Cable, Starter Ground	
32	1001171237	1	Cable, Grid Heater to Fuse Power	
33	1001171238	1	Cable, Alternator Power	
34	1001171239	1	Cable, Grid Heater Power	
35	1001171633	1	Cable, Buss Power	
36	1001171757	1	Cable, Starter Power	
37	1001251503	1	Harness, Logic (See Separate Breakdown in this Section)	
38	1001299369	1	Harness, Cab Power Distribution (See Separate Breakdown in this Section)	
39	1001186841	1	Installation, Battery (See Separate Breakdown in this Section)	
40	1001189488	1	Engine Harness (See Separate Breakdown in this Section)	
41	1001181899	1	Clamp	
42	3290801	1	Nut M8	
43	1001301880	1	Gauge Cluster Jumper Harness (See Separate Breakdown in this Section)	





# SECTION 10 - ELECTRICAL

## FIGURE 10-4. AIR SHUT OFF VALVE ENGINE HARNESS



ART\_1001216455

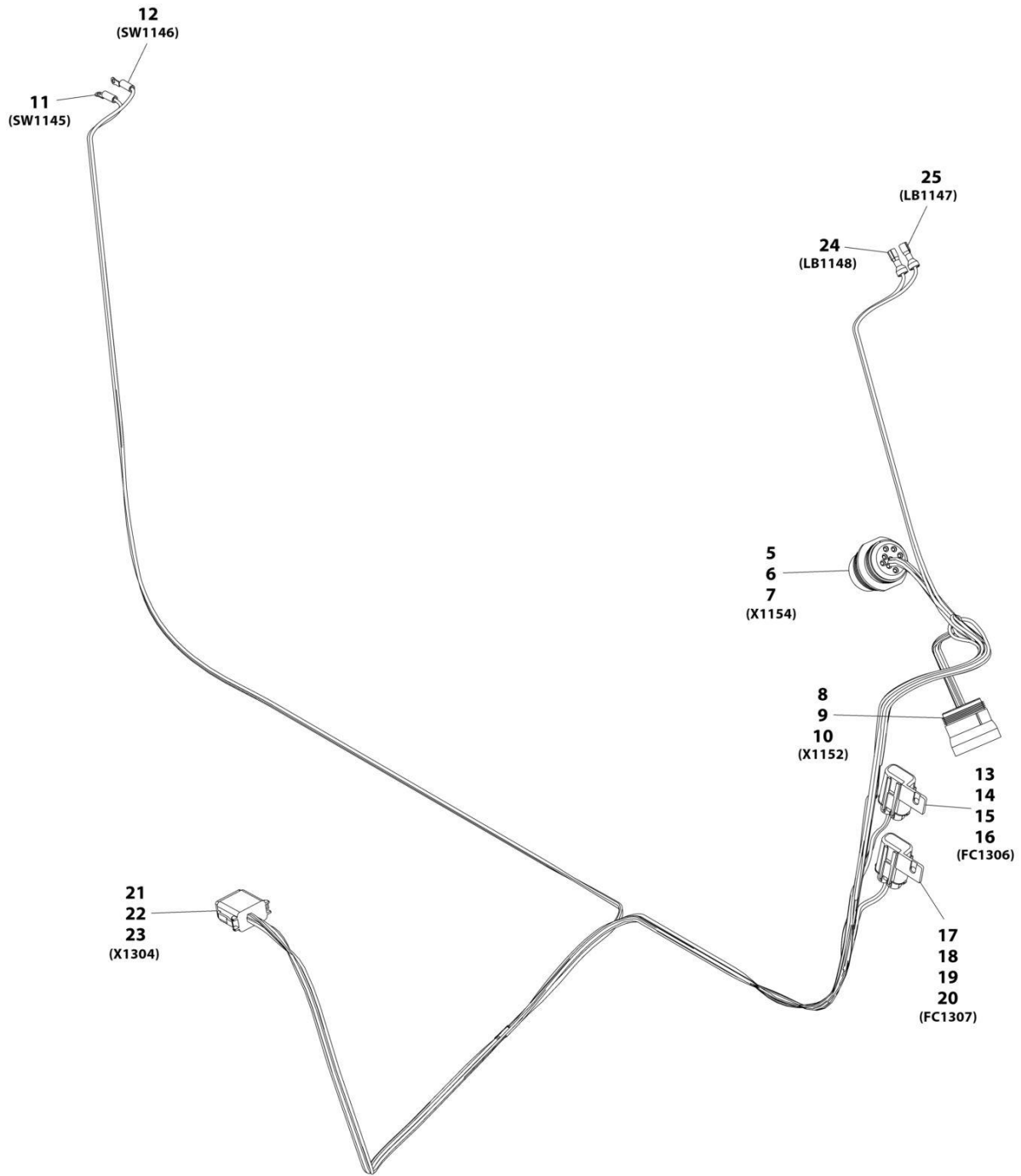
## SECTION 10 - ELECTRICAL

**FIGURE 10-4. AIR SHUT OFF VALVE ENGINE HARNESS**

ITEM	PART NUMBER	QTY	DESCRIPTION	REV
	1001216455	Ref	POSI Air Shut Off Valve T4F, Harness	F
1	4460931	1	Connector	
2	4460464	6	Terminal	
3	4460466	2	Plug	
4	1001144147	1	Connector	
5	4460464	2	Terminal	
6	4460466	1	Plug	
7	4460742	1	Connector	
8	4460475	2	Terminal	
9	4460458	2	Seal	
10	4460891	1	Connector	
11	1001157890	2	Terminal	
12	1001187078	1	Terminal, Ring	
13	1001231397	1	Connector	
14	8229235	1	Fuse 20A	
15	1001231401	2	Terminal	
16	1001230402	2	Seal	
17	1001187078	1	Connector	
18	1001116812	1	Connector	
19	4460465	2	Terminal	
20	4460466	1	Plug	
21	4460539	1	Connector	
22	4460465	2	Terminal	
23	4460466	1	Plug	
24	1001116815	1	Connector, 3 Pin	
25	4460945	1	Terminal, 3 Way "T" Receptacle	
26	1001231398	1	Connector	
27	1001231400	4	Terminal	
28	1001231406	1	Plug	
29	1001231404	4	Seal	
30	1001116808	1	Connector	
31	1001126008	9	Terminal	
32	4460518	3	Plug	
33	1001116774	1	Connector	
34	4460518	8	Plug	
35	1001126008	4	Terminal	
36	4460761	1	Connector	
37	4460321	1	Connector - 4 Position	
38	4460809	4	Plug	
39	1001118378	4	Terminal	
40	1001143551	1	Seal	
41	1001218358	1	Lanyard, Rope	
42	1001231398	1	Connector	
43	1001231401	2	Terminal	
44	1001231400	2	Terminal	
45	1001231406	1	Plug	
46	1001231402	2	Seal	
47	1001231404	2	Seal	

# SECTION 10 - ELECTRICAL

## FIGURE 10-5. AIR SHUT OFF VALVE CAB HARNESS



ART\_1001231560-C

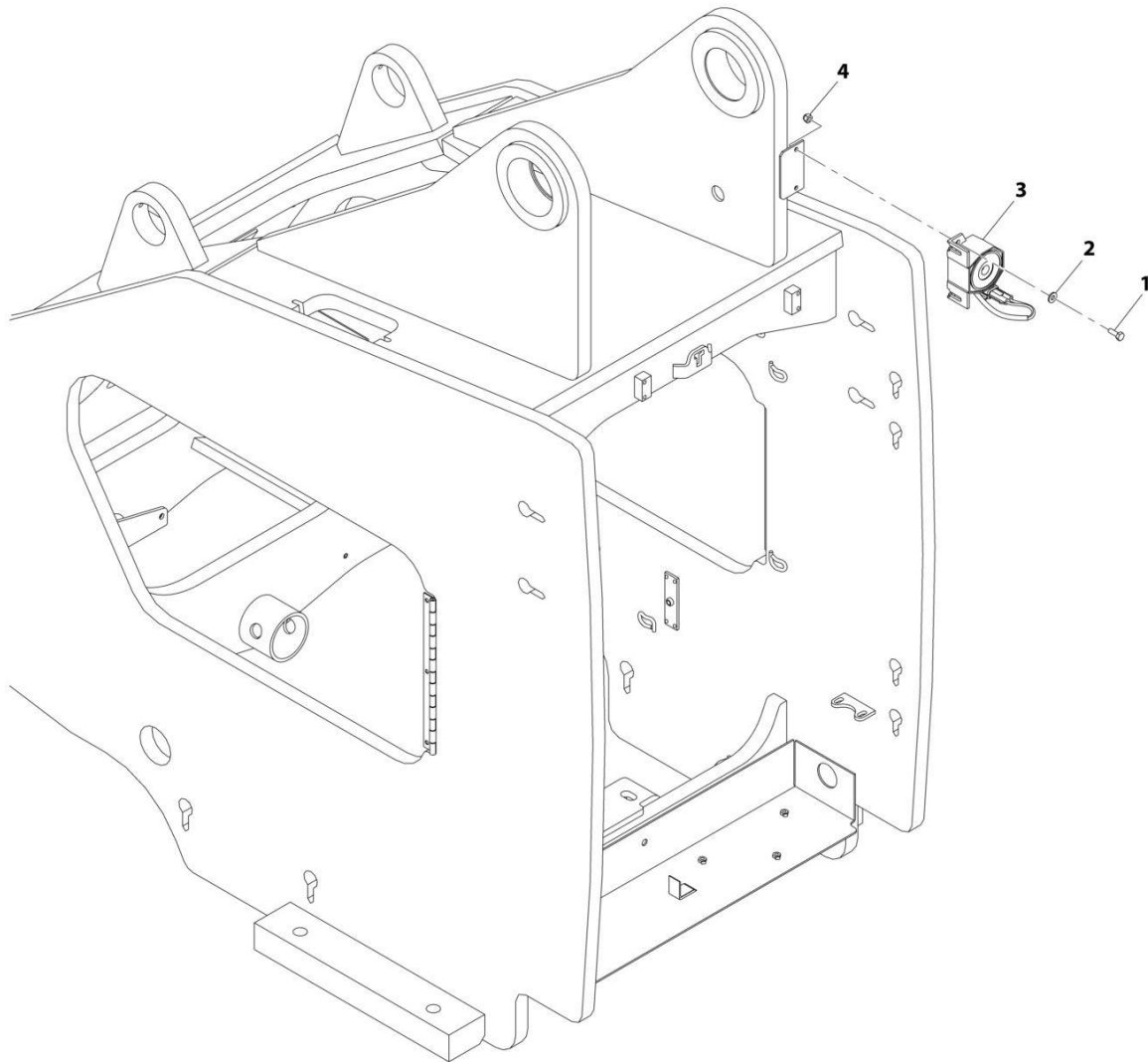
## SECTION 10 - ELECTRICAL

**FIGURE 10-5. AIR SHUT OFF VALVE CAB HARNESS**

ITEM	PART NUMBER	QTY	DESCRIPTION	REV
	1001231560	Ref	POSI Air Shut Off Valve Cab, Harness	C
5	1001112612	1	Connector	
6	4460464	6	Terminal	
7	4460466	3	Plug	
8	1001116945	1	Connector	
9	4460465	6	Terminal	
10	4460466	3	Plug	
11	8220035	1	Terminal, Ring	
12	8220035	1	Terminal, Ring	
13	1001231397	1	Connector	
14	8229261	1	Fuse 5A	
15	1001231400	2	Terminal	
16	1001231404	2	Plug	
17	1001231397	1	Connector	
18	8229234	1	Fuse 10A	
19	1001231400	2	Terminal	
20	1001231404	2	Plug	
21	4460930	1	Connector	
22	4460465	6	Terminal	
23	4460466	2	Plug	
24	8220108	1	Connector	
25	8220108	1	Connector	

# SECTION 10 - ELECTRICAL

## FIGURE 10-6. ALARM INSTALLATION - BACK-UP



ART\_1001206542-A

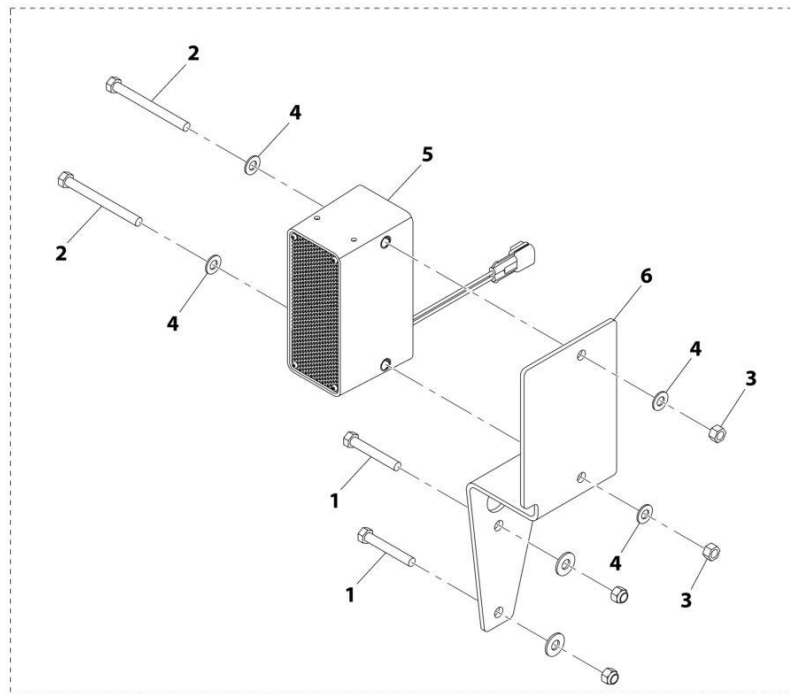
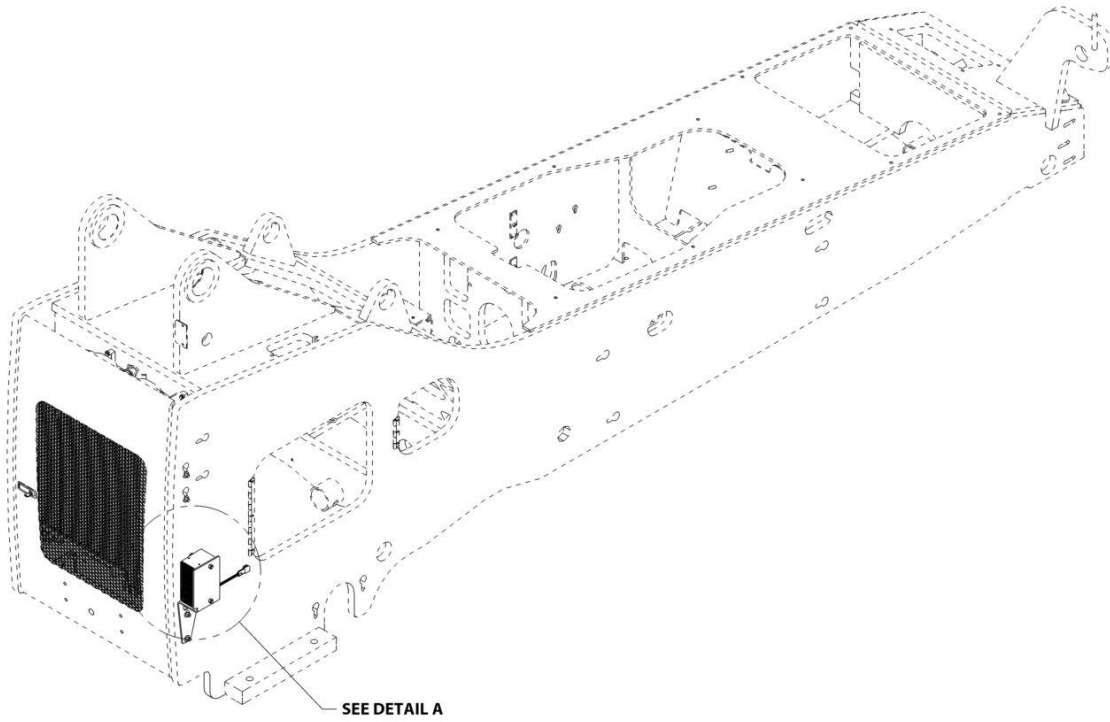
## SECTION 10 - ELECTRICAL

### FIGURE 10-6. ALARM INSTALLATION - BACK-UP

ITEM	PART NUMBER	QTY	DESCRIPTION	REV
	1001206542	Ref	Back-Up Alarm Installation	A
1	0641406	2	Bolt 1/4X3/4	
2	4711400	2	Washer 1/4	
3	8270621	1	Alarm, Back-Up	
4	8305624	2	Nut 1/4	

# SECTION 10 - ELECTRICAL

## FIGURE 10-7. ALARM INSTALLATION - BACK-UP (WHITE NOISE)



DETAIL A

ART\_1001206543-A



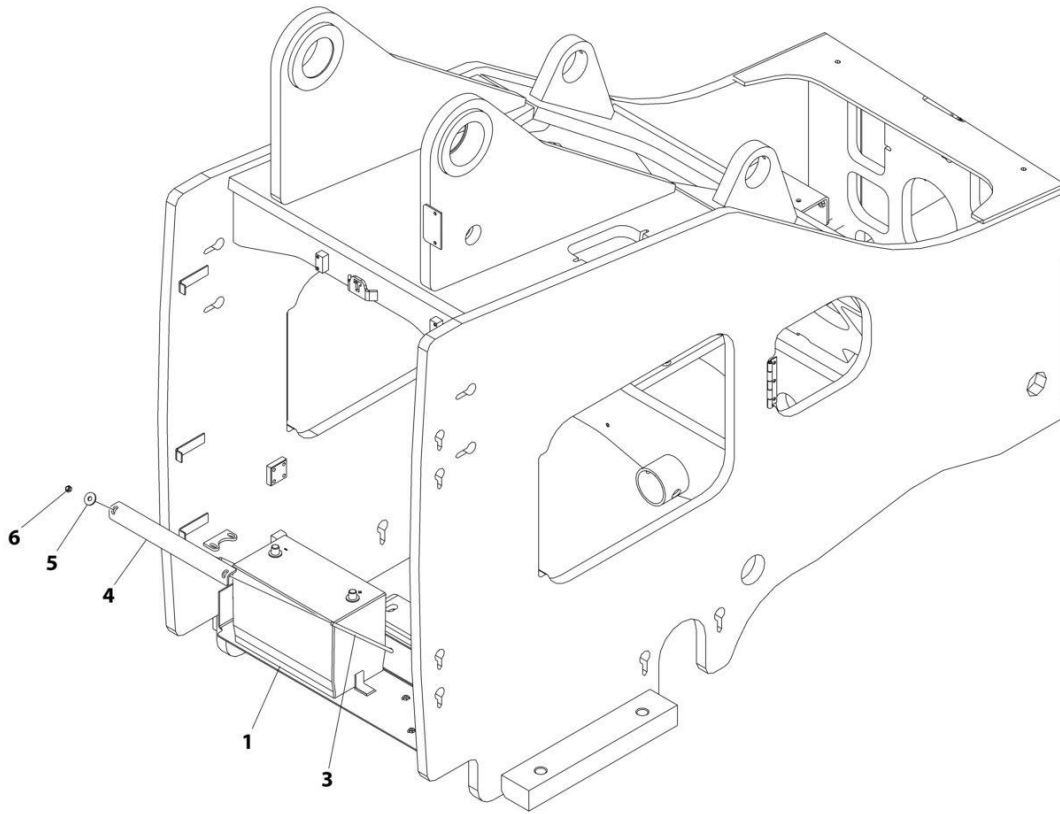
## SECTION 10 - ELECTRICAL

**FIGURE 10-7. ALARM INSTALLATION - BACK-UP (WHITE NOISE)**

ITEM	PART NUMBER	QTY	DESCRIPTION	REV
	1001206543	Ref	Back-Up Alarm Installation (White Noise)	A
1	0641620	2	Bolt 3/82-1/2	
2	0641632	2	Bolt 3/8X4	
3	3311605	2	Nut 3/8	
4	4711600	4	Washer 3/8	
5	1001198728	1	Alarm	
6	1001213574	1	Bracket	

# SECTION 10 - ELECTRICAL

## FIGURE 10-8. BATTERY INSTALLATION



ART\_1001186841\_C

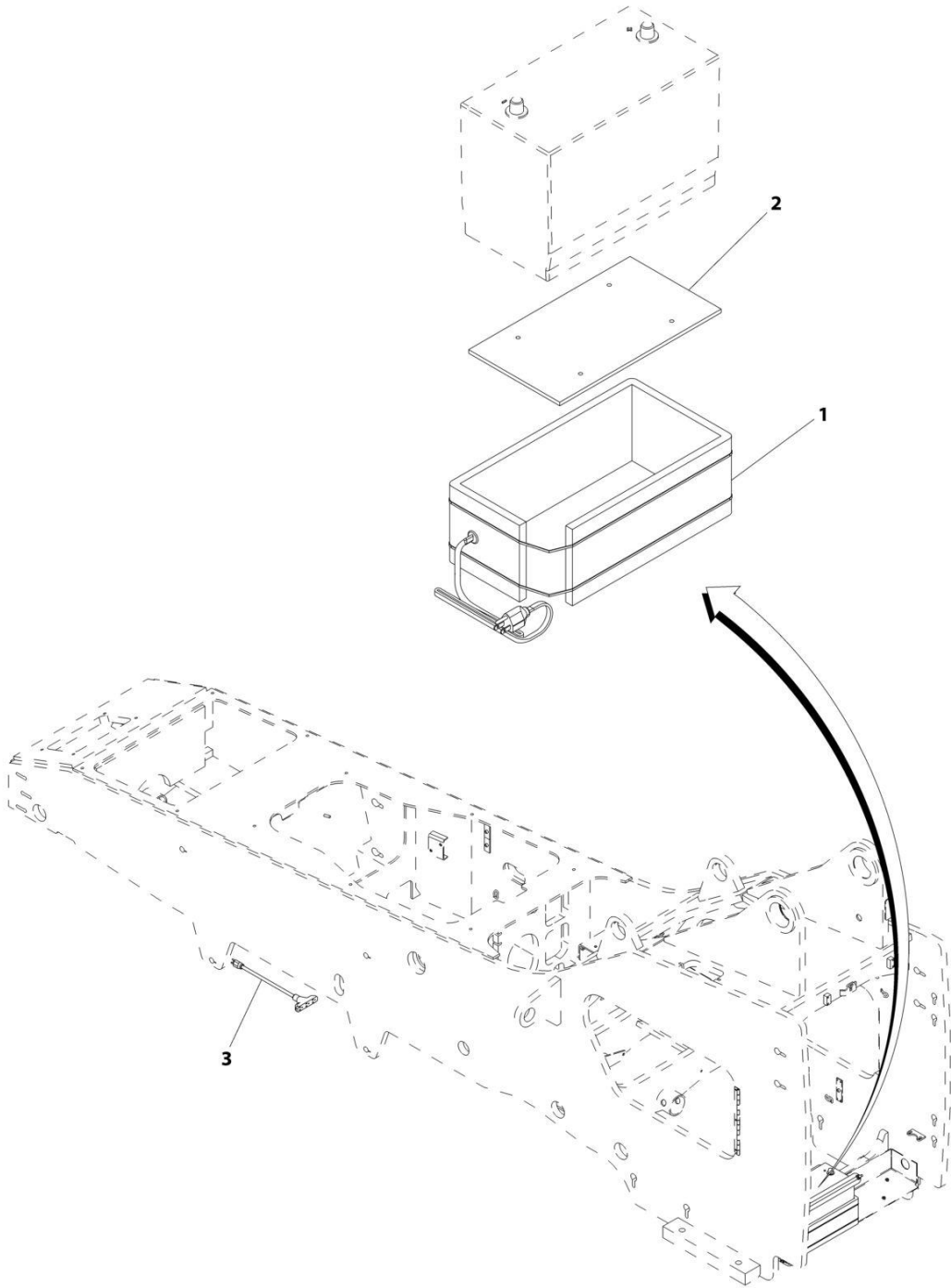
## SECTION 10 - ELECTRICAL

### FIGURE 10-8. BATTERY INSTALLATION

ITEM	PART NUMBER	QTY	DESCRIPTION	REV
	1001186841	Ref	BATTERY INSTALLATION	C
1	0400075	1	Battery, 12V	
3	91081640	2	Bolt, Battery Hold Down	
4	1001258991	1	Plate, Battery Hold Down	
5	4812002	2	Washer M10	
6	8305626	2	Nut	

**SECTION 10 - ELECTRICAL**

**FIGURE 10-9. BATTERY BLANKET INSTALLATION**



ART\_1001234216-A

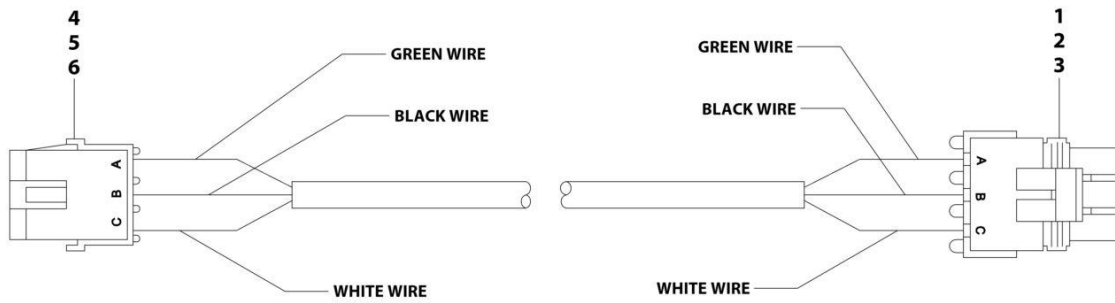
## SECTION 10 - ELECTRICAL

### FIGURE 10-9. BATTERY BLANKET INSTALLATION

ITEM	PART NUMBER	QTY	DESCRIPTION	REV
	1001234216	Ref	Battery Blanket Installation	A
1	1001093564	1	Battery Heater	
2	1001119278	1	Battery Insulate	
3	1060626	1	3 Way Plug	

# SECTION 10 - ELECTRICAL

## FIGURE 10-10. BOOM EXTEND HARNESS



ART\_1001127226-C

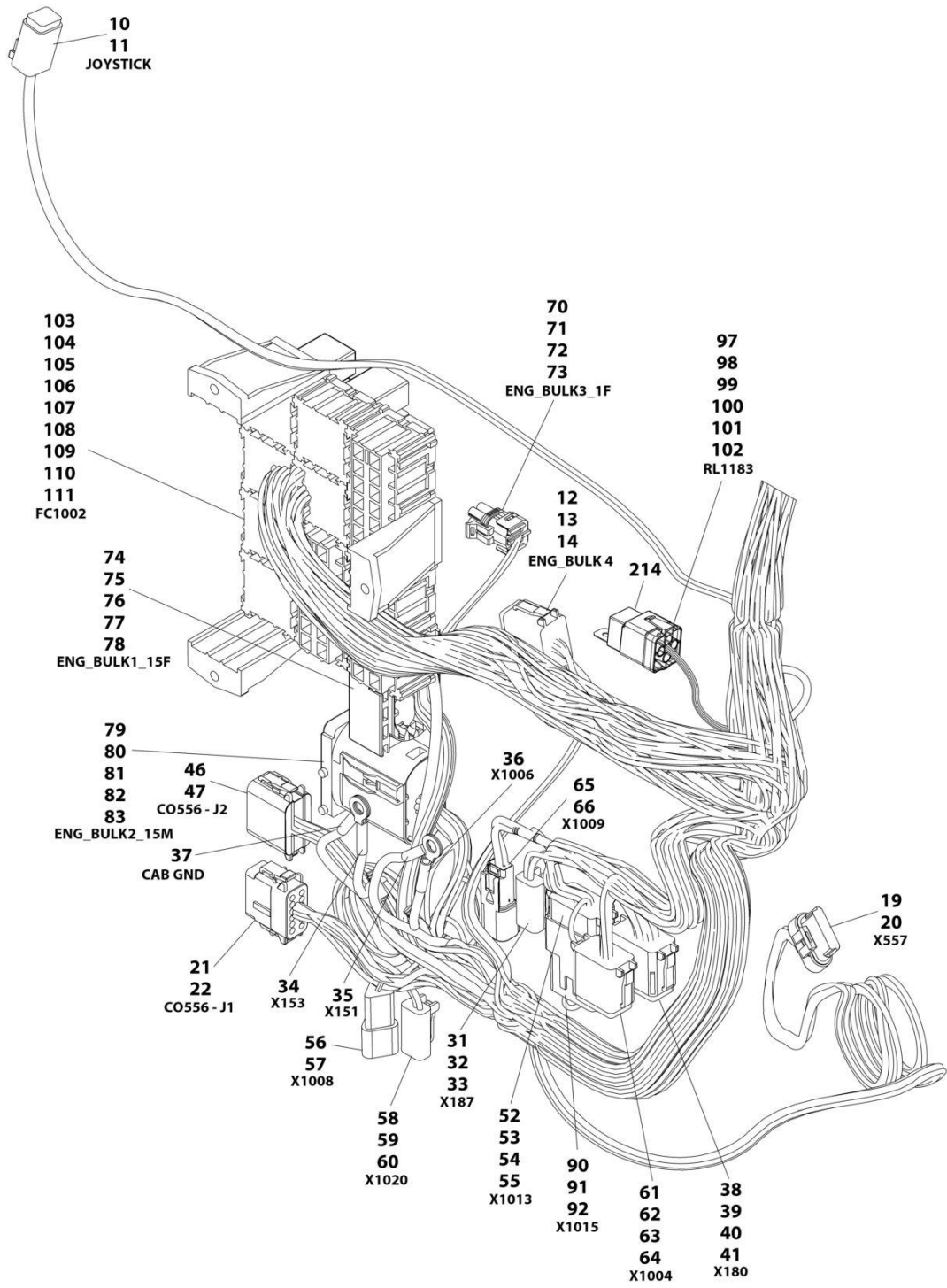
## SECTION 10 - ELECTRICAL

### FIGURE 10-10. BOOM EXTEND HARNESS

ITEM	PART NUMBER	QTY	DESCRIPTION	REV
	1001127226	Ref	Boom Extend Harness	C
1	4460459	1	Connector	
2	4460457	3	Terminal	
3	4460458	3	Seal	
4	4460476	1	Connector	
5	4460475	3	Terminal	
6	4460458	3	Seal	

# SECTION 10 - ELECTRICAL

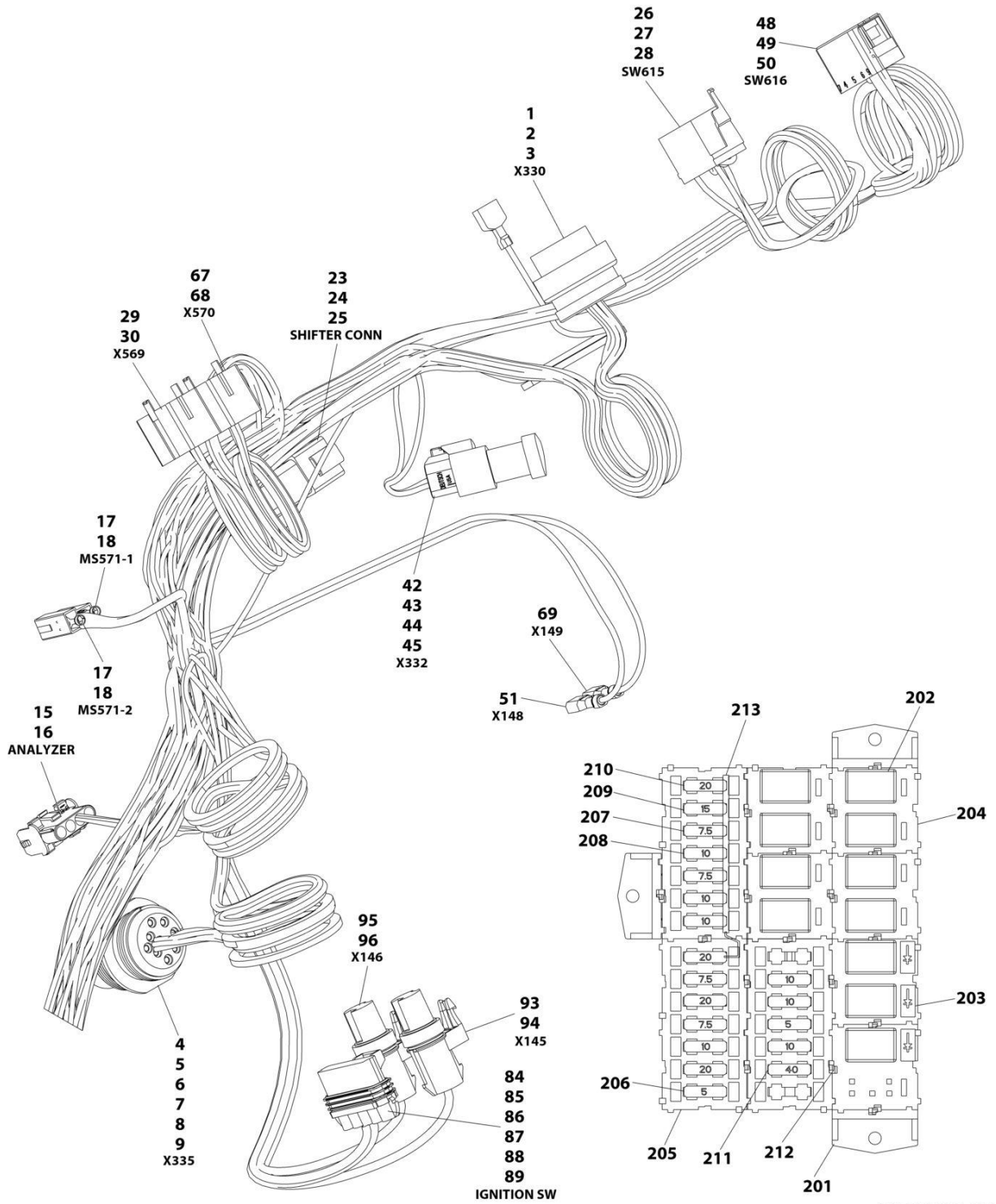
## FIGURE 10-11. CAB POWER DISTRIBUTION HARNESS



ART\_1001284542\_10F2



# SECTION 10 - ELECTRICAL



ART\_1001284542\_20F2

# SECTION 10 - ELECTRICAL

## FIGURE 10-11. CAB POWER DISTRIBUTION HARNESS

ITEM	PART NUMBER	QTY	DESCRIPTION	REV
	1001284542	Ref	CAB POWER DISTRIBUTION HARNESS	B
1	4460872	1	Connector	
2	4460871	10	Terminal, Socket	
3	4460905	4	Plug, Seal	
4	1001112612	1	Connector	
5	1001149712	1	Cap	
6	1001125784	1	Lockwasher	
7	1001125785	1	Nut	
8	4460464	7	Terminal	
9	4460466	3	Plug	
10	4460884	1	Connector	
11	4460465	4	Terminal	
12	4460930	1	Connector	
13	4460465	6	Terminal	
14	4460466	2	Plug	
15	4460761	1	Connector	
16	1001118378	4	Terminal	
17	4460994	2	Connector	
18	1001200833	4	Terminal	
19	1001230931	1	Connector	
20	91554014	6	Terminal	
21	1001116808	1	Connector	
22	1001126008	12	Terminal, Socket	
23	4460970	1	Connector	
24	4460464	9	Terminal	
25	4460466	3	Plug	
26	8220904	1	Connector	
27	4460419	4	Terminal	
28	1001195760	2	Terminal	
29	1001117119	1	Connector	
30	1001159186	4	Terminal	
31	4460891	1	Connector	
32	1001157890	1	Terminal	
33	4460942	1	Terminal	
34	4460312	1	Terminal, Ring	
35	4460312	1	Terminal, Ring	
36	4460312	1	Terminal, Ring	
37	4460312	1	Terminal, Ring	
38	4460836	1	Connector	
39	1001157890	5	Terminal, Socket	
40	4460465	6	Terminal	
41	4460466	1	Plug	
42	1001116812	1	Connector	
43	4461070	1	Connector	
44	4460465	2	Terminal	
45	4460466	1	Plug	
46	1001116774	1	Connector	
47	1001126008	12	Terminal, Socket	
48	8220904	1	Connector	
49	4460419	2	Terminal	

## SECTION 10 - ELECTRICAL

ITEM	PART NUMBER	QTY	DESCRIPTION	REV
50	1001195760	8	Terminal	
51	8220051	1	Terminal	
52	4460933	1	Connector	
53	1001003174	3	Terminal, Socket	
54	4460465	7	Terminal	
55	4460466	2	Terminal	
56	4460536	1	Connector	
57	4460464	3	Terminal	
58	4460891	1	Connector	
59	4460465	1	Terminal	
60	1001157890	1	Terminal	
61	4460930	1	Connector	
62	4460465	3	Terminal	
63	1001157890	2	Terminal	
64	4460466	3	Plug	
65	4461017	1	Connector	
66	4460508	2	Terminal, Socket	
67	1001117119	1	Connector	
68	1001159186	2	Terminal	
69	8220051	1	Terminal	
70	80963061	1	Connector	
71	4460790	2	Terminal, Socket	
72	1001116727	2	Terminal	
73	8220089	4	Seal	
74	8220927	1	Connector	
75	1001116747	12	Terminal	
76	4460746	3	Terminal	
77	4460458	3	Seal	
78	8220081	12	Seal	
79	8220929	1	Connector	
80	8220097	12	Terminal	
81	8220125	2	Terminal	
82	1001116727	1	Plug	
83	4460458	14	Seal	
84	1001121726	1	Connector	
85	8220125	2	Terminal	
86	8220089	2	Seal	
87	1001116726	1	Terminal	
88	4460458	1	Seal	
89	1001116727	2	Plug	
90	4460970	1	Connector	
91	4460466	6	Terminal	
92	4460464	6	Terminal	
93	1001121728	1	Connector, Packard Female, 1POS	
94	1001121730	1	Terminal	
95	1001121728	1	Connector, Packard Female, 1POS	
96	1001121730	1	Terminal	
97	1001231398	1	Connector	
98	1001231401	2	Terminal	
99	1001231400	2	Terminal	
100	1001231406	1	Plug	

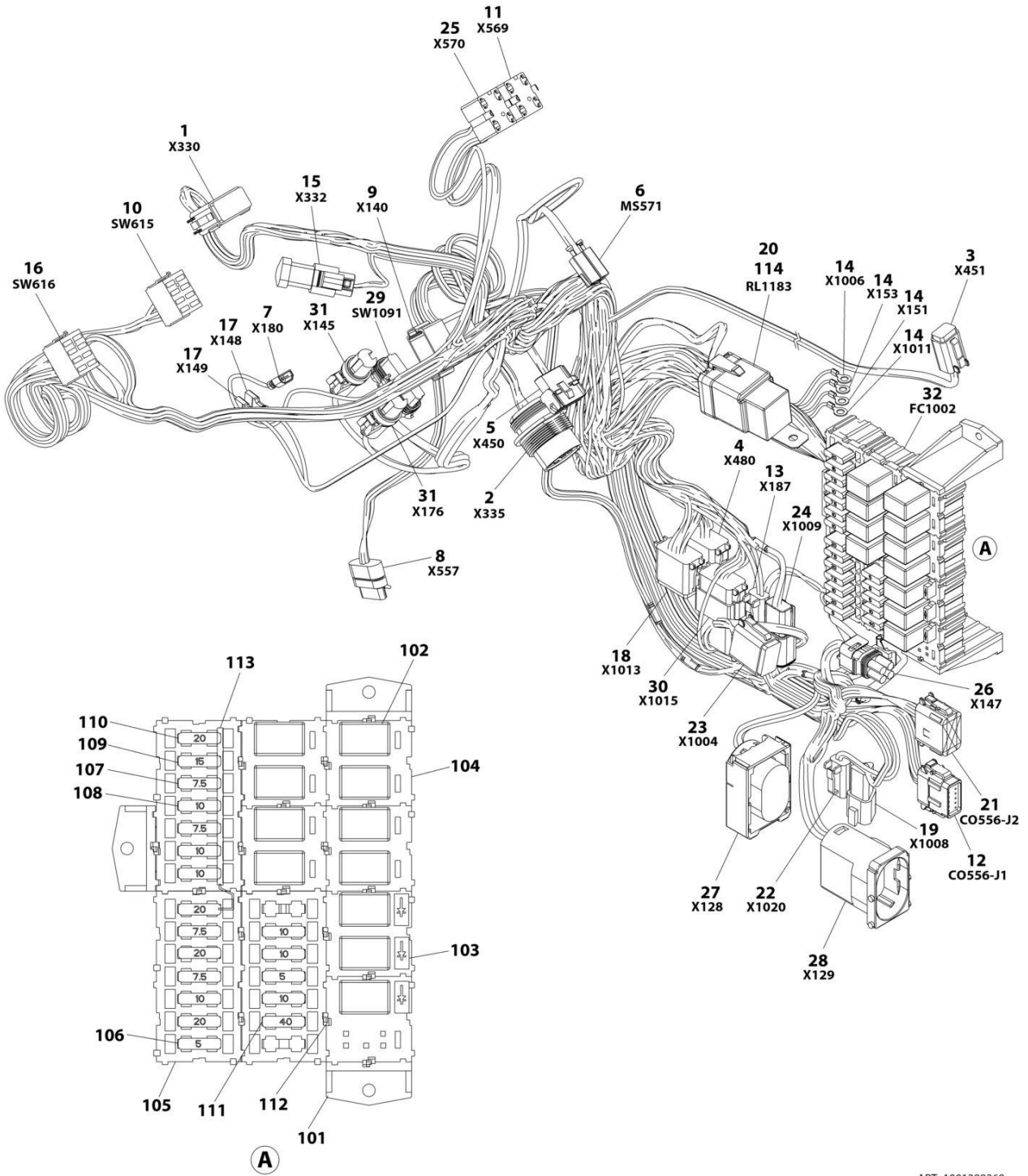
## SECTION 10 - ELECTRICAL

ITEM	PART NUMBER	QTY	DESCRIPTION	REV
101	1001231402	2	Seal	
102	1001231404	2	Seal	
103	1001116712	9	Terminal	
104	1001116710	18	Terminal	
105	1001116711	26	Terminal	
106	1001210779	8	Terminal	
107	1001192050	10	Terminal	
108	1001210776	4	Terminal	
109	1001192049	12	Terminal	
110	1001210778	1	Terminal	
111	1001210777	7	Terminal	
201	1001200845	3	Leg, Mounting	
202	1001205172	11	Relay, Micro 280, 12V, 35 Amp	
203	1001129285	3	Fuse, Mini Diode	
204	1001177198	6	Module, 2 Fuse	
205	1001187952	3	Assembly, Electrical	
206	8229261	2	Fuse, Type 5 A	
207	8229233	4	Fuse, Type 7.5 A	
208	8229234	7	Fuse, Type 10 A	
209	8229237	1	Fuse, Type 15 A	
210	8229235	4	Fuse, Type 20 A	
211	8229238	1	Fuse, Type 40 A	
212	4461103	17	Relay, Locking Wedge	
213	1001210779	1	Terminal	
214	3740080	1	Relay, Weather Proof	



# SECTION 10 - ELECTRICAL

## FIGURE 10-12. CAB POWER DISTRIBUTION HARNESS



ART\_1001299369

## SECTION 10 - ELECTRICAL

### FIGURE 10-12. CAB POWER DISTRIBUTION HARNESS

ITEM	PART NUMBER	QTY	DESCRIPTION	REV
	1001299369	Ref	CAB POWER DISTRIBUTION HARNESS	B
1	4460933	1	Connector	
1	4460465	11	Socket	
2	1001112612	1	Connector	
2	1001149712	1	Cap & Lanyard	
2	1001125784	1	Washer	
2	1001125785	1	Nut	
2	4460464	7	Pin	
2	4460884	1	Connector	
3	4460465	4	Socket	
4	4460930	1	Connector	
4	1001116693	6	Pin	
5	4460761	1	Connector	
5	1001118378	4	Socket	
6	4460994	1	Connector	
6	1001200833	2	Socket	
6	4460836	1	Connector	
7	1001157890	5	Pin (12AWG)	
7	1001116693	6	Pin (16AWG)	
8	1001230931	1	Connector	
8	91554014	6	Socket	
9	4460970	1	Connector	
9	1001116693	9	Pin	
10	8220904	1	Connector	
10	1001195760	2	Socket	
10	4460419	4	Socket	
11	1001117119	1	Connector	
11	1001159186	4	Socket	
12	1001116808	1	Connector	
12	1001126008	12	Pin	
13	4460891	1	Connector	
13	1001116693	2	Pin	
14	4460312	4	Terminal, Ring	
15	1001116812	1	Connector	
15	4460465	2	Socket	
16	8220904	1	Connector	
16	1001195760	8	Socket (16AWG)	
16	4460419	2	Socket (12AWG)	
17	8220051	2	Terminal	
18	4460933	1	Connector	
18	1001116693	10	Pin	
19	4460536	1	Connector	
19	1001116693	2	Pin (16AWG)	
19	4460464	1	Pin (18AWG)	
20	1001231398	1	Connector	
20	1001231400	2	Socket (14-16AWG)	
20	1001231401	2	Socket (12-14AWG)	
20	1001231402	2	Seal (Blue)	
20	1001231404	2	Seal	
21	1001116774	1	Connector	

## SECTION 10 - ELECTRICAL

ITEM	PART NUMBER	QTY	DESCRIPTION	REV
21	1001126008	12	Pin	
22	4460891	1	Connector	
22	1001157890	1	Socket (12-16AWG)	
22	4460465	1	Socket (16-20AWG)	
23	4460930	1	Connector	
23	1001157890	2	Pin (12-16AWG)	
23	1001116693	3	Pin (14-18AWG)	
24	4461017	1	Connector	
24	4460508	2	Pin	
25	1001117119	1	Connector	
25	1001159186	2	Socket	
26	80963061	1	Connector	
26	4460790	2	Socket	
26	8220089	2	Seal	
27	8220927	1	Connector	
27	1001116726	10	Socket (16AWG)	
27	4460746	3	Socket (18AWG)	
27	8220098	1	Socket (14AWG) (Brass)	
27	1001116747	1	Socket (14AWG) (Tin)	
27	8220081	12	Seal (Grey)	
27	4460458	3	Seal (Green)	
28	8220929	1	Connector	
28	8220097	12	Socket (16-18AWG)	
28	8220125	2	Socket (10-12AWG)	
28	4460458	14	Seal	
29	1001121726	1	Connector	
29	8220125	2	Socket (10-12AWG)	
29	1001116726	1	Socket (16AWG)	
29	8220089	2	Seal (Blue)	
29	4460458	1	Seal (Green)	
30	4460970	1	Connector	
30	1001116693	6	Pin	
31	1001121728	2	Connector	
32	NPN	1	Fuse Relay Box	
32	1001116711	26	Socket (16-14AWG) (Tin)	
32	1001116712	9	Socket (12-16AWG) (Tin)	
32	1001210777	8	Socket (14-16AWG) (Brass)	
32	1001192050	10	Socket (14-16AWG) (Brass)	
32	1001116710	19	Socket (16-20AWG) (Tin)	
32	1001210778	2	Socket (18-20AWG) (Brass)	
32	1001192049	11	Socket (10-12AWG) (Brass)	
32	1001210776	4	Socket (18-20AWG) (Brass)	
32	1001210779	2	Buss Bar	
101	1001200845	3	Leg, Mounting	
102	1001205172	11	Relay, Micro 280, 12V, 35 Amp	
103	1001196636	3	Connector (1AMP)	
104	1001177198	6	Module, 2 Fuse	
105	1001187952	3	Dillblox	
106	8229261	4	Fuse (5AMP)	
107	8229233	4	Fuse (7.5AMP)	
108	8229234	5	Fuse (10AMP)	

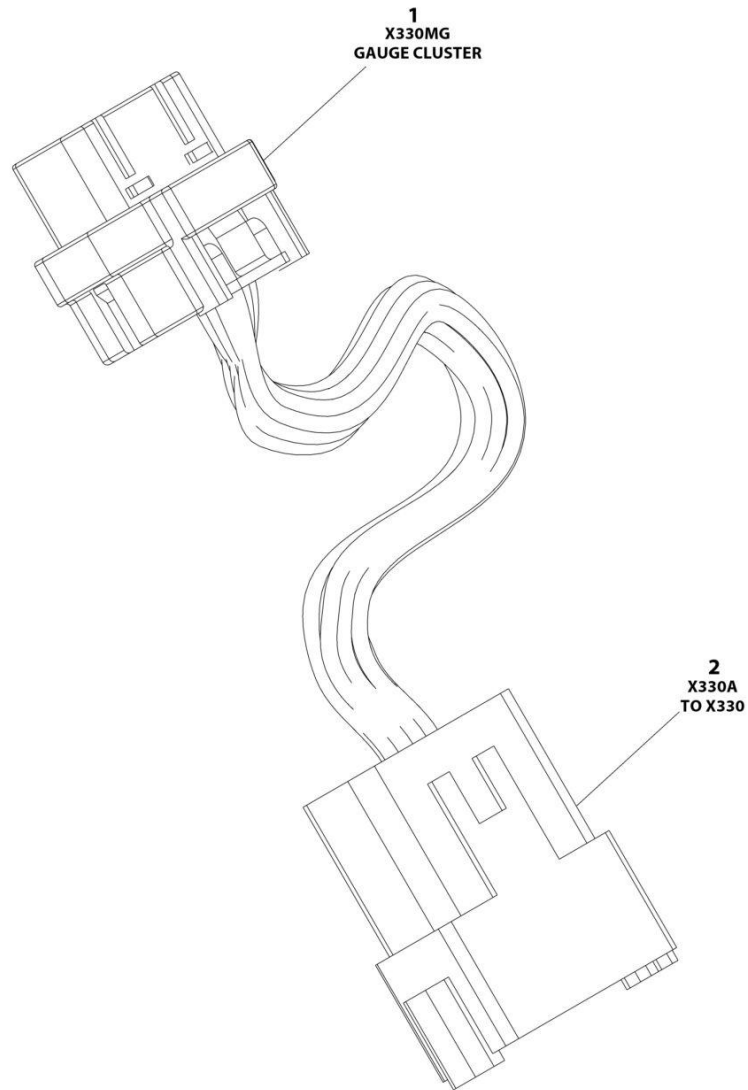


## SECTION 10 - ELECTRICAL

ITEM	PART NUMBER	QTY	DESCRIPTION	REV
109	8229237	1	Fuse (15AMP)	
110	8229235	4	Fuse (20AMP)	
111	8229238	1	Fuse (40AMP)	
112	4461103	17	Relay, Locking Wedge	
113	1001210779	1	Bussbar, 7-Way	
114	3740080	1	Relay, Weather Proof	

# SECTION 10 - ELECTRICAL

## FIGURE 10-13. GAUGE CLUSTER JUMPER HARNESS



ART\_1001301880

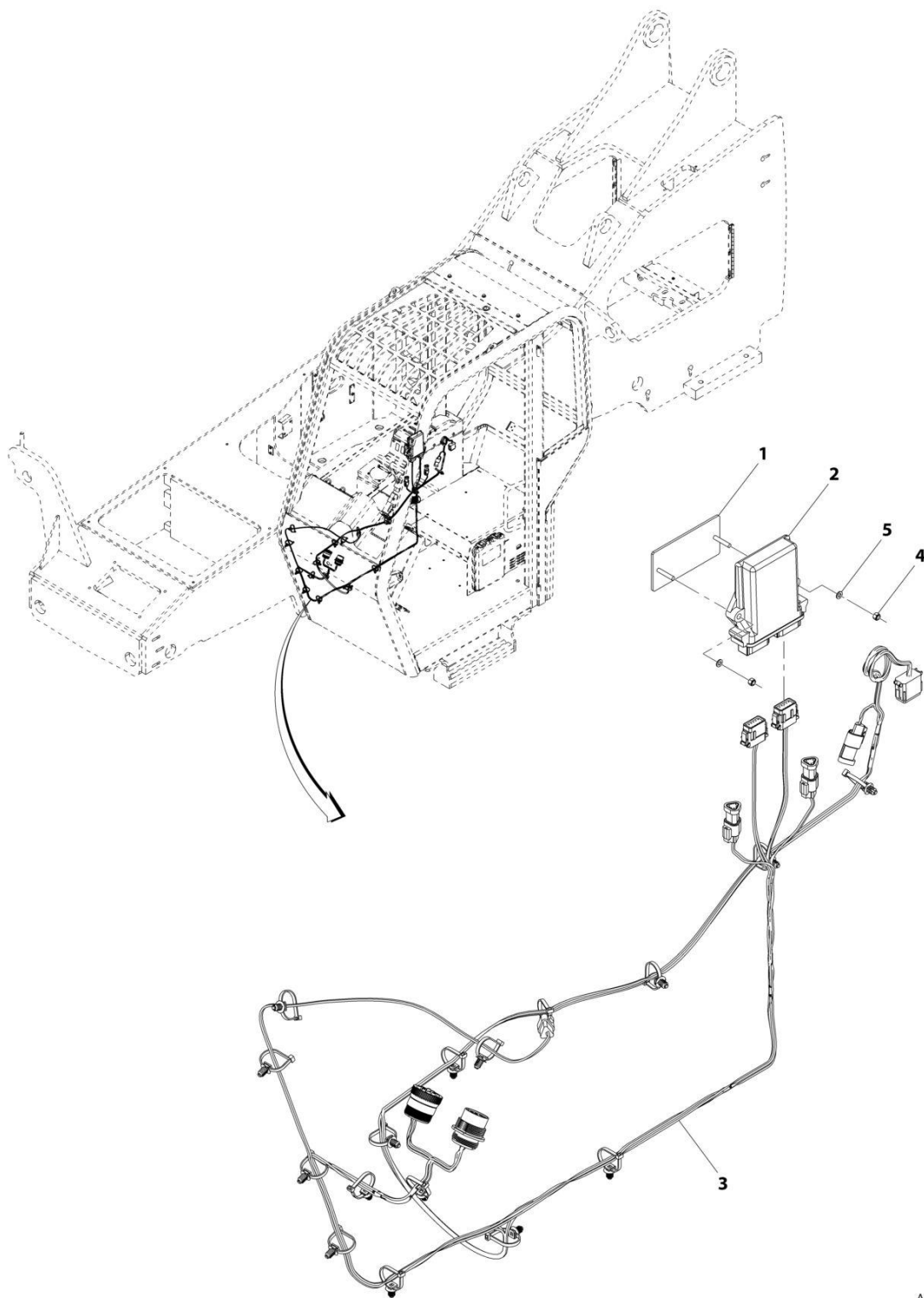
## SECTION 10 - ELECTRICAL

### FIGURE 10-13. GAUGE CLUSTER JUMPER HARNESS

ITEM	PART NUMBER	QTY	DESCRIPTION	REV
	1001301880	Ref	GAUGE CLUSTER JUMPER HARNESS	B
1	1001299236	1	Connector 26 Position	
2	4460970	1	Connector 12 Position	
2	4460464	11	Terminal	
2	4460466	1	Plug, Terminal	

# SECTION 10 - ELECTRICAL

## FIGURE 10-14. CLEARSKY CANBUS TELEMATICS INSTALLATION



ART\_1001220468-A

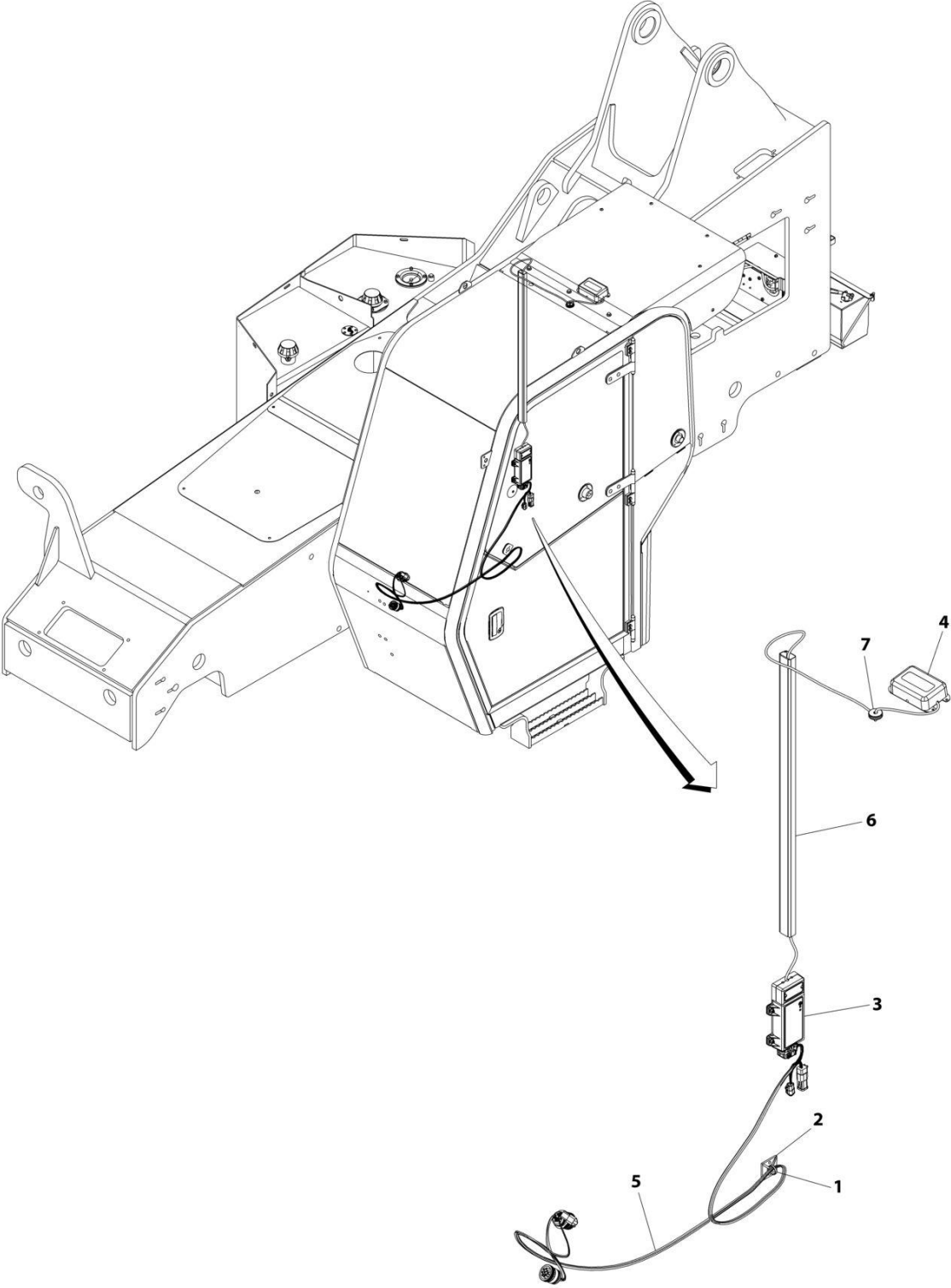
## SECTION 10 - ELECTRICAL

### FIGURE 10-14. CLEARSKY CANBUS TELEMATICS INSTALLATION

ITEM	PART NUMBER	QTY	DESCRIPTION	REV
	1001220468	Ref	Canbus Telematics Installation	A
1	1001219082	1	Bracket, Control Mount	
2	1001229458	1	Controller, Gateway	
3	1001219895	1	Telematics Gateway Harness (See Separate Breakdown in Electrical Section)	
4	3290505	2	Nut, M5X0.8	
5	4811600	2	Washer, M6	

**SECTION 10 - ELECTRICAL**

**FIGURE 10-15. CLEARSKY INSTALLATION CANBUS (ANSI)**



ART\_1001227459\_E

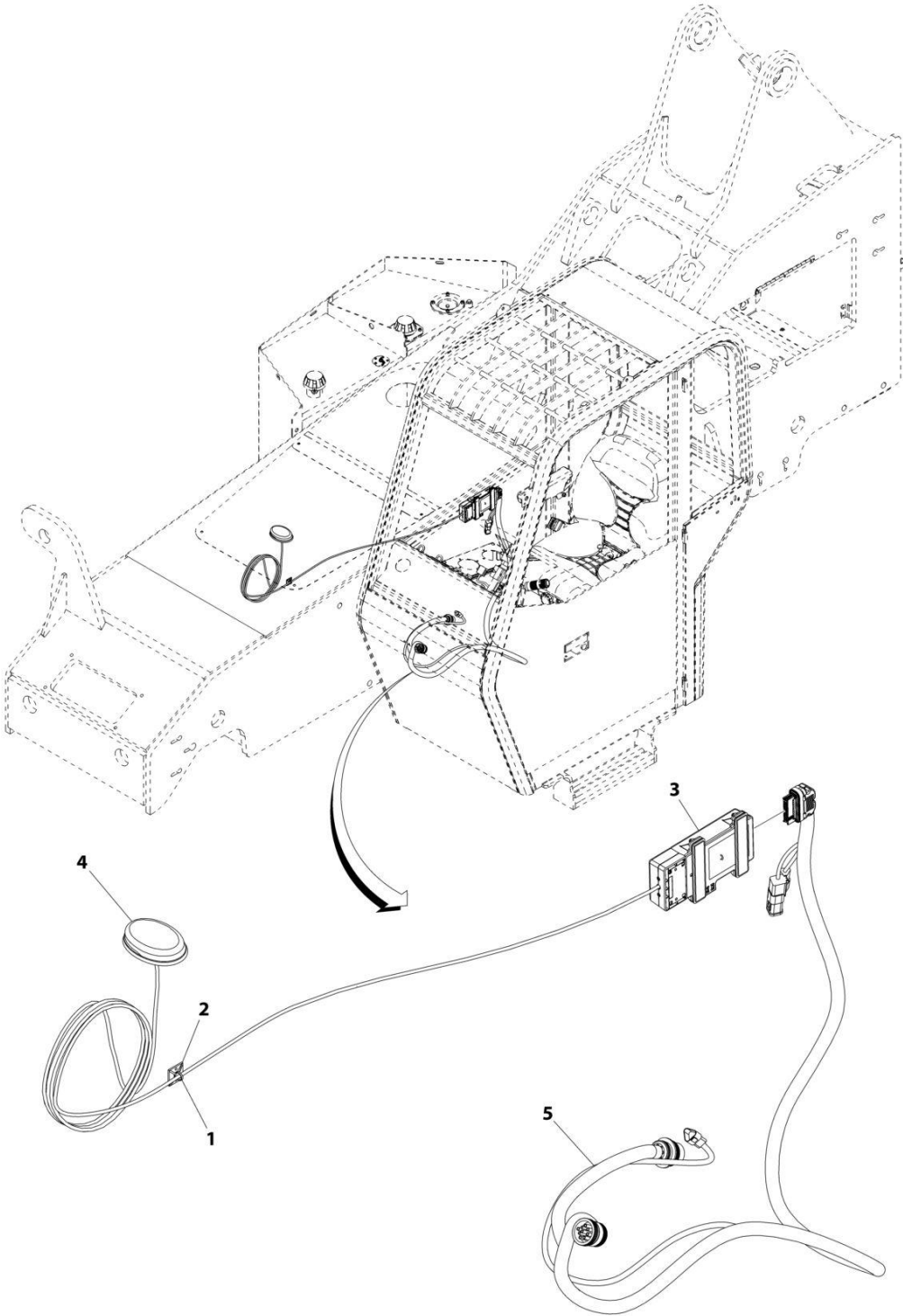
## SECTION 10 - ELECTRICAL

**FIGURE 10-15. CLEARSKY INSTALLATION CANBUS (ANSI)**

ITEM	PART NUMBER	QTY	DESCRIPTION	REV
	1001227459	Ref	CLEARSKY INSTALLATION	E
1	4240032	AR	Tie-Strap	
2	4460234	AR	Mount, Tie-Strap	
3	1001262322	1	Module (4G)	
4	1001262327	1	Antenna (4G)	
5	1001226856	1	Harness, Clearsky (See Separate Breakdown in this Section)	
6	1001182091	1	Duct, Wire	
7	1001195913	1	Grommet	

**SECTION 10 - ELECTRICAL**

**FIGURE 10-16. CLEARSKY INSTALLATION CANBUS (CE)**



ART\_1001239250-A



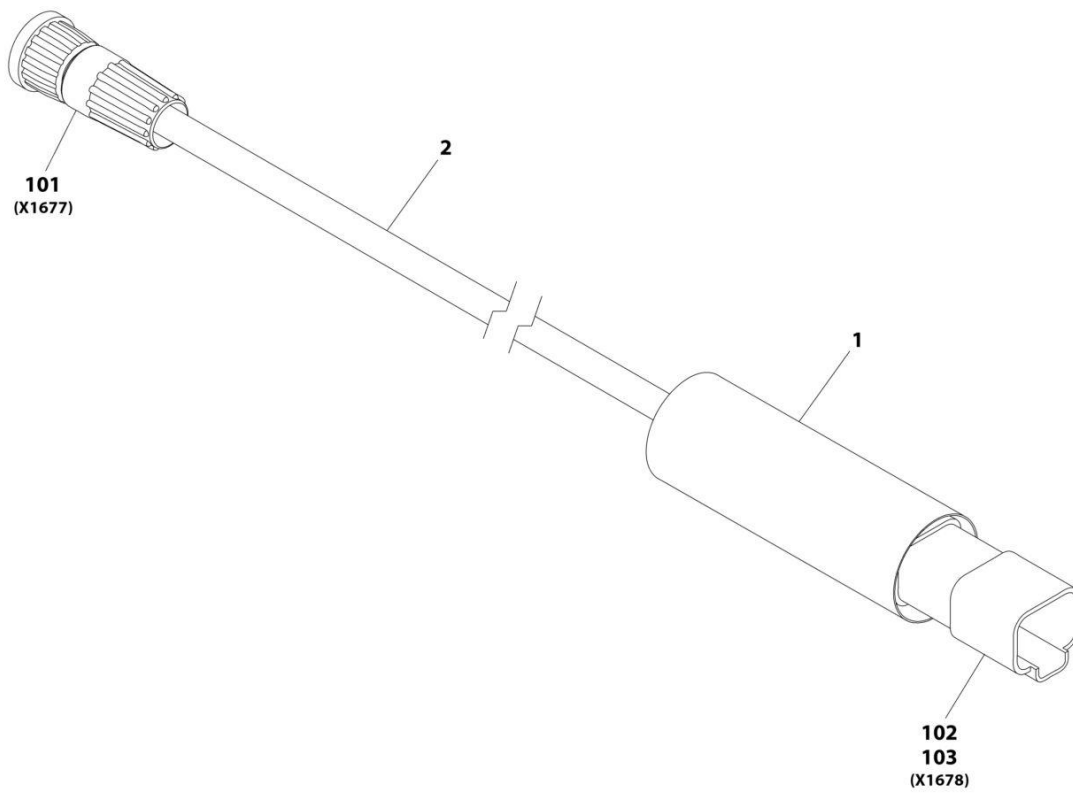
## SECTION 10 - ELECTRICAL

### FIGURE 10-16. CLEARSKY INSTALLATION CANBUS (CE)

ITEM	PART NUMBER	QTY	DESCRIPTION	REV
	1001239250	Ref	Clearsky Installation (CE)	A
1	4240032	AR	Tie-Strap	
2	4460234	AR	Mount, Tie-Strap	
3	1001228954	1	Module	
4	1001226799	1	Antenna	
5	1001226856	1	Harness, Clearsky (See Separate Breakdown in this Section)	

# SECTION 10 - ELECTRICAL

## FIGURE 10-17. CLEARSKYTELEMATICS HARNESS



ART\_1001227066-A

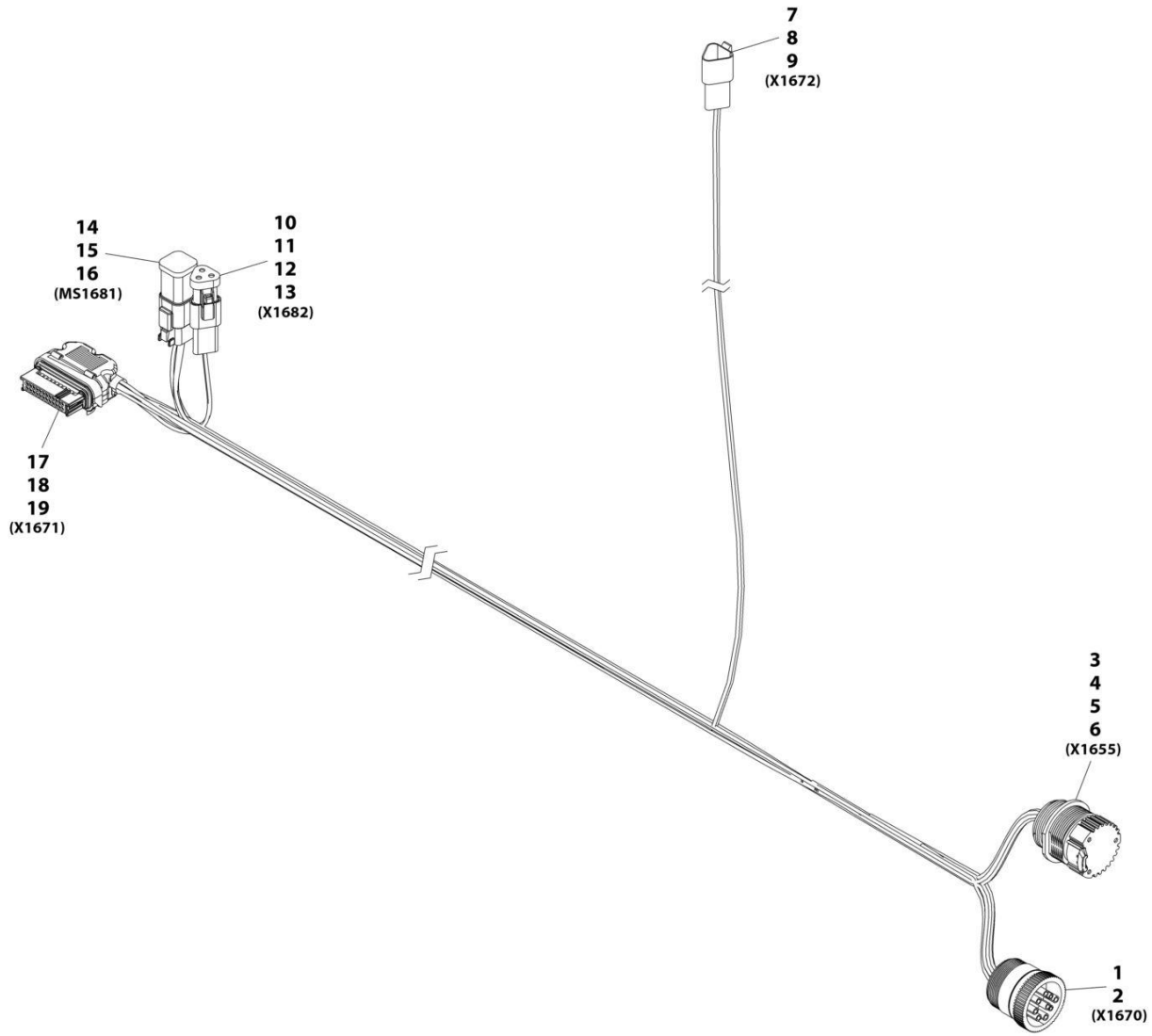
## SECTION 10 - ELECTRICAL

### FIGURE 10-17. CLEARSKYTELEMATICS HARNESS

ITEM	PART NUMBER	QTY	DESCRIPTION	REV
	1001227066	Ref	CLEARSKY TELEMATICS HARNESS	A
1	1001226400	0.33 ft	Insulate, Heat Shrink	
2	1001227068	3.3 ft	Cable	
101	1001227266	1	Connector	
102	1001129407	1	Connector	
103	4460464	4	Terminal	

# SECTION 10 - ELECTRICAL

## FIGURE 10-18. CLEARSKY TELEMATICS HARNESS



ART\_1001226856\_B

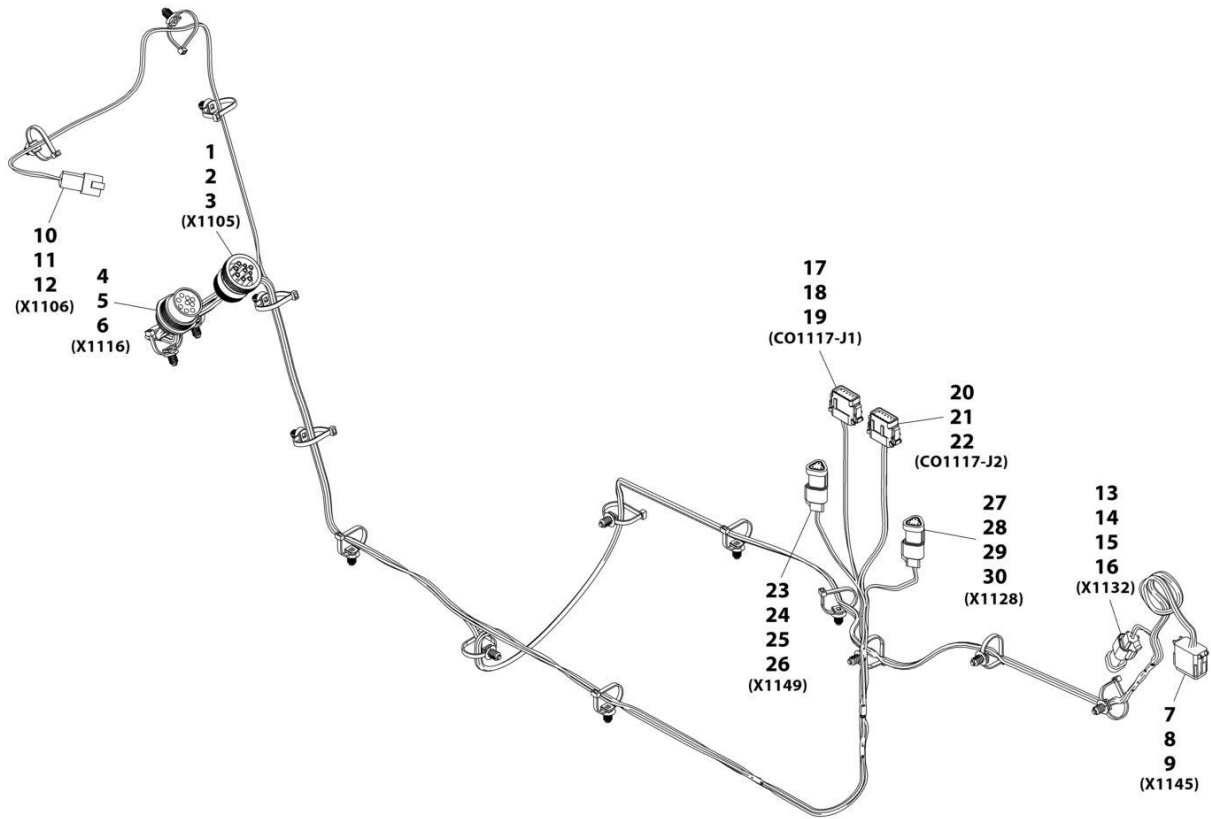
## SECTION 10 - ELECTRICAL

**FIGURE 10-18. CLEARSKY TELEMATICS HARNESS**

ITEM	PART NUMBER	QTY	DESCRIPTION	REV
	1001226856	Ref	CLEARSKY TELEMATICS HARNESS	B
1	1001112796	1	Connector	
2	4460465	9	Terminal	
3	1001112612	1	Connector	
4	1001149712	1	Cap	
5	4460464	6	Terminal	
6	4460466	3	Plug	
7	1001144147	1	Connector	
8	4460464	2	Terminal	
9	4460466	1	Plug	
10	1001144147	1	Connector	
11	1001116815	1	Plug	
12	4460464	2	Terminal	
13	4460466	1	Plug	
14	4460894	1	Connector	
15	1001226541	1	Bussbar	
16	4460465	6	Terminal	
17	1001226636	1	Connector	
18	1001116731	16	Plug	
19	1001226637	8	Terminal	

# SECTION 10 - ELECTRICAL

## FIGURE 10-19. CLEARSKYTELEMATICS GATEWAY HARNESS



ART\_1001219895-A

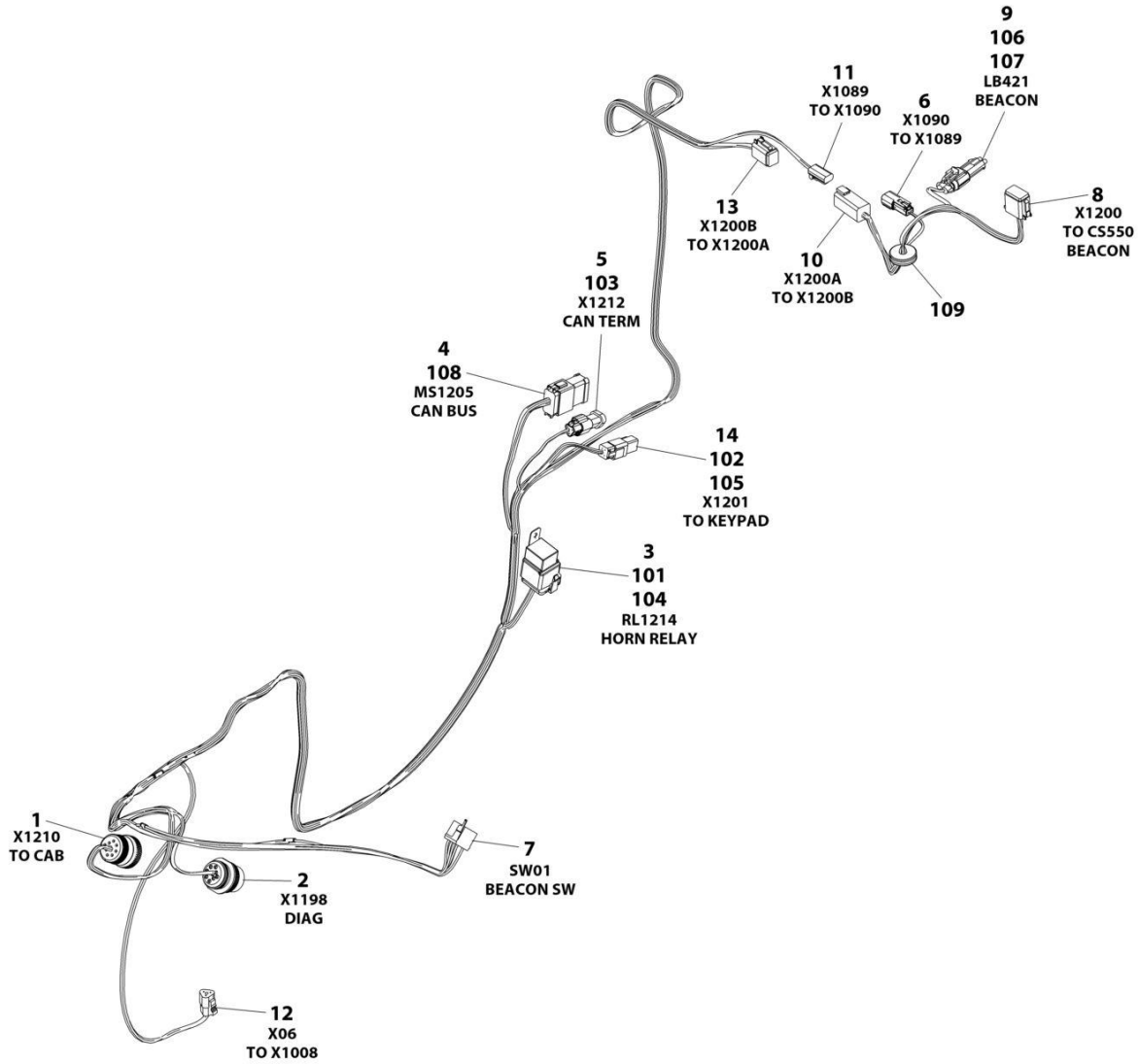
## SECTION 10 - ELECTRICAL

**FIGURE 10-19. CLEARSKYTELEMATICS GATEWAY HARNESS**

ITEM	PART NUMBER	QTY	DESCRIPTION	REV
	1001219895	Ref	Telematics Gateway Harness	A
1	1001112796	1	Connector	
2	1001116692	6	Terminal	
3	4460466	3	Plug	
4	1001112612	1	Connector	
5	1001116693	6	Terminal	
6	4460466	3	Plug	
7	4460933	1	Connector	
8	1001116692	5	Terminal	
9	4460466	7	Plug	
10	1001144147	1	Connector	
11	4460464	2	Terminal	
12	4460466	1	Plug	
13	1001116812	1	Connector	
14	4461070	1	Terminal	
15	4460944	2	Terminal	
16	4460466	1	Plug	
17	1001116774	1	Connector	
18	4460518	8	Plug	
19	1001116694	4	Terminal	
20	1001116808	1	Connector	
21	4460518	10	Plug	
22	1001116694	2	Terminal	
23	1001116812	1	Connector	
24	4461070	1	Terminal	
25	4460944	2	Terminal	
26	4460466	1	Plug	
27	1001116812	1	Connector	
28	4461070	1	Terminal	
29	4460944	2	Terminal	
30	4460466	1	Plug	

# SECTION 10 - ELECTRICAL

## FIGURE 10-20. CLEARSKY HARNESS



ART\_1001288404



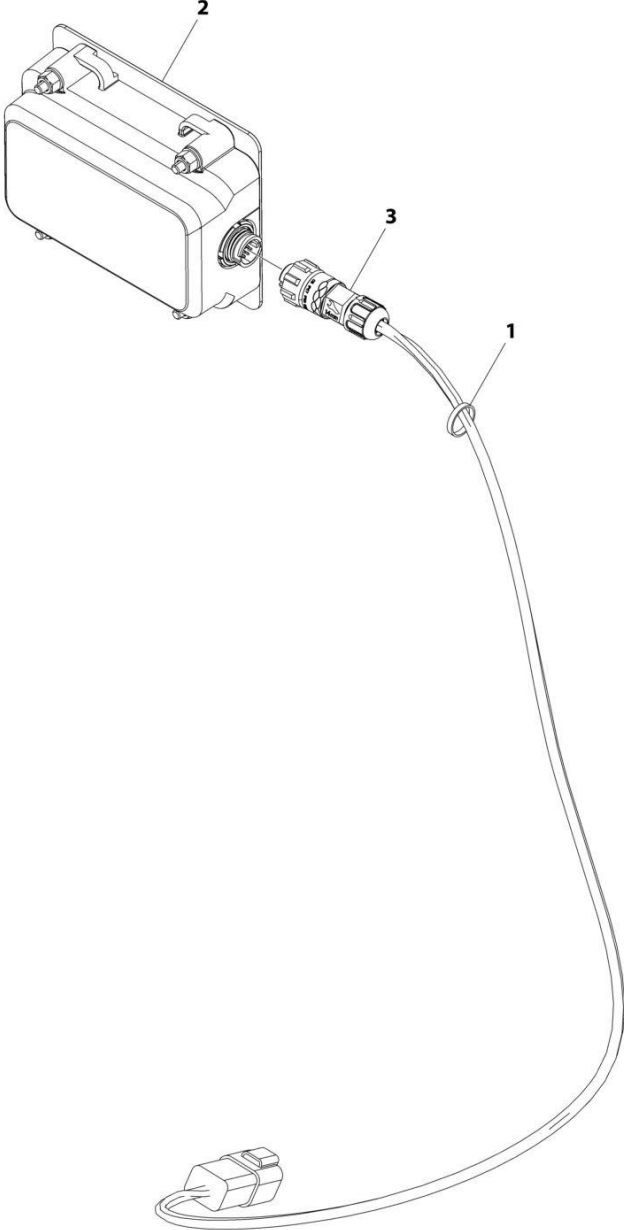
## SECTION 10 - ELECTRICAL

### FIGURE 10-20. CLEARSKY HARNESS

ITEM	PART NUMBER	QTY	DESCRIPTION	REV
	1001288404	Ref	CLEARSKY HARNESS	C
1	1001112796	1	Connector	
1	4460465	6	Socket	
1	4460466	3	Plug	
2	1001112612	1	Connector	
2	4460464	5	Pin	
2	4460466	4	Plug	
3	1001231398	1	Connector	
3	1001231400	4	Socket	
3	1001231404	4	Seal	
3	1001231406	1	Plug	
4	4460933	1	Connector	
4	4460465	10	Socket	
4	4460466	2	Plug	
5	1001116812	1	Connector	
5	4460465	2	Socket	
5	4460466	1	Plug	
6	4460897	1	Connector	
6	4460464	2	Pin	
7	8220904	1	Connector	
7	4460419	6	Socket	
8	4460930	1	Connector	
8	4460465	6	Socket	
8	4460466	2	Plug	
9	1001117021	1	Connector	
9	1001116728	2	Socket	
9	4460458	2	Seal	
10	4460899	1	Connector	
10	4460464	6	Pin	
11	4460891	1	Connector	
11	4460465	2	Socket	
12	4460539	1	Connector	
12	4460465	3	Socket	
13	4460894	1	Connector	
13	4460465	6	Socket	
14	4461077	1	Connector	
14	1001126008	4	Socket	
101	3740080	1	Relay	
102	4460518	4	Plug	
103	4461070	1	Connector	
104	1001008559	AR	Tie-Strap	
105	1001097051	1	Connector	
106	1001116727	2	Plug	
107	1001117026	1	Connector	
108	1001125677	1	Connector	
109	1001290427	1	Grommet	

**SECTION 10 - ELECTRICAL**

**FIGURE 10-21. CLEARSKY TELEMATICS 3-WIRE INSTALLATION**



ART\_1001276920

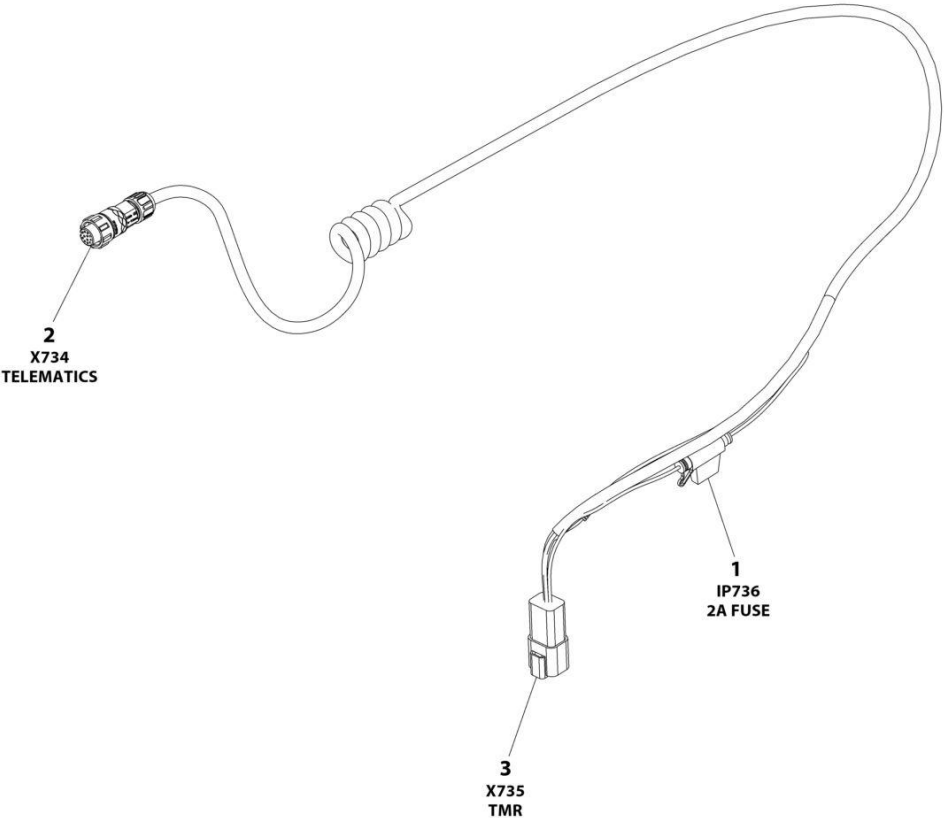
## SECTION 10 - ELECTRICAL

**FIGURE 10-21. CLEARSKY TELEMATICS 3-WIRE INSTALLATION**

ITEM	PART NUMBER	QTY	DESCRIPTION	REV
	1001276920	Ref	CLEARSKY TELEMATICS 3-WIRE INSTALLATION	A
1	4240032	AR	Tie, Strap	
2	1001272659	1	Module - GT1030	
3	1001273012	1	ClearSky Telematics 3-Wire Harness (See Separate Breakdown in this Section)	

**SECTION 10 - ELECTRICAL**

**FIGURE 10-22. CLEARSKY TELEMATICS 3-WIRE HARNESS**



ART\_1001273012

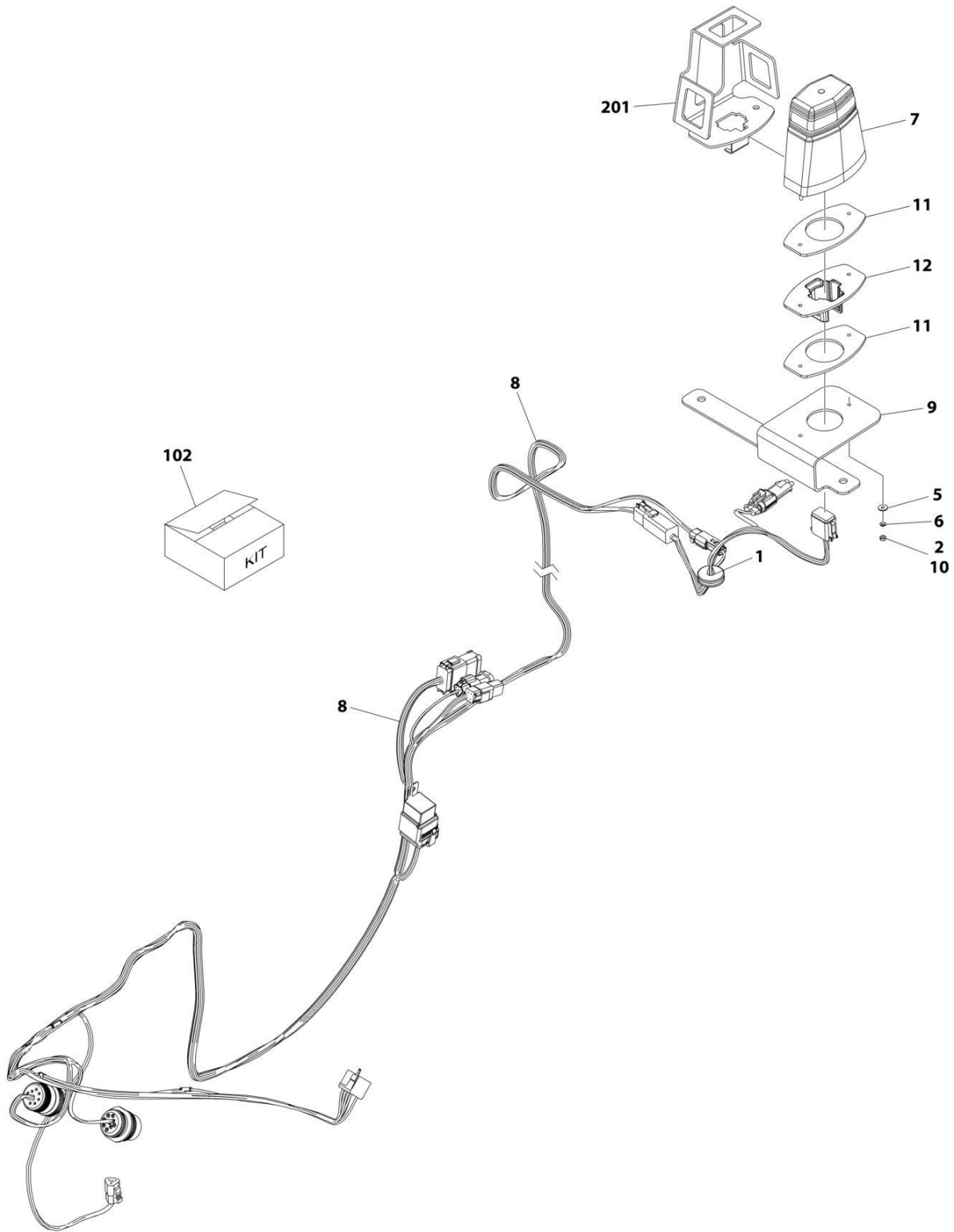
## SECTION 10 - ELECTRICAL

### FIGURE 10-22. CLEARSKY TELEMATICS 3-WIRE HARNESS

ITEM	PART NUMBER	QTY	DESCRIPTION	REV
	1001273012	Ref	CLEARSKY TELEMATICS HARNESS - GT1030	D
1	1001255901	1	Fuseholder	
1	1001196634	1	Fuse - 2Amp	
2	1001272997	1	Connector - 12 Position	
2		Ref	Terminal	
3	4460932	1	Receptacle, Female - 4 Position	
3	4460464	4	Pin, Male	

# SECTION 10 - ELECTRICAL

## FIGURE 10-23. CLEARSKY V3 INSTALLATION - CLOSED CAB



ART\_1001289822\_C

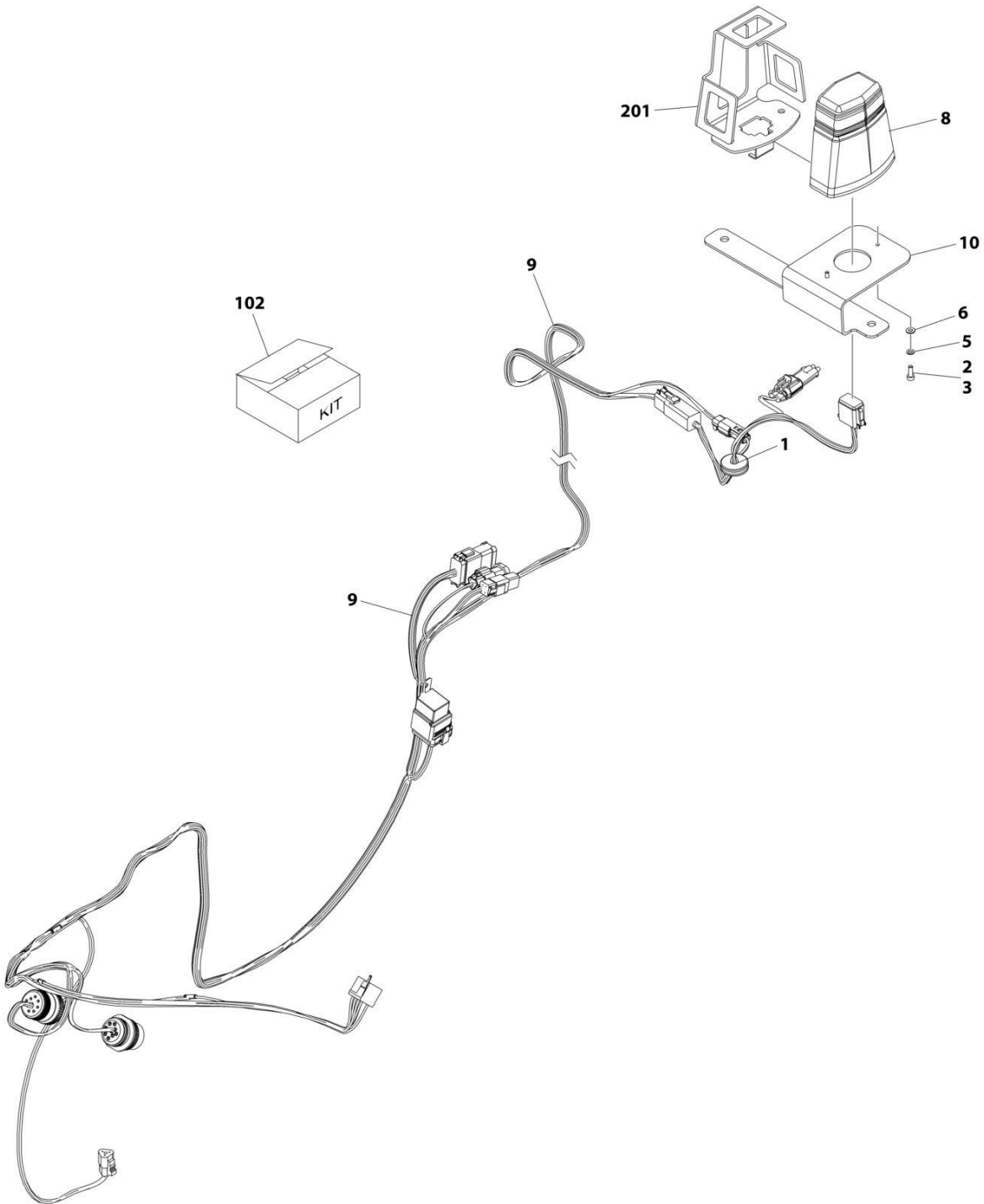
## SECTION 10 - ELECTRICAL

**FIGURE 10-23. CLEARSKY V3 INSTALLATION - CLOSED CAB**

ITEM	PART NUMBER	QTY	DESCRIPTION	REV
	1001289822	Ref	CLEARSKY INSTALLATION	C
1	0100009	AR	Adhesive	
2	0100011	AR	Compound, Locking	
4	4240032	AR	Tie-Strap (Not Shown)	
5	1001091102	2	Washer M4	
6	4831400	2	Washer M4	
7	1001280661	1	Module, Control - ClearSky (Note: Re-calibration required when replaced)	
8	1001288404	1	Harness, ClearSky (See Separate Breakdown in this Section)	
9	1001288820	1	Bracket, ClearSky Mounting	
10	3290401	2	Nut M4	
11	1001291056	2	Gasket	
12	1001289648	1	Mount	
102	1001302422	1	Kit, Lens Replacement	
201	1001315050	1	Shield	

# SECTION 10 - ELECTRICAL

## FIGURE 10-24. CLEARSKY V3 INSTALLATION - OPEN CAB



ART\_1001290491



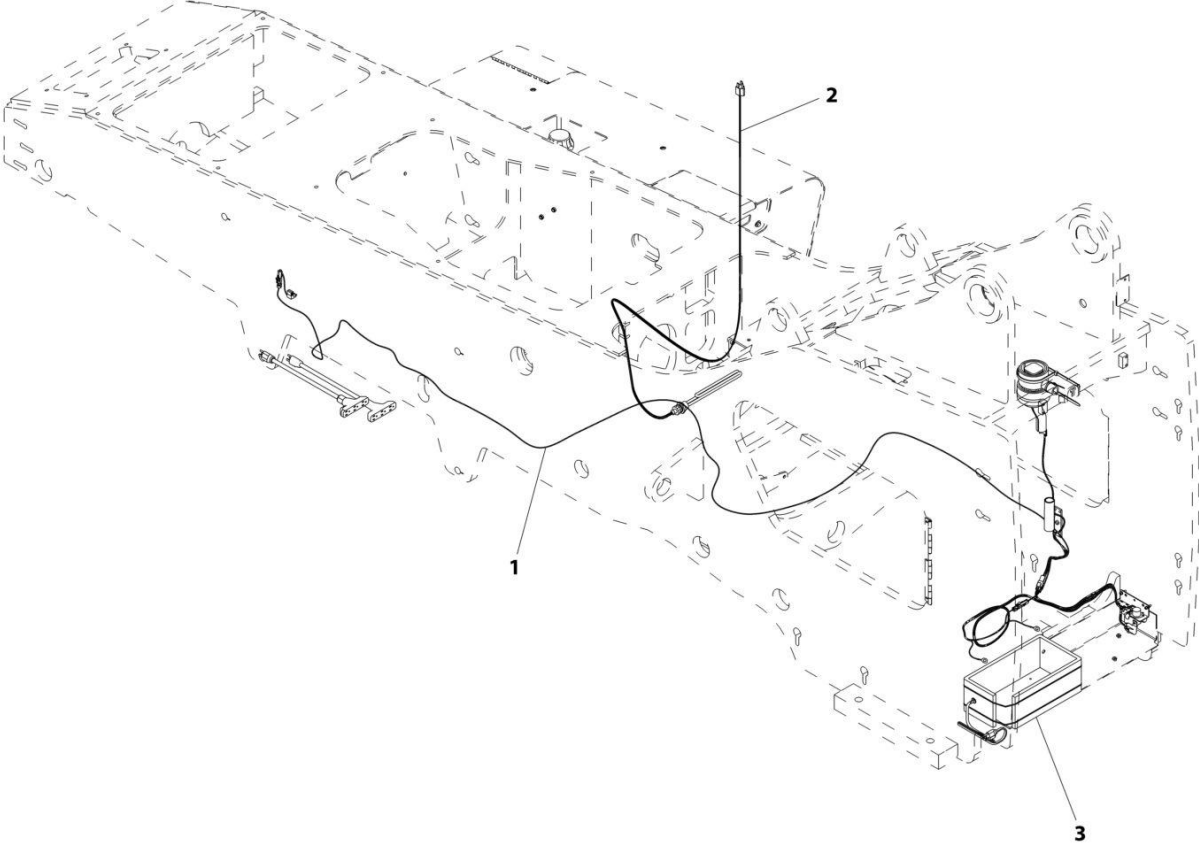
## SECTION 10 - ELECTRICAL

**FIGURE 10-24. CLEARSKY V3 INSTALLATION - OPEN CAB**

ITEM	PART NUMBER	QTY	DESCRIPTION	REV
	1001290491	Ref	CLEARSKY INSTALLATION	C
1	0100009	AR	Adhesive	
2	0100011	AR	Compound, Locking	
4	4240032	AR	Tie-Strap (Not Shown)	
5	1001091102	2	Washer M4	
6	4831400	2	Washer, Lock M4	
8	1001280661	1	Module, Control - ClearSky (Note: Re-calibration required when replaced)	
9	1001288404	1	Harness, ClearSky (See Separate Breakdown in this Section)	
10	1001288820	1	Bracket, ClearSky Mounting	
11	3290401	2	Nut M4	
12	1001291056	2	Gasket	
13	1001289648	1	Mount	
102	1001302422	1	Kit, Lens Replacement	
201	1001315050	1	Shield	

**SECTION 10 - ELECTRICAL**

**FIGURE 10-25. COLD WEATHER PACKAGE INSTALLATION (74HP ULS)**



ART\_1001234530-A

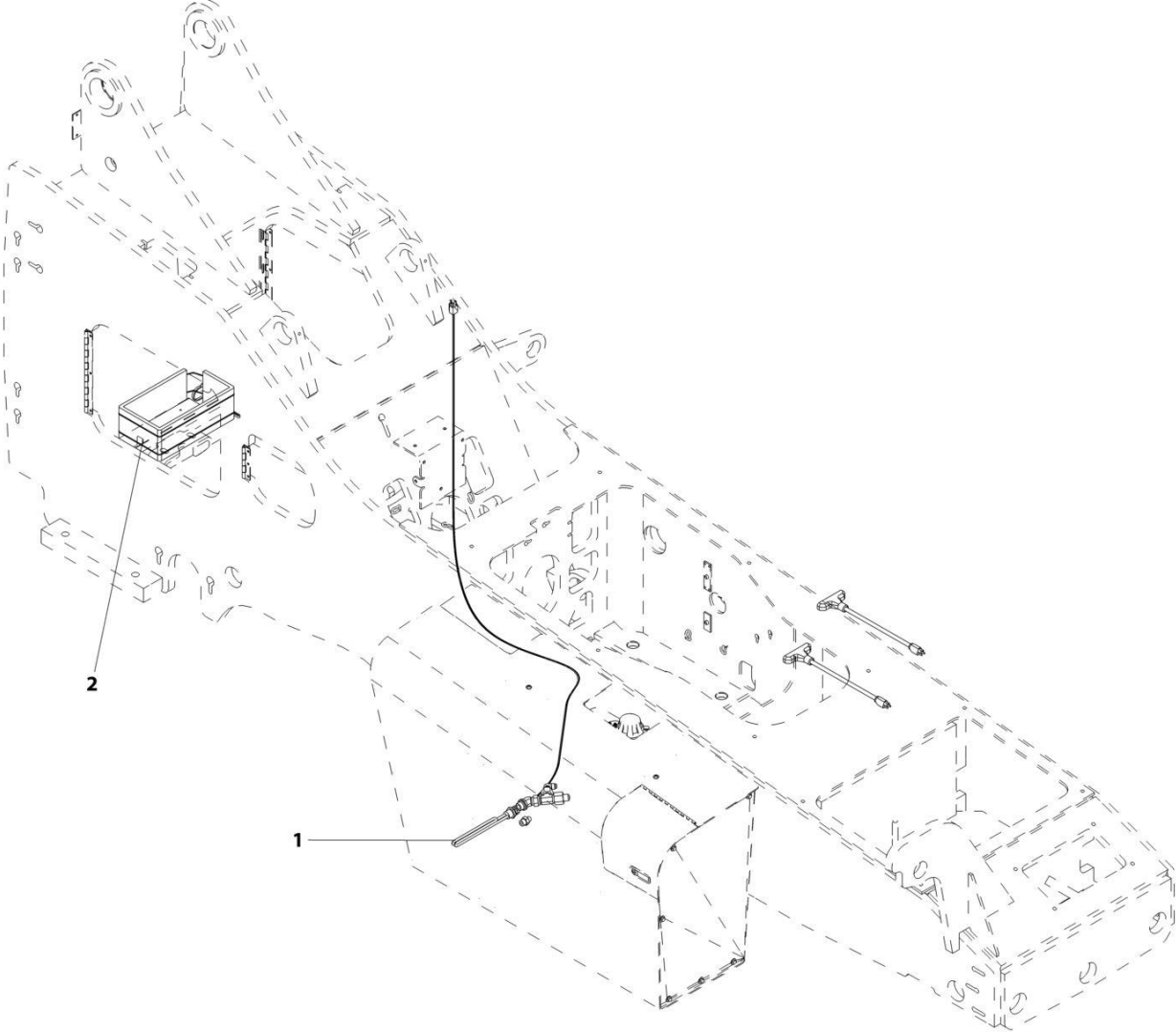
## SECTION 10 - ELECTRICAL

**FIGURE 10-25. COLD WEATHER PACKAGE INSTALLATION (74HP ULS)**

ITEM	PART NUMBER	QTY	DESCRIPTION	REV
1	1001234530	Ref	Arctic Weather Package Installation (ULS)	A
	1001232750	Ref	Heater, Breather (See Separate Breakdown in Engine And Attaching Parts Section)	
2	1001233964	Ref	Installation, Tank Heater (See Separate Breakdown in this Section)	
3	1001234216	Ref	Installation, Battery Blanket (See Separate Breakdown in this Section)	

**SECTION 10 - ELECTRICAL**

**FIGURE 10-26. COLD WEATHER PACKAGE INSTALLATION (130HP LS)**



ART\_1001239958-A

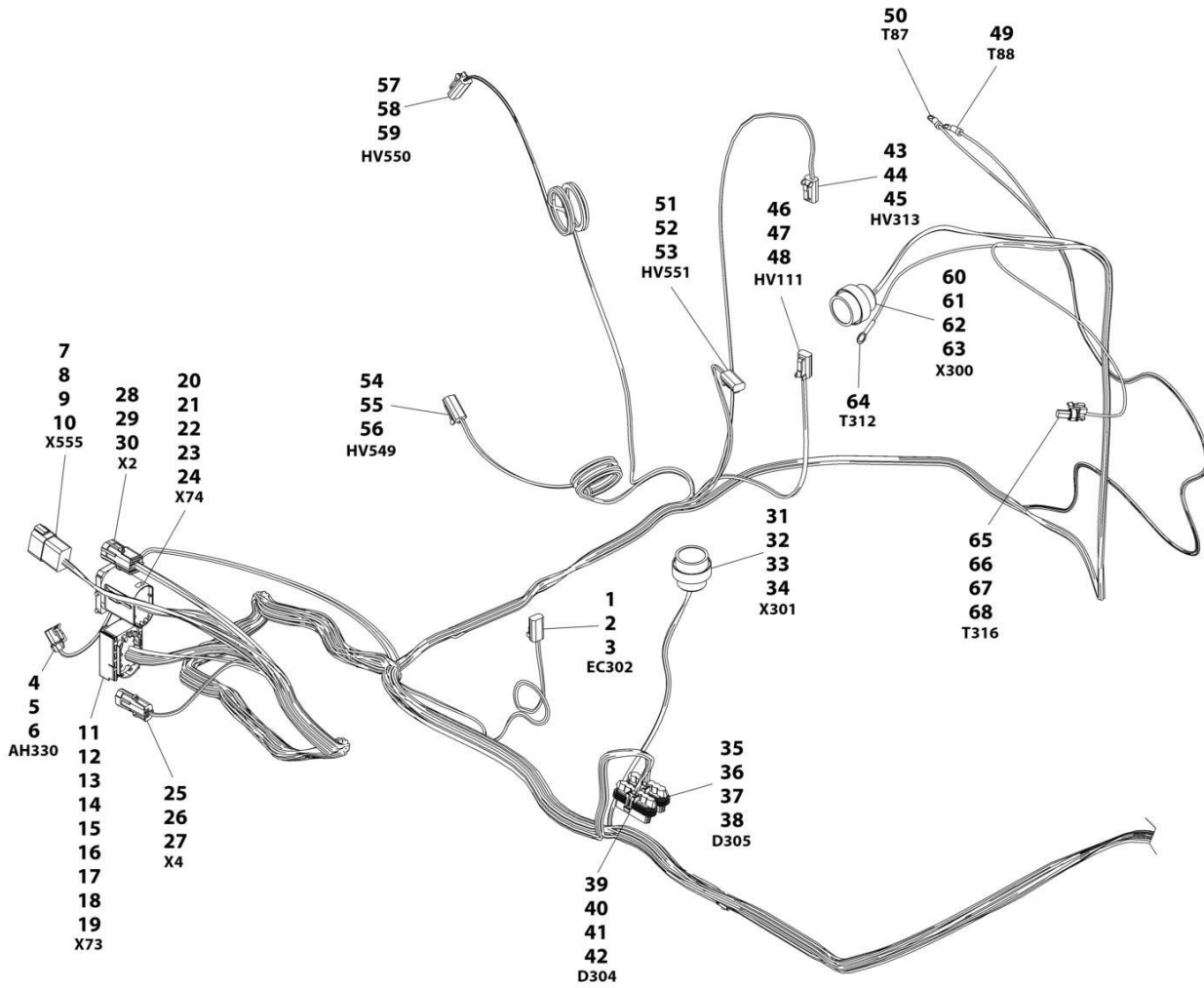
## SECTION 10 - ELECTRICAL

**FIGURE 10-26. COLD WEATHER PACKAGE INSTALLATION (130HP LS)**

ITEM	PART NUMBER	QTY	DESCRIPTION	REV
1	1001239958	Ref	Arctic Weather Package Installation (LS)	A
	1001233964	Ref	Installation, Tank Heater (See Separate Breakdown in this Section)	
2	1001234216	Ref	Installation, Battery Blanket (See Separate Breakdown in this Section)	

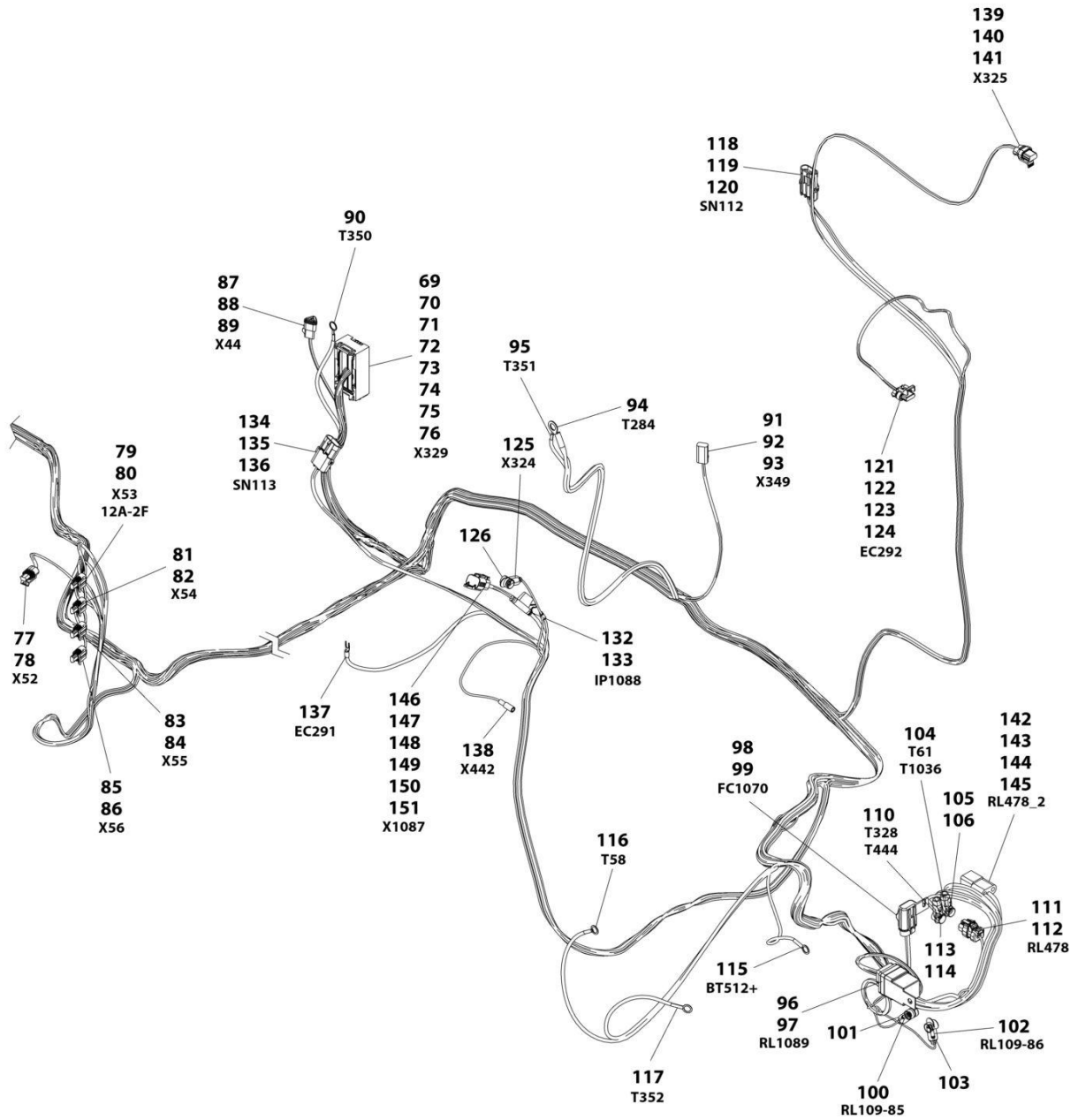
# SECTION 10 - ELECTRICAL

## FIGURE 10-27. ENGINE HARNESS, 74HP ULS



ART\_1001199889\_1OF2

# SECTION 10 - ELECTRICAL



ART\_1001199889\_2OF2

# SECTION 10 - ELECTRICAL

## FIGURE 10-27. ENGINE HARNESS, 74HP ULS

ITEM	PART NUMBER	QTY	DESCRIPTION	REV
	1001199889	Ref	ENGINE HARNESS 74HP (IF EQUIPPED FOR ULS)	I
1	4460891	1	Connector	
2	80604018	1	Lock, Wedge	
3	4460465	2	Terminal	
4	1001117068	1	Connector	
5	8220124	2	Terminal	
6	80963067	2	Seal	
6	4460608	2	Seal	
7	4460931	1	Connector	
8	91503106	1	Lock, Wedge	
9	4460464	4	Terminal	
10	4460466	4	Plug	
11	8220927	1	Connector	
12	70024256	1	Lock, Slide	
13	70024255	1	Seal, Connector	
14	70024254	1	Lock, Secondary	
15	8220097	10	Terminal	
16	4460458	10	Seal	
17	8220098	3	Terminal	
18	80963067	3	Seal	
19	1001116727	2	Plug	
20	8220929	1	Connector	
21	70024253	1	Lock, Secondary	
22	1001116745	1	Terminal	
23	1001116729	14	Terminal	
24	4460458	15	Seal	
25	4461157	1	Connector	
26	4460475	2	Terminal	
27	4460458	2	Seal	
28	80963062	1	Connector	
29	4460850	4	Terminal	
30	80963067	4	Seal	
31	8220536	1	Connector	
32	1001116758	12	Plug	
33	1001116757	4	Terminal	
34	1001189875	4	Seal	
35	4460744	1	Connector	
36	1001116728	4	Terminal	
37	1001116727	2	Plug	
38	8220081	4	Seal	
39	4460744	1	Connector	
40	1001116728	4	Terminal	
41	1001116727	2	Plug	
42	8220081	4	Seal	
43	4460891	1	Connector	
44	80604018	1	Lock, Wedge	
45	4460465	2	Terminal	
46	4460891	1	Connector	
47	80604018	1	Lock, Wedge	
48	4460465	2	Terminal	



## SECTION 10 - ELECTRICAL

ITEM	PART NUMBER	QTY	DESCRIPTION	REV
49	4460042	1	Terminal, Ring	
50	4460042	1	Terminal, Ring	
51	4460891	1	Connector	
52	80604018	1	Lock, Wedge	
53	4460465	2	Terminal	
54	4460891	1	Connector	
55	80604018	1	Lock, Wedge	
56	4460465	2	Terminal	
57	4460891	1	Connector	
58	80604018	1	Lock, Wedge	
59	4460465	2	Terminal	
60	8220536	1	Connector	
61	1001116757	4	Terminal	
62	1001116758	12	Plug	
63	1001189875	4	Seal	
64	4460256	1	Terminal, Ring	
65	1001119004	1	Connector	
66	8220889	1	Lock, Secondary	
67	1001116728	1	Terminal	
68	4460458	1	Seal	
69	1001167641	1	Connector	
70	1001167643	1	Cover	
71	1001167644	1	Lock, Secondary	
72	1001167646	1	Lock, Secondary	
73	1001167647	1	Boot, Rubber	
74	1001167648	10	Terminal	
75	1001167650	75	Plug	
76	1001167649	11	Terminal	
77	4460955	1	Connector	
78	1001116748	2	Terminal	
79	4460955	1	Connector	
80	1001116748	2	Terminal	
81	4460955	1	Connector	
82	1001116748	2	Terminal	
83	4460955	1	Connector	
84	1001116748	2	Terminal	
85	4460955	1	Connector	
86	1001116748	2	Terminal	
87	4461095	1	Connector	
88	4460465	2	Terminal	
89	4460466	1	Plug	
90	4460019	1	Terminal, Ring	
91	4460891	1	Connector	
92	80604018	1	Lock, Wedge	
93	4460465	2	Terminal	
94	8220164	2	Terminal, Ring	
95	4460019	1	Terminal, Ring	
96	1001145707	1	Connector	
97	1001116732	4	Terminal	
98	1001117070	1	Connector	
99	1001116734	2	Terminal	

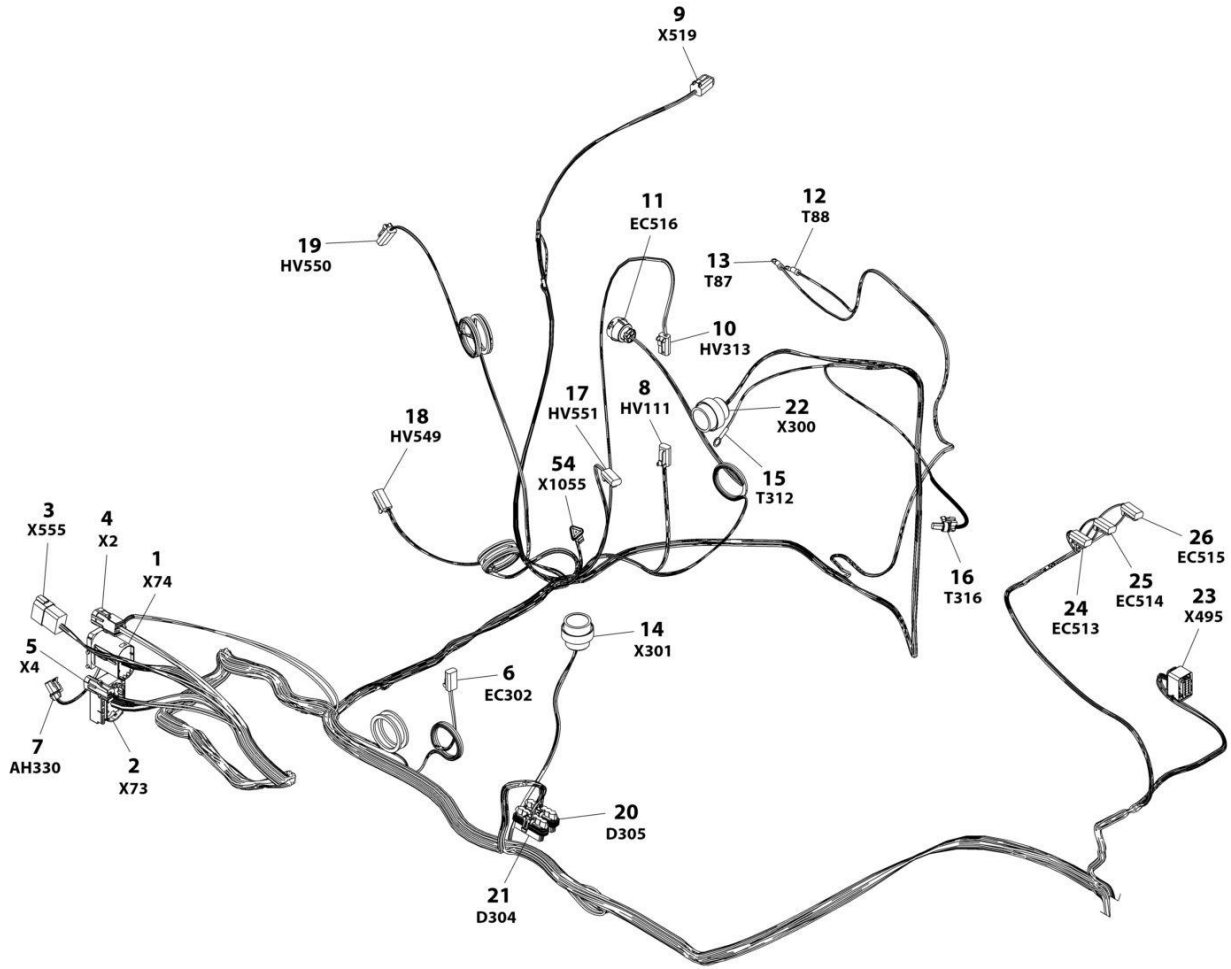
## SECTION 10 - ELECTRICAL

ITEM	PART NUMBER	QTY	DESCRIPTION	REV
100	4460247	1	Terminal, Ring	
101	1001195057	1	Red Boot	
102	4460247	1	Terminal, Ring	
103	1001195055	1	Red Boot	
104	4460312	1	Terminal, Ring	
105	4460312	1	Terminal, Ring	
106	1001195087	1	Red Boot	
110	4460312	1	Terminal, Ring	
111	1001116950	1	Connector	
112	4460465	2	Terminal	
113	4460312	2	Terminal, Ring	
114	1001195087	1	Red Boot	
115	4460019	1	Terminal, Ring	
115	4460312	1	Terminal, Ring	
116	4460019	1	Terminal, Ring	
117	4460019	1	Terminal, Ring	
118	4460476	1	Connector	
119	4460475	3	Terminal	
120	4460458	3	Seal	
121	1001125027	1	Connector	
122	70026217	1	Lock, Secondary	
123	8220124	3	Terminal	
124	4460608	3	Seal	
125	8220058	1	Terminal, Ring	
126	1001195055	1	Red Boot	
132	2400060	1	Fuse Holder	
133	8229242	1	Fuse 5A	
134	4460476	1	Connector	
135	4460475	3	Terminal	
136	4460458	3	Seal	
137	1001117111	1	Terminal, Fork	
138	1001117125	1	Terminal, Snap Plug	
138	1001246391	1	Terminal, Snap Plug	
139	1001117021	1	Connector	
140	1001116728	2	Terminal	
141	8220081	2	Seal	
142	1001117103	1	Connector	
143	7026404	1	Lock, Connector	
144	1001121730	2	Terminal	
145	8220160	2	Seal	
146	4460884	1	Connector	
147	80604021	1	Lock, Wedge	
148	1001157890	1	Terminal	
149	1001116692	2	Terminal	
150	4460466	1	Plug	
151	1001192401	1	Dust Cap	



# SECTION 10 - ELECTRICAL

## FIGURE 10-28. ENGINE HARNESS - 130HP ULS



ART\_1001169620\_10F2



# SECTION 10 - ELECTRICAL

## FIGURE 10-28. ENGINE HARNESS - 130HP ULS

ITEM	PART NUMBER	QTY	DESCRIPTION	REV
	1001169620	Ref	ENGINE HARNESS	O
1	8220929	1	Connector	
	70024253	1	Lock, Secondary	
	1001116745	1	Terminal	
	4460458	14	Seal	
	1001116729	13	Terminal	
	1001116727	1	Plug	
2	8220927	1	Connector	
	70024256	1	Lock, Slide	
	70024255	1	Seal, Connector	
	70024254	1	Lock, Secondary	
	8220097	11	Terminal	
	4460458	11	Seal	
	8220098	3	Terminal	
	80963067	3	Seal	
	1001116727	1	Plug	
3	4460931	1	Connector	
	80604024	1	Lock, Wedge	
	4460464	6	Terminal	
	4460466	2	Plug	
4	80963062	1	Connector	
	4460850	4	Terminal	
	80963067	4	Seal	
5	4461157	1	Connector	
	4460475	2	Terminal	
	4460458	2	Seal	
6	4460891	1	Connector	
	80604018	1	Lock, Wedge	
	4460465	2	Terminal	
7	1001117068	1	Connector	
	8220124	2	Terminal	
	80963067	2	Seal	
	4460608	2	Seal	
8	4460891	1	Connector	
	80604018	1	Lock, Wedge	
	4460465	2	Terminal	
9	4460884	1	Connector	
	80604021	1	Lock, Wedge	
	4460465	4	Terminal	
10	4460891	1	Connector	
	80604018	1	Lock, Wedge	
	4460465	2	Terminal	
	4460458	2	Seal	
11	1001167620	1	Connector	
	1001176004	2	Terminal	
	1001167624	2	Plug	
	1001176002	2	Seal	
12	4460042	1	Terminal, Ring	
13	4460042	1	Terminal, Ring	
14	8220536	1	Connector	

## SECTION 10 - ELECTRICAL

ITEM	PART NUMBER	QTY	DESCRIPTION	REV
	1001116757	12	Terminal	
	1001116758	3	Plug	
	1001189875	4	Seal	
15	4460256	1	Terminal, Ring	
16	1001119004	1	Connector	
	8220889	1	Lock, Secondary Terminal	
	1001116728	1	Terminal	
	4460458	1	Seal	
17	4460891	1	Connector	
	80604018	1	Lock, Wedge	
	4460465	2	Terminal	
18	4460891	1	Connector	
	80604018	1	Lock, Wedge	
	4460465	2	Terminal	
19	4460891	1	Connector	
	80604018	1	Lock, Wedge	
	4460465	2	Terminal	
20	4460744	1	Connector	
	1001116728	4	Terminal	
	8220081	4	Seal	
	4460458	4	Seal	
	8220375	1	CAP,EXTENDED CLEAR VES-PAC	
	8220366	1	Diode Board Flyback	
21	1001116727	2	Plug	
	4460744	1	Connector	
	1001116728	4	Terminal	
	8220081	4	Seal	
	4460458	4	Seal	
	1001116727	2	Plug	
	8220366	1	Diode Board Flyback	
	8220375	1	CAP,EXTENDED CLEAR VES-PAC	
22	8220536	1	Connector	
	1001116757	4	Terminal	
	1001116758	12	Plug	
	1001189875	4	Seal	
23	1001165194	1	Connector	
	1001166556	10	Terminal	
	1001126391	2	Terminal	
	1001126393	10	Seal	
24	4460891	1	Connector	
	80604018	1	Lock, Wedge	
	4460465	2	Terminal	
25	4460891	1	Connector	
	80604018	1	Lock, Wedge	
	4460465	2	Terminal	
26	4460891	1	Connector	
	80604018	1	Lock, Wedge	
	4460465	2	Terminal	
27	4460955	1	Connector	
	1001116748	2	Terminal	
28	4460955	1	Connector	

## SECTION 10 - ELECTRICAL

ITEM	PART NUMBER	QTY	DESCRIPTION	REV
	1001116748	2	Terminal	
29	4460955	1	Connector	
	1001116748	2	Terminal	
30	4460955	1	Connector	
	1001116748	2	Terminal	
31	4460955	1	Connector	
	1001116748	2	Terminal	
32	1001176935	1	Connector	
	1001166704	4	Terminal	
	4461006	4	Seal	
33	1001167641	1	Connector	
	1001167643	1	Cover	
	1001167644	1	Lock, Secondary	
	1001167646	1	Relief, Strain	
	1001167647	1	Boot, Rubber	
	1001167648	12	Terminal	
	1001167650	54	Plug	
	1001167649	30	Terminal	
34	4461095	1	Connector	
	4461070	1	Attach Mating Connector	
	4460465	2	Terminal	
	4460466	1	Terminal	
35	4460019	1	Terminal, Ring	
36	4460891	1	Connector	
	80604018	1	Lock, Wedge	
	4460465	2	Terminal	
37	1001125083	1	Connector	
	1001125085	1	Terminal	
	1001125089	1	Terminal	
38	8220164	2	Terminal, Ring	
39	4460019	1	Terminal, Ring	
40	1001167617	1	Connector	
	4460746	22	Terminal	
	1001116727	24	Plug	
	1001189877	2	Seal	
	8220089	1	Seal	
	4460458	19	Seal	
	8220125	2	Terminal	
	80963067	2	Seal	
	1001187512	1	Decal	
	1001187513	1	Decal	
	1001095704	5	Relay	
	8229244	2	Fuse, 15 Amp	
41	4460312	2	Terminal, Ring	
	1001195087	1	Red Boot	
42	4460312	1	Terminal, Ring	
43	1001117103	1	Connector	
	7026404	1	Lock, Connector	
	1001121730	2	Terminal	
	8220160	2	Seal	
44	4460312	1	Terminal, Ring	



## SECTION 10 - ELECTRICAL

ITEM	PART NUMBER	QTY	DESCRIPTION	REV
45	1001116950	1	Connector	
	4460465	2	Terminal	
	1001118390	2	Terminal	
46	4460312	2	Terminal, Ring	
	1001195087	1	Red Boot	
47	4460247	1	Terminal, Ring	
	1001195055	1	Red Boot	
48	4460247	1	Terminal, Ring	
	1001195087	1	Black Boot	
49	1001117070	1	Connector	
	1001116734	2	Terminal	
50	4460312	1	Terminal, Ring	
	4460019	1	Terminal, Ring	
51	4460019	1	Terminal, Ring	
52	4460019	1	Terminal, Ring	
53	1001176935	1	Connector	
	1001166704	4	Terminal	
	4461006	4	Seal	
54	4461095	1	Connector	
	4461070	1	Attach Mating Connector	
	4460465	2	Terminal	
	4460466	1	Plug	
55	1001167528	1	Connector	
	1001166704	4	Terminal	
	4461006	4	Seal	
56	8220058	1	Terminal, Ring	
	1001195055	1	Red Boot	
57	1001117125	1	Terminal, Snap Plug	
	1001246391	1	Terminal, Snap Plug	
58	1001117111	1	Terminal, Fork	
59	1001126487	1	Connector	
	1001126484	2	Terminal	
	4461006	2	Seal	
60	4460476	1	Connector	
	4460475	3	Terminal	
	4460458	3	Seal	
61	1001125027	1	Connector	
	70026217	1	Lock, Secondary	
	8220124	3	Terminal	
	4460608	3	Seal	
	1001237778	3	Seal	
62	4460476	1	Connector	
	4460475	3	Terminal	
	4460458	3	Seal	
63	1001117021	1	Connector	
	1001116728	2	Terminal	
	8220081	2	Seal	
64	4460884	1	Connector	
	1001192401	1	Dust Cap	
	1001157890	1	Terminal	
	1001116692	2	Terminal	

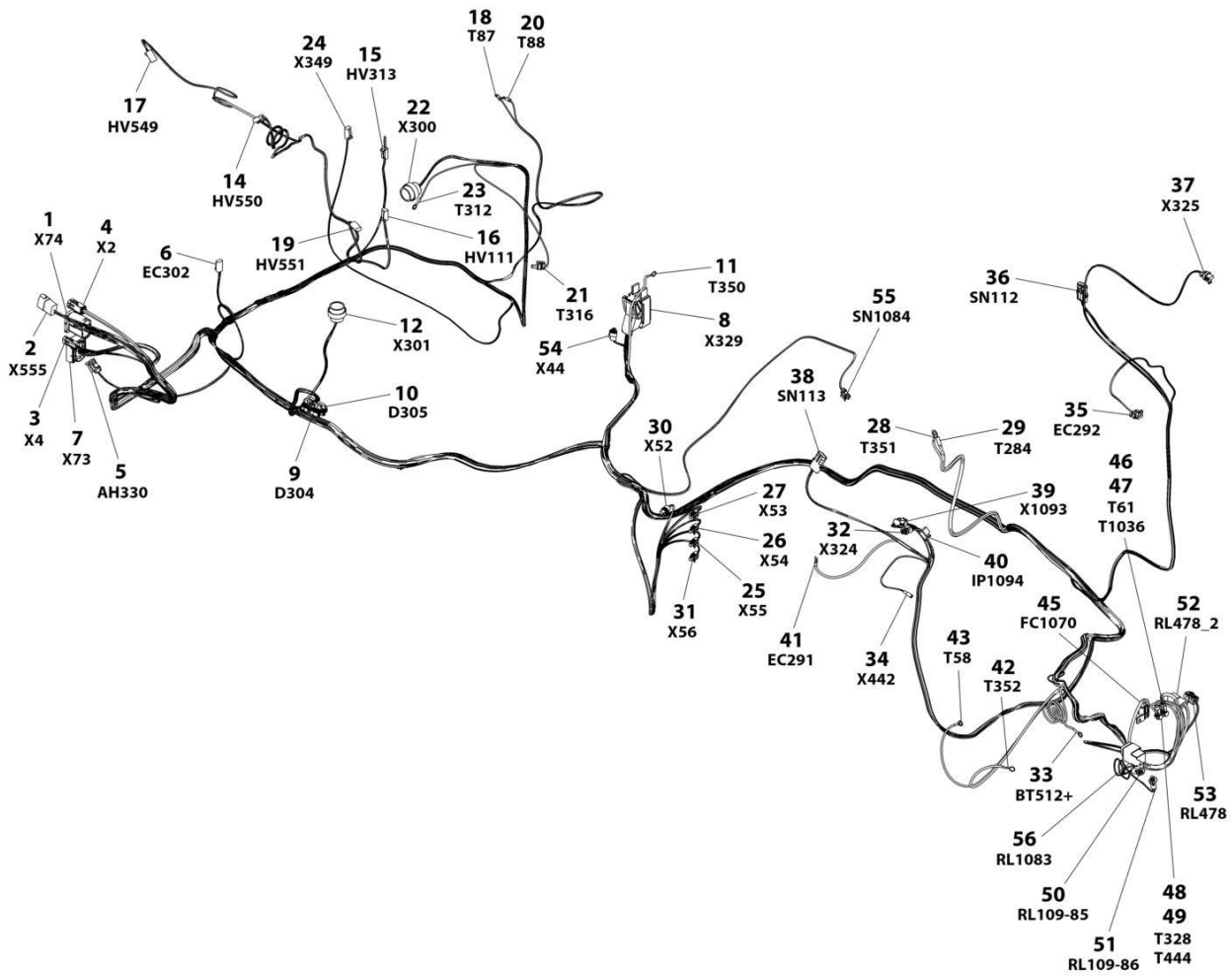
## SECTION 10 - ELECTRICAL

ITEM	PART NUMBER	QTY	DESCRIPTION	REV
65	4460466	1	Plug	
	2400066	1	Connector	
	2400060	1	Fuseholder	
	8229242	1	Fuse, 5 Amp	



# SECTION 10 - ELECTRICAL

## FIGURE 10-29. ENGINE HARNESS 130HP LS



ART\_1001189488

# SECTION 10 - ELECTRICAL

## FIGURE 10-29. ENGINE HARNESS 130HP LS

ITEM	PART NUMBER	QTY	DESCRIPTION	REV
	1001189488	Ref	ENGINE HARNESS	K
1	8220929	1	Connector	
	1001116745	1	Terminal	
	1001116729	14	Terminal	
	4460458	15	Seal	
2	4460931	1	Connector	
	80604024	1	Lock, Wedge	
	4460464	4	Terminal	
	4460466	4	Plug	
3	4461157	1	Connector	
	4460475	2	Terminal	
	4460458	2	Seal	
4	80963062	1	Connector	
	4460850	4	Terminal	
	80963067	4	Seal	
5	1001117068	1	Connector	
	8220124	2	Terminal	
	80963067	2	Seal	
6	4460891	1	Connector	
	80604018	1	Lock, Wedge	
	4460465	2	Terminal	
7	8220927	1	Connector	
	8220097	12	Terminal	
	8220098	2	Terminal	
	1001116727	1	Plug	
	4460458	11	Seal	
	80963067	2	Seal	
	1001189877	1	Seal	
8	1001133173	1	Connector	
	1001138643	6	Terminal	
	1001126356	77	Terminal	
	1001138642	8	Terminal	
	1001126351	3	Terminal	
	1001126353	6	Seal	
9	4460744	1	Connector	
	1001116728	4	Terminal	
	1001116727	2	Plug	
	8220081	4	Seal	
10	4460744	1	Connector	
	1001116728	4	Terminal	
	1001116727	2	Plug	
	8220081	4	Seal	
11	4460019	1	Terminal, Ring	
12	8220536	1	Connector	
	1001116758	12	Plug	
	1001116757	4	Terminal	
	1001189875	4	Seal	
14	4460891	1	Connector	
	80604018	1	Lock, Wedge	
	4460465	2	Terminal	

## SECTION 10 - ELECTRICAL

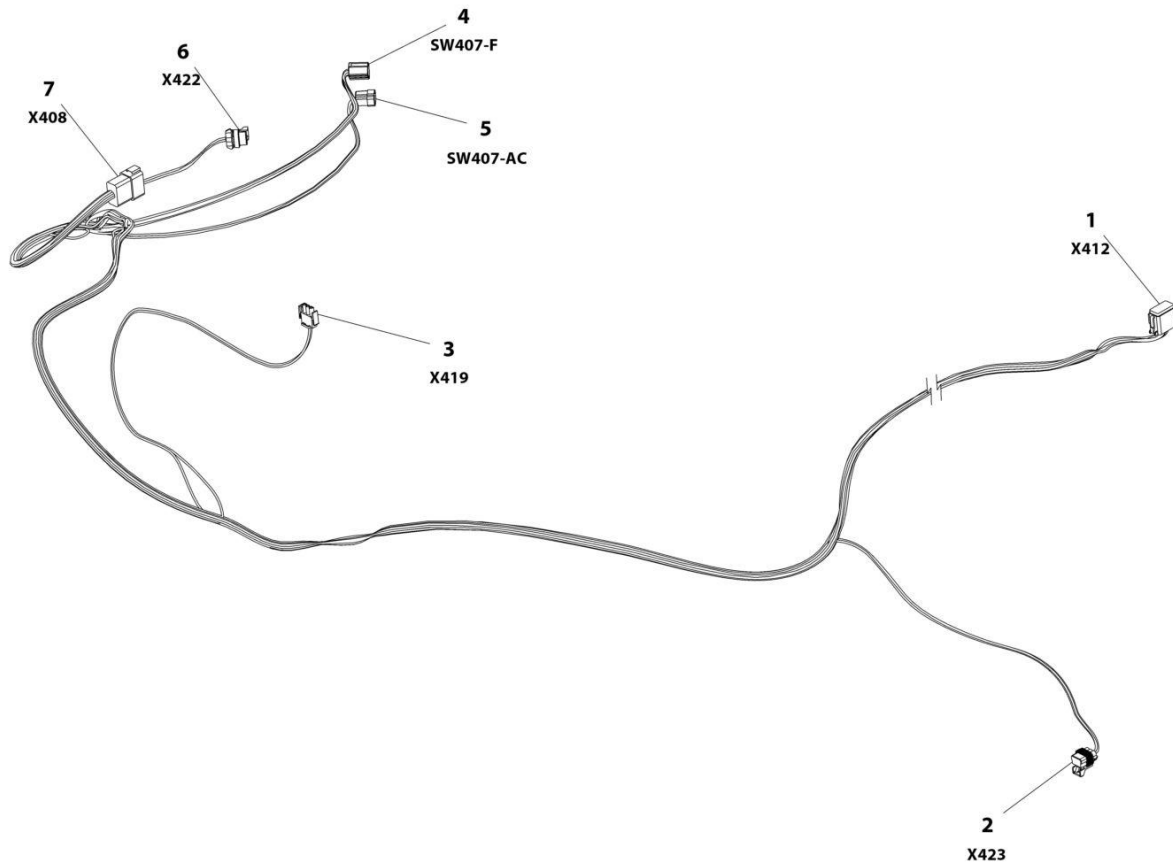
ITEM	PART NUMBER	QTY	DESCRIPTION	REV
15	4460891	1	Connector	
	80604018	1	Lock, Wedge	
	4460465	2	Terminal	
16	4460891	1	Connector	
	80604018	1	Lock, Wedge	
	4460465	2	Terminal	
17	4460891	1	Connector	
	80604018	1	Lock, Wedge	
	4460465	2	Terminal	
18	4460042	1	Terminal, Ring	
19	4460891	1	Connector	
	80604018	1	Lock, Wedge	
	4460465	2	Terminal	
20	4460042	1	Terminal, Ring	
21	1001119004	1	Connector	
	1001116728	1	Terminal	
	4460458	1	Seal	
22	8220536	1	Connector	
	1001116757	4	Terminal	
	1001116758	12	Plug	
	1001189875	4	Seal	
23	4460256	1	Terminal, Ring	
24	4460891	1	Connector	
	80604018	1	Lock, Wedge	
	4460465	2	Terminal	
25	4460955	1	Connector	
	1001116748	2	Terminal	
26	4460955	1	Connector	
	1001116748	2	Terminal	
27	4460955	1	Connector	
	1001116748	2	Terminal	
28	4460019	1	Terminal, Ring	
29	8220164	1	Terminal, Ring	
30	4460955	1	Connector	
	1001116748	2	Terminal	
31	4460955	1	Connector	
	1001116748	2	Terminal	
32	8220058	1	Terminal, Ring	
33	4460019	1	Terminal, Ring	
34	1001117125	1	Terminal, Snap Plug	
35	1001125027	1	Connector	
	8220124	3	Terminal	
	4460608	3	Seal	
36	4460476	1	Connector	
	4460475	3	Terminal	
	4460458	3	Seal	
37	1001117021	1	Connector	
	1001116728	2	Terminal	
	8220081	2	Seal	
38	4460476	1	Connector	
	4460475	3	Terminal	

## SECTION 10 - ELECTRICAL

ITEM	PART NUMBER	QTY	DESCRIPTION	REV
	4460458	3	Seal	
39	4460884	1	Connector	
	80604021	1	Lock, Wedge	
	4460465	3	Terminal	
	4460466	1	Plug	
	1001192401	1	Dust Cap	
40	2400060	1	Fuse Holder	
41	4460142	1	Connector	
	1001117111	1	Terminal	
42	4460019	1	Terminal, Ring	
43	4460019	1	Terminal, Ring	
45	1001117070	1	Connector	
	1001116734	2	Terminal	
46	4460312	1	Terminal, Ring	
	1001195087	1	Red Boot	
47	4460312	2	Terminal, Ring	
48	4460312	2	Terminal, Ring	
	1001195087	1	Red Boot	
49	4460312	1	Terminal, Ring	
50	4460247	1	Terminal, Ring	
	1001195057	1	Black Boot	
51	4460247	1	Terminal, Ring	
	1001195055	1	Red Boot	
52	1001117103	1	Connector	
	1001121730	2	Terminal	
53	1001116950	1	Connector	
	4460465	2	Terminal	
54	4461095	1	Plug	
	4461070	1	Connector	
	4460465	2	Terminal	
	4460466	1	Terminal	
55	1001209097	1	Connector	
	8220124	2	Terminal	
56	1001145707	1	Connector	
	1001116732	4	Terminal	

# SECTION 10 - ELECTRICAL

## FIGURE 10-30. HVAC HARNESS



ART\_1001178347-E



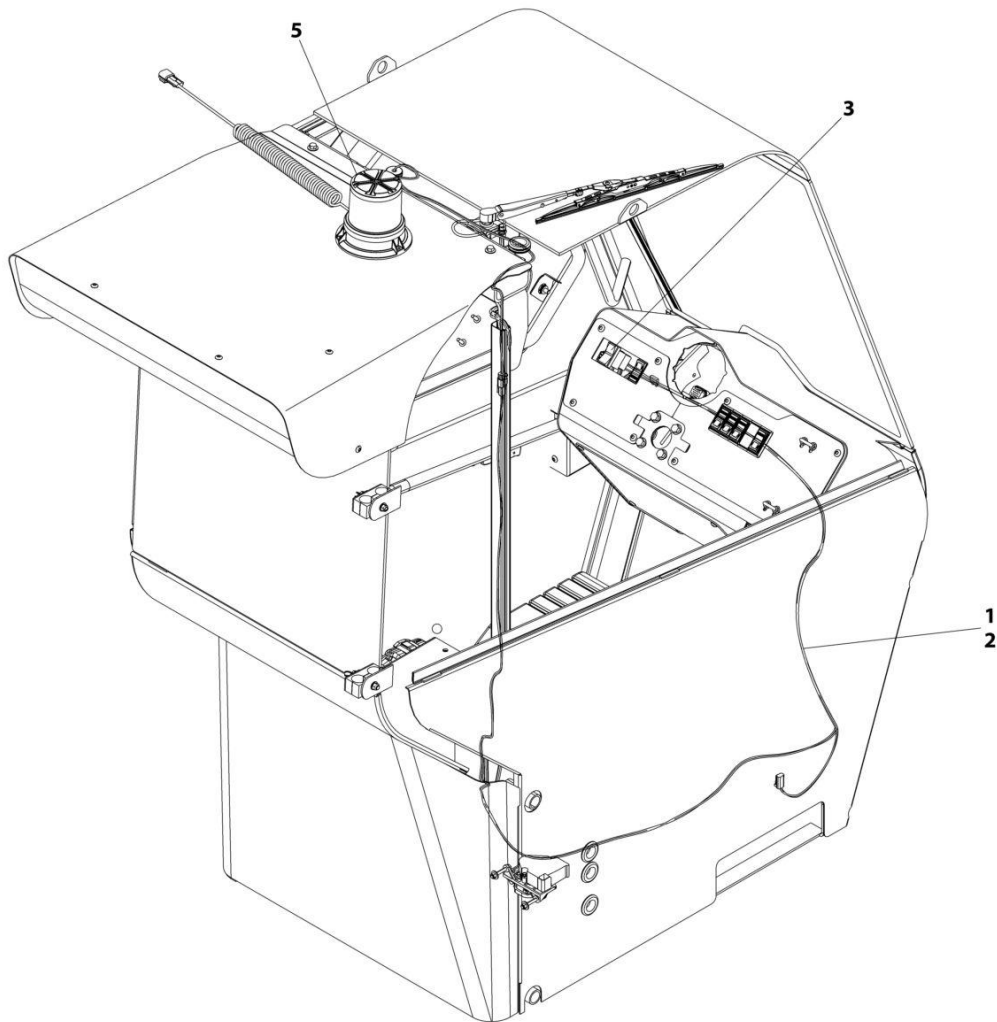
## SECTION 10 - ELECTRICAL

### FIGURE 10-30. HVAC HARNESS

ITEM	PART NUMBER	QTY	DESCRIPTION	REV
	1001178347	Ref	HVAC Harness	E
1	4460933	1	Connector	
	80604016	1	Lock, Wedge	
	4460942	9	Terminal	
	4460465	2	Terminal	
	4460466	1	Terminal	
2	8220895	1	Connector	
	70026216	1	Lock, Secondary	
	8220124	3	Terminal	
	1001116751	3	Terminal, Plug	
3	4460326	1	Connector	
	4460268	2	Terminal	
4	1001117080	1	Connector	
	1001116723	5	Terminal	
5	1001117059	1	Connector	
	1001116736	3	Terminal	
6	1001125027	1	Connector	
	70026217	1	Lock, Secondary	
	8220124	3	Terminal	
7	4460950	1	Connector	
	80363179	1	Lock, Wedge	
	1001157891	5	Terminal	
	4460464	6	Terminal	
	4460466	1	Terminal	

# SECTION 10 - ELECTRICAL

## FIGURE 10-31. LIGHTS - BEACON INSTALLATION (ENCLOSED CAB)



ART\_1001161213\_H

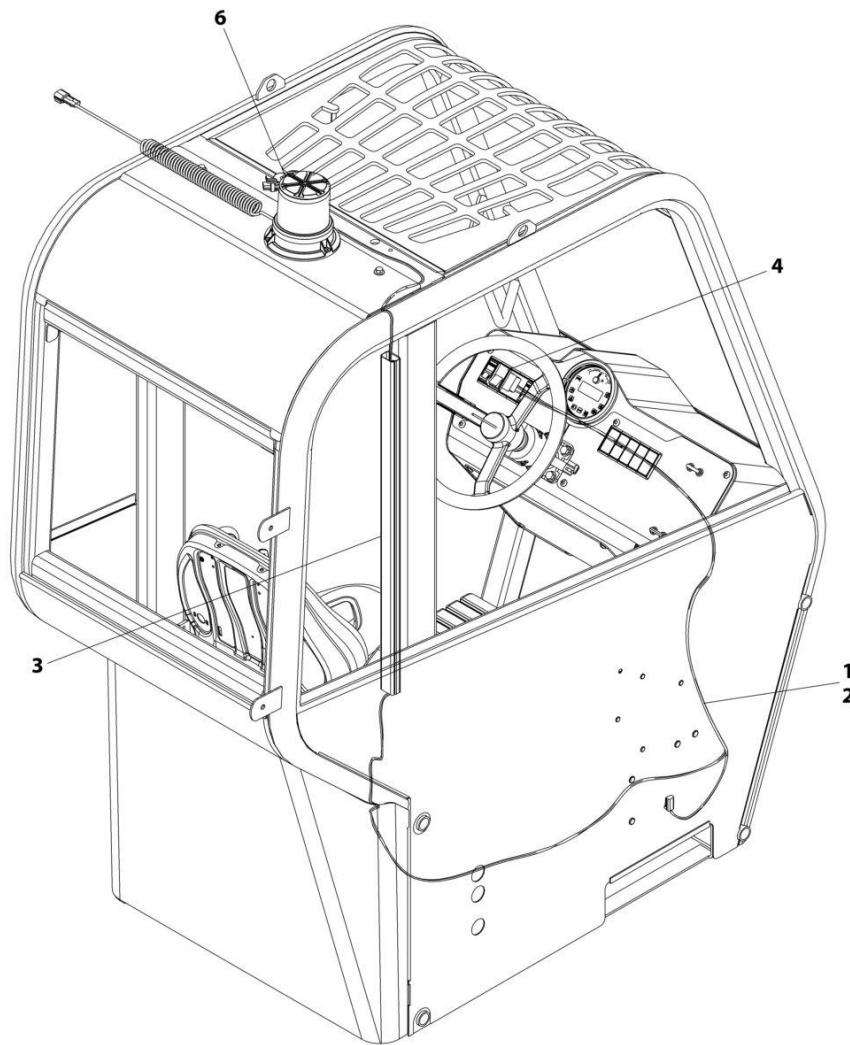
## SECTION 10 - ELECTRICAL

### FIGURE 10-31. LIGHTS - BEACON INSTALLATION (ENCLOSED CAB)

ITEM	PART NUMBER	QTY	DESCRIPTION	REV
	1001161213	Ref	LIGHTS - BEACON LIGHT INSTALLATION (ENCLOSED CAB)	H
1	0100009	AR	Sealant	
2	1001284403	1	Harness, Beacon Option (See Separate Breakdown in this Section)	
3	8223038	1	Switch, Beacon	
5	1001271586	1	Light, Rotating Beacon	

# SECTION 10 - ELECTRICAL

## FIGURE 10-32. LIGHTS - BEACON INSTALLATION (OPEN CAB)



ART\_1001161212\_J

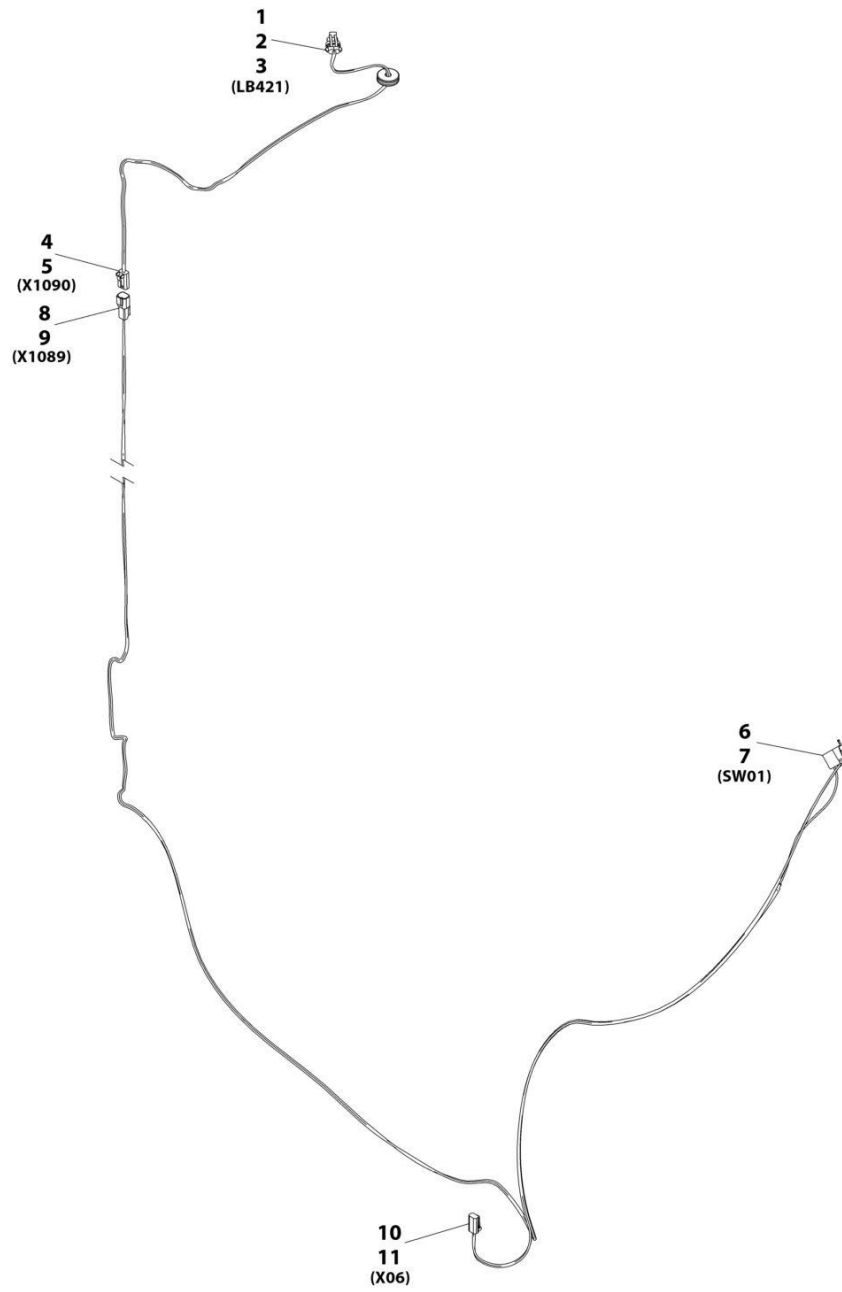
## SECTION 10 - ELECTRICAL

### FIGURE 10-32. LIGHTS - BEACON INSTALLATION (OPEN CAB)

ITEM	PART NUMBER	QTY	DESCRIPTION	REV
	1001161212	Ref	LIGHTS - BEACON LIGHT INSTALLATION (OPEN CAB)	J
1	0100009	AR	Sealant	
2	1001284403	1	Harness, Beacon Option (See Separate Breakdown in this Section)	
3	1001182091	1	Duct, Upper Wire	
4	8223038	1	Switch, Beacon	
6	1001271586	1	Light, Rotating Beacon	

# SECTION 10 - ELECTRICAL

## FIGURE 10-33. BEACON OPTION HARNESS



ART\_1001284403

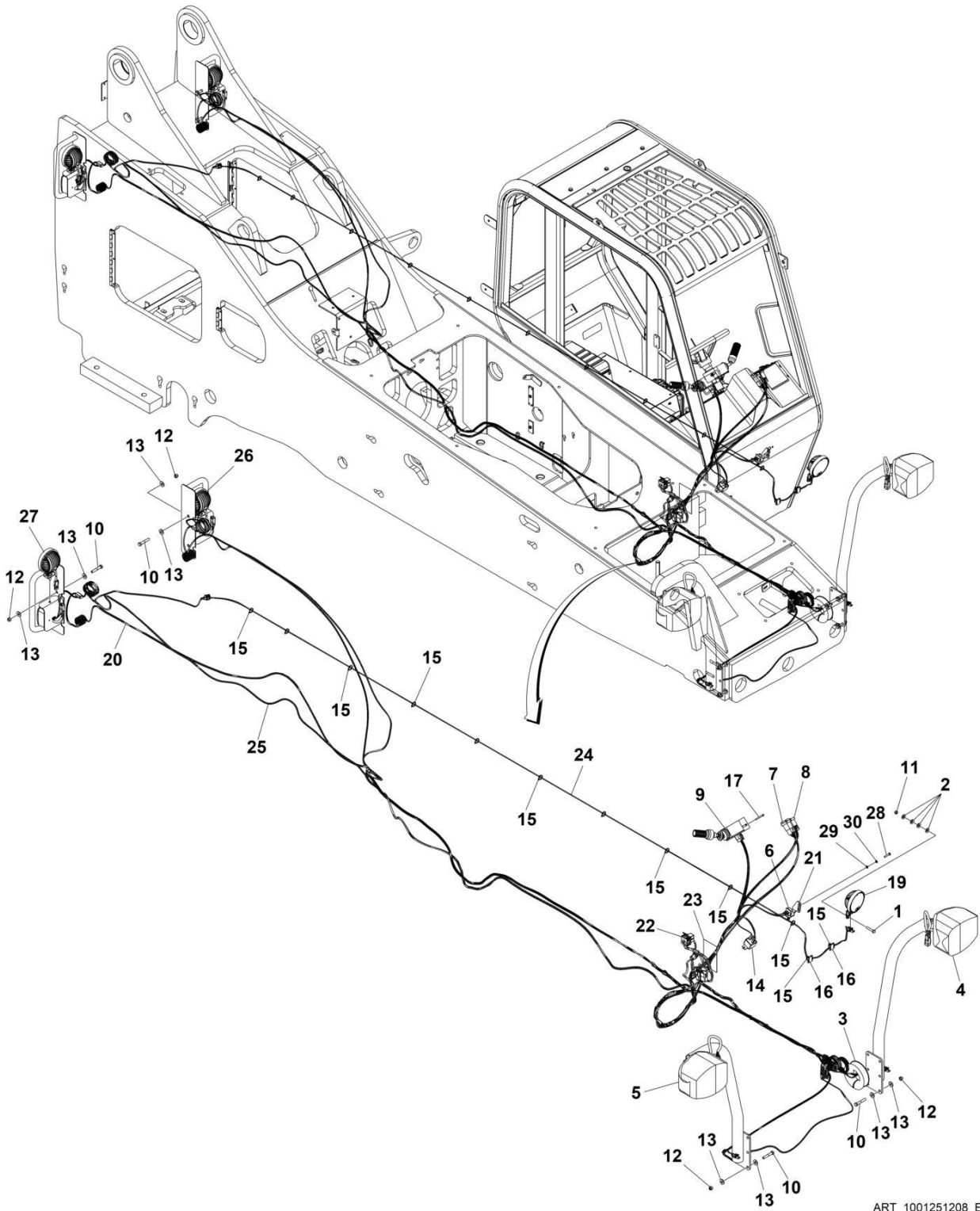
## SECTION 10 - ELECTRICAL

### FIGURE 10-33. BEACON OPTION HARNESS

ITEM	PART NUMBER	QTY	DESCRIPTION	REV
	1001284403	Ref	BEACON OPTION HARNESS	A
1	1001117021	1	Connector	
2	1001116728	2	Terminal	
3	4460458	2	Seal	
4	4460891	1	Connector	
5	4460465	2	Terminal	
6	8220904	1	Connector	
7	4460419	6	Terminal	
8	4460897	1	Connector	
9	4460464	2	Terminal	
10	4460539	1	Connector	
11	4460465	3	Terminal	

# SECTION 10 - ELECTRICAL

## FIGURE 10-34. ROADLIGHT PACKAGE INSTALLATION



ART\_1001251208\_E



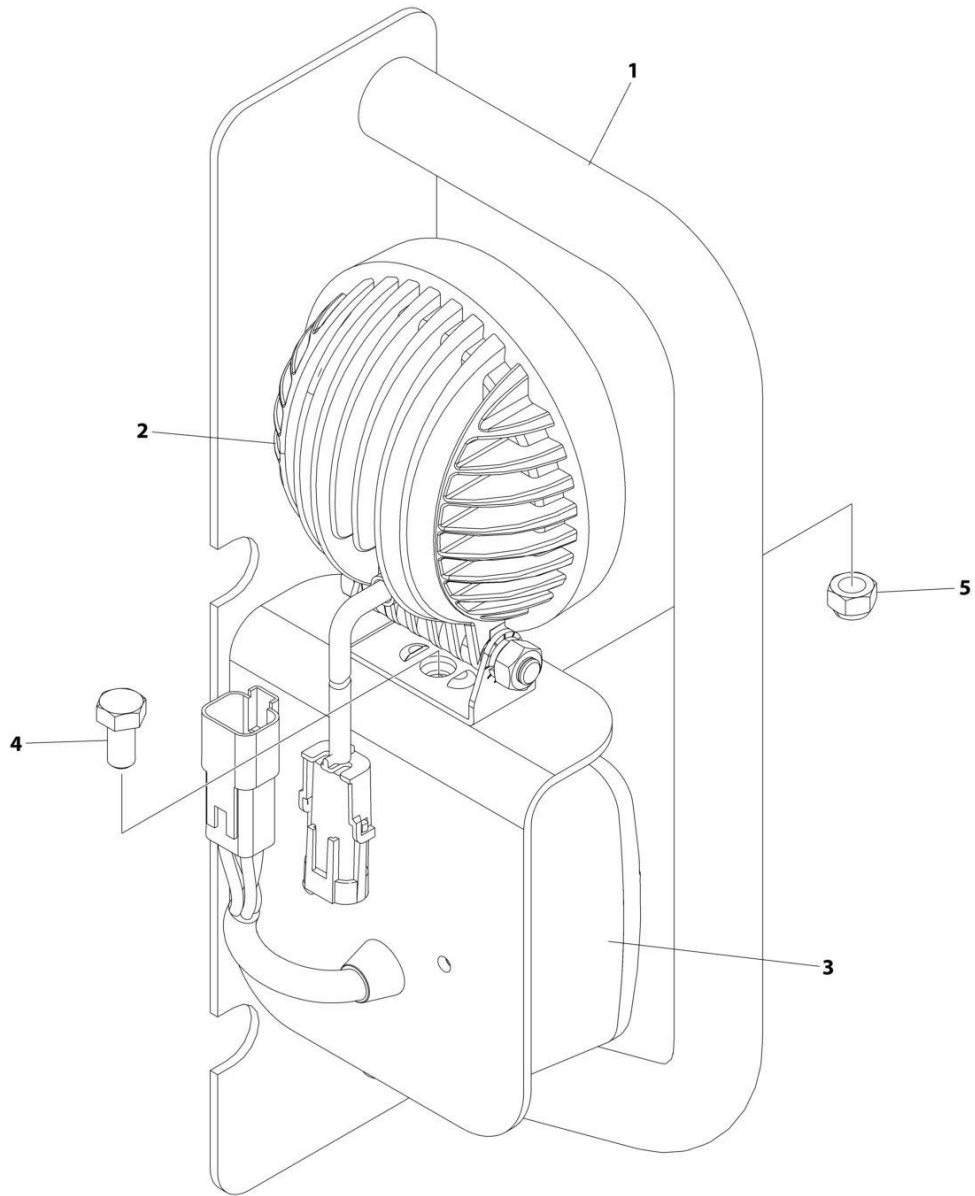
## SECTION 10 - ELECTRICAL

**FIGURE 10-34. ROADLIGHT PACKAGE INSTALLATION**

ITEM	PART NUMBER	QTY	DESCRIPTION	REV
	1001251208	Ref	ROADLIGHT PACKAGE INSTALLATION	E
1	0641520	1	Bolt 5/16 x 2-1/2	
2	1001305569	1	Spacer	
2	1001173257	1	Spacer Block	
3	7124471	2	Conduit 1 x 12.5	
4	7150699	1	Assembly, LH Roadlight Bracket (See Separate Breakdown in this Section)	
5	7150716	1	Assembly, RH Roadlight Bracket (See Separate Breakdown in this Section)	
6	8223025	1	Switch, Brake Lights	
7	8223059	1	Switch, Work Light	
8	8223060	1	Switch, Hazard	
9	8223073	1	Control, Turn Signal	
10	8303771	10	Bolt 3/8 x 2-1/4	
11	8305626	1	Nut 5/16	
12	8305645	10	Nut 3/8	
13	8307204	20	Washer 3/8	
14	8500203	NLA	Flasher, Hazard Warning 12V	
14	80983168	1	Flasher, Hazard Warning 12V	
15	8584001	12	Wrap, Tie	
16	8584018	2	Mount, Cable Tie	
17	88211516	2	Screw M10	
19	1001273636	1	Lamp, LED Worklight	
20	1001296148	1	Harness, Road Light Option	
21	1001201752	1	Bracket, Brake Switch	
22	1001205248	1	Harness, Roadlight Worklight (See Separate Breakdown in this Section)	
23	1001205264	1	Decal, Light Fuse Panel	
24	1001238111	1	Harness, Boom Worklight (See Separate Breakdown in this Section)	
25	1001238199	1	Harness, Work Light Option (See Separate Breakdown in this Section)	
26	1001251270	1	Assembly, LH Roadlight (See Separate Breakdown in this Section)	
27	1001251271	1	Assembly, RH Roadlight (See Separate Breakdown in this Section)	
28	0700614	2	Bolt M6 x 30	
29	4811700	2	Washer M6	
30	4831700	2	Washer M6	
31	7150685	1	Road Light Brake Assembly (LH)	
32	7150717	1	Road Light Bracket Assembly	
33	1001244593	1	Lamp (RH)	
34	1001244594	1	Lamp (LH)	

# SECTION 10 - ELECTRICAL

## FIGURE 10-35. LIGHTS - ROADLIGHT ASSEMBLY (LH)



ART\_1001251270

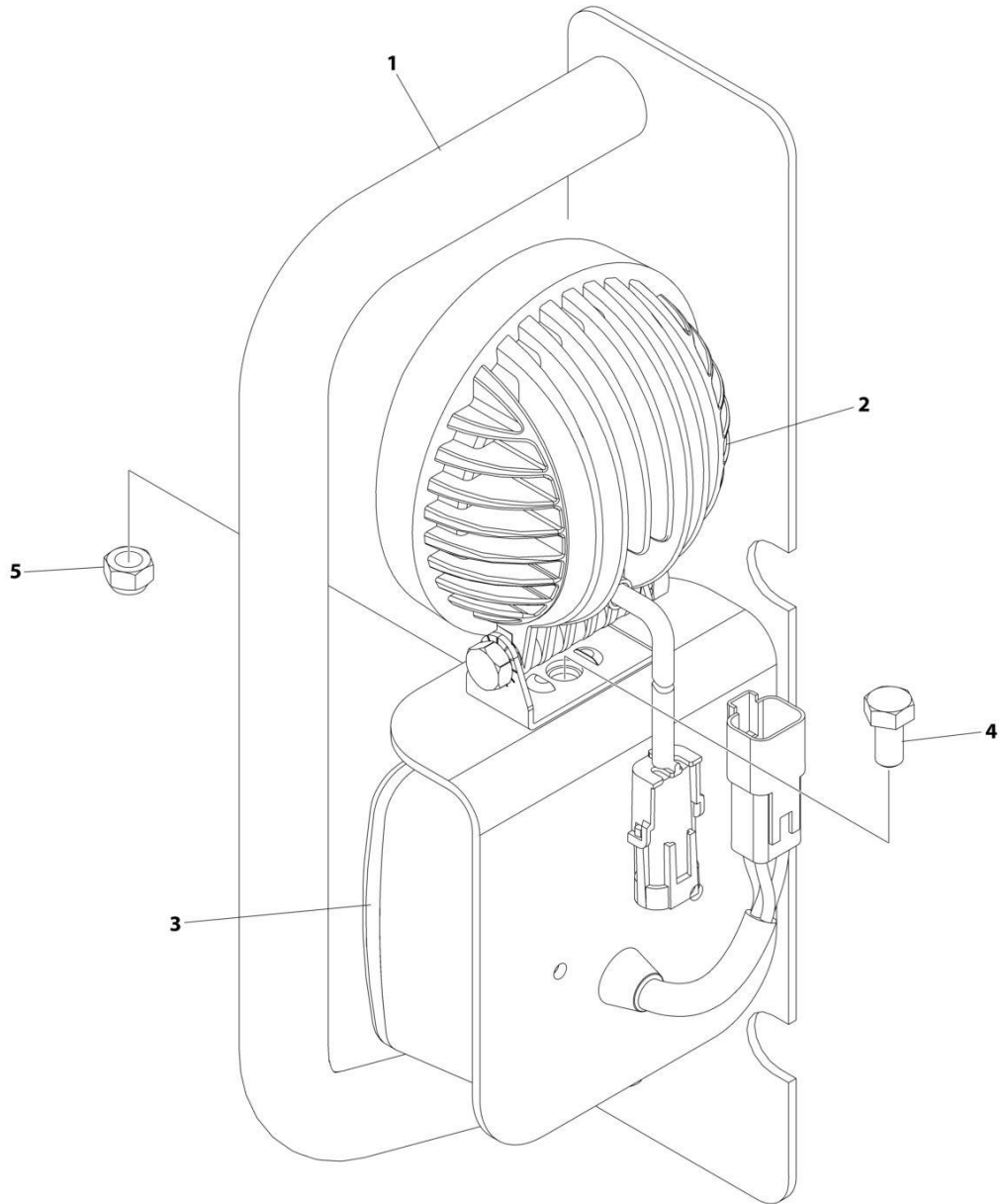
## SECTION 10 - ELECTRICAL

### FIGURE 10-35. LIGHTS - ROADLIGHT ASSEMBLY (LH)

ITEM	PART NUMBER	QTY	DESCRIPTION	REV
	1001251270	Ref	LH ROADLIGHT ASSEMBLY	A
1	7150681	1	Assembly, LH Roadlight Bracket	
2	1001176337	1	Lamp, LED Worklight	
3	7150690	1	Light, Tail/Indicator	
4	8303745	1	Bolt 5/16 x 5/8	
5	8305626	1	Nut 5/16	

# SECTION 10 - ELECTRICAL

## FIGURE 10-36. LIGHTS - ROADLIGHT ASSEMBLY (RH)



ART\_1001251271

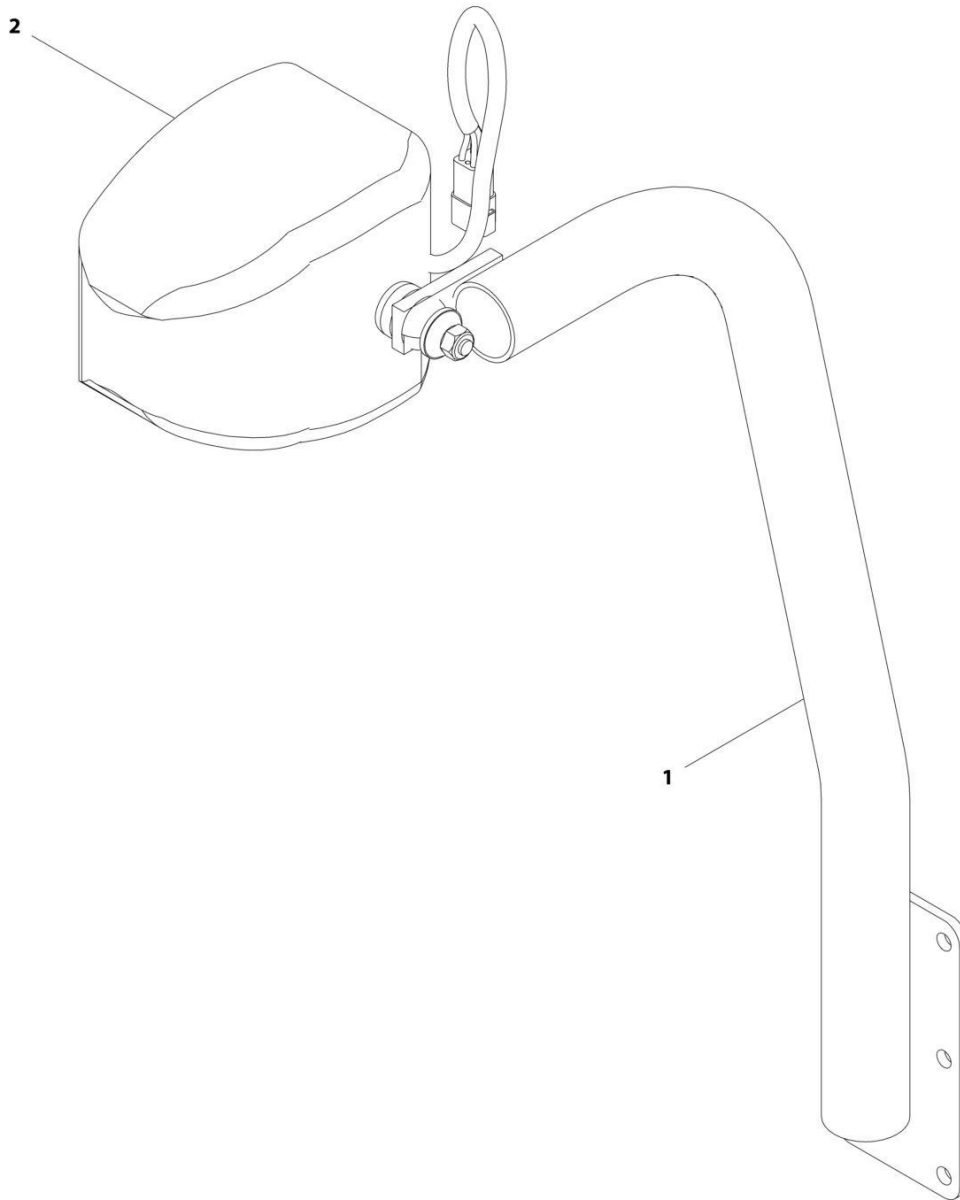
## SECTION 10 - ELECTRICAL

### FIGURE 10-36. LIGHTS - ROADLIGHT ASSEMBLY (RH)

ITEM	PART NUMBER	QTY	DESCRIPTION	REV
	1001251271	Ref	RH ROADLIGHT ASSEMBLY	A
1	7150680	1	Assembly, RH Roadlight Bracket	
2	1001176337	1	Lamp, LED Worklight	
3	7150690	1	Light, Tail/Indicator	
4	8303745	1	Bolt 5/16 x 5/8	
5	8305626	1	Nut 5/16	

# SECTION 10 - ELECTRICAL

## FIGURE 10-37. LIGHTS - ROADLIGHT BRACKET ASSEMBLY (LH)



ART\_7150699-B

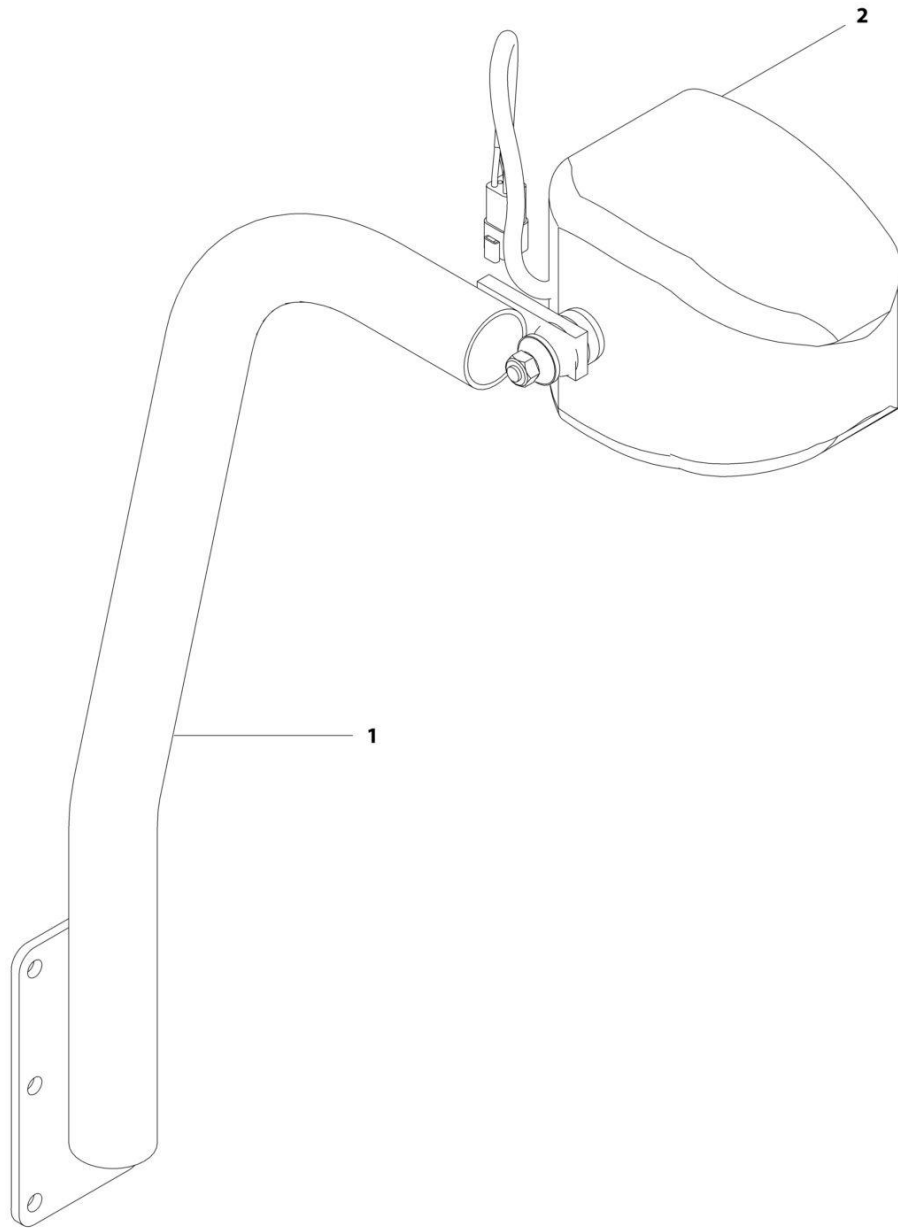
## SECTION 10 - ELECTRICAL

### FIGURE 10-37. LIGHTS - ROADLIGHT BRACKET ASSEMBLY (LH)

ITEM	PART NUMBER	QTY	DESCRIPTION	REV
	7150699	Ref	LH Roadlight Bracket Assembly	B
1	7150685	1	Bracket, LH Roadlight	
2	7150702	1	Roadlight, LH Front	
2	8036216	6	Screw, Headlight Lens	
2	8036212	1	Lens, Headlight	
2	8036213	1	Bulb, Headlight 12V, 60/55W	
2	8036214	1	Bulb, Blinker 12V, 5W	
2	8036215	1	Harness, Wiring (includes 6-way connector)	
2	8036209	1	Lens, Left Amber Headlight	

# SECTION 10 - ELECTRICAL

## FIGURE 10-38. LIGHTS - ROADLIGHT BRACKET ASSEMBLY (RH)



ART\_7150716-B



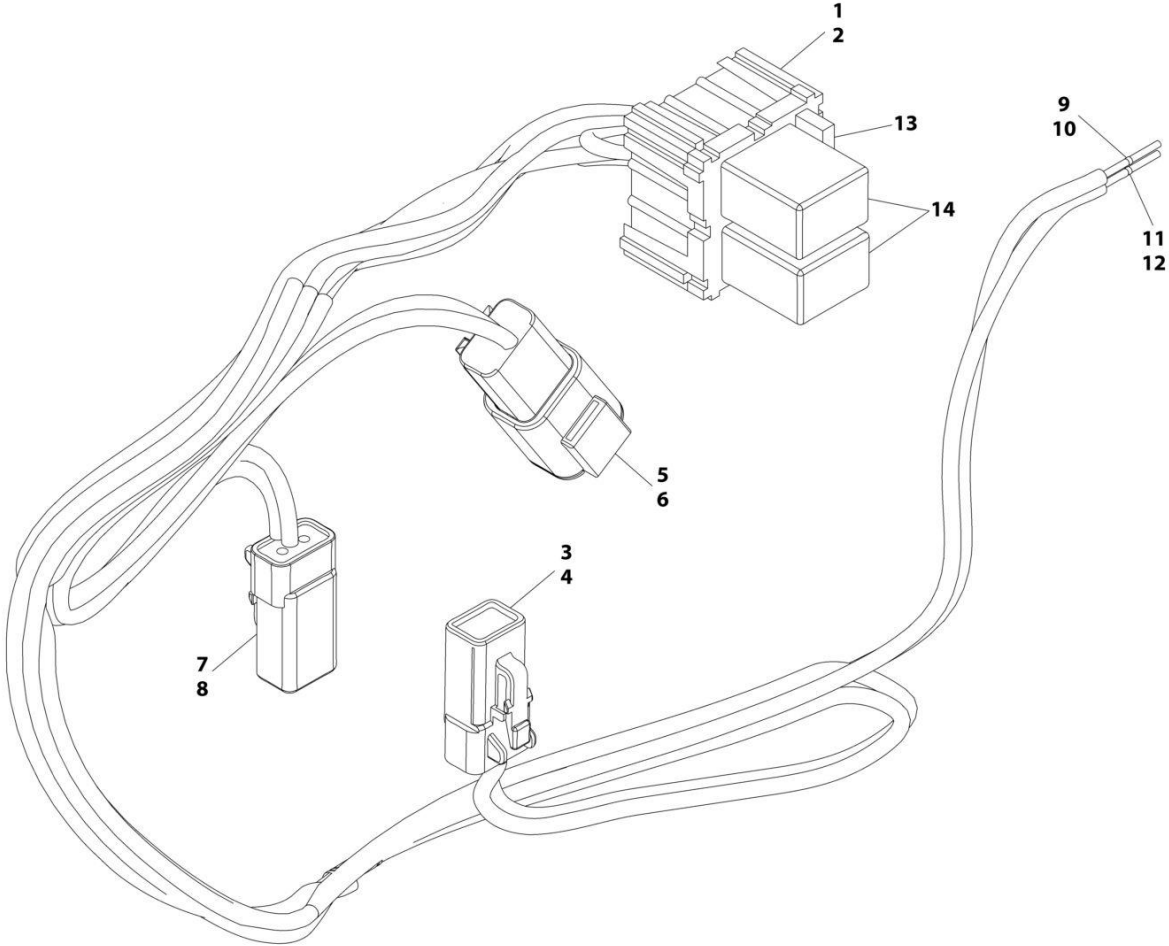
## SECTION 10 - ELECTRICAL

**FIGURE 10-38. LIGHTS - ROADLIGHT BRACKET ASSEMBLY (RH)**

ITEM	PART NUMBER	QTY	DESCRIPTION	REV
	7150716	Ref	RH Roadlight Bracket Assembly	B
1	7150717	1	Bracket, RH Roadlight	
2	7150703	1	Roadlight, LH Front	
2	8036210	1	Lens, Right Amber Headlight	
2	8036216	6	Screw, Headlight Lens	
2	8036212	1	Lens, Headlight	
2	8036213	1	Bulb, Headlight, 12V, 60/55W	
2	8036214	1	Bulb, Blinker 12V, 5W	
2	8036215	1	Harness, Wiring (includes 6-way connector)	

**SECTION 10 - ELECTRICAL**

**FIGURE 10-39. LIGHTS - ROADLIGHT WORKLIGHT HARNESS**



ART\_1001205248\_A

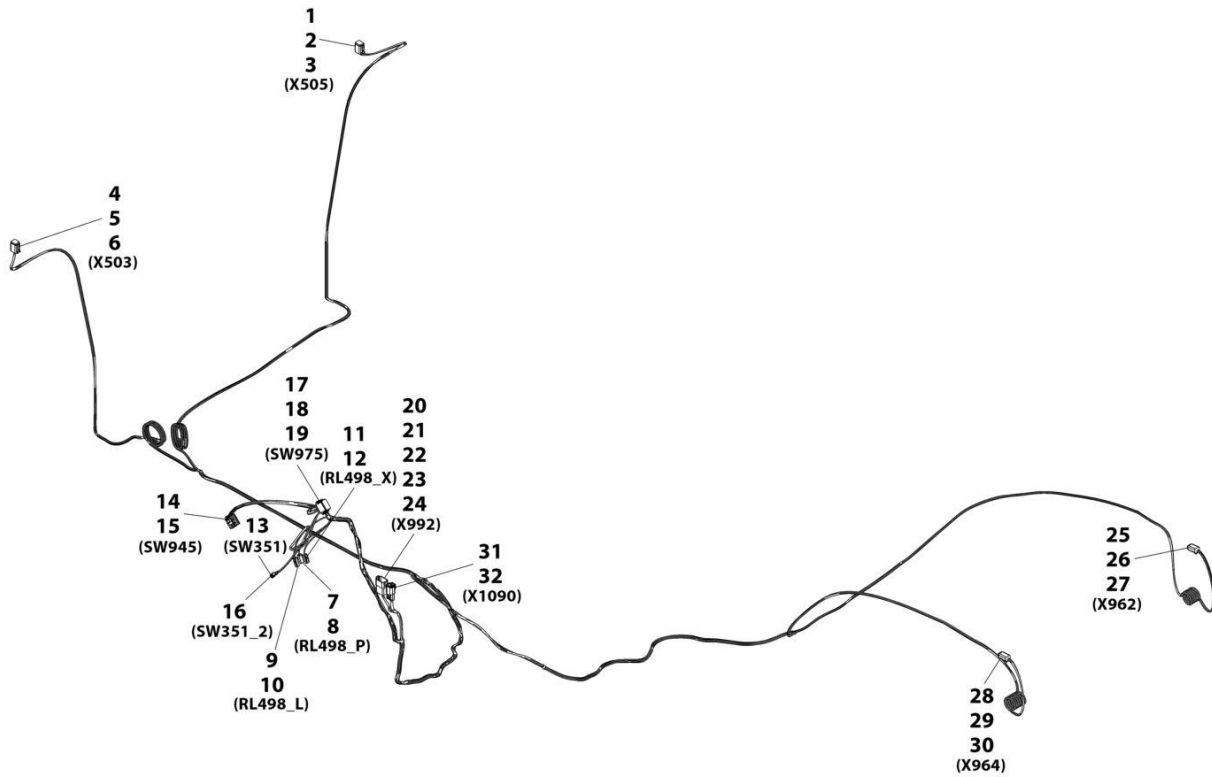
## SECTION 10 - ELECTRICAL

### FIGURE 10-39. LIGHTS - ROADLIGHT WORKLIGHT HARNESS

ITEM	PART NUMBER	QTY	DESCRIPTION	REV
	1001205248	Ref	Roadlight Worklight Harness	A
1	1001177198	1	Connector	
2	1001116712	12	Terminal	
3	4461018	1	Connector	
4	4460509	2	Terminal	
5	4461017	1	Connector	
6	4460508	2	Terminal	
7	4461018	1	Connector	
8	4460509	2	Terminal	
9	4460790	1	Terminal, Socket	
10	8220089	1	Seal	
11	4460790	1	Terminal, Socket	
12	8220089	1	Seal	
13	8229245	2	Fuse 30Amp	
14	1001205172	2	Relay	

# SECTION 10 - ELECTRICAL

## FIGURE 10-40. LIGHTS - ROADLIGHT OPTION HARNESS



ART\_1001178346-H

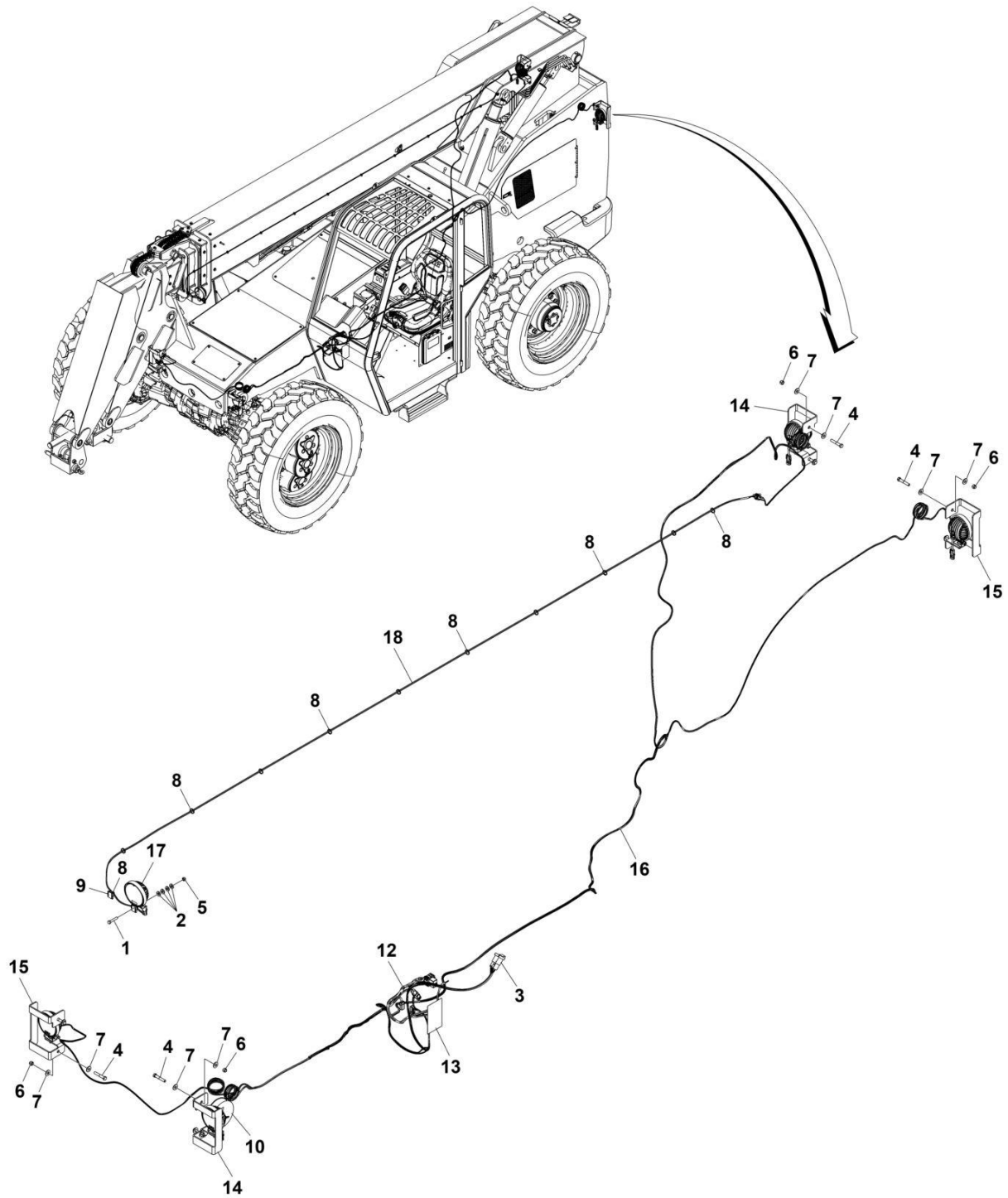
## SECTION 10 - ELECTRICAL

### FIGURE 10-40. LIGHTS - ROADLIGHT OPTION HARNESS

ITEM	PART NUMBER	QTY	DESCRIPTION	REV
	1001178346	Ref	ROAD LIGHT OPTION HARNESS	H
1	4460894	1	Connector	
2	4460465	5	Terminal	
3	4460466	1	Plug	
4	4460894	1	Connector	
5	4460465	5	Terminal	
6	4460466	1	Plug	
7	7116572	1	Connector	
8	1001116736	1	Terminal	
9	7116572	1	Connector	
10	1001116736	1	Terminal	
11	7116572	1	Connector	
12	1001116736	1	Terminal	
13	8220051	1	Terminal, Ring	
14	1001117079	1	Connector	
15	4460419	9	Terminal	
16	8220051	1	Terminal, Ring	
17	4460933	1	Connector	
18	4460465	8	Terminal	
19	4460466	4	Plug	
20	4460931	1	Connector	
21	4460466	3	Plug	
22	4460464	2	Terminal	
23	1001157891	2	Terminal	
24	4460941	1	Terminal	
25	4460884	1	Connector	
26	4460465	3	Terminal	
27	4460942	1	Terminal	
28	4460884	1	Connector	
29	4460465	3	Terminal	
30	4460942	1	Terminal	
31	4461017	1	Connector	
32	4460508	2	Terminal	

# SECTION 10 - ELECTRICAL

## FIGURE 10-41. LIGHTS - WORKLIGHT PACKAGE INSTALLATION (LED)



ART\_1001237847\_F

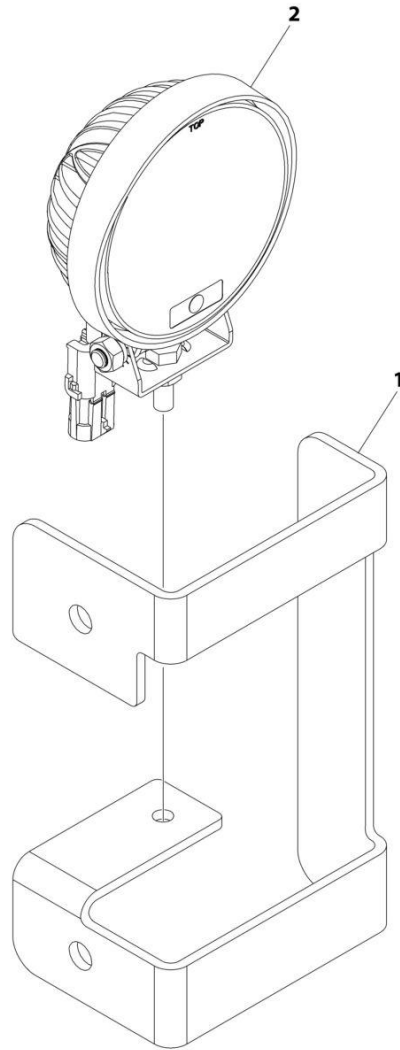
## SECTION 10 - ELECTRICAL

**FIGURE 10-41. LIGHTS - WORKLIGHT PACKAGE INSTALLATION (LED)**

ITEM	PART NUMBER	QTY	DESCRIPTION	REV
	1001237847	Ref	LIGHTS - LED WORK LIGHT PACKAGE INSTALLATION	F
1	0641520	1	Bolt 5/16 x 2-1/2	
2	1001305569	1	Spacer	
2	1001173257	1	Spacer Block	
3	8223059	1	Switch, Work Light	
4	8303771	8	Bolt 3/8 x 2-1/4	
5	8305626	1	Nut 5/16	
6	8305645	8	Nut 3/8	
7	8307204	16	Washer 3/8	
8	8584001	AR	Wrap, Tie	
9	8584018	4	Mount, Tie-Strap	
10	7124471	2	Conduit, 1 x 12.5	
11	88501005	AR	Nut 5/16	
12	1001205248	1	Harness, Roadlight Worklight (See Separate Breakdown in this Section)	
13	1001205264	1	Decal, Light Fuse Panel	
14	1001237853	2	Assembly, LED RH Worklight (See Separate Breakdown in this Section)	
15	1001237854	2	Assembly, LED LH Worklight (See Separate Breakdown in this Section)	
16	1001238199	1	Harness, Work Light Option (See Separate Breakdown in this Section)	
17	1001273636	1	Lamp, LED Worklight	
18	1001238111	1	Harness, Boom Worklight (See Separate Breakdown in this Section)	

# SECTION 10 - ELECTRICAL

FIGURE 10-42. LIGHTS - WORKLIGHT ASSEMBLY - LED (RH)



ART\_1001237853



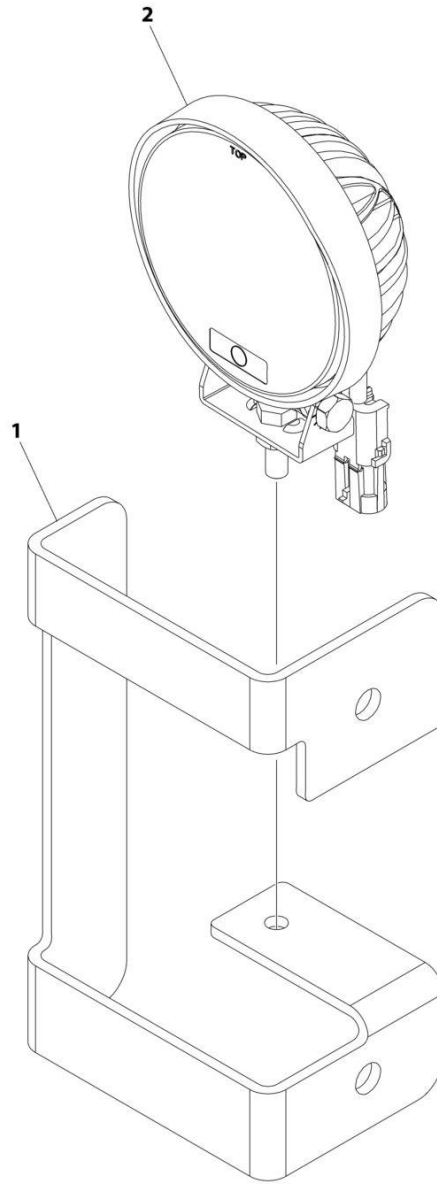
## SECTION 10 - ELECTRICAL

**FIGURE 10-42. LIGHTS - WORKLIGHT ASSEMBLY - LED (RH)**

ITEM	PART NUMBER	QTY	DESCRIPTION	REV
	1001237853	Ref	LIGHTS - WORK LIGHT ASSEMBLY - LED (RH)	A
1	1001097079	1	Bracket, RH Worklight Mount	
2	1001176337	1	Lamp, LED Worklight	

# SECTION 10 - ELECTRICAL

FIGURE 10-43. LIGHTS - WORKLIGHT ASSEMBLY - LED (LH)



ART\_1001237854

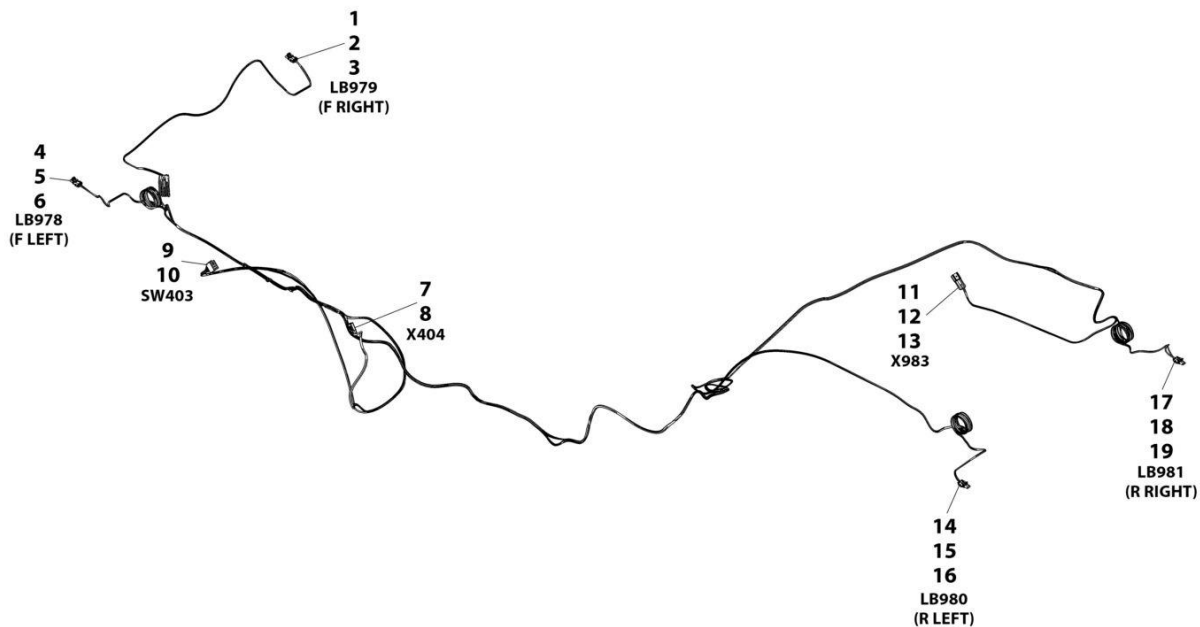
## SECTION 10 - ELECTRICAL

**FIGURE 10-43. LIGHTS - WORKLIGHT ASSEMBLY - LED (LH)**

ITEM	PART NUMBER	QTY	DESCRIPTION	REV
	1001237854	Ref	LIGHTS - WORK LIGHT ASSEMBLY - LED (LH)	A
1	1001097080	1	Bracket, LH Worklight Mount	
2	1001176337	1	Lamp, LED Worklight	

# SECTION 10 - ELECTRICAL

## FIGURE 10-44. LIGHTS - WORK LIGHT OPTION HARNESS



ART\_1001238199-A

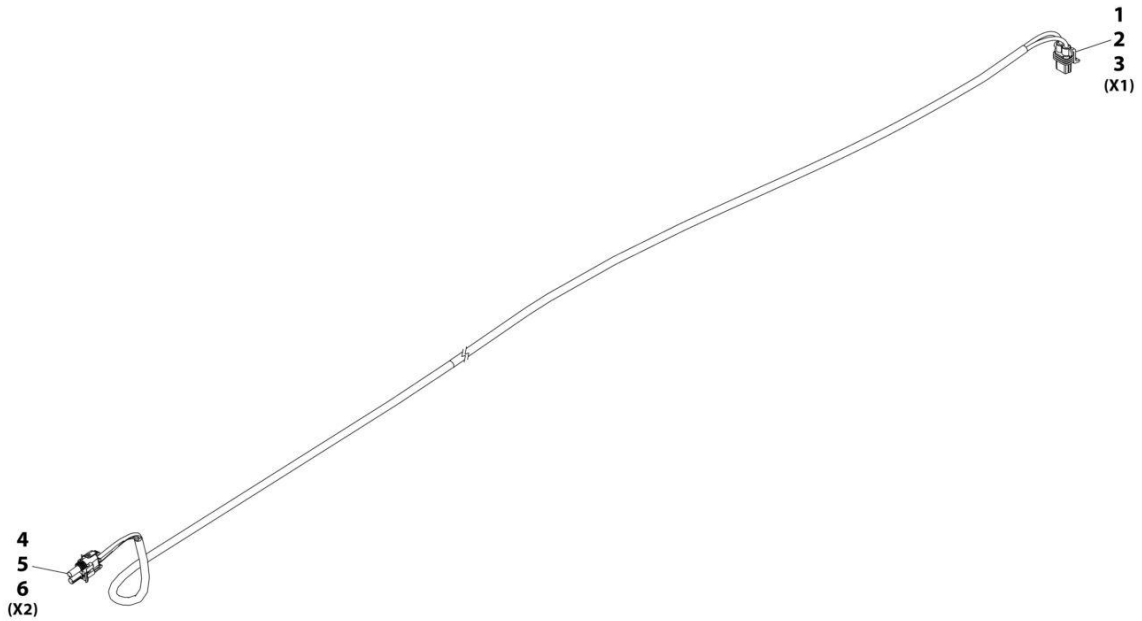
## SECTION 10 - ELECTRICAL

**FIGURE 10-44. LIGHTS - WORK LIGHT OPTION HARNESS**

ITEM	PART NUMBER	QTY	DESCRIPTION	REV
	1001238199	Ref	Work Lighting Option Harness	A
1	4460742	1	Connector	
2	4460457	2	Terminal	
3	4460789	2	Seal	
4	4460742	1	Connector	
5	4460457	2	Terminal	
6	4460789	2	Seal	
7	4461018	1	Connector	
8	4460509	2	Terminal	
9	8220904	1	Connector	
10	4460419	6	Terminal	
11	1001117026	1	Connector	
12	1001116729	2	Terminal	
13	8220081	2	Seal	
14	4460742	1	Connector	
15	4460457	2	Terminal	
16	4460789	2	Seal	
17	4460742	1	Connector	
18	4460457	2	Terminal	
19	4460457	2	Seal	

# SECTION 10 - ELECTRICAL

## FIGURE 10-45. LIGHTS - WORKLIGHT BOOM HARNESS



ART\_1001238111

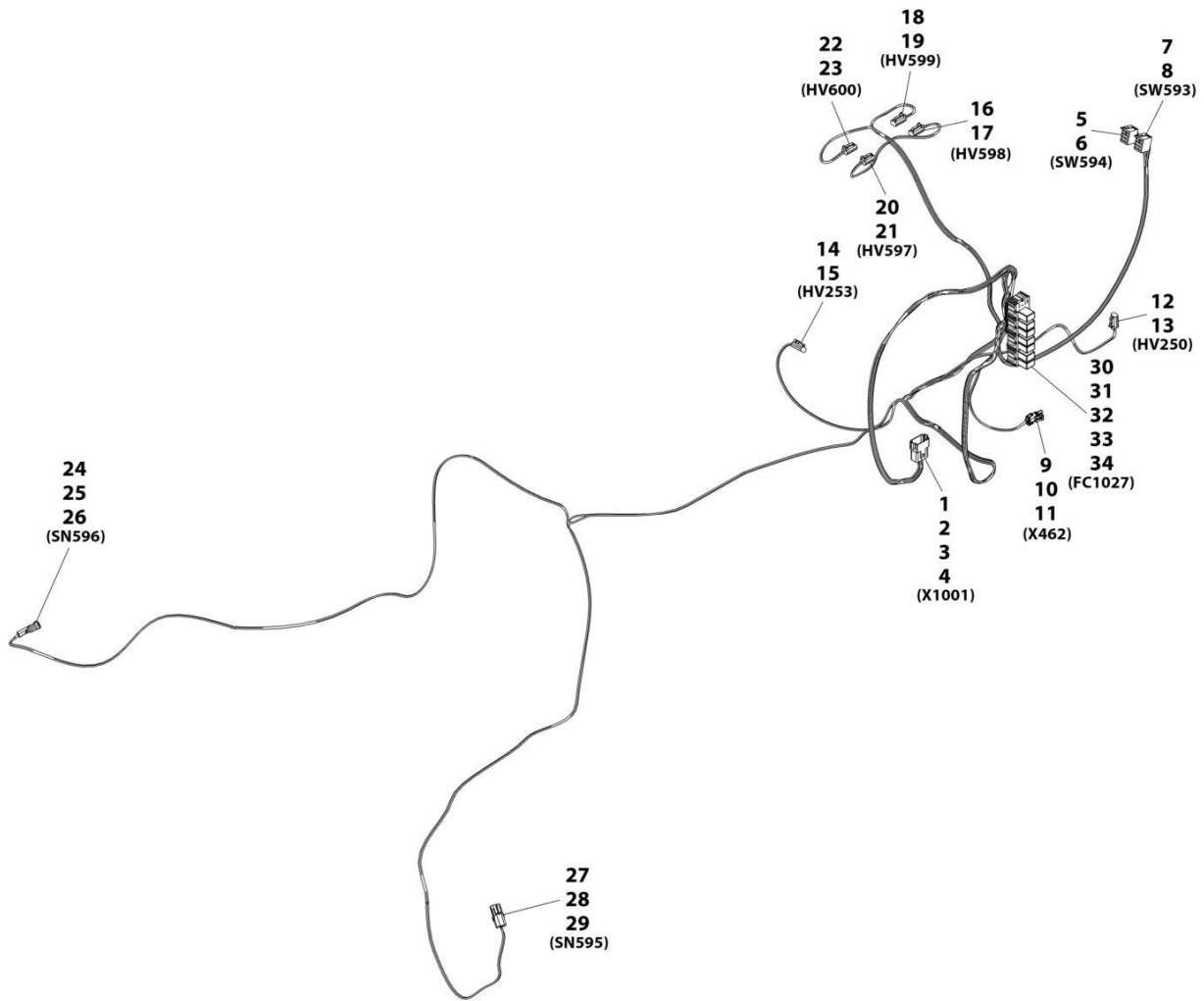
## SECTION 10 - ELECTRICAL

### FIGURE 10-45. LIGHTS - WORKLIGHT BOOM HARNESS

ITEM	PART NUMBER	QTY	DESCRIPTION	REV
	1001238111	Ref	Boom Worklight Harness	B
1	1001117021	1	Connector	
2	1001116747	2	Terminal	
3	4460789	2	Seal	
4	4460742	1	Connector	
5	4460457	2	Terminal	
6	4460789	2	Seal	

# SECTION 10 - ELECTRICAL

## FIGURE 10-46. LOGIC HARNESS



ART\_1001251503



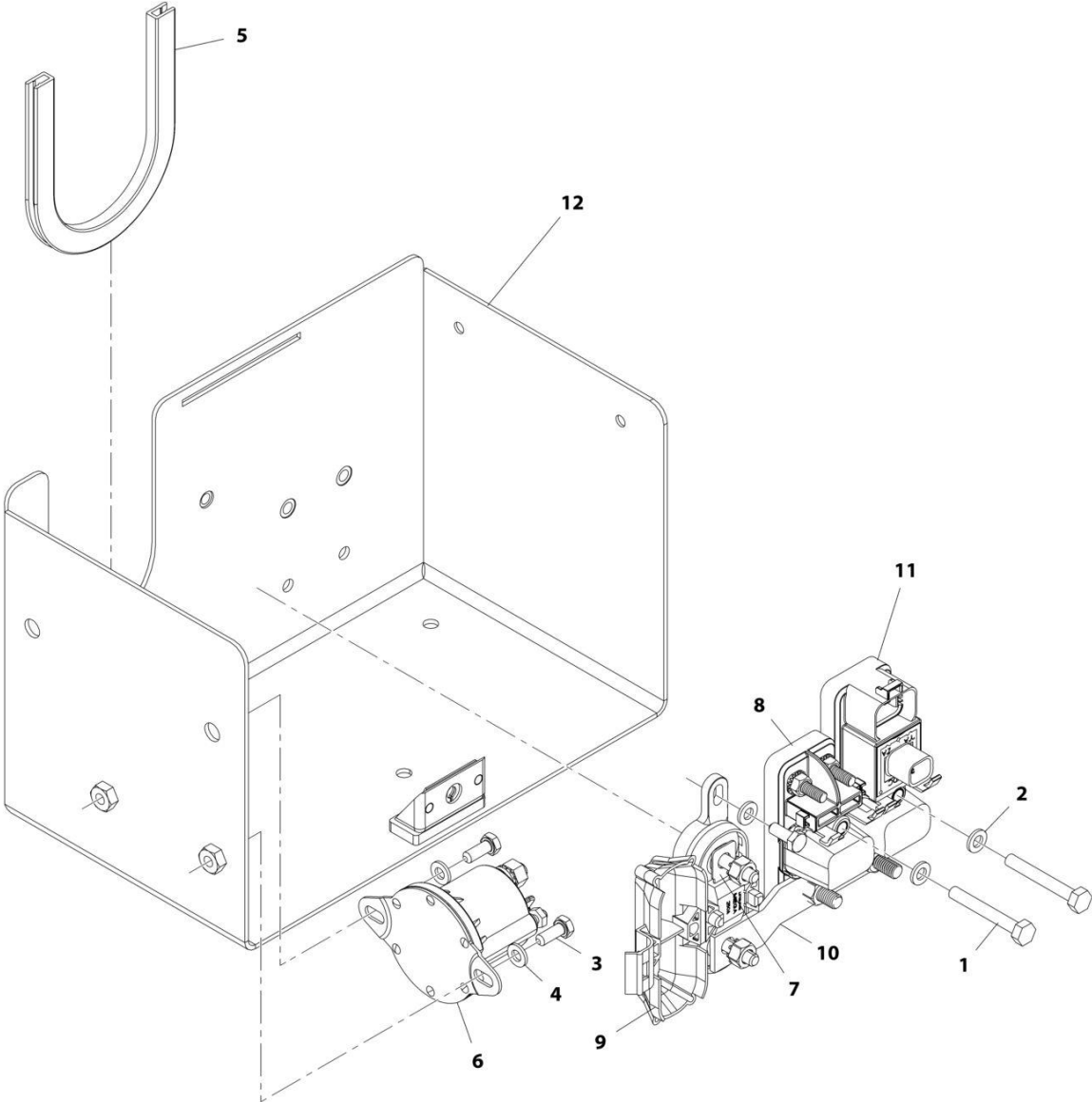
## SECTION 10 - ELECTRICAL

### FIGURE 10-46. LOGIC HARNESS

ITEM	PART NUMBER	QTY	DESCRIPTION	REV
	1001251503	Ref	Logic Harness	D
1	4460970	1	Connector	
2	4460941	3	Terminal	
3	4460464	5	Terminal	
4	4460466	4	Plug	
5	8220904	1	Connector	
6	1001116720	3	Terminal	
7	8820904	1	Connector	
8	1001116720	3	Terminal	
9	4460742	1	Connector	
10	4460457	2	Terminal	
11	4460458	2	Seal	
12	4460891	1	Connector	
13	4460465	2	Terminal	
14	4460891	1	Connector	
15	4460465	2	Terminal	
16	4460891	1	Connector	
17	4460465	2	Terminal	
18	4460891	1	Connector	
19	4460465	2	Terminal	
20	4460891	1	Connector	
21	4460465	2	Terminal	
22	4460891	1	Connector	
23	4460465	2	Terminal	
24	4461157	1	Connector	
25	4460475	2	Terminal	
26	4460458	2	Seal	
27	4461157	1	Connector	
28	4460475	2	Terminal	
29	4460458	2	Seal	
30	4461103	8	Relay, Locking Wedge	
31	8229243	2	Fuse, 7.5 AMP Mini	
32	1001177198	4	Electric Assembly	
33	1001200845	1	Mounting Leg	
34	1001205172	7	Relay	

**SECTION 10 - ELECTRICAL**

**FIGURE 10-47. RELAY PANEL INSTALLATION**



ART\_1001170233-F

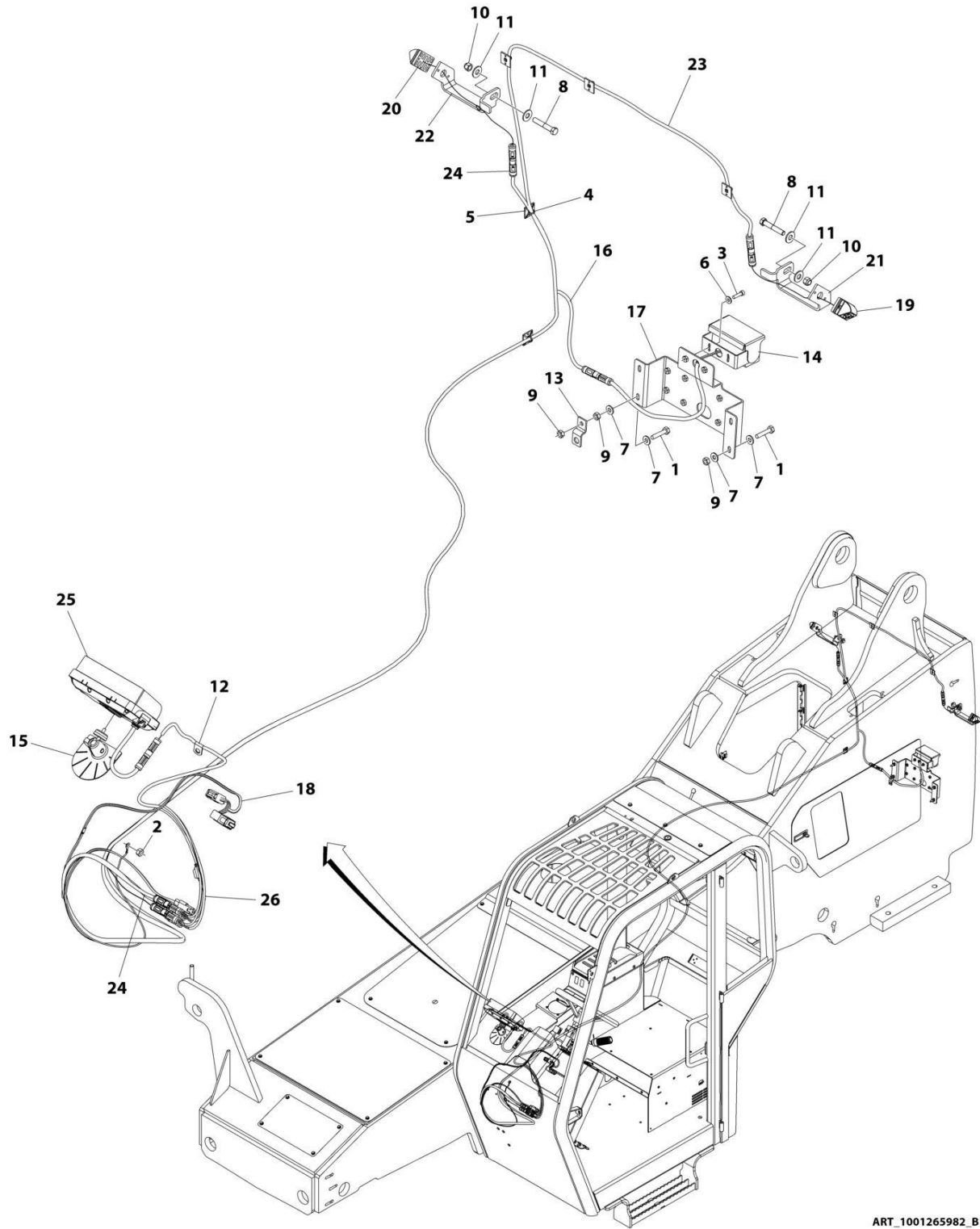
## SECTION 10 - ELECTRICAL

**FIGURE 10-47. RELAY PANEL INSTALLATION**

ITEM	PART NUMBER	QTY	DESCRIPTION	REV
	1001170233	Ref	Relay Panel Installation	F
1	0641415	2	Bolt 1/4X1-7/8	
2	4761400	2	Washer 1/4	
3	8303545	4	Bolt M6X14	
4	8307219	4	Washer M6	
5	90206196	257 mm	Trim, Vinyl Edge	
6	1001186417	1	Relay, 150 Amp	
7	1001118245	1	Fuse, 250 Amp	
8	1001127699	1	Fuse, Power Module	
9	1001127700	1	Holder, AMG Fuse	
10	1001129615	1	Bar, Buss Connector	
11	1001184316	1	Relay, Power Module	
12	1001170230	1	Bracket, Relay Mount	

# SECTION 10 - ELECTRICAL

## FIGURE 10-48. REVERSE CAMERA



ART\_1001265982\_B

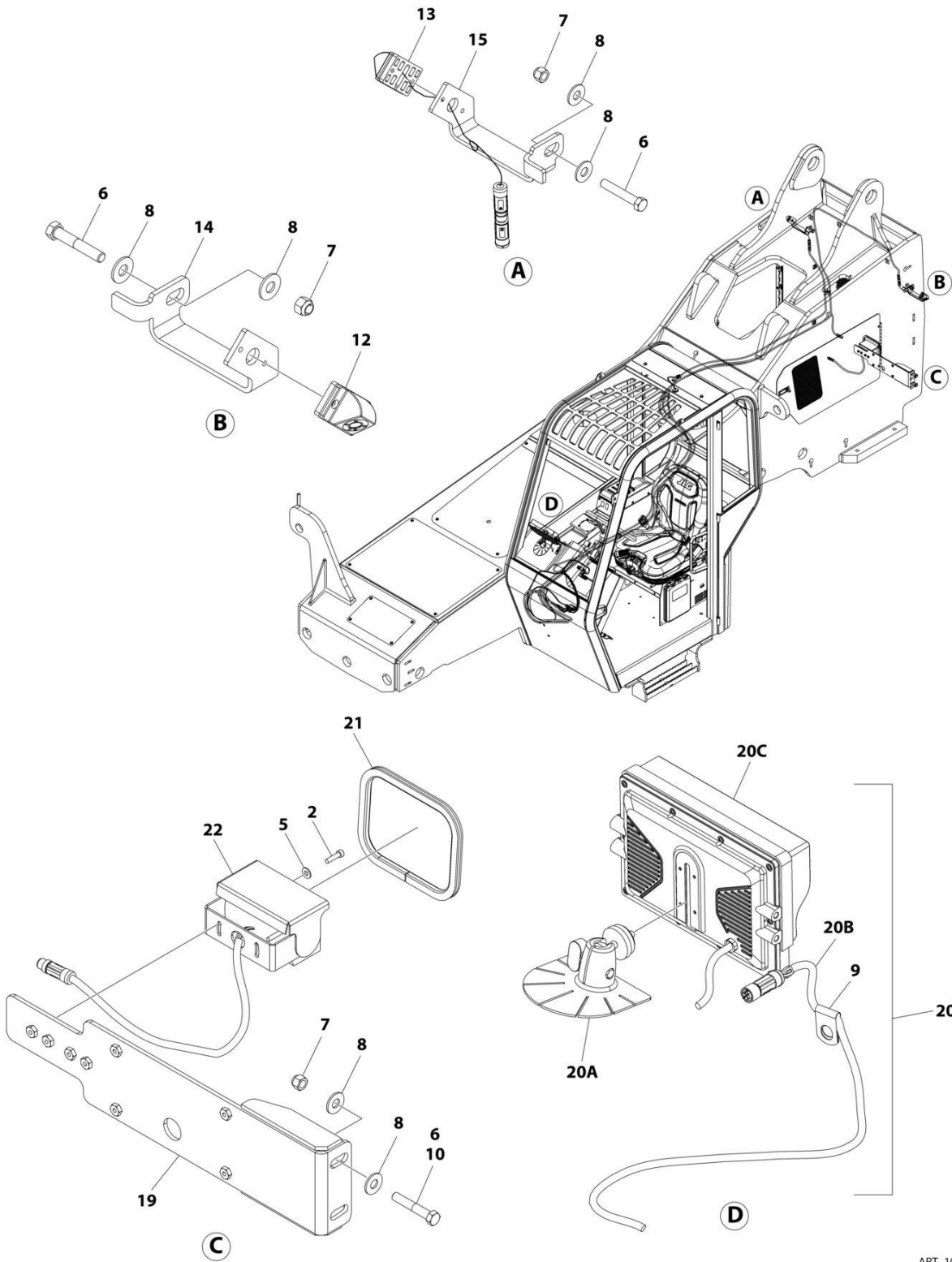
## SECTION 10 - ELECTRICAL

### FIGURE 10-48. REVERSE CAMERA

ITEM	PART NUMBER	QTY	DESCRIPTION	REV
	1001265982	Ref	SKYTRAK BACKUP CAMERA INSTALLATION	B
1	0641410	4	Bolt 1/4 x 1	
2	3311401	1	Nut 1/4	
3	3931012	2	Capscrew, #10 x 3/4	
4	4240032	1	Tie-Strap	
5	4460234	1	Mount, Tie-Strap	
6	4711000	2	Washer M10	
7	4711400	8	Washer 1/4	
8	8303771	1	Bolt 3/8 x 2-1/4	
9	8305004	5	Nut 1/4	
10	8305645	2	Nut 3/8	
11	8307204	4	Washer 3/8	
12	8406010	1	Clip	
13	1001204692	1	Bracket	
14	1001233174	1	Camera, Rear View	
15	1001233217	1	Bracket, Monitor Mount	
16	1001233434	1	Harness, Extension Cable Camera	
17	1001233828	1	Bracket, Camera Mount	
18	1001233976	1	Harness, Rear Camera Option (See Separate Breakdown in this Section)	
19	1001264534	1	Camera (LH)	
19	70031717	1	Cable, Camera	
20	1001264536	1	Camera (RH)	
20	70031717	1	Cable, Camera	
21	1001265679	1	Bracket, Camera (LH)	
22	1001265680	1	Bracket, Camera (RH)	
23	1001265979	1	Harness, Extension (LH)	
24	1001265980	1	Harness, Extension (RH)	
25	1001289479	1	Monitor, Display	
26	1001265987	1	Harness, Monitor/Display	

# SECTION 10 - ELECTRICAL

## FIGURE 10-49. MULTI VIEW CAMERA INSTALLATION



ART\_1001284884

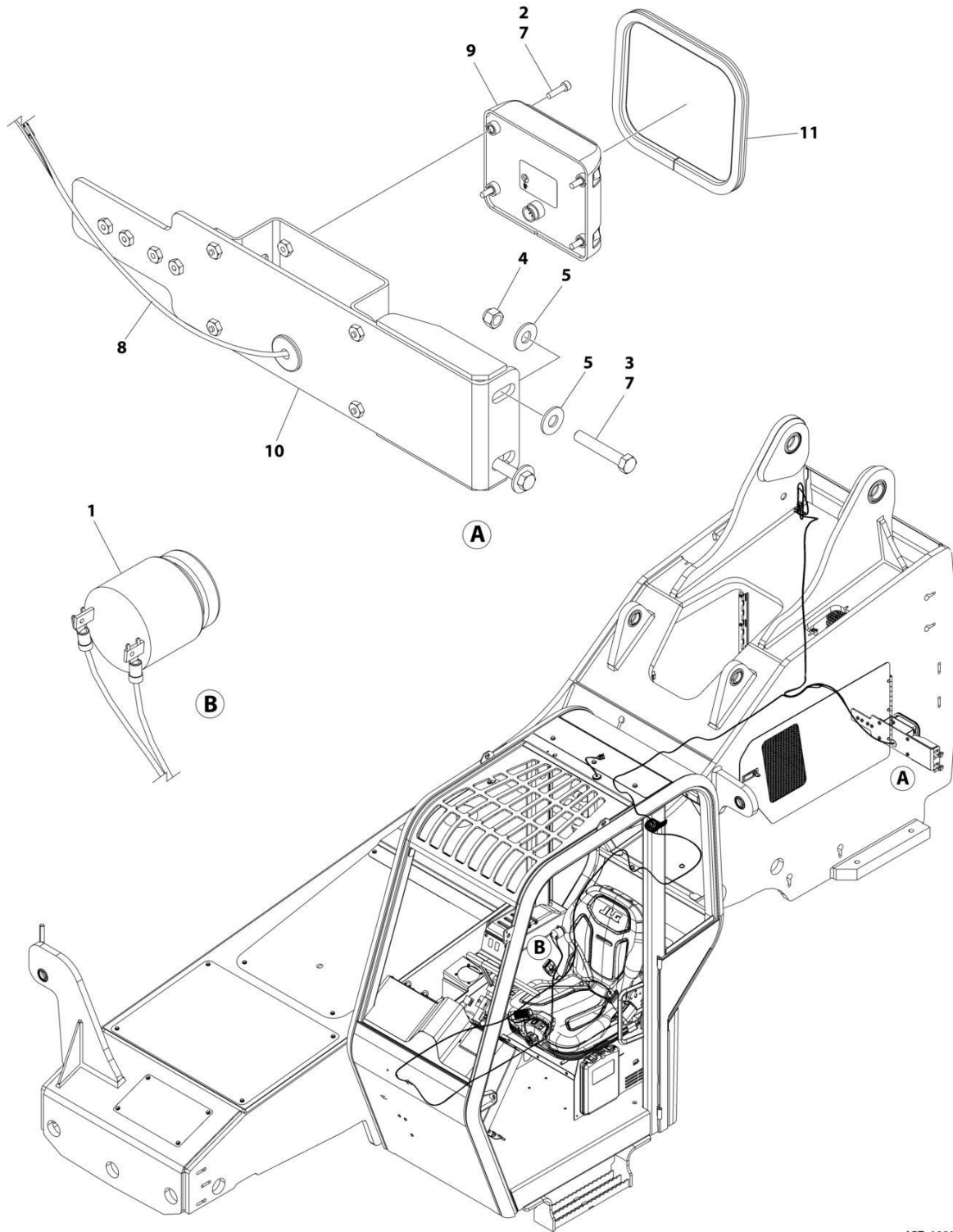
## SECTION 10 - ELECTRICAL

### FIGURE 10-49. MULTI VIEW CAMERA INSTALLATION

ITEM	PART NUMBER	QTY	DESCRIPTION	REV
	1001284884	Ref	MULTI VIEW CAMERA INSTALLATION	C
1	3311401	1	Nut 1/4 (Not Shown)	
2	3931012	2	Capscrew 3/16 x 2-1/4	
3	4240032	AR	Tie-Strap (Not Shown)	
4	4460234	AR	Mount, Tie-Strap (Not Shown)	
5	4711000	2	Washer #10	
6	8303771	4	Screw 3/8 x 2-1/4	
7	8305645	4	Nut	
8	8307204	8	Washer 3/8	
9	8406010	1	Clip	
10	1001095650	AR	Adhesive	
12	1001264534	1	Camera, Side View (LH)	
12	70031717	1	Cable, Camera	
13	1001264536	1	Camera, Side View (RH)	
13	70031717	1	Cable, Camera	
14	1001265679	1	Bracket (LH)	
15	1001265680	1	Bracket (RH)	
16	1001265979	1	Extension Cable Harness (LH) (Not Shown)	
17	1001265980	1	Extension Cable Harness (RH) (Not Shown)	
19	1001284865	1	Bracket, Rear	
20	1001289479	1	Quad View Monitor	
20A	1001233217	1	Bracket, Mount	
20B	1001294608	1	Quad View Monitor Harness	
20C	1001302410	1	Monitor, Display	
21	90206196	19 in /48 cm	Gasket	
22	1001233174	1	Camera, Rear View	
23	1001233434	1	Extension Cable Camera Harness (Not Shown)	
24	1001233976	1	Rear Camera Harness (SKYTRAK) (Not Shown)	

# SECTION 10 - ELECTRICAL

## FIGURE 10-50. REVERSE SENSOR SYSTEM INSTALLATION



ART\_1001284883



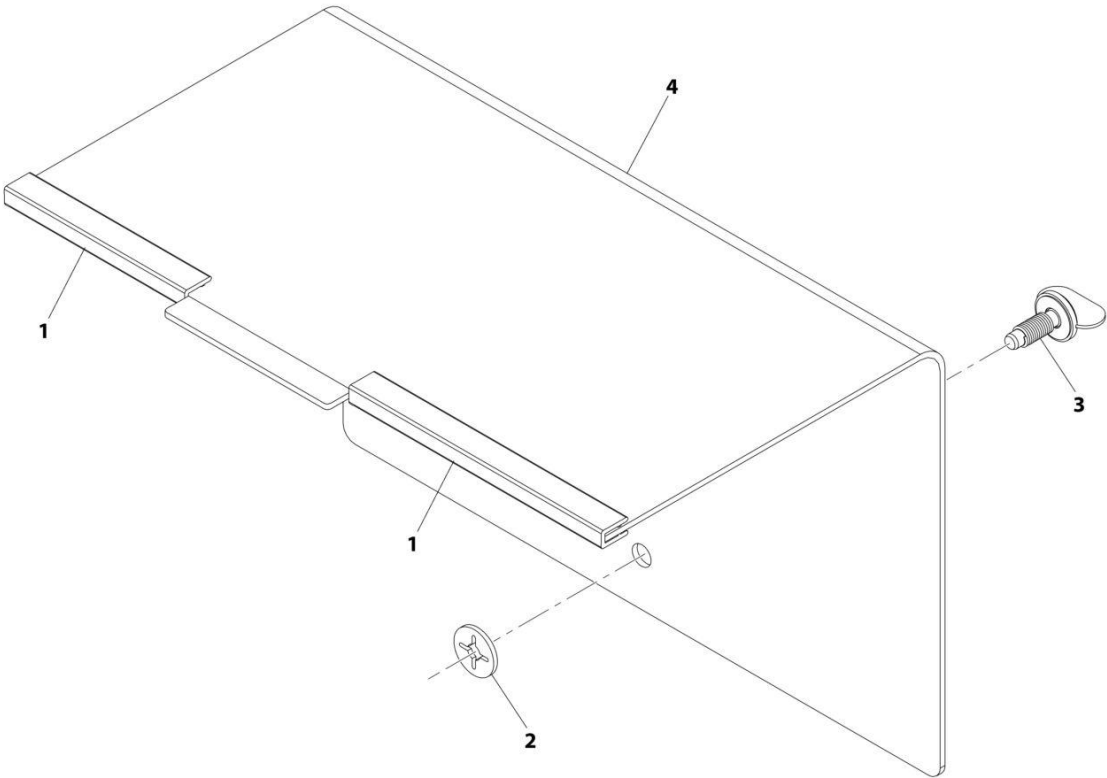
## SECTION 10 - ELECTRICAL

**FIGURE 10-50. REVERSE SENSOR SYSTEM INSTALLATION**

ITEM	PART NUMBER	QTY	DESCRIPTION	REV
	1001284883	Ref	REVERSE SENSOR SYSTEM INSTALLATION	B
1	0140011	1	Audible, Signal Device	
2	3931012	4	Capscrew #10 x 3/4	
3	8303771	2	Bolt 3/8 x 2-1/4	
4	8305645	2	Nut	
5	8307204	4	Washer 3/8	
6	8584001	AR	Tie-Strap (Not Shown)	
7	1001095650	AR	Adhesive	
8	1001189886	1	Reverse Sensing Harness	
9	1001247421	1	Sensor, Reverse	
10	1001284866	1	Bracket	
11	90206196	20 in /50 cm	Gasket	

**SECTION 10 - ELECTRICAL**

**FIGURE 10-51. RELAY PANEL COVER ASSEMBLY**



ART\_1001170234-B

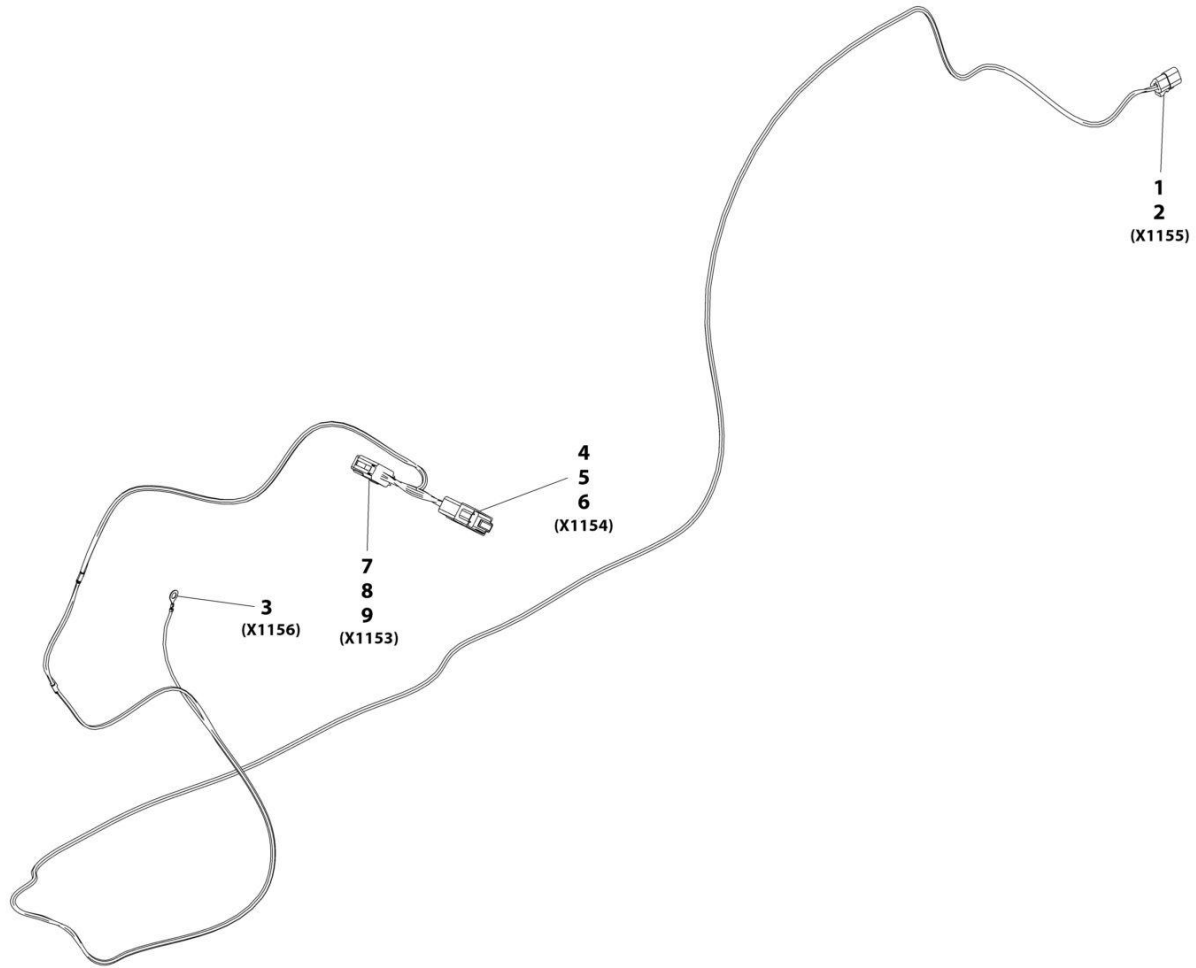
## SECTION 10 - ELECTRICAL

### FIGURE 10-51. RELAY PANEL COVER ASSEMBLY

ITEM	PART NUMBER	QTY	DESCRIPTION	REV
	1001170234	Ref	Relay Panel Cover Assembly	B
1	90206196	220 mm	Trim, Vinyl Edge	
2	1001135770	1	Washer, Push-On Retainer	
3	1001135777	1	Screw, Fastener Assembly Wing Head	
4	1001170235	1	Cover, Relay Panel	

# SECTION 10 - ELECTRICAL

## FIGURE 10-52. REVERSE CAMERA OPTION HARNESS



ART\_1001233976-A

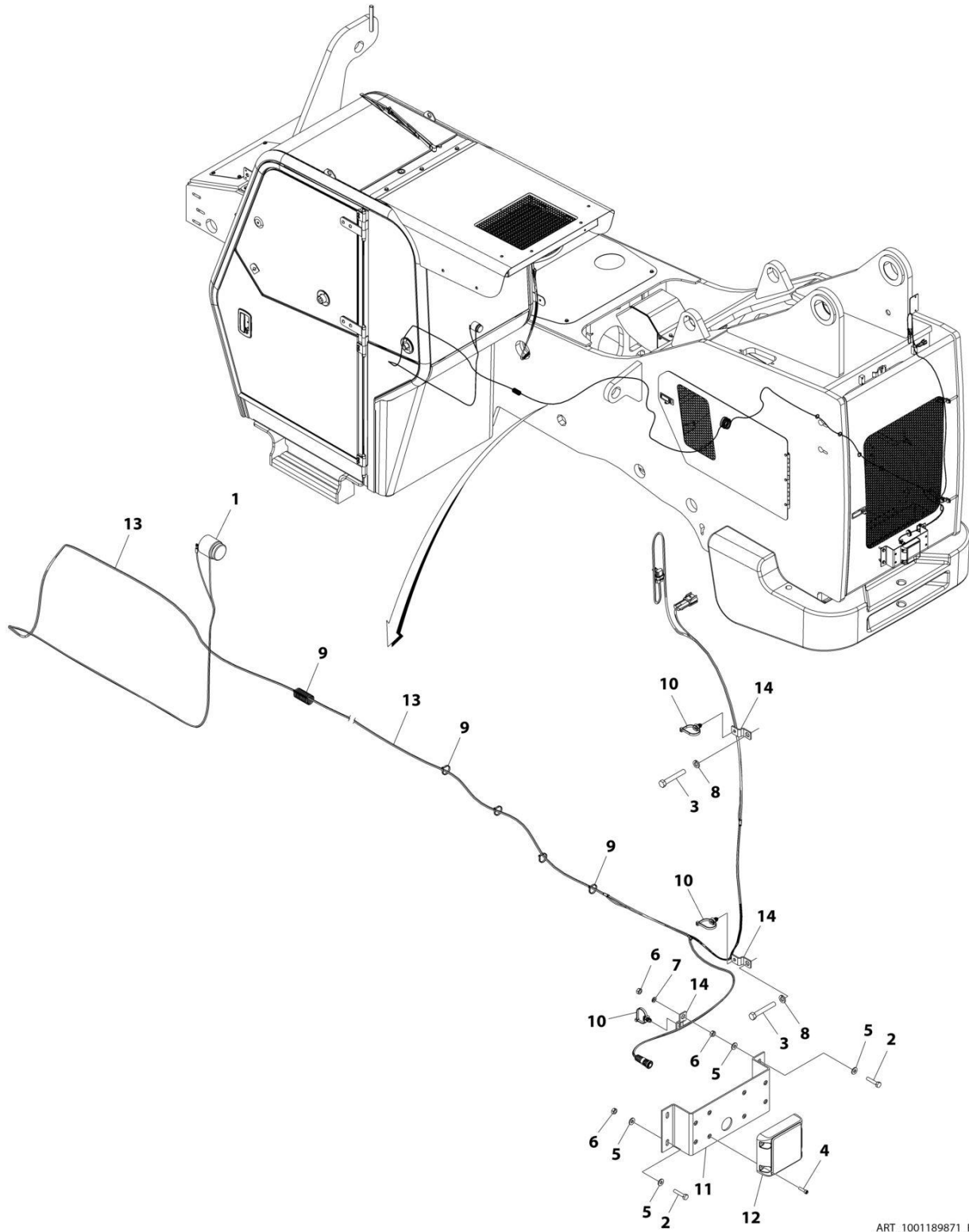
## SECTION 10 - ELECTRICAL

### FIGURE 10-52. REVERSE CAMERA OPTION HARNESS

ITEM	PART NUMBER	QTY	DESCRIPTION	REV
	1001233976	Ref	Skytrak Rear Camera Option Harness	A
1	4460539	1	Connector	
2	4460465	3	Terminal	
3	1001207173	1	Terminal, Ring	
4	4460970	1	Connector	
5	4460464	9	Terminal	
6	4460466	3	Plug	
7	4460933	1	Connector	
8	4460465	9	Terminal	
9	4460466	3	Plug	

# SECTION 10 - ELECTRICAL

## FIGURE 10-53. REVERSE SENSOR INSTALLATION



ART\_1001189871\_B

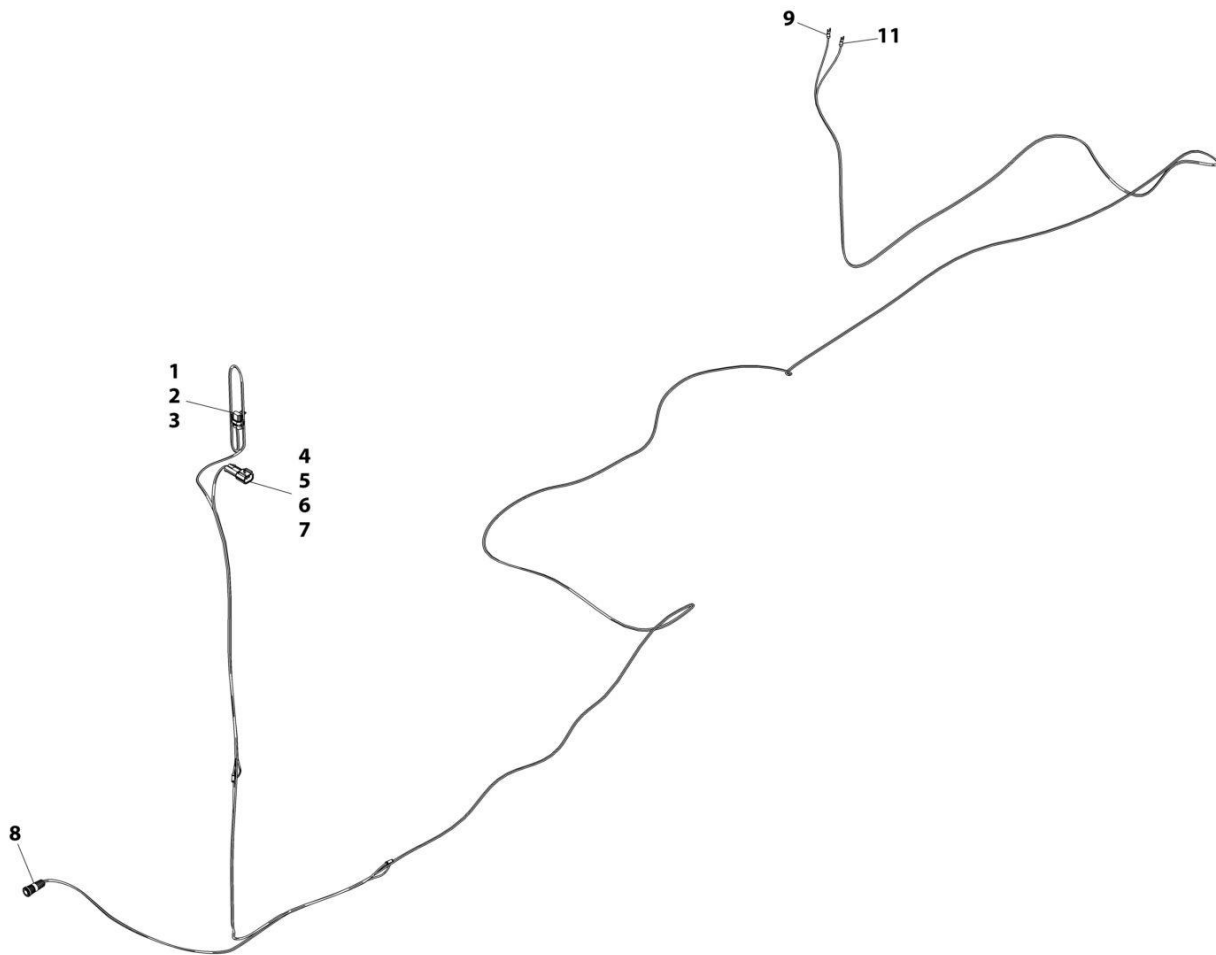
## SECTION 10 - ELECTRICAL

**FIGURE 10-53. REVERSE SENSOR INSTALLATION**

ITEM	PART NUMBER	QTY	DESCRIPTION	REV
	1001189871	Ref	REVERSE SENSOR INSTALLATION	B
1	0140011	1	Audible, Signal Device	
2	0641410	4	Bolt 1/4 x 1	
3	0641620	2	Bolt 3/8 x 2	
4	3931012	4	Capscrew #10 x 3/4	
5	4711400	8	Washer 1/4	
6	8305004	5	Nut 1/4	
7	8307002	1	Washer 1/4	
8	8307005	2	Washer 3/8	
9	8584001	AR	Wrap, Tie 3/16	
10	1001004720	3	Strap, Cable	
11	1001154375	1	Bracket	
12	1001247421	1	Control, Reverse Sensor	
13	1001189886	1	Harness, Reverse Sensor (See Separate Breakdown in this Section)	
14	1001204692	3	Bracket	

# SECTION 10 - ELECTRICAL

## FIGURE 10-54. REVERSE SENSOR HARNESS



ART\_1001189886-B



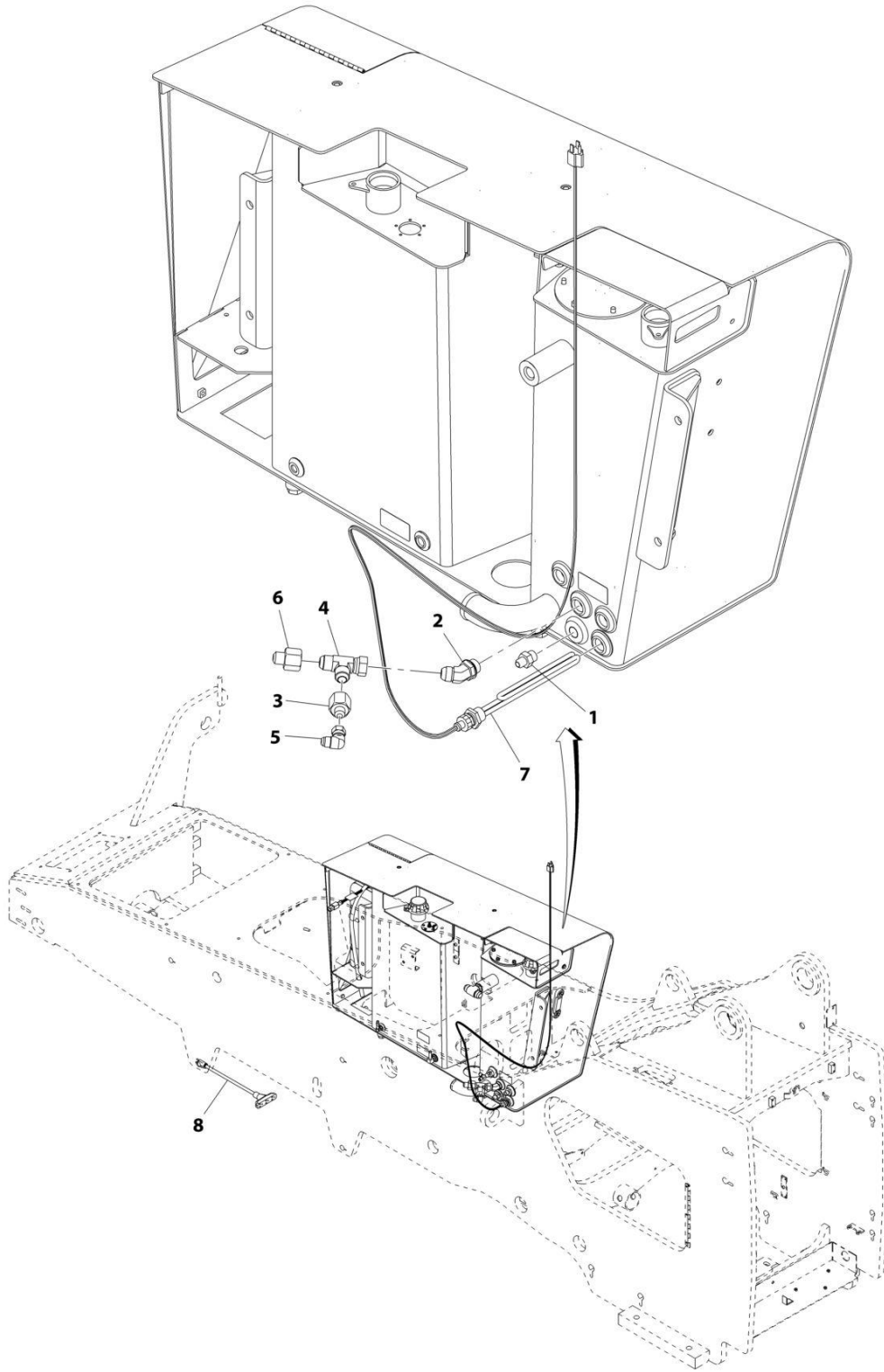
## SECTION 10 - ELECTRICAL

### FIGURE 10-54. REVERSE SENSOR HARNESS

ITEM	PART NUMBER	QTY	DESCRIPTION	REV
	1001189886	Ref	Reverse Sensor Harness	B
1	1001117021	1	Connector	
2	1001116728	2	Terminal	
3	4460458	2	Seal	
4	1001117026	1	Connector	
5	8220890	1	Lock, Secondary	
6	1001116745	2	Terminal	
7	4460458	2	Seal	
8	1001175733	1	Connector	
9	4460183	1	Fork Terminal	
11	4460183	1	Fork Terminal	

# SECTION 10 - ELECTRICAL

## FIGURE 10-55. TANK HEATER INSTALLATION - HYDRAULIC TANK



ART\_1001233964-A

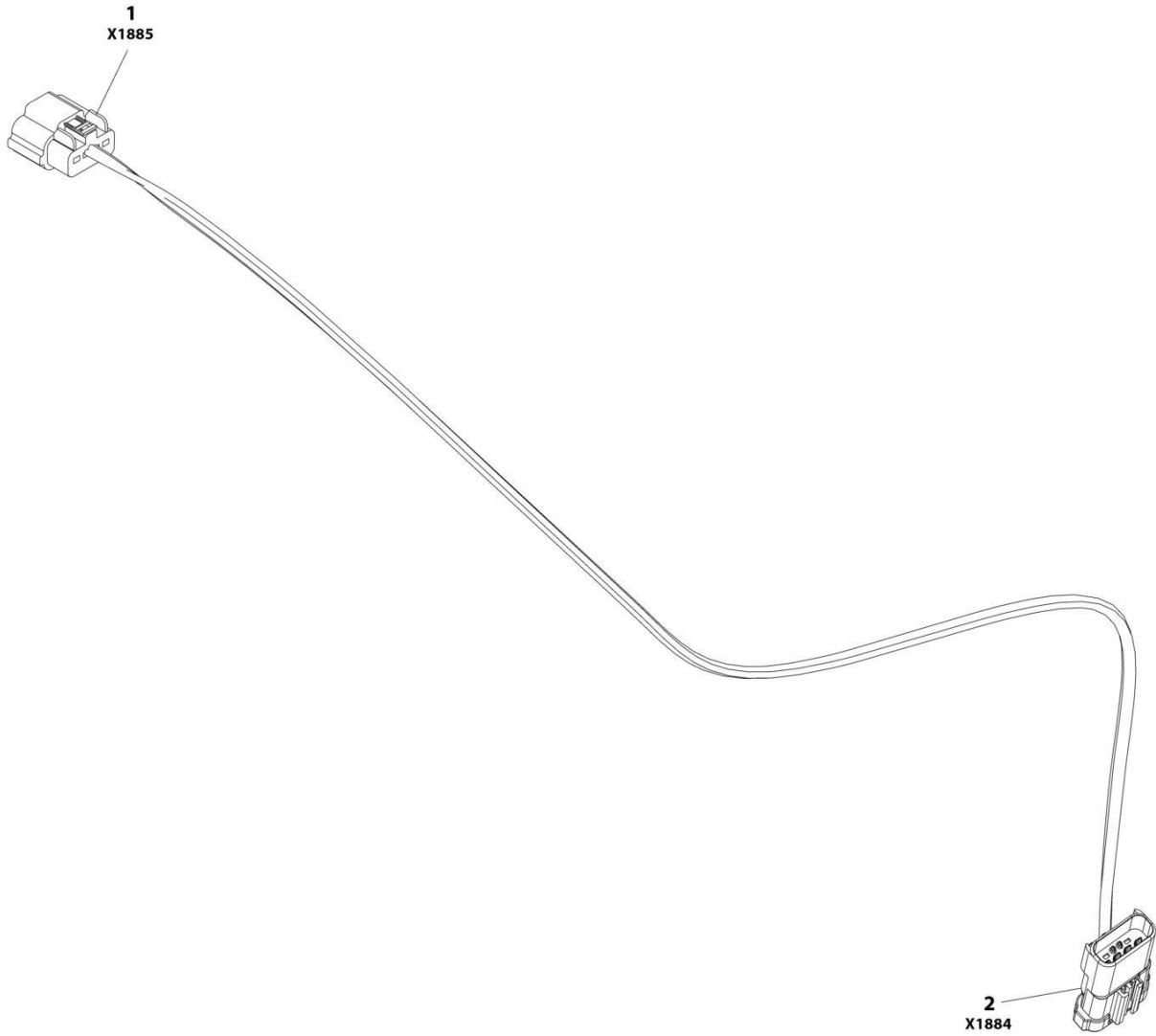
## SECTION 10 - ELECTRICAL

### FIGURE 10-55. TANK HEATER INSTALLATION - HYDRAULIC TANK

ITEM	PART NUMBER	QTY	DESCRIPTION	REV
	1001233964	Ref	Hydraulic Tank Heater Installation	A
1	2220374	1	Connector	
2	2220498	1	Adapter, 45	
3	2220622	1	Reducer	
4	2220700	1	Tee Fitting	
5	8765204	1	Elbow	
6	1001094696	1	Adapter	
7	1001105886	1	Immersion Heater	
8	1060626	1	3 Way Plug	

# SECTION 10 - ELECTRICAL

## FIGURE 10-56. TBAP HARNESS



ART\_1001184835

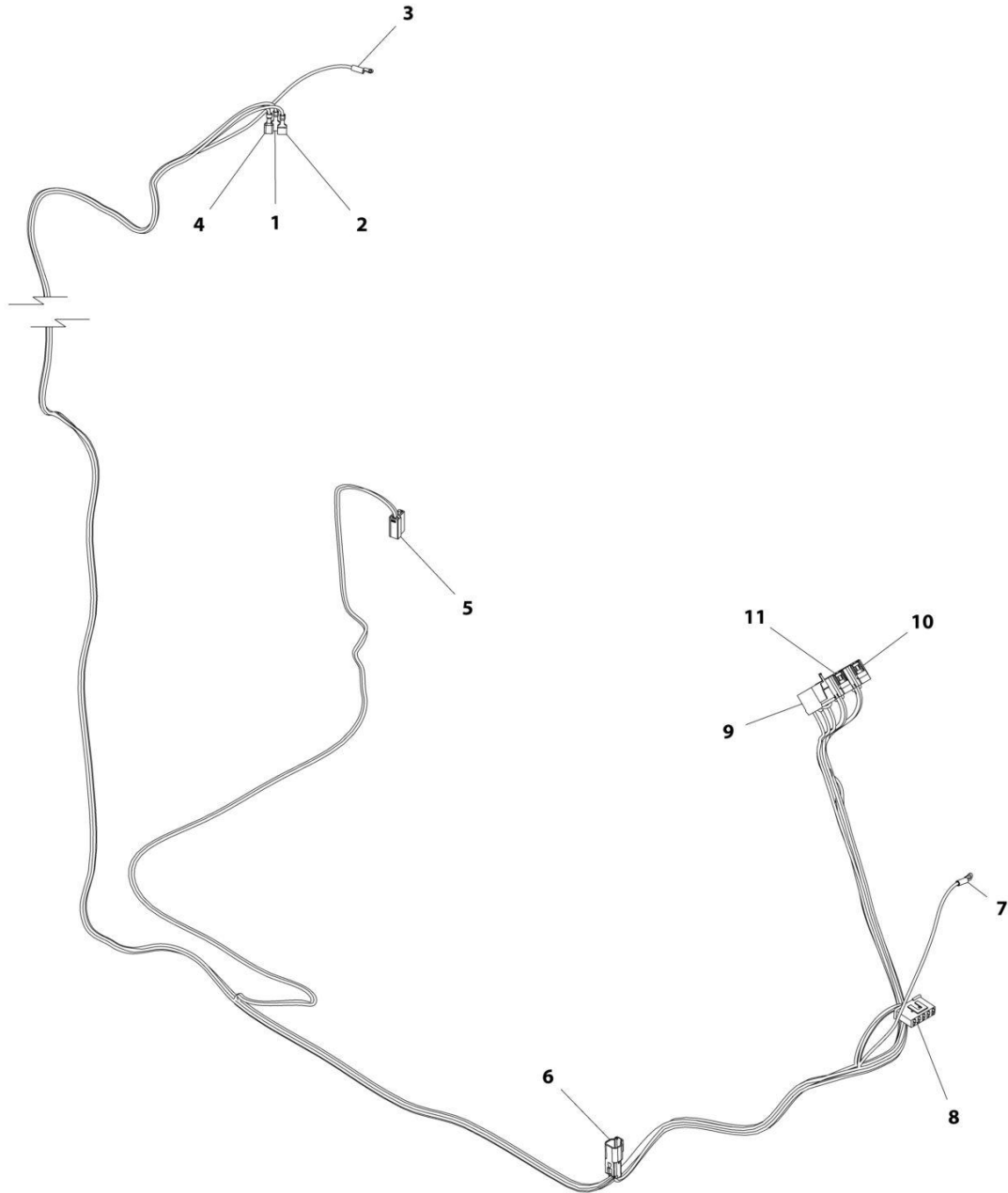
# SECTION 10 - ELECTRICAL

## FIGURE 10-56. TBAP HARNESS

ITEM	PART NUMBER	QTY	DESCRIPTION	REV
1	1001184835	Ref	TBAP Harness	C
	10011184495	1	Connector	
	1001260509	4	Terminal	
	1001184496	4	Seal	
2	1001184491	1	Connector	
	1001184493	4	Terminal	

# SECTION 10 - ELECTRICAL

## FIGURE 10-57. WIPER HARNESS



ART\_1001178349-D

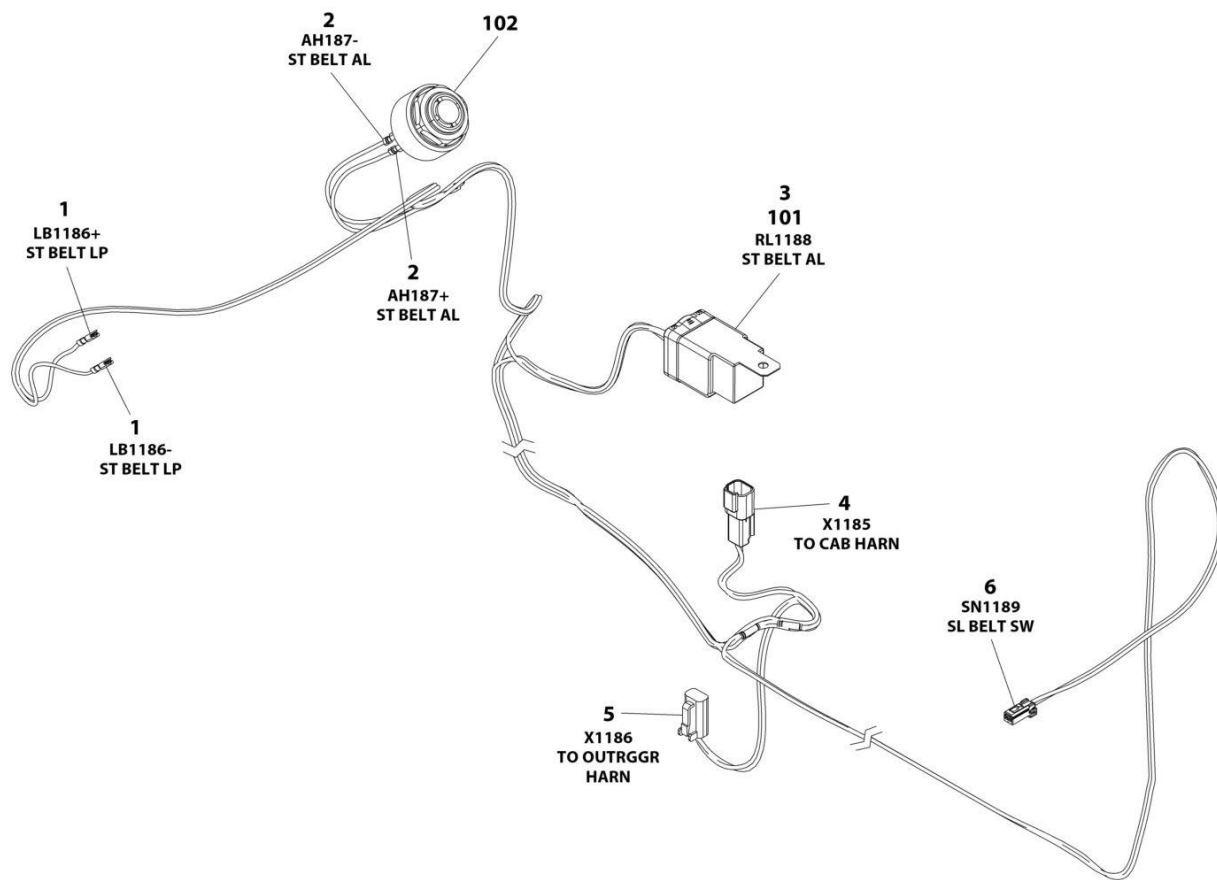
## SECTION 10 - ELECTRICAL

### FIGURE 10-57. WIPER HARNESS

ITEM	PART NUMBER	QTY	DESCRIPTION	REV
	1001178349	Ref	Wiper Harness	D
1	8220051	1	Terminal	
2	8220051	1	Terminal	
3	8220035	1	Terminal, Ring	
4	8220051	1	Terminal	
5	4460994	1	Housing, Terminal	
	1001169816	2	Terminal	
6	4460897	1	Connector	
	80604017	1	Lock, Wedge	
	4460464	2	Terminal	
7	8220007	1	Terminal, Ring	
8	1001127066	1	Connector	
	1001116720	3	Terminal	
9	8220904	1	Connector	
	4460419	5	Terminal	
10	1001117081	1	Connector	
	4460419	9	Terminal	
11	1001117081	1	Connector	
	4460419	9	Terminal	

# SECTION 10 - ELECTRICAL

## FIGURE 10-58. SEAT BELT ALARM HARNESS



ART\_1001288679



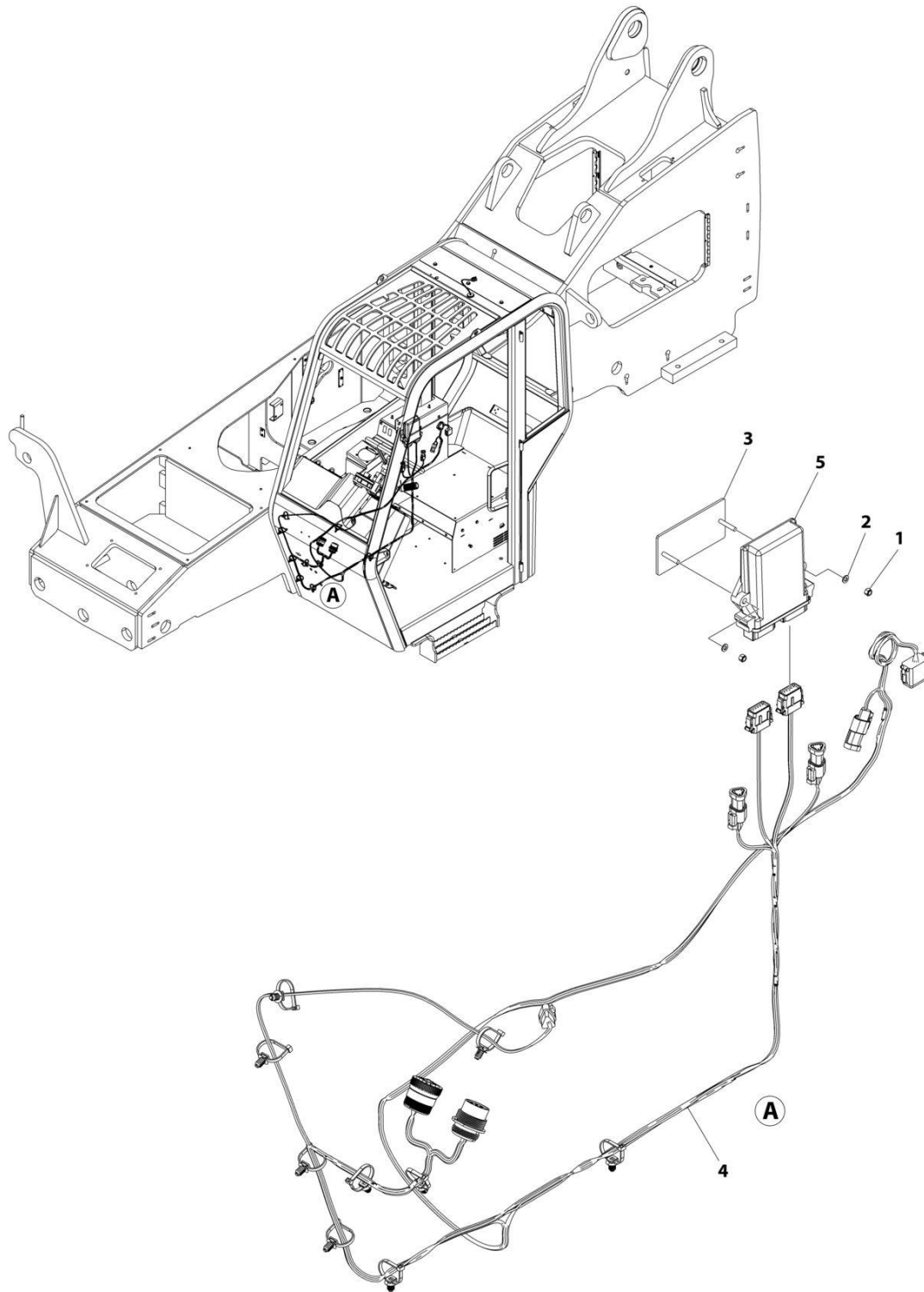
## SECTION 10 - ELECTRICAL

### FIGURE 10-58. SEAT BELT ALARM HARNESS

ITEM	PART NUMBER	QTY	DESCRIPTION	REV
	1001288679	Ref	SEAT BELT ALARM HARNESS	A
1	1001201885	2	Terminal, Faston	
2	1001194421	2	Terminal, Blade	
3	1001231398	1	Connector, Relay	
3	1001231400	4	Socket	
3	1001231404	4	Seal	
3	1001231406	1	Plug	
4	4460897	1	Connector	
4	4460464	2	Pin	
5	4460891	1	Connector	
5	4460465	2	Socket	
6	1001264844	1	Connector	
6	1001264861	2	Socket	
101	3740080	1	Relay	
102	1001091751	1	Buzzer Alarm	

# SECTION 10 - ELECTRICAL

## FIGURE 10-59. TELEMATICS GATEWAY PLUS



ART\_1001287803

## SECTION 10 - ELECTRICAL

### FIGURE 10-59. TELEMATICS GATEWAY PLUS

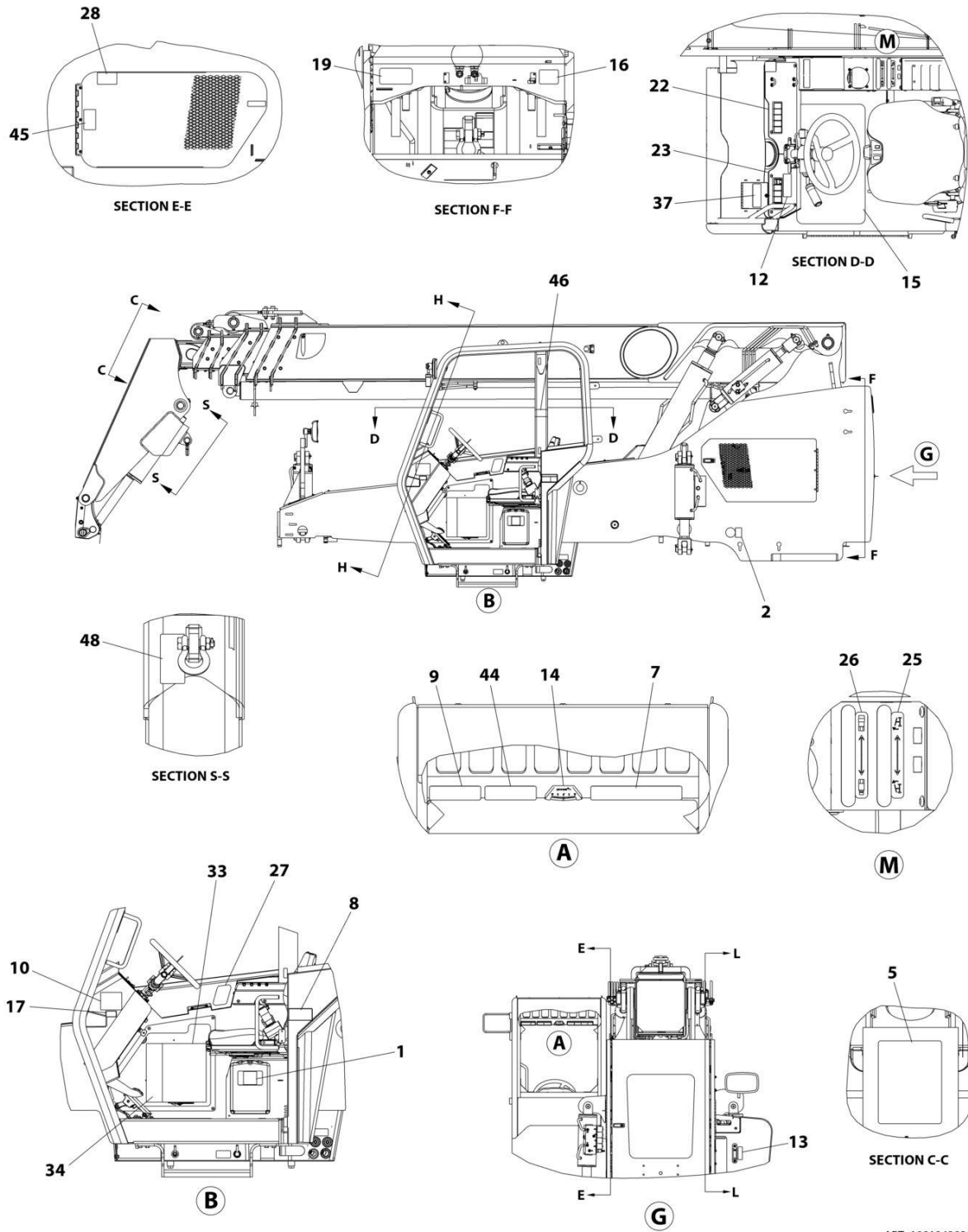
ITEM	PART NUMBER	QTY	DESCRIPTION	REV
	1001287803	Ref	TELEMATICS GATEWAY PLUS	A
1	3290505	2	Nut M5	
2	4811600	2	Washer M5	
3	1001219082	1	Bracket, Control Mount	
4	1001219895	1	Telematics Gateway Harness (See Separate Breakdown in this Section)	
5	1001282260	1	Control, Gateway Plus	



**SECTION 11 - DECALS**

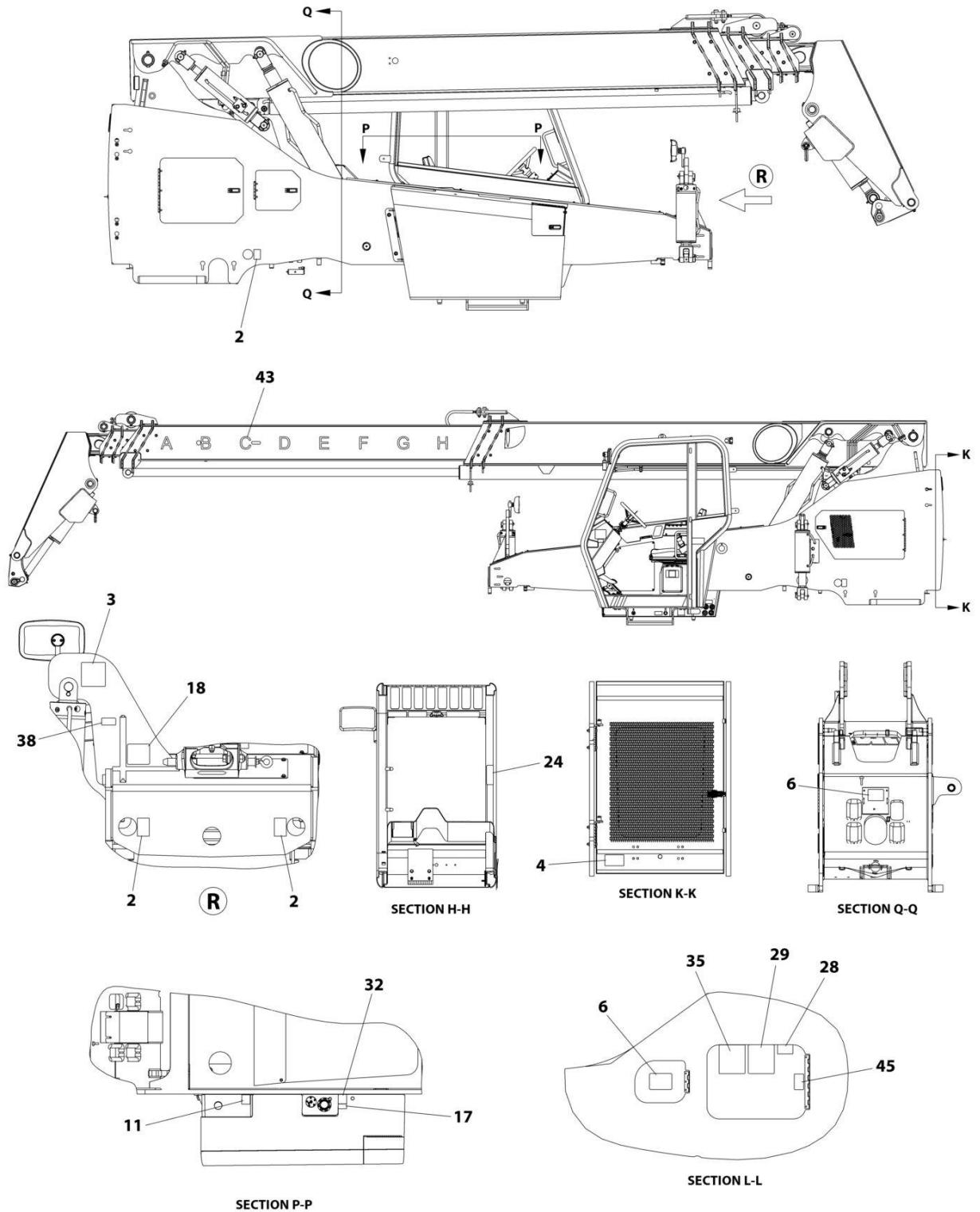
# SECTION 11 - DECALS

## FIGURE 11-1. DECALS INSTALLATION (74HP) (ANSI)



ART\_1001242930\_10F2

# SECTION 11 - DECALS



ART\_1001242930\_20F2

## SECTION 11 - DECALS

FIGURE 11-1. DECALS INSTALLATION (74HP) (ANSI)

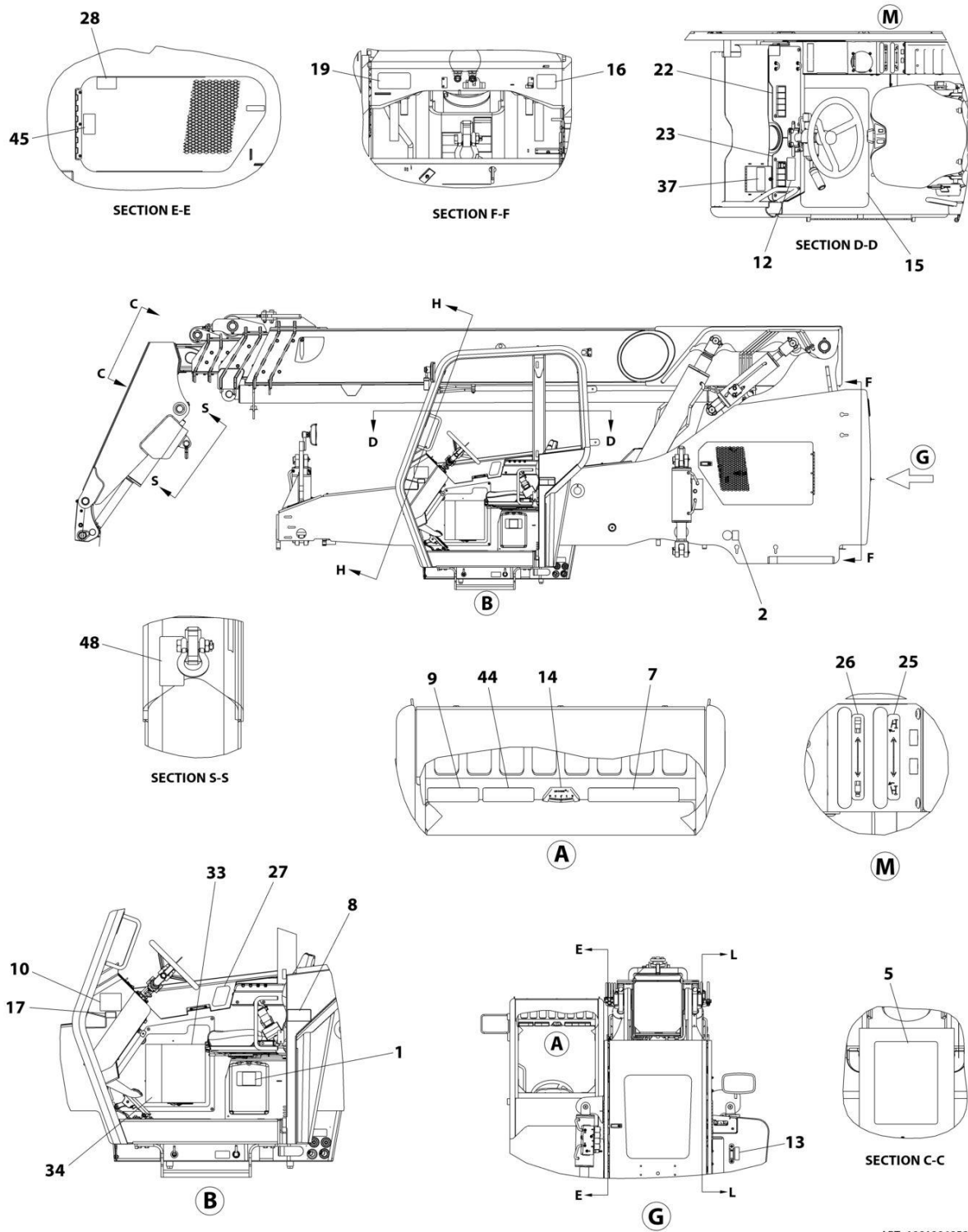
ITEM	PART NUMBER	QTY	DESCRIPTION	REV
	1001242930	Ref	DECAL INSTALLATION (ANSI) 74HP	F
1	1701640	1	Decal, Manual	
2	1702300	4	Decal, Tie Down	
3	See Note	NSS	Decal, Barcode (Note: Not Available for Purchase)	
4	1706296	1	Decal, Battery Hazard	
5	1706298	1	Decal, Carry Personnel	
6	1706300	2	Decal, Ether Starting Warning	
7	1706306	1	Decal, Tip Over Warning	
8	1706768	1	Decal, No Riders	
9	1706850	1	Decal, Crush Hazard Warning	
10	3251813	1	Decal, USA	
11	4100181	1	Decal, Hydraulic Oil Fill	
12	4107971	1	Decal, Outrigger Contact	
13	4108302	1	Decal, Hydraulic Oil Level	
14	8466306	1	Gage, Tilt Angle	
15	10139087	1	Tread, Safety	
16	1001109053	1	Decal, Coolant Fill	
17	1001125387	2	Decal, Ultra Low Sulfur Fuel	
18	1001131271	1	Decal, Telehandlers Patent	
19	1001139578	1	Decal, Hot Fluid Warning	
22	1001158272	1	Decal, RH Overlay	
23	1001158319	1	Decal, LH Overlay	
24	1001162734	1	Decal, Joystick Control	
25	1001162735	1	Decal, Sway Control	
26	1001162736	1	Decal, Auxiliary Control	
27	1001162737	1	Decal, Outrigger Control	
28	1001202626	2	Decal, 74HP	
29	1001202627	1	Decal, Maintenance Chart	
32	1001189017	1	Decal, Diesel Fuel Fill	
33	1001189327	1	Decal, Main Fuse Panel	
34	1001189328	1	Decal, Fuse Panel	
35	1001254736	1	Decal, Lubrication Chart	
37	1001218659	1	Decal, Brake Fluid	
38	1001223453	1	Decal, ICES (CAN)	
43	4107442	1	Decal, Boom Extend Letters	
44	1706299	1	Decal, Contacting Power Lines Warning	
45	1706301	2	Decal, Keep Clear of Rotating Parts Warning	
46	1001231801	1	Decal, Warning Prop 65 Diesel	
48	1001207217	1	Decal, Danger Swinging Load	





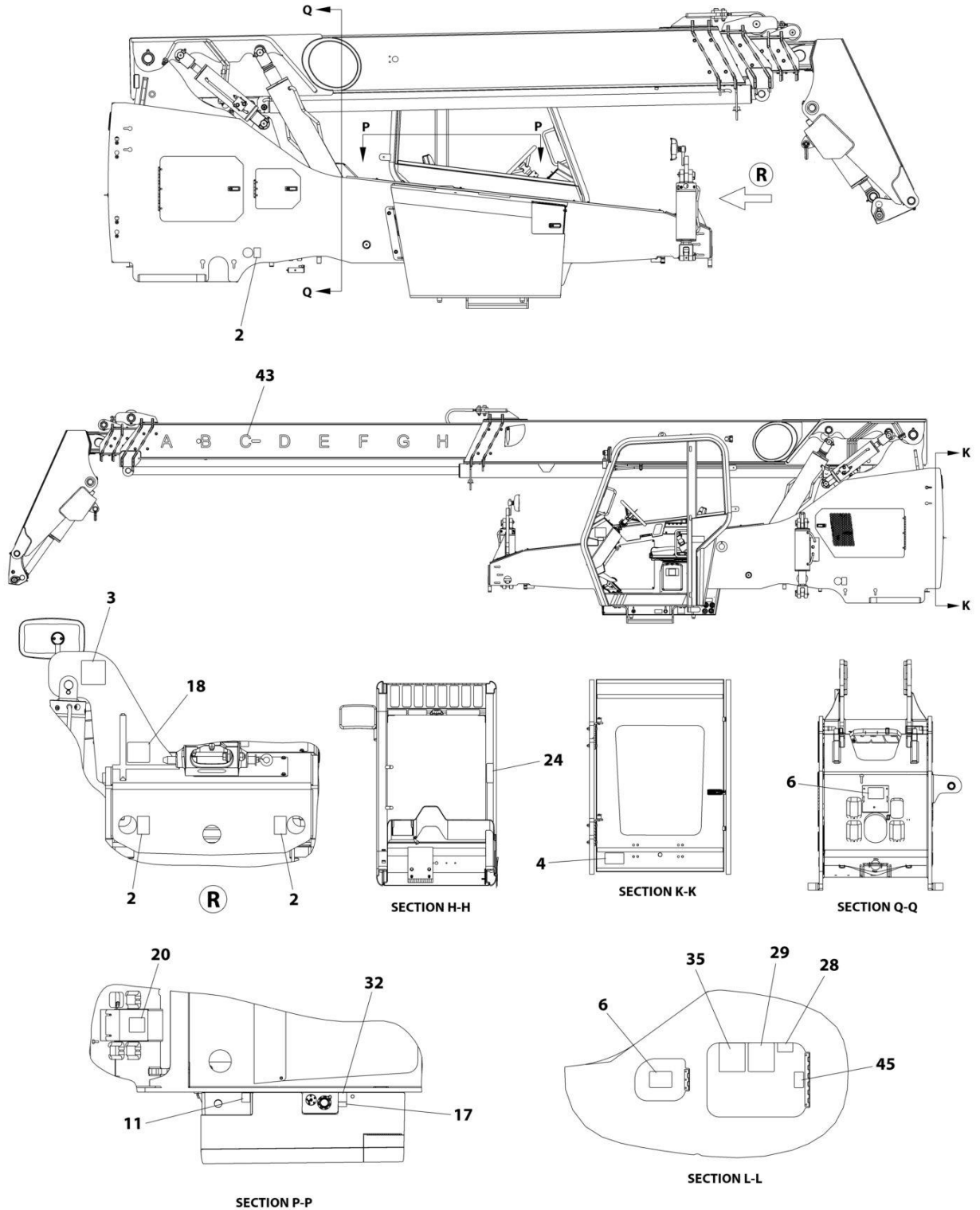
# SECTION 11 - DECALS

## FIGURE 11-2. DECAL INSTALLATION HRC 7HP



ART\_1001296958\_10F2

# SECTION 11 - DECALS



ART\_1001296958\_20F2

# SECTION 11 - DECALS

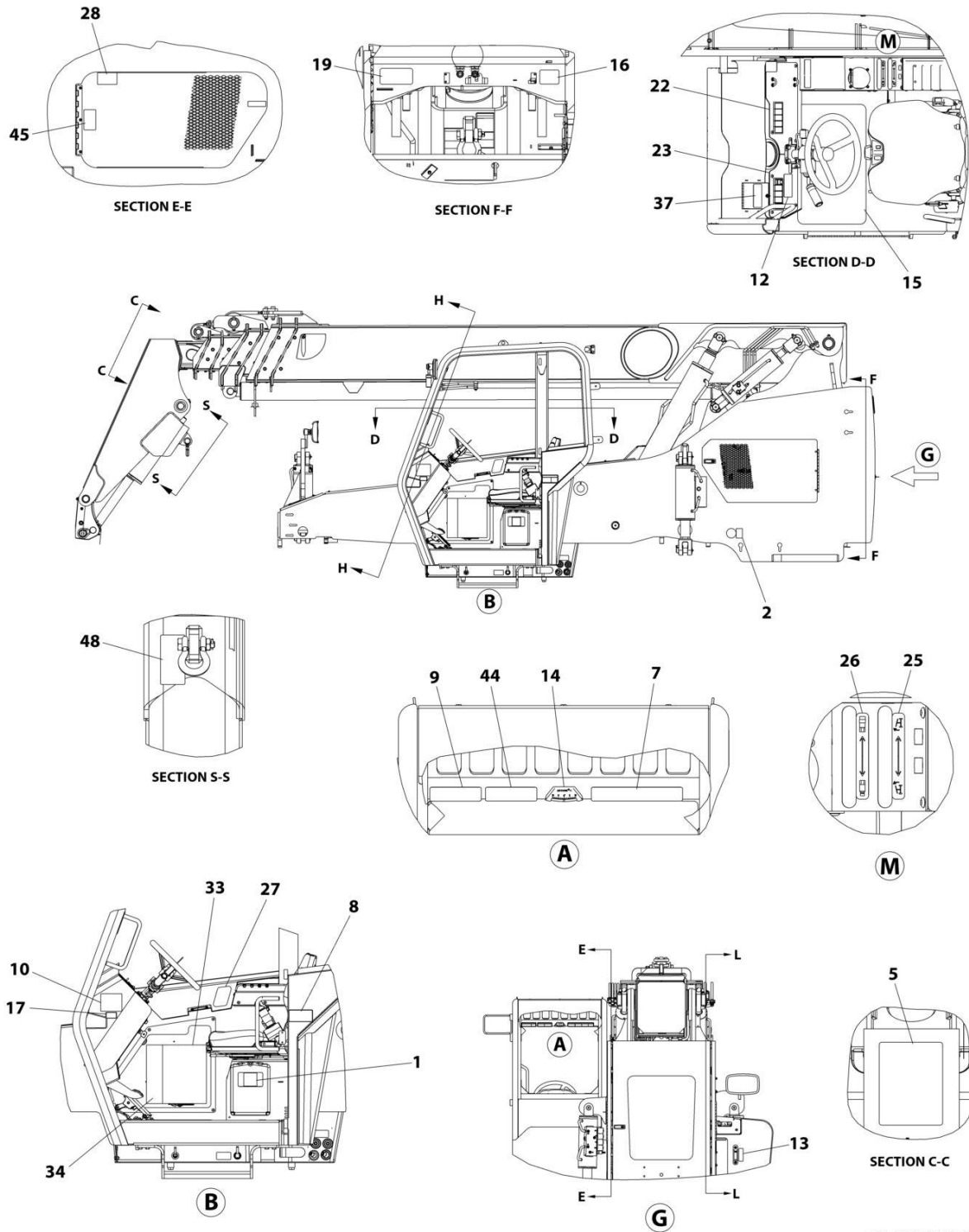
FIGURE 11-2. DECAL INSTALLATION HRC 74HP

ITEM	PART NUMBER	QTY	DESCRIPTION	REV
	1001296958	Ref	DECAL INSTALLATION HRC 74HP	A
1	1701640	1	Decal - Manual	
2	1702300	4	Decal - Tie Down	
3	See Note	1	Decal - Barcode (Note: Not Available for Purchase)	
4	1706281	1	Decal - Battery Warning	
5	1706282	1	Decal - Carry Personnel	
6	1706098	2	Decal - Ether Starting Warning	
7	1706288	1	Decal - Tip Over Warning	
8	1001092878	1	Decal - No Riders	
9	1001092877	1	Decal - Crush Hazard Warning	
10	3251813	1	Decal - USA	
11	4100181	1	Decal - Hydraulic Oil Fill	
12	1706279	1	Decal - Warning Outrigger	
13	4108302	1	Decal - Hydraulic Oil Level	
14	8466306	1	Gage - Tilt Angle	
15	10139087	1	Tread, Safety	
16	1001109053	1	Decal - Coolant Fill	
17	1001125387	2	Decal - Ultra Low Sulfur Fuel	
18	1001131271	1	Decal - Patent Telehandlers	
19	1001139942	1	Decal - Hot Fluid Warning	
20	1001142452	1	Decal - No Step	
22	1001158321	1	Decal - Overlay RH	
23	1001158320	1	Decal - Overlay LH	
24	1001162734	1	Decal - Joystick Control	
25	1001162735	1	Decal - Sway Control	
26	1001162736	1	Decal - Auxiliary Control	
27	1001162737	1	Decal - Outrigger Control	
28	1001202626	2	Decal - 74HP SkyTrak	
29	1001202627	1	Decal - Maintenance Chart	
32	1001189017	1	Decal - Diesel Fuel Fill	
33	1001189327	1	Decal - Main Fuse Panel	
34	1001189328	1	Decal - Fuse Panel	
35	1001254736	1	Decal - Lubrication Chart	
37	1001219211	1	Decal - Brake Fluid Spec	
43	4107442	1	Decal - Boom Extend Letters	
44	1706284	1	Decal - Electrocution Hazard	
45	1706285	2	Decal - Moving Parts	
48	1001207218	1	Decal - Danger Swinging Loads	



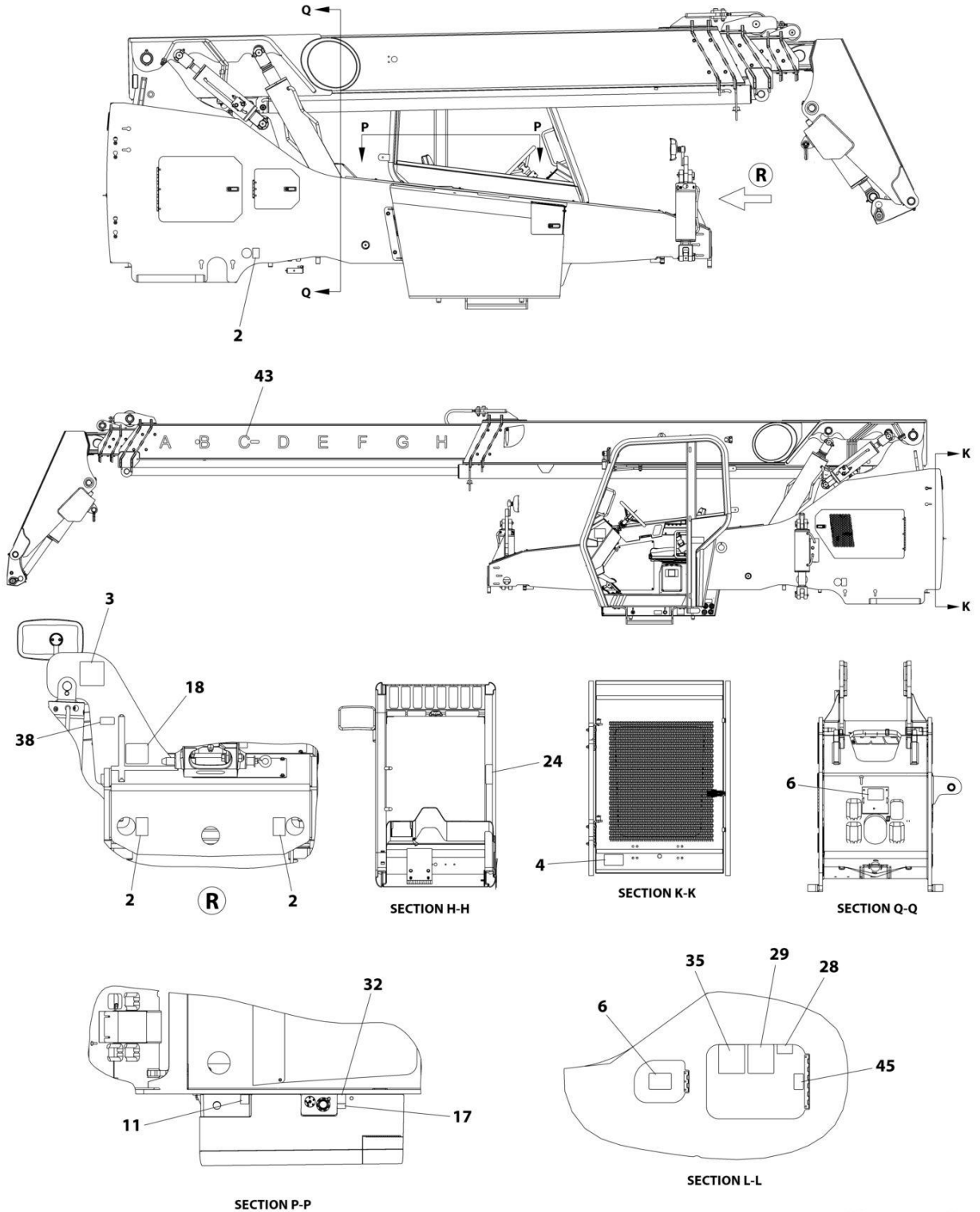
# SECTION 11 - DECALS

## FIGURE 11-3. DECALS INSTALLATION (74HP) (ENGLISH/FRENCH)



ART\_1001242931\_1OF2

# SECTION 11 - DECALS



ART\_1001242931\_20F2

## SECTION 11 - DECALS

FIGURE 11-3. DECALS INSTALLATION (74HP) (ENGLISH/FRENCH)

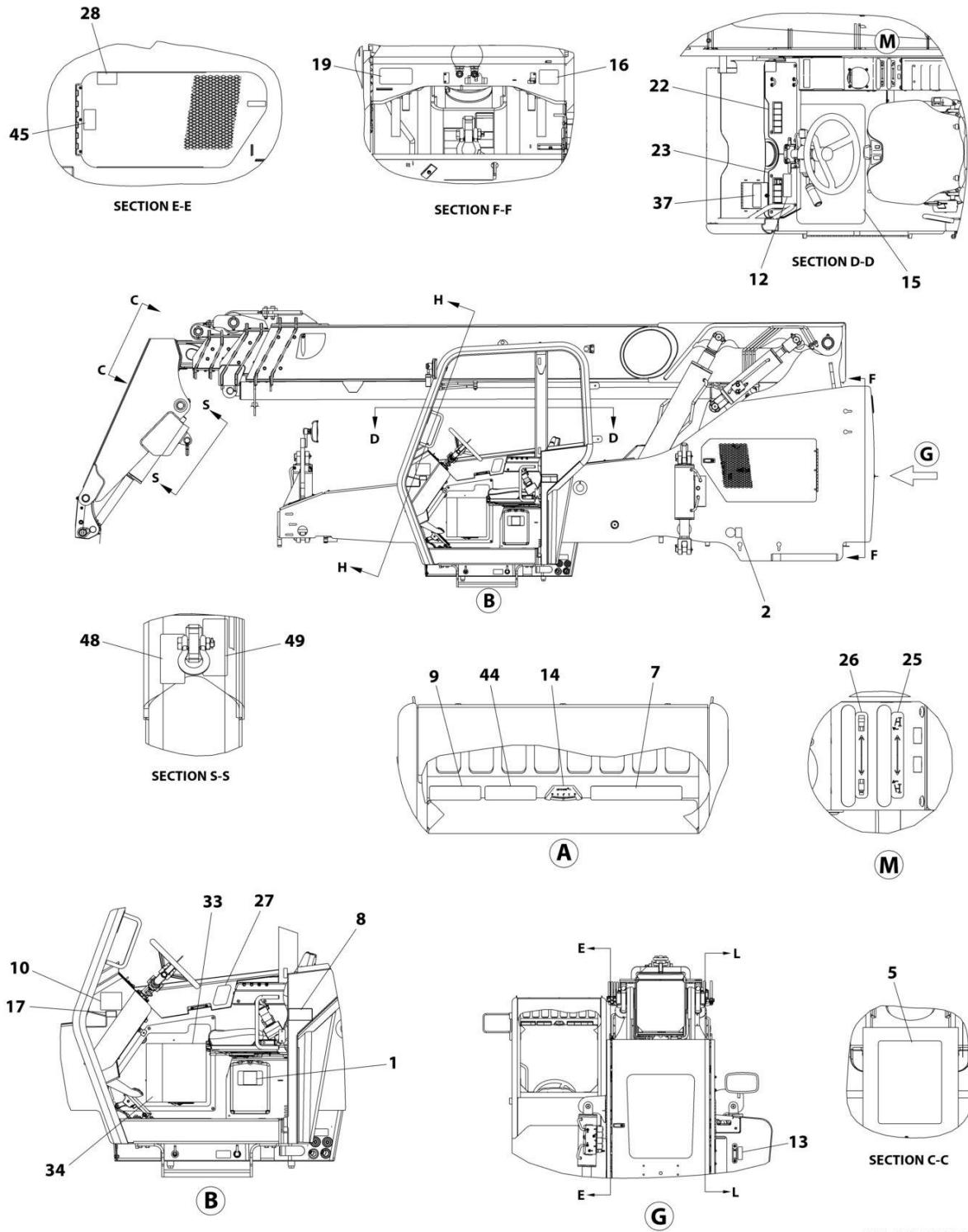
ITEM	PART NUMBER	QTY	DESCRIPTION	REV
	1001242931	Ref	DECAL INSTALLATION (ENGLISH/FRENCH) 74HP	F
1	1701640	1	Decal, Manual	
2	1702300	4	Decal, Tie Down	
3	See Note	NSS	Decal, Bar Code (Note: Not Available for Purchase)	
4	1001163174	1	Decal, Battery Warning	
5	1001163206	1	Decal, Carry Personnel	
6	1001163212	2	Decal, No Ether Warning	
7	1001163285	1	Decal, Tip Over Warning	
8	1001163300	1	Decal, No Riders	
9	1001163304	1	Decal, Crush Hazard Warning	
10	3251813	1	Decal, USA	
11	4100181	1	Decal, Hydraulic Oil Fill	
12	1001187239	1	Decal, Outrigger	
13	4108302	1	Decal, Hydraulic Oil Level	
14	8466306	1	Gage, Tilt Angle	
15	10139087	1	Tread, Safety	
16	1001109053	1	Decal, Coolant Fill	
17	1001163355	2	Decal, Ultra Low Sulfur Diesel	
18	1001131271	1	Decal, Telehandlers Patent	
19	1001163323	1	Decal, Hot Fluid Warning	
22	1001180175	1	Decal, RH Overlay	
23	1001180176	1	Decal, LH Overlay	
24	1001162734	1	Decal, Joystick Control	
25	1001162735	1	Decal, Sway Control	
26	1001162736	1	Decal, Auxiliary Control	
27	1001162737	1	Decal, Outrigger Control	
28	1001202626	2	Decal, 74HP	
29	1001202627	1	Decal, Maintenance Chart	
32	1001189017	1	Decal, Diesel Fuel Fill	
33	1001189327	1	Decal, Main Fuse Panel	
34	1001189328	1	Decal, Fuse Panel Logic Harness	
35	1001254736	1	Decal, Lubrication Chart	
37	1001219211	1	Decal, DEF Fluid	
38	1001223453	1	Decal, ICES (CAN)	
43	4107442	1	Decal, Boom Extend Letters	
44	1001163210	1	Decal, Electrocutation Hazard	
45	1001163222	2	Decal, Moving Parts	
48	1001211278	1	Decal, Swinging Load Decal Kit	





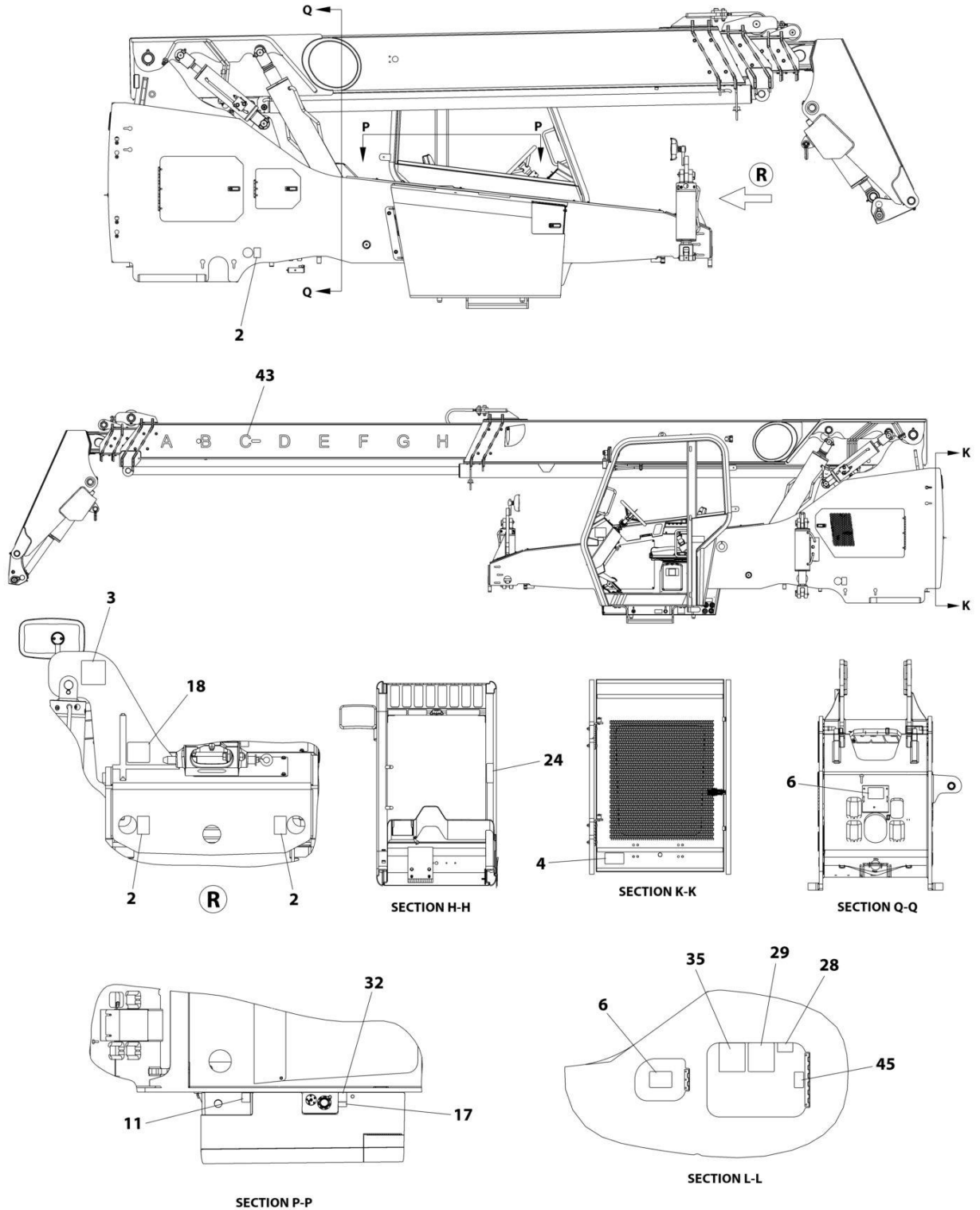
# SECTION 11 - DECALS

## FIGURE 11-4. DECALS INSTALLATION (74HP) (ENGLISH/SPANISH)



ART\_1001245746\_10F2

# SECTION 11 - DECALS



ART\_1001245746\_20F2

## SECTION 11 - DECALS

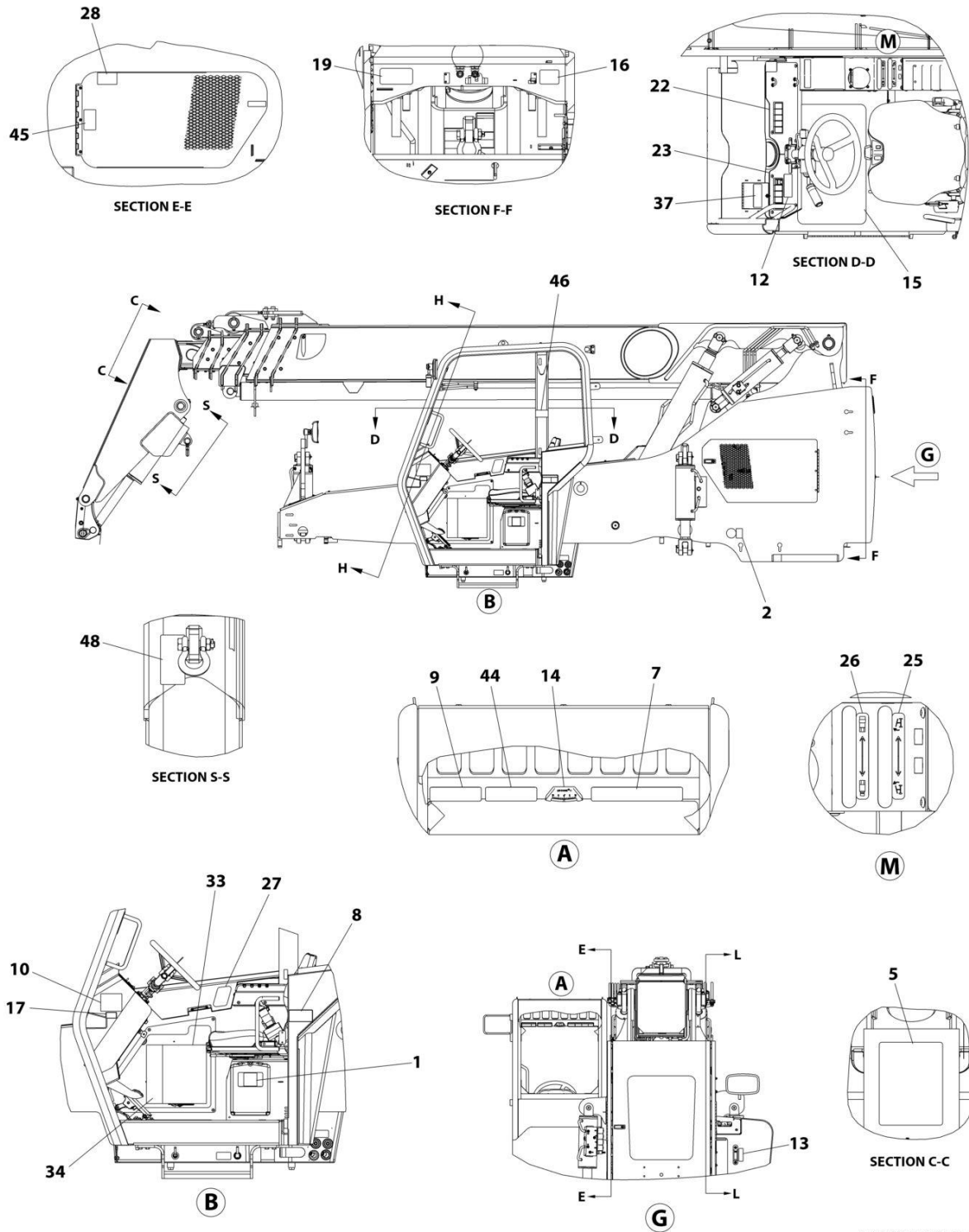
**FIGURE 11-4. DECALS INSTALLATION (74HP) (ENGLISH/SPANISH)**

ITEM	PART NUMBER	QTY	DESCRIPTION	REV
	1001245746	Ref	DECAL INSTALLATION (ENGLISH/SPANISH) 74HP	F
1	1701640	1	Decal, Manual	
2	1702300	4	Decal, Tie Down	
3	See Note	NSS	Decal, Bar Code (Note: Not Available for Purchase)	
4	1001235794	1	Decal, Battery Warning	
5	1001235796	1	Decal, Carry Personnel	
6	1001235798	2	Decal, Ether Starting Warning	
7	1001235801	1	Decal, Tip Over Warning	
8	1001235802	1	Decal, No Riders	
9	1001235803	1	Decal, Crush Hazard Warning	
10	3251813	1	Decal, USA	
11	4100181	1	Decal, Hydraulic Oil Fill	
12	1001242122	1	Decal, Outrigger	
13	4108302	1	Decal, Hydraulic Oil Level	
14	8466306	1	Gage, Tilt Angle	
15	10139087	1	Tread, Safety	
16	1001109053	1	Decal, Coolant Fill	
17	1001235804	2	Decal, Ultra Low Sulfur Diesel	
18	1001131271	1	Decal, Telehandlers Patent	
19	1001235805	1	Decal, Hot Fluid Warning	
22	1001242172	1	Decal, RH Overlay	
23	1001242173	1	Decal, LH Overlay	
24	1001162734	1	Decal, Joystick Control	
25	1001162735	1	Decal, Sway Control	
26	1001162736	1	Decal, Auxiliary Control	
27	1001162737	1	Decal, Outrigger Control	
28	1001236313	2	Decal, MCO 74HP	
29	1001174152	1	Decal, Maintenance Chart	
32	1001189017	1	Decal, Diesel Fuel Fill	
33	1001189327	1	Decal, Main Fuse Panel	
34	1001189328	1	Decal, Fuse Panel Logic Harness	
35	1001254736	1	Decal, Lubrication Chart	
37	1001219211	1	Decal, DEF Fluid	
43	4107442	1	Decal, Boom Extend Letters	
44	1001235797	1	Decal, Electrocutation Hazard	
45	1001235799	2	Decal, Moving Parts	
48	1001246078	1	Decal, Swinging Loads Boom Head Skytrak (SPAN)	
49	1001242179	1	Decal, Danger Swinging Load	



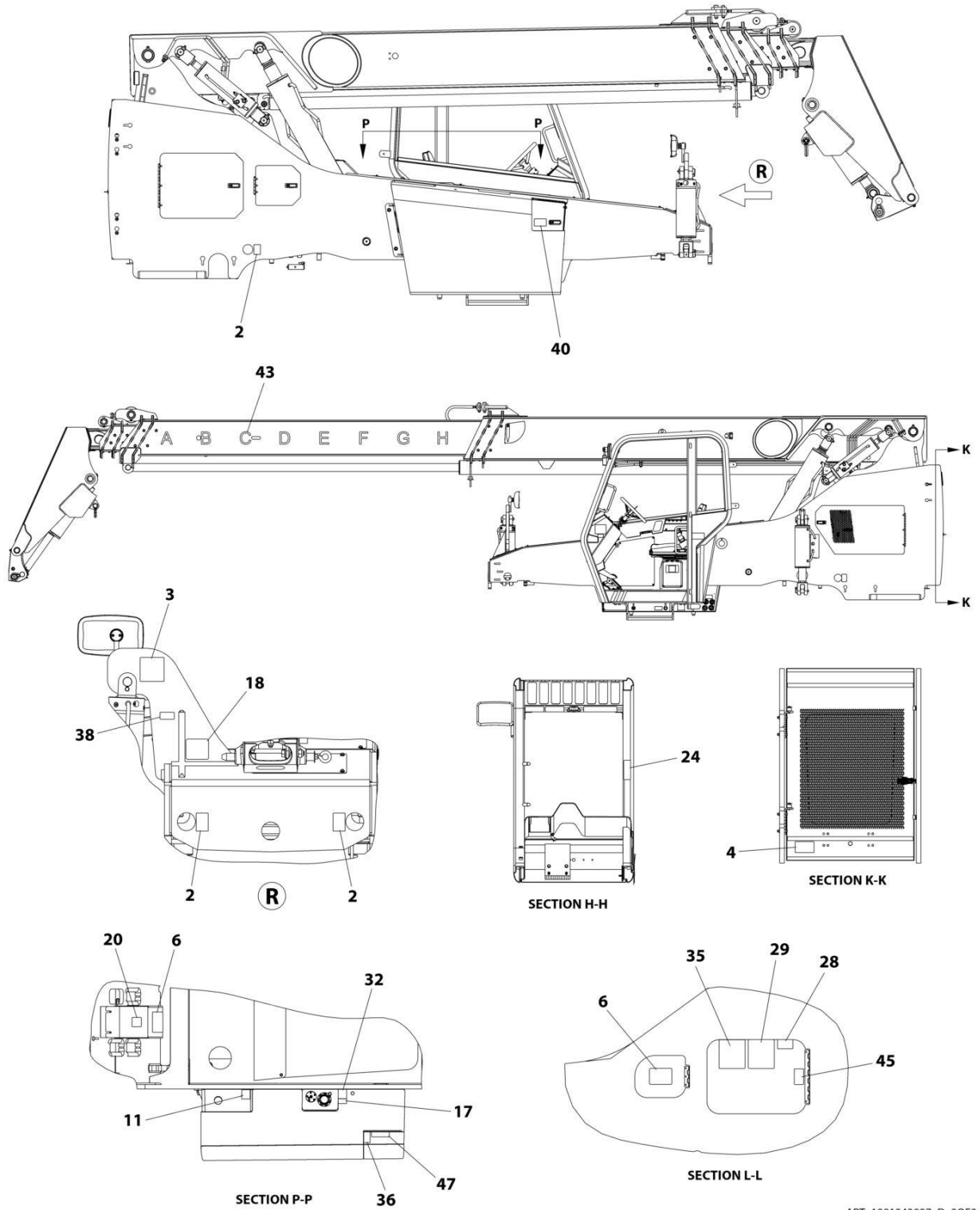
# SECTION 11 - DECALS

## FIGURE 11-5. DECALS INSTALLATION (130HP) (ANSI)



ART\_1001242927\_D\_10F2

# SECTION 11 - DECALS



ART\_1001242927\_D\_2OF2

## SECTION 11 - DECALS

**FIGURE 11-5. DECALS INSTALLATION (130HP) (ANSI)**

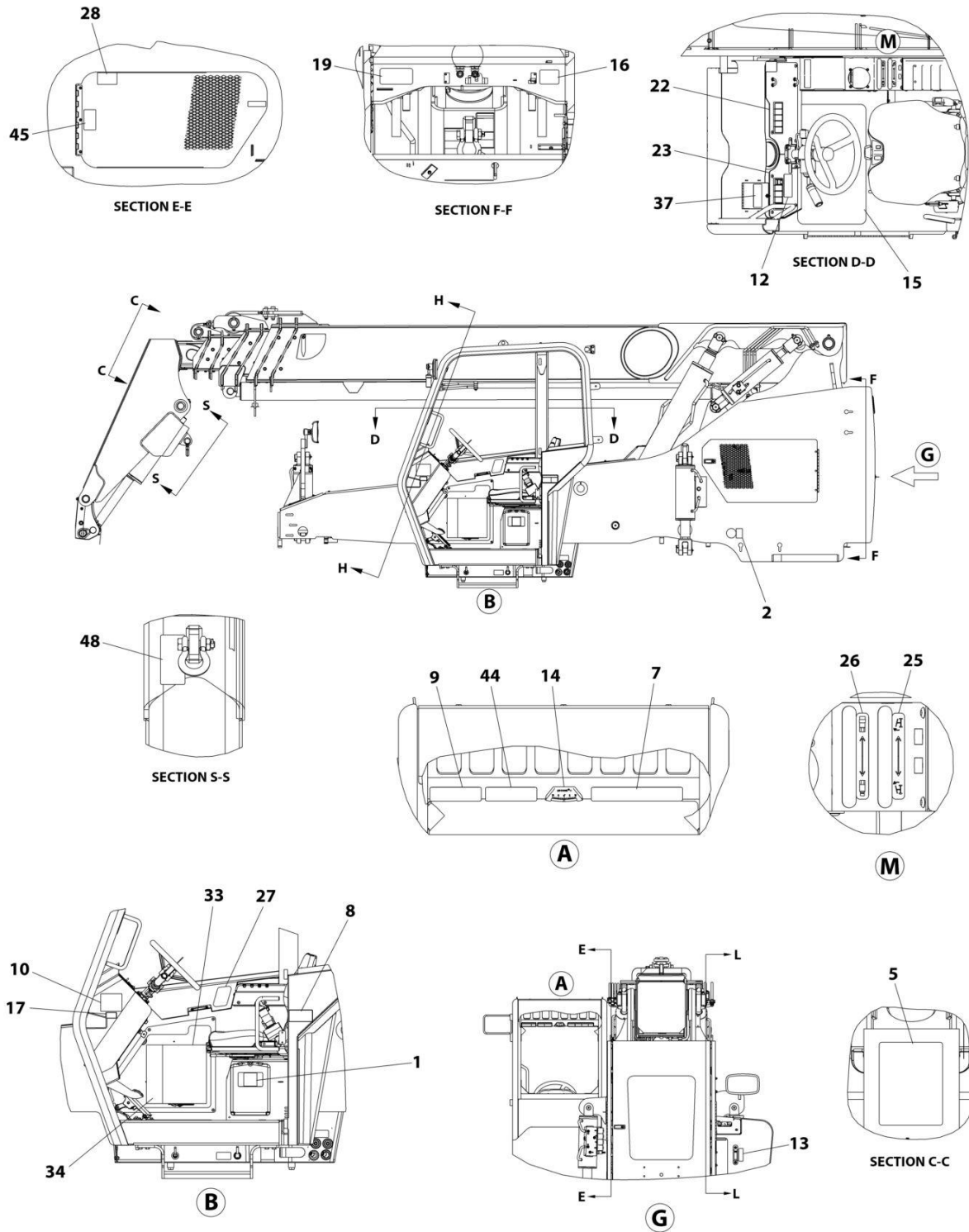
ITEM	PART NUMBER	QTY	DESCRIPTION	REV
	1001242927	Ref	DECAL INSTALLATION (ANSI)	D
1	1701640	1	Decal, Manual	
2	1702300	4	Decal, Tie Down	
3	See Note	NSS	Decal, Bar Code (Note: Not Available for Purchase)	
4	1706296	1	Decal, Battery Hazard	
5	1706298	1	Decal, Carry Personnel	
6	1706300	2	Decal, Ether Starting Warning	
7	1706306	1	Decal, Tip Over Warning	
8	1706768	1	Decal, No Riders	
9	1706850	1	Decal, Crush Hazard Warning	
10	3251813	1	Decal, USA	
11	4100181	1	Decal, Hydraulic Oil Fill	
12	4107971	1	Decal, Outrigger	
13	4108302	1	Decal, Hydraulic Oil Level	
14	8466306	1	Gage, Tilt Angle	
15	10139087	1	Tread, Safety	
16	1001109053	1	Decal, Coolant Fill	
17	1001125387	2	Decal, Ultra Low Sulfur Fuel	
18	1001131271	1	Decal, Telehandlers Patent	
19	1001139578	1	Decal, Hot Fluid Warning	
20	1001142452	1	Decal, No Step	
22	1001158272	1	Decal, RH Overlay	
23	1001158319	1	Decal, LH Overlay	
24	1001162734	1	Decal, Joystick Control	
25	1001162735	1	Decal, Sway Control	
26	1001162736	1	Decal, Auxiliary Control	
27	1001162737	1	Decal, Outrigger Control	
28	1001173422	2	Decal, MCO 110 HP	
29	1001174152	1	Decal, Maintenance Chart	
32	1001189017	1	Decal, Diesel Fuel Fill	
33	1001189327	1	Decal, Main Fuse Panel	
34	1001189328	1	Decal, Fuse Panel	
35	1001254736	1	Decal, Lubrication Chart	
36	1001196806	1	Decal, Diesel Exhaust Fluid	
37	1001218659	1	Decal, Brake Fluid	
38	1001223453	1	Decal, ICES (CAN)	
40	1001230307	1	Decal, DEF Tank Service Cummins	
43	4107442	1	Decal, Boom Extend Letters	
44	1706299	1	Decal, Contacting Power Lines Warning	
45	1706301	2	Decal, Keep Clear of Rotating Parts Warning	
46	1001231801	1	Decal, Warning Prop 65 Diesel	
47	1001219212	1	Decal, DEF Fluid	
48	1001207217	1	Decal, Danger Swinging Load	





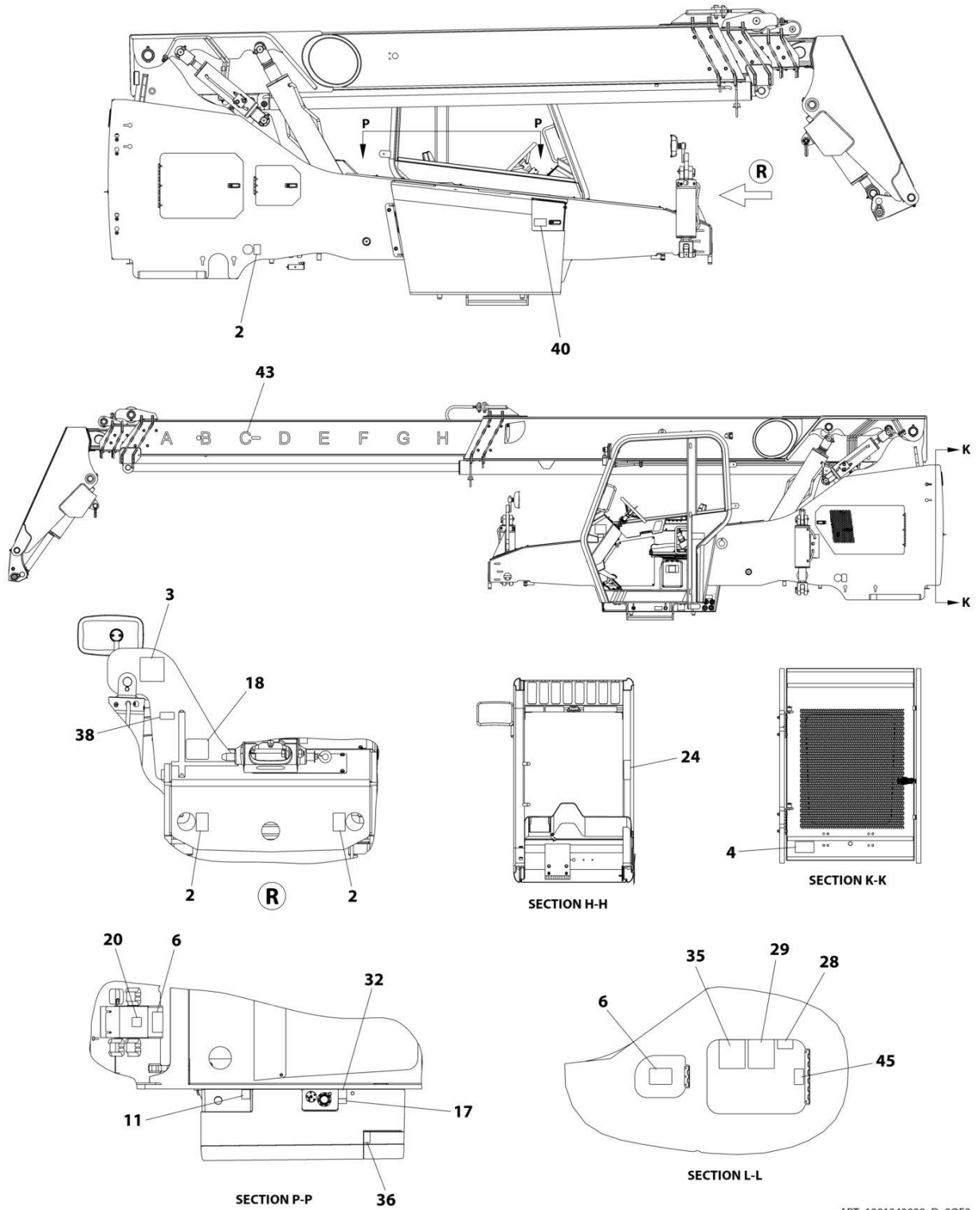
# SECTION 11 - DECALS

FIGURE 11-6. DECALS INSTALLATION (130HP) (ENGLISH/FRENCH)



ART\_1001242928\_D\_10F2

# SECTION 11 - DECALS



ART\_1001242928\_D\_20F2

## SECTION 11 - DECALS

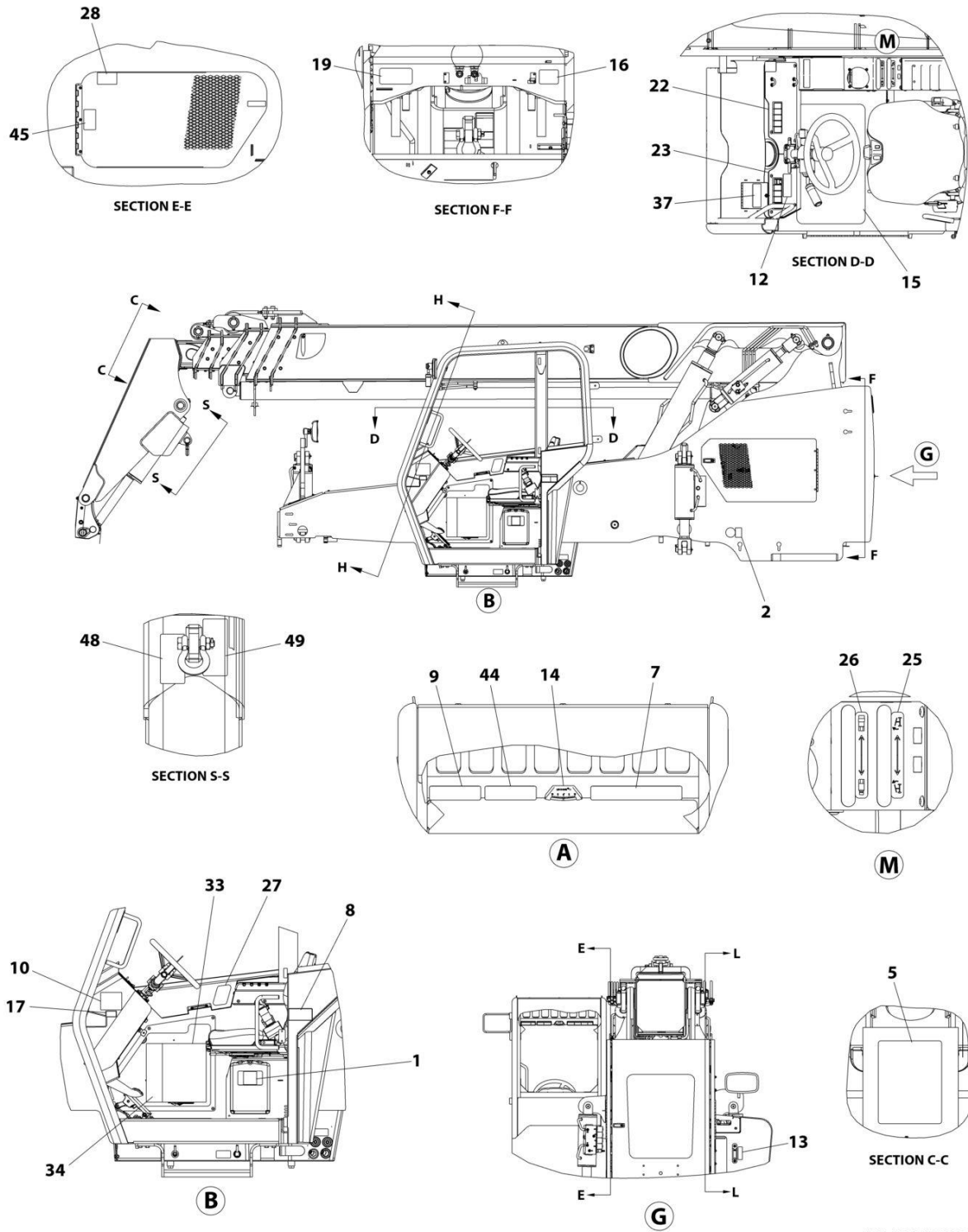
**FIGURE 11-6. DECALS INSTALLATION (130HP) (ENGLISH/FRENCH)**

ITEM	PART NUMBER	QTY	DESCRIPTION	REV
	1001242928	Ref	DECAL INSTALLATION (ENGLISH/FRENCH) (ULS)	D
1	1701640	1	Decal, Manual	
2	1702300	4	Decal, Tie Down	
3	See Note	NSS	Decal, Bar Code (Note: Not Available for Purchase)	
4	1001163174	1	Decal, Battery Warning	
5	1001163206	1	Decal, Carry Personnel	
6	1001163212	2	Decal, No Ether Warning	
7	1001163285	1	Decal, Tip Over Warning	
8	1001163300	1	Decal, No Riders	
9	1001163304	1	Decal, Crush Hazard Warning	
10	3251813	1	Decal, USA	
11	4100181	1	Decal, Hydraulic Oil Fill	
12	1001187239	1	Decal, Outrigger	
13	4108302	1	Decal, Hydraulic Oil Level	
14	8466306	1	Gage, Tilt Angle	
15	10139087	1	Tread, Safety	
16	1001109053	1	Decal, Coolant Fill	
17	1001163355	2	Decal, Ultra Low Sulfur Diesel	
18	1001131271	1	Decal, Telehandlers Patent	
19	1001163323	1	Decal, Hot Fluid Warning	
20	1001142452	1	Decal, No Step	
22	1001180175	1	Decal, RH Overlay	
23	1001180176	1	Decal, LH Overlay	
24	1001162734	1	Decal, Joystick Control	
25	1001162735	1	Decal, Sway Control	
26	1001162736	1	Decal, Auxiliary Control	
27	1001162737	1	Decal, Outrigger Control	
28	1001173422	2	Decal, MCO 110HP	
29	1001174152	1	Decal, Maintenance Chart	
32	1001189017	1	Decal, Diesel Fuel Fill	
33	1001189327	1	Decal, Main Fuse Panel	
34	1001189328	1	Decal, Fuse Panel Logic Harness	
35	1001254736	1	Decal, Lubrication Chart	
36	1001196806	1	Decal, Diesel Exhaust Fluid	
37	1001219211	1	Decal, DEF Fluid	
38	1001223453	1	Decal, ICES (CAN)	
40	1001230309	1	Decal, DEF Tank	
43	4107442	1	Decal, Boom Extend Letters	
44	1001163210	1	Decal, Electrocution Hazard	
45	1001163222	2	Decal, Moving Parts	
48	1001211278	1	Decal, Swinging Load Decal Kit	



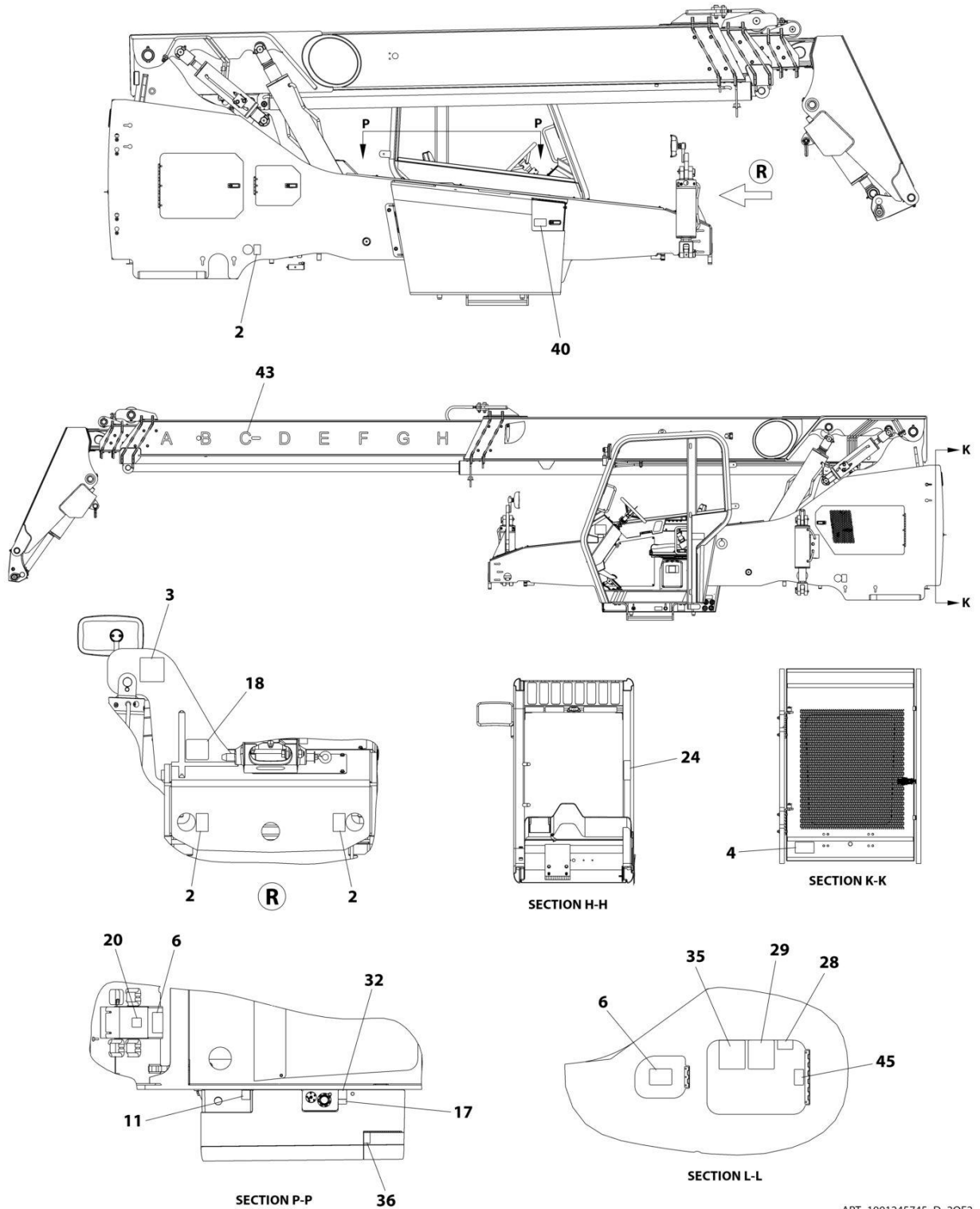
# SECTION 11 - DECALS

## FIGURE 11-7. DECALS INSTALLATION (130HP) (ENGLISH/SPANISH)



ART\_1001245745\_D\_10F2

# SECTION 11 - DECALS



ART\_1001245745\_D\_20F2

## SECTION 11 - DECALS

**FIGURE 11-7. DECALS INSTALLATION (130HP) (ENGLISH/SPANISH)**

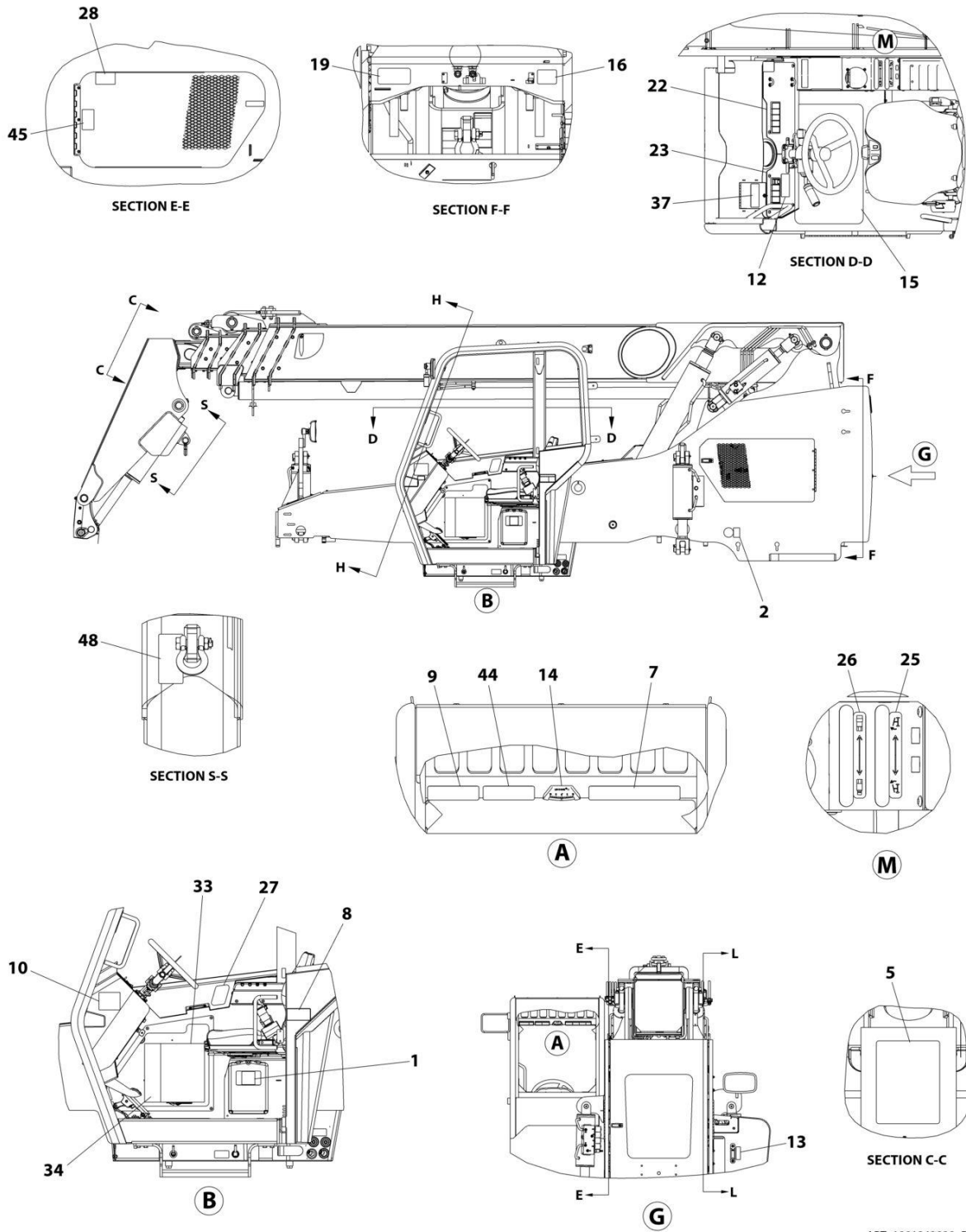
ITEM	PART NUMBER	QTY	DESCRIPTION	REV
	1001245745	Ref	DECAL INSTALLATION (ENGLISH/SPANISH) (ULS)	D
1	1701640	1	Decal, Manual	
2	1702300	4	Decal, Tie Down	
3	See Note	NSS	Decal, Bar Code (Note: Not Available for Purchase)	
4	1001235794	1	Decal, Battery Warning	
5	1001235796	1	Decal, Carry Personnel	
6	1001235798	2	Decal, Ether Starting Warning	
7	1001235801	1	Decal, Tip Over Warning	
8	1001235802	1	Decal, No Riders	
9	1001235803	1	Decal, Crush Hazard Warning	
10	3251813	1	Decal, USA	
11	4100181	1	Decal, Hydraulic Oil Fill	
12	1001242122	1	Decal, Outrigger	
13	4108302	1	Decal, Hydraulic Oil Level	
14	8466306	1	Gage, Tilt Angle	
15	10139087	1	Tread, Safety	
16	1001109053	1	Decal, Coolant Fill	
17	1001235804	2	Decal,Ultra Low Sulfur Diesel (SPAN)	
18	1001131271	1	Decal, Telehandlers Patent	
19	1001235805	1	Decal, Hot Fluid Warning	
20	1001142452	1	Decal, No Step	
22	1001242172	1	Decal, RH Overlay	
23	1001242173	1	Decal, LH Overlay	
24	1001162734	1	Decal, Joystick Control	
25	1001162735	1	Decal, Sway Control	
26	1001162736	1	Decal, Auxiliary Control	
27	1001162737	1	Decal, Outrigger Control	
28	1001236312	2	Decal, MCO 110HP	
29	1001174152	1	Decal, Maintenance Chart	
32	1001189017	1	Decal, Diesel Fuel Fill	
33	1001189327	1	Decal, Main Fuse Panel	
34	1001189328	1	Decal, Fuse Panel Logic Harness	
35	1001254736	1	Decal, Lubrication Chart	
36	1001196806	1	Decal, Diesel Exhaust Fluid	
37	1001219211	1	Decal, DEF Fluid	
39	See Note	NSS	SN Plate (Note: Stamped Part - Not Available for Purchase)	
40	1001242181	1	Decal, Cummins DEF Tank Service	
43	4107442	1	Decal, Boom Extend Letters	
44	1001235797	1	Decal, Electrocution Hazard	
45	1001235799	2	Decal, Moving Parts	
48	1001246078	1	Decal, Swinging Loads Boom Head	
49	1001242179	1	Decal, Danger Swinging Load	





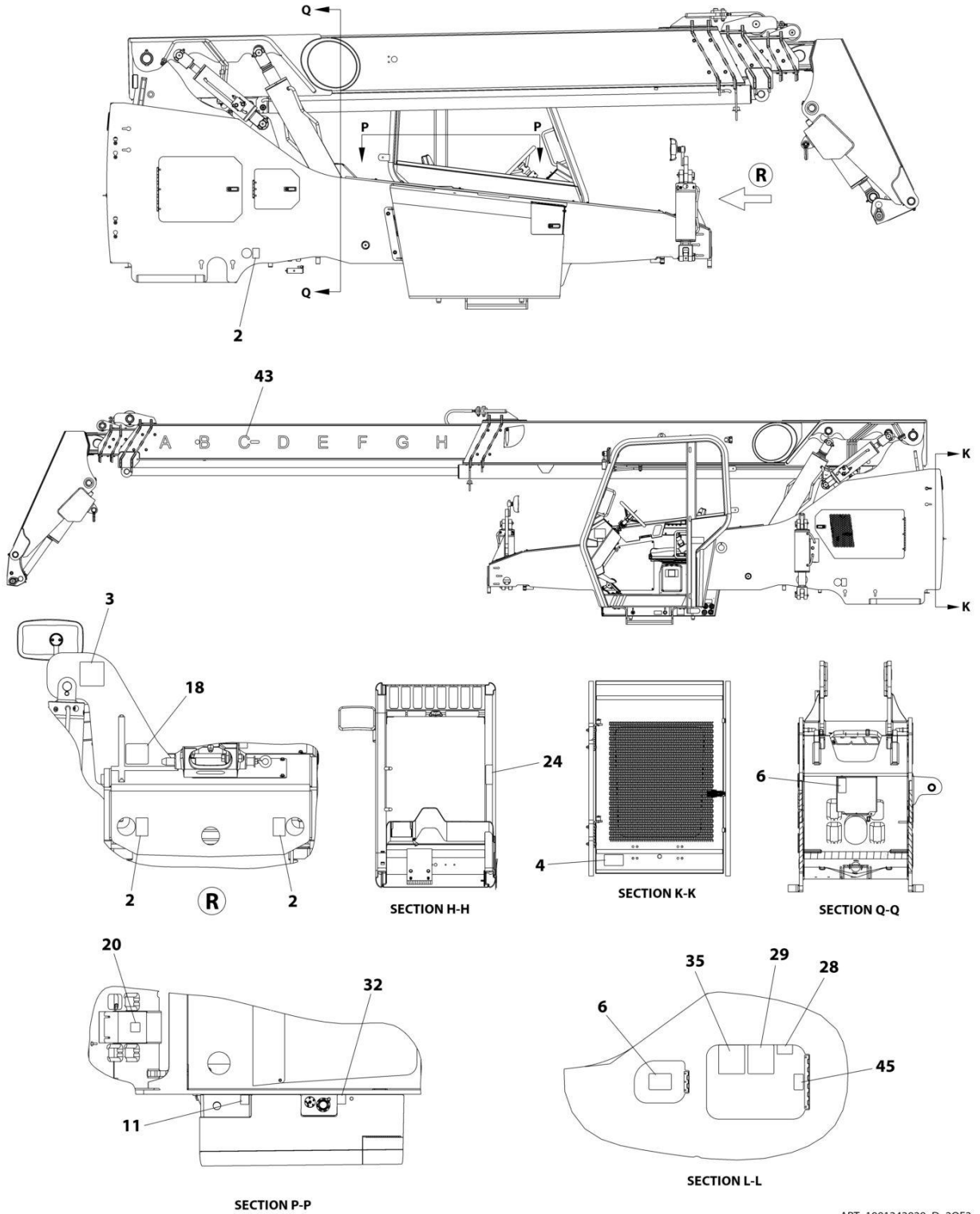
# SECTION 11 - DECALS

## FIGURE 11-8. DECALS INSTALLATION (130HP) (ISO)



ART\_1001242929\_D\_10F2

# SECTION 11 - DECALS



ART\_1001242929\_D\_2OF2

## SECTION 11 - DECALS

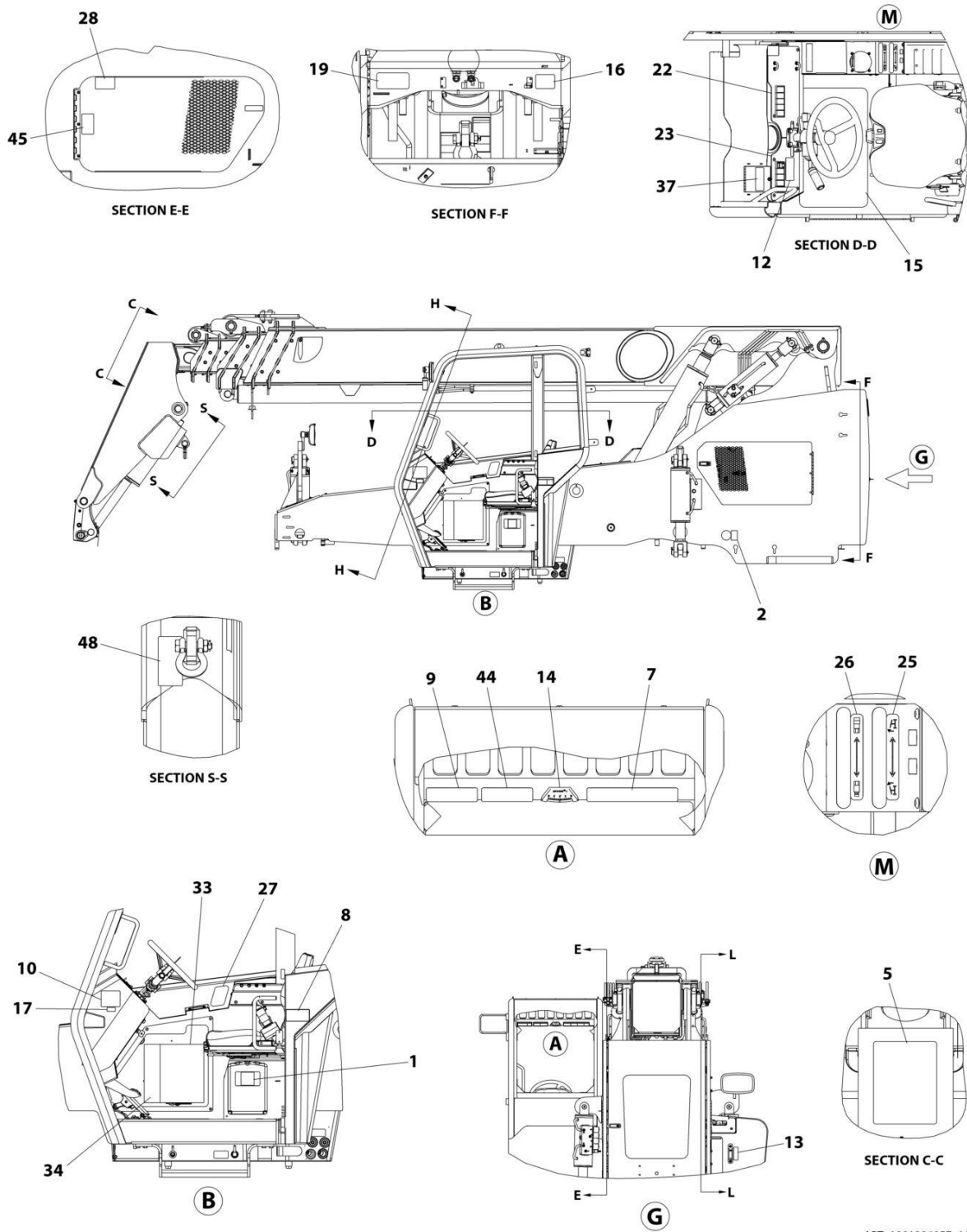
FIGURE 11-8. DECALS INSTALLATION (130HP) (ISO)

ITEM	PART NUMBER	QTY	DESCRIPTION	REV
	1001242929	Ref	DECAL INSTALLATION (ISO)	D
1	1701640	1	Decal, Manual	
2	1702300	4	Decal, Tie Down	
3	See Note	NSS	Decal, Bar Code (Note: Not Available for Purchase)	
4	1706281	1	Decal, Battery Warning	
5	1706282	1	Decal, Carry Personnel	
6	1706098	2	Decal, Ether Starting Warning	
7	1706288	1	Decal, Tip Over Warning	
8	1001092878	1	Decal, No Riders	
9	1001092877	1	Decal, Crush Hazard Warning	
10	3251813	1	Decal, USA	
11	4100181	1	Decal, Hydraulic Oil Fill	
12	1706279	1	Decal, Warning Outrigger	
13	4108302	1	Decal, Hydraulic Oil Level	
14	8466306	1	Gage, Tilt Angle	
15	10139087	1	Tread, Safety	
16	1001109053	1	Decal, Coolant Fill	
18	1001131271	1	Decal, Telehandlers Patent	
19	1001139942	1	Decal, Hot Fluid Warning	
20	1001142452	1	Decal, No Step	
22	1001158321	1	Decal, RH Overlay	
23	1001158320	1	Decal, LH Overlay	
24	1001162734	1	Decal, Joystick Control	
25	1001162735	1	Decal, Sway Control	
26	1001162736	1	Decal, Auxiliary Control	
27	1001162737	1	Decal, Outrigger Control	
28	1001173422	2	Decal, MCO 110HP	
29	1001202627	1	Decal, Maintenance Chart (74HP)	
32	1001189017	1	Decal, Diesel Fuel Fill	
33	1001189327	1	Decal, Main Fuse Panel	
34	1001189328	1	Decal, Fuse Panel	
35	1001254736	1	Decal, Lubrication Chart	
37	1001219211	1	Decal, Brake Fluid	
43	4107442	1	Decal, Boom Extend Letters	
44	1706284	1	Decal, Electrocution Hazard	
45	1706285	2	Decal, Moving Parts	
48	1001207218	1	Decal, Danger Swinging Load	



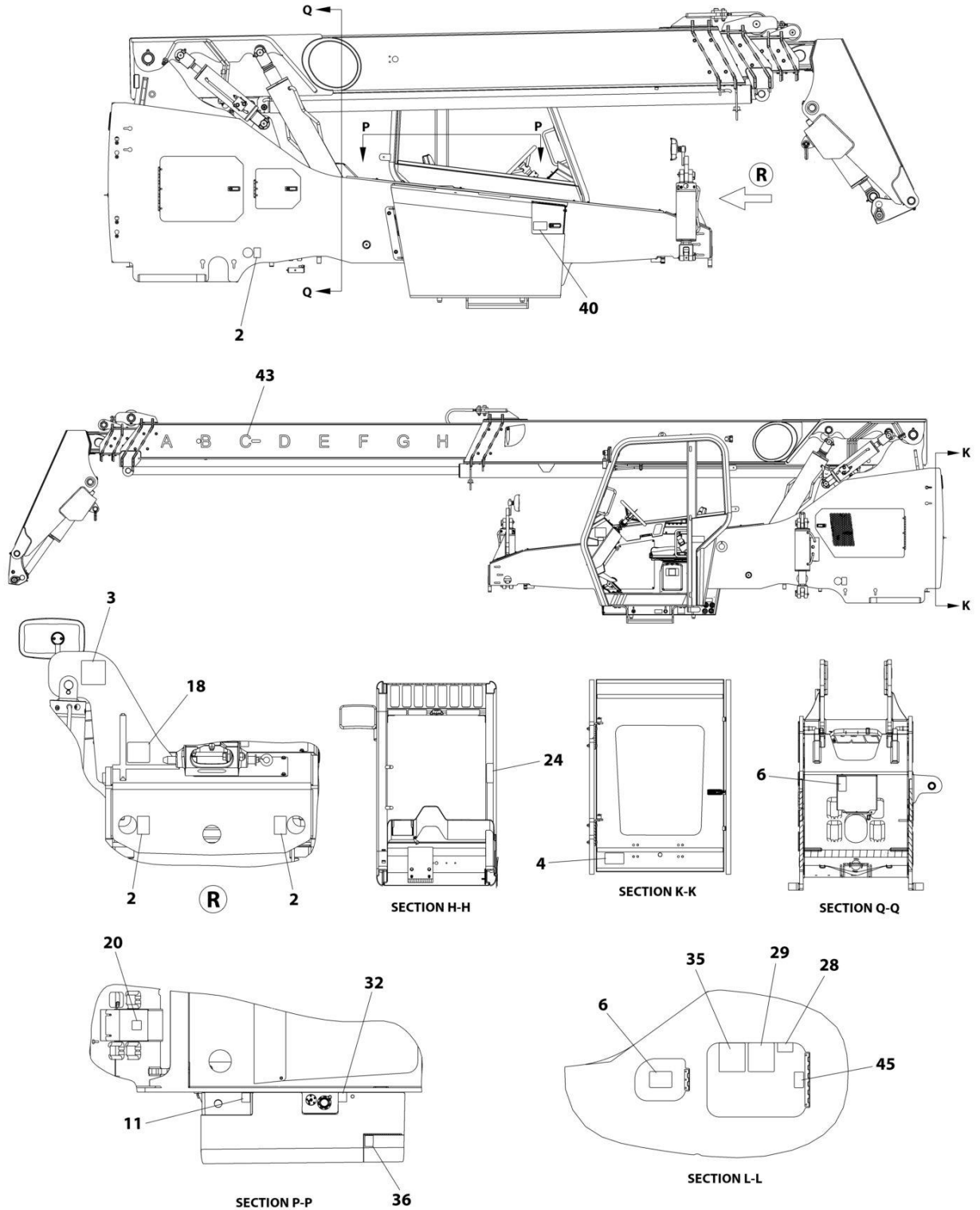
# SECTION 11 - DECALS

## FIGURE 11-9. DECAL INSTALLATION HRC 110HP



ART\_1001296957\_10F2

# SECTION 11 - DECALS



ART\_1001296957\_20F2

# SECTION 11 - DECALS

**FIGURE 11-9. DECAL INSTALLATION HRC 110HP**

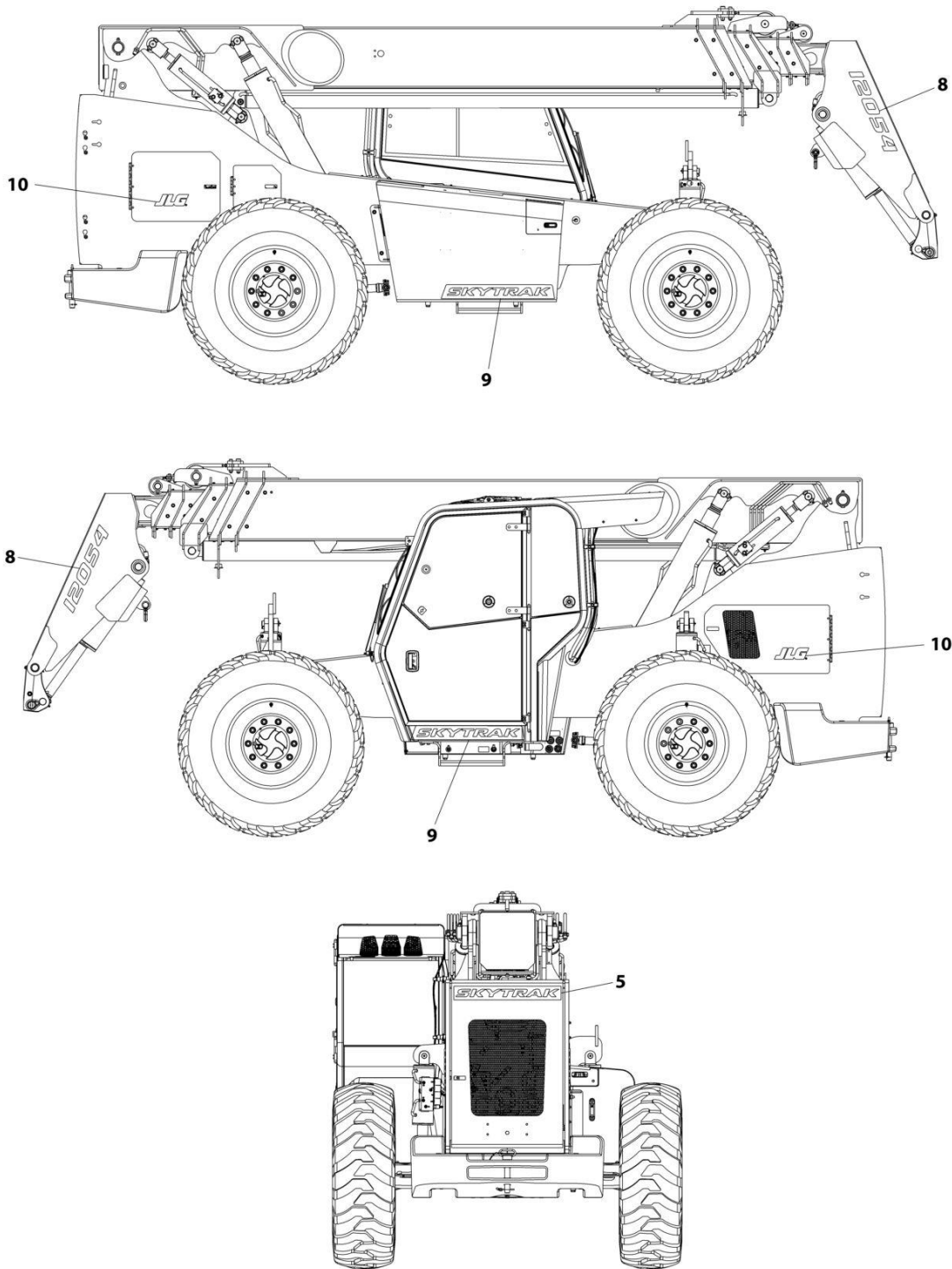
ITEM	PART NUMBER	QTY	DESCRIPTION	REV
	1001296957	Ref	DECAL INSTALLATION HRC 110HP	A
1	1701640	1	Decal - Manual	
2	1702300	4	Decal - Tie Down	
3	See Note	1	Decal - Bar Code (Note: Not Available for Purchase)	
4	1706281	1	Decal - Battery Warning	
5	1706282	1	Decal - Carry Personnel	
6	1706098	2	Decal - Ether Starting Warning	
7	1706288	1	Decal - Tip Over Warning	
8	1001092878	1	Decal - No Riders	
9	1001092877	1	Decal - Crush Hazard Warning	
10	3251813	1	Decal - USA	
11	4100181	1	Decal - Hydraulic Oil Fill	
12	1706279	1	Decal - Warning Outrigger	
13	4108302	1	Decal - Hydraulic Oil Level	
14	8466306	1	Gage, Tilt Angle	
15	10139087	1	Tread, Safety	
16	1001109053	1	Decal - Coolant Fill	
17	1001125387	2	Decal - Ultra Low Sulfur Diesel	
18	1001131271	1	Decal - Patent Telehandlers	
19	1001139942	1	Decal - Hot Fluid Warning	
20	1001142452	1	Decal - No Step	
22	1001158321	1	Decal - Overlay RH	
23	1001158320	1	Decal - Overlay LH	
24	1001162734	1	Decal - Joystick Control	
25	1001162735	1	Decal - Sway Control	
26	1001162736	1	Decal - Auxiliary Control	
27	1001162737	1	Decal - Outrigger Control	
28	1001173422	2	Decal - MCO 110HP	
29	1001202627	1	Decal - Maintenance Chart	
32	1001189017	1	Decal - Diesel Fuel Fill	
33	1001189327	1	Decal - Main Fuse Panel	
34	1001189328	1	Decal - Fuse Panel	
35	1001254736	1	Decal - Lubrication Chart	
36	1001196806	1	Decal - Diesel Exhaust Fluid	
37	1001219211	1	Decal - Brake Fluid	
40	1001230307	1	Decal - Cummins DEF Tank	
43	4107442	1	Decal - Boom Extend Letters	
44	1706284	1	Decal - Electrocution Hazard	
45	1706285	2	Decal - Moving Parts	
48	1001207218	1	Decal - Danger Swinging Load	





# SECTION 11 - DECALS

## FIGURE 11-10. DECAL INSTALLATION (BRAND AND MODELS)



ART\_1001259417\_C

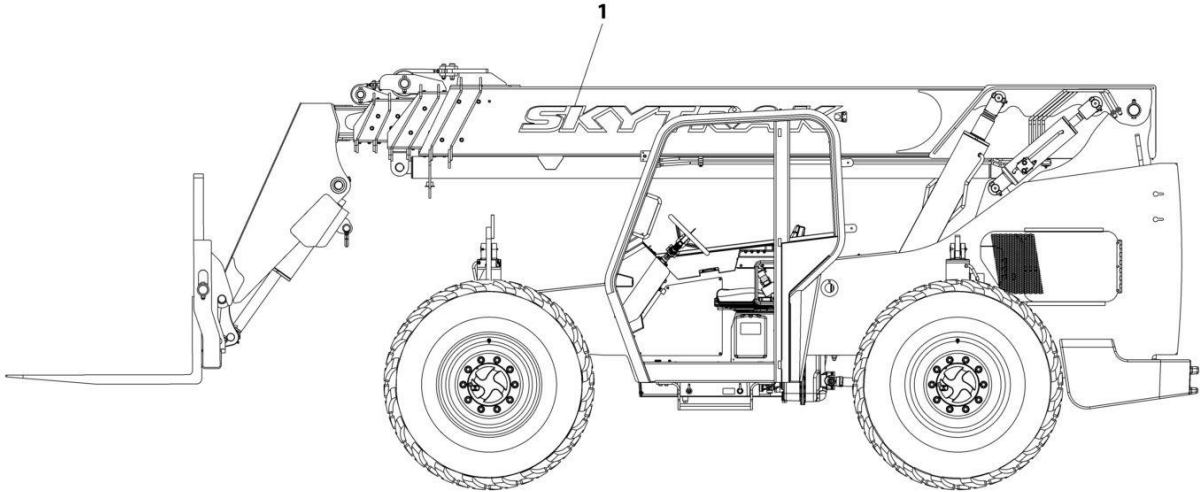
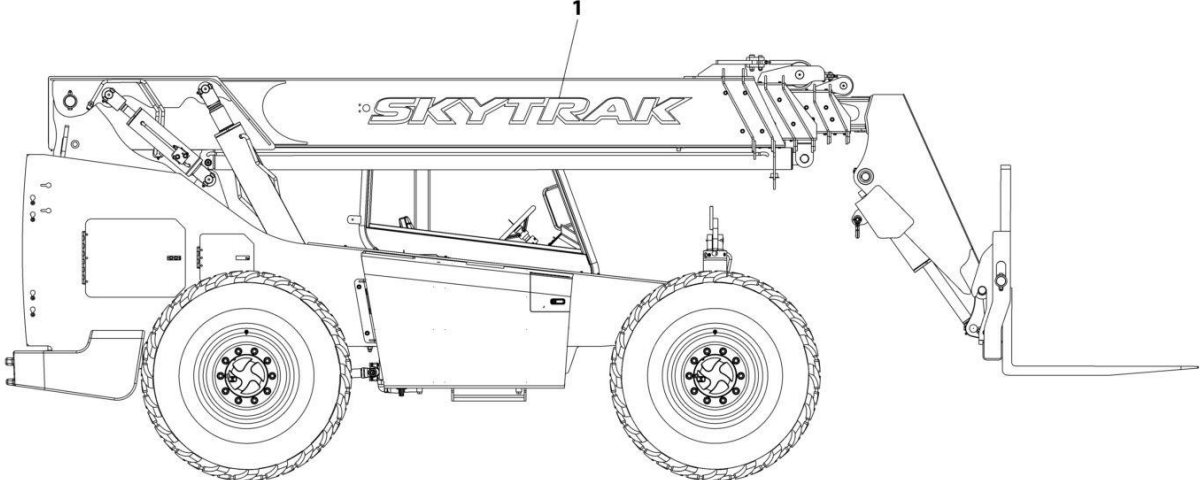
## SECTION 11 - DECALS

**FIGURE 11-10. DECAL INSTALLATION (BRAND AND MODELS)**

ITEM	PART NUMBER	QTY	DESCRIPTION	REV
	1001259417	Ref	DECAL INSTALLATION (BRAND AND MODELS)	C
5	1001259304	1	Decal, Rear Door	
8	1001262058	2	Decal, Model Boom Head	
9	1001274439	2	Decal - Cab Side	
10	1001274444	2	Decal - JLG Logo	

**SECTION 11 - DECALS**

**FIGURE 11-11. BOOM DECALS INSTALLATION (PVC 2011)**



ART\_1001244020\_B

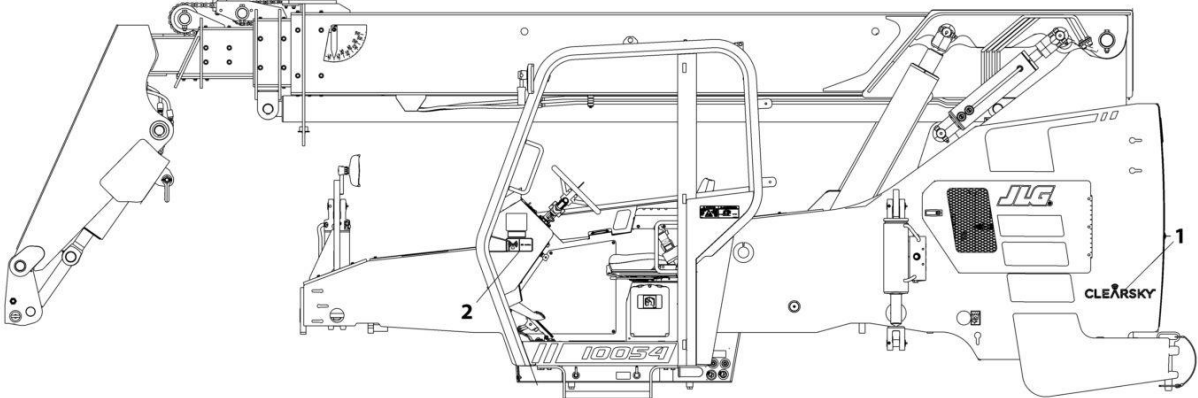
## SECTION 11 - DECALS

**FIGURE 11-11. BOOM DECALS INSTALLATION (PVC 2011)**

ITEM	PART NUMBER	QTY	DESCRIPTION	REV
1	1001244020	Ref	Boom Decals Installation	B
	1001262057	2	Decal, Boom	

**SECTION 11 - DECALS**

**FIGURE 11-12. CLEARSKY DECALS INSTALLATION**



ART\_1001229708-B

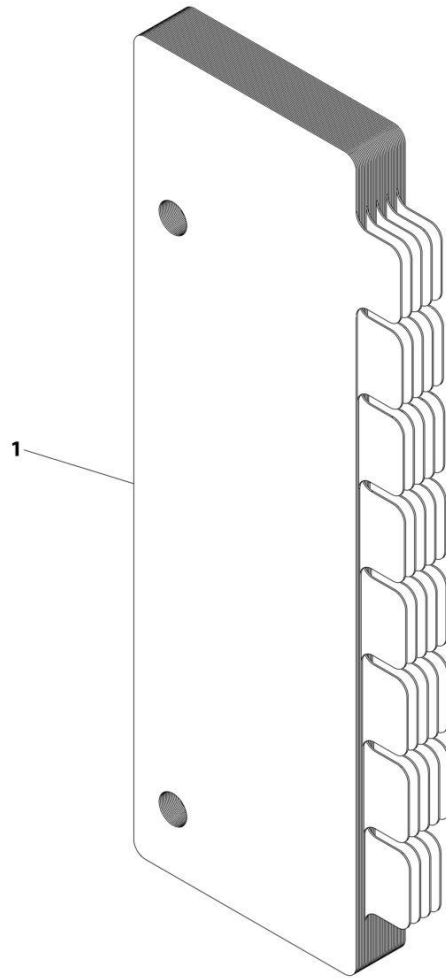
## SECTION 11 - DECALS

### FIGURE 11-12. CLEARSKY DECALS INSTALLATION

ITEM	PART NUMBER	QTY	DESCRIPTION	REV
	1001229708	Ref	Clearsky Decal Installation	C
1	1001294815	1	Decal - ClearSky	
2	1001120989	1	Radio Frequency Decal	

# SECTION 11 - DECALS

FIGURE 11-13. LOADCHART BOOKLET (ANSI)



ART\_1001245474\_C



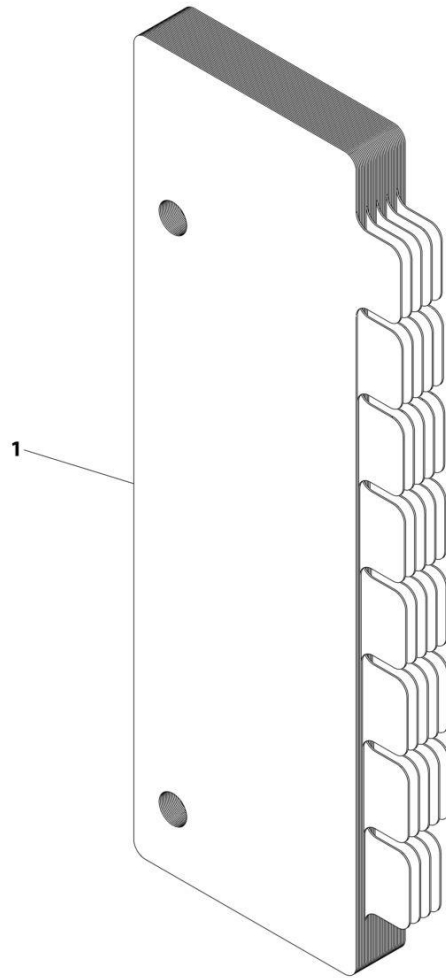
## SECTION 11 - DECALS

FIGURE 11-13. LOADCHART BOOKLET (ANSI)

ITEM	PART NUMBER	QTY	DESCRIPTION	REV
1	1001245474	Ref	Loadcharts (ANSI)	C

# SECTION 11 - DECALS

FIGURE 11-14. LOADCHART BOOKLET (ISO)



ART\_1001245475\_B

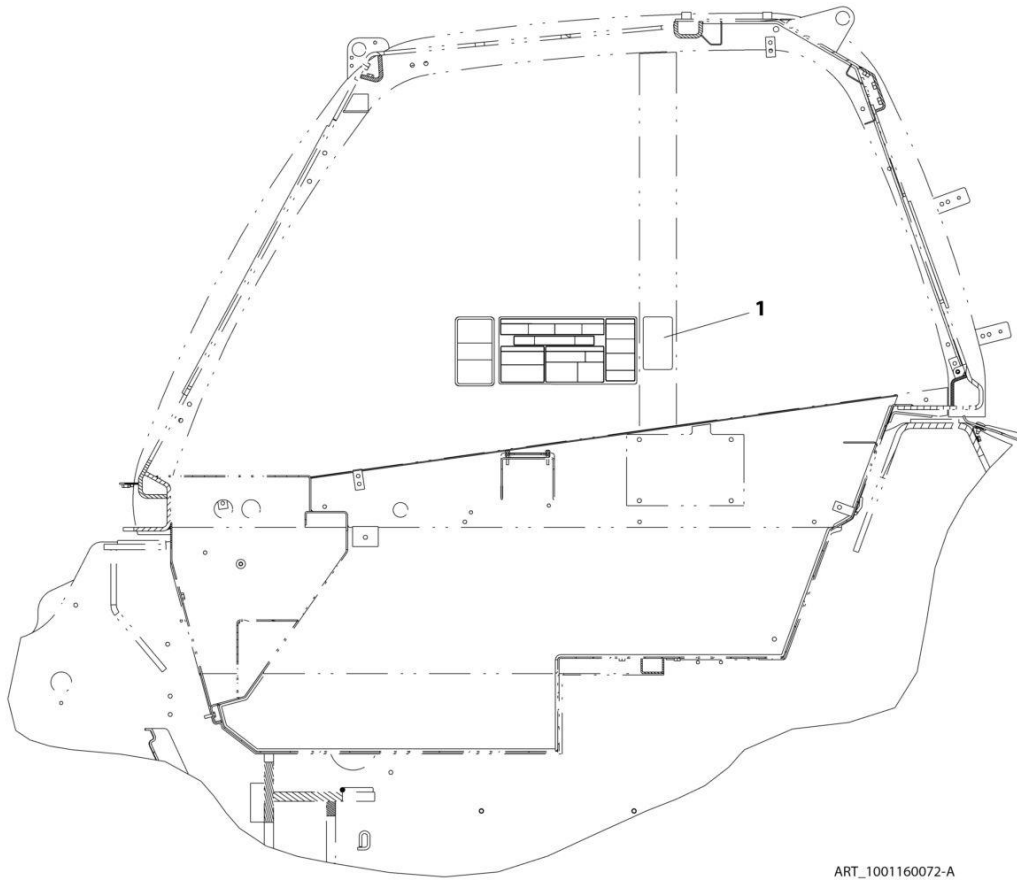
## SECTION 11 - DECALS

FIGURE 11-14. LOADCHART BOOKLET (ISO)

ITEM	PART NUMBER	QTY	DESCRIPTION	REV
1	1001245475	Ref	Loadcharts (ISO)	B

# SECTION 11 - DECALS

## FIGURE 11-15. REVERSE SENSOR SYSTEM DECAL (ENGLISH)



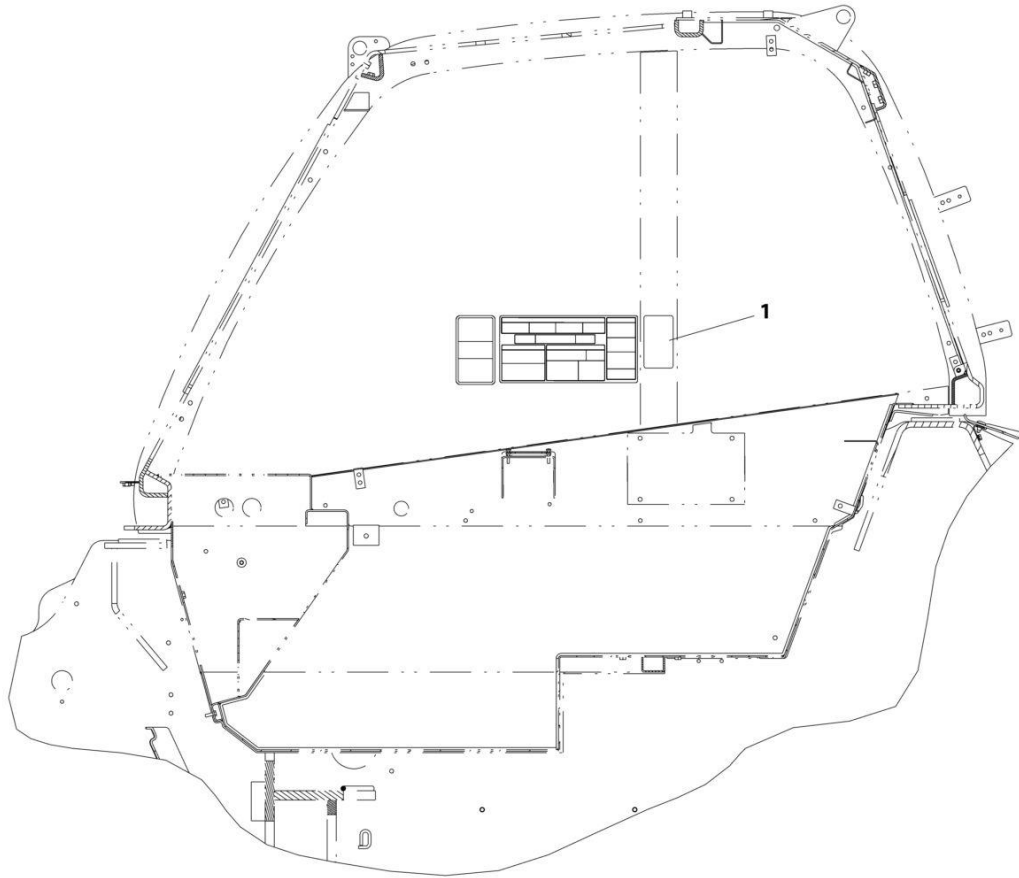
## SECTION 11 - DECALS

**FIGURE 11-15. REVERSE SENSOR SYSTEM DECAL (ENGLISH)**

ITEM	PART NUMBER	QTY	DESCRIPTION	REV
1	1001160072	1	Reverse Sensor System Decal (English)	A

# SECTION 11 - DECALS

## FIGURE 11-16. REVERSE SENSOR SYSTEM DECAL (ENGLISH/FRENCH)



ART\_1001160945-A

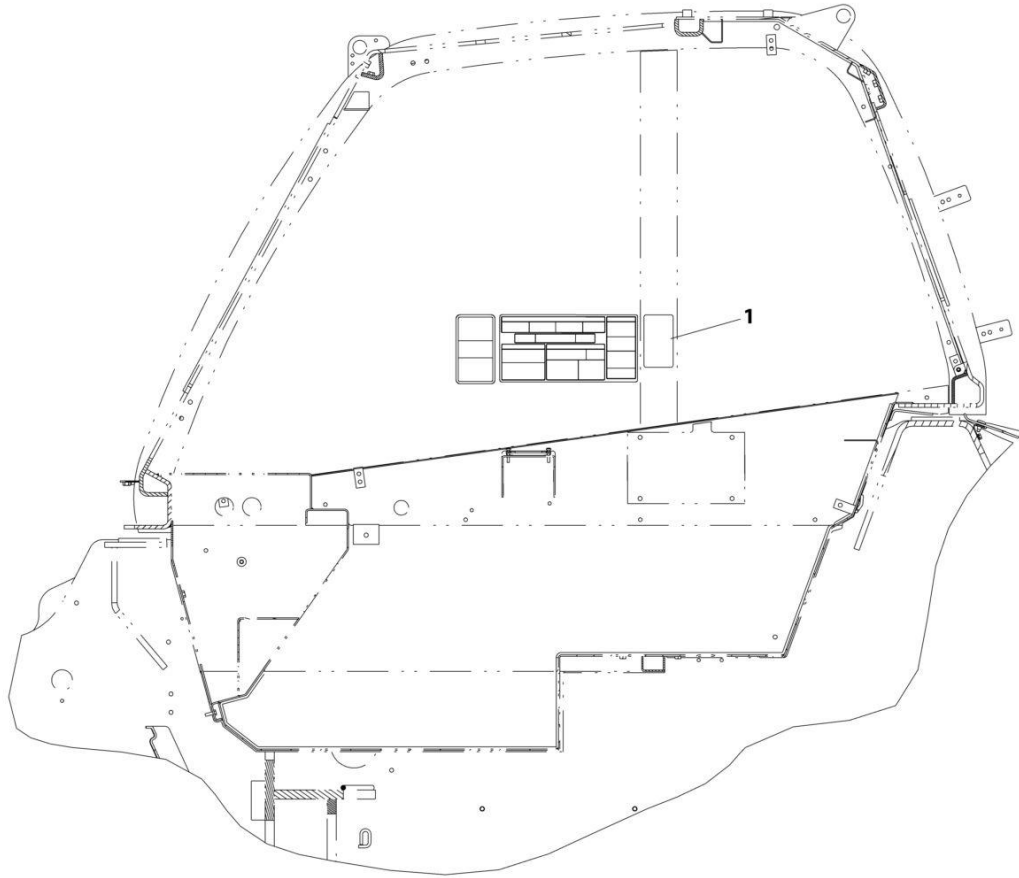
## SECTION 11 - DECALS

**FIGURE 11-16. REVERSE SENSOR SYSTEM DECAL (ENGLISH/FRENCH)**

ITEM	PART NUMBER	QTY	DESCRIPTION	REV
1	1001160945	1	Reverse Sensor System Decal (ENGLISH/FRENCH)	A

# SECTION 11 - DECALS

## FIGURE 11-17. REVERSE SENSOR SYSTEM DECAL (ENGLISH/SPANISH)



ART\_1001237846-A



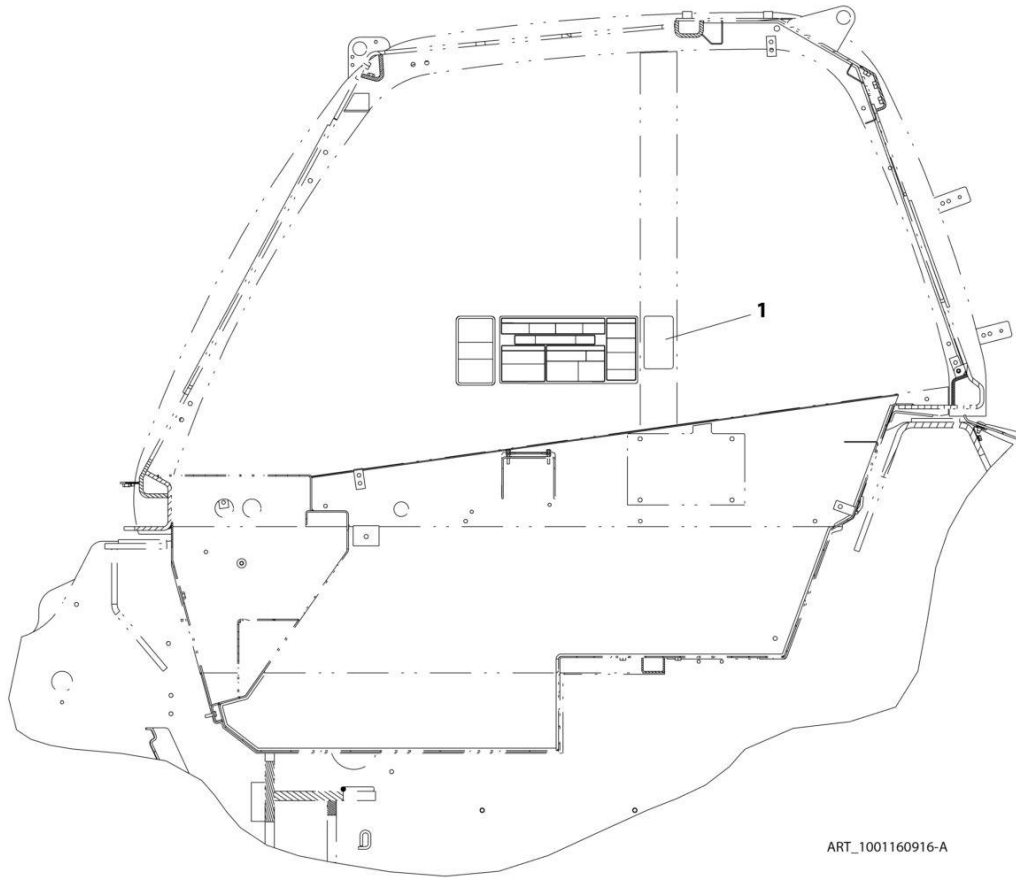
## SECTION 11 - DECALS

**FIGURE 11-17. REVERSE SENSOR SYSTEM DECAL (ENGLISH/SPANISH)**

ITEM	PART NUMBER	QTY	DESCRIPTION	REV
1	1001237846	Ref	REVERSE SENSOR SYSTEM DECAL (ENGLISH/SPANISH LANGUAGES)	A

# SECTION 11 - DECALS

## FIGURE 11-18. REVERSE SENSOR SYSTEM DECAL (ISO)



## SECTION 11 - DECALS

**FIGURE 11-18. REVERSE SENSOR SYSTEM DECAL (ISO)**

ITEM	PART NUMBER	QTY	DESCRIPTION	REV
1	1001160916	1	Reverse Sensor System Decal (ISO)	A



**SECTION 12 - RECOMMENDED SERVICE PARTS STOCK**

**SECTION 12 - RECOMMENDED SERVICE PARTS STOCK**

## SECTION 12 - RECOMMENDED SERVICE PARTS STOCK

FIGURE 12-1. RECOMMENDED SERVICE PARTS STOCK

ITEM	PART NUMBER	QTY	DESCRIPTION	REV
		Ref	Note: The following list will service one machine (built to current production per date on the front cover) with emergency repair parts which can be installed in the field. Parts from the list should be replaced when inventory is depleted to keep service parts stock supplied. For further information, contact your JLG dealer or the JLG Industries Parts Department.	
	70026085	1	Coil (Frame Control Valve)	
	70026582	1	Coil (Steer Select Valve)	
	1001173581	1	Control, Auxiliary	
	1001173582	1	Control, Frame Level	
	1001210703	1	Controller (Cab)	
	1001203181	1	Control, Accessory (ASOV)	
	1001229458	1	Controller, Gateway (ClearSky)	
	1001158002	1	Control, JoyStick	
	1001159850	1	Control, Heater (Enclosed Cab with Heater)	
	1001159851	1	Control, HVAC (Enclosed Cab with Heater & AC)	
	1001247421	1	Control, Reverse Sensor	
	8223073	1	Control, Turn Signal (Roadlight Package)	
	1001199205	1	Element, Filter	
		Ref	<b>Engine - ULS</b>	
	70026453	12	Element, Fuel Filter (Secondary)	
	70026234	12	Element, Fuel Filter (Primary)	
	70026237	12	Filter, Oil	
	70025852	12	Filter, Air Cylindrical Primary	
	70025853	12	Filter, Air Cylindrical Secondary	
		Ref	<b>Engine - LS</b>	
	70026801	12	Element, Fuel Filter (Secondary)	
	70026234	12	Element, Fuel Filter (Primary)	
	1001133534	1	Filter, Fuel (LS Engine)	
	70026237	12	Filter, Oil	
	1101312	12	Filter, Air Cylindrical Primary	
	1101313	12	Filter, Air Cylindrical Secondary	
	7139077	1	Filler/Breather (Hydraulic Tank)	
	8229234	2	Fuse 10A	
	8229235	2	Fuse 20A	
	8229261	2	Fuse 5A	
	8229242	2	Fuse 5A	
	8229244	2	Fuse, 15 Amp (130HP ULS)	
	1001118245	2	Fuse, 250 Amp	
	8229243	2	Fuse, 7.5 AMP Mini	
	1001129285	2	Fuse, Mini Diode	
	1001127699	2	Fuse, Power Module	
	8229237	2	Fuse, 15 A	
	8229238	2	Fuse, 40 A	
	8229233	2	Fuse, 7.5 A	
	8035807	1	Key (Ignition)	
	70021948	1	Key (Cab Door)	
	70028514	1	Kit, Solenoid 12V (ASOV)	
	2940074	1	Latch	

## SECTION 12 - RECOMMENDED SERVICE PARTS STOCK

ITEM	PART NUMBER	QTY	DESCRIPTION	REV
	1001228954	1	Module (ClearSky C.E.)	
	1001226796	1	Module (ClearSky N.A.)	
	1001226328	1	Module, 3W TCU (ClearSky ANSI)	
	1001233236	1	Module, 3W TCU (ClearSky C.E.)	
	3740080	1	Relay (ASOV)	
	1001095704	1	Relay	
	70026986	1	Relay, 12V 30/40A	
	1001186417	1	Relay, 150 Amp	
	1001205172	1	Relay, Micro 280, 12V, 35 Amp	
	1001184316	1	Relay, Power Module	
	1600429	1	Selector, Transmission Control	
	1001130307	1	Sensor, Boom	
	70025897	1	Solenoid (Piston Pump)	
	7029246	1	Solenoid Coil (Stabil-Trak)	
	1001215941	1	Switch (ASOV)	
	8223038	1	Switch, Beacon	
	8223025	1	Switch, Brake Lights (Roadlight Package)	
	8223060	1	Switch, Hazard (Roadlight Package)	
	4360690	1	Switch, Ignition	
	1001170269	1	Switch, Outrigger	
	8223054	1	Switch, Park Brake	
	8223037	1	Switch, Steer Select	
	8223044	1	Switch, Windscreen Washer (Enclosed Cab)	
	8223043	1	Switch, Windscreen Wiper (Enclosed Cab)	
	8223059	1	Switch, Work Light (Roadlight & Worklight Package)	





**SECTION 13 - SPECIAL OPTIONS/ACCESSORIES/KITS**

**SECTION 13 - SPECIAL OPTIONS/ACCESSORIES/KITS**

# SECTION 13 - SPECIAL OPTIONS/ACCESSORIES/KITS

FIGURE 13-1. SPECIAL OPTIONS/ACCESSORIES/KITS

ITEM	PART NUMBER	QTY	DESCRIPTION	REV
	See Note	Ref	Note: This list is to accommodate machines ordered with special equipment. Options may not be applicable to all models. For more specific parts information contact JLG Parts Department.	
		Ref	SPECIAL OPTIONS/ACCESSORIES/KITS	
	1001243577	Ref	Access Control Kit	F
	1001260645	Ref	Aftermarket Kits	
	1001239455	Ref	Backup Camera Kit	
	1001214398	Ref	Battery Disconnect Kit	
	1001261689	Ref	Boom Chain Kit - Fly Extend	
	1001261688	Ref	Boom Chain Kit - Inner Boom Extend	
	8024033	Ref	Boom Chain Kit - Fly Retract	
	1001261690	Ref	Boom Chain Kit - Inner Mid Boom Retract	
	2910996	Ref	Boom Wear Pads Kit	
	1001201455	Ref	Cab A/C Kit	
	1001280231	Ref	Cab Door Window Kit	
	1001201453	Ref	Cab Enclosure Kit	
	1001193427	Ref	Cab Enclosure Kit with Heater	
	1001193428	Ref	Cab Enclosure Kit with HVAC	
	1001201456	Ref	Cab Heater Kit	
	1001201454	Ref	Cab HVAC Kit	
	1001268341	Ref	Camera Kit - Multi-View Rear View	
	1001243183	Ref	ClearSky Telematics Kit - Canbus (North America)	
	1001243184	Ref	ClearSky Telematics Kit - Canbus (CE)	
	1001276923	Ref	ClearSky Telematics Add-on Kit (Contact JLG for Approved Countries)	
	1001291397	Ref	ClearSky Plug Adhesive	
	1001261691	Ref	Cold Weather Kit	
	1001261692	Ref	Cold Weather LRC Kit	
	7028739	Ref	Compensation Cylinder Seal Kit	
	1001262231	Ref	Decal Kit	
	1001177168	Ref	Engine Removal Brackets Kit	
	8036502	Ref	Extend/Retract Cylinder Seal Kit	
	1001258010	Ref	Fender Kit	
	1001199737	Ref	Filter Kit - 500Hour	
	1001199738	Ref	Filter Kit - 1000Hour	
	1001239988	Ref	Fire Extinguisher Kit	
	8035720	Ref	Fork Tilt Cylinder Seal Kit	
	8035326	Ref	Frame Level Cylinder Seal Kit	
	1001201459	Ref	Lights - Beacon Lights Kit	
	1001201460	Ref	Lights - Worklight Kit	
	1001238893	Ref	Lights - Worklight Kit (LED)	
	1001251208	Ref	Lights, Roadlights Kit	
	1001253829	Ref	Reverse Sensing System Kit (All)	
	1001281475	Ref	Quick Oil Change Valve	
	8036747	Ref	Stabil-Trak Cylinder Seal Kit	
		Ref	Tools for Service	
	70022871	Ref	Counter Support, ZF Transmission	
	70023174	Ref	Eye Bolt Assortment, ZF Transmission	
	70022872	Ref	Internal Extractor, 45-58mm, ZF Transmission	

## SECTION 13 - SPECIAL OPTIONS/ACCESSORIES/KITS

ITEM	PART NUMBER	QTY	DESCRIPTION	REV
	70026448	Ref	Spanner Wrench	
	70010239	Ref	Two-Armed Puller, 160-150mm, ZF Transmission	
	1001249695	Ref	Analyzer and Cable Kit	
	1001249941	Ref	Analyzer and Cable Kit (Battery Powered)	
	1001213885	Ref	White Noise Alarm Kit	
	1001162831	Ref	Window (Dropout) Kit (ANSI Specs)	
	1001162832	Ref	Window (Dropout) Kit (CSA Specs)	
	1001162833	Ref	Window (Dropout) Kit (ISO Specs)	



## SECTION 13 - SPECIAL OPTIONS/ACCESSORIES/KITS

### PART NUMBER INDEX

## SECTION 13 - SPECIAL OPTIONS/ACCESSORIES/KITS

0100009.....599, 601, 627, 629	0721004 ..... 417	1001096021 ..... 73	100116731.....589
0100011.... 17, 21, 23, 25, 41, 43, 45, 47, 111, 115, 119, 179, 181, 183, 197, 199, 203, 205, 219, 221, 223, 225, 235, 237, 281, 421, 431, 433, 445, 453, 459, 465, 469, 475, 483, 599, 601	0741408 ..... 67	1001096023 ..... 73	100116732.....609, 623
0100019.....19, 31	0741610 .... 111, 115, 119	1001096024 ..... 75	100116734.....609, 617, 623
01043892.....241	0760405 .91, 93, 99, 101, 103, 111, 115, 119, 121	1001096025 ..... 73	100116736.....625, 645
0140011.....665, 671	0760505 ..... 67, 417	1001096404 ..... 61	100116745.....608, 614, 621, 673
0240156.....145	0760605 ..... 179, 181	1001097051 ..... 593	100116747.....571, 576, 655
0400075.....563	0760608 ..... 211, 213	1001097079 ..... 649	100116748.....609, 615, 616, 622
0440296.....43	0760610 ..... 183, 229	1001097080 ..... 651	100116751.....625
0630464.....363, 379	0760614 ..... 183	1001097110 ..... 127	100116757.....608, 609, 615, 621, 622
0641403.....229, 387	0760810 ... 183, 197, 219, 223, 225	1001097205 ..... 149	100116758.....608, 609, 615, 621, 622
0641404.....544, 548, 552	0760812 .... 221, 223, 337	1001098769 ..... 61	100116774.....555, 570, 575, 591
0641405.....77, 203, 205	0760815 ..... 199	1001099113 .... 111, 115, 119	100116808.....555, 570, 575, 591
0641406.....559	0760815 ..... 199	1001099115 .... 111, 115, 119	100116812.....555, 570, 575, 591, 593
0641407.....67	0761010 ..... 39	1001099351 ..... 89	100116815.....555, 589
0641409.....38	0761012 ..... 211, 233	1001099699 ..... 417	100116945.....557
0641410.....661, 671	0761014 ..... 183	1001100082 ..... 417	100116950.....610, 617, 623
0641414.....203, 205	0761017 ..... 91, 93	1001100265 ..... 99	100117021.....593, 610, 617, 622, 631, 655, 673
0641415.....659	0761212 .... 544, 548, 552	1001100266 ..... 101	100117026.....593, 653, 673
0641507.....221	0771618 .... 179, 181, 183	1001100267 ..... 103	100117059.....625
0641508.....203, 205	0791606 ..... 25	1001100822 ..... 99	100117068.....608, 614, 621
0641509.....203	0860520 ..... 77	1001100823 ..... 101	100117070.....609, 617, 623
0641510.....17, 169, 205	0930020 ..... 95	1001100824 ..... 103	100117079.....645
0641511.41, 47, 179, 181	1001003174 ..... 571	1001100852 ..... 245	100117080.....625
0641520.....47, 633, 647	1001003590 ..... 467	1001108575 ..... 387	100117081.....679
0641605.....544, 548, 552	1001004720 .... 215, 217, 671	1001108668 ..... 80	100117103.....610, 616, 623
0641607.....219, 221, 223	1001008559 ..... 593	1001109053 .... 688, 692, 696, 700, 704, 708, 712, 716, 720	100117111.....610, 617, 623
0641608.....183, 219	1001008742 ..... 363, 379	1001109478 ..... 363, 379	100117119.....570, 571, 575, 576
0641609.....213	1001081049 .... 344, 348, 354, 358, 363, 370, 374, 379	1001110704 ..... 121	100117125.....610, 617, 622
0641612.....213	1001081241 ..... 387	1001111112 ..... 363, 379	100118245.....659, 742
0641614.....203, 205	1001081242 ..... 387	1001111190 ..... 80, 121	100118378.....555, 570, 575
0641618.21, 23, 197, 199	1001081243 ..... 363, 379	1001112612 .... 557, 570, 575, 589, 591, 593	100118390.....617
0641620.....561, 671	1001081246 ..... 387	1001112796 .... 589, 591, 593	1001184495.....677
0641632.....561	1001081247 ..... 387	1001114495 ..... 215, 217	100119004.....609, 615, 622
0641636.....387	1001081266 ..... 387	1001114675 ..... 415	100119278.....565
0641652.....387	1001081310 ..... 391, 393	1001114867 .... 344, 348, 354, 358, 370, 374	100119610.....465
0641864.....29	1001090140 .... 111, 115, 119	1001116692 .... 591, 610, 617	100120083.....197
0642032....107, 111, 113, 115, 117, 119	1001091102 ..... 599, 601	1001116693 .... 575, 576, 591	100120178.....321, 323, 325, 327
0642640.....31, 285	1001091751 ..... 681	1001116694 ..... 591	100120179.....321, 325
0681810.....111, 115, 119	1001092481 ..... 71	1001116710 ..... 572, 576	100120869.....203, 205
0682418.....31	1001092482 ..... 71	1001116711 ..... 572, 576	100120914.....111, 115, 119
0682648.....19	1001092877 .... 692, 716, 720	1001116712 .... 572, 576, 643	100120915.....111, 115, 119
0700610.....415	1001092878 .... 692, 716, 720	1001116720 ..... 657, 679	100120989.....727
0700614.....169, 633	1001093171 ..... 149	1001116723 ..... 625	100121103.....321
0700617.....367, 395	1001093273 ..... 145	1001116726 ..... 571, 576	100121105.....325
0700812.....223	1001093377 ..... 145	1001116727 .... 571, 593, 608, 614, 615, 616, 621	
0700822.....367	1001093465 ..... 145	1001116728 .... 593, 608, 609, 610, 615, 617, 621, 622, 631, 673	
0700827.....235, 237	1001093564 ..... 565	1001116729 .... 608, 614, 621, 653	
0700828.....395, 421	1001094134 ..... 141		
0701026.....191, 193	1001094136 ..... 141		
0701216.....211	1001094312 ..... 387		
0701224....219, 221, 223	1001094330 ..... 145		
0711214....179, 181, 183, 219, 221, 223, 235	1001094696 ..... 675		
0711219....179, 181, 183	1001094830 ..... 145		
0711227....179, 181, 183	1001095418 ..... 121		
0711627....179, 181, 183	1001095650 .65, 67, 337, 663, 665		
0711628....179, 181, 183	1001095704 ..... 616, 743		
	1001095810 ..... 77		
	1001096019 ..... 75		
	1001096020 ..... 75		

## SECTION 13 - SPECIAL OPTIONS/ACCESSORIES/KITS

1001121726 ..... 571, 576	1001144147..... 555, 589, 591	1001160782.....219	1001165590 ..... 49, 51
1001121728 ..... 571, 576	1001144629J..... 77	1001160785.....363, 379	1001165609 ..... 219
1001121730 ..... 571, 610, 616, 623	1001145026..... 515, 525	1001160787.....409	1001165617 ..... 351, 361, 377
1001125027 ..... 610, 617, 622, 625	1001145707..... 609, 623	1001160788.....351, 361, 377	1001165660 ..... 179, 181, 183
1001125083 ..... 616	1001146160..... 85	1001160790.....351, 361, 377	1001165668 ..... 175, 177, 193
1001125085 ..... 616	1001147515..... 29	1001160791 .....351, 361, 377	1001165672 ..... 173, 175, 211
1001125089 ..... 616	1001148177..... 415	1001160815.....351	1001165673 ..... 173, 175, 215
1001125387 ..... 688, 692, 704, 720	1001149227..... 351, 363, 379	1001160845.....175, 181	1001165806 ..... 363, 379, 387
1001125677 ..... 593	1001149712..... 570, 575, 589	1001160912.....411	1001165818 ..... 197
1001125784 ..... 570, 575	1001151101.....335	1001160916.....739	1001165823 ..... 361, 363
1001125785 ..... 570, 575	1001151102.....335	1001160945.....735	1001166008 ..... 237
1001126008 ..... 555, 570, 575, 576, 593	1001151108.....335	1001161212.....629	1001166229 ..... 173, 175, 177, 233
1001126351 ..... 621	1001152415.....313	1001161213.....627	1001166238 ..... 197
1001126353 ..... 621	1001152416.....313	1001161920.....179, 181, 183	1001166556 ..... 615
1001126356 ..... 621	1001153748.....539	1001162212.....229	1001166566 ..... 195, 197
1001126391 ..... 615	1001154055.....337	1001162734.....688, 692, 696, 700, 704, 708, 712, 716, 720	1001166693 ..... 219
1001126393 ..... 615	1001154375.....671	1001162735.....688, 692, 696, 700, 704, 708, 712, 716, 720	1001166704 ..... 616, 617
1001126484 ..... 617	1001154511..... 181, 187	1001162736.....688, 692, 696, 700, 704, 708, 712, 716, 720	1001166715 ..... 199
1001126487 ..... 617	1001154790..... 183, 189	1001162737.....688, 692, 696, 700, 704, 708, 712, 716, 720	1001166935 ..... 219, 221, 223
1001127066 ..... 679	1001156009..... 38, 497	1001162804.....407, 409, 411, 413	1001166976 ..... 219
1001127226 ..... 544, 548, 552, 567	1001157102.....477	1001162806.....407	1001167025 ..... 45
1001127699 ..... 659, 742	1001157663..... 235, 237	1001162831.....747	1001167167 ..... 219
1001127700 ..... 659	1001157890..... 555, 570, 571, 575, 576, 610, 617	1001162832.....747	1001167168 ..... 219
1001127784 ..... 281, 283	1001157891..... 625, 645	1001162833.....747	1001167250 ..... 409
1001127864 ..... 21, 23, 25	1001158002..... 423, 451, 742	1001162834.....696, 708, 712, 716, 720	1001167251 ..... 411
1001127867 ..... 25	1001158004..... 449, 451	1001162806.....407	1001167357 ..... 235, 237
1001128341 ..... 203, 205	1001158040..... 429, 463	1001162831.....747	1001167528 ..... 617
1001128363 ..... 221	1001158046..... 429, 457	1001162832.....747	1001167617 ..... 616
1001128364 ..... 221	1001158272..... 688, 704	1001162833.....747	1001167620 ..... 614
1001128594 ..... 185, 187, 189	1001158319..... 688, 704	1001163174.....696, 708	1001167624 ..... 614
1001128714 ..... 221	1001158320..... 692, 716, 720	1001163206.....696, 708	1001167641 ..... 609, 616
1001128890 ..... 85	1001158321..... 692, 716, 720	1001163210.....696, 708	1001167643 ..... 609, 616
1001128901 ..... 221	1001158357..... 477	1001163212.....696, 708	1001167644 ..... 609, 616
1001129285 ..... 572, 742	1001158398..... 449	1001163222.....696, 708	1001167646 ..... 609, 616
1001129407 ..... 587	1001158404..... 367, 395	1001163285.....696, 708	1001167647 ..... 609, 616
1001129615 ..... 659	1001158527..... 479	1001163300.....696, 708	1001167648 ..... 609, 616
1001130307 ..... 544, 548, 552, 743	1001158528..... 477, 479	1001163304.....696, 708	1001167649 ..... 609, 616
1001131271 ..... 688, 692, 696, 700, 704, 708, 712, 716, 720	1001158576.....465	1001163323.....696, 708	1001167650 ..... 609, 616
1001133173 ..... 621	1001158786.....447, 449	1001163355.....696, 708	1001168052 ..... 197
1001133534 ..... 213, 742	1001159186..... 570, 571, 575, 576	1001163414..... 111, 115, 119, 505	1001168053 ..... 197
1001134488 ..... 203, 205	1001159319..... 21, 23	1001163685.....475	1001168066 ..... 377, 379
1001135770 ..... 667	1001159844..... 367, 395, 397	1001163841 .....49, 51	1001168286 ..... 45
1001135777 ..... 667	1001159850..... 354, 358, 742	1001164039 .....49, 51	1001168451 ..... 475
1001136358 ..... 211, 213	1001159851..... 370, 374, 742	1001164096 .....379	1001168478 ..... 205, 209
1001136975 ..... 211, 213, 215, 217	1001159856..... 363, 379, 385	1001164099 .....379	1001168567 ..... 43
1001137512 ..... 143	1001159860..... 363, 365	1001164196 .....395	1001168822 ..... 181
1001138642 ..... 621	1001159861..... 379, 381	1001164282 .....363	1001168859 ..... 231
1001138643 ..... 621	1001159878..... 344, 348, 354, 358, 370, 374	1001164284 .....363	1001169001 ..... 229
1001138645 ..... 183	1001159932..... 219	1001164404 .....219	1001169006 ..... 21, 23
1001139578 ..... 688, 704	1001160071..... 407	1001164717 .....363, 379	1001169057 ..... 219, 221, 223
1001139942 ..... 692, 716, 720	1001160072..... 733	1001165057 .....17	1001169059 ..... 203, 205
1001141892 ..... 29	1001160116..... 179, 181, 183	1001165194 .....615	1001169077 ..... 197
1001142247 ..... 152	1001160250..... 19	1001165275 .....387	1001169172 ..... 225
1001142452 ..... 692, 704, 708, 712, 716, 720		1001165276 .....387	1001169271 ..... 215
1001143551 ..... 555		1001165517 ..... 179, 181, 183	1001169272 ..... 215, 217
		1001165518 ..... 179, 181, 183	1001169274 ..... 215, 217
			1001169329 ..... 517, 519

## SECTION 13 - SPECIAL OPTIONS/ACCESSORIES/KITS

1001169466.....519, 523, 525	1001174152 ..... 700, 704, 708, 712	1001182865 ..... 387	1001190631.....213
1001169620.....548, 614	1001174227 ..... 17	1001182871 ..... 387	1001190962.....223
1001169787 ..... 387	1001174327 ..... 219, 221, 223	1001182882 ..... 387	1001190990.....223
1001169816.....679	1001174340 ..... 421	1001182883 ..... 387	1001191635.....415
1001170230.....659	1001174375 ..... 469	1001182884 ..... 387	1001192049.....572, 576
1001170233.....544, 548, 552, 659	1001174822 ..... 193	1001183084 ..... 387	1001192050.....572, 576
1001170234.....544, 548, 552, 667	1001175568 ..... 211, 213	1001183104 ..... 387	1001192134.....183
1001170235.....667	1001175733 ..... 673	1001183164 ..... 344, 348, 355, 358, 371, 374	1001192390.....21, 23
1001170269.....544, 548, 552, 743	1001176002 ..... 614	1001183209 ..... 387	1001192401.....610, 617, 623
1001170316.....497	1001176004 ..... 614	1001183341 ..... 425	1001192711.....169
1001170329.....515, 525	1001176337 ..... 635, 637, 649, 651	1001183370 ..... 441	1001192720.....169
1001170738.....344, 348, 354, 358, 370, 374	1001176515 ..... 83	1001183811 ..... 219	1001192875.....169
1001170856.....519	1001176935 ..... 616, 617	1001184316 ..... 659, 743	1001192876.....169
1001171188 ..... 463	1001177168 ..... 746	1001184491 ..... 677	1001192877.....169
1001171190 ..... 457	1001177190 ..... 17	1001184493 ..... 677	1001193427.....746
1001171191 ..... 461	1001177192 ..... 17	1001184496 ..... 677	1001193428.....746
1001171193 ..... 461	1001177198 ..... 572, 576, 643, 657	1001184835 ..... 544, 548, 677	1001193540.....169
1001171194 ..... 461	1001177746 ..... 363, 379, 387	1001185071 ..... 233	1001193729.....169
1001171234.....544, 548, 552	1001177753 ..... 453	1001185652 ..... 177, 217	1001194421.....681
1001171236.....544, 548, 552	1001178224 ..... 433	1001185776 ..... 354	1001194592.....475
1001171237 ..... 544, 548, 552	1001178346 ..... 645	1001185777 ..... 370	1001194620.....433
1001171238 ..... 544, 548, 552	1001178347 ..... 354, 358, 370, 374, 625	1001186373 ..... 179, 181	1001194745.....433
1001171239 ..... 544, 548, 552	1001178349 ..... 363, 379, 679	1001186417 ..... 659, 743	1001195055.....610, 617, 623
1001171384 ..... 21	1001178776 ..... 203, 205, 213, 515, 525	1001186490 ..... 177, 213	1001195057.....610, 623
1001171385.....21, 23	1001179229 ..... 367, 395	1001186718 ..... 183	1001195087.....610, 616, 617, 623
1001171472 ..... 229	1001179375 ..... 211	1001186841 ..... 544, 548, 552, 563	1001195760.....570, 571, 575
1001171473 ..... 229	1001179845 ..... 203, 205	1001187078 ..... 555	1001195826.....513, 517, 523
1001171474 ..... 229	1001180175 ..... 696, 708	1001187239 ..... 696, 708	1001195913.....583
1001171633.....544, 548, 552	1001180176 ..... 696, 708	1001187512 ..... 616	1001195919.....19
1001171757 ..... 544, 548, 552	1001180227 ..... 223	1001187513 ..... 616	1001195952.....97
1001171786 ..... 477	1001180244 ..... 233	1001187952 ..... 572, 576	1001195970.....453
1001171802 ..... 211	1001180473 ..... 179, 181, 183	1001189017 ..... 688, 692, 696, 700, 704, 708, 712, 716, 720	1001196109.....173, 179
1001171803 ..... 211	1001181584 ..... 203, 205	1001189211 ..... 109	1001196124.....363, 379
1001171805.....211, 213	1001181585 ..... 203, 205	1001189318 ..... 217	1001196396.....221
1001171806.....370, 374, 395	1001181707 ..... 363, 379	1001189327 ..... 688, 692, 696, 700, 704, 708, 712, 716, 720	1001196397.....221
1001171807 ..... 354, 358, 367	1001181893 ..... 363, 379	1001189328 ..... 688, 692, 696, 700, 704, 708, 712, 716, 720	1001196634.....597
1001171873.....429, 455	1001181899 ..... 225, 544, 548, 552	1001189338 ..... 688, 692, 696, 700, 704, 708, 712, 716, 720	1001196636.....576
1001171986.....455	1001181903 ..... 363, 379	1001189488 ..... 552, 621	1001196665.....179, 185
1001172135.....548	1001181956 ..... 344	1001189602 ..... 217	1001196736.....173, 191
1001172136.....548	1001181968 ..... 363, 379	1001189712 ..... 217	1001196806.....704, 708, 712, 720
1001172537 ..... 367, 395	1001181968 ..... 363, 379	1001189715 ..... 217	1001197098.....363, 379
1001172561 ..... 367, 395	1001182091 ..... 345, 349, 363, 379, 583, 629	1001189871 ..... 671	1001197099.....363, 379, 387
1001172658 ..... 17	1001182094 ..... 211	1001189875 ..... 608, 609, 615, 621, 622	1001197233.....181, 183, 235
1001172784.....433, 539	1001182135 ..... 387	1001189877 ..... 616, 621	1001197475.....203, 207
1001173177 ..... 477	1001182255 ..... 203, 205	1001189886 ..... 665, 671, 673	1001198355.....169
1001173217 ..... 367, 395	1001182408 ..... 387	1001190005 ..... 199	1001198684.....475
1001173257 ..... 633, 647	1001182470 ..... 363, 379, 393	1001190007 ..... 199	1001198728.....561
1001173422.....704, 708, 716, 720	1001182514 ..... 387	1001190183 ..... 199	1001199116.....515, 525
1001173535.....183, 229	1001182603 ..... 211	1001190295 ..... 235	1001199135.....515, 525
1001173581 ..... 421, 742	1001182663 ..... 387	1001190341 ..... 21, 23	1001199177.....515, 525
1001173582 ..... 421, 742	1001182723 ..... 395	1001190344 ..... 213	1001199199.....525
1001173841 ..... 429, 461	1001182798 ..... 395	1001190349 ..... 213	1001199205.....515, 525, 742
	1001182798 ..... 395	1001190370 ..... 213	1001199210.....515, 525
	1001182800 ..... 387	1001190371 ..... 213	1001199670.....229
	1001182808 ..... 387	1001190372 ..... 213	1001199737.....746
	1001182810 ..... 387	1001190629 ..... 213	1001199738.....746
	1001182842 ..... 387	1001190630 ..... 213	



## SECTION 13 - SPECIAL OPTIONS/ACCESSORIES/KITS

1001199889 ..... 544, 608	1001209097.....623	1001226856.....583, 585,	1001234216 ..... 565, 603,
1001199951 ..... 229	1001210093.....441	589	605
1001200833 ..... 570, 575	1001210351.....191	1001227066.....587	1001234530 ..... 603
1001200845 ..... 572, 576,	1001210703.....742	1001227068.....587	1001235725 ..... 215
657	1001210776.....572, 576	1001227077 .....239	1001235794 ..... 700, 712
1001201111 ..... 211, 213	1001210777.....572, 576	1001227211 .....513, 515	1001235796 ..... 700, 712
1001201453 ..... 746	1001210778.....572, 576	1001227266.....587	1001235797 ..... 700, 712
1001201454 ..... 746	1001210779.....572, 576,	1001227382.....139	1001235798 ..... 700, 712
1001201455 ..... 746	577	1001227459.....583	1001235799 ..... 700, 712
1001201456 ..... 746	1001210859.....441	1001227508.....465	1001235801 ..... 700, 712
1001201459 ..... 746	1001210860.....441	1001227636.....435, 437	1001235802 ..... 700, 712
1001201460 ..... 746	1001210862.....441	1001227670.....80, 87, 91,	1001235803 ..... 700, 712
1001201658 ..... 344, 348,	1001210863.....441	93, 95, 99, 101, 103,	1001235804 ..... 700, 712
355, 358, 371, 374	1001211278.....696, 708	105, 109, 111, 115,	1001235805 ..... 700, 712
1001201721 ..... 443, 529	1001211516.....117	119, 121, 123, 152, 155	1001236312 ..... 712
1001201734 ..... 441	1001211688.....183	1001227964.....239	1001236313 ..... 700
1001201737 ..... 441	1001211690.....183	1001228872.....229	1001237778 ..... 617
1001201738 ..... 441	1001211697.....183	1001228954.....585, 743	1001237846 ..... 737
1001201752 ..... 633	1001212670.....199	1001228986.....519, 521	1001237847 ..... 647
1001201831 ..... 197	1001213200J.....319	1001229023.....231	1001237853 ..... 647, 649
1001201885 ..... 681	1001213210.....225, 227	1001229024.....231	1001237854 ..... 647, 651
1001201945 ..... 215, 217	1001213574.....561	1001229025.....225, 231	1001238111 ..... 633, 647,
1001201983 ..... 215	1001213885.....747	1001229095.....519	655
1001202189 ..... 351, 361,	1001213938.....215	1001229117 .....225, 229	1001238199 ..... 633, 647,
377	1001214398.....746	1001229210.....229	653
1001202202 ..... 351, 361,	1001215941.....239, 743	1001229458.....581, 742	1001238560 ..... 77, 169
377	1001216291.....23	1001229708.....727	1001238565 ... 71, 73, 75,
1001202247 ..... 239	1001216455.....239, 555	1001230239.....85	77
1001202304 ..... 239	1001218358.....555	1001230241.....85	1001238566 ..... 169
1001202384 ..... 461	1001218659.....688, 704	1001230307 .....704, 720	1001238570 ..... 169
1001202615 ..... 351	1001219045.....441	1001230309 .....708	1001238653 ..... 71
1001202626 ..... 688, 692,	1001219082.....239, 581,	1001230402 .....555	1001238654 ..... 73
696	683	1001230931 .....570, 575	1001238655 ..... 75
1001202627 ..... 688, 692,	1001219211.....692, 696,	1001231397 .....555, 557	1001238893 ..... 746
696, 716, 720	700, 708, 712, 716, 720	1001231398.....555, 571,	1001239179 ..... 483, 495
1001202746 ..... 351, 361,	1001219212.....704	575, 593, 681	1001239181 ..... 483, 499
377	1001219895.....581, 591,	1001231400.....555, 557,	1001239182 ..... 483, 507
1001202904 ..... 155, 157,	683	571, 575, 593, 681	1001239183 ..... 29, 501
159, 161, 163, 165, 167	1001220260.....387	1001231401 .....555, 571,	1001239250 ..... 585
1001203181 ..... 239, 742	1001220468.....581	575	1001239455 ..... 746
1001203503 ..... 169	1001222200.....337	1001231402 .....555, 572,	1001239473 ..... 35
1001203969 ..... 215, 217	1001222203.....337	575	1001239474 ..... 35, 38
1001203970 ..... 215	1001222217.....313	1001231404.....555, 557,	1001239475 ..... 39, 41
1001204032 ..... 239, 527	1001222218.....315	572, 575, 593, 681	1001239476 ..... 39, 43
1001204045 ..... 38	1001222219.....321	1001231406.....555, 571,	1001239477 ..... 39, 45
1001204097 ..... 215, 217	1001222220.....325	593, 681	1001239478 ..... 39, 47
1001204098 ..... 215, 217	1001222221.....319	1001231560.....239, 557	1001239539 ..... 239
1001204099 ..... 215	1001222717.....337	1001231692.....85	1001239734 ..... 111, 115,
1001204362 ..... 370, 374	1001222870.....281	1001231801 .....688, 704	119
1001204692 ..... 661, 671	1001223050.....425, 443	1001232355.....135	1001239958 ..... 605
1001205172 ..... 572, 576,	1001223052.....344, 348,	1001232439.....241	1001239967 ..... 49, 51
643, 657, 743	355, 359, 371, 375, 425	1001232500.....85	1001239988 ..... 746
1001205248 ..... 633, 643,	1001223453.....688, 696,	1001232517 .....31	1001241305 ..... 417
647	704, 708	1001232518.....31	1001241318 ..... 219
1001205264 ..... 633, 647	1001224096.....229	1001232599.....241	1001241368 ..... 47
1001206542 ..... 559	1001224459.....433, 435	1001232624.....241	1001241369 ..... 43
1001206543 ..... 561	1001224467.....435	1001232750.....241, 603	1001241438 ..... 45
1001206956 ..... 239	1001225317.....337	1001233174.....661, 663	1001241480 ..... 45
1001206983 ..... 239	1001226328.....743	1001233217 .....661, 663	1001241482 ..... 219
1001206985 ..... 239	1001226400.....587	1001233236 .....743	1001241541 ..... 43
1001207173 ..... 669	1001226541.....589	1001233434.....661, 663	1001241549 ..... 49
1001207217 ..... 688, 704	1001226636.....589	1001233828.....661	1001241567 ..... 39, 49
1001207218 ..... 692, 716,	1001226637.....589	1001233964.....603, 605,	1001241711 ..... 17
720	1001226795.....439	675	1001241837 ..... 323, 327
1001207606 ..... 147	1001226796.....743	1001233976.....661, 663,	1001241841 ..... 323
1001207963 ..... 344, 348,	1001226799.....585	669	1001241842 ..... 327
355, 358, 371, 375			1001241848 ..... 323

## SECTION 13 - SPECIAL OPTIONS/ACCESSORIES/KITS

1001241849.....327	1001243884 ..... 175, 177, 205	1001246922 ..... 19	1001263011.....311
1001242031.....21	1001243885 ..... 175, 225	1001246923 ..... 19	1001264534.....661, 663
1001242032.....21	1001243886 ..... 177, 183	1001247171 ..... 467, 475	1001264536.....661, 663
1001242035.....21, 23	1001243887 ..... 173, 203	1001247421 ..... 665, 671, 742	1001264554.....344, 348, 354, 359, 371, 375
1001242036.....47	1001243888 ..... 173, 221	1001247654 ..... 475	1001264700.....311
1001242051.....45	1001243889 ..... 177, 223	1001247857 ..... 471, 535	1001264713.....311
1001242070.....43	1001244020 ..... 725	1001248777 ..... 41	1001264844.....681
1001242122.....700, 712	1001244085 ..... 23	1001249695 ..... 747	1001264861.....681
1001242172.....700, 712	1001244277 ..... 219, 221, 223	1001249941 ..... 747	1001265272.....387
1001242173.....700, 712	1001244278 ..... 475	1001250165 ..... 31	1001265679.....661, 663
1001242179.....700, 712	1001244302 ..... 475	1001250505 ..... 483	1001265680.....661, 663
1001242181 ..... 712	1001244306 ..... 453	1001250506 ..... 439	1001265914.....345, 348, 355, 359, 371, 375
1001242203.....41	1001244307 ..... 453	1001250700 ..... 544, 548, 552	1001265979.....661, 663
1001242238.....429	1001244308 ..... 429, 453	1001250718 ..... 47	1001265980.....661, 663
1001242243.....429, 445	1001244357 ..... 429, 447	1001250818 ..... 429, 439	1001265982.....661
1001242303.....41	1001244359 ..... 459	1001251208 ..... 633, 746	1001265987.....661
1001242305.....41	1001244361 ..... 459	1001251270 ..... 633, 635	1001266488.....349, 359, 375
1001242308.....47	1001244504 ..... 433, 437	1001251271 ..... 633, 637	1001268341.....746
1001242309.....47	1001244505 ..... 437	1001251423 ..... 473, 511	1001271586.....627, 629
1001242310.....45	1001244530 ..... 429, 433	1001251426 ..... 473, 475	1001272659.....595
1001242311 ..... 39	1001244577 ..... 29	1001251503 ..... 544, 548, 552, 657	1001272715.....39
1001242316.....47	1001244592 ..... 31	1001252320 ..... 548	1001272997.....597
1001242327.....483	1001244593 ..... 633	1001252321 ..... 544	1001273012.....595, 597
1001242583.....43	1001244594 ..... 633	1001252322 ..... 552	1001273636.....633, 647
1001242608.....39, 51	1001244608 ..... 203, 205	1001252968 ..... 449	1001273850.....413
1001242609.....51	1001244610 ..... 429, 459	1001252969 ..... 449	1001274303.....329
1001242644 ..... 105	1001244616 ..... 203, 205	1001252970 ..... 449	1001274304.....329
1001242682.....61	1001244650 ..... 421	1001252971 ..... 449	1001274305.....329
1001242688.....483, 493	1001244652 ..... 421	1001252986 ..... 317	1001274306.....331
1001242748 ..... 279	1001244653 ..... 421	1001253829 ..... 746	1001274307.....331
1001242749 ..... 279, 285	1001244654 ..... 421	1001254099 ..... 449	1001274439.....723
1001242750 ..... 279, 281	1001244867 ..... 429, 465	1001254386 ..... 469	1001274444.....723
1001242755.....517	1001244871 ..... 465	1001254411 ..... 495	1001274719.....333
1001242909.....523	1001244980 ..... 441	1001254736 ..... 688, 692, 696, 700, 704, 708, 712, 716, 720	1001274720.....333
1001242910.....513	1001245054 ..... 441, 447	1001255574 ..... 493	1001275637.....323, 327
1001242916.....413	1001245057 ..... 447, 477	1001255901 ..... 597	1001275638.....323, 327
1001242920.....29	1001245058 ..... 477	1001255901 ..... 597	1001275841.....91, 93
1001242923.....39, 53	1001245059 ..... 429, 431	1001256519 ..... 344, 348, 354, 359, 370, 375	1001275852.....93
1001242924.....53	1001245060 ..... 431	1001257141 ..... 465, 471	1001275853.....91
1001242925.....469, 533	1001245061 ..... 431	1001258010 ..... 746	1001275931.....349, 359, 375, 401
1001242926.....415	1001245067 ..... 445	1001258100 ..... 417	1001275933.....399, 405
1001242927.....704	1001245068 ..... 445	1001258244 ..... 405	1001275934.....344, 354, 370, 399
1001242928.....708	1001245070 ..... 465	1001258245 ..... 405	1001276666.....119
1001242929.....716	1001245093 ..... 483	1001258779 ..... 39	1001276920.....595
1001242930.....688	1001245158 ..... 459	1001258911 ..... 38, 509	1001276923.....746
1001242931.....696	1001245213 ..... 31, 285	1001258991 ..... 563	1001277290.....111
1001242948.....27, 29	1001245214 ..... 31, 285	1001259206 ..... 131	1001277338.....115
1001242959.....27, 31	1001245215 ..... 31, 285	1001259304 ..... 723	1001278571.....123
1001242960.....27	1001245474 ..... 729	1001259417 ..... 723	1001278908.....137
1001242986.....197	1001245475 ..... 731	1001259635 ..... 317	1001280231.....387, 746
1001242996.....39, 63	1001245478 ..... 203, 205	1001260509 ..... 677	1001280661.....599, 601
1001243025.....63	1001245478 ..... 203, 205	1001260645 ..... 746	1001281475.....746
1001243026.....63	1001245478 ..... 203, 205	1001261688 ..... 746	1001282050.....451
1001243183.....746	1001245478 ..... 203, 205	1001261689 ..... 746	1001282260.....683
1001243184.....746	1001245478 ..... 203, 205	1001261690 ..... 746	1001284403.....345, 349, 355, 359, 371, 375, 627, 629, 631
1001243219.....63	1001245478 ..... 203, 205	1001261691 ..... 746	1001284433.....67
1001243411 ..... 469, 475	1001245478 ..... 203, 205	1001261692 ..... 746	1001284436.....65
1001243412 ..... 429, 475	1001245478 ..... 203, 205	1001262057 ..... 725	1001284447.....67
1001243577 ..... 746	1001245478 ..... 203, 205	1001262058 ..... 723	1001284459.....65
1001243783.....175	1001245478 ..... 203, 205	1001262231 ..... 746	
1001243879.....177	1001245478 ..... 203, 205	1001262322 ..... 583	
1001243880.....173	1001245478 ..... 203, 205	1001262327 ..... 583	
1001243881 ..... 175, 219	1001245478 ..... 203, 205		
1001243882 ..... 173, 175, 197	1001245478 ..... 203, 205		
1001243883 ..... 177, 199	1001245478 ..... 203, 205		
	1001246737 ..... 355, 359, 361		
	1001246738 ..... 371, 375, 377		

## SECTION 13 - SPECIAL OPTIONS/ACCESSORIES/KITS

1001284460 ..... 65, 67	10700681 ..... 141	1319602.....255, 257, 259, 261, 263, 265	1319686 ..... 271
1001284461 ..... 67	10719267 ..... 197	1319603.....255, 257, 259, 261, 263, 265	1319687 ..... 271
1001284542 ..... 570	10725554 ..... 289, 301	1319604.....255, 257, 259, 261, 263, 265	1319688 ..... 271
1001284865 ..... 663	10725627 ..... 295, 307	1319605.....255, 257, 261	1319689 ..... 271
1001284866 ..... 665	10727374 ..... 425	1319606.....255, 257, 261	1319690 ..... 271
1001284867 ..... 23	10728823 ..... 441	1319607.....255	1319691 ..... 271
1001284883 ..... 665	10731702 ..... 249	1319608.....255, 265	1319692 ..... 271
1001284884 ..... 663	10731709 .. 271, 272, 275	1319609.....255	1319693 ..... 271
1001286534 ..... 121	10731744 ..... 253	1319610.....255	1319694 ..... 271
1001287742 ..... 91, 93	10731748 ..... 249	1319611.....255	1319695 ..... 271
1001287803 ..... 683	10731751 ..... 249	1319612.....255, 257, 259, 261, 263, 265	1319696 ..... 271, 275
1001288143 ..... 285, 287, 289, 291, 295, 297	10731845 .. 255, 257, 261	1319613.....257	1319697 ..... 271
1001288404 ..... 593, 599, 601	10731913 ..... 251	1319614.....257	1319698 ..... 271
1001288418 ..... 67	10731959 ..... 267	1319615.....257, 261, 263	1319699 ..... 271
1001288679 ..... 349, 359, 375, 681	10732063 ..... 271, 275	1319616.....259	1319700 ..... 271
1001288820 ..... 599, 601	10732064 ..... 271	1319617.....259, 263, 265	1319701 ..... 271
1001289479 ..... 661, 663	10732071 ..... 269	1319618.....259, 263, 265	1319702 ..... 271, 275
1001289539 ..... 345, 349, 355, 359, 371, 375	10732072 ..... 269	1319619.....259	1319703 ..... 271, 275
1001289648 ..... 599, 601	10732095 ..... 249	1319620.....259, 263, 265	1319704 ..... 271
1001289822 ..... 599	10732150 ..... 21, 23	1319621.....259, 263, 265	1319705 ..... 271
1001290427 ..... 593	10837928 ..... 533	1319622.....259, 263, 265	1319707 ..... 271, 275
1001290491 ..... 601	10839156 ..... 267	1319623.....259, 263, 265	1319710 ..... 275
1001290540 ..... 348	1101312 ..... 201, 742	1319624.....259, 263, 265	1319711 ..... 275
1001290546 ..... 374	1101313 ..... 201, 742	1319625.....259, 263, 265	1319712 ..... 275
1001290547 ..... 358	1101841 ..... 283	1319626.....259, 263, 265	1319713 ..... 275
1001291056 ..... 599, 601	1170012 ..... 107	1319627.....259, 263, 265	1319714 ..... 275
1001291397 ..... 746	1170021 ..... 107	1319628.....259, 263, 265	1319715 ..... 275
1001292279 ..... 344, 348, 354, 358, 370, 375	1170024 ..... 113	1319629.....259, 263, 265	1319717 ..... 275
1001292608 ..... 67	1319203 ..... 249	1319630.....259, 263, 265	1319718 ..... 277
1001293182 ..... 121, 491	1319204 ..... 249	1319631.....259, 263, 265	1319719 ..... 277
1001294608 ..... 663	1319205 ..... 249	1319632.....259, 263, 265	1319720 ..... 277
1001294815 ..... 727	1319209 ..... 249	1319633.....259, 267	1319721 ..... 277
1001296148 ..... 633	1319210 ..... 249	1319634.....261	1319722 ..... 277
1001296957 ..... 720	1319211 ..... 249	1319635.....261	1319723 ..... 277
1001296958 ..... 692	1319213 ..... 249	1319636.....261, 263, 265	1319724 ..... 277
1001299236 ..... 579	1319557 ..... 251	1319637.....263	1319725 ..... 277
1001299369 ..... 544, 548, 552, 575	1319558 ..... 251	1319638.....263, 265	1319726 ..... 277
1001299548 ..... 344, 348, 354, 358, 370, 374	1319563 ..... 251	1319639.....265	1320022 ... 217, 344, 348, 354, 358, 370, 374
1001301599 ..... 121	1319565 ..... 251	1319641.....267	1320032 ..... 229
1001301600 ..... 121	1319566 ..... 251	1319643.....267	1321094 .... 185, 187, 189
1001301624 ..... 351, 361, 377	1319569 ..... 253	1319644.....267	1322039 .... 185, 187, 189
1001301880 ..... 544, 548, 552, 579	1319570 ..... 253	1319646.....267	1322040 .... 185, 187, 189
1001302359 ..... 467, 531	1319571 ..... 253	1319647.....267	1600429 ... 344, 348, 354, 358, 370, 374, 743
1001302410 ..... 663	1319574 ..... 253	1319648.....267	1701509 ..... 77
1001302422 ..... 599, 601	1319575 ..... 253	1319649.....267	1701640 ... 688, 692, 696, 700, 704, 708, 712, 716, 720
1001305569 ..... 633, 647	1319576 ..... 253	1319650.....269	1702300 ... 688, 692, 696, 700, 704, 708, 712, 716, 720
1001315050 ..... 599, 601	1319577 ..... 253	1319651.....269, 271	1702773 ..... 71, 73, 75
1010278300 ..... 285, 299, 301, 303, 307, 309	1319582 ..... 253, 277	1319661.....269, 271	1704277 ..... 77
10139087 . 688, 692, 696, 700, 704, 708, 712, 716, 720	1319583 ..... 253	1319670.....271, 275	1704885 ..... 71, 73, 75
1023036000 ..... 281	1319584 ..... 253	1319671 ..... 271	1706098 .... 692, 716, 720
10268515 ..... 199, 201	1319585 ..... 253, 277	1319673.....271	1706279 .... 692, 716, 720
10268516 ..... 199	1319586 ..... 253	1319674.....271	1706281 .... 692, 716, 720
1060379 ..... 77	1319587 ..... 253	1319675.....271	1706282 .... 692, 716, 720
1060626 ..... 565, 675	1319590 ..... 253	1319676.....271	1706284 .... 692, 716, 720
1062255 ..... 121	1319591 ..... 255	1319677.....271	1706285 .... 692, 716, 720
	1319592 ..... 255	1319678.....271	1706288 .... 692, 716, 720
	1319593 ... 255, 257, 259, 261, 263, 265	1319679.....271	1706296 ..... 688, 704
	1319594 ... 255, 257, 259, 261, 263, 265	1319680.....271	1706298 ..... 688, 704
	1319595 ... 255, 257, 259, 261, 263, 265	1319681.....271	1706299 ..... 688, 704
	1319596 .... 255, 257, 261	1319682.....271	1706300 ..... 688, 704
	1319600 ... 255, 257, 259, 261, 263, 265	1319683.....271	1706301 ..... 688, 704
	1319601 ... 255, 257, 259, 261, 263, 265	1319684.....271	
		1319685.....271	

## SECTION 13 - SPECIAL OPTIONS/ACCESSORIES/KITS

1706302.....169	2340037 ..... 125	3520198 ..... 77	631, 645, 657, 669,
1706306.....688, 704	2340038 ..... 133	3740080 ... 239, 572, 577,	679, 681
1706768.....688, 704	2340039 ..... 129	593, 681, 743	4460465....555, 557, 570,
1706850.....688, 704	2400060 ... 610, 618, 623	3760170 ..... 77	571, 575, 576, 589,
1706892.....71	2400066 ..... 618	3790152 ..... 239	593, 608, 609, 610,
2080040.....77	24921332 ..... 221, 223	3820020 ..... 77	614, 615, 616, 617,
2110606.... 111, 115, 119	2600281 ..... 77	3841203 .... 111, 115, 119	621, 622, 623, 625,
2130808.... 111, 115, 119	2713642 ..... 57	3841520 ..... 483	631, 645, 657, 669, 681
2131210.....245	2716665 ..... 465	3930610 ... 344, 348, 354,	4460466....555, 557, 570,
2131212....203, 205, 245	2716673 ..... 433	358, 370, 374	571, 579, 589, 591,
2172106.... 111, 115, 119	2716675 ..... 461	3931012 ... 661, 663, 665,	593, 608, 609, 610,
2180798.....199	2716686 ..... 461	671	614, 616, 617, 618,
2220218.....213	2716688 ..... 461	4031608 ..... 241	621, 623, 625, 645,
2220239.....515, 525	2716691 ..... 461	4060803 ..... 363, 379	657, 669
2220371....451, 461, 467,	2716709 ..... 29	4060804 ..... 17	4460475....555, 567, 608,
469, 471	2716715 ..... 445	4060805 ..... 17	610, 614, 617, 621,
2220372.....471	2717283 ..... 109, 487	4060806 ... 344, 348, 354,	622, 657
2220373....445, 467, 471,	2900770 ..... 501	358, 370, 374	4460476....567, 610, 617,
479	2910996 ..... 746	4100181 ... 688, 692, 696,	622
2220374....465, 469, 675	2940074 ..... 77, 742	700, 704, 708, 712,	4460508....571, 576, 643,
2220375....461, 515, 525	3020039 ... 35, 38, 41, 43,	716, 720	645
2220377.....469	45, 47	4105262 ..... 61	4460509.....643, 653
2220385....441, 445, 465,	31200160 ..... 71	4107442 ... 688, 692, 696,	4460518....555, 591, 593
467	31200386 ..... 75	700, 704, 708, 712,	4460536.....571, 575
2220415.....121, 459	31200387 ..... 73	716, 720	4460539....555, 593, 631,
2220451.....469	31200388 ..... 73	4107971 ..... 688, 704	669
2220468.....121	3251813 ... 688, 692, 696,	4108302 ... 688, 692, 696,	4460608....608, 610, 614,
2220472.....469	700, 704, 708, 712,	700, 704, 708, 712,	617, 622
2220473....29, 121, 461,	716, 720	716, 720	4460742....555, 653, 655,
469	3290401 ..... 599, 601	4110422 ... 85, 87, 89, 91,	657
2220474.....471, 539	3290501 ..... 241	93	4460744....608, 615, 621
2220497.....469	3290505 ... 239, 581, 683	4240032 ... 583, 585, 595,	4460746....571, 576, 616
2220498.....675	3290601 ... 169, 544, 548,	599, 601, 661, 663	4460761....555, 570, 575
2220499.....515, 525	552	4240099 .... 179, 181, 183	4460789.....653, 655
2220500....38, 435, 437,	3290605 ... 211, 213, 367,	4360569 ... 344, 348, 354,	4460790....571, 576, 643
471, 479, 539	395, 544, 552	358, 370, 374	4460809.....555
2220501.....461	3290801 ... 219, 387, 544,	4360690 ... 344, 348, 354,	4460836.....570, 575
2220577.....515, 525	548, 552	358, 370, 374, 743	4460850....608, 614, 621
2220578.....38	3290805 ... 183, 225, 367,	4420037 ..... 21, 23, 519	4460871.....570
2220582.....451, 469	395	4460019 ... 609, 610, 616,	4460872.....570
2220596....445, 467, 469	3291007 ..... 91, 93	617, 621, 622, 623	4460884....570, 575, 610,
2220600.....467	3291205 ..... 211	4460042 .... 609, 614, 622	614, 617, 623, 645
2220603.....473, 479	3300240 ... 107, 111, 113,	4460142 ..... 623	4460891....555, 570, 571,
2220605.....425, 437	115, 117, 119	4460183 ..... 673	575, 576, 593, 608,
2220606.....469	3300429 ..... 515, 525	4460234 ... 583, 585, 661,	609, 614, 615, 616,
2220622.....675	3311401 ... 203, 205, 344,	663	621, 622, 631, 657, 681
2220635....435, 459, 465,	348, 354, 358, 370,	4460247 .... 610, 617, 623	4460894....589, 593, 645
467, 515, 525	374, 661, 663	4460256 .... 609, 615, 622	4460897....593, 631, 679,
2220651.....38	3311405 ..... 67, 77	4460268 ..... 625	681
2220654.....437	3311502 ..... 169	4460312 ... 570, 575, 610,	4460899.....593
2220695.....461	3311601 ..... 47	616, 617, 623	4460905.....570
2220700.....675	3311605 ..... 561	4460321 ..... 555	4460930....557, 570, 571,
2220726.....467	3331615 .... 179, 181, 183	4460326 ..... 625	575, 576, 593
2220738.....469	3340829 ..... 67	4460419 ... 570, 575, 593,	4460931....555, 608, 614,
2220819.....469	3391410 ..... 169	631, 645, 653, 679	621, 645
2220828.....469	3421453 ..... 77	4460457 ... 567, 653, 655,	4460932.....597
2220878.....469	3423226 ..... 35	657	4460933....571, 575, 591,
2220883.....535	3423227 ..... 483	4460458 ... 555, 567, 571,	593, 625, 645, 669
2220885.....535	3423242 ..... 113, 115	576, 593, 608, 609,	4460941.....645, 657
2220947.....473	3423248 ..... 31	610, 614, 615, 616,	4460942....570, 625, 645
2220950.....539	3423254 ..... 285	617, 621, 622, 623,	4460944.....591
2220998.....469	3423275 ..... 107, 111	631, 657, 673	4460945.....555
2221027.....39	3423276 .... 117, 119, 121	4460459 ..... 567	4460950.....625
2221042.....539	3423307 .... 111, 115, 119	4460464 ... 555, 557, 570,	4460955....609, 615, 616,
2221344.....425	3440620 ..... 85	571, 575, 579, 587,	622
2230025.....38	3520030 ..... 21, 23	589, 591, 593, 597,	4460970....570, 571, 575,
2230044.....431	3520072 ..... 77	608, 614, 621, 625,	576, 579, 657, 669

## SECTION 13 - SPECIAL OPTIONS/ACCESSORIES/KITS

4460994 .... 570, 575, 679	5251014 ... 344, 348, 354, 358, 370, 374	70021977 ..... 87, 89	70023507 ..... 535
4461006 ..... 616, 617	5724622 ..... 47	70021978 ..... 87, 89	70023508 ..... 535
4461017 ... 571, 576, 643, 645	5746411 ..... 41	70021979 ..... 87, 89	70023736 .. 185, 187, 189
4461018 ..... 643, 653	70002219 ..... 505	70021980 ..... 95	70023829 ..... 292, 304
4461070 ... 570, 591, 593, 616, 617, 623	70002224 ..... 505	70021981 ..... 95	70023885 ..... 253, 277
4461077 ..... 593	70003738 ..... 511	70021982 ..... 95	70023925 ..... 80
4461095 ... 609, 616, 617, 623	70003849 ..... 505	70022008 ..... 533	70023933 ..... 185, 187
4461103 .... 572, 577, 657	70006285 .. 499, 501, 507	70022014 ..... 533	70024016 .. 185, 187, 189
4461157 ... 608, 614, 621, 657	70010239 ..... 747	70022028 ..... 87, 89	70024020 ..... 505
4520356 ..... 317	70020002 ..... 105, 109	70022140 ..... 289, 301	70024059 ..... 87, 89
4520527 ..... 315	70020004 ..... 159	70022527 ..... 87, 89, 95	70024060 ..... 89
4640438 ..... 501	70020028 ..... 105, 109	70022528 ..... 87, 89	70024062 ..... 83
4641122 ..... 317	70020375 ..... 497	70022529 ..... 87, 89	70024123 ..... 152
4710600 ... 344, 348, 355, 358, 371, 374	70020425 ..... 269	70022634 ... 185, 187, 189	70024129 ..... 503, 537
4711000 ..... 661, 663	70020426 ..... 269	70022650 ..... 529	70024130 ..... 537
4711400 .... 77, 203, 205, 363, 379, 544, 548, 552, 559, 661, 671	70020427 ..... 275	70022871 ..... 746	70024146 ..... 291, 303
4711500 ... 179, 181, 203, 205, 387	70020430 ..... 267	70022872 ..... 746	70024147 ..... 291, 303
4711600 .... 61, 213, 544, 548, 552, 561	70020431 ..... 267	70022931 ..... 80	70024152 ..... 515, 525
4740362 ..... 203, 205	70020555 ..... 147, 149	70022932 ..... 80	70024186 ..... 511
4750800 ..... 417	70020562 ..... 95	70022934 ..... 80	70024189 ..... 511
4751400 ..... 229, 387	70020652 ..... 393	70022935 ..... 81	70024202 ..... 533
4761400 ... 344, 348, 354, 358, 370, 374, 659	70020743 ..... 529	70022936 ..... 80	70024210 ..... 295, 307
4761500 ..... 179, 181	70020745 ..... 529	70022937 ..... 80	70024213 ..... 295
4811400 . 91, 93, 99, 101, 103, 111, 115, 119, 121	70020867 ..... 539	70022939 ..... 81	70024215 ..... 295
4811600 ... 213, 239, 241, 417, 581, 683	70020876 ..... 381	70022942 ..... 80	70024216 ..... 307
4811700 ... 169, 179, 181, 183, 211, 229, 367, 395, 548, 633	70021342 ..... 89, 95	70022946 ..... 81	70024253 ..... 608, 614
4811702 ... 183, 367, 395, 544, 552	70021349 ..... 87, 89	70022949 ..... 80, 81	70024254 ..... 608, 614
4811900 ... 219, 221, 223, 225, 367, 395, 544, 548, 552	70021351 ..... 105	70022950 ..... 80	70024255 ..... 608, 614
4811902 .... 183, 197, 337	70021358 ..... 95	70022952 ..... 80	70024256 ..... 608, 614
4812000 .... 39, 183, 191, 193, 211, 219	70021359 ..... 95	70022957 ..... 80	70024262 ..... 505
4812002 ..... 563	70021360 ..... 95	70022960 ..... 80	70024306 ..... 143
4812100 ... 179, 181, 183, 211, 219, 221, 223, 235, 544, 548, 552	70021361 ..... 95	70022969 ..... 80	70024307 ..... 143
4812300 .... 179, 181, 183	70021362 ..... 95	70022970 ..... 80	70024407 ..... 511
4812700 ..... 38	70021362 ..... 95	70022980 ..... 81	70024408 ..... 511
4831400 ..... 599, 601	70021364 ..... 95	70022984 ..... 80	70024411 ..... 511
4831600 ..... 241	70021365 ..... 95	70022985 ..... 80	70024412 ..... 511
4831700 ..... 633	70021366 ..... 95	70022987 ..... 80	70024414 ..... 511
4832000 ..... 191, 193	70021367 ..... 95	70022990 ..... 81	70024415 ..... 511
4891500 ..... 221	70021376 ..... 105, 489	70022992 ..... 80	70024416 ..... 511
4891600 ... 197, 199, 219, 221, 223	70021377 ..... 105	70022993 ..... 80	70024425 ..... 402
4891800 .... 111, 115, 119	70021378 ..... 105	70022994 ..... 80	70024538 ..... 152
4892400 ..... 31	70021379 ..... 105	70022995 ..... 80	70024550 ..... 152
5240800 ..... 235, 237	70021382 ..... 105	70022996 ..... 152	70024734 ..... 503
5241000 ..... 91, 93	70021387 ..... 87, 95	70022998 ..... 81	70024848 ..... 295
5242400 ..... 169	70021389 ..... 105	70023000 ..... 152	70024849 ..... 295
	70021391 ..... 95	70023003 ..... 80	70024851 ..... 291
	70021392 ..... 95	70023004 ..... 80	70024855 ..... 385
	70021393 ..... 95, 485	70023005 ..... 80	70024881 . 287, 291, 299, 303
	70021399 ..... 95	70023006 ..... 80	70025337 ..... 301
	70021415 ..... 87, 89	70023007 ..... 80	70025338 ..... 301
	70021440 ... 83, 109, 485, 489	70023008 ..... 80	70025339 ..... 289, 301
	70021444 ..... 485, 489	70023009 ..... 80	70025480 ..... 363, 379
	70021445 ..... 489	70023010 ..... 80	70025561 ..... 291, 303
	70021446 ..... 485, 489	70023014 ..... 80	70025562 . 289, 291, 301, 303
	70021447 ..... 485, 489	70023015 ..... 80	70025606 ..... 505
	70021448 ..... 485, 489	70023016 ..... 80	70025852 ..... 195, 742
	70021451 ..... 485, 489	70023116 ..... 292, 304	70025853 ..... 195, 742
	70021452 ..... 485, 489	70023174 ..... 746	70025857 ..... 291, 303
	70021454 ..... 485	70023404 ..... 253	70025859 ..... 443, 529
	70021464 ..... 485	70023469 ..... 289	70025887 ..... 289, 301
	70021465 ..... 485	70023482 ..... 249	70025897 ..... 511, 743
	70021466 ..... 485	70023483 ..... 249	70025959 ..... 505
	70021613 ..... 307	70023489 ..... 301	70025970 ..... 295
	70021867 ..... 511	70023490 ..... 289, 301	70025982 ..... 533
	70021921 ..... 87, 89	70023493 ..... 301	70026002 ..... 291, 303
	70021935 ..... 87, 89	70023494 ..... 289, 301	
	70021948 ..... 387, 742	70023506 ..... 535	

## SECTION 13 - SPECIAL OPTIONS/ACCESSORIES/KITS

70026036.....	497	70026228..	185, 187, 189	70026605 .....	152	70027276.....	529
70026039.....	497	70026229..	185, 187, 189	70026606 .....	152	70027281.....	185, 189
70026040.....	497	70026230..	185, 187, 189	70026607 .....	152	70027283.....	109
70026041.....	497	70026231..	185, 187, 189	70026608 .....	152	70027317.....	295, 307
70026042.....	497	70026232..	185, 187, 189	70026609 .....	152	70027642.....	105
70026043.....	497	70026233 .....	189	70026610 .....	503	70027693.....	499
70026056.....	505	70026234..	185, 189, 742	70026611 .....	503	70027705.....	227
70026057.....	505	70026235..	185, 187, 189	70026612 .....	537	70027706.....	227
70026058.....	505	70026236 .....	187	70026613 .....	537	70027796.....	295
70026059.....	505	70026237 .	185, 187, 189, 742	70026614 .....	537	70028161...	499, 501, 507
70026060.....	505	70026241 ..	185, 187, 189	70026615 .....	537	70028164.....	493
70026061.....	505	70026244 .....	227	70026616 .....	537	70028388..	287, 291, 299, 303
70026062.....	505	70026245 .....	227	70026617 .....	537	70028389..	287, 291, 299, 303
70026066.....	303	70026247 .....	227	70026618 .....	537	70028391.....	289
70026075.....	207, 209	70026248 .....	227	70026620 .....	537	70028392.....	292, 304
70026076.....	207, 209	70026249 .....	227	70026621 .....	537	70028397.....	303
70026077.....	207, 209	70026262 .....	295	70026622 .....	537	70028397.....	303
70026078.....	207, 209	70026263 .....	295	70026652 .....	533	70028398.....	301
70026079.....	207, 209	70026264 .....	295	70026653 .....	533	70028399.....	301
70026080.....	209	70026347 .....	152	70026698 .....	87, 89	70028450.....	185, 187
70026081.....	207, 209	70026352 .....	393	70026699 .....	83	70028486.....	109
70026082.....	207, 209	70026370 .....	533	70026745 .....	147	70028514.....	527, 742
70026083.....	207, 209	70026376 .....	533	70026746 .....	147	70028515.....	527
70026085.....	742	70026393 .....	195	70026747 .....	83, 307	70028516.....	527
70026088.....	397	70026394 .....	195	70026748 .....	307	70028517.....	527
70026089.....	397	70026401 .....	479	70026770 .....	487	70028519.....	109
70026090.....	397	70026448 .....	747	70026771 .....	487	70028520.....	109
70026091.....	397	70026453 ..	185, 187, 742	70026773 .....	487	70028521.....	109
70026092.....	397	70026470 .....	152	70026774 .....	487	70028522.....	109
70026093.....	397	70026471 .....	152	70026775 .....	487	70028523.....	109
70026097.....	423	70026472 .....	152	70026800 .....	189	70028524.....	109
70026098.....	423	70026473 .....	152	70026801 .....	189, 742	70028525.....	109
70026100.....	385	70026476 .....	152	70026854 .....	381	70028526.....	109
70026101.....	385	70026478 .....	537	70026944 .....	83	70028527.....	109
70026102.....	385	70026481 .....	152	70026945 .....	381	70028528.....	109
70026103.....	385	70026482 .....	152	70026946 .....	83	70028529.....	109
70026104.....	385	70026495 .....	503	70026948 .....	83	70028530.....	109
70026105.....	385	70026497 .....	503	70026949 .....	83	70028531.....	109
70026106.....	385	70026499 .....	503	70026978 .....	365, 381	70028547.....	443
70026107.....	385	70026500 .....	503	70026979 .....	381	70028554.....	123
70026108.....	385	70026501 .....	152, 503	70026980 .....	381	70028779.....	381
70026109.....	385	70026502 .....	503	70026981 .....	365, 381	70028780.....	381
70026110.....	385	70026503 .....	503	70026982 .....	365, 381	70028781.....	381
70026111.....	381, 385	70026503 .....	503	70026983 .....	365, 381	70028782.....	381
70026112.....	385	70026506 .....	503	70026984 .....	381	70028886.....	287, 299
70026113.....	385	70026506 .....	503	70026985 .....	382	70028890.....	291, 303
70026114.....	385	70026564 .....	535	70026986 .....	381, 743	70028891.....	291, 303
70026115.....	385	70026582 .....	539, 742	70026987 .....	381	70028922.....	292, 303
70026116.....	385	70026585 .....	152	70026988 .....	381	70028923.....	292, 303
70026117.....	385	70026586 .....	152	70026989 .....	381	70028924.....	291, 303
70026118.....	385	70026587 .....	152, 503	70026990 .....	381	70028926.....	291, 303
70026118.....	385	70026588 .....	152	70026991 .....	365, 382	70028938.....	299
70026119.....	385	70026589 .....	152, 537	70027009 .....	87	70028939.....	287, 299
70026120.....	385	70026590 .....	152	70027022 .....	295, 307	70028947.....	309
70026121.....	385	70026591 .....	152	70027024 .....	399, 401	70028948.....	297, 309
70026122.....	385	70026592 .....	152	70027026 .....	399, 401	70028949.....	297, 309
70026123...	365, 382, 385	70026593 .....	152	70027027 .....	399	70028950.....	297, 309
70026124.....	382, 385	70026594 .....	152	70027028 .....	399	70028951.....	297, 309
70026133.....	533	70026595 .....	152	70027030 .....	399, 402	70028952.....	297, 309
70026216.....	625	70026596 .....	152	70027032 .....	399, 402	70028972.....	401
70026217...	610, 617, 625	70026597 .....	152	70027033 .....	399, 402	70028974.....	287, 299
70026220.....	185, 187	70026598 .....	152	70027035 .....	399, 402	70028975.....	291, 303
70026221.....	185	70026599 .....	152	70027092 .....	295	70029454.....	291, 303
70026222.....	185, 189	70026600 .....	152	70027094 .....	207	70029482.....	287, 299
70026223.....	187	70026601 .....	152	70027105 .....	301	70029483.....	301
70026224...	185, 187, 189	70026602 .....	152	70027134 .....	533	70029484.....	291
70026225...	185, 187, 189	70026603 .....	152	70027275 .....	529		
70026226...	185, 187, 189	70026604 .....	152				

## SECTION 13 - SPECIAL OPTIONS/ACCESSORIES/KITS

70029485 .....	291	70029741 ..	159, 161, 163	70029832.....	365, 381	70030281 .....	381
70029486 .....	291, 303	70029742 .....	157, 159	70029833.....	365, 381	70030317 .....	187
70029488 .....	303	70029743 ..	157, 159, 161	70029834.....	365, 382	70030347 .....	187
70029489 .....	303	70029744 .....	163	70029835.....	365, 382	70030365 .....	291
70029544 .....	291	70029745 .....	159	70029836.....	365, 382	70031046 .....	291
70029545 .....	292, 304	70029746 .....	161, 163	70029837.....	365, 382	70031148 .....	185
70029559 .....	495	70029747 .....	157, 159	70029838.....	365, 382	70031325 .....	491
70029560 .....	495	70029748 .....	163	70029839.....	365, 382	70031326 .....	491
70029561 .....	495, 509	70029749 .....	161, 163	70029840.....	365, 382	70031327 .....	491
70029562 .....	495	70029750 .....	157	70029841.....	365, 382	70031328 .....	491
70029563 .....	495	70029751 .....	159	70029842.....	365, 382	70031329 .....	491
70029564 .....	495	70029752 .....	159	70029843.....	365, 382	70031350 .....	187
70029565 .....	495	70029753 .....	167	70029844.....	365	70031351 .....	187
70029566 .....	495	70029754 .....	167	70029850.....	303	70031352 .....	187
70029567 .....	509	70029755 .....	159	70029851.....	303	70031380 .....	187
70029568 .....	509	70029756 .....	157, 159	70029852.....	307	70031394 .....	381
70029569 .....	509	70029757 .....	159	70029874.....	533	70031395 .....	381
70029570 .....	509	70029758 .....	167	70029883.....	499	70031396 .....	381
70029571 .....	509	70029759 .....	167	70029884.....	499	70031397 .....	381
70029572 .....	509	70029760 .....	159	70029885.....	499, 507	70031398 .....	381
70029573 .....	509	70029761 .....	161	70029886.....	499	70031402 .....	381
70029574 .....	493	70029762 .....	157, 159	70029887.....	499	70031403 .....	381
70029575 .....	493	70029763 .....	163	70029888.....	499	70031404 .....	381
70029576 .....	493	70029764 .....	159	70029893.....	507	70031405 .....	381
70029577 .....	493	70029765 .....	159	70029894.....	507	70031406 .....	381
70029578 .....	493	70029766 .....	159	70029895.....	507	70031413 .....	382
70029579 .....	493	70029767 .....	159	70029896.....	501	70031414 .....	382
70029589 .....	495	70029768 .....	159	70029897.....	501	70031420 .....	382
70029590 .....	493, 509	70029769 .....	161	70029898.....	501	70031421 .....	382
70029704 .....	167	70029770 .....	163	70029974.....	501	70031422 .....	382
70029705 .....	167	70029771 .....	161	70029981.....	381	70031442 .....	152
70029706 .....	167	70029772 .....	161	70029984.....	382	70031443 .....	109
70029707 .....	167	70029773 .....	159	70030001.....	533	70031444 .....	105
70029708 .....	167	70029774 .....	159	70030002.....	533	70031445 .....	87, 89
70029709 .....	167	70029775 .....	159	70030003.....	533	70031446 .....	95
70029710 .....	167	70029776 .....	159	70030004.....	533	70031448 .....	152
70029711 .....	167	70029777 .....	157, 159	70030005.....	533	70031449 .....	291
70029712 .....	167	70029778 .....	159	70030006.....	533	70031717 .....	661, 663
70029713 .....	167	70029779 .....	159	70030007.....	533	70031722 .....	123
70029714 .....	167	70029780 .....	157, 159	70030008.....	533	70031723 .....	123
70029715 .....	167	70029781 .....	157, 159	70030009.....	533	70031912 .....	289
70029716 .....	167	70029782 .....	165	70030010.....	533	70031913 .....	289
70029717 .....	161	70029783 .....	165	70030011.....	533	70031914 .....	289
70029718 .....	161	70029784 .....	159	70030012.....	533	70031915 .....	289
70029719 .....	161	70029785 .....	157	70030013.....	533	70031916 .....	291
70029720 .....	159	70029786 .....	159	70030014.....	533	70031917 .....	291
70029721 .....	159	70029787 .....	163	70030015.....	533	70031918 .....	291
70029722 .....	159	70029788 .....	159	70030016.....	533	70031919 .....	291
70029723 .....	159	70029789 .....	161, 163	70030017.....	533	70031920 .....	297
70029724 .....	159	70029790 .....	159	70030018.....	533	70031921 .....	297
70029725 .....	157, 159	70029791 .....	167	70030019.....	533	70032194 .....	401
70029726 .....	159	70029792 .....	157	70030020.....	533	70032195 .....	402
70029727 .....	165	70029793 .....	159	70030021.....	533	70032196 .....	402
70029728 .....	159	70029794 .....	157, 159	70030022.....	533	70032197 .....	401, 402
70029729 .....	159	70029795 .....	167	70030023.....	533	70032198 .....	402
70029730 .....	165	70029796 .....	167	70030024.....	289	70032199 .....	401
70029731 .....	165	70029798 .....	535	70030026.....	459	70032200 .....	401
70029732 .....	159, 167	70029822 .....	365, 381	70030037.....	459	70032201 .....	401
70029733 .....	167	70029823 .....	365, 381	70030038.....	533	70041616 ..	185, 187, 189
70029734 ..	157, 159, 167	70029824 .....	365, 381	70030039.....	533	70041617 ..	185, 187, 189
70029735 .....	157, 159	70029825 .....	365	70030040.....	533	70041619 ..	185, 187, 189
70029736 .....	159	70029826 .....	365	70030041.....	533	70041620 ..	185, 187, 189
70029737 .....	167	70029827 .....	365, 381	70030141.....	105	7012903 .....	507
70029738 .....	157, 159	70029828 .....	365, 381	70030142.....	105	7024441 .....	515, 525
70029739 ..	157, 159, 161, 163	70029829 .....	365, 381	70030143.....	105	7024939 .....	511
70029740 .....	157	70029830 .....	365	70030144.....	105	7024943 .....	511
		70029831 .....	365	70030145.....	105	7024944 .....	511

## SECTION 13 - SPECIAL OPTIONS/ACCESSORIES/KITS

7024953.....511	7116691 ..... 59	80204144 ..... 297, 309	80363179.....625
7024954.....511	7116733 ..... 45, 59	8024033 ..... 746	80364095.....423
7026404.....610, 616	7116812 ..... 59	80241137 ..... 19	8036502.....746
7026758....255, 257, 259, 261, 263, 265	7117031 ..... 41	80264138 ..... 423	8036580.....507
7026759....255, 257, 259, 261, 263, 265	7117502 ..... 45	80304405 ..... 251	8036581.....507
7026760....255, 257, 259, 261, 263, 265	7118892 ..... 38	80334277 ..... 511	8036582.....507
7026798.....399, 402	7124301 ..... 17	8033786 ..... 491	8036726.....365, 381
7027273.....267	7124451 ..... 17	8034697 ..... 533	8036732.....501
7028714.....291, 303	7124471 ..... 17, 633, 647	8034815 ..... 391	8036733.....487
7028716.....291, 303	7124491 ..... 29	8035109 ..... 283	8036747.....746
7028739.....746	7125801 ..... 29	8035281 ..... 507	8037109.....533
7029037.....269, 271	7125811 ..... 41	8035282 ..... 507	80373094.....201
7029039.....271	7125871 .... 179, 181, 183	8035321 ..... 509	80384207.....391
7029127.....309	7138468 ..... 47	8035326 ..... 746	80384213.....391
7029246.....507, 743	7138634 ..... 245	8035327 ..... 509	80384218.....363, 379
7029288.....287, 299	7138833 ... 344, 348, 354, 358, 370, 374	8035347 ..... 533	80384445 ..... 389
7029309.....291	7138836 ... 344, 348, 354, 358, 370, 374	8035382 ..... 533	8050001.....17, 285
7029311.....291, 303	7138878 ... 344, 348, 354, 358, 370, 374	8035393 ..... 391	80604016.....625
7029412.....381	7138882 ..... 341	8035409 ..... 391	80604017.....679
7029413.....381	7138944 ... 344, 348, 354, 358, 370, 374	8035411 ..... 391	80604018..608, 609, 614, 615, 616, 621, 622
7029415.....381	7138958 ..... 363, 379	8035493 ..... 393	80604021...610, 614, 623
7029417.....277	7138977 ..... 43	8035498 ..... 393	80604024.....614, 621
7029520.....149	7138986 ..... 43	8035499 ..... 393	80623016.....439
7029521.....149	7139032 ..... 53, 55	8035500 ..... 393	80634004.....511
7029532....257, 259, 267	7139047 ..... 21, 23	8035523 ..... 389	8065062.....121
7029533....257, 259, 267	7139077 ... 515, 525, 742	8035536 ..... 497	8065063.....29
7029690.....123	7139407 ..... 21, 23	8035720 ..... 746	8065640.....17, 47
7029691.....123	7139416 ..... 53, 55	8035781 ..... 507	8065641.....17
7029692.....89, 95	7139504 ..... 445	8035807 ... 344, 348, 354, 358, 374, 742	80963061.....571, 576
7029711.....105	7139505 ..... 445	8036021 ..... 249	80963062...608, 614, 621
7029714.....95	7139692 ..... 38, 55	8036022 ..... 249	80963067..608, 614, 616, 621
7029734.....295, 307	7150680 ..... 637	8036023 ..... 251	80983168.....633
7029735.....295, 307	7150681 ..... 635	8036024 ..... 253	8124138.....53, 55
7029786.....307	7150685 ..... 633, 639	8036025 ..... 253	8127024.....55
7029787.....295	7150690 ..... 635, 637	8036026 ..... 253	82033997.....363, 379
7029860.....391	7150699 ..... 633, 639	8036027 ..... 253	8220007.....679
7054351.....245	7150702 ..... 639	8036028 ..... 253	8220035.....557, 679
7057141.....203, 205	7150703 ..... 641	8036029 ... 257, 259, 261, 263, 265	8220051....571, 575, 645, 679
7062922.....121	7150716 ..... 633, 641	8036030 ..... 267	8220058....610, 617, 622
7079572....41, 43, 45, 47	7150717 ..... 633, 641	8036031 ..... 267	8220081....571, 576, 608, 610, 615, 617, 621, 622, 653
7082311....41, 43, 45, 47	7300435 ... 179, 181, 183	8036032 ..... 267	8220089....571, 576, 616, 643
7082342....41, 43, 45, 47	7300672 ..... 47	8036033 ..... 269	8220097....571, 576, 608, 614, 621
7082362....41, 43, 45, 47	7300673 ..... 47	8036036 ..... 271	8220098....576, 608, 614, 621
7083992.....38	7300674 ..... 47	8036038 ..... 271	8220108.....557
7085571.....63	7300675 ..... 47	8036039 ..... 271	8220124...608, 610, 614, 617, 621, 622, 623, 625
7090871.....29	7301265 ..... 370, 374	8036040 ..... 271	8220125....571, 576, 616
7090891.....29	77133133 ..... 367, 395	8036041 ..... 277	8220160.....610, 616
7095352.....38	77133134 ..... 367, 395	8036042 ..... 277	8220164....609, 616, 622
7095522.....38	80204002 ..... 287, 299	8036050 ... 363, 379, 389	8220366.....615
7096552.....38	80204005 ..... 291, 303	8036056 ... 363, 379, 391	8220375.....615
7096562.....38	80204012 . 287, 292, 299, 303	8036099 ..... 391	8220536...608, 609, 614, 615, 621, 622
7096772.....47	80204033 ..... 289, 301	8036100 ..... 391	8220889.....609, 615
7096882....41, 43, 45, 47	80204035 ..... 289, 301	8036190 ... 257, 259, 267	8220890.....673
7110172.....41	80204043 ..... 289, 301	8036196 ..... 389	8220895.....625
7110702.....121	80204048 ..... 301	8036197 ..... 389	8220904....570, 575, 593, 631, 653, 657, 679
7110712.....121	80204060 ..... 295	8036198 ..... 389	
7110722.....121	80204065 ..... 291, 303	8036199 ..... 389	
7111572....41, 43, 45, 47	80204071 ..... 291, 303	8036209 ..... 639	
7112452.....38, 57	80204076 ..... 303	8036210 ..... 641	
7112732.....43	80204108 ..... 295	8036212 ..... 639, 641	
7116572.....645	80204117 .. 291, 295, 307	8036213 ..... 639, 641	
7116642.....59	80204143 ..... 297	8036214 ..... 639, 641	
7116652.....59		8036215 ..... 639, 641	
7116662.....59		8036216 ..... 639, 641	
		8036250 ..... 277	



## SECTION 13 - SPECIAL OPTIONS/ACCESSORIES/KITS

8220927 ... 571, 576, 608, 614, 621	8303724 .....245	8307112....344, 348, 354, 358, 363, 370, 374, 379	842005338, 87, 105, 109, 111, 115, 119, 121
8220929 ... 571, 576, 608, 614, 621	8303729 .....21, 23	8307202.....21, 23	842005538, 87, 105, 109, 111, 115, 119, 121
8223025 ..... 633, 743	8303738 ..... 41, 47	8307203..... 17, 43, 445	8430032 ... 425, 467, 469, 473
8223037 ... 344, 348, 354, 358, 370, 374, 743	8303745 ..... 635, 637	8307204....21, 23, 41, 43, 45, 47, 59, 65, 633, 647, 661, 663, 665	8430033 ..... 473
8223038 .... 627, 629, 743	8303757 ... 453, 455, 457	8307206.....59	8430046 ..... 469
8223043 ... 354, 358, 370, 374, 743	8303766 .....453	8307219.....659	8430048 ..... 367, 395
8223044 ... 354, 358, 370, 374, 743	8303771 .... 65, 633, 647, 661, 663, 665	8307222.....199, 421	8466306 ... 688, 692, 696, 700, 704, 708, 712, 716, 720
8223054 ... 344, 348, 354, 358, 370, 374, 743	8303772 ..... 38	8307904.....38, 121	8500203 ..... 633
8223059 .... 633, 647, 743	8303782 ..... 483	8307910.....35	8520001 ... 29, 41, 43, 45, 483
8223060 ..... 633, 743	8303784 ..... 233	8307911.....35	8520003.43, 45, 439, 483
8223073 ..... 633, 742	8303982 ... 344, 348, 354, 358, 370, 374	8307918.....38, 121	8520013 ..... 35, 509
8223232 ..... 245	8304608 ..... 433	8310009....229, 431, 445, 461, 463	8520021 ..... 509
8223536 ..... 27	8305002 ... 544, 548, 552	8310019.....38, 41	8522012 ...29, 31, 55, 483
8229233 ... 572, 576, 742	830500421, 23, 459, 661, 671	8310020.....45	8526007 ..... 233, 497
8229234 ... 557, 572, 576, 742	8305006 ..... 17, 445	8310026.....38, 344, 348, 354, 358, 370, 374	8526011 ..... 497
8229235 ... 555, 572, 577, 742	8305008 ... 203, 205, 453	8310046....544, 548, 552	8526406 ..... 38
8229237 ... 572, 577, 742	8305014 ... 513, 517, 523	8310067.....47, 245	8530030 ..... 475
8229238 ... 572, 577, 742	8305043 ..... 199, 421	8310081.....43	8546407 ..... 465
8229242 ... 610, 618, 742	8305603 ..... 387	8310085....351, 361, 377	8580315 ..... 121
8229243 ..... 657, 742	8305619 ..... 63	8310093.....38	8580420 ..... 21, 23
8229244 ..... 616, 742	8305624 .... 38, 363, 379, 544, 548, 552, 559	8310109.....363, 379	8584001 .... 57, 367, 395, 544, 548, 552, 633, 647, 665, 671
8229245 ..... 643	8305626 .... 47, 344, 348, 354, 358, 370, 374, 563, 633, 635, 637, 647	8310113.....47	8584018 ..... 633, 647
8229261 ... 557, 572, 576, 742	8305638 ..... 387	8310116.....31, 285	8584021 ..... 57
8270620 .... 544, 548, 552	8305643 ... 35, 38, 43, 45, 121	8310160.....121	85841150 ..... 453
8270621 ..... 559	8305644 ... 29, 38, 45, 59, 344, 348, 354, 358, 370, 374, 483	8310161.....121	8630019 ..... 475
8278020 ..... 203, 205	8305645 ... 21, 23, 38, 41, 59, 61, 65, 323, 327, 633, 647, 661, 663, 665	8310205.....38	8640123 ..... 475
8302470 ..... 21, 23	8305646 ..... 38	8310209.....59	8640208 ..... 465
8303034 ... 351, 361, 363, 377, 379, 387, 449	8305906 ..... 38	8310215.....245	8642207 ..... 121
8303041 ..... 47	8305916 ... 344, 348, 354, 358, 370, 374	8310235.....59	8642224 ..... 38
8303119 ..... 387	8307002 ..... 21, 23, 671	8310245.....59	8642237 ..... 53, 55
8303519 ..... 475	8307003 ... 544, 548, 552	8310281.....203, 205	86683122 ..... 241
8303545 ... 544, 548, 552, 659	8307004 .... 43, 229, 431, 453, 455, 457, 461, 463	8310356.....475	8750003 ..... 43
8303615 ..... 21, 23	8307005 ... 41, 43, 45, 47, 475, 671	8310382....344, 348, 354, 358, 370, 374	8750011 ..... 47
8303620 ... 41, 43, 45, 47, 323, 327, 344, 348, 354, 358, 370, 374, 453	8307006 ..... 281	8310420.....475	8750012 ... 231, 431, 433, 461, 463
8303621 ... 41, 43, 45, 47, 483	8307007 ..... 43, 45, 465	8310424.....225	8750017 .... 47, 229, 231, 453, 461
8303622 ..... 43	8307009 ... 513, 517, 523	8310425.....281	8750025 .... 453, 455, 457
8303624 ..... 43, 45	8307011 ..... 341	8310431.....38	8750026 ..... 461
8303626 ... 344, 348, 354, 358, 370, 374, 465	8307023 ... 344, 348, 354, 358, 370, 374	8310478.....465	8750027 ... 431, 433, 461, 463
8303628 ..... 29	8307024 ..... 415	8310493.....341	8750040 .... 455, 457, 461
8303629 ..... 29	8307027 ... 544, 548, 552	8310497.....38	8760268 .... 461, 467, 469
8303633 ..... 43	8307049 ..... 245	8310522....197, 199, 465, 475	8760463 ..... 445
8303634 ..... 45, 121	8307104 ..... 38, 63	8310576.....459	8760465 ..... 47
8303640 ..... 63	8307106 .... 38, 199, 344, 348, 354, 358, 370, 374, 544, 548, 552	8310672.....38	8760468 ..... 47
8303655 ..... 35	8307109 ... 203, 205, 344, 348, 354, 358, 370, 374	83191010.....337	8760548 ..... 245
8303666 ..... 38	8307110 ... 323, 327, 344, 348, 354, 358, 370, 374, 453	8405007....215, 217, 367, 395	8760552 ..... 515, 525
8303675 ..... 475	8307111 ... 544, 548, 552	8405307.....199	8765204 ... 441, 465, 467, 675
8303679 ..... 43, 45		8405404.....197	8769122 ..... 41, 47
8303681 .... 41, 43, 45, 47		8406010.....661, 663	8769123 ..... 41, 47
8303697 .... 38, 344, 348, 354, 358, 370, 374, 515, 525		8406105....245, 544, 548, 552	8769127 ..... 229, 231
8303715 ..... 121		8406112....179, 181, 211, 213	8769128 .... 47, 229, 431, 461, 463
		8406303.....183	8769132 ..... 121
		8410007 ..... 197	8769139 ..... 47
		8410021 ..... 199	8770016 ..... 121
			8770048 ..... 515, 525

## SECTION 13 - SPECIAL OPTIONS/ACCESSORIES/KITS

8770064.....435	90554016 . 83, 87, 89, 95, 105, 109, 123, 147	91403097 ..... 245	91514111.....303
8770189.....29	90554017 ..... 95, 105	91403193 ..... 285	91514118.....337
8780039.....313	90554018 ..... 95	91403413 38, 81, 87, 105, 109, 111, 115, 119, 121, 153	91514130.....289, 301
8786514....311, 321, 323, 325, 327	90554019 ..... 109	91403414 38, 80, 87, 105, 109, 111, 115, 119, 121, 153	91514131.....289, 301
8820904.....657	90554020 ..... 87, 89, 105, 123	91403448 ..... 85	91514133.....289, 301
88211516.....633	90554033 ..... 83	91404011 ..... 423	91514134.....289, 301
88251074.....38	90554034 ..... 83	91404013 ..... 423	91514143.....289
88261015.....183	90554042 ..... 87, 89	91404298 ..... 363, 379	91514146.....303
8841036....245, 247, 249, 251, 253, 255, 257, 259, 261, 263, 265, 267, 269, 271, 275, 277	90554045 ..... 485, 489	91404299 ..... 363, 379	91514147.....291, 303
88411148...513, 517, 523	90554054 ..... 87, 89	91404301 ..... 363, 379	91514148.....291, 303
88501005.....647	90554062 ..... 89, 95	91404326 ..... 423	91514149.....303
88671001...111, 115, 119	90554065 ..... 95, 105	91473086 ..... 425	91514151.....295
8880218-OM.....281	90554067 ..... 105	91473206 ..... 311	91514154.....295, 307
8880219-OM.....281	90554076 ..... 89, 95	91474028 ..... 535	91514159.....295, 307
8881800.....183	90554080 ..... 149	91474512 ..... 287, 299	91514174.....291, 303
8902842.....491	91043125 ..... 81	91503106 ..... 608	91514175.....291, 303
8903015.....533	91043126 ..... 80	91513266 ..... 337	91514177.....291, 303
8990147....344, 348, 354, 358, 370, 374	91043147 ..... 367, 395	91514081 ..... 291, 303	91514180.....291, 303
90028631.....199	91053419 ..... 239	91514082 ..... 291, 303	91514181.....291, 303
90200003..107, 111, 113, 115, 117, 119, 121	91081640 ..... 563	91514083 ..... 291	91514183.....303
90206196..659, 663, 665, 667	91083129 ..... 199	91514089 . 287, 291, 295, 299, 303	91514188.....291, 303
	91083385 ..... 313, 315	91514095 ..... 291, 303	91514189.....291, 303
	91163035 ..... 223	91514101 ..... 287, 299	91514225.....423
	91293003 ..... 199		91554014.....570, 575
	91304025 ..... 423		91563250.....313, 315
	91364023 ..... 201		91565039.....315
			91565040.....315





**Corporate Office  
JLG Industries, Inc.  
1 JLG Drive  
McConnellsburg, PA 17233-9533 USA**  
☎ **(717) 485-5161 (Corporate)**  
☎ **(877) 554-5438 (Customer Support)**  
📠 **(717) 485-6417**

**Visit our website for JLG Worldwide Locations.  
[www.jlg.com](http://www.jlg.com)**



**OSHKOSH™**