



Illustrated Parts Manual

Models **10MSP**

PVC
2202

P/N
31219981
July 15, 2022 - Rev B

ANSI

CE



**UK
CA**

AS/NZS



An Oshkosh Corporation Company

REVISION LOG

February 1, 2022 - A - Original Issue of Manual (Edited to B/M 1001250313 G)

July 15, 2022 - B - Revised Manual (Edited to B/M 1001250313 G)

GENERAL INFORMATION

SECTION 6 CYLINDER

FIGURE 6-3. LIFT CYLINDER ASSEMBLY

PG# Model Designation Manual #

SECTION 6 CYLINDER

FIGURE 6-3. LIFT CYLINDER ASSEMBLY

ITEM #	PART NUMBER	QTY.	DESCRIPTION	REV.
	1001140104	Ref	LIFT CYLINDER ASSEMBLY	B
1	0100011	AR	Compound, Locking	
2	0630535	3	Capscrew 1/4-20 x 1-1/8	
3	0791003	1	Screw #10-24 x 3/8	
4	0961897	1	Bushing, Tapered	
5	1320136	1	Clamp, Cable	
6	1683063	1	Head	
7	2220883	1	Plug, O-Ring	
8	2220885	2	Plug, O-Ring	
9	2220886	1	Plug, O-Ring	
10	3020039	AR	Lubricant	
11	3480282	1	Piston	
12	3760371	1	Ring, Washer	
13	3931420	8	Capscrew 1/4-20 x 1-1/4	
14	3931824	8	Capscrew 1/2-13 x 1-1/2	
15	3951003	1	Setscrew #10-24 x 3/8	
16	4100099	1	Spacer	
17	4640999	1	Cartridge, Holding Valve (Non Vented)	
17	2900792		Kit, Seal - 4640999 Cartridge Valve	
18	4641248	1	Cartridge, Counterbalance Valve (Non Vented)	
18	70004186		Kit, Seal - 4641248 Cartridge Valve	
19	100117991	1	Sensor, Cylinder Length	
20	100118070	1	Cap, Retainer	
21	100118084	1	Barrel	
21A	0961950	2	Bushing	
22	100118086	1	Rod	
22A	0961950	2	Bushing	
100	1001139996	1	Kit, Seal (Includes Items 101-109)	
101	See Note	2	Ring, Wear (Note: Use p/n 1001139996)	
102	See Note	1	Ring, Back-Up (Note: Use p/n 1001139996)	
103	See Note	2	Ring, Lock (Note: Use p/n 1001139996)	
104	See Note	2	Ring, Back-Up (Note: Use p/n 1001139996)	
105	See Note	2	O-Ring (Note: Use p/n 1001139996)	
106	See Note	1	O-Ring (Note: Use p/n 1001139996)	
107	See Note	1	Seal (Note: Use p/n 1001139996)	
108	See Note	1	Wiper, Rod (Note: Use p/n 1001139996)	
109	See Note	2	Seal (Note: Use p/n 1001139996)	
200	100119105	1	Kit, Sensor Magnet (Includes Items 201-203)	
201	See Note	NSS	Sleeve, Spacer (Note: Use p/n 100119105)	
202	100118066	1	Magnet, Sensor	
203	100118069	1	Ring, Internal Retaining	

Manual # Model Designation PG#

1) MACHINE IDENTIFICATION

Machines are identified by model and in some cases a combination of models, serial number (SN) or regional standard (i.e ANSI, CE, CSA). Components may also be identified by SN or manufacturer. common components that may be identified by these characteristics are engines and hydraulic components.

2) PARTS MANUAL ORGANIZATION

Product information in this manual is organized under section titles. Frame, Cylinder, Hydraulic and Electrical are a few examples. Each section is organized by figure and page number. The information within the Figure is then organized by item number, part number, description and corresponding illustration (s).

3) TABLE OF CONTENTS

A table of contents is found toward the beginning of the manual. Figure number, description and page number are provide for quick reference to the page containing the related information.

4) RECOMMENDED SPARE PARTS

The Recommended Spare Parts, located near the end of the manual, reference most frequently used maintenance parts.

5) PART NUMBER INDEX

A numerical index listing all part numbers and the corresponding page number(s) appears at the back of the manual.

GENERAL INFORMATION

6) NON-SERVICED PARTS

In some instances, it is necessary to display non-serviced parts, assemblies or installations. In the case of assemblies and installations there will be a Ref in the Qty column. In case of parts that are not available for service within assemblies and components, there will be a NSS (Not Sold Separately) or NLA (No Longer Available) listed in the Qty. column of the manual.

7) PARTS LIST ITEM NUMBERS

Numbers shown in the item# column correspond to numbers used in the associated illustration (s). Item numbers which are missing from the sequence in the parts list are not used on that page

8) INDENTED PARTS DESCRIPTION

An indented part description is included in the item under which it is indented.

9) ABBREVIATION AND SYMBOLS

AC.....	.. Alternating Current	LCD.....	Liquid Crystal Display
ADE.....	Advanced Design Electronics	LED.....	Light Emitting Diodes
ANSI.....	American National Standards Institute	LH.....	Left Hand
AR.....	..As Required	LSS.....	..Load Sensing System
ASSY.....	Assembly	M(m).....	Metric/Meter
AUX.....	Auxiliary	MM (mm).....	Milimeter
AWG.....	..American Wire Gauge	mA.....	Miliamps
B/M.....	..Bill of Material	NLA.....	No Longer Available
CE.....	..European Conformity	NPT.....	National Pipe Threads
CCW.....	..Counter Clockwise	NSS.....	Not Sold Separately
cm.....	Centimeter	OD.....	..Outside Diameter
CW.....	..Clockwise	ORB.....	O-Ring Boss
CSA.....	..Canadian Standard Association	ORFS.....	O-Ring Face Seal
CYL.....	..Cylinder	OZ (oz).....	..Ounces
DIA.....	Diameter	PG.....	..Page
DC.....	Direct Current	P/N.....	..Part Number
EMS.....	Emergency Stop	qt.....	..Quarts
ENG.....	Engine	QTY.....	..Quantity
FT (ft).....	Feet	REF.....	..Reference
GA (Ga).....	Gauge	REV.....	..Revision Level
HYD.....	Hydraulic	RH.....	..Right Hand
Hz.....	Hertz	SAE.....	Society of Automotive Engineers
ID.....	Inside Diameter	SN.....	..Serial Number
in.....	inches	SPEC(S).....	..Specifications
ISO.....	International Organization for Standards	T/T.....	..Turntable
JIC.....	Joint Industry Council	UGM.....	..Universal Ground Module
KG.....	..Kilogram	V.....	..Volts
L.....	..Liter	W.....	..Watts
LB.....	..Pounds	#.....	..Number

10) ILLUSTRATION REFERENCE LETTERS

When necessary, illustrations may contain reference letters that are intended to track information (i. e. hoses, harness) from one point to another or to track visual enlargement of components to show details that may be located in another area on the illustration.

Note: Due to continuous product improvements, JLG Industries, Inc. reserves the right to make specification changes without prior notification. Contact JLG Industries, Inc. for updated information.

TABLE OF CONTENTS

SECTION 1 - FRAME.....	9
FIGURE 1-1. BASE INSTALLATION	10
FIGURE 1-2. DRIVE MOTOR ASSEMBLY	12
FIGURE 1-3. COVERS INSTALLATION - MANUAL TRAY.....	14
FIGURE 1-4. COVERS INSTALLATION - POWER TRAY	16
FIGURE 1-5. TIE-DOWNS INSTALLATION	18
FIGURE 1-6. BUMPERS INSTALLATION (OPTIONAL)	20
FIGURE 1-7. GUIDE ROLLER INSTALLATION (OPTIONAL)	22
FIGURE 1-8. OBSTRUCTION SENSING PAD INSTALLATION (OPTIONAL).....	24
FIGURE 1-9. REMOTE MANUAL DESCENT INSTALLATION (OPTIONAL).....	26
SECTION 2 - CONTROLS	29
FIGURE 2-1. PUMP AND MOTOR ASSEMBLY	30
FIGURE 2-2. BATTERIES, ALARM AND STROBE INSTALLATION	34
FIGURE 2-3. BATTERY CHARGER INSTALLATION (WITHOUT CORD REEL)	36
FIGURE 2-4. BATTERY CHARGER INSTALLATION (WITH CORD REEL).....	38
FIGURE 2-5. CHARGER PLUG INSTALLATION - CUSTOMER SUPPLIED PLUG.....	40
FIGURE 2-6. CHARGER PLUG INSTALLATION - 110V PLUG.....	42
FIGURE 2-7. CHARGER PLUG INSTALLATION - 110V IEC YELLOW PLUG (CE & UK CA SPECS).....	44
FIGURE 2-8. CHARGER PLUG INSTALLATION - 220V IEC BLUE PLUG (CE & UK CA SPECS).....	46
FIGURE 2-9. CHARGER PLUG INSTALLATION - 220V IEC KEYED GROUND PLUG (CE & UK CA SPECS).....	48
FIGURE 2-10. CHARGER PLUG INSTALLATION - 220V IEC POST GROUND PLUG (CE & UK CA SPECS).....	50
FIGURE 2-11. CHARGER PLUG INSTALLATION - 220V IEC SIDE GROUND PLUG (CE & UK CA SPECS).....	52
FIGURE 2-12. CHARGER PLUG INSTALLATION - 220V (AUSTRALIAN SPECS).....	54
FIGURE 2-13. GROUND CONTROL AND TRACTION MODULE INSTALLATION (ALL SPECS EXCEPT JAPANESE SPECS).....	56
FIGURE 2-14. GROUND CONTROL AND TRACTION MODULE INSTALLATION (CHINESE AND JAPANESE SPECS).....	58
FIGURE 2-15. PLATFORM CONTROL BOX ASSEMBLY	60
FIGURE 2-16. CONTROLLER ASSEMBLY	62
SECTION 3 - MAST	65
FIGURE 3-1. MAST INSTALLATION.....	66
FIGURE 3-2. MAST ASSEMBLY (Prior to SN 0130041099).....	68
FIGURE 3-3. MAST ASSEMBLY (SN 0130041099 to Present)	72
SECTION 4 - PLATFORM.....	75
FIGURE 4-1. PLATFORM INSTALLATION - WITHOUT GATE LATCH.....	76
FIGURE 4-2. PLATFORM ASSEMBLY - WITHOUT GATE LATCH.....	78
FIGURE 4-3. PLATFORM INSTALLATION - WITH GATE LATCH	80
FIGURE 4-4. PLATFORM ASSEMBLY - WITH GATE LATCH	82
FIGURE 4-5. TRAY INSTALLATION - MANUAL	84
FIGURE 4-6. TRAY ASSEMBLY - MANUAL	86
FIGURE 4-7. TRAY INSTALLATION - POWER	88
FIGURE 4-8. PUMP ASSEMBLY - POWER TRAY	92
FIGURE 4-9. CARGO BELT INSTALLATION (OPTIONAL)	94
FIGURE 4-10. FLOORMAT INSTALLATION (OPTIONAL)	96
FIGURE 4-11. SCANNER POCKET INSTALLATION (OPTIONAL).....	98
SECTION 5 - CYLINDER.....	101
FIGURE 5-1. LIFT CYLINDER ASSEMBLY (Prior to SN 0130041099).....	102
FIGURE 5-2. LIFT CYLINDER ASSEMBLY (SN 0130041099 to Present).....	104
FIGURE 5-3. POWER TRAY CYLINDER ASSEMBLY.....	106
SECTION 6 - HYDRAULIC	109
FIGURE 6-1. HYDRAULIC SYSTEM INSTALLATION - STANDARD	110
FIGURE 6-2. HYDRAULIC SYSTEM INSTALLATION - FIRE RESISTANT	112
SECTION 7 - ELECTRICAL.....	115
FIGURE 7-1. CABLES INSTALLATION	116
FIGURE 7-2. ELECTRICAL SYSTEM INSTALLATION - NO BATTERY	118

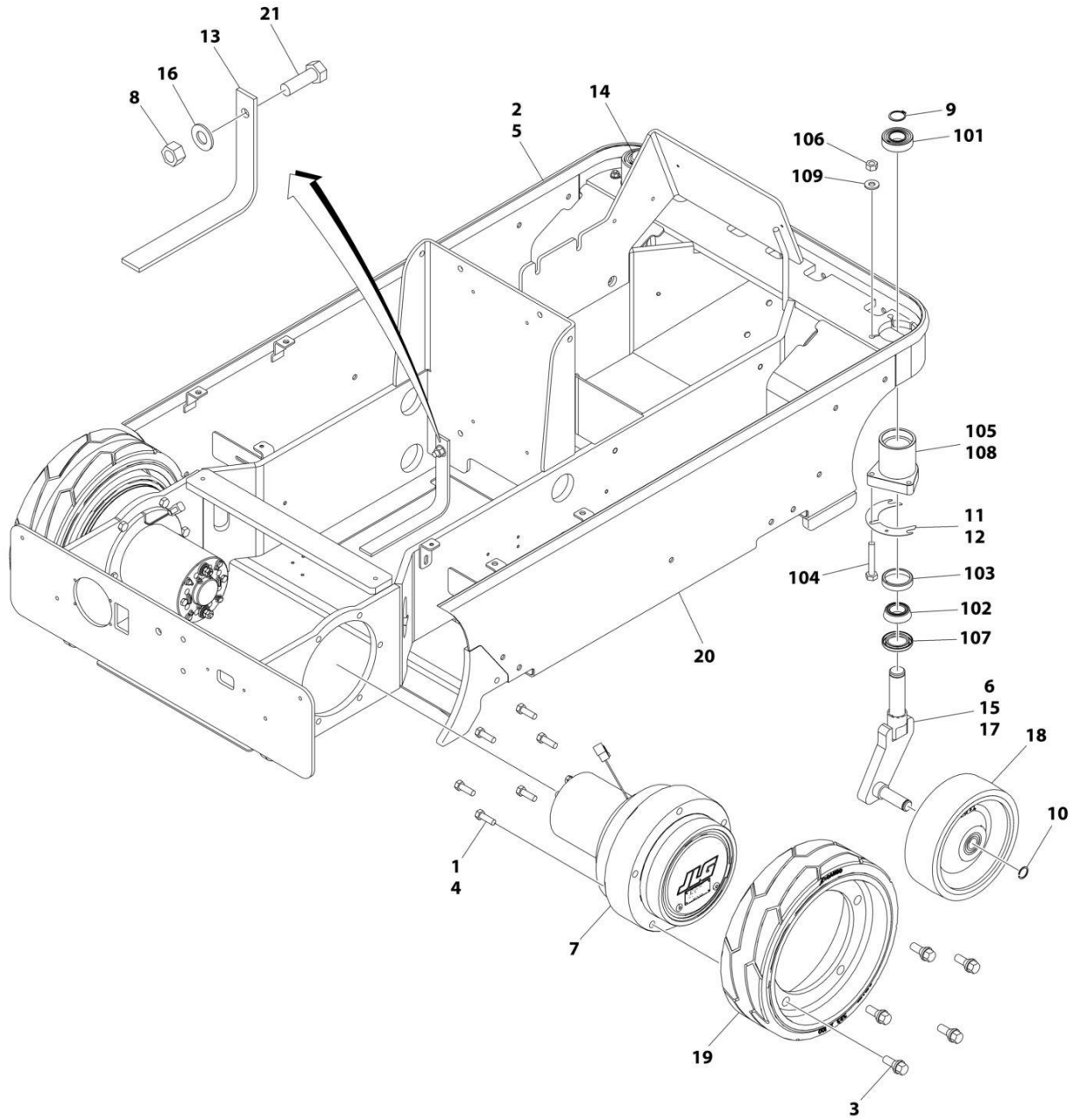
TABLE OF CONTENTS

FIGURE 7-3. DRIVE MOTOR HARNESS	120
FIGURE 7-4. FOOTSWITCH JUMPER HARNESS.....	122
FIGURE 7-5. GROUND TO PLATFORM HARNESS.....	124
FIGURE 7-6. LED AND TEMPERATURE SENSOR HARNESS.....	126
FIGURE 7-7. PLATFORM BOX POWER HARNESS.....	128
FIGURE 7-8. PLATFORM CONTROLS HARNESS.....	130
FIGURE 7-9. TRAY HARNESS.....	132
SECTION 8 - DECALS	135
FIGURE 8-1. COMMON DECALS INSTALLATION - STANDARD PAINT.....	136
FIGURE 8-2. COMMON DECALS INSTALLATION - SPECIAL PAINT	138
FIGURE 8-3. DECAL INSTALLATION - ANSI SPECS (ENGLISH LANGUAGE) (MANUAL TRAY).....	140
FIGURE 8-4. DECAL INSTALLATION - ANSI SPECS (ENGLISH LANGUAGE) (POWER TRAY)	142
FIGURE 8-5. DECAL INSTALLATION - AUSTRALIAN SPECS (ENGLISH LANGUAGE) (MANUAL TRAY).....	144
FIGURE 8-6. DECAL INSTALLATION - AUSTRALIAN SPECS (ENGLISH LANGUAGE) (POWER TRAY)	146
FIGURE 8-7. DECAL INSTALLATION - BRAZIL SPECS (PORTUGUESE LANGUAGE) (MANUAL TRAY)	148
FIGURE 8-8. DECAL INSTALLATION - BRAZIL SPECS (PORTUGUESE LANGUAGE) (POWER TRAY).....	150
FIGURE 8-9. DECAL INSTALLATION - CE & UK CA SPECS (ENGLISH LANGUAGE) (MANUAL TRAY).....	152
FIGURE 8-10. DECAL INSTALLATION - CE & UK CA SPECS (ENGLISH LANGUAGE) (POWER TRAY)	154
FIGURE 8-11. DECAL INSTALLATION - CHINA SPECS (CHINESE LANGUAGE) (MANUAL TRAY).....	156
FIGURE 8-12. DECAL INSTALLATION - CHINA SPECS (CHINESE LANGUAGE) (POWER TRAY)	158
FIGURE 8-13. DECAL INSTALLATION - CSA SPECS (FRENCH LANGUAGE) (MANUAL TRAY).....	160
FIGURE 8-14. DECAL INSTALLATION - CSA SPECS (FRENCH LANGUAGE) (POWER TRAY)	162
FIGURE 8-15. DECAL INSTALLATION - JAPAN SPECS (JAPANESE LANGUAGE) (MANUAL TRAY).....	164
FIGURE 8-16. DECAL INSTALLATION - JAPAN SPECS (JAPANESE LANGUAGE) (POWER TRAY)	166
FIGURE 8-17. DECAL INSTALLATION - LATIN AMERICAN SPECS (SPANISH LANGUAGE) (MANUAL TRAY)	168
FIGURE 8-18. DECAL INSTALLATION - LATIN AMERICAN SPECS (SPANISH LANGUAGE) (POWER TRAY).....	170
SECTION 9 - RECOMMENDED SERVICE PARTS STOCK.....	173
FIGURE 9-1. RECOMMENDED SERVICE PARTS STOCK.....	174
SECTION 10 - SPECIAL OPTIONS/ACCESSORIES/KITS.....	175
FIGURE 10-1. SPECIAL OPTIONS/ACCESSORIES/KITS.....	176
PART NUMBER INDEX.....	177

SECTION 1 - FRAME

SECTION 1 - FRAME

FIGURE 1-1. BASE INSTALLATION



ART_1001228849

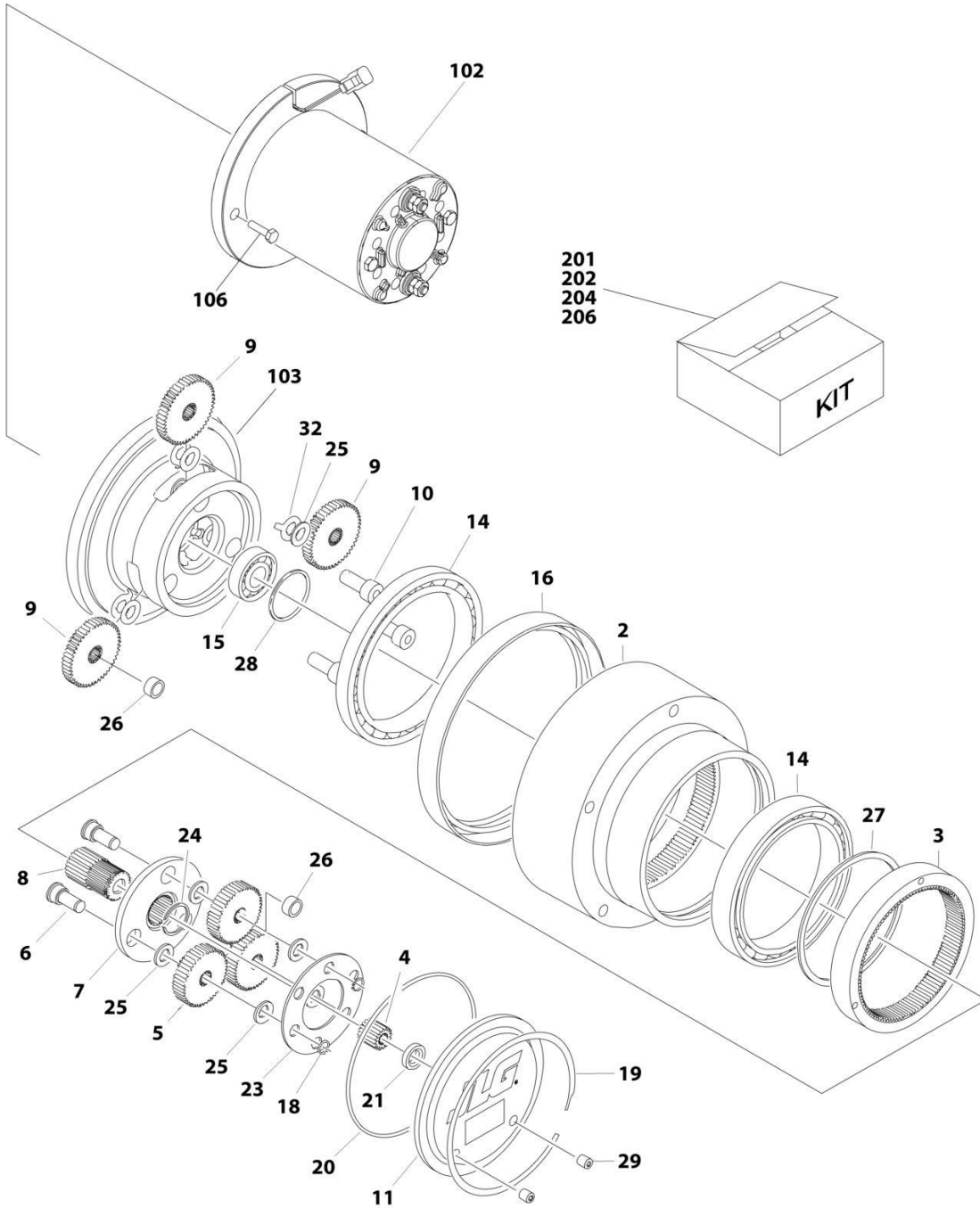
SECTION 1 - FRAME

FIGURE 1-1. BASE INSTALLATION

ITEM	PART NUMBER	QTY	DESCRIPTION	REV
	1001228849	Ref	BASE INSTALLATION	C
1	0100011	AR	Compound, Locking	
2	0100081	AR	Compound, Locking	
3	0630580	10	Bolt, Wheel	
4	0641609	12	Bolt 3/8 x 1-1/8	
5	0940132	1	Bumper, Chassis	
6	3020039	AR	Lubricant	
7	1001229310	2	Drive Motor Assembly (See Separate Breakdown in this Section)	
8	3311605	1	Nut 3/8	
9	3760115	2	Ring, Retaining	
10	3760496	2	Ring, Retaining	
11	4071113	AR	Shim .015	
12	4071114	AR	Shim .036	
13	4240147	1	Strap, Static	
14	4520342	1	Spindle (Left Side)	
15	4520343	1	Spindle (Right Side)	
16	4711600	1	Washer 3/8	
17	8882970	AR	Lubricant	
18	1001098810	2	Tire and Wheel Assembly	
19	1001114467	2	Tire and Wheel Assembly	
20	1001228850	NLA	Caster Assembly (Not Available - Purchase Individual Components)(Includes Items 101-109)	
21	0641607	1	Bolt 3/8 x 7/8	
	1001228850	Ref	CASTER ASSEMBLY	B
101	0440306	2	Bearing, Ball	
102	0440307	2	Bearing, Roller	
103	0440308	2	Bearing, Race	
104	0641413	6	Bolt 1/4 x 1-5/8	
104	0641414	6	Bolt 1/4 x 1-3/4	
105	3020029	AR	Grease	
106	3271405	6	Nut 1/4	
107	3960590	2	Seal	
108	4341155	2	Mount, Caster	
109	4711400	6	Washer 1/4	

SECTION 1 - FRAME

FIGURE 1-2. DRIVE MOTOR ASSEMBLY



ART_1001229310

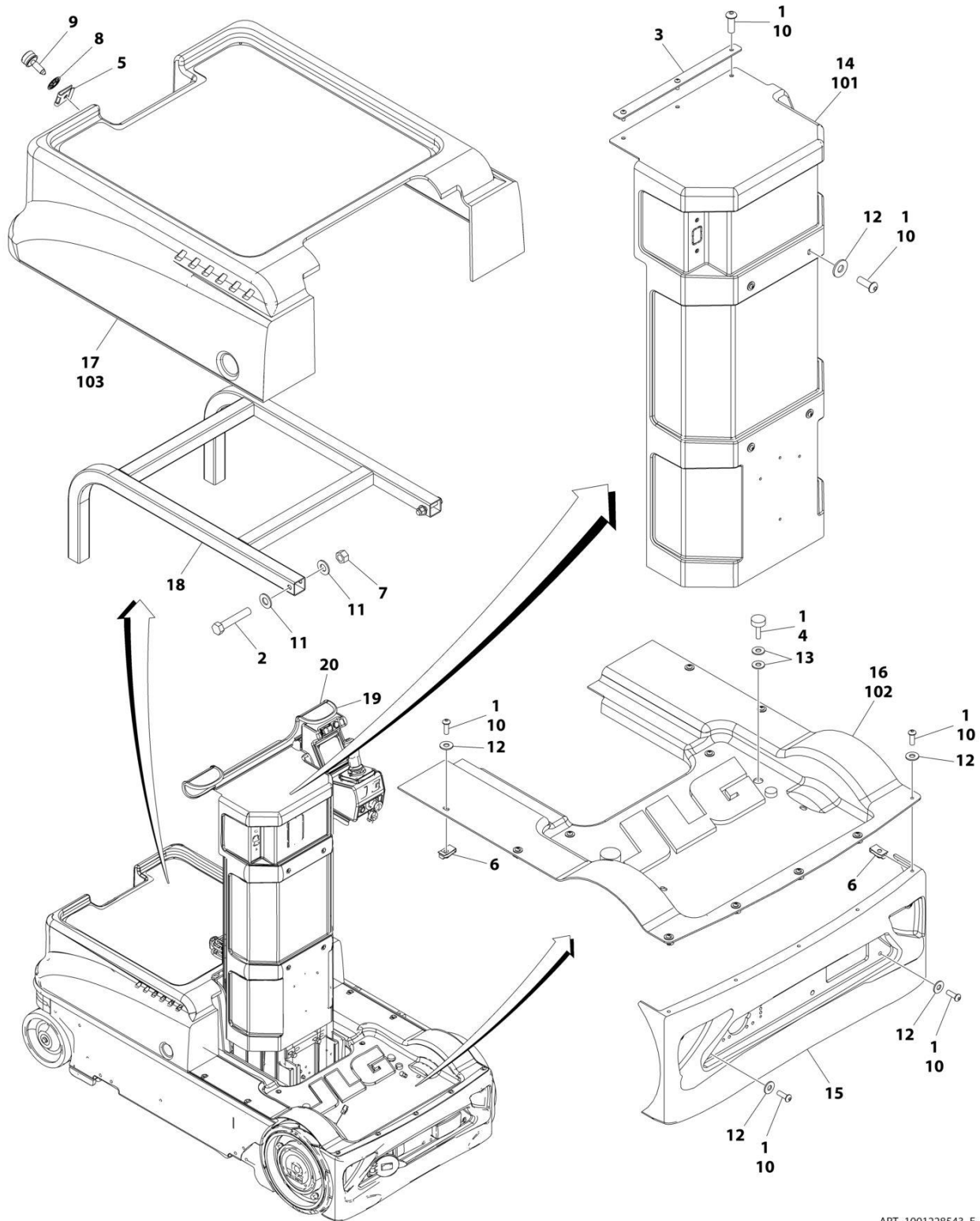
SECTION 1 - FRAME

FIGURE 1-2. DRIVE MOTOR ASSEMBLY

ITEM	PART NUMBER	QTY	DESCRIPTION	REV
	1001229310	Ref	DRIVE MOTOR ASSEMBLY	A
		Ref	HUB ASSEMBLY	
1	See Note	NSS	Spindle (Note: Purchase Complete Assembly)	
2	See Note	NSS	Hub (Note: Use Item 206)	
3	See Note	NSS	Ring, Input (Note: Use Item 204)	
4	70007194	1	Gear, Input Sun	
5	70007198	3	Gear, Input Planet	
6	70007196	3	Pin, Planet Gear	
7	70007197	1	Carrier	
8	70007195	1	Gear, Output Sun	
9	70007193	3	Gear, Output Planet (Includes Item 26)	
10	70007199	3	Pin, Output Planet	
11	See Note	NSS	Cover (Note: Use Item 201)	
14	See Note	NSS	Bearing, Main (Note: Use Item 202, 204 or 206)	
15	70007200	1	Bearing, Shaft	
16	See Note	NSS	Seal, Lip (Note: Use Item 202 or 206)	
17	7024786	1	Seal, Lip	
18	70007204	3	Ring, Retaining	
19	See Note	NSS	Ring, Retaining (Note: Use Item 201)	
20	See Note	NSS	O-Ring (Note: Use Item 201)	
21	See Note	NSS	Washer, Thrust (Note: Use Item 201)	
23	70007207	1	Plate, Thrust	
24	70007203	1	Ring, Retaining	
25	70007206	9	Washer, Thrust	
26	70007201	3	Bushing	
27	See Note	NSS	Ring, Retaining (Note: Use Item 204 or 206)	
28	70007202	1	Ring, Retaining	
29	See Note	NSS	Plug (Note: Use Item 201)	
32	70007205	3	Washer, Tanged	
		Ref	BRAKE AND MOTOR	
102	70007192	1	Motor, Electric	
103	70007190	1	Brake, Input	
106	70007191	2	Bolt M6 x 20	
		Ref	KIT OPTIONS	
201	7024747	1	Cover Kit (Includes Items 11, 19, 20, 21 & 29)	
202	7024748	1	Main Seal Kit (Includes Qty 1 of Items 14, 16 & 20)	
204	7024758	1	Input Ring Kit (Includes Items 3, 20, 27 & Qty 1 of Item 14)	
206	7024756	1	Hub Kit (Includes Items 2, 16, 20, 27 & Qty 1 of Item 14)	

SECTION 1 - FRAME

FIGURE 1-3. COVERS INSTALLATION - MANUAL TRAY



ART_1001228543_E

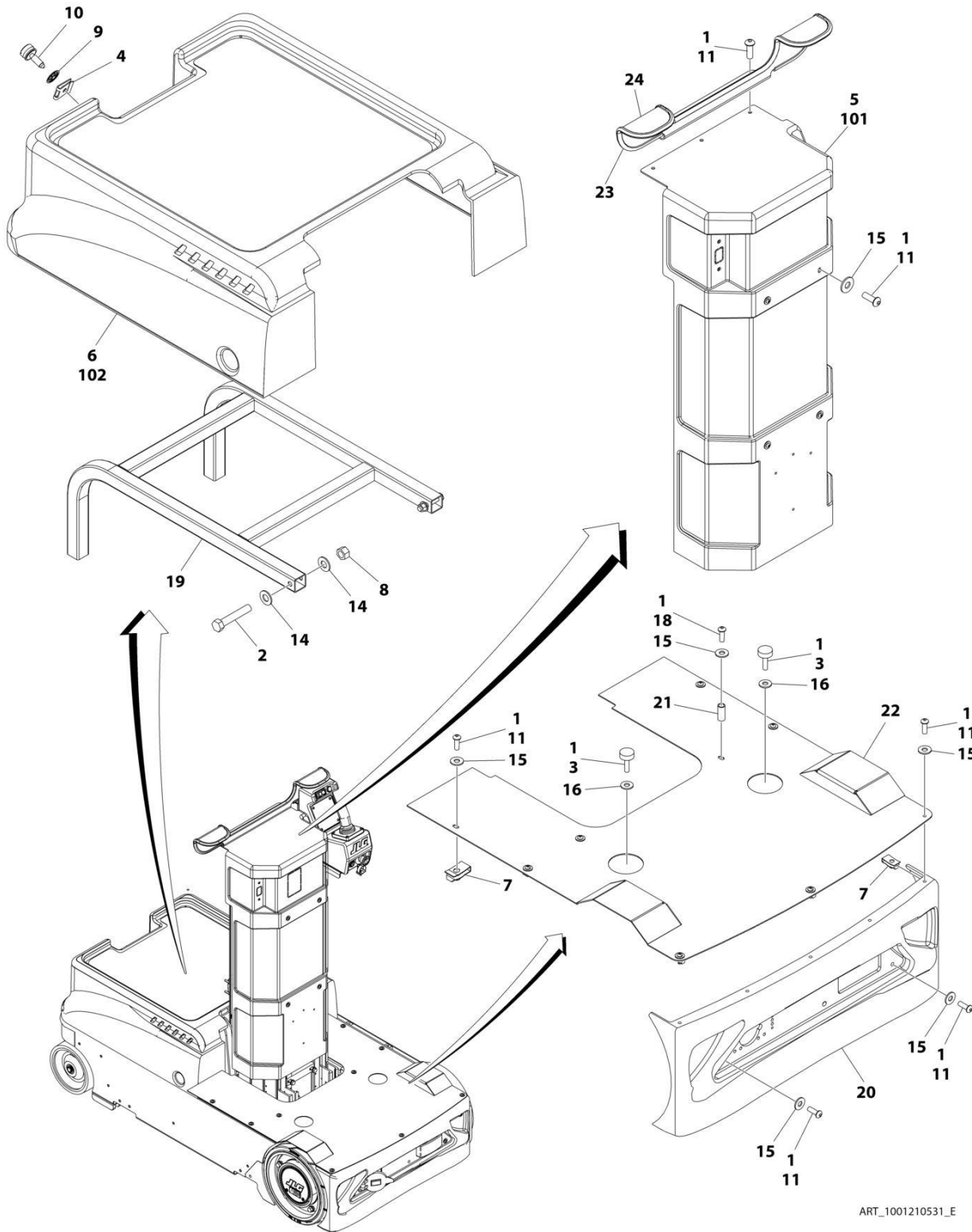
SECTION 1 - FRAME

FIGURE 1-3. COVERS INSTALLATION - MANUAL TRAY

ITEM	PART NUMBER	QTY	DESCRIPTION	REV
	1001228543	Ref	COVERS INSTALLATION	E
1	0100011	AR	Compound, Locking	
2	0641617	2	Bolt 3/8 x 2-1/8	
3	1001229778	1	Bracket	
4	0940049	2	Stopper	
5	1380169	1	Clip	
6	3300454	9	Nut, Tinnerman 1/4	
7	3311605	2	Nut 3/8	
8	3760308	1	Retainer	
9	3900174	1	Screw, Thumb	
10	3900258	22	Screw 1/4 x 3/4	
11	4711600	4	Washer 3/8	
12	4711400	19	Washer 1/4	
13	4740139	AR	Washer	
14	1001228538	1	Cover, Mast	
15	1001228539	1	Cover, Rear Bumper	
16	1001228540	1	Cover, Battery	
17	1001228541	1	Cover, Front	
18	1001228852	1	Support	
19	4060805	AR	Shield, Flex Trim	
20	1001234322	1	Plate, Platform Controls Guard	
100	1001233045	1	Kit, Hood / Covers, with OSS (10MSP)	
101	1001228538	NSS	Cover, Mast	
102	1001228540	NSS	Cover, Battery and Frame	
103	1001228541	NSS	Hood, Front Cover Assembly	

SECTION 1 - FRAME

FIGURE 1-4. COVERS INSTALLATION - POWER TRAY



ART_1001210531_E

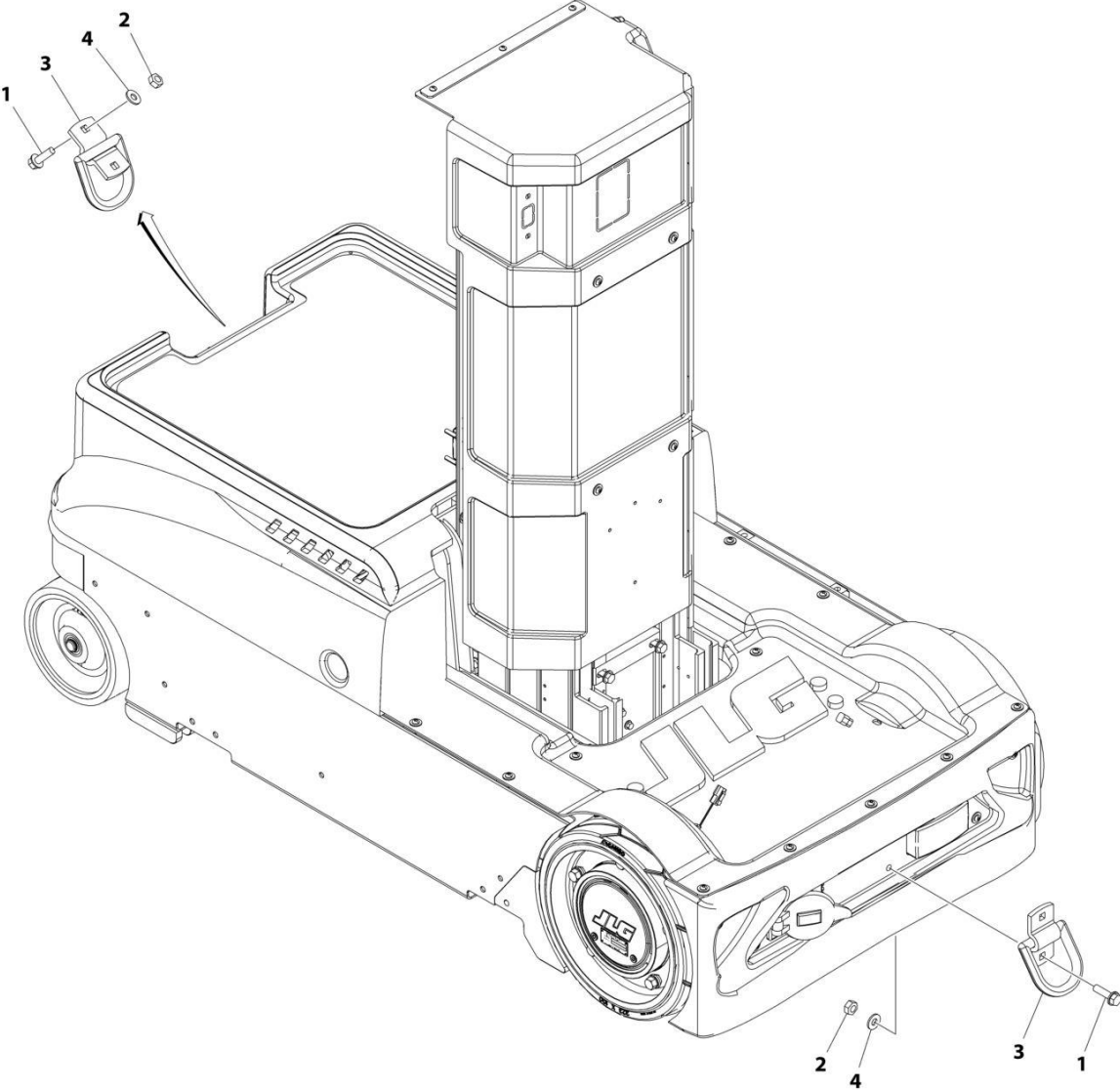
SECTION 1 - FRAME

FIGURE 1-4. COVERS INSTALLATION - POWER TRAY

ITEM	PART NUMBER	QTY	DESCRIPTION	REV
	1001210531	Ref	COVERS INSTALLATION	E
1	0100011	AR	Compound, Locking	
2	0641617	2	Screw 3/8 x 2-1/8	
3	0940049	2	Stopper	
4	1380169	1	Clip	
5	1001228538	1	Cover, Mast	
6	1001228541	1	Cover, Front	
7	3300454	9	Nut, Tinnerman 1/4	
8	3311605	2	Nut 3/8	
9	3760308	1	Retainer	
10	3900174	1	Screw, Thumb	
11	3900258	16	Screw 1/4 x 3/4	
14	4711600	4	Washer 3/8	
15	4751400	15	Washer 1/4	
16	4740139	2	Washer	
18	3911432	2	Screw 1/4 x 2	
19	1001228852	1	Support	
20	1001228539	1	Cover, Rear Bumper	
21	1001157665	2	Tube, Spacer	
22	1001171824	1	Cover, Battery	
23	4060805	AR	Shield, Flex Trim	
24	1001234322	1	Plate, Platform Controls Guard	
100	1001233046	1	Kit, Hood / Covers, with OSS (10MSP)	
101	See Note	NSS	Cover, Mast (Note: Use Item 100)	
102	See Note	NSS	Hood, Front Cover Assembly (Note: Use Item 100)	

SECTION 1 - FRAME

FIGURE 1-5. TIE-DOWNS INSTALLATION



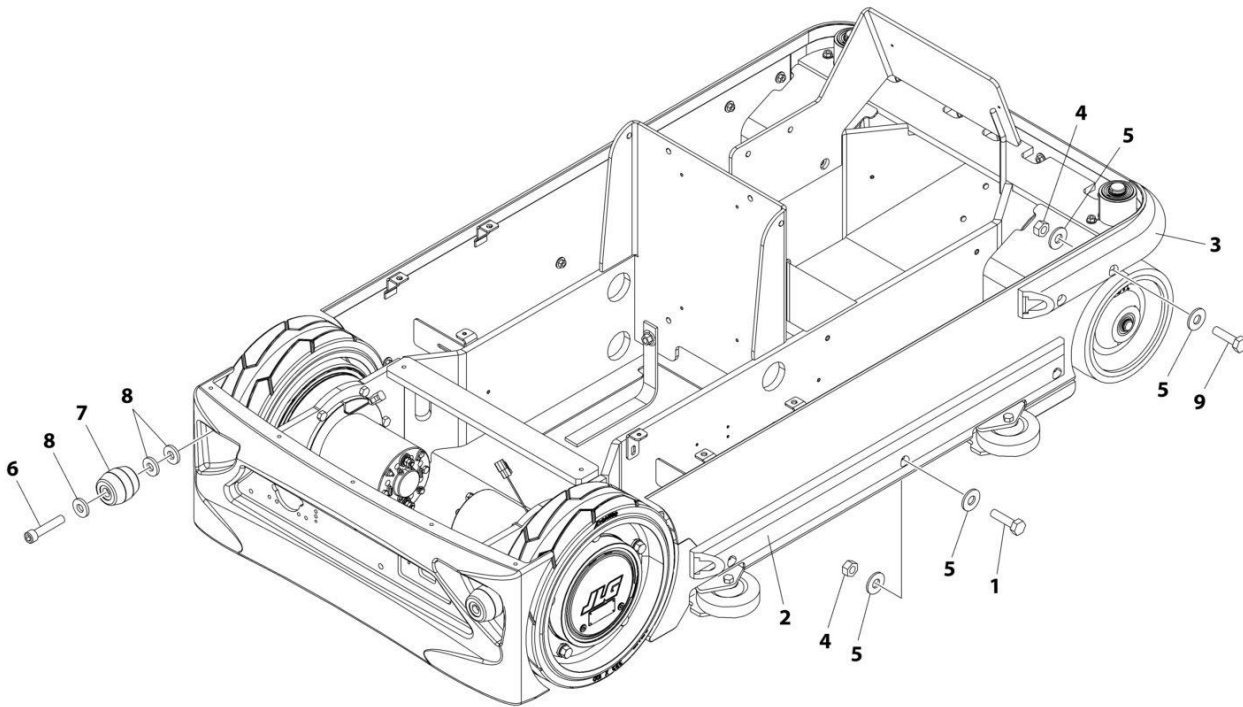
ART_0240114

FIGURE 1-5. TIE-DOWNS INSTALLATION

ITEM	PART NUMBER	QTY	DESCRIPTION	REV
	0240114	Ref	TIE-DOWNS INSTALLATION	A
1	0811610	4	Screw 3/8 x 1-1/4	
2	3311605	4	Nut 3/8	
3	3760365	2	Tie-Ring	
4	4711600	4	Washer 3/8	

SECTION 1 - FRAME

FIGURE 1-6. BUMPERS INSTALLATION (OPTIONAL)



ART_0274078_F

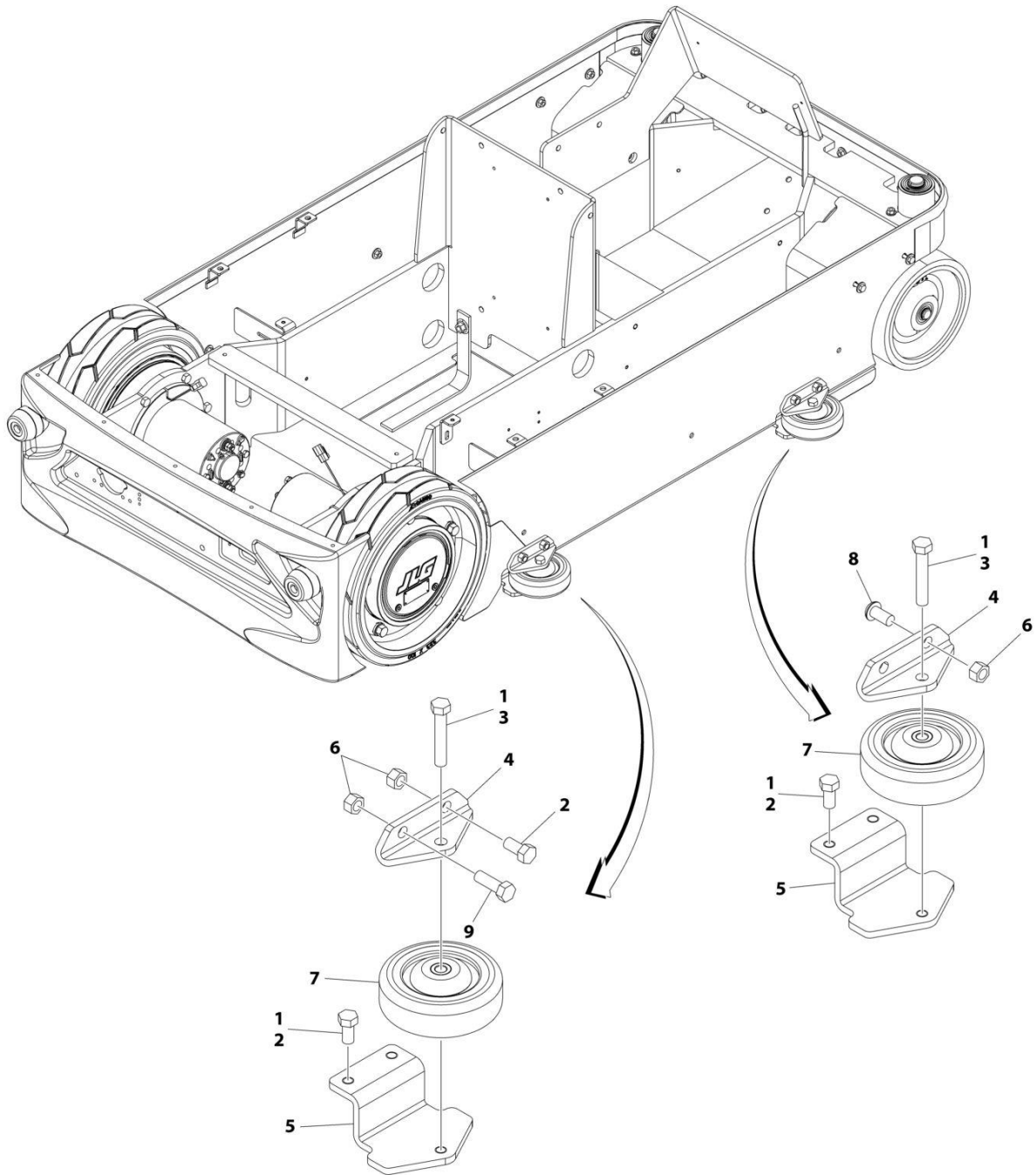
SECTION 1 - FRAME

FIGURE 1-6. BUMPERS INSTALLATION (OPTIONAL)

ITEM	PART NUMBER	QTY	DESCRIPTION	REV
	0274078	Ref	BUMPERS INSTALLATION	F
1	0641408	6	Bolt 1/4 x 1	
2	0940152	2	Bumper, Side	
3	1001204273	2	Bumper, Front	
4	3311405	AR	Nut 1/4	
5	4751400	AR	Washer 1/4	
6	3931420	2	Capscrew 1/4 x 1-1/4	
7	4160187	2	Spring, Rubber	
8	4891400	6	Washer 1/4	
9	0641410	8	Bolt 1/4 x 1-1/4	

SECTION 1 - FRAME

FIGURE 1-7. GUIDE ROLLER INSTALLATION (OPTIONAL)



ART_0240103

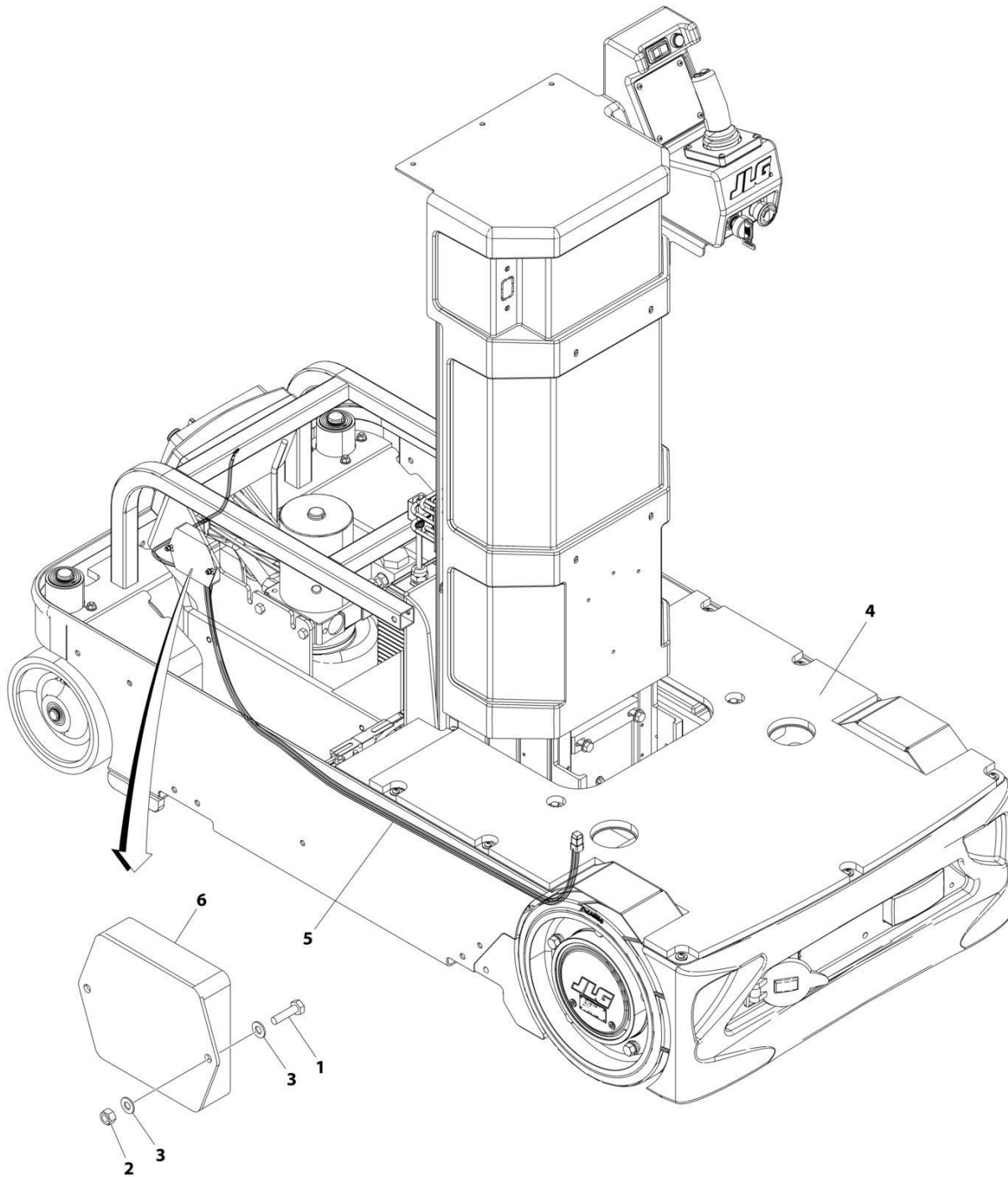
SECTION 1 - FRAME

FIGURE 1-7. GUIDE ROLLER INSTALLATION (OPTIONAL)

ITEM	PART NUMBER	QTY	DESCRIPTION	REV
	0240103	Ref	GUIDE ROLLER INSTALLATION	B
1	0100011	AR	Compound, Locking	
2	0641606	10	Bolt 3/8 x 3/4	
3	0641617	4	Bolt 3/8 x 2-1/8	
4	0903120	4	Bracket, Top Roller	
5	0903121	4	Bracket, Bottom Roller	
6	3311605	8	Nut 3/8	
7	4520352	4	Wheel	
8	3900283	4	Screw 3/8 x 3/4	
9	0641609	2	Bolt 3/8 x 1-1/8	

SECTION 1 - FRAME

FIGURE 1-8. OBSTRUCTION SENSING PAD INSTALLATION (OPTIONAL)



ART_1001210574

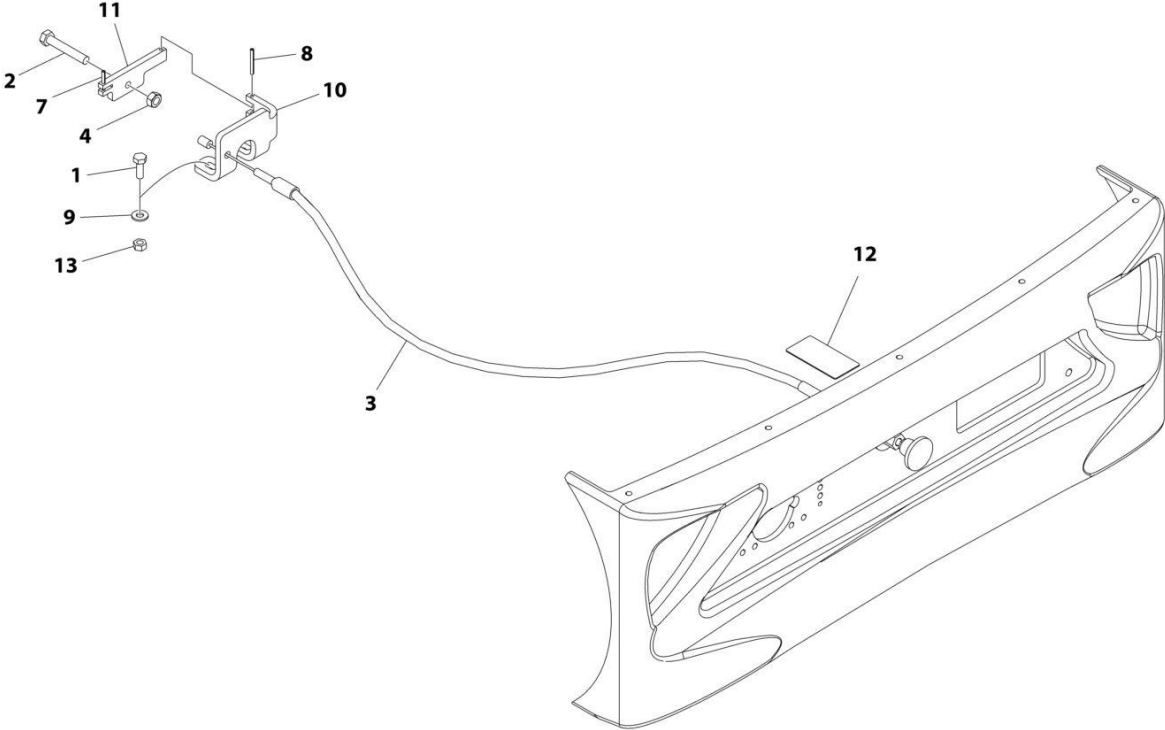
SECTION 1 - FRAME

FIGURE 1-8. OBSTRUCTION SENSING PAD INSTALLATION (OPTIONAL)

ITEM	PART NUMBER	QTY	DESCRIPTION	REV
	1001210574	Ref	OBSTRUCTION SENSING PAD INSTALLATION	A
1	0760408	2	Bolt M4 x 16	
2	3290405	2	Nut M4	
3	4811400	4	Washer M4	
4	1001210573	1	Pad, Obstruction Switch	
5	1001228994	1	Sensing Pad Harness	
6	1001229990	1	Relay	

SECTION 1 - FRAME

FIGURE 1-9. REMOTE MANUAL DESCENT INSTALLATION (OPTIONAL)



ART_1001206177_D

SECTION 1 - FRAME

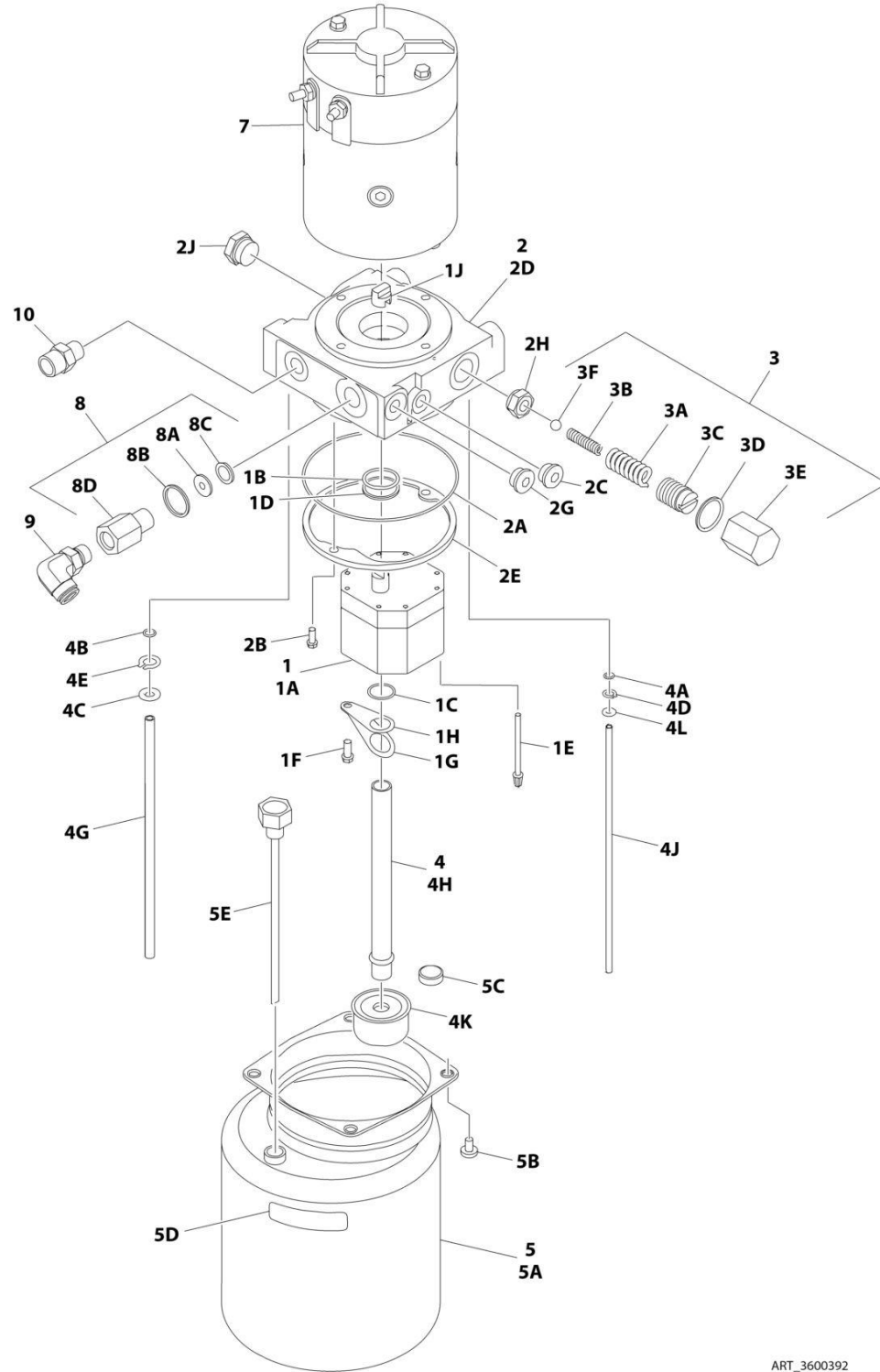
FIGURE 1-9. REMOTE MANUAL DESCENT INSTALLATION (OPTIONAL)

ITEM	PART NUMBER	QTY	DESCRIPTION	REV
	1001206177	Ref	REMOTE MANUAL DESCENT INSTALLATION	D
1	0641406	2	Bolt 1/4 x 3/4	
2	0760818	1	Bolt M8 x 50	
3	1001229725	1	Cable, Release	
4	3290801	1	Nut M8	
7	3440410	1	Rollpin	
8	3440418	1	Rollpin	
9	4711400	2	Washer 1/4	
10	1001201909	1	Bracket	
11	1001201910	1	Plate	
12	1001206261	1	Decal - Manual Descent	
13	3321402	2	Nut 1/4	

SECTION 2 - CONTROLS

SECTION 2 - CONTROLS

FIGURE 2-1. PUMP AND MOTOR ASSEMBLY



ART_3600392

SECTION 2 - CONTROLS

FIGURE 2-1. PUMP AND MOTOR ASSEMBLY

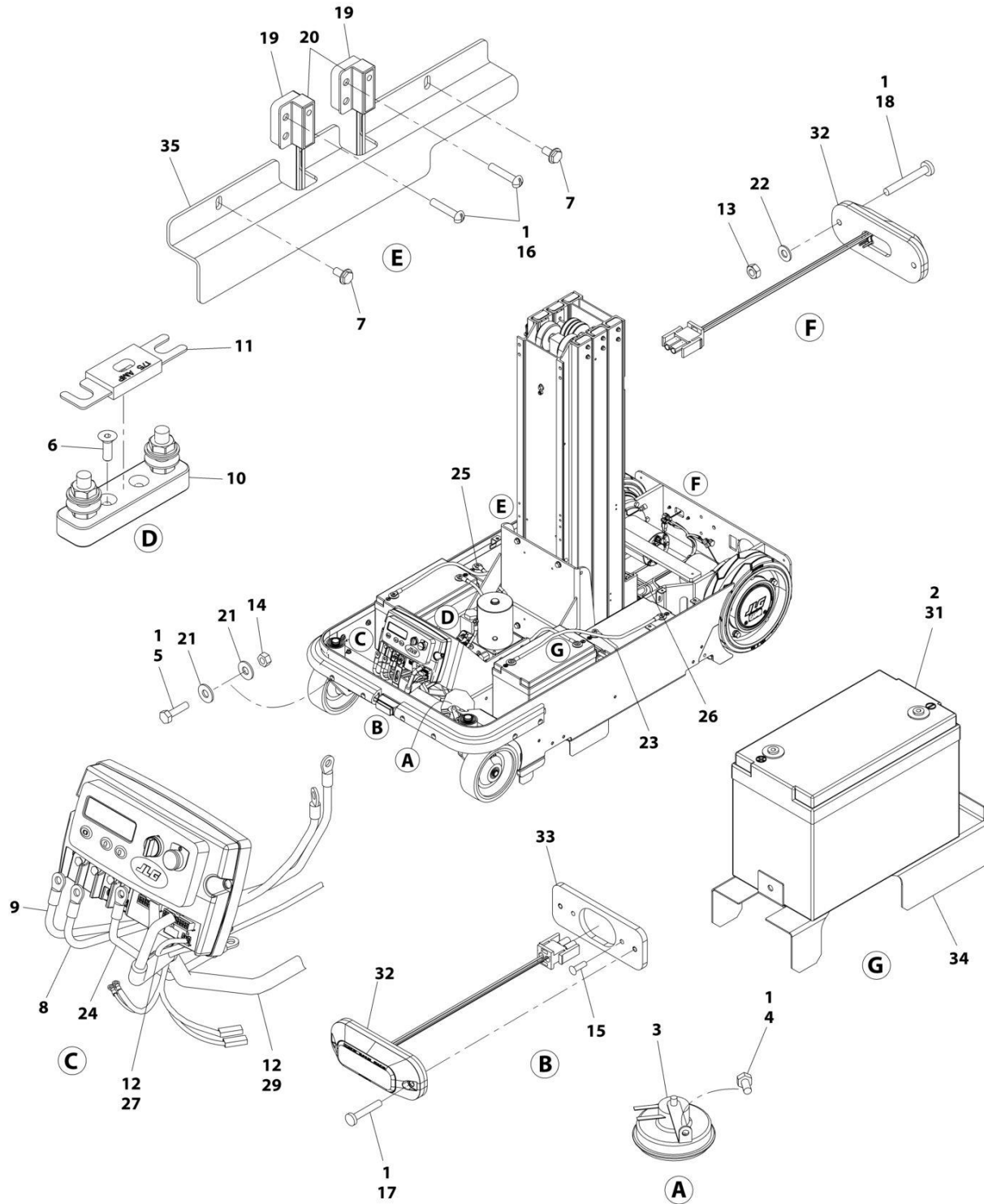
ITEM	PART NUMBER	QTY	DESCRIPTION	REV
	3600392	Ref	PUMP AND MOTOR ASSEMBLY	D
1	7027943	Ref	Pump Components Kit	
1A	See Note	NSS	Pump (Note: Use Item 1)	
1B	7027943	1	Seal	
1C	7011021	1	Seal	
1D	See Note	NSS	Seal (Note: Use Item 1)	
1E	7010928	4	Screw	
1F	7011033	1	Screw	
1G	See Note	NSS	Lockwasher (Note: Use Item 1)	
1H	See Note	NSS	Retainer (Note: Use Item 1)	
1J	7011016	1	Coupler	
2	7027944	Ref	Adaptor Components Kit	
2A	7011025	1	Seal	
2B	7011011	2	Screw	
2C	See Note	NSS	Plug (Note: Use Item 2)	
2D	See Note	NSS	Adaptor (Note: Use Item 2)	
2E	7011013	1	Retainer	
2F	See Note	NSS	Plug, Plastic (Not Shown) (Note: Use Item 2)	
2G	See Note	NSS	Plug, Steel (Note: Use Item 2)	
2H	See Note	NSS	Seat Assembly (Note: Use item 2)	
2J	See Note	NSS	Plug (Note: Use Item 2)	
3	7027945	Ref	Relief Valve Components Kit	
3A	7011008	1	Spring	
3B	7011017	1	Spring	
3C	7011009	1	Screw, Adjustment	
3D	See Note	NSS	Gasket (Note: Use Item 3)	
3E	7011004	1	Cap	
3F	See Note	NSS	Ball (Note: Use Item 3)	
4	7027946	Ref	Tube Components Kit	
4A	7011024	1	Seal	
4B	See Note	NSS	Seal (Note: Use Item 4)	
4C	See Note	NSS	Washer (Note: Use Item 4)	
4D	7011031	1	Ring, Retaining	
4E	7011032	1	Ring, Retaining	
4G	See Note	NSS	Tube (Note: Use Item 4)	
4H	See Note	NSS	Tube (Note: Use Item 4)	
4J	See Note	NSS	Tube (Note: Use Item 4)	
4K	7011029	1	Strainer	
4L	7011034	1	Spacer	
5	7027947	Ref	Tank Components Kit	
5A	See Note	NSS	Tank (Note: Use Item 5)	
5B	See Note	NSS	Screw (Note: Use Item 5)	
5C	7011027	1	Magnet	
5D	See Note	NSS	Label (Note: Use Item 5)	
5E	7011069	1	Breather/Dipstick	
6	See Note	1	Label (Not Shown) (Note: Not Available for Purchase)	
7	7027948	1	Motor Assembly	
7	See Note	NSS	Brush Kit (Note: Use Item 7)	
8	7027949	Ref	Return Port Components Kit	
8A	See Note	NSS	Seal (Note: Use Item 8)	

SECTION 2 - CONTROLS

ITEM	PART NUMBER	QTY	DESCRIPTION	REV
8B	See Note	NSS	Seal (Note: Use Item 8)	
8C	See Note	NSS	Washer (Note: Use Item 8)	
8D	See Note	NSS	Body, Return Port (Note: Use Item 8)	
9	2221185	1	Fitting, 90	
10	2110606	1	Fitting, Straight	

SECTION 2 - CONTROLS

FIGURE 2-2. BATTERIES, ALARM AND STROBE INSTALLATION



ART_1001229682_B

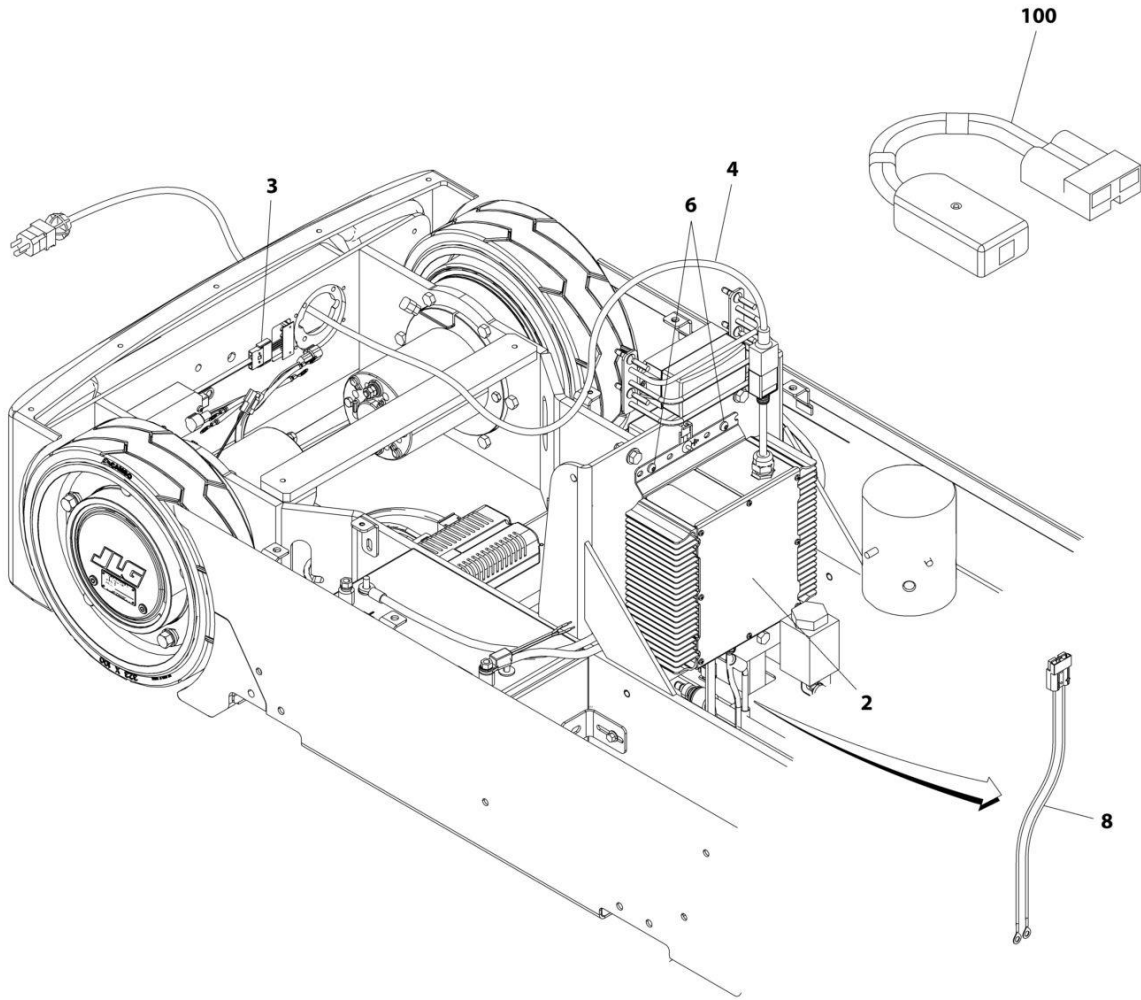
SECTION 2 - CONTROLS

FIGURE 2-2. BATTERIES, ALARM AND STROBE INSTALLATION

ITEM	PART NUMBER	QTY	DESCRIPTION	REV
	1001229682	Ref	BATTERIES, ALARM AND STROBE INSTALLATION	C
1	0100011	AR	Compound, Locking	
2	0100051	AR	Grease, Terminal	
3	0140022	1	Alarm	
4	0641404	1	Bolt 1/4 x 1/2	
5	0641408	8	Bolt 1/4 x 1	
6	0741005	2	Screw #10 x 5/8	
7	0791003	2	Screw #10 x 3/8	
8	1060943	1	Cable (GSM P+ to Pump+)	
9	1060944	1	Cable (GSM P- to Pump-)	
10	2400044	1	Fuse, Mounting Block	
11	2400069	1	Fuse 175Amp	
12	3020038	AR	Grease, Contact	
13	3290401	2	Nut M4	
14	3311405	8	Nut 1/4	
15	3820013	2	Rivet	
16	3931016	4	Screw 10-24 x 1	
17	4031509	2	Screw M4 x 25	
18	4031511	2	Screw M4 x 35	
19	4071084	2	Shim	
20	4360514	2	Switch, Proximity	
21	4751400	16	Washer 1/4	
22	4811400	2	Washer M4	
23	4923022	1	Cable (B+ to Fuse)	
24	4923023	1	Cable (Fuse to GSM)	
25	4923024	1	Cable (B- to GSM)	
26	4923028	1	Traction Module Power Harness	
27	4923029	1	Ground Station to Traction Module Harness	
28	4923383	1	Drive Motor Harness (Not Shown) (See Separate Breakdown in ELECTRICAL SECTION)	
29	4923446	1	Main (MSP) Harness	
30	1001121700	3	Cable (Battery B+ to B-) (Not Shown)	
31	1001177558	4	Battery	
32	1001187862	NLA	Light, Strobe (use PN1001258016)	
32	1001258016	2	Light, Strobe LED	
33	1001207630	NLA	Plate (use PN1001258436)	
33	1001258436	1	Plate	
34	1001229683	2	Plate	
35	1001229684	1	Shield, Wire	

SECTION 2 - CONTROLS

FIGURE 2-3. BATTERY CHARGER INSTALLATION (WITHOUT CORD REEL)



ART_0274898

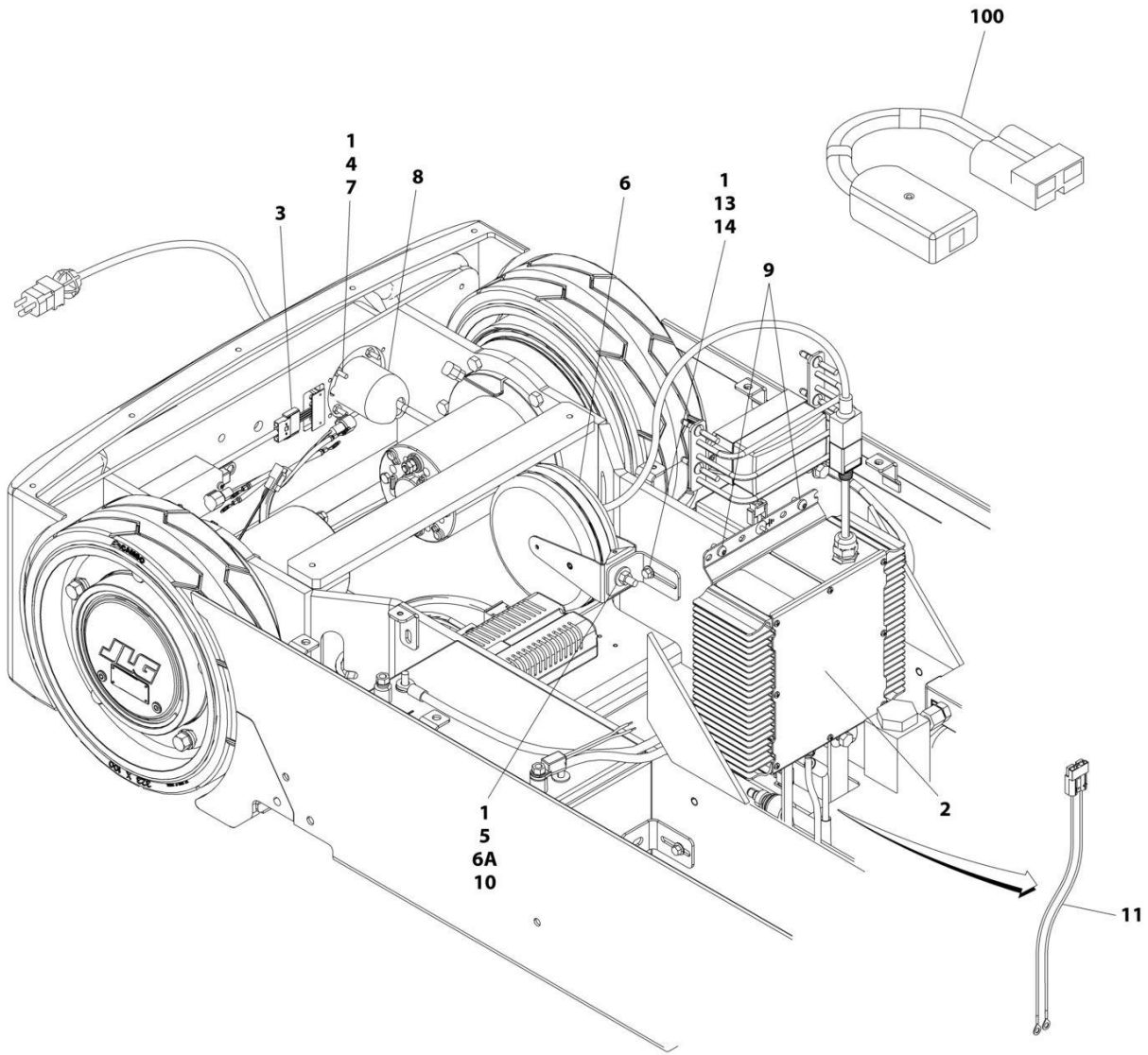
SECTION 2 - CONTROLS

FIGURE 2-3. BATTERY CHARGER INSTALLATION (WITHOUT CORD REEL)

ITEM	PART NUMBER	QTY	DESCRIPTION	REV
	0274898	Ref	BATTERY CHARGER INSTALLATION	F
		Ref	Note: Available on all Specs.	
2	1001136381	1	Battery Charger Assembly (No Serviceable Parts Available)	
3	0610131	1	LED, Board	
4	1060689	1	Cord, Electrical	
6	4191706	4	Screw M6 x 12	
8	4923438	1	Battery Charger Harness	
9	1001109821	1	LED and Temperature Sensor Harness (Not Shown) (See Separate Breakdown in ELECTRICAL SECTION)	
100	1600466	1	BATTERY CHARGER REPROGRAM CONTROLLER KIT (Use p/n 2915230)	

SECTION 2 - CONTROLS

FIGURE 2-4. BATTERY CHARGER INSTALLATION (WITH CORD REEL)



ART_0274900

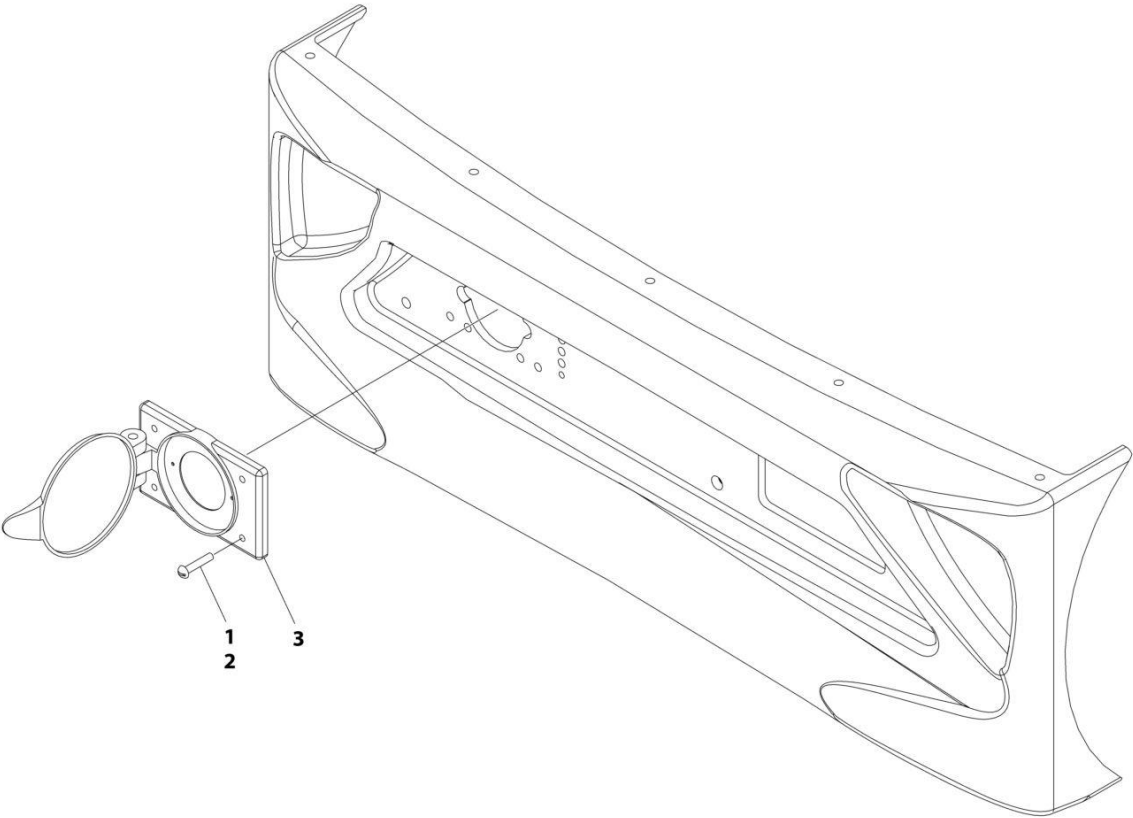
SECTION 2 - CONTROLS

FIGURE 2-4. BATTERY CHARGER INSTALLATION (WITH CORD REEL)

ITEM	PART NUMBER	QTY	DESCRIPTION	REV
	0274900	Ref	BATTERY CHARGER INSTALLATION	F
		Ref	Note: Available on ANSI, ANSI Export and CSA Specs.	
1	0100011	AR	Compound, Locking	
2	1001136381	1	Battery Charger Assembly (No Serviceable Parts Available)	
3	0610131	1	LED Board	
4	3311001	4	Nut #10	
5	3311501	1	Nut 5/16	
6	3680057	1	Reel, Charger Cord	
6A	0791508	1	Screw 5/16 x 1	
7	3911016	4	Screw #10 x 1	
8	4120046	1	Terminal, Inlet Socket, Cord Reel Stop	
9	4191706	4	Screw M6 x 12	
10	4751500	1	Washer 5/16	
11	4923438	1	Battery Charger Harness	
12	1001109821	1	LED and Temperature Sensor Harness (Not Shown) (See Separate Breakdown in ELECTRICAL SECTION)	
100	1600466	1	BATTERY CHARGER REPROGRAM CONTROLLER KIT (Use p/n 2915230)	

SECTION 2 - CONTROLS

FIGURE 2-5. CHARGER PLUG INSTALLATION - CUSTOMER SUPPLIED PLUG



ART_1001097456

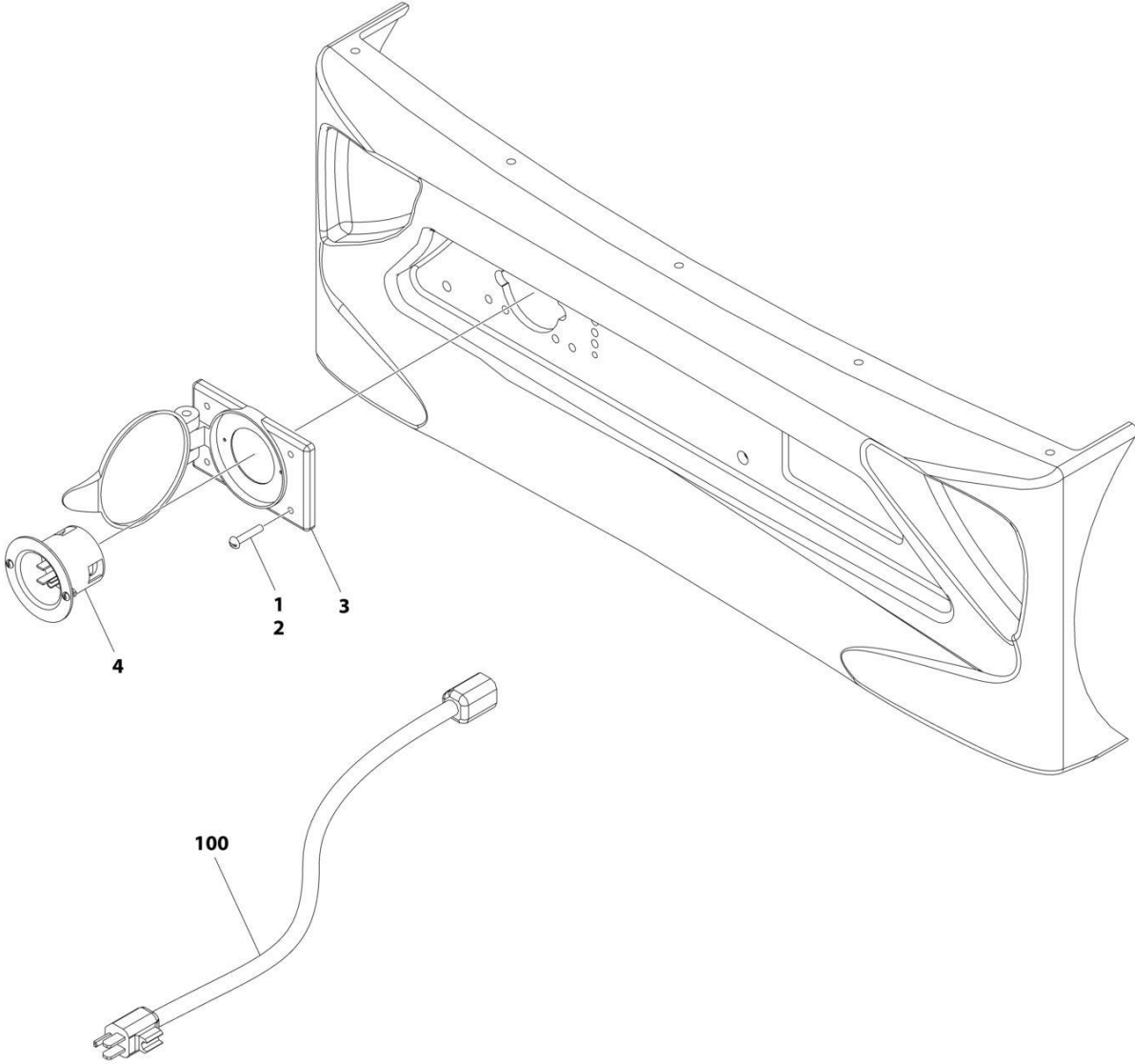
SECTION 2 - CONTROLS

FIGURE 2-5. CHARGER PLUG INSTALLATION - CUSTOMER SUPPLIED PLUG

ITEM	PART NUMBER	QTY	DESCRIPTION	REV
	1001097456	Ref	CHARGER PLUG INSTALLATION	A
1	0100011	AR	Compound, Locking	
2	3911016	4	Screw #10 x 1	
3	4460802	1	Cover, Weatherproof	

SECTION 2 - CONTROLS

FIGURE 2-6. CHARGER PLUG INSTALLATION - 110V PLUG



ART_1001097449

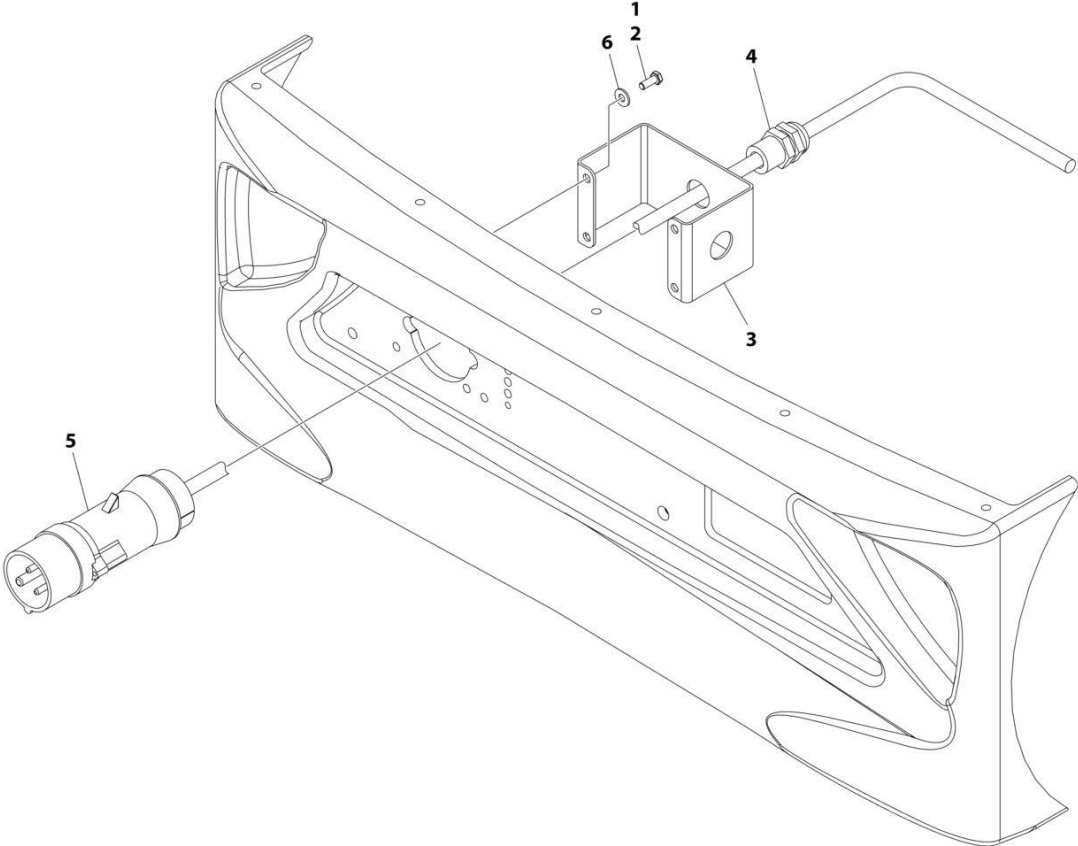
SECTION 2 - CONTROLS

FIGURE 2-6. CHARGER PLUG INSTALLATION - 110V PLUG

ITEM	PART NUMBER	QTY	DESCRIPTION	REV
	1001097449	Ref	CHARGER PLUG INSTALLATION - 110V PLUG	B
1	0100011	AR	Compound, Locking	
2	3911016	4	Screw #10 x 1	
3	4460802	1	Cover, Weatherproof	
4	4460803	1	Receptacle with Boot and Mounting Hardware	
100	4923174	6 ft/ 1.83m	CORD, EXTENSION (OPTIONAL)	

SECTION 2 - CONTROLS

FIGURE 2-7. CHARGER PLUG INSTALLATION - 110V IEC YELLOW PLUG (CE & UK CA SPECS)



ART_1001097453

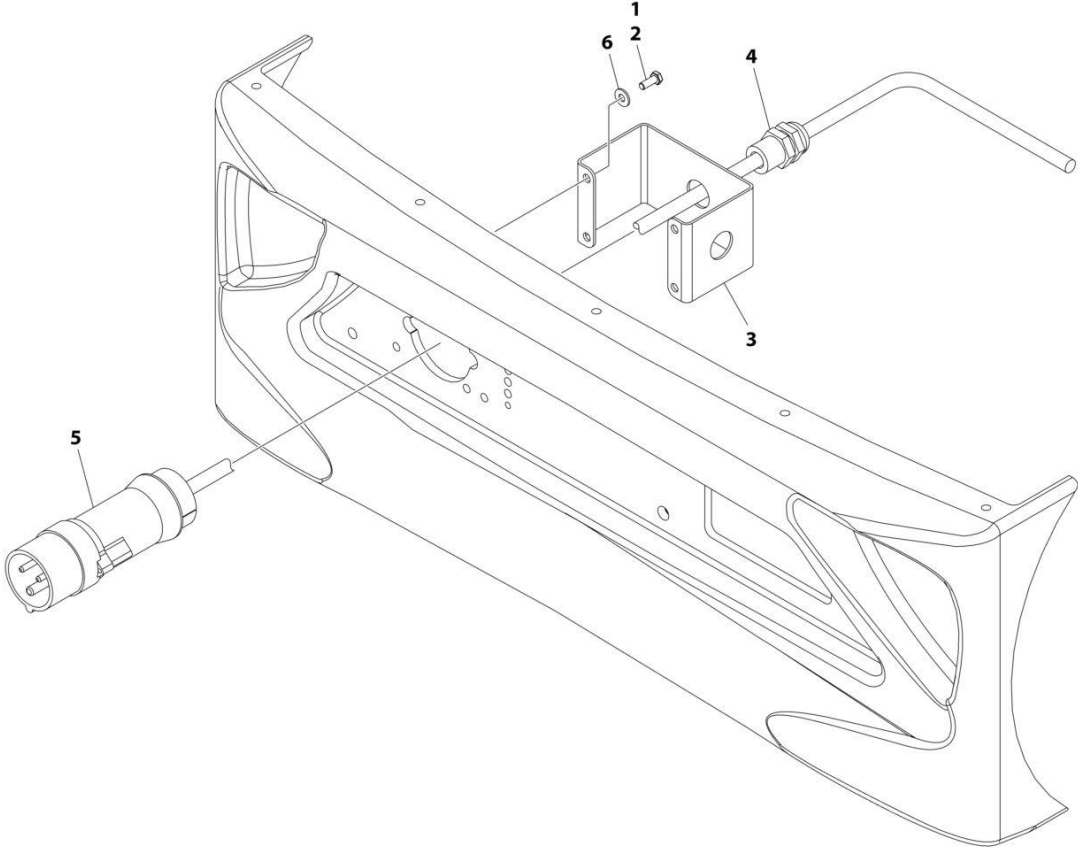
SECTION 2 - CONTROLS

FIGURE 2-7. CHARGER PLUG INSTALLATION - 110V IEC YELLOW PLUG (CE & UK CA SPECS)

ITEM	PART NUMBER	QTY	DESCRIPTION	REV
	1001097453	Ref	CHARGER PLUG INSTALLATION - 110V IEC YELLOW PLUG	B
1	0100011	AR	Compound, Locking	
2	0721004	4	Screw #10 x 1/2	
3	3571584	1	Plate	
4	4460428	1	Connector, Strain Relief	
5	4461196	1	Plug - 110V IEC Yellow	
6	4711000	4	Washer #10	

SECTION 2 - CONTROLS

FIGURE 2-8. CHARGER PLUG INSTALLATION - 220V IEC BLUE PLUG (CE & UK CA SPECS)



ART_1001097454

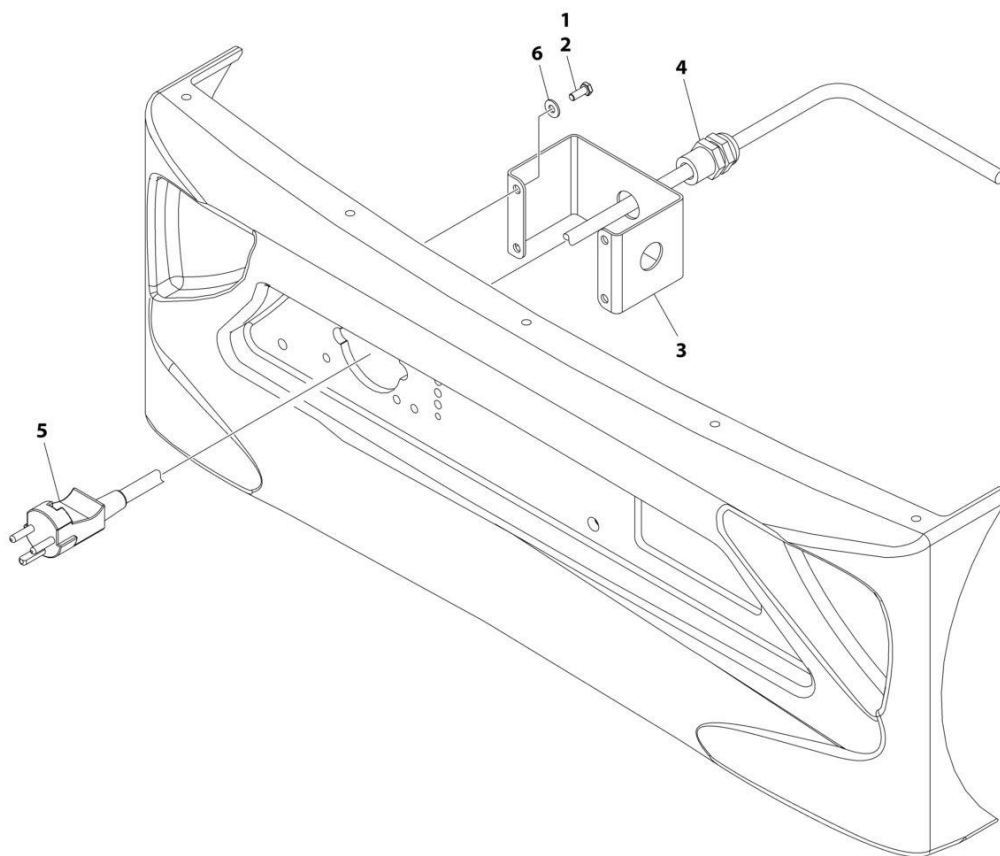
SECTION 2 - CONTROLS

FIGURE 2-8. CHARGER PLUG INSTALLATION - 220V IEC BLUE PLUG (CE & UK CA SPECS)

ITEM	PART NUMBER	QTY	DESCRIPTION	REV
	1001097454	Ref	CHARGER PLUG INSTALLATION - 220V IEC BLUE PLUG	B
1	0100011	AR	Compound, Locking	
2	0721004	4	Screw #10 x 1/2	
3	3571584	1	Plate	
4	4460428	1	Connector, Strain Relief	
5	4461199	1	Plug - 220V IEC Blue	
6	4711000	4	Washer #10	

SECTION 2 - CONTROLS

FIGURE 2-9. CHARGER PLUG INSTALLATION - 220V IEC KEYED GROUND PLUG (CE & UK CA SPECS)



ART_1001097452

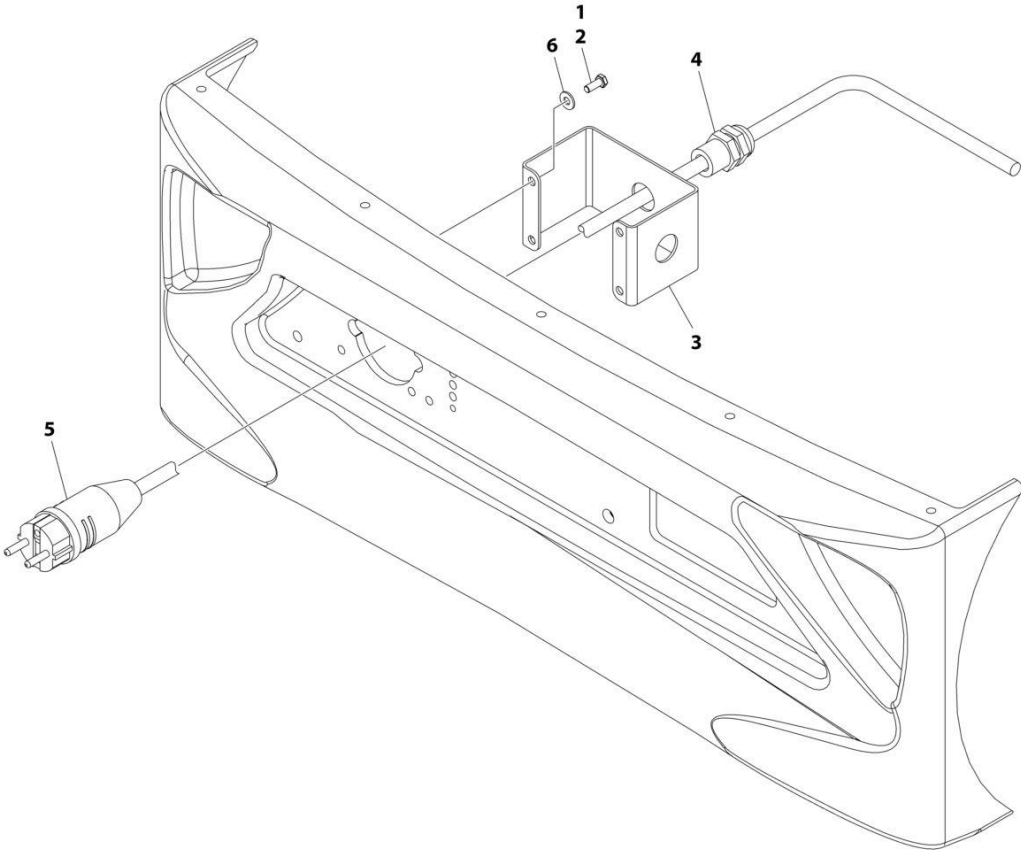
SECTION 2 - CONTROLS

FIGURE 2-9. CHARGER PLUG INSTALLATION - 220V IEC KEYED GROUND PLUG (CE & UK CA SPECS)

ITEM	PART NUMBER	QTY	DESCRIPTION	REV
	1001097452	Ref	CHARGER PLUG INSTALLATION - 220V IEC KEYED GROUND PLUG	B
1	0100011	AR	Compound, Locking	
2	0721004	4	Screw #10 x 1/2	
3	3571584	1	Plate	
4	4460428	1	Connector, Strain Relief	
5	4461249	1	Plug - 220V Keyed	
6	4711000	4	Washer #10	

SECTION 2 - CONTROLS

FIGURE 2-10. CHARGER PLUG INSTALLATION - 220V IEC POST GROUND PLUG (CE & UK CA SPECS)



ART_1001097450

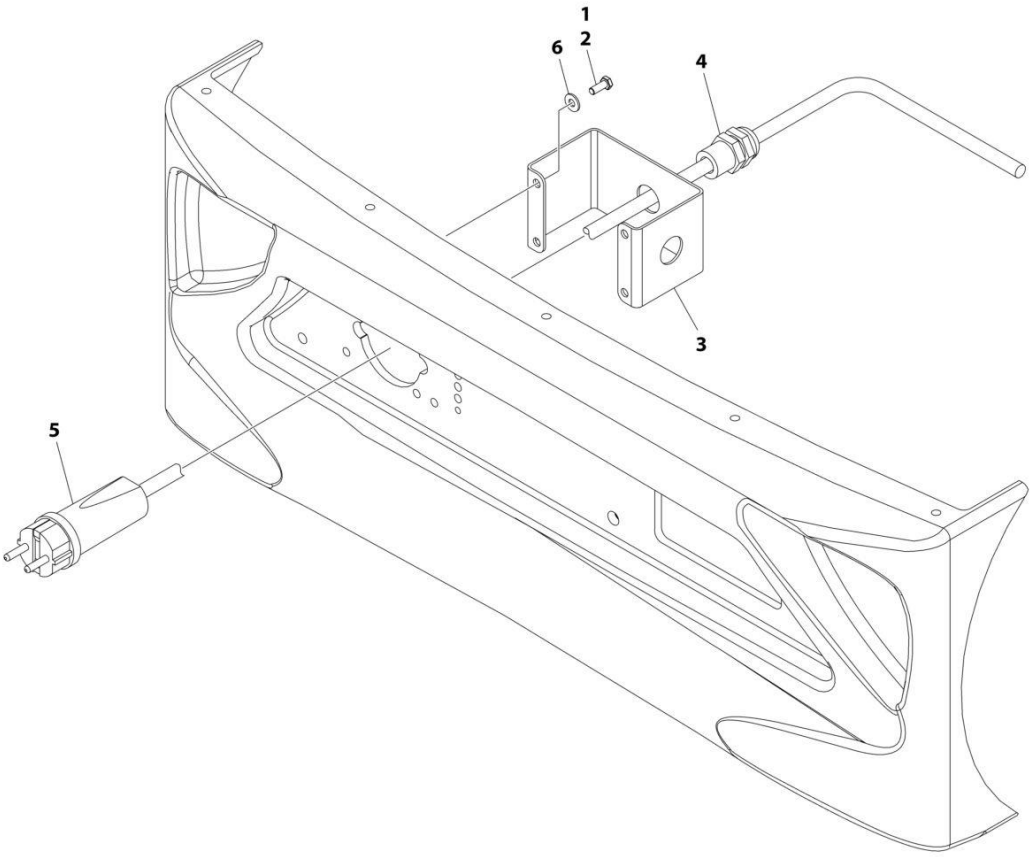
SECTION 2 - CONTROLS

FIGURE 2-10. CHARGER PLUG INSTALLATION - 220V IEC POST GROUND PLUG (CE & UK CA SPECS)

ITEM	PART NUMBER	QTY	DESCRIPTION	REV
	1001097450	Ref	CHARGER PLUG INSTALLATION - 220V IEC POST GROUND PLUG	C
1	0100011	AR	Compound, Locking	
2	0721004	4	Screw #10 x 1/2	
3	3571584	1	Plate	
4	4460428	1	Strain Relief, Connector	
5	4461205	1	Plug - 220V IEC Post Ground	
6	4711000	4	Washer #10	

SECTION 2 - CONTROLS

FIGURE 2-11. CHARGER PLUG INSTALLATION - 220V IEC SIDE GROUND PLUG (CE & UK CA SPECS)



ART_1001097451

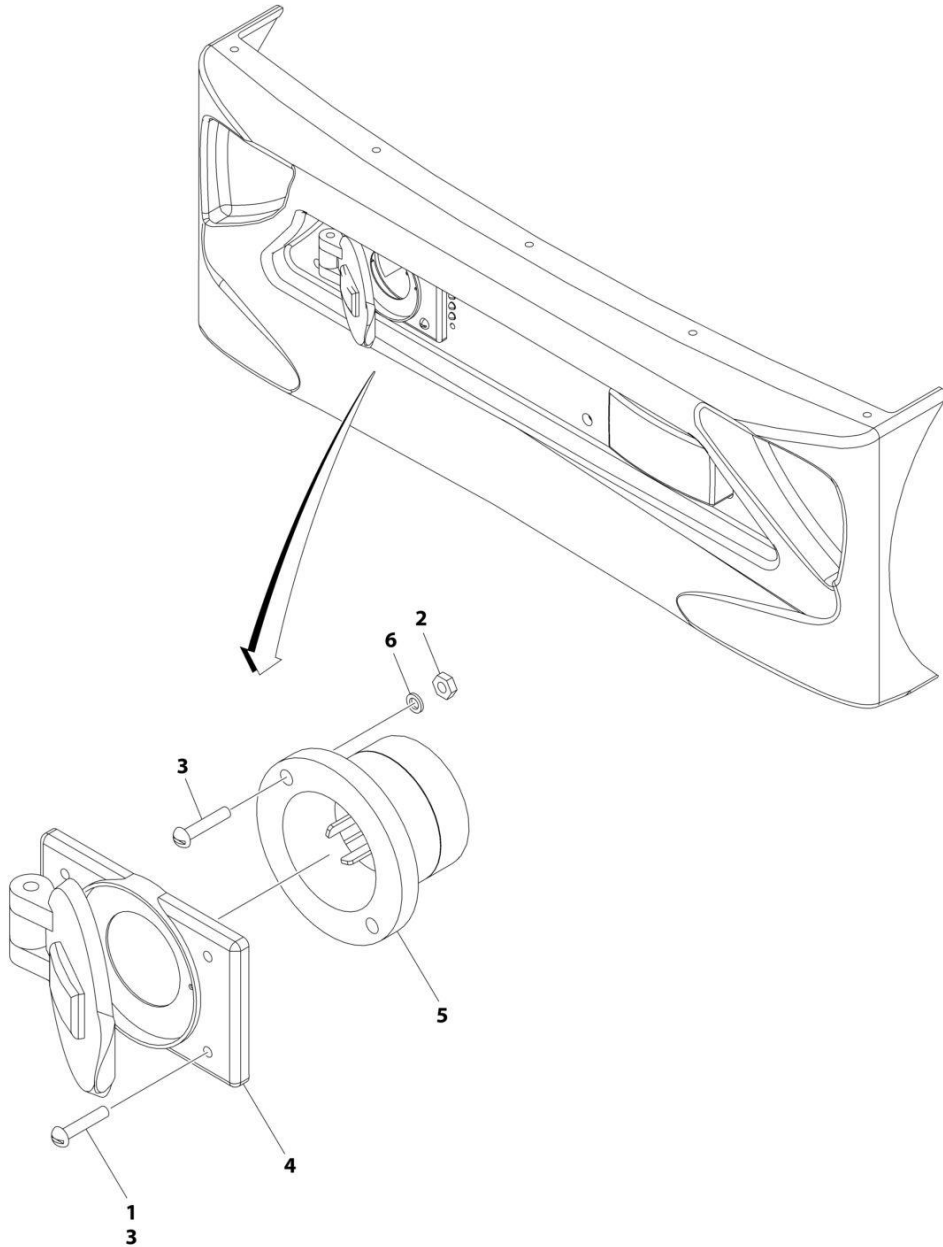
SECTION 2 - CONTROLS

FIGURE 2-11. CHARGER PLUG INSTALLATION - 220V IEC SIDE GROUND PLUG (CE & UK CA SPECS)

ITEM	PART NUMBER	QTY	DESCRIPTION	REV
	1001097451	Ref	CHARGER PLUG INSTALLATION - 220V IEC SIDE GROUND PLUG	B
1	0100011	AR	Compound, Locking	
2	0721004	4	Screw #10 x 1/2	
3	3571584	1	Plate	
4	4460428	1	Connector, Strain Relief	
5	4461205	1	Plug - 220V Side Ground	
6	4711000	4	Washer #10	

SECTION 2 - CONTROLS

FIGURE 2-12. CHARGER PLUG INSTALLATION - 220V (AUSTRALIAN SPECS)



ART_1001097455

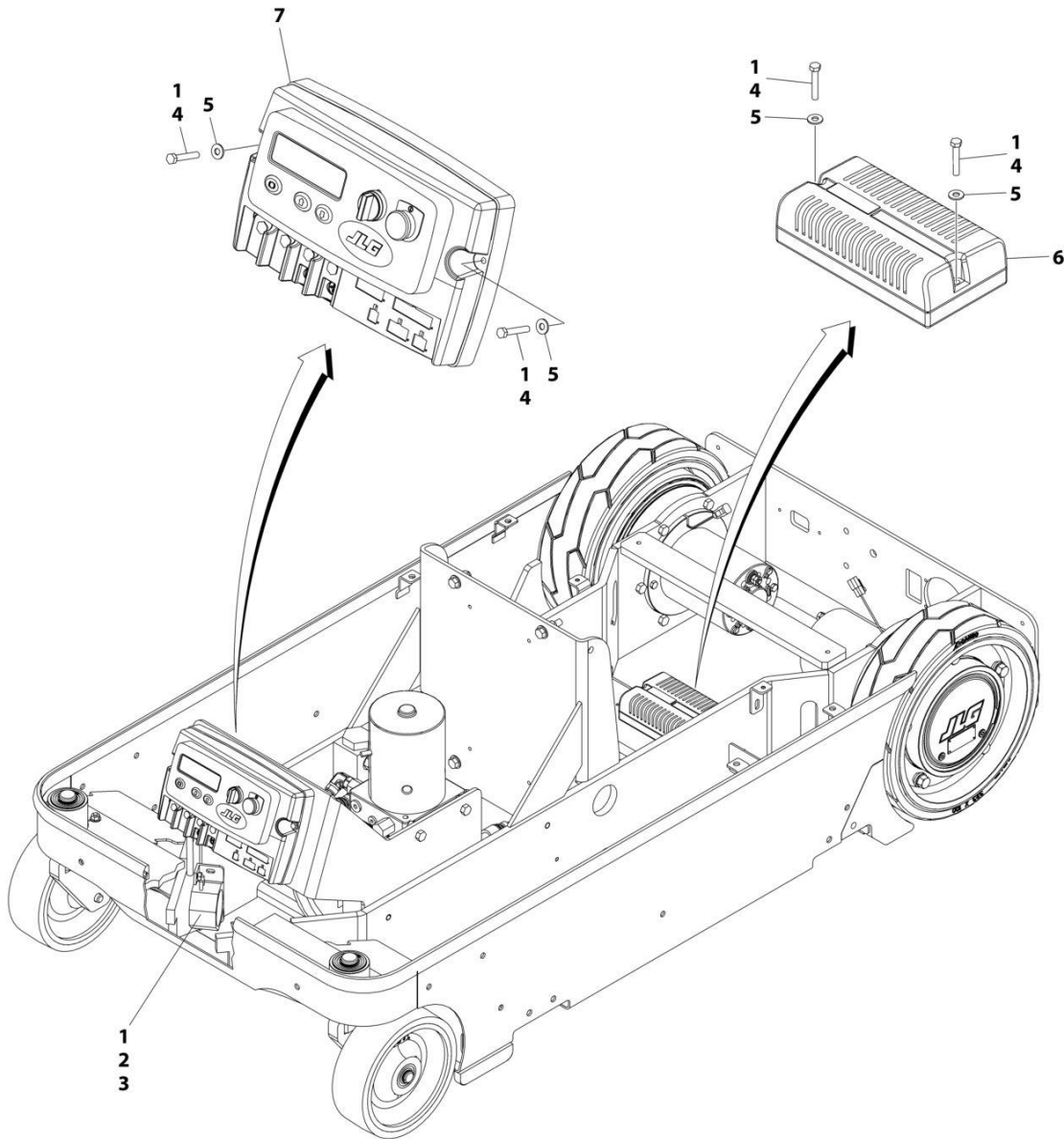
SECTION 2 - CONTROLS

FIGURE 2-12. CHARGER PLUG INSTALLATION - 220V (AUSTRALIAN SPECS)

ITEM	PART NUMBER	QTY	DESCRIPTION	REV
	1001097455	Ref	CHARGER PLUG INSTALLATION - 220V	C
1	0100011	AR	Compound, Locking	
2	3311001	1	Nut #10	
3	3911016	6	Screw #24 x 1	
4	4460802	1	Cover, Weatherproof	
5	4460940	1	Plug	
6	4761000	2	Washer #10	

SECTION 2 - CONTROLS

FIGURE 2-13. GROUND CONTROL AND TRACTION MODULE INSTALLATION (ALL SPECS EXCEPT JAPANESE SPECS)



ART_1001255261

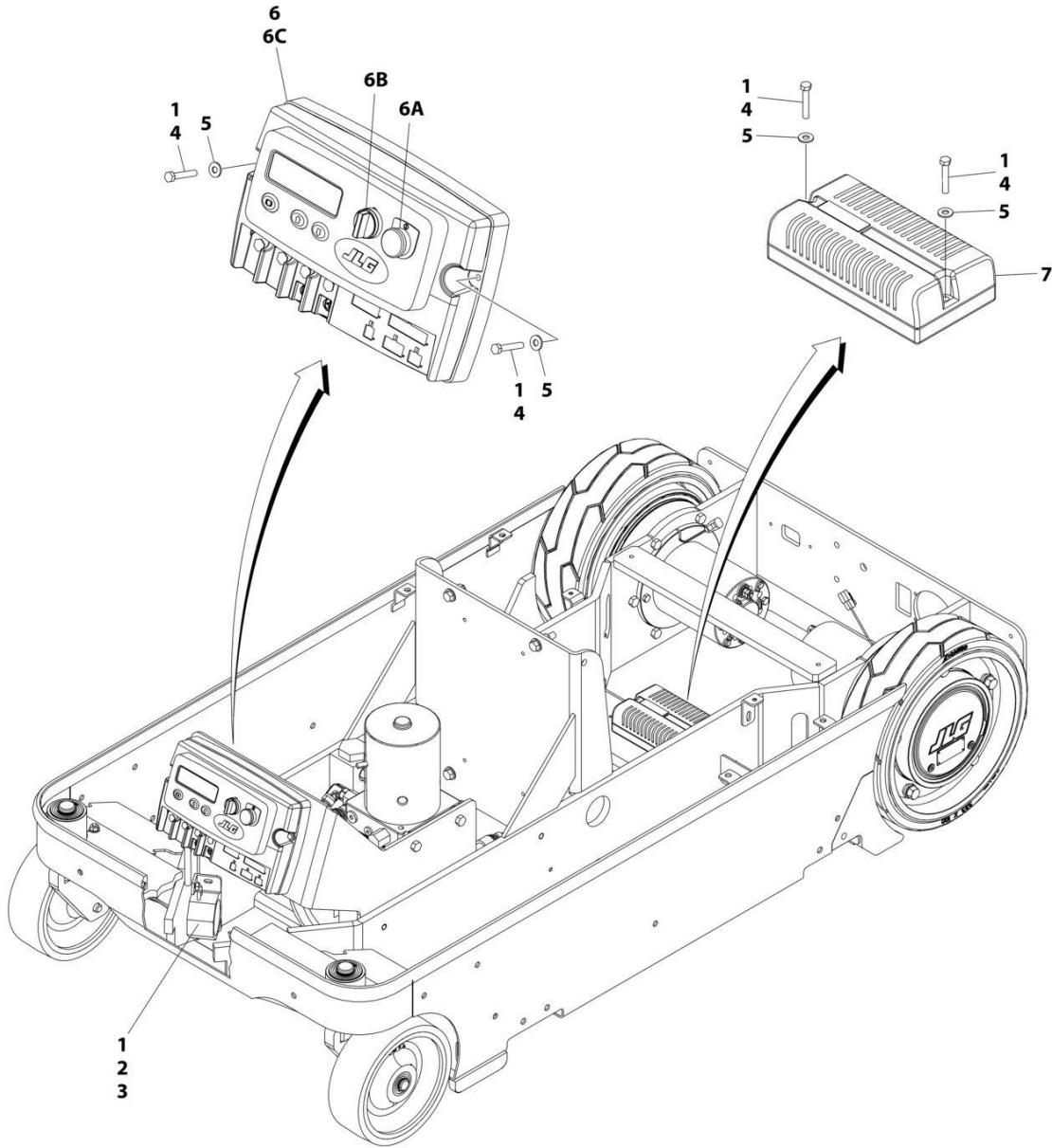
SECTION 2 - CONTROLS

FIGURE 2-13. GROUND CONTROL AND TRACTION MODULE INSTALLATION (ALL SPECS EXCEPT JAPANESE SPECS)

ITEM	PART NUMBER	QTY	DESCRIPTION	REV
	1001255261	Ref	GROUND CONTROL AND TRACTION MODULE INSTALLATION	A
1	0100011	AR	Compound, Locking	
2	0140033	1	Alarm	
3	0641404	2	Bolt 1/4 x 1/2	
4	0721010	4	Bolt #10 X 1-1/4	
5	4751000	4	Washer #10	
6	1001231450	1	Module, Traction	
7	1001255259	1	Ground Control Station/Module Assembly	

SECTION 2 - CONTROLS

FIGURE 2-14. GROUND CONTROL AND TRACTION MODULE INSTALLATION (CHINESE AND JAPANESE SPECS)



ART_1001255262

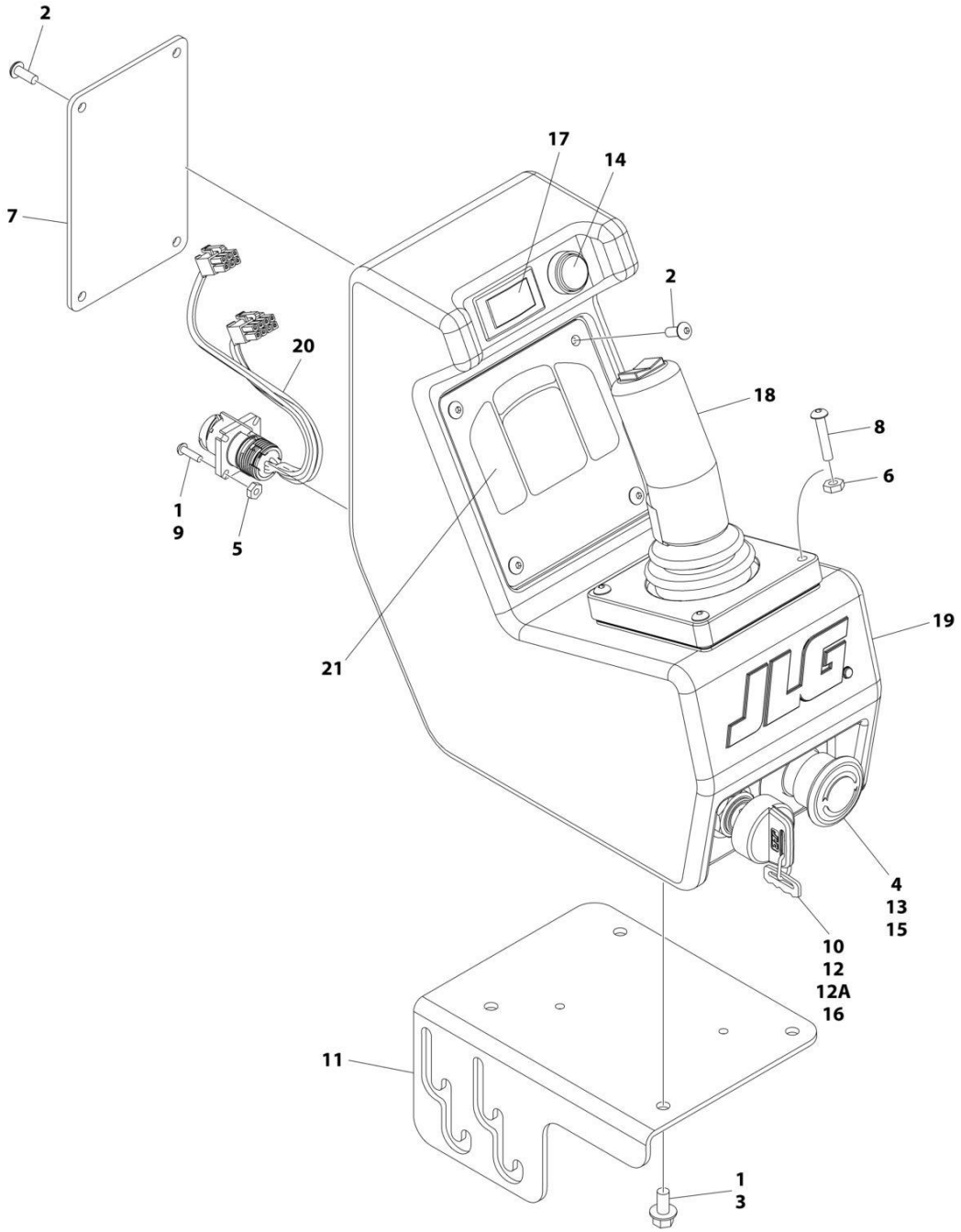
SECTION 2 - CONTROLS

FIGURE 2-14. GROUND CONTROL AND TRACTION MODULE INSTALLATION (CHINESE AND JAPANESE SPECS)

ITEM	PART NUMBER	QTY	DESCRIPTION	REV
	1001255262	Ref	GROUND CONTROL AND TRACTION MODULE INSTALLATION	A
1	0100011	AR	Compound, Locking	
2	0140033	1	Alarm	
3	0641404	2	Bolt 1/4 x 1/2	
4	0721010	4	Bolt #10 x 1-1/4	
5	4751000	4	Washer #10	
6	1001255260	1	Ground Control Station/Module Assembly	
7	1001231450	1	Module, Traction	

SECTION 2 - CONTROLS

FIGURE 2-15. PLATFORM CONTROL BOX ASSEMBLY



ART_1001228495

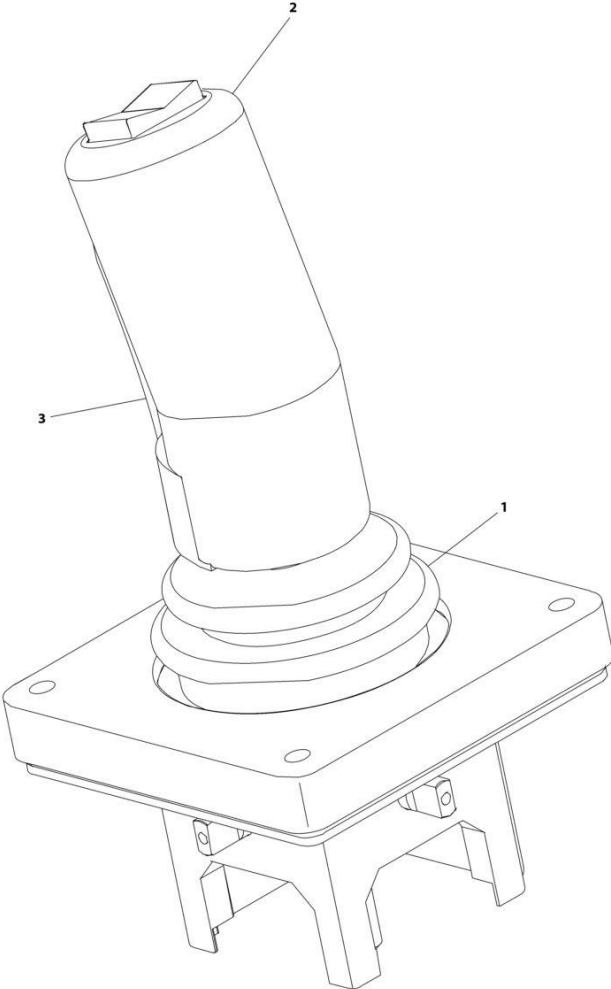
SECTION 2 - CONTROLS

FIGURE 2-15. PLATFORM CONTROL BOX ASSEMBLY

ITEM	PART NUMBER	QTY	DESCRIPTION	REV
	1001228495	Ref	PLATFORM CONTROL BOX ASSEMBLY	D
1	0100011	AR	Compound, Locking	
2	0630464	8	Screw #10 x 1/2	
3	0791404	4	Screw 1/4 x 1/2	
4	1706007	1	Decal - Emergency Stop	
5	3310601	4	Nut #6	
6	3311005	4	Nut #10	
7	3380540	1	Panel, Control Box	
8	3900189	4	Screw #10 x 1	
9	3910608	4	Screw #6 x 1/2	
10	3910804	2	Screw #8 x 1/4	
11	4340884	1	Mount, Control Box	
12	4360467	1	Switch, Key	
12A	2860030	1	Key, Replacement	
13	4360562	1	Switch, Emergency Stop	
14	4360567	1	Switch, Horn	
15	4923107	1	Emergency Stop Harness	
16	4923108	1	Key Switch Harness	
17	1001228835	1	Plug	
18	1001098192	1	Controller Assembly (See Separate Breakdown in this Section)	
19	1001098193	1	Box, Control	
20	1001227884	1	Power Harness (See Separate Breakdown in ELECTRICAL Section)	
21	1001228458	1	Module, Controller	

SECTION 2 - CONTROLS

FIGURE 2-16. CONTROLLER ASSEMBLY



ART_1001098192

SECTION 2 - CONTROLS

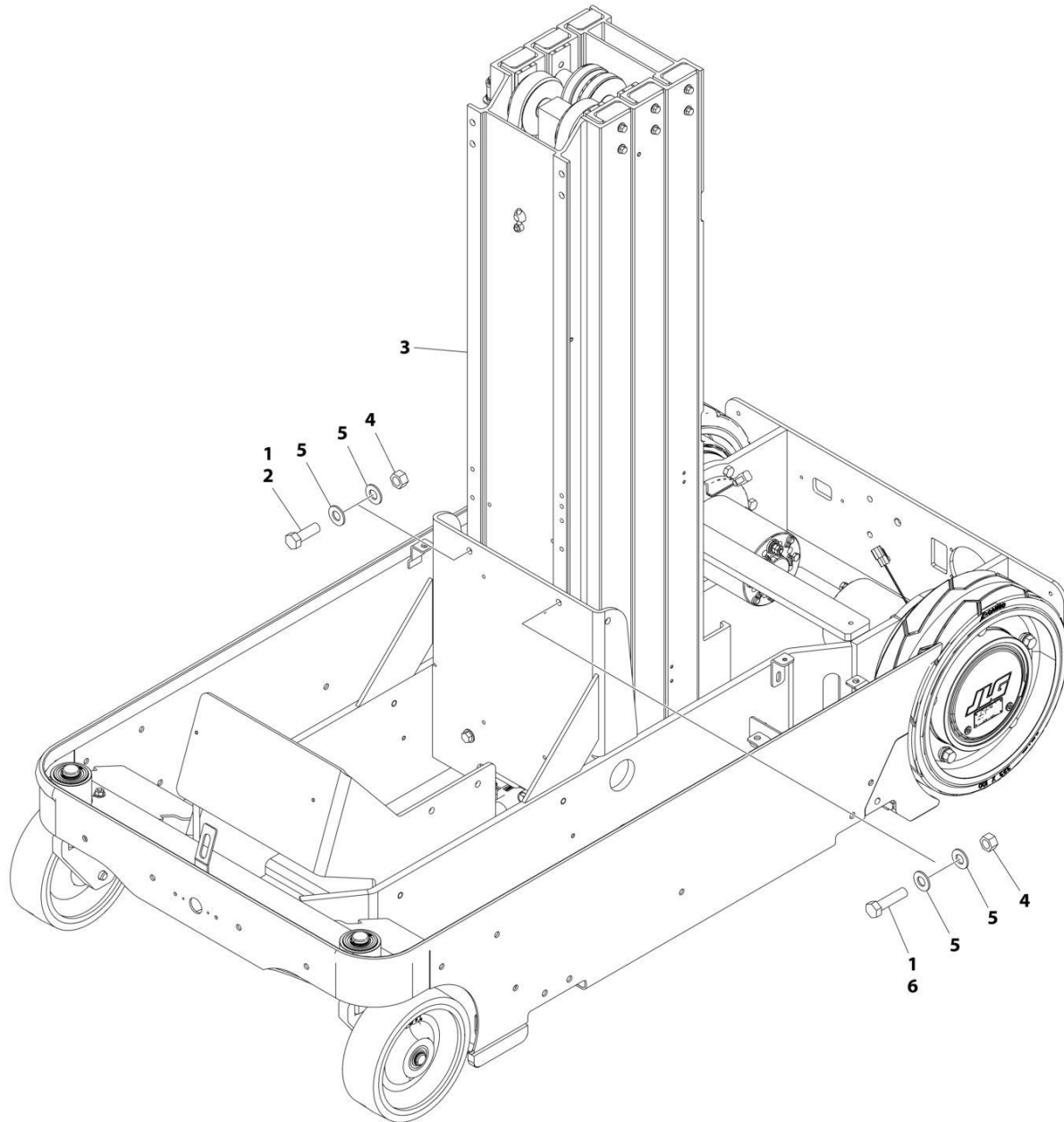
FIGURE 2-16. CONTROLLER ASSEMBLY

ITEM	PART NUMBER	QTY	DESCRIPTION	REV
	1001098192	Ref	CONTROLLER ASSEMBLY	A
1	70001250	1	Boot, Rubber (Base of Controller)	
1	7027766	1	Ring, Retaining	
1	70001251	1	Bezel, Mounting	
1	70001252	1	Gasket, Mounting	
2	70000084	1	Boot, Rubber (Steer Switch)	
2	70000082	2	Microswitch	
2	7027365	1	Actuator, Handle	
2	70000684	2	Screw	
2	70000686	2	Screw	
2	70000683	4	Washer, Neoprene	
2	70000685	2	Spacer	
2	70001253	1	Gasket, Handle	
3	7027765	1	Lever, Enable	
3	7027367	1	Switch, Push Button (Note: Not Shown - Located Behind Lever)	

SECTION 3 - MAST

SECTION 3 - MAST

FIGURE 3-1. MAST INSTALLATION



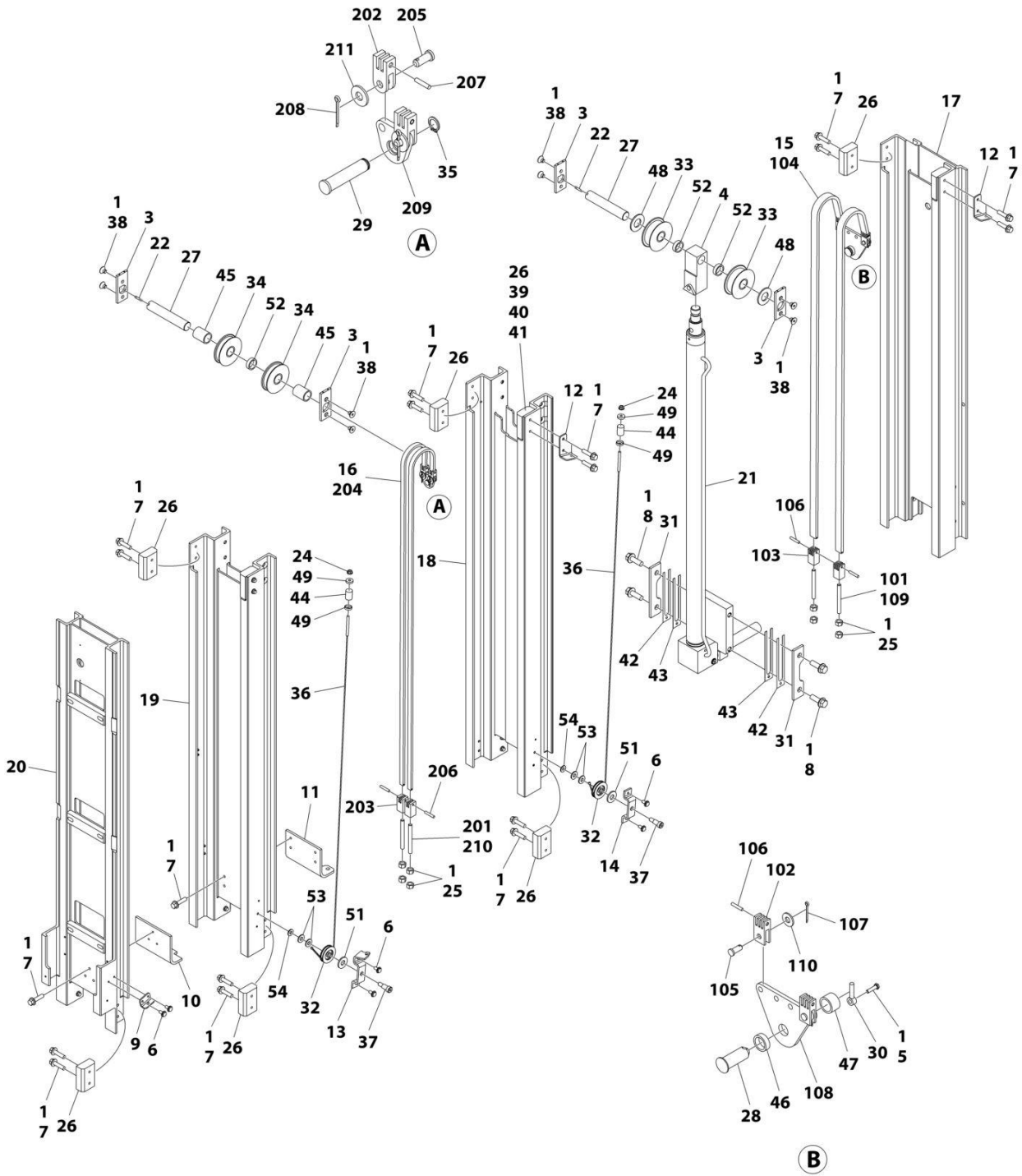
ART_0273545

FIGURE 3-1. MAST INSTALLATION

ITEM	PART NUMBER	QTY	DESCRIPTION	REV
	0273545	Ref	MAST INSTALLATION	B
1	0100019	AR	Compound, Locking	
2	0641609	3	Bolt 3/8 x 1-1/8	
3	0801394	1	Mast Assembly (See Separate Breakdown in this Section)	
4	3311601	4	Nut 3/8	
5	4711600	8	Washer 3/8	
6	0641612	1	Bolt 3/8 x 1-1/2	

SECTION 3 - MAST

FIGURE 3-2. MAST ASSEMBLY (Prior to SN 0130041099)



ART_0801394

SECTION 3 - MAST

FIGURE 3-2. MAST ASSEMBLY (Prior to SN 0130041099)

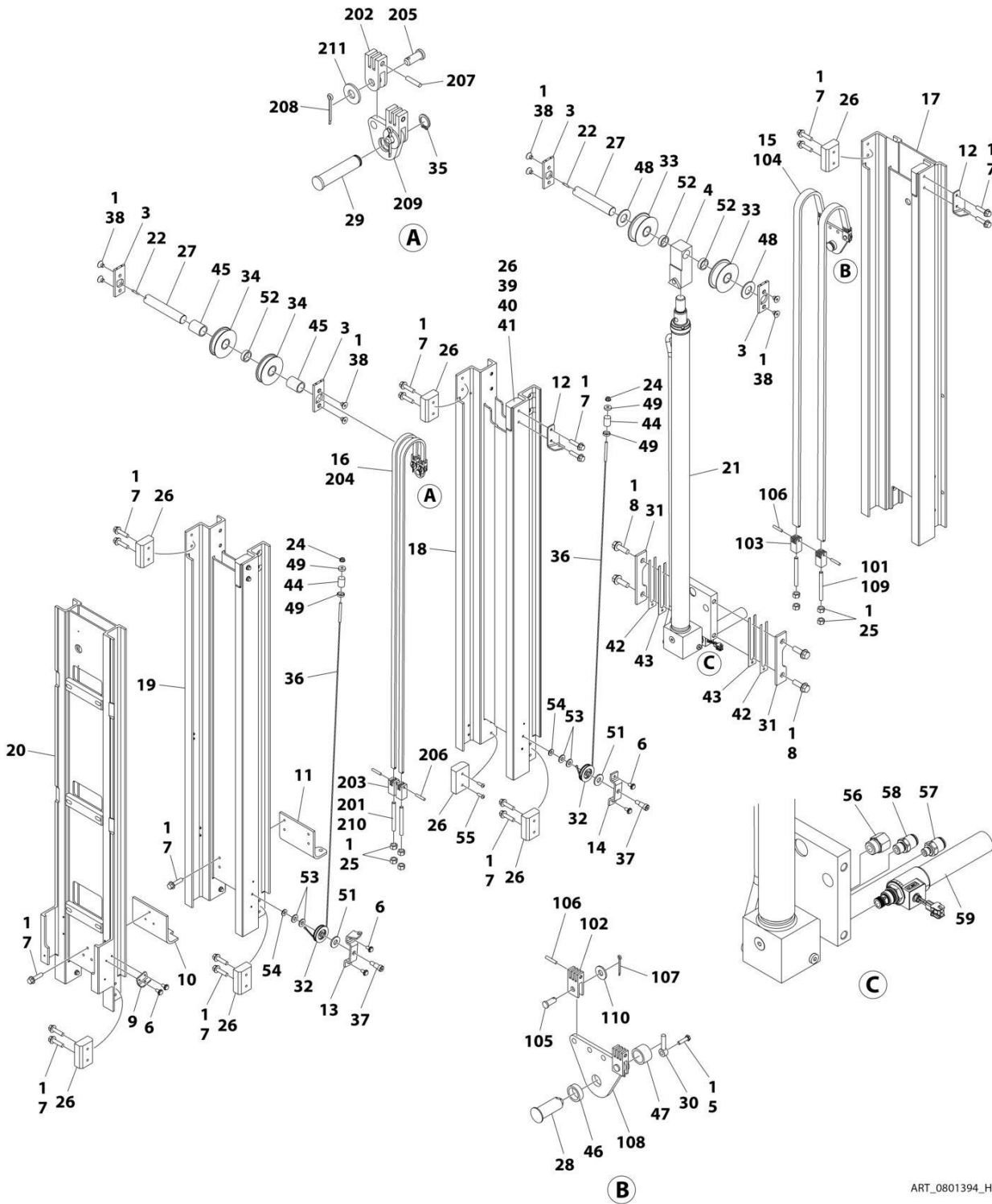
ITEM	PART NUMBER	QTY	DESCRIPTION	REV
	0801394	Ref	MAST ASSEMBLY	G
1	0100011	AR	Compound, Locking	
3	0362735	4	Bar, Support	
4	0561341	1	Block, Anchor	
5	0721006	1	Screw #10 x 3/4	
6	0791003	6	Screw #10 x 3/8	
7	0811408	31	Screw 1/4 x 1	
8	0791812	4	Screw 1/2 x 1-1/2	
9	0902047	1	Bracket, Sequence Cable	
10	0902423	1	Bracket, Chain Attach	
11	0902424	1	Bracket, Chain Attach	
12	0902431	2	Bracket, Sequence Cable	
13	0902445	1	Bracket, Sequence Cable	
14	0902698	1	Bracket, Sequence Cable	
15	1260375	1	Chain Assembly - #446 (See Items 101-110 for Breakdown)	
16	1260376	1	Chain Assembly - #444 (See Items 201-211 for Breakdown)	
17	1271567	1	Channel, Mast #1	
18	1271568	1	Channel, Mast #2	
19	1271569	1	Channel, Mast #3	
20	1271577	1	Channel, Header	
21	1001225209	1	Lift Cylinder Assembly (See Separate Breakdown in CYLINDER Section)	
22	2880310	2	Key	
23	3020041	AR	Lubricant (Not Shown - Used on Slides)	
24	3311408	2	Nut, Flanged 1/4	
24	3311401	2	Nut 1/4	
25	3311601	8	Nut 3/8	
26	3340845	12	Pad	
27	3422717	2	Pin	
28	3422750	1	Pin	
29	3422752	1	Pin	
30	3422757	1	Pin, Keeper	
31	3570893	2	Plate, Cylinder Mounting	
32	3580269	2	Sheave, Sequence Cable	
33	3580286	2	Sheave Assembly	
33	0440246	2	Bearing (1 Per Assembly)	
34	3580293	2	Sheave Assembly	
34	0440249	2	Bearing (1 Per Assembly)	
35	3760383	1	Ring, Retaining	
36	3890039	2	Cable, Sequence	
37	3900187	2	Screw, Shoulder	
38	3900192	8	Screw 3/8 x 1/2	
39	4070860	AR	Shim, Slide Pad	
40	4070861	AR	Shim, Slide Pad	
41	4070862	AR	Shim, Slide Pad	
42	4070970	AR	Shim, Cylinder Mount	
43	4070971	AR	Shim, Cylinder Mount	
44	4160124	2	Spring	
45	4567491	1	Tube, Spacer	
46	4567750	1	Tube, Spacer	

SECTION 3 - MAST

ITEM	PART NUMBER	QTY	DESCRIPTION	REV
47	4567751	1	Tube, Spacer	
48	4740007	2	Washer	
49	4740414	4	Washer, Cup	
51	4711500	2	Washer 5/16	
52	4569003	3	Tube, Spacer	
53	4711400	4	Washer 1/4	
54	4761400	2	Washer, Lock 1/4	
60	0273417	Ref	Mast Kit (Includes Items 17-20) (Not Shown)	I
	1260375	Ref	CHAIN ASSEMBLY - #446 CHAIN	B
101	0100062	AR	Compound, Locking	
102	0561153	2	Block, Chain Anchor	
103	0561409	2	Block, Chain Anchor	
104	See Note	NLA	Chain (Note: Use p/n 1260375)	
105	3422338	2	Pin	
106	3422346	4	Pin	
107	3450304	2	Pin, Cotter	
108	3571101	1	Plate, Chain Adjustment	
109	4300111	2	Stud	
110	4751500	2	Washer 5/16	
	1260376	Ref	CHAIN ASSEMBLY - #444 CHAIN	C
201	0100019	AR	Compound, Locking	
202	0561149	2	Block, Chain Anchor	
203	0561408	2	Block, Chain Anchor	
204	See Note	NLA	Chain (Note: Use p/n 1260376)	
205	3422338	2	Pin	
206	3422346	2	Pin	
207	3422355	2	Pin	
208	3450304	2	Pin, Cotter	
209	3571103	1	Plate, Chain Adjustment	
210	4300111	2	Stud	
211	4751500	2	Washer 5/16	

SECTION 3 - MAST

FIGURE 3-3. MAST ASSEMBLY (SN 0130041099 to Present)



ART_0801394_H

SECTION 3 - MAST

FIGURE 3-3. MAST ASSEMBLY (SN 0130041099 to Present)

ITEM	PART NUMBER	QTY	DESCRIPTION	REV
	0801394	Ref	MAST ASSEMBLY	H
1	0100011	AR	Compound, Locking	
3	0362735	4	Bar, Support	
4	0561341	1	Block, Anchor	
5	0721006	1	Screw #10 x 3/4	
6	0791003	6	Screw #10 x 3/8	
7	0811408	29	Screw 1/4 x 1	
8	0791812	4	Screw 1/2 x 1-1/2	
9	0902047	1	Bracket, Sequence Cable	
10	0902423	1	Bracket, Chain Attach	
11	0902424	1	Bracket, Chain Attach	
12	0902431	2	Bracket, Sequence Cable	
13	0902445	1	Bracket, Sequence Cable	
14	0902698	1	Bracket, Sequence Cable	
15	1260375	1	Chain Assembly - #446 (See Items 101-110 for Breakdown)	
16	1260376	1	Chain Assembly - #444 (See Items 201-211 for Breakdown)	
17	1271567	1	Channel, Mast #1	
18	1271568	1	Channel, Mast #2	
19	1271569	1	Channel, Mast #3	
20	1271577	1	Channel, Header	
21	1001287011	1	Lift Cylinder Assembly (See Separate Breakdown in CYLINDER Section)	
22	2880310	2	Key	
23	3020041	AR	Lubricant (Not Shown - Used on Slides)	
24	3311408	2	Nut, Flanged 1/4	
24	3311401	2	Nut 1/4	
25	3311601	8	Nut 3/8	
26	3340845	12	Pad	
27	3422717	2	Pin	
28	3422750	1	Pin	
29	3422752	1	Pin	
30	3422757	1	Pin, Keeper	
31	3570893	2	Plate, Cylinder Mounting	
32	3580269	2	Sheave, Sequence Cable	
33	3580286	2	Sheave Assembly	
33	0440246	2	Bearing (1 Per Assembly)	
34	3580293	2	Sheave Assembly	
34	0440249	2	Bearing (1 Per Assembly)	
35	3760383	1	Ring, Retaining	
36	3890039	2	Cable, Sequence	
37	3900187	2	Screw, Shoulder	
38	3900192	8	Screw 3/8 x 1/2	
39	4070860	AR	Shim, Slide Pad	
40	4070861	AR	Shim, Slide Pad	
41	4070862	AR	Shim, Slide Pad	
42	4070970	AR	Shim, Cylinder Mount	
43	4070971	AR	Shim, Cylinder Mount	
44	4160124	2	Spring	
45	4567491	1	Tube, Spacer	
46	4567750	1	Tube, Spacer	

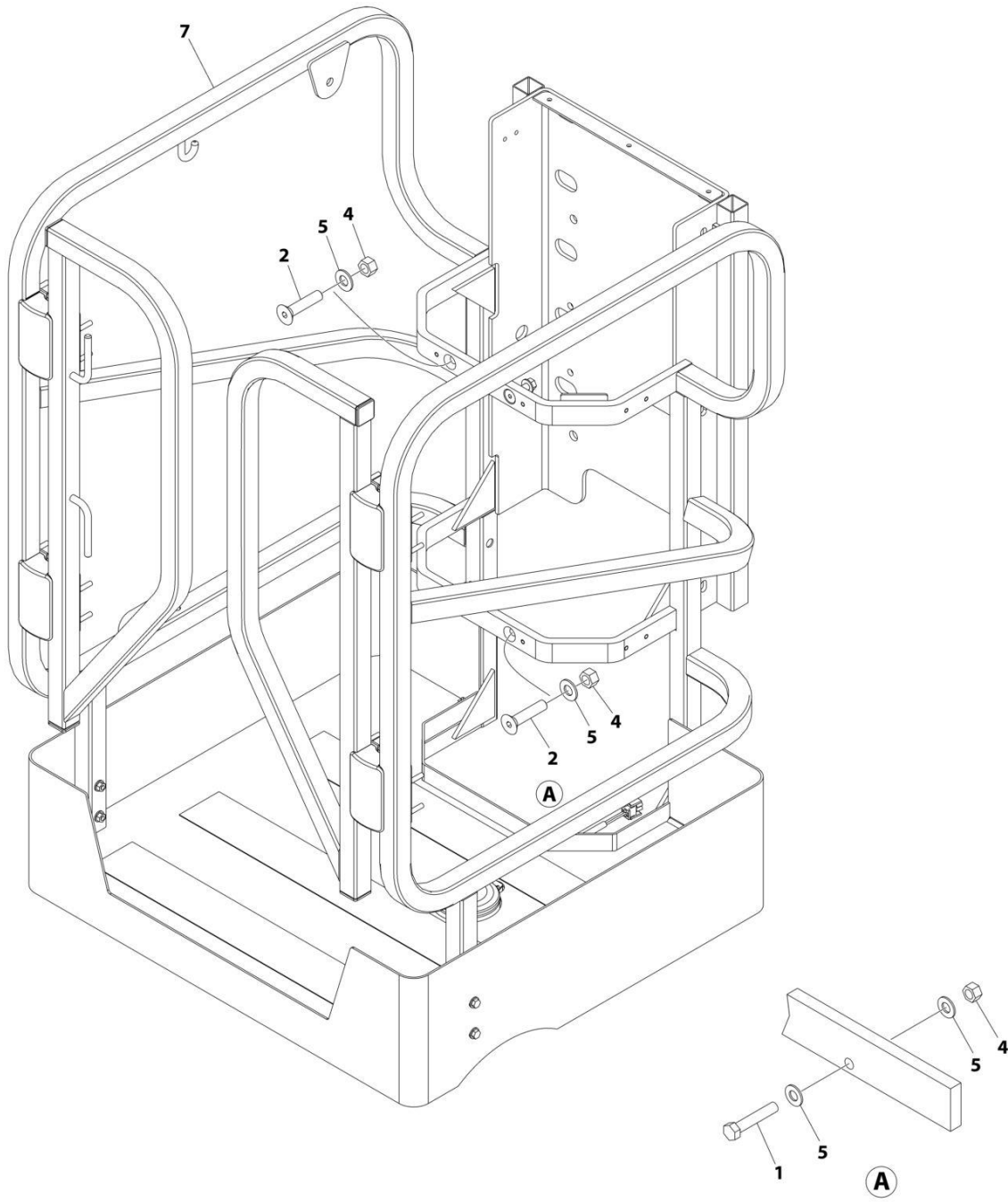
SECTION 3 - MAST

ITEM	PART NUMBER	QTY	DESCRIPTION	REV
47	4567751	1	Tube, Spacer	
48	4740007	2	Washer	
49	4740414	4	Washer, Cup	
51	4711500	2	Washer 5/16	
52	4569003	3	Tube, Spacer	
53	4711400	4	Washer 1/4	
54	4761400	2	Washer, Lock 1/4	
55	0630448	2	Screw 1/4 x 3/4	
56	2220591	1	Fitting, Straight FORB/ORB	
57	2221172	1	Fitting, #4 ORB - #6 Push Hose	
58	2221173	1	Fitting, #6 ORB - #6 Push Hose	
59	1001287646	1	Valve, Cartridge (Descent)	
60	0273417	Ref	Mast Kit (Includes Items 17-20) (Not Shown)	I
	1260375	Ref	CHAIN ASSEMBLY - #446 CHAIN	B
101	0100062	AR	Compound, Locking	
102	0561153	2	Block, Chain Anchor	
103	0561409	2	Block, Chain Anchor	
104	See Note	NLA	Chain (Note: Use p/n 1260375)	
105	3422338	2	Pin	
106	3422346	4	Pin	
107	3450304	2	Pin, Cotter	
108	3571101	1	Plate, Chain Adjustment	
109	4300111	2	Stud	
110	4751500	2	Washer 5/16	
	1260376	Ref	CHAIN ASSEMBLY - #444 CHAIN	C
201	0100019	AR	Compound, Locking	
202	0561149	2	Block, Chain Anchor	
203	0561408	2	Block, Chain Anchor	
204	See Note	NLA	Chain (Note: Use p/n 1260376)	
205	3422338	2	Pin	
206	3422346	2	Pin	
207	3422355	2	Pin	
208	3450304	2	Pin, Cotter	
209	3571103	1	Plate, Chain Adjustment	
210	4300111	2	Stud	
211	4751500	2	Washer 5/16	

SECTION 4 - PLATFORM

SECTION 4 - PLATFORM

FIGURE 4-1. PLATFORM INSTALLATION - WITHOUT GATE LATCH



ART_1001254425

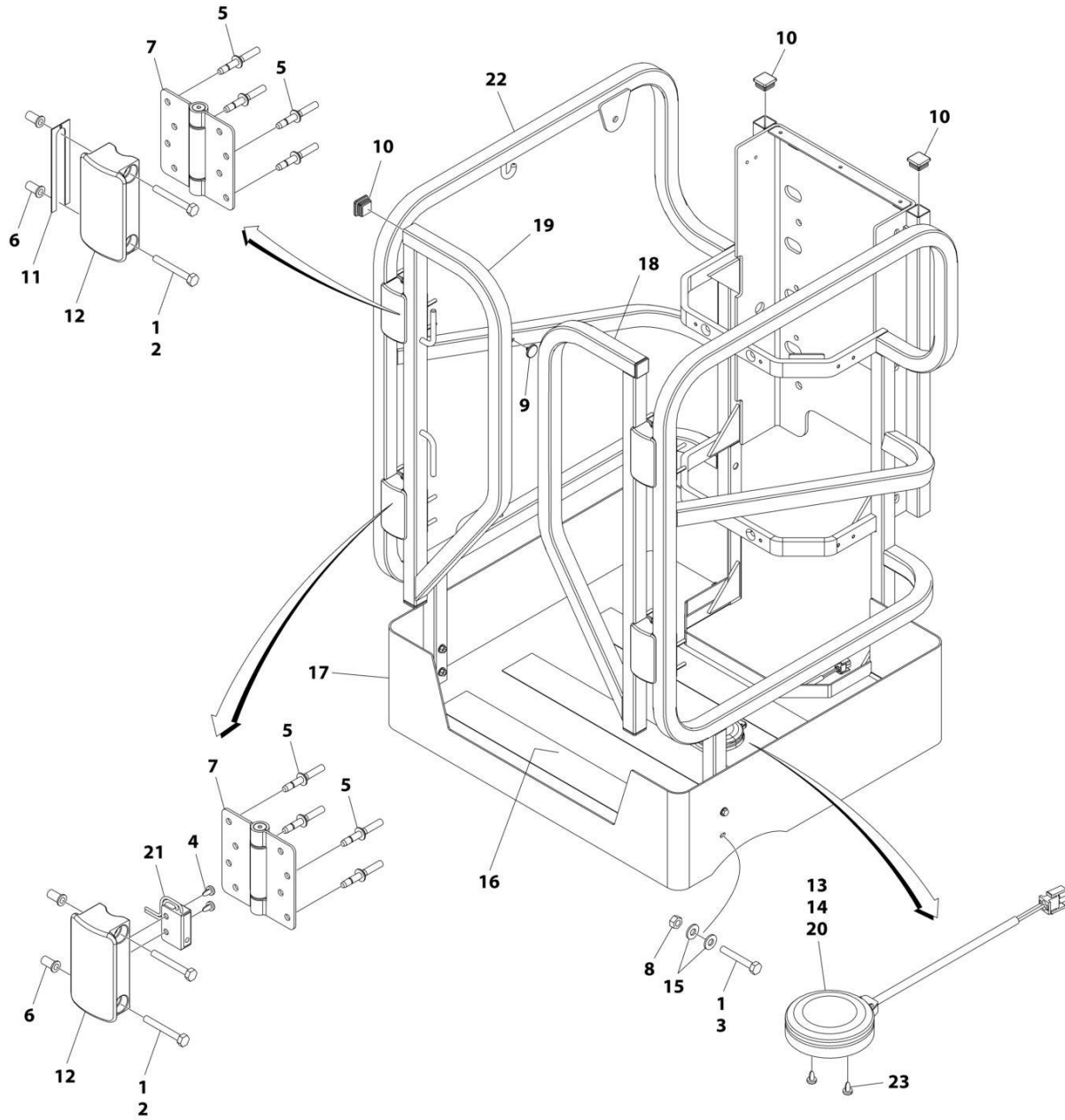
SECTION 4 - PLATFORM

FIGURE 4-1. PLATFORM INSTALLATION - WITHOUT GATE LATCH

ITEM	PART NUMBER	QTY	DESCRIPTION	REV
	1001254425	Ref	PLATFORM INSTALLATION	B
1	0641616	2	Bolt 3/8 x 2	
2	0741614	4	Screw 3/8 x 1-3/4	
4	3311605	6	Nut 3/8	
5	4711600	8	Washer 3/8	
7	1001254426	1	Platform Assembly (See Separate Breakdown in this Section)	

SECTION 4 - PLATFORM

FIGURE 4-2. PLATFORM ASSEMBLY - WITHOUT GATE LATCH



ART_1001254426

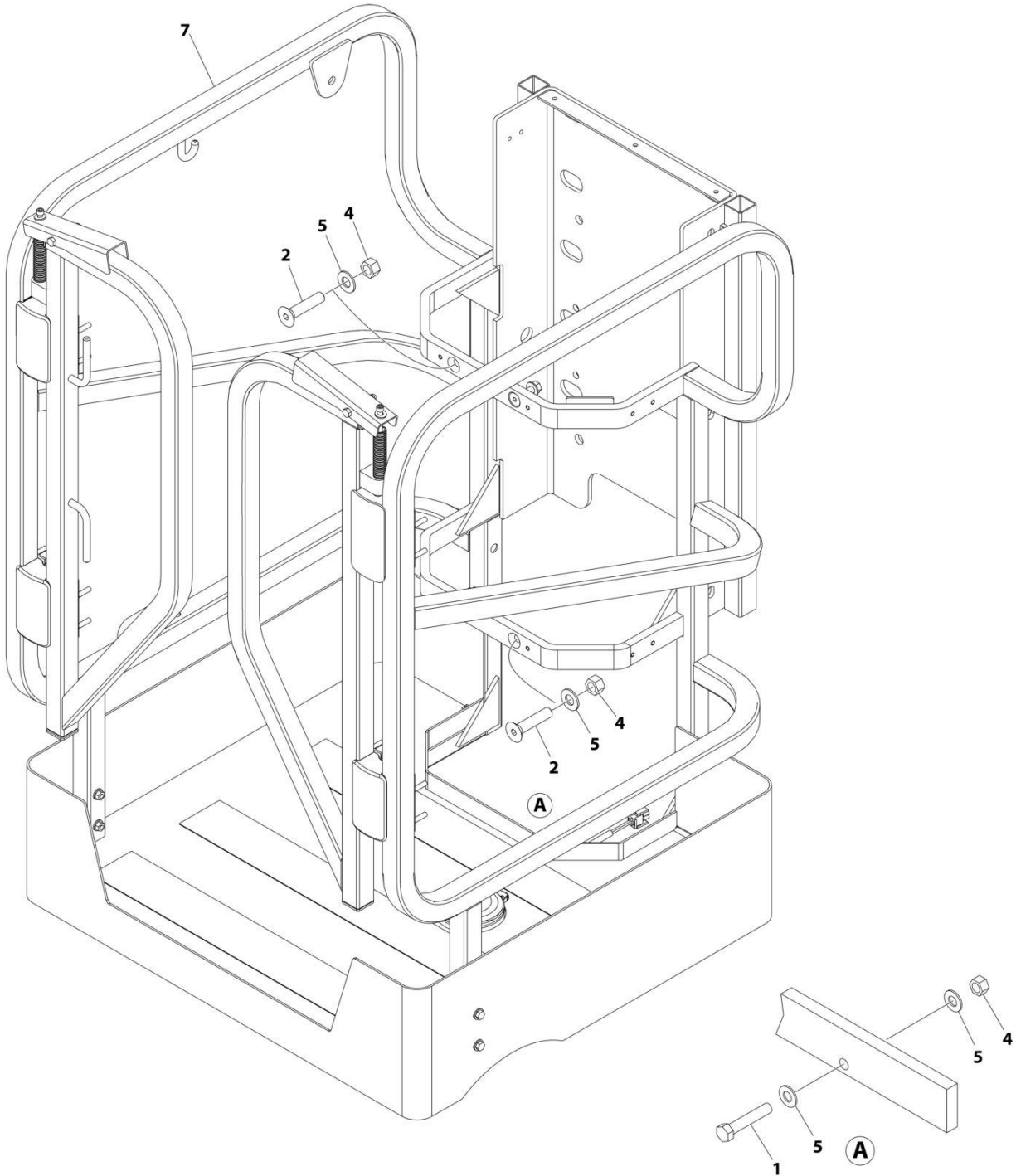
SECTION 4 - PLATFORM

FIGURE 4-2. PLATFORM ASSEMBLY - WITHOUT GATE LATCH

ITEM	PART NUMBER	QTY	DESCRIPTION	REV
	1001254426	Ref	PLATFORM ASSEMBLY	C
1	0100011	AR	Compound, Locking	
2	0641416	8	Bolt 1/4 x 2	
3	0681414	4	Bolt 1/4 x 1-3/4	
4	0751003	4	Screw	
5	2080040	16	Fastener	
6	2080043	8	Rivnut 1/4	
7	2600294	4	Hinge	
8	3311405	4	Nut 1/4	
9	3340962	2	Pad	
10	3520072	6	Plug	
11	4071095	AR	Shim 20Ga	
12	4220309	4	Stop, Gate	
13	4460035	1	Terminal	
14	4460320	1	Plug, Male - 2 Position	
15	4711400	8	Washer 1/4	
16	1001099638	3	Tape, Safety	
17	1001255194	1	Base	
18	1001228875	1	Gate (RH)	
19	1001228876	1	Gate (LH)	
20	1001229726	1	Footswitch	
21	1001230161	2	Switch, Proximity	
22	1001272917	1	Rail	
23	0751003	2	Screw #10 x 3/8	
23	3900205	2	Screw #10 x 5/8	

SECTION 4 - PLATFORM

FIGURE 4-3. PLATFORM INSTALLATION - WITH GATE LATCH



ART_1001254427

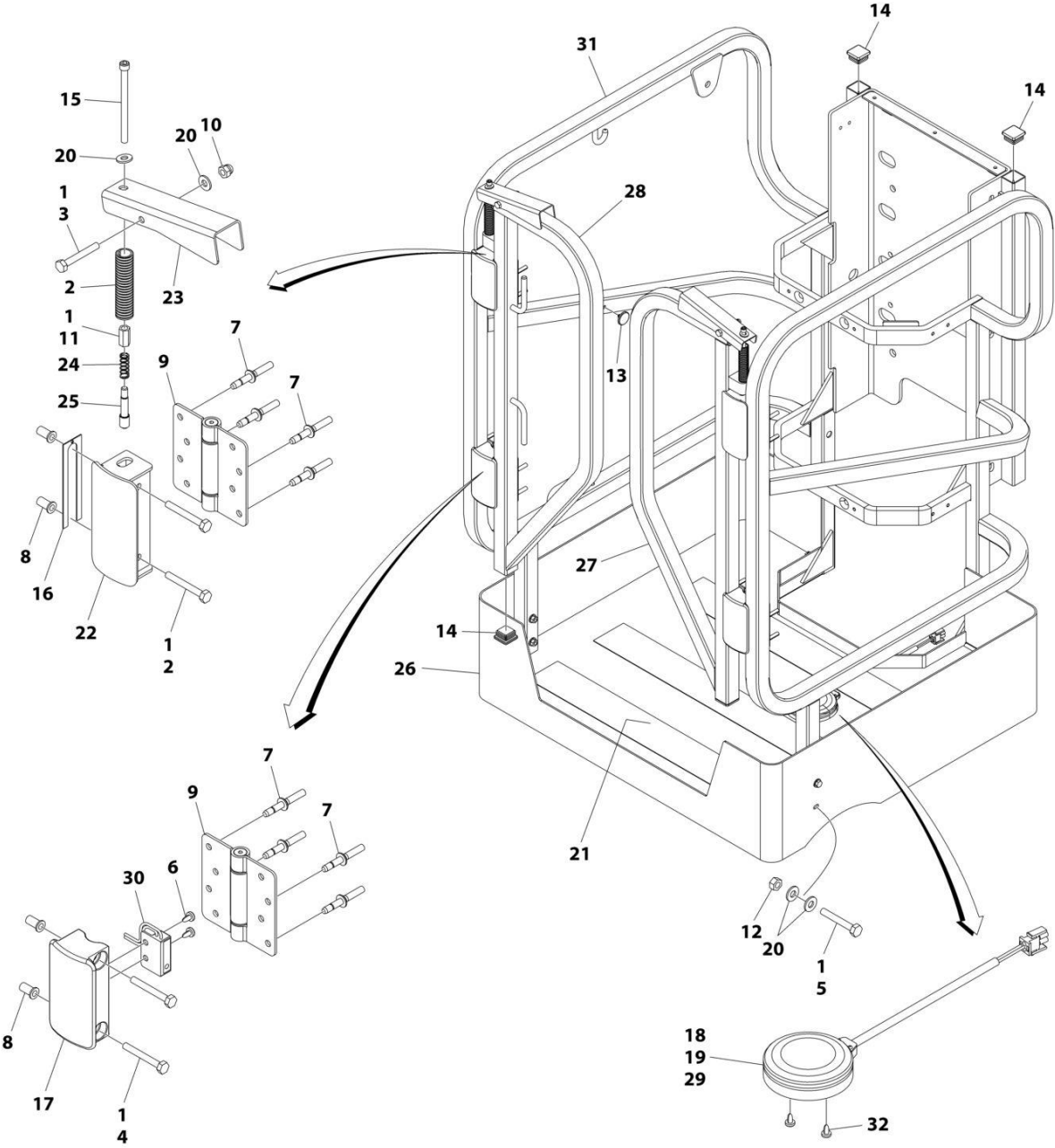
SECTION 4 - PLATFORM

FIGURE 4-3. PLATFORM INSTALLATION - WITH GATE LATCH

ITEM	PART NUMBER	QTY	DESCRIPTION	REV
	1001254427	Ref	PLATFORM INSTALLATION	B
1	0641616	2	Bolt 3/8 x 2	
2	0741614	4	Screw 3/8 x 1-3/4	
4	3311605	6	Nut 3/8	
5	4711600	8	Washer 3/8	
7	1001254428	1	Platform Assembly (See Separate Breakdown in this Section)	

SECTION 4 - PLATFORM

FIGURE 4-4. PLATFORM ASSEMBLY - WITH GATE LATCH



ART_1001254428

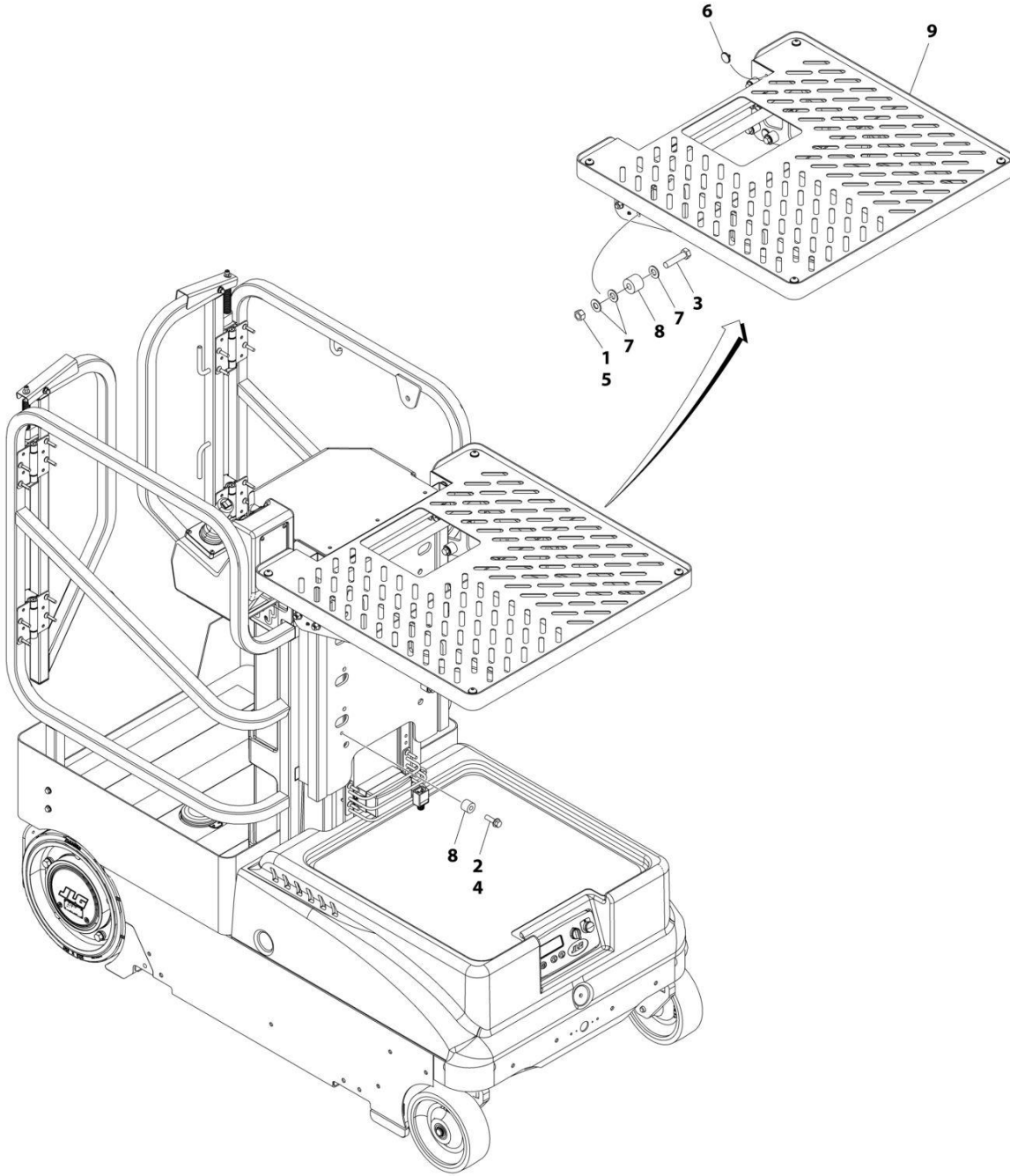
SECTION 4 - PLATFORM

FIGURE 4-4. PLATFORM ASSEMBLY - WITH GATE LATCH

ITEM	PART NUMBER	QTY	DESCRIPTION	REV
	1001254428	Ref	PLATFORM ASSEMBLY	C
1	0100011	AR	Compound, Locking	
2	280013	6 in/16cm	Conduit	
3	0641415	2	Bolt 1/4 x 1-7/8	
4	0641416	8	Bolt 1/4 x 2	
5	0681414	4	Bolt 1/4 x 1-3/4	
6	0751003	4	Screw	
7	2080040	16	Fastener	
8	2080043	8	Rivnut 1/4	
9	2600294	4	Hinge	
10	3300151	2	Nut 1/4	
11	3300381	2	Nut	
12	3311405	4	Nut 1/4	
13	3340962	2	Pad	
14	3520072	6	Plug	
15	3931456	2	Capscrew 1/4 x 3-1/2	
16	4071095	AR	Shim 20Ga	
17	4220309	2	Stop, Gate	
18	4460035	1	Terminal	
19	4460320	1	Plug, Male - 2 Position	
20	4711400	12	Washer 1/4	
21	1001099638	3	Tape, Safety	
22	1001100141	2	Stop, Gate	
23	1001100142	2	Handle	
24	1001100634	2	Spring	
25	1001101529	2	Pin, Plunger	
26	1001255194	1	Base	
27	1001228873	1	Gate (RH)	
28	1001228874	1	Gate (LH)	
29	1001229726	1	Footswitch	
30	1001230161	2	Switch, Proximity	
31	1001272917	1	Rail	
32	0751003	2	Screw #10 x 3/8	
32	3900205	2	Screw #10 x 3/8	

SECTION 4 - PLATFORM

FIGURE 4-5. TRAY INSTALLATION - MANUAL



ART_1001228847

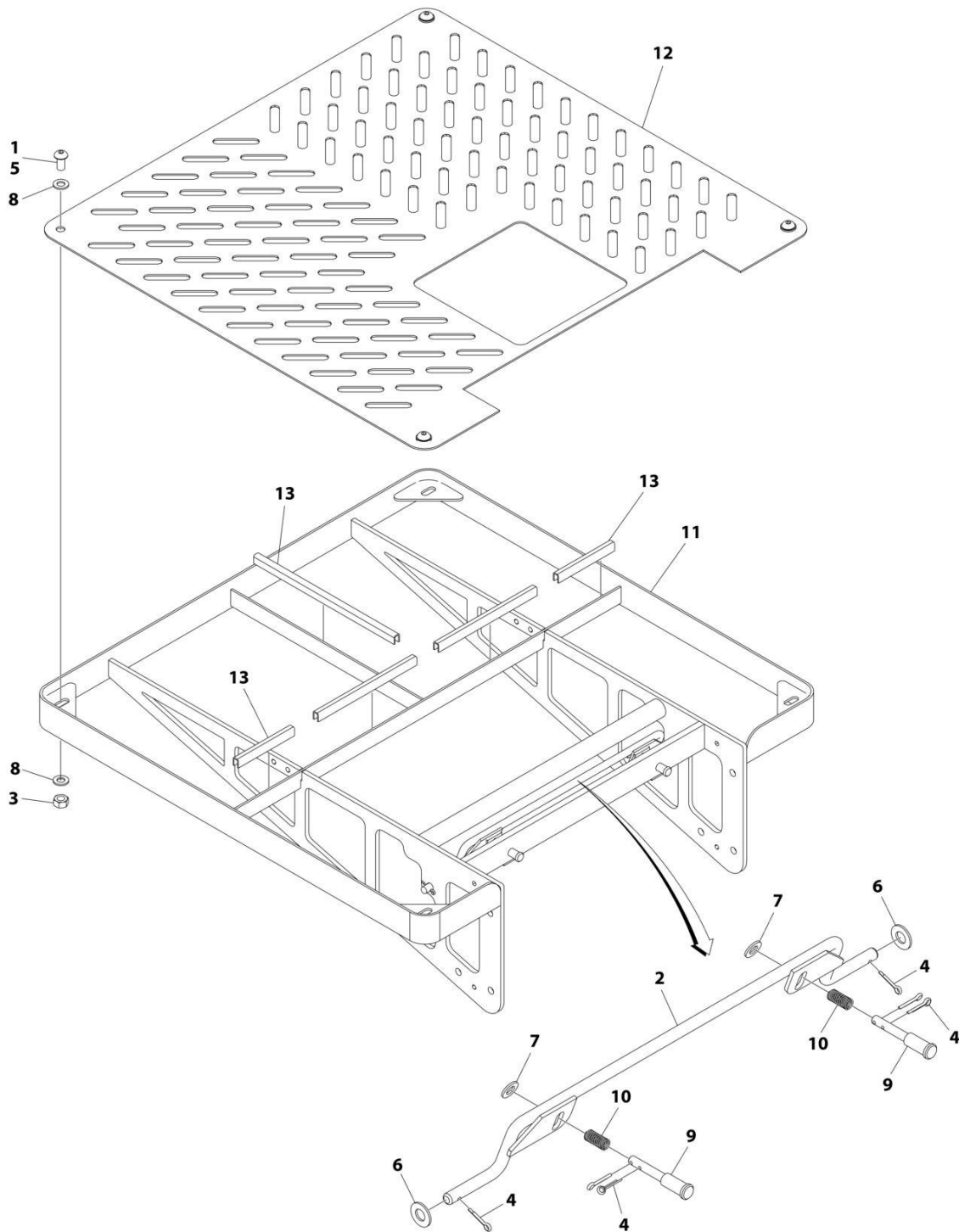
SECTION 4 - PLATFORM

FIGURE 4-5. TRAY INSTALLATION - MANUAL

ITEM	PART NUMBER	QTY	DESCRIPTION	REV
	1001228847	Ref	TRAY INSTALLATION	A
1	0100011	AR	Compound, Locking	
2	0100019	AR	Compound, Locking	
3	0641613	6	Bolt 3/8 x 1-5/8	
4	0811610	2	Screw 3/8 x 1-1/4	
5	3271601	6	Nut 3/8	
6	3340962	4	Pad	
7	4711600	18	Washer 3/8	
8	1001181407	8	Bar, Spacer	
9	1001228854	1	Tray Assembly (See Separate Breakdown in this Section)	

SECTION 4 - PLATFORM

FIGURE 4-6. TRAY ASSEMBLY - MANUAL



ART_1001228854

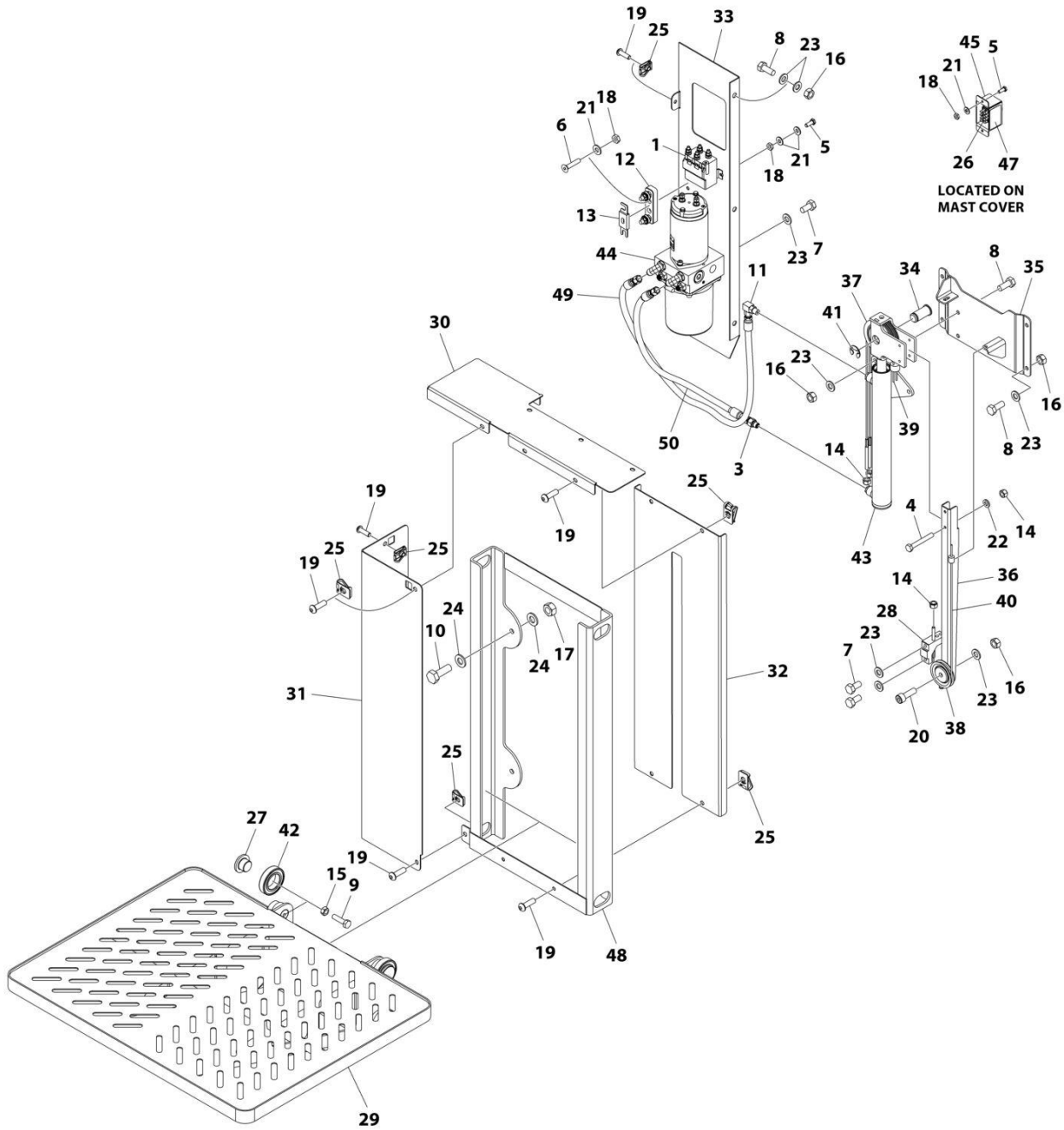
SECTION 4 - PLATFORM

FIGURE 4-6. TRAY ASSEMBLY - MANUAL

ITEM	PART NUMBER	QTY	DESCRIPTION	REV
	1001228854	Ref	TRAY ASSEMBLY	B
1	0100011	AR	Compound, Locking	
2	2940165	1	Latch	
3	3291007	4	Nut M10	
4	3450302	6	Pin .09 x 1/2	
5	3900393	4	Screw M10 x 20	
6	4711600	2	Washer 3/8	
7	4811900	2	Washer M8	
8	4812000	8	Washer M10	
9	1001171856	2	Pin, Plunger	
10	1001171869	2	Spring	
11	1001228848	1	Shelf	
12	1001228853	1	Plate	
13	4060805	2.6 in/0.8m	Trim	

SECTION 4 - PLATFORM

FIGURE 4-7. TRAY INSTALLATION - POWER



ART_1001228398_E

SECTION 4 - PLATFORM

FIGURE 4-7. TRAY INSTALLATION - POWER

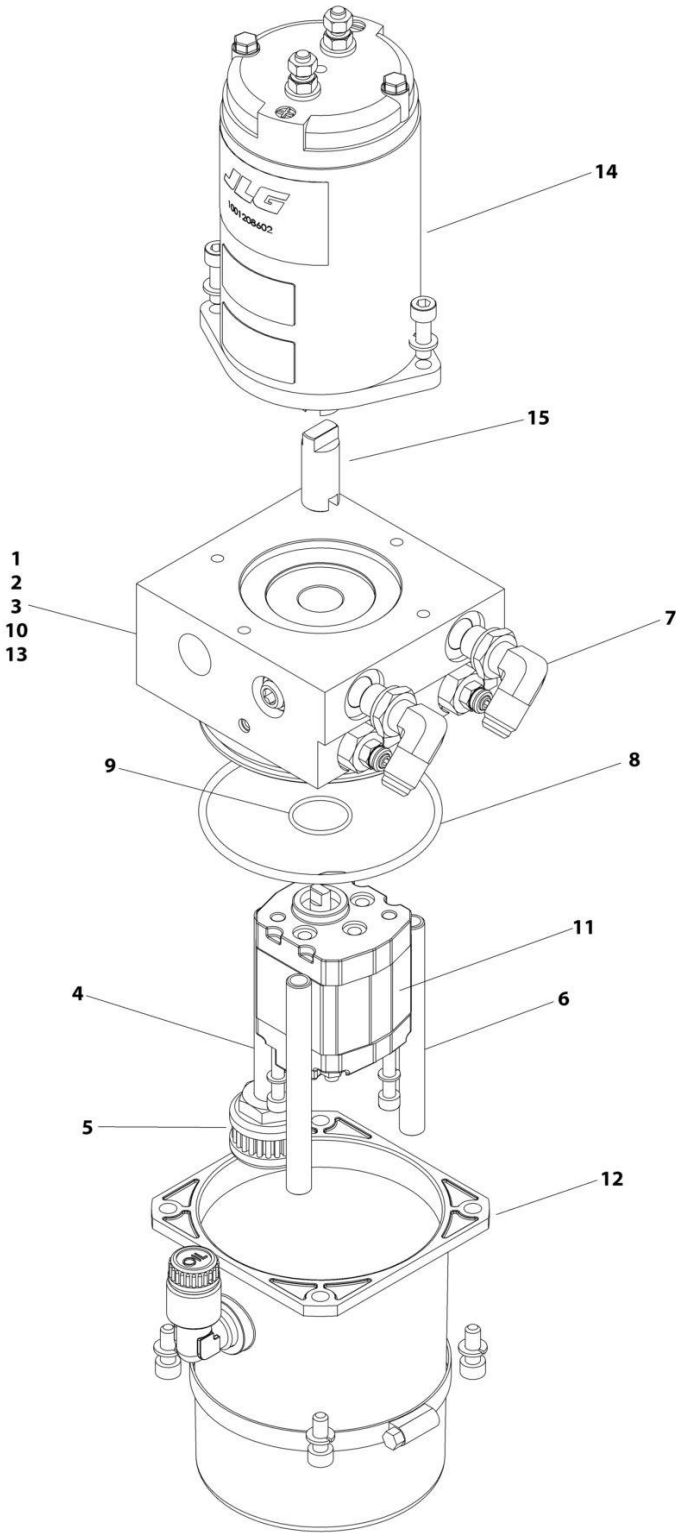
ITEM	PART NUMBER	QTY	DESCRIPTION	REV
	1001228398	Ref	TRAY INSTALLATION	E
1	260269	1	Inverter/Relay	
3	1001231257	1	Fitting, Flow Control	
4	0700617	2	Bolt M6 x 45	
5	0721004	4	Screw #10 x 1/2	
6	0741006	2	Screw #10 x 3/4	
7	0760807	4	Bolt M8 x 14	
8	0760810	10	Bolt M8 x 20	
9	0760814	4	Bolt M8 x 30	
10	0761014	4	Bolt M10 x 30	
11	2220466	1	Fitting, 90 JIC/ORB	
12	2400044	1	Fuse, Mounting Block	
13	2400054	1	Fuse 35Amp	
14	3290605	5	Nut M6	
15	3290801	4	Nut M8	
16	3290807	11	Nut M8	
17	3291007	4	Nut M10	
18	3311005	6	Nut #10	
19	3900364	9	Screw M6 x 20	
20	4031910	1	Capscrew M8 x 30	
21	4711000	8	Washer #10	
22	4811700	2	Washer M6	
23	4811900	18	Washer M8	
24	4812000	8	Washer M10	
25	8305919	9	Nut, Retainer M6	
26	1001164530	1	Switch	
27	1001204754	4	Pad	
28	1001204755	1	Bracket	
29	1001204756	1	Tray	
30	1001204770	1	Cover	
31	1001204771	1	Cover	
32	1001204772	1	Cover	
33	1001204779	1	Plate	
34	1001204783	1	Pin	
35	1001204787	1	Mount, Cylinder	
36	1001204791	1	Link	
37	1001205547	1	Pulley (Double)	
38	1001205548	1	Pulley (Single)	
39	1001205549	1	Cable (Double)	
40	1001205550	1	Cable (Single)	
41	1001205701	1	Circlip	
42	1001205719	4	Bearing	
43	1001205838	1	Power Tray Cylinder Assembly (See Separate Breakdown in CYLINDER SECTION)	
44	1001208602	1	Pump Assembly (See Separate Breakdown in this Section)	
45	1001210379	1	Cover	
46	1001210491	1	Tray Harness (Not Shown - See Separate Breakdown in ELECTRICAL SECTION)	
47	1001210530	1	Decal - Power Tray Up/Down	
48	1001228236	1	Channel	

SECTION 4 - PLATFORM

ITEM	PART NUMBER	QTY	DESCRIPTION	REV
49	1001229115	1	Hose	
50	1001229116	1	Hose	

SECTION 4 - PLATFORM

FIGURE 4-8. PUMP ASSEMBLY - POWER TRAY



ART_1001208602

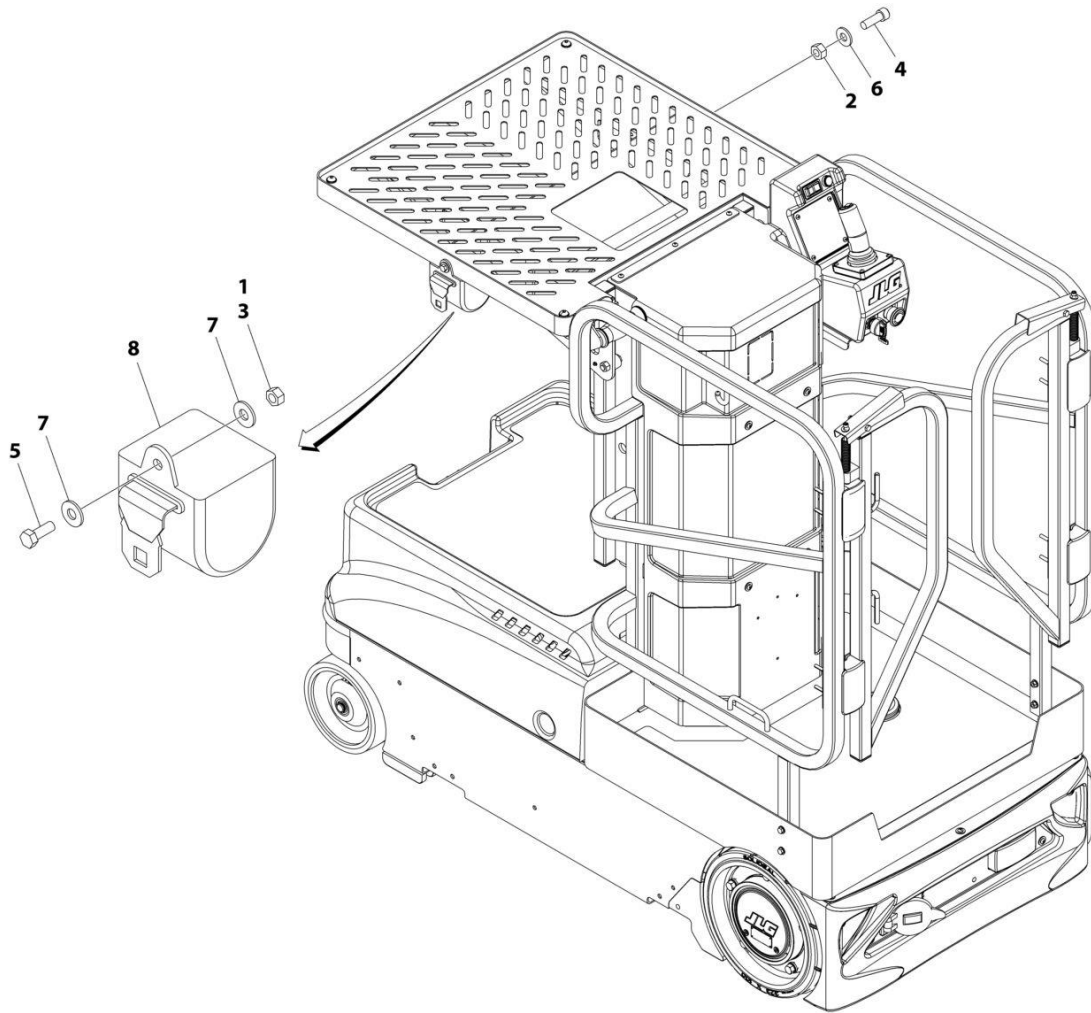
SECTION 4 - PLATFORM

FIGURE 4-8. PUMP ASSEMBLY - POWER TRAY

ITEM	PART NUMBER	QTY	DESCRIPTION	REV
	1001208602	Ref	PUMP ASSEMBLY	A
1	70007292	2	Spring, Check Valve	
2	70007293	1	Valve, Piloted Check	
3	70007294	1	Plug	
4	70007295	1	Pipe, Suction	
5	70007296	1	Filter	
6	70007297	2	Pipe, Drain	
7	70007298	2	Fitting 90	
8	70007299	1	O-Ring	
9	70007300	1	O-Ring	
10	70007301	2	Cartridge	
11	70007302	1	Kit, Gear Pump (Includes Screws)	
12	70007303	1	Kit, Tank (Includes Seal, Plugs, Tank, Screws, Washers and Clamp)	
13	70007304	1	Kit, Spool (Includes Spool, Spring and Seals)	
14	70007305	1	Kit, Motor (Includes Motor, Screws and Washers)	
15	70007306	1	Coupling	

SECTION 4 - PLATFORM

FIGURE 4-9. CARGO BELT INSTALLATION (OPTIONAL)



ART_1001091680

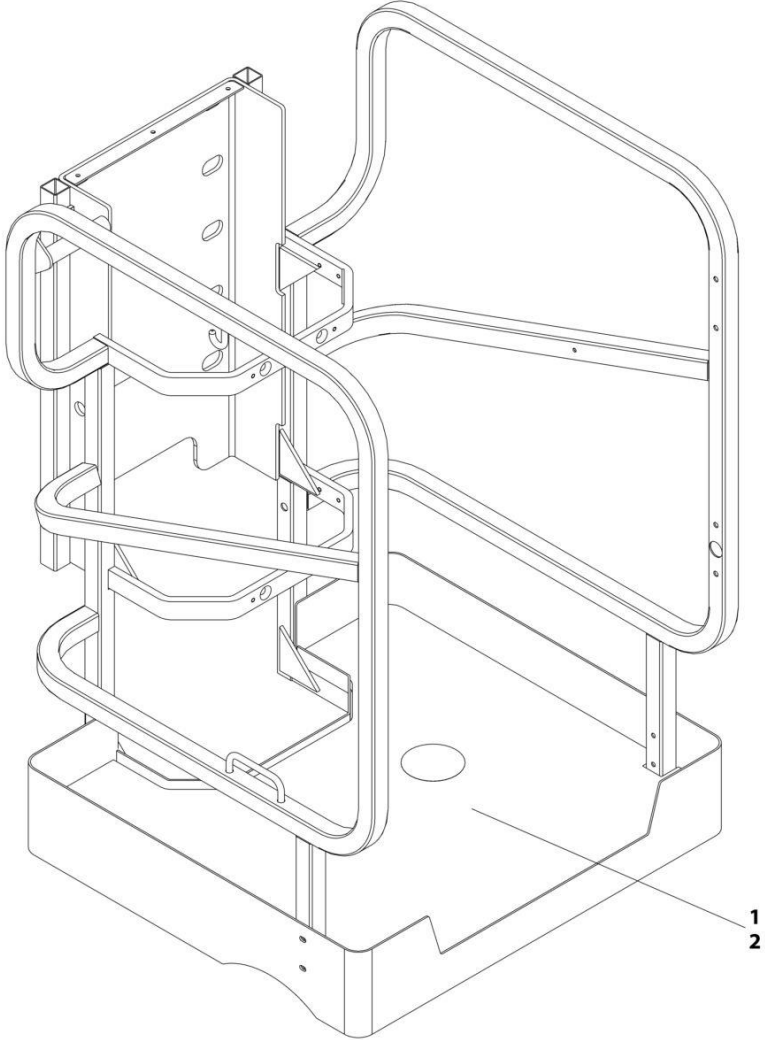
SECTION 4 - PLATFORM

FIGURE 4-9. CARGO BELT INSTALLATION (OPTIONAL)

ITEM	PART NUMBER	QTY	DESCRIPTION	REV
	1001091680	Ref	CARGO BELT INSTALLATION	B
1	0100011	AR	Compound, Locking	
2	3311405	1	Nut 1/4	
3	3311501	1	Nut 5/16	
4	3931412	1	Capscrew 1/4 x 3/4	
5	0641507	1	Bolt 5/16 x 7/8	
6	4711400	1	Washer 1/4	
7	4751500	2	Washer 5/16	
8	1001091679	1	Belt, Cargo	

SECTION 4 - PLATFORM

FIGURE 4-10. FLOORMAT INSTALLATION (OPTIONAL)



ART_1001222318

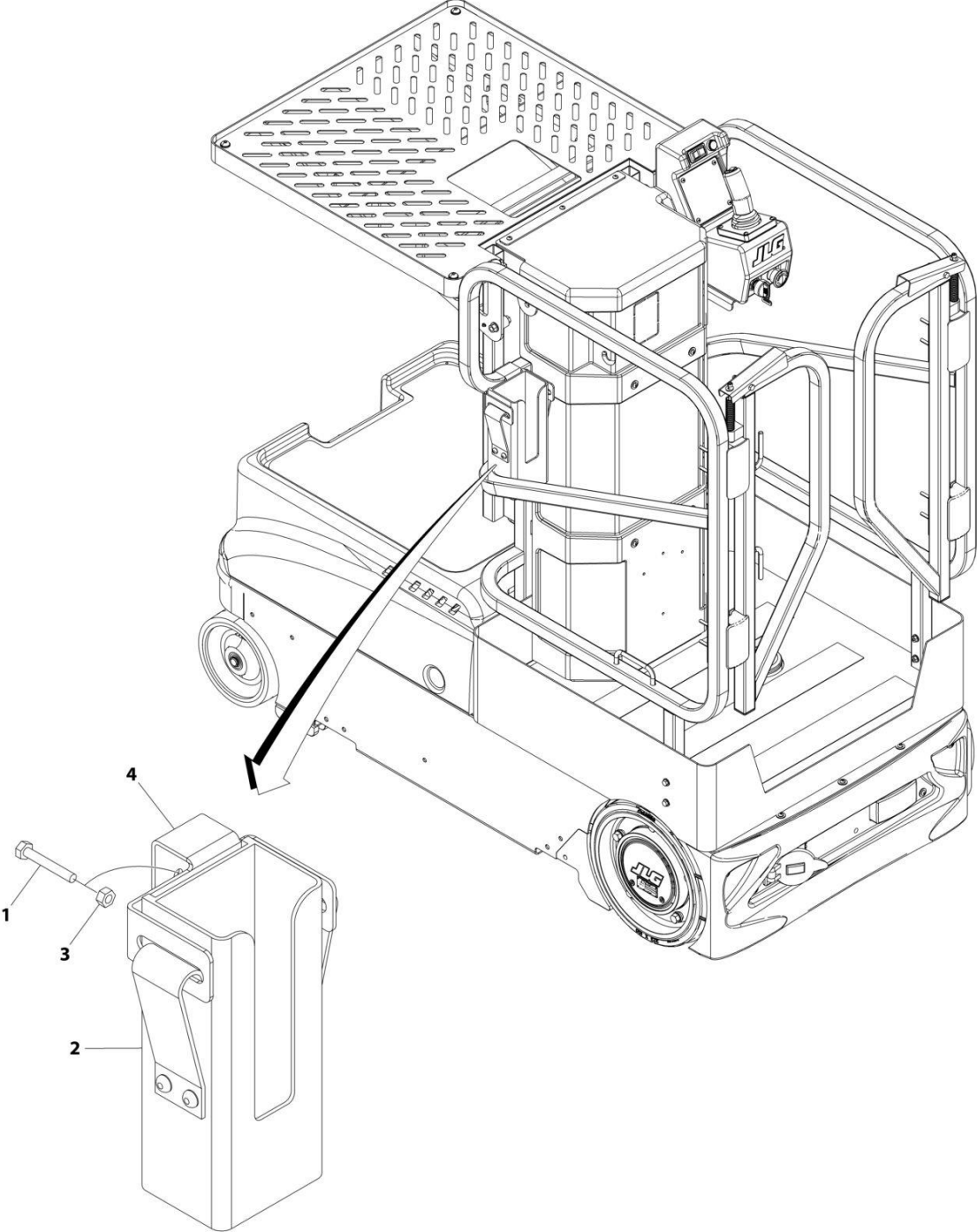
SECTION 4 - PLATFORM

FIGURE 4-10. FLOORMAT INSTALLATION (OPTIONAL)

ITEM	PART NUMBER	QTY	DESCRIPTION	REV
	1001222318	Ref	FLOORMAT INSTALLATION	A
1	8882320	AR	Sealer, Seam	
2	1001206615	1	Floor Mat	

SECTION 4 - PLATFORM

FIGURE 4-11. SCANNER POCKET INSTALLATION (OPTIONAL)



ART_0240112

SECTION 4 - PLATFORM

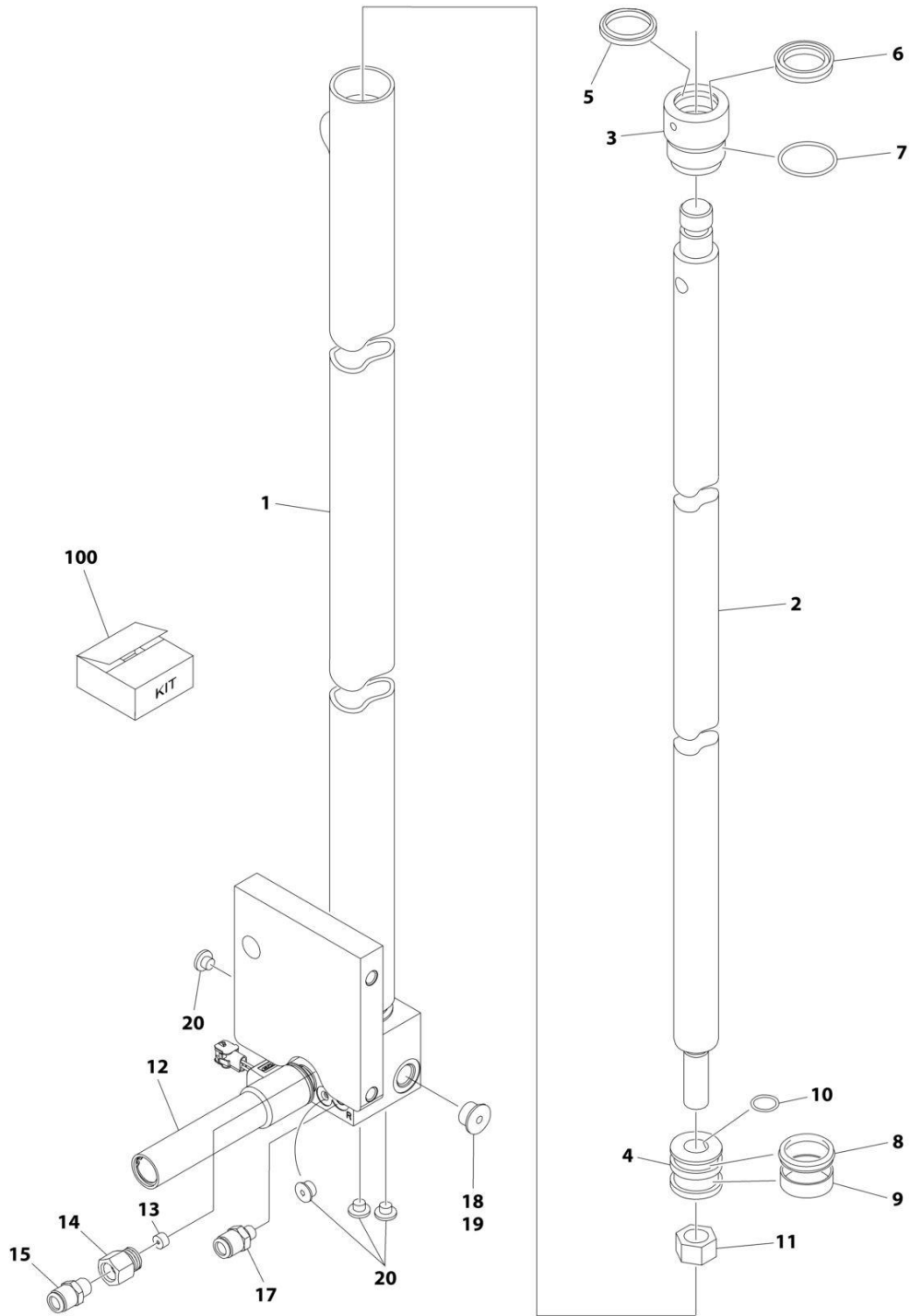
FIGURE 4-11. SCANNER POCKET INSTALLATION (OPTIONAL)

ITEM	PART NUMBER	QTY	DESCRIPTION	REV
	0240112	Ref	SCANNER POCKET INSTALLATION	B
1	0641414	1	Bolt 1/4 x 1-3/4	
2	1580031	1	Pocket, Scanner	
3	3311405	1	Nut 1/4	
4	4341005	1	Mount	

SECTION 5 - CYLINDER

SECTION 5 - CYLINDER

FIGURE 5-1. LIFT CYLINDER ASSEMBLY (Prior to SN 0130041099)



ART_1001225209

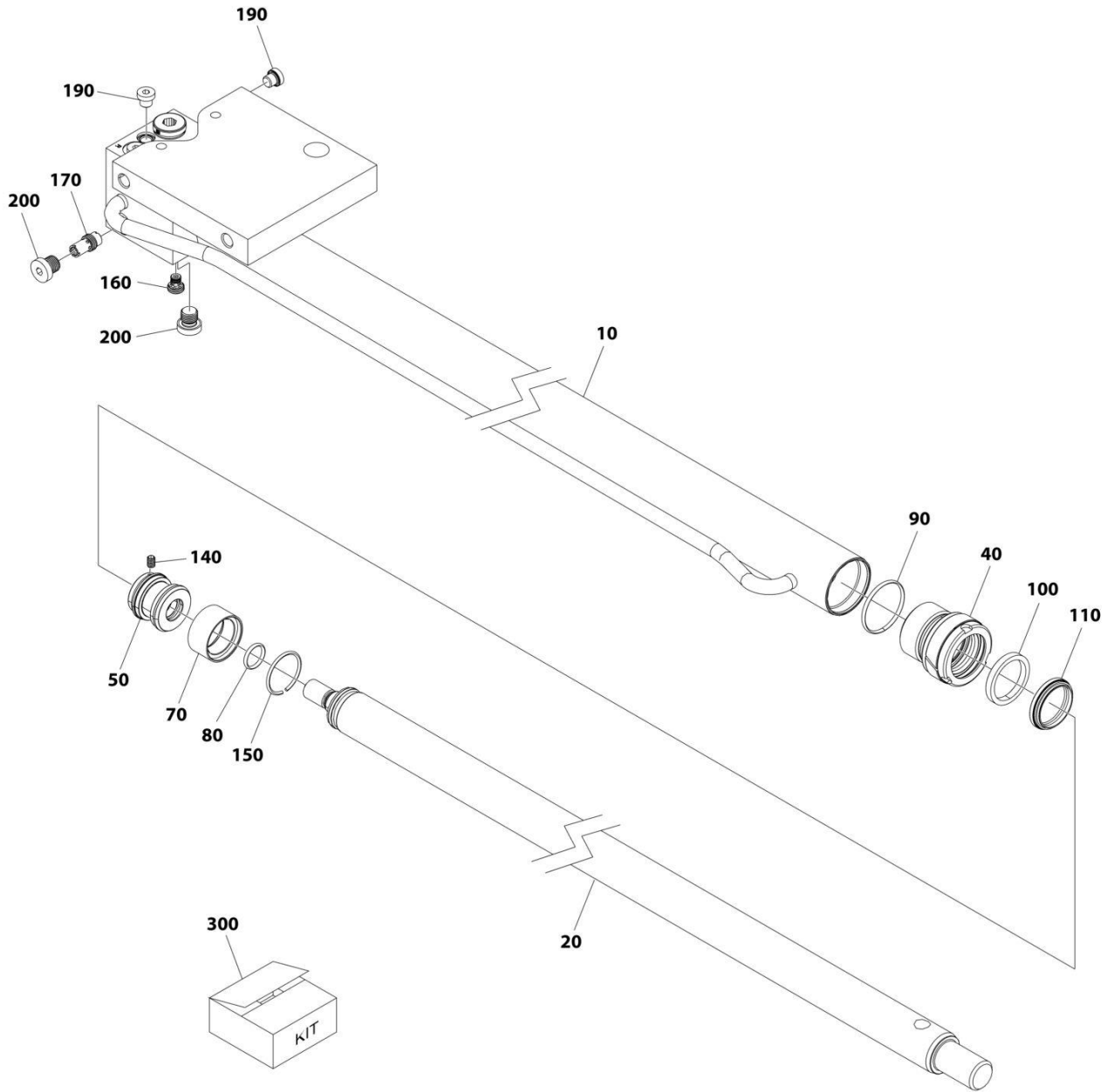
SECTION 5 - CYLINDER

FIGURE 5-1. LIFT CYLINDER ASSEMBLY (Prior to SN 0130041099)

ITEM	PART NUMBER	QTY	DESCRIPTION	REV
	1001225209	Ref	LIFT CYLINDER ASSEMBLY	B
		Ref	Note: Original Cylinder May Have Been Replaced with Service Replacement. Identify PN Stamped on Cylinder Before Ordering Parts.	
1	70000991	1	Barrel	
2	70000992	1	Rod	
3	70000993	1	Head	
4	7023392	1	Piston	
5	See Note	NSS	Wiper, Rod (Note: Use Item 100)	
6	See Note	NSS	Seal, Rod (Note: Use Item 100)	
7	See Note	NSS	O-Ring (Note: Use Item 100)	
8	See Note	NSS	Seal, Piston (Note: Use Item 100)	
9	See Note	NSS	Ring, Wear (Note: Use Item 100)	
10	See Note	NSS	O-Ring (Note: Use Item 100)	
11	7023391	1	Nut	
12	70006454	1	Valve, Manual Descent	
12	70006455	1	Coil	
12	70006453	1	Cartridge	
12	70006451	1	Manual Override	
13	70000218	1	Valve, Check	
14	2220591	1	Fitting, Reducer	
15	2221173	1	Fitting	
17	2221172	1	Fitting	
18	70000995	1	Valve, Flow Control	
19	See Note	1	Plug (Note: Not Available - Purchase Locally)	
20	See Note	4	Plug (Note: Not Available - Purchase Locally)	
		Ref	KIT OPTIONS:	
100	7023395	1	Seal Kit (Includes Items 5-10)	
		Ref	TOOL OPTIONS:	
200	7027247	1	Tool, Perma-Push Insert Disconnect (Not Shown)	

SECTION 5 - CYLINDER

FIGURE 5-2. LIFT CYLINDER ASSEMBLY (SN 0130041099 to Present)



ART_1001287011

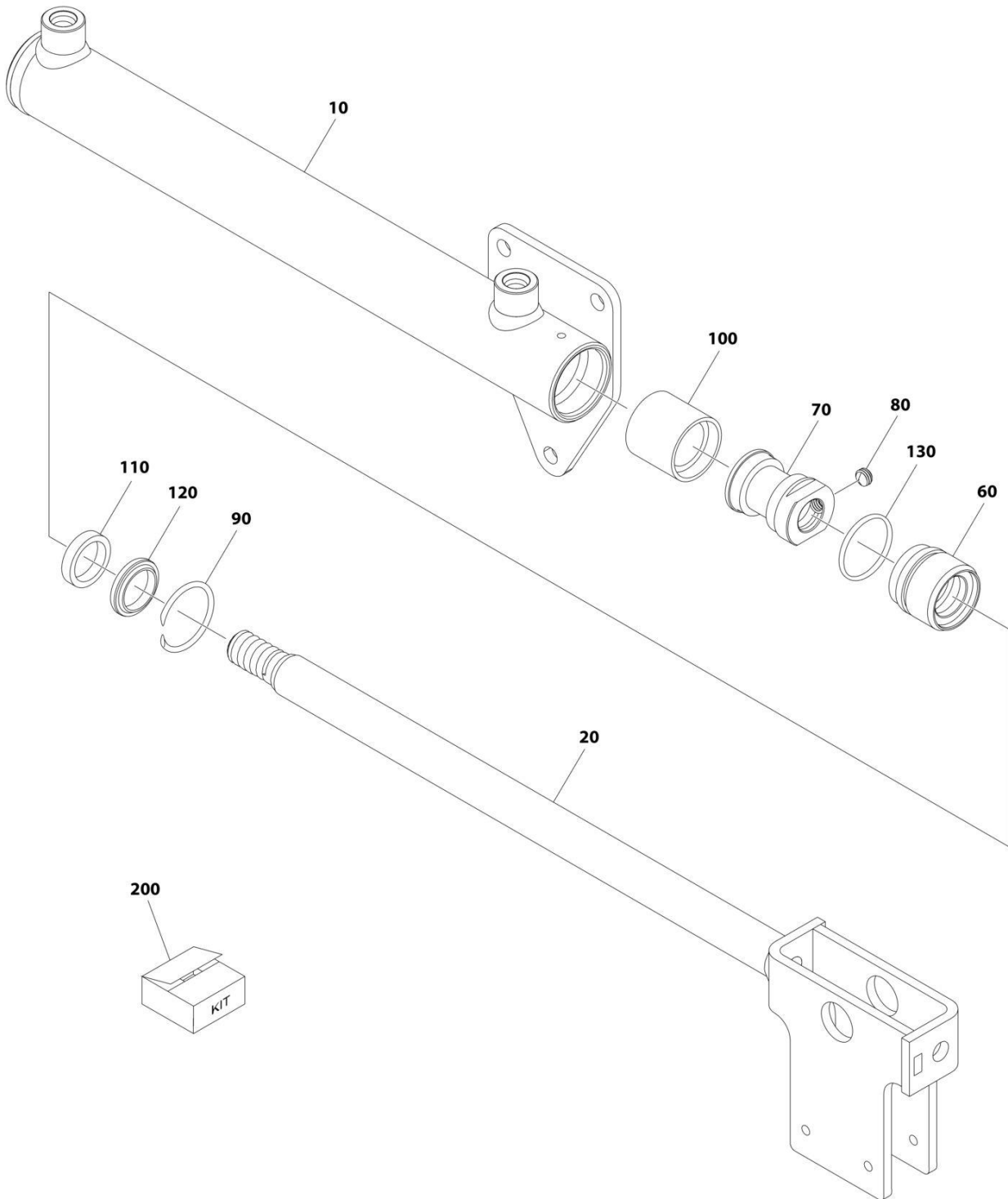
SECTION 5 - CYLINDER

FIGURE 5-2. LIFT CYLINDER ASSEMBLY (SN 0130041099 to Present)

ITEM	PART NUMBER	QTY	DESCRIPTION	REV
	1001287011	Ref	LIFT CYLINDER ASSEMBLY	A
		Ref	Note: Original Cylinder May Have Been Replaced with Service Replacement. Identify PN Stamped on Cylinder Before Ordering Parts.	
10	See Note	NSS	Tube Weld Assembly Barrel (Note: Use PN 1001287011)	
20	See Note	NSS	Rod (Note: Use PN 1001287011)	
40	70007951	1	Head	
50	70007952	1	Piston	
70	See Note	NSS	Seal, Piston (Note: Use item 300)	
80	See Note	NSS	O-Ring (Note: Use item 300)	
90	See Note	NSS	O-Ring (Note: Use item 300)	
100	See Note	NSS	Seal, Head (Note: Use item 300)	
110	See Note	NSS	Wiper (Note: Use item 300)	
140	70007953	1	Capscrew M6 x 10	
150	70007954	1	Ring wire	
160	70007955	1	Cartridge, Check Valve	
170	70007956	1	Cartridge, Flow Control Valve	
190	70025961	2	Plug 1/8	
200	70024262	2	Screw 1/4	
300	70007957	1	Seal Kit (Includes Items 70, 80, 90, 100 & 110)	

SECTION 5 - CYLINDER

FIGURE 5-3. POWER TRAY CYLINDER ASSEMBLY



ART_1001205838

SECTION 5 - CYLINDER

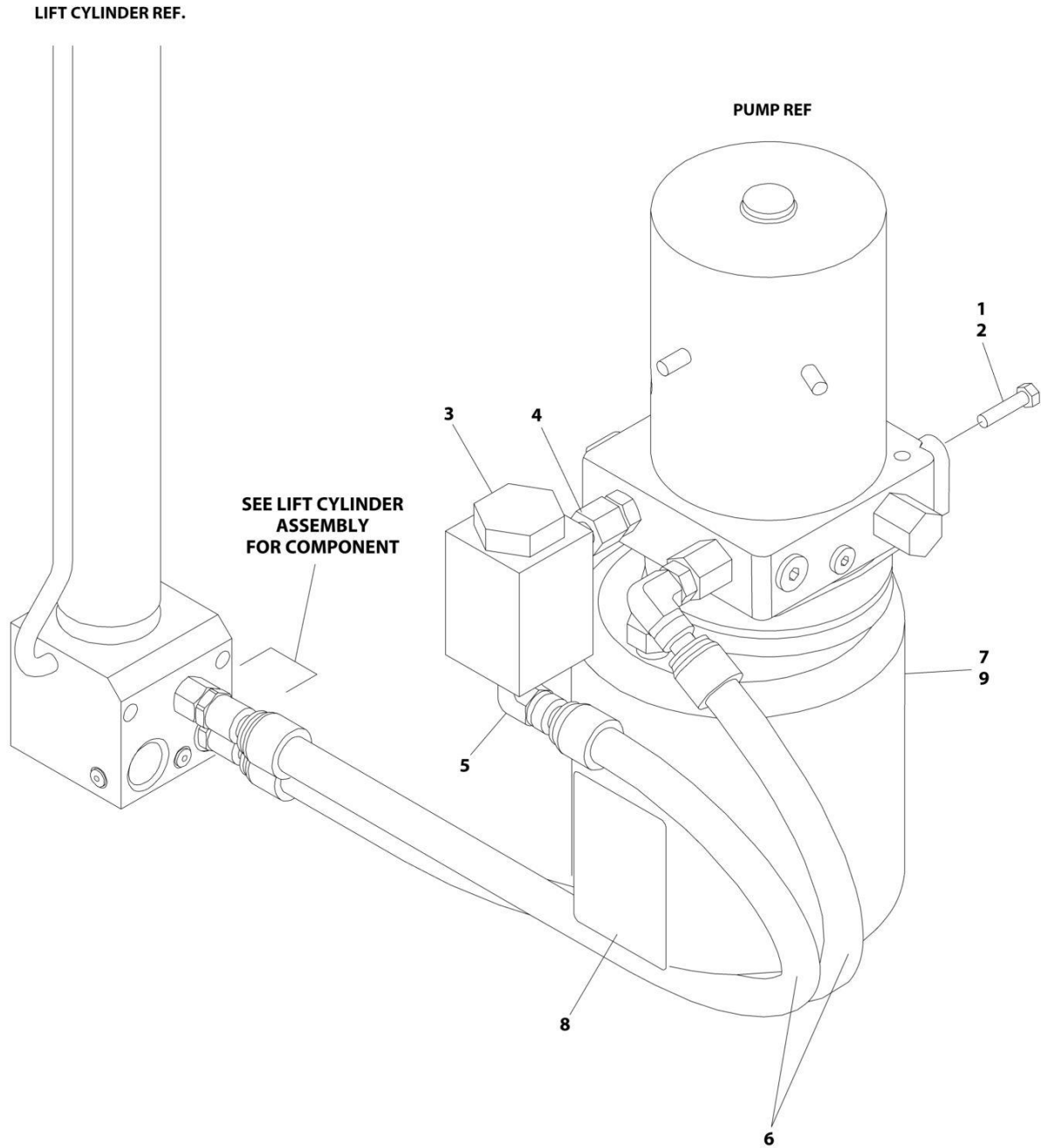
FIGURE 5-3. POWER TRAY CYLINDER ASSEMBLY

ITEM	PART NUMBER	QTY	DESCRIPTION	REV
	1001205838	Ref	POWER TRAY CYLINDER ASSEMBLY	A
		Ref	Note: Original Cylinder May Have Been Replaced with Service Replacement. Identify PN Stamped on Cylinder Before Ordering Parts.	
10	See Note	NSS	Barrel (Note: Purchase Complete Cylinder)	
20	70006456	1	Rod	
60	70022704	1	Head	
70	70022703	1	Piston	
80	70006457	1	Setscrew	
90	70022700	1	Ring, Wire	
100	See Note	NSS	Seal, Piston (Note: Use Item 200)	
110	See Note	NSS	Seal, Rod (Note: Use Item 200)	
120	See Note	NSS	Wiper (Note: Use Item 200)	
130	See Note	NSS	O-RingWiper (Note: Use Item 200)	
200	70022705	1	Seal Kit (Includes Items 100-130)	

SECTION 6 - HYDRAULIC

SECTION 6 - HYDRAULIC

FIGURE 6-1. HYDRAULIC SYSTEM INSTALLATION - STANDARD



ART_0273546

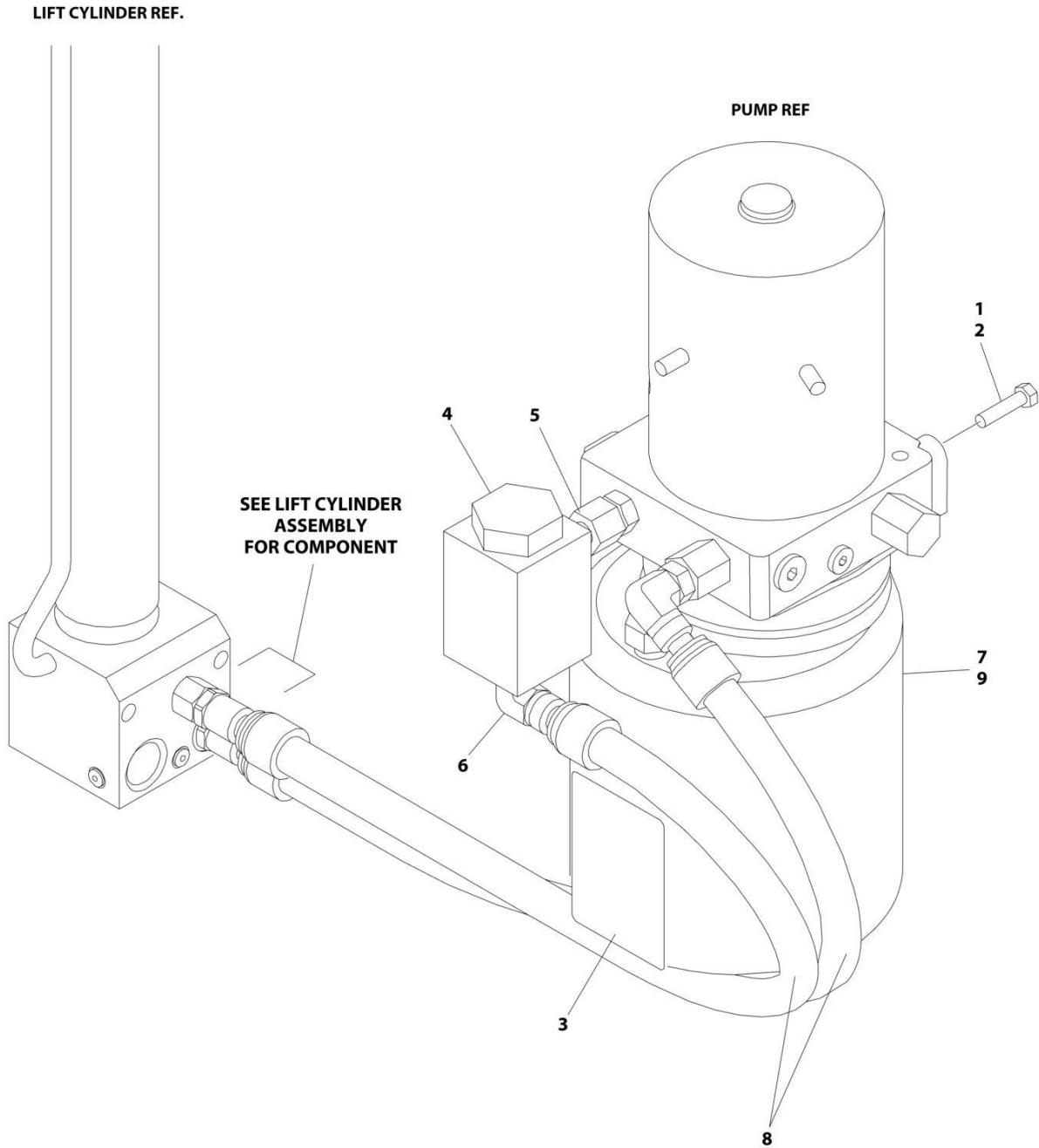
SECTION 6 - HYDRAULIC

FIGURE 6-1. HYDRAULIC SYSTEM INSTALLATION - STANDARD

ITEM	PART NUMBER	QTY	DESCRIPTION	REV
	0273546	Ref	HYDRAULIC SYSTEM INSTALLATION	E
1	0100011	AR	Compound, Locking	
2	0641606	2	Bolt 3/8 x 3/4	
3	2120183	1	Filter, In-Line Pressure	
4	2221123	1	Fitting, Straight ORFS/ORB	
5	2221185	1	Fitting, 90 ORB/Push Hose	
6	2754025	2	Hose	
7	3600392	1	Pump and Motor Assembly (See Separate Breakdown in CONTROLS SECTION)	
8	1704412	1	Decal - Hydraulic oil	
9	2300014	AR	Fluid, Hydraulic	

SECTION 6 - HYDRAULIC

FIGURE 6-2. HYDRAULIC SYSTEM INSTALLATION - FIRE RESISTANT



ART_0274181

SECTION 6 - HYDRAULIC

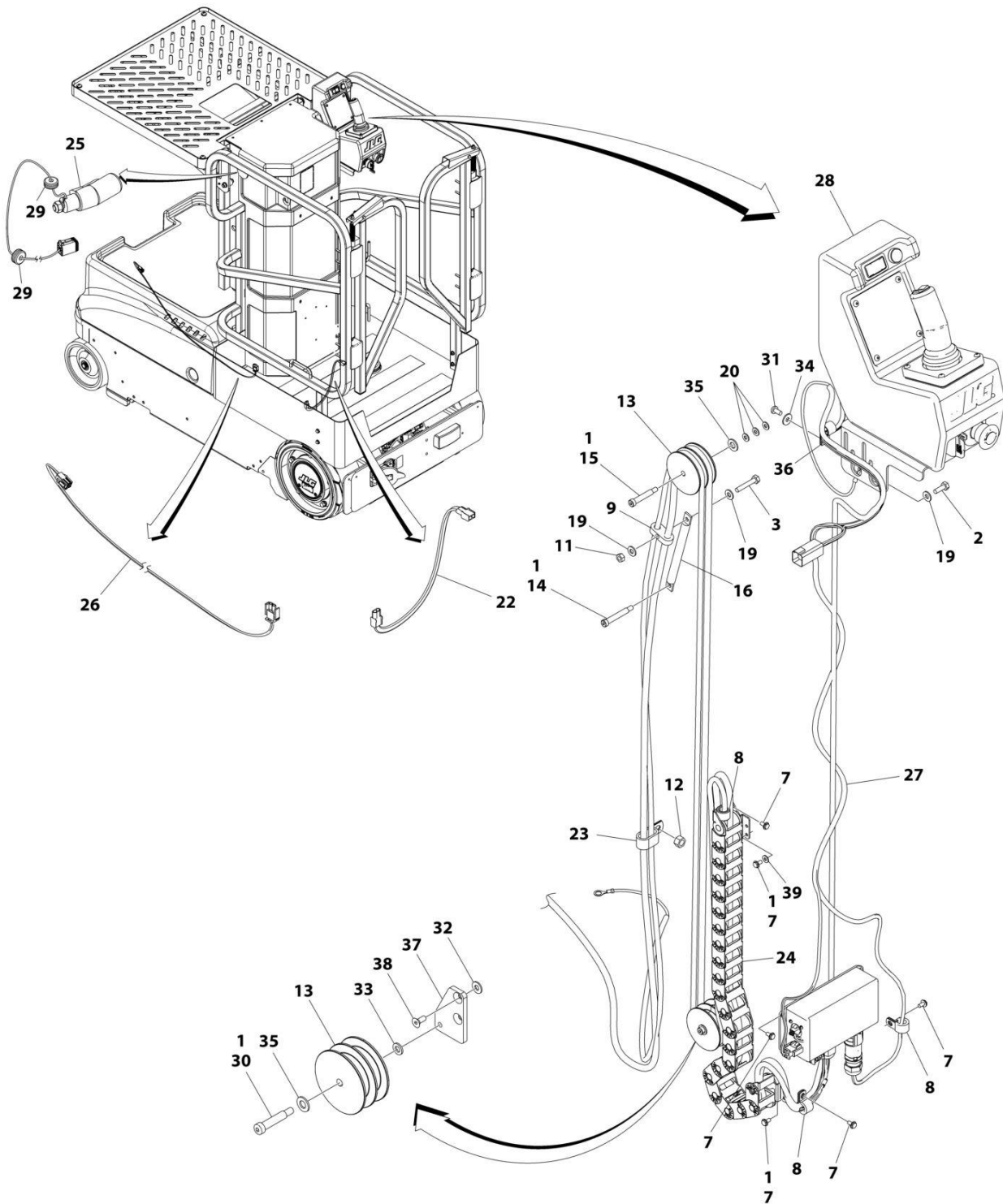
FIGURE 6-2. HYDRAULIC SYSTEM INSTALLATION - FIRE RESISTANT

ITEM	PART NUMBER	QTY	DESCRIPTION	REV
	0274181	Ref	HYDRAULIC SYSTEM INSTALLATION	A
1	0100011	AR	Compound, Locking	
2	0641606	2	Bolt 3/8 x 3/4	
3	1704412	1	Decal - Hydraulic Oil	
4	2120183	1	Filter, In-Line Pressure	
5	2221123	1	Fitting, Straight ORFS/ORB	
6	2221185	1	Fitting, 90 ORB/Push Hose	
7	2300021	AR	Fluid, Hydraulic	
8	2754025	2	Hose	
9	3600392	1	Pump and Motor Assembly (See Separate Breakdown in CONTROLS SECTION)	

SECTION 7 - ELECTRICAL

SECTION 7 - ELECTRICAL

FIGURE 7-1. CABLES INSTALLATION



ART_1001206460_G

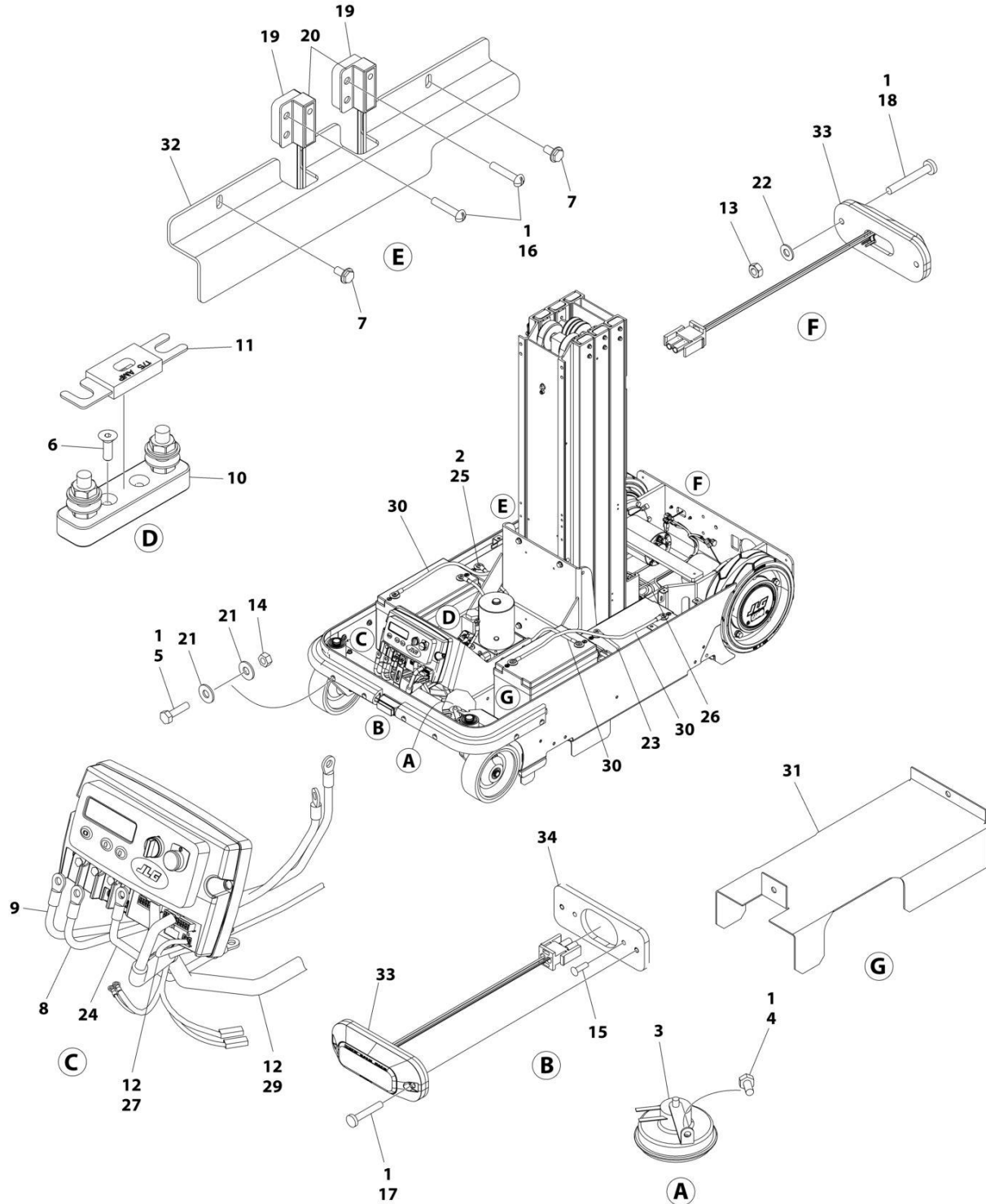
SECTION 7 - ELECTRICAL

FIGURE 7-1. CABLES INSTALLATION

ITEM	PART NUMBER	QTY	DESCRIPTION	REV
	1001206460	Ref	CABLES INSTALLATION	G
1	0100011	AR	Compound, Locking	
2	0641406	2	Bolt 1/4 x 3/4	
2	0641408	2	Bolt 1/4 x 1	
3	0641412	1	Bolt 1/4 x 1-1/2	
7	0791003	11	Screw #10 x 3/8	
8	1320041	3	Clamp	
9	1320149	1	Clamp	
10	3020038	AR	Grease, Terminal (Not Shown)	
11	3311405	1	Nut 1/4	
12	3311605	1	Nut 3/8	
13	3580344	2	Pulley	
14	3900264	1	Capscrew	
15	3900373	1	Capscrew	
16	4160130	1	Spring	
17	4240018	3	Tie-Strap (Not Shown)	
19	4711400	4	Washer 1/4	
20	4751200	3	Washer #12	
22	1001112143	1	Aux 2 Jumper Harness	
22	4460424	2	Receptacle, Female - 2 Position	
22	4460268	4	Socket, Female	
23	1001116792	1	Clamp	
24	1001207339	1	Ground to Platform Harness (See Separate Breakdown in this Section)	
25	1001208283	1	Switch, Left Hand Control	
26	1001215226	1	Footswitch Jumper Harness (See Separate Breakdown in this Section)	
27	1001227882	1	Platform Controls Harness (See Separate Breakdown in this Section)	
28	1001228495	1	Platform Control Box Assembly (See Separate Breakdown in CONTROLS Section)	
29	1001081050	2	Grommet	
30	3900200	1	Bolt 5/16 X 1-1/4	
31	4191706	1	Screw M6 x 12	
32	4711000	2	Washer #10	
33	4761400	1	Washer 1/4	
34	4811702	1	Washer M6	
35	4811900	2	Washer M8	
36	8406112	1	Clip	
37	1001273307	1	Bracket, Pulley Mount	
38	0741004	2	Screw #10 x 1/2	
39	4750800	2	Washer #8	

SECTION 7 - ELECTRICAL

FIGURE 7-2. ELECTRICAL SYSTEM INSTALLATION - NO BATTERY



ART_1001272257

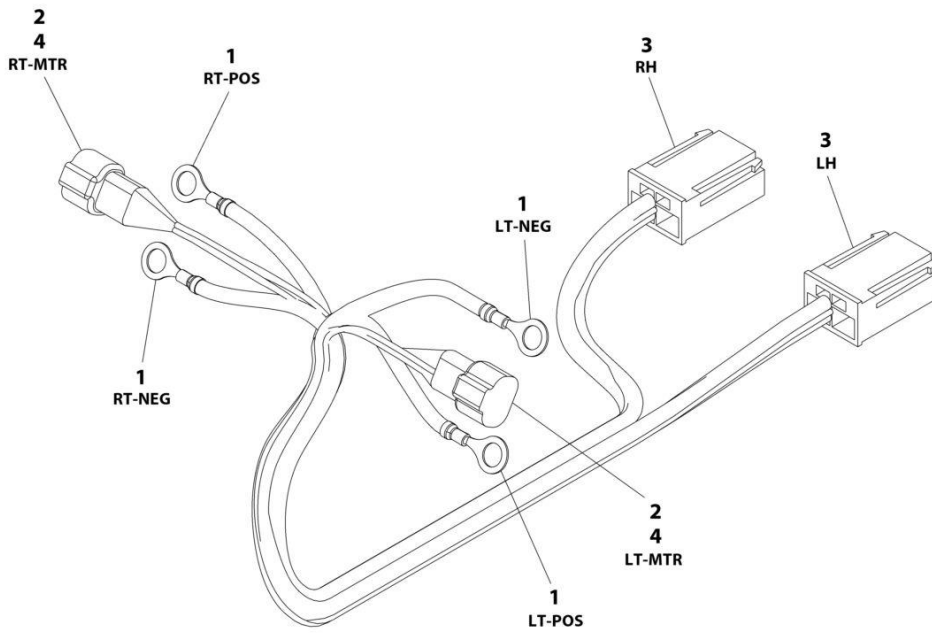
SECTION 7 - ELECTRICAL

FIGURE 7-2. ELECTRICAL SYSTEM INSTALLATION - NO BATTERY

ITEM	PART NUMBER	QTY	DESCRIPTION	REV
	1001272257	Ref	ELECTRICAL SYSTEM INSTALLATION - NO BATTERY	A
1	0100011	AR	Compound, Locking	
2	0100051	AR	Grease, Terminal	
3	0140022	1	Alarm	
4	0641404	1	Bolt 1/4 x 1/2	
5	0641408	8	Bolt 1/4 x 1	
6	0741005	2	Screw #10 x 5/8	
7	0791003	2	Screw #10 x 3/8	
8	1060943	1	Cable (GSM P+ to Pump+)	
9	1060944	1	Cable (GSM P- to Pump-)	
10	2400044	1	Fuse, Mounting Block	
11	2400069	1	Fuse 175Amp	
12	3020038	AR	Grease, Contact	
13	3290401	2	Nut M4	
14	3311405	8	Nut 1/4	
15	3820013	2	Rivet	
16	3931016	4	Screw 10-24 x 1	
17	4031509	2	Screw M4 x 25	
18	4031511	2	Screw M4 x 35	
19	4071084	2	Shim	
20	4360514	2	Switch, Proximity	
21	4751400	16	Washer 1/4	
22	4811400	2	Washer M4	
23	4923022	1	Cable (B+ to Fuse)	
24	4923023	1	Cable (Fuse to GSM)	
25	4923024	1	Cable (B- to GSM)	
26	4923028	1	Traction Module Power Harness	
27	4923029	1	Ground Station to Traction Module Harness	
28	4923383	1	Drive Motor Harness (Not Shown) (See Separate Breakdown in ELECTRICAL Section)	
29	4923446	1	Main (MSP) Harness	
30	1001121700	3	Cable (Battery B+ to B-) (Not Shown)	
31	1001229683	2	Plate	
32	1001229684	1	Shield, Wire	
33	1001258016	2	Light, Strobe LED	
34	1001258436	1	Plate	

SECTION 7 - ELECTRICAL

FIGURE 7-3. DRIVE MOTOR HARNESS



ART_4923383

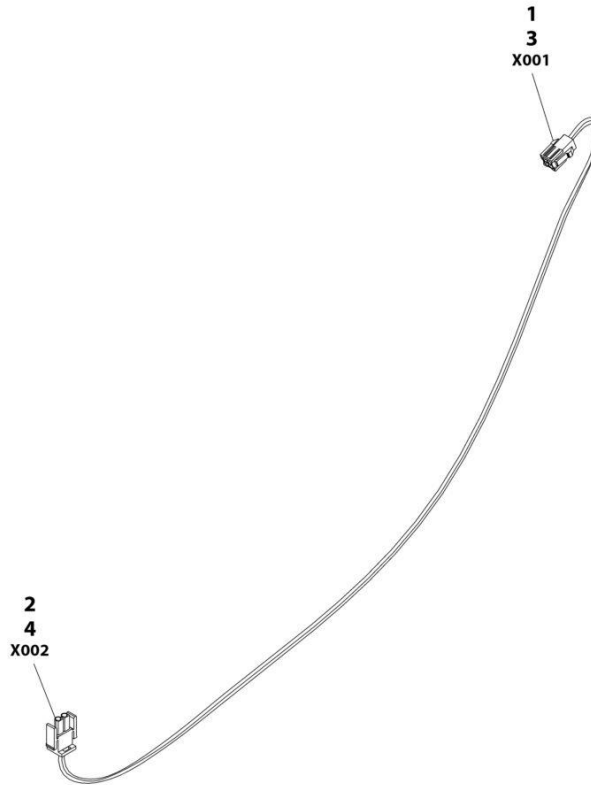
SECTION 7 - ELECTRICAL

FIGURE 7-3. DRIVE MOTOR HARNESS

ITEM	PART NUMBER	QTY	DESCRIPTION	REV
	4923383	Ref	DRIVE MOTOR HARNESS	E
1	4460738	4	Terminal, Ring	
2	4460897	2	Receptacle, Female - 2 Position	
3	4461108	2	Connector, P&G Drive Motor	
4	4460464	4	Pin, Male	

SECTION 7 - ELECTRICAL

FIGURE 7-4. FOOTSWITCH JUMPER HARNESS



ART_1001215226

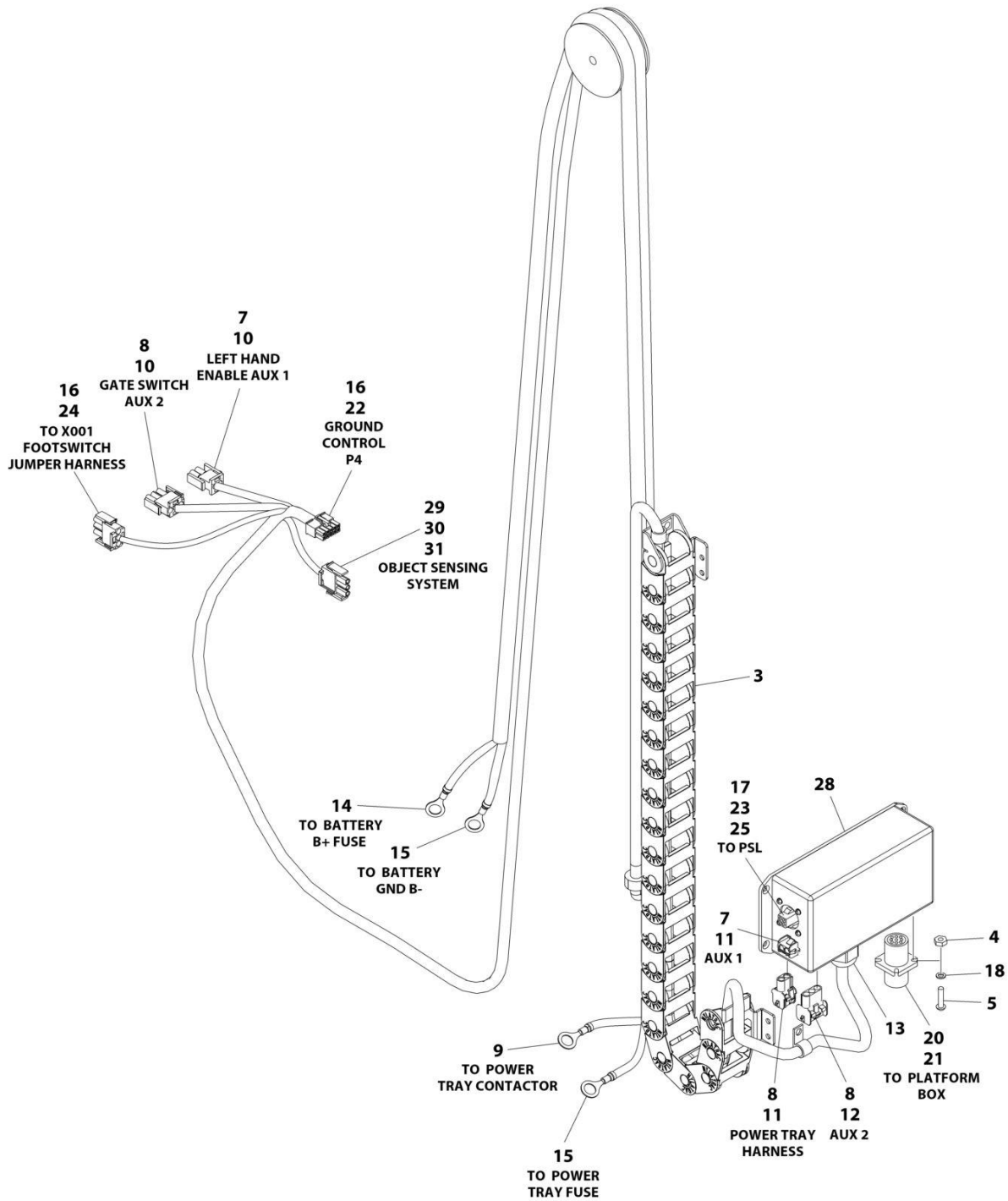
SECTION 7 - ELECTRICAL

FIGURE 7-4. FOOTSWITCH JUMPER HARNESS

ITEM	PART NUMBER	QTY	DESCRIPTION	REV
	1001215226	Ref	FOOTSWITCH JUMPER HARNESS	A
1	1001197889	1	Connector, 4 Position	
2	4460320	1	Plug, Male - 2 Position	
3	1001118156	2	Terminal	
4	4460226	2	Socket, Female	

SECTION 7 - ELECTRICAL

FIGURE 7-5. GROUND TO PLATFORM HARNESS



ART_1001207339

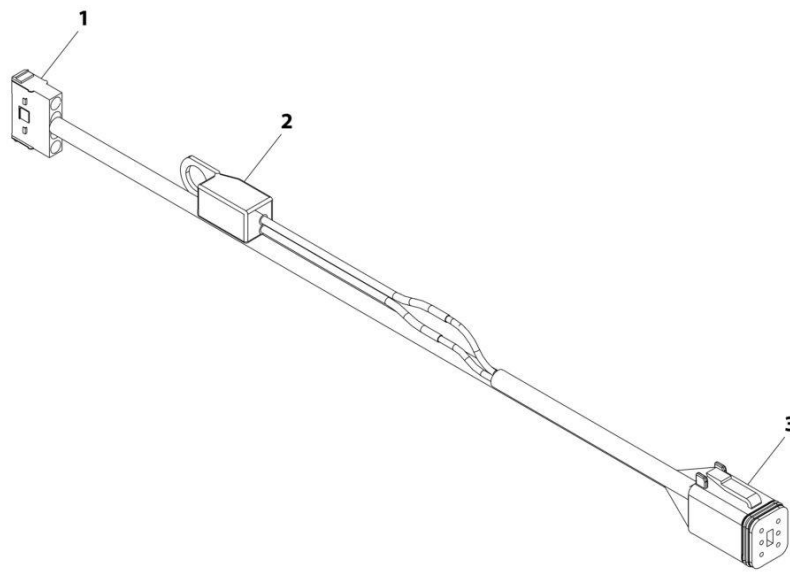
SECTION 7 - ELECTRICAL

FIGURE 7-5. GROUND TO PLATFORM HARNESS

ITEM	PART NUMBER	QTY	DESCRIPTION	REV
	1001207339	Ref	GROUND TO PLATFORM HARNESS	E
3	1180397	1	Power Track	
4	3310401	8	Nut #4	
5	3910408	8	Screw, #4 x 1/2	
7	4460226	4	Socket Contact	
8	4460267	7	Pin, Male	
9	4460312	1	Terminal, Ring	
10	4460320	2	Plug, Male 2 - Position	
11	4460424	2	Receptacle, Female - 2 Position	
12	4460445	1	Receptacle, Female - 3 Position	
13	4460633	1	Connector, Strain Relief	
14	4460670	1	Terminal, Ring	
15	4460738	2	Terminal, Ring	
16	4461023	10	Socket, Female	
17	4461025	2	Pin, Male	
18	4760400	8	Washer, #4	
20	1001215633	1	Connector - 9 Position	
21	1001215635	6	Pin, Male	
22	1001153723	1	Connector - 10 Position	
23	1001197889	1	Connector - 4 Position	
24	1001214996	1	Plug, Male - 4 Position	
25	1001215135	1	Plate, Adapter	
28	1001217893	1	Box, Junction	
29	4460465	2	Socket, Female	
30	4460891	1	Plug, Male - 2 Position	
31	1001144295	1	Cap	

SECTION 7 - ELECTRICAL

FIGURE 7-6. LED AND TEMPERATURE SENSOR HARNESS



ART_1001109821

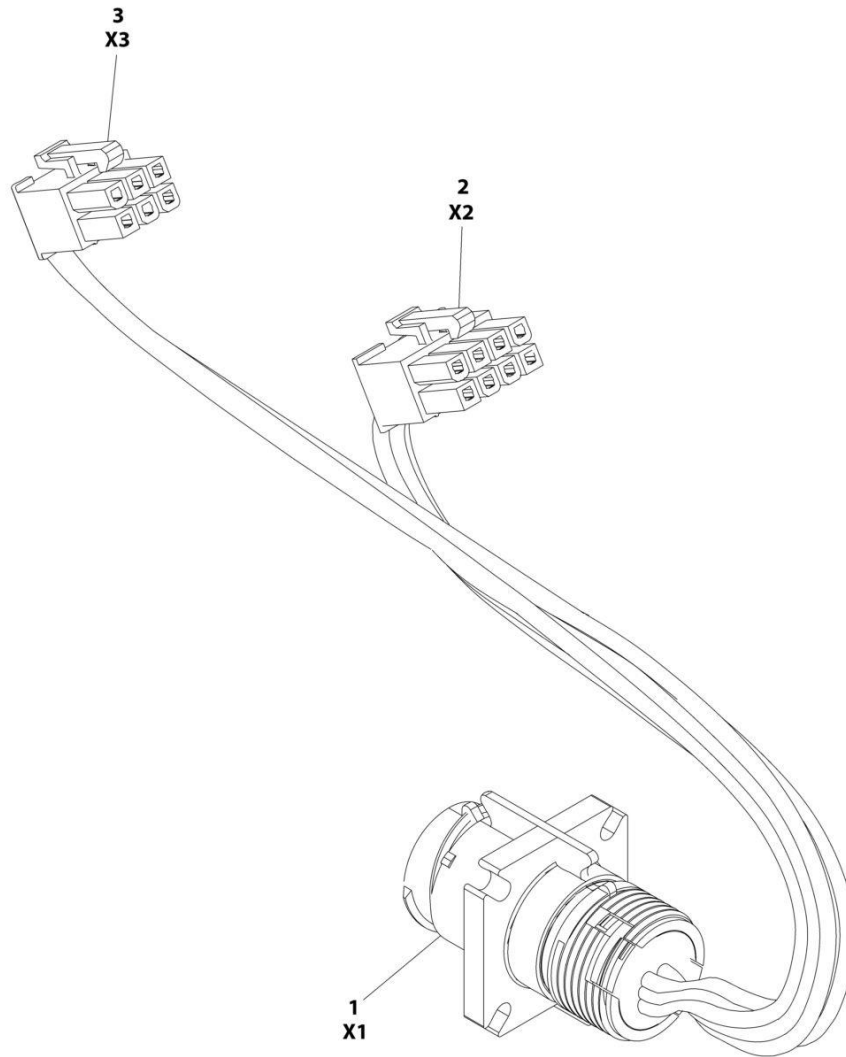
SECTION 7 - ELECTRICAL

FIGURE 7-6. LED AND TEMPERATURE SENSOR HARNESS

ITEM	PART NUMBER	QTY	DESCRIPTION	REV
	1001109821	Ref	LED AND TEMPERATURE SENSOR HARNESS	A
1	4460961	1	Receptacle, Female - 4 Position	
1	4460226	4	Socket, Female	
2	1001102771	1	Terminal, Temperature Sensor Ring	
3	4460894	1	Plug, Male - 6 Position	
3	4460465	6	Socket, Female	

SECTION 7 - ELECTRICAL

FIGURE 7-7. PLATFORM BOX POWER HARNESS



ART_1001227884

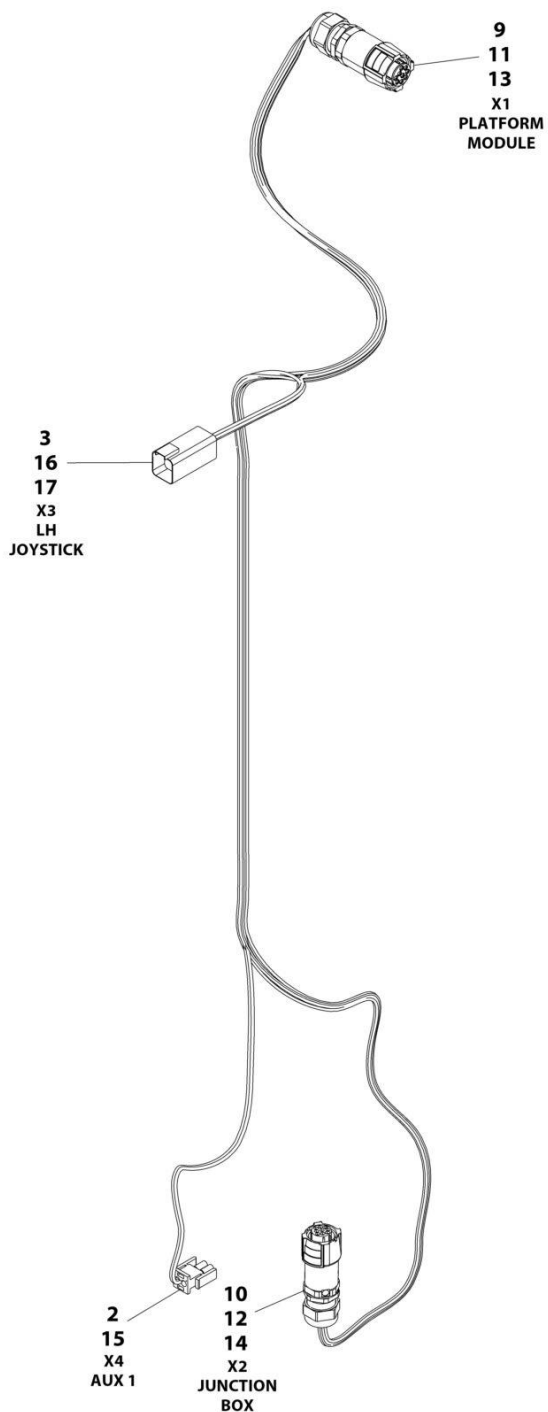
SECTION 7 - ELECTRICAL

FIGURE 7-7. PLATFORM BOX POWER HARNESS

ITEM	PART NUMBER	QTY	DESCRIPTION	REV
	1001227884	Ref	PLATFORM BOX POWER HARNESS	A
1	1001215633	1	Connector - 9 Position	
1	1001215635	8	Terminal	
2	1001151629	1	Plug, Male - 8 Position	
2	4461023	5	Socket, Female	
3	1001228387	1	Plug, Male - 6 Position	
3	4461023	3	Socket, Female	

SECTION 7 - ELECTRICAL

FIGURE 7-8. PLATFORM CONTROLS HARNESS



ART_1001227882

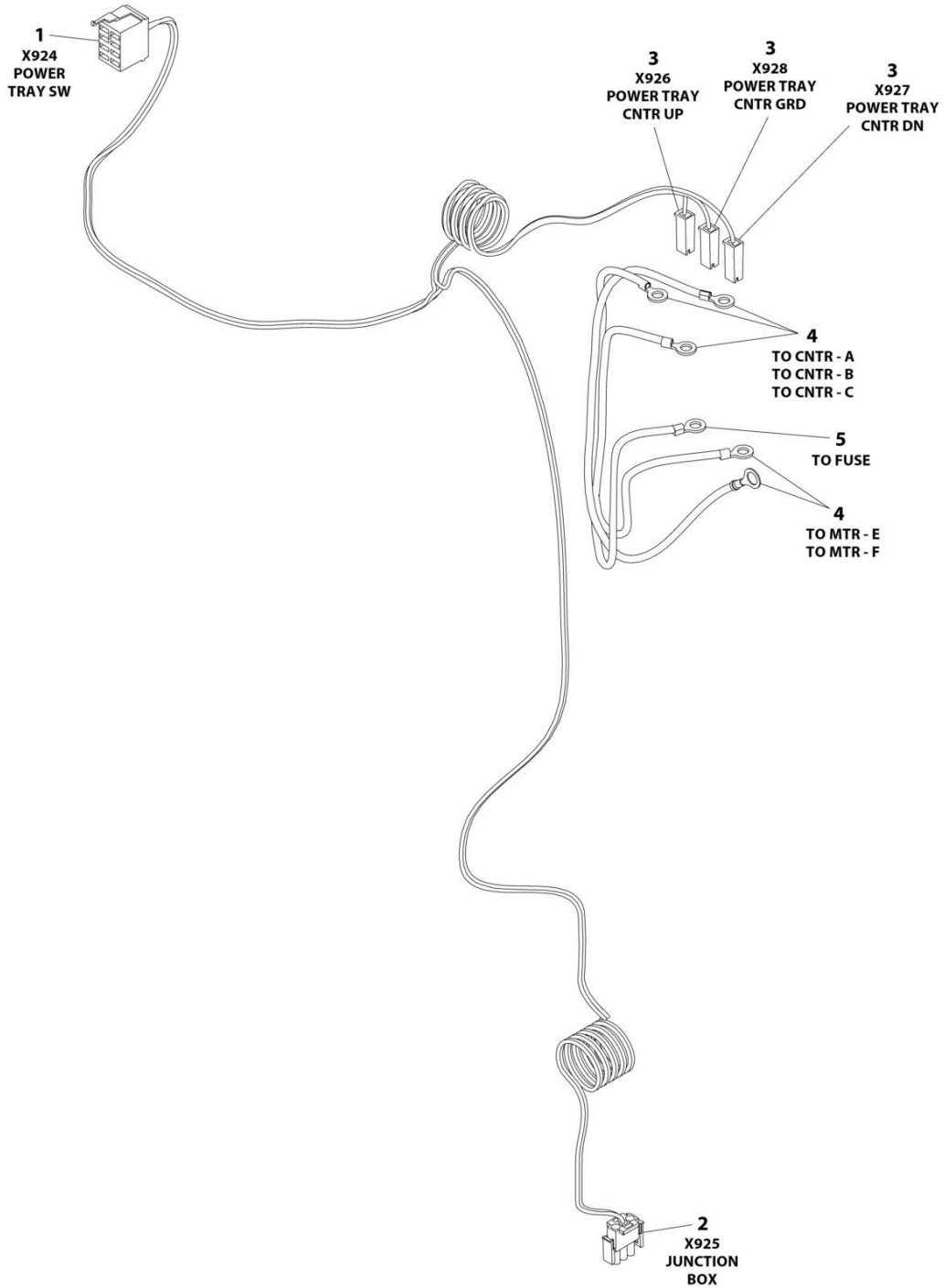
SECTION 7 - ELECTRICAL

FIGURE 7-8. PLATFORM CONTROLS HARNESS

ITEM	PART NUMBER	QTY	DESCRIPTION	REV
	1001227882	Ref	PLATFORM CONTROLS HARNESS	E
2	4460267	2	Pin, Male	
3	4460466	1	Terminal, Sealing Plug	
9	1001212654	9	Socket, Female	
10	1001212655	6	Socket, Female	
11	1001212656	1	Backshell	
12	1001212657	1	Backshell	
13	1001212660	1	Connector - 9 Position	
14	1001212661	1	Connector - 9 Position	
15	4460320	1	Plug, Male - 2 Position	
16	4460464	5	Pin, Male	
17	4460899	1	Receptacle, Female - 6 Position	

SECTION 7 - ELECTRICAL

FIGURE 7-9. TRAY HARNESS



ART_1001210491

SECTION 7 - ELECTRICAL

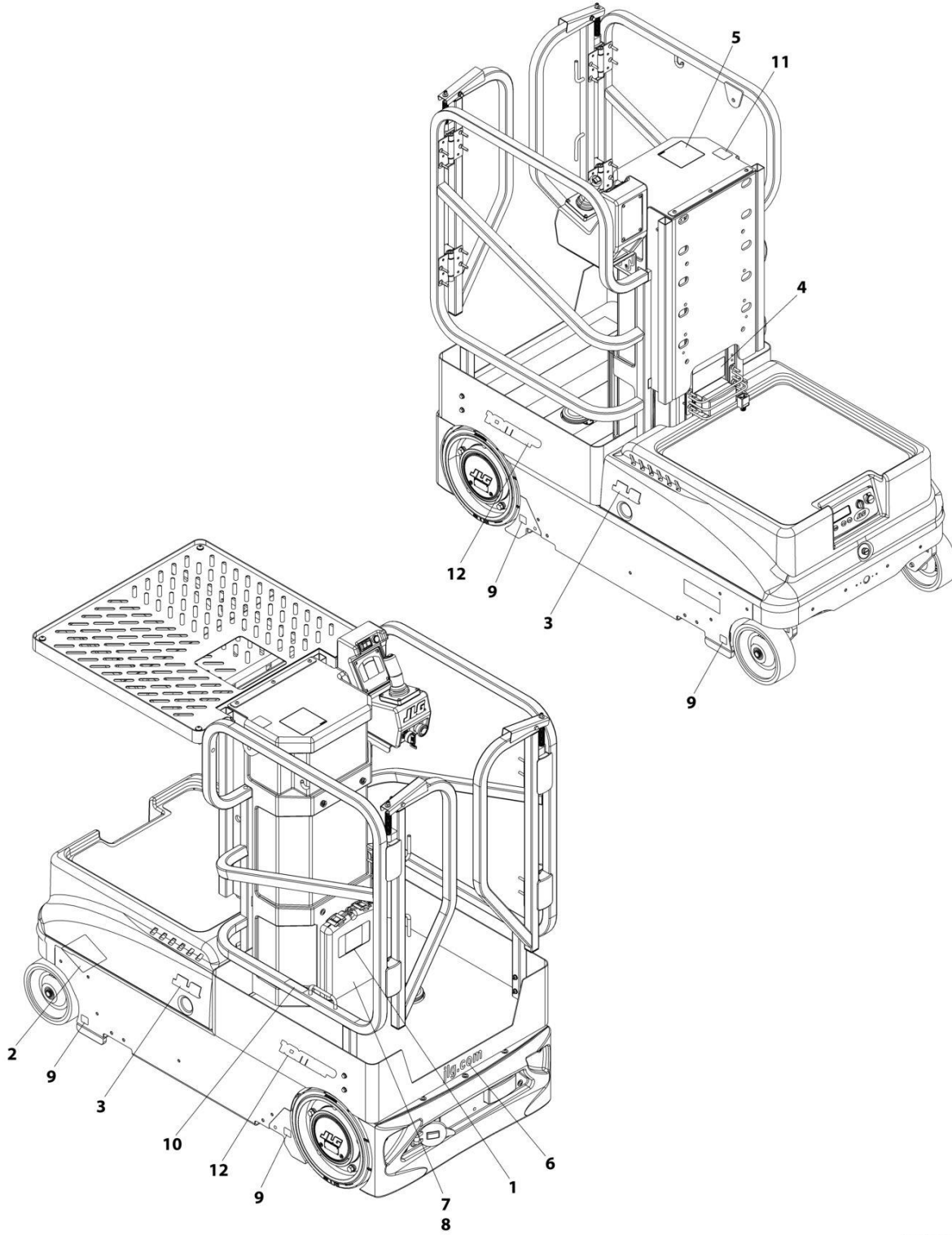
FIGURE 7-9. TRAY HARNESS

ITEM	PART NUMBER	QTY	DESCRIPTION	REV
	1001210491	Ref	TRAY HARNESS	A
1	8220904	1	Connector - 8 Position	
1	4460829	3	Terminal	
2	4460326	1	Plug, Male 2 - Position	
2	4460268	2	Socket, Female	
3	4460260	3	Cover, Terminal	
3	4460259	3	Terminal	
4	4460312	5	Terminal, Ring	
5	4460738	5	Terminal, Ring	

SECTION 8 - DECALS

SECTION 8 - DECALS

FIGURE 8-1. COMMON DECALS INSTALLATION - STANDARD PAINT



ART_1001271762

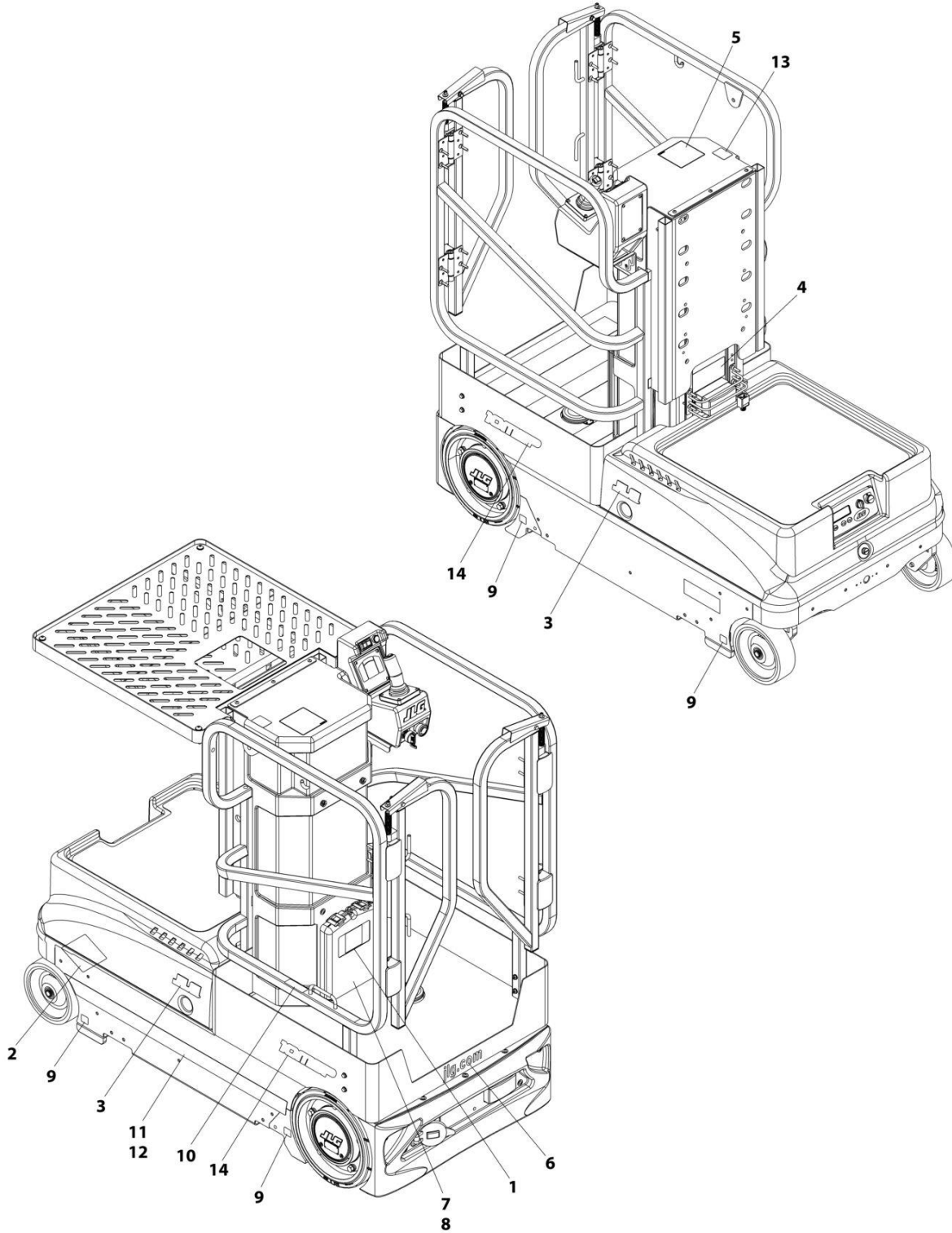
SECTION 8 - DECALS

FIGURE 8-1. COMMON DECALS INSTALLATION - STANDARD PAINT

ITEM	PART NUMBER	QTY	DESCRIPTION	REV
	1001271762	Ref	COMMON DECALS INSTALLATION	A
1	1701640	1	Decal - Manual	
2	See Note	NSS	Decal - Bar Code (Note: Not Available for Purchase)	
3	1703681	2	Decal - Logo	
4	1705992	1	Decal - Manual Decent Location	
5	1706131	1	Decal - Danger	
6	1706764	1	Decal - Website	
7	3820032	4	Rivet	
8	8990147	1	Holder, Manual	
9	1001143557	4	Decal - Maximum Wheel Load	
10	1001213582	1	Decal - Lanyard Attach	
11	1001230219	1	Decal - Lift	
12	1001271755	2	Decal, 10MSP	

SECTION 8 - DECALS

FIGURE 8-2. COMMON DECALS INSTALLATION - SPECIAL PAINT



ART_1001271763

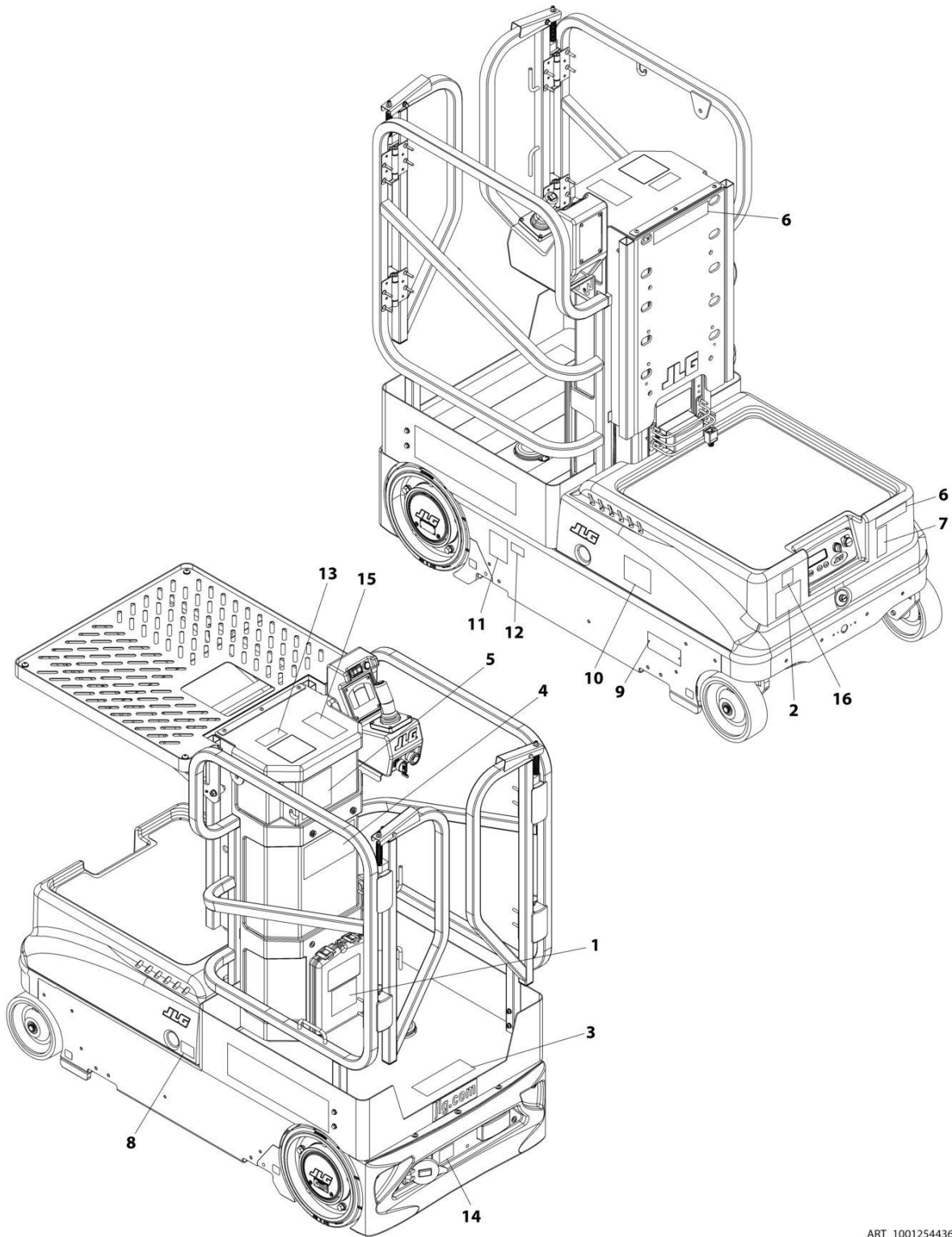
SECTION 8 - DECALS

FIGURE 8-2. COMMON DECALS INSTALLATION - SPECIAL PAINT

ITEM	PART NUMBER	QTY	DESCRIPTION	REV
	1001271763	Ref	COMMON DECALS INSTALLATION	A
1	1701640	1	Decal - Manual	
2	See Note	1	Decal - Bar Code (Note: Not Available for Purchase)	
3	1703681	2	Decal - Logo	
4	1705992	1	Decal - Manual Decent Location	
5	1706131	1	Decal - Danger	
6	1706764	1	Decal - Website	
7	3820032	4	Rivet	
8	8990147	1	Holder, Manual	
9	1001143557	4	Decal - Maximum Wheel Load	
10	1001213582	1	Decal - Lanyard Attach	
11	1001230062	1	Decal - Stripe (LH)	
12	1001230063	1	Decal - Stripe (RH)	
13	1001230219	1	Decal - Lift	
14	1001271755	2	Decal - 10MSP	

SECTION 8 - DECALS

FIGURE 8-3. DECAL INSTALLATION - ANSI SPECS (ENGLISH LANGUAGE) (MANUAL TRAY)



ART_1001254436

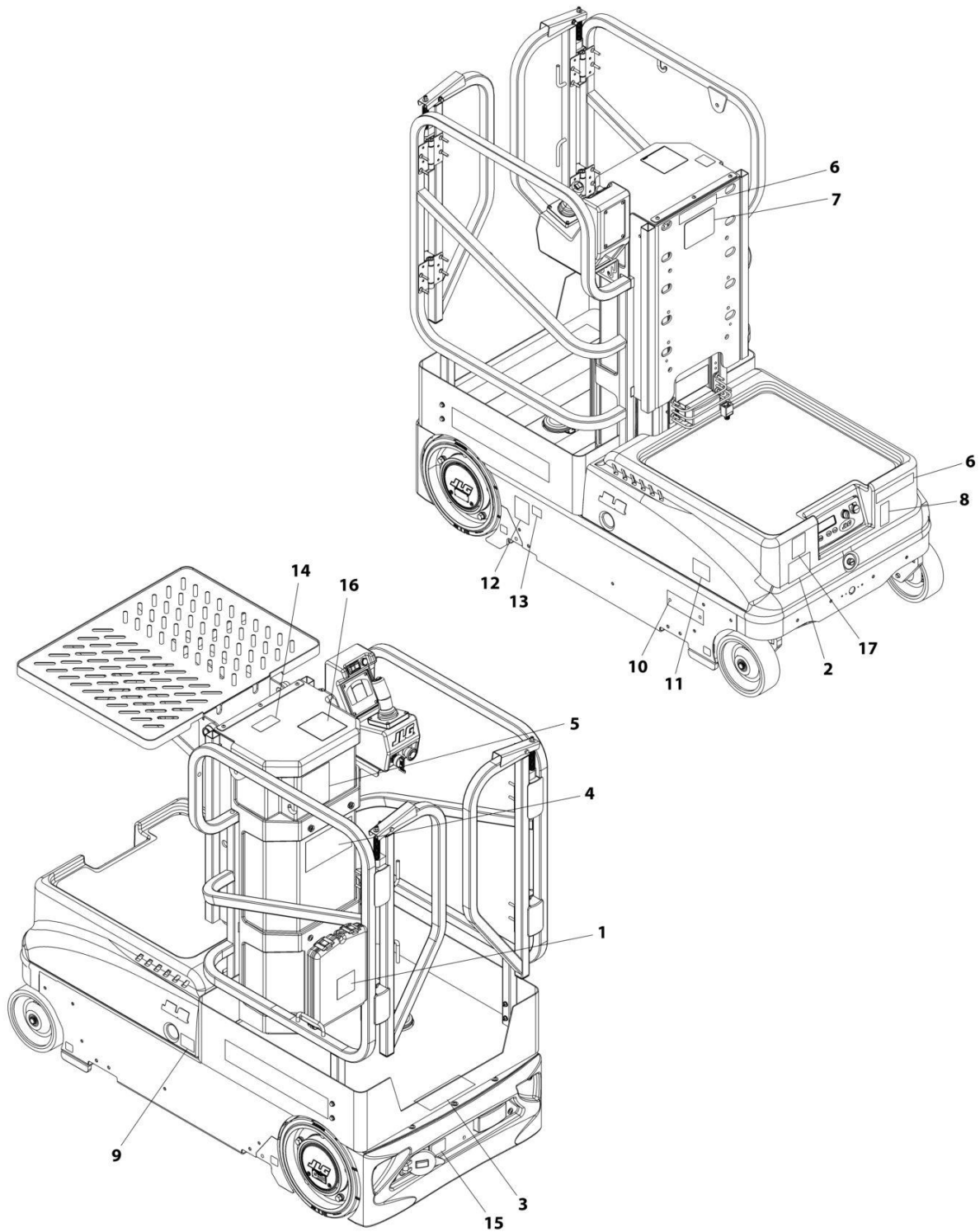
SECTION 8 - DECALS

FIGURE 8-3. DECAL INSTALLATION - ANSI SPECS (ENGLISH LANGUAGE) (MANUAL TRAY)

ITEM	PART NUMBER	QTY	DESCRIPTION	REV
	1001254436	Ref	DECALS INSTALLATION	A
1	3251813	1	Decal - USA	
2	1703781	1	Decal - Electrical Hazard	
3	1703786	1	Decal - Crushing Hazard	
4	1705937	1	Decal - Warning	
5	1705938	1	Decal - Danger	
6	1705995	2	Decal - Crushing Hazard	
7	1706617	1	Decal - No Riders	
8	1706740	1	Decal - Battery Disconnect	
9	2080057	2	Fastener	
10	1001131273	1	Decal - Patent	
11	1001223055	1	Decal - Yearly Inspection	
12	1001228370	1	Decal - ICES	
13	1001231801	1	Decal - Prop 65	
14	1001233054	1	Decal - Charger	
15	1001254432	1	Decal - Capacity	
16	1001255190	1	Decal - Capacity	

SECTION 8 - DECALS

FIGURE 8-4. DECAL INSTALLATION - ANSI SPECS (ENGLISH LANGUAGE) (POWER TRAY)



ART_1001254445

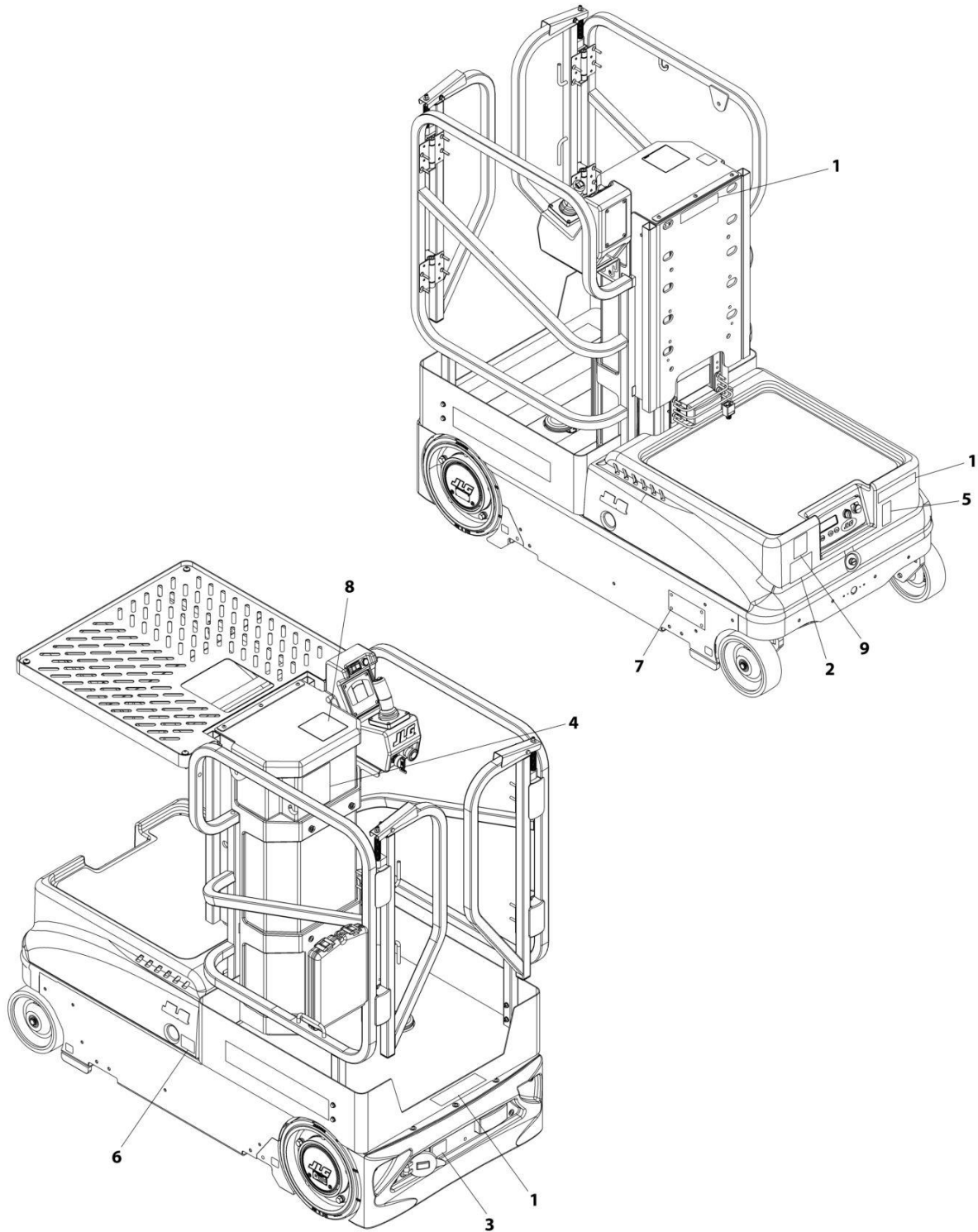
SECTION 8 - DECALS

FIGURE 8-4. DECAL INSTALLATION - ANSI SPECS (ENGLISH LANGUAGE) (POWER TRAY)

ITEM	PART NUMBER	QTY	DESCRIPTION	REV
	1001254445	Ref	DECALS INSTALLATION	B
1	1703779	1	Decal - USA (Black & White)	
1	3251813	1	Decal - USA (Color)	
2	1703781	1	Decal - Electrical Hazard	
3	1703786	1	Decal - Crushing Hazard	
4	1705937	1	Decal - Warning	
5	1705938	1	Decal - Danger	
6	1705995	2	Decal - Crushing Hazard	
7	1706302	1	Decal - Pinch Point	
8	1706617	1	Decal - No Riders	
9	1706740	1	Decal - Battery Disconnect	
10	2080057	2	Fastener	
11	1001131273	1	Decal - Patent	
12	1001223055	1	Decal - Yearly Inspection	
13	1001228370	1	Decal - ICES	
14	1001231801	1	Decal - Warning	
15	1001233054	1	Decal - Charger	
16	1001254433	1	Decal - Capacity	
17	1001255190	1	Decal - Capacity	

SECTION 8 - DECALS

FIGURE 8-5. DECAL INSTALLATION - AUSTRALIAN SPECS (ENGLISH LANGUAGE) (MANUAL TRAY)



ART_1001254442

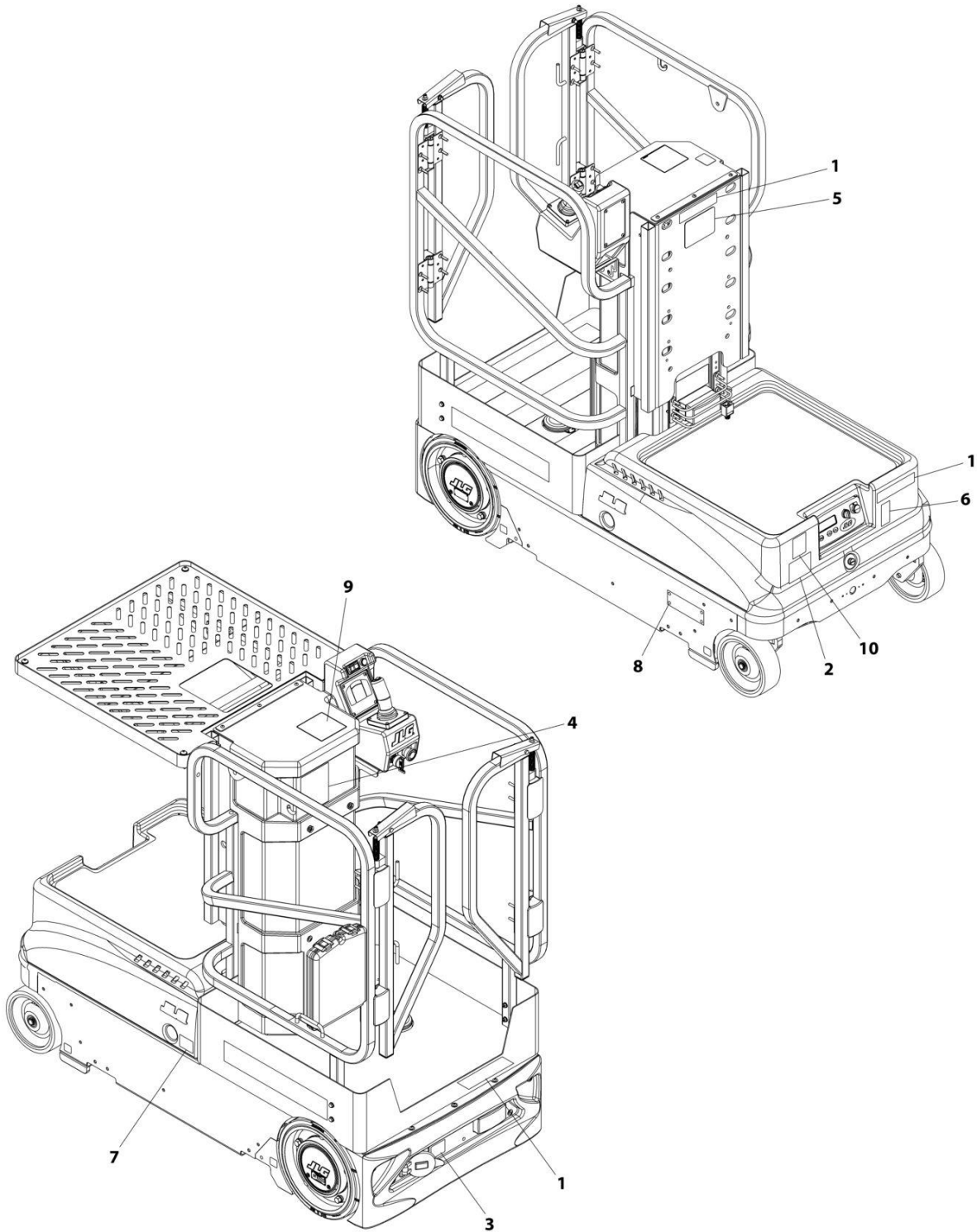
SECTION 8 - DECALS

FIGURE 8-5. DECAL INSTALLATION - AUSTRALIAN SPECS (ENGLISH LANGUAGE) (MANUAL TRAY)

ITEM	PART NUMBER	QTY	DESCRIPTION	REV
	1001254442	Ref	DECALS INSTALLATION	A
1	1705099	3	Decal - Crushing Hazard	
2	1705802	1	Decal - VP Electrocution	
3	1706077	1	Decal - Battery Charging	
4	1706078	1	Decal - Warning	
5	1706617	1	Decal - No Riders	
6	1706740	1	Decal - Battery Disconnect	
7	2080057	4	Fastener	
8	1001207206	1	Decal - Capacity	
9	1001255190	1	Decal - Capacity	

SECTION 8 - DECALS

FIGURE 8-6. DECAL INSTALLATION - AUSTRALIAN SPECS (ENGLISH LANGUAGE) (POWER TRAY)



ART_1001254451

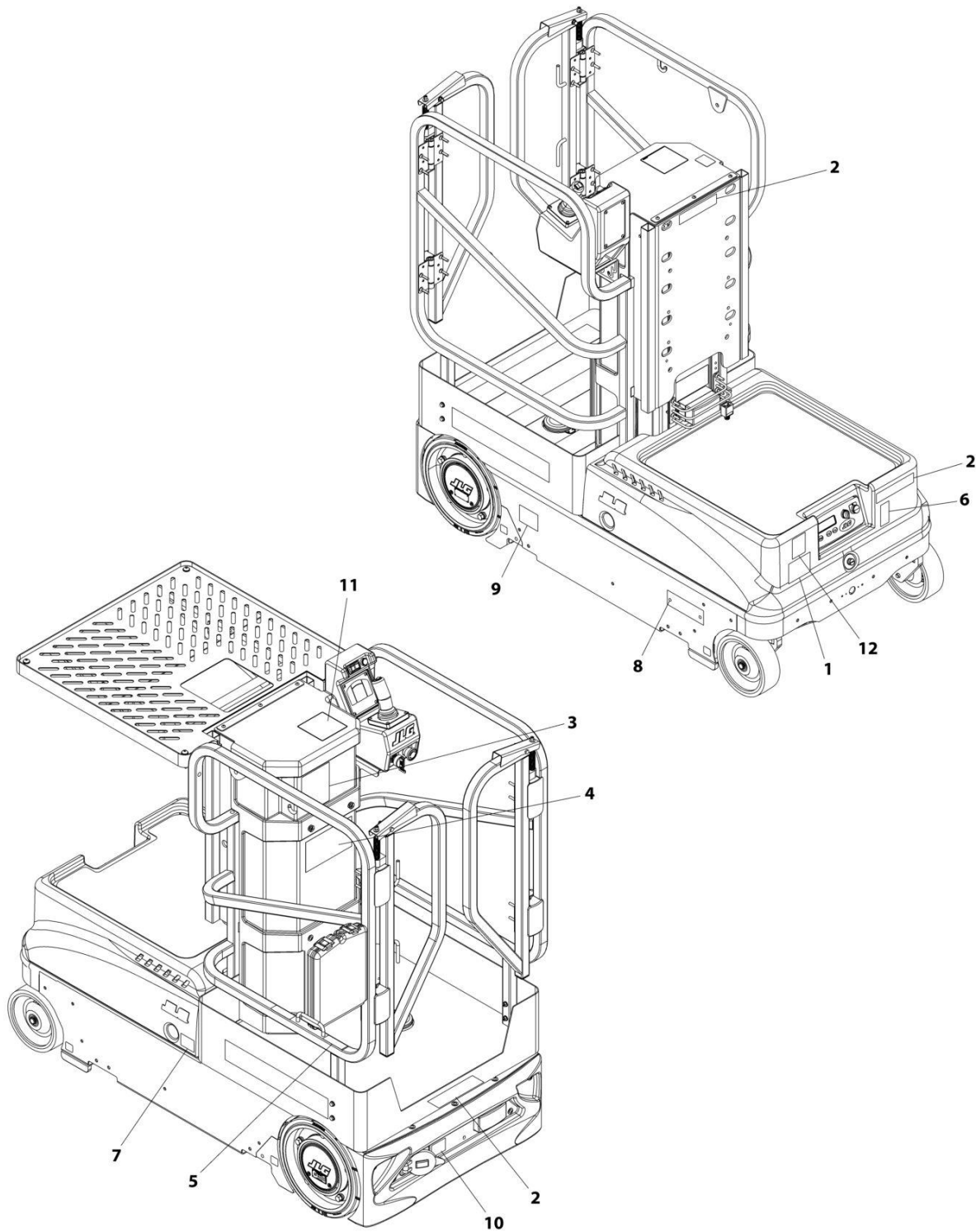
SECTION 8 - DECALS

FIGURE 8-6. DECAL INSTALLATION - AUSTRALIAN SPECS (ENGLISH LANGUAGE) (POWER TRAY)

ITEM	PART NUMBER	QTY	DESCRIPTION	REV
	1001254451	Ref	DECALS INSTALLATION	A
1	1705099	3	Decal - Crushing Hazard	
2	1705802	1	Decal - VP Electrocution	
3	1706077	1	Decal - Battery Charging Instruction	
4	1706078	1	Decal - Warning	
5	1706292	1	Decal - Pinch Point	
6	1706617	1	Decal - No Riders	
7	1706740	1	Decal - Battery Disconnect	
8	2080057	4	Fastener	
9	1001202686	1	Decal - Capacity	
10	1001255190	1	Decal - Capacity	

SECTION 8 - DECALS

FIGURE 8-7. DECAL INSTALLATION - BRAZIL SPECS (PORTUGUESE LANGUAGE) (MANUAL TRAY)



ART_1001254440

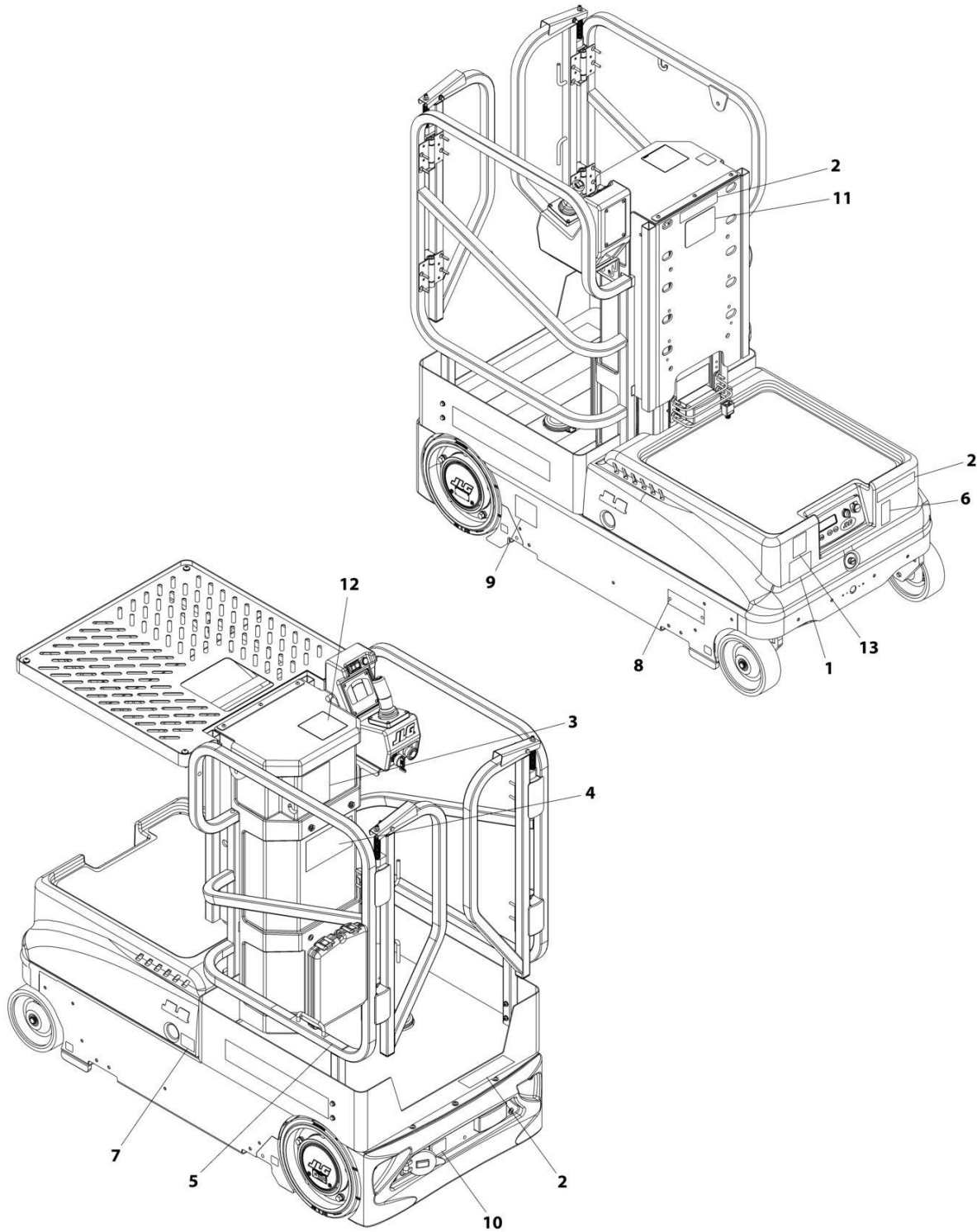
SECTION 8 - DECALS

FIGURE 8-7. DECAL INSTALLATION - BRAZIL SPECS (PORTUGUESE LANGUAGE) (MANUAL TRAY)

ITEM	PART NUMBER	QTY	DESCRIPTION	REV
	1001254440	Ref	DECALS INSTALLATION	A
1	1704021	1	Decal - Electrical Hazard	
2	1706086	3	Decal - Crushing Hazard	
3	1706087	1	Decal - Danger	
4	1706088	1	Decal - Warning	
5	1706118	1	Decal - Fall Restraint	
6	1706617	1	Decal - No Riders	
7	1706740	1	Decal - Battery Disconnect	
8	2080057	2	Fastener	
9	1001224052	1	Decal - Yearly Inspection	
10	1001233057	1	Decal - Battery Charging Instruction	
11	1001254432	1	Decal - Capacity	
12	1001255190	1	Decal - Capacity	

SECTION 8 - DECALS

FIGURE 8-8. DECAL INSTALLATION - BRAZIL SPECS (PORTUGUESE LANGUAGE) (POWER TRAY)



ART_1001254449

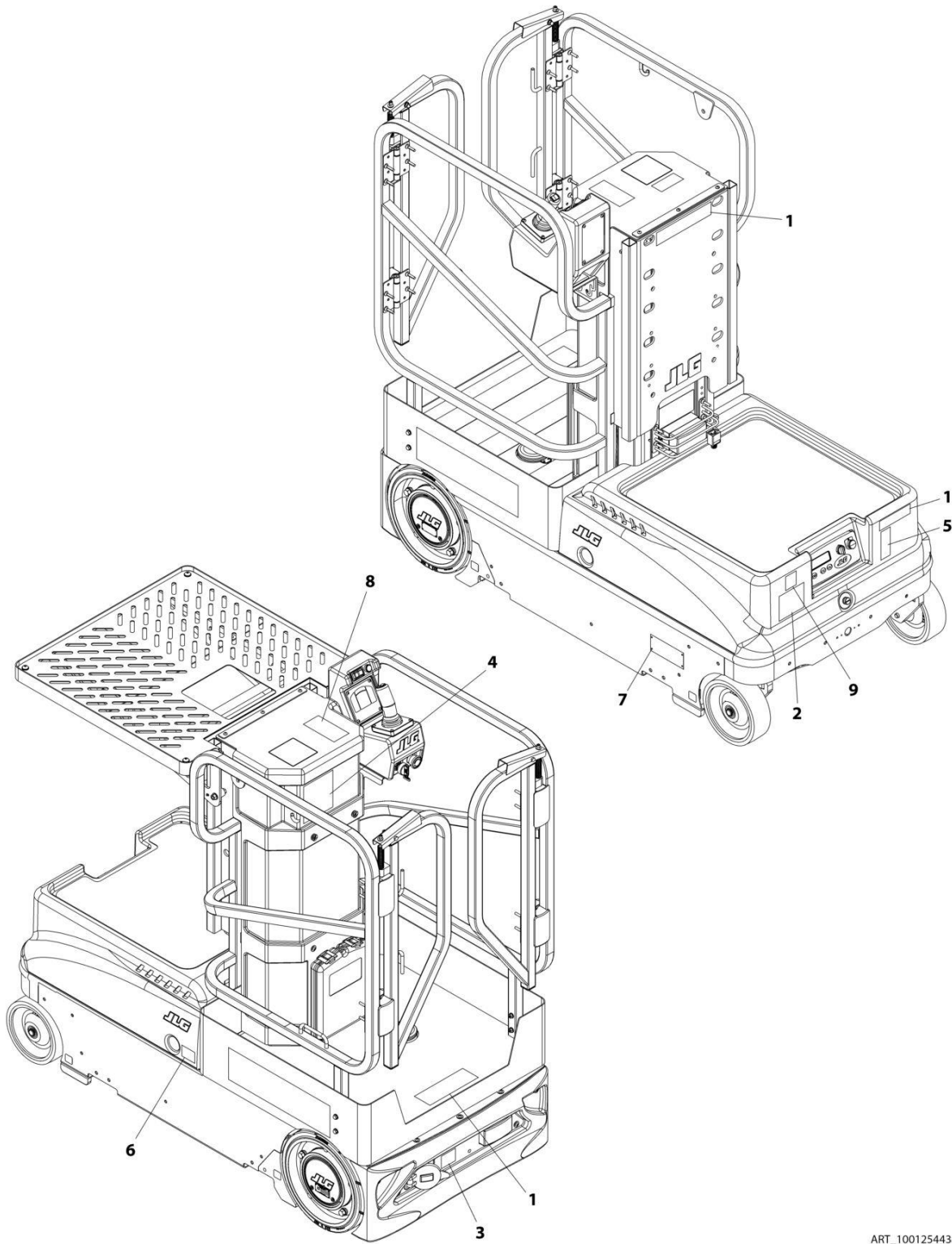
SECTION 8 - DECALS

FIGURE 8-8. DECAL INSTALLATION - BRAZIL SPECS (PORTUGUESE LANGUAGE) (POWER TRAY)

ITEM	PART NUMBER	QTY	DESCRIPTION	REV
	1001254449	Ref	DECALS INSTALLATION	A
1	1704021	1	Decal - Electrical Hazard	
2	1706086	3	Decal - Crushing Hazard	
3	1706087	1	Decal - Danger	
4	1706088	1	Decal - Warning	
5	1706118	1	Decal - Fall Restraint	
6	1706617	1	Decal - No Riders	
7	1706740	1	Decal - Battery Disconnect	
8	2080057	2	Fastener	
9	1001224052	1	Decal - Yearly Inspection	
10	1001233057	1	Decal - Battery Charging Instruction	
11	1001233728	1	Decal - Pinch Point	
12	1001254433	1	Decal - Capacity	
13	1001255190	1	Decal - Capacity	

SECTION 8 - DECALS

FIGURE 8-9. DECAL INSTALLATION - CE & UK CA SPECS (ENGLISH LANGUAGE) (MANUAL TRAY)



ART_1001254438

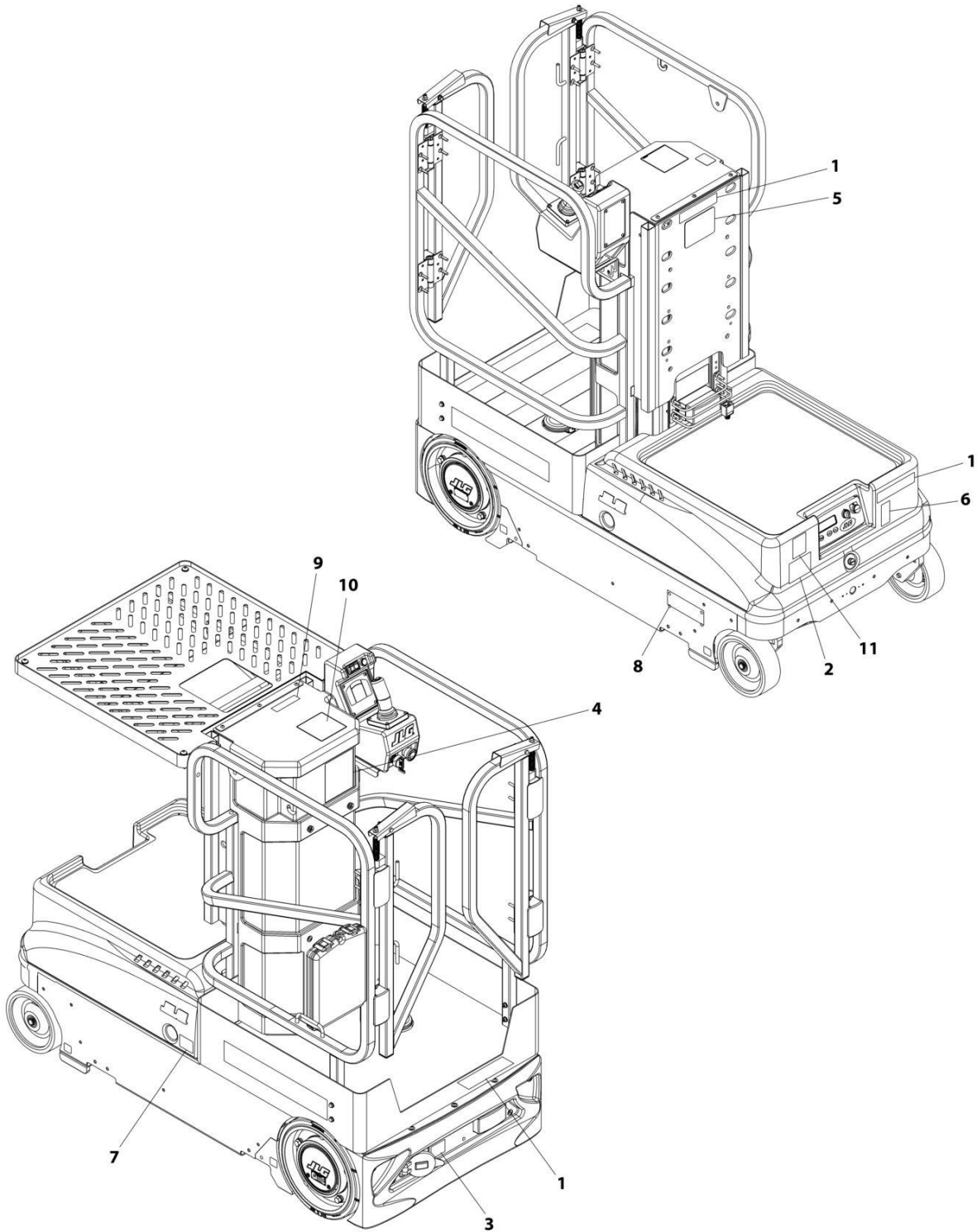
SECTION 8 - DECALS

FIGURE 8-9. DECAL INSTALLATION - CE & UK CA SPECS (ENGLISH LANGUAGE) (MANUAL TRAY)

ITEM	PART NUMBER	QTY	DESCRIPTION	REV
	1001254438	Ref	DECALS INSTALLATION	A
1	1705099	3	Decal - Crushing Hazard	
2	1705802	1	Decal - VP Electrocution	
3	1706077	1	Decal - Battery Charging Instruction	
4	1706078	1	Decal - Warning	
5	1706617	1	Decal - No Riders	
6	1706740	1	Decal - Battery Disconnect	
7	2080057	4	Fastener	
8	1001207206	1	Decal - Capacity	
9	1001255190	1	Decal - Capacity	

SECTION 8 - DECALS

FIGURE 8-10. DECAL INSTALLATION - CE & UK CA SPECS (ENGLISH LANGUAGE) (POWER TRAY)



ART_1001254447

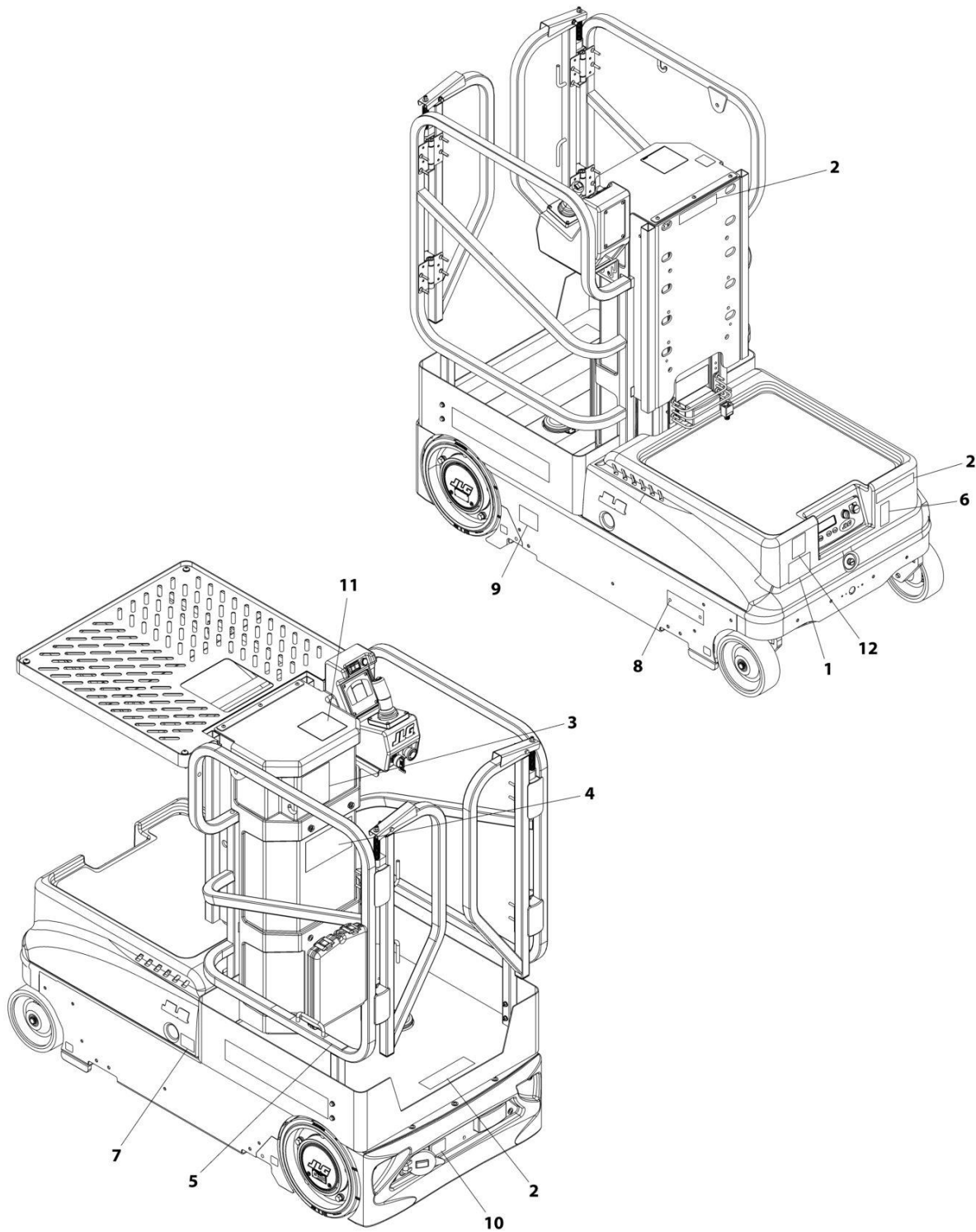
SECTION 8 - DECALS

FIGURE 8-10. DECAL INSTALLATION - CE & UK CA SPECS (ENGLISH LANGUAGE) (POWER TRAY)

ITEM	PART NUMBER	QTY	DESCRIPTION	REV
	1001254447	Ref	DECALS INSTALLATION	A
1	1705099	3	Decal - Crushing Hazard	
2	1705802	1	Decal - VP Electrocution	
3	1706077	1	Decal - Battery Charging Instruction	
4	1706078	1	Decal - Warning	
5	1706292	1	Decal - Pinch Point	
6	1706617	1	Decal - No Riders	
7	1706740	1	Decal - Battery Disconnect	
8	2080057	4	Fastener	
9	1001158844	1	Decal - Hand Crushing Hazard	
10	1001202686	1	Decal - Capacity	
11	1001255190	1	Decal - Capacity	

SECTION 8 - DECALS

FIGURE 8-11. DECAL INSTALLATION - CHINA SPECS (CHINESE LANGUAGE) (MANUAL TRAY)



ART_1001254441

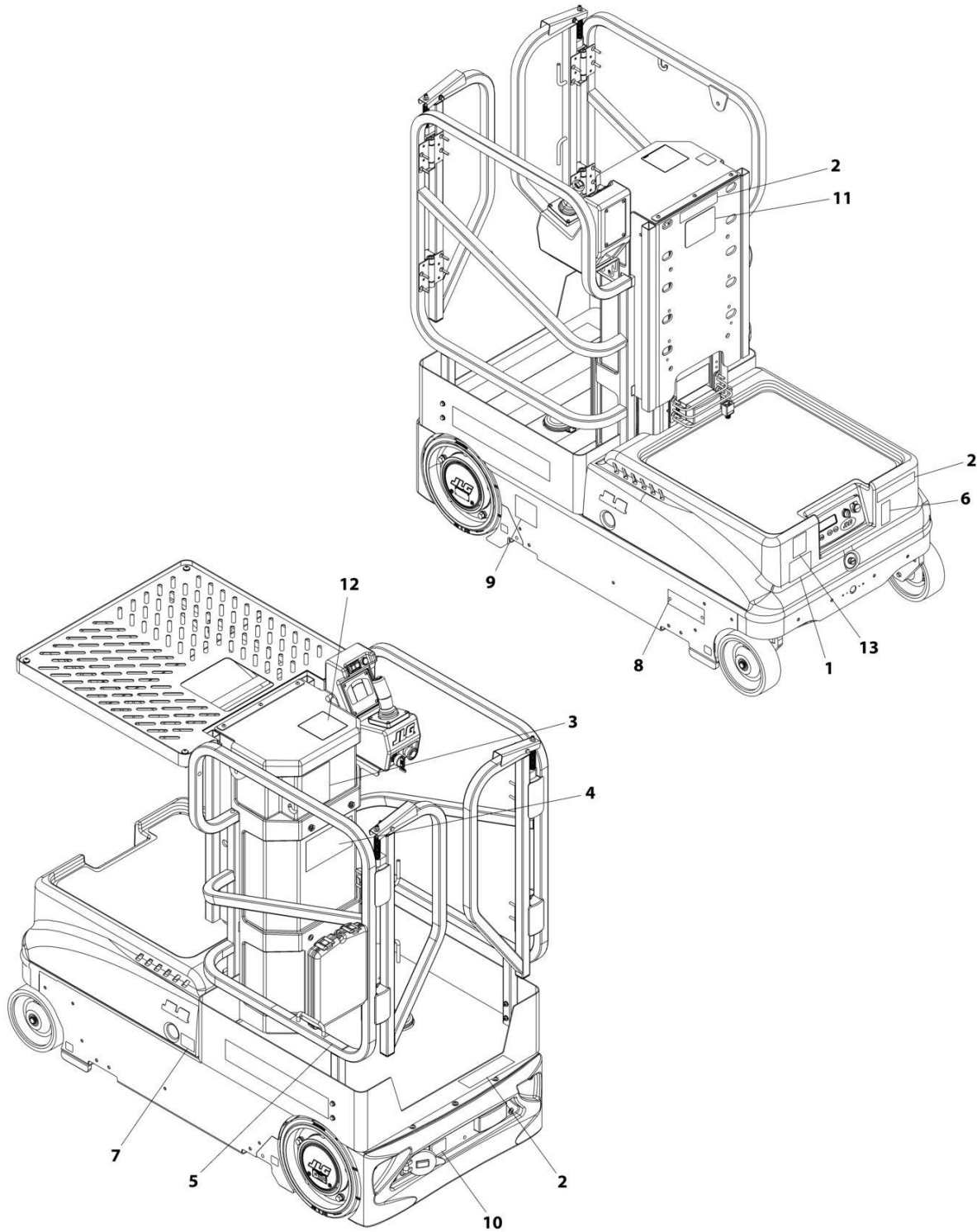
SECTION 8 - DECALS

FIGURE 8-11. DECAL INSTALLATION - CHINA SPECS (CHINESE LANGUAGE) (MANUAL TRAY)

ITEM	PART NUMBER	QTY	DESCRIPTION	REV
	1001254441	Ref	DECALS INSTALLATION	A
1	1704077	1	Decal - Electrical Hazard	
2	1706090	3	Decal - Crushing Hazard	
3	1706091	1	Decal - Danger	
4	1706092	1	Decal - Warning	
5	1706117	1	Decal - Fall Restraint	
6	1706617	1	Decal - No Riders	
7	1706740	1	Decal - Battery Disconnect	
8	2080057	2	Fastener	
9	1001224051	1	Decal - Yearly Inspection	
10	1001233058	1	Decal - Battery Charging Instruction	
11	1001254432	1	Decal - Capacity	
12	1001255190	1	Decal - Capacity	

SECTION 8 - DECALS

FIGURE 8-12. DECAL INSTALLATION - CHINA SPECS (CHINESE LANGUAGE) (POWER TRAY)



ART_1001254450

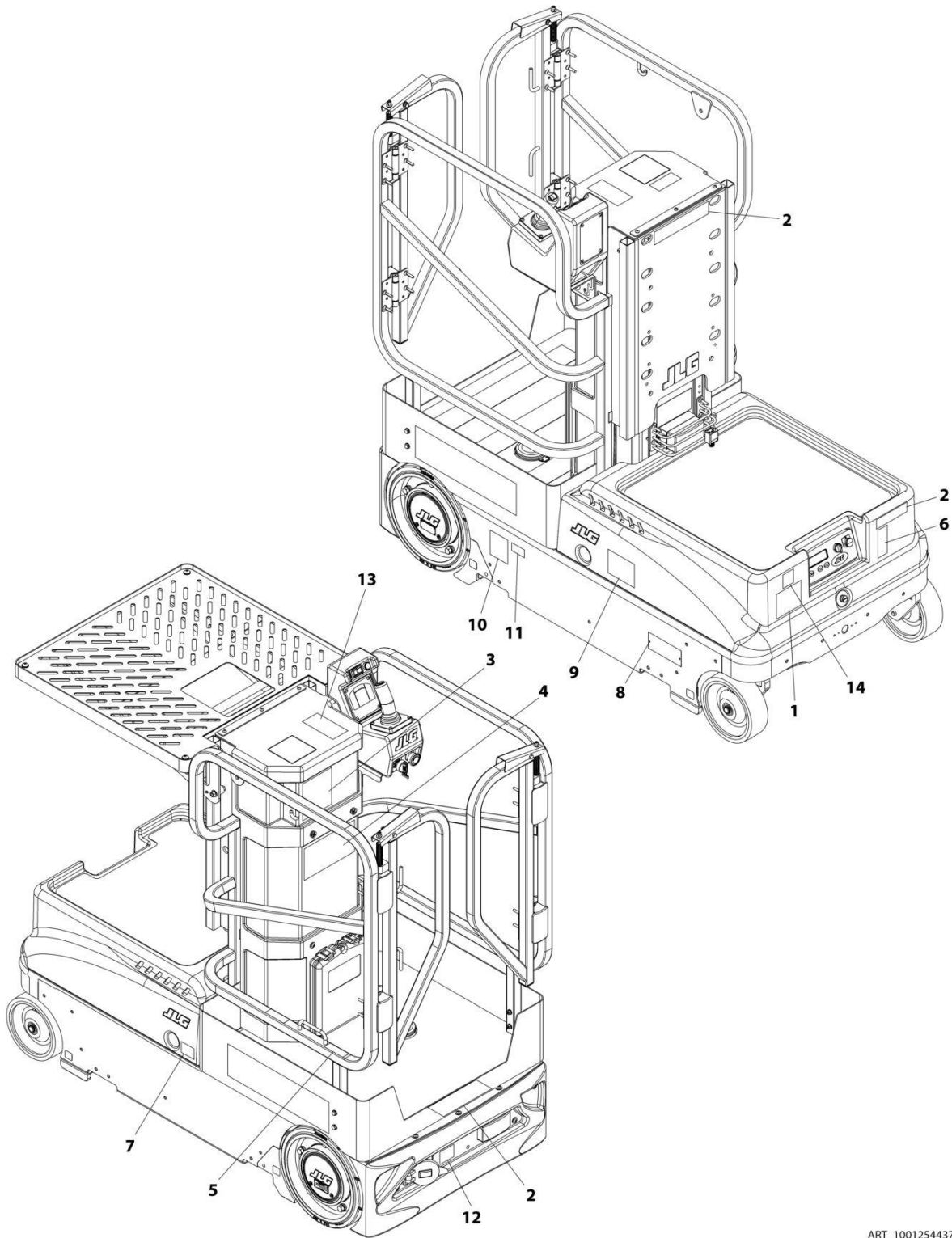
SECTION 8 - DECALS

FIGURE 8-12. DECAL INSTALLATION - CHINA SPECS (CHINESE LANGUAGE) (POWER TRAY)

ITEM	PART NUMBER	QTY	DESCRIPTION	REV
	1001254450	Ref	DECALS INSTALLATION	A
1	1704077	1	Decal - Electrical Hazard	
2	1706090	3	Decal - Crushing Hazard	
3	1706091	1	Decal - Danger	
4	1706092	1	Decal - Warning	
5	1706117	1	Decal - Fall Restraint	
6	1706617	1	Decal - No Riders	
7	1706740	1	Decal - Battery Disconnect	
8	2080057	2	Fastener	
9	1001224051	1	Decal - Yearly Inspection	
10	1001233058	1	Decal - Battery Charging Instruction	
11	1001233729	1	Decal - Pinch Point	
12	1001254433	1	Decal - Capacity	
13	1001255190	1	Decal - Capacity	

SECTION 8 - DECALS

FIGURE 8-13. DECAL INSTALLATION - CSA SPECS (FRENCH LANGUAGE) (MANUAL TRAY)



ART_1001254437

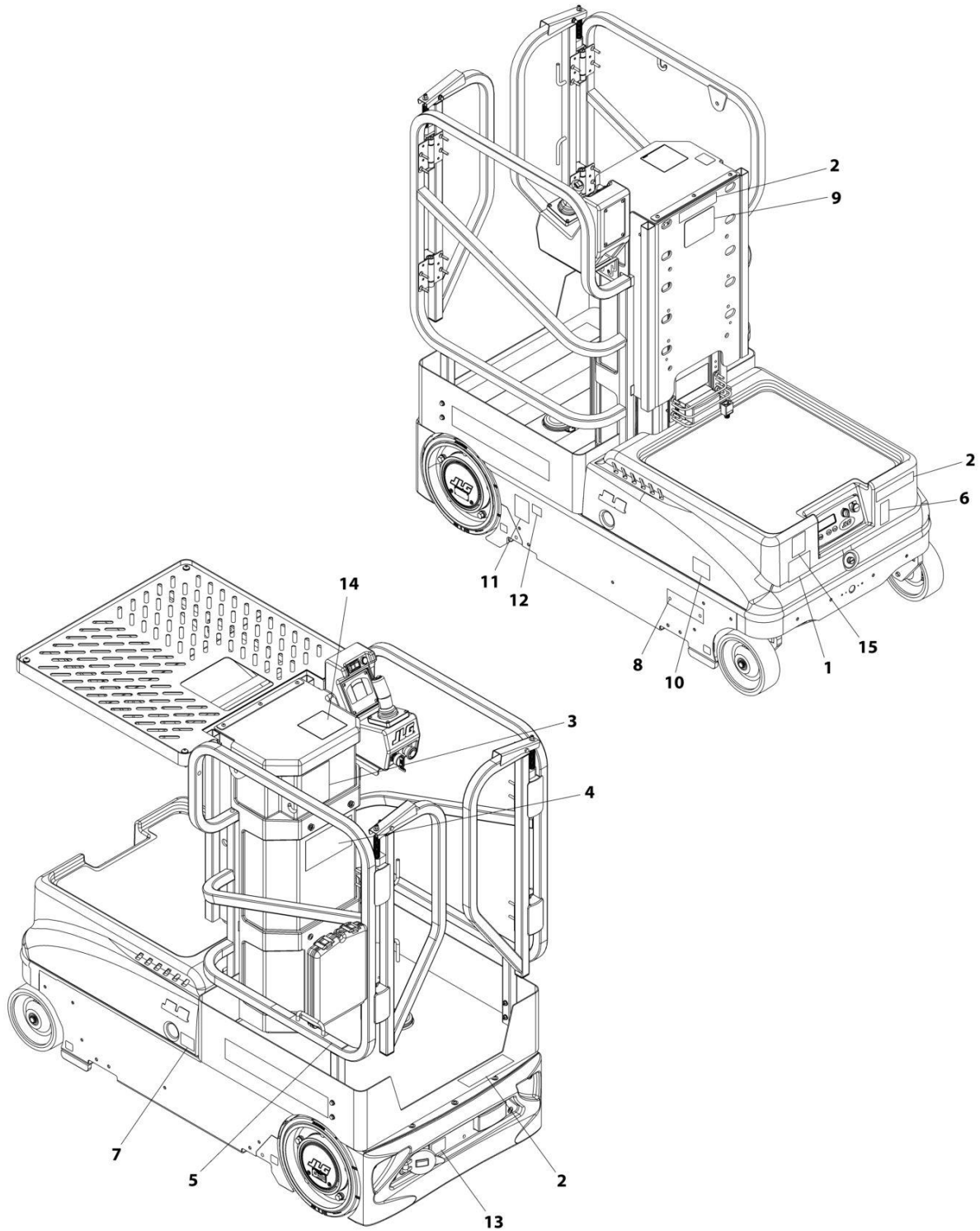
SECTION 8 - DECALS

FIGURE 8-13. DECAL INSTALLATION - CSA SPECS (FRENCH LANGUAGE) (MANUAL TRAY)

ITEM	PART NUMBER	QTY	DESCRIPTION	REV
	1001254437	Ref	DECALS INSTALLATION	A
1	1704795	1	Decal - Electrical Hazard	
2	1706094	3	Decal - Crushing Hazard	
3	1706095	1	Decal - Danger	
4	1706096	1	Decal - Warning	
5	1706119	1	Decal - Fall Restraint	
6	1706617	1	Decal - No Riders	
7	1706740	1	Decal - Battery Disconnect	
8	2080057	2	Fastener	
9	1001131273	1	Decal - Patent	
10	1001223971	1	Decal - Yearly Inspection	
11	1001228370	1	Decal - ICES	
12	1001233055	1	Decal - Battery Charging Instruction	
13	1001254432	1	Decal - Capacity	
14	1001255190	1	Decal - Capacity	

SECTION 8 - DECALS

FIGURE 8-14. DECAL INSTALLATION - CSA SPECS (FRENCH LANGUAGE) (POWER TRAY)



ART_1001254446

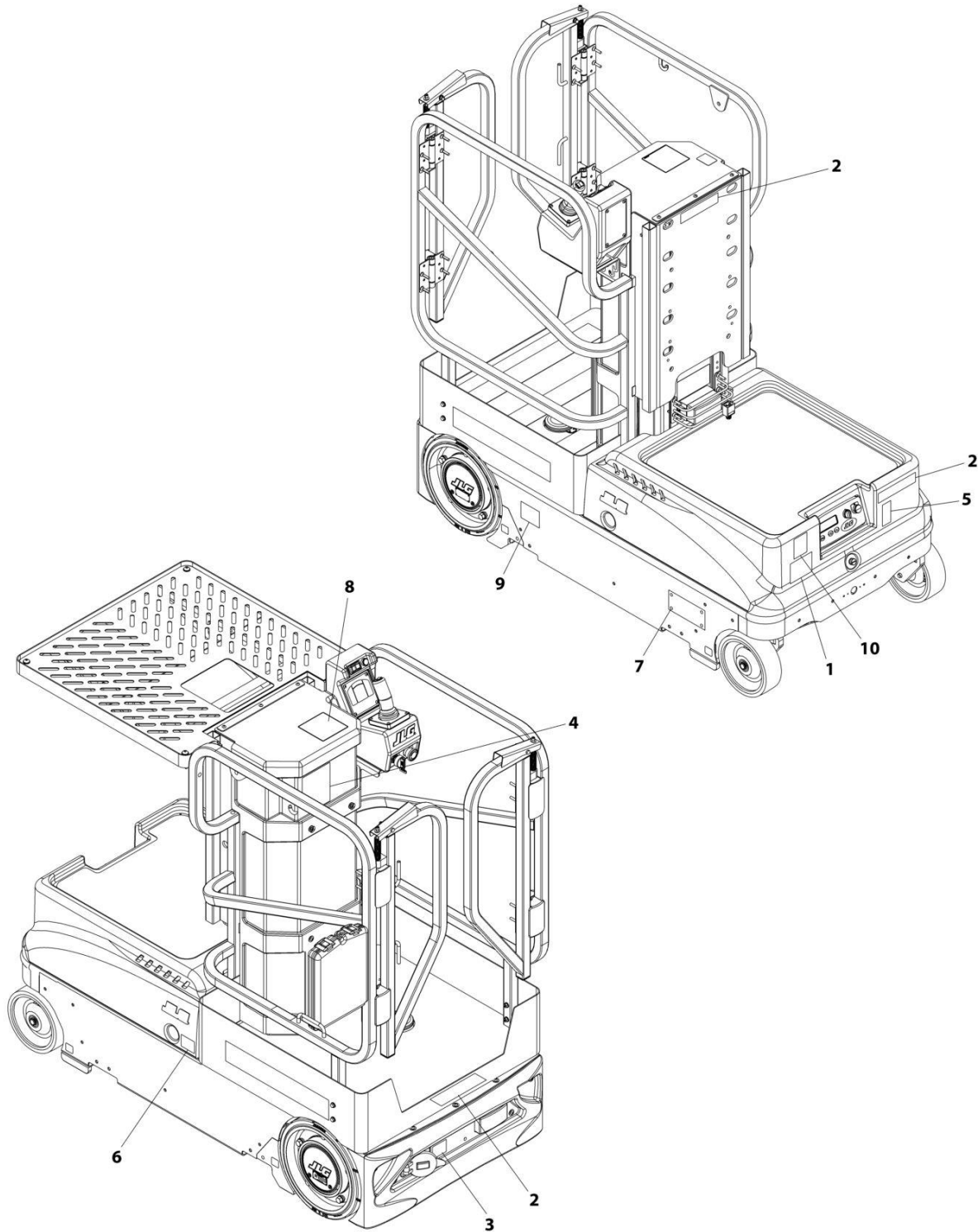
SECTION 8 - DECALS

FIGURE 8-14. DECAL INSTALLATION - CSA SPECS (FRENCH LANGUAGE) (POWER TRAY)

ITEM	PART NUMBER	QTY	DESCRIPTION	REV
	1001254446	Ref	DECALS INSTALLATION	A
1	1704795	1	Decal - Electrical Hazard	
2	1706094	3	Decal - Crushing Hazard	
3	1706095	1	Decal - Danger	
4	1706096	1	Decal - Warning	
5	1706119	1	Decal - Fall Restraint	
6	1706617	1	Decal - No Riders	
7	1706740	1	Decal - Battery Disconnect	
8	2080057	2	Fastener	
9	1001093992	1	Decal - Pinch Point	
10	1001131273	1	Decal - Patent	
11	1001223971	1	Decal - Yearly Inspection	
12	1001228370	1	Decal - Canada ICES-001	
13	1001233055	1	Decal - Battery Charging Instruction	
14	1001254433	1	Decal - Capacity	
15	1001255190	1	Decal - Capacity	

SECTION 8 - DECALS

FIGURE 8-15. DECAL INSTALLATION - JAPAN SPECS (JAPANESE LANGUAGE) (MANUAL TRAY)



ART_1001254443

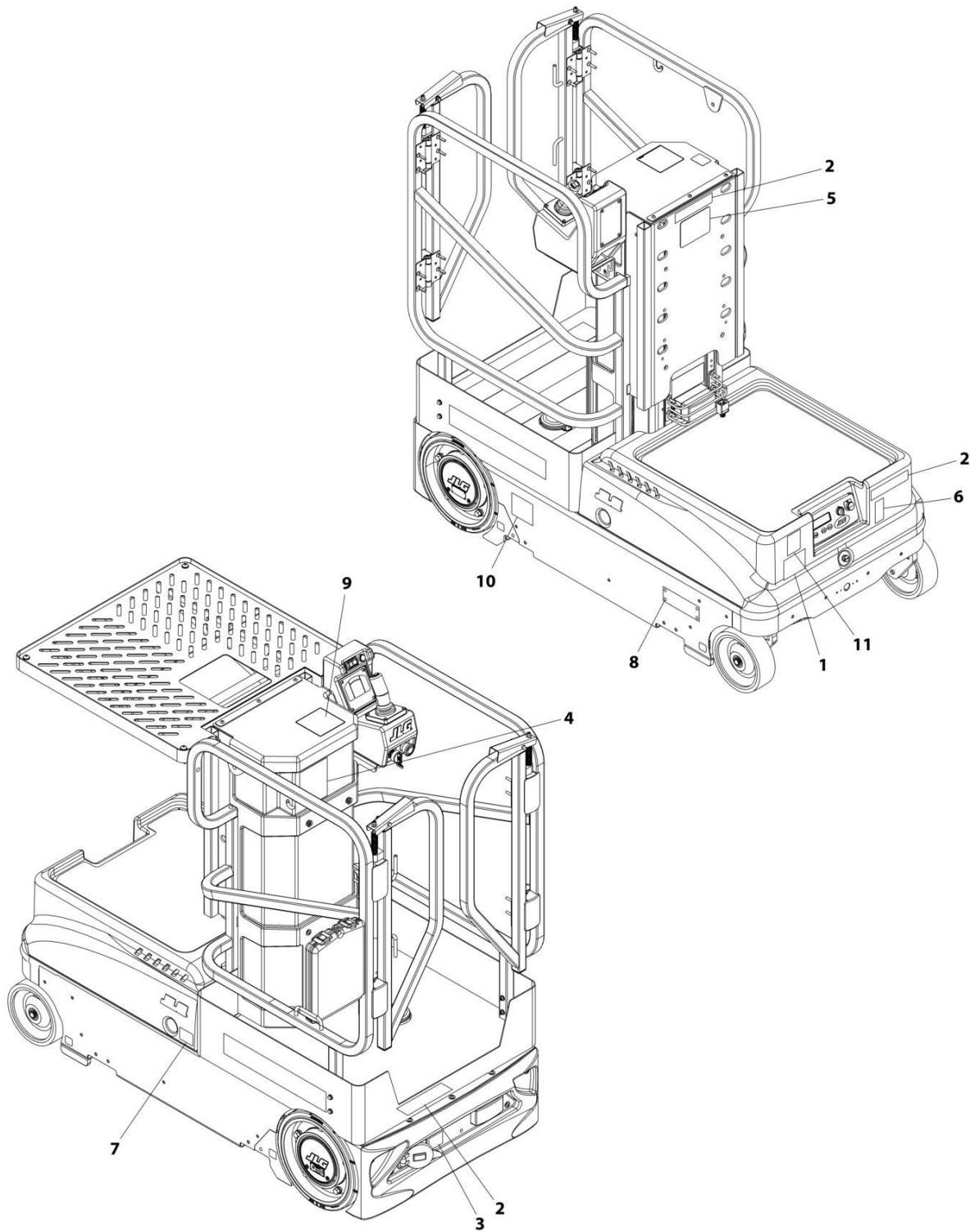
SECTION 8 - DECALS

FIGURE 8-15. DECAL INSTALLATION - JAPAN SPECS (JAPANESE LANGUAGE) (MANUAL TRAY)

ITEM	PART NUMBER	QTY	DESCRIPTION	REV
	1001254443	Ref	DECALS INSTALLATION	A
1	1704086	1	Decal - Electrical Hazard	
2	1705099	3	Decal - Crushing Hazard	
3	1706077	1	Decal - Battery Charging Instruction	
4	1706078	1	Decal - Warning	
5	1706617	1	Decal - No Riders	
6	1706740	1	Decal - Battery Disconnect	
7	2080057	4	Fastener	
8	1001207206	1	Decal - Capacity	
9	1001224053	1	Decal - Yearly Inspection	
10	1001255190	1	Decal - Capacity	

SECTION 8 - DECALS

FIGURE 8-16. DECAL INSTALLATION - JAPAN SPECS (JAPANESE LANGUAGE) (POWER TRAY)



ART_1001254452

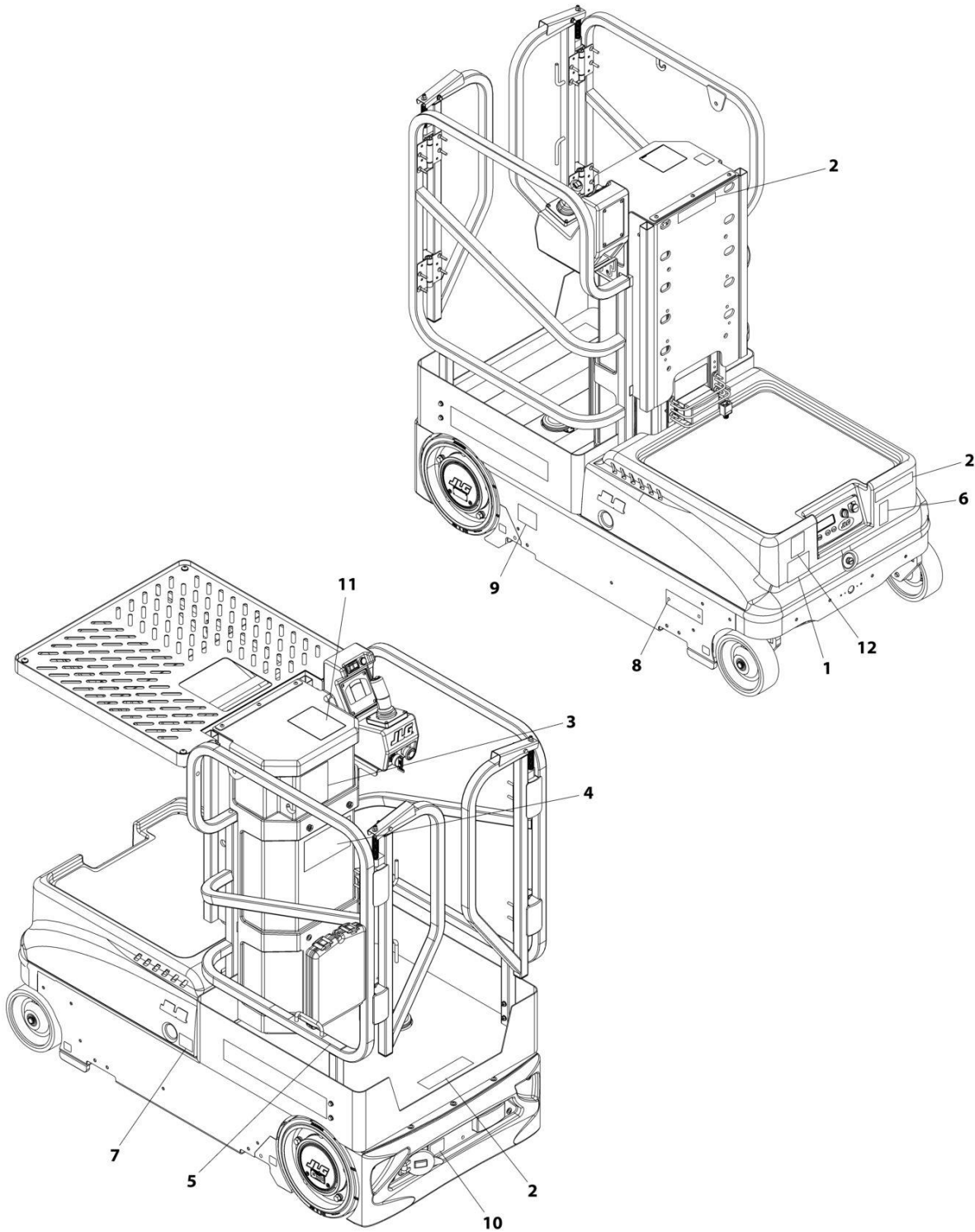
SECTION 8 - DECALS

FIGURE 8-16. DECAL INSTALLATION - JAPAN SPECS (JAPANESE LANGUAGE) (POWER TRAY)

ITEM	PART NUMBER	QTY	DESCRIPTION	REV
	1001254452	Ref	DECALS INSTALLATION	A
1	1704086	1	Decal - Electrical Hazard	
2	1705099	3	Decal - Crushing Hazard	
3	1706077	1	Decal - Battery Charging Instruction	
4	1706078	1	Decal - Warning	
5	1706292	1	Decal - Pinch Point	
6	1706617	1	Decal - No Riders	
7	1706740	1	Decal - Battery Disconnect	
8	2080057	4	Fastener	
9	1001202686	1	Decal - Capacity	
10	1001224053	1	Decal - Yearly Inspection	
11	1001255190	1	Decal - Capacity	

SECTION 8 - DECALS

FIGURE 8-17. DECAL INSTALLATION - LATIN AMERICAN SPECS (SPANISH LANGUAGE) (MANUAL TRAY)



ART_1001254439

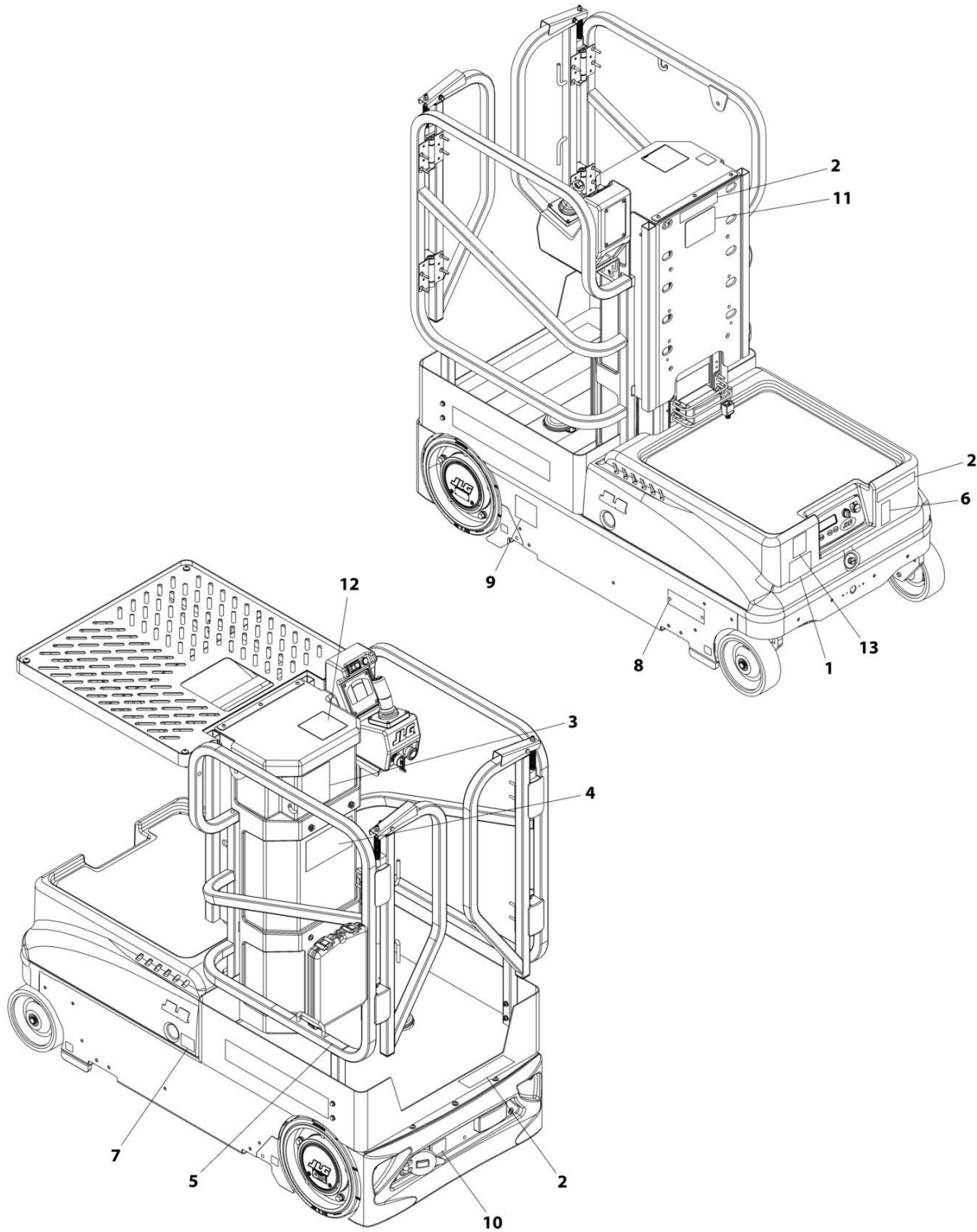
SECTION 8 - DECALS

FIGURE 8-17. DECAL INSTALLATION - LATIN AMERICAN SPECS (SPANISH LANGUAGE) (MANUAL TRAY)

ITEM	PART NUMBER	QTY	DESCRIPTION	REV
	1001254439	Ref	DECALS INSTALLATION	A
1	1704029	1	Decal - Electric Hazard	
2	1706082	3	Decal - Crushing Hazard	
3	1706083	1	Decal - Danger	
4	1706084	1	Decal - Warning	
5	1706116	1	Decal - Fall Restraint	
6	1706617	1	Decal - No Riders	
7	1706740	1	Decal - Battery Disconnect	
8	2080057	2	Fastener	
9	1001224049	1	Decal - Yearly Inspection	
10	1001233056	1	Decal - Battery Charging Instruction	
11	1001254432	1	Decal - Capacity	
12	1001255190	1	Decal - Capacity	

SECTION 8 - DECALS

FIGURE 8-18. DECAL INSTALLATION - LATIN AMERICAN SPECS (SPANISH LANGUAGE) (POWER TRAY)



ART_1001254448

SECTION 8 - DECALS

FIGURE 8-18. DECAL INSTALLATION - LATIN AMERICAN SPECS (SPANISH LANGUAGE) (POWER TRAY)

ITEM	PART NUMBER	QTY	DESCRIPTION	REV
	1001254448	Ref	DECALS INSTALLATION	A
1	1704029	1	Decal - Electrical Hazard	
2	1706082	3	Decal - Crushing Hazard	
3	1706083	1	Decal - Danger	
4	1706084	1	Decal - Warning	
5	1706116	1	Decal - Fall Restraint	
6	1706617	1	Decal - No Riders	
7	1706740	1	Decal - Battery Disconnect	
8	2080057	2	Fastener	
9	1001224049	1	Decal - Yearly Inspection	
10	1001233056	1	Decal - Battery Charging Instruction	
11	1001233727	1	Decal - Pinch Point	
12	1001254433	1	Decal - Capacity	
13	1001255190	1	Decal - Capacity	

SECTION 9 - RECOMMENDED SERVICE PARTS STOCK

SECTION 9 - RECOMMENDED SERVICE PARTS STOCK

SECTION 9 - RECOMMENDED SERVICE PARTS STOCK

FIGURE 9-1. RECOMMENDED SERVICE PARTS STOCK

ITEM	PART NUMBER	QTY	DESCRIPTION	REV
		Ref	Note: The following list will service one machine (built to current production per date on the front cover) with emergency repair parts which can be installed in the field. Parts from the list should be replaced when inventory is depleted to keep service parts stock supplied. For further information, contact your JLG dealer or the JLG Industries Parts Department.	
	7011069	1	Breather	
	70006455	1	Coil (Lift Cylinder)	
	1001098192	1	Controller Assembly	
	70007296	12	Filter (Power Tray Pump)	
	2120183	12	Filter, In-Line Pressure	
	2400054	2	Fuse 35Amp (Power Tray Installation)	
	2400069	2	Fuse 175 Amp	
	2860030	1	Key, Replacement	
	1001228458	1	Module, Controller	
	1001255259	1	Module, Ground Control Station (All Specs Except Japanese Specs)	
	1001255260	1	Module, Ground Control Station (Chinese and Japanese Specs)	
	1001231450	1	Module, Traction	
	1001229990	1	Relay (Obstruction Sensing Pad)	
	260269	1	Relay, Inverter (Power Tray Installation)	
	4360514	1	Sensor, Proximity (Batteries, Alarm & Strobe Installation)	
	1001230161	1	Sensor, Proximity (Platform Assembly)	
	1001164530	1	Switch (Power Tray Installation)	
	4360562	1	Switch, Emergency Stop	
	1001229726	1	Switch, Foot	
	4360567	1	Switch, Horn	
	4360467	1	Switch, Key	
	1001208283	1	Switch, Left Hand Control	
	1001210573	1	Switch, Obstruction Pad (Obstruction Sensing Pad)	

SECTION 10 - SPECIAL OPTIONS/ACCESSORIES/KITS

SECTION 10 - SPECIAL OPTIONS/ACCESSORIES/KITS

SECTION 10 - SPECIAL OPTIONS/ACCESSORIES/KITS

FIGURE 10-1. SPECIAL OPTIONS/ACCESSORIES/KITS

ITEM	PART NUMBER	QTY	DESCRIPTION	REV
		Ref	Note: This list is to accomodate machines ordered with special equipment. Options may not be applicable to all models. For more specific parts information contact JLG Parts Department.	
	1001266740	Ref	Beacon Lamp, 10MSP Kit	
	1001266741	Ref	Beacon Lamp, 10MSP Kit	
	DO_NOT_USE- 1001276923	Ref	ClearSky, GT1030 Kit	
	1001229107	Ref	ClearSky Telematics 3 Wire Installation (Factory Installed) (North American Specs)	
	1001233237	Ref	ClearSky Telematics 3 Wire Installation (Factory Installed) (CE & UK CA Spec) (Prior to SN 0130040292)	
	1001276919	Ref	ClearSky Telematics 3 Wire Installation (Factory Installed) (All Spec) (Prior to SN 0130040292)	
	1580029	Ref	Container, Shipping Skid (SN 0130040292 to Present)	
		Ref	Decals Installations	
	1001229710	Ref	Decal - Clear Sky	
	1001214031	Ref	Decal - EAC (Russian/CIS Specs)	
	See Note	NSS	Nameplate - Serial Number (Note: Not Available for Purchase)	
	1001234482	Ref	Obstruction Sensing Pad Kit	
	1001234481	Ref	Power Material Tray Kit	
	1001234483	Ref	Remote Manual Decent Kit	
	1001213967	Ref	Security Lock Installation	
	1001234832	Ref	Service Kit	B
	31201384	Ref	Video Operators CD	
	1001262959	Ref	Voltage Regulator ClearSky Locate Kit	

SECTION 10 - SPECIAL OPTIONS/ACCESSORIES/KITS

PART NUMBER INDEX

SECTION 10 - SPECIAL OPTIONS/ACCESSORIES/KITS

0100011.....11, 15, 17, 23, 35, 39, 41, 43, 45, 47, 49, 51, 53, 55, 57, 59, 61, 69, 73, 79, 83, 85, 87, 95, 111, 113, 117, 119	0760807 89	1001187862 35	1001228370.....141, 143, 161, 163
0100019.....67, 70, 74, 85	0760810 89	1001197889 123, 125	1001228387.....129
0100051.....35, 119	0760814 89	1001201909 27	1001228398.....89
0100062.....70, 74	0760818 27	1001201910 27	1001228458.....61, 174
0100081.....11	0761014 89	1001202686 147, 155, 167	1001228495.....61, 117
0140022.....35, 119	0791003 . 35, 69, 73, 117, 119	1001204273 21	1001228538.....15, 17
0140033.....57, 59	0791404 61	1001204754 89	1001228539.....15, 17
0240103.....23	0791508 39	1001204755 89	1001228540.....15
0240112.....99	0791812 69, 73	1001204756 89	1001228541.....15, 17
0240114.....19	0801394 67, 69, 73	1001204770 89	1001228543.....15
0273417.....70, 74	0811408 69, 73	1001204771 89	1001228835.....61
0273545.....67	0811610 19, 85	1001204772 89	1001228847.....85
0273546.....111	0902047 69, 73	1001204779 89	1001228848.....87
0274078.....21	0902423 69, 73	1001204783 89	1001228849.....11
0274181.....113	0902424 69, 73	1001204787 89	1001228850.....11
0274898.....37	0902431 69, 73	1001204791 89	1001228852.....15, 17
0274900.....39	0902445 69, 73	1001205547 89	1001228853.....87
0362735.....69, 73	0902698 69, 73	1001205548 89	1001228854.....85, 87
0440246.....69, 73	0903120 23	1001205549 89	1001228873.....83
0440249.....69, 73	0903121 23	1001205550 89	1001228874.....83
0440306.....11	0940049 15, 17	1001205701 89	1001228875.....79
0440307.....11	0940132 11	1001205719 89	1001228876.....79
0440308.....11	0940152 21	1001205838 89, 107	1001228994.....25
0561149.....70, 74	1001081050 117	1001206177 27	1001229107.....176
0561153.....70, 74	1001091679 95	1001206261 27	1001229115.....90
0561341.....69, 73	1001091680 95	1001206460 117	1001229116.....90
0561408.....70, 74	1001093992 163	1001206615 97	1001229310.....11, 13
0561409.....70, 74	1001097449 43	1001207206 145, 153, 165	1001229682.....35
0610131.....37, 39	1001097450 51	1001207339 117, 125	1001229683.....35, 119
0630448.....74	1001097451 53	1001207630 35	1001229684.....35, 119
0630464.....61	1001097452 49	1001207630 35	1001229710.....176
0630580.....11	1001097453 45	1001208283 117, 174	1001229725.....27
0641404...35, 57, 59, 119	1001097454 47	1001208602 89, 93	1001229726...79, 83, 174
0641406.....27, 117	1001097455 55	1001210379 89	1001229778.....15
0641408.21, 35, 117, 119	1001097456 41	1001210491 89, 133	1001229990.....25, 174
0641410.....21	1001098192.. 61, 63, 174	1001210530 89	1001230062.....139
0641412.....117	1001098193 61	1001210531 17	1001230063.....139
0641413.....11	1001098810 11	1001210573 25, 174	1001230161...79, 83, 174
0641414.....11, 99	1001099638 79, 83	1001210574 25	1001230219.....137, 139
0641415.....83	1001100141 83	1001212654 131	1001231257.....89
0641416.....79, 83	1001100142 83	1001212655 131	1001231450...57, 59, 174
0641507.....95	1001100634 83	1001212656 131	1001231801.....141, 143
0641606.....23, 111, 113	1001101529 83	1001212657 131	1001233045.....15
0641607.....11	1001102771 127	1001212660 131	1001233046.....17
0641609.....11, 23, 67	1001109821 .. 37, 39, 127	1001212661 131	1001233054.....141, 143
0641612.....67	1001112143 117	1001213582 137, 139	1001233055.....161, 163
0641613.....85	1001114467 11	1001213967 176	1001233056.....169, 171
0641616.....77, 81	1001116792 117	1001214031 176	1001233057.....149, 151
0641617.....15, 17, 23	1001118156 123	1001214996 125	1001233058.....157, 159
0681414.....79, 83	1001121700 35, 119	1001215135 125	1001233237.....176
0700617.....89	1001131273 141, 143, 161, 163	1001215226 117, 123	1001233727.....171
0721004....45, 47, 49, 51, 53, 89	1001136381 37, 39	1001215633 125, 129	1001233728.....151
0721006.....69, 73	1001143557 137, 139	1001215635 125, 129	1001233729.....159
0721010.....57, 59	1001144295 125	1001217893 125	1001234322.....15, 17
0741004.....117	1001151629 129	1001222318 97	1001234481.....176
0741005.....35, 119	1001153723 125	1001223055 141, 143	1001234482.....176
0741006.....89	1001157665 17	1001223971 161, 163	1001234483.....176
0741614.....77, 81	1001158844 155	1001224049 169, 171	1001234832.....176
0751003.....79, 83	1001164530 89, 174	1001224051 157, 159	1001254425.....77
0760408.....25	1001164530 89, 174	1001224052 149, 151	1001254426.....77, 79
	1001171824 17	1001224053 165, 167	1001254427.....81
	1001171856 87	1001225209 69, 103	1001254428.....81, 83
	1001171869 87	1001227882 117, 131	1001254432.....141, 149, 157, 161, 169
	1001177558 35	1001227884 61, 129	
	1001181407 85	1001228236 89	

SECTION 10 - SPECIAL OPTIONS/ACCESSORIES/KITS

1001254433 143, 151, 159, 163, 171	1704412 111, 113	2880310.....69, 73	3900187 69, 73
1001254436 141	1704795 161, 163	2940165.....87	3900189 61
1001254437 161	1705099 ... 145, 147, 153, 155, 165, 167	3020029.....11	3900192 69, 73
1001254438 153	1705802 ... 145, 147, 153, 155	3020038.....35, 117, 119	3900200 117
1001254439 169	1705937 141, 143	3020039.....11	3900205 79, 83
1001254440 149	1705938 141, 143	3020041.....69, 73	3900258 15, 17
1001254441 157	1705992 137, 139	31201384.....176	3900264 117
1001254442 145	1705995 141, 143	3251813.....141, 143	3900283 23
1001254443 165	1706007 61	3271405.....11	3900364 89
1001254445 143	1706077 ... 145, 147, 153, 155, 165, 167	3271601.....85	3900373 117
1001254446 163	1706078 ... 145, 147, 153, 155, 165, 167	3290401.....35, 119	3900393 87
1001254447 155	1706082 169, 171	3290405.....25	3910408 125
1001254448 171	1706083 169, 171	3290605.....89	3910608 61
1001254449 151	1706084 169, 171	3290801.....27, 89	3910804 61
1001254450 159	1706086 149, 151	3290807.....89	3911016 39, 41, 43, 55
1001254451 147	1706087 149, 151	3291007.....87, 89	3911432 17
1001254452 167	1706088 149, 151	3300151.....83	3931016 35, 119
1001255190 141, 143, 145, 147, 149, 151, 153, 155, 157, 159, 161, 163, 165, 167, 169, 171	1706090 157, 159	3300381.....83	3931412 95
1001255194 79, 83	1706091 157, 159	3300454.....15, 17	3931420 21
1001255259 57, 174	1706092 157, 159	3310401.....125	3931456 83
1001255260 59, 174	1706094 161, 163	3310601.....61	3960590 11
1001255261 57	1706095 161, 163	3311001.....39, 55	4031509 35, 119
1001255262 59	1706096 161, 163	3311005.....61, 89	4031511 35, 119
1001258016 35, 119	1706116 169, 171	3311401.....69, 73	4031910 89
1001258436 35, 119	1706117 157, 159	3311405....21, 35, 79, 83, 95, 99, 117, 119	4060805 15, 17, 87
1001262959 176	1706118 149, 151	3311408.....69, 73	4070860 69, 73
1001266740 176	1706119 161, 163	3311501.....39, 95	4070861 69, 73
1001266741 176	1706131 137, 139	3311601.....67, 69, 73	4070862 69, 73
1001271755 137, 139	1706292 ... 147, 155, 167	3311605....11, 15, 17, 19, 23, 77, 81, 117	4070970 69, 73
1001271762 137	1706302 143	3321402.....27	4070971 69, 73
1001271763 139	1706617 ... 141, 143, 145, 147, 149, 151, 153, 155, 157, 159, 161, 163, 165, 167, 169, 171	3340845.....69, 73	4071084 35, 119
1001272257 119	1706740 ... 141, 143, 145, 147, 149, 151, 153, 155, 157, 159, 161, 163, 165, 167, 169, 171	3340962.....79, 83, 85	4071095 79, 83
1001272917 79, 83	1706764 137, 139	3380540.....61	4071113 11
1001273307 117	2080040 79, 83	3422338.....70, 74	4071114 11
1001276919 176	2080043 79, 83	3422346.....70, 74	4120046 39
1001287011 73, 105	2080057 ... 141, 143, 145, 147, 149, 151, 153, 155, 157, 159, 161, 163, 165, 167, 169, 171	3422355.....70, 74	4160124 69, 73
1001287646 74	2110606 32	3422717.....69, 73	4160130 117
1060689 37	2120183 111, 113, 174	3422750.....69, 73	4160187 21
1060943 35, 119	2220466 89	3422752.....69, 73	4191706 37, 39, 117
1060944 35, 119	2220591 74, 103	3422757.....69, 73	4220309 79, 83
1180397 125	2221123 111, 113	3440410.....27	4240018 117
1260375 69, 70, 73, 74	2221172 74, 103	3440418.....27	4240147 11
1260376 69, 70, 73, 74	2221173 74, 103	3450302.....87	4300111 70, 74
1271567 69, 73	2221185 32, 111, 113	3450304.....70, 74	4340884 61
1271568 69, 73	2300014 111	3520072.....79, 83	4341005 99
1271569 69, 73	2300021 113	3570893.....69, 73	4341155 11
1271577 69, 73	2400044 35, 89, 119	3571101.....70, 74	4360467 61, 174
1320041 117	2400054 89, 174	3571103.....70, 74	4360514 35, 119, 174
1320149 117	2400069 35, 119, 174	3571584....45, 47, 49, 51, 53	4360562 61, 174
1380169 15, 17	2600294 79, 83	3580269 69, 73	4360567 61, 174
1580029 176	260269 89, 174	3580286.....69, 73	4460035 79, 83
1580031 99	2754025 111, 113	3580293.....69, 73	4460226 123, 125, 127
1600466 37, 39	280013 83	3580344 117	4460259 133
1701640 137, 139	2860030 61, 174	3600392.....31, 111, 113	4460260 133
1703681 137, 139		3680057.....39	4460267 125, 131
1703779 143		3760115.....11	4460268 117, 133
1703781 141, 143		3760308 15, 17	4460312 125, 133
1703786 141, 143		3760365.....19	446032079, 83, 123, 125, 131
1704021 149, 151		3760383.....69, 73	4460326 133
1704029 169, 171		3760496.....11	4460424 117, 125
1704077 157, 159		3820013.....35, 119	4460428 ... 45, 47, 49, 51, 53
1704086 165, 167		3820032.....137, 139	4460445 125
		3890039.....69, 73	4460464 121, 131
		3900174.....15, 17	4460465 125, 127
			4460466 131

SECTION 10 - SPECIAL OPTIONS/ACCESSORIES/KITS

4460633.....	125	4811400.....	25, 35, 119	70007196.....	13	7011011.....	31
4460670.....	125	4811700.....	89	70007197.....	13	7011013.....	31
4460738.....	121, 125, 133	4811702.....	117	70007198.....	13	7011016.....	31
4460802.....	41, 43, 55	4811900.....	87, 89, 117	70007199.....	13	7011017.....	31
4460803.....	43	4812000.....	87, 89	70007200.....	13	7011021.....	31
4460829.....	133	4891400.....	21	70007201.....	13	7011024.....	31
4460891.....	125	4923022.....	35, 119	70007202.....	13	7011025.....	31
4460894.....	127	4923023.....	35, 119	70007203.....	13	7011027.....	31
4460897.....	121	4923024.....	35, 119	70007204.....	13	7011029.....	31
4460899.....	131	4923028.....	35, 119	70007205.....	13	7011031.....	31
4460940.....	55	4923029.....	35, 119	70007206.....	13	7011032.....	31
4460961.....	127	4923107.....	61	70007207.....	13	7011033.....	31
4461023.....	125, 129	4923108.....	61	70007292.....	93	7011034.....	31
4461025.....	125	4923174.....	43	70007293.....	93	7011069.....	31, 174
4461108.....	121	4923383.....	35, 119, 121	70007294.....	93	7023391.....	103
4461196.....	45	4923438.....	37, 39	70007295.....	93	7023392.....	103
4461199.....	47	4923446.....	35, 119	70007296.....	93, 174	7023395.....	103
4461205.....	51, 53	70000082.....	63	70007297.....	93	7024747.....	13
4461249.....	49	70000084.....	63	70007298.....	93	7024748.....	13
4520342.....	11	70000218.....	103	70007299.....	93	7024756.....	13
4520343.....	11	70000683.....	63	70007300.....	93	7024758.....	13
4520352.....	23	70000684.....	63	70007301.....	93	7024786.....	13
4567491.....	69, 73	70000685.....	63	70007302.....	93	7027247.....	103
4567750.....	69, 73	70000686.....	63	70007303.....	93	7027365.....	63
4567751.....	70, 74	70000991.....	103	70007304.....	93	7027367.....	63
4569003.....	70, 74	70000992.....	103	70007305.....	93	7027765.....	63
4711000.....	45, 47, 49, 51, 53, 89, 117	70000993.....	103	70007306.....	93	7027766.....	63
4711400.....	11, 15, 27, 70, 74, 79, 83, 95, 117	70000995.....	103	70007951.....	105	7027943.....	31
4711500.....	70, 74	70001250.....	63	70007952.....	105	7027944.....	31
4711600.....	11, 15, 17, 19, 67, 77, 81, 85, 87	70001251.....	63	70007953.....	105	7027945.....	31
4740007.....	70, 74	70001252.....	63	70007954.....	105	7027946.....	31
4740139.....	15, 17	70001253.....	63	70007955.....	105	7027947.....	31
4740414.....	70, 74	70006451.....	103	70007956.....	105	7027948.....	31
4750800.....	117	70006453.....	103	70007957.....	105	7027949.....	31
4751000.....	57, 59	70006454.....	103	70022700.....	107	8220904.....	133
4751200.....	117	70006455.....	103, 174	70022703.....	107	8305919.....	89
4751400.....	17, 21, 35, 119	70006456.....	107	70022704.....	107	8406112.....	117
4751500.....	39, 70, 74, 95	70006457.....	107	70022705.....	107	8882320.....	97
4760400.....	125	70007190.....	13	70024262.....	105	8882970.....	11
4761000.....	55	70007191.....	13	70025961.....	105	8990147.....	137, 139
4761400.....	70, 74, 117	70007192.....	13	7010928.....	31	DO_NOT_USE-	
		70007193.....	13	7011004.....	31	1001276923.....	176
		70007194.....	13	7011008.....	31		
		70007195.....	13	7011009.....	31		



**Corporate Office
JLG Industries, Inc.
1 JLG Drive
McConnellsburg, PA 17233-9533 USA**
☎ **(717) 485-5161 (Corporate)**
☎ **(877) 554-5438 (Customer Support)**
📠 **(717) 485-6417**

**Visit our website for JLG Worldwide Locations.
www.jlg.com**



OSHKOSH™