



Illustrated Parts Manual

Models 1230ES

PVC
2202

P/N
31219984

August 1, 2022 - Rev B

ANSI

CE



**UK
CA**

AS/NZS



An Oshkosh Corporation Company

REVISION LOG

NOTES:

NOTE: Country of Manufacture - The 1230ES Scissor Lifts are manufactured by JLG Industries in the following countries: USA, France and Mexico. Refer to the Serial Number Tag to identify the country of manufacture. Machines manufactured in the USA will have a serial number prefix of 02 (i.e. 02XXXXXXXX) or 013 (i.e. 013XXXXXXXX), machines manufactured in France will have a prefix of A2 (i.e. A2XXXXXXXX) and machines manufactured in Mexico will have a prefix of M13 (i.e. M13XXXXXXXX).

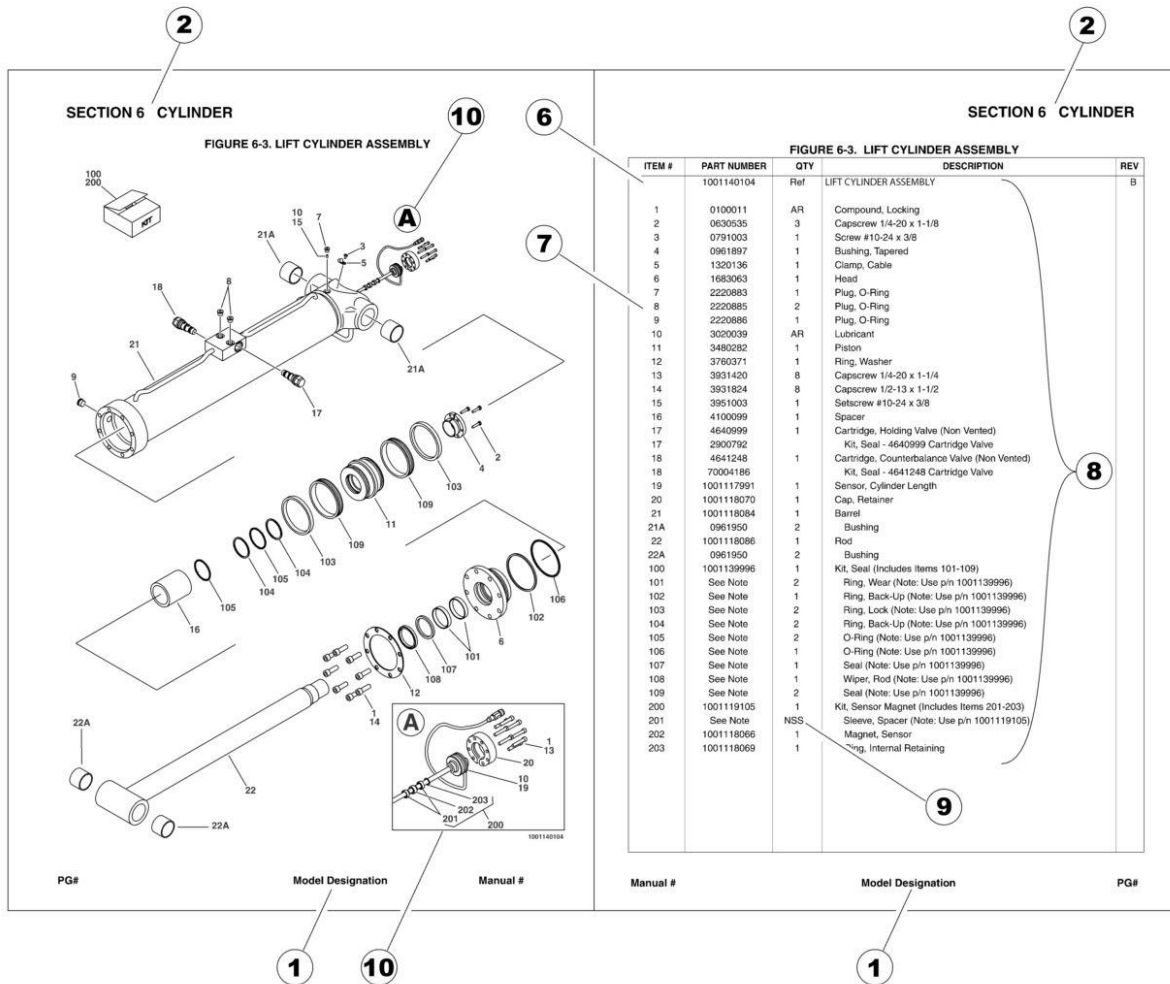
NOTE: Production in France starts August 2006 & ends February 2010 with SN A200009897. Production in Mexico starts March 2016 with SN M130000235. Production in USA switched from SN 02 prefix to SN 13 prefix in July 2015.

REVISION LOG:

February 1, 2022 - A - Original Issue of Manual (Edited to B/M 1001250314 E)

August 1, 2022 - B - Original Issue of Manual (Edited to B/M 1001250314 H)

GENERAL INFORMATION



1) MACHINE IDENTIFICATION

Machines are identified by model and in some cases a combination of models, serial number (SN) or regional standard (i.e ANSI, CE, CSA). Components may also be identified by SN or manufacturer. Common components that may be identified by these characteristics are engines and hydraulic components.

2) PARTS MANUAL ORGANIZATION

Product information in this manual is organized under section titles. Frame, Cylinder, Hydraulic and Electrical are a few examples. Each section is organized by figure and page number. The information within the Figure is then organized by item number, part number, description and corresponding illustration (s).

3) TABLE OF CONTENTS (NOT SHOWN)

A table of contents is found toward the beginning of the manual. Figure number, description and page number are provided for quick reference to the page containing the related information.

4) RECOMMENDED SPARE PARTS (NOT SHOWN)

The Recommended Spare Parts List, located near the end of the manual, reference most frequently used maintenance parts.

5) PART NUMBER INDEX (NOT SHOWN)

A numerical index listing all part numbers and the corresponding page number(s) appears at the back of the manual.

GENERAL INFORMATION

6) NON-SERVICED PARTS

In some instances, it is necessary to display non-serviced parts, assemblies or installations. In the case of assemblies and installations there will be a Ref in the Qty. column. In case of parts that are not available for service within assemblies or components, there will be a NSS (Not Sold Separately) or NLA (No Longer Available) listed in the Qty. column of the manual.

7) PARTS LIST ITEM NUMBERS

Numbers shown in the item# column correspond to numbers used in the associated illustration (s). Item numbers which are missing from the sequence in the parts list are not used on that page.

8) INDENTED PARTS DESCRIPTION

An indented part description is included in the item under which it is indented.

9) ABBREVIATION AND SYMBOLS

| | | | |
|-------------|--|--------------|---------------------------------|
| AC..... | Alternating Current | L..... | Liter |
| ADE..... | Advanced Design Electronics | LB(LBS)..... | Pounds |
| AG..... | Agricultural | LCD..... | Liquid Crystal Display |
| ANSI..... | American National Standards Institute | LED..... | Light Emitting Diodes |
| AR..... | As Required | LH..... | Left Hand |
| ASSY..... | Assembly | LRC..... | Low Rated Countries |
| AUS..... | Australia | LSS..... | Load Sensing System |
| AUX..... | Auxiliary | M(m)..... | Metric/Meter |
| AWG..... | American Wire Gauge | MM(mm)..... | Milimeter |
| B/M..... | Bill of Material | mA..... | Miliamps |
| CAC..... | Charge Air Cooler | NLA..... | No Longer Available |
| CE..... | European Conformity | NPT..... | National Pipe Threads |
| CCW..... | Counter Clockwise | NSS..... | Not Sold Separately |
| CM..... | Centimeter | OD..... | Outside Diameter |
| CW..... | Clockwise | ORB..... | O-Ring Boss |
| CSA..... | Canadian Standards Association | ORFS..... | O-Ring Face Seal |
| CYL..... | Cylinder | OZ (oz)..... | Ounces |
| DIA..... | Diameter | PG..... | Page |
| DC..... | Direct Current | PN..... | Part Number |
| DEF..... | Diesel Exhaust Fluid | QT(qt.)..... | Quarts |
| EMS..... | Emergency Stop | QTY..... | Quantity |
| ENG..... | Engine | REF..... | Reference |
| FT(ft)..... | Feet | REV..... | Revision Level |
| GA(Ga)..... | Gauge | RH..... | Right Hand |
| HRC..... | High Rated Countries | SAE..... | Society of Automotive Engineers |
| HVAC..... | Heating, Ventilating, and Air Conditioning | SN..... | Serial Number |
| HYD..... | Hydraulic | SPEC(S)..... | Specifications |
| Hz..... | Hertz | T/T..... | Turntable |
| ID..... | Inside Diameter | UGM..... | Universal Ground Module |
| IN..... | inches | V..... | Volts |
| ISO..... | International Organization for Standards | W..... | Watts |
| JIC..... | Joint Industry Council | #..... | Number |
| KG..... | Kilogram | | |

10) ILLUSTRATION REFERENCE LETTERS

When necessary, illustrations may contain reference letters that are intended to track information (i. e. hoses, harnesses) from one point to another or to track visual enlargement of components to show details that may be located in another area on the illustration.

Note: Due to continuous product improvements, JLG Industries, Inc. reserves the right to make specification changes without prior notification. Contact JLG Industries, Inc. for updated information.

TABLE OF CONTENTS

| | |
|---|----|
| SECTION 1 - FRAME..... | 11 |
| FIGURE 1-1. STEERING..... | 12 |
| FIGURE 1-2. DRIVE INSTALLATION - SOLIDEAL TIRES | 14 |
| FIGURE 1-3. DRIVE INSTALLATION - EXMILE TIRES..... | 16 |
| FIGURE 1-4. HUB ASSEMBLY | 18 |
| FIGURE 1-5. WHEEL DRIVE ASSEMBLY | 20 |
| FIGURE 1-6. BEACON LIGHT INSTALLATION..... | 24 |
| FIGURE 1-7. BATTERY INSTALLATION - GC TYPE BATTERIES | 26 |
| FIGURE 1-8. BATTERY INSTALLATION - AGM TYPE BATTERIES..... | 28 |
| FIGURE 1-9. FRAME COVERS INSTALLATION (ALL SPECS EXCEPT AUSTRALIAN) | 30 |
| FIGURE 1-10. FRAME COVERS INSTALLATION (AUSTRALIAN SPECS)..... | 32 |
| FIGURE 1-11. POTHOLE PROTECTION (ALL SPECS EXCEPT AUSTRALIAN)..... | 34 |
| FIGURE 1-12. POTHOLE PROTECTION (AUSTRALIAN SPECS)..... | 36 |
| SECTION 2 - GROUND COMPONENTS..... | 39 |
| FIGURE 2-1. ELECTRICAL COMPONENTS INSTALLATION..... | 40 |
| FIGURE 2-2. GROUND CONTROL BOX ASSEMBLY..... | 42 |
| FIGURE 2-3. BATTERY CHARGER INSTALLATION (ALL SPECS) | 44 |
| FIGURE 2-4. BATTERY CHARGER INSTALLATION (ANSI AND CSA SPECS) | 46 |
| FIGURE 2-5. CHARGER CORD PLUG - 220V CEE7 POST GROUND (CE & UK CA SPECS)..... | 48 |
| FIGURE 2-6. CHARGER CORD PLUG - 220V CEE7 SIDE GROUND (ANSI EXPORT, CE, KOREA & UK CA SPECS)..... | 50 |
| FIGURE 2-7. CHARGER CORD PLUG - 220V AFSINT 107 KEYED GROUND (CE & UK CA SPECS)..... | 52 |
| FIGURE 2-8. CHARGER CORD PLUG INSTALLATION - 110V IEC YELLOW (CE & UK CA SPECS) | 54 |
| FIGURE 2-9. CHARGER CORD PLUG INSTALLATION - 220V IEC BLUE (CE & UK CA SPECS)..... | 56 |
| FIGURE 2-10. PROGRAMMABLE SECURITY LOCK..... | 58 |
| SECTION 3 - MAST | 61 |
| FIGURE 3-1. MAST INSTALLATION (ANSI, ANSI EXPORT, AND CSA SPECS)..... | 62 |
| FIGURE 3-2. MAST SUB-ASSEMBLY (ANSI, ANSI EXPORT, AND CSA SPECS)..... | 64 |
| FIGURE 3-3. MAST INSTALLATION (ANSI EXPORT, JAPANESE, AND KOREA SPECS) | 66 |
| FIGURE 3-4. MAST SUB-ASSEMBLY (ANSI EXPORT, JAPANESE, AND KOREA SPECS)..... | 68 |
| FIGURE 3-5. MAST INSTALLATION (CE & UK CA SPECS)..... | 70 |
| FIGURE 3-6. MAST INSTALLATION (AUSTRALIAN SPECS)..... | 72 |
| FIGURE 3-7. MAST SUB-ASSEMBLY (CE & UK CA SPECS) | 74 |
| FIGURE 3-8. MAST ASSEMBLY | 76 |
| FIGURE 3-9. POWER TRACK ASSEMBLY | 78 |
| SECTION 4 - PLATFORM..... | 81 |
| FIGURE 4-1. PLATFORM INSTALLATION (ANSI, ANSI EXPORT, AND CSA SPECS) | 82 |
| FIGURE 4-2. PLATFORM PANEL & MANUAL BOX INSTALLATION (ANSI, ANSI EXPORT, AND CSA SPECS)..... | 84 |
| FIGURE 4-3. PLATFORM INSTALLATION (ANSI EXPORT, JAPANESE, AND KOREA SPECS)..... | 86 |
| FIGURE 4-4. PLATFORM F/S PANEL & MANUAL BOX INSTALLATION (ANSI EXPORT, JAPANESE, AND KOREA SPECS) | 88 |
| FIGURE 4-5. PLATFORM INSTALLATION (CE & UK CA SPECS) | 90 |
| FIGURE 4-6. PLATFORM INSTALLATION (AUSTRALIAN SPECS) | 92 |
| FIGURE 4-7. PLATFORM WITHOUT PANEL OR MANUAL BOX INSTALLATION (CE & UK CA SPECS) | 94 |

TABLE OF CONTENTS

| | |
|---|-----|
| FIGURE 4-8. PLATFORM CONTROL BOX INSTALLATION..... | 96 |
| FIGURE 4-9. PLATFORM CONTROL BOX INSTALLATION - WITH EXTENSION CABLE | 98 |
| FIGURE 4-10. DRIVE/STEER CONTROLLER | 100 |
| FIGURE 4-11. FOOTSWITCH INSTALLATION | 102 |
| FIGURE 4-12. KICK PLATE INSTALLATION | 104 |
| FIGURE 4-13. PLATFORM CONTROL BOX COVER INSTALLATION | 106 |
| SECTION 5 - CYLINDER..... | 109 |
| FIGURE 5-1. LIFT CYLINDER ASSEMBLY | 110 |
| FIGURE 5-2. STEER CYLINDER ASSEMBLY | 112 |
| SECTION 6 - HYDRAULIC | 115 |
| FIGURE 6-1. HYDRAULIC INSTALLATION | 116 |
| FIGURE 6-2. PUMP/MOTOR/TANK ASSEMBLY | 118 |
| SECTION 7 - ELECTRICAL..... | 121 |
| FIGURE 7-1. AC PLUG & SOCKET INSTALLATION - 220V CEE7 POST GROUND (CE & UK CA SPECS) | 122 |
| FIGURE 7-2. AC PLUG & SOCKET INSTALLATION - 220V CEE7 SIDE GROUND (CE & UK CA SPECS)..... | 124 |
| FIGURE 7-3. AC PLUG & SOCKET INSTALLATION - 220V CEE7 KEYED GROUND (CE & UK CA SPECS)..... | 126 |
| FIGURE 7-4. AC PLUG & SOCKET INSTALLATION - 220V IEC YELLOW (CE & UK CA SPECS) | 128 |
| FIGURE 7-5. AC PLUG & SOCKET INSTALLATION - 220V IEC BLUE (CE & UK CA SPECS)..... | 130 |
| FIGURE 7-6. AC PLUG & SOCKET INSTALLATION - 220V CEE7 POST GROUND (CE & UK CA SPECS) | 132 |
| FIGURE 7-7. AC PLUG & SOCKET INSTALLATION - 220V CEE7 SIDE GROUND (CE & UK CA SPECS)..... | 134 |
| FIGURE 7-8. ACCESSORY CHARGER POWER INSTALLATION - 110V (CE & UK CA SPECS) | 136 |
| FIGURE 7-9. ACCESSORY CHARGER POWER INSTALLATION - 220V CUSTOMER SUPPLIED PLUG (ANSI EXPORT, AUSTRALIAN, CE, KOREA & UK CA SPECS)..... | 138 |
| FIGURE 7-10. BATTERY CABLES | 140 |
| FIGURE 7-11. BREAKER BOX KIT WITH 1 DOUBLE BREAKER | 142 |
| FIGURE 7-12. BREAKER BOX KIT WITH 3 BREAKERS..... | 144 |
| FIGURE 7-13. CHASSIS HARNESS..... | 146 |
| FIGURE 7-14. DRIVE CABLE | 148 |
| FIGURE 7-15. GROUND CONTROL BOX HARNESS | 150 |
| FIGURE 7-16. INVERTER INSTALLATION (ANSI AND CSA SPECS) | 152 |
| FIGURE 7-17. PLATFORM CONTROL BOX HARNESS..... | 154 |
| FIGURE 7-18. PLATFORM CONTROL CABLE | 156 |
| FIGURE 7-19. RECEPTACLE BOX KIT - 220V AFSINT 107 KEYED GROUND | 158 |
| FIGURE 7-20. RECEPTACLE BOX KIT - 110V GFI | 160 |
| FIGURE 7-21. RECEPTACLE BOX KIT - 220V IEC BLUE..... | 162 |
| FIGURE 7-22. RECEPTACLE BOX KIT - 110V IEC YELLOW | 164 |
| FIGURE 7-23. RECEPTACLE BOX KIT - 220V CEE7 POST GROUND | 166 |
| FIGURE 7-24. RECEPTACLE BOX KIT - 220V CEE7 POST GROUND 70MM X 70MM BOX | 168 |
| FIGURE 7-25. RECEPTACLE BOX KIT - 220V CEE7 SIDE GROUND..... | 170 |
| FIGURE 7-26. RECEPTACLE BOX KIT - 220V CEE7 SIDE GROUND 70MM X 70MM BOX..... | 172 |
| SECTION 8 - DECALS | 175 |
| FIGURE 8-1. COMMON DECALS INSTALLATION (ALL SPECS EXCEPT AUSTRALIAN)..... | 176 |
| FIGURE 8-2. COMMON DECALS INSTALLATION (AUSTRALIAN SPECS) | 178 |

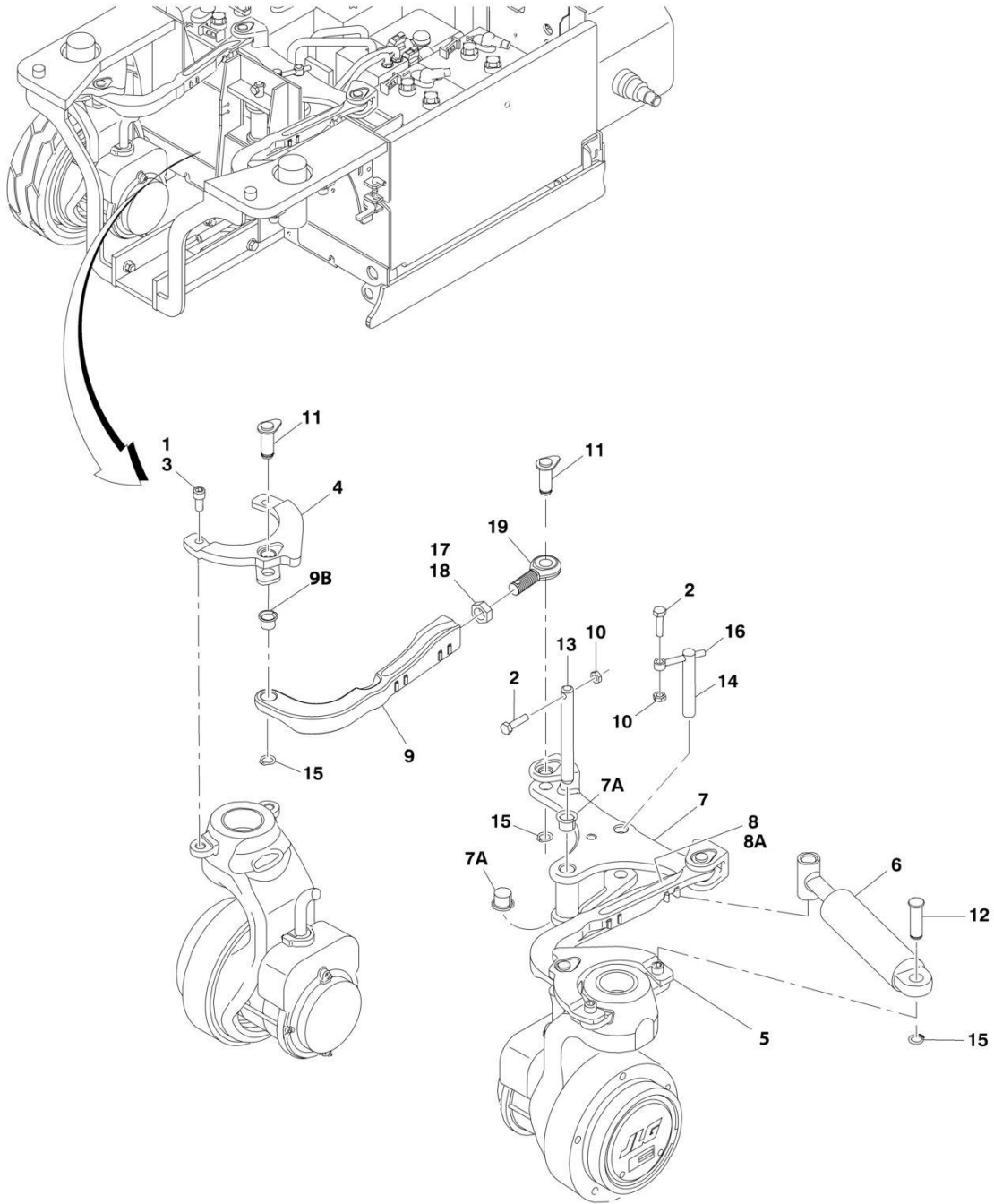
TABLE OF CONTENTS

| | |
|--|-----|
| FIGURE 8-3. DECALS INSTALLATION - ANSI AND ANSI EXPORT SPECS (ENGLISH LANGUAGE) | 180 |
| FIGURE 8-4. DECALS INSTALLATION - CSA SPECS (ENGLISH/FRENCH LANGUAGE) | 182 |
| FIGURE 8-5. DECALS INSTALLATION - CE & UK CA SPECS (ALL LANGUAGES) | 184 |
| FIGURE 8-6. DECALS INSTALLATION - JAPANESE SPECS (JAPANESE LANGUAGE) | 186 |
| FIGURE 8-7. DECALS INSTALLATION - LATIN AMERICA SPECS (ENGLISH/SPANISH LANGUAGE) | 188 |
| FIGURE 8-8. DECALS INSTALLATION - BRAZIL SPECS (PORTUGUESE/SPANISH LANGUAGE) | 190 |
| FIGURE 8-9. DECALS INSTALLATION - CHINA SPECS (ENGLISH/CHINESE LANGUAGE) | 192 |
| FIGURE 8-10. DECALS INSTALLATION - KOREA SPECS (ENGLISH/KOREAN LANGUAGE) | 194 |
| FIGURE 8-11. DECALS INSTALLATION - AUSTRALIAN SPECS (ALL LANGUAGE) | 196 |
| SECTION 9 - RECOMMENDED SERVICE PARTS STOCK | 199 |
| FIGURE 9-1. RECOMMENDED SERVICE PARTS STOCK | 200 |
| SECTION 10 - SPECIAL OPTIONS/ACCESSORIES/KITS | 201 |
| FIGURE 10-1. SPECIAL OPTIONS/ACCESSORIES/KITS | 202 |
| PART NUMBER INDEX | 203 |

SECTION 1 - FRAME

SECTION 1 - FRAME

FIGURE 1-1. STEERING



ART_0274549

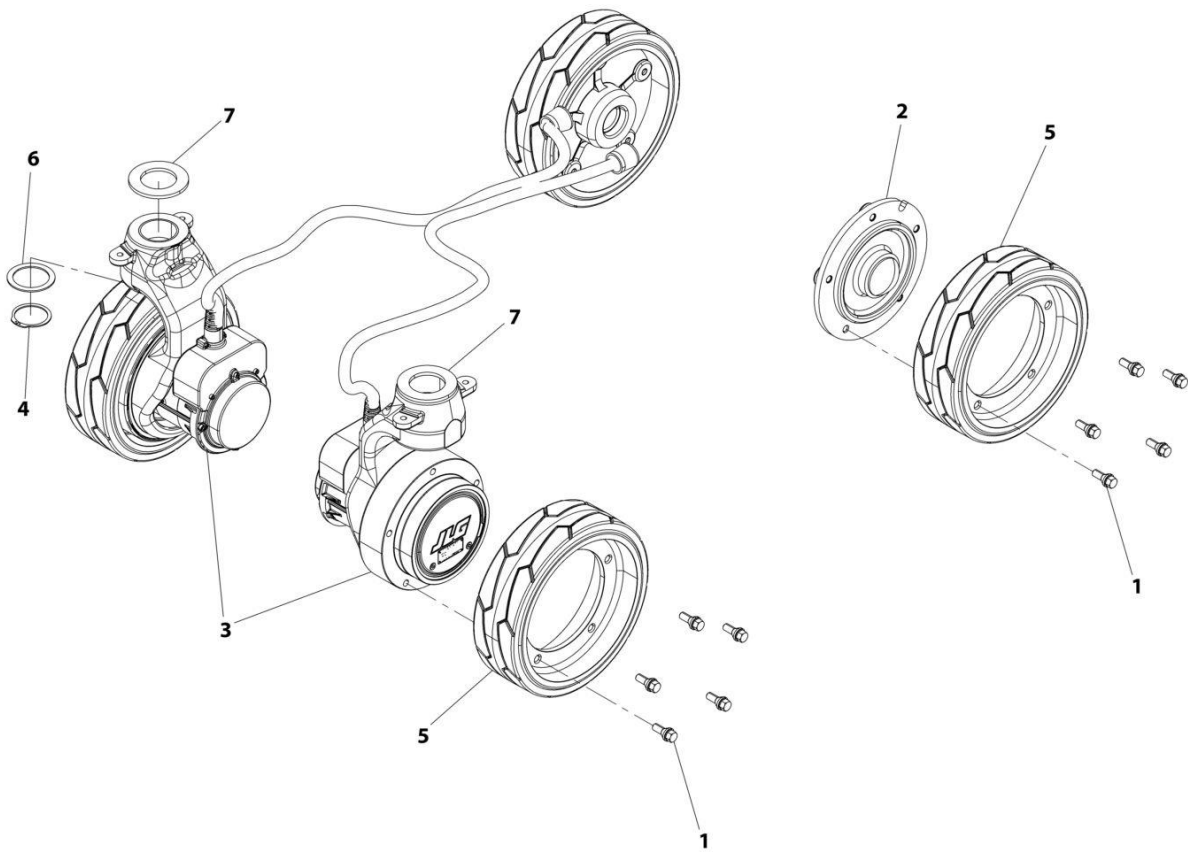
SECTION 1 - FRAME

FIGURE 1-1. STEERING

| ITEM | PART NUMBER | QTY | DESCRIPTION | REV |
|------|-------------|-----|--|-----|
| | 0274549 | Ref | STEERING AND DRIVE INSTALLATION | F |
| 1 | 0100019 | AR | Compound, Locking | |
| 2 | 0761016 | 2 | Bolt M10 x 40mm | |
| 3 | 0630606 | 4 | Capscrew M12 x 25mm | |
| 4 | 0903594 | 1 | Bracket, Steering Knuckle (Right) | |
| 5 | 0903595 | 1 | Bracket, Steering Knuckle (Left) | |
| 6 | 1684458 | 1 | Steer Cylinder Assembly (See CYLINDER SECTION for Breakdown) | |
| 7 | 3010164 | 1 | Link, Steering | |
| 7A | 0440263 | 2 | Bushing, Flange | |
| 8 | 3010165 | 1 | Arm, Steering (Left) | |
| 8A | 0440263 | 2 | Bushing, Flange | |
| 9 | 1001175238 | 1 | Arm, Steering (Right) | |
| 9B | 0440263 | 1 | Bushing, Flange | |
| 10 | 3291005 | 2 | Locknut M10 | |
| 11 | 3423303 | 4 | Pin, Linkage | |
| 12 | 3423230 | 1 | Pin, Clevis | |
| 13 | 3423235 | 1 | Pin, Clevis | |
| 14 | 3423236 | 1 | Pin, Clevis | |
| 15 | 3760348 | 5 | Ring, Retaining | |
| 16 | 3841143 | 1 | Keeper | |
| 17 | 0100011 | AR | Compound Locking | |
| 18 | 3322202 | 1 | Nut | |
| 19 | 3841517 | 1 | Rod, End Bearing | |

SECTION 1 - FRAME

FIGURE 1-2. DRIVE INSTALLATION - SOLIDEAL TIRES



ART_100118433

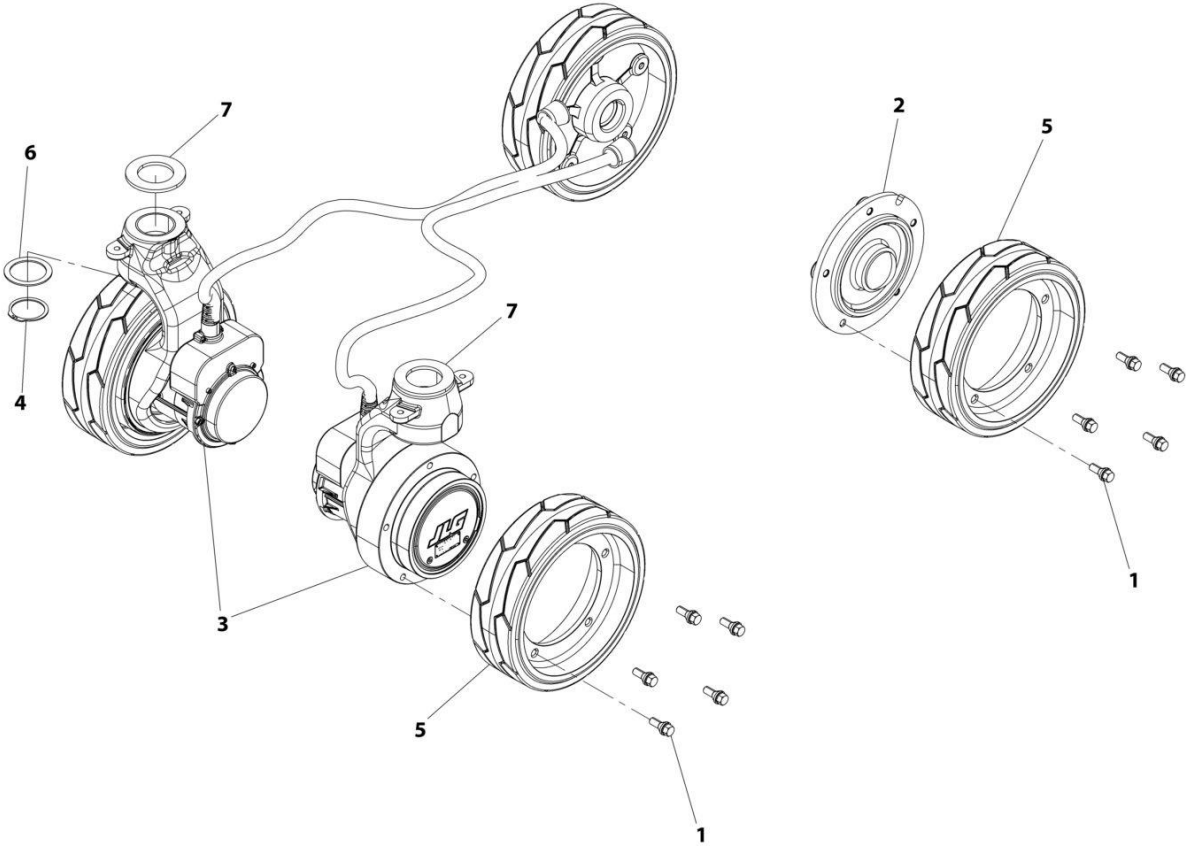
SECTION 1 - FRAME

FIGURE 1-2. DRIVE INSTALLATION - SOLIDEAL TIRES

| ITEM | PART NUMBER | QTY | DESCRIPTION | REV |
|------|-------------|-----|--|-----|
| | 1001118433 | Ref | DRIVE INSTALLATION | C |
| 1 | 0630580 | 20 | Bolt, Wheel | |
| 2 | 2780266 | 2 | Hub Assembly (See Separate Breakdown in this Section) | |
| 3 | 1001118359 | 2 | Wheel Drive Assembly (See Separate Breakdown in this Section) | |
| 4 | 3760463 | 2 | Ring, Retaining | |
| 5 | 1001114467 | 4 | Tire and Wheel Assembly (Solideal Tires) (Use Kit p/n 2915012) | |
| | | Ref | Kit p/n 2915012 Includes Qty 1 Tire and Wheel and Qty 5 Wheel Bolts. | |
| 6 | 4740523 | 2 | Washer | |
| 7 | 4740524 | 2 | Washer | |
| 8 | 4240018 | 2 | Tie-Strap (Not Shown) | |
| 9 | 1321682 | 2 | Clamp, Worm (Not Shown - Used on Drive Motor Cable) | |

SECTION 1 - FRAME

FIGURE 1-3. DRIVE INSTALLATION - EXMILE TIRES



ART_1001220665

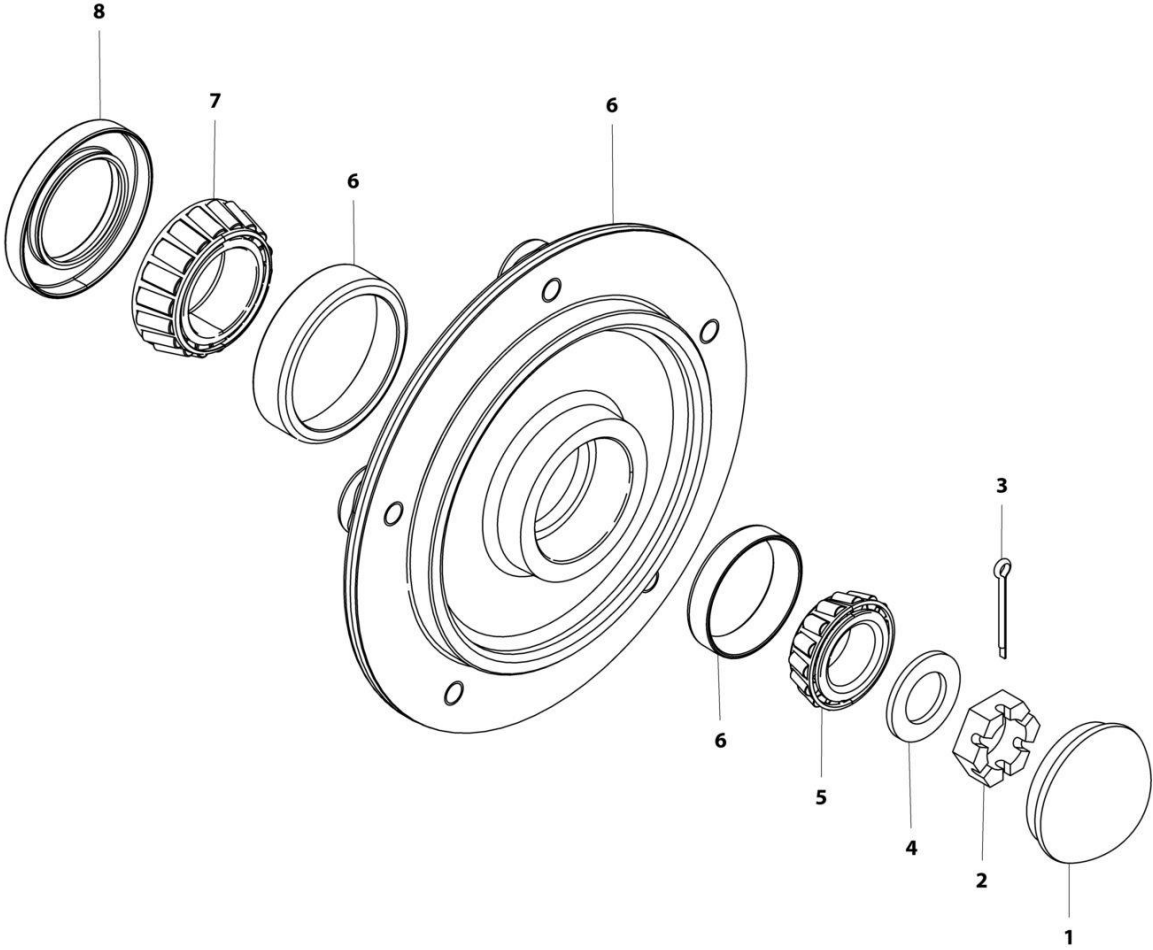
SECTION 1 - FRAME

FIGURE 1-3. DRIVE INSTALLATION - EXMILE TIRES

| ITEM | PART NUMBER | QTY | DESCRIPTION | REV |
|------|-------------|-----|--|-----|
| | 1001220665 | Ref | DRIVE INSTALLATION | A |
| 1 | 0630580 | 20 | Bolt, Wheel | |
| 2 | 2780266 | 2 | Hub Assembly (See Separate Breakdown in this Section) | |
| 3 | 1001118359 | 2 | Wheel Drive Assembly (See Separate Breakdown in this Section) | |
| 4 | 3760463 | 2 | Ring, Retaining | |
| 5 | 1001219582 | 4 | Tire and Wheel Assembly (Exmile Tires) | |
| | | Ref | Note: Must replace Tire and Wheel Assemblies in pairs per axle. | |
| 6 | 4740523 | 2 | Washer | |
| 7 | 4740524 | 2 | Washer | |
| 8 | 4240018 | 2 | Tie-Strap (Not Shown) | |
| 9 | 1321682 | 2 | Clamp, Worm (Not Shown - Used on Drive Motor Cable) | |

SECTION 1 - FRAME

FIGURE 1-4. HUB ASSEMBLY



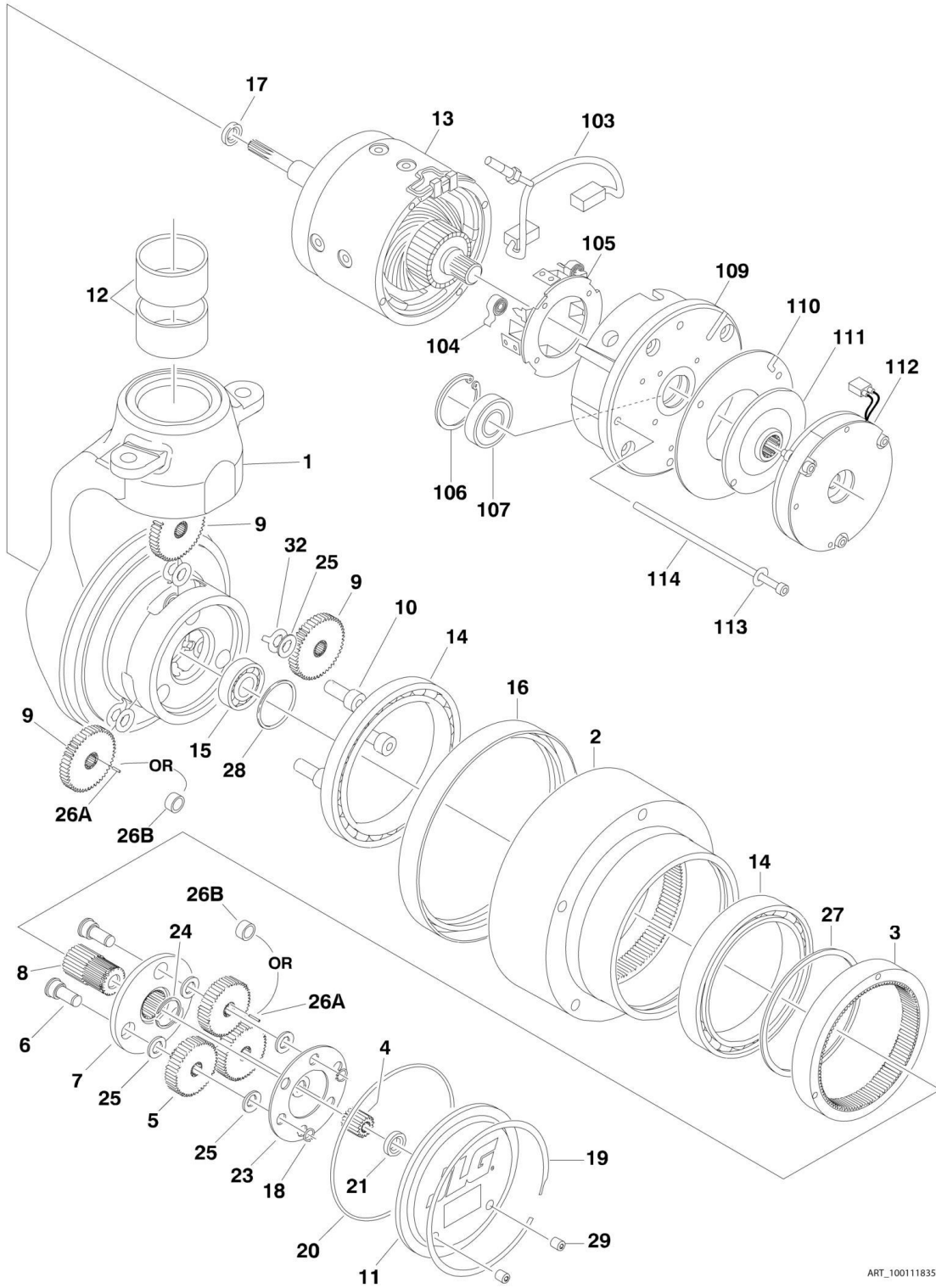
ART_2780266

FIGURE 1-4. HUB ASSEMBLY

| ITEM | PART NUMBER | QTY | DESCRIPTION | REV |
|------|-------------|-----|--|-----|
| | 2780266 | Ref | HUB ASSEMBLY - REAR | E |
| 1 | 1001102354 | 1 | Cap, Dust (was p/n 7012524) | |
| 2 | 3300423 | 1 | Nut, Slotted (was p/n 7010641) | |
| 3 | 3450406 | 1 | Pin, Cotter 2 x 3/16 (was p/n 7010642) | |
| 4 | 4740468 | 1 | Washer (was p/n 7019697) | |
| 5 | 1001102351 | 1 | Bearing, Cone - Outer (was p/n 7026185) | |
| 6 | See Note | NSS | Hub (Note: Purchase Complete Assembly p/n 2780266) | |
| 7 | 1001102353 | 1 | Bearing, Cone - Inner (was p/n 7026183) | |
| 8 | 1001102349 | 1 | Seal (was p/n 7026184) | |

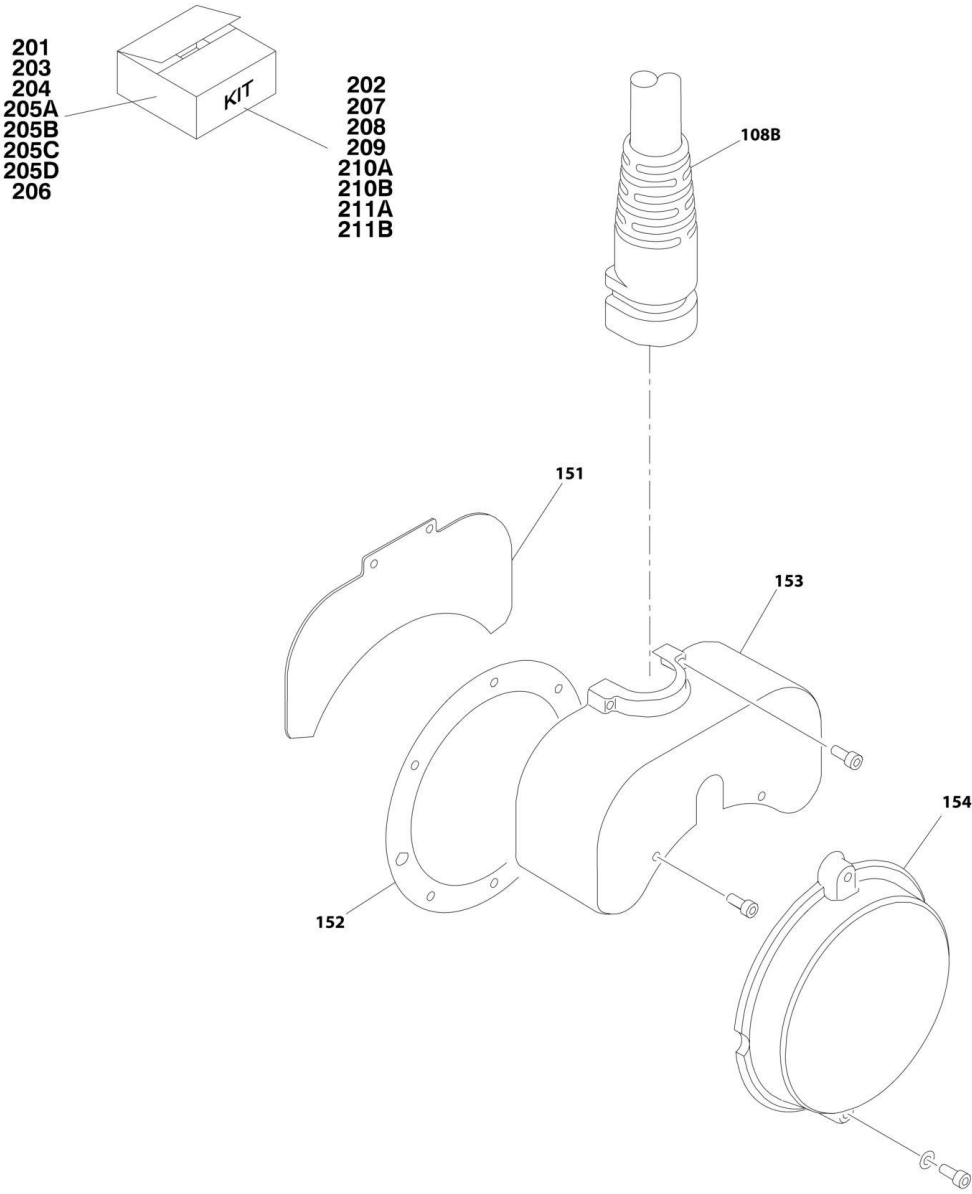
SECTION 1 - FRAME

FIGURE 1-5. WHEEL DRIVE ASSEMBLY



ART_1001118359_10F2

SECTION 1 - FRAME



ART_1001118359_20F2

SECTION 1 - FRAME

FIGURE 1-5. WHEEL DRIVE ASSEMBLY

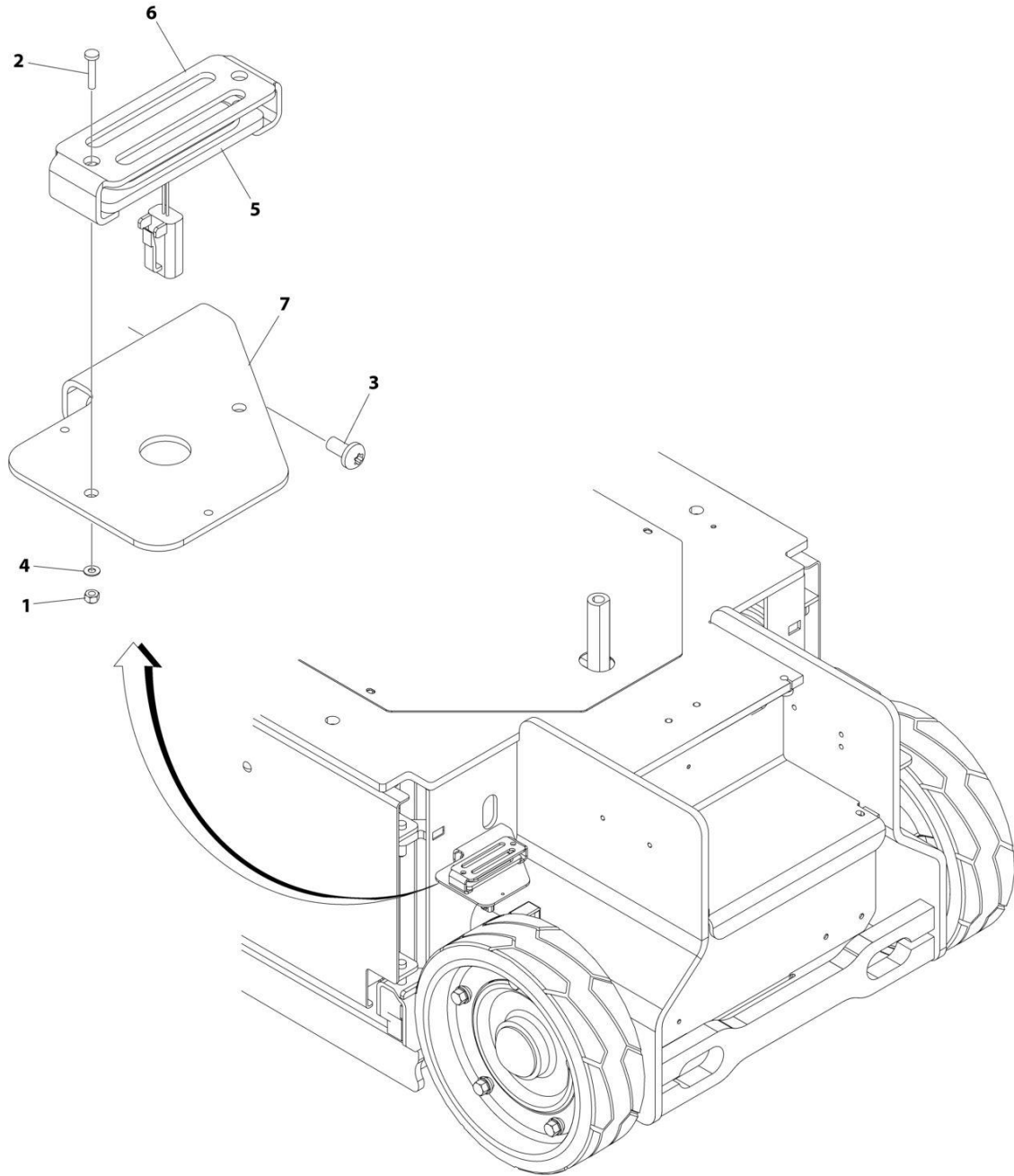
| ITEM | PART NUMBER | QTY | DESCRIPTION | REV |
|------|-------------|-----|--|-----|
| | 1001118359 | Ref | WHEEL DRIVE ASSEMBLY | C |
| | | Ref | HUB ASSEMBLY | |
| 1 | See Note | NSS | Spindle (Note: Not Available - Purchase Complete Assembly) | |
| 2 | See Note | NSS | Hub (Note: Use Item 206) | |
| 3 | See Note | NSS | Ring, Input (Note: Use Item 204) | |
| 4 | See Note | NSS | Gear, Input Sun (Note: Use Item 203) | |
| 5 | See Note | NSS | Gear, Input Planet (Note: Use Item 203) | |
| 6 | See Note | NSS | Pin, Planet Gear (Note: Use Item 203) | |
| 7 | See Note | NSS | Carrier (Note: Use Item 203) | |
| 8 | See Note | NSS | Gear, Output Sun (Note: Use Item 203) | |
| 9 | See Note | NSS | Gear, Output Planet (Note: Use Item 207) | |
| 10 | See Note | NSS | Pin, Output Planet (Note: Use Item 207) | |
| 11 | See Note | NSS | Cover (Note: Use Item 201) | |
| 12 | 7024757 | 1 | Bushing Kit, Kingpin (Includes 2 Bushings) | |
| 13 | See Note | NSS | Motor, Electric (Note: Use Item 205A, 205B or 205C) | |
| 14 | See Note | NSS | Bearing, Main (Note: Use Item 202, 204, 206 or 207) | |
| 15 | See Note | NSS | Bearing, Shaft (Note: Use Item 207) | |
| 16 | 70001739 | 1 | Seal, Lip | |
| 17 | 7024786 | 1 | Seal, Lip | |
| 18 | See Note | NSS | Ring, Retaining (Note: Use Item 203) | |
| 19 | See Note | NSS | Ring, Retaining (Note: Use Item 201) | |
| 20 | 70000191 | 1 | O-Ring | |
| 21 | See Note | NSS | Thrustwasher (Note: Use Item 201) | |
| 23 | See Note | NSS | Plate, Thrust (Note: Use Item 203) | |
| 24 | See Note | NSS | Ring, Retaining (Note: Use Item 203) | |
| 25 | See Note | NSS | Thrustwasher (Note: Use Item 203 or 207) | |
| 26 | See Note | NSS | Bearing/Bushing (Note: Use Item 203 or 207): | |
| 26A | See Note | 66 | Bearing, Needle | |
| 26B | See Note | 6 | Bushing | |
| 27 | See Note | NSS | Ring, Retaining (Note: Use Item 204, 206 or 207) | |
| 28 | See Note | NSS | Ring, Retaining (Note: Use Item 207) | |
| 29 | See Note | NSS | Plug (Note: Use Item 201) | |
| 32 | See Note | NSS | Washer, Tanged (Note: Use Item 207) | |
| | | Ref | BRAKE AND MOTOR COMPONENTS | |
| 103 | See Note | NSS | Brush and Terminal Assembly (Note: Use Item 208) | |
| 104 | 70000790 | 2 | Spring, Brush | |
| 105 | 70000791 | 1 | Box, Brush | |
| 106 | See Note | NSS | Ring, Retaining (Note: Use Item 208) | |
| 107 | See Note | NSS | Bearing (Note: Use Item 208) | |
| 108B | 1001118363 | 1 | Drive Cable (See Separate Breakdown in ELECTRICAL Section) | |
| 109 | 70000792 | 1 | Commutator | |
| 110 | See Note | NSS | Disc, Reaction (Note: Use Item 209) | |
| 111 | 7024785 | 1 | Disc, Friction | |
| 112 | See Note | NSS | Brake Assembly (Note: Use Item 209) | |
| 113 | See Note | NSS | Flatwasher (Note: Use Item 210) | |
| 114 | See Note | NSS | Bolt (Note: Use Item 210) | |
| | | Ref | Brake Cover | |
| 151 | See Note | NSS | Plate, Cover (Note: Use Item 211B) | |
| 152 | 70001949 | 1 | Gasket, Cover | |

SECTION 1 - FRAME

| ITEM | PART NUMBER | QTY | DESCRIPTION | REV |
|------|-------------|-----|--|-----|
| 153 | 70006426 | 1 | Cover, Top (Note: Use Item 211B) | |
| 154 | See Note | NSS | Cover, End (Note: Use Item 211B) | |
| | | Ref | KIT OPTIONS | |
| 201 | 7024747 | 1 | Cover Kit (Includes Items 11, 19, 20, 21 & 29) | |
| 202 | 7024748 | 1 | Main Seal Kit (Includes Qty 1 of Items 14, 16 & 20) | |
| 203 | 7024749 | 1 | Input Carrier Kit (Includes Items 4-8, 18, 20 & 23-26) | |
| 204 | 7024758 | 1 | Input Ring Kit (Includes Items 3, 20, 27 & Qty 1 of Item 14) | |
| 205 | | Ref | Motor Kit Options (Includes Items 13, 17, 103-114 & 151-154): | |
| 205C | 70002308 | 1 | Wheel Drive Assembly 1001118359 | |
| 206 | 7024756 | 1 | Hub Kit (Includes Items 2, 16, 20, 27 & Qty 1 of Item 14) | |
| 207 | 7024750 | 1 | Output Planet Kit (Includes Items 9, 10, 15, 20, 25-28, 32 & Qty 1 of Item 14) | |
| 208 | 7024771 | 1 | Motor Brush and Bearing Kit (Includes Items 103, 106 & 107) | |
| 209 | 7024772 | 1 | Brake Kit (Includes Items 110, 111 & 112) | |
| 210 | 7024773 | 1 | Motor Hardware Kit (Includes Items 113, 114 & 126) | |
| 211B | 70001265 | 1 | Brake Cover (Includes Items 151-154) | |

SECTION 1 - FRAME

FIGURE 1-6. BEACON LIGHT INSTALLATION



ART_1001281052

FIGURE 1-6. BEACON LIGHT INSTALLATION

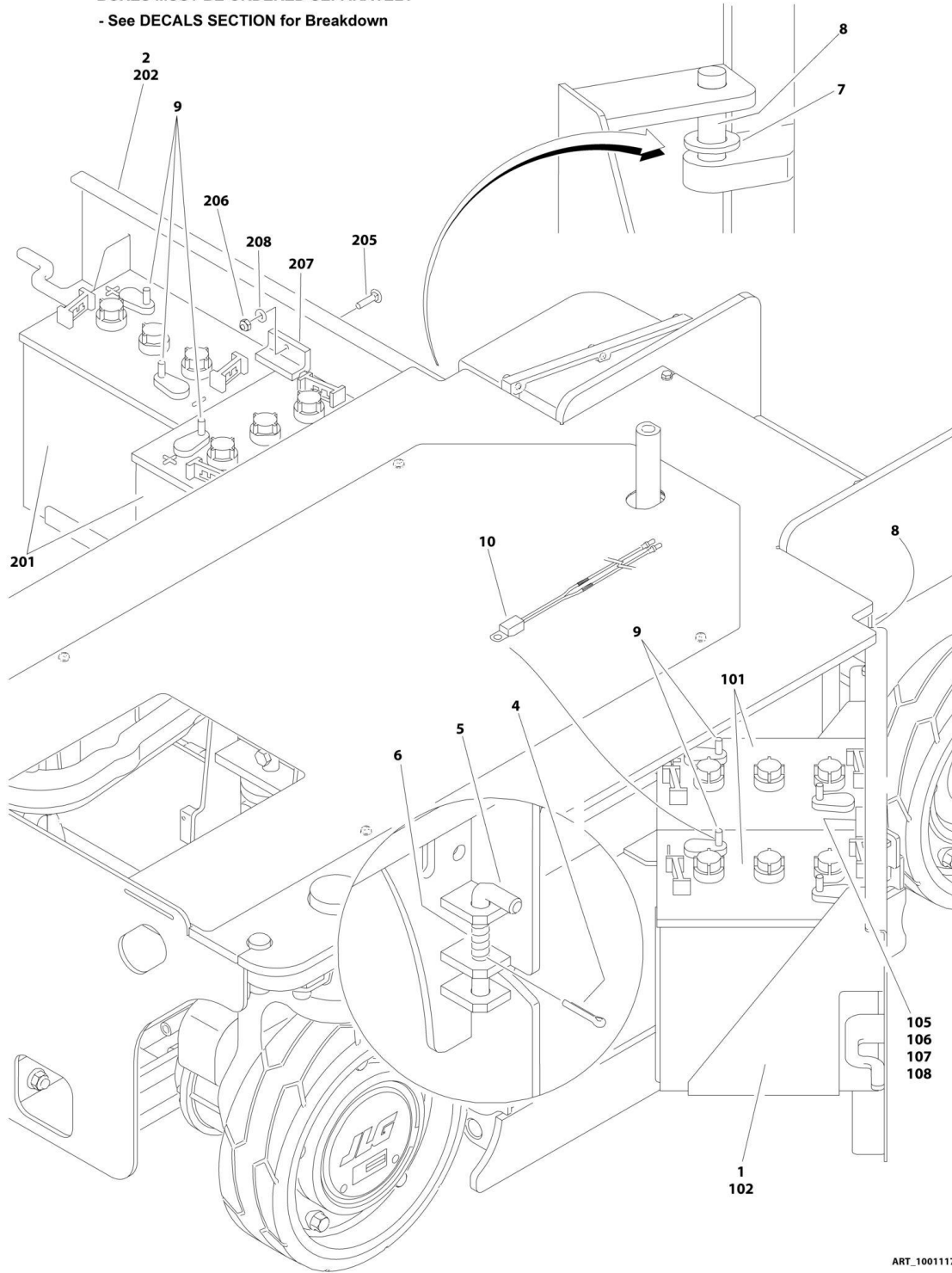
| ITEM | PART NUMBER | QTY | DESCRIPTION | REV |
|-------------|--------------------|------------|---------------------------|------------|
| | 1001281052 | Ref | BEACON LIGHT INSTALLATION | A |
| 1 | 3290305 | 2 | Nut M3 | |
| 2 | 4010308 | 2 | Screw M3 x 16 | |
| 3 | 4191706 | 2 | Screw M6 x 12 | |
| 4 | 1001110544 | 2 | Washer M3 | |
| 5 | 1001239224 | 1 | Light, Beacon | |
| 6 | 1001239661 | 1 | Cover, Beacon | |
| 7 | 1001281058 | 1 | Mount, Beacon | |

SECTION 1 - FRAME

FIGURE 1-7. BATTERY INSTALLATION - GC TYPE BATTERIES

NOTE: REPLACEMENT DECALS ON FRONT OF BATTERY BOXES MUST BE ORDERED SEPARATELY

- See DECALS SECTION for Breakdown



ART_1001117838

SECTION 1 - FRAME

FIGURE 1-7. BATTERY INSTALLATION - GC TYPE BATTERIES

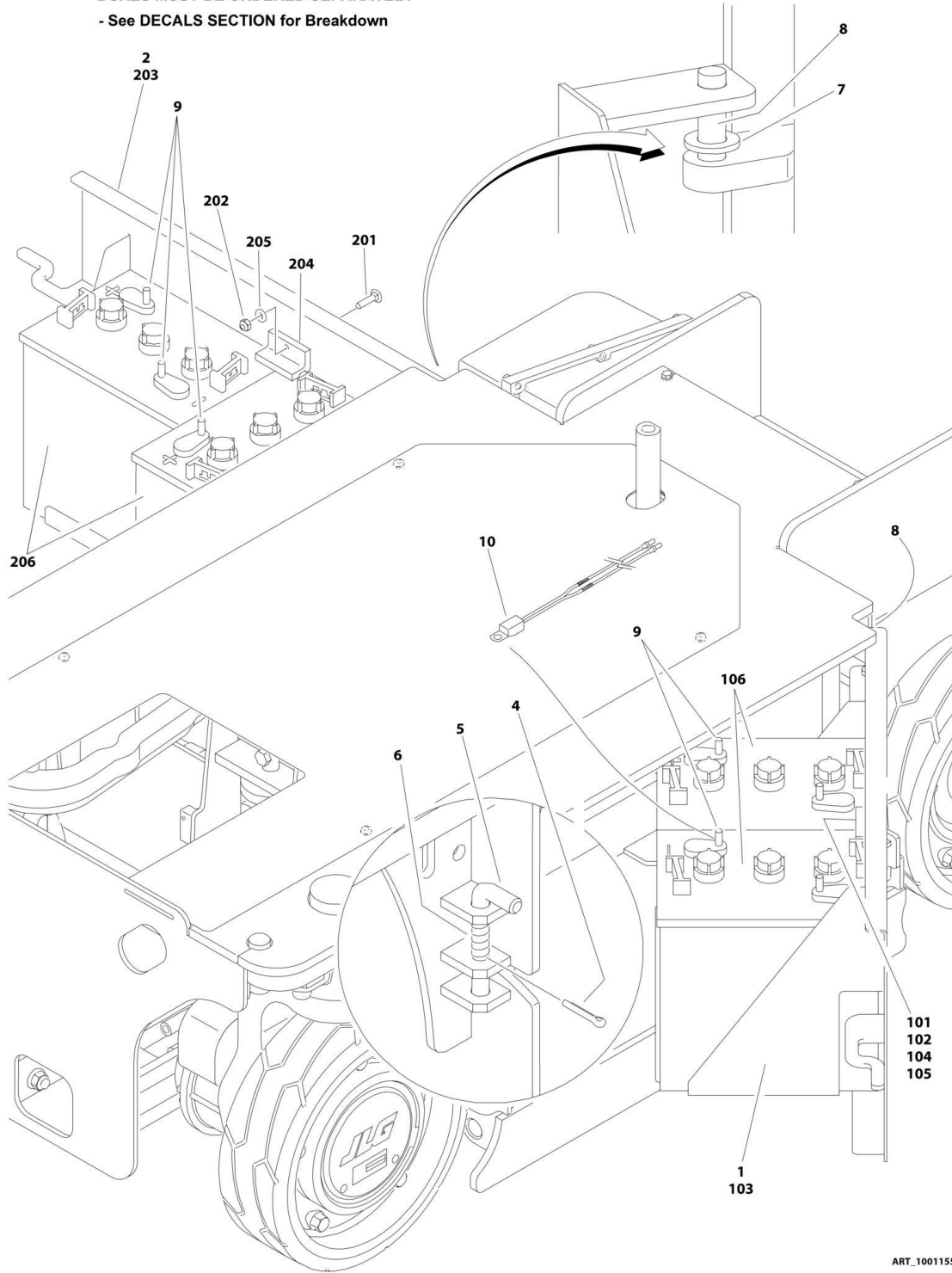
| ITEM | PART NUMBER | QTY | DESCRIPTION | REV |
|------|-------------|-----|---|-----|
| | 1001117838 | Ref | BATTERIES AND COVERS INSTALLATION | C |
| 1 | 0861747 | 1 | Box for GC Type Batteries (See Items 101-108 for Breakdown) | |
| 2 | 0861748 | 1 | Box for GC Type Batteries (See Items 201-208 for Breakdown) | |
| 3 | 1001117837 | 1 | Battery Cable Kit (Not Shown - See ELECTRICAL SECTION for Breakdown): | |
| 4 | 3391408 | 2 | Pin, Split | |
| 5 | 3423243 | 2 | Pin, Door Latch | |
| 6 | 4160214 | 2 | Spring, Door Latch | |
| 7 | 4812100 | AR | Washer 12mm | |
| 8 | 3020039 | AR | Lubricant | |
| 9 | 0100048 | AR | Grease, Dielectric | |
| 10 | 1001112113 | 1 | Temperature Sensor | B |
| 10 | 1001102771 | 1 | Sensor | |
| 10 | 4460465 | 2 | Terminal | |
| | | Ref | BATTERY BOX ASSEMBLY (LEFT) | D |
| 101 | 0400215 | 2 | GC Type Battery | |
| 102 | 3380599 | 1 | Tray (Left) | |
| 105 | 0630587 | 1 | Bolt M6 x 25mm | |
| 106 | 3290605 | 1 | Nut M6 | |
| 107 | 4220286 | 1 | Block | |
| 108 | 4811700 | 1 | Washer M6 | |
| | | Ref | BATTERY BOX ASSEMBLY (RIGHT) | D |
| 201 | 0400215 | 2 | GC Type Battery | |
| 202 | 3380600 | 1 | Tray (Right) | |
| 205 | 0630587 | 1 | Bolt M6 x 25mm | |
| 206 | 3290605 | 1 | Nut M6 | |
| 207 | 4220286 | 1 | Block | |
| 208 | 4811700 | 1 | Washer M6 | |

SECTION 1 - FRAME

FIGURE 1-8. BATTERY INSTALLATION - AGM TYPE BATTERIES

NOTE: REPLACEMENT DECALS ON FRONT OF BATTERY BOXES MUST BE ORDERED SEPARATELY

- See DECALS SECTION for Breakdown



ART_1001155025

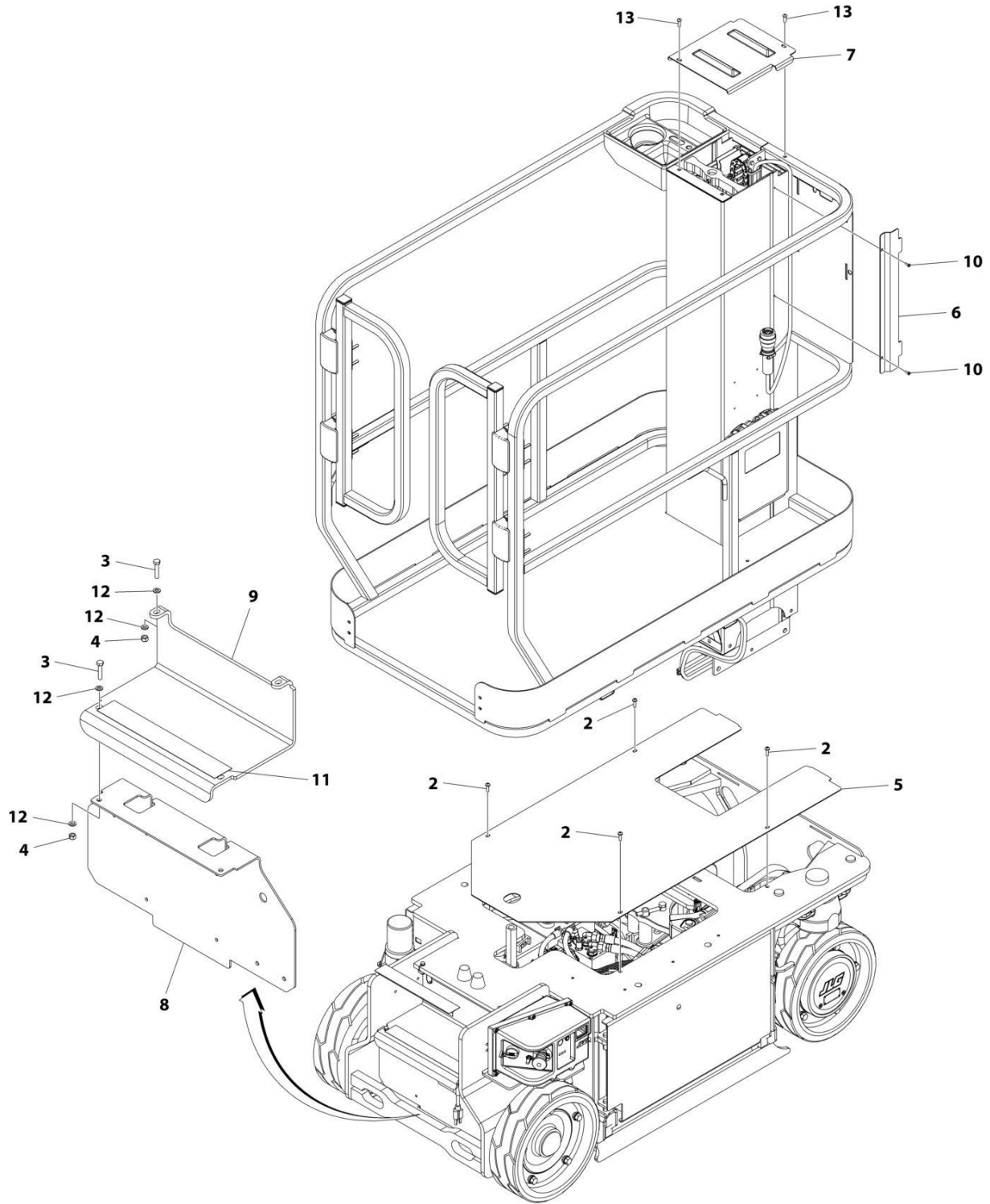
SECTION 1 - FRAME

FIGURE 1-8. BATTERY INSTALLATION - AGM TYPE BATTERIES

| ITEM | PART NUMBER | QTY | DESCRIPTION | REV |
|------|-------------|-----|---|-----|
| | 1001155025 | Ref | BATTERIES AND COVERS INSTALLATION | A |
| 1 | 1001155029 | 1 | Box for AGM Type Batteries (See Items 101-108 for Breakdown) | |
| 2 | 1001155030 | 1 | Box for AGM Type Batteries (See Items 201-208 for Breakdown) | |
| 3 | 1001117837 | 1 | Battery Cable Kit (Not Shown - See ELECTRICAL SECTION for Breakdown): | |
| 4 | 3391408 | 2 | Pin, Split | |
| 5 | 3423243 | 2 | Pin, Door Latch | |
| 6 | 4160214 | 2 | Spring, Door Latch | |
| 7 | 4812100 | AR | Washer 12mm | |
| 8 | 3020039 | AR | Lubricant | |
| 9 | 0100048 | AR | Grease, Dielectric | |
| 10 | 1001112113 | 1 | Temperature Sensor | B |
| 10 | 1001102771 | 1 | Sensor | |
| 10 | 4460465 | 2 | Terminal | |
| | | Ref | BATTERY BOX ASSEMBLY (LEFT) | A |
| 101 | 0630587 | 1 | Bolt M6 x 25mm | |
| 102 | 3290605 | 1 | Nut M6 | |
| 103 | 3380599 | 1 | Tray (Left) | |
| 104 | 4220286 | 1 | Block | |
| 105 | 4811700 | 1 | Washer M6 | |
| 106 | 1001112112 | 2 | AGM Type Battery | |
| | | Ref | BATTERY BOX ASSEMBLY (RIGHT) | A |
| 201 | 0630587 | 1 | Bolt M6 x 25mm | |
| 202 | 3290605 | 1 | Nut M6 | |
| 203 | 3380600 | 1 | Tray (Right) | |
| 204 | 4220286 | 1 | Block | |
| 205 | 4811700 | 1 | Washer M6 | |
| 206 | 1001112112 | 2 | AGM Type Battery | |

SECTION 1 - FRAME

FIGURE 1-9. FRAME COVERS INSTALLATION (ALL SPECS EXCEPT AUSTRALIAN)



ART_0274560

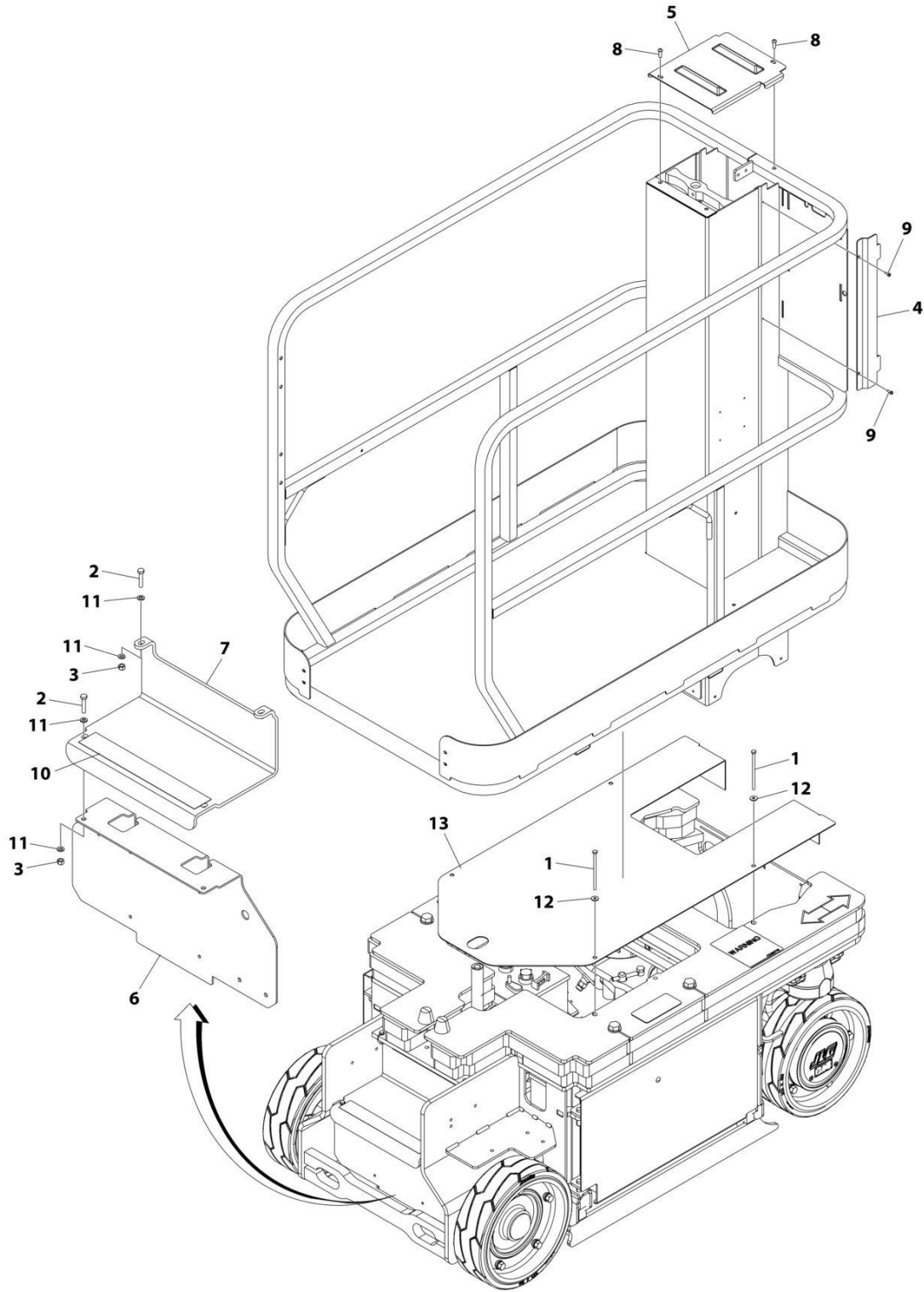
SECTION 1 - FRAME

FIGURE 1-9. FRAME COVERS INSTALLATION (ALL SPECS EXCEPT AUSTRALIAN)

| ITEM | PART NUMBER | QTY | DESCRIPTION | REV |
|------|-------------|-----|---------------------------|-----|
| | 0274560 | Ref | FRAME COVERS INSTALLATION | I |
| 2 | 4191708 | 4 | Bolt M6 x 20 | |
| 3 | 0760614 | 4 | Bolt M6 x 30 | |
| 4 | 3290605 | 4 | Nut M6 | |
| 5 | 3380604 | 1 | Panel, Top Cover | |
| 6 | 3380605 | 1 | Panel, Mast Cover | |
| 7 | 3380612 | 1 | Panel, Mast Cover | |
| 8 | 3380619 | 1 | Cover, Charger | |
| 9 | 3575919 | 1 | Plate, Step | |
| 10 | 4191406 | 2 | Bolt M4 x 12 | |
| 11 | 4420070 | 1 | Tape, Anti-Skid | |
| 12 | 4811700 | 8 | Washer M6 | |
| 13 | 3900258 | 2 | Screw 1/4 x 3/4 | |

SECTION 1 - FRAME

FIGURE 1-10. FRAME COVERS INSTALLATION (AUSTRALIAN SPECS)



ART_1001224016

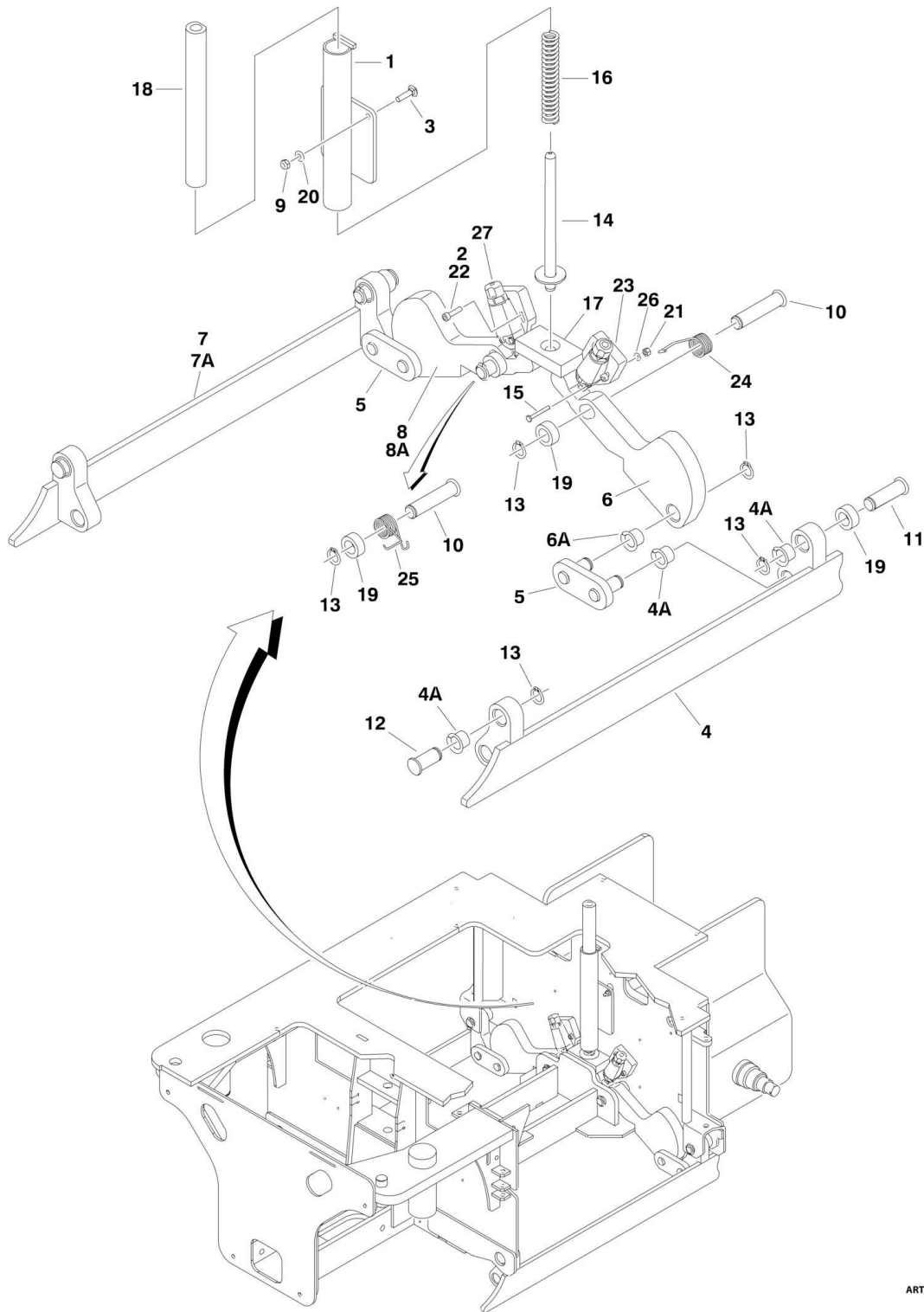
SECTION 1 - FRAME

FIGURE 1-10. FRAME COVERS INSTALLATION (AUSTRALIAN SPECS)

| ITEM | PART NUMBER | QTY | DESCRIPTION | REV |
|------|-------------|-----|---------------------------|-----|
| | 1001224016 | Ref | FRAME COVERS INSTALLATION | A |
| 1 | 0700628 | 4 | Screw M6 x 110 | |
| 2 | 0760614 | 4 | Screw M6 x 30 | |
| 3 | 3290605 | 4 | Nut M6 | |
| 4 | 3380605 | 1 | Panel, Mast Cover | |
| 5 | 3380612 | 1 | Panel, Mast Cover | |
| 6 | 3380619 | 1 | Panel, Charger Cover | |
| 7 | 3575919 | 1 | Plate, Rear Step | |
| 8 | 3900258 | 2 | Screw 1/4 x 3/4 | |
| 9 | 4191406 | 2 | Screw M4 x 12 | |
| 10 | 4420070 | 1 | Tape, Anti-Skid | |
| 11 | 4811700 | 8 | Washer M6 | |
| 12 | 4811702 | 4 | Washer M6 | |
| 13 | 1001199304 | 1 | Panel, Frame Cover | |

SECTION 1 - FRAME

FIGURE 1-11. POTHOLE PROTECTION (ALL SPECS EXCEPT AUSTRALIAN)



ART_0274564

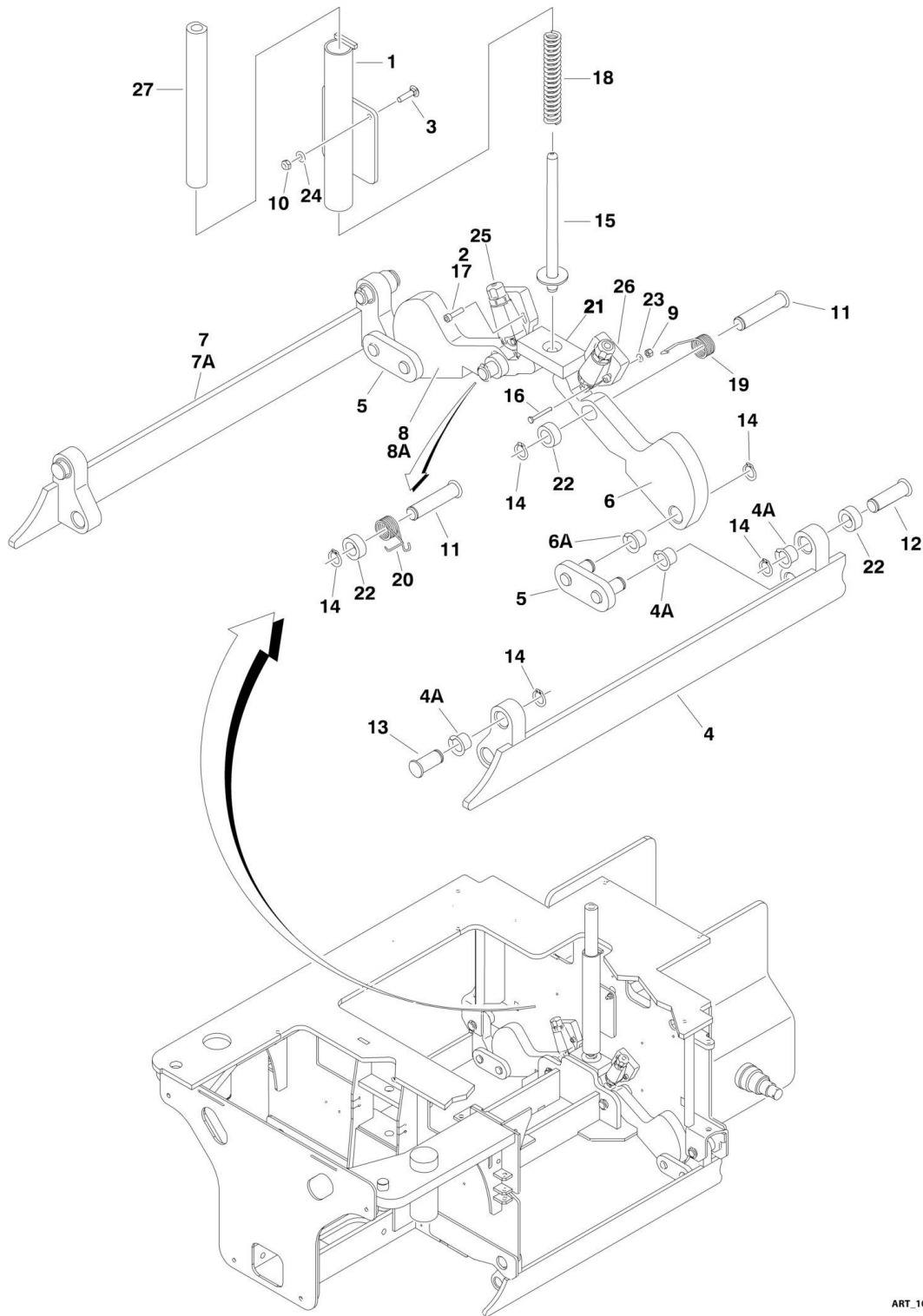
SECTION 1 - FRAME

FIGURE 1-11. POTHOLE PROTECTION (ALL SPECS EXCEPT AUSTRALIAN)

| ITEM | PART NUMBER | QTY | DESCRIPTION | REV |
|------|-------------|-----|---------------------------------|-----|
| | 0274564 | Ref | POTHOLE PROTECTION INSTALLATION | 1 |
| 1 | 0060084 | 1 | Actuator | |
| 2 | 0100035 | AR | Compound, Locking | |
| 3 | 0630587 | 2 | Bolt, Carriage M6 x 25mm | |
| 4 | 3010145 | 1 | Bar, Pothole (Left) | |
| 4A | 0440263 | 2 | Bushing, Flange | |
| 5 | 3010146 | 2 | Link | |
| 6 | 3010147 | 2 | Link, Actuator (Left) | |
| 6A | 0440263 | 1 | Bushing, Flange | |
| 7 | 3010152 | 1 | Bar, Pothole (Right) | |
| 7A | 0440263 | 2 | Bushing, Flange | |
| 8 | 3010153 | 2 | Link, Actuator (Right) | |
| 8A | 0440263 | 1 | Bushing, Flange | |
| 9 | 3290605 | 2 | Locknut M6 | |
| 10 | 3423189 | 2 | Pin | |
| 11 | 3423230 | 2 | Pin | |
| 12 | 3423231 | 2 | Pin | |
| 13 | 3760348 | 10 | Ring, Retaining | |
| 14 | 3841703 | 1 | Rod, Actuator | |
| 15 | 4010415 | 4 | Screw M4 x 35mm | |
| 16 | 4160160 | 1 | Spring | |
| 17 | 4220258 | 1 | Pad, Actuator | |
| 18 | 4569225 | 1 | Tube, Actuator | |
| 19 | 4569238 | 4 | Spacer | |
| 20 | 4811700 | 2 | Flatwasher M6 | |
| 21 | 3290405 | 4 | Locknut M4 | |
| 22 | 4031707 | 4 | Capscrew M6 x 16mm | |
| 23 | 1001110511 | 2 | Bracket | |
| 24 | 4160222 | 1 | Spring (Right) | |
| 25 | 4160223 | 1 | Spring (Left) | |
| 26 | 4811400 | AR | Flatwasher M4 | |
| 27 | 1001109088 | 2 | Switch, Limit | |

SECTION 1 - FRAME

FIGURE 1-12. POTHOLE PROTECTION (AUSTRALIAN SPECS)



ART_1001224019

SECTION 1 - FRAME

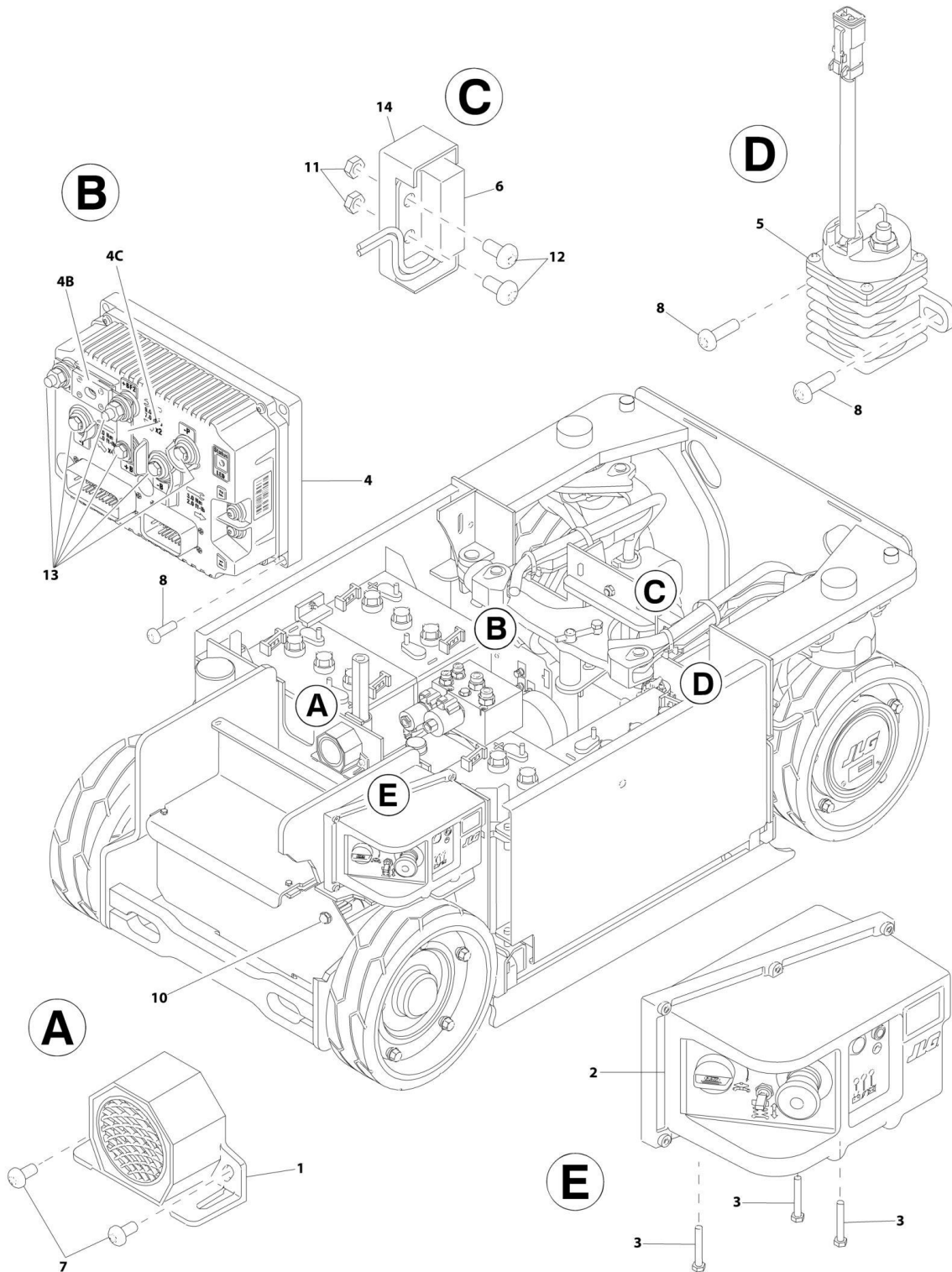
FIGURE 1-12. POTHOLE PROTECTION (AUSTRALIAN SPECS)

| ITEM | PART NUMBER | QTY | DESCRIPTION | REV |
|------|-------------|-----|----------------------------------|-----|
| | 1001224019 | Ref | POTHOLE PROTECTION INSTALLATIONS | A |
| 1 | 0060084 | 1 | Actuator | |
| 2 | 0100035 | AR | Compound, Locking | |
| 3 | 0630587 | 2 | Bolt, Carriage M6 x 25mm | |
| 4 | 3010145 | 1 | Bar, Pothole (Left) | |
| 4A | 0440263 | 2 | Bushing, Flange | |
| 5 | 3010146 | 2 | Link | |
| 6 | 3010147 | 2 | Link, Actuator (Left) | |
| 6A | 0440263 | 1 | Bushing, Flange | |
| 7 | 3010152 | 1 | Bar, Pothole (Right) | |
| 7A | 0440263 | 2 | Bushing, Flange | |
| 8 | 3010153 | 2 | Link, Actuator (Right) | |
| 8A | 0440263 | 1 | Bushing, Flange | |
| 9 | 3290405 | 4 | Locknut M4 | |
| 10 | 3290605 | 2 | Locknut M6 | |
| 11 | 3423189 | 2 | Pin | |
| 12 | 3423230 | 2 | Pin | |
| 13 | 3423231 | 2 | Pin | |
| 14 | 3760348 | 10 | Ring, Retaining | |
| 15 | 3841703 | 1 | Rod, Actuator | |
| 16 | 4010415 | 4 | Screw M4 x 35mm | |
| 17 | 4031707 | 4 | Capscrew M6 x 16mm | |
| 16 | 4160160 | 1 | Spring | |
| 19 | 4160222 | 1 | Spring (Right) | |
| 25 | 4160223 | 1 | Spring (Left) | |
| 21 | 4220258 | 1 | Pad, Actuator | |
| 22 | 4569238 | 4 | Spacer | |
| 23 | 4811400 | AR | Flatwasher M4 | |
| 24 | 4811700 | 2 | Flatwasher M6 | |
| 25 | 1001109088 | 2 | Switch, Limit | |
| 26 | 1001110511 | 2 | Bracket | |
| 27 | 1001200607 | 1 | Tube, Actuator | |

SECTION 2 - GROUND COMPONENTS

SECTION 2 - GROUND COMPONENTS

FIGURE 2-1. ELECTRICAL COMPONENTS INSTALLATION



ART_1001166824

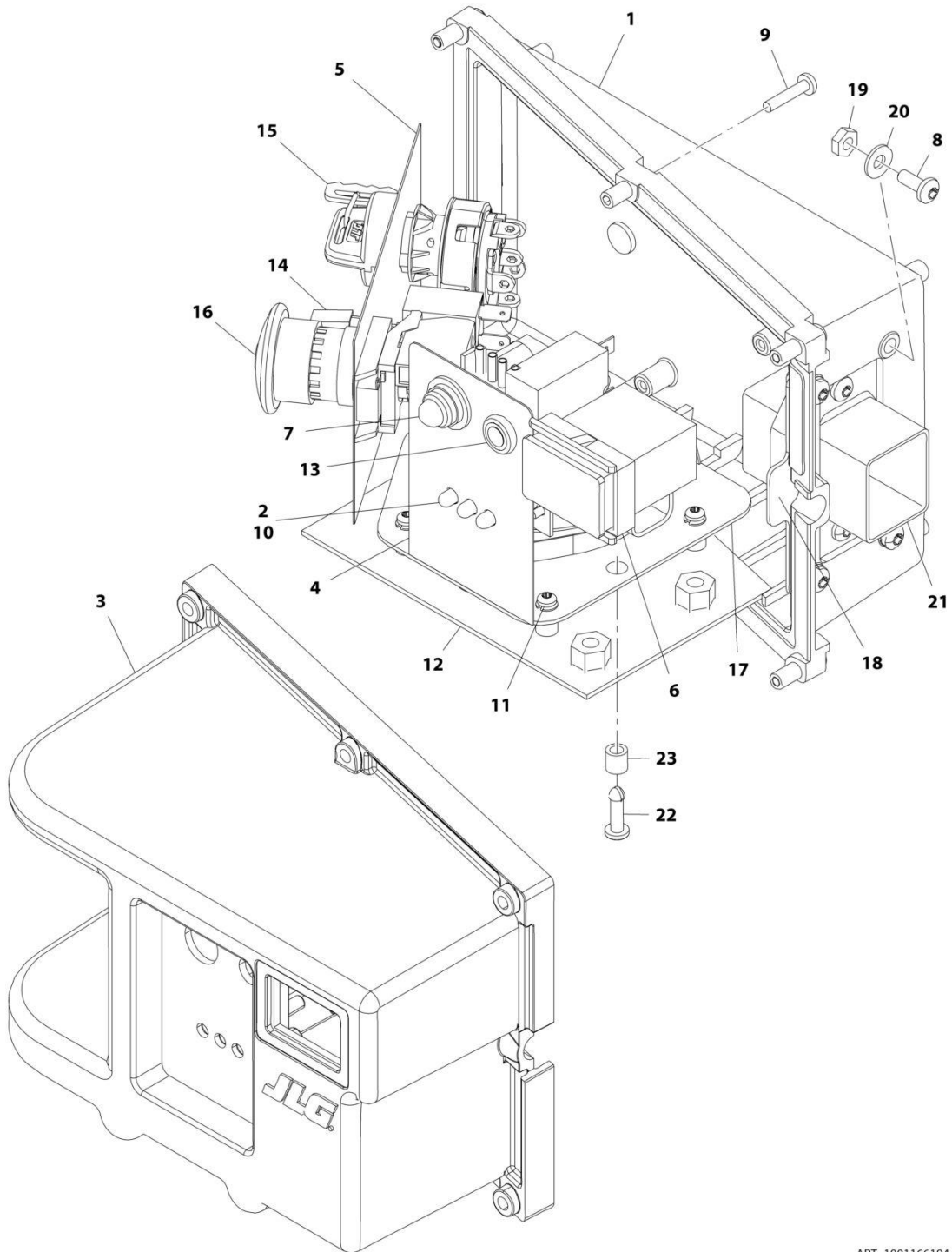
SECTION 2 - GROUND COMPONENTS

FIGURE 2-1. ELECTRICAL COMPONENTS INSTALLATION

| ITEM | PART NUMBER | QTY | DESCRIPTION | REV |
|------|-------------|-----|--|-----|
| | 1001166824 | Ref | ELECTRICAL COMPONENTS INSTALLATION | E |
| 1 | 0140043 | 1 | Alarm | |
| 2 | 1001166194 | 1 | Ground Control Box Assembly (See Separate Breakdown in this Section) | |
| 3 | 0700615 | 3 | Bolt M6 x 35 | |
| 4 | 1001092456 | 1 | Module, Drive | |
| 4B | 70002683 | 1 | Fuse | |
| 4C | 70002682 | 1 | Bussbar | |
| 5 | 3740150 | 1 | Relay | |
| 6 | 4000010 | 1 | Sensor, Proximity | |
| 7 | 4191706 | 2 | Screw M6 x 12 | |
| 8 | 4191708 | 6 | Screw M6 x 20 | |
| 8 | 4191709 | 6 | Screw M6 x 25 | |
| 9 | 1001116640 | 1 | Harness, Chassis (Not Shown, See ELECTRICAL Section for Breakdown) | |
| 10 | 4360387 | 1 | Switch, Push Button | |
| 11 | 3290605 | 1 | Nut M6 | |
| 12 | 3900392 | 1 | Screw M6 x 30 | |
| 13 | 0100048 | 1 | Grease, Dielectric | |
| 14 | 4220307 | 1 | Block, Spacer | |
| 15 | 4240153 | 1 | Strap, Clinch (Not Shown) | |

SECTION 2 - GROUND COMPONENTS

FIGURE 2-2. GROUND CONTROL BOX ASSEMBLY



ART_1001166194

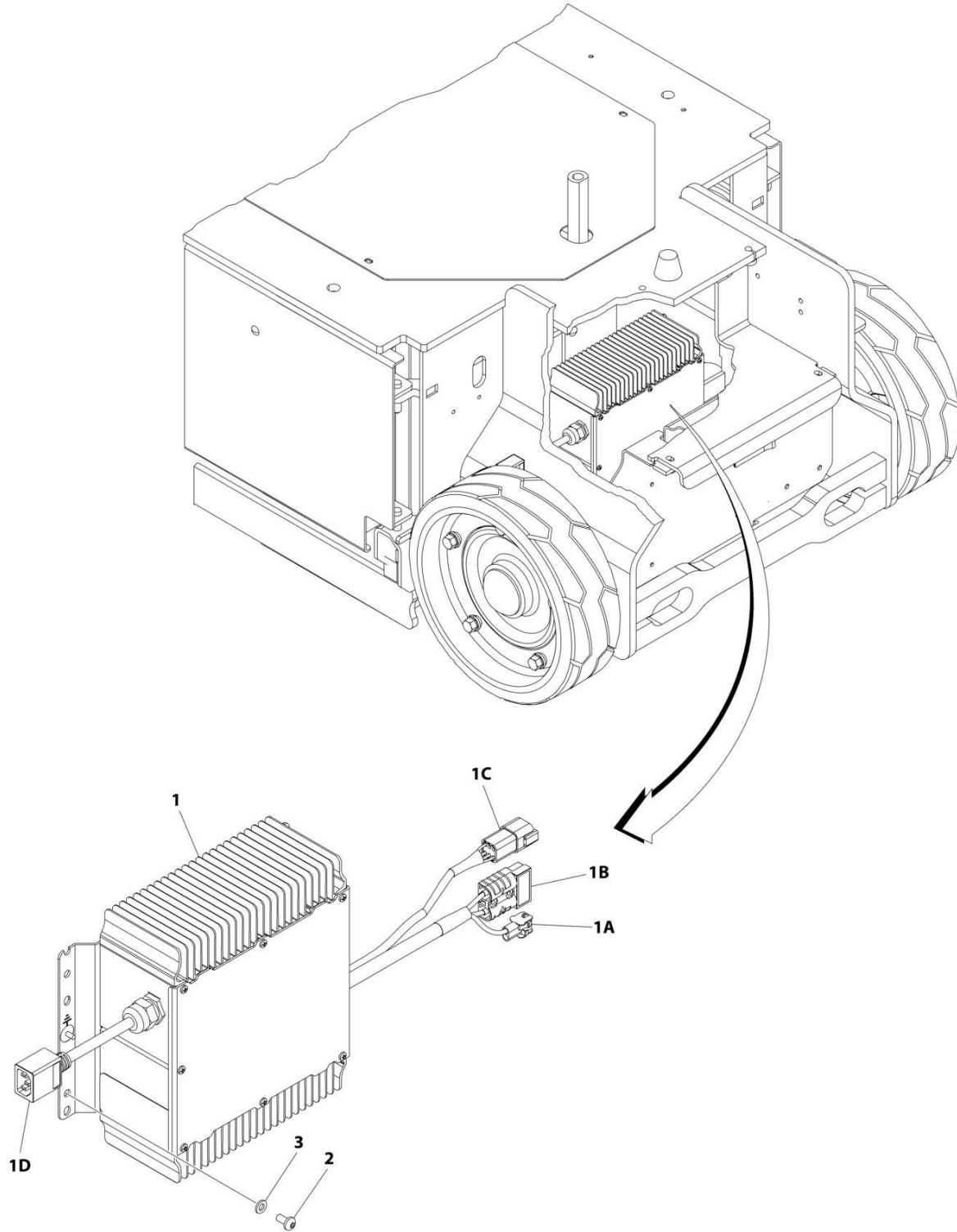
SECTION 2 - GROUND COMPONENTS

FIGURE 2-2. GROUND CONTROL BOX ASSEMBLY

| ITEM | PART NUMBER | QTY | DESCRIPTION | REV |
|------|-------------|-----|--|-----|
| | 1001166194 | Ref | GROUND CONTROL BOX ASSEMBLY - NO LSS | I |
| 1 | 0380025 | 1 | Base, Box | |
| 2 | 0610161 | 1 | PC Board, Charger LED | |
| 2 | 4460321 | 1 | Plug, Male - 4 Position | |
| 2 | 4460268 | 3 | Socket, Female | |
| 3 | 1671105 | 1 | Cover | |
| 4 | 1705696 | 1 | Decal | |
| 5 | 1705698 | 1 | Decal | |
| 6 | 2420172 | 1 | Hourmeter | |
| 7 | 3520193 | 1 | Plug | |
| 8 | 3900336 | 6 | Screw | |
| 9 | 3900338 | 6 | Screw | |
| 10 | 3900339 | 2 | Screw | |
| 11 | 1001180090 | 4 | Screw M3.5 x 20 | |
| 12 | 1001165315 | 1 | Support | |
| 13 | 4360069 | 1 | Breaker, Circuit 10Amp | |
| 14 | 4360328 | 1 | Switch, Toggle | |
| 15 | 4360469 | 1 | Switch, Key | |
| 15 | 2860030 | 1 | Key, Replacement | |
| 16 | 4360475 | 1 | Switch, Emergency Stop | |
| 16 | 7020175 | 1 | Cap | |
| 16 | 7020176 | 1 | Block, Contact | |
| 17 | 1001166255 | 1 | Sensor, Tilt (Includes Sensor, Mounting Plate and Hardware) | |
| 17 | 3931412 | 3 | Screw 1/4 x 3/4 | |
| 17 | 1001163095 | 1 | Sensor | |
| 17 | 1001165316 | 1 | Mount, Sensor | |
| 17 | 1001166776 | 4 | Mount, Standoff | |
| 18 | 1001114937 | 1 | Mount, Harness | |
| 19 | 3321005 | 4 | Nut #10 | |
| 20 | 4751000 | 4 | Washer #10 | |
| 21 | 1001208641 | 1 | Harness, Ground Control Box (See ELECTRICAL SECTION for Breakdown) | |
| 22 | 1001165284 | 1 | Fastener | |
| 23 | 1001165286 | 1 | Spacer | |

SECTION 2 - GROUND COMPONENTS

FIGURE 2-3. BATTERY CHARGER INSTALLATION (ALL SPECS)



ART_0274562

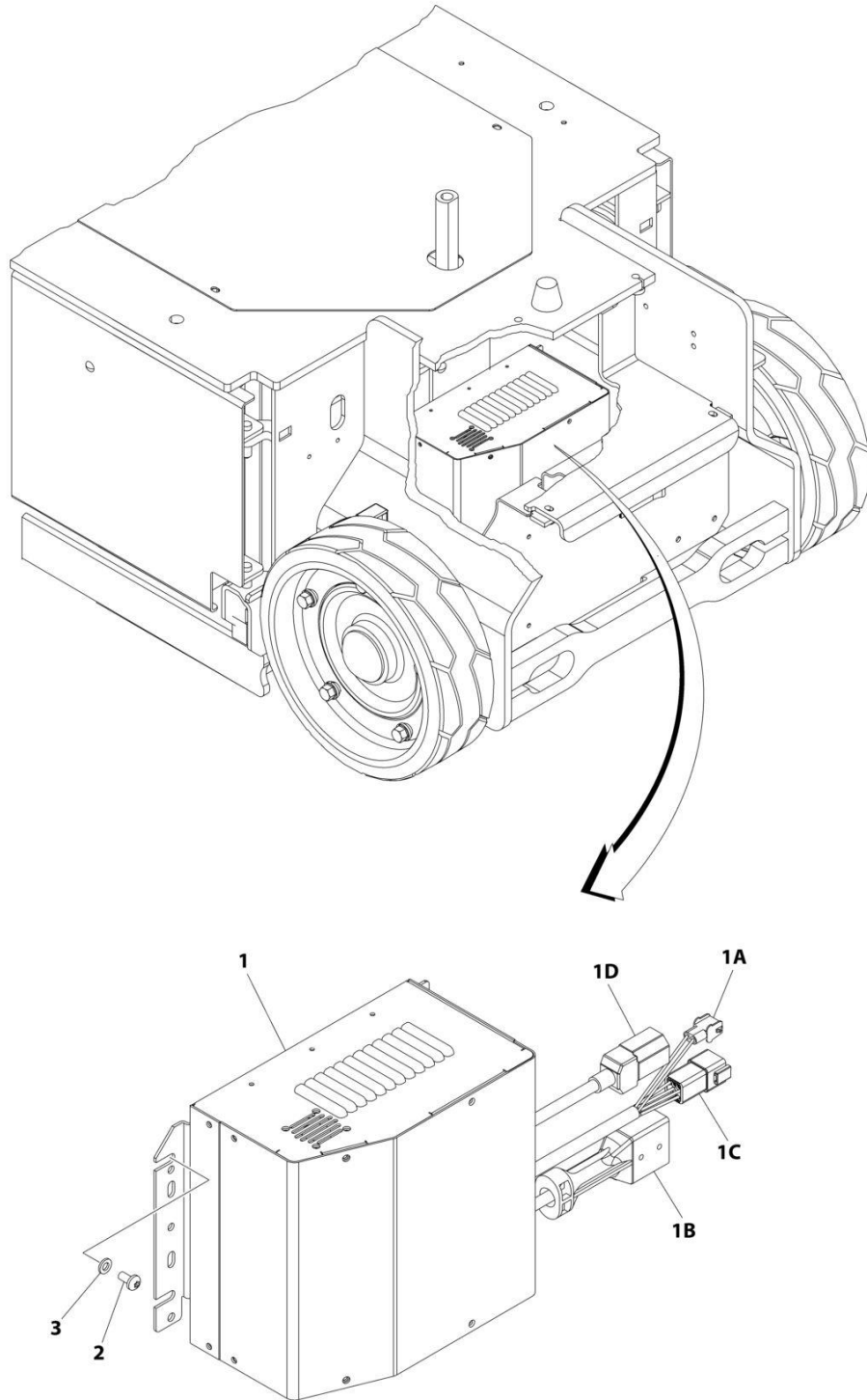
SECTION 2 - GROUND COMPONENTS

FIGURE 2-3. BATTERY CHARGER INSTALLATION (ALL SPECS)

| ITEM | PART NUMBER | QTY | DESCRIPTION | REV |
|------|-------------|-----|---|-----|
| | 0274562 | Ref | BATTERY CHARGER INSTALLATION | F |
| 1 | 1001112111 | 1 | Battery Charger | K |
| 1A | 4460424 | 1 | Connector | |
| 1A | 4460267 | 2 | Pin | |
| 1B | 4460648 | 1 | Connector, Anderson | |
| 1C | 4460899 | 1 | Connector, 6 Position | |
| 1C | 4460464 | 4 | Pin | |
| 1C | 4460466 | 2 | Seal | |
| 1D | See Note | 1 | Receptacle, Female (Note: Not Available for Purchase) | |
| 2 | 4191706 | 4 | Screw M6 x 12 | |
| 3 | 4811700 | 4 | Washer M6 | |
| 4 | 1001103743 | 1 | Decal - Charger (Not Shown) | |

SECTION 2 - GROUND COMPONENTS

FIGURE 2-4. BATTERY CHARGER INSTALLATION (ANSI AND CSA SPECS)



ART_1001229471

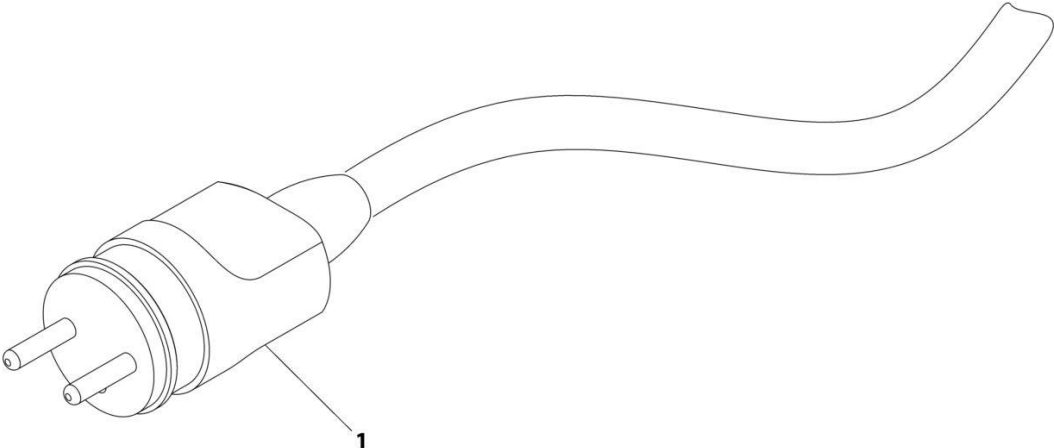
SECTION 2 - GROUND COMPONENTS

FIGURE 2-4. BATTERY CHARGER INSTALLATION (ANSI AND CSA SPECS)

| ITEM | PART NUMBER | QTY | DESCRIPTION | REV |
|------|-------------|-----|---|-----|
| | 1001229471 | Ref | BATTERY CHARGER INSTALLATION | A |
| 1 | 1001177842 | 1 | Battery Charger | A |
| 1A | 4460424 | 1 | Connector | |
| 1A | 4460267 | 2 | Pin | |
| 1B | 4460648 | 1 | Connector, Anderson | |
| 1C | 4460899 | 1 | Connector, 6 Position | |
| 1C | 4460464 | 4 | Pin | |
| 1C | 4460466 | 2 | Seal | |
| 1D | See Note | 1 | Receptacle, Female (Note: Not Available for Purchase) | |
| 2 | 4191706 | 4 | Screw M6 x 12 | |
| 3 | 4811700 | 4 | Washer M6 | |
| 4 | 1001103743 | 1 | Decal - Charger (Not Shown) | |

SECTION 2 - GROUND COMPONENTS

FIGURE 2-5. CHARGER CORD PLUG - 220V CEE7 POST GROUND (CE & UK CA SPECS)



ART_0275663

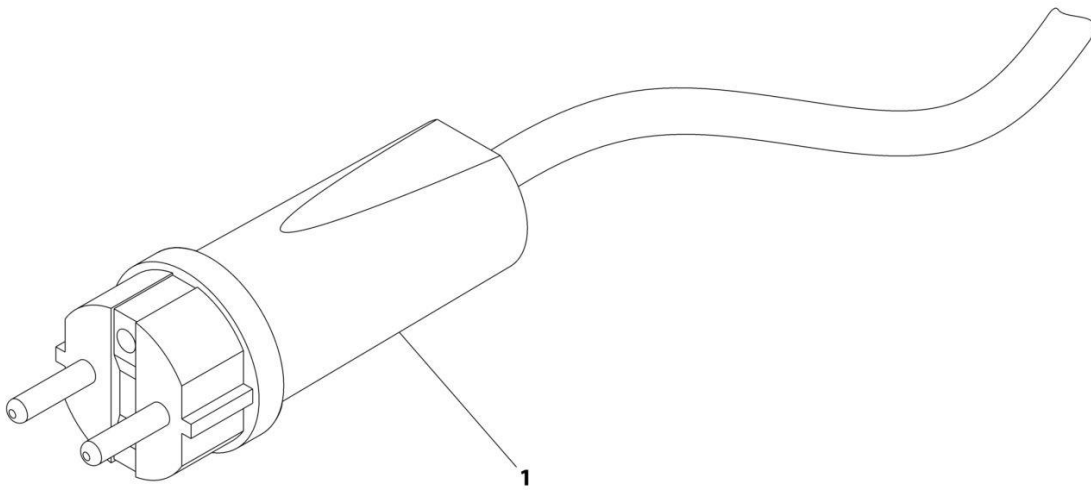
SECTION 2 - GROUND COMPONENTS

FIGURE 2-5. CHARGER CORD PLUG - 220V CEE7 POST GROUND (CE & UK CA SPECS)

| ITEM | PART NUMBER | QTY | DESCRIPTION | REV |
|------|-------------|-----|---|-----|
| | 0275663 | Ref | CHARGER CORD PLUG INSTALLATION - 220V CEE7 POST GROUND | C |
| 1 | 4461205 | 1 | Plug | |

SECTION 2 - GROUND COMPONENTS

FIGURE 2-6. CHARGER CORD PLUG - 220V CEE7 SIDE GROUND (ANSI EXPORT, CE, KOREA & UK CA SPECS)



ART_0275664

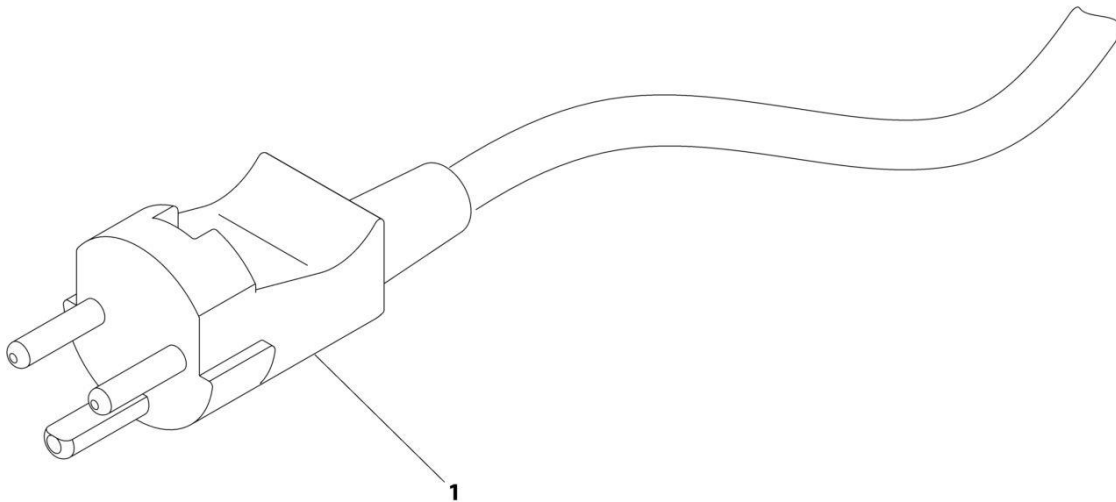
SECTION 2 - GROUND COMPONENTS

FIGURE 2-6. CHARGER CORD PLUG - 220V CEE7 SIDE GROUND (ANSI EXPORT, CE, KOREA & UK CA SPECS)

| ITEM | PART NUMBER | QTY | DESCRIPTION | REV |
|------|-------------|-----|--|-----|
| | 0275664 | Ref | CHARGER CORD PLUG INSTALLATION - 220V CEE7 SIDE GROUND | A |
| 1 | 4461205 | 1 | Plug | |

SECTION 2 - GROUND COMPONENTS

FIGURE 2-7. CHARGER CORD PLUG - 220V AFSINT 107 KEYED GROUND (CE & UK CA SPECS)



ART_0275665

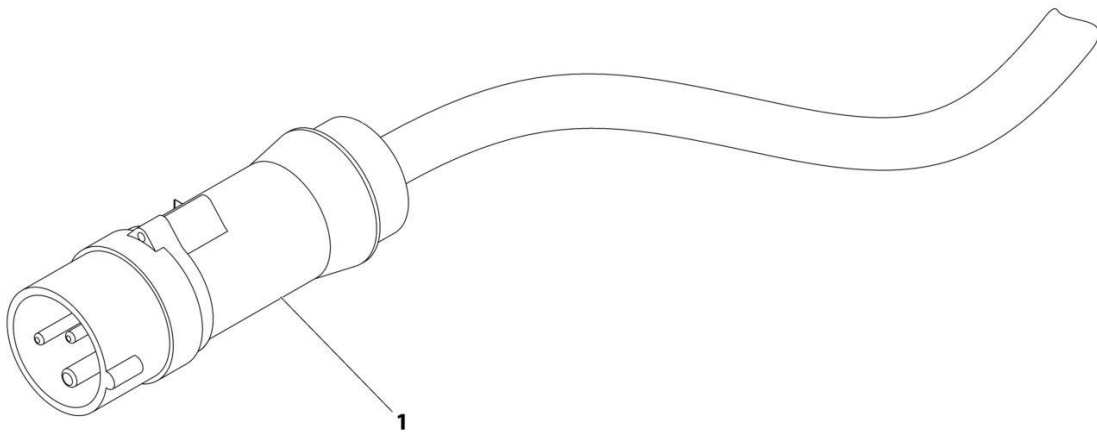
SECTION 2 - GROUND COMPONENTS

FIGURE 2-7. CHARGER CORD PLUG - 220V AFSINT 107 KEYED GROUND (CE & UK CA SPECS)

| ITEM | PART NUMBER | QTY | DESCRIPTION | REV |
|------|-------------|-----|--|-----|
| | 0275665 | Ref | CHARGER CORD PLUG INSTALLATION - 220V AFSINT 107 KEYED GROUND | B |
| 1 | 4461249 | 1 | Plug | |

SECTION 2 - GROUND COMPONENTS

FIGURE 2-8. CHARGER CORD PLUG INSTALLATION - 110V IEC YELLOW (CE & UK CA SPECS)



ART_0275666

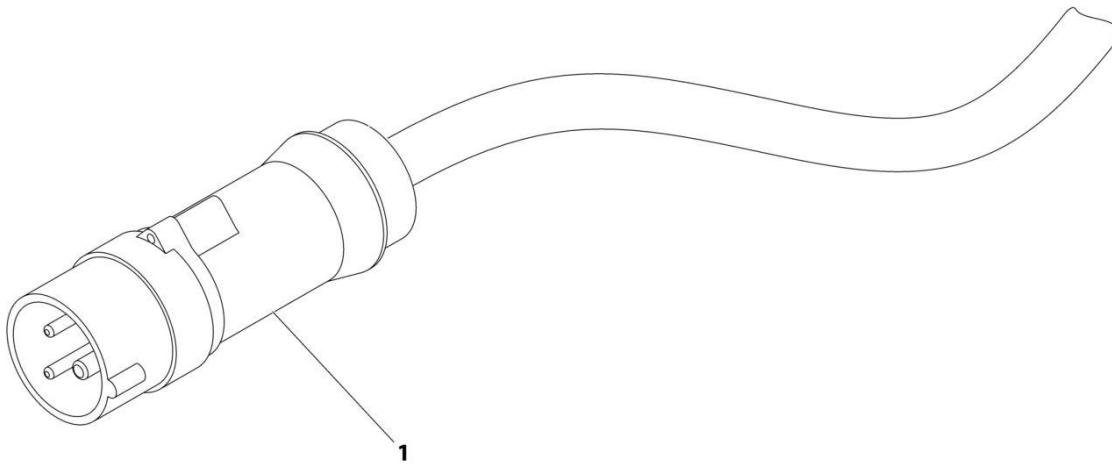
SECTION 2 - GROUND COMPONENTS

FIGURE 2-8. CHARGER CORD PLUG INSTALLATION - 110V IEC YELLOW (CE & UK CA SPECS)

| ITEM | PART NUMBER | QTY | DESCRIPTION | REV |
|------|-------------|-----|--|-----|
| | 0275666 | Ref | CHARGER CORD PLUG INSTALLATION - 110V IEC YELLOW | B |
| 1 | 4461196 | 1 | PLUG Plug | |

SECTION 2 - GROUND COMPONENTS

FIGURE 2-9. CHARGER CORD PLUG INSTALLATION - 220V IEC BLUE (CE & UK CA SPECS)



ART_0275667

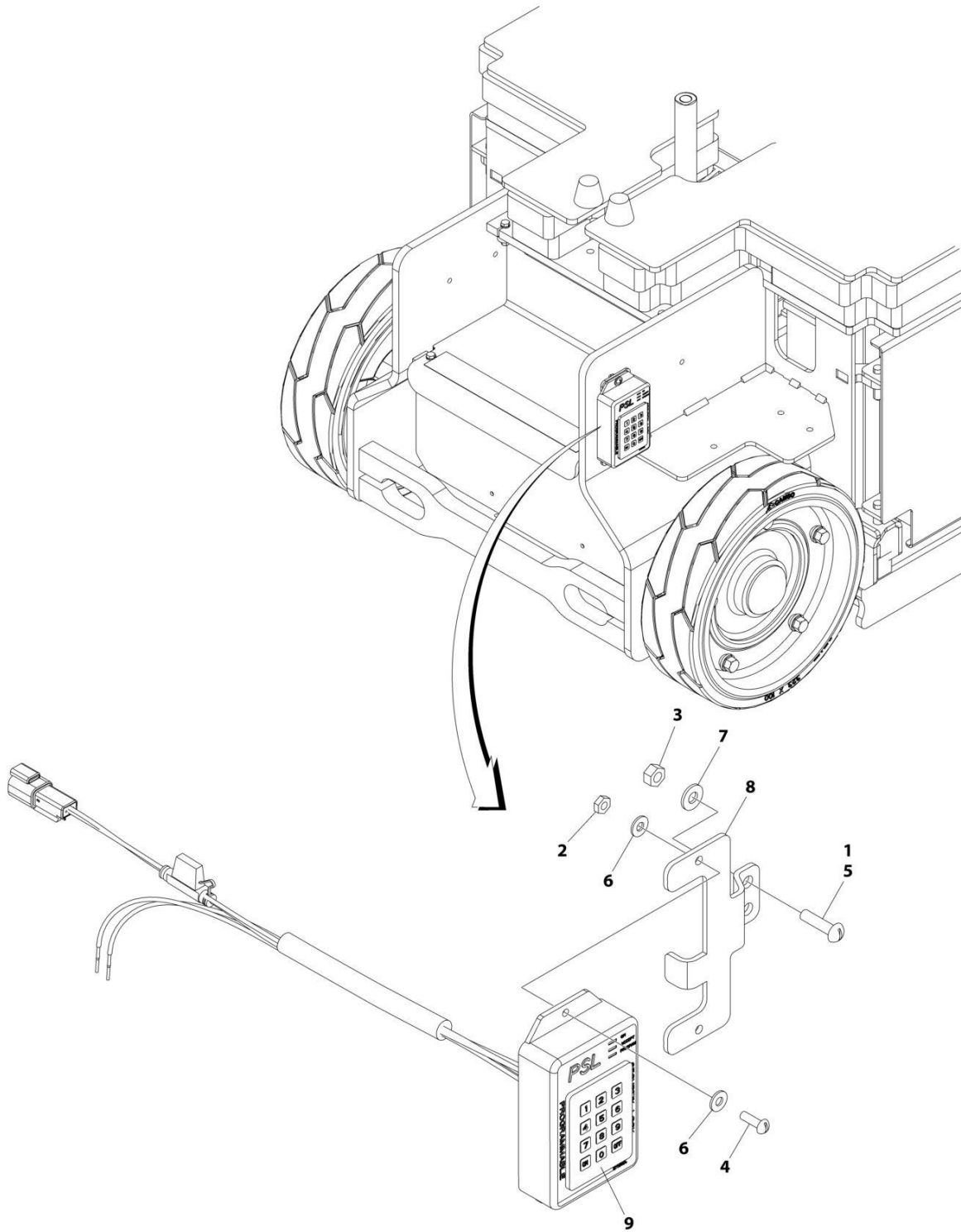
SECTION 2 - GROUND COMPONENTS

FIGURE 2-9. CHARGER CORD PLUG INSTALLATION - 220V IEC BLUE (CE & UK CA SPECS)

| ITEM | PART NUMBER | QTY | DESCRIPTION | REV |
|------|--------------------|----------|---|-----|
| 1 | 0275667 4461199 | Ref 1 | CHARGER CORD PLUG INSTALLATION - 220V IEC BLUE PLUG Plug | B |

SECTION 2 - GROUND COMPONENTS

FIGURE 2-10. PROGRAMMABLE SECURITY LOCK



ART_1001206688

SECTION 2 - GROUND COMPONENTS

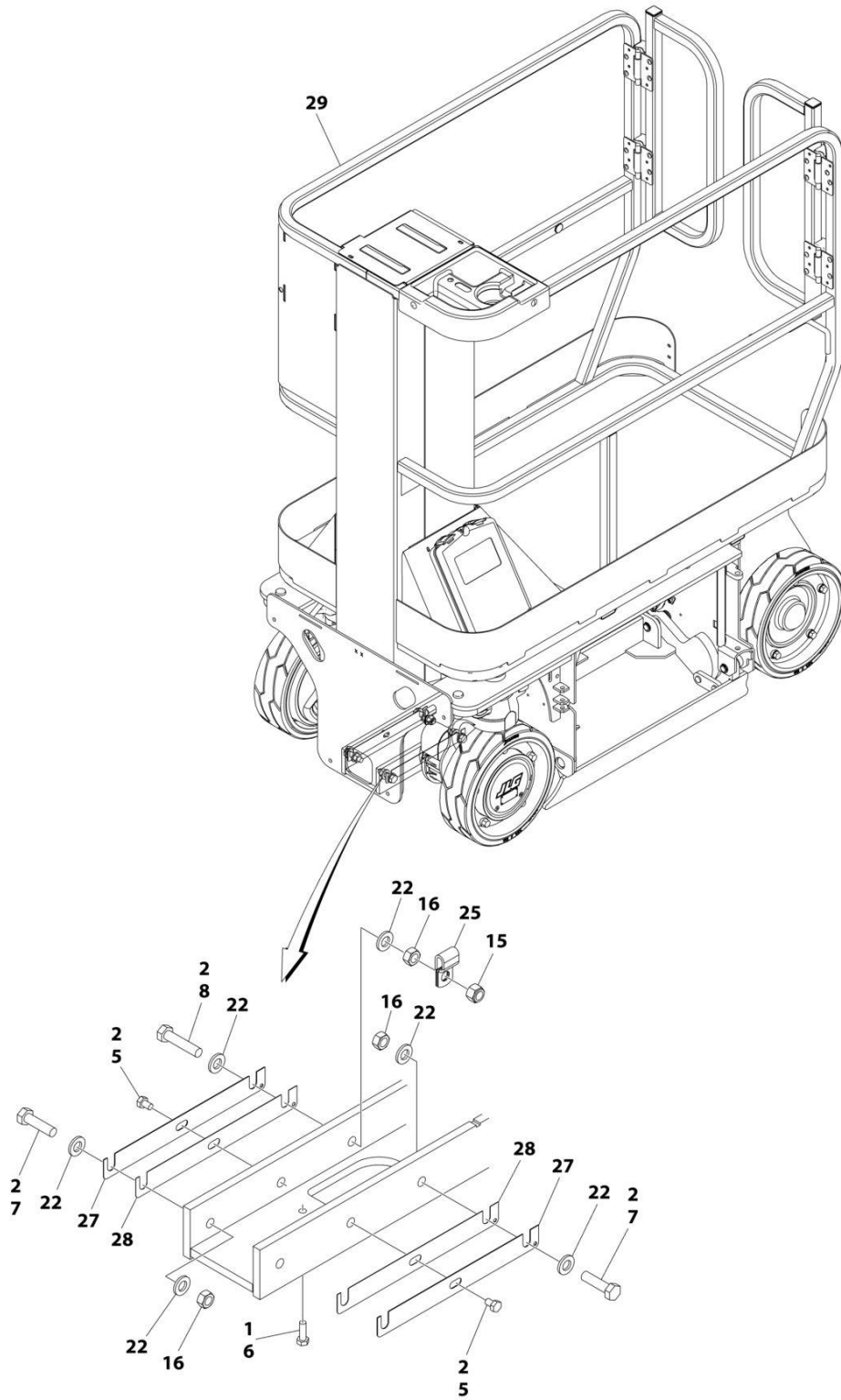
FIGURE 2-10. PROGRAMMABLE SECURITY LOCK

| ITEM | PART NUMBER | QTY | DESCRIPTION | REV |
|------|-------------|-----|----------------------------|-----|
| | 1001206688 | Ref | PROGRAMMABLE SECURITY LOCK | A |
| 1 | 0100011 | AR | Compound, Locking | |
| 2 | 3311005 | 2 | Nut M10 | |
| 3 | 3311405 | 2 | Nut 1/4 | |
| 4 | 3911010 | 2 | Bolt M10 x 5/8 | |
| 5 | 3911416 | 2 | Bolt 1/4 x 1 | |
| 6 | 4711000 | 4 | Washer M10 | |
| 7 | 4711400 | 2 | Washer 1/4 | |
| 8 | 1001206687 | 1 | Bracket, Mounting | |
| 9 | 1001209674 | 1 | Programmable Security Lock | |

SECTION 3 - MAST

SECTION 3 - MAST

FIGURE 3-1. MAST INSTALLATION (ANSI, ANSI EXPORT, AND CSA SPECS)



ART_1001254195_10F2

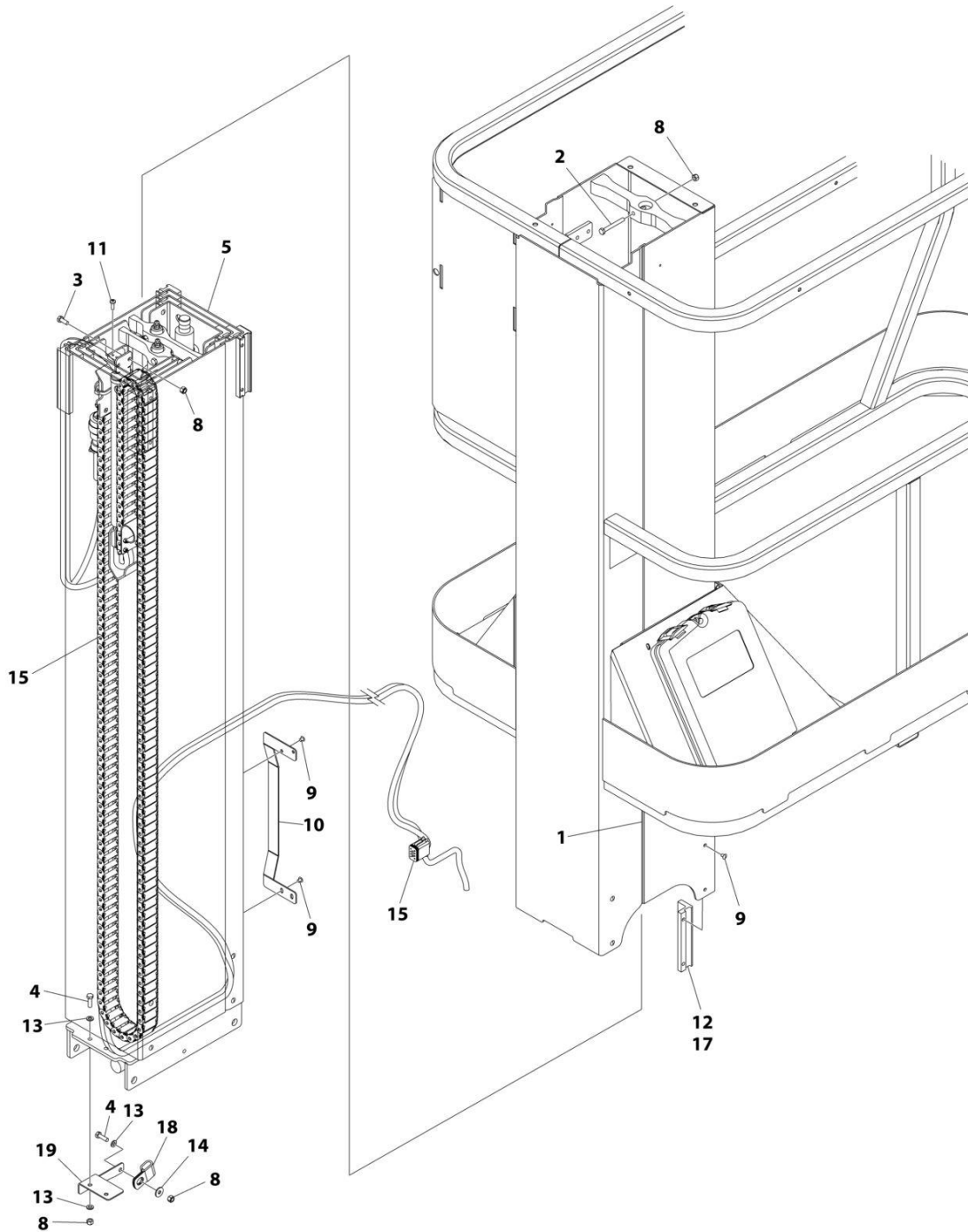
SECTION 3 - MAST

FIGURE 3-1. MAST INSTALLATION (ANSI, ANSI EXPORT, AND CSA SPECS)

| ITEM | PART NUMBER | QTY | DESCRIPTION | REV |
|------|-------------|-----|--|-----|
| | 1001254195 | Ref | MAST INSTALLATION | B |
| 1 | 0100011 | AR | Compound, Locking | |
| 2 | 0100019 | AR | Compound, Locking | |
| 3 | 0100048 | AR | Grease, Dielectric (Not Shown) | |
| 5 | 0760806 | AR | Screw M8 x 12 | |
| 6 | 0760812 | 2 | Screw M8 x 25 | |
| 7 | 0771217 | 3 | Bolt M12 x 45 | |
| 8 | 0771219 | 1 | Bolt M12 x 55 | |
| 15 | 3291205 | 1 | Nut M12 | |
| 16 | 3331211 | 4 | Nut M12 | |
| 22 | 5241200 | 8 | Washer M12 | |
| 25 | 1001102858 | 1 | Clamp | |
| 27 | 1001193274 | AR | Shim | |
| 28 | 1001193275 | AR | Shim | |
| 29 | 1001254198 | Ref | Mast Sub-Assembly (See Separate Breakdown in this Section) | |

SECTION 3 - MAST

FIGURE 3-2. MAST SUB-ASSEMBLY (ANSI, ANSI EXPORT, AND CSA SPECS)



ART_1001254198_C_10F2

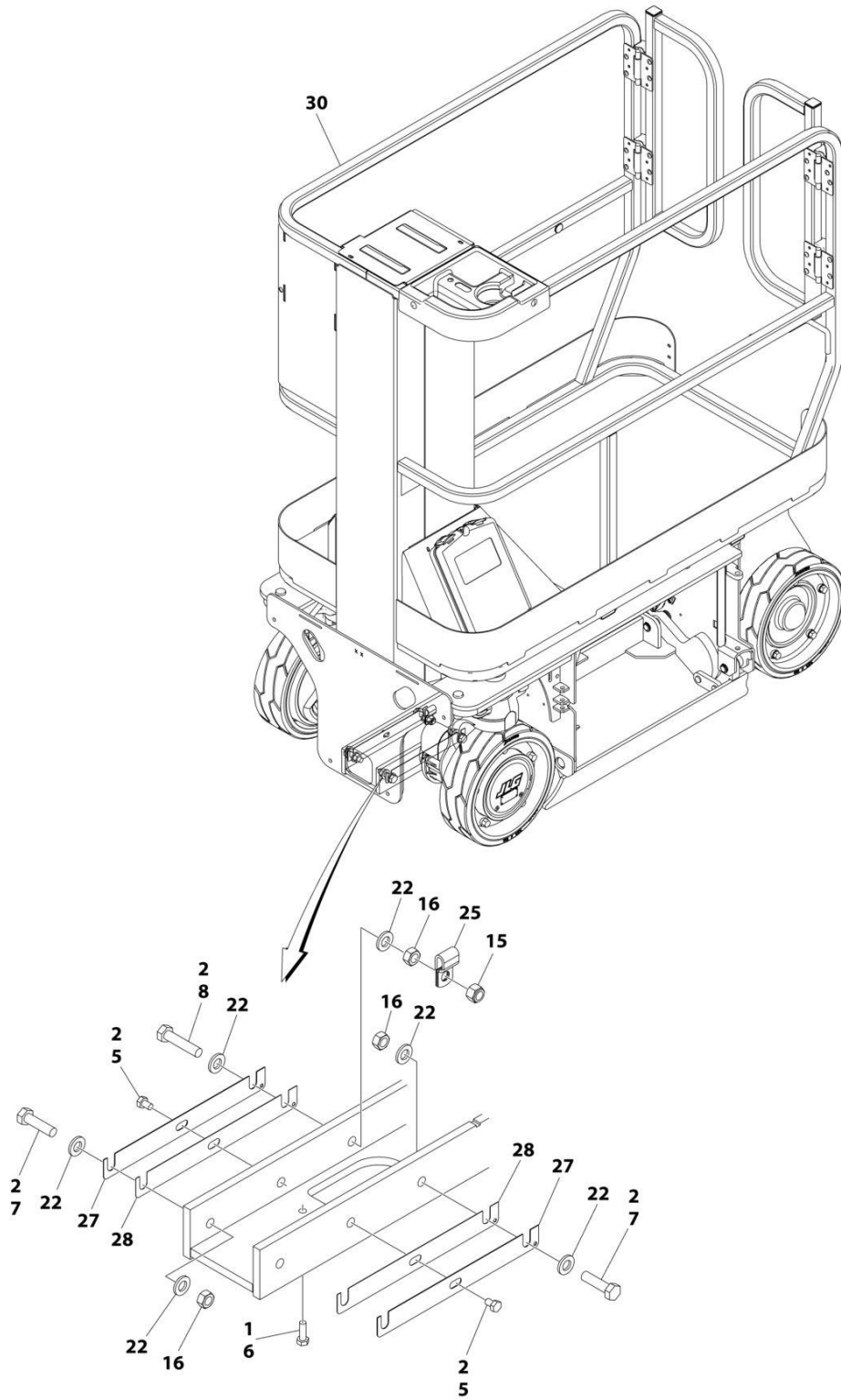
SECTION 3 - MAST

FIGURE 3-2. MAST SUB-ASSEMBLY (ANSI, ANSI EXPORT, AND CSA SPECS)

| ITEM | PART NUMBER | QTY | DESCRIPTION | REV |
|------|-------------|-----|--|-----|
| | 1001254198 | Ref | MAST SUB-ASSEMBLY | C |
| 1 | 0100040 | AR | Adhesive | |
| 2 | 0700618 | 1 | Bolt M6 x 50 | |
| 3 | 0760608 | 2 | Bolt M6 x 16 | |
| 4 | 0760610 | 3 | Bolt M6 x 20 | |
| 5 | 0801530 | 1 | Mast Assembly (See Separate Breakdown in this Section) | |
| 8 | 3290605 | 6 | Nut M6 | |
| 9 | 3820019 | 30 | Rivet | |
| 10 | 4160220 | 1 | Spring, Mast | |
| 11 | 4191406 | 2 | Screw M4 x 12 | |
| 12 | 4700042 | AR | Pad, Slide | |
| 13 | 4811700 | 8 | Washer M6 | |
| 14 | 4811702 | 1 | Washer M6 | |
| 15 | 1001239932 | 1 | Cable, Platform Control (See Separate Breakdown in ELECTRICAL Section) | |
| 17 | 1001092165 | AR | Pad, Slide | |
| 18 | 1001102858 | 1 | Clamp | |
| 19 | 1001156211 | 1 | Bracket, Cable Support | |

SECTION 3 - MAST

FIGURE 3-3. MAST INSTALLATION (ANSI EXPORT, JAPANESE, AND KOREA SPECS)



ART_1001254341_10F2

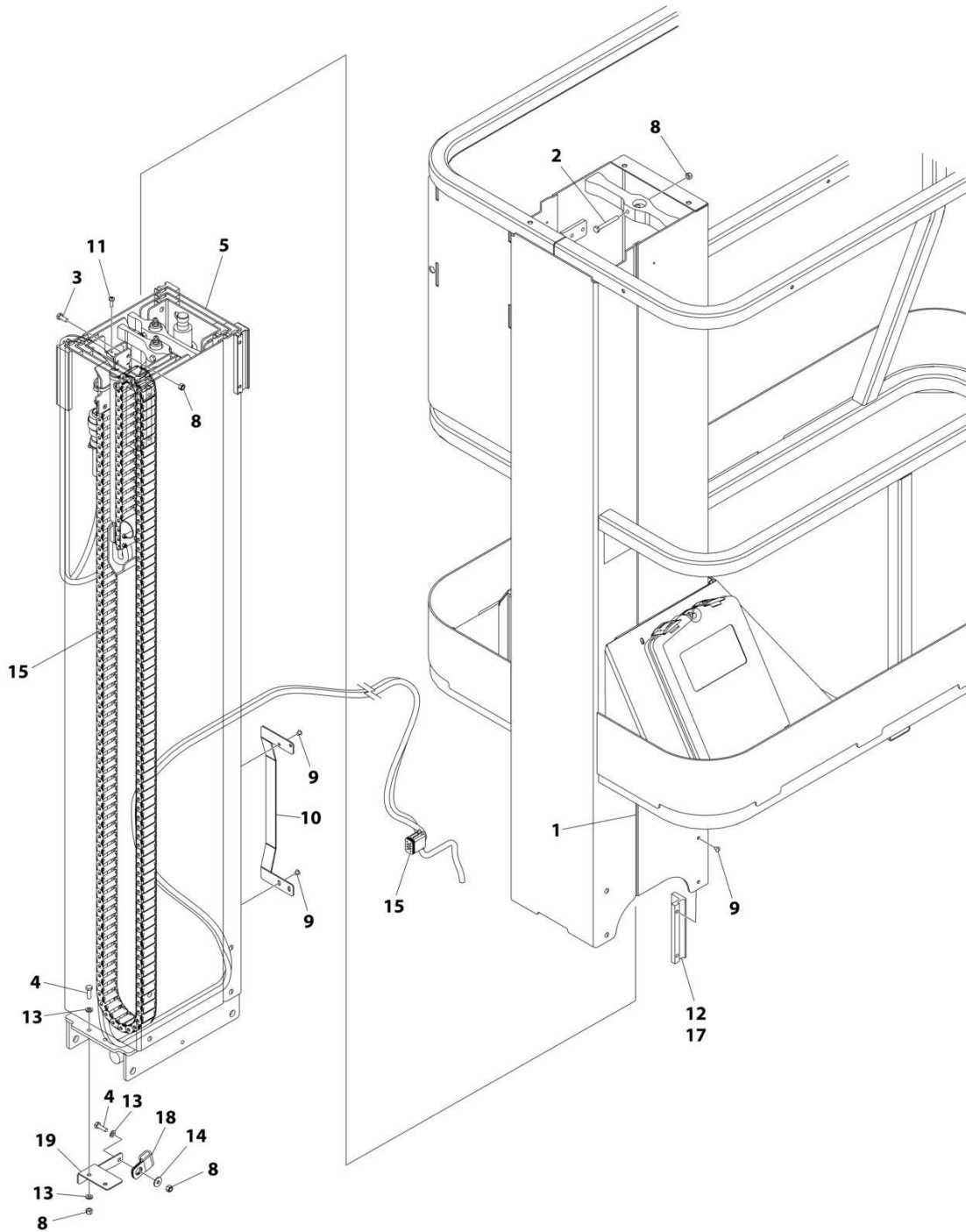
SECTION 3 - MAST

FIGURE 3-3. MAST INSTALLATION (ANSI EXPORT, JAPANESE, AND KOREA SPECS)

| ITEM | PART NUMBER | QTY | DESCRIPTION | REV |
|------|-------------|-----|--|-----|
| | 1001254341 | Ref | MAST INSTALLATION | B |
| 1 | 0100011 | AR | Compound, Locking | |
| 2 | 0100019 | AR | Compound, Locking | |
| 3 | 0100048 | AR | Grease, Dielectric (Not Shown) | |
| 5 | 0760806 | AR | Screw M8 x 12 | |
| 6 | 0760812 | 2 | Screw M8 x 25 | |
| 7 | 0771217 | 3 | Bolt M12 x 45 | |
| 8 | 0771219 | 1 | Bolt M12 x 55 | |
| 15 | 3291205 | 1 | Nut M12 | |
| 16 | 3331211 | 4 | Nut M12 | |
| 22 | 5241200 | 8 | Washer M12 | |
| 25 | 1001102858 | 1 | Clamp | |
| 27 | 1001193274 | AR | Shim | |
| 28 | 1001193275 | AR | Shim | |
| 30 | 1001254342 | Ref | Mast Sub-Assembly (See Separate Breakdown in this Section) | |

SECTION 3 - MAST

FIGURE 3-4. MAST SUB-ASSEMBLY (ANSI EXPORT, JAPANESE, AND KOREA SPECS)



ART_1001254342_C_10F2

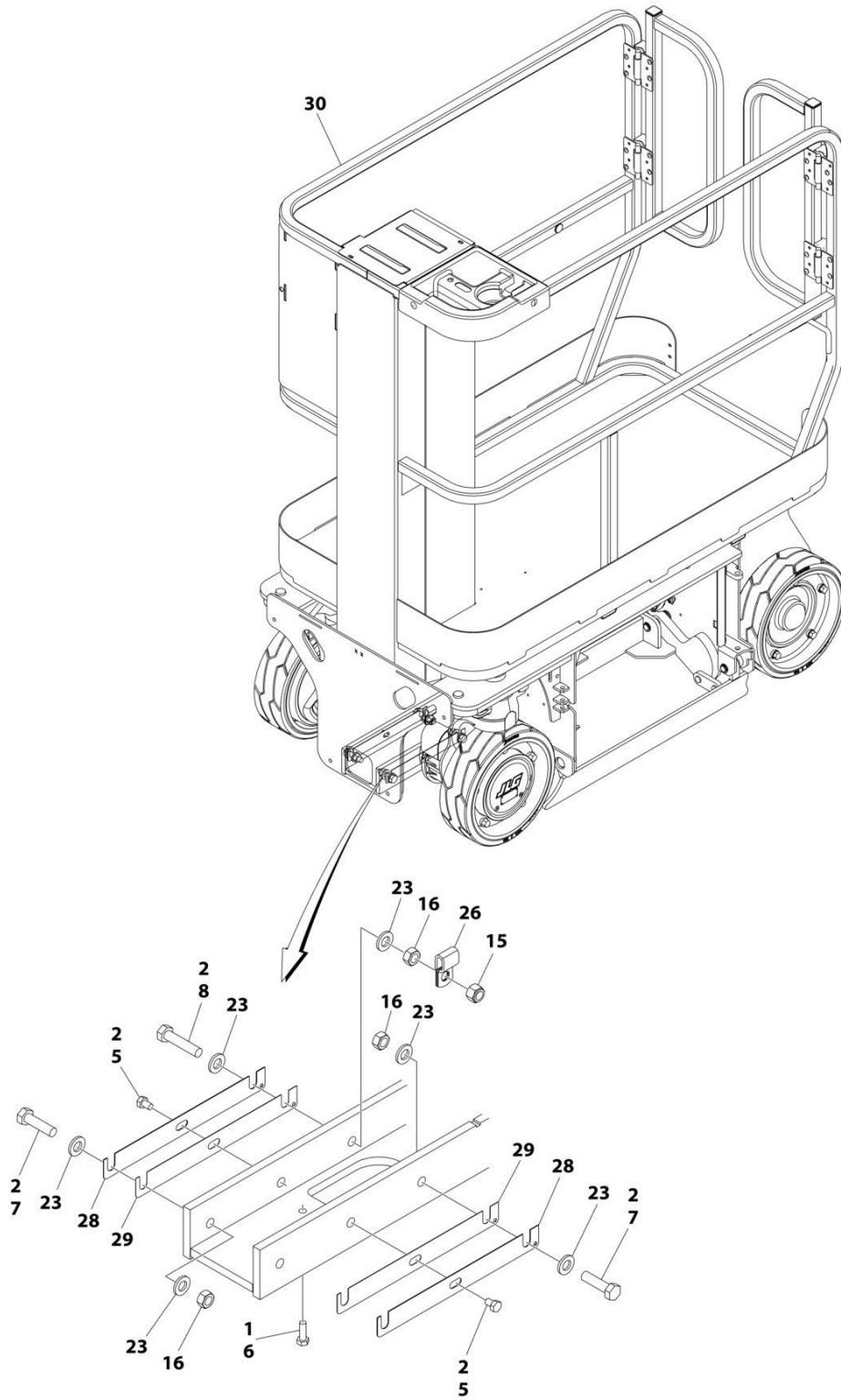
SECTION 3 - MAST

FIGURE 3-4. MAST SUB-ASSEMBLY (ANSI EXPORT, JAPANESE, AND KOREA SPECS)

| ITEM | PART NUMBER | QTY | DESCRIPTION | REV |
|------|-------------|-----|--|-----|
| | 1001254342 | Ref | MAST SUB-ASSEMBLY | C |
| 1 | 0100040 | AR | Sealant | |
| 2 | 0700618 | 1 | Bolt M6 x 50 | |
| 3 | 0760608 | 2 | Bolt M6 x 16 | |
| 4 | 0760610 | 3 | Bolt M6 x 20 | |
| 5 | 0801530 | 1 | Mast Assembly (See Separate Breakdown in this Section) | |
| 8 | 3290605 | 6 | Nut M6 | |
| 9 | 3820019 | 30 | Rivet | |
| 10 | 4160220 | 1 | Spring, Mast | |
| 11 | 4191406 | 2 | Screw M4 x 12 | |
| 12 | 4700042 | AR | Slide Pad | |
| 13 | 4811700 | 8 | Washer M6 | |
| 14 | 4811702 | 1 | Washer M6 | |
| 15 | 1001239932 | 1 | Cable, Platform Control (See Separate Breakdown in ELECTRICAL Section) | |
| 17 | 1001092165 | AR | Pad, Slide | |
| 18 | 1001102858 | 1 | Clamp | |
| 19 | 1001156211 | 1 | Bracket, Cable Support | |

SECTION 3 - MAST

FIGURE 3-5. MAST INSTALLATION (CE & UK CA SPECS)



ART_1001254196_10F2

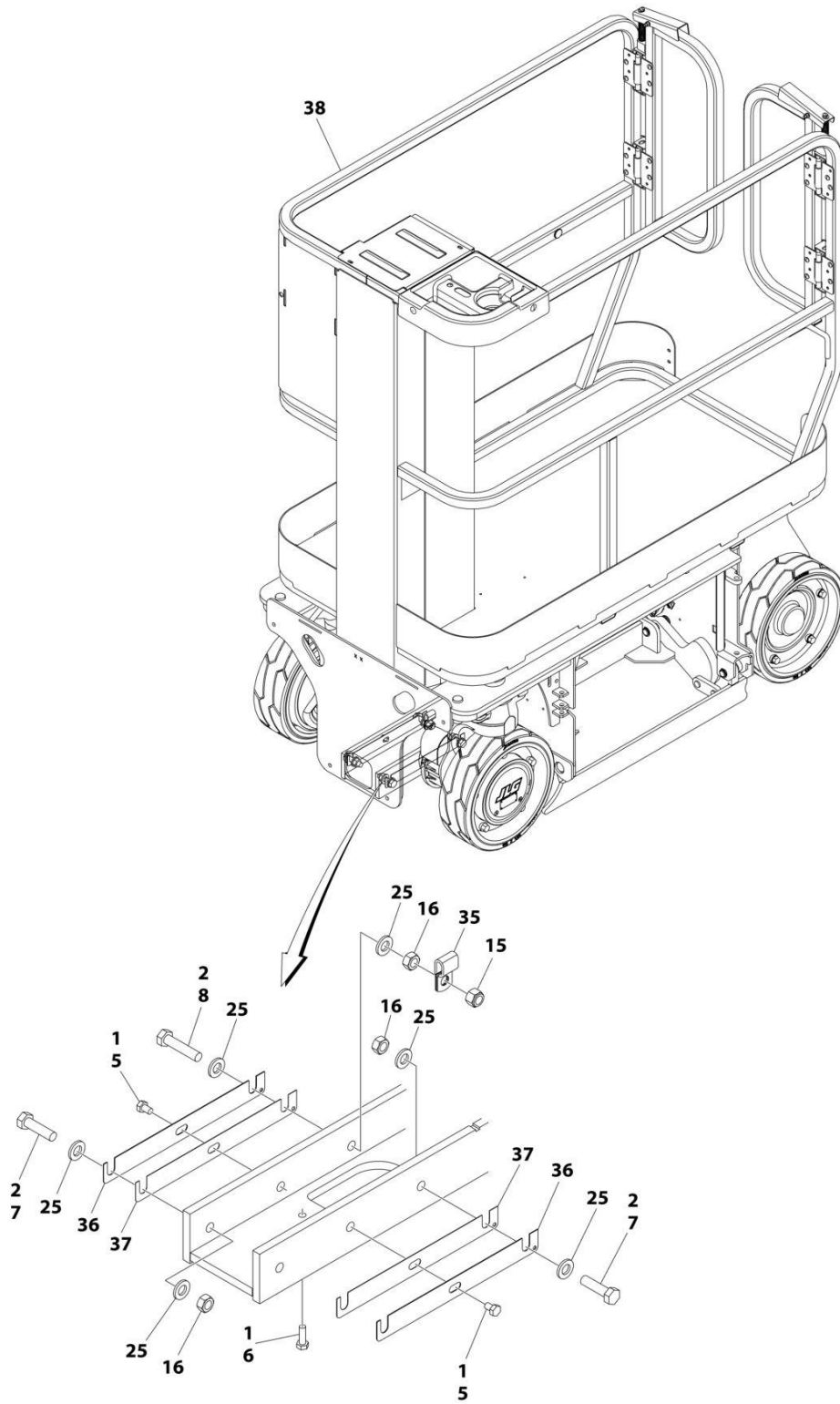
SECTION 3 - MAST

FIGURE 3-5. MAST INSTALLATION (CE & UK CA SPECS)

| ITEM | PART NUMBER | QTY | DESCRIPTION | REV |
|------|-------------|-----|--|-----|
| | 1001254196 | Ref | MAST INSTALLATION | B |
| 1 | 0100011 | AR | Compound, Locking | |
| 2 | 0100019 | AR | Compound, Locking | |
| 3 | 0100048 | AR | Grease, Dielectric (Not Shown) | |
| 5 | 0760806 | AR | Screw M8 x 12 | |
| 6 | 0760812 | 2 | Screw M8 x 25 | |
| 7 | 0771217 | 3 | Bolt M12 x 45 | |
| 8 | 0771219 | 1 | Bolt M12 x 55 | |
| 15 | 3291205 | 1 | Nut M12 | |
| 16 | 3331211 | 4 | Nut M12 | |
| 23 | 5241200 | 8 | Washer M12 | |
| 26 | 1001102858 | 1 | Clamp | |
| 28 | 1001193274 | AR | Shim | |
| 29 | 1001193275 | AR | Shim | |
| 30 | 1001254348 | Ref | Mast Sub-Assembly (See Separate Breakdown in this Section) | |

SECTION 3 - MAST

FIGURE 3-6. MAST INSTALLATION (AUSTRALIAN SPECS)



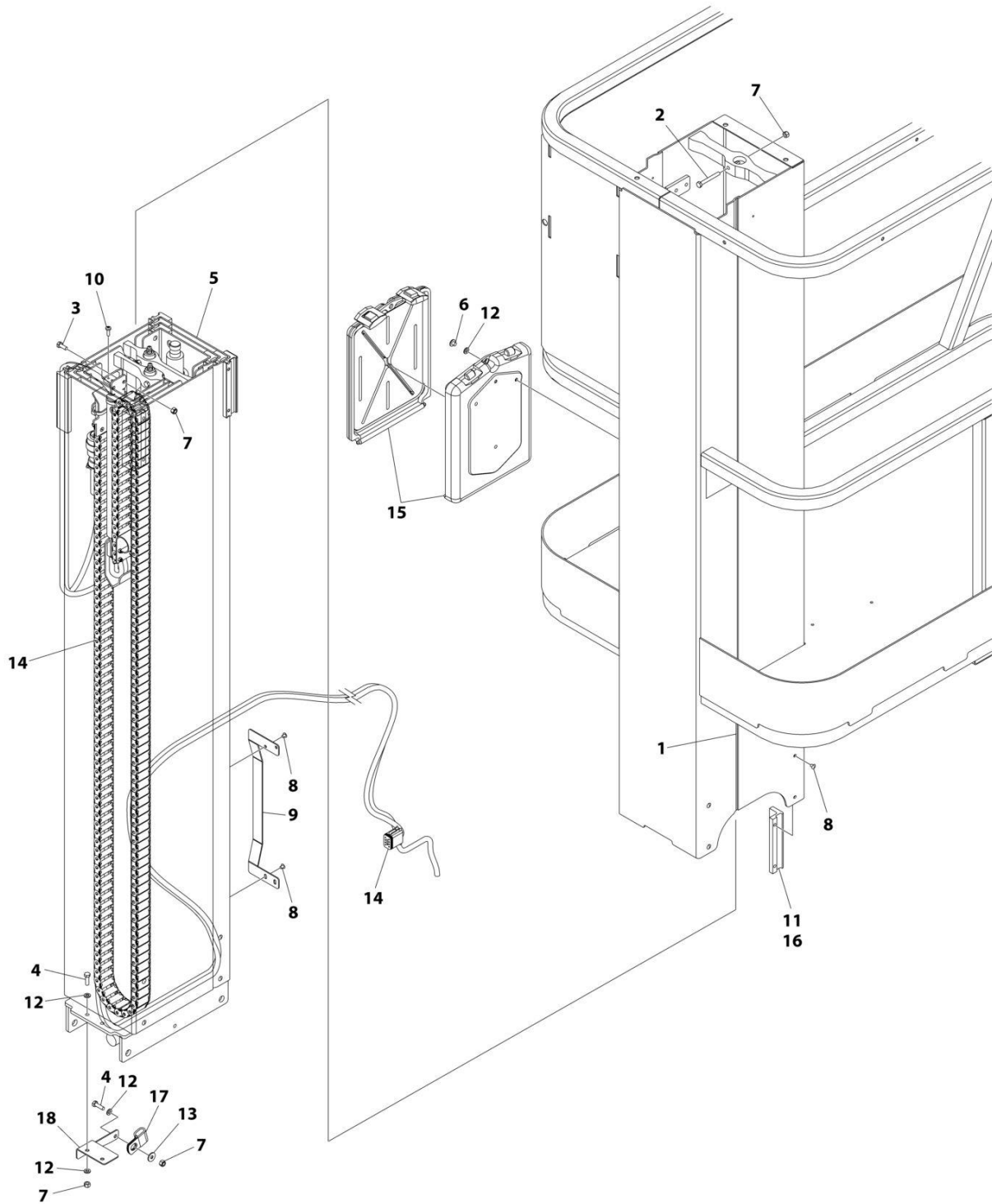
ART_1001254197_10F2

FIGURE 3-6. MAST INSTALLATION (AUSTRALIAN SPECS)

| ITEM | PART NUMBER | QTY | DESCRIPTION | REV |
|------|-------------|-----|--|-----|
| | 1001254197 | Ref | MAST INSTALLATION | B |
| 1 | 0100011 | AR | Compound, Locking | |
| 2 | 0100019 | AR | Compound, Locking | |
| 3 | 0100048 | AR | Grease, Dielectric (Not Shown) | |
| 5 | 0760806 | AR | Screw M8 x 12 | |
| 6 | 0760812 | 2 | Screw M8 x 25 | |
| 7 | 0771217 | 3 | Bolt M12 x 45 | |
| 8 | 0771219 | 1 | Bolt M12 x 55 | |
| 15 | 3291205 | 1 | Nut M12 | |
| 16 | 3331211 | 4 | Nut M12 | |
| 25 | 5241200 | 8 | Washer M12 | |
| 35 | 1001102858 | 1 | Clamp | |
| 36 | 1001193274 | AR | Shim | |
| 37 | 1001193275 | AR | Shim | |
| 38 | 1001254348 | Ref | Mast Sub-Assembly (See Separate Breakdown in this Section) | |

SECTION 3 - MAST

FIGURE 3-7. MAST SUB-ASSEMBLY (CE & UK CA SPECS)



ART_1001254348_10F2

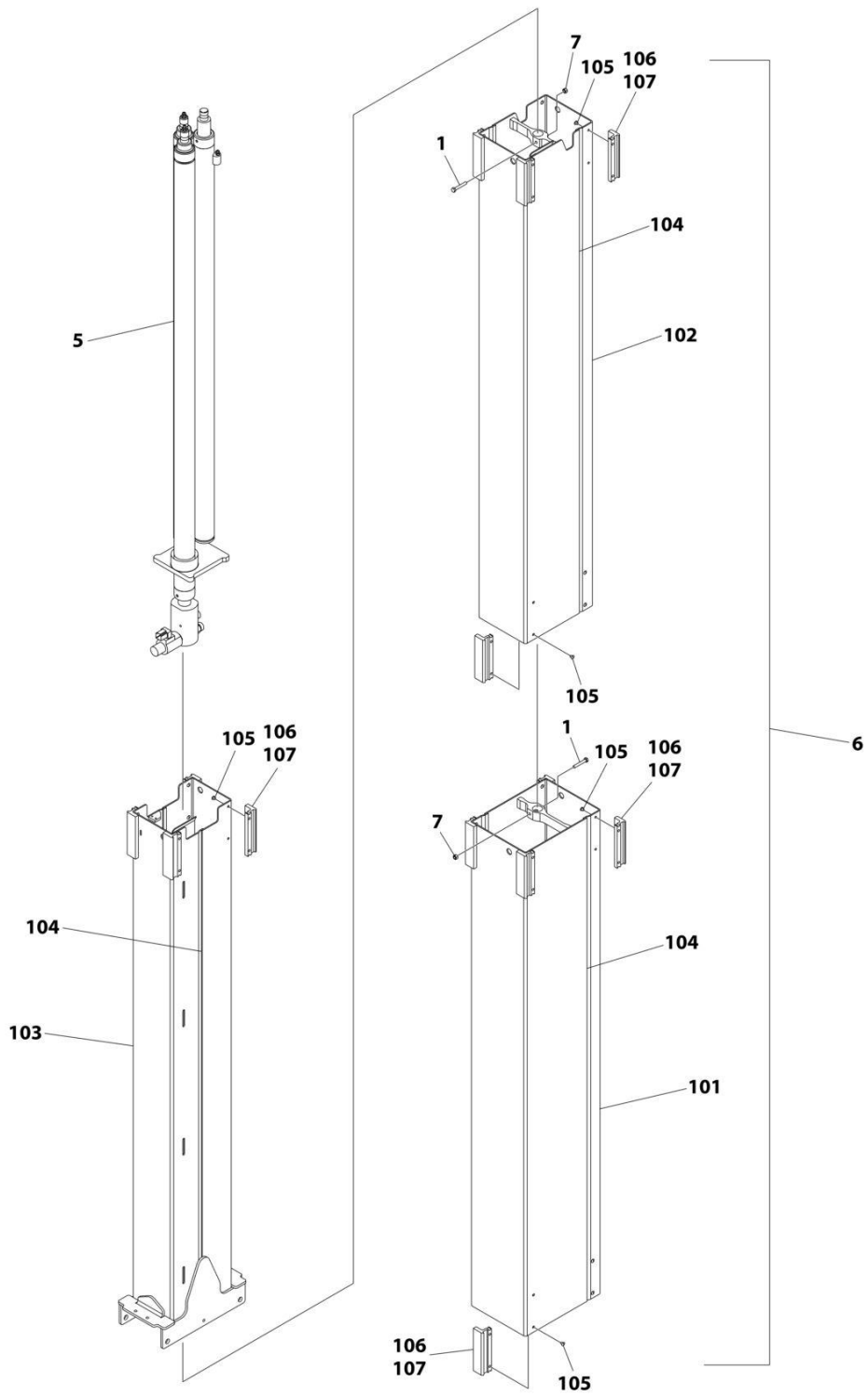
SECTION 3 - MAST

FIGURE 3-7. MAST SUB-ASSEMBLY (CE & UK CA SPECS)

| ITEM | PART NUMBER | QTY | DESCRIPTION | REV |
|------|-------------|-----|--|-----|
| | 1001254348 | Ref | MAST SUB-ASSEMBLY | B |
| 1 | 0100040 | AR | Adhesive | |
| 2 | 0700618 | 1 | Bolt M6 x 50 | |
| 3 | 0760608 | 2 | Bolt M6 x 16 | |
| 4 | 0760610 | 3 | Bolt M6 x 20 | |
| 5 | 0801530 | 1 | Mast Assembly (See Separate Breakdown in this Section) | |
| 6 | 2080040 | 3 | Fastener | |
| 7 | 3290605 | 6 | Nut M6 | |
| 8 | 3820019 | 12 | Rivet | |
| 9 | 4160220 | 1 | Spring, Mast | |
| 10 | 4191406 | 2 | Screw M4 x 12 | |
| 11 | 4700042 | AR | Slide Pad | |
| 12 | 4811700 | 8 | Washer M6 | |
| 13 | 4811702 | 1 | Washer M6 | |
| 14 | 1001239932 | 1 | Cable, Platform Control (See Separate Breakdown in ELECTRICAL Section) | |
| 15 | 8990147 | 1 | Manual Holder | |
| 16 | 1001092165 | AR | Pad, Slide | |
| 17 | 1001102858 | 1 | Clamp | |
| 18 | 1001156211 | 1 | Bracket, Cable Support | |

SECTION 3 - MAST

FIGURE 3-8. MAST ASSEMBLY



ART_0801530

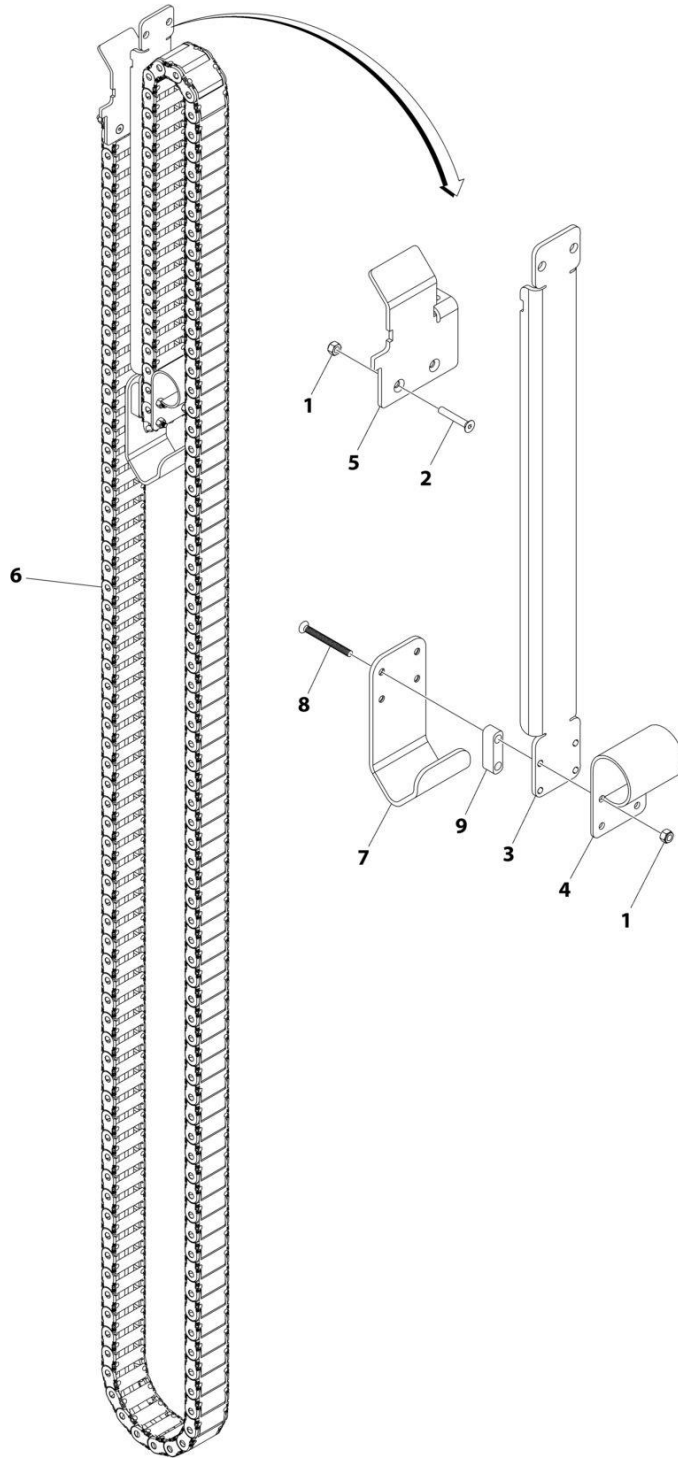
SECTION 3 - MAST

FIGURE 3-8. MAST ASSEMBLY

| ITEM | PART NUMBER | QTY | DESCRIPTION | REV |
|------|-------------|-----|--|-----|
| | 0801530 | Ref | MAST ASSEMBLY | N |
| 1 | 0700616 | 2 | Bolt M6 x 40 | |
| 5 | 1684469 | 1 | Cylinder Assembly (See Separate Breakdown in CYLINDER Section) | |
| 6 | 2902439 | 1 | Mast Kit (includes items 101-107) | |
| 7 | 3290605 | 2 | Nut M6 | |
| | | Ref | MAST KIT | Q |
| 101 | 0801532 | 1 | Boom, Outer Mid Mast | |
| 102 | 0801533 | 1 | Boom, Inner Mid Mast | |
| 103 | 1001266761 | 1 | Boom, Inner Mast | |
| 104 | 0100040 | 1 | Adhesive | |
| 105 | 3820019 | AR | Rivet | |
| 106 | 4700042 | AR | Slide Pad | |
| 107 | 1001092165 | AR | Slide Pad | |

SECTION 3 - MAST

FIGURE 3-9. POWER TRACK ASSEMBLY



ART_1001239934

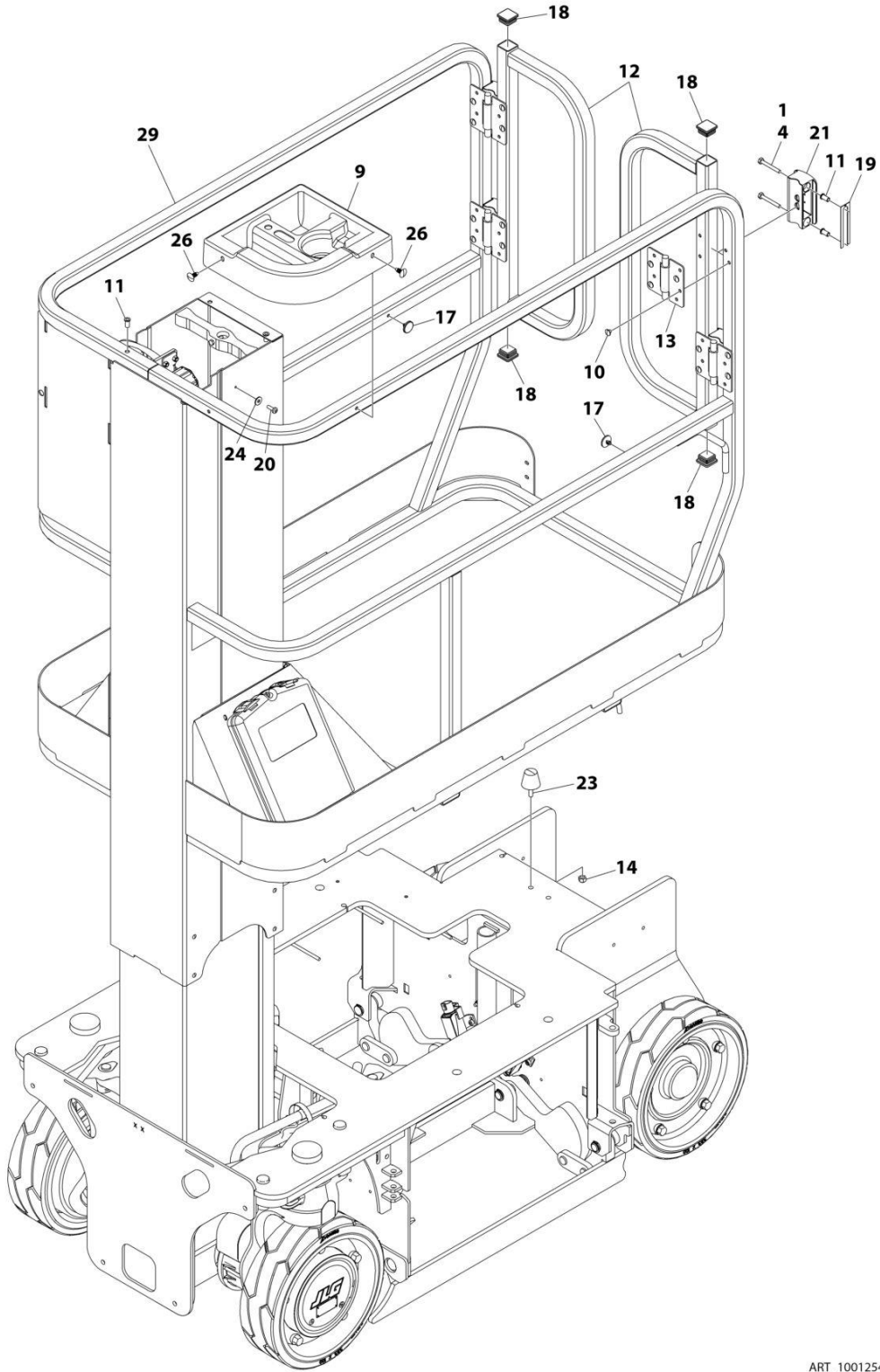
FIGURE 3-9. POWER TRACK ASSEMBLY

| ITEM | PART NUMBER | QTY | DESCRIPTION | REV |
|------|-------------|-----|---------------------------|-----|
| | 1001239934 | Ref | POWER TRACK ASSEMBLY | A |
| 1 | 3290405 | 6 | Nut M4 | |
| 2 | 1001100176 | 2 | Bolt M4 x 25 | |
| 3 | 1001239935 | 1 | Channel, Push Tube | |
| 4 | 1001239936 | 1 | Stop, Track Upper | |
| 5 | 1001239937 | 1 | Bracket, Track Fixed | |
| 6 | 1001239938 | 1 | Power Track | |
| 7 | 1001239939 | 1 | Bracket, Track Moving End | |
| 8 | 1001241343 | 4 | Bolt M4 x 40 | |
| 9 | 1001241426 | 2 | Stop, Cable Clamp | |

SECTION 4 - PLATFORM

SECTION 4 - PLATFORM

FIGURE 4-1. PLATFORM INSTALLATION (ANSI, ANSI EXPORT, AND CSA SPECS)



ART_1001254195_20F2

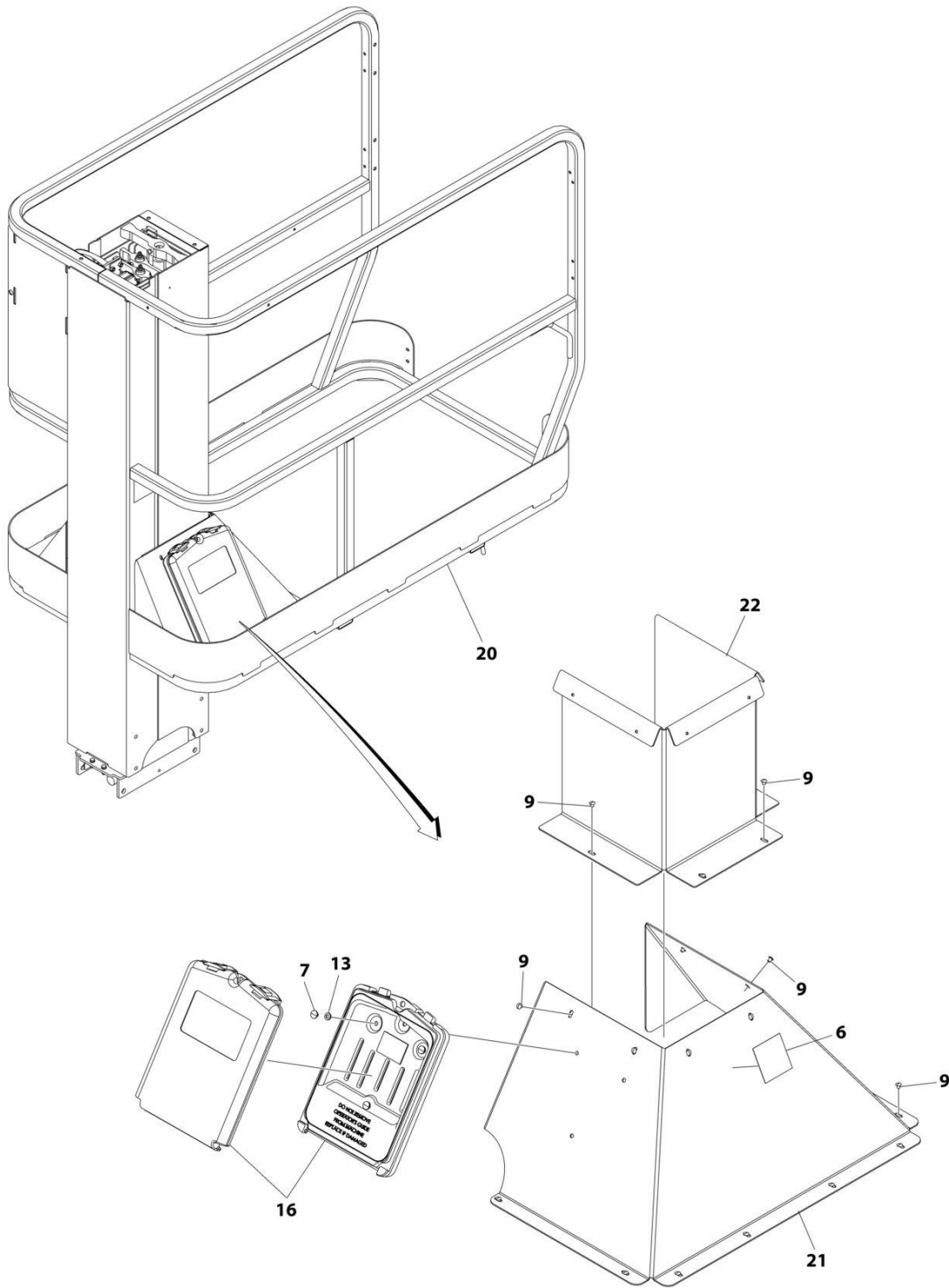
SECTION 4 - PLATFORM

FIGURE 4-1. PLATFORM INSTALLATION (ANSI, ANSI EXPORT, AND CSA SPECS)

| ITEM | PART NUMBER | QTY | DESCRIPTION | REV |
|------|-------------|-----|---|-----|
| | 1001254195 | Ref | PLATFORM INSTALLATION | B |
| 1 | 0100011 | AR | Compound, Locking | |
| 4 | 0641416 | 8 | Screw 1/4 x 2 | |
| 9 | 1580050 | 1 | Tray | |
| 10 | 2080040 | 16 | Fastener | |
| 11 | 2080043 | 10 | Rivnut 1/4 x 5/8 | |
| 12 | 2410021 | 2 | Gate, Saloon | |
| 13 | 2600281 | 4 | Hinge, Self Closing | |
| 14 | 3290805 | 2 | Nut M8 | |
| 17 | 3340962 | 2 | Pad, Arm Rest | |
| 18 | 3520072 | 4 | Plug | |
| 19 | 4071095 | AR | Shim | |
| 20 | 4191406 | 1 | Screw M4 x 12 | |
| 21 | 4220309 | 4 | Stop, Swing Gate | |
| 23 | 1001008575 | 2 | Bumper | |
| 24 | 1001091102 | 1 | Washer M4 | |
| 26 | 1001109786 | 2 | Fastener, Firtree | |
| 29 | 1001254198 | Ref | Platform Panel & Manual Box Installation (See Separate Breakdown in this Section) | |

SECTION 4 - PLATFORM

FIGURE 4-2. PLATFORM PANEL & MANUAL BOX INSTALLATION (ANSI, ANSI EXPORT, AND CSA SPECS)



ART_1001254198_C_20F2

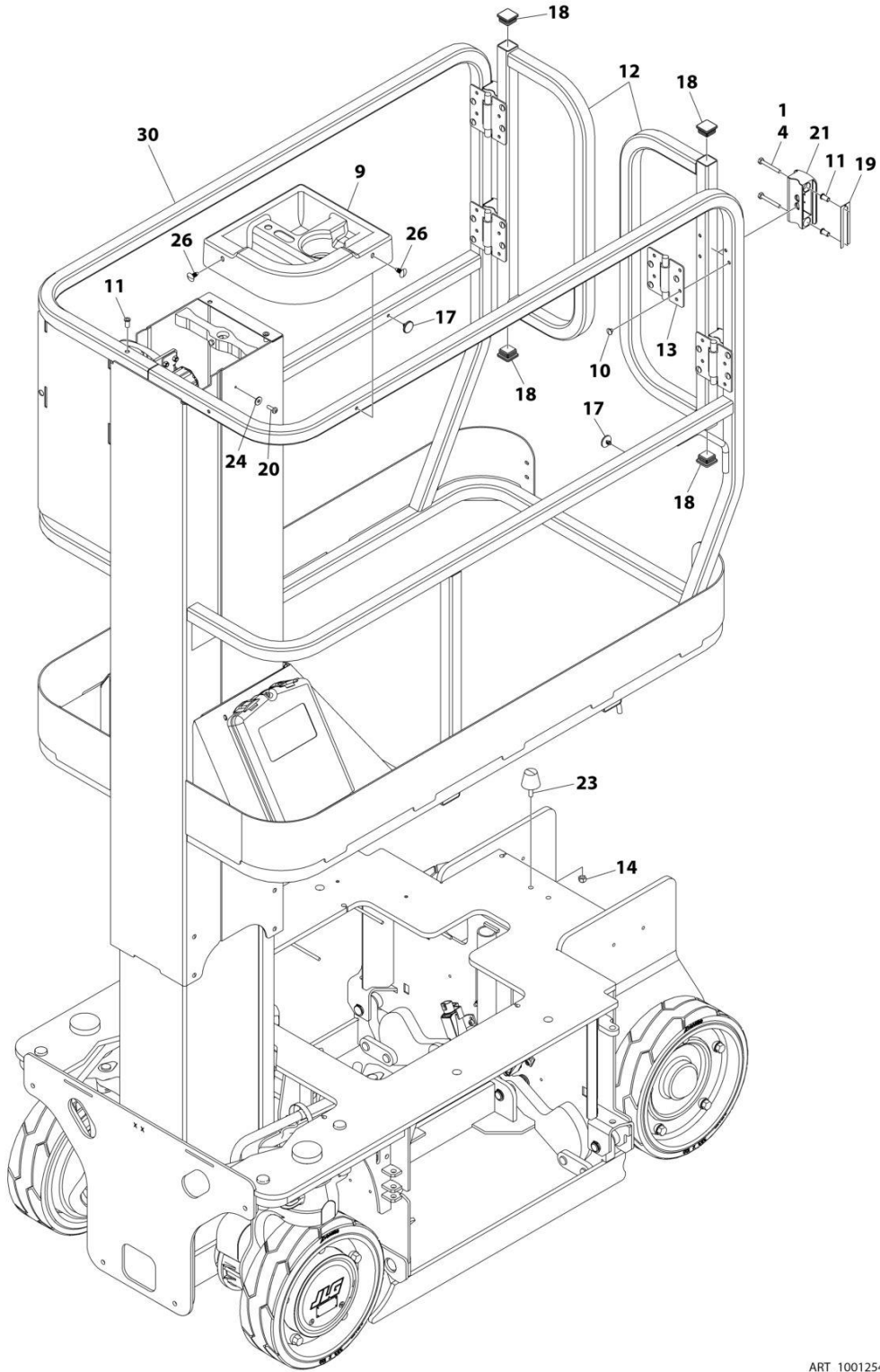
SECTION 4 - PLATFORM

FIGURE 4-2. PLATFORM PANEL & MANUAL BOX INSTALLATION (ANSI, ANSI EXPORT, AND CSA SPECS)

| ITEM | PART NUMBER | QTY | DESCRIPTION | REV |
|------|-------------|-----|--|-----|
| | 1001254198 | Ref | PLATFORM PANEL AND MANUAL BOX INSTALLATION | C |
| 6 | 1701691 | 1 | Decal | |
| 7 | 2080040 | 3 | Fastener | |
| 9 | 3820019 | 30 | Rivet | |
| 13 | 4811700 | 8 | Washer M6 | |
| 16 | 8990147 | 1 | Manual Holder | |
| 20 | 1001259119 | 1 | Platform | |
| 21 | 1001272280 | 1 | Panel | |
| 22 | 1001272894 | 1 | Brace | |

SECTION 4 - PLATFORM

FIGURE 4-3. PLATFORM INSTALLATION (ANSI EXPORT, JAPANESE, AND KOREA SPECS)



ART_1001254341_2OF2

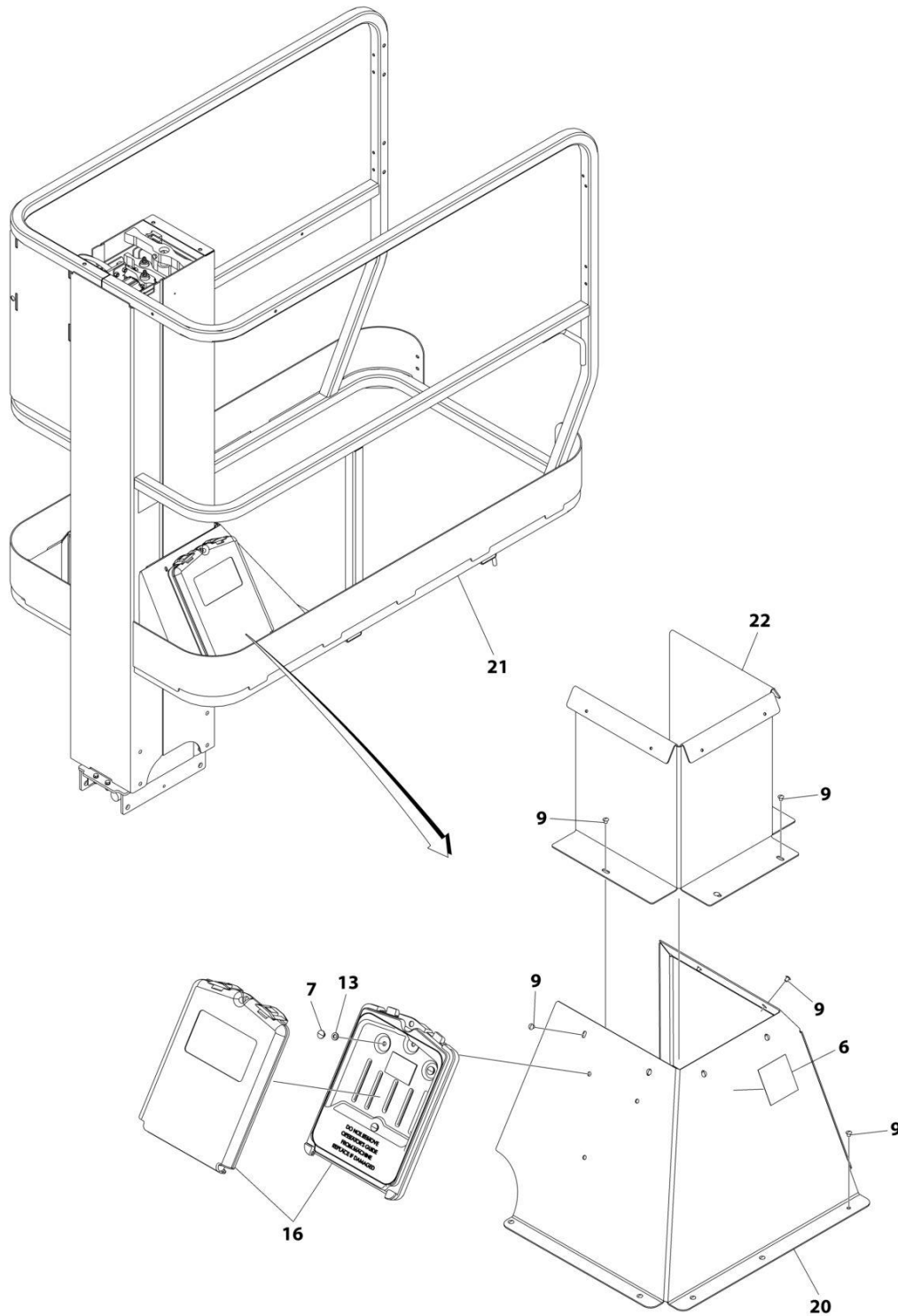
SECTION 4 - PLATFORM

FIGURE 4-3. PLATFORM INSTALLATION (ANSI EXPORT, JAPANESE, AND KOREA SPECS)

| ITEM | PART NUMBER | QTY | DESCRIPTION | REV |
|------|-------------|-----|---|-----|
| | 1001254341 | Ref | PLATFORM INSTALLATION | B |
| 1 | 0100011 | AR | Compound, Locking | |
| 4 | 0641416 | 8 | Screw 1/4 x 2 | |
| 9 | 1580050 | 1 | Tray | |
| 10 | 2080040 | 16 | Fastener | |
| 11 | 2080043 | 10 | Rivnut 1/4 x 5/8 | |
| 12 | 2410021 | 2 | Gate, Saloon | |
| 13 | 2600281 | 4 | Hinge, Self Closing | |
| 14 | 3290805 | 2 | Nut M8 | |
| 17 | 3340962 | 2 | Pad, Arm Rest | |
| 18 | 3520072 | 4 | Plug | |
| 19 | 4071095 | AR | Shim | |
| 20 | 4191406 | 1 | Screw M4 x 12 | |
| 21 | 4220309 | 4 | Stop, Swing Gate | |
| 23 | 1001008575 | 2 | Bumper | |
| 24 | 1001091102 | 1 | Washer M4 | |
| 26 | 1001109786 | 2 | Fastener, Firtree | |
| 30 | 1001254342 | Ref | Platform F/S Panel & Manual Box Installation (See Separate Breakdown in this Section) | |

SECTION 4 - PLATFORM

FIGURE 4-4. PLATFORM F/S PANEL & MANUAL BOX INSTALLATION (ANSI EXPORT, JAPANESE, AND KOREA SPECS)



ART_1001254342_C_20F2

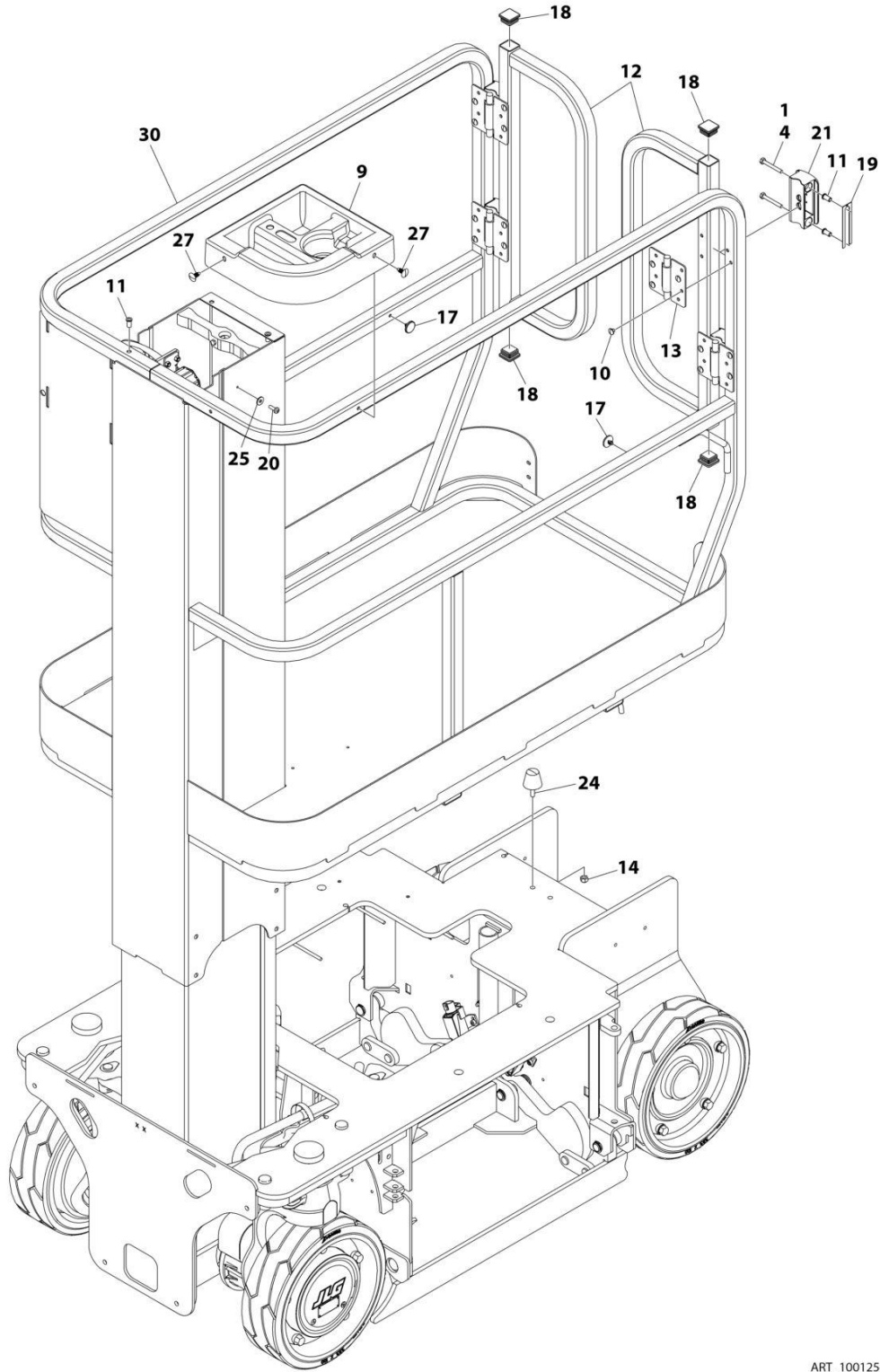
SECTION 4 - PLATFORM

FIGURE 4-4. PLATFORM F/S PANEL & MANUAL BOX INSTALLATION (ANSI EXPORT, JAPANESE, AND KOREA SPECS)

| ITEM | PART NUMBER | QTY | DESCRIPTION | REV |
|------|-------------|-----|--|-----|
| | 1001254342 | Ref | PLATFORM F/S PANEL AND MANUAL BOX INSTALLATION | C |
| 6 | 1701691 | 1 | Decal | |
| 7 | 2080040 | 3 | Fastener | |
| 9 | 3820019 | 30 | Rivet | |
| 13 | 4811700 | 8 | Washer M6 | |
| 16 | 8990147 | 1 | Manual Holder | |
| 20 | 1001254349 | 1 | Panel | |
| 21 | 1001259119 | 1 | Platform | |
| 22 | 1001272894 | 1 | Brace | |

SECTION 4 - PLATFORM

FIGURE 4-5. PLATFORM INSTALLATION (CE & UK CA SPECS)



ART_1001254196_20F2

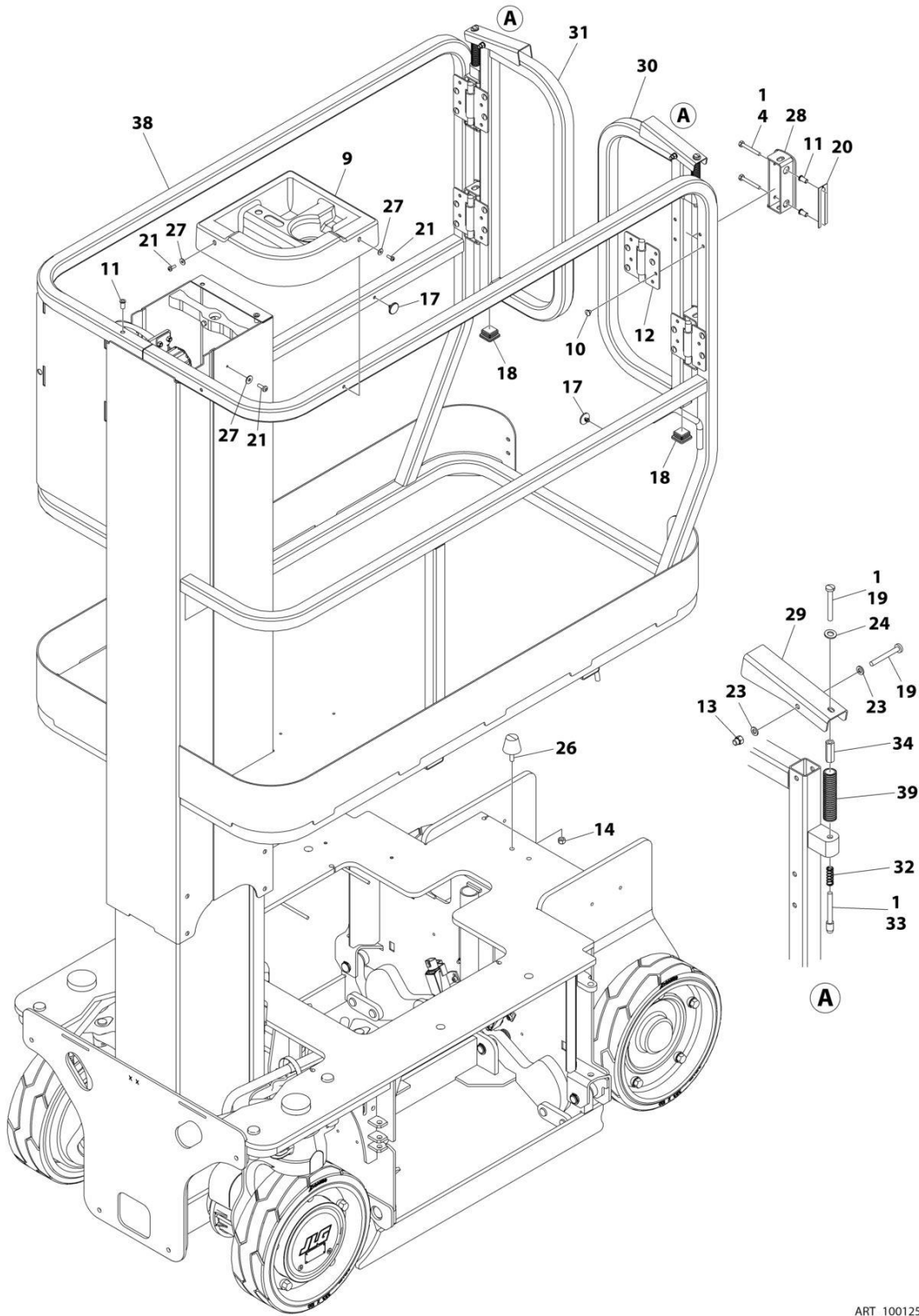
SECTION 4 - PLATFORM

FIGURE 4-5. PLATFORM INSTALLATION (CE & UK CA SPECS)

| ITEM | PART NUMBER | QTY | DESCRIPTION | REV |
|------|-------------|-----|--|-----|
| | 1001254196 | Ref | PLATFORM INSTALLATION | B |
| 1 | 0100011 | AR | Compound, Locking | |
| 4 | 0641416 | 8 | Screw 1/4 x 2 | |
| 9 | 1580050 | 1 | Tray | |
| 10 | 2080040 | 16 | Fastener | |
| 11 | 2080043 | 10 | Rivnut 1/4 x 5/8 | |
| 12 | 2410021 | 2 | Gate, Saloon | |
| 13 | 2600281 | 4 | Hinge, Self Closing | |
| 14 | 3290805 | 2 | Nut M8 | |
| 17 | 3340962 | 2 | Pad, Arm Rest | |
| 18 | 3520072 | 4 | Plug | |
| 19 | 4071095 | AR | Shim | |
| 20 | 4191406 | 1 | Screw M4 x 12 | |
| 21 | 4220309 | 4 | Stop, Swing Gate | |
| 24 | 1001008575 | 2 | Bumper | |
| 25 | 1001091102 | 1 | Washer M4 | |
| 27 | 1001109786 | 2 | Fastener, Firtree | |
| 30 | 1001254348 | Ref | Platform Without Panel Or Manual Box Installation (See Separate Breakdown in this Section) | |

SECTION 4 - PLATFORM

FIGURE 4-6. PLATFORM INSTALLATION (AUSTRALIAN SPECS)



ART_1001254197_20F2

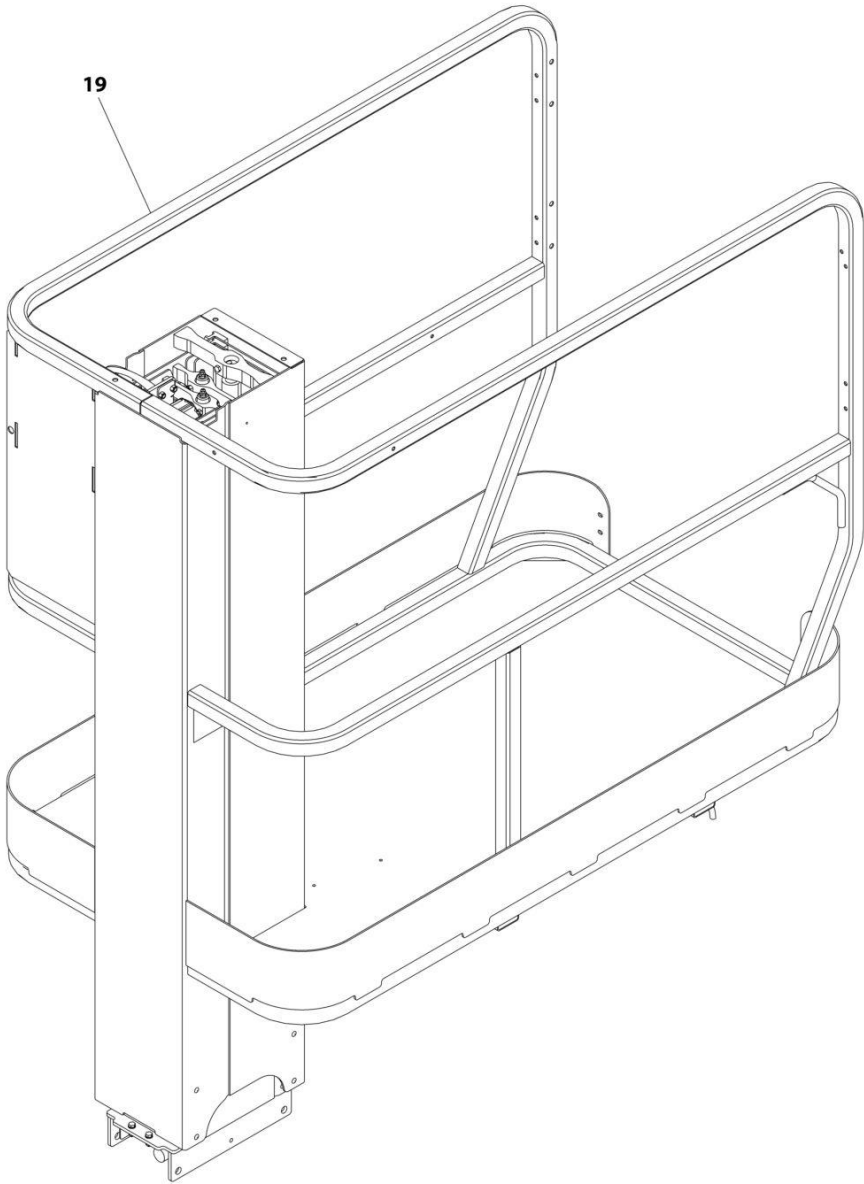
SECTION 4 - PLATFORM

FIGURE 4-6. PLATFORM INSTALLATION (AUSTRALIAN SPECS)

| ITEM | PART NUMBER | QTY | DESCRIPTION | REV |
|------|-------------|------|--|-----|
| | 1001254197 | Ref | PLATFORM INSTALLATION | B |
| 1 | 0100011 | AR | Compound, Locking | |
| 4 | 0641416 | 8 | Screw 1/4 x 2 | |
| 9 | 1580050 | 1 | Tray | |
| 10 | 2080040 | 16 | Fastener | |
| 11 | 2080043 | 10 | Rivnut 1/4 x 5/8 | |
| 12 | 2600281 | 4 | Hinge, Self Closing | |
| 13 | 3290606 | 2 | Nut M6 | |
| 14 | 3290805 | 2 | Nut M8 | |
| 17 | 3340962 | 2 | Pad, Arm Rest | |
| 18 | 3520072 | 2 | Plug | |
| 19 | 4010618 | 4 | Screw M6 x 50 | |
| 20 | 4071095 | AR | Shim | |
| 21 | 4191406 | 3 | Screw M4 x 12 | |
| 23 | 4811700 | 4 | Washer M6 | |
| 24 | 4811900 | 2 | Washer M8 | |
| 26 | 1001008575 | 2 | Bumper | |
| 27 | 1001091102 | 3 | Washer M4 | |
| 28 | 1001100141 | 4 | Stop, Swing Gate | |
| 29 | 1001100142 | 2 | Handle, Gate Latch | |
| 30 | 1001100630 | 1 | Gate, LH Saloon | |
| 31 | 1001100631 | 1 | Gate, RH Saloon | |
| 32 | 1001100634 | 2 | Spring, Gate Latch | |
| 33 | 1001100918 | 2 | Pin, Plunger | |
| 34 | 1001100947 | 2 | Turnbuckle M6 x 30 | |
| 38 | 1001254348 | Ref | Platform Without Panel Or Manual Box Installation (See Separate Breakdown in this Section) | |
| 39 | 280013 | 15 m | Conduit | |

SECTION 4 - PLATFORM

FIGURE 4-7. PLATFORM WITHOUT PANEL OR MANUAL BOX INSTALLATION (CE & UK CA SPECS)



ART_1001254348_2OF2

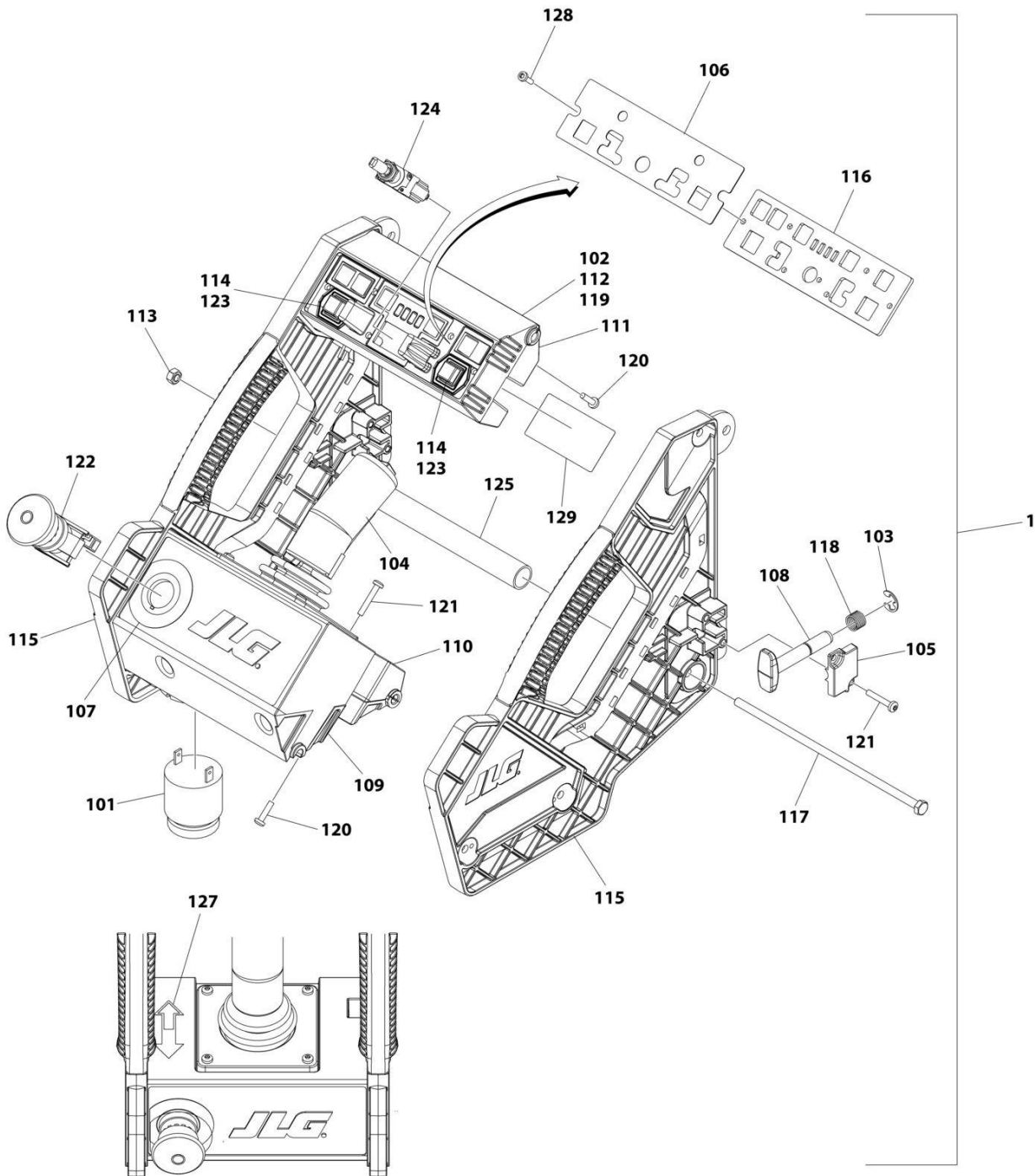
SECTION 4 - PLATFORM

FIGURE 4-7. PLATFORM WITHOUT PANEL OR MANUAL BOX INSTALLATION (CE & UK CA SPECS)

| ITEM | PART NUMBER | QTY | DESCRIPTION | REV |
|------|-------------|-----|---|-----|
| 19 | 1001254348 | Ref | PLATFORM WITHOUT PANEL OR MANUAL BOX INSTALLATION | B |
| | 1001259119 | 1 | Platform | |

SECTION 4 - PLATFORM

FIGURE 4-8. PLATFORM CONTROL BOX INSTALLATION



ART_0274554

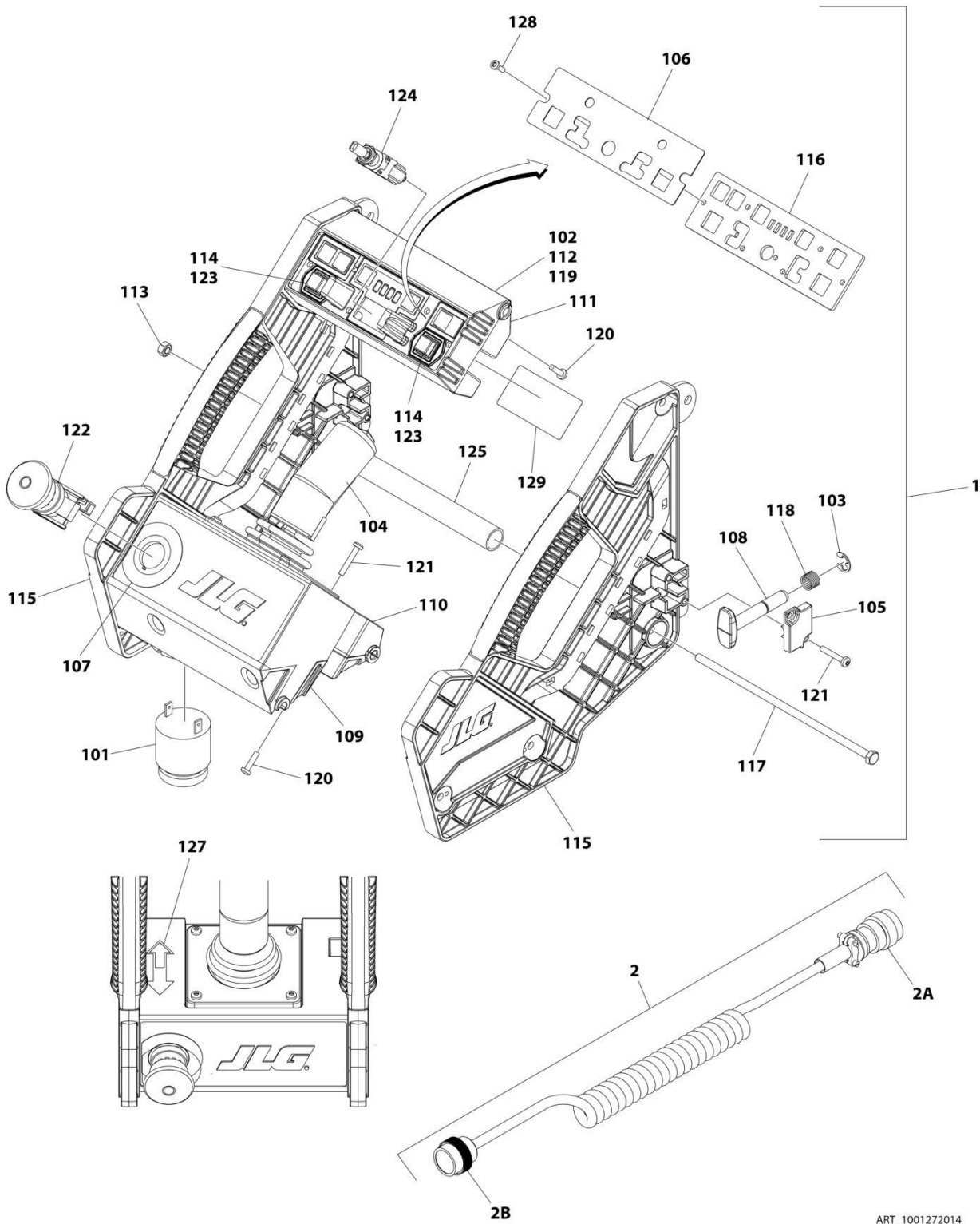
SECTION 4 - PLATFORM

FIGURE 4-8. PLATFORM CONTROL BOX INSTALLATION

| ITEM | PART NUMBER | QTY | DESCRIPTION | REV |
|------|-------------|-----|--|-----|
| | 0274554 | Ref | PLATFORM CONTROL BOX INSTALLATION | C |
| 1 | 1001091153 | Ref | Platform Control Box Assembly | L |
| 101 | 0140011 | 1 | Alarm | |
| 102 | 1600439 | 1 | Platform Box Control Module | |
| 103 | 1380156 | 1 | E-Clip | |
| 104 | 1600402 | 1 | Controller, Drive/Steer (See Separate Breakdown in this Section) | |
| 105 | 1671098 | 1 | Latch | |
| 106 | 1001091272 | 1 | Decal - Icon | |
| 107 | 1705676 | 1 | Decal - Emergency Stop Ring | |
| 108 | 2560179 | 1 | Handle, Latch | |
| 109 | 1001091277 | 1 | Housing, Joystick | |
| 110 | 1001091278 | 1 | Mount, Joystick | |
| 111 | 1001091279 | 1 | Housing, Module Mounting (Lower) | |
| 112 | 1001091280 | 1 | Housing, Module Mounting (Upper) | |
| 113 | 3300473 | 4 | Nut M6 | |
| 114 | 3340968 | 2 | Button | |
| 115 | 3380475 | 2 | Panel, Side | |
| 116 | 1001091283 | 1 | Plate, Decal | |
| 117 | 3900333 | 4 | Screw M6 x 190 | |
| 118 | 4160203 | 1 | Spring, Compression | |
| 119 | 4191306 | 5 | Screw M3-1/2 x 12 | |
| 120 | 4191407 | 8 | Screw M4 x 16 | |
| 121 | 4191409 | 6 | Screw M4 x 25 | |
| 122 | 4360475 | 1 | Switch, Emergency Stop | |
| 122 | 7020175 | 1 | Cap | |
| 122 | 7020176 | 1 | Block, Contact | |
| 123 | 4360538 | 2 | Switch, Membrane | |
| 124 | 4360539 | 1 | Switch, Toggle | |
| 125 | 4568738 | 1 | Tube, Spacer | |
| 126 | 4922870 | 1 | Harness, Platform Control Box (Not Shown - See Separate Breakdown in ELECTRICAL Section) | |
| 127 | 1703819 | 1 | Decal - Directional Arrow | |
| 128 | 1001091396 | 6 | Screw M3-1/2 x 12 | |
| 129 | 1001231728 | 1 | Decal - Control Module | |

SECTION 4 - PLATFORM

FIGURE 4-9. PLATFORM CONTROL BOX INSTALLATION - WITH EXTENSION CABLE



ART_1001272014

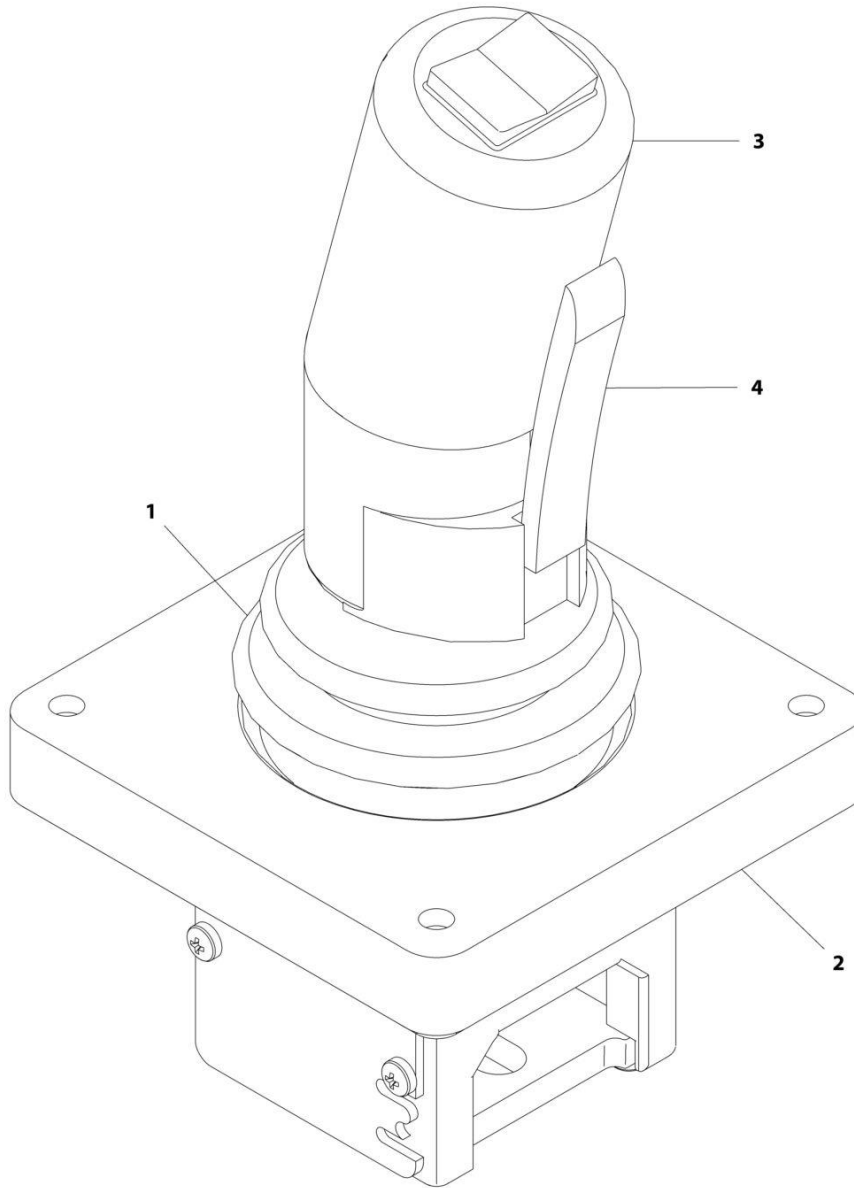
SECTION 4 - PLATFORM

FIGURE 4-9. PLATFORM CONTROL BOX INSTALLATION - WITH EXTENSION CABLE

| ITEM | PART NUMBER | QTY | DESCRIPTION | REV |
|------|-------------|-----|--|-----|
| | 1001272014 | Ref | PLATFORM CONTROL BOX INSTALLATION | A |
| 1 | 1001091153 | Ref | Platform Control Box Assembly (Includes Items 101-129) | |
| 2 | 1001252535 | 1 | Cable, Platform Extension | B |
| 2A | 4460754 | 1 | Connector | |
| 2A | 4460464 | 8 | Pin | |
| 2A | 4460466 | 6 | Plug | |
| 2B | 4461016 | 1 | Connector | |
| 2B | 4460465 | 8 | Socket | |
| 2B | 4460466 | 6 | Plug | |
| | 1001091153 | Ref | PLATFORM CONTROL BOX ASSEMBLY | L |
| 101 | 0140011 | 1 | Alarm | |
| 102 | 1600439 | 1 | Platform Box Control Module | |
| 103 | 1380156 | 1 | E-Clip | |
| 104 | 1600402 | 1 | Controller, Drive/Steer (See Separate Breakdown in this Section) | |
| 105 | 1671098 | 1 | Latch | |
| 106 | 1001091272 | 1 | Decal - Icon | |
| 107 | 1705676 | 1 | Decal - Emergency Stop Ring | |
| 108 | 2560179 | 1 | Handle, Latch | |
| 109 | 1001091277 | 1 | Housing, Joystick | |
| 110 | 1001091278 | 1 | Mount, Joystick | |
| 111 | 1001091279 | 1 | Housing, Module Mounting (Lower) | |
| 112 | 1001091280 | 1 | Housing, Module Mounting (Upper) | |
| 113 | 3300473 | 4 | Nut M6 | |
| 114 | 3340968 | 2 | Button | |
| 115 | 3380475 | 2 | Panel, Side | |
| 116 | 1001091283 | 1 | Plate, Decal | |
| 117 | 3900333 | 4 | Screw M6 x 190 | |
| 118 | 4160203 | 1 | Spring, Compression | |
| 119 | 4191306 | 5 | Screw M3-1/2 x 12 | |
| 120 | 4191407 | 8 | Screw M4 x 16 | |
| 121 | 4191409 | 6 | Screw M4 x 25 | |
| 122 | 4360475 | 1 | Switch, Emergency Stop | |
| 122 | 7020175 | 1 | Cap | |
| 122 | 7020176 | 1 | Block, Contact | |
| 123 | 4360538 | 2 | Switch, Membrane | |
| 124 | 4360539 | 1 | Switch, Toggle | |
| 125 | 4568738 | 1 | Tube, Spacer | |
| 126 | 4922870 | 1 | Harness, Platform Control Box (Not Shown - See Separate Breakdown in ELECTRICAL Section) | |
| 127 | 1703819 | 1 | Decal - Directional Arrow | |
| 128 | 1001091396 | 6 | Screw M3-1/2 x 12 | |
| 129 | 1001231728 | 1 | Decal - Control Module | |

SECTION 4 - PLATFORM

FIGURE 4-10. DRIVE/STEER CONTROLLER



ART_1600402

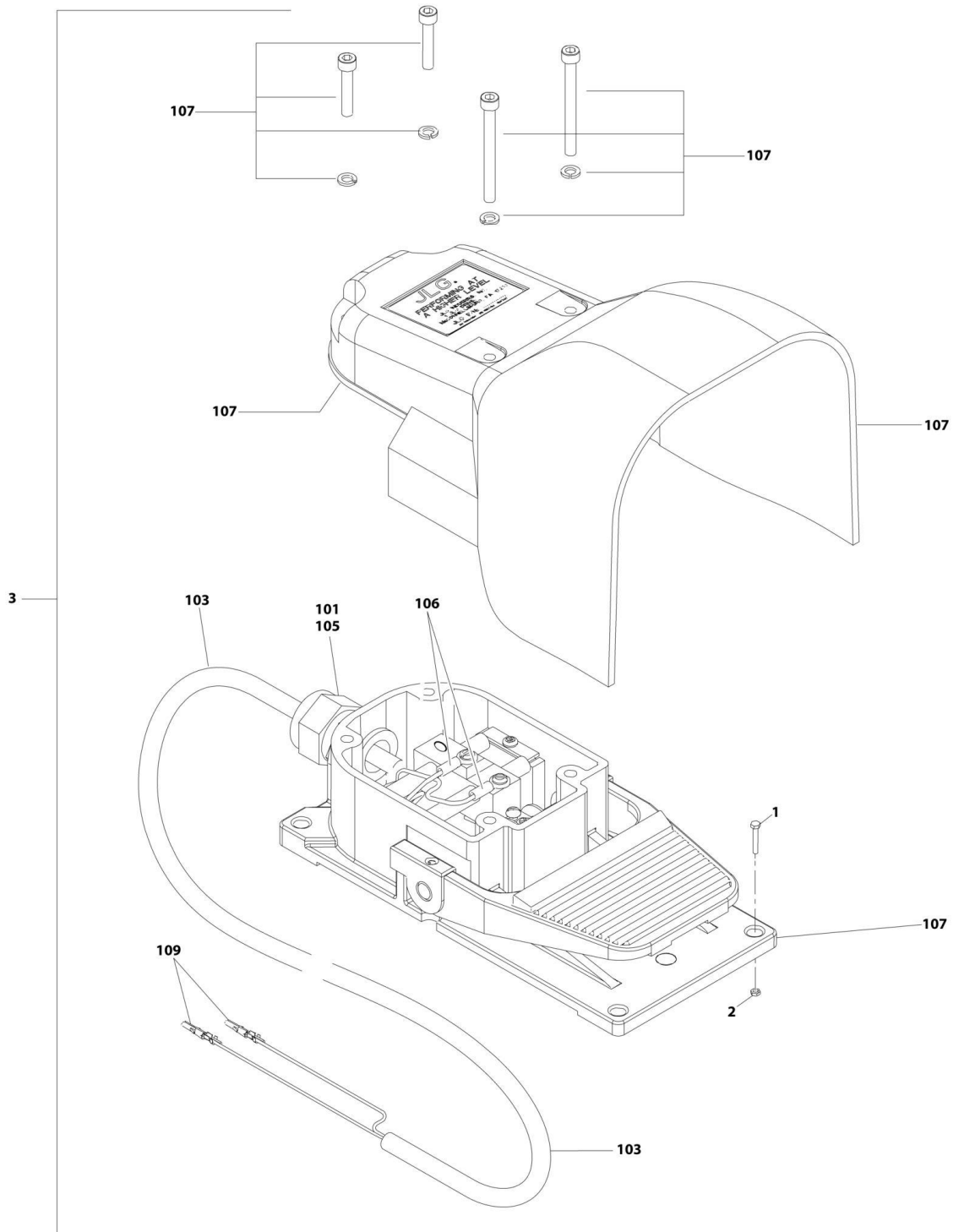
SECTION 4 - PLATFORM

FIGURE 4-10. DRIVE/STEER CONTROLLER

| ITEM | PART NUMBER | QTY | DESCRIPTION | REV |
|------|-------------|-----|---|-----|
| | 1600402 | Ref | DRIVE/STEER CONTROLLER ASSEMBLY | A |
| 1 | 70001250 | 1 | Boot, Panel | |
| 2 | 70001252 | 1 | Gasket, Mounting | |
| 2 | 70001251 | 1 | Bezel, Mounting | |
| 3 | 70003650 | 1 | Handle Repair Kit (Includes handle gasket, item#4 push button and item #4 lever installed in front handle half, back handle half, top actuator, boot and hardware.) | |
| 3 | 70000084 | 1 | Cap, Rubber | |
| 3 | 70000082 | 1 | Microswitch | |
| 3 | 7027766 | 1 | Ring, Retaining | |
| 3 | 7027365 | 1 | Actuator, Handle | |
| 3 | 70001253 | 1 | Gasket, Handle | |
| 3 | 70000683 | 4 | Washer, Neoprene | |
| 3 | 70000685 | 2 | Spacer, Plastic | |
| 3 | 70000686 | 2 | Screw (Top) | |
| 3 | 70000684 | 2 | Screw (Bottom) | |
| 4 | 7027367 | 1 | Switch, Push Button | |
| 4 | 7027765 | 1 | Lever, Enable | |

SECTION 4 - PLATFORM

FIGURE 4-11. FOOTSWITCH INSTALLATION



ART_100116647

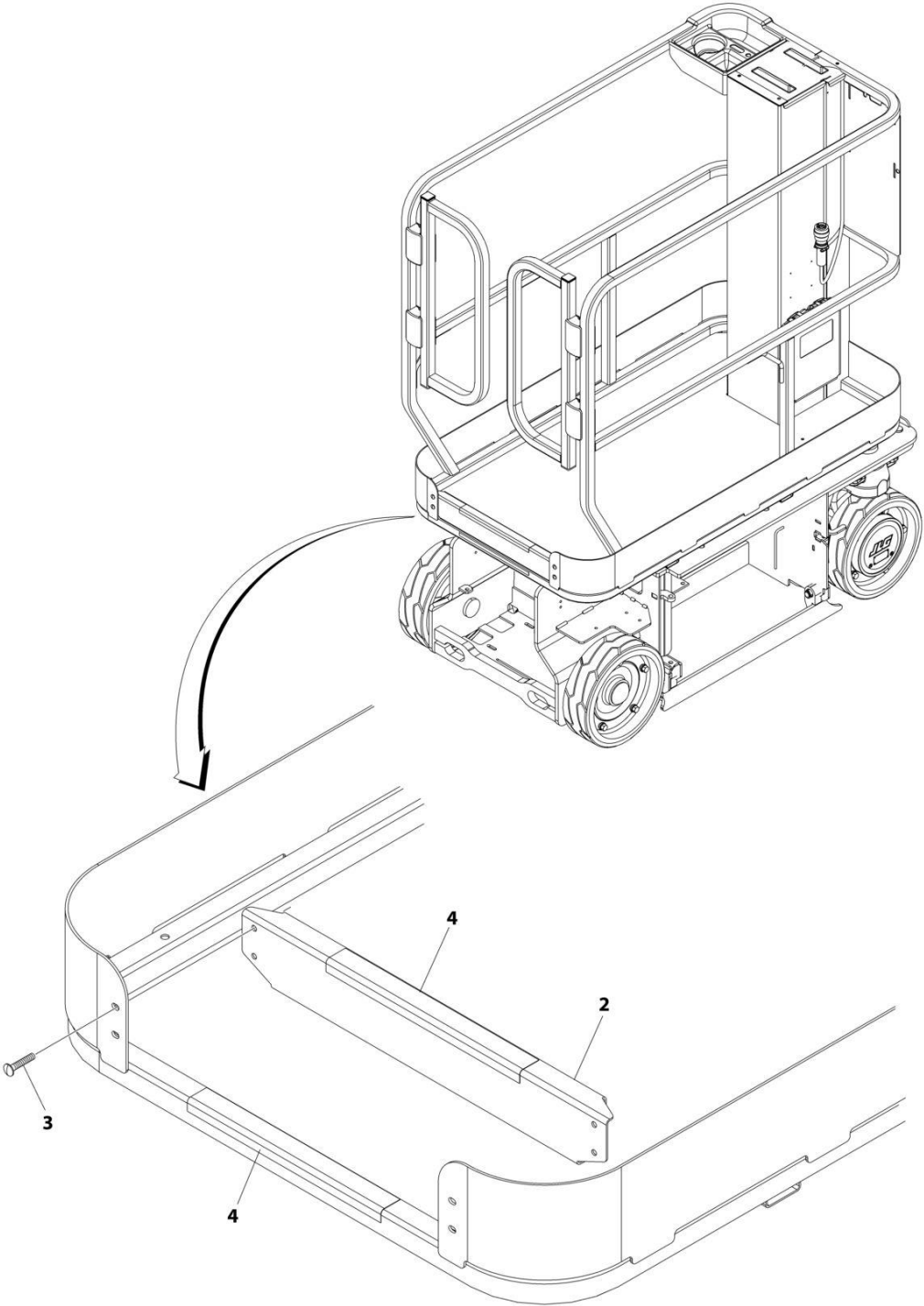
SECTION 4 - PLATFORM

FIGURE 4-11. FOOTSWITCH INSTALLATION

| ITEM | PART NUMBER | QTY | DESCRIPTION | REV |
|------|-------------|-----------------|--------------------------|-----|
| | 1001116647 | Ref | FOOTSWITCH INSTALLATION | C |
| 1 | 0760610 | 2 | Bolt M6 x 20mm | |
| 2 | 3290605 | 2 | Nut M6 | |
| 3 | 1001236161 | 1 | FOOTSWITCH ASSEMBLY | B |
| 101 | 0100020 | AR | Sealant | |
| 102 | 1060918 | 7.5 ft /2.3m | Cable, Electrical - 18/3 | |
| 105 | 1001133248 | 1 | Connector, Strain Relief | |
| 106 | 1001098122 | 2 | Terminal, Ring | |
| 107 | 1001117172 | 1 | Footswitch | |
| 107 | 70002902 | 1 | Switch, 20A | |
| 107 | 70002903 | 1 | Gasket | |
| 107 | 70002904 | 1 | Kit, Replacement Bolt | |
| 107 | 70002905 | 1 | Cover | |
| 109 | 4460465 | 2 | Socket | |

SECTION 4 - PLATFORM

FIGURE 4-12. KICK PLATE INSTALLATION



ART_0274553

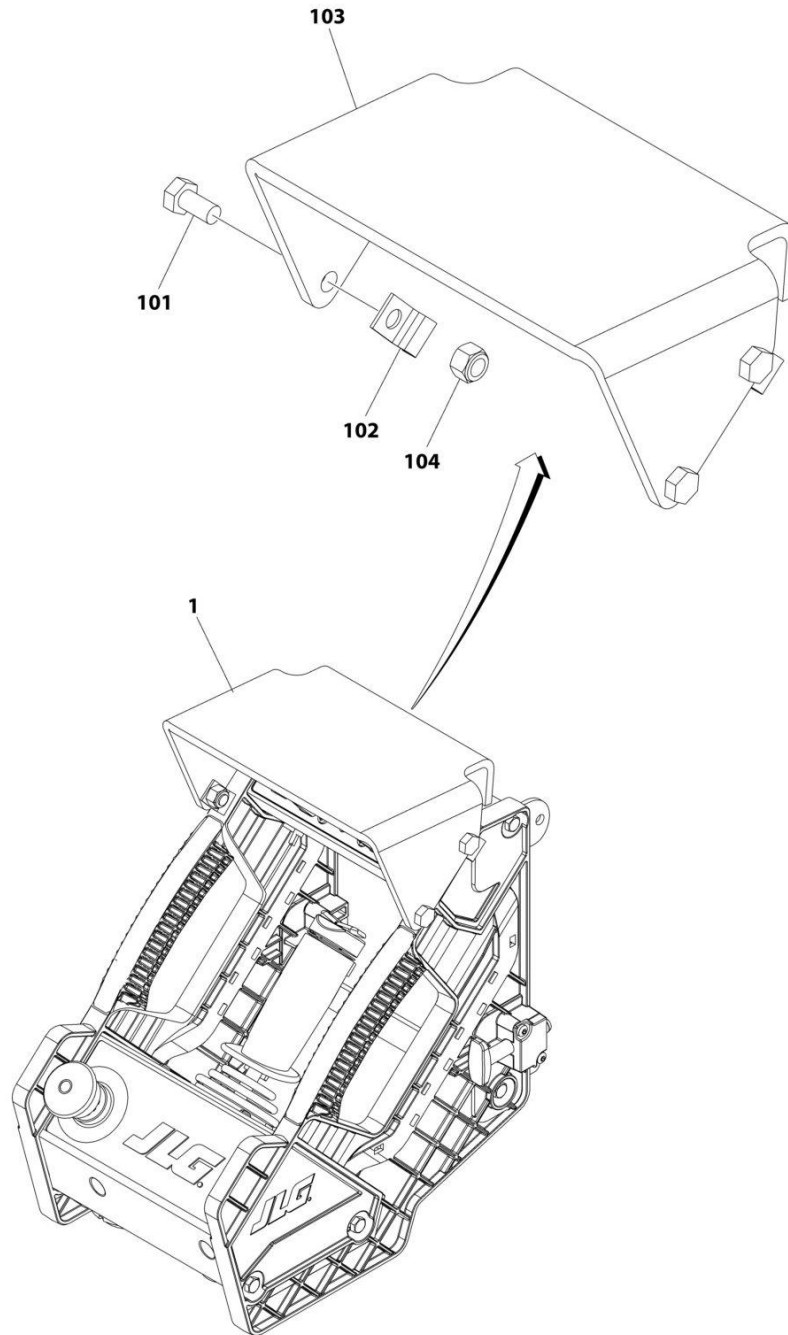
SECTION 4 - PLATFORM

FIGURE 4-12. KICK PLATE INSTALLATION

| ITEM | PART NUMBER | QTY | DESCRIPTION | REV |
|------|-------------|-----|-------------------------|-----|
| | 0274553 | Ref | KICK PLATE INSTALLATION | D |
| 2 | 3576089 | 1 | Kick Plate | |
| 3 | 2080040 | 4 | Fastener | |
| 4 | 4420070 | 1 | Tape, Anti-Skid | |

SECTION 4 - PLATFORM

FIGURE 4-13. PLATFORM CONTROL BOX COVER INSTALLATION



ART_100118216

SECTION 4 - PLATFORM

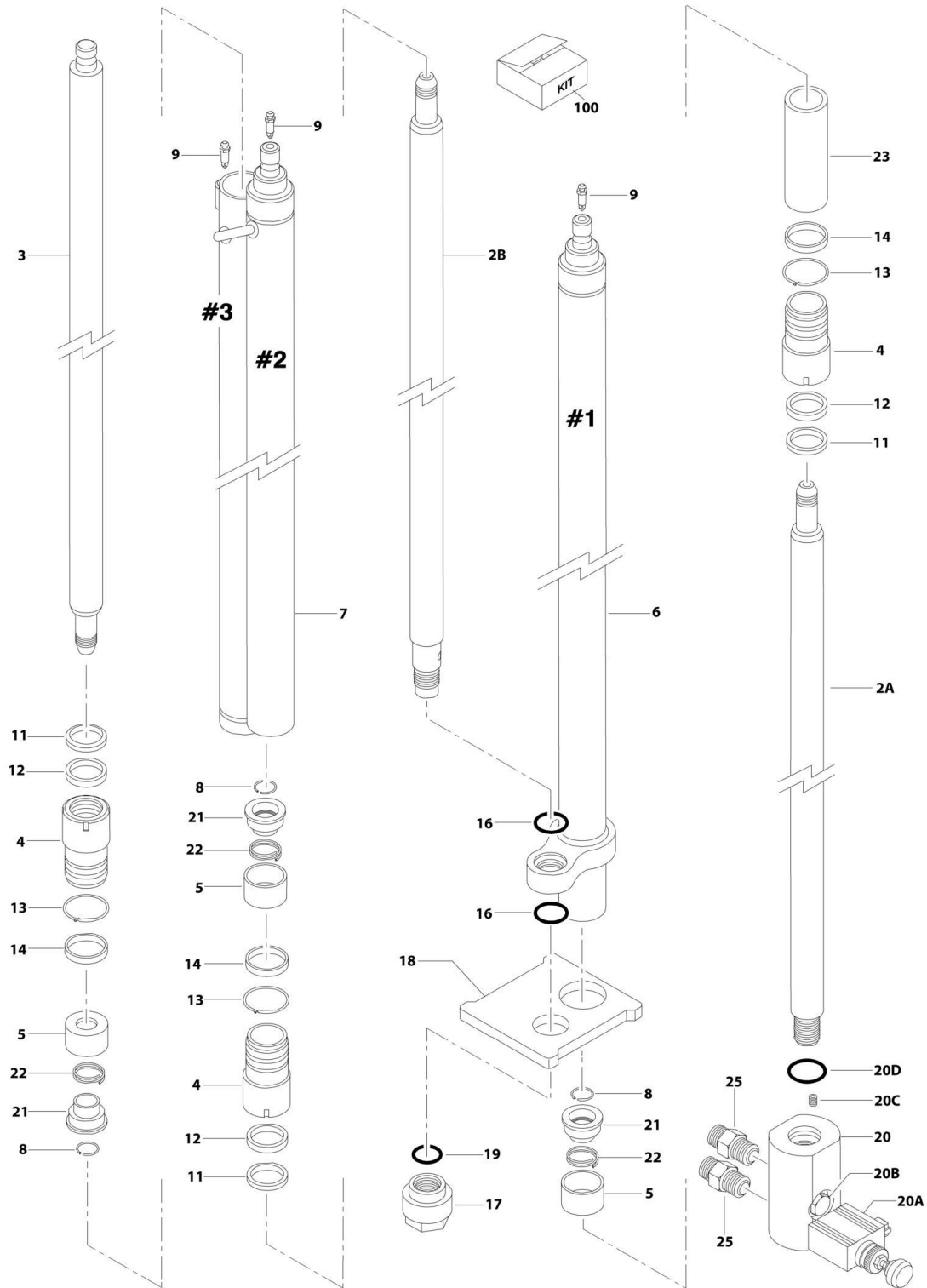
FIGURE 4-13. PLATFORM CONTROL BOX COVER INSTALLATION

| ITEM | PART NUMBER | QTY | DESCRIPTION | REV |
|------|-------------|-----|---|-----|
| | 1001118216 | Ref | PLATFORM CONTROL BOX COVER INSTALLATION | C |
| 1 | 1001118215 | Ref | Platform Control Box Cover Assembly | B |
| 101 | 0760808 | 4 | Bolt M8 x 16 | |
| 102 | 1380159 | 4 | Clip, Cover Mounting | |
| 103 | 1001116154 | 1 | Cover, Platform Box | |
| 104 | 3290805 | 4 | Nut M8 | |

SECTION 5 - CYLINDER

SECTION 5 - CYLINDER

FIGURE 5-1. LIFT CYLINDER ASSEMBLY



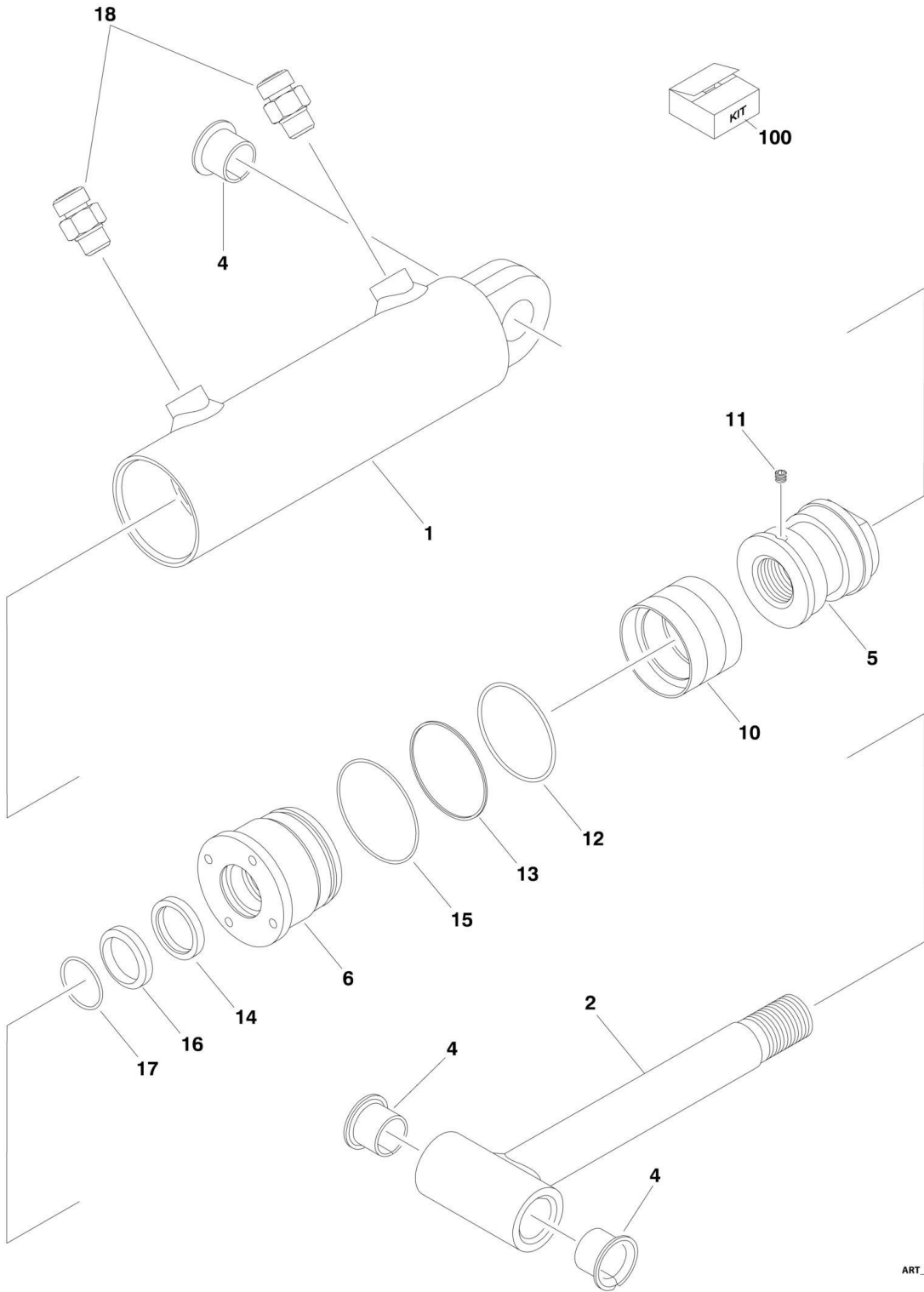
SECTION 5 - CYLINDER

FIGURE 5-1. LIFT CYLINDER ASSEMBLY

| ITEM | PART NUMBER | QTY | DESCRIPTION | REV |
|------|-------------|-----|---|-----|
| | 1684469 | Ref | LIFT CYLINDER ASSEMBLY | H |
| | | Ref | Note: Original Cylinder May Have Been Replaced with Service Replacement. Identify PN Stamped on Cylinder Before Ordering Parts. | |
| 2 | | Ref | Rod Options: | |
| 2A | 70000732 | 1 | Rod (Cylinder #1) | |
| 2B | 70000733 | 1 | Rod (Cylinder #2) | |
| 3 | 70000734 | 1 | Rod (Cylinder #3) | |
| 4 | 70000721 | 3 | Head (Cylinders #1/#2/#3) | |
| 5 | 70000722 | 3 | Piston - Outer (Cylinders #1/#2/#3) | |
| 6 | See Note | NSS | Barrel (Cylinder #1) (Note: Purchase Complete Assembly) | |
| 7 | See Note | NSS | Barrel (Cylinders #2/#3) (Note: Purchase Complete Assembly) | |
| 8 | 70000723 | 3 | Ring, Retaining (Cylinders #1/#2/#3) | |
| 9 | 4640858 | 3 | Bleeder (Cylinders #1/#2/#3) | |
| 11 | See Note | NSS | Wiper (Cylinders #1/#2/#3) (Note: Use Item 100) | |
| 12 | See Note | NSS | Seal (Cylinders #1/#2/#3) (Note: Use Item 100) | |
| 13 | 70000725 | 3 | Ring, Retaining (Cylinders #1/#2/#3) | |
| 14 | See Note | NSS | Seal (Cylinders #1/#2/#3) (Note: Use Item 100) | |
| 16 | See Note | NSS | O-Ring (Cylinder #2 Guide) (Note: Use Item 100) | |
| 17 | 70000726 | 1 | Cap (Cylinder #2) | |
| 18 | 70000727 | 1 | Guide (Cylinder #2) | |
| 19 | See Note | NSS | O-Ring (Cylinder #2 Cap) (Note: Use Item 100) | |
| 20 | 70000728 | 1 | Valve Assembly | |
| 20A | 70000737 | 1 | Cartridge, Solenoid | |
| 20A | See Note | NSS | Seal Kit - 70000737 Valve (Note: Use p/n 70000737) | |
| 20A | See Note | NSS | Coil, (Note: Use p/n 70000737) | |
| 20A | 70002720 | 1 | Knob Kit (Includes Knob, Coil Nut, Spacer, Retaining Nut and Qty 2 Coil O-Rings) | |
| 20B | 70001254 | 1 | Cartridge, Check | |
| 20B | See Note | NSS | Seal Kit - 70001254 Valve (Note: Use p/n 70001254) | |
| 20C | See Note | NSS | Orifice (Note: Use p/n 70001254) | |
| 20D | See Note | NSS | O-Ring (Note: Use p/n 70001254) | |
| 21 | 70000729 | 3 | Piston - Inner (Cylinders #1/#2/#3) | |
| 22 | 70000730 | 3 | Spring (Cylinders #1/#2/#3) | |
| 23 | 70000731 | 1 | Spacer (Cylinder #1) | |
| 25 | 2144609 | 2 | Fitting, Straight | |
| 100 | 70000735 | 1 | Seal Kit - 1684469 Cylinder (Includes Items 11, 12, 14, 16 & 19) | |

SECTION 5 - CYLINDER

FIGURE 5-2. STEER CYLINDER ASSEMBLY



ART_1684458

SECTION 5 - CYLINDER

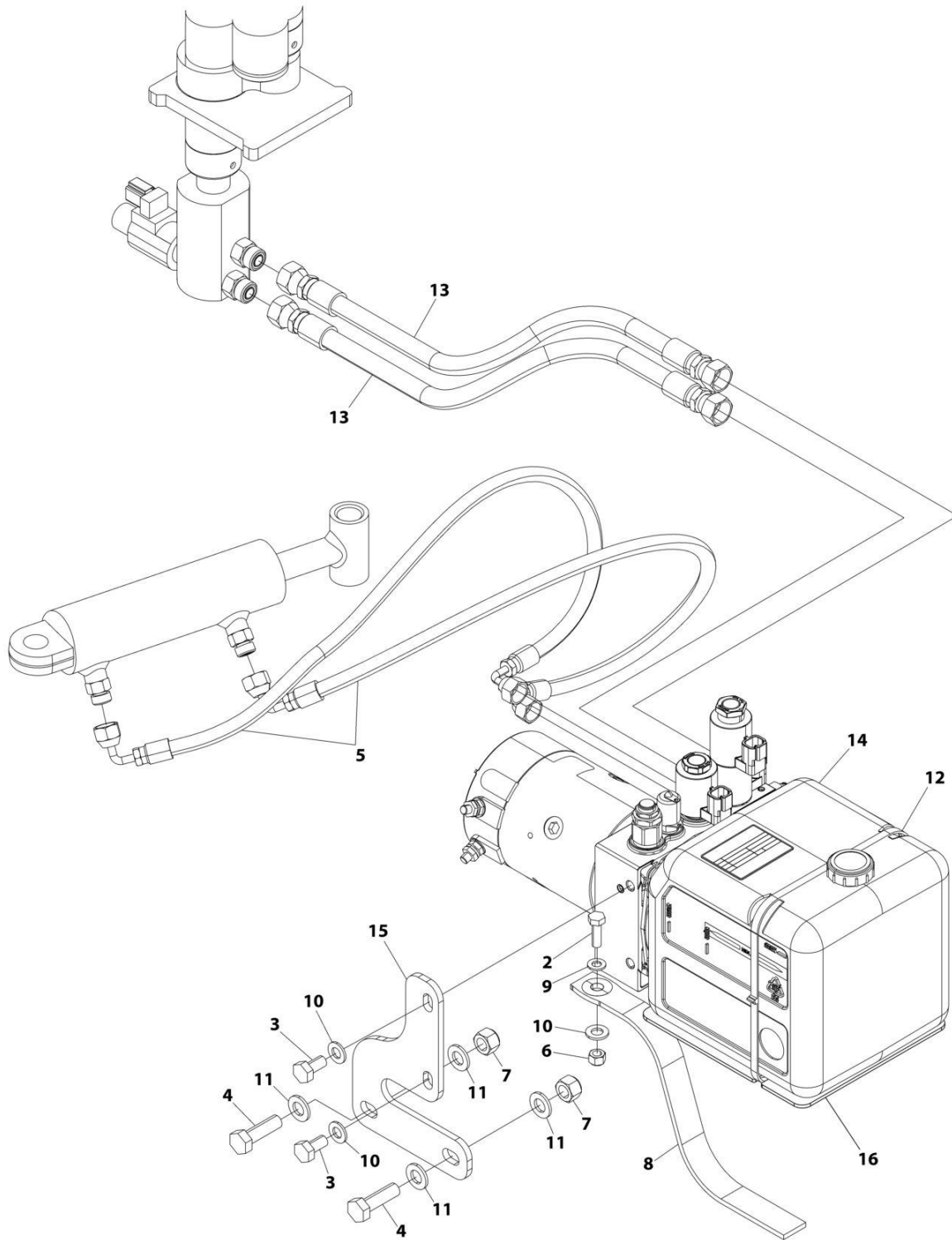
FIGURE 5-2. STEER CYLINDER ASSEMBLY

| ITEM | PART NUMBER | QTY | DESCRIPTION | REV |
|------|-------------|-----|---|-----|
| | 1684458 | Ref | STEER CYLINDER ASSEMBLY | H |
| | | Ref | Note: Original Cylinder May Have Been Replaced with Service Replacement. Identify PN Stamped on Cylinder Before Ordering Parts. | |
| 1 | 70000742 | 1 | Barrel | |
| 2 | 70000741 | 1 | Rod | |
| 4 | 0440263 | 3 | Bushing | |
| 5 | 70000738 | 1 | Piston | |
| 6 | 70000739 | 1 | Head | |
| 10 | See Note | NSS | Seal (Note: Use Item 100) | |
| 11 | See Note | NSS | Setscrew (Note: Not Available - Purchase Locally) | |
| 12 | See Note | NSS | Seal (Note: Use Item 100) | |
| 13 | See Note | NSS | Ring, Back-up (Note: Use Item 100) | |
| 14 | See Note | NSS | Seal (Note: Use Item 100) | |
| 15 | See Note | NSS | O-Ring (Note: Use Item 100) | |
| 16 | See Note | NSS | Seal (Note: Use Item 100) | |
| 17 | See Note | NSS | O-Ring (Note: Use Item 100) | |
| 18 | 2144605 | 2 | Fitting, Straight | |
| 100 | 70000743 | 1 | Seal Kit - 1684458 Cylinder (Includes Items 10 & 12-17) | |

SECTION 6 - HYDRAULIC

SECTION 6 - HYDRAULIC

FIGURE 6-1. HYDRAULIC INSTALLATION



ART_1001285943

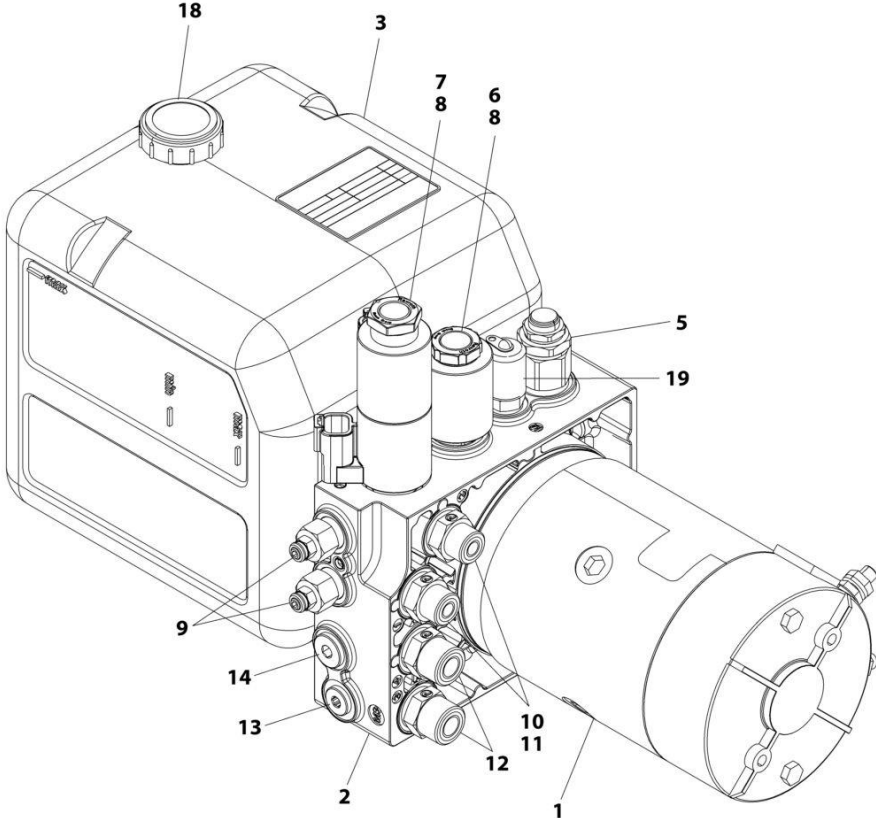
SECTION 6 - HYDRAULIC

FIGURE 6-1. HYDRAULIC INSTALLATION

| ITEM | PART NUMBER | QTY | DESCRIPTION | REV |
|------|-------------|-----|---|-----|
| | 1001285943 | Ref | HYDRAULIC INSTALLATION | A |
| 1 | 0100011 | AR | Compound, Locking | |
| 2 | 0700812 | 1 | Bolt M8 x 25 | |
| 3 | 0761010 | 2 | Bolt M10 x 20 | |
| 4 | 0761216 | 2 | Bolt M12 x 40 | |
| 5 | 2755003 | 2 | Hose Assembly, Steering | |
| 6 | 3290805 | 1 | Bolt M8 x 1.25 | |
| 7 | 3291205 | 2 | Bolt M12 x 1.75 | |
| 8 | 4240147 | 1 | Strap, Anti-Static | |
| 9 | 4811900 | AR | Washer M8 | |
| 10 | 4812000 | AR | Washer M10 | |
| 11 | 4812100 | AR | Washer M12 | |
| 12 | 8584003 | AR | Tie Strap | |
| 13 | 1001101833 | 2 | Hose Assembly, Lift | |
| 14 | 1001285942 | 1 | Tank Assembly - Pump/Motor (See Separate Section for Breakdown) | |
| 15 | 1001286093 | 1 | Bracket, Pump Support | |
| 16 | 1001287772 | 1 | Plate, Bottom Celeron | |

SECTION 6 - HYDRAULIC

FIGURE 6-2. PUMP/MOTOR/TANK ASSEMBLY



ART_1001285942

SECTION 6 - HYDRAULIC

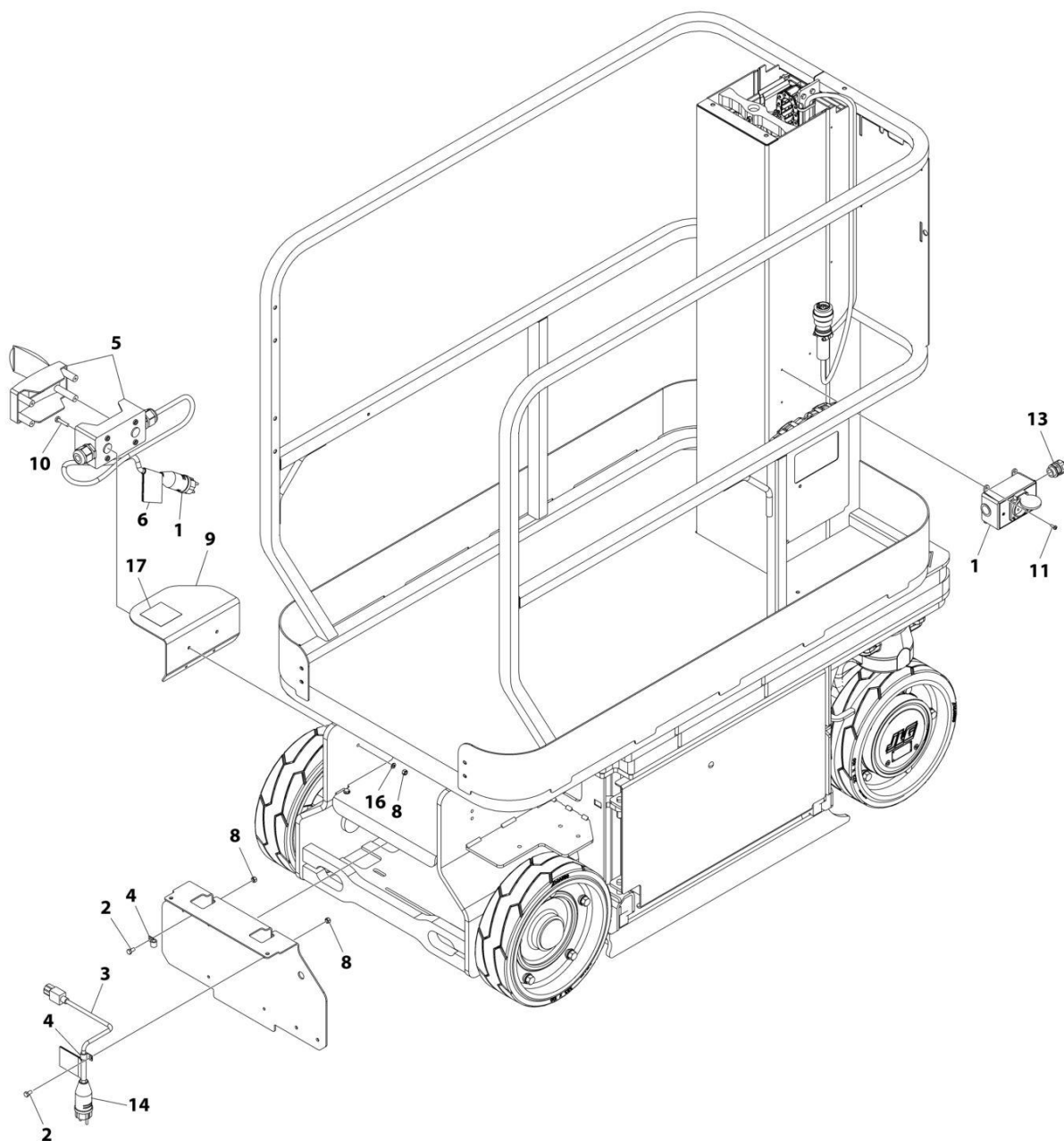
FIGURE 6-2. PUMP/MOTOR/TANK ASSEMBLY

| ITEM | PART NUMBER | QTY | DESCRIPTION | REV |
|------|-------------|-----|--|-----|
| | 1001285942 | Ref | PUMP/MOTOR/TANK ASSEMBLY | B |
| 1 | 70007123 | 1 | Motor, Replacement | |
| 2 | See Note | NSS | Manifold (Note: Use PN 1001285942) | |
| 3 | 70006339 | 1 | Tank | |
| 4 | 70007613 | 1 | Filter (Not Shown) | |
| 5 | 70007614 | 1 | Cartridge, Valve | |
| 6 | 70007588 | 1 | Cartridge, Solenoid Valve | |
| 7 | 70030944 | 1 | Cartridge, Solenoid Valve | |
| 8 | 70008100 | 3 | Coil | |
| 9 | 70008101 | 2 | Cartridge, Valve | |
| 10 | 70005634 | 2 | Screen, 400 Micron | |
| 11 | 70008102 | 2 | Fitting, Straight BSPP/ORFS | |
| 12 | 70008103 | 2 | Fitting, Straight BSPP/ORFS | |
| 13 | 2220883 | 1 | Plug 7/16 | |
| 14 | 70008104 | 1 | Plug 1/4 | |
| 15 | 70003734 | 1 | Filter, Return 20 Micron (Not Shown) | |
| 16 | 70008105 | 1 | Pump (Includes Screws M8 x 80) (Not Shown) | |
| 17 | See Note | NSS | Nameplate (Note: Not Available for Purchase) (Not Shown) | |
| 18 | 70003700 | 1 | Cap, Fill | |
| 19 | 70008106 | 1 | Fitting, Test | |

SECTION 7 - ELECTRICAL

SECTION 7 - ELECTRICAL

FIGURE 7-1. AC PLUG & SOCKET INSTALLATION - 220V CEE7 POST GROUND (CE & UK CA SPECS)



ART_0275769

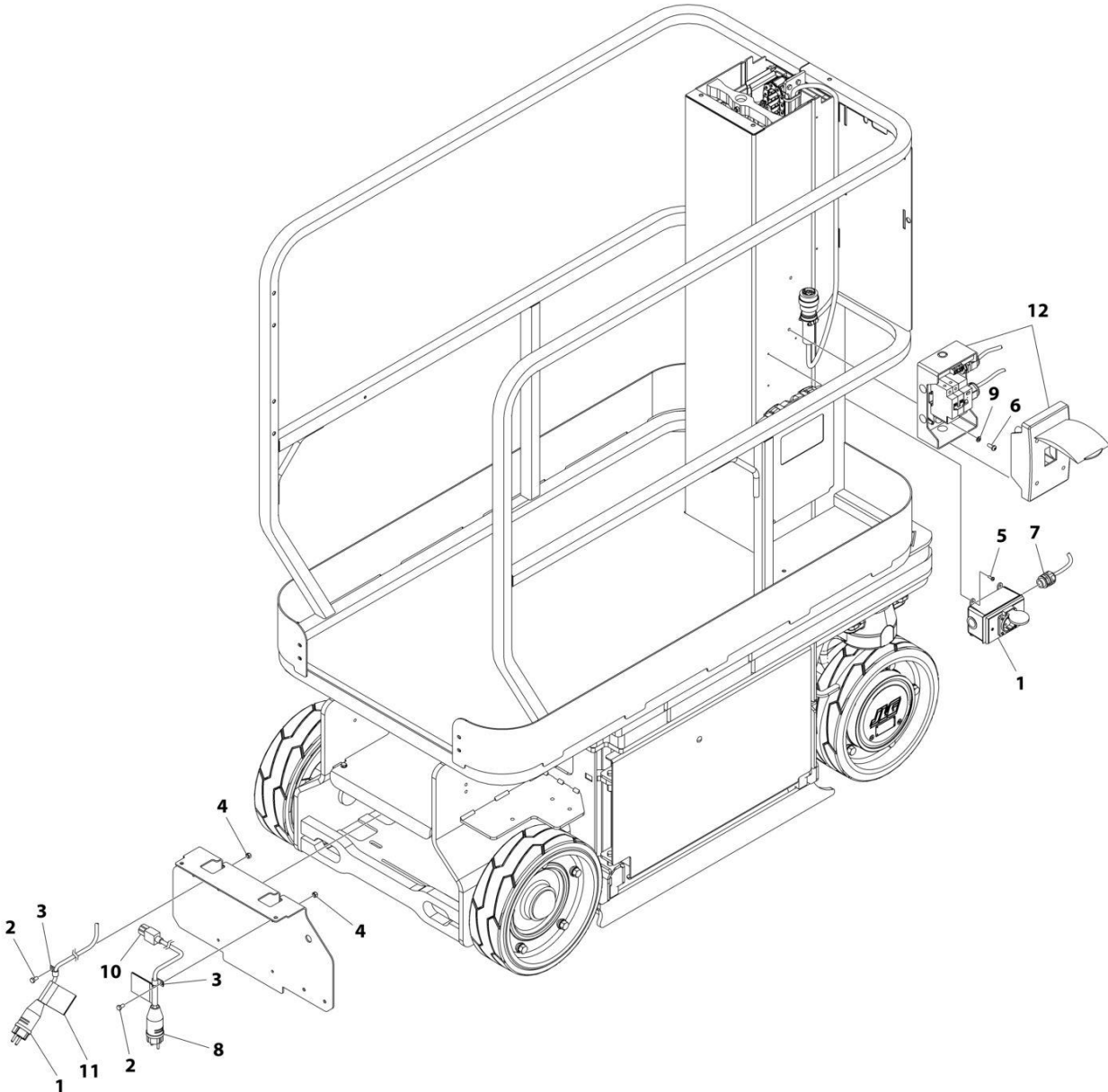
SECTION 7 - ELECTRICAL

FIGURE 7-1. AC PLUG & SOCKET INSTALLATION - 220V CEE7 POST GROUND (CE & UK CA SPECS)

| ITEM | PART NUMBER | QTY | DESCRIPTION | REV |
|------|-------------|-----|---|-----|
| | 0275769 | Ref | AC PLUG & SOCKET INSTALLATION - 220V CEE7 POST GROUND | F |
| 1 | 0275452 | 1 | Plug and Receptacle Box Assembly (See Separate Breakdown in this Section) | |
| 2 | 0760606 | 2 | Bolt M6 x 12 | |
| 3 | 1001103258 | 1 | Cable, Charger Input | |
| 4 | 1321293 | 2 | Clamp, Cable | |
| 5 | 2902559 | 1 | Breaker Box Assembly (See Separate Breakdown in this Section) | |
| 6 | 1001103742 | 1 | Decal, AC Label | |
| 8 | 3290605 | 4 | Nut M6 | |
| 9 | 3380766 | 1 | Shield, Breaker Box | |
| 10 | 4010614 | 2 | Screw M6 x 30 | |
| 11 | 4191406 | 2 | Screw M4 x 12 | |
| 12 | 4240033 | AR | Tie-Strap (Not Shown) | |
| 13 | 4460662 | 1 | Connector, Strain Relief | |
| 14 | 4461205 | 1 | Plug | |
| 16 | 4811700 | 2 | Washer M6 | |
| 17 | 1701691 | 1 | Decal - No Step | |

SECTION 7 - ELECTRICAL

FIGURE 7-2. AC PLUG & SOCKET INSTALLATION - 220V CEE7 SIDE GROUND (CE & UK CA SPECS)



ART_1001153734

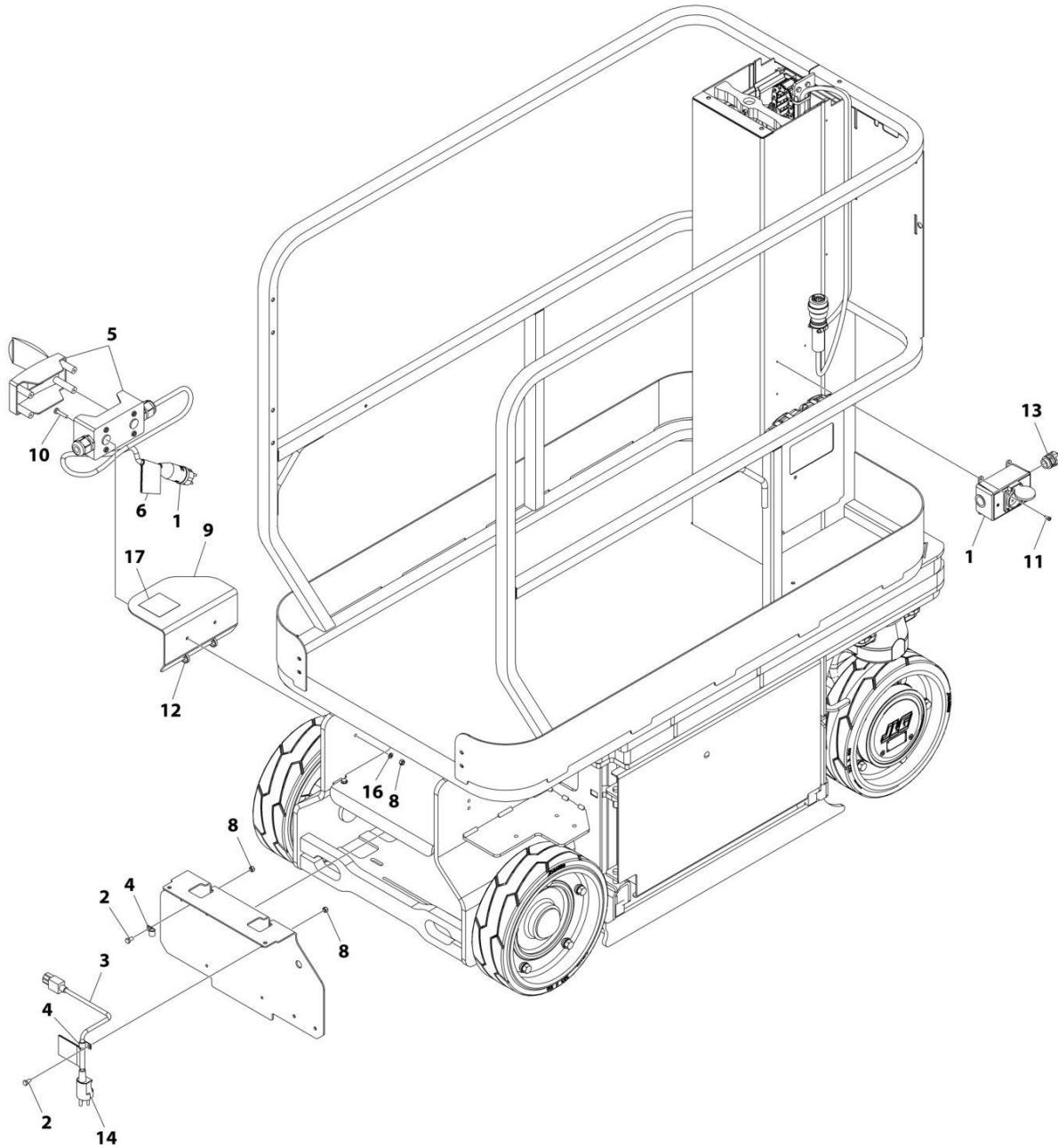
SECTION 7 - ELECTRICAL

FIGURE 7-2. AC PLUG & SOCKET INSTALLATION - 220V CEE7 SIDE GROUND (CE & UK CA SPECS)

| ITEM | PART NUMBER | QTY | DESCRIPTION | REV |
|------|-------------|-----|---|-----|
| | 1001153734 | Ref | AC PLUG & SOCKET INSTALLATION - 220V CEE7 SIDE GROUND | B |
| 1 | 0275453 | 1 | Plug and Receptacle Box Assembly (See Separate Breakdown in this Section) | |
| 2 | 0760606 | 2 | Bolt M6 x 12 | |
| 3 | 1321293 | 2 | Clamp, Cable | |
| 4 | 3290605 | 2 | Nut M6 | |
| 5 | 4191406 | 2 | Screw M4 x 12 | |
| 6 | 4191707 | 2 | Screw M6 x 16 | |
| 7 | 4460662 | 1 | Connector, Strain Relief | |
| 8 | 4461205 | 1 | Plug | |
| 9 | 4811700 | 2 | Washer M6 | |
| 10 | 1001103258 | 1 | Cable, Charger Input | |
| 11 | 1001103742 | 1 | Decal - AC Label | |
| 12 | 1001152487 | 1 | Breaker Box Assembly (See Separate Breakdown in this Section) | |

SECTION 7 - ELECTRICAL

FIGURE 7-3. AC PLUG & SOCKET INSTALLATION - 220V CEE7 KEYED GROUND (CE & UK CA SPECS)



ART_0275771

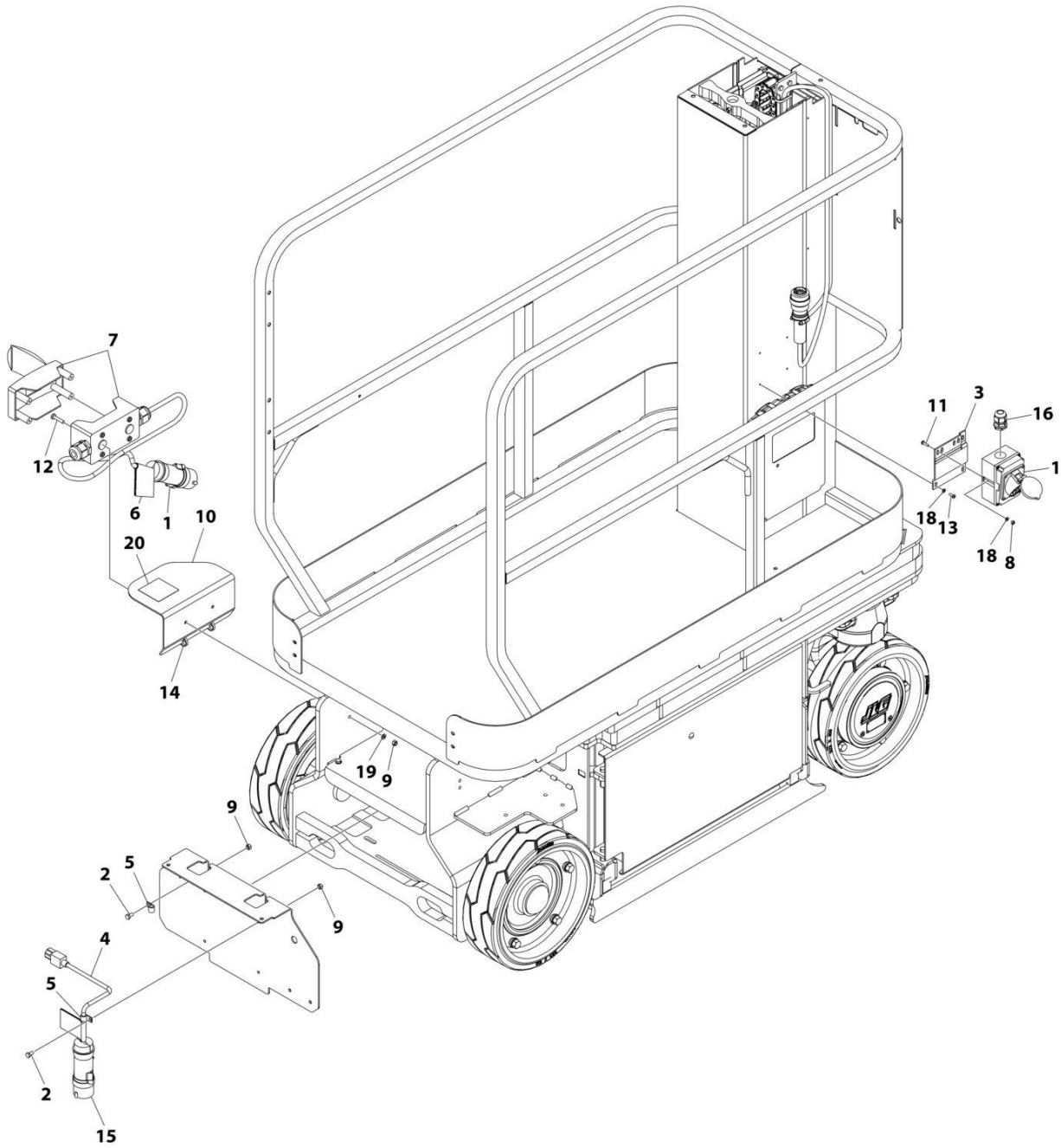
SECTION 7 - ELECTRICAL

FIGURE 7-3. AC PLUG & SOCKET INSTALLATION - 220V CEE7 KEYED GROUND (CE & UK CA SPECS)

| ITEM | PART NUMBER | QTY | DESCRIPTION | REV |
|------|-------------|-----|---|-----|
| | 0275771 | Ref | AC PLUG & SOCKET INSTALLATION - 220V CEE7 KEYED GROUND | E |
| 1 | 0275454 | 1 | Plug and Receptacle Box Assembly (See Separate Breakdown in this Section) | |
| 2 | 0760606 | 2 | Bolt M6 x 12 | |
| 3 | 1001103258 | 1 | Cable, Charger Input | |
| 4 | 1321293 | 2 | Clamp, Cable | |
| 5 | 2902559 | 1 | Breaker Box Assembly (See Separate Breakdown in this Section) | |
| 6 | 1001103742 | 1 | Decal - AC Label | |
| 8 | 3290605 | 4 | Nut M6 | |
| 9 | 3380766 | 1 | Shield, Breaker Box | |
| 10 | 4010614 | 2 | Screw M6 x 30 | |
| 11 | 4191406 | 2 | Screw M4 x 12 | |
| 12 | 4240033 | AR | Tie-Strap (Not Shown) | |
| 13 | 4460662 | 1 | Connector, Strain Relief | |
| 14 | 4461249 | 1 | Plug | |
| 16 | 4811700 | 2 | Washer M6 | |
| 17 | 1701691 | 1 | Decal - No Step | |

SECTION 7 - ELECTRICAL

FIGURE 7-4. AC PLUG & SOCKET INSTALLATION - 220V IEC YELLOW (CE & UK CA SPECS)



ART_0275772

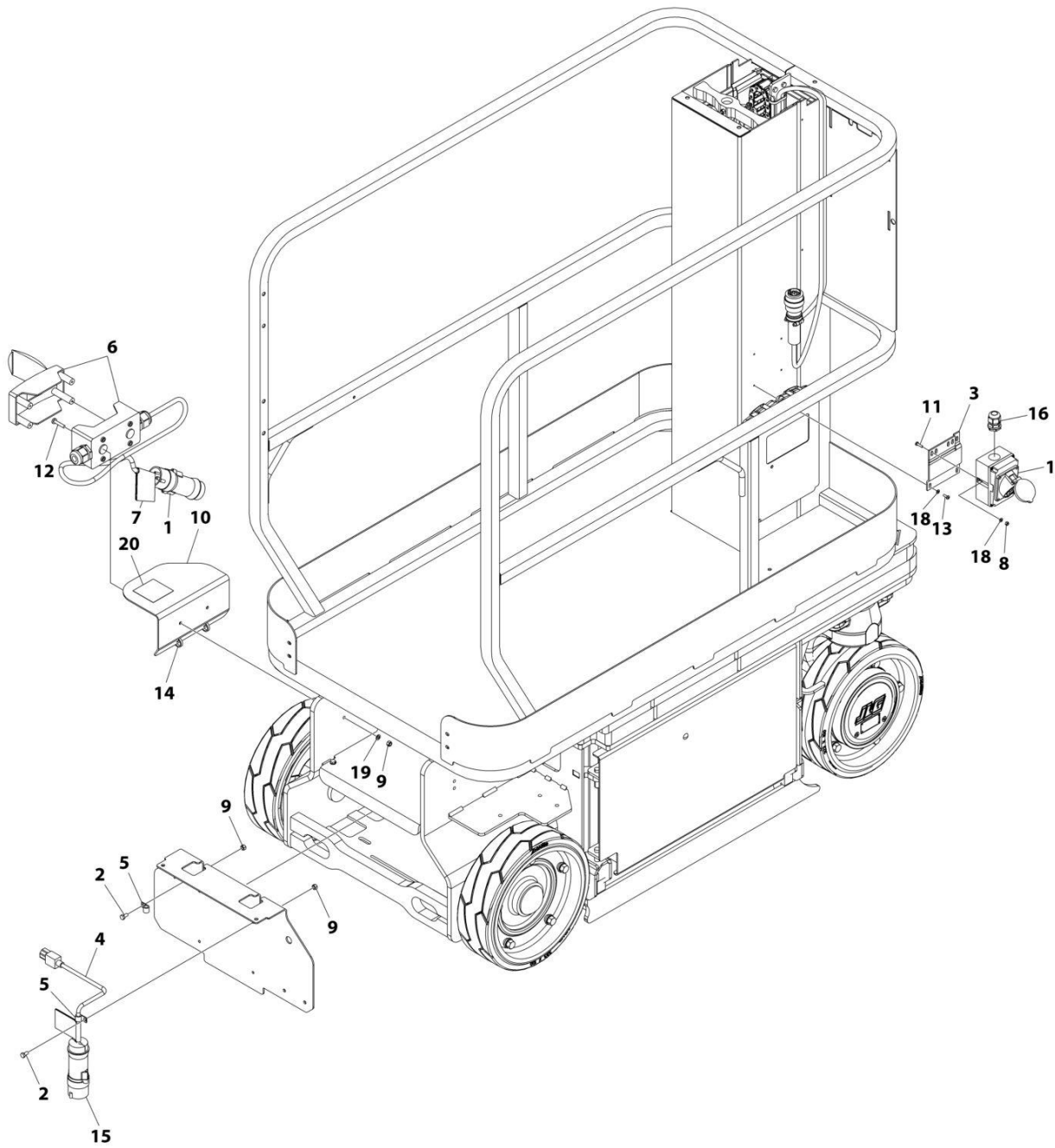
SECTION 7 - ELECTRICAL

FIGURE 7-4. AC PLUG & SOCKET INSTALLATION - 220V IEC YELLOW (CE & UK CA SPECS)

| ITEM | PART NUMBER | QTY | DESCRIPTION | REV |
|------|-------------|-----|---|-----|
| | 0275772 | Ref | AC PLUG & SOCKET INSTALLATION - 220V IEC YELLOW | F |
| 1 | 0275216 | 1 | Plug and Receptacle Box Assembly (See Separate Breakdown in this Section) | |
| 2 | 0760606 | 2 | Bolt M6 x 12 | |
| 3 | 0903651 | 1 | Bracket, AC Box | |
| 4 | 1001103258 | 1 | Cable, Charger Input | |
| 5 | 1321293 | 2 | Clamp, Cable | |
| 6 | 1001103742 | 1 | Decal - AC Label | |
| 7 | 2902559 | 1 | Breaker Box Assembly (See Separate Breakdown in this Section) | |
| 8 | 3290405 | 2 | Nut M4 | |
| 9 | 3290605 | 4 | Nut M6 | |
| 10 | 3380766 | 1 | Shield, Breaker Box | |
| 11 | 4010408 | 2 | Bolt M4 x 16 | |
| 12 | 4010614 | 2 | Screw M6 x 30 | |
| 13 | 4191406 | 3 | Screw M4 x 12 | |
| 14 | 4240033 | AR | Tie-Strap (Not Shown) | |
| 15 | 4461196 | 1 | Plug | |
| 16 | 4460633 | 1 | Connector, Strain Relief | |
| 18 | 4811400 | 7 | Washer M4 | |
| 19 | 4811700 | 2 | Washer M6 | |
| 20 | 1701691 | 1 | Decal - No Step | |

SECTION 7 - ELECTRICAL

FIGURE 7-5. AC PLUG & SOCKET INSTALLATION - 220V IEC BLUE (CE & UK CA SPECS)



ART_0275773

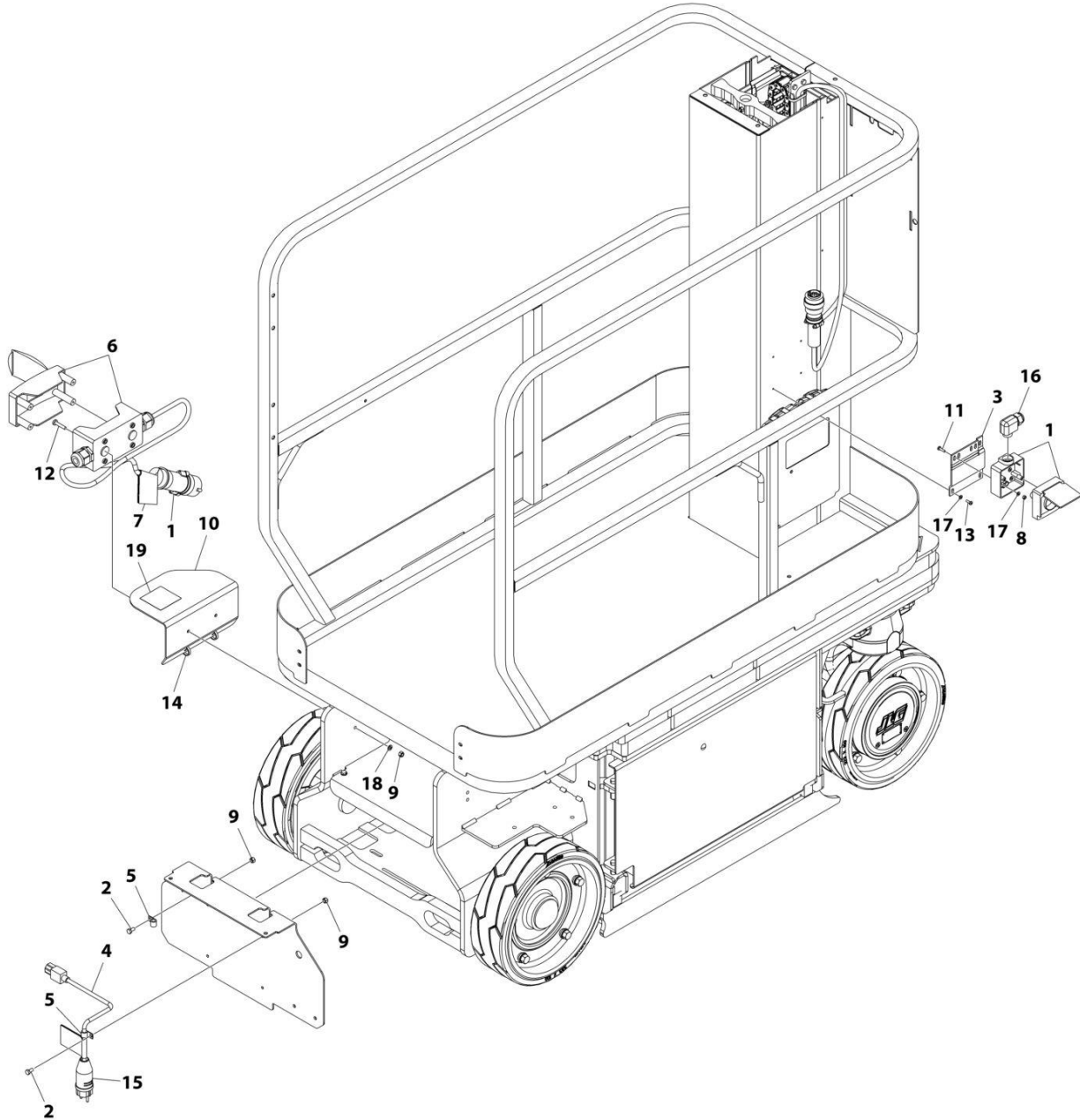
SECTION 7 - ELECTRICAL

FIGURE 7-5. AC PLUG & SOCKET INSTALLATION - 220V IEC BLUE (CE & UK CA SPECS)

| ITEM | PART NUMBER | QTY | DESCRIPTION | REV |
|------|-------------|-----|---|-----|
| | 0275773 | Ref | AC PLUG & SOCKET INSTALLATION - 220V IEC BLUE | F |
| 1 | 0275217 | 1 | Plug and Receptacle Box Assembly (See Separate Breakdown in this Section) | |
| 2 | 0760606 | 2 | Bolt M6 x 12 | |
| 3 | 0903651 | 1 | Bracket, AC Box | |
| 4 | 1001103258 | 1 | Cable, Charger Input | |
| 5 | 1321293 | 2 | Clamp, Cable | |
| 6 | 2902559 | 1 | Breaker Box Assembly (See Separate Breakdown in this Section) | |
| 7 | 1001103742 | 1 | Decal - AC Label | |
| 8 | 3290405 | 2 | Nut M4 | |
| 9 | 3290605 | 4 | Nut M6 | |
| 10 | 3380766 | 1 | Shield, Breaker Box | |
| 11 | 4010408 | 2 | Bolt M4 x 16 | |
| 12 | 4010614 | 2 | Screw M6 x 30 | |
| 13 | 4191406 | 3 | Screw M4 x 12 | |
| 14 | 4240033 | AR | Tie-Strap (Not Shown) | |
| 15 | 4461199 | 1 | Plug | |
| 16 | 4460633 | 1 | Connector, Strain Relief | |
| 18 | 4811400 | 7 | Washer M4 | |
| 19 | 4811700 | 2 | Washer M6 | |
| 20 | 1701691 | 1 | Decal - No Step | |

SECTION 7 - ELECTRICAL

FIGURE 7-6. AC PLUG & SOCKET INSTALLATION - 220V CEE7 POST GROUND (CE & UK CA SPECS)



ART_0275774

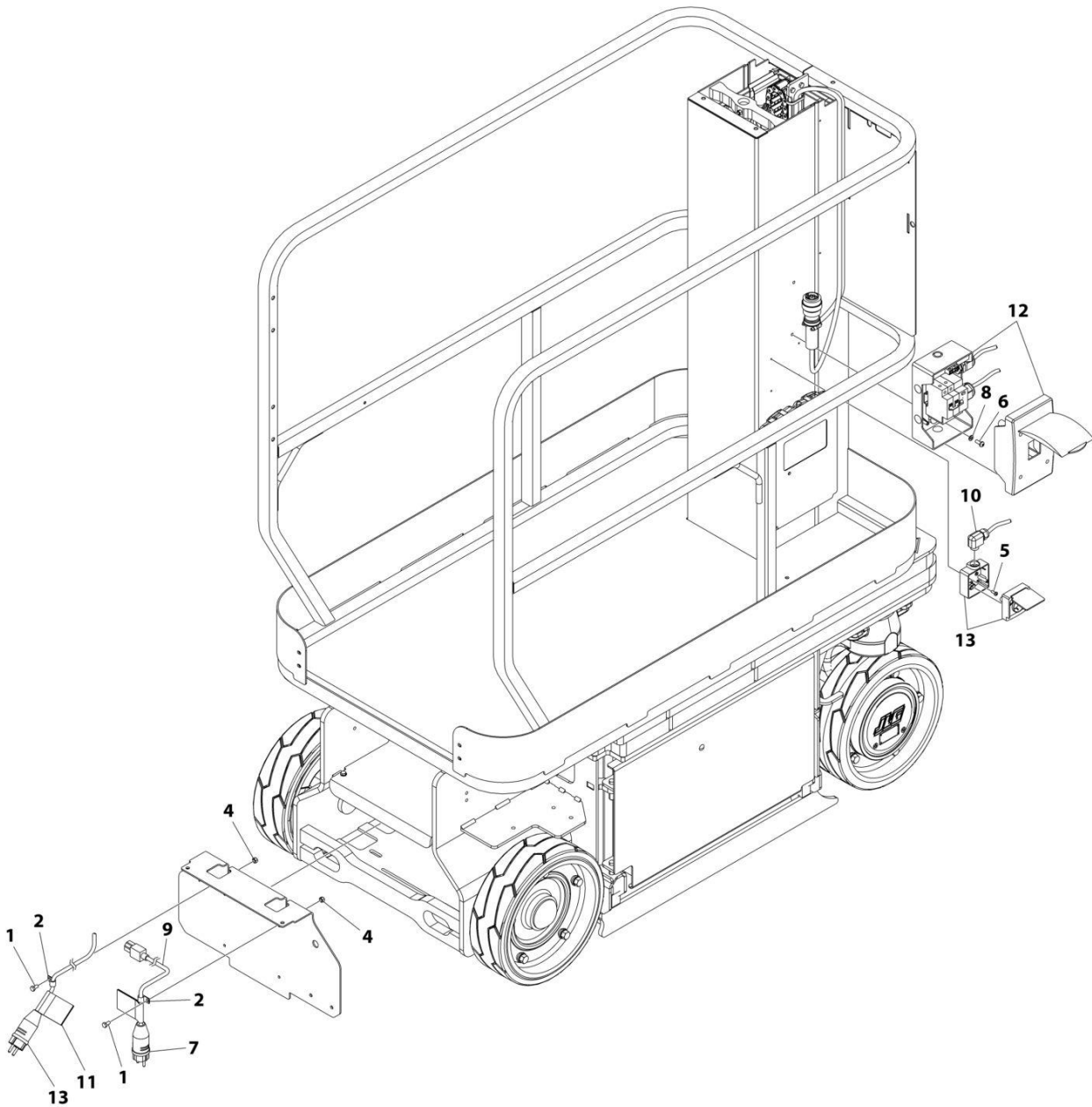
SECTION 7 - ELECTRICAL

FIGURE 7-6. AC PLUG & SOCKET INSTALLATION - 220V CEE7 POST GROUND (CE & UK CA SPECS)

| ITEM | PART NUMBER | QTY | DESCRIPTION | REV |
|------|-------------|-----|---|-----|
| | 0275774 | Ref | AC PLUG & SOCKET INSTALLATION - 220V CEE7 POST GROUND | H |
| 1 | 0275218 | 1 | Plug and Receptacle Box Assembly (See Separate Breakdown in this Section) | |
| 2 | 0760606 | 2 | Bolt M6 x 12 | |
| 3 | 0903651 | 1 | Bracket, AC Box | |
| 4 | 1001103258 | 1 | Cable, Charger Input | |
| 5 | 1321293 | 2 | Clamp, Cable | |
| 6 | 2902559 | 1 | Breaker Box Assembly (See Separate Breakdown in this Section) | |
| 7 | 1001103742 | 1 | Decal - AC Label | |
| 8 | 3290405 | 2 | Nut M4 | |
| 9 | 3290605 | 4 | Nut M6 | |
| 10 | 3380766 | 1 | Shield, Breaker Box | |
| 11 | 4010408 | 2 | Bolt M4 x 16 | |
| 12 | 4010614 | 2 | Screw M6 x 30 | |
| 13 | 4191406 | 3 | Screw M4 x 12 | |
| 14 | 4240033 | AR | Tie-Strap (Not Shown) | |
| 15 | 4461205 | 1 | Plug | |
| 16 | 1001103471 | 1 | Connector, Strain Relief | |
| 17 | 4811400 | 7 | Washer M4 | |
| 18 | 4811700 | 2 | Washer M6 | |
| 19 | 1701691 | 1 | Decal - No Step | |

SECTION 7 - ELECTRICAL

FIGURE 7-7. AC PLUG & SOCKET INSTALLATION - 220V CEE7 SIDE GROUND (CE & UK CA SPECS)



ART_1001153735

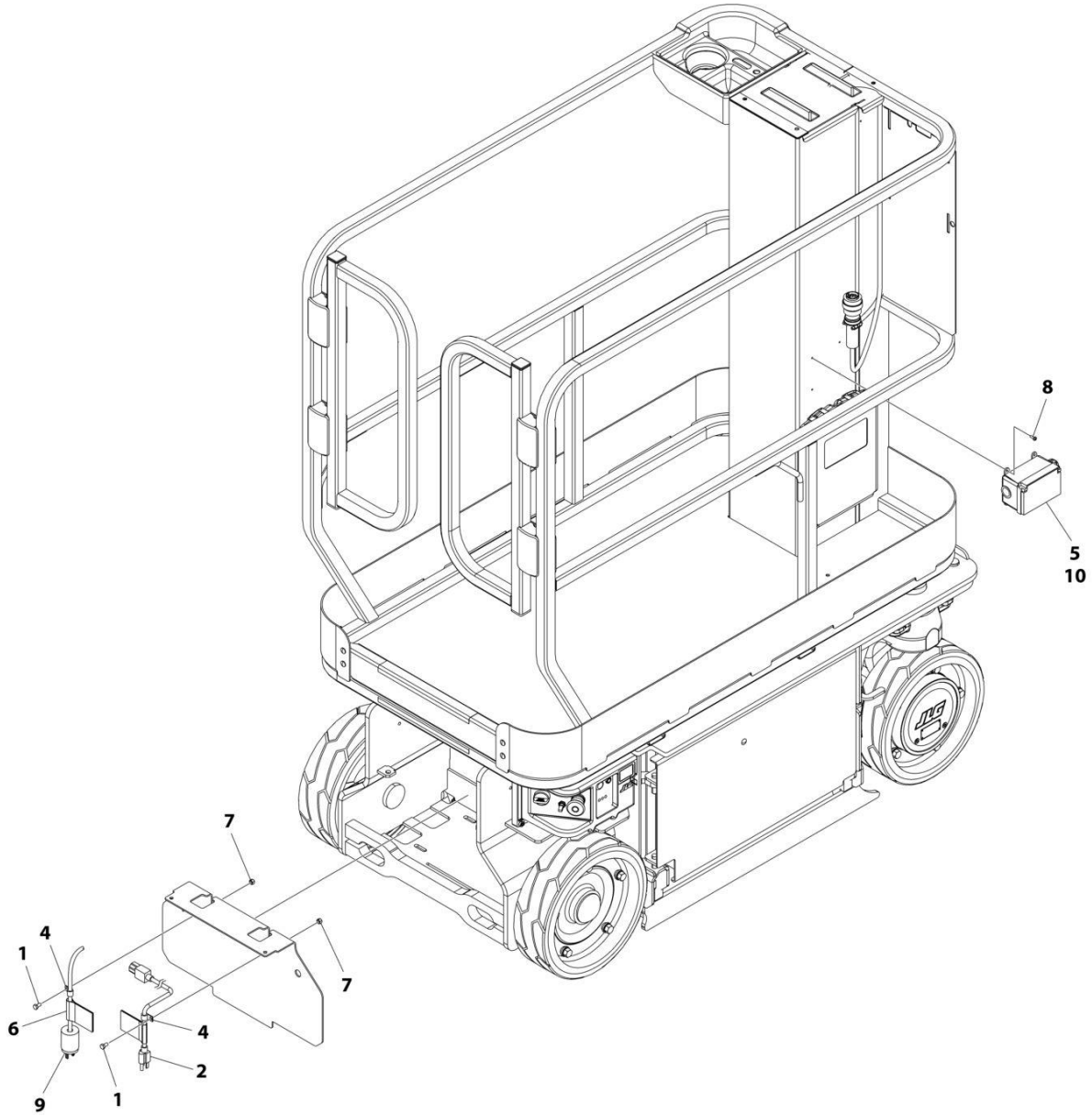
SECTION 7 - ELECTRICAL

FIGURE 7-7. AC PLUG & SOCKET INSTALLATION - 220V CEE7 SIDE GROUND (CE & UK CA SPECS)

| ITEM | PART NUMBER | QTY | DESCRIPTION | REV |
|------|-------------|-----|---|-----|
| | 1001153735 | Ref | AC PLUG & SOCKET INSTALLATION - 220V CEE7 SIDE GROUND | A |
| 1 | 0760606 | 2 | Bolt M6 x 12 | |
| 2 | 1321293 | 2 | Clamp, Cable | |
| 4 | 3290605 | 2 | Nut M6 | |
| 5 | 4191406 | 2 | Screw M4 x 12 | |
| 6 | 4191707 | 2 | Screw M6 x 16 | |
| 7 | 4461205 | 1 | Plug | |
| 8 | 4811700 | 2 | Washer M6 | |
| 9 | 1001103258 | 1 | Cable, Charger Input | |
| 10 | 1001103471 | 1 | Connector, Strain Relief | |
| 11 | 1001103742 | 1 | Decal - AC Label | |
| 12 | 1001152487 | 1 | Breaker Box Assembly (See Separate Breakdown in this Section) | |
| 13 | 0275219 | 1 | Plug and Receptacle Box Assembly (See Separate Breakdown in this Section) | |

SECTION 7 - ELECTRICAL

FIGURE 7-8. ACCESSORY CHARGER POWER INSTALLATION - 110V (CE & UK CA SPECS)



ART_0274556

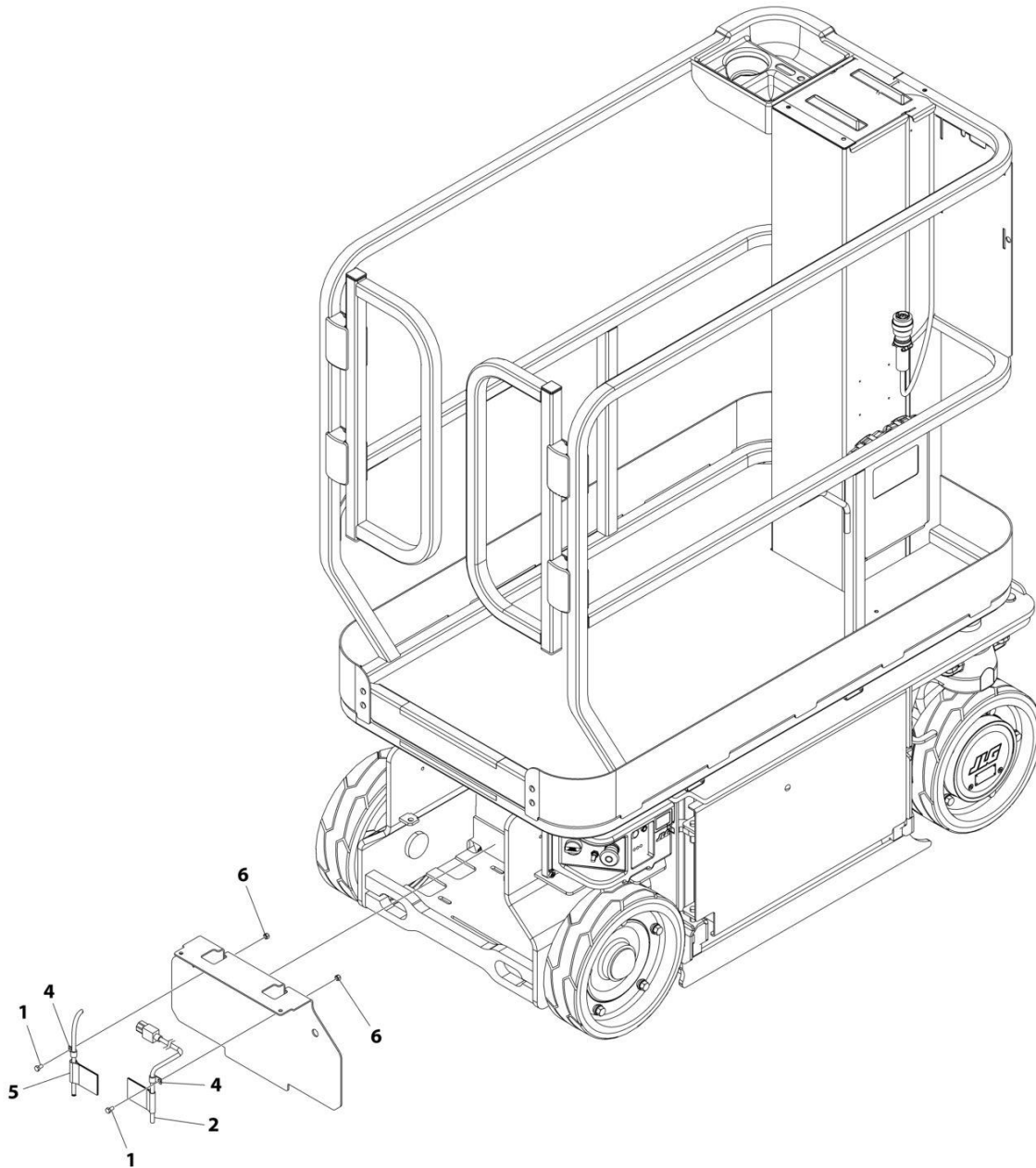
SECTION 7 - ELECTRICAL

FIGURE 7-8. ACCESSORY CHARGER POWER INSTALLATION - 110V (CE & UK CA SPECS)

| ITEM | PART NUMBER | QTY | DESCRIPTION | REV |
|------|-------------|-----|---|-----|
| | 0274556 | Ref | ACCESSORY CHARGER POWER INSTALLATION - 110V | F |
| 1 | 0760606 | 2 | Bolt M6 x 12 | |
| 2 | 1001103257 | 1 | Cable, Charger Input | |
| 4 | 1321293 | 2 | Clamp, Cable | |
| 5 | 2902431 | 1 | Plug and Receptacle Box Assembly (See Separate Breakdown in this Section) | |
| 6 | 1001103742 | 1 | Decal - AC Label | |
| 7 | 3290605 | 2 | Nut M6 | |
| 8 | 4191406 | 2 | Bolt M4 x 12 | |
| 9 | 4460138 | 1 | Plug | |
| 10 | 4460314 | 1 | Plug | |

SECTION 7 - ELECTRICAL

FIGURE 7-9. ACCESSORY CHARGER POWER INSTALLATION - 220V CUSTOMER SUPPLIED PLUG
(ANSI EXPORT, AUSTRALIAN, CE, KOREA & UK CA SPECS)



ART_0274802

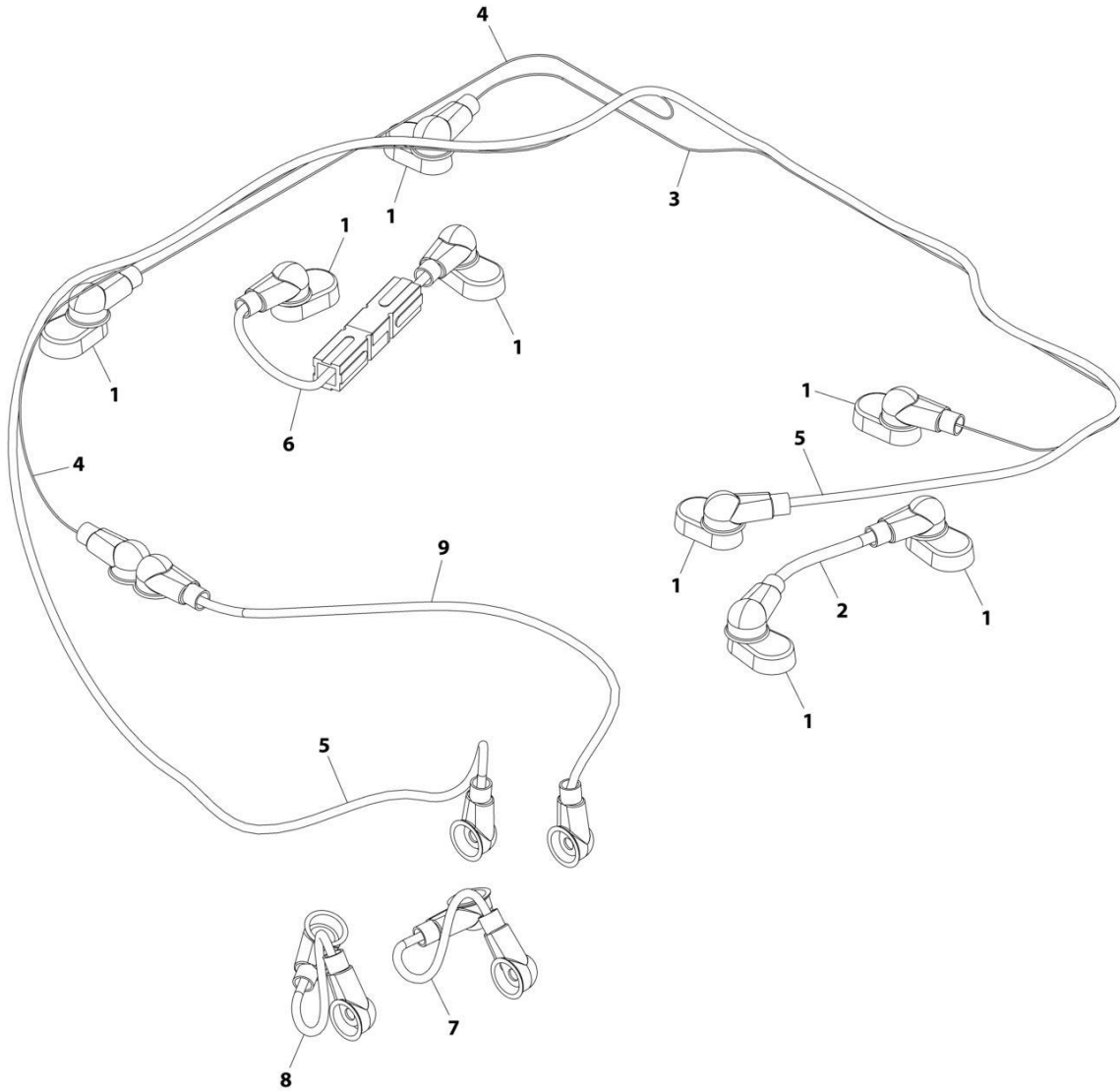
SECTION 7 - ELECTRICAL

**FIGURE 7-9. ACCESSORY CHARGER POWER INSTALLATION - 220V CUSTOMER SUPPLIED PLUG
(ANSI EXPORT, AUSTRALIAN, CE, KOREA & UK CA SPECS)**

| ITEM | PART NUMBER | QTY | DESCRIPTION | REV |
|------|-------------|-----|---|-----|
| | 0274802 | Ref | ACCESSORY CHARGER POWER INSTALLATION - 220V CUSTOMER SUPPLIED PLUG | E |
| 1 | 0760606 | 2 | Bolt M6 x 12 | |
| 2 | 1001103258 | 1 | Cable, Charger Input | |
| 4 | 1321293 | 2 | Clamp, Cable | |
| 5 | 1001103742 | 1 | Decal - AC Label | |
| 6 | 3290605 | 4 | Nut M6 | |

SECTION 7 - ELECTRICAL

FIGURE 7-10. BATTERY CABLES



ART_1001117837

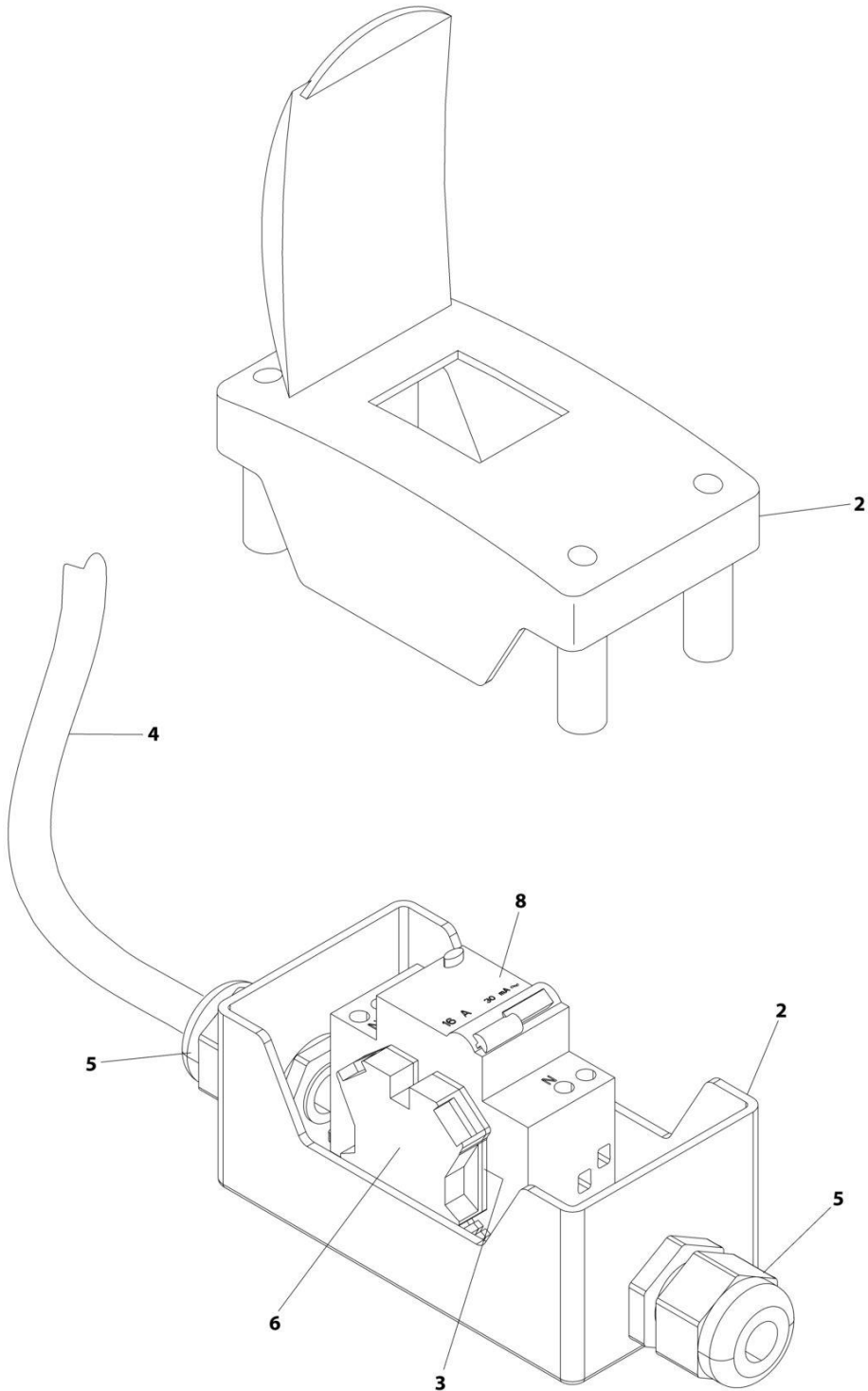
SECTION 7 - ELECTRICAL

FIGURE 7-10. BATTERY CABLES

| ITEM | PART NUMBER | QTY | DESCRIPTION | REV |
|------|-------------|-----|---|-----|
| | 1001117837 | Ref | BATTERY CABLE | D |
| 1 | 0840060 | 8 | Boot, Battery Terminal | |
| 2 | 1060998 | 1 | Cable, Battery (Battery Positive to Battery Negative) | |
| 3 | 4923325 | 1 | Cable, Battery (LH Side Batteries to RH Side Batteries) | |
| 4 | 4923326 | 1 | Cable, Battery (Contactor to RH Side Batteries) | |
| 5 | 1001117840 | 1 | Cable, Battery (Drive Module B- to LH Side Batteries) | |
| 6 | 4923328 | 1 | Cable, Battery with Disconnect (Battery Positive to Battery Negative) | |
| 7 | 1001117841 | 1 | Cable, Battery (Drive Module +BF2 to Pump Motor +) | |
| 8 | 1001117842 | 1 | Cable, Battery (Drive Module P- to Pump Motor -) | |
| 9 | 1001117843 | 1 | Cable, Battery (Drive Module B+ to Contactor) | |

SECTION 7 - ELECTRICAL

FIGURE 7-11. BREAKER BOX KIT WITH 1 DOUBLE BREAKER



ART_2902559

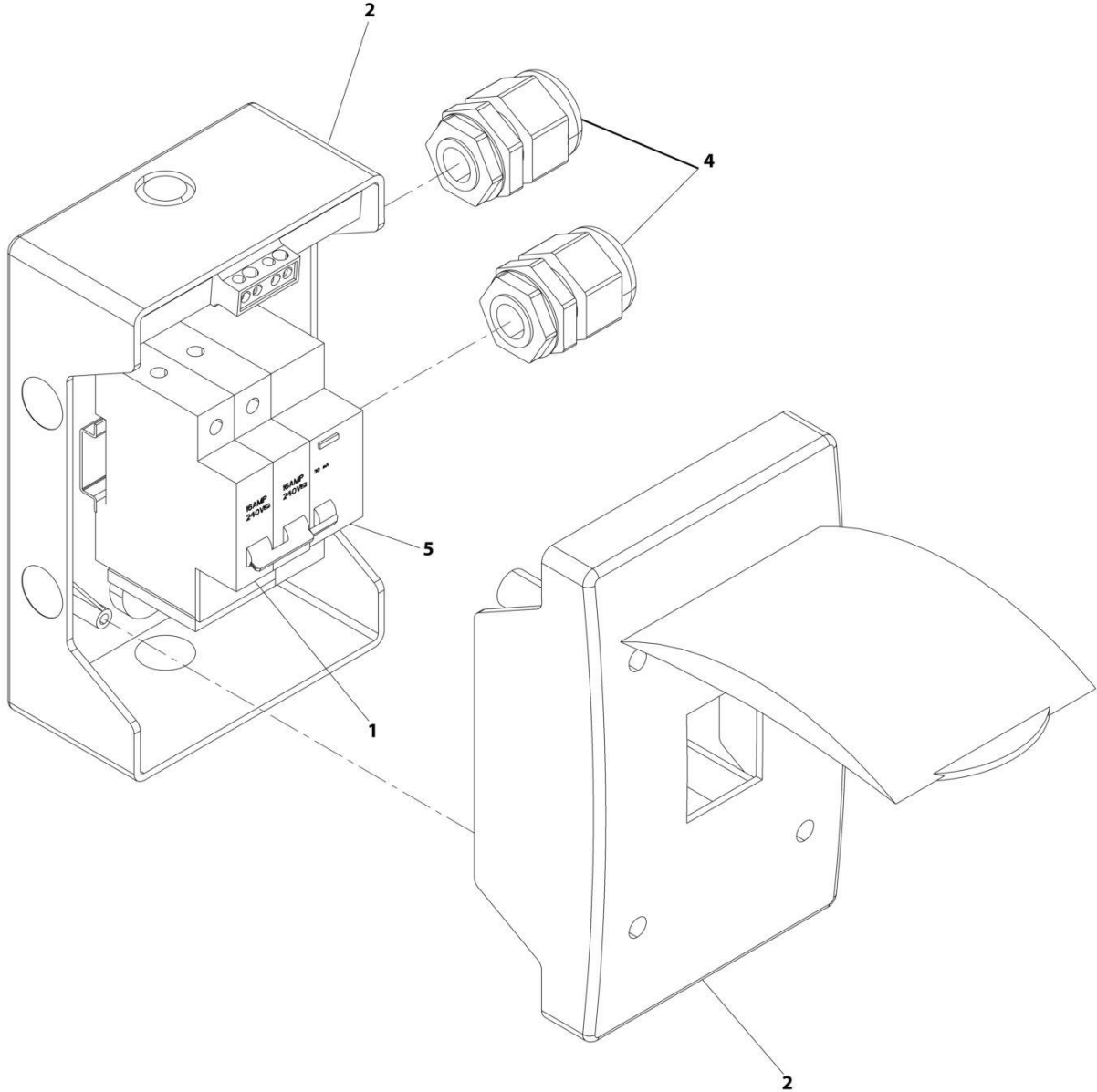
SECTION 7 - ELECTRICAL

FIGURE 7-11. BREAKER BOX KIT WITH 1 DOUBLE BREAKER

| ITEM | PART NUMBER | QTY | DESCRIPTION | REV |
|------|-------------|-----------------|------------------------------|-----|
| | 2902559 | Ref | BREAKER BOX ASSEMBLY | F |
| 2 | 0861880 | 1 | Box | |
| 3 | 4460956 | 1 | Barrier, Terminal | |
| 4 | 1060908 | 4.5 ft /1.4m | Cable, 12/3 | |
| 5 | 1001097150 | 2 | Connector, Strain Relief | |
| 6 | 4460957 | 1 | Block, Terminal | |
| 8 | 1001181045 | 1 | Breaker, Double 30mAmp/16Amp | |

SECTION 7 - ELECTRICAL

FIGURE 7-12. BREAKER BOX KIT WITH 3 BREAKERS



ART_1001152487

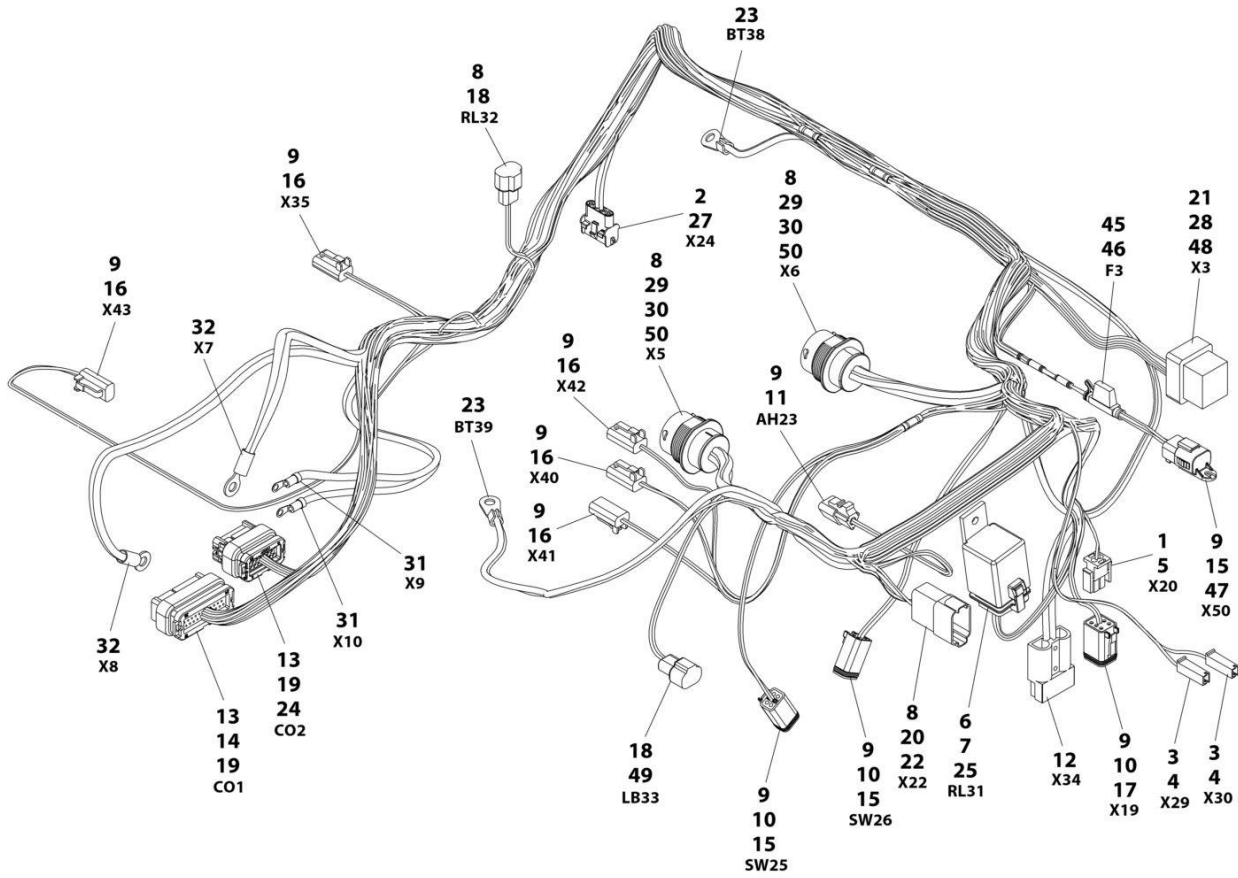
SECTION 7 - ELECTRICAL

FIGURE 7-12. BREAKER BOX KIT WITH 3 BREAKERS

| ITEM | PART NUMBER | QTY | DESCRIPTION | REV |
|------|-------------|-----|--------------------------|-----|
| | 1001152487 | Ref | BREAKER BOX ASSEMBLY | E |
| 1 | 1001189172 | 1 | Breaker, Double 16AMP | |
| 2 | 1001152483 | 1 | Box | |
| 3 | 1060908 | 1 | Cable (Not Shown) | |
| 4 | 1001097150 | 2 | Connector, Strain Relief | |
| 5 | 1001189171 | 1 | Breaker, 30mAmp | |

SECTION 7 - ELECTRICAL

FIGURE 7-13. CHASSIS HARNESS



ART_1001116640

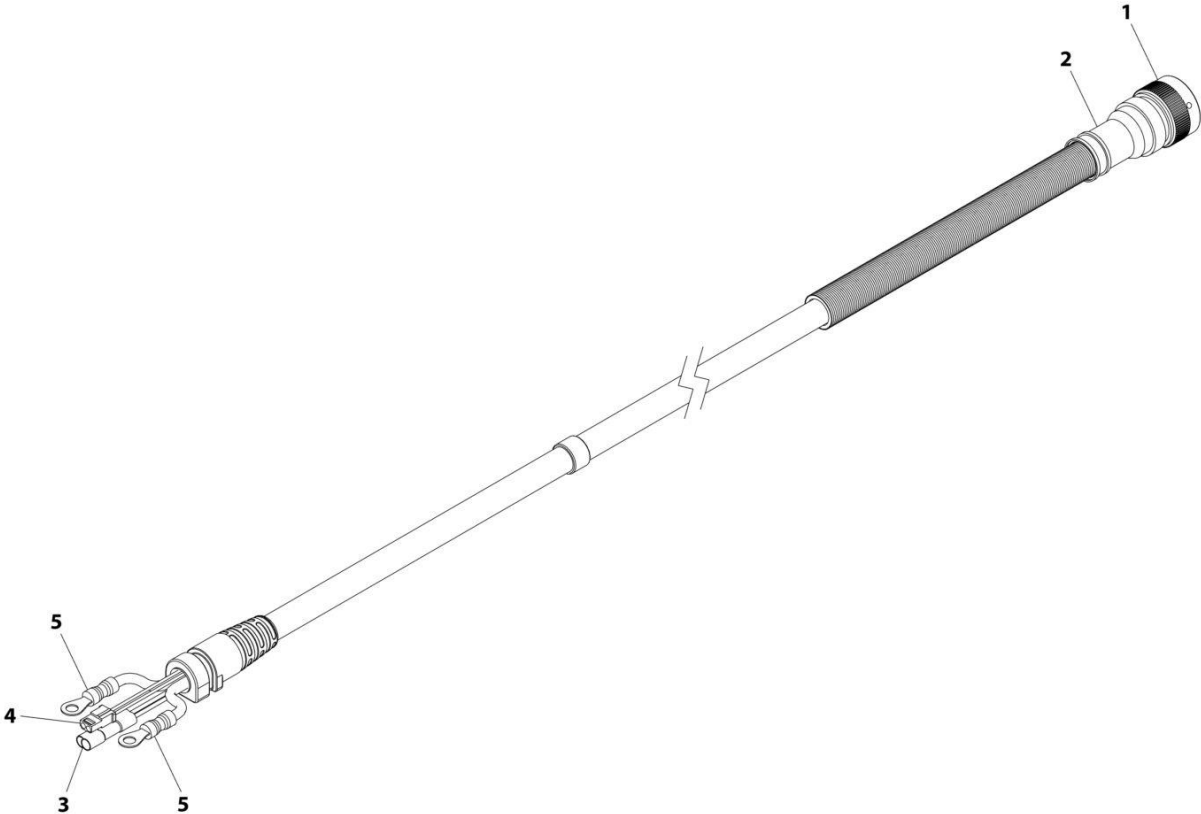
SECTION 7 - ELECTRICAL

FIGURE 7-13. CHASSIS HARNESS

| ITEM | PART NUMBER | QTY | DESCRIPTION | REV |
|------|-------------|-----|---------------------|-----|
| | 1001116640 | Ref | CHASSIS HARNESS | I |
| 1 | 4460268 | 2 | Socket | |
| 2 | 4460227 | 4 | Pin | |
| 3 | 4460259 | 2 | Socket | |
| 4 | 4460260 | 2 | Connector | |
| 5 | 4460320 | 1 | Connector | |
| 6 | 4460374 | 1 | Plug | |
| 7 | 4460375 | 4 | Socket | |
| 8 | 4460464 | 11 | Pin | |
| 9 | 4460465 | 27 | Socket | |
| 10 | 4460466 | 6 | Seal | |
| 11 | 4460539 | 1 | Connector | |
| 12 | 4460648 | 1 | Connector, Anderson | |
| 13 | 4460871 | 37 | Socket | |
| 14 | 4460873 | 1 | Connector | |
| 15 | 4460884 | 3 | Connector | |
| 16 | 4460891 | 5 | Connector | |
| 17 | 4460894 | 1 | Connector | |
| 18 | 4460897 | 2 | Connector | |
| 19 | 4460905 | 4 | Seal | |
| 20 | 4460931 | 1 | Connector | |
| 21 | 4460942 | 2 | Socket | |
| 22 | 4460943 | 3 | Pin | |
| 23 | 4460986 | 2 | Terminal, Ring | |
| 24 | 1001096138 | 1 | Connector | |
| 25 | 1001097347 | 4 | Relay, 24V | |
| 27 | 4460761 | 1 | Connector | |
| 28 | 1001115076 | 1 | Connector | |
| 29 | 91013191 | 4 | Pin | |
| 30 | 1001118322 | 2 | Connector | |
| 31 | 4460142 | 2 | Terminal, Ring | |
| 32 | 8220114 | 2 | Terminal, Ring | |
| 45 | 2400060 | 1 | Fuse Holder | |
| 46 | 8229242 | 1 | Fuse, 5AMP | |
| 47 | 1001192401 | 1 | Dust Cap | |
| 48 | 1001116692 | 14 | Socket | |
| 49 | 1001116693 | 2 | Pin | |
| 50 | 1001157891 | 4 | Socket | |

SECTION 7 - ELECTRICAL

FIGURE 7-14. DRIVE CABLE



ART_1001118363

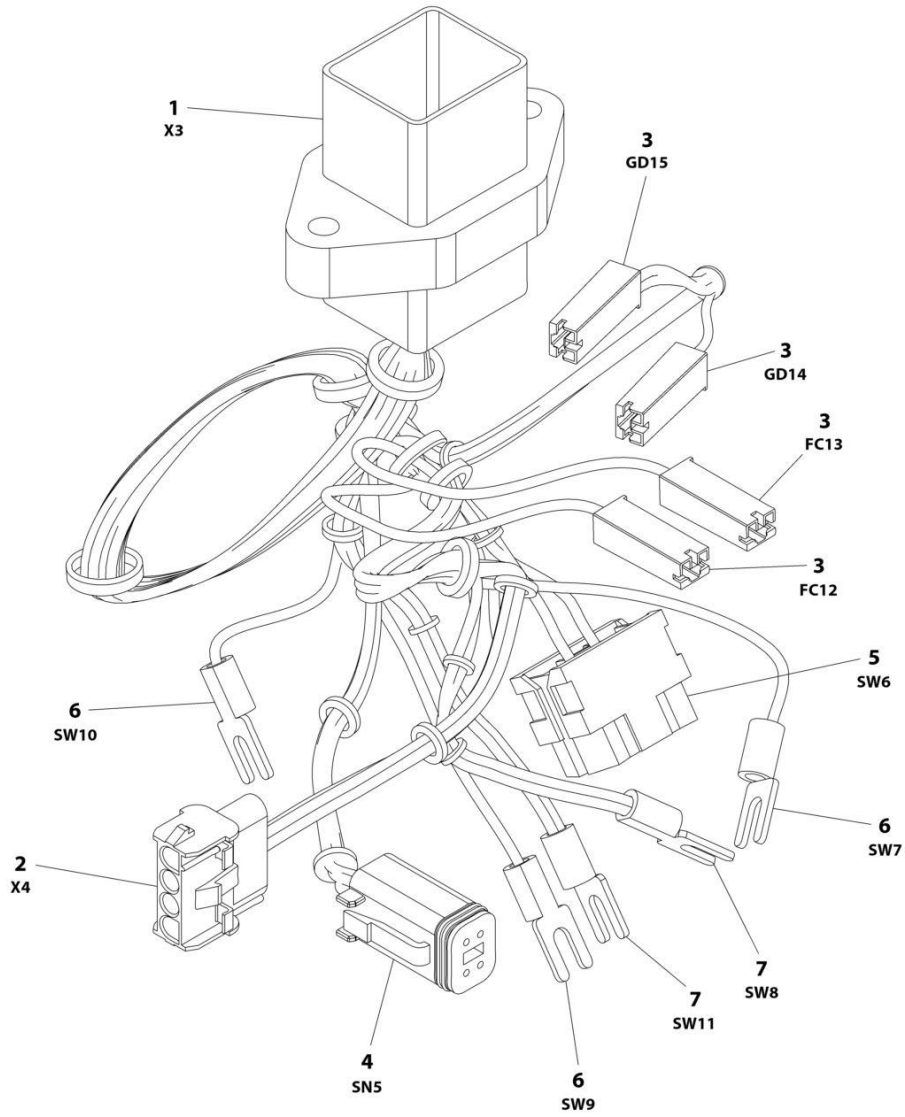
SECTION 7 - ELECTRICAL

FIGURE 7-14. DRIVE CABLE

| ITEM | PART NUMBER | QTY | DESCRIPTION | REV |
|------|-------------|-----|---|-----|
| | 1001118363 | Ref | DRIVE CABLE | C |
| 1 | 1001118323 | 1 | Connector | |
| 1 | 4460465 | 2 | Socket (20-16 AWG) | |
| 1 | 91013192 | 2 | Socket (6 AWG) | |
| 1 | 4460942 | 2 | Socket (16-14 AWG) | |
| 2 | 1001101024 | 1 | Backshell | |
| 3 | 1001099670 | 2 | Splice | |
| 4 | | Ref | Connector (No Part Number Available) | |
| 4 | | Ref | Socket (No Part Number Available) | |
| 5 | | Ref | Terminal, Ring (No Part Number Available) | |

SECTION 7 - ELECTRICAL

FIGURE 7-15. GROUND CONTROL BOX HARNESS



ART_1001208641

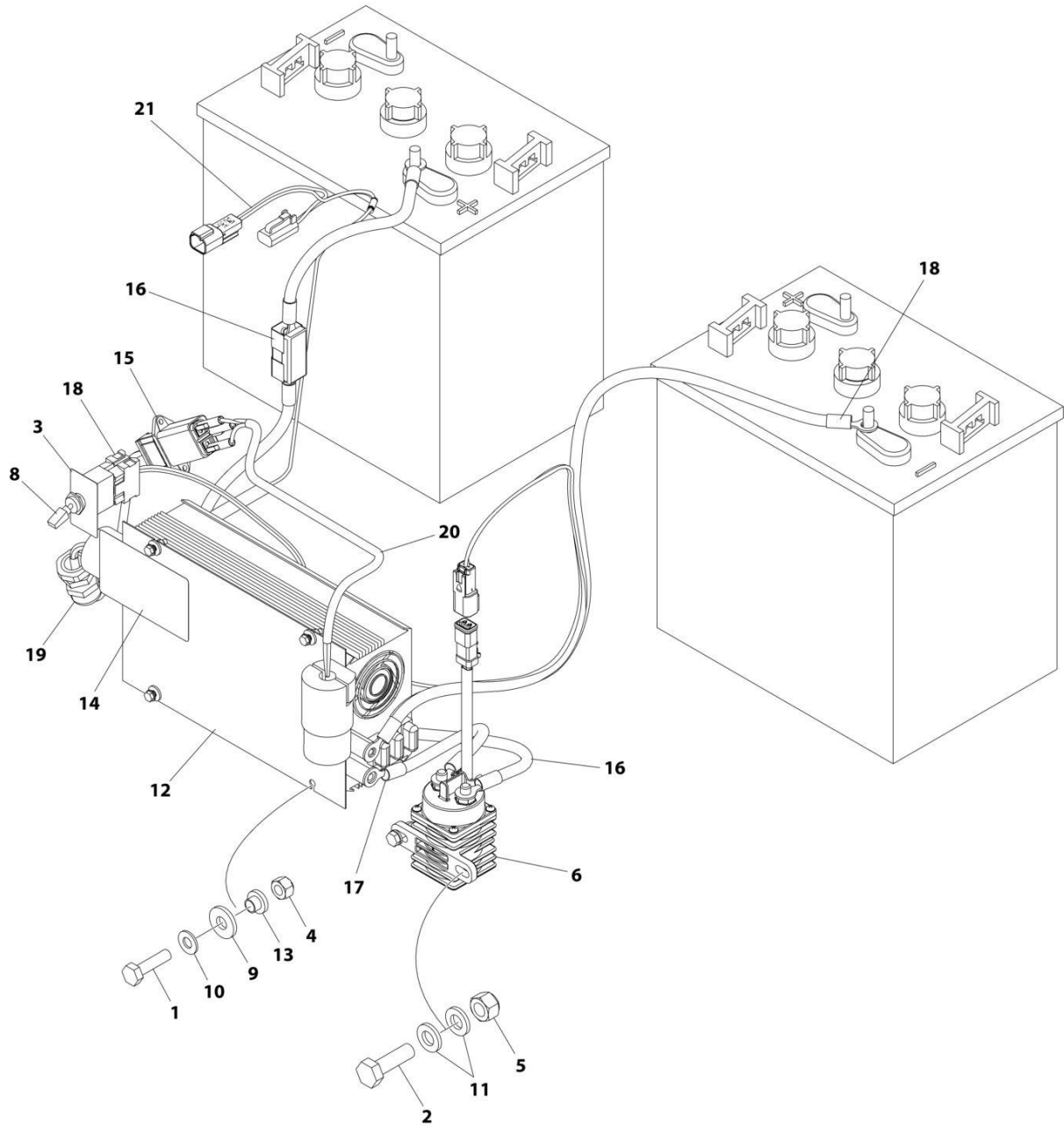
SECTION 7 - ELECTRICAL

FIGURE 7-15. GROUND CONTROL BOX HARNESS

| ITEM | PART NUMBER | QTY | DESCRIPTION | REV |
|------|-------------|-----|-------------------------------------|-----|
| | 1001208641 | Ref | GROUND CONTROL BOX HARNESS - NO LSS | A |
| 1 | 1001115077 | 1 | Connector - 18 Position | |
| 1 | 4460464 | 13 | Pin, Male | |
| 1 | 4460943 | 2 | Pin, Male | |
| 1 | 4460466 | 3 | Seal | |
| 2 | 1001119032 | 1 | Connector - 4 Position | |
| 2 | 4460268 | 4 | Socket, Female | |
| 3 | 4460260 | 4 | Housing, Terminal | |
| 3 | 4460259 | 4 | Terminal | |
| 4 | 4460884 | 1 | Connector - 4 Position | |
| 4 | 4460918 | 4 | Socket, Female | |
| 5 | 4460418 | 1 | Connector - 6 Position | |
| 5 | 1001159186 | 3 | Terminal | |
| 6 | 4460183 | 3 | Terminal, Fork | |
| 7 | 4460115 | 2 | Terminal, Fork | |

SECTION 7 - ELECTRICAL

FIGURE 7-16. INVERTER INSTALLATION (ANSI AND CSA SPECS)



ART_1001231386

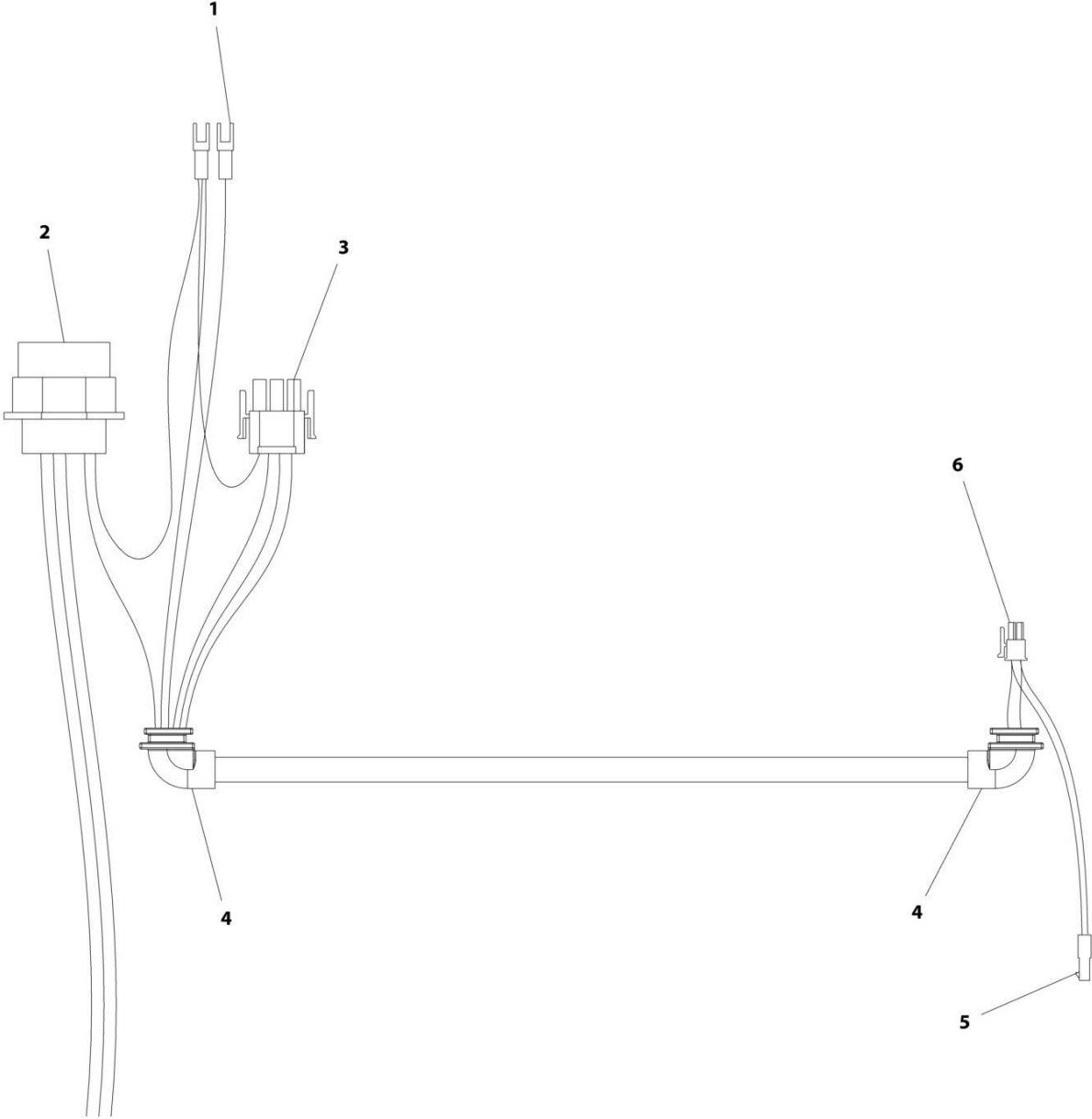
SECTION 7 - ELECTRICAL

FIGURE 7-16. INVERTER INSTALLATION (ANSI AND CSA SPECS)

| ITEM | PART NUMBER | QTY | DESCRIPTION | REV |
|------|-------------|-----|---|-----|
| | 1001231386 | Ref | INVERTER INSTALLATION (ANSI AND CSA SPECS) | A |
| 1 | 0760408 | 4 | Bolt M4 x 16 | |
| 2 | 0760610 | 2 | Bolt M6 x 20 | |
| 3 | 1706750 | 1 | Decal - On/Off Inverter | |
| 4 | 3290405 | 4 | Nut M4 | |
| 5 | 3290605 | 2 | Nut M6 | |
| 6 | 3740150 | 1 | Relay | |
| 7 | 4240017 | AR | Tie-Strap (Not Shown) | |
| 8 | 4360336 | 1 | Switch, Toggle | |
| 9 | 4740120 | 4 | Washer | |
| 10 | 4811400 | 4 | Washer M4 | |
| 11 | 4811700 | 4 | Washer M6 | |
| 12 | 1001136757 | 1 | Inverter | |
| 13 | 1001142174 | 4 | Washer 1/8 | |
| 14 | 1001143009 | 1 | Decal - Inverter | |
| 15 | 1001157547 | 1 | Filter, AC | |
| 16 | 1001138967 | 1 | Cable - Battery + to Relay | |
| 17 | 1001145762 | 1 | Cable - Inverter + to Relay | |
| 18 | 1001145763 | 1 | Inverter Harness | |
| 19 | 1001145881 | 1 | AC Extension Harness | |
| 20 | 1001157645 | 1 | AC Extension Harness | |
| 21 | 1001158712 | 1 | Switch/Relay Power Harness | |

SECTION 7 - ELECTRICAL

FIGURE 7-17. PLATFORM CONTROL BOX HARNESS



ART_4922870

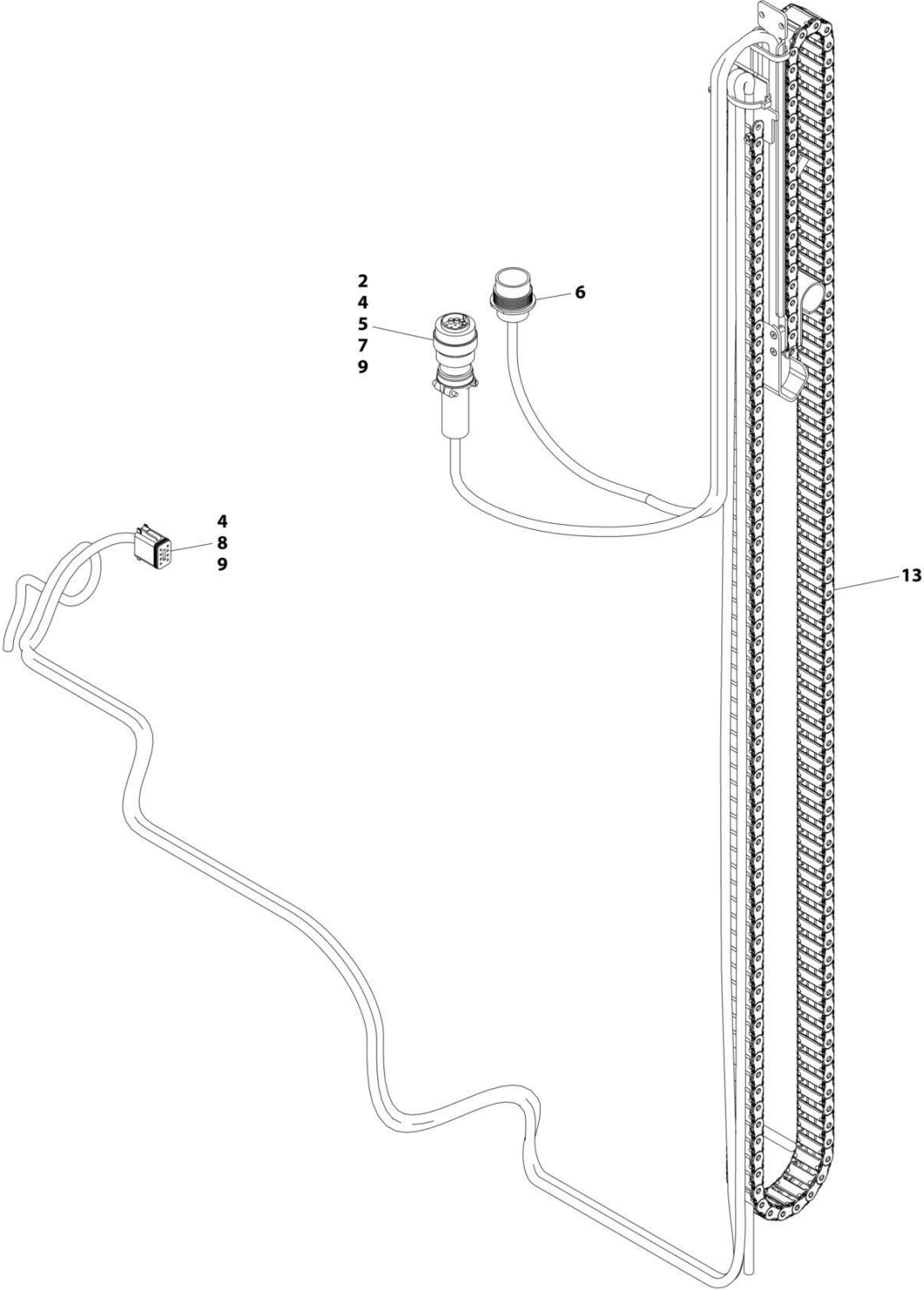
SECTION 7 - ELECTRICAL

FIGURE 7-17. PLATFORM CONTROL BOX HARNESS

| ITEM | PART NUMBER | QTY | DESCRIPTION | REV |
|------|-------------|-----|--|-----|
| 1 | 4922870 | Ref | PLATFORM BOX HARNESS | D |
| 2 | 4461016 | 1 | Connector - 14 Position | |
| 2 | 4460464 | 6 | Pin, Male | |
| 2 | 4460466 | 8 | Plug, Sealing | |
| 2 | 4460496 | 1 | Lockwasher | |
| 2 | 4460497 | 1 | Nut, Panel | |
| 3 | 4460265 | 1 | Plug, Male - 9 Position | |
| 3 | 4460267 | 8 | Pin, Male | |
| 4 | 2540042 | 2 | Grommet 90 | |
| 5 | See Note | NSS | Receptacle, Female - Position (Note: Not Available for Purchase) | |
| 6 | 4461057 | 1 | Plug, Male - 16 Position | |

SECTION 7 - ELECTRICAL

FIGURE 7-18. PLATFORM CONTROL CABLE



ART_1001239932

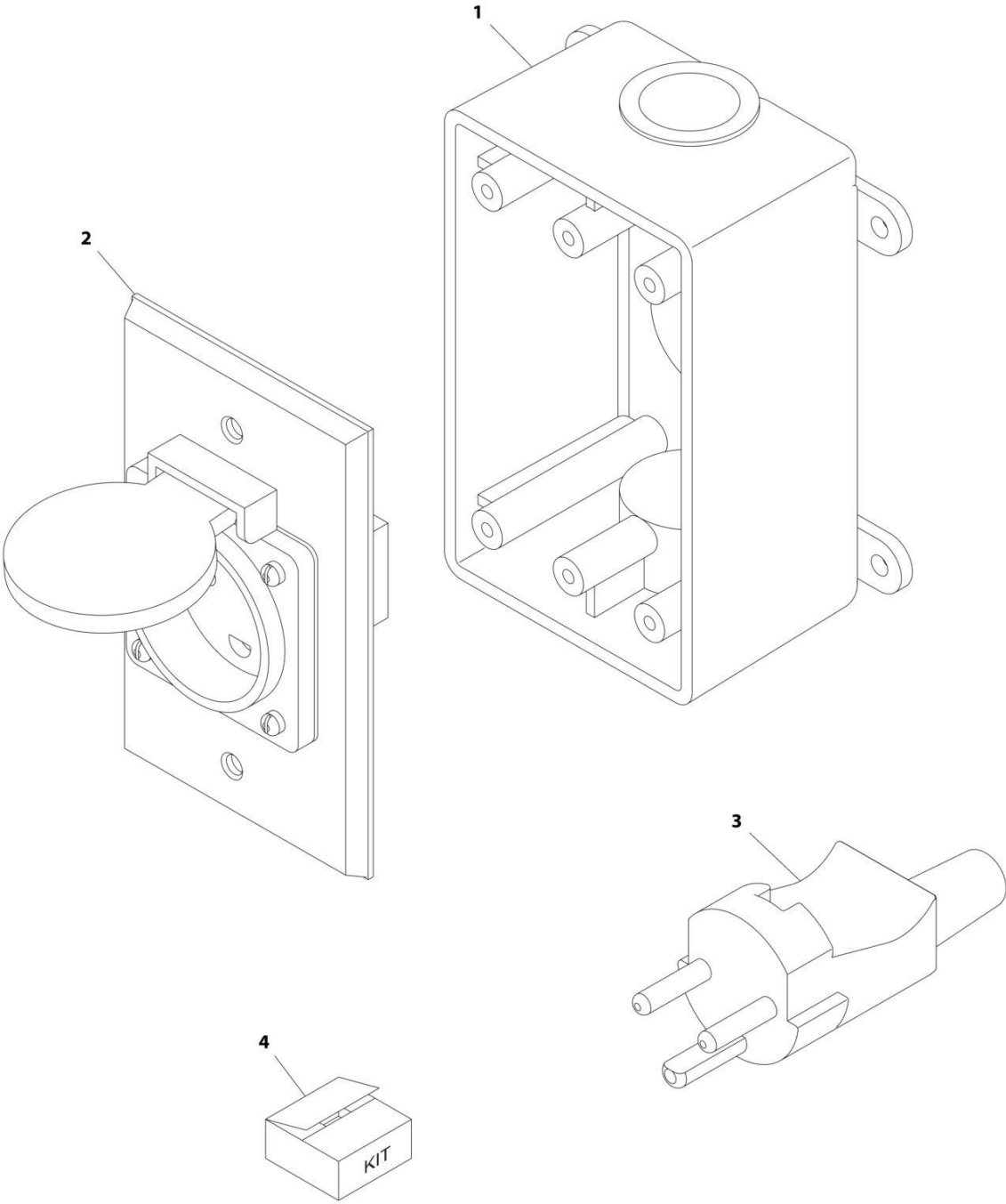
SECTION 7 - ELECTRICAL

FIGURE 7-18. PLATFORM CONTROL CABLE

| ITEM | PART NUMBER | QTY | DESCRIPTION | REV |
|------|-------------|-----|---|-----|
| | 1001239932 | Ref | PLATFORM CONTROL CABLE | A |
| 2 | 3730119 | 1 | Resistor | |
| 4 | 4460465 | 5 | Socket | |
| 5 | 4460466 | 6 | Seal | |
| 6 | 4460493 | 1 | Dust Cap | |
| 7 | 4460754 | 1 | Connector | |
| 8 | 4460930 | 1 | Plug | |
| 9 | 4460944 | 6 | Socket | |
| 13 | 1001239934 | 1 | Power Track Assembly (See Separate Breakdown in MAST Section) | |

SECTION 7 - ELECTRICAL

FIGURE 7-19. RECEPTACLE BOX KIT - 220V AFSINT 107 KEYED GROUND



ART_0275454

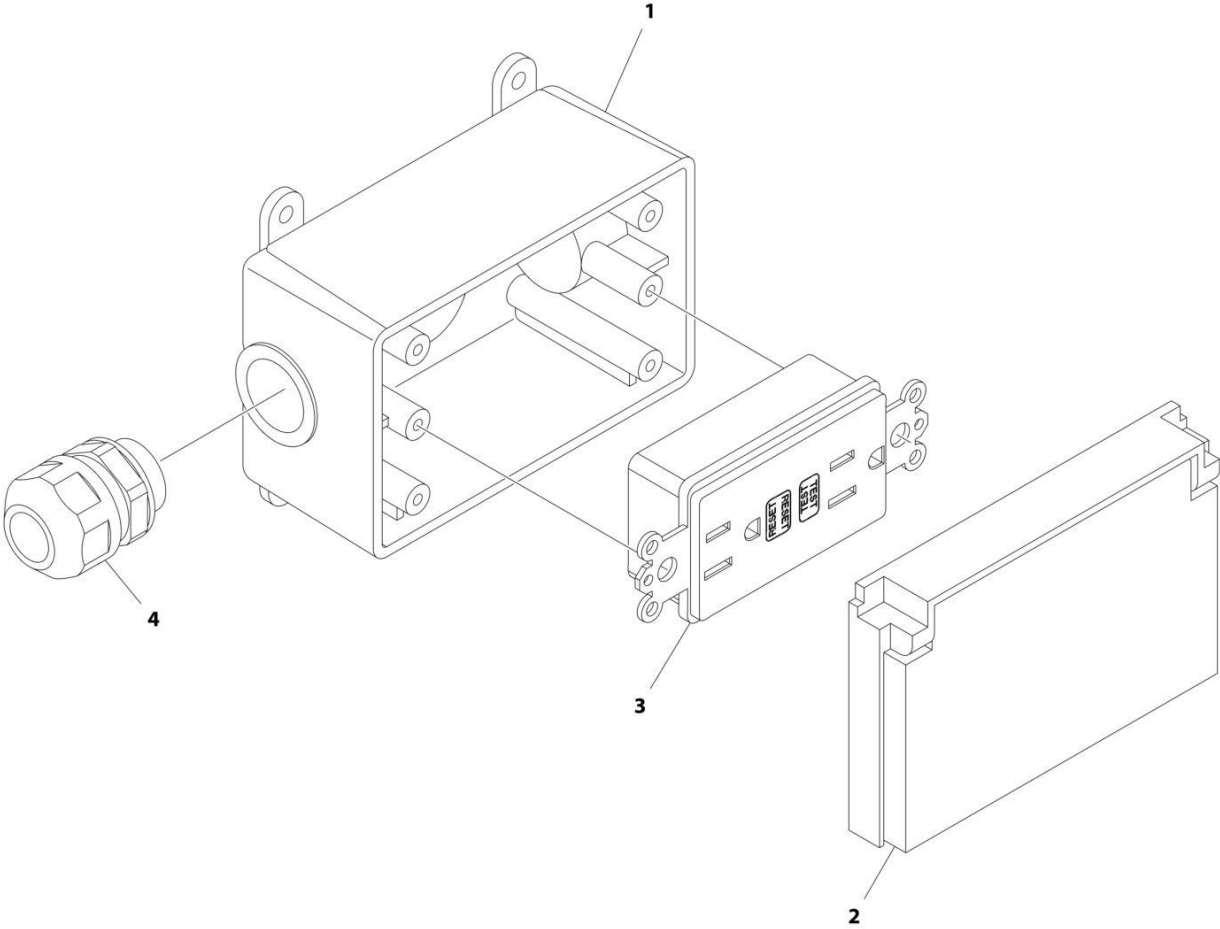
SECTION 7 - ELECTRICAL

FIGURE 7-19. RECEPTACLE BOX KIT - 220V AFSINT 107 KEYED GROUND

| ITEM | PART NUMBER | QTY | DESCRIPTION | REV |
|------|-------------|-----|--|-----|
| | 0275454 | Ref | RECEPTACLE BOX KIT - 220V AFSINT 107 | B |
| 1 | 0861731 | 1 | Box, Switch | |
| 2 | 4461246 | 1 | Receptacle | |
| 3 | 4461249 | 1 | Plug, Male | |
| 4 | 1001100346 | 1 | Plug and Socket Kit (Includes Items 1-3 and Female Plug p/n 4461250) | |

SECTION 7 - ELECTRICAL

FIGURE 7-20. RECEPTACLE BOX KIT - 110V GFI



ART_2902431

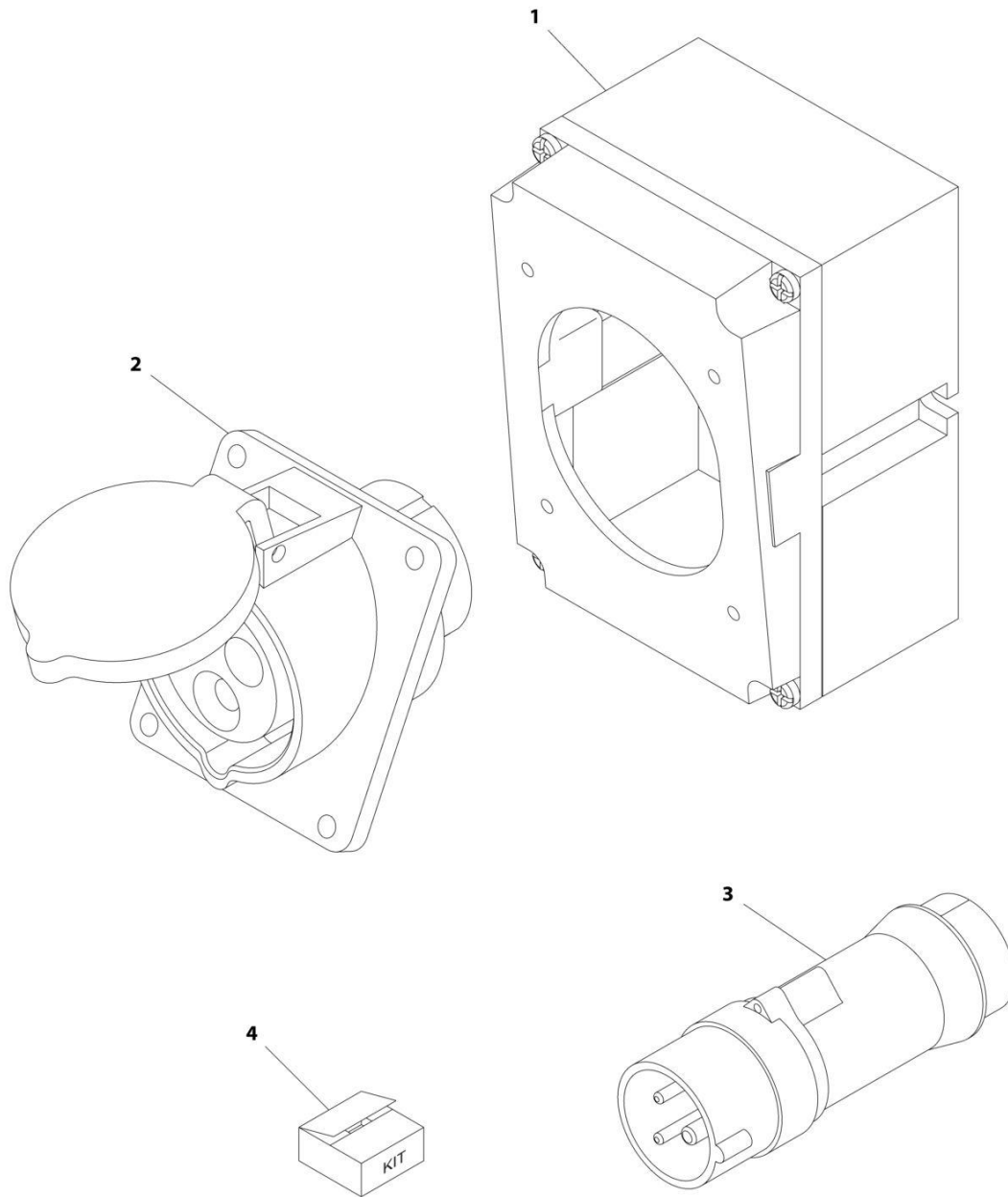
SECTION 7 - ELECTRICAL

FIGURE 7-20. RECEPTACLE BOX KIT - 110V GFI

| ITEM | PART NUMBER | QTY | DESCRIPTION | REV |
|------|-------------|-----|-------------------------------|-----|
| | 2902431 | Ref | RECEPTACLE BOX KIT - 110V GFI | D |
| 1 | 0861731 | 1 | Box, Receptacle | |
| 2 | 1671207 | 1 | Cover, Receptacle | |
| 3 | 4460346 | 1 | Receptacle | |
| 4 | 4460662 | 1 | Connector, Strain Relief | |

SECTION 7 - ELECTRICAL

FIGURE 7-21. RECEPTACLE BOX KIT - 220V IEC BLUE



ART_0275217

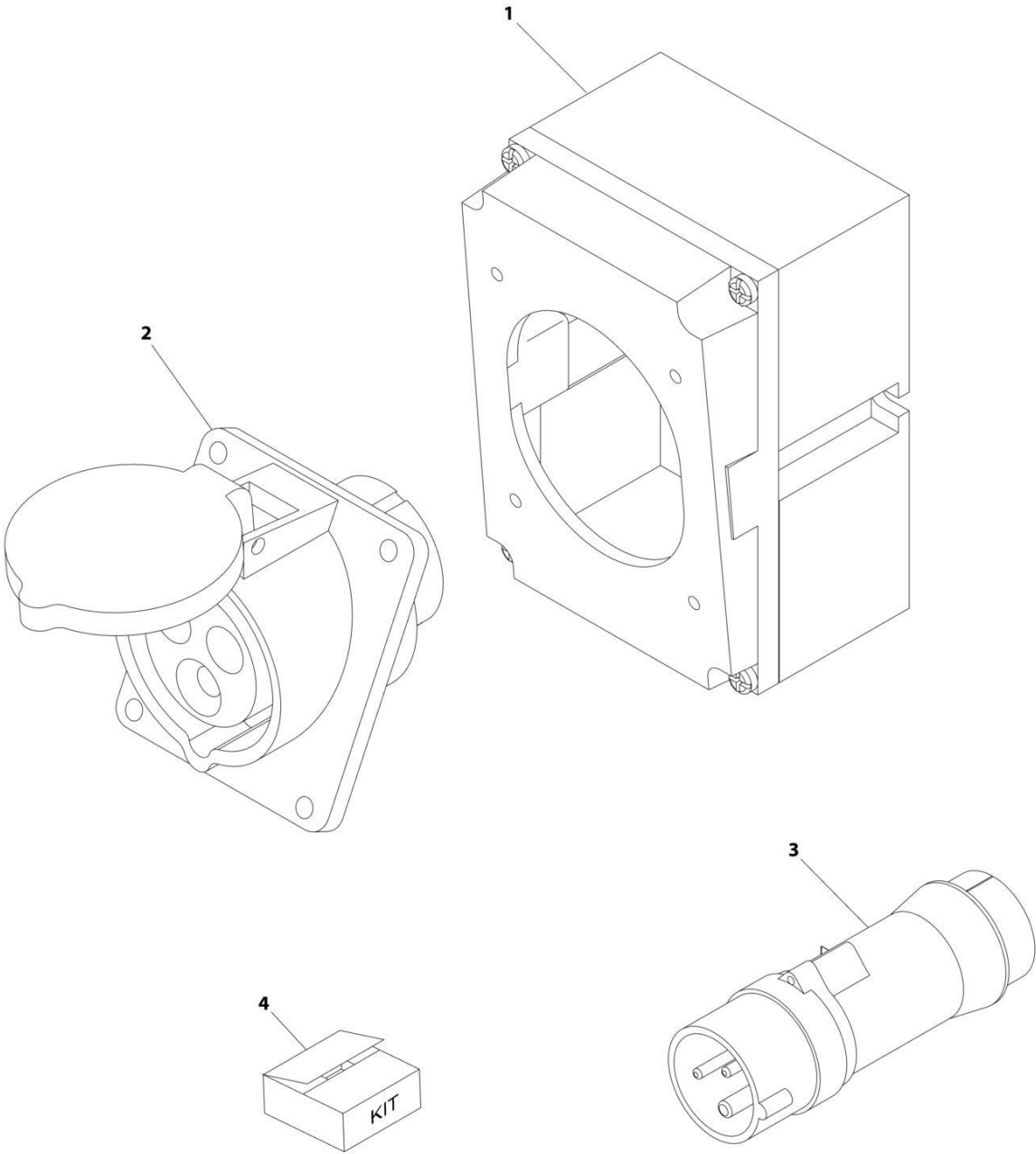
SECTION 7 - ELECTRICAL

FIGURE 7-21. RECEPTACLE BOX KIT - 220V IEC BLUE

| ITEM | PART NUMBER | QTY | DESCRIPTION | REV |
|------|-------------|-----|--|-----|
| | 0275217 | Ref | RECEPTACLE BOX KIT - 220V IEC BLUE | B |
| 1 | 0861781 | 1 | Box, Switch | |
| 2 | 4461201 | 1 | Receptacle | |
| 3 | 4461199 | 1 | Plug, Male | |
| 4 | 1001100342 | 1 | Plug and Socket Kit (Includes Items 1-3 and Female Plug p/n 4461200) | |

SECTION 7 - ELECTRICAL

FIGURE 7-22. RECEPTACLE BOX KIT - 110V IEC YELLOW



ART_0275216

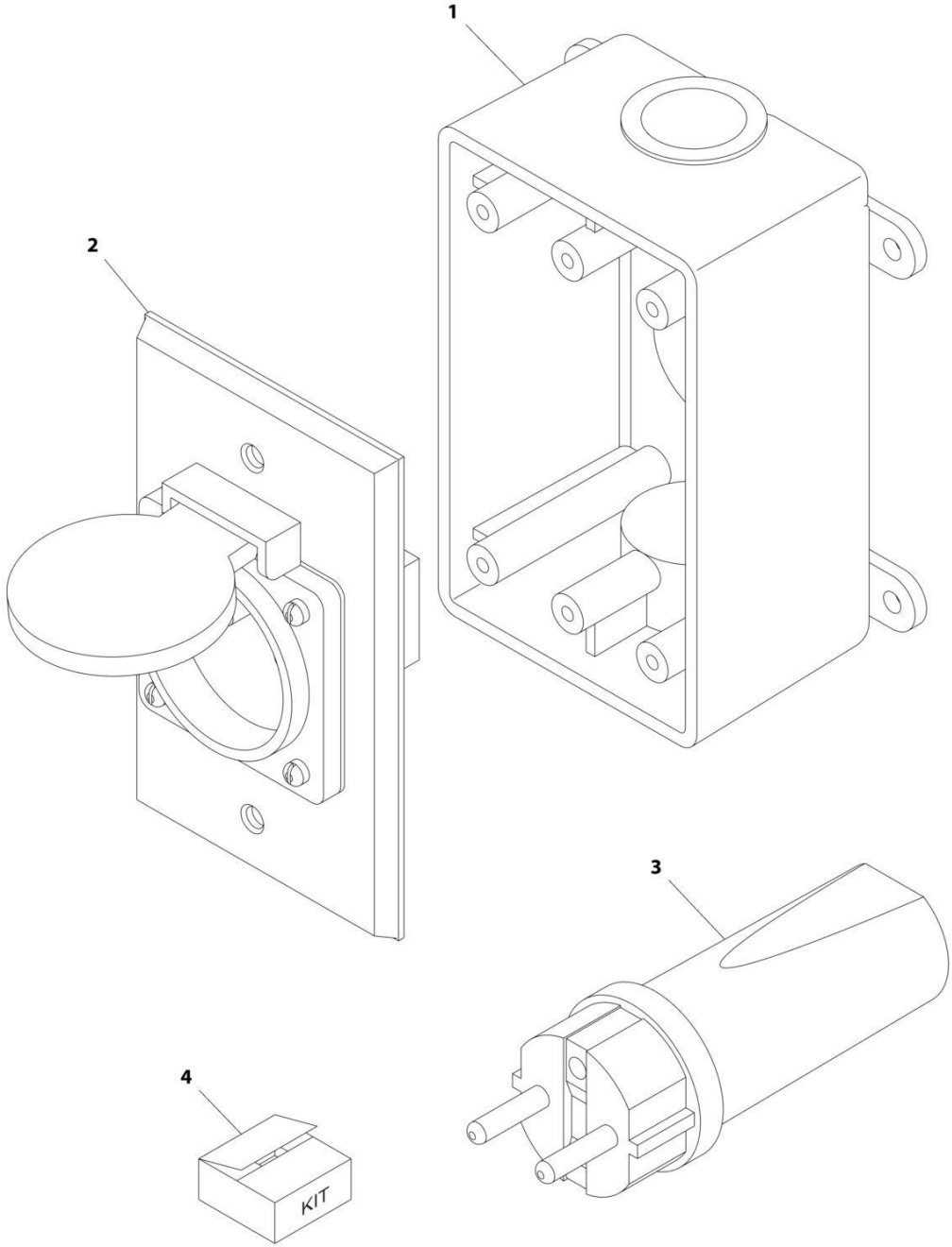
SECTION 7 - ELECTRICAL

FIGURE 7-22. RECEPTACLE BOX KIT - 110V IEC YELLOW

| ITEM | PART NUMBER | QTY | DESCRIPTION | REV |
|------|-------------|-----|--|-----|
| | 0275216 | Ref | RECEPTACLE BOX KIT - 110V IEC YELLOW | B |
| 1 | 0861781 | 1 | Box, Switch | |
| 2 | 4461198 | 1 | Receptacle | |
| 3 | 4461196 | 1 | Plug, Male | |
| 4 | 1001100341 | 1 | Plug and Socket Kit (Includes Items 1-3 and Female Plug p/n 4461197) | |

SECTION 7 - ELECTRICAL

FIGURE 7-23. RECEPTACLE BOX KIT - 220V CEE7 POST GROUND



ART_0275452

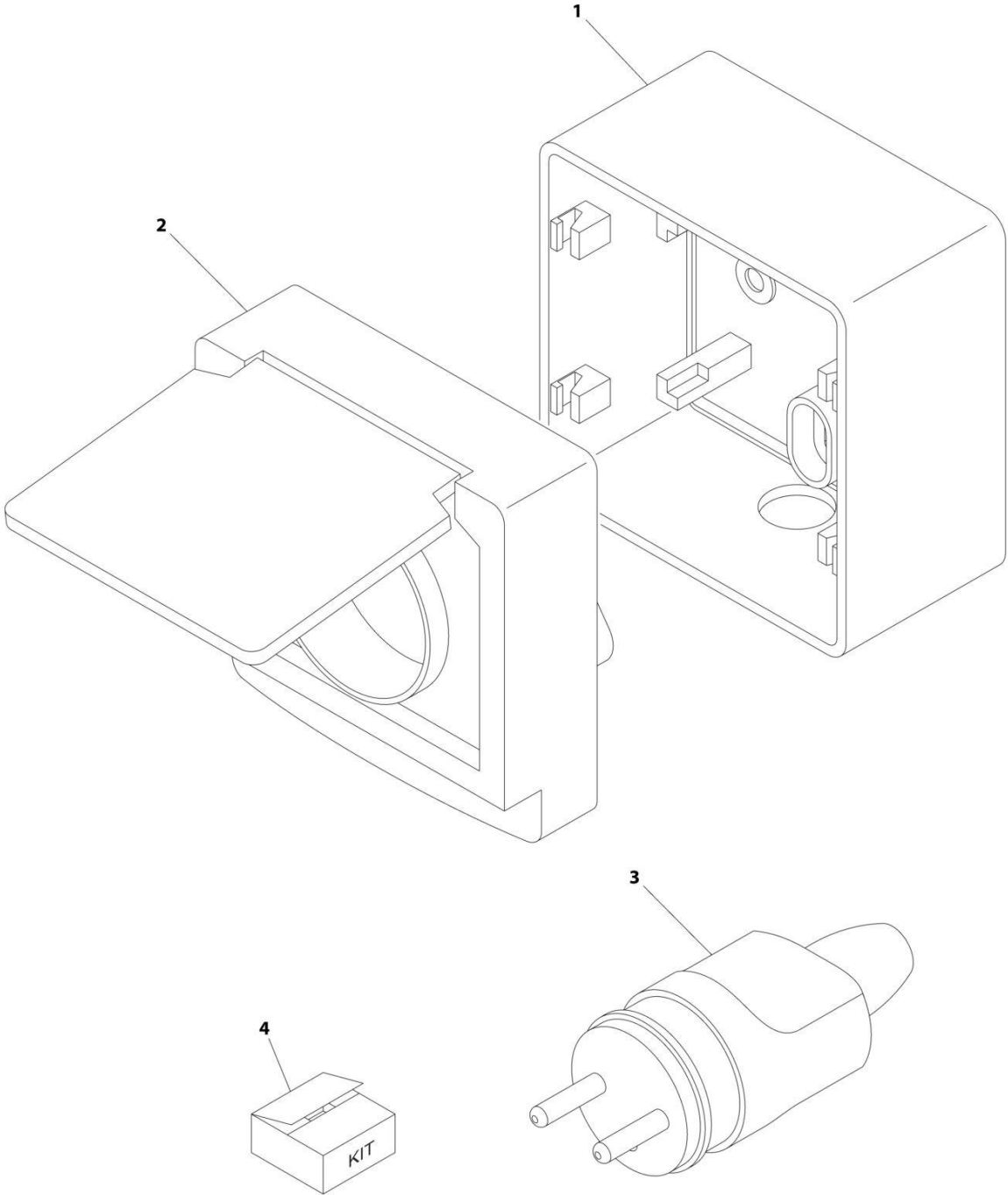
SECTION 7 - ELECTRICAL

FIGURE 7-23. RECEPTACLE BOX KIT - 220V CEE7 POST GROUND

| ITEM | PART NUMBER | QTY | DESCRIPTION | REV |
|------|-------------|-----|--|-----|
| | 0275452 | Ref | RECEPTACLE BOX KIT - 220V CEE7 POST GROUND | C |
| 1 | 0861731 | 1 | Box, Switch | |
| 2 | 4461244 | 1 | Receptacle | |
| 3 | 4461205 | 1 | Plug, Male | |
| 4 | 1001100345 | 1 | Plug and Socket Kit (Includes Items 1-3 and Female Plug p/n 4461206) | |

SECTION 7 - ELECTRICAL

FIGURE 7-24. RECEPTACLE BOX KIT - 220V CEE7 POST GROUND 70MM X 70MM BOX



ART_0275218

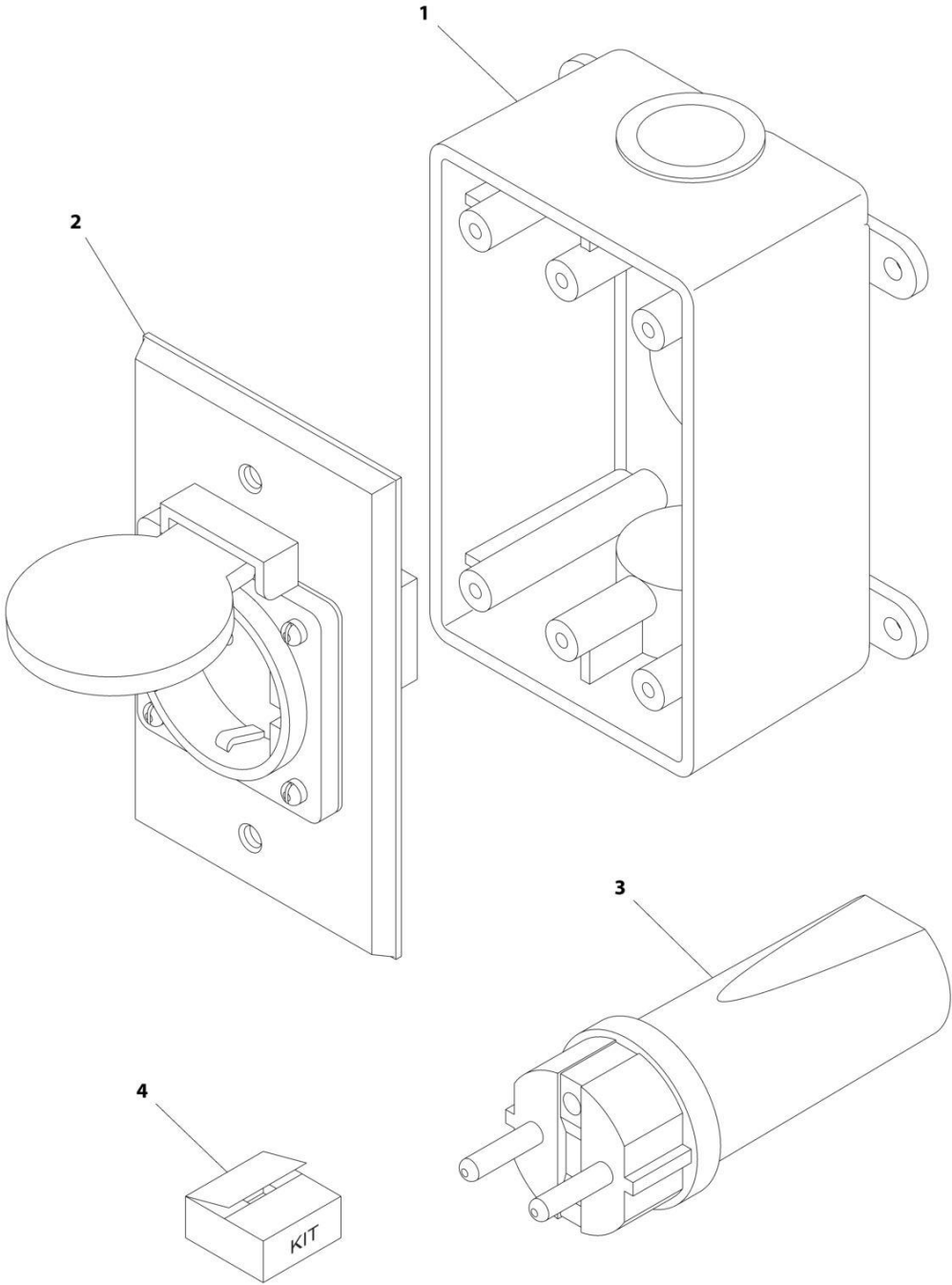
SECTION 7 - ELECTRICAL

FIGURE 7-24. RECEPTACLE BOX KIT - 220V CEE7 POST GROUND 70MM X 70MM BOX

| ITEM | PART NUMBER | QTY | DESCRIPTION | REV |
|------|-------------|-----|--|-----|
| | 0275218 | Ref | RECEPTACLE BOX KIT - 220V CEE7 POST GROUND 70X70 BOX | C |
| 1 | 1001141967 | 1 | Box, Switch | |
| 2 | 1001141968 | 1 | Receptacle | |
| 3 | 4461205 | 1 | Plug, Male | |
| 4 | 1001141971 | 1 | Plug and Socket Kit (Includes Items 1-3 and Female Plug p/n 4461206) | |

SECTION 7 - ELECTRICAL

FIGURE 7-25. RECEPTACLE BOX KIT - 220V CEE7 SIDE GROUND



ART_0275453

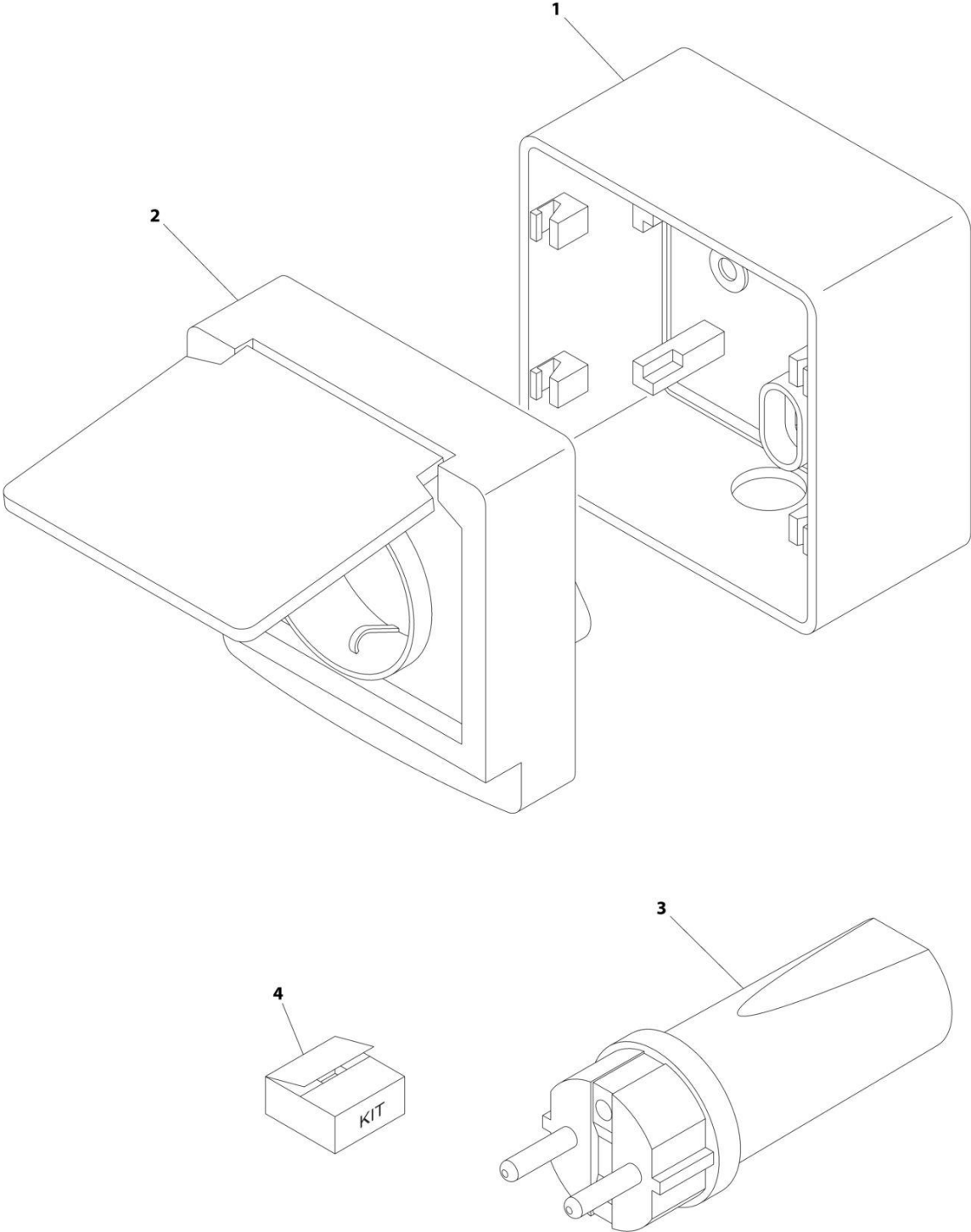
SECTION 7 - ELECTRICAL

FIGURE 7-25. RECEPTACLE BOX KIT - 220V CEE7 SIDE GROUND

| ITEM | PART NUMBER | QTY | DESCRIPTION | REV |
|------|-------------|-----|--|-----|
| | 0275453 | Ref | RECEPTACLE BOX KIT - 220V CEE7 SIDE GROUND | B |
| 1 | 0861731 | 1 | Box, Switch | |
| 2 | 4461245 | 1 | Receptacle | |
| 3 | 4461205 | 1 | Plug, Male | |
| 4 | 1001100347 | 1 | Plug and Socket Kit (Includes Items 1-3 and Female Plug p/n 4461206) | |

SECTION 7 - ELECTRICAL

FIGURE 7-26. RECEPTACLE BOX KIT - 220V CEE7 SIDE GROUND 70MM X 70MM BOX



ART_0275219

SECTION 7 - ELECTRICAL

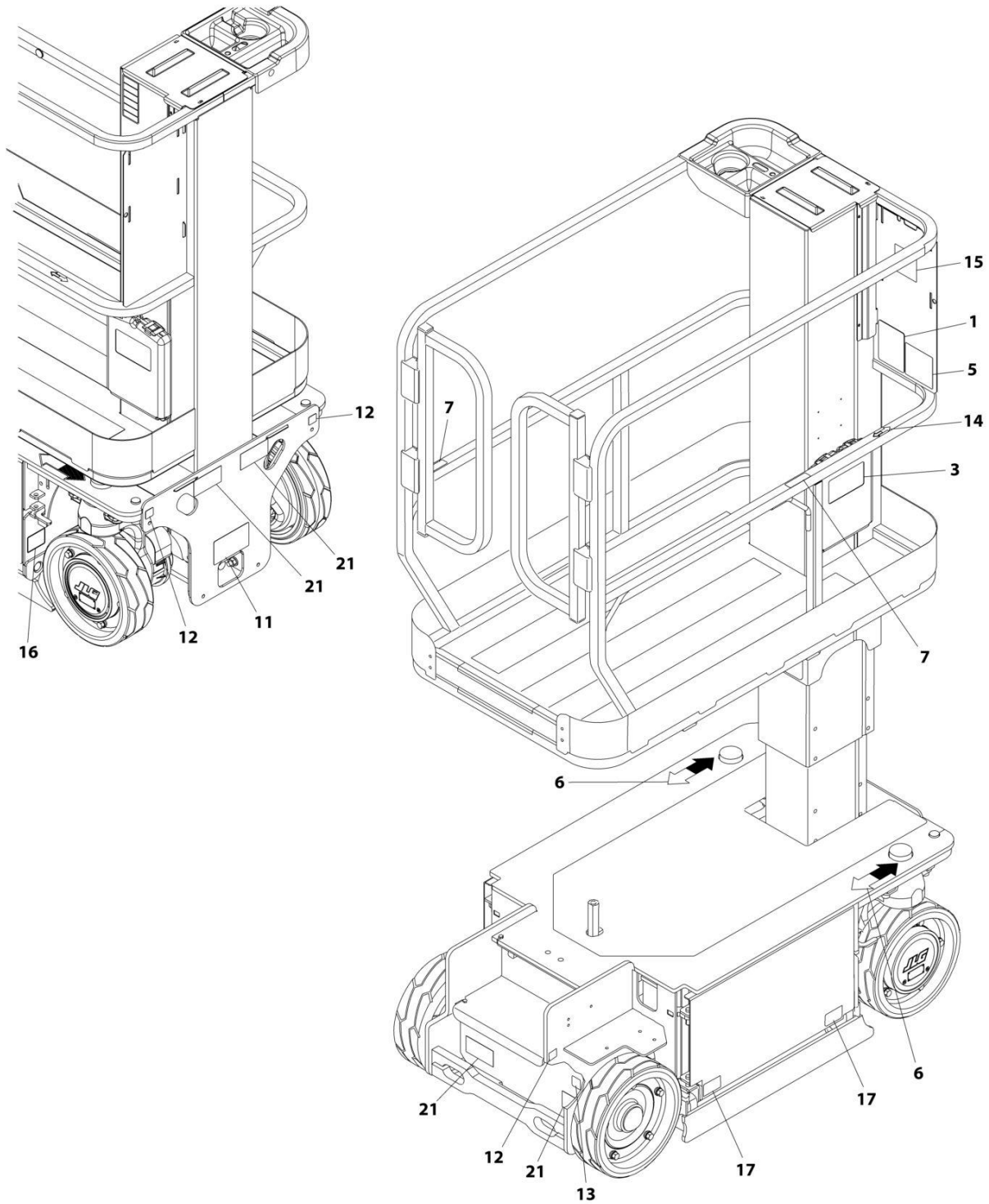
FIGURE 7-26. RECEPTACLE BOX KIT - 220V CEE7 SIDE GROUND 70MM X 70MM BOX

| ITEM | PART NUMBER | QTY | DESCRIPTION | REV |
|------|-------------|-----|--|-----|
| | 0275219 | Ref | RECEPTACLE BOX KIT - 220V CEE7 SIDE GROUND 70MM X 70MM BOX | B |
| 1 | 1001141967 | 1 | Box, Switch | |
| 2 | 1001141969 | 1 | Receptacle | |
| 3 | 4461205 | 1 | Plug, Male | |
| 4 | 1001141970 | 1 | Plug and Socket Kit (Includes Items 1-3 and Female Plug p/n 4461206) | |

SECTION 8 - DECALS

SECTION 8 - DECALS

FIGURE 8-1. COMMON DECALS INSTALLATION (ALL SPECS EXCEPT AUSTRALIAN)



ART_0274914

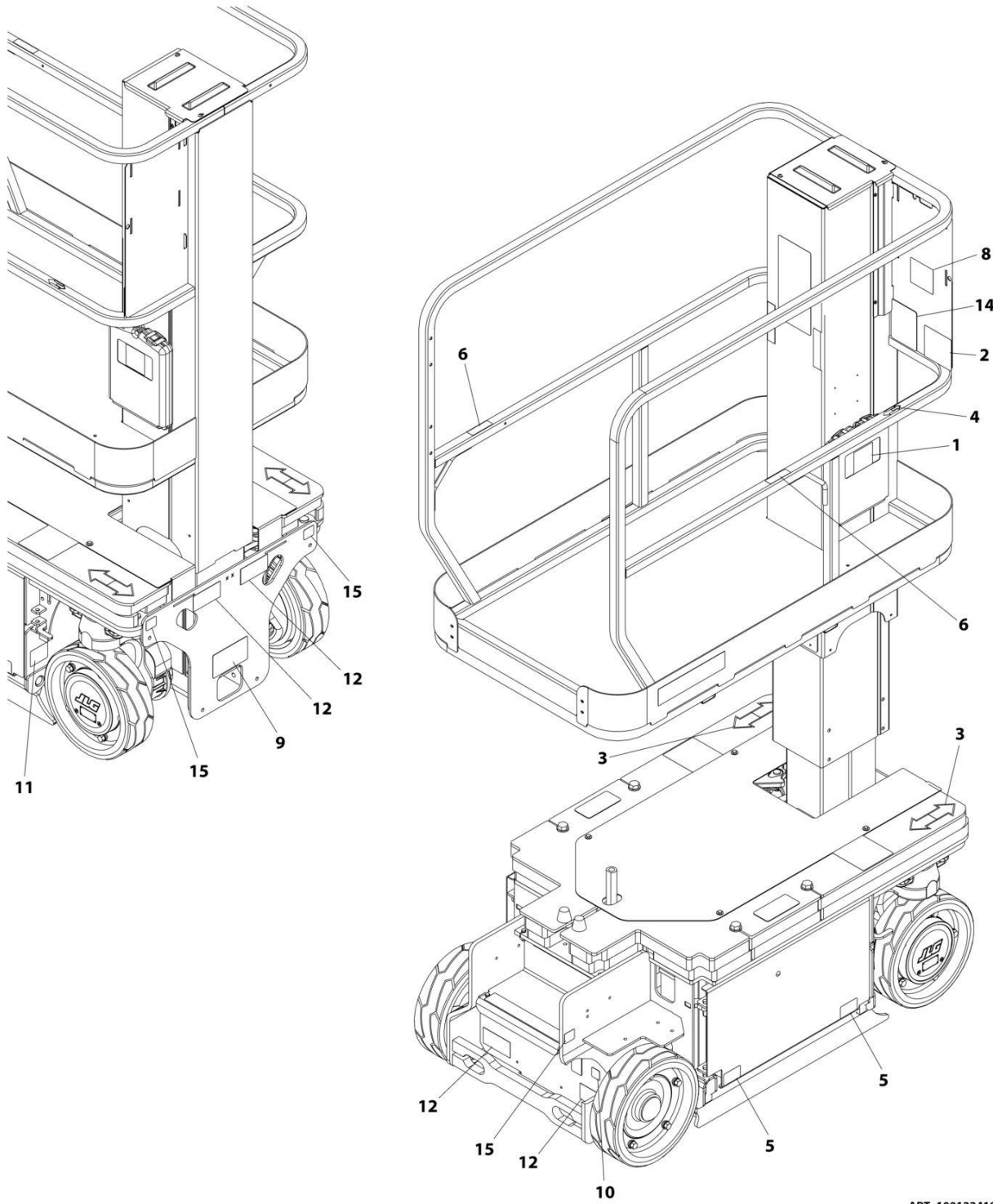
SECTION 8 - DECALS

FIGURE 8-1. COMMON DECALS INSTALLATION (ALL SPECS EXCEPT AUSTRALIAN)

| ITEM | PART NUMBER | QTY | DESCRIPTION | REV |
|------|-------------|-----|--|-----|
| | 0274914 | Ref | COMMON DECALS INSTALLATION | L |
| 1 | 1001131270 | 1 | Decal - Patent | |
| 3 | 1701640 | 1 | Decal - Manual | |
| 5 | See Note | NSS | Decal - Barcode (Note: Not Available for Purchase) | |
| 6 | 1703687 | 2 | Decal - Directional Arrow | |
| 7 | 1704277 | 2 | Decal - Lanyard Attach | |
| 11 | 1706670 | 1 | Decal - Manual Descent | |
| 12 | 1706671 | 4 | Decal - Wheel Load | |
| 13 | 1706679 | 1 | Decal - Brake Release | |
| 14 | 1703819 | 1 | Decal - Directional Arrow | |
| 15 | 1705692 | 1 | Decal - Control Box Location | |
| 16 | 1706740 | 1 | Decal - Battery Disconnect | |
| 17 | 1704016 | 4 | Decal - Forklift | |
| 18 | 1704412 | 1 | Decal - Hydraulic Oil (Not Shown - Located on Top of Hydraulic Tank) | |
| 20 | 1001092907 | 1 | Decal - Quick Start (Not Shown - Located on top of Platform Console Box) | |
| 21 | 4110226 | 4 | Decal - Lift Point/Tie Down | |

SECTION 8 - DECALS

FIGURE 8-2. COMMON DECALS INSTALLATION (AUSTRALIAN SPECS)



ART_1001224191

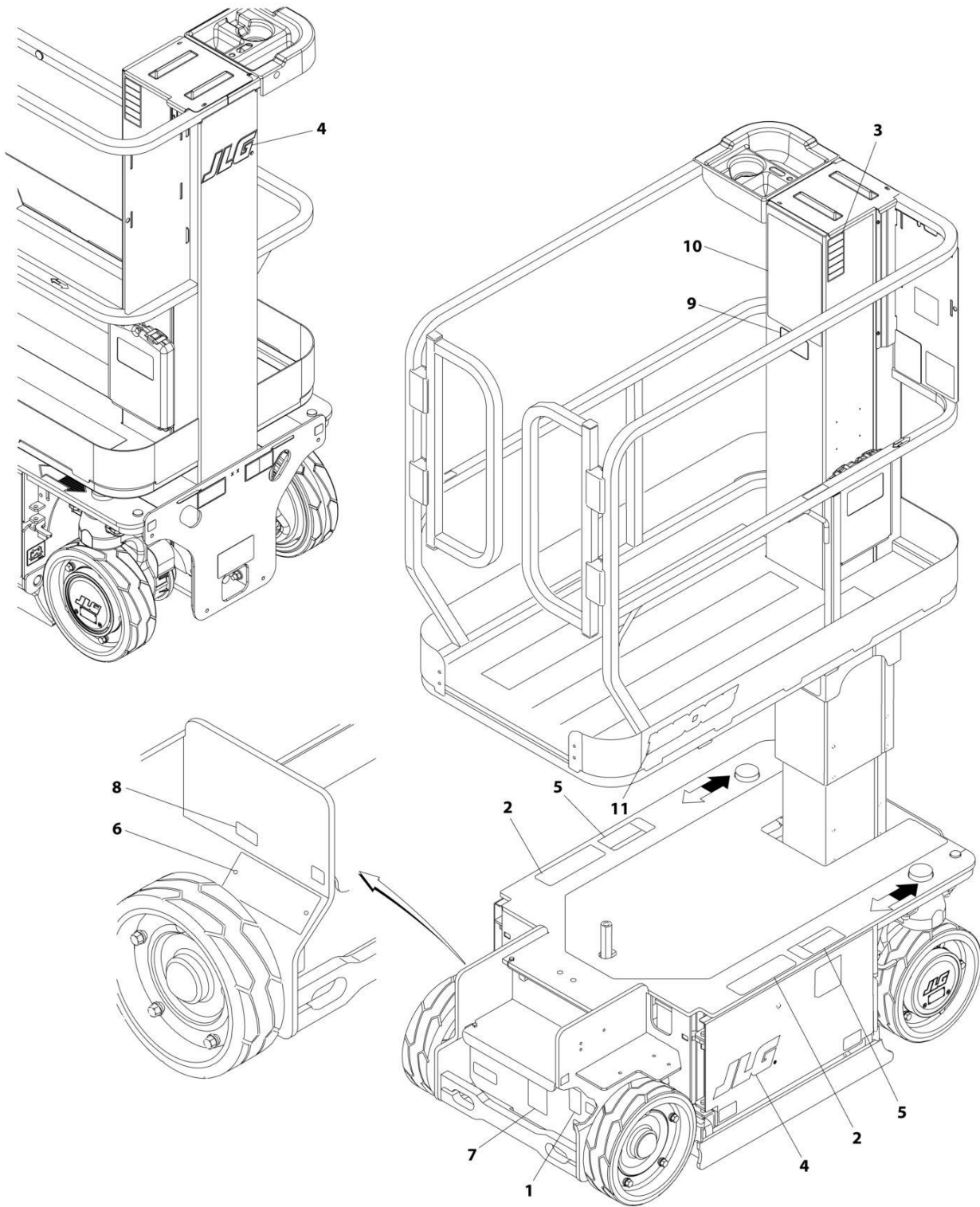
SECTION 8 - DECALS

FIGURE 8-2. COMMON DECALS INSTALLATION (AUSTRALIAN SPECS)

| ITEM | PART NUMBER | QTY | DESCRIPTION | REV |
|------|-------------|-----|--|-----|
| | 1001224191 | Ref | COMMON DECALS INSTALLATION | A |
| 1 | 1701640 | 1 | Decal - Manual | |
| 2 | See Note | NSS | Decal - Barcode (Note: Not Available for Purchase) | |
| 3 | 1703687 | 2 | Decal - Directional Arrow | |
| 4 | 1703819 | 1 | Decal - Directional Arrow | |
| 5 | 1704016 | 4 | Decal - Forklift | |
| 6 | 1704277 | 2 | Decal - Lanyard Attach | |
| 7 | 1704412 | 1 | Decal - Hydraulic Oil (Not Shown - Located on Top of Hydraulic Tank) | |
| 8 | 1705692 | 1 | Decal - Control Box Location | |
| 9 | 1706670 | 1 | Decal - Manual Descent | |
| 10 | 1706679 | 1 | Decal - Brake Release | |
| 11 | 1706740 | 1 | Decal - Battery Disconnect | |
| 12 | 4110226 | 4 | Decal - Lift Point/Tie Down | |
| 13 | 1001092907 | 1 | Decal - Quick Start (Not Shown - Located on top of Platform Console Box) | |
| 14 | 1001131270 | 1 | Decal - Patent | |
| 15 | 1001220156 | 4 | Decal - Wheel Load | |

SECTION 8 - DECALS

FIGURE 8-3. DECALS INSTALLATION - ANSI AND ANSI EXPORT SPECS (ENGLISH LANGUAGE)



ART_1001273233

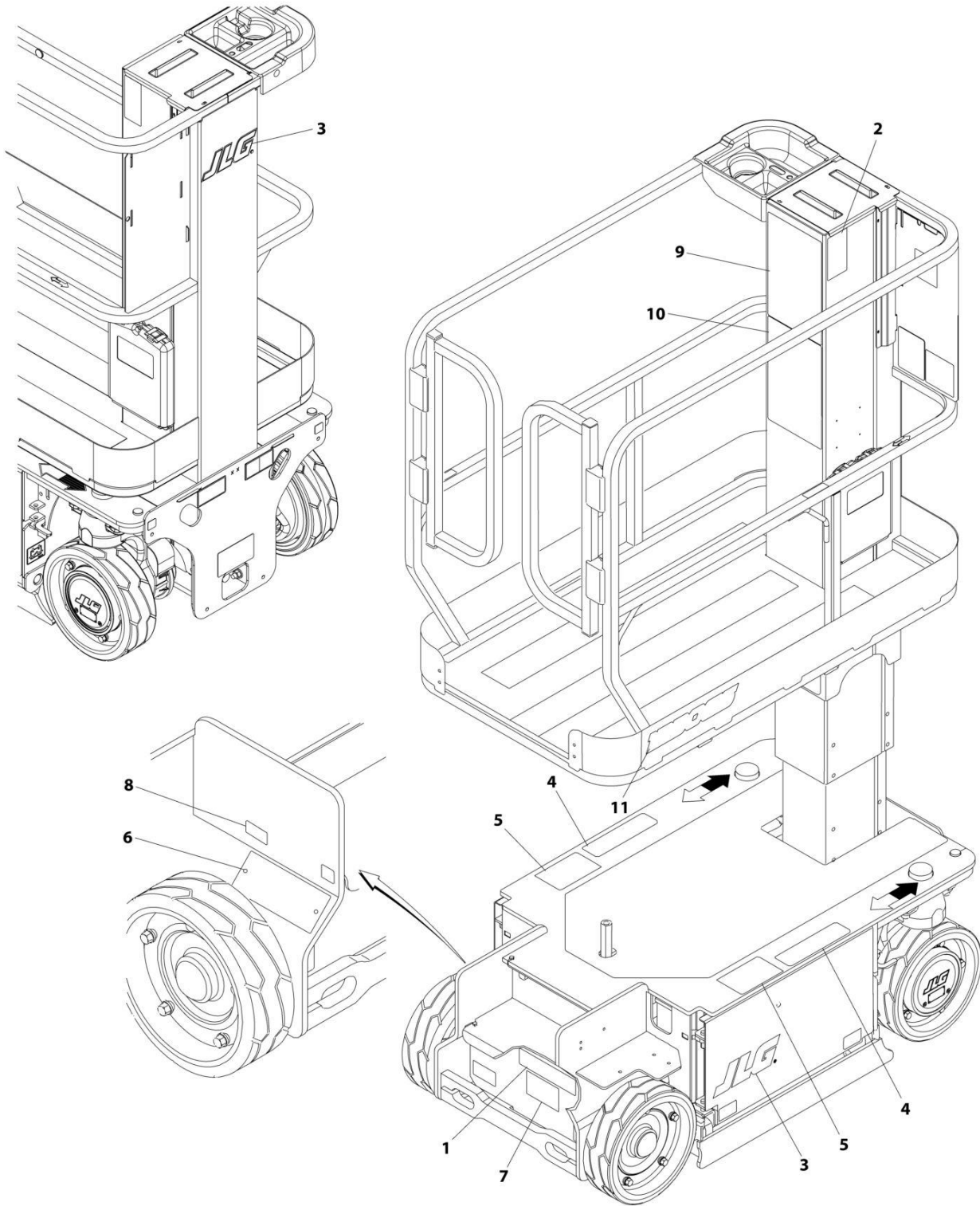
SECTION 8 - DECALS

FIGURE 8-3. DECALS INSTALLATION - ANSI AND ANSI EXPORT SPECS (ENGLISH LANGUAGE)

| ITEM | PART NUMBER | QTY | DESCRIPTION | REV |
|------|-------------|-----|-------------------------------|-----|
| | 1001273233 | Ref | DECALS INSTALLATION | A |
| 1 | 1703785 | 1 | Decal - Warning Fire Hazard | |
| 2 | 1703786 | 2 | Decal - Crushing Hazard | |
| 3 | 1705686 | 1 | Decal - Legend | |
| 4 | 1705781 | 3 | Decal - JLG Logo | |
| 5 | 1706832 | 2 | Decal - Danger Electrocution | |
| 6 | 2080057 | 2 | Fastener | |
| 7 | 1001223055 | 1 | Decal - Yearly Inspection | |
| 8 | 1001228370 | 1 | Decal - ICES (CAN) | |
| 9 | 1001231801 | 1 | Decal - Warning Prop 65 | |
| 10 | 1001254206 | 1 | Decal - Instructions/Warnings | |
| 11 | 1001271759 | 2 | Decal - 1230ES Designation | |

SECTION 8 - DECALS

FIGURE 8-4. DECALS INSTALLATION - CSA SPECS (ENGLISH/FRENCH LANGUAGE)



ART_1001273234

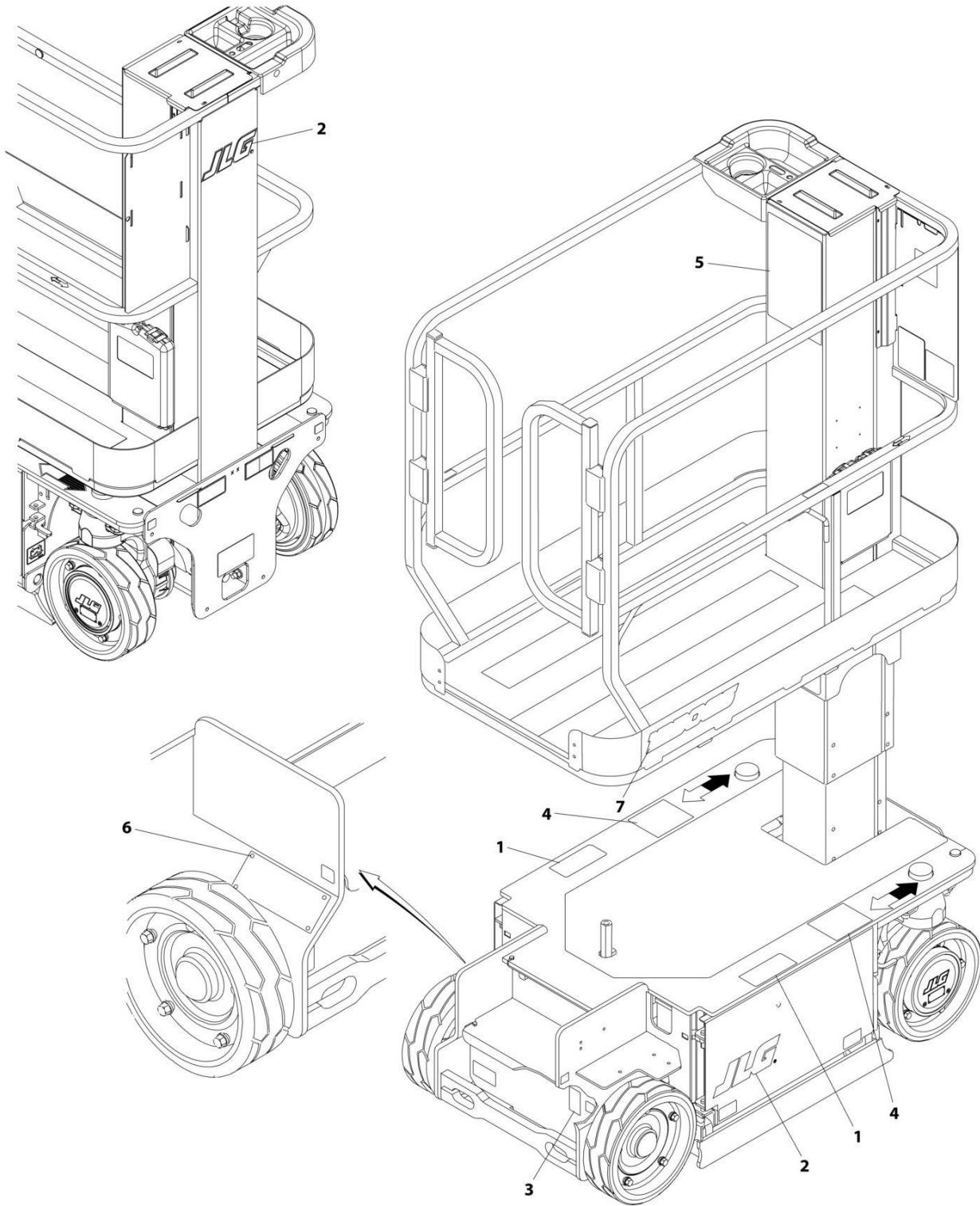
SECTION 8 - DECALS

FIGURE 8-4. DECALS INSTALLATION - CSA SPECS (ENGLISH/FRENCH LANGUAGE)

| ITEM | PART NUMBER | QTY | DESCRIPTION | REV |
|------|-------------|-----|--|-----|
| | 1001273234 | Ref | DECALS INSTALLATION | A |
| 1 | 1704340 | 1 | Decal - Warning Battery Vent | |
| 2 | 1705723 | 1 | Decal - Legend (CAN) | |
| 3 | 1705781 | 3 | Decal - JLG Logo | |
| 4 | 1707141 | 2 | Decal - Danger Electrocution (ENG/FRE) | |
| 5 | 1707145 | 2 | Decal - Crushing Hazard (ENG/FRE) | |
| 6 | 2080057 | 2 | Fastener | |
| 7 | 1001223971 | 1 | Decal - Yearly Inspection (ENG/ CSA FRE) | |
| 8 | 1001228370 | 1 | Decal - ICES (CAN) | |
| 9 | 1001254206 | 1 | Decal - Instructions/Warnings (ENG) | |
| 10 | 1001254207 | 1 | Decal - 1230ES Warning (FRE) | |
| 11 | 1001271759 | 2 | Decal - 1230ES Designation | |

SECTION 8 - DECALS

FIGURE 8-5. DECALS INSTALLATION - CE & UK CA SPECS (ALL LANGUAGES)



ART_1001273235

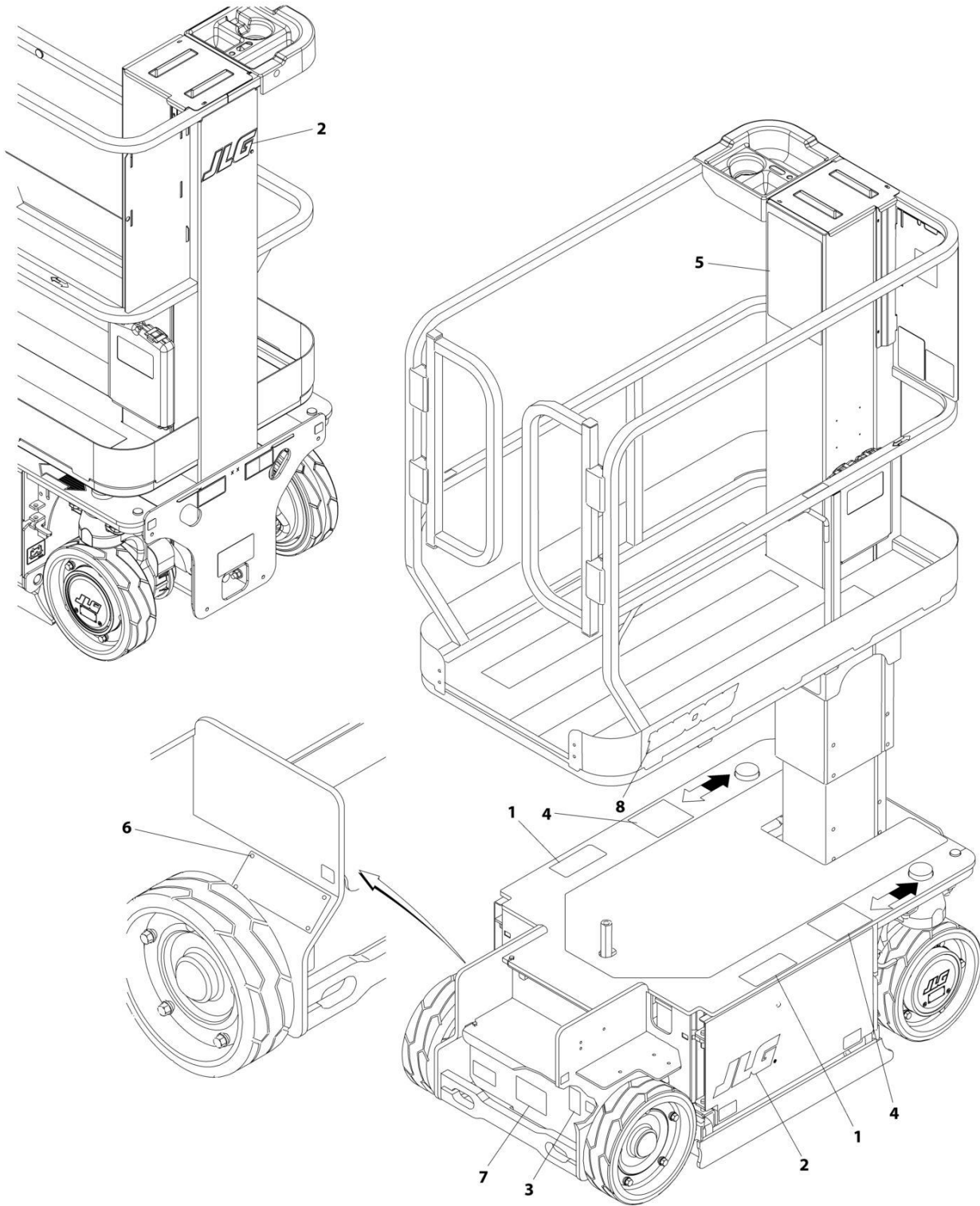
SECTION 8 - DECALS

FIGURE 8-5. DECALS INSTALLATION - CE & UK CA SPECS (ALL LANGUAGES)

| ITEM | PART NUMBER | QTY | DESCRIPTION | REV |
|------|-------------|-----|-----------------------------|-----|
| | 1001273235 | Ref | DECALS INSTALLATION | A |
| 1 | 1705099 | 2 | Decal - Crushing Hazard | |
| 2 | 1705781 | 3 | Decal - JLG Logo | |
| 3 | 1705803 | 1 | Decal - Warning Fire Hazard | |
| 4 | 1706078 | 2 | Decal - Warning | |
| 5 | 1706686 | 1 | Decal - 1230ES Warning | |
| 6 | 2080057 | 4 | Fastener | |
| 7 | 1001271759 | 2 | Decal - 1230ES Designation | |

SECTION 8 - DECALS

FIGURE 8-6. DECALS INSTALLATION - JAPANESE SPECS (JAPANESE LANGUAGE)



ART_1001273236

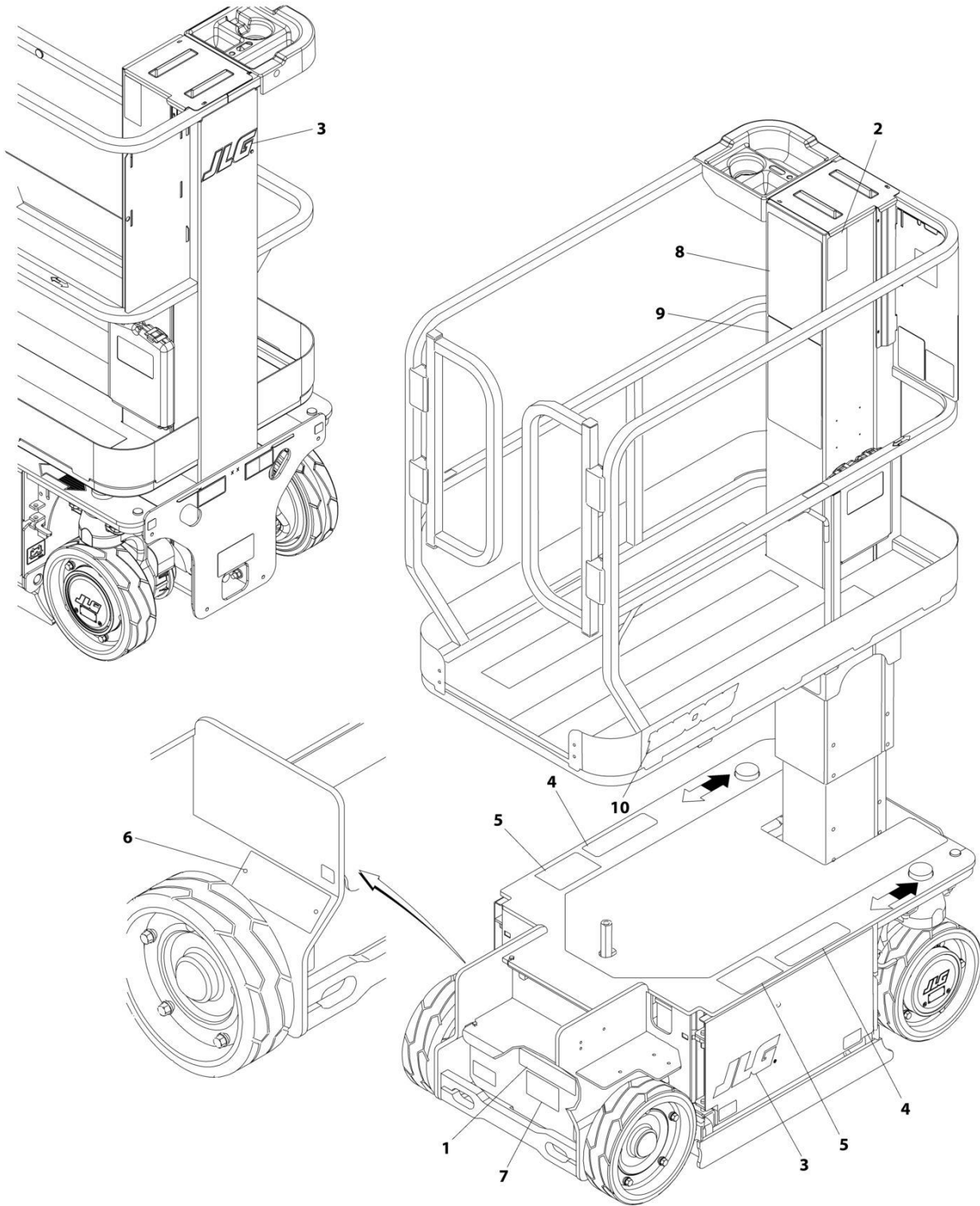
SECTION 8 - DECALS

FIGURE 8-6. DECALS INSTALLATION - JAPANESE SPECS (JAPANESE LANGUAGE)

| ITEM | PART NUMBER | QTY | DESCRIPTION | REV |
|------|-------------|-----|-------------------------------------|-----|
| | 1001273236 | Ref | DECALS INSTALLATION | A |
| 1 | 1705099 | 2 | Decal - Crushing Hazard | |
| 2 | 1705781 | 3 | Decal - JLG Logo | |
| 3 | 1705803 | 1 | Decal - Warning Fire Hazard | |
| 4 | 1706078 | 2 | Decal - Warning | |
| 5 | 1706686 | 1 | Decal - 1230ES Warning | |
| 6 | 2080057 | 4 | Fastener | |
| 7 | 1001224053 | 1 | Decal - Yearly Inspection (ENG/JPN) | |
| 8 | 1001271759 | 2 | Decal - 1230ES Designation | |

SECTION 8 - DECALS

FIGURE 8-7. DECALS INSTALLATION - LATIN AMERICA SPECS (ENGLISH/SPANISH LANGUAGE)



ART_1001273237

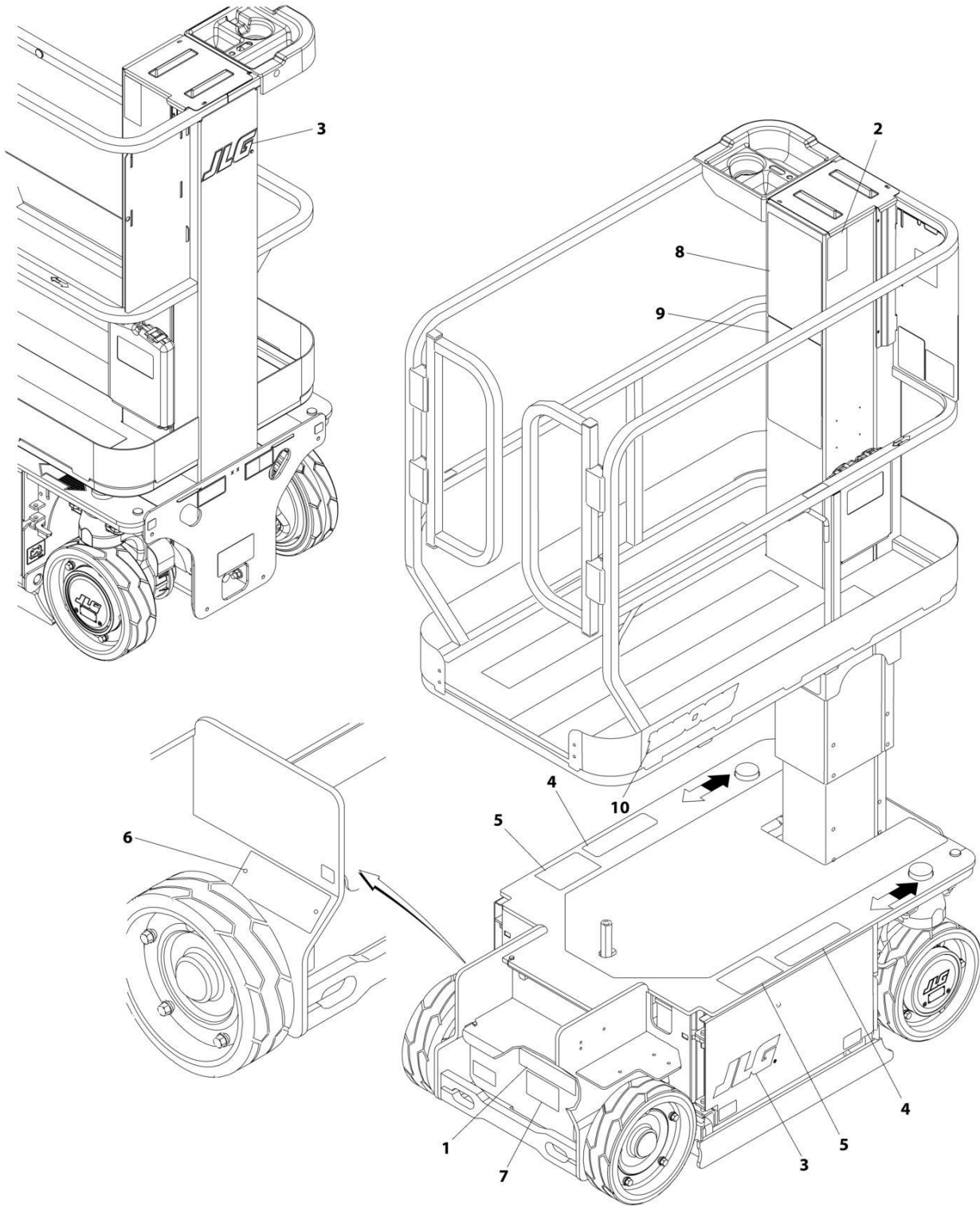
SECTION 8 - DECALS

FIGURE 8-7. DECALS INSTALLATION - LATIN AMERICA SPECS (ENGLISH/SPANISH LANGUAGE)

| ITEM | PART NUMBER | QTY | DESCRIPTION | REV |
|------|-------------|-----|--|-----|
| | 1001273237 | Ref | DECALS INSTALLATION | A |
| 1 | 1704339 | 1 | Decal - Warning Battery Vent | |
| 2 | 1705720 | 1 | Decal - Legend (ENG/SPA) | |
| 3 | 1705781 | 3 | Decal - JLG Logo | |
| 4 | 1707140 | 2 | Decal - Danger Electrocution (ENG/SPA) | |
| 5 | 1707143 | 2 | Decal - Crushing Hazard (ENG/SPA) | |
| 6 | 2080057 | 2 | Fastener | |
| 7 | 1001224049 | 1 | Decal - Yearly Inspection (ENG/SPA) | |
| 8 | 1001254206 | 1 | Decal - Instructions/Warnings (ENG) | |
| 9 | 1001254208 | 1 | Decal - Instructions/Warnings (SPA) | |
| 10 | 1001271759 | 2 | Decal - 1230ES Designation | |

SECTION 8 - DECALS

FIGURE 8-8. DECALS INSTALLATION - BRAZIL SPECS (PORTUGUESE/SPANISH LANGUAGE)



ART_1001273238

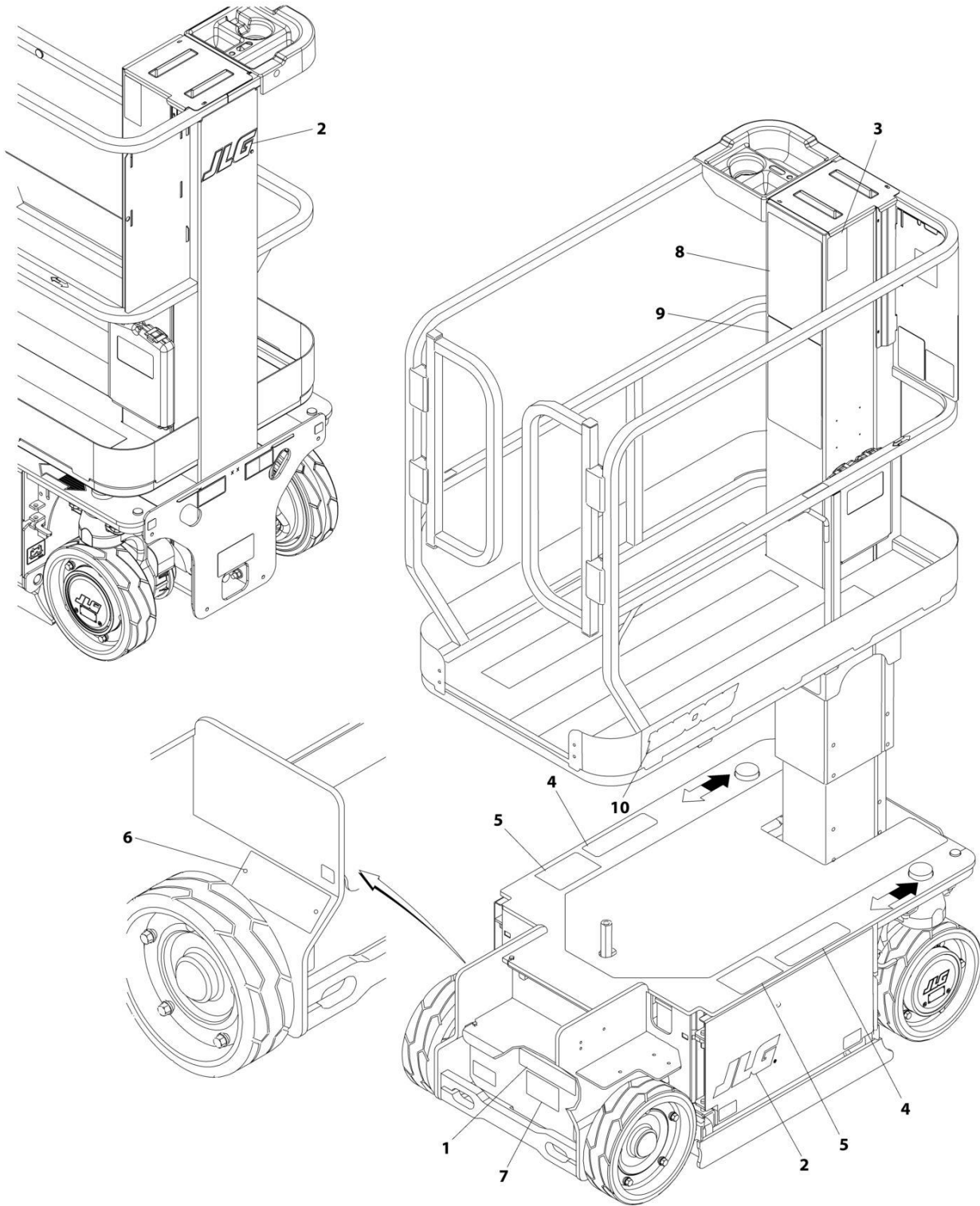
SECTION 8 - DECALS

FIGURE 8-8. DECALS INSTALLATION - BRAZIL SPECS (PORTUGUESE/SPANISH LANGUAGE)

| ITEM | PART NUMBER | QTY | DESCRIPTION | REV |
|------|-------------|-----|--|-----|
| | 1001273238 | Ref | DECALS INSTALLATION | A |
| 1 | 1704341 | 1 | Decal - Warning Battery Vent | |
| 2 | 1705726 | 1 | Decal - Legend (POR/SPA) | |
| 3 | 1705781 | 3 | Decal - JLG Logo | |
| 4 | 1707139 | 2 | Decal - Danger Electrocution (POR/SPA) | |
| 5 | 1707144 | 2 | Decal - Crushing Hazard (POR/SPA) | |
| 6 | 2080057 | 2 | Fastener | |
| 7 | 1001224052 | 1 | Decal - Yearly Inspection (POR/SPA) | |
| 8 | 1001254206 | 1 | Decal - Instructions/Warnings (ENG) | |
| 9 | 1001254209 | 1 | Decal - Instructions/Warnings (POR) | |
| 10 | 1001271759 | 2 | Decal - 1230ES Designation | |

SECTION 8 - DECALS

FIGURE 8-9. DECALS INSTALLATION - CHINA SPECS (ENGLISH/CHINESE LANGUAGE)



ART_1001273239

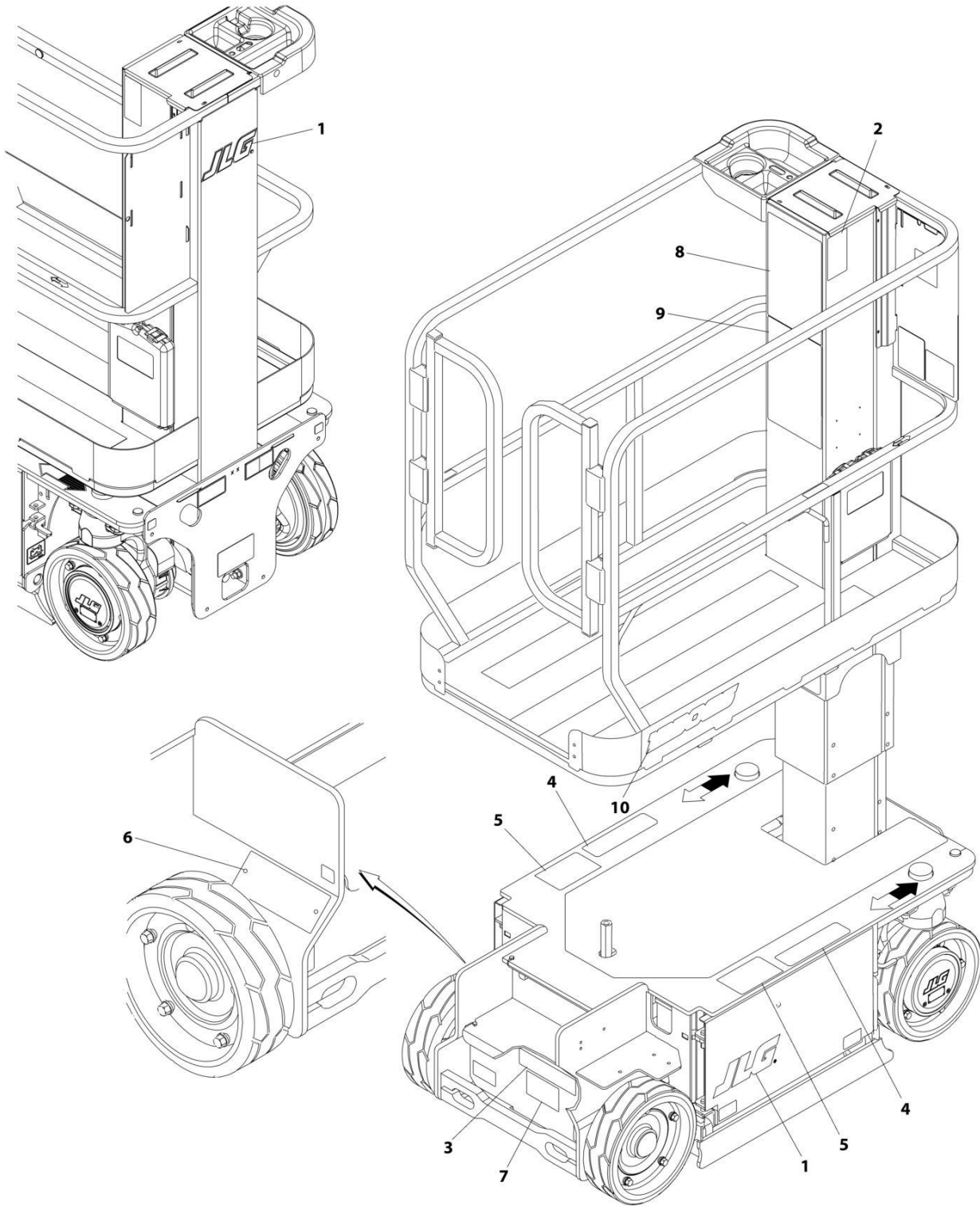
SECTION 8 - DECALS

FIGURE 8-9. DECALS INSTALLATION - CHINA SPECS (ENGLISH/CHINESE LANGUAGE)

| ITEM | PART NUMBER | QTY | DESCRIPTION | REV |
|------|-------------|-----|--|-----|
| | 1001273239 | Ref | DECALS INSTALLATION | A |
| 1 | 1704344 | 1 | Decal - Warning Battery Vent (ENG/CHI) | |
| 2 | 1705781 | 3 | Decal - JLG Logo | |
| 3 | 1705946 | 1 | Decal - Legend (CHI) | |
| 4 | 1707142 | 2 | Decal - Danger Electrocution (ENG/CHI) | |
| 5 | 1707146 | 2 | Decal - Crushing Hazard (ENG/CHI) | |
| 6 | 2080057 | 2 | Fastener | |
| 7 | 1001224050 | 1 | Decal - Yearly Inspection (ENG/CHI) | |
| 8 | 1001254206 | 1 | Decal - Instructions/Warnings (ENG) | |
| 9 | 1001254210 | 1 | Decal - Instructions/Warnings (CHI) | |
| 10 | 1001271759 | 2 | Decal - 1230ES Designation | |

SECTION 8 - DECALS

FIGURE 8-10. DECALS INSTALLATION - KOREA SPECS (ENGLISH/KOREAN LANGUAGE)



ART_1001273240

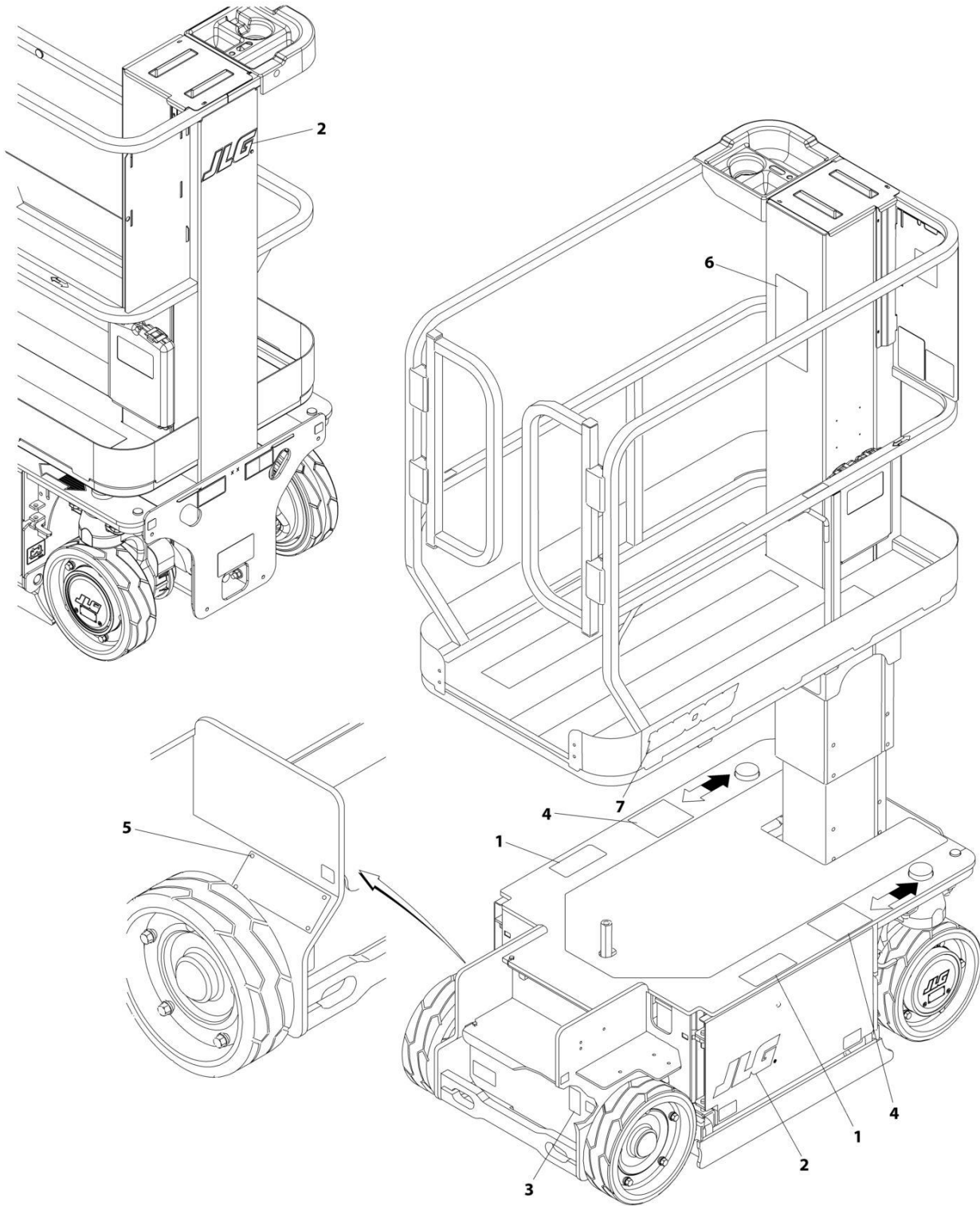
SECTION 8 - DECALS

FIGURE 8-10. DECALS INSTALLATION - KOREA SPECS (ENGLISH/KOREAN LANGUAGE)

| ITEM | PART NUMBER | QTY | DESCRIPTION | REV |
|------|-------------|-----|--|-----|
| | 1001273240 | Ref | DECALS INSTALLATION | A |
| 1 | 1705781 | 3 | Decal - JLG Logo | |
| 2 | 1706057 | 1 | Decal - Legend (ENG/KOR) | |
| 3 | 1707022 | 1 | Decal - Warning Battery Vent (ENG/KOR) | |
| 4 | 1707157 | 2 | Decal - Danger Electrocutation (ENG/KOR) | |
| 5 | 1707158 | 2 | Decal - Crushing Hazard (ENG/KOR) | |
| 6 | 2080057 | 2 | Fastener | |
| 7 | 1001224048 | 1 | Decal - Yearly Inspection (ENG/KOR) | |
| 8 | 1001254206 | 1 | Decal - Instructions/Warnings (ENG) | |
| 9 | 1001254211 | 1 | Decal - Instructions/Warnings (KOR) | |
| 10 | 1001271759 | 2 | Decal - 1230ES Designation | |

SECTION 8 - DECALS

FIGURE 8-11. DECALS INSTALLATION - AUSTRALIAN SPECS (ALL LANGUAGE)



ART_1001273241

SECTION 8 - DECALS

FIGURE 8-11. DECALS INSTALLATION - AUSTRALIAN SPECS (ALL LANGUAGE)

| ITEM | PART NUMBER | QTY | DESCRIPTION | REV |
|------|-------------|-----|-----------------------------|-----|
| | 1001273241 | Ref | DECALS INSTALLATION | A |
| 1 | 1705099 | 2 | Decal - Crushing Hazard | |
| 2 | 1705781 | 3 | Decal - JLG Logo | |
| 3 | 1705803 | 1 | Decal - Warning Fire Hazard | |
| 4 | 1706078 | 2 | Decal - Warning | |
| 5 | 2080057 | 4 | Fastener | |
| 6 | 1001216596 | 1 | Decal - Capacity | |
| 7 | 1001271759 | 2 | Decal - 1230ES Designation | |

SECTION 9 - RECOMMENDED SERVICE PARTS STOCK

SECTION 9 - RECOMMENDED SERVICE PARTS STOCK

SECTION 9 - RECOMMENDED SERVICE PARTS STOCK

FIGURE 9-1. RECOMMENDED SERVICE PARTS STOCK

| ITEM | PART NUMBER | QTY | DESCRIPTION | REV |
|------|-------------|-----|---|-----|
| | | Ref | Note: The following list will service one machine (built to current production per date on the front cover) with emergency repair parts which can be installed in the field. Parts from the list should be replaced when inventory is depleted to keep service parts stock supplied. For further information, contact your JLG dealer or the JLG Industries Parts Department. | |
| | 4360069 | 1 | Breaker, Circuit 10Amp | |
| | 1001189172 | 1 | Breaker, Double 16AMP (Breaker Box Kit With 3 Breakers) | |
| | 1001189171 | 1 | Breaker, 30mAmp (Breaker Box Kit With 3 Breakers) | |
| | 1001181045 | 1 | Breaker, Double 30mAmp/16Amp (Breaker Box Kit With 1 Double Breaker) | |
| | 3340968 | 1 | Button, Membrane (Platform Control Box) | |
| | 70005980 | 1 | Coil (Pump/Motor/Tank Assembly) | |
| | 1600402 | 1 | Controller, Drive/Steer | |
| | 70005983 | 12 | Filter (Pump/Motor/Tank Assembly) | |
| | 70002683 | 2 | Fuse (Electrical Components Installation) | |
| | 8229242 | 2 | Fuse, 5AMP (Chassis Harness) | |
| | 2860030 | 1 | Key, Replacement | |
| | 1001092456 | 1 | Module, Drive | |
| | 1600439 | 1 | Module, Platform Control | |
| | 3740150 | 1 | Relay (Electrical Components Installation) | |
| | 1001097347 | 1 | Relay, 24V (Chassis Harness) | |
| | 1001109088 | 1 | Sensor, Limit (Pothole Protection) | |
| | 4000010 | 1 | Sensor, Proximity (Electrical Components Installation) | |
| | 1001102771 | 1 | Sensor, Temperature (Battery Installation) | |
| | 1001112113 | 1 | Sensor, Temperature (Battery Installation) | |
| | 1001163095 | 1 | Sensor, Tilt (Ground Control Box Assembly) | |
| | 4360475 | 1 | Switch, Emergency Stop | |
| | 1001117172 | 1 | Switch, Foot | |
| | 4360469 | 1 | Switch, Key | |
| | 4360538 | 1 | Switch, Membrane (Platform Control Box) | |
| | 4360387 | 1 | Switch, Push Button | |
| | 4360336 | 1 | Switch, Toggle | |
| | 4360328 | 1 | Switch, Toggle | |
| | 4360539 | 1 | Switch, Toggle | |

SECTION 10 - SPECIAL OPTIONS/ACCESSORIES/KITS

SECTION 10 - SPECIAL OPTIONS/ACCESSORIES/KITS

SECTION 10 - SPECIAL OPTIONS/ACCESSORIES/KITS

FIGURE 10-1. SPECIAL OPTIONS/ACCESSORIES/KITS

| ITEM | PART NUMBER | QTY | DESCRIPTION | REV |
|------|---------------------------|-----|---|-----|
| | Note | Ref | Note: This list is to accommodate machines ordered with special equipment. Options may not be applicable to all models. For more specific parts information contact JLG Parts Department. | |
| | 1001183458 | Ref | Alarm - Ambient Adjusting | |
| | 1001185053 | Ref | Alarm - White Noise | |
| | 0274791 | Ref | Anti-Vandalism Kit | |
| | 1001252535 | Ref | Cable - Platform Extension | |
| | 1001268674 | Ref | Charger/Inverter 1230ES Kit | |
| | DO_NOT_USE- 1001276923 | Ref | ClearSky GT1030 Kit | |
| | 1001229107 | Ref | ClearSky Telematics - 3-Wire Connection (ANSI and CSA Specs) (Prior to SN M130010904) | |
| | 1001233237 | Ref | ClearSky Telematics - 3-Wire Connection (ANSI Export, CE, Korea & UK CA Specs) (Prior to SN M130010904) | |
| | 1001276919 | Ref | ClearSky Telematics - 3-Wire Connection (All Specs) (SN M130010904 to Present) | |
| | 1001229711 | Ref | Decal - ClearSky (ANSI and CSA Specs) | |
| | 1001214030 | Ref | Decal - EAC (Russian/CIS Specs) | |
| | 2890321 | Ref | Kickplate Kit | |
| | 1001254347 | Ref | Service Kits | |
| | 1001262959 | Ref | Voltage Regulator ClearSky Locate Kit | E |

SECTION 10 - SPECIAL OPTIONS/ACCESSORIES/KITS

PART NUMBER INDEX

SECTION 10 - SPECIAL OPTIONS/ACCESSORIES/KITS

| | | | |
|---|---|----------------------------------|--|
| 0060084.....35, 37 | 0771217 63, 67, 71, 73 | 1001109088 .. 35, 37, 200 | 1001166824.....41 |
| 010001113, 59, 63, 67, 71, 73, 83, 87, 91, 93, 117 | 0771219 63, 67, 71, 73 | 1001109786 83, 87, 91 | 1001175238.....13 |
| 0100019....13, 63, 67, 71, 73 | 0801530 65, 69, 75, 77 | 1001110511 35, 37 | 1001177842.....47 |
| 0100020.....103 | 0801532 77 | 1001110544 25 | 1001180090.....43 |
| 0100035.....35, 37 | 0801533 77 | 1001112111 45 | 1001181045.....143, 200 |
| 0100040.....65, 69, 75, 77 | 0840060 141 | 1001112112 29 | 1001183458.....202 |
| 0100048....27, 29, 41, 63, 67, 71, 73 | 0861731 ... 159, 161, 167, 171 | 1001112113 .. 27, 29, 200 | 1001185053.....202 |
| 014001197, 99 | 0861747 27 | 1001114467 15 | 1001189171.....145, 200 |
| 0140043.....41 | 0861748 27 | 1001114937 43 | 1001189172.....145, 200 |
| 0274549.....13 | 0861781 163, 165 | 1001115076 147 | 1001192401.....147 |
| 0274553.....105 | 0861880 143 | 1001115077 151 | 1001193274....63, 67, 71, 73 |
| 0274554.....97 | 0903594 13 | 1001116640 41, 147 | 1001193275....63, 67, 71, 73 |
| 0274556.....137 | 0903595 13 | 1001116647 103 | 1001199304.....33 |
| 0274560.....31 | 0903651 129, 131, 133 | 1001116692 147 | 1001200607.....37 |
| 0274562.....45 | 1001008575 ... 83, 87, 91, 93 | 1001116693 147 | 1001206687.....59 |
| 0274564.....35 | 1001091102... 83, 87, 91, 93 | 1001117172 103, 200 | 1001206688.....59 |
| 0274791202 | 1001091153 97, 99 | 1001117837 .. 27, 29, 141 | 1001208641.....43, 151 |
| 0274802.....139 | 1001091272 97, 99 | 1001117838 27 | 1001209674.....59 |
| 0274914.....177 | 1001091277 97, 99 | 1001117840 141 | 1001214030.....202 |
| 0275216.....129, 165 | 1001091278 97, 99 | 1001117841 141 | 1001216596.....197 |
| 0275217.....131, 163 | 1001091279 97, 99 | 1001117842 141 | 1001219582.....17 |
| 0275218.....133, 169 | 1001091280 97, 99 | 1001117843 141 | 1001220156.....179 |
| 0275219.....135, 173 | 1001091283 97, 99 | 1001118215 107 | 1001220665.....17 |
| 0275452.....123, 167 | 1001091288 97, 99 | 1001118216 107 | 1001223055.....181 |
| 0275453.....125, 171 | 1001091396 97, 99 | 1001118322 147 | 1001223971.....183 |
| 0275454.....127, 159 | 1001092165 ... 65, 69, 75, 77 | 1001118323 149 | 1001224016.....33 |
| 0275663.....49 | 1001092456 41, 200 | 1001118359 15, 17, 22 | 1001224019.....37 |
| 0275664.....51 | 1001092907 177, 179 | 1001118363 22, 149 | 1001224048.....195 |
| 0275665.....53 | 1001096138 147 | 1001118433 15 | 1001224049.....189 |
| 0275666.....55 | 1001097150 143, 145 | 1001119032 151 | 1001224050.....193 |
| 0275667.....57 | 1001097347 147, 200 | 1001131270 177, 179 | 1001224052.....191 |
| 0275769.....123 | 1001098122 103 | 1001133248 103 | 1001224053.....187 |
| 0275771.....127 | 1001099670 149 | 1001136757 153 | 1001224191.....179 |
| 0275772.....129 | 1001100141 93 | 1001138967 153 | 1001228370.....181, 183 |
| 0275773.....131 | 1001100142 93 | 1001141967 169, 173 | 1001229107.....202 |
| 0275774.....133 | 1001100176 79 | 1001141968 169 | 1001229471.....47 |
| 0380025.....43 | 1001100341 165 | 1001141969 173 | 1001229711.....202 |
| 040021527 | 1001100342 163 | 1001141970 173 | 1001231386.....153 |
| 0440263... 13, 35, 37, 113 | 1001100345 167 | 1001141971 169 | 1001231728.....97, 99 |
| 061016143 | 1001100346 159 | 1001142174 153 | 1001231801.....181 |
| 063058015, 17 | 1001100347 171 | 1001143009 153 | 1001233237.....202 |
| 063058727, 29, 35, 37 | 1001100630 93 | 1001145762 153 | 1001236161.....103 |
| 063060613 | 1001100631 93 | 1001145763 153 | 1001239224.....25 |
| 0641416....83, 87, 91, 93 | 1001100634 93 | 1001145881 153 | 1001239661.....25 |
| 070061541 | 1001100918 93 | 1001152483 145 | 1001239932....65, 69, 75, 157 |
| 0700616.....77 | 1001100947 93 | 1001152487 125, 135, 145 | 1001239934.....79, 157 |
| 0700618.....65, 69, 75 | 1001101024 149 | 1001153734 125 | 1001239935.....79 |
| 0700628.....33 | 1001101833 117 | 1001153735 135 | 1001239936.....79 |
| 0700812117 | 1001102349 19 | 1001155025 29 | 1001239937.....79 |
| 0760408.....153 | 1001102351 19 | 1001155029 29 | 1001239938.....79 |
| 0760606....123, 125, 127, 129, 131, 133, 135, 137, 139 | 1001102353 19 | 1001155030 29 | 1001239939.....79 |
| 0760608.....65, 69, 75 | 1001102354 19 | 1001156211 65, 69, 75 | 1001241343.....79 |
| 0760610..65, 69, 75, 103, 153 | 1001102771 .. 27, 29, 200 | 1001157547 153 | 1001241426.....79 |
| 0760614.....31, 33 | 1001102858 ... 63, 65, 67, 69, 71, 73, 75 | 1001157645 153 | 1001252535.....99, 202 |
| 0760806....63, 67, 71, 73 | 1001103257 137 | 1001157891 147 | 1001254195.....63, 83 |
| 0760808.....107 | 1001103258 123, 125, 127, 129, 131, 133, 135, 139 | 1001158712 153 | 1001254196.....71, 91 |
| 0760812....63, 67, 71, 73 | 1001103471 133, 135 | 1001159186 151 | 1001254197.....73, 93 |
| 0761010.....117 | 1001103742 123, 125, 127, 129, 131, 133, 135, 137, 139 | 1001163095 43, 200 | 1001254198....63, 65, 83, 85 |
| 0761016.....13 | 1001103743 45, 47 | 1001165284 43 | 1001254206.....181, 183, 189, 191, 193, 195 |
| 0761216.....117 | | 1001165286 43 | 1001254207.....183 |
| | | 1001165315 43 | 1001254208.....189 |
| | | 1001165316 43 | 1001254209.....191 |
| | | 1001166194 41, 43 | |
| | | 1001166255 43 | |
| | | 1001166776 43 | |

SECTION 10 - SPECIAL OPTIONS/ACCESSORIES/KITS

| | | | | | | | |
|--|---|---------------|---|--------------|---|--|----------------------------|
| 1001254210 | 193 | 1705676 | 97, 99 | 3290405.. | 35, 37, 79, 129, 131, 133, 153 | 4010614 ... | 123, 127, 129, 131, 133 |
| 1001254211 | 195 | 1705686 | 181 | 3290605.... | 27, 29, 31, 33, 35, 37, 41, 65, 69, 75, 77, 103, 123, 125, 127, 129, 131, 133, 135, 137, 139, 153 | 4010618 | 93 |
| 1001254341 | 67, 87 | 1705692 | 177, 179 | 3300423..... | 19 | 4031707 | 35, 37 |
| 1001254342 ... | 67, 69, 87, 89 | 1705696 | 43 | 3300473..... | 97, 99 | 4071095.... | 83, 87, 91, 93 |
| 1001254347 | 202 | 1705698 | 43 | 3311005..... | 59 | 4110226 | 177, 179 |
| 1001254348 ... | 71, 73, 75, 91, 93, 95 | 1705720 | 189 | 3311405..... | 59 | 4160160 | 35, 37 |
| 1001254349 | 89 | 1705723 | 183 | 3321005..... | 43 | 4160203 | 97, 99 |
| 1001259119 | 85, 89, 95 | 1705726 | 191 | 3322202..... | 13 | 4160214 | 27, 29 |
| 1001262959 | 202 | 1705781 ... | 181, 183, 185, 187, 189, 191, 193, 195, 197 | 3331211.... | 63, 67, 71, 73, 117 | 4160220 | 65, 69, 75 |
| 1001266761 | 77 | 1705803 | 185, 187, 197 | 3340962.... | 83, 87, 91, 93 | 4160222 | 35, 37 |
| 1001268674 | 202 | 1705946 | 193 | 3340968..... | 97, 99, 200 | 4160223 | 35, 37 |
| 1001271759 | 181, 183, 185, 187, 189, 191, 193, 195, 197 | 1706057 | 195 | 3380475..... | 97, 99 | 4191306 | 97, 99 |
| 1001272014 | 99 | 1706078 | 185, 187, 197 | 3380599..... | 27, 29 | 4191406... 31, 33, 65, 69, 75, 83, 87, 91, 93, 123, 125, 127, 129, 131, 133, 135, 137 | |
| 1001272280 | 85 | 1706670 | 177, 179 | 3380600..... | 27, 29 | 4191407 | 97, 99 |
| 1001272894 | 85, 89 | 1706671 | 177 | 3380604..... | 31 | 4191409 | 97, 99 |
| 1001273233 | 181 | 1706679 | 177, 179 | 3380605..... | 31, 33 | 4191706 | 25, 41, 45, 47 |
| 1001273234 | 183 | 1706686 | 185, 187 | 3380612..... | 31, 33 | 4191707 | 125, 135 |
| 1001273235 | 185 | 1706740 | 177, 179 | 3380619..... | 31, 33 | 4191708 | 31, 41 |
| 1001273236 | 187 | 1706750 | 153 | 3380766.... | 123, 127, 129, 131, 133 | 4191709 | 41 |
| 1001273237 | 189 | 1706832 | 181 | 3391408..... | 27, 29 | 4220258 | 35, 37 |
| 1001273238 | 191 | 1707022 | 195 | 3423189..... | 35, 37 | 4220286 | 27, 29 |
| 1001273239 | 193 | 1707139 | 191 | 3423230..... | 13, 35, 37 | 4220307 | 41 |
| 1001273240 | 195 | 1707140 | 189 | 3423231..... | 35, 37 | 4220309 | 83, 87, 91 |
| 1001273241 | 197 | 1707141 | 183 | 3423235..... | 13 | 4240017 | 153 |
| 1001276919 | 202 | 1707142 | 193 | 3423236..... | 13 | 4240018 | 15, 17 |
| 1001281052 | 25 | 1707143 | 189 | 3423243..... | 27, 29 | 4240033... 123, 127, 129, 131, 133 | |
| 1001281058 | 25 | 1707144 | 191 | 3423303..... | 13 | 4240147 | 117 |
| 1001285942 | 117, 119 | 1707145 | 183 | 3450406..... | 19 | 4240153 | 41 |
| 1001285943 | 117 | 1707146 | 193 | 3520072.... | 83, 87, 91, 93 | 4360069 | 43, 200 |
| 1001286093 | 117 | 1707157 | 195 | 3520193..... | 43 | 4360328 | 43, 200 |
| 1001287772 | 117 | 1707158 | 195 | 3575919..... | 31, 33 | 4360336 | 153, 200 |
| 1060908 | 143, 145 | 2080040 ... | 75, 83, 85, 87, 89, 91, 93, 105 | 3576089..... | 105 | 4360387 | 41, 200 |
| 1060918 | 103 | 2080043 | 83, 87, 91, 93 | 3730119..... | 157 | 4360469 | 43, 200 |
| 1060998 | 141 | 2080057 ... | 181, 183, 185, 187, 189, 191, 193, 195, 197 | 3740150.... | 41, 153, 200 | 4360475 ... | 43, 97, 99, 200 |
| 1321293 ... | 123, 125, 127, 129, 131, 133, 135, 137, 139 | 2144605 | 113 | 3760348..... | 13, 35, 37 | 4360538 | 97, 99, 200 |
| 1321682 | 15, 17 | 2144609 | 111 | 3760463..... | 15, 17 | 4360539 | 97, 99, 200 |
| 1380156 | 97, 99 | 2220883 | 119 | 3820019.... | 65, 69, 75, 77, 85, 89 | 4420070 | 31, 33, 105 |
| 1380159 | 107 | 2400060 | 147 | 3841143..... | 13 | 4460115 | 151 |
| 1580050 | 83, 87, 91, 93 | 2410021 | 83, 87, 91 | 3841517..... | 13 | 4460138 | 137 |
| 1600402 97, 99, 101, 200 | | 2420172 | 43 | 3841703..... | 35, 37 | 4460142 | 147 |
| 1600439 | 97, 99, 200 | 2540042 | 155 | 3900258..... | 31, 33 | 4460183 | 151 |
| 1671098 | 97, 99 | 2560179 | 97, 99 | 3900333..... | 97, 99 | 4460227 | 147 |
| 1671105 | 43 | 2600281 ... | 83, 87, 91, 93 | 3900336..... | 43 | 4460259 | 147, 151 |
| 1671207 | 161 | 2755003 | 117 | 3900338..... | 43 | 4460260 | 147, 151 |
| 1684458 | 13, 113 | 2780266 | 15, 17, 19 | 3900339..... | 43 | 4460265 | 155 |
| 1684469 | 77, 111 | 280013 | 93 | 3900392..... | 41 | 4460267 | 45, 47, 155 |
| 1701640 | 177, 179 | 2860030 | 43, 200 | 3911010..... | 59 | 4460268 | 43, 147, 151 |
| 1701691 85, 89, 123, 127, 129, 131, 133 | | 2890321 | 202 | 3911416..... | 59 | 4460314 | 137 |
| 1703687 | 177, 179 | 2902431 | 137, 161 | 3931412..... | 43 | 4460320 | 147 |
| 1703785 | 181 | 2902439 | 77 | 4000010..... | 41, 200 | 4460321 | 43 |
| 1703786 | 181 | 2902559 ... | 123, 127, 129, 131, 133, 143 | 4010308..... | 25 | 4460346 | 161 |
| 1703819 97, 99, 177, 179 | | 3010145 | 35, 37 | 4010408.... | 129, 131, 133 | 4460374 | 147 |
| 1704016 | 177, 179 | 3010146 | 35, 37 | 4010415..... | 35, 37 | 4460375 | 147 |
| 1704277 | 177, 179 | 3010147 | 35, 37 | | | 4460418 | 151 |
| 1704339 | 189 | 3010152 | 35, 37 | | | 4460424 | 45, 47 |
| 1704340 | 183 | 3010153 | 35, 37 | | | 4460464. 45, 47, 99, 147, 151, 155 | |
| 1704341 | 191 | 3010164 | 13 | | | 4460465. 27, 29, 99, 103, 147, 149, 157 | |
| 1704344 | 193 | 3010165 | 13 | | | 4460466. 45, 47, 99, 147, 151, 155, 157 | |
| 1704412 | 177, 179 | 3020039 | 27, 29 | | | 4460493 | 157 |
| 1705099 | 185, 187, 197 | 3290305 | 25 | | | | |

SECTION 10 - SPECIAL OPTIONS/ACCESSORIES/KITS

| | | | | | | | |
|--|-----------------------|--------------------------------------|--|----------------|---------|------------------|------------|
| 4460496..... | 155 | 4569225 | 35 | 70000728 | 111 | 70006426..... | 23 |
| 4460497..... | 155 | 4569238 | 35, 37 | 70000729 | 111 | 70007123..... | 119 |
| 4460539..... | 147 | 4640858 | 111 | 70000730 | 111 | 70007588..... | 119 |
| 4460633..... | 129, 131 | 4700042 | 65, 69, 75, 77 | 70000731 | 111 | 70007613..... | 119 |
| 4460648..... | 45, 47, 147 | 4711000 | 59 | 70000732 | 111 | 70007614..... | 119 |
| 4460662.... | 123, 125, 127, 161 | 4711400 | 59 | 70000733 | 111 | 70008100..... | 119 |
| 4460754..... | 99, 157 | 4740120 | 153 | 70000734 | 111 | 70008101..... | 119 |
| 4460761..... | 147 | 4740468 | 19 | 70000735 | 111 | 70008102..... | 119 |
| 4460871..... | 147 | 4740523 | 15, 17 | 70000737 | 111 | 70008103..... | 119 |
| 4460873..... | 147 | 4740524 | 15, 17 | 70000738 | 113 | 70008104..... | 119 |
| 4460884..... | 147, 151 | 4751000 | 43 | 70000739 | 113 | 70008105..... | 119 |
| 4460891..... | 147 | 481140035, 37, 129, 131, 133, 153 | | 70000741 | 113 | 70008106..... | 119 |
| 4460894..... | 147 | 4811700 ... | 27, 29, 31, 33, 35, 37, 45, 47, 65, 69, 75, 85, 89, 93, 123, 125, 127, 129, 131, 133, 135, 153 | 70000742 | 113 | 70030944..... | 119 |
| 4460897..... | 147 | | | 70000743 | 113 | 7020175..... | 43, 97, 99 |
| 4460899..... | 45, 47 | | | 70000790 | 22 | 7020176..... | 43, 97, 99 |
| 4460905..... | 147 | | | 70000791 | 22 | 7024747..... | 23 |
| 4460918..... | 151 | | | 70000792 | 22 | 7024748..... | 23 |
| 4460930..... | 157 | 4811702 ... | 33, 65, 69, 75 | 70001250 | 101 | 7024749..... | 23 |
| 4460931..... | 147 | 4811900 | 93, 117 | 70001251 | 101 | 7024750..... | 23 |
| 4460942..... | 147, 149 | 4812000 | 117 | 70001252 | 101 | 7024756..... | 23 |
| 4460943..... | 147, 151 | 4812100 | 27, 29, 117 | 70001253 | 101 | 7024757..... | 22 |
| 4460944..... | 157 | 4922870 | 97, 99, 155 | 70001254 | 111 | 7024758..... | 23 |
| 4460956..... | 143 | 4923325 | 141 | 70001265 | 23 | 7024771..... | 23 |
| 4460957..... | 143 | 4923326 | 141 | 70001739 | 22 | 7024772..... | 23 |
| 4460986..... | 147 | 4923328 | 141 | 70001949 | 22 | 7024773..... | 23 |
| 4461016..... | 99, 155 | 5241200 | 63, 67, 71, 73 | 70002308 | 23 | 7024785..... | 22 |
| 4461057..... | 155 | 70000082 | 101 | 70002682 | 41 | 7024786..... | 22 |
| 4461196..... | 55, 129, 165 | 70000084 | 101 | 70002683 | 41, 200 | 7027365..... | 101 |
| 4461198..... | 165 | 70000191 | 22 | 70002720 | 111 | 7027367..... | 101 |
| 4461199..... | 57, 131, 163 | 70000683 | 101 | 70002902 | 103 | 7027765..... | 101 |
| 4461201..... | 163 | 70000684 | 101 | 70002903 | 103 | 7027766..... | 101 |
| 4461205 49, 51, 123, 125, 133, 135, 167, 169, 171, 173 | | 70000684 | 101 | 70002904 | 103 | 8220114..... | 147 |
| 4461244..... | 167 | 70000685 | 101 | 70002905 | 103 | 8229242..... | 147, 200 |
| 4461245..... | 171 | 70000686 | 101 | 70003650 | 101 | 8584003..... | 117 |
| 4461246..... | 159 | 70000721 | 111 | 70003700 | 119 | 8990147..... | 75, 85, 89 |
| 4461249..... | 53, 127, 159 | 70000722 | 111 | 70003734 | 119 | 91013191..... | 147 |
| 4568738..... | 97, 99 | 70000723 | 111 | 70005634 | 119 | 91013192..... | 149 |
| | | 70000725 | 111 | 70005980 | 200 | DO_NOT_USE- | |
| | | 70000726 | 111 | 70005983 | 200 | 1001276923 | 202 |
| | | 70000727 | 111 | 70006339 | 119 | | |



**Corporate Office
JLG Industries, Inc.
1 JLG Drive
McConnellsburg, PA 17233-9533 USA
☎ (717) 485-5161 (Corporate)
☎ (877) 554-5438 (Customer Support)
📠 (717) 485-6417**

**Visit our website for JLG Worldwide Locations.
www.jlg.com**



OSHKOSH™