



Illustrated Parts Manual

**Model
AE1932**

**PVC
2204**

**P/N
31220307
February 5, 2024 - Rev E**

ANSI

CE



**UK
CA**

AS/NZS



An Oshkosh Corporation Company

REVISION LOG

April 4, 2022 - A - Original Issue of Manual (Edited to 1001290000 Rev L)

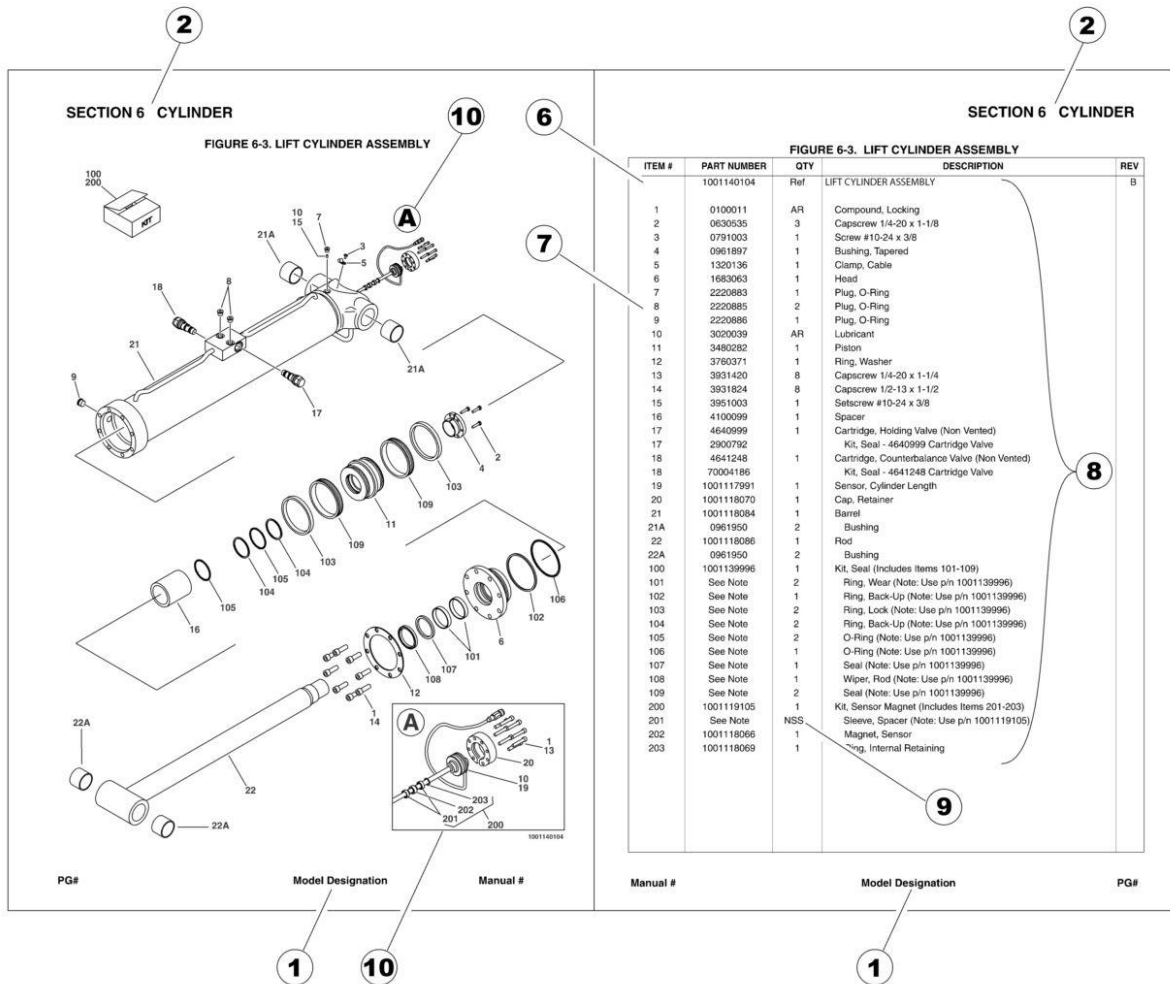
October 10, 2022 - B - Revised Manual (Edited to 1001290000 Rev N)

February 1, 2023 - C - Revised Manual (Edited to 1001290000 Rev O)

September 7, 2023 - D - Revised Manual (Edited to 1001290000 Rev O)

February 5, 2024 - E - Revised Manual (Edited to 1001290000 Rev S)

GENERAL INFORMATION



1) MACHINE IDENTIFICATION

Machines are identified by model and in some cases a combination of models, serial number (SN) or regional standard (i.e ANSI, CE, CSA). Components may also be identified by SN or manufacturer. Common components that may be identified by these characteristics are engines and hydraulic components.

2) PARTS MANUAL ORGANIZATION

Product information in this manual is organized under section titles. Frame, Cylinder, Hydraulic and Electrical are a few examples. Each section is organized by figure and page number. The information within the Figure is then organized by item number, part number, description and corresponding illustration (s).

3) TABLE OF CONTENTS (NOT SHOWN)

A table of contents is found toward the beginning of the manual. Figure number, description and page number are provided for quick reference to the page containing the related information.

4) RECOMMENDED SPARE PARTS (NOT SHOWN)

The Recommended Spare Parts List, located near the end of the manual, reference most frequently used maintenance parts.

5) PART NUMBER INDEX (NOT SHOWN)

A numerical index listing all part numbers and the corresponding page number(s) appears at the back of the manual.

GENERAL INFORMATION

6) NON-SERVICED PARTS

In some instances, it is necessary to display non-serviced parts, assemblies or installations. In the case of assemblies and installations there will be a Ref in the Qty. column. In case of parts that are not available for service within assemblies or components, there will be a NSS (Not Sold Separately) or NLA (No Longer Available) listed in the Qty. column of the manual.

7) PARTS LIST ITEM NUMBERS

Numbers shown in the item# column correspond to numbers used in the associated illustration (s). Item numbers which are missing from the sequence in the parts list are not used on that page.

8) INDENTED PARTS DESCRIPTION

An indented part description is included in the item under which it is indented.

9) ABBREVIATION AND SYMBOLS

AC.....	Alternating Current	L.....	Liter
ADE.....	Advanced Design Electronics	LB(LBS).....	Pounds
AG.....	Agricultural	LCD.....	Liquid Crystal Display
ANSI.....	American National Standards Institute	LED.....	Light Emitting Diodes
AR.....	As Required	LH.....	Left Hand
ASSY.....	Assembly	LRC.....	Low Rated Countries
AUS.....	Australia	LSS.....	Load Sensing System
AUX.....	Auxiliary	M(m).....	Metric/Meter
AWG.....	American Wire Gauge	MM(mm).....	Milimeter
B/M.....	Bill of Material	mA.....	Miliamps
CAC.....	Charge Air Cooler	NLA.....	No Longer Available
CE.....	European Conformity	NPT.....	National Pipe Threads
CCW.....	Counter Clockwise	NSS.....	Not Sold Separately
CM.....	Centimeter	OD.....	Outside Diameter
CW.....	Clockwise	ORB.....	O-Ring Boss
CSA.....	Canadian Standards Association	ORFS.....	O-Ring Face Seal
CYL.....	Cylinder	OZ (oz).....	Ounces
DIA.....	Diameter	PG.....	Page
DC.....	Direct Current	PN.....	Part Number
DEF.....	Diesel Exhaust Fluid	QT(qt.).....	Quarts
EMS.....	Emergency Stop	QTY.....	Quantity
ENG.....	Engine	REF.....	Reference
FT(ft).....	Feet	REV.....	Revision Level
GA(Ga).....	Gauge	RH.....	Right Hand
HRC.....	High Rated Countries	SAE.....	Society of Automotive Engineers
HVAC.....	Heating, Ventilating, and Air Conditioning	SN.....	Serial Number
HYD.....	Hydraulic	SPEC(S).....	Specifications
Hz.....	Hertz	T/T.....	Turntable
ID.....	Inside Diameter	UGM.....	Universal Ground Module
IN.....	inches	V.....	Volts
ISO.....	International Organization for Standards	W.....	Watts
JIC.....	Joint Industry Council	#.....	Number
KG.....	Kilogram		

10) ILLUSTRATION REFERENCE LETTERS

When necessary, illustrations may contain reference letters that are intended to track information (i. e. hoses, harnesses) from one point to another or to track visual enlargement of components to show details that may be located in another area on the illustration.

Note: Due to continuous product improvements, JLG Industries, Inc. reserves the right to make specification changes without prior notification. Contact JLG Industries, Inc. for updated information.

TABLE OF CONTENTS

SECTION 1 - FRAME.....	11
FIGURE 1-1. STEERING INSTALLATION	12
FIGURE 1-2. DRIVE/BRAKE INSTALLATION (Prior to SN M200065624).....	14
FIGURE 1-3. DRIVE/BRAKE INSTALLATION (JAPANEES SPECS) (SN M200065624 to Present)	16
FIGURE 1-4. DRIVE MOTOR ASSEMBLY	18
FIGURE 1-5. MOTOR COVERS INSTALLATION	20
FIGURE 1-6. HUB ASSEMBLY - REAR	22
FIGURE 1-7. TIRE AND WHEEL INSTALLATION	24
FIGURE 1-8. POTHOLE PROTECTION INSTALLATION	26
FIGURE 1-9. TILT SENSOR INSTALLATION	28
FIGURE 1-10. BATTERY CHARGER INSTALLATION - 650W.....	30
FIGURE 1-11. BATTERY CHARGER INSTALLATION - 650W (MOL SPECS)	32
FIGURE 1-12. BATTERY CHARGER (650W) INSTALLATION (ALL SPECS) (SN M200060070 to Present, Including M200057335 & M200057738)	34
FIGURE 1-13. BATTERY CHARGER INSTALLATION - 900W.....	36
FIGURE 1-14. BATTERY CHARGER INSTALLATION - 900W (MOL SPECS)	38
FIGURE 1-15. BATTERY CHARGER (900W) INSTALLATION (ALL SPECS) (SN M200060070 to Present, Including M200057335 & M200057738)	40
FIGURE 1-16. STROBE LIGHT INSTALLATION - SINGLE (AMBER) (WITH GUARD).....	42
FIGURE 1-17. STROBE LIGHT INSTALLATION - DUAL (AMBER) (WITH GUARD)	44
FIGURE 1-18. STROBE LIGHT INSTALLATION - DUAL SANMAK BRAND (AMBER) (WITH GUARD) (WITH CLEARSKY)	46
FIGURE 1-19. ALARM INSTALLATION (AMBIENT/WHITE NOISE) (OPTIONAL)	48
FIGURE 1-20. LADDER INSTALLATION	50
FIGURE 1-21. FRAME COVERS INSTALLATION	52
FIGURE 1-22. FRAME COVERS INSTALLATION (MOL70 SPECS).....	54
SECTION 2 - GROUND CONTROLS	57
FIGURE 2-1. ELECTRICAL COMPONENTS INSTALLATION.....	58
FIGURE 2-2. MOBILE CONTROL INSTALLATION.....	60
FIGURE 2-3. BATTERY INSTALLATION	62
FIGURE 2-4. BATTERY INSTALLATION ((MOL70 SPECS).....	64
FIGURE 2-5. DOORS INSTALLATION (LH)	66
FIGURE 2-6. DOORS INSTALLATION (RH) (STANDARD).....	68
FIGURE 2-7. DOORS INSTALLATION (RH) (MACHINES WITH INVERTER/CLEARSKY)	70
SECTION 3 - SCISSORS ARMS	73
FIGURE 3-1. SCISSORS ARMS INSTALLATION (WITH LIFT ACTUATOR PN 1001274883)	74
FIGURE 3-2. SCISSORS ARMS INSTALLATION (WITH LIFT ACTUATOR PN 1001248121)	78
FIGURE 3-3. LIFT CYLINDER/ACTUATOR ASSEMBLY.....	82
FIGURE 3-4. LIFT CYLINDER/ACTUATOR ASSEMBLY.....	84
FIGURE 3-5. ARM GUARD INSTALLATION.....	86
SECTION 4 - PLATFORM.....	89
FIGURE 4-1. PLATFORM INSTALLATION WITHOUT LSS.....	90
FIGURE 4-2. PLATFORM INSTALLATION WITH LSS	92
FIGURE 4-3. PLATFORM EXTENSION INSTALLATION	94

TABLE OF CONTENTS

FIGURE 4-4. RAILS INSTALLATION - FIXED RAILS (AUSTRALIAN & JAPANESE SPECS).....	96
FIGURE 4-5. RAILS INSTALLATION - FIXED RAILS (AUSTRALIAN & JAPANESE SPECS) (SN M200081107 to Present, SN M200079963 through M200079968, SN M200080020 through M200080021, SN M200080054 through M200080108, SN M200080140 through M200080183, SN M200080266 through M200080290, SN M200080353 through M200080356, SN M200080366 through M200080380, SN M200080435 through M200080465, SN M200080536 through M200080540, SN M200080645 through M200080719, Including M200080011, M200080263, M200080292 and M200080406).....	98
FIGURE 4-6. RAILS INSTALLATION - QUIK ACCESS (ANSI & JAPANESE SPECS)	100
FIGURE 4-7. RAILS INSTALLATION - QUIK FOLD-DOWN (ALL SPECS EXCEPT CE SPECS) (Prior to SN M200062525, Except SN M200062772 through M200062776)	104
FIGURE 4-8. RAILS INSTALLATION - QUIK FOLD-DOWN (ALL SPECS EXCEPT CE SPECS) (SN M200062525 to Present)	106
FIGURE 4-9. RAIL INSTALLATION - QUIK-FOLD (CE & UK CA SPECS) (Prior to SN M200062525, Except SN M200062772 through M200062776).....	108
FIGURE 4-10. RAIL INSTALLATION - QUIK-FOLD (CE & UK CA SPECS) (SN M200062525 to Present)	112
FIGURE 4-11. HANDLE EXTENSION INSTALLATION (OPTIONAL).....	116
FIGURE 4-12. PLATFORM CONSOLE ASSEMBLY (LED).....	118
FIGURE 4-13. PLATFORM BOX ASSEMBLY (LCD).....	120
FIGURE 4-14. DRIVE/STEER CONTROLLER ASSEMBLY (LED).....	122
FIGURE 4-15. DRIVE/STEER CONTROLLER ASSEMBLY (LCD)	124
FIGURE 4-16. USB/PHONE CRADLE INSTALLATION.....	126
FIGURE 4-17. SKYSENSE LEVEL 1 INSTALLATION (LED)	128
FIGURE 4-18. SKYSENCE LEVEL 1 INSTALLATION (LCD).....	130
FIGURE 4-19. PANEL CARRIER INSTALLATION (OPTIONAL - ALL SPECS EXCEPT JAPANESE SPECS)	132
FIGURE 4-20. PIPE RACK INSTALLATION (OPTIONAL - ALL SPECS EXCEPT JAPANESE SPECS).....	134
SECTION 5 - ELECTRICAL.....	137
FIGURE 5-1. AC BOX AT PLATFORM INSTALLATION - 110V GFI (ALL SPECS EXCEPT AUSTRALIAN, CE & UK CA SPECS)	138
FIGURE 5-2. AC BOX AT PLATFORM INSTALLATION - 110V IEC YELLOW (CE & UK CA SPECS).....	140
FIGURE 5-3. AC BOX AT PLATFORM INSTALLATION - 220V IEC BLUE (CE & UK CA SPECS)	142
FIGURE 5-4. AC BOX AT PLATFORM INSTALLATION - 220V CEE7 POST GROUND (CE & UK CA SPECS)	144
FIGURE 5-5. AC BOX AT PLATFORM INSTALLATION - 220V CEE7 SIDE GROUND (CE & UK CA SPECS).....	146
FIGURE 5-6. AC BOX AT PLATFORM INSTALLATION - 220V AFSINT 107 (CE & UK CA SPECS).....	148
FIGURE 5-7. AC BOX AT PLATFORM INSTALLATION - 220V LOCALLY SUPPLIED COMPONENTS (ALL SPECS).....	150
FIGURE 5-8. AC BOX AT PLATFORM INSTALLATION - 220V AUSTRALIAN PLUG (AUSTRALIAN SPECS)	152
FIGURE 5-9. AC BOX AT PLATFORM INSTALLATION - 220V (CHINA SPECS)	154
FIGURE 5-10. BATTERY HARNESS.....	156
FIGURE 5-11. BREAKER BOX KIT (AUSTRALIAN SPECS)	158
FIGURE 5-12. BREAKER BOX KIT WITH 1 DOUBLE BREAKER (CE & UK CA SPECS).....	160
FIGURE 5-13. BREAKER BOX KIT WITH 3 BREAKERS (CE & UK CA SPECS)	162
FIGURE 5-14. CHARGER PLUG INSTALLATION (LOCALLY SUPPLIED PLUG) (ALL SPECS EXCEPT ANSI & AUSTRALIAN SPECS) (Prior to SN M200080021, Excluding M200080011).....	164
FIGURE 5-15. CHARGER PLUG INSTALLATION (LOCALLY SUPPLIED PLUG) (ALL SPECS EXCEPT ANSI & AUSTRALIAN SPECS) (SN M200080054 to Present, Including M200080011)	166
FIGURE 5-16. CHARGER PLUG INSTALLATION (110V PLUG) (ANSI & CSA SPECS) (Prior to SN M200080021, Excluding M200080011)	168
FIGURE 5-17. CHARGER PLUG INSTALLATION (110V PLUG) (ANSI & CSA SPECS) (SN M200080054 to Present, Including M200080011)	170
FIGURE 5-18. CHARGER PLUG INSTALLATION (AUSTRALIAN PLUG) (AUSTRALIAN SPECS) (Prior to SN M200080021, Excluding M200080011).....	172

TABLE OF CONTENTS

FIGURE 5-19. CHARGER PLUG INSTALLATION (AUSTRALIAN PLUG) (AUSTRALIAN SPECS) (SN M200080054 to Present, Including M200080011)	174
FIGURE 5-20. CHARGER PLUG INSTALLATION (110V IEC YELLOW PLUG) (CE & UK CA SPECS) (Prior to SN M200080021, Excluding M200080011)	176
FIGURE 5-21. CHARGER PLUG INSTALLATION (110V IEC YELLOW PLUG) (CE & UK CA SPECS) (SN M200080054 to Present, Including M200080011)	178
FIGURE 5-22. CHARGER PLUG INSTALLATION (220V IEC BLUE PLUG) (CE & UK CA SPECS) (Prior to SN M200080021, Excluding M200080011)	180
FIGURE 5-23. CHARGER PLUG INSTALLATION (220V IEC BLUE PLUG) (CE & UK CA SPECS) (SN M200080054 to Present, Including M200080011)	182
FIGURE 5-24. CHARGER PLUG INSTALLATION (220V CEE7 PLUG) (CE & UK CA SPECS) (Prior to SN M200080021, Excluding M200080011)	184
FIGURE 5-25. CHARGER PLUG INSTALLATION (220V CEE7 PLUG) (CE & UK CA SPECS) (SN M200080054 to Present, Including M200080011)	186
FIGURE 5-26. CHARGER PLUG INSTALLATION (220V AFSINT107 PLUG) (CE & UK CA SPECS) (Prior to SN M200080021, Excluding M200080011)	188
FIGURE 5-27. CHARGER PLUG INSTALLATION (220V AFSINT107 PLUG) (CE & UK CA SPECS) (SN M200080054 to Present, Including M200080011)	190
FIGURE 5-28. CHASSIS HARNESS	192
FIGURE 5-29. GROUND TO PLATFORM CABLE INSTALLATION - WITHOUT PLATFORM COIL CABLE (ANSI, ANSI EXPORT, CSA, AND AUSTRALIAN SPECS)	196
FIGURE 5-30. GROUND TO PLATFORM CABLE INSTALLATION - WITH PLATFORM COIL CABLE (ANSI, ANSI EXPORT, CSA, AND AUSTRALIAN SPECS)	198
FIGURE 5-31. GROUND TO PLATFORM CABLE INSTALLATION - WITHOUT PLATFORM COIL CABLE & WITH FOOTSWITCH (ANSI EXPORT, JAPANESE, CE & UK CA SPECS)	200
FIGURE 5-32. GROUND TO PLATFORM CABLE INSTALLATION - WITH PLATFORM COIL CABLE & WITH FOOTSWITCH (ANSI EXPORT, JAPANESE, CE & UK CA SPECS)	202
FIGURE 5-33. LSS HARNESS	204
FIGURE 5-34. PLATFORM BOX HARNESS (LED PLATFORM BOX)	206
FIGURE 5-35. PLATFORM BOX HARNESS (LCD BOX)	208
FIGURE 5-36. RECEPTACLE BOX KIT - 110V GFI	210
FIGURE 5-37. RECEPTACLE BOX KIT - 110V IEC YELLOW (CE & UK CA SPEC)	212
FIGURE 5-38. RECEPTACLE BOX KIT - 220V IEC BLUE (CE & UK CA SPEC)	214
FIGURE 5-39. RECEPTACLE BOX KIT - 220V CEE7 POST GROUND (CE & UK CA SPEC)	216
FIGURE 5-40. RECEPTACLE BOX KIT - 220V CEE7 SIDE GROUND (CE & UK CA SPEC)	218
FIGURE 5-41. RECEPTACLE BOX KIT - 220V AFSINT 107 (CE & UK CA SPEC)	220
FIGURE 5-42. STROBE LIGHT JUMPER HARNESS	222
SECTION 6 - DECALS	225
FIGURE 6-1. DECALS INSTALLATION - ANSI SPECS (ENGLISH LANGUAGE)	226
FIGURE 6-2. DECALS INSTALLATION - AUSTRALIAN/CE/JAPANESE/UK CA SPECS (ENGLISH LANGUAGE)	228
FIGURE 6-3. DECALS INSTALLATION - BRAZIL SPECS (SPANISH/PORTUGUESE LANGUAGES)	230
FIGURE 6-4. DECALS INSTALLATION - CHINA SPECS (CHINA/ENGLISH LANGUAGES)	232
FIGURE 6-5. DECALS INSTALLATION - CSA SPECS (FRENCH/ENGLISH LANGUAGES)	234
FIGURE 6-6. DECALS INSTALLATION - KOREAN SPECS (KOREAN/ENGLISH LANGUAGES)	236
FIGURE 6-7. DECALS INSTALLATION - LATIN AMERICAN SPECS (SPANISH/ENGLISH LANGUAGES)	238
FIGURE 6-8. DECAL INSTALLATION - OPTIONS	240
SECTION 7 - RECOMMENDED SERVICE PARTS STOCK	243
FIGURE 7-1. RECOMMENDED SERVICE PARTS STOCK	244

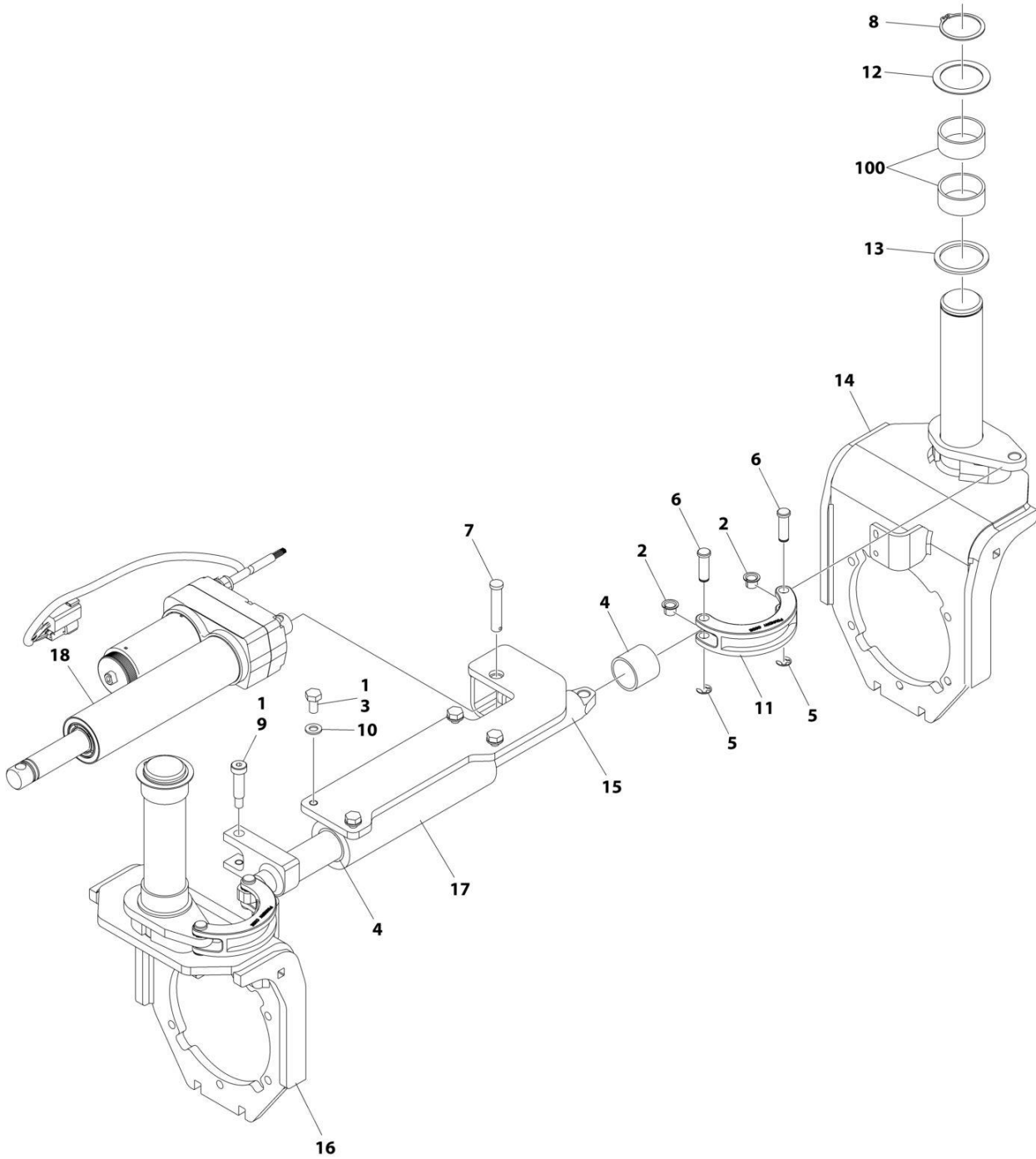
TABLE OF CONTENTS

SECTION 8 - SPECIAL OPTIONS/ACCESSORIES/KITS.....	245
FIGURE 8-1. SPECIAL OPTIONS/ACCESSORIES/KITS.....	246
PART NUMBER INDEX.....	249

SECTION 1 - FRAME

SECTION 1 - FRAME

FIGURE 1-1. STEERING INSTALLATION



ART_1001278765

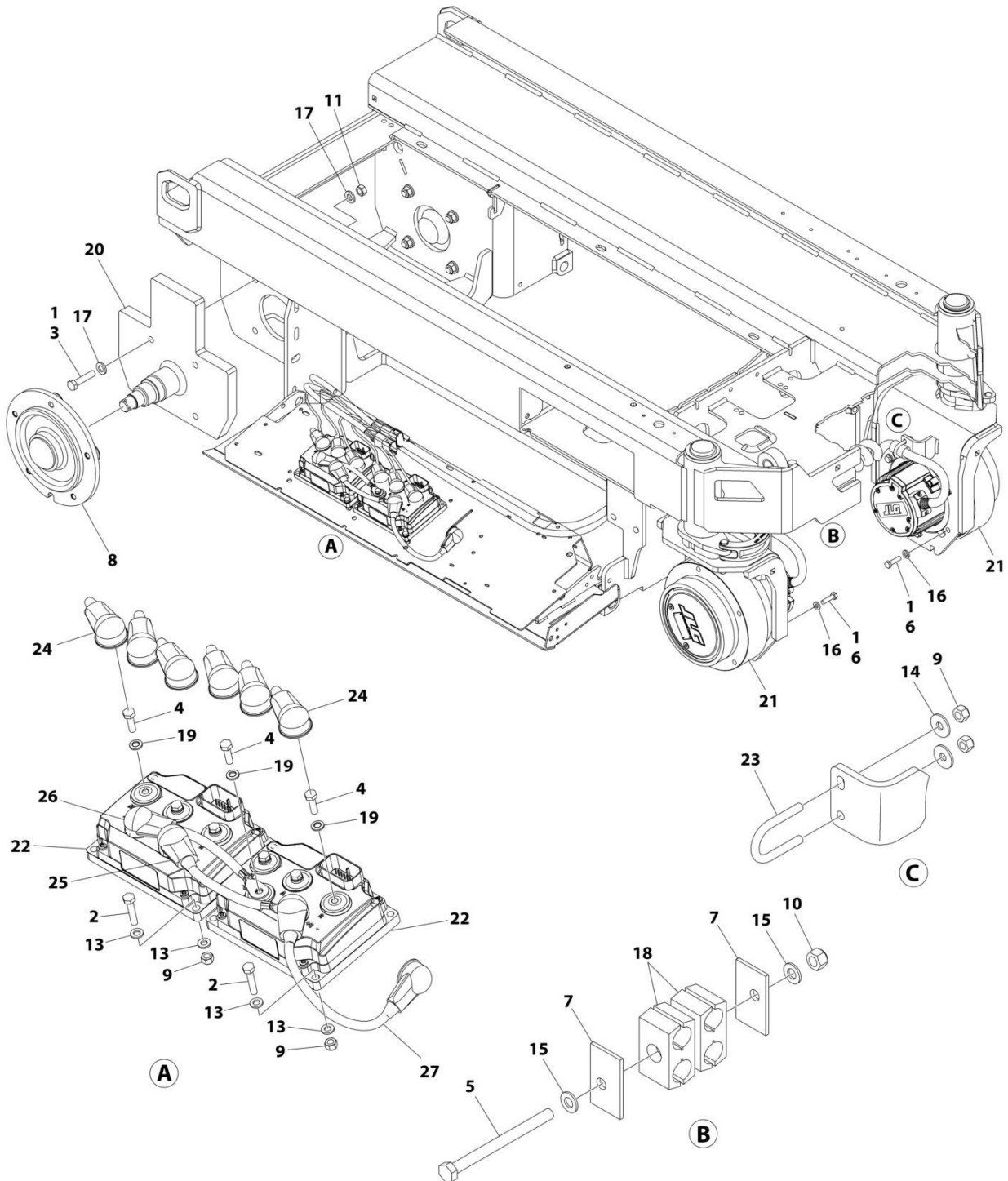
SECTION 1 - FRAME

FIGURE 1-1. STEERING INSTALLATION

ITEM	PART NUMBER	QTY	DESCRIPTION	REV
	1001278765	Ref	STEERING INSTALLATION	E
1	0100011	AR	Compound, Locking	
2	0440259	4	Bearing	
3	0761010	5	Bolt M10 x 20	
4	0962272	2	Bearing	
5	1380153	4	E-Clip	
6	3423037	4	Pin	
7	3430820	1	Pin	
8	3760217	2	Ring, Retaining	
9	3900270	1	Screw 1/2 x 1-1/2	
10	4812000	5	Washer M10	
11	4846757	2	Lug, Steering	
12	1001197396	AR	Washer	
13	1001205751	2	Washer, Thrust	
14	1001226487	1	Spindle (LH)	
15	1001249295	1	Link, Drag	
16	1001250162	1	Spindle (RH)	
17	1001287425	1	Bracket	
18	1001276567	1	Steer Actuator Assembly (No Service Parts Available - Purchase Complete Assembly)	
100	1001153785	4	Bushing	

SECTION 1 - FRAME

FIGURE 1-2. DRIVE/BRAKE INSTALLATION (Prior to SN M200065624)



ART_1001278006

SECTION 1 - FRAME

FIGURE 1-2. DRIVE/BRAKE INSTALLATION (Prior to SN M200065624)

ITEM	PART NUMBER	QTY	DESCRIPTION	REV
	1001278006	Ref	DRIVE/BRAKE INSTALLATION	B
1	0100011	AR	Compound, Locking	
2	0700612	4	Bolt M6 x 25	
3	0711219	8	Bolt M12 x 55	
4	0760610	10	Bolt M6 x 20	
5	0760827	1	Bolt M8 x 100	
6	0770814	12	Bolt M8 x 30	
7	1321752	2	Clamp	
8	2780266	2	Assembly, Rear Hub (See Separate Breakdown in this Section)	
9	3290605	8	Nut M6	
10	3290805	1	Nut M8	
11	3331211	8	Nut M12	
12	4240017	AR	Tie-Strap (Not Shown)	
13	4811700	8	Washer M6	
14	4811702	4	Washer M6	
15	4811900	2	Washer M8	
16	5240800	12	Washer M8	
17	5241200	16	Washer M12	
18	8750014	2	Clamp	
19	1001210966	10	Washer	
20	1001226423	2	Spindle	
21	1001246733	2	Drive Motor Assembly (See Separate Breakdown in this Section)	
22	1001248114	2	Module, Drive (Note: Recalibration Required When Replaced)	
23	1001259015	2	U-Bolt M6	
24	1001266450	6	Boot	
25	1001278514	1	Cable, Battery Positive	
26	1001278515	1	Cable, Battery Negative	
27	1001278618	1	Cable, Battery Positive Contactor	

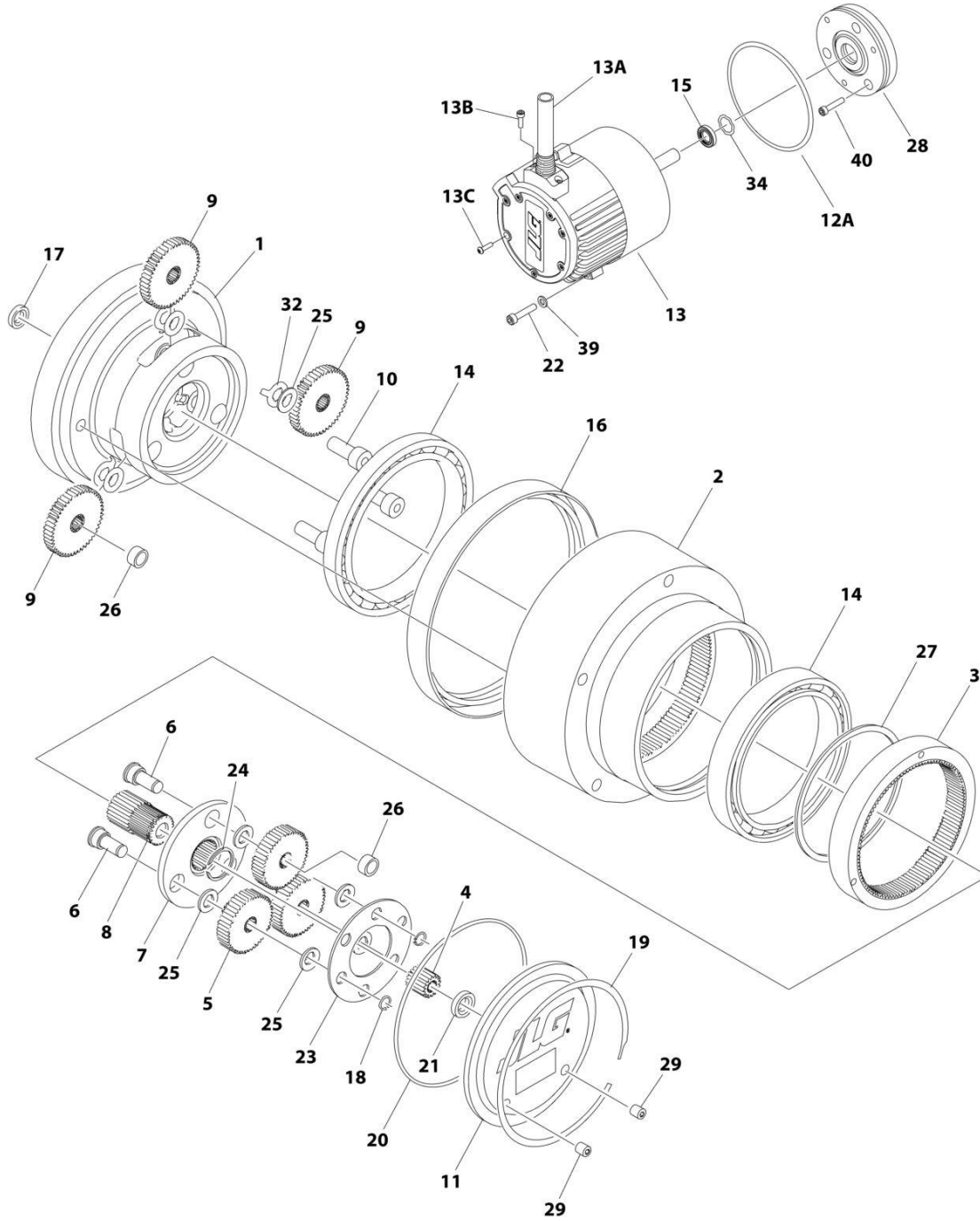
SECTION 1 - FRAME

FIGURE 1-3. DRIVE/BRAKE INSTALLATION (JAPANEES SPECS) (SN M200065624 to Present)

ITEM	PART NUMBER	QTY	DESCRIPTION	REV
	1001289879	Ref	DRIVE/BRAKE INSTALLATION	A
1	0100011	AR	Compound, Locking	
2	0700612	4	Bolt M6 x 25	
3	0711219	8	Bolt M12 x 55	
4	0760610	10	Bolt M6 x 20	
5	0760827	1	Bolt M8 x 100	
6	0770814	12	Bolt M8 x 30	
7	1321752	2	Clamp	
8	2780266	2	Assembly, Rear Hub (See Separate Breakdown in this Section)	
9	3290605	8	Nut, Lock M6	
10	3290805	1	Nut, Lock M8	
11	3331211	8	Nut M12 Class 10	
12	4240017	AR	Tie-Strap (Not Shown)	
13	4811700	8	Washer M6	
14	4811702	4	Washer M6	
15	4811900	2	Washer M8	
16	5240800	12	Washer M8	
17	5241200	16	Washer M12	
18	8750014	2	Clamp	
19	1001210966	10	Washer	
20	1001226423	2	Spindle	
21	1001246733	2	Drive Motor Assembly (See Separate Breakdown in this Section)	
22	1001248114	2	Module, Drive (Note: Recalibration Required When Replaced)	
23	1001259015	2	U-Bolt M6	
24	1001266450	6	Boot	
25	1001278514	1	Cable, Battery Positive	
26	1001278515	1	Cable, Battery Negative	
27	1001278618	1	Cable, Battery Positive Contactor	
28	1001288492	2	Seal	

SECTION 1 - FRAME

FIGURE 1-4. DRIVE MOTOR ASSEMBLY



ART_1001246733

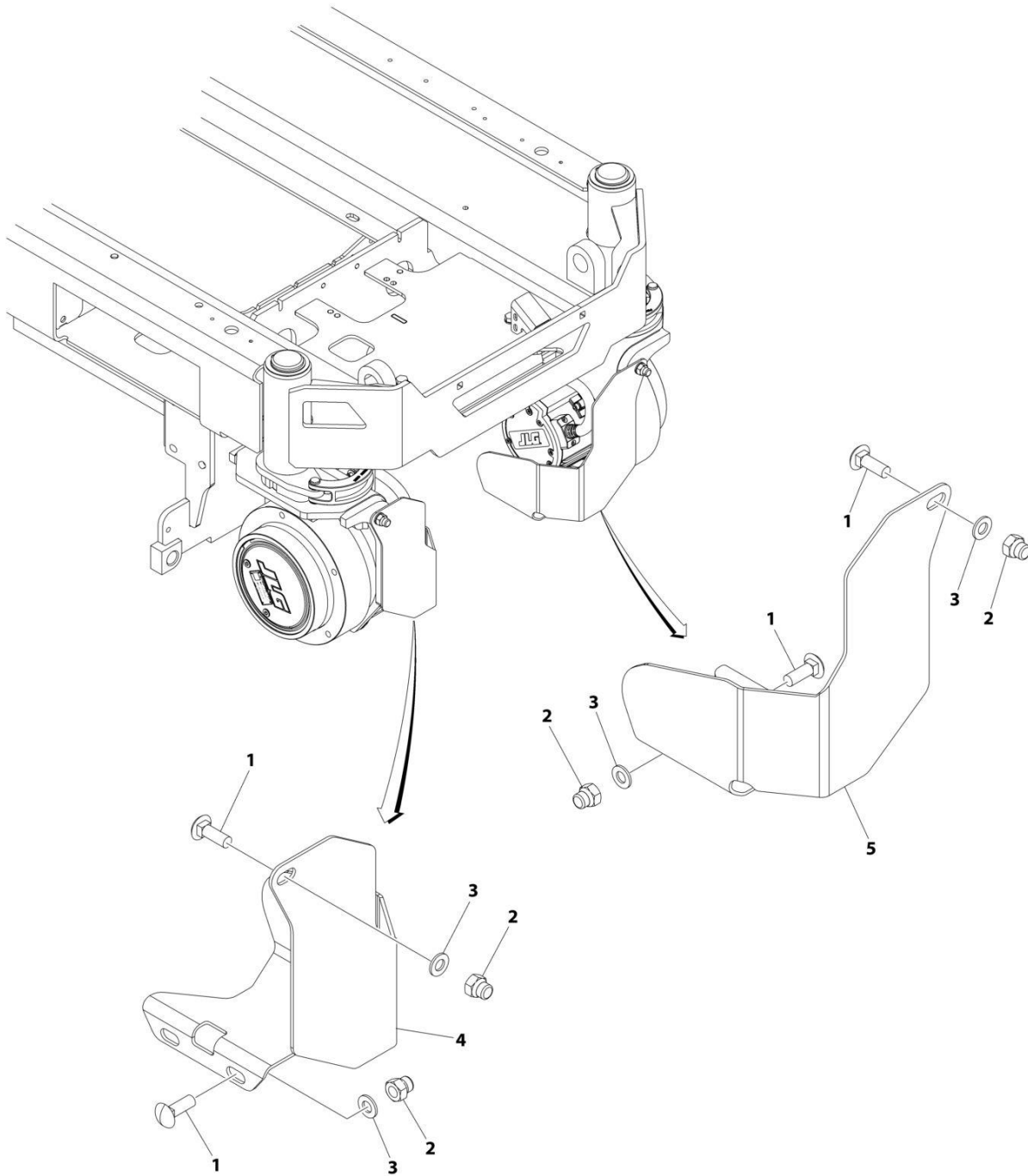
SECTION 1 - FRAME

FIGURE 1-4. DRIVE MOTOR ASSEMBLY

ITEM	PART NUMBER	QTY	DESCRIPTION	REV
	1001246733	Ref	DRIVE MOTOR ASSEMBLY	F
		Ref	HUB ASSEMBLY	
1	See Note	NSS	Spindle / Carrier (Note : Use Pin 1001246733)	
2	See Note	NSS	Hub (Note : Use Pin 1001246733)	
3	70007494	1	Ring, Input	
4	70007491	3	Gear, Input Sun	
5	70007490	3	Gear, Input Planet (Includes Item 26)	
6	70007196	3	Pin, Planet Gear	
7	70007492	1	Carrier	
8	70007195	1	Gear, Output Sun	
9	70007193	3	Gear, Output Planet (Includes Item 26)	
10	70007199	3	Pin, Output Planet	
11	70007538	1	Cover	
12A	70007551	1	O-Ring	
12B	70007545	1	Washer, Thrust (Not Shown)	
13	70007552	1	Motor	
13A	70007553	1	Cable, Electric	
13B	70007549	1	Capscrew M5 x 16	
13C	See Note	NSS	Capscrew M5 x 10	
14	70007541	2	Bearing, Main	
15		Ref	Bearing, Shaft	
16	70001739	1	Seal, Lip	
17	70007542	1	Seal, Lip	
18	70007204	3	Ring, Retaining	
19	70007543	1	Ring, Retaining	
20	70000191	1	O-Ring	
21	70007540	1	Washer, Thrust	
22	70007550	2	Capscrew M6 x 30	
23	70007207	1	Plate, Thrust	
24	70007203	1	Ring, Retaining	
25	70007206	9	Washer, Thrust	
26	70007201	6	Bushing	
27	70007544	1	Ring, Retaining	
28	70007548	1	Brake, Input	
29	70007539	2	Plug	
32	70007205	3	Washer, Tanged	
34	70007547	1	Washer, Wavey	
39	70007546	2	Washer M6	
40		Ref	Bolt M5 x 25	

SECTION 1 - FRAME

FIGURE 1-5. MOTOR COVERS INSTALLATION



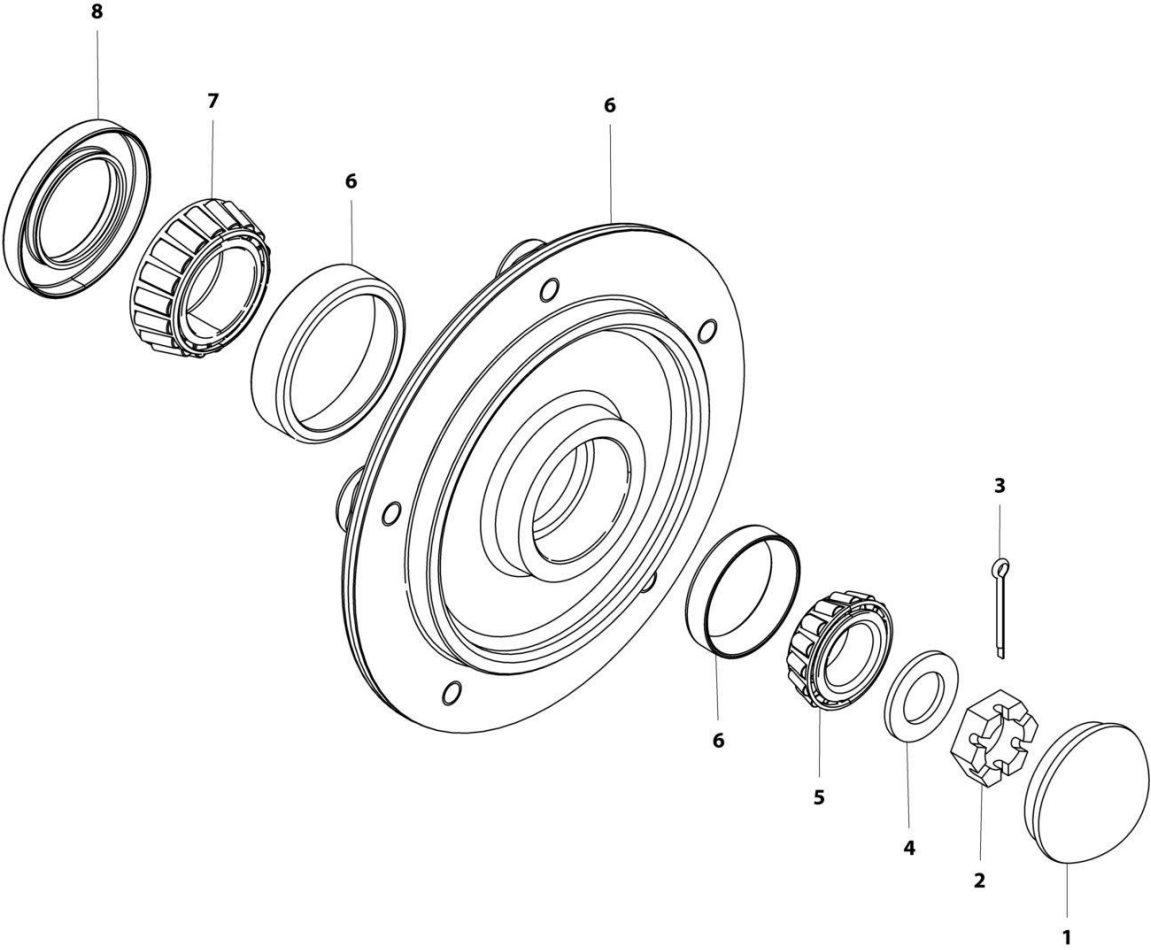
ART_1001251532

FIGURE 1-5. MOTOR COVERS INSTALLATION

ITEM	PART NUMBER	QTY	DESCRIPTION	REV
	1001251532	Ref	MOTOR COVERS INSTALLATION	A
1	0630613	6	Bolt M10 x 30	
2	3291006	6	Nut M10	
3	4812000	6	Washer M10	
4	1001251531	1	Cover Motor (RH)	
5	1001251620	1	Cover Motor (LH)	

SECTION 1 - FRAME

FIGURE 1-6. HUB ASSEMBLY - REAR



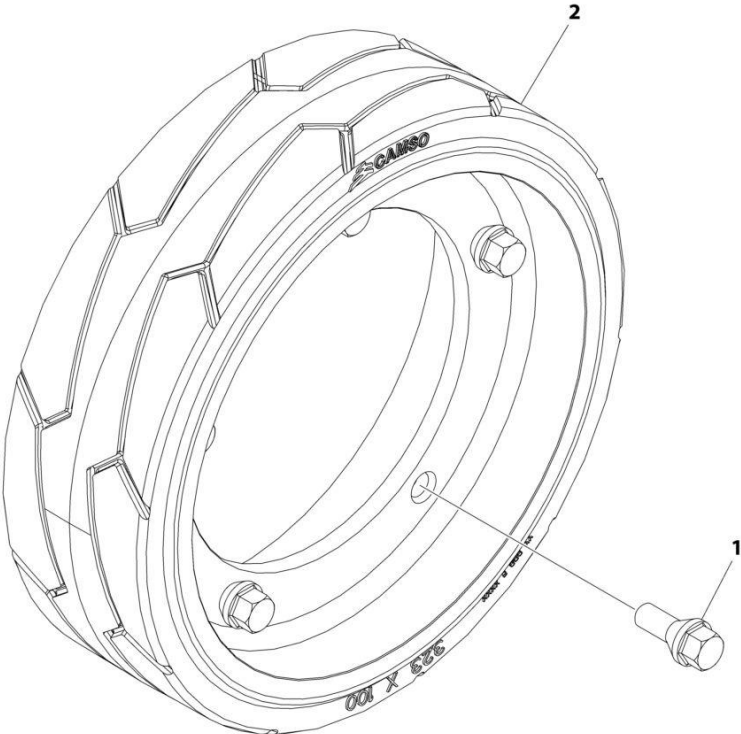
ART_2780266

FIGURE 1-6. HUB ASSEMBLY - REAR

ITEM	PART NUMBER	QTY	DESCRIPTION	REV
	2780266	Ref	HUB ASSEMBLY - REAR	E
1	1001102354	1	Cap, Dust (was p/n 7012524)	
2	3300423	1	Nut, Slotted (was p/n 7010641)	
3	3450406	1	Pin, Cotter 2 x 3/16 (was p/n 7010642)	
4	4740468	1	Washer (was p/n 7019697)	
5	1001102351	1	Bearing, Cone - Outer (was p/n 7026185)	
6	See Note	NSS	Hub (Note: Purchase Complete Assembly p/n 2780266)	
7	1001102353	1	Bearing, Cone - Inner (was p/n 7026183)	
8	1001102349	1	Seal (was p/n 7026184)	

SECTION 1 - FRAME

FIGURE 1-7. TIRE AND WHEEL INSTALLATION



ART_1001248612

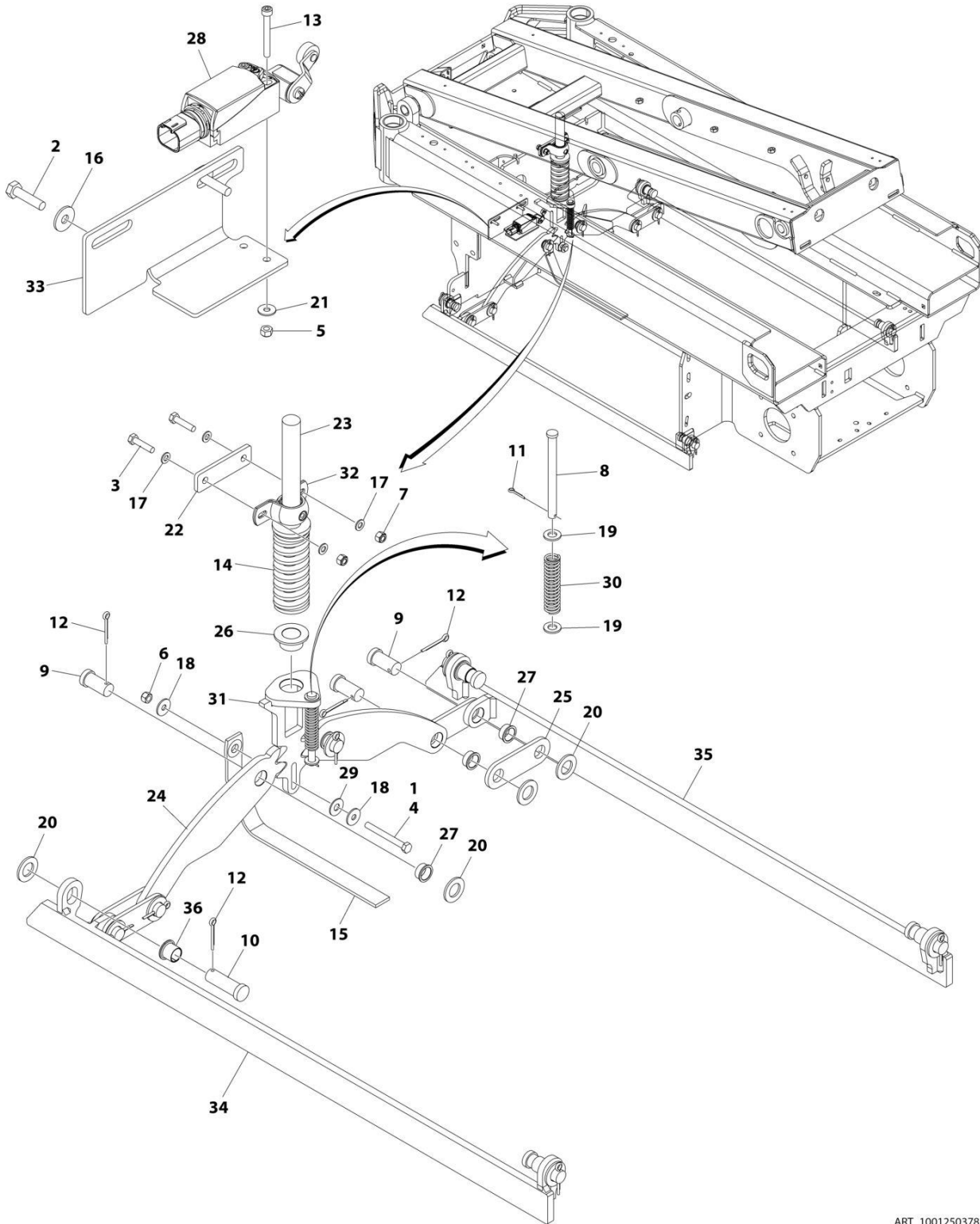
SECTION 1 - FRAME

FIGURE 1-7. TIRE AND WHEEL INSTALLATION

ITEM	PART NUMBER	QTY	DESCRIPTION	REV
	1001248612	Ref	TIRE AND WHEEL ASSEMBLY	B
1	0630580	20	Bolt	
2	1001114467	4	Tire, 100 x 323	

SECTION 1 - FRAME

FIGURE 1-8. POTHOLE PROTECTION INSTALLATION



ART_1001250378

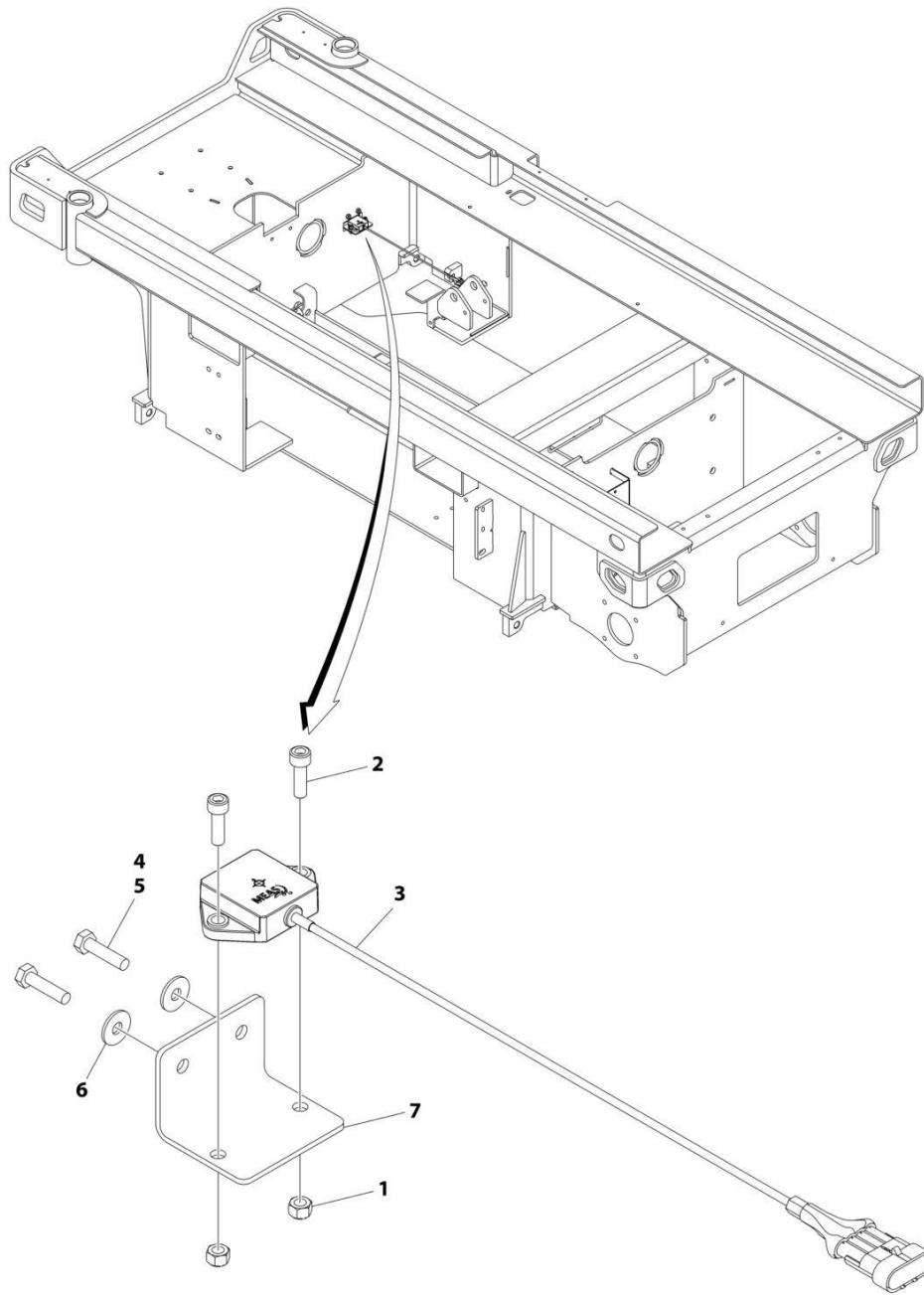
SECTION 1 - FRAME

FIGURE 1-8. POTHOLE PROTECTION INSTALLATION

ITEM	PART NUMBER	QTY	DESCRIPTION	REV
	1001250378	Ref	POTHOLE PROTECTION INSTALLATION	B
1	0100011	AR	Compound, Locking	
2	0700612	2	Bolt M6 x 25	
3	0700815	2	Bolt M8 x 35	
4	0700823	1	Bolt M8 x 75	
5	3290405	2	Nut M4	
6	3290801	1	Nut M8	
7	3290805	2	Nut M8	
8	3430636	1	Pin	
9	3431212	6	Pin	
10	3431218	4	Pin	
11	3450302	1	Pin, Cotter 7/8 x 1/2	
12	3450505	10	Pin, Cotter 5/32 x 1/2	
13	4031511	2	Capscrew M4 x 35	
14	4160202	1	Spring	
15	4240147	1	Strap, Anti-Static	
16	4811702	2	Washer M6	
17	4811900	4	Washer M8	
18	4811902	2	Washer M8	
19	4812000	2	Washer M10	
20	4812500	10	Washer M20	
21	1001091102	2	Washer M4	
22	1001202987	1	Plate, Mounting	
23	1001202988	1	Actuator (Upper)	
24	1001202994	2	Plate, Pinion	
25	1001202999	4	Link	
26	1001203869	1	Bearing	
27	1001203870	6	Bearing	
28	1001203871	1	Switch, Limit	
29	1001203872	1	Washer 3/8	
30	1001212068	1	Spring	
31	1001214526	1	Actuator (Lower)	
32	1001215953	1	Bearing	
33	1001218307	1	Plate, Sensor Mount	
34	1001251436	1	Bar (LH)	
35	1001251437	1	Bar (RH)	
36	0440263	4	Bearing	

SECTION 1 - FRAME

FIGURE 1-9. TILT SENSOR INSTALLATION



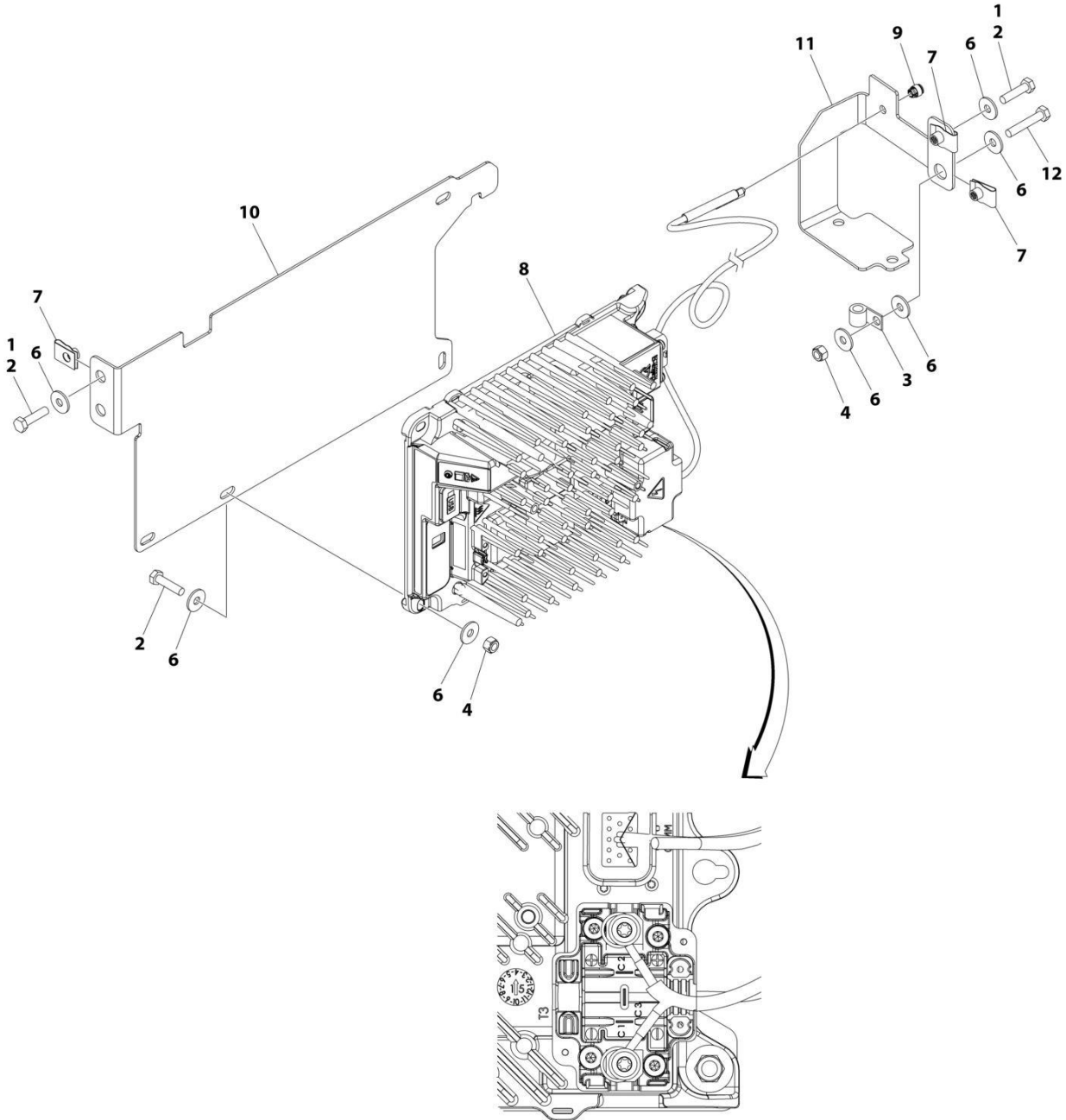
ART_1001214217

FIGURE 1-9. TILT SENSOR INSTALLATION

ITEM	PART NUMBER	QTY	DESCRIPTION	REV
	1001214217	Ref	TILT SENSOR INSTALLATION	D
1	3290601	2	Nut M6	
2	4031708	2	Capscrew M6 x 20	
3	1001186466	1	Sensor, Tilt	
4	0100011	AR	Compound, Locking	
5	0700612	2	Bolt M6 x 25	
6	4811702	2	Washer M6	
7	1001217059	1	Plate, Mounting	

SECTION 1 - FRAME

FIGURE 1-10. BATTERY CHARGER INSTALLATION - 650W



ART_1001278079

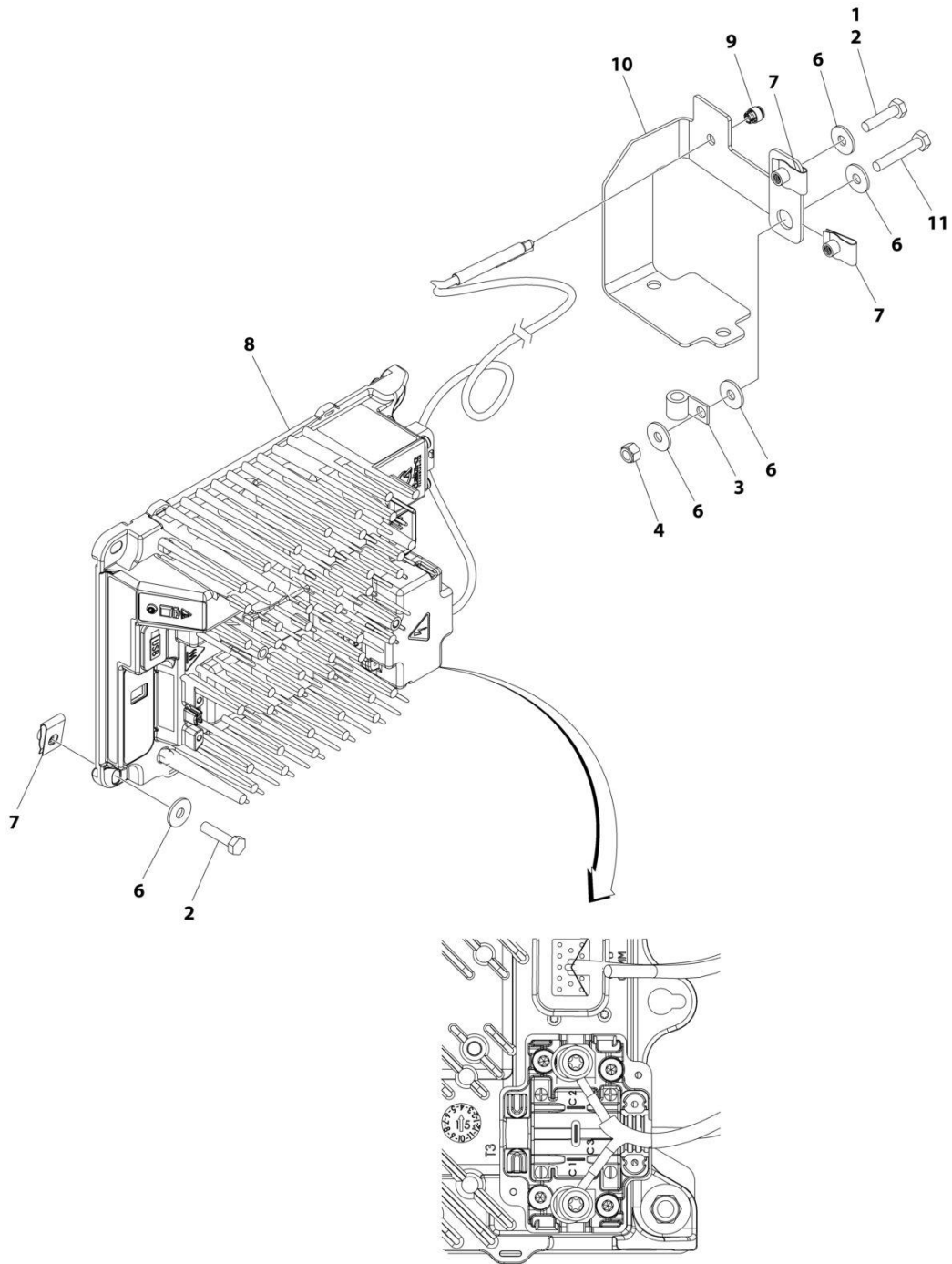
SECTION 1 - FRAME

FIGURE 1-10. BATTERY CHARGER INSTALLATION - 650W

ITEM	PART NUMBER	QTY	DESCRIPTION	REV
	1001278079	Ref	BATTERY CHARGER INSTALLATION - 650W	C
1	0100011	AR	Compound, Locking	
2	0760612	6	Bolt M6 x 25	
3	1321293	1	Clamp	
4	3290605	4	Nut, Lock M6	
5	4240017	AR	Tie-Strap (Not Shown)	
6	4811702	12	Washer M6	
7	1001130220	4	Nut, Tinnerman M6	
8	1001248123	1	Charger	
9	1001250886	1	Housing, LED	
10	1001256281	1	Bracket	
11	1001278013	1	Bracket	
12	0760615	1	Bolt M6 x 35	

SECTION 1 - FRAME

FIGURE 1-11. BATTERY CHARGER INSTALLATION - 650W (MOL SPECS)



ART_1001278081

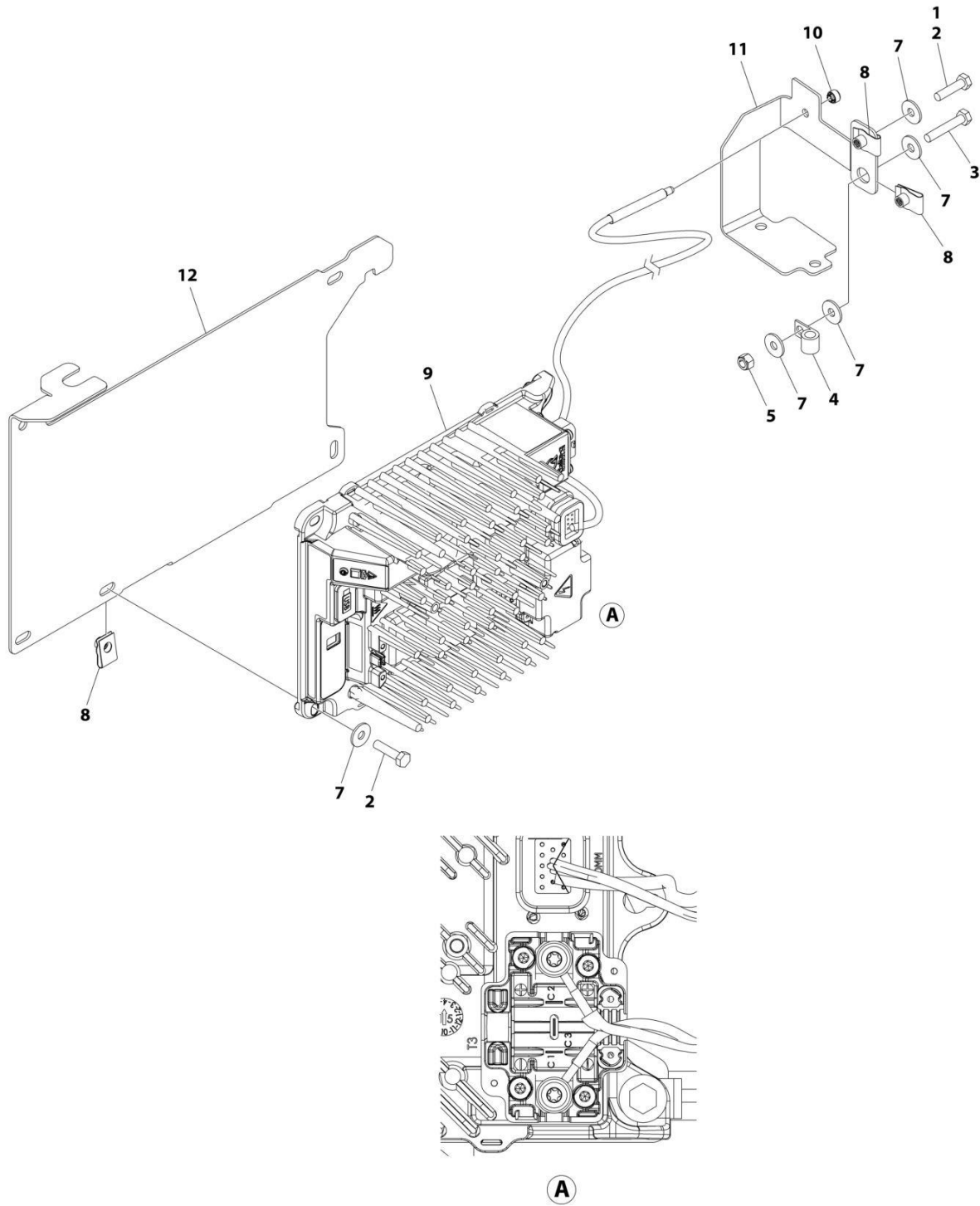
SECTION 1 - FRAME

FIGURE 1-11. BATTERY CHARGER INSTALLATION - 650W (MOL SPECS)

ITEM	PART NUMBER	QTY	DESCRIPTION	REV
	1001278081	Ref	BATTERY CHARGER INSTALLATION - 650W (MOL SPECS)	B
1	0100011	AR	Compound, Locking	
2	0760612	4	Bolt M6 x 25	
3	1321293	1	Clamp	
4	3290605	1	Nut, Lock M6	
5	4240017	AR	Tie-Strap (Not Shown)	
6	4811702	7	Washer M6	
7	1001130220	5	Nut, Tinnerman M6	
8	1001248123	1	Charger	
9	1001250886	1	Housing, LED	
10	1001278013	1	Bracket	
11	0760615	1	Bolt M6 x 35	

SECTION 1 - FRAME

FIGURE 1-12. BATTERY CHARGER (650W) INSTALLATION (ALL SPECS) (SN M200060070 to Present, Including M200057335 & M200057738)



ART_1001288500

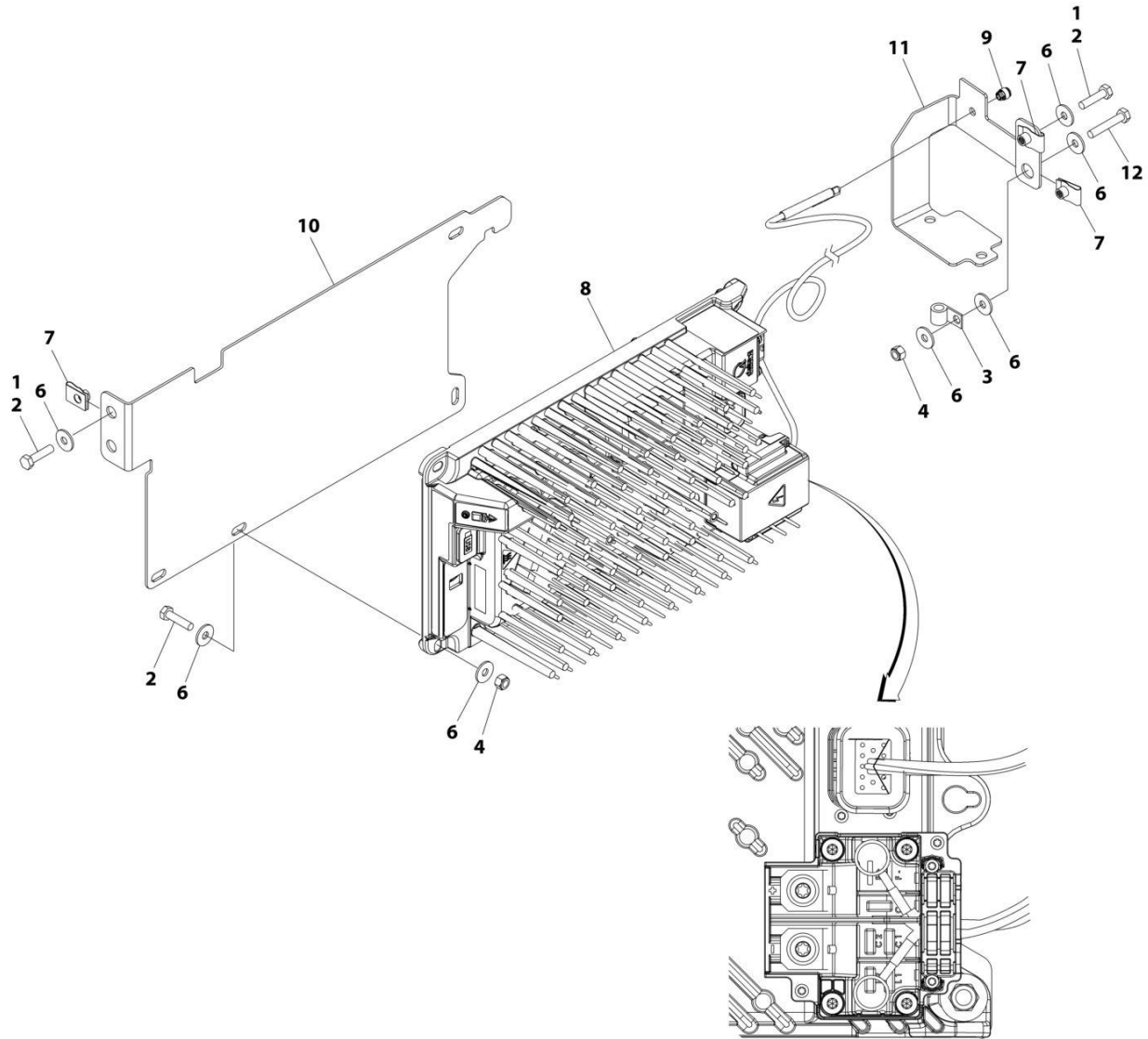
SECTION 1 - FRAME

FIGURE 1-12. BATTERY CHARGER (650W) INSTALLATION (ALL SPECS) (SN M200060070 to Present, Including M200057335 & M200057738)

ITEM	PART NUMBER	QTY	DESCRIPTION	REV
	1001288500	Ref	BATTERY CHARGER (650W) INSTALLATION	B
1	0100011	AR	Compound, Locking	
2	0760612	4	Bolt M6 x 25	
3	0760615	1	Bolt M6 x 35	
4	1321293	1	Clamp	
5	3290605	1	Nut, Lock M6	
6	4240017	AR	Tie-Strap (Not Shown)	
7	4811702	7	Washer M6	
8	1001130220	5	Nut, Tinnerman	
9	1001248123	1	Charger 24V	
10	1001296129	1	Housing, LED	
11	1001278013	1	Bracket	
12	1001285999	1	Bracket	

SECTION 1 - FRAME

FIGURE 1-13. BATTERY CHARGER INSTALLATION - 900W



ART_1001278080

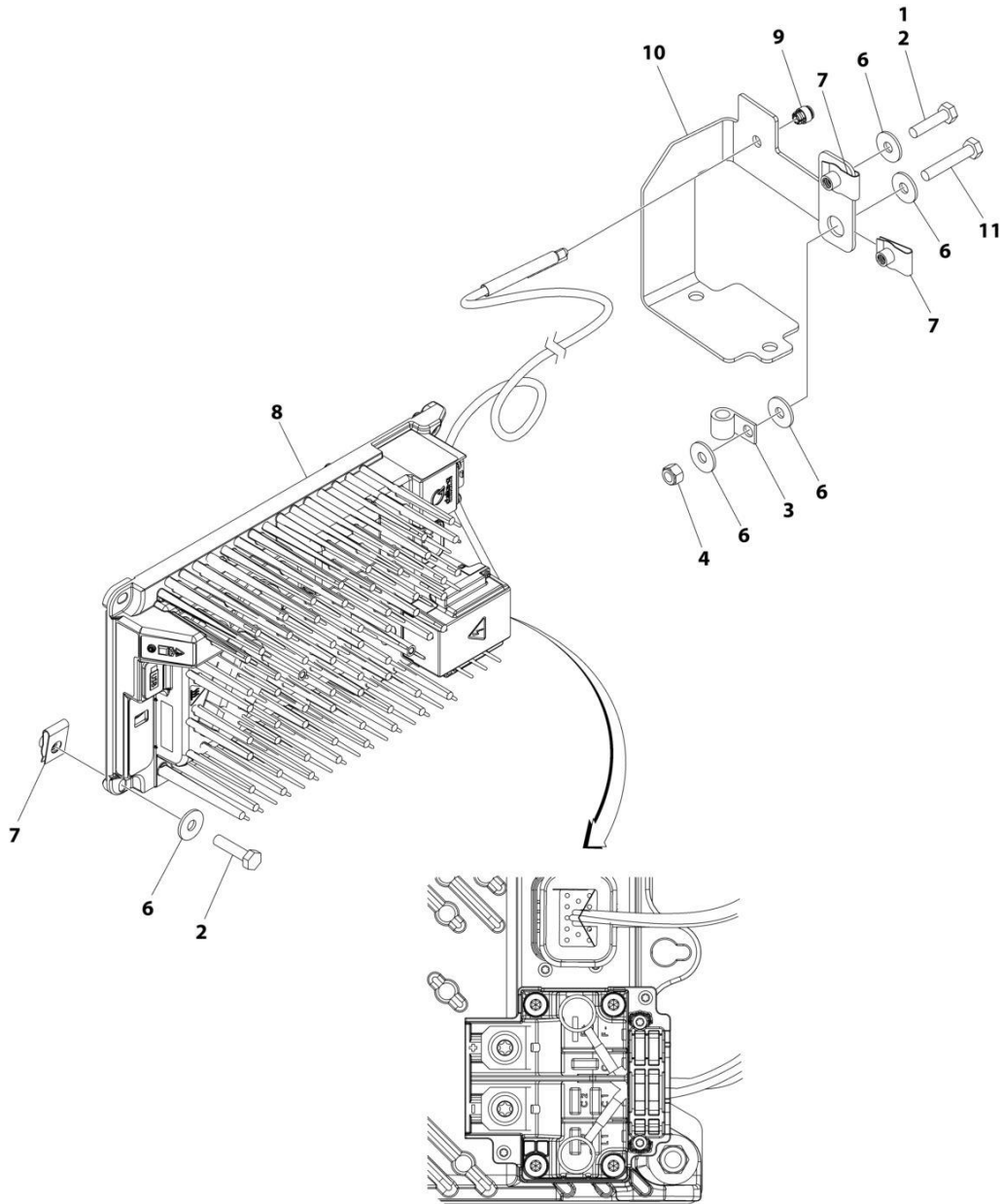
SECTION 1 - FRAME

FIGURE 1-13. BATTERY CHARGER INSTALLATION - 900W

ITEM	PART NUMBER	QTY	DESCRIPTION	REV
	1001278080	Ref	BATTERY CHARGER INSTALLATION - 900W	C
1	0100011	AR	Compound, Locking	
2	0760612	6	Bolt M6 x 25	
3	1321293	1	Clamp	
4	3290605	4	Nut, Lock M6	
5	4240017	AR	Tie-Strap (Not Shown)	
6	4811702	12	Washer M6	
7	1001130220	4	Nut, Tinnerman M6	
8	1001248124	1	Charger	
9	1001250886	1	Housing, LED	
10	1001256281	1	Bracket	
11	1001278013	1	Bracket	
12	0760615	1	Bolt M6 x 35	

SECTION 1 - FRAME

FIGURE 1-14. BATTERY CHARGER INSTALLATION - 900W (MOL SPECS)



ART_1001278082

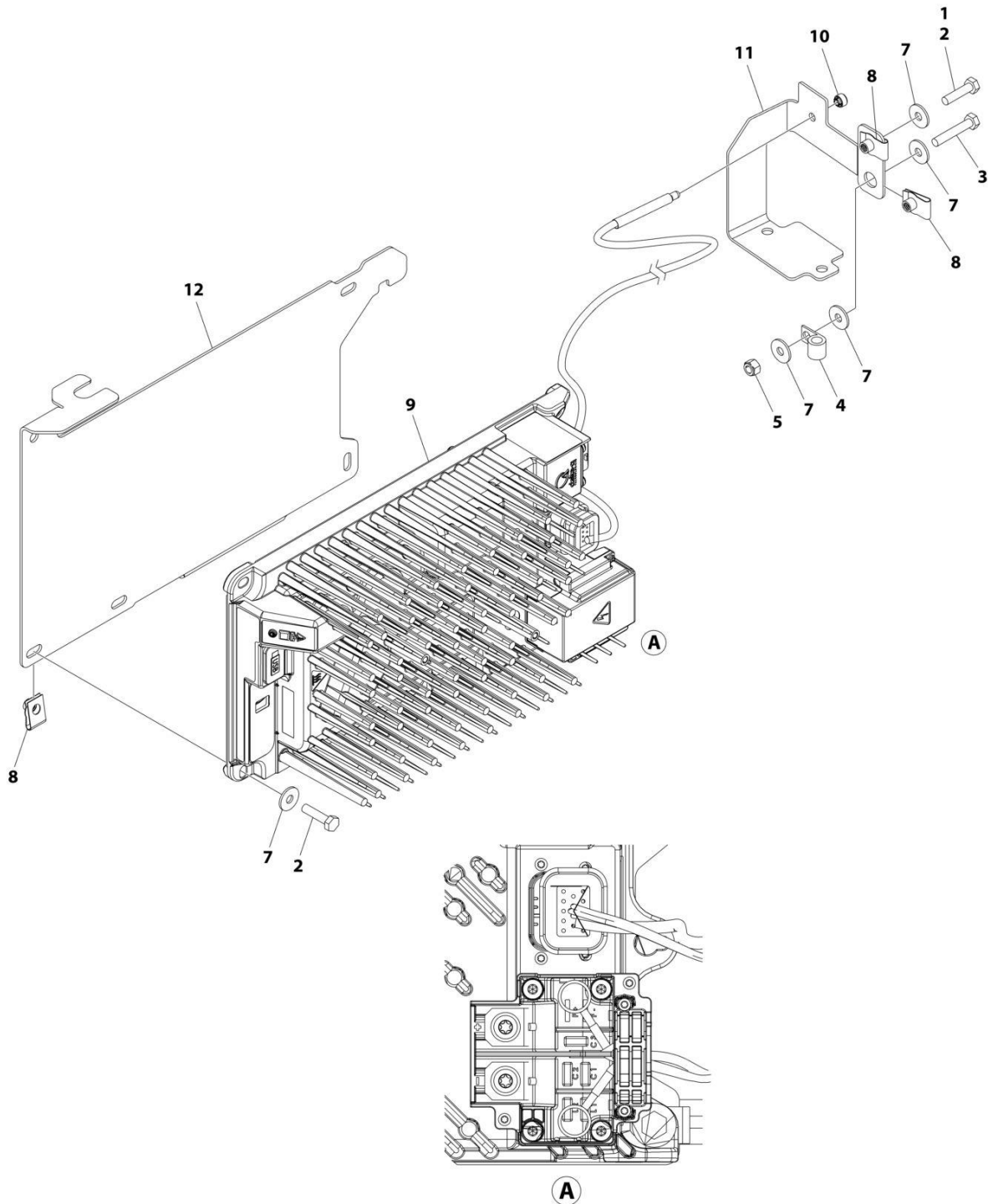
SECTION 1 - FRAME

FIGURE 1-14. BATTERY CHARGER INSTALLATION - 900W (MOL SPECS)

ITEM	PART NUMBER	QTY	DESCRIPTION	REV
	1001278082	Ref	BATTERY CHARGER INSTALLATION - 900W (MOL SPECS)	B
1	0100011	AR	Compound, Locking	
2	0760612	4	Bolt M6 x 25	
3	1321293	1	Clamp	
4	3290605	1	Nut Lock M6	
5	4240017	AR	Tie-Strap (Not Shown)	
6	4811702	7	Washer M6	
7	1001130220	5	Nut, Tinnerman M6	
8	1001248124	1	Charger	
9	1001250886	1	Housing, LED	
10	1001278013	1	Bracket	
11	0760615	1	Bolt M6 x 35	

SECTION 1 - FRAME

FIGURE 1-15. BATTERY CHARGER (900W) INSTALLATION (ALL SPECS) (SN M200060070 to Present, Including M200057335 & M200057738)



ART_1001288503

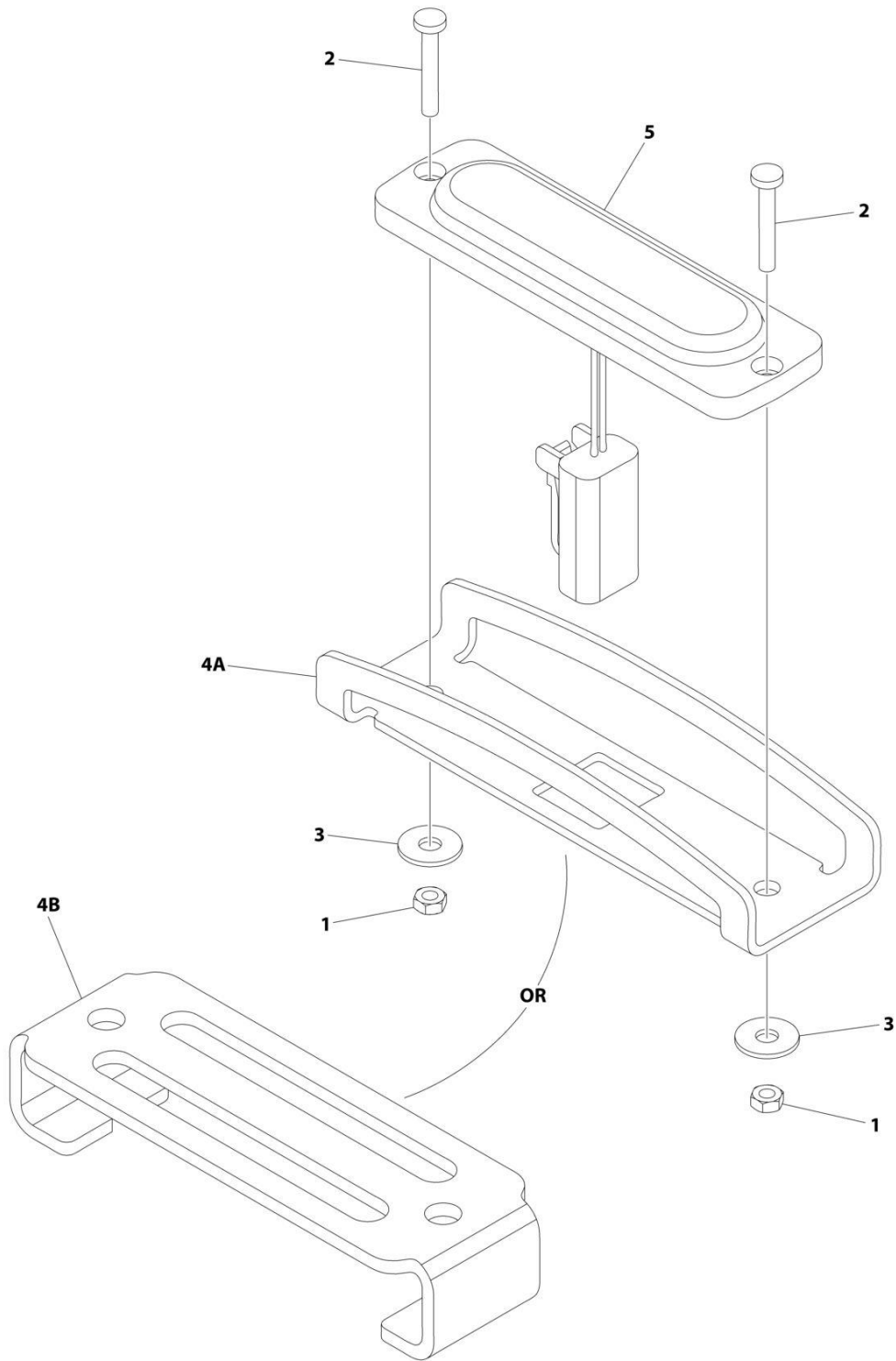
SECTION 1 - FRAME

FIGURE 1-15. BATTERY CHARGER (900W) INSTALLATION (ALL SPECS) (SN M200060070 to Present, Including M200057335 & M200057738)

ITEM	PART NUMBER	QTY	DESCRIPTION	REV
	1001288503	Ref	BATTERY CHARGER (900W) INSTALLATION	B
1	0100011	AR	Compound, Locking	
2	0760612	4	Bolt M6 x 25	
3	0760615	1	Bolt M6 x 35	
4	1321293	1	Clamp	
5	3290605	1	Nut, Lock M6	
6	4240017	AR	Tie-Strap (Not Shown)	
7	4811702	7	Washer M6	
8	1001130220	5	Nut, Tinnerman	
9	1001248124	1	Charger 24V	
10	1001296129	1	Housing, LED	
11	1001278013	1	Bracket	
12	1001285999	1	Bracket	

SECTION 1 - FRAME

FIGURE 1-16. STROBE LIGHT INSTALLATION - SINGLE (AMBER) (WITH GUARD)



ART_1001242697

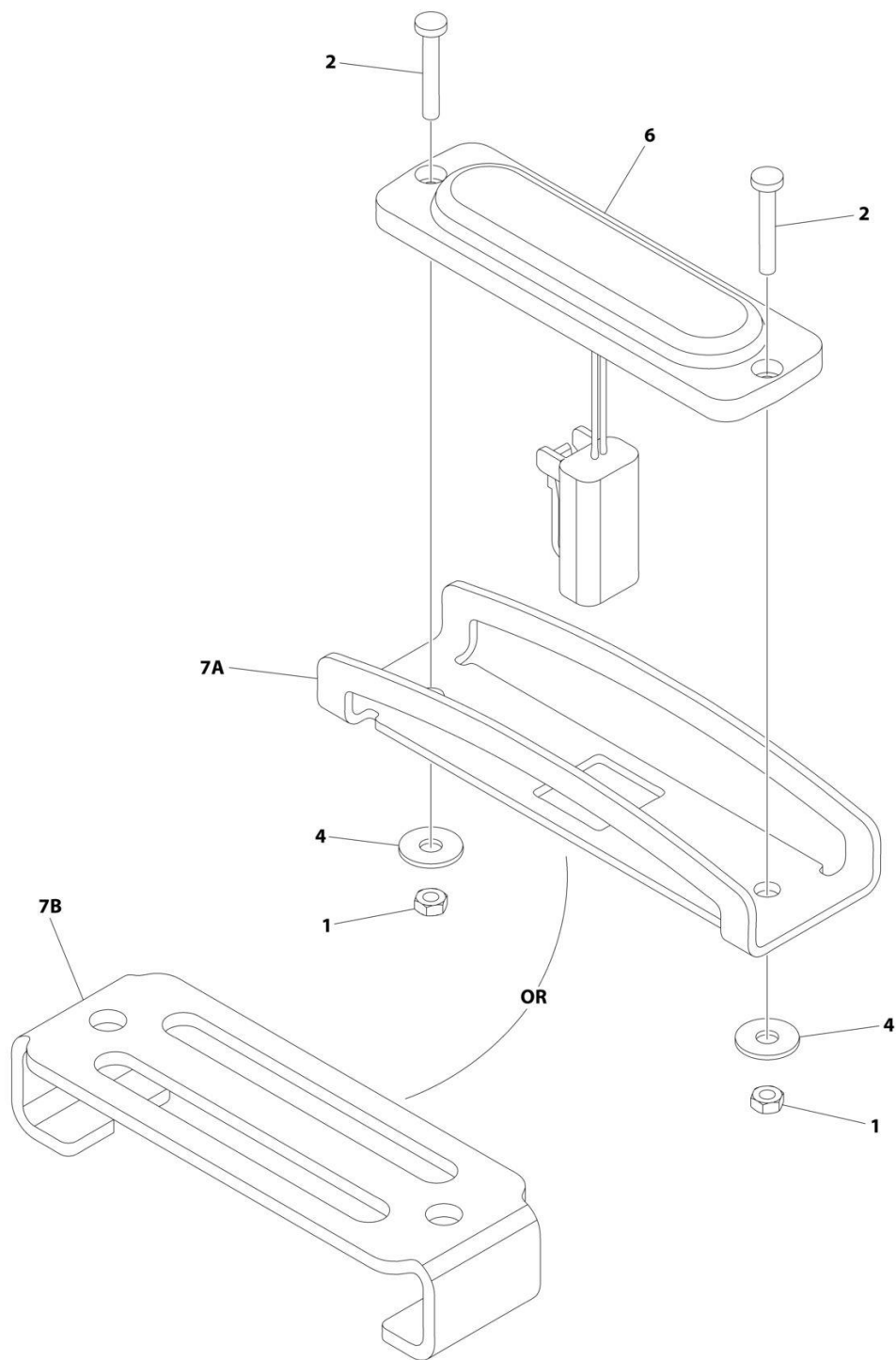
SECTION 1 - FRAME

FIGURE 1-16. STROBE LIGHT INSTALLATION - SINGLE (AMBER) (WITH GUARD)

ITEM	PART NUMBER	QTY	DESCRIPTION	REV
	1001242697	Ref	STROBE LIGHT INSTALLATION - SINGLE (AMBER) (WITH GUARD)	D
1	3290305	2	Nut M3	
2	4010310	2	Screw M3 x 20	
3	1001091102	2	Washer M4	
4A	1001242539	1	Guard	
4B	1001239661	1	Cover	
5	1001239224	1	Light, Strobe	
5	4460891	1	Plug, Male - 2 Position	
5	4460465	2	Socket, Female	

SECTION 1 - FRAME

FIGURE 1-17. STROBE LIGHT INSTALLATION - DUAL (AMBER) (WITH GUARD)



ART_1001247862

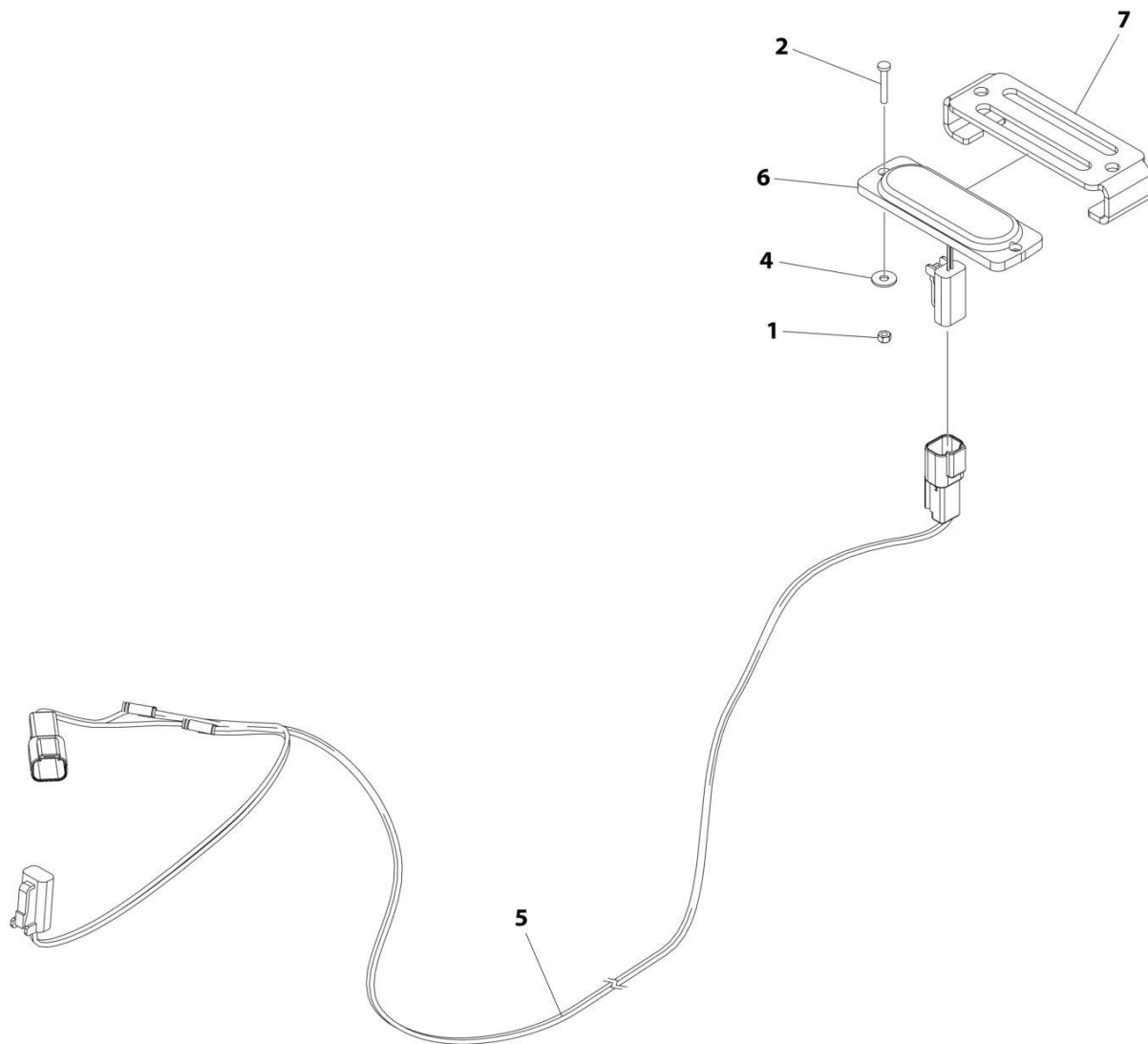
SECTION 1 - FRAME

FIGURE 1-17. STROBE LIGHT INSTALLATION - DUAL (AMBER) (WITH GUARD)

ITEM	PART NUMBER	QTY	DESCRIPTION	REV
	1001247862	Ref	STROBE LIGHT INSTALLATION - DUAL (AMBER) (WITH GUARD)	C
1	3290305	4	Nut M3	
2	4010310	4	Screw M3 x 20	
3	4240018	AR	Tie-Strap (Not Shown)	
4	1001091102	4	Washer M4	
5	1001201707	1	Strobe Light Jumper Harness (Not Shown)	
6	1001239224	2	Light, Strobe	
6	4460891	1	Plug, Male - 2 Position	
6	4460465	2	Socket, Female	
7A	1001242539	2	Guard	
7B	1001239661	2	Cover	

SECTION 1 - FRAME

FIGURE 1-18. STROBE LIGHT INSTALLATION - DUAL SANMAK BRAND (AMBER) (WITH GUARD)
(WITH CLEARSKY)



ART_1001293956

SECTION 1 - FRAME

**FIGURE 1-18. STROBE LIGHT INSTALLATION - DUAL SANMAK BRAND (AMBER) (WITH GUARD)
(WITH CLEARSKY)**

ITEM	PART NUMBER	QTY	DESCRIPTION	REV
	1001293956	Ref	BEACON INSTALLATION	A
1	3290305	2	Nut, Lock M3	
2	4010310	2	Screw M3 x 20	
3	4240018	AR	Tie-Strap (Not-Shown)	
4	1001091102	2	Washer M4	
5	1001201707	1	Harness, Beacon (See Separate Breakdown in ELECTRICAL Section)	
6	1001239224	1	Lamp, Beacon	
7	1001239661	1	Cover, Beacon	

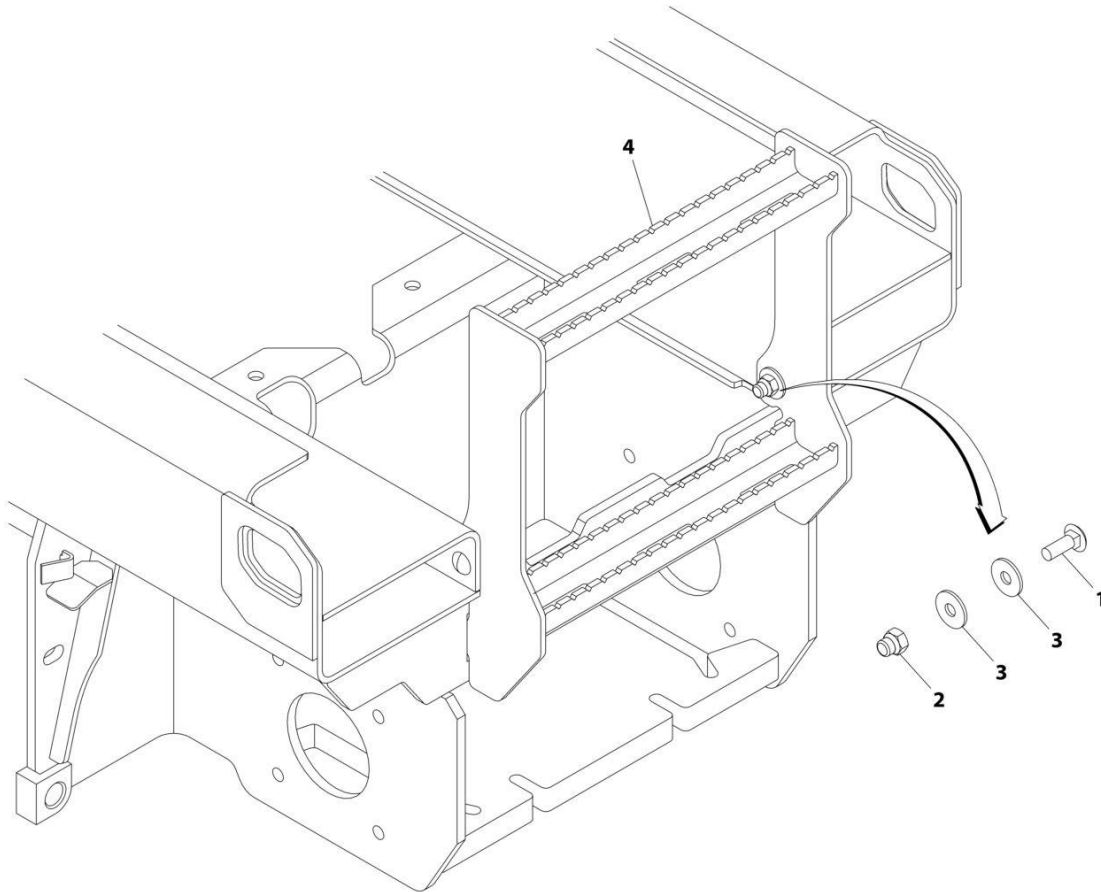
SECTION 1 - FRAME

FIGURE 1-19. ALARM INSTALLATION (AMBIENT/WHITE NOISE) (OPTIONAL)

ITEM	PART NUMBER	QTY	DESCRIPTION	REV
	1001204495	Ref	ALARM INSTALLATION (AMBIENT/WHITE NOISE)	B
1	0760612	2	Bolt M6 x 25	
2	3290605	2	Nut M6	
3	4811700	4	Washer M6	
4	1001182806	1	Alarm	
4	4460897	1	Receptacle, Female - 2 Position	
4	4460464	2	Pin, Male	

SECTION 1 - FRAME

FIGURE 1-20. LADDER INSTALLATION



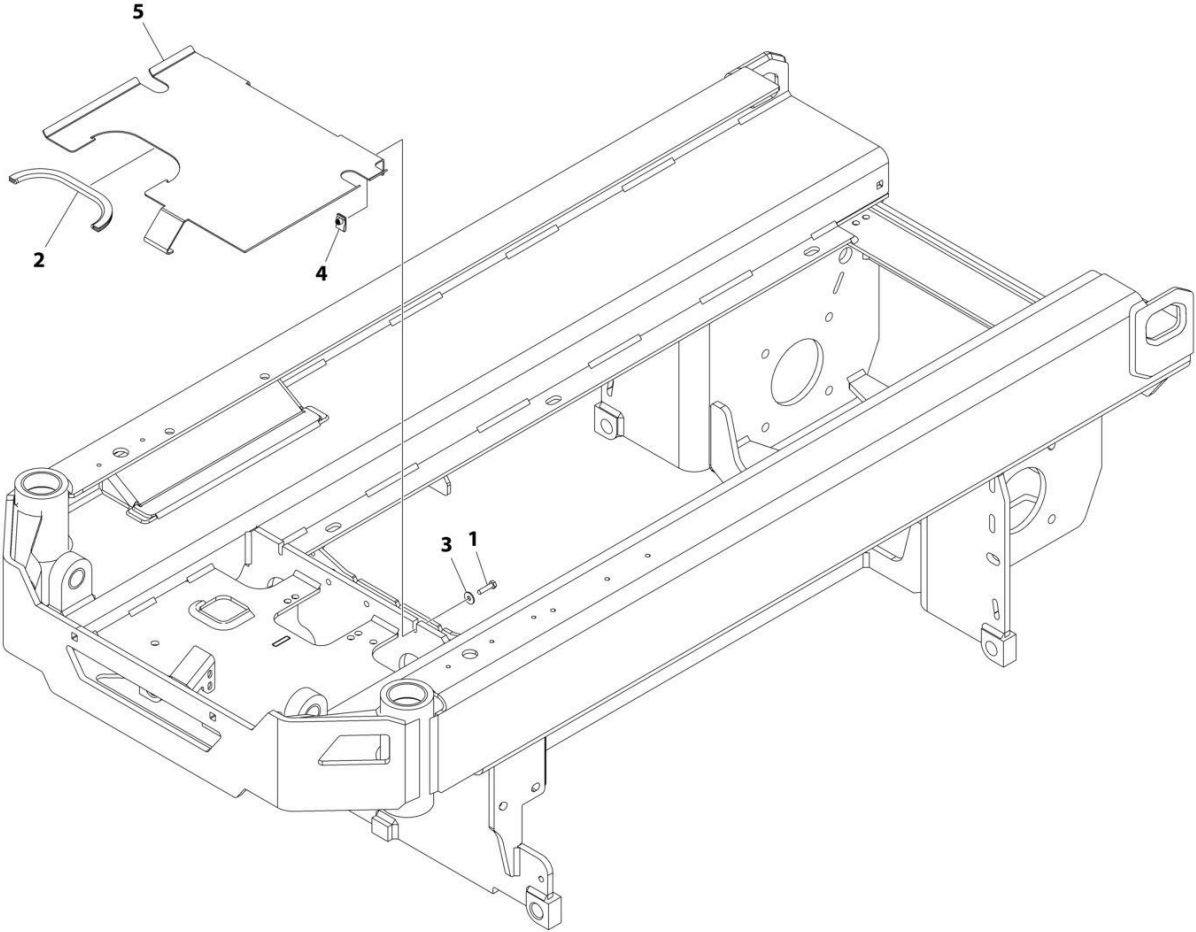
ART_1001203453

FIGURE 1-20. LADDER INSTALLATION

ITEM	PART NUMBER	QTY	DESCRIPTION	REV
	1001203453	Ref	LADDER INSTALLATION	C
1	0630613	2	Bolt M10 x 30	
2	3291006	2	Nut M10	
3	4812002	AR	Washer M10	
4	1001203457	1	Ladder	

SECTION 1 - FRAME

FIGURE 1-21. FRAME COVERS INSTALLATION



ART_1001250431

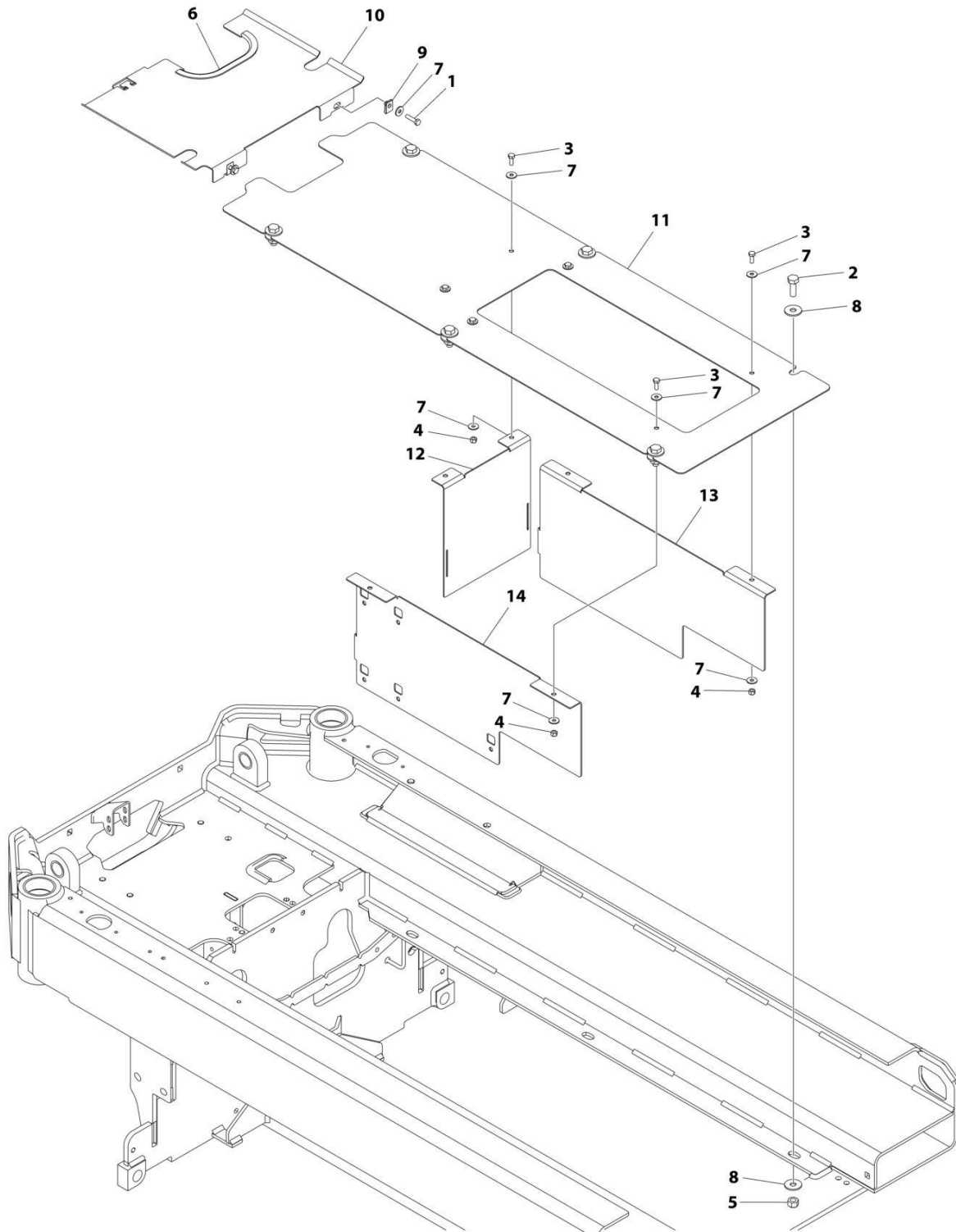
SECTION 1 - FRAME

FIGURE 1-21. FRAME COVERS INSTALLATION

ITEM	PART NUMBER	QTY	DESCRIPTION	REV
	1001250431	Ref	FRAME COVERS INSTALLATION	A
1	0700612	2	Bolt M6 x 25	
2	4060803	12.99 in /33cm	Flex-Trim	
3	4811702	2	Washer M6	
4	1001130220	2	Nut, Tinnerman M6	
5	1001227966	1	Cover	

SECTION 1 - FRAME

FIGURE 1-22. FRAME COVERS INSTALLATION (MOL70 SPECS)



ART_1001278210

SECTION 1 - FRAME

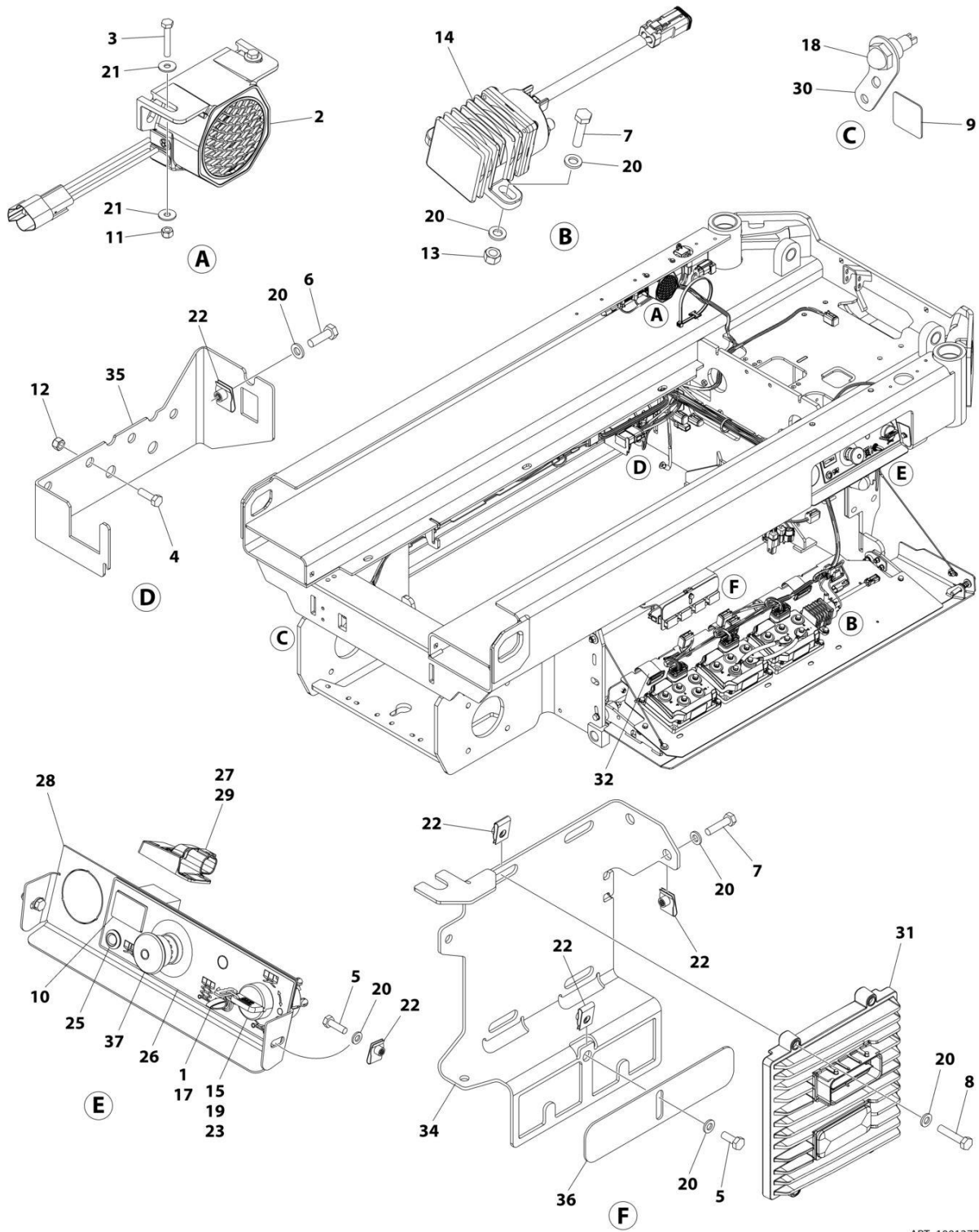
FIGURE 1-22. FRAME COVERS INSTALLATION (MOL70 SPECS)

ITEM	PART NUMBER	QTY	DESCRIPTION	REV
	1001278210	Ref	FRAME COVERS INSTALLATION (MOL70 SPECS)	A
1	0700612	2	Bolt M6 x 25	
2	0701014	6	Bolt M10 x 30	
3	0760608	6	Bolt M6 x 16	
4	3290605	6	Nut M6	
5	3291005	6	Nut M10	
6	4060803	220 mm	Flex-Trim	
7	4811702	14	Washer M6	
8	4812002	12	Washer M10	
9	1001130220	2	Nut, Tinnerman M6	
10	1001227966	1	Cover	
11	1001278211	1	Cover, Frame (Top)	
12	1001278212	1	Cover, Frame (Cavity Front)	
13	1001278213	1	Cover, Frame (Cavity Right)	
14	1001278214	1	Cover, Frame (Cavity Left)	

SECTION 2 - GROUND CONTROLS

SECTION 2 - GROUND CONTROLS

FIGURE 2-1. ELECTRICAL COMPONENTS INSTALLATION



ART_1001277057

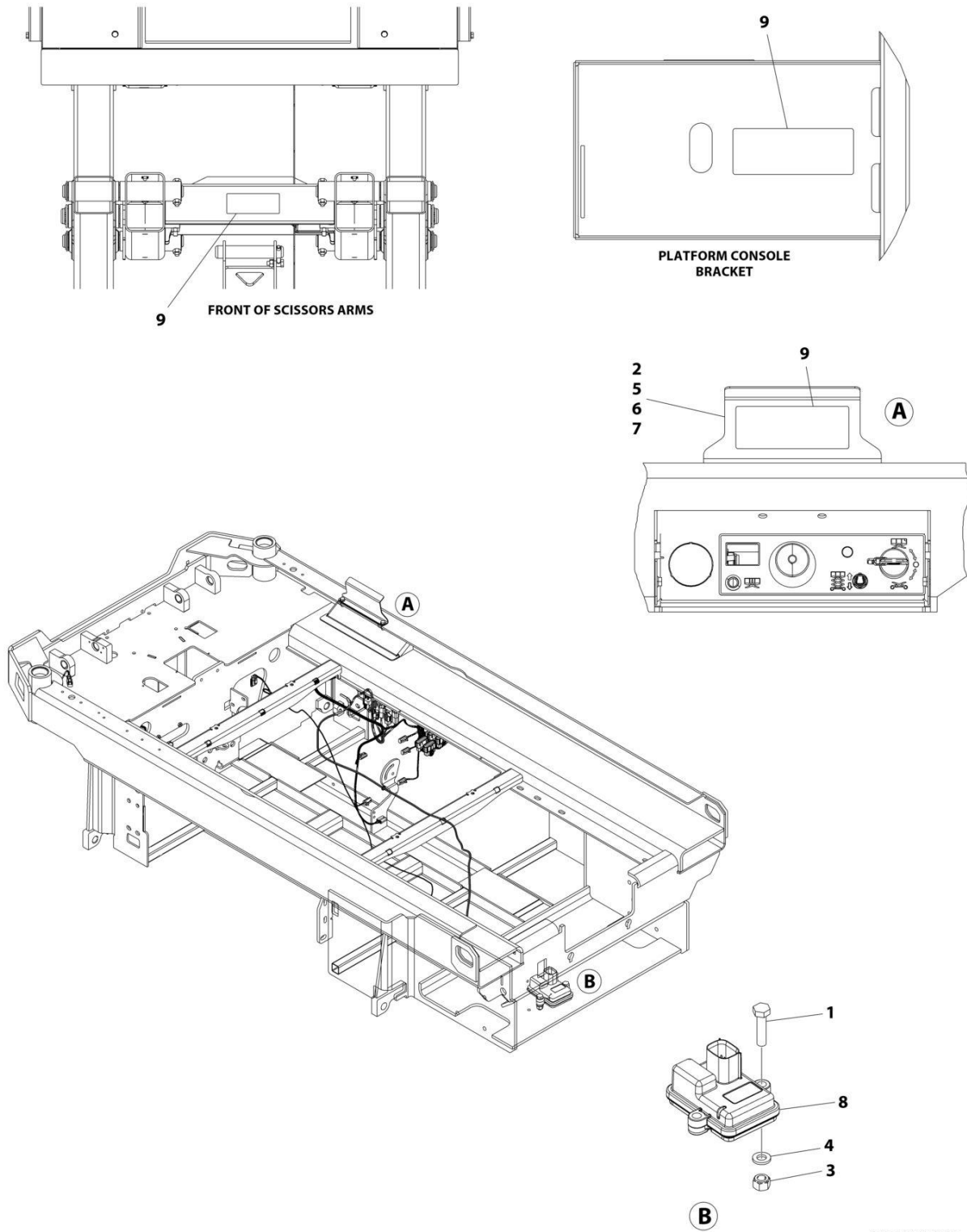
SECTION 2 - GROUND CONTROLS

FIGURE 2-1. ELECTRICAL COMPONENTS INSTALLATION

ITEM	PART NUMBER	QTY	DESCRIPTION	REV
	1001277057	Ref	ELECTRICAL COMPONENTS INSTALLATION	C
1	0100048	AR	Grease, Dielectric	
2	0140043	1	Alarm	
3	0700412	2	Bolt M4 x 25	
4	0760508	2	Bolt M5 x 16	
5	0760608	3	Bolt M6 x 16	
6	0760610	1	Bolt M6 x 20	
7	0760612	4	Bolt M6 x 25	
8	0760614	4	Bolt M6 x 30	
9	1706679	1	Decal - Brake Release	
10	2420172	1	Hourmeter	
11	3290405	2	Nut M4	
12	3290505	2	Nut M5	
13	3290605	2	Nut M6	
14	3740150	1	Relay	
15	3910804	3	Screw 8 x 1/4	
16	4240017	AR	Tie-Strap (Not Shown)	
17	4360328	1	Switch, Toggle	
18	4360387	1	Switch, Push Button	
19	4360469	1	Switch, Key	
19	2860030	1 Set	Key, Replacement	
20	4811700	14	Washer M6	
21	1001091102	4	Washer M4	
22	1001130220	10	Nut, Tinnerman M6	
23	1001130590	1	Plate	
24	1001187781	1	Tie-Strap (Not Shown)	
25	1001200631	1	Lamp, LED (Red)	
26	1001209682	1	Decal - Ground Control	
27	1001217088	2 in/ 5 cm	Tape	
28	1001235559	1	Support	
29	1001249432	1	Module, Control (Note: Recalibration Required When Replace)	
30	1001257138	1	Bracket	
31	1001260950	1	Module, Logic (Note: Recalibration Required When Replace)	
32	1001261076	3	Strap, Cinch	
33	1001277804	1	Chassis Harness (Not Shown - See Separate Breakdown in ELECTRICAL Section)	
34	1001278086	1	Bracket	
35	1001278087	1	Bracket	
36	1001278088	1	Bracket	
37	1001278331	1	Switch, E-Stop	

SECTION 2 - GROUND CONTROLS

FIGURE 2-2. MOBILE CONTROL INSTALLATION



ART_1001278005

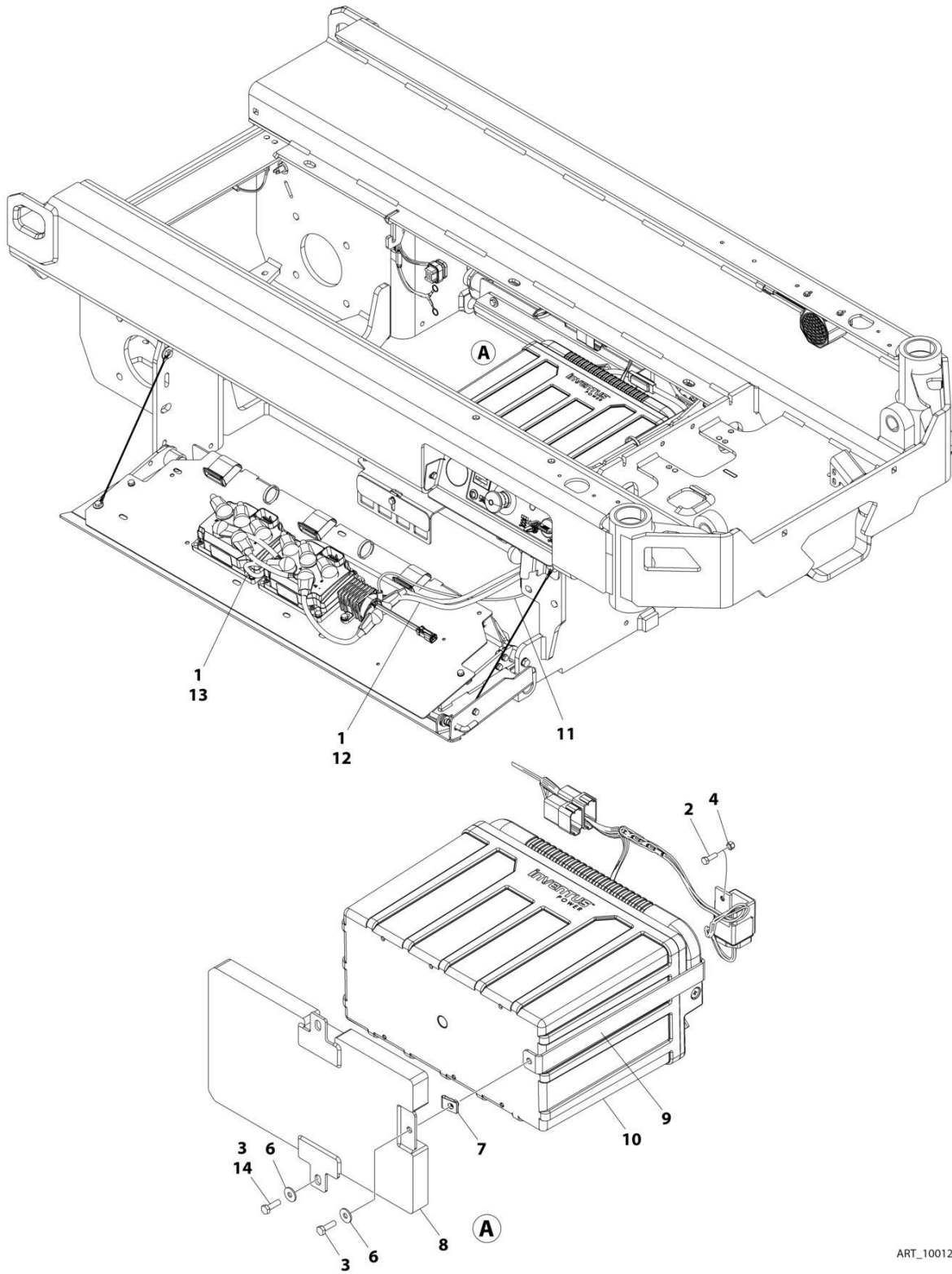
SECTION 2 - GROUND CONTROLS

FIGURE 2-2. MOBILE CONTROL INSTALLATION

ITEM	PART NUMBER	QTY	DESCRIPTION	REV
	1001278005	Ref	MOBILE CONTROL INSTALLATION	C
1	0700612	2	Bolt M6 x 25	
2	0760810	2	Bolt M8 x 20	
3	3290605	2	Nut M6	
4	4811700	2	Washer M6	
5	4811900	2	Washer M8	
6	1001118274	2	Nut Tinnerman M8	
7	1001244885	1	Plate, Decal	
8	1001245293	1	Control, Mobile	
9	1001248768	1	Decal, Mobile Control	

SECTION 2 - GROUND CONTROLS

FIGURE 2-3. BATTERY INSTALLATION



ART_1001271682

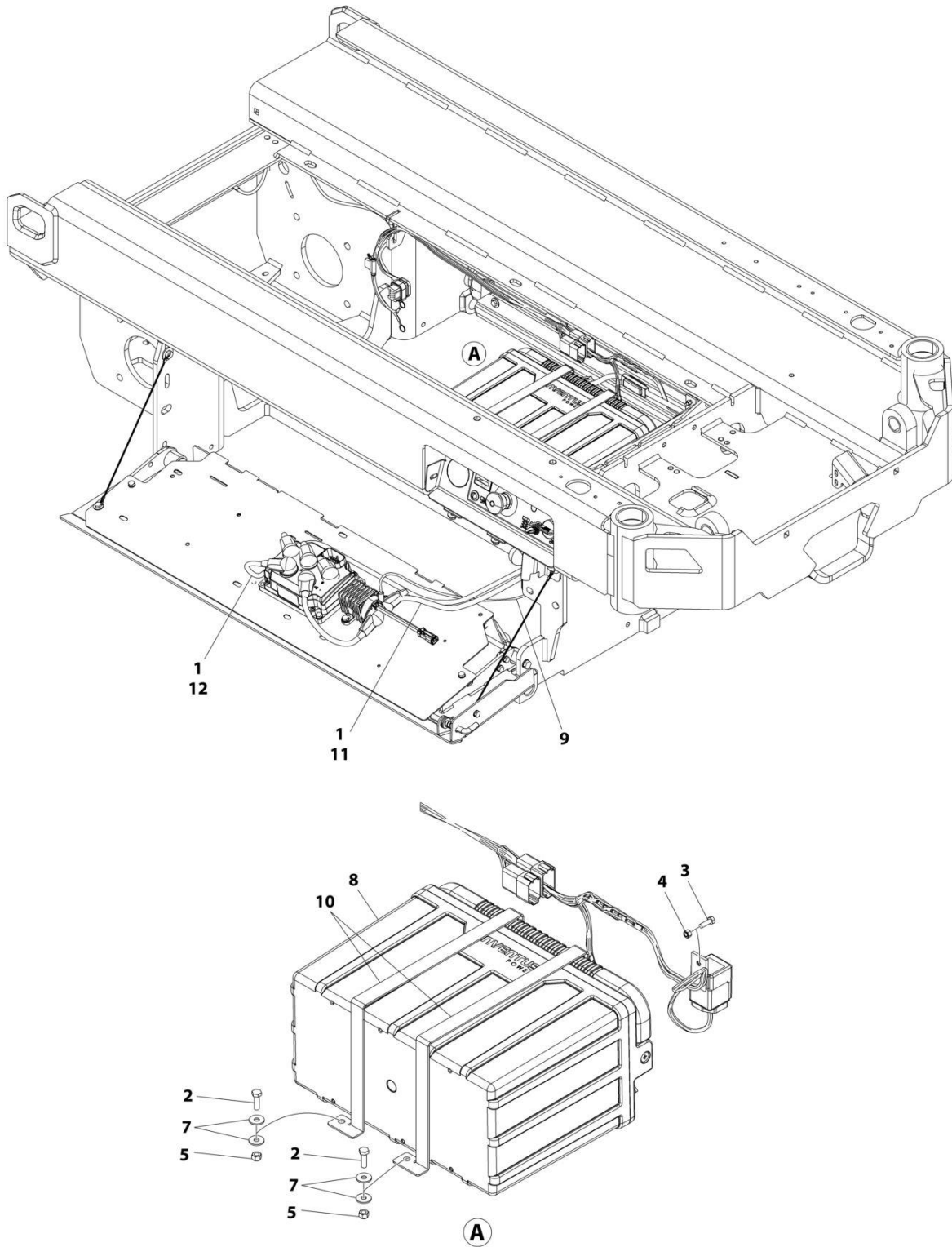
SECTION 2 - GROUND CONTROLS

FIGURE 2-3. BATTERY INSTALLATION

ITEM	PART NUMBER	QTY	DESCRIPTION	REV
	1001271682	Ref	BATTERY INSTALLATION (LI-ION - HEATER)	C
1	0100051	AR	Grease	
2	0760508	1	Bolt M5 x 16	
3	0760610	3	Bolt M6 x 20	
4	3290505	1	Nut M5	
5	4240017	AR	Tie-Strap (Not Shown)	
6	4811702	3	Washer M6	
7	1001130220	1	Nut M6	
8	1001270921	1	Weight, Counter Right	
9	1001270925	1	Hook, Tie-Down	
10	1001276657	1	Battery, 24V	
11	1001278090	1	Battery Harness (See Separate Breakdown in ELECTRICAL Section)	
12	1001278871	1	Cable Battery Discharge	
13	1001278891	1	Cable Battery Negative	
14	0100011	AR	Compound, Locking	

SECTION 2 - GROUND CONTROLS

FIGURE 2-4. BATTERY INSTALLATION ((MOL70 SPECS))



ART_1001278220

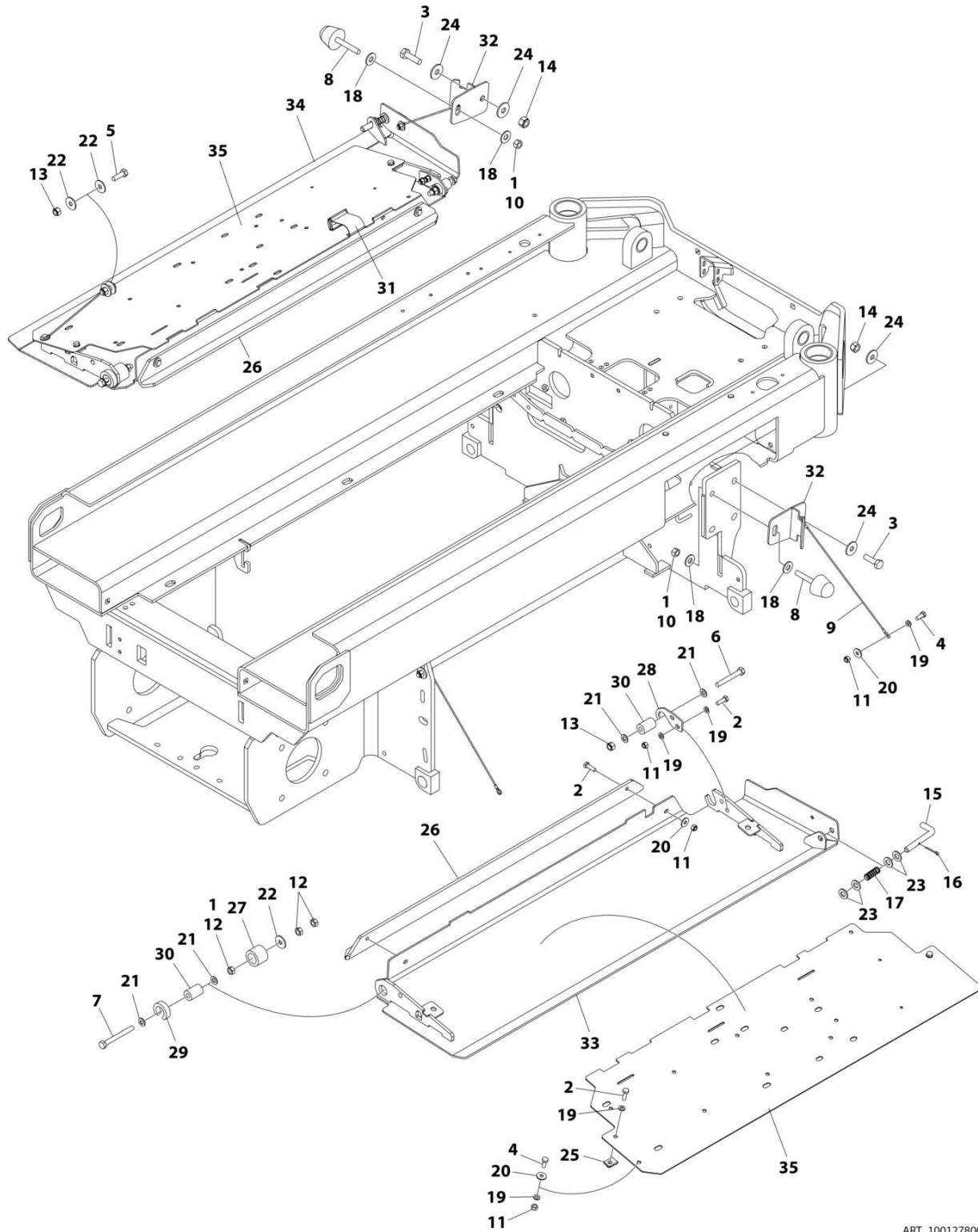
SECTION 2 - GROUND CONTROLS

FIGURE 2-4. BATTERY INSTALLATION ((MOL70 SPECS))

ITEM	PART NUMBER	QTY	DESCRIPTION	REV
	1001278220	Ref	BATTERY INSTALLATION (LI-ION - HEATER) (MOL70 SPECS)	B
1	0100051	AR	Grease	
2	0760610	4	Bolt M6 x 20	
3	0760508	1	Bolt M5 x 16	
4	3290505	1	Nut M5	
5	3290605	4	Nut M6	
6	4240017	AR	Tie-Strap (Not Shown)	
7	4811702	8	Washer M6	
8	1001276657	1	Battery, 24V	
9	1001278090	1	Battery Harness (See Separate Breakdown in ELECTRICAL Section)	
10	1001278165	2	Bracket, Tie-Down	
11	1001278871	1	Cable Battery Discharge	
12	1001278891	1	Cable Battery Negative	

SECTION 2 - GROUND CONTROLS

FIGURE 2-5. DOORS INSTALLATION (LH)



ART_1001278000

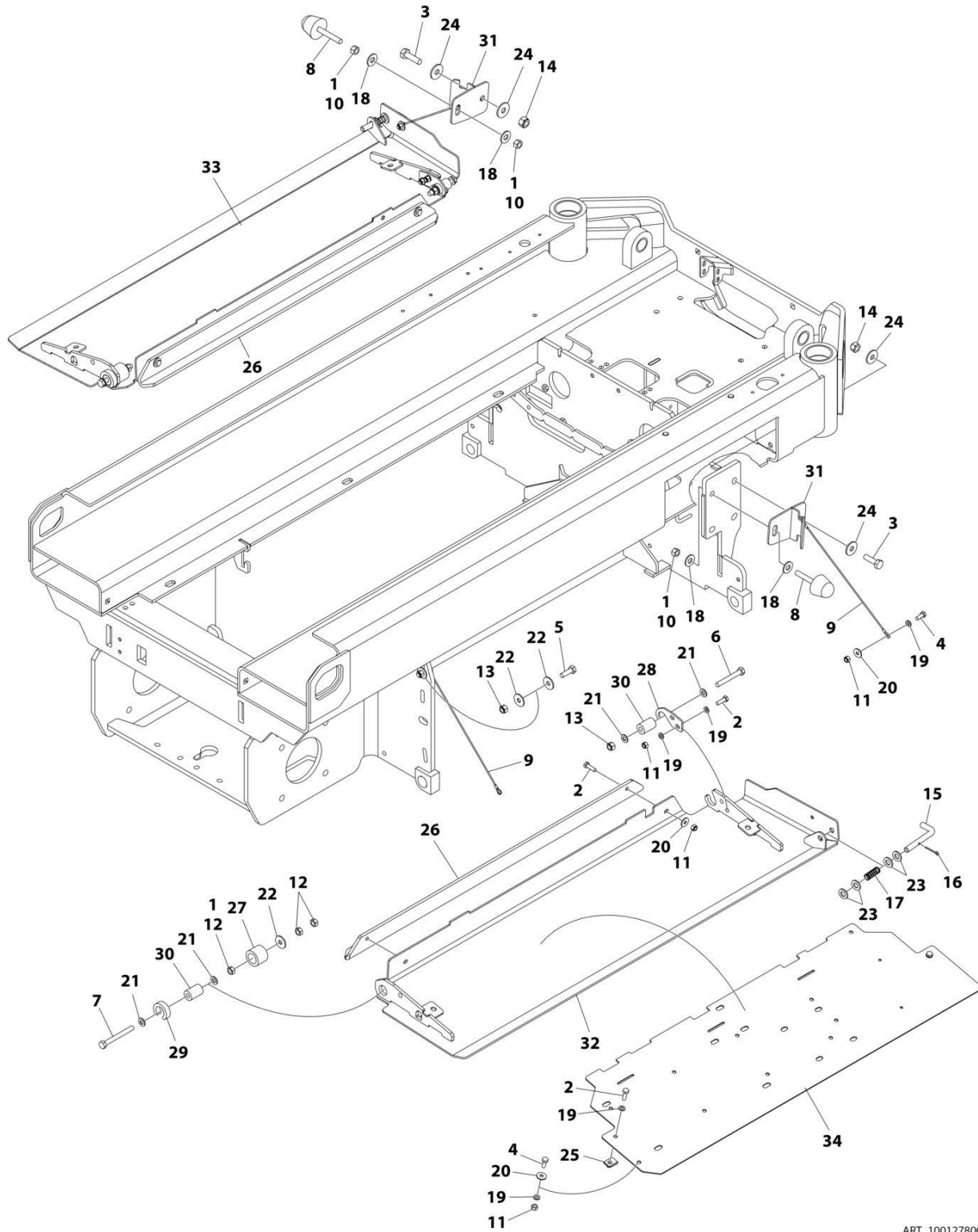
SECTION 2 - GROUND CONTROLS

FIGURE 2-5. DOORS INSTALLATION (LH)

ITEM	PART NUMBER	QTY	DESCRIPTION	REV
	1001278000	Ref	DOORS INSTALLATION (SWING DOWN LEFT/RIGHT)	D
1	0100011	AR	Compound, Locking	
2	0700610	12	Bolt M6 x 20	
3	0701015	2	Bolt M10 x 35	
4	0760608	4	Bolt M6 x 16	
5	0760812	2	Bolt M8 x 25	
6	0760820	2	Bolt M8 x 60	
7	0760823	2	Bolt M8 x 75	
8	0940071	2	Bumper	
9	1060799	4	Lanyard	
10	3271601	2	Nut 3/8 Grd 8	
11	3290605	12	Nut M6	
12	3290801	6	Nut M8	
13	3290805	4	Nut M8	
14	3291005	2	Nut M10	
15	3423243	2	Pin	
16	3450303	2	Pin, Cotter 3/32 x 3/4	
17	4160214	2	Spring	
18	4751600	4	Washer 3/8	
19	4811700	16	Washer M6	
20	4811702	12	Washer M6	
21	4811900	8	Washer M8	
22	4811902	6	Washer M8	
23	4812000	AR	Washer M10	
24	4812002	4	Washer M10	
25	1001130220	4	Nut, Tinnerman M6	
26	1001254171	2	Plate, Filler	
27	1001254278	2	Sleeve	
28	1001254346	2	Bracket	
29	1001254383	2	Plate, Spacer	
30	1001255595	4	Sleeve, Spacer	
31	1001261076	1	Strap	
32	1001266168	2	Support	
33	1001267364	1	Door (RH)	
34	1001267365	1	Door (LH)	
35	1001278072	2	Bracket	

SECTION 2 - GROUND CONTROLS

FIGURE 2-6. DOORS INSTALLATION (RH) (STANDARD)



ART_1001278001

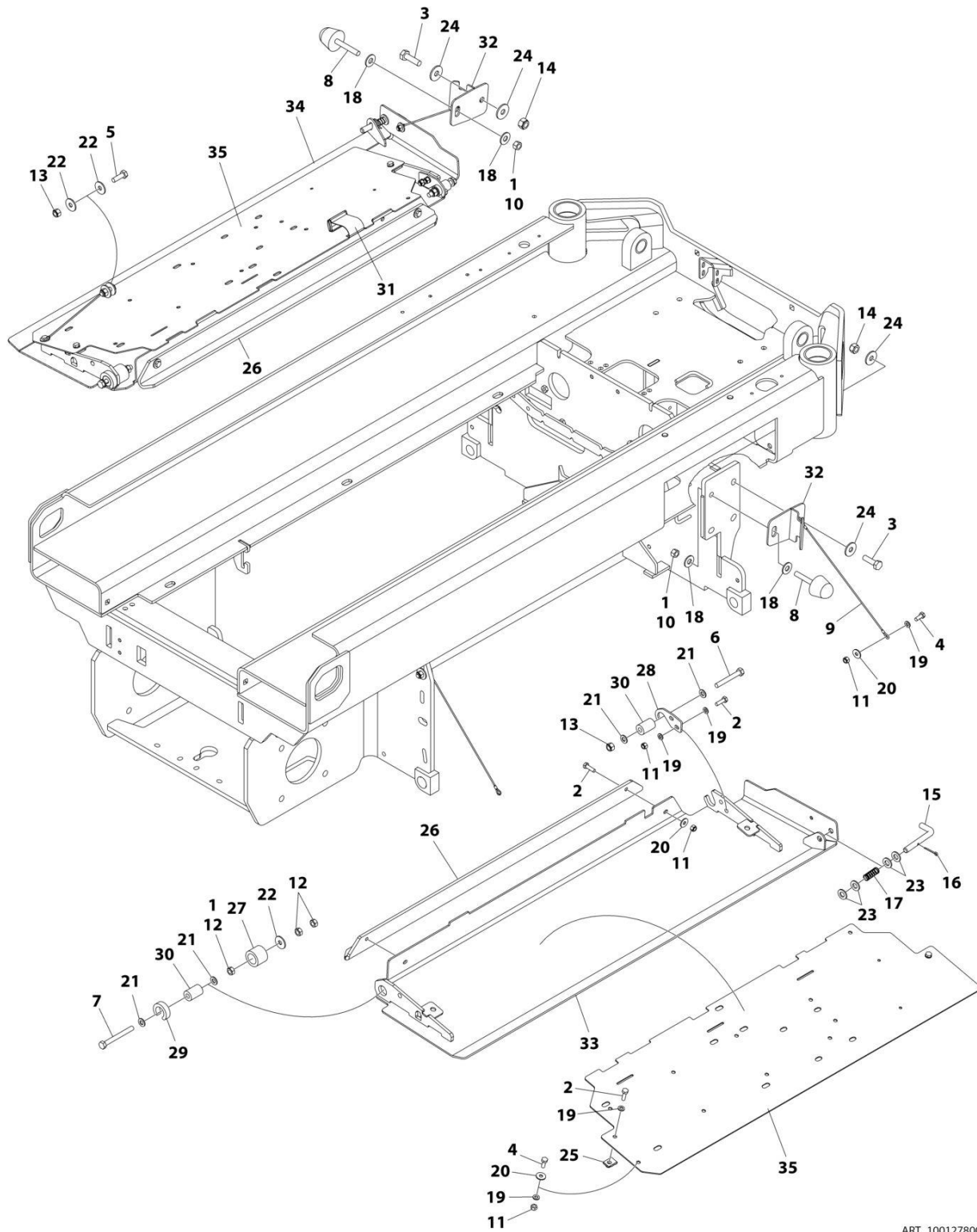
SECTION 2 - GROUND CONTROLS

FIGURE 2-6. DOORS INSTALLATION (RH) (STANDARD)

ITEM	PART NUMBER	QTY	DESCRIPTION	REV
	1001278001	Ref	DOORS INSTALLATION (SWING DOWN RIGHT)	C
1	0100011	AR	Compound, Locking	
2	0700610	10	Bolt M6 x 20	
3	0701015	2	Bolt M10 x 35	
4	0760608	3	Bolt M6 x 16	
5	0760812	1	Bolt M8 x 25	
6	0760820	2	Bolt M8 x 60	
7	0760823	2	Bolt M8 x 75	
8	0940071	2	Bumper	
9	1060799	3	Lanyard	
10	3271601	3	Nut 3/8 Grd 8	
11	3290605	11	Nut M6	
12	3290801	6	Nut M8	
13	3290805	3	Nut M8	
14	3291005	2	Nut M10	
15	3423243	2	Pin	
16	3450303	2	Pin, Cotter 3/32 x 3/4	
17	4160214	2	Spring	
18	4751600	4	Washer 3/8	
19	4811700	13	Washer M6	
20	4811702	11	Washer M6	
21	4811900	8	Washer M8	
22	4811902	4	Washer M8	
23	4812000	AR	Washer M10	
24	4812002	4	Washer M10	
25	1001130220	2	Nut, Tinnerman M6	
26	1001254171	2	Plate, Filler	
27	1001254278	2	Sleeve	
28	1001254346	2	Bracket	
29	1001254383	2	Plate, Spacer	
30	1001255595	4	Sleeve, Spacer	
31	1001266168	2	Support	
32	1001267364	1	Door (RH)	
33	1001267365	1	Door (LH)	
34	1001278072	1	Bracket	

SECTION 2 - GROUND CONTROLS

FIGURE 2-7. DOORS INSTALLATION (RH) (MACHINES WITH INVERTER/CLEARSKY)



ART_1001278000

SECTION 2 - GROUND CONTROLS

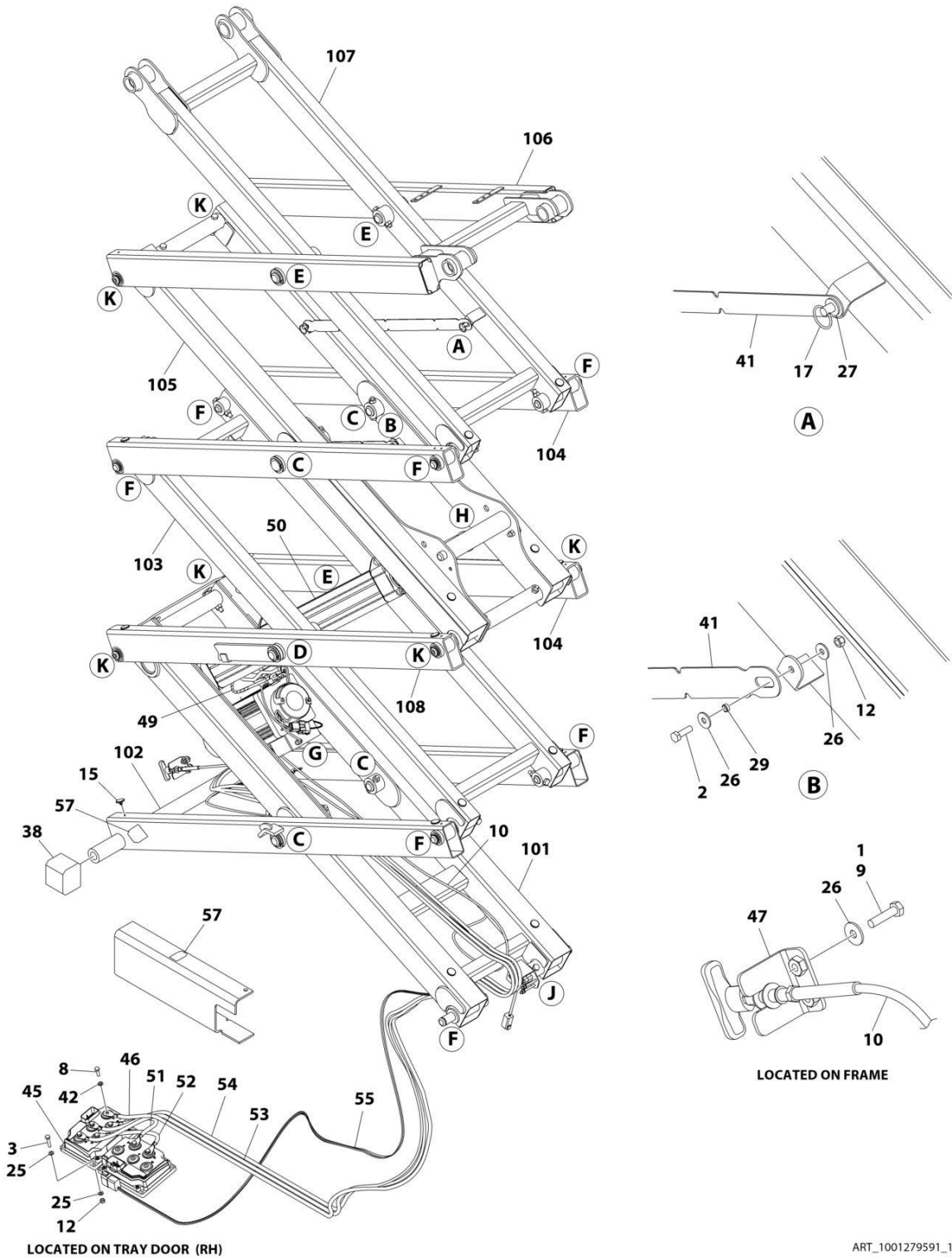
FIGURE 2-7. DOORS INSTALLATION (RH) (MACHINES WITH INVERTER/CLEARSKY)

ITEM	PART NUMBER	QTY	DESCRIPTION	REV
	1001278000	Ref	DOORS INSTALLATION (SWING DOWN LEFT/RIGHT)	D
1	0100011	AR	Compound, Locking	
2	0700610	12	Bolt M6 x 20	
3	0701015	2	Bolt M10 x 35	
4	0760608	4	Bolt M6 x 16	
5	0760812	2	Bolt M8 x 25	
6	0760820	2	Bolt M8 x 60	
7	0760823	2	Bolt M8 x 75	
8	0940071	2	Bumper	
9	1060799	4	Lanyard	
10	3271601	2	Nut 3/8 Grd 8	
11	3290605	12	Nut M6	
12	3290801	6	Nut M8	
13	3290805	4	Nut M8	
14	3291005	2	Nut M10	
15	3423243	2	Pin	
16	3450303	2	Pin, Cotter 3/32 x 3/4	
17	4160214	2	Spring	
18	4751600	4	Washer 3/8	
19	4811700	16	Washer M6	
20	4811702	12	Washer M6	
21	4811900	8	Washer M8	
22	4811902	6	Washer M8	
23	4812000	AR	Washer M10	
24	4812002	4	Washer M10	
25	1001130220	4	Nut, Tinnerman M6	
26	1001254171	2	Plate, Filler	
27	1001254278	2	Sleeve	
28	1001254346	2	Bracket	
29	1001254383	2	Plate, Spacer	
30	1001255595	4	Sleeve, Spacer	
31	1001261076	1	Strap	
32	1001266168	2	Support	
33	1001267364	1	Door (RH)	
34	1001267365	1	Door (LH)	
35	1001278072	2	Bracket	

SECTION 3 - SCISSORS ARMS

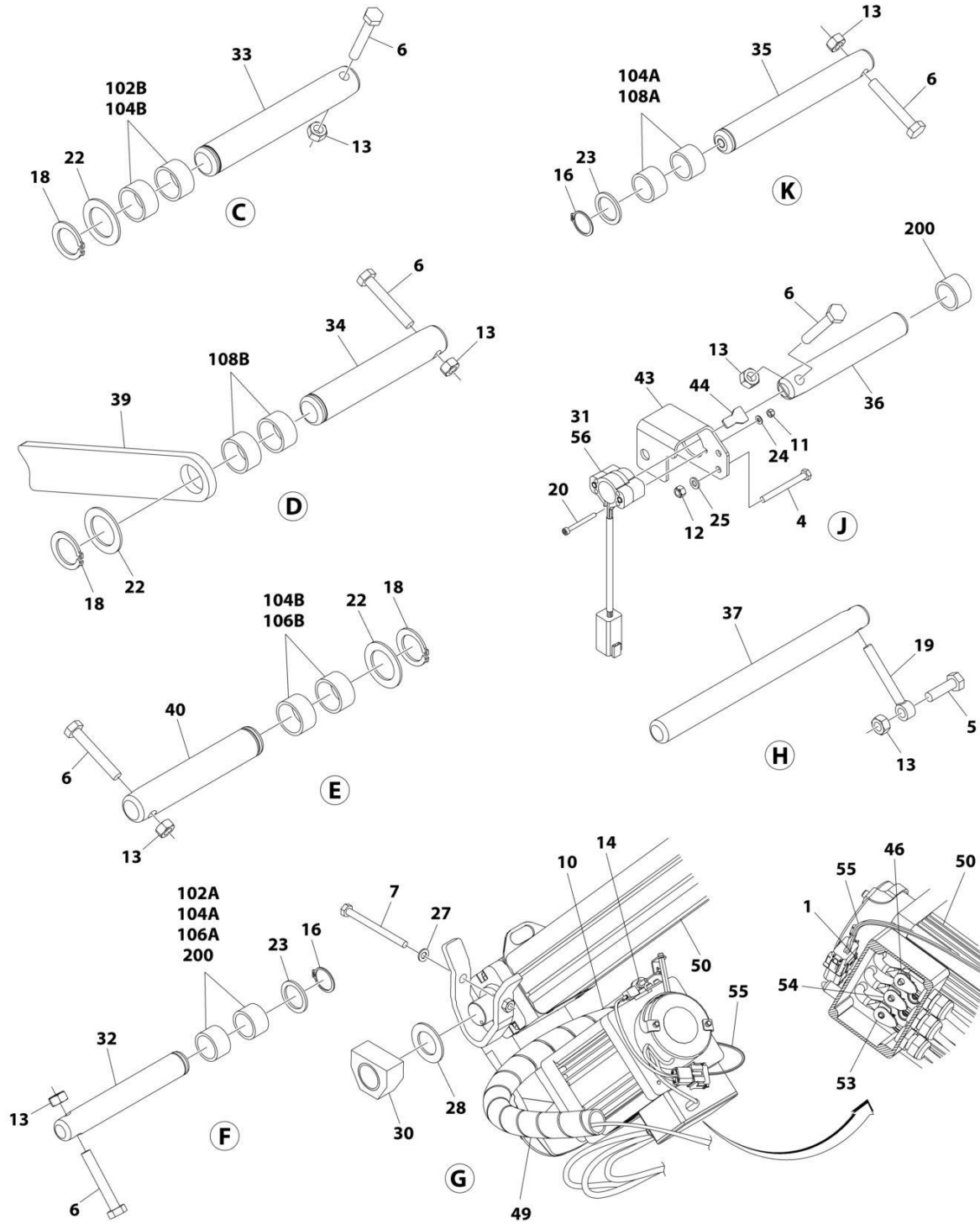
SECTION 3 - SCISSORS ARMS

FIGURE 3-1. SCISSORS ARMS INSTALLATION (WITH LIFT ACTUATOR PN 1001274883)



ART_1001279591_10F2

SECTION 3 - SCISSORS ARMS



ART_1001279591_2OF2

SECTION 3 - SCISSORS ARMS

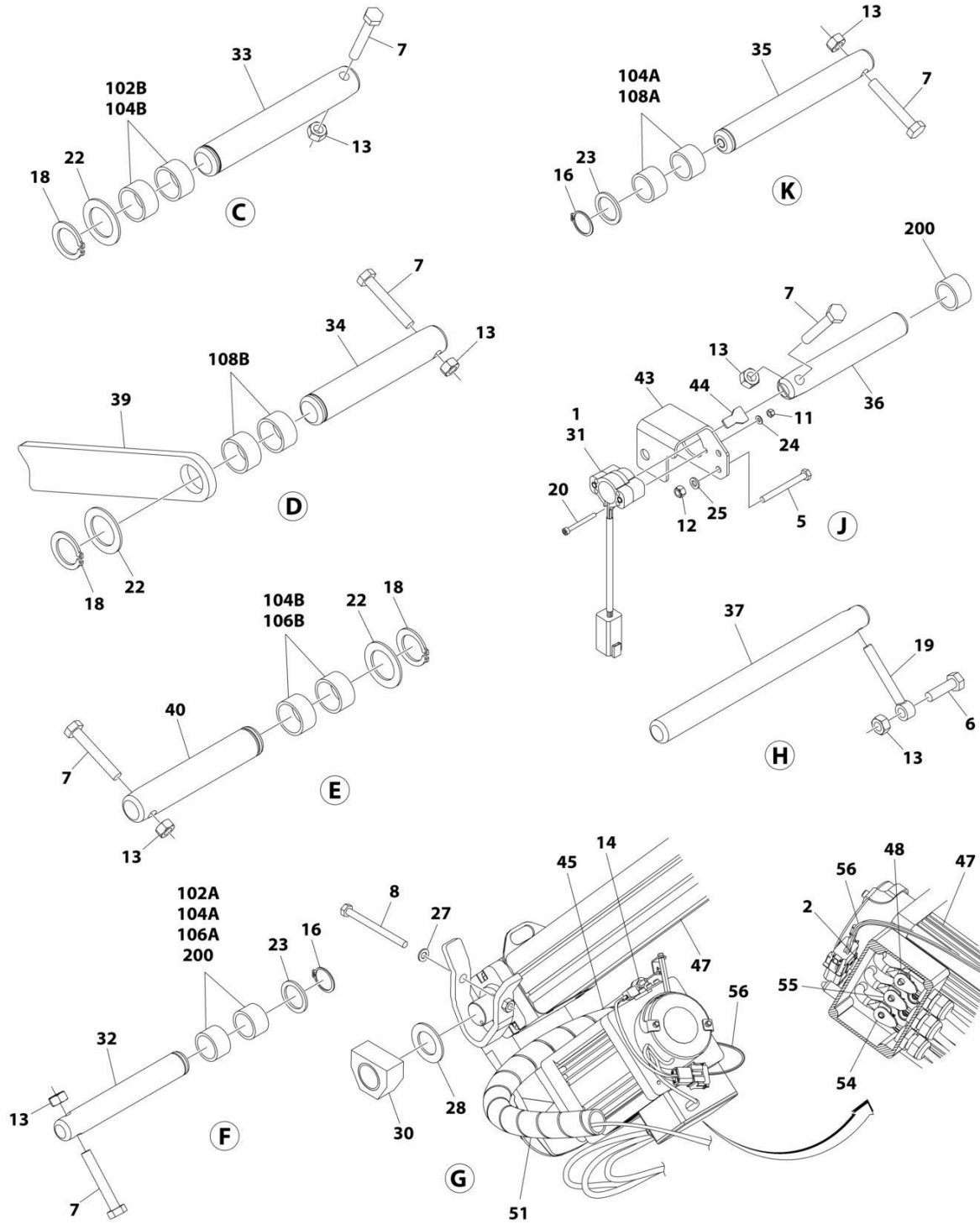
FIGURE 3-1. SCISSORS ARMS INSTALLATION (WITH LIFT ACTUATOR PN 1001274883)

ITEM	PART NUMBER	QTY	DESCRIPTION	REV
	1001279591	Ref	SCISSORS ARMS INSTALLATION	D
1	0100011	AR	Compound, Locking	
2	0700610	1	Bolt M6 x 20	
3	0700612	2	Bolt M6 x 25	
4	0700620	2	Bolt M6 x 60	
5	0701015	1	Bolt M10 x 35	
6	0701021	22	Bolt M10 x 65	
7	0701029	2	Bolt M10 x 120	
8	0760610	5	Bolt M6 x 20	
9	0760612	2	Bolt M6 x 25	
10	1001239404	1	Cable, Manual Descent	
11	3290405	2	Nut, Lock M4	
12	3290605	5	Nut, Lock M6	
13	3291007	23	Nut, Lock M10	
14	3321402	2	Nut 1/4	
15	3340962	26	Pad	
16	3760115	12	Ring, Retaining	
17	3760170	3	Ring	
18	3760387	8	Ring, Retaining	
19	3841143	1	Keeper, Pin	
20	4031512	2	Capscrew M4 x 40	
21	4240017	AR	Tie-Strap (Not Shown)	
22	4740438	8	Washer	
23	4740531	12	Washer	
24	4811400	2	Washer M4	
25	4811700	6	Washer M6	
26	4811702	4	Washer M6	
27	4812000	5	Washer M10	
28	1001092865	2	Washer Thrust	
29	1001128888	1	Washer	
30	1001130912	2	Bearing	
30	0961948	2	Bearing	
31	1001146963	1	Sensor, Angle	
31	4460899	1	Receptacle, Female - 6 Position	
31	4460464	6	Pin, Male	
32	1001203443	7	Pin	
33	1001203444	4	Pin	
34	1001203445	1	Pin	
35	1001203446	6	Pin	
36	1001203447	1	Pin	
37	1001203448	1	Pin	
38	1001204311	2	Block, Slide	
39	1001204312	1	Prop	
40	1001204994	3	Pin	
41	1001206487	2	Support	
42	1001210966	5	Washer	
43	1001231268	1	Mount, Sensor	
44	1001234204	1	Key, Angle Sensor	
45	1001248114	1	Module, Lift (Note: Recalibrartion required When Replaced)	
46	1001250523	1	Cable, Lift (U)	

SECTION 3 - SCISSORS ARMS

ITEM	PART NUMBER	QTY	DESCRIPTION	REV
47	1001253153	1	Mount, Manual Descent	
48	1001258379	4	Tie-Strap (Not Shown)	
49	1001272281	525 mm	Mould, Spiral Wrap	
50	1001274883	1	Lift Actuator Assembly (See Separate Breakdown in this Section)	
51	1001278514	1	Cable, Battery (Positive)	
52	1001278515	1	Cable, Battery (Negative)	
53	1001278762	1	Cable, Lift (W)	
54	1001278763	1	Cable, Lift (V)	
55	1001278894	1	Cable, Logic	
55	4460931	1	Receptacle, Female - 8 Position (MS21-B)	
55	4460464	7	Pin, Male	
55	4460466	1	Plug, Terminal	
55	4460930	1	Plug, Male - 8 Position (MS21 - C Lift Actuator)	
55	4460465	8	Socket, Female	
56	280013	135 mm	Conduit	
57	1001291558	2	Decal - Platform Maximum Height	
100	1001290011	1	Arm Kit (Not Shown)	
101	1001248724	1	Arm, Inboard (Bottom)	
102	1001248727	1	Arm, Outboard (Bottom)	
102A	0440264	4	Bearing - 1 ID (Not Shown)	
102B	0440265	4	Bearing - 1-1/4 ID (Not Shown)	
103	1001248728	1	Arm, Inboard (Lower Mid)	
104	1001248730	3	Arm, Outboard (Lower Mid - Less Prop/Upper Mid)	
104A	0440264	4	Bearing - 1 ID (Not Shown)	
104B	0440265	2	Bearing - 1-1/4 ID (Not Shown)	
105	1001248731	1	Arm, Inboard (Upper Mid)	
106	1001248733	1	Arm, Outboard (Top)	
106A	0440264	4	Bearing - 1 ID (Not Shown)	
106B	0440265	4	Bearing - 1-1/4 ID (Not Shown)	
107	1001248734	1	Arm, Inboard (Top)	
108	1001249149	1	Arm, Outboard (Lower Mid With Prop)	
108A	0440264	4	Bearing - 1 ID (Not Shown)	
108B	0440265	2	Bearing - 1-1/4 ID (Not Shown)	

SECTION 3 - SCISSORS ARMS



ART_1001291409_2OF2

SECTION 3 - SCISSORS ARMS

FIGURE 3-2. SCISSORS ARMS INSTALLATION (WITH LIFT ACTUATOR PN 1001248121)

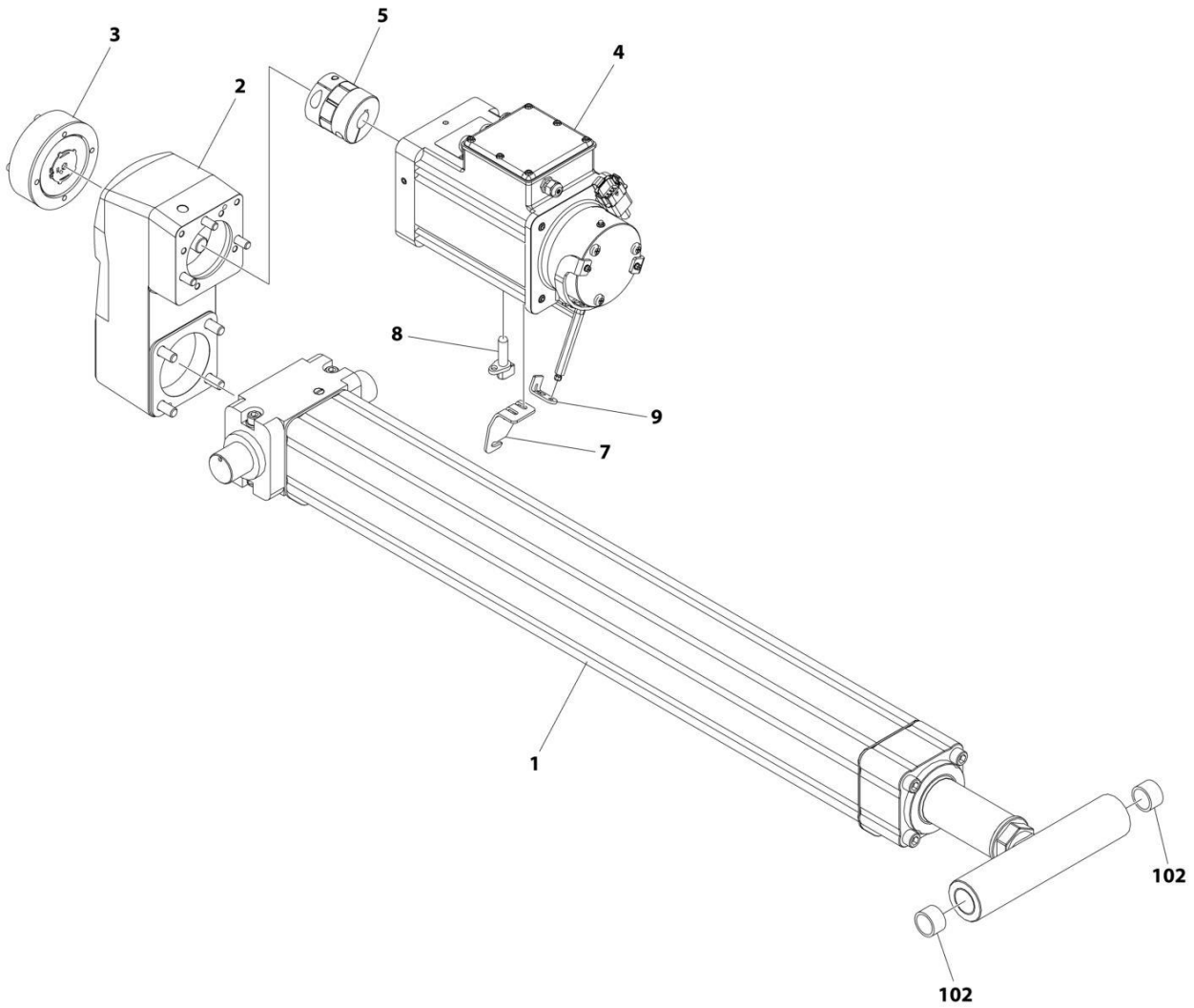
ITEM	PART NUMBER	QTY	DESCRIPTION	REV
	1001291409	Ref	SCISSORS ARMS INSTALLATION	A
1	280013	AR	Conduit	
2	0100011	AR	Compound, Locking	
3	0700610	1	Bolt M6 x 20	
4	0700612	2	Bolt M6 x 25	
5	0700620	2	Bolt M6 x 60	
6	0701015	1	Bolt M10 x 35	
7	0701021	22	Bolt M10 x 65	
8	0701029	2	Bolt M10 x 120	
9	0760610	5	Bolt M6 x 20	
10	0760612	2	Bolt M6 x 25	
11	3290405	2	Nut, Lock M4	
12	3290605	5	Nut, Lock M6	
13	3291007	23	Nut, Lock M10	
14	3321402	2	Nut 1/4	
15	3340962	26	Pad	
16	3760115	12	Ring, Retaining	
17	3760170	3	Ring	
18	3760387	8	Ring, Retaining	
19	3841143	1	Keeper, Pin	
20	4031512	2	Capscrew M4 x 40	
21	4240017	AR	Tie-Strap (Not Shown)	
22	4740438	8	Washer	
23	4740531	12	Washer	
24	4811400	2	Washer M4	
25	4811700	6	Washer M6	
26	4811702	4	Washer M6	
27	4812000	5	Washer M10	
28	1001092865	2	Washer Thrust	
29	1001128888	1	Washer	
30	1001130912	2	Bearing	
30	0961948	2	Bearing	
31	1001146963	1	Sensor, Angle	
31	4460899	1	Receptacle, Female - 6 Position	
31	4460464	6	Pin, Male	
32	1001203443	7	Pin	
33	1001203444	4	Pin	
34	1001203445	1	Pin	
35	1001203446	6	Pin	
36	1001203447	1	Pin	
37	1001203448	1	Pin	
38	1001204311	2	Block, Slide	
39	1001204312	1	Prop	
40	1001204994	3	Pin	
41	1001206487	2	Support	
42	1001210966	5	Washer	
43	1001231268	1	Mount, Sensor	
44	1001234204	1	Key, Angle Sensor	
45	1001239404	1	Cable, Manual Descent	
46	1001248114	1	Module, Lift (Note: Recalibrartion required When Replaced)	

SECTION 3 - SCISSORS ARMS

ITEM	PART NUMBER	QTY	DESCRIPTION	REV
47	1001248121	1	Lift Actuator Assembly (See Separate Breakdown in this Section)	
48	1001250523	1	Cable, Lift (U)	
49	1001253153	1	Mount, Manual Descent	
50	1001258379	AR	Tie-Strap (Not Shown)	
51	1001272281	525 mm	Mould, Spiral Wrap	
52	1001278514	1	Cable, Battery (Positive)	
53	1001278515	1	Cable, Battery (Negative)	
54	1001278762	1	Cable, Lift (W)	
55	1001278763	1	Cable, Lift (V)	
56	1001278894	1	Cable, Logic	
56	4460931	1	Receptacle, Female - 8 Position (MS21-B)	
56	4460464	7	Pin, Male	
56	4460466	1	Plug, Terminal	
56	4460930	1	Plug, Male - 8 Position (MS21 - C Lift Actuator)	
56	4460465	8	Socket, Female	
57	1001291558	2	Decal - Platform Maximum Height	
100	1001290011	1	Arm Kit (Not Shown)	
101	1001248724	1	Arm, Inboard (Bottom)	
102	1001248727	1	Arm, Outboard (Bottom)	
102A	0440264	4	Bearing - 1 ID (Not Shown)	
102B	0440265	4	Bearing - 1-1/4 ID (Not Shown)	
103	1001248728	1	Arm, Inboard (Lower Mid)	
104	1001248730	3	Arm, Outboard (Lower Mid - Less Prop/Upper Mid)	
104A	0440264	4	Bearing - 1 ID (Not Shown)	
104B	0440265	2	Bearing - 1-1/4 ID (Not Shown)	
105	1001248731	1	Arm, Inboard (Upper Mid)	
106	1001248733	1	Arm, Outboard (Top)	
106A	0440264	4	Bearing - 1 ID (Not Shown)	
106B	0440265	4	Bearing - 1-1/4 ID (Not Shown)	
107	1001248734	1	Arm, Inboard (Top)	
108	1001249149	1	Arm, Outboard (Lower Mid With Prop)	
108A	0440264	4	Bearing - 1 ID (Not Shown)	
108B	0440265	2	Bearing - 1-1/4 ID (Not Shown)	

SECTION 3 - SCISSORS ARMS

FIGURE 3-3. LIFT CYLINDER/ACTUATOR ASSEMBLY



ART_1001274883

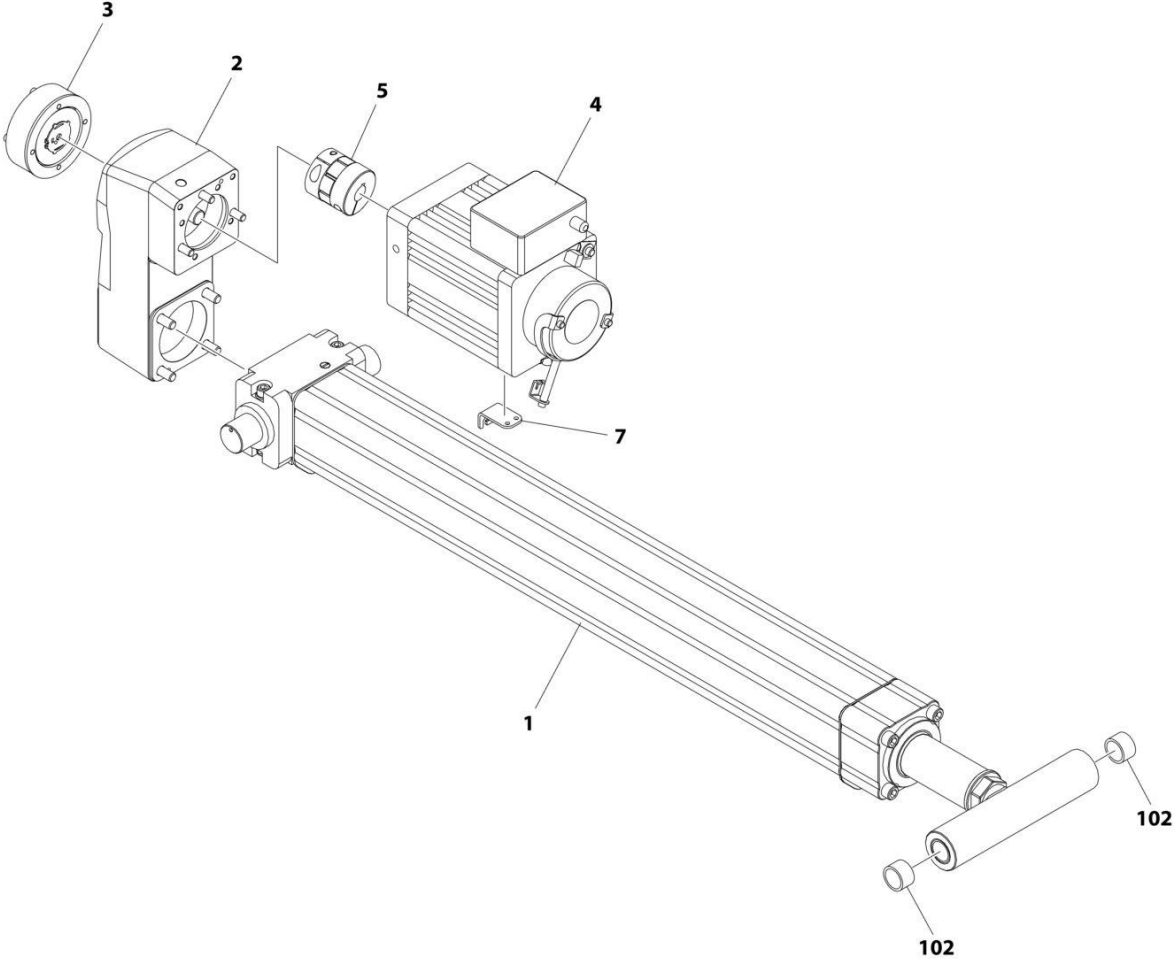
SECTION 3 - SCISSORS ARMS

FIGURE 3-3. LIFT CYLINDER/ACTUATOR ASSEMBLY

ITEM	PART NUMBER	QTY	DESCRIPTION	REV
	1001274883	Ref	LIFT CYLINDER/ACTUATOR ASSEMBLY	F
1	70007753	1	Actuator	
2	70007754	1	Gearbox	
3	70007755	1	Brake	
4	70007756	1	Motor	
5	70007757	1	Clutch/Coupling	
6	70007961	1	Grease, Tube of (400G) (Not Shown)	
7	1001284276	1	Bracket, Manual Descent	
8	70007758	1	Speed Sensor	
9	1001283523	1	Bracket, Manual Descent	
102	0962292	2	Bearing	

SECTION 3 - SCISSORS ARMS

FIGURE 3-4. LIFT CYLINDER/ACTUATOR ASSEMBLY



ART_1001248121

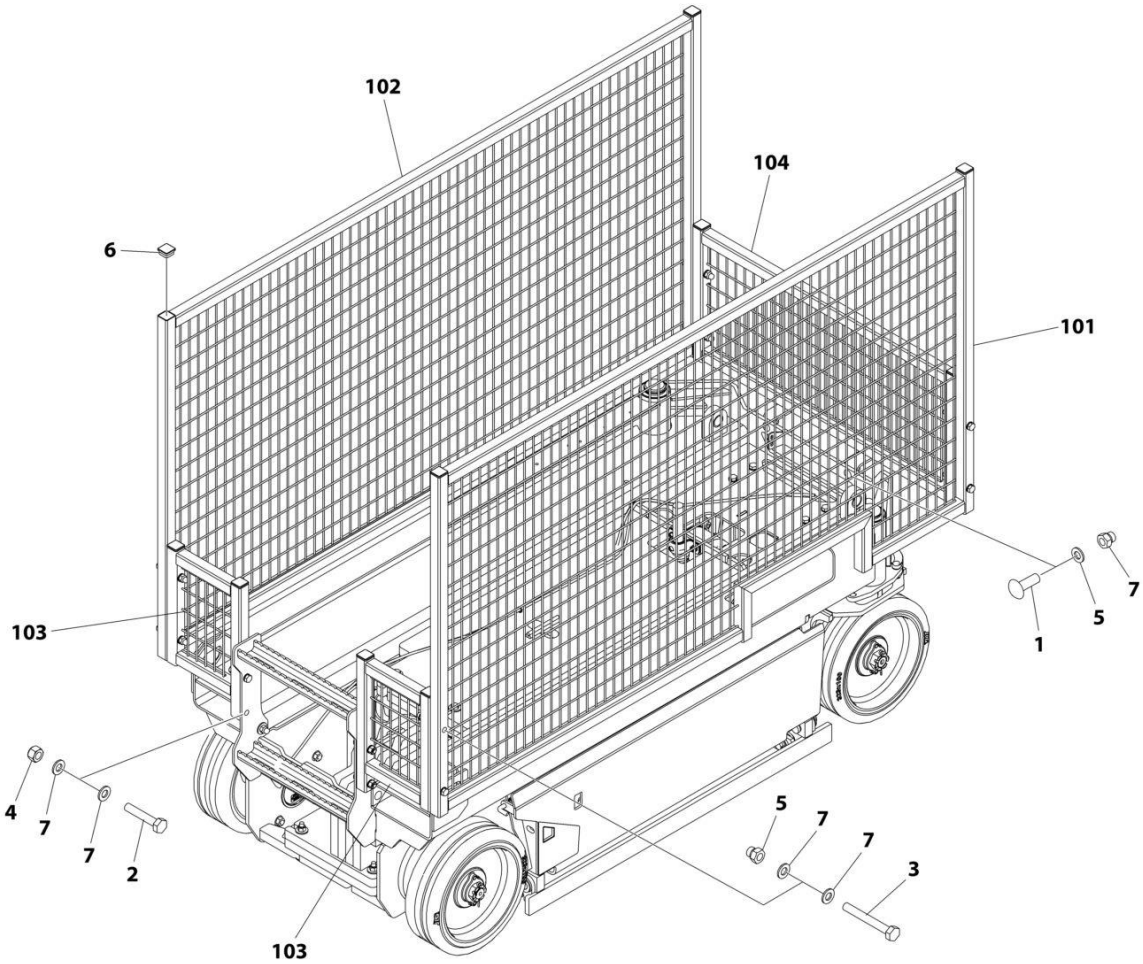
SECTION 3 - SCISSORS ARMS

FIGURE 3-4. LIFT CYLINDER/ACTUATOR ASSEMBLY

ITEM	PART NUMBER	QTY	DESCRIPTION	REV
	1001248121	Ref	LIFT ACTUATOR ASSEMBLY	H
1	70007532	Ref	Actuator	
2	70007533	Ref	Gearbox	
3	70007534	Ref	Brake	
4	70007535	Ref	Motor	
5	70007536	Ref	Clutch/Coupling	
7	1001273882	Ref	Bracket, Manual Descent	
102	0962292	2	Bearing	

SECTION 3 - SCISSORS ARMS

FIGURE 3-5. ARM GUARD INSTALLATION



ART_1001224623

SECTION 3 - SCISSORS ARMS

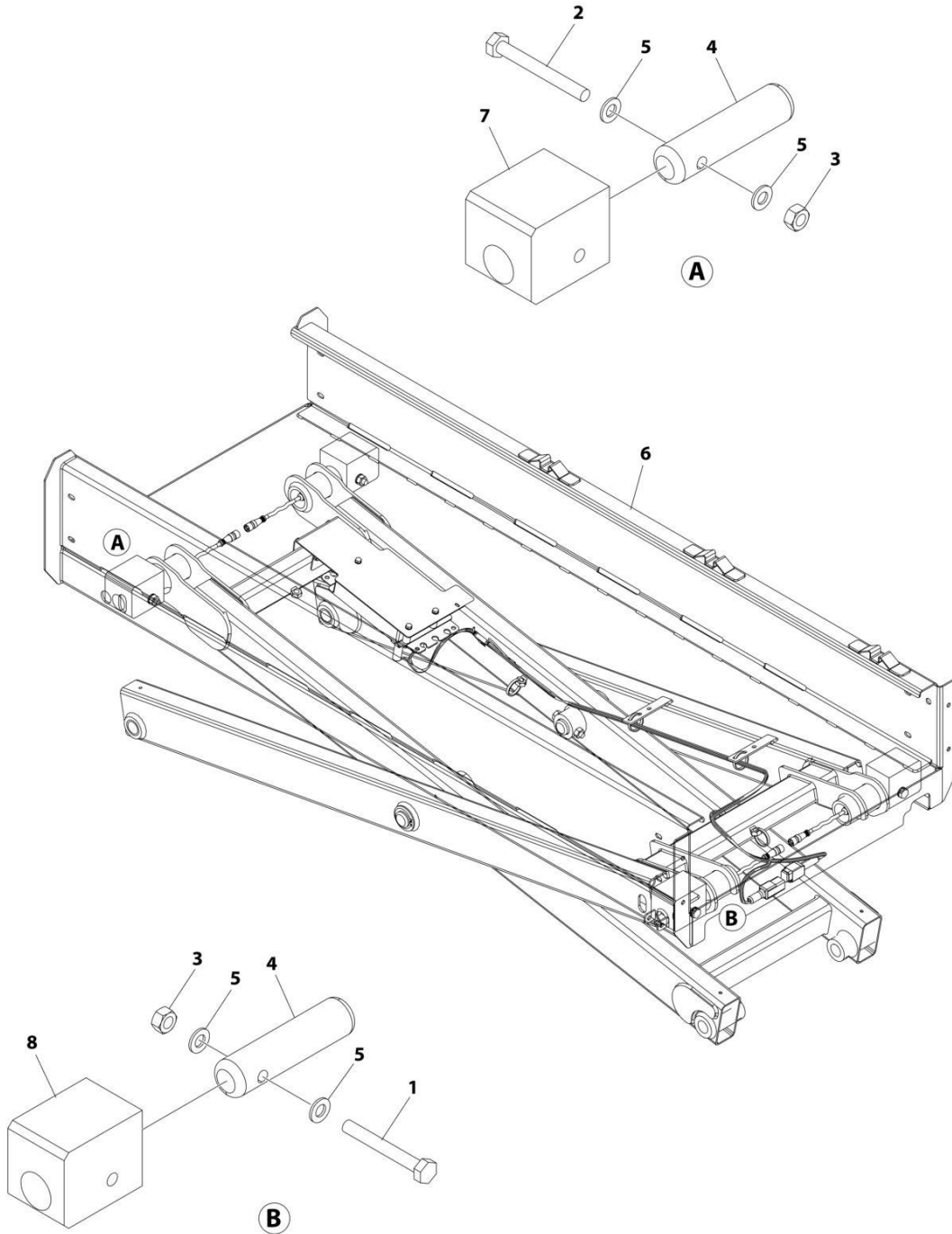
FIGURE 3-5. ARM GUARD INSTALLATION

ITEM	PART NUMBER	QTY	DESCRIPTION	REV
	1001224623	Ref	ARM GUARD INSTALLATION	A
1	0630613	2	Bolt M10 x 30	
2	0701019	4	Bolt M10 x 55	
3	0701024	8	Bolt M10 x 80	
4	3291005	4	Nut M10	
5	3291006	10	Nut M10	
6	3520072	10	Plug	
7	4812000	26	Washer M10	
8	1001224622	1	Arm Guard Kit	
101	1001224604	1	Guard, Arm (RH)	
102	1001224608	1	Guard, Arm (LH)	
103	1001224614	2	Guard, Arm (Rear)	
104	1001224620	1	Guard, Arm (Front)	

SECTION 4 - PLATFORM

SECTION 4 - PLATFORM

FIGURE 4-1. PLATFORM INSTALLATION WITHOUT LSS



ART_1001281277

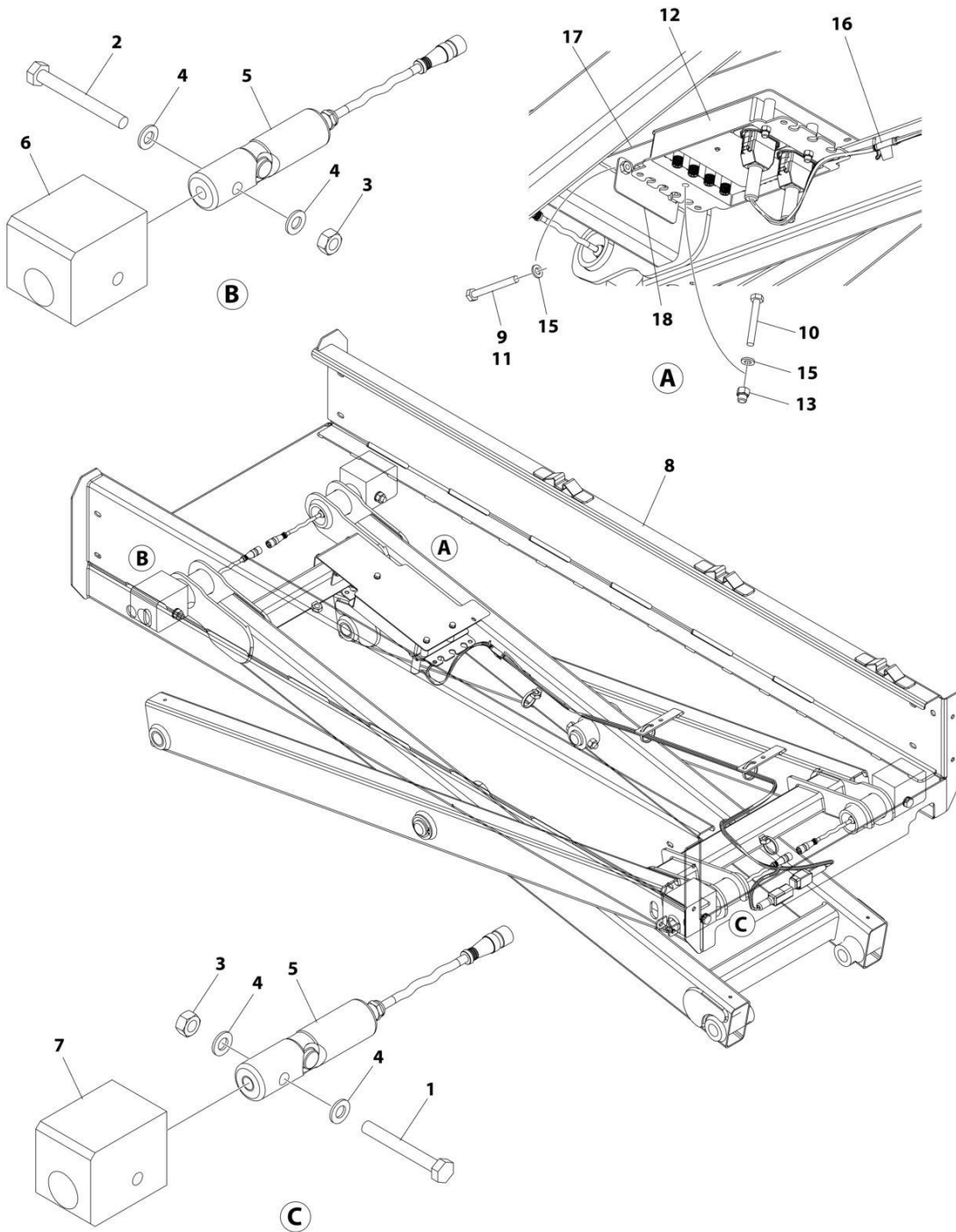
SECTION 4 - PLATFORM

FIGURE 4-1. PLATFORM INSTALLATION WITHOUT LSS

ITEM	PART NUMBER	QTY	DESCRIPTION	REV
	1001281277	Ref	PLATFORM INSTALLATION - WITHOUT LSS	C
1	0701024	2	Bolt M10 x 80	
2	0701026	2	Bolt M10 x 90	
3	3291007	4	Nut M10	
4	3423049	4	Pin	
5	4812000	8	Washer M10	
6	1001260636	1	Platform, LSS	
7	1001265527	2	Block, Upper Rear Slide	
8	1001265528	2	Block, Upper Front Slide	

SECTION 4 - PLATFORM

FIGURE 4-2. PLATFORM INSTALLATION WITH LSS



ART_1001260768

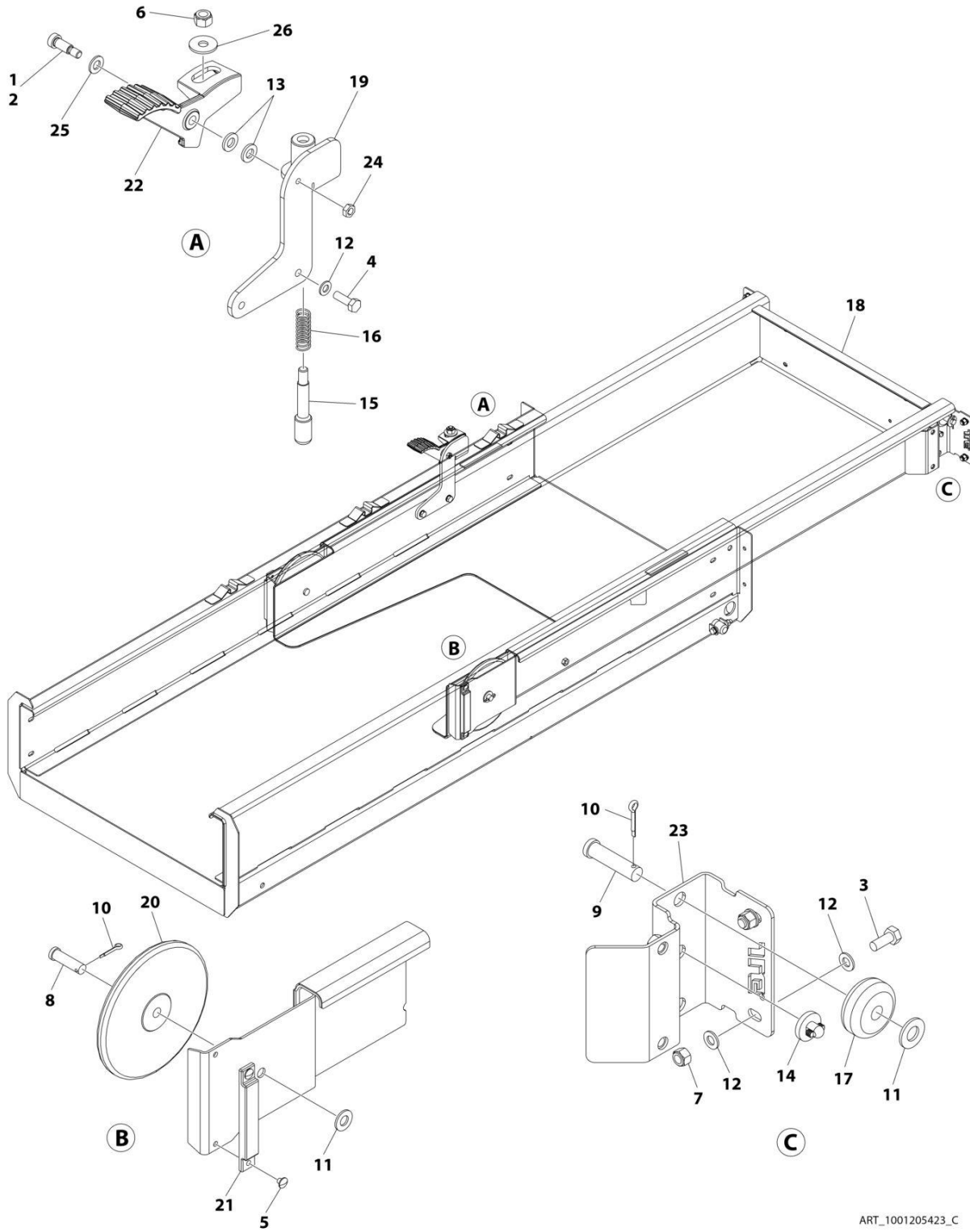
SECTION 4 - PLATFORM

FIGURE 4-2. PLATFORM INSTALLATION WITH LSS

ITEM	PART NUMBER	QTY	DESCRIPTION	REV
	1001260768	Ref	PLATFORM & LSS INSTALLATION	E
1	0701024	2	Bolt M10 x 80	
2	0701026	2	Bolt M10 x 90	
3	3291007	4	Nut M10	
4	4812000	8	Washer M10	
5	3422938	4	Pin	
6	1001265527	2	Block, Slide (Rear)	
7	1001265528	2	Block, Slide (Front)	
8	1001260636	1	Platform	
9	0100011	AR	Compound, Locking	
10	0700617	3	Bolt M6 x 45	
11	0700619	2	Bolt M6 x 55	
12	1600387	1	Module, Platform Load Sense	
13	3290606	3	Nut M6	
14	4240017	AR	Tie-Strap (Not Shown)	
15	4811700	5	Washer M6	
16	1001263450	1	Harness, LSS (See Separate Breakdown in ELECTRICAL Section)	
17	1001263568	1	Bracket	
18	1001263570	1	Support	

SECTION 4 - PLATFORM

FIGURE 4-3. PLATFORM EXTENSION INSTALLATION



ART_1001205423_C

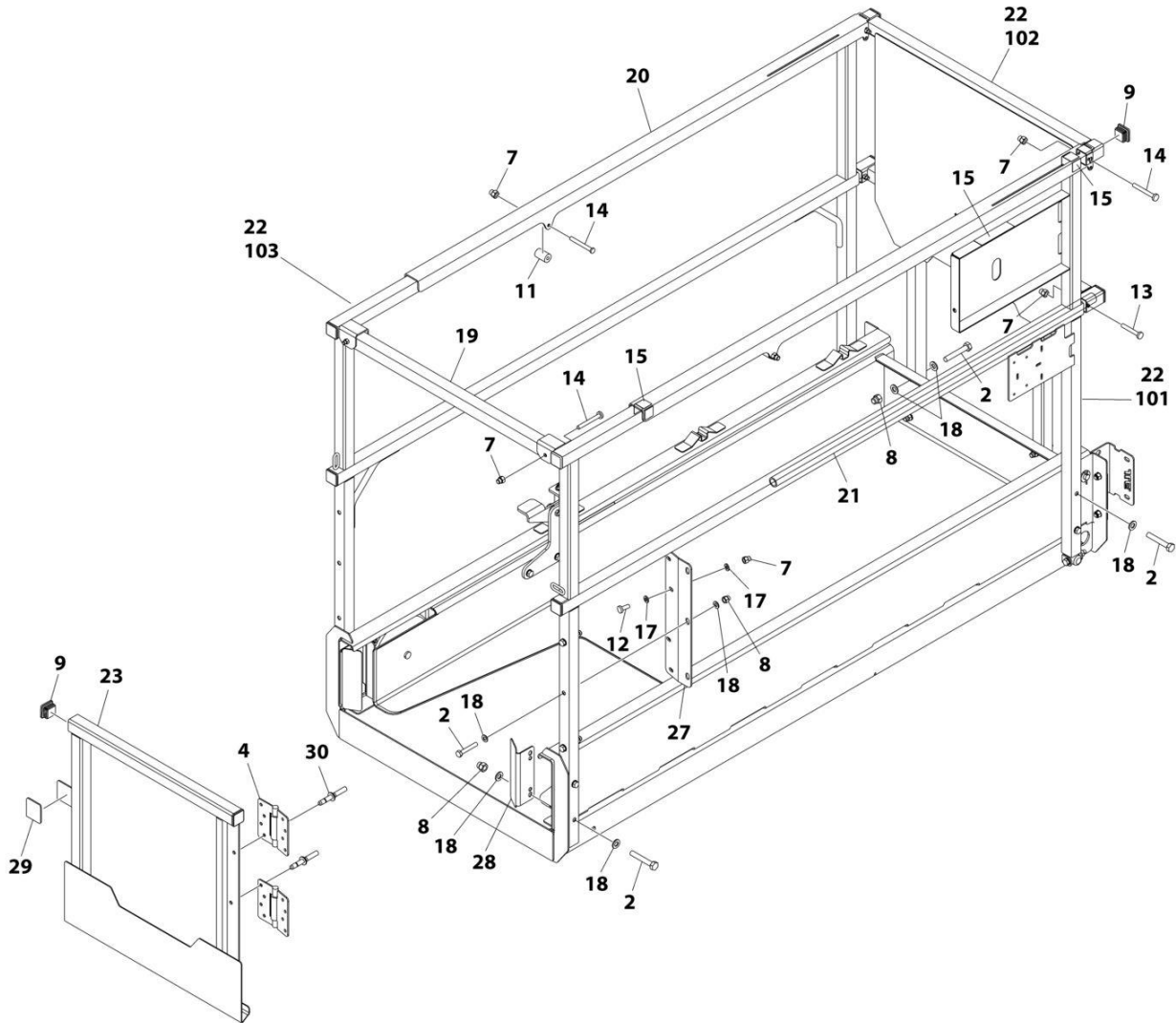
SECTION 4 - PLATFORM

FIGURE 4-3. PLATFORM EXTENSION INSTALLATION

ITEM	PART NUMBER	QTY	DESCRIPTION	REV
	1001205423	Ref	PLATFORM EXTENSION INSTALLATION	C
1	0100011	AR	Compound, Locking	
2	0630183	1	Screw 3/8 x 1	
3	0760810	4	Bolt M8 x 20	
4	0760812	2	Bolt M8 x 25	
5	2080040	4	Fastener	
6	3290605	AR	Nut M6	
6	3291005	AR	Nut M10	
7	3290805	4	Nut M8	
8	3430814	2	Pin	
9	3430816	2	Pin	
10	3450403	4	Pin, Cotter 1/8 x 3/4	
11	4711800	4	Washer 1/2	
12	4811900	11	Washer M8	
13	5241000	5	Washer M10	
14	1001137675	2	Bumper	
15	1001221476	1	Rod	
16	1001221475	1	Spring	
17	1001205422	2	Roller (Front)	
18	1001205424	1	Extension, Platform	
19	1001236129	1	Bracket	
20	1001205430	2	Roller (Rear)	
21	1001208852	2	Pad	
22	1001217043	1	Plate	
23	1001210064	2	Support	
24	3311502	1	Nut 5/16	
25	4812000	AR	Washer M10	
26	4812002	AR	Washer M10	

SECTION 4 - PLATFORM

FIGURE 4-4. RAILS INSTALLATION - FIXED RAILS (AUSTRALIAN & JAPANESE SPECS)



ART_1001207806_F

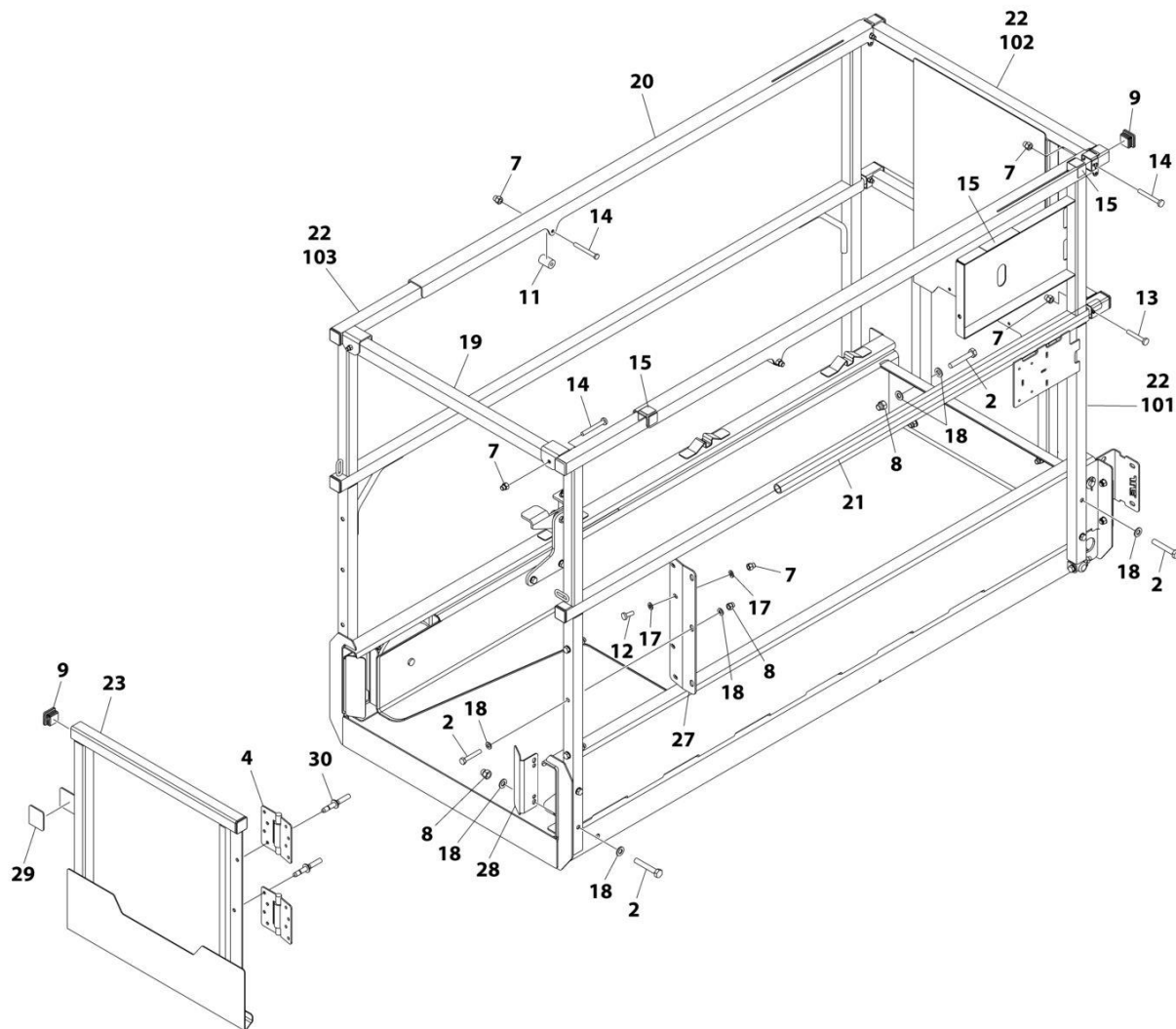
SECTION 4 - PLATFORM

FIGURE 4-4. RAILS INSTALLATION - FIXED RAILS (AUSTRALIAN & JAPANESE SPECS)

ITEM	PART NUMBER	QTY	DESCRIPTION	REV
	1001207806	Ref	RAILS INSTALLATION - FIXED RAILS/GATE ENTRY (INSIDE TUBE SLIDER)	F
2	0700818	15	Bolt M8 x 50	
4	2600281	2	Hinge	
7	3290606	12	Nut M6	
8	3290806	11	Nut M8	
9	3520072	10	Plug	
11	3860111	2	Roller	
12	4010608	4	Screw M6 x 16	
13	4010616	2	Screw M6 x 40	
14	4010618	6	Screw M6 x 50	
15	4420062	1.3 ft/ 40cm	Tape	
17	4811700	8	Washer M6	
18	4811900	28	Washer M8	
19	1001206224	1	Tube (Rear)	
20	1001206225	2	Rail, Top Slide	
21	1001206226	2	Rod	
22	1001206228	1	Rail Kit - Fixed Rails (See Items 101-103 for Breakdown))	
23	1001210302	1	Gate	
27	1001210586	1	Plate, Gate Hinge	
28	1001210963	2	Cover	
29	3080007	1	Magnet, Latch	
30	2080040	4	Fastener	
	1001206228	Ref	RAIL KIT - FIXED RAILS	H
101	1001206207	1	Rail, Side	
102	1001206217	1	Rail, Front	
103	1001206222	1	Rail, Side	

SECTION 4 - PLATFORM

FIGURE 4-5. RAILS INSTALLATION - FIXED RAILS (AUSTRALIAN & JAPANESE SPECS) (SN M200081107 to Present, SN M200079963 through M200079968, SN M200080020 through M200080021, SN M200080054 through M200080108, SN M200080140 through M200080183, SN M200080266 through M200080290, SN M200080353 through M200080356, SN M200080366 through M200080380, SN M200080435 through M200080465, SN M200080536 through M200080540, SN M200080645 through M200080719, Including M200080011, M200080263, M200080292 and M200080406)



ART_1001207806_H

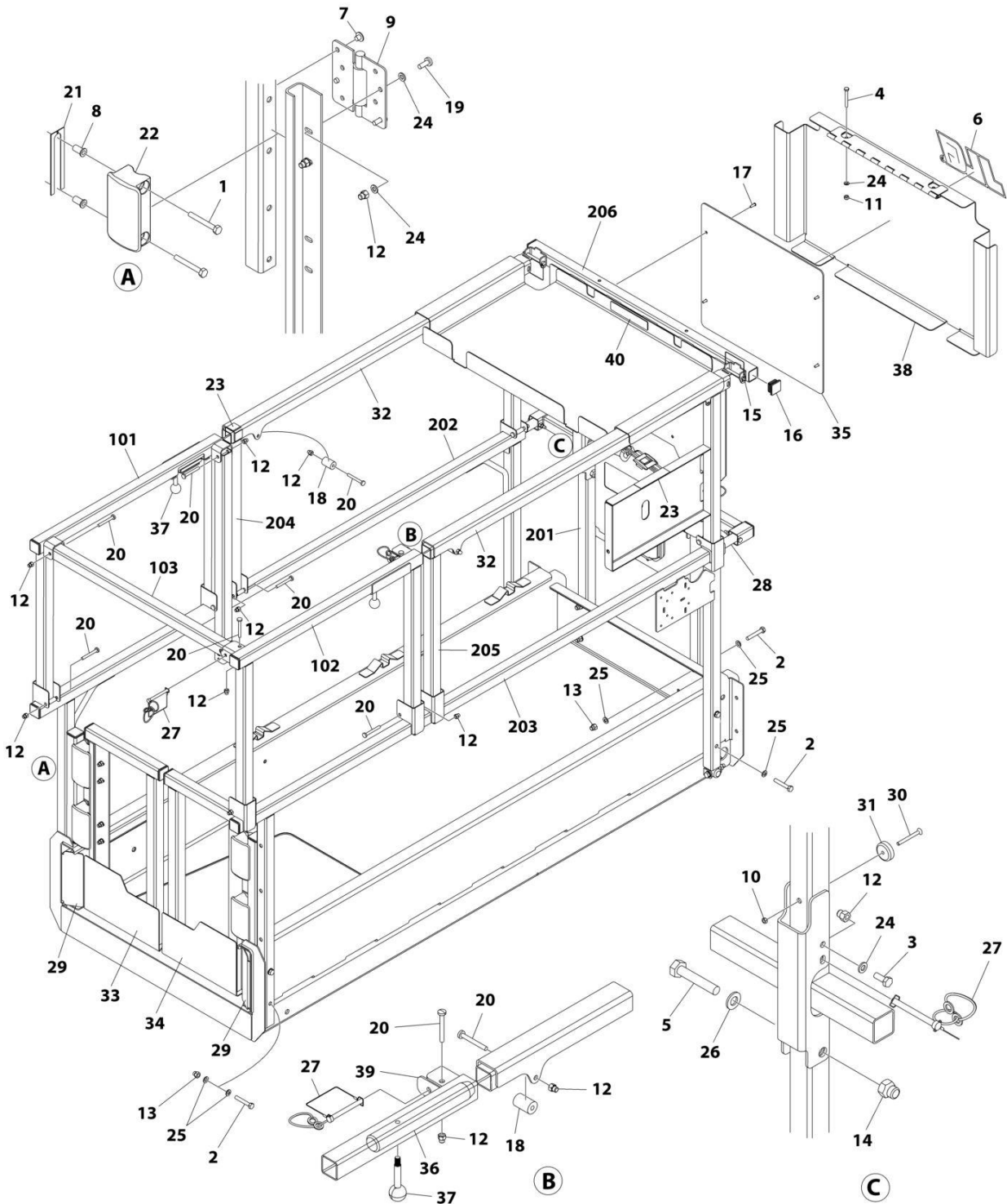
SECTION 4 - PLATFORM

FIGURE 4-5. RAILS INSTALLATION - FIXED RAILS (AUSTRALIAN & JAPANESE SPECS) (SN M200081107 to Present, SN M200079963 through M200079968, SN M200080020 through M200080021, SN M200080054 through M200080108, SN M200080140 through M200080183, SN M200080266 through M200080290, SN M200080353 through M200080356, SN M200080366 through M200080380, SN M200080435 through M200080465, SN M200080536 through M200080540, SN M200080645 through M200080719, Including M200080011, M200080263, M200080292 and M200080406)

ITEM	PART NUMBER	QTY	DESCRIPTION	REV
	1001207806	Ref	RAILS INSTALLATION - FIXED RAILS/GATE ENTRY (INSIDE TUBE SLIDER)	H
2	0700818	15	Bolt M8 x 50	
4	2600281	2	Hinge	
7	3290606	12	Nut M6	
8	3290806	11	Nut M8	
9	3520072	10	Plug	
11	3860111	2	Roller	
12	4010608	4	Screw M6 x 16	
13	4010616	2	Screw M6 x 40	
14	4010618	6	Screw M6 x 50	
15	4420062	1.3 ft/ 40cm	Tape	
17	4811700	8	Washer M6	
18	4811900	26	Washer M8	
19	1001206224	1	Tube (Rear)	
20	1001289052	2	Rail, Top Slide	
21	1001206226	2	Rod	
22	1001206228	1	Rail Kit - Fixed Rails (See Items 101-103 for Breakdown))	
23	1001210302	1	Gate	
27	1001210586	1	Plate, Gate Hinge	
28	1001210963	2	Cover	
29	3080007	1	Magnet, Latch	
30	2080040	4	Fastener	
	1001206228	Ref	RAIL KIT - FIXED RAILS	H
101	1001206207	1	Rail, Side	
102	1001206217	1	Rail, Front	
103	1001206222	1	Rail, Side	

SECTION 4 - PLATFORM

FIGURE 4-6. RAILS INSTALLATION - QUIK ACCESS (ANSI & JAPANESE SPECS)



ART_1001249082

SECTION 4 - PLATFORM

FIGURE 4-6. RAILS INSTALLATION - QUIK ACCESS (ANSI & JAPANESE SPECS)

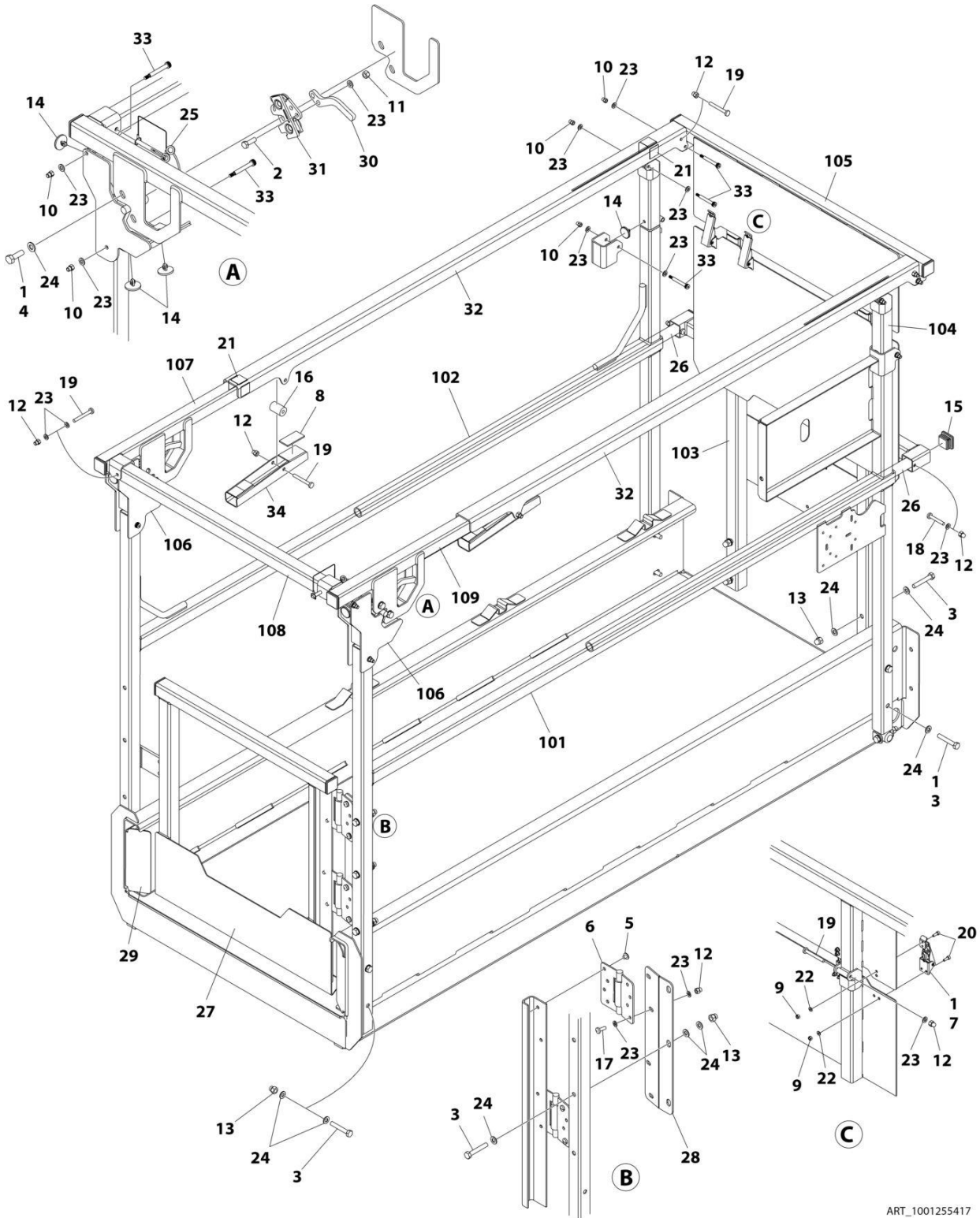
ITEM	PART NUMBER	QTY	DESCRIPTION	REV
	1001249082	Ref	RAILS INSTALLATION - FOLD-DOWN RAILS/GATE ENTRY	C
1	0641416	8	Bolt 1/4 x 2	
2	0700818	12	Bolt M8 x 50	
3	0760608	2	Bolt M6 x 16	
4	0760618	2	Bolt M6 x 50	
5	0761019	2	Bolt M10 x 55	
6	1001256675	1	Decal - JLG	
7	2080040	8	Fastener	
8	2080043	8	Rivnut	
9	2600281	4	Hinge	
10	3290501	2	Nut M5	
11	3290605	2	Nut M6	
12	3290606	26	Nut M6	
13	3290806	8	Nut M8	
14	3291006	2	Nut M10	
15	3422219	2	Pin	
16	3520072	16	Plug	
17	3820032	4	Rivet	
18	3860111	2	Roller	
19	4010608	8	Screw M6 x 16	
20	4010618	16	Screw M6 x 50	
21	4071095	AR	Shim	
22	4220309	4	Stop	
23	4420062	1.5 ft /0.46m	Tape	
24	4811700	20	Washer M6	
25	4811900	20	Washer M8	
26	4812000	2	Washer M10	
27	1001187587	4	Pin	
28	1001206226	2	Rod	
29	1001210963	2	Cover (LH)	
30	1001234395	2	Bolt M5 x 50	
31	1001243528	2	Magnet	
32	1001249114	2	Rail (Upper Slide)	
33	1001251383	1	Gate (Right)	
34	1001251388	1	Gate (Left)	
35	1001254825	1	Panel	
36	1001256471	2	Rail (Platform Extension)	
37	1001257890	2	Knob	
38	1001258528	1	Plate	
39	1001258704	2	Bracket	
40	1001261040	1	Decal - Max Capacity	
100	1001258617	1	Rail Narrow Access Kit (Not Shown)	A
101	1001249109	1	Rail (Upper Left)	
102	1001249111	1	Rail (Upper Right)	
103	1001258620	2	Tube (Drop Bar)	
200	1001258618	1	Rail Narrow Access Kit (Not Shown)	B
201	1001210446	1	Rail (Lower Extension)	
202	1001249096	1	Rail (Lower Left)	
203	1001249107	1	Rail (Lower Right)	

SECTION 4 - PLATFORM

ITEM	PART NUMBER	QTY	DESCRIPTION	REV
204	1001249110	1	Rail (Upper Left)	
205	1001249112	1	Rail (Upper Right)	
206	1001258411	1	Rail (Upper Extension)	

SECTION 4 - PLATFORM

FIGURE 4-7. RAILS INSTALLATION - QUIK FOLD-DOWN (ALL SPECS EXCEPT CE SPECS) (Prior to SN M200062525, Except SN M200062772 through M200062776)



ART_1001255417

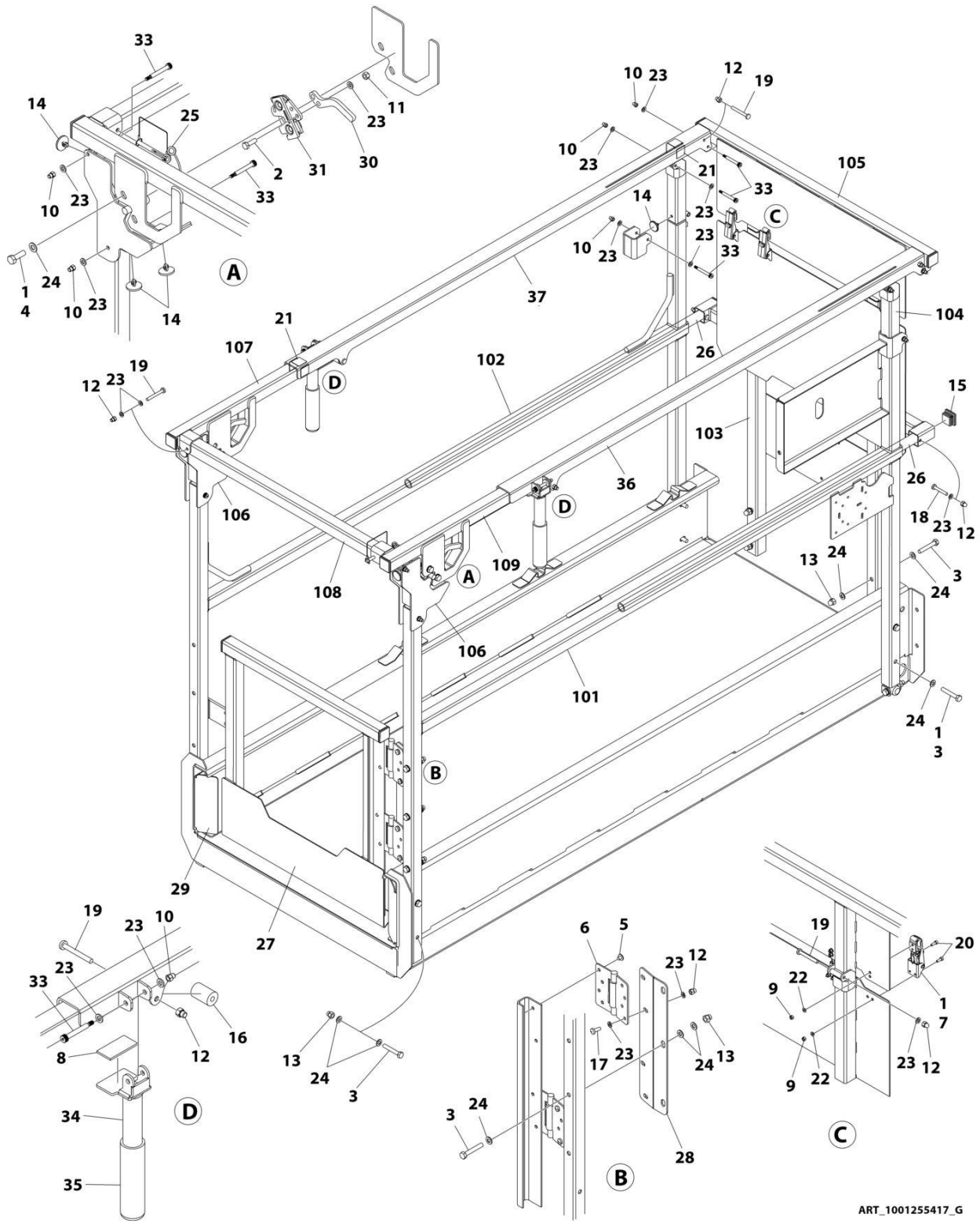
SECTION 4 - PLATFORM

FIGURE 4-7. RAILS INSTALLATION - QUIK FOLD-DOWN (ALL SPECS EXCEPT CE SPECS) (Prior to SN M200062525, Except SN M200062772 through M200062776)

ITEM	PART NUMBER	QTY	DESCRIPTION	REV
	1001255417	Ref	RAILS INSTALLATION - FOLD-DOWN RAILS/GATE ENTRY (QUIK FOLD) (INSIDE TUBE SLIDER)	E
1	0100011	AR	Compound, Locking	
2	0700610	4	Bolt M6 x 20	
3	0700818	15	Bolt M8 x 50	
4	0700812	4	Bolt M8 x 25	
5	2080040	4	Fastener	
6	2600281	2	Hinge	
7	2940129	2	Latch	
8	3080007	3	Magnet	
9	3290405	8	Nut M4	
10	3290506	10	Nut M5	
11	3290605	4	Nut M6	
12	3290606	13	Nut M6	
13	3290806	11	Nut M8	
14	3340962	8	Pad	
15	3520072	10	Plug	
16	3860111	2	Roller	
17	4010608	4	Screw M6 x 16	
18	4010616	2	Screw M6 x 40	
19	4010618	7	Screw M6 x 50	
20	4031506	8	Bolt M4 x 12	
21	4420062	1.3 ft /40cm	Tape	
22	4811400	8	Washer M4	
23	4811700	38	Washer M6	
24	4811900	33	Washer M8	
25	1001187587	1	Pin	
26	1001206226	2	Rod	
27	1001210302	1	Gate	
28	1001210586	1	Plate, Gate Hinge	
29	1001210963	2	Cover	
30	1001259102	1	Plate, Latch Trigger	
31	1001255470	1	Latch Assembly	
32	1001255505	2	Rail, Top Slide	
33	1001256657	10	Bolt M6 x 40	
34	1001261149	2	Handle	
100	1001255420	1	Rail Kit (Not Shown)	D
101	1001255421	1	Rail (Right Platform)	
102	1001255428	1	Rail (Left Platform)	
103	1001255430	1	Rail (Platform Extension)	
104	1001255442	2	Tube (Rail Hinge)	
105	1001255457	1	Rail (Upper Extension)	
106	1001259105	2	Rail (Latch Assembly)	
107	1001259106	1	Rail (Upper)	
108	1001255491	1	Tube (Upper Extension)	
109	1001259107	1	Rail (Upper)	

SECTION 4 - PLATFORM

FIGURE 4-8. RAILS INSTALLATION - QUIK FOLD-DOWN (ALL SPECS EXCEPT CE SPECS) (SN M200062525 to Present)



ART_1001255417_G

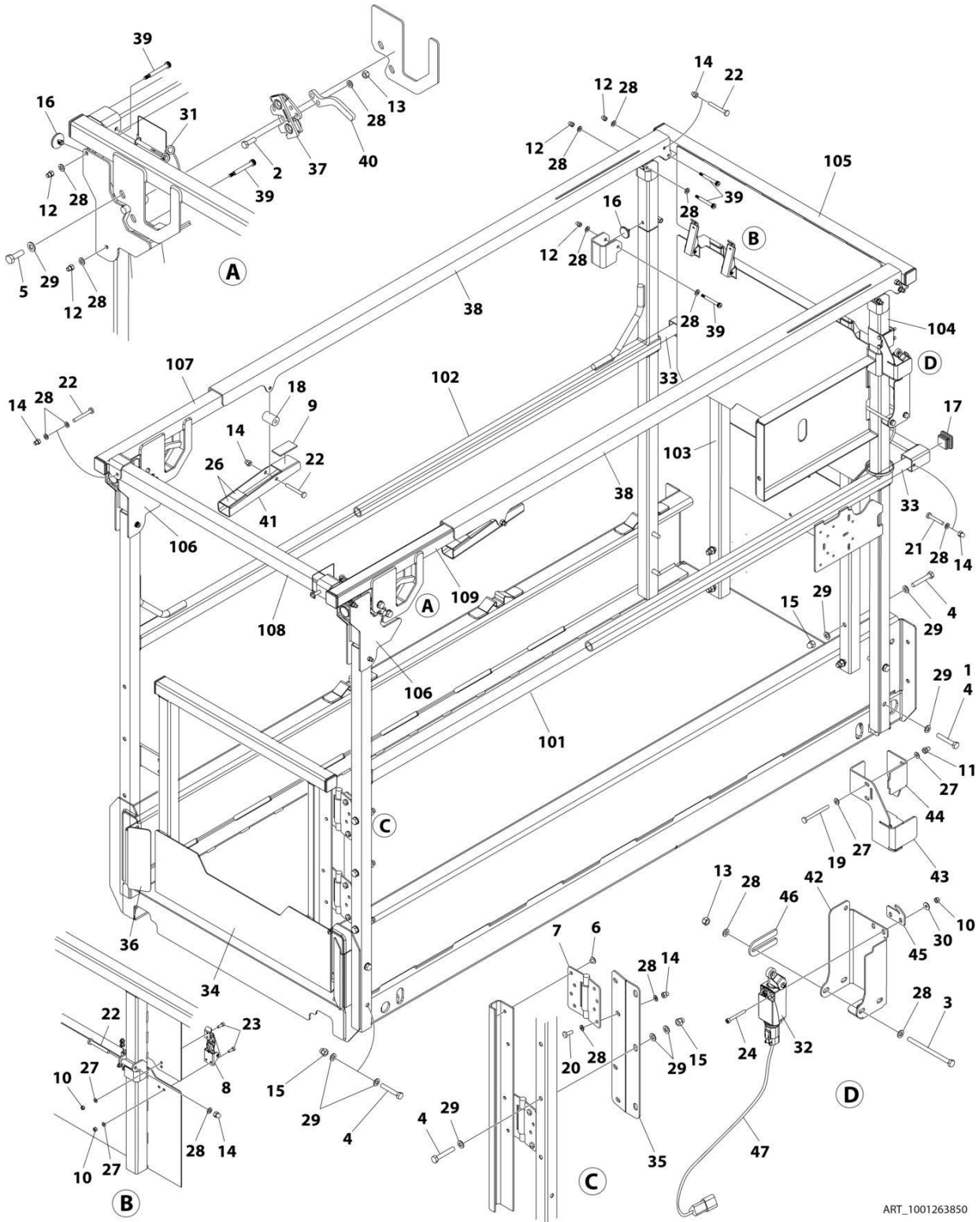
SECTION 4 - PLATFORM

FIGURE 4-8. RAILS INSTALLATION - QUIK FOLD-DOWN (ALL SPECS EXCEPT CE SPECS) (SN M200062525 to Present)

ITEM	PART NUMBER	QTY	DESCRIPTION	REV
	1001255417	Ref	RAILS INSTALLATION - FOLD-DOWN RAILS/GATE ENTRY (QUIK FOLD) (INSIDE TUBE SLIDER)	G
1	0100011	AR	Compound, Locking	
2	0700610	4	Bolt M6 x 20	
3	0700818	15	Bolt M8 x 50	
4	0700812	4	Bolt M8 x 25	
5	2080040	4	Fastener	
6	2600281	2	Hinge	
7	1001286736	2	Latch	
8	3080007	3	Magnet	
9	3290405	8	Nut, Lock M4	
10	3290506	12	Nut M5	
11	3290605	4	Nut, Lock M6	
12	3290606	13	Nut M6	
13	3290806	11	Nut M8	
14	3340962	8	Pad	
15	3520072	10	Plug	
16	3860111	2	Roller	
17	4010608	4	Screw M6 x 16	
18	4010616	2	Screw M6 x 40	
19	4010618	7	Screw M6 x 50	
20	4031506	8	Bolt M4 x 12	
21	4420062	1 ft /30cm	Tape	
22	4811400	8	Washer M4	
23	4811700	42	Washer M6	
24	4811900	33	Washer M8	
25	1001187587	1	Pin	
26	1001206226	2	Rod	
27	1001210302	1	Gate	
28	1001210586	1	Plate, Gate Hinge	
29	1001210963	2	Cover	
30	1001259102	1	Plate, Latch Trigger	
31	1001255470	1	Latch Assembly	
33	1001256657	12	Bolt M6 x 40	
34	1001282613	2	Handle	
35	2560088	2	Grip, Handle	
36	1001282611	1	Rail, Top Right Slide	
37	1001282612	1	Rail, Top Left Slide	
100	1001255420	1	Rail Kit (Not Shown)	H
101	1001255421	1	Rail (Right Platform)	
102	1001255428	1	Rail (Left Platform)	
103	1001255430	1	Rail (Platform Extension)	
104	1001255442	2	Tube (Rail Hinge)	
105	1001255457	1	Rail (Upper Extension)	
106	1001259105	2	Rail (Latch Assembly)	
107	1001259106	1	Rail (Upper)	
108	1001255491	1	Tube (Upper Extension)	
109	1001259107	1	Rail (Upper)	

SECTION 4 - PLATFORM

FIGURE 4-9. RAIL INSTALLATION - QUIK-FOLD (CE & UK CA SPECS) (Prior to SN M200062525, Except SN M200062772 through M200062776)



ART_1001263850

SECTION 4 - PLATFORM

**FIGURE 4-9. RAIL INSTALLATION - QUIK-FOLD (CE & UK CA SPECS) (Prior to SN M200062525,
Except SN M200062772 through M200062776)**

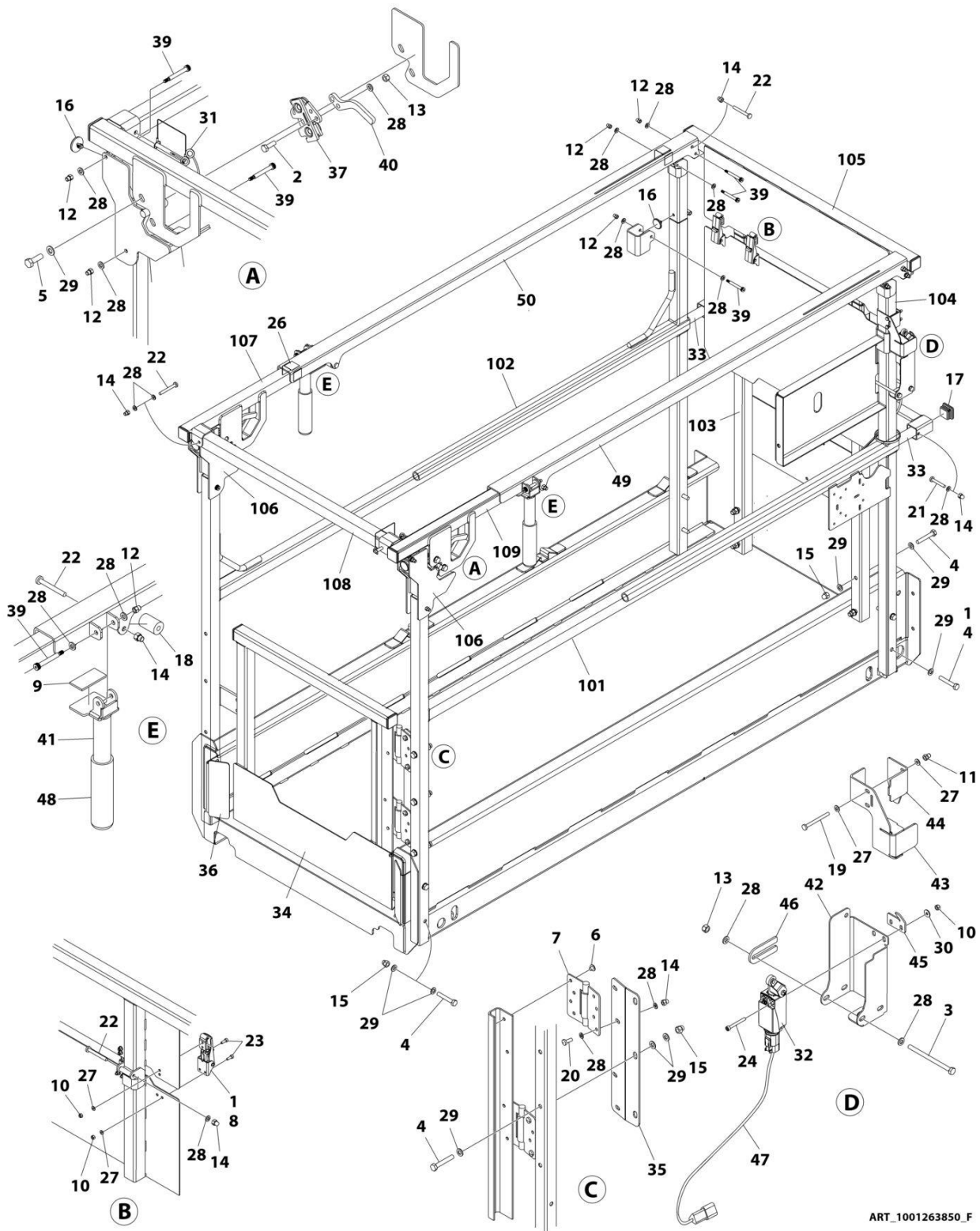
ITEM	PART NUMBER	QTY	DESCRIPTION	REV
	1001263850	Ref	RAIL INSTALLATION	C
1	0100011	AR	Compound, Locking	
2	0700610	4	Bolt M6 x 20	
3	0700626	2	Bolt M6 x 90	
4	0700818	15	Bolt M8 x 50	
5	0760812	4	Bolt M8 x 25	
6	2080040	4	Fastener	
7	2600281	2	Hinge	
8	2940129	2	Latch	
9	3080007	3	Magnet Gate	
10	3290405	10	Nut M4	
11	3290406	2	Nut M4	
12	3290506	10	Nut M5	
13	3290605	6	Nut M6	
14	3290606	13	Nut M6	
15	3290806	11	Nut M8	
16	3340962	8	Pad	
17	3520072	10	Plug	
18	3860111	2	Roller	
19	4010417	2	Screw M4 x 45	
20	4010608	4	Screw M6 x 16	
21	4010616	2	Screw M6 x 40	
22	4010618	7	Screw M6 x 50	
23	4031506	8	Capscrew M4 x 12	
24	4031511	2	Capscrew M4 x 35	
25	4240017	AR	Tie-Strap (Not Shown)	
26	4420062	16 in /40 cm	Tape	
27	4811400	12	Washer M4	
28	4811700	42	Washer M6	
29	4811900	33	Washer M8	
30	1001091102	2	Washer M4	
31	1001187587	1	Pin With Lanyard	
32	1001203871	1	Switch, Limit	
33	1001206226	2	Rod	
34	1001210302	1	Gate	
35	1001210586	1	Support	
36	1001210963	2	Cover	
37	1001255470	2	Latch	
38	1001255505	2	Rail (Top Outer)	
39	1001256657	10	Bolt M6 x 40	
40	1001259102	2	Plate, Latch	
41	1001261149	2	Handle, Lock	
42	1001263805	1	Mount	
43	1001279476	1	Plate	
44	1001279477	1	Clamp	
45	1001263808	1	Guard	
46	1001264079	1	Shim	
47	1001264110	1	Harness, Quick FD Rail Switch	

SECTION 4 - PLATFORM

ITEM	PART NUMBER	QTY	DESCRIPTION	REV
47	4460844	1	Plug, Male - 4 Position (SN238 - Rail Switch)	
47	4460465	3	Socket, Female	
47	4460466	1	Plug Terminal	
47	4460536	1	Receptacle, Female - 4 Position (SW475 - Platform Cable Connector)	
47	4460464	3	Pin, Male	
47	4460466	1	Plug, Terminal	
100	1001255420	Ref	Rail Kit (Not Shown)	
101	1001255421	1	Rail (RH)	
102	1001255428	1	Rail (LH)	
103	1001255430	1	Rail (Extension Front Lower)	
104	1001255442	2	Rail (Front)	
105	1001255457	1	Rail (Extension Front Upper)	
106	1001259105	2	Latch	
107	1001259106	1	Rail (Top Inner RH)	
108	1001255491	1	Tube (Extension Top)	
109	1001259107	1	Rail (Top Inner LH)	

SECTION 4 - PLATFORM

FIGURE 4-10. RAIL INSTALLATION - QUIK-FOLD (CE & UK CA SPECS) (SN M200062525 to Present)



ART_1001263850_F

SECTION 4 - PLATFORM

FIGURE 4-10. RAIL INSTALLATION - QUIK-FOLD (CE & UK CA SPECS) (SN M200062525 to Present)

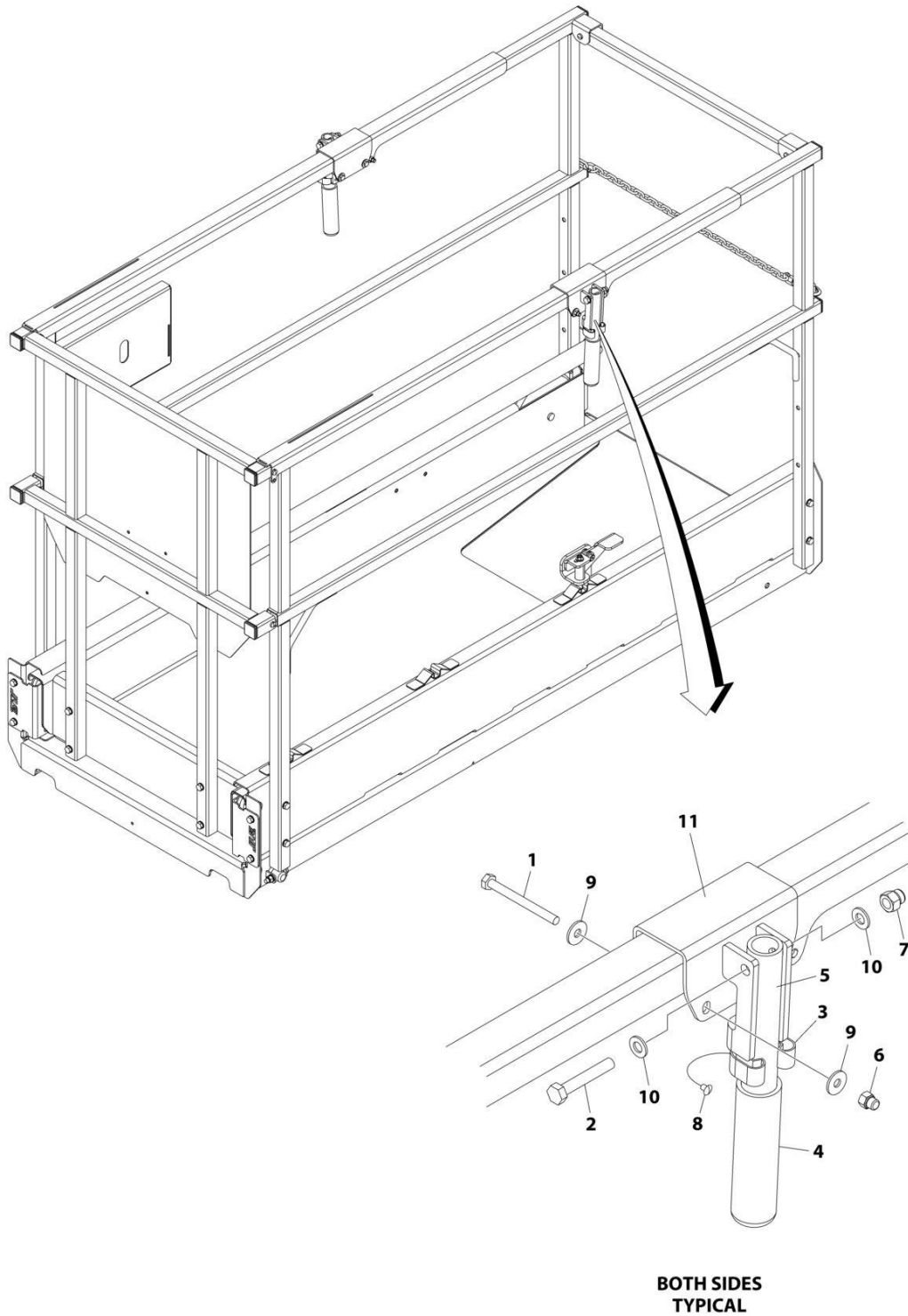
ITEM	PART NUMBER	QTY	DESCRIPTION	REV
	1001263850	Ref	RAIL INSTALLATION	F
1	0100011	AR	Compound, Locking	
2	0700610	4	Bolt M6 x 20	
3	0700626	2	Bolt M6 x 90	
4	0700818	15	Bolt M8 x 50	
5	0760812	4	Bolt M8 x 25	
6	2080040	4	Fastener	
7	2600281	2	Hinge	
8	1001286736	2	Latch	
9	3080007	3	Magnet Gate	
10	3290405	10	Nut, Lock M4	
11	3290406	2	Nut M4	
12	3290506	12	Nut M5	
13	3290605	6	Nut, Lock M6	
14	3290606	13	Nut M6	
15	3290806	11	Nut M8	
16	3340962	8	Pad	
17	3520072	10	Plug	
18	3860111	2	Roller	
19	4010417	2	Screw M4 x 45	
20	4010608	4	Screw M6 x 16	
21	4010616	2	Screw M6 x 40	
22	4010618	7	Screw M6 x 50	
23	4031506	8	Capscrew M4 x 12	
24	4031511	2	Capscrew M4 x 35	
25	4240017	AR	Tie-Strap (Not Shown)	
26	4420062	1 ft /30 cm	Tape	
27	4811400	12	Washer M4	
28	4811700	46	Washer M6	
29	4811900	33	Washer M8	
30	1001091102	2	Washer M4	
31	1001187587	1	Pin With Lanyard	
32	1001203871	1	Switch, Limit	
33	1001206226	2	Rod	
34	1001210302	1	Gate	
35	1001210586	1	Support	
36	1001210963	2	Cover	
37	1001255470	2	Latch	
39	1001256657	12	Bolt M6 x 40	
40	1001259102	2	Plate, Latch	
41	1001282613	2	Handle, Lock	
42	1001263805	1	Mount	
43	1001279476	1	Plate	
44	1001279477	1	Clamp	
45	1001263808	1	Guard	
46	1001264079	1	Shim	
47	1001264110	1	Harness, Quick FD Rail Switch	
47	4460844	1	Plug, Male - 4 Position (SN238 - Rail Switch)	
47	4460465	3	Socket, Female	
47	4460466	1	Plug Terminal	

SECTION 4 - PLATFORM

ITEM	PART NUMBER	QTY	DESCRIPTION	REV
47	4460536	1	Receptacle, Female - 4 Position (SW475 - Platform Cable Connector)	H
47	4460464	3	Pin, Male	
47	4460466	1	Plug, Terminal	
48	2560088	2	Grip, Handle	
49	1001282611	1	Rail, Top Right Slide	
50	1001282612	1	Rail, Top Left Slide	
100	1001255420	Ref	Rail Kit (Not Shown)	
101	1001255421	1	Rail (RH)	
102	1001255428	1	Rail (LH)	
103	1001255430	1	Rail (Extension Front Lower)	
104	1001255442	2	Rail (Front)	
105	1001255457	1	Rail (Extension Front Upper)	
106	1001259105	2	Latch	
107	1001259106	1	Rail (Top Inner RH)	
108	1001255491	1	Tube (Extension Top)	
109	1001259107	1	Rail (Top Inner LH)	

SECTION 4 - PLATFORM

FIGURE 4-11. HANDLE EXTENSION INSTALLATION (OPTIONAL)



ART_1001222587

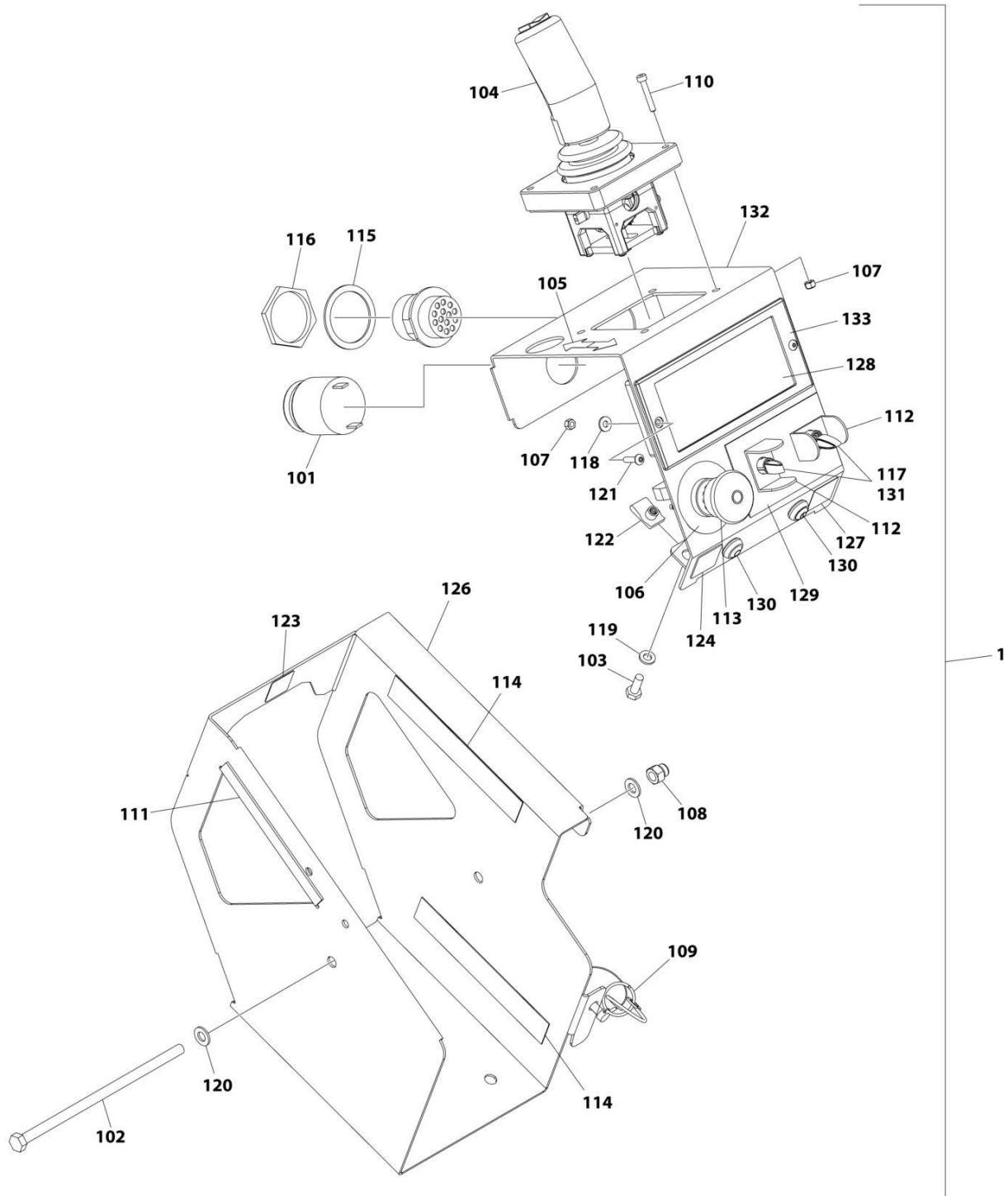
SECTION 4 - PLATFORM

FIGURE 4-11. HANDLE EXTENSION INSTALLATION (OPTIONAL)

ITEM	PART NUMBER	QTY	DESCRIPTION	REV
	1001222587	Ref	HANDLE EXTENSION INSTALLATION (OPTIONAL)	B
1	0700621	4	Bolt M6 x 65	
2	0700818	2	Bolt M8 x 50	
3	1380132	2	Clip	
4	2560088	2	Grip, Handle	
5	2560190	2	Handle	
6	3290606	2	Nut M6	
7	3290806	2	Nut M8	
8	3820019	2	Rivet	
9	4811702	8	Washer M6	
10	4811900	4	Washer M8	
11	1001216823	2	Bracket	

SECTION 4 - PLATFORM

FIGURE 4-12. PLATFORM CONSOLE ASSEMBLY (LED)



ART_1001274659

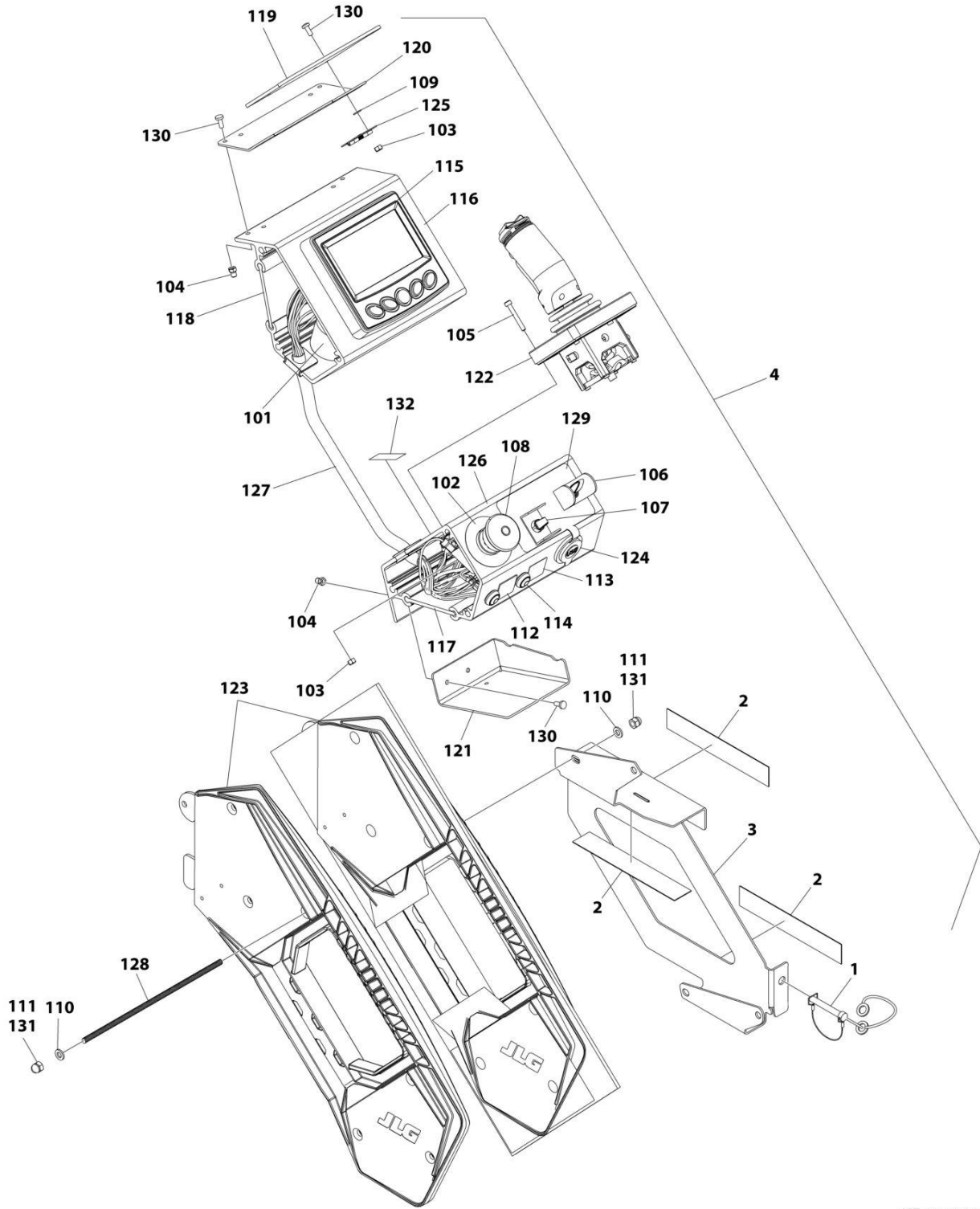
SECTION 4 - PLATFORM

FIGURE 4-12. PLATFORM CONSOLE ASSEMBLY (LED)

ITEM	PART NUMBER	QTY	DESCRIPTION	REV
	1001274659	Ref	PLATFORM CONTROL INSTALLATION (LED)	A
1	1001274604	1	Platform Control Box	B
101	0140030	1	Alarm	
102	0700835	1	Bolt M8 x 180	
103	0760610	2	Bolt M6 x 20	
104	1600402	1	Controller Assembly (See Separate Breakdown in this Section)	
105	1703819	1	Decal - Arrow	
106	1704260	1	Decal - Emergency Stop	
107	3290405	6	Nut M4	
108	3290806	1	Nut M8	
109	3423278	1	Pin, Snap with Lanyard	
110	4031509	4	Capscrew M4 x 25	
111	4060803	6 in/ 14cm	Flex-Trim	
112	4060906	2	Guard, Switch	
113	4360475	1	Switch, Emergency Stop	
113	7020175	1	Cap	
113	7020176	1	Block, Contact	
114	4420062	12 in/ 30cm	Tape	
115	4460496	1	Washer, Terminal	
116	4460497	1	Nut, Terminal	
117	4711700	2	Washer 7/16	
118	4811400	2	Washer M4	
119	4811700	2	Washer M6	
120	4811900	2	Washer M8	
121	1001047064	2	Screw M4 x 15	
122	1001130220	2	Nut, Tinnerman M6	
123	1001132358	1	Decal - Steer	
124	1001132361	1	Decal - Horn	
125	1001200819	1	Platform Control Box Harness (Not Shown) (See Separate Breakdown in ELECTRICAL Section)	
126	1001209596	1	Plate, Box (Outside)	
127	1001213886	1	Decal - Indoor/Outdoor	
128	1001218285	1	Decal - Platform Control	
129	1001220893	1	Decal - Lift/Drive Function	
130	1001226749	2	Switch, Push Button	
131	1001258446	2	Switch, Toggle	
132	1001262655	1	Plate, Box (Inside)	
133	1001274605	1	Module, Platform Control	

SECTION 4 - PLATFORM

FIGURE 4-13. PLATFORM BOX ASSEMBLY (LCD)



ART_1001290161

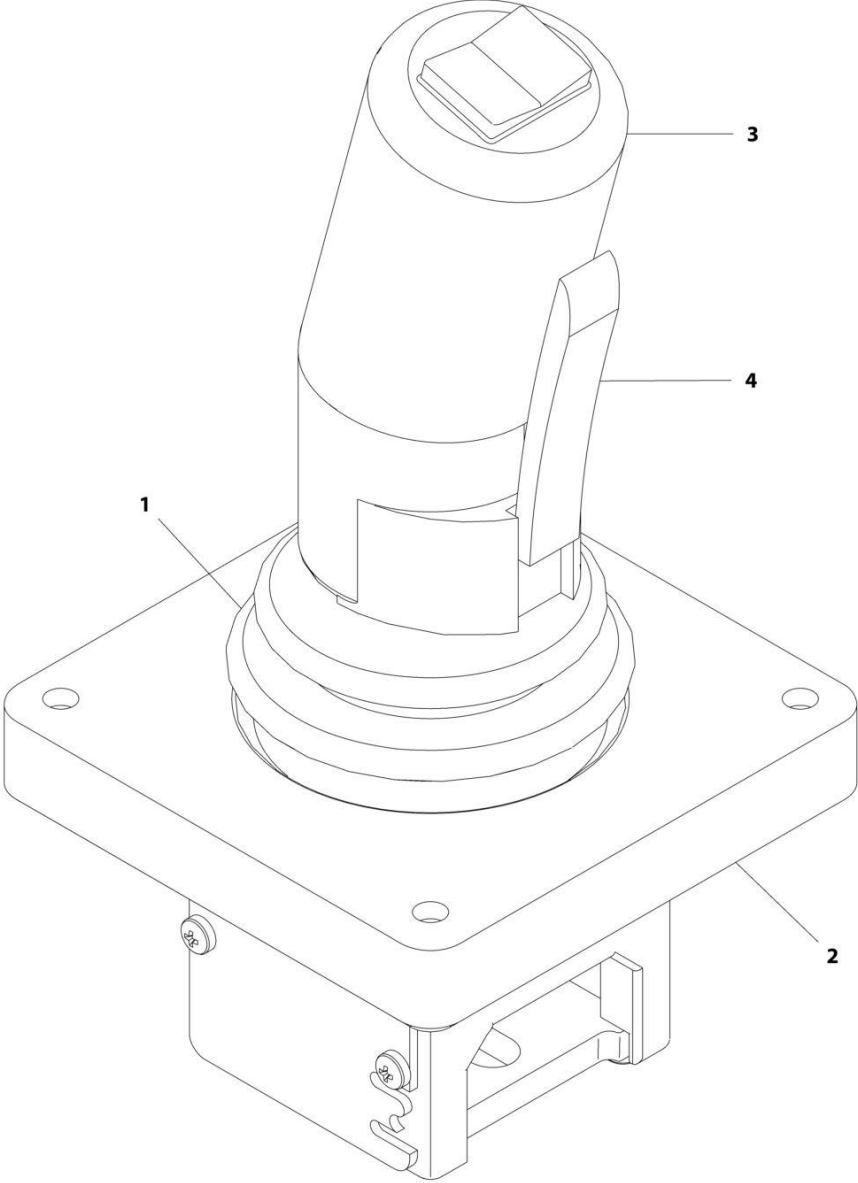
SECTION 4 - PLATFORM

FIGURE 4-13. PLATFORM BOX ASSEMBLY (LCD)

ITEM	PART NUMBER	QTY	DESCRIPTION	REV
	1001290161	Ref	PLATFORM BOX ASSEMBLY (LCD)	B
1	3423278	1	Pin	
2	4420062	17 in/ 43cm	Tape	
3	1001255439	1	Mount	
4	1001290016	1	Platform Box Assembly	D
101	0140030	1	Alarm	
102	1704260	1	Decal - Emergency Stop	
103	3290405	12	Nut M4	
104	3290406	6	Nut M4	
105	4031510	4	Capscrew M4 x 30	
106	4060906	2	Guard, Switch	
107	4360345	2	Switch, Toggle	
108	4360475	1	Switch, Emergency Stop	
108	7020175	1	Cap	
108	7020176	1	Block, Contact	
109	4811400	4	Washer M4	
110	4811700	12	Washer M6	
111	1001108603	12	Nut M6	
112	1001132361	1	Decal - Horn	
113	1001213886	1	Decal - Indoor/Outdoor	
114	1001226749	2	Switch - Push Button	
115	1001244932	1	Control - Display (Note: Recalibration Required When Replaced)	
116	1001246584	1	Housing (Upper)	
117	1001246863	1	Cover (Lower)	
118	1001246864	1	Cover (Upper)	
119	1001246979	1	Shield, Display	
120	1001247313	1	Mount, Shield	
121	1001247443	1	Holder, Phone	
122	1001247682	1	Drive/Steer Controller (See Separate Breakdown in this Section)	
123	1001249259	2	Panel, Side	
124	1001253800	1	Receptacle, USB	
125	1001254119	2	Hinge	
126	1001254555	1	Channel, Cross Section	
127	1001254686	1	Harness, Platform Box (See Separate Breakdown in ELECTRICAL Section)	
128	1001255461	6	Stud, M6 x 205	
129	1001256219	1	Decal - Lift/Drive Function	
130	4010405002	14	Screw, M4 x 10	
131	0100011	AR	Compound, Locking	
132	1703819	1	Decal - Direction Arrow	

SECTION 4 - PLATFORM

FIGURE 4-14. DRIVE/STEER CONTROLLER ASSEMBLY (LED)



ART_1600402

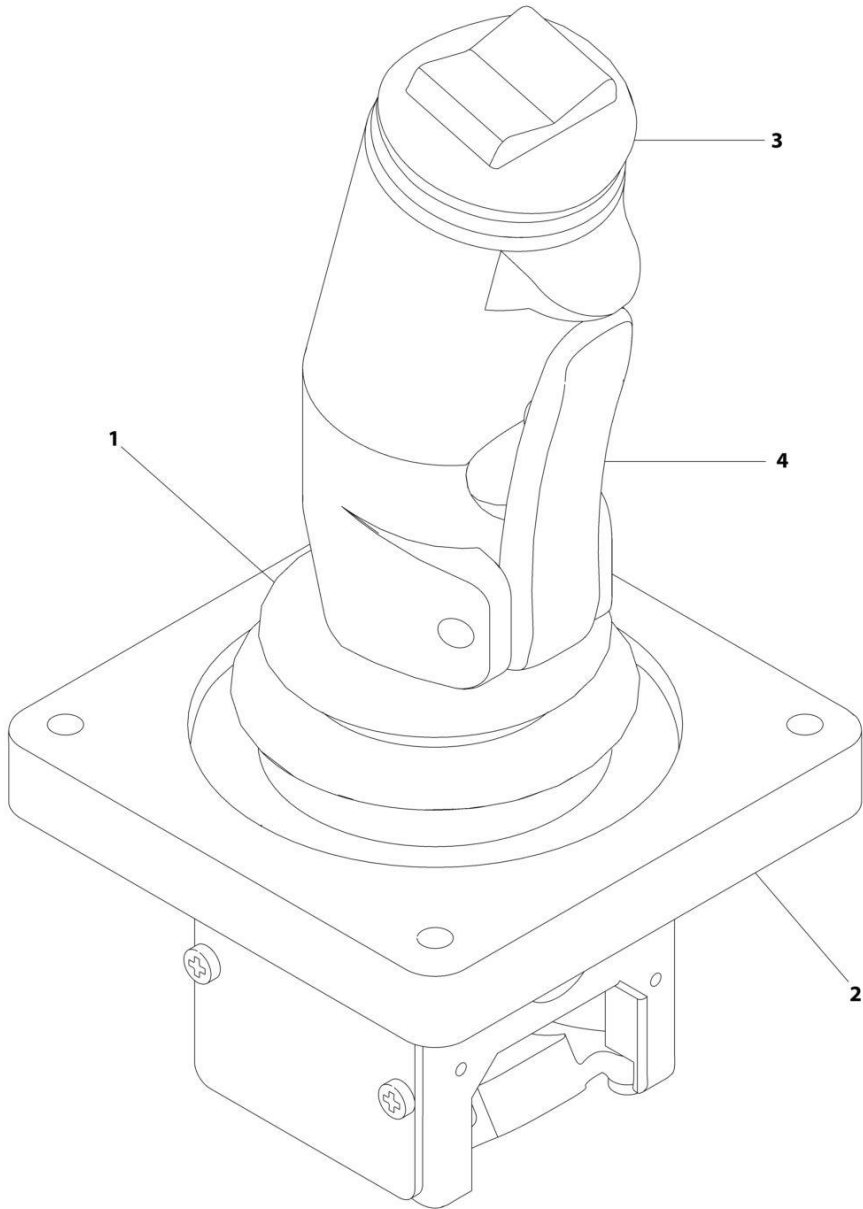
SECTION 4 - PLATFORM

FIGURE 4-14. DRIVE/STEER CONTROLLER ASSEMBLY (LED)

ITEM	PART NUMBER	QTY	DESCRIPTION	REV
	1600402	Ref	DRIVE/STEER CONTROLLER ASSEMBLY	A
1	70001250	1	Boot, Panel	
2	70001252	1	Gasket, Mounting	
2	70001251	1	Bezel, Mounting	
3	70003650	1	Handle Repair Kit (Includes handle gasket, item#4 push button and item #4 lever installed in front handle half, back handle half, top actuator, boot and hardware.)	
3	70000084	1	Cap, Rubber	
3	70000082	1	Microswitch	
3	7027766	1	Ring, Retaining	
3	7027365	1	Actuator, Handle	
3	70001253	1	Gasket, Handle	
3	70000683	4	Washer, Neoprene	
3	70000685	2	Spacer, Plastic	
3	70000686	2	Screw (Top)	
3	70000684	2	Screw (Bottom)	
4	7027367	1	Switch, Push Button	
4	7027765	1	Lever, Enable	

SECTION 4 - PLATFORM

FIGURE 4-15. DRIVE/STEER CONTROLLER ASSEMBLY (LCD)



ART_1001247682

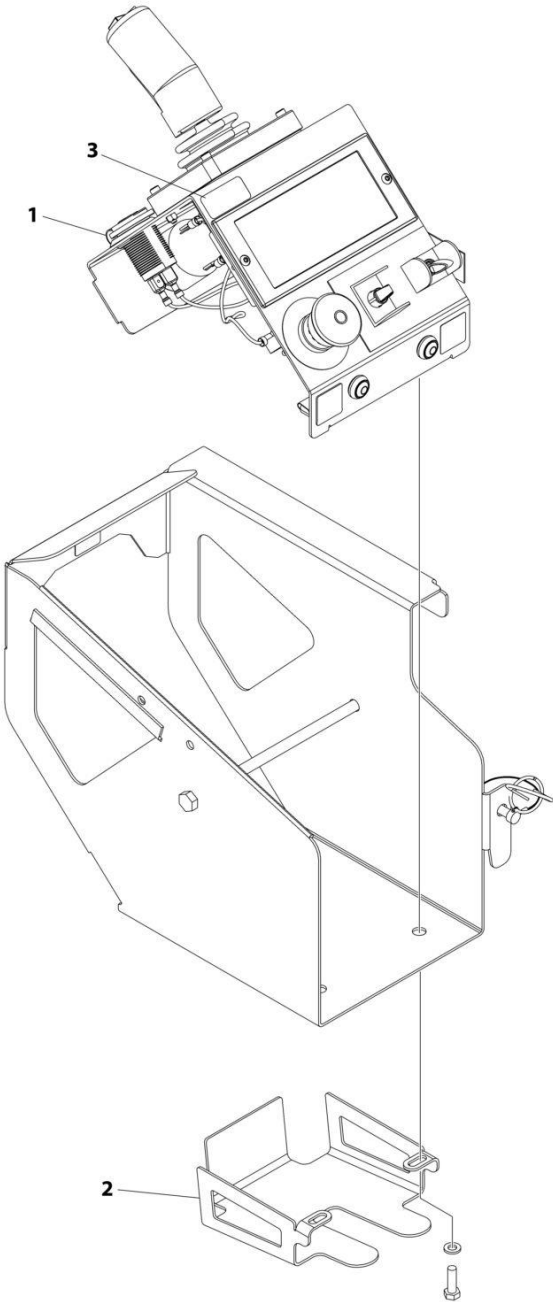
SECTION 4 - PLATFORM

FIGURE 4-15. DRIVE/STEER CONTROLLER ASSEMBLY (LCD)

ITEM	PART NUMBER	QTY	DESCRIPTION	REV
	1001247682	Ref	DRIVE/STEER CONTROLLER ASSEMBLY (LCD)	B
1	70001250	1	Boot, Panel	
2	70001252	1	Gasket, Mounting	
2	70001251	1	Bezel, Mounting	
3	70007506	1	Handle Repair Kit (Includes handle gasket, item#4 push button and item #4 lever installed in front handle half, back handle half, top actuator, boot and hardware.)	
3	70000084	1	Cap, Rubber	
3	70000082	1	Microswitch	
3	7027766	1	Ring, Retaining	
3	7027365	1	Actuator, Handle	
3	70001253	1	Gasket, Handle	
3	70000683	4	Washer, Neoprene	
3	70000685	2	Spacer, Plastic	
3	70000686	2	Screw (Top)	
3	70000684	2	Screw (Bottom)	
4	7027367	1	Switch, Push Button	
4	7027765	1	Lever, Enable	

SECTION 4 - PLATFORM

FIGURE 4-16. USB/PHONE CRADLE INSTALLATION



ART_1001262150

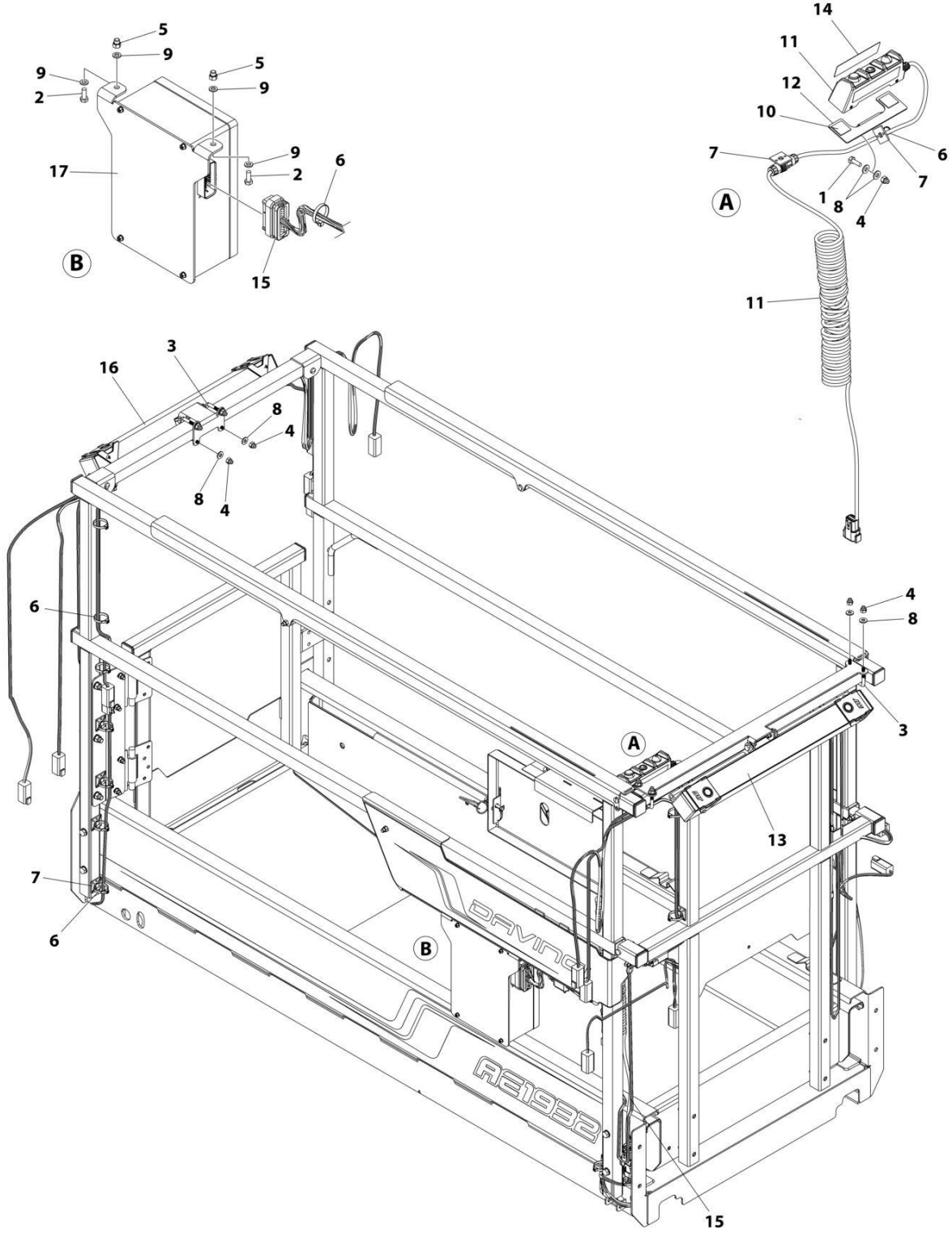
SECTION 4 - PLATFORM

FIGURE 4-16. USB/PHONE CRADLE INSTALLATION

ITEM	PART NUMBER	QTY	DESCRIPTION	REV
	1001262150	Ref	USB/PHONE CRADLE INSTALLATION	B
1	1001253800	1	Terminal, USB Receptacle	
2	1001261131	1	Bracket, Phone	
3	1001274168	1	Decal, USB Charge	

SECTION 4 - PLATFORM

FIGURE 4-17. SKYSENSE LEVEL 1 INSTALLATION (LED)



ART_1001270653

SECTION 4 - PLATFORM

FIGURE 4-17. SKYSENSE LEVEL 1 INSTALLATION (LED)

ITEM	PART NUMBER	QTY	DESCRIPTION	REV
	1001270653	Ref	SKYSENSE, LEVEL 1 INSTALLATION (LED)	B
1	0641406	2	Bolt 1/4 x 3/4	
2	0700608	2	Bolt M6 x 16	
3	1320302	4	U-Clamp	
4	2080063	10	Nut 1/4	
5	3290606	2	Nut M6	
6	4240017	AR	Tie-Strap	
7	4460234	AR	Terminal	
8	4711400	12	Washer 1/4	
9	4811700	4	Washer M6	
10	1001217088	0.16 ft /50mm	Tape, 2-Sided	
11	1001239824	1	Housing, Scissor	
12	1001254722	1	Plate, SkySense	
13	1001255074	1	Tube, SkySense	
14	1001255165	1	Decal - Danger, Crushing and Power Line SkySense	
15	1001255507	1	Harness, SkySense	
16	1001258755	1	Tube, SkySense	
17	1001270870	1	Box Assembly	
17	1001261153	1	Decal - Weight	

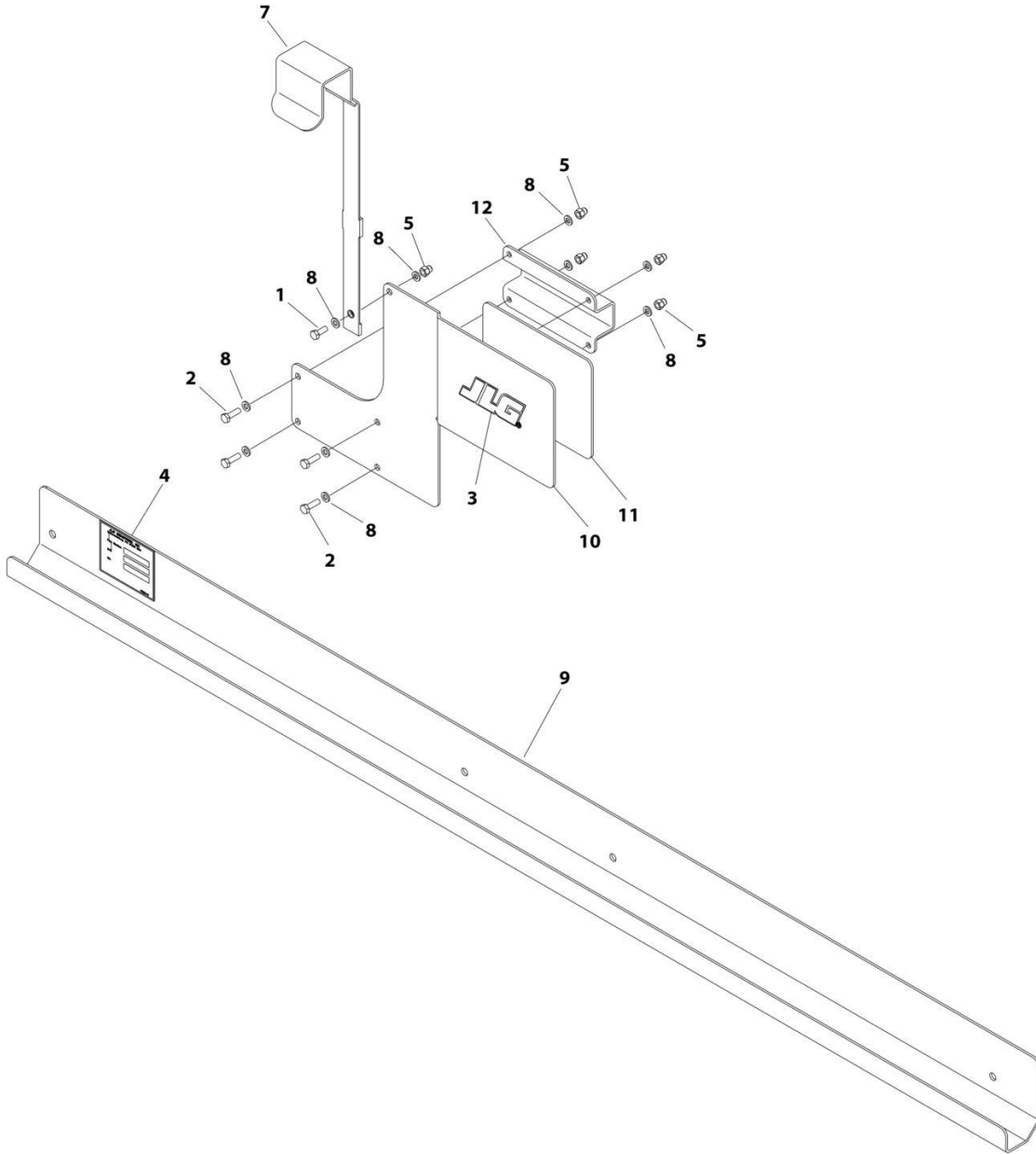
SECTION 4 - PLATFORM

FIGURE 4-18. SKYSENSE LEVEL 1 INSTALLATION (LCD)

ITEM	PART NUMBER	QTY	DESCRIPTION	REV
	1001271186	Ref	SKYSENSE, LEVEL 1	A
1	0700608	2	Bolt M6 x 16	
2	1320302	4	U-Clamp	
3	2080063	8	Nut 1/4	
4	3290406	2	Nut M4	
5	3290606	2	Nut M6	
6	4010414	2	Screw, M4 x 30	
7	4460234	AR	Terminal	
8	4711400	8	Washer 1/4	
9	4811700	4	Washer M6	
10	86683122	AR	Tie-Strap	
11	1001217088	0.5 ft /150mm	Tape, 2-Sided	
12	1001239824	1	Housing, Scissor	
13	1001255074	1	Tube, SkySense	
14	1001255165	1	Decal - Danger, Crushing and Power Line SkySense	
15	1001255507	1	Harness, SkySense	
16	1001258755	1	Tube, SkySense	
17	1001270870	1	Box Assembly	
17	1001261153	1	Decal - Weight	
18	1001271185	1	Bracket, Scissor	

SECTION 4 - PLATFORM

FIGURE 4-19. PANEL CARRIER INSTALLATION (OPTIONAL - ALL SPECS EXCEPT JAPANESE SPECS)



ART_1001235924

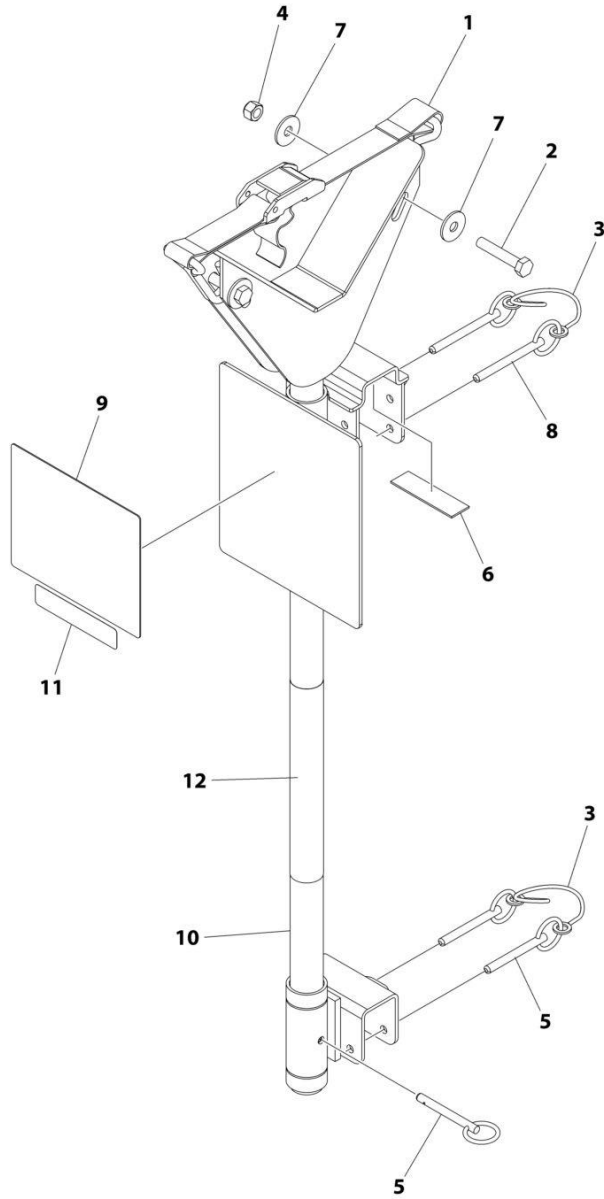
SECTION 4 - PLATFORM

FIGURE 4-19. PANEL CARRIER INSTALLATION (OPTIONAL - ALL SPECS EXCEPT JAPANESE SPECS)

ITEM	PART NUMBER	QTY	DESCRIPTION	REV
	1001235924	Ref	PANEL CARRIER INSTALLATION	B
1	0760608	1	Bolt M6 x 16	
2	0760610	4	Bolt M6 x 20	
3	1702010	1	Decal - JLG	
4	See Note	NSS	Nameplate - Accessory SN (Note: Not Available for Purchase)	
5	3290606	5	Nut M6	
6	3574505	1	Plate	
7	4240165	1	Strap	
8	4811700	10	Washer M6	
9	1001235536	1	Channel	
10	1001235863	1	Plate	
11	1001236507	1	Decal – Panel Carrier Capacity	
12	4420037	6 in /15cm	Tape	

SECTION 4 - PLATFORM

FIGURE 4-20. PIPE RACK INSTALLATION (OPTIONAL - ALL SPECS EXCEPT JAPANESE SPECS)



ART_1001270855

SECTION 4 - PLATFORM

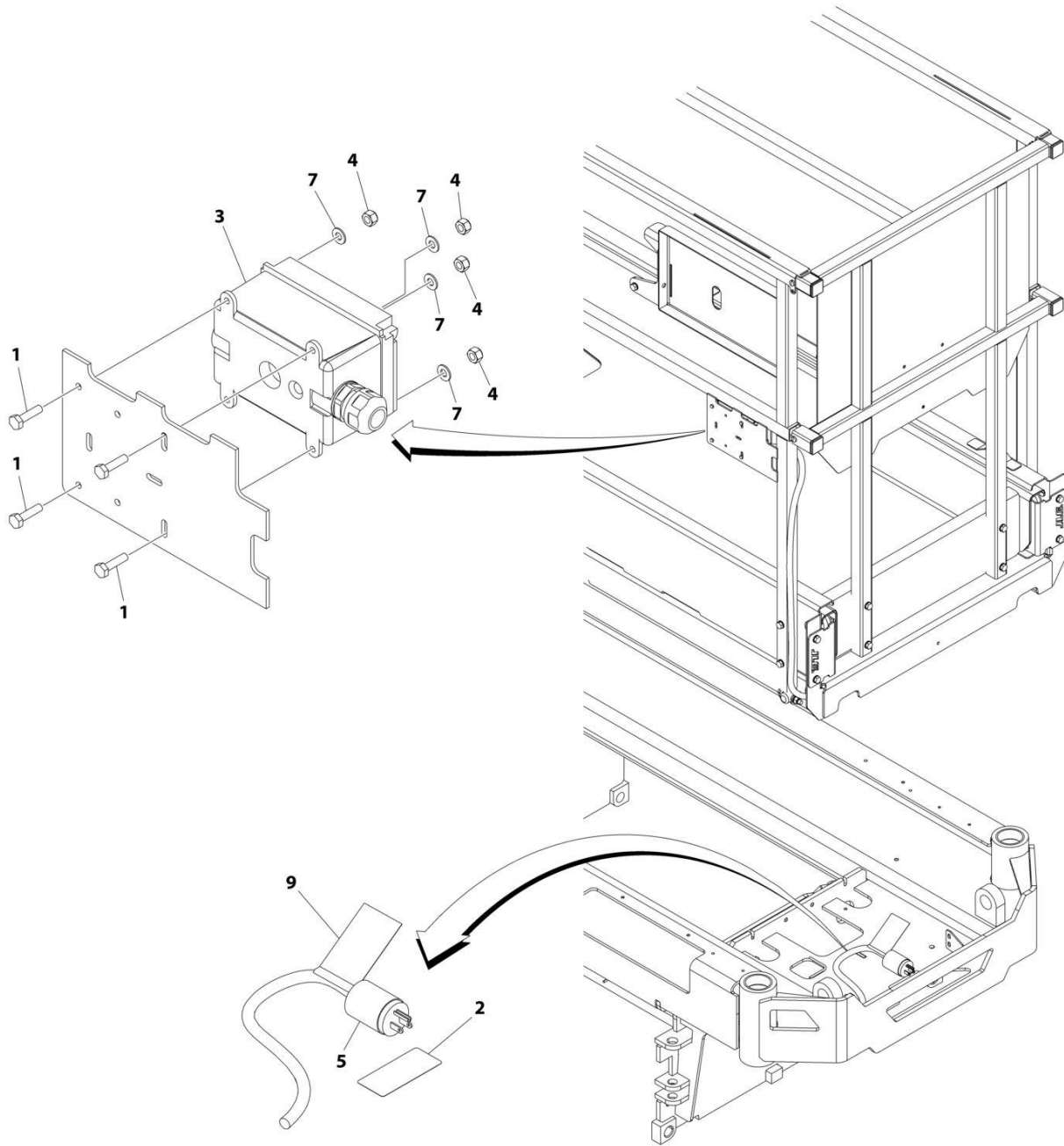
FIGURE 4-20. PIPE RACK INSTALLATION (OPTIONAL - ALL SPECS EXCEPT JAPANESE SPECS)

ITEM	PART NUMBER	QTY	DESCRIPTION	REV
	1001270855	Ref	PIPE RACK INSTALLATION	C
1	0480100	2	Tie-Strap	
2	0700817	4	Bolt M8 x 45	
3	1060379	4	Lanyard	
4	3290805	4	Nut M8	
5	3422661	6	Pin	
6	4420062	AR	Tape	
7	4811902	8	Washer M8	
8	1001235941	4	Pin	
9	1001287711	2	Decal - Pipe Rack Capacity	
10	1001270533	2	Rack Pipe	
11	1001270631	2	Decal - ACCY Weight	
12	1001271412	2	Decal - JLG	

SECTION 5 - ELECTRICAL

SECTION 5 - ELECTRICAL

FIGURE 5-1. AC BOX AT PLATFORM INSTALLATION - 110V GFI (ALL SPECS EXCEPT AUSTRALIAN, CE & UK CA SPECS)



ART_1001208930

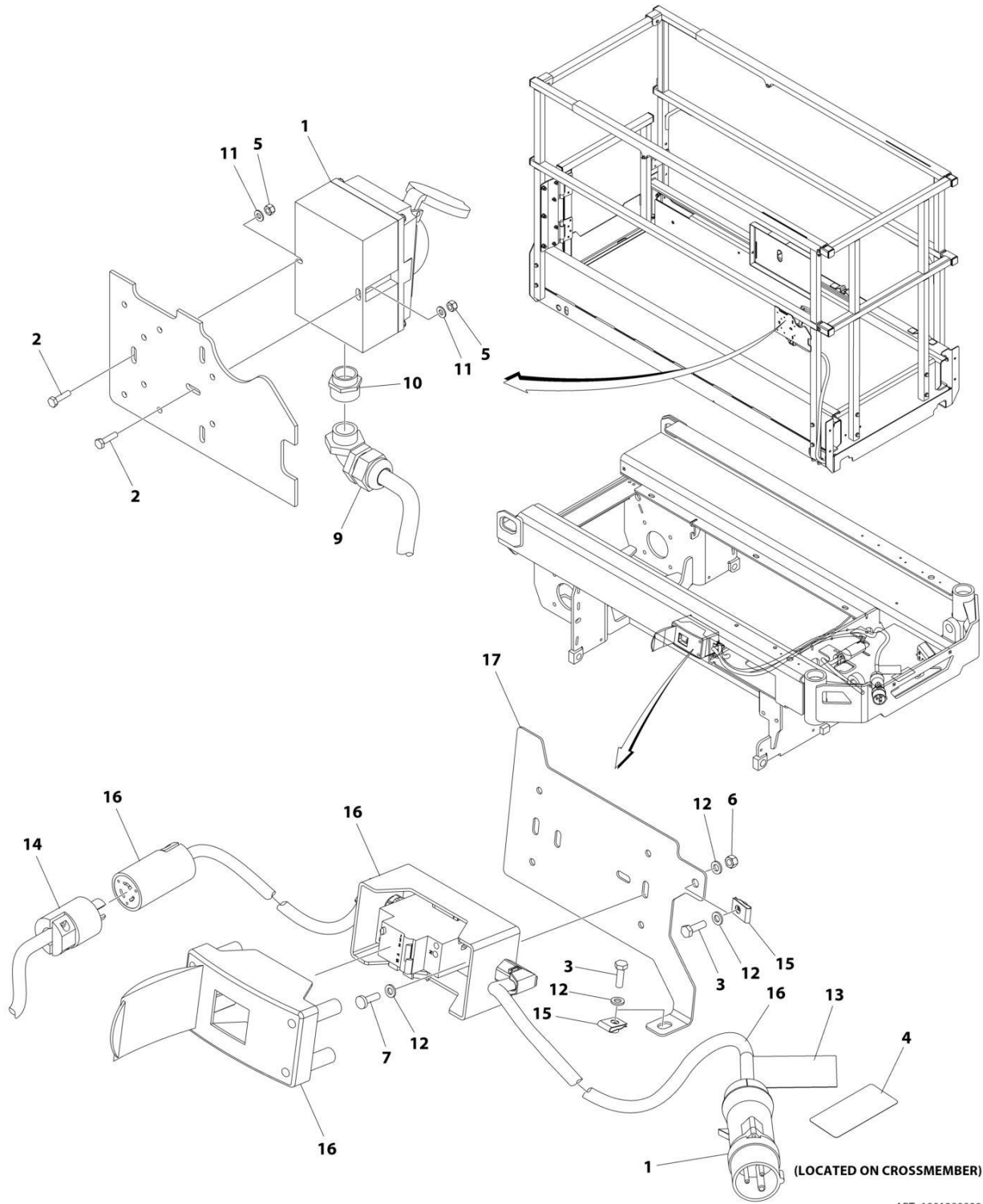
SECTION 5 - ELECTRICAL

FIGURE 5-1. AC BOX AT PLATFORM INSTALLATION - 110V GFI (ALL SPECS EXCEPT AUSTRALIAN, CE & UK CA SPECS)

ITEM	PART NUMBER	QTY	DESCRIPTION	REV
	1001208930	Ref	AC BOX AT PLATFORM INSTALLATION - 110V GFI	C
1	0760408	4	Bolt M4 x 16	
2	1703464	1	Decal - AC Power	
3	2902431	1	Receptacle Box Kit (See Separate Breakdown in this Section)	
4	3290405	4	Nut M4	
5	4460138	1	Plug, Male - AC	
6	4460315	1	Terminal (Not Shown)	
7	4811400	4	Washer M4	
9	1001102258	1	Decal - AC Label	
10	4240017	AR	Tie-Strap (Not Shown)	

SECTION 5 - ELECTRICAL

FIGURE 5-2. AC BOX AT PLATFORM INSTALLATION - 110V IEC YELLOW (CE & UK CA SPECS)



ART_1001280809

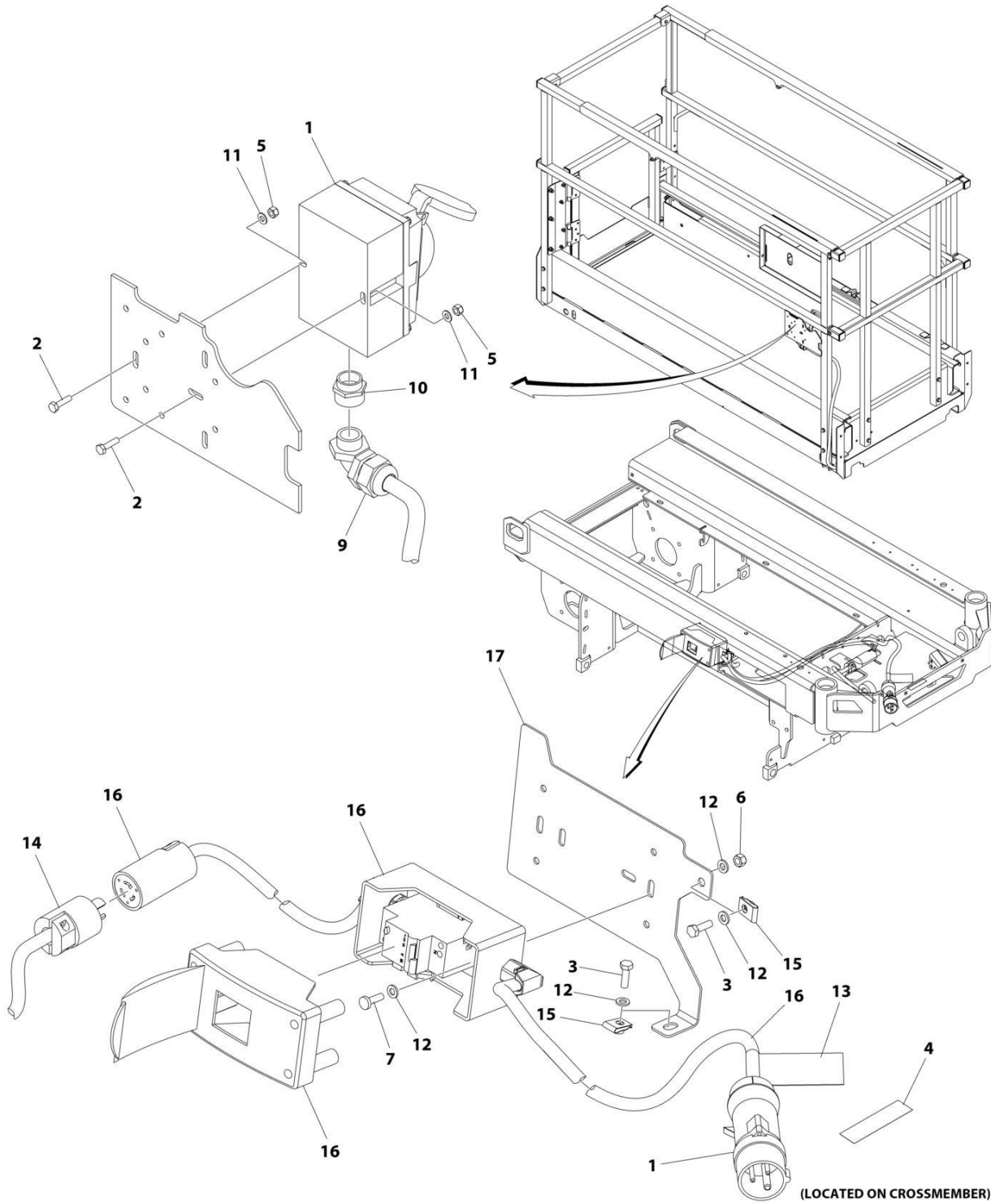
SECTION 5 - ELECTRICAL

FIGURE 5-2. AC BOX AT PLATFORM INSTALLATION - 110V IEC YELLOW (CE & UK CA SPECS)

ITEM	PART NUMBER	QTY	DESCRIPTION	REV
	1001280809	Ref	AC BOX AT PLATFORM INSTALLATION – 110V IEC YELLOW	B
1	0275216	1	Receptacle Box Kit - 110V IEC Yellow (See Separate Breakdown in this Section)	
2	0760408	2	Bolt M4 x 16	
3	0760610	2	Bolt M6 x 20	
4	1703464	1	Decal - AC Power	
5	3290405	2	Nut M4	
6	3290605	2	Nut M6	
7	4010610	2	Screw M6 x 20	
8	4240017	AR	Tie-Strap (Not Shown)	
9	4461257	1	Connector, Strain Relief	
10	4461258	1	Connector, Adapter	
11	4811400	2	Washer M4	
12	4811700	6	Washer M6	
13	1001102258	1	Decal - AC Label	
14	1001120204	1	Plug, Male Twist	
15	1001130220	2	Nut, Tinnerman M6	
16	1001209776	1	Breaker Box Kit (See Separate Breakdown in this Section)	
17	1001281067	1	Bracket	

SECTION 5 - ELECTRICAL

FIGURE 5-3. AC BOX AT PLATFORM INSTALLATION - 220V IEC BLUE (CE & UK CA SPECS)



ART_1001280810

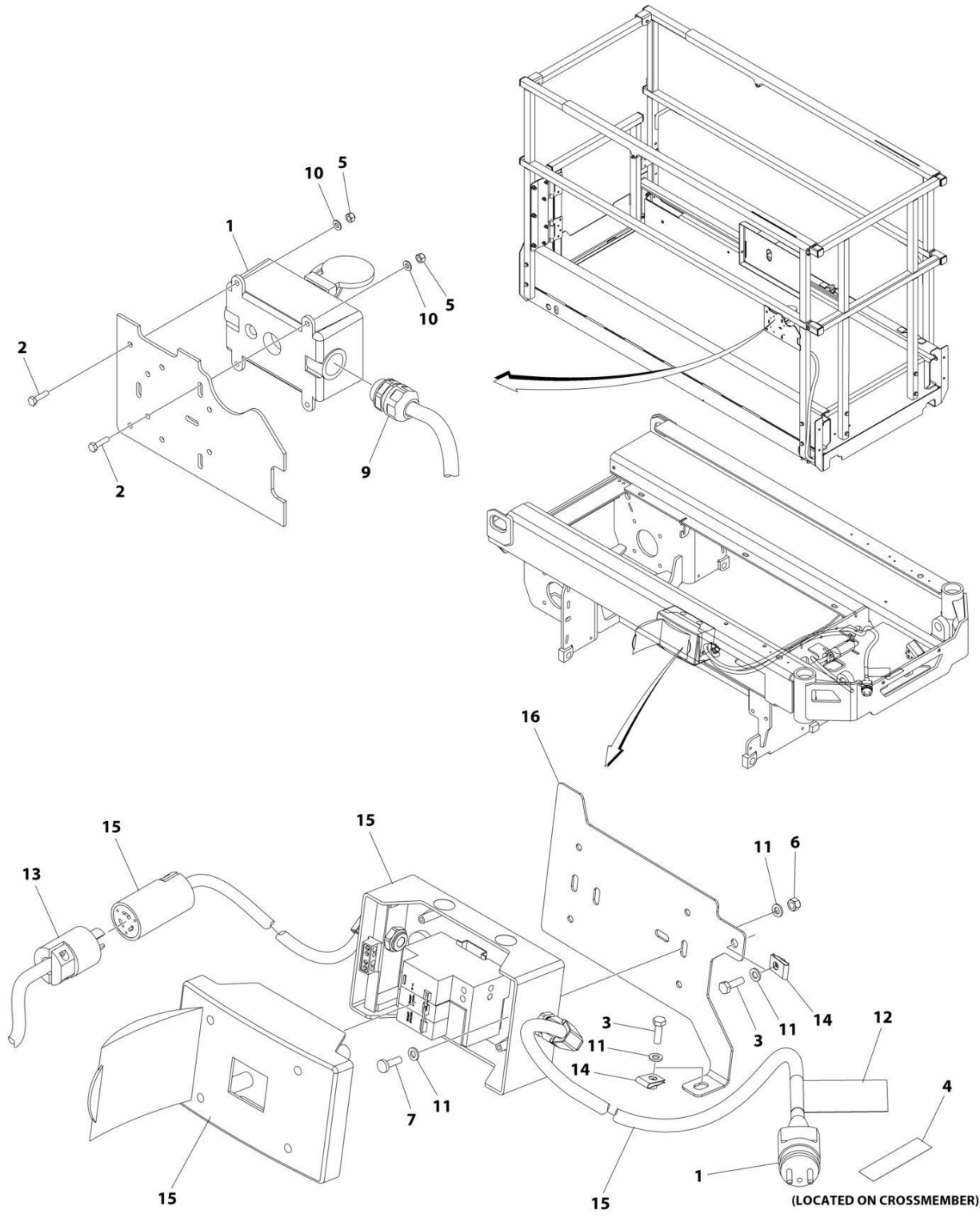
SECTION 5 - ELECTRICAL

FIGURE 5-3. AC BOX AT PLATFORM INSTALLATION - 220V IEC BLUE (CE & UK CA SPECS)

ITEM	PART NUMBER	QTY	DESCRIPTION	REV
	1001280810	Ref	AC BOX AT PLATFORM INSTALLATION – 220V IEC BLUE	B
1	0275217	1	Receptacle Box Kit - 220V IEC Blue (See Separate Breakdown in this Section)	
2	0760408	2	Bolt M4 x 16	
3	0760610	2	Bolt M6 x 20	
4	3252507	1	Decal - AC Power	
5	3290405	2	Nut M4	
6	3290605	2	Nut M6	
7	4010610	2	Screw M6 x 20	
8	4240017	AR	Tie-Strap (Not Shown)	
9	4461257	1	Connector, Strain Relief	
10	4461258	1	Connector, Adapter	
11	4811400	2	Washer M4	
12	4811700	6	Washer M6	
13	1001102258	1	Decal - AC Label	
14	1001120204	1	Plug, Male Twist	
15	1001130220	2	Nut, Tinnerman M6	
16	1001209776	1	Breaker Box Kit (See Separate Breakdown in this Section)	
17	1001281067	1	Bracket	

SECTION 5 - ELECTRICAL

FIGURE 5-4. AC BOX AT PLATFORM INSTALLATION - 220V CEE7 POST GROUND (CE & UK CA SPECS)



ART_1001280806

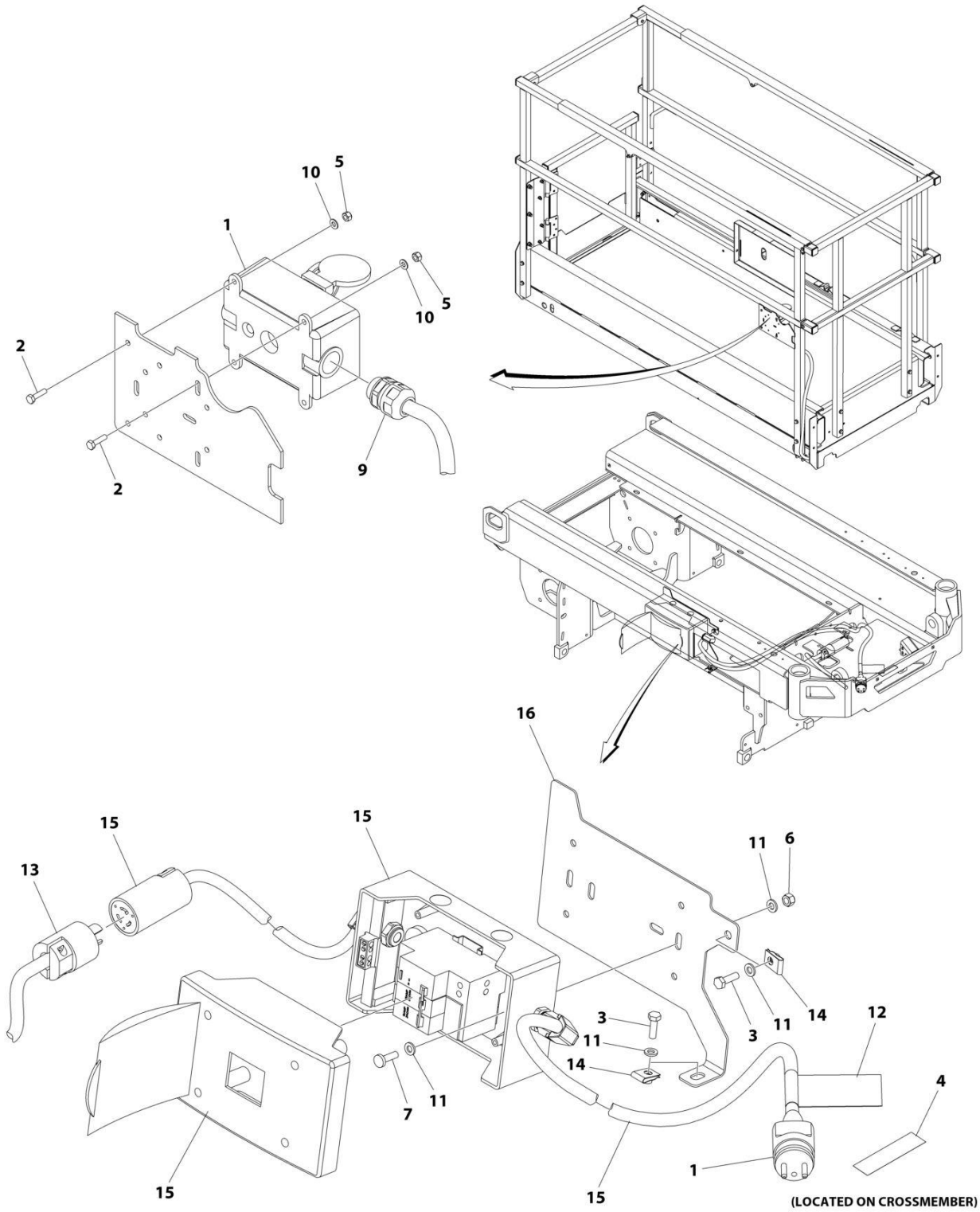
SECTION 5 - ELECTRICAL

FIGURE 5-4. AC BOX AT PLATFORM INSTALLATION - 220V CEE7 POST GROUND (CE & UK CA SPECS)

ITEM	PART NUMBER	QTY	DESCRIPTION	REV
	1001280806	Ref	AC BOX AT PLATFORM INSTALLATION – 220V CEE7 POST GROUND	B
1	0275452	1	Receptacle Box Kit - 220V CEE7 Post Ground (See Separate Breakdown in this Section)	
2	0760408	4	Bolt M4 x 16	
3	0760610	2	Bolt M6 x 20	
4	3252507	1	Decal - AC Power	
5	3290405	4	Nut M4	
6	3290605	2	Nut M6	
7	4010610	2	Screw M6 x 20	
8	4240017	AR	Tie-Strap (Not Shown)	
9	4460662	1	Connector, Strain Relief	
10	4811400	4	Washer M4	
11	4811700	6	Washer M6	
12	1001102258	1	Decal - AC Label	
13	1001120204	1	Plug, Male Twist	
14	1001130220	2	Nut, Tinnerman M6	
15	1001209482	1	Breaker Box Kit (See Separate Breakdown in this Section)	
16	1001281067	1	Bracket	

SECTION 5 - ELECTRICAL

FIGURE 5-5. AC BOX AT PLATFORM INSTALLATION - 220V CEE7 SIDE GROUND (CE & UK CA SPECS)



ART_1001280807

SECTION 5 - ELECTRICAL

FIGURE 5-5. AC BOX AT PLATFORM INSTALLATION - 220V CEE7 SIDE GROUND (CE & UK CA SPECS)

ITEM	PART NUMBER	QTY	DESCRIPTION	REV
	1001280807	Ref	AC BOX AT PLATFORM INSTALLATION – 220V CEE7 SIDE GROUND	B
1	0275453	1	Receptacle Box Kit - 220V CEE7 Side Ground (See Separate Breakdown in this Section)	
2	0760408	4	Bolt M4 x 16	
3	0760610	2	Bolt M6 x 20	
4	3252507	1	Decal - AC Power	
5	3290405	4	Nut M4	
6	3290605	2	Nut M6	
7	4010610	2	Screw M6 x 20	
8	4240017	AR	Tie-Strap (Not Shown)	
9	4460662	1	Connector, Strain Relief	
10	4811400	4	Washer M4	
11	4811700	6	Washer M6	
12	1001102258	1	Decal - AC Label	
13	1001120204	1	Plug, Male Twist	
14	1001130220	2	Nut, Tinnerman M6	
15	1001209482	1	Breaker Box Kit (See Separate Breakdown in this Section)	
16	1001281067	1	Bracket	

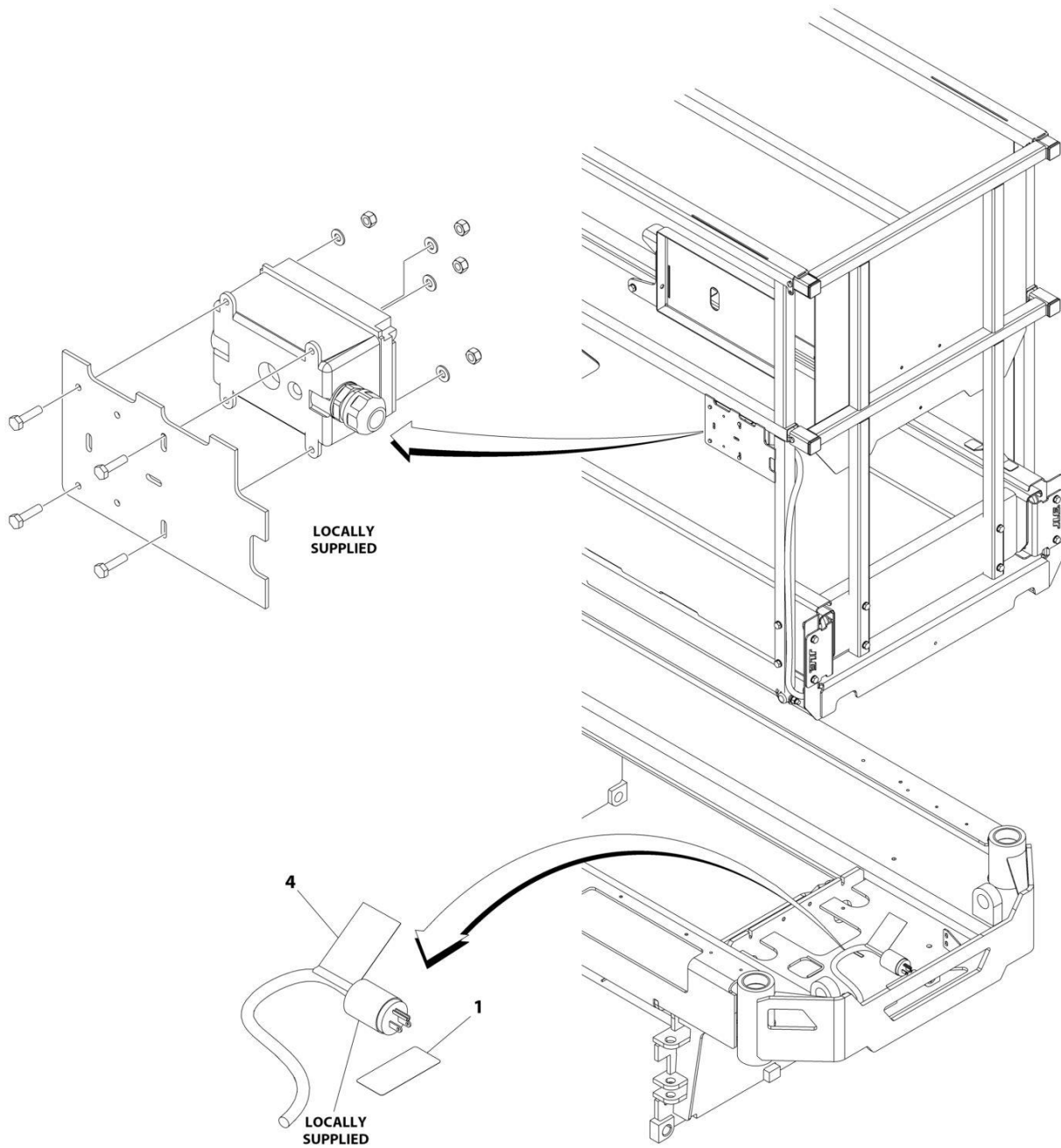
SECTION 5 - ELECTRICAL

FIGURE 5-6. AC BOX AT PLATFORM INSTALLATION - 220V AFSINT 107 (CE & UK CA SPECS)

ITEM	PART NUMBER	QTY	DESCRIPTION	REV
	1001280808	Ref	AC BOX AT PLATFORM INSTALLATION – 220V AFSINT 107	B
1	0275454	1	Receptacle Box Kit - 220V AFSINT 107 (See Separate Breakdown in this Section)	
2	0760408	4	Bolt M4 x 16	
3	0760610	2	Bolt M6 x 20	
4	3252507	1	Decal - AC Power	
5	3290405	4	Nut M4	
6	3290605	2	Nut M6	
7	4010610	2	Screw M6 x 20	
8	4240017	AR	Tie-Strap (Not Shown)	
9	4460662	1	Connector, Strain Relief	
10	4811400	4	Washer M4	
11	4811700	6	Washer M6	
12	1001102258	1	Decal - AC Label	
13	1001120204	1	Plug, Male Twist	
14	1001130220	2	Nut, Tinnerman M6	
15	1001209776	1	Breaker Box Kit (See Separate Breakdown in this Section)	
16	1001281067	1	Bracket	

SECTION 5 - ELECTRICAL

FIGURE 5-7. AC BOX AT PLATFORM INSTALLATION - 220V LOCALLY SUPPLIED COMPONENTS (ALL SPECS)



ART_1001208931

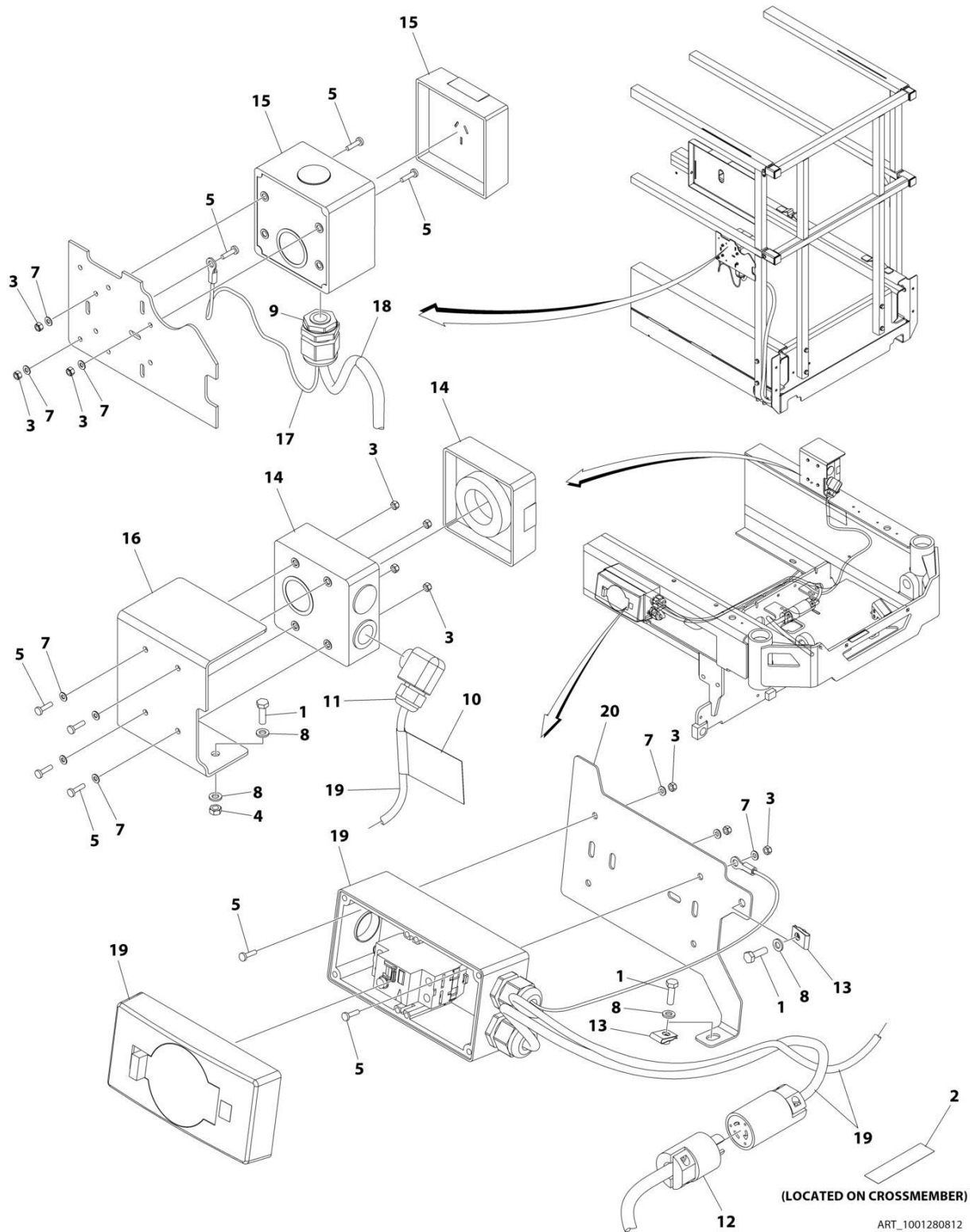
SECTION 5 - ELECTRICAL

**FIGURE 5-7. AC BOX AT PLATFORM INSTALLATION - 220V LOCALLY SUPPLIED COMPONENTS
(ALL SPECS)**

ITEM	PART NUMBER	QTY	DESCRIPTION	REV
	1001208931	Ref	AC BOX AT PLATFORM INSTALLATION - 220V LOCALLY SUPPLIED COMPONENTS	C
1	3252507	1	Decal - 220 Volt	
4	1001102258	1	Decal - AC Label	
5	4240017	AR	Tie-Strap (Not Shown)	

SECTION 5 - ELECTRICAL

FIGURE 5-8. AC BOX AT PLATFORM INSTALLATION - 220V AUSTRALIAN PLUG (AUSTRALIAN SPECS)



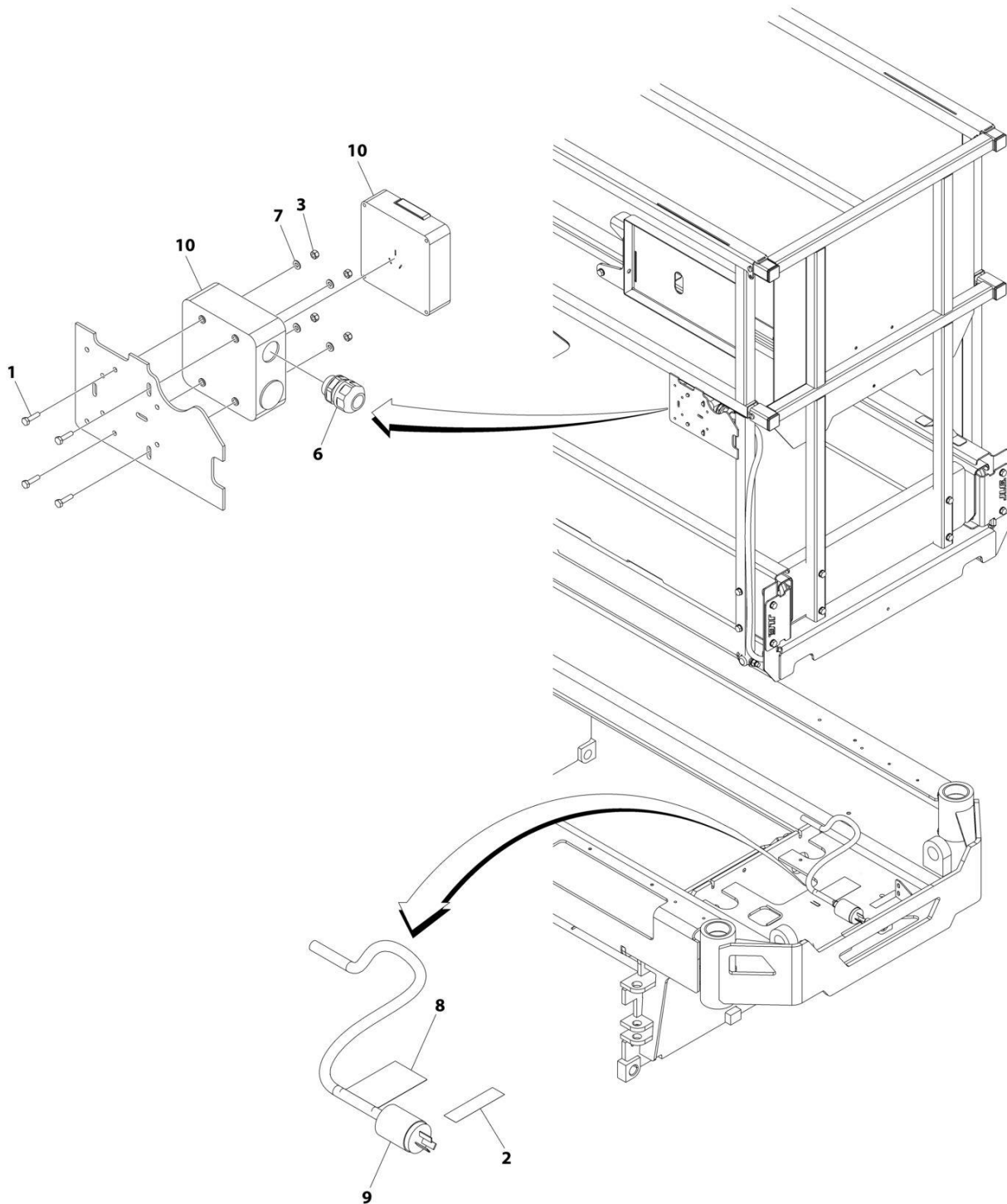
SECTION 5 - ELECTRICAL

FIGURE 5-8. AC BOX AT PLATFORM INSTALLATION - 220V AUSTRALIAN PLUG (AUSTRALIAN SPECS)

ITEM	PART NUMBER	QTY	DESCRIPTION	REV
	1001280812	Ref	AC BOX AT PLATFORM INSTALLATION – 220V	B
1	0760610	4	Bolt M6 x 20	
2	3252507	1	Decal - AC Power	
3	3290405	13	Nut M4	
4	3290601	2	Nut M6	
5	4010408	13	Drive M4 x 16	
6	4240017	AR	Tie-Strap (Not Shown)	
7	4811400	13	Washer M4	
8	4811700	6	Washer M6	
9	1001097150	1	Connector, Strain Relief	
10	1001102258	1	Decal - AC	
11	1001103471	1	Connector, Strain Relief 90	
12	1001120204	1	Plug, Male	
13	1001130220	2	Nut, Tinnerman M6	
14	1001227267	1	Inlet Socket/Box Assembly	
15	1001227268	1	Outlet Socket/Box Assembly	
16	1001244900	1	Bracket	
17	1001245744	1	Harness, Earth/Ground	
18	1001245747	1	Conduit	
19	1001262465	1	Breaker Box Kit (See Separate Breakdown in this Section)	
20	1001281067	1	Bracket	

SECTION 5 - ELECTRICAL

FIGURE 5-9. AC BOX AT PLATFORM INSTALLATION - 220V (CHINA SPECS)



ART_1001280811

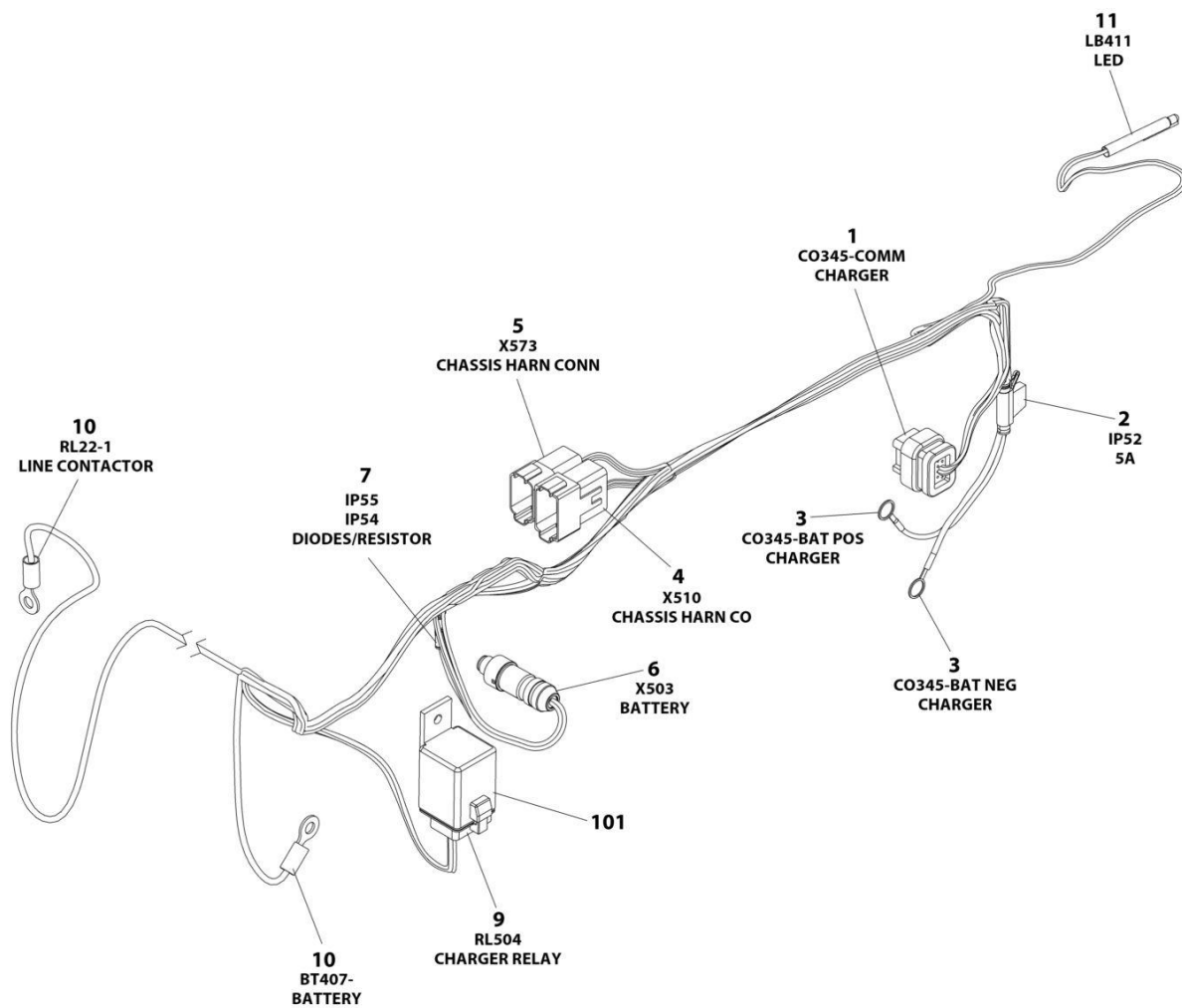
SECTION 5 - ELECTRICAL

FIGURE 5-9. AC BOX AT PLATFORM INSTALLATION - 220V (CHINA SPECS)

ITEM	PART NUMBER	QTY	DESCRIPTION	REV
	1001280811	Ref	AC BOX AT PLATFORM INSTALLATION – 220V	B
1	0760408	4	Bolt M4 x 16	
2	3252507	1	Decal - AC Power	
3	3290405	4	Nut M4	
4	4240017	AR	Tie-Strap (Not Shown)	
5	4460315	1	Terminal (Not Shown)	
6	4460968	1	Connector, Strain Relief	
7	4811400	4	Washer M4	
8	1001102258	1	Decal - AC Label	
9	1001187816	1	Plug, Male - AC	
10	1001188116	1	Receptacle Box	

SECTION 5 - ELECTRICAL

FIGURE 5-10. BATTERY HARNESS



ART_1001278090

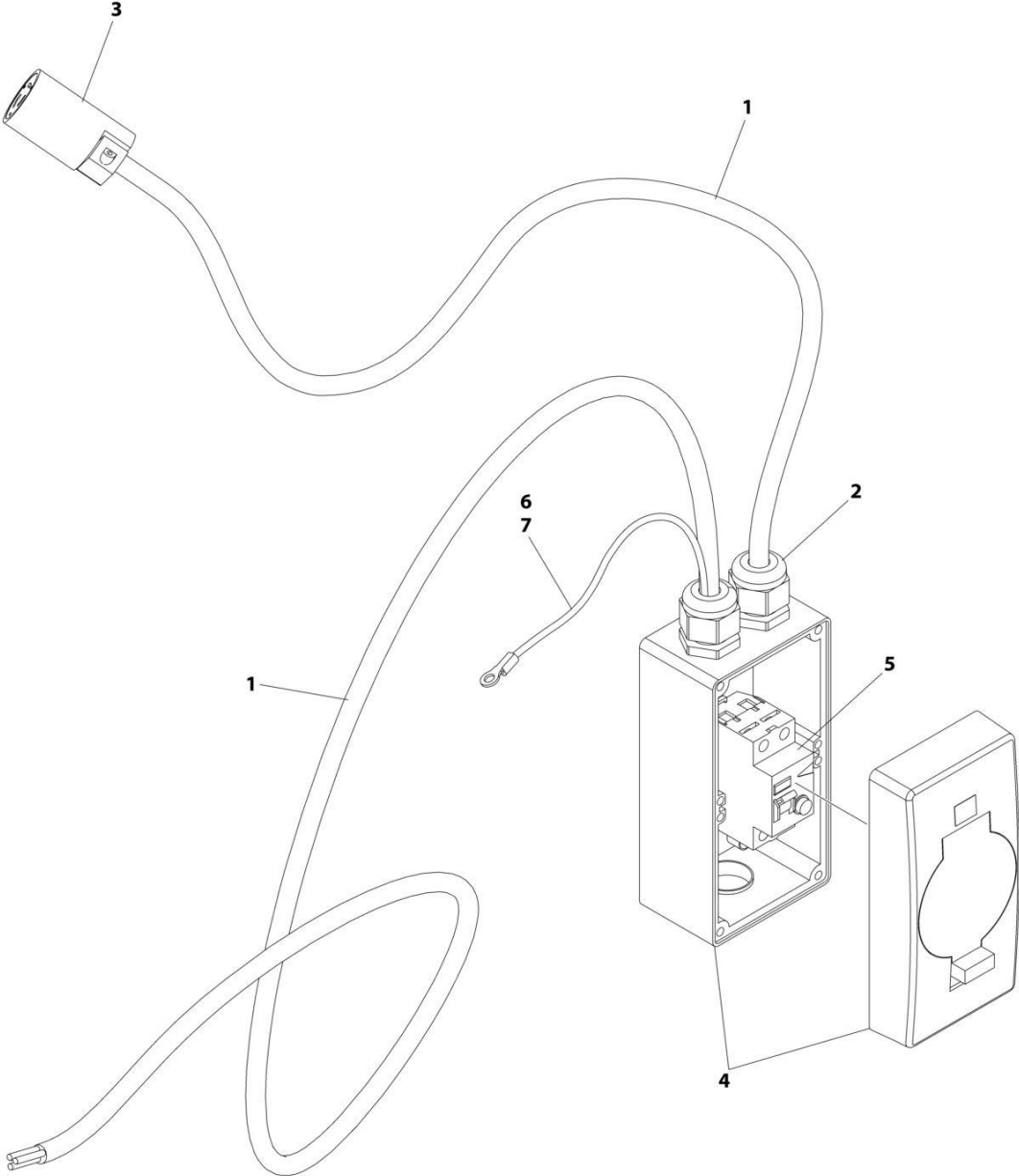
SECTION 5 - ELECTRICAL

FIGURE 5-10. BATTERY HARNESS

ITEM	PART NUMBER	QTY	DESCRIPTION	REV
	1001278090	Ref	BATTERY HARNESS	C
1	4460872	1	Connector - 14 Position	
1	4460871	6	Terminal	
1	4460905	8	Plug, Terminal	
2	2400060	1	Fuseholder with Cover	
2	8229242	1	Fuse 5Amp	
3	4460019	2	Terminal, Ring	
4	4460970	1	Receptacle, Female - 12 Position	
4	4460464	9	Pin, Male	
4	4460943	2	Pin, Male	
4	4460466	1	Plug, Terminal	
5	4460970	1	Receptacle, Female - 8 Position	
5	4460464	3	Pin, Male	
5	4460943	2	Pin, Male	
5	4460466	3	Plug, Terminal	
6		Ref	Connector - 8 Position	
7	260092	2	Diode	
9	1001117057	1	Plug, Relay	
9	1001116733	3	Terminal	
9	1001116732	1	Terminal	
10	8220045	2	Terminal, Ring	
11		Ref	Light, LED	
101	1001097347	1	Relay	

SECTION 5 - ELECTRICAL

FIGURE 5-11. BREAKER BOX KIT (AUSTRALIAN SPECS)



ART_1001262465

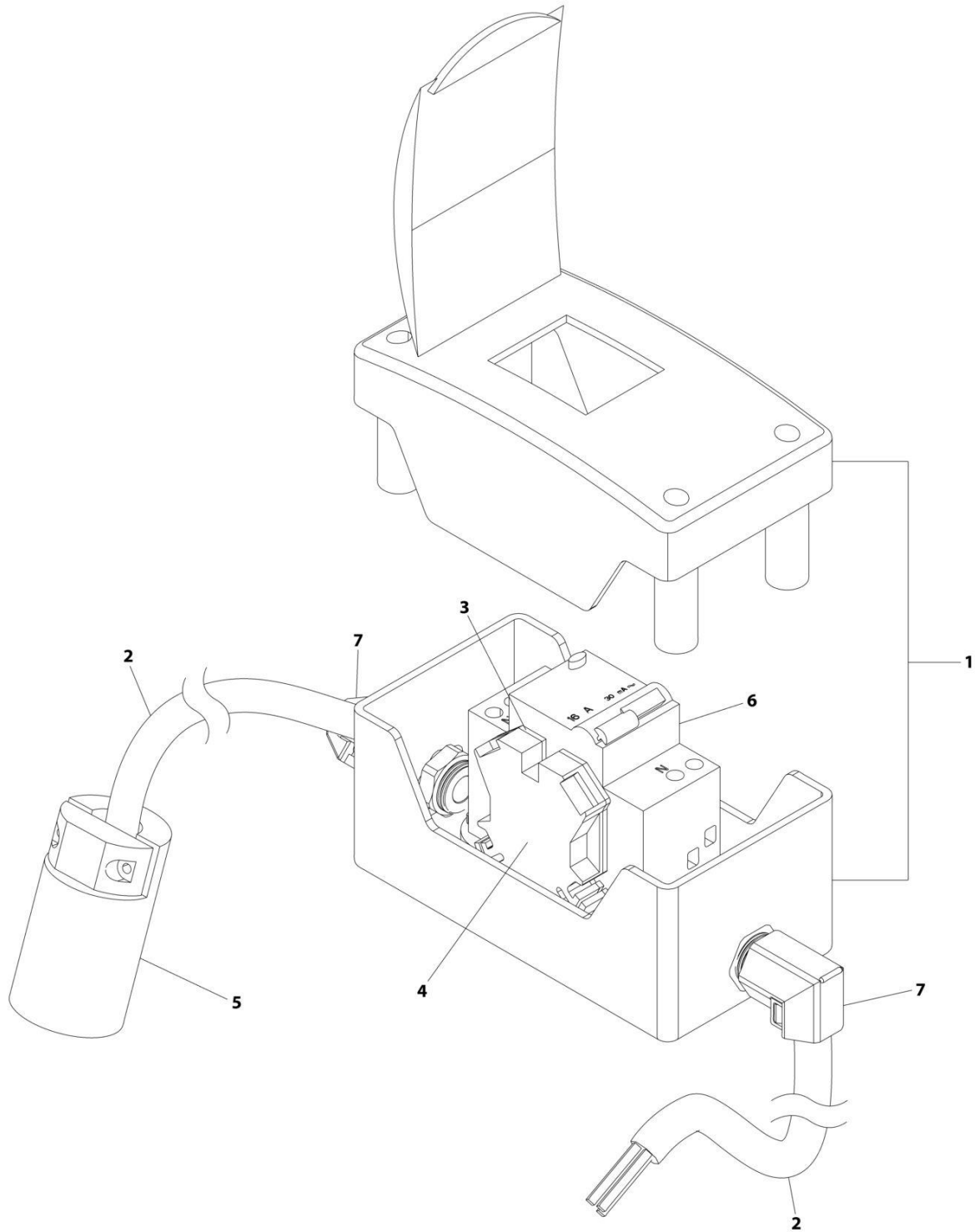
SECTION 5 - ELECTRICAL

FIGURE 5-11. BREAKER BOX KIT (AUSTRALIAN SPECS)

ITEM	PART NUMBER	QTY	DESCRIPTION	REV
1	1001262465	Ref	BREAKER BOX KIT	B
	1060908	144 in /3.65m	Cable, 12/3	
2	1001097150	2	Connector, Strain Relief	
3	1001120205	1	Connector, Female Twist	
4	1001227269	1	Box	
5	1001228191	1	Breaker, 10A-30mA Double Pole	
6	1001245743	1	Block, Terminal	
7	1001245744	1	Harness, Ground/Earth	

SECTION 5 - ELECTRICAL

FIGURE 5-12. BREAKER BOX KIT WITH 1 DOUBLE BREAKER (CE & UK CA SPECS)



ART_1001209776

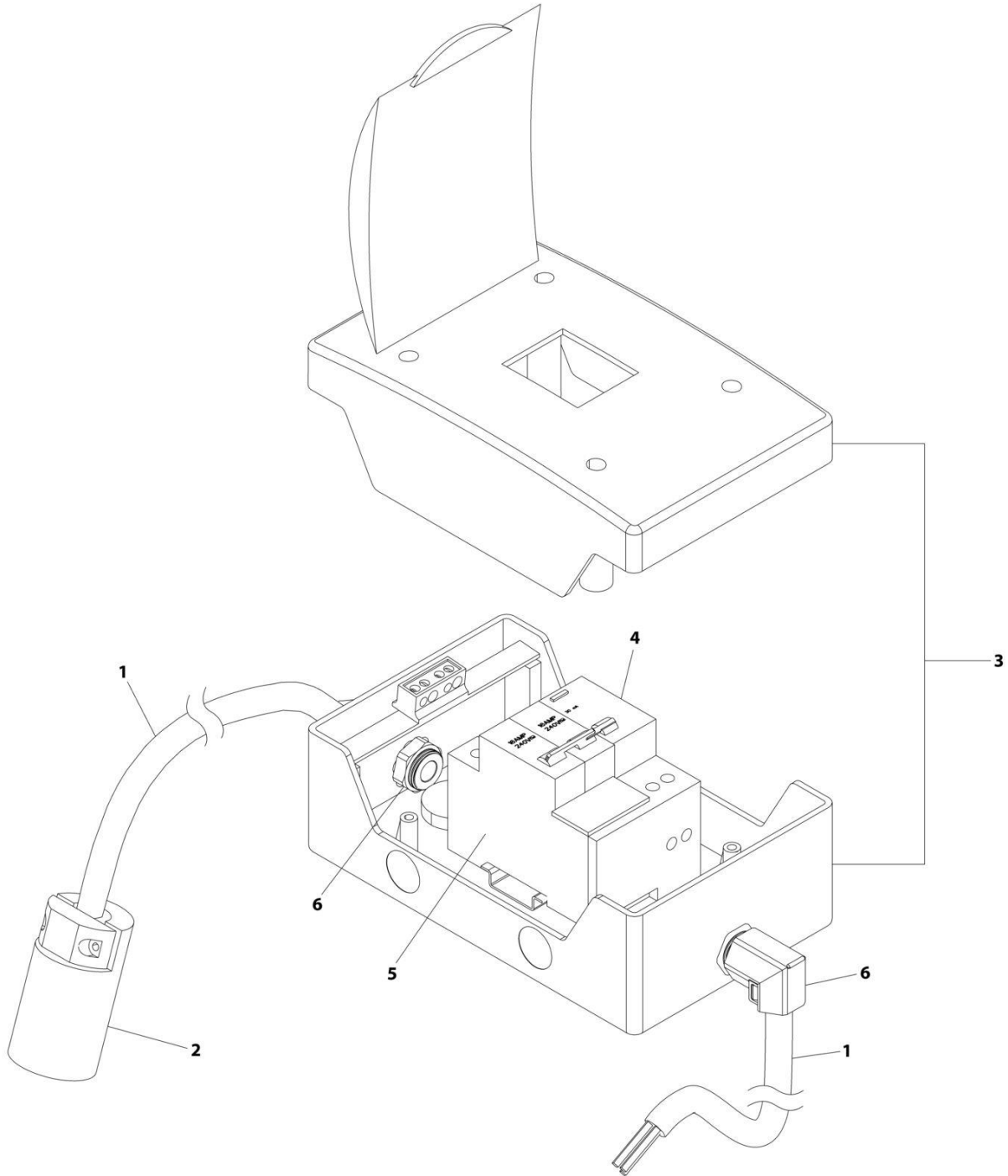
SECTION 5 - ELECTRICAL

FIGURE 5-12. BREAKER BOX KIT WITH 1 DOUBLE BREAKER (CE & UK CA SPECS)

ITEM	PART NUMBER	QTY	DESCRIPTION	REV
	1001209776	Ref	BREAKER BOX KIT WITH 1 DOUBLE BREAKER	F
1	0861880	1	Box	
2	1060908	126 in /3.2m	Cable, 12/3	
3	4460956	1	Barrier, Terminal	
4	4460957	1	Block, Terminal	
5	1001120205	1	Connector, Female Twist	
6	1001181045	1	Breaker 30mAmp/16 Amp	
7	1001217164	2	Connector, Strain Relief 90	

SECTION 5 - ELECTRICAL

FIGURE 5-13. BREAKER BOX KIT WITH 3 BREAKERS (CE & UK CA SPECS)



ART_1001209482

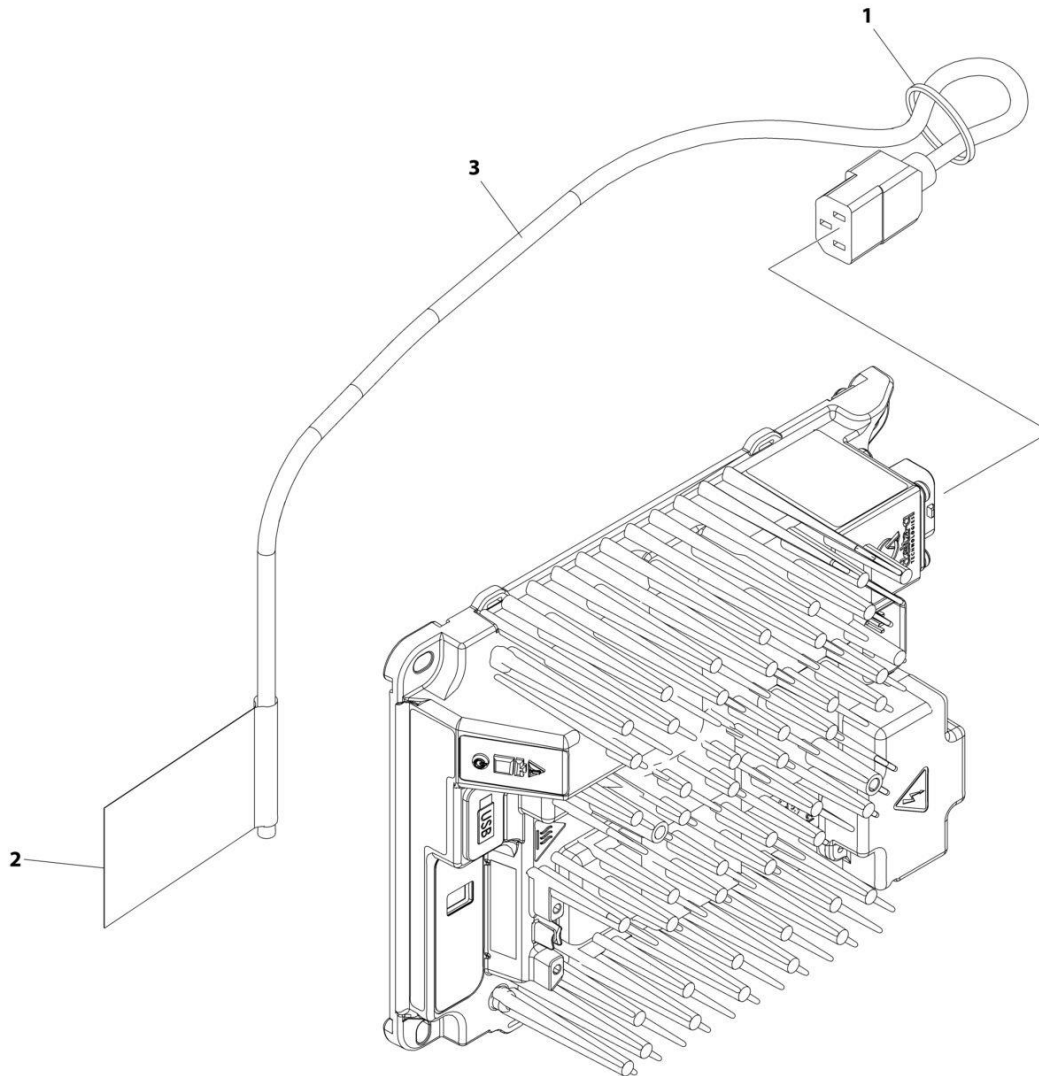
SECTION 5 - ELECTRICAL

FIGURE 5-13. BREAKER BOX KIT WITH 3 BREAKERS (CE & UK CA SPECS)

ITEM	PART NUMBER	QTY	DESCRIPTION	REV
1	1001209482	Ref	BREAKER BOX KIT WITH 3 BREAKERS	G
	1060908	126 in /3.2m	Cable, 12/3	
2	1001120205	1	Connector, Female Twist	
3	1001152483	1	Box	
4	1001189171	1	Breaker, 30mAmp	
5	1001189172	1	Breaker 16 Amp, Double	
6	1001217164	2	Connector, Strain Relief 90	

SECTION 5 - ELECTRICAL

FIGURE 5-14. CHARGER PLUG INSTALLATION (LOCALLY SUPPLIED PLUG) (ALL SPECS EXCEPT ANSI & AUSTRALIAN SPECS) (Prior to SN M200080021, Excluding M200080011)



ART_1001248631

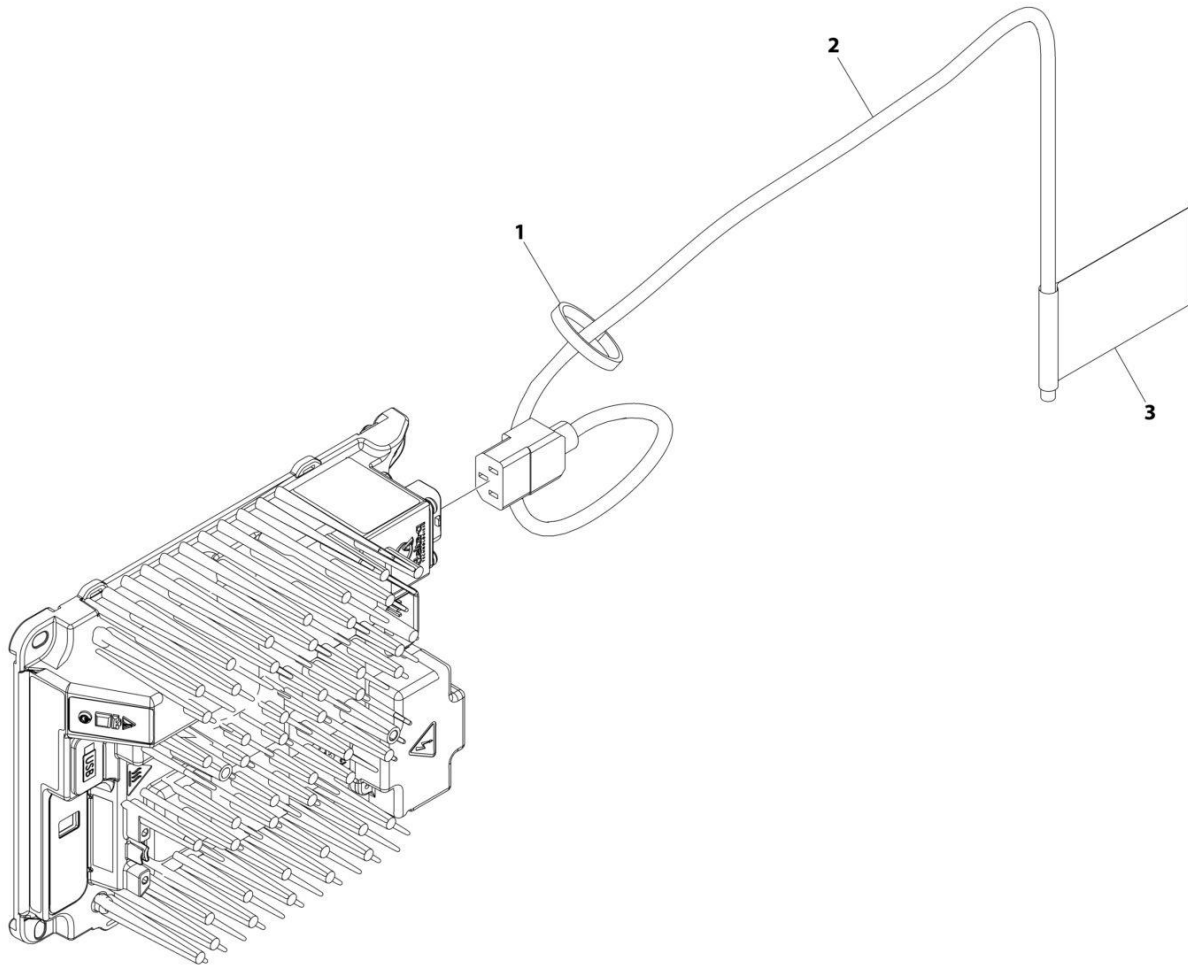
SECTION 5 - ELECTRICAL

FIGURE 5-14. CHARGER PLUG INSTALLATION (LOCALLY SUPPLIED PLUG) (ALL SPECS EXCEPT ANSI & AUSTRALIAN SPECS) (Prior to SN M200080021, Excluding M200080011)

ITEM	PART NUMBER	QTY	DESCRIPTION	REV
	1001248631	Ref	CHARGER PLUG INSTALLATION	B
1	4240017	AR	Tie-Strap	
2	1001102489	1	Decal - Charger	
3	1001207974	1	Cable, Charger Plug (No Plug)	

SECTION 5 - ELECTRICAL

FIGURE 5-15. CHARGER PLUG INSTALLATION (LOCALLY SUPPLIED PLUG) (ALL SPECS EXCEPT ANSI & AUSTRALIAN SPECS) (SN M200080054 to Present, Including M200080011)



ART_1001303151

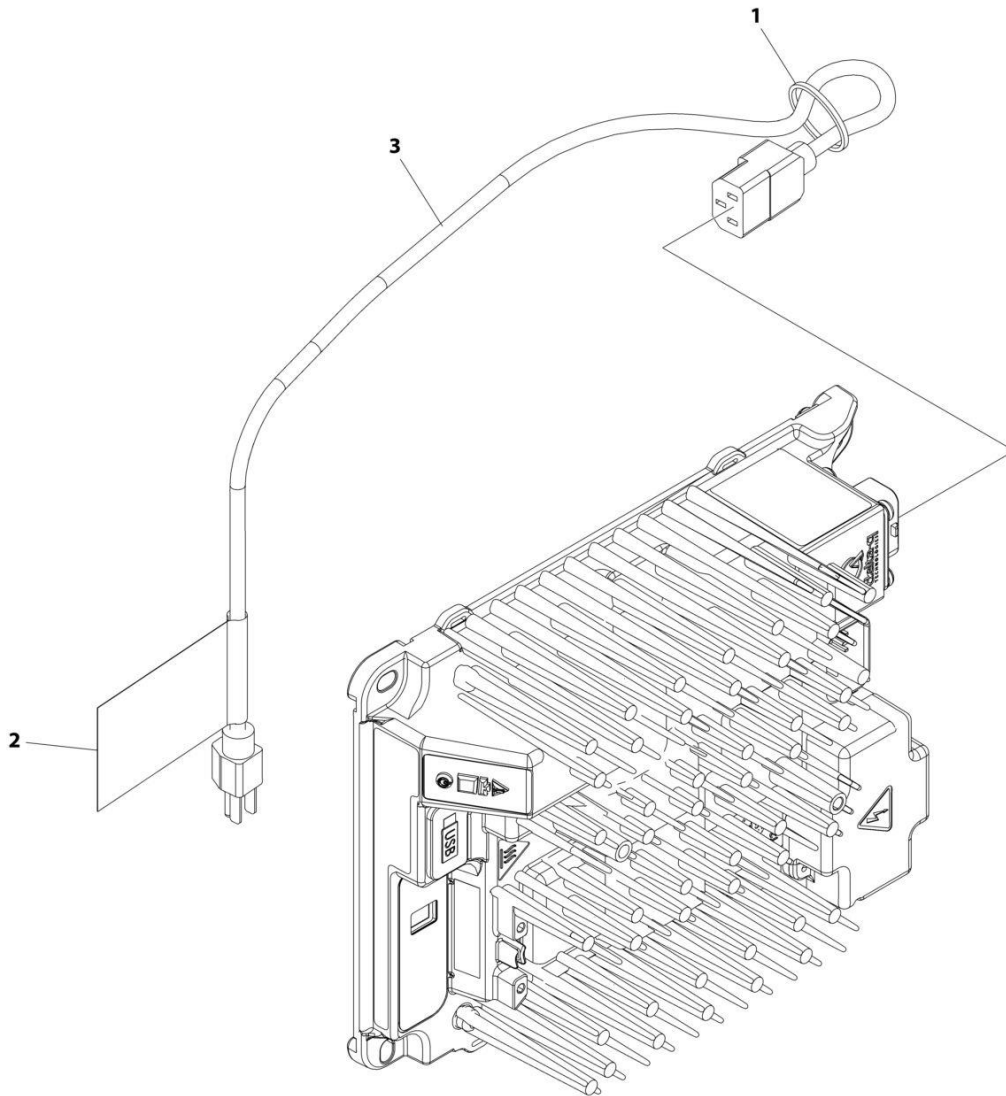
SECTION 5 - ELECTRICAL

FIGURE 5-15. CHARGER PLUG INSTALLATION (LOCALLY SUPPLIED PLUG) (ALL SPECS EXCEPT ANSI & AUSTRALIAN SPECS) (SN M200080054 to Present, Including M200080011)

ITEM	PART NUMBER	QTY	DESCRIPTION	REV
	1001303151	Ref	CHARGER PLUG INSTALLATION	A
1	4240017	AR	Tie-Strap	
2	1001207974	1	Cable, Charger	
3	1001303150	1	Decal - Charger	

SECTION 5 - ELECTRICAL

FIGURE 5-16. CHARGER PLUG INSTALLATION (110V PLUG) (ANSI & CSA SPECS) (Prior to SN M200080021, Excluding M200080011)



ART_1001248632

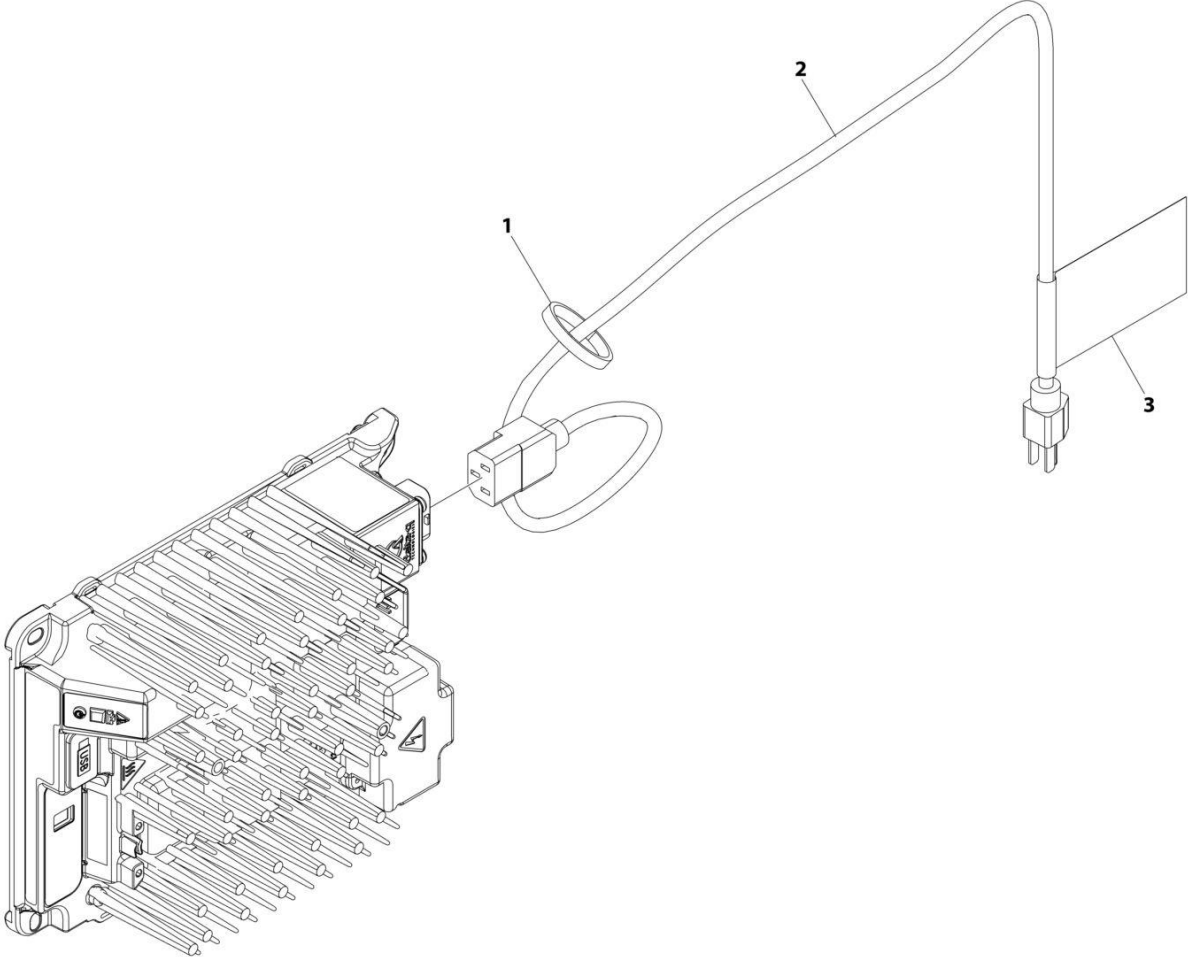
SECTION 5 - ELECTRICAL

FIGURE 5-16. CHARGER PLUG INSTALLATION (110V PLUG) (ANSI & CSA SPECS) (Prior to SN M200080021, Excluding M200080011)

ITEM	PART NUMBER	QTY	DESCRIPTION	REV
	1001248632	Ref	CHARGER PLUG INSTALLATION	B
1	4240017	AR	Tie-Strap	
2	1001102489	1	Decal - Charger	
3	1001207970	1	Cable, Charger Plug	

SECTION 5 - ELECTRICAL

FIGURE 5-17. CHARGER PLUG INSTALLATION (110V PLUG) (ANSI & CSA SPECS) (SN M200080054 to Present, Including M200080011)



ART_1001303152

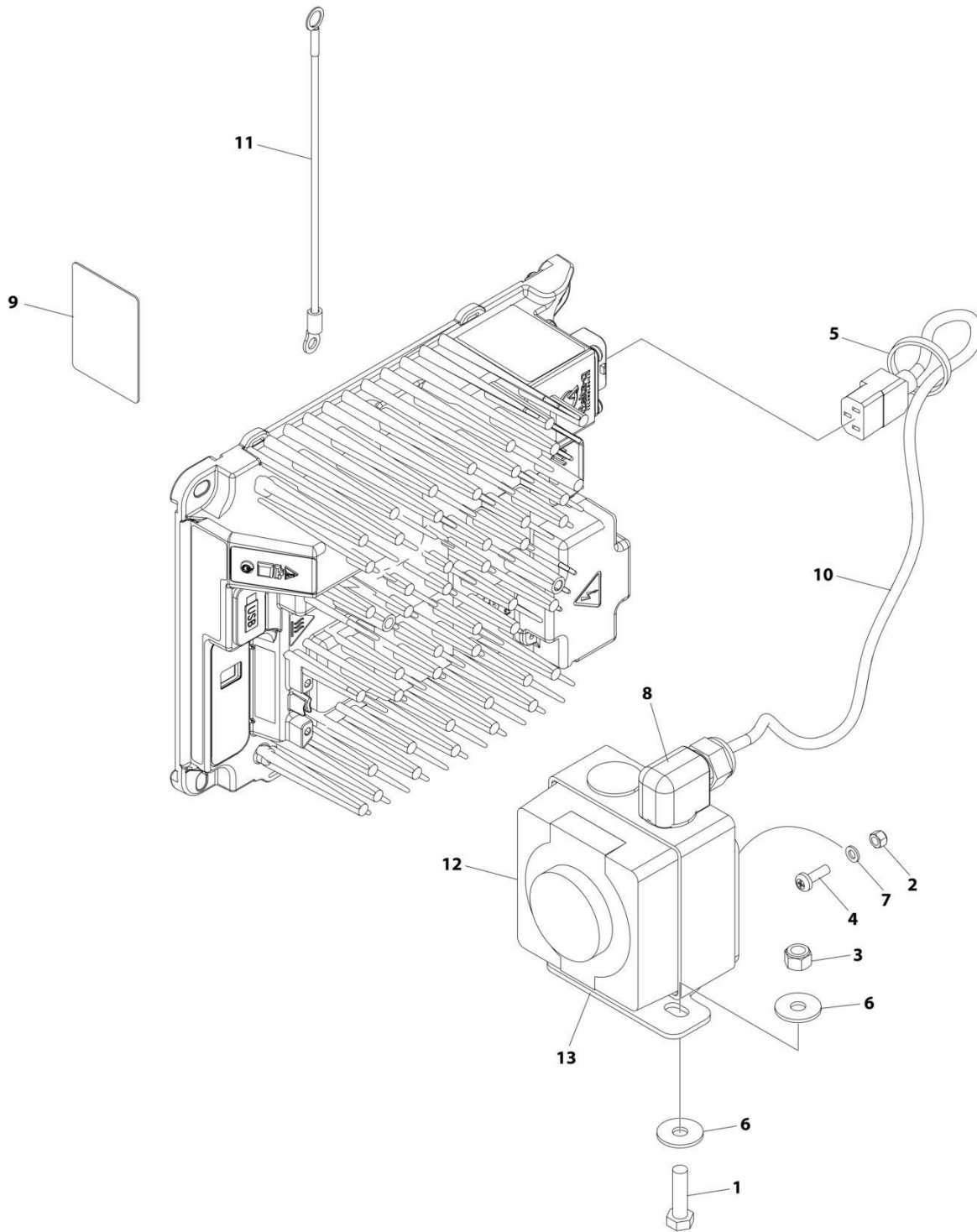
SECTION 5 - ELECTRICAL

FIGURE 5-17. CHARGER PLUG INSTALLATION (110V PLUG) (ANSI & CSA SPECS) (SN M200080054 to Present, Including M200080011)

ITEM	PART NUMBER	QTY	DESCRIPTION	REV
	1001303152	Ref	CHARGER PLUG INSTALLATION	A
1	4240017	AR	Tie-Strap	
2	1001207970	1	Cable, Charger Plug	
3	1001303150	1	Decal - Charger	

SECTION 5 - ELECTRICAL

FIGURE 5-18. CHARGER PLUG INSTALLATION (AUSTRALIAN PLUG) (AUSTRALIAN SPECS) (Prior to SN M200080021, Excluding M200080011)



ART_1001248633

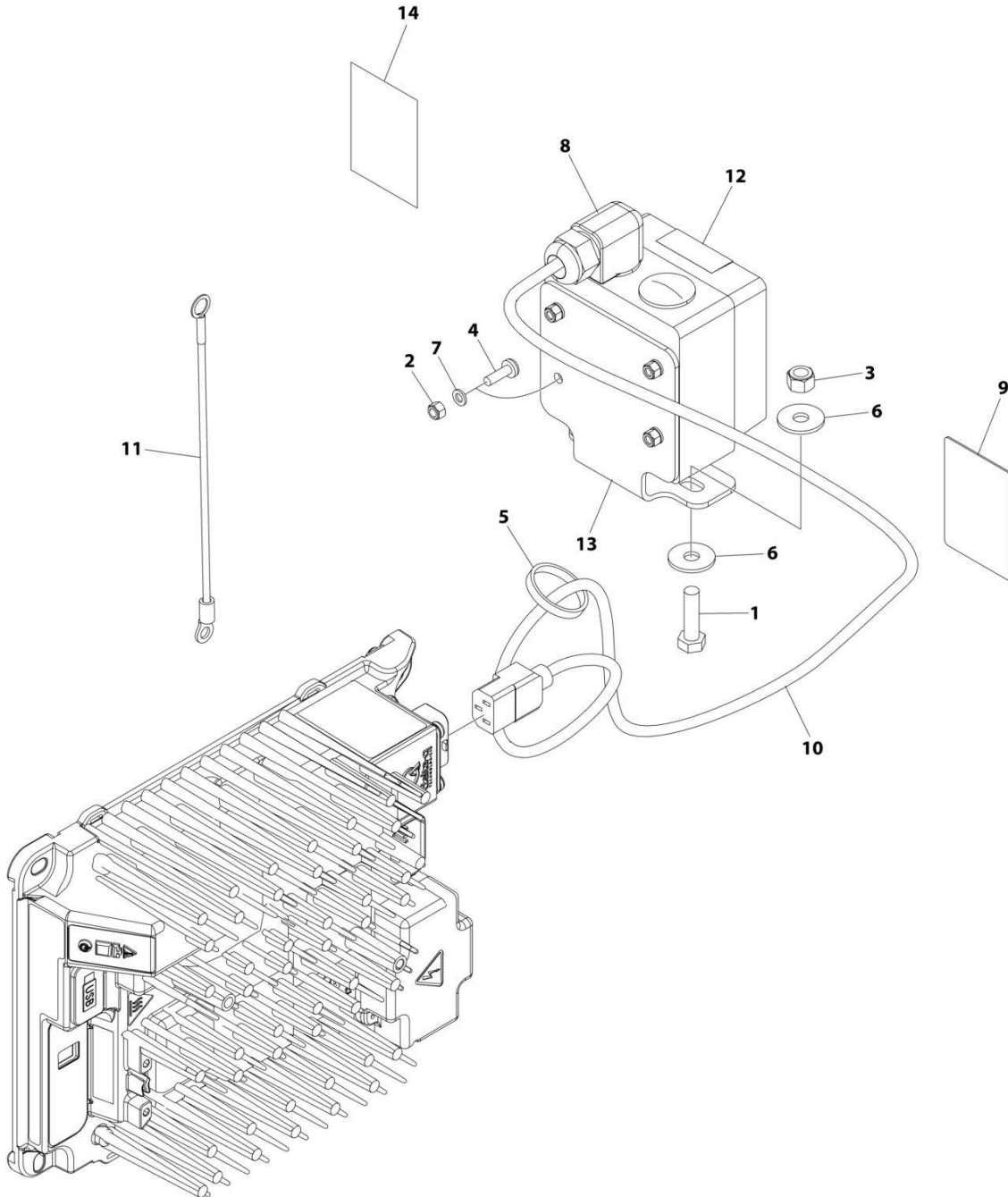
SECTION 5 - ELECTRICAL

FIGURE 5-18. CHARGER PLUG INSTALLATION (AUSTRALIAN PLUG) (AUSTRALIAN SPECS) (Prior to SN M200080021, Excluding M200080011)

ITEM	PART NUMBER	QTY	DESCRIPTION	REV
	1001248633	Ref	CHARGER PLUG INSTALLATION	C
1	0700814	2	Bolt M8 x 30	
2	3290505	4	Nut M5	
3	3290805	2	Nut M8	
4	3900381	4	Screw M5 x 16	
5	4240017	AR	Tie-Strap	
6	4811902	4	Washer M8	
7	4831600	4	Lockwasher M5	
8	1001103471	1	Connector, Strain Relief 90	
9	1001134280	1	Decal - Charger	
10	1001207974	1	Cable, Charger Plug (No Plug)	
11	1001227219	1	Harness, Earth/Ground	
12	1001227267	1	Inlet Socket/Box Assembly	
13	1001256503	1	Bracket	

SECTION 5 - ELECTRICAL

FIGURE 5-19. CHARGER PLUG INSTALLATION (AUSTRALIAN PLUG) (AUSTRALIAN SPECS) (SN M200080054 to Present, Including M200080011)



ART_1001303153

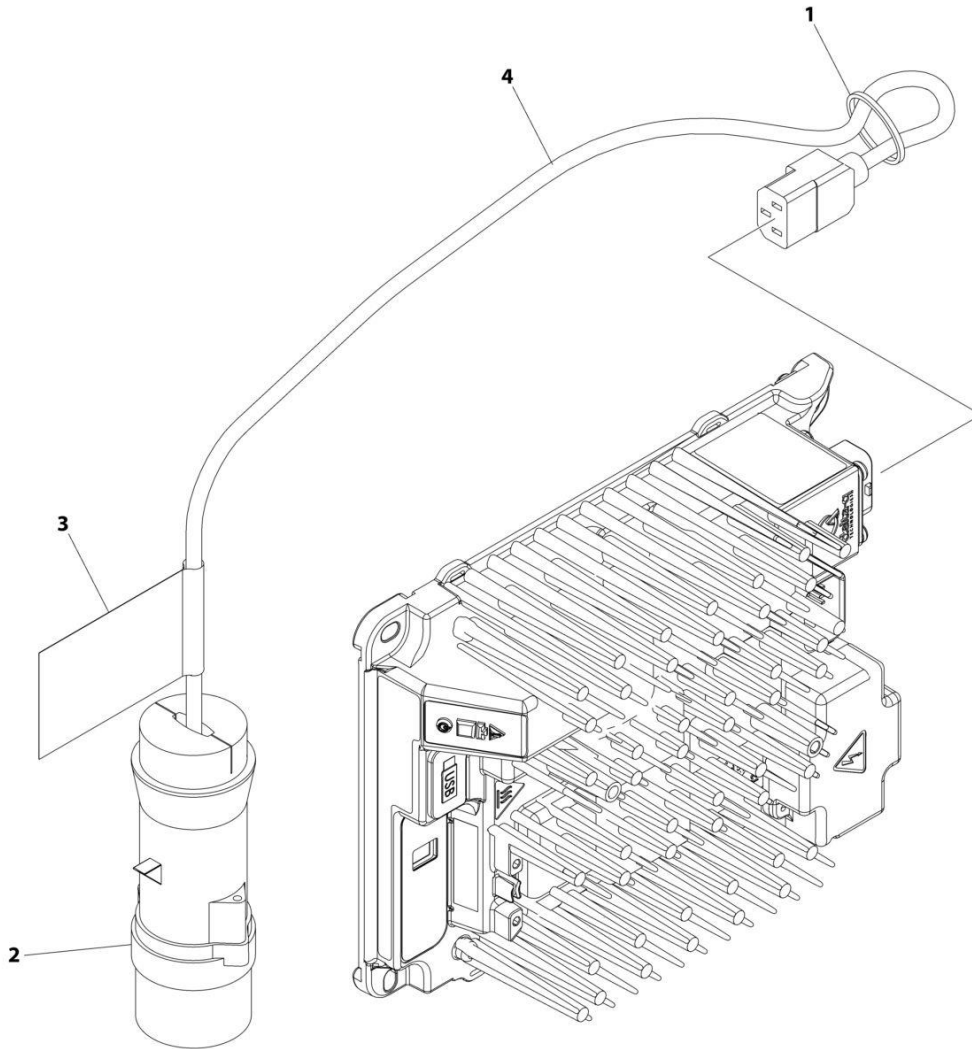
SECTION 5 - ELECTRICAL

FIGURE 5-19. CHARGER PLUG INSTALLATION (AUSTRALIAN PLUG) (AUSTRALIAN SPECS) (SN M200080054 to Present, Including M200080011)

ITEM	PART NUMBER	QTY	DESCRIPTION	REV
	1001303153	Ref	CHARGER PLUG INSTALLATION	A
1	0700814	2	Bolt M8 x 30	
2	3290505	4	Nut M5	
3	3290805	2	Nut M8	
4	3900381	4	Screw M5 x 16	
5	4240017	AR	Tie-Strap	
6	4811902	4	Washer M8	
7	4831600	4	Washer M5	
8	1001103471	1	Connector, Strain Relief	
9	1001134280	1	Decal - Charger	
10	1001207974	1	Cable, Charger	
11	1001227219	1	Harness, Earth/Ground	
12	1001227267	1	Inlet Socket/Box Assembly	
13	1001256503	1	Bracket	
14	1001304423	1	Decal - Charger Label	

SECTION 5 - ELECTRICAL

**FIGURE 5-20. CHARGER PLUG INSTALLATION (110V IEC YELLOW PLUG) (CE & UK CA SPECS)
(Prior to SN M200080021, Excluding M200080011)**



ART_1001258771

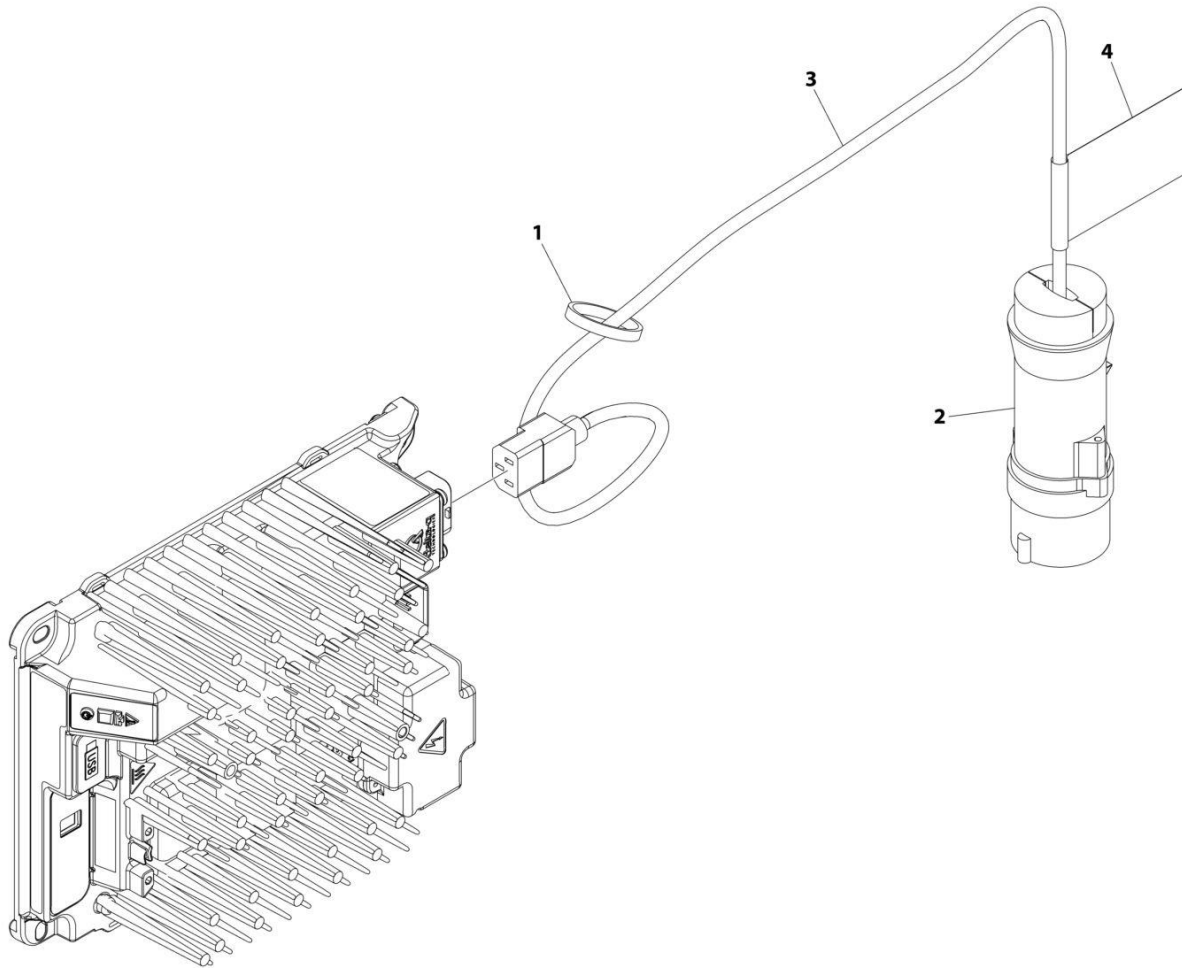
SECTION 5 - ELECTRICAL

**FIGURE 5-20. CHARGER PLUG INSTALLATION (110V IEC YELLOW PLUG) (CE & UK CA SPECS)
(Prior to SN M200080021, Excluding M200080011)**

ITEM	PART NUMBER	QTY	DESCRIPTION	REV
	1001258771	Ref	CHARGER PLUG INSTALLATION	A
1	4240017	AR	Tie-Strap	
2	4461196	1	Terminal	
3	1001102489	1	Decal - Charger	
4	1001207974	1	Cable, Charger Plug (No Plug)	

SECTION 5 - ELECTRICAL

FIGURE 5-21. CHARGER PLUG INSTALLATION (110V IEC YELLOW PLUG) (CE & UK CA SPECS) (SN M200080054 to Present, Including M200080011)



ART_1001303157

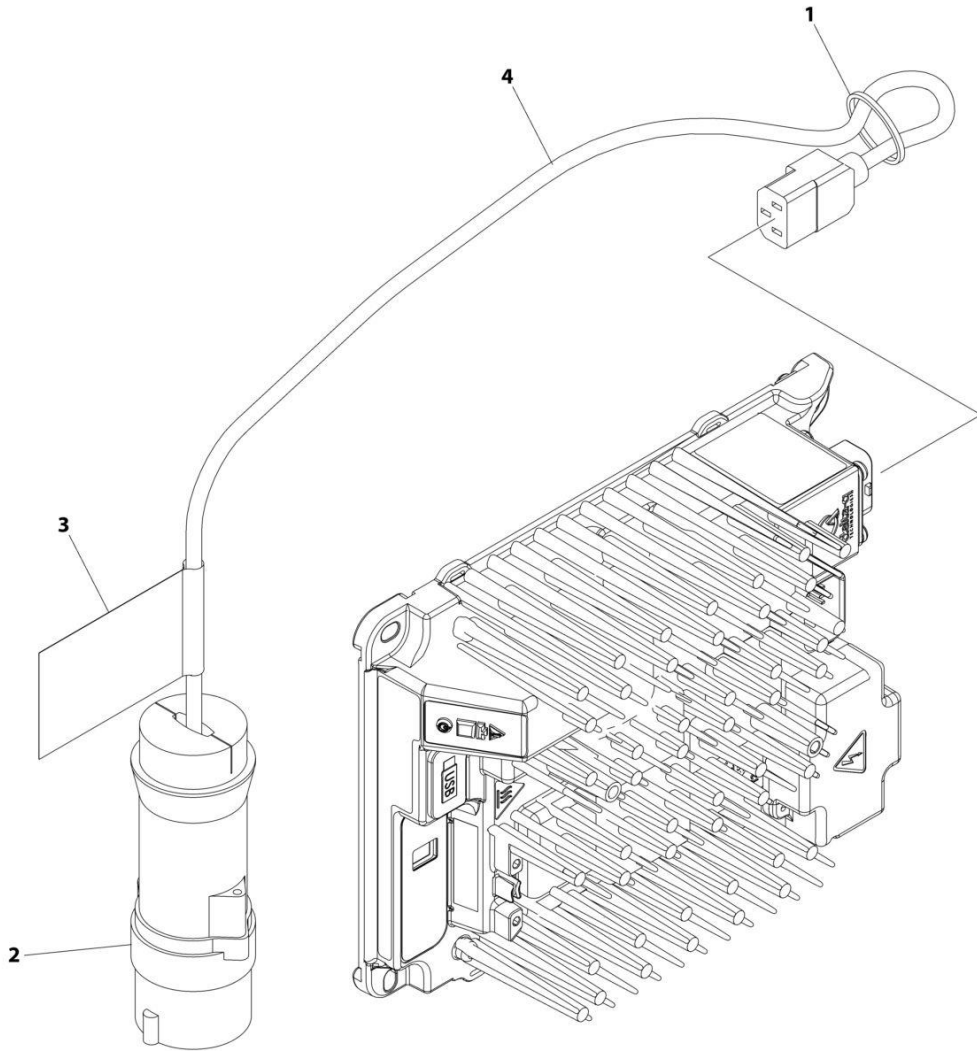
SECTION 5 - ELECTRICAL

FIGURE 5-21. CHARGER PLUG INSTALLATION (110V IEC YELLOW PLUG) (CE & UK CA SPECS) (SN M200080054 to Present, Including M200080011)

ITEM	PART NUMBER	QTY	DESCRIPTION	REV
	1001303157	Ref	CHARGER PLUG INSTALLATION	A
1	4240017	AR	Tie-Strap	
2	4461196	1	Terminal	
3	1001207974	1	Cable, Charger Plug	
4	1001303150	1	Decal - Charger	

SECTION 5 - ELECTRICAL

FIGURE 5-22. CHARGER PLUG INSTALLATION (220V IEC BLUE PLUG) (CE & UK CA SPECS) (Prior to SN M200080021, Excluding M200080011)



ART_1001258772

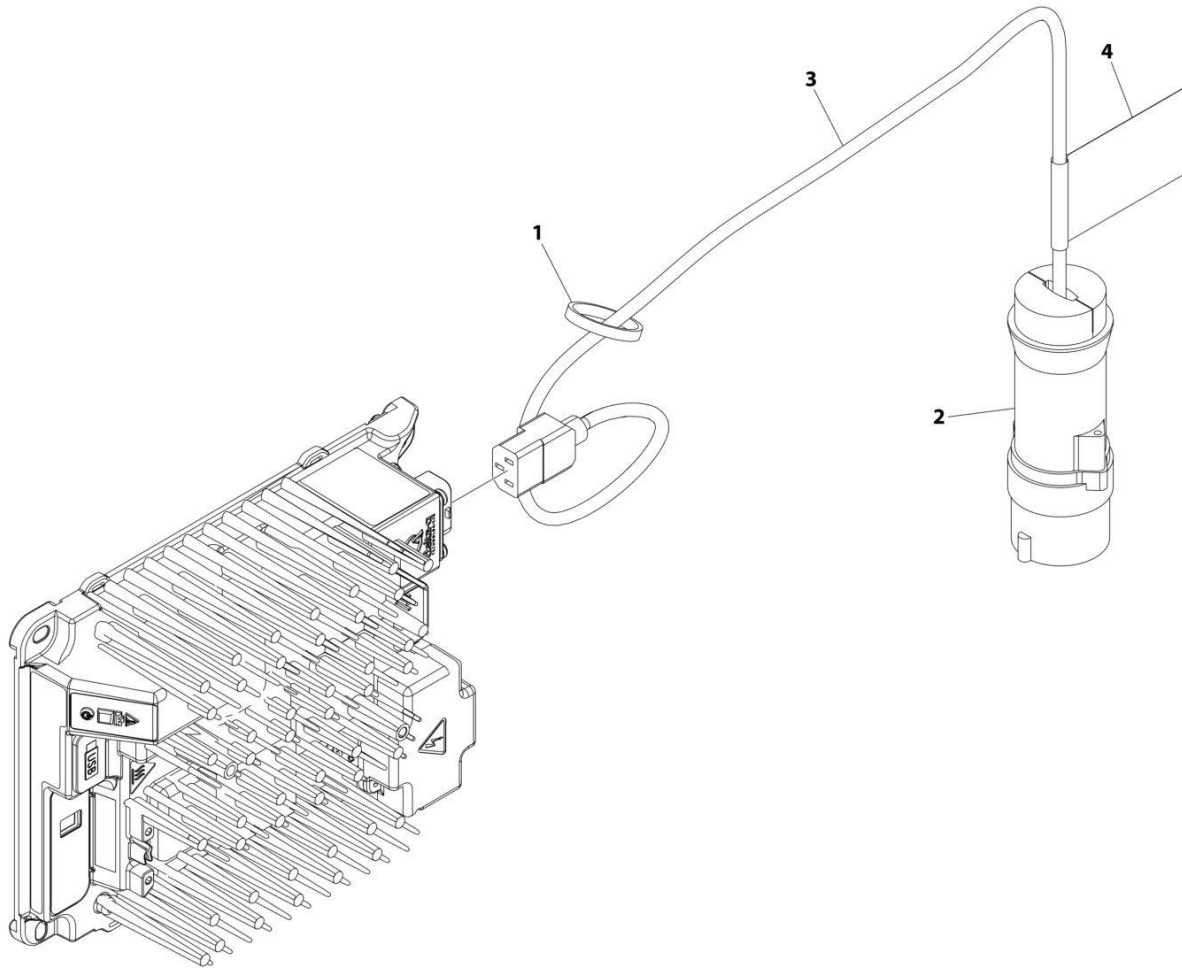
SECTION 5 - ELECTRICAL

FIGURE 5-22. CHARGER PLUG INSTALLATION (220V IEC BLUE PLUG) (CE & UK CA SPECS) (Prior to SN M200080021, Excluding M200080011)

ITEM	PART NUMBER	QTY	DESCRIPTION	REV
	1001258772	Ref	CHARGER PLUG INSTALLATION	A
1	4240017	AR	Tie-Strap	
2	4461199	1	Terminal	
3	1001102489	1	Decal - Charger	
4	1001207974	1	Cable, Charger Plug (No Plug)	

SECTION 5 - ELECTRICAL

FIGURE 5-23. CHARGER PLUG INSTALLATION (220V IEC BLUE PLUG) (CE & UK CA SPECS) (SN M200080054 to Present, Including M200080011)



ART_1001303158

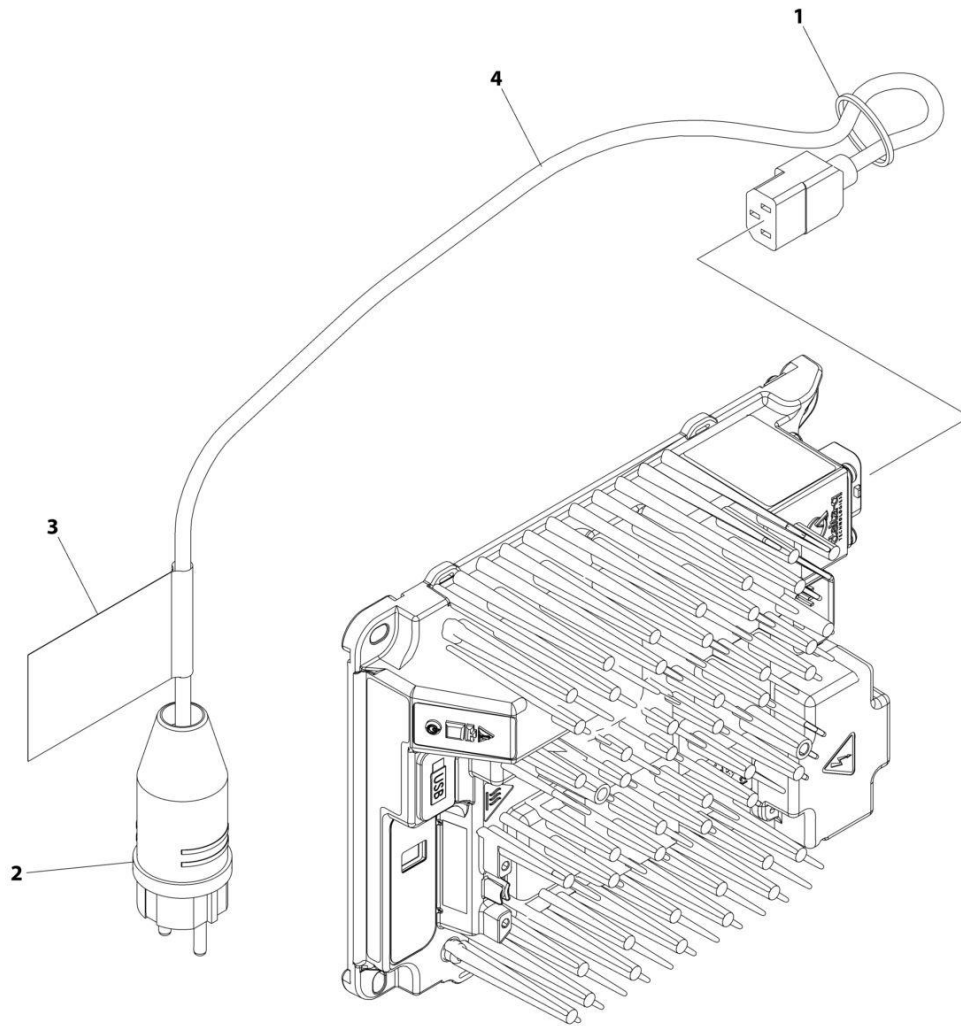
SECTION 5 - ELECTRICAL

FIGURE 5-23. CHARGER PLUG INSTALLATION (220V IEC BLUE PLUG) (CE & UK CA SPECS) (SN M200080054 to Present, Including M200080011)

ITEM	PART NUMBER	QTY	DESCRIPTION	REV
	1001303158	Ref	CHARGER PLUG INSTALLATION	A
1	4240017	AR	Tie-Strap	
2	4461199	1	Terminal	
3	1001207974	1	Cable, Charger Plug	
4	1001303150	1	Decal - Charger	

SECTION 5 - ELECTRICAL

FIGURE 5-24. CHARGER PLUG INSTALLATION (220V CEE7 PLUG) (CE & UK CA SPECS) (Prior to SN M200080021, Excluding M200080011)



ART_1001258768

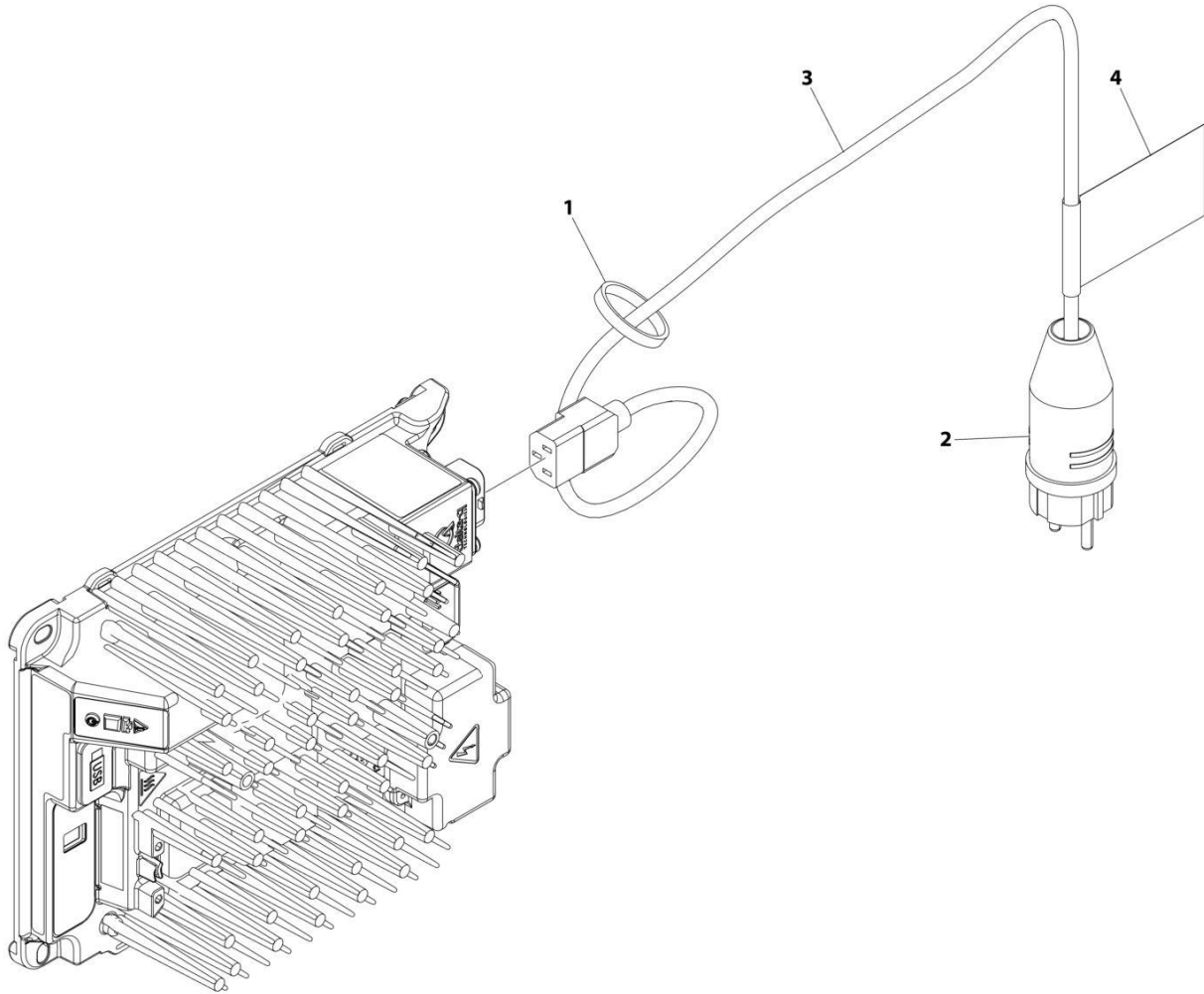
SECTION 5 - ELECTRICAL

FIGURE 5-24. CHARGER PLUG INSTALLATION (220V CEE7 PLUG) (CE & UK CA SPECS) (Prior to SN M200080021, Excluding M200080011)

ITEM	PART NUMBER	QTY	DESCRIPTION	REV
	1001258768	Ref	CHARGER PLUG INSTALLATION	A
1	4240017	AR	Tie-Strap	
2	4461205	1	Terminal	
3	1001102489	1	Decal - Charger	
4	1001207974	1	Cable, Charger Plug (No Plug)	

SECTION 5 - ELECTRICAL

FIGURE 5-25. CHARGER PLUG INSTALLATION (220V CEE7 PLUG) (CE & UK CA SPECS) (SN M200080054 to Present, Including M200080011)



ART_1001303155

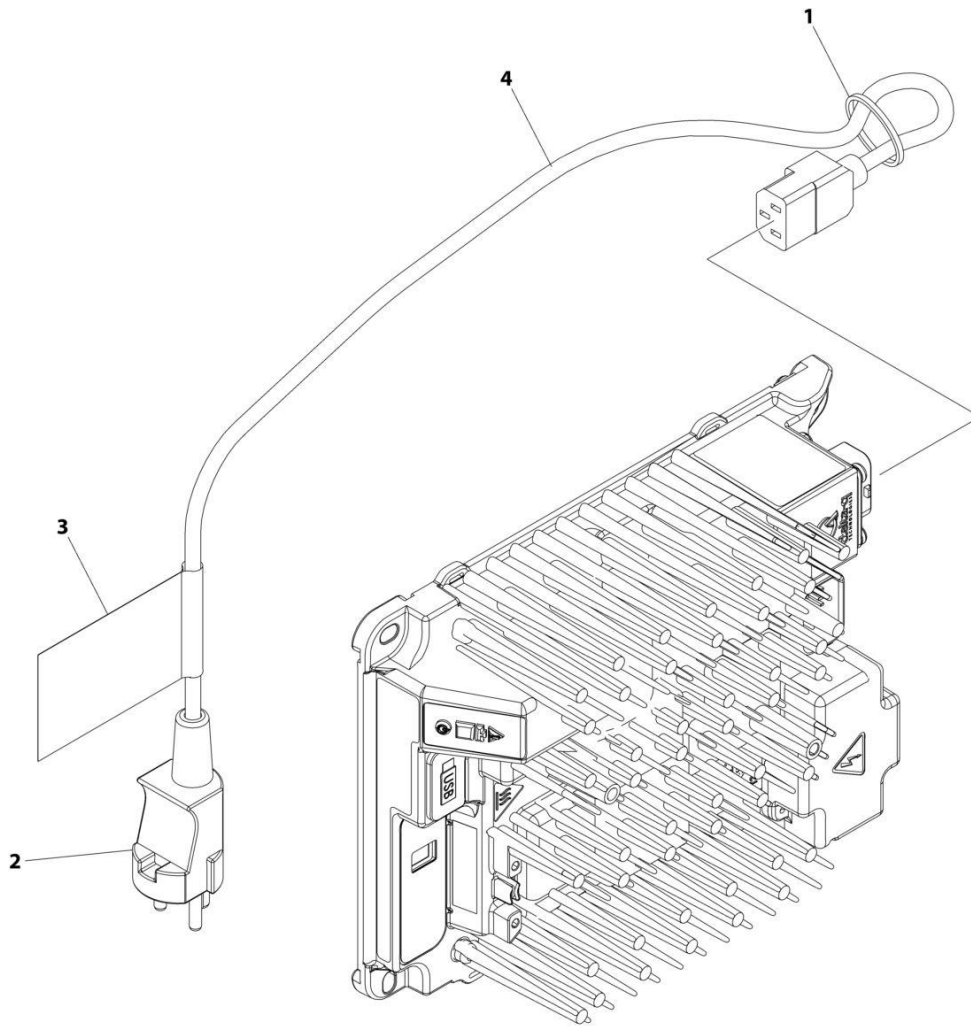
SECTION 5 - ELECTRICAL

FIGURE 5-25. CHARGER PLUG INSTALLATION (220V CEE7 PLUG) (CE & UK CA SPECS) (SN M200080054 to Present, Including M200080011)

ITEM	PART NUMBER	QTY	DESCRIPTION	REV
	1001303155	Ref	CHARGER PLUG INSTALLATION	A
1	4240017	AR	Tie-Strap	
2	4461205	1	Terminal	
3	1001207974	1	Cable, Charger Plug	
4	1001303150	1	Decal - Charger	

SECTION 5 - ELECTRICAL

FIGURE 5-26. CHARGER PLUG INSTALLATION (220V AFSINT107 PLUG) (CE & UK CA SPECS) (Prior to SN M200080021, Excluding M200080011)



ART_1001258770

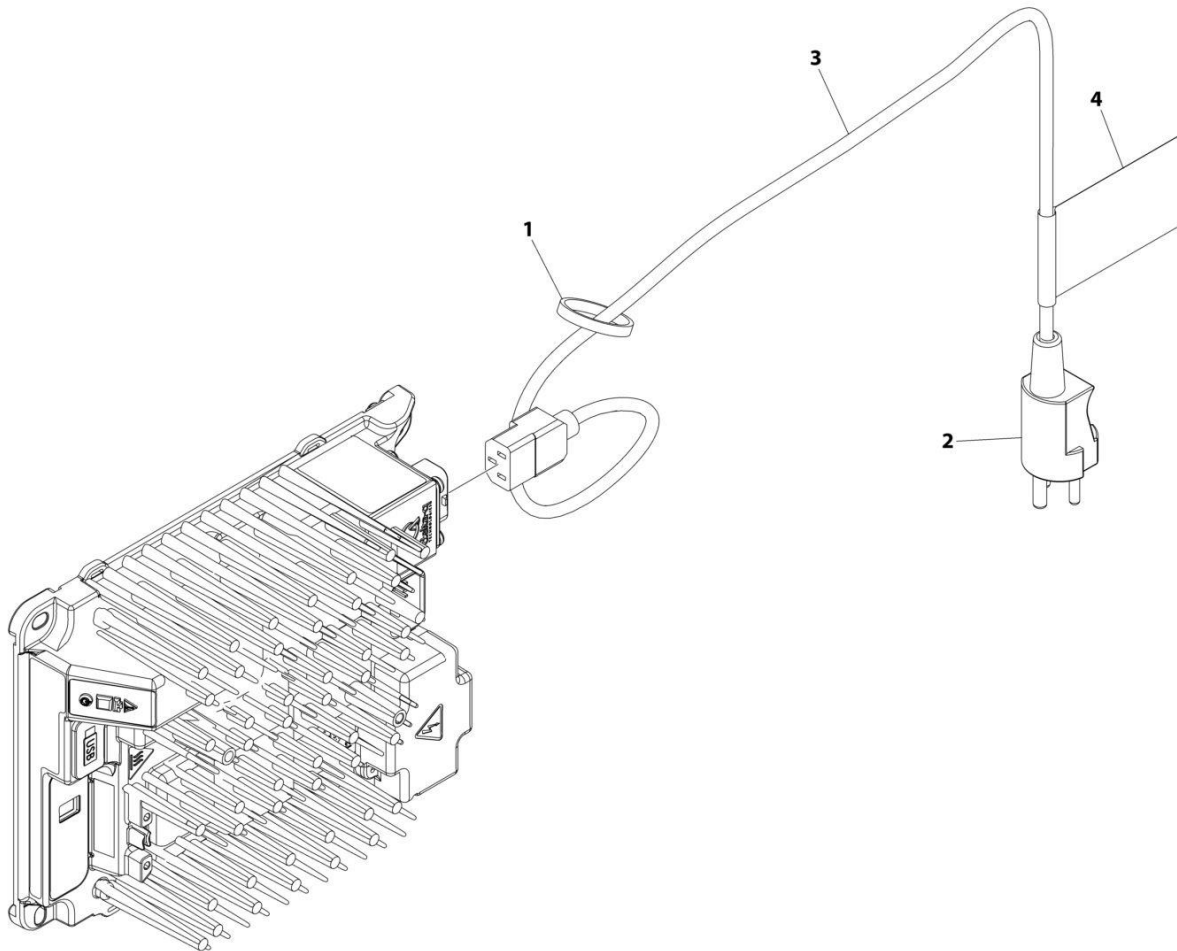
SECTION 5 - ELECTRICAL

FIGURE 5-26. CHARGER PLUG INSTALLATION (220V AFSINT107 PLUG) (CE & UK CA SPECS) (Prior to SN M200080021, Excluding M200080011)

ITEM	PART NUMBER	QTY	DESCRIPTION	REV
	1001258770	Ref	CHARGER PLUG INSTALLATION	A
1	4240017	AR	Tie-Strap	
2	4461249	1	Terminal	
3	1001102489	1	Decal - Charger	
4	1001207974	1	Cable, Charger Plug (No Plug)	

SECTION 5 - ELECTRICAL

FIGURE 5-27. CHARGER PLUG INSTALLATION (220V AFSINT107 PLUG) (CE & UK CA SPECS) (SN M200080054 to Present, Including M200080011)



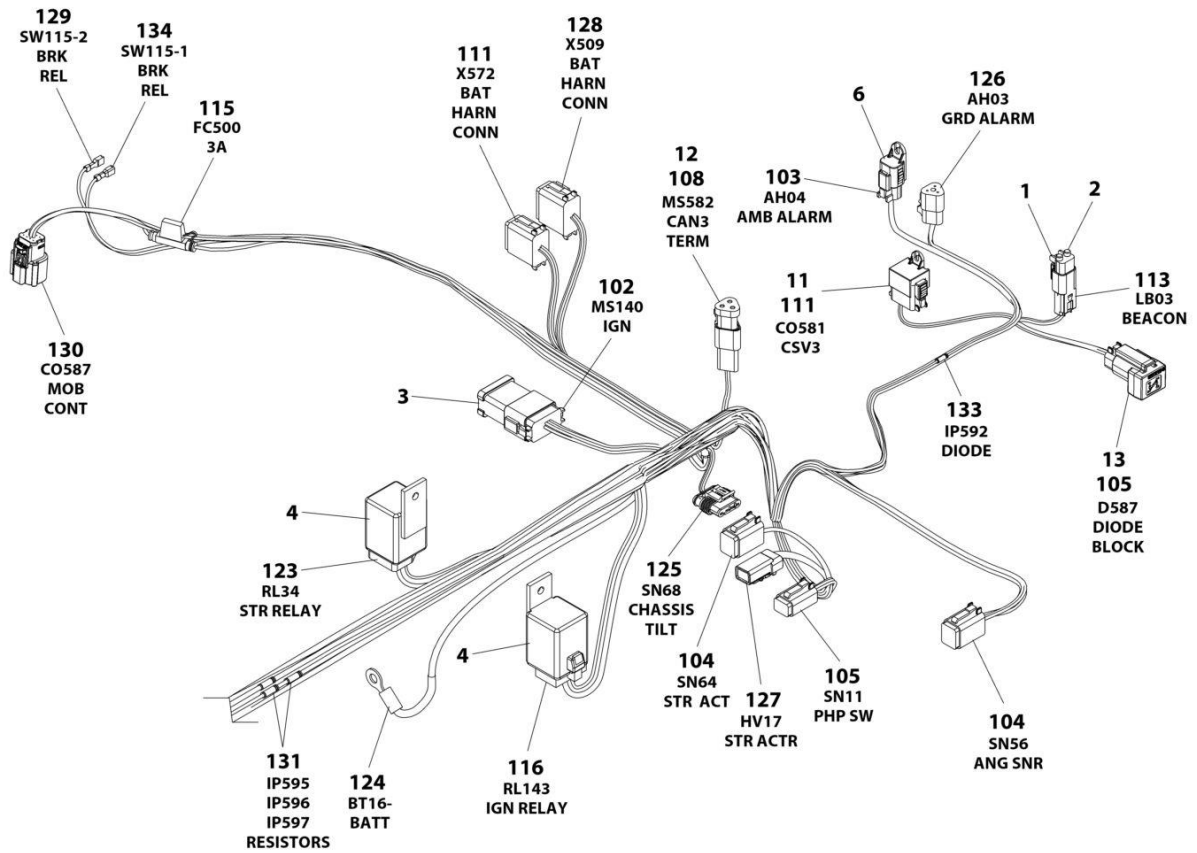
ART_1001303156

SECTION 5 - ELECTRICAL

FIGURE 5-27. CHARGER PLUG INSTALLATION (220V AFSINT107 PLUG) (CE & UK CA SPECS) (SN M200080054 to Present, Including M200080011)

ITEM	PART NUMBER	QTY	DESCRIPTION	REV
	1001303156	Ref	CHARGER PLUG INSTALLATION	A
1	4240017	AR	Tie-Strap	
2	4461249	1	Terminal	
3	1001207974	1	Cable, Charger Plug	
4	1001303150	1	Decal - Charger	

SECTION 5 - ELECTRICAL



ART_1001277804_2OF2

SECTION 5 - ELECTRICAL

FIGURE 5-28. CHASSIS HARNESS

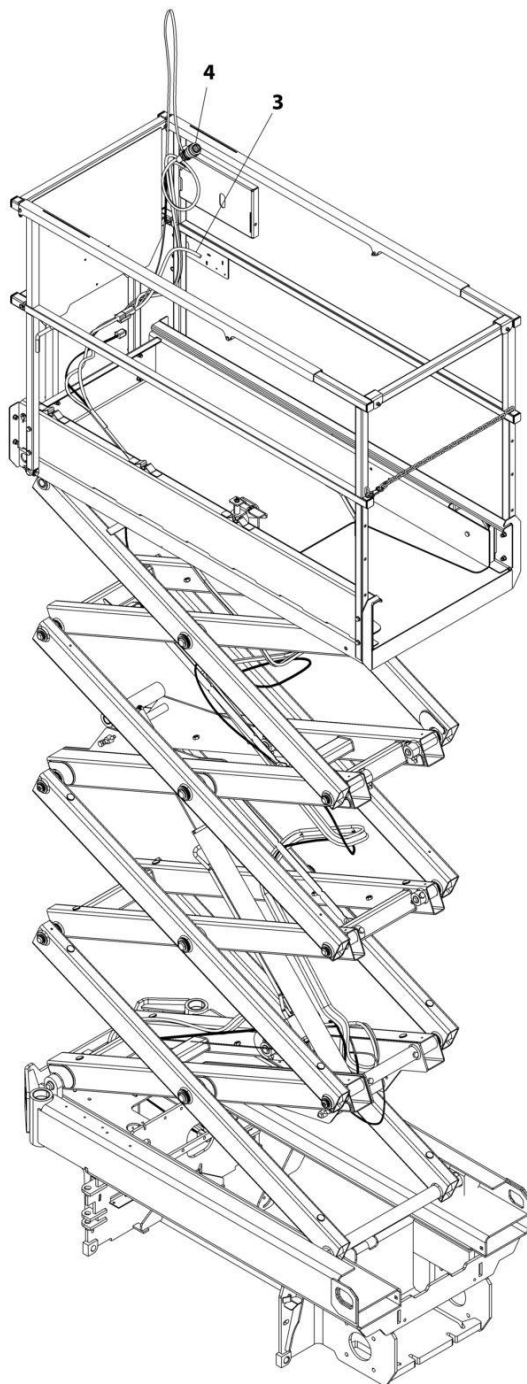
ITEM	PART NUMBER	QTY	DESCRIPTION	REV
	1001277804	Ref	CHASSIS HARNESS	D
1	4460891	1	Plug, Male - 2 Position	
2	4460466	2	Plug, Terminal	
3	4460837	5	Bussbar	
4	1001097347	2	Relay	
5	1001116815	1	Plug, Male - 3 Position	
6	1001144295	2	Cap, Dust	
7	1001144296	1	Cap, Dust	
8	1001192401	1	Cap, Dust	
9	4460518	4	Plug, Terminal	
10	4461076	1	Receptacle, Female - 4 Position	
11	1001244462	1	Cap, Dust	
12	1001116815	1	Plug, Male - 3 Position	
13	1001152266	1	Connector with Diodes - 4 Position	
101	1001248683	1	Connector - 66 Position	
101	1001249070	34	Terminal	
101	1001249071	2	Terminal	
101	1001249072	2	Seal	
101	1001249077	30	Plug, Terminal	
102	4460836	5	Plug, Male - 12 Position	
102	4460465	48	Socket, Female	
102	4460942	6	Socket, Female	
102	4460466	6	Plug, Terminal	
103	4460891	2	Plug, Male - 2 Position	
103	4460465	3	Socket, Female	
103	4460466	1	Plug, Terminal	
104	4460894	3	Plug, Male - 6 Position	
104	4460465	12	Socket, Female	
104	4460944	4	Socket, Female	
105	4460884	4	Plug, Male - 4 Position	
105	4460465	14	Socket, Female	
105	4460944	2	Socket, Female	
106	4460260	4	Cover, Terminal	
106	4460259	4	Terminal	
107	1001116812	1	Plug, Male - 3 Position	
107	4460944	2	Socket, Female	
107	4460466	1	Plug, Terminal	
108	1001144147	2	Receptacle, Female - 3 Position	
108	4460943	4	Pin, Male	
108	4460466	2	Plug, Terminal	
109	4461077	1	Connector - 4 Position	
109	4460928	4	Terminal	
110		Ref	Resistor 1.5KOhm-1/4Watt	
111	4460930	5	Plug, Male - 8 Position	
111	4460465	32	Socket, Female	
111	4460944	4	Socket, Female	
111	4460466	4	Plug, Terminal	
112	1001116994	3	Connector - 23 Position	
112	4460871	36	Terminal	
112	4460905	33	Plug, Terminal	

SECTION 5 - ELECTRICAL

ITEM	PART NUMBER	QTY	DESCRIPTION	REV
113	4460897	2	Receptacle, Female - 2 Position	
113	4460464	4	Pin, Male	
114	8220045	2	Terminal, Ring	
115	2400060	5	Fuseholder with Cover	
115	1001196635	1	Fuse, 3Amp	
115	8229249	1	Fuse, 3Amp (Not Shown)	
115	8229242	1	Fuse 5Amp	
115	80983191	1	Fuse 10Amp	
115	8229246	1	Fuse 20Amp	
116	1001117057	1	Connector, Relay	
116	1001116732	4	Terminal	
117	1001201885	1	Terminal	
118	4460183	4	Terminal	
119	4460418	1	Connector, Switch	
120	4460247	2	Terminal	
121	4460042	1	Terminal	
122		Ref	Resistor 3K	
123	4460374	1	Plug, Relay	
123	1001116734	2	Terminal	
123	1001116732	2	Terminal	
123	1001128128	1	Plug, Terminal	
124	1001117107	1	Terminal, Ring	
125	1001103012	1	Connector - 4 Position	
125	1001196589	4	Terminal	
125	1001104498	4	Seal, Terminal	
126	4460539	1	Plug, Male - 3 Position	
126	4460465	3	Socket, Female	
127	4461018	1	Connector - 2 Position	
127	4460509	2	Terminal	
128	4460933	1	Plug, Male - 12 Position	
128	4460465	9	Socket, Female	
128	4460944	2	Socket, Female	
128	4460942	1	Socket, Female	
129	1001194421	1	Terminal	
130	1001205409	1	Connector - 8 Position	
130	1001162887	4	Terminal	
130	1001163340	3	Plug, Terminal	
131		Ref	Resistor 1.0KOhm-1 Watt	
132	8220108	1	Terminal	
133	260092	1	Diode	
134	8220051	1	Terminal	

SECTION 5 - ELECTRICAL

FIGURE 5-29. GROUND TO PLATFORM CABLE INSTALLATION - WITHOUT PLATFORM COIL CABLE
(ANSI, ANSI EXPORT, CSA, AND AUSTRALIAN SPECS)



ART_1001201087

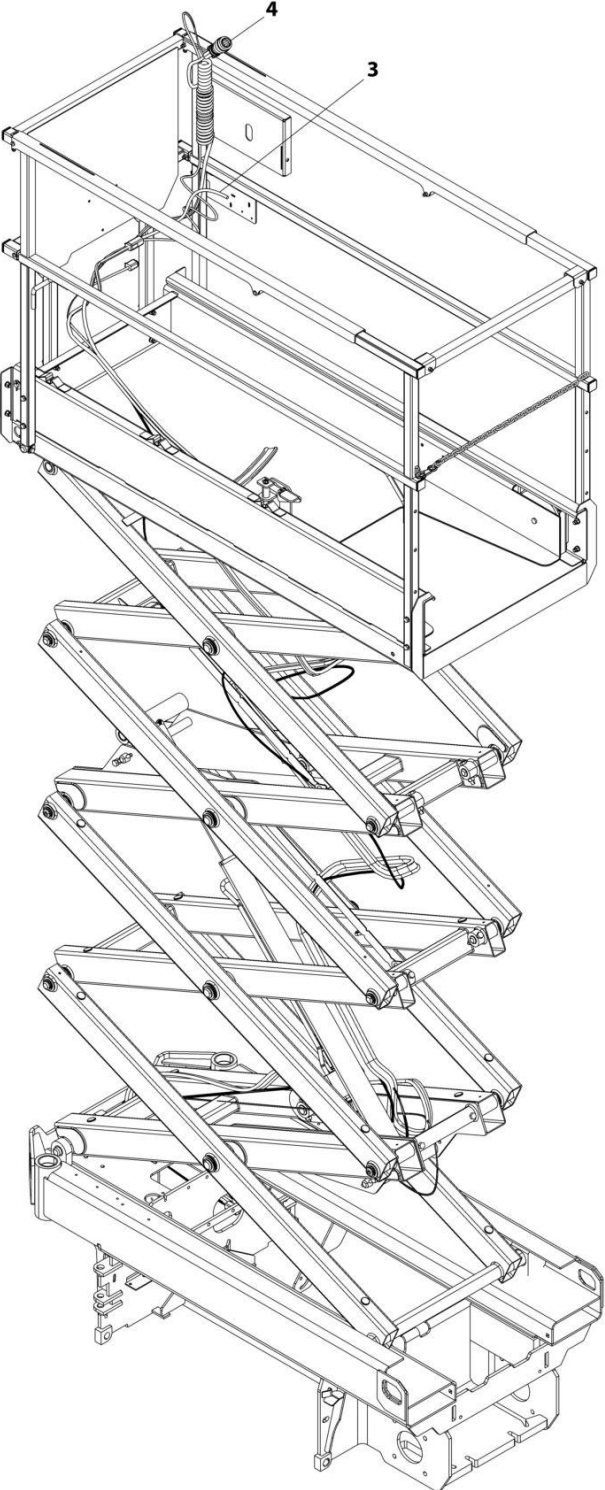
SECTION 5 - ELECTRICAL

**FIGURE 5-29. GROUND TO PLATFORM CABLE INSTALLATION - WITHOUT PLATFORM COIL CABLE
(ANSI, ANSI EXPORT, CSA, AND AUSTRALIAN SPECS)**

ITEM	PART NUMBER	QTY	DESCRIPTION	REV
	1001201087	Ref	GROUND TO PLATFORM CABLE INSTALLATION	E
1	4240017	AR	Tie-Strap (Not Shown)	
3	1001200811	1	Cable Assembly - Ground to Platform	
3	4460894	1	Plug, Male - 6 Position (To Platform Harness Item 4)	
3	4460465	4	Socket, Female	
3	4460944	2	Socket, Female	
3	4460899	1	Receptacle, Female - 6 Position (To Chassis Harness)	
3	4460464	4	Pin, Male	
3	4460943	2	Pin, Male	
4	1001200812	1	Platform Harness	
4	4460899	1	Receptacle, Female - 6 Position (To Item 3)	
4	4460464	4	Pin, Male	
4	4460943	2	Pin, Male	
4	4460754	1	Connector - 14 Position (To Console Box)	
4	4460465	8	Socket, Female	
4	4460466	6	Plug, Terminal	

SECTION 5 - ELECTRICAL

FIGURE 5-30. GROUND TO PLATFORM CABLE INSTALLATION - WITH PLATFORM COIL CABLE (ANSI, ANSI EXPORT, CSA, AND AUSTRALIAN SPECS)



ART_1001203630

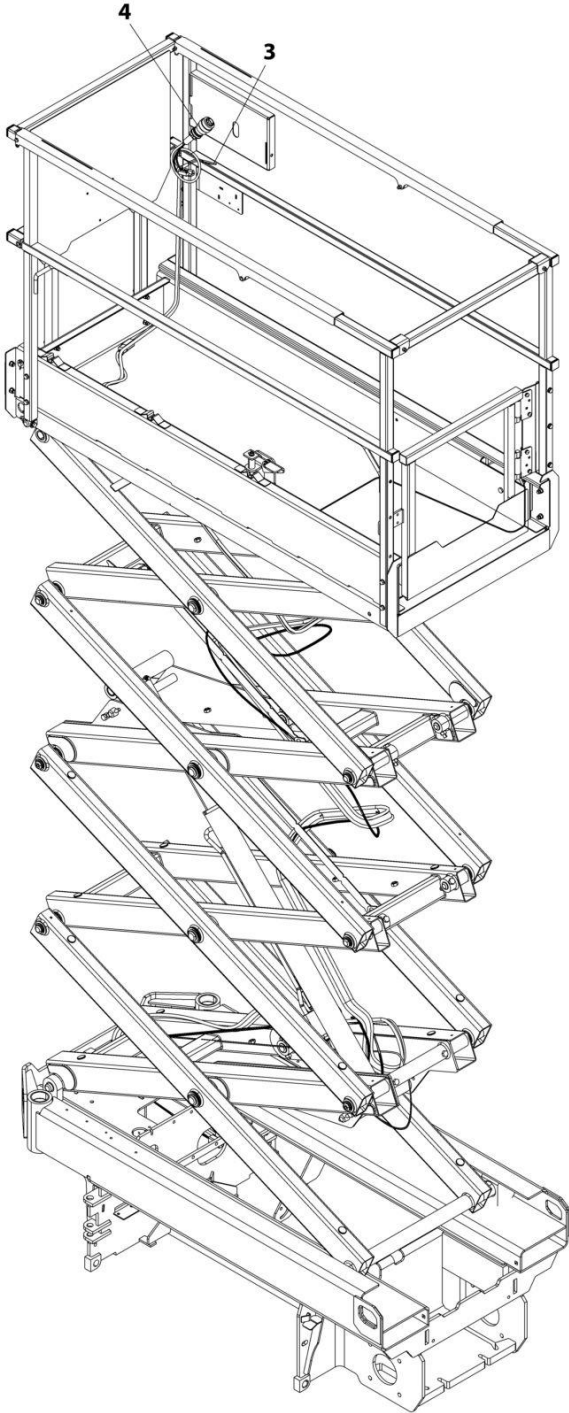
SECTION 5 - ELECTRICAL

**FIGURE 5-30. GROUND TO PLATFORM CABLE INSTALLATION - WITH PLATFORM COIL CABLE
(ANSI, ANSI EXPORT, CSA, AND AUSTRALIAN SPECS)**

ITEM	PART NUMBER	QTY	DESCRIPTION	REV
	1001203630	Ref	GROUND TO PLATFORM CABLE INSTALLATION	E
1	4240017	AR	Tie-Strap (Not Shown)	
3	1001200811	1	Cable Assembly - Ground to Platform	
3	4460894	1	Plug, Male - 6 Position (To Platform Harness Item 4)	
3	4460465	4	Socket, Female	
3	4460944	2	Socket, Female	
3	4460899	1	Receptacle, Female - 6 Position (To Chassis Harness)	
3	4460464	4	Pin, Male	
3	4460943	2	Pin, Male	
4	1001202184	1	Platform Harness	
4	4460899	1	Receptacle, Female - 6 Position (To Item 3)	
4	4460464	4	Pin, Male	
4	4460943	2	Pin, Male	
4	4460754	1	Connector - 14 Position (To Console Box)	
4	4460465	8	Socket, Female	
4	4460466	6	Plug, Terminal	

SECTION 5 - ELECTRICAL

FIGURE 5-31. GROUND TO PLATFORM CABLE INSTALLATION - WITHOUT PLATFORM COIL CABLE & WITH FOOTSWITCH (ANSI EXPORT, JAPANESE, CE & UK CA SPECS)



ART_1001201129_F

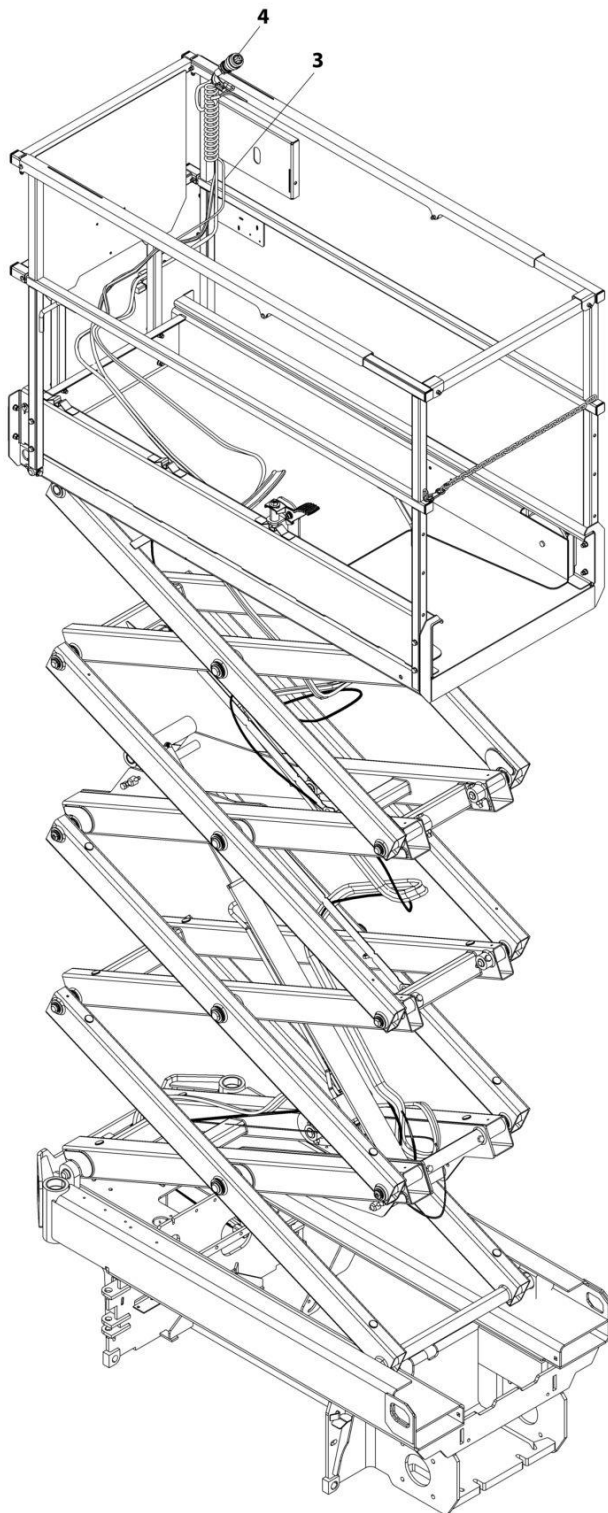
SECTION 5 - ELECTRICAL

FIGURE 5-31. GROUND TO PLATFORM CABLE INSTALLATION - WITHOUT PLATFORM COIL CABLE & WITH FOOTSWITCH (ANSI EXPORT, JAPANESE, CE & UK CA SPECS)

ITEM	PART NUMBER	QTY	DESCRIPTION	REV
	1001201129	Ref	GROUND TO PLATFORM CABLE INSTALLATION	F
		Ref	Note: Only Available on Japanese Specs.	
1	4240017	AR	Tie-Strap (Not Shown)	
3	1001200811	1	Cable Assembly - Ground to Platform	
3	4460894	1	Plug, Male - 6 Position (To Platform Harness Item 4)	
3	4460465	4	Socket, Female	
3	4460944	2	Socket, Female	
3	4460899	1	Receptacle, Female - 6 Position (To Chassis Harness)	
3	4460464	4	Pin, Male	
3	4460943	2	Pin, Male	
4	1001223263	1	Platform Harness	
4	4460899	1	Receptacle, Female - 6 Position (To Item 3)	
4	4460464	4	Pin, Male	
4	4460943	2	Pin, Male	
4	4460754	1	Connector - 14 Position (To Console Box)	
4	4460465	8	Socket, Female	
4	4460944	2	Socket, Female	
4	4460466	4	Plug, Terminal	
4	4460891	1	Plug, Male - 2 Position (To Footswitch)	
4	4460465	2	Socket, Female	
4	4460897	1	Receptacle, Female - 2 Position (Footswitch Jumper)	
4	4460464	2	Pin, Male	
4	4460539	1	Plug, Male - 3 Position (To Overhead Switches)	
4	4460465	2	Socket, Female	
4	4460466	1	Plug, Terminal	

SECTION 5 - ELECTRICAL

FIGURE 5-32. GROUND TO PLATFORM CABLE INSTALLATION - WITH PLATFORM COIL CABLE & WITH FOOTSWITCH (ANSI EXPORT, JAPANESE, CE & UK CA SPECS SPECS)



ART_1001203631_F

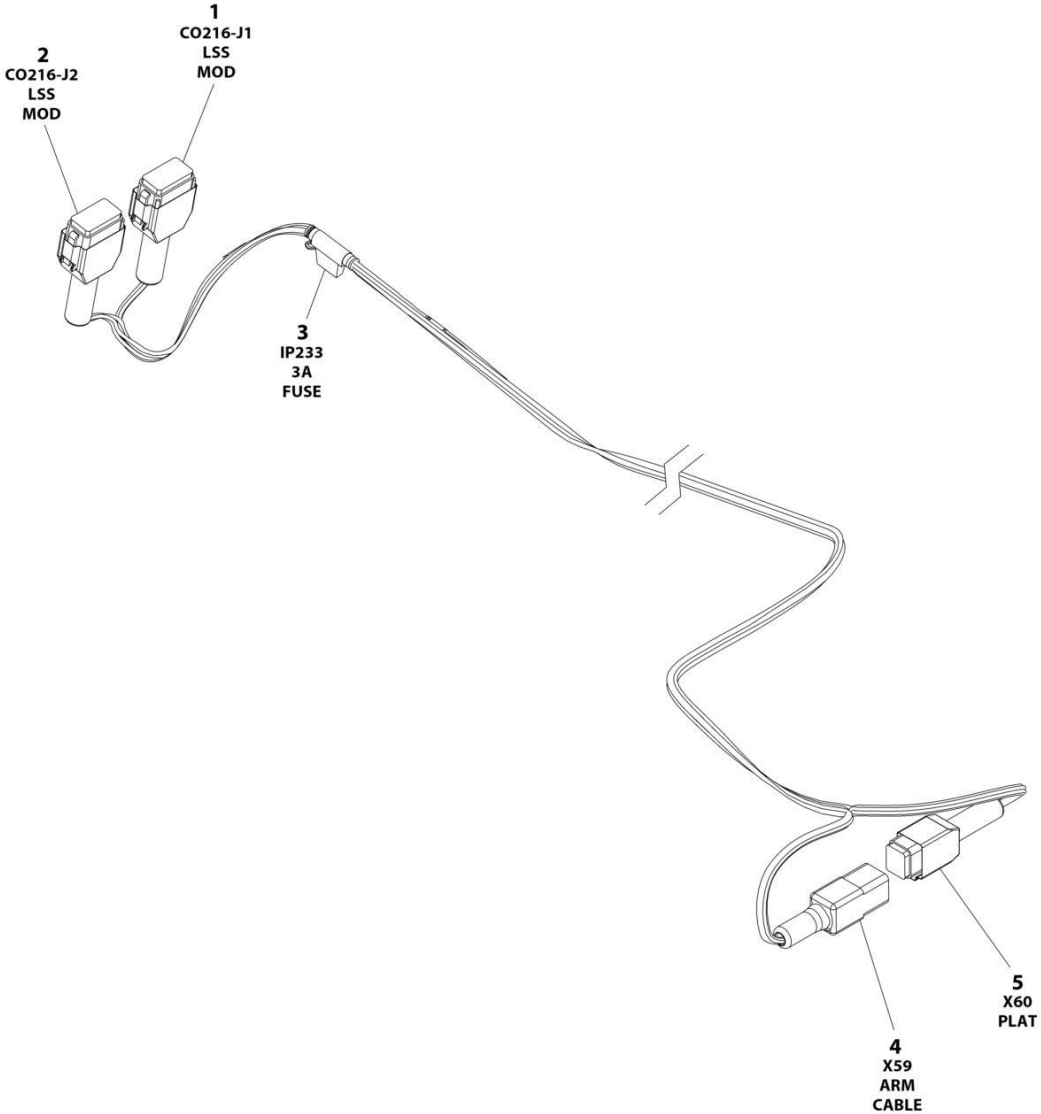
SECTION 5 - ELECTRICAL

FIGURE 5-32. GROUND TO PLATFORM CABLE INSTALLATION - WITH PLATFORM COIL CABLE & WITH FOOTSWITCH (ANSI EXPORT, JAPANESE, CE & UK CA SPECS SPECS)

ITEM	PART NUMBER	QTY	DESCRIPTION	REV
	1001203631	Ref	GROUND TO PLATFORM CABLE INSTALLATION	F
		Ref	Note: Only Available on Japanese Specs.	
1	4240017	AR	Tie-Strap (Not Shown)	
3	1001200811	1	Cable Assembly - Ground to Platform	
3	4460894	1	Plug, Male - 6 Position (To Platform Harness Item 4)	
3	4460465	4	Socket, Female	
3	4460944	2	Socket, Female	
3	4460899	1	Receptacle, Female - 6 Position (To Chassis Harness)	
3	4460464	4	Pin, Male	
3	4460943	2	Pin, Male	
4	1001223262	1	Platform Harness	
4	4460899	1	Receptacle, Female - 6 Position (To Item 3)	
4	4460464	4	Pin, Male	
4	4460943	2	Pin, Male	
4	4460754	1	Connector - 14 Position (To Console Box)	
4	4460465	8	Socket, Female	
4	4460944	2	Socket, Female	
4	4460466	4	Plug, Terminal	
4	4460891	1	Plug, Male - 2 Position (To Footswitch)	
4	4460465	2	Socket, Female	
4	4460897	1	Receptacle, Female - 2 Position (Footswitch Jumper)	
4	4460464	2	Pin, Male	
4	4460539	1	Plug, Male - 3 Position (To Overhead Switches)	
4	4460465	2	Socket, Female	
4	4460466	1	Plug, Terminal	

SECTION 5 - ELECTRICAL

FIGURE 5-33. LSS HARNESS



ART_1001263450

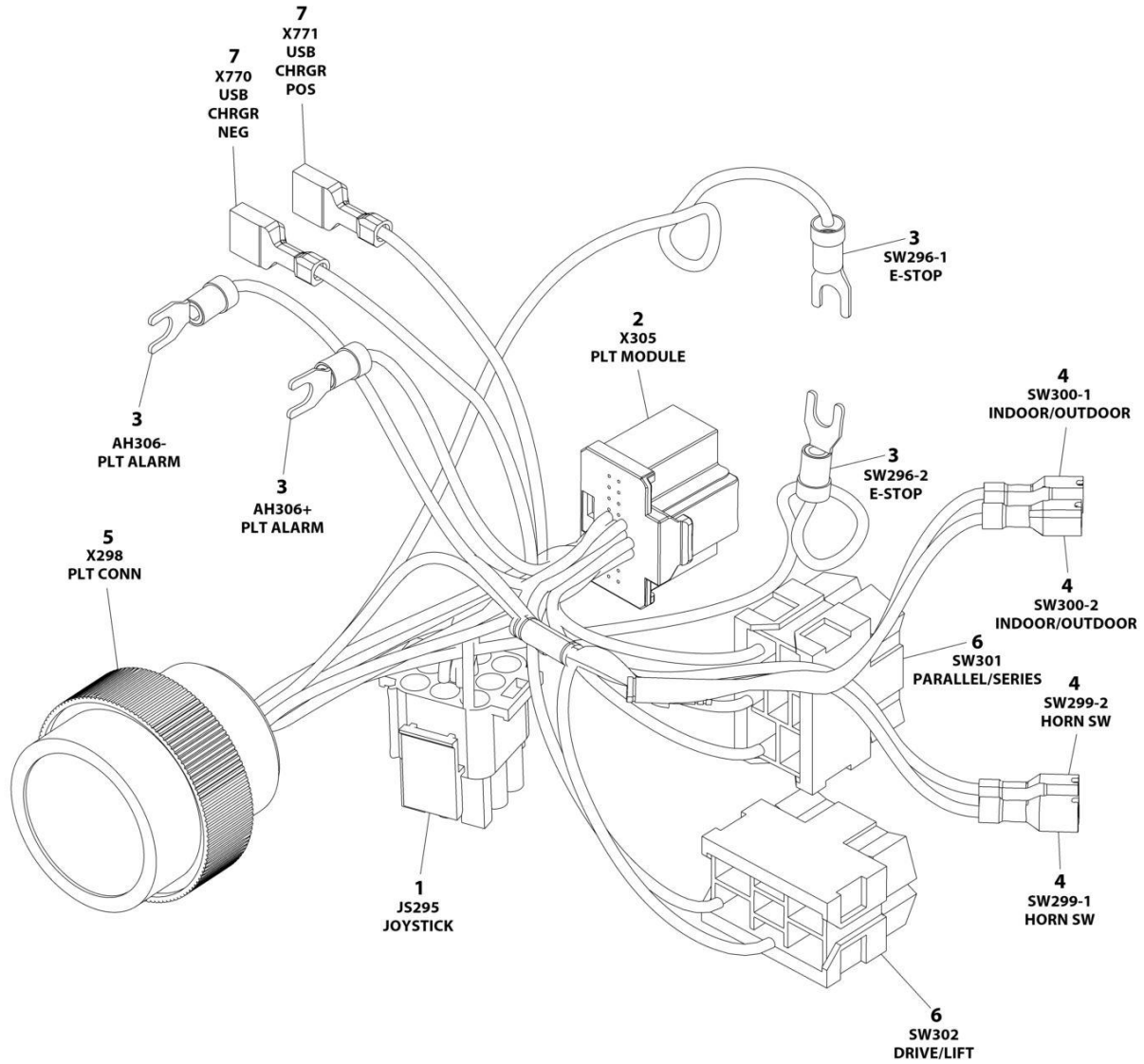
SECTION 5 - ELECTRICAL

FIGURE 5-33. LSS HARNESS

ITEM	PART NUMBER	QTY	DESCRIPTION	REV
	1001263450	Ref	LSS HARNESS	A
1	4460933	1	Connector - 12 Position	
1	4460465	3	Socket, Female	
1	4460466	9	Plug, Terminal	
1	0840055	1	Boot	
2	4460836	1	Connector - 12 Position	
2	4460944	4	Socket, Female	
2	4460466	8	Plug, Terminal	
2	0840055	1	Boot	
3	2400060	1	Fuseholder with Cover	
3	1001196838	1	Fuse 3Amp	
4	4460899	1	Receptacle, Female - 6 Position	
4	4460464	4	Pin, Male	
4	4460943	2	Pin, Male	
4	1001100164	1	Boot	
5	4460894	1	Plug, Male - 6 Position	
5	4460465	4	Socket, Female	
5	4460944	2	Socket, Female	
5	0840059	1	Boot	

SECTION 5 - ELECTRICAL

FIGURE 5-34. PLATFORM BOX HARNESS (LED PLATFORM BOX)



ART_1001200819

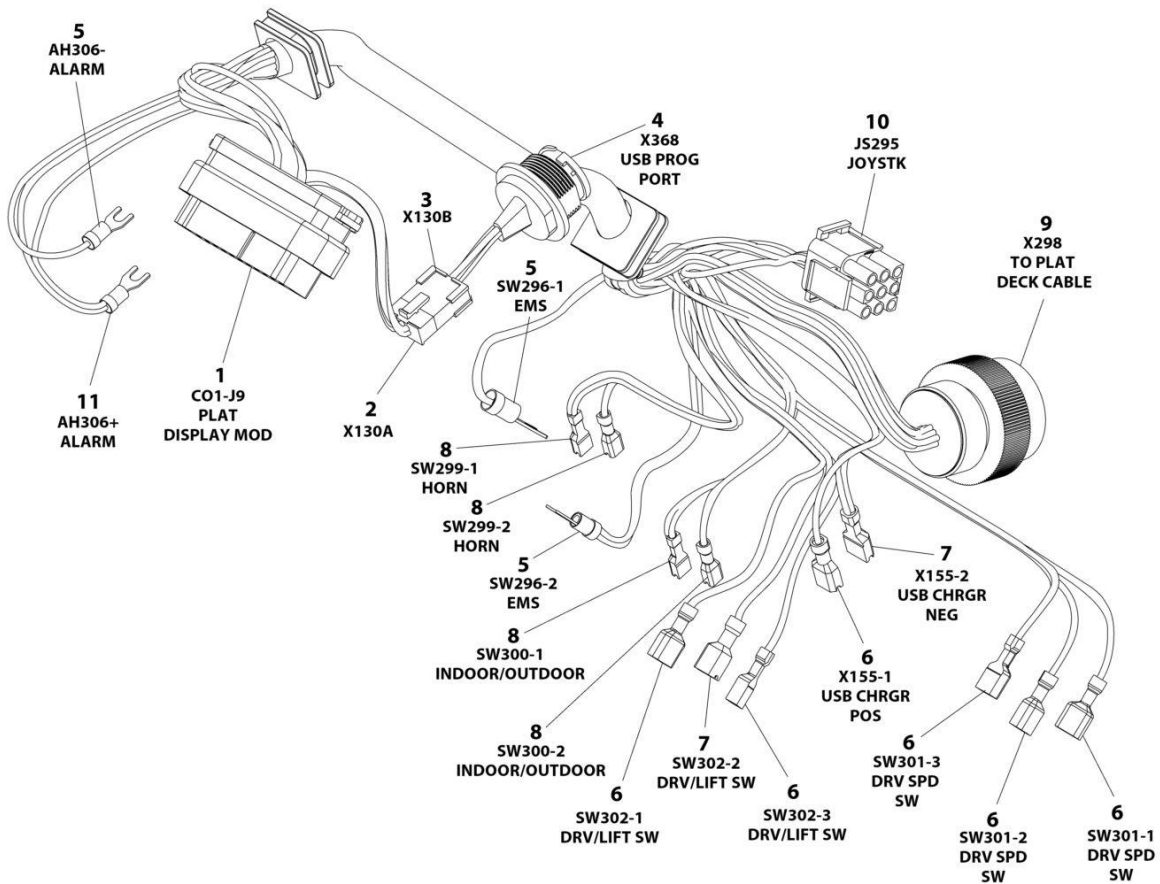
SECTION 5 - ELECTRICAL

FIGURE 5-34. PLATFORM BOX HARNESS (LED PLATFORM BOX)

ITEM	PART NUMBER	QTY	DESCRIPTION	REV
	1001200819	Ref	PLATFORM CONTROL BOX HARNESS	E
1	4460265	1	Plug, Male - 9 Position	
1	4460267	6	Pin, Male	
2	1001212036	1	Connector - 20 Position	
2	1001212035	16	Terminal	
3	4460183	4	Terminal, Fork	
4	1001201885	4	Terminal with Cover	
5	4461016	1	Connector - 14 Position	
5	4460464	8	Pin, Male	
5	4460466	6	Plug, Terminal	
6	4460418	2	Connector - 6 Position	
6	1001159186	5	Terminal	
7	1001194421	2	Terminal	

SECTION 5 - ELECTRICAL

FIGURE 5-35. PLATFORM BOX HARNESS (LCD BOX)



ART_1001254686

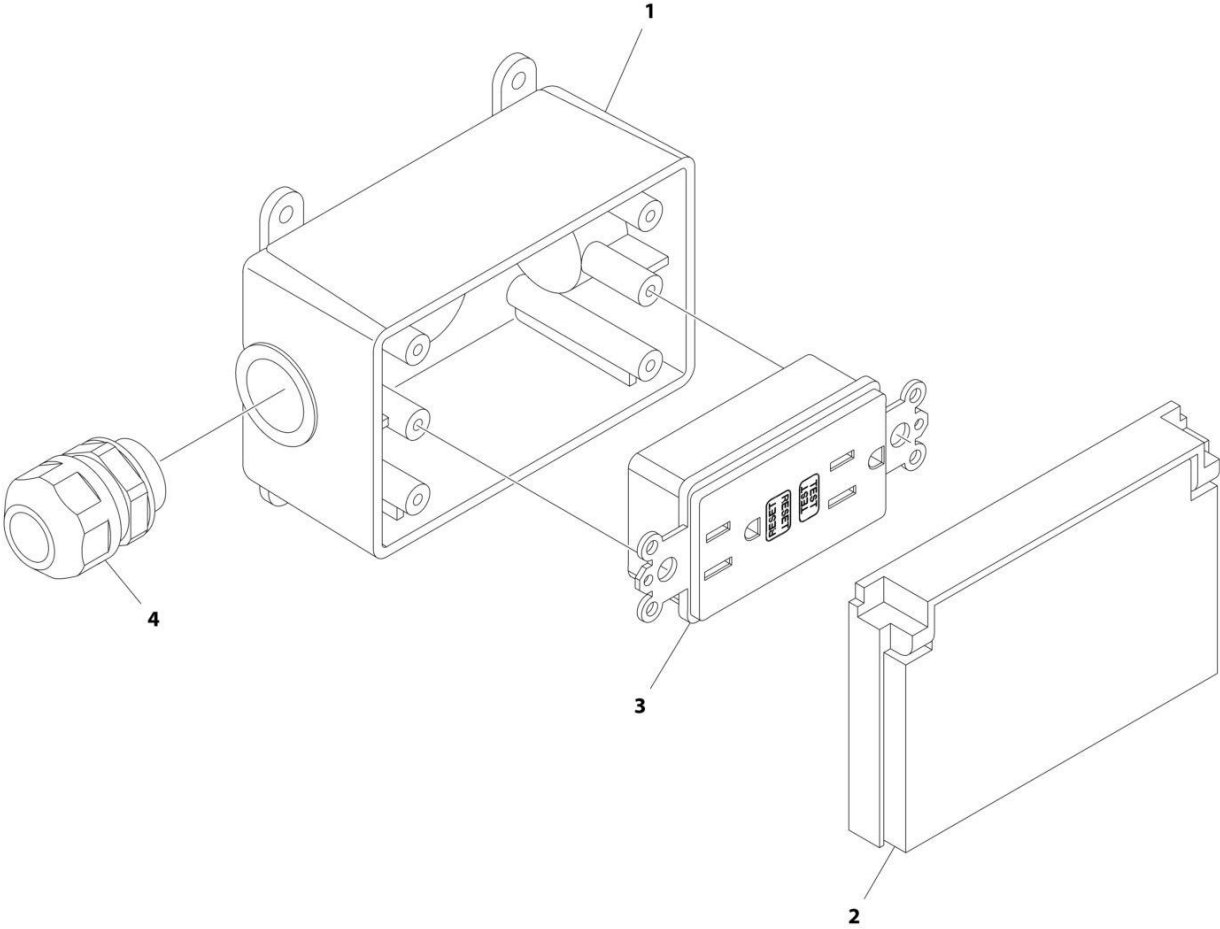
SECTION 5 - ELECTRICAL

FIGURE 5-35. PLATFORM BOX HARNESS (LCD BOX)

ITEM	PART NUMBER	QTY	DESCRIPTION	REV
	1001254686	Ref	PLATFORM CONTROL BOX HARNESS	D
1	4460873	1	Connector - 35 Position	
1	4460871	27	Terminal	
1	4460905	8	Plug, Terminal	
2	1001150735	1	Connector - 10 Position	
2	1001150899	5	Terminal	
3	1001248133	1	Connector - 10 Position	
3	1001248132	5	Terminal	
4	1001246823	1	Connector - 5 Position (With Sealing Cap)	
5	4460183	3	Terminal, Fork	
6	1001194421	6	Terminal	
7	8220051	2	Terminal	
8	1001201885	4	Terminal with Cover	
9	4461016	1	Connector - 14 Position	
9	4460464	12	Pin, Male	
9	4460944	2	Pin, Male	
10	4460265	1	Connector - 9 Position	
10	4460227	7	Terminal	
11	4460144	1	Terminal, Fork	

SECTION 5 - ELECTRICAL

FIGURE 5-36. RECEPTACLE BOX KIT - 110V GFI



ART_2902431

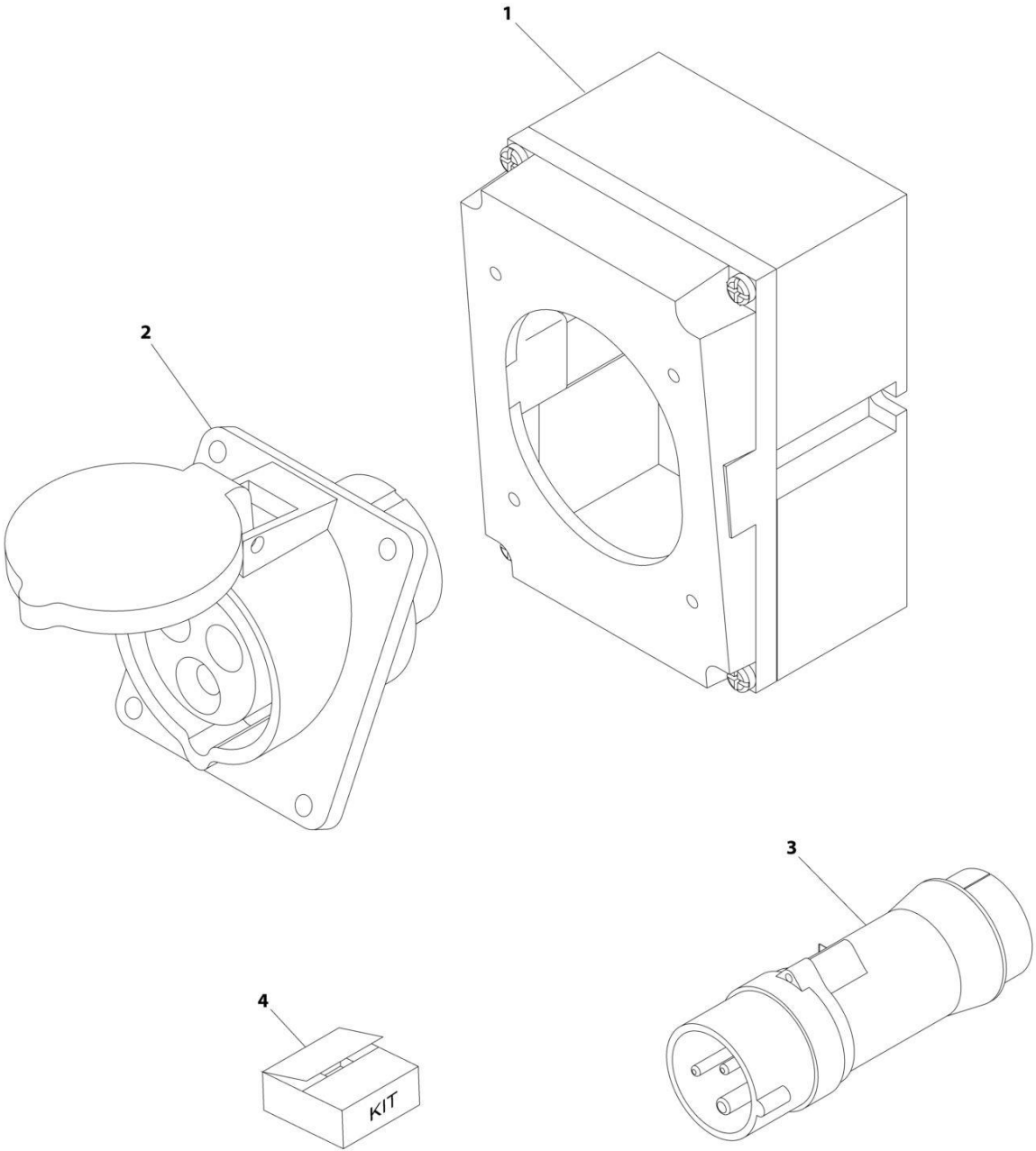
SECTION 5 - ELECTRICAL

FIGURE 5-36. RECEPTACLE BOX KIT - 110V GFI

ITEM	PART NUMBER	QTY	DESCRIPTION	REV
	2902431	Ref	RECEPTACLE BOX KIT - 110V GFI	D
1	0861731	1	Box, Receptacle	
2	1671207	1	Cover, Receptacle	
3	4460346	1	Receptacle	
4	4460662	1	Connector, Strain Relief	

SECTION 5 - ELECTRICAL

FIGURE 5-37. RECEPTACLE BOX KIT - 110V IEC YELLOW (CE & UK CA SPEC)



ART_0275216

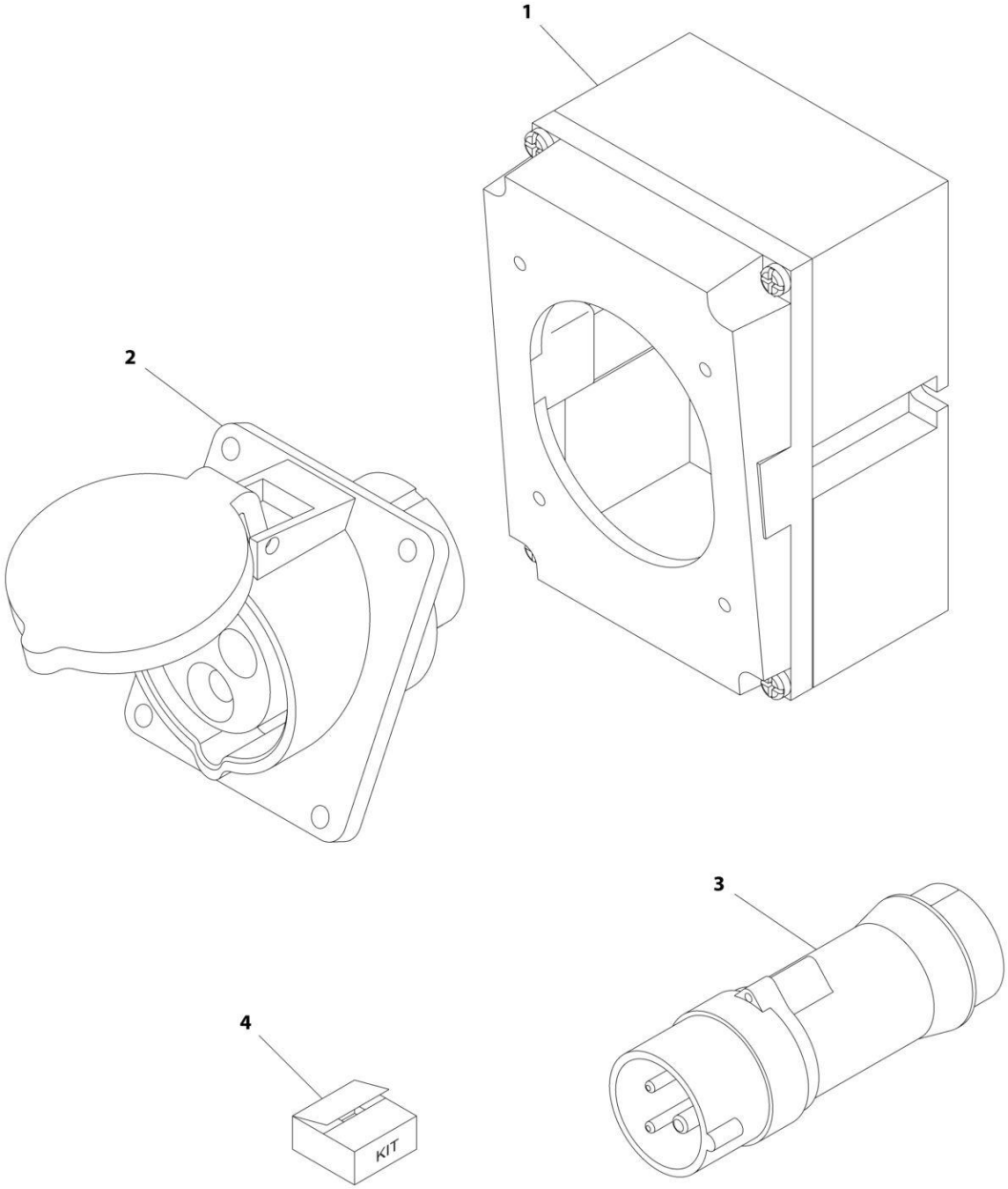
SECTION 5 - ELECTRICAL

FIGURE 5-37. RECEPTACLE BOX KIT - 110V IEC YELLOW (CE & UK CA SPEC)

ITEM	PART NUMBER	QTY	DESCRIPTION	REV
	0275216	Ref	RECEPTACLE BOX KIT - 110V IEC YELLOW	B
1	0861781	1	Box, Switch	
2	4461198	1	Receptacle	
3	4461196	1	Plug, Male	
4	1001100341	1	Plug and Socket Kit (Includes Items 1-3 and Female Plug p/n 4461197)	

SECTION 5 - ELECTRICAL

FIGURE 5-38. RECEPTACLE BOX KIT - 220V IEC BLUE (CE & UK CA SPEC)



ART_0275217

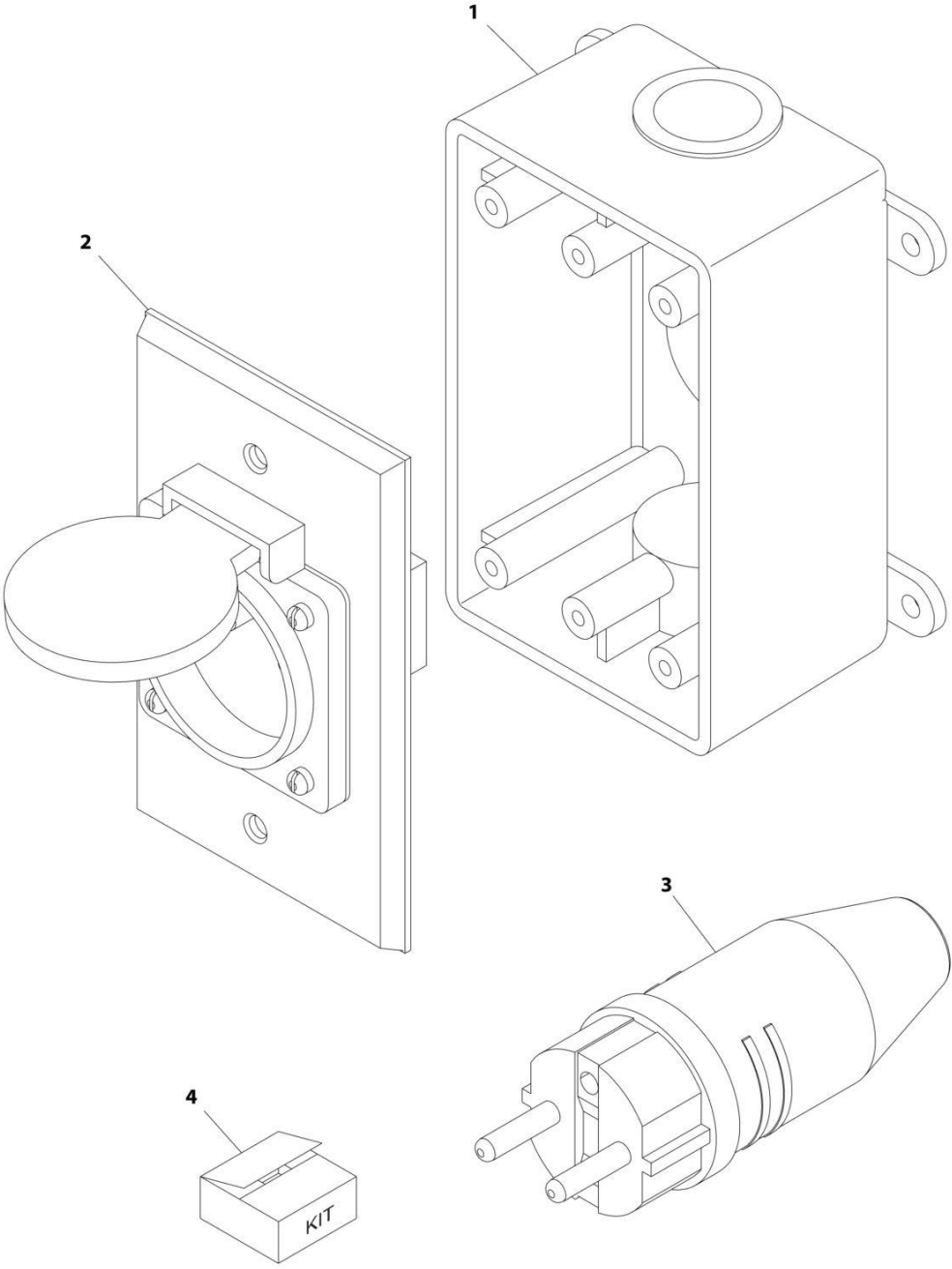
SECTION 5 - ELECTRICAL

FIGURE 5-38. RECEPTACLE BOX KIT - 220V IEC BLUE (CE & UK CA SPEC)

ITEM	PART NUMBER	QTY	DESCRIPTION	REV
	0275217	Ref	RECEPTACLE BOX KIT - 220V IEC BLUE	B
1	0861781	1	Box, Switch	
2	4461201	1	Receptacle	
3	4461199	1	Plug, Male	
4	1001100342	1	Plug and Socket Kit (Includes Items 1-3 and Female Plug p/n 4461200)	

SECTION 5 - ELECTRICAL

FIGURE 5-39. RECEPTACLE BOX KIT - 220V CEE7 POST GROUND (CE & UK CA SPEC)



ART_0275452-C

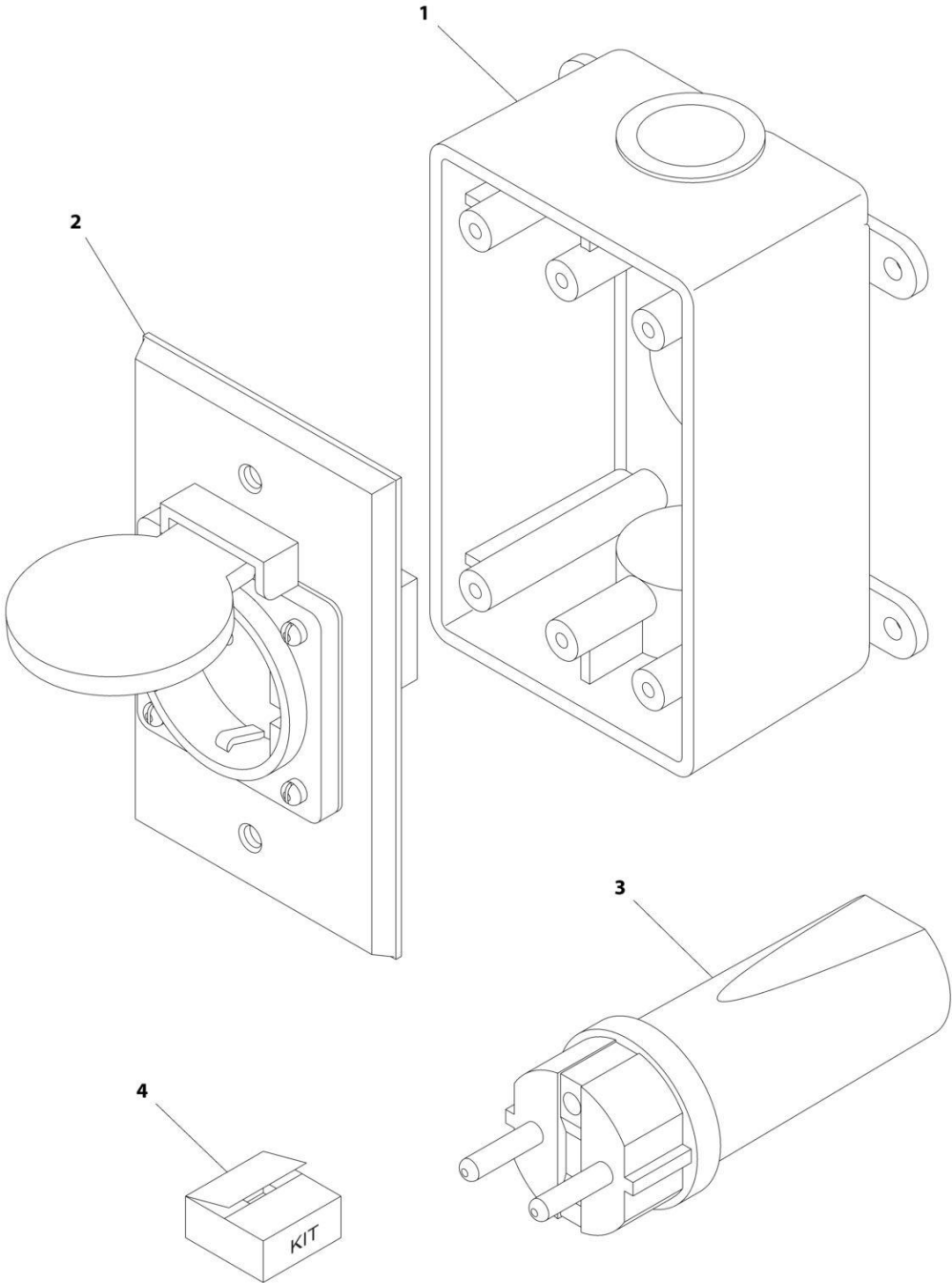
SECTION 5 - ELECTRICAL

FIGURE 5-39. RECEPTACLE BOX KIT - 220V CEE7 POST GROUND (CE & UK CA SPEC)

ITEM	PART NUMBER	QTY	DESCRIPTION	REV
	0275452	Ref	RECEPTACLE BOX KIT - 220V CEE7 POST GROUND 2IN X 4IN BOX	C
1	0861731	1	Box, Switch	
2	4461244	1	Receptacle	
3	4461205	1	Plug, Male	
4	1001100345	1	Plug and Socket Kit (Includes Items 1-3 and Female Plug p/n 4461203)	

SECTION 5 - ELECTRICAL

FIGURE 5-40. RECEPTACLE BOX KIT - 220V CEE7 SIDE GROUND (CE & UK CA SPEC)



ART_0275453

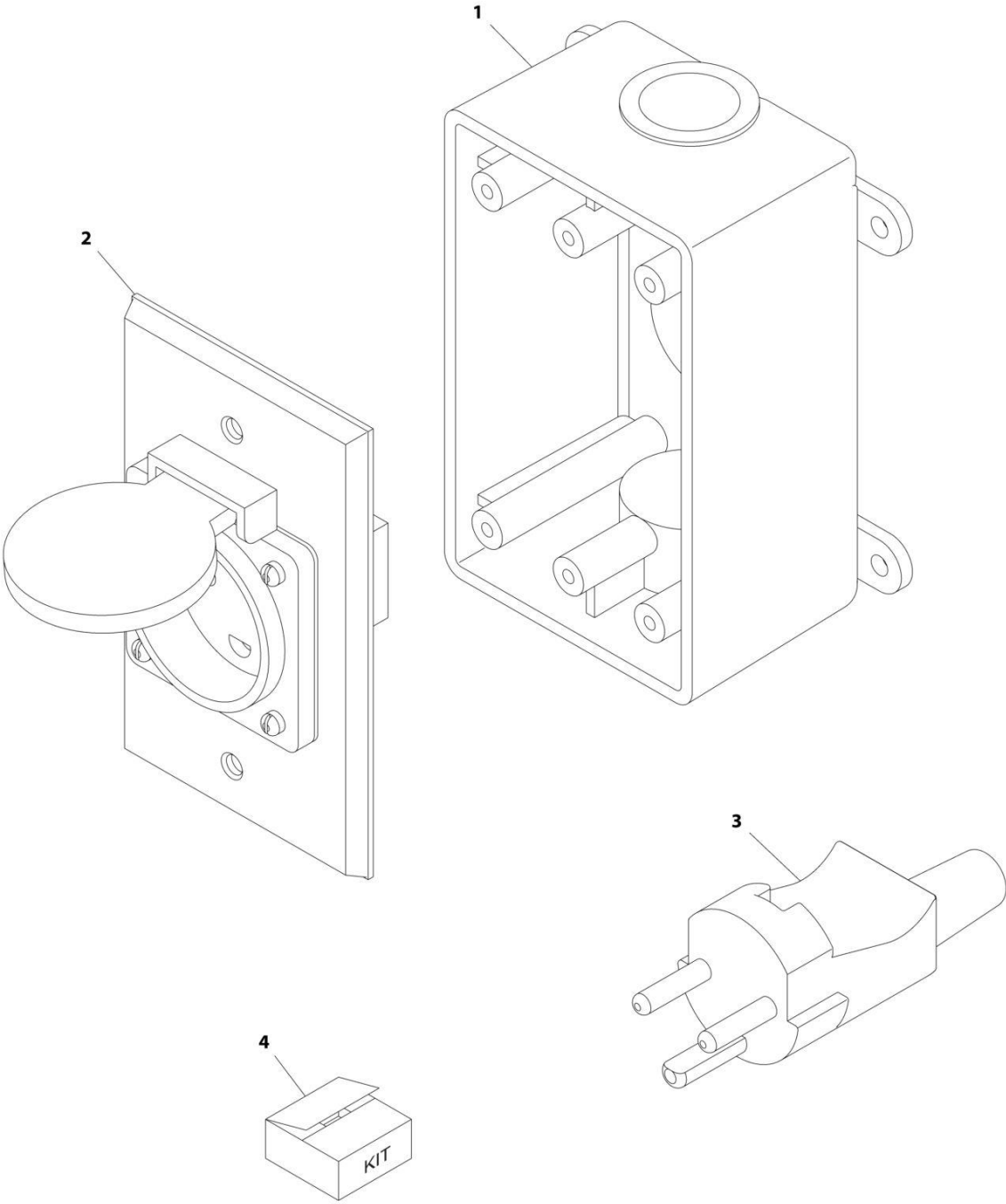
SECTION 5 - ELECTRICAL

FIGURE 5-40. RECEPTACLE BOX KIT - 220V CEE7 SIDE GROUND (CE & UK CA SPEC)

ITEM	PART NUMBER	QTY	DESCRIPTION	REV
	0275453	Ref	RECEPTACLE BOX KIT - 220V CEE7 SIDE GROUND	B
1	0861731	1	Box, Switch	
2	4461245	1	Receptacle	
3	4461205	1	Plug, Male	
4	1001100347	1	Plug and Socket Kit (Includes Items 1-3 and Female Plug p/n 4461206)	

SECTION 5 - ELECTRICAL

FIGURE 5-41. RECEPTACLE BOX KIT - 220V AFSINT 107 (CE & UK CA SPEC)



ART_0275454

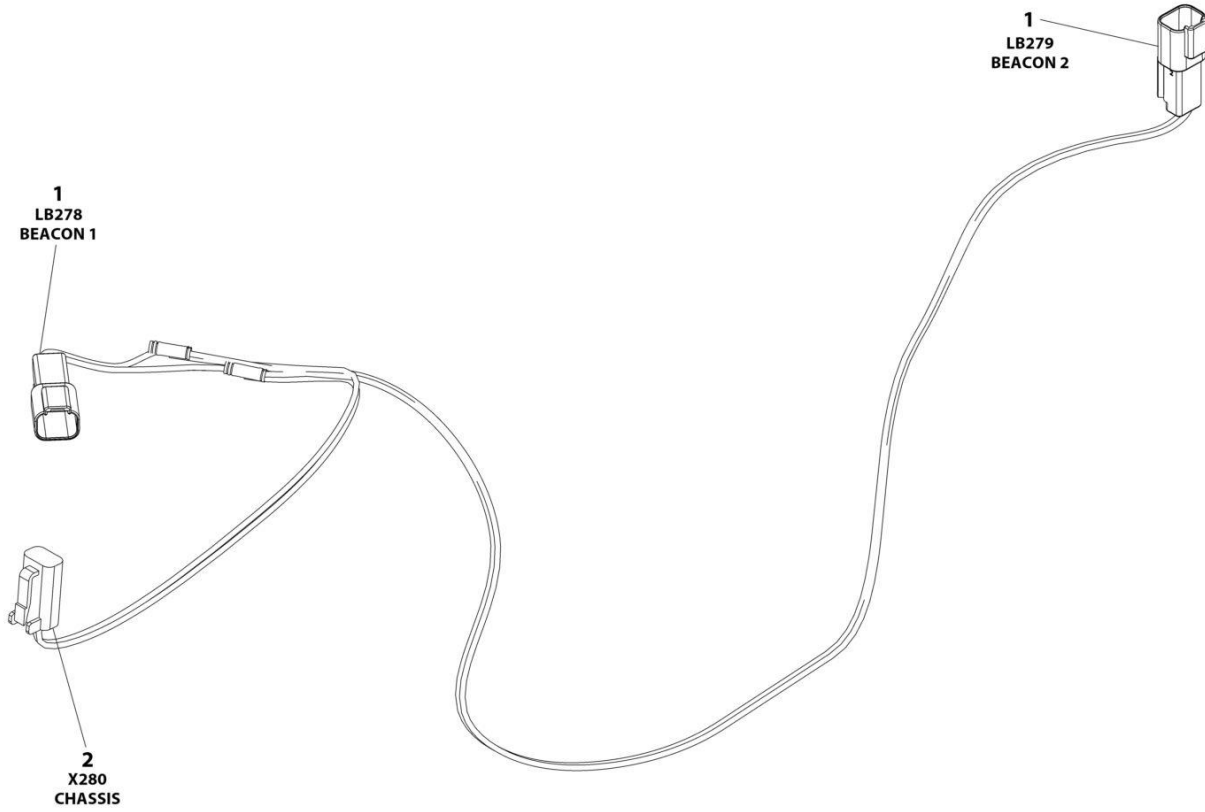
SECTION 5 - ELECTRICAL

FIGURE 5-41. RECEPTACLE BOX KIT - 220V AFSINT 107 (CE & UK CA SPEC)

ITEM	PART NUMBER	QTY	DESCRIPTION	REV
	0275454	Ref	RECEPTACLE BOX KIT - 220V AFSINT 107	B
1	0861731	1	Box, Switch	
2	4461246	1	Receptacle	
3	4461249	1	Plug, Male	
4	1001100346	1	Plug and Socket Kit (Includes Items 1-3 and Female Plug p/n 4461250)	

SECTION 5 - ELECTRICAL

FIGURE 5-42. STROBE LIGHT JUMPER HARNESS



ART_1001201707

SECTION 5 - ELECTRICAL

FIGURE 5-42. STROBE LIGHT JUMPER HARNESS

ITEM	PART NUMBER	QTY	DESCRIPTION	REV
	1001201707	Ref	BEACON HARNESS	C
1	4460897	2	Connector	
1	4460464	4	Pin	
2	4460891	1	Connector	
2	4460465	2	Socket	

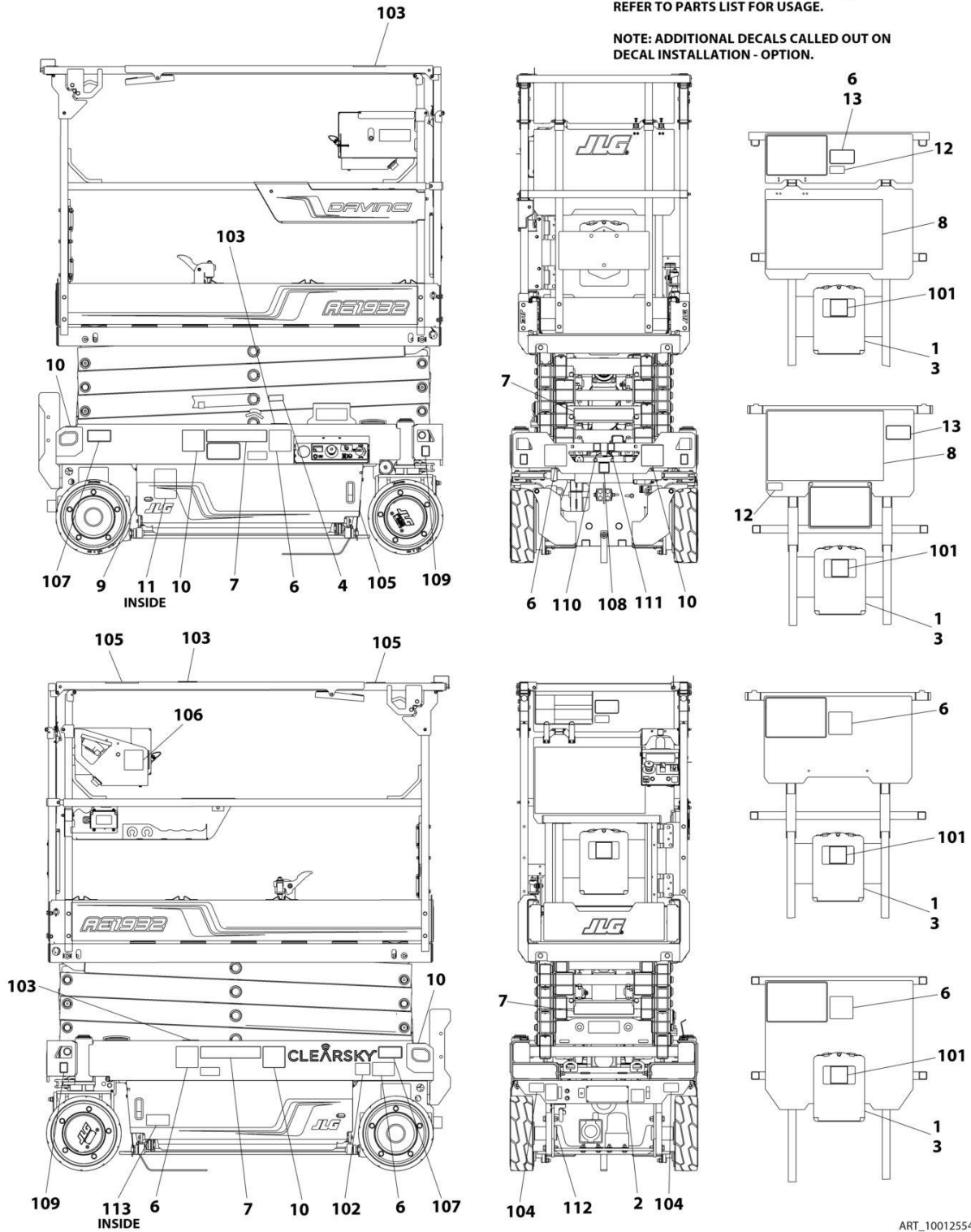
SECTION 6 - DECALS

SECTION 6 - DECALS

FIGURE 6-1. DECALS INSTALLATION - ANSI SPECS (ENGLISH LANGUAGE)

NOTE: ITEMS SHOWN MAY NOT BE REQUIRED FOR ALL SPECS. REFER TO PARTS LIST FOR USAGE.

NOTE: ADDITIONAL DECALS CALLED OUT ON DECAL INSTALLATION - OPTION.



ART_1001255492

SECTION 6 - DECALS

FIGURE 6-1. DECALS INSTALLATION - ANSI SPECS (ENGLISH LANGUAGE)

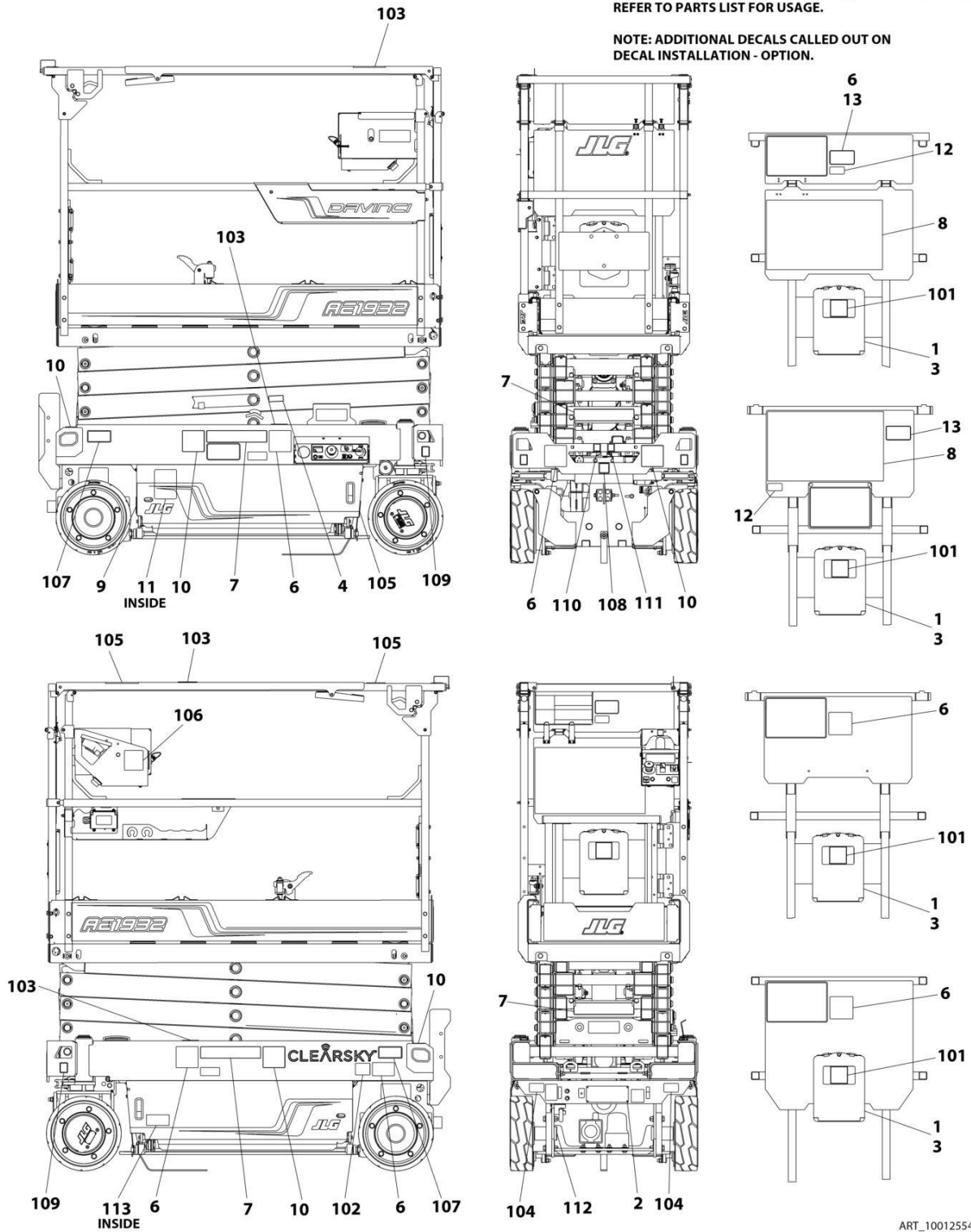
ITEM	PART NUMBER	QTY	DESCRIPTION	REV
	1001255492	Ref	DECALS INSTALLATION	D
1	2080040	3	Fastener	
2	2080057	4	Fastener	
3	8990147	1	Holder - Manual	
4	1001220430	1	Decal - Safety Prop	
6	1001211779	4	Decal - Electrocutation	
7	1001211777	4	Decal - Crushing Hazard	
8	1703816	1	Decal - Danger/Warning	
9	1001223055	1	Decal - Yearly Inspection	
11	1001131270	1	Decal - Patent	
12	1001228370	1	Decal - ICES	
13	1001231801	1	Decal - Warning Prop 65	
100	1001257607	Ref	Decal Kit - Master (Not Shown - Includes items 101-113)	D
101	1701640	1	Decal - Manual	
102	1702155	1	Decal - Battery Disconnect	
103	1703819	4	Decal - Direction Arrow	
104	1704016	2	Decal - Fork Lift	
105	1704277	2	Decal - Lanyard Attach	
106	1001132359	1	Decal - Control Box Locate	
107	1001162864	2	Decal - Lift Point/Tie Down	
108	1001212290	1	Decal - Tie Down	
109	1001212291	2	Decal - Lifting Lug	
110	1001212292	1	Decal - No Lifting	
111	1001212293	1	Decal - No Forklift	
112	1001248126	1	Decal - Manual Descent	
113	1001261105	1	Decal - Battery/Charger Service	

SECTION 6 - DECALS

FIGURE 6-2. DECALS INSTALLATION - AUSTRALIAN/CE/JAPANESE/UK CA SPECS (ENGLISH LANGUAGE)

NOTE: ITEMS SHOWN MAY NOT BE REQUIRED FOR ALL SPECS. REFER TO PARTS LIST FOR USAGE.

NOTE: ADDITIONAL DECALS CALLED OUT ON DECAL INSTALLATION - OPTION.



ART_1001255498

SECTION 6 - DECALS

FIGURE 6-2. DECALS INSTALLATION - AUSTRALIAN/CE/JAPANESE/UK CA SPECS (ENGLISH LANGUAGE)

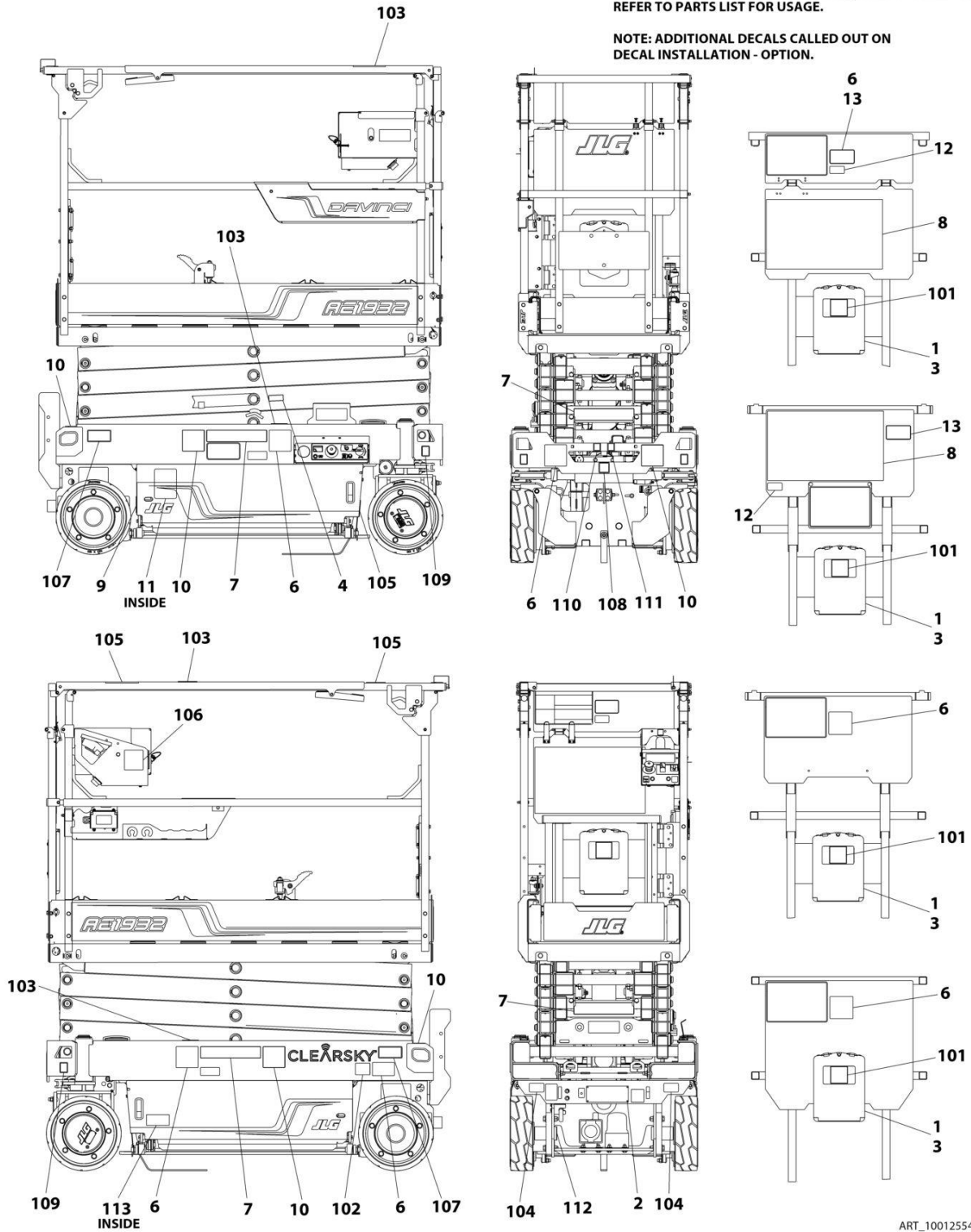
ITEM	PART NUMBER	QTY	DESCRIPTION	REV
	1001255498	Ref	DECALS INSTALLATION	D
1	2080040	3	Fastener	
2	2080057	4	Fastener	
3	8990147	1	Holder - Manual	
4	1001220430	1	Decal - Safety Prop	
6	1001219171	5	Decal - Electrocution	
7	1001219172	4	Decal - Crushing	
100	1001257607	Ref	Decal Kit - Master (Not Shown - Includes items 101-113)	D
101	1701640	1	Decal - Manual	
102	1702155	1	Decal - Battery Disconnect	
103	1703819	4	Decal - Direction Arrow	
104	1704016	2	Decal - Fork Lift	
105	1704277	2	Decal - Lanyard Attach	
106	1001132359	1	Decal - Control Box Locate	
107	1001162864	2	Decal - Lift Point/Tie Down	
108	1001212290	1	Decal - Tie Down	
109	1001212291	2	Decal - Lifting Lug	
110	1001212292	1	Decal - No Lifting	
111	1001212293	1	Decal - No Forklift	
112	1001248126	1	Decal - Manual Descent	
113	1001261105	1	Decal - Battery/Charger Service	

SECTION 6 - DECALS

FIGURE 6-3. DECALS INSTALLATION - BRAZIL SPECS (SPANISH/PORTUGUESE LANGUAGES)

NOTE: ITEMS SHOWN MAY NOT BE REQUIRED FOR ALL SPECS. REFER TO PARTS LIST FOR USAGE.

NOTE: ADDITIONAL DECALS CALLED OUT ON DECAL INSTALLATION - OPTION.



ART_1001255495

SECTION 6 - DECALS

FIGURE 6-3. DECALS INSTALLATION - BRAZIL SPECS (SPANISH/PORTUGUESE LANGUAGES)

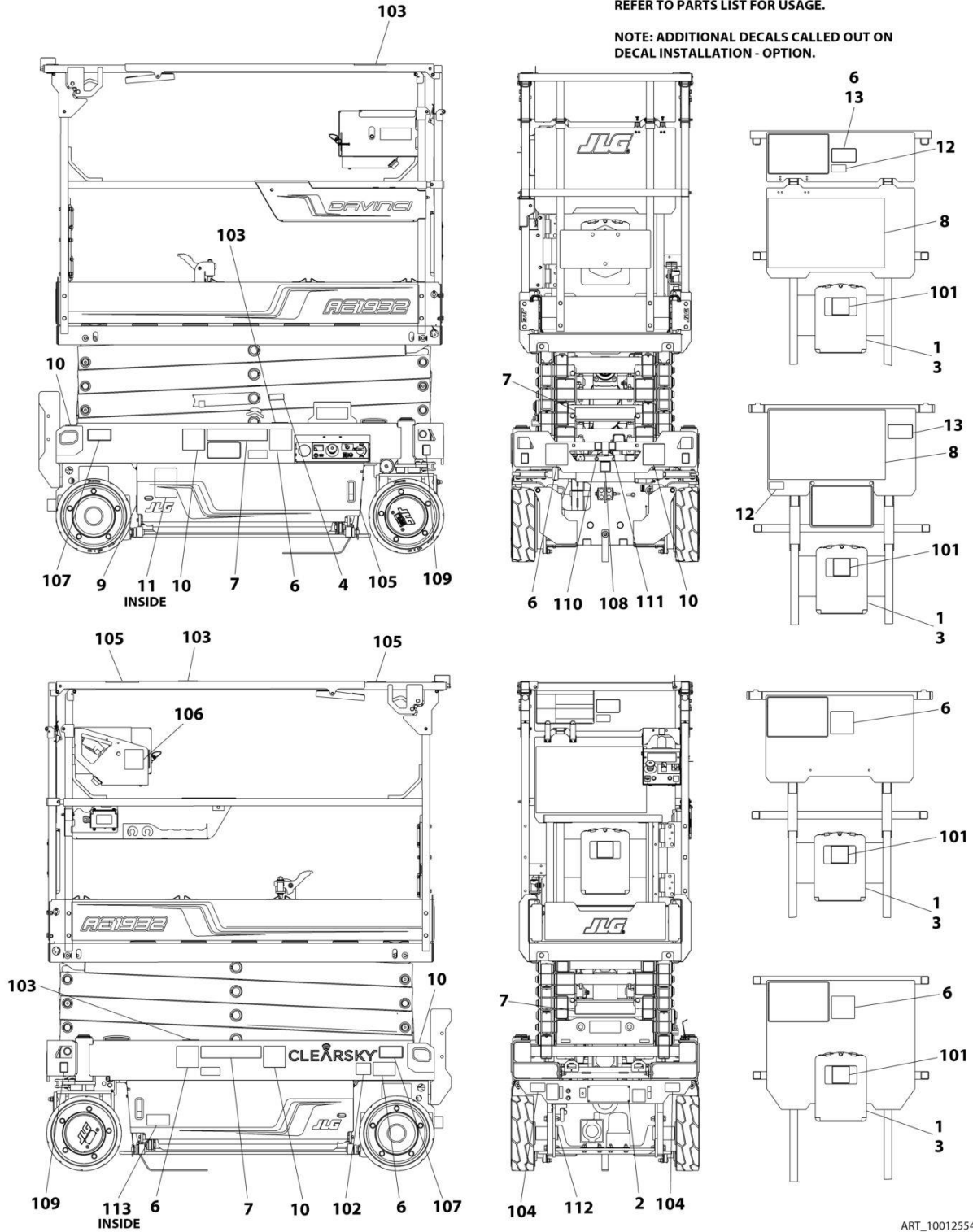
ITEM	PART NUMBER	QTY	DESCRIPTION	REV
	1001255495	Ref	DECALS INSTALLATION	C
1	2080040	3	Fastener	
2	2080057	4	Fastener	
3	8990147	1	Holder - Manual	
4	1001220430	1	Decal - Safety Prop	
6	1001215748	4	Decal - Electrocutation	
7	1001216650	4	Decal - Crushing	
8	1704699	1	Decal - Danger/Warning	
9	1001224052	1	Decal - Yearly Inspection	
10	1001216648	4	Decal - Electrocutation	
100	1001257607	Ref	Decal Kit - Master (Not Shown - Includes items 101-113)	D
101	1701640	1	Decal - Manual	
102	1702155	1	Decal - Battery Disconnect	
103	1703819	4	Decal - Direction Arrow	
104	1704016	2	Decal - Fork Lift	
105	1704277	2	Decal - Lanyard Attach	
106	1001132359	1	Decal - Control Box Locate	
107	1001162864	2	Decal - Lift Point/Tie Down	
108	1001212290	1	Decal - Tie Down	
109	1001212291	2	Decal - Lifting Lug	
110	1001212292	1	Decal - No Lifting	
111	1001212293	1	Decal - No Forklift	
112	1001248126	1	Decal - Manual Descent	
113	1001261105	1	Decal - Battery/Charger Service	

SECTION 6 - DECALS

FIGURE 6-4. DECALS INSTALLATION - CHINA SPECS (CHINA/ENGLISH LANGUAGES)

NOTE: ITEMS SHOWN MAY NOT BE REQUIRED FOR ALL SPECS. REFER TO PARTS LIST FOR USAGE.

NOTE: ADDITIONAL DECALS CALLED OUT ON DECAL INSTALLATION - OPTION.



ART_1001255494

SECTION 6 - DECALS

FIGURE 6-4. DECALS INSTALLATION - CHINA SPECS (CHINA/ENGLISH LANGUAGES)

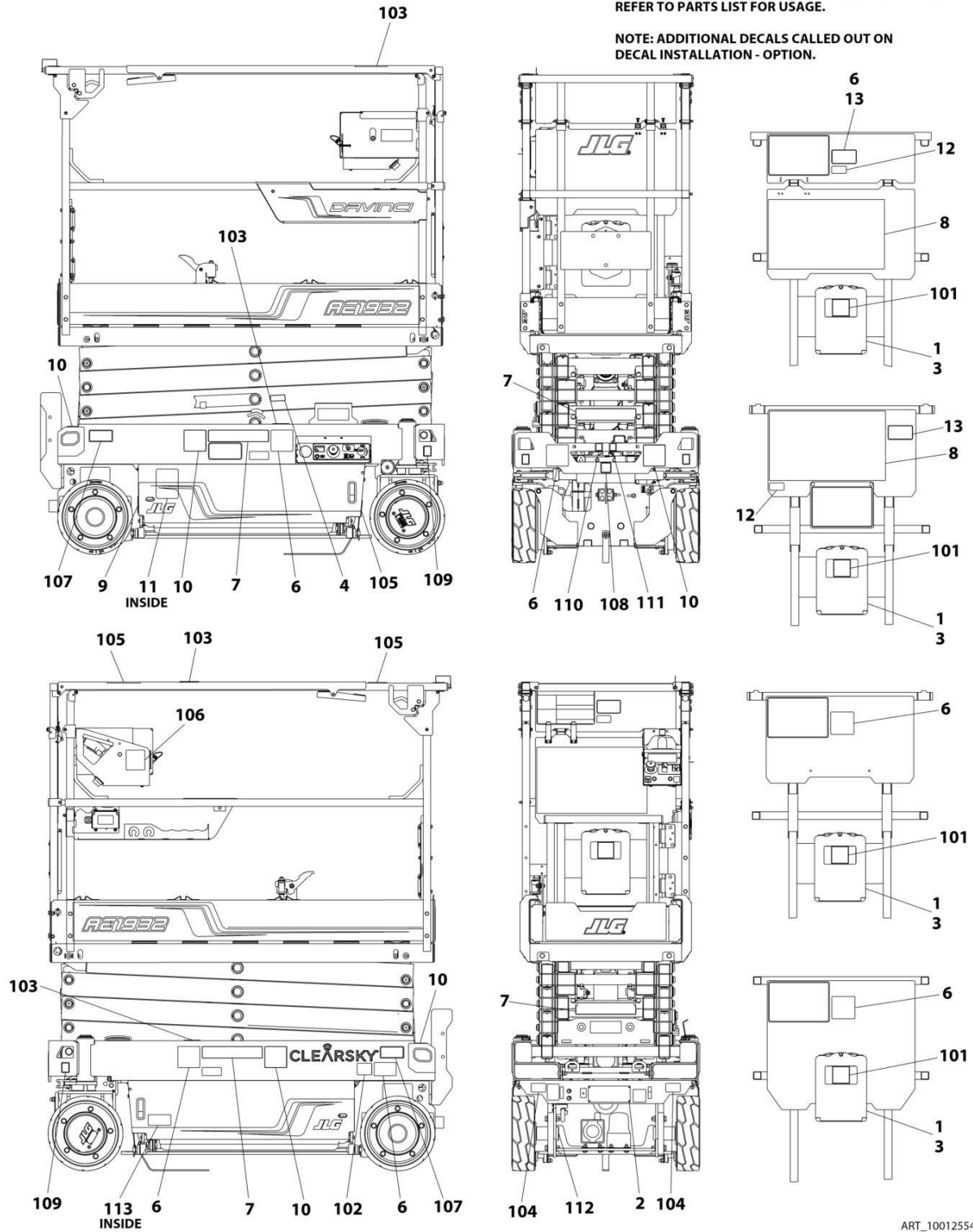
ITEM	PART NUMBER	QTY	DESCRIPTION	REV
	1001255494	Ref	DECALS INSTALLATION	A
1	2080040	3	Fastener	
2	2080057	4	Fastener	
3	8990147	1	Holder - Manual	
4	1001220430	1	Decal - Safety Prop	
6	1001211779	4	Decal - Electrocutation	
7	1001215752	4	Decal - Crushing	
8	1705195	1	Decal - Danger/Warning	
9	1001224051	1	Decal - Yearly Inspection	
10	1001215747	4	Decal - Electrocutation	
100	1001257607	Ref	Decal Kit - Master (Not Shown - Includes items 101-113)	D
101	1701640	1	Decal - Manual	
102	1702155	1	Decal - Battery Disconnect	
103	1703819	4	Decal - Direction Arrow	
104	1704016	2	Decal - Fork Lift	
105	1704277	2	Decal - Lanyard Attach	
106	1001132359	1	Decal - Control Box Locate	
107	1001162864	2	Decal - Lift Point/Tie Down	
108	1001212290	1	Decal - Tie Down	
109	1001212291	2	Decal - Lifting Lug	
110	1001212292	1	Decal - No Lifting	
111	1001212293	1	Decal - No Forklift	
112	1001248126	1	Decal - Manual Descent	
113	1001261105	1	Decal - Battery/Charger Service	

SECTION 6 - DECALS

FIGURE 6-5. DECALS INSTALLATION - CSA SPECS (FRENCH/ENGLISH LANGUAGES)

NOTE: ITEMS SHOWN MAY NOT BE REQUIRED FOR ALL SPECS. REFER TO PARTS LIST FOR USAGE.

NOTE: ADDITIONAL DECALS CALLED OUT ON DECAL INSTALLATION - OPTION.



ART_1001255497

SECTION 6 - DECALS

FIGURE 6-5. DECALS INSTALLATION - CSA SPECS (FRENCH/ENGLISH LANGUAGES)

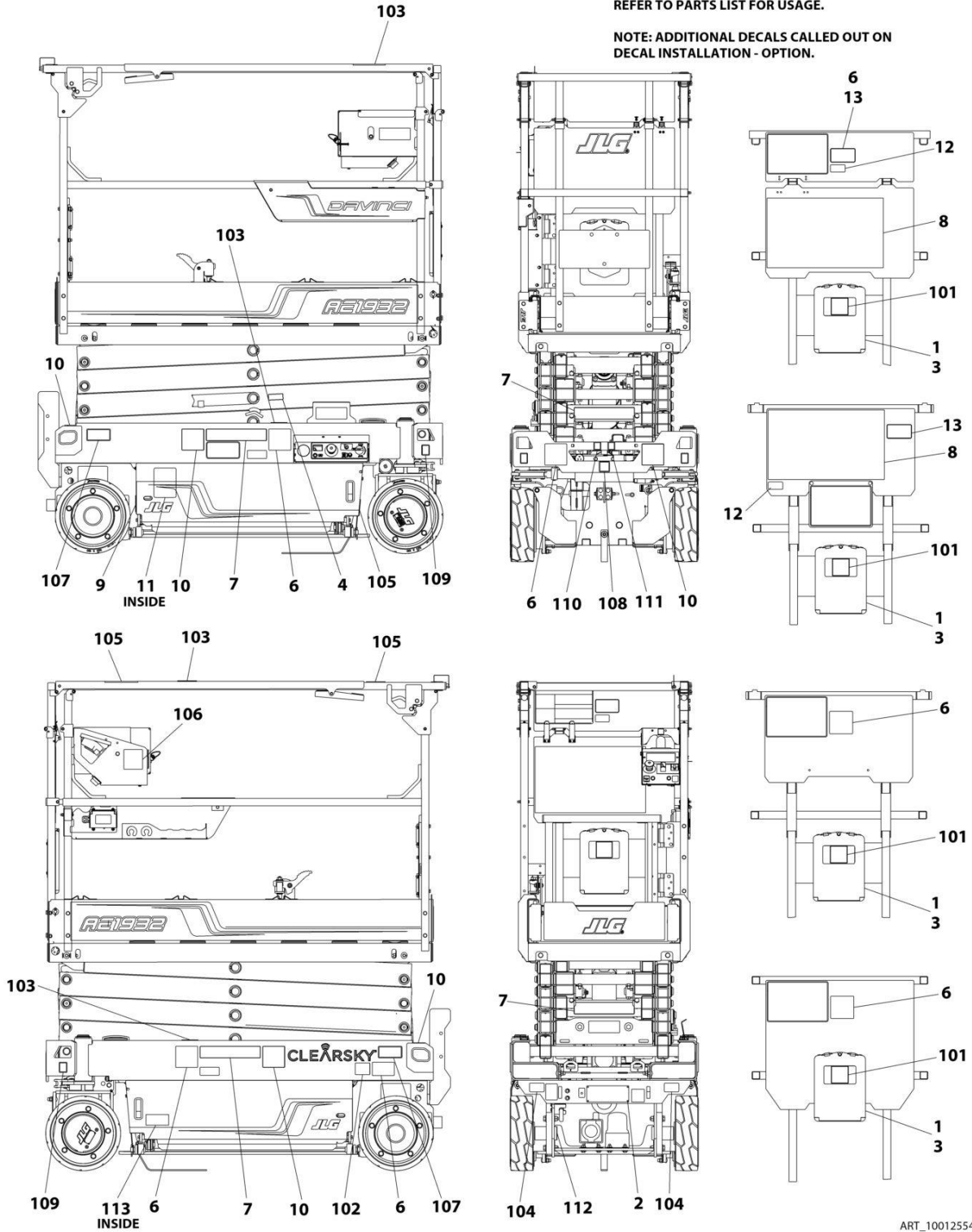
ITEM	PART NUMBER	QTY	DESCRIPTION	REV
	1001255497	Ref	DECALS INSTALLATION	C
1	2080040	3	Fastener	
2	2080057	4	Fastener	
3	8990147	1	Holder - Manual	
4	1001220430	1	Decal - Safety Prop	
6	1001211779	4	Decal - Electrocution	
7	1001215755	4	Decal - Crushing	
8	1704684	1	Decal - Danger/Warning	
9	1001223971	1	Decal - Yearly Inspection	
10	1001215749	4	Decal - Electrocution	
11	1001131270	1	Decal - Patent	
12	1001228370	1	Decal - ICES	
13	1001231801	1	Decal - Warning Prop 65	
100	1001257607	Ref	Decal Kit - Master (Not Shown - Includes items 101-113)	D
101	1701640	1	Decal - Manual	
102	1702155	1	Decal - Battery Disconnect	
103	1703819	4	Decal - Direction Arrow	
104	1704016	2	Decal - Fork Lift	
105	1704277	2	Decal - Lanyard Attach	
106	1001132359	1	Decal - Control Box Locate	
107	1001162864	2	Decal - Lift Point/Tie Down	
108	1001212290	1	Decal - Tie Down	
109	1001212291	2	Decal - Lifting Lug	
110	1001212292	1	Decal - No Lifting	
111	1001212293	1	Decal - No Forklift	
112	1001248126	1	Decal - Manual Descent	
113	1001261105	1	Decal - Battery/Charger Service	

SECTION 6 - DECALS

FIGURE 6-6. DECALS INSTALLATION - KOREAN SPECS (KOREAN/ENGLISH LANGUAGES)

NOTE: ITEMS SHOWN MAY NOT BE REQUIRED FOR ALL SPECS. REFER TO PARTS LIST FOR USAGE.

NOTE: ADDITIONAL DECALS CALLED OUT ON DECAL INSTALLATION - OPTION.



ART_1001255493

SECTION 6 - DECALS

FIGURE 6-6. DECALS INSTALLATION - KOREAN SPECS (KOREAN/ENGLISH LANGUAGES)

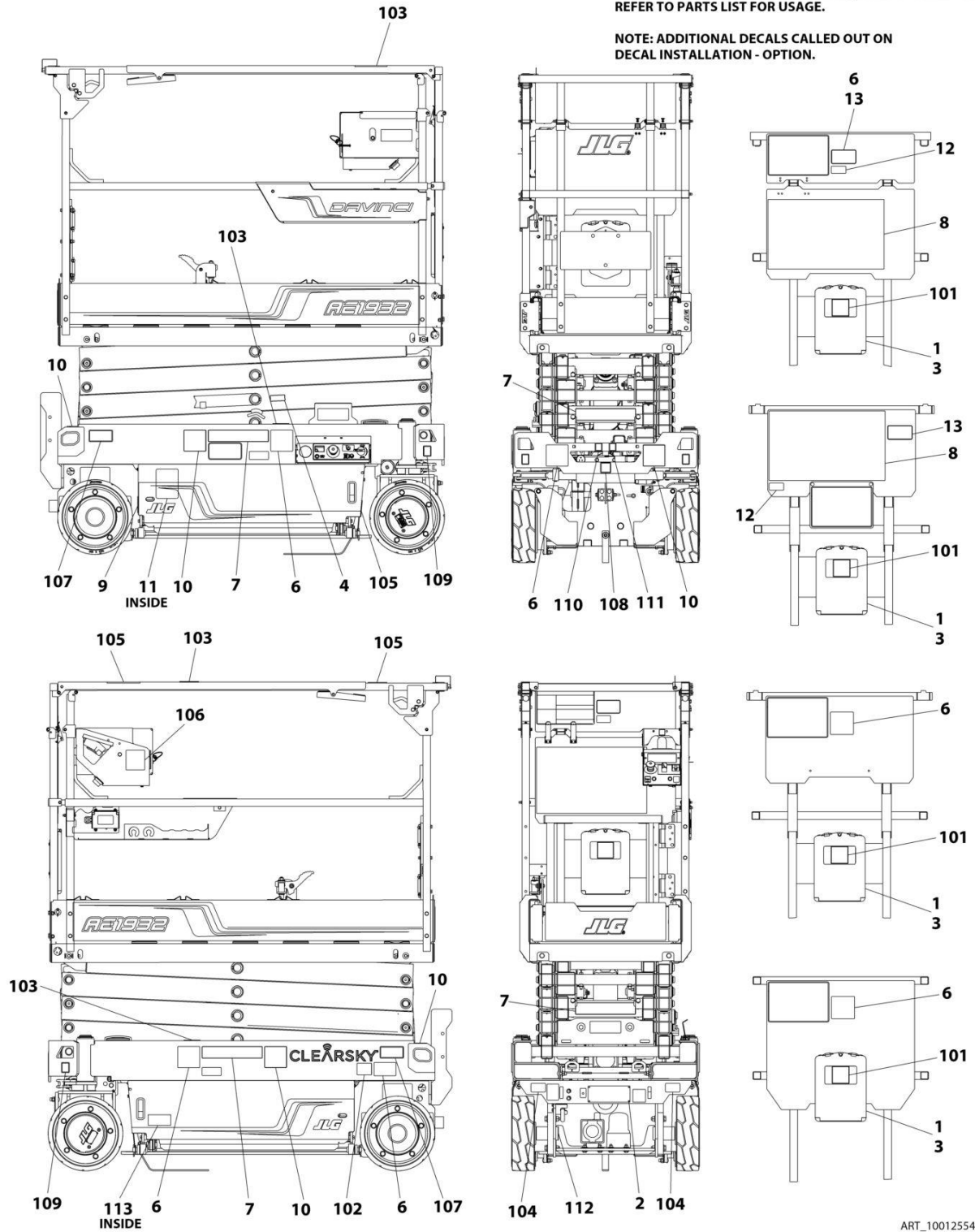
ITEM	PART NUMBER	QTY	DESCRIPTION	REV
	1001255493	Ref	DECALS INSTALLATION	A
1	2080040	3	Fastener	
2	2080057	4	Fastener	
3	8990147	1	Holder - Manual	
4	1001220430	1	Decal - Safety Prop	
6	1001211779	4	Decal - Electrocution	
7	1001215751	4	Decal - Crushing	
8	1001162115	1	Decal - Danger/Warning	
9	1001224048	1	Decal - Yearly Inspection	
10	1001215750	4	Decal - Electrocution	
100	1001257607	Ref	Decal Kit - Master (Not Shown - Includes items 101-113)	D
101	1701640	1	Decal - Manual	
102	1702155	1	Decal - Battery Disconnect	
103	1703819	4	Decal - Direction Arrow	
104	1704016	2	Decal - Fork Lift	
105	1704277	2	Decal - Lanyard Attach	
106	1001132359	1	Decal - Control Box Locate	
107	1001162864	2	Decal - Lift Point/Tie Down	
108	1001212290	1	Decal - Tie Down	
109	1001212291	2	Decal - Lifting Lug	
110	1001212292	1	Decal - No Lifting	
111	1001212293	1	Decal - No Forklift	
112	1001248126	1	Decal - Manual Descent	
113	1001261105	1	Decal - Battery/Charger Service	

SECTION 6 - DECALS

FIGURE 6-7. DECALS INSTALLATION - LATIN AMERICAN SPECS (SPANISH/ENGLISH LANGUAGES)

NOTE: ITEMS SHOWN MAY NOT BE REQUIRED FOR ALL SPECS. REFER TO PARTS LIST FOR USAGE.

NOTE: ADDITIONAL DECALS CALLED OUT ON DECAL INSTALLATION - OPTION.



ART_1001255496

SECTION 6 - DECALS

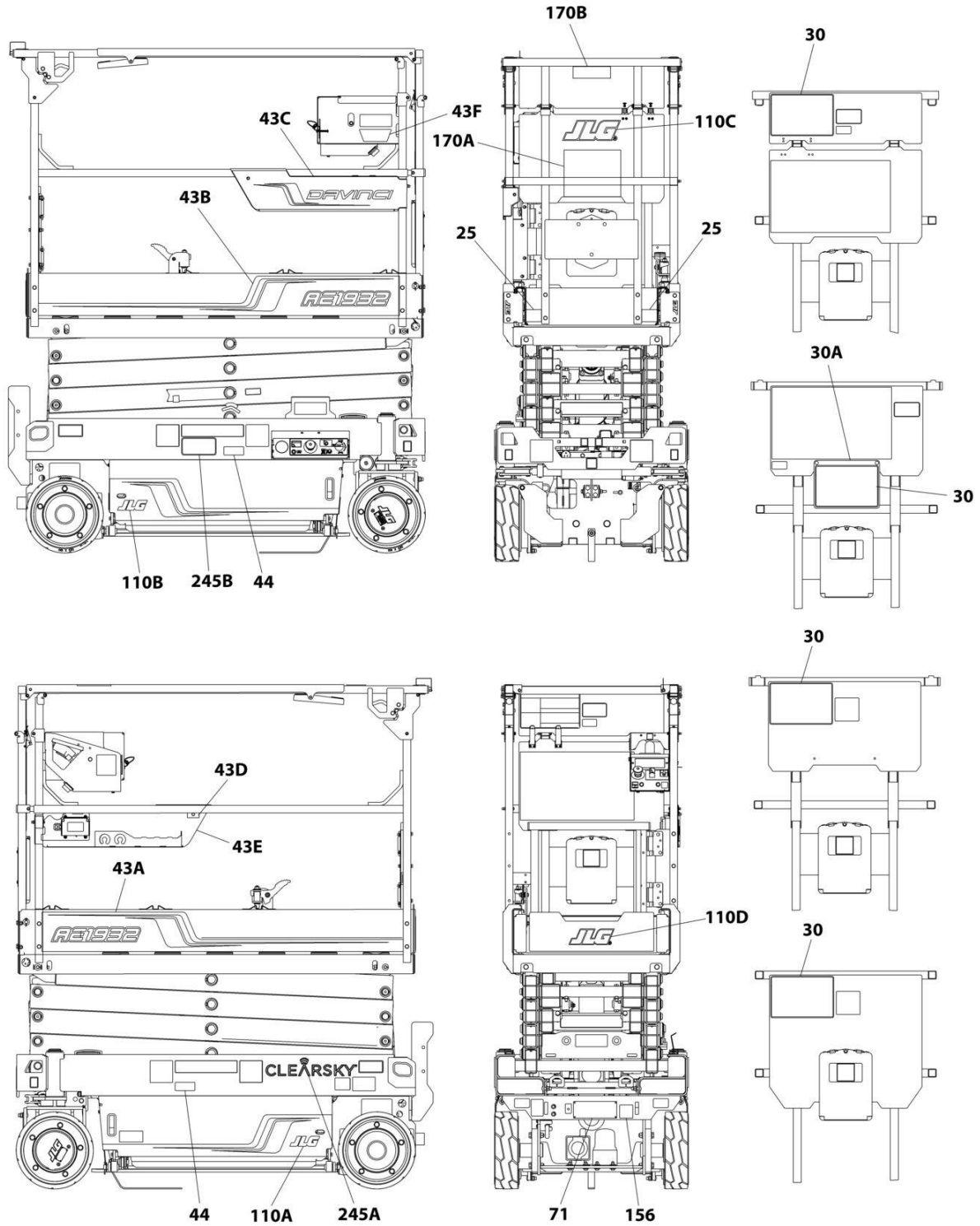
FIGURE 6-7. DECALS INSTALLATION - LATIN AMERICAN SPECS (SPANISH/ENGLISH LANGUAGES)

ITEM	PART NUMBER	QTY	DESCRIPTION	REV
	1001255496	Ref	DECALS INSTALLATION	C
1	2080040	3	Fastener	
2	2080057	4	Fastener	
3	8990147	1	Holder - Manual	
4	1001220430	1	Decal - Safety Prop	
6	1001211779	4	Decal - Electrocutation	
7	1001215754	4	Decal - Crushing	
8	1704691	1	Decal - Danger/Warning	
9	1001224049	1	Decal - Yearly Inspection	
10	1001215748	4	Decal - Electrocutation	
100	1001257607	Ref	Decal Kit - Master (Not Shown - Includes items 101-113)	D
101	1701640	1	Decal - Manual	
102	1702155	1	Decal - Battery Disconnect	
103	1703819	4	Decal - Direction Arrow	
104	1704016	2	Decal - Fork Lift	
105	1704277	2	Decal - Lanyard Attach	
106	1001132359	1	Decal - Control Box Locate	
107	1001162864	2	Decal - Lift Point/Tie Down	
108	1001212290	1	Decal - Tie Down	
109	1001212291	2	Decal - Lifting Lug	
110	1001212292	1	Decal - No Lifting	
111	1001212293	1	Decal - No Forklift	
112	1001248126	1	Decal - Manual Descent	
113	1001261105	1	Decal - Battery/Charger Service	

SECTION 6 - DECALS

FIGURE 6-8. DECAL INSTALLATION - OPTIONS

NOTE: ITEMS SHOWN MAY NOT BE REQUIRED FOR ALL SPECS.
REFER TO PARTS LIST FOR USAGE.



ART_DECAL_OPTIONS

SECTION 6 - DECALS

FIGURE 6-8. DECAL INSTALLATION - OPTIONS

ITEM	PART NUMBER	QTY	DESCRIPTION	REV
		Ref	DECAL INSTALLATION - OPTIONS	
25	1001209906	Ref	Corner Stripes Installation	
25	4420051	2.5 ft /75cm	Tape, Safety	
30		Ref	Decal - Capacity without Plate	
30	1001257609	1	Decal - Capacity (606LB/275KG) (All Specs)	
30	1001263249	Ref	Decal - Capacity with Plate (Australian, CE, Japanese & UK CA Specs)	
30	1001257609	1	Decal - Capacity (606LB/275KG) (Australian, CE, Japanese & UK CA Specs)	
30A	1001216865	1	Plate, Mounting (Australian, CE, Japanese & UK CA Specs)	
43	1001248628	Ref	Decal & Tool Tray Installation	B
43A	1001255474	1	Decal - Model Designation (LH)	
43B	1001262648	1	Decal - Model Designation (RH)	
43C	1001262649	1	Decal - Tray	
43D	1001262650	2	Clamp	
43E	1001262651	1	Tray - Tool	
43F	1001285941	1	Decal - DavinciGO	
44	1705648	2	Decal - Maximum Tire Load (All Specs except Japanese Specs)	
44	1705647	2	Decal - Maximum Tire Load (Japanese Specs)	
71	See Note	NSS	Decal - Manufacturers Serial Number (Note: Not Available for Purchase)	
110	1001258891	Ref	JLG Logo Decals Installation	A
110	1001265592	Ref	Power Tower Logo Decals Installation	A
110A	1001255475	1	Decal - Strips with JLG Logo	
110A	1001265588	1	Decal - Strips without Logo	
110B	1001255476	1	Decal - Strips with JLG Logo	
110B	1001265589	1	Decal - Strips without Logo	
110C	1001256675	1	Decal - JLG	
110C	1001271160	1	Decal - Power Tower	
110D	1001256676	1	Decal - JLG	
110D	1001271160	1	Decal - Power Tower	
156	1001173703	1	Decal - EAC (Russian/CIS Specs)	
170		Ref	Panel Decal Installation - Options	
170	1001259249	Ref	Panel Decal Installation (ANSI Specs)	A
170	1001259250	Ref	Panel Decal Installation (Japanese Specs)	A
170A	1703816	1	Decal - Danger/Warning (ANSI Specs)	
170A	1001219171	1	Decal - Electrocutation (Japanese Specs)	
170B	1001263999	1	Decal - Capacity (606LB/275KG)	
245	1001236984	Ref	Clearsky Decals Installation	B
245A	1001116208	1	Decal - Clearsky	
245A	1001120989	1	Decal - Radio Frequency	
245B	1001296855	Ref	ClearSky Smart Fleet Decal Installation	A
245B	1001120989	1	Decal - Radio Frequency	
245B	1001294815	1	Decal - Clearsky	

SECTION 7 - RECOMMENDED SERVICE PARTS STOCK

SECTION 7 - RECOMMENDED SERVICE PARTS STOCK

SECTION 7 - RECOMMENDED SERVICE PARTS STOCK

FIGURE 7-1. RECOMMENDED SERVICE PARTS STOCK

ITEM	PART NUMBER	QTY	DESCRIPTION	REV
		Ref	Note: The following list will service one machine (built to current production per date on the front cover) with emergency repair parts which can be installed in the field. Parts from the list should be replaced when inventory is depleted to keep service parts stock supplied. For further information, contact your JLG dealer or the JLG Industries Parts Department.	
	1001228191	1	Breaker, Circuit (Australian Specs)	
	1001189172	1	Breaker, Circuit - 16 Amp (CE & UK CA Specs)	
	1001189171	1	Breaker, Circuit - 30MAmp(CE & UK CA Specs)	
	1001181045	1	Breaker, Circuit - 30mAmp/16Amp Double Breaker (CE & UK CA Specs)	
	1001247682	1	Controller (LCD Platform Console Box)	
	1600402	1	Controller (LED Platform Console Box)	
	80983191	2	Fuse - 10 Amp	
	8229246	2	Fuse - 20 Amp	
	1001196838	2	Fuse - 3 Amp	
	8229242	2	Fuse - 5 Amp	
	2860030	1	Key, Replacement	
	4360469	1	Keypad	
	1001248135	1	Module - BMS	
	1001249432	1	Module - Control	
	1001248114	1	Module - Drive	
	1001248114	1	Module - Lift	
	1001260950	1	Module - Logic	
	1001244932	1	Module - Platform Console Box (LCD Platform Console Box)	
	1001228112	1	Module - Platform Console Box (LED Platform Console Box)	
	1001255592	1	Module - Wake-up	
	3740150	1	Relay	
	1001146963	1	Sensor - Arm Angle	
	1001186466	1	Sensor, Tilt	
	4360475	1	Switch, Emergency Stop	
	1001203871	1	Switch, Limit (Pothole Protection)	
	4360387	1	Switch, Push Button	
	1001226749	1	Switch, Push Button	
	4360328	1	Switch, Toggle	
	4360345	1	Switch, Toggle	

SECTION 8 - SPECIAL OPTIONS/ACCESSORIES/KITS

SECTION 8 - SPECIAL OPTIONS/ACCESSORIES/KITS

SECTION 8 - SPECIAL OPTIONS/ACCESSORIES/KITS

FIGURE 8-1. SPECIAL OPTIONS/ACCESSORIES/KITS

ITEM	PART NUMBER	QTY	DESCRIPTION	REV
		Ref	Note: This list is to accommodate machines ordered with special equipment. Options may not be applicable to all models. For more specific parts information contact the JLG Parts Department.	
		Ref	SPECIAL OPTIONS/ACCESSORIES/KITS	
	1001248630	Ref	Anti-Vandalism Package (LCD Platform Box) (Factory Installed)	
	1001236903	Ref	Anti-Vandalism Package (LED Platform Box) (Factory Installed)	
	1001269170	Ref	Anti-Vandalism Package Add-on Kit (LCD Platform Box) (Dealer Installed)	
	1001249639	Ref	Anti-Vandalism Package Add-on Kit (LED Platform Box) (Dealer Installed)	
	1001284956	Ref	Battery Heater Kit	
	1001249229	Ref	Beacon Single Light Add-on Kit (Dealer Installed)	
	1001249326	Ref	Beacon Dual Light Add-on Kit (Dealer Installed)	
		Ref	ClearSky Installation (Factory Installed) Options:	
	1001279877	Ref	ClearSky Installation - Canbus (ANSI & CSA Specs)	
	1001279878	Ref	ClearSky Installation - Canbus (ANSI Export, CE & UK CA Specs)	
	1001279879	Ref	ClearSky Installation - Canbus (Australian Specs)	
	1001276919	Ref	ClearSky Installation - 3-Wire (All Specs)	
	1001293819	Ref	ClearSky CS550 Installation	
		Ref	ClearSky Add-on Kits (Dealer Installed) Options:	
	1001278848	Ref	ClearSky Add-on Kit - 3-Wire GT1030 (All Specs) (Dealer Installed)	
	1001293899	Ref	Dust Cap Installation (No ClearSky)	
	1001274820	Ref	Decal Kit - Master	
		Ref	Electrical Connector Kits	
	1001148902	Ref	Amp/Tyco Electrical Connector Kit	
	1001148903	Ref	Deutsch DT Electrical Connector Kit	
	1001148904	Ref	Deutsch HD Electrical Connector Kit	
	1001148905	Ref	Packard Electrical Connector Kit	
	1001148906	Ref	Various Electrical Connector Kit	
	1001208061	Ref	Footswitch Installation (ANSI Export & Japanese Specs Only)	
	1001220933	Ref	Height Restrictor Switch Installation	
	1001269704	Ref	Hostile Environment Package (Kingspins)	
	1001250532	Ref	Mobile Control Add-on Kit (Dealer Installed)	
	1001270721	Ref	Pipe Racks Kit (Dealer Installed)	
	1001269651	Ref	Platform Box Cover Kit (Dealer Installed)	
	1001225790	Ref	Platform Extension Deployment Handles Add-on Kit (Dealer Installed)	
	1001224583	Ref	Service Kits List	AE
	1001270653	Ref	SkySense Level 1 Installation (Factory Installed)	
	1001273993	Ref	SkySense Level 1 Add-on Kit (Dealer Installed)	
		Ref	Tools for Service	
	2901443	1	Analyzer Kit	
	1001232474	1	Benchtop Harness	
	8896941	1	Wire Stripper	
	7002821	1	Wire Crimper (To install wire ends to wires)	
	7002823	1	Pin/Socket Extractor - Universal (To Remove Pins/Sockets from Connectors)	

SECTION 8 - SPECIAL OPTIONS/ACCESSORIES/KITS

ITEM	PART NUMBER	QTY	DESCRIPTION	REV
	4460467	1	Extractor - 16-18 Gauge (For Removal Pins/Sockets from Deutsch Connectors)	
	1001284657	1	Extension Cord Kit (Dealer Installed)	
	4460510	1	Extractor - 12-14 Gauge (For Removal of Pins/Sockets from Deutsch Connectors)	
	1001292999	1	Heavy Duty Pipe Rack Kit	
	1001269646	1	Heavy Duty Tool Tray/Work Surface	
	1001300331	1	Perimeter Lighting Kit	
	1001301553	1	Perimeter Light Covers Kit	
	7002822	1	Screwdriver, Potentiometer (To Adjust Drive Controllers)	
	1001273607	1	SkySense Level 1 Kit (Dealer Installed)	
	7016654	1	Screwdriver, Magnetic	
	7004275	1	Seal Installation Tool - 1in	
	7004276	1	Seal Installation Tool - 1-1/2in	
	7002826	1	Seal Installation Tool - 2in	
	1001300936	1	Inventus Harness	
	1001294780	1	Transducer Pressure Kit	
	1001283676	1	Tool Tethering Kit	
	1001281951	Ref	USB Power Port Kit	
	1001281944	Ref	White Noise Alarm Kit	

SECTION 8 - SPECIAL OPTIONS/ACCESSORIES/KITS

PART NUMBER INDEX

SECTION 8 - SPECIAL OPTIONS/ACCESSORIES/KITS

0100011.....13, 15, 17, 27, 29, 31, 33, 35, 37, 39, 41, 63, 67, 69, 71, 76, 80, 93, 95, 105, 107, 109, 113, 121	0760810..... 61, 95 0760812... 67, 69, 71, 95, 109, 113 0760820..... 67, 69, 71 0760823..... 67, 69, 71 0760827..... 15, 17 0761010..... 13 0761019..... 101 0770814..... 15, 17 0840055..... 205 0840059..... 205 0861731... 211, 217, 219, 221 0861781..... 213, 215 0861880..... 161 0940071..... 67, 69, 71 0961948..... 76, 80 0962272..... 13 0962292..... 83, 85 1001047064..... 119 1001091102... 27, 43, 45, 47, 59, 109, 113 1001092865..... 76, 80 1001097150..... 153, 159 1001097347..... 157, 194 1001100164..... 205 1001100341..... 213 1001100342..... 215 1001100345..... 217 1001100346..... 221 1001100347..... 219 1001102258.... 139, 141, 143, 145, 147, 149, 151, 153, 155 1001102349..... 23 1001102351..... 23 1001102353..... 23 1001102354..... 23 1001102489.... 165, 169, 177, 181, 185, 189 1001103012..... 195 1001103471.... 153, 173, 175 1001104498..... 195 1001108603..... 121 1001114467..... 25 1001116208..... 241 1001116732.... 157, 195 1001116733..... 157 1001116734..... 195 1001116812..... 194 1001116815..... 194 1001116994..... 194 1001117057.... 157, 195 1001117107..... 195 1001118274..... 61 1001120204.... 141, 143, 145, 147, 149, 153 1001120205.... 159, 161, 163 1001120989..... 241 1001128128..... 195 1001128888..... 76, 80 1001130220... 31, 33, 35, 37, 39, 41, 53, 55, 59, 63, 67, 69, 71, 119,	141, 143, 145, 147, 149, 153 1001130590..... 59 1001130912..... 76, 80 1001131270..... 227, 235 1001132358..... 119 1001132359.... 227, 229, 231, 233, 235, 237, 239 1001132361..... 119, 121 1001134280..... 173, 175 1001137675..... 95 1001144147..... 194 1001144295..... 194 1001144296..... 194 1001146963.. 76, 80, 244 1001148902..... 246 1001148903..... 246 1001148904..... 246 1001148905..... 246 1001148906..... 246 1001150735..... 209 1001150899..... 209 1001152266..... 194 1001152483..... 163 1001153785..... 13 1001159186..... 207 1001162115..... 237 1001162864.... 227, 229, 231, 233, 235, 237, 239 1001162887..... 195 1001163340..... 195 1001173703..... 241 1001181045.... 161, 244 1001182806..... 49 1001186466.... 29, 244 1001187587.... 101, 105, 107, 109, 113 1001187781..... 59 1001187816..... 155 1001188116..... 155 1001189171.... 163, 244 1001189172.... 163, 244 1001192401..... 194 1001194421.... 195, 207, 209 1001196589..... 195 1001196635..... 195 1001196838.... 205, 244 1001197396..... 13 1001200631..... 59 1001200811.... 197, 199, 201, 203 1001200812..... 197 1001200819.... 119, 207 1001201087..... 197 1001201129..... 201 1001201707.. 45, 47, 223 1001201885.... 195, 207, 209 1001202184..... 199 1001202987..... 27 1001202988..... 27 1001202994..... 27 1001202999..... 27 1001203443..... 76, 80 1001203444..... 76, 80 1001203445..... 76, 80	1001203446..... 76, 80 1001203447..... 76, 80 1001203448..... 76, 80 1001203453..... 51 1001203457..... 51 1001203630..... 199 1001203631..... 203 1001203869..... 27 1001203870..... 27 1001203871 27, 109, 113, 244 1001203872..... 27 1001204311..... 76, 80 1001204312..... 76, 80 1001204495..... 49 1001204994..... 76, 80 1001205409..... 195 1001205422..... 95 1001205423..... 95 1001205424..... 95 1001205430..... 95 1001205751..... 13 1001206207..... 97, 99 1001206217..... 97, 99 1001206222..... 97, 99 1001206224..... 97, 99 1001206225..... 97 1001206226.. 97, 99, 101, 105, 107, 109, 113 1001206228..... 97, 99 1001206487..... 76, 80 1001207806..... 97, 99 1001207970..... 169, 171 1001207974..... 165, 167, 173, 175, 177, 179, 181, 183, 185, 187, 189, 191 1001208061..... 246 1001208852..... 95 1001208930..... 139 1001208931..... 151 1001209482.... 145, 147, 163 1001209596..... 119 1001209682..... 59 1001209776.... 141, 143, 149, 161 1001209906..... 241 1001210064..... 95 1001210302.. 97, 99, 105, 107, 109, 113 1001210446..... 101 1001210586.. 97, 99, 105, 107, 109, 113 1001210963.. 97, 99, 101, 105, 107, 109, 113 1001210966.... 15, 17, 76, 80 1001211777..... 227 1001211779..... 227, 233, 235, 237, 239 1001212035..... 207 1001212036..... 207 1001212068..... 27 1001212290..... 227, 229, 231, 233, 235, 237, 239
---	---	--	---

SECTION 8 - SPECIAL OPTIONS/ACCESSORIES/KITS

1001212291 227, 229, 231, 233, 235, 237, 239	1001231801..... 227, 235	1001249077..... 194	1001255494 233
1001212292 227, 229, 231, 233, 235, 237, 239	1001232474..... 246	1001249082..... 101	1001255495 231
1001212293 227, 229, 231, 233, 235, 237, 239	1001234204..... 76, 80	1001249096..... 101	1001255496 239
1001213886 119, 121	1001234395..... 101	1001249107..... 101	1001255497 235
1001214217 29	1001235536..... 133	1001249109..... 101	1001255498 229
1001214526 27	1001235559..... 59	1001249110..... 102	1001255505 105, 109
1001215747 233	1001235863..... 133	1001249111..... 101	1001255507 129, 131
1001215748 231, 239	1001235924..... 133	1001249112..... 102	1001255592 244
1001215749 235	1001235941..... 135	1001249114..... 101	1001255595 67, 69, 71
1001215750 237	1001236129..... 95	1001249149..... 77, 81	1001256219 121
1001215751 237	1001236507..... 133	1001249229..... 246	1001256281 31, 37
1001215752 233	1001236903..... 246	1001249259..... 121	1001256471 101
1001215754 239	1001236984..... 241	1001249295..... 13	1001256503 173, 175
1001215755 235	1001239224..... 43, 45, 47	1001249326..... 246	1001256657 105, 107, 109, 113
1001215953 27	1001239404..... 76, 80	1001249432..... 59, 244	1001256675 101, 241
1001216648 231	1001239661..... 43, 45, 47	1001249639..... 246	1001256676 241
1001216650 231	1001239824..... 129, 131	1001250162..... 13	1001257138 59
1001216823 117	1001242539..... 43, 45	1001250378..... 27	1001257607 227, 229, 231, 233, 235, 237, 239
1001216865 241	1001242697..... 43	1001250431..... 53	1001257609 241
1001217043 95	1001243528..... 101	1001250523..... 76, 81	1001257890 101
1001217059 29	1001244462..... 194	1001250532..... 246	1001258379 77, 81
1001217088 59, 129, 131	1001244885..... 61	1001250886..... 31, 33, 37, 39	1001258411 102
1001217164 161, 163	1001244900..... 153	1001251383..... 101	1001258446 119
1001218285 119	1001244932..... 121, 244	1001251388..... 101	1001258528 101
1001218307 27	1001245293..... 61	1001251436..... 27	1001258617 101
1001219171 229, 241	1001245743..... 159	1001251437..... 27	1001258618 101
1001219172 229	1001245744..... 153, 159	1001251531..... 21	1001258620 101
1001220430 227, 229, 231, 233, 235, 237, 239	1001245747..... 153	1001251532..... 21	1001258704 101
1001220893 119	1001246584..... 121	1001251620..... 21	1001258755 129, 131
1001220933 246	1001246733..... 15, 17, 19	1001253153..... 77, 81	1001258768 185
1001221475 95	1001246823..... 209	1001253800..... 121, 127	1001258770 189
1001221476 95	1001246863..... 121	1001254119..... 121	1001258771 177
1001222587 117	1001246864..... 121	1001254171 67, 69, 71	1001258772 181
1001223055 227	1001246979..... 121	1001254278 67, 69, 71	1001258891 241
1001223262 203	1001247313..... 121	1001254346 67, 69, 71	1001259015 15, 17
1001223263 201	1001247443..... 121	1001254383 67, 69, 71	1001259102 105, 107, 109, 113
1001223971 235	1001247682..... 121, 125, 244	1001254555 121	1001259105 105, 107, 110, 114
1001224048 237	1001247862..... 45	1001254686 121, 209	1001259106 105, 107, 110, 114
1001224049 239	1001248114..... 15, 17, 76, 80, 244	1001254722..... 129	1001259107 105, 107, 110, 114
1001224051 233	1001248121..... 81, 85	1001254825..... 101	1001259249 241
1001224052 231	1001248123..... 31, 33, 35	1001255074 129, 131	1001259250 241
1001224583 246	1001248124..... 37, 39, 41	1001255165 129, 131	1001260636 91, 93
1001224604 87	1001248126..... 227, 229, 231, 233, 235, 237, 239	1001255417 105, 107	1001260768 93
1001224608 87	1001248132..... 209	1001255420 105, 107, 110, 114	1001260950 59, 244
1001224614 87	1001248133..... 209	1001255421 105, 107, 110, 114	1001261040 101
1001224620 87	1001248135..... 244	1001255428 105, 107, 110, 114	1001261076 59, 67, 71
1001224622 87	1001248612..... 25	1001255430 105, 107, 110, 114	1001261105 227, 229, 231, 233, 235, 237, 239
1001225790 246	1001248628..... 241	1001255439 121	1001261131 127
1001226423 15, 17	1001248630..... 246	1001255442 105, 107, 110, 114	1001261149 105, 109
1001226487 13	1001248631..... 165	1001255457 105, 107, 110, 114	1001261153 129, 131
1001226749 119, 121, 244	1001248632..... 169	1001255461 121	1001262150 127
1001227219 173, 175	1001248633..... 173	1001255470 105, 107, 109, 113	1001262465 153, 159
1001227267 153, 173, 175	1001248683..... 194	1001255474 241	1001262648 241
1001227268 153	1001248724..... 77, 81	1001255475 241	1001262650 241
1001227269 159	1001248727..... 77, 81	1001255476 241	1001262651 241
1001227966 53, 55	1001248728..... 77, 81	1001255491 105, 107, 110, 114	1001262655 119
1001228112 244	1001248730..... 77, 81	1001255492 227	1001263249 241
1001228191 159, 244	1001248731..... 77, 81	1001255493 237	1001263450 93, 205
1001228370 227, 235	1001248733..... 77, 81		1001263568 93
1001231268 76, 80	1001248734..... 77, 81		
	1001248768..... 61		
	1001249070..... 194		
	1001249071..... 194		
	1001249072..... 194		

SECTION 8 - SPECIAL OPTIONS/ACCESSORIES/KITS

1001263570.....93	1001278213..... 55	1001301553247	308000797, 99, 105, 107, 109, 113
1001263805.....109, 113	1001278214..... 55	1001303150 167, 171, 179, 183, 187, 191	3252507....143, 145, 147, 149, 151, 153, 155
1001263808.....109, 113	1001278220..... 65	1001303151 167	3271601.....67, 69, 71
1001263850.....109, 113	1001278331..... 59	1001303152 171	3290305.....43, 45, 47
1001263999.....241	1001278514... 15, 17, 77, 81	1001303153 175	3290405....27, 59, 76, 80, 105, 107, 109, 113, 119, 121, 139, 141, 143, 145, 147, 149, 153, 155
1001264079.....109, 113	1001278515... 15, 17, 77, 81	1001303155 187	3290406....109, 113, 121, 131
1001264110.....109, 113	1001278618..... 15, 17	1001303156 191	3290501.....101
1001265527.....91, 93	1001278762..... 77, 81	1001303157 179	3290505..59, 63, 65, 173, 175
1001265588.....241	1001278763..... 77, 81	1001303158 183	3290506....105, 107, 109, 113
1001265589.....241	1001278765..... 13	1001304423 175	3290601.....29, 153
1001265592.....241	1001278848..... 246	1060379 135	3290605....15, 17, 31, 33, 35, 37, 39, 41, 49, 55, 59, 61, 65, 67, 69, 71, 76, 80, 95, 101, 105, 107, 109, 113, 141, 143, 145, 147, 149
1001266168.....67, 69, 71	1001278871..... 63, 65	1060799 67, 69, 71	3290606..93, 97, 99, 101, 105, 107, 109, 113, 117, 129, 131, 133
1001266450.....15, 17	1001278891..... 63, 65	1060908 159, 161, 163	3290801.....27, 67, 69, 71
1001267364.....67, 69, 71	1001278894..... 77, 81	1320302 129, 131	3290805....15, 17, 27, 67, 69, 71, 95, 135, 173, 175
1001267365.....67, 69, 71	1001279476..... 109, 113	1321293 ... 31, 33, 35, 37, 39, 41	329080697, 99, 101, 105, 107, 109, 113, 117, 119
1001269170.....246	1001279477..... 109, 113	1321752 15, 17	3291005....55, 67, 69, 71, 87, 95
1001269646.....247	1001279591..... 76	1380132 117	3291006...21, 51, 87, 101
1001269651.....246	1001279877..... 246	1380153 13	3291007....76, 80, 91, 93
1001269704.....246	1001279878..... 246	1600387 93	3300423.....23
1001270533.....135	1001279879..... 246	1600402 119, 123, 244	3311502.....95
1001270631.....135	1001280806..... 145	1671207 211	3321402.....76, 80
1001270653.....129, 246	1001280807..... 147	1701640 ... 227, 229, 231, 233, 235, 237, 239	3331211.....15, 17
1001270721.....246	1001280808..... 149	1702010 133	334096276, 80, 105, 107, 109, 113
1001270855.....135	1001280809..... 141	1702155 ... 227, 229, 231, 233, 235, 237, 239	3422219.....101
1001270870.....129, 131	1001280810..... 143	1703464 139, 141	3422661.....135
1001270921.....63	1001280811..... 155	1703816 227, 241	3422938.....93
1001270925.....63	1001280812..... 153	1703819 ... 119, 121, 227, 229, 231, 233, 235, 237, 239	3423037.....13
1001271160.....241	1001281067 141, 143, 145, 147, 149, 153	1704016 ... 227, 229, 231, 233, 235, 237, 239	3423049.....91
1001271185.....131	1001281277..... 91	1704260 119, 121	3423243.....67, 69, 71
1001271186.....131	1001281944..... 247	1704277 ... 227, 229, 231, 233, 235, 237, 239	3423278.....119, 121
1001271412.....135	1001281951..... 247	1704684 235	3430636.....27
1001271682.....63	1001282611 107, 114	1704691 239	3430814.....95
1001272281.....77, 81	1001282612 107, 114	1704699 231	3430816.....95
1001273607.....247	1001282613 107, 113	1705195 233	3430820.....13
1001273882.....85	1001283523..... 83	1705647 241	3431212.....27
1001273993.....246	1001283676..... 247	1705648 241	3431218.....27
1001274168.....127	1001284276..... 83	1706679 59	3450302.....27
1001274604.....119	1001284657..... 247	2080040 .95, 97, 99, 101, 105, 107, 109, 113, 227, 229, 231, 233, 235, 237, 239	3450303.....67, 69, 71
1001274605.....119	1001284956 246	2080043 101	3450403.....95
1001274659.....119	1001285941..... 241	2080057 ... 227, 229, 231, 233, 235, 237, 239	3450406.....23
1001274820.....246	1001285999..... 35, 41	2080063 129, 131	3450505.....27
1001274883.....77, 83	1001286736 107, 113	2400060 157, 195, 205	3520072..87, 97, 99, 101, 105, 107, 109, 113
1001276567.....13	1001287425..... 13	2420172 59	3574505.....133
1001276657.....63, 65	1001287711..... 135	2560088 107, 114, 117	3740150.....59, 244
1001276919.....246	1001288492..... 17	2560190 117	3760115.....76, 80
1001277057.....59	1001288500..... 35	260028197, 99, 101, 105, 107, 109, 113	
1001277804.....59, 194	1001288503..... 41	260092 157, 195	
1001278000.....67, 71	1001289052..... 99	2780266 15, 17, 23	
1001278001.....69	1001289879..... 17	280013 77, 80	
1001278005.....61	1001290011..... 77, 81	2860030 59, 244	
1001278006.....15	1001290016..... 121	2901443 246	
1001278013...31, 33, 35, 37, 39, 41	1001290161..... 121	2902431 139, 211	
1001278072....67, 69, 71	1001291409..... 80	2940129 105, 109	
1001278079.....31	1001291558..... 77, 81		
1001278080.....37	1001292999..... 247		
1001278081.....33	1001293819..... 246		
1001278082.....39	1001293899..... 246		
1001278086.....59	1001293956..... 47		
1001278087.....59	1001294780..... 247		
1001278088.....59	1001294815..... 241		
1001278090...63, 65, 157	1001296129..... 35, 41		
1001278165.....65	1001296855..... 241		
1001278210.....55	1001300331..... 247		
1001278211.....55	1001300936..... 247		
1001278212.....55			

SECTION 8 - SPECIAL OPTIONS/ACCESSORIES/KITS

3760170 76, 80	4460234 129, 131	4461196..... 177, 179, 213	70007196 19
3760217 13	4460247 195	4461198..... 213	70007199 19
3760387 76, 80	4460259 194	4461199..... 181, 183, 215	70007201 19
3820019 117	4460260 194	4461201..... 215	70007203 19
3820032 101	4460265 207, 209	4461205..... 185, 187, 217, 219	70007204 19
3841143 76, 80	4460267 207	4461244..... 217	70007205 19
386011197, 99, 101, 105, 107, 109, 113	4460315 139, 155	4461245..... 219	70007206 19
3900270 13	4460346 211	4461246..... 221	70007207 19
3900381 173, 175	4460374 195	4461249..... 189, 191, 221	70007490 19
3910804 59	4460418 195, 207	4461257..... 141, 143	70007491 19
4010310 43, 45, 47	4460464 ... 49, 76, 77, 80, 81, 110, 114, 157, 195, 197, 199, 201, 203, 205, 207, 209, 223	4461258..... 141, 143	70007492 19
4010405002 121	4460465 ... 43, 45, 77, 81, 110, 113, 194, 195, 197, 199, 201, 203, 205, 223	4711400..... 129, 131	70007494 19
4010408 153	4460466 77, 81, 110, 113, 114, 157, 194, 197, 199, 201, 203, 205, 207	4711700..... 119	70007506 125
4010414 131	4460467 247	4711800..... 95	70007532 85
4010417 109, 113	4460496 119	4740438..... 76, 80	70007533 85
401060897, 99, 101, 105, 107, 109, 113	4460497 119	4740468..... 23	70007534 85
4010610 ... 141, 143, 145, 147, 149	4460509 195	4740531..... 76, 80	70007535 85
401061697, 99, 105, 107, 109, 113	4460510 247	4751600..... 67, 69, 71	70007536 85
401061897, 99, 101, 105, 107, 109, 113	4460518 194	481140076, 80, 105, 107, 109, 113, 119, 121, 139, 141, 143, 145, 147, 149, 153, 155	70007538 19
4031506 ... 105, 107, 109, 113	4460536 110, 114	4811700.... 15, 17, 49, 59, 61, 67, 69, 71, 76, 80, 93, 97, 99, 101, 105, 107, 109, 113, 119, 121, 129, 131, 133, 141, 143, 145, 147, 149, 153	70007539 19
4031509 119	4460539 ... 195, 201, 203	4811702.... 15, 17, 27, 29, 31, 33, 35, 37, 39, 41, 53, 55, 63, 65, 67, 69, 71, 76, 80, 117	70007540 19
4031510 121	4460662 ... 145, 147, 149, 211	4811900.... 15, 17, 27, 61, 67, 69, 71, 95, 97, 99, 101, 105, 107, 109, 113, 117, 119	70007541 19
4031511 27, 109, 113	4460754 ... 197, 199, 201, 203	4811902.... 27, 67, 69, 71, 135, 173, 175	70007542 19
4031512 76, 80	4460836 194, 205	4812000.... 13, 21, 27, 67, 69, 71, 76, 80, 87, 91, 93, 95, 101	70007543 19
4031708 29	4460837 194	4812002.... 51, 55, 67, 69, 71, 95	70007544 19
4060803 53, 55, 119	4460844 110, 113	4812500..... 27	70007545 19
4060906 119, 121	4460871 ... 157, 194, 209	4831600..... 173, 175	70007546 19
4071095 101	4460872 157	4846757..... 13	70007547 19
4160202 27	4460873 209	5240800..... 15, 17	70007548 19
4160214 67, 69, 71	4460884 194	5241000..... 95	70007549 19
4220309 101	4460891 43, 45, 194, 201, 203, 223	5241200..... 15, 17	70007550 19
4240017 ... 15, 17, 31, 33, 35, 37, 39, 41, 59, 63, 65, 76, 80, 93, 109, 113, 129, 139, 141, 143, 145, 147, 149, 151, 153, 155, 165, 167, 169, 171, 173, 175, 177, 179, 181, 183, 185, 187, 189, 191, 197, 199, 201, 203	4460894 ... 194, 197, 199, 201, 203, 205	7000082..... 123, 125	70007551 19
4240018 45, 47	4460897 49, 195, 201, 203, 223	7000084..... 123, 125	70007552 19
4240147 27	4460899 76, 80, 197, 199, 201, 203, 205	70000191..... 19	70007553 19
4240165 133	4460905 ... 157, 194, 209	70000683..... 123, 125	70007554 83
4360328 59, 244	4460928 194	70000684..... 123, 125	70007555 83
4360345 121, 244	4460930 77, 81, 194	70000685..... 123, 125	70007556 83
4360387 59, 244	4460931 77, 81	70000686..... 123, 125	70007557 83
4360469 59, 244	4460933 195, 205	70001250..... 123, 125	70007558 83
4360475 119, 121, 244	4460942 194, 195	70001251..... 123, 125	70007961 83
4420037 133	4460943 ... 157, 194, 197, 199, 201, 203, 205	70001252..... 123, 125	7002821 246
4420051 241	4460944 ... 194, 195, 197, 199, 201, 203, 205, 209	70001253..... 123, 125	7002822 247
442006297, 99, 101, 105, 107, 109, 113, 119, 121, 135	4460956 161	70001739..... 19	7002823 246
4460019 157	4460957 161	70003650..... 123	7002826 247
4460042 195	4460968 155	70007193..... 19	7004275 247
4460138 139	4460970 157	70007195..... 19	7004276 247
4460144 209	4461016 207, 209		7016654 247
4460183 195, 207, 209	4461018 195		7020175 119, 121
4460227 209	4461076 194		7020176 119, 121
	4461077 194		7027365 123, 125
			7027367 123, 125
			7027765 123, 125
			7027766 123, 125
			80983191 195, 244
			8220045 157, 195
			8220051 195, 209
			8220108 195
			8229242 157, 195, 244
			8229246 195, 244
			8229249 195
			86683122 131
			8750014 15, 17
			8896941 246
			8990147 ... 227, 229, 231, 233, 235, 237, 239



**Corporate Office
JLG Industries, Inc.
1 JLG Drive
McConnellsburg, PA 17233-9533 USA
☎ (717) 485-5161 (Corporate)
☎ (877) 554-5438 (Customer Support)
📠 (717) 485-6417**

**Visit our website for JLG Worldwide Locations.
www.jlg.com**



OSHKOSH™