



---

# Illustrated Parts Manual

*Model*  
**ERT2669**  
**ERT3369**

**PVC**  
**2204**

**P/N**  
**31220315**

**February 5, 2024 - Rev D**

**ANSI**

**CE**



**UK**  
**CA**

**AS/NZS**



---

An Oshkosh Corporation Company



## **REVISION LOG**

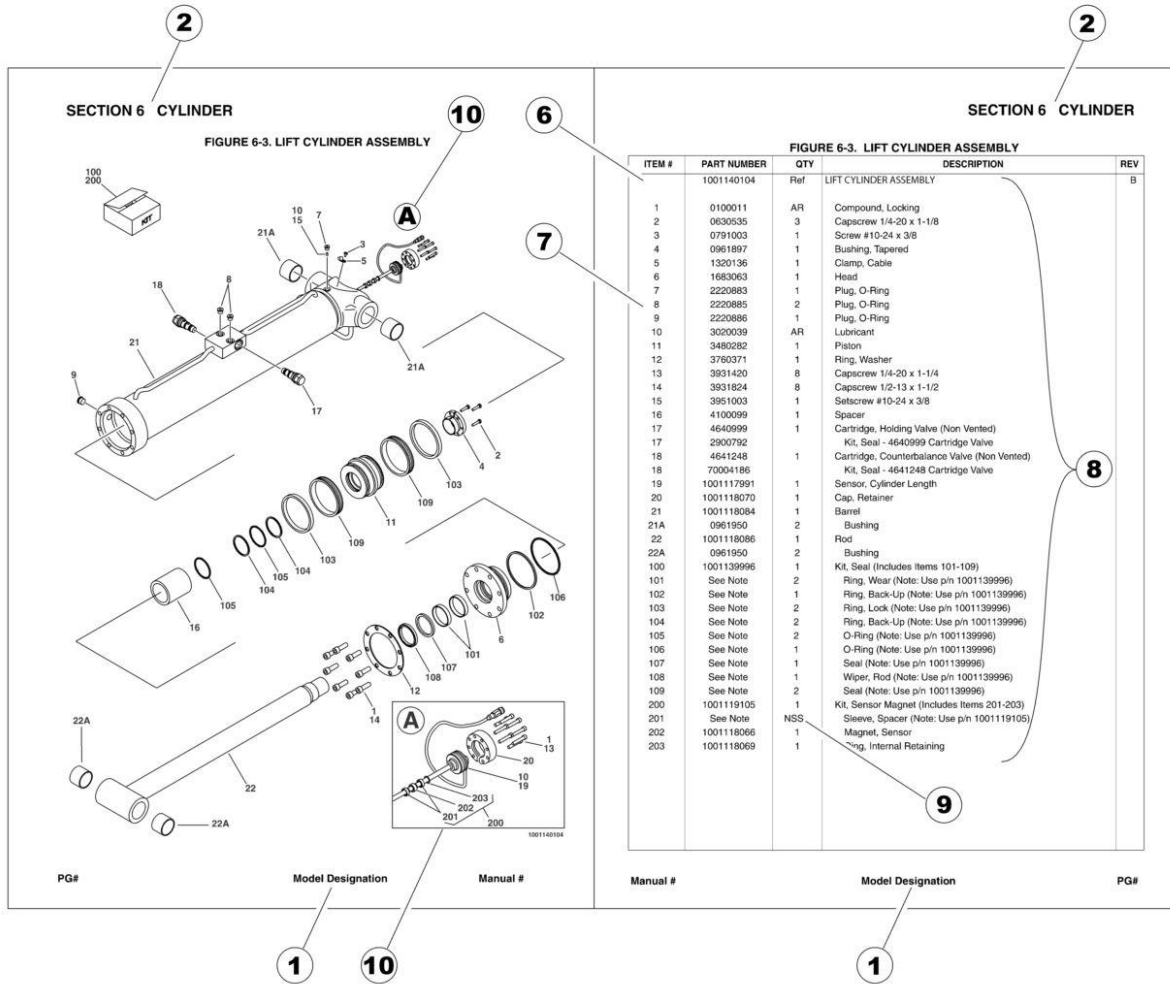
April 4, 2022 - A - Original Issue of Manual (Edited to B/M 1001263260 Rev K & 1001263330 Rev K)

October 10, 2022 - B - Revised Manual (Edited to B/M 1001263260 Rev M & 1001263330 Rev M)

February 1, 2023 - C - Revised Manual (Edited to 1001263260 Rev O & 1001263330 Rev O)

February 5, 2024 - D - Revised Manual (Edited to 1001263260 Rev R & 1001263330 Rev R)

# GENERAL INFORMATION



## 1) MACHINE IDENTIFICATION

Machines are identified by model and in some cases a combination of models, serial number (SN) or regional standard (i.e ANSI, CE, CSA). Components may also be identified by SN or manufacturer. Common components that may be identified by these characteristics are engines and hydraulic components.

## 2) PARTS MANUAL ORGANIZATION

Product information in this manual is organized under section titles. Frame, Cylinder, Hydraulic and Electrical are a few examples. Each section is organized by figure and page number. The information within the Figure is then organized by item number, part number, description and corresponding illustration (s).

## 3) TABLE OF CONTENTS (NOT SHOWN)

A table of contents is found toward the beginning of the manual. Figure number, description and page number are provided for quick reference to the page containing the related information.

## 4) RECOMMENDED SPARE PARTS (NOT SHOWN)

The Recommended Spare Parts List, located near the end of the manual, reference most frequently used maintenance parts.

## 5) PART NUMBER INDEX (NOT SHOWN)

A numerical index listing all part numbers and the corresponding page number(s) appears at the back of the manual.

# GENERAL INFORMATION

## 6) NON-SERVICED PARTS

In some instances, it is necessary to display non-serviced parts, assemblies or installations. In the case of assemblies and installations there will be a Ref in the Qty. column. In case of parts that are not available for service within assemblies or components, there will be a NSS (Not Sold Separately) or NLA (No Longer Available) listed in the Qty. column of the manual.

## 7) PARTS LIST ITEM NUMBERS

Numbers shown in the item# column correspond to numbers used in the associated illustration (s). Item numbers which are missing from the sequence in the parts list are not used on that page.

## 8) INDENTED PARTS DESCRIPTION

An indented part description is included in the item under which it is indented.

## 9) ABBREVIATION AND SYMBOLS

AC.....	Alternating Current	L.....	Liter
ADE.....	Advanced Design Electronics	LB(LBS).....	Pounds
AG.....	Agricultural	LCD.....	Liquid Crystal Display
ANSI.....	American National Standards Institute	LED.....	Light Emitting Diodes
AR.....	As Required	LH.....	Left Hand
ASSY.....	Assembly	LRC.....	Low Rated Countries
AUS.....	Australia	LSS.....	Load Sensing System
AUX.....	Auxiliary	M(m).....	Metric/Meter
AWG.....	American Wire Gauge	MM(mm).....	Milimeter
B/M.....	Bill of Material	mA.....	Miliamps
CAC.....	Charge Air Cooler	NLA.....	No Longer Available
CE.....	European Conformity	NPT.....	National Pipe Threads
CCW.....	Counter Clockwise	NSS.....	Not Sold Separately
CM.....	Centimeter	OD.....	Outside Diameter
CW.....	Clockwise	ORB.....	O-Ring Boss
CSA.....	Canadian Standards Association	ORFS.....	O-Ring Face Seal
CYL.....	Cylinder	OZ (oz).....	Ounces
DIA.....	Diameter	PG.....	Page
DC.....	Direct Current	PN.....	Part Number
DEF.....	Diesel Exhaust Fluid	QT(qt.).....	Quarts
EMS.....	Emergency Stop	QTY.....	Quantity
ENG.....	Engine	REF.....	Reference
FT(ft).....	Feet	REV.....	Revision Level
GA(Ga).....	Gauge	RH.....	Right Hand
HRC.....	High Rated Countries	SAE.....	Society of Automotive Engineers
HVAC.....	Heating, Ventilating, and Air Conditioning	SN.....	Serial Number
HYD.....	Hydraulic	SPEC(S).....	Specifications
Hz.....	Hertz	T/T.....	Turntable
ID.....	Inside Diameter	UGM.....	Universal Ground Module
IN.....	inches	V.....	Volts
ISO.....	International Organization for Standards	W.....	Watts
JIC.....	Joint Industry Council	#.....	Number
KG.....	Kilogram		

## 10) ILLUSTRATION REFERENCE LETTERS

When necessary, illustrations may contain reference letters that are intended to track information (i. e. hoses, harnesses) from one point to another or to track visual enlargement of components to show details that may be located in another area on the illustration.

*Note: Due to continuous product improvements, JLG Industries, Inc. reserves the right to make specification changes without prior notification. Contact JLG Industries, Inc. for updated information.*



# TABLE OF CONTENTS

SECTION 1 - FRAME.....	11
FIGURE 1-1. AXLE INSTALLATION - SINGLE OSCILLATING (WITHOUT SENSORS).....	12
FIGURE 1-2. AXLE INSTALLATION - SINGLE OSCILLATING (WITH SENSORS).....	14
FIGURE 1-3. STEERING INSTALLATION – ELECTRIC (2WS) .....	16
FIGURE 1-4. DRIVE INSTALLATION - ELECTRIC (2WD) .....	18
FIGURE 1-5. DRIVE MOTOR ASSEMBLY .....	22
FIGURE 1-6. DRIVE HUB ASSEMBLY .....	24
FIGURE 1-7. HUB/SPINDLE ASSEMBLY (2WD FRONT) .....	28
FIGURE 1-8. BATTERY INSTALLATION – 225AH BATTERIES .....	30
FIGURE 1-9. BATTERY INSTALLATION – 310AH BATTERIES .....	32
FIGURE 1-10. FRAME COVERS INSTALLATION.....	34
FIGURE 1-11. LADDER INSTALLATION (ERT2669).....	36
FIGURE 1-12. LADDER INSTALLATION (ERT3369).....	38
FIGURE 1-13. LEVELING JACKS INSTALLATION - PARTIAL COVERS .....	40
FIGURE 1-14. LEVELING JACKS INSTALLATION - FULL COVERS.....	42
FIGURE 1-15. LEVELING JACKS VALVE ASSEMBLY .....	44
FIGURE 1-16. ONBOARD GENERATOR INSTALLATION.....	46
FIGURE 1-17. ONBOARD GENERATOR INSTALLATION.....	48
FIGURE 1-18. ONBOARD GENERATOR TRAY INSTALLATION .....	50
FIGURE 1-19. ONBOARD GENERATOR TRAY INSTALLATION .....	52
FIGURE 1-20. ONBOARD GENERATOR ASSEMBLY .....	54
FIGURE 1-21. TIRE AND WHEEL INSTALLATION - FOAM-FILLIED .....	58
FIGURE 1-22. TIRE AND WHEEL INSTALLATION - FOAM-FILLIED NON-MARKING.....	60
FIGURE 1-23. TIRE AND WHEEL INSTALLATION - FOAM-FILLIED TURF NON-MARKING .....	62
SECTION 2 - GROUND CONTROLS .....	65
FIGURE 2-1. HYDRAULIC COMPONENTS INSTALLATION (Prior to SN M200085710, Prior to SN M200085548) .....	66
FIGURE 2-2. HYDRAULIC COMPONENTS INSTALLATION (SN M200085853 to Present, SN M200085851 to Present).....	68
FIGURE 2-3. VALVE ASSEMBLY - MAIN CONTROL.....	70
FIGURE 2-4. BATTERY CHARGER INSTALLATION (110V PLUG).....	72
FIGURE 2-5. BATTERY CHARGER INSTALLATION (AUSTRALIAN PLUG) (Prior to SN M200065005, Including M200066368, M200067685, M200068190 and M200068862, Excluding M200063441 and M200064815).....	74
FIGURE 2-6. BATTERY CHARGER INSTALLATION (AUSTRALIAN PLUG) (SN M200065005 to Present, Including M200063441 and M200064815, Excluding M200066368, M200067685, M200068190 and M200068862).....	76
FIGURE 2-7. BATTERY CHARGER INSTALLATION (CHINA PLUG) (Prior to SN M200065005, Including M200066368, M200067685, M200068190 and M200068862, Excluding M200063441 and M200064815).....	78
FIGURE 2-8. BATTERY CHARGER INSTALLATION (CHINA PLUG) (SN M200065005 to Present, Including M200063441 and M200064815, Excluding M200066368, M200067685, M200068190 and M200068862).....	80
FIGURE 2-9. BATTERY CHARGER INSTALLATION (KOREAN PLUG) (Prior to SN M200065005, Including M200066368, M200067685, M200068190 and M200068862, Excluding M200063441 and M200064815).....	82
FIGURE 2-10. BATTERY CHARGER INSTALLATION (KOREAN PLUG) (SN M200065005 to Present, Including M200063441 and M200064815, Excluding M200066368, M200067685, M200068190 and M200068862).....	84
FIGURE 2-11. BATTERY CHARGER INSTALLATION (NO PLUG) (Prior to SN M200065005, Including M200066368, M200067685, M200068190 and M200068862, Excluding M200063441 and M200064815).....	86
FIGURE 2-12. BATTERY CHARGER INSTALLATION (NO PLUG) (SN M200065005 to Present, Including M200063441 and M200064815, Excluding M200066368, M200067685, M200068190 and M200068862).....	88
FIGURE 2-13. GROUND CONTROL PANEL INSTALLATION (Prior to SN M200059848, Including M200060511).....	90

# TABLE OF CONTENTS

FIGURE 2-14. GROUND CONTROL PANEL INSTALLATION (SN M200059848 to Present, Excluding M200060511) .....	92
FIGURE 2-15. GROUND CONTROL ASSEMBLY .....	94
FIGURE 2-16. ALARM INSTALLATION (HORN) .....	96
FIGURE 2-17. ALARM INSTALLATION (WHITE NOISE) .....	98
FIGURE 2-18. HOODS INSTALLATION .....	100
FIGURE 2-19. HOODS INSTALLATION - KUBOTA ENGINE (GENSET) (Prior to SN M200064815, Including M200065005, M200066368, M200067007, M200067685, M200067686, M200068189, M200068190 and M200068862) .....	104
FIGURE 2-20. HOODS INSTALLATION - KUBOTA ENGINE (GENSET) (SN M200064815 to Present, Excluding M200065005, M200066368, M200067007, M200067685, M200067686, M200068189, M200068190 and M200068862) .....	106
FIGURE 2-21. STROBE LIGHT INSTALLATION - SINGLE .....	108
FIGURE 2-22. STROBE LIGHT INSTALLATION - DUAL .....	110
FIGURE 2-23. NO BEACON (COVERS) .....	112
FIGURE 2-24. HYDRAULIC TANK ASSEMBLY .....	114
SECTION 3 - ENGINE .....	117
FIGURE 3-1. ENGINE MOUNTING INSTALLATION (GENSET) .....	118
FIGURE 3-2. KUBOTA ENGINE INSTALLATION (GENSET) .....	120
FIGURE 3-3. KUBOTA ENGINE ASSEMBLY (GENSET) (Prior to SN M200064815, Including M200065005, M200066368, M200067007, M200067685, M200067686, M200068189, M200068190 and M200068862) .....	122
FIGURE 3-4. KUBOTA ENGINE ASSEMBLY (GENSET) (SN M200064815 to Present, Excluding M200065005, M200066368, M200067007, M200067685, M200067686, M200068189, M200068190 and M200068862) .....	124
FIGURE 3-5. KUBOTA MOTOR/GENERATOR ASSEMBLY (GENSET) .....	126
FIGURE 3-6. KUBOTA ENGINE COMPONENTS (GENSET) .....	128
FIGURE 3-7. ENGINE FUEL LINES INSTALLATION (GENSET) .....	130
FIGURE 3-8. ENGINE HOOD AND DOOR INSTALLATION (GENSET) .....	132
FIGURE 3-9. ENGINE ELECTRICAL INSTALLATION (GENSET) .....	134
FIGURE 3-10. EXHAUST INSTALLATION (GENSET) .....	136
SECTION 4 - SCISSORS ARMS .....	139
FIGURE 4-1. ERT2669 ARMS INSTALLATION .....	140
FIGURE 4-2. ERT2669 ARMS ASSEMBLY .....	142
FIGURE 4-3. ERT3369 ARMS INSTALLATION .....	146
FIGURE 4-4. ERT3369 ARMS ASSEMBLY .....	148
FIGURE 4-5. CYLINDER & LIFT DOWN VALVE ASSEMBLY .....	152
SECTION 5 - PLATFORM .....	155
FIGURE 5-1. PLATFORM INSTALLATION .....	156
FIGURE 5-2. PLATFORM EXTENSION INSTALLATION (SINGLE) (Prior to SN M200065296, Including M200065393, M200066368, M200067007, M200067685, M200067686, M200068189, M200068190, M200068862 and M200069816) .....	158
FIGURE 5-3. PLATFORM EXTENSION INSTALLATION (SINGLE) (SN M200065296 through M200086867, Including M200088760, Excluding M200065393, M200066368, M200067007, M200067685, M200067686, M200068189, M200068190, M200068862 and M200069816) .....	160
FIGURE 5-4. PLATFORM EXTENSION INSTALLATION (SINGLE) (SN M200086942 to Present, SN M200088793 to Present, Including M200088163 and M200088383) .....	162
FIGURE 5-5. PLATFORM RAILS INSTALLATION (SINGLE EXTENSION) .....	164
FIGURE 5-6. PLATFORM RAILS INSTALLATION WITH PLUGS (SINGLE EXTENSION) .....	168
FIGURE 5-7. PLATFORM CONTROL BOX INSTALLATION - SIDE MOUNT .....	172
FIGURE 5-8. PLATFORM CONTROL BOX INSTALLATION .....	174
FIGURE 5-9. CONTROLLER ASSEMBLY .....	176



# TABLE OF CONTENTS

FIGURE 5-10. WORKSTATION INSTALLATION .....	178
SECTION 6 - CYLINDER .....	181
FIGURE 6-1. AXLE LOCKOUT CYLINDER ASSEMBLY .....	182
FIGURE 6-2. LEVELING JACK CYLINDER ASSEMBLY .....	184
FIGURE 6-3. LIFT CYLINDER ASSEMBLY .....	186
FIGURE 6-4. STEER CYLINDER ASSEMBLY .....	188
SECTION 7 - HYDRAULIC .....	191
FIGURE 7-1. HYDRAULIC DIAGRAM - LEVELING JACKS .....	192
FIGURE 7-2. HYDRAULIC DIAGRAM - STANDARD (Prior to SN M200085710, Prior to SN M200085548) .....	194
FIGURE 7-3. HYDRAULIC DIAGRAM - STANDARD (SN M200085853 to Present, SN M200085851 to Present) .....	198
SECTION 8 - ELECTRICAL .....	201
FIGURE 8-1. ERT2669 & ERT3369 ELECTRICAL LAYOUT .....	202
FIGURE 8-2. AC BOX AT PLATFORM INSTALLATION - 110V GFI (ALL SPECS EXCEPT AUSTRALIAN, CE & UK CA SPECS) .....	212
FIGURE 8-3. AC BOX AT PLATFORM INSTALLATION - 110V IEC YELLOW (CE & UK CA SPECS) .....	214
FIGURE 8-4. AC BOX AT PLATFORM INSTALLATION - 220V IEC BLUE (CE & UK CA SPECS) .....	216
FIGURE 8-5. AC BOX AT PLATFORM INSTALLATION - 220V CEE7 POST GROUND (CE & UK CA SPECS) .....	218
FIGURE 8-6. AC BOX AT PLATFORM INSTALLATION - 220V CEE7 SIDE GROUND (CE & UK CA SPECS) .....	220
FIGURE 8-7. AC BOX AT PLATFORM INSTALLATION - 220V AFSINT 107 (CE & UK CA SPECS) .....	222
FIGURE 8-8. AC BOX AT PLATFORM INSTALLATION - 220V CUSTOMER SUPPLIED PLUG & RECEPTACLE (ALL SPECS EXCEPT AUSTRALIAN & CE & UK CA SPECS) .....	224
FIGURE 8-9. AC BOX AT PLATFORM INSTALLATION - 220V CUSTOMER SUPPLIED COMPONENTS (ALL SPECS) .....	226
FIGURE 8-10. BREAKER BOX KIT - 1 DOUBLE BREAKER (CE & UK CA SPECS) .....	228
FIGURE 8-11. BREAKER BOX KIT - 1 DOUBLE & 1 SINGLE BREAKER (CE & UK CA SPECS) .....	230
FIGURE 8-12. CHARGER CORD PLUG INSTALLATION - 110V - IEC YELLOW (CE & UK CA SPEC) .....	232
FIGURE 8-13. CHARGER CORD PLUG INSTALLATION - 220V - IEC BLUE (CE & UK CA SPEC) .....	234
FIGURE 8-14. CHARGER CORD PLUG INSTALLATION - 220V - CEE7 POST GROUND (CE & UK CA SPEC) .....	236
FIGURE 8-15. CHARGER CORD PLUG INSTALLATION - 220V - CEE7 SIDE GROUND (CE & UK CA SPEC) .....	238
FIGURE 8-16. CHARGER CORD PLUG INSTALLATION - 220V - AFSINT 107 KEYED GROUND (CE & UK CA SPEC) .....	240
FIGURE 8-17. CHASSIS HARNESS (Prior to SN M200059938) .....	242
FIGURE 8-18. CHASSIS HARNESS (SN M200059848 to Present, Excluding M20060511) .....	246
FIGURE 8-19. ERT2669 GROUND TO PLATFORM HARNESS .....	250
FIGURE 8-20. ERT3369 GROUND TO PLATFORM HARNESS .....	252
FIGURE 8-21. LEVELING JACK HARNESS .....	254
FIGURE 8-22. LIFT DOWN HARNESS .....	256
FIGURE 8-23. LSS HARNESS .....	258
FIGURE 8-24. MECHRON GENSET HARNESS .....	260
FIGURE 8-25. ONBOARD GENERATOR CABLE .....	262
FIGURE 8-26. PLATFORM HARNESS .....	264
FIGURE 8-27. PLATFORM CABLE INSTALLATION – WITHOUT FOOTSWITCH .....	266
FIGURE 8-28. PLATFORM CABLE HARNESS – WITHOUT FOOTSWITCH .....	268
FIGURE 8-29. PLATFORM CABLE INSTALLATION – WITH FOOTSWITCH .....	270
FIGURE 8-30. PLATFORM CABLE HARNESS – WITH FOOTSWITCH .....	272
FIGURE 8-31. PLATFORM CONTROL BOX HARNESS .....	274

# TABLE OF CONTENTS

FIGURE 8-32. RECEPTACLE BOX KIT - 110V GFI .....	276
FIGURE 8-33. RECEPTACLE BOX KIT - 110V IEC YELLOW (CE & UK CA SPECS).....	278
FIGURE 8-34. RECEPTACLE BOX KIT - 220V IEC BLUE (CE & UK CA SPECS) .....	280
FIGURE 8-35. RECEPTACLE BOX KIT - 220V CEE7 POST GROUND (CE & UK CA SPECS) .....	282
FIGURE 8-36. RECEPTACLE BOX KIT - 220V CEE7 SIDE GROUND (CE & UK CA SPECS).....	284
FIGURE 8-37. RECEPTACLE BOX KIT - 220V AFSINT 107 (CE & UK CA SPECS).....	286
FIGURE 8-38. TRACTION HARNESS .....	288
FIGURE 8-39. TILT SENSOR HARNESS.....	292
SECTION 9 - DECALS .....	295
FIGURE 9-1. DECAL INSTALLATION - ANSI SPECS (ENGLISH LANGUAGE).....	296
FIGURE 9-2. DECAL INSTALLATION - AUSTRALIAN/CE & UK CA SPECS (ENGLISH LANGUAGE) .....	298
FIGURE 9-3. DECAL INSTALLATION - BRAZIL SPECS (SPANISH/PORTUGUESE LANGUAGES) .....	300
FIGURE 9-4. DECAL INSTALLATION - CE & UK CA SPECS.....	302
FIGURE 9-5. DECAL INSTALLATION - CHINA SPECS (ENGLISH/CHINESE LANGUAGES).....	304
FIGURE 9-6. DECAL INSTALLATION - CSA SPECS (ENGLISH/FRENCH LANGUAGES) .....	306
FIGURE 9-7. DECAL INSTALLATION - KOREAN SPECS (ENGLISH/KOREAN LANGUAGES) .....	308
FIGURE 9-8. DECAL INSTALLATION - LATIN AMERICAN SPECS (ENGLISH/SPANISH LANGUAGES) .....	310
FIGURE 9-9. DECAL INSTALLATION - OPTIONS.....	312
SECTION 10 - RECOMMENDED SERVICE PARTS STOCK.....	315
FIGURE 10-1. RECOMMENDED SERVICE PARTS STOCK.....	316
SECTION 11 - SPECIAL OPTIONS/ACCESSORIES/KITS.....	317
FIGURE 11-1. SPECIAL OPTIONS/ACCESSORIES/KITS.....	318
PART NUMBER INDEX.....	321

**SECTION 1 - FRAME**



## SECTION 1 - FRAME

**FIGURE 1-1. AXLE INSTALLATION - SINGLE OSCILLATING (WITHOUT SENSORS)**

ITEM	PART NUMBER	QTY	DESCRIPTION	REV
	1001260485	Ref	AXLE INSTALLATION (WITHOUT SENSOR)	B
1	0100011	AR	Compound, Locking	
2	0711224	8	Bolt M12 x 80	
3	0760807	4	Bolt M8 x 14	
4	0761616	1	Bolt M16 x 40	
5	0771015	4	Bolt M10 x 35	
6	0961890	1	Bushing	
7	0961950	2	Bearing	
8	0962220	4	Bushing	
9	3422592	1	Pin	
10	3841258	1	Keeper, Rod	
11	4740229	1	Thrustwasher	
12	4811900	4	Washer M8	
13	5241000	AR	Washer M10	
14	5241200	8	Washer M12	
15	1001118511	2	Pad, Wear	
16	1001118518	AR	Shim 11Ga	
17	1001118519	AR	Shim 16Ga	
18	1001245046	2	Cylinder Assembly - Axle (See Separate Breakdown in CYLINDER Section)	
19	1001247019	1	Axle	
20	1001248196	2	Cartridge, Valve - Directional	
20	7024502	2	Seal Kit - 7001248196 Valve	
20	7027628	2	Coil	
20	70001365	2	Nut, Coil	
21	1001248834	2	Cover	



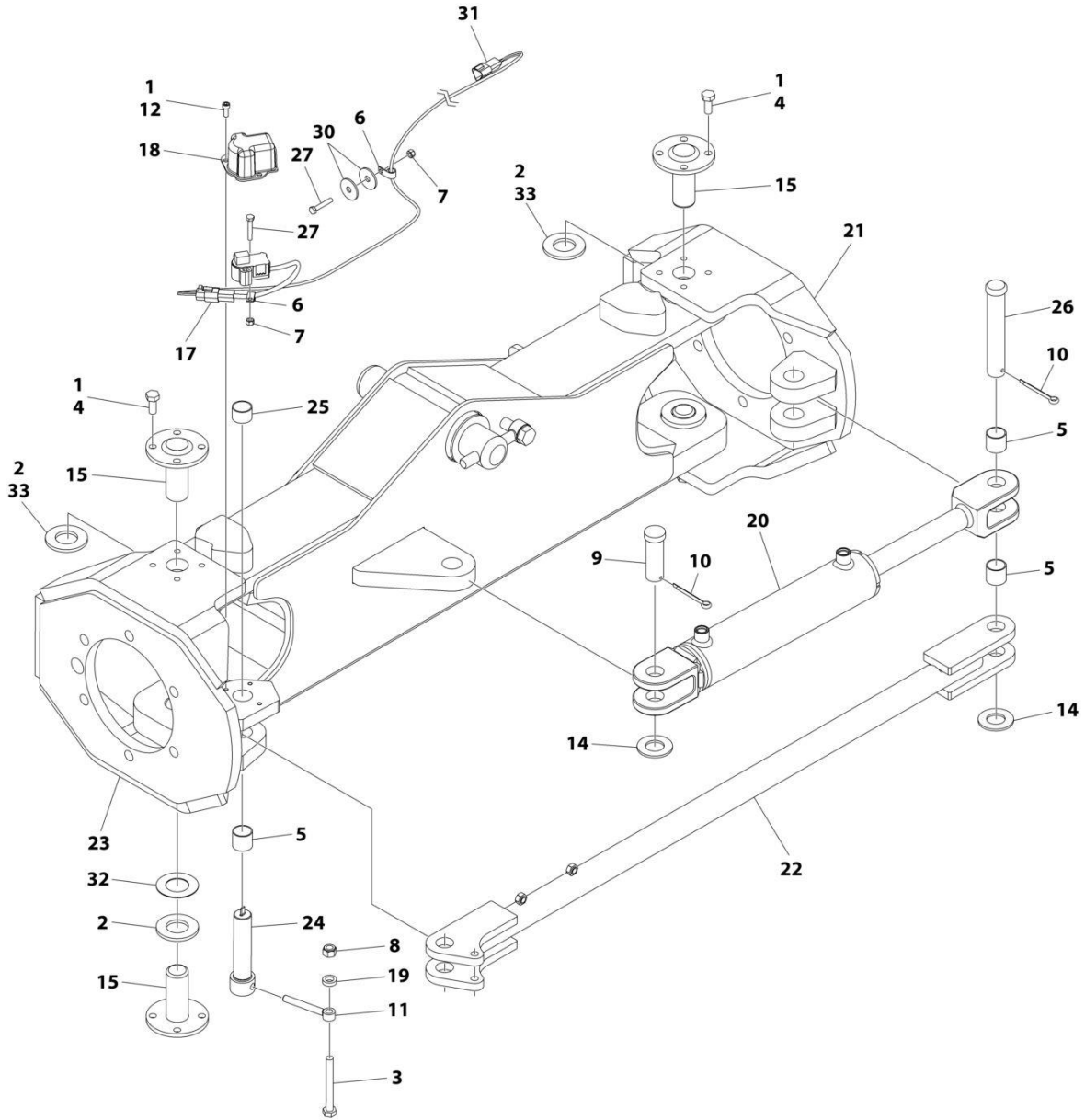
## SECTION 1 - FRAME

**FIGURE 1-2. AXLE INSTALLATION - SINGLE OSCILLATING (WITH SENSORS)**

ITEM	PART NUMBER	QTY	DESCRIPTION	REV
	1001244391	Ref	AXLE INSTALLATION (WITH SENSOR)	D
1	0100011	AR	Compound, Locking	
2	0711224	8	Bolt M12 x 80	
3	0760614	3	Bolt M6 x 30	
3	4010615	3	Bolt M6 x 35	
4	0760807	4	Bolt M8 x 14	
5	0761616	1	Bolt M16 x 40	
6	0961890	1	Bushing	
7	0961950	2	Bearing	
8	0962220	4	Bushing	
10	3422592	1	Pin	
11	3841258	1	Keeper, Rod	
12	4740229	1	Thrustwasher	
13	4811700	3	Washer M6	
14	4811900	4	Washer M8	
15	5241200	8	Washer M12	
16	0771015	4	Bolt M10 x 35	
17	1001118511	2	Pad, Wear	
18	1001118518	AR	Shim 11Ga	
19	1001118519	AR	Shim 16Ga	
20	1001244934	1	Sensor, Tilt	
21	1001245046	2	Cylinder Assembly - Axle (See Separate Breakdown in CYLINDER Section)	
22	1001247019	1	Axle	
23	1001248196	2	Cartridge, Valve - Directional	
23	7024502	2	Seal Kit - 1001248196 Valve	
23	7027628	2	Coil	
23	70001365	2	Nut, Coil	
24	1001248834	2	Cover	
25	5241000	AR	Washer M10	
26	1001272777	1	Gasket	

# SECTION 1 - FRAME

## FIGURE 1-3. STEERING INSTALLATION – ELECTRIC (2WS)



ART\_1001250520



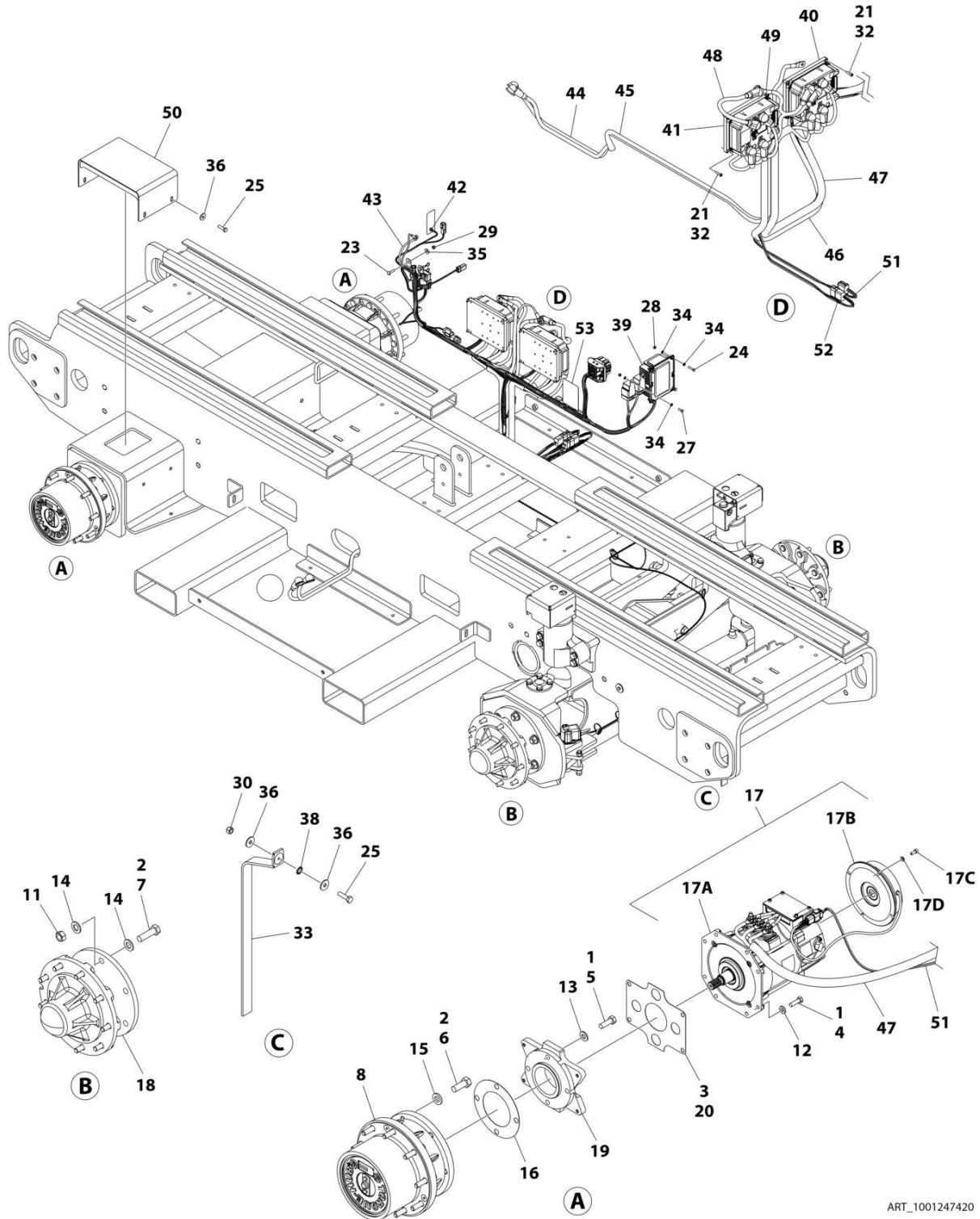
## SECTION 1 - FRAME

**FIGURE 1-3. STEERING INSTALLATION – ELECTRIC (2WS)**

ITEM	PART NUMBER	QTY	DESCRIPTION	REV
	1001250520	Ref	STEERING INSTALLATION - ELECTRIC	D
1	0100011	AR	Compound, Locking	
2	0440237	2	Thrustwasher (3/16 Thickness)	
3	0701026	1	Bolt M10 x 90	
4	0761012	16	Bolt M10 x 25	
5	0961890	3	Bushing	
6	1320043	2	Clamp	
7	3290605	2	Nut M6	
8	3291005	1	Nut M10	
9	3431622	1	Pin	
10	3450608	2	Pin, Cotter	
11	3841143	1	Keeper	
12	4031707	2	Bolt M6 x 16	
14	4712600	2	Washer 1	
15	1001139141	4	Kingpin	
17	1001161117	1	Sensor, Steer Angle	
18	1001169423	1	Cover	
19	1001245459	1	Sleeve, Spacer	
20	1001246107	1	Cylinder Assembly - Steer (See Separate Breakdown in CYLINDER Section)	
21	1001249297	1	Spindle	
22	1001250637	1	Tie-Rod	
23	1001251725	1	Spindle	
24	1001251727	1	Pin	
25	1001253868	1	Bearing	
26	1001255526	1	Pin	
27	0760615	2	Bolt M6 x 35	
28	4240017	AR	Tie-Strap (Not Shown)	
30	1001195089	2	Washer	
31	1001255064	1	Harness, Steer Angle Sensor	
32	1001151395	2	Shim	
33	0440162	1	Thrustwasher (1/8 Thickness)	

# SECTION 1 - FRAME

## FIGURE 1-4. DRIVE INSTALLATION - ELECTRIC (2WD)



ART\_1001247420

# SECTION 1 - FRAME

## FIGURE 1-4. DRIVE INSTALLATION - ELECTRIC (2WD)

ITEM	PART NUMBER	QTY	DESCRIPTION	REV
	1001247420	Ref	DRIVE INSTALLATION - 2WD	H
1	0100011	AR	Compound, Locking	
2	0100019	AR	Compound, Locking	
3	0100020	AR	Sealant	
4	0641610	8	Bolt 3/8 x 1-1/4	
5	0641812	8	Bolt 1/2 x 1-1/2	
6	0682013	12	Bolt 5/8 x 1-5/8	
7	0771619	12	Bolt M16 x 55	
8	2780282	2	Hub Assembly - Front (See Separate Breakdown in this Section)	
11	3331611	12	Nut M16	
12	4891600	8	Washer 3/8	
13	4711800	8	Washer 1/2	
14	5241600	24	Washer M16	
15	4892000	12	Washer 5/8	
16	1001182960	2	Seal	
17	1001184854	2	Drive Motor/Brake Assembly	G
17A	1001182550	2	Drive Motor Assembly (See Separate Breakdown in this Section)	
17B	1001184852	2	Drive Brake Assembly	
17B	70005415	2	O-Ring Between Brake and Motor (Not Shown)	
17C	4031707	8	Capscrew M6 x 16	
17D	1001109892	8	Washer M6	
18	1001214174	2	Hub Spindle Assembly - Front (See Separate Breakdown in this Section)	
19	1001219722	2	Plate	
20	1001220271	2	Seal	
21	0100035	AR	Compound, Locking	
23	0630587	2	Bolt M6 x 25	
24	0700512	4	Bolt M5 x 25	
25	0700814	9	Bolt M8 x 30	
27	0760508	2	Bolt M5 x 16	
28	3290505	6	Nut M5	
29	3290605	2	Nut M6	
30	3290805	1	Nut M8	
32	4031608	8	Bolt M5 x 20	
33	4240084	1	Strap, Anti-Static	
34	4811600	12	Washer M5	
35	4811702	2	Washer M6	
36	4811902	10	Washer M8	
38	4872000	1	Washer M10	
39	1001174447	1	Converter	
40	1001248064	1	Module, Drive/Pump	
41	1001248066	1	Module, Drive	
42	1001250886	1	Housing	
43	1001255057	1	Harness, Traction (See Separate Breakdown in ELECTRICAL Section)	
44	1001255058	1	Cable, Generator to Pump (+)	
45	1001255059	1	Cable, Generator to Pump (-)	
46	1001255060	1	Cable, Left Drive/Brake Motor Power	
47	1001255061	1	Cable, Right Drive/Brake Motor Power	
48	1001255062	1	Cable, Drive Module (-)	

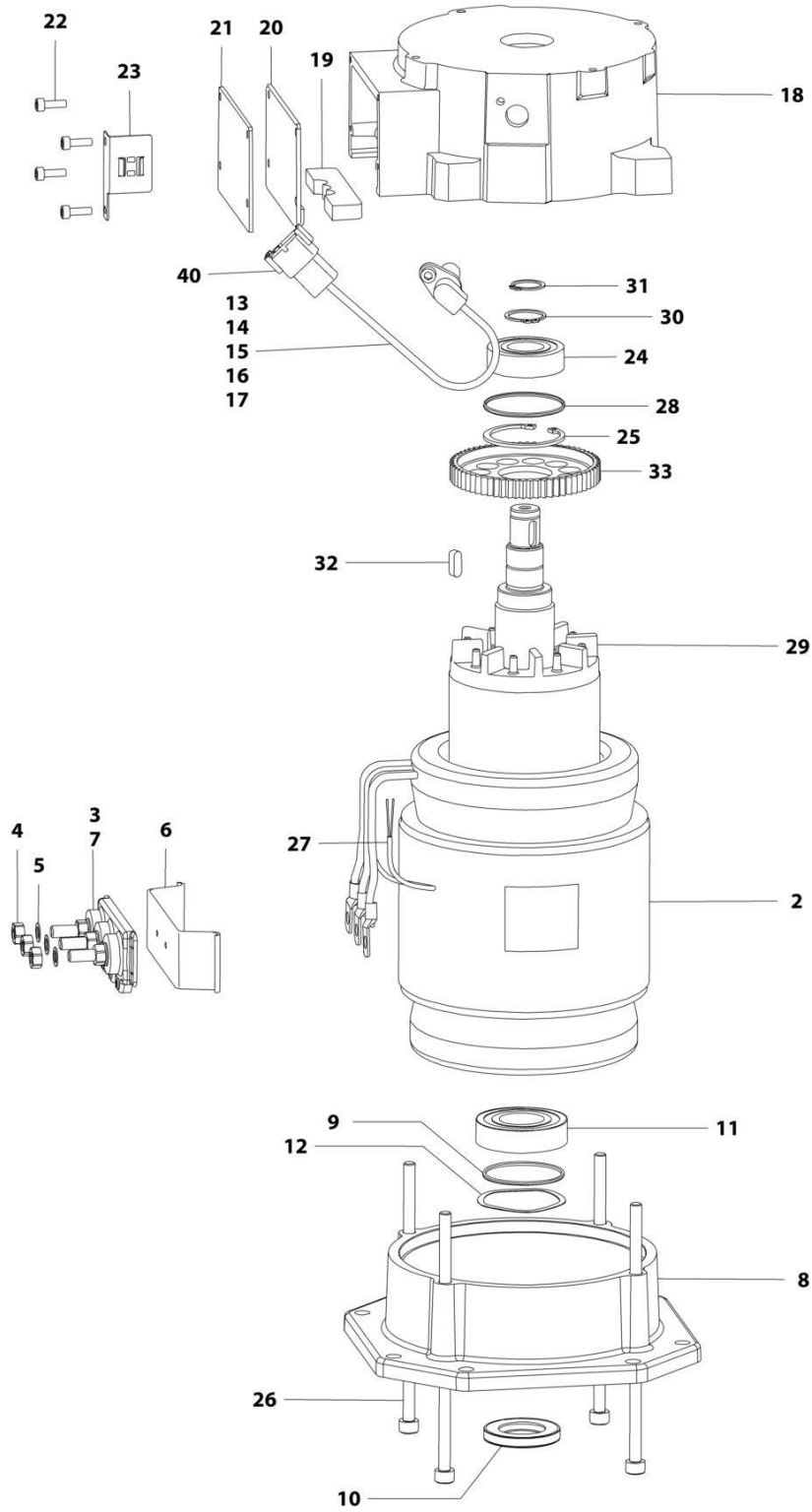
## SECTION 1 - FRAME

ITEM	PART NUMBER	QTY	DESCRIPTION	REV
49	1001255063	1	Cable, Drive/Pump Module (-)	
50	1001255610	2	Shield	
51	1001256186	1	Harness, Right Drive/Brake Motor	
52	1001256187	1	Harness, Left Drive/Brake Motor	
53	1001260781	1	Decal – Fuse Box	



# SECTION 1 - FRAME

## FIGURE 1-5. DRIVE MOTOR ASSEMBLY



ART\_1001182550

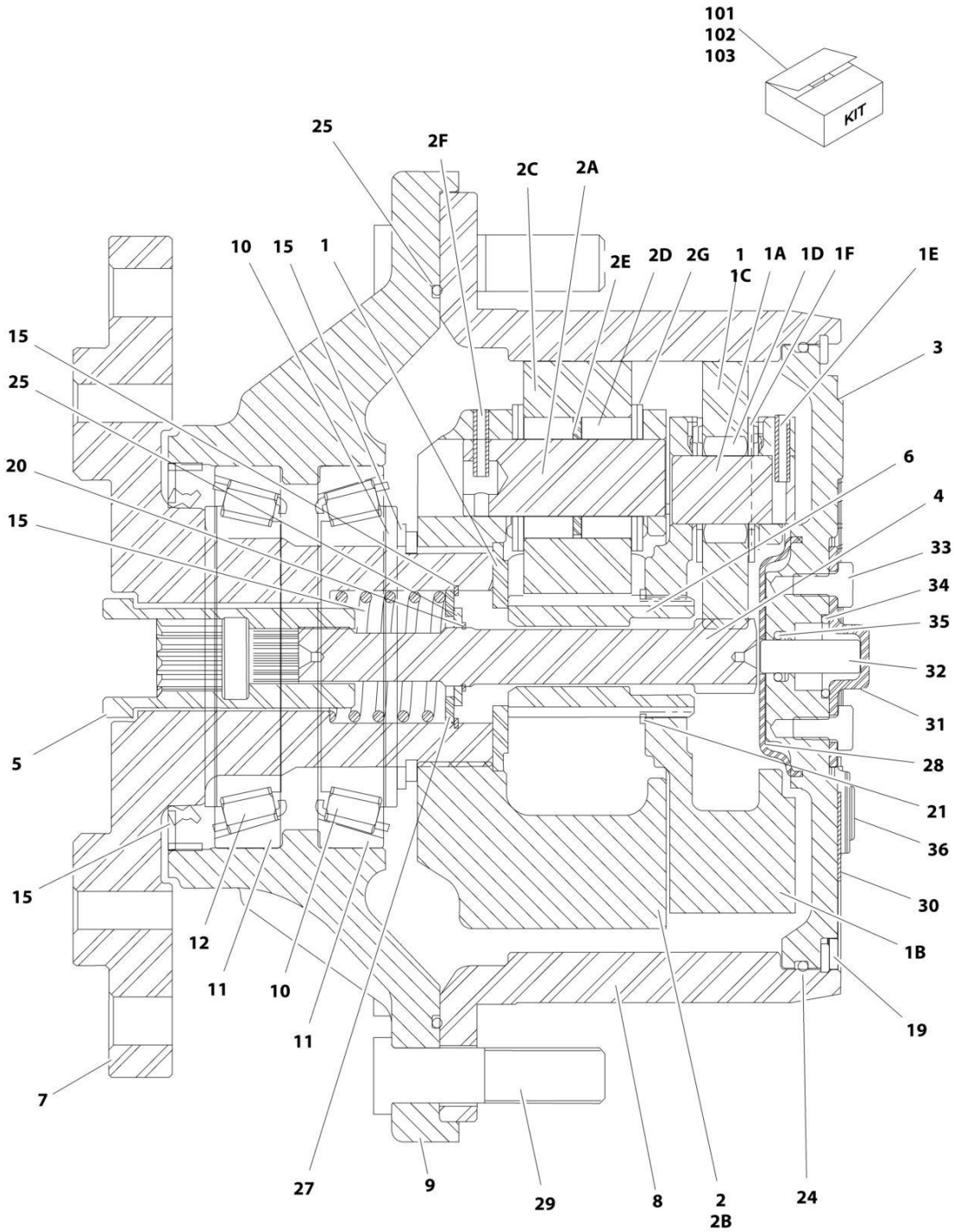
# SECTION 1 - FRAME

## FIGURE 1-5. DRIVE MOTOR ASSEMBLY

ITEM	PART NUMBER	QTY	DESCRIPTION	REV
	1001182550	Ref	DRIVE MOTOR ASSEMBLY	F
2	70005385	1	Stator	
3	70005386	1	Board, Terminal	
4	70005387	3	Nut M8	
5	70005388	3	Washer M8	
6	70005389	1	Base, Terminal	
7	70005390	2	Screw M5 x 14	
8	70005391	1	Plate, Drive End	
9	70004811	1	O-Ring	
10	70005392	1	Seal, Shaft	
11	70004809	1	Bearing	
12	70005393	1	Washer, Wavy	
13	70005394	1	Sensor (Includes Items 14-17)	
14	70005395	1	Screw M8 x 16	
15	70005396	1	Wedge	
16	70005397	1	Connector	
17	4460516	4	Pin, Male	
18	70005398	1	Shield, End	
19	70005399	1	Seal	
20	70005400	1	Seal	
21	70005401	1	Cover	
22	70005402	4	Screw M5 x 16	
23	70005403	1	Plate, Retaining	
24	70005404	1	Bearing	
25	70005405	1	Clip, Retainer	
26	70005406	4	Screw M8 x 180	
27	70005407	1	Temperature, Sensor	
28	70005408	1	O-Ring	
29	70005409	1	Rotor	
30	70004820	1	Clip, Retainer	
31	70005410	1	Clip, Retainer	
32	70005411	1	Key	
33	70005412	1	Gear	
40	1001190577	1	Connector - 8 Position	
40	4460516	8	Pin	

# SECTION 1 - FRAME

## FIGURE 1-6. DRIVE HUB ASSEMBLY



ART\_2780282



# SECTION 1 - FRAME

## FIGURE 1-6. DRIVE HUB ASSEMBLY

ITEM	PART NUMBER	QTY	DESCRIPTION	REV
	2780282	Ref	DRIVE HUB ASSEMBLY	D
1	70001366	1	Carrier Sub Assembly	
1A	See Note	NSS	Shaft, Planet (Note: Use Item 1)	
1B	See Note	NSS	Carrier (Note: Use Item 1)	
1C	See Note	NSS	Gear, Planet (Note: Use Item 1)	
1D	See Note	NSS	Bearing, Needle (Note: Use Item 1)	
1E	See Note	NSS	Rollpin (Note: Use Item 1)	
1F	See Note	NSS	Thrustwasher (Note: Use Item 1)	
2	70001367	1	Carrier, Input	
2A	See Note	NSS	Shaft, Planet (Note: Use Item 2)	
2B	See Note	NSS	Carrier (Note: Use Item 2)	
2C	See Note	NSS	Gear, Planet (Note: Use Item 2)	
2D	See Note	NSS	Bearing, Needle (Note: Use Item 2)	
2E	See Note	NSS	Spacer, Thrust (Note: Use Item 2)	
2F	See Note	NSS	Rollpin (Note: Use Item 2)	
2G	See Note	NSS	Thrustwasher (Note: Use Item 2)	
2H	See Note	NSS	Thrustwasher (Note: Use Item 2)	
3	See Note	NSS	Cover (Note: Use Item 103)	
4	70001369	1	Shaft, Input	
5	70001370	1	Coupling	
6	70001371	1	Shaft, Sun Gear	
7	70001372	1	Spindle	
8	70001373	1	Gear, Ring	
9	See Note	NSS	Housing (Note: Not Available - Purchase Complete Assembly)	
10	See Note	NSS	Cone, Bearing (Note: Use Item 101)	
11	See Note	NSS	Cup, Bearing (Note: Use Item 101)	
12	See Note	NSS	Cone, Bearing (Note: Use Item 101)	
13	7017009	1	Thrustwasher	
15	See Note	NSS	Seal, Lip (Note: Use Item 102)	
16	70001374	1	Spring	
17	70001375	1	Ring, Retaining (Internal)	
18	See Note	NSS	Ring, Retaining (Note: Use Item 102)	
19	7024738	1	Ring, Retaining (Note: Use Item 102)	
20	70001376	1	Ring, Retaining (External)	
21	70001377	1	Ring, Retaining (External)	
22	7000281	4	Screw (Not Shown - ID Plate Screws)	
23	7017022	3	Screw (Not Shown - Located on Front of Hub)	
24	See Note	NSS	O-Ring (Note: Use Item 102)	
25	See Note	NSS	O-Ring (Note: Use Item 102)	
26	70001378	1	Spacer, Thrust	
27	70001379	1	Thrustwasher	
28	7024741	1	Spacer, Thrust	
29	7007640	9	Stud, Wheel	
30	See Note	NSS	Flange, Plate (Note: Use Item 103)	
31	See Note	NSS	Cap, Disengage (Note: Use Item 103)	
32	See Note	NSS	Pin, Dowel (Note: Use Item 103)	
33	See Note	NSS	Bolt (Note: Use Item 103)	
34	See Note	NSS	O-Ring (Note: Use Item 103)	
35	See Note	NSS	O-Ring (Note: Use Item 103)	
36	See Note	NSS	O-Ring (Note: Use Item 103)	

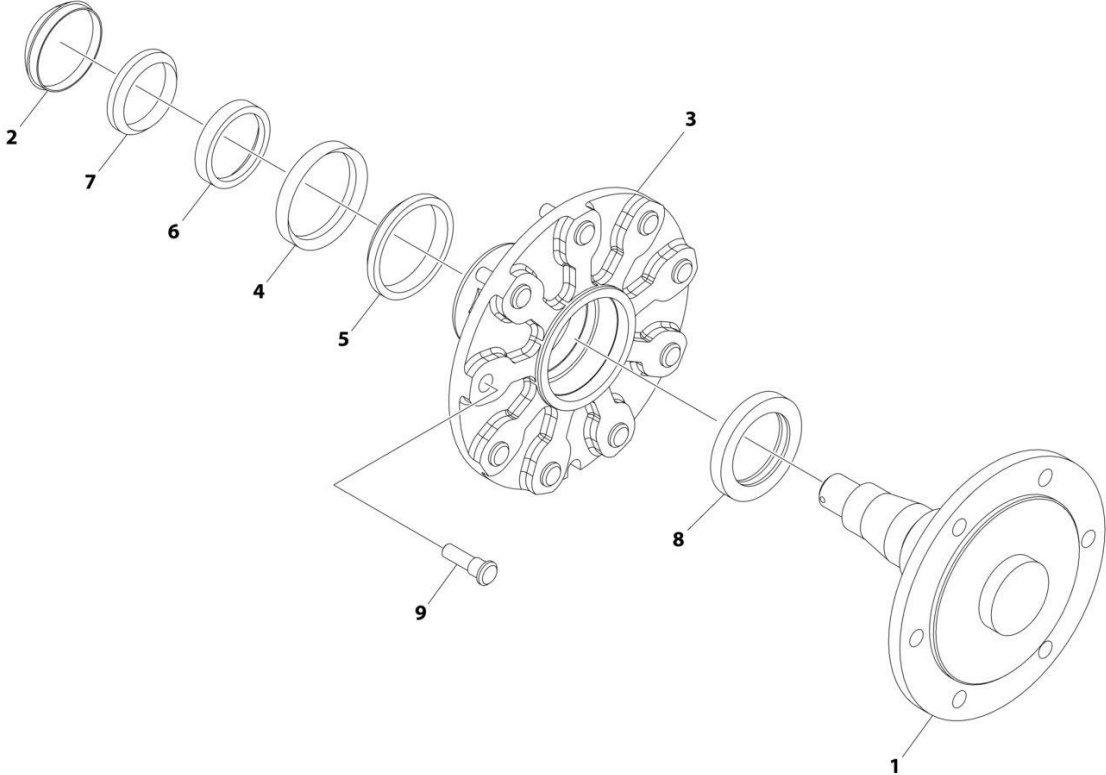
## SECTION 1 - FRAME

ITEM	PART NUMBER	QTY	DESCRIPTION	REV
101	7017007	1	Planet Gear Bearing Kit (Includes Items 10-12)	
102	70001380	1	Planet Gear Seal Kit (Includes Items 15, 18, 24 & 25)	
103	70001368	1	Cover/Cap/Disengage Kit (Includes Items 3 & 30-36)	



**SECTION 1 - FRAME**

**FIGURE 1-7. HUB/SPINDLE ASSEMBLY (2WD FRONT)**



ART\_1001214174

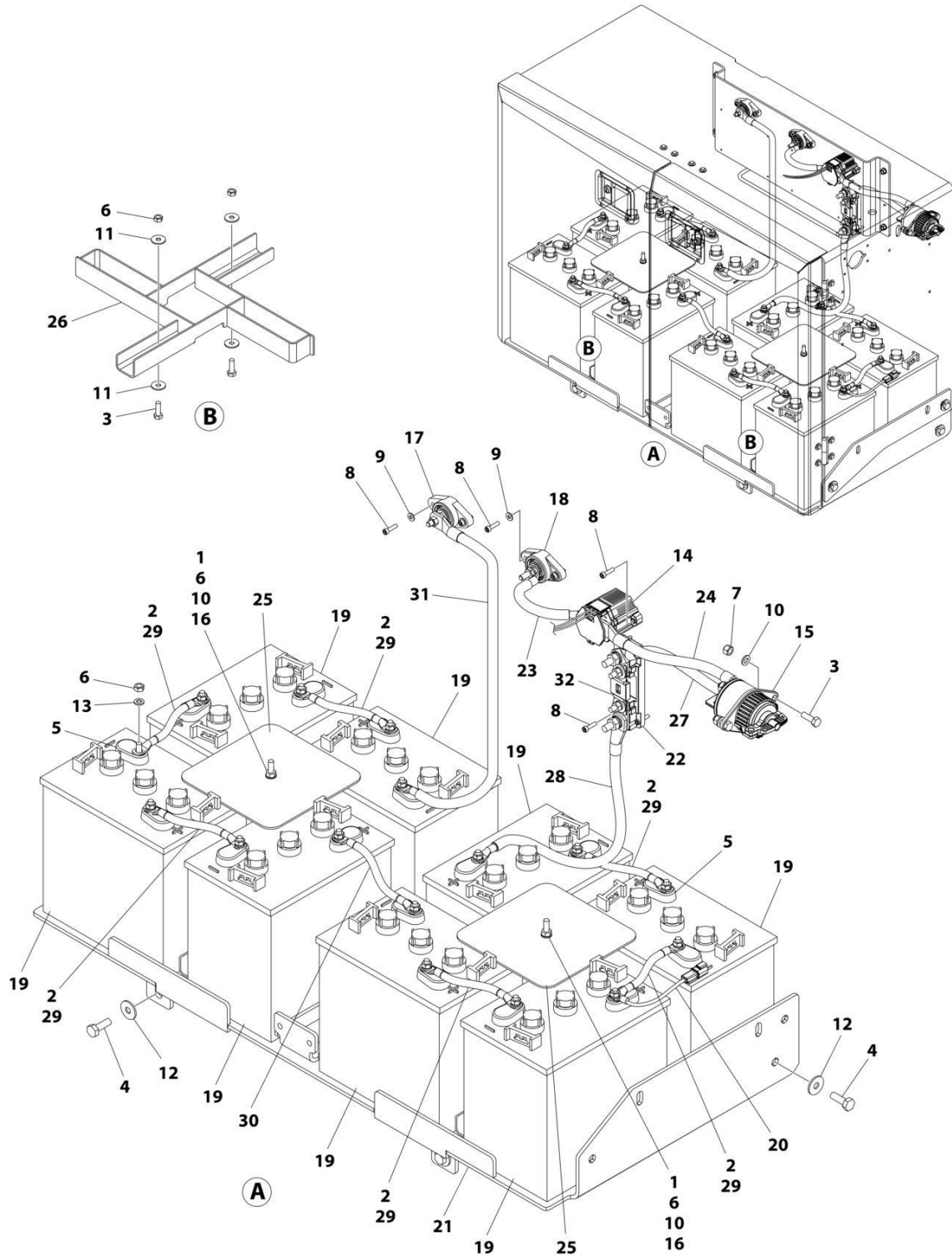
## SECTION 1 - FRAME

### FIGURE 1-7. HUB/SPINDLE ASSEMBLY (2WD FRONT)

ITEM	PART NUMBER	QTY	DESCRIPTION	REV
	1001214174	Ref	HUB - SPINDLE ASSEMBLY (2WD)	C
1	See Note	NSS	Spindle, Adapter (Note: Not Available for Purchase)	
2	7020033	1	Cap, Dust	
3	7020035	1	Hub, Casting	
4	7020036	1	Cup, Bearing	
5	7020037	1	Cone, Bearing	
6	7020038	1	Cup, Bearing	
7	7020039	1	Cone, Bearing	
8	7020040	1	Seal	
9	7020041	9	Stud	

# SECTION 1 - FRAME

## FIGURE 1-8. BATTERY INSTALLATION – 225AH BATTERIES



ART\_1001254822

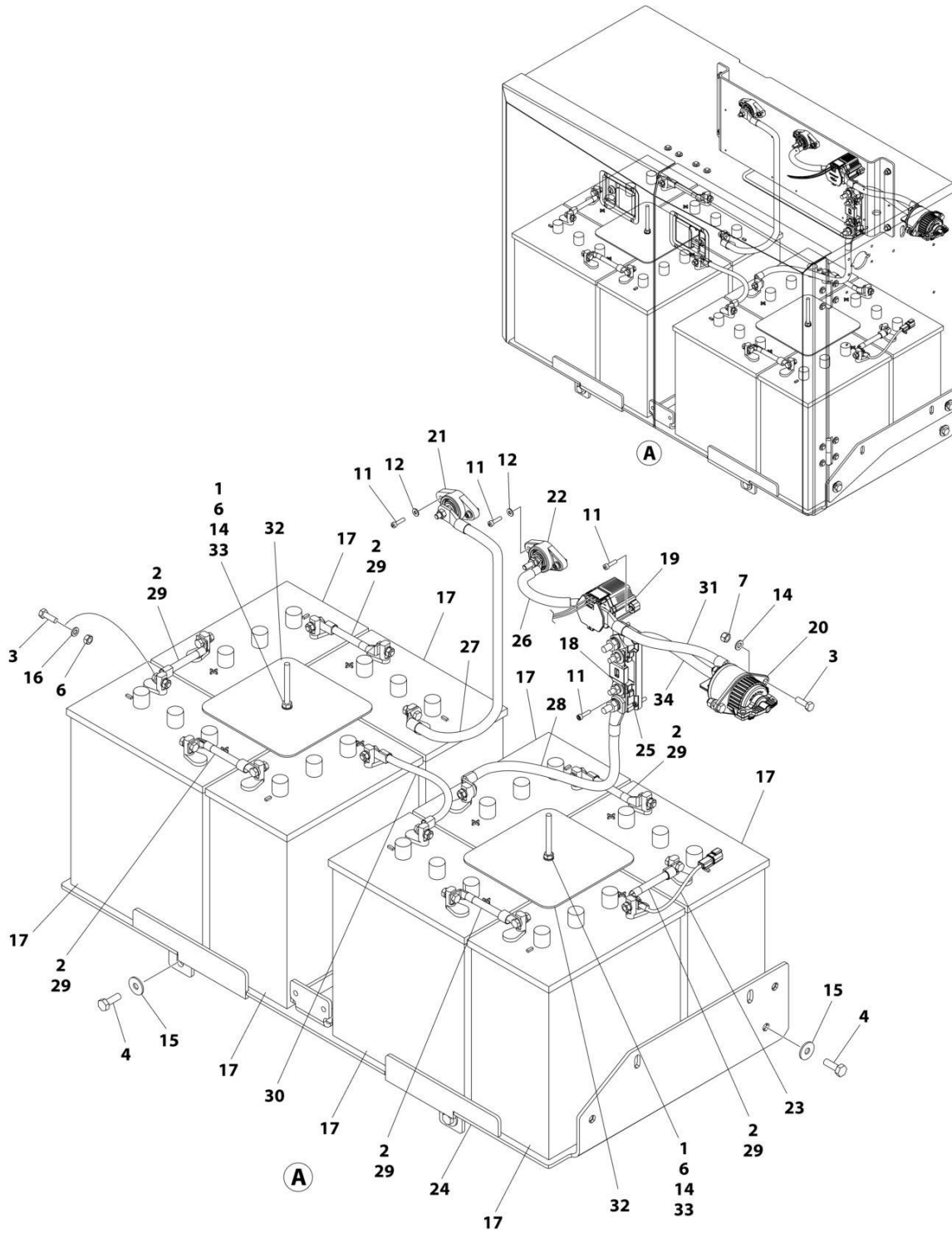
## SECTION 1 - FRAME

**FIGURE 1-8. BATTERY INSTALLATION – 225AH BATTERIES**

ITEM	PART NUMBER	QTY	DESCRIPTION	REV
	1001254822	Ref	BATTERY INSTALLATION	C
1	0100011	AR	Compound, Locking	
2	0100051	AR	Grease, Terminal	
3	0760812	6	Bolt M8 x 25	
4	0771014	4	Bolt M10 x 30	
5	0840060	16	Boot	
6	3290801	22	Nut M8	
7	3290805	2	Nut M8	
8	4031608	10	Bolt M5 x 20	
9	4711000	4	Washer #10	
10	4811900	4	Washer M8	
11	4811902	8	Washer M8	
12	4812002	4	Washer M10	
13	4831900	16	Washer M8	
14	1001272006	1	Relay, 48V	
15	1001170483	1	Switch, Battery Disconnect	
16	1001181961	2	Bolt	
17	1001186860	1	Stud, Power Distribution	
18	1001212359	1	Stud, Power Distribution	
19	1001216180	8	Battery (6V – 220Amp)	
20	1001225131	1	Harness, Temperature Sensor	
20	4460464	2	Terminal	
20	4460897	1	Connector – 2 Position	
20	1001102771	1	Sensor, Temperature	
21	1001247608	1	Tray	
22	1001254835	1	Fuse, Holder	
23	1001255640	1	Cable, Relay to Power Stud	
24	1001255645	1	Cable, Battery Disconnect to Relay	
25	1001256014	2	Plate	
26	1001256016	2	Bracket	
27	1001256453	1	Cable, Battery Disconnect to Fuse	
28	1001259462	1	Cable, Battery to Fuse	
29	1001259463	6	Cable, Battery Jumper	
30	1001259464	1	Cable, Battery Jumper	
31	1001259465	1	Cable, Battery to Power Stud	
32	1001260530	1	Fuse, 355 AMP	

# SECTION 1 - FRAME

## FIGURE 1-9. BATTERY INSTALLATION – 310AH BATTERIES



ART\_1001246886



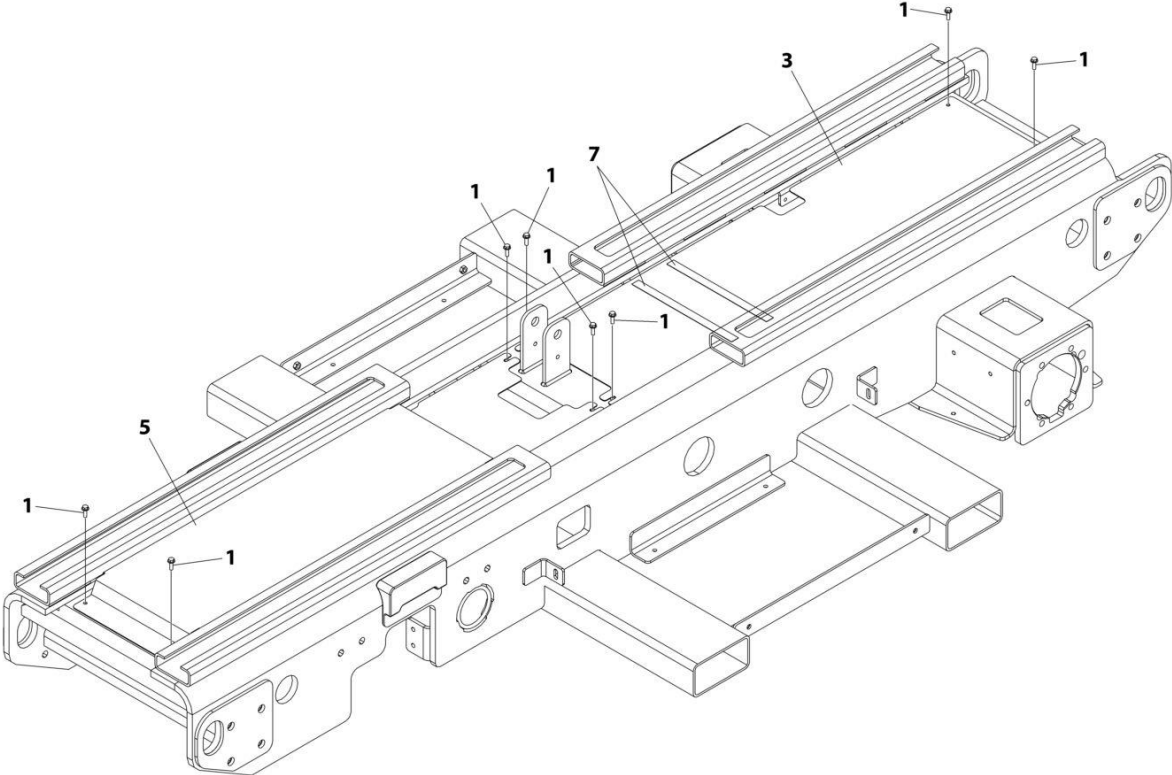
## SECTION 1 - FRAME

**FIGURE 1-9. BATTERY INSTALLATION – 310AH BATTERIES**

ITEM	PART NUMBER	QTY	DESCRIPTION	REV
	1001246886	Ref	BATTERY INSTALLATION	D
1	0100011	AR	Compound, Locking	
2	0100051	AR	Grease, Terminal	
3	0760812	18	Bolt M8 x 25	
4	0771014	4	Bolt M10 x 30	
6	3290801	18	Nut M8	
7	3290805	2	Nut M8	
11	4031608	10	Bolt M5 x 20	
12	4711000	4	Washer #10	
14	4811900	4	Washer M8	
15	4812002	4	Washer M10	
16	4831900	16	Washer M8	
17	1001105091	8	Battery (6V)	
18	1001260530	1	Fuse, 355 AMP	
19	1001272006	1	Relay, 48V	
20	1001170483	1	Switch, Battery Disconnect	
21	1001186860	1	Stud, Power Distribution	
22	1001212359	1	Stud, Power Distribution	
23	1001225131	1	Harness, Temperature Sensor	
23	4460464	2	Terminal	
23	4460897	1	Connector – 2 Position	
23	1001102771	1	Sensor, Temperature	
24	1001247608	1	Tray	
25	1001254835	1	Fuse, Holder	
26	1001255640	1	Cable, Battery	
27	1001255641	1	Cable, Battery	
28	1001255642	1	Cable, Battery	
29	1001255643	6	Cable, Battery	
30	1001255644	1	Cable, Battery	
31	1001255645	1	Cable, Disconnect	
32	1001256014	2	Plate	
33	1001256021	2	Bolt	
34	1001256453	1	Cable, Disconnect	

**SECTION 1 - FRAME**

**FIGURE 1-10. FRAME COVERS INSTALLATION**



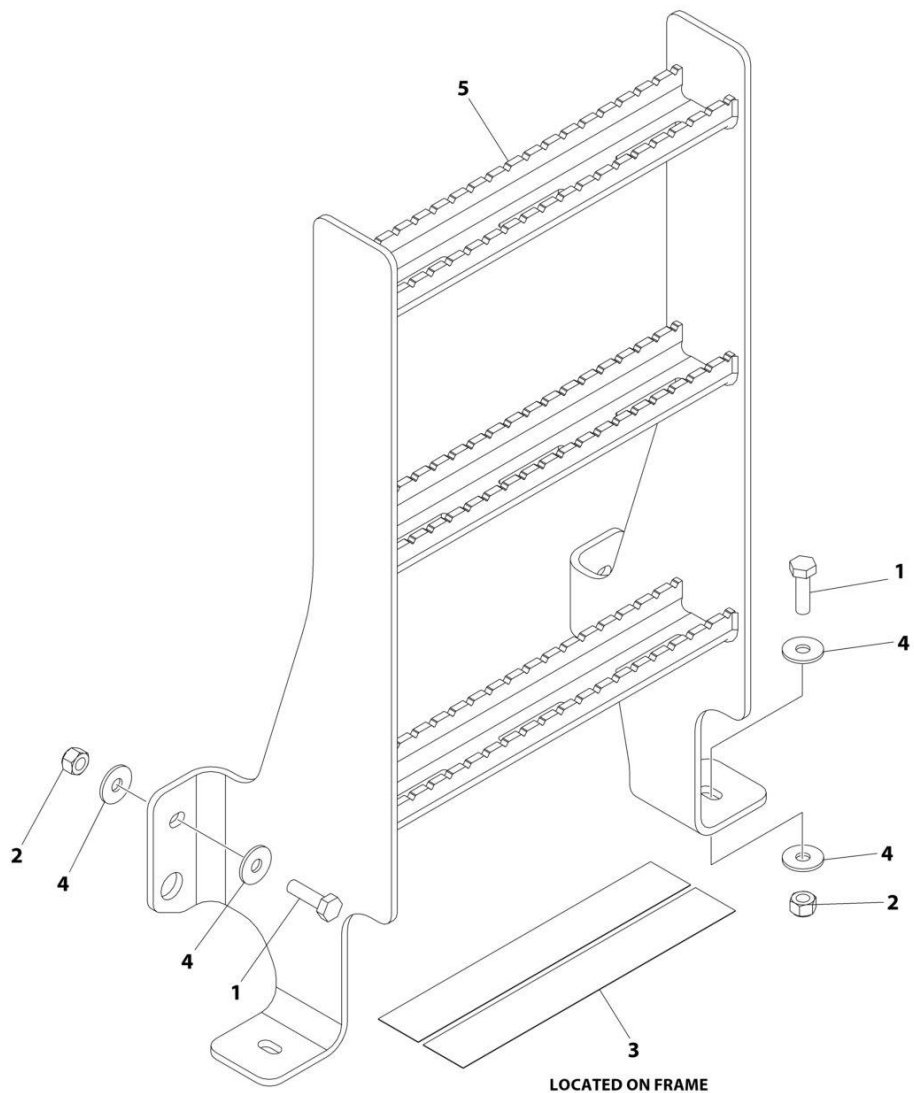
ART\_1001245440

**FIGURE 1-10. FRAME COVERS INSTALLATION**

<b>ITEM</b>	<b>PART NUMBER</b>	<b>QTY</b>	<b>DESCRIPTION</b>	<b>REV</b>
	1001245440	Ref	FRAME COVERS INSTALLATION	D
1	5250812	8	Bolt M8 x 25	
3	1001245381	1	Cover (Rear)	
5	1001283427	1	Cover (Front)	
7	1001258188	2 ft	Tape, Foam	

# SECTION 1 - FRAME

## FIGURE 1-11. LADDER INSTALLATION (ERT2669)



ART\_1001246884

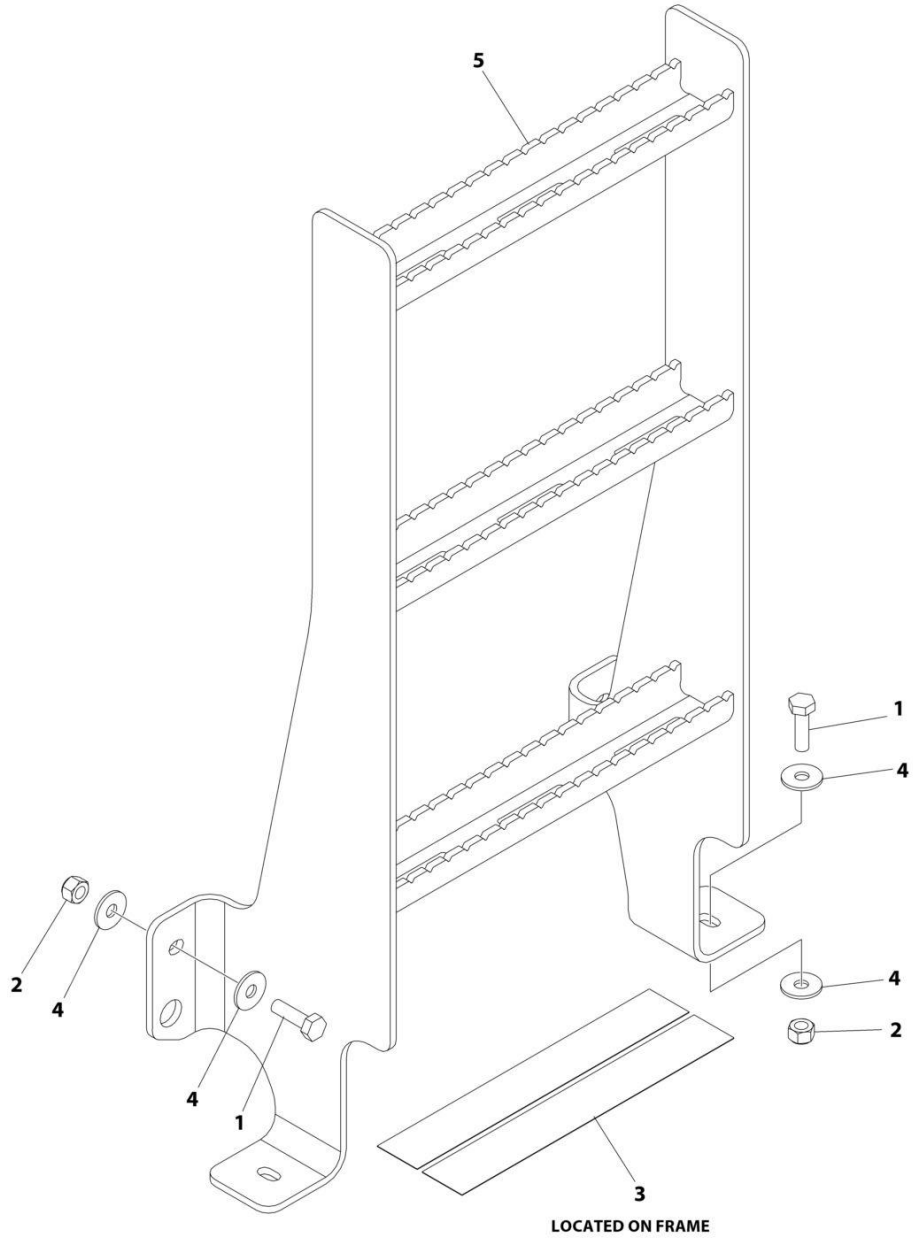
**SECTION 1 - FRAME**

**FIGURE 1-11. LADDER INSTALLATION (ERT2669)**

<b>ITEM</b>	<b>PART NUMBER</b>	<b>QTY</b>	<b>DESCRIPTION</b>	<b>REV</b>
	1001246884	Ref	LADDER INSTALLATION	B
1	0761015	4	Bolt M10 x 35	
2	3291005	4	Nut M10	
3	4420070	2	Tape, Anti-Skid	
4	4812002	8	Washer M10	
5	1001247352	1	Ladder	

# SECTION 1 - FRAME

## FIGURE 1-12. LADDER INSTALLATION (ERT3369)



ART\_1001247425

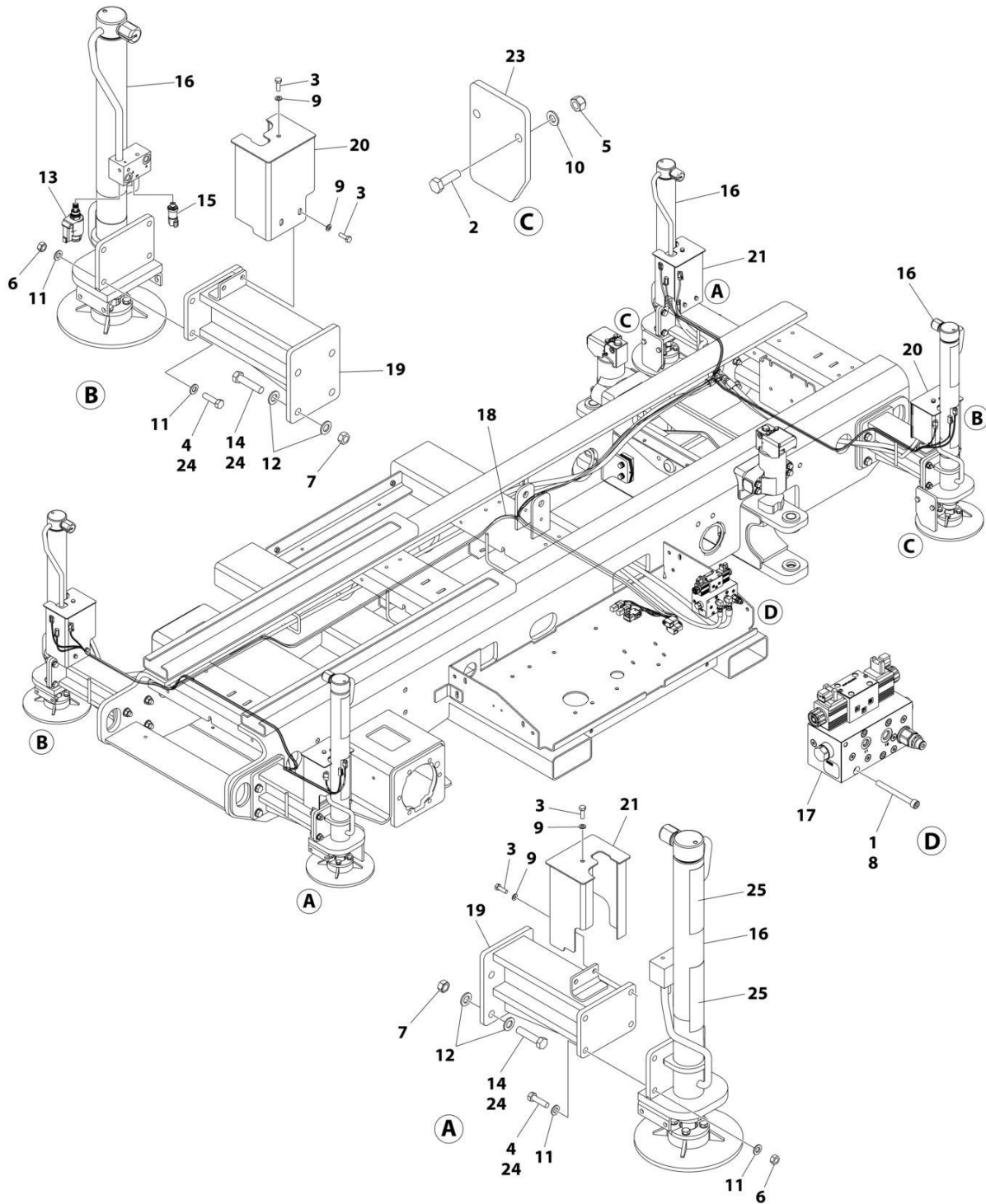
## SECTION 1 - FRAME

**FIGURE 1-12. LADDER INSTALLATION (ERT3369)**

ITEM	PART NUMBER	QTY	DESCRIPTION	REV
	1001247425	Ref	LADDER INSTALLATION	B
1	0761015	4	Bolt M10 x 35	
2	3291005	4	Nut M10	
3	4420070	2	Tape, Anti-Skid	
4	4812002	8	Washer M10	
5	1001247353	1	Ladder	

# SECTION 1 - FRAME

## FIGURE 1-13. LEVELING JACKS INSTALLATION - PARTIAL COVERS



ART\_1001246885



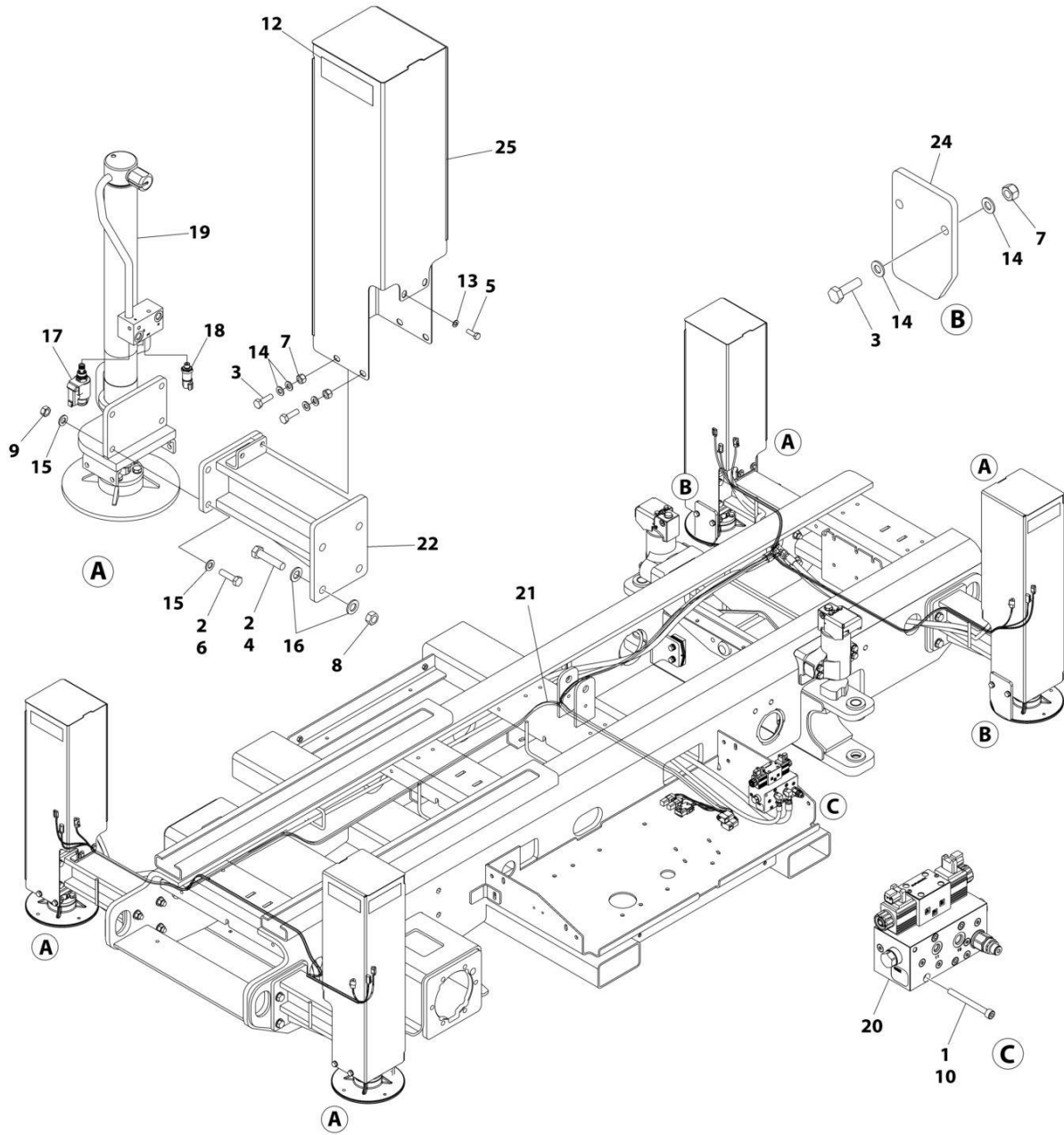
## SECTION 1 - FRAME

**FIGURE 1-13. LEVELING JACKS INSTALLATION - PARTIAL COVERS**

ITEM	PART NUMBER	QTY	DESCRIPTION	REV
	1001246885	Ref	LEVELING JACKS INSTALLATION	D
1	0100011	AR	Compound, Locking	
2	0701015	8	Bolt M10 x 35	
3	0760812	12	Bolt M8 x 25	
4	0761217	16	Bolt M12 x 45	
5	3291005	8	Nut M10	
6	3331211	16	Nut M12	
7	3291601	16	Nut M16	
8	4031920	4	Capscrew M8 x 80	
9	4811900	12	Washer M8	
10	4812000	8	Washer M10	
11	4812100	32	Washer M12	
12	5241600	32	Washer M16	
13	1001103761	4	Cartridge, Valve	
13	7024497	1	Cartridge Less Coil	
13	7024502	1	Seal Kit	
13	70001965	1	Coil	
13	7024506	1	Nut, Coil	
14	0701622	16	Bolt M16 x 70	
15	1001227516	4	Sensor, Leveling Jacks Pressure	
16	1001243256	4	Cylinder Assembly - Leveling Jacks (See Separate Breakdown in CYLINDER Section)	
17	1001247380	1	Valve Assembly - Leveling Jacks (See Separate Breakdown in this Section)	
18	1001248863	1	Harness, Leveling Jack (See Separate Breakdown in ELECTRICAL Section)	
19	1001249407	4	Frame, Leveling Jack	
20	1001249914	2	Cover, Jack (Right)	
21	1001249915	2	Cover, Jack (Left)	
22	1001250342	1	Hydraulic Diagram - Leveling Jacks (Not Shown - See Separate Breakdown in HYDRAULIC Section)	
23	1001250353	4	Plate	
24	0100019	AR	Compound, Locking	
25	4420051	5 ft/144cm	Tape, Safety	
26	4240017	AR	Tie-Strap (Not Shown)	

# SECTION 1 - FRAME

## FIGURE 1-14. LEVELING JACKS INSTALLATION - FULL COVERS



ART\_1001274495

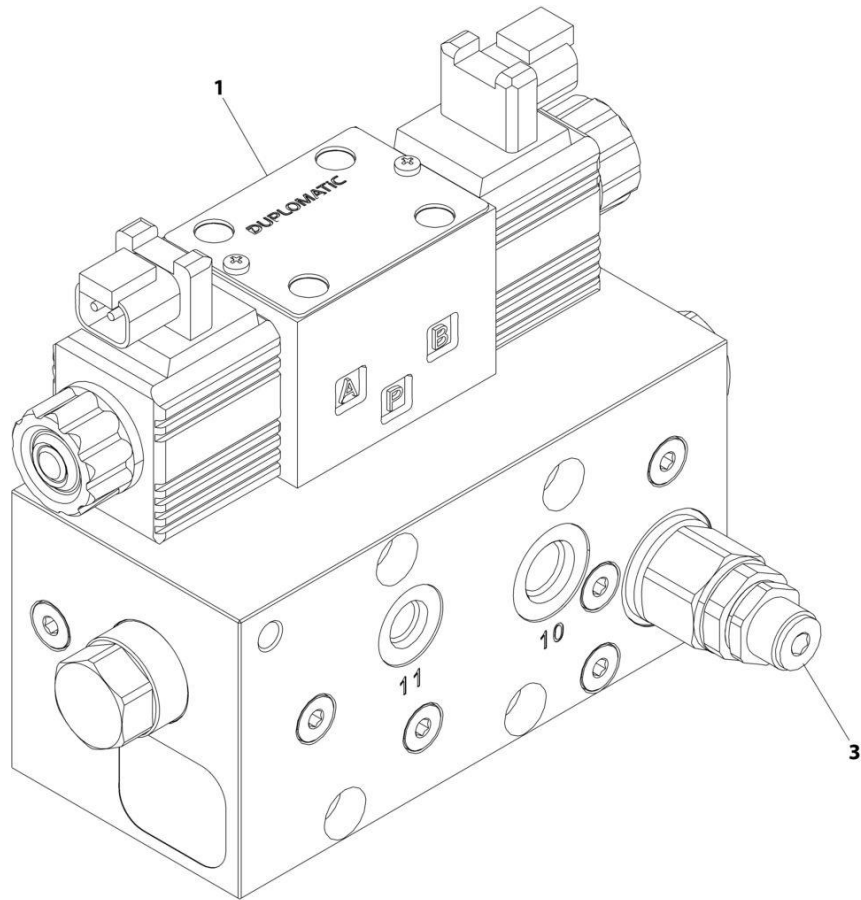
## SECTION 1 - FRAME

**FIGURE 1-14. LEVELING JACKS INSTALLATION - FULL COVERS**

ITEM	PART NUMBER	QTY	DESCRIPTION	REV
	1001274495	Ref	LEVELING JACKS INSTALLATION	B
1	0100011	AR	Compound, Locking	
2	0100019	AR	Compound, Locking	
3	0701015	16	Bolt M10 x 35	
4	0701622	16	Bolt M16 x 70	
5	0760812	8	Bolt M8 x 25	
6	0761217	16	Bolt M12 x 45	
7	3291005	16	Nut M10	
8	3291601	16	Nut M16	
9	3331211	16	Nut M12	
10	4031920	4	Capscrew M8 x 80	
11	4240017	AR	Tie-Strap (Not Shown)	
12	4420051	4 ft/123cm	Tape, Safety	
13	4811902	8	Washer M8	
14	4812000	32	Washer M10	
15	4812100	32	Washer M12	
16	5241600	32	Washer M16	
17	1001103761	4	Cartridge, Valve	
17	7024497	1	Cartridge Less Coil	
17	7024502	1	Seal Kit	
17	70001965	1	Coil	
17	7024506	1	Nut, Coil	
18	1001227516	4	Sensor, Leveling Jacks Pressure	
19	1001243256	4	Cylinder Assembly - Leveling Jacks (See Separate Breakdown in CYLINDER Section)	
20	1001247380	1	Valve Assembly - Leveling Jacks (See Separate Breakdown in this Section)	
21	1001248863	1	Harness, Leveling Jack (See Separate Breakdown in ELECTRICAL Section)	
22	1001249407	4	Frame, Leveling Jack	
23	1001250342	1	Hydraulic Diagram - Leveling Jacks (Not Shown - See Separate Breakdown in HYDRAULIC Section)	
24	1001250353	4	Plate	
25	1001271360	4	Cover, Jack	

# SECTION 1 - FRAME

## FIGURE 1-15. LEVELING JACKS VALVE ASSEMBLY



ART\_1001247380

**FIGURE 1-15. LEVELING JACKS VALVE ASSEMBLY**

ITEM	PART NUMBER	QTY	DESCRIPTION	REV
	1001247380	Ref	LEVELING JACK VALVE ASSEMBLY	D
1	70007760	1	Valve, Directional	
3	70007761	1	Cartridge, Relief Valve	
4	70007762	1	Cartridge, Shuttle Valve (Not Shown)	



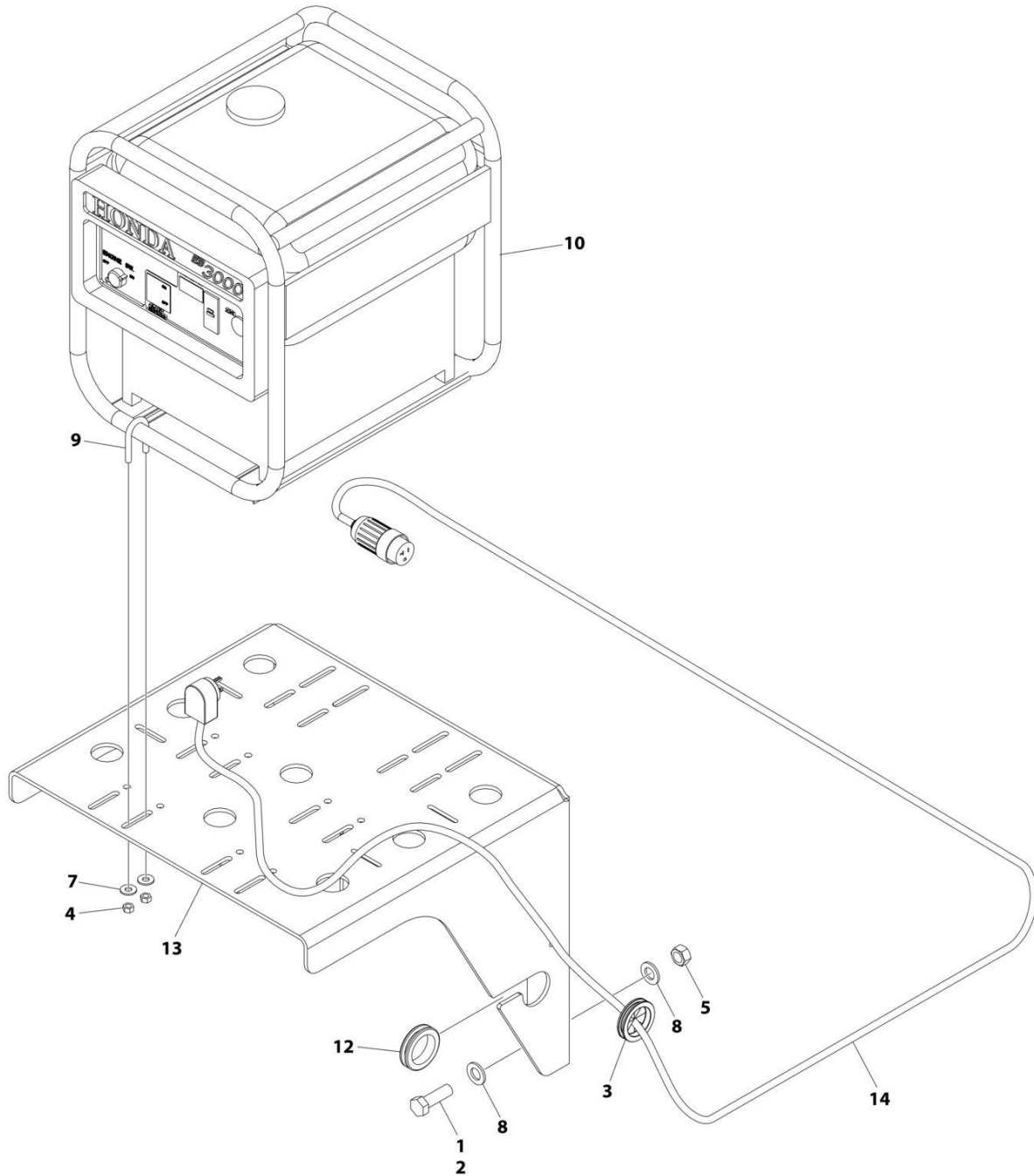
## SECTION 1 - FRAME

**FIGURE 1-16. ONBOARD GENERATOR INSTALLATION**

ITEM	PART NUMBER	QTY	DESCRIPTION	REV
	1001265192	Ref	ONBOARD GENERATOR INSTALLATION	A
1	0100011	AR	Compound, Locking	
2	0771618	4	Bolt M16 x 50 Class 10.9	
3	2540045	1	Grommet	
4	3311505	8	Nut 5/16	
5	3331611	4	Nut M16 Class 10	
7	4751500	8	Washer 5/16	
8	5241600	8	Washer M16	
9	1001120264	4	U-Bolt 5/16 x 1	
10	1001130309	1	Onboard Generator Assembly(See Separate Breakdown in this Section)	
12	1001265082	1	Tray, Mounting	
13	1001266233	1	Generator Cable (See Separate Breakdown in ELECTRICAL Section)	

# SECTION 1 - FRAME

## FIGURE 1-17. ONBOARD GENERATOR INSTALLATION



ART\_1001259429



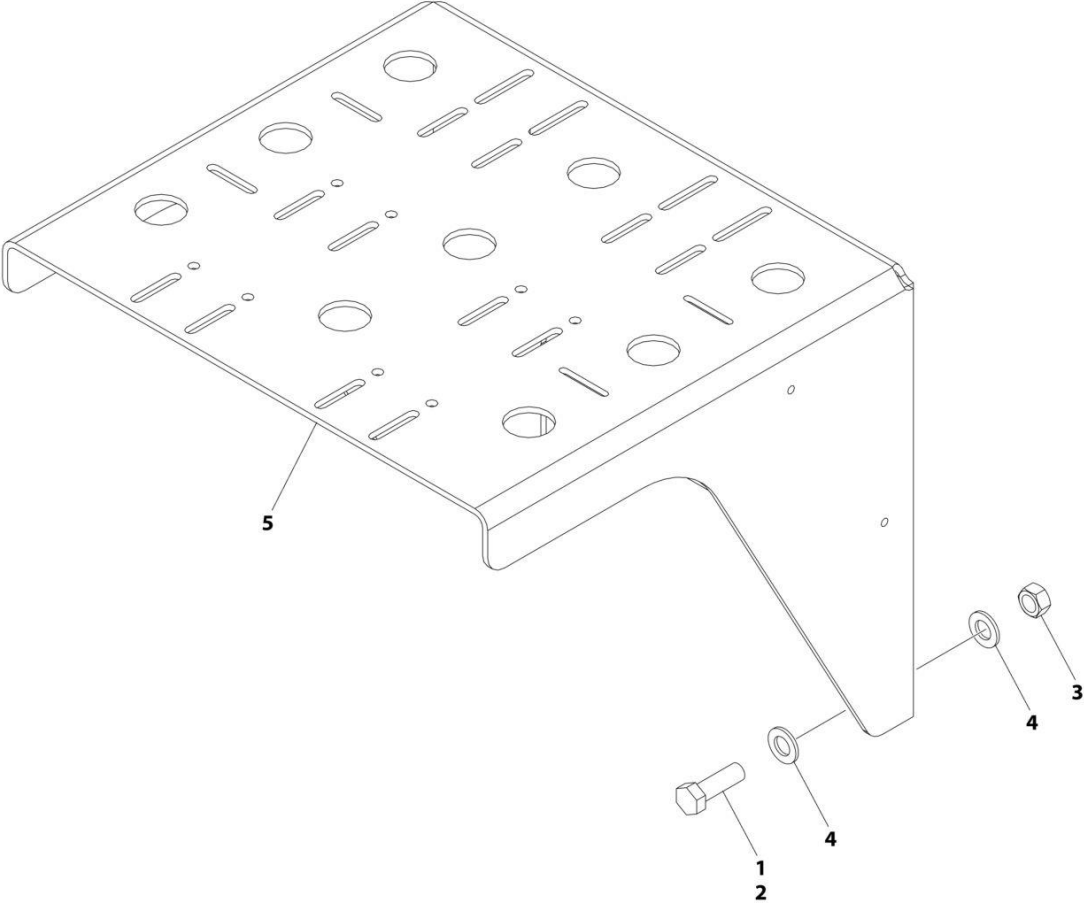
## SECTION 1 - FRAME

### FIGURE 1-17. ONBOARD GENERATOR INSTALLATION

ITEM	PART NUMBER	QTY	DESCRIPTION	REV
	1001259429	Ref	ONBOARD GENERATOR INSTALLATION	B
1	0100011	AR	Compound, Locking	
2	0771618	4	Bolt M16 x 50 Class 10.9	
3	2540045	1	Grommet	
4	3311505	8	Nut 5/16	
5	3331611	4	Nut M16 Class 10	
7	4751500	8	Washer 5/16	
8	5241600	8	Washer M16	
9	1001120264	4	U-Bolt 5/16 x 1	
10	1001130309	1	Onboard Generator Assembly(See Separate Breakdown in this Section)	
12	1001244865	1	Grommet	
13	1001259284	1	Tray, Mounting	
14	1001266233	1	Generator Cable (See Separate Breakdown in ELECTRICAL Section)	

**SECTION 1 - FRAME**

**FIGURE 1-18. ONBOARD GENERATOR TRAY INSTALLATION**



ART\_1001265193

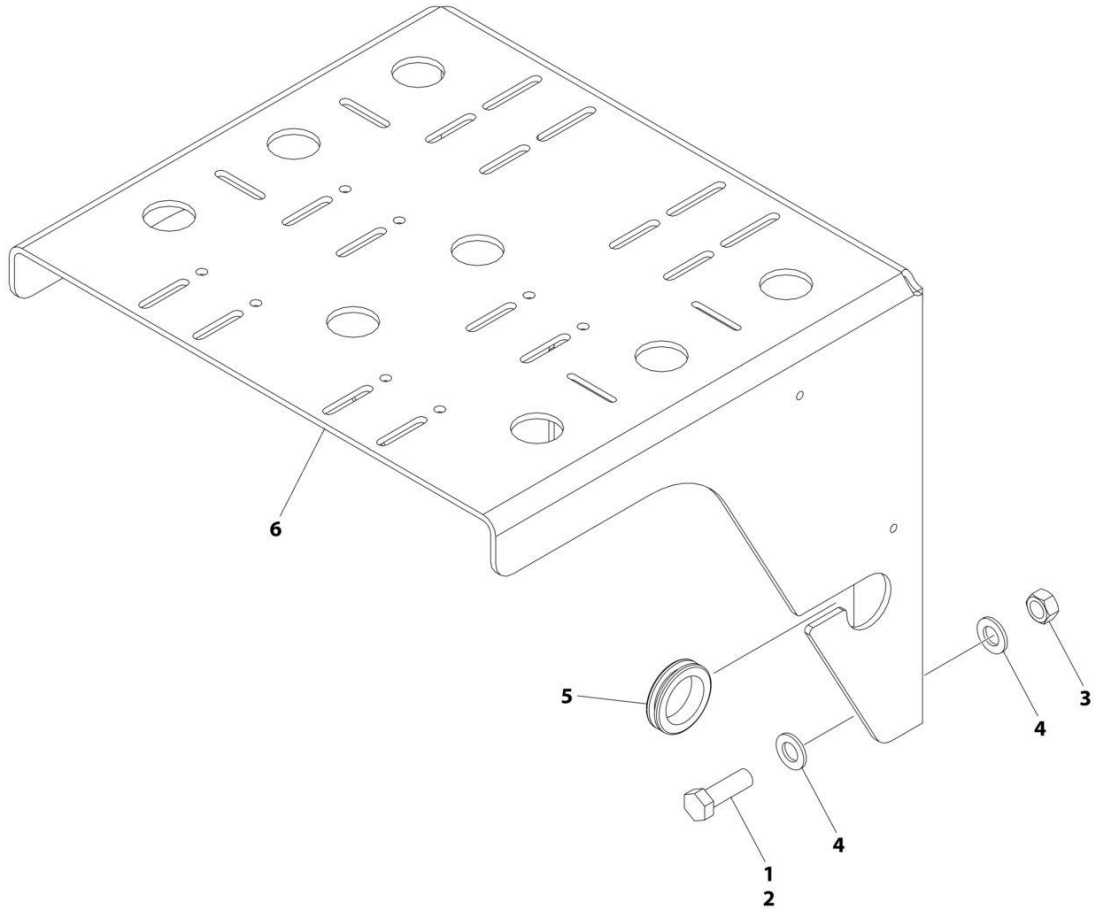
## SECTION 1 - FRAME

### FIGURE 1-18. ONBOARD GENERATOR TRAY INSTALLATION

ITEM	PART NUMBER	QTY	DESCRIPTION	REV
	1001265193	Ref	GENERATOR TRAY INSTALLATION	A
1	0100011	AR	Compound, Locking	
2	0771618	4	Bolt M16 x 50 Class 10.9	
3	3331611	4	Nut M16 Class 10	
4	5241600	8	Washer M16	
5	1001265082	1	Tray, Mounting	

# SECTION 1 - FRAME

## FIGURE 1-19. ONBOARD GENERATOR TRAY INSTALLATION



ART\_1001265194

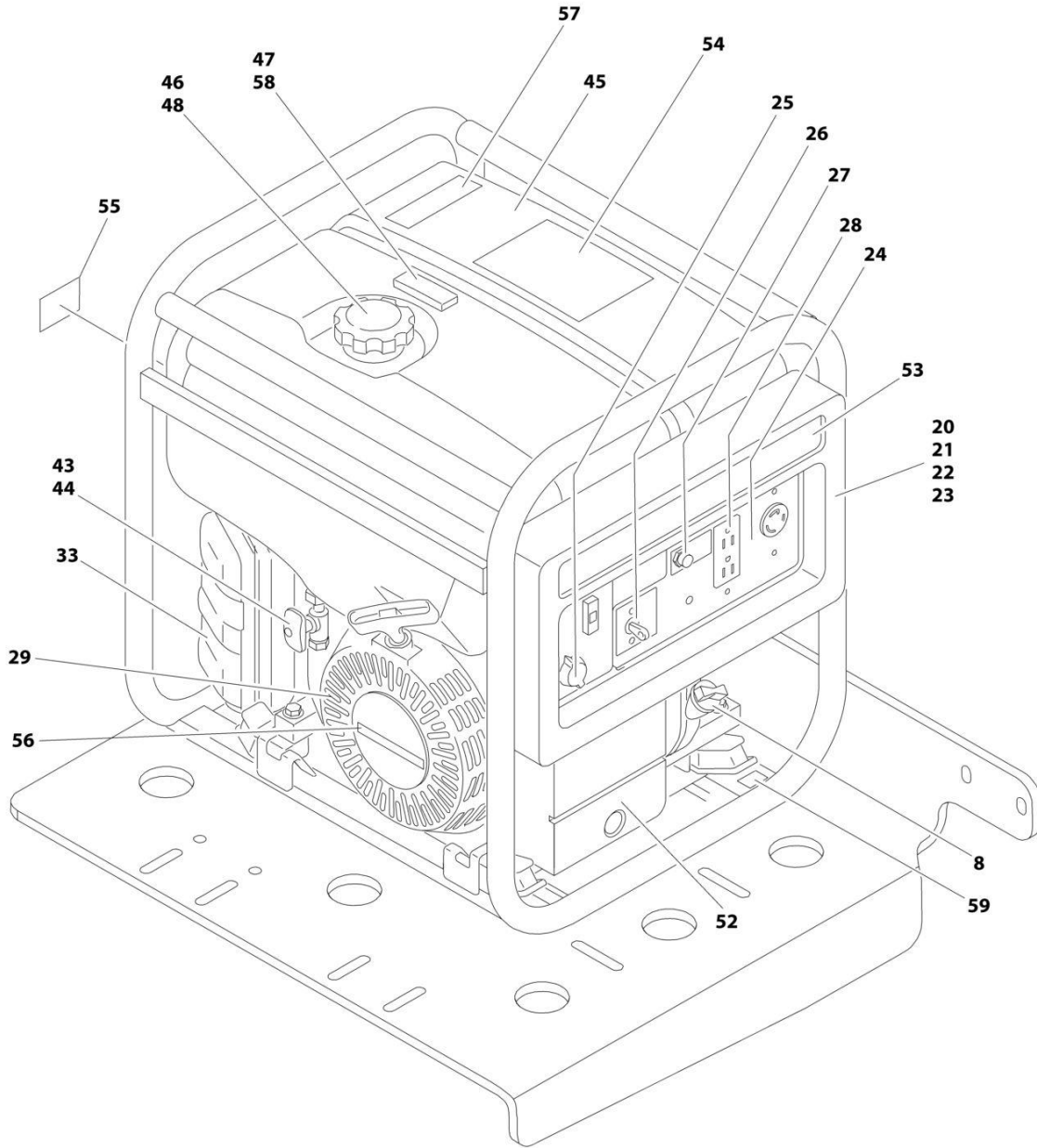
## SECTION 1 - FRAME

### FIGURE 1-19. ONBOARD GENERATOR TRAY INSTALLATION

ITEM	PART NUMBER	QTY	DESCRIPTION	REV
	1001265194	Ref	GENERATOR TRAY INSTALLATION	B
1	0100011	AR	Compound, Locking	
2	0771618	4	Bolt M16 x 50 Class 10.9	
3	3331611	4	Nut M16 Class 10	
4	5241600	8	Washer M16	
5	1001244865	1	Grommet	
6	1001259284	1	Tray, Mounting	

# SECTION 1 - FRAME

## FIGURE 1-20. ONBOARD GENERATOR ASSEMBLY



ART\_1001130309

## SECTION 1 - FRAME

**FIGURE 1-20. ONBOARD GENERATOR ASSEMBLY**

ITEM	PART NUMBER	QTY	DESCRIPTION	REV
	1001130309	Ref	ONBOARD GENERATOR ASSEMBLY	B
1	70003558	1	Gasket, Cylinder Head (Not Shown)	
2	70003559	1	Gasket, Cylinder Head Cover (Not Shown)	
3	70003560	1	Gasket, Exhaust (Exhaust Pipe to Cylinder Head) (Not Shown)	
4	7027391	1	Plug, Spark - Denso Brand (Not Shown)	
5	70002770	1	Plug, Spark - NGK Brand (Not Shown)	
6	70003561	1	Switch Assembly, Oil Level (Not Shown)	
7	70003507	1	O-Ring, Oil Level Switch (Not Shown)	
8	70002771	1	Cap, Oil Filler	
9	7027388	1	Cap, Secondary Oil Filler (Not Shown)	
10	70003565	1	Carburetor Assembly (Not Shown) (Includes Items 11-13)	
11	70003562	1	Gasket Set - Carburetor (Not Shown)	
12	70003563	1	Float Set - Carburetor (Not Shown) (Includes Item 13 and Gaskets)	
13	70003564	1	Drain Screw Set (Not Shown) (Includes Gasket)	
14	70003566	1	Insulator, Carburetor (Not Shown)	
15	70002776	1	Gasket, Insulator to Block (Not Shown)	
16	70003567	1	Spacer, Carburetor (Not Shown)	
17	70002777	1	Gasket, Carburetor to Insulator (Not Shown)	
18	70003568	1	Coil, Charging (Not Shown)	
19	7027398	1	Suppressor, Noise (Not Shown)	
20	70003572	1	Control Box Assembly (Includes Items 21-28)	
21	70003569	1	Module, Ignition	
22	70003570	1	Harness, Wiring	
23	70003571	1	Harness, Secondary Wiring	
24	70003573	1	Decal - Control Panel	
25	70002783	1	Switch, Engine Stop	
26	70003574	1	Breaker, Circuit (20A)	
27	70003575	1	Protector, Circuit (20A)	
28	70003576	1	Receptacle (20A-125V)	
29	70003577	1	Recoil Starter Assembly (Includes Items 30-32)	
30	70003578	1	Spring, Recoil Starter (Not Shown)	
31	70003579	1	Handle, Recoil Starter Rope (Not Shown)	
32	70002774	1	Rope, Recoil Starter (Not Shown)	
33	70003582	1	Cover, Air Cleaner	
34	70003581	4	Spring, Air Cleaner Housing/Cover (Not Shown)	
35	70003583	1	Seal, Air Cleaner Cover (Not Shown)	
36	70003580	1	Element, Air Cleaner (Inner) (Not Shown)	
37	70003584	1	Element, Air Cleaner (Outer) (Not Shown)	
38	70003585	1	Muffler (Not Shown)	
39	70003588	1	Gasket, Exhaust Pipe to Block (Not Shown)	
40	70003589	1	Arrester, Spark (Not Shown)	
41	70003586	1	Shield, Muffler (Outer) (Not Shown)	
42	70003587	1	Shield, Muffler (Inner) (Not Shown)	
43	70003590	1	Petcock Assembly (Includes Item 44)	
44	70003591	1	Screen, Fuel Strainer	
45	70003592	1	Tank, Fuel	
46	70003593	1	Cap, Fuel Filler	
47	70003594	1	Gauge, Fuel	
48	7027395	1	Filter, Fuel Tank	

## SECTION 1 - FRAME

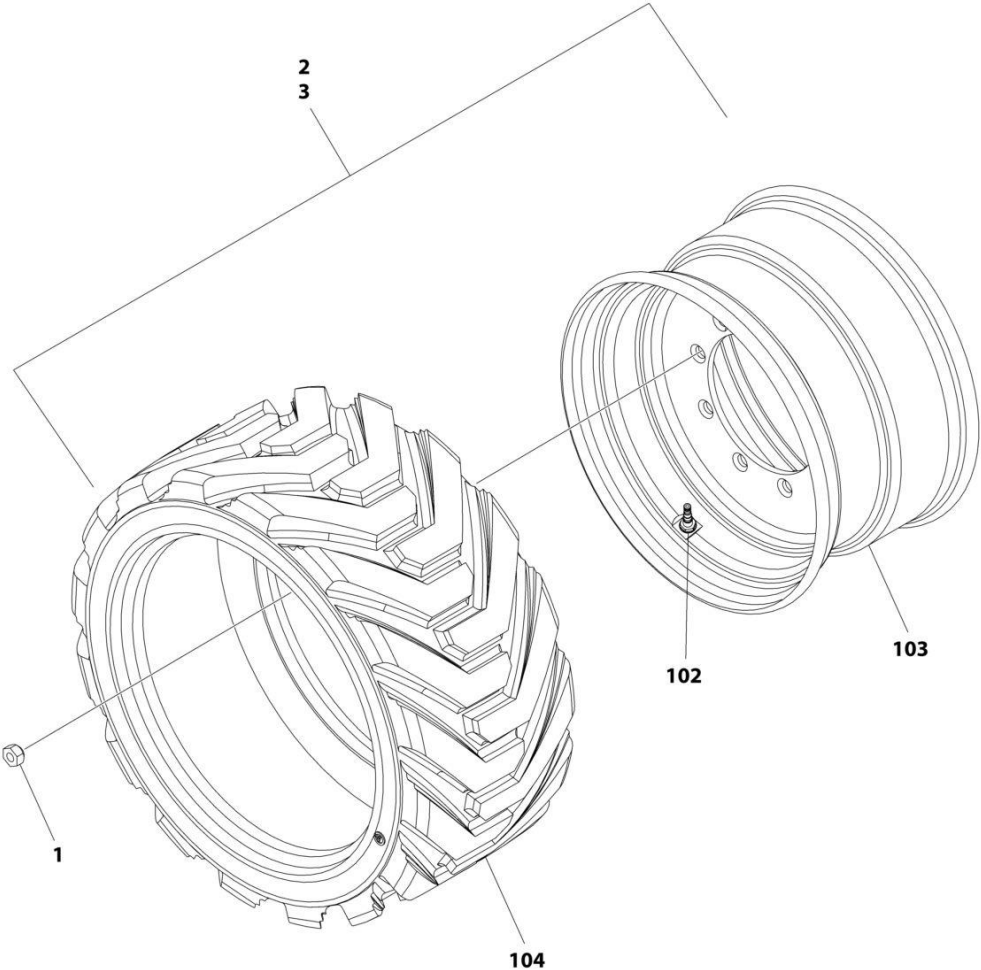
ITEM	PART NUMBER	QTY	DESCRIPTION	REV
49	70003595	1	Cable, Ground (Frame) (Not Shown)	
50	70003596	1	Generator Assembly (Not Shown)	
51	70003597	1	Grommet, AC Cord (Not Shown)	
52	70003598	1	Cycloconverter, Unit	
53	70003599	1	Decal - Generator Model	
54	70003600	1	Decal - Operator Warning	
55	70003601	1	Decal - Choke	
56	70003602	1	Decal - Cycloconverter	
57	70003603	1	Decal - Exhaust Caution	
58	70003604	1	Decal - Fuel Indication	
59	70003605	1	Decal - Oil Caution	





**SECTION 1 - FRAME**

**FIGURE 1-21. TIRE AND WHEEL INSTALLATION - FOAM-FILLED**



ART\_1001244775

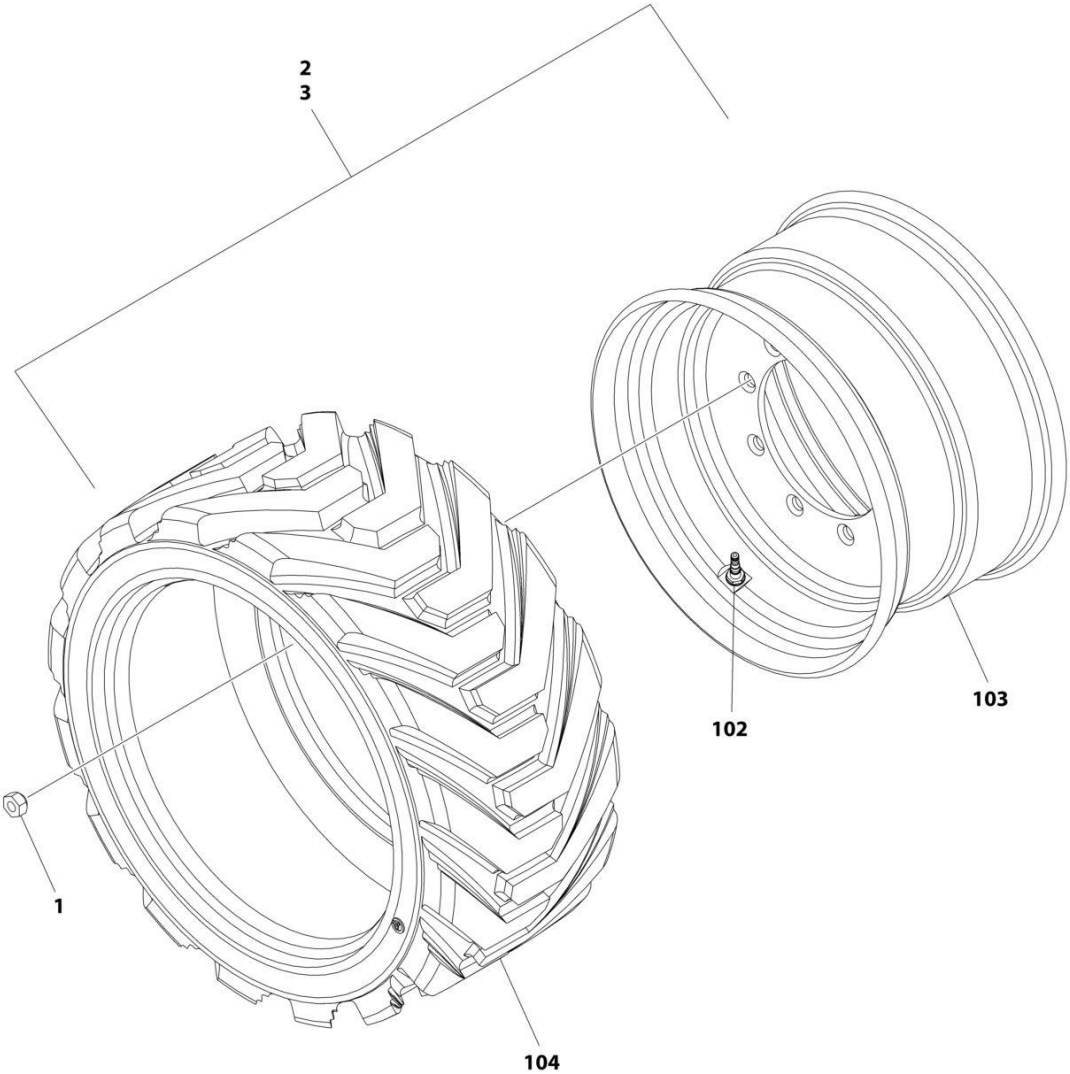
## SECTION 1 - FRAME

**FIGURE 1-21. TIRE AND WHEEL INSTALLATION - FOAM-FILLIED**

ITEM	PART NUMBER	QTY	DESCRIPTION	REV
	1001244775	Ref Ref	TIRE AND WHEEL INSTALLATION - 26 X12D460 FOAM-FILLED  Note: Assemblies may require ballast/foam filling to manufacturer's specification prior to installing on a machine. Refer to Operation and Safety or Service and Maintenance Manuals. Purchase individual tire and/or rim only if able to foam fill tire and wheel assembly, otherwise, purchase complete assembly.	A
1	3300106	36	Nut, Wheel	
2	1001249341	2	Tire and Wheel Assembly - Left Side	A
3	1001249342	2	Tire and Wheel Assembly - Right Side	A
102	4641122	1	Valve, Air	
103	1001249352	1	Rim, Wheel - 18 x 10	
104	1001249353	1	Tire, 26 x 12D460, Lug Tire	

**SECTION 1 - FRAME**

**FIGURE 1-22. TIRE AND WHEEL INSTALLATION - FOAM-FILLIED NON-MARKING**



ART\_1001249340

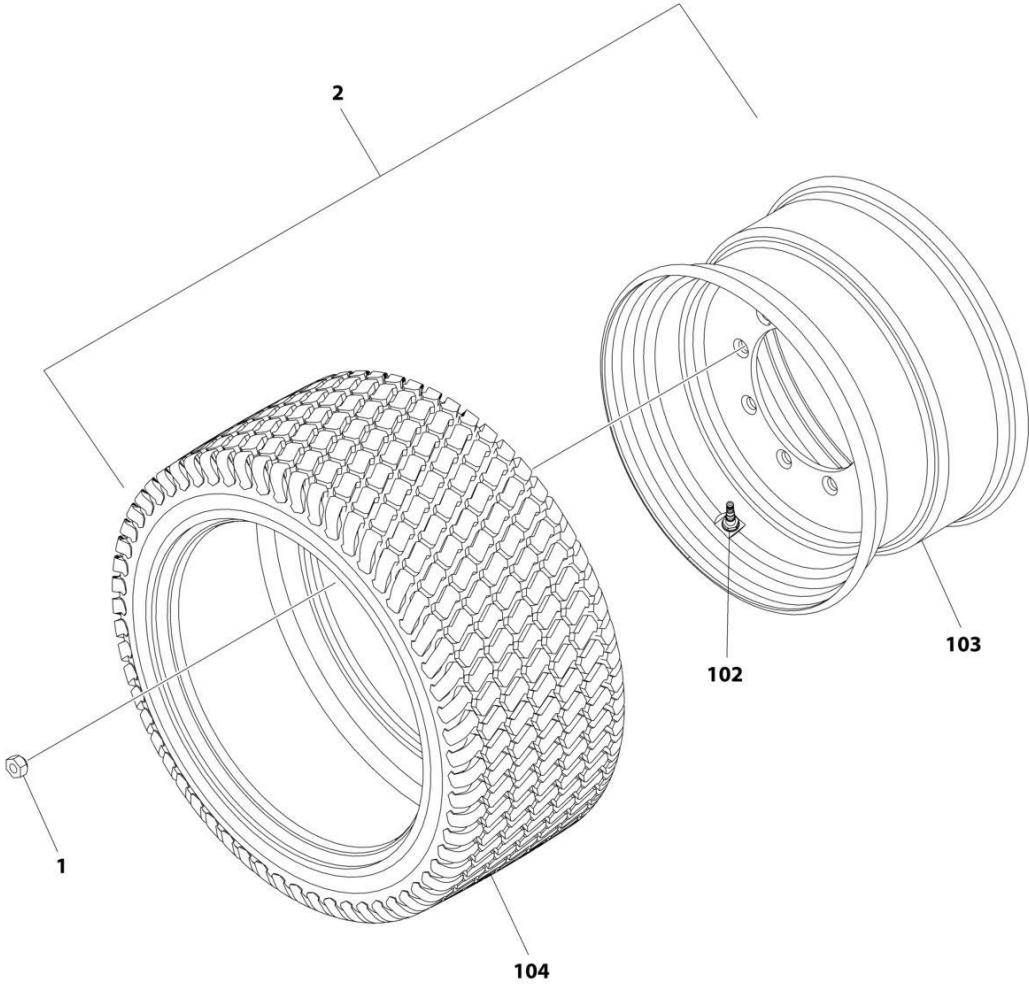
## SECTION 1 - FRAME

**FIGURE 1-22. TIRE AND WHEEL INSTALLATION - FOAM-FILLIED NON-MARKING**

ITEM	PART NUMBER	QTY	DESCRIPTION	REV
	1001249340	Ref	TIRE AND WHEEL INSTALLATION - 26 X 12D460 FOAM-FILLED NON-MARKING	A
		Ref	Note: Assemblies may require ballast/foam filling to manufacturer's specification prior to installing on a machine. Refer to Operation and Safety or Service and Maintenance Manuals. Purchase individual tire and/or rim only if able to foam fill tire and wheel assembly, otherwise, purchase complete assembly.	
1	3300106	36	Nut, Wheel	
2	1001249343	2	Tire and Wheel Assembly - Left Side	A
3	1001249344	2	Tire and Wheel Assembly - Right Side	A
102	4641122	1	Valve, Air	
103	1001249352	1	Rim, Wheel - 18 x 10	
104	1001249354	1	Tire, 26 x 12D460, Lug Tire Non-Marking	

**SECTION 1 - FRAME**

**FIGURE 1-23. TIRE AND WHEEL INSTALLATION - FOAM-FILLED TURF NON-MARKING**



ART\_1001259386

## SECTION 1 - FRAME

**FIGURE 1-23. TIRE AND WHEEL INSTALLATION - FOAM-FILLIED TURF NON-MARKING**

ITEM	PART NUMBER	QTY	DESCRIPTION	REV
	1001259386	Ref	TIRE AND WHEEL INSTALLATION - 26 X 12D460 FOAM-FILLED TURF	A
		Ref	Note: Assemblies may require ballast/foam filling to manufacturer's specification prior to installing on a machine. Refer to Operation and Safety or Service and Maintenance Manuals. Purchase individual tire and/or rim only if able to foam fill tire and wheel assembly, otherwise, purchase complete assembly.	
1	3300106	36	Nut, Wheel	
2	1001258287	4	Tire and Wheel Assembly	A
102	4641122	1	Valve, Air	
103	1001249352	1	Rim, Wheel - 18 x 10	
104	1001259202	1	Tire, 26 x 12D460 Turf	

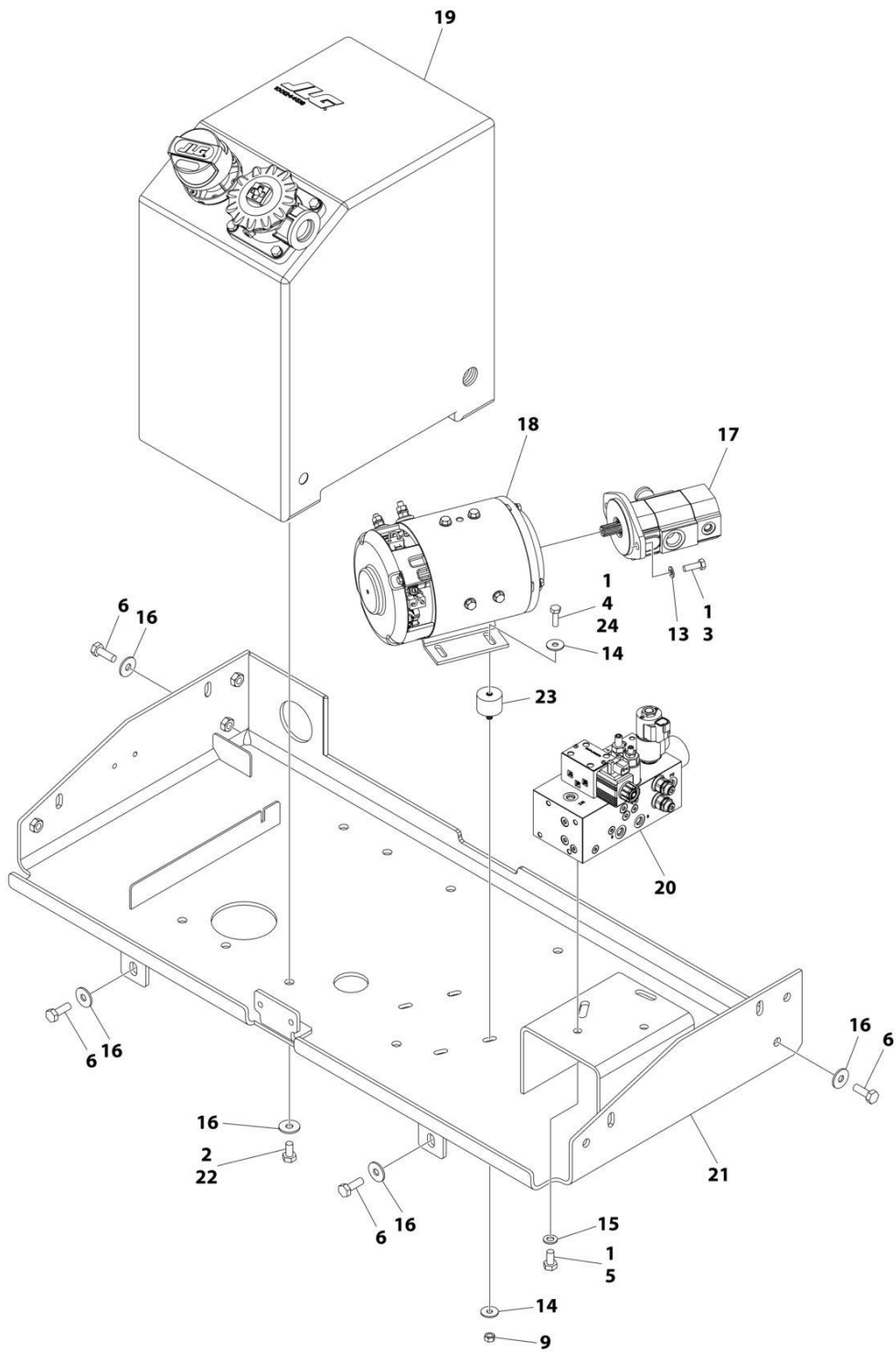




**SECTION 2 - GROUND CONTROLS**

# SECTION 2 - GROUND CONTROLS

FIGURE 2-1. HYDRAULIC COMPONENTS INSTALLATION (Prior to SN M200085710, Prior to SN M200085548)



ART\_1001246091

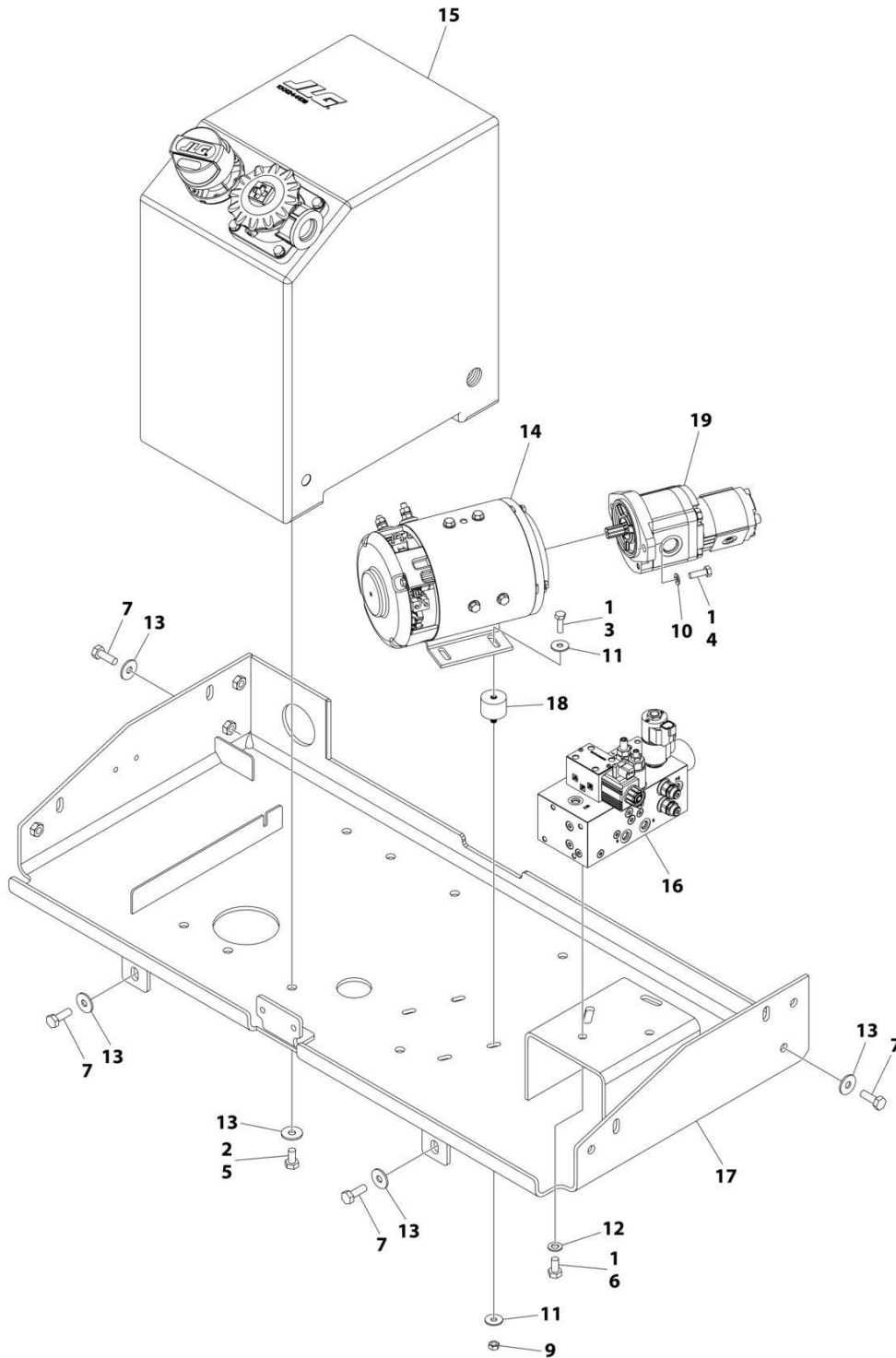
## SECTION 2 - GROUND CONTROLS

**FIGURE 2-1. HYDRAULIC COMPONENTS INSTALLATION (Prior to SN M200085710, Prior to SN M200085548)**

ITEM	PART NUMBER	QTY	DESCRIPTION	REV
	1001246091	Ref	HYDRAULIC COMPONENTS INSTALLATION	F
1	0100011	AR	Compound, Locking	
2	0100035	AR	Compound, Locking	
3	0760812	2	Bolt M8 x 25	
4	0770812	4	Bolt M8 x 25	
5	0771010	4	Bolt M10 x 20	
6	0771014	4	Bolt M10 x 30	
9	3290801	4	Nut M8	
13	4811900	2	Washer M8	
14	4811902	8	Washer M8	
15	4812000	4	Washer M10	
16	4812002	8	Washer M10	
17	1001246382	1	Pump	
18	1001246383	1	Generator	
19	1001246555	1	Tank Assembly - Hydraulic (See Separate Breakdown in this Section)	
20	1001247381	1	Valve, Electric (See Separate Breakdown in this Section)	
21	1001247630	1	Tray	
22	0761010	4	Bolt M10 x 20	
23	1001273525	4	Isolator (41.3mm/1-5/8inch)	
23	1001287360	4	Isolator (47.8mm/1-7/8inch)	
24	0760806	4	Bolt M8 x 12	

# SECTION 2 - GROUND CONTROLS

FIGURE 2-2. HYDRAULIC COMPONENTS INSTALLATION (SN M200085853 to Present, SN M200085851 to Present)



ART\_1001285817

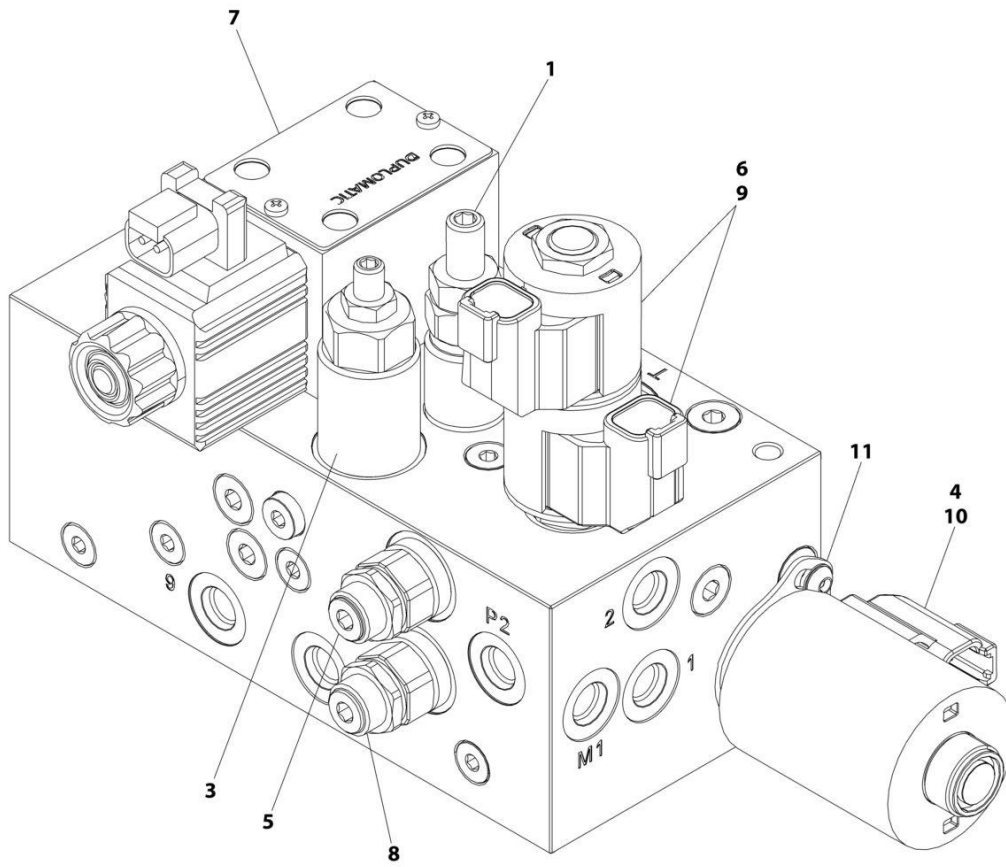
## SECTION 2 - GROUND CONTROLS

**FIGURE 2-2. HYDRAULIC COMPONENTS INSTALLATION (SN M200085853 to Present, SN M200085851 to Present)**

ITEM	PART NUMBER	QTY	DESCRIPTION	REV
	1001285817	Ref	HYDRAULIC COMPONENTS INSTALLATION	A
1	0100011	AR	Compound, Locking	
2	0100035	AR	Compound, Locking	
3	0760806	4	Bolt M8 x 12	
4	0760812	2	Bolt M8 x 25	
5	0761010	4	Bolt M10 x 20	
6	0771010	4	Bolt M10 x 20	
7	0771014	4	Bolt M10 x 30	
8	3020037	AR	Lube (Not Shown)	
9	3290801	4	Nut M8	
10	4811900	2	Washer M8	
11	4811902	8	Washer M8	
12	4812000	4	Washer M10	
13	4812002	8	Washer M10	
14	1001246383	1	Generator	
15	1001246555	1	Tank Assembly - Hydraulic (See Separate Breakdown in this Section)	
16	1001247381	1	Valve, Electric (See Separate Breakdown in this Section)	
17	1001247630	1	Tray	
18	1001273525	4	Isolator	
19	1001285003	1	Pump	

# SECTION 2 - GROUND CONTROLS

## FIGURE 2-3. VALVE ASSEMBLY - MAIN CONTROL



ART\_1001247381

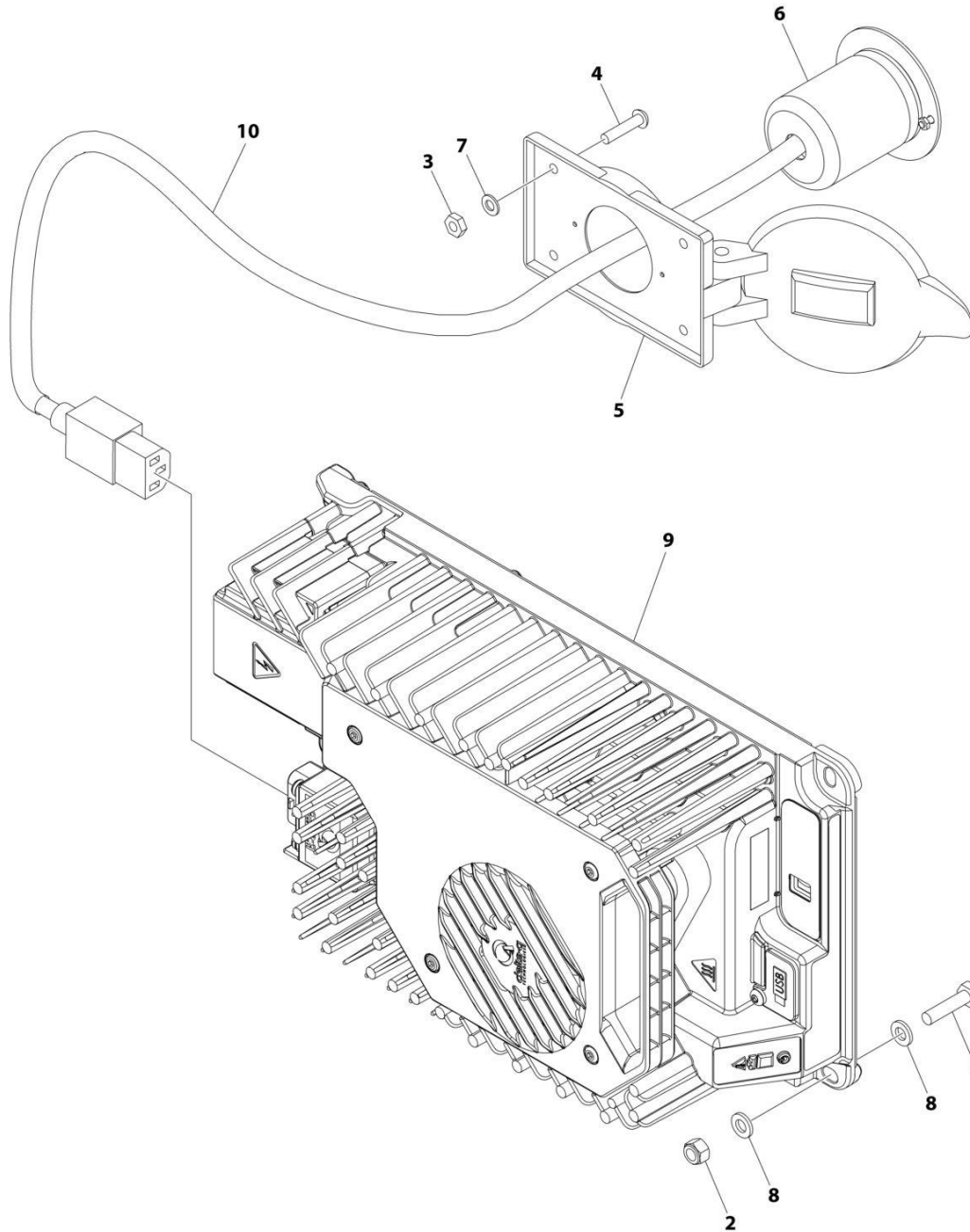
## SECTION 2 - GROUND CONTROLS

**FIGURE 2-3. VALVE ASSEMBLY - MAIN CONTROL**

ITEM	PART NUMBER	QTY	DESCRIPTION	REV
	1001247381	Ref	VALVE ASSEMBLY - MAIN CONTROL	D
1	70007774	1	Cartridge, Relief Valve (Main)	
3	70007768	1	Cartridge, Pressure Reducing/Relieving Valve (Axle Charge)	
4	70006786	1	Cartridge, Valve (Flow Control)	
4	7012925	1	Seal Kit - 70006786 Valve	
5	70007769	1	Cartridge, Relief Valve (Steer)	
6	70007772	1	Valve, Directional (Steer)	
6	7017402	1	Seal Kit - 70007772 Valve	
7	70007771	1	Valve, Directional (Lift Enable)	
8	70007764	1	Cartridge, Relief Valve (Steer)	
9	70002386	2	Coil	
10	70003789	1	Coil	
11	70007773	1	Lockdown Kit	

## SECTION 2 - GROUND CONTROLS

FIGURE 2-4. BATTERY CHARGER INSTALLATION (110V PLUG)



ART\_1001251440



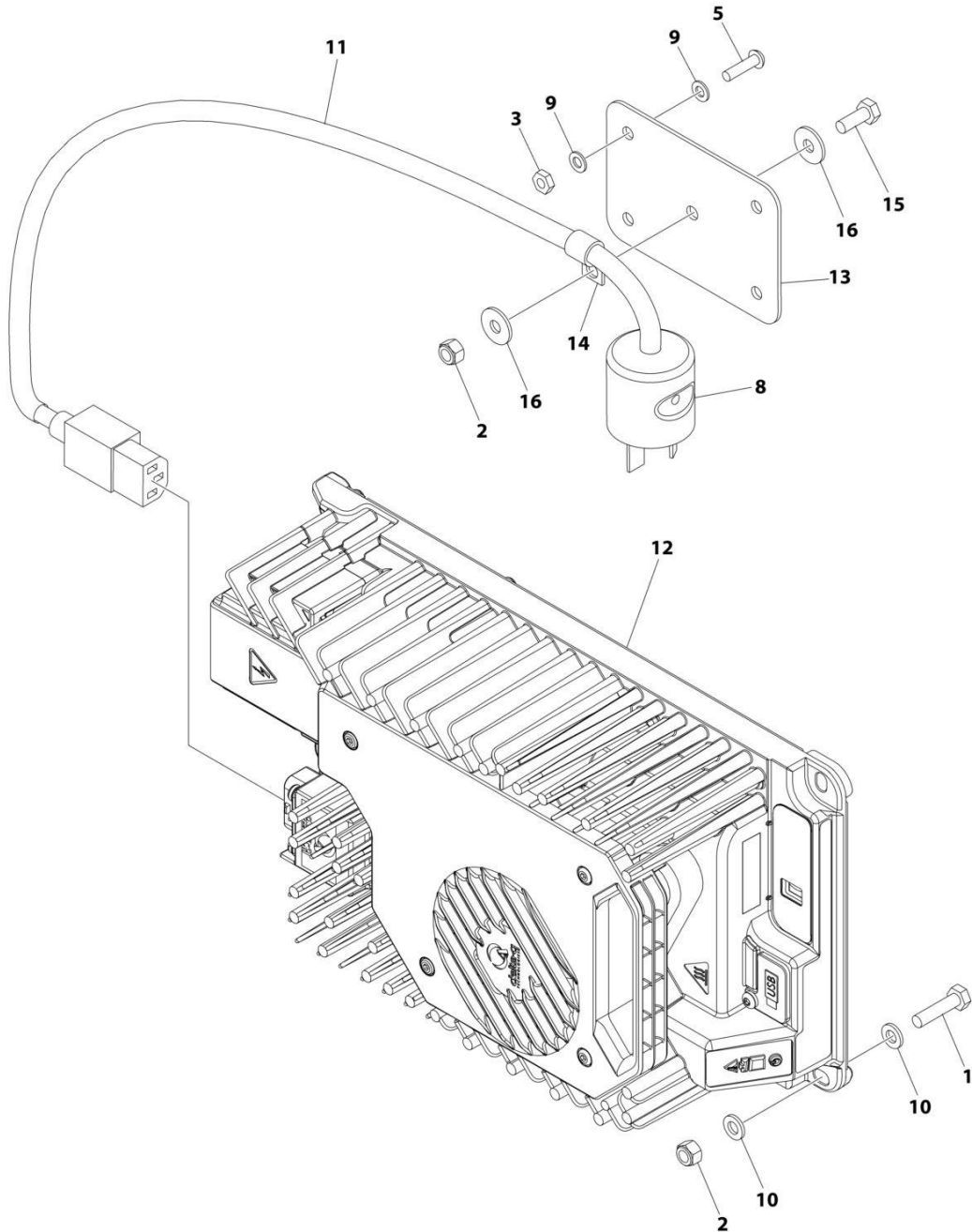
## SECTION 2 - GROUND CONTROLS

### FIGURE 2-4. BATTERY CHARGER INSTALLATION (110V PLUG)

ITEM	PART NUMBER	QTY	DESCRIPTION	REV
	1001251440	Ref	BATTERY CHARGER INSTALLATION	C
1	0700612	4	Bolt M6 x 25	
2	3290605	4	Nut M6	
3	3311005	4	Nut #10	
4	3911014	4	Screw #10 x 7/8	
5	4460802	1	Cover, Terminal	
6	4460803	1	Terminal, Plug	
7	4811600	4	Washer M5	
8	4811700	8	Washer M6	
9	1001265677	1	Charger Assembly	
10	1001263824	1	Cable, Charger to Receptacle	

## SECTION 2 - GROUND CONTROLS

**FIGURE 2-5. BATTERY CHARGER INSTALLATION (AUSTRALIAN PLUG) (Prior to SN M200065005, Including M200066368, M200067685, M200068190 and M200068862, Excluding M200063441 and M200064815)**



ART\_1001254883

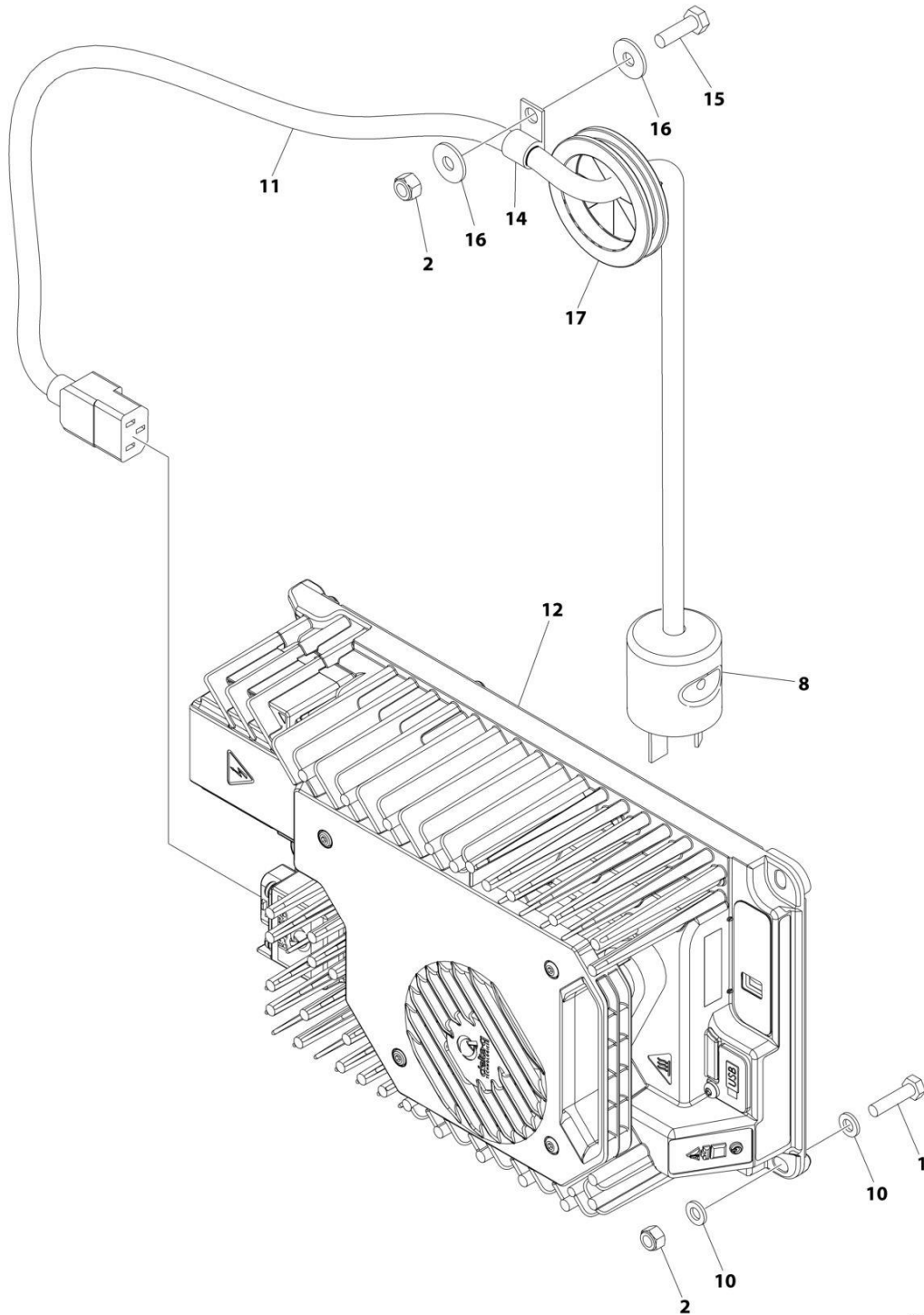
## SECTION 2 - GROUND CONTROLS

**FIGURE 2-5. BATTERY CHARGER INSTALLATION (AUSTRALIAN PLUG) (Prior to SN M200065005, Including M200066368, M200067685, M200068190 and M200068862, Excluding M200063441 and M200064815)**

ITEM	PART NUMBER	QTY	DESCRIPTION	REV
	1001254883	Ref	BATTERY CHARGER INSTALLATION	B
1	0700612	4	Bolt M6 x 25	
2	3290605	5	Nut M6	
3	3311005	4	Nut #10	
5	3911012	4	Screw #10 x 3/4	
8	4460805	1	Plug	
9	4811600	8	Washer M5	
10	4811700	8	Washer M6	
11	1001263824	1	Cable, AC	
12	1001265677	1	Charger Assembly	
13	1001266001	1	Cover	
14	1321293	1	Clamp	
15	0760608	1	Bolt M6 x 16	
16	4811702	2	Washer M6	

## SECTION 2 - GROUND CONTROLS

FIGURE 2-6. BATTERY CHARGER INSTALLATION (AUSTRALIAN PLUG) (SN M200065005 to Present, Including M200063441 and M200064815, Excluding M200066368, M200067685, M200068190 and M200068862)



ART\_1001254883\_C

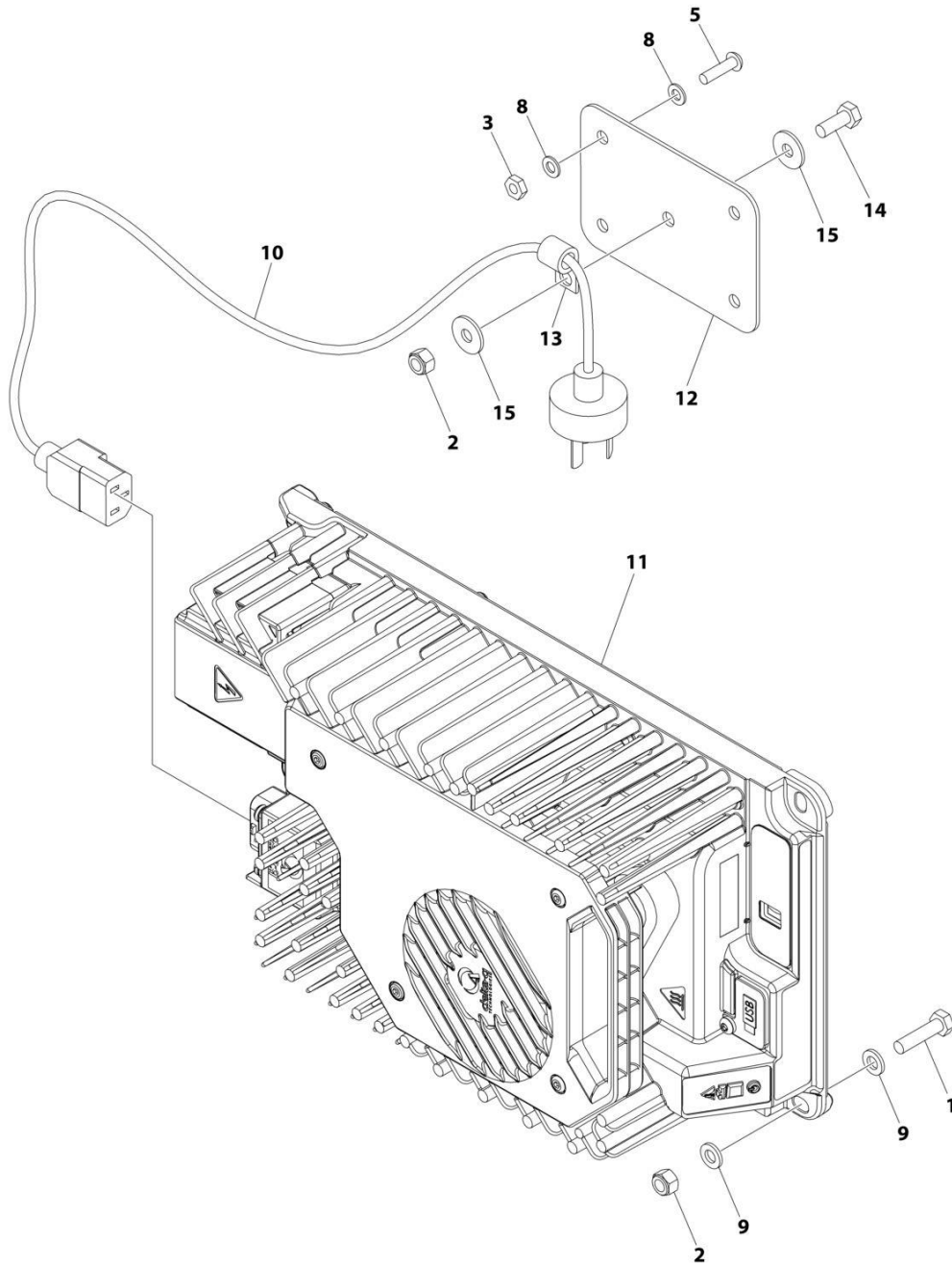
## SECTION 2 - GROUND CONTROLS

**FIGURE 2-6. BATTERY CHARGER INSTALLATION (AUSTRALIAN PLUG) (SN M200065005 to Present, Including M200063441 and M200064815, Excluding M200066368, M200067685, M200068190 and M200068862)**

ITEM	PART NUMBER	QTY	DESCRIPTION	REV
	1001254883	Ref	BATTERY CHARGER INSTALLATION	C
1	0700612	4	Bolt M6 x 25	
2	3290605	5	Nut M6	
8	4460805	1	Plug	
10	4811700	8	Washer M6	
11	1001207974	1	Cable, AC	
12	1001265677	1	Charger Assembly	
14	1321293	1	Clamp	
15	0760610	1	Bolt M6 x 20	
16	4811702	2	Washer M6	
17	2540045	1	Grommet	

## SECTION 2 - GROUND CONTROLS

**FIGURE 2-7. BATTERY CHARGER INSTALLATION (CHINA PLUG) (Prior to SN M200065005, Including M200066368, M200067685, M200068190 and M200068862, Excluding M200063441 and M200064815)**



ART\_1001254880

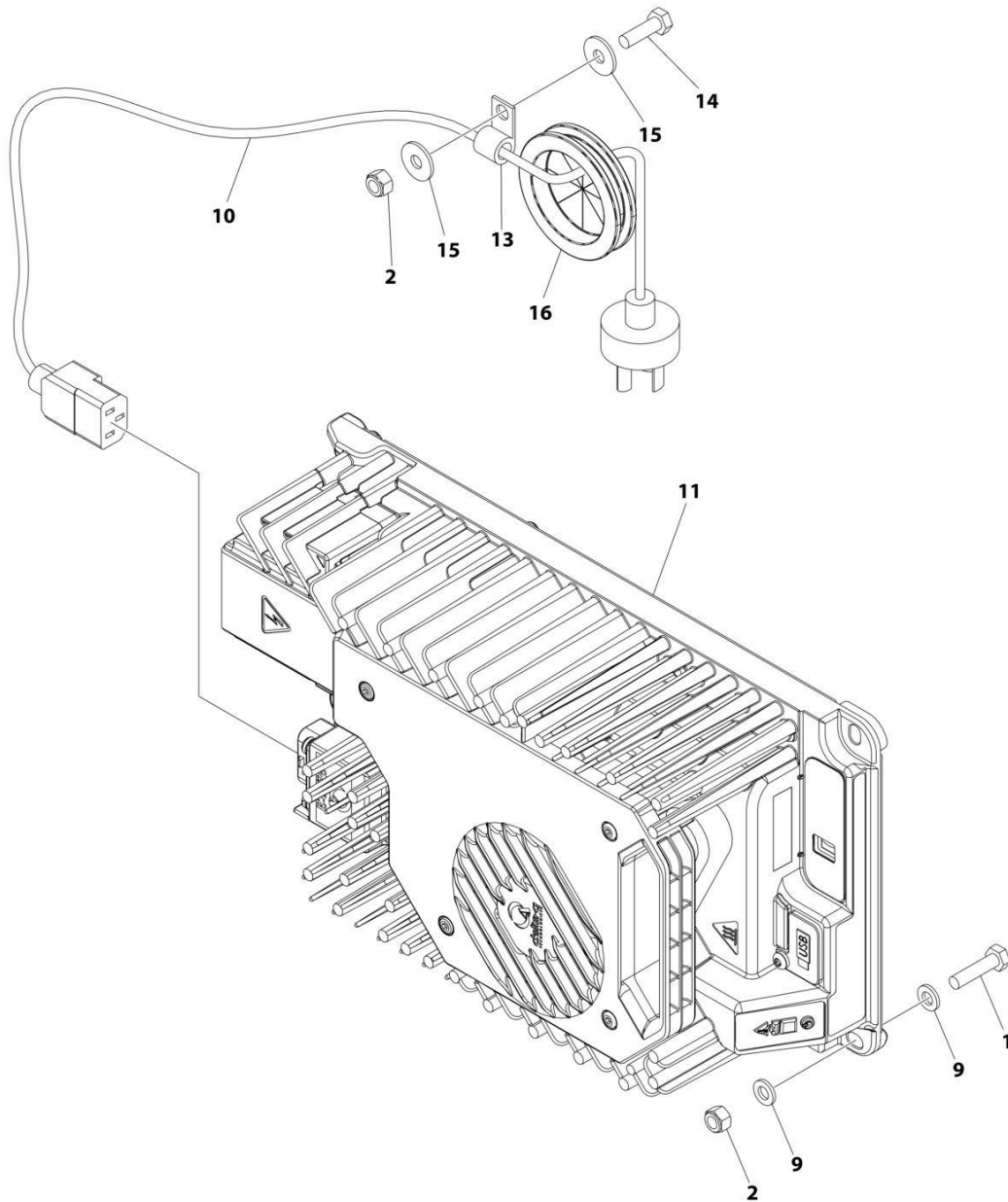
## SECTION 2 - GROUND CONTROLS

**FIGURE 2-7. BATTERY CHARGER INSTALLATION (CHINA PLUG) (Prior to SN M200065005, Including M200066368, M200067685, M200068190 and M200068862, Excluding M200063441 and M200064815)**

ITEM	PART NUMBER	QTY	DESCRIPTION	REV
	1001254880	Ref	BATTERY CHARGER INSTALLATION	B
1	0700612	4	Bolt M6 x 25	
2	3290605	5	Nut M6	
3	3311005	4	Nut #10	
5	3911012	4	Screw #10 x 3/4	
8	4811600	8	Washer M5	
9	4811700	8	Washer M6	
10	1001207973	1	Cable, AC	
11	1001265677	1	Charger Assembly	
12	1001266001	1	Cover	
13	1321293	1	Clamp	
14	0760608	1	Bolt M6 x 16	
15	4811702	2	Washer M6	

## SECTION 2 - GROUND CONTROLS

**FIGURE 2-8. BATTERY CHARGER INSTALLATION (CHINA PLUG) (SN M200065005 to Present, Including M200063441 and M200064815, Excluding M200066368, M200067685, M200068190 and M200068862)**



ART\_1001254880\_C



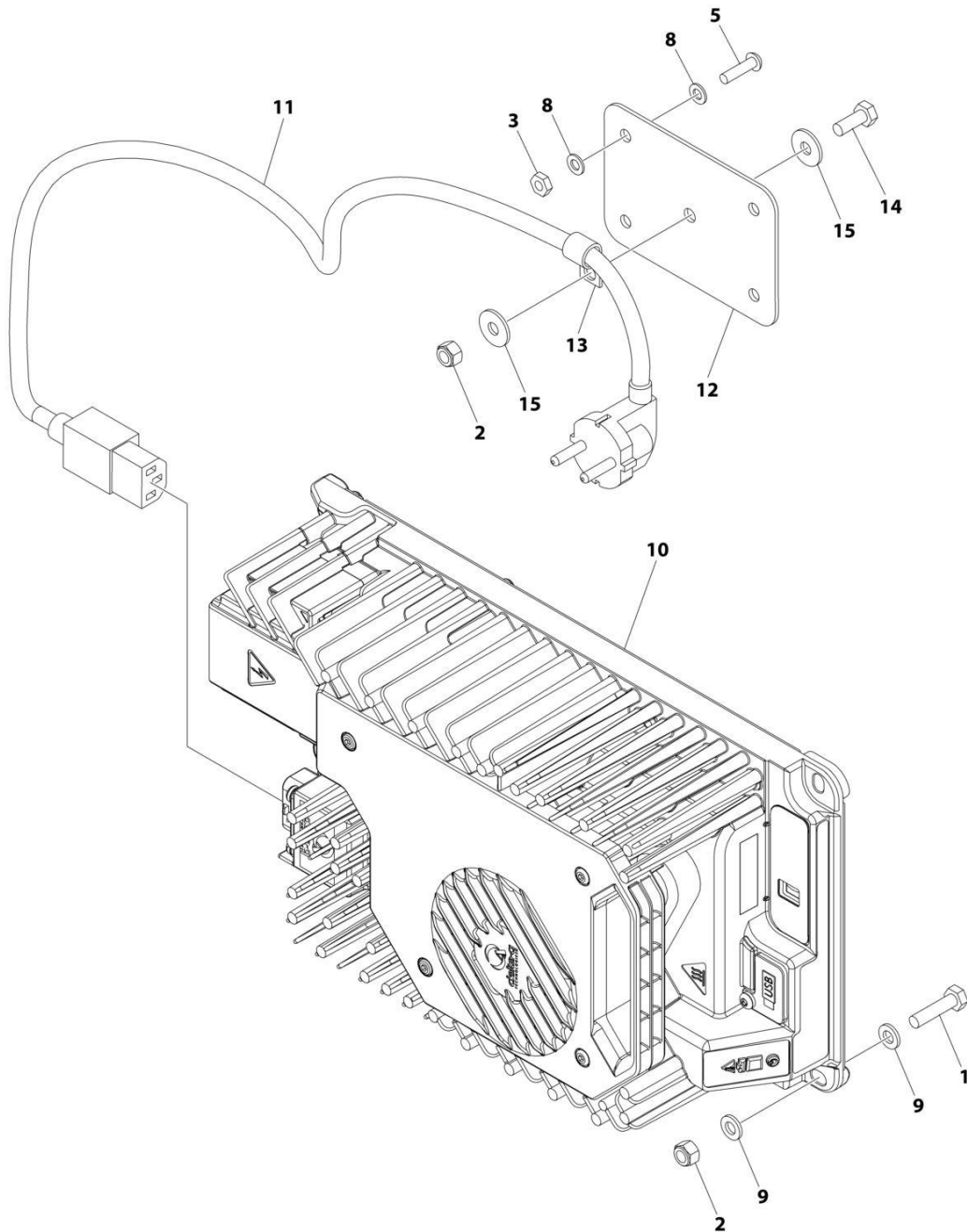
## SECTION 2 - GROUND CONTROLS

**FIGURE 2-8. BATTERY CHARGER INSTALLATION (CHINA PLUG) (SN M200065005 to Present, Including M200063441 and M200064815, Excluding M200066368, M200067685, M200068190 and M200068862)**

ITEM	PART NUMBER	QTY	DESCRIPTION	REV
	1001254880	Ref	BATTERY CHARGER INSTALLATION	C
1	0700612	4	Bolt M6 x 25	
2	3290605	5	Nut M6	
9	4811700	8	Washer M6	
10	1001207973	1	Cable, AC	
11	1001265677	1	Charger Assembly	
13	1321293	1	Clamp	
14	0760610	1	Bolt M6 x 20	
15	4811702	2	Washer M6	
16	2540045	1	Grommet	

## SECTION 2 - GROUND CONTROLS

**FIGURE 2-9. BATTERY CHARGER INSTALLATION (KOREAN PLUG) (Prior to SN M200065005, Including M200066368, M200067685, M200068190 and M200068862, Excluding M200063441 and M200064815)**



ART\_1001254882

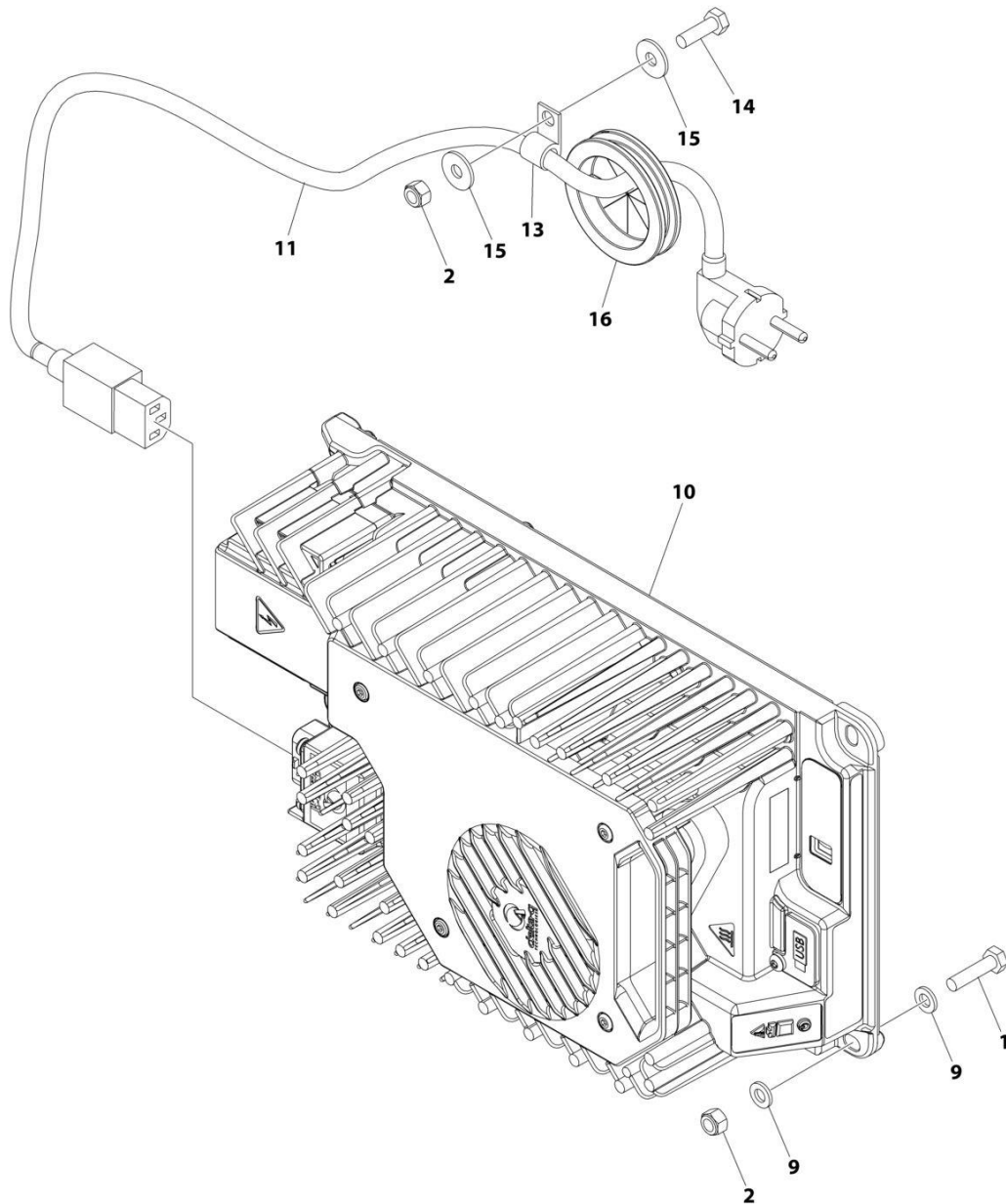
## SECTION 2 - GROUND CONTROLS

**FIGURE 2-9. BATTERY CHARGER INSTALLATION (KOREAN PLUG) (Prior to SN M200065005, Including M200066368, M200067685, M200068190 and M200068862, Excluding M200063441 and M200064815)**

ITEM	PART NUMBER	QTY	DESCRIPTION	REV
	1001254882	Ref	BATTERY CHARGER INSTALLATION	B
1	0700612	4	Bolt M6 x 25	
2	3290605	5	Nut M6	
3	3311005	4	Nut #10	
5	3911012	4	Screw #10 x 3/4	
8	4811600	8	Washer M5	
9	4811700	8	Washer M6	
10	1001265677	1	Charger Assembly	
11	1001265678	1	Cable, AC	
12	1001266001	1	Cover	
13	1321293	1	Clamp	
14	0760608	1	Bolt M6 x 16	
15	4811702	2	Washer M6	

## SECTION 2 - GROUND CONTROLS

**FIGURE 2-10. BATTERY CHARGER INSTALLATION (KOREAN PLUG) (SN M200065005 to Present, Including M200063441 and M200064815, Excluding M200066368, M200067685, M200068190 and M200068862)**



ART\_1001254882\_C

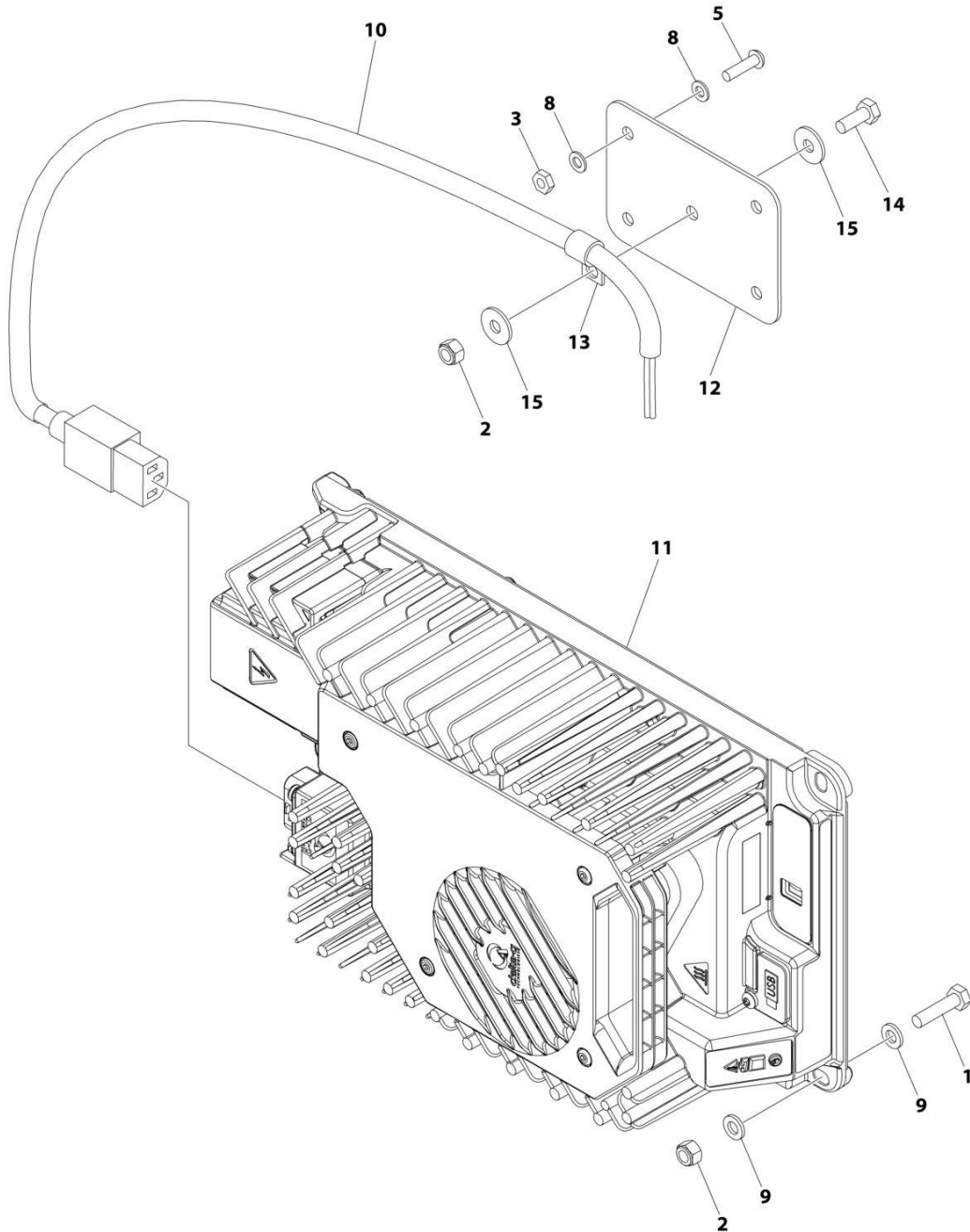
## SECTION 2 - GROUND CONTROLS

**FIGURE 2-10. BATTERY CHARGER INSTALLATION (KOREAN PLUG) (SN M200065005 to Present, Including M200063441 and M200064815, Excluding M200066368, M200067685, M200068190 and M200068862)**

ITEM	PART NUMBER	QTY	DESCRIPTION	REV
	1001254882	Ref	BATTERY CHARGER INSTALLATION	C
1	0700612	4	Bolt M6 x 25	
2	3290605	5	Nut M6	
9	4811700	8	Washer M6	
10	1001265677	1	Charger Assembly	
11	1001265678	1	Cable, AC	
13	1321293	1	Clamp	
14	0760610	1	Bolt M6 x 20	
15	4811702	2	Washer M6	
16	2540045	1	Grommet	

## SECTION 2 - GROUND CONTROLS

FIGURE 2-11. BATTERY CHARGER INSTALLATION (NO PLUG) (Prior to SN M200065005, Including M200066368, M200067685, M200068190 and M200068862, Excluding M200063441 and M200064815)



ART\_1001254881

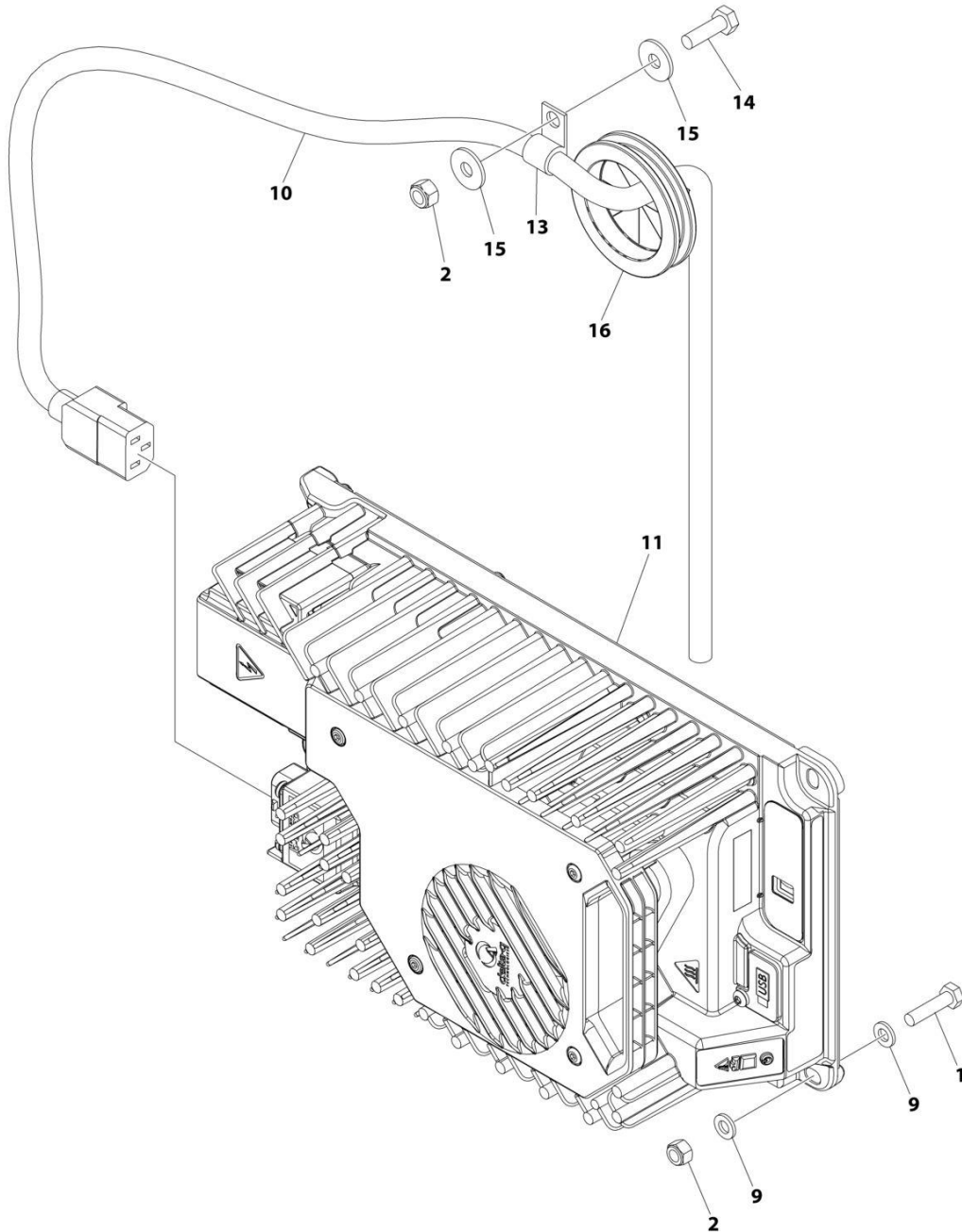
## SECTION 2 - GROUND CONTROLS

**FIGURE 2-11. BATTERY CHARGER INSTALLATION (NO PLUG) (Prior to SN M200065005, Including M200066368, M200067685, M200068190 and M200068862, Excluding M200063441 and M200064815)**

ITEM	PART NUMBER	QTY	DESCRIPTION	REV
	1001254881	Ref	BATTERY CHARGER INSTALLATION	B
1	0700612	4	Bolt M6 x 25	
2	3290605	5	Nut M6	
3	3311005	4	Nut #10	
5	3911012	4	Screw #10 x 3/4	
8	4811600	8	Washer M5	
9	4811700	8	Washer M6	
10	1001263824	1	Cable, AC	
11	1001265677	1	Charger Assembly	
12	1001266001	1	Cover	
13	1321293	1	Clamp	
14	0760608	1	Bolt M6 x 16	
15	4811702	2	Washer M6	

## SECTION 2 - GROUND CONTROLS

**FIGURE 2-12. BATTERY CHARGER INSTALLATION (NO PLUG) (SN M200065005 to Present, Including M200063441 and M200064815, Excluding M200066368, M200067685, M200068190 and M200068862)**



ART\_1001254881\_C



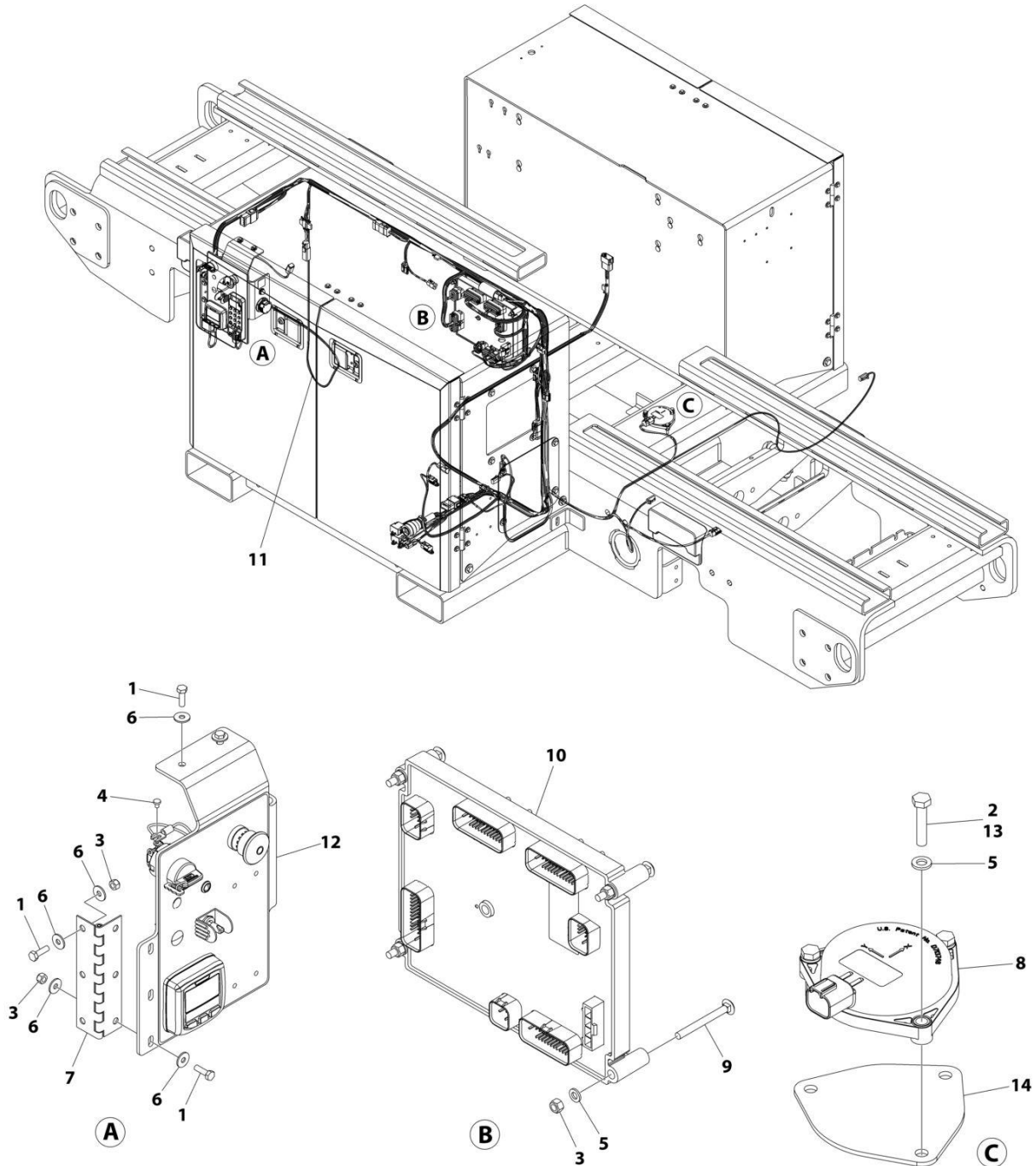
## SECTION 2 - GROUND CONTROLS

**FIGURE 2-12. BATTERY CHARGER INSTALLATION (NO PLUG) (SN M200065005 to Present, Including M200063441 and M200064815, Excluding M200066368, M200067685, M200068190 and M200068862)**

ITEM	PART NUMBER	QTY	DESCRIPTION	REV
	1001254881	Ref	BATTERY CHARGER INSTALLATION	C
1	0700612	4	Bolt M6 x 25	
2	3290605	5	Nut M6	
9	4811700	8	Washer M6	
10	1001207974	1	Cable, AC	
11	1001265677	1	Charger Assembly	
13	1321293	1	Clamp	
14	0760610	1	Bolt M6 x 20	
15	4811702	2	Washer M6	
16	2540045	1	Grommet	

## SECTION 2 - GROUND CONTROLS

FIGURE 2-13. GROUND CONTROL PANEL INSTALLATION (Prior to SN M200059848, Including M200060511)



ART\_1001254548

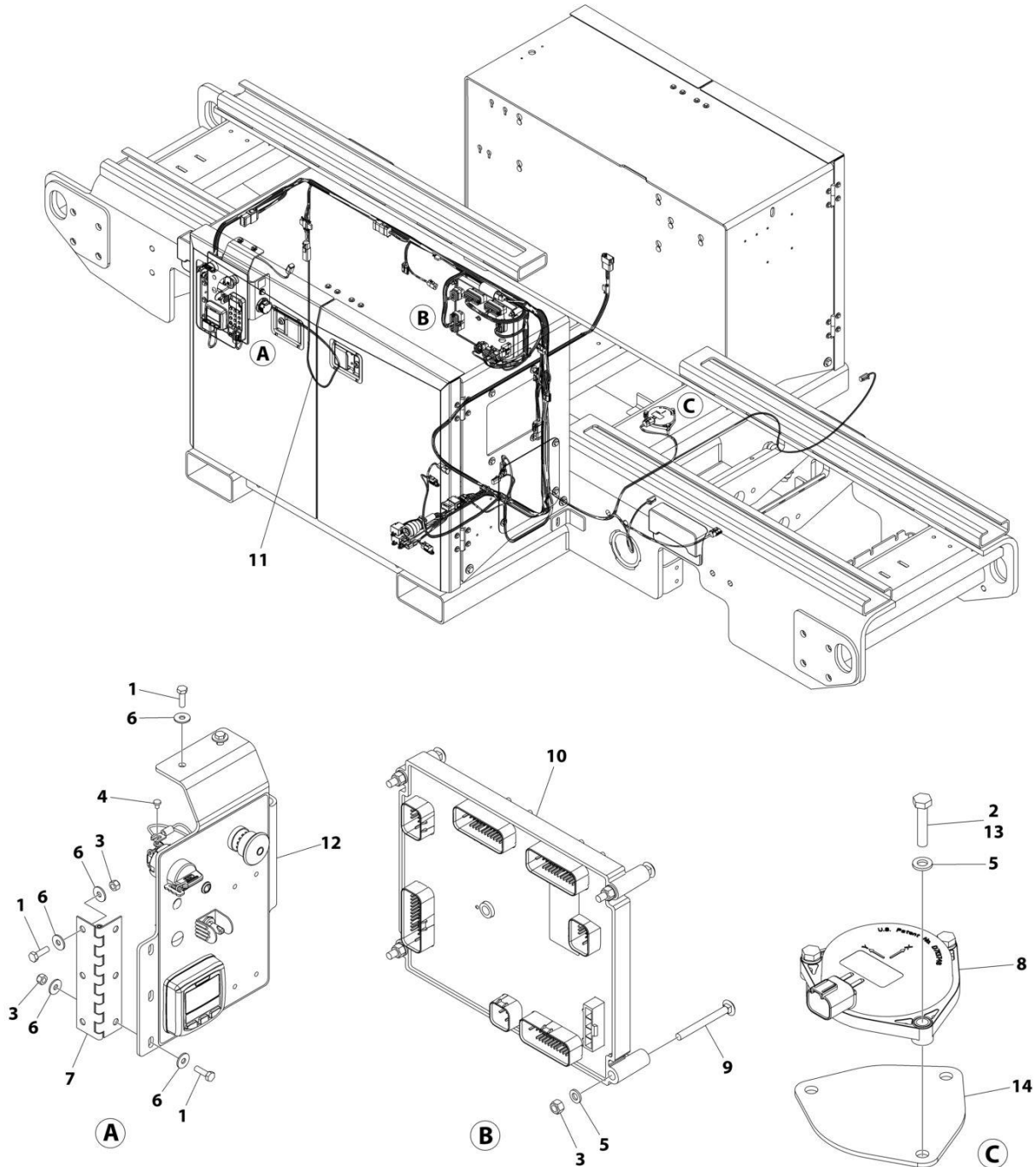
## SECTION 2 - GROUND CONTROLS

**FIGURE 2-13. GROUND CONTROL PANEL INSTALLATION (Prior to SN M200059848, Including M200060511)**

ITEM	PART NUMBER	QTY	DESCRIPTION	REV
	1001254548	Ref	GROUND CONTROL PANEL INSTALLATION	C
1	0760610	8	Bolt M6 x 20	
2	0760614	3	Bolt M6 x 30	
2	4010615	3	Bolt M6 x 35	
3	3290605	10	Nut M6	
4	4010403	3	Screw M4 x 6	
5	4811700	7	Washer M6	
6	4811702	14	Washer M6	
7	1001110188	1	Hinge	
8	1001244934	1	Sensor, Tilt	
9	1001248039	4	Bolt M6 x 60	
10	1001249777	1	Module, Ground Control (Note: Re-calibration Required when Replaced)	
11	1001254403	1	Chassis Harness (See Separate Breakdown in ELECTRICAL Section)	
12	1001257885	1	Ground Control Assembly (See Separate Breakdown in this Section)	
13	0100011	AR	Compound, Locking	
14	1001272777	1	Gasket	

## SECTION 2 - GROUND CONTROLS

FIGURE 2-14. GROUND CONTROL PANEL INSTALLATION (SN M200059848 to Present, Excluding M200060511)



ART\_1001254548\_D

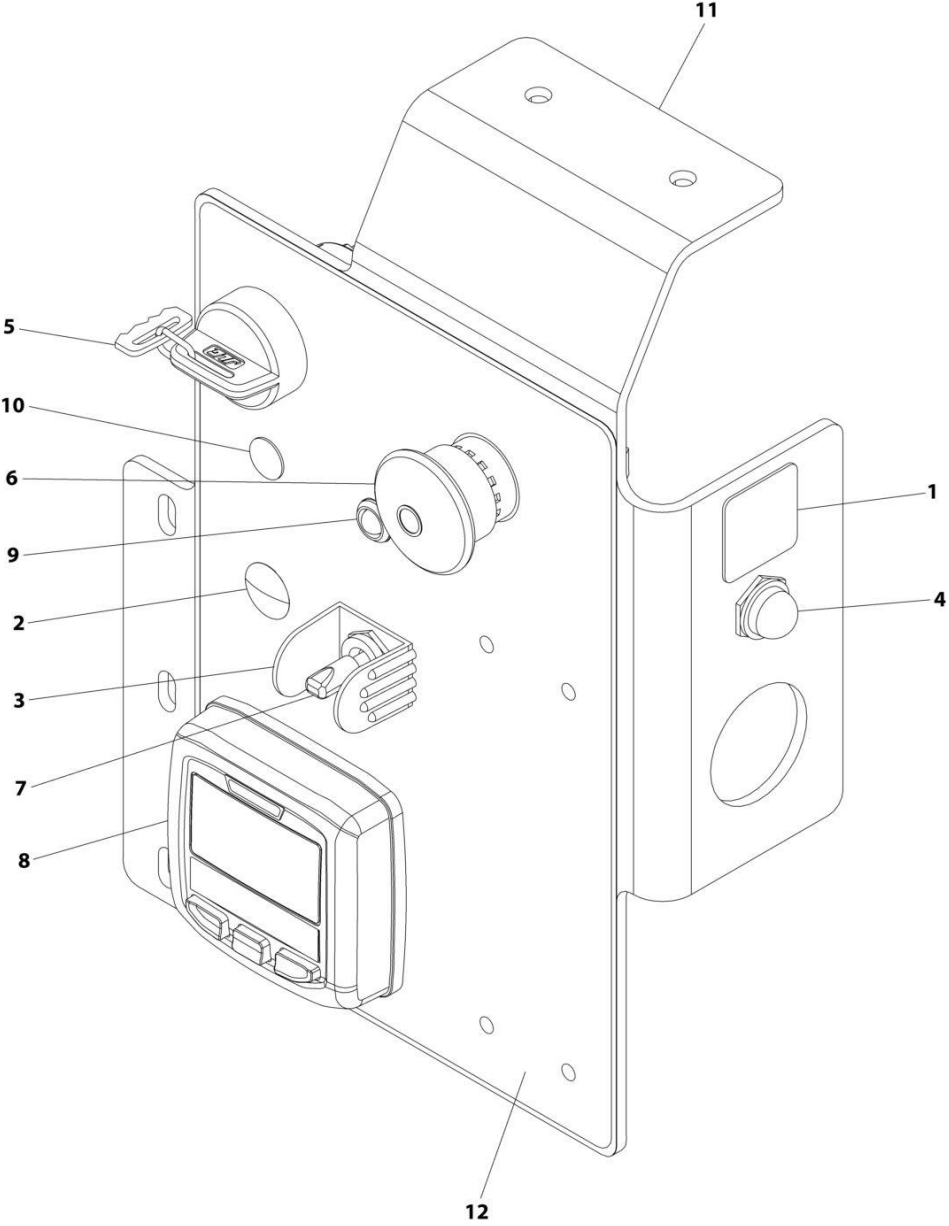
## SECTION 2 - GROUND CONTROLS

**FIGURE 2-14. GROUND CONTROL PANEL INSTALLATION (SN M200059848 to Present, Excluding M200060511)**

ITEM	PART NUMBER	QTY	DESCRIPTION	REV
	1001254548	Ref	GROUND CONTROL PANEL INSTALLATION	D
1	0760610	8	Bolt M6 x 20	
2	0760614	3	Bolt M6 x 30	
2	4010615	3	Bolt M6 x 35	
3	3290605	10	Nut M6	
4	4010403	3	Screw M4 x 6	
5	4811700	7	Washer M6	
6	4811702	14	Washer M6	
7	1001110188	1	Hinge	
8	1001244934	1	Sensor, Tilt	
9	1001248039	4	Bolt M6 x 60	
10	1001249777	1	Module, Ground Control (Note: Re-calibration Required when Replaced)	
	1001282345	1	Chassis Harness (See Separate Breakdown in ELECTRICAL Section)	
12	1001257885	1	Ground Control Assembly (See Separate Breakdown in this Section)	
13	0100011	AR	Compound, Locking	
14	1001272777	1	Gasket	

# SECTION 2 - GROUND CONTROLS

FIGURE 2-15. GROUND CONTROL ASSEMBLY



ART\_1001257885

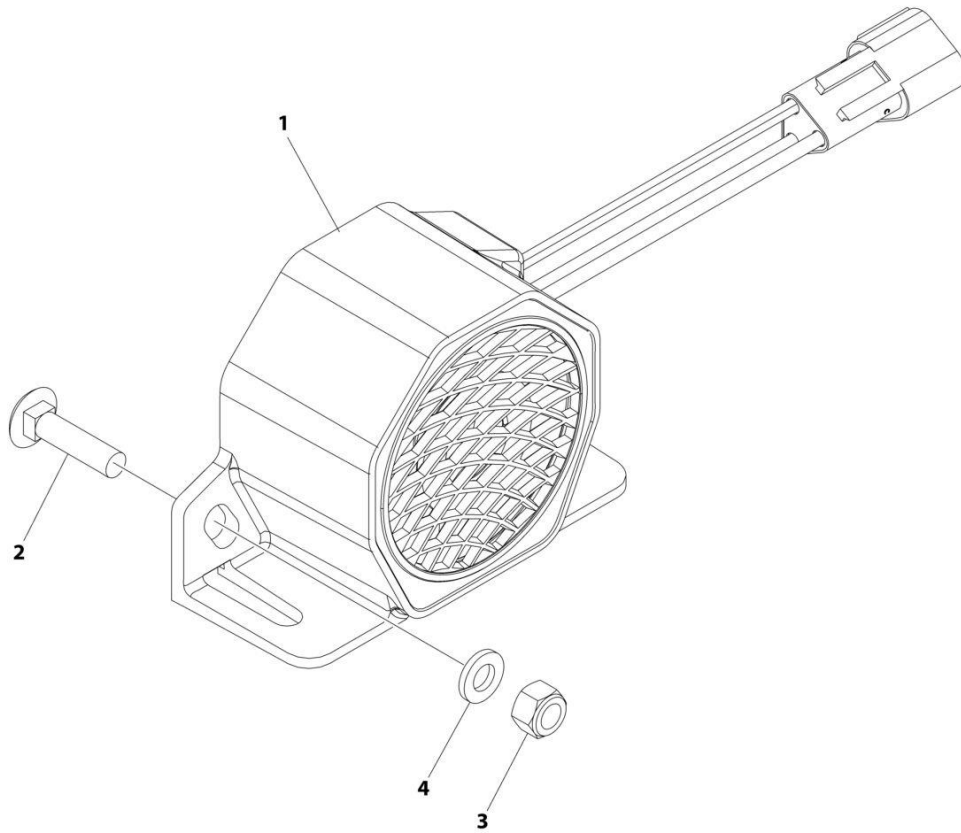
## SECTION 2 - GROUND CONTROLS

**FIGURE 2-15. GROUND CONTROL ASSEMBLY**

ITEM	PART NUMBER	QTY	DESCRIPTION	REV
	1001257885	Ref	GROUND CONTROL ASSEMBLY	D
1	1706679	1	Decal - Brake Release	
2	3520026	1	Plug	
3	4060802	1	Guard, Switch	
4	4360387	1	Switch, Push Button	
5	4360469	1	Switch, Key	
5	2860030	1Set	Key, Replacement	
6	1001274559	1	Switch, Emergency Stop (Plastic)	
6	4360475	1	Switch, Emergency Stop (Metal)	
6	7020175	1	Cap	
6	7020176	1	Block, Contact	
7	4360524	1	Switch, Toggle	
8	1001171482	1	Gauge, Display	
9	1001182680	1	Light, LED	
10	1001226421	1	Plug	
11	1001257884	1	Bracket	
11	1001258920	1	Decal - Ground Control	

## SECTION 2 - GROUND CONTROLS

FIGURE 2-16. ALARM INSTALLATION (HORN)



ART\_1001250678



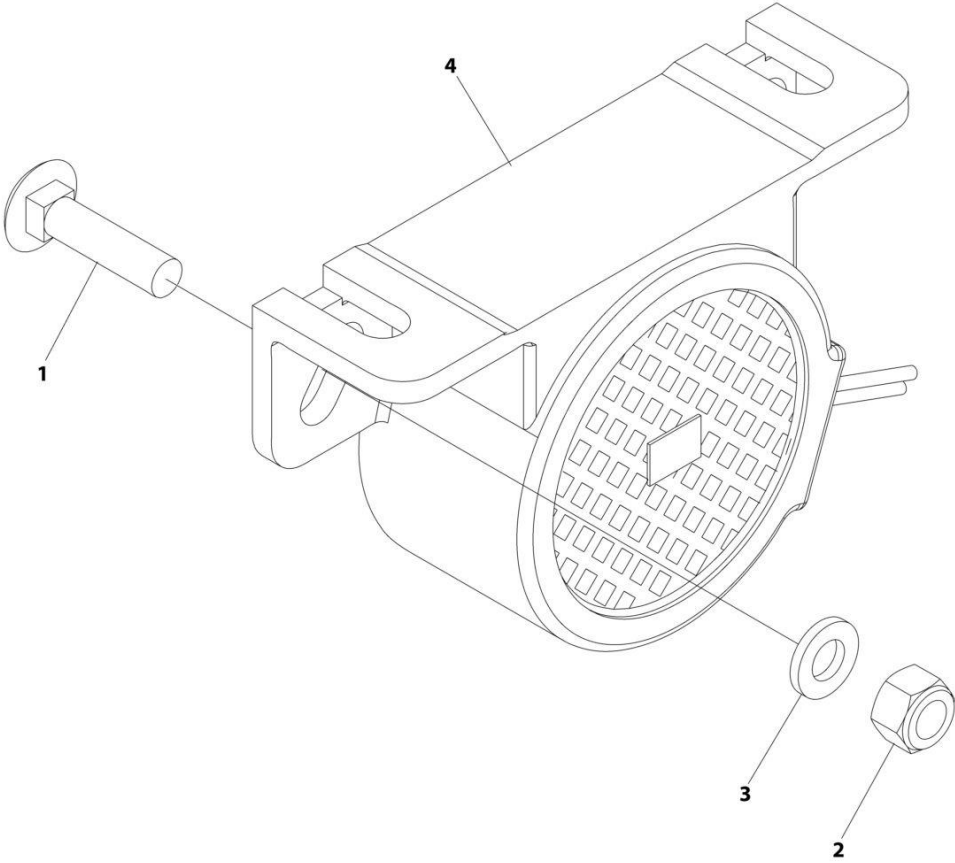
## SECTION 2 - GROUND CONTROLS

FIGURE 2-16. ALARM INSTALLATION (HORN)

ITEM	PART NUMBER	QTY	DESCRIPTION	REV
	1001250678	Ref	ALARM INSTALLATION	C
1	0140043	1	Alarm	
2	0630587	2	Bolt M6 x 25	
3	3290605	2	Nut M6	
4	4811700	2	Washer M6	

**SECTION 2 - GROUND CONTROLS**

**FIGURE 2-17. ALARM INSTALLATION (WHITE NOISE)**



ART\_1001249309

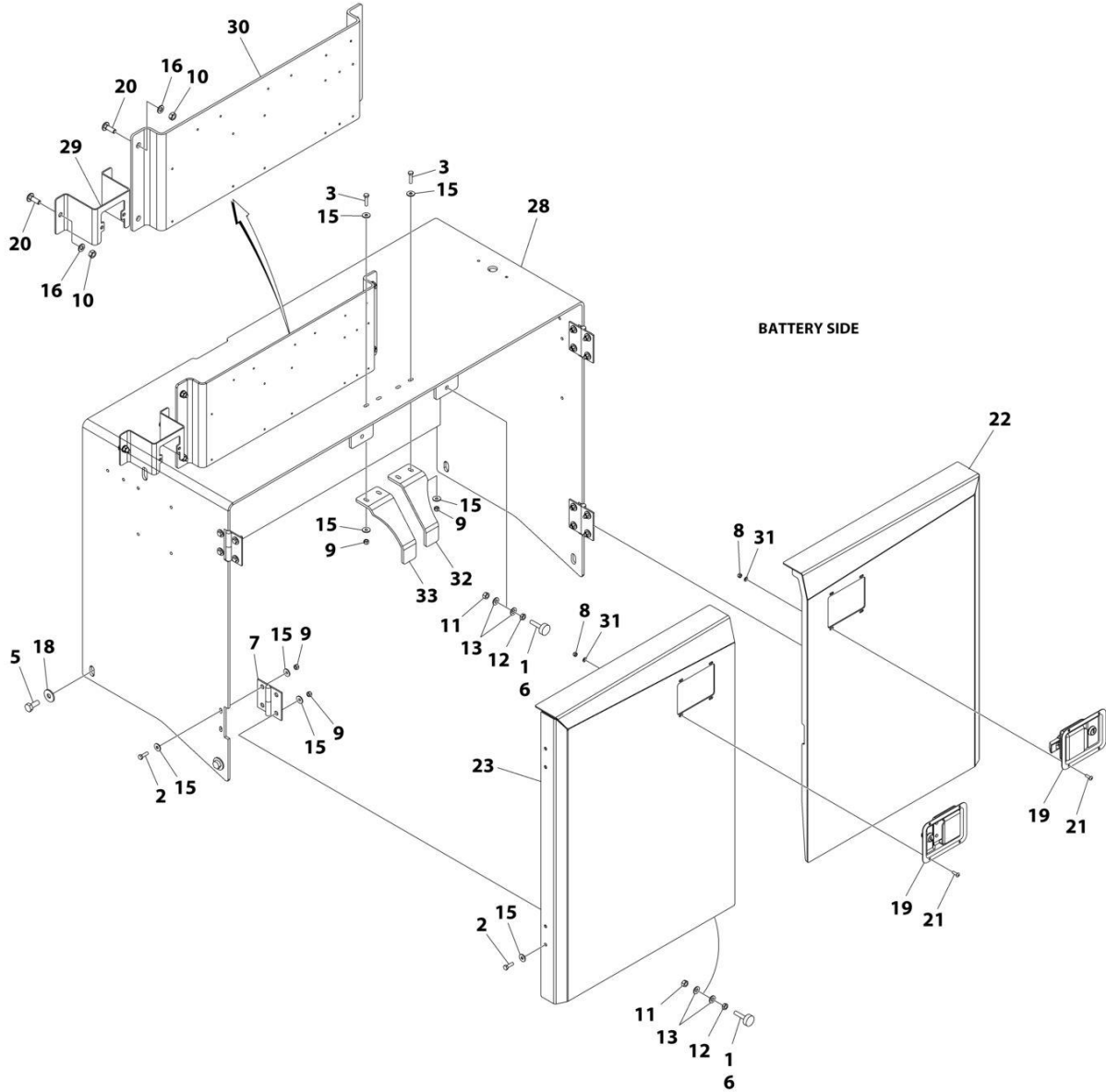
## SECTION 2 - GROUND CONTROLS

### FIGURE 2-17. ALARM INSTALLATION (WHITE NOISE)

ITEM	PART NUMBER	QTY	DESCRIPTION	REV
	1001249309	Ref	ALARM INSTALLATION	C
1	0630587	2	Bolt M6 x 25	
2	3290605	2	Nut M6	
3	4811700	2	Washer M6	
4	1001184682	1	Alarm	
4	4460897	1	Receptacle, Female - 2 Position	
4	4460464	2	Pin, Male	

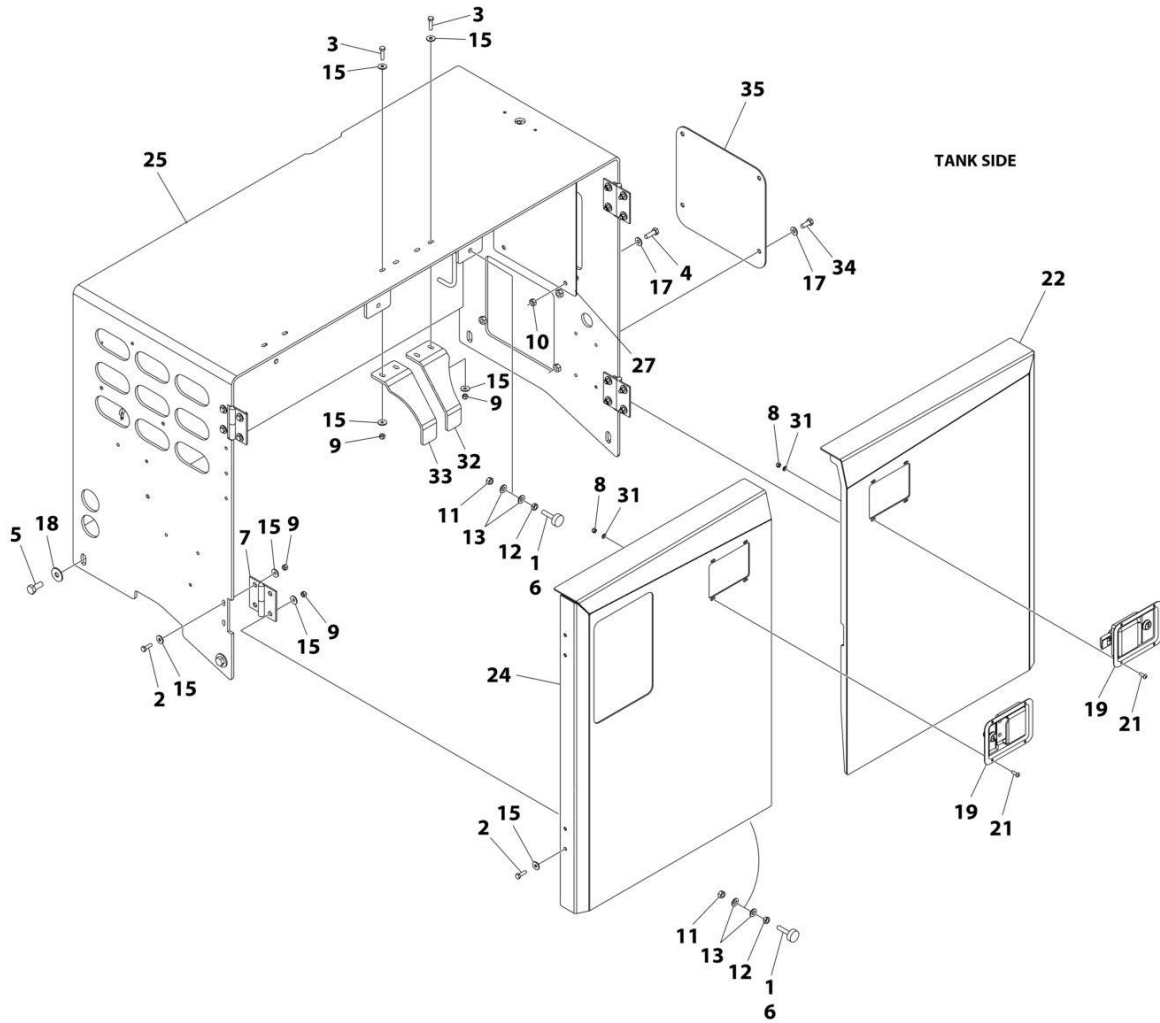
# SECTION 2 - GROUND CONTROLS

## FIGURE 2-18. HOODS INSTALLATION



ART\_1001254827\_1OF2

# SECTION 2 - GROUND CONTROLS



ART\_1001254827\_20F2

## SECTION 2 - GROUND CONTROLS

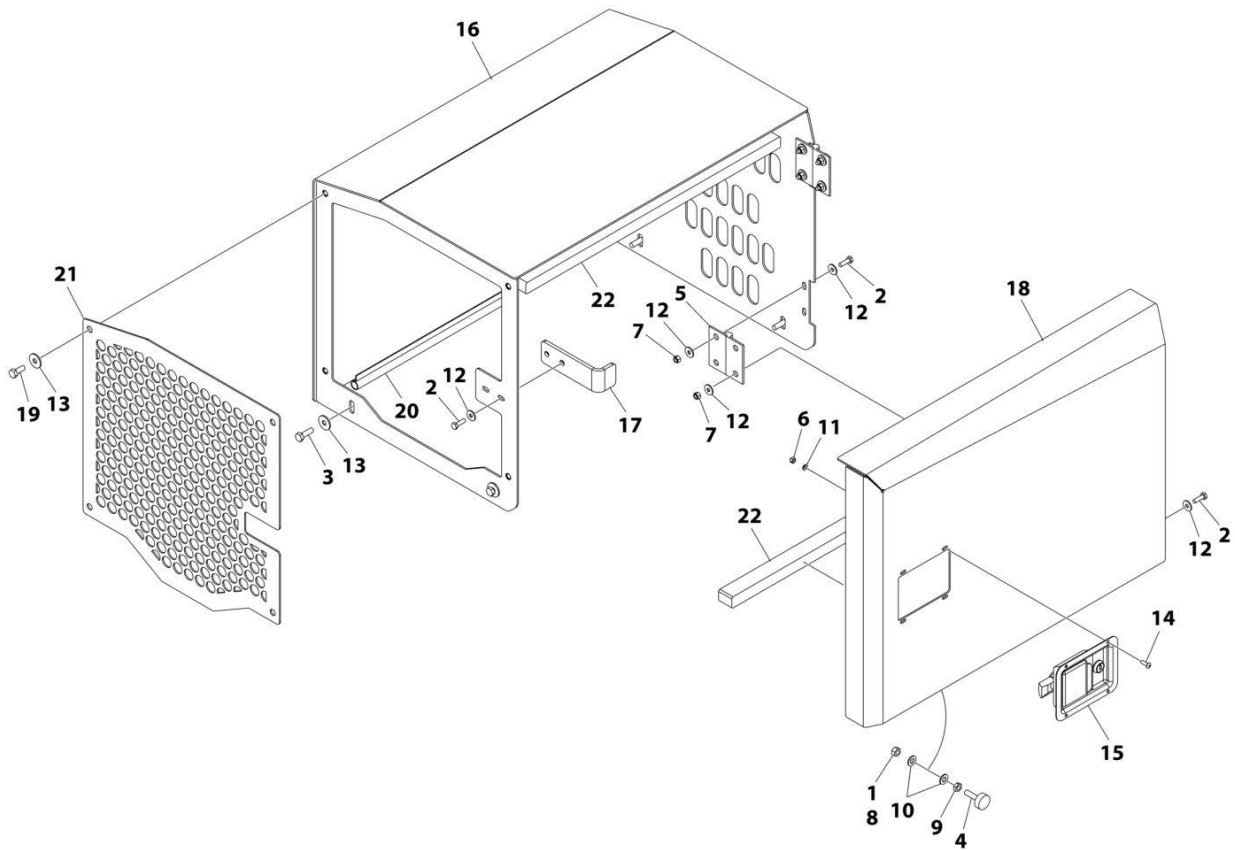
FIGURE 2-18. HOODS INSTALLATION

ITEM	PART NUMBER	QTY	DESCRIPTION	REV
	1001254827	Ref	HOODS INSTALLATION	E
1	0100011	AR	Compound, Locking	
2	0760610	32	Bolt M6 x 20	
3	0760612	8	Bolt M6 x 25	
4	0770812	4	Bolt M8 x 25	
5	0761012	8	Bolt M10 x 25	
6	1001260334	8	Bumper	
7	2600216	8	Hinge	
8	3290505	16	Nut M5	
9	3290605	40	Nut M6	
10	3290801	10	Nut M8	
11	3311501	8	Nut 5/16	
12	3311502	8	Nut 5/16	
13	4711500	16	Washer 5/16	
15	4811702	80	Washer M6	
16	4811900	6	Washer M8	
17	4811902	12	Washer M8	
18	4812002	8	Washer M10	
19	1001257454	4	Latch, Lock	
20	1001218448	6	Bolt	
21	1001234348	16	Screw M5 x 16 Grade 10.9	
22	1001247637	2	Door (Hydraulic Side RH/Engine Side RH)	
23	1001247638	1	Door (Engine Side LH)	
24	1001247639	1	Door (Hydraulic Side LH)	
25	1001248043	1	Shield (Hydraulic Side)	
27	1001248162	1	Cover	
28	1001255815	1	Cover, Battery	
29	1001256372	1	Bracket	
30	1001256373	1	Bracket	
31	4811600	16	Washer M5	
32	1001257688	2	Bracket, Striker	
33	1001257689	2	Bracket, Striker	
34	0760810	4	Bolt M8 x 20	
35	1001263930	1	Cover	



## SECTION 2 - GROUND CONTROLS

**FIGURE 2-19. HOODS INSTALLATION - KUBOTA ENGINE (GENSET) (Prior to SN M200064815, Including M200065005, M200066368, M200067007, M200067685, M200067686, M200068189, M200068190 and M200068862)**



ART\_1001259033



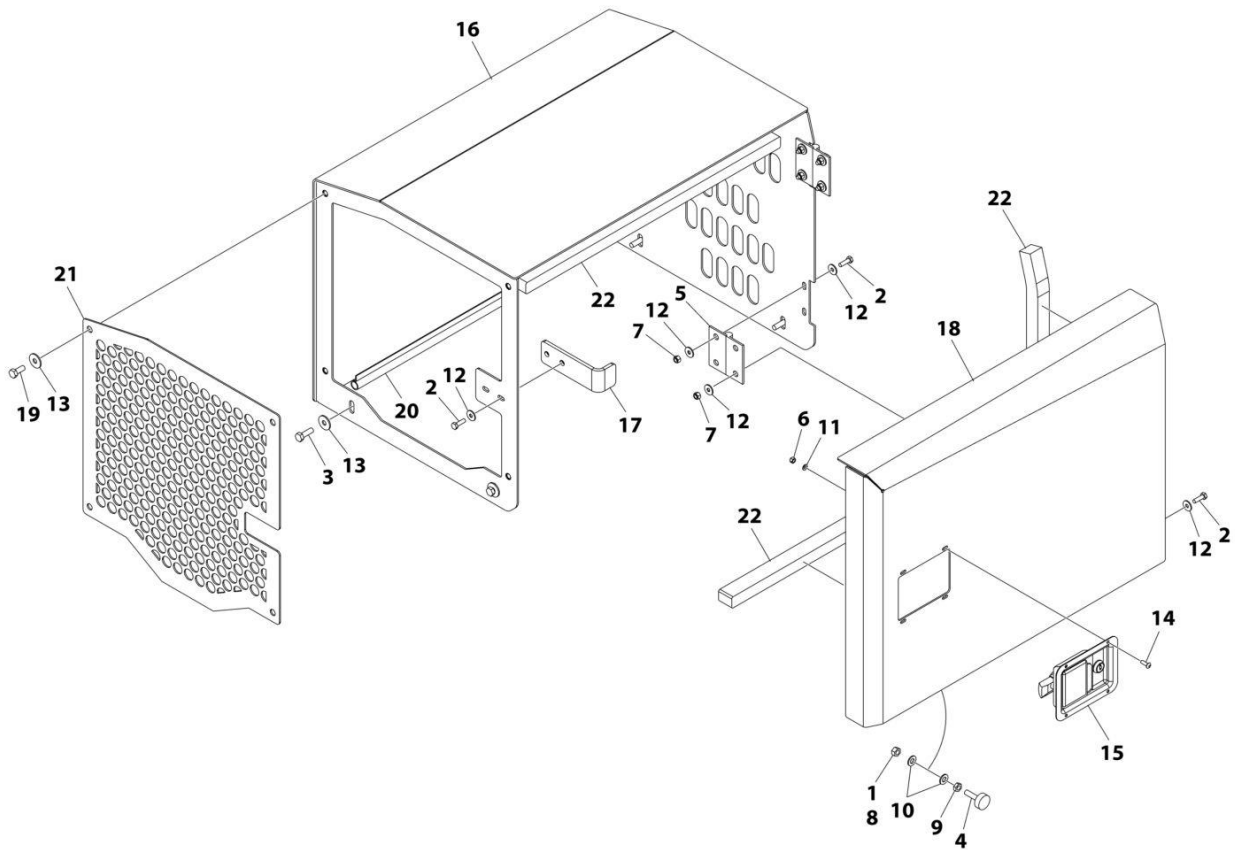
## SECTION 2 - GROUND CONTROLS

**FIGURE 2-19. HOODS INSTALLATION - KUBOTA ENGINE (GENSET) (Prior to SN M200064815, Including M200065005, M200066368, M200067007, M200067685, M200067686, M200068189, M200068190 and M200068862)**

ITEM	PART NUMBER	QTY	DESCRIPTION	REV
	1001259033	Ref	HOODS INSTALLATION	C
1	0100011	AR	Compound, Locking	
2	0760610	10	Bolt M6 x 20	
3	0770812	4	Bolt M8 x 25	
4	0940049	1	Stopper	
5	2600216	2	Hinge	
6	3290505	4	Nut M5	
7	3290605	8	Nut M6	
8	3311501	1	Nut 5/16	
9	3311502	1	Nut 5/16	
10	4711500	2	Washer 5/16	
11	4811600	4	Washer M5	
12	4811702	18	Washer M6	
13	4811902	8	Washer M8	
14	1001234348	4	Screw M5 x 16 Grade 10.9	
15	1001257454	1	Latch, Lock	
16	1001290343	1	Panel	
17	1001258870	1	Bracket	
18	1001290351	1	Door	
19	0760810	4	Bolt M8 x 20	
20	3960389	1.8 ft /0.57m	Seal	
21	1001290310	1	Plate	
22	1001291027	2	Seal	

## SECTION 2 - GROUND CONTROLS

**FIGURE 2-20. HOODS INSTALLATION - KUBOTA ENGINE (GENSET) (SN M200064815 to Present, Excluding M200065005, M200066368, M200067007, M200067685, M200067686, M200068189, M200068190 and M200068862)**



ART\_1001259033\_D

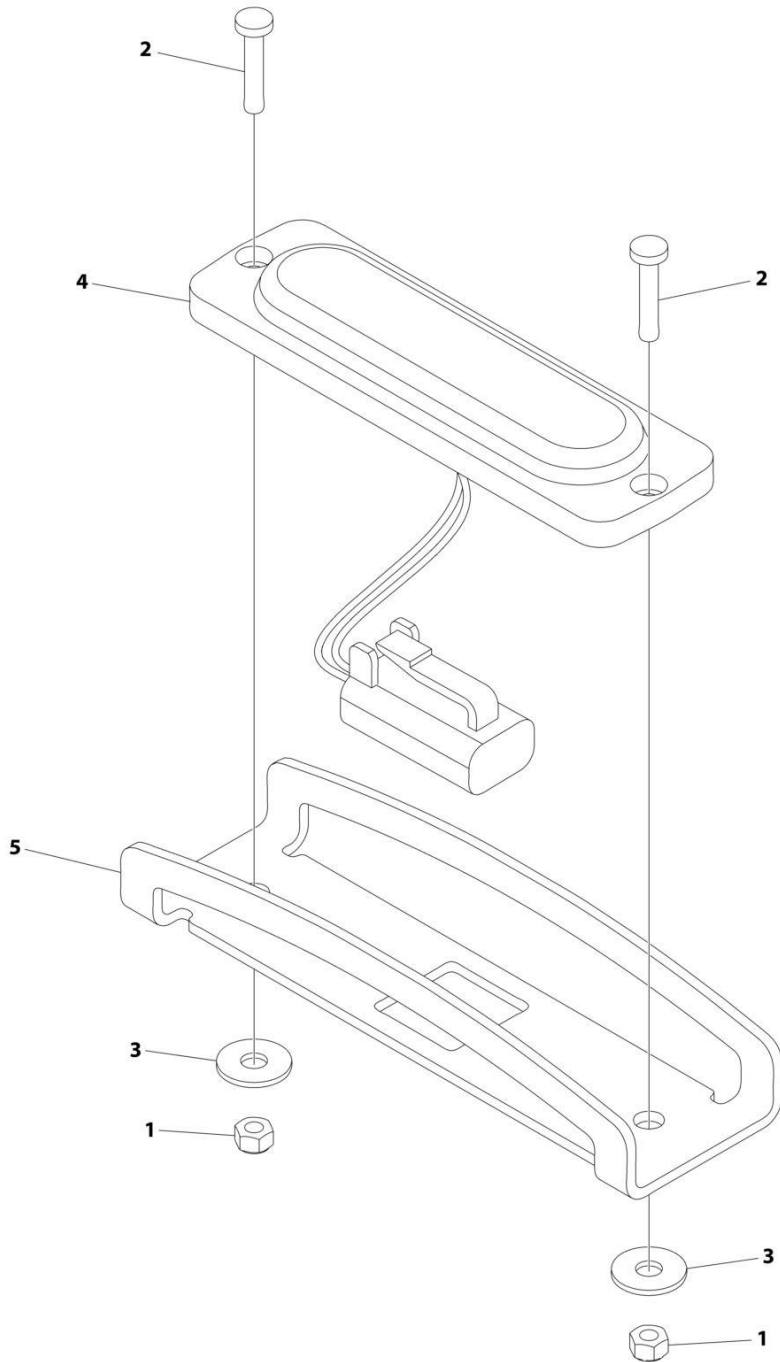
## SECTION 2 - GROUND CONTROLS

**FIGURE 2-20. HOODS INSTALLATION - KUBOTA ENGINE (GENSET) (SN M200064815 to Present,  
Excluding M200065005, M200066368, M200067007, M200067685, M200067686, M200068189,  
M200068190 and M200068862)**

ITEM	PART NUMBER	QTY	DESCRIPTION	REV
	1001259033	Ref	HOODS INSTALLATION	D
1	0100011	AR	Compound, Locking	
2	0760610	10	Bolt M6 x 20	
3	0770812	4	Bolt M8 x 25	
4	0940049	1	Stopper	
5	2600216	2	Hinge	
6	3290505	4	Nut M5	
7	3290605	8	Nut M6	
8	3311501	1	Nut 5/16	
9	3311502	1	Nut 5/16	
10	4711500	2	Washer 5/16	
11	4811600	4	Washer M5	
12	4811702	18	Washer M6	
13	4811902	8	Washer M8	
14	1001234348	4	Screw M5 x 16 Grade 10.9	
15	1001257454	1	Latch, Lock	
16	1001293918	1	Panel	
17	1001293914	1	Bracket	
18	1001293585	1	Door	
19	0760810	4	Bolt M8 x 20	
20	3960389	1.8 ft /0.57m	Seal	
21	1001293586	1	Plate	
22	1001294774	3	Seal	

## SECTION 2 - GROUND CONTROLS

FIGURE 2-21. STROBE LIGHT INSTALLATION - SINGLE



ART\_1001249306

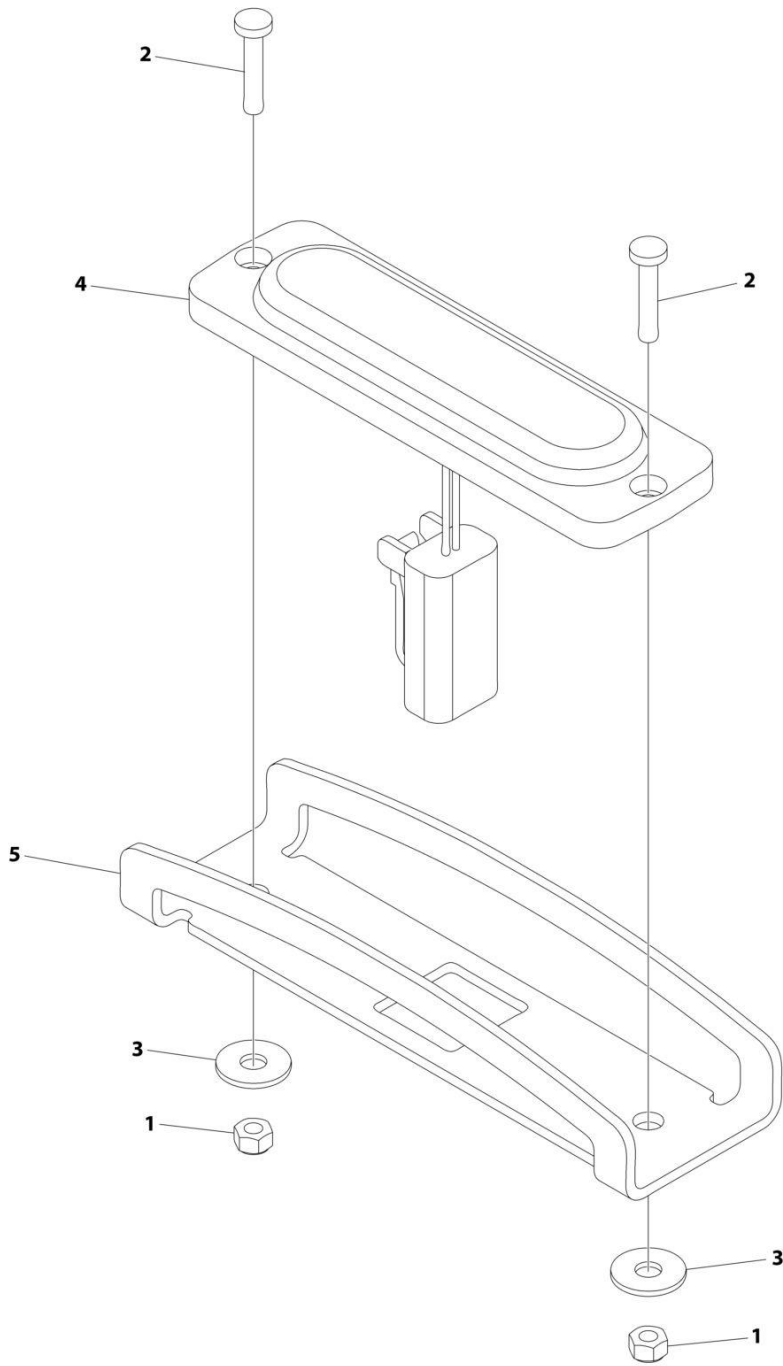
## SECTION 2 - GROUND CONTROLS

### FIGURE 2-21. STROBE LIGHT INSTALLATION - SINGLE

ITEM	PART NUMBER	QTY	DESCRIPTION	REV
	1001249306	Ref	STROBE LIGHT INSTALLATION - SINGLE	B
1	3290305	4	Nut M3	
2	4010308	4	Screw M3 x16	
3	1001091102	6	Washer M4	
4	1001239224	1	Lamp, Beacon	
4	4460891	1	Plug, Male - 2 Position	
4	4460465	2	Socket, Female	
5	1001242539	1	Guard	
6	1001263345	1	Cover, Hood (Not Shown - Located on Opposite Hood)	

# SECTION 2 - GROUND CONTROLS

## FIGURE 2-22. STROBE LIGHT INSTALLATION - DUAL



ART\_1001249307

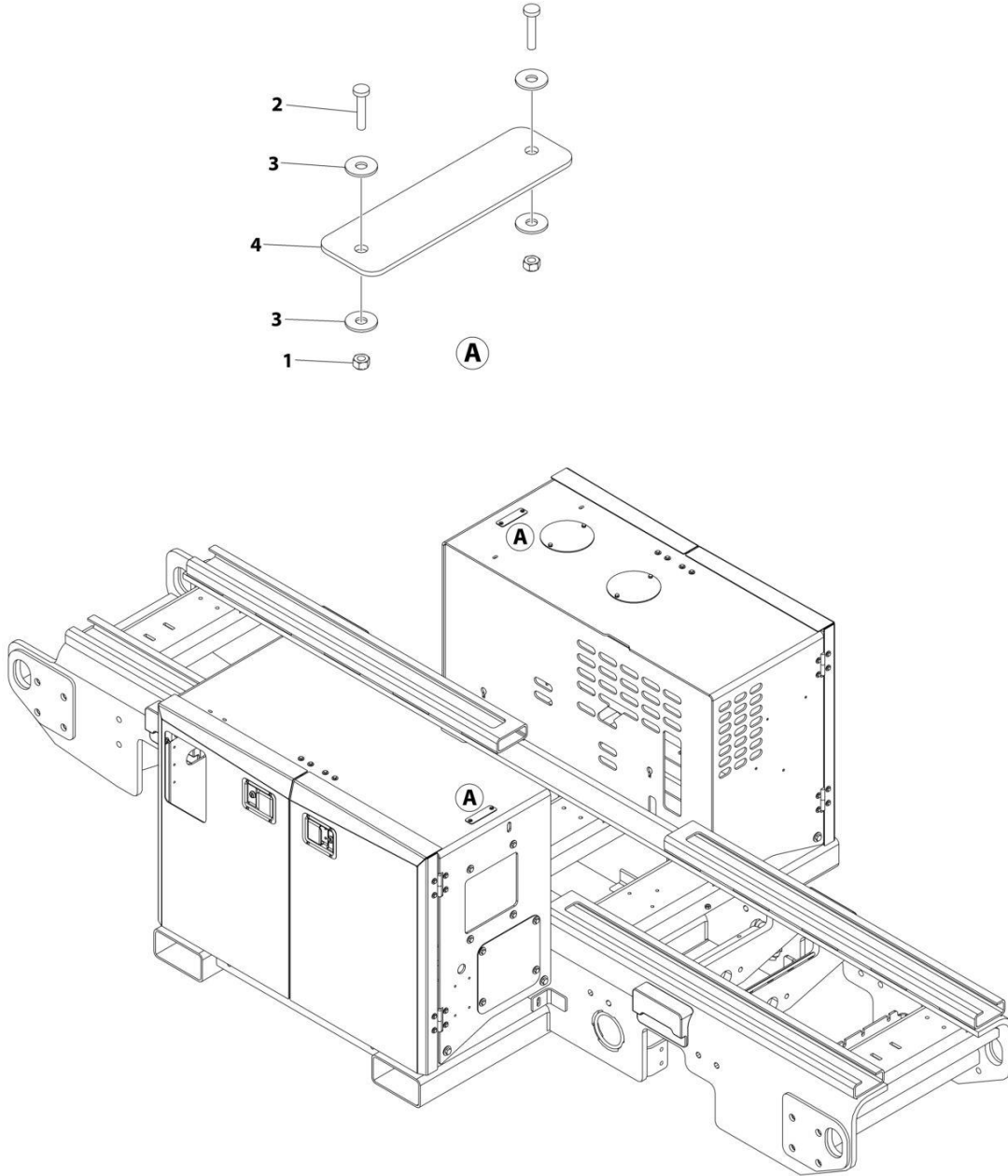
## SECTION 2 - GROUND CONTROLS

### FIGURE 2-22. STROBE LIGHT INSTALLATION - DUAL

ITEM	PART NUMBER	QTY	DESCRIPTION	REV
	1001249307	Ref	STROBE LIGHT INSTALLATION - DUAL	A
1	3290305	4	Nut M3	
2	4010308	4	Screw M3 x16	
3	1001091102	4	Washer M4	
4	1001239224	2	Lamp, Beacon	
4	4460891	1	Plug, Male - 2 Position	
4	4460465	2	Socket, Female	
5	1001242539	2	Guard	

# SECTION 2 - GROUND CONTROLS

## FIGURE 2-23. NO BEACON (COVERS)



ART\_1001267649



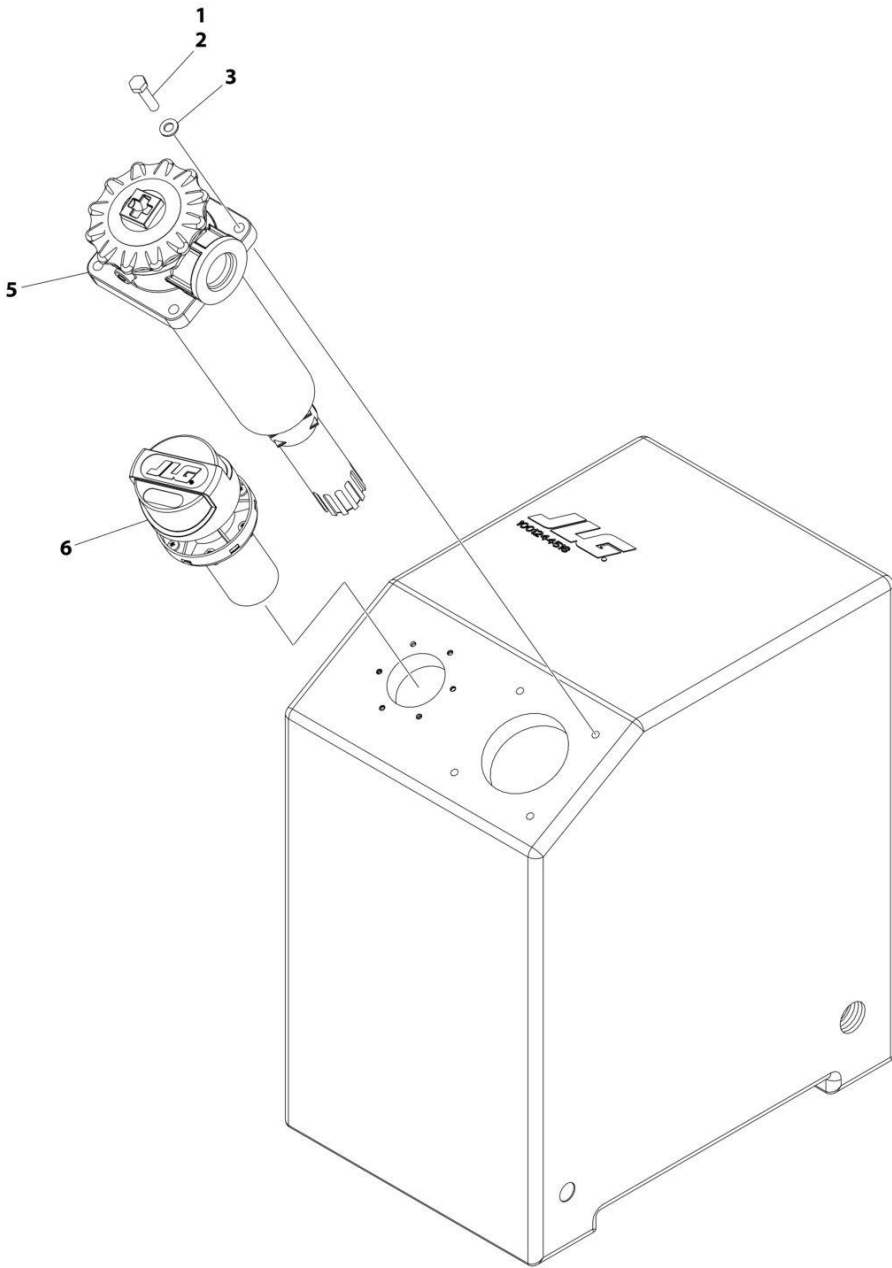
## SECTION 2 - GROUND CONTROLS

**FIGURE 2-23. NO BEACON (COVERS)**

ITEM	PART NUMBER	QTY	DESCRIPTION	REV
	1001267649	Ref	NO BEACON (COVERS)	A
1	3290305	4	Nut M3	
2	4010308	4	Screw M3 x16	
3	1001091102	8	Washer M4	
4	1001263345	2	Cover, Hood	

**SECTION 2 - GROUND CONTROLS**

**FIGURE 2-24. HYDRAULIC TANK ASSEMBLY**



ART\_1001246555

## SECTION 2 - GROUND CONTROLS

FIGURE 2-24. HYDRAULIC TANK ASSEMBLY

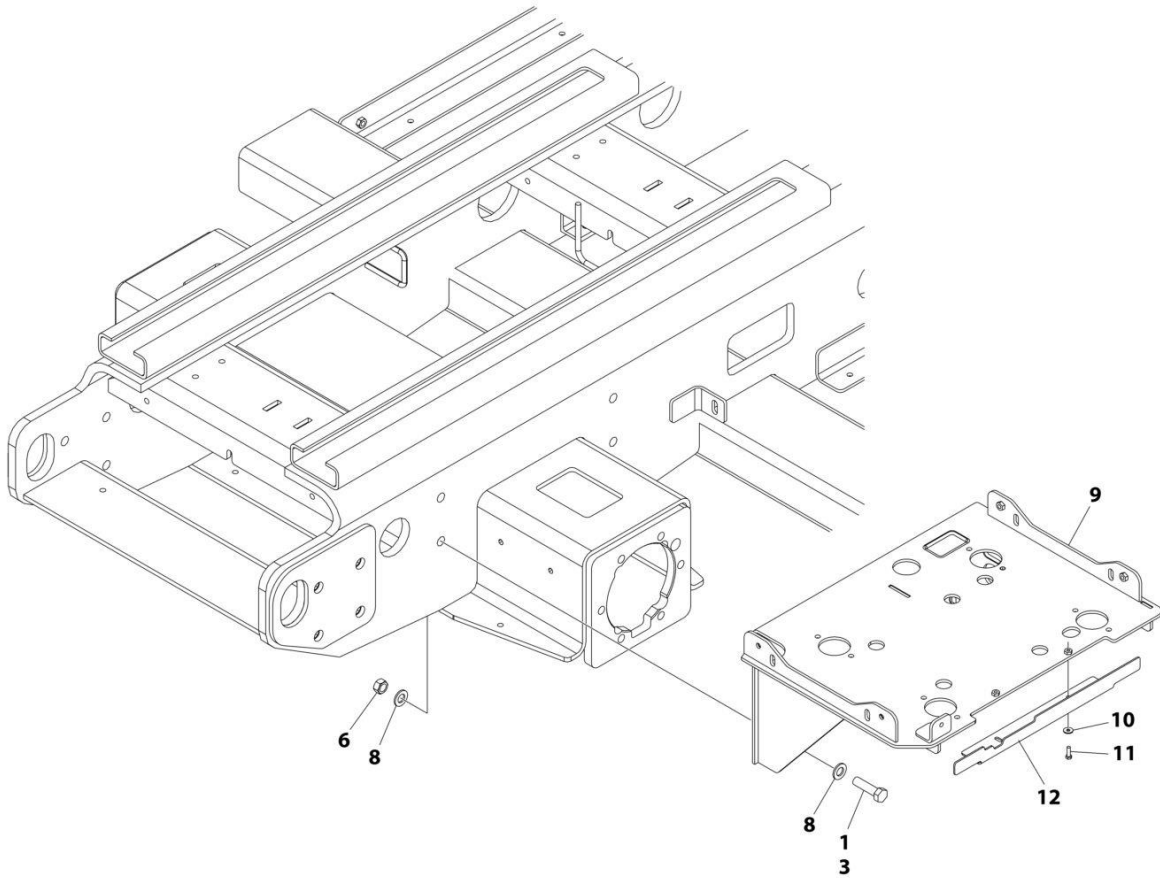
ITEM	PART NUMBER	QTY	DESCRIPTION	REV
	1001246555	Ref	TANK ASSEMBLY	D
1	0100035	AR	Compound, Locking	
2	0760815	4	Bolt M8 x 35	
3	4811900	4	Washer M8	
5	1001246553	1	Filter, Hydraulic Tank	
5	70007035	1	Element, Filter	
6	1001248371	1	Filter, Filler/Breather	



**SECTION 3 - ENGINE**

# SECTION 3 - ENGINE

## FIGURE 3-1. ENGINE MOUNTING INSTALLATION (GENSET)



ART\_1001259032

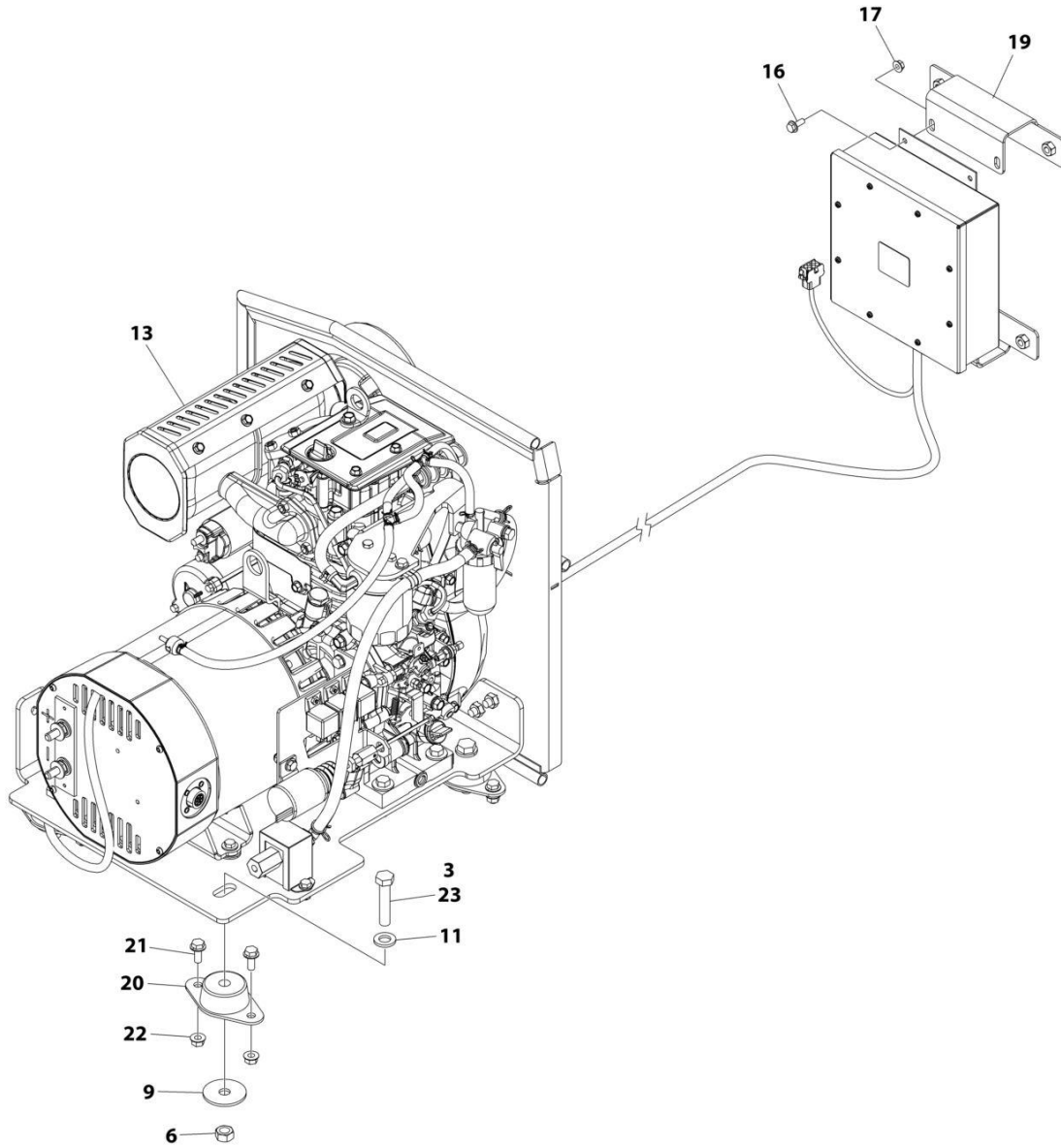
## SECTION 3 - ENGINE

### FIGURE 3-1. ENGINE MOUNTING INSTALLATION (GENSET)

ITEM	PART NUMBER	QTY	DESCRIPTION	REV
	1001259032	Ref	ENGINE INSTALLATION	C
1	0100011	AR	Compound, Locking	
3	0761620	4	Bolt M16 x 60	
6	3331611	4	Nut M16	
8	5241600	8	Washer M16	
9	1001290338	1	Bracket	
10	4811702	2	Washer M6	
11	0760610	2	Bolt M6 x 20	
12	1001290309	1	Bracket	

# SECTION 3 - ENGINE

## FIGURE 3-2. KUBOTA ENGINE INSTALLATION (GENSET)



ART\_1001259030



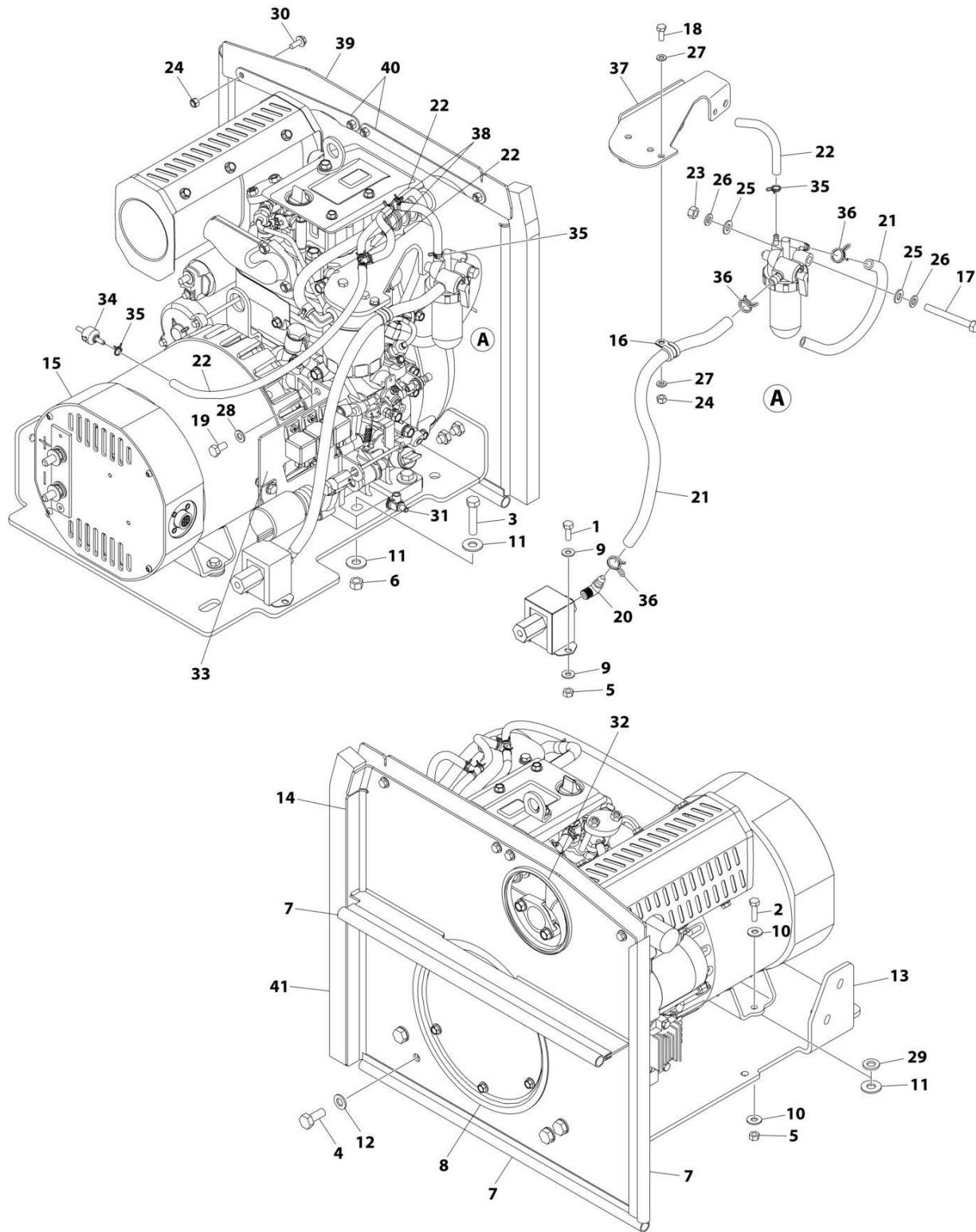
## SECTION 3 - ENGINE

### FIGURE 3-2. KUBOTA ENGINE INSTALLATION (GENSET)

ITEM	PART NUMBER	QTY	DESCRIPTION	REV
	1001259030	Ref	ENGINE INSTALLATION	D
3	0711220	4	Bolt M12 x 60	
6	3331211	4	Nut M12	
9	4740274	4	Washer	
11	5241200	4	Washer M12	
13	1001278112	1	Kubota Engine (See Separate Breakdown in this Section)	
16	5250608	4	Bolt 6 x 16	
17	5260600	4	Nut M6	
19	1001260677	2	Bracket	
20	3200425	4	Mount, Motor	
21	5250810	8	Bolt 8 x 20	
22	5260800	8	Nut M8	
23	0100011	AR	Compound, Locking	

# SECTION 3 - ENGINE

**FIGURE 3-3. KUBOTA ENGINE ASSEMBLY (GENSET) (Prior to SN M200064815, Including M200065005, M200066368, M200067007, M200067685, M200067686, M200068189, M200068190 and M200068862)**



ART\_1001278112

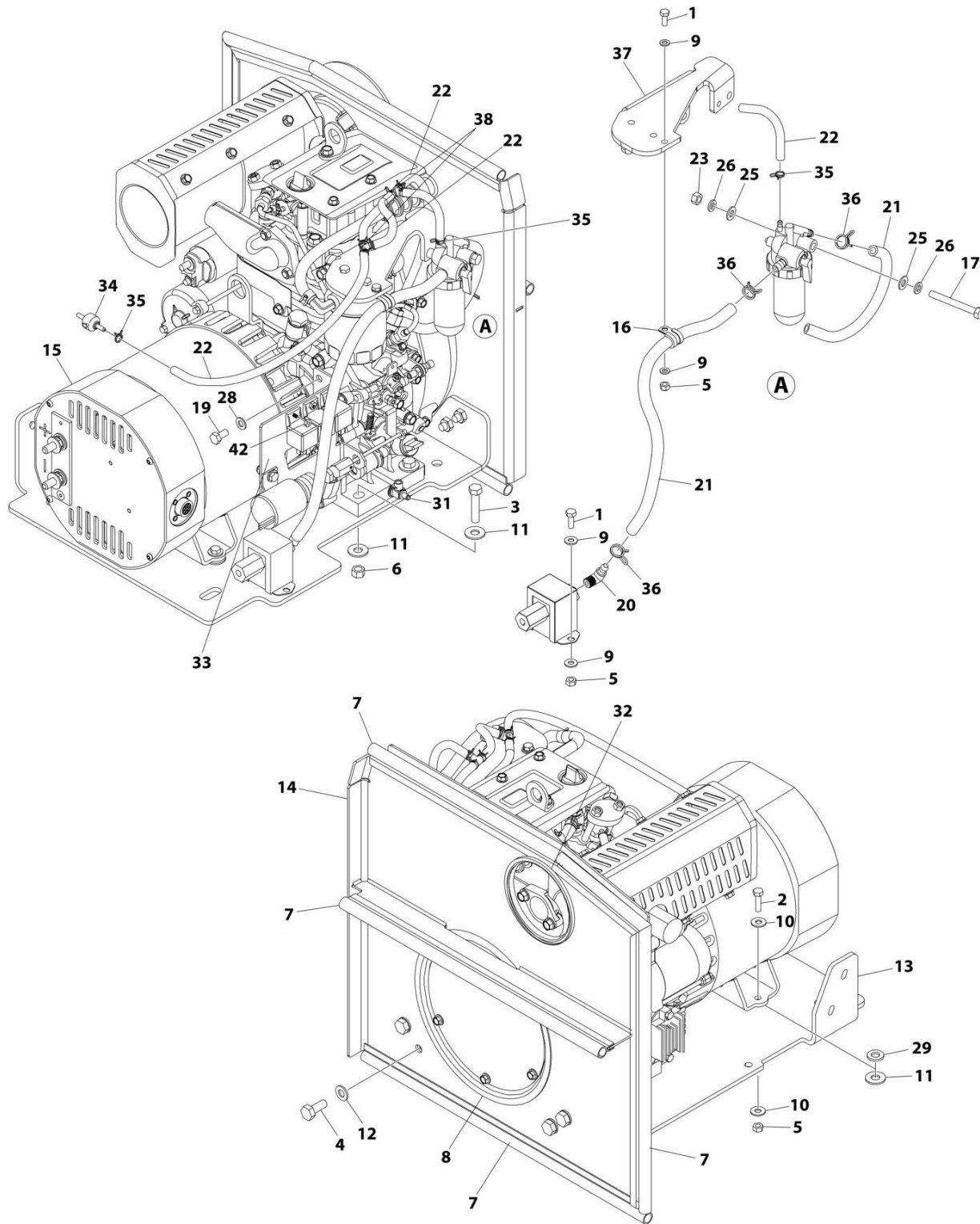
## SECTION 3 - ENGINE

**FIGURE 3-3. KUBOTA ENGINE ASSEMBLY (GENSET) (Prior to SN M200064815, Including M200065005, M200066368, M200067007, M200067685, M200067686, M200068189, M200068190 and M200068862)**

ITEM	PART NUMBER	QTY	DESCRIPTION	REV
	1001278112	Ref	ENGINE ASSEMBLY	B
1	0641406	2	Bolt 1/4 x 3/4	
2	0641408	2	Bolt 1/4x 1	
3	0641614	4	Bolt 3/8 x 1-3/4	
4	0771012	4	Bolt M10 x 25	
5	3311405	4	Nut 1/4	
6	3311605	4	Nut 3/8	
7	3960389	4.59 ft /1.4m	Seal	
8	3960418	2.29 ft /0.699m	Seal	
9	4711400	4	Washer 1/4	
10	4751400	4	Washer 1/4	
11	4751600	10	Washer 3/8	
12	4812000	4	Washer M10	
13	1001288644	1	Tray, Engine	
14	1001288385	1	Bracket	
15	1001278480	1	Kubota Motor/Generator Assembly (See Separate Breakdown in this Section)	
16	80630	1	Clamp	
17	0681522	1	Bolt 5/16 x 2-3/4	
18	0760608	1	Bolt M6 x 16	
19	0760808	2	Bolt M8 x 16	
20	2220805	1	Fitting, Barbed 90	
21	2720058	2.37 ft /0.723m	Hose	
22	2720271	3.96 ft /1.21m	Hose	
23	3271501	1	Nut 5/16	
24	3290605	5	Nut M6	
25	4711500	2	Washer 5/16	
26	4761500	2	Washer 5/16	
27	4811700	2	Washer M6	
28	4811900	2	Washer M8	
29	5241000	2	Washer M10	
30	5250608	4	Bolt 6 x 16	
31	1001161497	1	Valve, Oil Drain	
32	1001288387	1.25 ft /0.382m	Seal	
33	1001288405	1	Bracket	
34	1001288419	1	Valve	
35	1001288420	10	Clamp	
36	1001288421	4	Clamp	
37	1001288642	1	Bracket	
38	1001288851	2	Fitting, Barbed	
39	1001290307	1	Seal	
40	1001291006	2	Plate,Support	
41	1001291027	1	Seal	

# SECTION 3 - ENGINE

**FIGURE 3-4. KUBOTA ENGINE ASSEMBLY (GENSET) (SN M200064815 to Present, Excluding M200065005, M200066368, M200067007, M200067685, M200067686, M200068189, M200068190 and M200068862)**



ART\_1001278112\_C

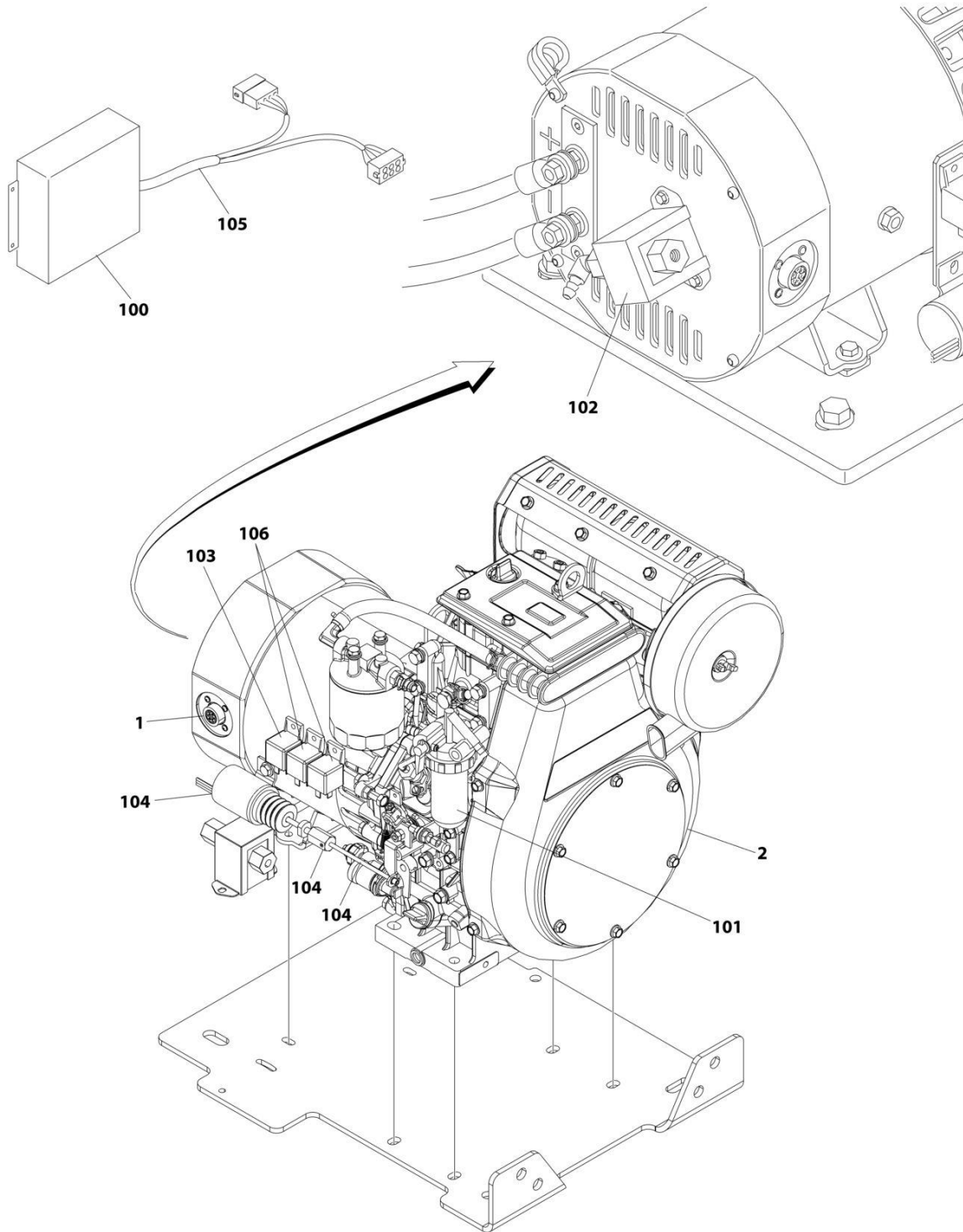
## SECTION 3 - ENGINE

**FIGURE 3-4. KUBOTA ENGINE ASSEMBLY (GENSET) (SN M200064815 to Present, Excluding M200065005, M200066368, M200067007, M200067685, M200067686, M200068189, M200068190 and M200068862)**

ITEM	PART NUMBER	QTY	DESCRIPTION	REV
	1001278112	Ref	ENGINE ASSEMBLY	C
1	0641406	3	Bolt 1/4 x 3/4	
2	0641408	2	Bolt 1/4x 1	
3	0641614	4	Bolt 3/8 x 1-3/4	
4	0681608	4	Bolt 3/8 x 1	
5	3311405	5	Nut 1/4	
6	3311605	4	Nut 3/8	
7	3960389	4.59 ft /1.4m	Seal	
8	3960418	2.29 ft /0.699m	Seal	
9	4711400	6	Washer 1/4	
10	4751400	4	Washer 1/4	
11	4751600	10	Washer 3/8	
12	4711600	4	Washer 3/8	
13	1001293686	1	Tray, Engine	
14	1001293687	1	Bracket	
15	1001278480	1	Kubota Motor/Generator Assembly (See Separate Breakdown in this Section)	
16	80630	1	Clamp	
17	0681522	1	Bolt 5/16 x 2-3/4	
19	0760808	2	Bolt M8 x 16	
20	2220805	1	Fitting, Barbed 90	
21	2720058	2.37 ft /0.723m	Hose	
22	2720271	3.96 ft /1.21m	Hose	
23	3271501	1	Nut 5/16	
25	4711500	2	Washer 5/16	
26	4761500	2	Washer 5/16	
28	4811900	2	Washer M8	
29	5241000	2	Washer M10	
31	1001161497	1	Valve, Oil Drain	
32	1001288387	1.25 ft /0.382m	Seal	
33	1001294785	1	Bracket	
34	1001288419	1	Valve	
35	1001288420	10	Clamp	
36	1001288421	4	Clamp	
37	1001293326	1	Bracket	
38	1001288851	2	Fitting, Barbed	
42	3310801	3	Nut #8	

# SECTION 3 - ENGINE

## FIGURE 3-5. KUBOTA MOTOR/GENERATOR ASSEMBLY (GENSET)



ART\_1001278480

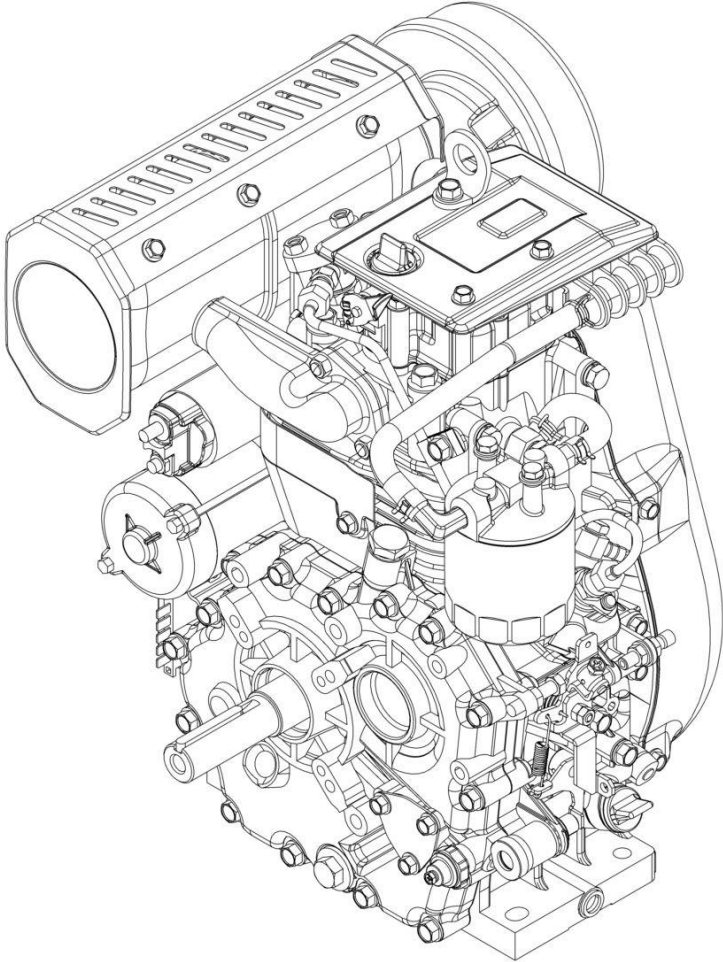
## SECTION 3 - ENGINE

### FIGURE 3-5. KUBOTA MOTOR/GENERATOR ASSEMBLY (GENSET)

ITEM	PART NUMBER	QTY	DESCRIPTION	REV
	1001278480	Ref	KUBOTA MOTOR/GENERATOR ASSEMBLY	C
1	1001288354	1	Generator	
2	1001288358	1	Engine, Kubota (See Separate Breakdown in this Section)	
100	1001280706	1	Module, Engine Control	
101	1001288364	1	Inline Fuel Check Valve Assembly	
102	1001288363	1	Pump, Fuel	
103	70000322	1	Relay	
104	70000321	1	Solenoid, Fuel	
104	70003618	1	Adapter, Solenoid	
104	70003619	1	Screw	
105	70000328	1	Harness, Generator	
106	70000323	2	Relay	

**SECTION 3 - ENGINE**

**FIGURE 3-6. KUBOTA ENGINE COMPONENTS (GENSET)**



ART\_1001288358



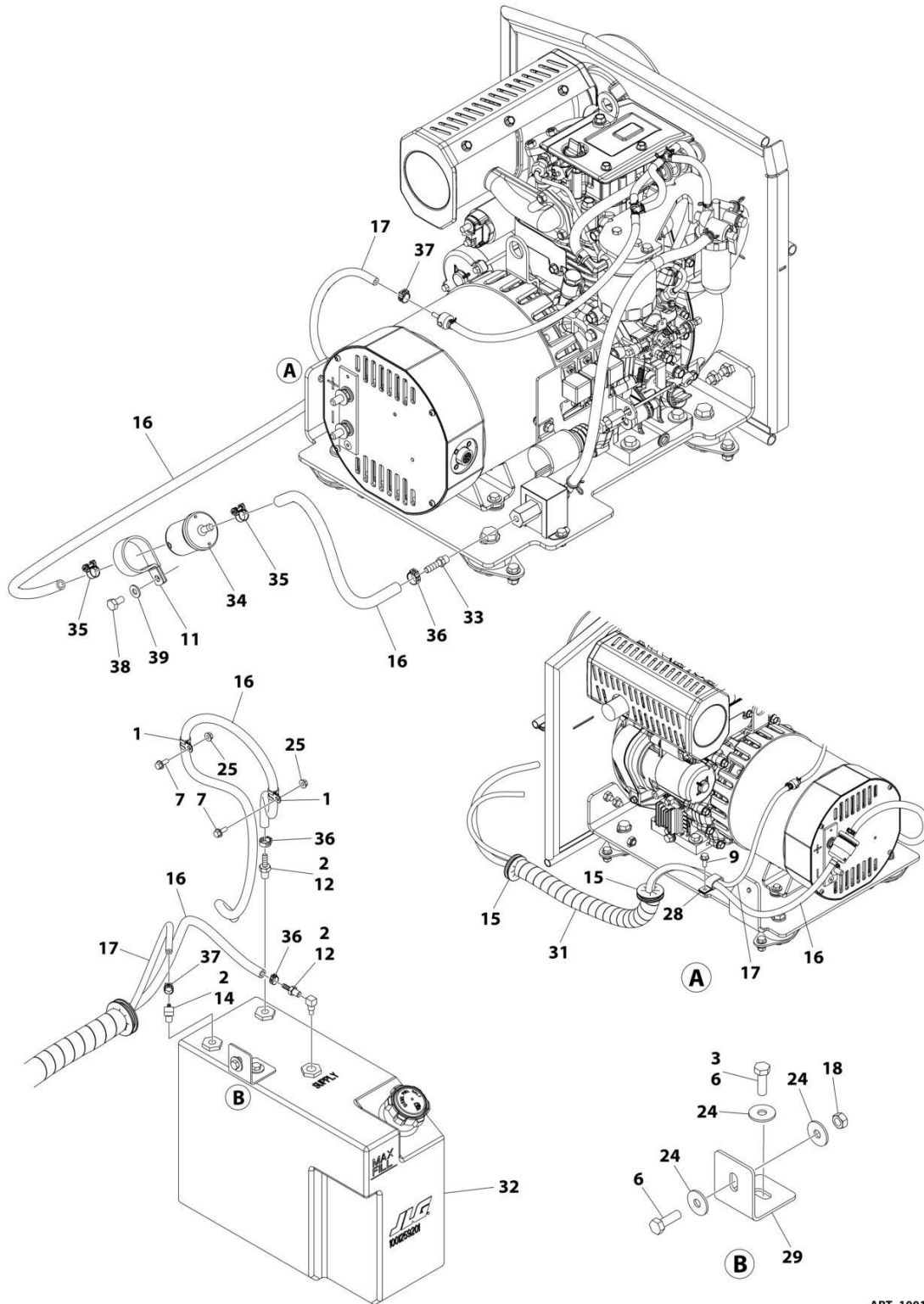
## SECTION 3 - ENGINE

**FIGURE 3-6. KUBOTA ENGINE COMPONENTS (GENSET)**

ITEM	PART NUMBER	QTY	DESCRIPTION	REV
	1001288358 See Note	Ref Ref	ENGINE, KUBOTA Note: No Service Parts Available at Time of Printing.	A

# SECTION 3 - ENGINE

## FIGURE 3-7. ENGINE FUEL LINES INSTALLATION (GENSET)



ART\_1001259031

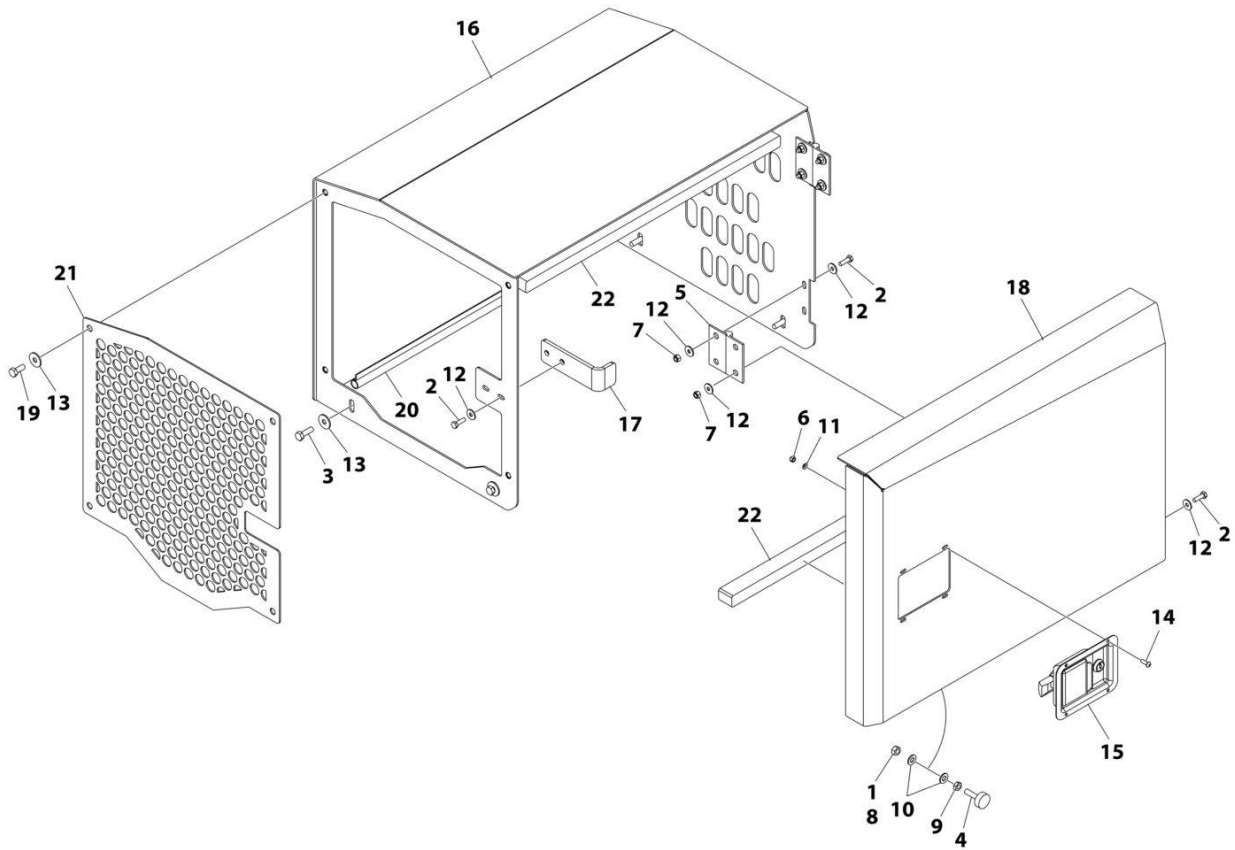
## SECTION 3 - ENGINE

**FIGURE 3-7. ENGINE FUEL LINES INSTALLATION (GENSET)**

ITEM	PART NUMBER	QTY	DESCRIPTION	REV
	1001259031	Ref	FUEL LINES INSTALLATION	D
1	80630	2	Clamp	
2	0100020	AR	Sealant	
3	0100035	AR	Compound, Locking	
6	0700812	2	Bolt M8 x 25	
7	0780608	2	Bolt M6 x 16	
9	0780810	1	Bolt M8 x 20	
11	1320265	1	Clamp	
12	2180348	2	Fitting, Barb	
14	2221047	1	Fitting, 90 Barb	
15	2540045	2	Grommet	
16	2720058	11 ft/ 3.35m	Hose	
17	2720271	4.5 ft/ 1.34m	Hose	
18	3290801	1	Nut M8	
24	4811902	3	Washer M8	
25	5260600	2	Nut M6	
28	1001026127	1	Clamp	
29	1001258837	1	Bracket	
31	1001259240	1	Shield	
32	1001262074	1	Tank Assembly	
32	1001259201	1	Tank	
32	1001193336	1	Cap, Fuel (Non-Vented)	
33	2220794	1	Fitting, Straight Barb	
34	1001255422	1	Filter/Strainer, Fuel	
35	1001174486	2	Clamp	
36	1001263657	3	Clamp	
37	1001263658	2	Clamp	
38	0641404	1	Bolt 1/4 x 1/2	
39	4711400	1	Washer 1/4	

# SECTION 3 - ENGINE

## FIGURE 3-8. ENGINE HOOD AND DOOR INSTALLATION (GENSET)



ART\_1001259033

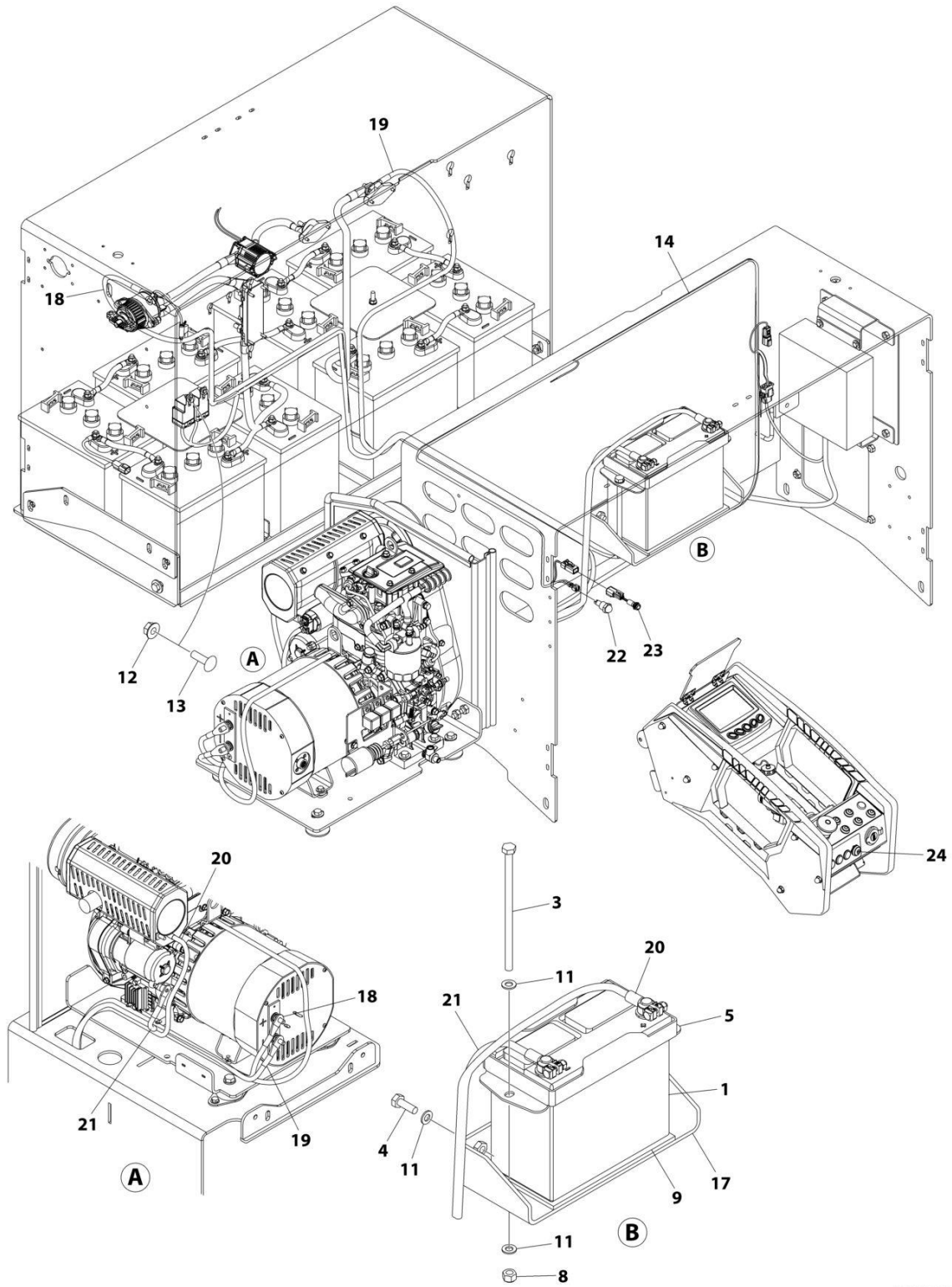
## SECTION 3 - ENGINE

**FIGURE 3-8. ENGINE HOOD AND DOOR INSTALLATION (GENSET)**

ITEM	PART NUMBER	QTY	DESCRIPTION	REV
	1001259033	Ref	HOODS INSTALLATION	C
1	0100011	AR	Compound, Locking	
2	0760610	10	Bolt M6 x 20	
3	0770812	4	Bolt M8 x 25	
4	0940049	1	Stopper	
5	2600216	2	Hinge	
6	3290505	4	Nut M5	
7	3290605	8	Nut M6	
8	3311501	1	Nut 5/16	
9	3311502	1	Nut 5/16	
10	4711500	2	Washer 5/16	
11	4811600	4	Washer M5	
12	4811702	18	Washer M6	
13	4811902	8	Washer M8	
14	1001234348	4	Screw M5 x 16 Grade 10.9	
15	1001257454	1	Latch, Lock	
16	1001290343	1	Panel	
17	1001258870	1	Bracket	
18	1001290351	1	Door	
19	0760810	4	Bolt M8 x 20	
20	3960389	1.8 ft /0.57m	Seal	
21	1001290310	1	Plate	
22	1001291027	2	Seal	

# SECTION 3 - ENGINE

## FIGURE 3-9. ENGINE ELECTRICAL INSTALLATION (GENSET)



ART\_1001259034

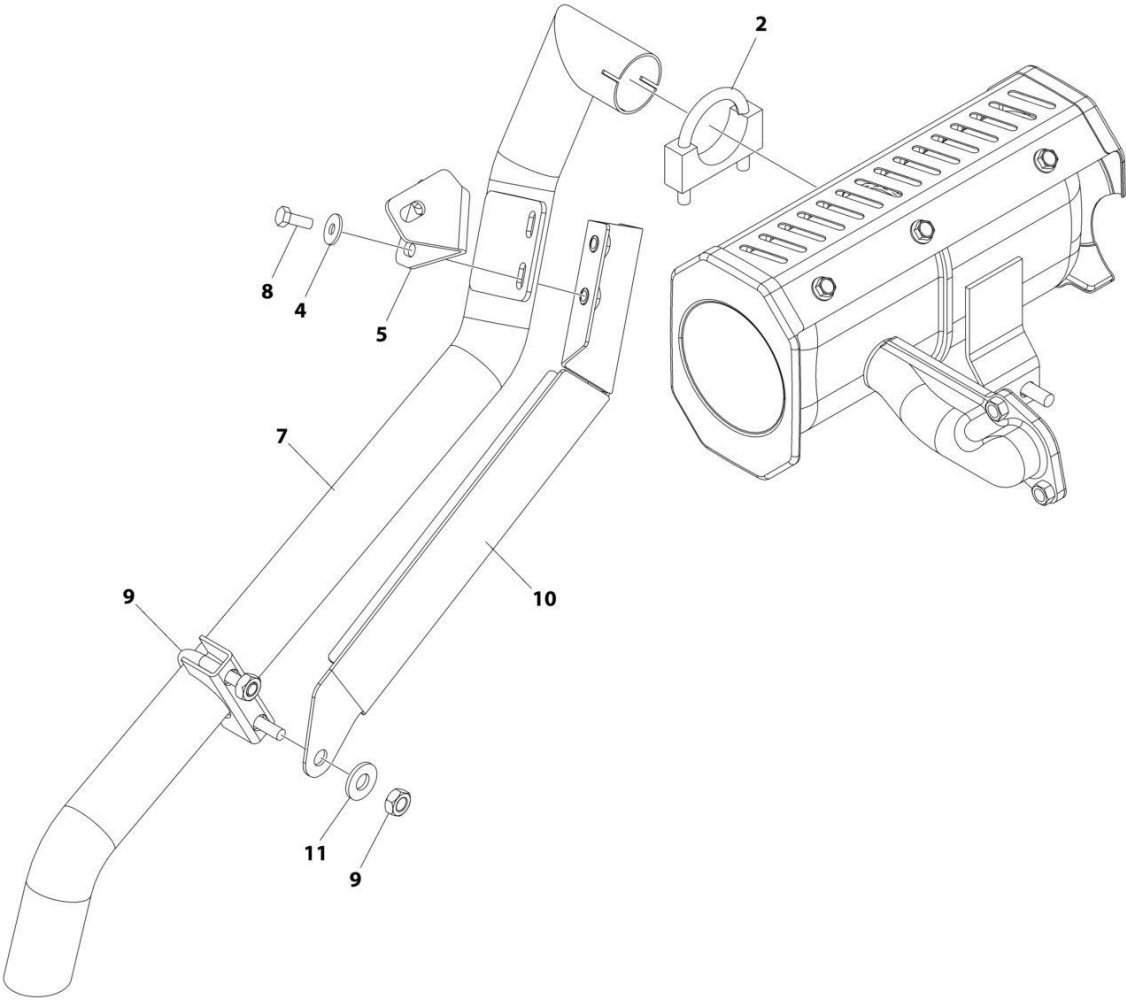
## SECTION 3 - ENGINE

**FIGURE 3-9. ENGINE ELECTRICAL INSTALLATION (GENSET)**

ITEM	PART NUMBER	QTY	DESCRIPTION	REV
	1001259034	Ref	ENGINE ELECTRICAL INSTALLATION - DIESEL	D
1	0400201	1	Battery	
3	0701037	2	Bolt M10 x 200	
4	0771014	2	Bolt M10 x 30	
5	0902659	1	Bracket, Battery	
8	3291005	2	Nut M10	
9	3980035	1	Seat, Battery	
11	4812000	6	Washer M10	
12	5260600	2	Nut M6	
13	1001100451	2	Bolt M6 x 20	
14	1001255067	1	Harness, Mechtron Genset (See Separate Breakdown in ELECTRICAL Section)	
17	1001260678	1	Bracket	
18	1001260903	1	Cable - Generator Positive	
19	1001260904	1	Cable - Generator Negative	
20	1001260952	1	Cable - Battery Positive	
21	1001260953	1	Cable - Battery Negative	
22	4360387	1	Switch, Push Button	
23	1001182680	1	Light, LED	
24	1001250684	1	Switch, Push Button (Platform Control Box)	
25	4240018	1	Tie-Strap (Not Shown)	

**SECTION 3 - ENGINE**

**FIGURE 3-10. EXHAUST INSTALLATION (GENSET)**



ART\_1001259035



## SECTION 3 - ENGINE

### FIGURE 3-10. EXHAUST INSTALLATION (GENSET)

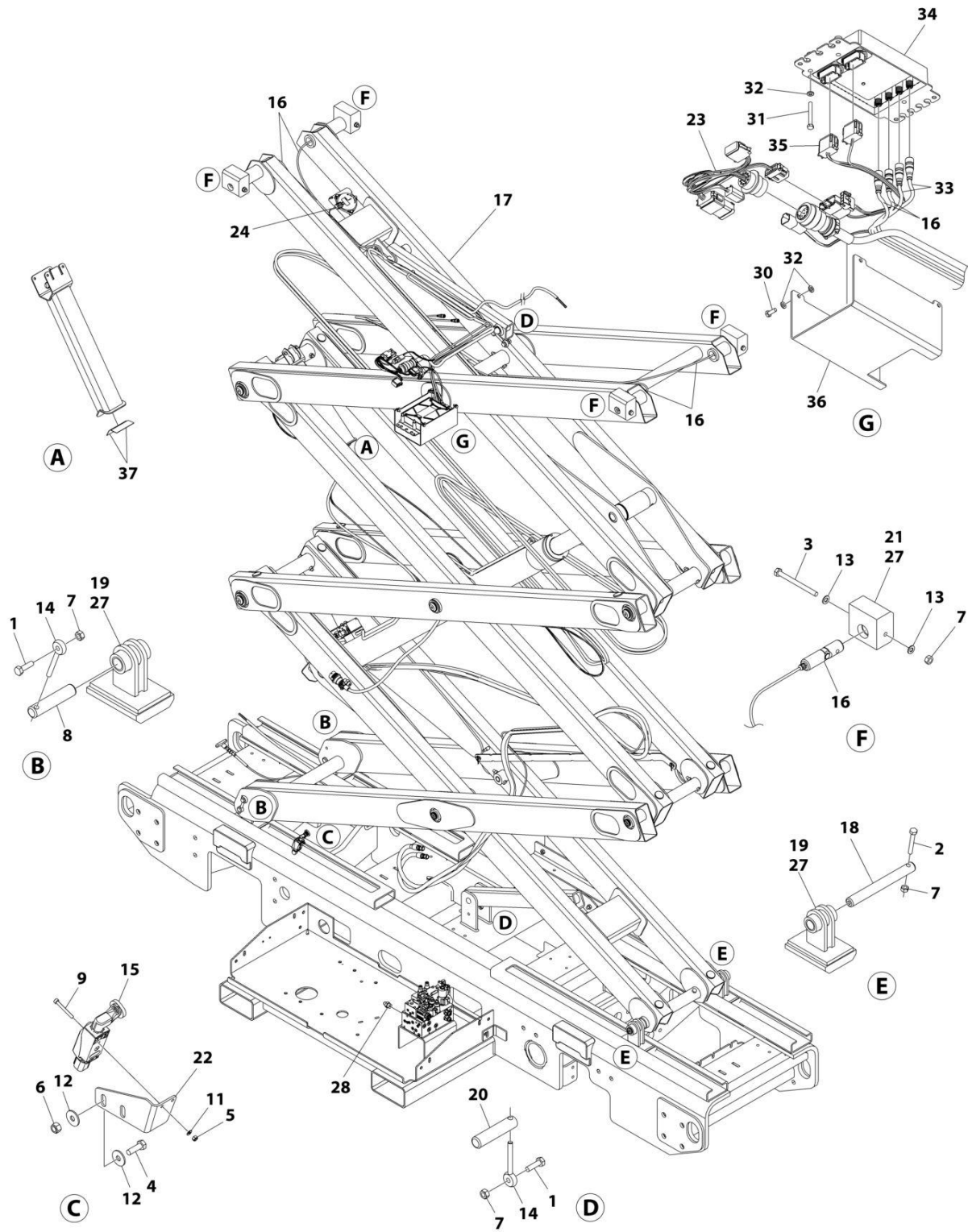
ITEM	PART NUMBER	QTY	DESCRIPTION	REV
	1001259035	Ref	EXHAUST INSTALLATION	D
2	1320135	1	Clamp	
4	4811702	2	Washer M6	
5	1001277750	1	Beacket	
7	1001290347	1	Pipe	
8	0760610	2	Bolt M6 x 20	
9	1320274	1	Clamp	
10	1001290345	1	Shield	
11	4811902	1	Washer M8	



**SECTION 4 - SCISSORS ARMS**

# SECTION 4 - SCISSORS ARMS

## FIGURE 4-1. ERT2669 ARMS INSTALLATION



ART\_1001248820

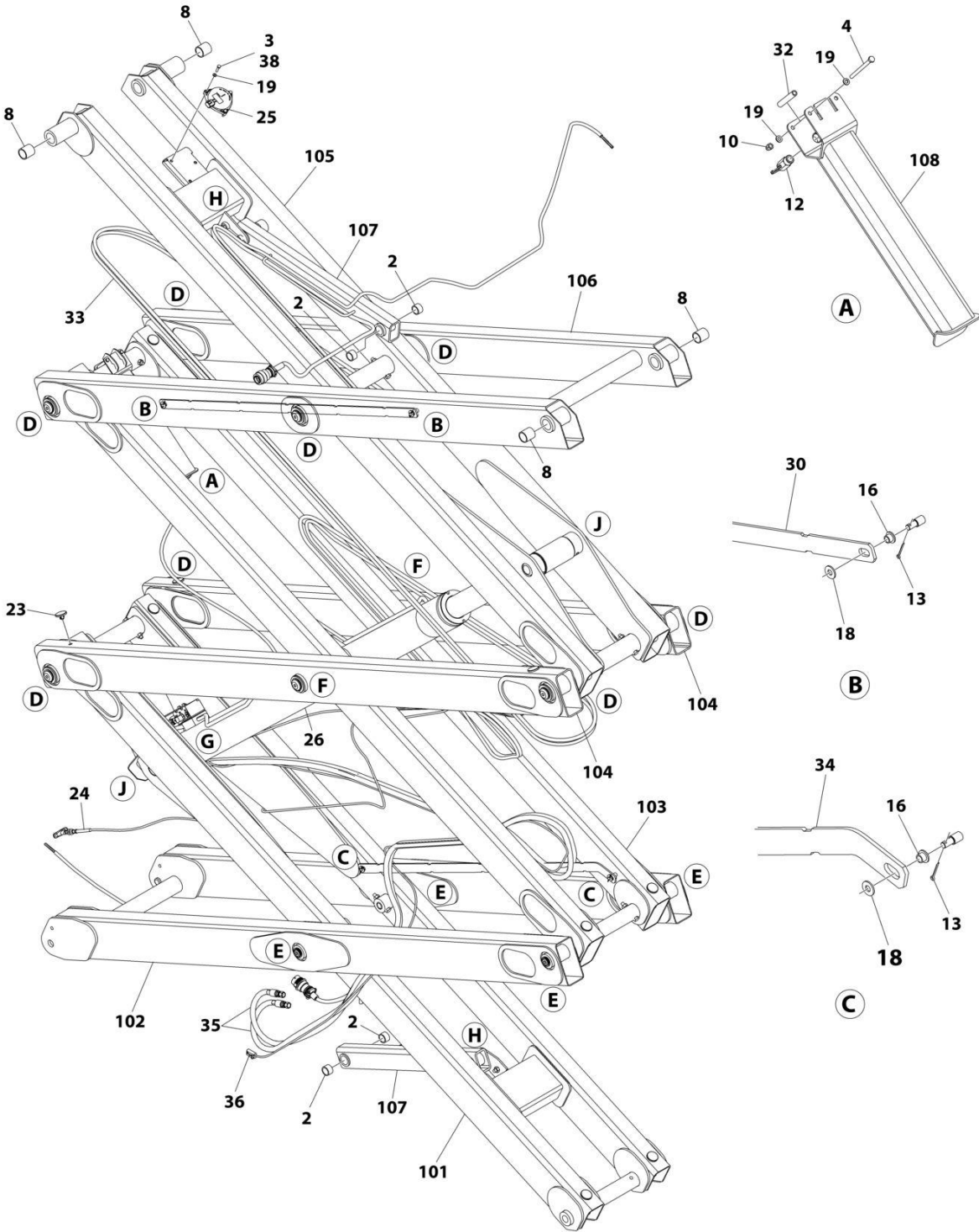
## SECTION 4 - SCISSORS ARMS

### FIGURE 4-1. ERT2669 ARMS INSTALLATION

ITEM	PART NUMBER	QTY	DESCRIPTION	REV
	1001248820	Ref	ARMS INSTALLATION	C
1	0701015	4	Bolt 10 x 35	
2	0701022	2	Bolt 10 x 70	
3	0701029	4	Bolt 10 x 120	
4	0760812	2	Bolt M8 x 25	
5	3290405	2	Nut M4	
6	3290805	2	Nut M8	
7	3291007	10	Nut M10	
8	3422943	2	Pin	
9	4031511	2	Capscrew M4 x 35	
11	4811400	2	Washer M4	
12	4811902	4	Washer M8	
13	4812000	8	Washer M10	
14	1001270098	4	Pin, Keeper	
15	1001145548	1	Switch, Limit	
16	3422938	4	Pin	
17	1001247367	1	Arm Assembly (See Separate Breakdown in this Section)	
18	1001247521	2	Pin	
19	1001247667	4	Support, Slider	
20	1001247669	2	Pin	
21	1001247671	4	Block, Slide	
22	1001257587	1	Bracket	
23	1001264939	1	Harness, Platform (See Separate Breakdown in ELECTRICAL Section)	
24	1001249091	1	Harness, Tilt Sensor (See Separate Breakdown in ELECTRICAL Section)	
27	3020022	AR	Lubricant	
28	2220372	1	Fitting, Straight JIC/ORB	
29	4240018	AR	Tie - Strap (Not Shown)	
30	0760608	4	Bolt M6 x 16	
31	0700618	3	Bolt M6 x 50	
32	4811700	11	Washer M6	
33	1061020	2	Cable, Extension (1.5 Meter)	
34	1600387	1	Module, Load Sense (Note: Recalibration Required When Replaced)	
35	1001226830	1	Harness Load Sense (See Separate Breakdown in ELECTRICAL Section)	
36	1001263662	1	Cover	
37	1001189762	2	Tape	

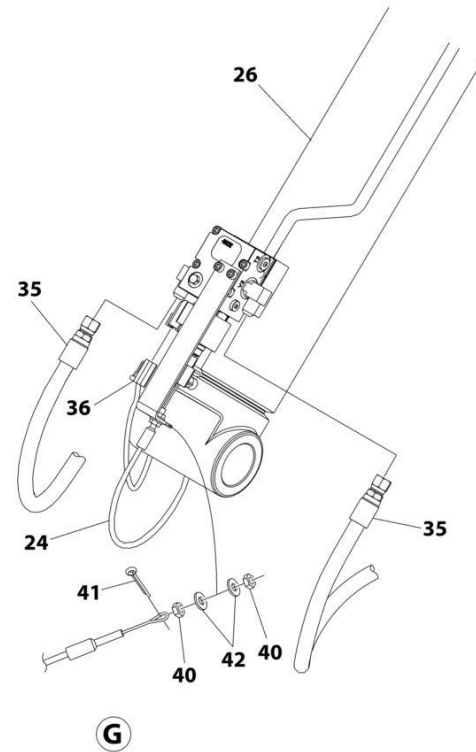
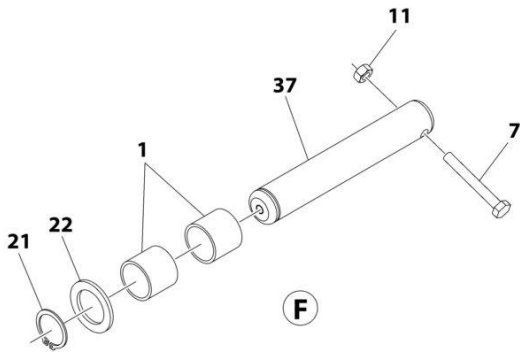
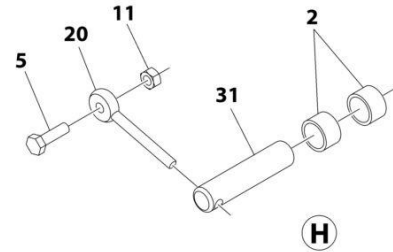
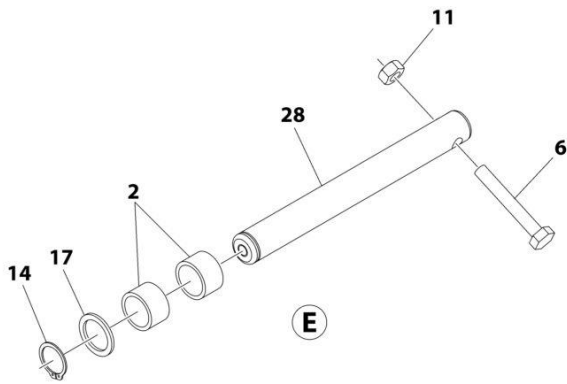
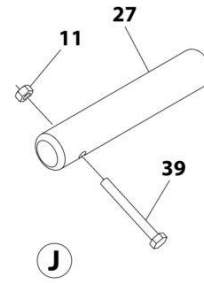
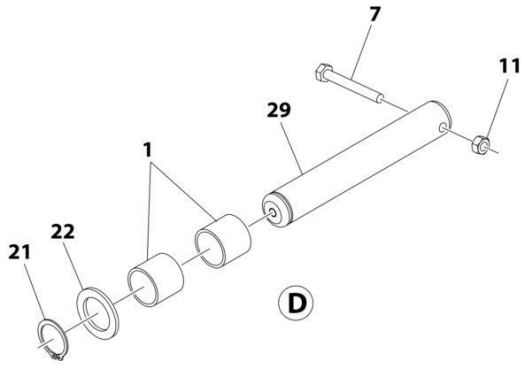
# SECTION 4 - SCISSORS ARMS

## FIGURE 4-2. ERT2669 ARMS ASSEMBLY



ART\_1001247367\_1OF2

# SECTION 4 - SCISSORS ARMS



ART\_1001247367\_20F2

# SECTION 4 - SCISSORS ARMS

## FIGURE 4-2. ERT2669 ARMS ASSEMBLY

ITEM	PART NUMBER	QTY	DESCRIPTION	REV
	1001247367	Ref	ARMS ASSEMBLY	D
1	0440241	20	Bearing	
2	0440264	16	Bearing	
3	0700612	3	Bolt M6 x 25	
4	0700624	2	Bolt M6 x 80	
5	0701015	2	Bolt M10 x 35	
6	0701022	4	Bolt M10 x 70	
7	0701024	10	Bolt M10 x 80	
8	0962220	4	Bushing	
10	3290606	2	Nut M6	
11	3291007	18	Nut M10	
12	3423151	1	Pin	
13	3450304	4	Pin, Cotter 3/32 x 1	
14	3760509	4	Ring, Retaining	
15	4240018	AR	Tie - Strap (Not Shown)	
16	4740480	4	Washer (Plastic Insert)	
17	4740531	4	Washer	
18	4751500	4	Washer 5/16	
19	4811700	7	Washer M6	
20	1001270098	2	Pin, Keeper	
21	1001099560	10	Ring, Retaining	
22	1001217457	10	Washer	
23	1001228533	16	Bumper	
24	1001265848	1	Cable, Manual Descent	
25	1001244934	1	Sensor, Tilt	
26	1001245923	1	Cylinder Lift Down Valve Assembly (See Separate Breakdown in this Section)	
27	1001247522	2	Pin	
28	1001247523	4	Pin	
29	1001247524	8	Pin	
30	1001247668	1	Bar, Cable	
31	1001247669	2	Pin	
32	1001247670	2	Sleeve	
33	1001248279	1	Harness, Ground To Platform (See Separate Breakdown in ELECTRICAL Section)	
34	1001248865	1	Bar, Cable	
35	1001248890	2	Hose	
36	1001248895	1	Harness Lift Down (See Separate Breakdown in ELECTRICAL Section)	
37	1001249637	2	Pin	
38	0100011	AR	Compound, Locking	
39	0701026	2	Bolt M10 x 90	
40	3321402	2	Nut 1/4	
41	3450405	1	Pin, Cotter 1/8 x 1-1/4	
42	4711400	2	Washer 1/4	
100	1001247375	Ref	Arm Kit (Not Shown)	
101	1001247482	1	Arm, Inboard (Lower)	
102	1001247490	1	Arm, Outboard (Lower)	
103	1001247497	1	Arm, Inboard (Mid)	
104	1001247500	2	Arm, Outboard (Mid)	

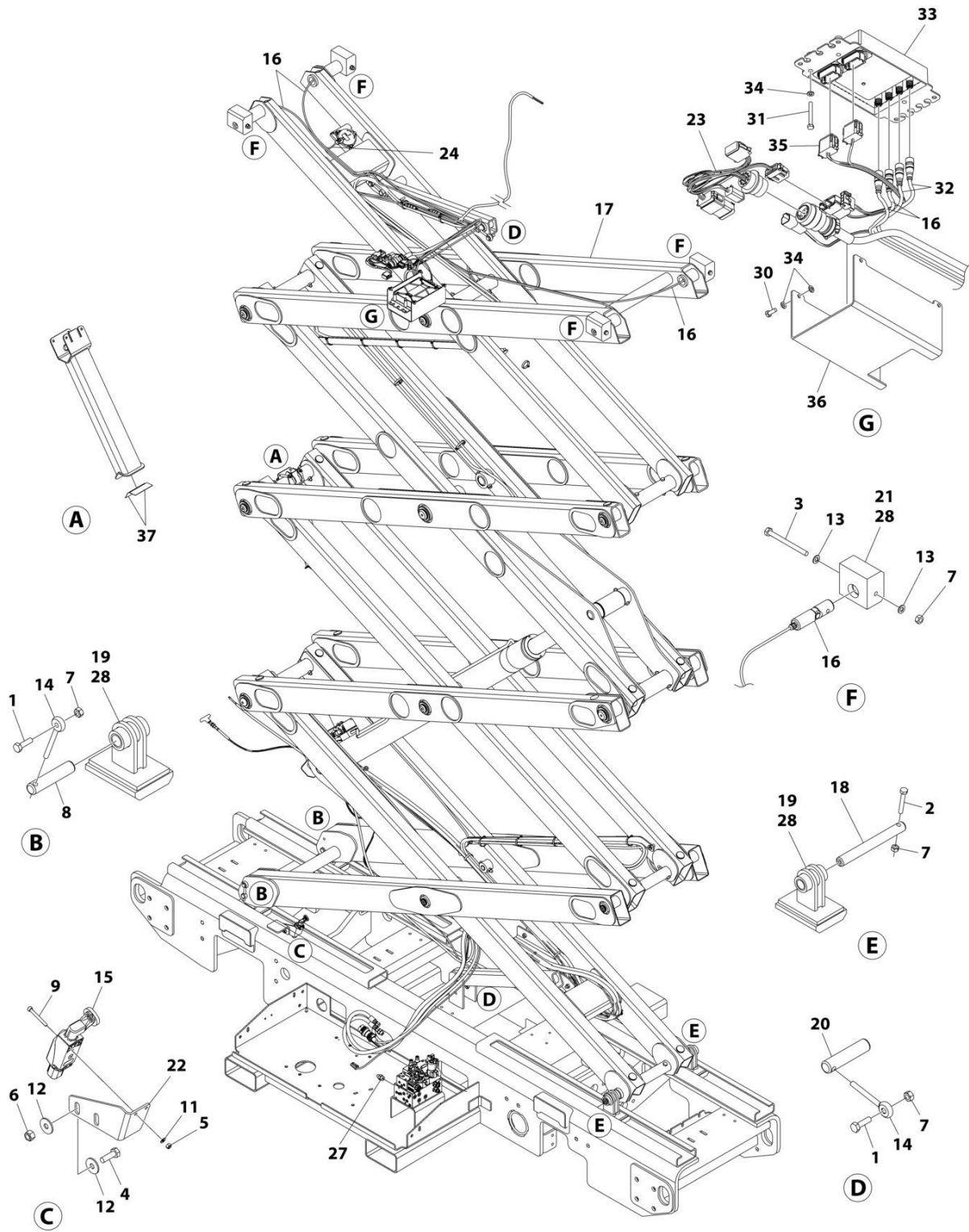


## SECTION 4 - SCISSORS ARMS

ITEM	PART NUMBER	QTY	DESCRIPTION	REV
105	1001247506	1	Arm, Inboard (Upper)	
105	1001247503	2	Bushing (Not Shown)	
106	1001258812	1	Arm, Outboard (Upper)	
107	1001247520	2	Link, Center	
108	1001247672	1	Prop, Arm	

# SECTION 4 - SCISSORS ARMS

## FIGURE 4-3. ERT3369 ARMS INSTALLATION



ART\_1001248821

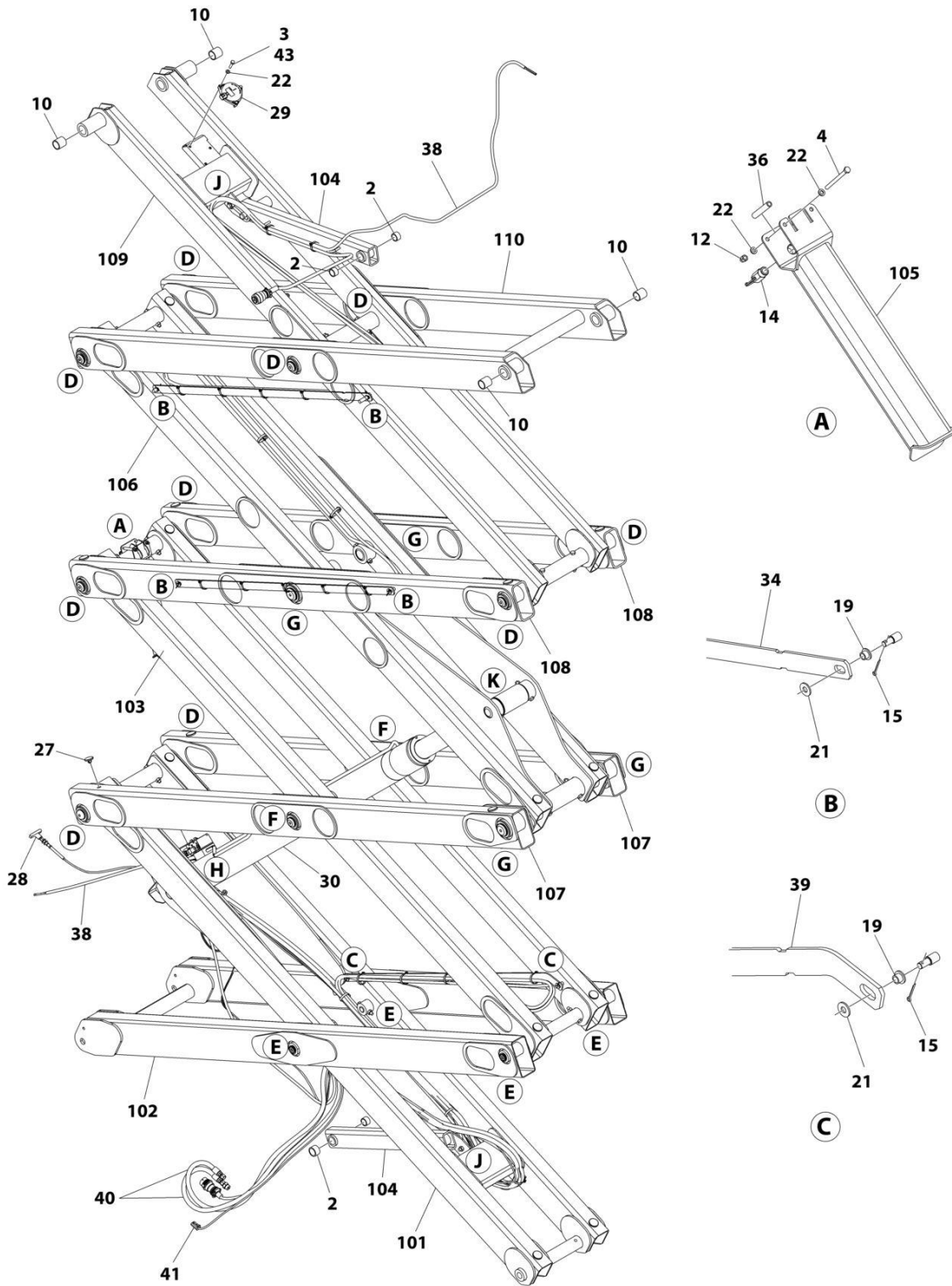
## SECTION 4 - SCISSORS ARMS

**FIGURE 4-3. ERT3369 ARMS INSTALLATION**

ITEM	PART NUMBER	QTY	DESCRIPTION	REV
	1001248821	Ref	ARMS INSTALLATION	E
1	0701015	4	Bolt 10 x 35	
2	0701022	2	Bolt 10 x 70	
3	0701029	4	Bolt 10 x 120	
4	0760812	2	Bolt M8 x 25	
5	3290405	2	Nut M4	
6	3290805	2	Nut M8	
7	3291007	10	Nut M10	
8	3422943	2	Assembly, Load Sense Pin/Cable	
9	4031511	2	Capscrew M4 x 35	
11	4811400	2	Washer M4	
12	4811902	4	Washer M8	
13	4812000	8	Washer M10	
14	1001270098	4	Pin, Keeper	
15	1001145548	1	Switch, LSS Limit	
15	1001284972	1	Switch, LSS Limit	
16	3422938	4	Assembly, Load Sense Pin/Cable	
17	1001247368	1	Arm Assembly (See Separate Breakdown in this Section)	
18	1001247521	2	Pin	
19	1001247667	4	Support, Slider	
20	1001247669	2	Pin	
21	1001247671	4	Block, Slide	
22	1001257587	1	Bracket	
23	1001264939	1	Harness, Platform (See Separate Breakdown in ELECTRICAL Section)	
24	1001249091	1	Harness, Tilt Sensor (See Separate Breakdown in ELECTRICAL Section)	
27	2220372	1	Fitting, Straight JIC/ORB	
28	3020022	AR	Lubricant	
28	3020029	AR	Lubricant	
29	4240018	AR	Tie - Strap (Not Shown)	
30	0760608	4	Bolt M6 x 16	
31	0700618	3	Bolt M6 x 50	
32	1061020	2	Cable, Load Sense Extension	
33	1600387	1	Module, Load Sense (Note: Recalibration Required When Replaced)	
34	4811700	11	Washer M6	
35	1001226830	1	Harness Load Sense (See Separate Breakdown in ELECTRICAL Section)	
36	1001263662	1	Cover	
37	1001189762	2	Tape	

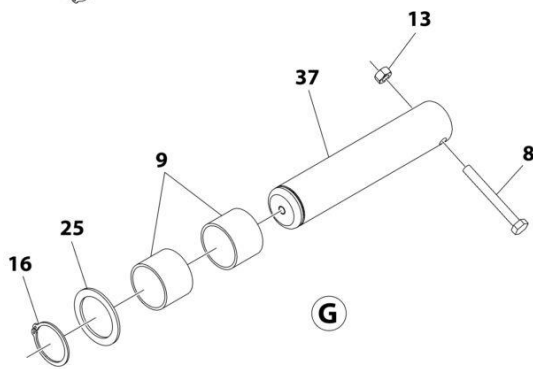
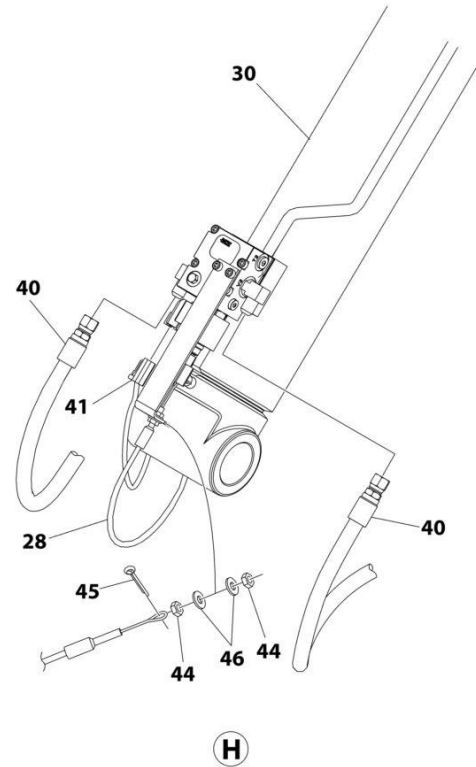
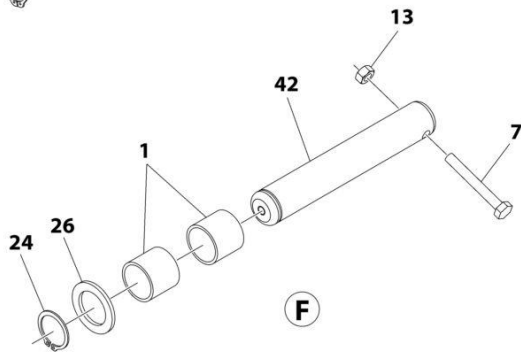
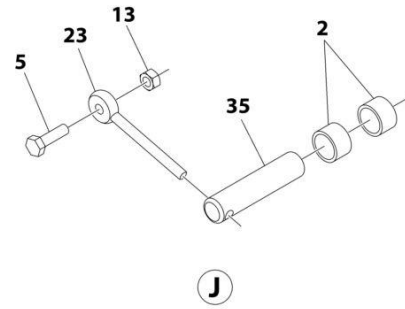
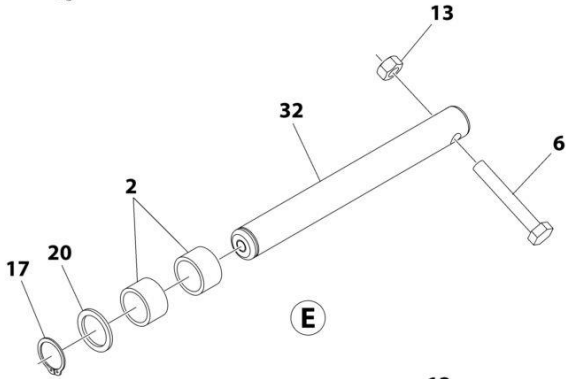
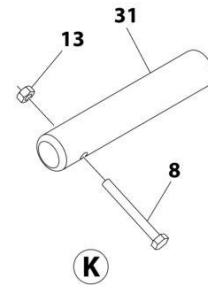
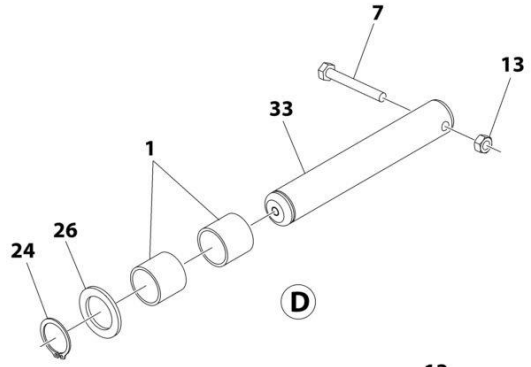
# SECTION 4 - SCISSORS ARMS

## FIGURE 4-4. ERT3369 ARMS ASSEMBLY



ART\_1001247368\_1OF2

# SECTION 4 - SCISSORS ARMS



ART\_1001247368\_20F2

# SECTION 4 - SCISSORS ARMS

## FIGURE 4-4. ERT3369 ARMS ASSEMBLY

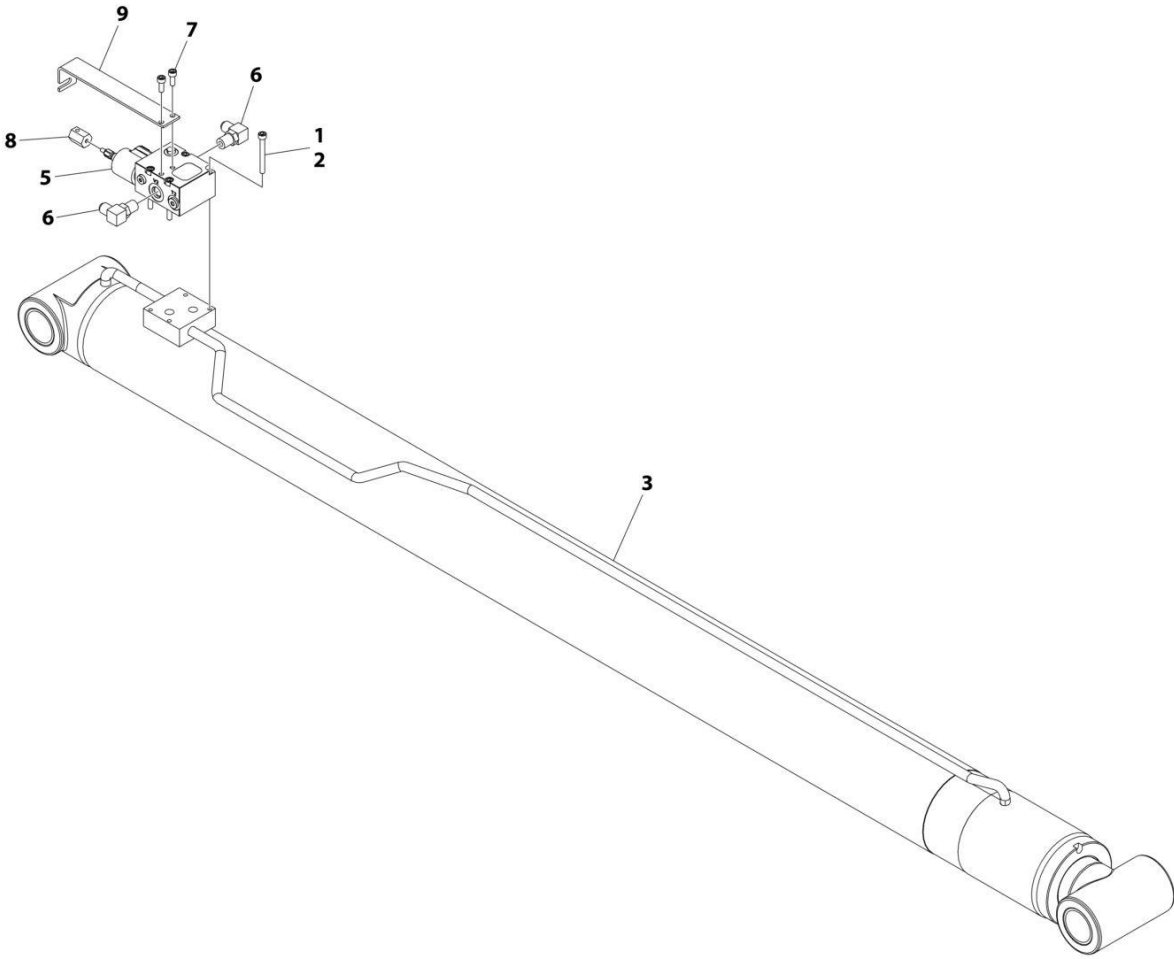
ITEM	PART NUMBER	QTY	DESCRIPTION	REV
	1001247368	Ref	ARMS ASSEMBLY	E
1	0440241	24	Bearing	
2	0440264	16	Bearing	
3	0700612	3	Bolt M6 x 25	
4	0700624	2	Bolt M6 x 80	
5	0701015	2	Bolt M10 x 35	
6	0701022	4	Bolt M10 x 70	
7	0701024	12	Bolt M10 x 80	
8	0701026	6	Bolt M10 x 90	
9	0961950	8	Bushing	
10	0962220	4	Bushing	
12	3290606	2	Nut M6	
13	3291007	24	Nut M10	
14	3423151	1	Pin	
15	3450304	6	Pin, Cotter 3/32 x 1	
16	3760493	4	Ring, Retaining	
17	3760509	4	Ring, Retaining	
18	4240018	AR	Tie - Strap (Not Shown)	
19	4740480	6	Washer (Plastic Insert)	
20	4740531	4	Washer	
21	4751500	6	Washer 5/16	
22	4811700	7	Washer M6	
23	1001270098	2	Pin, Keeper	
24	1001099560	12	Ring, Retaining	
25	1001197405	4	Washer	
26	1001217457	12	Washer	
27	1001228533	24	Bumper	
28	1001265848	1	Cable, Manual Descent	
29	1001244934	1	Sensor, Tilt	
30	1001245923	1	Cylinder Lift Down Valve Assembly (See Separate Breakdown in this Section)	
31	1001247522	2	Pin	
32	1001247523	4	Pin	
33	1001247524	10	Pin	
34	1001247668	2	Bar, Cable	
35	1001247669	2	Pin	
36	1001247670	2	Sleeve	
37	1001247835	4	Pin	
38	1001248280	1	Harness, Ground To Platform (See Separate Breakdown in ELECTRICAL Section)	
39	1001248865	1	Bar, Cable	
40	1001248890	2	Hose	
41	1001248895	1	Harness Lift Down (See Separate Breakdown in ELECTRICAL Section)	
42	1001249637	2	Pin	
43	0100011	AR	Compound, Locking	
44	3321402	2	Nut 1/4	
45	3450405	1	Pin, Cotter 1/8 x 1-1/4	
46	4711400	2	Washer 1/4	
100	1001247376	1	Arm Kit (Not Shown)	

## SECTION 4 - SCISSORS ARMS

ITEM	PART NUMBER	QTY	DESCRIPTION	REV
101	1001247482	1	Arm, Inboard (Lower)	
102	1001247490	1	Arm, Outboard (Lower)	
103	1001247497	1	Arm, Inboard (Lower Mid)	
104	1001247520	2	Link, Center	
105	1001247672	1	Prop, Arm	
106	1001247816	1	Arm, Inboard (Upper Mid)	
107	1001247817	2	Arm, Outboard (Lower Mid)	
108	1001247819	2	Arm, Outboard (Upper Mid)	
109	1001247820	1	Arm, Inboard (Upper)	
110	1001258813	1	Arm, Outboard (Upper)	

# SECTION 4 - SCISSORS ARMS

FIGURE 4-5. CYLINDER & LIFT DOWN VALVE ASSEMBLY



ART\_1001245923



## SECTION 4 - SCISSORS ARMS

**FIGURE 4-5. CYLINDER & LIFT DOWN VALVE ASSEMBLY**

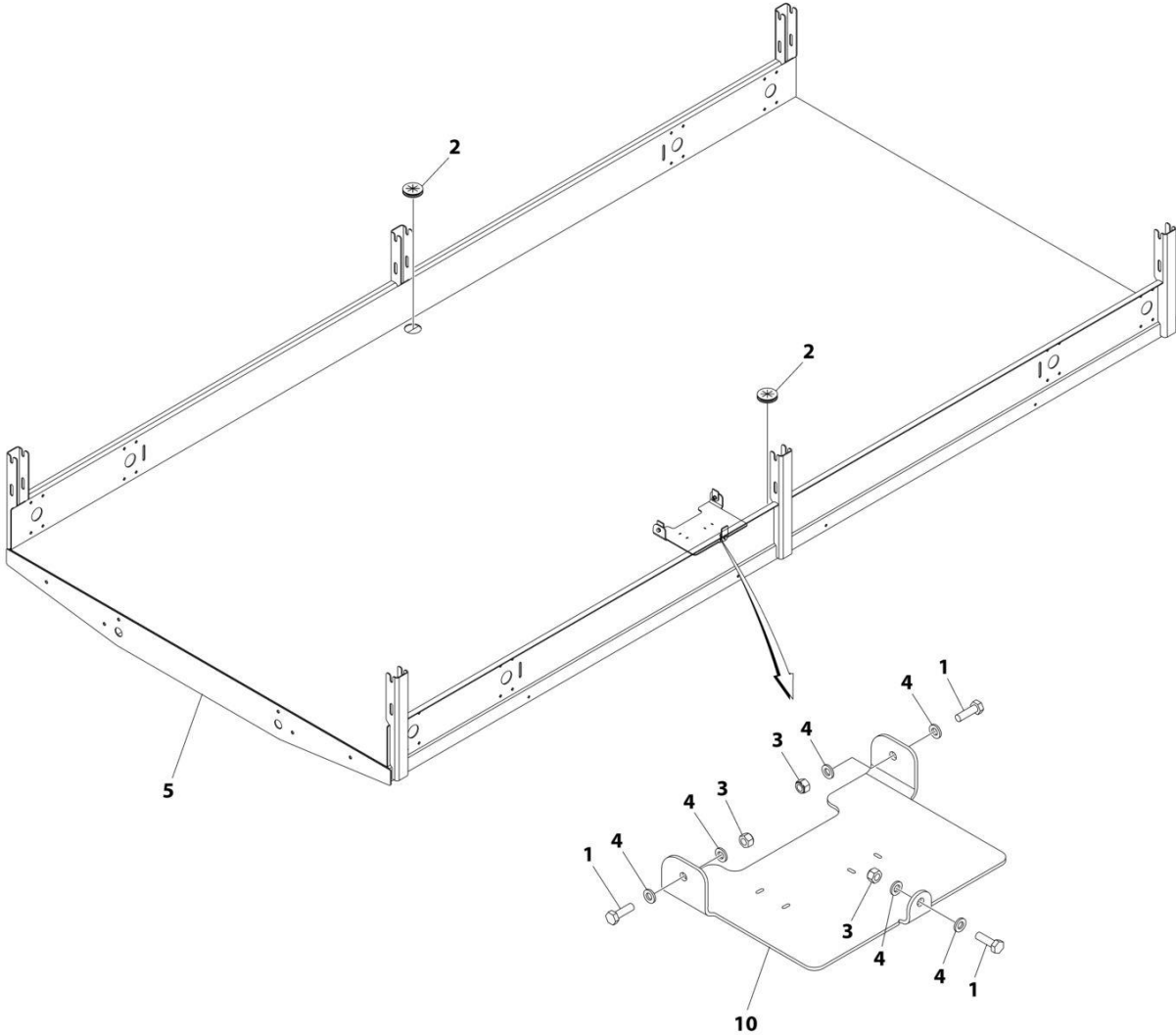
ITEM	PART NUMBER	QTY	DESCRIPTION	REV
	1001245923	Ref	CYLINDER AND LIFT DOWN VALVE ASSEMBLY	E
1	0100011	AR	Compound, Locking	
2	1001118878	4	Capscrew M6 x 55	
3	1001244210	1	Lift Cylinder Assembly (See Separate Breakdown in CYLINDER Section)	
5	1001244904	1	Valve, Lift Down (No Service Parts Available)	
5	70007448	2	O-Ring (Between Valve and Cylinder)	
5	70002386	1	Coil	
6	2220473	2	Fitting, 90 JIC/ORB	
7	4031707	2	Capscrew M6 x 16	
8	1001265744	1	Adapter	
9	1001265761	1	Bracket	



**SECTION 5 - PLATFORM**

**SECTION 5 - PLATFORM**

**FIGURE 5-1. PLATFORM INSTALLATION**



ART\_1001244381

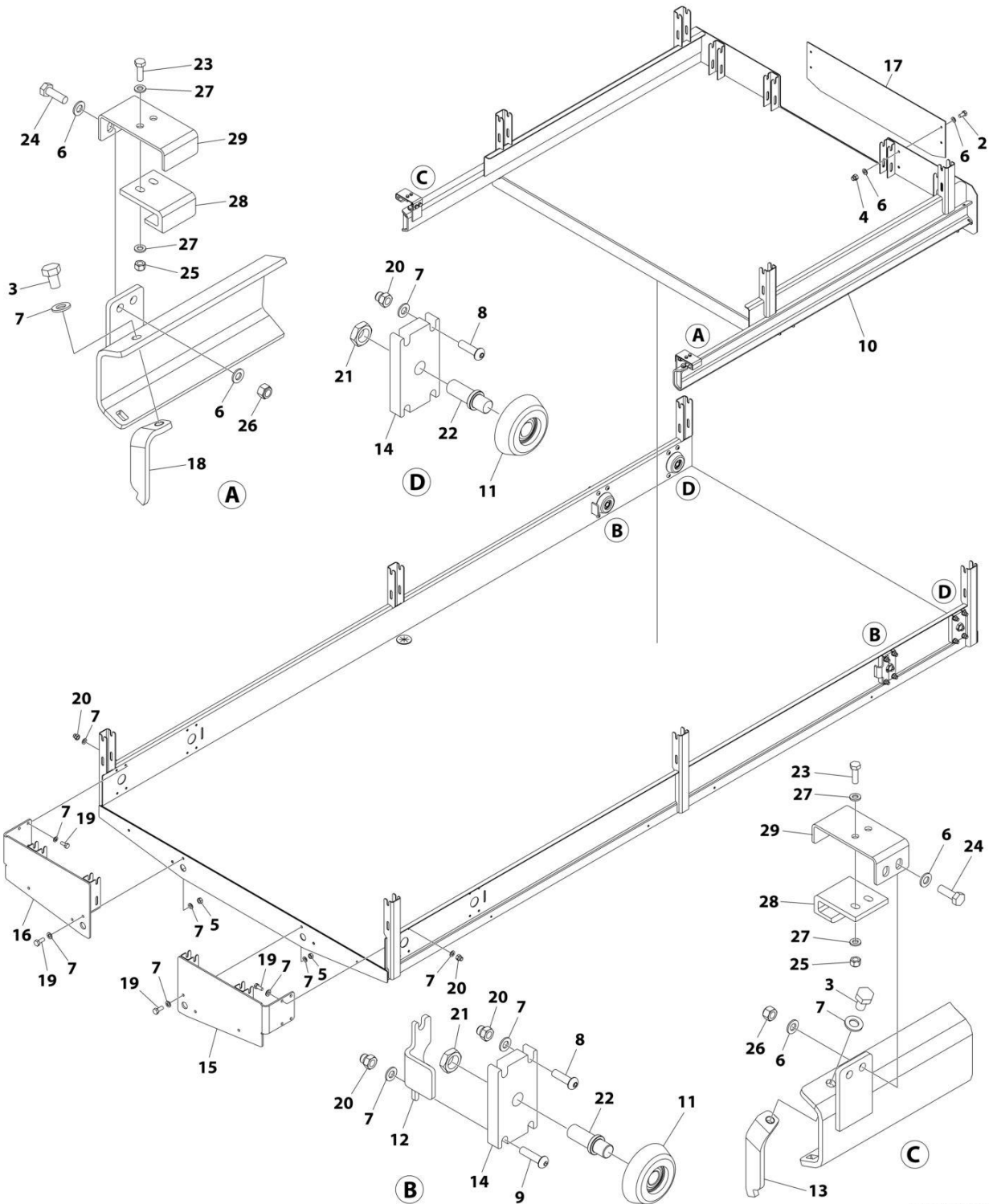
## SECTION 5 - PLATFORM

### FIGURE 5-1. PLATFORM INSTALLATION

ITEM	PART NUMBER	QTY	DESCRIPTION	REV
	1001244381	Ref	PLATFORM MOUNT INSTALLATION	B
1	0760610	3	Bolt M6 x 20	
2	2540045	2	Grommet	
3	3290605	3	Nut M6	
4	4811700	6	Washer M6	
5	1001245250	1	Platform	
10	1001251328	1	Cover	

# SECTION 5 - PLATFORM

**FIGURE 5-2. PLATFORM EXTENSION INSTALLATION (SINGLE) (Prior to SN M200065296, Including M200065393, M200066368, M200067007, M200067685, M200067686, M200068189, M200068190, M200068862 and M200069816)**



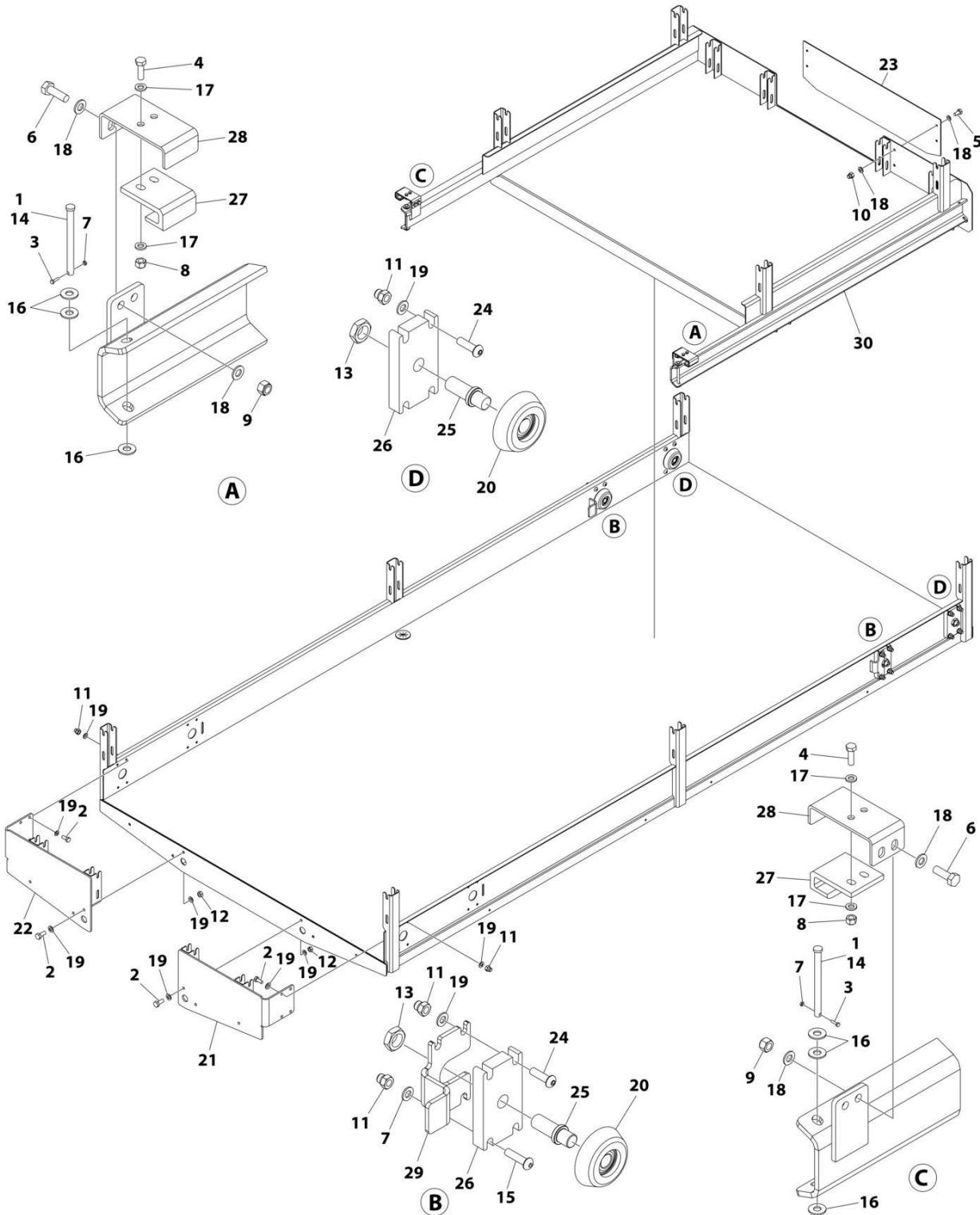
## SECTION 5 - PLATFORM

**FIGURE 5-2. PLATFORM EXTENSION INSTALLATION (SINGLE) (Prior to SN M200065296, Including M200065393, M200066368, M200067007, M200067685, M200067686, M200068189, M200068190, M200068862 and M200069816)**

ITEM	PART NUMBER	QTY	DESCRIPTION	REV
	1001244382	Ref	PLATFORM WITH SINGLE EXTENSION INSTALLATION	F
2	0760808	4	Bolt M8 x 16	
3	0761008	2	Bolt M10 x 16	
4	3290806	4	Nut M8 x 1-1/4	
5	3291007	6	Nut M10 x 1-1/2	
6	4811900	16	Washer M8	
7	4812000	46	Washer M10	
8	1001261123	12	Screw M10 x 35	
9	3900394	4	Capscrew M10 x 1-1/2	
10	1001245479	1	Extension, Platform	
11	1001248933	4	Roller	
12	1001248990	2	Plate	
13	1001248991	1	Plate	
14	1001262640	4	Bracket	
15	1001250355	1	Plate	
16	1001250356	1	Plate	
17	1001250627	1	Plate	
18	1001250640	1	Plate	
19	0701012	14	Capscrew M10 x 25	
20	3291006	24	Nut M10	
21	3292002	4	Nut M20	
22	1001262639	4	Pin	
23	0760610	4	Bolt M6 x 20	
24	0760812	4	Bolt M6 x 25	
25	3290605	4	Nut M6	
26	3290805	4	Nut M8	
27	4811700	8	Washer M6	
28	1001265684	2	Brace, Extension leg Strap	
29	1001265821	2	Bracket, Extension Back Strap	
30	4420062	AR	Tape (Not Shown)	

# SECTION 5 - PLATFORM

**FIGURE 5-3. PLATFORM EXTENSION INSTALLATION (SINGLE) (SN M200065296 through M200086867, Including M200088760, Excluding M200065393, M200066368, M200067007, M200067685, M200067686, M200068189, M200068190, M200068862 and M200069816)**



ART\_1001292993



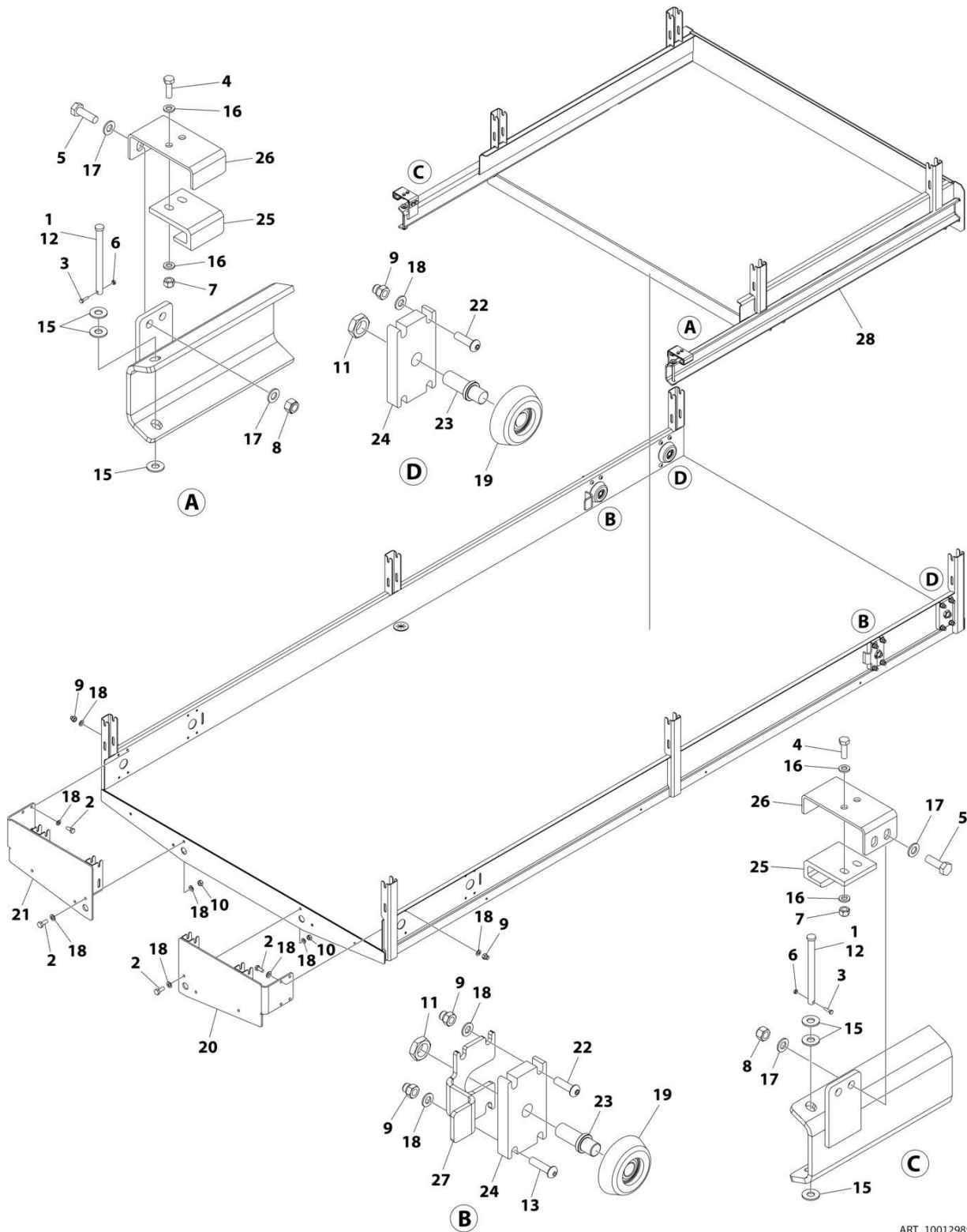
## SECTION 5 - PLATFORM

**FIGURE 5-3. PLATFORM EXTENSION INSTALLATION (SINGLE) (SN M200065296 through M200086867, Including M200088760, Excluding M200065393, M200066368, M200067007, M200067685, M200067686, M200068189, M200068190, M200068862 and M200069816)**

ITEM	PART NUMBER	QTY	DESCRIPTION	REV
	1001292993	Ref	PLATFORM EXTENSION INSTALLATION (SINGLE)	B
1	100011	AR	Compound, Locking	
2	0701012	14	Capscrew M10 x 25	
3	0760306	2	Bolt M3 x 12	
4	0760610	4	Bolt M6 x 20	
5	0760808	4	Bolt M8 x 16	
6	0760812	4	Bolt M6 x 25	
7	3290301	2	Nut M3	
8	3290605	4	Nut M6	
9	3290805	4	Nut M8	
10	3290806	4	Nut M8 x 1-1/4	
11	3291006	24	Nut M10	
12	3291007	6	Nut M10 x 1-1/2	
13	3292002	4	Nut M20	
14	3430636	2	Pin	
15	3900394	8	Capscrew M10 x 1-1/2	
16	4751600	6	Washer 3/8	
17	4811700	8	Washer M6	
18	4811900	16	Washer M8	
19	4812000	44	Washer M10	
20	1001248933	4	Roller	
21	1001250355	1	Plate	
22	1001250356	1	Plate	
23	1001250627	1	Plate	
24	1001261123	8	Screw M10 x 35	
25	1001262639	4	Pin	
26	1001262640	4	Bracket	
27	1001265684	2	Brace, Extension leg Strap	
28	1001265821	2	Bracket, Extension Back Strap	
29	1001292989	2	Plate	
30	1001292991	1	Extension, Platform	
31	4420062	AR	Tape (Not Shown)	

# SECTION 5 - PLATFORM

FIGURE 5-4. PLATFORM EXTENSION INSTALLATION (SINGLE) (SN M200086942 to Present, SN M200088793 to Present, Including M200088163 and M200088383)



ART\_1001298938

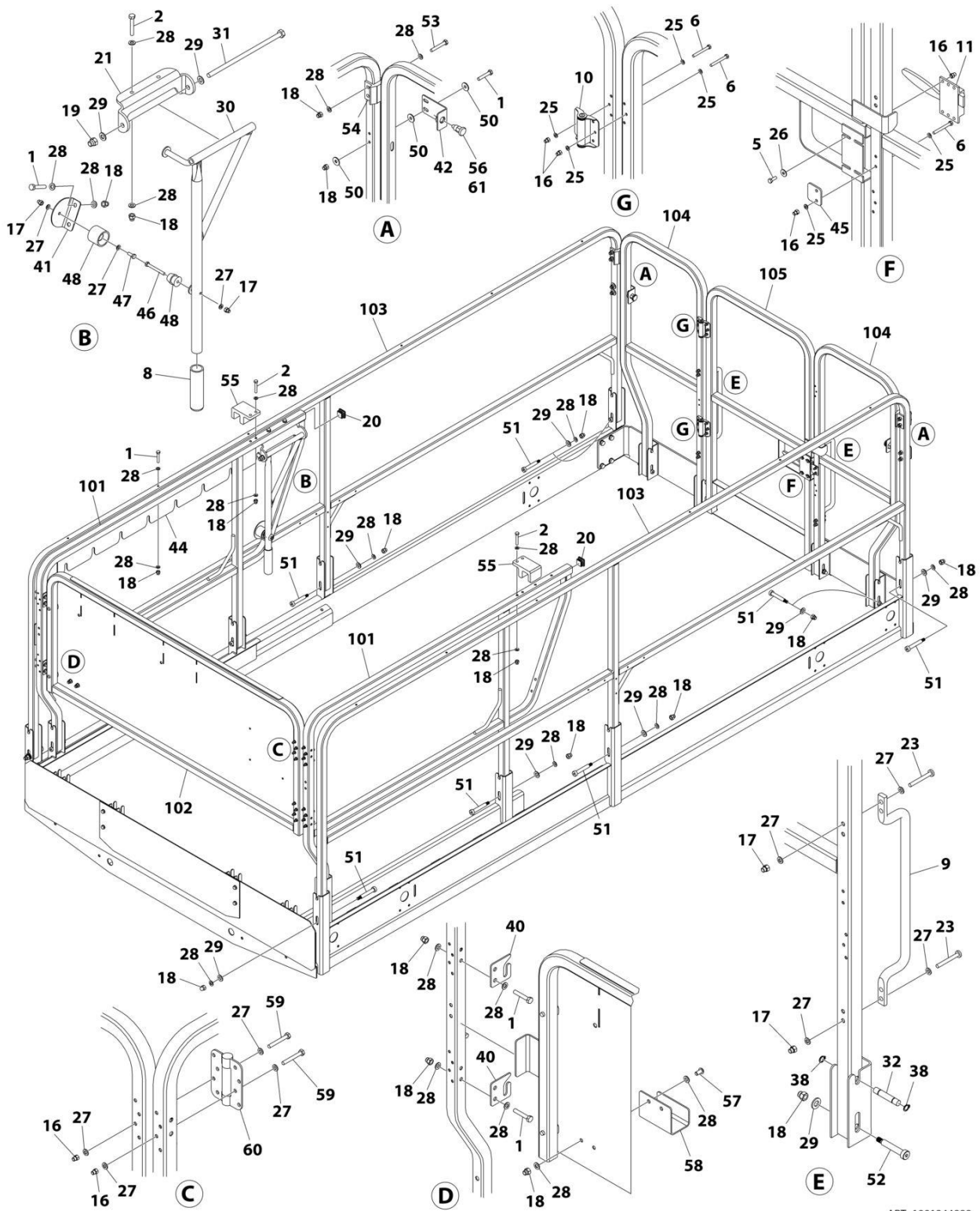
## SECTION 5 - PLATFORM

**FIGURE 5-4. PLATFORM EXTENSION INSTALLATION (SINGLE) (SN M200086942 to Present, SN M200088793 to Present, Including M200088163 and M200088383)**

ITEM	PART NUMBER	QTY	DESCRIPTION	REV
	1001298938	Ref	PLATFORM EXTENSION INSTALLATION (SINGLE)	A
1	0100011	AR	Compound, Locking	
2	0701012	14	Bolt M10 x 25	
3	0760306	2	Bolt M3 x 12	
4	0760610	4	Bolt M6 x 20	
5	0760812	4	Bolt M8 x 25	
6	3290301	2	Nut M3	
7	3290605	4	Nut M6	
8	3290805	4	Nut M8	
9	3291006	24	Nut M10	
10	3291007	6	Nut M10	
11	3292002	4	Nut M20	
12	3430636	2	Pin	
13	3900394	8	Capscrew M10 x 1-1/2	
14	4420062	AR	Tape (Not Shown)	
15	4751600	6	Washer 3/8	
16	4811700	8	Washer M6	
17	4811900	8	Washer M8	
18	4812000	44	Washer M10	
19	1001248933	4	Roller	
20	1001250355	1	Plate	
21	1001250356	1	Plate	
22	1001261123	8	Screw M10 x 35	
23	1001262639	4	Pin	
24	1001262640	4	Bracket	
25	1001265684	2	Brace, Extension leg Strap	
26	1001265821	2	Bracket, Extension Back Strap	
27	1001292989	2	Plate	
28	1001298937	1	Extension, Platform	

# SECTION 5 - PLATFORM

## FIGURE 5-5. PLATFORM RAILS INSTALLATION (SINGLE EXTENSION)



ART\_1001244888

## SECTION 5 - PLATFORM

**FIGURE 5-5. PLATFORM RAILS INSTALLATION (SINGLE EXTENSION)**

ITEM	PART NUMBER	QTY	DESCRIPTION	REV
	1001244888	Ref	RAIL INSTALLATION - PLATFORM WITH SINGLE EXTENSION	F
1	0700817	13	Bolt M8 x 45	
2	0700818	6	Bolt M8 x 50	
5	0760507	4	Bolt M8 x 14	
6	0700517	14	Bolt M5 x 45	
8	2560088	1	Grip, Handle	
9	2560176	2	Handle	
10	2600253	2	Hinge	
11	2940074	1	Latch	
16	3290506	34	Nut M5 x 3/4	
17	3290606	10	Nut M6 x 1	
18	3290806	39	Nut M8 x 1-1/4	
19	3291006	1	Nut M10	
20	3520072	2	Plug	
21	3537609	1	Plate, Pivot	
23	4010618	8	Screw M6 x 50	
25	4811600	40	Washer M5	
26	4811602	4	Washer M5	
27	4811700	51	Washer M6	
28	4811900	54	Washer M8	
29	4812000	16	Washer M10	
30	4846181	1	Handle (LH)	
31	1001195137	1	Bolt M10 x 240	
32	1001262495	2	Rod	
38	1001262454	4	Ring	
40	1001250829	2	Plate, Rotary Latch	
41	1001250830	1	Plate, Handle Latch	
42	1001258936	2	Plate, Rail	
44	1001294421	1	Plate, Extension	
45	1001253149	1	Plate, Gate Latch	
46	0700619	1	Bolt M6 x 55	
47	0760608	1	Bolt M6 x 16	
48	2940127	1	Latch	
50	4811902	12	Washer M8	
51	1001262399	12	Bolt M8 x 55	
52	1001262400	2	Bolt M8 x 50	
53	0700819	4	Bolt M8 x 55	
54	1001263628	2	Pad	
55	1001263629	2	Pad	
56	3422744	2	Pin, Plunger	
57	0630615	2	Bolt M8 x 16	
58	1001263269	1	Plate	
59	0700617	16	Bolt M6 x 45	
60	2600285	2	Hinge	
61	0100011	AR	Compound, Locking	
100	1001265846	1	Rail, Single Extension Kit	
101	1001248840	2	Rail, Extension Side	
102	1001248986	1	Rail, Extension Front	
103	1001249882	2	Rail, Platform Side	
104	1001249883	2	Rail, Platform Rear	

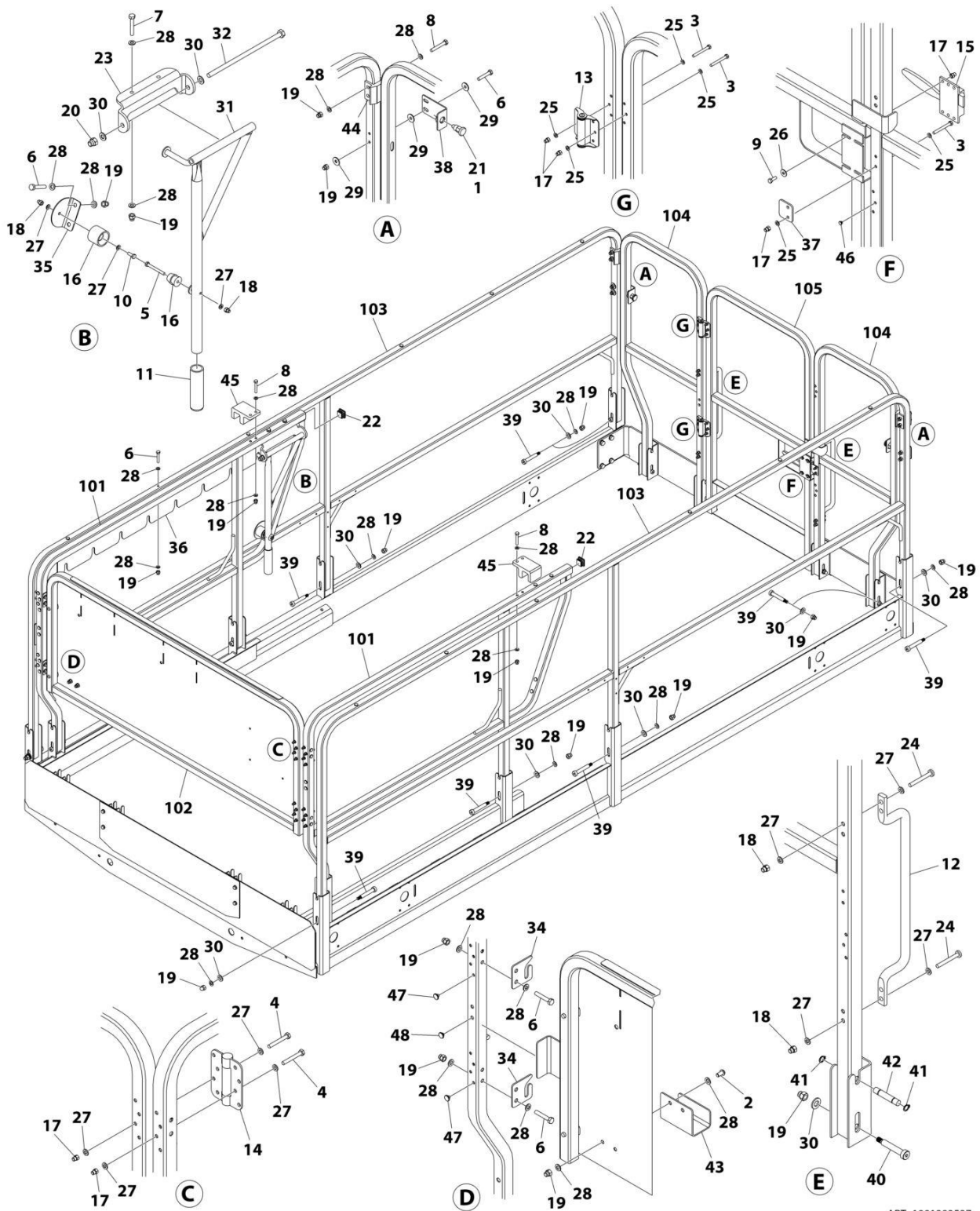
## SECTION 5 - PLATFORM

ITEM	PART NUMBER	QTY	DESCRIPTION	REV
105	1001249884	1	Rail, Platform Gate	



# SECTION 5 - PLATFORM

## FIGURE 5-6. PLATFORM RAILS INSTALLATION WITH PLUGS (SINGLE EXTENSION)



ART\_1001293537



## SECTION 5 - PLATFORM

**FIGURE 5-6. PLATFORM RAILS INSTALLATION WITH PLUGS (SINGLE EXTENSION)**

ITEM	PART NUMBER	QTY	DESCRIPTION	REV
	1001293537	Ref	PLATFORM RAILS INSTALLATION WITH PLUGS (SINGLE EXTENSION)	B
1	0100011	AR	Compound, Locking	
2	0630615	2	Bolt M8 x 16	
3	0700517	14	Bolt M5 x 45	
4	0700617	16	Bolt M6 x 45	
5	0700619	1	Bolt M6 x 55	
6	0700817	13	Bolt M8 x 45	
7	0700818	2	Bolt M8 x 50	
8	0700819	8	Bolt M8 x 55	
9	0760507	4	Bolt M8 x 14	
10	0760608	1	Bolt M6 x 16	
11	2560088	1	Grip, Handle	
12	2560176	2	Handle	
13	2600253	2	Hinge	
14	2600285	2	Hinge	
15	2940074	1	Latch	
16	2940127	1	Latch	
17	3290506	34	Nut M5 x 3/4	
18	3290606	10	Nut M6 x 1	
19	3290806	39	Nut M8 x 1-1/4	
20	3291006	1	Nut M10	
21	3422744	2	Pin, Plunger	
22	3520072	2	Plug	
23	3537609	1	Plate, Pivot	
24	4010618	8	Screw M6 x 50	
25	4811600	40	Washer M5	
26	4811602	4	Washer M5	
27	4811700	51	Washer M6	
28	4811900	54	Washer M8	
29	4811902	12	Washer M8	
30	4812000	16	Washer M10	
31	4846181	1	Handle (LH)	
32	1001195137	1	Bolt M10 x 240	
34	1001250829	2	Plate, Rotary Latch	
35	1001250830	1	Plate, Handle Latch	
36	1001294421	1	Plate, Extension	
37	1001253149	1	Plate, Gate Latch	
38	1001258936	2	Plate, Rail	
39	1001262399	12	Bolt M8 x 55	
40	1001262400	2	Bolt M8 x 50	
41	1001262454	4	Ring	
42	1001262495	2	Rod	
43	1001263269	1	Plate	
44	1001263628	2	Pad	
45	1001263629	2	Pad	
46	1001293198	32	Plug	
47	1001293199	16	Plug	
48	1001293200	42	Plug	
100	1001265846	1	Rail, Single Extension Kit	

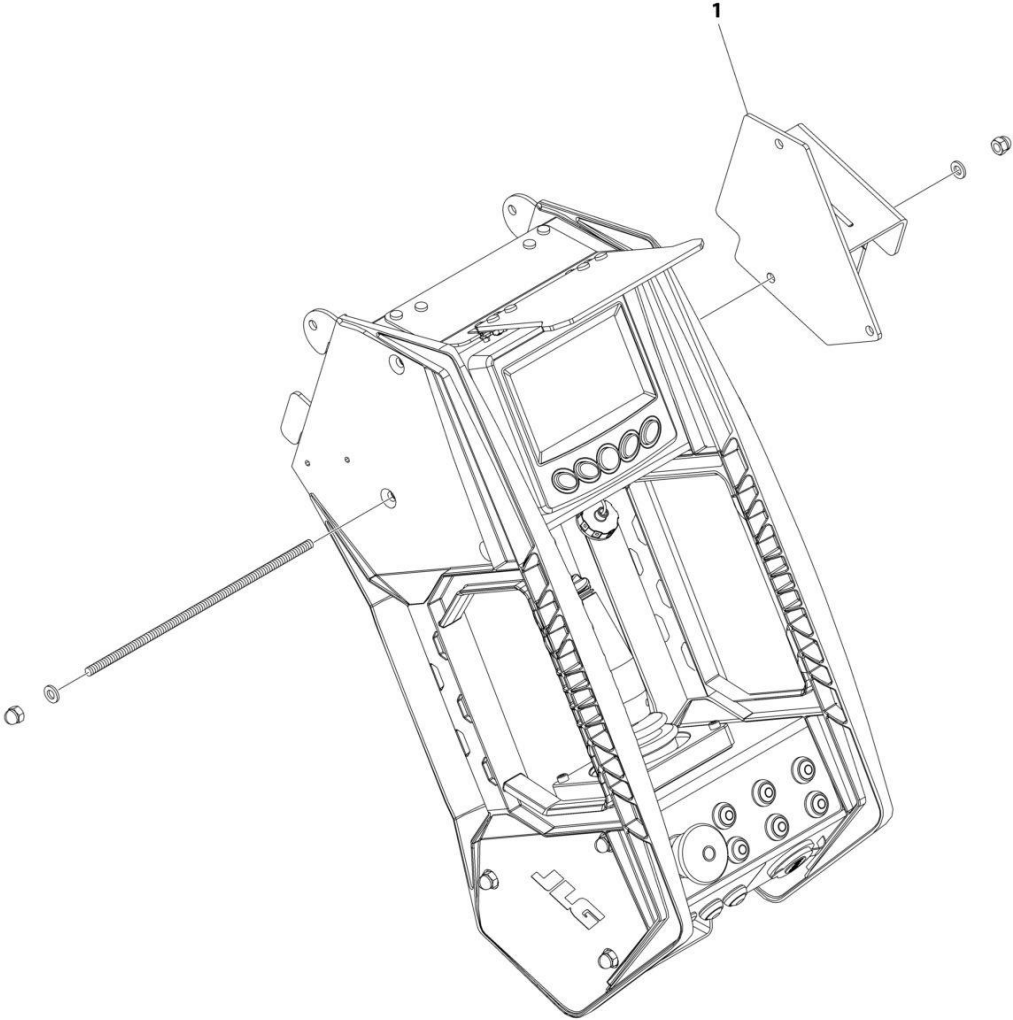
## SECTION 5 - PLATFORM

ITEM	PART NUMBER	QTY	DESCRIPTION	REV
101	1001248840	2	Rail, Extension Side	
102	1001248986	1	Rail, Extension Front	
103	1001249882	2	Rail, Platform Side	
104	1001249883	2	Rail, Platform Rear	
105	1001249884	1	Rail, Platform Gate	



**SECTION 5 - PLATFORM**

**FIGURE 5-7. PLATFORM CONTROL BOX INSTALLATION - SIDE MOUNT**



ART\_1001265916

## SECTION 5 - PLATFORM

**FIGURE 5-7. PLATFORM CONTROL BOX INSTALLATION - SIDE MOUNT**

ITEM	PART NUMBER	QTY	DESCRIPTION	REV
	1001265916	Ref	PLATFORM CONSOLE BOX INSTALLATION	B
1	1001265532	1	Bracket, Control Box Sidemount	
2	0100011	1	Compound, Locking (Not Shown - Use on Mounting Hardware)	



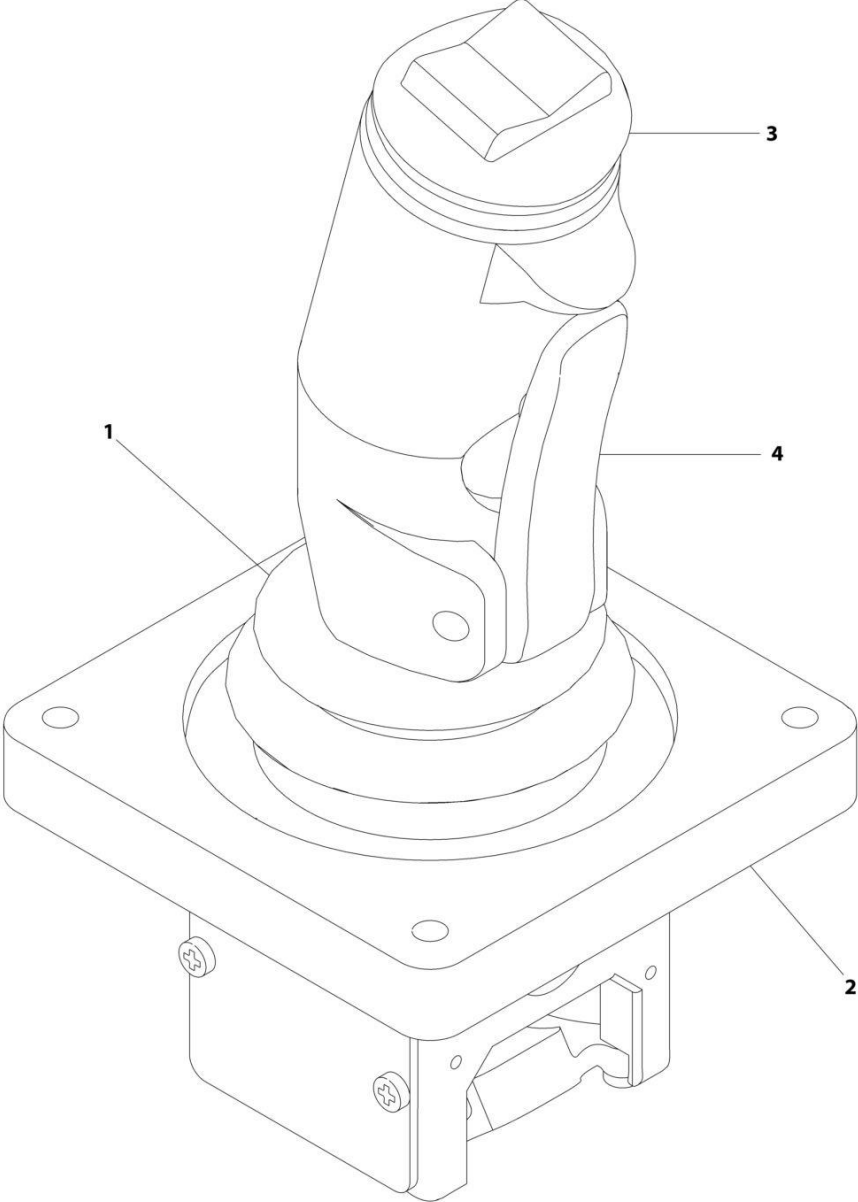
## SECTION 5 - PLATFORM

**FIGURE 5-8. PLATFORM CONTROL BOX INSTALLATION**

ITEM	PART NUMBER	QTY	DESCRIPTION	REV
	1001248176	Ref	PLATFORM CONSOLE BOX INSTALLATION	H
1	0140030	1	Alarm	
2	3290405	12	Nut M4	
3	3290406	8	Nut M4	
4	3450303	1	Cotter Pin	
5	4010414	2	Bolt M4 x 30	
6	4031510	4	Bolt M4 x 30	
7	4160214	1	Spring, Door Latch	
8	1001274559	1	Switch, Emergency Stop (Plastic)	
8	4360475	1	Switch, Emergency Stop (Metal)	
8	7020175	1	Cap	
8	7020176	1	Block, Contact	
9	4811400	4	Washer M4	
10	1001108603	12	Nut M6 x 1	
11	1001176626	5	Cap	
12	1001226749	5	Switch	
13	1001244932	1	Control, Scissor Display	
14	1001246583	1	Housing, Lower Extrusion	
15	1001246584	1	Housing, Upper Extrusion	
16	1001246823	1	USB Port	
17	1001246863	1	Cover, Lower Extrusion	
18	1001246864	1	Cover, Upper Extrusion	
19	1001246979	1	Shield, Display	
20	1001247313	1	Mount, Display Shield	
21	1001247443	1	Plate, Phone Holder	
22	1001247682	1	Controller Assembly (See Separate Breakdown in this Section)	
23	1001249049	1	Harness, Platform Control Box (Not Shown - See Separate Breakdown in ELECTRICAL Section)	
24	1001249259	2	Panel, Control Box Side	
25	1001250682	1	Pin	
27	1001250692	1	Panel, Latch Cover	
29	1001253800	1	USB Port	
30	1001254119	2	Hinge	
31	1001257078	1	Decal - Platform Function	
32	1001257079	1	Decal - Platform Function	
33	4010405002	14	Bolt M4 x 10	
34	1001255461	6	Stud M6	
35	4811700	12	Washer M6	
36	1001262098	1	Plate, Control Box Latch	
37	0100011	AR	Compound, Locking	
38	1703819	1	Decal - Direction Arrow	

**SECTION 5 - PLATFORM**

**FIGURE 5-9. CONTROLLER ASSEMBLY**



ART\_1001247682



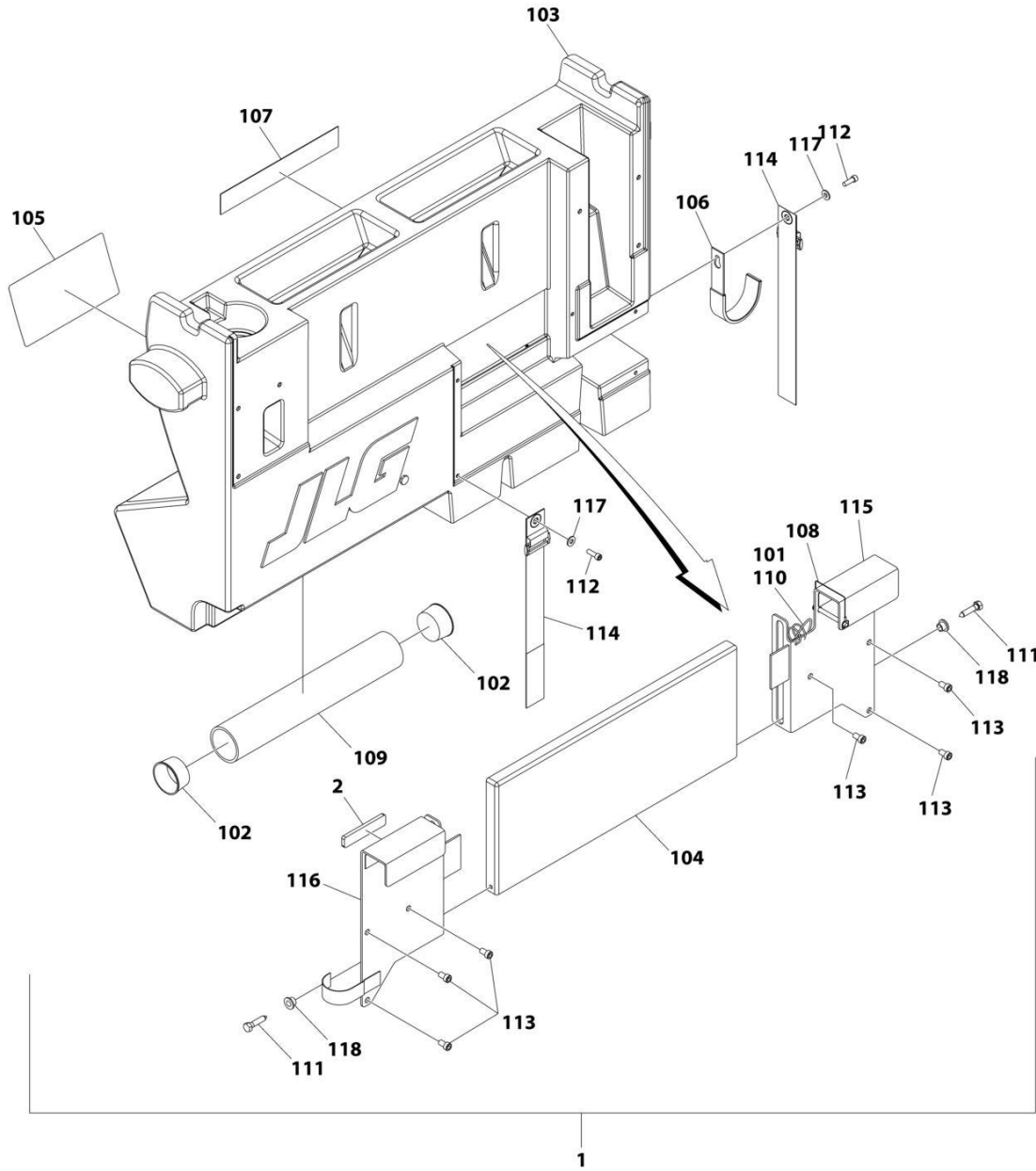
## SECTION 5 - PLATFORM

### FIGURE 5-9. CONTROLLER ASSEMBLY

ITEM	PART NUMBER	QTY	DESCRIPTION	REV
	1001247682	Ref	DRIVE/STEER CONTROLLER ASSEMBLY (LCD)	B
1	70001250	1	Boot, Panel	
2	70001252	1	Gasket, Mounting	
2	70001251	1	Bezel, Mounting	
3	70007506	1	Handle Repair Kit (Includes handle gasket, item#4 push button and item #4 lever installed in front handle half, back handle half, top actuator, boot and hardware.)	
3	70000084	1	Cap, Rubber	
3	70000082	1	Microswitch	
3	7027766	1	Ring, Retaining	
3	7027365	1	Actuator, Handle	
3	70001253	1	Gasket, Handle	
3	70000683	4	Washer, Neoprene	
3	70000685	2	Spacer, Plastic	
3	70000686	2	Screw (Top)	
3	70000684	2	Screw (Bottom)	
4	7027367	1	Switch, Push Button	
4	7027765	1	Lever, Enable	

# SECTION 5 - PLATFORM

## FIGURE 5-10. WORKSTATION INSTALLATION



ART\_1001255082

## SECTION 5 - PLATFORM

**FIGURE 5-10. WORKSTATION INSTALLATION**

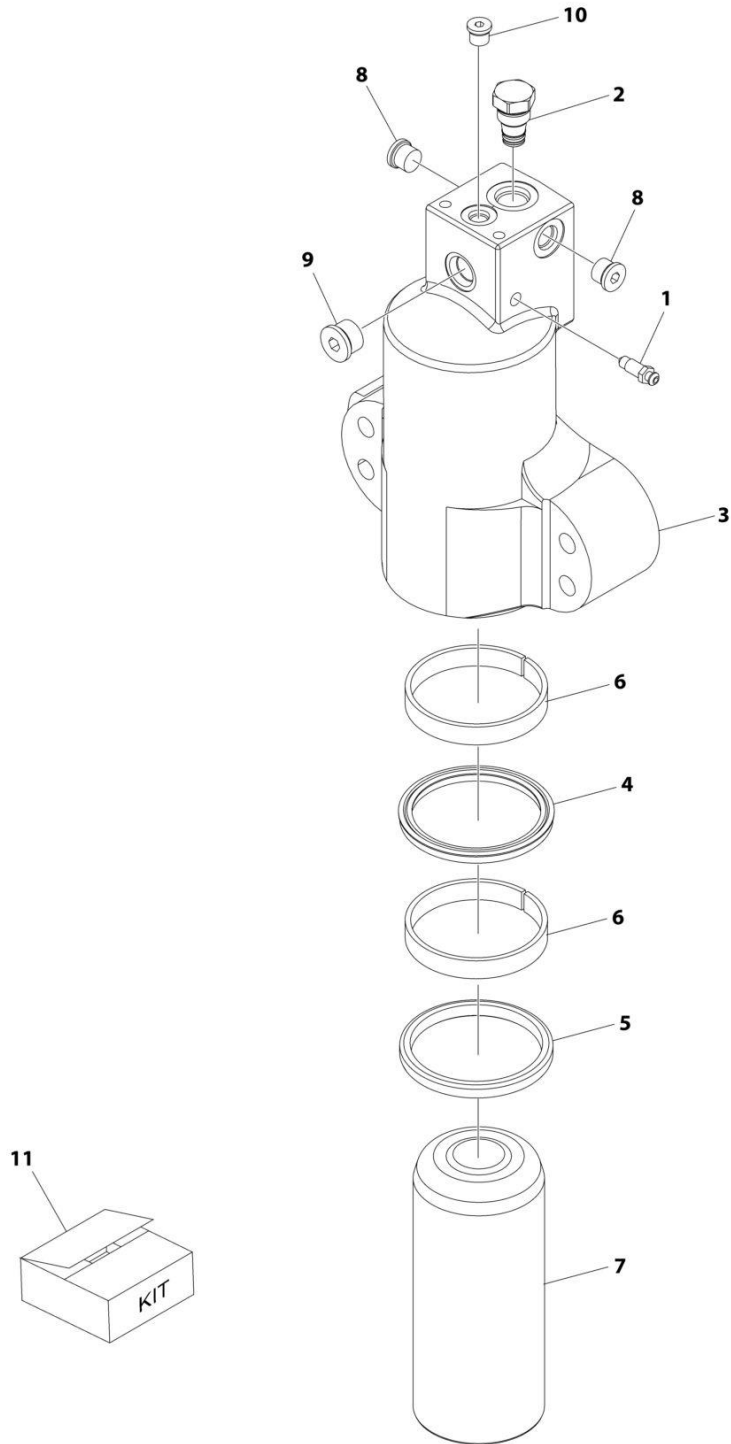
ITEM	PART NUMBER	QTY	DESCRIPTION	REV
	1001255082	Ref	WORKSTATION INSTALLATION	B
1	1001246392	1	Workstation Assembly (Includes Items 101-118)	B
2	1001269132	1	Decal - Accessory Weight	
101	1060379	1	Lanyard	
102	1120555	2	Cap	
103	1580023	1	Container, Work Bench	
104	1580024	1	Tray	
105	1705997	1	Decal - Workstation	
106	2700100	1	Hook	
107	1001246395	1	Decal - Workstation Capacity	
108	3422219	1	Pin, Snap	
109	3460334	1	Tube	
110	3760170	2	Ring	
111	3900355	2	Screw 5/16	
112	3931412	2	Capscrew 1/4 x 3/4	
113	3931508	6	Capscrew 5/16 x 1/2	
114	4240003	2	Strap, Cinch	
115	4340853	1	Mount (RH)	
116	4340854	1	Mount (LH)	
117	4711400	2	Washer 1/4	
118	4740480	2	Insert	



**SECTION 6 - CYLINDER**

# SECTION 6 - CYLINDER

## FIGURE 6-1. AXLE LOCKOUT CYLINDER ASSEMBLY



ART\_1001245046

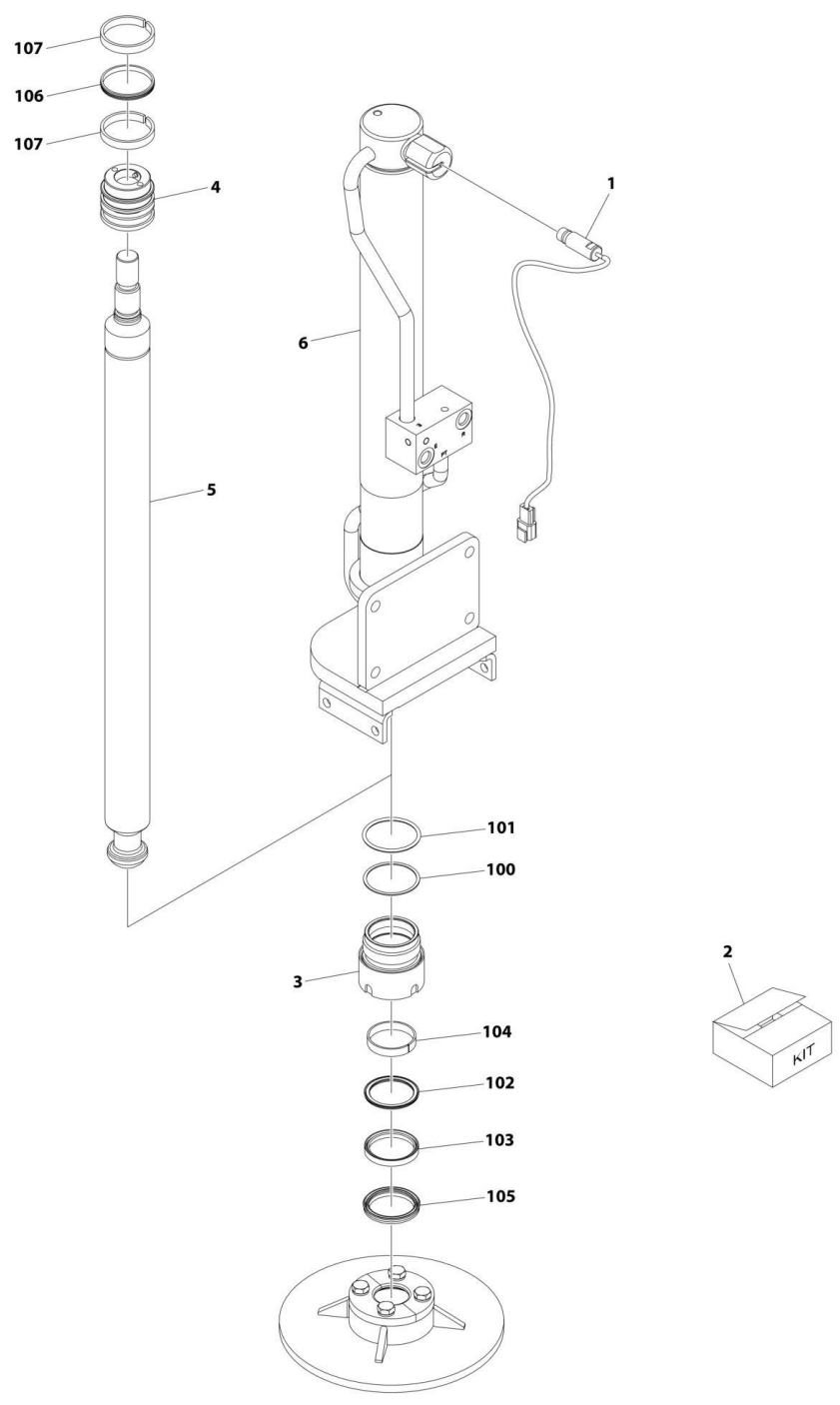
## SECTION 6 - CYLINDER

**FIGURE 6-1. AXLE LOCKOUT CYLINDER ASSEMBLY**

ITEM	PART NUMBER	QTY	DESCRIPTION	REV
	1001245046	Ref	AXLE LOCKOUT CYLINDER ASSEMBLY	D
		Ref	<b>Note: Original Cylinder May Have Been Replaced with Service Replacement. Identify PN Stamped on Cylinder Before Ordering Parts.</b>	
1	4640858	1	Valve, Bleeder	
2	1001248671	1	Cartridge, Valve	
3	1001245653	1	Barrel	
4	See Note	NSS	Seal, Rod (Note: use p/n 70007678)	
5	See Note	NSS	Wiper (Note: use p/n 70007678)	
6	See Note	NSS	Ring, Wear (Note: use p/n 70007678)	
7	70007679	1	Rod	
8	2220885	2	Plug #6	
9	2220886	1	Plug #8	
10	2220883	1	Plug #4	
11	70007678	1	Kit, Seal (Includes Items 4-6)	

# SECTION 6 - CYLINDER

## FIGURE 6-2. LEVELING JACK CYLINDER ASSEMBLY



ART\_1001243256



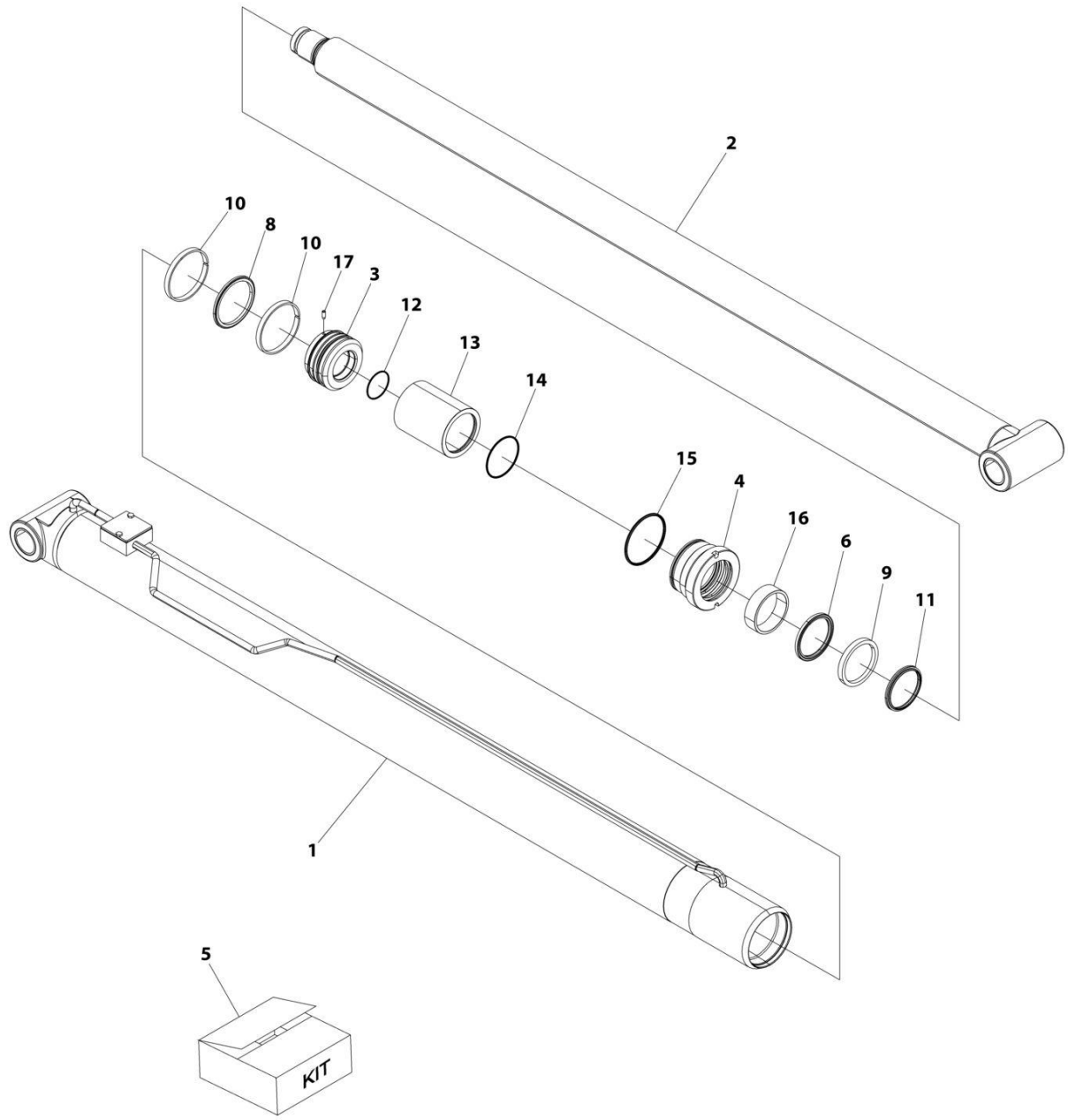
## SECTION 6 - CYLINDER

**FIGURE 6-2. LEVELING JACK CYLINDER ASSEMBLY**

ITEM	PART NUMBER	QTY	DESCRIPTION	REV
	1001243256	Ref	LEVELING JACK CYLINDER ASSEMBLY	E
	See Note	Ref	Note: Original Cylinder May Have Been Replaced with Service Replacement. Identify PN Stamped on Cylinder Before Ordering Parts.	
1	1001246658	1	Sensor, Leveling Jacks Proximity	
2	70007709	1	Kit, Seal (Includes Items 100-107)	
3	70007710	1	Retainer	
4	70007711	1	Piston	
5	70007712	1	Rod	
6	See Note	1	Barrel (Note: Use PN 1001243256)	
100	See Note	NSS	Ring, Backup (Note: use p/n 70007709)	
101	See Note	NSS	O-Ring (Note: use p/n 70007709)	
102	See Note	NSS	Ring, Buffer (Note: use p/n 70007709)	
103	See Note	NSS	Seal, Rod (Note: use p/n 70007709)	
104	See Note	NSS	Ring, Wear (Note: use p/n 70007709)	
105	See Note	NSS	Wiper (Note: use p/n 70007709)	
106	See Note	NSS	Seal, Piston (Note: use p/n 70007709)	
107	See Note	NSS	Ring, Wear (Note: use p/n 70007709)	

# SECTION 6 - CYLINDER

## FIGURE 6-3. LIFT CYLINDER ASSEMBLY



ART\_1001244210

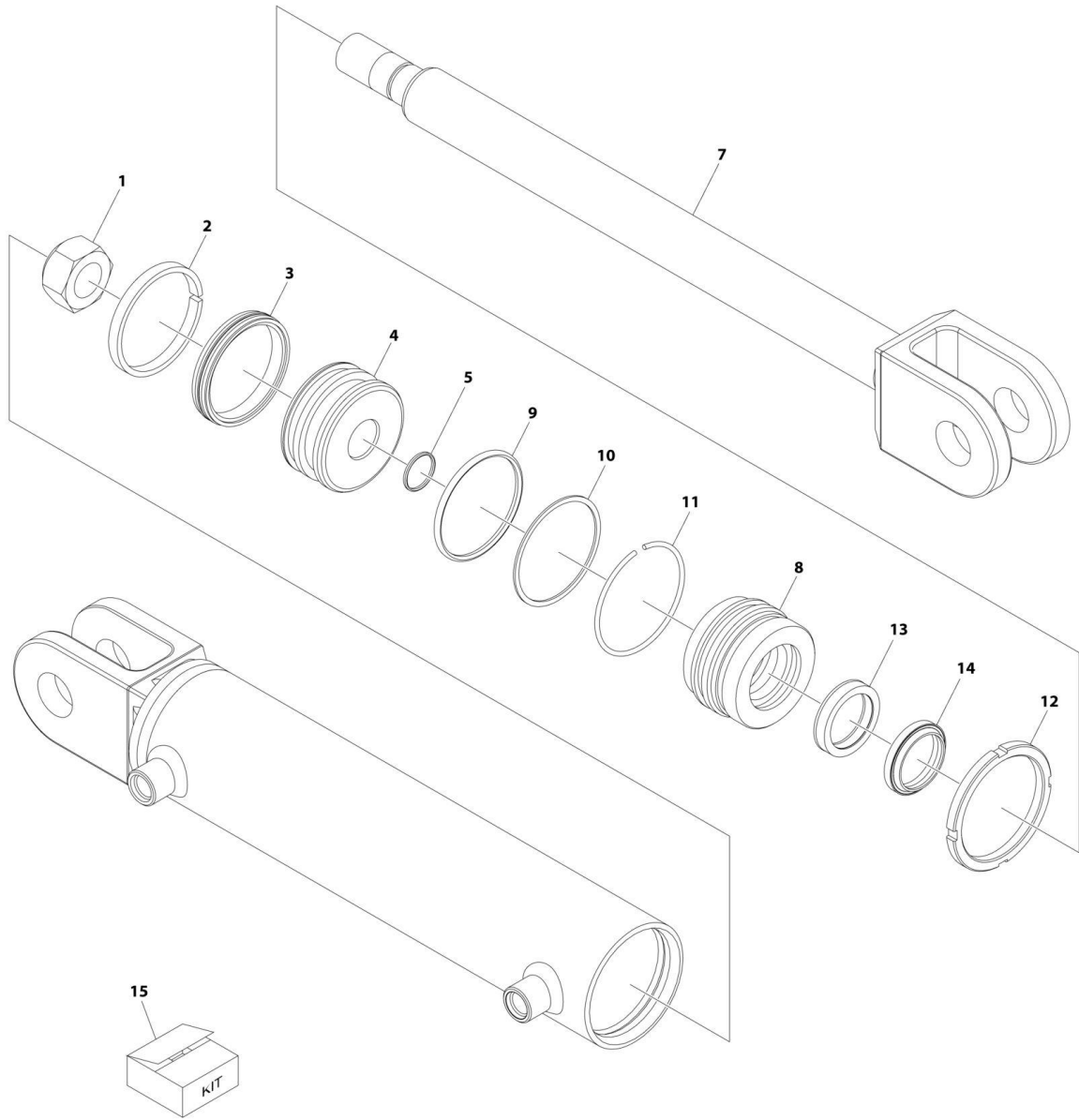
## SECTION 6 - CYLINDER

### FIGURE 6-3. LIFT CYLINDER ASSEMBLY

ITEM	PART NUMBER	QTY	DESCRIPTION	REV
	1001244210	Ref	LIFT CYLINDER ASSEMBLY	D
		Ref	<b>Note: Original Cylinder May Have Been Replaced with Service Replacement. Identify PN Stamped on Cylinder Before Ordering Parts.</b>	
1	See Note	1	Barrel (Note: Not Available for Purchase, Use p/n 1001244210)	
2	70007716	1	Rod	
3	70007715	1	Piston	
4	70007714	1	Retainer	
5	70007713	1	Kit, Seal (Includes Items 6-11)	
6	See Note	NSS	Ring, Buffer (Note: Use p/n 70007713)	
7	See Note	NSS	Seal, Head (Note: Not Shown, Use p/n 70007713)	
8	See Note	NSS	Seal, Piston (Note: Use p/n 70007713)	
9	See Note	NSS	Seal, Rod (Note: Use p/n 70007713)	
10	See Note	NSS	Ring, Wear (Note: Use p/n 70007713)	
11	See Note	NSS	Wiper (Note: Use p/n 70007713)	
12	See Note	1	O-Ring (Note: Use p/n 1001244210)	
13	See Note	1	Spacer (Note: Use p/n 1001244210)	
14	See Note	1	O-Ring (Note: Use p/n 1001244210)	
15	See Note	1	Ring, Back Up (Note: Use p/n 1001244210)	
16	See Note	1	Bushing (Note: Use p/n 1001244210)	
17	See Note	1	Screw, Set (Note: Use p/n 1001244210)	

# SECTION 6 - CYLINDER

## FIGURE 6-4. STEER CYLINDER ASSEMBLY



ART\_1001246107

## SECTION 6 - CYLINDER

**FIGURE 6-4. STEER CYLINDER ASSEMBLY**

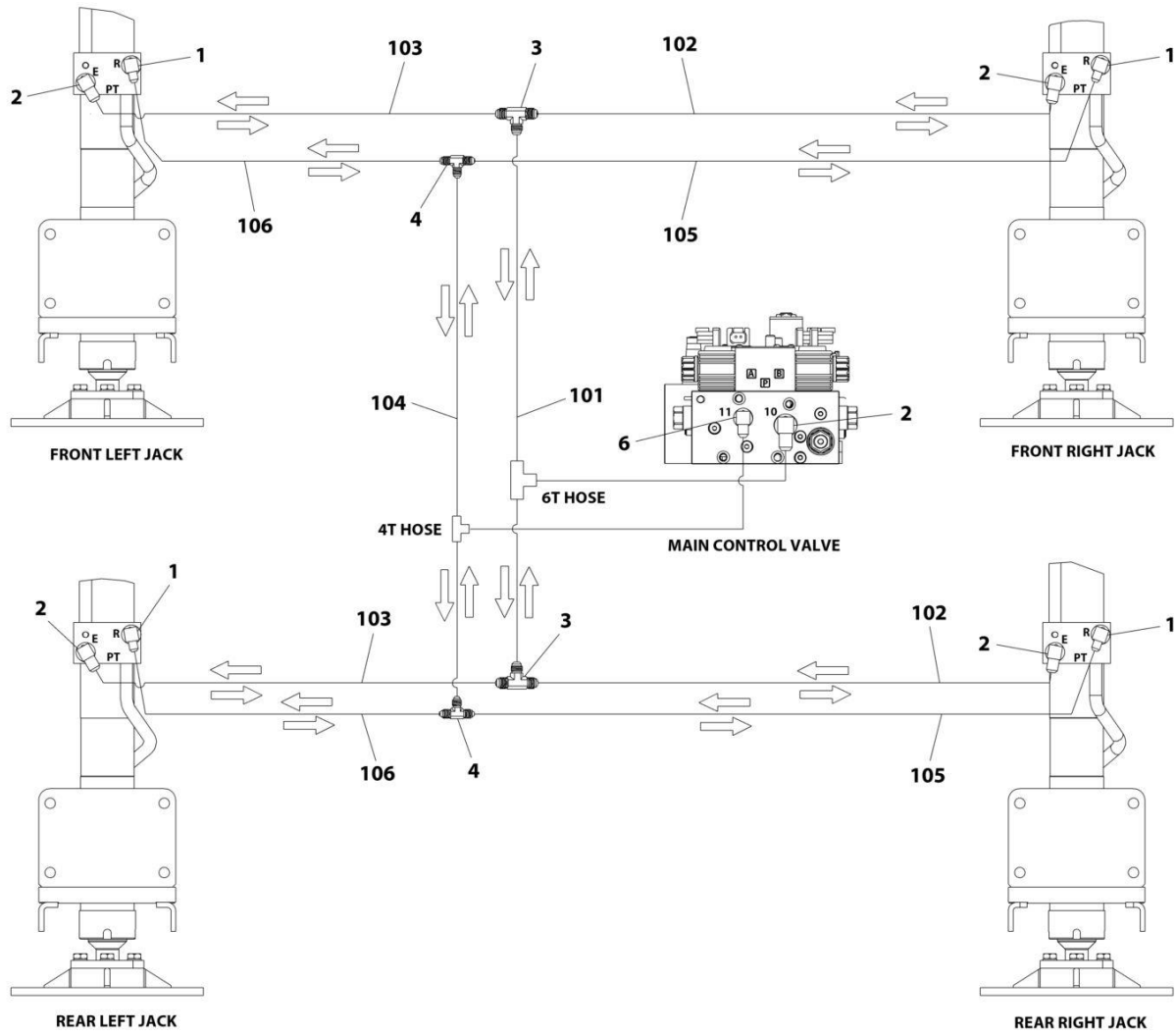
ITEM	PART NUMBER	QTY	DESCRIPTION	REV
	1001246107	Ref	STEER CYLINDER ASSEMBLY	B
		Ref	<b>Note: Original Cylinder May Have Been Replaced with Service Replacement. Identify PN Stamped on Cylinder Before Ordering Parts.</b>	
1	7001626	1	Nut	
2	See Note	NSS	Ring, Wear (Note: use p/n 70007610)	
3	See Note	NSS	Seal, Piston (Note: use p/n 70007610)	
4	70007607	1	Piston	
5	See Note	NSS	O-Ring (Note: use p/n 70007610)	
7	70007608	1	Rod	
8	70007609	1	Guide	
9	See Note	NSS	O-Ring (Note: use p/n 70007610)	
10	See Note	NSS	Ring, Backup (Note: use p/n 70007610)	
11	See Note	NSS	Ring, Retaining (Note: use p/n 70007610)	
12	7001630	1	Nut	
13	See Note	NSS	Ring (Note: use p/n 70007610)	
14	See Note	NSS	Ring, Wiper (Note: use p/n 70007610)	
15	70007610	1	Kit, Seal (Includes Items 2, 3, 5, 8-10, 12, & 13)	



**SECTION 7 - HYDRAULIC**

# SECTION 7 - HYDRAULIC

## FIGURE 7-1. HYDRAULIC DIAGRAM - LEVELING JACKS



ART\_1001250342



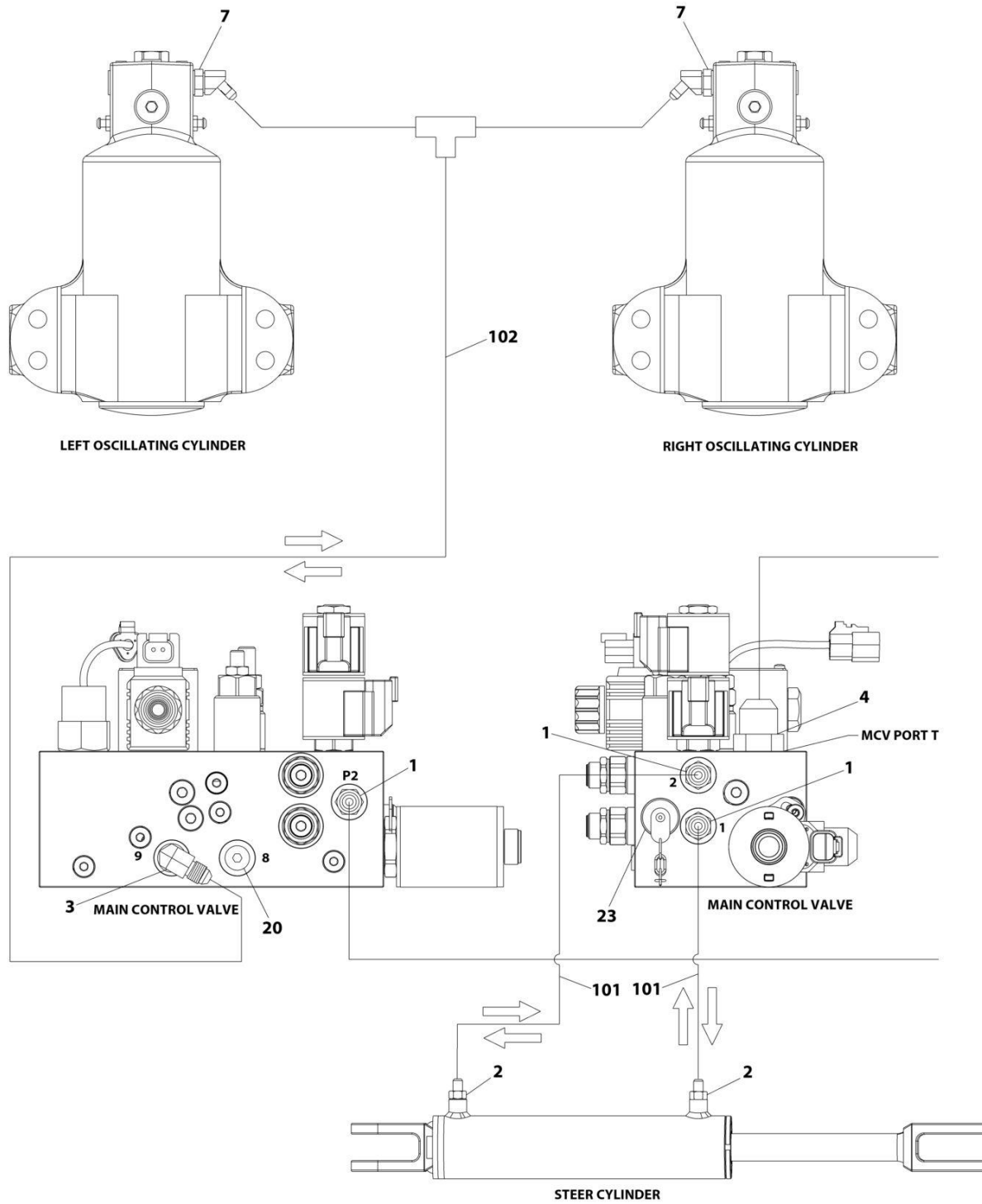
## SECTION 7 - HYDRAULIC

**FIGURE 7-1. HYDRAULIC DIAGRAM - LEVELING JACKS**

ITEM	PART NUMBER	QTY	DESCRIPTION	REV
	1001250342	Ref	HYDRAULIC DIAGRAM - LEVELING JACKS	B
1	2220472	4	Fitting, 90 JIC/ORB	
2	2220473	5	Fitting, 90 JIC/ORB	
3	2220490	2	Fitting, Tee JIC/JIC/JIC	
4	2220504	2	Fitting, Tee JIC/JIC/JIC	
6	2220466	1	Fitting, 90 JIC/ORB	
100	1001260252	Ref	Hose Kit (Not Shown)	A
101	1001250307	1	Hose	
102	1001250308	2	Hose	
103	1001250309	2	Hose	
104	1001250310	1	Hose	
105	1001250311	2	Hose	
106	1001250312	2	Hose	

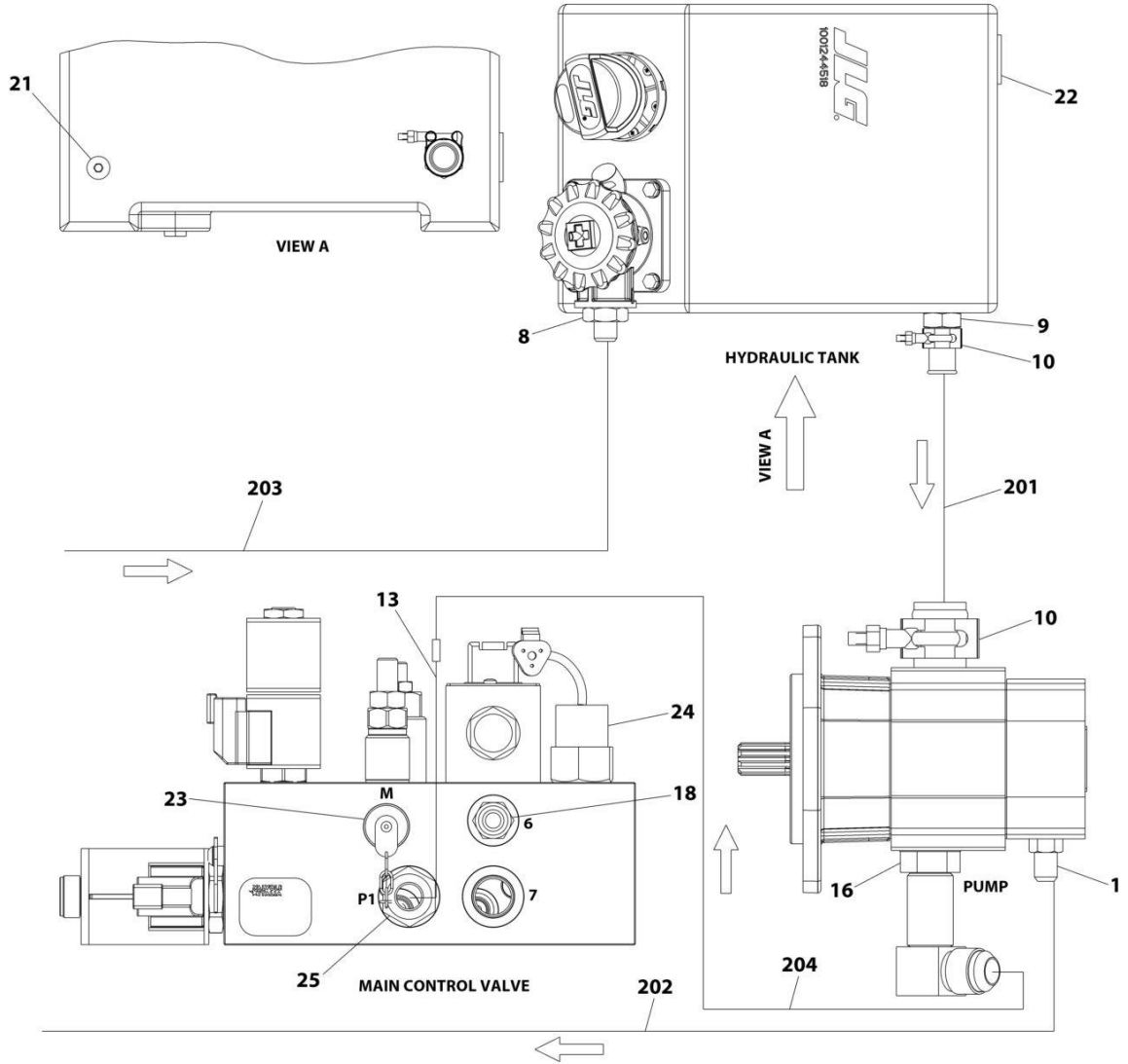
# SECTION 7 - HYDRAULIC

FIGURE 7-2. HYDRAULIC DIAGRAM - STANDARD (Prior to SN M200085710, Prior to SN M200085548)



ART\_1001246103\_10F2

# SECTION 7 - HYDRAULIC



ART\_1001246103\_20F2

## SECTION 7 - HYDRAULIC

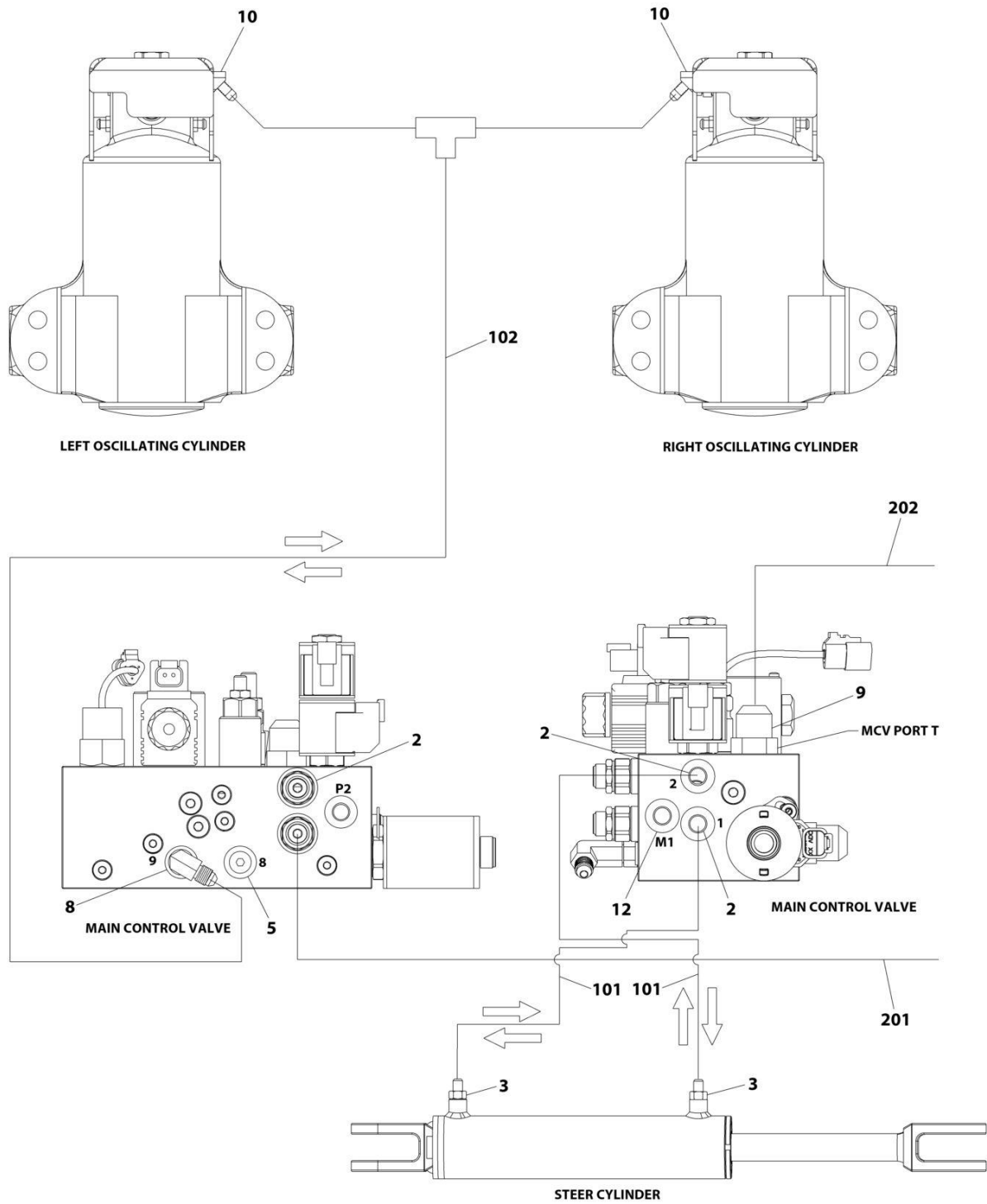
**FIGURE 7-2. HYDRAULIC DIAGRAM - STANDARD (Prior to SN M200085710, Prior to SN M200085548)**

ITEM	PART NUMBER	QTY	DESCRIPTION	REV
	1001246103	Ref	HYDRAULIC DIAGRAM – STANDARD	E
1	2220415	4	Fitting, Straight JIC/ORB	
2	2220582	2	Fitting, Straight JIC/ORB	
3	2220940	1	Fitting, 90 JIC/ORB	
4	2220947	1	Fitting	
7	2221040	2	Fitting, 45 JIC/ORB	
8	83451104	1	Fitting, Straight JIC/ORB	
9	1001127389	1	Fitting, Straight ORB/Barb	
10	1001143501	2	Clamp	
13	1001249610	1	Tube	
16	2221069	1	Fitting, 90 JIC/ORB	
18	2220371	1	Fitting, Straight JIC/ORB	
20	2220883	1	Plug	
21	2220886	1	Plug	
22	2220891	1	Plug	
23	2221086	2	Fitting, Test Port	
24	1001256875	1	Switch, Pressure	
25	2220852	1	Fitting, Straight JIC/ORB	
100	1001260251	1	Hose Kit (Not Shown)	A
101	1001248868	2	Hose	
102	1001248871	1	Hose	
200	1001260254	1	Hose Kit (Not Shown) (Includes Items 201-204)	C
201	1001250716	1	Hose	
202	1001250773	1	Hose	
203	1001250968	1	Hose	
204	1001273640	1	Hose	



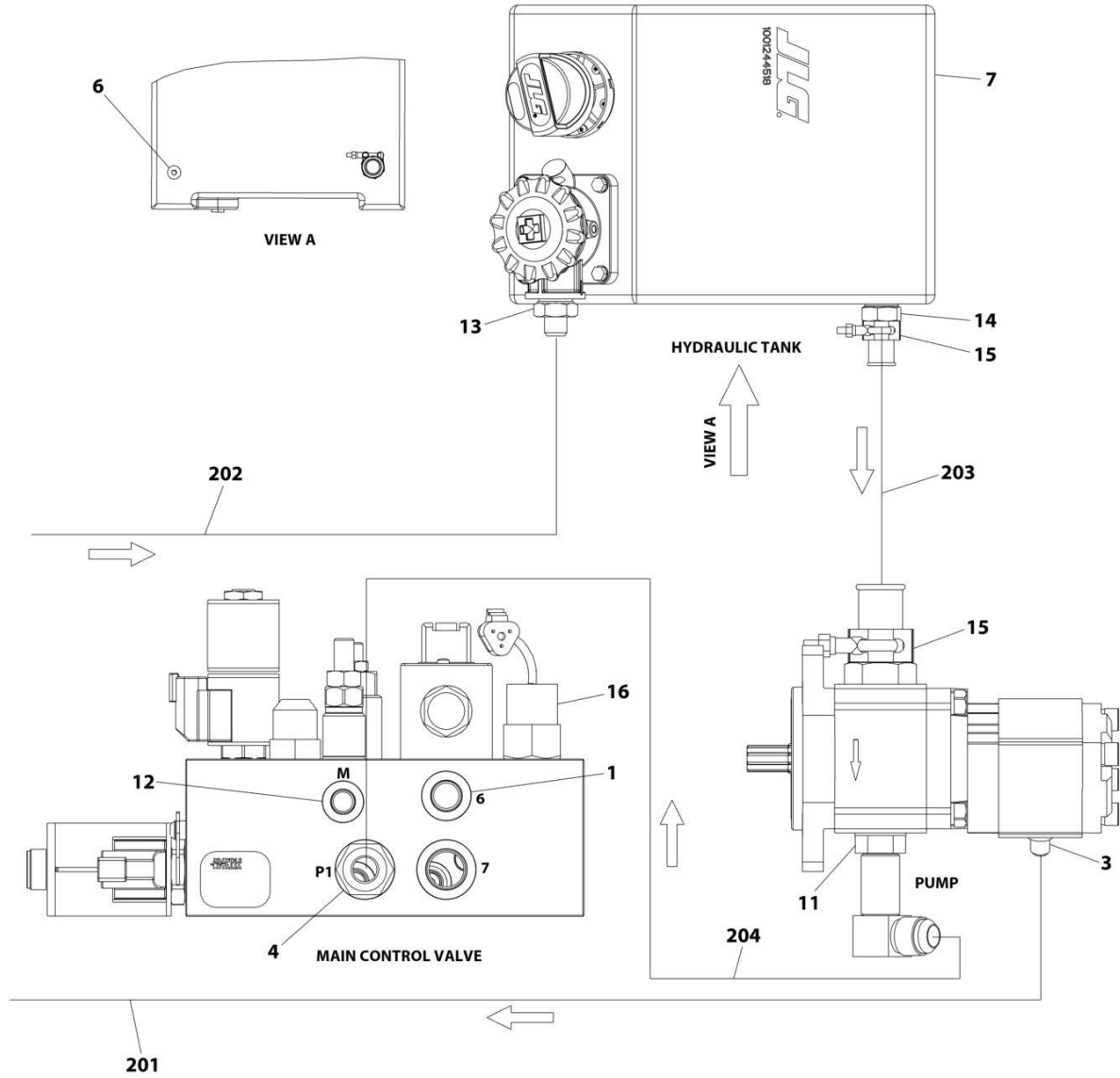
# SECTION 7 - HYDRAULIC

FIGURE 7-3. HYDRAULIC DIAGRAM - STANDARD (SN M200085853 to Present, SN M200085851 to Present)



ART\_1001293904\_10F2

# SECTION 7 - HYDRAULIC



ART\_1001293904\_2OF2

## SECTION 7 - HYDRAULIC

**FIGURE 7-3. HYDRAULIC DIAGRAM - STANDARD (SN M200085853 to Present, SN M200085851 to Present)**

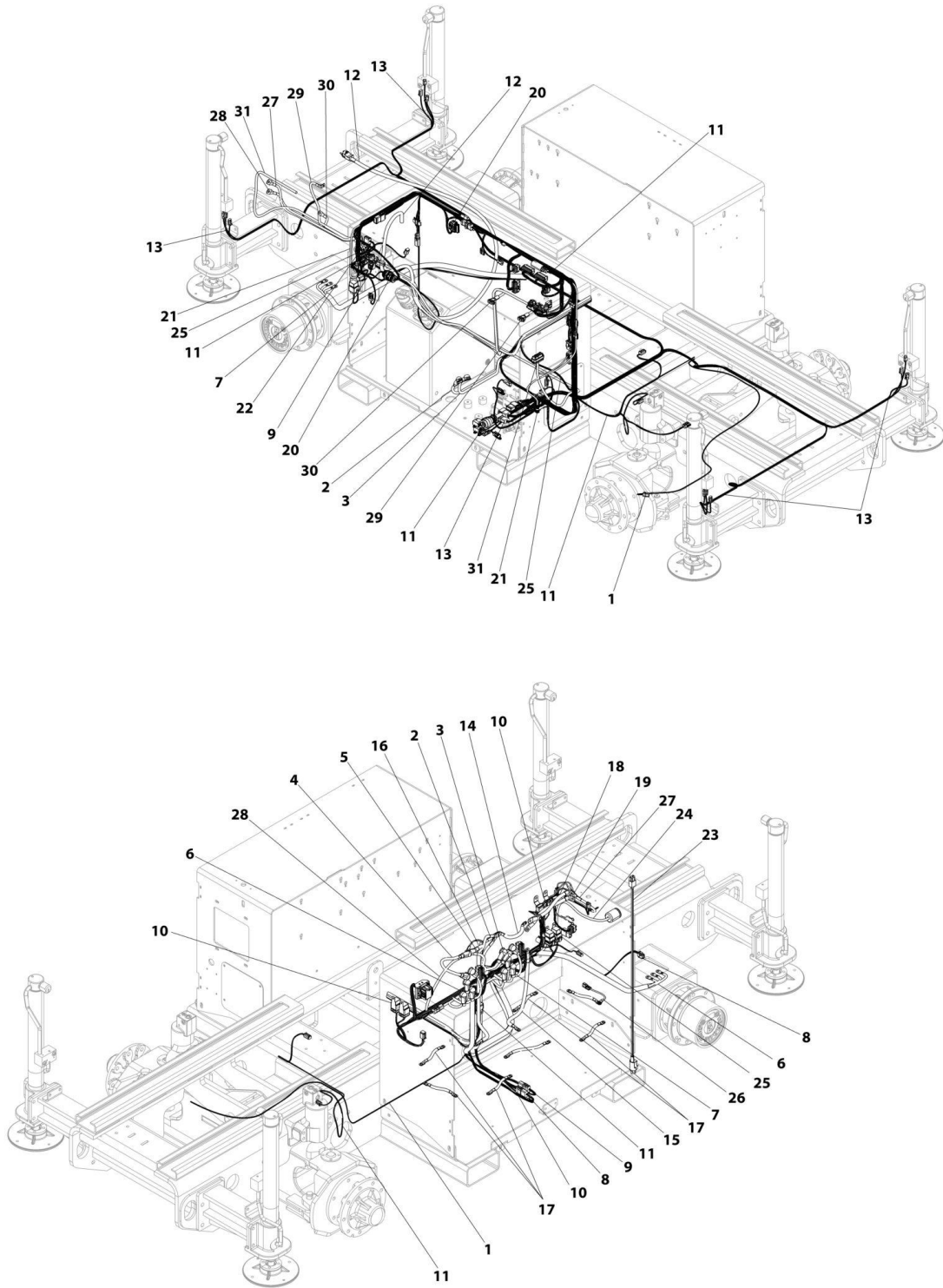
ITEM	PART NUMBER	QTY	DESCRIPTION	REV
	1001293904	Ref	HYDRAULIC DIAGRAM - STANDARD	A
1	2220371	1	Fitting, Straight JIC/ORB	
2	2220415	3	Fitting, Straight JIC/ORB	
3	2220582	3	Fitting, Straight JIC/ORB	
4	2220852	1	Fitting, Straight JIC/ORB	
5	2220883	1	Plug	
6	2220886	1	Plug	
7	2220891	1	Plug	
8	2220940	1	Fitting, 90 JIC/ORB	
9	2220947	1	Fitting, Straight JIC/ORB	
10	2221040	2	Fitting, 45 JIC/ORB	
11	2221069	1	Fitting, 90 ORB/JIC	
12	2221086	2	Fitting, Test Port	
13	83451104	1	Fitting, Straight JIC/ORB	
14	1001127389	2	Fitting, Straight ORB/Barbed	
15	1001143501	2	Clamp	
16	1001256875	1	Switch, Pressure	
100	1001260251	1	Hose Kit (Not Shown)	A
101	1001248868	2	Hose	
102	1001248871	1	Hose	
200	1001293907	1	Hose Kit (Not Shown)	A
201	1001250773	1	Hose	
202	1001250968	1	Hose	
203	1001293905	1	Hose	
204	1001293906	1	Hose	



**SECTION 8 - ELECTRICAL**

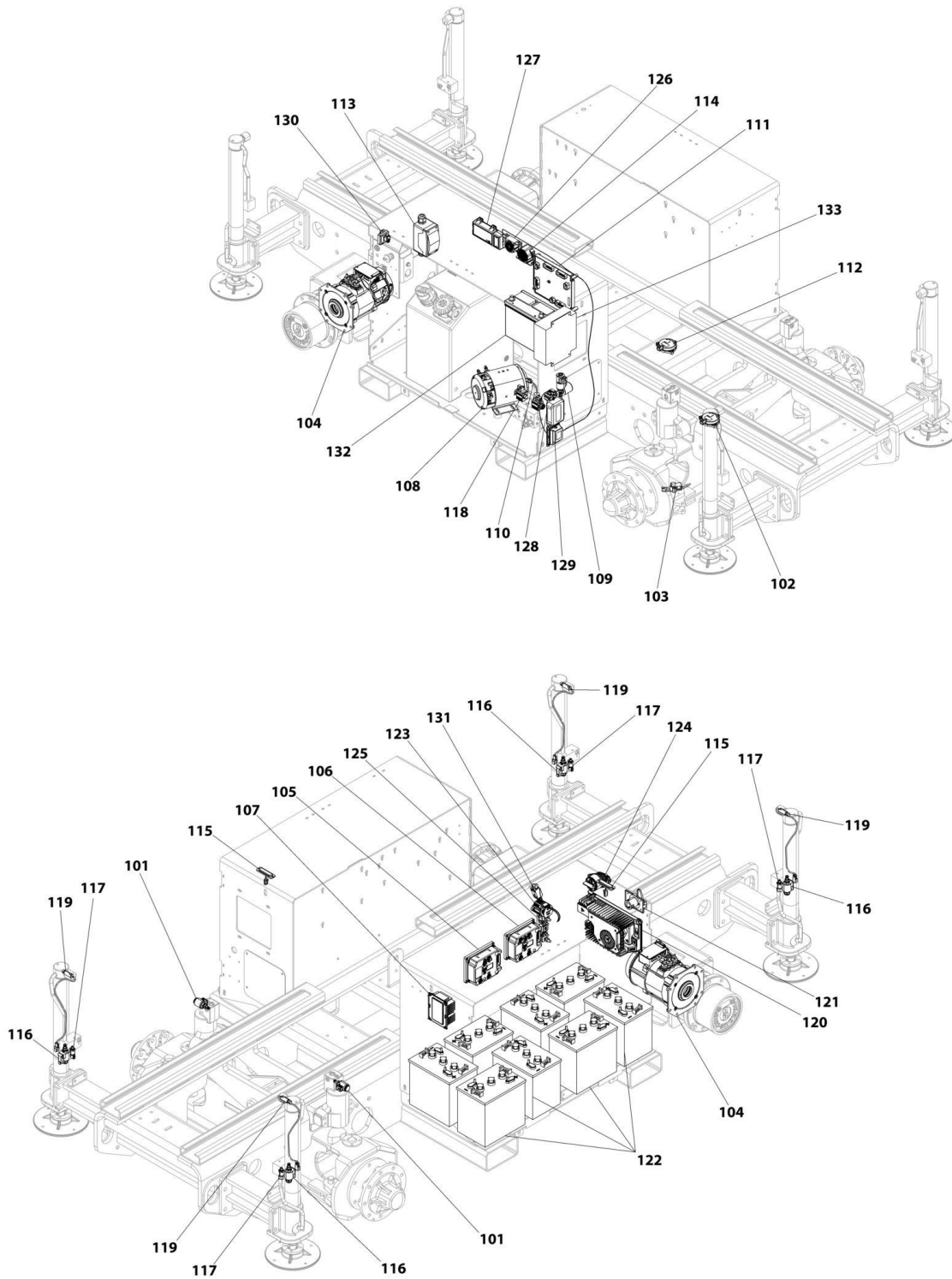
# SECTION 8 - ELECTRICAL

## FIGURE 8-1. ERT2669 & ERT3369 ELECTRICAL LAYOUT



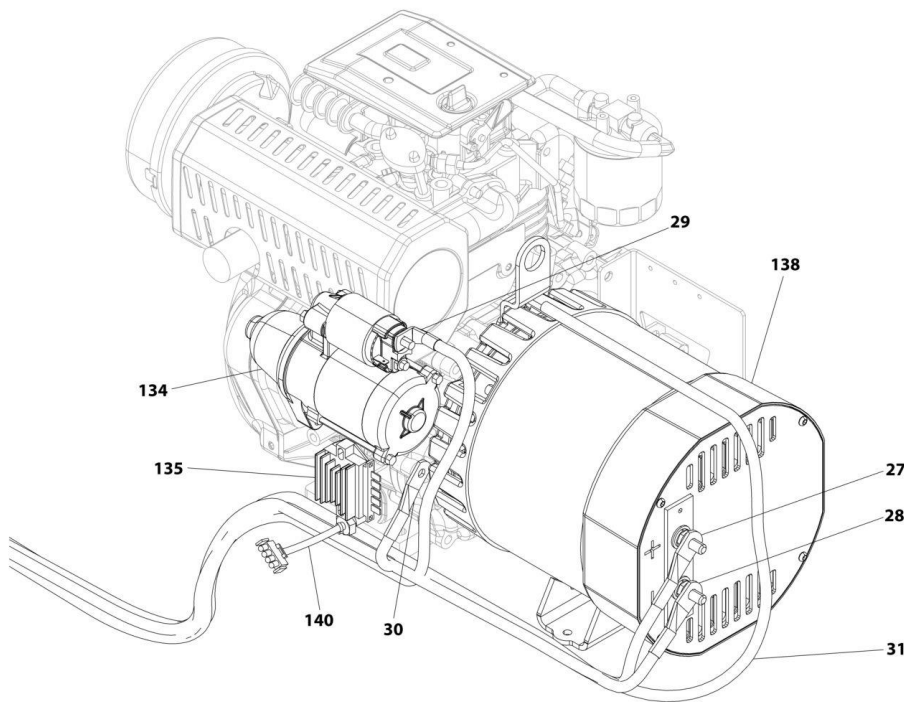
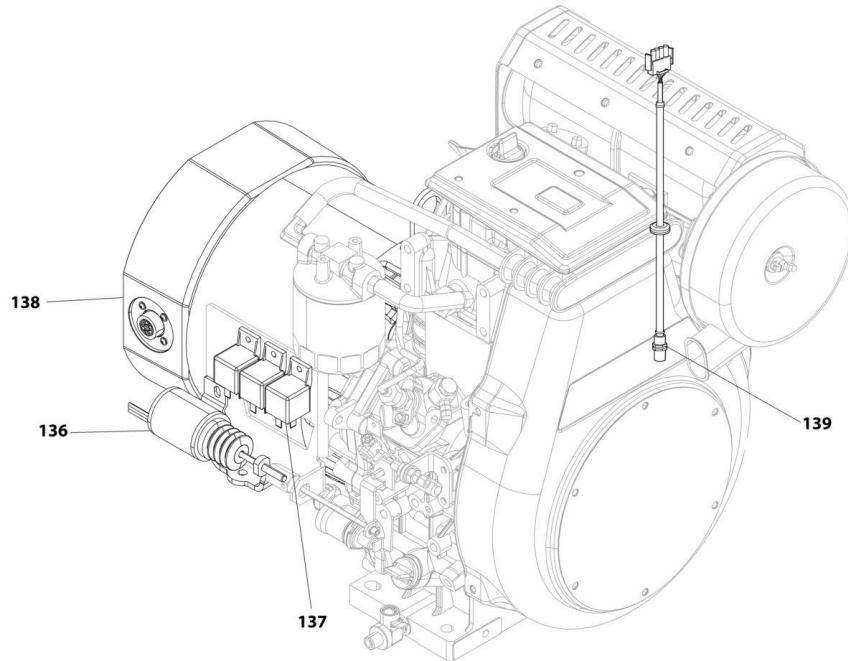
ART\_ERT3369-ELECTRICAL\_FRAME-HARNESS

# SECTION 8 - ELECTRICAL



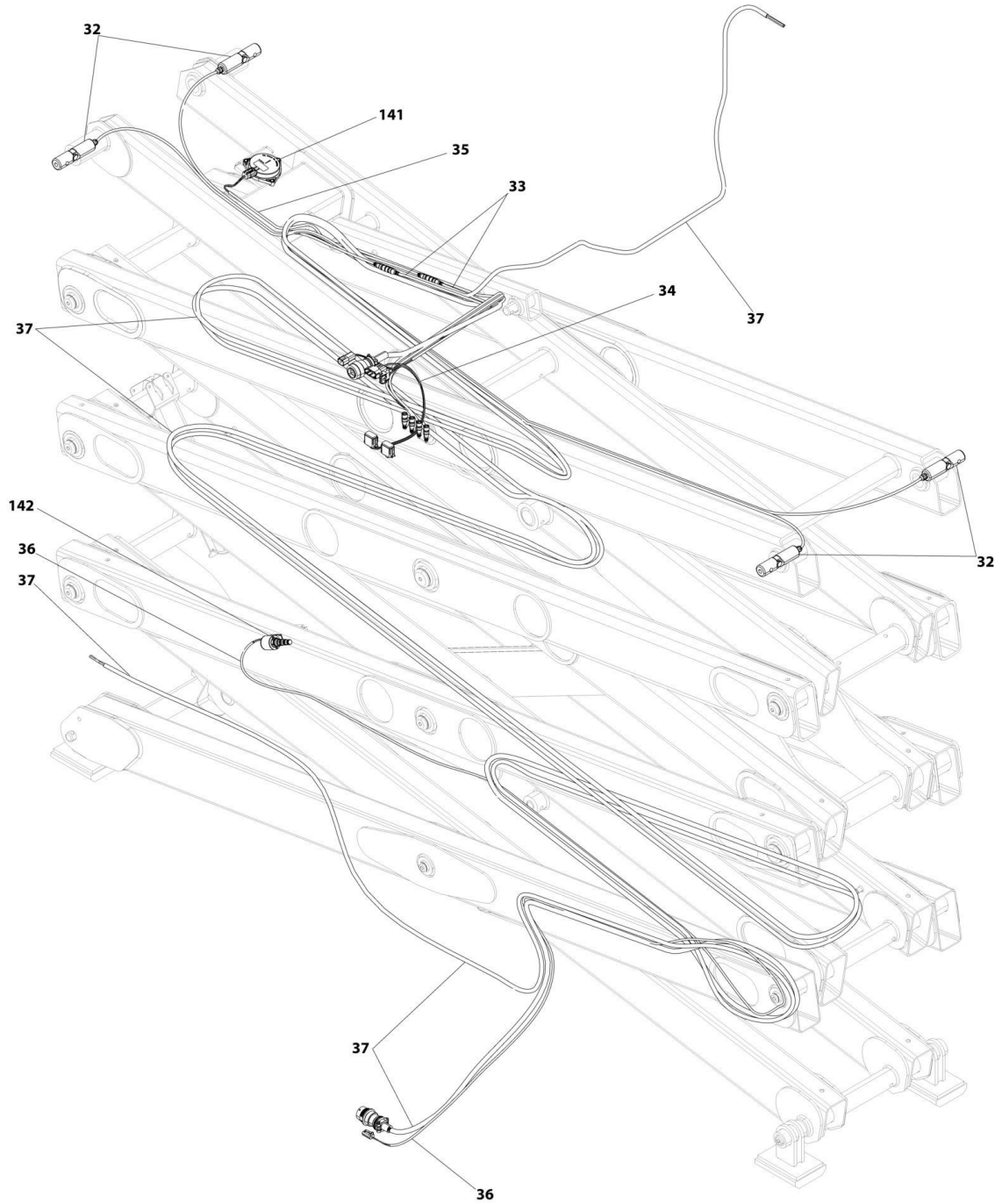
ART\_ERT3369-ELECTRICAL\_FRAME-COMPONENT

# SECTION 8 - ELECTRICAL



ART\_ERT3369-ELECTRICAL\_ENGINE-KUBOTAT4F

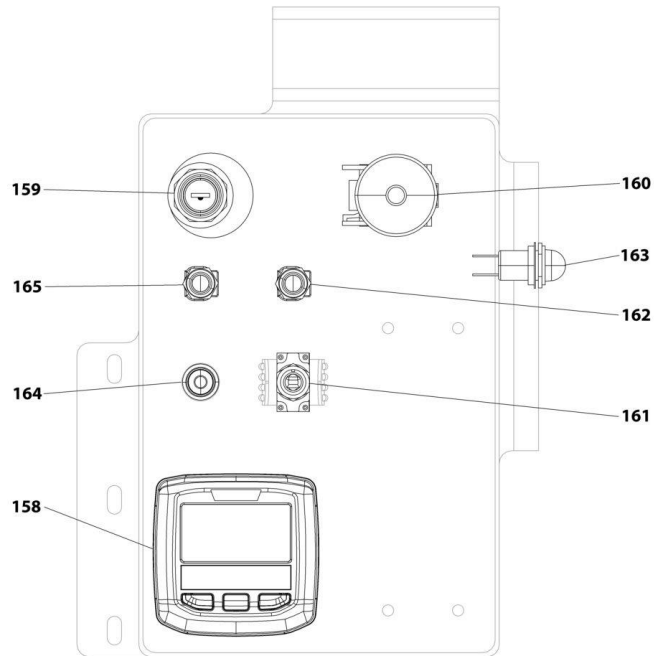
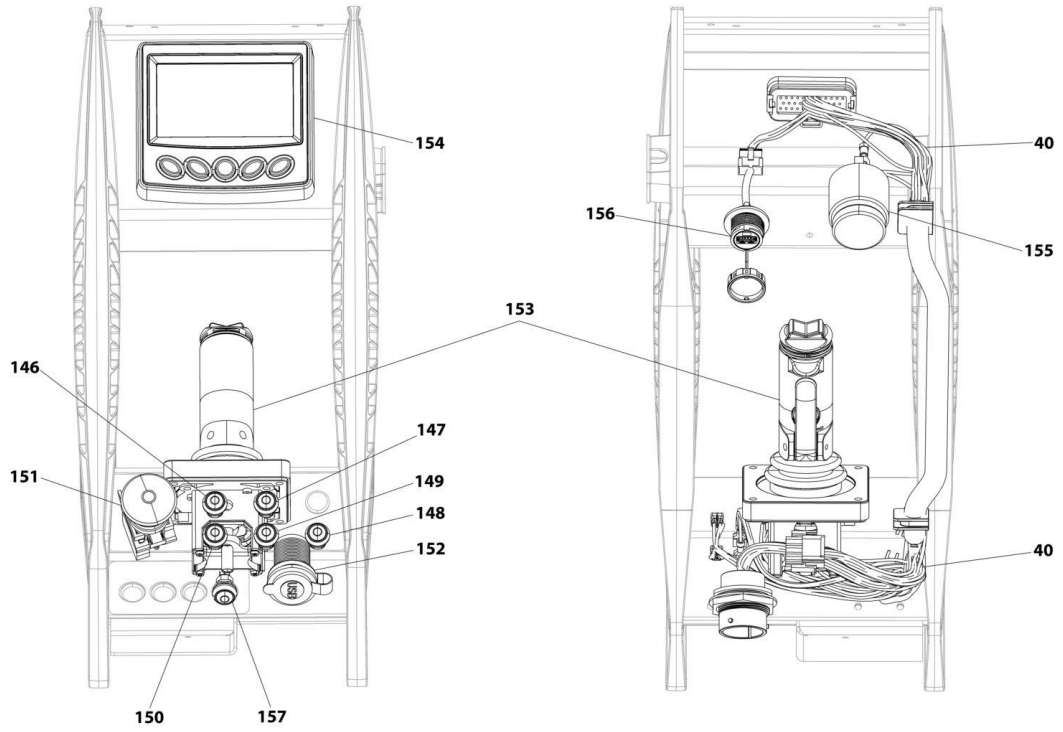
# SECTION 8 - ELECTRICAL



ART\_ERT3369-ELECTRICAL\_ARMS



# SECTION 8 - ELECTRICAL



ART\_ERT3369-ELECTRICAL\_CONTROLS

# SECTION 8 - ELECTRICAL

## FIGURE 8-1. ERT2669 & ERT3369 ELECTRICAL LAYOUT

ITEM	PART NUMBER	QTY	DESCRIPTION	REV
		Ref	Note: This figure is for part identification only.	
		Ref	HARNESS LIST	
1		Ref	Harness, Steer Angle Sensor	
2		Ref	Cable, Generator to Pump (+)	
3		Ref	Cable, Generator to Pump (-)	
4		Ref	Cable, Drive Module (-)	
5		Ref	Cable, Drive/Pump Module (-)	
6		Ref	Cable, Left Drive/Brake Motor Power	
7		Ref	Cable, Right Drive/Brake Motor Power	
8		Ref	Harness, Left Drive/Brake Motor	
9		Ref	Harness, Right Drive/Brake Motor	
10		Ref	Harness, Traction	
11		Ref	Harness, Chassis	
12		Ref	Cable, 12/3	
13		Ref	Harness, Leveling Jacks	
14		Ref	Cable, Relay to Power Stud	
15		Ref	Cable, Battery to Fuse	
16		Ref	Cable, Battery to Power Stud	
17		Ref	Cable, Battery Jumper	
18		Ref	Cable, Battery Disconnect to Relay	
19		Ref	Cable, Battery Disconnect to Fuse	
20		Ref	Harness, Clearsky	
21		Ref	Harness, Telematics	
22		Ref	Harness, Xirgo Jumper	
23		Ref	Charger Cable with Plug	
24		Ref	Cable, Charger to Receptacle	
25		Ref	Harness, Genset	
26		Ref	Harness, Temperature Sensor	
27		Ref	Cable, Engine (+) to Battery Disconnect	
28		Ref	Cable, Engine (-) to Power Stud	
29		Ref	Cable, Engine to Battery (+)	
30		Ref	Cable, Engine to Battery (-)	
31		Ref	Harness, Generator	
32		Ref	Assembly, Load Sense Pin/Cable	
33		Ref	Cable, Load Sense Extension	
34		Ref	Harness, Load Sense	
35		Ref	Harness, Tilt Sensor	
36		Ref	Harness, Lift Down	
37		Ref	Cable, AC Ground to Platform	
38		Ref	Harness, Platform Control Box	
39		Ref	Harness, Platform	
40		Ref	Harness, Platform Control Box	
		Ref	COMPONENT LIST	
101		Ref	Solenoid, Axle Lock	
102		Ref	Sensor, Tilt	
103		Ref	Sensor, Steer Angle	
104		Ref	Assembly, Drive Motor/Brake	
105		Ref	Module, Drive	
106		Ref	Module, Drive/Pump	
107		Ref	Converter	



## SECTION 8 - ELECTRICAL

ITEM	PART NUMBER	QTY	DESCRIPTION	REV
108		Ref	Generator	
109		Ref	Solenoids, Main Control Valve	
110		Ref	Switch, Pressure	
111		Ref	Module, Ground Control	
112		Ref	Sensor, Tilt	
113		Ref	AC Breaker Box	
114		Ref	Alarm	
115		Ref	Beacon	
116		Ref	Solenoid, Leveling Jack Cylinder	
117		Ref	Sensor, Leveling Jacks Pressure	
118		Ref	Solenoid, Leveling Jacks Valve	
119		Ref	Sensor, Leveling Jacks Proximity	
120		Ref	Charger	
121		Ref	AC Receptacle	
122		Ref	Battery	
123		Ref	Relay	
124		Ref	Switch, Battery Disconnect	
125		Ref	Assembly, Fuse/Holder	
126		Ref	Alarm, White Noise	
127		Ref	Module, ClearSky Telematics CANBUS	
128		Ref	Antennae, ClearSky Telematics	
129		Ref	Module, ClearSky Telematics 3-Wire	
130		Ref	Voltage Regulator, ClearSky Telematics	
131		Ref	Switch, LSS Limit	
132		Ref	Battery	
133		Ref	Module, Engine Control	
134		Ref	Starter	
135		Ref	Regulator, Voltage	
136		Ref	Solenoid, Fuel	
137		Ref	Relay	
138		Ref	Alternator	
139		Ref	Sensor, Speed	
140		Ref	Sensor, Oil Temperature	
141		Ref	Sensor, Tilt	
142		Ref	Solenoid, Lift Down	
143		Ref	AC Receptacle	
144		Ref	Footswitch	
145		Ref	Module, Load Sense	
146		Ref	Switch, Lift Select	
147		Ref	Switch, Drive Select	
148		Ref	Switch, Horn	
149		Ref	Switch, Speed Select	
150		Ref	Switch, Leveling Jacks	
151		Ref	Switch, Emergency Stop	
152		Ref	USB Port	
153		Ref	Joystick	
154		Ref	Display, Platform	
155		Ref	Alarm	
156		Ref	USB Port	
157		Ref	Switch, Genset Enable	
158		Ref	Display, Ground	

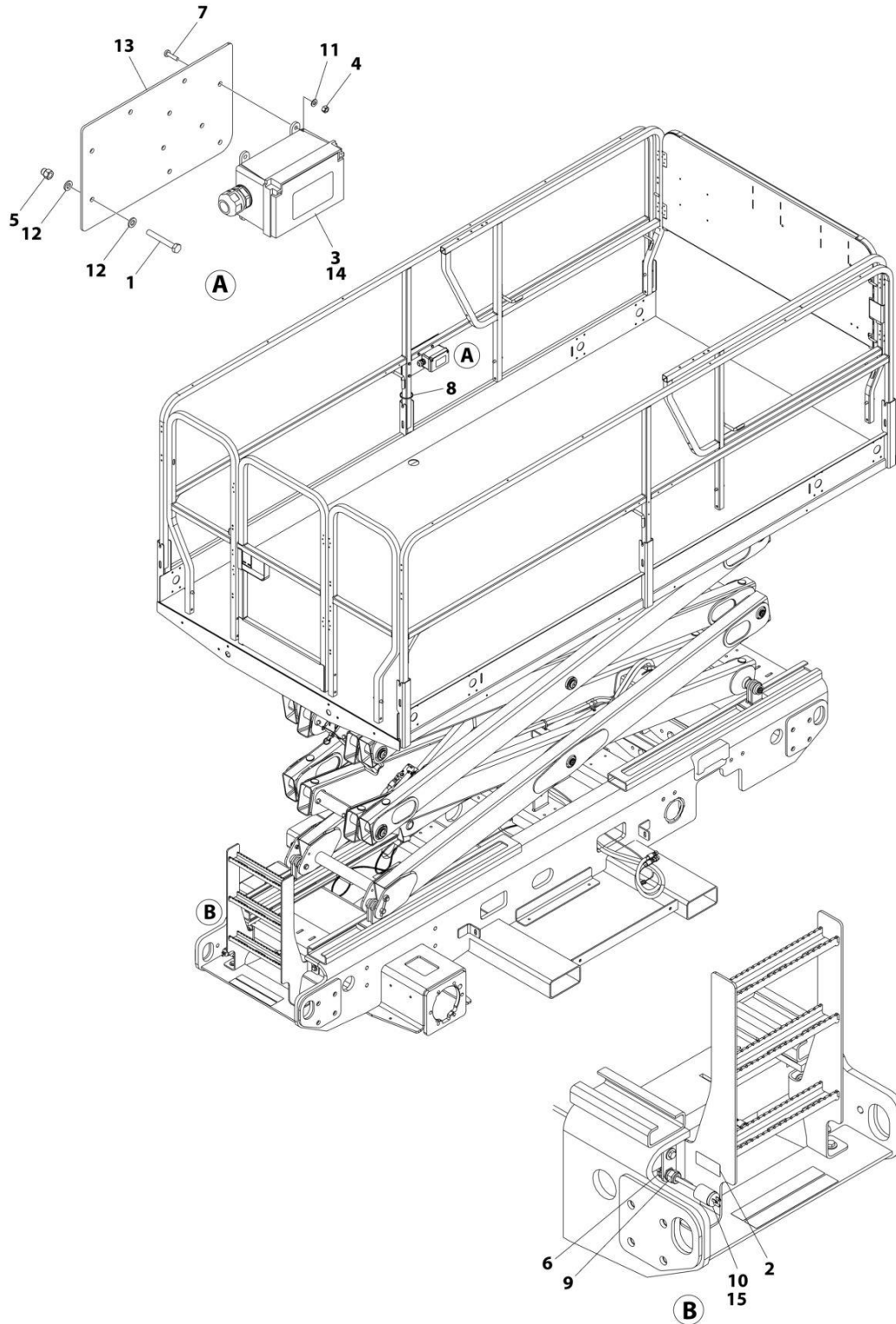
## SECTION 8 - ELECTRICAL

ITEM	PART NUMBER	QTY	DESCRIPTION	REV
159		Ref	Switch, Key	
160		Ref	Switch, Emergency Stop	
161		Ref	Switch, Platform Lift/Lower	
162		Ref	Light, Load Sense Overload Indicator	
163		Ref	Switch, Brake Release	
164		Ref	Switch, Genset Start	
165		Ref	Light, Genset Indicator	



# SECTION 8 - ELECTRICAL

FIGURE 8-2. AC BOX AT PLATFORM INSTALLATION - 110V GFI (ALL SPECS EXCEPT AUSTRALIAN, CE & UK CA SPECS)



ART\_1001255001

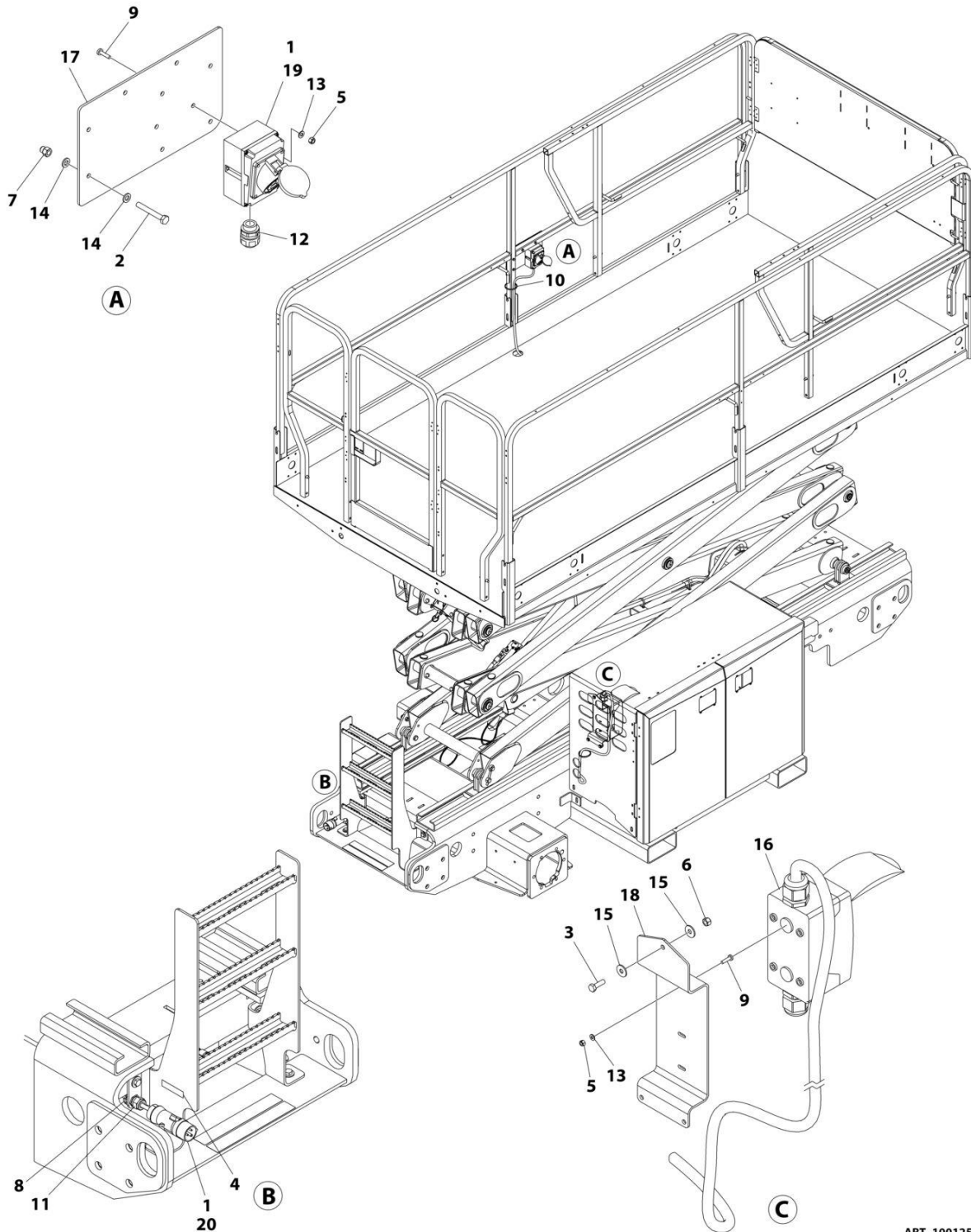
## SECTION 8 - ELECTRICAL

**FIGURE 8-2. AC BOX AT PLATFORM INSTALLATION - 110V GFI (ALL SPECS EXCEPT AUSTRALIAN, CE & UK CA SPECS)**

ITEM	PART NUMBER	QTY	DESCRIPTION	REV
	1001255001	Ref	AC BOX AT PLATFORM INSTALLATION - 110V	B
1	0700617	4	Bolt M6 x 45	
2	1703464	1	Decal - AC Power	
3	2902431	1	Receptacle Box Kit - 110V GFI (See Separate Breakdown in this Section)	
4	3290405	4	Nut M4	
5	3290606	4	Nut M6 x 1	
6	3300048	1	Nut 3/4	
7	4010408	4	Screw M4 x 16	
8	4240017	AR	Tie-Strap	
9	4460071	1	Connector	
10	4460138	1	Plug, Male	
11	4811400	4	Washer M4	
12	4811700	8	Washer M6	
13	1001254613	1	Plate, Platform Plug Mount	
14	4460315	3	Terminal, Spade	
15	1001212268	3	Terminal	

# SECTION 8 - ELECTRICAL

## FIGURE 8-3. AC BOX AT PLATFORM INSTALLATION - 110V IEC YELLOW (CE & UK CA SPECS)



ART\_1001255006

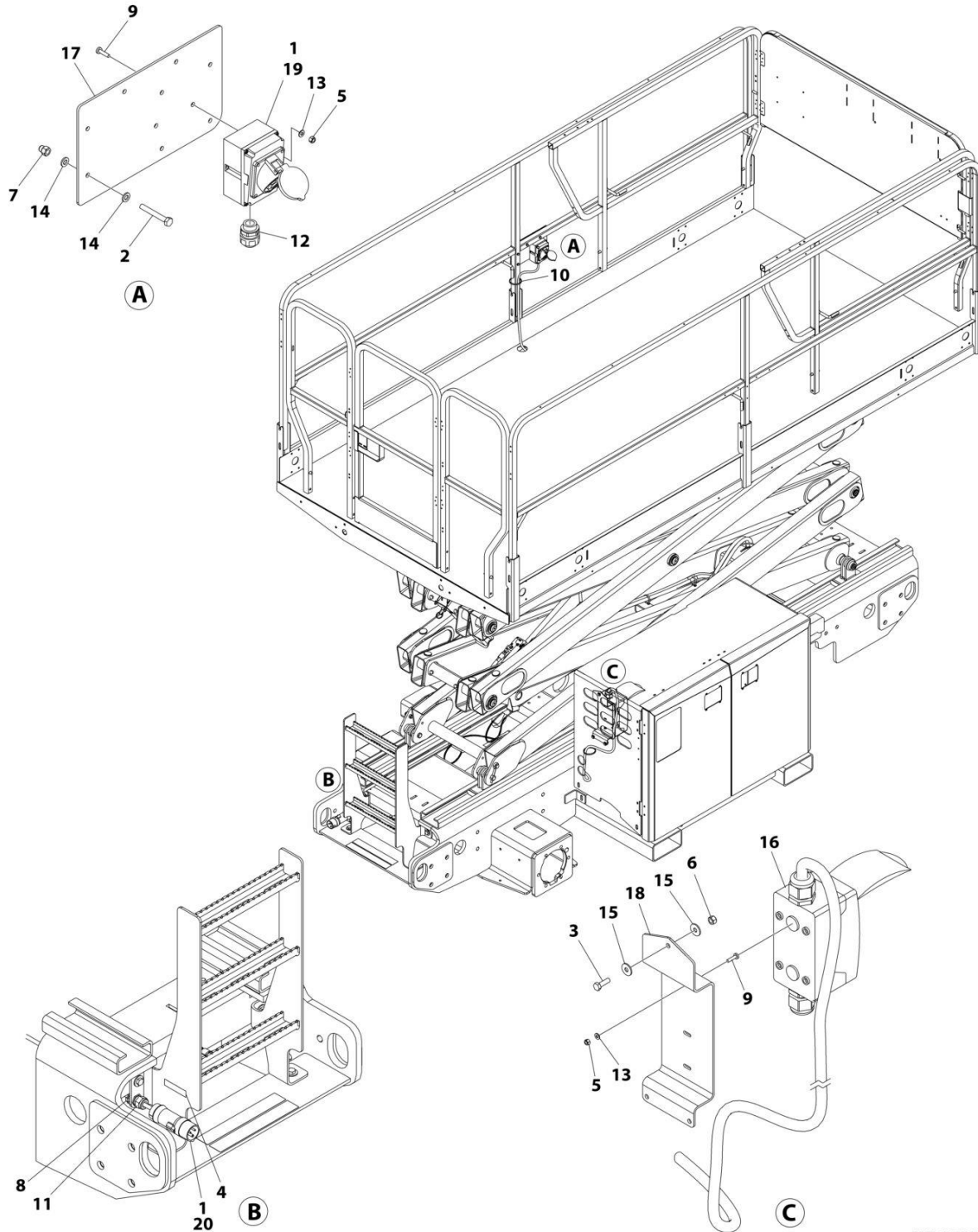
## SECTION 8 - ELECTRICAL

**FIGURE 8-3. AC BOX AT PLATFORM INSTALLATION - 110V IEC YELLOW (CE & UK CA SPECS)**

ITEM	PART NUMBER	QTY	DESCRIPTION	REV
	1001255006	Ref	AC BOX AT PLATFORM INSTALLATION - 110V IEC YELLOW	B
1	0275216	1	Receptacle Box Kit - 110V IEC Yellow (See Separate Breakdown in this Section)	
2	0700617	4	Bolt M6 x 45	
3	0760610	3	Bolt M6 x 20	
4	1705325	1	Decal - 110 Volt	
5	3290405	4	Nut M4	
6	3290605	3	Nut M6	
7	3290606	4	Nut M6 x 1	
8	3300048	1	Nut 3/4	
9	4010408	4	Screw M4 x 16	
10	4240017	AR	Tie-Strap	
11	4460071	1	Connector, Water Tight	
12	4460968	1	Connector, Strain Relief	
13	4811400	4	Washer M4	
14	4811700	8	Washer M6	
15	4811702	6	Washer M6	
16	1001096070	1	Breaker Box Kit (See Separate Breakdown in this Section)	
17	1001254613	1	Plate, Platform Plug Mount	
18	1001261118	1	Bracket, Electric Box Mount	
19	4460315	3	Terminal, Spade	
20	1001212268	3	Terminal	

# SECTION 8 - ELECTRICAL

## FIGURE 8-4. AC BOX AT PLATFORM INSTALLATION - 220V IEC BLUE (CE & UK CA SPECS)



ART\_1001255007



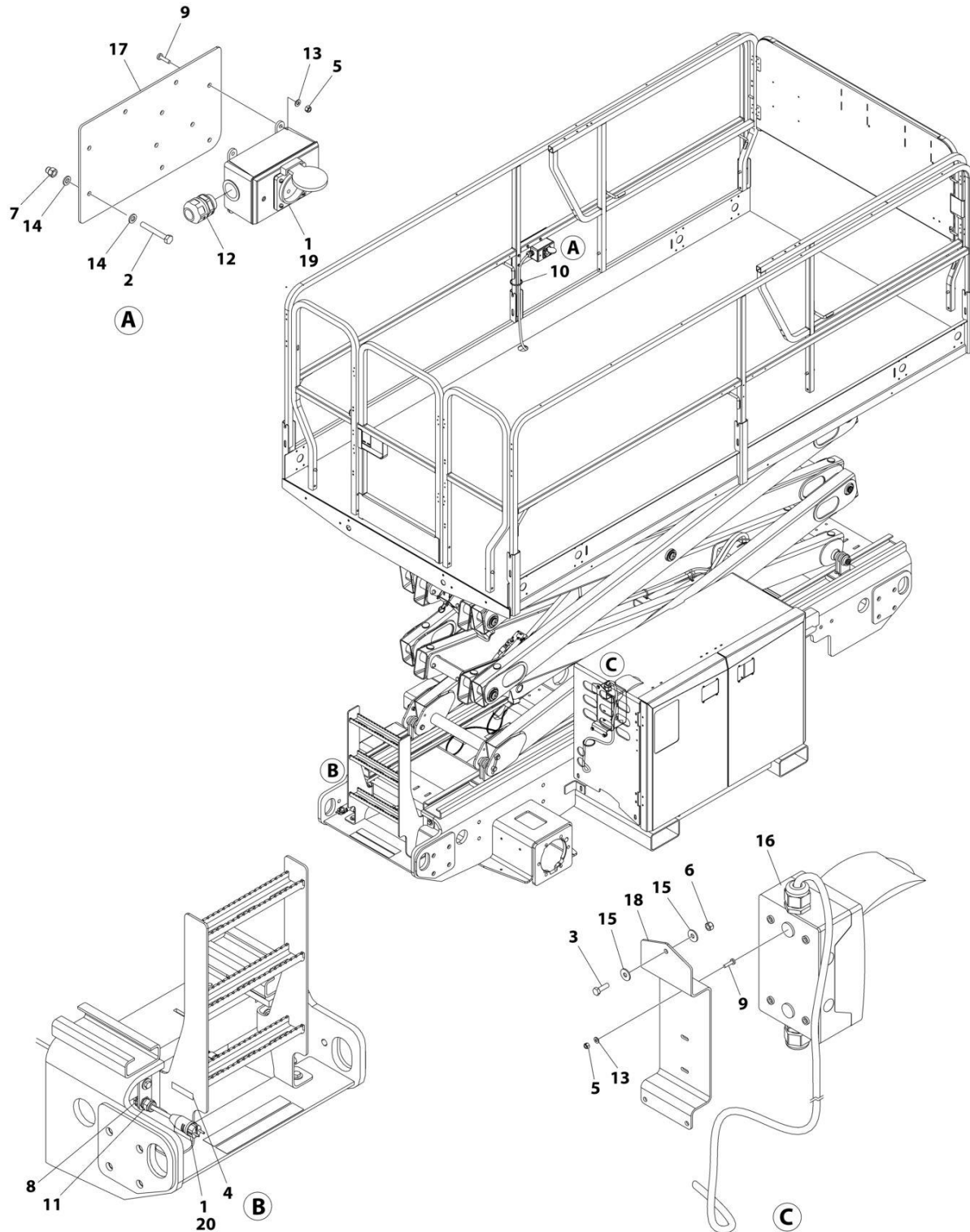
## SECTION 8 - ELECTRICAL

**FIGURE 8-4. AC BOX AT PLATFORM INSTALLATION - 220V IEC BLUE (CE & UK CA SPECS)**

ITEM	PART NUMBER	QTY	DESCRIPTION	REV
	1001255007	Ref	AC BOX AT PLATFORM INSTALLATION - 220V IEC BLUE	B
1	0275217	1	Receptacle Box Kit - 220V IEC Blue (See Separate Breakdown in this Section)	
2	0700617	4	Bolt M6 x 45	
3	0760610	3	Bolt M6 x 20	
4	3252507	1	Decal - 220 Volt	
5	3290405	4	Nut M4	
6	3290605	3	Nut M6	
7	3290606	4	Nut M6 x 1	
8	3300048	1	Nut 3/4	
9	4010408	4	Screw M4 x 16	
10	4240017	AR	Tie-Strap	
11	4460071	1	Connector, Water Tight	
12	4460968	1	Connector, Strain Relief	
13	4811400	4	Washer M4	
14	4811700	8	Washer M6	
15	4811702	6	Washer M6	
16	1001096070	1	Breaker Box Kit (See Separate Breakdown in this Section)	
17	1001254613	1	Plate, Platform Plug Mount	
18	1001261118	1	Bracket, Electric Box Mount	
19	4460315	3	Terminal, Spade	
20	1001212268	3	Terminal	

# SECTION 8 - ELECTRICAL

## FIGURE 8-5. AC BOX AT PLATFORM INSTALLATION - 220V CEE7 POST GROUND (CE & UK CA SPECS)



ART\_1001255004

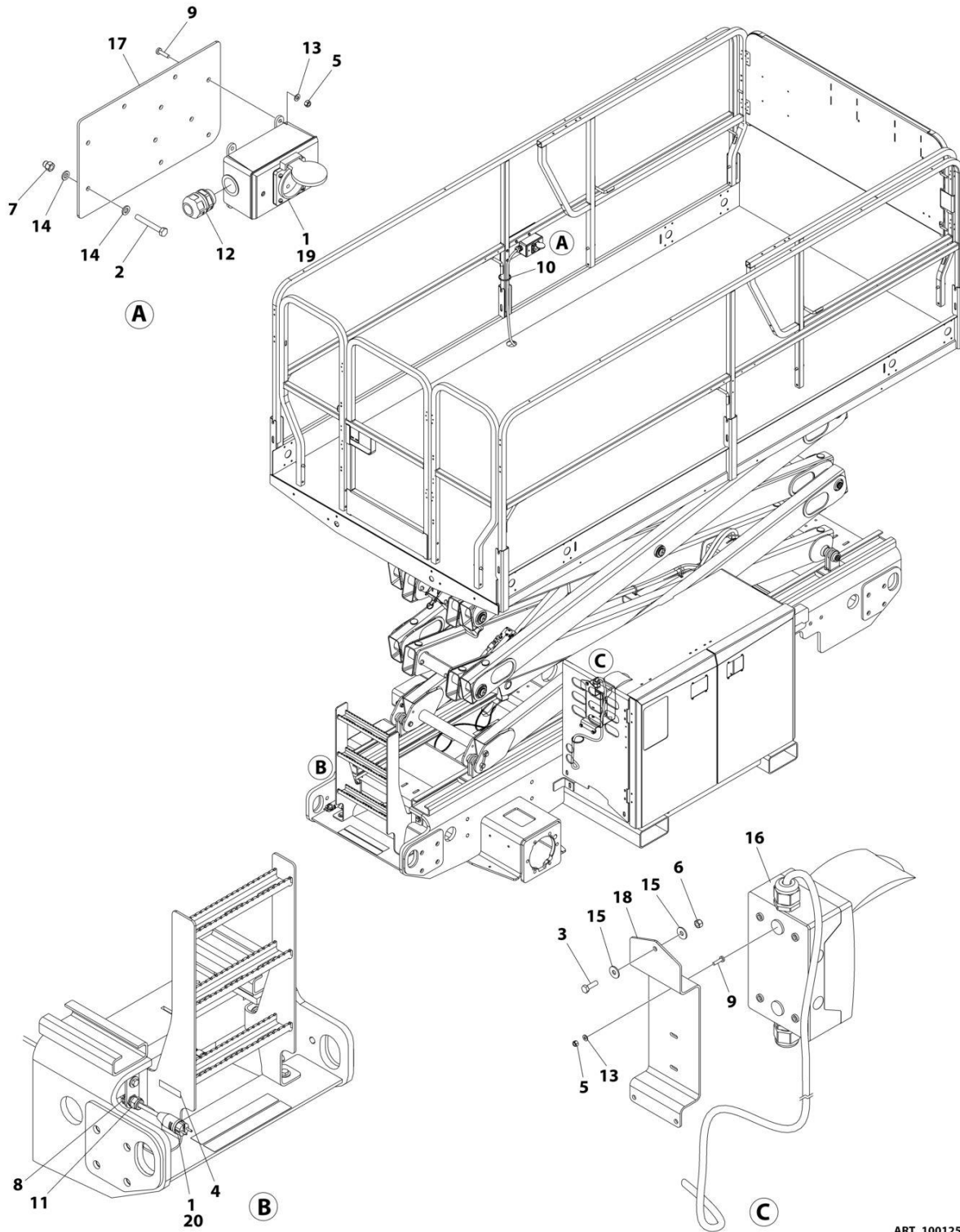
## SECTION 8 - ELECTRICAL

**FIGURE 8-5. AC BOX AT PLATFORM INSTALLATION - 220V CEE7 POST GROUND (CE & UK CA SPECS)**

ITEM	PART NUMBER	QTY	DESCRIPTION	REV
	1001255004	Ref	AC BOX AT PLATFORM INSTALLATION - 220V CEE7 POST GROUND	B
1	0275452	1	Receptacle Box Kit - 220V CEE7 Post Ground 2X4 Box (See Separate Breakdown in this Section)	
2	0700617	4	Bolt M6 x 45	
3	0760610	3	Bolt M6 x 20	
4	3252507	1	Decal - 220 Volt	
5	3290405	6	Nut M4	
6	3290605	3	Nut M6	
7	3290606	4	Nut M6 x 1	
8	3300048	1	Nut 3/4	
9	4010408	6	Screw M4 x 16	
10	4240017	AR	Tie-Strap	
11	4460071	1	Connector, Water Tight	
12	4460662	1	Connector, Strain Relief	
13	4811400	6	Washer M4	
14	4811700	8	Washer M6	
15	4811702	6	Washer M6	
16	1001152486	1	Electric Assembly, Box and Breaker (See Separate Breakdown in this Section)	
17	1001254613	1	Plate, Platform Plug Mount	
18	1001261118	1	Bracket, Electric Box Mount	
19	4460315	3	Terminal, Spade	
20	1001212268	3	Terminal	

# SECTION 8 - ELECTRICAL

## FIGURE 8-6. AC BOX AT PLATFORM INSTALLATION - 220V CEE7 SIDE GROUND (CE & UK CA SPECS)



ART\_1001255005

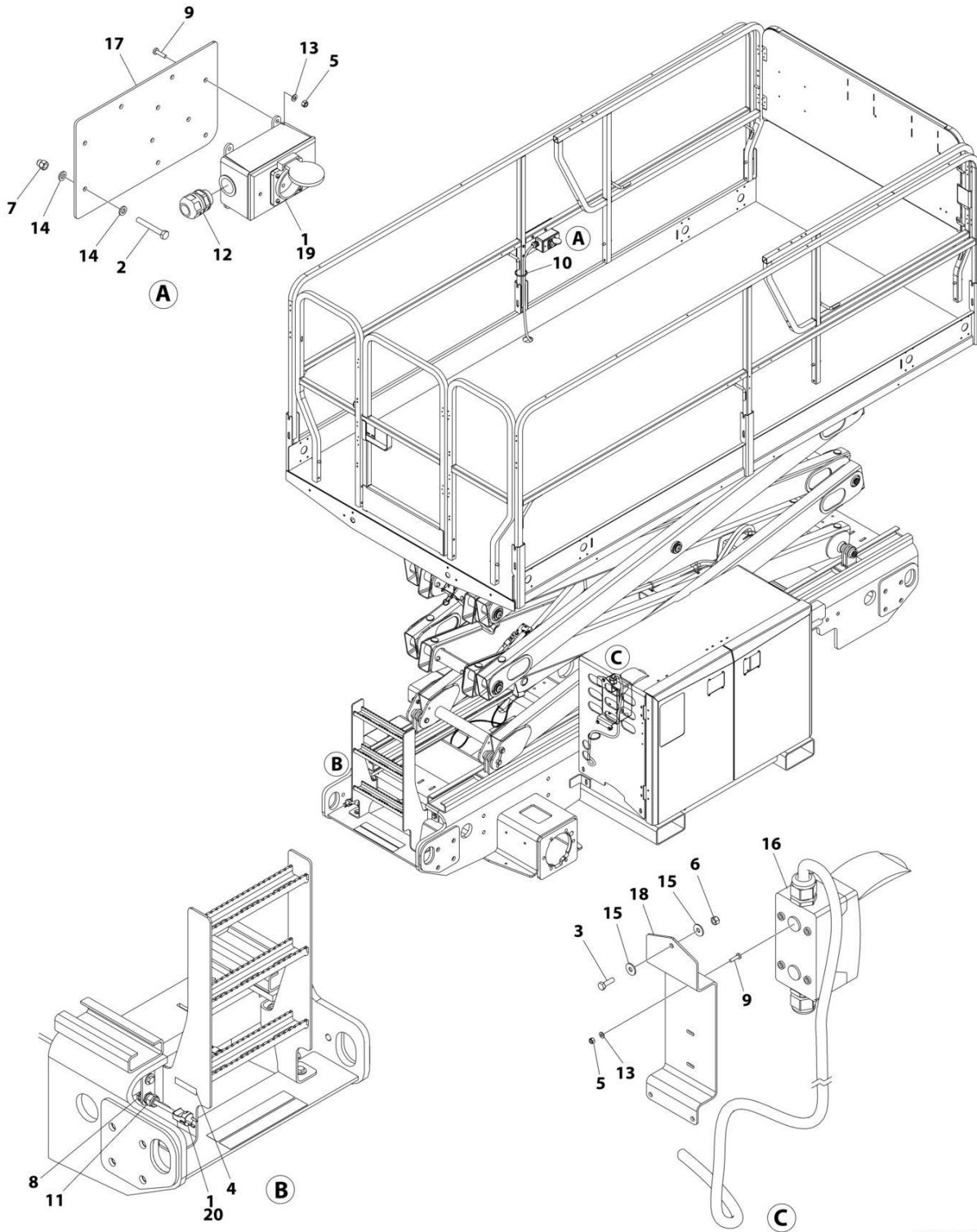
## SECTION 8 - ELECTRICAL

**FIGURE 8-6. AC BOX AT PLATFORM INSTALLATION - 220V CEE7 SIDE GROUND (CE & UK CA SPECS)**

ITEM	PART NUMBER	QTY	DESCRIPTION	REV
	1001255005	Ref	AC BOX AT PLATFORM INSTALLATION - 220V CEE7 SIDE GROUND	B
1	0275453	1	Receptacle Box Kit - 220V CEE7 Side Ground 2X4 Box (See Separate Breakdown in this Section)	
2	0700617	4	Bolt M6 x 45	
3	0760610	3	Bolt M6 x 20	
4	3252507	1	Decal - 220 Volt	
5	3290405	6	Nut M4	
6	3290605	3	Nut M6	
7	3290606	4	Nut M6 x 1	
8	3300048	1	Nut 3/4	
9	4010408	6	Screw M4 x 16	
10	4240017	AR	Tie-Strap	
11	4460071	1	Connector, Water Tight	
12	4460662	1	Connector, Strain Relief	
13	4811400	6	Washer M4	
14	4811700	8	Washer M6	
15	4811702	6	Washer M6	
16	1001152486	1	Electric Assembly, Box and Breaker (See Separate Breakdown in this Section)	
17	1001254613	1	Plate, Platform Plug Mount	
18	1001261118	1	Bracket, Electric Box Mount	
19	4460315	3	Terminal, Spade	
20	1001212268	3	Terminal	

# SECTION 8 - ELECTRICAL

FIGURE 8-7. AC BOX AT PLATFORM INSTALLATION - 220V AFSINT 107 (CE & UK CA SPECS)



ART\_1001255008

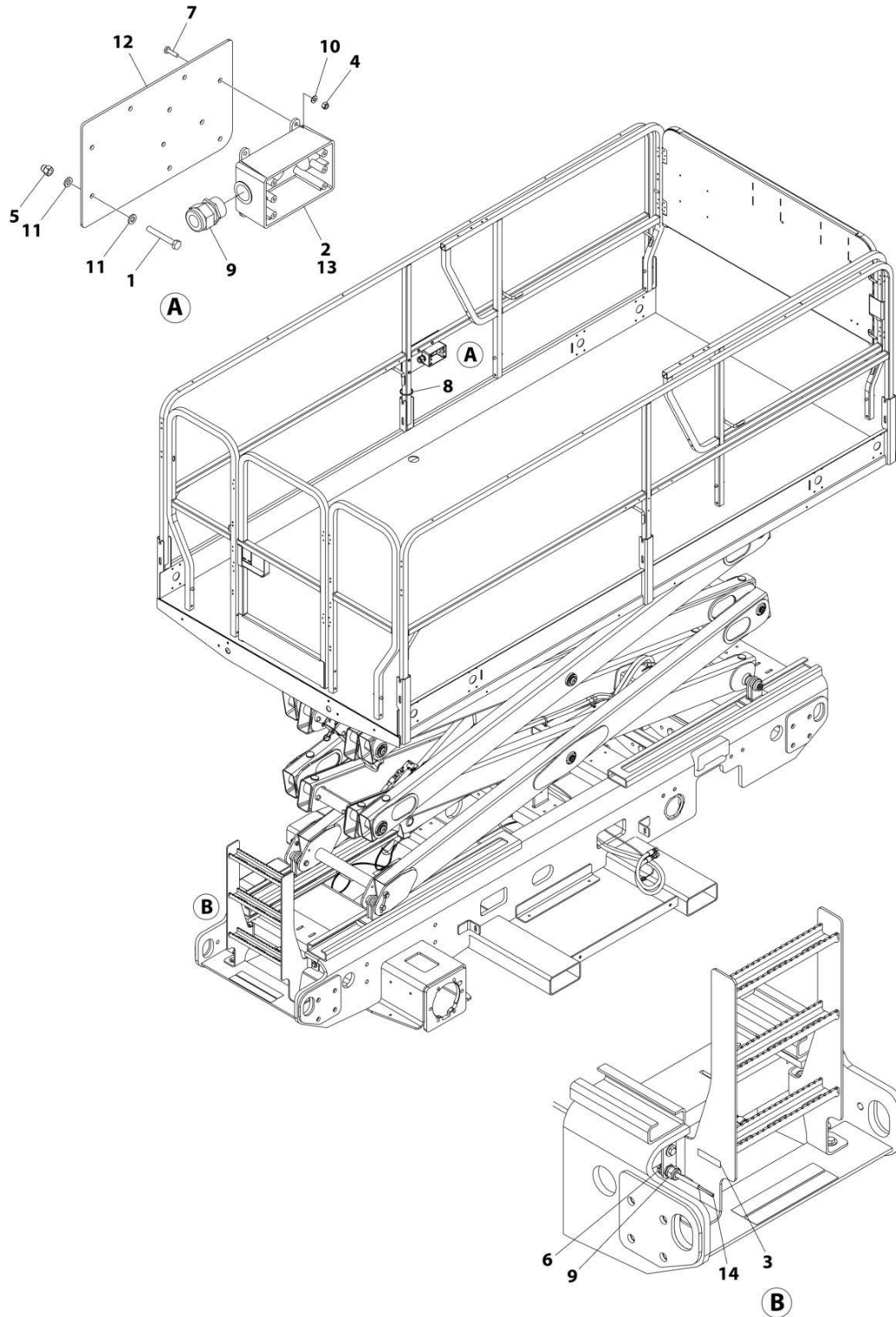
## SECTION 8 - ELECTRICAL

**FIGURE 8-7. AC BOX AT PLATFORM INSTALLATION - 220V AFSINT 107 (CE & UK CA SPECS)**

ITEM	PART NUMBER	QTY	DESCRIPTION	REV
	1001255008	Ref	AC BOX AT PLATFORM INSTALLATION - 220V AFSINT 107	B
1	0275454	1	Receptacle Box Kit - 220V AFSINT 107 (See Separate Breakdown in this Section)	
2	0700617	4	Bolt M6 x 45	
3	0760610	3	Bolt M6 x 20	
4	3252507	1	Decal - 220 Volt	
5	3290405	6	Nut M4	
6	3290605	3	Nut M6	
7	3290606	4	Nut M6 x 1	
8	3300048	1	Nut 3/4	
9	4010408	6	Screw M4 x 16	
10	4240017	AR	Tie-Strap	
11	4460071	1	Connector, Water Tight	
12	4460662	1	Connector, Strain Relief	
13	4811400	6	Washer M4	
14	4811700	8	Washer M6	
15	4811702	6	Washer M6	
16	1001096070	1	Breaker Box Kit (See Separate Breakdown in this Section)	
17	1001254613	1	Plate, Platform Plug Mount	
18	1001261118	1	Bracket, Electric Box Mount	
19	4460315	3	Terminal, Spade	
20	1001212268	3	Terminal	

# SECTION 8 - ELECTRICAL

FIGURE 8-8. AC BOX AT PLATFORM INSTALLATION - 220V CUSTOMER SUPPLIED PLUG & RECEPTACLE (ALL SPECS EXCEPT AUSTRALIAN & CE & UK CA SPECS)



ART\_1001255002



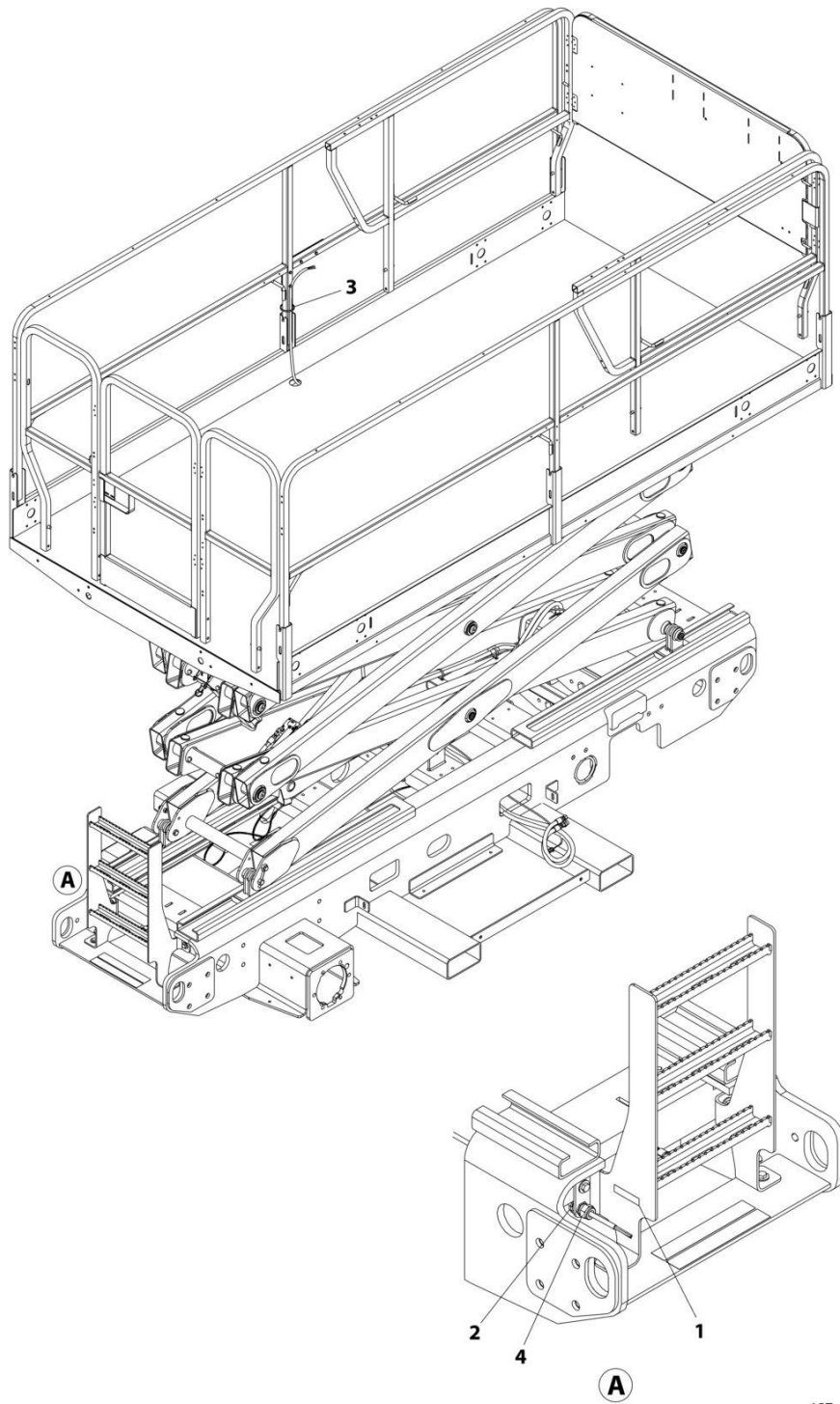
## SECTION 8 - ELECTRICAL

**FIGURE 8-8. AC BOX AT PLATFORM INSTALLATION - 220V CUSTOMER SUPPLIED PLUG & RECEPTACLE (ALL SPECS EXCEPT AUSTRALIAN & CE & UK CA SPECS)**

ITEM	PART NUMBER	QTY	DESCRIPTION	REV
	1001255002	Ref	AC BOX AT PLATFORM INSTALLATION - 220V RECEPTACLE	B
1	0700617	4	Bolt M6 x 45	
2	0861731	1	Box, Receptacle	
3	3252507	1	Decal - 220 Volt	
4	3290405	4	Nut M4	
5	3290606	4	Nut M6 x 1	
6	3300048	1	Nut 3/4	
7	4010408	4	Screw M4 x 16	
8	4240017	AR	Tie-Strap	
9	4460071	2	Connector, Water Tight	
10	4811400	4	Washer M4	
11	4811700	8	Washer M6	
12	1001254613	1	Plate, Platform Plug Mount	
13	4460315	3	Terminal, Spade	
14	1001212268	3	Terminal	

# SECTION 8 - ELECTRICAL

FIGURE 8-9. AC BOX AT PLATFORM INSTALLATION - 220V CUSTOMER SUPPLIED COMPONENTS  
(ALL SPECS)



ART\_1001255003

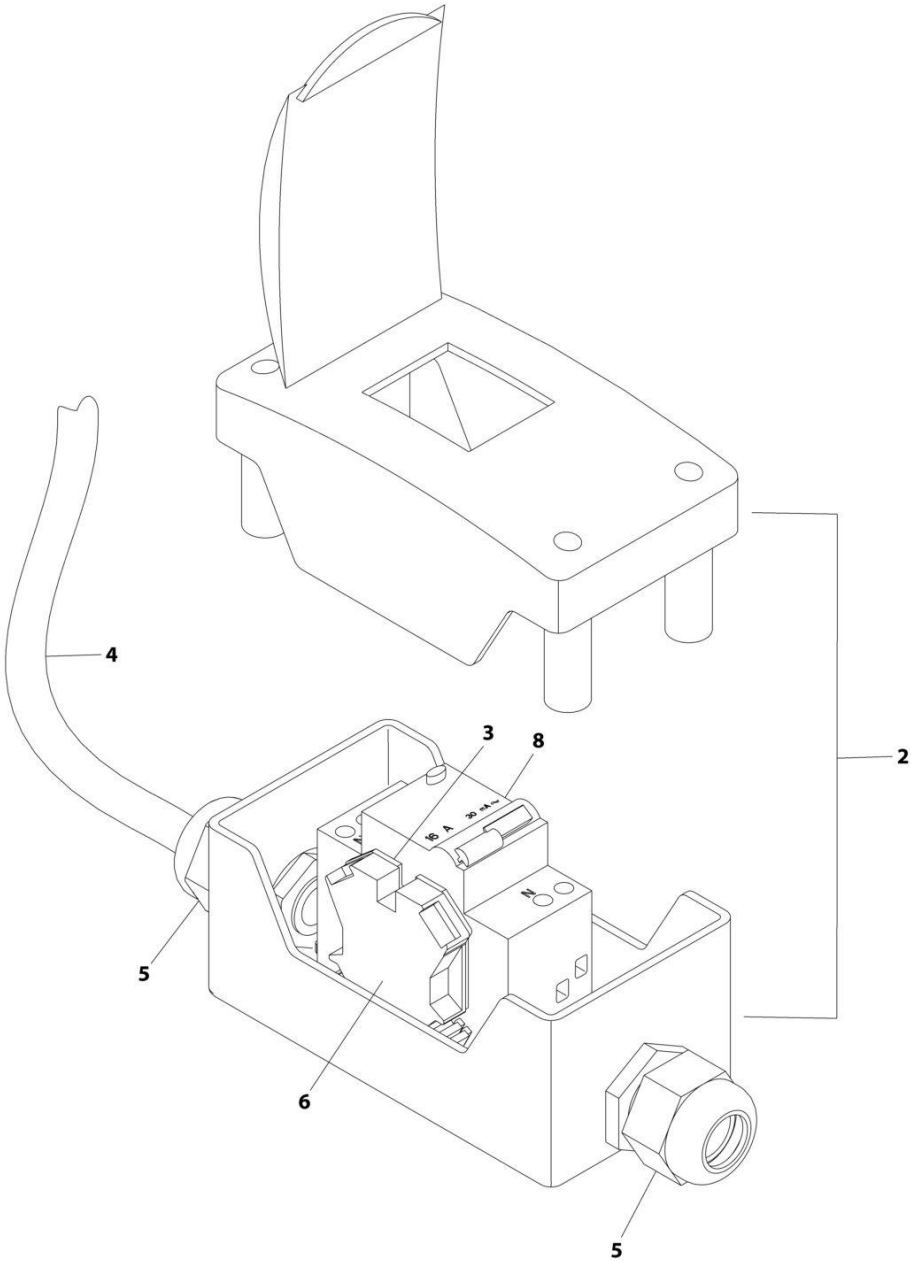
## SECTION 8 - ELECTRICAL

**FIGURE 8-9. AC BOX AT PLATFORM INSTALLATION - 220V CUSTOMER SUPPLIED COMPONENTS  
(ALL SPECS)**

ITEM	PART NUMBER	QTY	DESCRIPTION	REV
	1001255003	Ref	AC BOX AT PLATFORM INSTALLATION - 220V CUSTOMER SUPPLIED COMPONENTS	A
1	3252507	1	Decal - 220 Volt	
2	3300048	1	Nut 3/4	
3	4240017	AR	Tie-Strap	
4	4460071	1	Connector, Water Tight	

**SECTION 8 - ELECTRICAL**

**FIGURE 8-10. BREAKER BOX KIT - 1 DOUBLE BREAKER (CE & UK CA SPECS)**



ART\_1001096070\_E

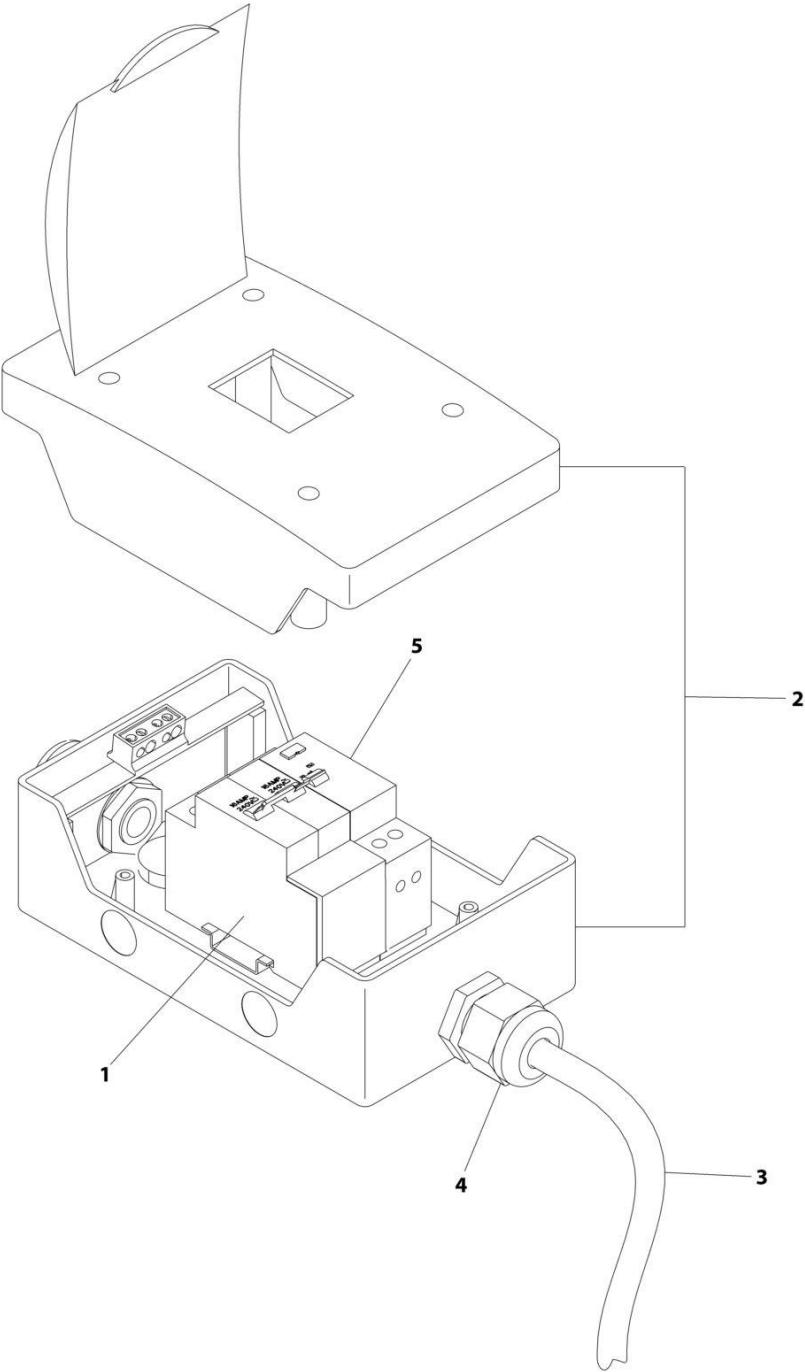
## SECTION 8 - ELECTRICAL

**FIGURE 8-10. BREAKER BOX KIT - 1 DOUBLE BREAKER (CE & UK CA SPECS)**

ITEM	PART NUMBER	QTY	DESCRIPTION	REV
	1001096070	Ref	BREAKER BOX KIT	E
2	0861880	1	Box	
3	4460956	1	Barrier, Terminal Block End	
4	1060908	12 ft/ 3.6m	Cable, 12/3	
5	1001097150	2	Connector, Strain Relief	
6	4460957	1	Block, Terminal	
8	1001181045	1	Breaker, 16Amp	

**SECTION 8 - ELECTRICAL**

**FIGURE 8-11. BREAKER BOX KIT - 1 DOUBLE & 1 SINGLE BREAKER (CE & UK CA SPECS)**



ART\_1001152486\_C

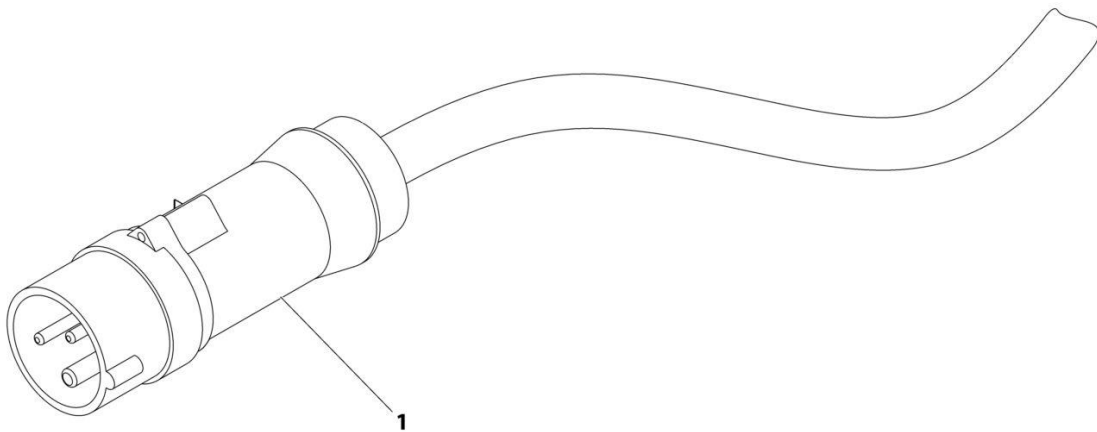
## SECTION 8 - ELECTRICAL

**FIGURE 8-11. BREAKER BOX KIT - 1 DOUBLE & 1 SINGLE BREAKER (CE & UK CA SPECS)**

ITEM	PART NUMBER	QTY	DESCRIPTION	REV
	1001152486	Ref	BREAKER BOX KIT	C
1	1001189172	1	Breaker, 16 Amp (Double)	
2	1001152483	1	Box	
3	1060908	12 ft/ 3.66m	Cable, 12/3	
4	1001097150	1	Connector, Strain Relief	
5	1001189171	1	Breaker, 30mA	

## SECTION 8 - ELECTRICAL

FIGURE 8-12. CHARGER CORD PLUG INSTALLATION - 110V - IEC YELLOW (CE & UK CA SPEC)



ART\_0275666



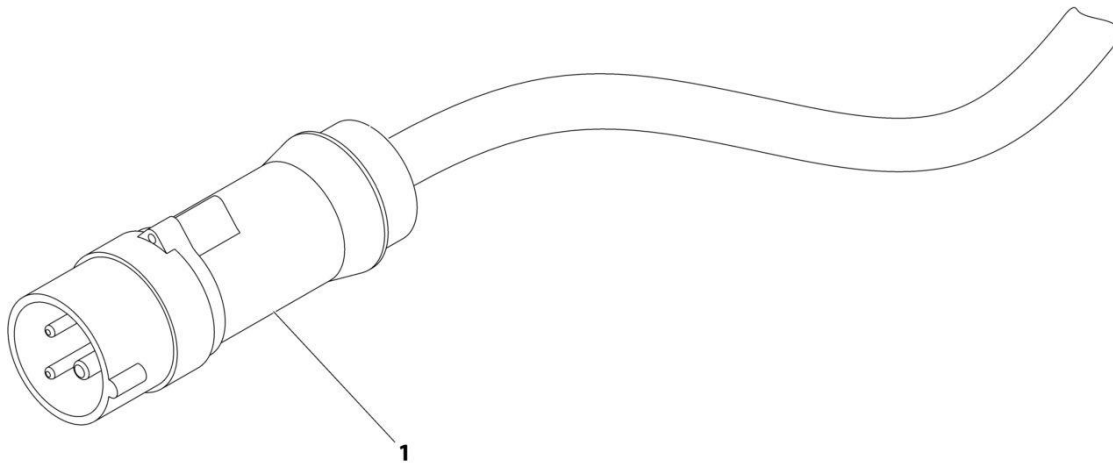
## SECTION 8 - ELECTRICAL

**FIGURE 8-12. CHARGER CORD PLUG INSTALLATION - 110V - IEC YELLOW (CE & UK CA SPEC)**

ITEM	PART NUMBER	QTY	DESCRIPTION	REV
	0275666	Ref	CHARGER CORD PLUG INSTALLATION - 110V IEC YELLOW	B
1	4461196	1	PLUG Plug	

## SECTION 8 - ELECTRICAL

FIGURE 8-13. CHARGER CORD PLUG INSTALLATION - 220V - IEC BLUE (CE & UK CA SPEC)



ART\_0275667

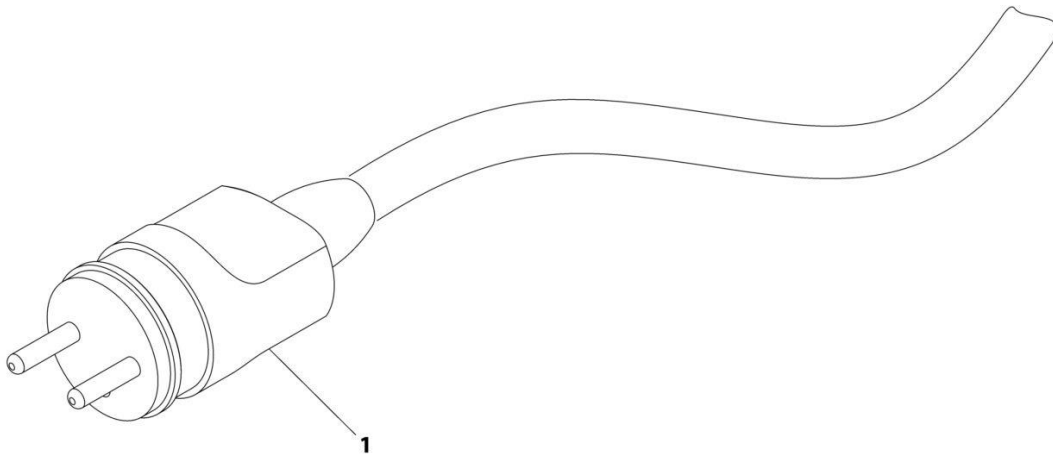
## SECTION 8 - ELECTRICAL

**FIGURE 8-13. CHARGER CORD PLUG INSTALLATION - 220V - IEC BLUE (CE & UK CA SPEC)**

ITEM	PART NUMBER	QTY	DESCRIPTION	REV
1	0275667 4461199	Ref 1	CHARGER CORD PLUG INSTALLATION - 220V IEC BLUE PLUG Plug	B

## SECTION 8 - ELECTRICAL

FIGURE 8-14. CHARGER CORD PLUG INSTALLATION - 220V - CEE7 POST GROUND (CE & UK CA SPEC)



ART\_0275663-C

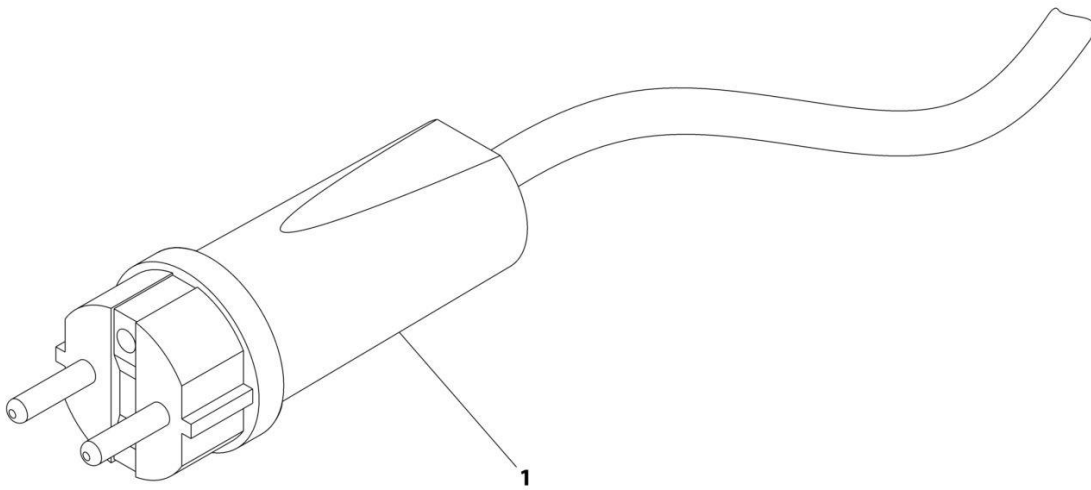
## SECTION 8 - ELECTRICAL

**FIGURE 8-14. CHARGER CORD PLUG INSTALLATION - 220V - CEE7 POST GROUND (CE & UK CA SPEC)**

ITEM	PART NUMBER	QTY	DESCRIPTION	REV
1	0275663 4461205	Ref 1	CHARGER CORD PLUG INSTALLATION - 220V POST GROUND Plug	C

## SECTION 8 - ELECTRICAL

FIGURE 8-15. CHARGER CORD PLUG INSTALLATION - 220V - CEE7 SIDE GROUND (CE & UK CA SPEC)



ART\_0275664

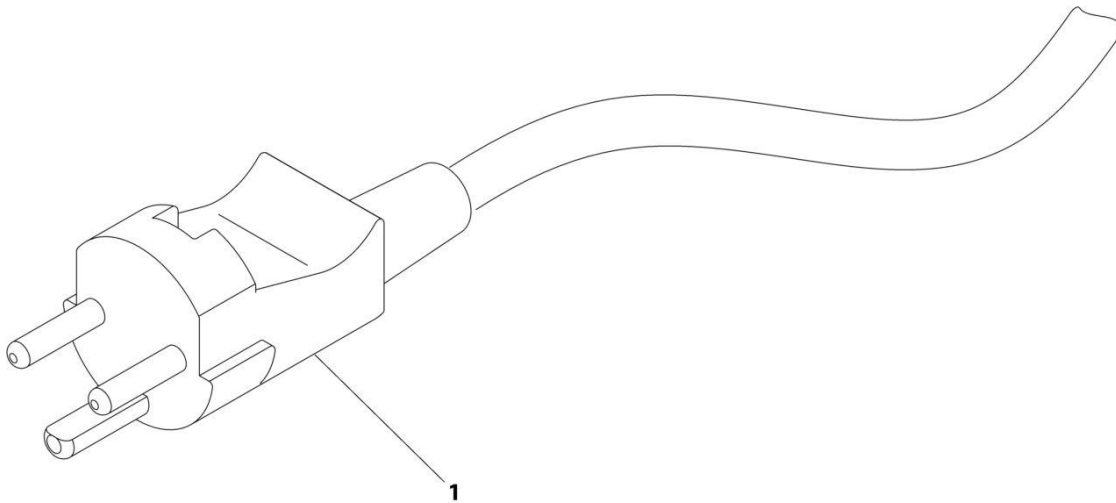
## SECTION 8 - ELECTRICAL

**FIGURE 8-15. CHARGER CORD PLUG INSTALLATION - 220V - CEE7 SIDE GROUND (CE & UK CA SPEC)**

ITEM	PART NUMBER	QTY	DESCRIPTION	REV
	0275664	Ref	CHARGER CORD PLUG INSTALLATION - 220V CEE7 SIDE GROUND	A
1	4461205	1	Plug	

## SECTION 8 - ELECTRICAL

FIGURE 8-16. CHARGER CORD PLUG INSTALLATION - 220V - AFSINT 107 KEYED GROUND (CE & UK CA SPEC)



ART\_0275665



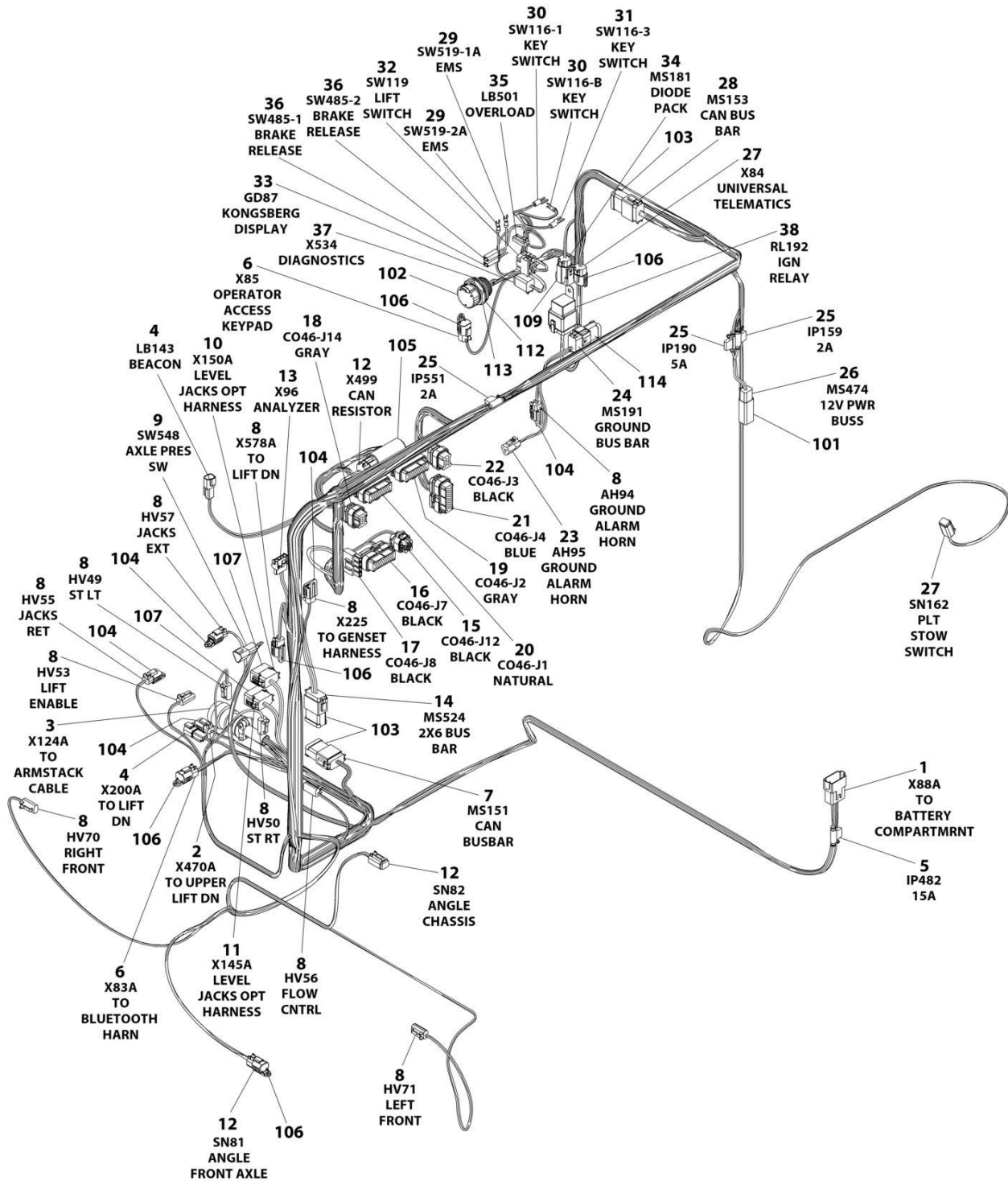
## SECTION 8 - ELECTRICAL

**FIGURE 8-16. CHARGER CORD PLUG INSTALLATION - 220V - AFSINT 107 KEYED GROUND (CE & UK CA SPEC)**

ITEM	PART NUMBER	QTY	DESCRIPTION	REV
	0275665	Ref	CHARGER CORD PLUG INSTALLATION - 220V AFSINT 107 KEYED GROUND	B
1	4461249	1	Plug	

# SECTION 8 - ELECTRICAL

## FIGURE 8-17. CHASSIS HARNESS (Prior to SN M200059938)



ART\_1001254403

## SECTION 8 - ELECTRICAL

**FIGURE 8-17. CHASSIS HARNESS (Prior to SN M200059938)**

ITEM	PART NUMBER	QTY	DESCRIPTION	REV
	1001254403	Ref	CHASSIS HARNESS	G
1	4460970	1	Receptacle - 12 Position	
1	4460464	4	Pin, Male	
1	4460943	4	Pin, Male	
1	1001157891	2	Pin, Male	
1	4460466	2	Plug, Terminal	
2	4460891	1	Plug, Male - 2 Position	
2	4460465	2	Socket, Female	
3	4460754	1	Plug, Male - 14 Position	
3	4460465	12	Socket, Female	
3	4460944	2	Socket, Female	
4	4460897	2	Receptacle, Female - 2 Position	
4	4460464	4	Pin, Male	
5	2400066	2	Fuseholder with Cover	
6	4460884	2	Plug, Male - 4 Position	
6	4460465	4	Socket, Female	
6	4460944	4	Socket, Female	
7	4460933	1	Plug, Male - 12 Position	
7	4460944	8	Socket, Female	
7	4460466	4	Plug, Terminal	
8	4460891	11	Plug, Male - 2 Position	
8	4460465	22	Socket, Female	
9	4460536	1	Receptacle, Female - 3 Position	
9	4460464	3	Pin, Male	
10	4460933	1	Plug, Male - 12 Position	
10	4460465	12	Socket, Female	
11	4460836	1	Connector - 12 Position	
11	4460465	8	Socket, Female	
11	4460466	4	Plug, Terminal	
12	4460884	3	Plug, Male - 4 Position	
12	4460944	12	Socket, Female	
13	4460761	1	Plug, Male - 4 Position	
13	4460227	4	Terminal	
14	4460933	1	Plug, Male - 12 Position	
14	4460465	10	Socket, Female	
14	4460466	2	Plug, Terminal	
15	1001113961	1	Connector - 8 Position	
15	4460871	2	Terminal	
15	4460905	6	Plug, Terminal	
16	4460873	1	Connector - 35 Position	
16	4460871	30	Terminal	
16	4460905	5	Plug, Terminal	
17	4460878	1	Connector - 4 Position	
17	4460887	2	Terminal	
18	1001246859	1	Connector - 14 Position	
18	4460871	7	Terminal	
18	4460905	7	Plug, Terminal	
19	4460875	1	Connector - 35 Position	
19	4460871	18	Terminal	
19	4460905	17	Plug, Terminal	

## SECTION 8 - ELECTRICAL

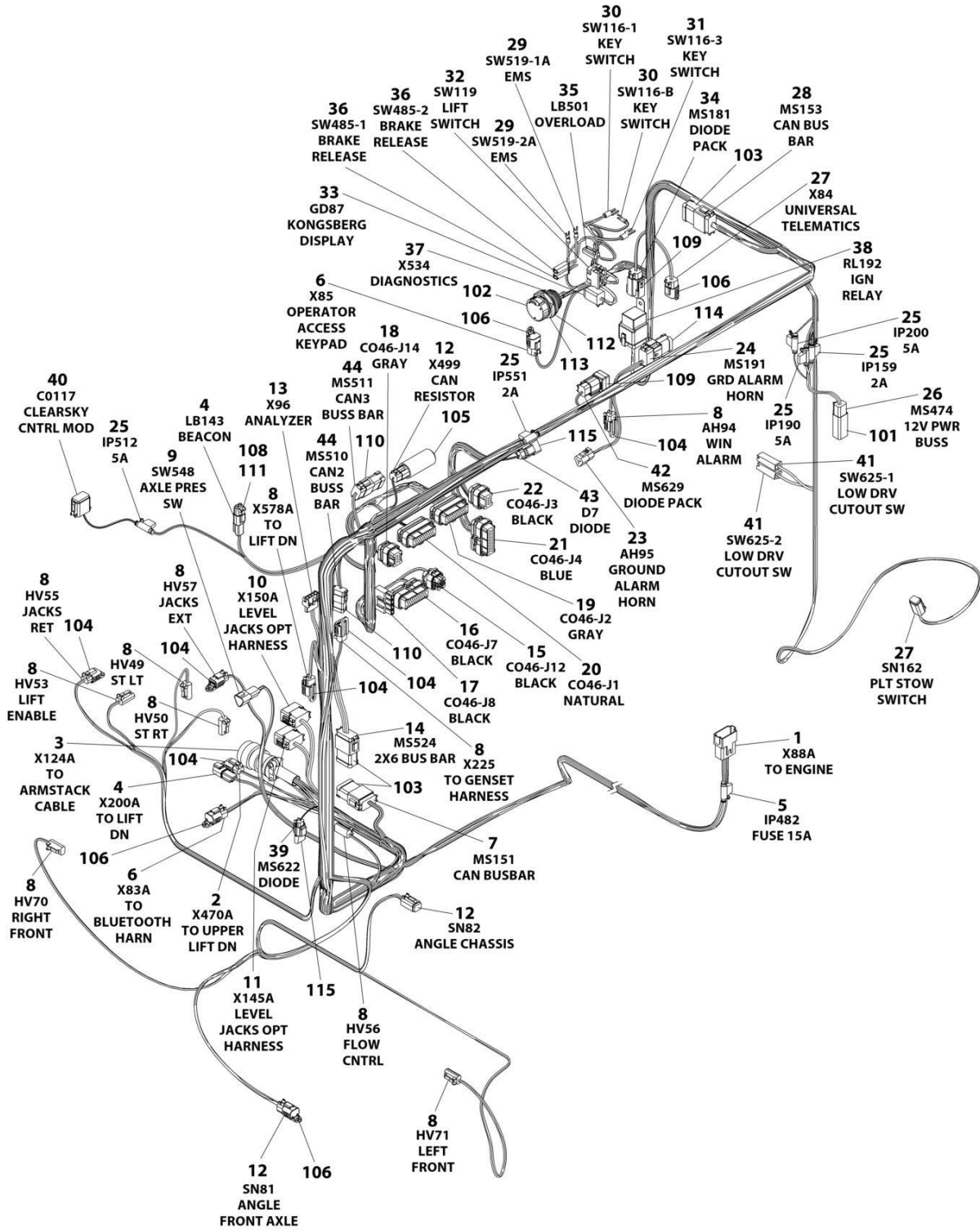
ITEM	PART NUMBER	QTY	DESCRIPTION	REV
20	4460874	1	Connector - 35 Position	
20	4460871	9	Terminal	
20	4460905	26	Plug, Terminal	
21	4460876	1	Connector - 35 Position	
21	4460871	18	Terminal	
21	4460905	17	Plug, Terminal	
22	4460872	1	Connector - 14 Position	
22	4460871	6	Terminal	
22	4460905	8	Plug, Terminal	
23	4460539	1	Plug, Male - 3 Position	
23	4460465	3	Socket, Female	
24	4460930	1	Plug, Male - 8 Position	
24	4460465	5	Socket, Female	
24	4460466	3	Plug, Terminal	
25	1001170764	3	Fuseholder with 20Amp Fuse	
26	4460884	1	Plug, Male - 4 Position	
26	4460942	2	Socket, Female	
26	4460465	1	Socket, Female	
26	4460466	1	Plug, Terminal	
27	4460884	2	Plug, Male - 4 Position	
27	4460465	8	Socket, Female	
28	4460933	1	Plug, Male - 12 Position	
28	4460465	12	Socket, Female	
29	4460183	2	Terminal, Fork	
30	4460144	2	Terminal, Fork	
31	4460806	1	Terminal, Fork	
32	4460418	1	Connector, Switch	
32	1001159186	3	Terminal	
33	4460894	1	Plug, Male - 6 Position	
33	4460465	2	Socket, Female	
33	4460944	2	Socket, Female	
33	4460466	2	Plug, Terminal	
34	4460884	1	Plug, Male - 4 Position	
34	4460465	3	Socket, Female	
34	4460466	1	Plug, Terminal	
35	1001126245	1	Connector - 2 Position	
35	4460928	2	Terminal	
36	4460260	2	Cover, Terminal	
36	4460259	2	Terminal	
37	1001112612	1	Connector - 9 Position	
37	4460464	3	Pin, Male	
37	4460943	2	Pin, Male	
37	4460466	4	Plug, Terminal	
38	1001117025	1	Connector, Relay	
38	1001116733	2	Terminal	
38	1001116732	2	Terminal	
38	1001128128	1	Plug, Terminal	
101	4460893	1	Buss Bar - 4 Position	
102	1001106736	1	Cap, Dust	
103	1001125677	3	Bussbar - 12 Position	
104	1001144295	5	Cap, Thermoplastic	

## SECTION 8 - ELECTRICAL

ITEM	PART NUMBER	QTY	DESCRIPTION	REV
105	1001186231	1	Resistor Assembly	
106	1001192401	5	Cap, Dust	
107	1001215898	2	Cap, Dust	
109	1001152266	1	Connector - 4 Position	
112	1001125784	1	Washer	
113	1001125785	1	Nut	
114	4460984	1	Receptacle, Female - 8 Position	

# SECTION 8 - ELECTRICAL

## FIGURE 8-18. CHASSIS HARNESS (SN M200059848 to Present, Excluding M20060511)



ART\_1001282345

## SECTION 8 - ELECTRICAL

**FIGURE 8-18. CHASSIS HARNESS (SN M200059848 to Present, Excluding M20060511)**

ITEM	PART NUMBER	QTY	DESCRIPTION	REV
	1001282345	Ref	CHASSIS HARNESS	A
1	4460970	1	Connector	
1	4460464	4	Pin	
1	4460943	4	Pin	
1	1001157891	2	Pin	
1	4460466	2	Plug, Sealing	
2	4460891	1	Connector	
2	4460465	2	Socket	
3	4460754	1	Connector	
3	4460465	12	Socket	
3	4460944	2	Socket	
4	4460897	2	Connector	
4	4460464	4	Pin	
5	2400066	1	Fuseholder with Cover	
5	8229244	1	Fuse 15Amp	
6	4460884	2	Connector	
6	4460465	4	Socket	
6	4460944	4	Socket	
7	4460933	1	Connector	
7	4460944	8	Socket	
7	4460466	4	Plug, Sealing	
8	4460891	11	Connector	
8	4460465	22	Socket	
9	4460536	1	Connector	
9	4460464	3	Pin	
10	4460933	1	Connector	
10	4460465	12	Socket	
11	4460836	1	Connector	
11	4460465	8	Socket	
11	4460466	4	Plug, Sealing	
12	4460884	3	Connector	
12	4460944	12	Socket	
13	4460761	1	Connector	
13	4460227	4	Pin	
14	4460933	1	Connector	
14	4460465	10	Socket	
14	4460466	2	Plug, Sealing	
15	1001113961	1	Connector	
15	4460871	2	Socket	
15	4460905	6	Plug, Terminal	
16	4460873	1	Connector	
16	4460871	30	Socket	
16	4460905	5	Plug, Terminal	
17	4460878	1	Connector	
17	4460887	2	Socket	
18	1001246859	1	Connector	
18	4460871	7	Socket	
18	4460905	7	Plug, Terminal	
19	4460875	1	Connector	
19	4460871	18	Socket	

## SECTION 8 - ELECTRICAL

ITEM	PART NUMBER	QTY	DESCRIPTION	REV
19	4460905	17	Plug, Terminal	
20	4460874	1	Connector	
20	4460871	9	Socket	
20	4460905	26	Plug, Terminal	
21	4460876	1	Connector	
21	4460871	18	Socket	
21	4460905	17	Plug, Terminal	
22	4460872	1	Connector	
22	4460871	6	Socket	
22	4460905	8	Plug, Terminal	
23	4460539	1	Connector	
23	4460465	3	Socket	
24	4460930	1	Connector	
24	4460465	5	Socket	
24	4460466	3	Plug, Sealing	
25	1001170764	5	Fuseholder	
25	8229242	4	Fuse 5Amp	
25	1001196634	1	Fuse 2Amp	
26	4460884	1	Connector	
26	4460942	2	Socket	
26	4460465	1	Socket	
26	4460466	1	Plug, Sealing	
27	4460884	2	Connector	
27	4460465	8	Socket	
28	4460933	1	Connector	
28	4460465	12	Socket	
29	4460183	2	Terminal, Fork	
30	4460144	2	Terminal, Fork	
31	4460806	1	Terminal, Fork	
32	4460418	1	Connector, Switch	
32	1001159186	3	Socket	
33	4460894	1	Connector	
33	4460465	2	Socket	
33	4460944	2	Socket	
33	4460466	2	Plug, Sealing	
34	4460884	1	Connector	
34	4460465	3	Socket	
34	4460466	1	Plug, Sealing	
35	1001126245	1	Connector	
35	4460928	2	Socket	
36	4460260	2	Cover, Terminal	
36	4460259	2	Socket	
37	1001112612	1	Connector	
37	4460464	3	Pin	
37	4460943	2	Pin	
37	4460466	4	Plug, Sealing	
38	1001117025	1	Connector, Relay	
38	1001116733	2	Socket	
38	1001116732	2	Socket	
38	1001128128	1	Plug, Terminal	
39	4460884	1	Connector	



## SECTION 8 - ELECTRICAL

ITEM	PART NUMBER	QTY	DESCRIPTION	REV
39	4460465	2	Socket	
40	4460930	1	Connector	
40	4460465	8	Socket	
41	4460260	2	Connector	
42	4460884	1	Connector	
42	4460465	4	Socket	
43	4460891	1	Connector	
43	4460465	2	Socket	
44	4460933	2	Connector	
44	4460465	12	Socket	
44	4460466	4	Plug, Sealing	
101	4460893	1	Connector	
102	1001106736	1	Cap, Dust	
103	1001125677	3	Connector	
104	1001144295	6	Cap, Dust	
105	1001186231	1	Resistor Assembly	
106	1001192401	4	Cap, Dust	
108	4460466	2	Plug, Sealing	
109	1001152266	2	Connector	
110	4460984	2	Connector	
111	4460891	1	Connector	
112	1001125784	1	Washer	
113	1001125785	1	Nut	
114	1001271799	1	Connector	
115	1001116816	2	Connector, Diode	

**SECTION 8 - ELECTRICAL**

**FIGURE 8-19. ERT2669 GROUND TO PLATFORM HARNESS**



ART\_1001248279

## SECTION 8 - ELECTRICAL

### FIGURE 8-19. ERT2669 GROUND TO PLATFORM HARNESS

ITEM	PART NUMBER	QTY	DESCRIPTION	REV
	1001248279	Ref	GROUND TO PLATFORM HARNESS	D
1	4460754	1	Connector - 14 Position	
1	4460465	14	Socket, Female	
2	1001156541	1	Connector - 14 Position	
2	4460464	14	Pin, Male	

# SECTION 8 - ELECTRICAL

## FIGURE 8-20. ERT3369 GROUND TO PLATFORM HARNESS



ART\_1001248280

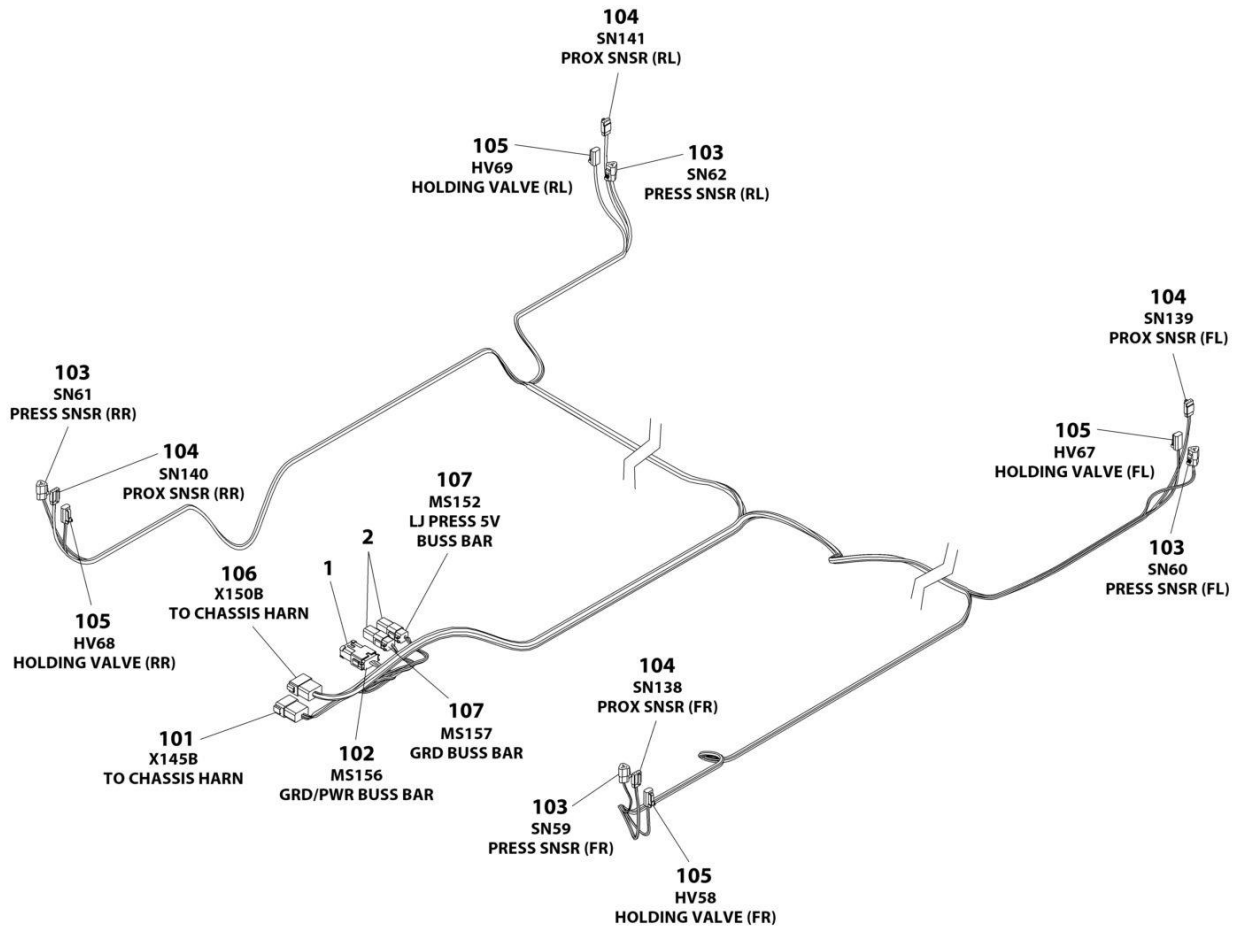
## SECTION 8 - ELECTRICAL

**FIGURE 8-20. ERT3369 GROUND TO PLATFORM HARNESS**

ITEM	PART NUMBER	QTY	DESCRIPTION	REV
	1001248280	Ref	GROUND TO PLATFORM HARNESS	D
1	4460754	1	Connector - 14 Position	
1	4460465	14	Socket, Female	
2	1001156541	1	Connector - 14 Position	
2	4460464	14	Pin, Male	

# SECTION 8 - ELECTRICAL

## FIGURE 8-21. LEVELING JACK HARNESS



ART\_1001248863

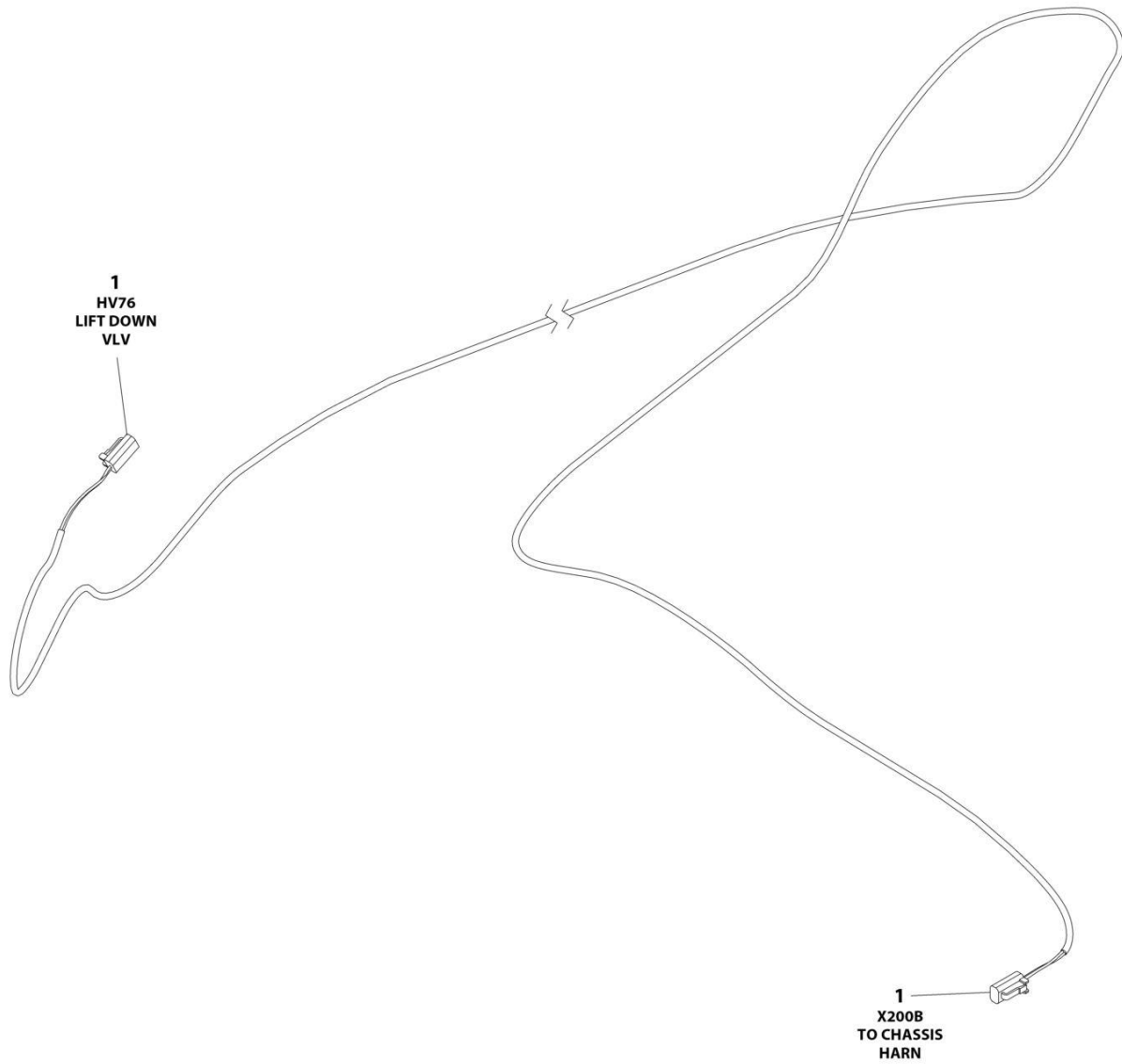
## SECTION 8 - ELECTRICAL

### FIGURE 8-21. LEVELING JACK HARNESS

ITEM	PART NUMBER	QTY	DESCRIPTION	REV
	1001248863	Ref	LEVELING JACK HARNESS	C
1	1001125677	1	Connector, 2 x 6 Bussbar (DT)	
2	4460892	2	Terminal, 6 Position Bussbar (DT)	
101	4460950	1	Receptacle, Female - 12 Position	
101	4460464	8	Pin, Male	
101	4460466	4	Plug, Terminal	
102	4460933	1	Plug, Male - 12 Position	
102	4460465	10	Socket, Female	
102	4460466	2	Plug, Terminal	
103	4460539	4	Plug, Male - 3 Position	
103	4460465	12	Socket, Female	
104	4460911	4	Connector - 3 Position	
104	1001116694	12	Terminal	
105	4460891	4	Plug, Male - 2 Position	
105	4460465	8	Socket, Female	
106	4460970	1	Receptacle - 12 Position	
106	4460464	12	Pin, Male	
107	4460894	2	Plug, Male - 6 Position	
107	4460465	10	Socket, Female	
107	4460466	2	Plug, Terminal	

# SECTION 8 - ELECTRICAL

## FIGURE 8-22. LIFT DOWN HARNESS



ART\_1001248895



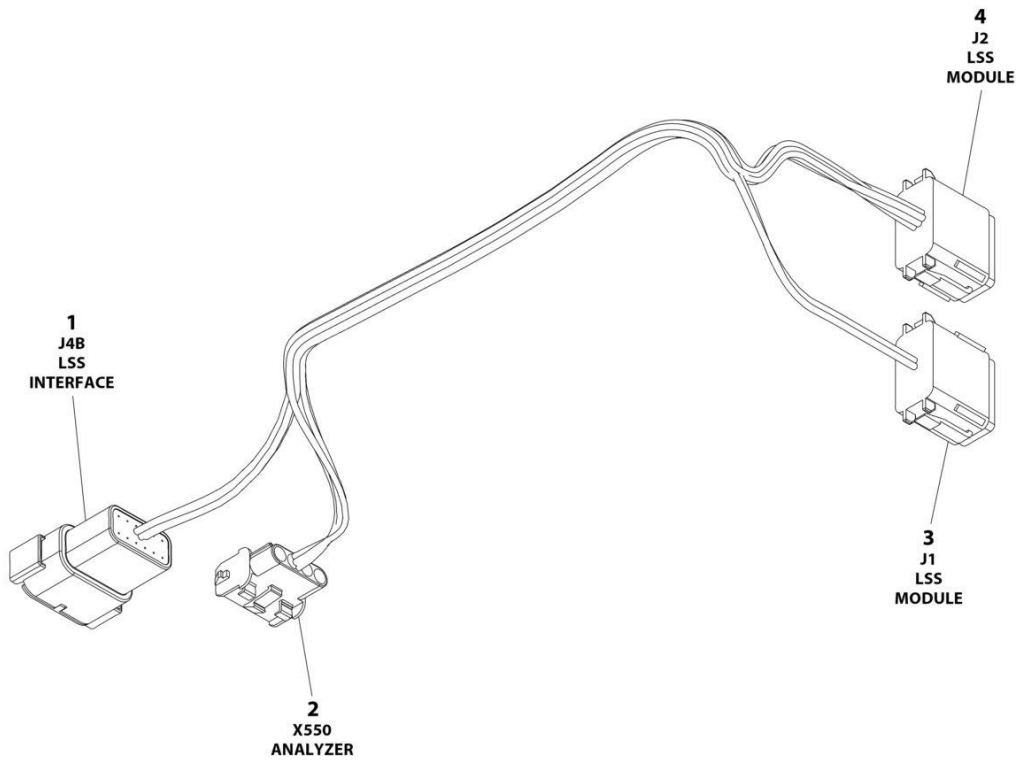
## SECTION 8 - ELECTRICAL

### FIGURE 8-22. LIFT DOWN HARNESS

ITEM	PART NUMBER	QTY	DESCRIPTION	REV
	1001248895	Ref	LIFT DOWN HARNESS	A
1	4460891	2	Plug, Male - 2 Position	
1	4460465	4	Socket, Female	

# SECTION 8 - ELECTRICAL

## FIGURE 8-23. LSS HARNESS



ART\_1001226830

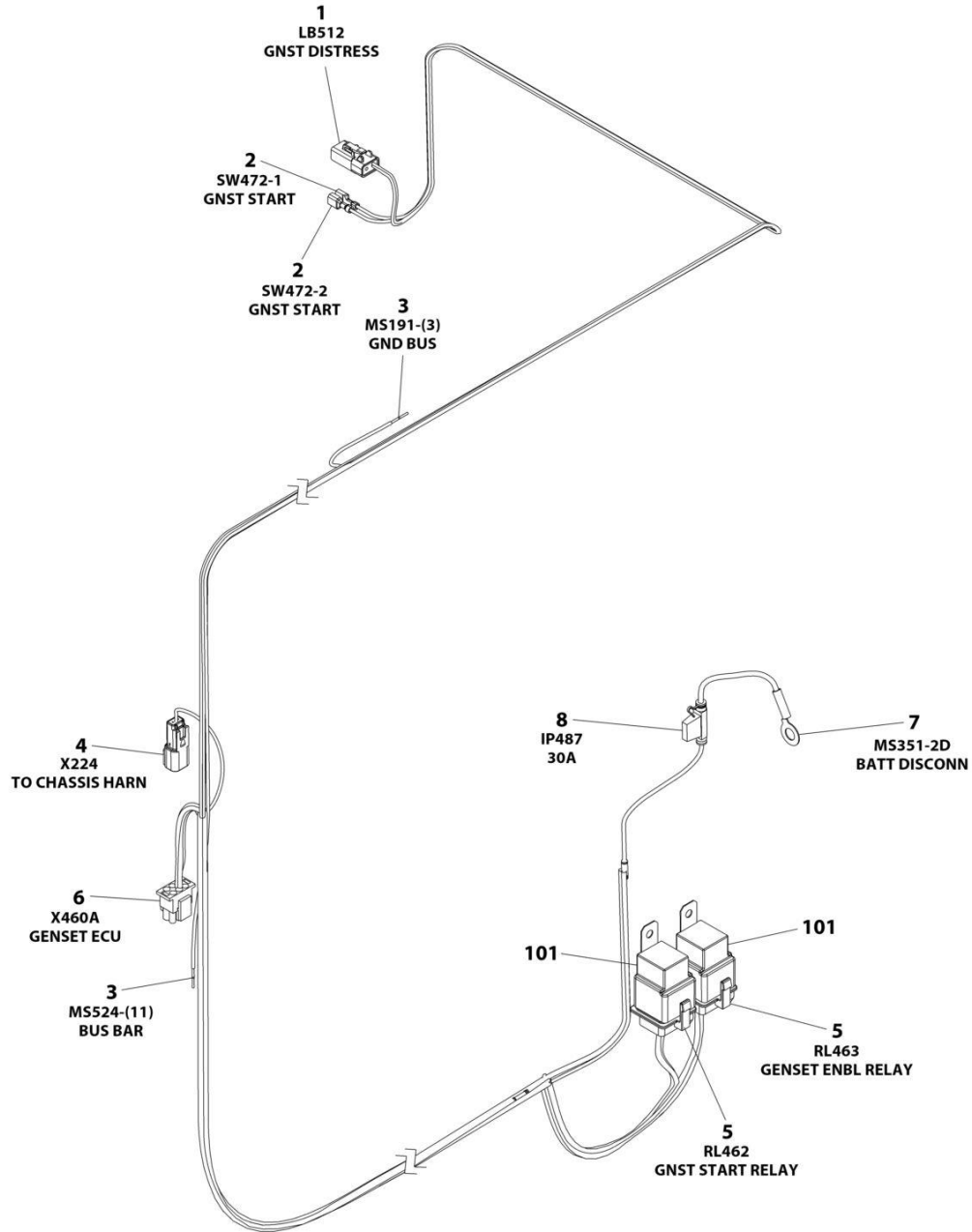
## SECTION 8 - ELECTRICAL

**FIGURE 8-23. LSS HARNESS**

ITEM	PART NUMBER	QTY	DESCRIPTION	REV
	1001226830	Ref	LSS HARNESS	A
1	1001132170	1	Connector - 12 Position	
1	4460929	2	Pin, Male	
1	4460917	2	Pin, Male	
1	4460518	8	Plug, Terminal	
2	4460761	1	Receptacle, Female - 4 Position	
2	4460294	4	Pin, Male	
3	4460933	1	Connector - 12 Position	
3	4460465	2	Socket, Female	
3	4460466	10	Plug, Terminal	
4	4460836	1	Connector - 12 Position	
4	4460465	5	Socket, Female	
4	4460944	2	Socket, Female	
4	4460466	5	Plug, Terminal	

# SECTION 8 - ELECTRICAL

## FIGURE 8-24. MECHRON GENSET HARNESS



ART\_1001255067

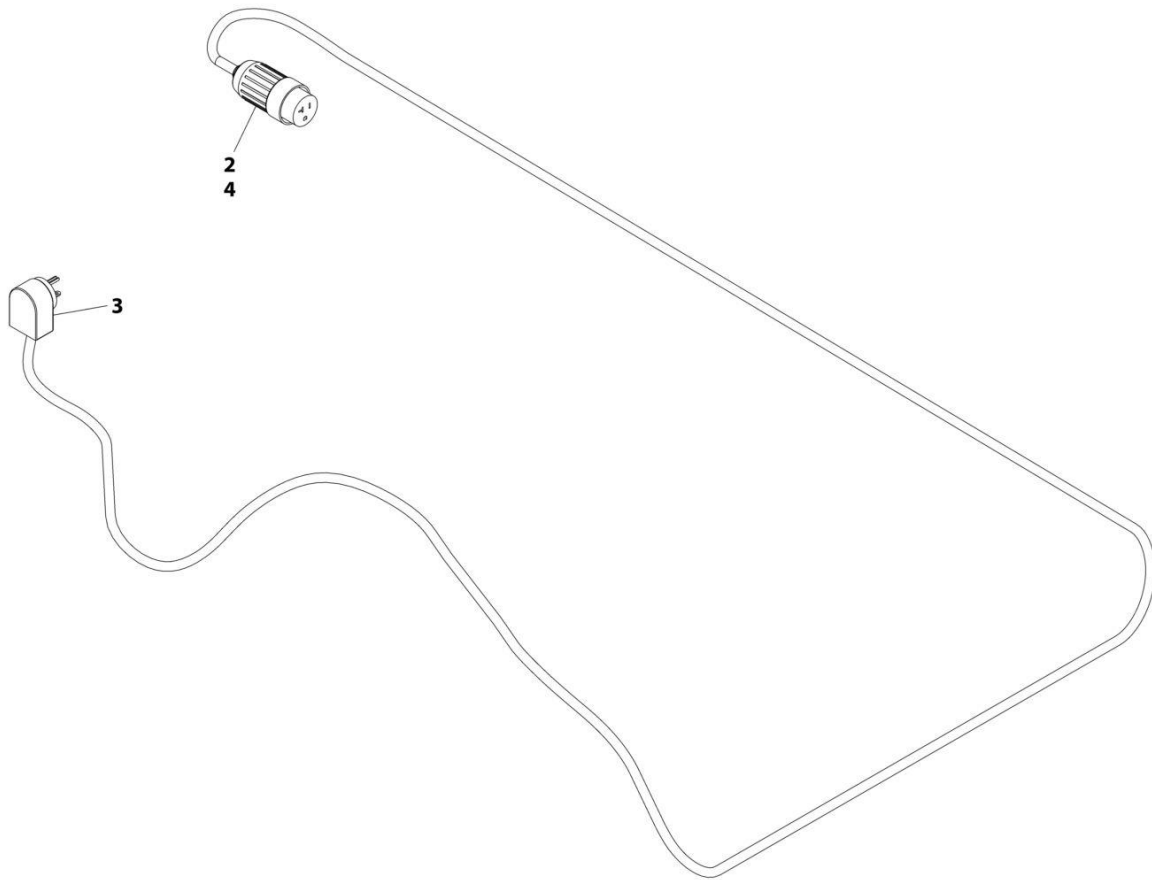
## SECTION 8 - ELECTRICAL

### FIGURE 8-24. MECHRON GENSET HARNESS

ITEM	PART NUMBER	QTY	DESCRIPTION	REV
	1001255067	Ref	MECHRON GENSET HARNESS	B
1	1001126245	1	Connector - 2 Position	
1	4460928	2	Terminal	
2	1001194421	2	Terminal, Female	
3	4460465	2	Socket, Female	
4	4460897	1	Receptacle, Female - 2 Position	
4	4460464	1	Pin, Male	
4	4460466	1	Plug, Terminal	
5	4460374	2	Connector	
5	1001116734	4	Terminal	
5	1001116732	4	Terminal	
5	1001128128	2	Plug, Terminal	
6	4460225	1	Connector - 6 Position	
6	4460705	2	Pin, Male	
6	1001118378	3	Pin, Male	
7	1001117110	1	Terminal, Ring	
8	1001170763	1	Fuseholder with 30Amp Fuse	
8	1001170762	1	Fuse 30Amp	
101	1001171295	2	Relay	

# SECTION 8 - ELECTRICAL

## FIGURE 8-25. ONBOARD GENERATOR CABLE



ART\_1001266233

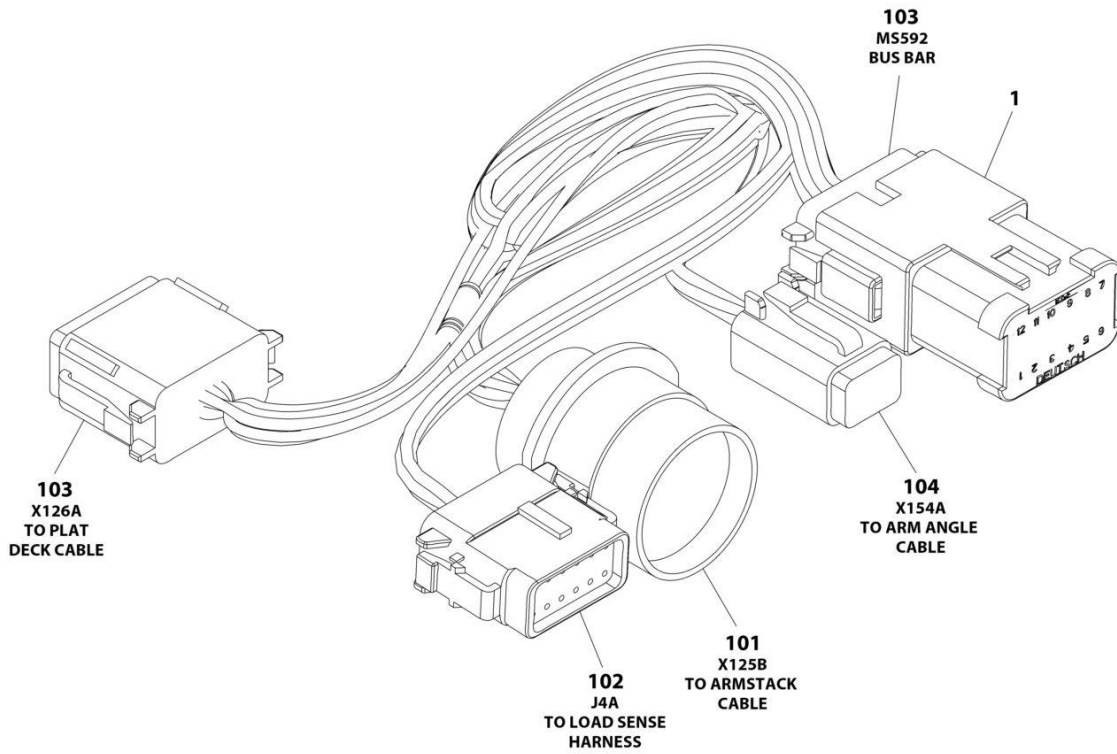
## SECTION 8 - ELECTRICAL

### FIGURE 8-25. ONBOARD GENERATOR CABLE

ITEM	PART NUMBER	QTY	DESCRIPTION	REV
	1001266233	Ref	ONBOARD GENERATOR CABLE	A
2	1001156351	1	Cover, Connector	
3	1001265225	1	Plug	
4	1001265226	1	Connector	

# SECTION 8 - ELECTRICAL

## FIGURE 8-26. PLATFORM HARNESS



ART\_1001264939



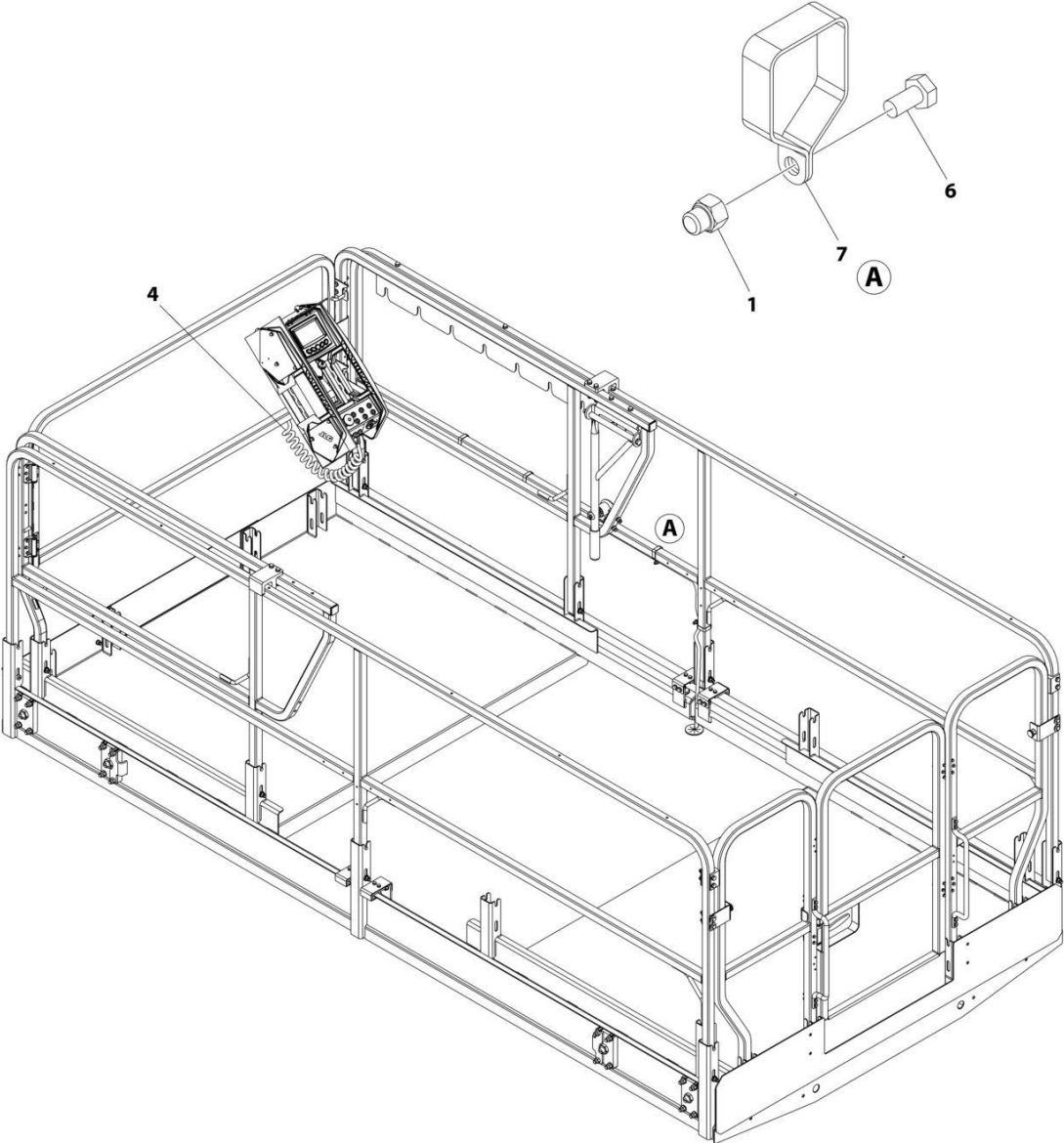
## SECTION 8 - ELECTRICAL

### FIGURE 8-26. PLATFORM HARNESS

ITEM	PART NUMBER	QTY	DESCRIPTION	REV
	1001264939	Ref	PLATFORM HARNESS	C
1	1001119020	1	Connector, Bussbar	
101	4460752	1	Connector - 14 Position	
101	4460464	8	Pin, Male	
101	4460943	2	Pin, Male	
101	4460466	4	Plug, Terminal	
102	1001116808	1	Connector - 12 Position	
102	4460928	2	Terminal	
102	4460918	2	Terminal	
102	4460518	8	Plug, Terminal	
103	4460933	2	Plug, Male - 12 Position	
103	4460465	21	Socket, Female	
103	4460466	3	Plug, Terminal	
104	4460884	1	Plug, Male - 4 Position	
104	4460465	4	Socket, Female	

**SECTION 8 - ELECTRICAL**

**FIGURE 8-27. PLATFORM CABLE INSTALLATION – WITHOUT FOOTSWITCH**



ART\_1001254820

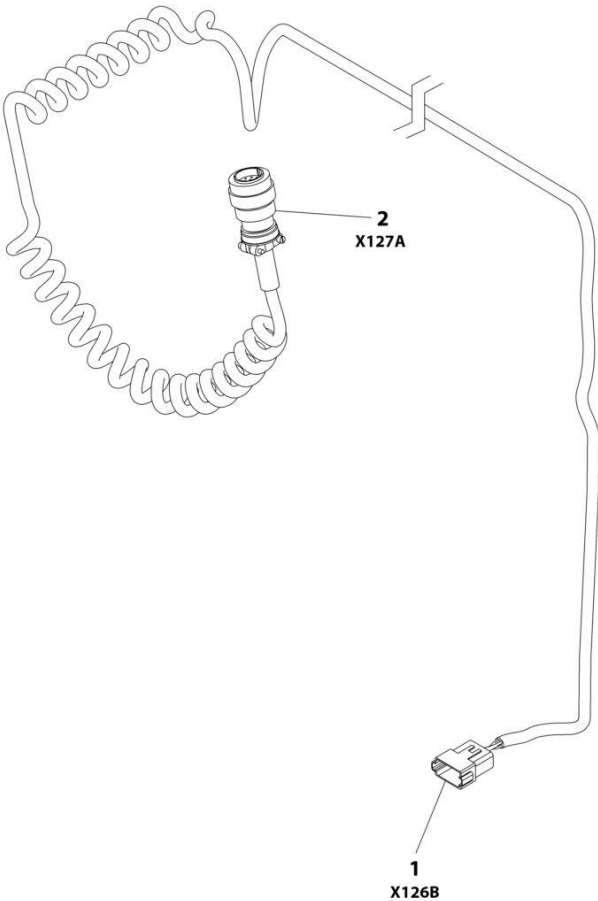
## SECTION 8 - ELECTRICAL

**FIGURE 8-27. PLATFORM CABLE INSTALLATION – WITHOUT FOOTSWITCH**

ITEM	PART NUMBER	QTY	DESCRIPTION	REV
	1001254820	Ref	PLATFORM CABLE INSTALLATION – WITHOUT FOOTSWITCH	D
1	3290606	5	Nut M6 x 1	
4	1001249048	1	Cable, Platform Deck (See Separate Breakdown in this Section)	
6	0760606	5	Bolt M6 x 12	
7	1001220668	5	Clamp, Platform Cable Post	
8	4240018	1	Tie Strap (Not Shown)	

**SECTION 8 - ELECTRICAL**

**FIGURE 8-28. PLATFORM CABLE HARNESS – WITHOUT FOOTSWITCH**



ART\_1001249048

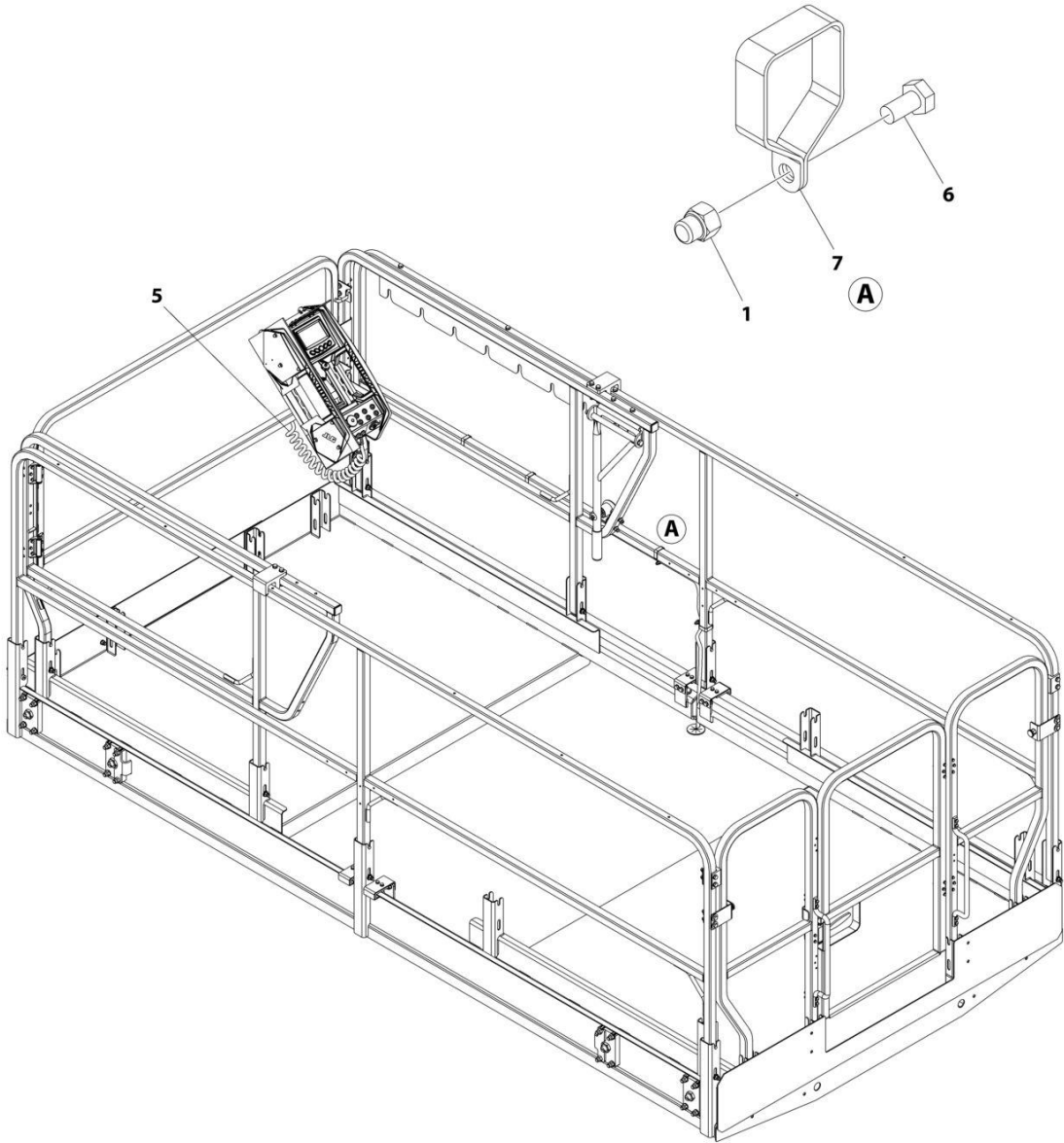
## SECTION 8 - ELECTRICAL

**FIGURE 8-28. PLATFORM CABLE HARNESS – WITHOUT FOOTSWITCH**

ITEM	PART NUMBER	QTY	DESCRIPTION	REV
	1001249048	Ref	PLATFORM MODULE HARNESS – WITHOUT FOOTSWITCH	D
1	4460970	1	Plug, Male - 12 Position	
1	4460464	8	Pin, Male	
1	4460943	2	Pin, Male	
1	4460466	2	Plug, Terminal	
1	1001249190	1	Boot	
2	4460754	1	Receptacle, Female - 14 Position	
2	4460465	8	Socket, Femaile	
2	4460944	2	Socket, Femaile	
2	4460466	4	Plug, Terminal	

**SECTION 8 - ELECTRICAL**

**FIGURE 8-29. PLATFORM CABLE INSTALLATION – WITH FOOTSWITCH**



ART\_1001258923

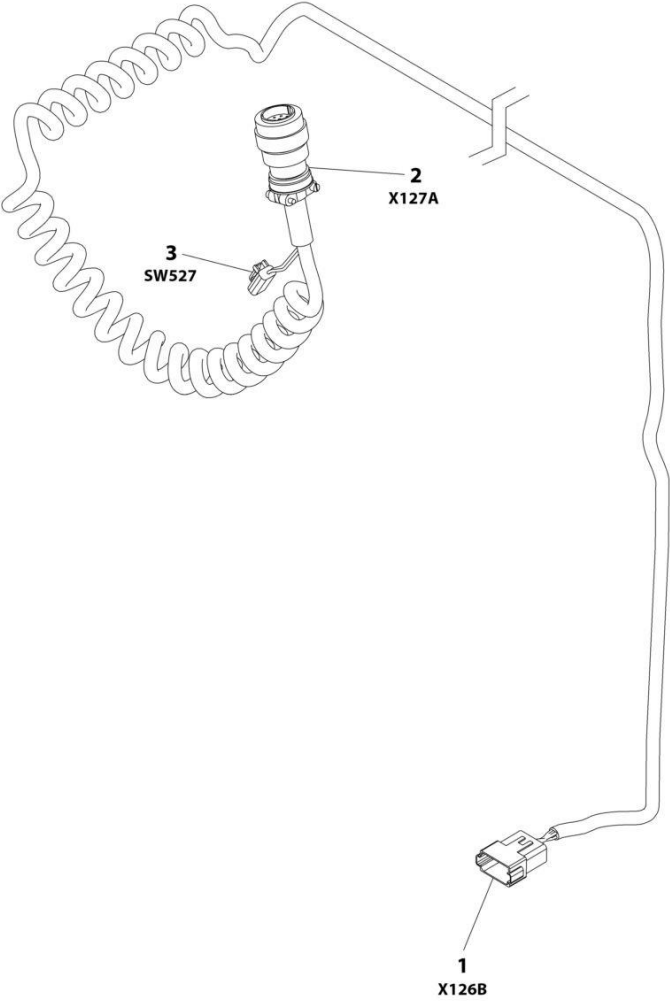
## SECTION 8 - ELECTRICAL

**FIGURE 8-29. PLATFORM CABLE INSTALLATION – WITH FOOTSWITCH**

ITEM	PART NUMBER	QTY	DESCRIPTION	REV
	1001258923	Ref	PLATFORM CABLE INSTALLATION – WITH FOOTSWITCH	C
1	3290606	5	Nut M6 x 1	
5	1001258223	1	Harness, Platform Deck (See Separate Breakdown in this Section)	
6	0760606	5	Bolt M6 x 12	
7	1001220668	5	Clamp, Platform Cable Post	
8	4240018	1	Tie Strap (Not Shown)	

**SECTION 8 - ELECTRICAL**

**FIGURE 8-30. PLATFORM CABLE HARNESS – WITH FOOTSWITCH**



ART\_1001258223



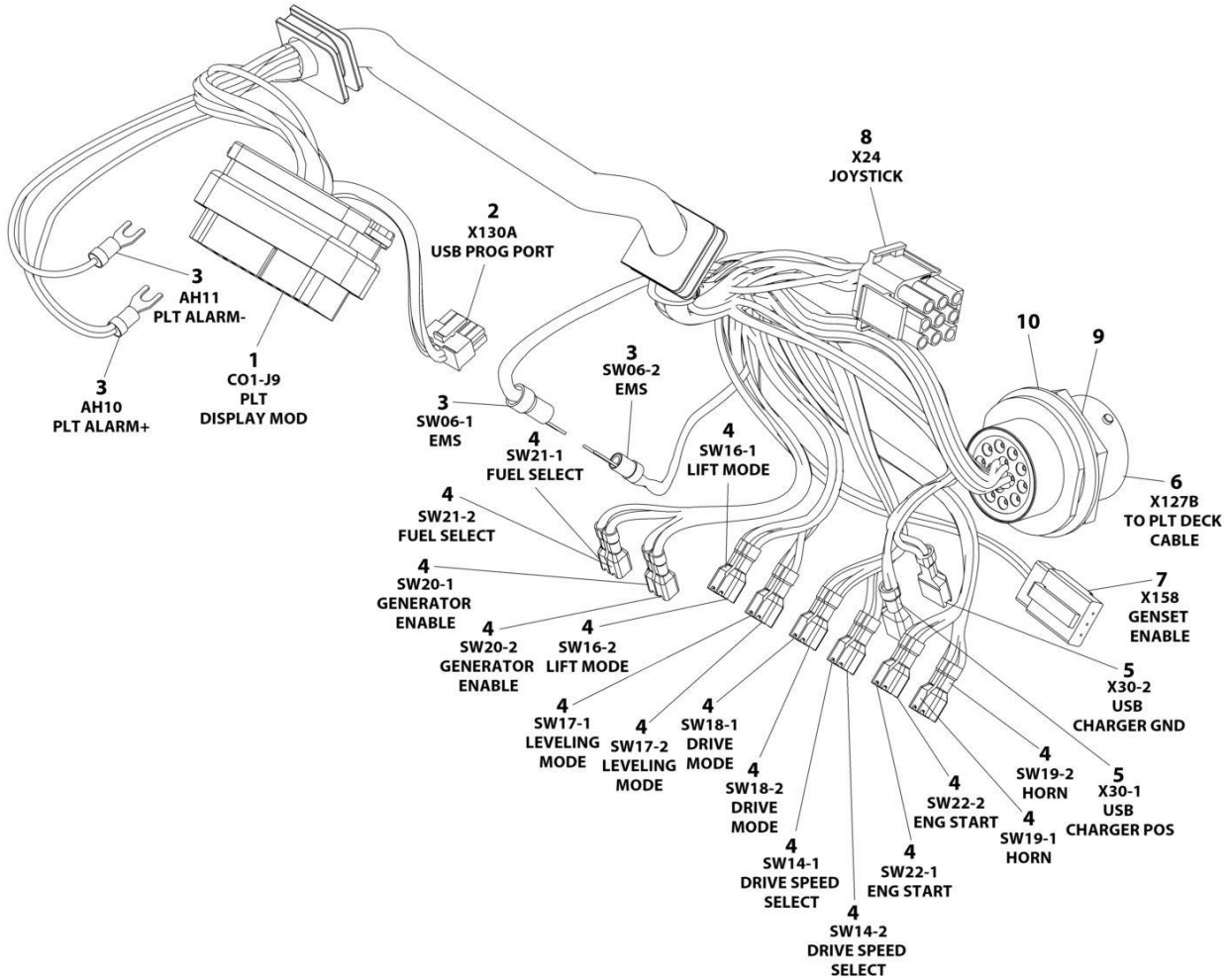
## SECTION 8 - ELECTRICAL

**FIGURE 8-30. PLATFORM CABLE HARNESS – WITH FOOTSWITCH**

ITEM	PART NUMBER	QTY	DESCRIPTION	REV
	1001258223	Ref	PLATFORM MODULE HARNESS – WITH FOOTSWITCH	B
1	4460970	1	Plug, Male - 12 Position	
1	4460464	7	Pin, Male	
1	4460943	2	Pin, Male	
1	4460466	3	Plug, Terminal	
1	1001249190	1	Boot	
2	4460754	1	Receptacle, Female - 14 Position	
2	4460465	9	Socket, Female	
2	4460944	2	Socket, Female	
2	4460466	3	Plug, Terminal	
3	4460891	1	Plug, Male - 4 Position	
3	4460465	2	Socket, Female	

# SECTION 8 - ELECTRICAL

## FIGURE 8-31. PLATFORM CONTROL BOX HARNESS



ART\_1001249049

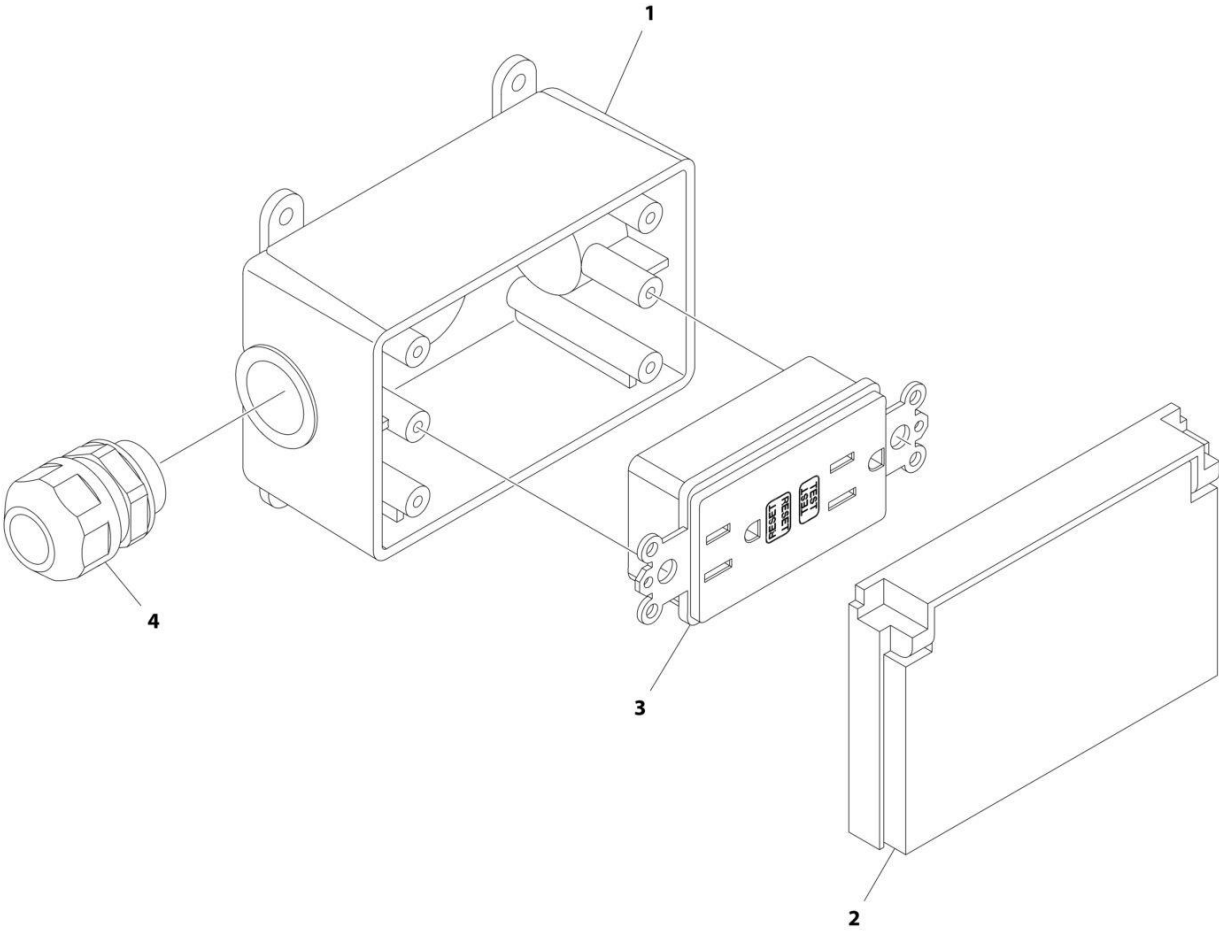
## SECTION 8 - ELECTRICAL

**FIGURE 8-31. PLATFORM CONTROL BOX HARNESS**

ITEM	PART NUMBER	QTY	DESCRIPTION	REV
	1001249049	Ref	PLATFORM CONSOLE BOX HARNESS	G
1	4460873	1	Connector - 35 Position	
1	4460871	28	Pin, Male	
1	4460905	7	Plug, Terminal	
2	1001150735	1	Connector - 10 Position	
2	1001150889	5	Terminal	
3	4460183	4	Terminal, Fork	
4	1001201885	16	Receptacle, Female - 2 Position	
5	8220051	2	Terminal	
6	4461016	1	Connector - 14 Position	
6	4460464	11	Socket, Female	
6	4460466	1	Plug, Terminal	
6	4460943	2	Bussbar	
7	4460911	1	Plug, Male - 3 Position	
7	4460918	3	Terminal	
8	4460265	1	Plug, Male - 9 Position	
8	4460267	7	Terminal	
9	1001125784	1	Washer	
10	4460497	1	Terminal, Nut	

**SECTION 8 - ELECTRICAL**

**FIGURE 8-32. RECEPTACLE BOX KIT - 110V GFI**



ART\_2902431

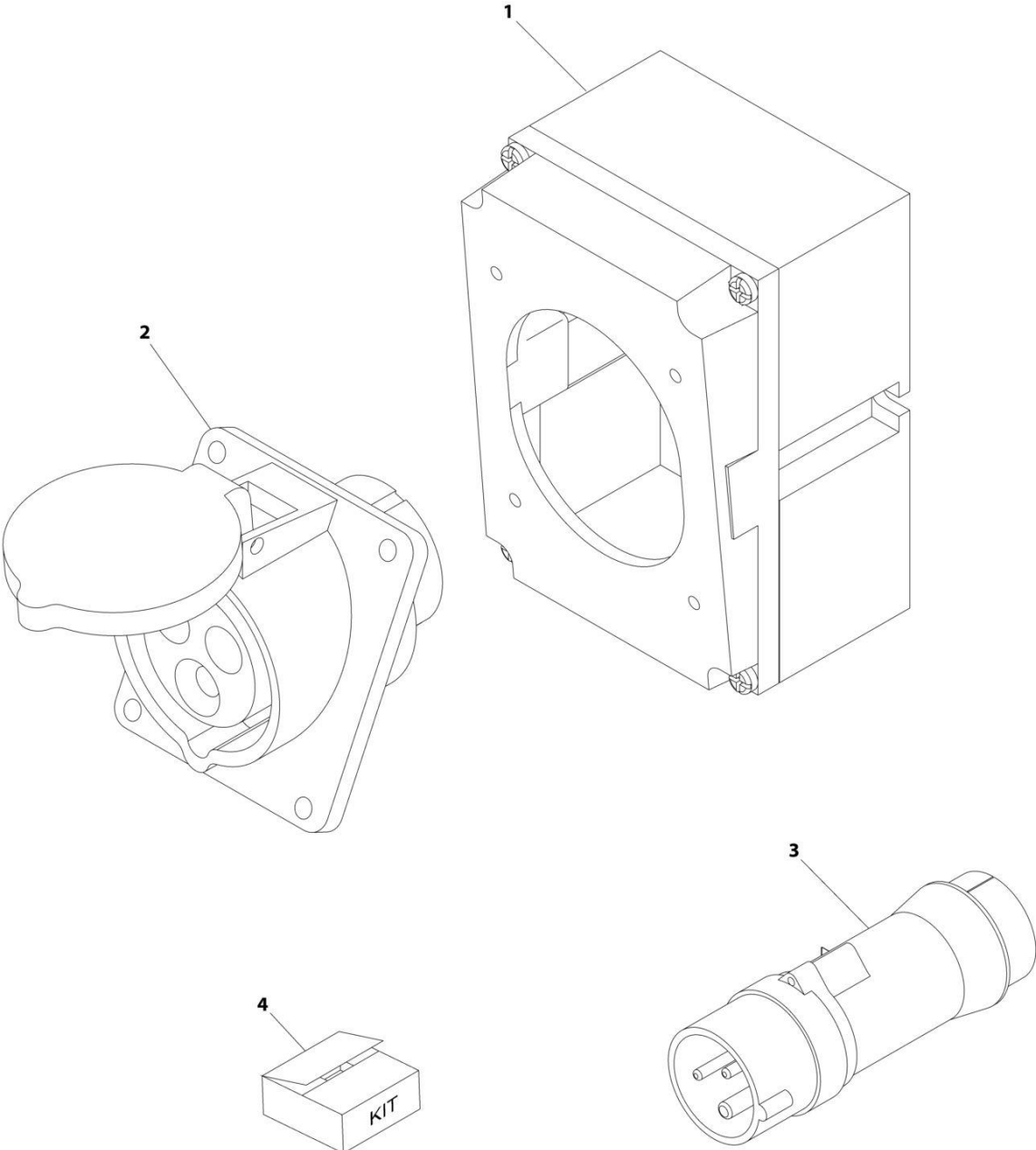
## SECTION 8 - ELECTRICAL

### FIGURE 8-32. RECEPTACLE BOX KIT - 110V GFI

ITEM	PART NUMBER	QTY	DESCRIPTION	REV
	2902431	Ref	RECEPTACLE BOX KIT - 110V GFI	D
1	0861731	1	Box, Receptacle	
2	1671207	1	Cover, Receptacle	
3	4460346	1	Receptacle	
4	4460662	1	Connector, Strain Relief	

**SECTION 8 - ELECTRICAL**

**FIGURE 8-33. RECEPTACLE BOX KIT - 110V IEC YELLOW (CE & UK CA SPECS)**



ART\_0275216

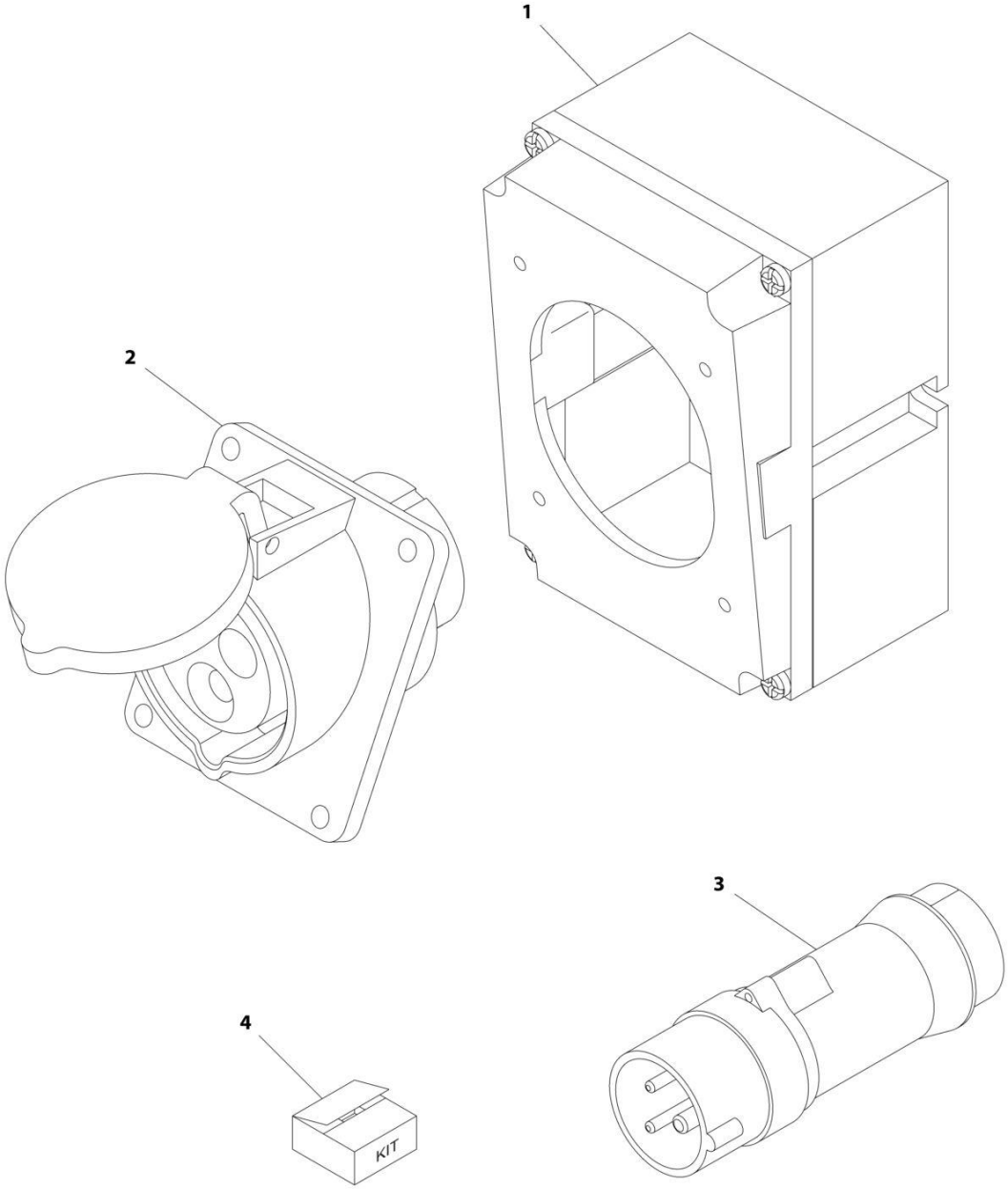
## SECTION 8 - ELECTRICAL

**FIGURE 8-33. RECEPTACLE BOX KIT - 110V IEC YELLOW (CE & UK CA SPECS)**

ITEM	PART NUMBER	QTY	DESCRIPTION	REV
	0275216	Ref	RECEPTACLE BOX KIT - 110V IEC YELLOW	B
1	0861781	1	Box, Switch	
2	4461198	1	Receptacle	
3	4461196	1	Plug, Male	
4	1001100341	1	Plug and Socket Kit (Includes Items 1-3 and Female Plug p/n 4461197)	

**SECTION 8 - ELECTRICAL**

**FIGURE 8-34. RECEPTACLE BOX KIT - 220V IEC BLUE (CE & UK CA SPECS)**



ART\_0275217



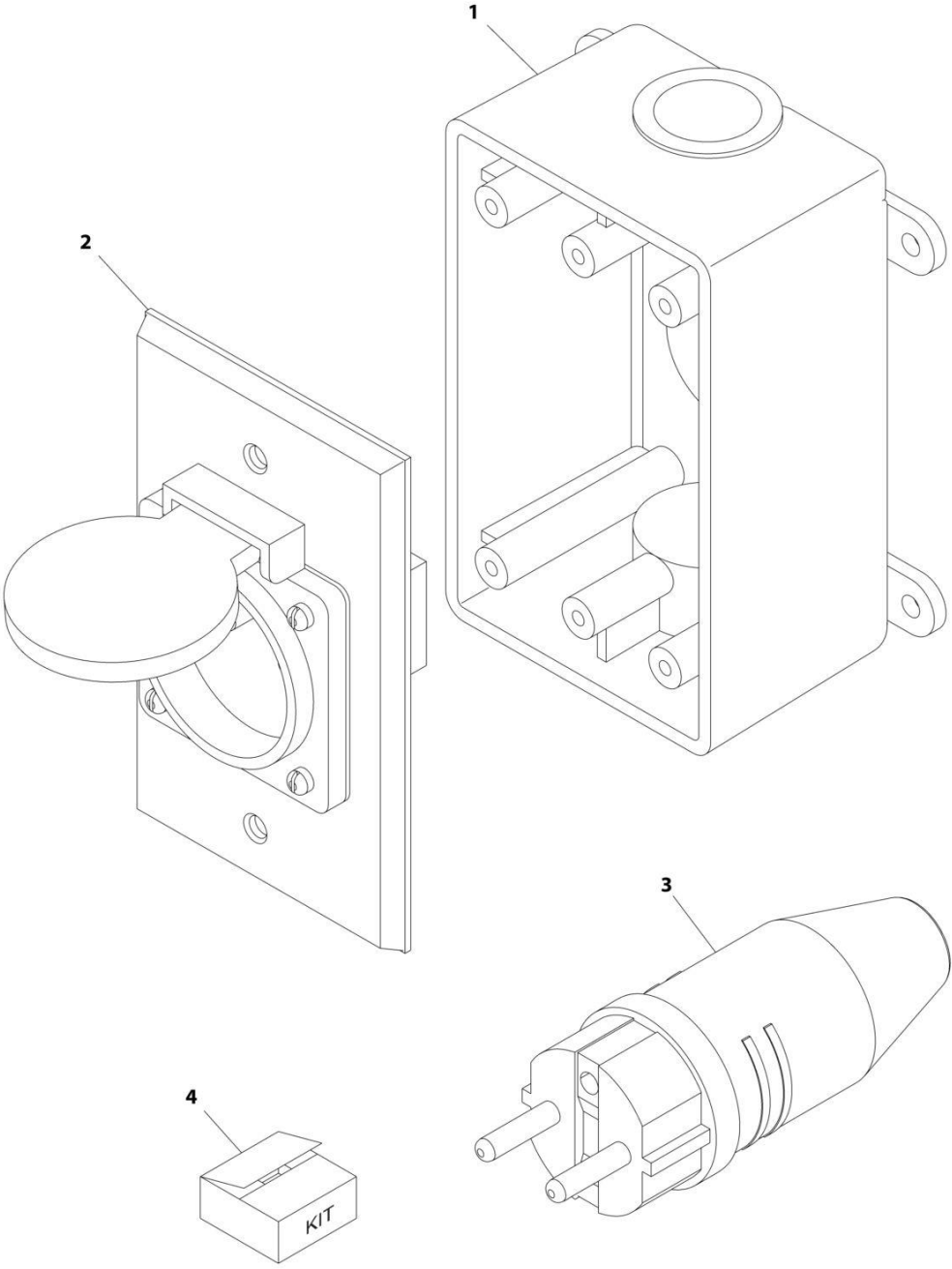
## SECTION 8 - ELECTRICAL

**FIGURE 8-34. RECEPTACLE BOX KIT - 220V IEC BLUE (CE & UK CA SPECS)**

ITEM	PART NUMBER	QTY	DESCRIPTION	REV
	0275217	Ref	RECEPTACLE BOX KIT - 220V IEC BLUE	B
1	0861781	1	Box, Switch	
2	4461201	1	Receptacle	
3	4461199	1	Plug, Male	
4	1001100342	1	Plug and Socket Kit (Includes Items 1-3 and Female Plug p/n 4461200)	

**SECTION 8 - ELECTRICAL**

**FIGURE 8-35. RECEPTACLE BOX KIT - 220V CEE7 POST GROUND (CE & UK CA SPECS)**



ART\_0275452-C

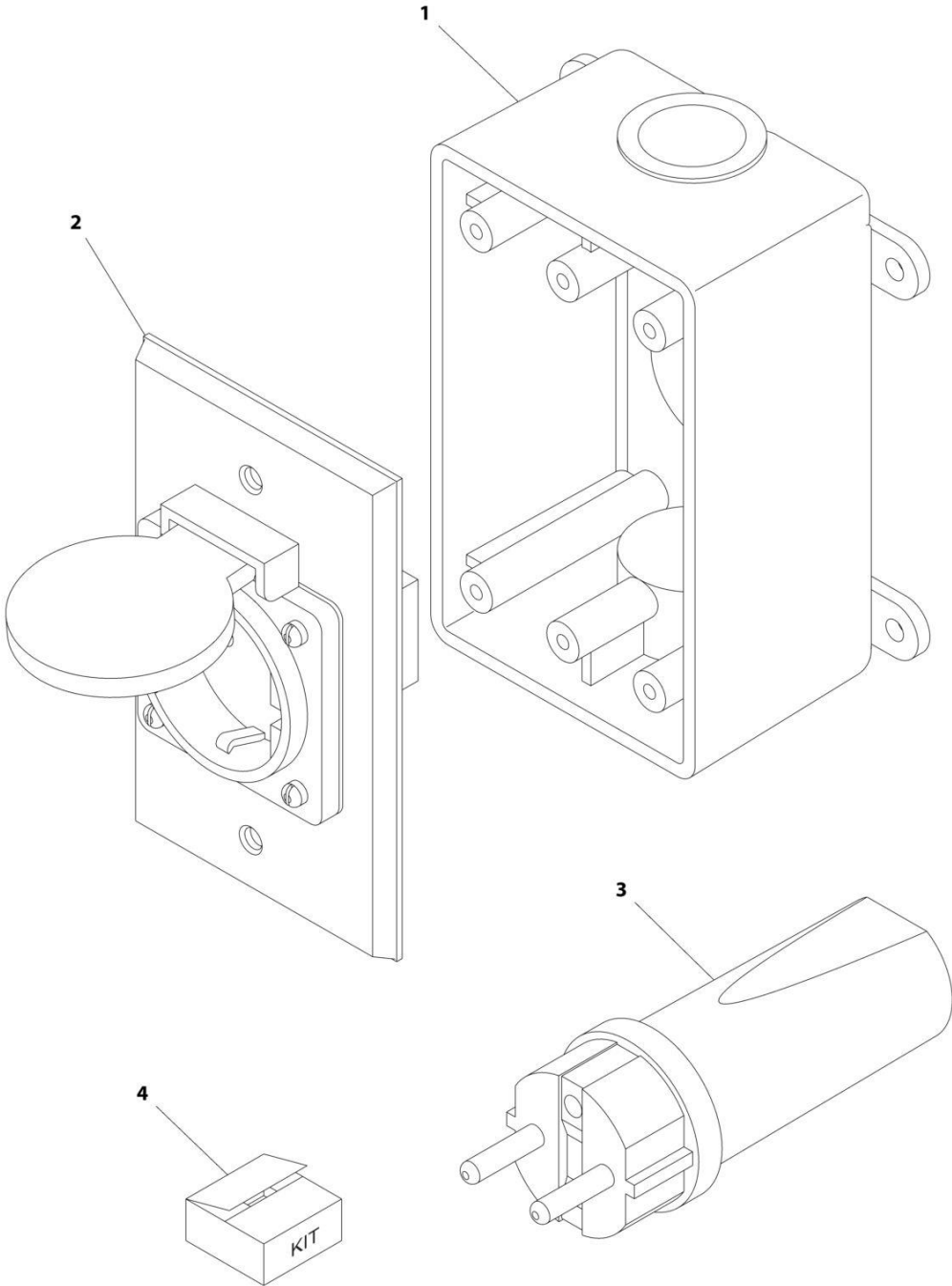
## SECTION 8 - ELECTRICAL

**FIGURE 8-35. RECEPTACLE BOX KIT - 220V CEE7 POST GROUND (CE & UK CA SPECS)**

ITEM	PART NUMBER	QTY	DESCRIPTION	REV
	0275452	Ref	RECEPTACLE BOX KIT - 220V CEE7 POST GROUND 2IN X 4IN BOX	C
1	0861731	1	Box, Switch	
2	4461244	1	Receptacle	
3	4461205	1	Plug, Male	
4	1001100345	1	Plug and Socket Kit (Includes Items 1-3 and Female Plug p/n 4461203)	

**SECTION 8 - ELECTRICAL**

**FIGURE 8-36. RECEPTACLE BOX KIT - 220V CEE7 SIDE GROUND (CE & UK CA SPECS)**



ART\_0275453

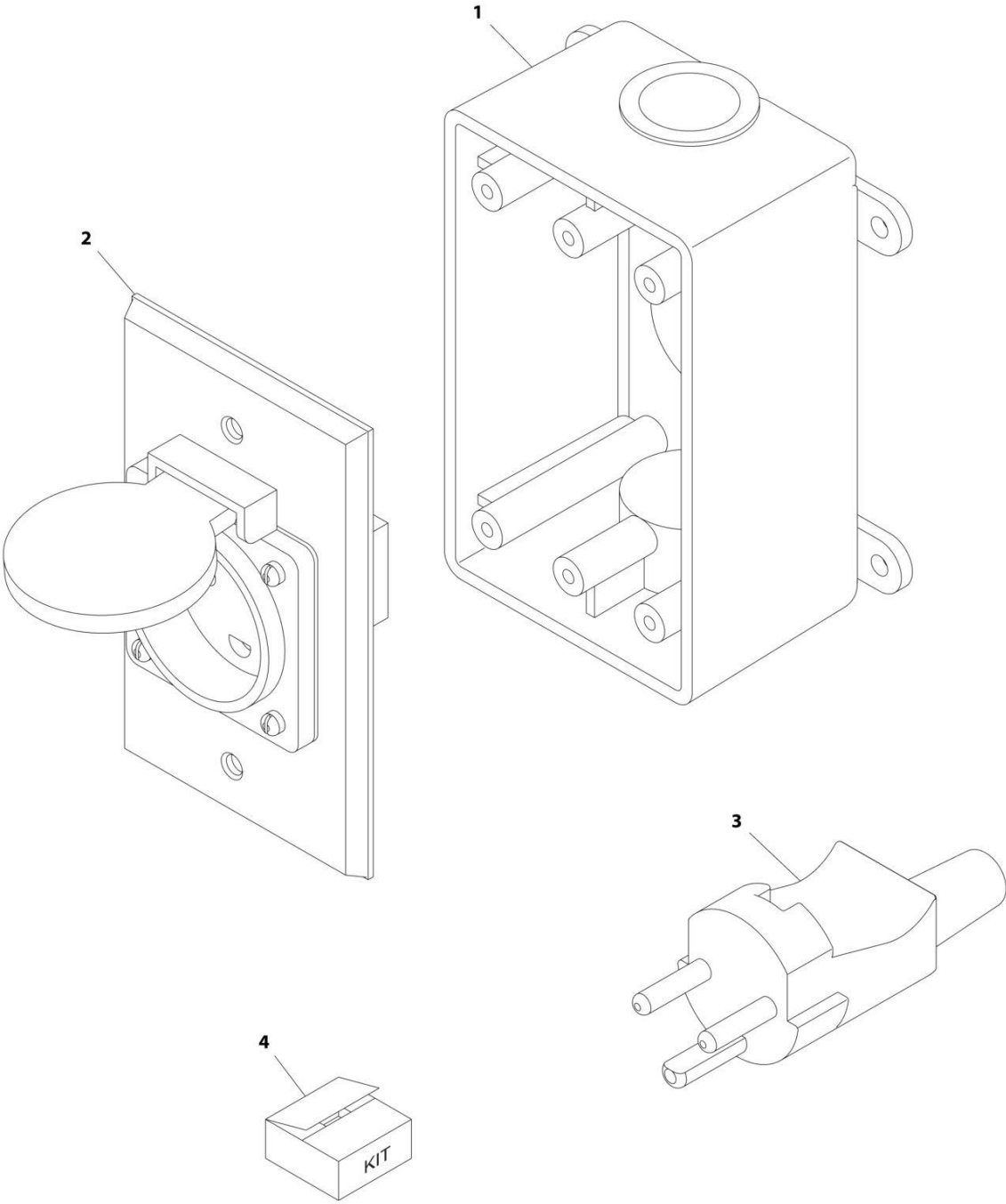
## SECTION 8 - ELECTRICAL

**FIGURE 8-36. RECEPTACLE BOX KIT - 220V CEE7 SIDE GROUND (CE & UK CA SPECS)**

ITEM	PART NUMBER	QTY	DESCRIPTION	REV
	0275453	Ref	RECEPTACLE BOX KIT - 220V CEE7 SIDE GROUND	B
1	0861731	1	Box, Switch	
2	4461245	1	Receptacle	
3	4461205	1	Plug, Male	
4	1001100347	1	Plug and Socket Kit (Includes Items 1-3 and Female Plug p/n 4461206)	

**SECTION 8 - ELECTRICAL**

**FIGURE 8-37. RECEPTACLE BOX KIT - 220V AFSINT 107 (CE & UK CA SPECS)**



ART\_0275454

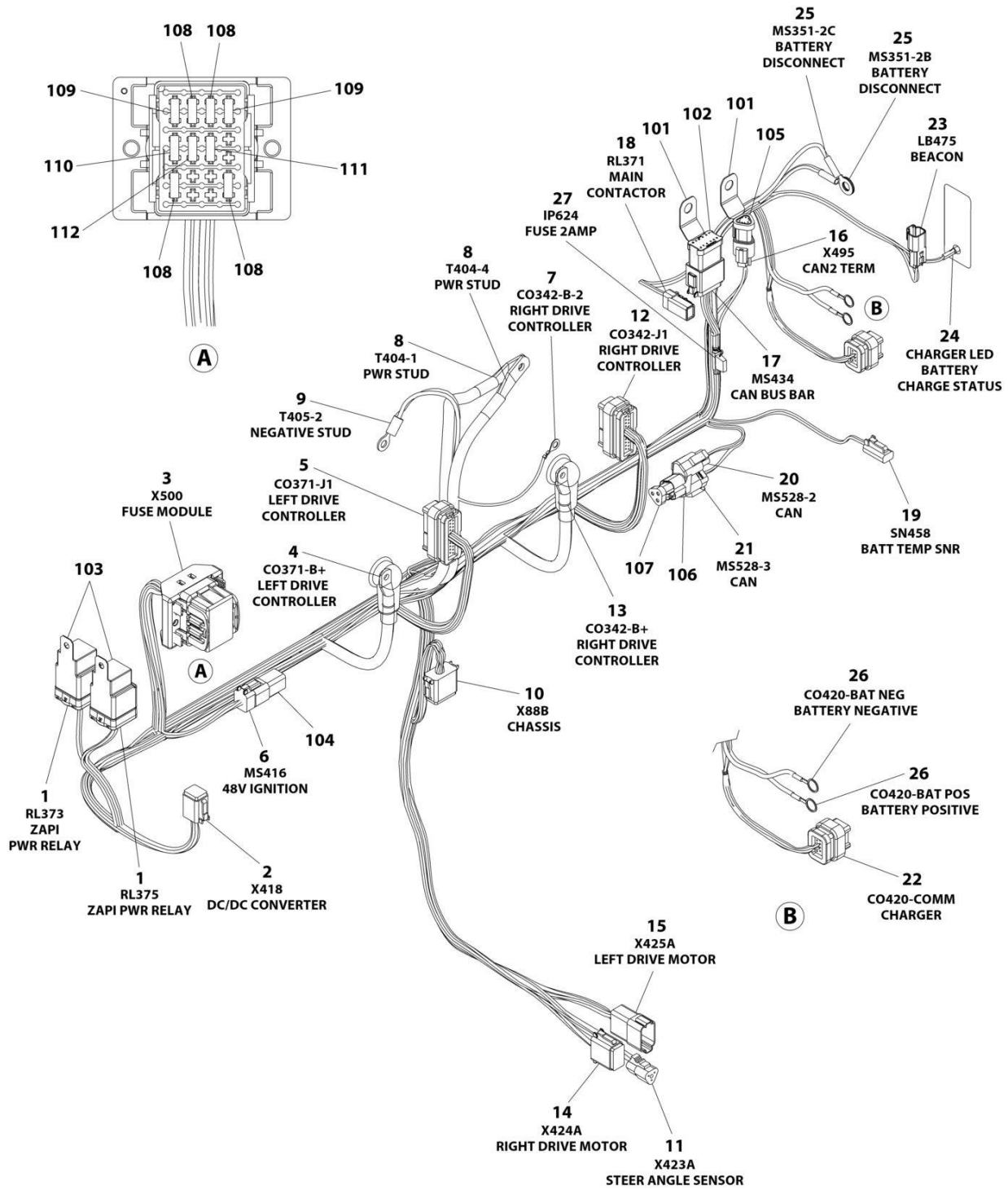
## SECTION 8 - ELECTRICAL

**FIGURE 8-37. RECEPTACLE BOX KIT - 220V AFSINT 107 (CE & UK CA SPECS)**

ITEM	PART NUMBER	QTY	DESCRIPTION	REV
	0275454	Ref	RECEPTACLE BOX KIT - 220V AFSINT 107	B
1	0861731	1	Box, Switch	
2	4461246	1	Receptacle	
3	4461249	1	Plug, Male	
4	1001100346	1	Plug and Socket Kit (Includes Items 1-3 and Female Plug p/n 4461250)	

# SECTION 8 - ELECTRICAL

## FIGURE 8-38. TRACTION HARNESS



ART\_1001255057



## SECTION 8 - ELECTRICAL

### FIGURE 8-38. TRACTION HARNESS

ITEM	PART NUMBER	QTY	DESCRIPTION	REV
	1001255057	Ref	TRACTION HARNESS	H
1	1001231398	2	Connector - 5 Position	
1	1001231400	4	Terminal	
1	1001231399	4	Terminal	
1	1001231406	2	Plug, Terminal	
1	1001231403	4	Seal, Terminal	
1	1001231404	4	Seal, Terminal	
2	4460894	1	Connector - 6 Position	
2	4460942	4	Socket, Female	
2	4460465	2	Socket, Female	
3	1001254035	1	Fuse Box Assembly	
3	1001166543	16	Terminal	
3	1001256109	2	Terminal	
3	4461008	6	Plug, Terminal	
3	4461054	12	Seal, Terminal	
3	1001126353	4	Seal, Terminal	
3	1001256116	2	Seal, Plug	
4	1001139524	1	Terminal, Ring	
5	4460873	1	Connector - 35 Position	
5	4460871	12	Terminal	
5	4460905	23	Plug, Terminal	
6	4460894	1	Plug, Male - 6 Position	
6	4460465	2	Socket, Female	
6	4460942	2	Socket, Female	
6	4460466	2	Plug, Terminal	
7	1001207173	1	Terminal, Ring	
8	1001117115	2	Terminal, Ring	
9	1001117107	1	Terminal, Ring	
10	4460933	1	Plug, Male - 12 Position	
10	4460465	4	Socket, Female	
10	4460944	4	Socket, Female	
10	1001157890	2	Socket, Female	
10	4460466	2	Plug, Terminal	
11	4460539	1	Plug, Male - 3 Position	
11	4460465	3	Socket, Female	
12	4460873	1	Connector - 35 Position	
12	4460871	15	Terminal	
12	4460905	20	Plug, Terminal	
13	1001139524	1	Terminal, Ring	
14	4460930	1	Plug, Male - 8 Position	
14	4460465	8	Socket, Female	
15	4460931	1	Receptacle, Female - 8 Position	
15	4460464	8	Pin, Male	
16	4461095	1	Plug, Male - 3 Position	
16	4460944	2	Socket, Female	
16	4460466	1	Plug, Terminal	
17	4460933	1	Plug, Male - 12 Position	
17	4460465	8	Socket, Female	
17	4460466	4	Plug, Terminal	
18	1001126245	1	Connector - 2 Position	

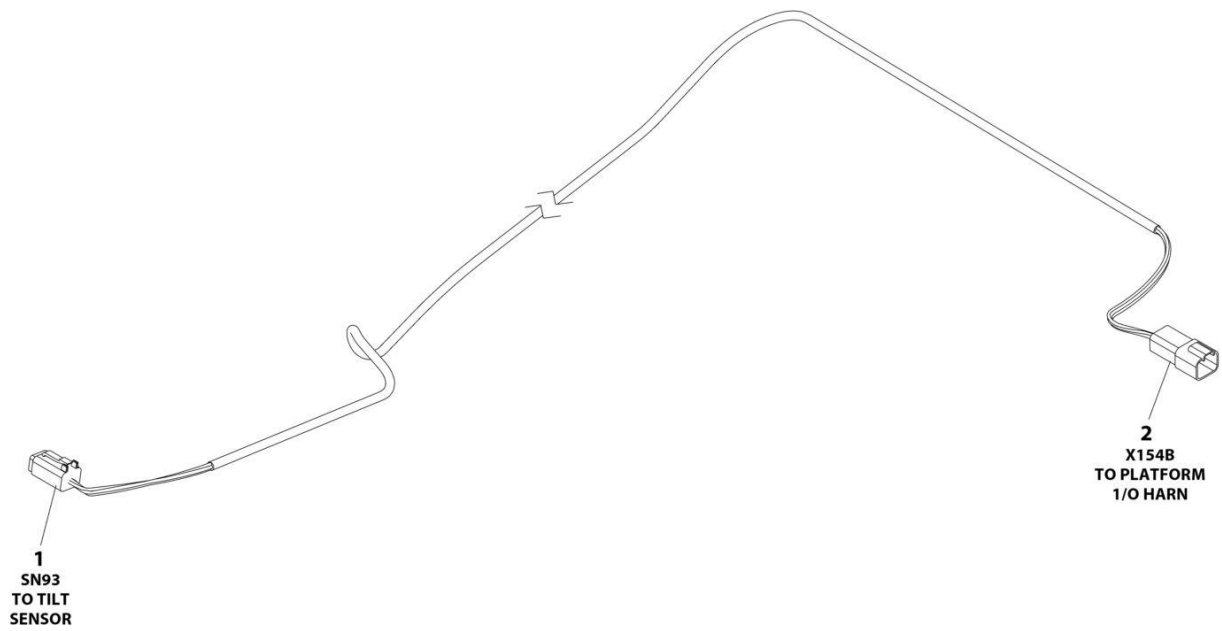
## SECTION 8 - ELECTRICAL

ITEM	PART NUMBER	QTY	DESCRIPTION	REV
18	1001126008	1	Terminal	
19	4460891	1	Plug, Male - 2 Position	
19	4460465	2	Socket, Female	
20	4460539	1	Plug, Male - 3 Position	
20	4460944	2	Socket, Female	
20	4460466	1	Plug, Terminal	
21	1001116812	1	Plug, Male - 3 Position	
21	4460944	2	Socket, Female	
21	4460466	1	Plug, Terminal	
22	4460872	1	Connector - 14 Position	
22	4460871	6	Terminal	
22	4460905	8	Plug, Terminal	
23	4460897	1	Receptacle, Female - 2 Position	
23	4460464	2	Pin, Male	
24	1001250937	1	Cable, LED Indicator	
24	1001250886	1	Housing	
24	1001270272	1	Decal - Charge Indicator LED	
25	1001117110	2	Terminal, Ring	
26	4460019	2	Terminal, Ring	
27	1001170764	1	Fuse Holder	
27	1001196634	1	Fuse 2Amp	
101	1001120328	2	Mount	
102	1001125677	1	Bussbar - 12 Position	
103	1001171295	2	Relay	
104	4460892	1	Bussbar - 6 Position	
105	4461070	1	Connector - 3 Position	
106	4460945	1	Connector - 3 Way	
107	1001116815	1	Connector - 3 Position Plug	
108	1001170760	4	Fuse 10 Amp	
109	1001186489	2	Fuse 2 Amp	
110	1001253891	1	Fuse 7.5 Amp	
111	1001170761	1	Fuse 20 Amp	
112	1001170762	1	Fuse 30 Amp	



# SECTION 8 - ELECTRICAL

## FIGURE 8-39. TILT SENSOR HARNESS



ART\_1001249091

## SECTION 8 - ELECTRICAL

### FIGURE 8-39. TILT SENSOR HARNESS

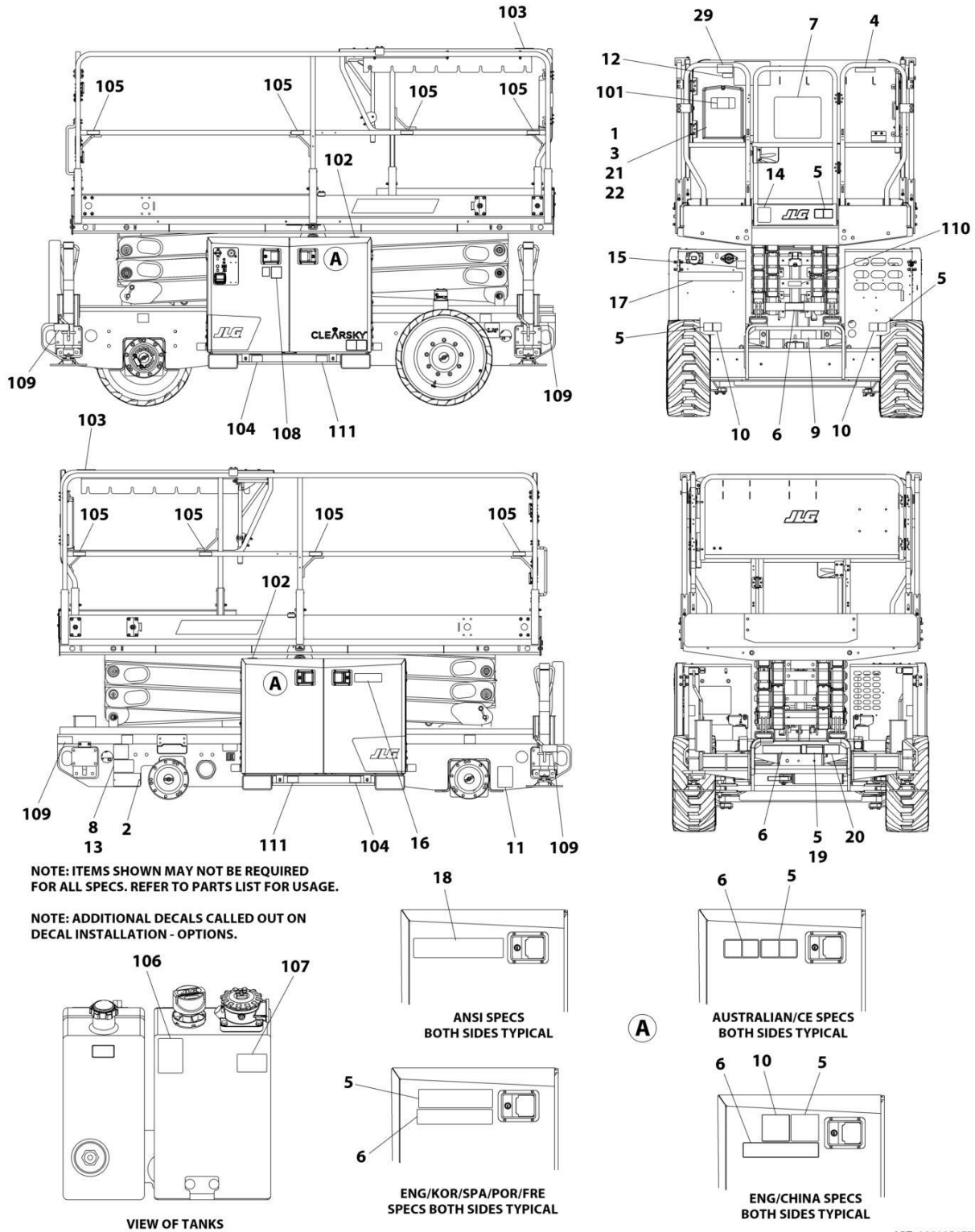
ITEM	PART NUMBER	QTY	DESCRIPTION	REV
	1001249091	Ref	TILT SENSOR HARNESS	C
1	4460884	1	Plug, Male - 4 Position	
1	4460944	4	Socket, Female	
2	4460932	1	Receptacle, Female - 4 Position	
2	4460464	4	Pin, Male	



**SECTION 9 - DECALS**

# SECTION 9 - DECALS

## FIGURE 9-1. DECAL INSTALLATION - ANSI SPECS (ENGLISH LANGUAGE)



ART\_1001256771



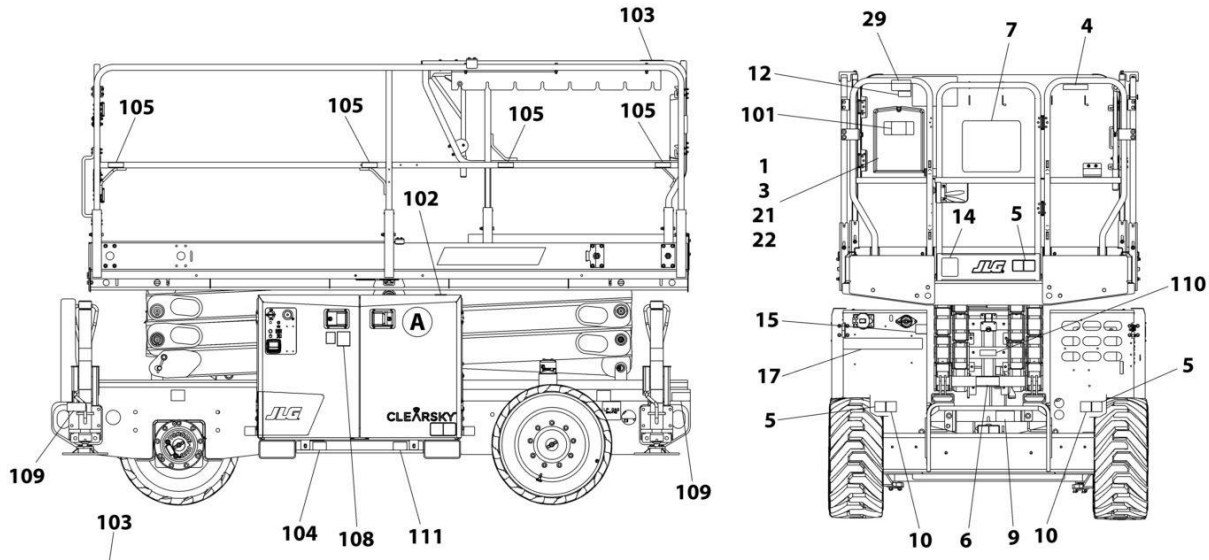
## SECTION 9 - DECALS

**FIGURE 9-1. DECAL INSTALLATION - ANSI SPECS (ENGLISH LANGUAGE)**

ITEM	PART NUMBER	QTY	DESCRIPTION	REV
	1001256771	Ref	DECAL INSTALLATION	C
	1001256945	Ref	DECAL CHART DRAWING - ERT2669	G
	1001262071	Ref	DECAL CHART DRAWING - ERT3369	E
1	0760610	4	Bolt M6 x 20	
2	2080057	2	Fastener	
3	0860520	1	Box, Manual Storage	
4	1703821	1	Decal - Control Box Location	
5	1001211779	2	Decal - Electrocutation	
6	1001211777	2	Decal - Crushing Hazard	
7	1703816	1	Decal - Danger/Warning	
8	1001223055	1	Decal - Yearly Inspection	
9	1703822	1	Decal - Manual Descent Instruction	
11	1001131270	1	Decal - Patent	
12	1001223453	1	Decal - ICES	
15	1702155	1	Decal - Battery Disconnect	
16	1703813	1	Decal - Warning Battery Ventilation	
17	1001146794	1	Decal - Battery/Charger Service	
18	1703818	2	Decal - Warning Crushing Hazard/Danger Electrocutation	
19	1705695	1	Decal - Danger Electrocutation	
21	3290605	4	Nut M6	
22	4811700	8	Washer M6	
100	1001256763	1	Decal Master Kit (Not Shown)	
101	1701640	1	Decal - Manual	
102	1703687	2	Decal - Direction Arrow	
103	1703819	2	Decal - Direction Arrow	
104	1001265579	2	Decal - Fork Lift	
105	1704277	8	Decal - Lanyard Attach	
106	1704412	1	Decal - Hydraulic Oil Chart	
107	70046028	1	Decal - Hydraulic Oil Level	
108	1001094708	1	Decal - Hydraulic Oil	
109	1001162864	4	Decal - Lift Point/Tie Down	
110	1001256865	1	Decal - Arm Prop	
111	1001265580	2	Decal - Fork Lift	

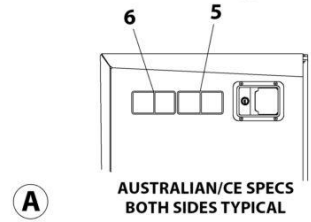
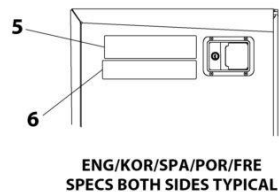
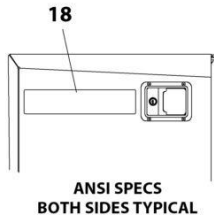
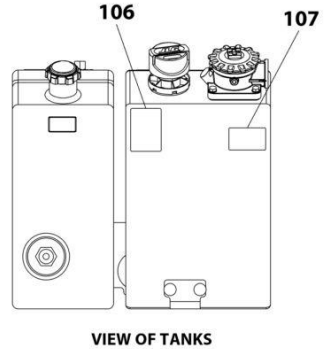
# SECTION 9 - DECALS

## FIGURE 9-2. DECAL INSTALLATION - AUSTRALIAN/CE & UK CA SPECS (ENGLISH LANGUAGE)

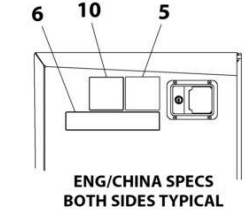


NOTE: ITEMS SHOWN MAY NOT BE REQUIRED FOR ALL SPECS. REFER TO PARTS LIST FOR USAGE.

NOTE: ADDITIONAL DECALS CALLED OUT ON DECAL INSTALLATION - OPTIONS.



(A)



ART\_1001256778

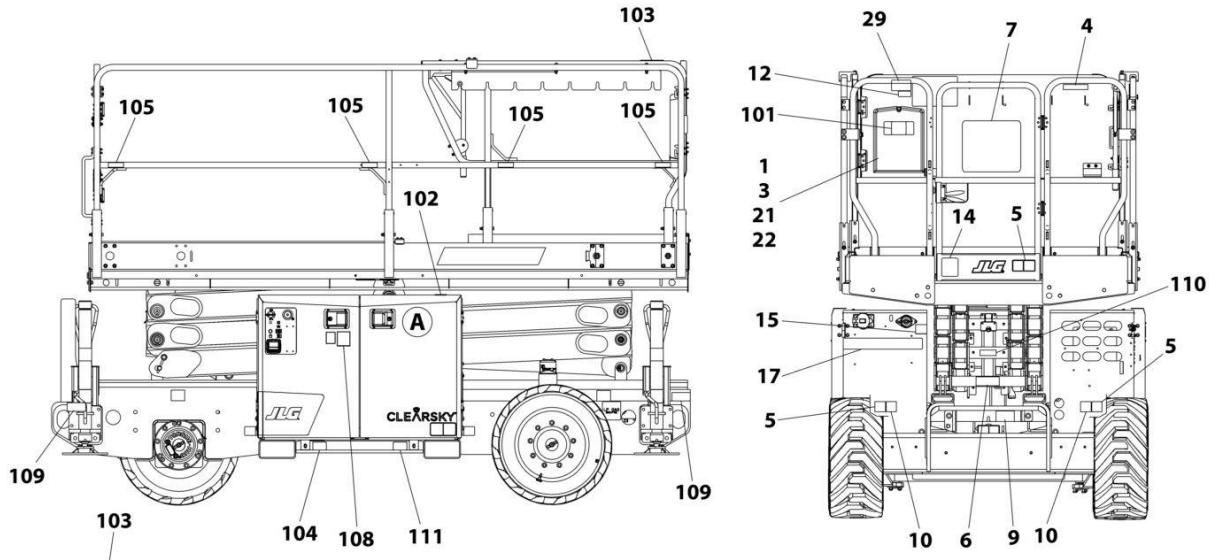
## SECTION 9 - DECALS

**FIGURE 9-2. DECAL INSTALLATION - AUSTRALIAN/CE & UK CA SPECS (ENGLISH LANGUAGE)**

ITEM	PART NUMBER	QTY	DESCRIPTION	REV
	1001256778	Ref	DECAL INSTALLATION	C
	1001256945	Ref	DECAL CHART DRAWING - ERT2669	G
	1001262071	Ref	DECAL CHART DRAWING - ERT3369	E
1	0760610	4	Bolt M6 x 20	
2	2080057	4	Fastener	
3	0860520	1	Box, Manual Storage	
5	1705671	6	Decal - Electrocution	
6	1705673	4	Decal - Crushing	
9	1703822	1	Decal - Manual Descent Instruction	
13	1705670	2	Decal - Fire Hazard	
15	1702155	1	Decal - Battery Disconnect	
17	1001146794	1	Decal - Battery/Charger Service	
21	3290605	4	Nut M6	
22	4811700	8	Washer M6	
100	1001256763	1	Decal Master Kit (Not Shown)	
101	1701640	1	Decal - Manual	
102	1703687	2	Decal - Direction Arrow	
103	1703819	2	Decal - Direction Arrow	
104	1001265579	2	Decal - Fork Lift	
105	1704277	8	Decal - Lanyard Attach	
106	1704412	1	Decal - Hydraulic Oil Chart	
107	70046028	1	Decal - Hydraulic Oil Level	
108	1001094708	1	Decal - Hydraulic Oil	
109	1001162864	4	Decal - Lift Point/Tie Down	
110	1001256865	1	Decal - Arm Prop	
111	1001265580	2	Decal - Fork Lift	

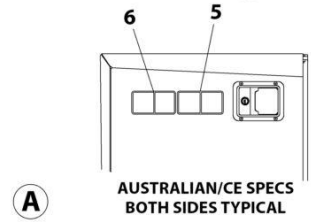
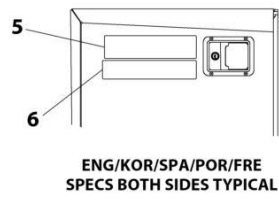
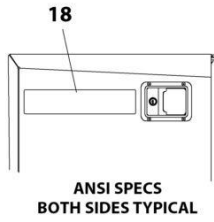
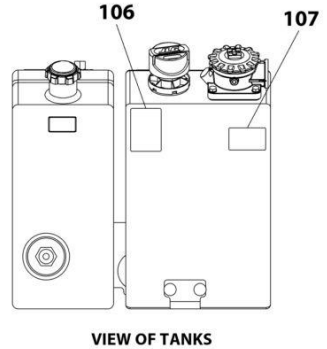
# SECTION 9 - DECALS

## FIGURE 9-3. DECAL INSTALLATION - BRAZIL SPECS (SPANISH/PORTUGUESE LANGUAGES)

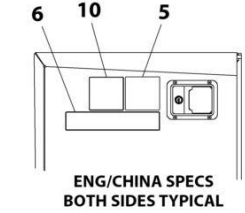


NOTE: ITEMS SHOWN MAY NOT BE REQUIRED FOR ALL SPECS. REFER TO PARTS LIST FOR USAGE.

NOTE: ADDITIONAL DECALS CALLED OUT ON DECAL INSTALLATION - OPTIONS.



(A)



ART\_1001256774

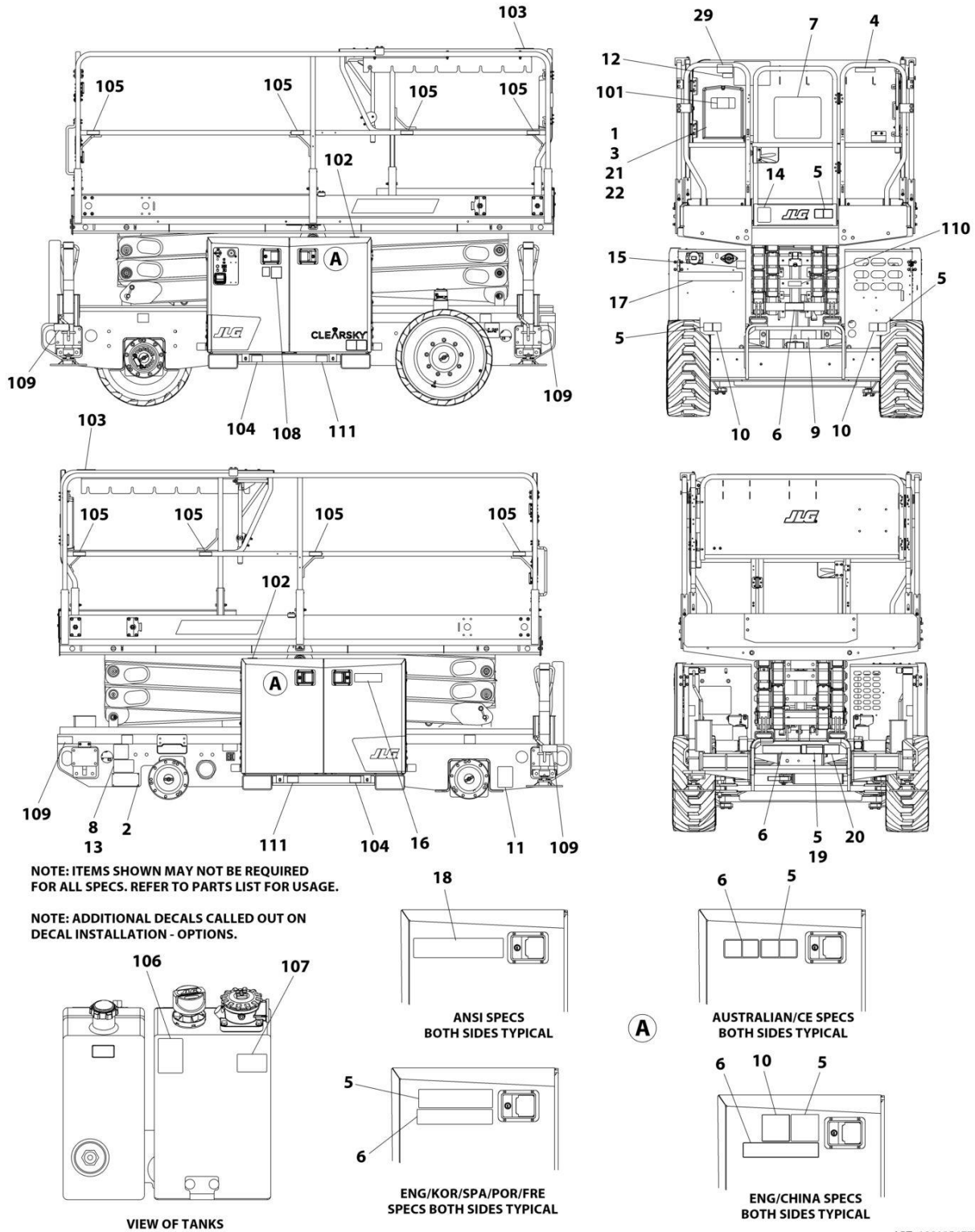
## SECTION 9 - DECALS

**FIGURE 9-3. DECAL INSTALLATION - BRAZIL SPECS (SPANISH/PORTUGUESE LANGUAGES)**

ITEM	PART NUMBER	QTY	DESCRIPTION	REV
	1001256774	Ref	DECAL INSTALLATION	C
	1001256945	Ref	DECAL CHART DRAWING - ERT2669	G
	1001262071	Ref	DECAL CHART DRAWING - ERT3369	E
1	0760610	4	Bolt M6 x 20	
2	2080057	2	Fastener	
3	0860520	1	Box, Manual Storage	
4	1704702	1	Decal - Control Box Location	
5	1705043	5	Decal - Danger Electrical Hazard	
6	1001216650	4	Decal - Crushing	
7	1704699	1	Decal - Danger/Warning	
8	1001224052	1	Decal - Yearly Inspection	
9	1703822	1	Decal - Manual Descent Instruction	
15	1702155	1	Decal - Battery Disconnect	
16	1704341	1	Decal - Warning Battery Ventilation	
17	1001146794	1	Decal - Battery/Charger Service	
21	3290605	4	Nut M6	
22	4811700	8	Washer M6	
100	1001256763	1	Decal Master Kit (Not Shown)	
101	1701640	1	Decal - Manual	
102	1703687	2	Decal - Direction Arrow	
103	1703819	2	Decal - Direction Arrow	
104	1001265579	2	Decal - Fork Lift	
105	1704277	8	Decal - Lanyard Attach	
106	1704412	1	Decal - Hydraulic Oil Chart	
107	70046028	1	Decal - Hydraulic Oil Level	
108	1001094708	1	Decal - Hydraulic Oil	
109	1001162864	4	Decal - Lift Point/Tie Down	
110	1001256865	1	Decal - Arm Prop	
111	1001265580	2	Decal - Fork Lift	

# SECTION 9 - DECALS

## FIGURE 9-4. DECAL INSTALLATION - CE & UK CA SPECS



NOTE: ITEMS SHOWN MAY NOT BE REQUIRED FOR ALL SPECS. REFER TO PARTS LIST FOR USAGE.

NOTE: ADDITIONAL DECALS CALLED OUT ON DECAL INSTALLATION - OPTIONS.

ART\_1001256777

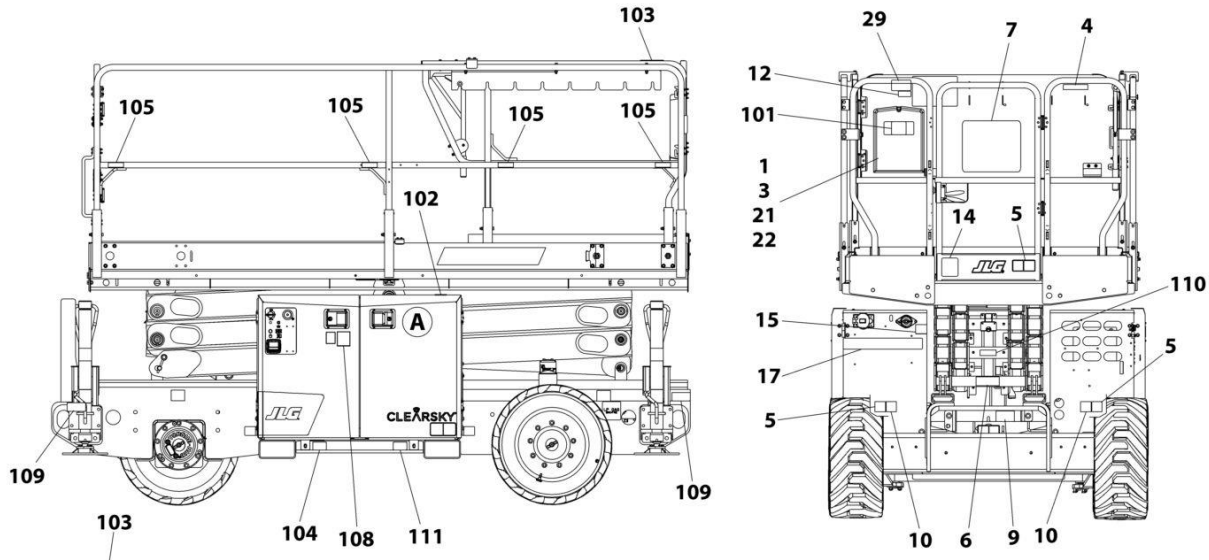
## SECTION 9 - DECALS

**FIGURE 9-4. DECAL INSTALLATION - CE & UK CA SPECS**

ITEM	PART NUMBER	QTY	DESCRIPTION	REV
	1001256777	Ref	DECAL INSTALLATION	C
	1001256945	Ref	DECAL CHART DRAWING - ERT2669	G
	1001262071	Ref	DECAL CHART DRAWING - ERT3369	E
1	0760610	4	Bolt M6 x 20	
2	2080057	2	Fastener	
3	0860520	1	Box, Manual Storage	
5	1705671	6	Decal - Electrocution	
6	1705673	4	Decal - Crushing	
9	1703822	1	Decal - Manual Descent Instruction	
13	1705670	2	Decal - Fire Hazard	
15	1702155	1	Decal - Battery Disconnect	
17	1001146795	1	Decal - Battery/Charger Service	
21	3290605	4	Nut M6	
22	4811700	8	Washer M6	
100	1001256763	1	Decal Master Kit (Not Shown)	
101	1701640	1	Decal - Manual	
102	1703687	2	Decal - Direction Arrow	
103	1703819	2	Decal - Direction Arrow	
104	1001265579	2	Decal - Fork Lift	
105	1704277	8	Decal - Lanyard Attach	
106	1704412	1	Decal - Hydraulic Oil Chart	
107	70046028	1	Decal - Hydraulic Oil Level	
108	1001094708	1	Decal - Hydraulic Oil	
109	1001162864	4	Decal - Lift Point/Tie Down	
110	1001256865	1	Decal - Arm Prop	
111	1001265580	2	Decal - Fork Lift	

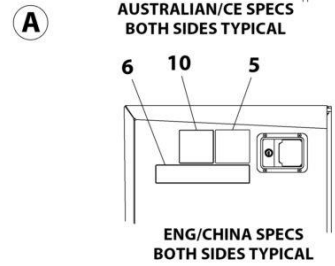
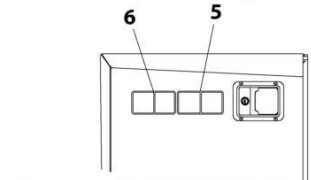
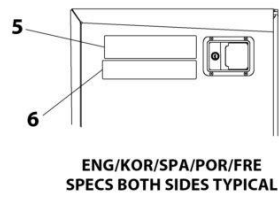
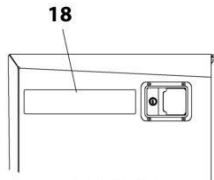
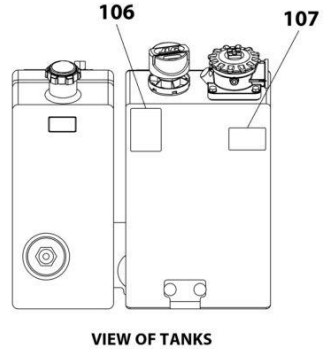
# SECTION 9 - DECALS

## FIGURE 9-5. DECAL INSTALLATION - CHINA SPECS (ENGLISH/CHINESE LANGUAGES)



NOTE: ITEMS SHOWN MAY NOT BE REQUIRED FOR ALL SPECS. REFER TO PARTS LIST FOR USAGE.

NOTE: ADDITIONAL DECALS CALLED OUT ON DECAL INSTALLATION - OPTIONS.



ART\_1001256773



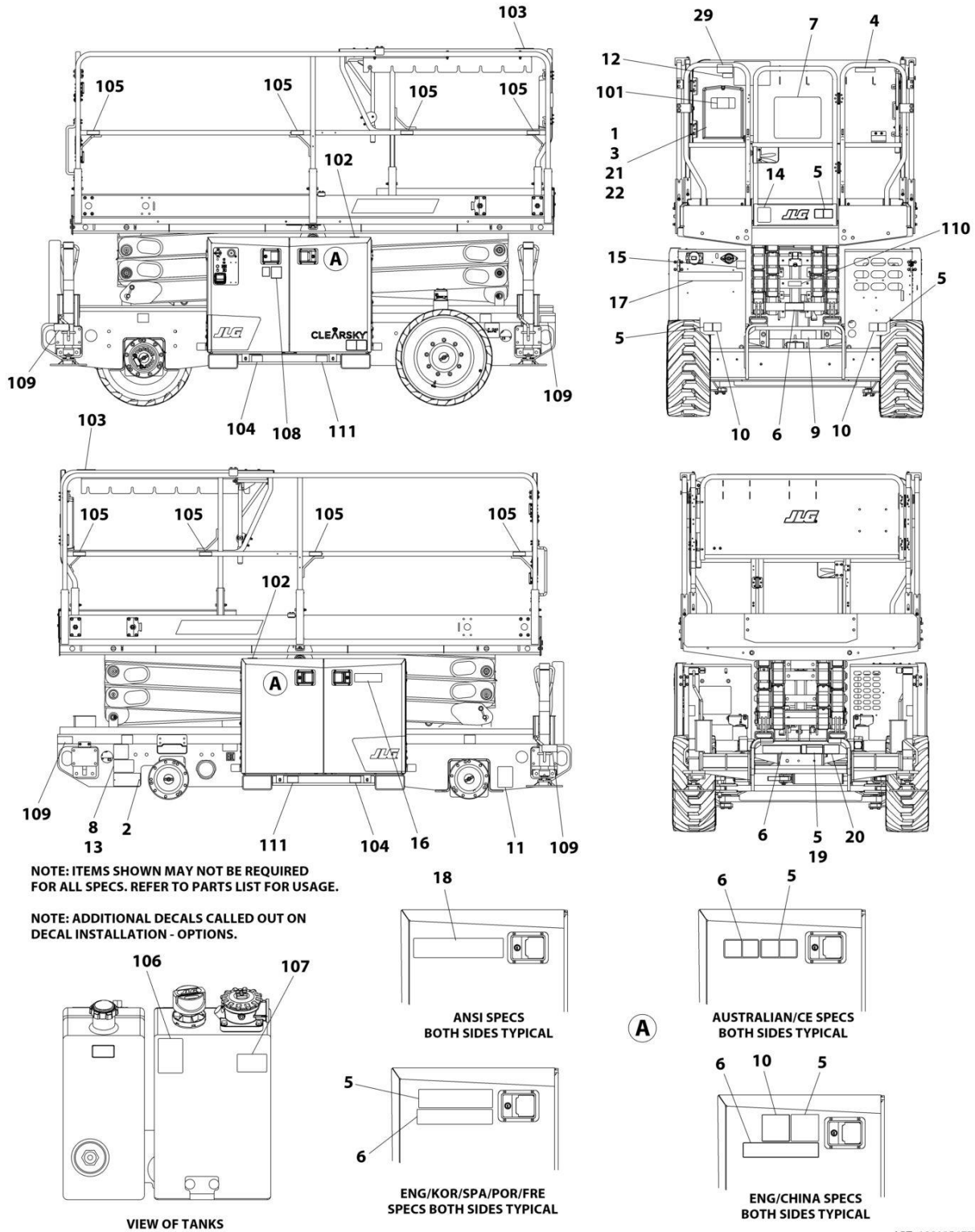
## SECTION 9 - DECALS

**FIGURE 9-5. DECAL INSTALLATION - CHINA SPECS (ENGLISH/CHINESE LANGUAGES)**

ITEM	PART NUMBER	QTY	DESCRIPTION	REV
	1001256773	Ref	DECAL INSTALLATION	C
	1001256945	Ref	DECAL CHART DRAWING - ERT2669	G
	1001262071	Ref	DECAL CHART DRAWING - ERT3369	E
1	0760610	4	Bolt M6 x 20	
2	2080057	2	Fastener	
3	0860520	1	Box, Manual Storage	
4	1705194	1	Decal - Control Box Location	
5	1001211779	4	Decal - Electrocutation	
6	1001215752	4	Decal - Crushing	
7	1705195	1	Decal - Danger/Warning	
8	1001224051	1	Decal - Yearly Inspection	
9	1703822	1	Decal - Manual Descent Instruction	
10	1001215747	4	Decal - Electrocutation	
15	1702155	1	Decal - Battery Disconnect	
16	1704344	1	Decal - Warning Battery Ventilation	
17	1001146794	1	Decal - Battery/Charger Service	
19	1705695	1	Decal - Danger Electrocutation	
20	1705944	1	Decal - Danger Electrocutation	
21	3290605	4	Nut M6	
22	4811700	8	Washer M6	
100	1001256763	1	Decal Master Kit (Not Shown)	
101	1701640	1	Decal - Manual	
102	1703687	2	Decal - Direction Arrow	
103	1703819	2	Decal - Direction Arrow	
104	1001265579	2	Decal - Fork Lift	
105	1704277	8	Decal - Lanyard Attach	
106	1704412	1	Decal - Hydraulic Oil Chart	
107	70046028	1	Decal - Hydraulic Oil Level	
108	1001094708	1	Decal - Hydraulic Oil	
109	1001162864	4	Decal - Lift Point/Tie Down	
110	1001256865	1	Decal - Arm Prop	
111	1001265580	2	Decal - Fork Lift	

# SECTION 9 - DECALS

FIGURE 9-6. DECAL INSTALLATION - CSA SPECS (ENGLISH/FRENCH LANGUAGES)



ART\_1001256776

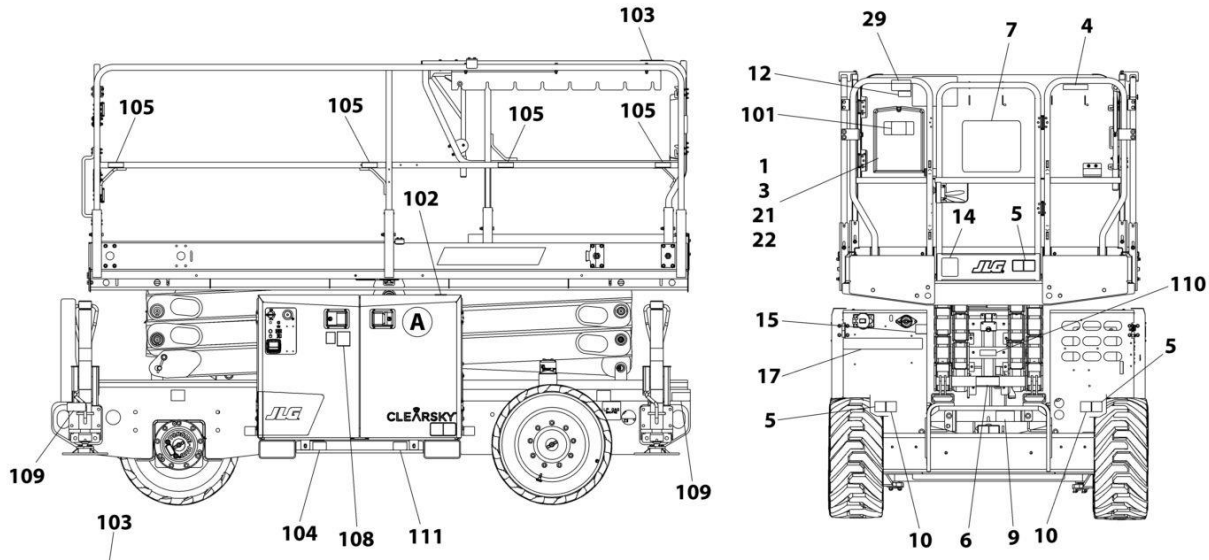
## SECTION 9 - DECALS

**FIGURE 9-6. DECAL INSTALLATION - CSA SPECS (ENGLISH/FRENCH LANGUAGES)**

ITEM	PART NUMBER	QTY	DESCRIPTION	REV
	1001256776	Ref	DECAL INSTALLATION	C
	1001256945	Ref	DECAL CHART DRAWING - ERT2669	G
	1001262071	Ref	DECAL CHART DRAWING - ERT3369	E
1	0760610	4	Bolt M6 x 20	
2	2080057	2	Fastener	
3	0860520	1	Box, Manual Storage	
4	1704687	1	Decal - Control Box Location	
5	1705040	5	Decal - Danger Electrocutation	
6	1001215755	4	Decal - Crushing	
7	1704684	1	Decal - Danger/Warning	
8	1001223971	1	Decal - Yearly Inspection	
9	1703822	1	Decal - Manual Descent Instruction	
11	1001131270	1	Decal - Patent	
12	1001228370	1	Decal - ICES	
15	1702155	1	Decal - Battery Disconnect	
16	1704340	1	Decal - Warning Battery Ventilation	
17	1001146794	1	Decal - Battery/Charger Service	
21	3290605	4	Nut M6	
22	4811700	8	Washer M6	
100	1001256763	1	Decal Master Kit (Not Shown)	
101	1701640	1	Decal - Manual	
102	1703687	2	Decal - Direction Arrow	
103	1703819	2	Decal - Direction Arrow	
104	1001265579	2	Decal - Fork Lift	
105	1704277	8	Decal - Lanyard Attach	
106	1704412	1	Decal - Hydraulic Oil Chart	
107	70046028	1	Decal - Hydraulic Oil Level	
108	1001094708	1	Decal - Hydraulic Oil	
109	1001162864	4	Decal - Lift Point/Tie Down	
110	1001256865	1	Decal - Arm Prop	
111	1001265580	2	Decal - Fork Lift	

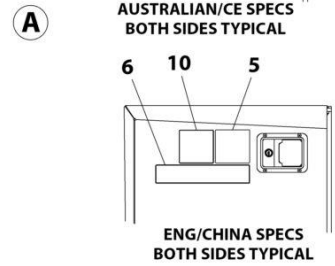
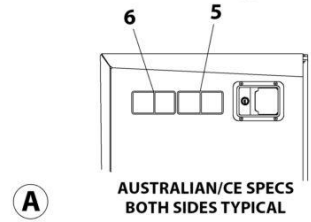
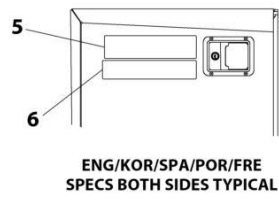
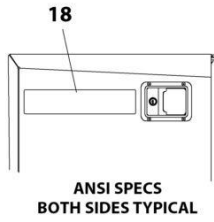
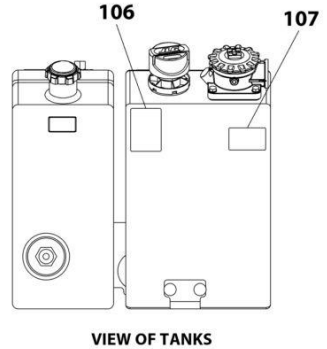
# SECTION 9 - DECALS

FIGURE 9-7. DECAL INSTALLATION - KOREAN SPECS (ENGLISH/KOREAN LANGUAGES)



NOTE: ITEMS SHOWN MAY NOT BE REQUIRED FOR ALL SPECS. REFER TO PARTS LIST FOR USAGE.

NOTE: ADDITIONAL DECALS CALLED OUT ON DECAL INSTALLATION - OPTIONS.



ART\_1001256772

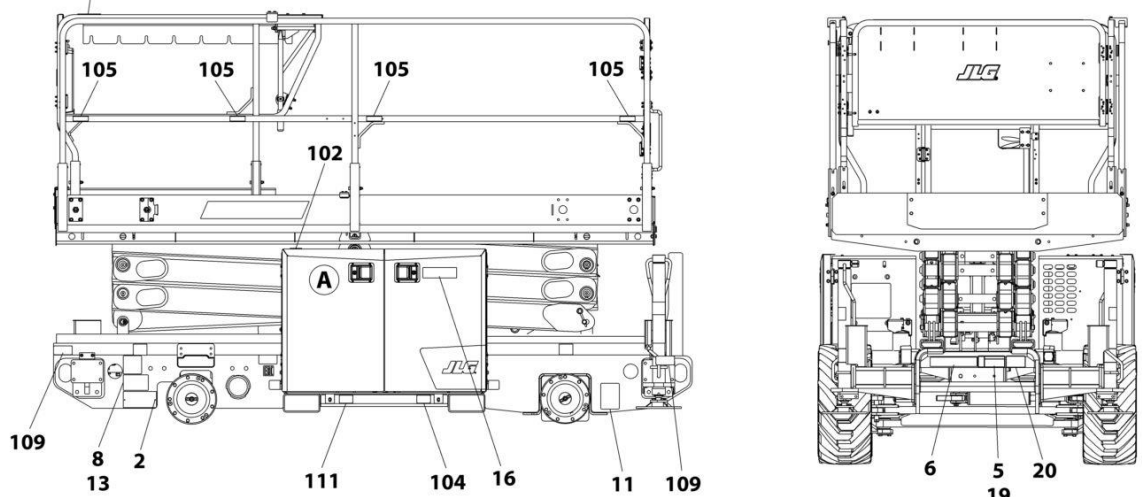
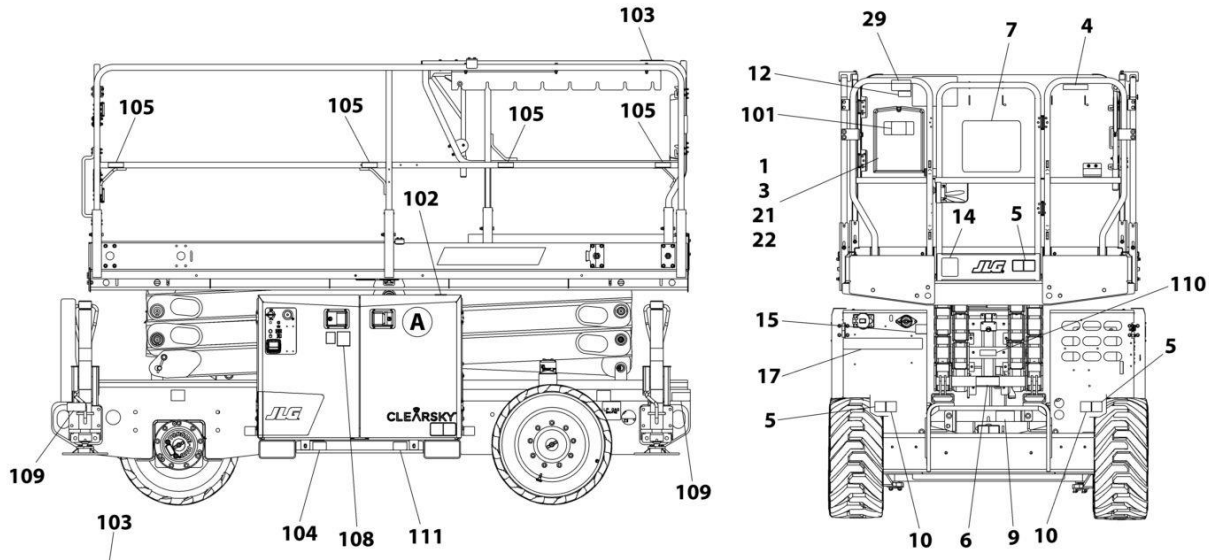
## SECTION 9 - DECALS

**FIGURE 9-7. DECAL INSTALLATION - KOREAN SPECS (ENGLISH/KOREAN LANGUAGES)**

ITEM	PART NUMBER	QTY	DESCRIPTION	REV
	1001256772	Ref	DECAL INSTALLATION	C
	1001256945	Ref	DECAL CHART DRAWING - ERT2669	G
	1001262071	Ref	DECAL CHART DRAWING - ERT3369	E
1	0760610	4	Bolt M6 x 20	
2	2080057	2	Fastener	
3	0860520	1	Box, Manual Storage	
4	1001162112	1	Decal - Control Box Location	
5	1001162114	5	Decal - Danger Electrical Hazard	
6	1001215751	4	Decal - Crushing	
7	1001162115	1	Decal - Danger Warning	
8	1001224048	1	Decal - Yearly Inspection	
9	1703822	1	Decal - Manual Descent Instruction	
15	1702155	1	Decal - Battery Disconnect	
16	1707022	1	Decal - Warning Battery Ventilation	
17	1001146794	1	Decal - Battery/Charger Service	
21	3290605	4	Nut M6	
22	4811700	8	Washer M6	
100	1001256763	1	Decal Master Kit (Not Shown)	
101	1701640	1	Decal - Manual	
102	1703687	2	Decal - Direction Arrow	
103	1703819	2	Decal - Direction Arrow	
104	1001265579	2	Decal - Fork Lift	
105	1704277	8	Decal - Lanyard Attach	
106	1704412	1	Decal - Hydraulic Oil Chart	
107	70046028	1	Decal - Hydraulic Oil Level	
108	1001094708	1	Decal - Hydraulic Oil	
109	1001162864	4	Decal - Lift Point/Tie Down	
110	1001256865	1	Decal - Arm Prop	
111	1001265580	2	Decal - Fork Lift	

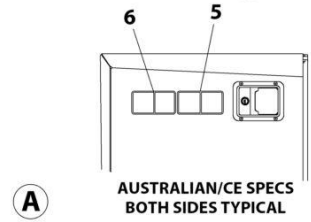
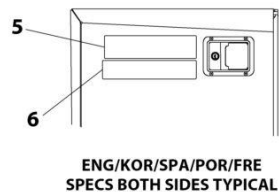
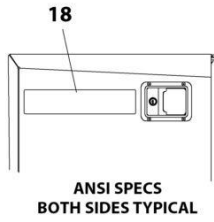
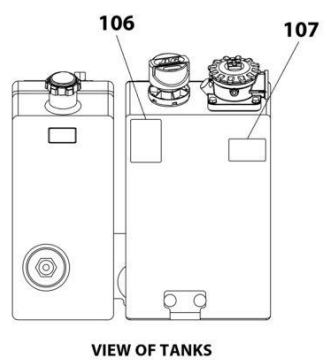
# SECTION 9 - DECALS

FIGURE 9-8. DECAL INSTALLATION - LATIN AMERICAN SPECS (ENGLISH/SPANISH LANGUAGES)

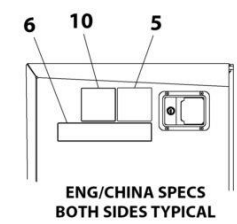


NOTE: ITEMS SHOWN MAY NOT BE REQUIRED FOR ALL SPECS. REFER TO PARTS LIST FOR USAGE.

NOTE: ADDITIONAL DECALS CALLED OUT ON DECAL INSTALLATION - OPTIONS.



(A)



ART\_1001256775

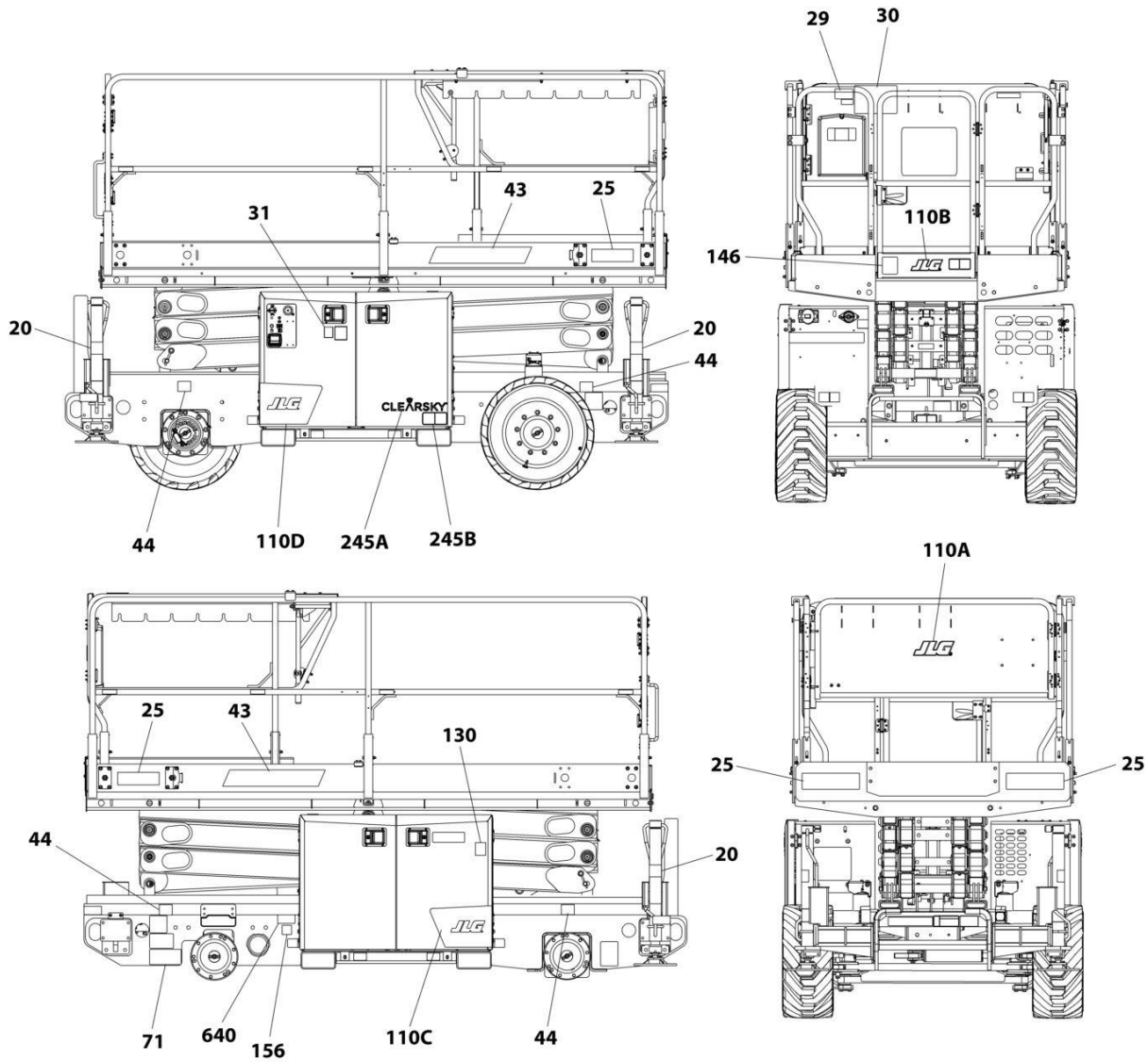
## SECTION 9 - DECALS

**FIGURE 9-8. DECAL INSTALLATION - LATIN AMERICAN SPECS (ENGLISH/SPANISH LANGUAGES)**

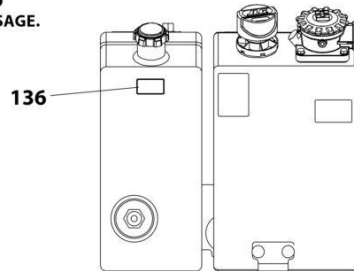
ITEM	PART NUMBER	QTY	DESCRIPTION	REV
	1001256775	Ref	DECAL INSTALLATION	C
	1001256945	Ref	DECAL CHART DRAWING - ERT2669	G
	1001262071	Ref	DECAL CHART DRAWING - ERT3369	E
1	0760610	4	Bolt M6 x 20	
2	2080057	2	Fastener	
3	0860520	1	Box, Manual Storage	
4	1704694	1	Decal - Control Box Location	
5	1705041	5	Decal - Danger Electrical Hazard	
6	1001215754	4	Decal - Crushing	
7	1704691	1	Decal - Danger/Warning	
8	1001224049	1	Decal - Yearly Inspection	
9	1703822	1	Decal - Manual Descent Instruction	
15	1702155	1	Decal - Battery Disconnect	
16	1704339	1	Decal - Warning Battery Ventilation	
17	1001146794	1	Decal - Battery/Charger Service	
21	3290605	4	Nut M6	
22	4811700	8	Washer M6	
100	1001256763	1	Decal Master Kit (Not Shown)	
101	1701640	1	Decal - Manual	
102	1703687	2	Decal - Direction Arrow	
103	1703819	2	Decal - Direction Arrow	
104	1001265579	2	Decal - Fork Lift	
105	1704277	8	Decal - Lanyard Attach	
106	1704412	1	Decal - Hydraulic Oil Chart	
107	70046028	1	Decal - Hydraulic Oil Level	
108	1001094708	1	Decal - Hydraulic Oil	
109	1001162864	4	Decal - Lift Point/Tie Down	
110	1001256865	1	Decal - Arm Prop	
111	1001265580	2	Decal - Fork Lift	

# SECTION 9 - DECALS

## FIGURE 9-9. DECAL INSTALLATION - OPTIONS



NOTE: ITEMS SHOWN MAY NOT BE REQUIRED FOR ALL SPECS. REFER TO PARTS LIST FOR USAGE.



VIEW OF TANKS

ART\_DECAL\_OPTIONS



## SECTION 9 - DECALS

**FIGURE 9-9. DECAL INSTALLATION - OPTIONS**

ITEM	PART NUMBER	QTY	DESCRIPTION	REV
		Ref	DECAL INSTALLATION - OPTIONS	
	1001256945	Ref	DECAL CHART DRAWING - ERT2669	G
	1001262071	Ref	DECAL CHART DRAWING - ERT3369	E
20		Ref	Decal - Leveling Jack Warning Options:	
20	1701214	4	Decal - Leveling Jack Warning (ANSI Specs)	
20	1701785	4	Decal - Leveling Jack Warning (Australian,CE & UK CA Specs)	
20	1704698	4	Decal - Leveling Jack Warning (Brazil Specs)	
20	1704690	4	Decal - Leveling Jack Warning (CSA Specs)	
20	1001215447	4	Decal - Leveling Jack Warning (Korean Specs)	
20	1704697	4	Decal - Leveling Jack Warning (Latin American Specs)	
25	1001254363	Ref	Corner Stripes Installation	C
25	4420051	4 ft /1.2m	Tape, Safety	
29	1001231801	1	Decal - Warning Prop 65	
30	1001256793	1	Decal - Capacity (ERT2669)	
30	1001256795	1	Decal - Capacity (ERT3369)	
31	1701505	1	Decal - Fuel (Diesel)	
43	1001256783	2	Decal - Model ERT2669	
43	1001256784	2	Decal - Model ERT3369	
44	1001256791	4	Decal - Max Tire Load	
71	See Note	NSS	Decal - Manufacturers Serial Number (Note: Not Available for Purchase)	
110	1001265593	Ref	JLG Decals Installation	A
110A	1001256675	1	Decal - JLG	
110B	1001256676	1	Decal - JLG	
110C	1001265583	1	Decal - JLG (LH Door)	
110D	1001265584	1	Decal - JLG (RH Door)	
130		Ref	Decal - Warning Explosion/Fire Options:	
130	1704972	1	Decal - Warning Explosion/Fire (ANSI Specs)	
130	1706098	1	Decal - Warning Explosion/Fire (Australian,CE & UK CA Specs)	
130	1706059	1	Decal - Warning Explosion/Fire (Brazil Specs)	
130	1706060	1	Decal - Warning Explosion/Fire (China Specs)	
130	1706064	1	Decal - Warning Explosion/Fire (CSA Specs)	
130	1706061	1	Decal - Warning Explosion/Fire (Korean Specs)	
130	1706063	1	Decal - Warning Explosion/Fire (Latin American Specs)	
136	1001125387	1	Decal - Ultra Low Sulfur Fuel (ANSI & CSA Specs)	
136	1001139654	1	Decal - Ultra Low Sulfur Fuel (CE & UK CA Specs)	
146	1705084	1	Decal - Sound Power Level	
156	1001214029	Ref	EAC Decal Installation (Russian/CIS Specs)	
156	1001173703	1	Decal - EAC (Russian/CIS Specs)	
245	1001236984	Ref	Clearsky Decals Installation	A
245A	1001116208	1	Decal - Clearsky	
245B	1001120989	1	Decal - Radio Frequency	
245	1001296482	Ref	ClearSky Decals Installation	B
245A	1001120989	1	Decal - Radio Frequency	
245B	1001294815	1	Decal - ClearSky	
640	1001143852	1	Decal - Emissions Compliance (Diesel Machines) (Not Shown - Located near SN Nameplate) (ANSI Export, Australian, CE, China & Korean Specs)	



**SECTION 10 - RECOMMENDED SERVICE PARTS STOCK**

**SECTION 10 - RECOMMENDED SERVICE PARTS STOCK**

## SECTION 10 - RECOMMENDED SERVICE PARTS STOCK

FIGURE 10-1. RECOMMENDED SERVICE PARTS STOCK

ITEM	PART NUMBER	QTY	DESCRIPTION	REV
		Ref	Note: The following list will service one machine (built to current production per date on the front cover) with emergency repair parts which can be installed in the field. Parts from the list should be replaced when inventory is depleted to keep service parts stock supplied. For further information, contact your JLG dealer or the JLG Industries Parts Department.	
	1001181045	1	Breaker, 16Amp Double (CE & UK CA Specs Machines with AC Box at Platform)	
	1001189172	1	Breaker, 16Amp Double (CE & UK CA Specs Machines with AC Box at Platform)	
	1001189171	1	Breaker, 30MaAmp (CE & UK CA Specs Machines with AC Box at Platform)	
	1001247682	1	Controller, Joystick (Platform Control Box)	
	1001244932	1	Display, Platform Box	
		Ref	Engine - Kubota	
	70000313	12	Filter, Air Cleaner	
	70000318	12	Filter, Fuel	
	70000319	12	Filter, Oil	
	70007035	12	Filter, Element (Hydraulic Tank)	
	1001248371	12	Filter, Filler/Breather (Hydraulic Tank)	
	1001186489	2	Fuse 2Amp (Traction Harness)	
	1001253891	2	Fuse 7.5Amp (Traction Harness)	
	1001170760	2	Fuse 10Amp (Traction Harness)	
	1001170761	2	Fuse 20Amp (Traction Harness)	
	1001170762	2	Fuse 30Amp (Mechron Genset & Traction Harness)	
	1001260530	2	Fuse 355Amp (Battery Installations)	
	2860030	1	Key, Replacement (Ground Control)	
	1600387	1	Module, Control (Arms Installations)	
	1001248066	1	Module, Drive	
	1001248064	1	Module, Drive/Pump (Drive Installation)	
	1001249777	1	Module, Ground Control	
	1001170367	1	Relay (225AH Battery Installation)	
	1001272006	1	Relay (310AH Battery Installation)	
	1001171295	1	Relay (Mechron Genset & Traction Harness)	
	1001145548	1	Sensor, Limit (Arms Installations)	
	1001246658	1	Sensor, Piston (Leveling Jacks)	
	1001227516	1	Sensor, Pressure Transducer (Leveling Jacks)	
	1001161117	1	Sensor, Rotary Angle (Electric Steering)	
	1001102771	1	Sensor, Temperature (Battery Installations)	
	1001244934	1	Sensor, Tilt (Axle Installation with Sensor & Ground Control)	
	4360475	1	Switch, Emergency Stop (Ground & Platform Control)	
	4360469	1	Switch, Key (Ground Control)	
	1001250684	1	Switch, Push Button (Platform Control Box)	
	4360387	1	Switch, Push Button (Ground Control)	
	1001226749	1	Switch, Push Button (Platform Control Box)	
	4360524	1	Switch, Toggle (Ground Control)	

**SECTION 11 - SPECIAL OPTIONS/ACCESSORIES/KITS**

**SECTION 11 - SPECIAL OPTIONS/ACCESSORIES/KITS**

# SECTION 11 - SPECIAL OPTIONS/ACCESSORIES/KITS

## FIGURE 11-1. SPECIAL OPTIONS/ACCESSORIES/KITS

ITEM	PART NUMBER	QTY	DESCRIPTION	REV
		Ref	Note: This list is to accommodate machines ordered with special equipment. Options may not be applicable to all models. For more specific parts information contact JLG Parts Department.	
		Ref	MISCELLANEOUS SPECIAL OPTIONS/ACCESSORIES/KITS	
	1001263596	Ref	CleanGuard Installation	
		Ref	ClearSky (Telematics) Installation (Factory Installed) Options:	
	1001251506	Ref	ClearSky (Telematics) Installation - 3 Wire (Factory Installed) (ANSI and CSA Specs)	
	1001251522	Ref	ClearSky (Telematics) Installation - 3 Wire (Factory Installed) (ANSI Export, Korean, CE & UK CA Specs)	
	1001249646	Ref	ClearSky (Telematics) Installation - Canbus (Factory Installed) (ANSI and CSA Specs)	
	1001249647	Ref	ClearSky (Telematics) Installation - Canbus (Factory Installed) (ANSI Export, Korean, CE & UK CA Specs)	
	1001249648	Ref	ClearSky (Telematics) Installation - Canbus (Factory Installed) (Australian Specs)	
	1001285717	Ref	ClearSky (Telematics) CS550 Installation	
	1001293716	Ref	ClearSky (Telematics) without Beacon Installation	
	1001274177	Ref	Decal Kit - ERT 2669	
	1001274178	Ref	Decal Kit - ERT 3369	
	1001285686	Ref	Dual Extension Handles Installation	
	1001274431	Ref	Dual Beacon Kit	
		Ref	Electrical Connector Kits	
	1001148902	Ref	Electrical Connector Kit - Amp/Tyco Electrical Connectors	
	1001148903	Ref	Electrical Connector Kit - Deutsch DT Electrical Connectors	
	1001148904	Ref	Electrical Connector Kit - Deutsch HD Electrical Connectors	
	1001148905	Ref	Electrical Connector Kit - Packard Electrical Connectors	
	1001148906	Ref	Electrical Connector Kit - Various Electrical Connectors	
	1001255164	Ref	Footswitch Installation (Korean Specs)	
	1001252988	Ref	Fire Extinguisher Kit	
	1120485	Ref	Fuel, Cap (Protectoseal)	
	1001292227	Ref	Ground Control Panel Kit	
	1001291288	Ref	Heavy Duty Pipe Rack	
	1001265874	Ref	Low Height Restrict Installation	
	1001254826	Ref	Kubota Engine (Mechron Genset) Installation	
	1001289663	Ref	Kubota Engine (Mechron Genset) Assembly	
	1001249310	Ref	Mobile Control Installation (Factory Installed)	
	1001281162	Ref	Mobile Control Kit	
	1001255080	Ref	Panel Carrier Installation	
	1001268569	Ref	Platform Worklights Installation ERT2669 (Factory Installed)	
	1001268571	Ref	Platform Worklights Installation ERT3369 (Factory Installed)	
	1001274345	Ref	Platform Work Lights Kit - ERT 2269	
	1001274347	Ref	Platform Work Lights Kit - ERT 3369	
	1001255478	Ref	Rail Padding Kit - Single	
	1001253150	Ref	Rail Mounted Pipe Rack Installation (Factory Installed)	
	1001274430	Ref	Single Beacon Kit	
	1001287887	Ref	Telematics Installation (Dealer Installed)	
	1001274432	Ref	White Noise Alarm Kit	
	1001281164	Ref	Workstation Kit	
	1001265875	Ref	SkySense Level 2 Installation	

## SECTION 11 - SPECIAL OPTIONS/ACCESSORIES/KITS

ITEM	PART NUMBER	QTY	DESCRIPTION	REV
	1001291912	1	SkySense Level 2 Electrical Box Assembly	A
	1001291911	1	SkySense Level 2 Module Box Assembly	
	1001266156	Ref	Service Kits & Tools	
		Ref	Tools for Service	
	7002821	Ref	Crimper, Wire	
	7002823	Ref	Pin Extractor - Universal (For Electrical Connectors with Pins and Sockets)	
	4460510	Ref	Pin Extractor - 12-14 Gauge (For Removal of Pin/Sockets from Deutsch Connectors)	
	4460467	Ref	Pin Extractor - 16-18 Gauge (For Removal of Pin/Sockets from Deutsch Connectors)	
	7016654	Ref	Screwdriver, Magnetic	
	7002822	Ref	Screwdriver, Potentiometer	
	7004275	Ref	Seal Tool 1in (For Cylinders)	
	7004276	Ref	Seal Tool 1-1/2in (For Cylinders)	
	7002828	Ref	Stripper, Wire	





# SECTION 11 - SPECIAL OPTIONS/ACCESSORIES/KITS

## PART NUMBER INDEX

## SECTION 11 - SPECIAL OPTIONS/ACCESSORIES/KITS

0100011.....13, 15, 17, 19, 31, 33, 41, 43, 47, 49, 51, 53, 67, 69, 91, 93, 102, 105, 107, 119, 121, 133, 144, 150, 153, 163, 165, 169, 173, 175	0711224..... 13, 15 0760306..... 161, 163 0760507..... 165, 169 0760508..... 19 0760606..... 267, 271 0760608... 75, 79, 83, 87, 123, 141, 147, 165, 169 0760610... 77, 81, 85, 89, 91, 93, 102, 105, 107, 119, 133, 137, 157, 159, 161, 163, 215, 217, 219, 221, 223, 297, 299, 301, 303, 305, 307, 309, 311 0760612..... 102 0760614..... 15, 91, 93 0760615..... 17 0760806..... 67, 69 0760807..... 13, 15 0760808... 123, 125, 159, 161 0760810... 102, 105, 107, 133 0760812... 31, 33, 41, 43, 67, 69, 141, 147, 159, 161, 163 0760815..... 115 0761008..... 159 0761010..... 67, 69 0761012..... 17, 102 0761015..... 37, 39 0761217..... 41, 43 0761616..... 13, 15 0761620..... 119 0770812.... 67, 102, 105, 107, 133 0771010..... 67, 69 0771012..... 123 0771014... 31, 33, 67, 69, 135 0771015..... 13, 15 0771618... 47, 49, 51, 53 0771619..... 19 0780608..... 131 0780810..... 131 0840060..... 31 0860520... 297, 299, 301, 303, 305, 307, 309, 311 0861731... 225, 277, 283, 285, 287 0861781..... 279, 281 0861880..... 229 0902659..... 135 0940049... 105, 107, 133 0961890..... 13, 15, 17 0961950..... 13, 15, 150 0962220...13, 15, 144, 150 100011..... 161 1001026127..... 131 1001091102.... 109, 111, 113 1001094708.... 297, 299, 301, 303, 305, 307, 309, 311 1001096070.... 215, 217, 223, 229 1001097150.... 229, 231	1001099560..... 144, 150 1001100341..... 279 1001100342..... 281 1001100345..... 283 1001100346..... 287 1001100347..... 285 1001100451..... 135 1001102771 .. 31, 33, 316 1001103761..... 41, 43 1001105091..... 33 1001106736..... 244, 249 1001108603..... 175 1001109892..... 19 1001110188..... 91, 93 1001112612..... 244, 248 1001113961..... 243, 247 1001116208..... 313 1001116694..... 255 1001116732.... 244, 248, 261 1001116733..... 244, 248 1001116734..... 261 1001116808..... 265 1001116812..... 290 1001116815..... 290 1001116816..... 249 1001117025..... 244, 248 1001117107..... 289 1001117110..... 261, 290 1001117115..... 289 1001118378..... 261 1001118511..... 13, 15 1001118518..... 13, 15 1001118519..... 13, 15 1001118878..... 153 1001119020..... 265 1001120264..... 47, 49 1001120328..... 290 1001120989..... 313 1001125387..... 313 1001125677.... 244, 249, 255, 290 1001125784.... 245, 249, 275 1001125785..... 245, 249 1001126008..... 290 1001126245..... 244, 248, 261, 289 1001126353..... 289 1001127389..... 196, 200 1001128128.... 244, 248, 261 1001130309... 47, 49, 55 1001131270..... 297, 307 1001132170..... 259 1001139141..... 17 1001139524..... 289 1001139654..... 313 1001143501..... 196, 200 1001143852..... 313 1001144295..... 244, 249 1001145548.... 141, 147, 316 1001146794.... 297, 299, 301, 305, 307, 309, 311 1001146795..... 303 1001148902..... 318	1001148903.....318 1001148904.....318 1001148905.....318 1001148906.....318 1001150735.....275 1001150889.....275 1001151395..... 17 1001152266....245, 249 1001152483.....231 1001152486....219, 221, 231 1001156351.....263 1001156541.....251, 253 1001157890.....289 1001157891.....243, 247 1001159186.....244, 248 1001161117.....17, 316 1001161497.....123, 125 1001162112.....309 1001162114.....309 1001162115.....309 1001162864....297, 299, 301, 303, 305, 307, 309, 311 1001166543.....289 1001169423.....17 1001170367.....316 1001170483.....31, 33 1001170760.....290, 316 1001170761.....290, 316 1001170762....261, 290, 316 1001170763.....261 1001170764....244, 248, 290 1001171295....261, 290, 316 1001171482.....95 1001173703.....313 1001174447.....19 1001174486.....131 1001176626.....175 1001181045.....229, 316 1001181961.....31 1001182550.....19, 23 1001182680.....95, 135 1001182960.....19 1001184682.....99 1001184852.....19 1001184854.....19 1001186231.....245, 249 1001186489.....290, 316 1001186860.....31, 33 1001189171.....231, 316 1001189172.....231, 316 1001189762.....141, 147 1001190577.....23 1001192401.....245, 249 1001193336.....131 1001194421.....261 1001195089.....17 1001195137.....165, 169 1001196634.....248, 290 1001197405.....150 1001201885.....275 1001207173.....289 1001207973.....79, 81
--	---	---	---

## SECTION 11 - SPECIAL OPTIONS/ACCESSORIES/KITS

1001207974..... 77, 89	1001245653..... 183	1001248043..... 102	1001250356..... 159, 161, 163
1001211777..... 297	1001245923..... 144, 150, 153	1001248064..... 19, 316	1001250520..... 17
1001211779..... 297, 305	1001246091..... 67	1001248066..... 19, 316	1001250627..... 159, 161
1001212268..... 213, 215, 217, 219, 221, 223, 225	1001246103..... 196	1001248162..... 102	1001250637..... 17
1001212359..... 31, 33	1001246107..... 17, 189	1001248176..... 175	1001250640..... 159
1001214029..... 313	1001246382..... 67	1001248196..... 13, 15	1001250678..... 97
1001214174..... 19, 29	1001246383..... 67, 69	1001248280..... 150, 253	1001250682..... 175
1001215447..... 313	1001246392..... 179	1001248371..... 115, 316	1001250684..... 135, 316
1001215747..... 305	1001246395..... 179	1001248671..... 183	1001250692..... 175
1001215751..... 309	1001246553..... 115	1001248820..... 141	1001250716..... 196
1001215752..... 305	1001246555... 67, 69, 115	1001248821..... 147	1001250773..... 196, 200
1001215754..... 311	1001246583..... 175	1001248834..... 13, 15	1001250829..... 165, 169
1001215755..... 307	1001246584..... 175	1001248840..... 165, 170	1001250830..... 165, 169
1001215898..... 245	1001246658..... 185, 316	1001248863... 41, 43, 255	1001250886..... 19, 290
1001216180..... 31	1001246823..... 175	1001248865..... 144, 150	1001250937..... 290
1001216650..... 301	1001246859..... 243, 247	1001248868..... 196, 200	1001250968..... 196, 200
1001217457..... 144, 150	1001246863..... 175	1001248871..... 196, 200	1001251328..... 157
1001218448..... 102	1001246864..... 175	1001248890..... 144, 150	1001251440..... 73
1001219722..... 19	1001246884..... 37	1001248895..... 144, 150, 257	1001251506..... 318
1001220271..... 19	1001246885..... 41	1001248933..... 159, 161, 163	1001251522..... 318
1001220668..... 267, 271	1001246886..... 33	1001248986..... 165, 170	1001251725..... 17
1001223055..... 297	1001246979..... 175	1001248990..... 159	1001251727..... 17
1001223453..... 297	1001247019..... 13, 15	1001248991..... 159	1001252988..... 318
1001223971..... 307	1001247313..... 175	1001249048..... 267, 269	1001253149..... 165, 169
1001224048..... 309	1001247352..... 37	1001249049..... 175, 275	1001253150..... 318
1001224049..... 311	1001247353..... 39	1001249091..... 141, 147, 293	1001253800..... 175
1001224051..... 305	1001247367..... 141, 144	1001249190..... 269, 273	1001253868..... 17
1001224052..... 301	1001247368..... 147, 150	1001249259..... 175	1001253891..... 290, 316
1001225131..... 31, 33	1001247375..... 144	1001249297..... 17	1001254035..... 289
1001226421..... 95	1001247376..... 150	1001249306..... 109	1001254119..... 175
1001226749..... 175, 316	1001247380..... 41, 43, 45	1001249307..... 111	1001254363..... 313
1001226830..... 141, 147, 259	1001247381..... 67, 69, 71	1001249309..... 99	1001254403..... 91, 243
1001227516... 41, 43, 316	1001247420..... 19	1001249310..... 318	1001254548..... 91, 93
1001228370..... 307	1001247425..... 39	1001249340..... 61	1001254613..... 213, 215, 217, 219, 221, 223, 225
1001228533..... 144, 150	1001247443..... 175	1001249341..... 59	1001254820..... 267
1001231398..... 289	1001247482..... 144, 151	1001249342..... 59	1001254822..... 31
1001231399..... 289	1001247490..... 144, 151	1001249343..... 61	1001254826..... 318
1001231400..... 289	1001247497..... 144, 151	1001249344..... 61	1001254827..... 102
1001231403..... 289	1001247500..... 144	1001249352..... 59, 61, 63	1001254835..... 31, 33
1001231404..... 289	1001247503..... 145	1001249353..... 59	1001254880..... 79, 81
1001231406..... 289	1001247506..... 145	1001249354..... 61	1001254881..... 87, 89
1001231408..... 313	1001247520..... 145, 151	1001249407..... 41, 43	1001254882..... 83, 85
1001231801..... 313	1001247521..... 141, 147	1001249610..... 196	1001254883..... 75, 77
1001234348..... 102, 105, 107, 133	1001247522..... 144, 150	1001249637..... 144, 150	1001255001..... 213
1001236984..... 313	1001247523..... 144, 150	1001249646..... 318	1001255002..... 225
1001239224..... 109, 111	1001247524..... 144, 150	1001249647..... 318	1001255003..... 227
1001242539..... 109, 111	1001247608..... 31, 33	1001249648..... 318	1001255004..... 219
1001243256... 41, 43, 185	1001247630..... 67, 69	1001249777... 91, 93, 316	1001255005..... 221
1001244210..... 153, 187	1001247637..... 102	1001249882..... 165, 170	1001255006..... 215
1001244381..... 157	1001247638..... 102	1001249883..... 165, 170	1001255007..... 217
1001244382..... 159	1001247639..... 102	1001249884..... 166, 170	1001255008..... 223
1001244391..... 15	1001247667..... 141, 147	1001249914..... 41	1001255057..... 19, 289
1001244775..... 59	1001247668..... 144, 150	1001249915..... 41	1001255058..... 19
1001244865..... 49, 53	1001247669..... 141, 144, 147, 150	1001250307..... 193	1001255059..... 19
1001244888..... 165	1001247670..... 144, 150	1001250308..... 193	1001255060..... 19
1001244904..... 153	1001247671..... 141, 147	1001250309..... 193	1001255061..... 19
1001244932..... 175, 316	1001247672..... 145, 151	1001250310..... 193	1001255062..... 19
1001244934... 15, 91, 93, 144, 150, 316	1001247682..... 175, 177, 316	1001250311..... 193	1001255063..... 20
1001245046... 13, 15, 183	1001247816..... 151	1001250312..... 193	1001255064..... 17
1001245250..... 157	1001247817..... 151	1001250342... 41, 43, 193	1001255067..... 135, 261
1001245381..... 35	1001247819..... 151	1001250353..... 41, 43	1001255080..... 318
1001245440..... 35	1001247820..... 151	1001250355..... 159, 161, 163	1001255082..... 179
1001245459..... 17	1001247835..... 150		1001255164..... 318
1001245479..... 159	1001248039..... 91, 93		1001255422..... 131
			1001255461..... 175

## SECTION 11 - SPECIAL OPTIONS/ACCESSORIES/KITS

1001255478.....318	1001259033..... 105, 107, 133	1001265580 ..... 297, 299, 301, 303, 305, 307, 309, 311	1001288385.....123
1001255526.....17	1001259034..... 135	1001265583 ..... 313	1001288387..... 123, 125
1001255610.....20	1001259035 ..... 137	1001265584 ..... 313	1001288405..... 123
1001255640.....31, 33	1001259201 ..... 131	1001265593 ..... 313	1001288419..... 123, 125
1001255641.....33	1001259202 ..... 63	1001265677 ... 73, 75, 77, 79, 81, 83, 85, 87, 89	1001288420..... 123, 125
1001255642.....33	1001259240 ..... 131	1001265678 ..... 83, 85	1001288421..... 123, 125
1001255643.....33	1001259284 ..... 49, 53	1001265684 ..... 159, 161, 163	1001288642..... 123
1001255644.....33	1001259386 ..... 63	1001265744 ..... 153	1001288644..... 123
1001255645.....31, 33	1001259429 ..... 49	1001265761 ..... 153	1001288851..... 123, 125
1001255815.....102	1001259462 ..... 31	1001265821 ..... 159, 161, 163	1001289663.....318
1001256014.....31, 33	1001259463 ..... 31	1001265846 ..... 165, 169	1001290307..... 123
1001256016.....31	1001259464 ..... 31	1001265848 ..... 144, 150	1001290309..... 119
1001256021.....33	1001259465 ..... 31	1001265874 ..... 318	1001290310..... 105, 133
1001256109.....289	1001260251 ..... 196, 200	1001265875 ..... 318	1001290338..... 119
1001256116.....289	1001260252 ..... 193	1001265916 ..... 173	1001290343..... 105, 133
1001256186.....20	1001260254 ..... 196	1001266001 ... 75, 79, 83, 87	1001290345..... 137
1001256187.....20	1001260334 ..... 102	1001266156 ..... 319	1001290347..... 137
1001256372.....102	1001260485 ..... 13	1001266233 .. 47, 49, 263	1001290351..... 105, 133
1001256373.....102	1001260530 .. 31, 33, 316	1001267649 ..... 113	1001291006..... 123
1001256453.....31, 33	1001260677 ..... 121	1001268569 ..... 318	1001291027..... 105, 123, 133
1001256675.....313	1001260678 ..... 135	1001268571 ..... 318	1001291288..... 318
1001256676.....313	1001260781 ..... 20	1001269132 ..... 179	1001291911..... 319
1001256763.....297, 299, 301, 303, 305, 307, 309, 311	1001260903 ..... 135	1001270098 ..... 141, 144, 147, 150	1001291912..... 319
1001256771 .....297	1001260904 ..... 135	1001270272 ..... 290	1001292227..... 318
1001256772 .....309	1001260952 ..... 135	1001271360 ..... 43	1001292989..... 161, 163
1001256773.....305	1001260953 ..... 135	1001271799 ..... 249	1001292991..... 161
1001256774.....301	1001261118 ..... 215, 217, 219, 221, 223	1001272006 .. 31, 33, 316	1001292993..... 161
1001256775.....311	1001261123 ..... 159, 161, 163	1001272777 ... 15, 91, 93	1001293198..... 169
1001256776.....307	1001262071 ..... 297, 299, 301, 303, 305, 307, 309, 311, 313	1001273525 ..... 67, 69	1001293199..... 169
1001256777 .....303	1001262074 ..... 131	1001273640 ..... 196	1001293200..... 169
1001256778.....299	1001262098 ..... 175	1001274177 ..... 318	1001293326..... 125
1001256783.....313	1001262399 ..... 165, 169	1001274178 ..... 318	1001293537..... 169
1001256784.....313	1001262400 ..... 165, 169	1001274345 ..... 318	1001293585..... 107
1001256791.....313	1001262454 ..... 165, 169	1001274347 ..... 318	1001293586..... 107
1001256793.....313	1001262495 ..... 165, 169	1001274430 ..... 318	1001293686..... 125
1001256795.....313	1001262639 ..... 159, 161, 163	1001274431 ..... 318	1001293687..... 125
1001256865.....297, 299, 301, 303, 305, 307, 309, 311	1001262640 ..... 159, 161, 163	1001274432 ..... 318	1001293716..... 318
1001256875.....196, 200	1001263269 ..... 165, 169	1001274495 ..... 43	1001293904..... 200
1001256945.....297, 299, 301, 303, 305, 307, 309, 311, 313	1001263345 ..... 109, 113	1001274559 ..... 95, 175	1001293905..... 200
1001257078.....175	1001263596 ..... 318	1001277750 ..... 137	1001293906..... 200
1001257079.....175	1001263628 ..... 165, 169	1001278112 ..... 121, 123, 125	1001293907..... 200
1001257454.....102, 105, 107, 133	1001263629 ..... 165, 169	1001280706 ..... 127	1001293914..... 107
1001257587 .....141, 147	1001263657 ..... 131	1001281162 ..... 318	1001293918..... 107
1001257688.....102	1001263658 ..... 131	1001281164 ..... 318	1001294421..... 165, 169
1001257689.....102	1001263662 ..... 141, 147	1001282345 ..... 93, 247	1001294774..... 107
1001257884.....95	1001263824 ... 73, 75, 87	1001283427 ..... 35	1001294785..... 125
1001257885.....91, 93, 95	1001263930 ..... 102	1001284972 ..... 147	1001294815..... 313
1001258188.....35	1001264939 ..... 141, 147, 265	1001285003 ..... 69	1001296482..... 313
1001258223.....271, 273	1001265082 ..... 47, 51	1001285686 ..... 318	1001298937..... 163
1001258287 .....63	1001265192 ..... 47	1001285717 ..... 318	1001298938..... 163
1001258812.....145	1001265193 ..... 51	1001287360 ..... 67	1060379..... 179
1001258813.....151	1001265194 ..... 53	1001287887 ..... 318	1060908..... 229, 231
1001258837.....131	1001265225 ..... 263	1001288354 ..... 127	1061020..... 141, 147
1001258870.....105, 133	1001265226 ..... 263	1001288358 ..... 127, 129	1120485..... 318
1001258920.....95	1001265532 ..... 173	1001288363 ..... 127	1120555..... 179
1001258923.....271	1001265579 ..... 297, 299, 301, 303, 305, 307, 309, 311	1001288364 ..... 127	1320043..... 17
1001258936.....165, 169			1320135..... 137
1001259030.....121			1320265..... 131
1001259031.....131			1320274..... 137
1001259032.....119			1321293... 75, 77, 79, 81, 83, 85, 87, 89

## SECTION 11 - SPECIAL OPTIONS/ACCESSORIES/KITS

1701505 .....	313	2220504 .....	193	3291005.....	17, 37, 39, 41, 43, 135	4031707 .....	17, 19, 153
1701640 ...	297, 299, 301, 303, 305, 307, 309, 311	2220582 .....	196, 200	3291006....	159, 161, 163, 165, 169	4031920 .....	41, 43
1701785 .....	313	2220794 .....	131	3291007....	141, 144, 147, 150, 159, 161, 163	4060802 .....	95
1702155 ...	297, 299, 301, 303, 305, 307, 309, 311	2220805 .....	123, 125	3291601.....	41, 43	4160214 .....	175
1703464 .....	213	2220852 .....	196, 200	3292002....	159, 161, 163	4240003 .....	179
1703687 ...	297, 299, 301, 303, 305, 307, 309, 311	2220883 ....	183, 196, 200	3300048....	213, 215, 217, 219, 221, 223, 225, 227	4240017 .	17, 41, 43, 213, 215, 217, 219, 221, 223, 225, 227
1703813 .....	297	2220885 .....	183	3300106.....	59, 61, 63	4240018 ...	135, 141, 144, 147, 150, 267, 271
1703816 .....	297	2220886 ....	183, 196, 200	3310801.....	125	4240084 .....	19
1703818 .....	297	2220891 .....	196, 200	3311005....	73, 75, 79, 83, 87	4340853 .....	179
1703819 ...	175, 297, 299, 301, 303, 305, 307, 309, 311	2220940 .....	196, 200	3311405.....	123, 125	4340854 .....	179
1703821 .....	297	2221040 .....	196, 200	3311501....	102, 105, 107, 133	4360387 .....	95, 135, 316
1703822 ...	297, 299, 301, 303, 305, 307, 309, 311	2221047 .....	131	3311502....	102, 105, 107, 133	4360469 .....	95, 316
1704277 ...	297, 299, 301, 303, 305, 307, 309, 311	2221069 .....	196, 200	3311505.....	47, 49	4360475 .....	95, 175, 316
1704339 .....	311	2221086 .....	196, 200	3311605.....	123, 125	4360524 .....	95, 316
1704340 .....	307	2400066 .....	243, 247	3321402.....	144, 150	4420051 .....	41, 43, 313
1704341 .....	301	2540045 ...	47, 49, 77, 81, 85, 89, 131, 157	3331211.....	41, 43, 121	4420062 ....	159, 161, 163
1704344 .....	305	2560088 .....	165, 169	3331611....	19, 47, 49, 51, 53, 119	4420070 .....	37, 39
1704412 ...	297, 299, 301, 303, 305, 307, 309, 311	2560176 .....	165, 169	3422219.....	179	4460019 .....	290
1704684 .....	307	2600216 ...	102, 105, 107, 133	3422592.....	13, 15	4460071 ...	213, 215, 217, 219, 221, 223, 225, 227
1704687 .....	307	2600253 .....	165, 169	3422744.....	165, 169	4460138 .....	213
1704690 .....	313	2600285 .....	165, 169	3422938.....	141, 147	4460144 .....	244, 248
1704691 .....	311	2700100 .....	179	3422943.....	141, 147	4460183 ....	244, 248, 275
1704694 .....	311	2720058 ....	123, 125, 131	3423151.....	144, 150	4460225 .....	261
1704697 .....	313	2720271 ....	123, 125, 131	3430636.....	161, 163	4460227 .....	243, 247
1704698 .....	313	2780282 .....	19, 25	3431622.....	17	4460259 .....	244, 248
1704699 .....	301	2860030 .....	95, 316	3450303.....	175	4460260 ....	244, 248, 249
1704702 .....	301	2902431 .....	213, 277	3450304.....	144, 150	4460265 .....	275
1704972 .....	313	2940074 .....	165, 169	3450405.....	144, 150	4460267 .....	275
1705040 .....	307	2940127 .....	165, 169	3450608.....	17	4460294 .....	259
1705041 .....	311	3020022 .....	141, 147	3460334.....	179	4460315 ...	213, 215, 217, 219, 221, 223, 225
1705043 .....	301	3020029 .....	147	3520026.....	95	4460346 .....	277
1705084 .....	313	3020037 .....	69	3520072.....	165, 169	4460374 .....	261
1705194 .....	305	3200425 .....	121	3537609.....	165, 169	4460418 .....	244, 248
1705195 .....	305	3252507 ...	217, 219, 221, 223, 225, 227	3760170.....	179	4460464 .	31, 33, 99, 243, 244, 247, 248, 251, 253, 255, 261, 265, 269, 273, 275, 289, 290, 293
1705325 .....	215	3271501 .....	123, 125	3760493.....	150	4460465 ...	109, 111, 243, 244, 247, 248, 249, 251, 253, 255, 257, 259, 261, 265, 269, 273, 289, 290
1705670 .....	299, 303	3290301 .....	161, 163	3760509.....	144, 150	4460466 ...	243, 244, 247, 248, 249, 255, 259, 261, 265, 269, 273, 275, 289, 290
1705671 .....	299, 303	3290305 ....	109, 111, 113	3841143.....	17	4460467 .....	319
1705673 .....	299, 303	3290405 ...	141, 147, 175, 213, 215, 217, 219, 221, 223, 225	3841258.....	13, 15	4460497 .....	275
1705695 .....	297, 305	3290505 .....	19, 102, 105, 107, 133	3900355.....	179	4460510 .....	319
1705944 .....	305	3290506 .....	165, 169	3900394....	159, 161, 163	4460516 .....	23
1705997 .....	179	3290605 ...	17, 19, 73, 75, 77, 79, 81, 83, 85, 87, 89, 91, 93, 97, 99, 102, 105, 107, 123, 133, 157, 159, 161, 163, 215, 217, 219, 221, 223, 297, 299, 301, 303, 305, 307, 309, 311	3911012....	75, 79, 83, 87	4460518 .....	259, 265
1706059 .....	313	3290606 ...	144, 150, 165, 169, 213, 215, 217, 219, 221, 223, 225, 267, 271	3911014.....	73	4460536 .....	243, 247
1706060 .....	313	3290801 ...	31, 33, 67, 69, 102, 131	3931412.....	179	4460539 ...	244, 248, 255, 289, 290
1706061 .....	313	3290805 .	19, 31, 33, 141, 147, 159, 161, 163	3931508.....	179	4460662 ...	219, 221, 223, 277
1706063 .....	313	3290806 ...	159, 161, 165, 169	3960389....	105, 107, 123, 125, 133	4460705 .....	261
1706064 .....	313			3960418.....	123, 125	4460752 .....	265
1706098 .....	313			3980035.....	135	4460754 ...	243, 247, 251, 253, 269, 273
1706679 .....	95			4010308....	109, 111, 113	4460761 ....	243, 247, 259
1707022 .....	309			4010403.....	91, 93		
2080057 ...	297, 299, 301, 303, 305, 307, 309, 311			4010405002.....	175		
2180348 .....	131			4010408....	213, 215, 217, 219, 221, 223, 225		
2220371 .....	196, 200			4010414.....	175		
2220372 .....	141, 147			4010615.....	15, 91, 93		
2220415 .....	196, 200			4010618.....	165, 169		
2220466 .....	193			4031510.....	175		
2220472 .....	193			4031511.....	141, 147		
2220473 .....	153, 193			4031608.....	19, 31, 33		
2220490 .....	193						

## SECTION 11 - SPECIAL OPTIONS/ACCESSORIES/KITS

4460802.....73	4461245 ..... 285	5250608 ..... 121, 123	70003577.....55
4460803.....73	4461246 ..... 287	5250810 ..... 121	70003578.....55
4460805.....75, 77	4461249 ..... 241, 287	5250812 ..... 35	70003579.....55
4460806.....244, 248	4640858 ..... 183	5260600 .... 121, 131, 135	70003580.....55
4460836.....243, 247, 259	4641122 ..... 59, 61, 63	5260800 ..... 121	70003581.....55
4460871....243, 244, 247, 248, 275, 289, 290	4711000..... 31, 33	70000082 ..... 177	70003582.....55
4460872.....244, 248, 290	4711400... 123, 125, 131, 144, 150, 179	70000084 ..... 177	70003583.....55
4460873....243, 247, 275, 289	4711500... 102, 105, 107, 123, 125, 133	70000313 ..... 316	70003584.....55
4460874.....244, 248	4711600 ..... 125	70000318 ..... 316	70003585.....55
4460875.....243, 247	4711800 ..... 19	70000319 ..... 316	70003586.....55
4460876.....244, 248	4712600 ..... 17	70000321 ..... 127	70003587.....55
4460878.....243, 247	4740229 ..... 13, 15	70000322 ..... 127	70003588.....55
4460884....243, 244, 247, 248, 249, 265, 293	4740274 ..... 121	70000323 ..... 127	70003589.....55
4460887.....243, 247	4740480 ... 144, 150, 179	70000328 ..... 127	70003590.....55
4460891.... 109, 111, 243, 247, 249, 255, 257, 273, 290	4740531 ..... 144, 150	70000683 ..... 177	70003591.....55
4460892.....255, 290	4751400 ..... 123, 125	70000684 ..... 177	70003592.....55
4460893.....244, 249	4751500.47, 49, 144, 150	70000685 ..... 177	70003593.....55
4460894....244, 248, 255, 289	4751600... 123, 125, 161, 163	70000686 ..... 177	70003594.....55
4460897..31, 33, 99, 243, 247, 261, 290	4761500 ..... 123, 125	70001250 ..... 177	70003595.....56
4460905....243, 244, 247, 248, 275, 289, 290	4811400 ... 141, 147, 175, 213, 215, 217, 219, 221, 223, 225	70001251 ..... 177	70003596.....56
4460911.....255, 275	4811600 ... 19, 73, 75, 79, 83, 87, 102, 105, 107, 133, 165, 169	70001252 ..... 177	70003597.....56
4460917.....259	4811602 ..... 165, 169	70001253 ..... 177	70003598.....56
4460918.....265, 275	4811700... 15, 73, 75, 77, 79, 81, 83, 85, 87, 89, 91, 93, 97, 99, 123, 141, 144, 147, 150, 157, 159, 161, 163, 165, 169, 175, 213, 215, 217, 219, 221, 223, 225, 297, 299, 301, 303, 305, 307, 309, 311	70001365 ..... 13, 15	70003599.....56
4460928....244, 248, 261, 265	4811702... 19, 75, 77, 79, 81, 83, 85, 87, 89, 91, 93, 102, 105, 107, 119, 133, 137, 215, 217, 219, 221, 223	70001366 ..... 25	70003600.....56
4460929.....259	4811900... 13, 15, 31, 33, 41, 67, 69, 102, 115, 123, 125, 159, 161, 163, 165, 169	70001367 ..... 25	70003601.....56
4460930....244, 248, 249, 289	4811902 ... 19, 31, 43, 67, 69, 102, 105, 107, 131, 133, 137, 141, 147, 165, 169	70001368 ..... 26	70003602.....56
4460931.....289	4812002 ... 31, 33, 37, 39, 67, 69, 102	70001369 ..... 25	70003603.....56
4460932.....293	4812100 ..... 41, 43	70001370 ..... 25	70003604.....56
4460933....243, 244, 247, 248, 249, 255, 259, 265, 289	4831900 ..... 31, 33	70001371 ..... 25	70003605.....56
4460942....244, 248, 289	4846181 ..... 165, 169	70001372 ..... 25	70003618.....127
4460943....243, 244, 247, 248, 265, 269, 273, 275	4872000 ..... 19	70001373 ..... 25	70003619.....127
4460944....243, 244, 247, 248, 259, 269, 273, 289, 290, 293	4891600 ..... 19	70001374 ..... 25	70003789.....71
4460945.....290	4892000 ..... 19	70001375 ..... 25	70004809.....23
4460950.....255	5241000.13, 15, 123, 125	70001376 ..... 25	70004811.....23
4460956.....229	5241200 ..... 13, 15, 121	70001377 ..... 25	70004820.....23
4460957.....229	5241600 ... 19, 41, 43, 47, 49, 51, 53, 119	70001378 ..... 25	70005385.....23
4460968.....215, 217		70001379 ..... 25	70005386.....23
4460970....243, 247, 255, 269, 273		70001380 ..... 26	70005387.....23
4460984.....245, 249		70001965 ..... 41, 43	70005388.....23
4461008.....289		70002386 ..... 71, 153	70005389.....23
4461016.....275		70002770 ..... 55	70005390.....23
4461054.....289		70002771 ..... 55	70005391.....23
4461070.....290		70002774 ..... 55	70005392.....23
4461095.....289		70002776 ..... 55	70005393.....23
4461196.....233, 279		70002777 ..... 55	70005394.....23
4461198.....279		70002783 ..... 55	70005395.....23
4461199.....235, 281		7000281 ..... 25	70005396.....23
4461201.....281		70003507 ..... 55	70005397.....23
4461205....237, 239, 283, 285		70003558 ..... 55	70005398.....23
4461244.....283		70003559 ..... 55	70005399.....23
		70003560 ..... 55	70005400.....23
		70003561 ..... 55	70005401.....23
		70003562 ..... 55	70005402.....23
		70003563 ..... 55	70005403.....23
		70003564 ..... 55	70005404.....23
		70003565 ..... 55	70005405.....23
		70003566 ..... 55	70005406.....23
		70003567 ..... 55	70005407.....23
		70003568 ..... 55	70005408.....23
		70003569 ..... 55	70005409.....23
		70003570 ..... 55	70005410.....23
		70003571 ..... 55	70005411.....23
		70003572 ..... 55	70005412.....23
		70003573 ..... 55	70005415.....19
		70003574 ..... 55	70006786.....71
		70003575 ..... 55	70007035..... 115, 316
		70003576 ..... 55	70007448.....153

## SECTION 11 - SPECIAL OPTIONS/ACCESSORIES/KITS

70007506 ..... 177	70007764 ..... 71	7012925.....71	7024506 ..... 41, 43
70007607 ..... 189	70007768 ..... 71	7016654.....319	7024738 ..... 25
70007608 ..... 189	70007769 ..... 71	7017007.....26	7024741 ..... 25
70007609 ..... 189	70007771 ..... 71	7017009.....25	7027365 ..... 177
70007610 ..... 189	70007772 ..... 71	7017022.....25	7027367 ..... 177
70007678 ..... 183	70007773 ..... 71	7017402.....71	7027388 ..... 55
70007679 ..... 183	70007774 ..... 71	7020033.....29	7027391 ..... 55
70007709 ..... 185	7001626 ..... 189	7020035.....29	7027395 ..... 55
70007710 ..... 185	7001630 ..... 189	7020036.....29	7027398 ..... 55
70007711 ..... 185	7002821 ..... 319	7020037.....29	7027628 ..... 13, 15
70007712 ..... 185	7002822 ..... 319	7020038.....29	7027765 ..... 177
70007713 ..... 187	7002823 ..... 319	7020039.....29	7027766 ..... 177
70007714 ..... 187	7002828 ..... 319	7020040.....29	80630 ..... 123, 125, 131
70007715 ..... 187	7004275 ..... 319	7020041.....29	8220051 ..... 275
70007716 ..... 187	7004276 ..... 319	7020175.....95, 175	8229242 ..... 248
70007760 ..... 45	70046028 . 297, 299, 301,	7020176.....95, 175	8229244 ..... 247
70007761 ..... 45	303, 305, 307, 309, 311	7024497.....41, 43	83451104 ..... 196, 200
70007762 ..... 45	7007640 ..... 25	7024502..... 13, 15, 41, 43	



**Corporate Office  
JLG Industries, Inc.  
1 JLG Drive  
McConnellsburg, PA 17233-9533 USA  
☎ (717) 485-5161 (Corporate)  
☎ (877) 554-5438 (Customer Support)  
📠 (717) 485-6417**

**Visit our website for JLG Worldwide Locations.  
[www.jlg.com](http://www.jlg.com)**



**OSHKOSH™**